

# PREVOST

## Instruction Sheet

## IS-13900

### 560803 Timer Relay Replacement

#### MATERIAL

Kit #068970 includes the following parts:

Part No.	Description	Qty
560772	Timer Relay	1
065755	Resistor, 330K / 2W	1
561707	Relay, 24V/10 amp.	1
561183	Base, Bosch Relay	1
561108	Terminal, female, flat blade type	4
FI-13900	Instruction Sheet (FR)	1
IS-13900	Instruction Sheet (EN)	1

#### *NOTE*

Material can be obtained through regular channels.

#### PROCEDURE



#### **DANGER**

Park vehicle safely, apply parking brake, stop engine and set battery master switch(es) to the OFF position prior to working on the vehicle.

1. The diagram on Fig.2 illustrates how to replace the now discontinued timer relay part # 560803 with # 560772 timer relay and associated parts.

NOTE: Cutting of the original wires of the vehicle is required to perform this modification; about 30cm (1 ft.) of 16 gauge wire, not included in the #068970 kit (see part list), will also be required.

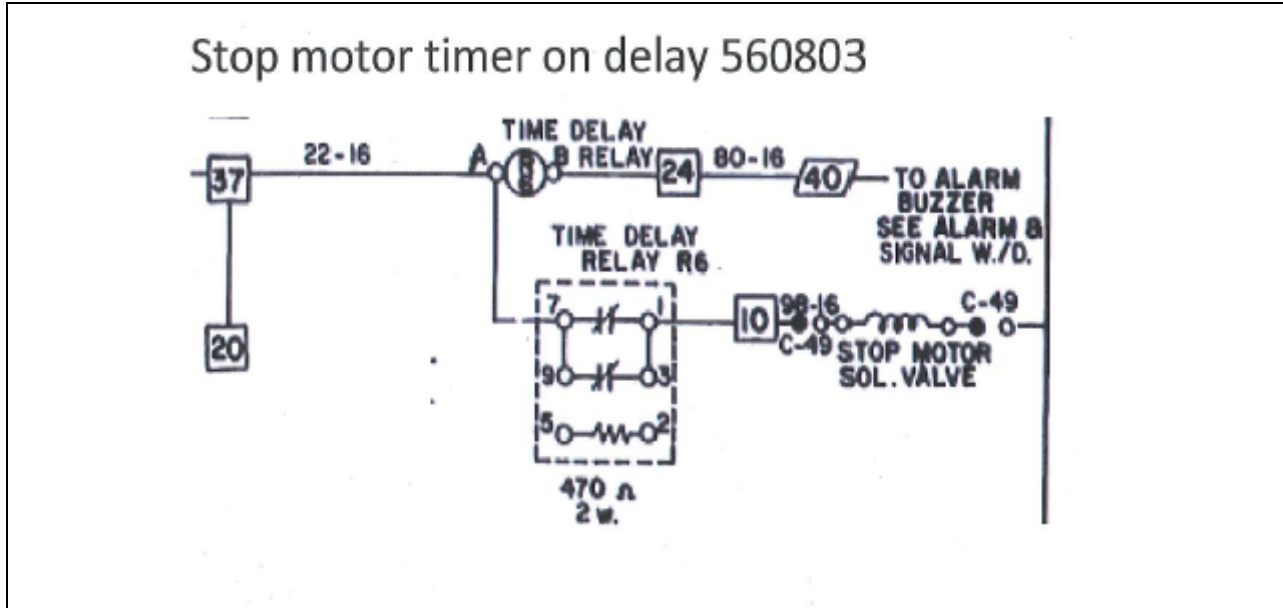


Fig. 1 Original #560803 timer relay electrical diagram provided for reference purpose.

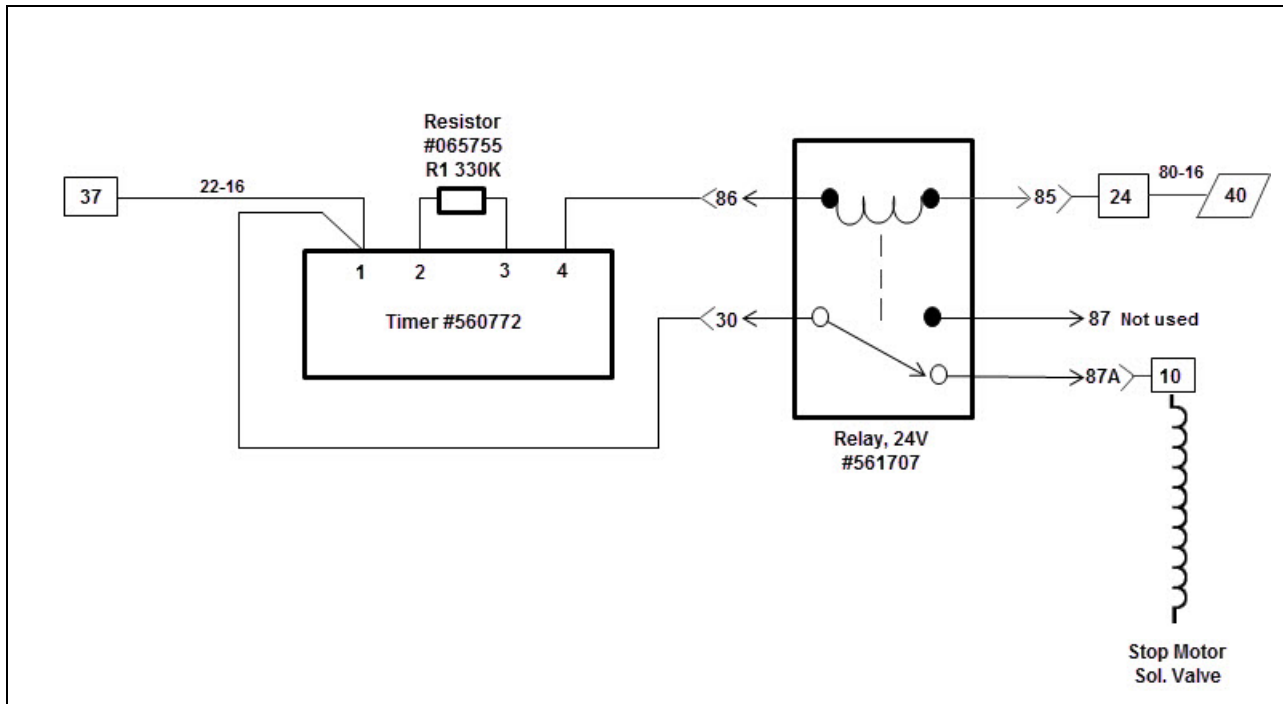


Fig. 2 Replacement timer relay #560772 and wiring diagram.