


Revision B: Parking brake pressurization steps removed from the procedure

Spring Brake Cylinder, Drive Wheel: Replacement 9700 (B13R)

MODEL YEAR(S) AND VEHICLE SERIAL NUMBERS (VIN) INVOLVED

NOTICE TO SERVICE CENTERS Verify vehicle eligibility by checking warranty bulletin status with SAP or via ONLINE WARRANTY SYSTEM available on Service / Warranty tab of PrevoSt website.																																																							
Model	VIN																																																						
																																																							
Volvo 9700 us/can Model Year : 2015	The following vehicles: <table border="0" style="width: 100%;"> <tr> <td style="width: 50%;">3CET2V227F5170550</td> <td style="width: 50%;">3CET2V220F5171281</td> </tr> <tr> <td>3CET2V226F5171284</td> <td>3CET2V222F5171282</td> </tr> <tr> <td>3CET2V229F5171277</td> <td>3CET2V224F5171283</td> </tr> <tr> <td>3CET2V221F5171371</td> <td>3CET2V220F5171278</td> </tr> <tr> <td>3CET2V229F5171375</td> <td>3CET2V222F5171279</td> </tr> <tr> <td>3CET2V220F5171376</td> <td>3CET2V229F5171280</td> </tr> <tr> <td>3CET2V221F5171421</td> <td>3CET2V223F5171372</td> </tr> <tr> <td>3CET2V225F5171423</td> <td>3CET2V225F5171373</td> </tr> <tr> <td>3CET2V222F5171427</td> <td>3CET2V227F5171374</td> </tr> <tr> <td>3CET2V224F5171428</td> <td>3CET2V223F5171422</td> </tr> <tr> <td>3CET2V226F5171429</td> <td>3CET2V229F5171425</td> </tr> <tr> <td>3CET2V222F5171430</td> <td>3CET2V220F5171426</td> </tr> <tr> <td>3CET2V226F5171432</td> <td>3CET2V222F5171377</td> </tr> <tr> <td>3CET2V228F5171433</td> <td>3CET2V224F5171378</td> </tr> <tr> <td>3CET2V224F5169811</td> <td>3CET2V227F5171424</td> </tr> <tr> <td>3CET2V225F5170076</td> <td>3CET2V224F5171431</td> </tr> <tr> <td>3CET2V229F5170551</td> <td>3CET2V22XF5171434</td> </tr> <tr> <td>3CET2V220F5170552</td> <td>3CET2V227F5171620</td> </tr> <tr> <td>3CET2V222F5170553</td> <td>3CET2V229F5171621</td> </tr> <tr> <td>3CET2V224F5170554</td> <td>3CET2V220F5171622</td> </tr> <tr> <td>3CET2V226F5170555</td> <td>3CET2V224F5171879</td> </tr> <tr> <td>3CET2V220F5171877</td> <td>3CET2V225F5171700</td> </tr> <tr> <td>3CET2V220F5171880</td> <td>3CET2V22XF5171790</td> </tr> <tr> <td>3CET2V222F5171699</td> <td>3CET2V225F5171695</td> </tr> <tr> <td>3CET2V222F5171878</td> <td>3CET2V227F5171696</td> </tr> <tr> <td>3CET2V220F5171698</td> <td>3CET2V229F5171697</td> </tr> <tr> <td>3CET2V222F5171623</td> <td></td> </tr> </table>	3CET2V227F5170550	3CET2V220F5171281	3CET2V226F5171284	3CET2V222F5171282	3CET2V229F5171277	3CET2V224F5171283	3CET2V221F5171371	3CET2V220F5171278	3CET2V229F5171375	3CET2V222F5171279	3CET2V220F5171376	3CET2V229F5171280	3CET2V221F5171421	3CET2V223F5171372	3CET2V225F5171423	3CET2V225F5171373	3CET2V222F5171427	3CET2V227F5171374	3CET2V224F5171428	3CET2V223F5171422	3CET2V226F5171429	3CET2V229F5171425	3CET2V222F5171430	3CET2V220F5171426	3CET2V226F5171432	3CET2V222F5171377	3CET2V228F5171433	3CET2V224F5171378	3CET2V224F5169811	3CET2V227F5171424	3CET2V225F5170076	3CET2V224F5171431	3CET2V229F5170551	3CET2V22XF5171434	3CET2V220F5170552	3CET2V227F5171620	3CET2V222F5170553	3CET2V229F5171621	3CET2V224F5170554	3CET2V220F5171622	3CET2V226F5170555	3CET2V224F5171879	3CET2V220F5171877	3CET2V225F5171700	3CET2V220F5171880	3CET2V22XF5171790	3CET2V222F5171699	3CET2V225F5171695	3CET2V222F5171878	3CET2V227F5171696	3CET2V220F5171698	3CET2V229F5171697	3CET2V222F5171623	
3CET2V227F5170550	3CET2V220F5171281																																																						
3CET2V226F5171284	3CET2V222F5171282																																																						
3CET2V229F5171277	3CET2V224F5171283																																																						
3CET2V221F5171371	3CET2V220F5171278																																																						
3CET2V229F5171375	3CET2V222F5171279																																																						
3CET2V220F5171376	3CET2V229F5171280																																																						
3CET2V221F5171421	3CET2V223F5171372																																																						
3CET2V225F5171423	3CET2V225F5171373																																																						
3CET2V222F5171427	3CET2V227F5171374																																																						
3CET2V224F5171428	3CET2V223F5171422																																																						
3CET2V226F5171429	3CET2V229F5171425																																																						
3CET2V222F5171430	3CET2V220F5171426																																																						
3CET2V226F5171432	3CET2V222F5171377																																																						
3CET2V228F5171433	3CET2V224F5171378																																																						
3CET2V224F5169811	3CET2V227F5171424																																																						
3CET2V225F5170076	3CET2V224F5171431																																																						
3CET2V229F5170551	3CET2V22XF5171434																																																						
3CET2V220F5170552	3CET2V227F5171620																																																						
3CET2V222F5170553	3CET2V229F5171621																																																						
3CET2V224F5170554	3CET2V220F5171622																																																						
3CET2V226F5170555	3CET2V224F5171879																																																						
3CET2V220F5171877	3CET2V225F5171700																																																						
3CET2V220F5171880	3CET2V22XF5171790																																																						
3CET2V222F5171699	3CET2V225F5171695																																																						
3CET2V222F5171878	3CET2V227F5171696																																																						
3CET2V220F5171698	3CET2V229F5171697																																																						
3CET2V222F5171623																																																							
This bulletin does not necessarily apply to all the above-mentioned vehicles, some vehicles may have been modified before delivery. The owners of the vehicles affected by this bulletin will be advised by a letter indicating the Vehicle Identification Number (VIN) of each vehicle concerned.																																																							

DESCRIPTION

On the vehicles affected by this bulletin, the drive wheel parking brake cylinders need to be replaced due to a potential manufacturing issue that may influence the component during its lifetime.

MATERIAL

Order the following parts: Part No.	Description	Qty
3177336	Spring Brake Chamber 24/30 - Left-Hand Side	1
3177337	Spring Brake Chamber 24/30 - Right-Hand Side	1

Other parts or tools that may be required:

Part No.	Description	Qty
1592924	Test nipple (Volvo tool)	1
9992976	Connection nipple (Volvo tool)	1
3092337	Volvo disc brake grease (or equivalent)	1

NOTE

Material can be obtained through regular channels.

PROCEDURE



DANGER

Park vehicle safely, apply parking brake, stop engine. In the battery box, set the battery cut-off switch to the OFF position prior to working on the vehicle.

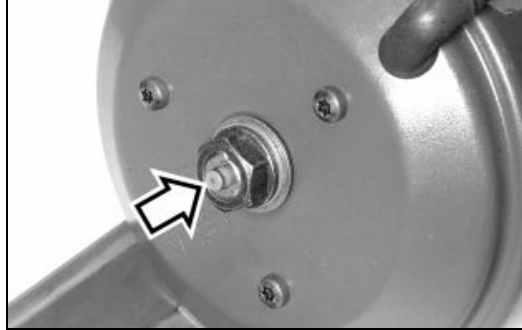
1. Place chocks under the front wheels.

NOTE

Make sure that the parking brake is applied.

Date	Expiration	Group	No.	Page
08.2015	08.2016	512	01	3(6)

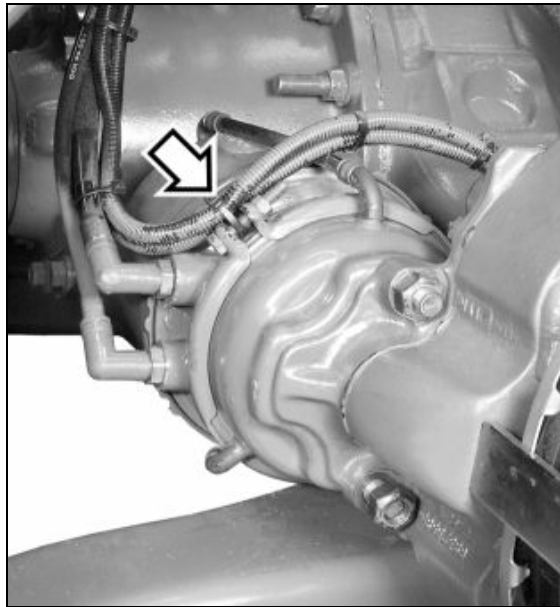
2. Unscrew the relief nut on the spring brake cylinder so that the brake is completely released, approx. 45 turns.



DANGER

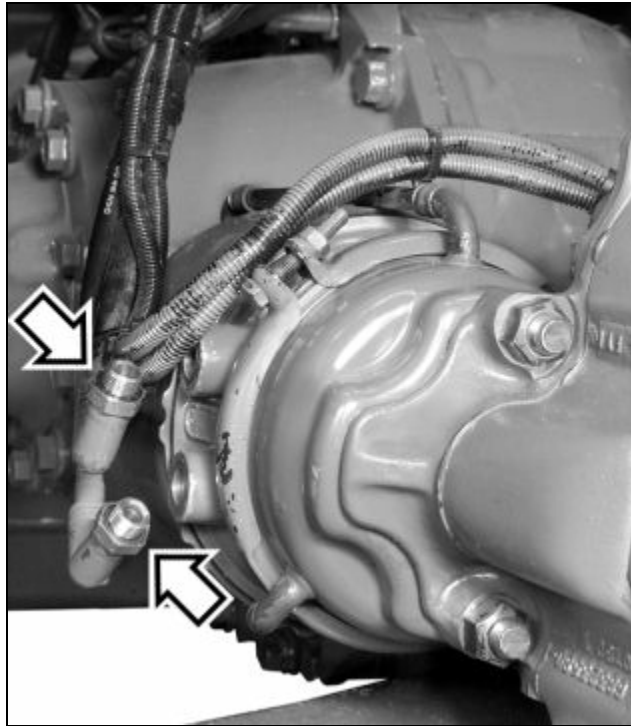
Do not use a nut runner or impact driver! Max torque 75Nm (55 ft-lb). The maximum torque is applicable to the release and compression of the parking brake spring.

3. Remove the clamp that holds the wear and speed sensor cables on the spring brake cylinder.



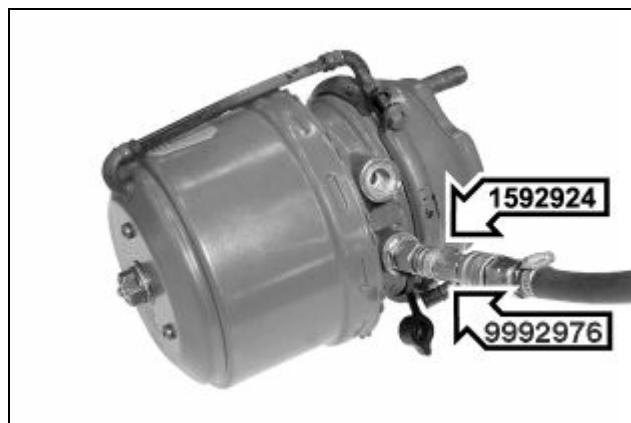
Date	Expiration	Group	No.	Page
08.2015	08.2016	512	01	4(6)

4. Mark up and disconnect the brake lines on the spring brake cylinder.



5. Unscrew the two mounting nuts from the spring brake cylinder and remove it from the bus.
6. Connect a test nipple 1592924 to port 12 (parking section) on the new brake cylinder and connect connection nipple 9992976.

Fill with compressed air (hose adaptor may be required) and unscrew the relief nut on the new spring brake cylinder so that the brake is completely released, approx. 45 turns. Remove external air source and nipple.



Date	Expiration	Group	No.	Page
08.2015	08.2016	512	01	5(6)

- Lubricate the spring brake cylinder thrust pin with Volvo grease # 3092337 or equivalent disc brake grease. Fit the cylinder to the brake caliper. Tighten the nuts to $195 \pm 15\text{Nm}$ ($144 \pm 10\text{ ft-lb}$).

Screw the brake lines, *with new O-rings*, to the brake cylinder according to markings made earlier.
Note: Connector 11 for service brake, connector 12 for parking brake



- Attach the sensor cables to the spring brake cylinder at the same point as when removed.
- Release the parking brake and screw in the relief nut completely, approx. 45 turns.



DANGER

Do not use a nut runner or impact driver! Max torque 75Nm (55 ft-lb). The maximum torque is applicable to the release and compression of the parking brake spring.

- Connect the vehicle to an external air supply. Apply the foot brake a few times. Check that the brakes release. Rotate the hub and check that it rotates freely.
- Test the brake and check that there is no leakage at the hose connections or brake cylinder.
- Apply the parking brake and remove the air hose and the wheel chocks at the front wheel

Date	Expiration	Group	No.	Page
08.2015	08.2016	512	01	6(6)

PARTS / WASTE DISPOSAL

All replaced parts must be returned to Prevest according to the Return Shipping Instructions available on <https://www.prevestcar.com/content/warranty-documents> for full reimbursement. A copy of the warranty claim form must be enclosed with the shipment.

Discard waste according to applicable environmental regulations (Municipal/State[Prov.]/ Federal)

WARRANTY

This modification is covered by Prevest's normal warranty. We will reimburse you the parts and four (4.0) hours of labor upon receipt of a warranty claim. Please submit claim via our Online Warranty System, available at www.prevestcar.com (under Service \ Warranty section). Use Claim Type: "Bulletin/Recall" and select "Warranty Bulletin WB15-83".

OTHER

VBC Bulletin	S6923
Fail Code	12.5
Defect Code	09
Syst.Cond.	B
Causal Part	3177336

Access all our Service Bulletins on <https://secureus5.volvo.com/technicalpublications/en/pub.asp> or scan the QR-Code with your smart phone.

E-mail us at technicalpublications_prev@volvo.com and type "ADD" in the subject to receive our warranty bulletins by e-mail.



Prevest engages in a continuous program of testing and evaluating to provide the best possible product. Volvo Bus, however, is not committed to, or liable for updating existing products.