

**MAINTENANCE  
INFORMATION**

**MI16-05**

DATE :	FEBRUARY 2016	SECTION :	12 - Brakes
SUBJECT :	Bendix M-32QR ABS modulator valve replaced by new M-40QR valve.		

***IMPORTANT NOTICE***  
*This modification is recommended by PrevoSt to increase your vehicle's performance. Note that no reimbursement will be awarded for carrying out this modification.*

**APPLICATION**

All PrevoSt vehicles up to 2016 equipped with Bendix M-32QR ABS modulator valves

**MATERIAL**

MODULATOR VALVE NUMBERS:

<u>SUPERSEDED PART #</u>	DESCRIPTION	<u>NEW PART #</u>	DESCRIPTION
<b>642077</b>	Bendix M-32QR Modulator Valve	<b>640228</b>	Bendix M-40QR Modulator Valve

***NOTE***  
*Material can be obtained through regular channels.*

**DESCRIPTION**

The Bendix M-32QR modulator valve used on PrevoSt vehicles during ABS and ESC activation is now obsolete and will be replaced by the new M-40QR model.

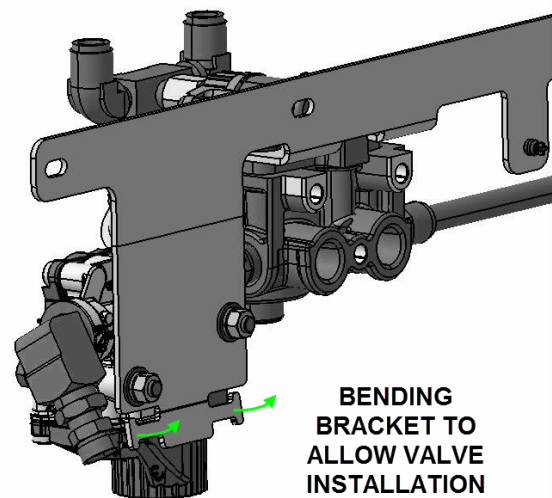
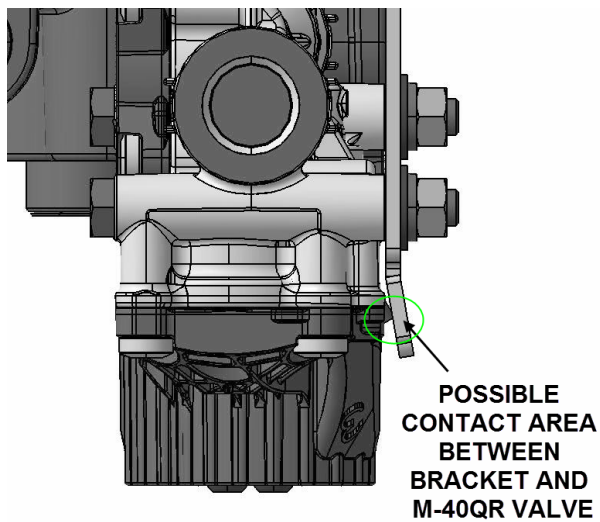
Both valves operate in a similar way and M-40QR valves are direct replacement when servicing vehicles equipped with M-32QR valves, however important points must be observed when switching valves for the first time on a vehicle.

Since the drive axle and the front suspension/axle are both using two modulator valves (one for the left brake and one for the right), it is important to replace both valves on an axle at the same time ensuring that the same valve model will be installed from side to side of the vehicle.

*Mixing valve type on the left and right sides of the vehicle may result in slight pull to one side when braking. Valves can be mixed in pair front to rear without causing problems.*

It must also be noted that slight support bracket modification may be required to install the new M-40QR valve in place of the M-32QR model (see drawing below).

Modulator valve model can be easily identified by their different side cover and exhaust section.



## PARTS / WASTE DISPOSAL

Discard according to applicable environmental regulations (Municipal/State[Prov.]/ Federal)



Access all our Service Bulletins on <https://secureus5.volvo.com/technicalpublications/en/pub.asp>  
Or scan the QR-Code with your smart phone.

E-mail us at [technicalpublications\\_prev@volvo.com](mailto:technicalpublications_prev@volvo.com) and type "ADD" in the subject to receive our warranty bulletins  
by e-mail.