



**PREVOST**

**MAINTENANCE  
INFORMATION**


**MI16-27**

DATE :	MAY 2016	SECTION: 13 - Wheels, Hubs Tires
SUBJECT :	AUXILIARY AXLE WHEEL SCRAPER	

Original release:

***IMPORTANT NOTICE***  
*This modification is recommended by PrevoSt to increase your vehicle's performance. Note that no reimbursement will be awarded for carrying out this modification.*

**APPLICATION**

Model	VIN	
X3 Series vehicles Model Year : 2010 -	From 2PCG33494 <b>AC729953</b> up to Present.	
H3 Series vehicles Model Year : 2010-	From 2PCH33493 <b>AC711657</b> up to Present.	

**DESCRIPTION**

On vehicles operating in muddy road conditions, a road material ring may accumulate and harden *inside the tag axle wheel*. Depending on the hardness and abrasion potential of the dirt road material, the caliper body wall may wear out and this may lead to a caliper failure.

If you have experienced this situation with your vehicle, install the proposed kits to prevent any damage to the brake caliper cast body.

Installing the scrapers will prevent accumulation by shaving the road material off the wheel before it hardens.

## MATERIAL

Depending on the tag axle wheel type and size, order one of the kits below.

Kit #150810 includes the following parts. For: **9" Steel wheels, one per vehicle:**

Part No	Description	Qty
150800	BRACKET, TAG AXLE WHEEL SCRAPER, RH	1
150801	BRACKET, TAG AXLE WHEEL SCRAPER, LH	1
<b>150806</b>	TAG WHEEL SCRAPER	2
5001741	SCR CAP HEXF N500 M10-1.5 X 30 G8.8	6
5001834	WSH BEL SPR N500 10.5X23X2.5	6
5001997	SCREW CAP HEX Z50 M20X1.5X70 CL.10.9	4
611044	WSH FL N500 21X37X4 HARD	4
D150014	REFERENCE DRAWING KIT SERVICE SCRAPER TAG	1

Also available upon request:

Kit #150809, one per vehicle, for **9" Aluminum wheels**

Kit #150811, one per vehicle, for **10.5" Aluminum wheels**

### NOTE

Material can be obtained through regular channels.

## PROCEDURE



### DANGER

Park vehicle safely, apply parking brake, stop engine. Prior to working on the vehicle, set the ignition switch to the OFF position and trip the main circuit breakers equipped with a trip button. On Commuter type vehicles, set the battery master switch (master cut-out) to the OFF position.

### 1. Kit overview

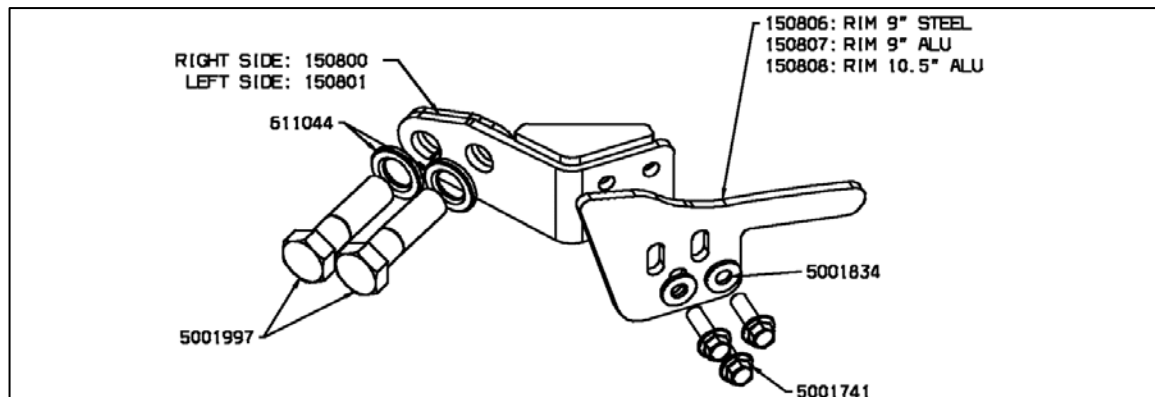


Figure 1

2. Remove two of the three upper bolts securing the caliper to the tag axle body.

Discard the hardware.

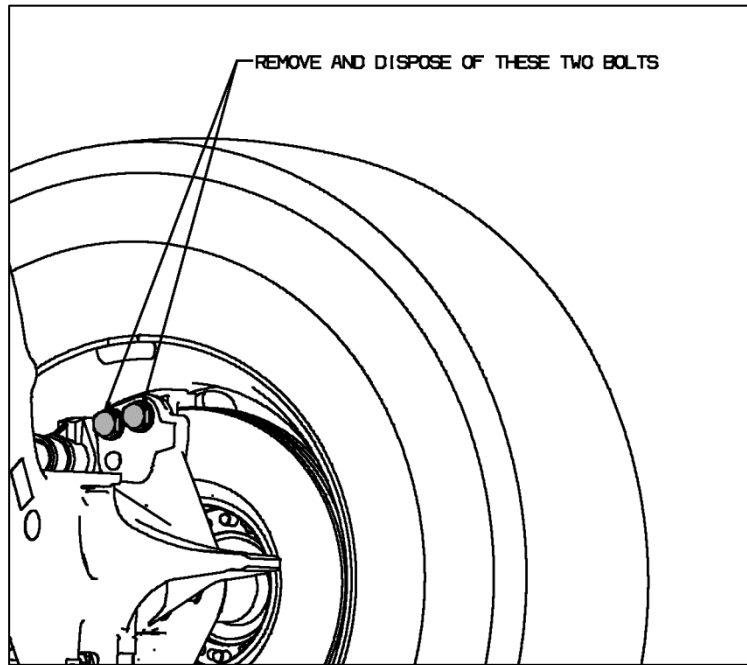


Figure 2

3. Install the kit.

Leave a 3mm gap between scraper and wheel. Make sure the gap exists all around the rim.

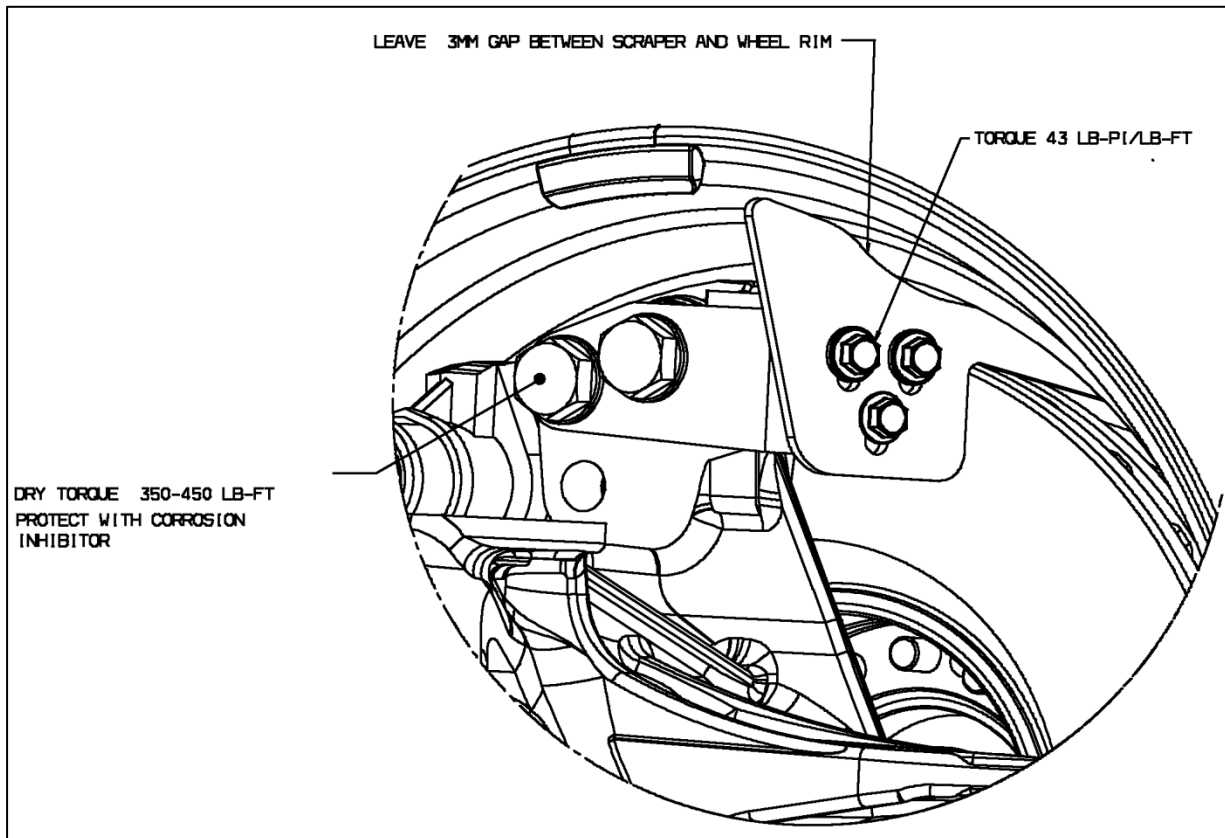


Figure 3

## PARTS / WASTE DISPOSAL

Discard according to applicable environmental regulations (Municipal/State[Prov.]/ Federal)



Access all our Service Bulletins on <http://techpub.prevostcar.com/en/>  
Or scan the QR-Code with your smart phone.

E-mail us at [technicalpublications\\_prev@volvo.com](mailto:technicalpublications_prev@volvo.com) and type "ADD" in the subject to receive our warranty bulletins  
by e-mail.