


# PREVOST

## Instruction Sheet

## IS-09030

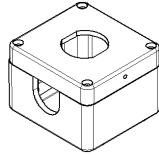


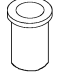
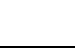



### ADDITION OF A PROTECTIVE BOX TO THE BOOSTER BLOCK POSITIVE TERMINAL

#### APPLICATION

Model	VIN	
X3-45 Coaches Model Year : 2007 - 2010	From 2PCG3349471028754 up to 2PCG33490AC729951 incl.	

#### MATERIAL

Kit #067700 includes the following parts:

Part No.	Description	Identification	Qty
382441	Box, Protective		1
500873	Screw, Machine Round Head PH, SS 8-32 X 3/4		1
5001137	Washer, Flat SS .203 x .438 x .05		1
500678	Nut, Well 8-32 x .450		1
382444	Washer, Foam Sealing		1
500270	Washer, Flat SS .406 x 1 x .063		1
504671	Grommet 1 x .125 x .437 x 1.312		1
500702	Nut, Hex Nylon Insert, SS 3/8-16		1

IS-09030	Instruction Sheet	1
FI-09030	Feuille d'instructions	1

## PROCEDURE



### DANGER

Park vehicle safely, apply parking brake, stop engine and set battery master switch(es) to the OFF position prior to working on the vehicle.

1. Open engine compartment R.H. side door.
2. Locate booster block positive terminal.
3. Unfasten positive terminal fixing nut.
4. Clean cable ring terminal and booster block terminal.
5. Put aside booster block terminal and its fixing nut for future use.
6. Remove rivet from booster block support (Refer to figure 1).

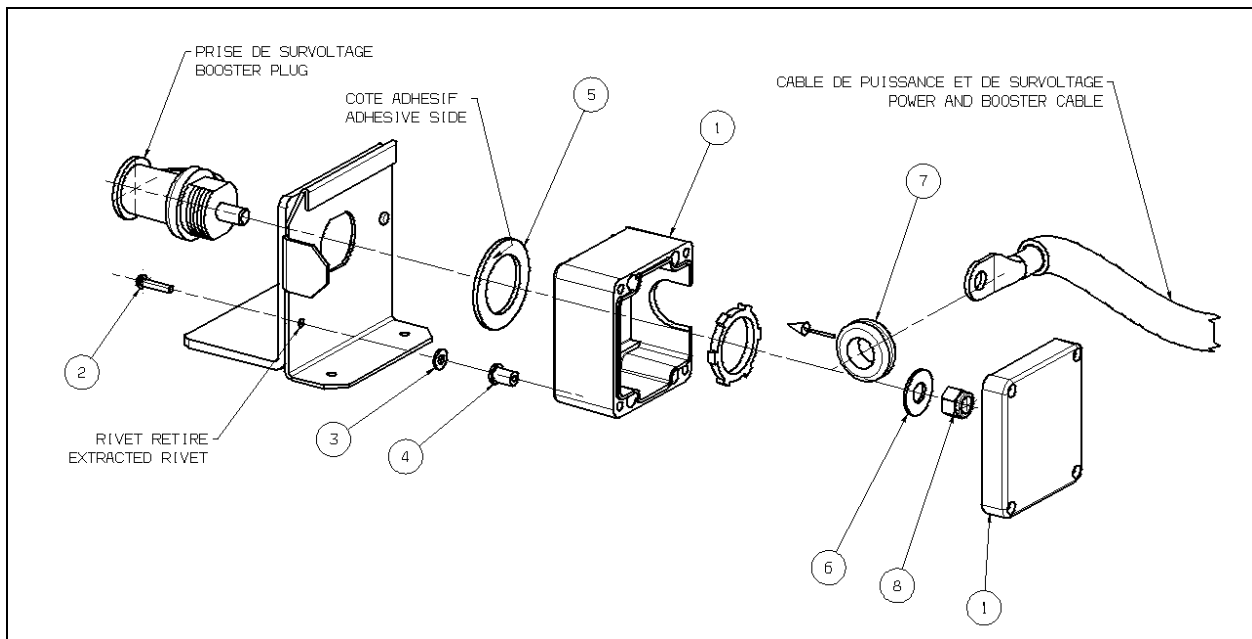


FIGURE 1

7. If not already done, separate cover from protective box.
8. Insert positive terminal through support hole, slide foam sealing washer (5) (382444) over, adhesive side towards box, and then protective box (1) (382441) making sure drip hole is at the bottom. Fasten previously removed fixing nut of booster block terminal (Refer to figure 1).
9. Also secure protective box (1) to support using round head machine screw (2) (500873), flat washer (3) (5001137) and well nut (4) (500678). Use previously removed rivet hole.
10. Install grommet (7) (504671) onto protective box side.

11. Pass cable ring terminal through grommet **7**.

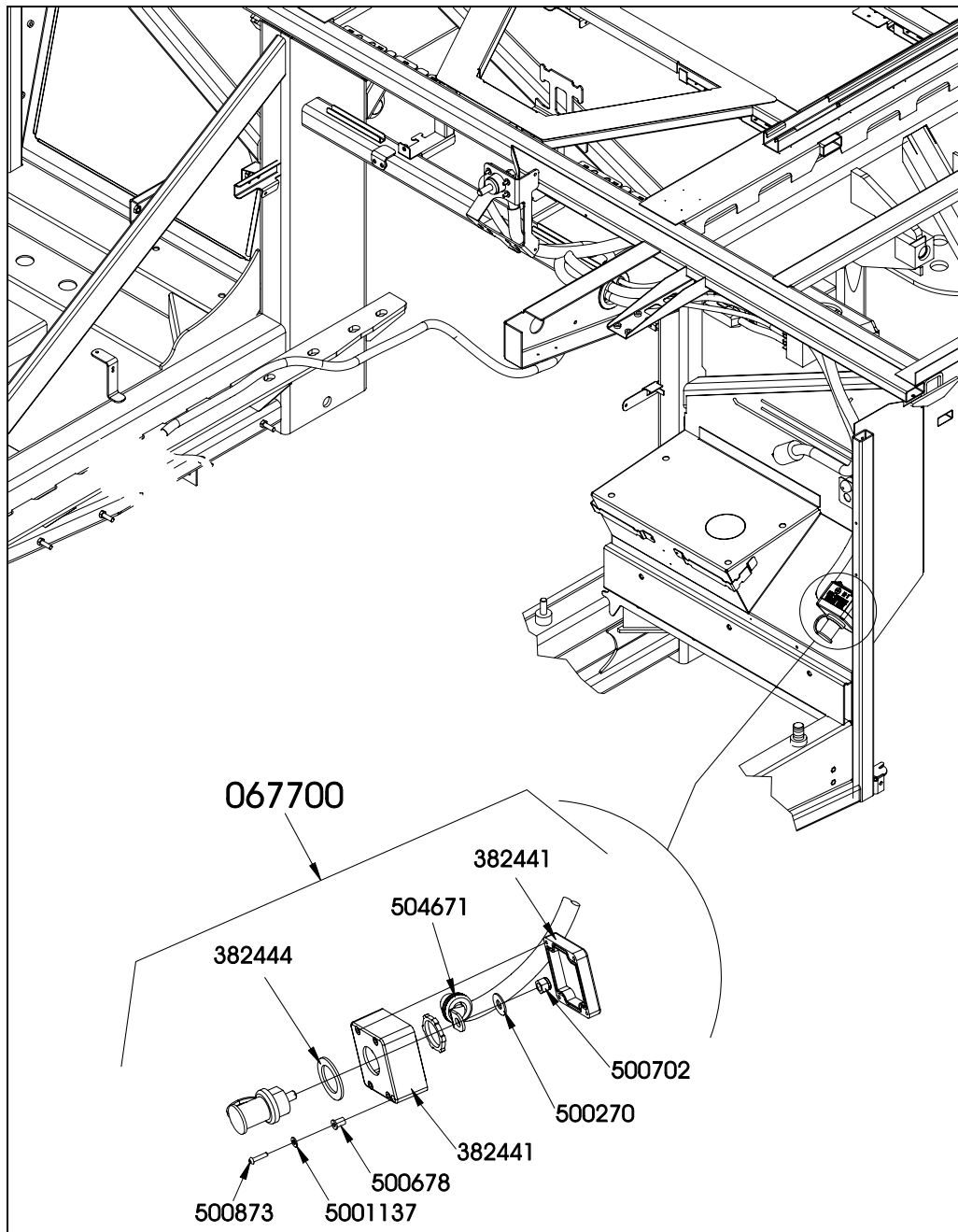


FIGURE 2

12. Secure cable ring terminal onto positive terminal using flat washer **6** (500270) and lock nut **8** (500702).

13. Fix protective box cover using 4 supplied screws.

14. Affix decal (067893) onto top of protective box (Refer to figure 2)