

PREVOST

Instruction Sheet

IS-09034B

LAVATORY COMPARTMENT SLIDING DOOR RETROFIT

REVISION : B THIS INSTRUCTION SHEET SUPERSEDES PREVIOUS VERSION.

Steps 16, 21 & 23 modified

Kit #405198 includes the following parts:

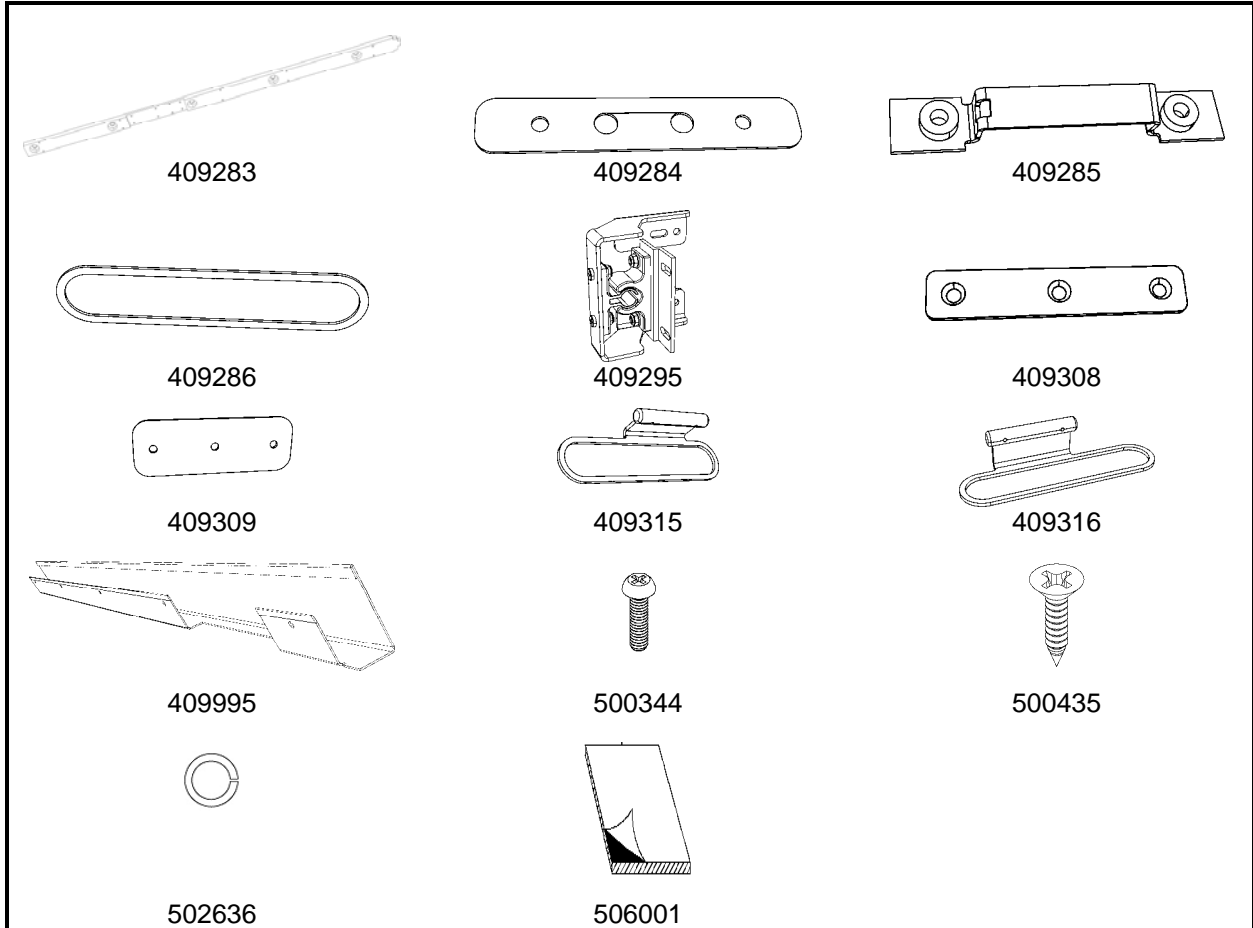
Part No.	Description	Qty
409283	Support, track	1
409284	Rubber, strike plate	1
409285	Bracket, strike plate	1
409286	Shim	2
409295	Latch assembly	1
409308	Plate, vibration damper	1
409309	Rubber, vibration damper	1
409315	Handle, lavatory compartment side	1
409316	Handle, passenger side	1
409995	Molding, metal	1
500344	Screw, Machine RND Ph M4X12	1
500435	Screw, TP FI Ph Z050 #6x1	3
502636	Washer, split lock	1
506001	Tape, foam self adhesive 1/8" X 3/4" X 66"	1
506756	Velcro, self adhesive loop 1"x 3"	1
IS-09034	Instruction Sheet	1
FI-09034	Feuille d'instructions	1

PROCEDURE

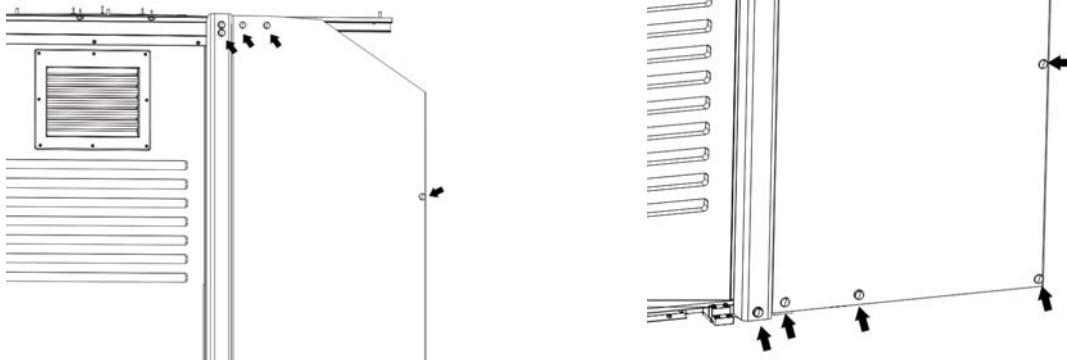


DANGER

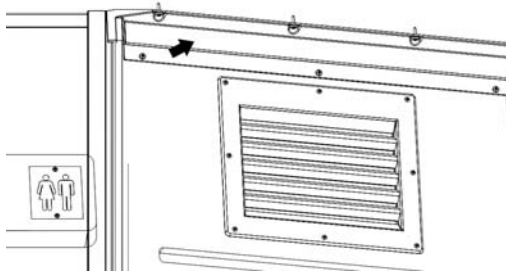
Park vehicle safely, apply parking brake, stop engine and set battery master switch(es) to the OFF position prior to working on the vehicle.



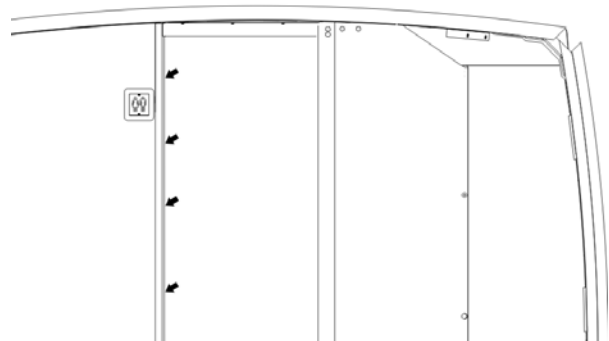
1. Unscrew and remove the panel located on the right side of the sliding door.



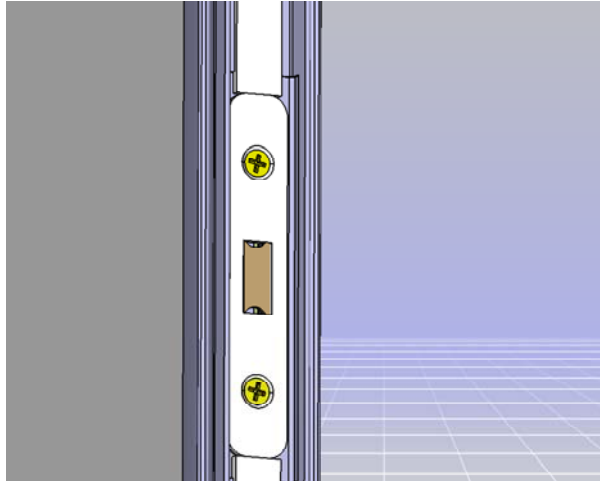
2. Remove the trims (2) located over the sliding door.



3. Remove the left wall metal extrusion. To do so, first remove the two plastic moldings (one each side) that hide the screws. Keep hardware for reuse. Identify the top of the extrusion with a pencil or a piece of masking tape.

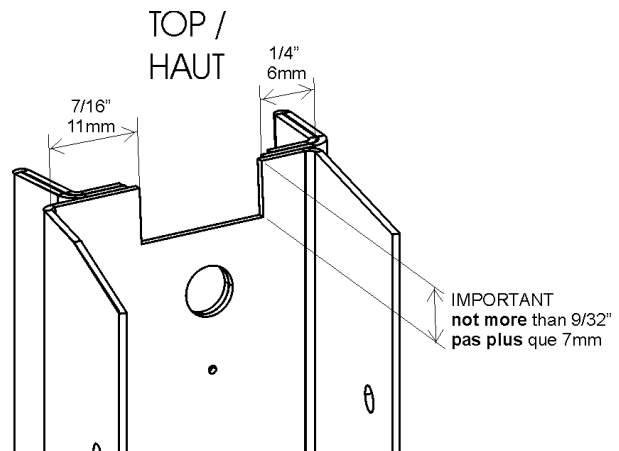


4. On the left wall metal extrusion, remove the strike plate and fasteners and keep for reuse.

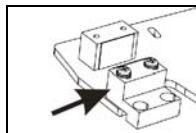
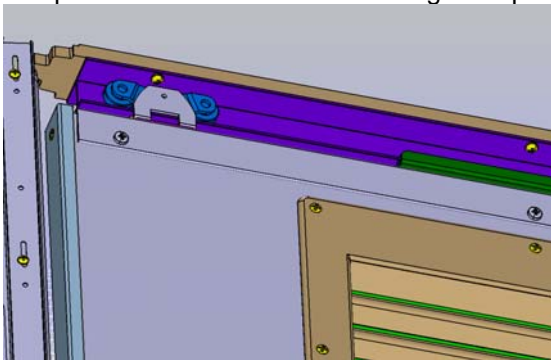


5. Cut the top of the metal extrusion as shown on the image below. It is very important to respect the 9/32" measure. The metal extrusion must lean against the track support in order to prevent any downward shifting of the track support which is screwed into fiberglass. This will prevent any malfunction caused by a misalignment of the sliding door locking mechanism and the strike plate, once properly adjusted.

If needed, you can order this part pre-machined, part number is **#409280**



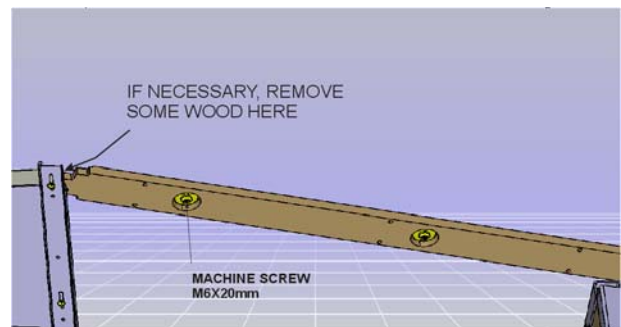
6. Dismount the track, the track support and then remove the door. Keep hardware for reuse. To ease removal, remove the last right overhead compartment door in order to gain space.



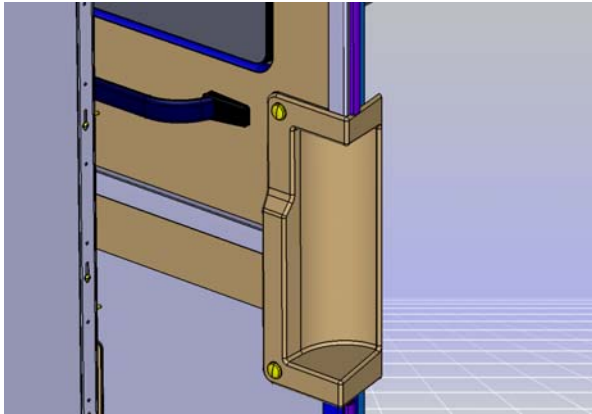
Remove the guiding block located on the floor

7. Remove the track support. Keep the hardware for reuse.

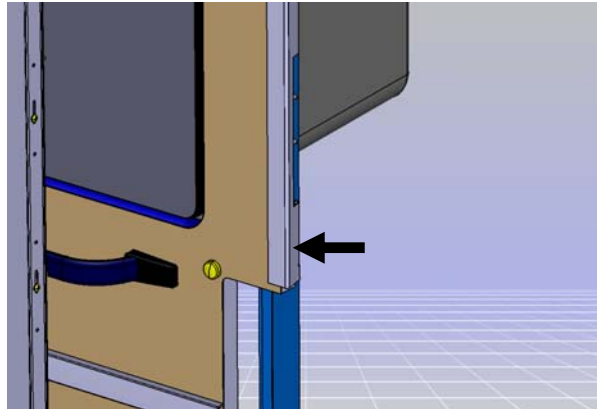
8. Install the new support 409283. Transfer the upper sliding door guide from the previous installation to the new support.



9. Remove the finishing trim shown on the image below.

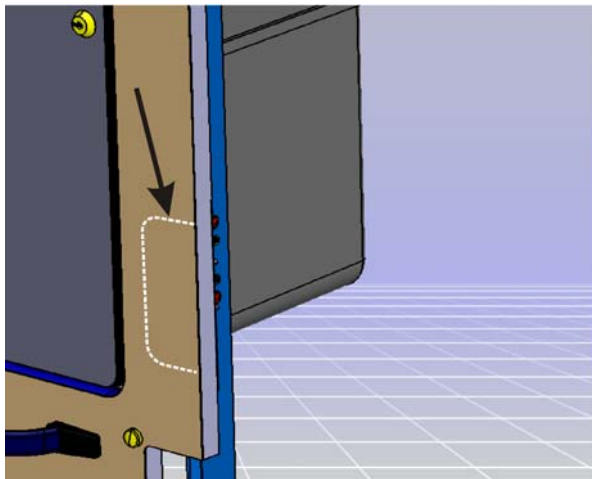


10. Remove the metal molding shown on the image below. This molding will not be reused. Keep the screws (4) for the installation of the replacement molding.

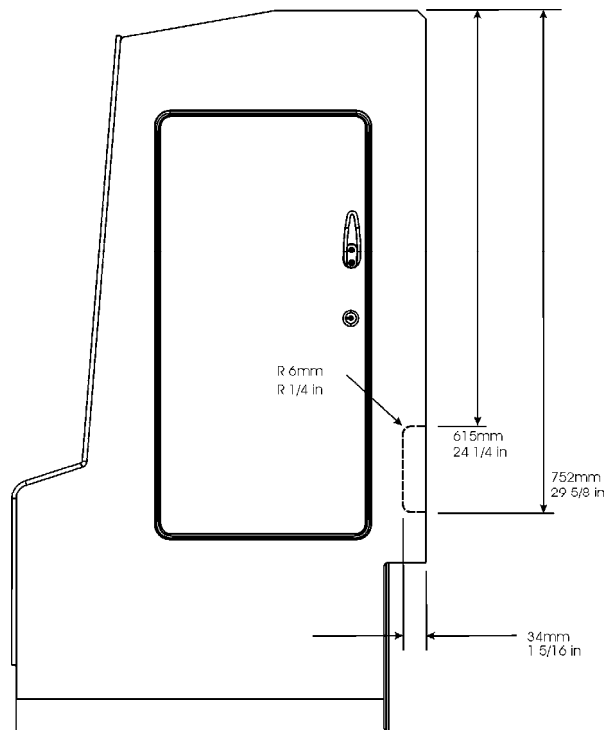


11. Using a jigsaw cut the particle board out as shown on image 10a & 10b. Prior to do so, apply masking tape on the surrounding surfaces to prevent scratches from the jigsaw base.

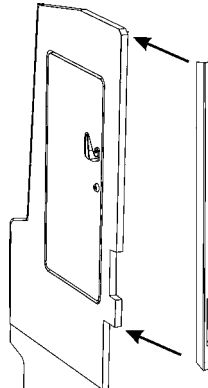
10a



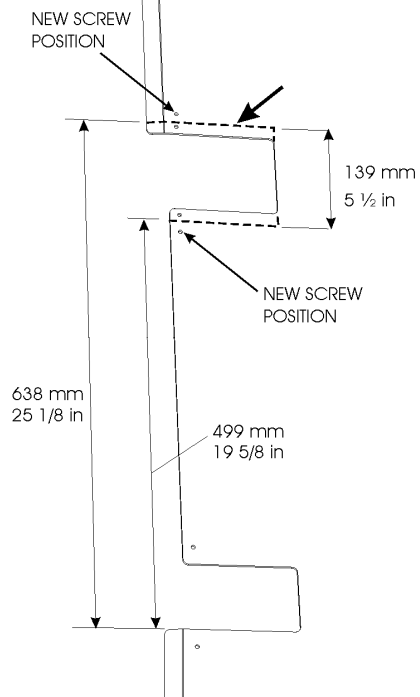
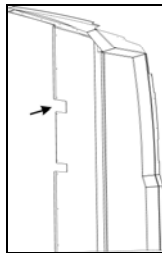
10b



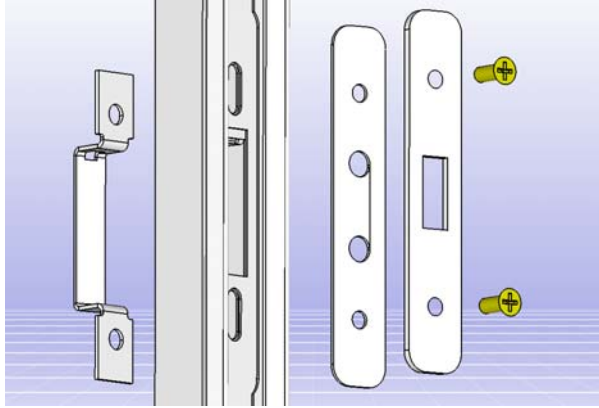
12. Place the new molding 409995. This molding is designed to hide the cutting out made in the particle board. **Once the door will be reinstalled**, adjust the molding position and screw in place.



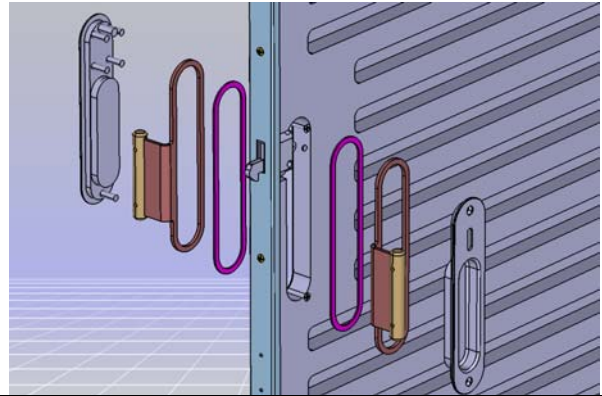
13. The cutting out in the gray fiber panel must be enlarged. Refer to the image at right for the measurements.



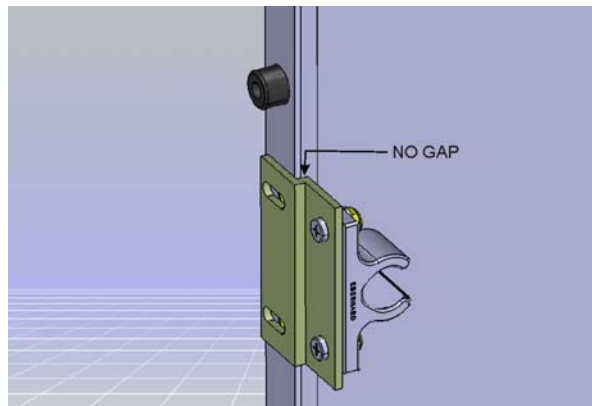
14. Preassemble the left wall metal extrusion with the following parts: 409285, 409284 and the strike plate previously removed. Keep the screws **loose** at this time. The strike plate position will be adjusted later on.



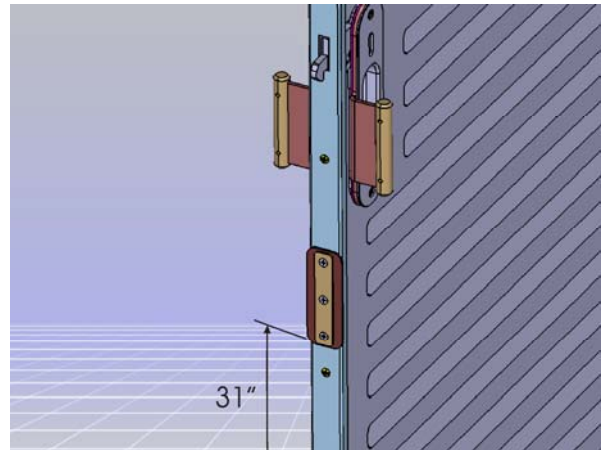
15. Dismount the door handle mechanism. Keep the internal mechanism for reuse. The 1/8" thick shim on the passenger's side will not be reused. Two 1/16" thick shims 409286, one on each side, will be used instead. Install parts 409315 & 409316 as shown below. **Do not** tighten screws too much in order to permit free movement of the latching mechanism.



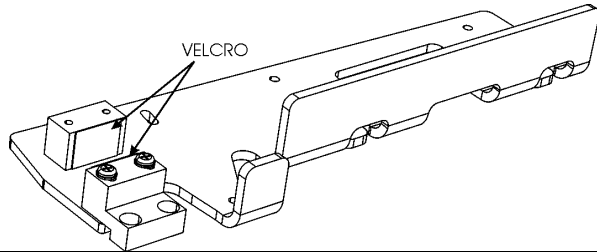
16. Remove the existing mechanism that holds the door closed when unlocked. Using the existing hardware and holes, install assembly 409295. The part of assembly 409295 shown on the image below must be installed on the door.



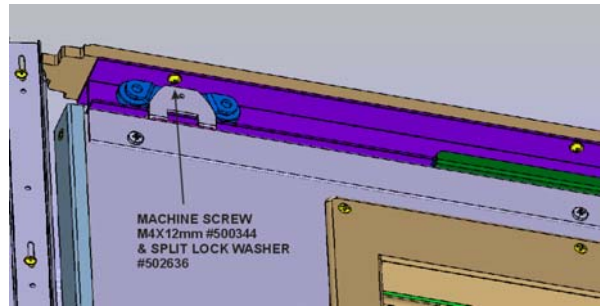
17. Install the rubber **vibration damper** 409309 with plate 409308 and 3 screws 500435. Install the vibration damper, properly centered, at 31 inches from the bottom of the door.



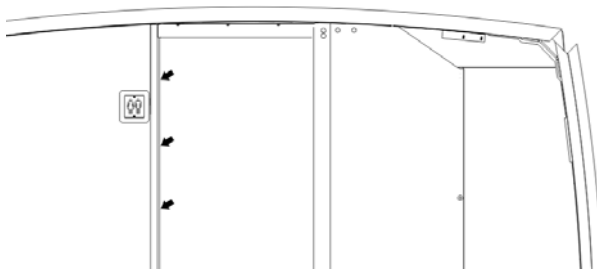
18. Cut the included Velcro 506756 in two pieces of 1"x1½". In order to absorb vibrations and noise, place the pieces on the door guiding blocks as shown on the image.



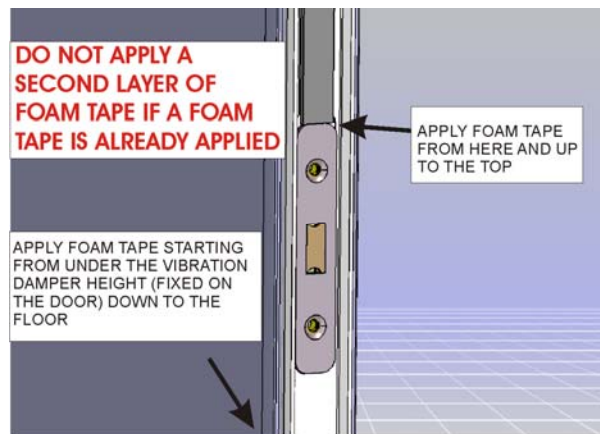
19. Reinstall the door. Mount the sliding door track on the track support.



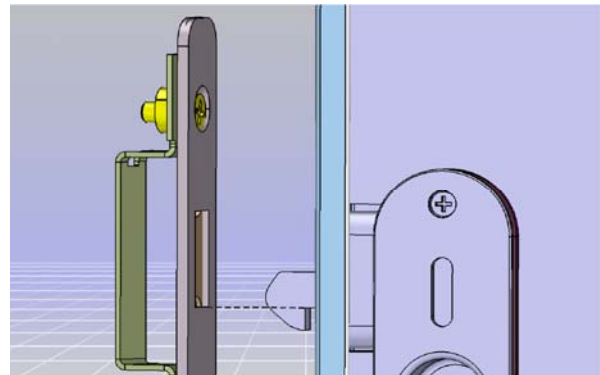
20. Install the left wall metal extrusion. In order to assure that the metal extrusion is properly positioned before screwing it, close and maintain the door firmly against it. This will help in finding out the proper positioning of the extrusion.



21. Place the foam tape 506001 along the metal extrusion as shown below.

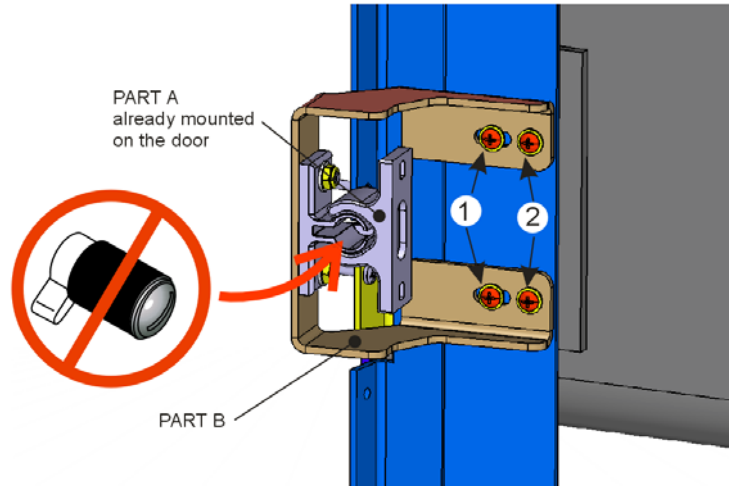


22. Proceed to the adjustment of the strike plate height. The lower edge of the rectangular opening must be at the level of the latch as shown. To do so, loosen the screws and move the strike plate up or down as required. Once properly adjusted, tighten the screws.



23. Using hardware saved from the previous installation, install the second part of 409295 mechanism. To do so:

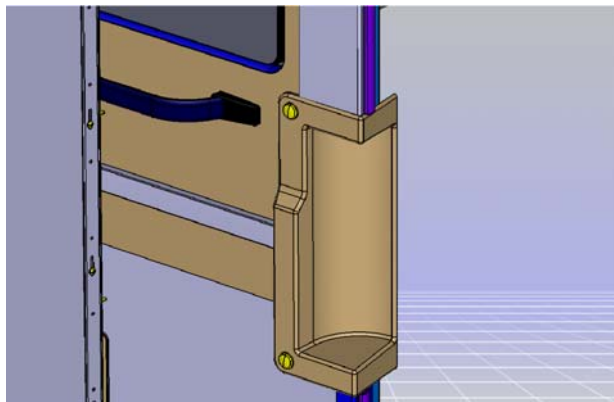
- Snap both parts of assembly 409295 together.
- Drill 2 holes (position 1 on the image), centered in the slotted holes.
- Fix with 2 self tapping screws 10-3/4 (saved from the previous installation), 2 flat washers and 2 lock washers.
- Push the door to the left so it will firmly rest on the left wall metal extrusion.



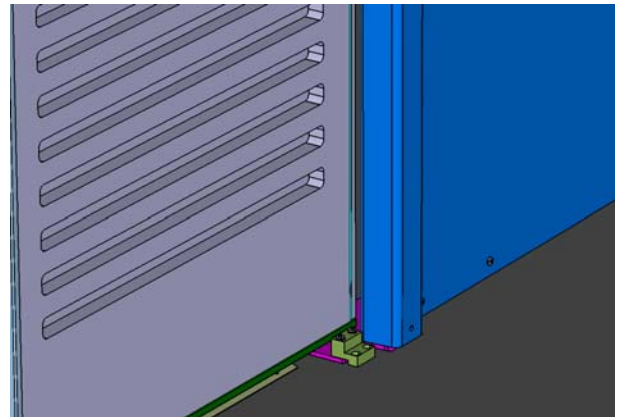
Discard the rubber cylinder, screw and plastic nut inserted inside the part shown on the image. They are not required.

- Push part B to the left in order not to leave a gap or a play. This way, the mechanism will continuously exert traction on the door, preventing vibrations.
- Once in proper position, permanently fix the mechanism. Drill 2 holes (position 2 on the image) and use 2 screws 10-3/4 (saved from the previous installation), 2 flat washers and 2 lock washers.

24. Reinstall the trim shown on the image. It is necessary to remove some material in order to fit this part with the new metal molding.



25. Adjust the sliding door guiding block. Position the block as close as possible from the door while permitting free sliding.



26. Reinstall the panel on the right side of the sliding door and all the remaining trims.