

PREVOST

ENREGISTRÉ - REGISTERED
ISO 9001 & ISO 14001

MAINTENANCE Mi12-06
INFORMATION



DATE : MARCH 2012	SECTION : 18 - Body
SUBJECT : GM DOOR LOCK RETROFIT ON WHEELCHAIR ACCESS SLIDING DOOR AND LIFT MECHANISM ACCESS DOOR	

APPLICATION

Model	VIN	
NYCT X3-45 Commuter		

DESCRIPTION

Use the following procedure for the replacement of Ford door lock with GM door lock having key code 0C00.

MATERIAL

Order the following parts to perform the complete retrofit on one (1) vehicle:

Part No.	Description	Qty
195471	GM LOCK CYLINDER AND KEY, CODE 0C00	2
280225	DISC (lever)	1
280226	LEVER	1
283683	GASKET	2
780886	RETAINER CLIP (GM PAWL CLIP/RETAINER)	2
780887	RETAINER CLIP, CYLINDER (GM DOOR LOCK CLIP/RETAINER)	2

NOTE

Material can be obtained through regular channels.

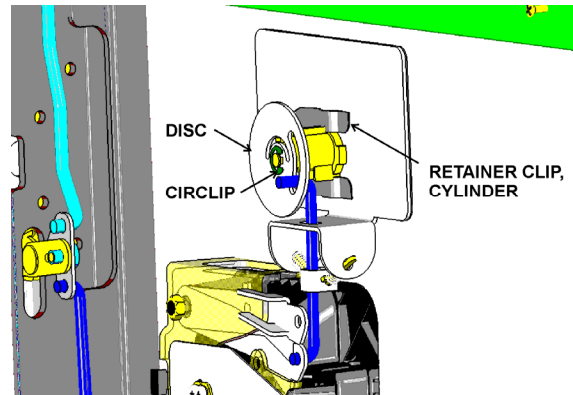
PROCEDURE



DANGER

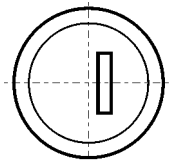
Park vehicle safely, apply parking brake, stop engine and set battery master switch(es) to the OFF position prior to working on the vehicle.

PROCEDURE –WHEELCHAIR ACCESS SLIDING DOOR

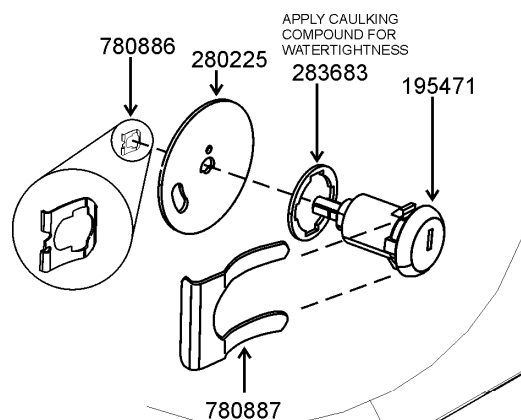


1. Inside the vehicle, remove the lower finishing panel shown on the image above.
2. Remove the piece of insulation to gain access to the lock mechanism.
3. Detach the circlip and then remove the disc shown on the image above.
4. Slide the cylinder retainer clip to release the cylinder.
5. Clean the exterior surface where the new lock cylinder will be installed.

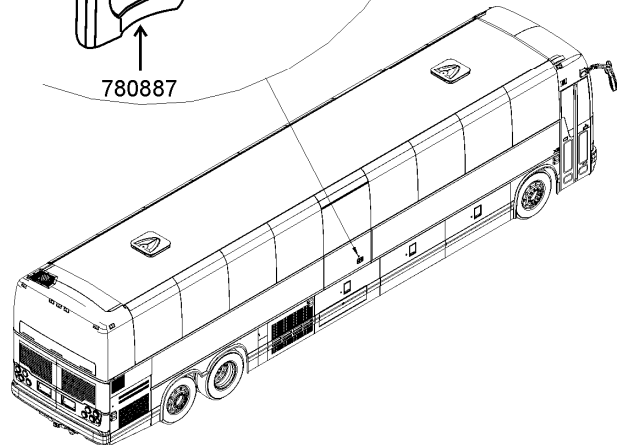
6. Apply caulking compound both sides of the gasket and then install the new lock cylinder and gasket on the exterior side of the door with keyhole placed vertically and off-centered to the right.



KEYHOLE OFFSET

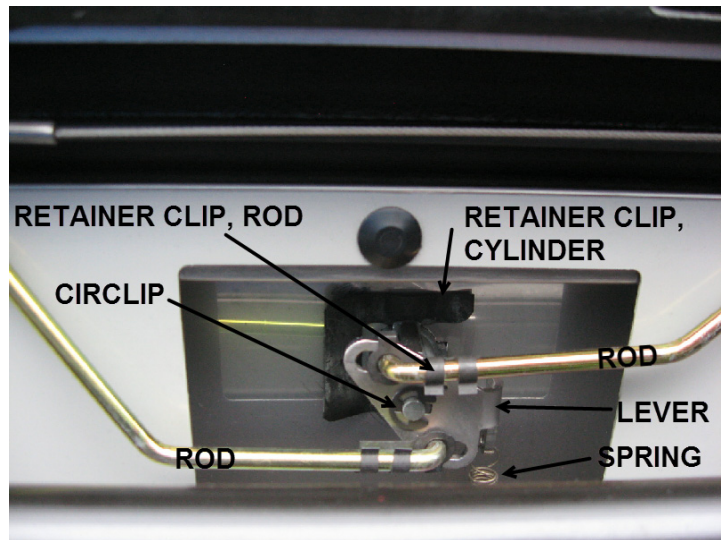


7. On the inside, fix the lock cylinder with the new door retainer clip (p/n 780887).
8. Fix the new disc to the cylinder rotor with retainer clip (p/n 780886) and attach the existing rod as in former installation.
9. Test the new lock installation prior reinstallation of insulation and lower finishing panel.

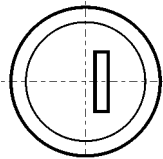


PROCEDURE – LIFT MECHANISM ACCESS DOOR

1. Gain access to the lock mechanism.
2. Disconnect the rods (2) with retainer clips from the lever.
3. Disconnect the return spring.
4. Detach the circlip and then remove the lever.
5. Slide the cylinder retainer clip to release the cylinder.
6. Clean the exterior surface where the new lock cylinder will be installed.



7. Apply caulking compound both sides of the gasket and then install the new lock cylinder and gasket on the exterior side of the door with keyhole placed vertically and off-centered to the right.



KEYHOLE OFFSET

8. On the inside, fix the lock cylinder with the new retainer clip (p/n 780887).
9. Fix the new lever to the cylinder rotor with retainer clip (p/n 780886) and attach the existing rod as in former installation.
10. Connect the return spring.
11. Test the new lock installation.

