

# PREVOST

## Instruction Sheet

## IS-11116

### MODIFICATION TO WHEELCHAIR LIFT (WCL) SLIDING DOOR LOCK ON METROPOLITAN TRANSPORTATION AUTHORITY (MTA) COACHES

#### MATERIAL

Kit #280260 includes the following parts:

Part No.	Description	Qty
280129	Pivot, Actuator Rod	1
IS-11116	Instruction Sheet	1
FI-11116	Feuille d'instructions	1

#### PROCEDURE



#### DANGER

Park vehicle safely, apply parking brake, stop engine and set battery master switch(es) to the OFF position prior to working on the vehicle.

1. Open wheelchair lift sliding door.
2. Remove sliding door lower air duct and finishing panel.
3. Remove retainer ring securing pivot to actuator rod, put aside.
4. Remove former actuator rod pivot and replace with new one (280129) (Refer to figures 1 and 2).
5. Reinstall retainer ring to secure actuator rod pivot.
6. Reinstall sliding door lower air duct and finishing panel.

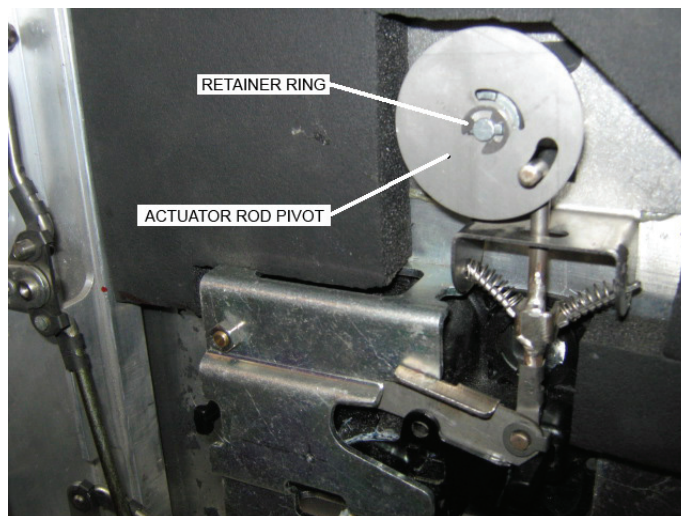


FIGURE 1

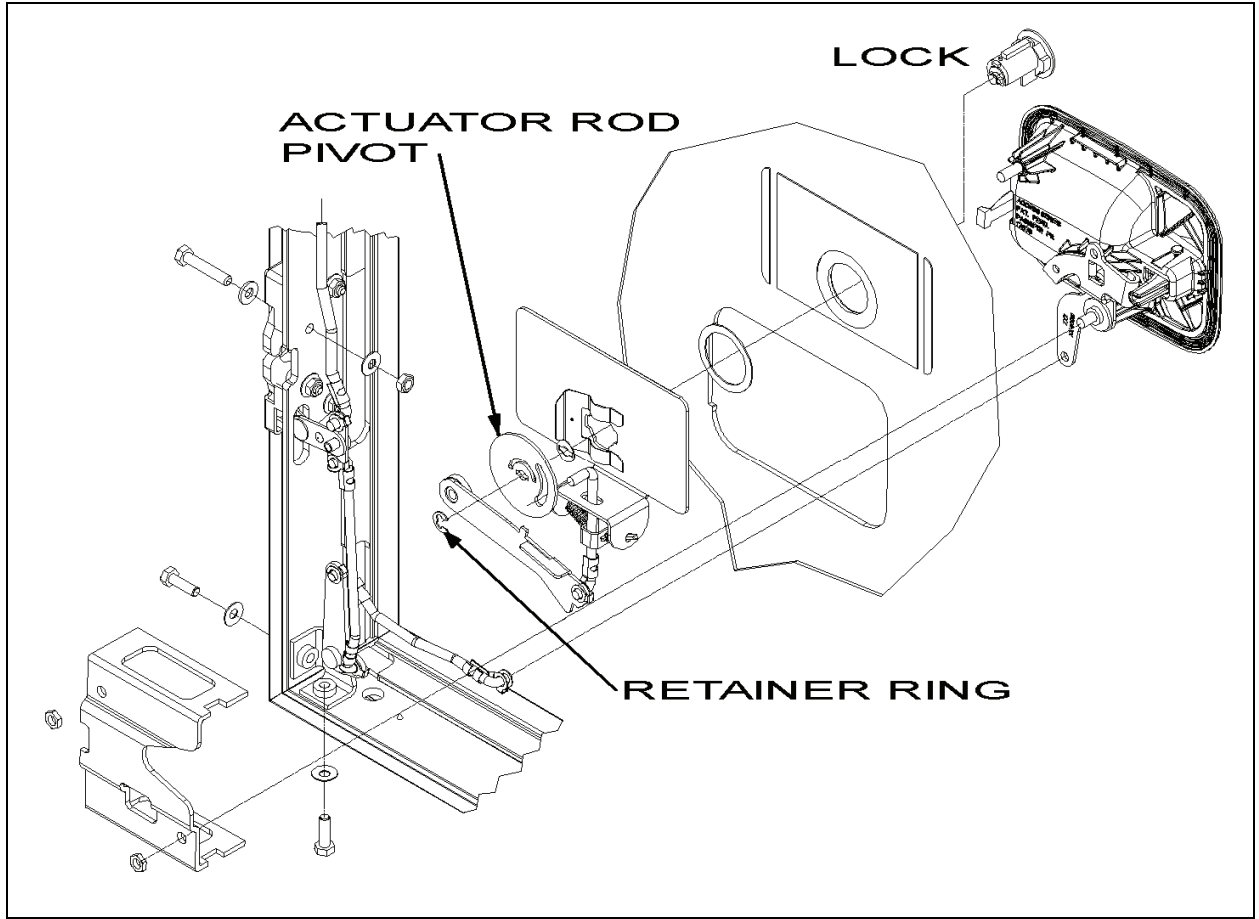


FIGURE 2