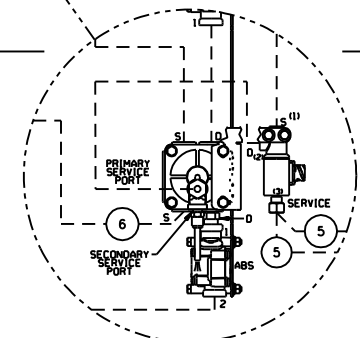


RED GLADHAND  
(EMERGENCY)

BLUE GLADHAND  
(SERVICE)

BALLOON	PIPE
•1	3/8" O.D. GREEN
•2	1/2" O.D. GREEN
•3	3/8" O.D. GREEN
•4	3/8" O.D. RED
•5	1/2" O.D. RED
•6	3/8" O.D. RED
•7	3/8" O.D. BROWN
•8	1/2" O.D. BROWN
•9	1/4" O.D. YELLOW
•10	3/8" O.D. YELLOW
•11	1/4" O.D. BLACK
•12	3/8" O.D. BLACK

TUBE COLOR CODING	
ACTIVE COLOR	CIRCUIT
---	RED SECONDARY
---	GREEN PRIMARY & SUPPLY
---	YELLOW PARKING BRAKE
---	BROWN TRAILER
---	BLACK ACCESSORIES



**PREVOST**®

DESCRIPTION:

BUS SHELL WE WITH OPTION TRAILER HITCH AIR BRAKE  
WITH ESP BRAKE SYSTEM

REV.:

A

PAGE:

DATE:

2010/11

D140385 P4.1