

# PREVOST

## COACH MANUFACTURER

### PARTS MANUAL



# PA1231

10-2022





# PARTS MANUAL



## General information

### A. Vehicle Identification Number (V.I.N.)

Each time spare parts have to be ordered, you must refer to your vehicle identification number serial number. In order to understand the meaning of this number, please refer to the following:

**2 P C H 3 3 4 9 5 8 1 0 1 1044**

**H** = VEHICLE MODEL

**9** = VEHICLE LENGTH

**8** = MODEL YEAR

**1044** = SEQUENCE NUMBER

#### Vehicle Model

This manual covers vehicle model H3-41, H3-45 coaches and VIP bus shells.

<b>H</b>	H3-41 and H3-45 Coaches
<b>V</b>	V.I.P. Bus shell

#### Vehicle Length

<b>1</b>	41 feet	<b>9</b>	45 feet
----------	---------	----------	---------

#### Model Year

YEAR	CODE	YEAR	CODE	YEAR	CODE	YEAR	CODE
2008	8	2012	C	2016	G	L	2020
2009	9	2013	D	2017	H	M	2021
2010	A	2014	E	2018	J		
2011	B	2015	F	2019	K		

#### Sequence Number

This number represents the sequence the vehicle has followed on the assembly line.

### B. Effective

This manual covers information for vehicles from the sequence number **8-1044 TO J-0184** for H3-41, H3-45 and **J-0294** for VIP-45.

The heading of each page in this manual refers to an effective serial number and in the parts description, you may find additional information on the effective of a specific part to a serial number (refer to FROM).

In the description, you may also remark the expression UP TO which means that a component is effective to the vehicles manufactured before the specified serial number (refer to UP TO).

# PARTS MANUAL

## **C. Illustrations**

An exploded view is conveniently located at the beginning of each section and is meant to assist the user in identifying parts and components.

The illustrations show the typical construction of the different assemblies and , in all cases, may not reproduced the full detail or exact shape of parts shown, however, they represent parts which have same or similar function.

## **D. General**

The information, illustrations and components/system descriptions contained in this manual are correct at time of publication. Prévost Car Inc., however, maintains a policy of continuous improvement of its product without imposing upon itself any obligation to install them on products previously manufactured.

Prévost Car Inc., reserves the right at any time to discontinue or change specifications, designs, features, models or equipment without incurring obligation.

# PARTS MANUAL

## E. Parts and Service Center

### CANADA

<b>Canadian Parts Customer Service</b> 2955-A Watt Street Québec, Québec Canada, G1X 3W1	Toll free phone: 1 (800) 463-8876 Tel.: (418) 654-0174 Fax: (800) 939-0133 Fax: (418) 658-1723	<b>Service Center British Columbia</b> 11911 No. 5 Road Richmond, British Columbia Canada, V7A 4E9	Tel.: (604) 940-3306 Fax: (604) 940-3384
<b>Service Center</b> 850 Chemin Olivier Saint-Nicolas, Quebec Canada G7A 2N1	Toll free phone: 1 866 870-2046 Tel.: (418) 831-2046 Fax: (418) 831-7432	<b>Service Ontario</b> 8301-A Keele Street Vaughan, Ontario Canada, L4K 1Z6	Tel.: (905) 738-0881 Fax: (905) 738-0891
<b>Service Center Alberta</b> 292 MacDonald Crescent Fort McMurray, Alberta Canada T9H 4B6	Tel.: (780) 792-9526 Fax: (780) 743-0983		

### UNITED STATES

<b>US Parts Customer Service</b> 2250 Point Blvd., Suite 410 Elgin, IL USA, 60123	Toll free phone 1 800 799-9938 Main office (847) 844-7680  Parts 1 800 621-5519	<b>Prevost Parts &amp; Service Center</b> 800 South Cartwright Street Goodlettsville, TN USA, 37072	Toll free phone 1 877 299-8881 Main office (615) 299-8881 Fax: (615) 299-8816 After-Hours (615) 519-1372 Parts Emergency
<b>Prevost Parts &amp; Service Center</b> 3384 De Forest Circle Mira Loma, CA USA, 91752	Toll free phone 1 800 421-9958 Main office (951) 360-2550 Fax: (951) 360-2560 After-Hours (951) 314-0226 Parts Emergency	<b>Prevost Parts &amp; Service Center</b> 201 South Avenue South Plainfield, NJ USA, 07080	Toll free phone 1 800 223-0830 Main office (908) 222-7211 Fax: (908) 222-7304 Fax parts (908) 222-7305 After-Hours (201) 315-4064 Parts Emergency
<b>Prevost Parts &amp; Service Center</b> 6821 Central Avenue, Newark, CA USA, 94560	Main office (310) 283-1852 After-Hours: (951) 314-0226 Parts Emergency	<b>Prevost Parts &amp; Service Center</b> 15200 Frye Road Fort Worth, TX USA, 76155-2702	Service/Parts 1 866 773-8678 Main office (817) 685-0250 Fax : (817) 685-0460 After-Hours (817) 271-8653 Parts Emergency
<b>Prevost Parts &amp; Service Center</b> 6931 Business Park Blvd North Jacksonville, FL USA, 32256	Toll free phone 1 800 874-7740 Main office (904) 886-4555 Fax: (904) 886-0092 After-Hours (904) 412-8023 Parts Emergency	<b>Prevost Parts &amp; Service Center</b> 11851 Cutten Road Houston, TX USA, 77066	Service/Parts 1 877 602-0273 Main office (713) 849-8562 Fax: (281) 315-1571 After-Hours (346) 333-5520 Parts Emergency
<b>Prevost Parts &amp; Service Center</b> 1300 Green Forest Court Winter Garden, FL USA, 34787	Toll free phone 1 866 726-6235 Main office (407) 554-0196 After-Hours: (407) 259-5720 Parts Emergency	<b>Prevost Parts &amp; Service Center</b> 3715 N. Carnation St. Franklin Park, IL USA, 60131	Main office (847) 778-7475 Fax: (847) 737-2242 After-Hours 1 800 463-7738 Parts Emergency

# PARTS MANUAL

## KEY & ABBREVIATIONS

<b>(XXXX-XX)</b> .....	SEE PAGE	<b>N/A</b> .....	NOT AVAILABLE
<b>&lt;&gt;</b> .....	BETWEEN	<b>NEG.</b> .....	NEGATIVE
<b>°</b> .....	DEGREE	<b>N.O.</b> .....	NORMALLY OPEN
<b>#</b> .....	NUMBER	<b>N.C.</b> .....	NORMALLY CLOSE
<b>??</b> .....	INFORMATION NOT AVAILABLE AT TIME OF PUBLICATION	<b>N.P.N.</b> .....	NO PARTS NUMBER
<b>ABS</b> .....	ANTILOCK BRAKING SYSTEM	<b>NPT</b> .....	NATIONAL PIPE THREAD
<b>AR</b> .....	AS REQUIRED	<b>NS</b> .....	NOT SHOWN
<b>ASSY</b> .....	ASSEMBLY	<b>N.S.P.</b> .....	NOT SOLD AT PREVOST (SEE MANUFACTURING PART NUMBER AT THE END OF DESCRIPTION LINE)
<b>CCW</b> .....	COUNTERCLOCKWISE	<b>N.S.S.</b> .....	NOT SOLD SEPARATELY
<b>C.E.</b> .....	COMMUTATOR END	<b>O.D.</b> .....	OUTSIDE DIAMETER
<b>CHR</b> .....	CHROME	<b>OPT.</b> .....	OPTION
<b>CW</b> .....	CLOCKWISE	<b>O.S.</b> .....	OVERSIZE
<b>CYL.</b> .....	CYLINDER	<b>PH</b> .....	PHILLIPS
<b>C/C</b> .....	CENTER/CENTER	<b>POS.</b> .....	POSITIVE
<b>D.E.</b> .....	DRIVE END	<b>RR</b> .....	REAR
<b>DIA.</b> .....	DIAMETER	<b>S.C.C.</b> .....	SPECIFY COLOR CODE
<b>DIFF.</b> .....	DIFFERENTIAL	<b>SCT</b> .....	SECTION
<b>D.P.D.T.</b> .....	DOUBLE POLE DOUBLE THROW	<b>S.D.</b> .....	SPECIFY DIMENSION
<b>ECU</b> .....	ELECTRONIC CONTROL UNIT	<b>S.L.</b> .....	SPECIFY LENGHT
<b>EDU</b> .....	ELECTRONIC DISTRIBUTOR UNIT	<b>SM</b> .....	SMALL
<b>EFF</b> .....	EFFECTIVE	<b>S.P.S.T.</b> .....	SINGLE POLE SINGLE THROW
<b>ENG.</b> .....	ENGINE	<b>S.P.D.T.</b> .....	SINGLE POLE DOUBLE THROW
<b>EXT</b> .....	EXTERNAL	<b>S.Q.</b> .....	SPECIFY QUANTITY
<b>FR</b> .....	FRONT	<b>SS</b> .....	STAINLESS STEEL
<b>GND</b> .....	GROUND	<b>STD</b> .....	STANDARD
<b>HD</b> .....	HEAD	<b>STO</b> .....	STOVER
<b>HEX</b> .....	HEXAGONAL	<b>SW</b> .....	SWIVEL
<b>H.P.</b> .....	HIGH PRESSURE	<b>SWL FITT.</b> .....	SWIVEL FITTING
<b>HVAC</b> .....	HEATING, VENTILATION & AIR CONDITIONING	<b>TPG</b> .....	TAPING
<b>HYD</b> .....	HYDRAULIC	<b>TH</b> .....	THICKNESS
<b>I.D.</b> .....	INSIDE DIAMETER	<b>TRANS.</b> .....	TRANSMISSION
<b>INT</b> .....	INTERNAL	<b>TXV</b> .....	THERMAL EXPANSION VALVE
<b>JCT</b> .....	JUNCTION	<b>U.S.</b> .....	UNDERSIZE
<b>LED</b> .....	LIGHT-EMITTING DIODE	<b>W</b> .....	WITH
<b>L.P.</b> .....	LOW PRESSURE	<b>W/O</b> .....	WITHOUT
<b>LUGG.</b> .....	LUGGAGE	<b>WIND.</b> .....	WINDOW
<b>M &amp; F</b> .....	MALE & FEMALE	<b>ZP</b> .....	ZINC PLATED

# PARTS MANUAL

## MEASUREMENT EQUIVALENTS

Fraction - Inches (dec.) - Millimeter

25.4mm = 1 inch

1mm = .03937 inch

<b>fraction</b>	<b>decimal</b>	<b>mm</b>	<b>fraction</b>	<b>decimal</b>	<b>mm</b>
1/64	0.0156	0.397	33/64	0.5156	13.097
1/32	0.0313	0.794	17/32	0.5313	13.494
-	0.0394	1	35/64	0.5469	13.891
3/64	0.0469	1.191	-	0.5512	14
1/16	0.0625	1.588	9/16	0.5625	14.288
5/64	0.0781	1.984	37/64	0.5781	14.684
-	0.0787	2	-	0.5906	15
3/32	0.0938	2.381	19/32	0.5938	15.081
7/64	0.1093	2.778	39/64	0.6094	15.478
-	0.1181	3	5/8	0.6250	15.875
1/8	0.1250	3.175	-	0.6299	16
9/64	0.1406	3.572	41/64	0.6406	16.272
5/32	0.1563	3.969	21/32	0.6563	16.669
-	0.1575	4	-	0.6693	17
11/64	0.1719	4.366	43/64	0.6719	17.066
3/16	0.1875	4.762	11/16	0.6875	17.462
-	0.1969	5	45/64	0.7031	17.859
13/64	0.2031	5.159	-	0.7087	18
7/32	0.2188	5.556	23/32	0.7188	18.256
15/64	0.2344	5.953	47/64	0.7344	18.653
-	0.2362	6	-	0.7480	19
1/4	0.2500	6.350	3/4	0.7500	19.050
17/64	0.2656	6.747	49/64	0.7656	19.447
-	0.2756	7	25/32	0.7813	19.844
9/32	0.2813	7.144	-	0.7874	20
19/64	0.2969	7.541	51/64	0.7969	20.241
5/16	0.3125	7.938	13/16	0.8125	20.638
-	0.3150	8	-	0.8268	21
21/64	0.3281	8.334	53/64	0.8281	21.034
11/32	0.3438	8.731	27/32	0.8438	21.431
-	0.3543	9	55/64	0.8594	21.828
23/64	0.3594	9.128	-	0.8661	22
3/8	0.3750	9.525	7/8	0.8750	22.225
25/64	0.3906	9.922	57/64	0.8096	22.622
-	0.3937	10	-	0.9055	23
13/32	0.4063	10.319	29/32	0.9063	23.019
27/64	0.4219	10.716	59/64	0.9219	23.416
-	0.4331	11	15/16	0.9375	23.812
7/16	0.4375	11.112	-	0.9449	24
29/64	0.4531	11.509	61/64	0.9531	24.209
15/32	0.4688	11.906	31/32	0.9688	24.606
-	0.4724	12	-	0.9843	25
31/64	0.4844	12.303	63/64	0.9844	25.003
12	0.5000	12.700	1/1	1	25.400
-	0.5118	13	-	-	-

# PARTS MANUAL

## TABLE OF CONTENTS

GENERAL	00
ENGINE	01
CLUTCH	02
FUEL	03
EXHAUST	04
COOLING	05
ELECTRICAL	06
TRANSMISSION	07
PROPELLER SHAFT	09
FRONT AXLE	10
REAR AXLE	11
BRAKE	12
WHEEL, HUBS & TIRES	13
STEERING	14
SUSPENSION	16
BODY	18
HEATING & AIR CONDITIONING	22
ACCESSORIES	23
WHEEL CHAIR LIFT	25

# PARTS MANUAL

To have more information about fast moving parts, place an order for the book PA-1105 to your nearest parts order desk.

Thank you!

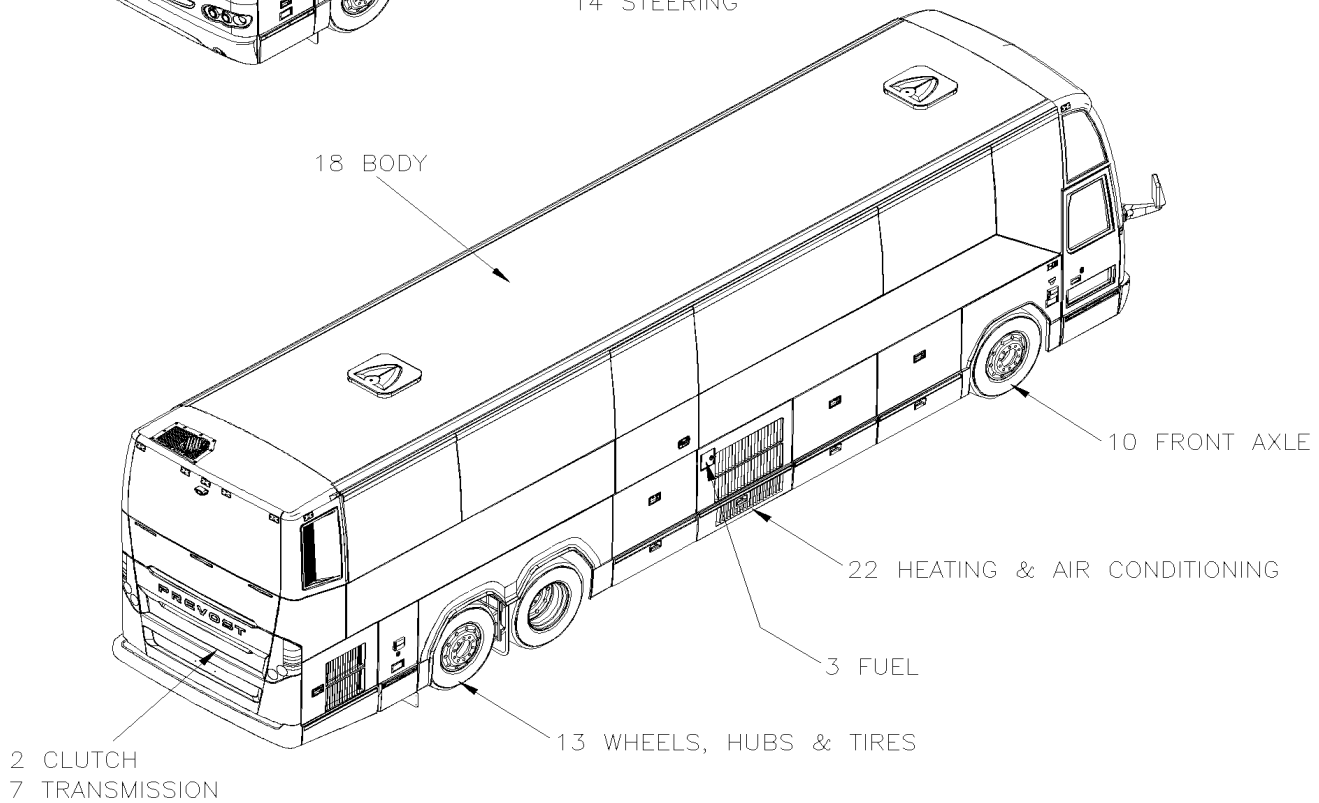
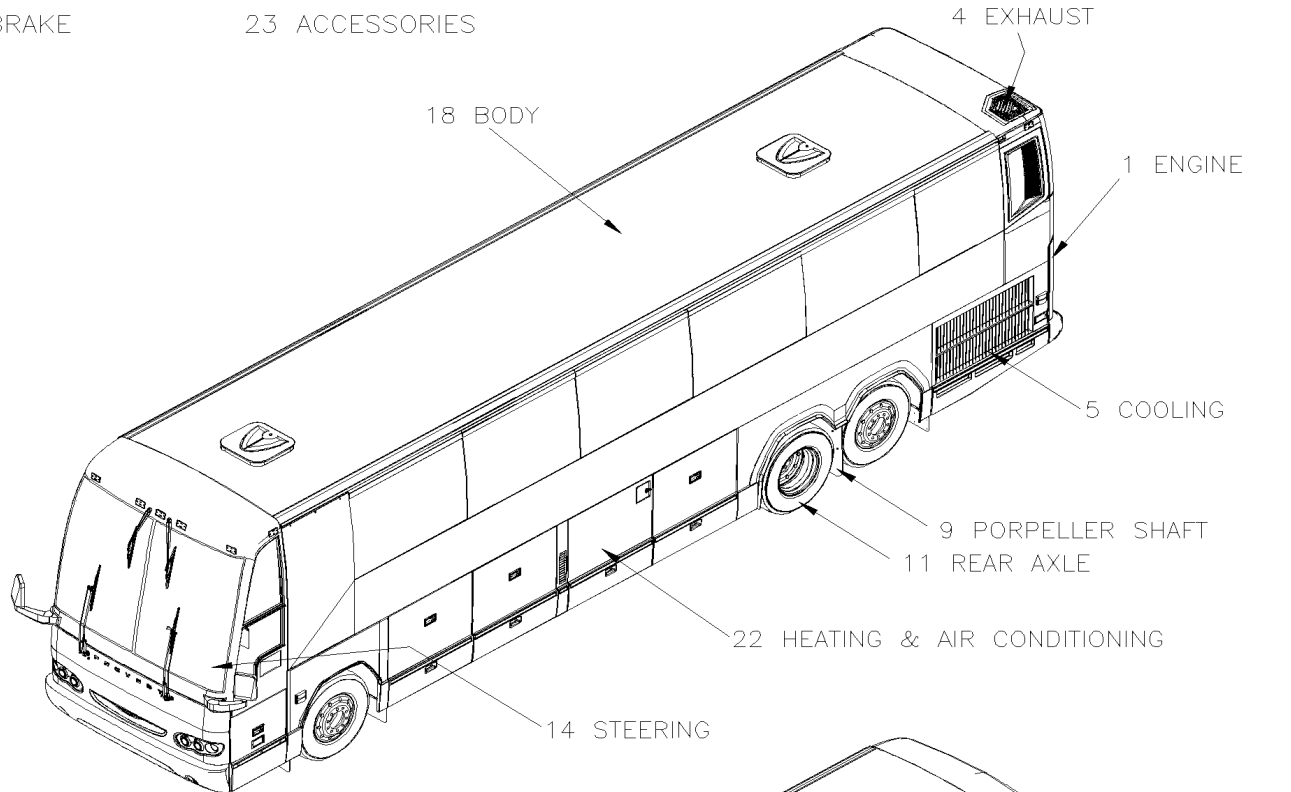




	Date:10/2022	PAGE: H3-2007 @ 2018
H3-41, H3-45 & VIP-45 / 2007 - 2018 / VIN FROM 7-0671 TO J-0294		

6 ELECTRICAL  
12 BRAKE

16 SUSPENSION  
23 ACCESSORIES



	Date:10/2022	PAGE: H3-2007 @ 2018
H3-41, H3-45 & VIP-45 / 2007 - 2018 / VIN FROM 7-0671 TO J-0294		

6 ELECTRICAL  
12 BRAKE

16 SUSPENSION  
23 ACCESSORIES

4 EXHAUST

1 ENGINE

5 COOLING

9 PORPELLER SHAFT  
11 REAR AXLE

22 HEATING & AIR CONDITIONING

14 STEERING

18 BODY

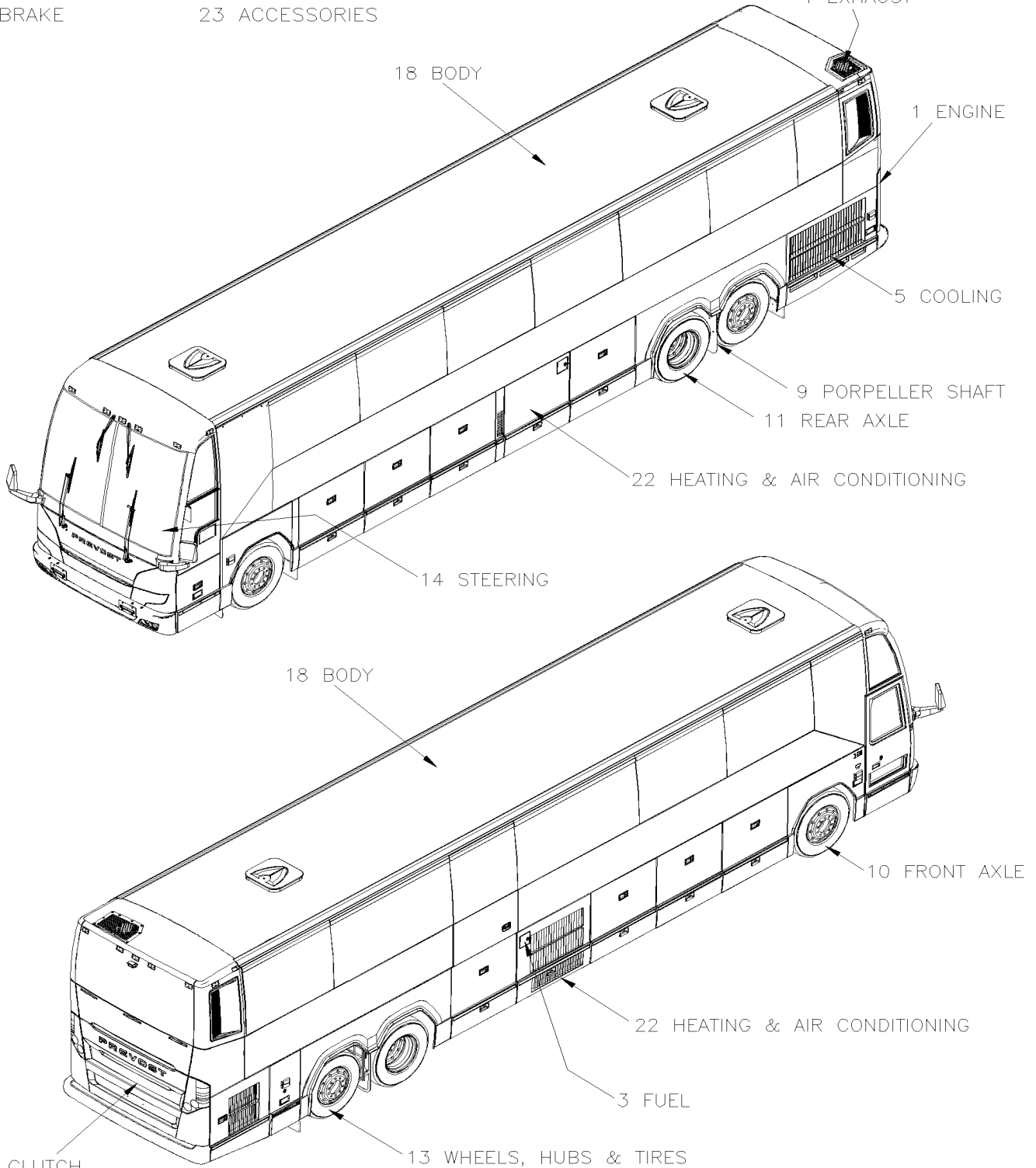
10 FRONT AXLE

22 HEATING & AIR CONDITIONING

3 FUEL

13 WHEELS, HUBS & TIRES

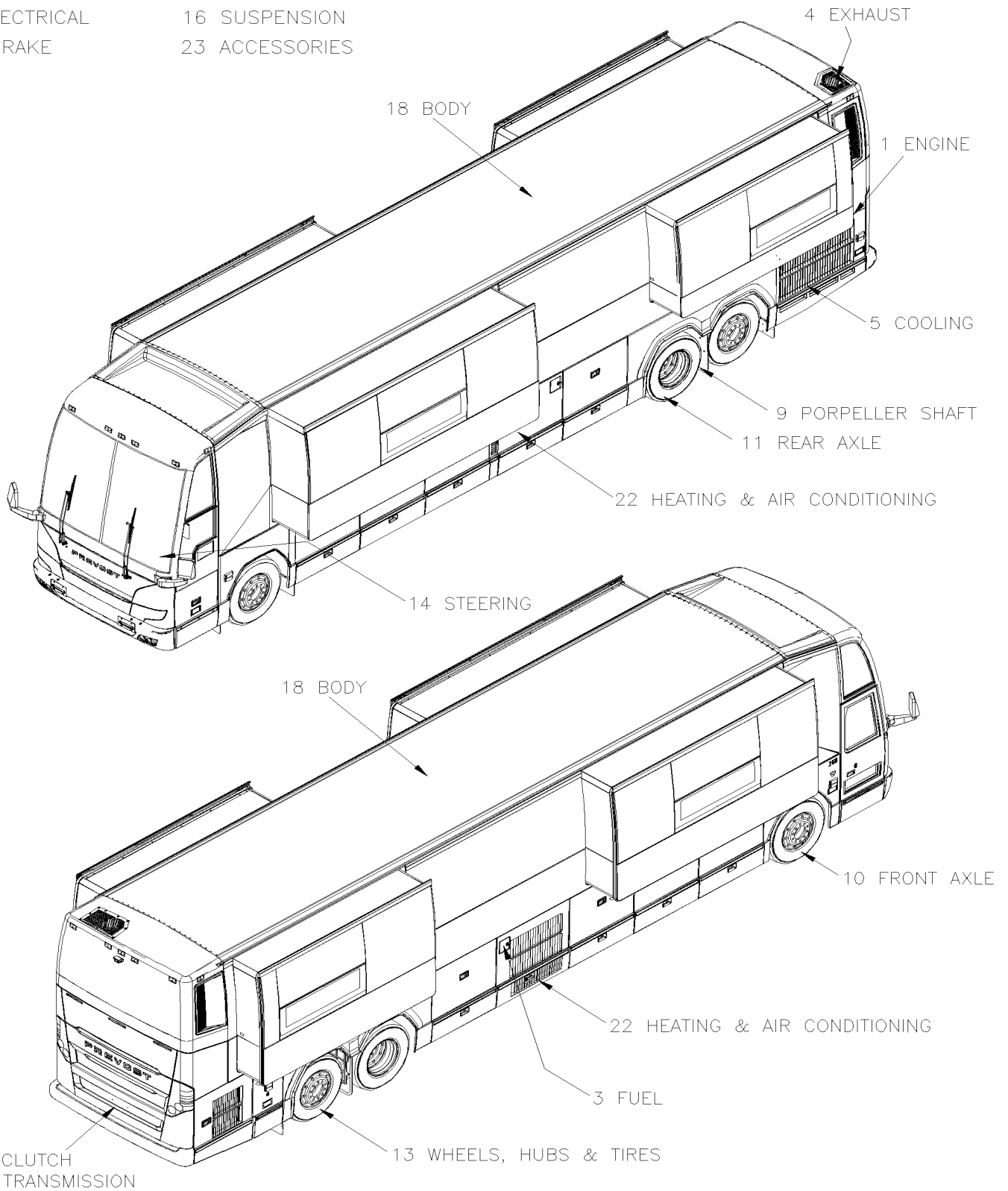
2 CLUTCH  
7 TRANSMISSION



	Date:10/2022	PAGE: H3-2007 @ 2018
H3-41, H3-45 & VIP-45 / 2007 - 2018 / VIN FROM 7-0671 TO J-0294		

6 ELECTRICAL  
12 BRAKE

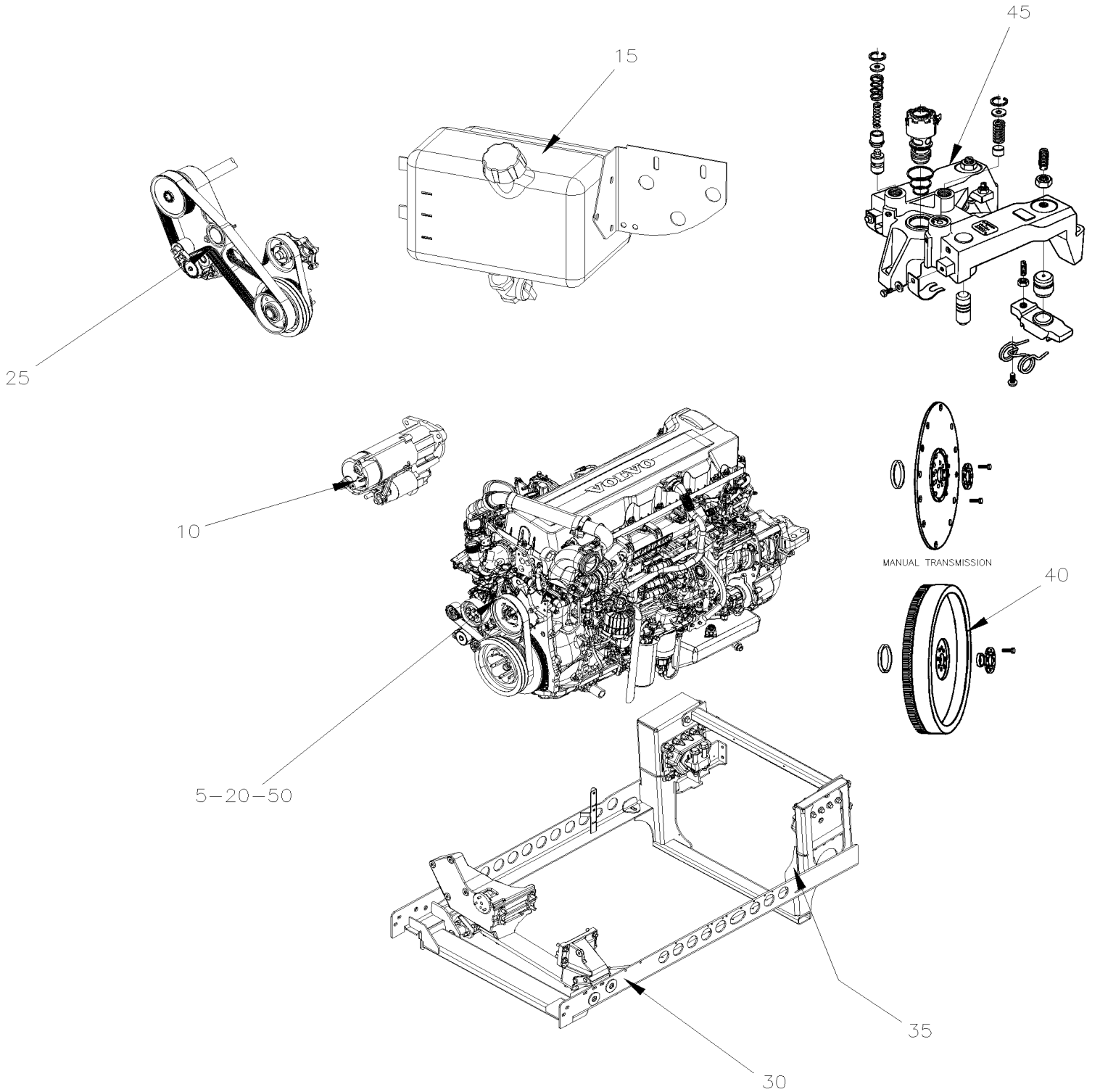
16 SUSPENSION  
23 ACCESSORIES



		Date:10/2022	PAGE: _H3-2007 @ 2018			
H3-41, H3-45 & VIP-45 / 2007 - 2018 / VIN FROM 7-0671 TO J-0294						

Item#	Part	Description	H 3 4 1	H 3 4 5	V I P 4 5	N O T E S
		FOR VEHICLES FROM 7-0671 TO 8-1044 7-0671				
		IF NO USE BOOK H3 2003 TO 2006 (PA-1160)				
1	H7-01	ENGINE				
2	H7-02	CLUTCH				
3	H7-03	FUEL				
4	H7-04	EXHAUST				
5	H7-05	COOLING				
6	H7-06	ELECTRICAL				
7	H7-07	TRANSMISSION				
9	H7-09	PROPELLER SHAFT				
10	H7-10	FRONT AXLE				
11	H7-11	REAR AXLE				
12	H7-12	BRAKE				
13	H7-13	WHEELS, HUBS & TIRES				
14	H7-14	STEERING				
16	H7-16	SUSPENSION				
18	H7-18	BODY				
22	H7-22	HEATING & AIR CONDITIONING				
23	H7-23	ACCESSORIES				
30	H7-SEATSET-00	PASSENGER'S SEAT SET				
40	H7-DRIVER-00	DRIVER'S SEAT				

	Date:10/2022	H7-01
ENGINE		



		Date:10/2022	H7-01			
ENGINE						
Item#	Part	Description	H 3 4 1	H 3 4 5	V I P 4 5	N O T E S
5	H7-0100-00	ENGINE WIRING HARNESS - INSTALLATION WITH "DETROIT" ENGINE From 7-0671 To A-1720				
5	H7-0100-05	VOLVO ENGINE CONTROL SYSTEM From 8-1202 To A-1720				
8	H7-0100-06	ENGINE WIRING HARNESS - INSTALLATION WITH VOLVO D13 From 8-1202 To E-2566				
8	H7-0100-07	ENGINE WIRING HARNESS - INSTALLATION WITH VOLVO D13 From E-2567 To J-0287				
10	H7-0100-10	STARTER - INSTALLATION From 7-0671 To J-0287				
15	H7-0105-00	ENGINE OIL RESERVOIR - PLASTIC DETROIT S-60 From 7-0671 To A-1720				
20	H7-0105-05	ENGINE OIL FILLER CAP & DIPSTICK WITH VOLVO D13 From 8-1202 To J-0287				
25	H7-0120-00	DRIVE PULLEY, BELTS & TENSIONER WITH DETROIT S-60 From 7-0671 To A-1720				
25	H7-0120-01	DRIVE PULLEY, BELTS & TENSIONER WITH VOLVO D13 & 2x140Amps From 8-1202 To A-1720				
25	H7-0120-02	DRIVE PULLEY, BELTS & TENSIONER WITH VOLVO D13 & 2x120Amps From B-1721 To D-2363				
25	H7-0120-03	DRIVE PULLEY, BELTS & TENSIONER WITH VOLVO D13 From D-2364 To J-0287				
30	H7-0150-00	ENGINE CRADLE - WITH DETROIT S-60 From 7-0671 To A-1720				
30	H7-0150-01	ENGINE CRADLE - WITH VOLVO D13 From 8-1202 To H-3734				
30	H7-0150-02	ENGINE CRADLE - WITH VOLVO D13 - GHG17 From H-3735 To J-0287				
35	H7-0155-10	ENGINE TRANSMISSION GUARD & AIR SHIELD From 7-0671 To J-0287				
35	H7-0155-20	ENGINE GUARD VOLVO D13 From D-2269 To J-0287				
40	H7-0160-00	FLYWHEEL - WITH MANUAL TRANS From 7-0671 To A-1720				
45	H7-0165-00	JACOB'S - ENGINE BRAKE - WITH DETROIT S-60 From 7-0671 To A-1720				
50	H7-0170-00	ENGINE "VOLVO" D-13 - SPECIFIC PARTS FOR PREVOST From 8-1202 To A-1720				





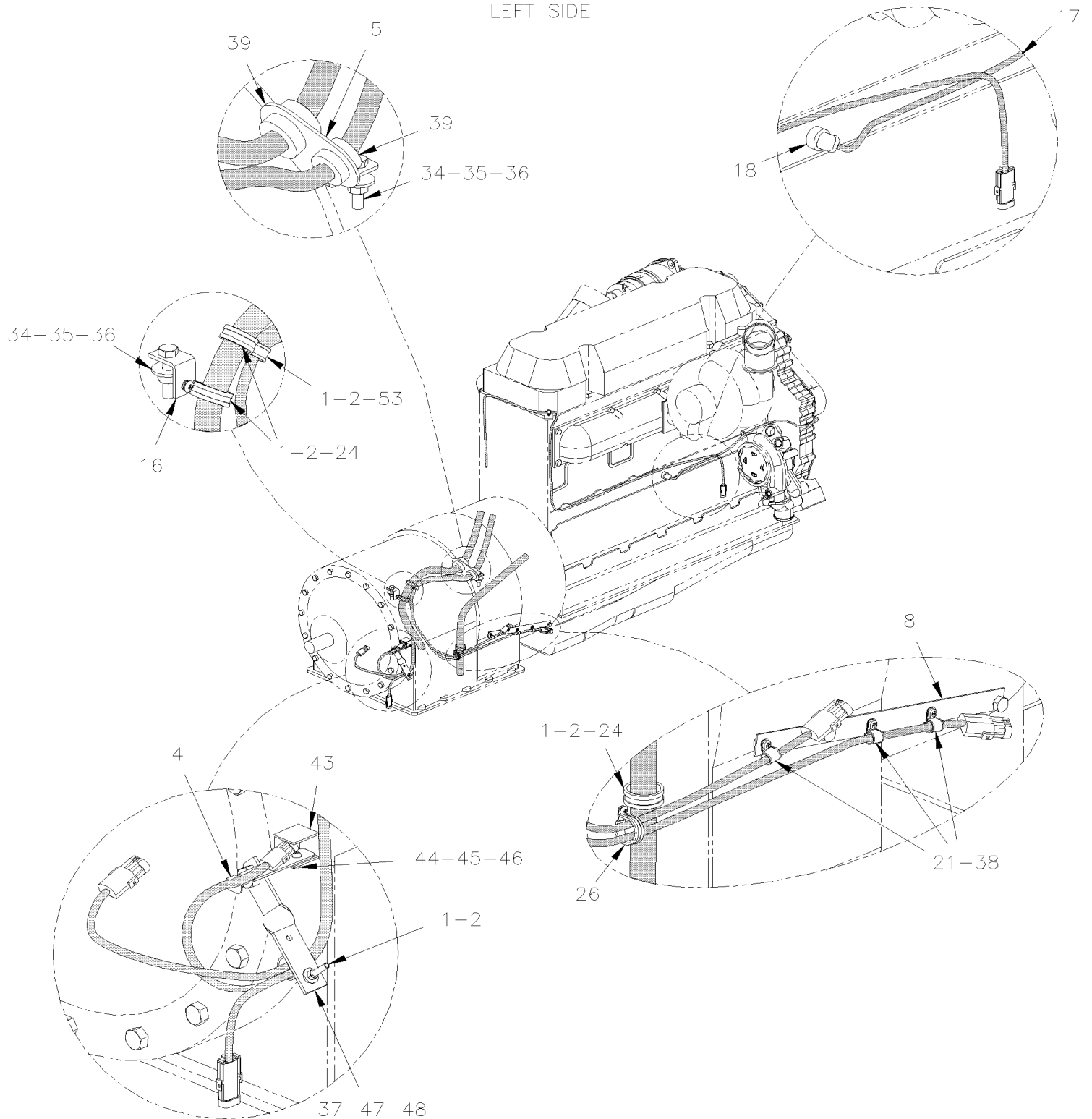
From 7-0671 To A-1720

Date:10/2022

PAGE:H7-0100-00

ENGINE WIRING HARNESS - INSTALLATION WITH "DETROIT" ENGINE

LEFT SIDE



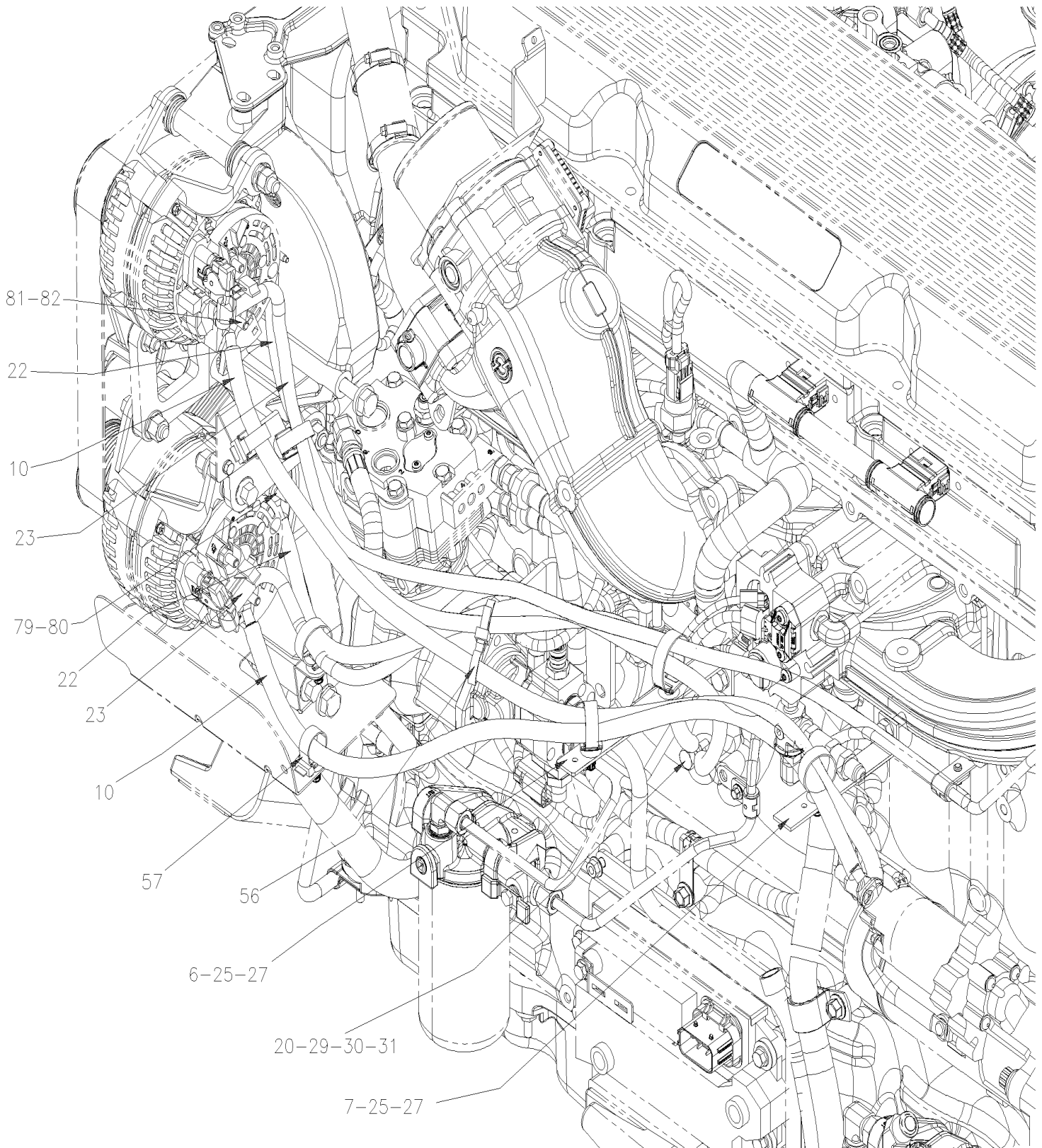


From 7-0671 To A-1720

Date:10/2022

PAGE:H7-0100-00

**ENGINE WIRING HARNESS - INSTALLATION WITH "DETROIT" ENGINE**



<b>From 7-0671 To A-1720</b>	<b>Date:10/2022</b>	<b>PAGE:H7-0100-00</b>
<b>ENGINE WIRING HARNESS - INSTALLATION WITH "DETROIT" ENGINE</b>		

Item#	Part	Description	H 3 4 1	H 3 4 5	V I P 4 5	N O T E S
1	500574	SCREW MA TR PH #10-24x1 1/4 SS	AR	AR	AR	
2	500786	NUT HEX #10-24 Z050	AR	AR	AR	
3	500440	WASHER FL .250x.562x.065 Z050	AR	AR	AR	
4	504637	CABLE TIE / 3/16" x 13"	AR	AR	AR	
5	071403	SUPPORT CABLE HARNESS / W/1 HOLE & 1 STUD / GEN IV	1	1	1	
6	065697	SUPPORT HARNESS / LONG	1	1	1	
7	010667	SUPPORT To A-1476	2	2	2	
7	067804	SUPPORT CABLE ENGINE / SS ANGLE 100 x 28 x 25.4 WIDE From A-1477	1	1	1	
8	071029	SUPPORT CABLE / STRAP 298MM	1	1	1	
9	952631	CLAMP / 3/4" I.D.	6	6	6	
10	064740	CABLE ASSY W/ALTERNATOR # 102-2/0 To A-1476	2	2	2	
10	067604	CABLE ASSY W/ALTERNATOR # 102-2/0 From A-1477	2	2	2	
11	952637	CLAMP / 1"1/16 I.D.	3	3	3	
12	070368	SUPPORT	1	1	1	
13	067312	CABLE ASSY # 0C To 8-1369	1	1	1	
13	067086	CABLE ASSY # 0C From 8-1370	1	1	1	
NS	062212	CABLE ASSY # 0B	2	2	2	
15	504016	CABLE TIE / 5/16" X 14"1/2	1	1	1	
16	061025	SUPPORT	1	1	1	
17	063295	CABLE ASSY / 110V BLOCK HEATER ENGINE SECTION	1	1	1	
18	564525	BLOCK HEATER	1	1	1	
19	5002254	WASHER FL .500X.750X.062, SS302	AR	AR	AR	
20	684013	RUBBER PROTECTOR / COLOR GUARD 14.5oz	AR	AR	AR	
21	952625	CLAMP / 3/8" I.D.	2	2	2	
22	067320	CABLE GROUND ALT "BOSCH" To A-1476	2	2	2	
22	067605	CABLE GROUND ALT "BOSCH" From A-1477	2	2	2	
NS	065729	CABLE GROUND ALT "DELCO"			2	
22	065685	CABLE ASSY / ECU & "DELCO" 50DN			1	
23	067091	CABLE ASSY / ECU & REAR JCT BOX / W/"DETROIT" To 9-1417	1	1		
23	067366	CABLE ASSY / ECU & REAR JCT BOX / W/"DETROIT" From 9-1418 To A-1476	1	1		
23	067427	CABLE ASSY / ECU & REAR JCT BOX / W/"DETROIT" From A-1477	1	1		
23	066831	CABLE ASSY / ECU & REAR JCT BOX / W/"DETROIT" To 7-0981			1	
23	067132	CABLE ASSY / ECU & REAR JCT BOX / W/"DETROIT" From 7-0982 To 8-1150			1	
23	067299	CABLE ASSY / ECU & REAR JCT BOX / W/"DETROIT" From 8-1151 To 9-1417			1	
23	067367	CABLE ASSY / ECU & REAR JCT BOX / W/"DETROIT" From 9-1418			1	
24	952635	CLAMP / 1" I.D.	3	3	3	
25	500257	WASHER LO SPT 10.2x18.1x2.2 Z050	AR	AR	AR	
26	060025	CLAMP / 5/8" I.D / W/HOLE 13/32"	1	1	1	
NS	952629	CLAMP / 5/8" I.D.	1	1	1	
26	952629	CLAMP / 5/8" I.D.	2	2	2	
27	502559	SCREW CAP HEX M10-1.5x25 G8.8 Z050	AR	AR	AR	
28	500441	WASHER FL .312x.734x.065 Z050	AR	AR	AR	



From 7-0671 To A-1720      Date:10/2022      PAGE:H7-0100-00

**ENGINE WIRING HARNESS - INSTALLATION WITH "DETROIT" ENGINE**

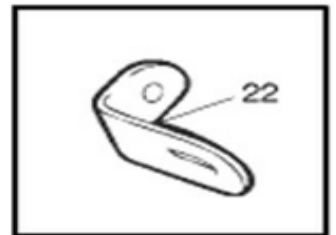
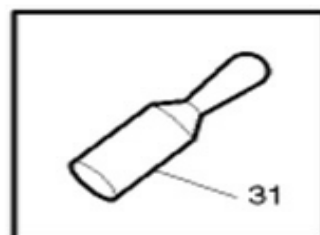
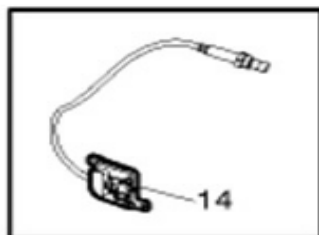
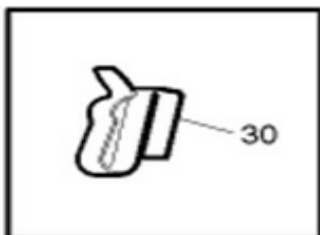
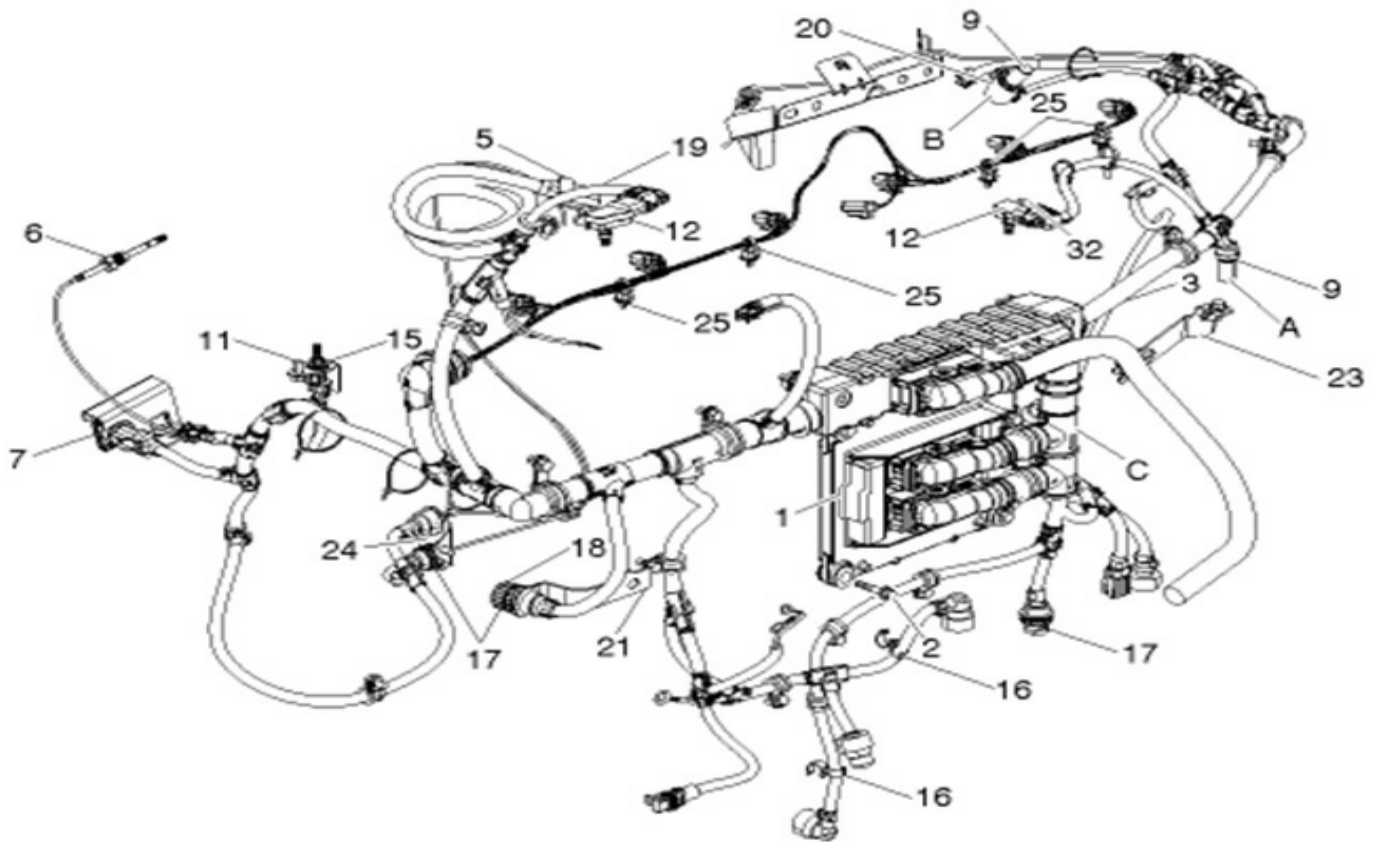
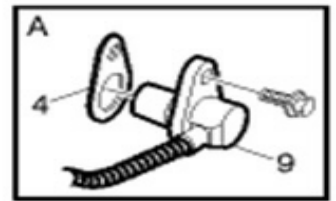
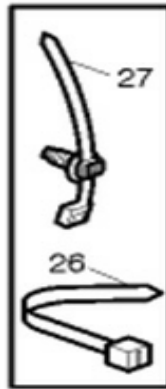
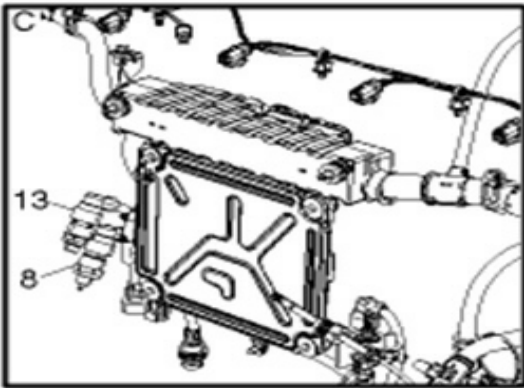
Item#	Part	Description	H 3 4 1	H 3 4 5	V I P 4 5	N O T E S
		R) WITH RETARDER				

From 8-1202 To A-1720

Date:10/2022

PAGE:H7-0100-05

## VOLVO ENGINE CONTROL SYSTEM



From 8-1202 To A-1720	Date:10/2022	PAGE:H7-0100-05
<b>VOLVO ENGINE CONTROL SYSTEM</b>		

Item#	Part	Description	H 3 4 1	H 3 4 5	V I P 4 5	N O T E S
1	21107008	CONTROL UNIT 1 / 6	1	1	1	
1	21300060	CONTROL UNIT 8 +	1	1	1	
NS	20946783	SHIELD CONTROL UNIT INSTAL	1	1	1	
2	947760	SCREW CAP HEXF M8-1.25x40 G8.8 ZP	4	4	4	
3	21033597	CABLE HARNESS ASSY 1 / 3	1	1	1	
3	21271767	CABLE HARNESS ASSY RXX 4 / 6	1	1	1	
3	21400265	CABLE HARNESS ASSY RXX 8 +	1	1	1	
3	21159796	CABLE HARNESS ASSY PH/PX 4 / 6	1	1	1	
3	21400113	CABLE HARNESS ASSY PH/PX 8 +	1	1	1	
4	20556179	SHIM	1	1	1	
5	20738963	HUMIDITY SENSOR 1	1	1	1	
5	21046544	HUMIDITY SENSOR 3 +	1	1	1	
6	21010707	TEMPERATURE SENSOR DP MIX CHAMBER TEMP	1	1	1	
7	20930137	PRESSURE SENSOR EGR DIFF PRESSURE 1 / 4	1	1	1	
NS	21364040	O-RING SENSOR INSTAL 1 / 4	2	2	2	
7	21304786	PRESSURE SENSOR EGR DIFF PRESSURE 5 +	1	1	1	
8	<b>20796744</b>	<b>PRESSURE SENSOR,CRANKCASE TB-130329258-1</b>	1	1	1	
9	<b>20513343</b>	<b>SENSOR,ENGINE SPEED TB-128951072-1</b>	2	2	2	
10	20556179	SHIM	AR	AR	AR	
11	20513340	SENSOR COOLANT TEMPERATURE	1	1	1	
12	20524936	PRESSURE SENSOR BOOST PRESSURE/TEMP	2	2	2	
13	20886108	PRESSURE SENSOR OIL PRESSURE	1	1	1	
14	20789066	SENSOR NOX ASSY W/CABLE 1	1	1	1	
14	21069361	SENSOR NOX ASSY W/CABLE 3 / 8	1	1	1	
14	21346963	SENSOR "NOX" / SCR FILTER 9 To A-1719	1	1	1	
14	21479637	SENSOR "NOX" / SCR FILTER 9 From A-1720 To A-1720	1	1	1	
14	21567763	SENSOR "NOX" / SCR FILTER From B-1721 To D-2268	1	1	1	
14	21636088	SENSOR "NOX" / SCR FILTER From D-2269 To D-2363	1	1	1	
14	22014032	SENSOR "NOX" / SCR FILTER From D-2364 To G-3205	1	1	1	
14	22303391	SENSOR "NOX" / SCR FILTER From G-3206	1	1	1	
15	20771140	HEAT SHIELD 1 / 3	1	1	1	
15	20857215	HEAT SHIELD 4 +	1	1	1	
16	21018335	CAP	3	3	3	
17	3963413	RING LOCK / AMP 964610-1	4	4	4	
18	20374157	CAP	2	2	2	
19	20448962	HOUSING	1	1	1	
20	20749801	HEAT SHIELD	1	1	1	
21	20577191	BRACKET	1	1	1	
22	965576	BRACKET	1	1	1	
23	20590744	BRACKET	1	1	1	
24	3832422	BRACKET	1	1	1	
25	8131393	RETAINER	4	4	4	



From 8-1202 To A-1720	Date:10/2022	PAGE:H7-0100-05
<b>VOLVO ENGINE CONTROL SYSTEM</b>		

Item#	Part	Description	H 3 4 1	H 3 4 5	V I P 4 5	N O T E S
26	20885496	RETAINER	AR	AR	AR	
NS	948210	CABLE TIE 190MM	2	2	2	
26	948211	CABLE TIE 275MM	AR	AR	AR	
26	983472	CABLE TIE HIGHT TEMP	AR	AR	AR	
27	980881	CABLE TIE 200MM W/PUSH-IN RETAINER	AR	AR	AR	
28	945081	CLAMP / 7/8" I.D.	1	1	1	
28	946834	CLAMP 11.1MM	1	1	1	
28	949746	CLAMP 12.7MM	AR	AR	AR	
28	949747	CLAMP / 5/8" I.D.	AR	AR	AR	
28	949786	CLAMP 20.0MM	AR	AR	AR	
28	949997	CLAMP 31.8MM	AR	AR	AR	
28	977743	CLAMP 15.9MM	1	1	1	
28	981664	CLAMP 15.9MM	1	1	1	
29	944926	SCREW CAP HEXF M8-1.25x14	1	1	1	
29	946173	SCREW CAP HEXF M8-1.25x20	2	2	2	
29	946440	SCREW CAP HEXF M12-1.75x140 G8.8 MAGNI 565	18	18	18	
29	5001742	SCREW CAP HEXF M8-1.25x30 G8.8 N500	AR	AR	AR	
29	946934	SCREW CAP HEXF M6-1.0x20	1	1	1	
30	20786586	WIRES JUMPER @ERG VALVE	1	1	1	
31	3988328	BRACKET PH/PX	1	1	1	
32	984936	RETAINER 7th INJECTOR HARNESS	4	4	4	
33	3545508	RETAINER	3	3	3	
34	21029459	BRACKET	1	1	1	
35	961613	NUT WD SQ M6-1.0	AR	AR	AR	



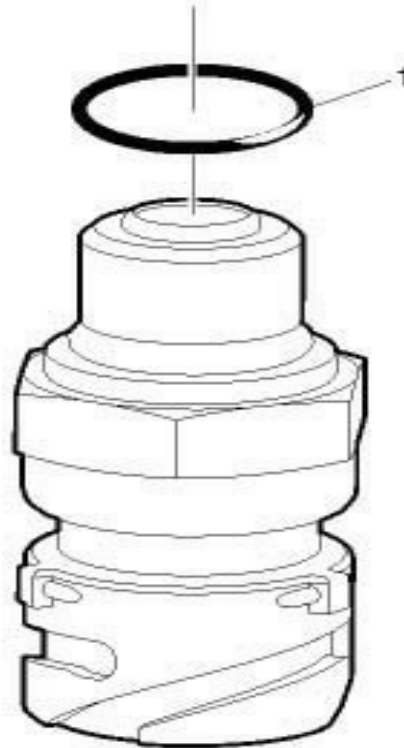
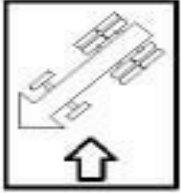


From 8-1202 To A-1720

Date:10/2022

PAGE:20796744

PRESSURE SENSOR,CRANKCASE TB-130329258-1



From 8-1202 To A-1720	Date:10/2022	PAGE:20796744
-----------------------	--------------	---------------

**PRESSURE SENSOR,CRANKCASE TB-130329258-1**

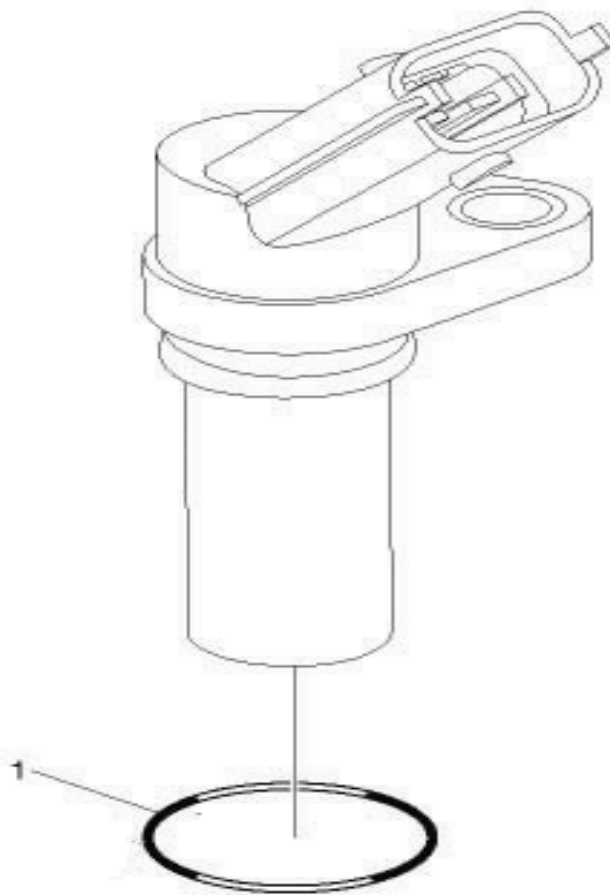
Item#	Part	Description	H 3 4 1	H 3 4 5	V I P 4 5	N O T E S
1	968559	O-RING (PRESSURE SENSOR)	1	1	1	

From 8-1202 To A-1720

Date:10/2022

PAGE:20513343

SENSOR,ENGINE SPEED TB-128951072-1



From 8-1202 To A-1720	Date:10/2022	PAGE:20513343
<b>SENSOR,ENGINE SPEED TB-128951072-1</b>		

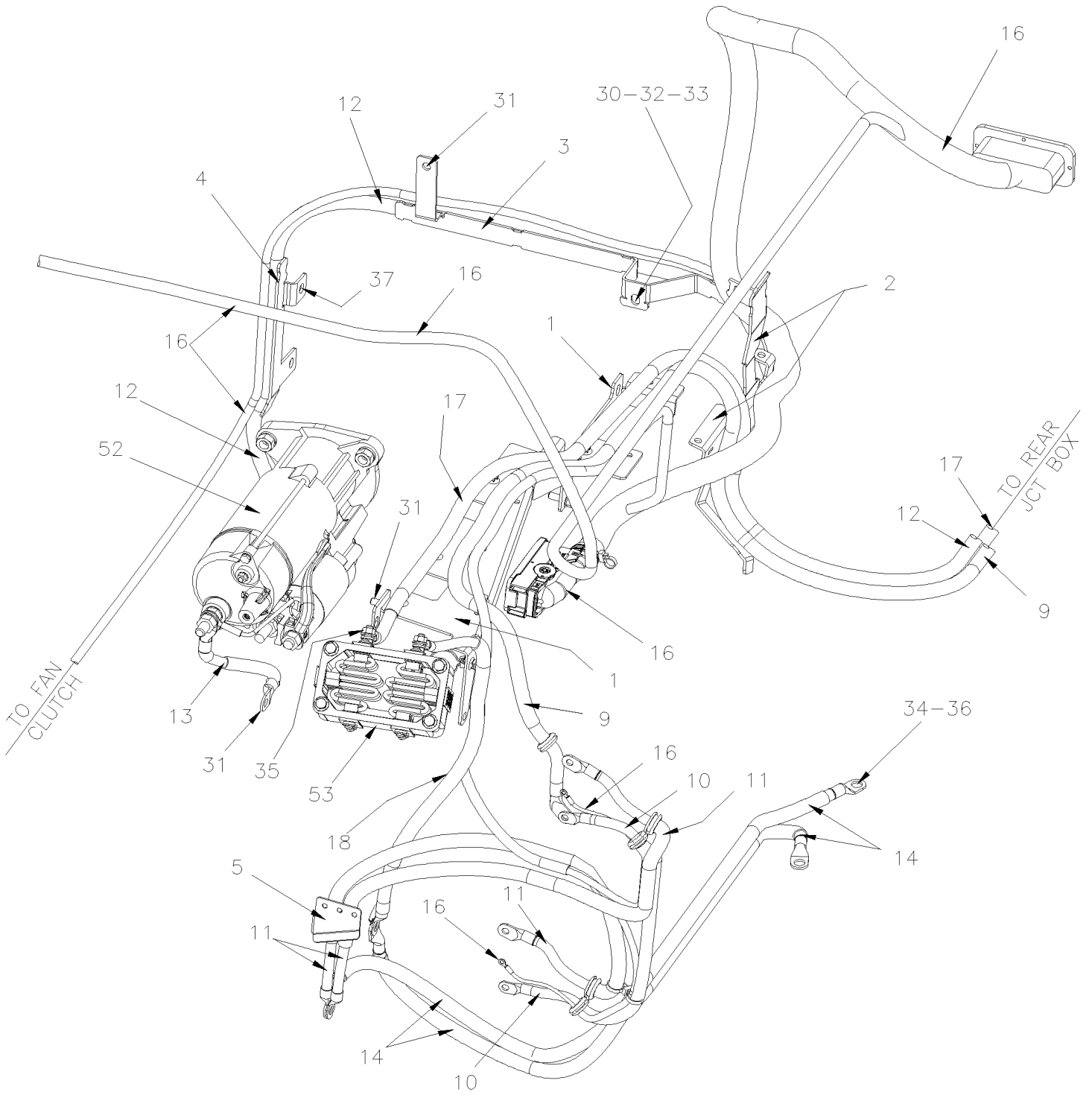
Item#	Part	Description	H 3 4 1	H 3 4 5	V I P 4 5	N O T E S
1	20966752	O-RING	1	1	1	

From 8-1202 To E-2566

Date:10/2022

PAGE:H7-0100-06

## ENGINE WIRING HARNESS - INSTALLATION WITH VOLVO D13



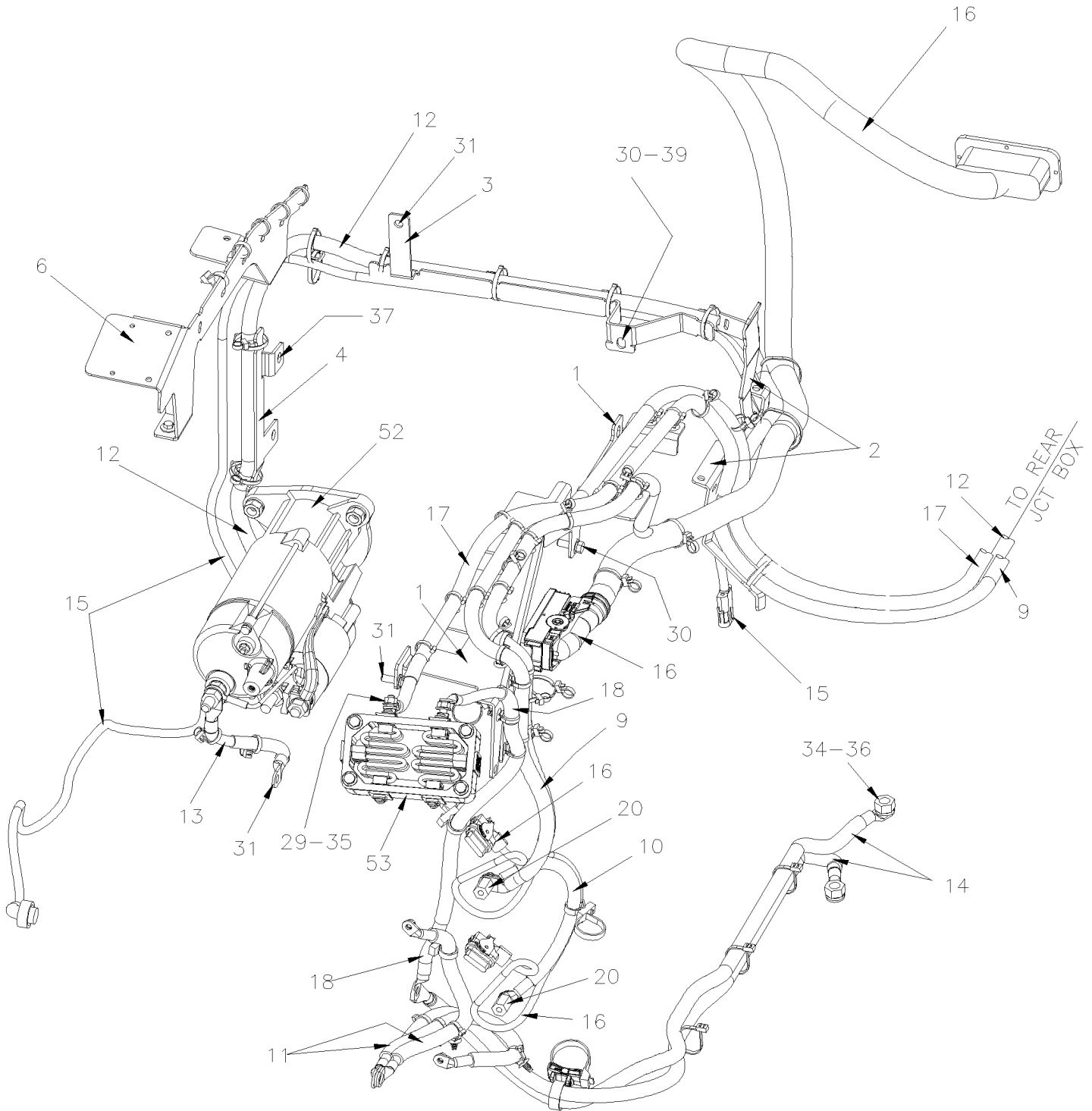
WITH 2 ALTERNATOR 240-140AMP  
AND EPA 2007

From 8-1202 To E-2566

Date:10/2022

PAGE:H7-0100-06

## ENGINE WIRING HARNESS - INSTALLATION WITH VOLVO D13



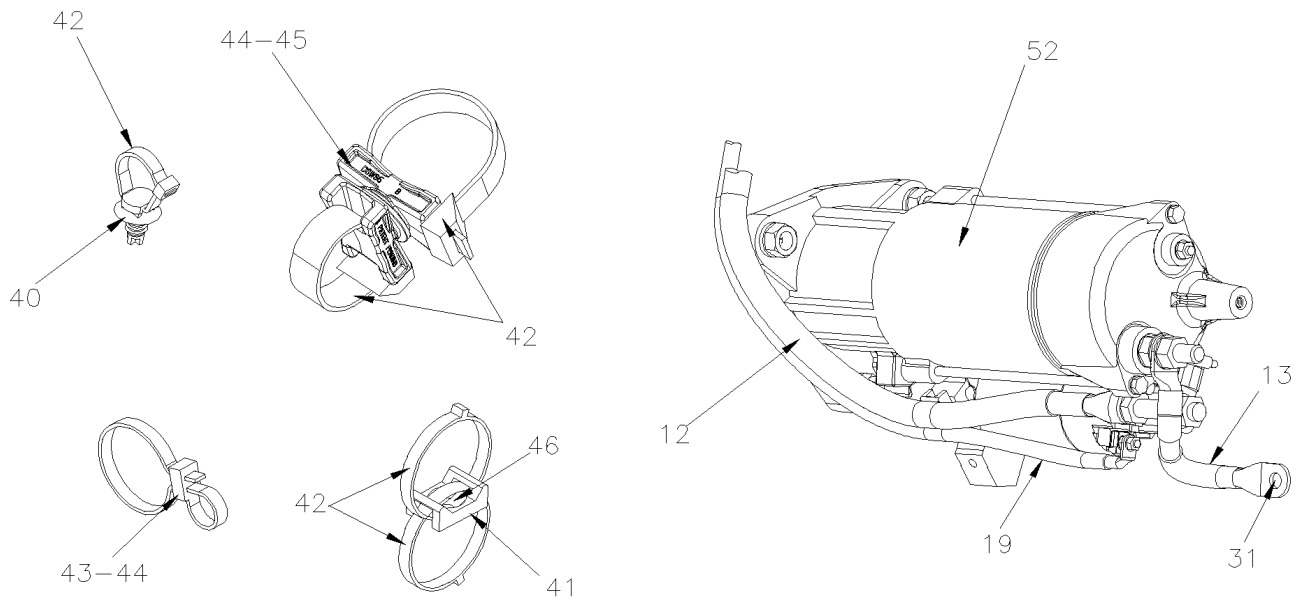
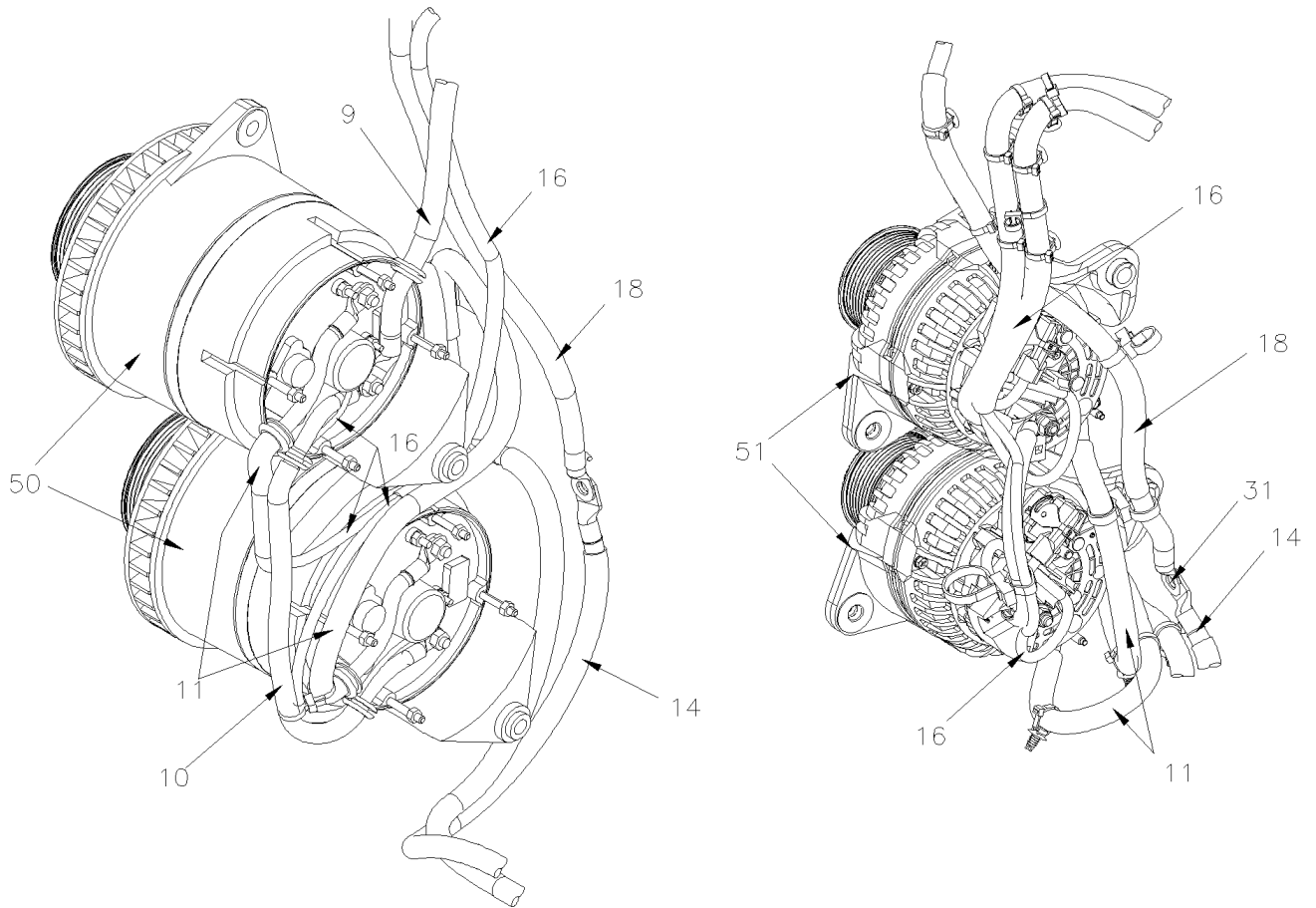
WITH 2 ALTERNATOR 24V-120AMP  
EPA 2010

From 8-1202 To E-2566

Date:10/2022

PAGE:H7-0100-06

## ENGINE WIRING HARNESS - INSTALLATION WITH VOLVO D13



<b>From 8-1202 To E-2566</b>	<b>Date:10/2022</b>	<b>PAGE:H7-0100-06</b>
<b>ENGINE WIRING HARNESS - INSTALLATION WITH VOLVO D13</b>		

Item#	Part	Description	H 3 4 1	H 3 4 5	V I P 4 5	N O T E S
1	012512	SUPPORT CABLE To A-1677	1	1	1	
1	012691	SUPPORT CABLE From A-1678 To E-2662	1	1	1	
1	012798	SUPPORT CABLE From E-2663	1	1	1	
2	012526	SUPPORT CABLE COMPRESSOR To A-1677	1	1	1	
2	012682	SUPPORT CABLE COMPRESSOR From A-1678	1	1	1	
3	012527	SUPPORT CABLE REAR ENGINE To A-1677	1	1	1	
3	012689	SUPPORT CABLE REAR ENGINE From A-1678	1	1	1	
4	012530	SUPPORT CABLE STARTOR MOTOR To A-1677	1	1	1	
4	012690	SUPPORT CABLE STARTOR MOTOR From A-1678	1	1	1	
5	067206	SUPPORT CABLE GROUND ALTERNATOR To D-2363	1	1	1	
5	068541	SUPPORT CABLE GROUND ALTERNATOR From D-2364	1	1	1	
6	068102	SUPPORT CABLE & FIRE HARNESS From A-1678 To D-2163	1	1	1	A
6	068552	SUPPORT CABLE & FIRE HARNESS From D-2164	1	1	1	A
7	012523	SUPPORT CABLE / NEAR LOWER ENGINE OIL FILTER ANGLE SS W/5 HOLES	1	1	1	
9	067089	CABLE ASSY W/ALTERNATOR # 102-2/0 To A-1677	1	1	1	
. NS	504064	. GROMMET / .562x.812x.125x1.062 To A-1677	1	1	1	
9	068122	CABLE ASSY W/ALTERNATOR # 102-2/0 To A-1677			1	
9	067797	CABLE ASSY W/ALTERNATOR # 102-2/0 From A-1678 To D-2363	1	1	1	
9	067962	CABLE ASSY W/ALTERNATOR # 102-2/0 From D-2364	1	1	1	
10	067085	CABLE ALT POWER HARNESS W/VOLVO To A-1677	1	1	1	
10	067835	CABLE ALT POWER HARNESS W/VOLVO From A-1678	1	1	1	
11	067202	CABLE ALTERNATOR GROUND BODY To A-1677	2	2	2	
. NS	504064	. GROMMET / .562x.812x.125x1.062 To A-1677	1	1	1	
11	067796	CABLE ALTERNATOR GROUND BODY From A-1678	1	1	1	
12	067087	CABLE ASSY SW24V TO STARTER To D-2363	1	1		
12	067284	CABLE ASSY SW24V TO STARTER To D-2363			1	
12	067961	CABLE ASSY SW24V TO STARTER From D-2364	1	1	1	
13	067086	CABLE ASSY # 0C	1	1	1	
NS	684013	RUBBER PROTECTOR / COLOR GUARD 14.5oz	AR	AR	AR	
14	067203	CABLE GROUND MOTOR TO BODY	2	2	2	
15	067413	CABLE ASSY / 110V BLOCK HEATER ENGINE SECTION To D-2271	1	1	1	
NS	068723	CABLE ASSY / 110V BLOCK HEATER From D-2272	1	1	1	
16	067090	CABLE ASSY / ECU & REAR JCT BOX / W/"VOLVO" To A-1677	1	1		
16	067798	CABLE ASSY / ECU & REAR JCT BOX / W/"VOLVO" From A-1678 To A-1720	1	1		
16	067600	CABLE ASSY / ECU & REAR JCT BOX / W/"VOLVO" From B-1721 To C-1885	1	1		
16	068406	CABLE ASSY / ECU & REAR JCT BOX / W/"VOLVO" From C-1886 To C-2058	1	1		
16	068429	CABLE ASSY / ECU & REAR JCT BOX / W/"VOLVO" From C-2059 To D-2363	1	1		
16	068566	CABLE ASSY / ECU & REAR JCT BOX / W/"VOLVO" From D-2364 To E-2539	1	1		
16	068907	CABLE ASSY / ECU & REAR JCT BOX / W/"VOLVO" From E-2540 To E-2661	1	1		
16	068982	CABLE ASSY / ECU & REAR JCT BOX / W/"VOLVO" From E-2662 To F-2751	1	1		



From 8-1202 To E-2566	Date:10/2022	PAGE:H7-0100-06
<b>ENGINE WIRING HARNESS - INSTALLATION WITH VOLVO D13</b>		

Item#	Part	Description	H 3 4 1	H 3 4 5	V I P 4 5	N O T E S
16	069085	CABLE ASSY / ECU & REAR JCT BOX / W/"VOLVO" From F-2752 To F-2861	1	1		
16	069207	CABLE ASSY / ECU & REAR JCT BOX / W/"VOLVO" From F-2862	1	1		
16	067850	CABLE ASSY / ECU & REAR JCT BOX / W/"VOLVO" From B-1721 To D-2363			1	
16	068813	CABLE ASSY / ECU & REAR JCT BOX / W/"VOLVO" From D-2364 To E-2539			1	
16	068910	CABLE ASSY / ECU & REAR JCT BOX / W/"VOLVO" From E-2540 To E-2661			1	
16	069004	CABLE ASSY / ECU & REAR JCT BOX / W/"VOLVO" From E-2662			1	
NS	067904	CABLE ASSY / ALTERNATOR & CABLE From B-1721 To D-2363			1	
. NS	564469	. CONNECTOR / MKR-PLUS / SH 5C / G&H 18241 000 000 From B-1721 To D-2363			1	
. NS	562479	. CONNECTOR / DT SERIES / PH 4C / GRAY / DEUTSCH DT04-4P-C015 From B-1721 To D-2363			1	
16	068567	CABLE ASSY / ALTERNATOR & CABLE From D-2364			1	
NS	067932	CABLE ASSY / GROUND From B-1721			1	
. NS	562477	. CONNECTOR / DT SERIES / SH 4C / GRAY / DEUTSCH DT06-4S From B-1721			1	
. NS	560083	. RING TERMINAL .375 / 16-14 / INSULATED / AMP 160467-2 From B-1721			1	
16	068570	CABLE ASSY / GROUND From E-2524			1	
16	068515	EXTENSION / ALTERNATOR & COMPRESSOR From C-2059			1	
17	067101	CABLE HEATER ELEMENT RELAY	1	1	1	
17	067283	CABLE HEATER ELEMENT RELAY To A-1677	1	1	1	
17	067889	CABLE HEATER ELEMENT RELAY From A-1678	1	1	1	
18	067102	CABLE NEG HEATER ELEMENT	1	1	1	
NS	5001182	NUT HEX NYRT M6-1.0 SS	2	2	2	
NS	502573	WASHER FL 6.4x12.5x1.6 SS	2	2	2	
19	067326	CABLE ASSY / STARTOR "MELCO" H3 W/D13	1	1	1	
20	564159	ADAPTOR STUD M8 Male x M8 Female M8-1.25 x 18MM SS To E-2583	2	2	2	
20	564590	ADAPTOR STUD M8 Male x M8 Female M8-1.25 x 18MM SS From E-2584	2	2	2	
29	5001736	WASHER FL 8.4x18.0x2.0 N500 To E-2583	1	1	1	
29	5001341	WASHER FL 8.4x17.0x1.6 SS From E-2584	1	1	1	
30	507637	SCREW CAP HEXF M8-1.25x20 G10.9 PHC	8	8	8	
31	5001780	SCREW CAP HEXF M8-1.25x16 G8.8 N500	4	4	4	
32	5001751	WASHER FL 10.5x26.0x2.0 N500	4	4	4	
33	5001737	WASHER LO SPT 10.2x18.1x2.2 N500	4	4	4	
34	502595	NUT HEX NYRT 1/2-13 Z050	2	2	2	
35	502847	NUT HEX NYRT M8-1.25 N500 To E-2583	2	2	2	
35	5001787	NUT HEX NYRT M8-1.25 SS From E-2584	2	2	2	
35	5001341	WASHER FL 8.4x17.0x1.6 SS	2	2	2	
36	500958	WASHER FL .531x1.062x.095 SS	2	2	2	
37	5001755	SCREW CAP HEX M12-1.75x30 G8.8 N500	2	2	2	
38	5001786	SCREW CAP HEXF M12-1.75x30 G8.8 N500	2	2	2	
39	5001834	WASHER BEL SPR 10.5X23X2.5 N500	1	1	1	
40	509815	TIE MOUNT / ATTACHMENT W/TREE MOUNT	AR	AR	AR	
41	504013	TIE MOUNT / 1/4" X 1/4" I.D.	AR	AR	AR	
42	504637	CABLE TIE / 3/16" x 13"	AR	AR	AR	

From 8-1202 To E-2566	Date:10/2022	PAGE:H7-0100-06
<b>ENGINE WIRING HARNESS - INSTALLATION WITH VOLVO D13</b>		

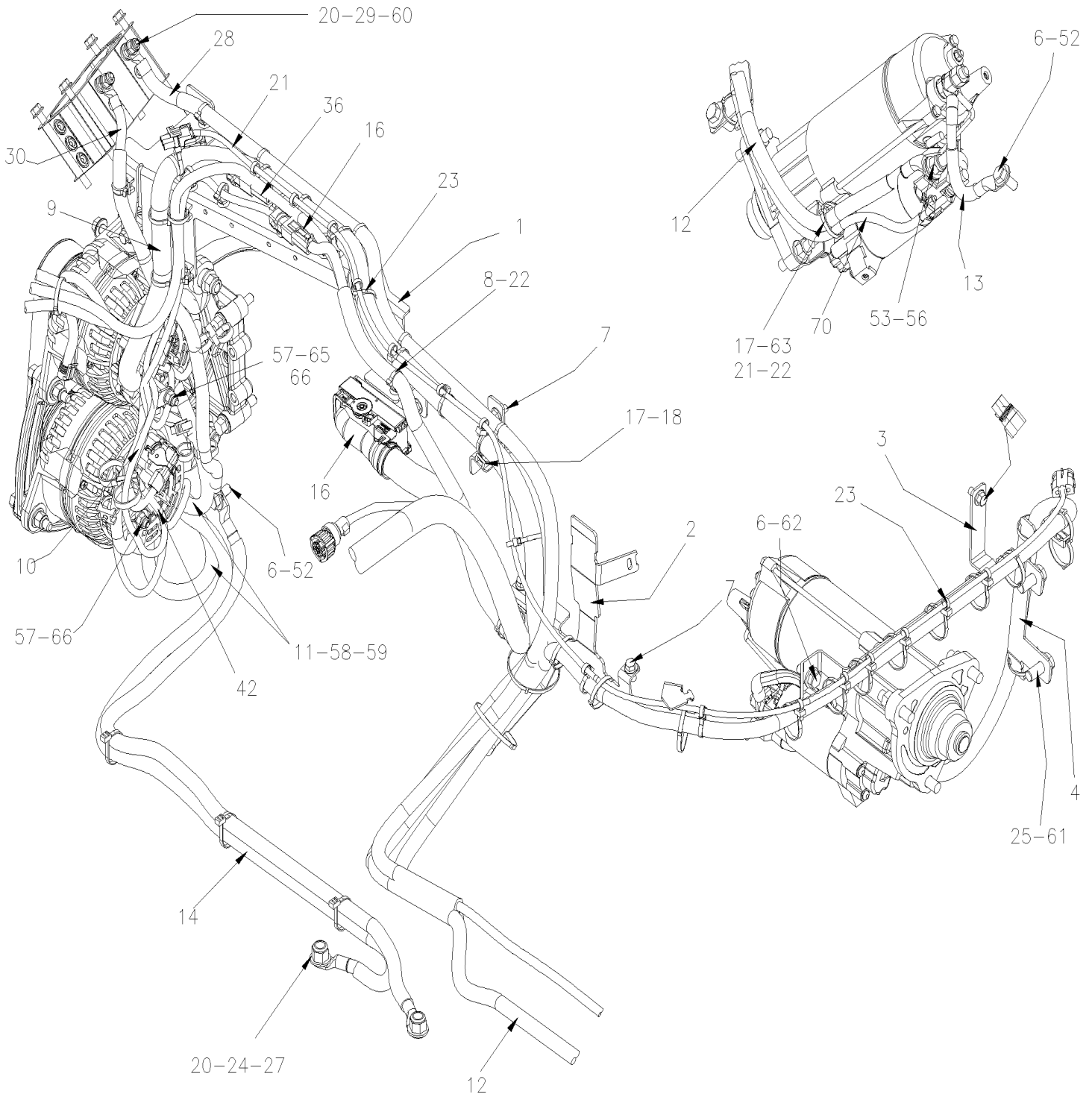
Item#	Part	Description	H 3 4 1	H 3 4 5	V I P 4 5	N O T E S
42	504016	CABLE TIE / 5/16" X 14"1/2	AR	AR	AR	
42	509491	CABLE TIE / 13MM x 383MM	AR	AR	AR	
43	507664	CABLE TIE / 3/16" 11" / DOUBLE LOOP HEAD	AR	AR	AR	
44	507665	CABLE TIE / 1/2" X 20" / TRIPPLE LOOP HEAD	AR	AR	AR	
45	504752	ROTATIF SPACER DOUBLE / LARGE	AR	AR	AR	
46	502817	SCREW MA PAN PH M6-1.0x16 N500	1	1	1	
50	<b>H7-0605-00</b>	<b>ALTERNATOR 24V/140 AMPS / "BOSCH"</b>				
51	<b>H7-0605-01</b>	<b>ALTERNATOR 24V/120 AMPS / "BOSCH"</b>				
52	<b>H7-0100-10</b>	<b>STARTER - INSTALLATION</b>				
53	Refer To Volvo	AIR INTAKE PRE HEATER ASSY	1	1	1	V
		A) AS SHOWN				
		V) SEE IMPACT OR CALL ORDER DESK				

From E-2567 To J-0287

Date:10/2022

PAGE:H7-0100-07

## ENGINE WIRING HARNESS - INSTALLATION WITH VOLVO D13



From E-2567 To J-0287	Date:10/2022	PAGE:H7-0100-07
<b>ENGINE WIRING HARNESS - INSTALLATION WITH VOLVO D13</b>		

Item#	Part	Description	H 3 4 1	H 3 4 5	V I P 4 5	N O T E S
1	012798	SUPPORT CABLE To G-3121	1	1	1	
1	012944	SUPPORT CABLE From G-3122 To H-3734	1	1	1	
1	012951	MAIN SUPPORT ENGINE HARNESS From H-3735	1	1	1	
1	507383	TIE MOUNT HOLE 3/8"	1	1	1	
NS	502830	SCREW CAP HEX M6-1.0x20 G8.8 N500	1	1	1	
NS	5001833	WASHER BEL SPR 6.1x18x1.27 SS	1	1	1	
NS	5001932	NUT HEXF NYRT M6-1.0 G8.8 N500	1	1	1	
2	012692	SUPPORT CABLE COMPRESSOR	1	1	1	
3	012689	SUPPORT CABLE REAR ENGINE	1	1	1	
4	012690	SUPPORT CABLE STARTOR MOTOR To F-2981	1	1	1	
4	019227	SUPPORT CABLE STARTOR MOTOR From F-2982	1	1	1	
5	<b>H7-0610-06</b>	<b>ALTERNATOR MOUNTING / "BOSCH" VOLVO D13</b>	1	1	1	
6	502804	SCREW CAP HEX M10-1.5x25 G8.8 N500	4	4	4	
7	5001780	SCREW CAP HEXF M8-1.25x16 G8.8 N500	7	7	7	
8	509815	TIE MOUNT / ATTACHMENT W/TREE MOUNT	AR	AR	AR	
9	067962	CABLE ASSY W/ALTERNATOR # 102-2/0 To F-2922	1	1	1	
9	069184	CABLE ASSY W/ALTERNATOR # 102-3/0 From F-2751 To F-2922	1	1	1	A
9	069184	CABLE ASSY W/ALTERNATOR # 102-3/0 From F-2923 To H-3734	1	1	1	
9	069635	CABLE ASSY W/ALTERNATOR # 102-3/0 From H-3735	1	1	1	
10	067835	CABLE ALT POWER HARNESS W/VOLVO	1	1	1	
10	7770335	CHARGING SYSTEM IMPROVEMENT, ELECTRICAL From F-2695 To G-3324	1	1	1	B
. NS	062490	. SLEEVE, HEAT SHRINKING 6" From F-2695 To G-3324	1	1	1	B
. NS	067835	. CABLE ALT POWER HARNESS W/VOLVO From F-2695 To G-3324	1	1	1	B
. NS	564055	. SOCKET TERMINAL / 18-16 / PED 12110847 From F-2695 To G-3324	1	1	1	B
. NS	060297	. ADAPTOR STUD M8 Male x M8 Female + FLANGE M8-1.25 x 18MM SS From F-2695 To G-3324	1	1	1	B
. NS	5001341	. WASHER FL 8.4x17.0x1.6 SS From F-2695 To G-3324	3	3	3	B
. NS	5001983	. NUT HEX NYRT M8-1.25 SS SS BK From F-2695 To G-3324	2	2	2	B
. NS	12089679	. CABLE SEAL / VIOLET / PED 12089679 From F-2695 To G-3324	1	1	1	B
11	067796	CABLE ALTERNATOR GROUND BODY To H-3657	2	2	2	
11	069639	CABLE ALTERNATOR GROUND BODY From H-3657	2	2	2	
12	067961	CABLE ASSY SW24V TO STARTER	1	1	1	
13	067086	CABLE ASSY # 0C	1	1	1	
14	067203	CABLE GROUND MOTOR TO BODY	2	2	2	
16	068907	CABLE ASSY / ECU & REAR JCT BOX / W/"VOLVO" To E-2661	1	1		
16	068982	CABLE ASSY / ECU & REAR JCT BOX / W/"VOLVO" From E-2662 To F-2751	1	1		
16	069085	CABLE ASSY / ECU & REAR JCT BOX / W/"VOLVO" From F-2752 To F-2861	1	1		
16	069207	CABLE ASSY / ECU & REAR JCT BOX / W/"VOLVO" From F-2862 To H-3734	1	1		
16	069655	CABLE ASSY / ECU & REAR JCT BOX / W/"VOLVO" From H-3735	1	1		
16	068910	CABLE ASSY / ECU & REAR JCT BOX / W/"VOLVO" To F-2751			1	
16	069004	CABLE ASSY / ECU & REAR JCT BOX / W/"VOLVO" From F-2752 To F-2861			1	
16	069088	CABLE ASSY / ECU & REAR JCT BOX / W/"VOLVO" From F-2862 To H-3734			1	

From E-2567 To J-0287	Date:10/2022	PAGE:H7-0100-07
<b>ENGINE WIRING HARNESS - INSTALLATION WITH VOLVO D13</b>		

Item#	Part	Description	H 3 4 1	H 3 4 5	V I P 4 5	N O T E S
16	069655	CABLE ASSY / ECU & REAR JCT BOX / W/"VOLVO" From H-3735			1	
16	068515	EXTENSION / ALTERNATOR & COMPRESSOR To F-2695			1	
16	069111	EXTENSION / ALTERNATOR & COMPRESSOR From F-2696			1	
17	504013	TIE MOUNT / 1/4" X 1/4" I.D.	AR	AR	AR	
18	504379	RIVET POP DOME OE 3/16x1/4 SS	AR	AR	AR	
18	5001137	WASHER FL .203x.438x.050 SS	AR	AR	AR	
20	684013	RUBBER PROTECTOR / COLOR GUARD 14.5oz	AR	AR	AR	
21	069062	CABLE THERMO DETECTOR (LINEAR FIRE CABLE) / 1.6M / 168C/180C // 334F/356F	1	1	1	
22	504637	CABLE TIE / 3/16" x 13"	AR	AR	AR	
22	504016	CABLE TIE / 5/16" X 14" 1/2	AR	AR	AR	
23	507664	CABLE TIE / 3/16" 11" / DOUBLE LOOP HEAD	AR	AR	AR	
24	500958	WASHER FL .531x1.062x.095 SS	2	2	2	
25	5001866	SCREW CAP HEX M12-1.75x30 G10.9 N500	2	2	2	
27	502595	NUT HEX NYRT 1/2-13 Z050	2	2	2	
28	067101	CABLE HEATER ELEMENT RELAY	1	1	1	
29	502847	NUT HEX NYRT M8-1.25 N500 To F-2712	2	2	2	
29	5001787	NUT HEX NYRT M8-1.25 SS From F-2712	2	2	2	
30	067102	CABLE NEG HEATER ELEMENT	1	1	1	
36	068567	CABLE ASSY / ALTERNATOR & CABLE	1	1	1	
42	068570	CABLE ASSY / GROUND	1	1	1	
52	500270	WASHER FL .406x1.000x.063 SS	3	3	3	
53	5001761	NUT HEXF NYRT M12-1.75 G8 N500	1	1	1	
56	500958	WASHER FL .531x1.062x.095 SS	1	1	1	
57	5001341	WASHER FL 8.4x17.0x1.6 SS	3	3	3	
58	5001182	NUT HEX NYRT M6-1.0 SS	1	1	1	
59	502573	WASHER FL 6.4x12.5x1.6 SS	2	2	2	
60	5001341	WASHER FL 8.4x17.0x1.6 SS	2	2	2	
61	500967	WASHER BEL SPR .512x1.142x.098 N500	2	2	2	
62	5001834	WASHER BEL SPR 10.5X23X2.5 N500	1	1	1	
63	502817	SCREW MA PAN PH M6-1.0x16 N500	1	1	1	
65	564590	ADAPTOR STUD M8 Male x M8 Female M8-1.25 x 18MM SS To H-3734	1	1	1	
65	060297	ADAPTOR STUD M8 Male x M8 Female + FLANGE M8-1.25 x 18MM SS From H-3735	1	1	1	
66	5001983	NUT HEX NYRT M8-1.25 SS SS BK	2	2	2	
70	068734	CABLE / STARTOR W/D13	1	1	1	
		A) USE WITH ALTERNATOR 564491 ONLY				
		B) SEE WARRANTY BULLETIN WB16-02				

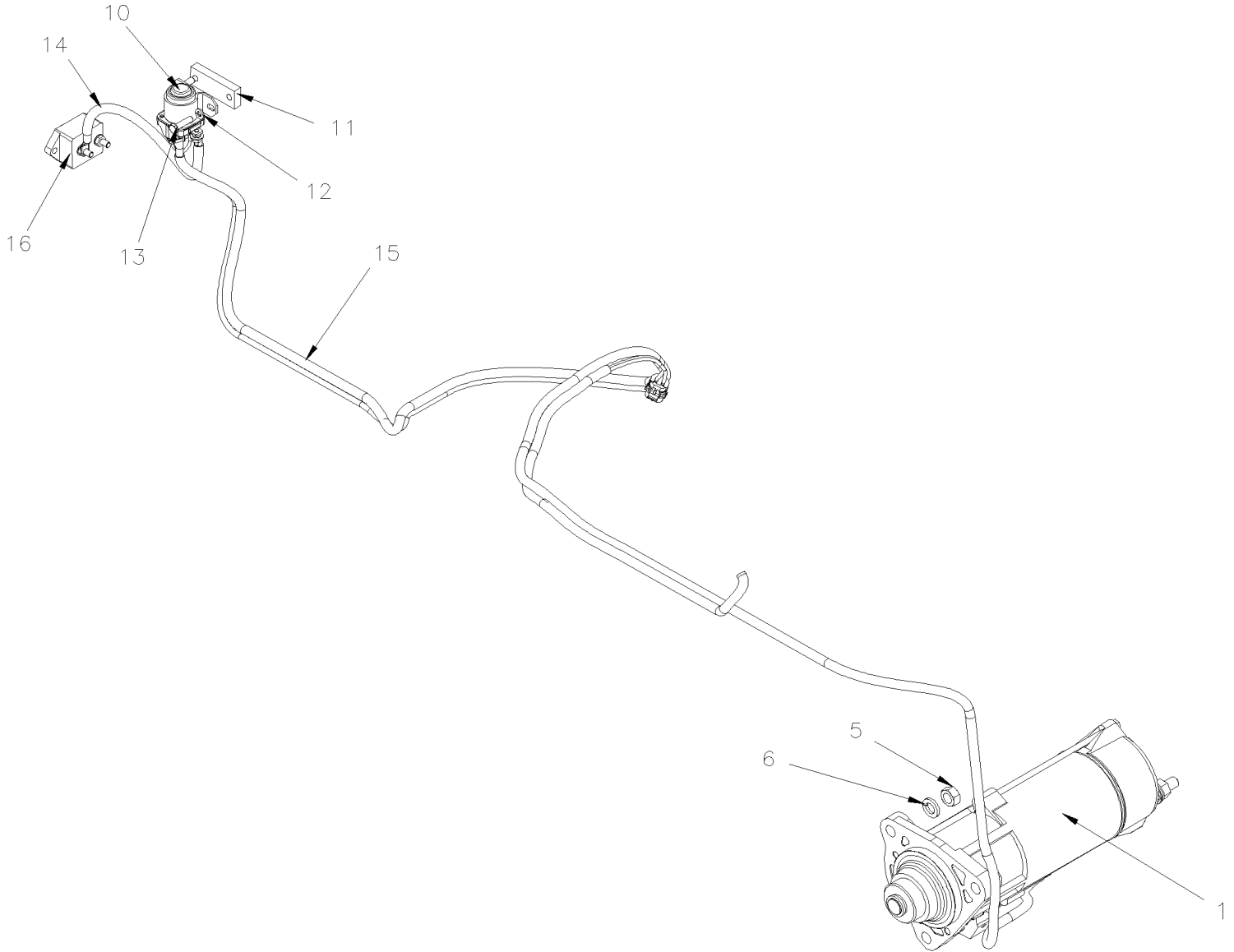


From 7-0671 To J-0287

Date:10/2022

PAGE:H7-0100-10

**STARTER - INSTALLATION**



From 7-0671 To J-0287	Date:10/2022	PAGE:H7-0100-10
<b>STARTER - INSTALLATION</b>		

Item#	Part	Description	H 3 4 1	H 3 4 5	V I P 4 5	N O T E S
1	510752	STARTER MOTOR / W/RELAY To 9-1417	1	1	1	
. NS	510888	. SOLENOID KIT To 9-1417	1	1	1	
. . NS	IS752SOL	. . INSTRUCTION SHEET / SOLENOID REPLACEMENT To 9-1417	1	1	1	
. NS	510889	. SMALL STARTOR RELAY KIT / WITH CABLES To 9-1417	1	1	1	
. . NS	564095	. . SMALL STARTOR RELAY To 9-1417	1	1	1	
. . NS	IS752MAG	. . INSTRUCTION SHEET / MAGNETIC SWITCH REPLACEMENT To 9-1417	1	1	1	
1	510004	STARTER MOTOR / W/RELAY To 9-1417	1	1	1	
. NS	510011	. RELAY KIT To 9-1417	1	1	1	
. NS	510015	. SOLENOID KIT To 9-1417	1	1	1	
1	510928	STARTER MOTOR, W/O RELAY 24V / W/"DETROIT" ENG From 9-1418 To A-1720	1	1	1	
. NS	510888	. SOLENOID KIT From 9-1418 To A-1720	1	1	1	
. . NS	IS752SOL	. . INSTRUCTION SHEET / SOLENOID REPLACEMENT From 9-1418 To A-1720	1	1	1	
. NS	564095	. SMALL STARTOR RELAY From 9-1418 To A-1720	1	1	1	
1	510005	STARTER MOTOR, W/O RELAY 24V / W/"DETROIT" ENG From 9-1418 To A-1720	1	1	1	
1	20982072	STARTER MOTOR / "MELCO" / "MITSUBISHI" 105PT From 8-1202 To 9-1417	1	1	1	D13
. NS	510888	. SOLENOID KIT From 8-1202 To 9-1417	1	1	1	D13
. . NS	IS752SOL	. . INSTRUCTION SHEET / SOLENOID REPLACEMENT From 8-1202 To 9-1417	1	1	1	D13
. NS	510889	. SMALL STARTOR RELAY KIT / WITH CABLES From 8-1202 To 9-1417	1	1	1	D13
. . NS	564095	. . SMALL STARTOR RELAY From 8-1202 To 9-1417	1	1	1	D13
. . NS	IS752MAG	. . INSTRUCTION SHEET / MAGNETIC SWITCH REPLACEMENT From 8-1202 To 9-1417	1	1	1	D13
1	<b>21212425</b>	<b>VOLVO STARTER 24V, MELCO WITHOUT RELAY TB-129577391-1 From 9-1418 To J-0098</b>	1	1	1	D13
1	22807202	VOLVO STARTER 24V, MELCO WITHOUT RELAY From J-0099	1	1	1	D13
5	5001668	SCREW CB 12POINT 5/8-11x2 1/4	3	3	3	
NS	5001757	NUT HEX M12-1.75 N500 From 8-1202	3	3	3	D13
6	502884	WASHER LO SPT 16.2x27.4x3.5 N500	3	3	3	
6	500482	WASHER LO SPT .506x.873x.125 Z050 From 8-1202	3	3	3	D13
10	564095	SMALL STARTOR RELAY From 9-1418	1	1	1	
11	067335	SPACER / PLASTIC / RELAY / STARTOR MELCO From 9-1418 To D-2363	1	1	1	
12	502570	WASHER LO SPT 6.1x11.8x1.6 SS From 9-1418	2	2	2	
12	5001182	NUT HEX NYRT M6-1.0 SS From 9-1418	2	2	2	
13	5001433	SCREW CAP HEX M6-1.0x25 SS From 9-1418	2	2	2	
14	067327	CABLE ASSY / RELAY & BREAKER From 9-1418 To A-1720	1	1	1	
15	067356	CABLE ASSY / RELAY & BREAKER From 9-1418	1	1	1	
15	067337	CABLE EXTENTION ASSY / STARTER W/D13 From 9-1418	1	1		D13
15	067326	CABLE ASSY / STARTOR "MELCO" H3 W/D13 From 9-1418	1	1		D13
NS	502817	SCREW MA PAN PH M6-1.0x16 N500 From 9-1418	1	1	1	
NS	504013	TIE MOUNT / 1/4" X 1/4" I.D. From 9-1418	1	1	1	
NS	504637	CABLE TIE / 3/16" x 13" From 9-1418	1	1	1	
16	562683	BREAKER 90AMPS / 24V / To E-2507	1	1	1	
16	565137	BREAKER 90AMPS / 24V / W/O HARDWARE From E-2508	1	1	1	

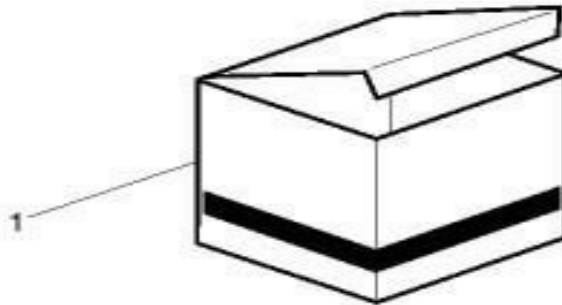


From 7-0671 To J-0287	Date:10/2022	PAGE:H7-0100-10
<b>STARTER - INSTALLATION</b>		

Item#	Part	Description	H 3 4 1	H 3 4 5	V I P 4 5	N O T E S
NS	5001924	NUT HEX NYRT THN 1/4-28 SS From E-2508	1	1	1	
NS	502573	WASHER FL 6.4x12.5x1.6 SS From E-2508	1	1	1	
NS	067088	CABLE ASSY SW24V TO STARTER From 8-1202	1	1	1	D13
		D13) WITH VOLVO ENGINE D13				



From 9-1418 To £-16015	Date:10/2022	PAGE:21212425
VOLVO STARTER 24V, MELCO WITHOUT RELAY TB-129577391-1		



From 9-1418 To £-16015	Date:10/2022	PAGE:21212425
------------------------	--------------	---------------

**VOLVO STARTER 24V, MELCO WITHOUT RELAY TB-129577391-1**

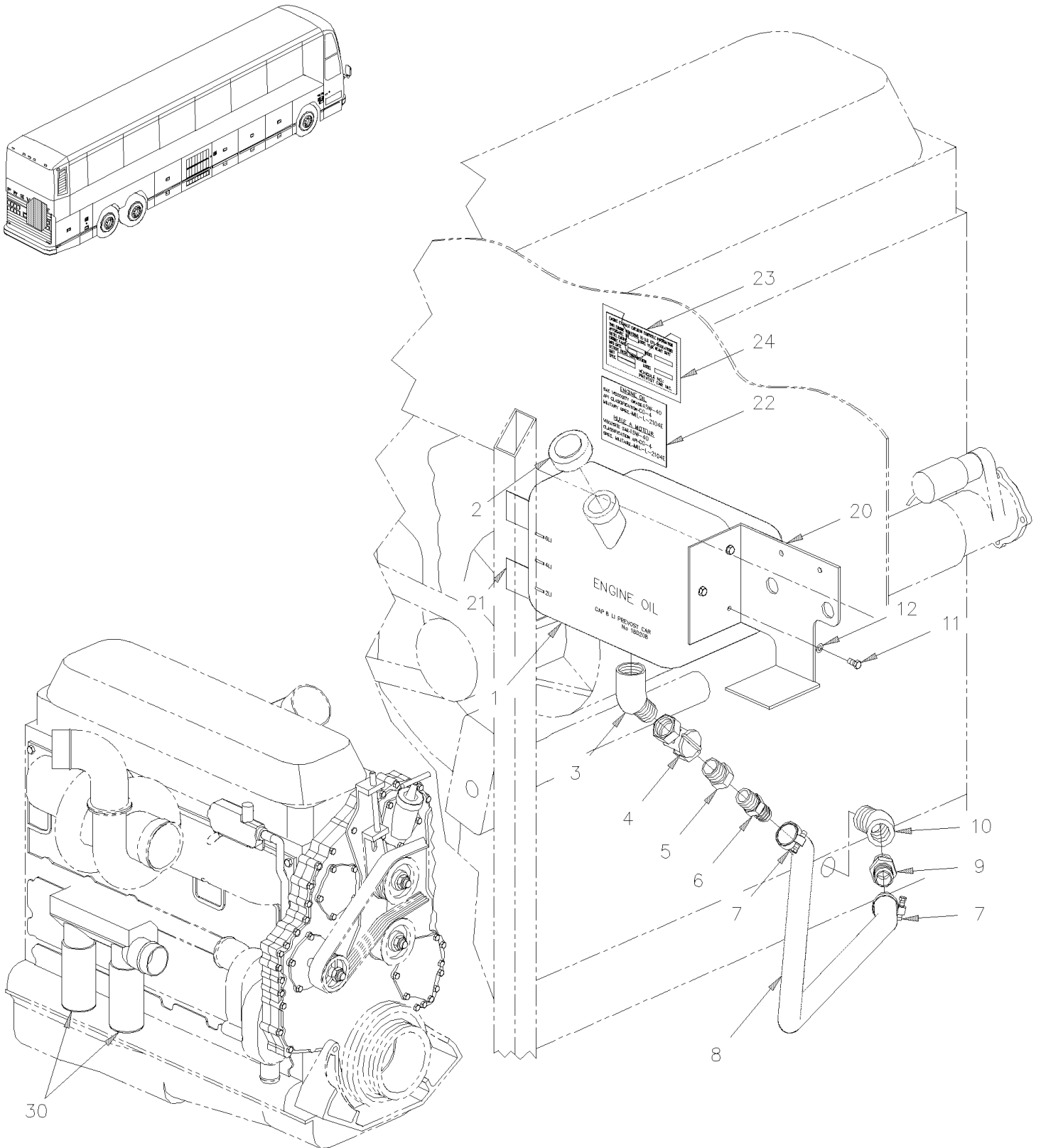
Item#	Part	Description	H 3 4 1	H 3 4 5	V I P 4 5	N O T E S
1	85125992	KIT	1	1	1	

From 7-0671 To A-1720

Date:10/2022

PAGE:H7-0105-00

## ENGINE OIL RESERVOIR - PLASTIC DETROIT S-60

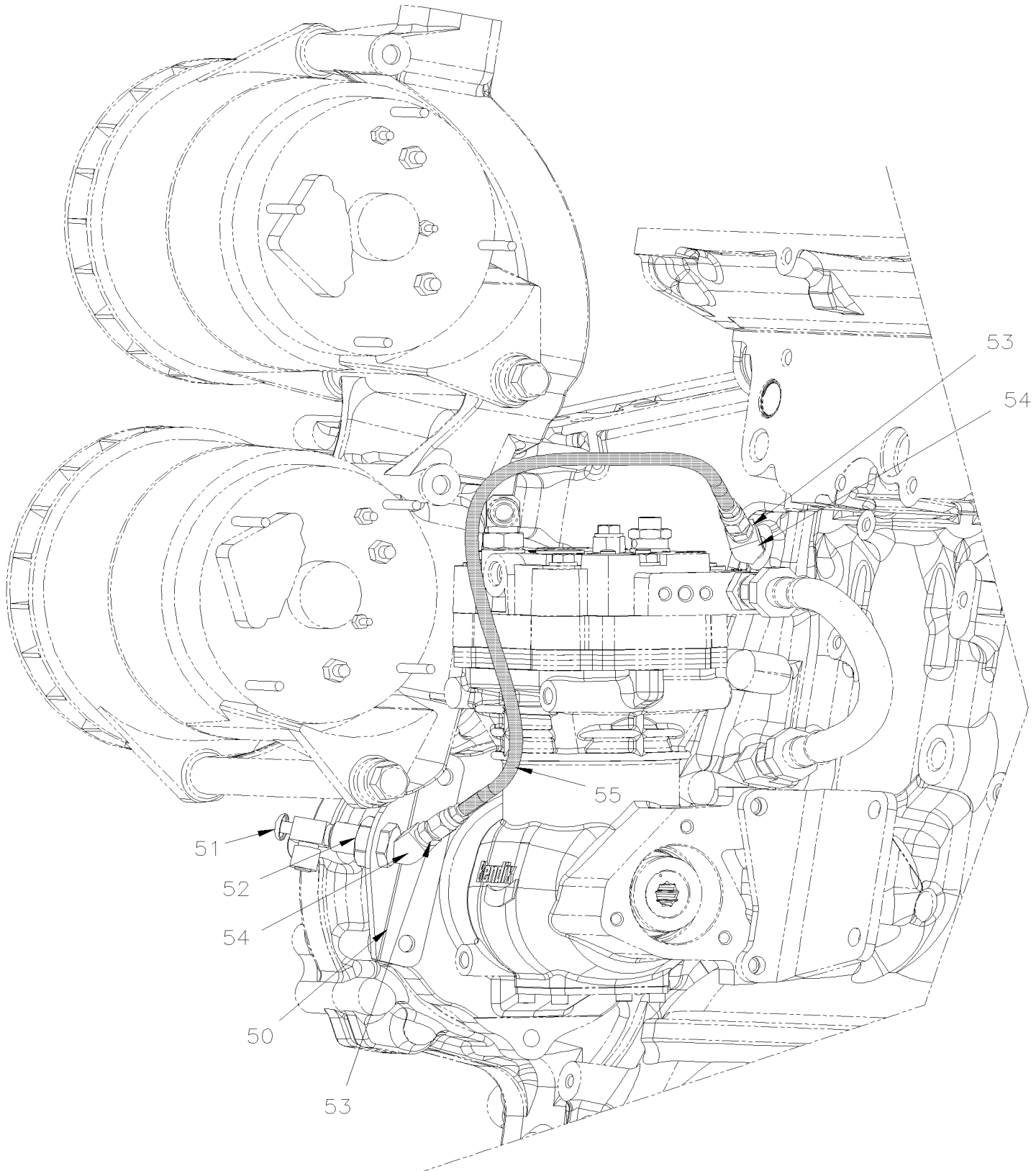


From 7-0671 To A-1720

Date:10/2022

PAGE:H7-0105-00

**ENGINE OIL RESERVOIR - PLASTIC DETROIT S-60**



From 7-0671 To A-1720	Date:10/2022	PAGE:H7-0105-00
<b>ENGINE OIL RESERVOIR - PLASTIC DETROIT S-60</b>		

Item#	Part	Description	H 3 4 1	H 3 4 5	V I P 4 5	N O T E S
1	180208	TANK OIL	1	1		
2	683477	CAP	1	1		
3	5011051	STREET ELBOW 45° / PIPE FITTING / 3/4NPT-Mx3/4NPT-F BR	1	1		
4	5011045	VALVE 3/4"	1	1		
5	501462	BUSHING REDUCER / PIPE FITTING / 3/4NTP-Mx1/2NPT-F BR	1	1		
6	507605	MALE CONNECTOR / HOSE BARB FITTING / #12x1/2NPT-M BR	1	1		
7	504020	HOSE CLAMP / 9/16"-1"1/4 SS / HS-12	2	2		
8	180197	HOSE #16 1270MM	1	1		
8	503547	. HOSE / RUBBER #12 / S.L.	AR	AR		
9	501462	BUSHING REDUCER / PIPE FITTING / 3/4NTP-Mx1/2NPT-F BR	1	1		
NS	507605	MALE CONNECTOR / HOSE BARB FITTING / #12x1/2NPT-M BR	1	1		
10	501528	STREET ELBOW 45° / PIPE FITTING / 1/2NPT-Mx1/2NPT-F BR	1	1		
11	502531	SCREW CAP HEX M6-1.0x16 G8.8 Z050	6	6		
12	500411	WASHER FL .260x.697x.050 SS	1	1		
12	502564	WASHER LO SPT 6.1x11.8x1.6 Z050	6	6		
20	<b>H7-1894-00</b>	<b>REAR STRUCTURE</b>				
21	<b>H7-1894-00</b>	<b>REAR STRUCTURE</b>				
22	012399	DECAL "OIL SPEC" 15W/40 / ENGLISH & FRANCAIS	1	1	1	
22	012400	DECAL "OIL SPEC" 15W/40 / ENGLISH & SPANISH	1	1	1	
23	011166	DECAL / V.I.N.	1	1	1	
24	681277	PROTECTOR TAPE / C.T.L.	AR	AR	AR	
30	510458	OIL FILTER, CARTRIDGE / PF-2100 / ENGINE / W/SERIES 60	2	2	2	
NS	478736	OIL FILTER (LONG LIFE)	2	2		D13
NS	V477556	OIL FILTER / W/BY-PASS SEE PREV # 510938	1	1		D13
30	510938	OIL FILTER / W/BY-PASS	1	1		D13
		FOLLOWING ITEMS ARE RELATED WITH				
		OIL VALVE FOR OIL SAMPLE ACCESS "OPTION"				
50	012540	SUPPORT VALVE	1	1		
51	510841	VALVE ASSY	1	1		
52	501711	BULKHEAD COUPLING / PIPE FITTING / 1/4NPT-Fx1/4NPT-Fx1 1/2 BR	1	1		
53	501027	MALE CONNECTOR / SAE 45° FITTING / #4FL-Mx1/4NPT-M BR	2	2		
54	501329	STREET ELBOW 45° / PIPE FITTING / 1/4NPT-Mx1/4NPT-F BR	2	2		
55	012541	HOSE ASSY TEFLON #4 457MM	1	1		
		D13) WITH "VOLVO" ENGINE				



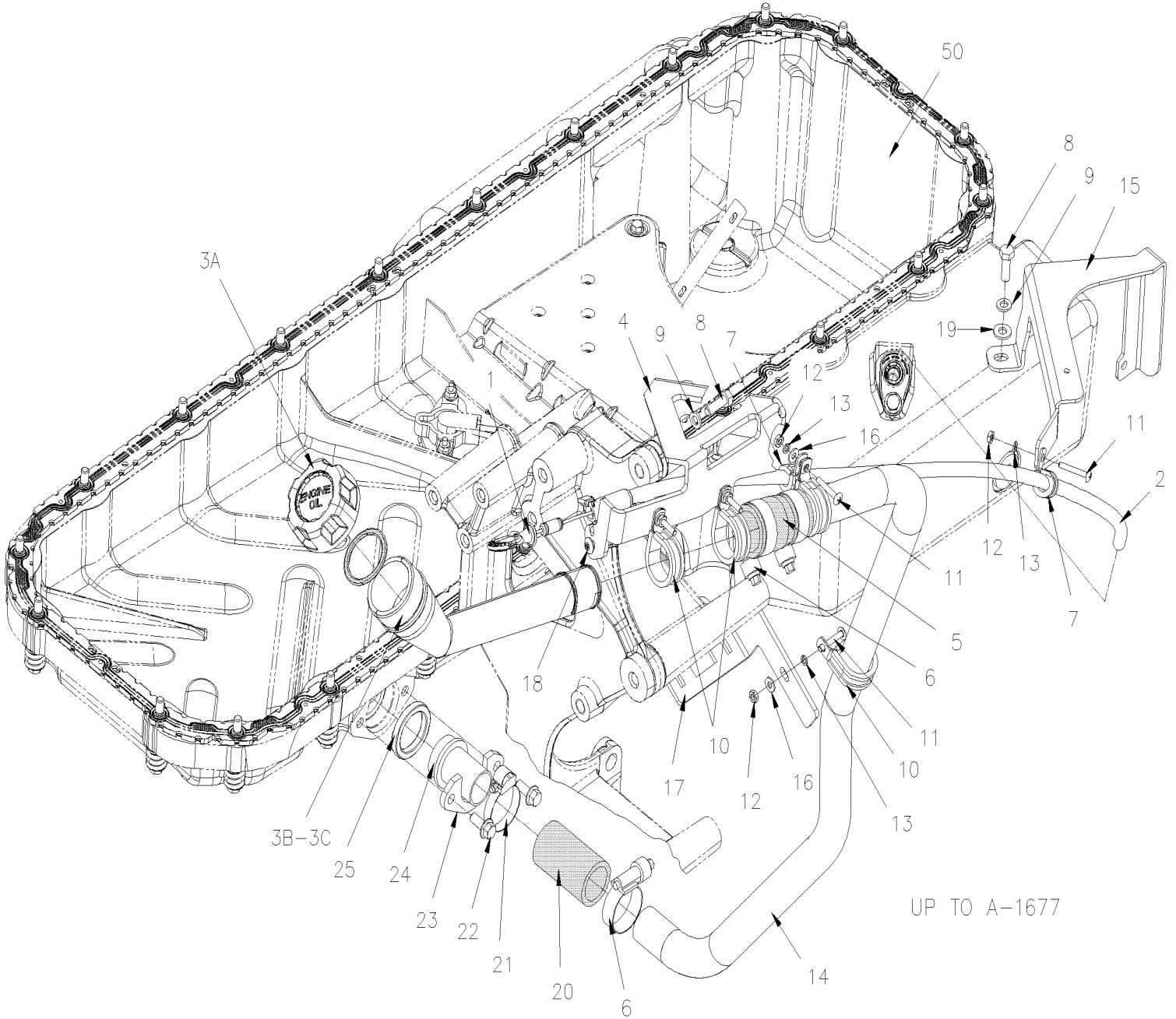


From 8-1202 To J-0287

Date:10/2022

PAGE:H7-0105-05

## ENGINE OIL FILLER CAP & DIPSTICK WITH VOLVO D13



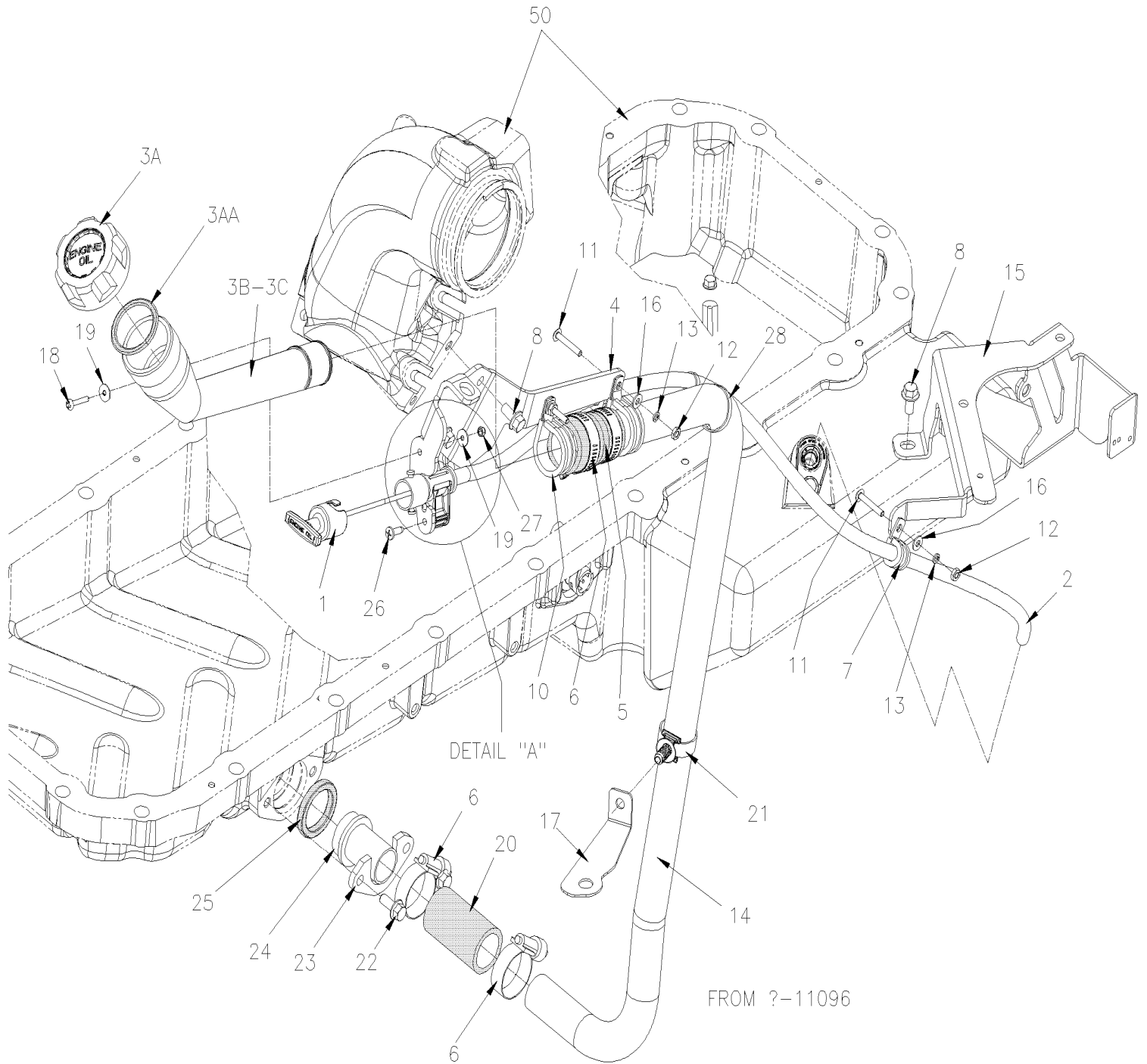


From 8-1202 To J-0287

Date:10/2022

PAGE:H7-0105-05

## ENGINE OIL FILLER CAP & DIPSTICK WITH VOLVO D13



From 8-1202 To J-0287	Date:10/2022	PAGE:H7-0105-05
<b>ENGINE OIL FILLER CAP &amp; DIPSTICK WITH VOLVO D13</b>		

Item#	Part	Description	H 3 4 1	H 3 4 5	V I P 4 5	N O T E S
1	012565	DIPSTICK ASSY / ENGINE OIL / W/D13 1360MM To A-1720	1	1	1	A
1	012565	DIPSTICK ASSY / ENGINE OIL / W/D13 1360MM From B-1721 To C-1941	1	1	1	B
1	012714	DIPSTICK ASSY / ENGINE OIL / W/D13 1350MM From C-1942 To D-2293	1	1	1	
1	012801	DIPSTICK ASSY / TUBE AND DIPSTICK From D-2294 To D-2363	1	1	1	
1	012800	. DIPSTICK ASSY / ENGINE OIL / W/D13 1374MM From D-2294 To D-2363	1	1	1	
1	012807	DIPSTICK ASSY / TUBE AND DIPSTICK To A-1720	1	1	1	S
1	012806	. DIPSTICK ASSY / ENGINE OIL / W/D13 1394MM To A-1720	1	1	1	S
1	012801	DIPSTICK ASSY / TUBE AND DIPSTICK From B-1721 To D-2293	1	1	1	R
1	012800	. DIPSTICK ASSY / ENGINE OIL / W/D13 1374MM From B-1721 To D-2363	1	1	1	R
1	015998	DIPSTICK & TUBE ASSY From D-2364	1	1	1	
1	015997	. DIPSTICK ASSY / ENGINE OIL / W/D13 1362MM From D-2364	1	1	1	
2	012542	TUBE OIL DIPSTICK W/D13 1270MM To A-1720	1	1	1	A
2	012542	TUBE OIL DIPSTICK W/D13 1270MM From B-1721 To D-2293	1	1	1	B
2	012799	TUBE OIL DIPSTICK W/D13 1290MM From D-2294 To D-2363	1	1	1	
2	015996	. TUBE OIL DIPSTICK W/D13 1276MM From D-2364	1	1	1	
2	012805	TUBE OIL DIPSTICK W/D13 1290MM To A-1720	1	1	1	S
2	012799	TUBE OIL DIPSTICK W/D13 1290MM From B-1721 To D-2293	1	1	1	S
2	5001750	WASHER FL 4.3x14.0x1.0 N500 To D-2293	1	1	1	R S
2	5001793	SCREW TP M4.2 x 30 N500 To D-2293	1	1	1	R S
3	20808092	OIL FILLER NECK To F-2902	1	1	1	
. A	<b>20807510</b>	<b>. OIL CAP / WITH GASKET To F-2902</b>	1	1	1	
. . A	20365079	. . GASKET OIL CAP To F-2902	1	1	1	
. B	8149891	. OIL NECK / PIPE FILLER To F-2902	1	1	1	
. C	943361	. SPACER WASHER 6.5 X 12 X 4 To F-2902	1	1	1	
3	<b>22281824</b>	<b>OIL FILLER NECK TB-133887958-1 From F-2903</b>	1	1	1	
. A	<b>20807510</b>	<b>. OIL CAP / WITH GASKET From F-2903</b>	1	1	1	
. . A	20365079	. . GASKET OIL CAP From F-2903	1	1	1	
. B	22281825	. OIL NECK / PIPE FILLER From F-2903	1	1	1	
. C	943361	. SPACER WASHER 6.5 X 12 X 4 From F-2903	1	1	1	
. NS	8149895	. SUPPORT RING From F-2903	1	1	1	
4	012473	SUPPORT DIPSTICK & FILLER NECK To A-1677	1	1		
4	012634	SUPPORT DIPSTICK & FILLER NECK From A-1678 To D-2363	1	1	1	
4	015992	SUPPORT DIPSTICK & FILLER NECK From D-2364 To F-2711	1	1	1	
4	012882	SUPPORT DIPSTICK & FILLER NECK From F-2712	1	1	1	
5	3034195	RACCORD COUPLING	1	1	1	
6	504657	HOSE CLAMP / 1"1/16-2" C.T. 9424 To A-1677	3	3	3	
6	504657	HOSE CLAMP / 1"1/16-2" C.T. 9424 From A-1678 To D-2301	4	4	4	
6	504783	HOSE CLAMP / 1"1/16-2" SS / C.T. W.S. From D-2302 To F-2711	4	4	4	
6	992086	HOSE CLAMP / 32MM/52MM From F-2712	4	4	4	
7	952627	CLAMP / 1/2" I.D.	2	2	2	
8	955297	SCREW CAP HEX M8-1.25x25 G8.8 ZG603 To A-1677	2	2	2	
8	5001780	SCREW CAP HEXF M8-1.25x16 G8.8 N500 From A-1678	3	3	3	

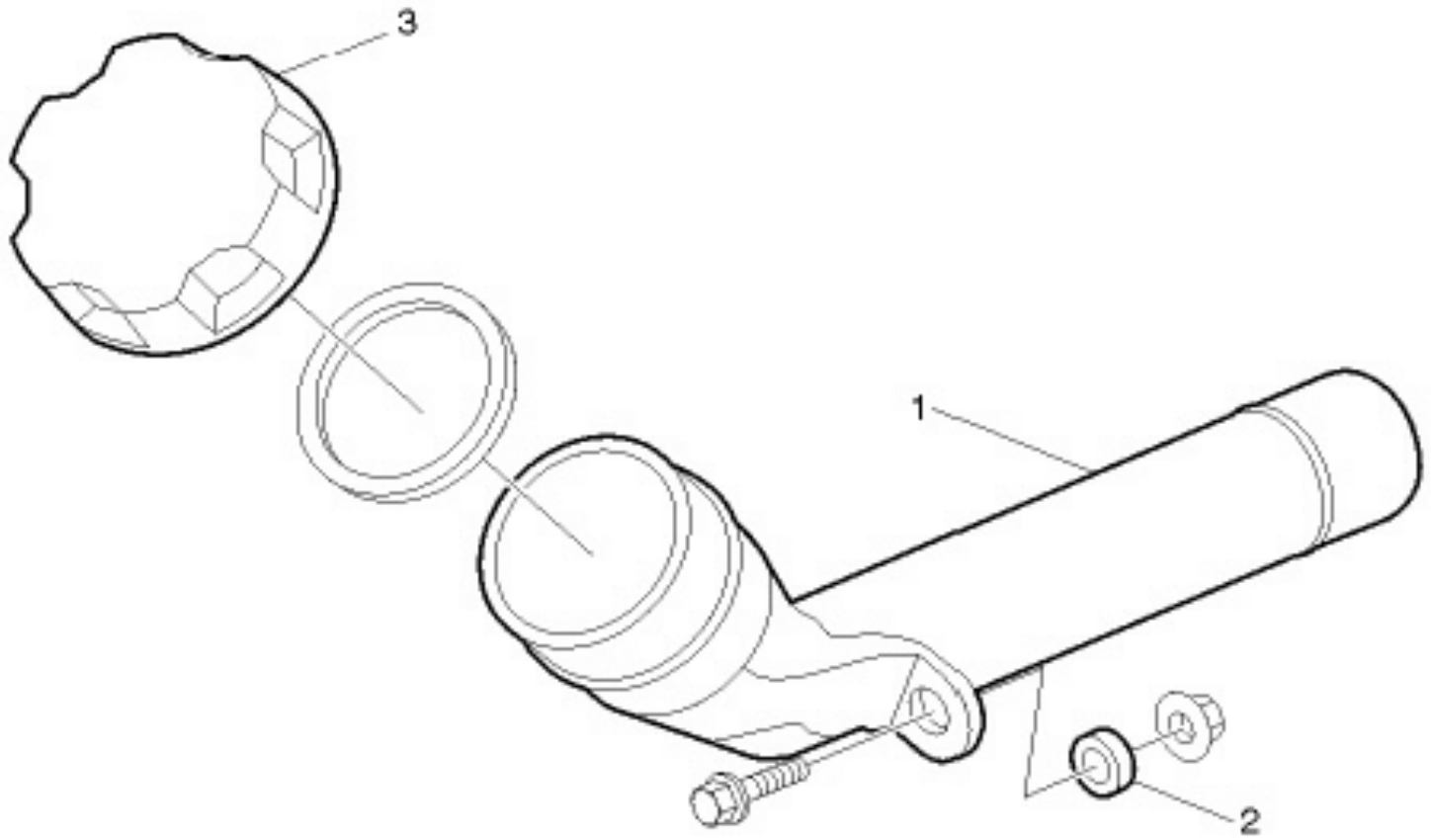
<b>From 8-1202 To J-0287</b>	<b>Date:10/2022</b>	<b>PAGE:H7-0105-05</b>
<b>ENGINE OIL FILLER CAP &amp; DIPSTICK WITH VOLVO D13</b>		

Item#	Part	Description	H 3 4 1	H 3 4 5	V I P 4 5	N O T E S
8	680038	THREAD LOCKER LOCTITE #243 / BLUE / 50ml From A-1678	AR	AR	AR	
9	500942	WASHER LO SPT 8.1x14.8x2.0 N500 To A-1677	2	2	2	
10	952639	CLAMP / 1"1/4 I.D.	4	4	4	
11	500574	SCREW MA TR PH #10-24x1 1/4 SS To E-2621	5	5	5	
11	5001815	SCREW CAP HEXF M6-1.0x30 G 8.8 N500 From E-2622	2	2	2	
12	502882	NUT HEX #10-24 N500 To E-2621	5	5	5	
12	5001932	NUT HEXF NYRT M6-1.0 G8.8 N500 From E-2622	2	2	2	
13	500914	WASHER LO SPT .193x.334x.047 N500 To E-2621	5	5	5	
14	012472	OIL FILLER TUBE To A-1677	1	1		
14	012126	OIL FILLER TUBE From A-1678 To D-2363	1	1	1	
14	015991	OIL FILLER TUBE From D-2364 To E-2550	1	1	1	
14	010068	OIL FILLER TUBE STAINLESS STEEL From D-2364 To E-2550	1	1	1	
14	012835	OIL FILLER TUBE From E-2551 To H-3510	1	1	1	
14	010064	OIL FILLER TUBE STAINLESS STEEL From H-3511	1	1	1	
15	032758	SUPPORT FUEL LINE To A-1720	1	1	1	
15	032911	SUPPORT FUEL LINE From B-1721 To C-1885	1	1	1	
15	033185	SUPPORT FUEL LINE From C-1886 To D-2363	1	1	1	
15	033946	SUPPORT FUEL LINE From D-2364	1	1	1	
16	500804	WASHER FL .203x.500x.047 N500 To E-2621	4	4	4	
17	012475	SUPPORT OIL FILLERTUBE To A-1677	1	1	1	
17	067854	PROTECTION PLATE ASSY W/"VOLVO" ENGINE From A-1678 To D-2363	1	1	1	
17	015993	SUPPORT DIPSTICK From D-2364 To E-2550	1	1	1	
17	012833	SUPPORT DIPSTICK From E-2551	1	1	1	
NS	500321	WASHER BEL SPR .331x.827x.098 N500	2	2	2	
NS	5001780	SCREW CAP HEXF M8-1.25x16 G8.8 N500	2	2	2	
17	015999	SUPPORT DIPSTICK From D-2364 To E-2693			1	P
17	069144	PROTECTION PLATE ASSY From E-2694			1	P
18	9959910	SCREW TP M4.2 x 30 To D-2363	1	1	1	
18	502677	SCREW MA RND PH M4-0.7x25 SS From D-2364 To F-2711	1	1	1	
18	5001815	SCREW CAP HEXF M6-1.0x30 G 8.8 N500 From F-2712	1	1	1	
NS	5001544	WASHER LO EXT .195x.410x.025 SS To F-2711	1	1	1	
19	192288	WASHER FL 8.4x18.0x2.0 ZG603 To A-1677	1	1	1	
19	5001750	WASHER FL 4.3x14.0x1.0 N500 From A-1678 To D-2363	1	1	1	
19	5001750	WASHER FL 4.3x14.0x1.0 N500 From D-2364 To F-2711	2	2	2	
20	1136335	HOSE 31.75MM I.D. x 70MM To F-2928	1	1	1	
20	012933	HOSE 31.75MM I.D. x 70MM From F-2929	1	1	1	
21	980132	HOSE CLAMP To A-1677	1	1	1	
22	946173	SCREW CAP HEXF M8-1.25x20	2	2	2	
23	469950	FLANGE	1	1	1	
24	70329332	INLET PIPE	1	1	1	
25	20555696	SEALING RING	1	1	1	
26	500414	SCREW TP BDG PH #10x3/4 SS From D-2364	1	1	1	

From 8-1202 To J-0287	Date:10/2022	PAGE:H7-0105-05
<b>ENGINE OIL FILLER CAP &amp; DIPSTICK WITH VOLVO D13</b>		

Item#	Part	Description	H 3 4 1	H 3 4 5	V I P 4 5	N O T E S
27	500539	NUT HEX NYRT M4-0.7 N500 From D-2364 To F-2711	1	1	1	
27	5001932	NUT HEXF NYRT M6-1.0 G8.8 N500 From F-2712	1	1	1	
28	507664	CABLE TIE / 3/16" 11" / DOUBLE LOOP HEAD From D-2364	1	1	1	
29	500574	SCREW MA TR PH #10-24x1 1/4 SS To E-2621	1	1	1	
29	502848	SCREW TC CAP HEXF 1/4-20x3/4 N500 From E-2622	1	1	1	
		NEXT 5 ITEMS TO FIX OIL CAP				
NS	510973	CABLE SS 3/64" DIA. ASSY W/LOOP 8" LG x W/1" LOOP	1	1	1	
NS	502861	SCREW SHR HEXS 5/16x3/8 {1/4-20 N500	1	1	1	
NS	502638	WASHER FL .312x.734x.065 N500	1	1	1	
NS	5001352	NUT HEX NYRT 1/4-20 SS	1	1	1	
NS	5001008	WASHER FL .218x.437x.062 RUB BK	1	1	1	
50	Refer To Volvo	SEE IMPACT OR CALL ORDER DESK				V
		A) WHEN YOU REPLACE THE DIPSTICK USE #012807				
		B) WHEN YOU REPLACE THE DIPSTICK USE #012801				
		P) SMALL A/C ONLY				
		R) USE ONLY WITH EPA 2010				
		S) USE ONLY WITH EPA 2007				
		V) SEE IMPACT OR CALL ORDER DESK				

From F-2903	Date:10/2022	PAGE:22281824
OIL FILLER NECK TB-133887958-1		

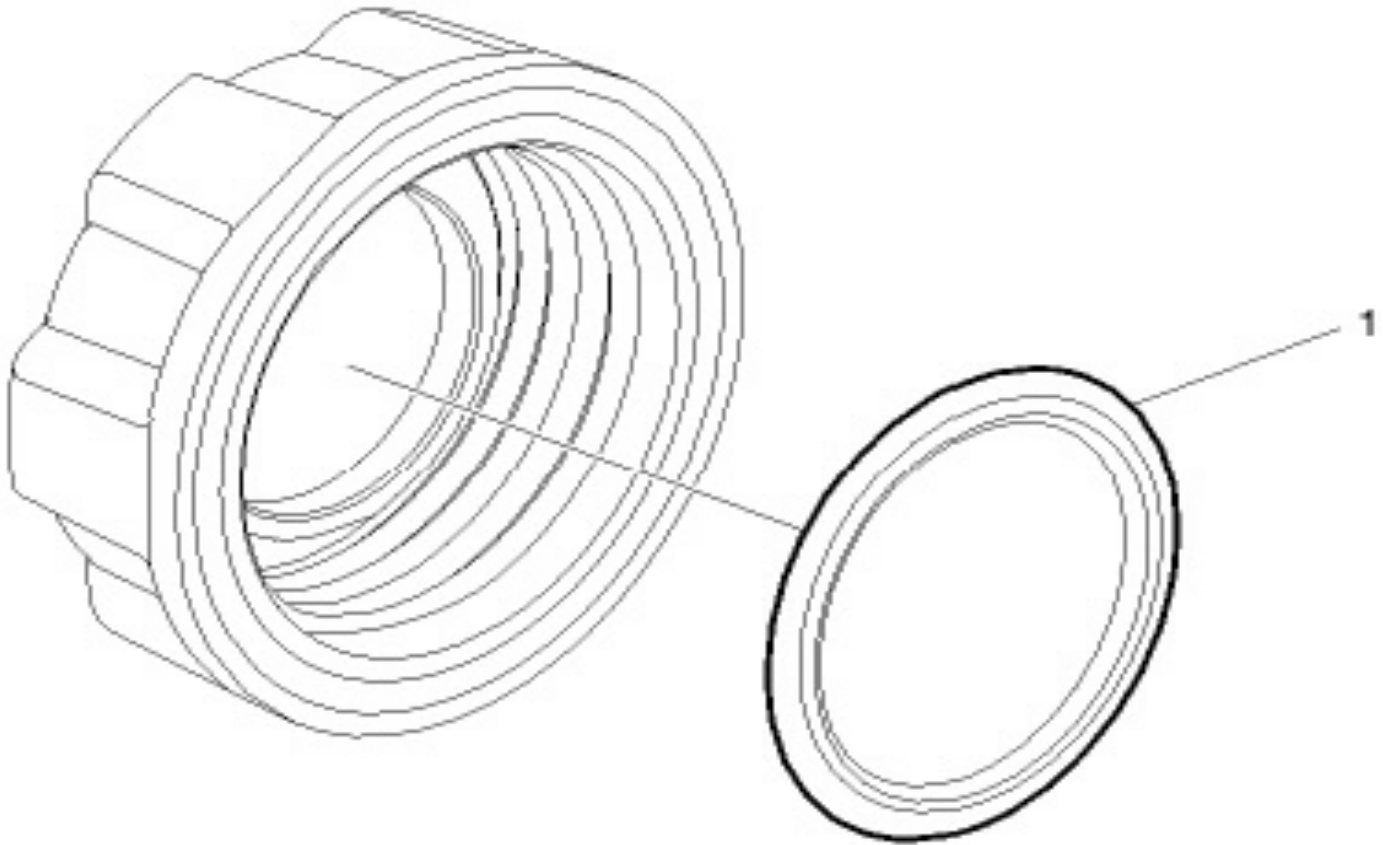


From F-2903	Date:10/2022	PAGE:22281824
<b>OIL FILLER NECK TB-133887958-1</b>		

Item#	Part	Description	H 3 4 1	H 3 4 5	V I P 4 5	N O T E S
1	22281825	OIL NECK / PIPE FILLER	1	1	1	
2	60112502	SPACER WASHER	1	1	1	
3	<b>20807510</b>	<b>OIL CAP / WITH GASKET</b>	1	1	1	
. A	20365079	. GASKET OIL CAP	1	1	1	



From F-2903	Date:10/2022	PAGE:20807510
OIL CAP / WITH GASKET		



From F-2903	Date:10/2022	PAGE:20807510
<b>OIL CAP / WITH GASKET</b>		

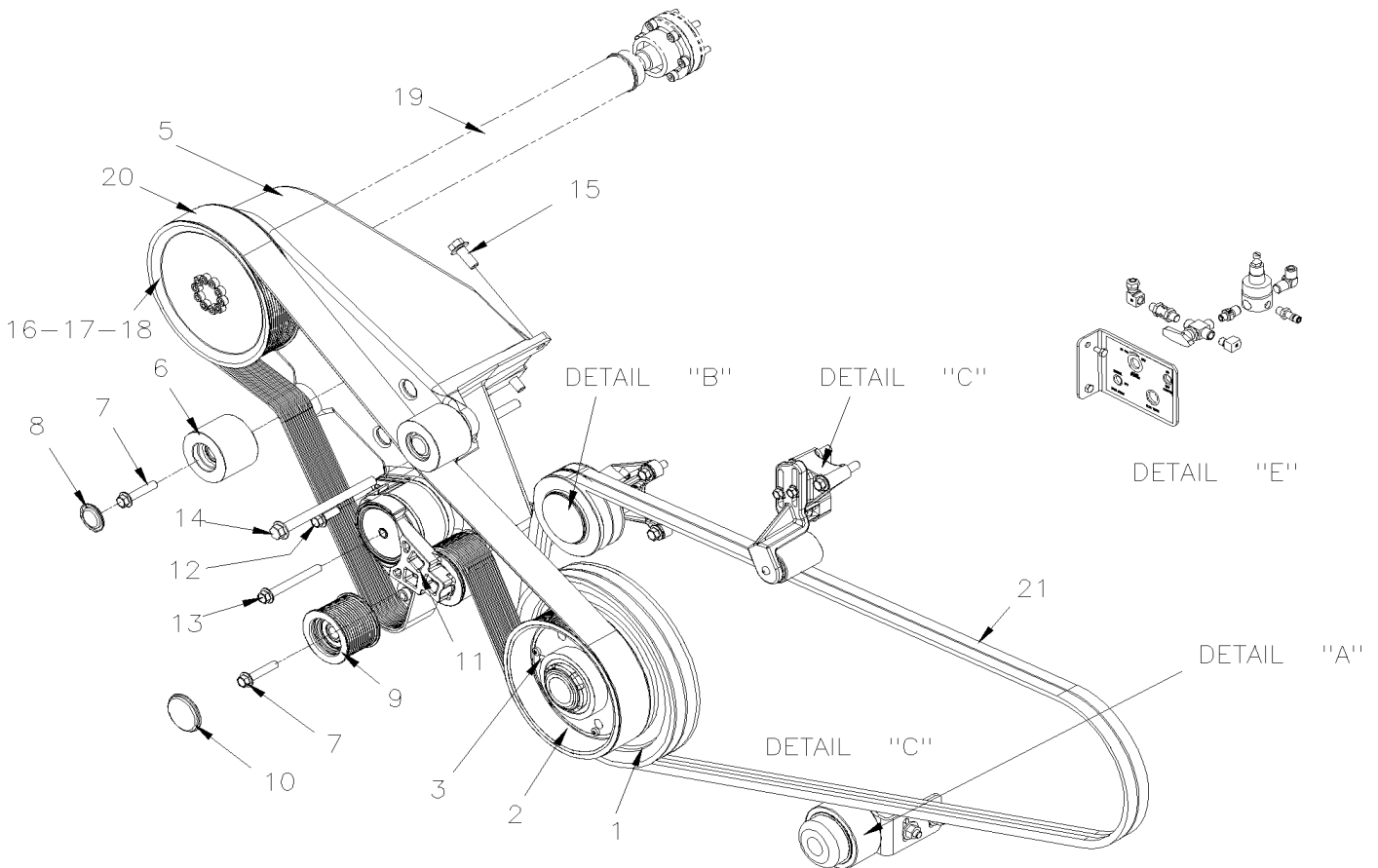
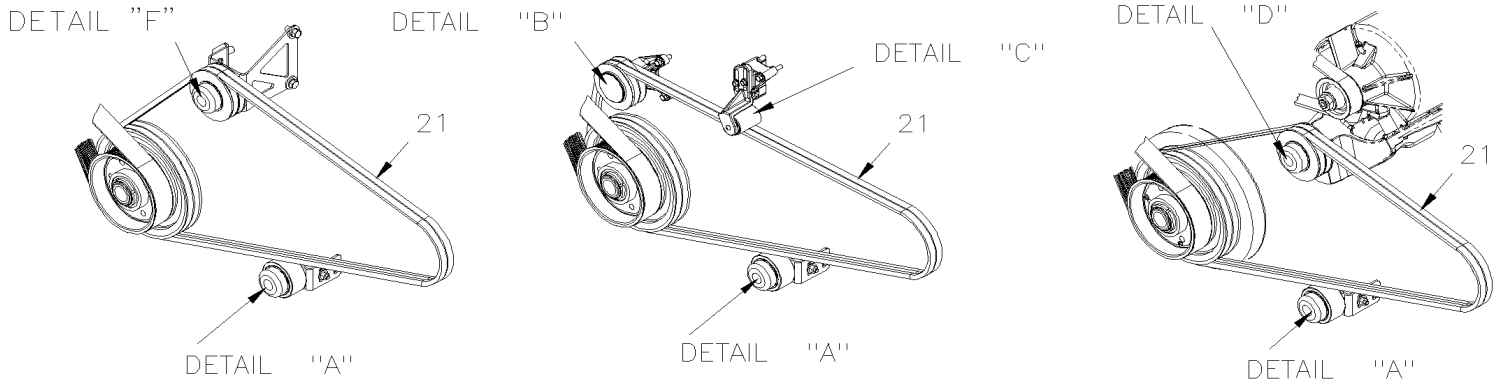
Item#	Part	Description	H 3 4 1	H 3 4 5	V I P 4 5	N O T E S
1	20365079	GASKET OIL CAP	1	1	1	

From 7-0671 To A-1720

Date:10/2022

PAGE:H7-0120-00

## DRIVE PULLEY, BELTS & TENSIONER WITH DETROIT S-60

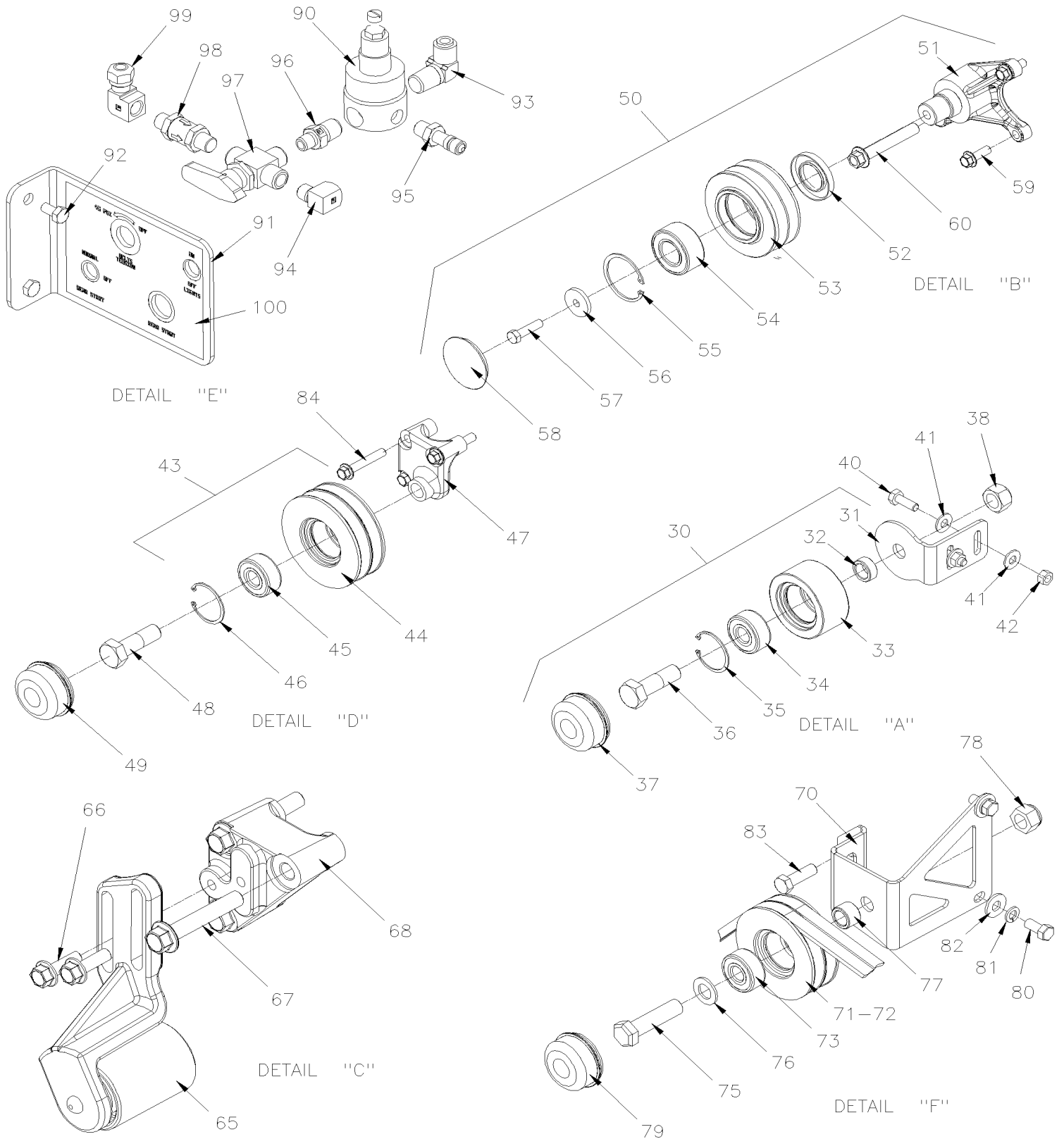


From 7-0671 To A-1720

Date:10/2022

PAGE:H7-0120-00

## DRIVE PULLEY, BELTS & TENSIONER WITH DETROIT S-60



<b>From 7-0671 To A-1720</b>	<b>Date:10/2022</b>	<b>PAGE:H7-0120-00</b>
<b>DRIVE PULLEY, BELTS &amp; TENSIONER WITH DETROIT S-60</b>		

Item#	Part	Description	H 3 4 1	H 3 4 5	V I P 4 5	N O T E S
1	550914	PULLEY DRIVE 279MM O.D. / W/2 V To 9-1329	1	1	1	
1	550955	PULLEY DRIVE 279MM O.D. / W/2 V From 9-1330	1	1	1	
2	550913	PULLEY DAMPER 201MM O.D. / W/14 RIB To A-1624	1	1	1	
. NS	550951	. KIT, DAMPER BUSHING To A-1624	1	1	1	
. . NS	N.S.S.	. . RUBBER DAMPER BUSHING To A-1624	6	6	6	1
. . NS	N.S.S.	. . SCREW CAP HEXS To A-1624	6	6	6	1
. . NS	N.S.S.	. . SCREW CAP BUT TORX To A-1624	3	3	3	1
2	550963	PULLEY DAMPER 201MM O.D. / W/14 RIB From A-1625	1	1	1	
. NS	550951	. KIT, DAMPER BUSHING From A-1625	1	1	1	
. . NS	N.S.S.	. . RUBBER DAMPER BUSHING From A-1625	6	6	6	1
. . NS	N.S.S.	. . SCREW CAP HEXS From A-1625	6	6	6	1
. . NS	N.S.S.	. . SCREW CAP BUT TORX From A-1625	3	3	3	1
2	550982	PULLEY 201MM O.D. / W/14 RIB ALTERNATIVE PART	1	1	1	
3	5001661	. SCREW CAP HEXS M8-1.25x35 G10.9 AD MAGNI 565	6	6	6	
NS	680038	THREAD LOCKER LOCTITE #243 / BLUE / 50ml	AR	AR	AR	
5	550919	PULLEY SUPPORT / W/LONG BACK	1	1	1	
. NS	WB09-13	. SEE WARRANTY BULLETIN	1	1	1	
6	550922	PULLEY ASSY W/BEARING 74MM O.D. x 57MM	2	2	2	
7	5001752	SCREW CAP HEXF M10-1.5x50 G8.8 N500	3	3	3	
7	5001843	SCREW CAP HEXF AD M10-1.5x50 G10.9 N500	3	3	3	
8	550924	PROTECTOR CAP / STEEL 40.7MM O.D. x 5MM	2	2	2	
8	557056	PROTECTOR CAP / STEEL 40.7MM O.D. x 11MM	1	1	1	
9	550923	PULLEY ASSY PK14	1	1	1	
10	550927	PROTECTOR CAP / PLASTIC 54MM O.D. x 2.6MM	1	1	1	
11	550925	AUTOMATIC TENSIONER ASSY	1	1	1	
. NS	010032	. TOOL KEY 1 1/2" / TENSIONER RELEASE	1	1	1	
12	5001644	SCREW CAP HEXF M10-1.5x30 G8.8 G500	1	1	1	
13	965189	SCREW CAP HEXF M10-1.5x90 G8.8 ZG603	1	1	1	
14	979935	SCREW CAP HEXF M12-1.75x160 G8.8 ZG603	2	2	2	
14	5001763	SCREW CAP HEXF M12-1.75x160 G8.8 N500	2	2	2	
15	965191	SCREW CAP HEXF M12-1.75x30 G8.8 ZG603	4	4	4	
15	5001777	SCREW CAP HEXF M12-1.75x30 G10.9 N500	4	4	4	
16	550912	PULLEYASSY / FAN DRIVE 212MM O.D. W/14 RIB To A-1605	1	1	1	
. NS	551021	. SCREW CAP HEXS M8-1.25 x 30 To A-1605	10	10	10	
16	550961	PULLEY ASSY / FAN DRIVE 212MM O.D. W/14 RIB From A-1606	1	1	1	
. NS	550983	. BEARING From A-1606	1	1	1	
. NS	551021	. SCREW CAP HEXS M8-1.25 x 30 From A-1606	10	10	10	
16	550981	PULLEY ASSY / FAN DRIVE 212MM O.D. W/14 RIB ALTERNATIVE PART	1	1	1	
. NS	551020	. BEARING	1	1	1	
. NS	551021	. SCREW CAP HEXS M8-1.25 x 30	10	10	10	
. NS	551022	. RETAINING RING	1	1	1	
17	5001738	SCREW CAP HEX M8-1.25x30 G8.8 N500	6	6	6	

From 7-0671 To A-1720	Date:10/2022	PAGE:H7-0120-00
<b>DRIVE PULLEY, BELTS &amp; TENSIONER WITH DETROIT S-60</b>		

Item#	Part	Description	H 3 4 1	H 3 4 5	V I P 4 5	N O T E S
18	5001161	WASHER LO SPT 8.1x14.8x2.0 SS-304	6	6	6	
19	<b>H7-0520-00</b>	<b>FAN DRIVE - INSTALLATION</b>				
20	550921	MULTI V-BELT / 14 RIB 91" (2310) 14PK2310	1	1	1	
21	5060086	V-BELT / BX-96 / SET OF 2 9013-2096	1	1	1	
21	5060121	SUPER V-BELT / 2B-96	1	1	1	
21	506864	V-BELT / BX-100 / SET OF 2 9212-0404			1	
21	5060082	V-BELT / BX-92 / SET OF 2 9013-2092			1	D
30	453832	PULLEY ASSY W/BEARING & SUPPORT / H	1	1	1	
31	453833	. ANGLE SUPPORT	1	1	1	
32	052205	. SPACER 20MM I.D. X 12.5MM TH	1	1	1	
33	453834	. PULLEY / 45MM x 90MM O.D.	1	1	1	
34	507340	. BALL BEARING 20 ID x 52 OD x 22.2 W	1	1	1	
35	504095	. RING RETAINER / INT 2.00 x 2.12 x .062	1	1	1	
36	453835	. SCREW CAP HEX M20-2.5x65	1	1	1	
37	453076	. CAP, DUST	1	1	1	
38	5001252	. NUT HEX STO M20-2.5 DP	1	1	1	
40	500065	SCREW CAP HEX M10-1.5x30 G10.9 DP	2	2	2	
41	500897	WASHER FL .437x1.000x.083 N500	4	4	4	
42	5001758	NUT HEX STO M10-1.5 N500	2	2	2	
43	454500	PULLEY ASSY W/BEARING			1	B
44	454182	. PULLEY / 5" O.D. X 2V			1	B
45	507340	. BALL BEARING 20 ID x 52 OD x 22.2 W			1	B
46	504095	. RING RETAINER / INT 2.00 x 2.12 x .062			1	B
47	454501	SUPPORT IDLER PULLEY			1	B
48	453835	SCREW CAP HEX M20-2.5x65			1	B
49	453076	CAP, DUST			1	B
50	012466	PULLEY ASSY IDLER	1	1	1	
NS	680752	. GREASE LITHIUM / BLUE	AR	AR	AR	
51	N.S.S.	. BASE SUPPORT ASSY				1
52	507371	. SEAL	1	1	1	
53	012459	. PULLEY 116MM O.D. x 53.5MM	1	1	1	
54	510618	. BALL BEARING DBL ROW / 30MM x 62MM x 27 W	1	1	1	
55	504040	. RING RETAINER / INT 2.440 x 1.860 x 0.078 STL BLK	1	1	1	
56	012062	. WASHER FL 10.2 x38.1x5 ST	1	1	1	
57	500829	. SCREW CAP HEX M10-1.5x40 G8.8	1	1	1	
58	510798	. PROTECTOR CAP / "PREVOST"	1	1	1	
59	5001644	SCREW CAP HEXF M10-1.5x30 G8.8 G500	2	2	2	

<b>From 7-0671 To A-1720</b>	<b>Date:10/2022</b>	<b>PAGE:H7-0120-00</b>
<b>DRIVE PULLEY, BELTS &amp; TENSIONER WITH DETROIT S-60</b>		

Item#	Part	Description	H 3 4 1	H 3 4 5	V I P 4 5	N O T E S
60	5001596	SCREW CAP HEXF M14-2.0x90 G8.8 MAGNI 565	1	1	1	
65	012453	. SUPPORT	1	1	1	
65	012456	. ROLLER 48MM O.D. x 64MM	1	1	1	
65	012458	. BEARING MODIFIED PREVOST	1	1	1	
65	5006768	. SCREW DRV RND #14x5/8 Z050	1	1	1	
65	012467	SNUBBER ASSY	1	1	1	
66	5001643	SCREW CAP HEXF M8-1.25x25 G8.8 G500	2	2	2	
67	5001595	SCREW CAP HEXF M10-1.5x60 G8.8 G500	3	3	3	
68	012455	ADAPTOR SNUBBER MOUNTING	1	1	1	
70	453795	SUPPORT IDLER PULLEY / W/SMALL A/C			1	A
71	453078	PULLEY ASSY W/BEARING & SEAL / 5" O.D. X 2V			1	A
72	454182	. PULLEY / 5" O.D. X 2V			1	A
73	507340	. BALL BEARING 20 ID x 52 OD x 22.2 W			1	A
74	504095	. RING RETAINER / INT 2.00 x 2.12 x .062			1	A
75	5001124	SCREW CAP HEX M20-2.5x80 G8.8 ZP			1	A
75	983296	SCREW CAP HEX M20-2.5x90 G10.9 ZP			1	A D
76	502558	WASHER FL 21.0x37.0x3.0 G500			1	A
77	052219	SPACER 20MM I.D. X 19.44MM TH			1	A
78	500809	NUT HEX STO M20-2.5 N500			1	A
79	453076	CAP, DUST			1	A
80	502705	SCREW CAP HEX M12-1.75X25 G8.8 N500			2	A
81	500747	WASHER LO SPT 12.2x21.1x2.5 N500			2	A
82	500211	WASHER FL .531x1.250x.125 N500			2	A
83	5001476	SCREW CAP HEX M14-2.0x45 G8.8 G500			1	A
84	5001595	SCREW CAP HEXF M10-1.5x60 G8.8 G500			3	B
90	641472	AIR PRESSURE REGULATOR 1/4" NPT / COPPER	1	1	1	
91	066382	PLATE SWITCH SUPPORT / W/3 SWITCHES	1	1	1	
92	5001743	SCREW CAP HEX M6-1.0x12 G8.8 N500	2	2	2	
93	641371	MALE ELBOW 90° NON-SWIVEL / PUSH-IN FITTING / #4x1/4NPT-M BR	1	1	1	
94	501331	STREET ELBOW 90° / PIPE FITTING / 1/8NPT-Mx1/8NPT-F BR	1	1	1	
95	640488	VALVE, AIR FILL 1/8" NPT	1	1	1	
. NS	650164	. CAP VALVE / CHROME	1	1	1	
96	501650	NIPPLE REDUCER HEX / PIPE FITTING / 1/4NPT-Mx1/8NPT-Mx1 3/16 BR	1	1	1	
97	641417	VALVE, 3 WAYS 1/8NPT-Fx1/8NPT-Fx1/8NPT-F BR	1	1	1	
. NS	642014	. HANDLE / RED	1	1	1	
97	642161	VALVE, 3 WAYS 1/8NPT-Fx1/8NPT-Fx1/8NPT-F BR / SERVICE	1	1	1	
. NS	642014	. HANDLE / RED	1	1	1	
98	530175	VALVE, CHECK 1/8 NPT	1	1	1	

From 7-0671 To A-1720	Date:10/2022	PAGE:H7-0120-00
<b>DRIVE PULLEY, BELTS &amp; TENSIONER WITH DETROIT S-60</b>		

Item#	Part	Description	H 3 4 1	H 3 4 5	V I P 4 5	N O T E S
99	641074	FEMALE ELBOW 90° / NTA FITTING / #4x1/8NPT-F BR				
100	066381	DECAL / "MOTOR SWITCH REGULATOR" / 45PSI / W/3 SWITCHES	1	1	1	
NS	685290	TOOL PULLEY RETAINER / FOR TORQ # 550912	1	1	1	
105	<b>H7-0605-00</b>	<b>ALTERNATOR 24V/140 AMPS / "BOSCH"</b>				
105	<b>H7-0605-01</b>	<b>ALTERNATOR 24V/120 AMPS / "BOSCH"</b>				
106	<b>H7-0610-00</b>	<b>ALTERNATOR MOUNTING / "BOSCH" 2X140AMPS DETROIT S-60</b>				
106	<b>H7-0610-05</b>	<b>ALTERNATOR MOUNTING / "BOSCH" 2X120AMPS DETROIT S-60</b>				
		A) USE WITH ONE ALTERNATOR MOUNT ON THE ENGINE				
		B) WITH VIP WITH 2 ALTERNATOR MOUNTING				
		D) WITH 24V 270Amps OR 12V 300Amps MODEL 50DN ALTERNATOR				
		1) NOT SOLD SEPARATELY				

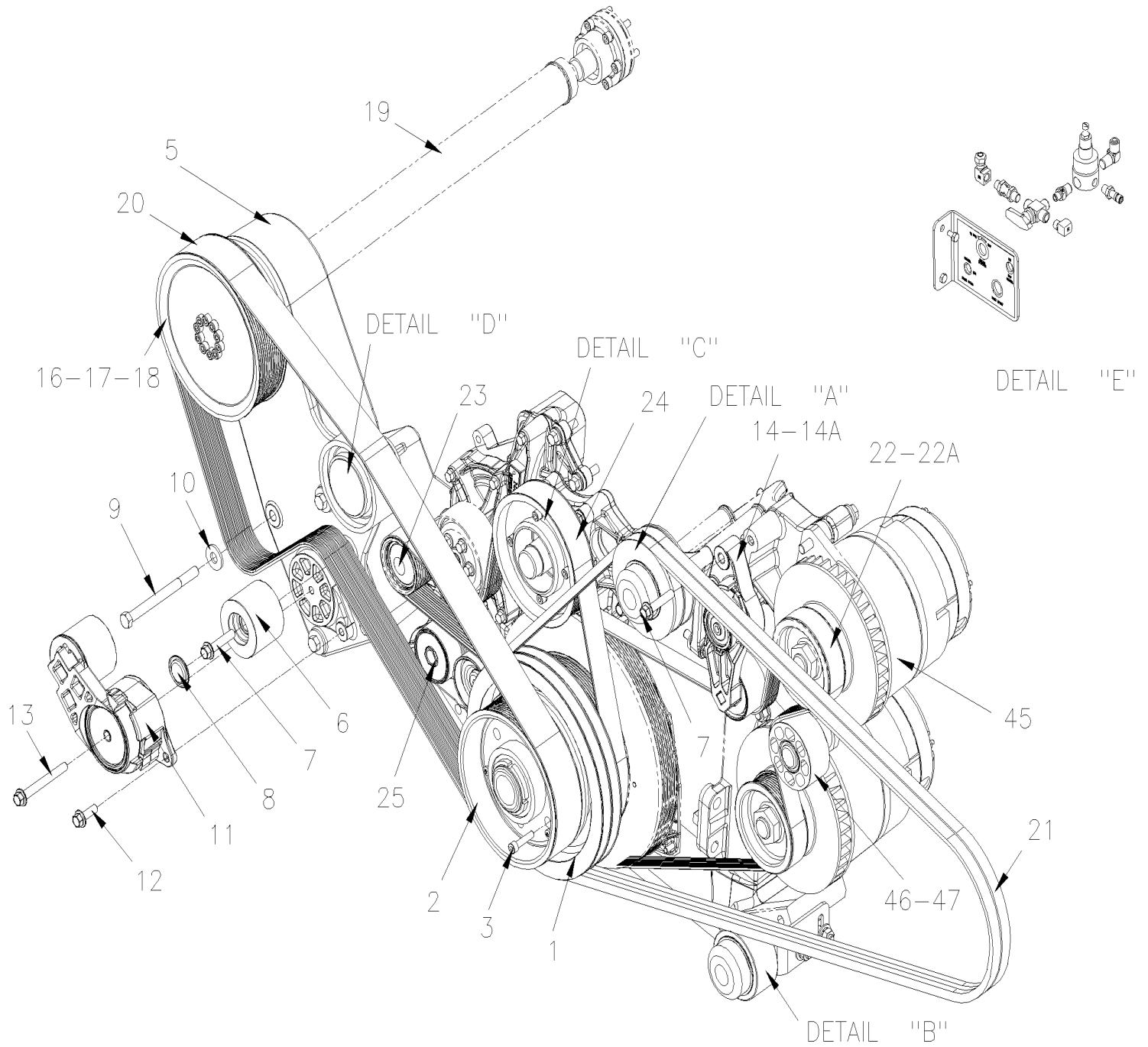


From 8-1202 To A-1720

Date:10/2022

PAGE:H7-0120-01

## DRIVE PULLEY, BELTS & TENSIONER WITH VOLVO D13 & 2x140Amps

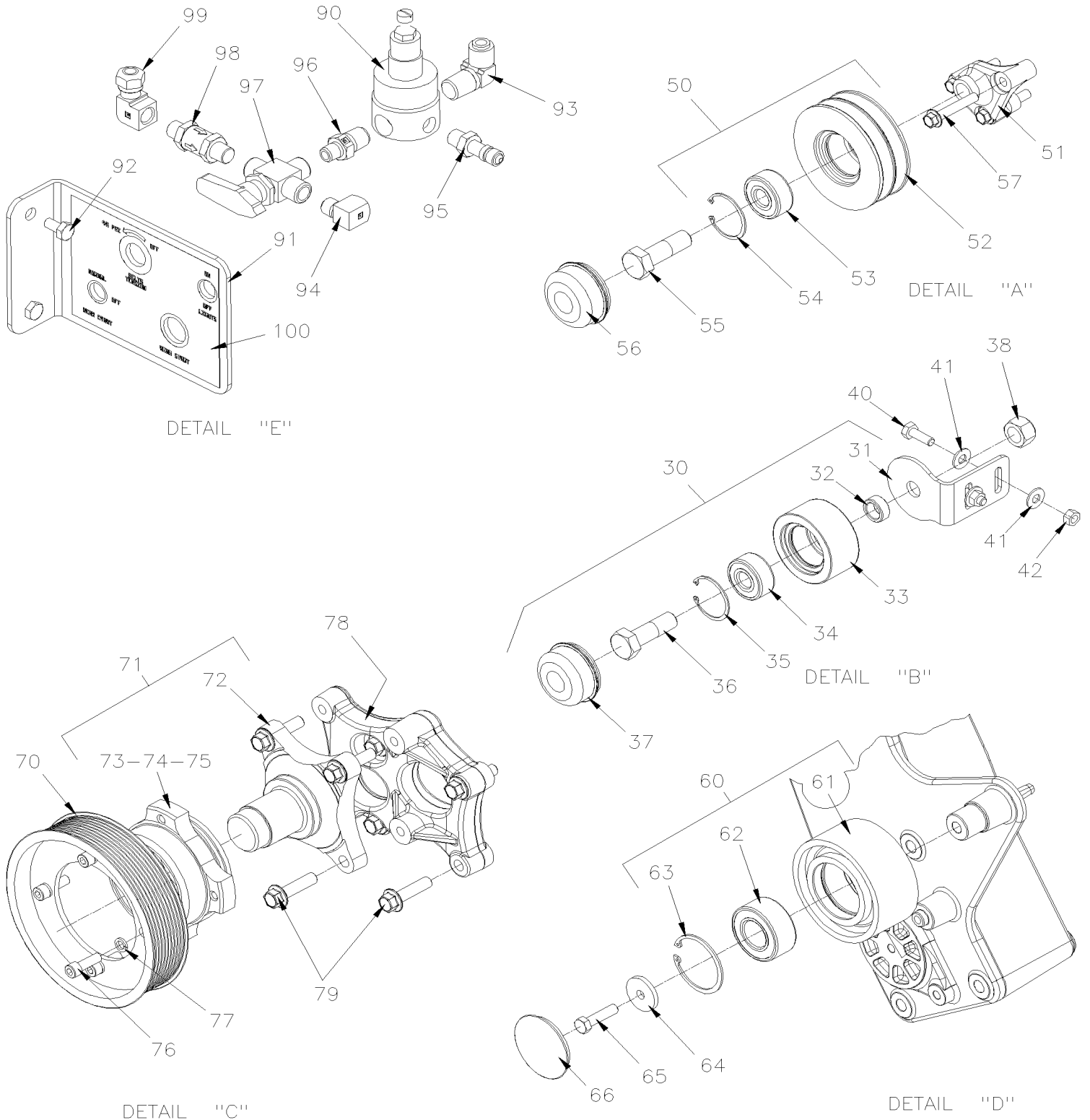


From 8-1202 To A-1720

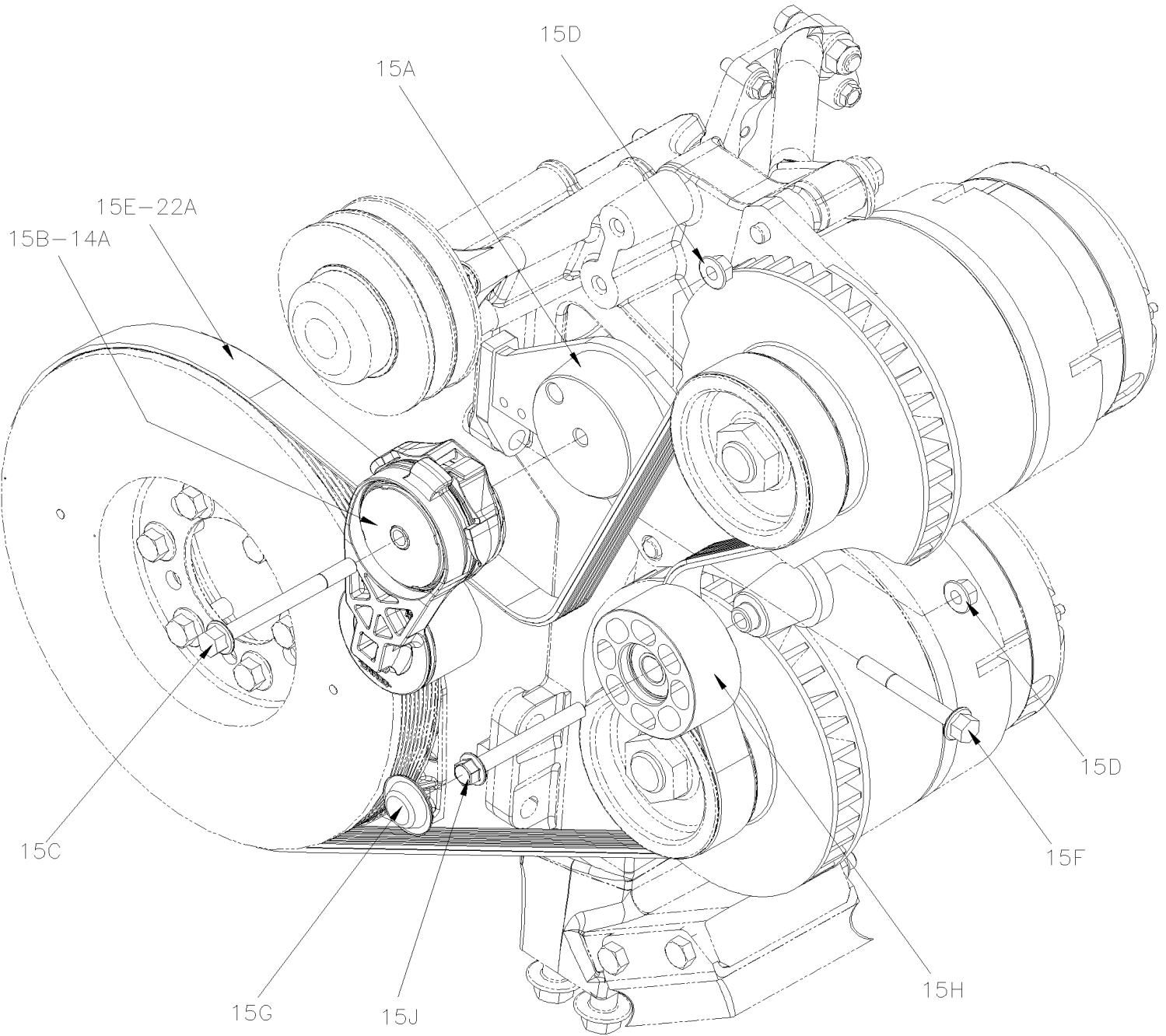
Date:10/2022

PAGE:H7-0120-01

## DRIVE PULLEY, BELTS & TENSIONER WITH VOLVO D13 & 2x140Amps



From 8-1202 To A-1720	Date:10/2022	PAGE:H7-0120-01
DRIVE PULLEY, BELTS & TENSIONER WITH VOLVO D13 & 2x140Amps		



From 8-1202 To A-1720	Date:10/2022	PAGE:H7-0120-01
<b>DRIVE PULLEY, BELTS &amp; TENSIONER WITH VOLVO D13 &amp; 2x140Amps</b>		

Item#	Part	Description	H 3 4 1	H 3 4 5	V I P 4 5	N O T E S
1	012342	PULLEY DRIVE 279MM x 2V & 219MM x 10RIB	1	1	1	
1	21264333	PULLEY DRIVE 279MM x 2V & 219MM x 10RIB	1	1	1	
NS	5001673	SCREW CAP HEXF M12-1.75x50 G8.8 MAGNI 565	6	6	6	
2	550913	PULLEY DAMPER 201MM O.D. / W/14 RIB To A-1624	1	1		
. NS	550951	. KIT, DAMPER BUSHING To A-1624	1	1		
. . NS	N.S.S.	. . RUBBER DAMPER BUSHING To A-1624	6	6		1
. . NS	N.S.S.	. . SCREW CAP HEXS To A-1624	6	6		1
. . NS	N.S.S.	. . SCREW CAP BUT TORX To A-1624	3	3		1
2	550963	PULLEY DAMPER 201MM O.D. / W/14 RIB From A-1625	1	1	1	
. NS	550951	. KIT, DAMPER BUSHING From A-1625	1	1	1	
. . NS	N.S.S.	. . RUBBER DAMPER BUSHING From A-1625	6	6	6	1
. . NS	N.S.S.	. . SCREW CAP HEXS From A-1625	6	6	6	1
. . NS	N.S.S.	. . SCREW CAP BUT TORX From A-1625	3	3	3	1
2	550982	PULLEY 201MM O.D. / W/14 RIB ALTERNATIVE PART	1	1	1	
3	5001661	. SCREW CAP HEXS M8-1.25x35 G10.9 AD MAGNI 565	6	6	6	
NS	680038	THREAD LOCKER LOCTITE #243 / BLUE / 50ml	AR	AR	AR	
5	20966640	SHORT FAN ARM SUPPORT	1	1	1	
6	550922	PULLEY ASSY W/BEARING 74MM O.D. x 57MM	1	1	1	
7	5001752	SCREW CAP HEXF M10-1.5x50 G8.8 N500	3	3	3	
7	5001843	SCREW CAP HEXF AD M10-1.5x50 G10.9 N500	3	3	3	
8	550924	PROTECTOR CAP / STEEL 40.7MM O.D. x 5MM	1	1	1	
8	557056	PROTECTOR CAP / STEEL 40.7MM O.D. x 11MM	1	1	1	
9	973967	SCREW CAP HEX M12-1.75x140 G8.8 MAGNI 565	4	4	4	
10	500211	WASHER FL .531x1.250x.125 N500	4	4	4	
11	550925	AUTOMATIC TENSIONER ASSY	1	1	1	
. NS	010032	. TOOL KEY 1 1/2" / TENSIONER RELEASE	1	1	1	
12	5001644	SCREW CAP HEXF M10-1.5x30 G8.8 G500	1	1	1	
13	965189	SCREW CAP HEXF M10-1.5x90 G8.8 ZG603	1	1	1	
14	20935523	AUTOMATIC TENSIONER ASSY To A-1627	1	1		
14	21404578	AUTOMATIC TENSIONER ASSY From A-1628 To A-1678	1	1	1	
14	21422767	AUTOMATIC TENSIONER ASSY From A-1679	1	1	1	
NS	5001752	SCREW CAP HEXF M10-1.5x50 G8.8 N500 From A-1679	2	2	2	
14A	510991	AUTOMATIC TENSIONER ASSY	1	1	1	G
15	010325	KIT "BELT TENSIONNER"	1	1	1	G
. A	010323	. SUPPORT, ASSEMBLY	1	1	1	G
. B	510991	. AUTOMATIC TENSIONER ASSY	1	1	1	G
. C	5001884	. SCREW CAP HEXF M10-1.5X110 G10.9 N500	1	1	1	G
. D	5001727	. NUT HEXF NYRT M10-1.5 N500	2	2	2	G
. E	5061286	. MULTI V-BELT / 8 RIB 80.91" (2055) 8PK2055 ORION QT+ SD	1	1	1	G
. F	5001843	. SCREW CAP HEXF AD M10-1.5x50 G10.9 N500	1	1	1	G
. G	557056	. PROTECTOR CAP / STEEL 40.7MM O.D. x 11MM	1	1	1	G
. H	510970	. PULLEY ASSY	1	1	1	G

From 8-1202 To A-1720	Date:10/2022	PAGE:H7-0120-01
<b>DRIVE PULLEY, BELTS &amp; TENSIONER WITH VOLVO D13 &amp; 2x140Amps</b>		

Item#	Part	Description	H 3 4 1	H 3 4 5	V I P 4 5	N O T E S
. NS	560974	. BALL BEARING	2	2	2	G
. J	5001784	. SCREW CAP HEXF M10-1.5x90 G8.8 AD N500	1	1	1	G
. E2	506212	. MULTI V-BELT / 8 RIB 80.91" (2055) 8PK2055 ORION QT+ SD ARAMIDE	1	1	1	G
. E3	5061287	. MULTI V-BELT / 8 RIB 75.79" (1925) 8PK1925 ORION QT+ SD	1	1	1	G
. E4	506244	. MULTI V-BELT / 8 RIB 75.79" (1925) 8PK1925 ORION QT+ SD ARAMIDE	1	1	1	G
16	550912	PULLEYASSY / FAN DRIVE 212MM O.D. W/14 RIB To A-1605	1	1		
. NS	551021	. SCREW CAP HEXS M8-1.25 x 30 To A-1605	10	10		
16	550961	PULLEY ASSY / FAN DRIVE 212MM O.D. W/14 RIB From A-1606	1	1	1	
. NS	550983	. BEARING From A-1606	1	1	1	
. NS	551021	. SCREW CAP HEXS M8-1.25 x 30 From A-1606	10	10	10	
16	550981	PULLEY ASSY / FAN DRIVE 212MM O.D. W/14 RIB ALTERNATIVE PART	1	1	1	
. NS	551020	. BEARING	1	1	1	
. NS	551021	. SCREW CAP HEXS M8-1.25 x 30	10	10	10	
. NS	551022	. RETAINING RING	1	1	1	
17	5001738	SCREW CAP HEX M8-1.25x30 G8.8 N500	6	6	6	
18	5001161	WASHER LO SPT 8.1x14.8x2.0 SS-304	6	6	6	
19	<b>H7-0520-00</b>	<b>FAN DRIVE - INSTALLATION</b>				
20	5060096	MULTI V-BELT / 14 RIB 85.5" (2172) 14PK2172	1	1	1	
20	5060109	MULTI V-BELT / 14 RIB 85.5" (2172) 14PK2172 QT (21-2114)	1	1	1	
20	5060107	MULTI V-BELT / 14 RIB 85.5" (2172) 14PK2172 QT + SD (21-2120)	1	1		H
21	506864	V-BELT / BX-100 / SET OF 2 9212-0404	1	1		B
21	5060078	V-BELT / BX-98 / SET OF 2 9013-2098			1	B
21	5060077	V-BELT / BX-95 / SET OF 2 9013-2095			1	A
22	506039	MULTI V-BELT / 8 RIB 76.18" (1935) 8PK1935 QT + ARAMIDE To A-1489	1	1		E F
22	506062	MULTI V-BELT / 8 RIB 78.54" (1995) 8PK1995 QT + ARAMIDE From A-1490	1	1	1	
22	506057	MULTI V-BELT / 8 RIB 78.54" (1995) 8PK1995 QT + SD ARAMIDE From A-1490	1	1		H
22	506042	MULTI V-BELT / 8 RIB 73" (1865) 8PK1865 QT + ARAMIDE	1	1	1	C
22A	506212	MULTI V-BELT / 8 RIB 80.91" (2055) 8PK2055 ORION QT+ SD ARAMIDE	1	1	1	G
22A	506244	MULTI V-BELT / 8 RIB 75.79" (1925) 8PK1925 ORION QT+ SD ARAMIDE EMERGENCY	1	1	1	C G
23	Refer To Volvo	PULLEY IDLER	1	1		V
24	20712534	MULTI V-BELT / 10 RIB 59.5" (1512MM) 10PK1512	1	1	1	
24	5060110	MULTI V-BELT / 10 RIB 59.5" (1512MM) 10PK1512 QT (21-2112)	1	1	1	
24	5060104	MULTI V-BELT / 10 RIB 59.5" (1512MM) 10PK1512 QT + SD (21-2112)	1	1		H
25	20487079	AUTOMATIC TENSIONER ASSY	1	1	1	
25	012696	KIT, WATER PUMP TENSIONER ASSY W/SUPPORT SERVICE	1	1	1	
. NS	012695	. SUPPORT ADAPTOR AUTOMTIC TENSIONER ASSY W/DOWEL / WATER PUMP	1	1	1	
. NS	502941	. DOWEL PIN	2	2	2	
. NS	510991	. AUTOMATIC TENSIONER ASSY	1	1	1	
. NS	5001620	. SCREW CAP HEXS M10-1.5X35 G10.9 G500	1	1	1	
. NS	5001799	. SCREW CAP HEXF M10-1.5x70 G10.9 N500	1	1	1	
. NS	20712534	. MULTI V-BELT / 10 RIB 59.5" (1512MM) 10PK1512	1	1	1	

From 8-1202 To A-1720	Date:10/2022	PAGE:H7-0120-01
<b>DRIVE PULLEY, BELTS &amp; TENSIONER WITH VOLVO D13 &amp; 2x140Amps</b>		

Item#	Part	Description	H 3 4 1	H 3 4 5	V I P 4 5	N O T E S
30	453832	PULLEY ASSY W/BEARING & SUPPORT / H	1	1	1	
31	453833	. ANGLE SUPPORT	1	1	1	
32	052205	. SPACER 20MM I.D. X 12.5MM TH	1	1	1	
33	453834	. PULLEY / 45MM x 90MM O.D.	1	1	1	
34	507340	. BALL BEARING 20 ID x 52 OD x 22.2 W	1	1	1	J
34	507014	. BALL BEARING 20 ID x 52 OD x 22.2 W	1	1	1	
35	504095	. RING RETAINER / INT 2.00 x 2.12 x .062	1	1	1	
36	453835	. SCREW CAP HEX M20-2.5x65	1	1	1	
37	453076	. CAP, DUST	1	1	1	
38	5001252	. NUT HEX STO M20-2.5 DP	1	1	1	
40	500065	. SCREW CAP HEX M10-1.5x30 G10.9 DP	2	2	2	
41	500897	. WASHER FL .437x1.000x.083 N500	4	4	4	
42	5001758	. NUT HEX STO M10-1.5 N500	2	2	2	
45	<b>H7-0605-00</b>	<b>ALTERNATOR 24V/140 AMPS / "BOSCH"</b>				
46	067742	KIT RETROFIT "ADD PULLEY" To A-1489	1	1	1	E
47	<b>H7-0610-01</b>	<b>ALTERNATOR MOUNTING / "BOSCH" 2x140Amps VOLVO D13</b>				
50	454500	PULLEY ASSY W/BEARING	1	1	1	
52	454182	. PULLEY / 5" O.D. X 2V	1	1	1	
53	507340	. BALL BEARING 20 ID x 52 OD x 22.2 W	1	1	1	J
53	507014	. BALL BEARING 20 ID x 52 OD x 22.2 W	1	1	1	
54	504095	. RING RETAINER / INT 2.00 x 2.12 x .062	1	1	1	
55	453835	SCREW CAP HEX M20-2.5x65	1	1	1	
56	453076	CAP, DUST	1	1	1	
57	5001595	SCREW CAP HEXF M10-1.5x60 G8.8 G500	3	3	3	
58	454548	SUPPORT PULLEY ALT & A/C	1	1	1	
60	052896	PULLEY ASSY W/BEARING / 54MM x 117MM O.D.	1	1	1	
61	052625	. PULLEY / 54MM x 117MM O.D.	1	1	1	
62	510618	. BALL BEARING DBL ROW / 30MM x 62MM x 27 W	1	1	1	
63	504040	. RING RETAINER / INT 2.440 x 1.860 x 0.078 STL BLK	1	1	1	
64	012062	WASHER FL 10.2 x38.1x5 ST	1	1	1	
65	500829	SCREW CAP HEX M10-1.5x40 G8.8	1	1	1	
66	510798	PROTECTOR CAP / "PREVOST"	1	1	1	
70	8149875	PULLEY 171 MM O.D. W/10RIB	1	1	1	
71	20845416	HUB ASSY To 9-1368	1	1		
71	21146745	HUB ASSY From 9-1369	1	1	1	
72	20459796	. SHAFT MOUNTING	1	1	1	
73	N.S.S.	. BEARING HOUSING	1	1	1	1
74	1675715	. BALL BEARING (BA2B 309609 BE) To 9-1368	1	1		
74	21146660	. BALL BEARING From 9-1369	1	1	1	

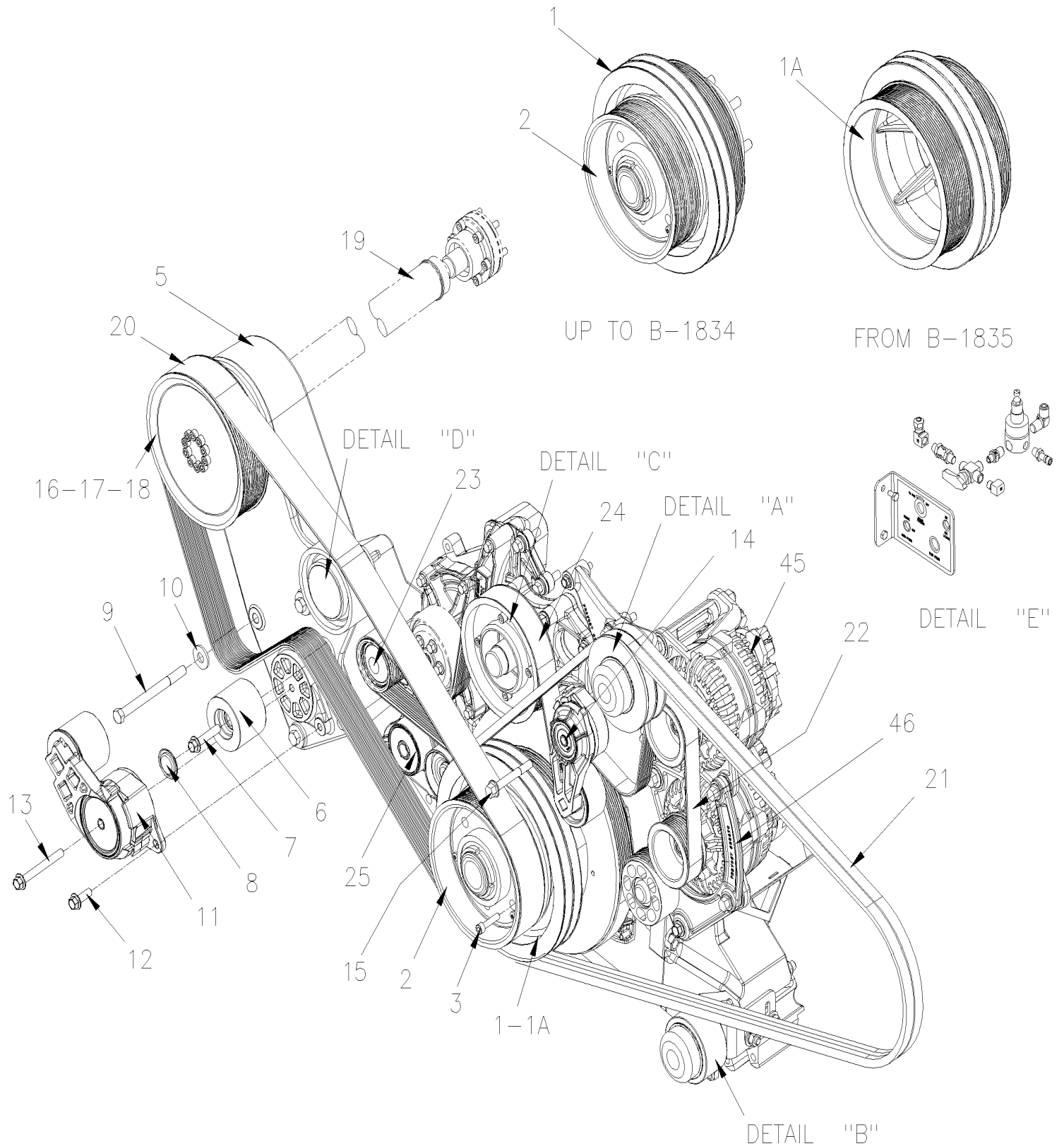
<b>From 8-1202 To A-1720</b>	<b>Date:10/2022</b>	<b>PAGE:H7-0120-01</b>
<b>DRIVE PULLEY, BELTS &amp; TENSIONER WITH VOLVO D13 &amp; 2x140Amps</b>		

Item#	Part	Description	H 3 4 1	H 3 4 5	V I P 4 5	N O T E S
75	1675790	. NUT M40 x 9MM	1	1	1	
76	984065	SCREW CAP HEXS M8-1.25x25 G8.8 DP	4	4	4	
77	502889	WASHER LO SPT 8.1x12.7x2.0 N500	4	4	4	
78	012497	SUPPORT PILLEY TENSIONER WATER PUMP	1	1	1	
78	21270170	SUPPORT PULLEY TENSIONER WATER PUMP	1	1	1	
79	5001308	SCREW CAP HEXF M10-1.5x40 G10.9 N500	8	8	8	
90	641472	AIR PRESSURE REGULATOR 1/4" NPT / COPPER	1	1	1	
91	066382	PLATE SWITCH SUPPORT / W/3 SWITCHES	1	1	1	
92	5001743	SCREW CAP HEX M6-1.0x12 G8.8 N500	2	2	2	
93	641371	MALE ELBOW 90° NON-SWIVEL / PUSH-IN FITTING / #4x1/4NPT-M BR	1	1	1	
94	501331	STREET ELBOW 90° / PIPE FITTING / 1/8NPT-Mx1/8NPT-F BR	1	1	1	
95	640488	VALVE, AIR FILL 1/8" NPT	1	1	1	
. NS	650164	. CAP VALVE / CHROME	1	1	1	
96	501650	NIPPLE REDUCER HEX / PIPE FITTING / 1/4NPT-Mx1/8NPT-Mx1 3/16 BR	1	1	1	
97	641417	VALVE, 3 WAYS 1/8NPT-Fx1/8NPT-Fx1/8NPT-F BR	1	1	1	
. NS	642014	. HANDLE / RED	1	1	1	
97	642161	VALVE, 3 WAYS 1/8NPT-Fx1/8NPT-Fx1/8NPT-F BR	1	1	1	
. NS	642014	. HANDLE / RED	1	1	1	
98	530175	VALVE, CHECK 1/8 NPT	1	1	1	
99	641074	FEMALE ELBOW 90° / NTA FITTING / #4x1/8NPT-F BR	1	1	1	
100	066381	DECAL / "MOTOR SWITCH REGULATOR" / 45PSI / W/3 SWITCHES	1	1	1	
103	685290	TOOL PULLEY RETAINER / FOR TORQ # 550912	1	1	1	
		A) WITH SMALL A/C				
		B) WITH LARGE A/C				
		C) EMERGENCY USE ONLY WITH ONE ALTERNATOR				
		E) FOR PRODUCT IMPROVEMENT ASK KIT # 067742 WITH MORE DETAIL AT PAGE H7-0610-01				
		F) FOR PRODUCT IMPROVEMENT ASK KIT # 012770				
		G) USE WITH PRODUCT IMPROVMENT NEW PULLEY CONFIGURATION				
		H) SUPER HEAVY DUTY / P.W.T. & HYDRO QUÉBEC (MAY BE USE IN RETROFIT)				
		J) REPLACE BY # 507014				
		1) NOT SOLD SEPARATELY				
		V) SEE IMPACT OR CALL ORDER DESK				

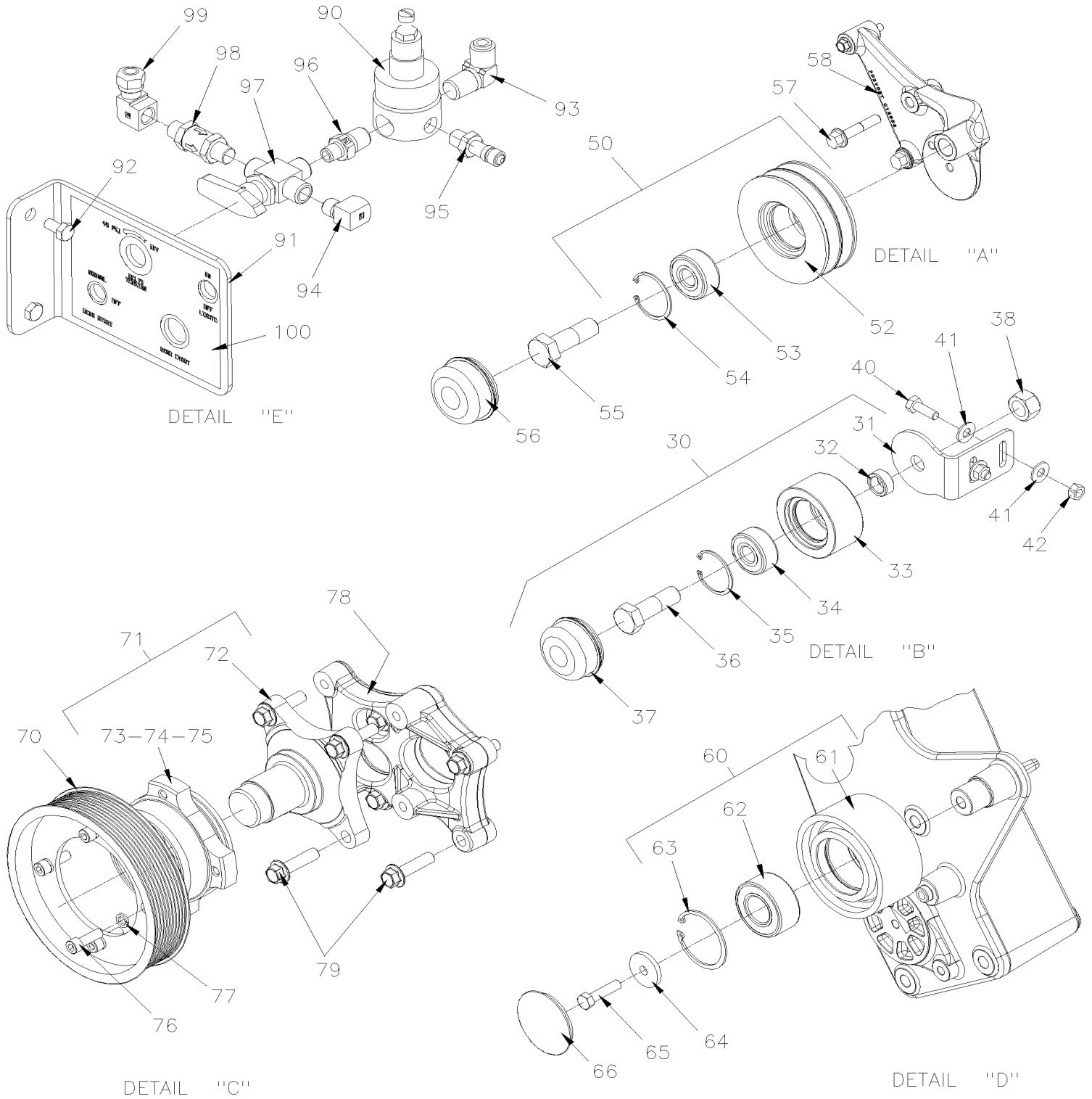




From B-1721 To D-2363	Date:10/2022	PAGE:H7-0120-02
DRIVE PULLEY, BELTS & TENSIONER WITH VOLVO D13 & 2x120Amps		



From B-1721 To D-2363	Date:10/2022	PAGE:H7-0120-02
DRIVE PULLEY, BELTS & TENSIONER WITH VOLVO D13 & 2x120Amps		



<b>From B-1721 To D-2363</b>	<b>Date:10/2022</b>	<b>PAGE:H7-0120-02</b>
<b>DRIVE PULLEY, BELTS &amp; TENSIONER WITH VOLVO D13 &amp; 2x120Amps</b>		

Item#	Part	Description	H 3 4 1	H 3 4 5	V I P 4 5	N O T E S
1	21264333	PULLEY DRIVE 279MM x 2V & 219MM x 10RIB To B-1834	1	1	1	
NS	5001673	SCREW CAP HEXF M12-1.75x50 G8.8 MAGNI 565	6	6	6	
1A	21655859	PULLEY DRIVE 279MM x 2V & 219MM x 10RIB & 14 RIB From B-1835	1	1	1	
1A	21655859	PULLEY DRIVE 279MM x 2V & 219MM x 10RIB & 14 RIB From B-1724 To B-1724	1	1	1	
1A	21655859	PULLEY DRIVE 279MM x 2V & 219MM x 10RIB & 14 RIB From B-1735 To B-1735	1	1	1	
1A	21655859	PULLEY DRIVE 279MM x 2V & 219MM x 10RIB & 14 RIB From B-1789 To B-1789	1	1	1	
2	550913	PULLEY DAMPER 201MM O.D. / W/14 RIB To B-1834	1	1	1	
. NS	550951	. KIT, DAMPER BUSHING To B-1834	1	1	1	
. . NS	N.S.S.	. . RUBBER DAMPER BUSHING To B-1834	6	6	6	1
. . NS	N.S.S.	. . SCREW CAP HEXS To B-1834	6	6	6	1
. . NS	N.S.S.	. . SCREW CAP BUT TORX To B-1834	3	3	3	1
2	550982	PULLEY 201MM O.D. / W/14 RIB ALTERNATIVE PART To B-1834	1	1	1	
3	5001661	SCREW CAP HEXS M8-1.25x35 G10.9 AD MAGNI 565 To B-1834	6	6	6	
3	5001296	SCREW CAP HEXF M12-1.75x80 G10.9 N500 From B-1835	6	6	6	
NS	680038	THREAD LOCKER LOCTITE #243 / BLUE / 50ml	AR	AR	AR	
5	20966640	SHORT FAN ARM SUPPORT	1	1	1	
6	550922	PULLEY ASSY W/BEARING 74MM O.D. x 57MM To D-2330	1	1	1	
6	550975	PULLEY ASSY W/BEARING 74MM O.D. x 67MM P.W.T To D-2330	1	1	1	
6	550985	PULLEY ASSY W/BEARING 74MM O.D. x 57MM CROWNED/DOME From D-2331	1	1	1	
NS	053022	GUIDE, BUSHING From D-2331	1	1	1	
7	5001843	SCREW CAP HEXF AD M10-1.5x50 G10.9 N500	3	3	3	
8	550924	PROTECTOR CAP / STEEL 40.7MM O.D. x 5MM To D-2330	1	1	1	
8	557056	PROTECTOR CAP / STEEL 40.7MM O.D. x 11MM From D-2331	1	1	1	
9	5001776	SCREW CAP HEX M12-1.75x140 G8.8 G500	4	4	4	
10	500211	WASHER FL .531x1.250x.125 N500	4	4	4	
11	550925	AUTOMATIC TENSIONER ASSY	1	1	1	
. NS	010032	. TOOL KEY 1 1/2" / TENSIONER RELEASE	1	1	1	
12	5001644	SCREW CAP HEXF M10-1.5x30 G8.8 G500	1	1	1	
13	965189	SCREW CAP HEXF M10-1.5x90 G8.8 ZG603	1	1	1	
14	20935523	AUTOMATIC TENSIONER ASSY To A-1627	1	1		PA
14	21404578	AUTOMATIC TENSIONER ASSY From A-1628 To A-1678	1	1		PA
14	510991	AUTOMATIC TENSIONER ASSY From A-1679	1	1	1	
15	5001802	SCREW CAP HEXF M10-1.5x80 G10.9 N500 From A-1679 To B-1821	1	1	1	
15	5001799	SCREW CAP HEXF M10-1.5x70 G10.9 N500 From B-1822	1	1	1	
16	550912	PULLEYASSY / FAN DRIVE 212MM O.D. W/14 RIB To A-1605	1	1		
. NS	551021	. SCREW CAP HEXS M8-1.25 x 30 To A-1605	10	10		
16	550961	PULLEY ASSY / FAN DRIVE 212MM O.D. W/14 RIB From A-1607	1	1	1	
. NS	550983	. BEARING From A-1607	1	1	1	
. NS	551021	. SCREW CAP HEXS M8-1.25 x 30 From A-1607	10	10	10	
16	550981	PULLEY ASSY / FAN DRIVE 212MM O.D. W/14 RIB ALTERNATIVE PART	1	1	1	
. NS	551020	. BEARING	1	1	1	
. NS	551021	. SCREW CAP HEXS M8-1.25 x 30	10	10	10	

<b>From B-1721 To D-2363</b>	<b>Date:10/2022</b>	<b>PAGE:H7-0120-02</b>
<b>DRIVE PULLEY, BELTS &amp; TENSIONER WITH VOLVO D13 &amp; 2x120Amps</b>		

Item#	Part	Description	H 3 4 1	H 3 4 5	V I P 4 5	N O T E S
. NS	551022	. RETAINING RING	1	1	1	
17	5001738	SCREW CAP HEX M8-1.25x30 G8.8 N500	6	6		
18	500321	WASHER BEL SPR .331x.827x.098 N500	6	6		
19	<b>H7-0520-00</b>	<b>FAN DRIVE - INSTALLATION</b>				
20	5060096	MULTI V-BELT / 14 RIB 85.5" (2172) 14PK2172 To B-1762	1	1	1	
20	5060109	MULTI V-BELT / 14 RIB 85.5" (2172) 14PK2172 QT (21-2114) From B-1763 To B-1834	1	1	1	
20	5060107	MULTI V-BELT / 14 RIB 85.5" (2172) 14PK2172 QT + SD (21-2120) To B-1834	1	1	1	H
20	5061285	MULTI V-BELT / 14 RIB 87.125" (2213) 14PK2213 QT From B-1835	1	1	1	
20	5060118	MULTI V-BELT / 14 RIB 87.125" (2213) 14PK2213 QT + SD From B-1835	1	1	1	H
20	5061285	MULTI V-BELT / 14 RIB 87.125" (2213) 14PK2213 QT From B-1724 To B-1724	1	1	1	
20	5061285	MULTI V-BELT / 14 RIB 87.125" (2213) 14PK2213 QT From B-1735 To B-1735	1	1	1	
20	5061285	MULTI V-BELT / 14 RIB 87.125" (2213) 14PK2213 QT From B-1789 To B-1789	1	1	1	
21	5060086	V-BELT / BX-96 / SET OF 2 9013-2096 / A/C COMPR	1	1		
21	5060121	SUPER V-BELT / 2B-96	1	1	1	
22	506188	MULTI V-BELT / 8 RIB 63" (1600) 8PK1600 QT + ARAMIDE	1	1	1	
22	5061279	MULTI V-BELT / 8 RIB 60" (1524) 5080600 To B-1762	1	1	1	C
22	506114	MULTI V-BELT / 8 RIB 60" (1524) 8PK1524 QT +ARAMIDE From B-1763	1	1	1	C
NS	012699	DECAL / "BELT ROUTING"	1	1	1	
23	Refer To Volvo	PULLEY IDLER	1	1	1	V
24	20712534	MULTI V-BELT / 10 RIB 59.5" (1512MM) 10PK1512 To B-1762	1	1	1	
24	5060104	MULTI V-BELT / 10 RIB 59.5" (1512MM) 10PK1512 QT + SD (21-2112) From B-1763	1	1	1	H
25	20487079	AUTOMATIC TENSIONER ASSY To B-1759	1	1		PW
25	510991	AUTOMATIC TENSIONER ASSY From B-1760	1	1	1	
NS	012695	SUPPORT ADAPTOR AUTOMTIC TENSIONER ASSY W/DOWEL / WATER PUMP From B-1760	1	1	1	
. NS	502941	. DOWEL PIN From B-1760	2	2	2	
NS	5001620	SCREW CAP HEXS M10-1.5X35 G10.9 G500 From B-1760	1	1	1	
NS	5001799	SCREW CAP HEXF M10-1.5x70 G10.9 N500 From B-1760	1	1	1	
25	012696	KIT, WATER PUMP TENSIONER ASSY W/SUPPORT To B-1759	1	1	1	
. NS	012695	. SUPPORT ADAPTOR AUTOMTIC TENSIONER ASSY W/DOWEL / WATER PUMP To B-1759	1	1	1	
. . NS	502941	. . DOWEL PIN To B-1759	2	2	2	
. NS	510991	. AUTOMATIC TENSIONER ASSY To B-1759	1	1	1	
. NS	5001620	. SCREW CAP HEXS M10-1.5X35 G10.9 G500 To B-1759	1	1	1	
. NS	5001799	. SCREW CAP HEXF M10-1.5x70 G10.9 N500 To B-1759	1	1	1	
. NS	20712534	. MULTI V-BELT / 10 RIB 59.5" (1512MM) 10PK1512 To B-1759	1	1	1	
30	453832	PULLEY ASSY W/BEARING & SUPPORT / H To C-2130	1	1	1	O E
30	457509	PULLEY ASSY W/BEARING & SUPPORT / H From C-2131 To D-2152	1	1	1	
30	457510	PULLEY, LOOSE ASM From D-2153	1	1	1	
31	453833	. ANGLE SUPPORT To C-2130	1	1	1	O
31	457508	SUPPORT, LOOSE PULLEY From C-2131 To D-2152	1	1	1	
31	457511	SUPPORT, LOOSE PULLEY From D-2153	1	1	1	

<b>From B-1721 To D-2363</b>	<b>Date:10/2022</b>	<b>PAGE:H7-0120-02</b>
<b>DRIVE PULLEY, BELTS &amp; TENSIONER WITH VOLVO D13 &amp; 2x120Amps</b>		

Item#	Part	Description	H 3 4 1	H 3 4 5	V I P 4 5	N O T E S
32	052205	. SPACER 20MM I.D. X 12.5MM TH	1	1	1	
33	453834	. PULLEY / 45MM x 90MM O.D.	1	1	1	
34	507340	. BALL BEARING 20 ID x 52 OD x 22.2 W	1	1	1	
34	507014	. BALL BEARING 20 ID x 52 OD x 22.2 W	1	1	1	A
35	504095	. RING RETAINER / INT 2.00 x 2.12 x .062	1	1	1	
36	453835	. SCREW CAP HEX M20-2.5x65	1	1	1	
37	453076	. CAP, DUST	1	1	1	
38	5001252	. NUT HEX STO M20-2.5 DP	1	1	1	
40	500065	SCREW CAP HEX M10-1.5x30 G10.9 DP To C-2130	2	2	2	O
40	5001741	SCREW CAP HEXF M10-1.5x30 G8.8 N500 From C-2131	2	2	2	
41	500897	WASHER FL .437x1.000x.083 N500 To C-2130	4	4	4	O
42	5001758	NUT HEX STO M10-1.5 N500 To C-2130	2	2	2	O
42	5001727	NUT HEXF NYRT M10-1.5 N500 From C-2131	2	2	2	
45	<b>H7-0605-01</b>	<b>ALTERNATOR 24V/120 AMPS / "BOSCH"</b>				
46	<b>H7-0610-06</b>	<b>ALTERNATOR MOUNTING / "BOSCH" VOLVO D13</b>				
50	454500	PULLEY ASSY W/BEARING	1	1	1	
52	454182	. PULLEY / 5" O.D. X 2V	1	1	1	
53	507340	. BALL BEARING 20 ID x 52 OD x 22.2 W	1	1	1	A
53	507014	. BALL BEARING 20 ID x 52 OD x 22.2 W	1	1	1	
54	504095	. RING RETAINER / INT 2.00 x 2.12 x .062	1	1	1	
55	453835	SCREW CAP HEX M20-2.5x65	1	1	1	
56	453076	CAP, DUST	1	1	1	
57	5001801	SCREW CAP HEXF M10-1.5x55 G10.9 N500	2	2	2	
57	500796	SCREW CAP HEXF M8-1.25x50 G10.9 N500	1	1	1	
58	012656	SUPPORT PULLEY ALT & A/C From B-1721	1	1	1	
60	052896	PULLEY ASSY W/BEARING / 54MM x 117MM O.D.	1	1	1	
61	052625	. PULLEY / 54MM x 117MM O.D.	1	1	1	
62	510618	. BALL BEARING DBL ROW / 30MM x 62MM x 27 W	1	1	1	
63	504040	. RING RETAINER / INT 2.440 x 1.860 x 0.078 STL BLK	1	1	1	
64	012062	WASHER FL 10.2 x38.1x5 ST	1	1	1	
65	500829	SCREW CAP HEX M10-1.5x40 G8.8	1	1	1	
66	510798	PROTECTOR CAP / "PREVOST"	1	1	1	
70	8149875	PULLEY 171 MM O.D. W/10RIB	1	1	1	
71	20845416	HUB ASSY To 9-1368	1	1		
71	21146745	HUB ASSY From 9-1369	1	1	1	
72	20459796	. SHAFT MOUNTING	1	1	1	
73	N.S.S.	. BEARING HOUSING	1	1	1	1
74	1675715	. BALL BEARING (BA2B 309609 BE) To 9-1368	1	1		
74	21146660	. BALL BEARING From 9-1369	1	1	1	

<b>From B-1721 To D-2363</b>	<b>Date:10/2022</b>	<b>PAGE:H7-0120-02</b>
<b>DRIVE PULLEY, BELTS &amp; TENSIONER WITH VOLVO D13 &amp; 2x120Amps</b>		

Item#	Part	Description	H 3 4 1	H 3 4 5	V I P 4 5	N O T E S
75	1675790	. NUT M40 x 9MM	1	1	1	
76	984065	SCREW CAP HEXS M8-1.25x25 G8.8 DP	4	4	4	
77	502889	WASHER LO SPT 8.1x12.7x2.0 N500	4	4	4	
78	012497	SUPPORT PILLEY TENSIONER WATER PUMP To B-1754	1	1	1	
78	21270170	SUPPORT PULLEY TENSIONER WATER PUMP From B-1755	1	1	1	
79	5001308	SCREW CAP HEXF M10-1.5x40 G10.9 N500	8	8	8	
90	641472	AIR PRESSURE REGULATOR 1/4" NPT / COPPER	1	1	1	
91	066382	PLATE SWITCH SUPPORT / W/3 SWITCHES To A-1720	1	1	1	
91	380034	SUPPORT ACCESSORIES From B-1721	1	1	1	
92	5001743	SCREW CAP HEX M6-1.0x12 G8.8 N500 To A-1720	2	2	2	
93	641371	MALE ELBOW 90° NON-SWIVEL / PUSH-IN FITTING / #4x1/4NPT-M BR	1	1	1	
94	501331	STREET ELBOW 90° / PIPE FITTING / 1/8NPT-Mx1/8NPT-F BR To A-1720	1	1	1	
95	640488	VALVE, AIR FILL 1/8" NPT	1	1	1	
. NS	650164	. CAP VALVE / CHROME	1	1	1	
96	501650	NIPPLE REDUCER HEX / PIPE FITTING / 1/4NPT-Mx1/8NPT-Mx1 3/16 BR	1	1	1	
97	641417	VALVE, 3 WAYS 1/8NPT-Fx1/8NPT-Fx1/8NPT-F BR To C-2005	1	1	1	
. NS	642014	. HANDLE / RED To C-2005	1	1	1	
97	642161	VALVE, 3 WAYS 1/8NPT-Fx1/8NPT-Fx1/8NPT-F BR From C-2006	1	1	1	
. NS	642014	. HANDLE / RED From C-2006	1	1	1	
98	530175	VALVE, CHECK 1/8 NPT To A-1720	1	1	1	
NS	641074	FEMALE ELBOW 90° / NTA FITTING / #4x1/8NPT-F BR From B-1721	1	1	1	
99	641013	FEMALE CONNECTOR / NTA FITTING / #4x1/8NPT-F BR To A-1720	1	1	1	
100	066381	DECAL / "MOTOR SWITCH REGULATOR" / 45PSI / W/3 SWITCHES From B-1721	1	1	1	
100	068302	DECAL / "MOTOR SWITCH REGULATOR" / 45PSI / W/2 SWITCHES To E-2687	2	2	2	
100	069129	DECAL / "MOTOR SWITCH REGULATOR" / 30PSI / W/2 SWITCHES From E-2688	2	2	2	
101	<b>IS19913</b>	<b>BOSCH TO DELCO REMY ALTERNATOR INSTALLATION, US10</b>	1	1	1	
103	685290	TOOL PULLEY RETAINER / FOR TORQ # 550912	1	1	1	
		A) REPLACE BY # 507014				
		C) EMERGENCY USE ONLY WITH ONE ALTERNATOR				
		E) FOR PRODUCT IMPROVEMENT				
		FR) THIS ITEM ARE USE WITH REVERSE FAN DRIVE INSTALLATION AND THEY USE ON PROTOTYPE ONLY				
		H) SUPER HEAVY DUTY / P.W.T. & HYDRO QUÉBEC (MAY BE USE IN RETROFIT)				
		O) WITH "ORLEAN"				
		PA) PRODUCT IMPROVMENT ASK FOR KIT # 012696				
		PW) PRODUCT IMPROVMENT ASK FOR KIT # 068155				
		1) NOT SOLD SEPARATELY				
		V) SEE IMPACT OR CALL ORDER DESK				

From B-1721 To D-2363	Date:10/2022	PAGE:IS19913
<b>BOSCH TO DELCO REMY ALTERNATOR INSTALLATION, US10</b>		

Item#	Part	Description	H 3 4 1	H 3 4 5	V I P 4 5	N O T E S
1	0610086	KIT INSTALLATION, ALTERNATOR REMY CURB SIDE	1	1	1	
2	0610088	KIT ALTERNATOR REMY ADAPTATION FROM US10 ENGINE	1	1	1	
3	IS-19913	SEE INSTRUCTION SHEET	1	1	1	



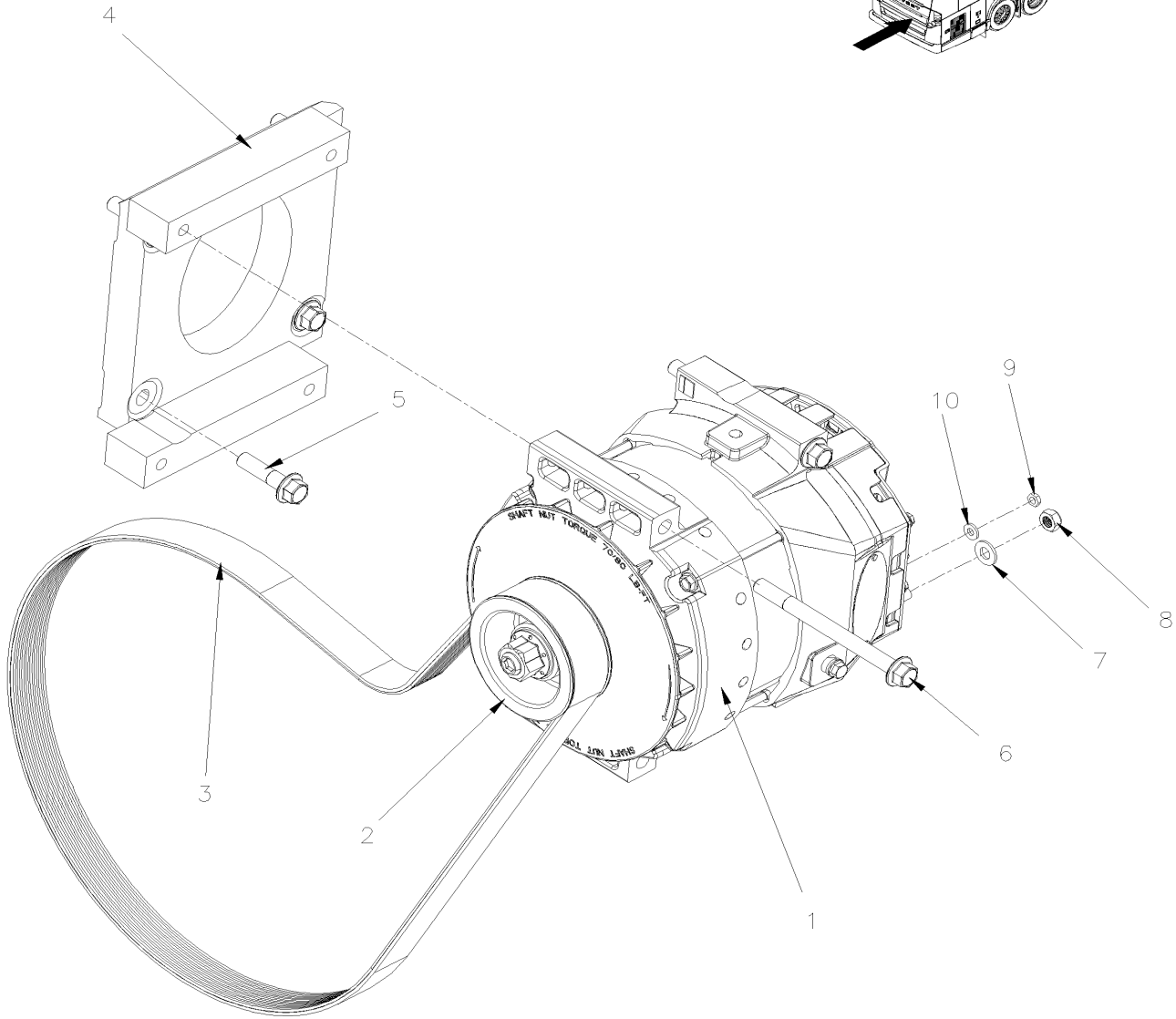
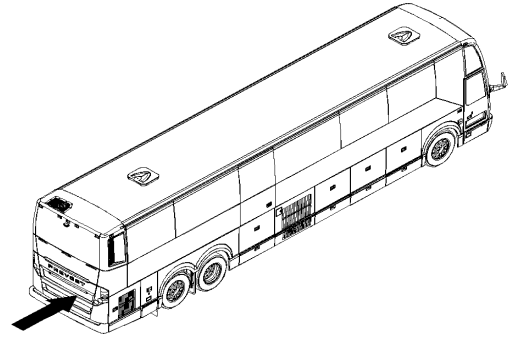


From B-1721 To D-2363

Date:10/2022

PAGE:0610086

## KIT INSTALLATION, ALTERNATOR REMY CURB SIDE



From B-1721 To D-2363	Date:10/2022	PAGE:0610086
<b>KIT INSTALLATION, ALTERNATOR REMY CURB SIDE</b>		

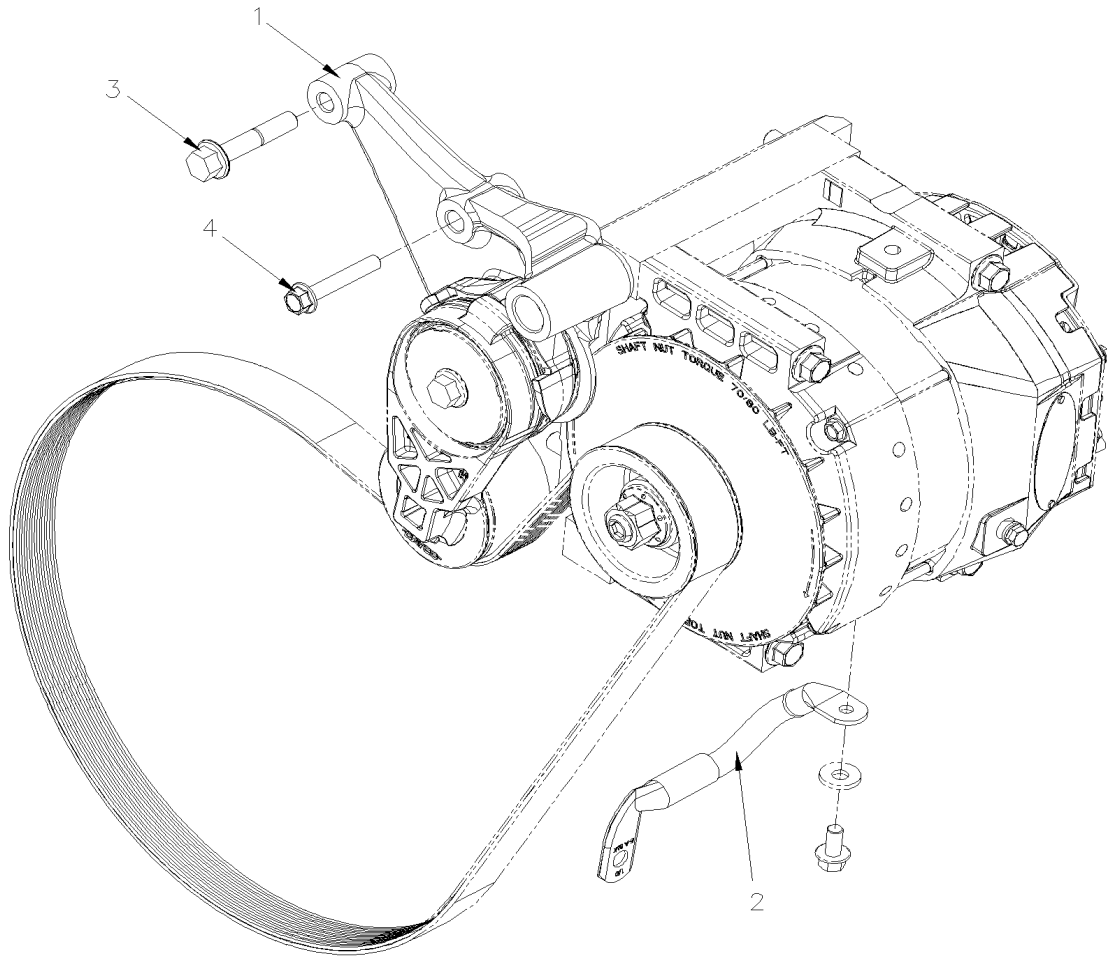
Item#	Part	Description	H 3 4 1	H 3 4 5	V I P 4 5	N O T E S
1	560720	ALTERNATOR ASSY 24V/250 AMPS / "REMY"	1	1	1	
2	069892	PULLEY ALTERNATOR / "REMY" / 83MM DOB. x 8 PK	1	1	1	
3	506065	MULTI V-BELT / 8 RIB 56.5" (1435MM) 8PK1435 QT EPDM	2	2	2	
4	069894	BRACKET, ALTERNATOR REMY	1	1	1	
5	5001308	SCREW CAP HEXF M10-1.5x40 G10.9 N500	4	4	4	
6	5002091	SCREW CAP HEXF M10-1.5X120 G10.9 N500	4	4	4	
7	5001341	WASHER FL 8.4x17.0x1.6 SS	1	1	1	
8	500685	NUT HEX NYRT 5/16-18 SS	1	1	1	
9	5001180	NUT HEX NYRT #10-24 SS	2	2	2	
10	5001137	WASHER FL .203x.438x.050 SS	2	2	2	
NS	500411	WASHER FL .260x.697x.050 SS	1	1	1	
NS	IS-19905	SEE INSTRUCTION SHEET	1	1	1	

From B-1721 To D-2363

Date:10/2022

PAGE:0610088

**KIT ALTERNATOR REMY ADAPTATION FROM US10 ENGINE**



From B-1721 To D-2363	Date:10/2022	PAGE:0610088
<b>KIT ALTERNATOR REMY ADAPTATION FROM US10 ENGINE</b>		

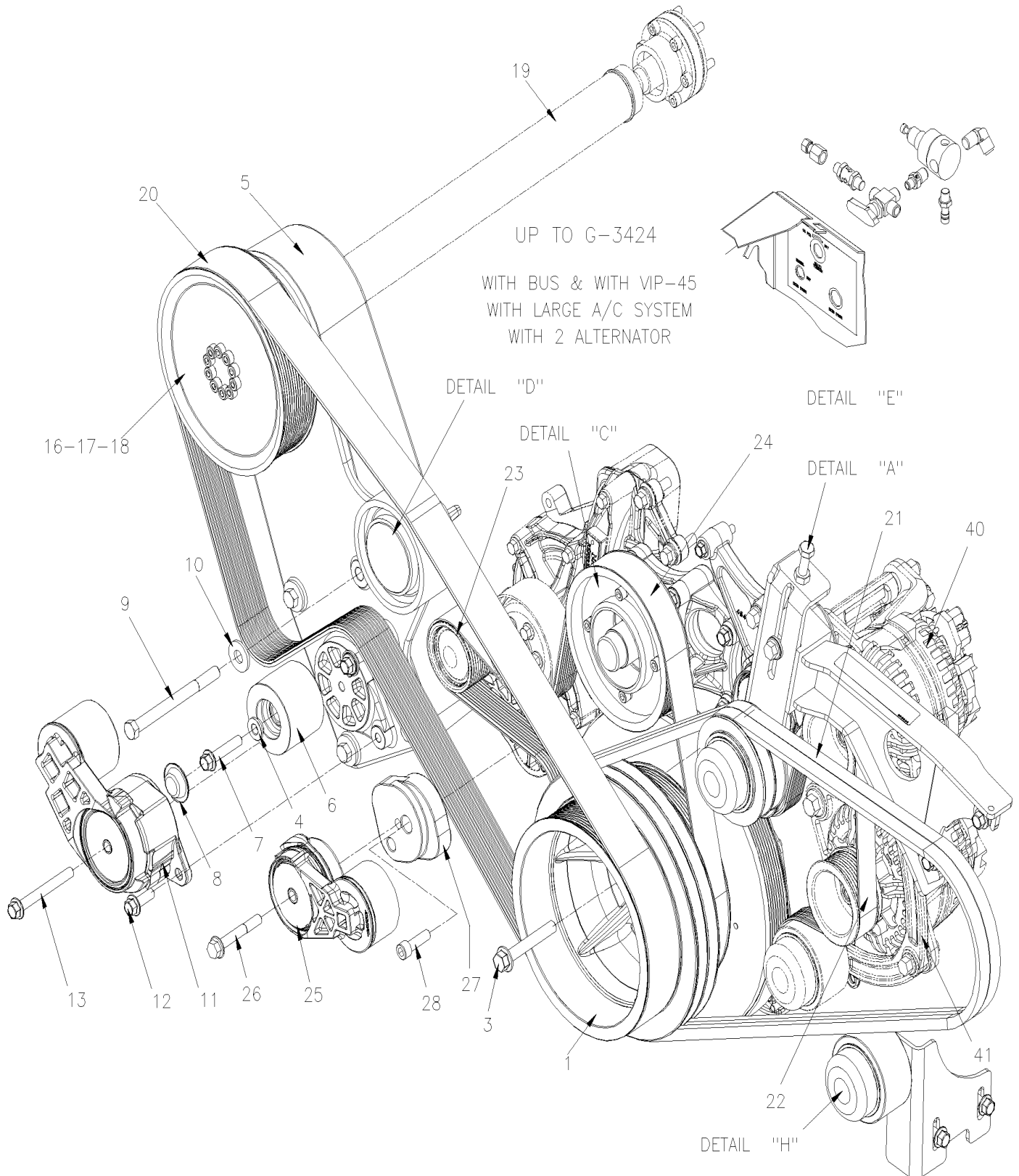
Item#	Part	Description	H 3 4 1	H 3 4 5	V I P 4 5	N O T E S
1	010116	SUPPORT PULLEY ALT & A/C	1	1	1	
2	0610034	HARNESS, ALTERNATOR CHASSIS GROUND / CURBSIDE	1	1	1	
3	5001801	SCREW CAP HEXF M10-1.5x55 G10.9 N500	2	2	2	
4	500796	SCREW CAP HEXF M8-1.25x50 G10.9 N500	1	1	1	
5	563548	SHRINK TUBING / .187" - .093" / BLACK / ALPHA FIT-221-3/16-4-B	1	1	1	
6	563870	RING TERMINAL #5 / 16-14 / DURASEAL / AMP B-106-1502	3	3	3	
7	994445	FLANGE SCREW M8x16	1	1	1	

From D-2364 To J-0287

Date:10/2022

PAGE:H7-0120-03

## DRIVE PULLEY, BELTS & TENSIONER WITH VOLVO D13

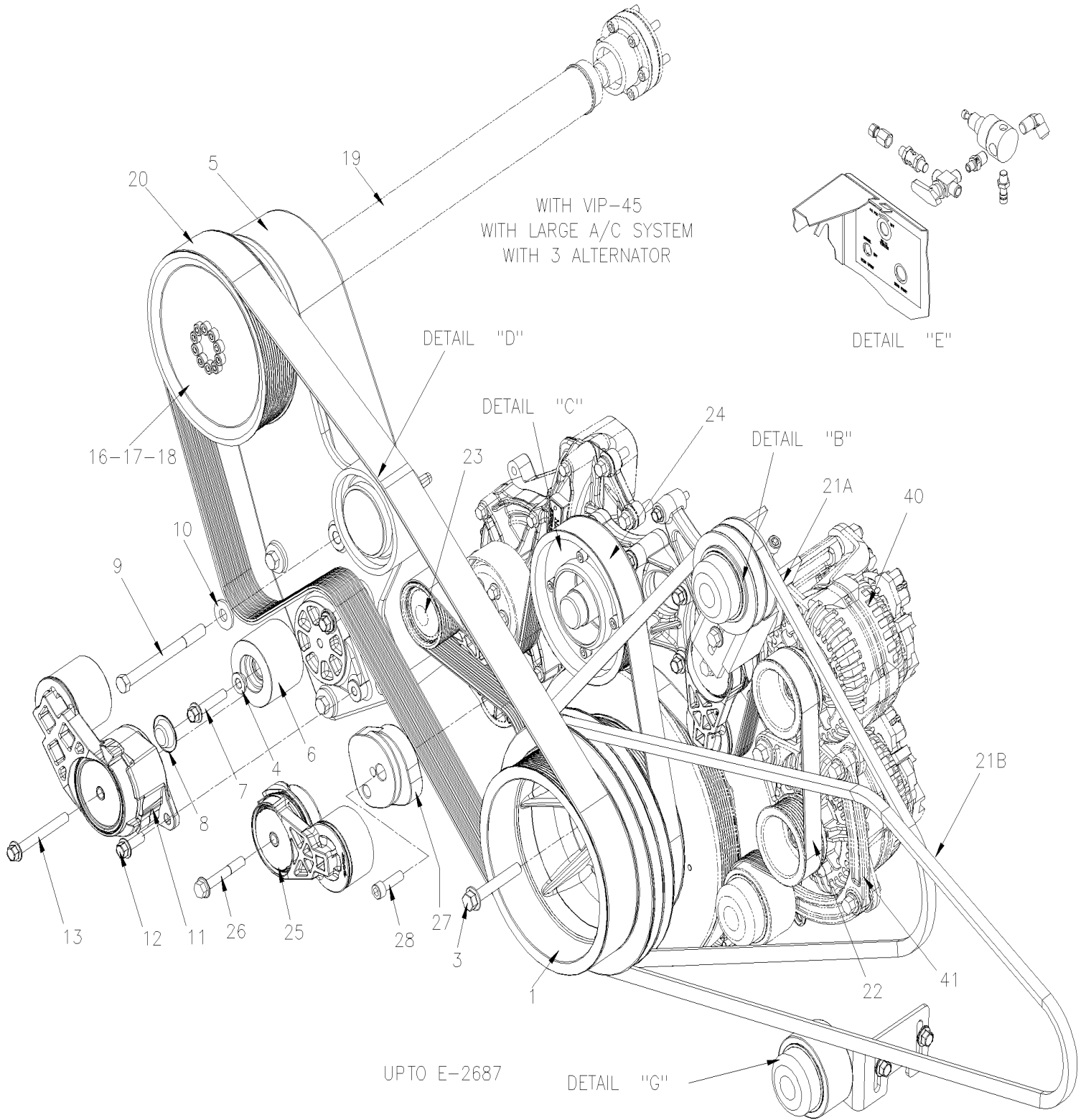


From D-2364 To J-0287

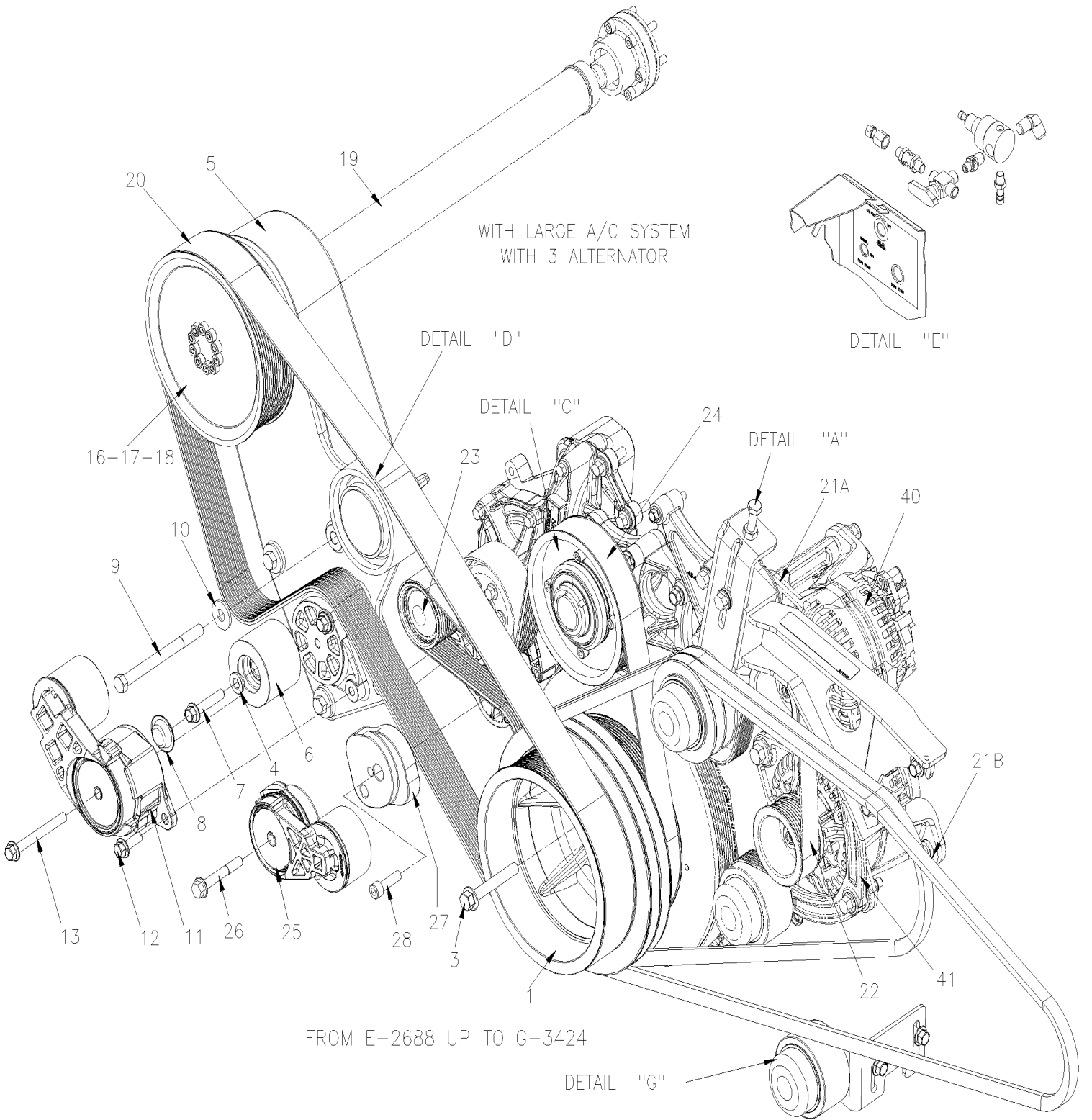
Date:10/2022

PAGE:H7-0120-03

## DRIVE PULLEY, BELTS & TENSIONER WITH VOLVO D13



From D-2364 To J-0287	Date:10/2022	PAGE:H7-0120-03
DRIVE PULLEY, BELTS & TENSIONER WITH VOLVO D13		



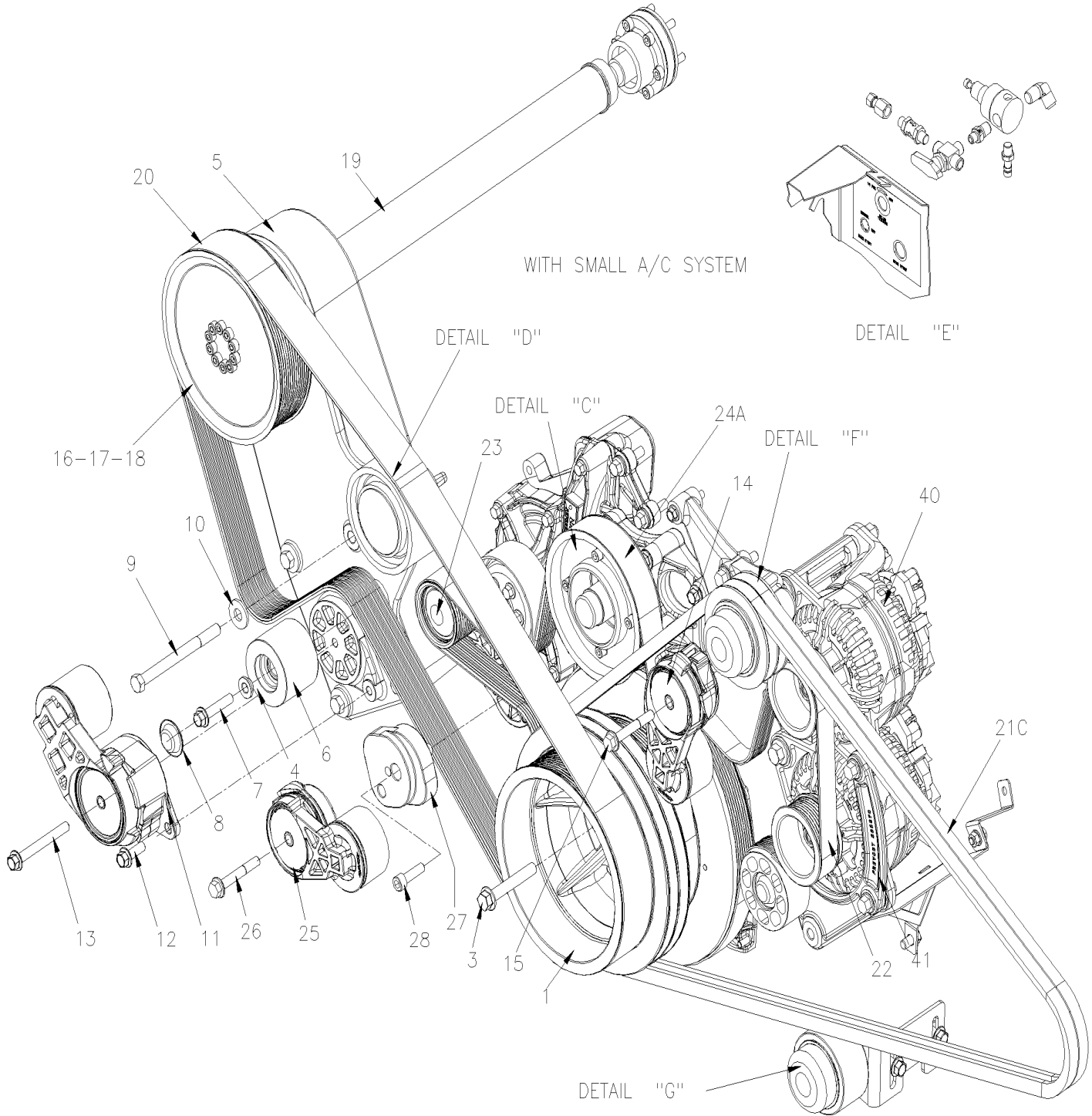


From D-2364 To J-0287

Date:10/2022

PAGE:H7-0120-03

## DRIVE PULLEY, BELTS & TENSIONER WITH VOLVO D13



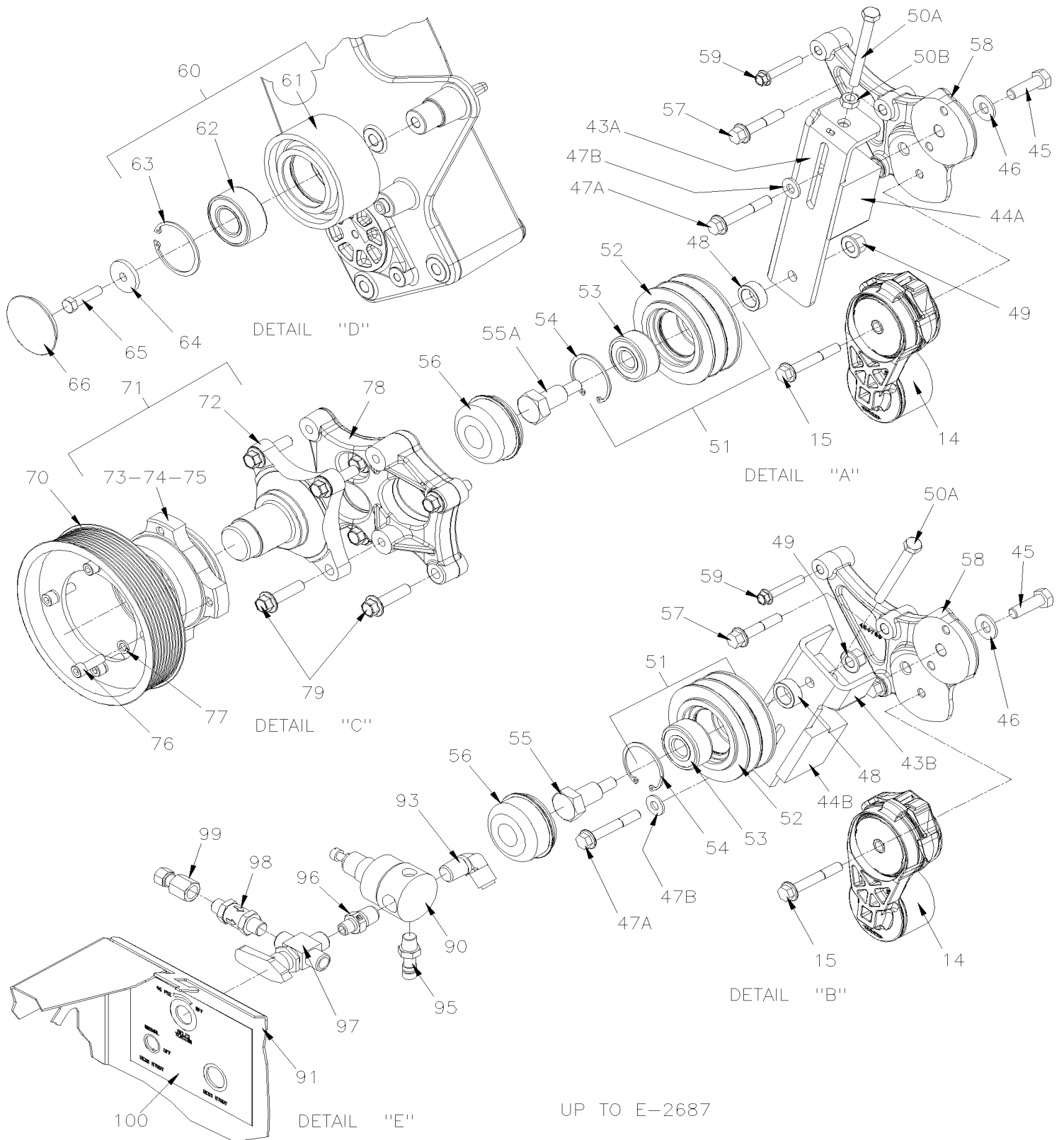


From D-2364 To J-0287

Date:10/2022

PAGE:H7-0120-03

## DRIVE PULLEY, BELTS & TENSIONER WITH VOLVO D13

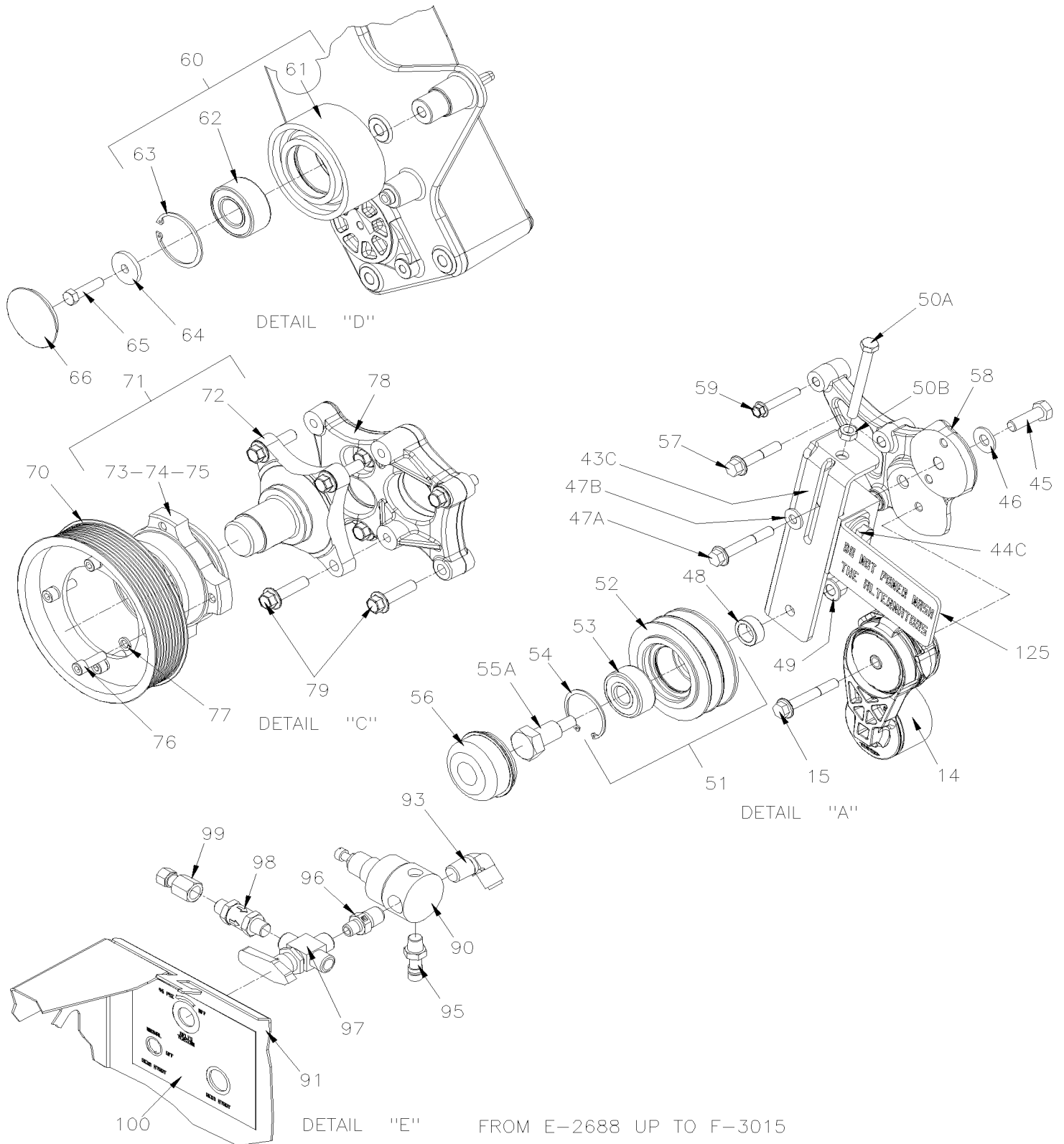


From D-2364 To J-0287

Date:10/2022

PAGE:H7-0120-03

## DRIVE PULLEY, BELTS & TENSIONER WITH VOLVO D13

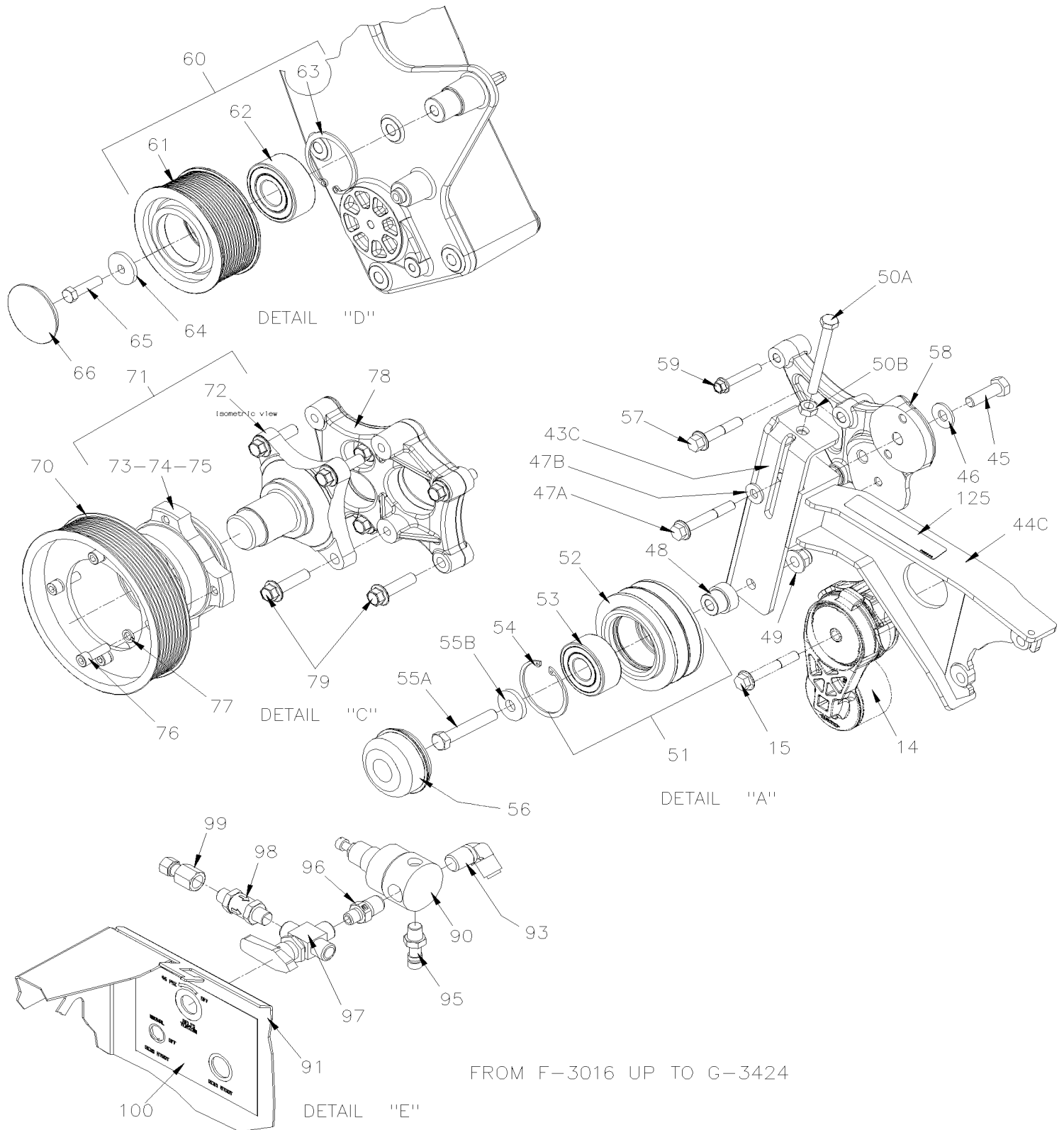


From D-2364 To J-0287

Date:10/2022

PAGE:H7-0120-03

## DRIVE PULLEY, BELTS & TENSIONER WITH VOLVO D13

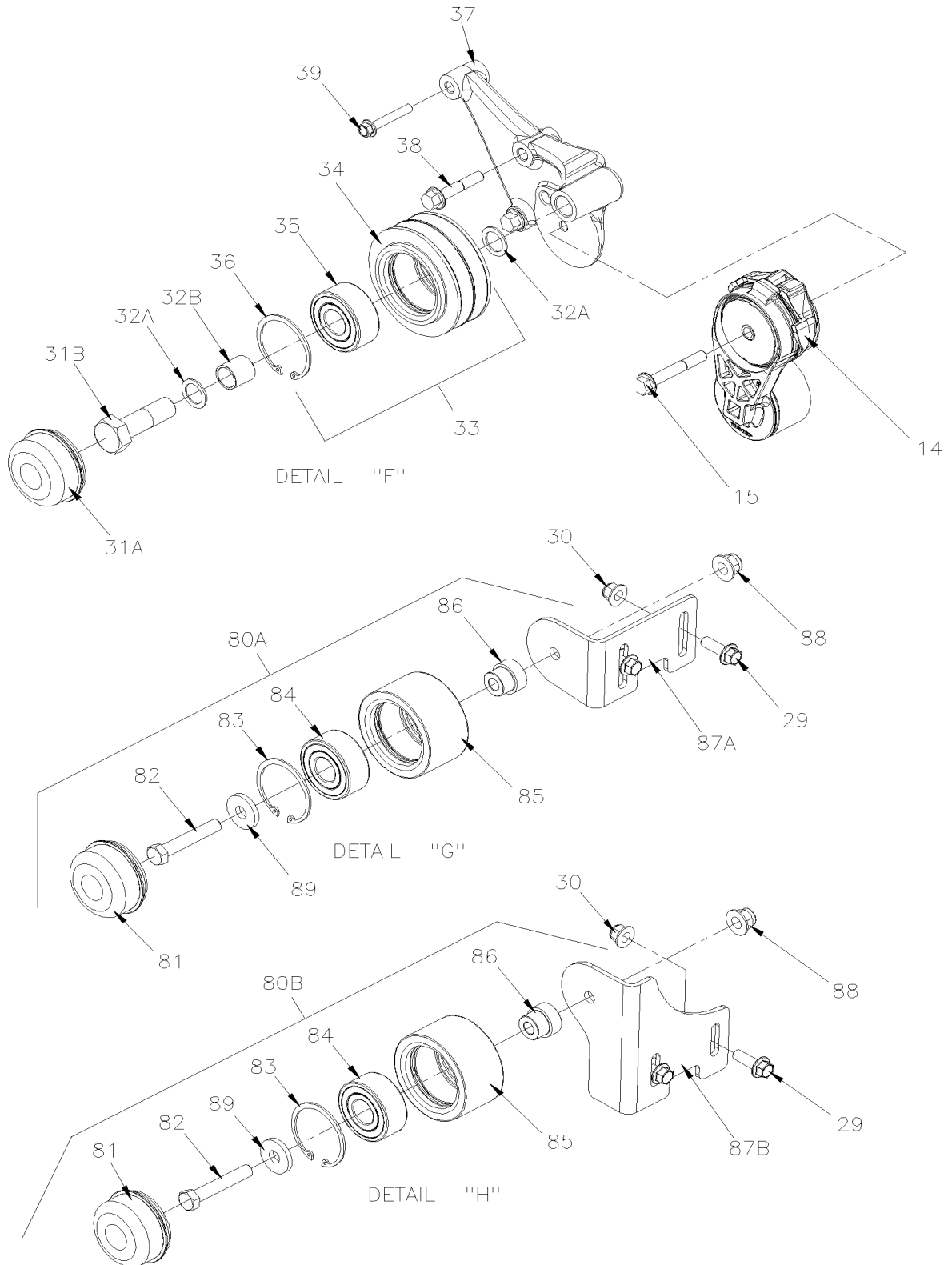


From D-2364 To J-0287

Date:10/2022

PAGE:H7-0120-03

DRIVE PULLEY, BELTS & TENSIONER WITH VOLVO D13

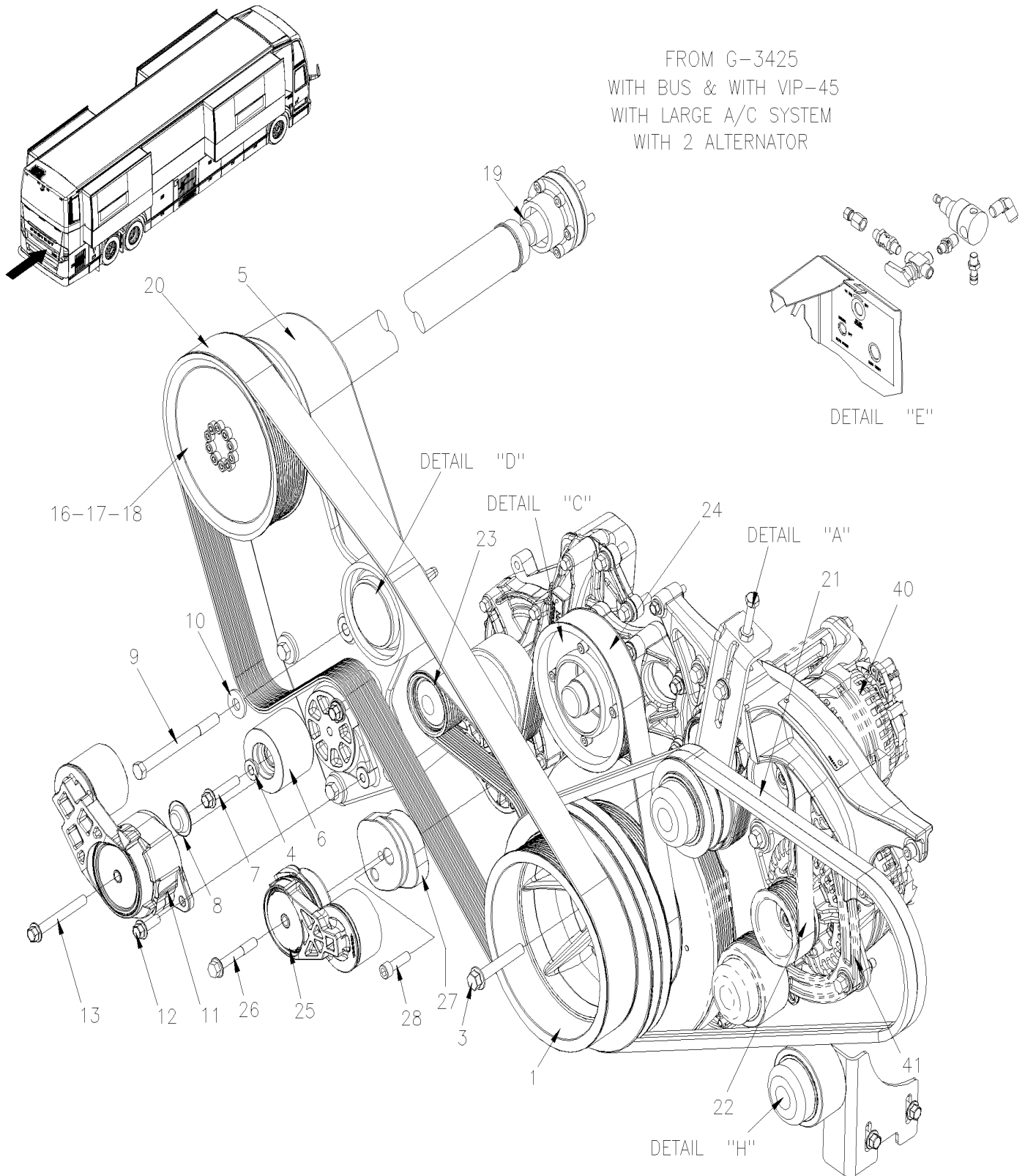


From D-2364 To J-0287

Date:10/2022

PAGE:H7-0120-03

**DRIVE PULLEY, BELTS & TENSIONER WITH VOLVO D13**



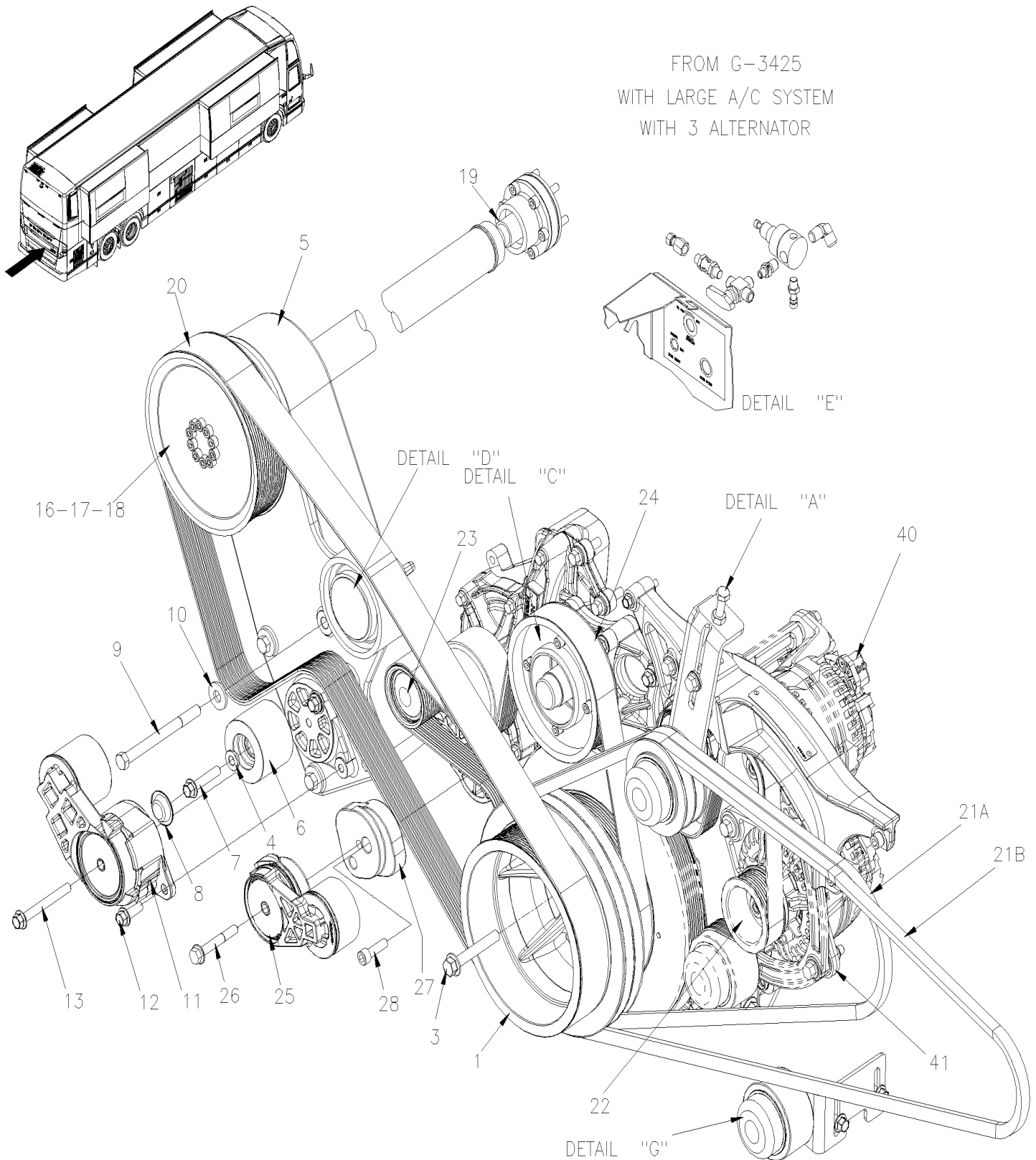


From D-2364 To J-0287

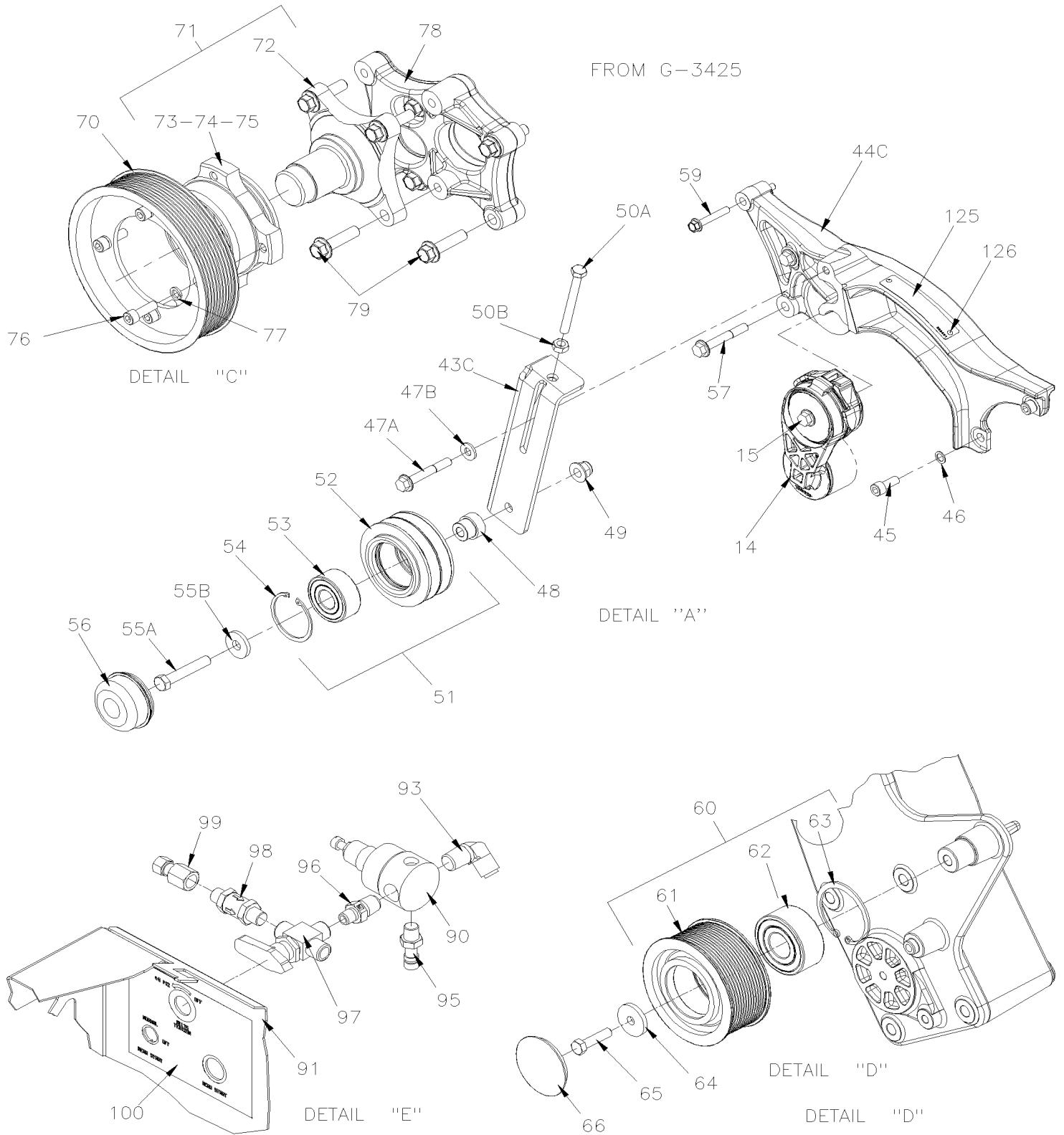
Date:10/2022

PAGE:H7-0120-03

## DRIVE PULLEY, BELTS & TENSIONER WITH VOLVO D13



From D-2364 To J-0287	Date:10/2022	PAGE:H7-0120-03
<b>DRIVE PULLEY, BELTS &amp; TENSIONER WITH VOLVO D13</b>		



From D-2364 To J-0287	Date:10/2022	PAGE:H7-0120-03
<b>DRIVE PULLEY, BELTS &amp; TENSIONER WITH VOLVO D13</b>		

Item#	Part	Description	H 3 4 1	H 3 4 5	V I P 4 5	N O T E S
1	012802	PULLEY DRIVE 277MM x 2V & 220MM x 10RIB & 223MM x 14 RIB	1	1	1	
3	5001296	SCREW CAP HEXF M12-1.75x80 G10.9 N500	6	6	6	
NS	680038	THREAD LOCKER LOCTITE #243 / BLUE / 50ml	AR	AR	AR	
4	053022	GUIDE, BUSHING	1	1	1	
5	20966640	SHORT FAN ARM SUPPORT	1	1	1	
6	550985	PULLEY ASSY W/BEARING 74MM O.D. x 57MM CROWNED/DOME	1	1	1	
7	5001843	SCREW CAP HEXF AD M10-1.5x50 G10.9 N500	1	1	1	
8	557056	PROTECTOR CAP / STEEL 40.7MM O.D. x 11MM	1	1	1	
9	5001776	SCREW CAP HEX M12-1.75x140 G8.8 G500 To F-2741	4	4	4	
9	5001940	SCREW CAP HEX M12-1.75x140 G10.9 N500 From F-2742	4	4	4	
10	500211	WASHER FL .531x1.250x.125 N500	4	4	4	
11	550925	AUTOMATIC TENSIONER ASSY	1	1	1	
. NS	010032	. TOOL KEY 1 1/2" / TENSIONER RELEASE	1	1	1	
12	5001644	SCREW CAP HEXF M10-1.5x30 G8.8 G500	1	1	1	
13	5001784	SCREW CAP HEXF M10-1.5x90 G8.8 AD N500	1	1	1	
14	510991	AUTOMATIC TENSIONER ASSY	1	1	1	
15	5001799	SCREW CAP HEXF M10-1.5x70 G10.9 N500	1	1	1	
16	550961	PULLEY ASSY / FAN DRIVE 212MM O.D. W/14 RIB	1	1	1	
. NS	550983	. BEARING	1	1	1	
. NS	551021	. SCREW CAP HEXS M8-1.25 x 30	10	10	10	
16	550981	PULLEY ASSY / FAN DRIVE 212MM O.D. W/14 RIB ALTERNATIVE PART	1	1	1	
. NS	551020	. BEARING	1	1	1	
. NS	551021	. SCREW CAP HEXS M8-1.25 x 30	10	10	10	
. NS	551022	. RETAINING RING	1	1	1	
17	5001738	SCREW CAP HEX M8-1.25x30 G8.8 N500	6	6	6	
18	500321	WASHER BEL SPR .331x.827x.098 N500	6	6	6	
19	<b>H7-0520-01</b>	<b>FAN DRIVE - INSTALLATION</b>				
20	5061285	MULTI V-BELT / 14 RIB 87.125" (2213) 14PK2213 QT To H-3728	1	1	1	
20	506031	MULTI V-BELT / 14 RIB 87.125" (2213) 14PK2213 QT ARAMIDE From H-3729	1	1	1	
20	5060118	MULTI V-BELT / 14 RIB 87.125" (2213) 14PK2213 QT + SD	1	1	1	H
21	5060134	V-BELT / BX-71 / SET OF 2	1	1	1	B
21A	5060127	SUPER V-BELT / 5VX810 To E-2687			1	D
21A	5060137	SUPER V-BELT / 5VX740 From E-2688			1	D
21B	5060125	SUPER V-BELT / 5VX918 To E-2687			1	D
21B	5060138	SUPER V-BELT / 5VX940 From E-2688			1	D
21C	5060126	SUPER V-BELT / 5VX950 / SET OF 2			1	A
22	<b>H7-0610-06</b>	<b>ALTERNATOR MOUNTING / "BOSCH" VOLVO D13</b>	1	1	1	
22	012812	DECAL / "BELT ROUTING" To E-2576	1	1	1	
22	012866	DECAL / "BELT ROUTING" From E-2577 To E-2687	1	1	1	
22	012881	DECAL / "BELT ROUTING" From E-2688	1	1	1	
NS	012699	DECAL / "BELT ROUTING"			1	A
23	Refer To Volvo	PULLEY IDLER	1	1	1	V



From D-2364 To J-0287	Date:10/2022	PAGE:H7-0120-03
<b>DRIVE PULLEY, BELTS &amp; TENSIONER WITH VOLVO D13</b>		

Item#	Part	Description	H 3 4 1	H 3 4 5	V I P 4 5	N O T E S
24	5060110	MULTI V-BELT / 10 RIB 59.5" (1512MM) 10PK1512 QT (21-2112)	1	1	1	
24	5060104	MULTI V-BELT / 10 RIB 59.5" (1512MM) 10PK1512 QT + SD (21-2112)	1	1	1	H
24A	5060115	MULTI V-BELT / 8 RIB 62.5" (1587.5) 8PK1587 QT To G-3148			1	A
24A	506070	MULTI V-BELT / 8 RIB 62.5" (1587.5) 8PK1587 QT + ARAMIDE From G-3149			1	A
24A	5060113	MULTI V-BELT / 8 RIB 60" (1524) 8PK1524 QT (21-2116) To H-3468			1	AH
24A	506114	MULTI V-BELT / 8 RIB 60" (1524) 8PK1524 QT +ARAMIDE From H-3469			1	AH
25	510991	AUTOMATIC TENSIONER ASSY	1	1	1	
26	5001799	SCREW CAP HEXF M10-1.5x70 G10.9 N500	1	1	1	
27	012695	SUPPORT ADAPTOR AUTOMTIC TENSIONER ASSY W/DOWEL / WATER PUMP	1	1	1	
. NS	502941	. DOWEL PIN	2	2	2	
NS	5001620	SCREW CAP HEXS M10-1.5X35 G10.9 G500	1	1	1	
29	5001741	SCREW CAP HEXF M10-1.5x30 G8.8 N500 To H-3549	2	2	2	
29	5000343	SCREW CAP HEXF M10-1.5x30 G10.9 N500 From H-3550	2	2	2	
30	5001727	NUT HEXF NYRT M10-1.5 N500 To E-2621	2	2	2	
30	5001930	NUT HEXF NYRT M10-1.5 N500 G10.9 From E-2622	2	2	2	
31A	453076	CAP, DUST			1	A
31B	453835	SCREW CAP HEX M20-2.5x65			1	A
32A	5001894	WASHER FL 21.0x30.0x1.587 SS From G-3413			2	A
32B	053725	BUSHING 20.2I.D. x 24.5O.D. x 24.5 From G-3413			1	A
33	457505	PULLEY ASSY W/BEARING To G-3412			1	AG
33	450333	KIT PULLEY REPLACEMENT / SERVICE SMALL A/C To G-3412			1	AG
33	457785	PULLEY ASSY W/BEARING From G-3413 To H-3596			1	A
33	450096	PULLEY ASSY W/BEARING From H-3597			1	A
34	457504	. PULLEY / 112MM O.D. X 2V To G-3412			1	A
34	457786	. PULLEY / 112MM O.D. X 2V From G-3413			1	A
35	507340	. BALL BEARING 20 ID x 52 OD x 22.2 W To G-3412			1	AS
35	507014	. BALL BEARING 20 ID x 52 OD x 22.2 W To G-3412			1	A
35	507006	. BALL BEARING 25 ID x 62 OD x 25.4 W From G-3413 To H-3596			1	A
35	509952	. BALL BEARING 25 ID x 62 OD x 25.4 W HI-TEMP From H-3597			1	A
36	504095	. RING RETAINER / INT 2.00 x 2.12 x .062 To G-3412			1	A
36	504040	. RING RETAINER / INT 2.440 x 1.860 x 0.078 STL BLK From G-3413			1	A
37	012656	SUPPORT PULLEY ALT & A/C			1	A
38	5001801	SCREW CAP HEXF M10-1.5x55 G10.9 N500			2	A
39	500796	SCREW CAP HEXF M8-1.25x50 G10.9 N500			1	A
40	<b>H7-0605-01</b>	<b>ALTERNATOR 24V/120 AMPS / "BOSCH" To G-3047</b>				
40	<b>H7-0605-02</b>	<b>ALTERNATOR 24V/150 AMPS / "BOSCH" From G-3048</b>				
40	<b>H7-0605-11</b>	<b>ALTERNATOR 24V/120 AMPS / "BOSCH" To F-2996</b>				
40	<b>H7-0605-12</b>	<b>ALTERNATOR 24V/150 AMPS / "BOSCH" From F-2997</b>				
41	<b>H7-0610-06</b>	<b>ALTERNATOR MOUNTING / "BOSCH" VOLVO D13</b>				
41	<b>H7-0610-25</b>	<b>ALTERNATOR MOUNTING / COACH WITH 3 ALTERNATORS OPTION From F-2878</b>				
41	<b>H7-0610-61</b>	<b>ALTERNATOR MOUNTING - A/C COMPRESSOR SUPPORT / W/SMALL A/C</b>				
41	<b>H7-0610-65</b>	<b>ALTERNATOR MOUNTING - W/LARGE A/C</b>				

<b>From D-2364 To J-0287</b>	<b>Date:10/2022</b>	<b>PAGE:H7-0120-03</b>
<b>DRIVE PULLEY, BELTS &amp; TENSIONER WITH VOLVO D13</b>		

Item#	Part	Description	H 3 4 1	H 3 4 5	V I P 4 5	N O T E S
42	H7-2245-02	A/C COMPRESSOR "BITZER" - INSTALLATION				
42	H7-2245-51	A/C COMPRESSOR SMALL - INSTALLATION				
43A	457542	TENSIONER To E-2687	1	1	1	B
43A	457542	TENSIONER To E-2687	1	1	1	B
43B	457540	TENSIONER To E-2687	1	1	1	D
43C	457542	TENSIONER From E-2688 To G-3424	1	1	1	
43C	457542	TENSIONER From E-2688 To G-3424	1	1	1	
43C	457765	TENSIONER, AC BELT COMPRESSOR From G-3425	1	1	1	B
43C	457766	TENSIONER From G-3425	1	1	1	D
44A	457543	SUPPORT, TENSIONNER To E-2687	1	1	1	B
44A	457543	SUPPORT, TENSIONNER To E-2687	1	1	1	B
44B	457541	SUPPORT, TENSIONNER To E-2687	1	1	1	D
44C	457543	SUPPORT, TENSIONNER From E-2688 To F-3015	1	1	1	
44C	457543	SUPPORT, TENSIONNER From E-2688 To F-3015	1	1	1	
44C	457759	SUPPORT, TENSIONNER From F-3016 To G-3157	1	1	1	
44C	457675	SUPPORT, TENSIONNER WELDED From G-3158 To G-3424	1	1	1	
44C	457750	SUPPORT, TENSIONNER CASTING From G-3425	1	1	1	
45	5001885	SCREW CAP HEX M12-1.75X40 G10.9 N500 To G-3424	1	1	1	
45	5001616	SCREW CAP HEXS M10-1.5X25 G10.9 DP From G-3425	2	2	2	
45	680098	THREAD SEALANT LOCTITE #567 / WHITE / 250ml From G-3425	AR	AR	AR	
46	500967	WASHER BEL SPR .512x1.142x.098 N500 To G-3424	2	2	2	
46	502867	WASHER FL .406x.625x.040 N500 From G-3425	1	1	1	
47A	5001799	SCREW CAP HEXF M10-1.5x70 G10.9 N500 To G-3424	1	1	1	
47A	5000343	SCREW CAP HEXF M10-1.5x30 G10.9 N500 From G-3425	1	1	1	
NS	5001834	WASHER BEL SPR 10.5X23X2.5 N500	2	2	2	
48	457501	BUSHING 30MM O.D. x 20MM I.D. x 12MM To G-3412	1	1	1	
48	053724	BUSHING From G-3413	1	1	1	
49	5001728	NUT HEXF STO M12-1.75 N500 G10 To E-2621	1	1	1	
49	5001761	NUT HEXF NYRT M12-1.75 G8 N500 From E-2622	1	1	1	
50A	5001914	SCREW CAP HEX M10-1.5x100 FT SS	1	1	1	
50B	500847	NUT HEX M10-1.5 N500	1	1	1	
51	457505	PULLEY ASSY W/BEARING To G-3412	1	1	1	I
51	450334	KIT PULLEY REPLACEMENT / SERVICE LARGE A/C To G-3412	1	1	1	I
51	457785	PULLEY ASSY W/BEARING From G-3413 To H-3598	1	1	1	
51	450096	PULLEY ASSY W/BEARING From H-3597	1	1	1	
52	457504	. PULLEY / 112MM O.D. X 2V To G-3412	1	1	1	
52	457786	. PULLEY / 112MM O.D. X 2V From G-3413	1	1	1	
53	507340	. BALL BEARING 20 ID x 52 OD x 22.2 W To G-3412	1	1	1	S
53	507014	. BALL BEARING 20 ID x 52 OD x 22.2 W To G-3412	1	1	1	
53	507006	. BALL BEARING 25 ID x 62 OD x 25.4 W From G-3413 To H-3598	1	1	1	
53	509952	. BALL BEARING 25 ID x 62 OD x 25.4 W HI-TEMP From H-3597	1	1	1	

From D-2364 To J-0287	Date:10/2022	PAGE:H7-0120-03
<b>DRIVE PULLEY, BELTS &amp; TENSIONER WITH VOLVO D13</b>		

Item#	Part	Description	H 3 4 1	H 3 4 5	V I P 4 5	N O T E S
54	504095	. RING RETAINER / INT 2.00 x 2.12 x .062 To G-3412	1	1	1	
54	504040	. RING RETAINER / INT 2.440 x 1.860 x 0.078 STL BLK From G-3413	1	1	1	
55A	457500	ROD, IDLER A/C M12-1.75 x 59 To G-3412	1	1	1	
55A	5001862	SCREW CAP HEX M12-1.75x70 G10.9 N500 From G-3413	1	1	1	
55B	5002008	WASHER FL 13.0x35.0x5.0 N500 From G-3413	1	1	1	
56	453076	CAP, DUST	1	1	1	
57	5001801	SCREW CAP HEXF M10-1.5x55 G10.9 N500 To G-3424	2	2	2	
57	5001799	SCREW CAP HEXF M10-1.5x70 G10.9 N500 From G-3425	2	2	2	
58	454779	SUPPORT PULLEY ALT & A/C WELDED PROTO	1	1	1	
59	500796	SCREW CAP HEXF M8-1.25x50 G10.9 N500	1	1	1	
60	052896	PULLEY ASSY W/BEARING / 54MM x 117MM O.D. To G-3412	1	1	1	J
60	053722	PULLEY ASSY W/BEARING / 54MM x 125MM O.D. / 14V From G-3413 To H-3596	1	1	1	J
60	050027	PULLEY ASSY W/BEARING / 54MM x 125MM O.D. / 14V From H-3597	1	1	1	
61	052625	. PULLEY / 54MM x 117MM O.D. To G-3412	1	1	1	
61	053723	. PULLEY / 54MM x 125MM O.D. / 14V From G-3413	1	1	1	
62	510618	. BALL BEARING DBL ROW / 30MM x 62MM x 27 W To G-3412	1	1	1	
62	507008	. BALL BEARING 30MM x 72MM x 30.2 W From G-3413 To H-3596	1	1	1	
62	509953	. BALL BEARING 30MM x 72MM x 30.2 W HI-TEMP From H-3597	1	1	1	
63	504040	. RING RETAINER / INT 2.440 x 1.860 x 0.078 STL BLK To G-3412	1	1	1	
63	504736	. RING RETAINER / INT 72 x 75 x 2.5MM From G-3413	1	1	1	
64	012062	WASHER FL 10.2 x38.1x5 ST	1	1	1	
65	500829	SCREW CAP HEX M10-1.5x40 G8.8	1	1	1	
66	510798	PROTECTOR CAP / "PREVOST"	1	1	1	
70	8149875	PULLEY 171 MM O.D. W/10RIB	1	1	1	
71	21146745	HUB ASSY To H-3494	1	1	1	
71	<b>22719941</b>	<b>HUB ASSY From H-3493</b>	1	1	1	
72	20459796	. SHAFT MOUNTING	1	1	1	
73	N.S.S.	. BEARING HOUSING To H-3494	1	1	1	1
73	N.S.S.	. BEARING HOUSING From H-3493	1	1	1	1
74	21146660	. BALL BEARING To H-3494	1	1	1	
74	N.S.S.	. BALL BEARING From H-3493	1	1	1	1
75	1675790	. NUT M40 x 9MM	1	1	1	
76	5001775	SCREW CAP HEXS M8-1.25x25 G8.8 G500	4	4	4	
77	500942	WASHER LO SPT 8.1x14.8x2.0 N500	4	4	4	
78	21270170	SUPPORT PULLEY TENSIONER WATER PUMP	1	1	1	
79	5001308	SCREW CAP HEXF M10-1.5x40 G10.9 N500	8	8	8	
80A	457510	PULLEY, LOOSE ASM To G-3412	1	1	1	F
80A	457783	PULLEY, LOOSE ASM From G-3413 To H-3596	1	1	1	F
80A	450095	PULLEY, LOOSE ASM From H-3597	1	1	1	
80B	457545	PULLEY, LOOSE ASM To G-3412	1	1	1	E
80B	457781	PULLEY, LOOSE ASM From G-3413 To H-3596	1	1	1	E
80B	450094	PULLEY, LOOSE ASM From H-3597	1	1	1	

From D-2364 To J-0287	Date:10/2022	PAGE:H7-0120-03
<b>DRIVE PULLEY, BELTS &amp; TENSIONER WITH VOLVO D13</b>		

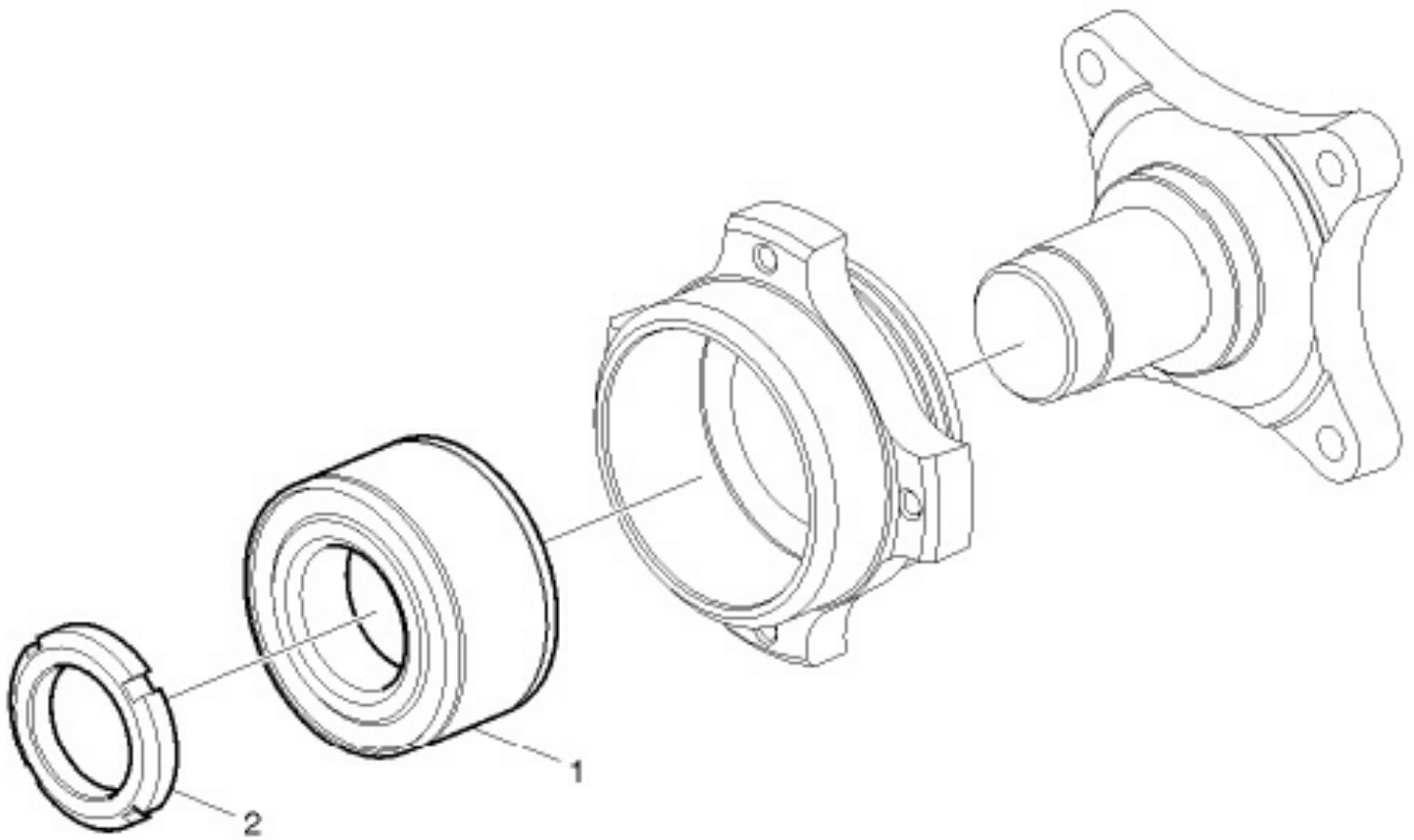
Item#	Part	Description	H 3 4 1	H 3 4 5	V I P 4 5	N O T E S
81	453076	. CAP, DUST	1	1	1	
82	453835	. SCREW CAP HEX M20-2.5x65 To G-3412	1	1	1	
82	5001862	. SCREW CAP HEX M12-1.75x70 G10.9 N500 From G-3413	1	1	1	
83	504095	. RING RETAINER / INT 2.00 x 2.12 x .062 To G-3412	1	1	1	
83	504040	. RING RETAINER / INT 2.440 x 1.860 x 0.078 STL BLK From G-3413	1	1	1	
84	507340	. BALL BEARING 20 ID x 52 OD x 22.2 W To G-3412	1	1	1	S
84	507014	. BALL BEARING 20 ID x 52 OD x 22.2 W To G-3412	1	1	1	
84	507006	. BALL BEARING 25 ID x 62 OD x 25.4 W From G-3413 To H-3596	1	1	1	
84	509952	. BALL BEARING 25 ID x 62 OD x 25.4 W HI-TEMP From H-3597	1	1	1	
85	453834	. PULLEY / 45MM x 90MM O.D. To G-3412	1	1	1	
85	012958	. PULLEY / 48MM x 90MM O.D. From G-3413	1	1	1	
86	052205	. SPACER 20MM I.D. X 12.5MM TH To G-3412	1	1	1	
86	053724	. BUSHING From G-3413	1	1	1	
87A	457511	. SUPPORT, LOOSE PULLEY To G-3412	1	1	1	
87A	457784	. SUPPORT, LOOSE PULLEY From G-3413	1	1	1	
87B	457546	. SUPPORT, LOOSE PULLEY To G-3412	1	1	1	
87B	457782	. SUPPORT, LOOSE PULLEY From G-3413	1	1	1	
88	5001252	. NUT HEX STO M20-2.5 DP To G-3412	1	1	1	
88	5001761	. NUT HEXF NYRT M12-1.75 G8 N500 From G-3413	1	1	1	
89	5002008	. WASHER FL 13.0x35.0x5.0 N500 From G-3413	1	1	1	
90	641472	AIR PRESSURE REGULATOR 1/4" NPT / COPPER	1	1	1	
91	<b>H7-0665-01</b>	<b>ENGINE COMPARTMENT - ELECTRIC COMPONENTS AND LAVATORY VALVE</b>				
93	641371	MALE ELBOW 90° NON-SWIVEL / PUSH-IN FITTING / #4x1/4NPT-M BR	1	1	1	
95	640488	VALVE, AIR FILL 1/8" NPT	1	1	1	
. NS	650164	. CAP VALVE / CHROME	1	1	1	
96	501650	NIPPLE REDUCER HEX / PIPE FITTING / 1/4NPT-Mx1/8NPT-Mx1 3/16 BR	1	1	1	
97	642161	VALVE, 3 WAYS 1/8NPT-Fx1/8NPT-Fx1/8NPT-F BR	1	1	1	
. NS	642014	. HANDLE / RED	1	1	1	
98	530175	VALVE, CHECK 1/8 NPT	1	1	1	
99	641013	FEMALE CONNECTOR / NTA FITTING / #4x1/8NPT-F BR	1	1	1	
100	<b>H7-0665-01</b>	<b>ENGINE COMPARTMENT - ELECTRIC COMPONENTS AND LAVATORY VALVE</b>				
NS	685290	TOOL PULLEY RETAINER / FOR TORQ # 550912	1	1	1	
125	068669	CAUTION PLATE, ALTERNATOR From F-2712 To G-3424	1	1	1	
125	500321	WASHER BEL SPR .331x.827x.098 N500 From F-2712	2	2	2	
125	5001780	SCREW CAP HEXF M8-1.25x16 G8.8 N500 From F-2712	2	2	2	
125	069421	DECAL "DO NOT POWER WASH ALTERNATORS" From G-3425	1	1	1	
126	504339	RIVET POP DOME OE 1/8x3/8 SS From G-3425	2	2	2	
NS	684420	SCREW MARKER LOCK 90ml	AR	AR	AR	

From D-2364 To J-0287	Date:10/2022	PAGE:H7-0120-03
<b>DRIVE PULLEY, BELTS &amp; TENSIONER WITH VOLVO D13</b>		

Item#	Part	Description	H 3 4 1	H 3 4 5	V I P 4 5	N O T E S
		A) WITH SMALL A/C				
		B) WITH LARGE A/C WITH 2 ALTERNATORS				
		D) WITH LARGE A/C WITH 3 ALTERNATORS				
		E) FOR PRODUCT IMPROVMENT ASK FOR # 450094				
		F) FOR PRODUCT IMPROVMENT ASK FOR # 450095				
		G) FOR PRODUCT IMPROVMENT ASK FOR # 450333				
		H) HEAVY DUTY				
		I) FOR PRODUCT IMPROVMENT ASK FOR # 450334				
		J) FOR PRODUCT IMPROVMENT ASK FOR # 050027				
		S) REPLACE BY # 507014				
		1) NOT SOLD SEPARATELY				
		V) SEE IMPACT OR CALL ORDER DESK				



From H-3493	Date:10/2022	PAGE:22719941
HUB ASSY		



From H-3493	Date:10/2022	PAGE:22719941
<b>HUB ASSY</b>		

Item#	Part	Description	H 3 4 1	H 3 4 5	V I P 4 5	N O T E S
1	21760184	BALL BEARING	1	1	1	
2	23705970	ROUND NUT	1	1	1	

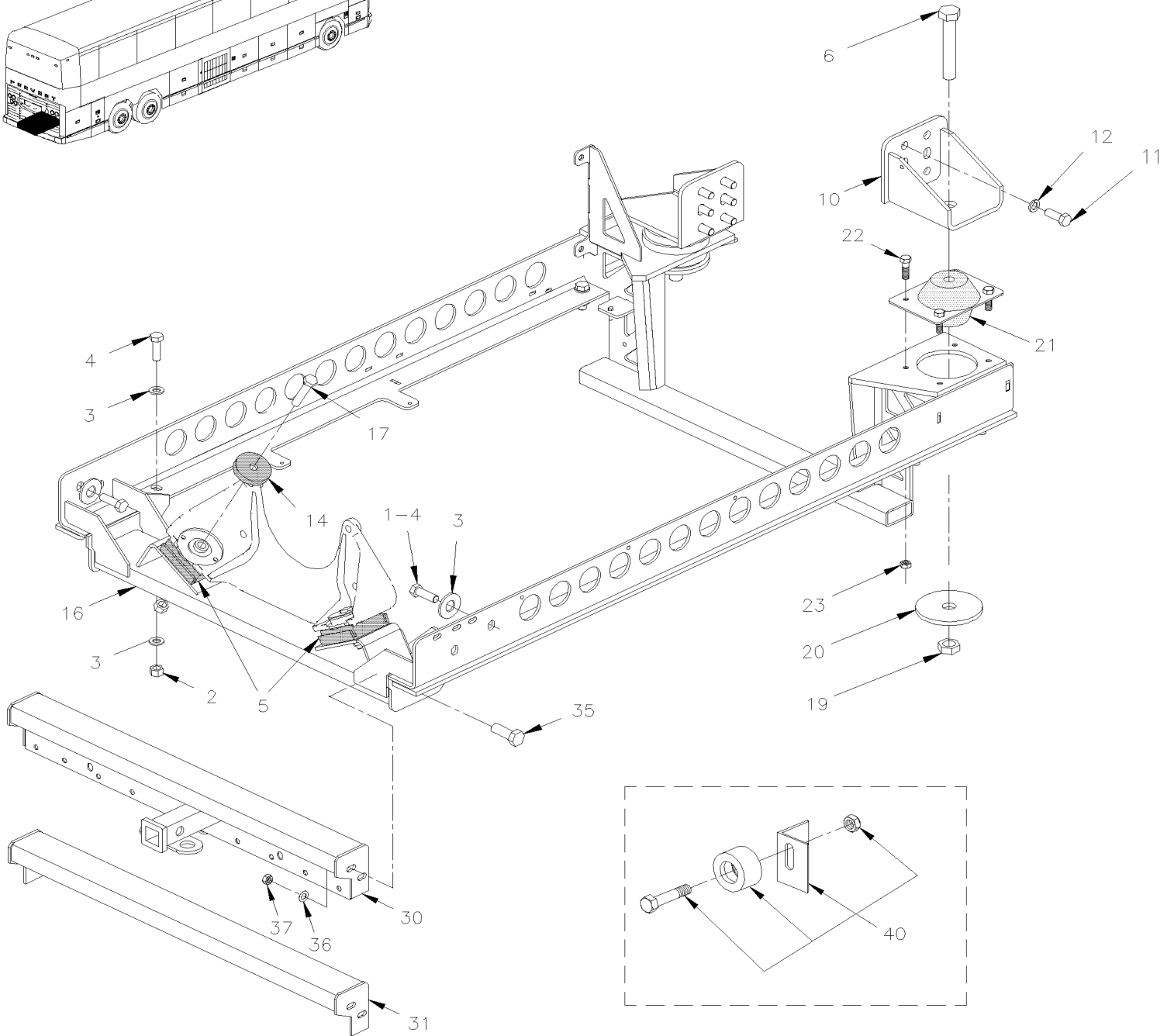
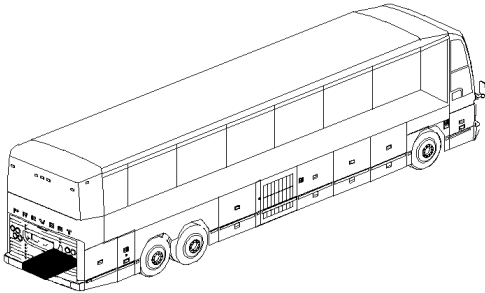


From 7-0671 To A-1720

Date:10/2022

PAGE:H7-0150-00

## ENGINE CRADLE - WITH DETROIT S-60



<b>From 7-0671 To A-1720</b>	<b>Date:10/2022</b>	<b>PAGE:H7-0150-00</b>
<b>ENGINE CRADLE - WITH DETROIT S-60</b>		

Item#	Part	Description	H 3 4 1	H 3 4 5	V I P 4 5	N O T E S
1	500776	SCREW CAP HEX M16-2.0x110 G8.8 Z050	2	2	2	
2	500781	NUT HEX STO M16-2.0 DP	8	8	8	
3	5001150	WASHER FL 17.0x30.0x3.0 N500	14	14	14	
4	5001372	SCREW CAP HEX M16-2.0x50 G10.9 N500	8	8	8	
5	510427	INSULATOR, RUBBER MOUNT SQUARE	2	2	2	
6	500571	SCREW CAP HEX M24-3.0x150 G10.9 N500	2	2	2	
10	012194	SUPPORT REAR	2	2	2	
10	012282	SUPPORT REAR R.H. W/"ZF" TRANS	1	1		Z
10	012278	SUPPORT REAR L.H. W/"ZF" TRANS	1	1		Z
11	5001590	SCREW CAP HEX M16-2.0x40 G10.9 N500	12	12	12	
11	5001591	SCREW CAP HEX M16-1.5x35 G10.9 DP	8	8		Z
12	502884	WASHER LO SPT 16.2x27.4x3.5 N500	AR	AR	AR	
14	510428	INSULATOR, RUBBER MOUNT ROUND	2	2	2	
16	012376	ENGINE CRADLE / "ZF" TRANS	1	1		
16	012386	ENGINE CRADLE / W/WORLD, W/RETARDER	1	1		
16	012379	ENGINE CRADLE / W/WORLD, W/O RETARDER	1	1		
16	012378	ENGINE CRADLE / W/WORLD, W/RETARDER & TRAILER HITCH			1	
16	012837	ENGINE CRADLE / W/WORLD, W/O RETARDER & W/TRAILER HITCH			1	
16	012380	ENGINE CRADLE / W/WORLD, W/RETARDER & "ROMEO RIM" BUMPER	1	1		
16	012381	ENGINE CRADLE / W/WORLD, W/O RETARDER & "ROMEO RIM" BUMPER	1	1		
16	Call order desk	ENGINE CRADLE	1	1		P T
16	Call order desk	ENGINE CRADLE	1	1		P T
16	015994	. ENGINE CRADLE FIXING /	1	1	1	
17	5001501	SCREW CAP HEX M16-2.0x90 G10.9 Z050	2	2	2	
19	500570	NUT HEX STO M24-3.0 GR.10 N500	2	2	2	
20	510777	WASHER, INSULATOR	2	2	2	
20	012178	WASHER, INSULATOR	2	2	2	
21	510456	INSULATOR, RUBBER	2	2	2	
22	500781	NUT HEX STO M16-2.0 DP	2	2	2	
22	5001308	SCREW CAP HEXF M10-1.5x40 G10.9 N500	8	8	8	
23	5001758	NUT HEX STO M10-1.5 N500	8	8	8	
30	410778	PROTECTOR ASSY / W/TRAILER HITCH	1	1	1	
31	410577	PROTECTOR ASSY / WITHOUT TRAILER HITCH	1	1	1	
35	502731	SCREW CAP HEX M12-1.75x40 G8.8 Z050	4	4	4	
35	502544	SCREW CAP HEX M16-2.0x40 G8.8 Z050	4	4	4	
36	500446	WASHER FL .531x1.250x.125 Z050	4	4	4	
36	5001150	WASHER FL 17.0x30.0x3.0 N500	4	4	4	
37	500811	NUT HEX STO M12-1.75 G500	4	4	4	
37	500781	NUT HEX STO M16-2.0 DP	4	4	4	
40	<b>H7-0120-00</b>	<b>DRIVE PULLEY, BELTS &amp; TENSIONER WITH DETROIT S-60</b>				

From 7-0671 To A-1720	Date:10/2022	PAGE:H7-0150-00
-----------------------	--------------	-----------------

**ENGINE CRADLE - WITH DETROIT S-60**

Item#	Part	Description	H 3 4 1	H 3 4 5	V I P 4 5	N O T E S
		T) BUS WITH "TRAILER HITCH" 10000LBS				
		Z) WITH "ZF" TRANSMISSION				
		P) CALL ORDER DESK FOR SPECIFIC APPLICATION (V.I.N.)				

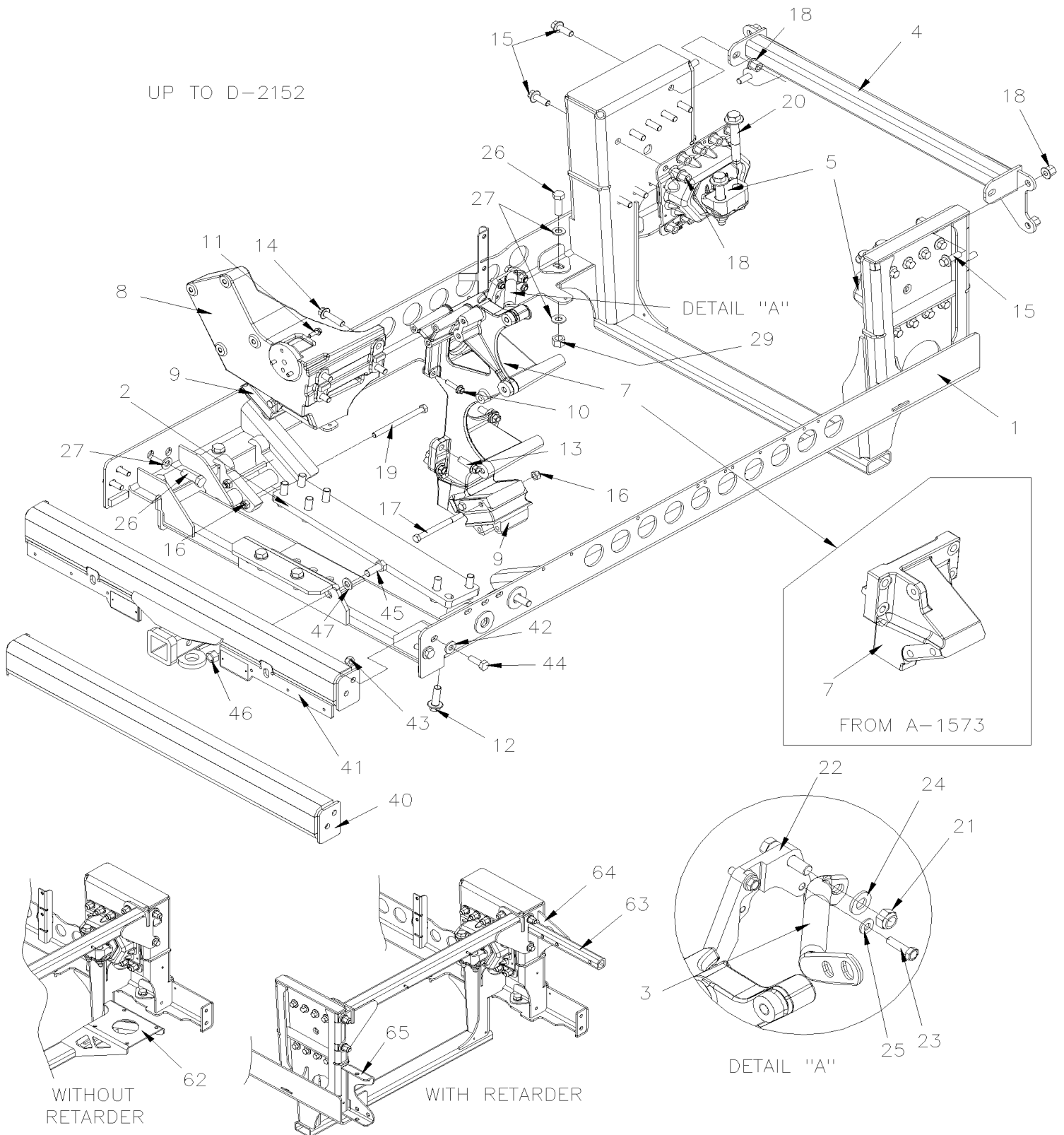


From 8-1202 To H-3734

Date:10/2022

PAGE:H7-0150-01

## ENGINE CRADLE - WITH VOLVO D13

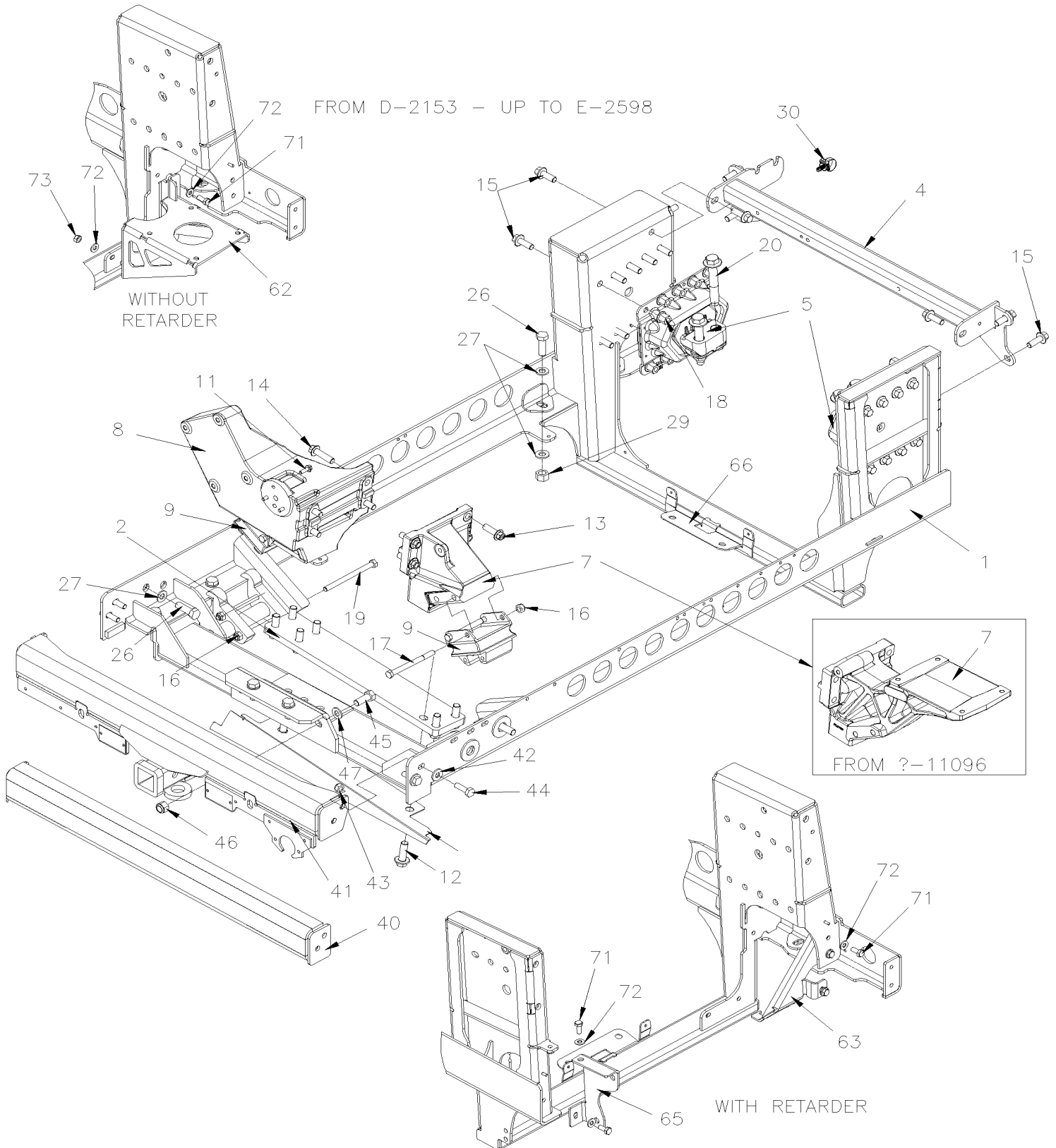


From 8-1202 To H-3734

Date:10/2022

PAGE:H7-0150-01

## ENGINE CRADLE - WITH VOLVO D13

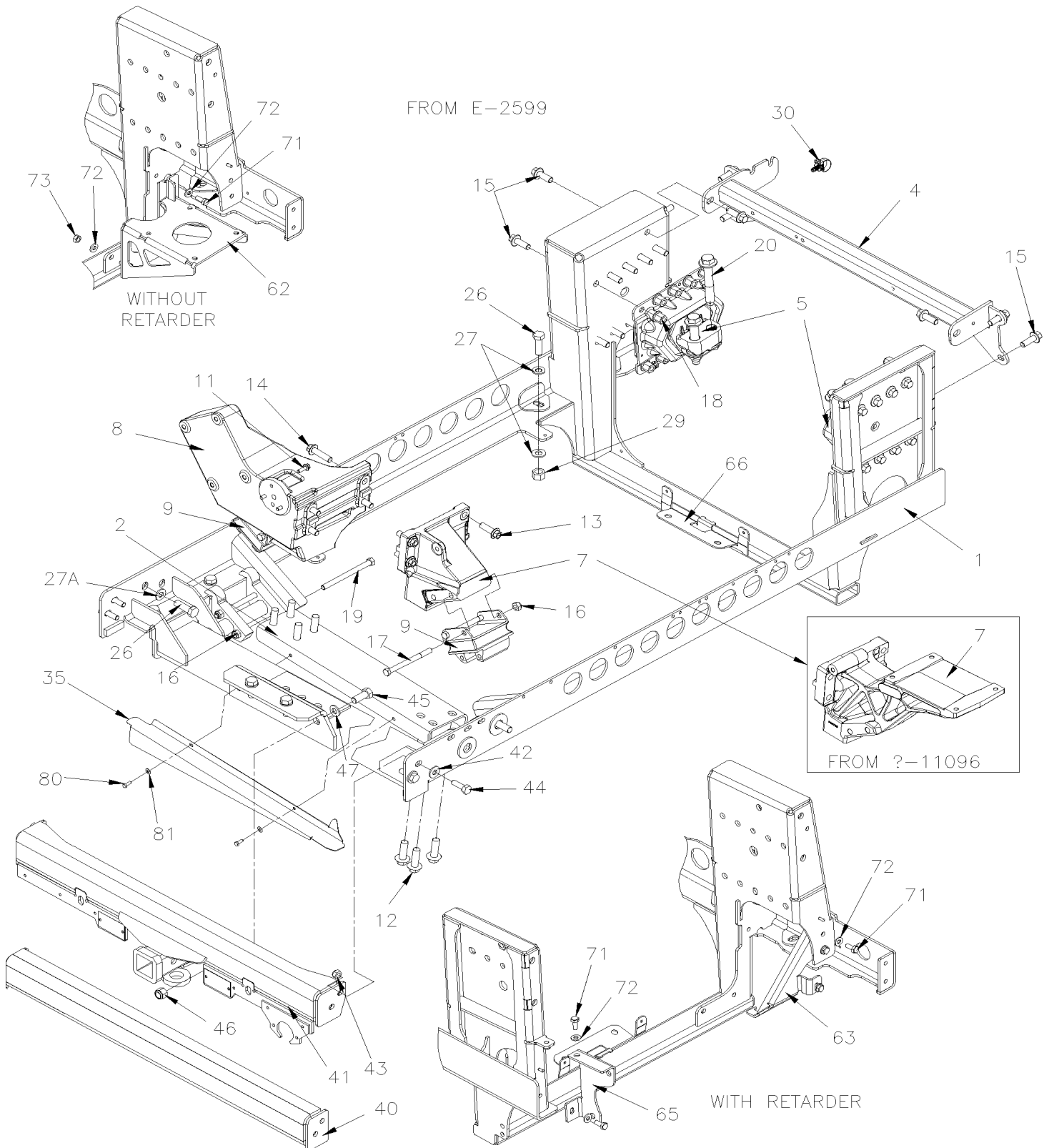


From 8-1202 To H-3734

Date:10/2022

PAGE:H7-0150-01

## ENGINE CRADLE - WITH VOLVO D13



From 8-1202 To H-3734	Date:10/2022	PAGE:H7-0150-01
<b>ENGINE CRADLE - WITH VOLVO D13</b>		

Item#	Part	Description	H 3 4 1	H 3 4 5	V I P 4 5	N O T E S
1	012846	ENGINE CRADLE / WWORLD, W/D13 EPA 2007 WITH TRAILER HITCH & RETARDER To A-1720	1	1	1	
1	012868	ENGINE CRADLE / WWORLD, W/D13 EPA 2010 WITH TRAILER HITCH & RETARDER From B-1721 To D-2152	1	1	1	
1	012847	ENGINE CRADLE / WWORLD, W/D13 EPA 2007 WITH TRAILER HITCH & W/O RET. To A-1720	1	1	1	
1	012869	ENGINE CRADLE / WWORLD, W/D13 EPA 2010 WITH TRAILER HITCH & W/O RET. From B-1721 To D-2152	1	1	1	
1	012775	ENGINE CRADLE / W/D13 WITH TRAILER HITCH From D-2153 To F-2751	1	1	1	
1	012886	ENGINE CRADLE / W/D13 WITH TRAILER HITCH From F-2752 To G-3157	1	1	1	
1	012900	ENGINE CRADLE / W/D13 WITH TRAILER HITCH From G-3158	1	1	1	
1	012848	ENGINE CRADLE / WWORLD, W/D13 EPA 2007 W/O TRAILER HITCH & W/RET. To A-1720	1	1	1	
1	012870	ENGINE CRADLE / WWORLD, W/D13 EPA 2010 W/O TRAILER HITCH & W/RET. From B-1721 To D-2152	1	1	1	
1	012849	ENGINE CRADLE / WWORLD, W/D13 EPA 2007 W/O TRAILER HITCH & W/O RET. To A-1720	1	1	1	
1	012871	ENGINE CRADLE / WWORLD, W/D13 EPA 2010 W/O TRAILER HITCH & W/O RET. From B-1721 To D-2152	1	1	1	
1	012774	ENGINE CRADLE / W/D13 WITHOUT TRAILER HITCH From D-2153 To F-2751	1	1	1	
1	012885	ENGINE CRADLE / W/D13 WITHOUT TRAILER HITCH From F-2752 To G-3157	1	1	1	
1	012901	ENGINE CRADLE / W/D13 WITHOUT TRAILER HITCH From G-3158	1	1	1	
1	012850	ENGINE CRADLE / WWORLD, W/D13 EPA 2007 W/ROMEO RIM BUMPER & W/RET To A-1720	1	1		
1	012872	ENGINE CRADLE / WWORLD, W/D13 EPA 2010 W/ROMEO RIM BUMPER & W/RET From B-1721 To D-2152	1	1		
1	012851	ENGINE CRADLE / WWORLD, W/D13 EPA 2007 W/ROMEO RIM BUMPER & W/O RET To A-1720	1	1		
1	012873	ENGINE CRADLE / WWORLD, W/D13 EPA 2010 W/ROMEO RIM BUMPER & W/O RET From B-1721 To D-2152	1	1		
1	012355P	ENGINE CRADLE / W/D13 WITHOUT TRAILER HITCH To A-1720	1	1		I
1	012611P	ENGINE CRADLE / W/D13 WITHOUT TRAILER HITCH From B-1721 To D-2152	1	1		I
1	012444P	ENGINE CRADLE / W/D13 W/ROMEO RIM BUMPER To A-1720	1	1		I
1	012629P	ENGINE CRADLE / W/D13 W/ROMEO RIM BUMPER From B-1721 To D-2152	1	1		I
2	012419	BAR PROTECTOR & REINFORCMENT W/D13 To E-2598	1	1	1	
2	012732	BAR PROTECTOR & REINFORCEMENT W/D13 From E-2599	1	1	1	
3	012500	ALTERNATOR BRACE W/D13	1	1	1	
4	012368	REINFORCEMENT ASSY W/D13 To A-1720	1	1	1	
4	012669	REINFORCEMENT ASSY W/D13 From B-1721 To D-2152	1	1	1	
4	012785	REINFORCEMENT ASSY W/D13 From D-2153	1	1	1	
5	20499474	ENGINE MOUNT FRONT W/D13	2	2	2	
7	012501	ENGINE MOUNT & ALTERNATOR MOUNT CURBSIDE W/D13 To A-1720	1	1	1	
7	012645	ENGINE MOUNT CURBSIDE W/D13 From B-1721 To D-2363				
7	012727	ENGINE MOUNT CURBSIDE WITH "BITZER" COMPRESSOR BITZER W/D13 From D-2364 To E-2578	1	1		
7	012832	ENGINE MOUNT CURBSIDE WITH "BITZER" COMPRESSOR BITZER W/D13 From E-2579 To E-2662	1	1		
7	012839	ENGINE MOUNT CURBSIDE WITH "BITZER" W/D13 From E-2663	1	1		
7	012727	ENGINE MOUNT CURBSIDE WITH "BITZER" COMPRESSOR BITZER W/D13 From D-2364 To E-2578			1	D
7	012832	ENGINE MOUNT CURBSIDE WITH "BITZER" COMPRESSOR BITZER W/D13 From E-2579 To E-2662			1	D
7	012839	ENGINE MOUNT CURBSIDE WITH "BITZER" W/D13 From E-2663			1	D
7	012645	ENGINE MOUNT CURBSIDE W/D13 From D-2364			1	E
8	20966683	ENGINE MOUNT STREET SIDE W/D13	1	1	1	
9	3037072	INSULATOR, RUBBER MOUNT W/D13	2	2	2	
10	5001308	SCREW CAP HEXF M10-1.5x40 G10.9 N500 To A-1720	4	4	4	
11	5001643	SCREW CAP HEXF M8-1.25x25 G8.8 G500	3	3	3	



<b>From 8-1202 To H-3734</b>	<b>Date:10/2022</b>	<b>PAGE:H7-0150-01</b>
<b>ENGINE CRADLE - WITH VOLVO D13</b>		

Item#	Part	Description	H 3 4 1	H 3 4 5	V I P 4 5	N O T E S
12	5001656	SCREW CAP HEXF M16-2.0x50 G10.9 G500 To E-2598	AR	AR	AR	
12	5001590	SCREW CAP HEX M16-2.0x40 G10.9 N500 From E-2599	12	12	12	
NS	5001150	WASHER FL 17.0x30.0x3.0 N500 From E-2599	23	23	23	
13	5001671	SCREW CAP HEXF M14-2.0x45 G8.8 G500	8	8	8	
14	5001672	SCREW CAP HEXF M14-2.0x55 G8.8 G500	4	4	4	
15	5001788	SCREW CAP HEXF M14-2.0x40 G8.8 N500 To E-2621	26	26	26	
15	5001671	SCREW CAP HEXF M14-2.0x45 G8.8 G500 From E-2622	26	26	26	
15	680038	THREAD LOCKER LOCTITE #243 / BLUE / 50ml	AR	AR	AR	
16	5001759	NUT HEX STO M12-1.75 N500 To E-2621	8	8	8	
16	5001761	NUT HEXF NYRT M12-1.75 G8 N500 From E-2622	8	8	8	
17	5001776	SCREW CAP HEX M12-1.75x140 G8.8 G500 To F-2741	4	4	4	
17	5001940	SCREW CAP HEX M12-1.75x140 G10.9 N500 From F-2742	4	4	4	
18	979231	NUT HEXF M14-XXX MAGGI 565	26	26	26	
19	979935	SCREW CAP HEXF M12-1.75x160 G8.8 ZG603	4	4	4	
20	991198	SCREW CAP HEXF DOG POINT M20-2.5x120 G10.9	4	4	4	
21	500811	NUT HEX STO M12-1.75 G500 To A-1720	1	1	1	
22	012499	ALTERNATOR BRACE PLATE W/D13 To A-1720	1	1	1	
23	5001687	SCREW CAP HEX M8-1.25x30 G10.9 MAGNI 565 To A-1720	3	3	3	
24	5001585	WASHER FL 13.5x27x2.46-4.5 DP To A-1720	1	1	1	
25	192288	WASHER FL 8.4x18.0x2.0 ZG603 To A-1720	1	1	1	
26	5001372	SCREW CAP HEX M16-2.0x50 G10.9 N500	4	4	4	
27	5001150	WASHER FL 17.0x30.0x3.0 N500 To F-2694	4	4	4	
27	5001150	WASHER FL 17.0x30.0x3.0 N500 From F-2695	2	2	2	
27A	502901	WASHER FL .625x1.469x.109 N500 From F-2695	2	2	2	
29	5001662	NUT HEX NYRT M16-2.0 G10 Z050	9	9	9	
30	504750	CABLE TIE / 1/2" x 15" / CHRISTMAS TREE	1	1	1	
NS	504449	HOLE PLUG BUTTON / .500 O.D. BLACK	3	3	3	
31	680042	GLUE LOCTITE 430 BOTTLE 1OZ	AR	AR	AR	
35	015995	PROTECTOR / BELT From D-2331 To E-2598	1	1	1	
35	012852	PROTECTOR / BELT From E-2599	1	1	1	
40	N.P.N.	PROTECTOR ASSY	1	1	1	4
41	411094	PROTECTOR ASSY / W/TRAILER HITCH To D-2152	1	1	1	
41	411279	PROTECTOR ASSY / W/TRAILER HITCH From D-2153 To G-3157	1	1	1	
41	411289	PROTECTOR ASSY / W/TRAILER HITCH From G-3158	1	1	1	
42	500011	WASHER FL / HARDENED 13.0x24.0x3.0 STL	4	4	4	
43	500811	NUT HEX STO M12-1.75 G500 To E-2621	4	4	4	
43	5001728	NUT HEXF STO M12-1.75 N500 G10 From E-2622	4	4	4	
44	502875	SCREW CAP HEX M12-1.75x40 G8.8 N50 To F-2835	4	4	4	
44	5001885	SCREW CAP HEX M12-1.75x40 G10.9 N500 From F-2836	4	4	4	
45	502544	SCREW CAP HEX M16-2.0x40 G8.8 Z050 To D-2339	4	4	4	
45	5001372	SCREW CAP HEX M16-2.0x50 G10.9 N500 From D-2340 To E-2635	4	4	4	

From 8-1202 To H-3734	Date:10/2022	PAGE:H7-0150-01
<b>ENGINE CRADLE - WITH VOLVO D13</b>		

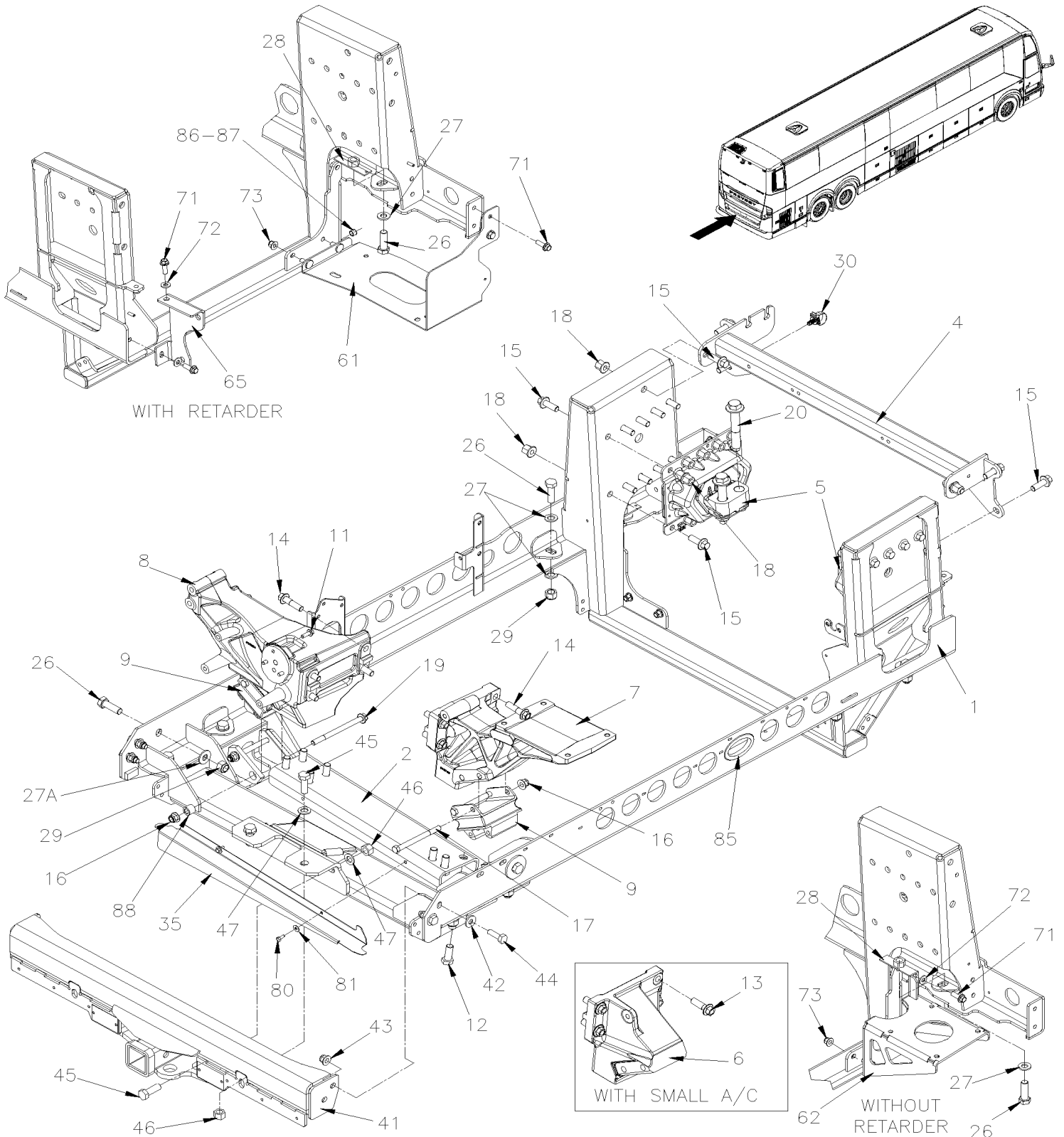
Item#	Part	Description	H 3 4 1	H 3 4 5	V I P 4 5	N O T E S
45	5001590	SCREW CAP HEX M16-2.0x40 G10.9 N500 From E-2636 To E-2664	4	4	4	
45	5001372	SCREW CAP HEX M16-2.0x50 G10.9 N500 From E-2665	4	4	4	
46	500781	NUT HEX STO M16-2.0 DP	4	4	4	
47	5001150	WASHER FL 17.0x30.0x3.0 N500 To D-2335	4	4	4	
47	5001150	WASHER FL 17.0x30.0x3.0 N500 From D-2336 To E-2635	8	8	8	
47	5001460	WASHER FL .640x1.188x0.073 SS From E-2636 To E-2664	8	8	8	
47	5001150	WASHER FL 17.0x30.0x3.0 N500 From E-2665	8	8	8	
62	071418	SUPPORT LOWER To A-1720	1	1	1	B
62	071635	SUPPORT OIL COOLER W/O RETARDER From B-1721 To D-2152	1	1	1	B
62	071674	SUPPORT OIL COOLER W/O RETARDER From D-2153 To G-3157	1	1	1	B
62	071713	SUPPORT OIL COOLER W/O RETARDER From G-3158	1	1	1	B
63	071416	TUBE SUPPORT 342MM To A-1720	1	1	1	A
63	071561	TUBE SUPPORT 342MM From B-1721 To D-2152	1	1	1	A
63	071676	SUPPORT HOSE W/RETARDER From D-2153	1	1	1	A
64	071422	SUPPORT COOLER UPPER To A-1720	1	1	1	A
64	071560	SUPPORT COOLER UPPER From B-1721 To D-2152	1	1	1	A
65	071432	SUPPORT ACCUMULATOR To A-1720	1	1	1	A
65	071565	SUPPORT ACCUMULATOR From B-1721 To D-2152	1	1	1	A
65	071672	SUPPORT ACCUMULATOR From D-2153	1	1	1	A
66	012760	BRACKET FOR PULL ROD From C-2017 To E-2630	1	1	1	C
71	502804	SCREW CAP HEX M10-1.5x25 G8.8 N500 From D-2153	4	4	4	
72	5001834	WASHER BEL SPR 10.5X23X2.5 N500 From D-2153	4	4	4	
73	500847	NUT HEX M10-1.5 N500 From D-2153	2	2	2	
80	5001697	SCREW CAP HEX M6-1.0x16 SS BK	2	2	2	
81	5001608	WASHER BEL SPR 6.2x15.0x0.7 G500 To F-2711	2	2	2	
81	5001833	WASHER BEL SPR 6.1x18x1.27 SS From F-2712	2	2	2	
		A) WITH RETARDER				
		B) WITHOUT RETARDER				
		C) USE WITH PROTECTION PANEL				
		D) WITH LARGE A/C SYSTEM				
		E) WITH SMALL A/C SYSTEM				
		I) WITH "I-SHIFT" TRANSMISSION				
		4) NO PARTS NUMBER				

From H-3735 To J-0287

Date:10/2022

PAGE:H7-0150-02

## ENGINE CRADLE - WITH VOLVO D13 - GHG17



<b>From H-3735 To J-0287</b>	<b>Date:10/2022</b>	<b>PAGE:H7-0150-02</b>
<b>ENGINE CRADLE - WITH VOLVO D13 - GHG17</b>		

Item#	Part	Description	H 3 4 1	H 3 4 5	V I P 4 5	N O T E S
1	012956	ENGINE CRADLE / W / D13 WITH TRAILER HITCH To H-3996	1	1	1	
1	010081	ENGINE CRADLE / W / D13 WITH TRAILER HITCH From H-3997 To J-0100	1	1	1	
1	010103	ENGINE CRADLE / W / D13 WITH TRAILER HITCH From J-0101	1	1	1	I
1	012955	ENGINE CRADLE / W / D13 WITHOUT TRAILER HITCH To J-0100	1	1	1	
1	010202	ENGINE CRADLE / W / D13 WITHOUT TRAILER HITCH From J-0101	1	1	1	I
2	012732	BAR PROTECTOR & REINFORCEMENT W/D13	1	1	1	
4	012785	REINFORCEMENT ASSY W/D13	1	1	1	
5	20499474	ENGINE MOUNT FRONT W/D13	2	2	2	
6	012645	ENGINE MOUNT CURBSIDE W/D13			1	A
7	012839	ENGINE MOUNT CURBSIDE WITH "BITZER" W/D13	1	1	1	
8	012942	ENGINE MOUNT STREET SIDE W/D13	1	1	1	
9	3037072	INSULATOR, RUBBER MOUNT W/D13	2	2	2	
11	5001643	SCREW CAP HEXF M8-1.25x25 G8.8 G500	3	3	3	
12	5001590	SCREW CAP HEX M16-2.0x40 G10.9 N500	7	7	7	
13	5001671	SCREW CAP HEXF M14-2.0x45 G8.8 G500			4	A
14	5001672	SCREW CAP HEXF M14-2.0x55 G8.8 G500	8	8	8	
15	5001671	SCREW CAP HEXF M14-2.0x45 G8.8 G500	26	26	26	
16	5001761	NUT HEXF NYRT M12-1.75 G8 N500	8	8	8	
17	5001940	SCREW CAP HEX M12-1.75x140 G10.9 N500	4	4	4	
18	5001762	NUT HEXF M14-2.0	20	20	20	
19	5001763	SCREW CAP HEXF M12-1.75x160 G8.8 N500	4	4	4	
20	5001791	SCREW CAP HEXF DOG POINT M20-2.5x120 G10.9 G500	4	4	4	
26	5001372	SCREW CAP HEX M16-2.0x50 G10.9 N500	10	10	10	
27	5001150	WASHER FL 17.0x30.0x3.0 N500	15	15	15	
27A	502901	WASHER FL .625x1.469x.109 N500	2	2	2	
28	012546	NUT STO SPECIAL / WELDED ON PLATE M16-2.0 DP	1	1	1	
29	5001662	NUT HEX NYRT M16-2.0 G10 Z050	9	9	9	
30	504750	CABLE TIE / 1/2" x 15" / CHRISTMAS TREE	1	1	1	
35	012852	PROTECTOR / BELT	1	1	1	
41	411289	PROTECTOR ASSY / W/TRAILER HITCH	1	1	1	
42	500011	WASHER FL / HARDENED 13.0x24.0x3.0 STL	4	4	4	
43	5001728	NUT HEXF STO M12-1.75 N500 G10 From H-3861	4	4	4	
44	5001885	SCREW CAP HEX M12-1.75x40 G10.9 N500	4	4	4	
45	5001372	SCREW CAP HEX M16-2.0x50 G10.9 N500	4	4	4	
46	500781	NUT HEX STO M16-2.0 DP	4	4	4	
47	5001150	WASHER FL 17.0x30.0x3.0 N500	15	15	15	
61	071676	SUPPORT HOSE W/RETARDER			1	A
62	071713	SUPPORT OIL COOLER W/O RETARDER	1	1	1	
65	071672	SUPPORT ACCUMULATOR	1	1	1	
71	5001741	SCREW CAP HEXF M10-1.5x30 G8.8 N500	5	5	5	
72	5001834	WASHER BEL SPR 10.5X23X2.5 N500	5	5	5	
73	5001930	NUT HEXF NYRT M10-1.5 N500 G10.9	2	2	2	

From H-3735 To J-0287	Date:10/2022	PAGE:H7-0150-02
<b>ENGINE CRADLE - WITH VOLVO D13 - GHG17</b>		

Item#	Part	Description	H 3 4 1	H 3 4 5	V I P 4 5	N O T E S
80	5001697	SCREW CAP HEX M6-1.0x16 SS BK	2	2	2	
81	5001833	WASHER BEL SPR 6.1x18x1.27 SS	2	2	2	
85	504720	GROMMET / 2.375x3.000x.250x.437x3.250	1	1	1	
86	504449	HOLE PLUG BUTTON / .500 O.D. BLACK	4	4	4	
87	680042	GLUE LOCTITE 430 BOTTLE 1OZ To H-3734	AR	AR	AR	
87	680066	ADHESIVE / ADBOND #5014 / 23.6ML BOTTLE From H-3735	AR	AR	AR	
88	012938	BUSHING	4	4	4	
NS	680038	THREAD LOCKER LOCTITE #243 / BLUE / 50ml	AR	AR	AR	
		A) WITH SMALL A/C SYSTEM				
		I) PRODUCT IMPROVEMENT				

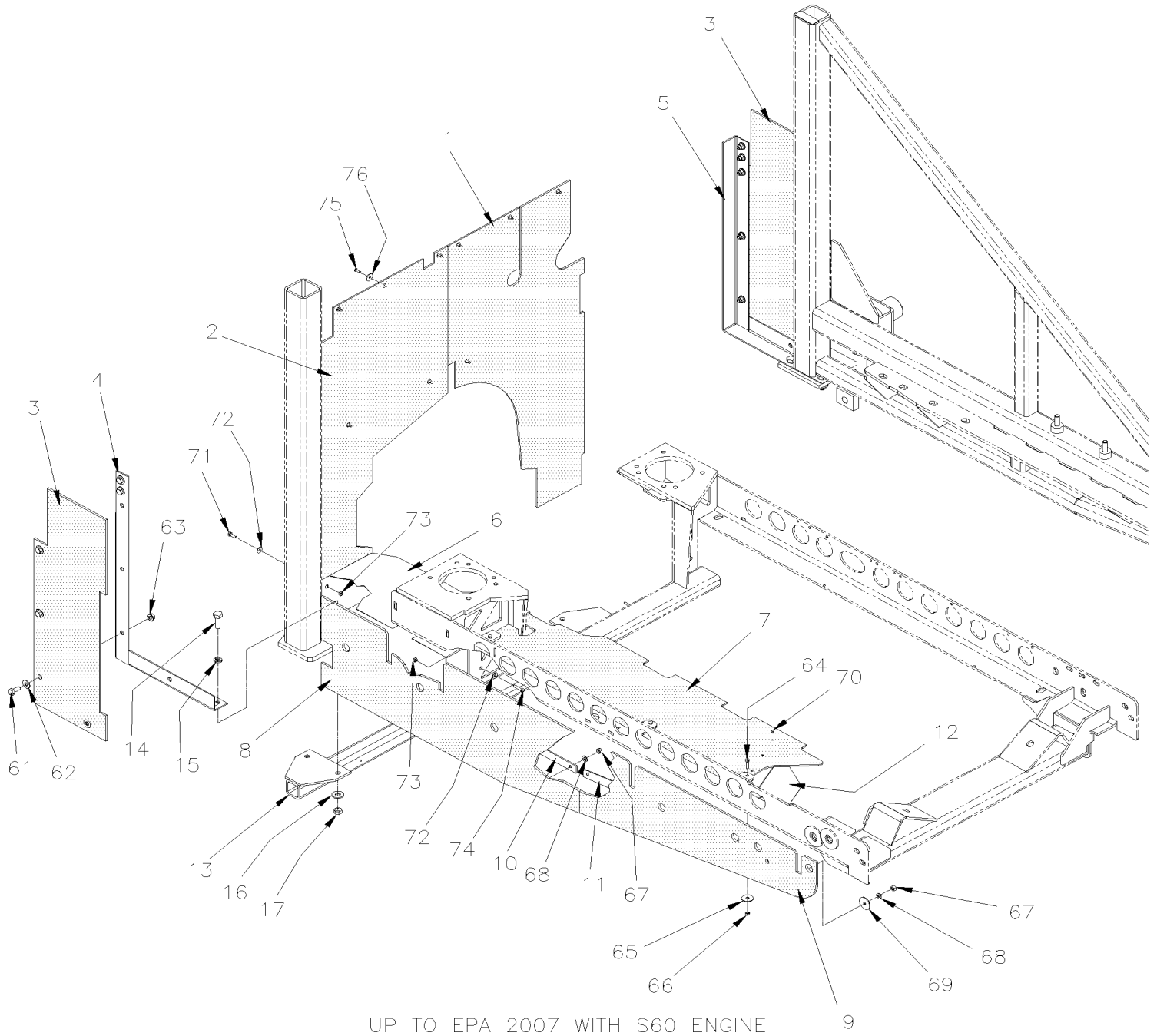


From 7-0671 To J-0287

Date:10/2022

PAGE:H7-0155-10

## ENGINE TRANSMISSION GUARD & AIR SHIELD

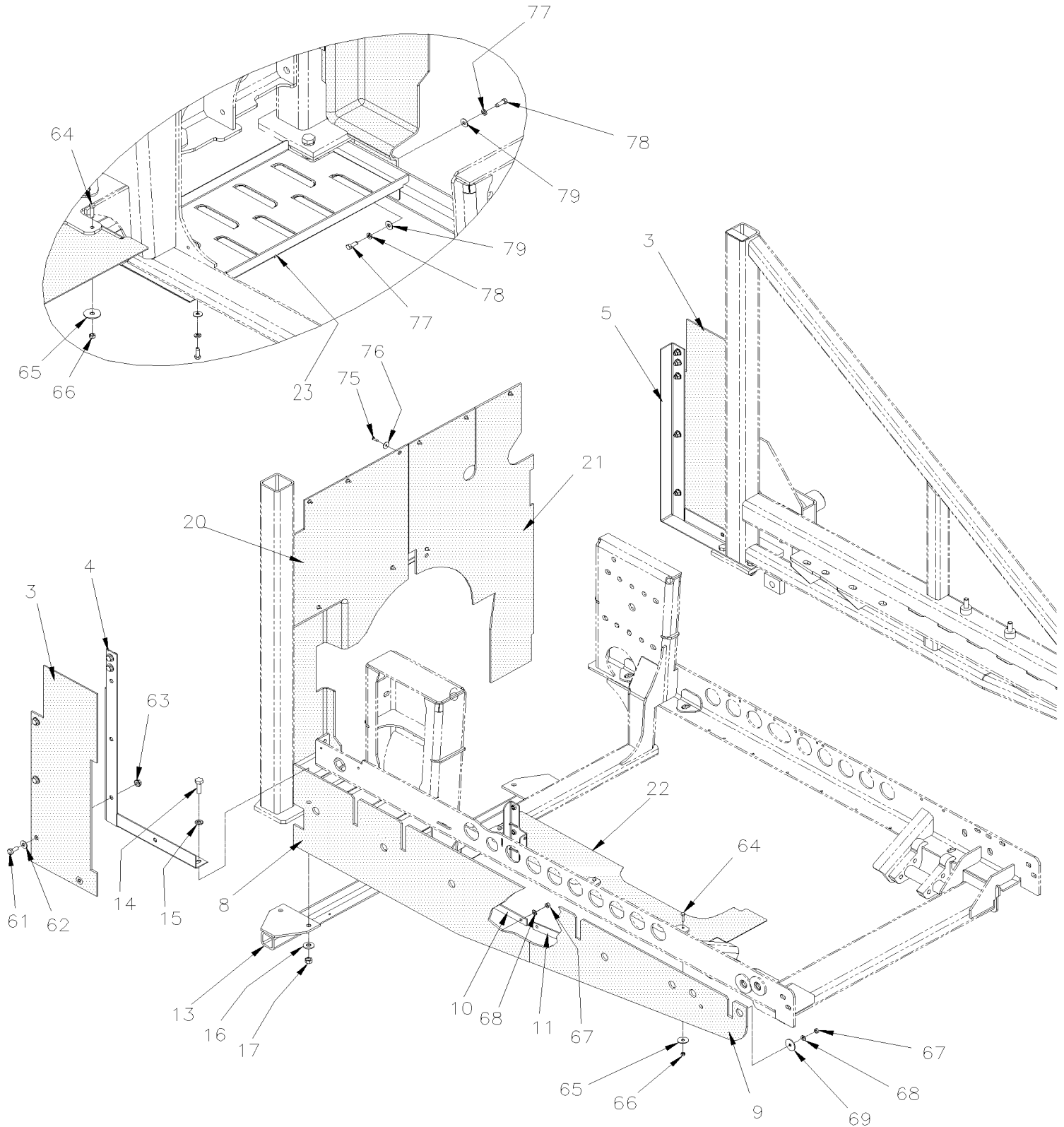


From 7-0671 To J-0287

Date:10/2022

PAGE:H7-0155-10

## ENGINE TRANSMISSION GUARD & AIR SHIELD



UP TO EPA 2007 WITH D13 ENGINE

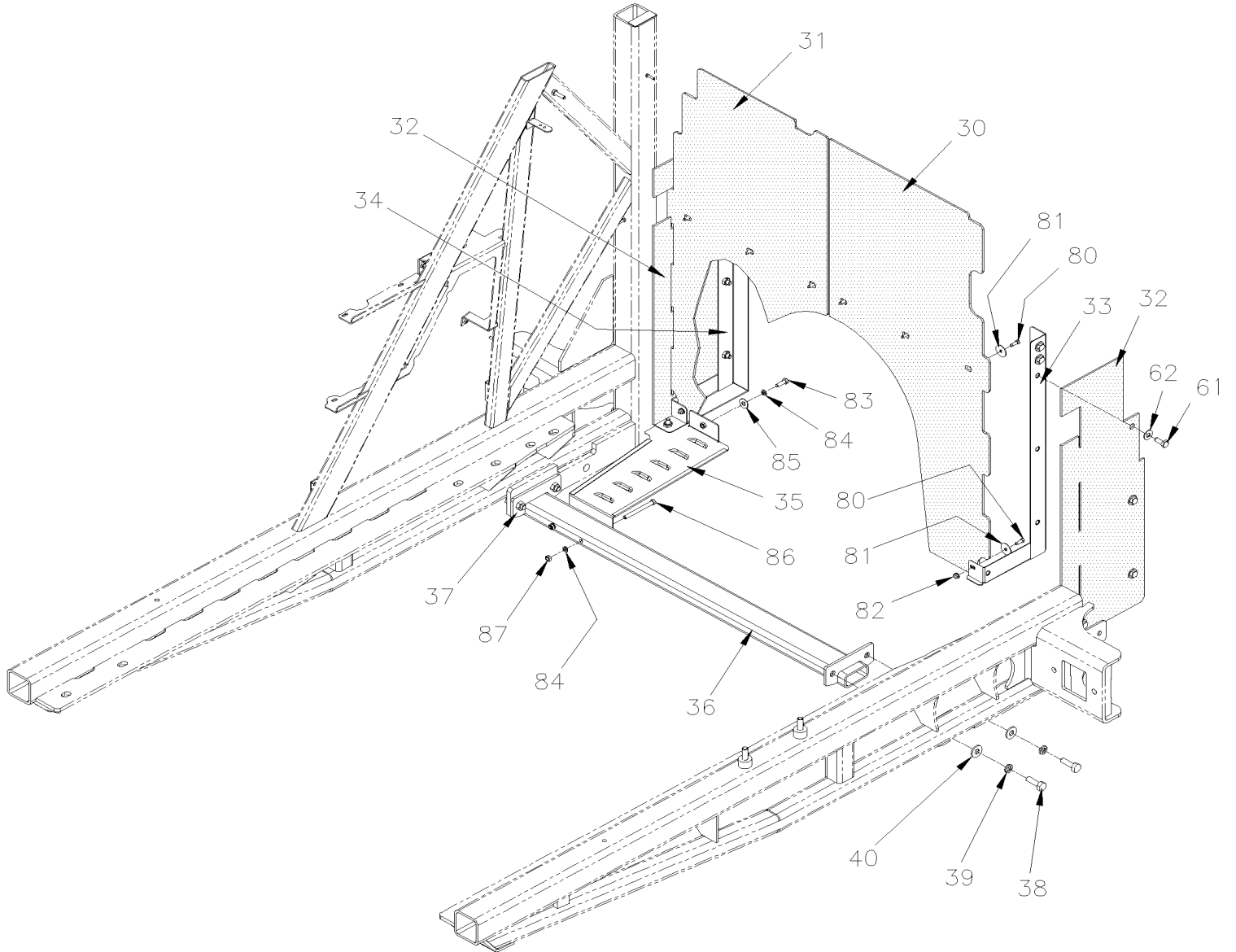


From 7-0671 To J-0287

Date:10/2022

PAGE:H7-0155-10

**ENGINE TRANSMISSION GUARD & AIR SHIELD**

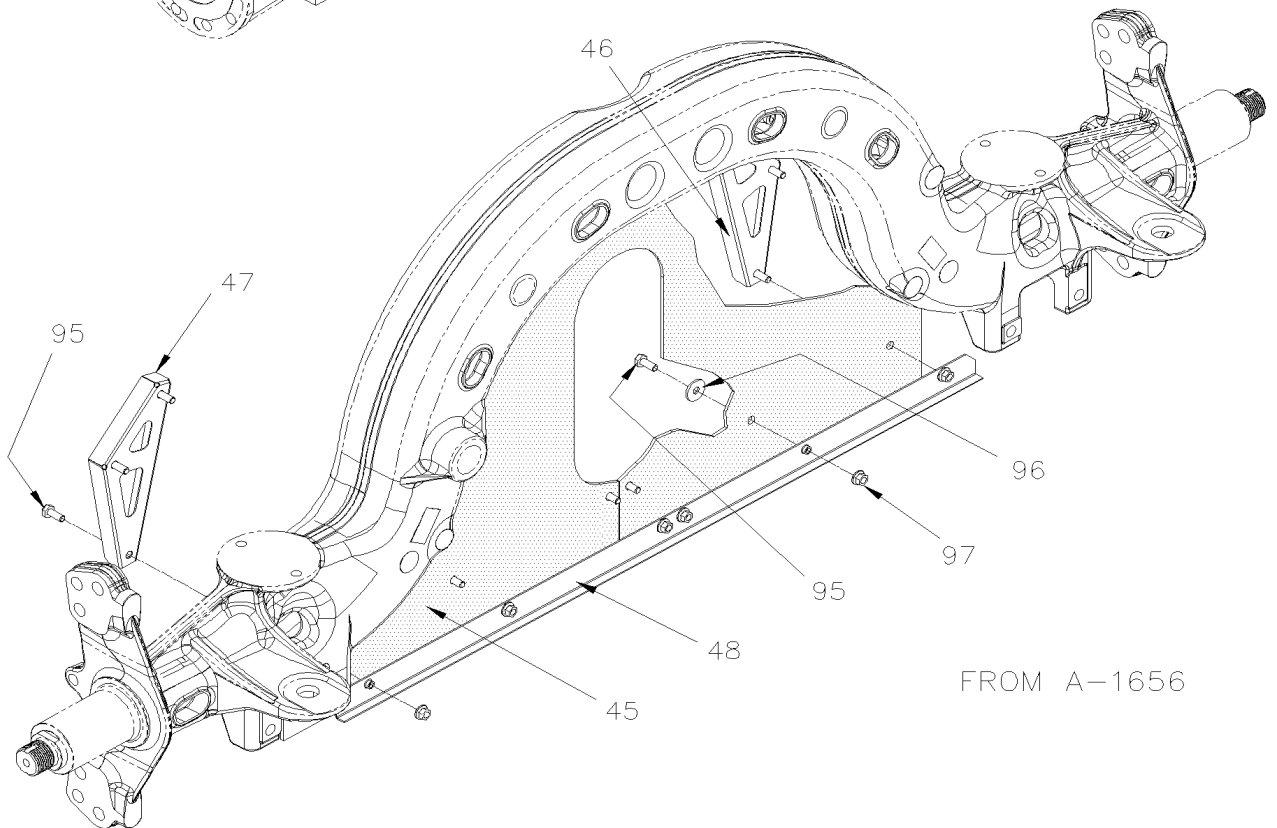
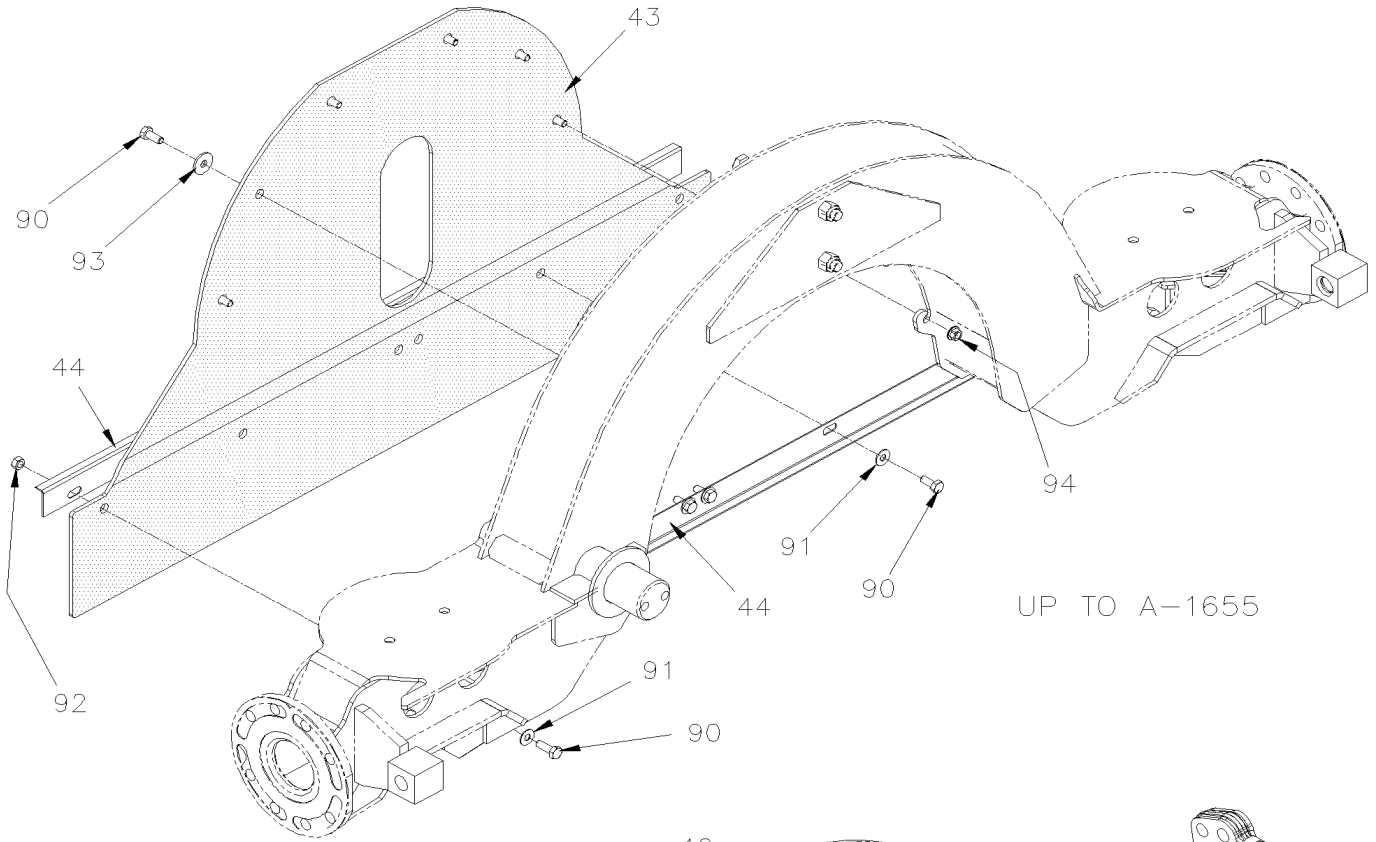


From 7-0671 To J-0287

Date:10/2022

PAGE:H7-0155-10

## ENGINE TRANSMISSION GUARD & AIR SHIELD



From 7-0671 To J-0287	Date:10/2022	PAGE:H7-0155-10
<b>ENGINE TRANSMISSION GUARD &amp; AIR SHIELD</b>		

Item#	Part	Description	H 3 4 1	H 3 4 5	V I P 4 5	N O T E S
1	011724	PROTECTOR R.H. / W/O RETARDER To A-1720	1	1	1	
1	011733	PROTECTOR R.H. / W/RETARDER To A-1720	1	1	1	
1	012392	PROTECTOR R.H. / W/"ZF" TRANS From 7-0821 To A-1720	1	1		
2	012286	PROTECTOR L.H. / W/O RETARDER To A-1720	1	1	1	
2	012177	PROTECTOR L.H. / W/RETARDER To A-1720	1	1	1	
2	012203	PROTECTOR L.H. / W/"ZF" TRANS To A-1720	1	1		
3	071095	PROTECTOR / BOTH SIDE To A-1655	2	2	2	
3	071602	PROTECTOR / BOTH SIDE From A-1656 To A-1720	1	1	1	T
4	071099	SUPPORT L.H. To A-1655	1	1	1	
4	071604	SUPPORT L.H. From A-1656 To A-1720	1	1	1	T
5	071098	SUPPORT R.H. To A-1655	1	1	1	
5	071603	SUPPORT R.H. From A-1656 To A-1720	1	1	1	T
6	012176	AIR SHIELD BOX SS / W/O RETARDER To A-1720	1	1	1	
6	012246	AIR SHIELD BOX SS / W/RETARDER To A-1720	1	1	1	
6	012273	AIR SHIELD BOX SS / W/"ZF" TRANS To A-1720	1	1		
7	012428	AIR SHIELD / W/O RETARDER To A-1720	1	1	1	
7	012184	AIR SHIELD / W/RETARDER To A-1720	1	1	1	
7	012272	AIR SHIELD / W/"ZF" TRANS To 8-1044	1	1		
7	012470	AIR SHIELD / W/"ZF" TRANS From 8-1045 To A-1720	1	1		
7	012184	AIR SHIELD / W/RETARDER To A-1720	1	1	1	
7	012201	AIR SHIELD / W/O RETARDER To A-1720	1	1	1	
7	012272	AIR SHIELD / W/"ZF" TRANS To A-1720	1	1	1	
7	012229	AIR SHIELD SUPPORT W/"ZF" TRANS To A-1720	1	1	1	
8	052554	AIR SHIELD / FORWARD To A-1720	1	1	1	
9	052376	AIR SHIELD / BACKWARD To A-1720	1	1	1	
10	052377	PLATE ATTACHMENT 872MM To A-1720	1	1	1	
11	052391	PLATE ATTACHMENT 600MM To A-1720	1	1	1	
12	012301	DEFLECTOR PROTECTOR SS 110MM x 215MM / ENGINE COOLANT PIPE To A-1720	1	1	1	O W
12	012469	DEFLECTOR PROTECTOR SS 110MM x 342MM / ENGINE COOLANT PIPE W/"ZF" To A-1720	1	1		Z
13	171605	BAR, TRANSMISSION PROTECTOR To A-1720	1	1	1	
14	502731	SCREW CAP HEX M12-1.75x40 G8.8 Z050 To A-1720	4	4	4	
15	500482	WASHER LO SPT .506x.873x.125 Z050 To A-1720	4	4	4	
16	500446	WASHER FL .531x1.250x.125 Z050 To A-1720	4	4	4	
17	500860	NUT HEX M12-1.75 Z050 To A-1720	4	4	4	
20	012449	PROTECTOR L.H. / W/O RETARDER From 8-1202 To A-1720	1	1	1	
20	012433	PROTECTOR L.H. / W/RETARDER From 8-1202 To A-1720	1	1	1	
21	011733	PROTECTOR R.H. / W/RETARDER From 8-1202 To A-1720	1	1	1	O W
22	012432	AIR SHIELD PLASTIC PROTO To A-1720	1	1	1	
22	012552	AIR SHIELD PLASTIC From 8-1202 To A-1720	1	1	1	
23	012447	AIR SHIELD BOX SS From 8-1202 To A-1720	1	1	1	

From 7-0671 To J-0287	Date:10/2022	PAGE:H7-0155-10
<b>ENGINE TRANSMISSION GUARD &amp; AIR SHIELD</b>		

Item#	Part	Description	H 3 4 1	H 3 4 5	V I P 4 5	N O T E S
30	012652	PROTECTOR R.H. / W/O RETARDER From A-1721 To E-2504	1	1	1	
30	012827	PROTECTOR R.H. / W/O RETARDER From E-2505	1	1	1	
30	012654	PROTECTOR R.H. / W/RETARDER From A-1721 To E-2504	1	1	1	
30	012828	PROTECTOR R.H. / W/RETARDER From E-2505	1	1	1	
30	012568	PROTECTOR R.H. /W /"I-SHIFT" TRANS From A-1721 To E-2504	1	1		I
30	012826	PROTECTOR R.H. /W /"I-SHIFT" TRANS From E-2505	1	1		I
31	012653	PROTECTOR L.H. From A-1721	1	1	1	O W
31	012567	PROTECTOR L.H. /W /"I-SHIFT" TRANS From A-1721	1	1		I
32	071578	PROTECTOR / BOTH SIDE From A-1721	2	2	2	
33	071617	SUPPORT L.H. From A-1721	1	1	1	
34	071616	SUPPORT R.H. From A-1721	1	1	1	
35	012563	AIR SHIELD BOX SS From A-1721	1	1	1	A
36	173688	TUBE 1058MM From A-1721	1	1	1	
37	173687	ATTACHMENT PLATE From A-1721	2	2	2	
38	502731	SCREW CAP HEX M12-1.75x40 G8.8 Z050	4	4	4	
39	500482	WASHER LO SPT .506x.873x.125 Z050	4	4	4	
40	500446	WASHER FL .531x1.250x.125 Z050	4	4	4	
43	071072	PROTECTOR To A-1655	1	1	1	
44	071150	RENFORT To A-1655	2	2	2	
45	121904	PROTECTOR From A-1656	1	1	1	
46	121905	RENFORT L.H. From A-1656	1	1	1	
47	121906	RENFORT R.H. From A-1656	1	1	1	
48	071642	RENFORT From A-1656	1	1	1	
61	502804	SCREW CAP HEX M10-1.5x25 G8.8 N500	12	12	12	
62	500270	WASHER FL .406x1.000x.063 SS	12	12	12	
63	502216	NUT HEXF M10-1.5 SS To A-1720	12	12	12	
64	502737	SCREW CAP HEX M6-1.0x25 SS BK To A-1720	3	3	3	
65	5001467	WASHER FL .343x1.250x.062 SS18-8 To A-1720	3	3	3	
66	5001182	NUT HEX NYRT M6-1.0 SS To A-1720	3	3	3	
67	502847	NUT HEX NYRT M8-1.25 N500 To A-1720	8	8	8	
68	5001341	WASHER FL 8.4x17.0x1.6 SS To A-1720	8	8	8	
69	500462	WASHER FL .343x1.500x.083 SS To A-1720	1	1	1	
70	504339	RIVET POP DOME OE 1/8x3/8 SS To A-1720	3	3	3	
71	502622	SCREW CAP HEX M6-1.0x20 SS BK To A-1720	2	2	2	
72	500411	WASHER FL .260x.697x.050 SS To A-1720	4	4	4	
73	5001182	NUT HEX NYRT M6-1.0 SS To A-1720	4	4	4	
74	502686	SCREW CAP HEX M6-1.0x30 SS BK To A-1720	2	2	2	
75	500957	SCREW TP BDG PH #10x3/4 N500 To A-1720	9	9	9	
76	500805	WASHER FL .218x.875x.062 N500 To A-1720	9	9	9	
77	502848	SCREW TC CAP HEXF 1/4-20x3/4 N500 To A-1720	4	4	4	
78	5001749	WASHER LO SPT 6.5x11.5x1.6 N500 To A-1720	4	4	4	

From 7-0671 To J-0287	Date:10/2022	PAGE:H7-0155-10
<b>ENGINE TRANSMISSION GUARD &amp; AIR SHIELD</b>		

Item#	Part	Description	H 3 4 1	H 3 4 5	V I P 4 5	N O T E S
79	500411	WASHER FL .260x.697x.050 SS To A-1720	4	4	4	
80	502848	SCREW TC CAP HEXF 1/4-20x3/4 N500	9	9	9	
81	500913	WASHER FL .281x1.250x.065 N500	9	9	9	
82	5001123	NUT HEXF 1/4-20 SS	2	2	2	
83	502780	SCREW CAP HEX M8-1.25x25 SS BK	1	1	1	
84	5001161	WASHER LO SPT 8.1x14.8x2.0 SS-304	3	3	3	
85	500897	WASHER FL .437x1.000x.083 N500	1	1	1	
86	5001186	SCREW CAP HEX M8-1.25x90 SS BK	2	2	2	
87	5001188	NUT HEX M8-1.25 SS	2	2	2	
90	5001231	SCREW CAP HEX M10-1.5x25 SS To A-1655	12	12	12	
91	500270	WASHER FL .406x1.000x.063 SS To A-1655	6	6	6	
92	500680	NUT HEX STO M10-1.5 Z050 To A-1655	6	6	6	
93	5001417	WASHER FL 11.0x34.0x3.0 SS To A-1655	6	6	6	
94	502216	NUT HEXF M10-1.5 SS To A-1655	6	6	6	
95	502804	SCREW CAP HEX M10-1.5x25 G8.8 N500	16	16	16	
96	500211	WASHER FL .531x1.250x.125 N500	AR	AR	AR	
97	5001760	NUT HEXF STO M10-1.5 G8 ZP	6	6	6	
		A) WITH WORLD TRANSMISSION				
		I) WITH "I-SHIFT" TRANSMISSION				
		O) WITHOUT RETARDER				
		T) TAG ONE PIECE				
		W) WITH RETARDER				
		Z) WITH "ZF" TRANSMISSION				

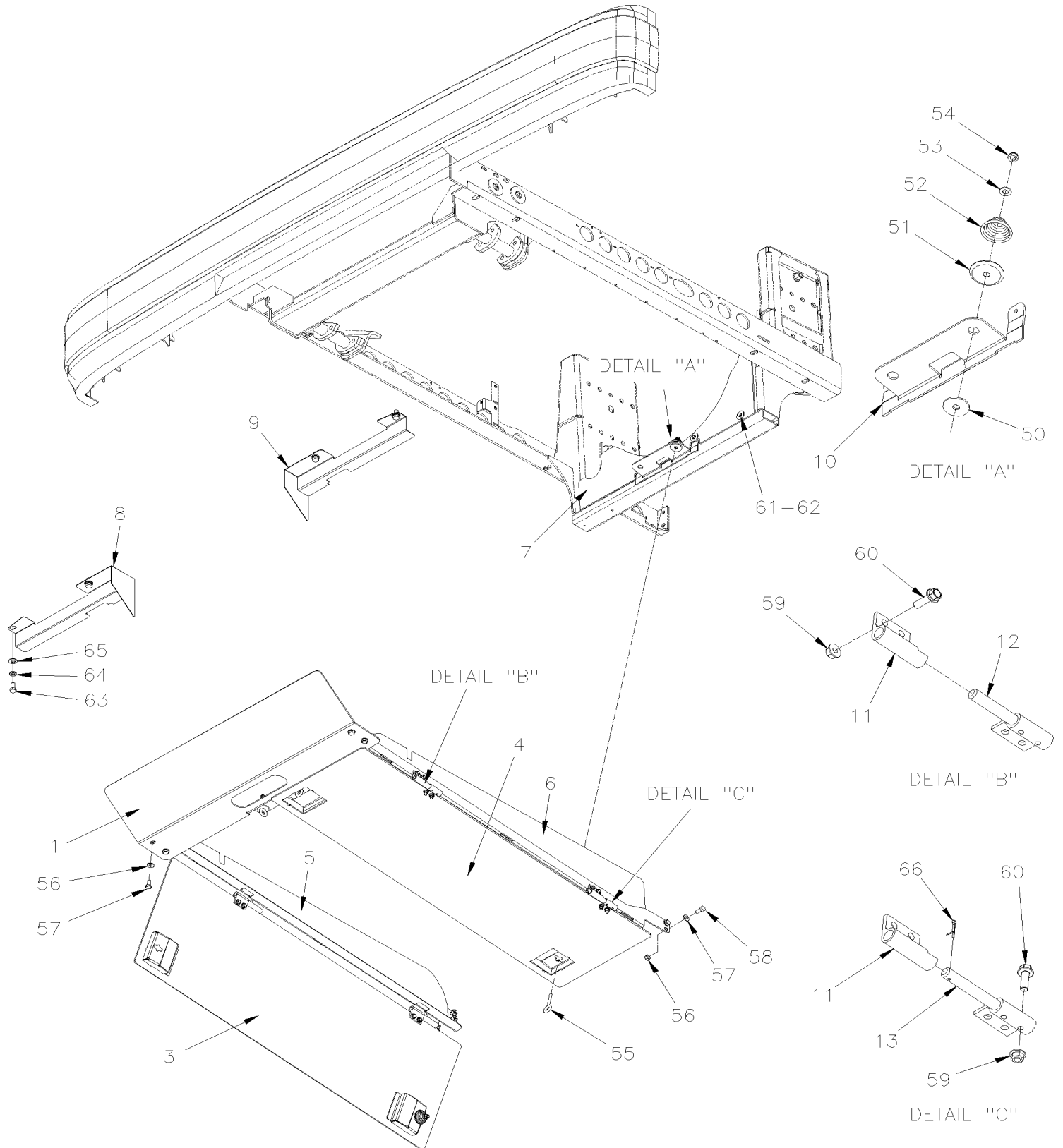


From D-2269 To J-0287

Date:10/2022

PAGE:H7-0155-20

## ENGINE GUARD VOLVO D13

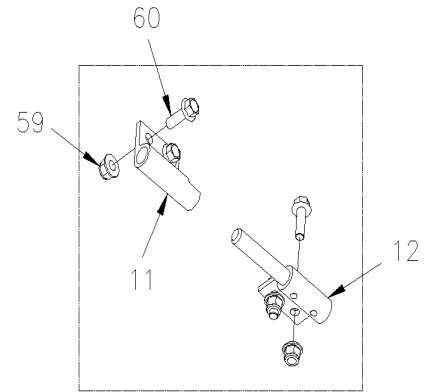
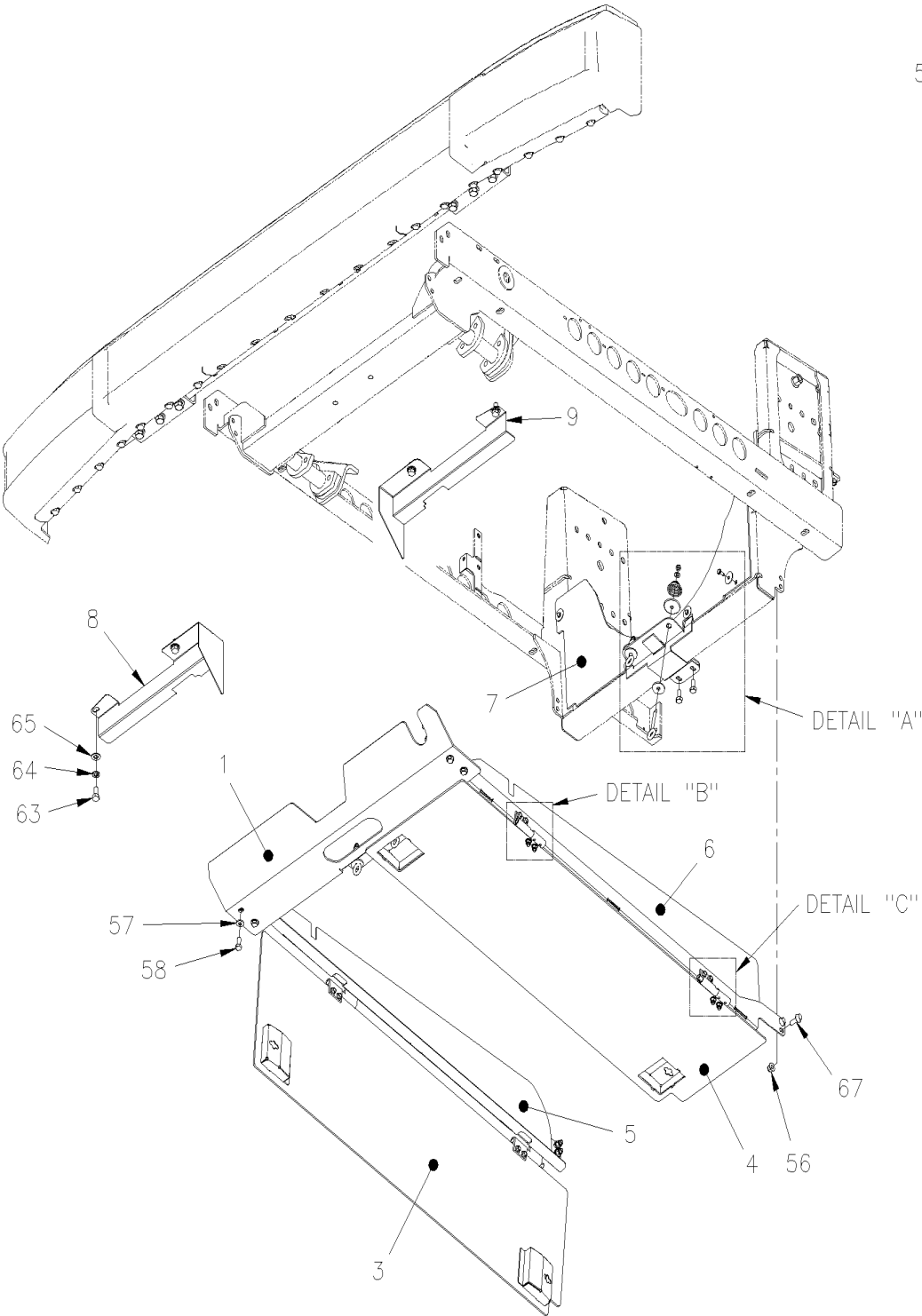


From D-2269 To J-0287

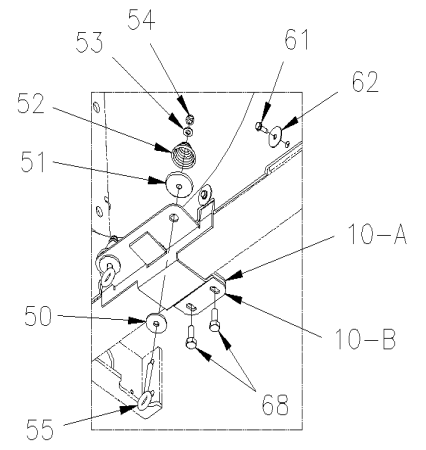
Date:10/2022

PAGE:H7-0155-20

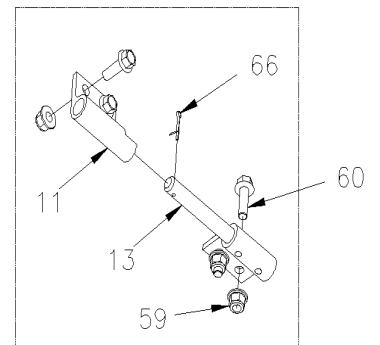
## ENGINE GUARD VOLVO D13



DETAIL "B"



DETAIL "A"



DETAIL "C"



<b>From D-2269 To J-0287</b>	<b>Date:10/2022</b>	<b>PAGE:H7-0155-20</b>
<b>ENGINE GUARD VOLVO D13</b>		

Item#	Part	Description	H 3 4 1	H 3 4 5	V I P 4 5	N O T E S
1	012740	DUST SHIELD PLATE ANGLE	1	1		
1	012786	DUST SHIELD PLATE ANGLE W/TOW HOOK A/ATTACHE REM. To G-3157	1	1		
1	012932	DUST SHIELD PLATE ANGLE W/TOW HOOK A/ATTACHE REM. From G-3158	1	1		
3	012769	LEFT DOOR ASSY	1	1		
4	012768	RIGHT DOOR ASSY	1	1		
5	012756	LH CHANNEL ASSY To G-3157	1	1		
5	012929	LH CHANNEL ASSY From G-3158	1	1		
6	012754	RH CHANNEL ASSY To G-3157	1	1		
6	012928	RH CHANNEL ASSY From G-3158	1	1		
7	012758	SHIELD WITH / AVEC WORLD TRANS.	1	1		
7	012787	SHIELD WITH / AVEC I-SHIFT TRANS.	1	1		
8	012773	PROTECTOR, L.H.	1	1		
9	012772	PROTECTOR, R.H.	1	1		
10	012760	BRACKET FOR PULL ROD To E-2630	1	1		
10A	012859	PULLROD, SUPPORT From E-2631	1	1		
10B	012860	PULLROD, SUPPORT From E-2631	1	1		
11	012765	HINGE	4	4		
12	012763	HINGE W/PIN / A/AXE	2	2		
13	012764	HINGE W/PIN / A/AXE	2	2		
50	507679	WASHER RUBBER / STANCHION / .375x1.500x.125	4	4		
51	507678	SPRING, RETAINER	4	4		
52	502944	SPRING CONICAL / CONIQUE	4	4		
52	2413712	SPRING CONICAL / CONIQUE	4	4		
53	5001341	WASHER FL 8.4x17.0x1.6 SS	4	4		
54	500685	NUT HEX NYRT 5/16-18 SS	4	4		
55	502943	SCREW EYE WITH NUT 5/16-18x3 1/2 GAL	4	4		
56	500847	NUT HEX M10-1.5 N500 To E-2630	8	8		
56	5001930	NUT HEXF NYRT M10-1.5 N500 G10.9 From E-2631 To G-3157	8	8		
56	5001931	NUT HEXF NYRT M8-1.25 G8.8 N500 From G-3158	8	8		
57	5001834	WASHER BEL SPR 10.5X23X2.5 N500 To E-2630	12	12		
57	5001834	WASHER BEL SPR 10.5X23X2.5 N500 From E-2631	4	4		
58	502804	SCREW CAP HEX M10-1.5x25 G8.8 N500 To E-2630	12	12		
58	502804	SCREW CAP HEX M10-1.5x25 G8.8 N500 From E-2631 To G-3157	4	4		
58	5001643	SCREW CAP HEXF M8-1.25x25 G8.8 G500 From G-3158	4	4		
59	502837	NUT HEXF STO M8-1.25 N500 To E-2630	16	16		
59	5001931	NUT HEXF NYRT M8-1.25 G8.8 N500 From E-2631	16	16		
60	5001643	SCREW CAP HEXF M8-1.25x25 G8.8 G500	16	16		
61	502848	SCREW TC CAP HEXF 1/4-20x3/4 N500	5	5		
62	500913	WASHER FL .281x1.250x.065 N500	5	5		
63	5001565	SCREW CAP HEX 1/2-13x1 G5 N500	4	4		
64	5001534	WASHER LO SPT .509x.873x.125 SS	4	4		
65	500958	WASHER FL .531x1.062x.095 SS	4	4		

From D-2269 To J-0287	Date:10/2022	PAGE:H7-0155-20
<b>ENGINE GUARD VOLVO D13</b>		

Item#	Part	Description	H 3 4 1	H 3 4 5	V I P 4 5	N O T E S
66	502097	PIN, COTTER 3/32 x 3/4	2	2		
67	5001741	SCREW CAP HEXF M10-1.5x30 G8.8 N500 From E-2631	8	8		
68	5001231	SCREW CAP HEX M10-1.5x25 SS From E-2631	2	2		

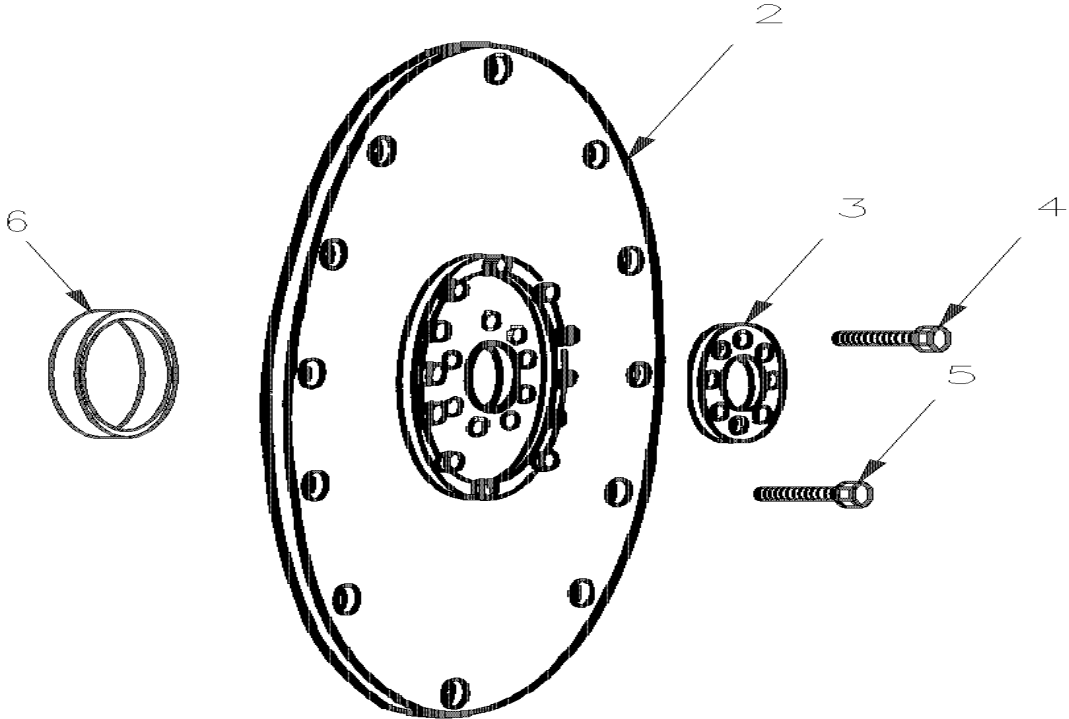
From 7-0671 To A-1720

Date:10/2022

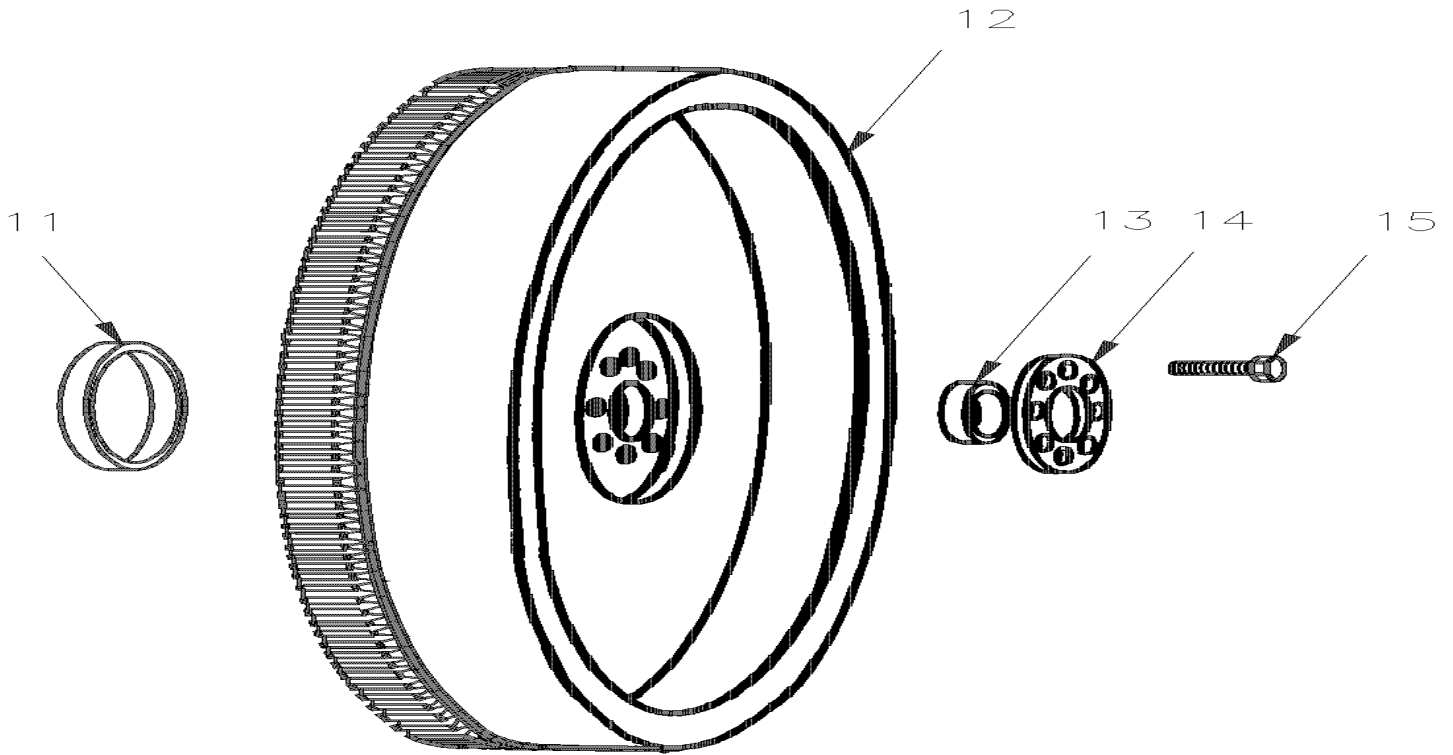
PAGE:H7-0160-00

FLYWHEEL - WITH MANUAL TRANS

AUTOMATIC TRANSMISSION



MANUAL TRANSMISSION



From 7-0671 To A-1720	Date:10/2022	PAGE:H7-0160-00
<b>FLYWHEEL - WITH MANUAL TRANS</b>		

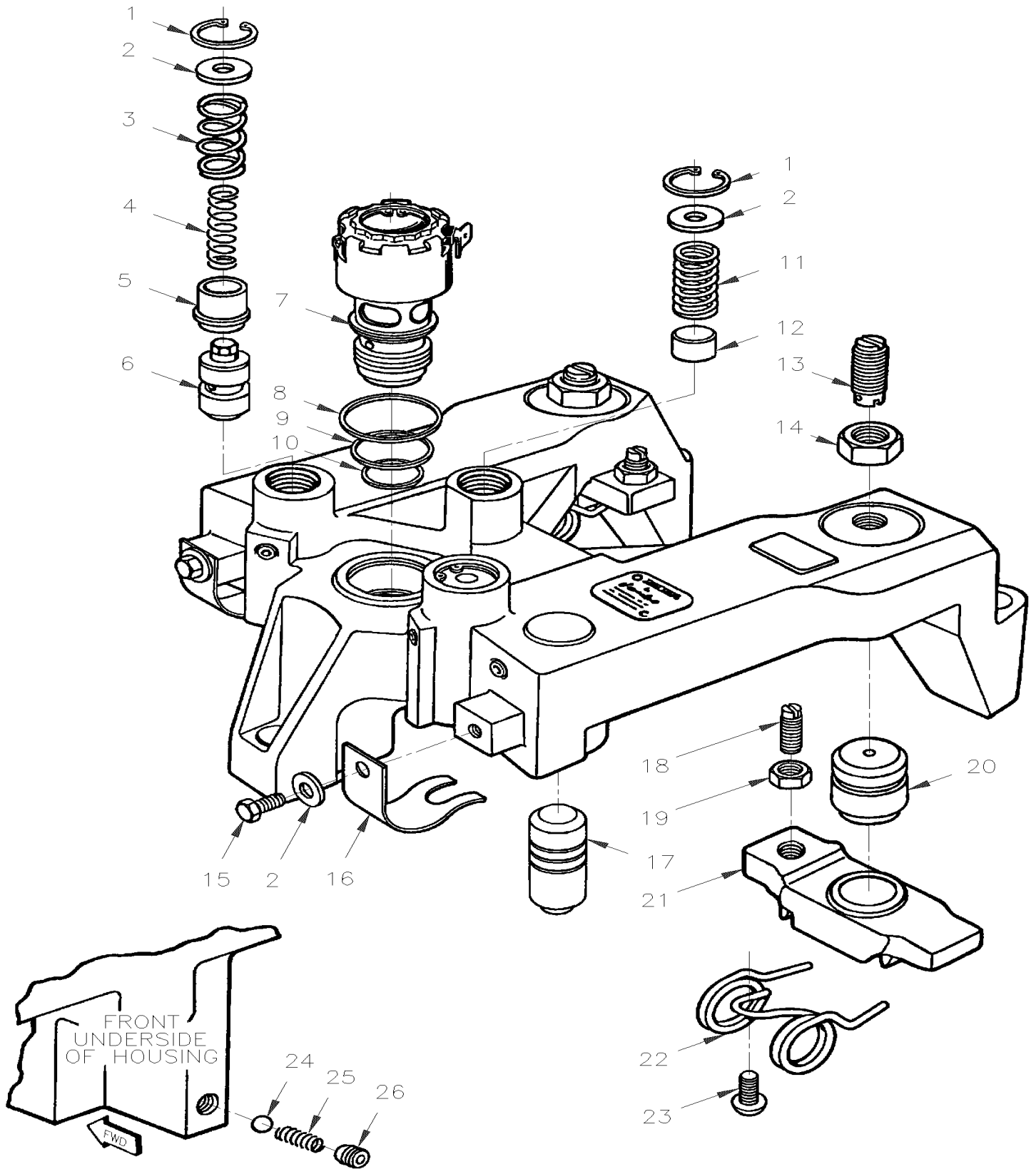
Item#	Part	Description	H 3 4 1	H 3 4 5	V I P 4 5	N O T E S
		SERIES 60 WITH AUTOMATIC TRANSMISSION				
	571728	KIT AUTO TRANS ADAPTOR FOR SERIES 60	1	1	1	
	510363	KIT AUTO TRANS ADAPTOR FOR SERIES 60	1	1	1	
2	N.S.P.	. PLATE FLEXIBLE 29513005	3	3	3	2
3	N.S.P.	. WEARPLATE 29514029	1	1	1	2
4	510476	. SCREW CAP HEX / FLEX PLATE / 9/16-18 X 1 3/4"	12	12	12	
4	510937	. SCREW PATCH LOCK M5-0.8x14	2	2	2	
4	N.S.P.	. HUB ADAPTOR 29510823	1	1	1	2
NS	295131006	RING GEAR ADAPTOR ASSY / W/AUTOMATIC TRANS	1	1	1	
5	5001217	SCREW CAP HEX M8-1.25x20 G10.9	12	12	12	
6	N.S.P.	SEAL OIL 23519651	1	1	1	2
		SERIES 60 WITH "ZF" TRANSMISSION				
11	N.S.P.	SEAL OIL 23519651	1	1		2
12	N.S.P.	FLYWHEEL 23529418	1	1		2
13	507113	BALL BEARING	1	1		
14	510225	PLATE SCUFF	1	1		
15	510476	SCREW CAP HEX / FLEX PLATE / 9/16-18 X 1 3/4"	12	12		
		2) NOT SOLD BY PREVOST (SEE MANUFACTURING PART NUMBER AT END OF DESCRIPTION LINE)				

From 7-0671 To A-1720

Date:10/2022

PAGE:H7-0165-00

## JACOB'S - ENGINE BRAKE - WITH DETROIT S-60



From 7-0671 To A-1720	Date:10/2022	PAGE:H7-0165-00
<b>JACOB'S - ENGINE BRAKE - WITH DETROIT S-60</b>		

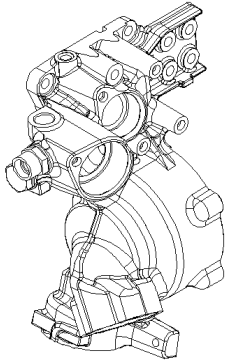
Item#	Part	Description	H 3 4 1	H 3 4 5	V I P 4 5	N O T E S
	N.S.P.	HOUSING ASSY - 12 VOLTS (#017122)	3	3	3	2
1	N.S.P.	. RETAINING RING (#012991)	3	3	3	2
2	N.S.P.	. COVER (#016505)	5	5	5	2
3	N.S.P.	. STOP SPRING (#001519)	2	2	2	2
4	N.S.P.	. SPRING (GREEN) (#001518)	2	2	2	2
5	N.S.P.	. COLLAR (#016557)	2	2	2	2
6	N.S.P.	. CONTROL VALVE (011930)	2	2	2	2
7	N.S.P.	. SOLENOID VALVE (#016440)	1	1	1	2
8	510411	. SEAL RING / UPPER	1	1	1	
9	510412	. SEAL RING / CENTER	1	1	1	
10	510413	. SEAL RING / LOWER	1	1	1	
11	N.S.P.	. SPRING (#012990)	1	1	1	2
12	N.S.P.	. PISTON - ACCUMULATOR (#012983)	1	1	1	2
13	N.S.P.	. RESET SCREW ASSY (#015931)	2	2	2	2
14	N.S.P.	. HEX NUT (#011395)	2	2	2	2
15	N.S.P.	. SCREW (#001492)	2	2	2	2
16	N.S.P.	. FLAT SPRING (#016535)	2	2	2	2
17	N.S.P.	. MASTER PISTON (#012981)	2	2	2	2
18	N.S.P.	. ADJUSTING SCREW (#011426)	2	2	2	2
19	N.S.P.	. HEX NUT (#001026)	2	2	2	2
20	N.S.P.	. SLAVE PISTON (#017048)	2	2	2	2
21	N.S.P.	. BRIDGE (#016771)	2	2	2	2
22	N.S.P.	. TORSION SPRING (#016812)	2	2	2	2
23	N.S.P.	. BUTTONHEAD SCREW (#012996)	2	2	2	2
24	N.S.P.	. BALL (#001021)	2	2	2	2
25	N.S.P.	. BALL CHECK SPRING (#011720)	1	1	1	2
26	N.S.P.	. PIPE PLUG (#008888)	1	1	1	2
26	N.S.P.	SOLONOID HARNESS EXTERNAL (#017393)	1	1	1	2
26	N.S.P.	SOLONOID HARNESS INTERNAL (#017392)	1	1	1	2
26	N.S.P.	FILLER GAUGE .040 LASH / TO USE W/11.1 LITER (#017277)	AR	AR	AR	2
26	N.S.P.	FILLER GAUGE .020 LASH / TO USE W/12.7 LITER (#017277)	AR	AR	AR	2
		2) NOT SOLD BY PREVOST (SEE MANUFACTURING PART NUMBER AT END OF DESCRIPTION LINE)				

From 8-1202 To A-1720

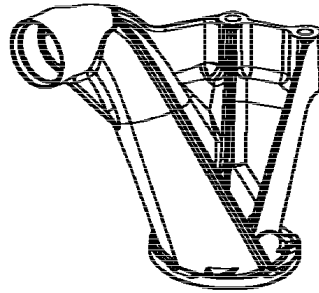
Date:10/2022

PAGE:H7-0170-00

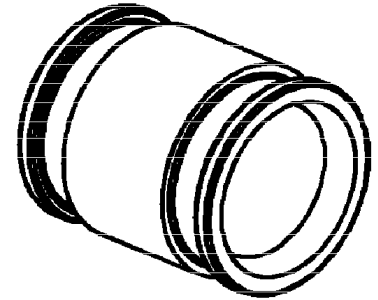
## ENGINE "VOLVO" D-13 - SPECIFIC PARTS FOR PREVOST



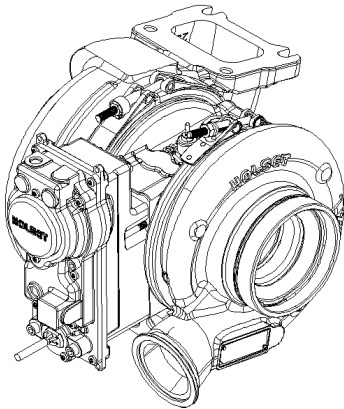
THERMOSTAT HOUSING  
1



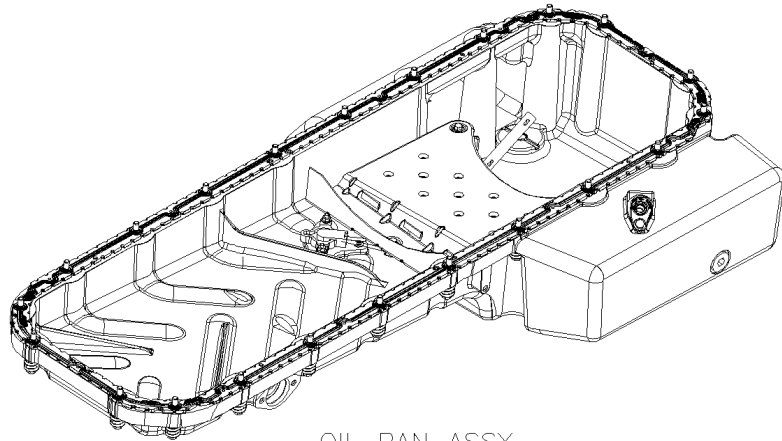
OIL STRAINER ASSY  
2



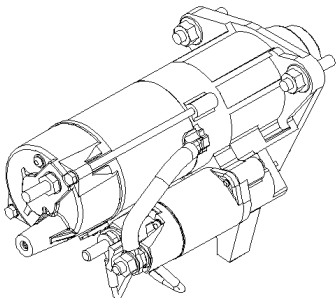
CONNECTION PIPE OIL  
OIL STRAINER  
3



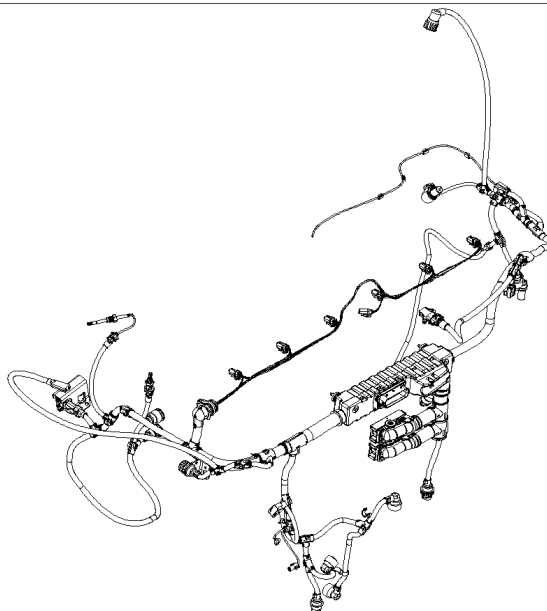
TURBOCHARGER HE431  
4



OIL PAN ASSY  
5



STARTER MOTOR MELCO  
26



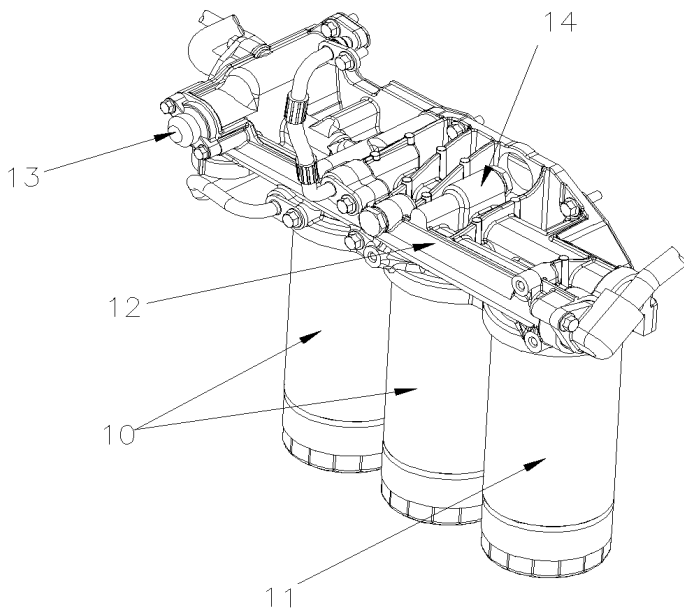
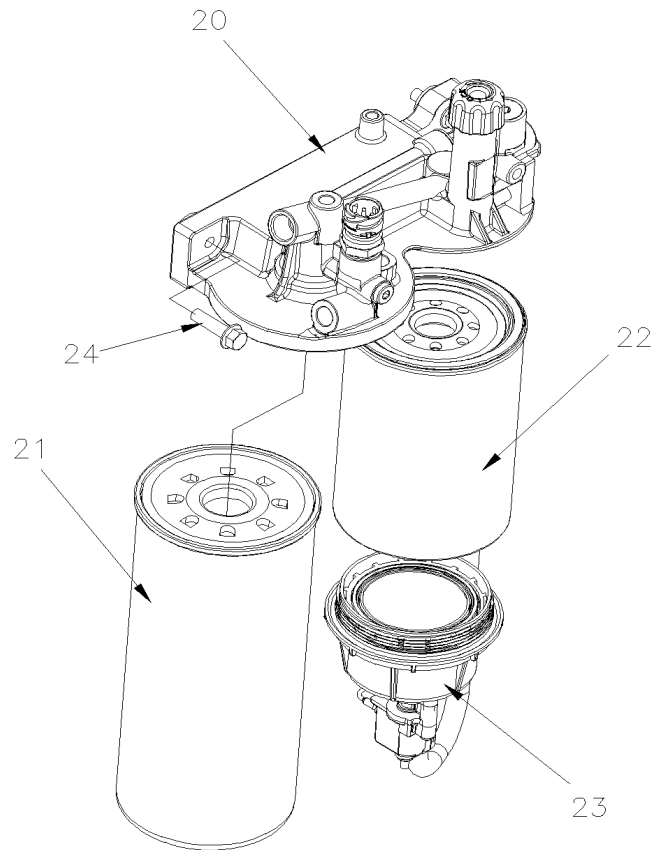
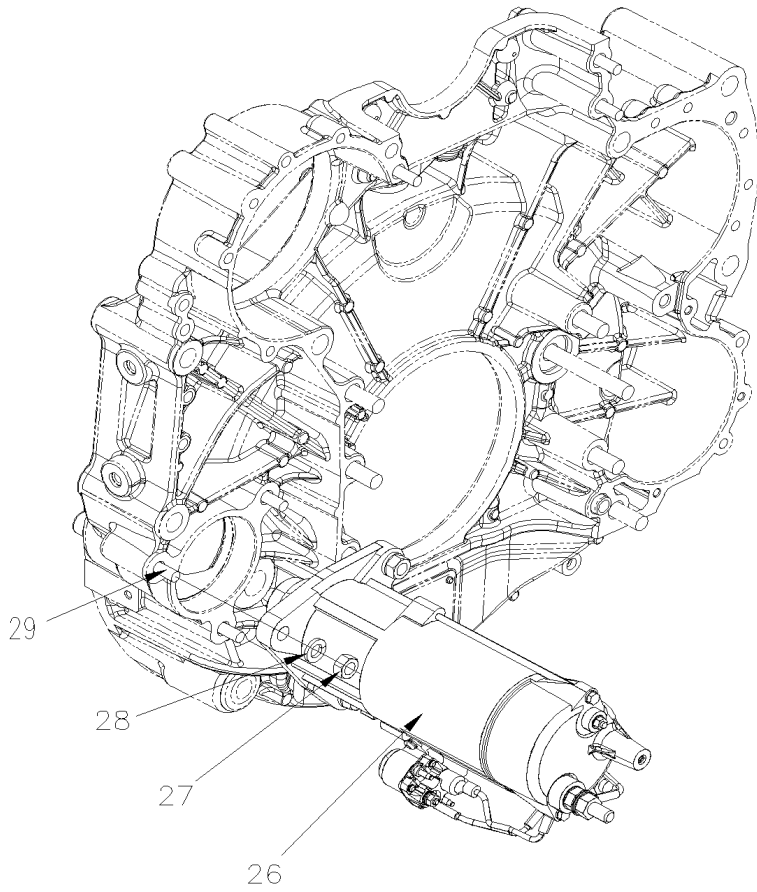
WIRING HARNESS  
7

From 8-1202 To A-1720

Date:10/2022

PAGE:H7-0170-00

## ENGINE "VOLVO" D-13 - SPECIFIC PARTS FOR PREVOST





From 8-1202 To A-1720	Date:10/2022	PAGE:H7-0170-00
<b>ENGINE "VOLVO" D-13 - SPECIFIC PARTS FOR PREVOST</b>		

Item#	Part	Description	H 3 4 1	H 3 4 5	V I P 4 5	N O T E S
1	20936109	THERMOSTAT HOUSING / W/D13 ENGINE / "PRÉVOST"	1	1	1	
. NS	20936107	. THERMOSTAT HOUSING	1	1	1	
. NS	192639	. NIPPLE 15xM18	1	1	1	
. NS	960632	. PLUG HEX M18-1.5x12	1	1	1	
. NS	977935	. GASKET M18x18	2	2	2	
2	20954445	OIL STRAINER ASSY	1	1	1	
3	21008852	CONNECTION ENGINE OIL STRAINER / W/D13 ENGINE	1	1	1	
4	21023367	TURBOCHARGER HE431	1	1	1	
5	20945172	ENGINE OIL PAN ASSY / W/D13 ENGINE / "PRÉVOST"	1	1	1	
. NS	20934820	. OIL PAN / "PRÉVOST"	1	1	1	
. NS	20571854	. PLUG MAGNETIC & GASKET	1	1	1	
. NS	24424110	. OIL LEVER SENSOR	1	1	1	
. NS	953035	. STUD M6x35x22	2	2	2	
. NS	945407	. FLANGE NUT M6x6	2	2	2	
. NS	20724256	. PIPE	1	1	1	
. NS	946173	. SCREW CAP HEXF M8-1.25x20	1	1	1	
. NS	20960713	. PLATE BAFFLE	1	1	1	
. NS	965175	. SCREW FLANGE M6x12	5	5	5	
. NS	968612	. PLUG	1	1	1	
. NS	968209	. O-RING 23.7x2.8	1	1	1	
. NS	20700754	. CLIP	3	3	3	
7	20980492	ENGINE WIRING HARNESS ASSY W/D13 ENGINE / "PRÉVOST"	1	1	1	
10	478736	OIL FILTER (LONG LIFE)	2	2	2	
11	V477556	OIL FILTER / W/BY-PASS SEE PREV # 510938	1	1	1	
11	510938	OIL FILTER / W/BY-PASS	1	1	1	
12	21061917	HOUSING OIL FILTER ASSY	1	1	1	
13	20903074	. THERMOSTAT OIL FILTER FIXED TO FILTER HOUSING	1	1	1	
NS	949659	. O-RING	1	1	1	
NS	947542	. FLANGE SCREW	1	1	1	
14	V471085	. VALVE BY-PASS	1	1	1	
NS	466653	. SPRING BY-PASS	1	1	1	
NS	947627	. GASKET BY-PASS	1	1	1	
NS	471598	. PLUG BY-PASS	1	1	1	
20	<b>21023285</b>	<b>HOUSING FUEL FILTER ASSY W/PRIMER PUMP TB-111262697-1</b>	1	1	1	
20	20898038	. PRESSURE SENSOR	1	1	1	
20	968559	. O-RING (PRESSURE SENSOR)	1	1	1	
21	20405160	FUEL FILTER (LONG)	1	1	1	
21	20972293	FUEL FILTER (LONG) MAIN / PRINCIPAL	1	1	1	
22	20879806	FUEL FILTER WATER SEPARATOR	1	1	1	
23	20771580	BOWL / W/WATER DETECTOR IN FUEL UAUXFUEL	1	1	1	

From 8-1202 To A-1720	Date:10/2022	PAGE:H7-0170-00
<b>ENGINE "VOLVO" D-13 - SPECIFIC PARTS FOR PREVOST</b>		

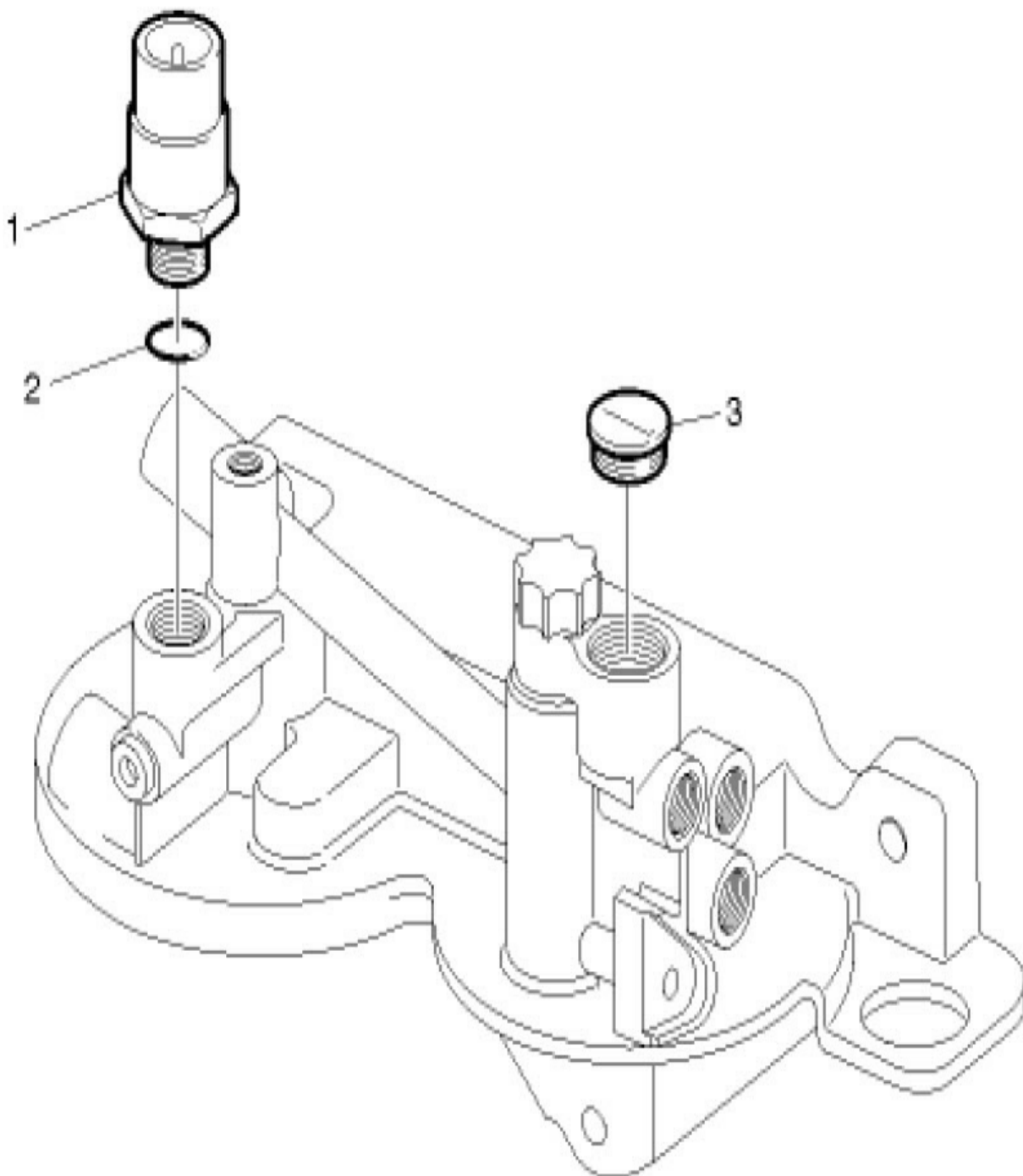
Item#	Part	Description	H 3 4 1	H 3 4 5	V I P 4 5	N O T E S
23	20875050	BOWL / W/WATER DETECTOR & HEATER ELEMENT	1	1	1	
NS	20869389	BOWL AF-E	1	1	1	
24	5001742	SCREW CAP HEXF M8-1.25x30 G8.8 N500	3	3	3	
26	20982072	STARTER MOTOR / "MELCO" / "MITSUBISHI" 105PT To 9-1417	1	1	1	
. NS	510888	. SOLENOID KIT To 9-1417	1	1	1	
. . NS	IS752SOL	. . INSTRUCTION SHEET / SOLENOID REPLACEMENT To 9-1417	1	1	1	
. NS	510889	. SMALL STARTOR RELAY KIT / WITH CABLES To 9-1417	1	1	1	
. . NS	564095	. . SMALL STARTOR RELAY To 9-1417	1	1	1	
. . NS	IS752MAG	. . INSTRUCTION SHEET / MAGNETIC SWITCH REPLACEMENT To 9-1417	1	1	1	
26	<b>21212425</b>	<b>VOLVO STARTER 24V, MELCO WITHOUT RELAY TB-129577391-1 From 9-1418 To £-16015</b>	1	1	1	
26	510005	STARTER MOTOR, W/O RELAY 24V / W/"DETROIT" ENG From £-16015	1	1	1	
27	971072	NUT HEX M12-1.75 ZG603	3	3	3	
28	500482	WASHER LO SPT .506x.873x.125 Z050	3	3	3	
29	V953098	STUD M12x55x33	3	3	3	

From 8-1202 To A-1720

Date:10/2022

PAGE:21023285

**HOUSING FUEL FILTER ASSY W/PRIMER PUMP TB-111262697-1**



From 8-1202 To A-1720	Date:10/2022	PAGE:21023285
<b>HOUSING FUEL FILTER ASSY W/PRIMER PUMP TB-111262697-1</b>		

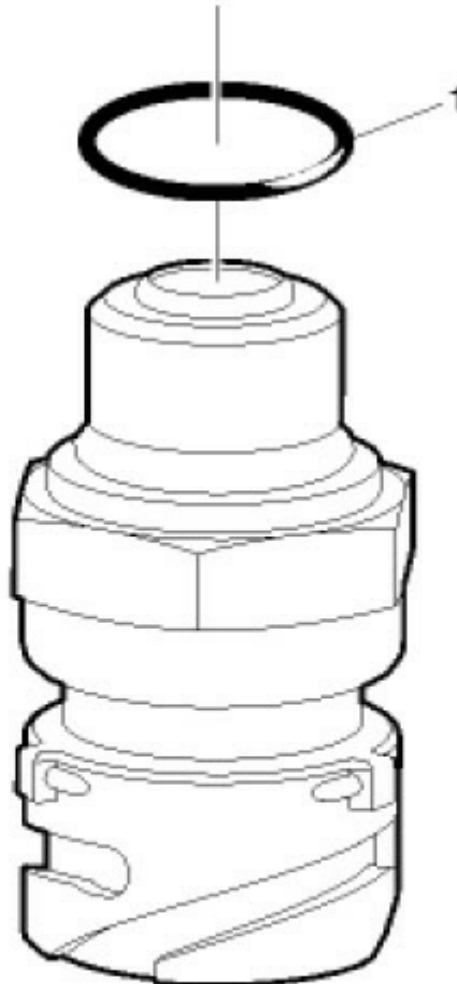
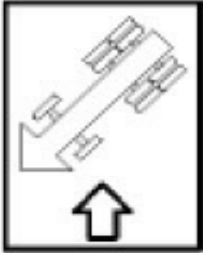
Item#	Part	Description	H 3 4 1	H 3 4 5	V I P 4 5	N O T E S
1	21302639	PRESSURE SENSOR,FUEL/OIL TB-130959470-1	1	1	1	
2	968559	O-RING (PRESSURE SENSOR)	1	1	1	
3	20744692	CAP	1	1	1	

From 8-1202 To A-1720

Date:10/2022

PAGE:21302639

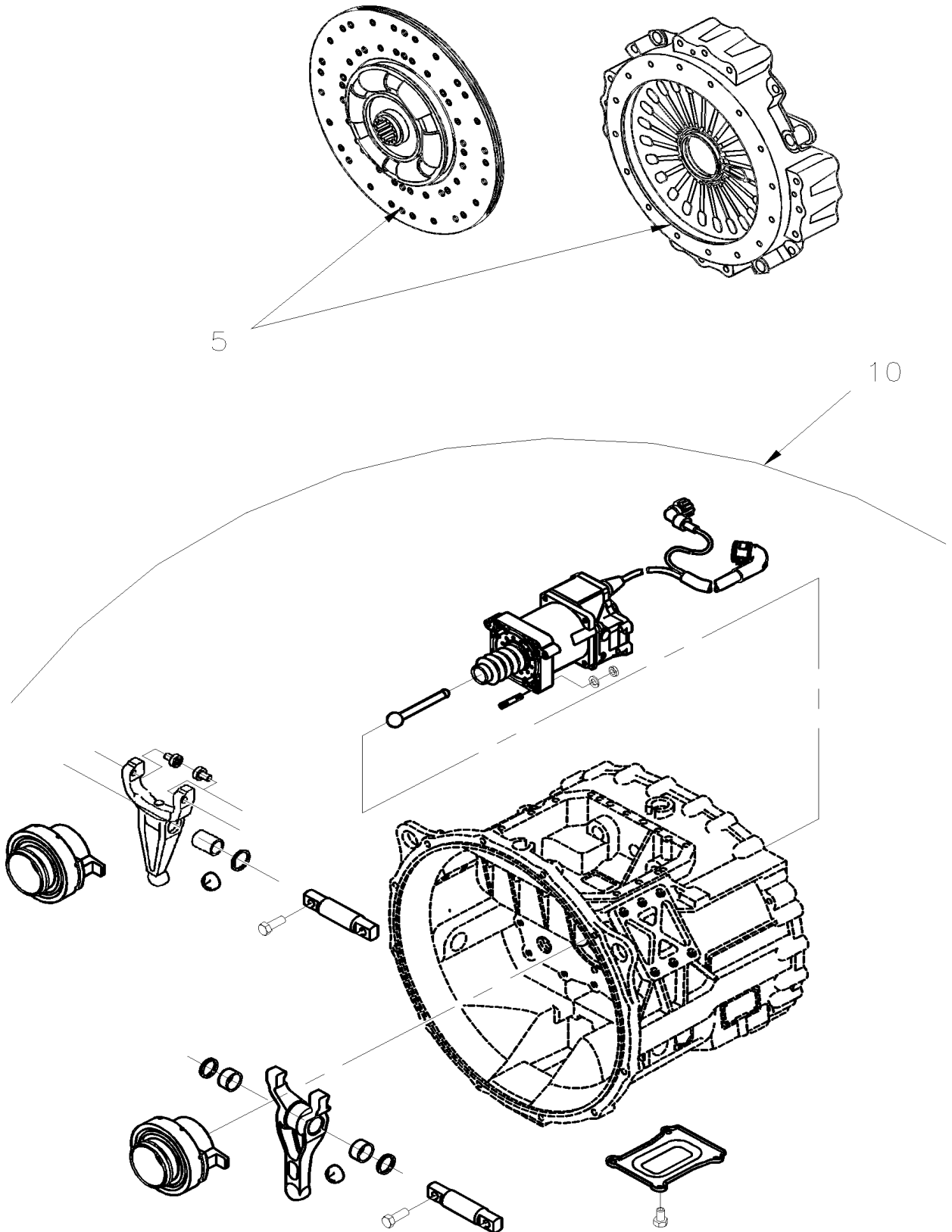
PRESSURE SENSOR,FUEL/OIL TB-130959470-1



From 8-1202 To A-1720	Date:10/2022	PAGE:21302639
<b>PRESSURE SENSOR,FUEL/OIL TB-130959470-1</b>		

Item#	Part	Description	H 3 4 1	H 3 4 5	V I P 4 5	N O T E S
1	968559	O-RING (PRESSURE SENSOR)	1	1	1	

	Date:10/2022	H7-02
CLUTCH		



	Date:10/2022	H7-02
<b>CLUTCH</b>		

Item#	Part	Description	H 3 4 1	H 3 4 5	V I P 4 5	N O T E S
5	H7-0205-00	CLUTCH PRESSURE PLATE WITH "ZF" TRANS From 7-0671 To A-1720				
5	H7-0205-01	CLUTCH PRESSURE PLATE WITH "I-SHIFT" TRANS From B-1721 To J-0184				
10	H7-0215-00	CLUTCH CONTROL REAR SECTION WITH "ZF" TRANS From 7-0671 To A-1720				

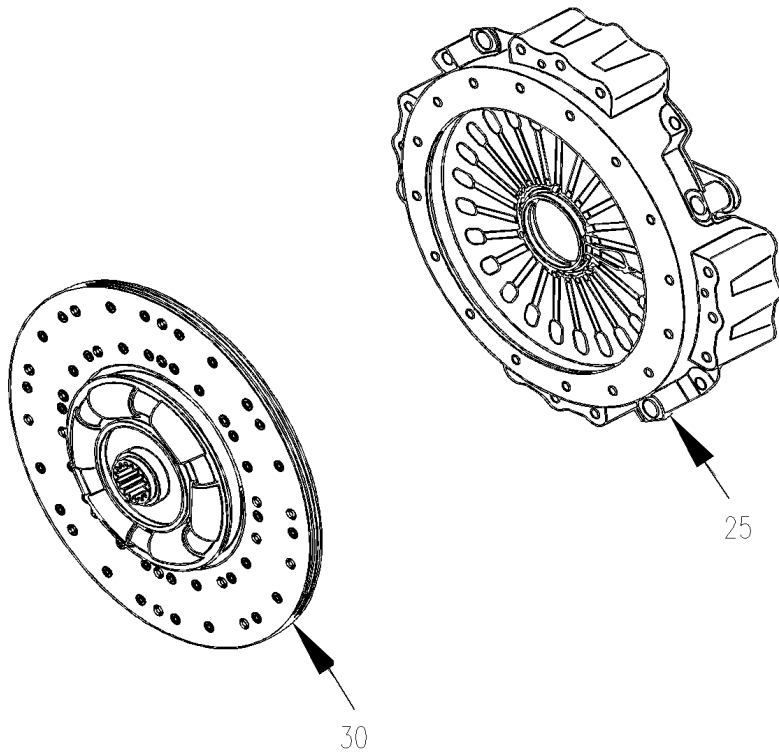


From 7-0671 To A-1720

Date:10/2022

PAGE:H7-0205-00

**CLUTCH PRESSURE PLATE WITH "ZF" TRANS**



From 7-0671 To A-1720	Date:10/2022	PAGE:H7-0205-00
<b>CLUTCH PRESSURE PLATE WITH "ZF" TRANS</b>		

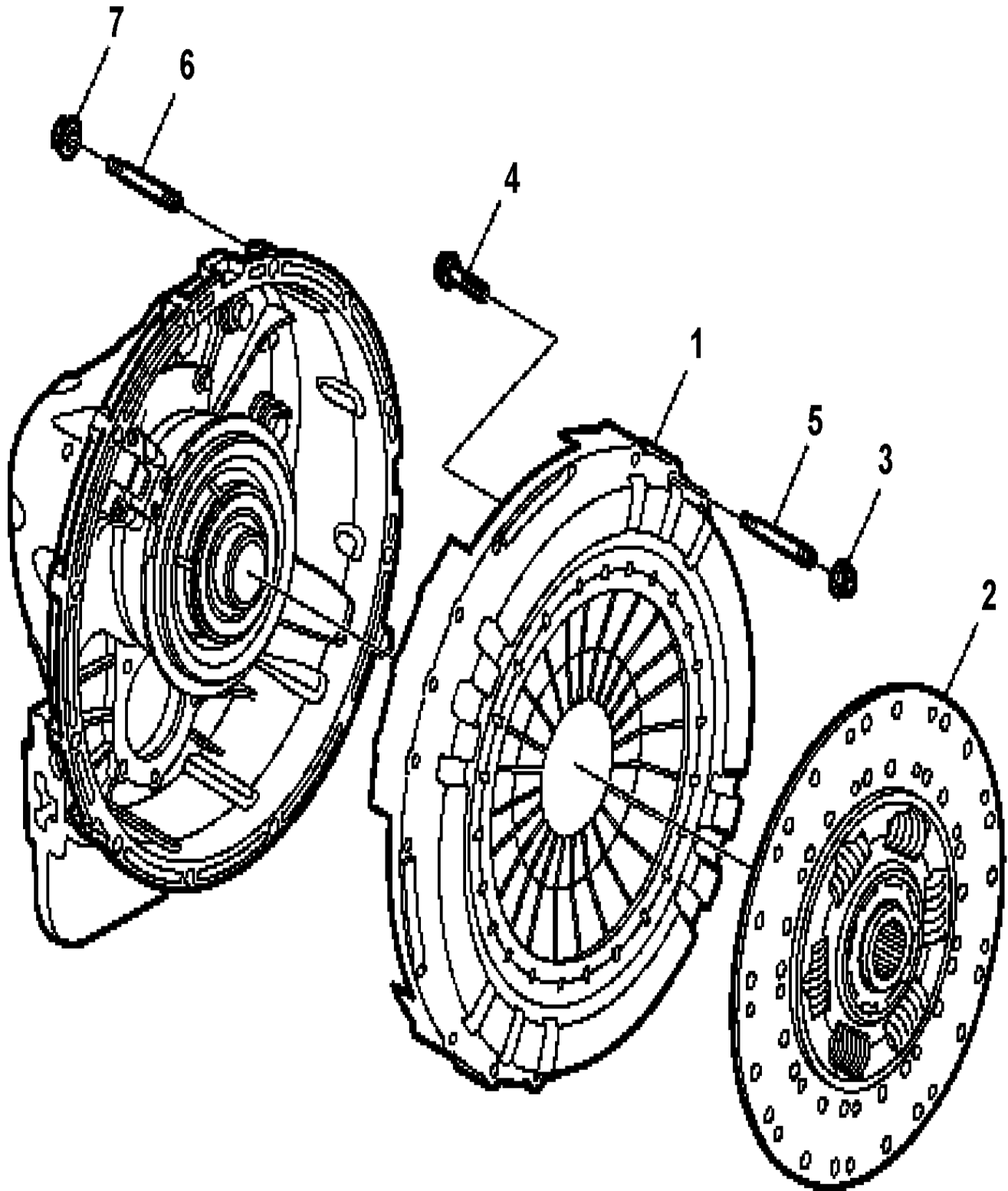
Item#	Part	Description	H 3 4 1	H 3 4 5	V I P 4 5	N O T E S
25	571776	PRESSURE PLATE	1	1		
30	571775	CLUTCH ASSY	1	1		
NS	510476	SCREW CAP HEX / FLEX PLATE / 9/16-18 X 1 3/4"	12	12		
NS	5001799	SCREW CAP HEXF M10-1.5x70 G10.9 N500 W/I-SHIFT	12	12		
NS	5001792	WASHER FL HARD .468x.937x.187 Z050 W/I-SHIFT	12	12		
NS	5001764	SCREW CAP HEXF 7/16-14x2 1/4 G8 N500 W/I-SHIFT	12	12		

From B-1721 To J-0184

Date:10/2022

PAGE:H7-0205-01

CLUTCH PRESSURE PLATE WITH "I-SHIFT" TRANS



From B-1721 To J-0184	Date:10/2022	PAGE:H7-0205-01
<b>CLUTCH PRESSURE PLATE WITH "I-SHIFT" TRANS</b>		

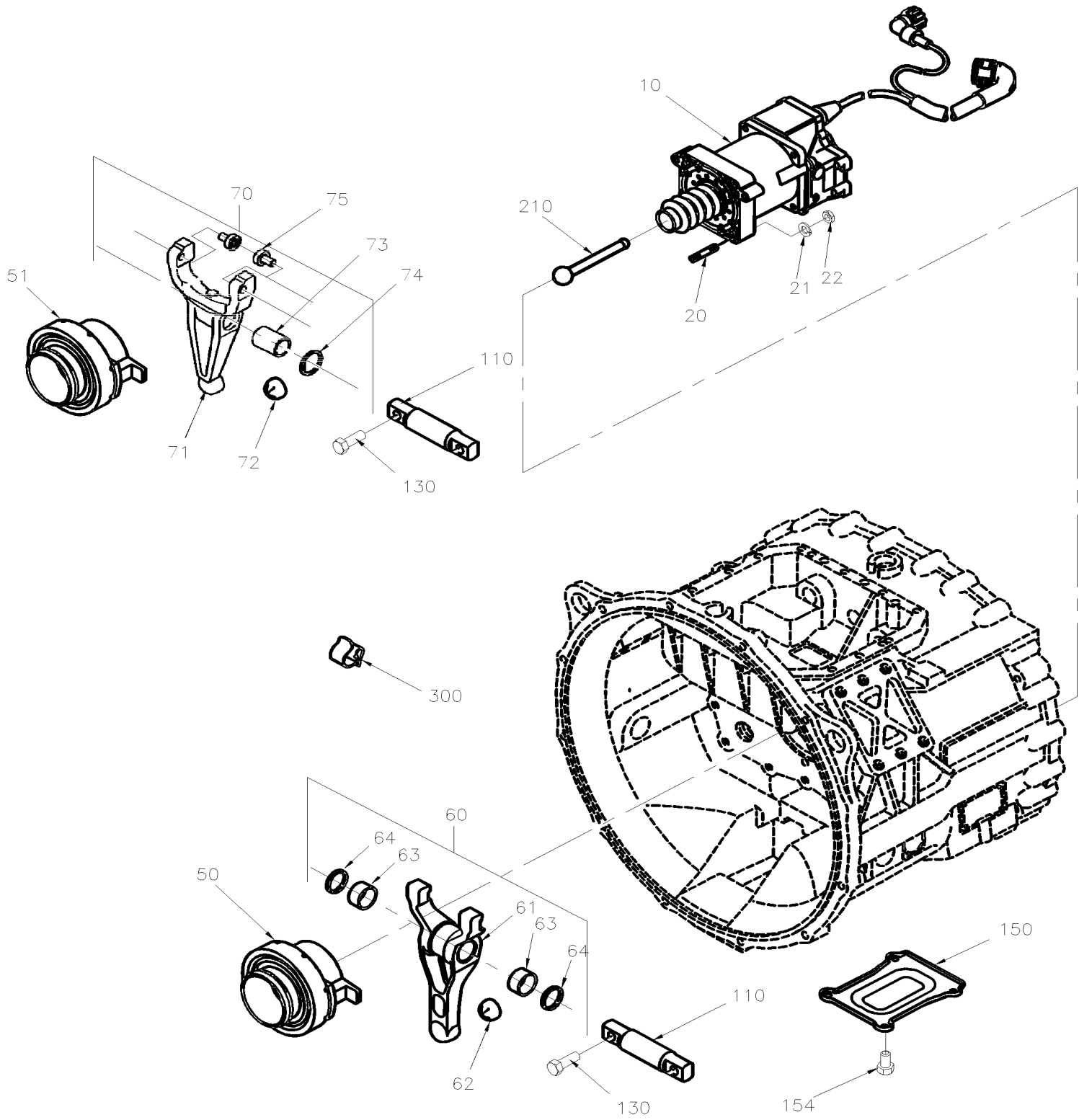
Item#	Part	Description	H 3 4 1	H 3 4 5	V I P 4 5	N O T E S
1	572140	PRESSURE PLATE W/I-SHIFT	1	1		
1	20806454	PRESSURE PLATE W/I-SHIFT	1	1		
2	572141	CLUTCH ASSY W/I-SHIFT	1	1		
2	20566389	CLUTCH ASSY W/I-SHIFT	1	1		
2	21539802	CLUTCH ASSY W/I-SHIFT To C-1993	1	1		
2	21593944	CLUTCH ASSY W/I-SHIFT From C-1994 To F-2981	1	1		
2	21615194	CLUTCH ASSY W/I-SHIFT From F-2982	1	1		
3	971098	NUT HEXF STO M10-1.5 G8 ZP W/I-SHIFT	12	12		
4	965188	SCREW M10x70	12	12		
5	990818	STUD	2	2		
6	953525	STUD	12	12		
7	946175	FLANGE NUT	1	1		

From 7-0671 To A-1720

Date:10/2022

PAGE:H7-0215-00

## CLUTCH CONTROL REAR SECTION WITH "ZF" TRANS



From 7-0671 To A-1720	Date:10/2022	PAGE:H7-0215-00
<b>CLUTCH CONTROL REAR SECTION WITH "ZF" TRANS</b>		

Item#	Part	Description	H 3 4 1	H 3 4 5	V I P 4 5	N O T E S
	M106-06	SEE MAINTENANCE INFORMATION				
		"WARNING" - "WARNING" -"WARNING" - "WARNING"				
		V.I.N. 8-0749 IT EQUIPED WITH 12 SPEEDS TRANS				
10	572005	CLUTCH ACTUATOR ASSY WITH CABLE HARNESS / TO GS3 SHIFTER	1	1		
. NS	572135	. CHECK VALVE FILTER IN LINE CONNECTOR	1	1		
. NS	M106-06	. SEE MAINTENANCE INFORMATION	1	1		
10	85109289	CLUTCH ACTUATOR ASSY WITH CABLE HARNESS / TO GS3 SHIFTER	1	1		
20	572007	STUD M8x45 8.8 DIN 835	4	4		
21	500874	WASHER FL 8.4x17.0x1.6 Z050	4	4		
22	572006	NUT HEX M8	4	4		
50	572008	RELEASE BEARING To 8-1051	1	1		
51	572088	RELEASE BEARING From 8-1052	1	1		
60	572009	RELEASE FORK ASSY To 8-1051	1	1		
61	572010	. RELEASE FORK To 8-1051	1	1		
62	572011	. BALL CUP	1	1		
63	572012	. BUSHING To 8-1051	2	2		
64	572013	. SHAFT SEAL	2	2		
		NEXT RELEASE FORK ASSY MAY BE ALSO				
		USE IN RETROFIT ASK PART NUMBER 572039				
70	572089	RELEASE FORK ASSY From 8-1052	1	1		
71	572090	. RELEASE FORK From 8-1052	1	1		
72	572011	. BALL CUP	1	1		
73	572091	. BUSHING From 8-1052	1	1		
74	572013	. SHAFT SEAL	2	2		
75	572092	. CAM FOLLOWER From 8-1052	2	2		
110	572014	RELEASE SHAFT	1	1		
130	572015	SCREW CAP HEX M12x50 G10.9 DIN 933	2	2		
150	572016	COVER	1	1		
154	502790	SCREW CAP HEX M8-1.25x20 G8.8 Z050	4	4		
210	572017	PRESSING ROD	1	1		
300	572018	CABLE CLIP	1	1		
300	572019	CABLE CLIP	1	1		
400	572039	KIT RETROFIT NEW FORK & BEARING RELEASE To 8-1051	1	1	1	
. NS	572089	. RELEASE FORK ASSY To 8-1051	1	1	1	
. NS	572090	. RELEASE FORK To 8-1051	1	1	1	
. NS	572011	. BALL CUP To 8-1051	1	1	1	
. NS	572091	. BUSHING To 8-1051	1	1	1	

From 7-0671 To A-1720      Date:10/2022      PAGE:H7-0215-00

**CLUTCH CONTROL REAR SECTION WITH "ZF" TRANS**

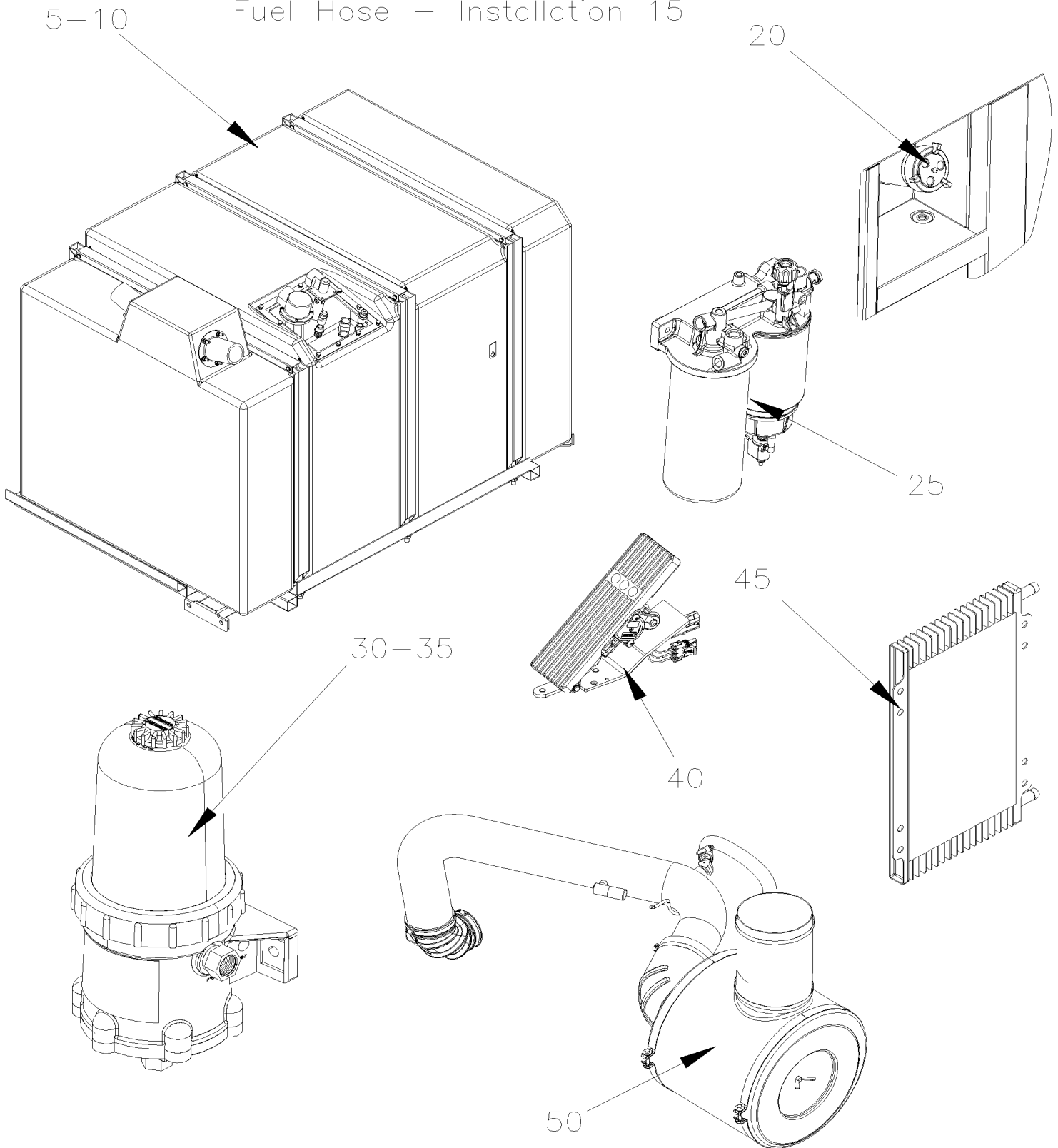
Item#	Part	Description	H 3 4 1	H 3 4 5	V I P 4 5	N O T E S
. NS	572013	. SHAFT SEAL To 8-1051	2	2	2	
. NS	572092	. CAM FOLLOWER To 8-1051	2	2	2	





	Date:10/2022	H7-03
FUEL		

5-10 Fuel Hose – Installation 15



		Date:10/2022	H7-03			
<b>FUEL</b>						

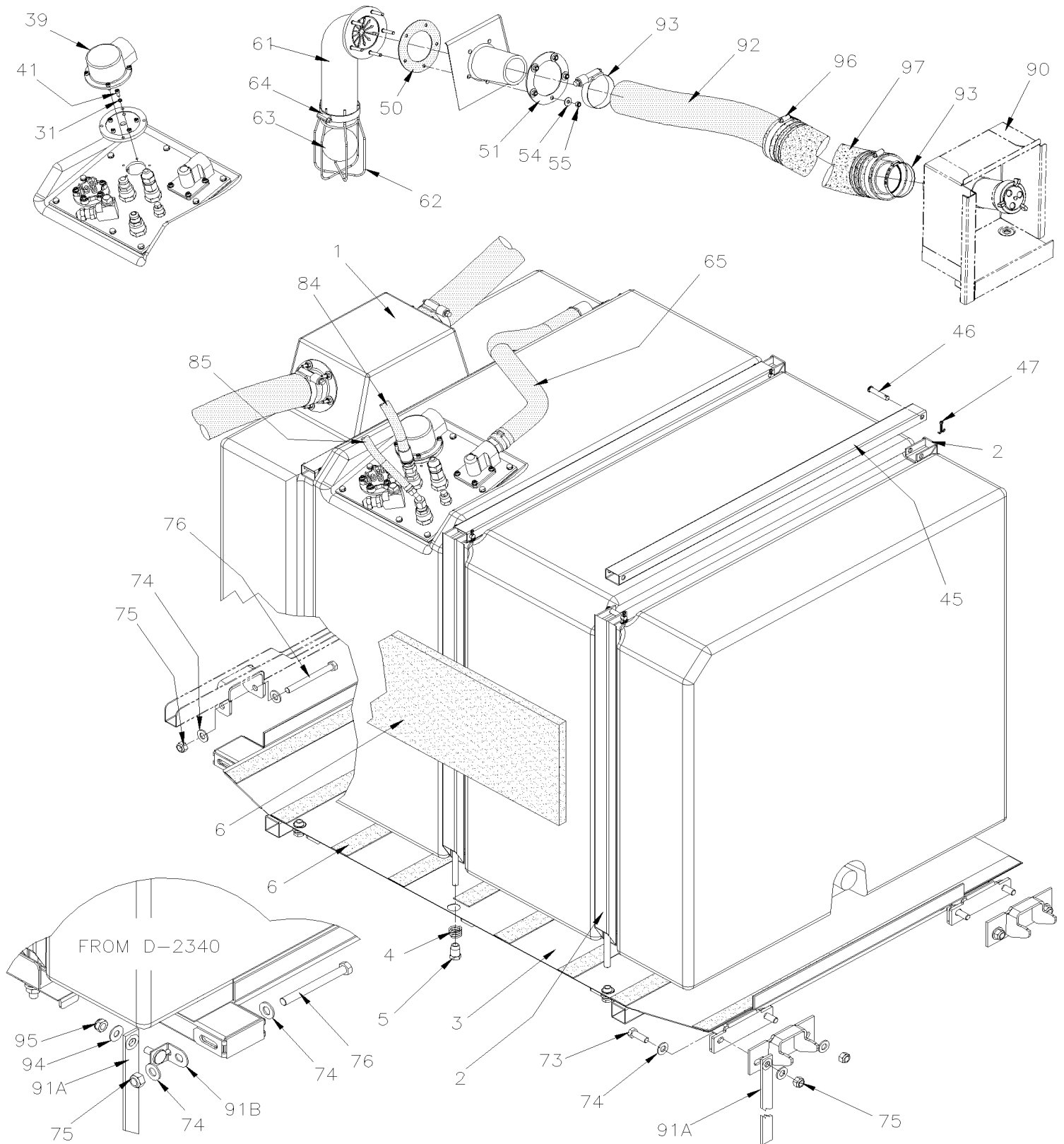
Item#	Part	Description	H 3 4 1	H 3 4 5	V I P 4 5	N O T E S
5	H7-0305-00	FUEL TANK PLASTIC From 7-0671 To J-0287				
10	H7-0306-00	FUEL TANK - INSTALLATION (PLASTIC) From 7-0671 To J-0287				
15	H7-0310-00	FUEL HOSE - INSTALLATION WITH DETROIT S-60 From 7-0671 To A-1720				
20	H7-0310-10	FUEL FILLING CAP From 7-0671 To J-0287				
25	H7-0311-00	FUEL FILTER - PRIMARY & SECONDARY WITH DETROIT S-60 From 7-0671 To A-1720				
25	H7-0311-01	FUEL FILTER - PRIMARY & SECONDARY WITH VOLVO D13 From 8-1202 To H-3734				
25	H7-0311-02	FUEL FILTER - PRIMARY & SECONDARY WITH VOLVO D13 - GHG17 From H-3735 To J-0287				
30	H7-0311-15	FUEL FILTER / "PRO 382" From 7-0671 To E-2503				
30	H7-0311-16	FUEL FILTER / "PRO 382" From E-2504 To J-0287				
35	H7-0312-10	FUEL PRO - INSTALLATION WITH DETROIT S-60 From 7-0671 To A-1720				
35	H7-0312-11	FUEL PRO - INSTALLATION WITH VOLVO D13 From 8-1202 To J-0287				
40	H7-0315-10	ACCELERATOR PEDAL - ELECTRONIC From 7-0671 To J-0287				
45	H7-0316-00	FUEL COOLER - INSTALLATION From 7-0671 To A-1720				
50	H7-0330-00	AIR FILTER & INTAKE - INSTALLATION WITH DETROIT S-60 From 7-0671 To A-1720				
50	H7-0330-01	AIR FILTER & INTAKE - INSTALLATION WITH VOLVO D13 From 8-1202 To H-3734				
50	H7-0330-02	AIR FILTER & INTAKE - INSTALLATION WITH VOLVO D13 From H-3735 To J-0287				

From 7-0671 To J-0287

Date:10/2022

PAGE:H7-0305-00

## FUEL TANK PLASTIC

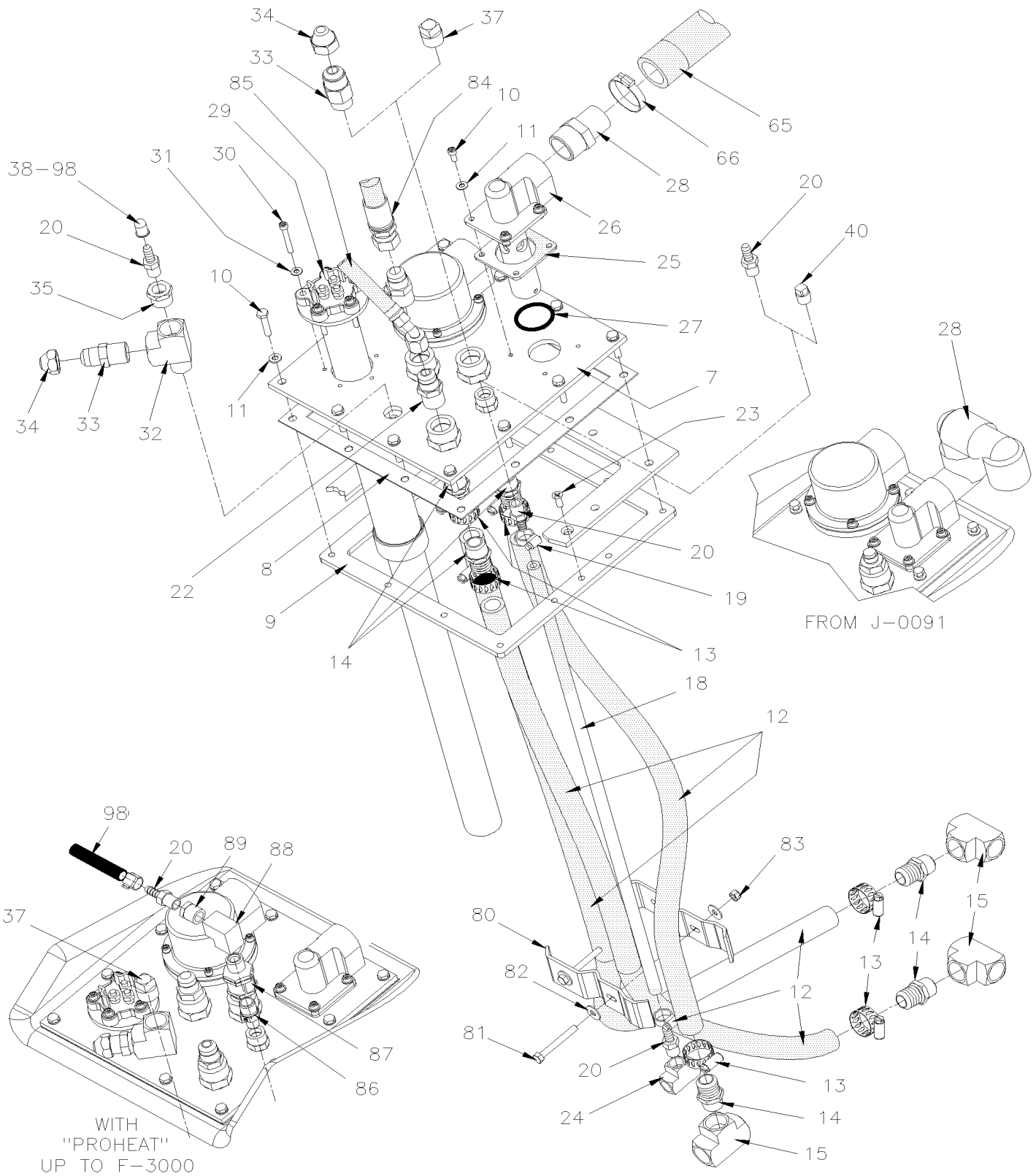


From 7-0671 To J-0287

Date:10/2022

PAGE:H7-0305-00

## FUEL TANK PLASTIC

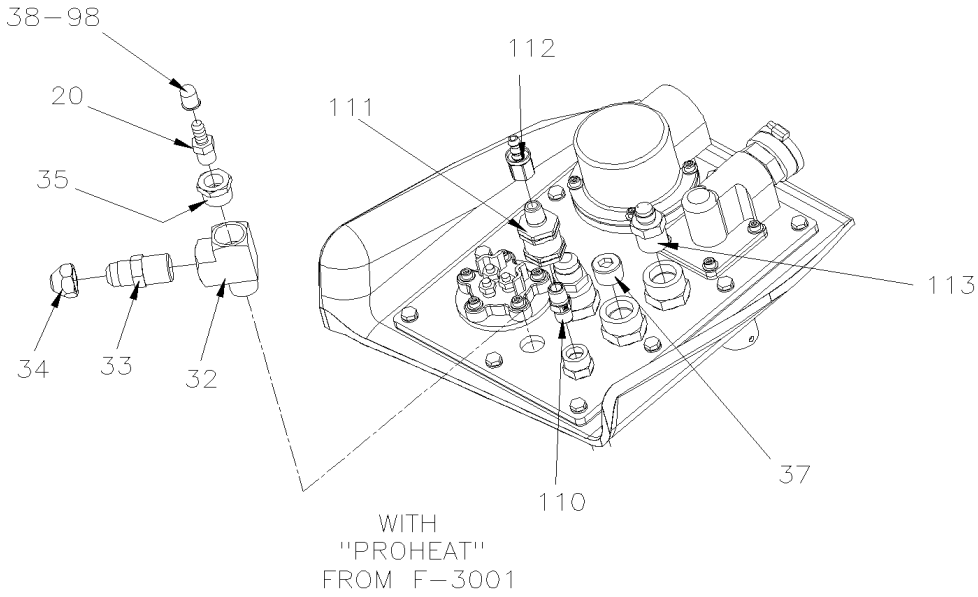


From 7-0671 To J-0287

Date:10/2022

PAGE:H7-0305-00

## FUEL TANK PLASTIC



From 7-0671 To J-0287 Date:10/2022 PAGE:H7-0305-00

**FUEL TANK PLASTIC**

Item#	Part	Description	H 3 4 1	H 3 4 5	V I P 4 5	N O T E S
	032001P	FUEL TANK ASSY / COMPLETE WITH FLOOR ASSY To 9-1469	1	1	1	
	Call order desk	FUEL TANK ASSY / COMPLETE WITH FLOOR ASSY	1	1	1	P
	032143	. FUEL TANK ASSY / W/OUT FLOOR & STRAP	1	1	1	
1	032481	. . FUEL TANK / 230 GALLONS US To B-1833	1	1	1	C
1	030398	. . FUEL TANK / 230 GALLONS US From B-1834 To F-3000	1	1	1	C
1	030007	. . FUEL TANK / 222 GALLONS US From F-3001	1	1	1	
1	030009	. FUEL TANK / SERVICE KIT To B-1833	1	1	1	
. NS	030007	. . FUEL TANK / 222 GALLONS US To B-1833	1	1	1	
. NS	033959	. . MAIN PLATE / RECTANGULAR SHAPE To B-1833	1	1	1	
. NS	032956	. . GASKET / RECTANGULAR SHAPE 250 x 190 MM To B-1833	1	1	1	
. NS	033962	. . INTERIOR FRAME ASSY / RECTANGULAR SHAPE To B-1833	1	1	1	
. NS	032938	. . GASKET To B-1833	2	2	2	
. NS	5001392	. . WASHER FL 6.0x12.0x1.5 COP To B-1833	10	10	10	
. NS	507356	. . O-RING To B-1833	1	1	1	
. NS	531419	. . GASKET, FUEL SENSOR To B-1833	1	1	1	
. NS	531427	. . GASKET / (SMALL) To B-1833	1	1	1	
. NS	531428	. . GASKET / (LARGE) To B-1833	1	1	1	
. NS	531443	. . GASKET / VALVE CONTROL LEVEL To B-1833	1	1	1	
. NS	5001941	. . SCREW CAP HEX M12-1.75x120 G10.9 N500 To B-1833	2	2	2	
. NS	500806	. . SCREW CAP HEX M12-1.75X35 G10.9 G500 To B-1833	4	4	4	
. NS	500811	. . NUT HEX STO M12-1.75 G500 To B-1833	6	6	6	
. NS	500958	. . WASHER FL .531x1.062x.095 SS To B-1833	12	12	12	
. NS	030082	. . SPACER "U" 3.175MM To B-1833	4	4	4	
. NS	030083	. . SPACER "U" 0.953MM To B-1833	4	4	4	
. NS	IS-14076	. . SEE INSTRUCTION SHEET To B-1833	1	1	1	
. NS	FI-14076	. . VOIR FEUILLE D'INSTRUCTION To B-1833	1	1	1	
2	032444	. ATTACHMENT ASSY / 817MM To J-0090	1	1	1	
2	030069	. ATTACHMENT ASSY / 829.5 MM From J-0091	2	2	2	
2	032445	. ATTACHMENT ASSY / 871MM To J-0090	2	2	2	
2	030071	. ATTACHMENT ASSY / 880.5 MM From J-0091	4	4	4	
3	032627	. REMOVABLE FLOOR To 9-1469	1	1	1	
3	032631	. REMOVABLE FLOOR From A-1470 To H-3686	1	1	1	
3	030055	. REMOVABLE FLOOR From H-3687	1	1	1	
NS	032070	. BOTTOM SHEET METAL To A-1678	1	1	1	
NS	030073	. BOTTOM SHEET METAL 1317.9 x 897.7 MM From J-0091	1	1	1	
NS	030075	. PLATE NITRILE 1/8" TH. 1307.9 x 398 MM From J-0091	AR	AR	AR	
NS	682462	. ADHESIVE SIKA #252 / BLACK / 310ml CARTRIDGE	AR	AR	AR	
4	502932	. SPRING COMPRESSION / SS .975 O.D. x 1.250 x .125	6	6	6	
5	032607	. NUT HEX SPECIAL M12-1.75 SS	6	6	6	
6	506758	. TAPE RUB ADH1 NEO 1/16"X 1 1/2"X50'	AR	AR	AR	
NS	506757	. TAPE RUB ADH1 NEO 3/4" x 10" x 25 1/2" / BLACK 1220	2	2	2	
7	032770	. . MAIN PLATE To F-3000	1	1	1	

From 7-0671 To J-0287	Date:10/2022	PAGE:H7-0305-00
<b>FUEL TANK PLASTIC</b>		

Item#	Part	Description	H 3 4 1	H 3 4 5	V I P 4 5	N O T E S
7	033959	. . MAIN PLATE / RECTANGULAR SHAPE From F-3001	1	1	1	
8	032014	. . GASKET To F-3000	1	1	1	
8	032956	. . GASKET / RECTANGULAR SHAPE 250 x 190 MM From F-3001	1	1	1	
9	031988	. . INSIDE FRAME To F-3000	1	1	1	
9	033962	. . INTERIOR FRAME ASSY / RECTANGULAR SHAPE From F-3001	1	1	1	
10	502686	. . SCREW CAP HEX M6-1.0x30 SS BK	12	12	12	
11	5001392	. . WASHER FL 6.0x12.0x1.5 COP	12	12	12	
12	531417	. . HOSE / 2556 / #10 X 48"	2	2	2	
12	531454	. . HOSE / 2556 / #10 X 25 1/2" AUX	AR	AR	AR	
13	504019	. . HOSE CLAMP / 9/16"-1"1/16 SS / HS-10	4	4	4	
14	501942	. . MALE CONNECTOR / PUSH-LOK FITTING / 1/2NPT-Mx#10 BR	4	4	4	
15	501472	. . FEMALE UNION TEE / PIPE FITTING / 1/2NPT-Fx1/2NPT-Fx1/2NPT-F BR	2	2	2	
18	531453	. . HOSE / 2556 / #4 X 25 1/2"	1	1	1	
19	504014	. . HOSE CLAMP / 1/4"-5/8" SS / HM-4	2	2	2	
20	507602	. . MALE CONNECTOR / PUSH-LOK FITTING / 1/4NPT-Mx#4 BR	AR	AR	AR	
NS	5011064	. . MALE CONNECTOR / HOSE BARB FITTING / #3x1/4NPT-M BR AUX	AR	AR	AR	
22	501618	. . MALE CONNECTOR / SAE 45° FITTING / #6FL-Mx1/2NPT-M BR To E-2617	1	1	1	
22	501930	. . MALE CONNECTOR / JIC 37° FITTING / #6JIC-Mx1/2NPT-M STL From E-2618	1	1	1	
23	5001198	. . SCREW MA FL PH M6-1.0x16 Z050	2	2	2	
24	501337	. . FEMALE UNION TEE / PIPE FITTING / 1/4NPT-Fx1/4NPT-Fx1/4NPT-F BR	1	1	1	
25	531443	. . GASKET / VALVE CONTROL LEVEL	1	1	1	
26	504701	. . VALVE, FUEL TANK LEVEL CONTROL To H-3956	1	1	1	
26	531459	. . VALVE, FUEL TANK LEVEL CONTROL EMCO	1	1		B
. NS	530212	. . . GASKET / VALVE CONTROL LEVEL	1	1		B
27	507356	. . O-RING To H-3956	1	1	1	
28	501205	. . ADAPTER / COPPER @ PIPE / 1Mx1NPT-M To J-0090	1	1	1	
28	5011352	. . STREET ELBOW 90° / PIPE FITTING / 1NTP-Mx1NPT-F PVC From J-0091	3	3	3	
28	531410	. . WHISTLE	1	1		B
29	531404	. . SENSOR, FUEL LEVEL / 31¼" / W/PLASTIC TAN	1	1	1	
NS	066221	. . CABLE HARNESS / FUEL TANK / MUX	1	1	1	
30	5011135	. . SCREW CAP HEXS #10-24x1 1/2 N500 To E-2512	9	9	9	
30	5001925	. . SCREW CAP HEXS #10-24x1 1/4 N500 From E-2513	9	9	9	
31	500593	. . WASHER FL .200x.437x.036 BR	9	9	9	
32	501473	. . MALE RUN TEE / PIPE FITTING / 1/2NPT-Mx1/2NPT-Fx1/2NPT-F BR	1	1	1	
33	501616	. . MALE CONNECTOR / SAE 45° FITTING / #8FL-Mx1/2NPT-M BR	1	1	1	
34	501053	. . CAP NUT / SAE 45° FITTING / #8FL-F BR			1	
35	501316	. . BUSHING REDUCER / PIPE FITTING / 1/2NPT-Mx1/4NPT-F BR	1	1	1	E
37	501306	. . PLUG SQUARE HEAD / PIPE FITTING / 1/2NPT-M BR To A-1677	2	2	2	
37	501966	. . PLUG HEXS / PIPE FITTING / 1/2NPT-M STL From A-1678	2	2	2	
38	680733	. . CAP PROTECTOR (NO-THREADED)	AR	AR	AR	
39	530156	. . VALVE PRESSURE	1	1	1	
. NS	531427	. . . GASKET / (SMALL)	1	1	1	

<b>From 7-0671 To J-0287</b>	<b>Date:10/2022</b>	<b>PAGE:H7-0305-00</b>
<b>FUEL TANK PLASTIC</b>		

Item#	Part	Description	H 3 4 1	H 3 4 5	V I P 4 5	N O T E S
. NS	531428	. . . GASKET / (LARGE)	1	1	1	
39	531414	. . VALVE PRESSURE	1	1		B
40	501304	. . PLUG SQUARE HEAD / PIPE FITTING / 1/4NPT-M BR To A-1677	1	1	1	
40	501800	. . PLUG HEXS / PIPE FITTING / 1/4NPT-M STL From A-1678	1	1	1	
41	500143	. . SCREW CAP HEXS #10-24x1/2 N500	5	5	5	
45	032443	. TRANSVERSAL CROSS BAR / 833.5 MM	3	3	3	
45	032443	. TRANSVERSAL CROSS BAR / 833.5 MM To D-2451	3	3	3	
45	033196	. TRANSVERSAL CROSS BAR / 833.5MM From D-2452 To J-0090	3	3	3	
45	030065	. PIN, COTTER 1/8 x 1 From J-0091	3	3	3	
46	502121	. PIN, CLEVIS 3/8 x 1.625 BZC	6	6	6	
47	502102	. PIN, COTTER 1/8 x 1	6	6	6	
50	031804	. GASKET To C-2035	2	2	2	
50	032938	. GASKET From C-2036	2	2	2	
51	032436	. PLATE EXTERIOR	2	2	2	
54	500411	. WASHER FL .260x.697x.050 SS	10	10	10	
55	502511	. NUT HEX NYRT M6-1.0 Z050	10	10	10	
61	032437	. TUBE BALL RETAINER To C-2035	2	2	2	
61	032914	. TUBE BALL RETAINER From C-2036 To G-3309	2	2	2	
61	030021	. TUBE BALL RETAINER WITH ANTI SYPHON From G-3310	2	2	2	
62	032438	. BASKET	2	2	2	
63	032657	. BALL 70MM O.D. To B-1817	2	2	2	
63	032871	. BALL 77MM O.D. From B-1818	2	2	2	
64	504293	. HOSE CLAMP / 2"5/16-3"1/4 SS / E.T. 44	2	2	2	
65	032415	. HOSE #16 X 28" LG To J-0090	1	1	1	
. NS	503579	. . HOSE 1" I.D. X 50' / "GREEN STRIPE" To J-0090	AR	AR	AR	
NS	504637	. CABLE TIE / 3/16" x 13" To J-0090	1	1	1	
66	504021	. HOSE CLAMP / 11/16"-1"1/2 SS / HS-16 To J-0090	1	1	1	
73	500806	. SCREW CAP HEX M12-1.75X35 G10.9 G500	1	1	1	
NS	SR17-28	. SAFETY RECALL "FUEL TANK HARDWARE"	1	1	1	
74	500958	. WASHER FL .531x1.062x.095 SS	12	12	12	
75	5001695	. NUT HEX NYRT M12-1.75 Z050 To J-0086	6	6	6	
75	500811	. NUT HEX STO M12-1.75 G500 From J-0087	6	6	6	
76	5001941	. SCREW CAP HEX M12-1.75x120 G10.9 N500	2	2	2	
NS	SR17-28	. SAFETY RECALL "FUEL TANK HARDWARE" To J-0086	1	1	1	
NS	030082	. SPACER "U" 3.175MM	4	4	4	
NS	030083	. SPACER "U" 0.953MM	4	4	4	
80	032779	. HOLDING PLATE / TO HOLD TUBE	2	2	2	
81	502656	. SCREW CAP HEX M6-1.0x50 SS	2	2	2	
82	500411	. WASHER FL .260x.697x.050 SS	4	4	4	
83	5001182	. NUT HEX NYRT M6-1.0 SS	2	2	2	
84	032505	HOSE ASSY / #8 5850MM To B-5001	1	1	1	S60 S
84	032144	HOSE ASSY / #8 6402MM To B-5001	1	1	1	S60 W



From 7-0671 To J-0287	Date:10/2022	PAGE:H7-0305-00
<b>FUEL TANK PLASTIC</b>		

Item#	Part	Description	H 3 4 1	H 3 4 5	V I P 4 5	N O T E S
84	032756	HOSE ASSY / #8 5985MM	1	1	1	D13 S
84	032144	HOSE ASSY / #8 6402MM	1	1	1	D13 W
85	032102	HOSE ASSY / #6 7622MM	1	1	1	S60
85	032764	HOSE ASSY / #6 6370MM To E-2617	1	1	1	D13
85	033006	HOSE ASSY / #6 6370MM From E-2618	1	1	1	D13
86	501749	NIPPLE REDUCER HEX / PIPE FITTING / 3/8NPT-Mx1/4NPT-Mx1 13/32 BR To F-3000	1	1		
87	530042	CHECK VALVE 3/8 NPT To F-3000	1	1		
88	509863	FEMALE ELBOW 90° / PIPE FITTING / 3/8NPT-Fx3/8NPT-F BR	AR	AR		
89	501314	BUSHING REDUCER / PIPE FITTING / 3/8NPT-Mx1/4NPT-F BR To F-3000	1	1		
90	<b>H7-0310-10</b>	<b>FUEL FILLING CAP</b>				
90	<b>H7-1875-00</b>	<b>FUEL TANK FILLING DOOR To A-1720</b>				
90	<b>H7-1875-01</b>	<b>FUEL TANK &amp; UREA FILLING DOOR From B-1721</b>	1	1	1	
91A	505056	ANTISTATIC STRAP / UNDER STRUCTURE	1	1	1	
91B	382509	SUPPORT / ANTISTATIC STRAP From D-2340 To E-2624	1	1	1	
91B	5001231	SCREW CAP HEX M10-1.5x25 SS From E-2625	1	1	1	
92	032157	HOSE 2 1/2" I.D. x 702MM To 9-1403	1	1	1	
92	032819	HOSE 2 1/2" I.D. x 840MM From 9-1404	1	1	1	
92	032158	HOSE 2 1/2" I.D. x 1175MM To 9-1403	1	1	1	
92	032820	HOSE 2 1/2" I.D. x 1085MM From 9-1404	1	1	1	
93	504562	HOSE CLAMP / 2"3/4-3"5/8 / C.T. 350	2	2	2	
93	504696	HOSE CLAMP EAR / 2.968"-3.090" To F-2758	2	2	2	
93	504025	HOSE CLAMP / 2"5/16-3"1/4 SS / HS-44 From F-2759	2	2	2	
94	500270	WASHER FL .406x1.000x.063 SS From D-2340	1	1	1	
95	502859	NUT HEX NYRT M10-1.5 N500 From D-2340	1	1	1	
96	504235	HOSE CLAMP / 3"9/16"-4"1/2 SS / HS-64	2	2	2	
97	032697	HOSE FLEXIBLE 3 1/2" I.D. X 626MM To 9-1403	1	1	1	
97	032821	HOSE FLEXIBLE 3 1/2" I.D. X 645MM From 9-1404	1	1	1	
97	032568	HOSE FLEXIBLE 3 1/2" I.D. X 530MM	1	1	1	
98	<b>H7-2350-10</b>	<b>WATER HEATER - INSTALLATION</b>				
110	501321	. NIPPLE HEX / PIPE FITTING / 1/4NPT-Mx1/4NPT-Mx1 3/8 BR	1	1		
111	530043	. CHECK VALVE UP TO 250 PSI-2600 SERIES	1	1		
112	501011	. FEMALE CONNECTOR / PUSH-LOK FITTING / 1/4NPT-Fx#4 BR	1	1		
113	501930	. MALE CONNECTOR / JIC 37° FITTING / #6JIC-Mx1/2NPT-M STL	1	1		
		B) WITH "EMCO" WEATON FILLER PIPE				
		C) FUEL TANK 032481 & 030398 IS NO LONGER AVILABLE ORDER FUEL TANK KIT 030009				
		D13) WITH "VOLVO" ENGINE				
		E) W/100000 BTU WATER HEAT.				
		S) WITHOUT FUEL PRO				
		S60) WITH DETROIT S60 ENGINE				

From 7-0671 To J-0287	Date:10/2022	PAGE:H7-0305-00
<b>FUEL TANK PLASTIC</b>		

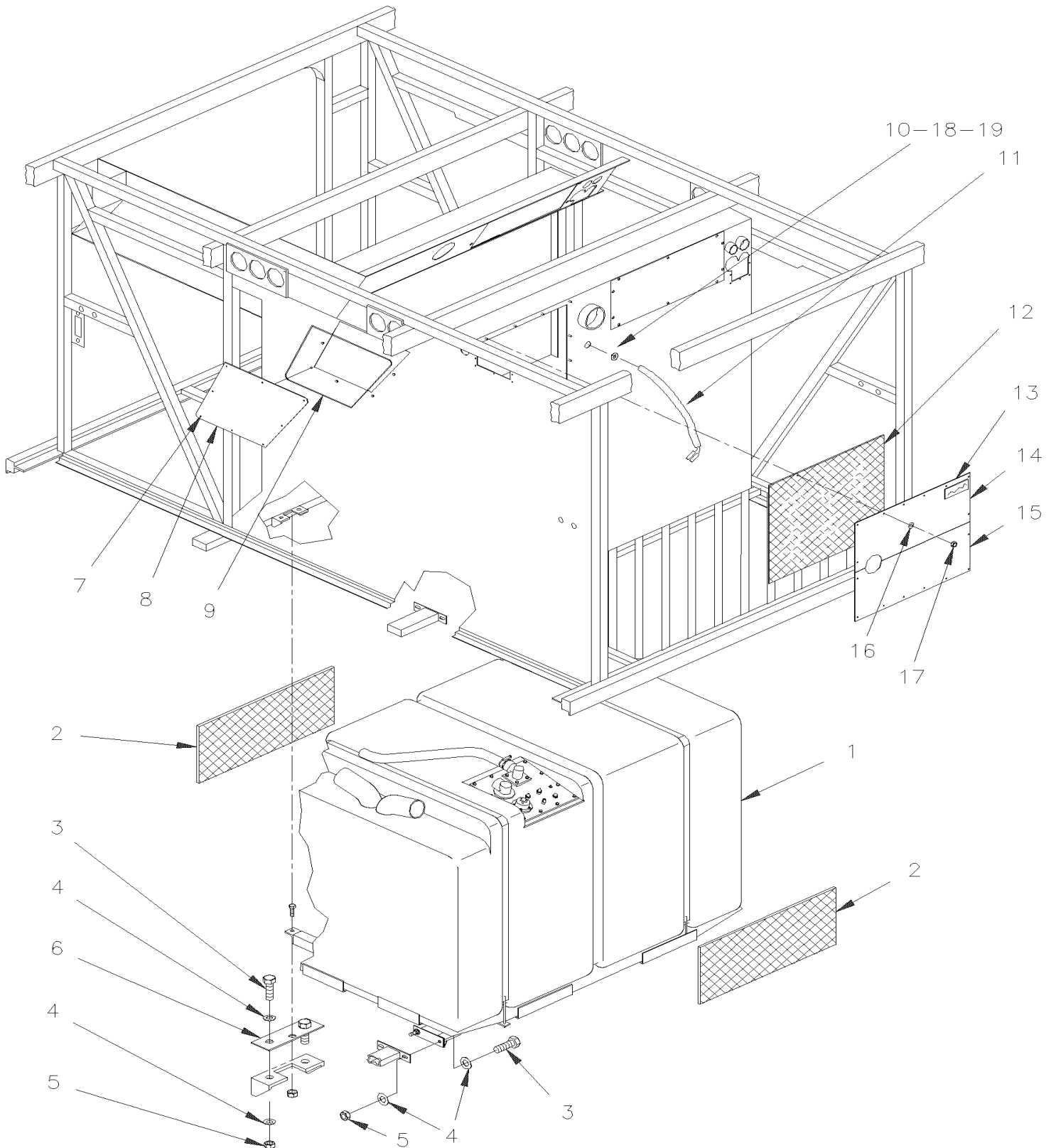
Item#	Part	Description	H 3 4 1	H 3 4 5	V I P 4 5	N O T E S
		W) WITH FUEL PRO				
		P) CALL ORDER DESK FOR SPECIFIC APPLICATION (V.I.N.)				

From 7-0671 To J-0287

Date:10/2022

PAGE:H7-0306-00

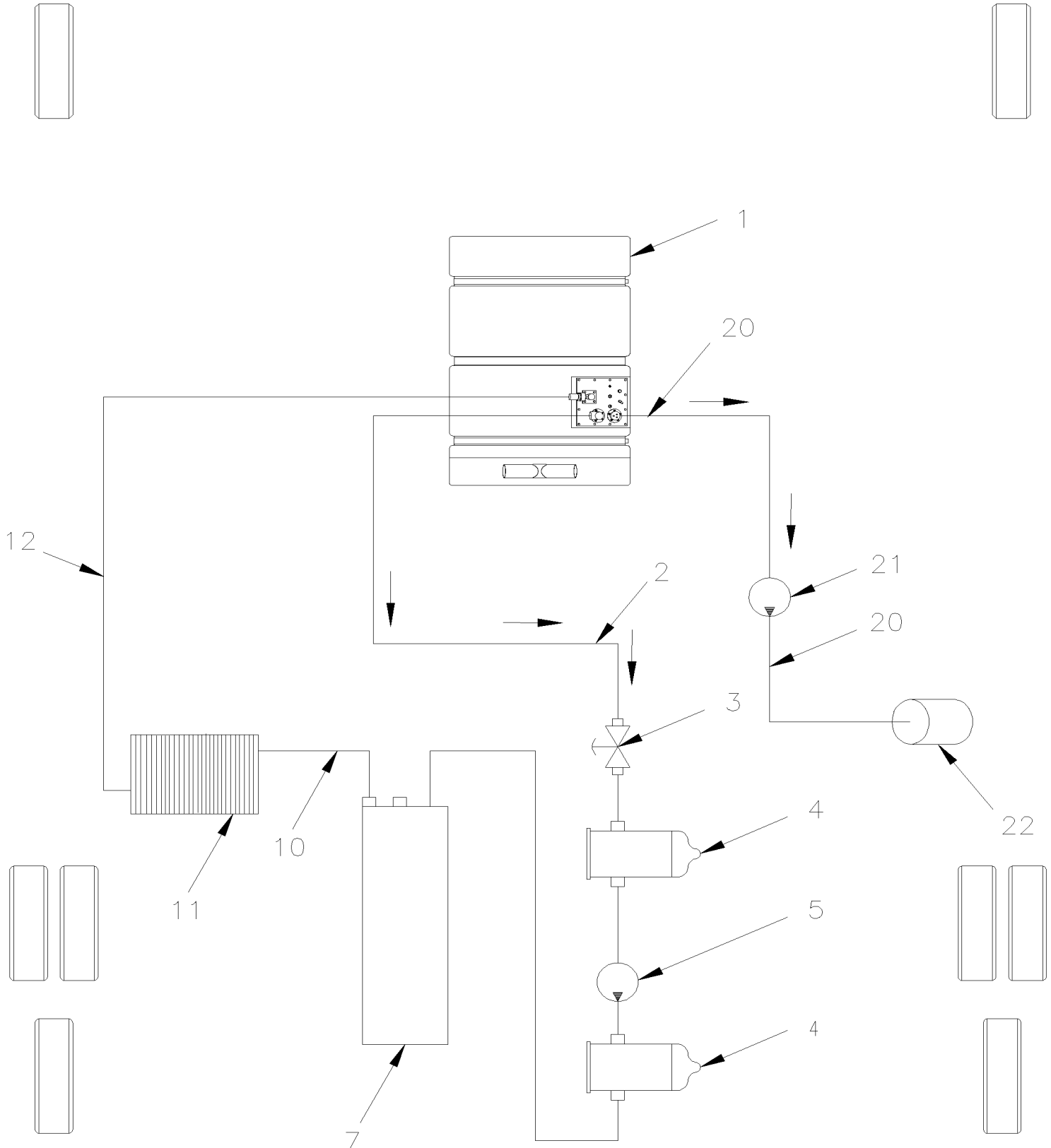
## FUEL TANK - INSTALLATION (PLASTIC)



From 7-0671 To J-0287	Date:10/2022	PAGE:H7-0306-00
<b>FUEL TANK - INSTALLATION (PLASTIC)</b>		

Item#	Part	Description	H 3 4 1	H 3 4 5	V I P 4 5	N O T E S
1	<b>H7-0305-00</b>	<b>FUEL TANK PLASTIC</b>	1	1	1	
2	506757	TAPE RUB ADH1 NEO 3/4" x 10" x 25 1/2" / BLACK 1220	2	2	2	
3	500806	SCREW CAP HEX M12-1.75X35 G10.9 G500	AR	AR	AR	
4	500958	WASHER FL .531x1.062x.095 SS	AR	AR	AR	
5	500811	NUT HEX STO M12-1.75 G500	AR	AR	AR	
6	031565	BOTTOM PLATE	1	1	1	
7	504248	RIVET CHY Q PRDG 3/16x1/4 SS	AR	AR	AR	
8	482355	ACCESS PANEL	1	1	1	
9	506338	RUBBER CHANNEL / 1/16" x 1/4" INT "U" SHAPE / ROUND C.T.L. To C-2033	AR	AR	AR	
9	5060120	GROMMET EDGING ADHESIVE .036-.062 From C-2034	AR	AR	AR	
10	504066	GROMMET / .687x1.000x.062x.375x1.312	1	1	1	
11	064116	CABLE ASSY / TO FUEL TANK	1	1	1	
13	031163	DECAL / "FUEL TANK ACCESS" / ENGLISH	1	1	1	
13	032561	DECAL / "FUEL TANK ACCESS" / ENGLISH & SPANISH	1	1	1	
18	680096	SEALANT BUTYL ALUM / GREY / 310ml CARTRIDGE	AR	AR	AR	
19	680066	ADHESIVE / ADBOND #5014 / 23.6ML BOTTLE	AR	AR	AR	

FUEL HOSE - INSTALLATION WITH DETROIT S-60



From 7-0671 To A-1720	Date:10/2022	PAGE:H7-0310-00
<b>FUEL HOSE - INSTALLATION WITH DETROIT S-60</b>		

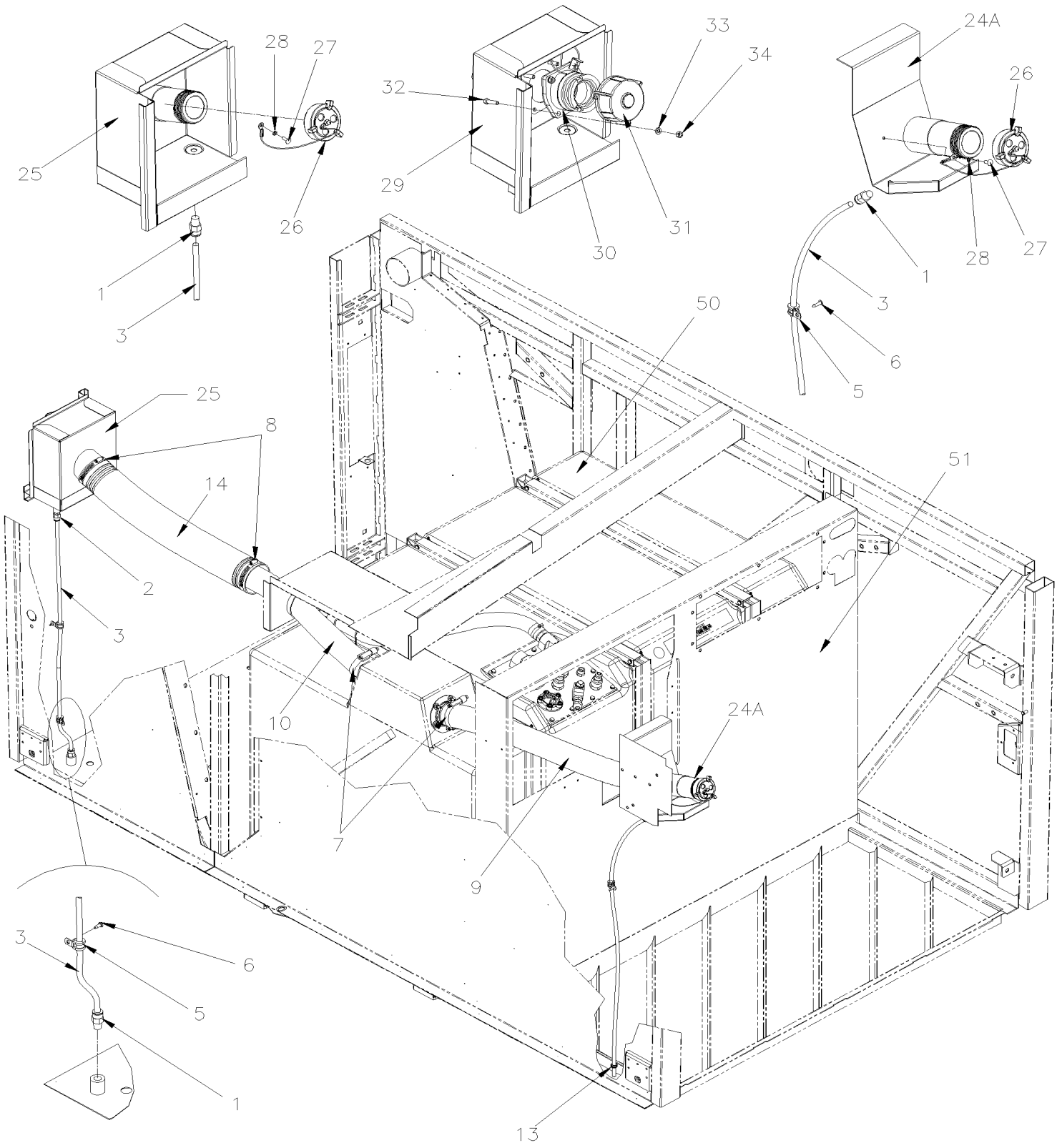
Item#	Part	Description	H 3 4 1	H 3 4 5	V I P 4 5	N O T E S
1	<b>H7-0305-00</b>	<b>FUEL TANK PLASTIC</b>				
2	032505	HOSE ASSY / #8 5850MM	1	1	1	
3	530096	BALL VALVE 1/2" NPT 1/2 NPT F x 1/2 NPT F	1	1	1	
4	<b>H7-0311-00</b>	<b>FUEL FILTER - PRIMARY &amp; SECONDARY WITH DETROIT S-60</b>				
5	N.S.P.	FUEL PUMP / SUPPLY W/MOTOR	1	1	1	2
		ENGINE CYLINDER HEAD				
10	032649	HOSE ASSY / FROM CYLINDER HEAD / #6 2417MM	1	1	1	
10	033004	HOSE ASSY / FROM CYLINDER HEAD / #6 2545MM	1	1	1	S
NS	032675	SUPPORT HOSE FUEL CYL HEAD	1	1	1	
11	<b>H7-0316-00</b>	<b>FUEL COOLER - INSTALLATION</b>				
12	032648	HOSE ASSY / #6 7550MM	1	1	1	
12	033005	HOSE ASSY / #6 7550MM	1	1	1	S
		... FOLLOWING PART ARE USED				
		... WITH WATER HEATER				
20	503706	HOSE FC-332-4 #4	AR	AR	AR	
NS	504230	HOSE CLAMP / 3/8"-7/8" SS / HS-6	4	4	4	
21	871037	FILTER, FUEL	1	1	1	
NS	871038	SUPPORT, FILTER FUEL	1	1	1	
22	<b>871202</b>	<b>WATER HEATER - "SPHEROS" 100,000 B.T.U.</b>				
22	<b>871329</b>	<b>WATER HEATER - "PROHEAT" 80,000 B.T.U.</b>				
		S) SERVICE				
		2) NOT SOLD BY PREVOST (SEE MANUFACTURING PART NUMBER AT END OF DESCRIPTION LINE)				

From 7-0671 To J-0287

Date:10/2022

PAGE:H7-0310-10

## FUEL FILLING CAP



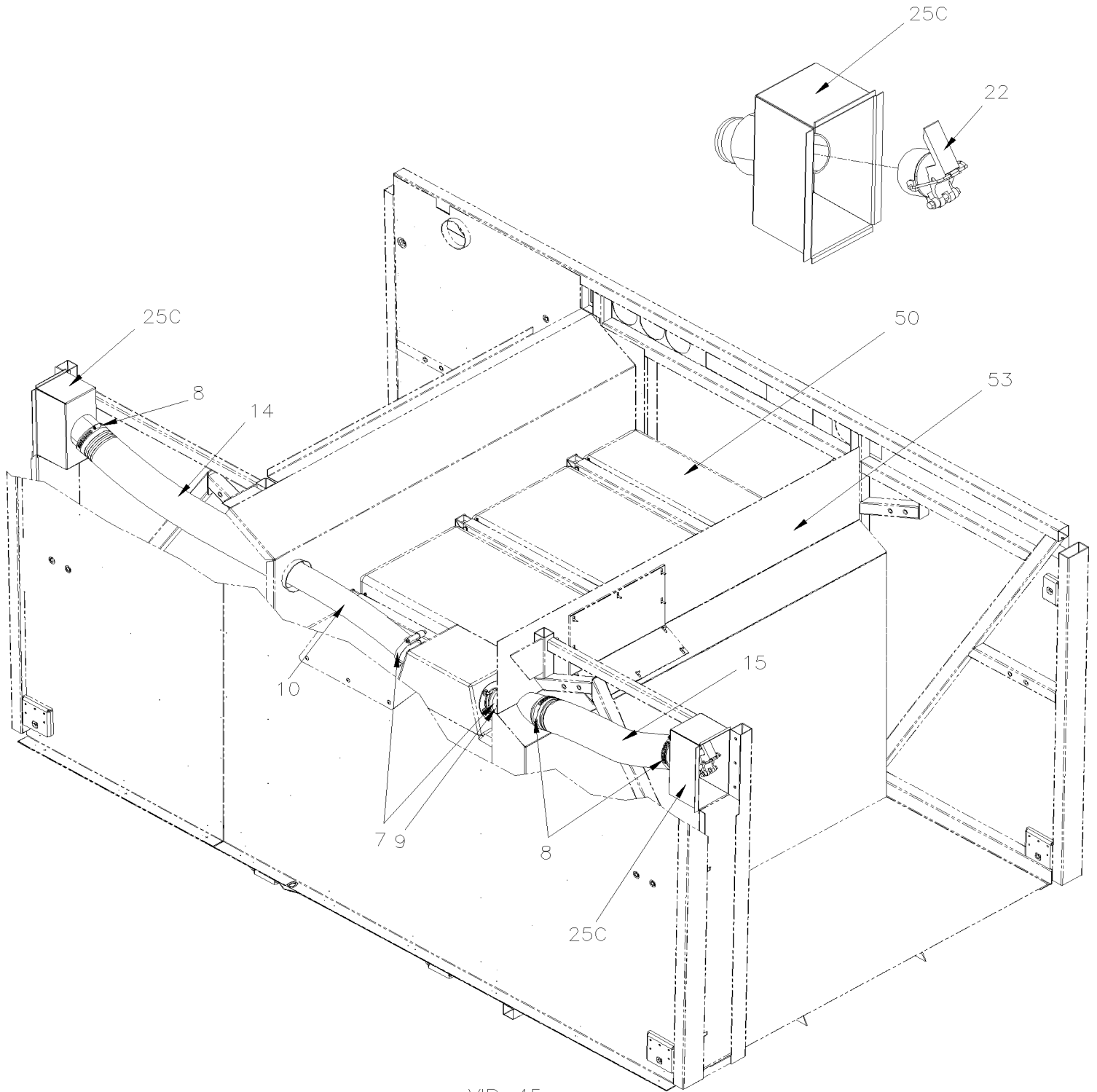
13  
UP TO A-1720

From 7-0671 To J-0287

Date:10/2022

PAGE:H7-0310-10

**FUEL FILLING CAP**



VIP-45  
WITH SMALL A/C SYSTEM  
UP TO A-1720

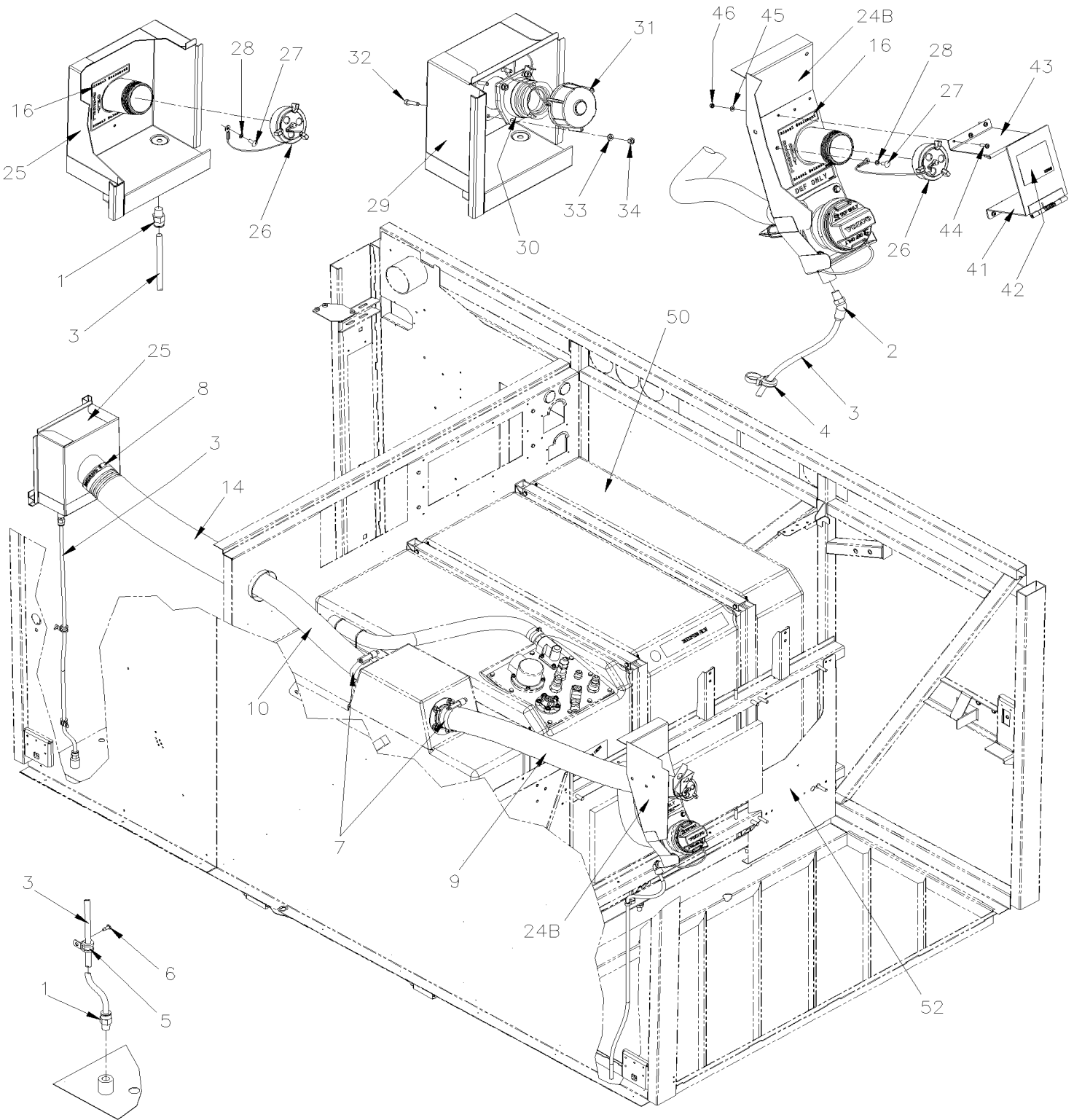


From 7-0671 To J-0287

Date:10/2022

PAGE:H7-0310-10

## FUEL FILLING CAP



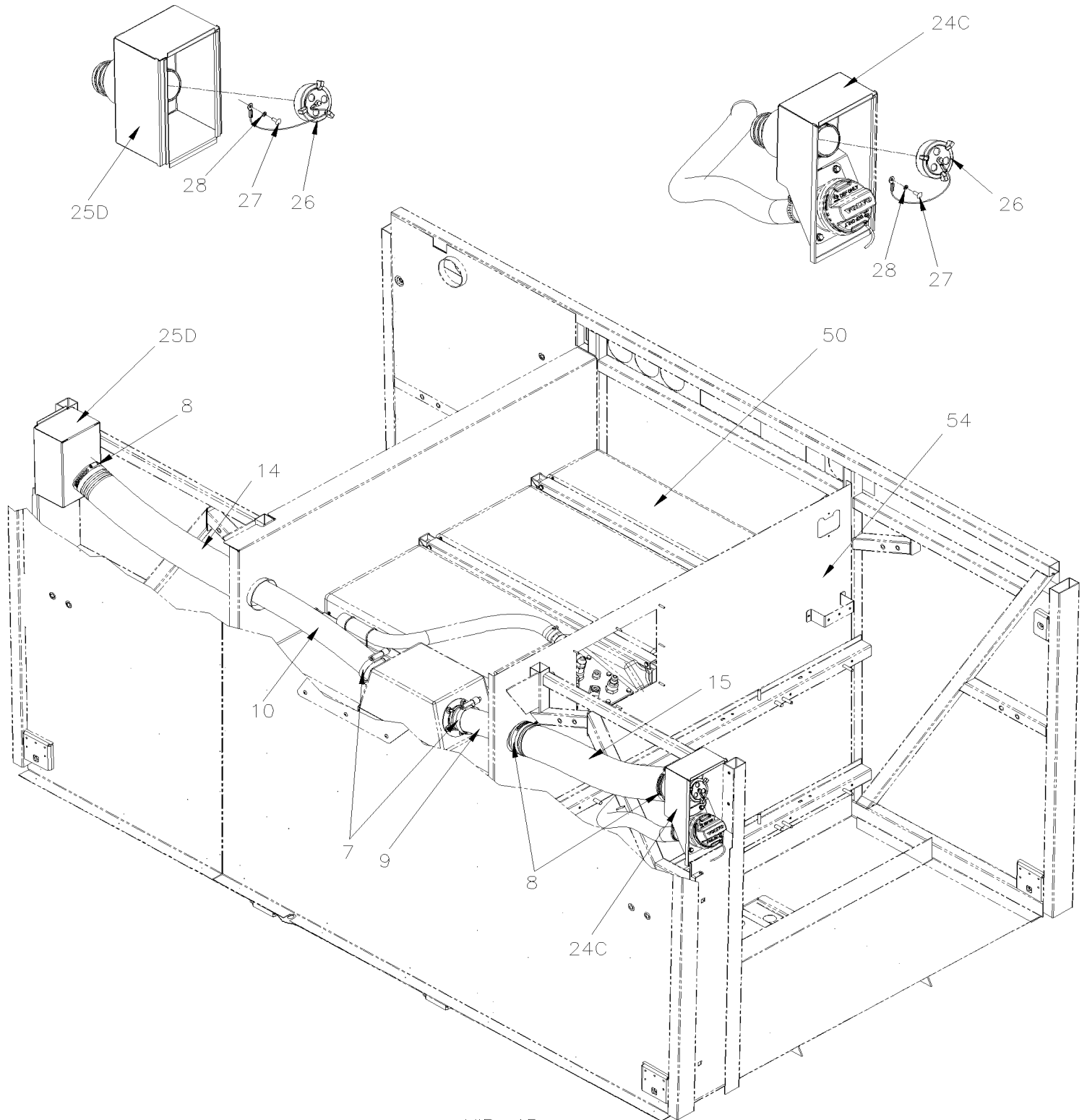
FROM B-1721

From 7-0671 To J-0287

Date:10/2022

PAGE:H7-0310-10

## FUEL FILLING CAP



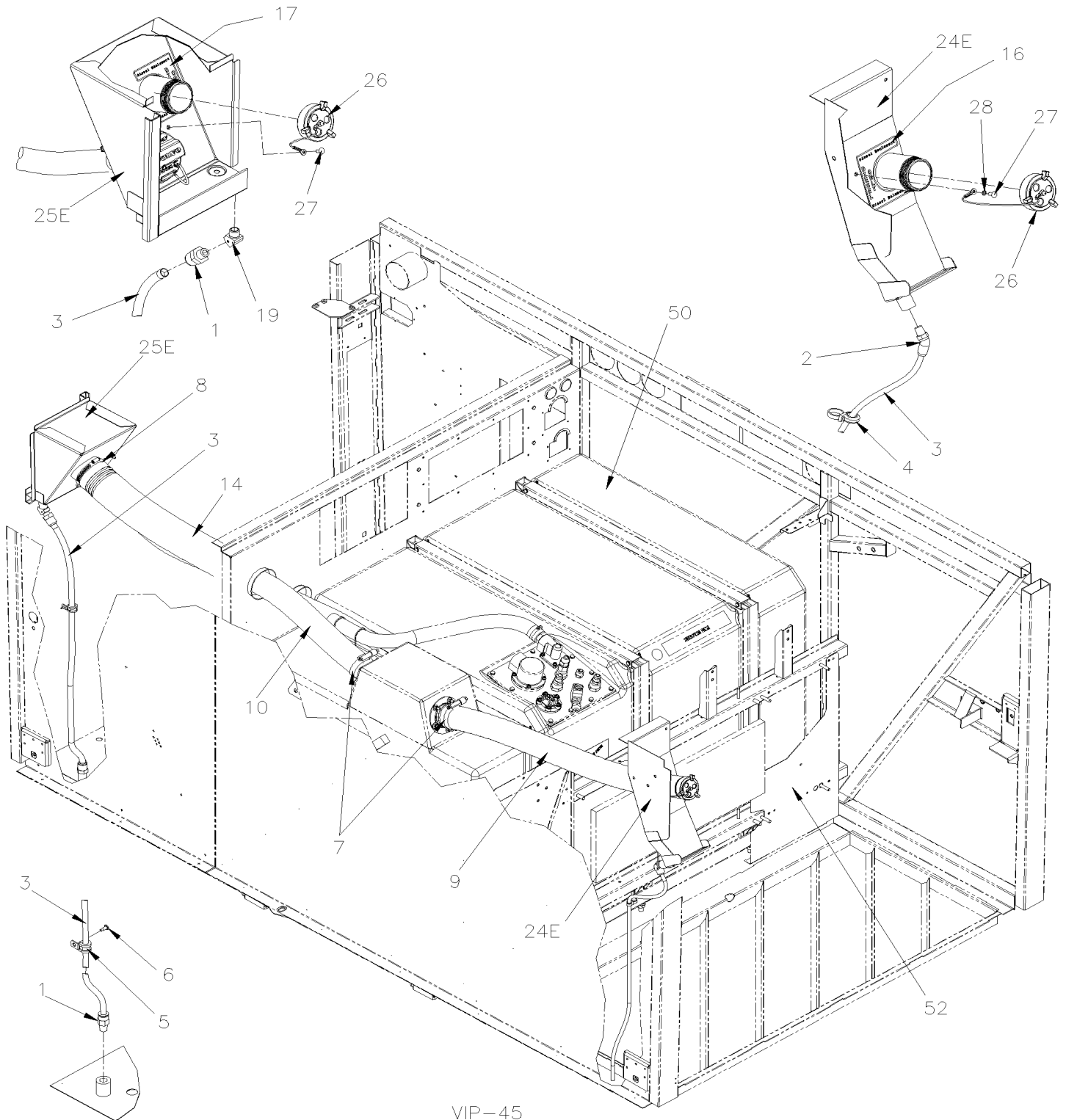
VIP-45  
WITH SMALL A/C SYSTEM  
FROM B-1721 UP TO D-2451

From 7-0671 To J-0287

Date:10/2022

PAGE:H7-0310-10

## FUEL FILLING CAP



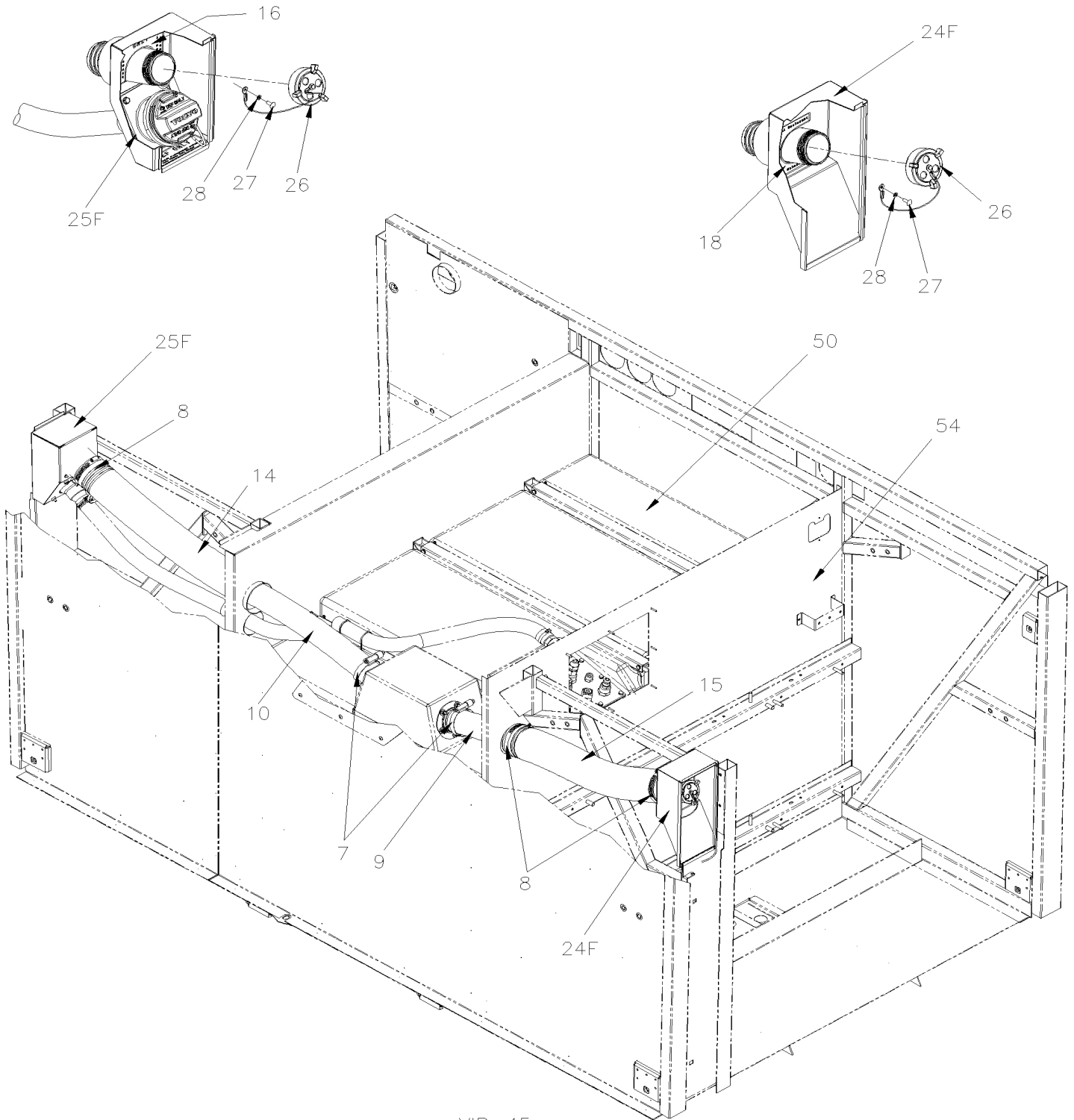
VIP-45  
WITH LARGE A/C SYSTEM  
FROM D-2452

From 7-0671 To J-0287

Date:10/2022

PAGE:H7-0310-10

## FUEL FILLING CAP



VIP-45  
WITH SMALL A/C SYSTEM  
FROM D-2452

From 7-0671 To J-0287	Date:10/2022	PAGE:H7-0310-10
<b>FUEL FILLING CAP</b>		

Item#	Part	Description	H 3 4 1	H 3 4 5	V I P 4 5	N O T E S
1	641331	MALE CONNECTOR / PUSH-IN FITTING / #6x1/4NPT-M BR To D-2319	2	2	2	
1	641602	MALE CONNECTOR / PUSH-IN FITTING / #10x3/8NPT-M BR From D-2320	2	2	2	
2	641366	MALE ELBOW 45° NON-SWIVEL / PUSH-IN FITTING / #6x1/4NPT-M BR	1	1	1	
3	503404	TUBE, NYLON 3/8 O.D. / BLACK S.L. To D-2319	AR	AR	AR	
3	503540	TUBE, NYLON 5/8 O.D. / BLACK S.L. From D-2320	AR	AR	AR	
4	504768	CABLE TIE / 3/16" 14.7" / DOUBLE LOOP HEAD	1	1	1	
4	504421	GROMMET / .625x.875x.187x.437x1.125 From E-2636	1	1	1	
5	952625	CLAMP / 3/8" I.D. To D-2319	AR	AR	AR	
5	952629	CLAMP / 5/8" I.D. From D-2320	AR	AR	AR	
6	502868	SCREW TC TR PH #10-16x1/2 N500	AR	AR	AR	
6	500957	SCREW TP BDG PH #10x3/4 N500	AR	AR	AR	
7	504562	HOSE CLAMP / 2"3/4-3"5/8 / C.T. 350	4	4	4	
8	504235	HOSE CLAMP / 3"9/16"-4"1/2 SS / HS-64	4	4	4	
9	032157	HOSE 2 1/2" I.D. x 702MM To 9-1469	1	1	1	
9	032819	HOSE 2 1/2" I.D. x 840MM From A-1470	1	1	1	
9	503475	. HOSE / FUEL / 2 1/2" I.D. / S.L.	AR	AR	AR	
10	032158	HOSE 2 1/2" I.D. x 1175MM To 9-1469	1	1	1	
10	032820	HOSE 2 1/2" I.D. x 1085MM From A-1470	1	1	1	
10	503475	. HOSE / FUEL / 2 1/2" I.D. / S.L.	AR	AR	AR	
13	504323	GROMMET / .375x.500x.062x.281x.687	1	1	1	
14	032568	HOSE FLEXIBLE 3 1/2" I.D. X 530MM	1	1	1	
14	032697	HOSE FLEXIBLE 3 1/2" I.D. X 626MM To 9-1469	1	1	1	
14	032821	HOSE FLEXIBLE 3 1/2" I.D. X 645MM From A-1470	1	1	1	
14	503746	. HOSE FLEXIBLE / AIR DUCT 3 1/2" I.D. X 12' PLASTIC	AR	AR	AR	
NS	688022	SEALANT FLEXTEC 5510 183 LITERS	AR	AR	AR	
15	032828	HOSE FLEXIBLE 3 1/2" I.D. X 600MM	1	1	1	
15	503746	. HOSE FLEXIBLE / AIR DUCT 3 1/2" I.D. X 12' PLASTIC	AR	AR	AR	
16	030031	DECAL "DIESEL ONLY" From H-3491	2	2		
16	030031	DECAL "DIESEL ONLY" From H-3491			1	
17	030037	DECAL "DIESEL ONLY" From H-3491			1	B
18	030038	DECAL "DIESEL ONLY" From H-3491			1	A
19	501330	STREET ELBOW 45° / PIPE FITTING / 3/8NPT-Mx3/8NPT-F BR From D-2452			1	B
22	530015	FUEL FILLING CAP / HINGE TYPE CAP To A-1862			1	A
. NS	531408	. SEAL GASKET To A-1862			1	A
. NS	531409	. RETAINER RING GASKET To A-1862			1	A
. NS	680446	. GLUE ADHESIVE / TO FIX CAP To A-1862			AR	A
24A	032273	FILLING CAP BOX ASSY R.H. / SCREW TYPE CAP To A-1720	1	1	1	
24B	032863	. FILLING CAP BOX ASSY R.H. / SCREW TYPE CAP From B-1721 To B-1738	1	1	1	
24B	032913	FILLING CAP BOX ASSY R.H. / SCREW TYPE CAP From B-1739 To C-2080	1	1	1	
. NS	032863	. FILLING CAP BOX ASSY R.H. / SCREW TYPE CAP From B-1739 To C-2080	1	1	1	
24B	032934	FILLING CAP BOX ASSY R.H. / SCREW TYPE CAP From C-2081 To E-2552	1	1		
24B	032997	FILLING CAP BOX ASSY R.H. / SCREW TYPE CAP From E-2553	1	1		

From 7-0671 To J-0287	Date:10/2022	PAGE:H7-0310-10
<b>FUEL FILLING CAP</b>		

Item#	Part	Description	H 3 4 1	H 3 4 5	V I P 4 5	N O T E S
24B	032999	FILLING CAP BOX ASSY R.H. / SCREW TYPE CAP From E-2512	1	1		E
24B	032934	FILLING CAP BOX ASSY R.H. / SCREW TYPE CAP From C-2081 To D-2451			1	B
24C	216865	FILLING CAP BOX ASSY R.H. / SCREW TYPE CAP From B-1721 To D-2451			1	A
24E	033951	FILLING CAP BOX ASSY R.H. / SCREW TYPE CAP From D-2452 To E-2635			1	B
24E	033011	FILLING CAP BOX ASSY R.H. / SCREW TYPE CAP From E-2636			1	B
24F	218646	FILLING CAP BOX ASSY R.H. / SCREW TYPE CAP From D-2452			1	A
25	030841	FILLING CAP BOX ASSY L.H. / SCREW TYPE CAP To C-2080	1	1	1	
25	032935	FILLING CAP BOX ASSY L.H. / SCREW TYPE CAP From C-2081 To D-2319	1	1	1	
25	033194	FILLING CAP BOX ASSY L.H. / SCREW TYPE CAP From D-2320	1	1		
25	033194	FILLING CAP BOX ASSY L.H. / SCREW TYPE CAP From D-2320 To D-2451			1	B
25C	213967	FILLING CAP BOX ASSY L.H. & R.H. / HINGE TYPE CAP To A-1862			2	A
25D	219918	FILLING CAP BOX ASSY L.H. / SCREW TYPE CAP From B-1683 To B-1720			2	A
25D	219918	FILLING CAP BOX ASSY L.H. / SCREW TYPE CAP From B-1721 To D-2451			1	A
25E	033947	FILLING CAP BOX ASSY L.H. / SCREW TYPE CAP From D-2452			1	B
25F	218644	FILLING CAP BOX ASSY L.H. / SCREW TYPE CAP From D-2452			1	A
26	531424	FUEL FILLING CAP / SCREW TYPE CAP	1	1	1	
26	531424	FUEL FILLING CAP / SCREW TYPE CAP From A-1863			1	A
27	500572	SCREW MA TR PH #10-24x1/2 SS BK	1	1	1	
28	500470	WASHER LO SPT .193x.334x.047 Z050	1	1	1	
29	032808	FILLING CAP BOX ASSY L.H. & R.H. / EMCO TYPE CAP	1	1	1	E
30	531413	ADAPTOR	1	1	1	E
31	531412	FUEL FILLING CAP / "EMCO WHEATON" TYPE	1	1	1	E
32	502737	SCREW CAP HEX M6-1.0x25 SS BK	4	4	4	E
33	502570	WASHER LO SPT 6.1x11.8x1.6 SS	4	4	4	E
34	502565	NUT HEX M6-1.0 SS	4	4	4	E
41	030089	SPRING FLAP ASSY From J-0093	1	1		C
41	030109	SPRING FLAP ASSY W/ DECAL From B-1721	1	1		O
. NS	030106	. SPRING FLAP ASSY From B-1721	1	1		O
. NS	030030	. DECAL "DEF ONLY" From B-1721	1	1		O
. NS	030038	. DECAL "DIESEL ONLY" From B-1721	1	1		O
41	<b>IS18910</b>	<b>FLAP, TANK FEELING PROTECTION</b>	1	1	1	
42	032824	DECAL / ULTRA LOW SULFURE DIESEL / ENGLISH From J-0093	1	1		C
43	030090	STOPPER From J-0093	1	1		C
44	502698	SCREW MA PAN PH M4-0.7x16 SS BK From J-0093	6	6		C
44	502698	SCREW MA PAN PH M4-0.7x16 SS BK From B-1721	2	2		O
45	502556	WASHER FL 4.3x9.0x0.8 SS From J-0093	6	6		C
45	502556	WASHER FL 4.3x9.0x0.8 SS From B-1721	2	2		O
46	500539	NUT HEX NYRT M4-0.7 N500 From J-0093	6	6		C
46	500539	NUT HEX NYRT M4-0.7 N500 From B-1721	2	2		O
50	<b>H7-0305-00</b>	<b>FUEL TANK PLASTIC</b>				

From 7-0671 To J-0287	Date:10/2022	PAGE:H7-0310-10
<b>FUEL FILLING CAP</b>		

Item#	Part	Description	H 3 4 1	H 3 4 5	V I P 4 5	N O T E S
51	H7-1865-20	EVAPORATOR & CONDENSOR WALL INSTALLATION To 9-1469				
51	H7-1865-21	EVAPORATOR & CONDENSOR WALL INSTALLATION From A-1470 To A-1720				
52	H7-1865-22	EVAPORATOR & CONDENSOR WALL INSTALLATION From B-1721				
53	H7-1865-50	PANEL WALL BAGGAGE INSTALLATION WITH SMALL A/C SYSTEM To 7-0771				
53	H7-1865-51	PANEL WALL BAGGAGE INSTALLATION WITH SMALL A/C SYSTEM / 2007 From 7-0772 To A-1720				
54	H7-1865-52	PANEL WALL BAGGAGE INSTALLATION WITH SMALL A/C SYSTEM / 2010 From B-1721				
		A) WITH SMALL A/C				
		B) WITH LARGE A/C				
		C) ACADEMY EXPRESS OPTION				
		E) WITH "EMCO WHEATON" FILLING CAP				
		O) OPTIONAL				



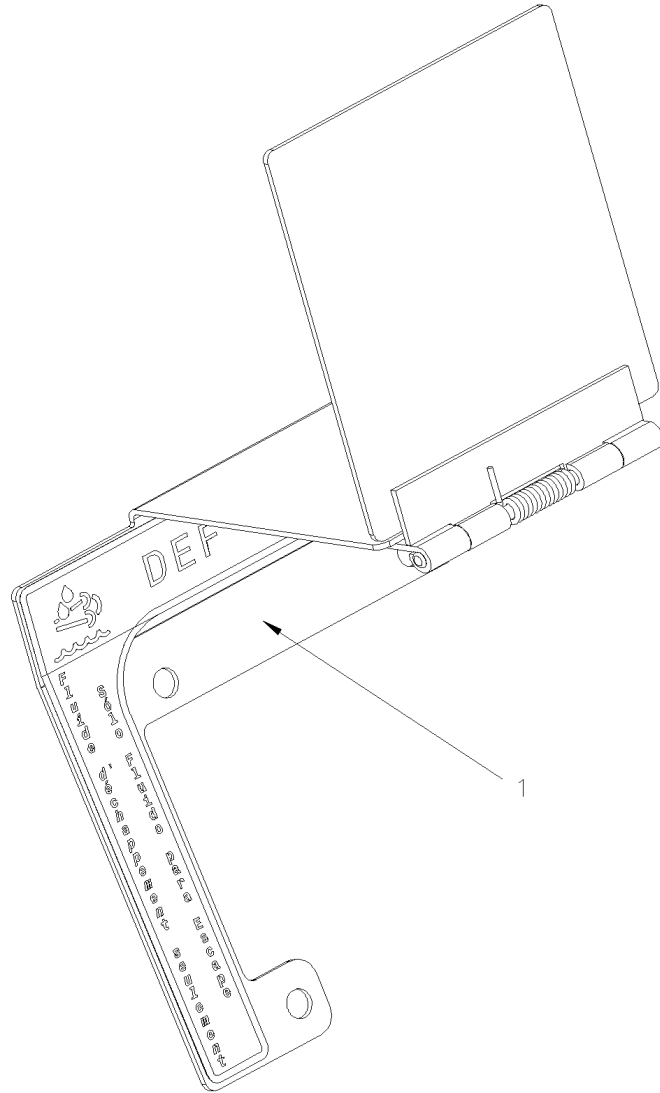
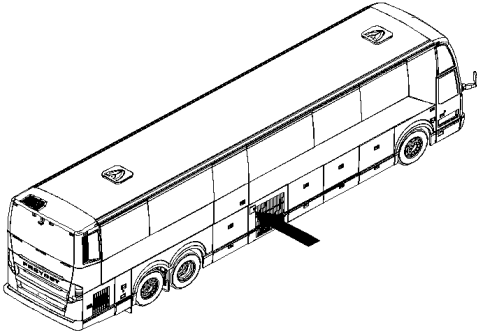


From 7-0671 To J-0287

Date:10/2022

PAGE:IS18910

## FLAP, TANK FEELING PROTECTION



From 7-0671 To J-0287	Date:10/2022	PAGE:IS18910
<b>FLAP, TANK FEELING PROTECTION</b>		

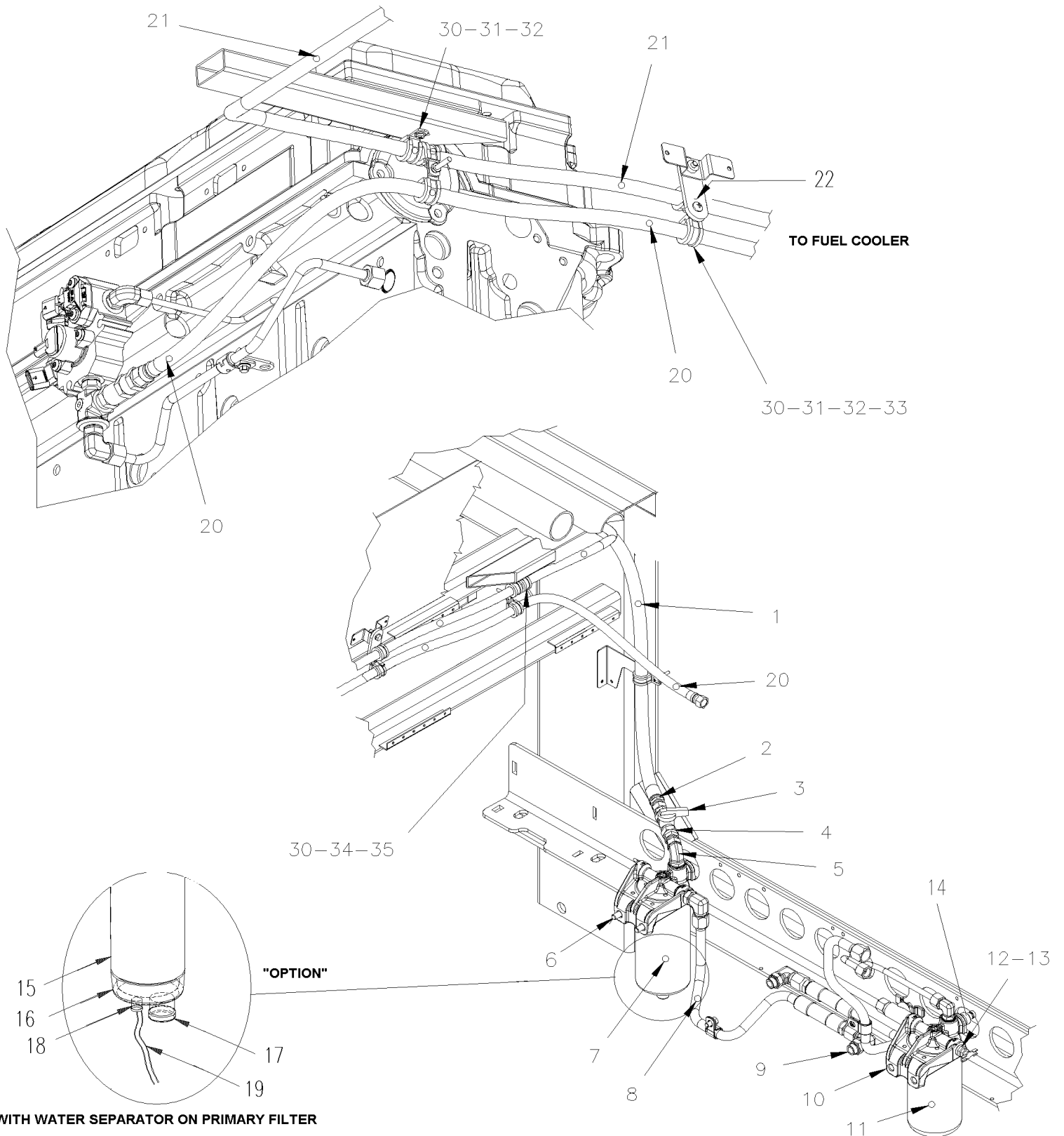
Item#	Part	Description	H 3 4 1	H 3 4 5	V I P 4 5	N O T E S
1	030109	SPRING FLAP ASSY W/ DECAL	1	1	1	
. NS	030106	. SPRING FLAP ASSY	1	1	1	
. NS	030030	. DECAL "DEF ONLY"	1	1	1	
. NS	030038	. DECAL "DIESEL ONLY"	1	1	1	
100	IS-18910	SEE INSTRUCTION SHEET	1	1	1	

From 7-0671 To A-1720

Date:10/2022

PAGE:H7-0311-00

## FUEL FILTER - PRIMARY & SECONDARY WITH DETROIT S-60



<b>From 7-0671 To A-1720</b>	<b>Date:10/2022</b>	<b>PAGE:H7-0311-00</b>
<b>FUEL FILTER - PRIMARY &amp; SECONDARY WITH DETROIT S-60</b>		

Item#	Part	Description	H 3 4 1	H 3 4 5	V I P 4 5	N O T E S
1	032505	HOSE ASSY / #8 5850MM	1	1	1	
2	501612	MALE ELBOW 90° / SAE 45° FITTING / #8FL-Mx1/2NPT-M BR	1	1	1	
3	530096	BALL VALVE 1/2" NPT 1/2 NPT F x 1/2 NPT F	1	1	1	
4	5011249	SWIVEL NUT MALE CONNECTOR / JIC 37° FITTING / #8JIC-Fx1/2NPT-M STL	1	1	1	
5	5011248	MALE ELBOW 90° / JIC 37° FITTING / #8JIC-MxM16-1.5 ORB-M STL	1	1	1	
6	032701	COVER / W/PRIMARY FILTER	1	1	1	
7	032700	FUEL FILTER, CARTRIDGE / PRIMARY	1	1	1	
8	032702	FUEL LINE ASSY To A-1483	1	1	1	
8	531482	FUEL LINE ASSY From A-1484	1	1	1	
9	5011204	MALE ELBOW 90° / JIC 37° FITTING / #8JIC-MxM18-1.5-M STL To A-1483	1	1	1	
. NS	N.P.N.	. O-RING To A-1483	1	1	1	4
. NS	N.P.N.	. WASHER RET To A-1483	1	1	1	4
9	5011286	MALE CONNECTOR / JIC 37° FITTING / #10JIC-MxM18-1.5-M STL From A-1484	1	1	1	
. NS	N.P.N.	. O-RING From A-1484	1	1	1	4
. NS	N.P.N.	. WASHER RET From A-1484	1	1	1	4
10	510344	COVER / W/SECONDARY FILTER	1	1	1	
11	510794	FUEL FILTER, CARTRIDGE // SECONDARY	1	1	1	
12	501314	BUSHING REDUCER / PIPE FITTING / 3/8NTP-Mx1/4NPT-F BR	1	1	1	
13	501129	EXTERNAL SEAL DRAIN 1/4 NPT	1	1	1	
14	504706	NIPPLE / QUICK DISCONNECT "SAE J1502" / #4x1/4NPT-M STL W/DUST CAP	1	1	1	
. NS	195533	. DUST CAP / QUICK DISCONNECT "SAE J1502" / #4	1	1	1	
15	531390	CARTRIDGE / W/WATER SEPARATOR FILTER	1	1	1	
16	531389	BOWL PLASTIC	1	1	1	
17	531397	. DRAIN VALVE & SEAL	1	1	1	
NS	531398	. O-RING	1	1	1	
18	531391	. SENSOR / WATER LEVEL	1	1	1	
19	063715	CABLE ASSY / ENGINE ACC. & WATER SEPARATOR	1	1	1	
20	032649	HOSE ASSY / FROM CYLINDER HEAD / #6 2417MM	1	1	1	
20	033004	HOSE ASSY / FROM CYLINDER HEAD / #6 2545MM	1	1	1	S
21	032648	HOSE ASSY / #6 7550MM	1	1	1	
21	033005	HOSE ASSY / #6 7550MM	1	1	1	S
22	031701	SUPPORT HOSE FUEL	AR	AR	AR	
30	952629	CLAMP / 5/8" I.D.	AR	AR	AR	
31	500574	SCREW MA TR PH #10-24x1 1/4 SS	AR	AR	AR	
32	500914	WASHER LO SPT .193x.334x.047 N500	AR	AR	AR	
33	502882	NUT HEX #10-24 N500	AR	AR	AR	
34	500623	SCREW TC PAN PH #10-24x3/4 N500	AR	AR	AR	
35	500855	WASHER FL .188x.438x.049 N500	AR	AR	AR	

From 7-0671 To A-1720	Date:10/2022	PAGE:H7-0311-00
-----------------------	--------------	-----------------

**FUEL FILTER - PRIMARY & SECONDARY WITH DETROIT S-60**

Item#	Part	Description	H 3 4 1	H 3 4 5	V I P 4 5	N O T E S
		S) SERVICE				
		4) NO PARTS NUMBER				

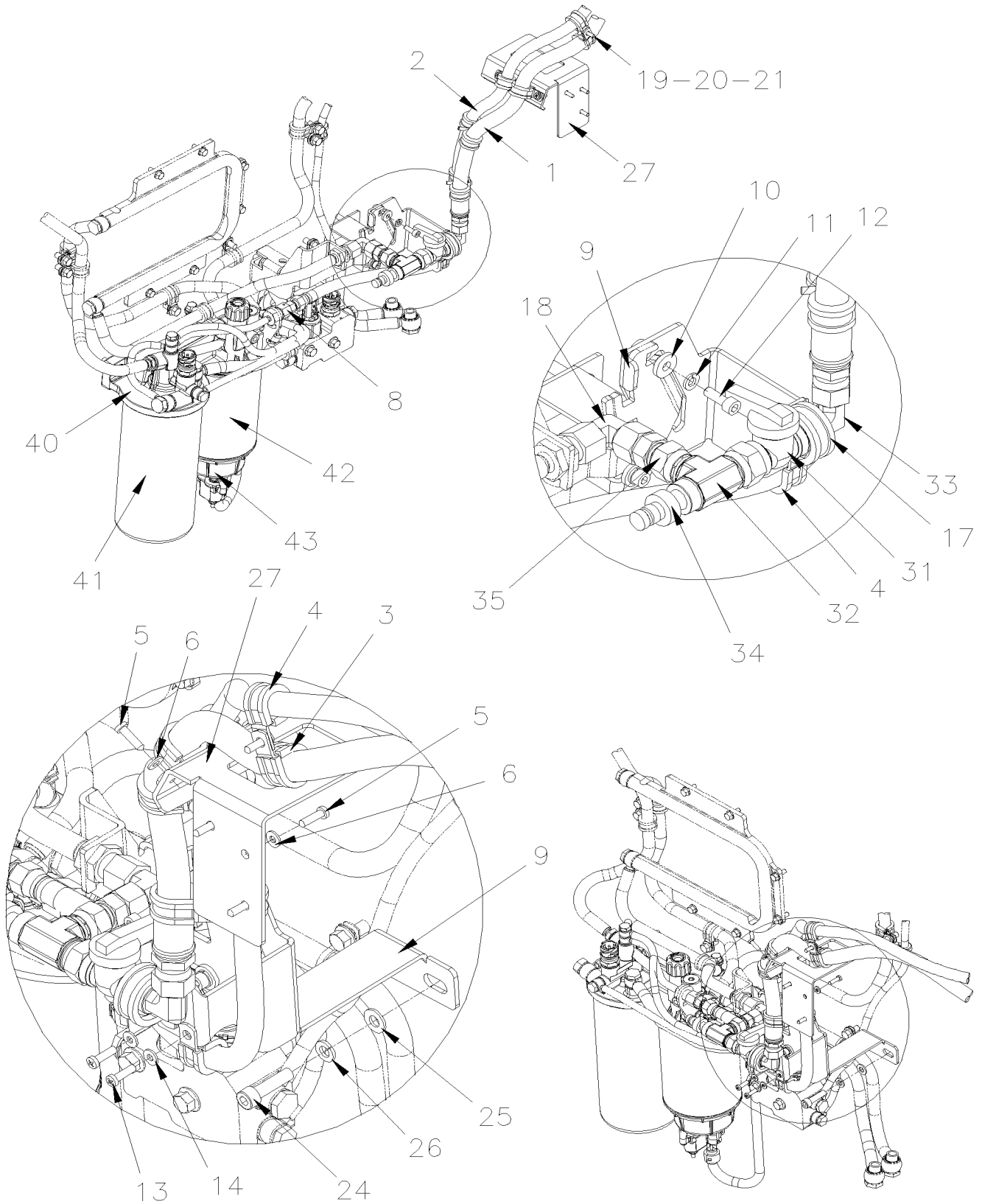


From 8-1202 To H-3734

Date:10/2022

PAGE:H7-0311-01

## FUEL FILTER - PRIMARY & SECONDARY WITH VOLVO D13



From 8-1202 To H-3734	Date:10/2022	PAGE:H7-0311-01
<b>FUEL FILTER - PRIMARY &amp; SECONDARY WITH VOLVO D13</b>		

Item#	Part	Description	H 3 4 1	H 3 4 5	V I P 4 5	N O T E S
1	032756	HOSE ASSY / #8 5985MM	1	1		
2	032764	HOSE ASSY / #6 6370MM To E-2617	1	1		A
2	033006	HOSE ASSY / #6 6370MM From E-2618	1	1		
2	501930	MALE CONNECTOR / JIC 37° FITTING / #6JIC-Mx1/2NPT-M STL To E-2617	1	1		A
2	507662	MALE CONNECTOR SWIVEL / JIC 37° @ METRIC24° / #6JIC-MxM16-1.5 W/24° O-RING-F To E-2617	1	1		A
3	952631	CLAMP / 3/4" I.D.	3	3		
4	952629	CLAMP / 5/8" I.D.	3	3		
5	500623	SCREW TC PAN PH #10-24x3/4 N500	3	3		
6	500855	WASHER FL .188x.438x.049 N500	3	3		
8	507662	MALE CONNECTOR SWIVEL / JIC 37° @ METRIC24° / #6JIC-MxM16-1.5 W/24° O-RING-F	1	1		
9	032758	SUPPORT FUEL LINE To A-1720	1	1		
9	032911	SUPPORT FUEL LINE From B-1721 To C-1885	1	1		
9	033185	SUPPORT FUEL LINE From C-1886 To D-2363	1	1		
9	033946	SUPPORT FUEL LINE From D-2364	1	1		
10	5001654	WASHER FL 6.4x17.0x3.0 SS	2	2		
11	502570	WASHER LO SPT 6.1x11.8x1.6 SS	2	2		
12	5001648	SCREW CAP HEXS M6-1.0x18 SS BK	2	2		
13	500623	SCREW TC PAN PH #10-24x3/4 N500 To E-2621	2	2		
13	502848	SCREW TC CAP HEXF 1/4-20x3/4 N500 From E-2622	2	2		
14	500855	WASHER FL .188x.438x.049 N500 To E-2621	2	2		
17	952637	CLAMP / 1"1/16 I.D.	1	1		
18	964016	ELBOW	1	1		
19	500574	SCREW MA TR PH #10-24x1 1/4 SS	1	1		
20	500914	WASHER LO SPT .193x.334x.047 N500	1	1		
21	502882	NUT HEX #10-24 N500	1	1		
24	5001598	SCREW CAP HEXS M8-1.25x30 SS	1	1		
25	5001341	WASHER FL 8.4x17.0x1.6 SS	1	1		
26	5001161	WASHER LO SPT 8.1x14.8x2.0 SS-304	1	1		
27	032780	SUPPORT FUEL LINE	1	1		
31	530096	BALL VALVE 1/2" NPT 1/2 NPT F x 1/2 NPT F	1	1		
32	5001677	SWIVEL NUT ADAPTER TEE / JIC 37° FITTING / #8JIC-Fx1/2NPT-Mx1/4NTP-F STL	1	1		
33	501612	MALE ELBOW 90° / SAE 45° FITTING / #8FL-Mx1/2NPT-M BR	1	1		
34	504706	NIPPLE / QUICK DISCONNECT "SAE J1502" / #4x1/4NPT-M STL W/DUST CAP	1	1		
. NS	195533	. DUST CAP / QUICK DISCONNECT "SAE J1502" / #4	1	1		
35	507659	MALE CONNECTOR SWIVEL / JIC 37° @ METRIC24° / #8JIC-MxM18-1.5 W/24° O-RING-F	1	1		
40	<b>Refer To Volvo</b>	<b>HOUSING FUEL FILTER ASSY W/PRIMER PUMP TB-111262697-1</b>	1	1		V
41	20405160	FUEL FILTER (LONG)	1	1		
41	20972293	FUEL FILTER (LONG) MAIN / PRINCIPAL	1	1		
42	20879806	FUEL FILTER WATER SEPARATOR	1	1		
43	20771580	BOWL / W/WATER DETECTOR IN FUEL UAUXFUEL	1	1		
43	20875050	BOWL / W/WATER DETECTOR & HEATER ELEMENT	1	1		
43	Refer To Volvo	BOWL AF-E	1	1		V



<b>From 8-1202 To H-3734</b>	<b>Date:10/2022</b>	<b>PAGE:H7-0311-01</b>
------------------------------	---------------------	------------------------

**FUEL FILTER - PRIMARY & SECONDARY WITH VOLVO D13**

Item#	Part	Description	H 3 4 1	H 3 4 5	V I P 4 5	N O T E S
		A) WHEN YOU REPLACE THE FUEL HOSE 032764 YOU NEED THE NEW HOSE 033006 WITH 501930 (FUEL TANK SIDE ) AND 507662 (ENGINE SIDE)				
		V) SEE IMPACT OR CALL ORDER DESK				

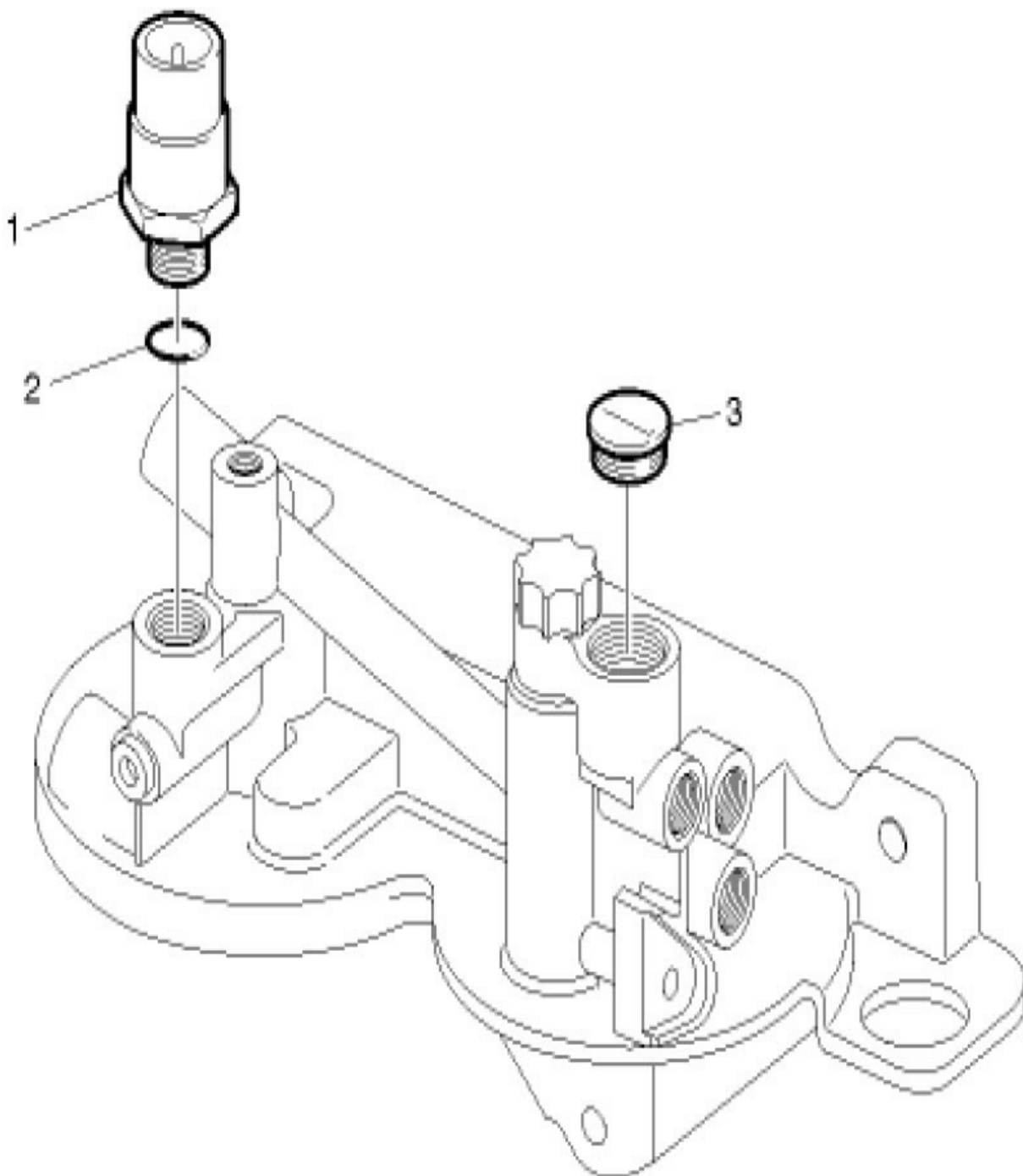


From 8-1202 To H-3734

Date:10/2022

PAGE:21023285

**HOUSING FUEL FILTER ASSY W/PRIMER PUMP TB-111262697-1**



From 8-1202 To H-3734	Date:10/2022	PAGE:21023285
<b>HOUSING FUEL FILTER ASSY W/PRIMER PUMP TB-111262697-1</b>		

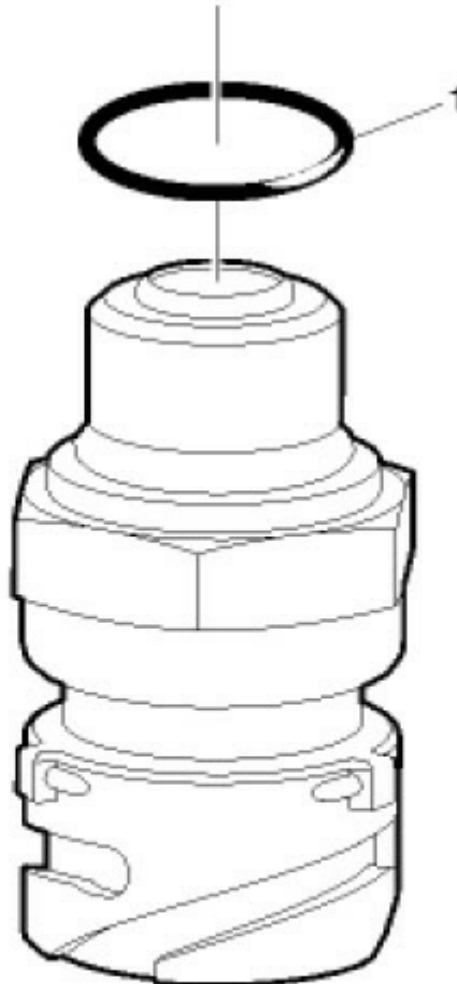
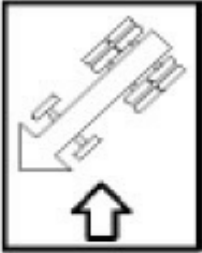
Item#	Part	Description	H 3 4 1	H 3 4 5	V I P 4 5	N O T E S
1	21302639	PRESSURE SENSOR,FUEL/OIL TB-130959470-1	1	1	1	
2	968559	O-RING (PRESSURE SENSOR)	1	1	1	
3	20744692	CAP	1	1	1	

From 8-1202 To H-3734

Date:10/2022

PAGE:21302639

PRESSURE SENSOR,FUEL/OIL TB-130959470-1



From 8-1202 To H-3734	Date:10/2022	PAGE:21302639
<b>PRESSURE SENSOR,FUEL/OIL TB-130959470-1</b>		

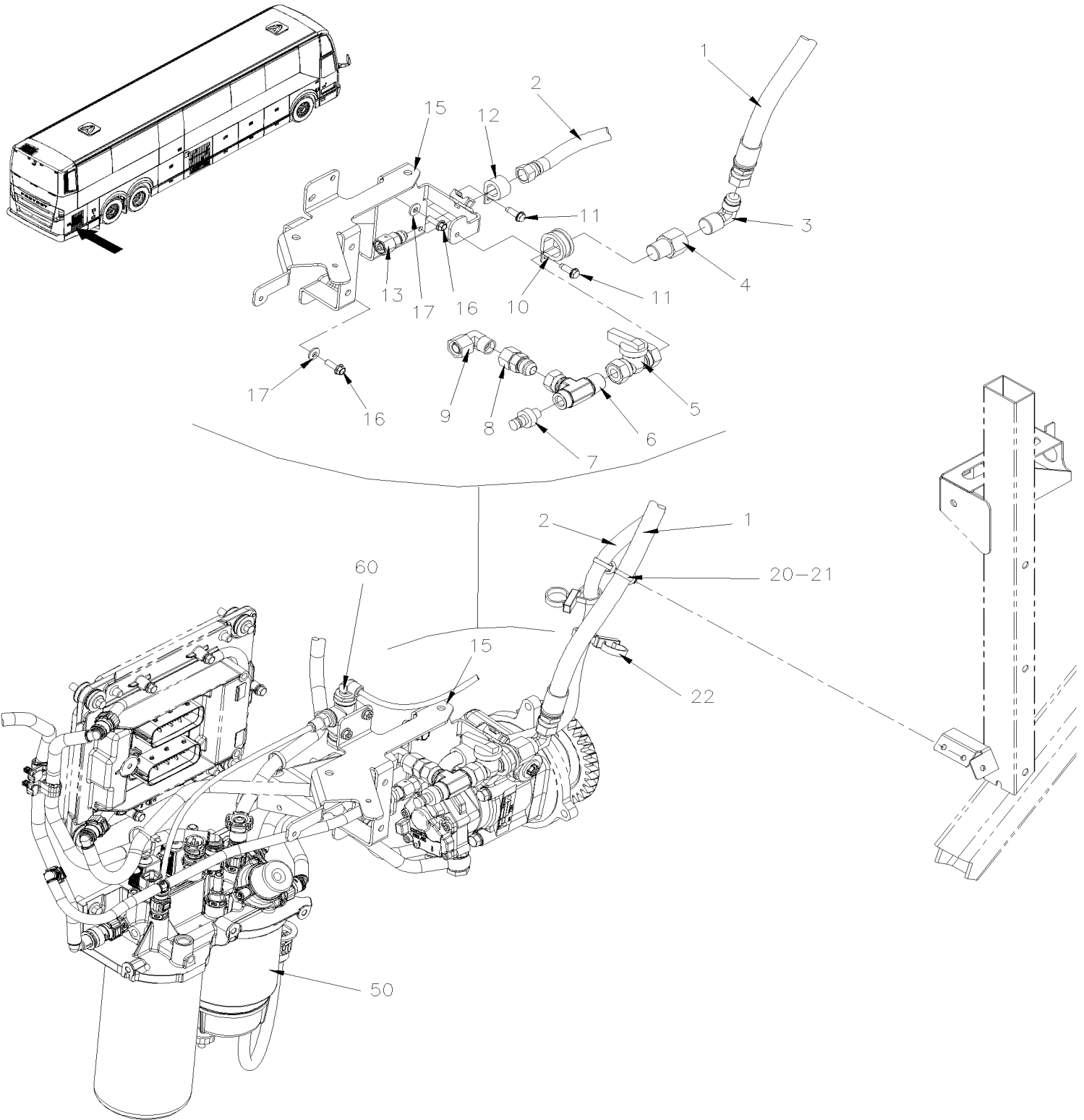
Item#	Part	Description	H 3 4 1	H 3 4 5	V I P 4 5	N O T E S
1	968559	O-RING (PRESSURE SENSOR)	1	1	1	

From H-3735 To J-0287

Date:10/2022

PAGE:H7-0311-02

## FUEL FILTER - PRIMARY & SECONDARY WITH VOLVO D13 - GHG17



From H-3735 To J-0287	Date:10/2022	PAGE:H7-0311-02
<b>FUEL FILTER - PRIMARY &amp; SECONDARY WITH VOLVO D13 - GHG17</b>		

Item#	Part	Description	H 3 4 1	H 3 4 5	V I P 4 5	N O T E S
1	032756	HOSE ASSY / #8 5985MM	1	1	1	
2	033018	HOSE ASSY / #6 6230MM	1	1	1	
3	501612	MALE ELBOW 90° / SAE 45° FITTING / #8FL-Mx1/2NPT-M BR	1	1	1	
4	5011119	ADAPTER / PIPE FITTING / 1/2NPT-Fx1/2NPT-M BR	1	1	1	
5	530096	BALL VALVE 1/2" NPT 1/2 NPT F x 1/2 NPT F	1	1	1	
6	5001677	SWIVEL NUT ADAPTER TEE / JIC 37° FITTING / #8JIC-Fx1/2NPT-Mx1/4NTP-F STL	1	1	1	
7	504706	NIPPLE / QUICK DISCONNECT "SAE J1502" / #4x1/4NPT-M STL W/DUST CAP	1	1	1	
NS	195533	DUST CAP / QUICK DISCONNECT "SAE J1502" / #4	1	1	1	
8	507659	MALE CONNECTOR SWIVEL / JIC 37° @ METRIC24° / #8JIC-MxM18-1.5 W/24° O-RING-F	1	1	1	
9	964016	ELBOW	1	1	1	
10	952635	CLAMP / 1" I.D.	1	1	1	
11	502848	SCREW TC CAP HEXF 1/4-20x3/4 N500	2	2	2	
NS	680098	THREAD SEALANT LOCTITE #567 / WHITE / 250ml	AR	AR	AR	
12	952629	CLAMP / 5/8" I.D.	1	1	1	
13	507662	MALE CONNECTOR SWIVEL / JIC 37° @ METRIC24° / #6JIC-MxM16-1.5 W/24° O-RING-F	1	1	1	
15	010043	SUPPORT FUEL LINE	1	1	1	
16	5001643	SCREW CAP HEXF M8-1.25x25 G8.8 G500	3	3	3	
17	500321	WASHER BEL SPR .331x.827x.098 N500	3	3	3	
NS	5001931	NUT HEXF NYRT M8-1.25 G8.8 N500	1	1	1	
NS	680038	THREAD LOCKER LOCTITE #243 / BLUE / 50ml	AR	AR	AR	
20	509815	TIE MOUNT / ATTACHMENT W/TREE MOUNT	2	2	2	
21	504637	CABLE TIE / 3/16" x 13"	AR	AR	AR	
22	504768	CABLE TIE / 3/16" 14.7" / DOUBLE LOOP HEAD	AR	AR	AR	
50	Refer To Volvo	HOUSING FUEL FILTER ASSY W/PRIMER PUMP	1	1	1	V
60	<b>H7-0405-12</b>	<b>7TH INJECTOR / "AHI" / EXHAUST VOLVO D13 - GHG17</b>	1	1	1	
		V) SEE IMPACT OR CALL ORDER DESK				

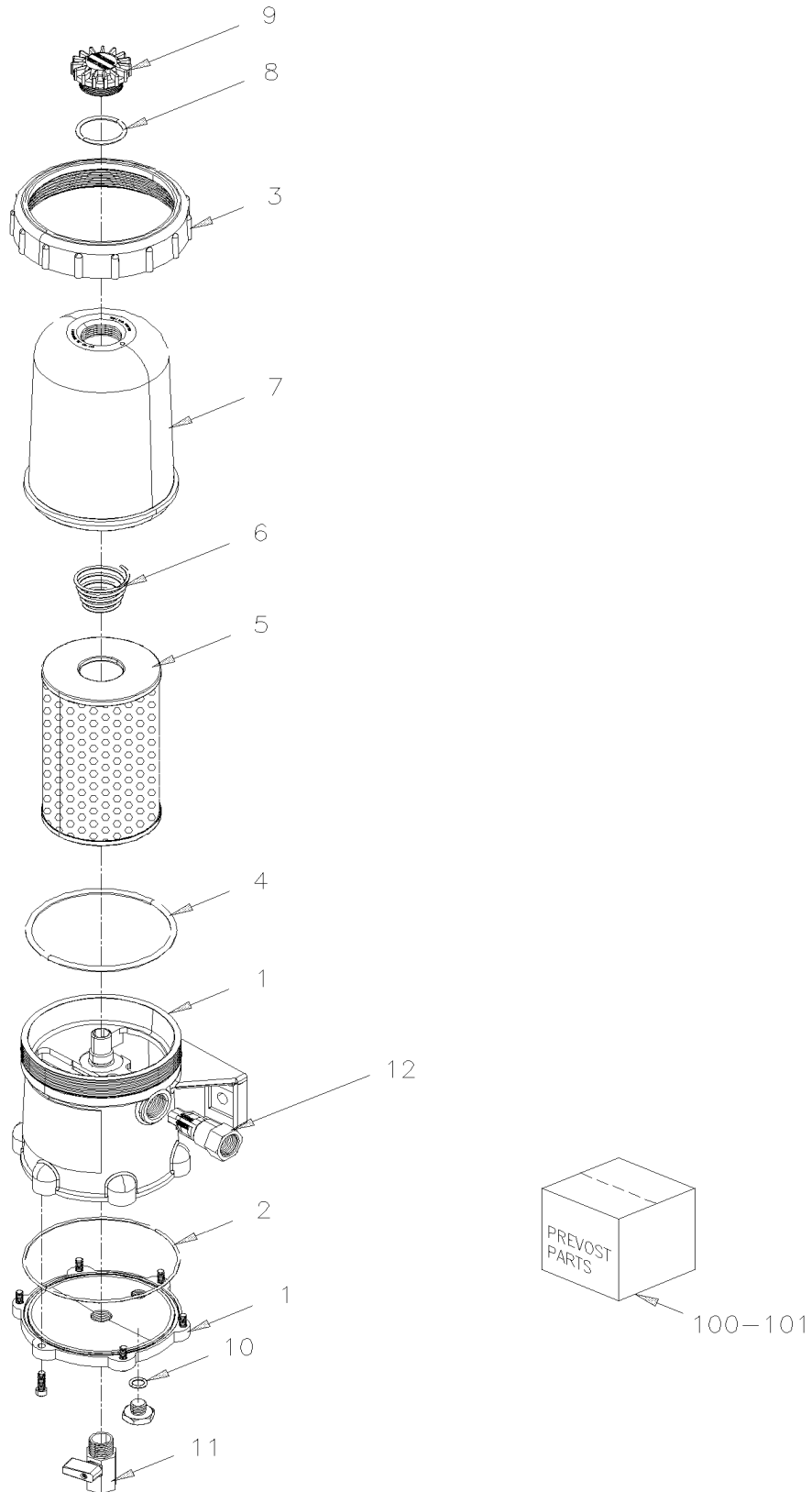


From 7-0671 To E-2503

Date:10/2022

PAGE:H7-0311-15

## FUEL FILTER / "PRO 382"



From 7-0671 To E-2503	Date:10/2022	PAGE:H7-0311-15
<b>FUEL FILTER / "PRO 382"</b>		

Item#	Part	Description	H 3 4 1	H 3 4 5	V I P 4 5	N O T E S
	531468	FILTER ASSY "FUEL PRO 382" / WITHOUT HEATER ELEMENT To A-1720	1	1	1	
	21248323	FILTER ASSY "FUEL PRO 382" / WITHOUT HEATER ELEMENT From B-1721	1	1	1	
1	N.S.S.	. BODY CASTING	1	1	1	1
1	G1093948	. UNHEATED BOTTOM PLATE To A-1720	1	1	1	
1	N8893568	. UNHEATED BOTTOM PLATE To A-1720	1	1	1	
2	G1093947	. SEAL BOTTOM COVER To A-1720	1	1	1	
2	N8893573	. SEAL BOTTOM COVER To A-1720	1	1	1	
2	85103295	. SEAL BOTTOM COVER From B-1721	1	1	1	
3	531441	. COLLAR, COVER To A-1720	2	2	2	
3	N8893571	. COLLAR, COVER To A-1720	1	1	1	
3	3948920	. COLLAR, COVER From B-1721	1	1	1	
4	N8893570	. O-RING To A-1720	1	1	1	
4	N.S.S.	. O-RING From B-1721	2	2	2	1
5	510795	. FILTER FUEL, ELEMENT / W/"PRO FILTER" To A-1720	1	1	1	
5	N8893572	. FILTER FUEL, ELEMENT / W/"PRO FILTER" To A-1720	1	1	1	
5	85120233	. FILTER FUEL, ELEMENT / W/"PRO FILTER" From B-1721	1	1	1	
6	531440	. SPRING To A-1720	1	1	1	
6	3099140	. SPRING To A-1720	1	1	1	
6	3099140	. SPRING From B-1721	1	1	1	
7	531438	. COVER, FILTER ELEMENT To A-1720	1	1	1	
7	N8893569	. COVER, FILTER ELEMENT To A-1720	1	1	1	
7	85116443	. COVER, FILTER ELEMENT From B-1721	1	1	1	
8	N.S.S.	. SEAL CAP VENT	1	1	1	1
9	531439	. CAP VENT To A-1720	1	1	1	
9	3948921	. CAP VENT From B-1721 To E-2503	1	1	1	
9	Call order desk	. CAP VENT From E-2504	1	1	1	P
10		. SEAL O-RING	1	1	1	
11		. DRAIN VALVE To A-1720	1	1	1	
11	G1093949	. DRAIN VALVE To A-1720	1	1	1	
11	3099141	. DRAIN VALVE From B-1721	1	1	1	
12	N.S.P.	. CHECK VALVE / (23518325) To A-1720	2	2	2	2
12	3947686	. CHECK VALVE BODY ONLY From B-1721	1	1	1	
100	531442	O-RING SET To A-1720	1	1	1	A
. A	DAV380048	. ANTI TAMPER SEAL To A-1720	1	1	1	A
. B	3946027	. O-RING To A-1720	1	1	1	A
100	G1093444	O-RING SET To A-1720	1	1	1	A
. A	DAV380048	. ANTI TAMPER SEAL To A-1720	1	1	1	A
. B	3946027	. O-RING To A-1720	1	1	1	A
100	3946029	O-RING SET From B-1721	1	1	1	A
. A	N.S.S.	. ANTI TAMPER SEAL From B-1721	1	1	1	1 A
. B	N.S.S.	. O-RING From B-1721	1	1	1	1 A

From 7-0671 To E-2503	Date:10/2022	PAGE:H7-0311-15
<b>FUEL FILTER / "PRO 382"</b>		

Item#	Part	Description	H 3 4 1	H 3 4 5	V I P 4 5	N O T E S
101	N.S.P.	CHECK VALVE REPAIR KIT / (23518326) To A-1720	1	1	1	2
101	G1093945	CHECK VALVE REPAIR KIT / To A-1720	1	1	1	
101	1117798	CHECK VALVE REPAIR KIT / From B-1721	1	1	1	
NS	G1093952	COLLAR VENT CAP WRENCH METAL To A-1720	1	1	1	
NS	3093385	COLLAR VENT CAP WRENCH METAL From B-1721	1	1	1	
		A) INCLUDE ITEM #2, 4, 8 & 12				
		1) NOT SOLD SEPARATELY				
		2) NOT SOLD BY PREVOST (SEE MANUFACTURING PART NUMBER AT END OF DESCRIPTION LINE)				
		P) CALL ORDER DESK FOR SPECIFIC APPLICATION (V.I.N.)				
		1) NOT SOLD SEPARATELY				

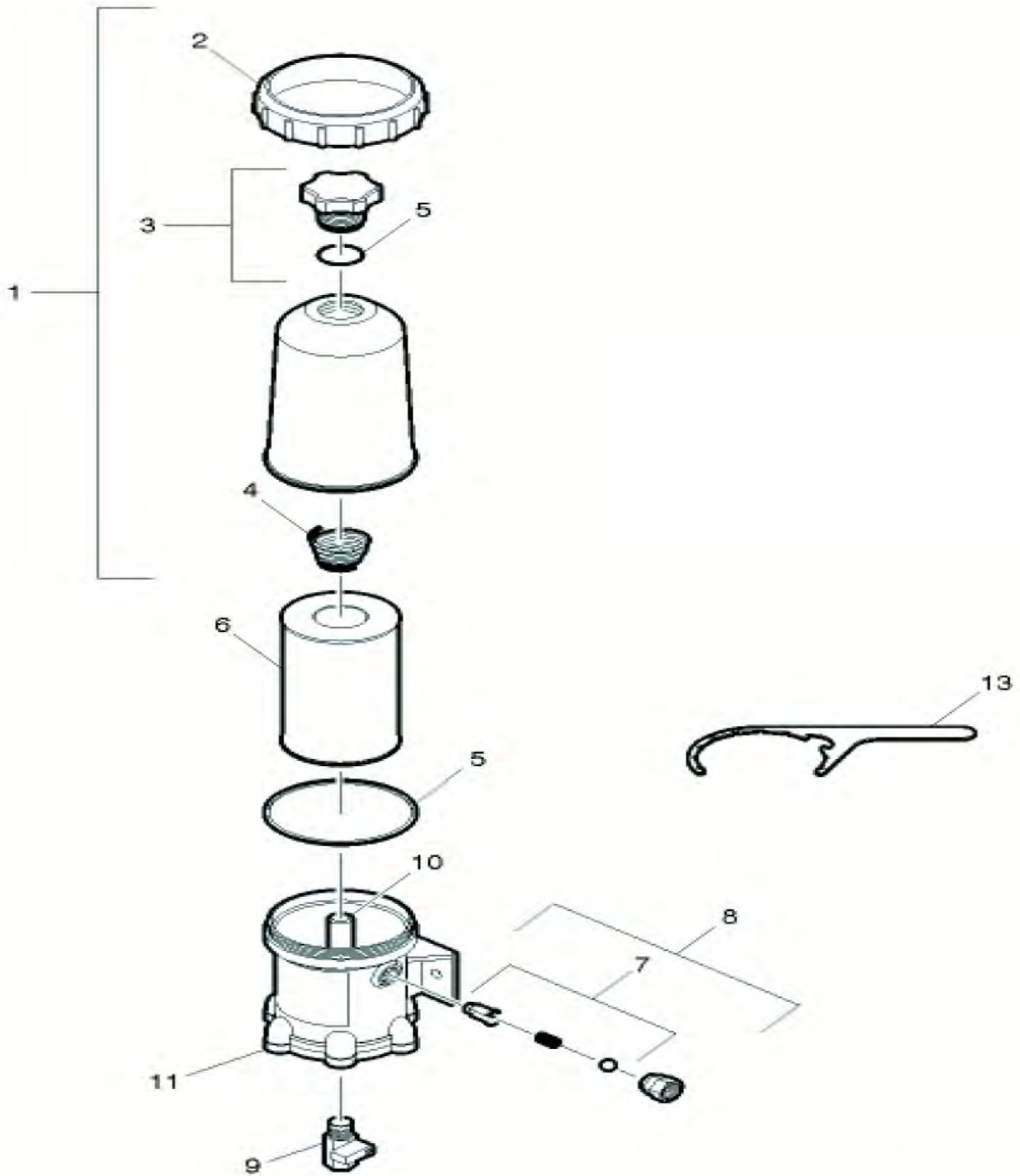


From E-2504 To J-0287

Date:10/2022

PAGE:H7-0311-16

## FUEL FILTER / "PRO 382"



R1103003

From E-2504 To J-0287	Date:10/2022	PAGE:H7-0311-16
<b>FUEL FILTER / "PRO 382"</b>		

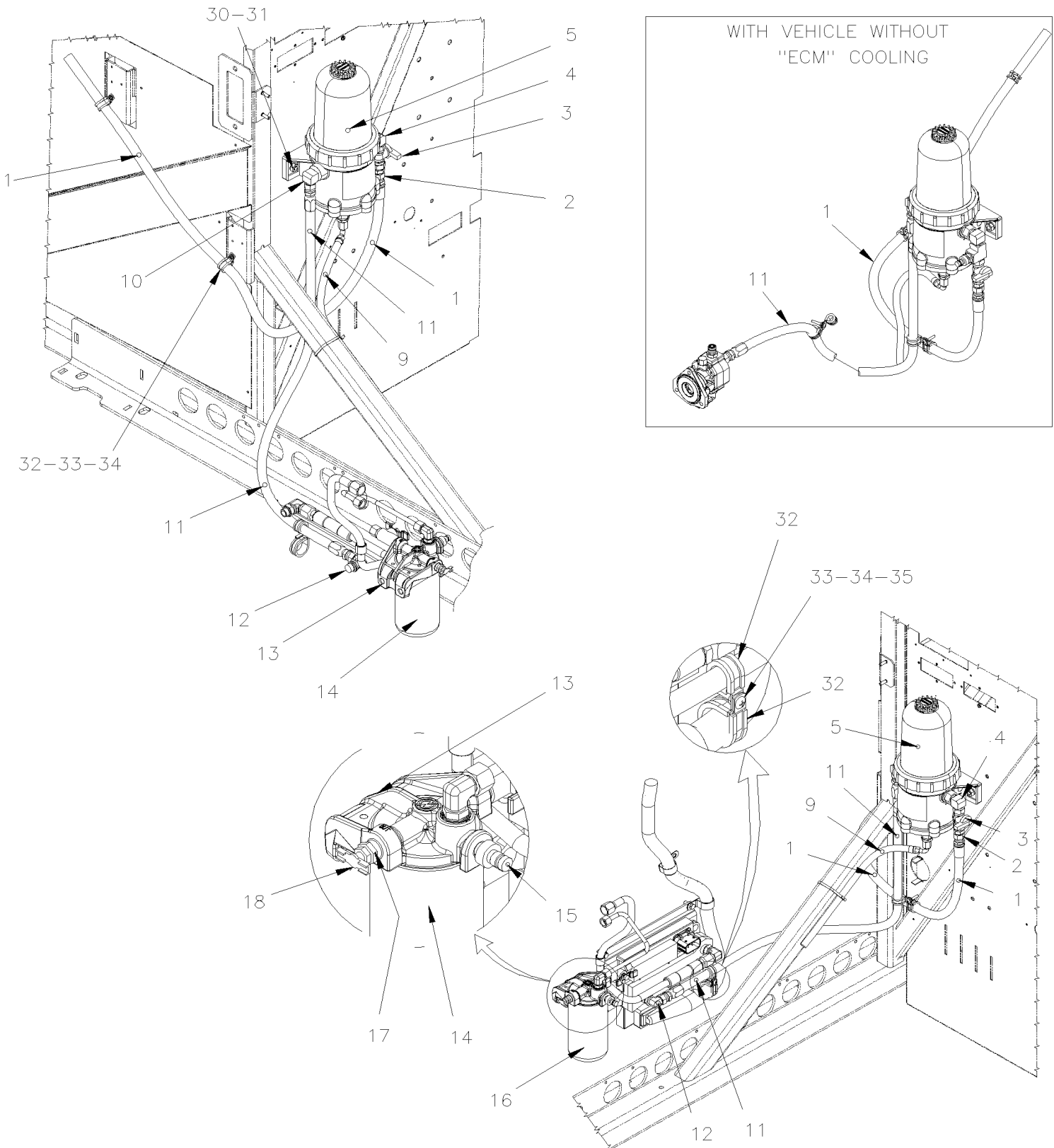
Item#	Part	Description	H 3 4 1	H 3 4 5	V I P 4 5	N O T E S
	<b>22188830</b>	<b>FILTER ASSY "FUEL PRO 382" UNHEATED</b>	1	1	1	
1	530217	. COVER ASSEMBLY INCLUDES ITEMS 1, 2, 3, 4	1	1	1	
2	531441	. COLLAR, COVER	1	1	1	
3	530218	. VENT CAP SERVICE KIT	1	1	1	
4	3099140	. SPRING	1	1	1	
5	3946029	. O-RING SET	1	1	1	
. A	N.S.S.	. . ANTI TAMPER SEAL	1	1	1	1
. B	N.S.S.	. . O-RING	1	1	1	1
6	530219	. FILTER ELEMENT 25 MICRON	1	1	1	
7	530220	. CHECK VALVE SERVICE KIT	1	1	1	
8	530221	. CHECK VALVE ASSEMBLY INCLUDES ITEM 7	1	1	1	
9	G1093949	. DRAIN VALVE	1	1	1	
10	19506118	. STUD 13/16-12 X 7/8-14	1	1	1	
11	530222	. BOTTOM PLATE	1	1	1	
13	530224	. WRENCH	1	1	1	
		1) NOT SOLD SEPARATELY				

From 7-0671 To A-1720

Date:10/2022

PAGE:H7-0312-10

## FUEL PRO - INSTALLATION WITH DETROIT S-60



<b>From 7-0671 To A-1720</b>	<b>Date:10/2022</b>	<b>PAGE:H7-0312-10</b>
<b>FUEL PRO - INSTALLATION WITH DETROIT S-60</b>		

Item#	Part	Description	H 3 4 1	H 3 4 5	V I P 4 5	N O T E S
1	032144	HOSE ASSY / #8 6402MM	1	1	1	
2	501616	MALE CONNECTOR / SAE 45° FITTING / #8FL-Mx1/2NPT-M BR	1	1	1	
3	530096	BALL VALVE 1/2" NPT 1/2 NPT F x 1/2 NPT F	1	1	1	
4	501713	MALE ELBOW 90° / PIPE FITTING / 1/2NPT-Mx1/2NPT-M BR	1	1	1	
5	<b>H7-0311-15</b>	<b>FUEL FILTER / "PRO 382"</b>				
6	501719	MALE ELBOW 90° / JIC 37° FITTING / #8JIC-Mx1/2NPT-M BR	1	1	1	
9	032132	HOSE ASSY / DRAIN #6 460MM	1	1	1	
10	501719	MALE ELBOW 90° / JIC 37° FITTING / #8JIC-Mx1/2NPT-M BR	1	1	1	
11	032685	HOSE ASSY / #8 1000MM	1	1	1	
11	032757	HOSE ASSY / #8 825MM From 8-1202	1	1	1	
12	5011204	MALE ELBOW 90° / JIC 37° FITTING / #8JIC-MxM18-1.5-M STL To A-1483	1	1	1	
. NS	N.P.N.	. O-RING To A-1483	1	1	1	4
. NS	N.P.N.	. WASHER RET To A-1483	1	1	1	4
12	5011247	MALE CONNECTOR / JIC 37° FITTING / #8JIC-MxM16-1.5 ORB-M STL From A-1484	1	1	1	
13	510344	COVER / W/SECONDARY FILTER	1	1	1	
14	510794	FUEL FILTER, CARTRIDGE // SECONDARY To A-1483	1	1	1	
15	504706	NIPPLE / QUICK DISCONNECT "SAE J1502" / #4x1/4NPT-M STL W/DUST CAP To A-1483	1	1	1	
. NS	195533	. DUST CAP / QUICK DISCONNECT "SAE J1502" / #4 To A-1483	1	1	1	
16	531465	COVER "BY-PASS" / SECONDARY FILTER To A-1483	1	1	1	
17	501314	BUSHING REDUCER / PIPE FITTING / 3/8NTP-Mx1/4NPT-F BR To A-1483	1	1	1	
18	501129	EXTERNAL SEAL DRAIN 1/4 NPT To A-1483	1	1	1	
30	500847	NUT HEX M10-1.5 N500	2	2	2	
31	3852496	WASHER LO SPT 10.2x18.1x2.2 ZG603	2	2	2	
32	952629	CLAMP / 5/8" I.D.	AR	AR	AR	
32	952631	CLAMP / 3/4" I.D.	AR	AR	AR	
33	500574	SCREW MA TR PH #10-24x1 1/4 SS	AR	AR	AR	
33	500623	SCREW TC PAN PH #10-24x3/4 N500	AR	AR	AR	
34	500914	WASHER LO SPT .193x.334x.047 N500	AR	AR	AR	
34	500855	WASHER FL .188x.438x.049 N500	AR	AR	AR	
35	502882	NUT HEX #10-24 N500	AR	AR	AR	
		4) NO PARTS NUMBER				

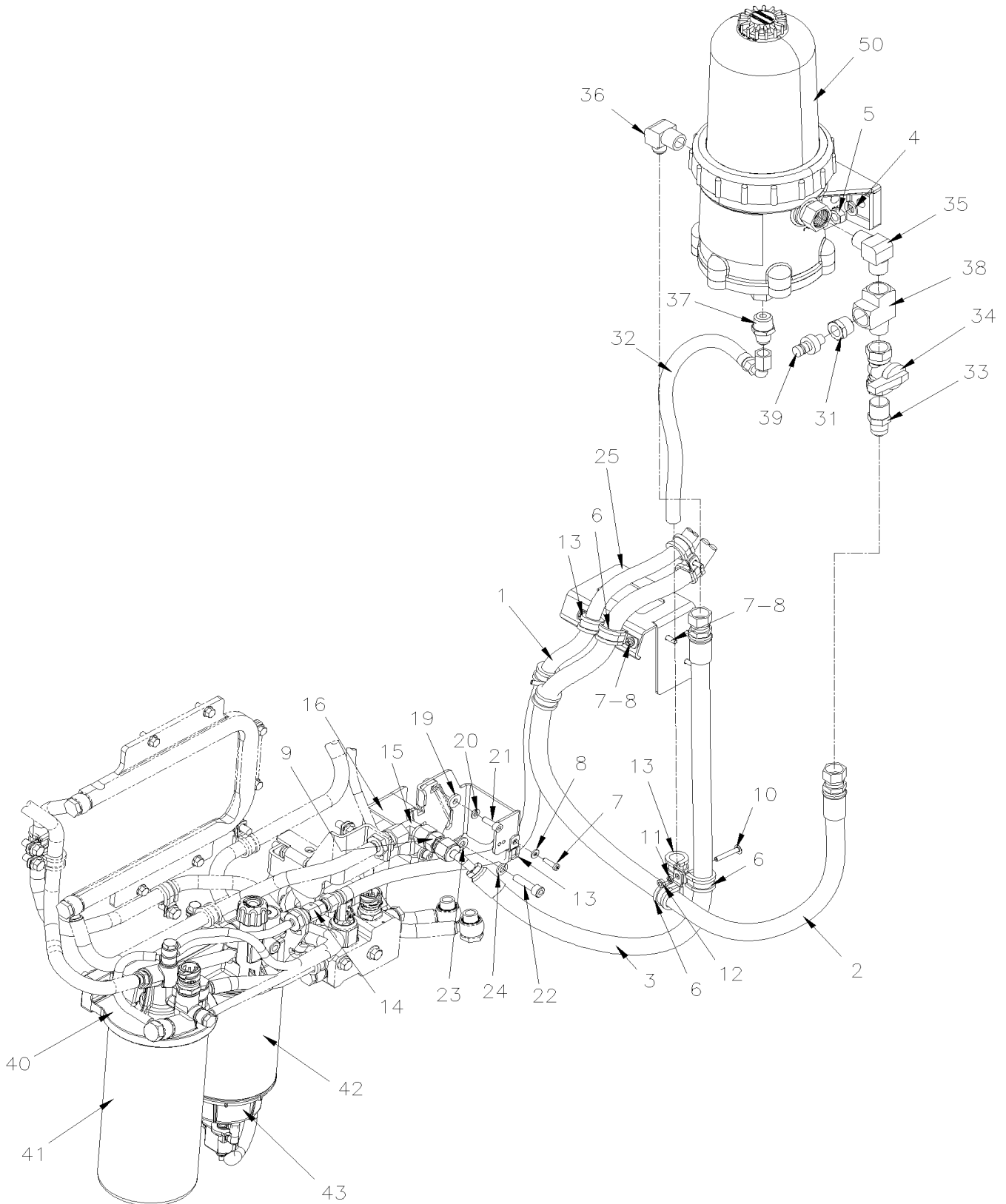


From 8-1202 To J-0287

Date:10/2022

PAGE:H7-0312-11

## FUEL PRO - INSTALLATION WITH VOLVO D13



<b>From 8-1202 To J-0287</b>	<b>Date:10/2022</b>	<b>PAGE:H7-0312-11</b>
<b>FUEL PRO - INSTALLATION WITH VOLVO D13</b>		

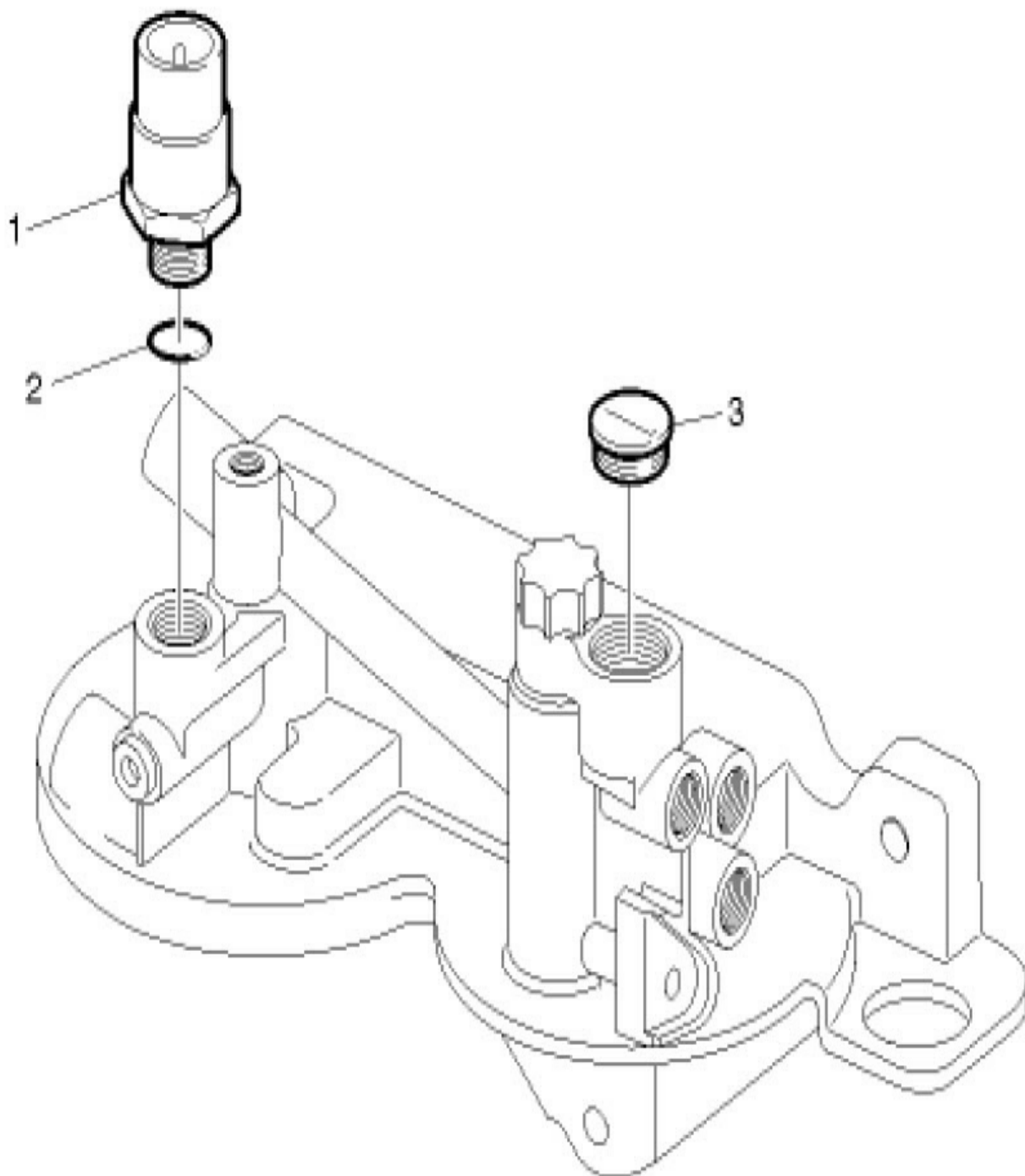
Item#	Part	Description	H 3 4 1	H 3 4 5	V I P 4 5	N O T E S
1	032764	HOSE ASSY / #6 6370MM To E-2617	1	1	1	A
1	033006	HOSE ASSY / #6 6370MM From E-2618 To H-3734	1	1	1	
1	033018	HOSE ASSY / #6 6230MM From H-3735	1	1	1	
1	501930	MALE CONNECTOR / JIC 37° FITTING / #6JIC-Mx1/2NPT-M STL To E-2617	1	1	1	
1	507662	MALE CONNECTOR SWIVEL / JIC 37° @ METRIC24° / #6JIC-MxM16-1.5 W/24° O-RING-F To E-2617	1	1	1	
2	032144	HOSE ASSY / #8 6402MM	1	1	1	
3	032757	HOSE ASSY / #8 825MM	1	1	1	
4	3852496	WASHER LO SPT 10.2x18.1x2.2 ZG603	2	2	2	
5	500847	NUT HEX M10-1.5 N500	2	2	2	
6	952631	CLAMP / 3/4" I.D.	6	6	6	
7	500623	SCREW TC PAN PH #10-24x3/4 N500	6	6	6	
8	500855	WASHER FL .188x.438x.049 N500	6	6	6	
9	507659	MALE CONNECTOR SWIVEL / JIC 37° @ METRIC24° / #8JIC-MxM18-1.5 W/24° O-RING-F	1	1	1	
10	500574	SCREW MA TR PH #10-24x1 1/4 SS	2	2	2	
11	500914	WASHER LO SPT .193x.334x.047 N500	2	2	2	
12	502882	NUT HEX #10-24 N500	2	2	2	
13	952629	CLAMP / 5/8" I.D.	4	4	4	
14	507662	MALE CONNECTOR SWIVEL / JIC 37° @ METRIC24° / #6JIC-MxM16-1.5 W/24° O-RING-F	1	1	1	
15	964016	ELBOW	1	1	1	
16	032758	SUPPORT FUEL LINE To A-1720	1	1	1	
16	032911	SUPPORT FUEL LINE From B-1721 To C-1885	1	1	1	
16	033185	SUPPORT FUEL LINE From C-1886 To D-2363	1	1	1	
16	033946	SUPPORT FUEL LINE From D-2364	1	1	1	
19	5001654	WASHER FL 6.4x17.0x3.0 SS	2	2	2	
20	502570	WASHER LO SPT 6.1x11.8x1.6 SS	2	2	2	
21	5001648	SCREW CAP HEXS M6-1.0x18 SS BK	2	2	2	
22	5001598	SCREW CAP HEXS M8-1.25x30 SS	1	1	1	
23	5001341	WASHER FL 8.4x17.0x1.6 SS	1	1	1	
24	5001161	WASHER LO SPT 8.1x14.8x2.0 SS-304	1	1	1	
25	032780	SUPPORT FUEL LINE	1	1	1	
31	501316	BUSHING REDUCER / PIPE FITTING / 1/2NPT-Mx1/4NPT-F BR	1	1	1	
32	032132	HOSE ASSY / DRAIN #6 460MM To A-1720	1	1	1	
32	503488	TUBE, NYLON 1/2 O.D. / BLACK S.L./ From B-1721	AR	AR	AR	
33	501616	MALE CONNECTOR / SAE 45° FITTING / #8FL-Mx1/2NPT-M BR	1	1	1	
34	530096	BALL VALVE 1/2" NPT 1/2 NPT F x 1/2 NPT F	1	1	1	
35	501713	MALE ELBOW 90° / PIPE FITTING / 1/2NPT-Mx1/2NPT-M BR	1	1	1	
36	501719	MALE ELBOW 90° / JIC 37° FITTING / #8JIC-Mx1/2NPT-M BR	1	1	1	
37	501591	MALE CONNECTOR / JIC 37° FITTING / #6JIC-Mx1/2NPT-M STL To A-1720	1	1	1	
NS	641383	MALE CONNECTOR / PUSH-IN FITTING / #8x1/2NPT-M BR From B-1721	1	1	1	
38	501473	MALE RUN TEE / PIPE FITTING / 1/2NPT-Mx1/2NPT-Fx1/2NPT-F BR	1	1	1	
39	504706	NIPPLE / QUICK DISCONNECT "SAE J1502" / #4x1/4NPT-M STL W/DUST CAP	1	1	1	
. NS	195533	. DUST CAP / QUICK DISCONNECT "SAE J1502" / #4	1	1	1	

From 8-1202 To J-0287	Date:10/2022	PAGE:H7-0312-11
<b>FUEL PRO - INSTALLATION WITH VOLVO D13</b>		

Item#	Part	Description	H 3 4 1	H 3 4 5	V I P 4 5	N O T E S
40	Refer To Volvo	HOUSING FUEL FILTER ASSY W/PRIMER PUMP TB-111262697-1	1	1	1	V
41	20405160	FUEL FILTER (LONG)	1	1	1	
42	20879806	FUEL FILTER WATER SEPARATOR	1	1	1	
43	20771580	BOWL / W/WATER DETECTOR IN FUEL UAUXFUEL	1	1	1	
43	Refer To Volvo	BOWL AF-E	1	1	1	V
50	H7-0311-15	FUEL FILTER / "PRO 382" To E-2503				
50	H7-0311-16	FUEL FILTER / "PRO 382" From E-2504				
		A) WHEN YOU REPLACE THE FUEL HOSE 032764 YOU NEED THE NEW HOSE 033006 WITH 501930 (FUEL TANK SIDE ) AND 507662 (ENGINE SIDE)				
		V) SEE IMPACT OR CALL ORDER DESK				



From 8-1202 To J-0287	Date:10/2022	PAGE:21023285
HOUSING FUEL FILTER ASSY W/PRIMER PUMP TB-111262697-1		



From 8-1202 To J-0287	Date:10/2022	PAGE:21023285
<b>HOUSING FUEL FILTER ASSY W/PRIMER PUMP TB-111262697-1</b>		

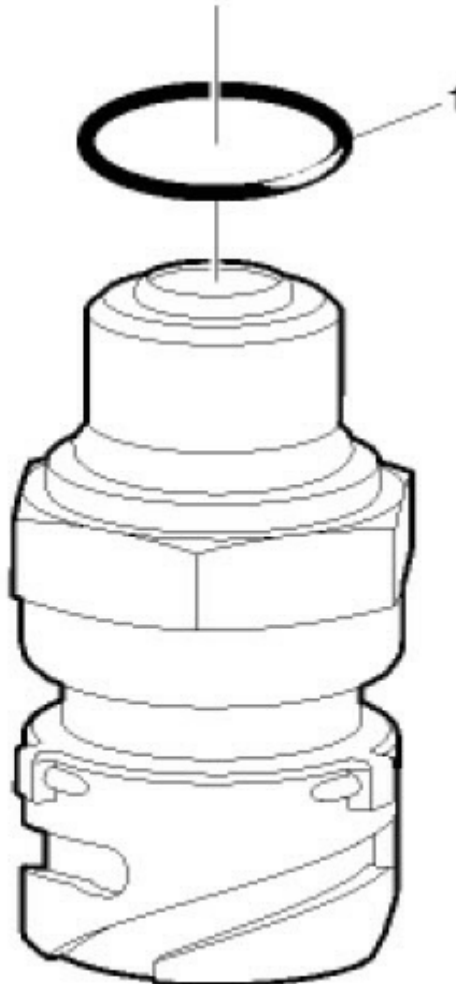
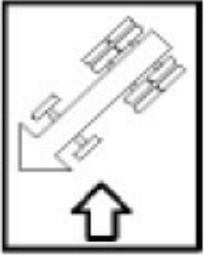
Item#	Part	Description	H 3 4 1	H 3 4 5	V I P 4 5	N O T E S
1	21302639	PRESSURE SENSOR,FUEL/OIL TB-130959470-1	1	1	1	
2	968559	O-RING (PRESSURE SENSOR)	1	1	1	
3	20744692	CAP	1	1	1	

From 8-1202 To J-0287

Date:10/2022

PAGE:21302639

PRESSURE SENSOR,FUEL/OIL TB-130959470-1



From 8-1202 To J-0287	Date:10/2022	PAGE:21302639
<b>PRESSURE SENSOR,FUEL/OIL TB-130959470-1</b>		

Item#	Part	Description	H 3 4 1	H 3 4 5	V I P 4 5	N O T E S
1	968559	O-RING (PRESSURE SENSOR)	1	1	1	

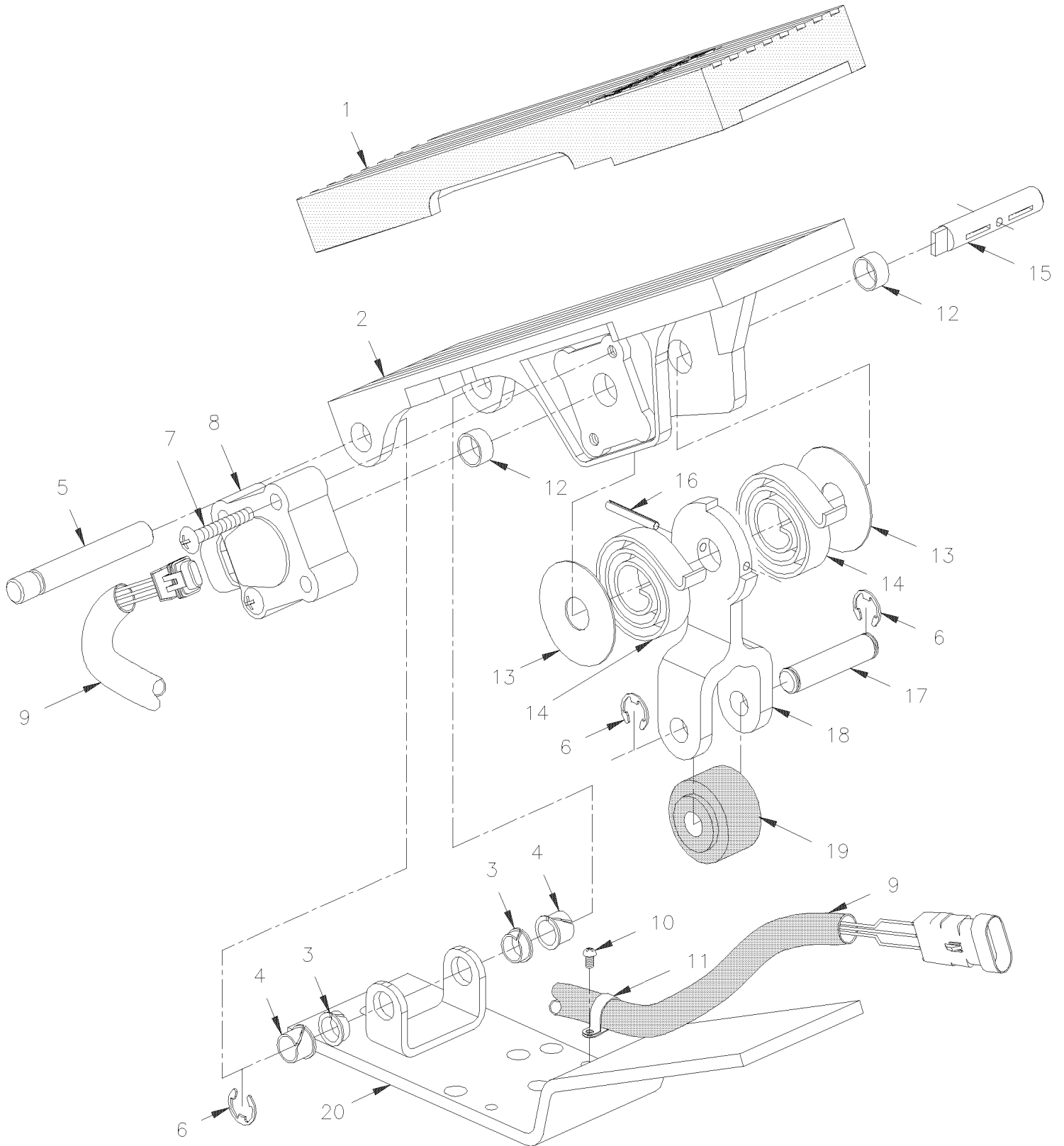


From 7-0671 To J-0287

Date:10/2022

PAGE:H7-0315-10

## ACCELERATOR PEDAL - ELECTRONIC



From 7-0671 To J-0287	Date:10/2022	PAGE:H7-0315-10
<b>ACCELERATOR PEDAL - ELECTRONIC</b>		

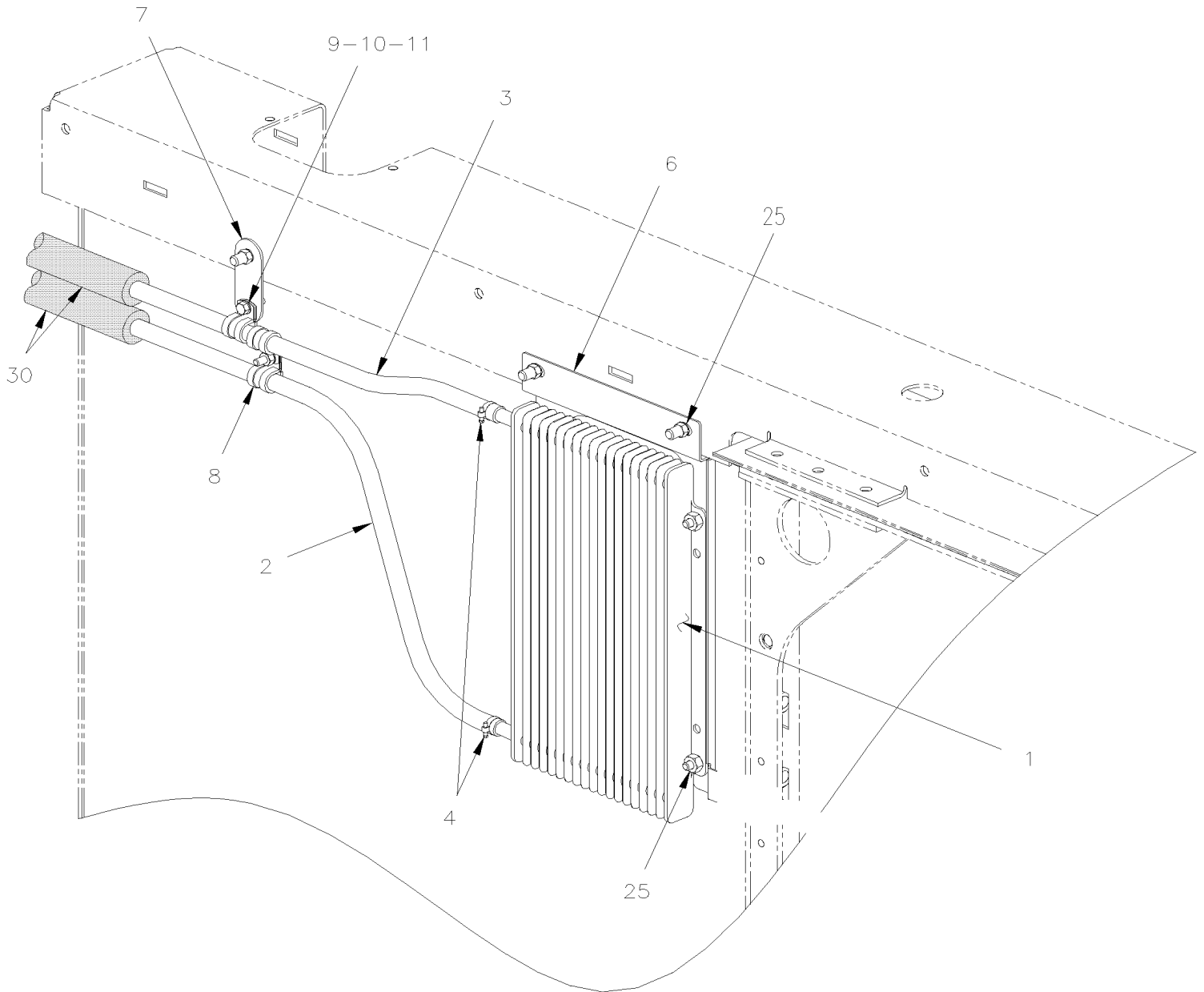
Item#	Part	Description	H 3 4 1	H 3 4 5	V I P 4 5	N O T E S
	531455	ACCELERATOR PEDAL ASSY To 9-1411	1	1	1	
	531483	ACCELERATOR PEDAL ASSY W/5V SENSOR "DETROIT" From 9-1412 To A-1720	1	1	1	
	531487	ACCELERATOR PEDAL ASSY / W0-32V SENSOR "VOLVO" "VOLVO" From 8-1202	1	1	1	W
1	531401	. THREADLE COVER	1	1	1	
2	N.S.S.	. THREADLE	1	1	1	1
3	N.S.S.	. BUSHING, INNER	2	2	2	1
4	507260	. BUSHING NYLINER W/SHOULDER .375x.437x.375x.594	2	2	2	
5	N.S.S.	. PIN, THREADLE	1	1	1	1
6	N.S.S.	. RING, SNAP 5/16" I.D.	3	3	3	1
7	500427	. SCREW MA RND PH #10-32x1 1/4 ZP	2	2	2	
8	531402	. POTENTIOMETER PEDAL SENSOR 0-5V To A-1720	1	1	1	
8	568084	. POTENTIOMETER PEDAL SENSOR 0-32V "VOLVO" From 8-1202	1	1	1	W
9	N8887087	. WIRE HARNESS	1	1	1	
10	500883	. . SCREW TC PAN PH #8-32x3/8 Z050	2	2	2	
11	N.S.S.	. . CLIP	2	2	2	1
12	N.S.S.	. BUSHING, GARLOCK	2	2	2	1
13	N.S.S.	. THRUST, WASHER-OUTER	2	2	2	1
13	N.S.S.	. THRUST, WASHER-INNER	2	2	2	1
14	N.S.S.	. SPRING	2	2	2	1
15	N.S.S.	. SHAFT SENSOR DRIVE	1	1	1	1
16	505208	. SPRING, PIN 1/8 X 7/8	1	1	1	
17	N.S.S.	. ROLLER, PIN	1	1	1	1
18	N.S.S.	. LEVER, THREADLE	1	1	1	1
19	N.S.S.	. ROLLER	1	1	1	1
20	531462	. BASE PLATE / (includes item #5)	1	1	1	
NS	531393	KIT REPAIR / LOWER THREADLE PIN	1	1	1	A
NS	531394	KIT REPAIR / ROLLER	1	1	1	B
31	5001814	SCREW CAP HEX 5/16-18X1 1/2 G5 N500 To H-3932	3	3	3	
31	5001992	SCREW CAP HEX SLO 5/16-18x1 1/2 SS From H-3933	3	3	3	
32	500942	WASHER LO SPT 8.1x14.8x2.0 N500 To H-3932	3	3	3	
32	5001341	WASHER FL 8.4x17.0x1.6 SS From H-3933	3	3	3	
NS	680067	SEALANT TAPE BUTYL / BLACK / 1/8"x3/4"x25' / 75211E760	AR	AR	AR	
		A) INCLUDES ITEMS 3-4-5-6				
		B) INCLUDES ITEMS 6-18-19				
		W) SEE "WARRANTY" BULLETIN # 10-33				
		1) NOT SOLD SEPARATELY				

From 7-0671 To A-1720

Date:10/2022

PAGE:H7-0316-00

**FUEL COOLER - INSTALLATION**



From 7-0671 To A-1720	Date:10/2022	PAGE:H7-0316-00
<b>FUEL COOLER - INSTALLATION</b>		

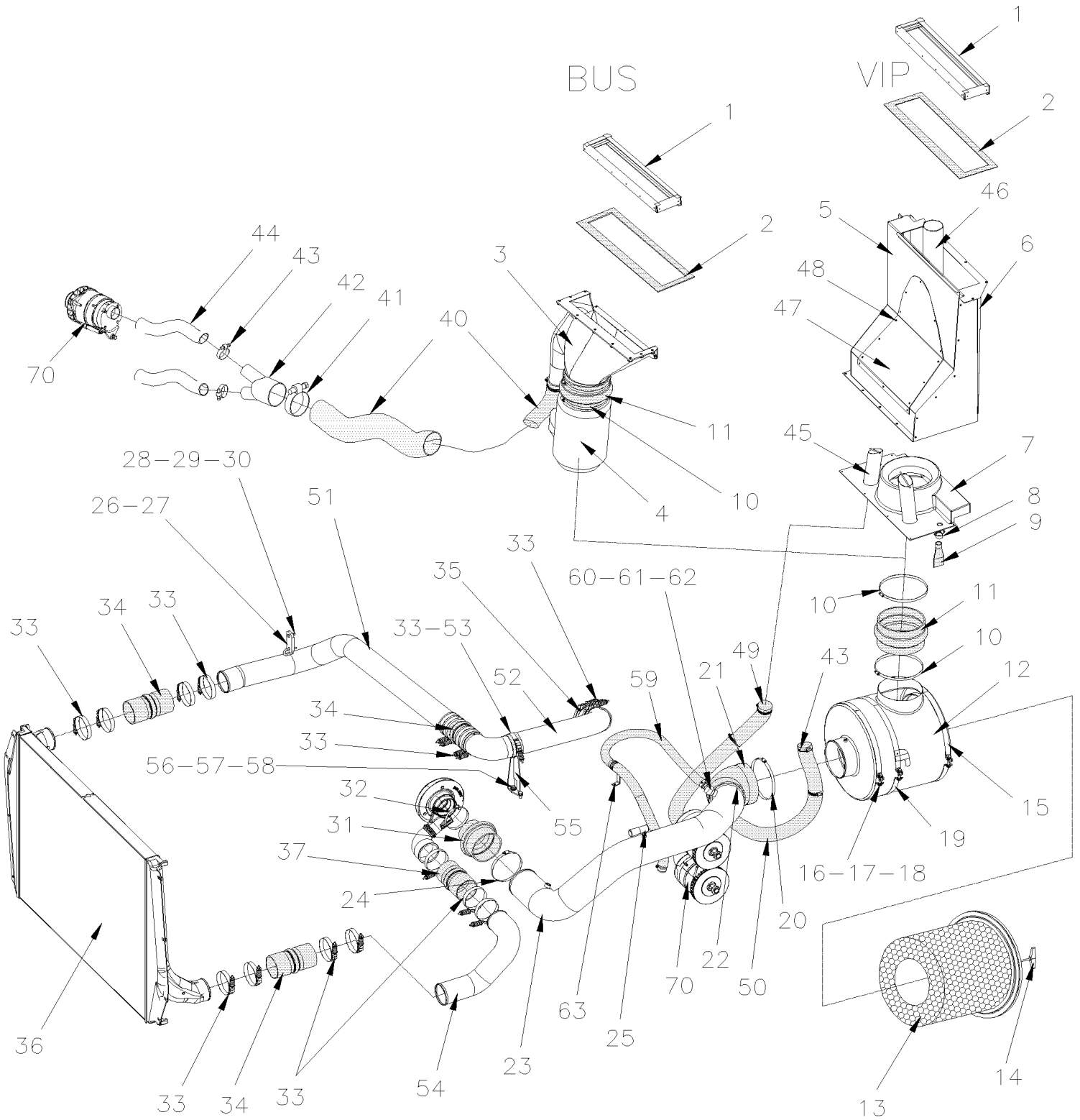
Item#	Part	Description	H 3 4 1	H 3 4 5	V I P 4 5	N O T E S
1	531422	FUEL COOLER	1	1	1	
2	032649	HOSE ASSY / FROM CYLINDER HEAD / #6 2417MM	1	1	1	
2	033004	HOSE ASSY / FROM CYLINDER HEAD / #6 2545MM	1	1	1	S
3	032648	HOSE ASSY / #6 7550MM	1	1	1	
3	033005	HOSE ASSY / #6 7550MM	1	1	1	S
4	504014	HOSE CLAMP / 1/4"-5/8" SS / HM-4	AR	AR	AR	
6	052771	SUPPORT FUEL COOLER	1	1	1	
7	032675	SUPPORT HOSE FUEL CYL HEAD	1	1	1	
8	952629	CLAMP / 5/8" I.D.	AR	AR	AR	
NS	283770	SPACER / TO FIX RETAINING ARM	1	1	1	
9	500574	SCREW MA TR PH #10-24x1 1/4 SS	AR	AR	AR	
10	500914	WASHER LO SPT .193x.334x.047 N500	AR	AR	AR	
11	502882	NUT HEX #10-24 N500	1	1	1	
25	955269	SCREW CAP HEX M6-1.0x12 G8.8 ZG603	4	4	4	
NS	502853	WASHER LO SPT 6.1x11.8x1.6 N500	4	4	4	
		S) SERVICE				

From 7-0671 To A-1720

Date:10/2022

PAGE:H7-0330-00

AIR FILTER & INTAKE - INSTALLATION WITH DETROIT S-60



<b>From 7-0671 To A-1720</b>	<b>Date:10/2022</b>	<b>PAGE:H7-0330-00</b>
<b>AIR FILTER &amp; INTAKE - INSTALLATION WITH DETROIT S-60</b>		

Item#	Part	Description	H 3 4 1	H 3 4 5	V I P 4 5	N O T E S
1	472247	GASKET / REAR CAR & DUCT	1	1	1	
NS	504487	RIVET MGLP PRDG 3/16x7/16 SS	AR	AR		D
NS	500989	WASHER FL .219x.875x.062 Z050	AR	AR		D
2	472246	FRAME CHANNEL SS / TO FIX GASKET	1	1	1	
3	032307	DUCT / AIR INTAKE W/ALT HOSE ADAPTOR OPEN To A-1476	1	1		
3	032855	DUCT / AIR INTAKE W/ALT HOSE ADAPTOR CLOSE From A-1477	1	1		
4	530207	SEPARATOR	1	1		
. NS	531484	. DRAIN BOOT 3" I.D.	1	1		
5	032798	AIR INTAKE ASSY			1	
5	032806	AIR INTAKE ASSY / W"BOSCH" ALTERNATOR			1	B
6	031643	PANEL BACKWARD / AIR INTAKE			1	
6	032638	PANEL BACKWARD / AIR INTAKE / W"BOSCH" ALTER			1	B
NS	680114	SEALANT TAPE BUTYL / BLACK / 1/16"x3/4"x50' / 75211E760			AR	
7	032797	ADAPTOR			1	
7	032805	ADAPTOR / W"BOSCH" ALTERNATOR			1	B
NS	500641	SCREW TP PAN PH #8x3/4 Z050			34	
NS	502701	WASHER FL .172x.750x.031			34	
8	504020	HOSE CLAMP / 9/16"-1"1/4 SS / HS-12			2	
9	590284	DRAIN BOOT 1" I.D. X 5" / FLAT			2	
10	504415	HOSE CLAMP / 7"1/4-9"1/4 SS / HS-152	4	4		
10	504415	HOSE CLAMP / 7"1/4-9"1/4 SS / HS-152			2	
11	530210	HOSE FLEXIBLE / 8" O.D. x 125MM	2	2		
11	530210	HOSE FLEXIBLE / 8" O.D. x 125MM			1	
12	530206	FILTER AIR 18"	1	1	1	
13	530197	. ELEMENT AIR FILTER 18"	1	1	1	
14	531420	. NUT WING 1/2-13 NY	1	1	1	
15	031465	STRAP MOUNTING / W/18" AIR FILTER	2	2	2	
16	502757	SCREW CAP HEX M8-1.25x50 G8.8 N500	2	2	2	
17	192288	WASHER FL 8.4x18.0x2.0 ZG603	2	2	2	
18	946036	NUT HEX STO M8-1.25 ZG603	2	2	2	
19	032653	STRAP MOUNTING / W/18" AIR FILTER			1	B
20	504229	HOSE CLAMP / 6"1/2-8"1/2 SS / HS-100	1	1	1	
21	531475	ELBOW 68° DEGRES / REDUCER 7" X 6"	1	1	1	
22	504031	HOSE CLAMP / 5"-7" SS / HS-104	1	1	1	
23	032642	PIPE 5 1/2" O.D. / AIR FILTER & TURBO	1	1	1	
NS	510848	HUMIDITY SENSOR 3/8" NPT / FIXED AT PIPE NEAR TURBO	1	1	1	
NS	563404	CONNECTOR / APEX 2.8MM / SH 2C / BLACK / FCI 54200206	1	1	1	
NS	563276	SOCKET TERMINAL / FCI J5-1811-66AU	2	2	2	
24	504324	HOSE CLAMP / 4"1/2-6"1/2 SS / HS-96	3	3	3	
25	530161	GAUGE AIR RESTRICTION 20" H2O 1/8" NPT	1	1	1	
26	032541	RUBBER SUPPORT 106.5 x 48 / 2 Holes 72MM C/C	2	2	2	
27	032540	SPACER 1/2" O.D.X 12MM SS	2	2	2	

From 7-0671 To A-1720	Date:10/2022	PAGE:H7-0330-00
<b>AIR FILTER &amp; INTAKE - INSTALLATION WITH DETROIT S-60</b>		

Item#	Part	Description	H 3 4 1	H 3 4 5	V I P 4 5	N O T E S
28	502851	NUT HEX M8-1.25 N500			1	
29	500942	WASHER LO SPT 8.1x14.8x2.0 N500	1	1		
30	500401	WASHER FL .343x.875x.125 N500	1	1	1	
31	531476	REDUCER RUBBER / 5 1/2" X 4" DIA.	1	1	1	
32	504257	HOSE CLAMP / 4"1/16-5" SS / HS-72	1	1	1	
33	032543	HOSE CLAMP SPRING LOAD / MODIFIED "PREVOST" / 4"1/8-4"7/16	20	20	20	
. NS	531386	. HOSE CLAMP SPRING LOAD / HEAVY DUTY 4"1/8-4"7/16	1	1	1	
. NS	502930	. SPRING COMPRESSION / .975 O.D. x 1.5 x .225	1	1	1	
. NS	500401	. WASHER FL .343x.875x.125 N500	1	1	1	
. NS	500897	. WASHER FL .437x1.000x.083 N500	2	2	2	
33	21185959	HOSE CLAMP SPRING LOAD / MODIFIED "PREVOST" / 4"1/8-4"7/16	20	20	20	
. NS	531386	. HOSE CLAMP SPRING LOAD / HEAVY DUTY 4"1/8-4"7/16	1	1	1	
. NS	502930	. SPRING COMPRESSION / .975 O.D. x 1.5 x .225	1	1	1	
. NS	500401	. WASHER FL .343x.875x.125 N500	1	1	1	
. NS	500897	. WASHER FL .437x1.000x.083 N500	2	2	2	
34	531469	HOSE / W/2 RING / 4" I.D. 8" / 500°F To 9-1393	3	3	3	
34	70396486	HOSE / W/2 RING / 4" I.D. 8" / 500°F From 9-1394	3	3	3	
35	531471	HOSE SILICONE 4" I.D. 6 1/2" / 500F°	1	1	1	
36	550918	AIR COOLER ASSY H & MTH-45 To A-1499	1	1	1	
36	21120811	AIR COOLER ASSY H, MTH-45 & 9700 From A-1500	1	1	1	
37	531467	HOSE / W/2 RING / 4" I.D. 7" / 500F°	1	1	1	
40	064956	HOSE FLEXIBLE / 4" I.D. X 1660MM To A-1476	1	1		
40	503688	. HOSE FLEXIBLE / AIR DUCT 4" I.D. X 25' RUBBER To A-1476	AR	AR		
40	<b>H7-0610-00</b>	<b>ALTERNATOR MOUNTING / "BOSCH" 2X140AMPS DETROIT S-60</b>				
41	504235	HOSE CLAMP / 3"9/16"-4"1/2 SS / HS-64 To A-1476	2	2		
42	064834	ADAPTOR "Y" To A-1476	1	1		
42	065038	ANGLE SUPPORT 76MM x 20MM To A-1476	1	1		
43	504025	HOSE CLAMP / 2"5/16-3"1/4 SS / HS-44 To A-1476	4	4	4	
44	503674	HOSE FLEXIBLE / AIR DUCT 2 1/2" I.D. X 25' To A-1476	AR	AR		
45	032645	PIPE ASSY 3 1/2" O.D. X 424MM / W/2 "BOSCH" ALTERNATOR To A-1476			2	B
46	032641	PIPE 3 1/2" O.D. X 424MM (FIXED INSIDE) / W/2 "BOSCH" ALTERNATOR To A-1476			1	B
47	032643	COVER AIR INTAKE / W/"BOSCH" ALTERNATOR To A-1476			1	B
48	500120	SCREW TP BDG PH #6x1/2 SS To A-1476			16	B
49	066690	HOSE 2 1/2" I.D. 880MM To A-1476			1	B
. NS	503674	. HOSE FLEXIBLE / AIR DUCT 2 1/2" I.D. X 25' To A-1476			AR	B
50	066691	HOSE 2 1/2" I.D. 1250MM To A-1476			1	B
. NS	503674	. HOSE FLEXIBLE / AIR DUCT 2 1/2" I.D. X 25' To A-1476			AR	B
51	052693	PIPE 4" O.D. / AIR COOLER SIDE	1	1	1	
52	052694	PIPE 4" O.D. / MANIFOLD SIDE	1	1	1	
53	531470	PROTECTOR SILICONE 4" I.D. X 1 3/4" WIDE	1	1	1	

From 7-0671 To A-1720	Date:10/2022	PAGE:H7-0330-00
<b>AIR FILTER &amp; INTAKE - INSTALLATION WITH DETROIT S-60</b>		

Item#	Part	Description	H 3 4 1	H 3 4 5	V I P 4 5	N O T E S
54	053503	PIPE 4" O.D. / AIR COOLER & TURBO	1	1	1	
55	052725	SUPPORT PIPE	1	1	1	
55	059063	SUPPORT PIPE	1	1	1	
56	502804	SCREW CAP HEX M10-1.5x25 G8.8 N500	2	2	2	
57	500487	WASHER LO SPT .443x.779x.109 N500	2	2	2	
58	500877	WASHER FL .250x.562x.065 N500	2	2	2	
59	032663	HOSE / (SUCTION AIR COMPRESSOR) / #16 1300MM	1	1	1	
59	503725	. HOSE (SUCTION) / 1" I.D. X 25' / C.T.L.	AR	AR	AR	
60	5011240	MALE CONNECTOR / BEADED HOSE BARB / #16x3/4NPT-M BR	1	1	1	
61	504021	HOSE CLAMP / 11/16"-1"1/2 SS / HS-16	1	1	1	
62	5011051	STREET ELBOW 45° / PIPE FITTING / 3/4NPT-Mx3/4NPT-F BR	1	1	1	
63	032698	ANGLE SUPPORT, HOSE SUCTION / ON ENGINE	1	1	1	
NS	500569	SCREW MA RND PH 5/16-18x2 SS	1	1	1	
70	<b>H7-0605-00</b>	<b>ALTERNATOR 24V/140 AMPS / "BOSCH"</b>				
		B) WITH "OPTION" 2 "BOSCH" ALTERNATOR FIXED TO ENGINE				
		D) DUCT TO BODY				

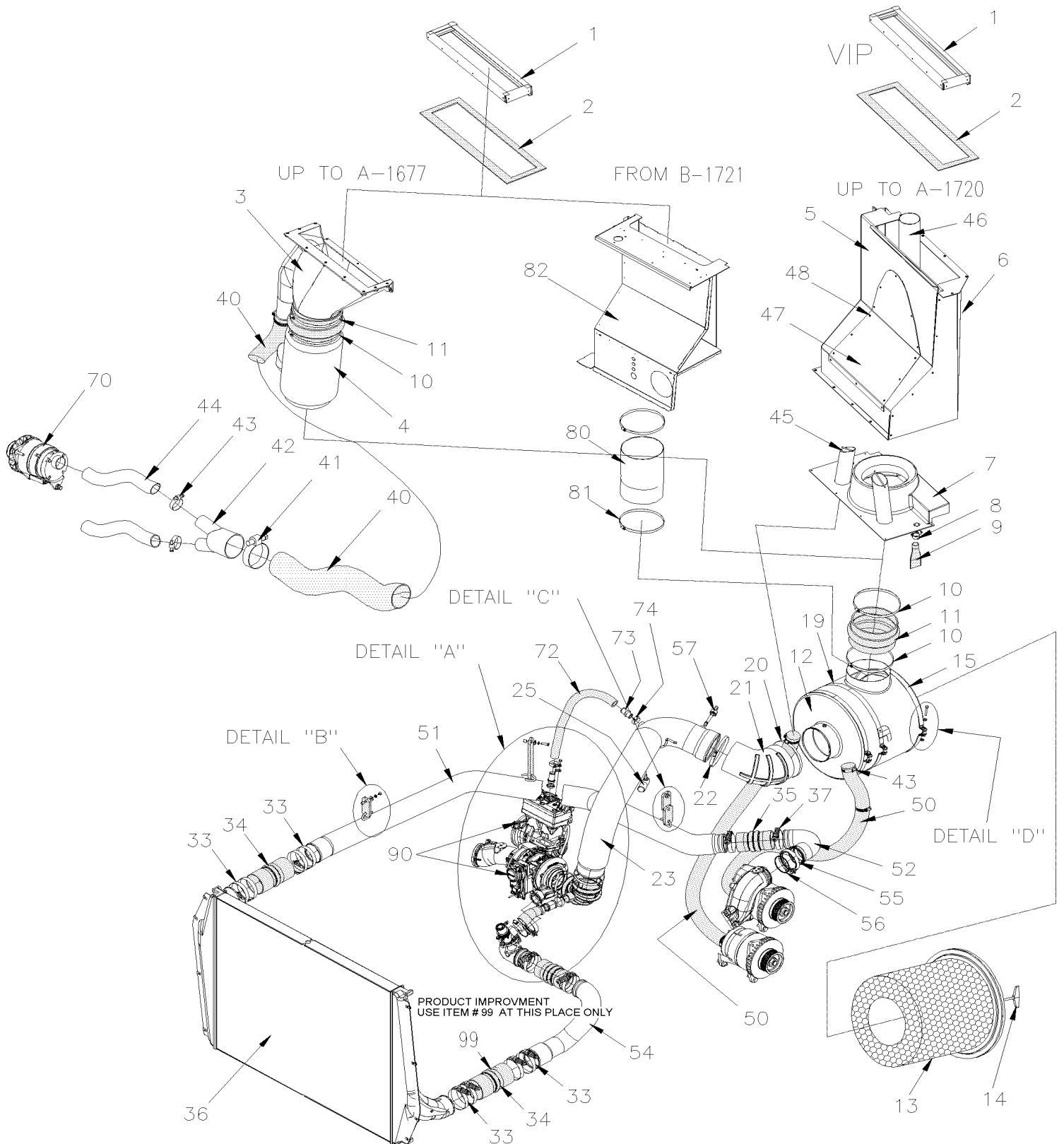


From 8-1202 To H-3734

Date:10/2022

PAGE:H7-0330-01

## AIR FILTER & INTAKE - INSTALLATION WITH VOLVO D13

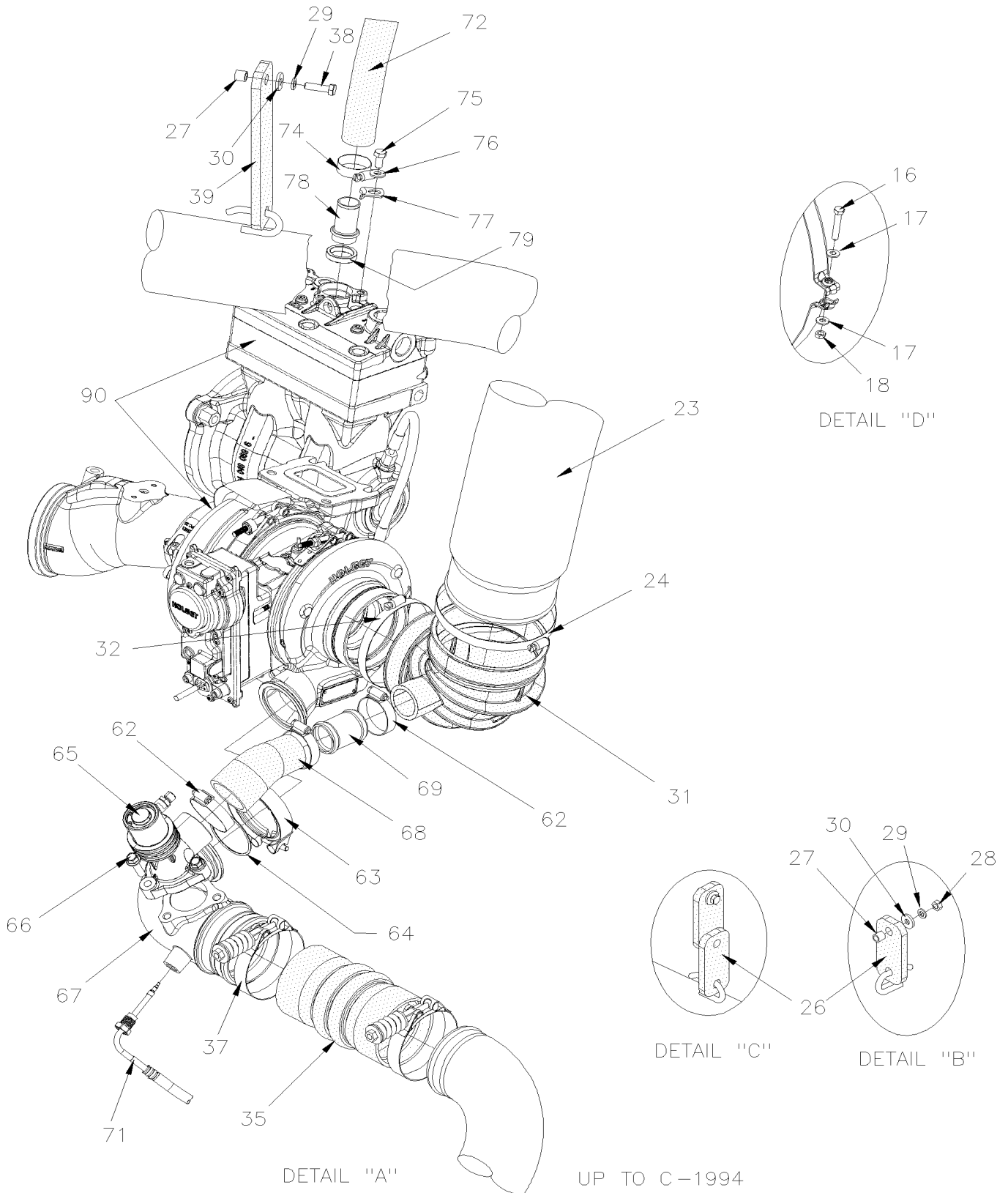


From 8-1202 To H-3734

Date:10/2022

PAGE:H7-0330-01

## AIR FILTER & INTAKE - INSTALLATION WITH VOLVO D13

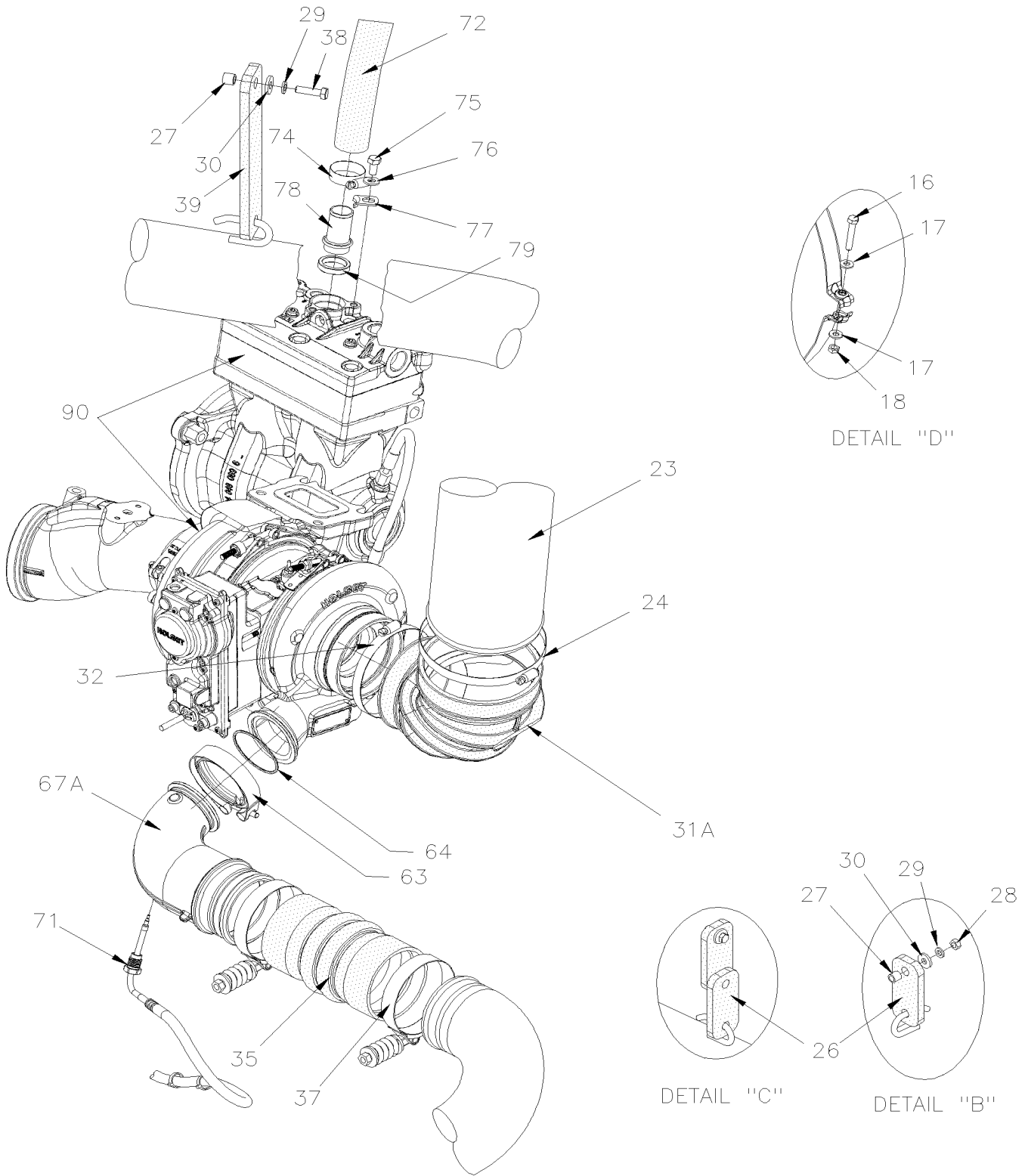


From 8-1202 To H-3734

Date:10/2022

PAGE:H7-0330-01

## AIR FILTER & INTAKE - INSTALLATION WITH VOLVO D13



DETAIL "A"

FROM C-1995

<b>From 8-1202 To H-3734</b>	<b>Date:10/2022</b>	<b>PAGE:H7-0330-01</b>
<b>AIR FILTER &amp; INTAKE - INSTALLATION WITH VOLVO D13</b>		

Item#	Part	Description	H 3 4 1	H 3 4 5	V I P 4 5	N O T E S
1	472247	GASKET / REAR CAR & DUCT	1	1	1	
NS	504487	RIVET MGLP PRDG 3/16x7/16 SS	AR	AR	AR	D
NS	500989	WASHER FL .219x.875x.062 Z050	AR	AR	AR	D
2	472246	FRAME CHANNEL SS / TO FIX GASKET	1	1	1	
3	032307	DUCT / AIR INTAKE W/ALT HOSE ADAPTOR OPEN To A-1720	1	1		
3	032855	DUCT / AIR INTAKE W/ALT HOSE ADAPTOR CLOSE From A-1678	1	1		
4	530207	SEPARATOR To A-1720	1	1	1	
NS	531484	DRAIN BOOT 3" I.D. To A-1720	1	1	1	
5	032798	AIR INTAKE ASSY To A-1720			1	
5	032806	AIR INTAKE ASSY / W"BOSCH" ALTERNATOR			1	B
6	031643	PANEL BACKWARD / AIR INTAKE From 8-1202 To A-1720			1	
6	032638	PANEL BACKWARD / AIR INTAKE / W"BOSCH" ALTER From 8-1202			1	B
NS	680114	SEALANT TAPE BUTYL / BLACK / 1/16"x3/4"x50' / 75211E760 From 8-1202			AR	
7	032797	ADAPTOR To A-1720			1	
7	032805	ADAPTOR / W"BOSCH" ALTERNATOR To A-1720			1	B
NS	500641	SCREW TP PAN PH #8x3/4 Z050 From 8-1202 To A-1720			34	
NS	502701	WASHER FL .172x.750x.031 From 8-1202 To A-1720			34	
8	504020	HOSE CLAMP / 9/16"-1"1/4 SS / HS-12 From 8-1202 To A-1720			2	
9	590284	DRAIN BOOT 1" I.D. X 5" / FLAT From 8-1202 To A-1720			2	
10	504415	HOSE CLAMP / 7"1/4-9"1/4 SS / HS-152 To A-1720	4	4		
10	504415	HOSE CLAMP / 7"1/4-9"1/4 SS / HS-152 From 8-1202 To A-1720			2	
11	530210	HOSE FLEXIBLE / 8" O.D. x 125MM To A-1720	2	2		
11	530210	HOSE FLEXIBLE / 8" O.D. x 125MM From 8-1202 To A-1720			1	
12	530206	FILTER AIR 18"	1	1	1	
13	530197	ELEMENT AIR FILTER 18"	1	1	1	
14	531420	NUT WING 1/2-13 NY	1	1	1	
15	031465	STRAP MOUNTING / W/18" AIR FILTER	2	2	2	
16	502757	SCREW CAP HEX M8-1.25x50 G8.8 N500 To C-2062	2	2	2	
16	5001178	SCREW CAP HEX M8-1.25x60 SS BK From C-2063 To F-2926	2	2	2	
16	5001347	SCREW CAP HEX M8-1.25x70 SS From F-2927 To G-3256	2	2	2	
16	5001178	SCREW CAP HEX M8-1.25x60 SS BK From G-3257	2	2	2	
17	192288	WASHER FL 8.4x18.0x2.0 ZG603	2	2	2	
18	946036	NUT HEX STO M8-1.25 ZG603	2	2	2	
19	032653	STRAP MOUNTING / W/18" AIR FILTER From 8-1202 To A-1720			1	B
20	504229	HOSE CLAMP / 6"1/2-8"1/2 SS / HS-100	1	1	1	
21	531475	ELBOW 68° DEGRES / REDUCER 7" X 6"	1	1	1	
22	504031	HOSE CLAMP / 5"-7" SS / HS-104	1	1	1	
23	052768	PIPE 5 1/2" O.D. / AIR FILTER & TURBO To A-1720	1	1		
23	052687	PIPE 5 1/2" O.D. / AIR FILTER & TURBO To A-1720			1	
23	053579	PIPE 5 1/2" O.D. / AIR FILTER & TURBO From B-1721	1	1	1	
24	504324	HOSE CLAMP / 4"1/2-6"1/2 SS / HS-96	3	3	3	
25	530161	GAUGE AIR RESTRICTION 20" H2O 1/8" NPT	1	1	1	

From 8-1202 To H-3734 Date:10/2022 PAGE:H7-0330-01

## AIR FILTER & INTAKE - INSTALLATION WITH VOLVO D13

Item#	Part	Description	H 3 4 1	H 3 4 5	V I P 4 5	N O T E S
26	032541	RUBBER SUPPORT 106.5 x 48 / 2 Holes 72MM C/C To A-1720	3	3	3	
26	032541	RUBBER SUPPORT 106.5 x 48 / 2 Holes 72MM C/C From B-1721	1	1	1	
26	053577	RUBBER SUPPORT 260 x 48 / 4 Holes From B-1721	1	1	1	
27	032540	SPACER 1/2" O.D.X 12MM SS	3	3	3	
29	500942	WASHER LO SPT 8.1x14.8x2.0 N500	3	3	3	
30	500401	WASHER FL .343x.875x.125 N500	3	3	3	
31	20905742	ELBOW INLET, RUBBER To A-1506	1	1	1	
31	21228220	ELBOW INLET, RUBBER From A-1507 To C-1994	1	1	1	
31A	21659720	ELBOW INLET, RUBBER From C-1995	1	1	1	
32	504257	HOSE CLAMP / 4"1/16-5" SS / HS-72	1	1	1	
33	032543	HOSE CLAMP SPRING LOAD / MODIFIED "PREVOST" / 4"1/8-4"7/16 To 9-1393	8	8	8	
. NS	531386	. HOSE CLAMP SPRING LOAD / HEAVY DUTY 4"1/8-4"7/16 To 9-1393	1	1	1	
. NS	502930	. SPRING COMPRESSION / .975 O.D. x 1.5 x .225 To 9-1393	1	1	1	
. NS	500401	. WASHER FL .343x.875x.125 N500 To 9-1393	1	1	1	
. NS	500897	. WASHER FL .437x1.000x.083 N500 To 9-1393	2	2	2	
33	21185959	HOSE CLAMP SPRING LOAD / MODIFIED "PREVOST" / 4"1/8-4"7/16 From 9-1394 To B-1884	8	8	8	
. NS	531386	. HOSE CLAMP SPRING LOAD / HEAVY DUTY 4"1/8-4"7/16 From 9-1394 To B-1884	1	1	1	
. NS	502930	. SPRING COMPRESSION / .975 O.D. x 1.5 x .225 From 9-1394 To B-1884	1	1	1	
. NS	500401	. WASHER FL .343x.875x.125 N500 From 9-1394 To B-1884	1	1	1	
. NS	500897	. WASHER FL .437x1.000x.083 N500 From 9-1394 To B-1884	2	2	2	
33	21490616	HOSE CLAMP SPRING LOAD / HEAVY DUTY 4"1/8-4"7/16 From B-1885	8	8	8	
34	531469	HOSE / W/2 RING / 4" I.D. 8" / 500°F To 9-1393	2	2	2	
34	70396486	HOSE / W/2 RING / 4" I.D. 8" / 500°F From 9-1394	2	2	2	
35	20550690	HOSE 86MM I.D. X 162.5MM	1	1	1	
36	550918	AIR COOLER ASSY H & MTH-45 To A-1499	1	1	1	
36	21120811	AIR COOLER ASSY H, MTH-45 & 9700 From A-1500 To B-1720	1	1	1	
36	21576798	AIR COOLER ASSY H, MTH-45 & 9700 TitanX From B-1721	1	1	1	
36	21576801	AIR COOLER ASSY H, MTH-45 & 9700 Dura-Lite From B-1721	1	1	1	
37	032762	HOSE CLAMP SPRING LOAD / MODIFIED "PREVOST" / 3"5/8-3"15/16 To 9-1393	4	4	4	
. NS	531480	. HOSE CLAMP SPRING LOAD / HEAVY DUTY 3"5/8-3"15/16 To 9-1393	1	1	1	
. NS	502930	. SPRING COMPRESSION / .975 O.D. x 1.5 x .225 To 9-1393	1	1	1	
. NS	500401	. WASHER FL .343x.875x.125 N500 To 9-1393	1	1	1	
. NS	500897	. WASHER FL .437x1.000x.083 N500 To 9-1393	2	2	2	
37	21185962	HOSE CLAMP SPRING LOAD / MODIFIED "PREVOST" / 3"5/8-3"15/16 From 9-1394 To B-1884	4	4	4	
. NS	531480	. HOSE CLAMP SPRING LOAD / HEAVY DUTY 3"5/8-3"15/16 From 9-1394 To B-1884	1	1	1	
. NS	502930	. SPRING COMPRESSION / .975 O.D. x 1.5 x .225 From 9-1394 To B-1884	1	1	1	
. NS	500401	. WASHER FL .343x.875x.125 N500 From 9-1394 To B-1884	1	1	1	
. NS	500897	. WASHER FL .437x1.000x.083 N500 From 9-1394 To B-1884	2	2	2	
37	21490630	HOSE CLAMP SPRING LOAD / HEAVY DUTY 3"5/8-3"15/16 From B-1885	4	4	4	
38	5001499	SCREW CAP HEX M8-1.25x30 SS	2	2	2	
39	052686	RUBBER SUPPORT 234 x 50 / 2 Holes 200MM C/C	1	1	1	
40	064956	HOSE FLEXIBLE / 4" I.D. X 1660MM To A-1720	1	1		

From 8-1202 To H-3734 Date:10/2022 PAGE:H7-0330-01

## AIR FILTER & INTAKE - INSTALLATION WITH VOLVO D13

Item#	Part	Description	H 3 4 1	H 3 4 5	V I P 4 5	N O T E S
40	503688	. HOSE FLEXIBLE / AIR DUCT 4" I.D. X 25' / RUBBER To A-1720	AR	AR		
40	<b>H7-0610-00</b>	<b>ALTERNATOR MOUNTING / "BOSCH" 2X140AMPS DETROIT S-60 To A-1720</b>				
41	504235	HOSE CLAMP / 3"9/16"-4"1/2 SS / HS-64 To A-1720	2	2		
42	064834	ADAPTOR "Y" To A-1720	1	1		
42	065038	ANGLE SUPPORT 76MM x 20MM To A-1720	1	1		
43	504025	HOSE CLAMP / 2"5/16-3"1/4 SS / HS-44 To A-1720	4	4		
44	064957	HOSE FLEXIBLE / 2 3/4" I.D. X 200MM To A-1720	1	1		
44	067281	HOSE FLEXIBLE / 2 3/4" I.D. X 350MM To A-1720	1	1		
44	503674	. HOSE FLEXIBLE / AIR DUCT 2 1/2" I.D. X 25' To A-1720	AR	AR		
45	032645	PIPE ASSY 3 1/2" O.D. X 424MM / W/2 "BOSCH" ALTERNATOR From 8-1202 To A-1677			2	B
46	032641	PIPE 3 1/2" O.D. X 424MM (FIXED INSIDE) / W/2 "BOSCH" ALTERNATOR From 8-1202 To A-1677			1	B
47	032643	COVER AIR INTAKE / W/"BOSCH" ALTERNATOR From 8-1202 To A-1677			1	B
48	500120	SCREW TP BDG PH #6x1/2 SS From 8-1202 To A-1677			16	B
50	067165	HOSE 2 1/2" I.D. 1300MM From 8-1202 To A-1677			1	B
51	052798	PIPE 4" O.D. / AIR COOLER & HOSE To A-1720	1	1	1	
51	052967	PIPE 4" O.D. / AIR COOLER & HOSE From A-1573 To A-1720	1	1	1	E
51	053578	PIPE 4" O.D. / AIR COOLER & HOSE From B-1721 To E-2660	1	1	1	
51	053066	PIPE 4" O.D. / AIR COOLER & HOSE From E-2661 To F-2821	1	1	1	
51	053695	PIPE 4" O.D. / AIR COOLER & HOSE From F-2822	1	1	1	
51	050051	PIPE 4" O.D. / AIR COOLER & HOSE From B-1721	1	1	1	
52	052796	ELBOW 4" O.D. To 9-1393	1	1	1	
52	70396022	ELBOW 4" O.D. From 9-1394 To A-1720	1	1	1	
52	053580	ELBOW 4" O.D. From B-1721 To E-2660	1	1	1	
52	053067	ELBOW 4" O.D. From E-2661	1	1	1	
54	052837	PIPE 4" O.D. / AIR COOLER & TURBO To A-1720	1	1	1	
54	052932	PIPE 4" O.D. / AIR COOLER & TURBO From B-1721 To E-2660	1	1	1	E
54	053065	PIPE 4" O.D. / AIR COOLER & TURBO From E-2661	1	1	1	E
55	20592783	V-CLAMP / (USE W GASKET) 107.7MM I.D.	1	1	1	
56	1675066	GASKET 107.7MM I.D. V-CLAMP	1	1	1	
57	21046544	HUMIDITY SENSOR To A-1720	1	1	1	
62	504024	HOSE CLAMP / 1"13/16"-2"3/4 SS / HS-36 To C-1994	3	3	3	
63	20592787	V-CLAMP / 81.7MM I.D.	1	1	1	
64	8167682	GASKET 60MM I.D. To D-2407	1	1	1	
64	21096684	GASKET 60MM I.D. From D-2408	1	1	1	
65	<b>20940438</b>	<b>DRV VALVE (HEAT MODE VALVE) TB-113379305-1 To C-1994</b>	1	1	1	
66	5001742	SCREW CAP HEXF M8-1.25x30 G8.8 N500 To C-1994	1	1	1	
67	052907	ELBOW TURBO DRV To 9-1393	1	1	1	
67	70396027	ELBOW TURBO DRV From 9-1394 To A-1720	1	1	1	
67	21419491	ELBOW TURBO DRV From B-1721	1	1	1	E
NS	052986	. ELBOW TURBO From B-1721	1	1	1	E
67A	21673474	ELBOW TURBO From C-1995	1	1	1	E

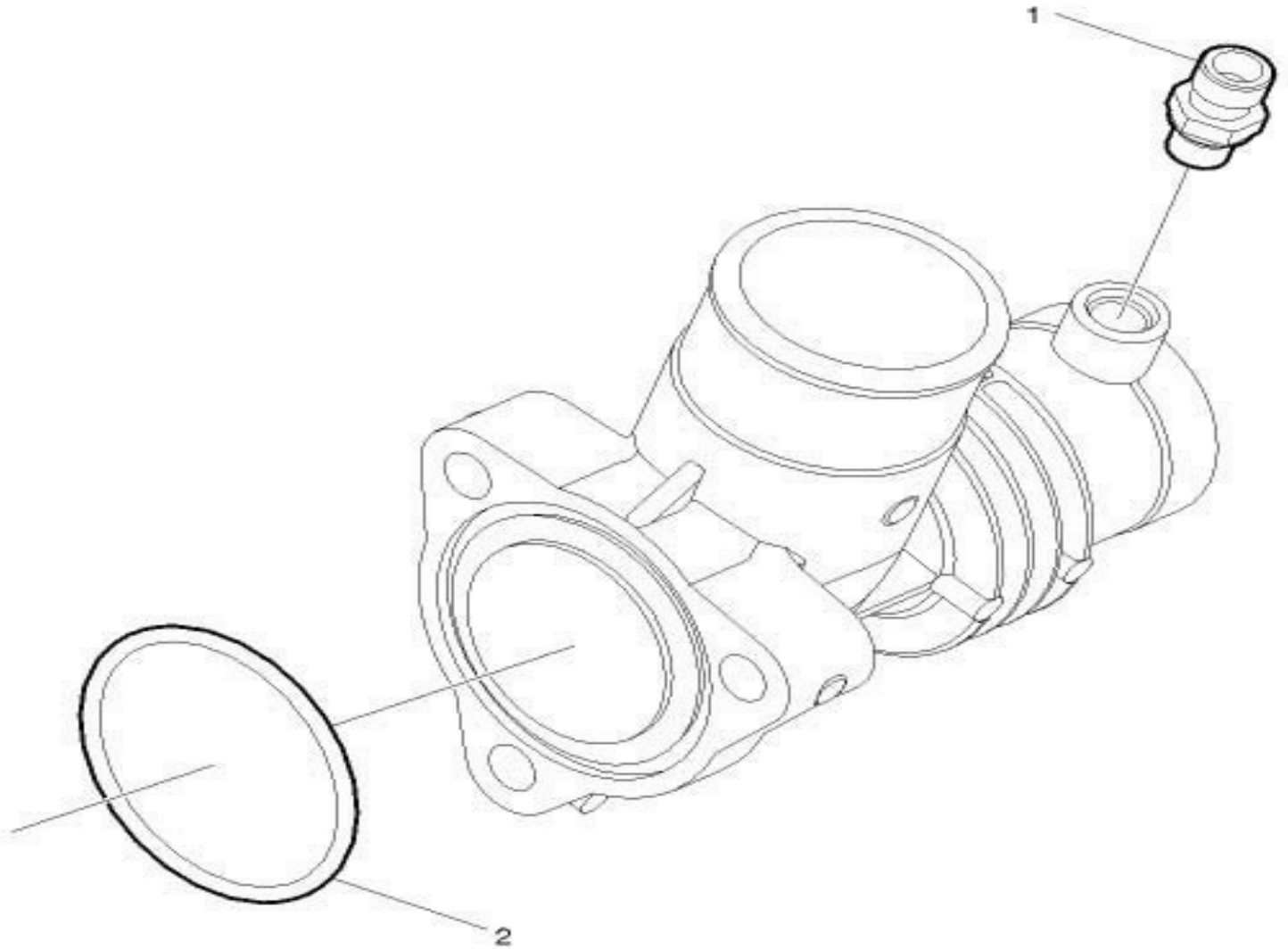
From 8-1202 To H-3734	Date:10/2022	PAGE:H7-0330-01
<b>AIR FILTER &amp; INTAKE - INSTALLATION WITH VOLVO D13</b>		

Item#	Part	Description	H 3 4 1	H 3 4 5	V I P 4 5	N O T E S
68	052848	HOSE DRV VALVE To B-1775	1	1	1	
68	053603P	HOSE DRV VALVE From B-1776 To B-1776	1	1	1	
68	20905745	HOSE DRV VALVE From B-1776 To C-1994	1	1	1	
69	20905754	BUSHING DRV VALVE To C-1994	1	1	1	
70	<b>H7-0605-00</b>	<b>ALTERNATOR 24V/140 AMPS / "BOSCH"</b>				
71	21164792	SENSOR TEMPEARATURE From B-1721	1	1	1	E
72	032694	HOSE #16 675MM	1	1	1	
73	5011240	MALE CONNECTOR / BEADED HOSE BARB / #16x3/4NPT-M BR	1	1	1	
73	5011051	STREET ELBOW 45° / PIPE FITTING / 3/4NPT-Mx3/4NPT-F BR To H-3734	1	1	1	
74	504291	HOSE CLAMP / 1"1/8-1"3/4 SS / E.T. 20	2	2	2	
75	500820	SCREW CAP HEX M8-1.25x16 G10.9 N500	1	1	1	
76	192288	WASHER FL 8.4x18.0x2.0 ZG603	1	1	1	
77	1546531	ANGLE RETAINER 13MM I.D.	1	1	1	
78	032763	PIPE AIR INLET COMPRESSOR 25.5 O.D. x 52MM / W/FLANGE 28MM O.D.	1	1	1	
79	504738	RUBBER JOINT	1	1	1	
80	032891	HOSE FLEXIBLE 8" I.D. X 290MM PROTO From A-1573 To A-1720	1	1	1	
80	033187	HOSE FLEXIBLE 8" I.D. X 330MM From B-1721	1	1	1	
81	504415	HOSE CLAMP / 7"1/4-9"1/4 SS / HS-152 From B-1721	2	2	2	
82	Call order desk	DUCT / AIR INTAKE From B-1721	1	1	1	P E
NS	8081420	DECAL ETHER / ENGLISH & FRANCAIS	1	1	1	
NS	8081419	DECAL ETHER / ENGLISH & SPANISH	1	1	1	
90	Refer To Volvo	SEE IMPACT OR CALL ORDER DESK	1	1	1	V
99	531471	HOSE SILICONE 4" I.D. 6 1/2" / 500F°	1	1	1	
		B) WITH "OPTION" 2 "BOSCH" ALTERNATOR FIXED TO ENGINE				
		D) DUCT TO BODY				
		E) WITH EPA 2010				
		P) CALL ORDER DESK FOR SPECIFIC APPLICATION (V.I.N.)				
		V) SEE IMPACT OR CALL ORDER DESK				





To C-1994	Date:10/2022	PAGE:20940438
DRV VALVE (HEAT MODE VALVE) TB-113379305-1		



To C-1994	Date:10/2022	PAGE:20940438
<b>DRV VALVE (HEAT MODE VALVE) TB-113379305-1</b>		

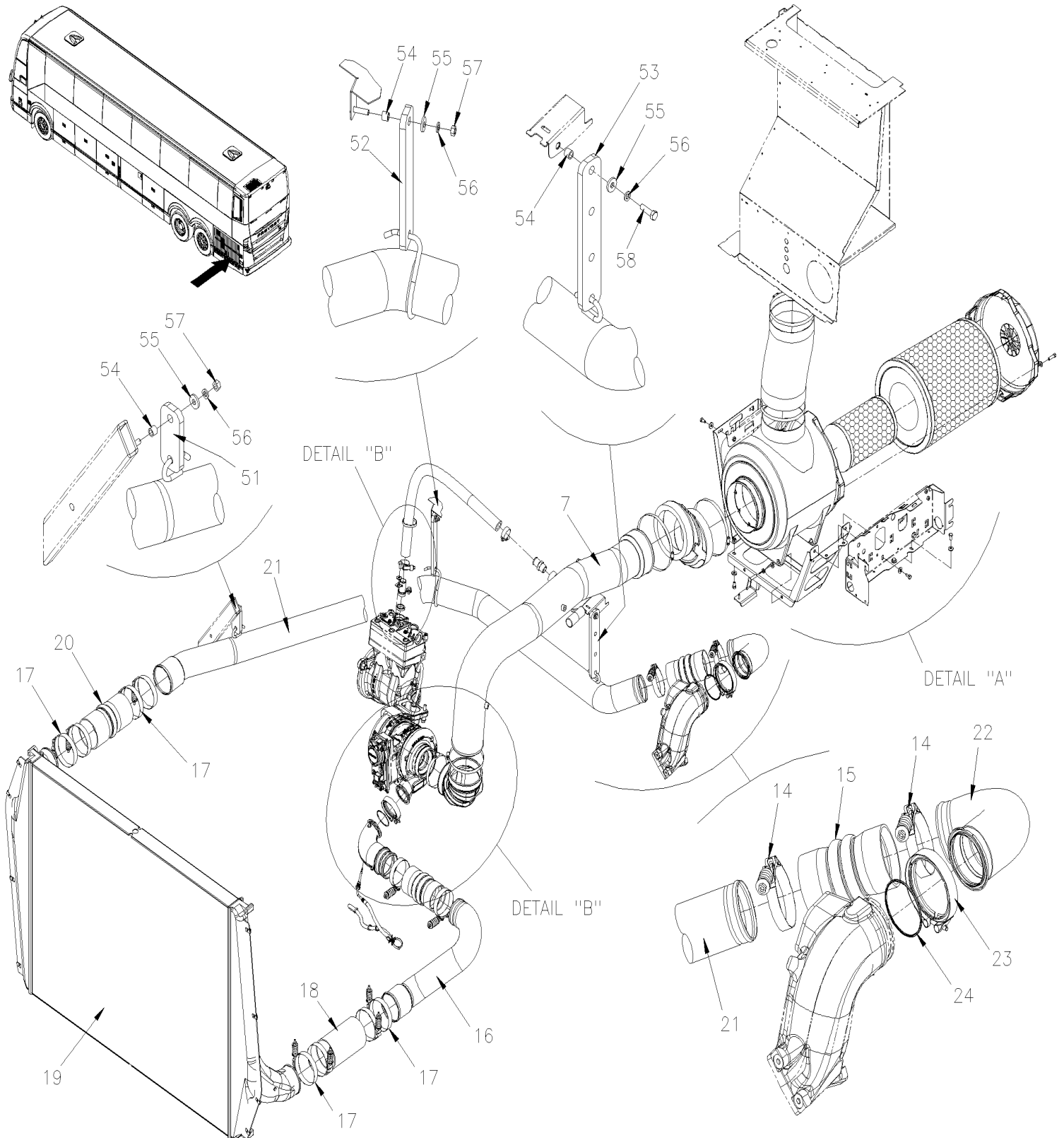
Item#	Part	Description	H 3 4 1	H 3 4 5	V I P 4 5	N O T E S
1	21018786	NIPPLE HEAT MODE VALVE	1	1	1	
2	20974821	O-RING DISCHARGE RECIR. VALVE	1	1	1	

From H-3735 To J-0287

Date:10/2022

PAGE:H7-0330-02

## AIR FILTER & INTAKE - INSTALLATION WITH VOLVO D13

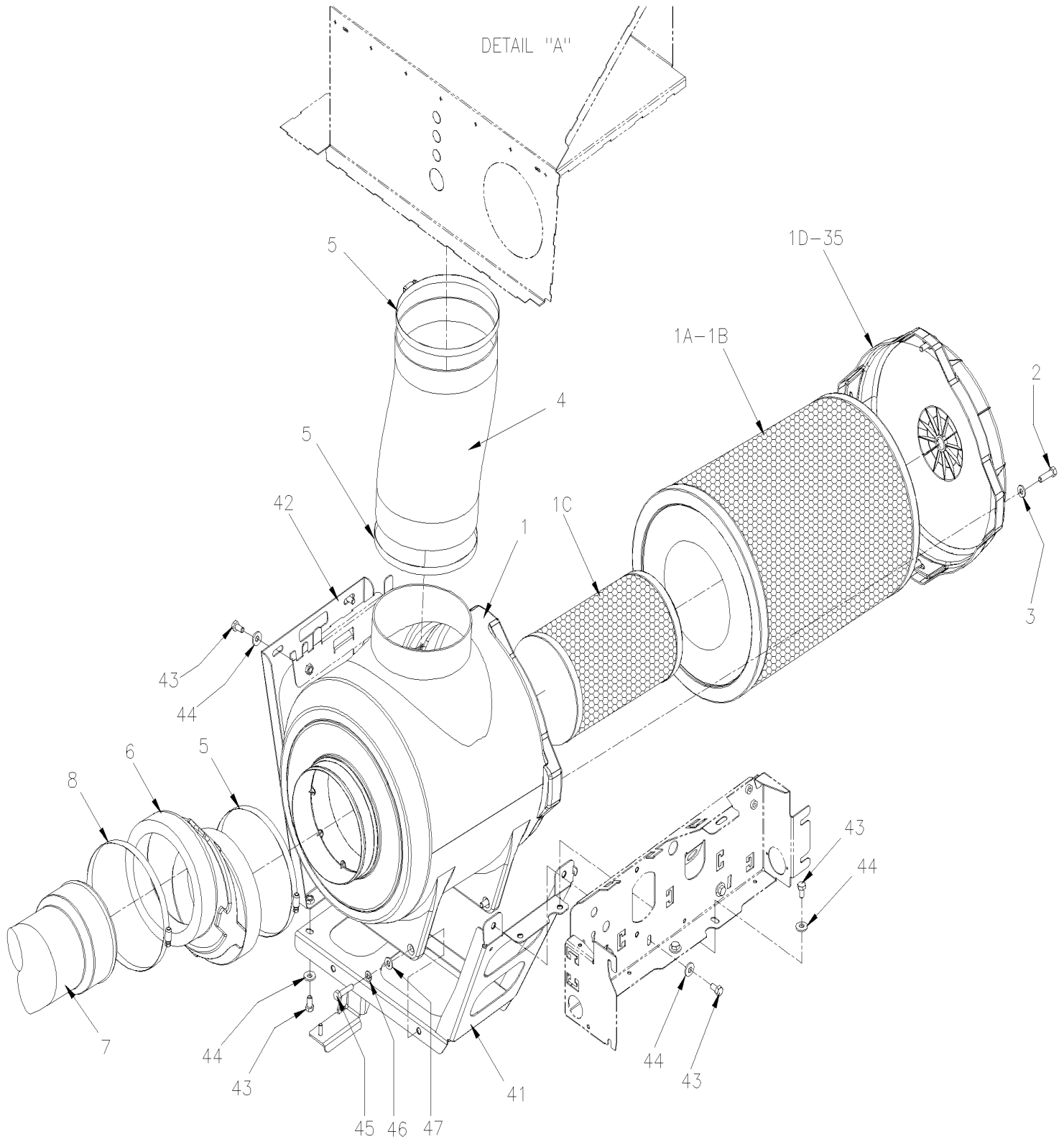


From H-3735 To J-0287

Date:10/2022

PAGE:H7-0330-02

AIR FILTER & INTAKE - INSTALLATION WITH VOLVO D13

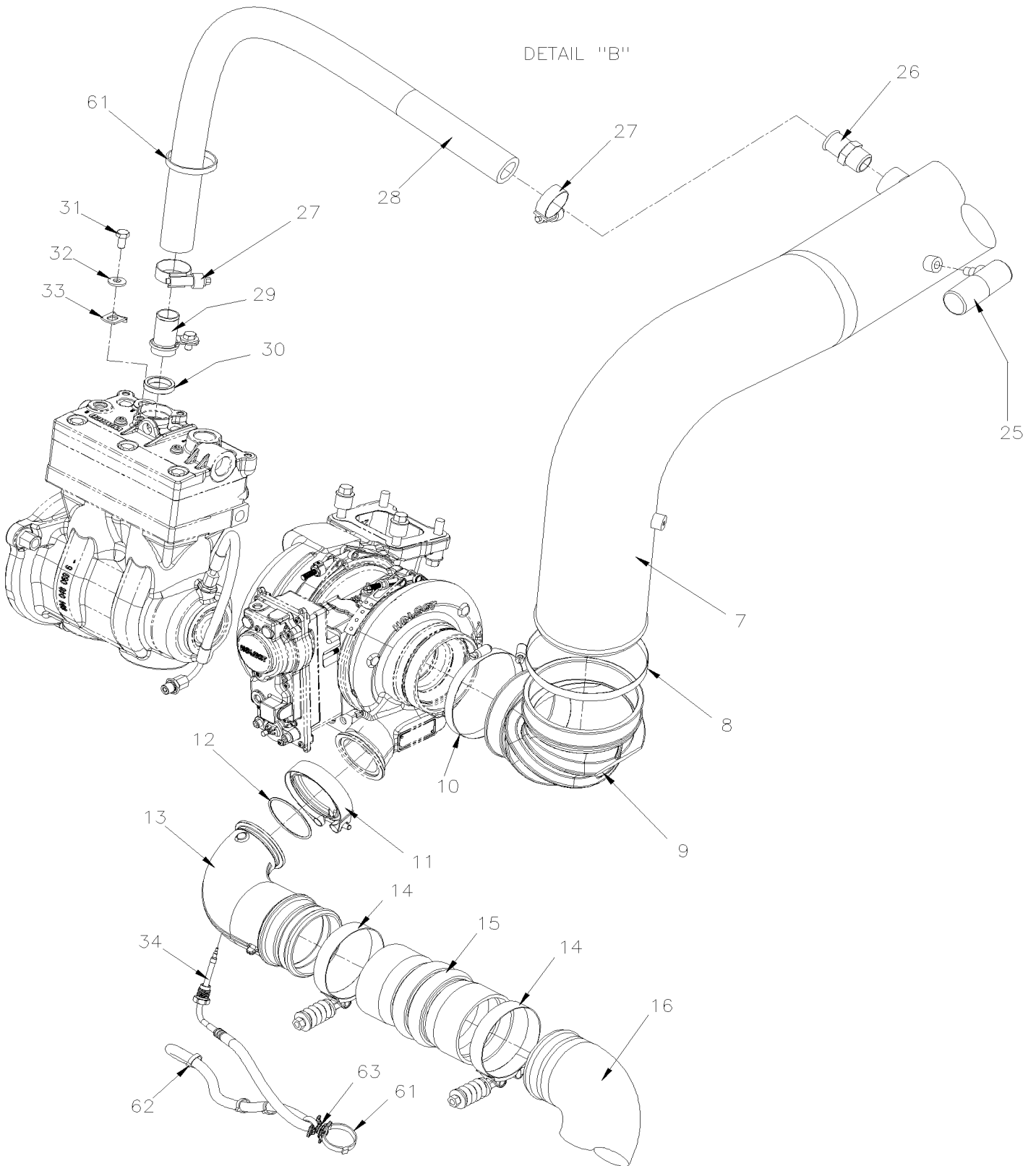


From H-3735 To J-0287

Date:10/2022

PAGE:H7-0330-02

## AIR FILTER & INTAKE - INSTALLATION WITH VOLVO D13



From H-3735 To J-0287	Date:10/2022	PAGE:H7-0330-02
<b>AIR FILTER &amp; INTAKE - INSTALLATION WITH VOLVO D13</b>		

Item#	Part	Description	H 3 4 1	H 3 4 5	V I P 4 5	N O T E S
1	531493	AIR FILTER, INTAKE MOTOR	1	1	1	
. A	531359	. FILTER , AIR STANDARD	1	1	1	
. B	531360	. FILTER, AIR HEAVY DUTY	1	1	1	
. C	531361	. FILTER, SAFETY	1	1	1	
. D	531362	. COVER, ACCES	1	1	1	
. NS	N24423	. DRAIN BOOT 1 1/4" O.D. X 1" O.D. X .125	1	1	1	
. NS	N8881935	. SCREW AND FASTENER KIT FOR COVER	1	1	1	
2	5001990	SCREW CAP HEX M8-1.25x30 NYL BK	4	4	4	
3	5001736	WASHER FL 8.4x18.0x2.0 N500	4	4	4	
4	033994	HOSE 7" I.D. X 300MM	1	1	1	
4	503236	. HOSE FLEXIBLE / AIR DUCT 7" I.D. X 12' LINEN RUBBER	1	1	1	
5	504229	HOSE CLAMP / 6"1/2-8"1/2 SS / HS-100	4	4	4	
6	531363	OFFSET REDUCING / 7 TO 5 IN, ENGINE	1	1	1	
7	030053	PIPE 5" O.D. / AIR FILTER & TURBO	1	1	1	
8	504324	HOSE CLAMP / 4"1/2-6"1/2 SS / HS-96	1	1	1	
9	21659720	ELBOW INLET, RUBBER	1	1	1	
10	504257	HOSE CLAMP / 4"1/16-5" SS / HS-72	1	1	1	
11	20592787	V-CLAMP / 81.7MM I.D.	1	1	1	
12	21096684	GASKET 60MM I.D.	1	1	1	
13	21673474	ELBOW TURBO	1	1	1	
14	21490630	HOSE CLAMP SPRING LOAD / HEAVY DUTY 3"5/8-3"15/16	4	4	4	
15	20550690	HOSE 86MM I.D. X 162.5MM	2	2	2	
16	053065	PIPE 4" O.D. / AIR COOLER & TURBO	1	1	1	
17	21490616	HOSE CLAMP SPRING LOAD / HEAVY DUTY 4"1/8-4"7/16	8	8	8	
18	531471	HOSE SILICONE 4" I.D. 6 1/2" / 500F°	1	1	1	
19	21576798	AIR COOLER ASSY H, MTH-45 & 9700 TitanX	1	1	1	
19	21576801	AIR COOLER ASSY H, MTH-45 & 9700 Dura-Lite	1	1	1	
20	70396486	HOSE / W/2 RING / 4" I.D. 8" / 500°F To H-3696	1	1	1	
20	531469	HOSE / W/2 RING / 4" I.D. 8" / 500°F From H-3697	1	1	1	
21	053707	PIPE 4" O.D. / AIR COOLER & HOSE To J-3940	1	1	1	
21	050043	PIPE 4" O.D. / AIR COOLER & HOSE From J-3941	1	1	1	
22	053067	ELBOW 4" O.D.	1	1	1	
23	20592783	V-CLAMP / (USE W GASKET) 107.7MM I.D.	1	1	1	
24	1675066	GASKET 107.7MM I.D. V-CLAMP	1	1	1	
25	530161	GAUGE AIR RESTRICTION 20" H2O 1/8" NPT	1	1	1	
26	5011240	MALE CONNECTOR / BEADED HOSE BARB / #16x3/4NPT-M BR	1	1	1	
26	680098	THREAD SEALANT LOCTITE #567 / WHITE / 250ml	AR	AR	AR	
27	504291	HOSE CLAMP / 1"1/8-1"3/4 SS / E.T. 20	1	1	1	
28	503739	HOSE (SUCTION) / 1" I.D. X 250' / C.T.L.	AR	AR	AR	
29	032763	PIPE AIR INLET COMPRESSOR 25.5 O.D. x 52MM / W/FLANGE 28MM O.D.	1	1	1	
30	504738	RUBBER JOINT	1	1	1	
31	5001527	SCREW CAP HEX M8-1.25x16 SS BK	2	2	2	

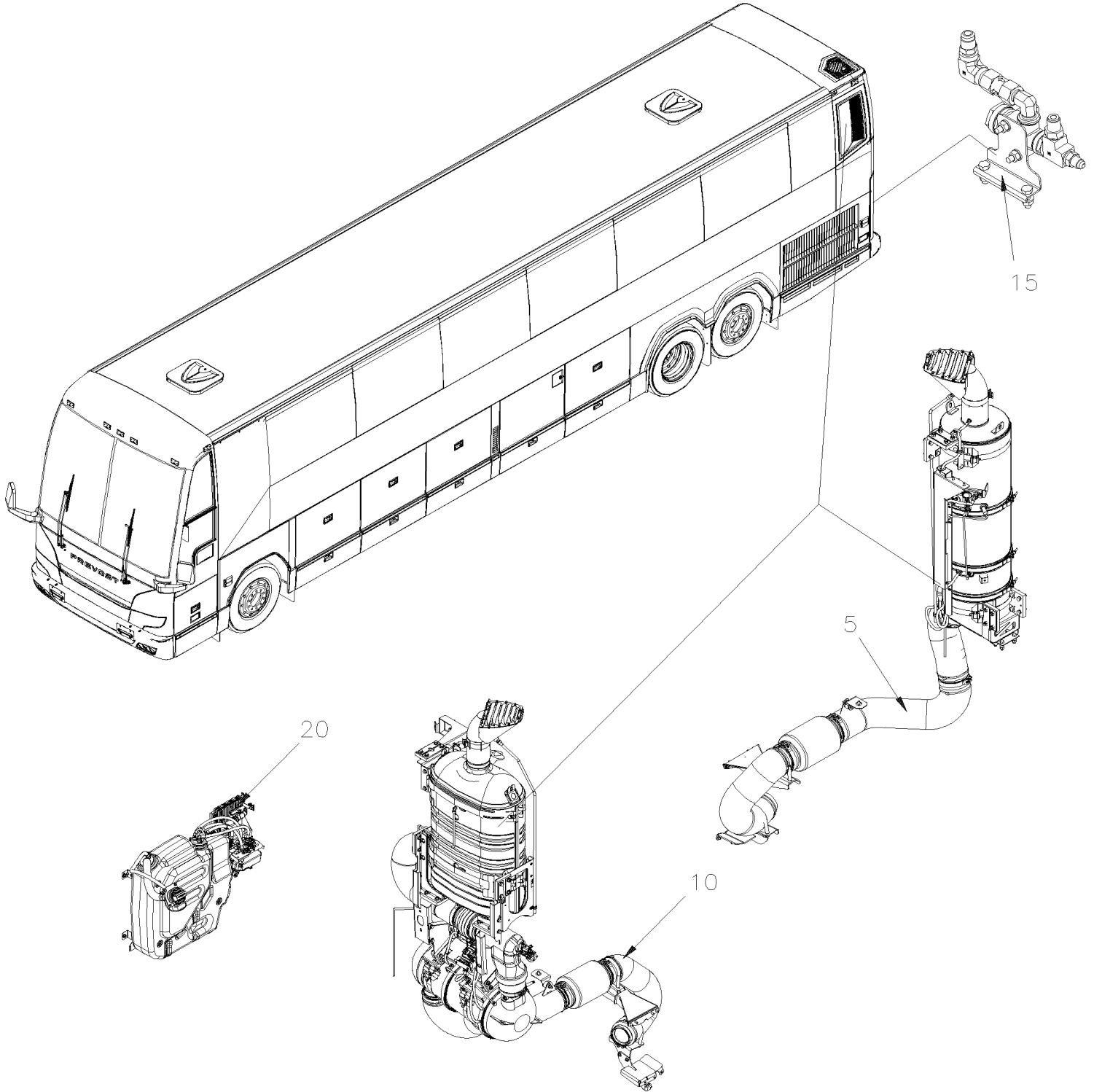
<b>From H-3735 To J-0287</b>	<b>Date:10/2022</b>	<b>PAGE:H7-0330-02</b>
<b>AIR FILTER &amp; INTAKE - INSTALLATION WITH VOLVO D13</b>		

Item#	Part	Description	H 3 4 1	H 3 4 5	V I P 4 5	N O T E S
32	5001848	WASHER BEL SPR .827 x .331 x .098 th SS	2	2	2	
33	1546531	ANGLE RETAINER 13MM I.D.	2	2	2	
34	21164792	SENSOR TEMPEARATURE	1	1	1	
35	030045	DECAL "NE PAS UTILISER D'ETHER OU LIQUIDE DE DEMARRAGE" FRENCH / ONLY				
35	030046	DECAL "DO NOT USE ETHER OR STARTING FLUID" ENGLISH / ONLY	1	1	1	
35	030047	DECAL "NO USE ETER O FLUIDO PARA ARRANCAR" SPANISH / ONLY	1	1	1	
35	034005	DECAL "PLASTIC BOLT TORQUE" ENGLISH / FRENCH	1	1	1	
41	034004	SUPPORT, AIR CLEANER (WELED)	1	1	1	
42	033992	SUPPORT, AIR CLEANER (WELED)	1	1	1	
43	5001527	SCREW CAP HEX M8-1.25x16 SS BK	8	8	8	
44	5001848	WASHER BEL SPR .827 x .331 x .098 th SS	8	8	8	
45	502836	SCREW CAP HEX M8-1.25x35 G8.8 N500	4	4	4	
46	500942	WASHER LO SPT 8.1x14.8x2.0 N500	4	4	4	
47	5001736	WASHER FL 8.4x18.0x2.0 N500	4	4	4	
51	032541	RUBBER SUPPORT 106.5 x 48 / 2 Holes 72MM C/C	1	1	1	
52	052686	RUBBER SUPPORT 234 x 50 / 2 Holes 200MM C/C	1	1	1	
53	053577	RUBBER SUPPORT 260 x 48 / 4 Holes To H-3940	1	1	1	
53	050050	RUBBER SUPPORT 261 x 48 / 4 Holes From H-3941	1	1	1	
54	032540	SPACER 1/2" O.D.X 12MM SS	3	3	3	
55	500401	WASHER FL .343x.875x.125 N500	3	3	3	
56	500942	WASHER LO SPT 8.1x14.8x2.0 N500	3	3	3	
57	502851	NUT HEX M8-1.25 N500	2	2	2	
58	5001499	SCREW CAP HEX M8-1.25x30 SS	1	1	1	
61	504016	CABLE TIE / 5/16" X 14"1/2	3	3	3	
62	504637	CABLE TIE / 3/16" x 13"	3	3	3	
63	504751	ROTATIF SPACER DOUBLE / SMALL	1	1	1	





	Date:10/2022	H7-04
EXHAUST		



		Date:10/2022	H7-04
<b>EXHAUST</b>			

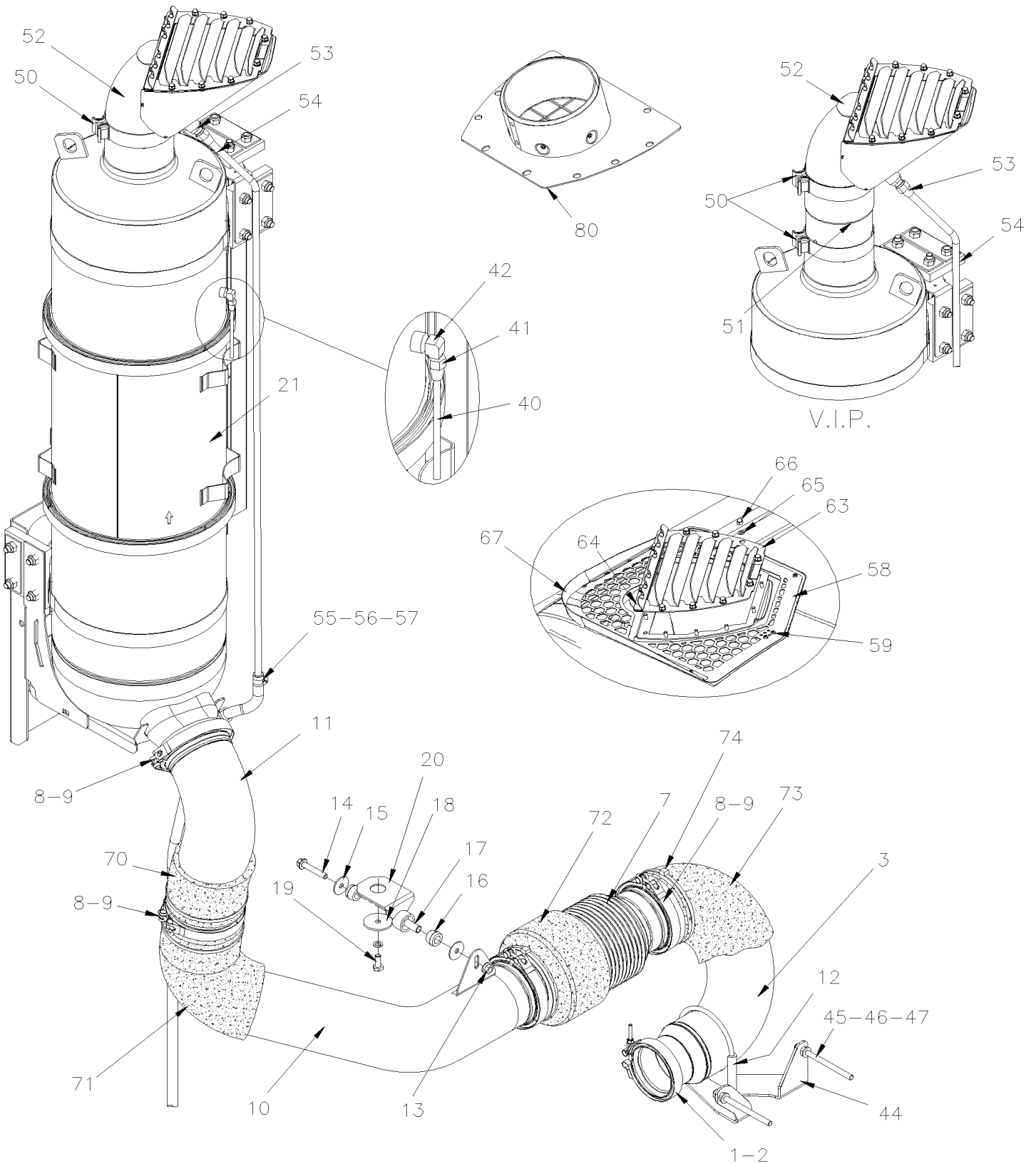
Item#	Part	Description	H 3 4 1	H 3 4 5	V I P 4 5	N O T E S
5	H7-0405-00	MUFFLER - INSTALLATION WITH DPF FILTER WITH DETROIT S-60 From 7-0671 To A-1720				
5	H7-0405-01	MUFFLER - INSTALLATION WITH DPF FILTER WITH VOLVO D13 From 8-1202 To A-1720				
10	H7-0405-02	MUFFLER - INSTALLATION WITH DPF & SCR WITH VOLVO D13 WITH "EPA 2010" From B-1721 To J-0294				
15	H7-0405-10	7TH INJECTOR / EXHAUST VOLVO D13 From 9-1402 To C-1885				
15	H7-0405-11	7TH INJECTOR / "AHI" / EXHAUST VOLVO D13 From C-1886 To H-3734				
15	H7-0405-12	7TH INJECTOR / "AHI" / EXHAUST VOLVO D13 - GHG17 From H-3735 To J-0294				
20	H7-0410-00	UREA RESERVOIR ASSY From B-1721 To J-0294				

From 7-0671 To A-1720

Date:10/2022

PAGE:H7-0405-00

## MUFFLER - INSTALLATION WITH DPF FILTER WITH DETROIT S-60

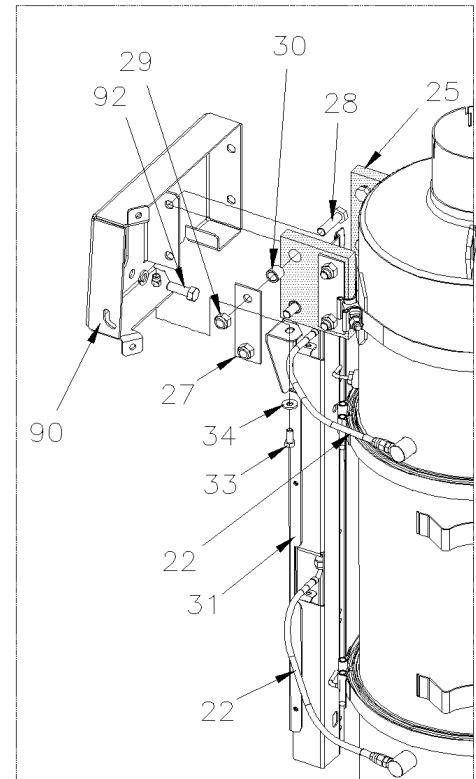
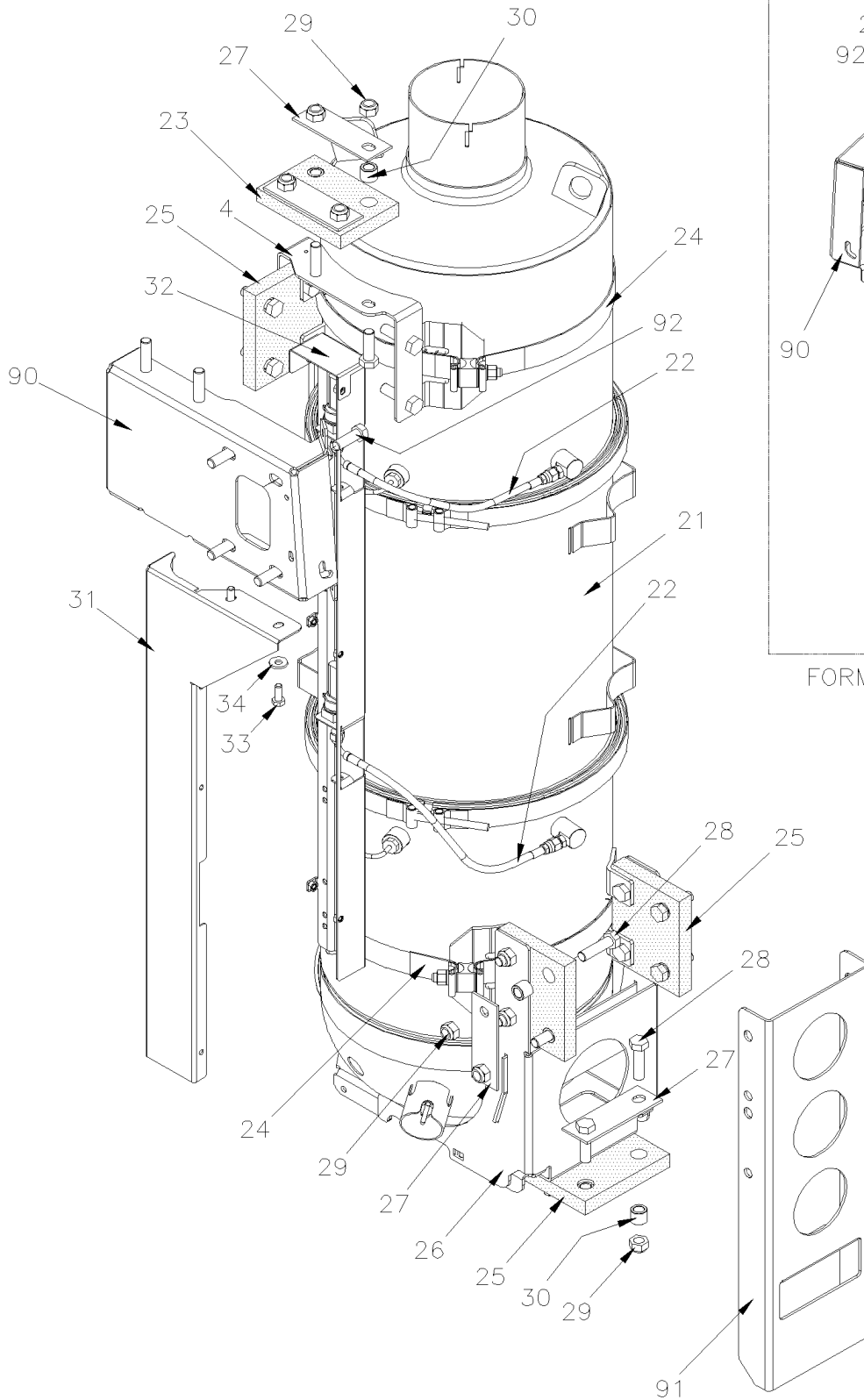


From 7-0671 To A-1720

Date:10/2022

PAGE:H7-0405-00

## MUFFLER - INSTALLATION WITH DPF FILTER WITH DETROIT S-60



FORMER INSTALLATION

From 7-0671 To A-1720	Date:10/2022	PAGE:H7-0405-00
<b>MUFFLER - INSTALLATION WITH DPF FILTER WITH DETROIT S-60</b>		

Item#	Part	Description	H 3 4 1	H 3 4 5	V I P 4 5	N O T E S
1	540062	V CLAMP 4.75" I.D.	1	1	1	
2	21048738	GASKET 4.81" I.D. V-CLAMP	1	1	1	
3	040630	PIPE, EXHAUST "U"	1	1	1	
NS	<b>041142</b>	<b>REINFORCEMENT "U" PIPE ASSY.</b>	1	1	1	I
4	040688	SUPPORT UPPER DPF To A-1654	1	1	1	
4	040923	SUPPORT UPPER DPF From A-1655	1	1	1	
. NS	503702	. HOSE / (SAFETY STRIPE) / 3/8" I.D. 50' / S.L. From A-1655	AR	AR	AR	
. NS	992081	. HOSE CLAMP / 12MM/22MM From A-1655	1	1	1	
7	540066	BELLOWS - EXHAUST 5" I.D. x 14.49"	1	1	1	
8	21021850	V-CLAMP / (USE W GASKET) 5.91" I.D.	4	4	4	
9	21048740	GASKET 5.91" I.D. V-CLAMP	4	4	4	
10	040629	PIPE, EXHAUST / CENTER	1	1	1	
11	040628	PIPE, EXHAUST / UPPER	1	1	1	
12	540018	U-CLAMP / (GUILLOTINE TYPE) / 5" I.D.	2	2	2	
13	5001595	SCREW CAP HEXF M10-1.5x60 G8.8 G500	1	1	1	
14	971098	NUT HEXF STO M10-1.5 G8 ZP	1	1	1	
15	500261	WASHER FL .390x1.500x.083 N500	2	2	2	
16	661074	BUSHING / RUBBER 3/4" x 5/8" I.D.	2	2	2	
17	505217	SPACER 7/16" X 1 1/4"	1	1	1	
18	040627	WASHER FL 10.5x54x11GA SS	1	1	1	
18	3852496	WASHER LO SPT 10.2x18.1x2.2 ZG603	1	1	1	
19	502804	SCREW CAP HEX M10-1.5x25 G8.8 N500	1	1	1	
20	040626	ANGLE PIPE SUPPORT	1	1	1	
21	<b>540065</b>	<b>DPF EXHAUST FILTER</b>	1	1	1	
22	040620	HOSE ASSY TEFLON #4 240MM	1	1	1	
22	040744	HOSE ASSY TEFLON #4 280MM	1	1	1	
23	040579	MUFFLER CONNECTION RUBBER 135MM x 93MM To 9-1393	1	1	1	
23	21120785	MUFFLER CONNECTION RUBBER 135MM x 93MM From 9-1394	1	1	1	
24	040603	CLAMP SUPPORT ASSY	2	2	2	
. A	5001801	. SCREW CAP HEXF M10-1.5x55 G10.9 N500	1	1	1	
. B	540085	. SPACER / HALF MOON SHAPE	2	2	2	
. C	540086	. SPACER / ANVIL SHAPE	1	1	1	
. D	5001758	. NUT HEX STO M10-1.5 N500	1	1	1	
25	040574	MUFFLER CONNECTION RUBBER 135MM x 107MM	4	4	4	
26	040578	SUPPORT LOWER DPF To 8-1135	1	1	1	
26	040725	SUPPORT LOWER DPF From 8-1136 To A-1654	1	1	1	
26	040926	SUPPORT LOWER DPF From A-1655	1	1	1	
27	040575	PLATE ATTACHMENT 120MM X 40MM To 9-1393	6	6	6	
27	21138255	PLATE ATTACHMENT 120MM X 40MM From 9-1394	1	1	1	
28	5001338	SCREW CAP HEX M12-1.75x45 G10.9 N500	AR	AR	AR	
29	500811	NUT HEX STO M12-1.75 G500	AR	AR	AR	
30	040680	SPACER 3/4" O.D. X 16MM SS To A-1678	AR	AR	AR	

<b>From 7-0671 To A-1720</b>	<b>Date:10/2022</b>	<b>PAGE:H7-0405-00</b>
<b>MUFFLER - INSTALLATION WITH DPF FILTER WITH DETROIT S-60</b>		

Item#	Part	Description	H 3 4 1	H 3 4 5	V I P 4 5	N O T E S
30	040937	SPACER 3/4" O.D. X 16MM ST From A-1679	AR	AR	AR	
31	040716	PROTECTOR CABLE SUPPORT To A-1654	1	1	1	
31	040930	PROTECTOR CABLE SUPPORT From A-1655	1	1	1	
32	040667	PROTECTOR CABLE SUPPORT	1	1	1	
33	502862	SCREW CAP HEX M8-1.25x20 G8.8 N500	2	2	2	
34	500321	WASHER BEL SPR .331x.827x.098 N500	2	2	2	
NS	5001337	NUT INS FL HEX M8-1.25 0.5-3.0 Z050	2	2	2	
40	040621	TUBE DRAIN 1/4" O.D. 128MM COPPER	1	1	1	
41	501012	NUT LONG / SAE 45° FITTING / #4FL-F BR	1	1	1	
42	501037	MALE ELBOW 90° / SAE 45° FITTING / #4FL-Mx1/4NPT-M BR	1	1	1	
44	040635	PIPE "U" SUPPORT	1	1	1	
45	510626	STUD M10-1.5 x 120	2	2	2	
46	960143	WASHER FL 10.5x26.0x2.0 ZP	2	2	2	
47	5001758	NUT HEX STO M10-1.5 N500	2	2	2	
50	540067	CLAMP BAND SEAL / LAP JOINT / 5" I.D.x1.25"	1	1		
50	540067	CLAMP BAND SEAL / LAP JOINT / 5" I.D.x1.25"			2	
51	040617	PIPE 5" O.D. X 226MM			1	
52	040592	DIFFUSOR ASSY To 8-1219	1	1	1	
52	040719	DIFFUSOR ASSY From 8-1220 To 9-1393	1	1	1	
52	21102422	DIFFUSOR ASSY From 9-1394	1	1	1	
53	640873	MALE CONNECTOR / AB FITTING / #8x1/2NPT-M BR	1	1	1	
54	040599	TUBE DRAIN 1/2" O.D. 1354MM SS W/BEND To 8-1135	1	1	1	
54	040723	TUBE DRAIN 1/2" O.D. 1472MM SS W/BEND From 8-1136	1	1		
54	040724	TUBE DRAIN 1/2" O.D. 1646MM SS W/BEND From 8-1139			1	
55	040700	HOSE DRAIN / 1/2" I.D. 1900MM To 8-1135	1	1		
. NS	503593	. HOSE FC-505-10 / FREON R-134a To 8-1135	AR	AR		
55	040781	HOSE DRAIN / 1/2" I.D. 1900MM To 8-1135	1	1		S
. NS	503765	. HOSE GH-134-10/ FREON R-12 & R-134a To 8-1135	AR	AR		S
55	040637	HOSE DRAIN / 1/2" I.D. 2100MM To 8-1135			1	
. NS	503593	. HOSE FC-505-10 / FREON R-134a To 8-1135			AR	
55	040779	HOSE DRAIN / 1/2" I.D. 2100MM To 8-1135			1	S
. NS	503765	. HOSE GH-134-10/ FREON R-12 & R-134a To 8-1135			AR	S
NS	504018	HOSE CLAMP / 7/16"-1" SS / HS-8 To 8-1135	1	1	1	
56	952631	CLAMP / 3/4" I.D.	1	1	1	
57	955269	SCREW CAP HEX M6-1.0x12 G8.8 ZG603	1	1	1	
57	502681	NUT HEX NYRT M6-1.0 N500 G8	1	1	1	
58	040589	GRILL ROOF	1	1	1	
NS	040710	HOSE ADAPTOR, EXHAUST W/TOP DIFFUSOR FOR ADAPTEUR GARAGE VENTILATION	1	1	1	
. NS	5001685	. SCREW TH SHR 1/4-20x1 1/2 SS	2	2	2	
59	500952	SCREW TP BDG PH #8x1/2 SS	15	15	15	
63	040668	GRILL DIFFUSOR To 8-1309	1	1	1	

From 7-0671 To A-1720	Date:10/2022	PAGE:H7-0405-00
<b>MUFFLER - INSTALLATION WITH DPF FILTER WITH DETROIT S-60</b>		

Item#	Part	Description	H 3 4 1	H 3 4 5	V I P 4 5	N O T E S
63	040747	GRILL DIFFUSOR From 8-1310 To 9-1393	1	1	1	
63	21139384	GRILL DIFFUSOR From 9-1394	1	1	1	
NS	040706	KIT EXTENSION DIFFUSOR / 9"			AR	
. NS	040648	. EXTENTION DIFFUSOR / 9"			1	
. NS	040671	. PROTECTOR GRILL EXTENTION / 9"			1	
. NS	5001684	. NUT HEX CAP M6-1.0 SS			10	
. NS	502573	. WASHER FL 6.4x12.5x1.6 SS			10	
NS	040707	KIT EXTENSION DIFFUSOR / 6 5/8"			AR	
. NS	040677	. EXTENTION DIFFUSOR / 6 5/8"			1	
. NS	040679	. PROTECTOR GRILL EXTENTION / 6 5/8"			1	
. NS	5001684	. NUT HEX CAP M6-1.0 SS			10	
. NS	502573	. WASHER FL 6.4x12.5x1.6 SS			10	
64	040161	PLATE "WARNING" THIS DIFFUSOR MUST BE FLUSH.. To 9-1393	1	1	1	
64	21139388	PLATE "WARNING" THIS DIFFUSOR MUST BE FLUSH.. From 9-1394	1	1	1	
65	502573	WASHER FL 6.4x12.5x1.6 SS	10	10	10	
66	5001684	NUT HEX CAP M6-1.0 SS	10	10	10	
67	040748	DEFLECTOR TAPER - H SERIES From 8-1310	1	1	1	
70	040696	INSULATED BLANKET / PIPE EXHAUST DPF	1	1	1	
71	040649	INSULATED BLANKET / PIPE	1	1	1	
72	040692	INSULATED BLANKET / BELLOW	1	1	1	
73	040640	INSULATED BLANKET / PIPE	1	1	1	
74	504737	CABLE TIE / .300" X 30"1/2	AR	AR	AR	
80	040750	GRILL DIFFUSOR / 5" O.D. PIPE From 8-1310			1	
90	040576	SUPPORT UPPER DPF	1	1	1	F
90	040690	SUPPORT UPPER DPF	1	1	1	C
91	218172	SUPPORT LOWER DPF	1	1	1	
92	500806	SCREW CAP HEX M12-1.75X35 G10.9 G500	4	4	4	
92	500747	WASHER LO SPT 12.2x21.1x2.5 N500	4	4	4	
		C) CURBSIDE				
		F) FORMER				
		I) FOR PRODUCT IMPROVEMENT				
		S) SERVICE				



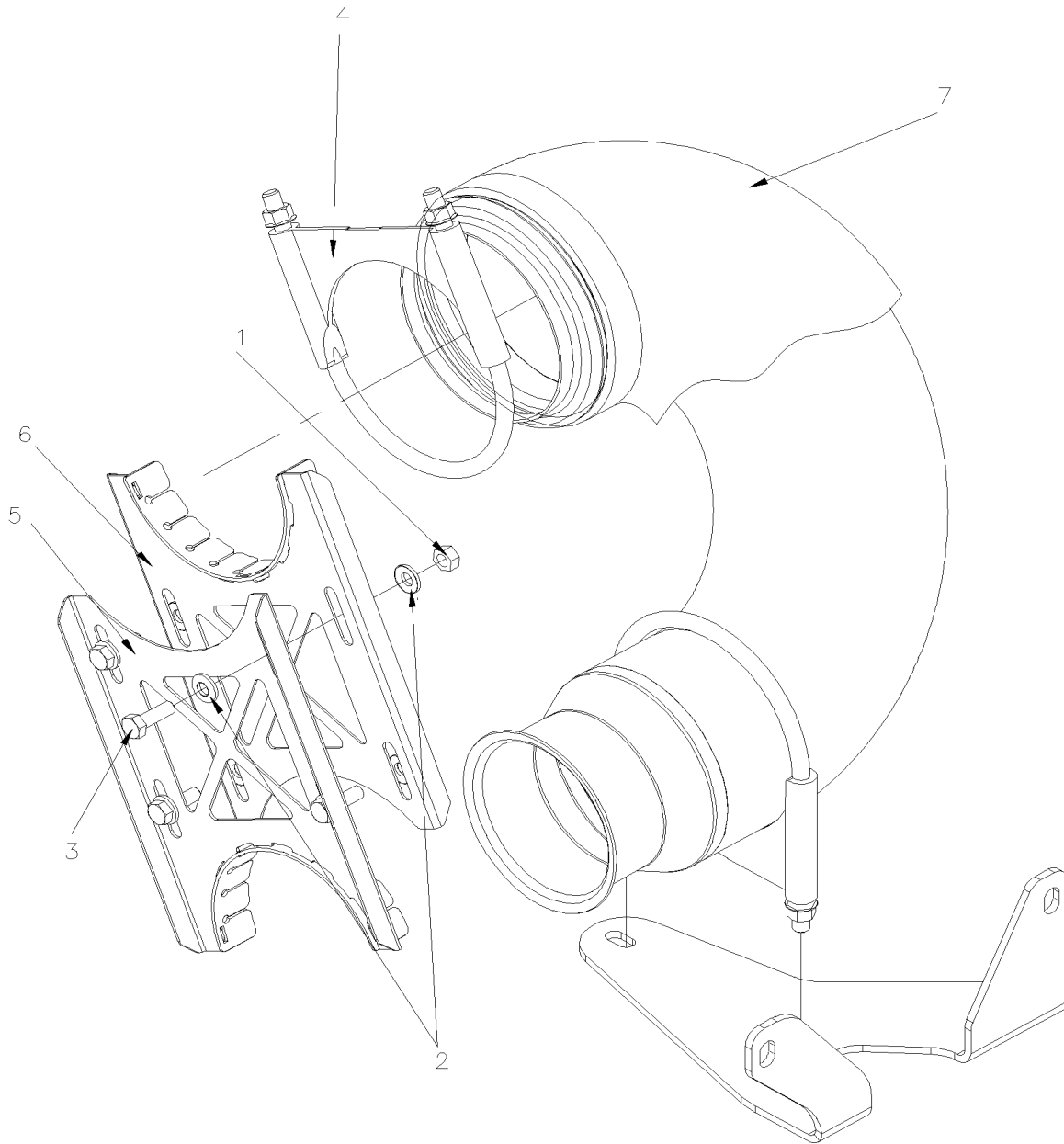


From 7-0671 To A-1720

Date:10/2022

PAGE:041142

**REINFORCEMENT "U" PIPE ASSY.**



From 7-0671 To A-1720	Date:10/2022	PAGE:041142
<b>REINFORCEMENT "U" PIPE ASSY.</b>		

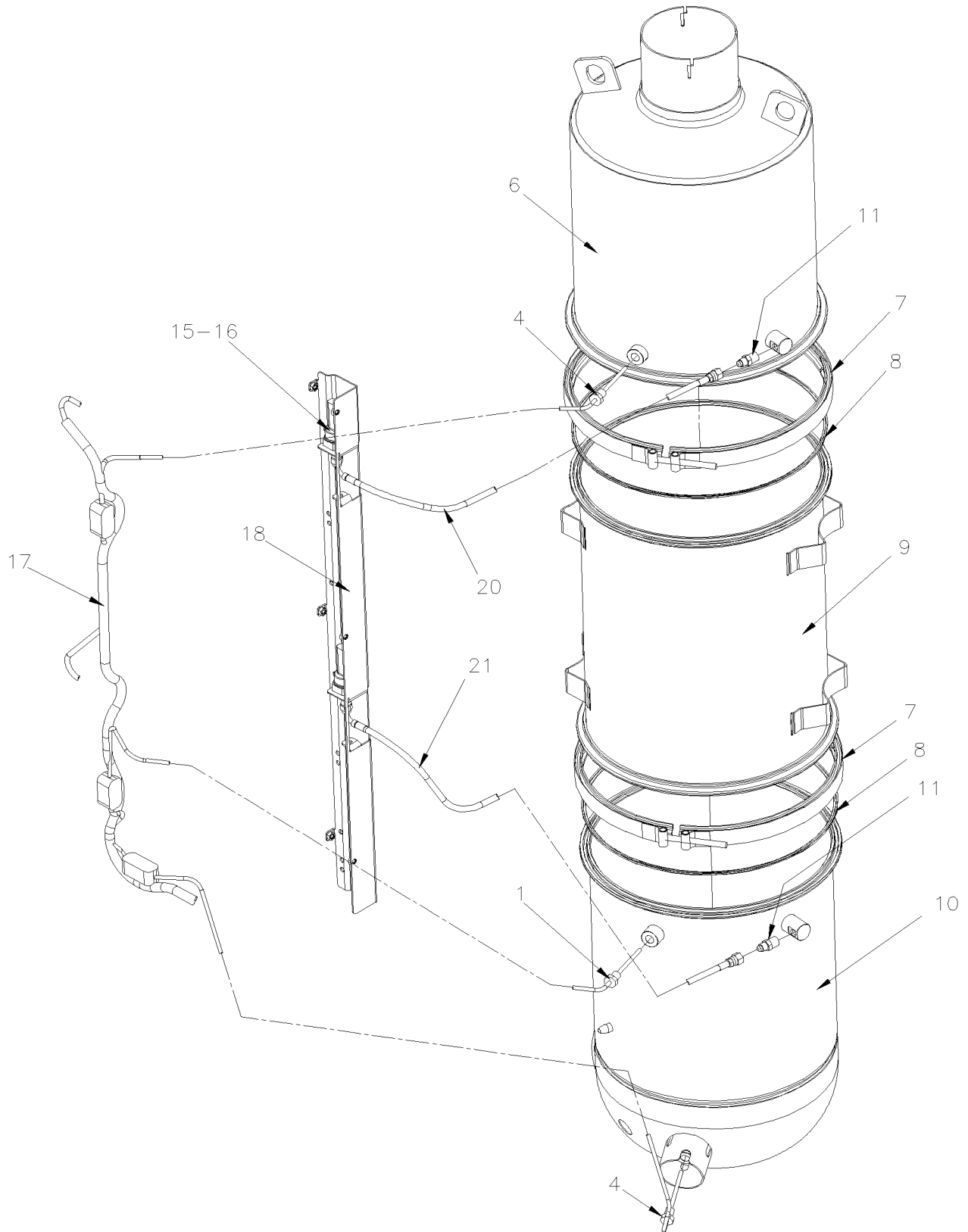
Item#	Part	Description	H 3 4 1	H 3 4 5	V I P 4 5	N O T E S
1	5001740	NUT HEX STO M8-1.25 N500	4	4	4	
2	5001868	WASHER BEL SPR 8.4x18x2 SS	8	8	8	
3	502780	SCREW CAP HEX M8-1.25x25 SS BK	4	4	4	
4	540018	U-CLAMP / (GUILLOTINE TYPE) / 5" I.D.	1	1	1	
5	046572	LOWER SUPPORT	1	1	1	
6	046571	HIGHER SUPPORT	1	1	1	
7	041090	COVER, EXHAUST PIPE	1	1	1	

From 7-0671 To A-1720

Date:10/2022

PAGE:540065

DPF EXHAUST FILTER



From 7-0671 To A-1720	Date:10/2022	PAGE:540065
-----------------------	--------------	-------------

**DPF EXHAUST FILTER**

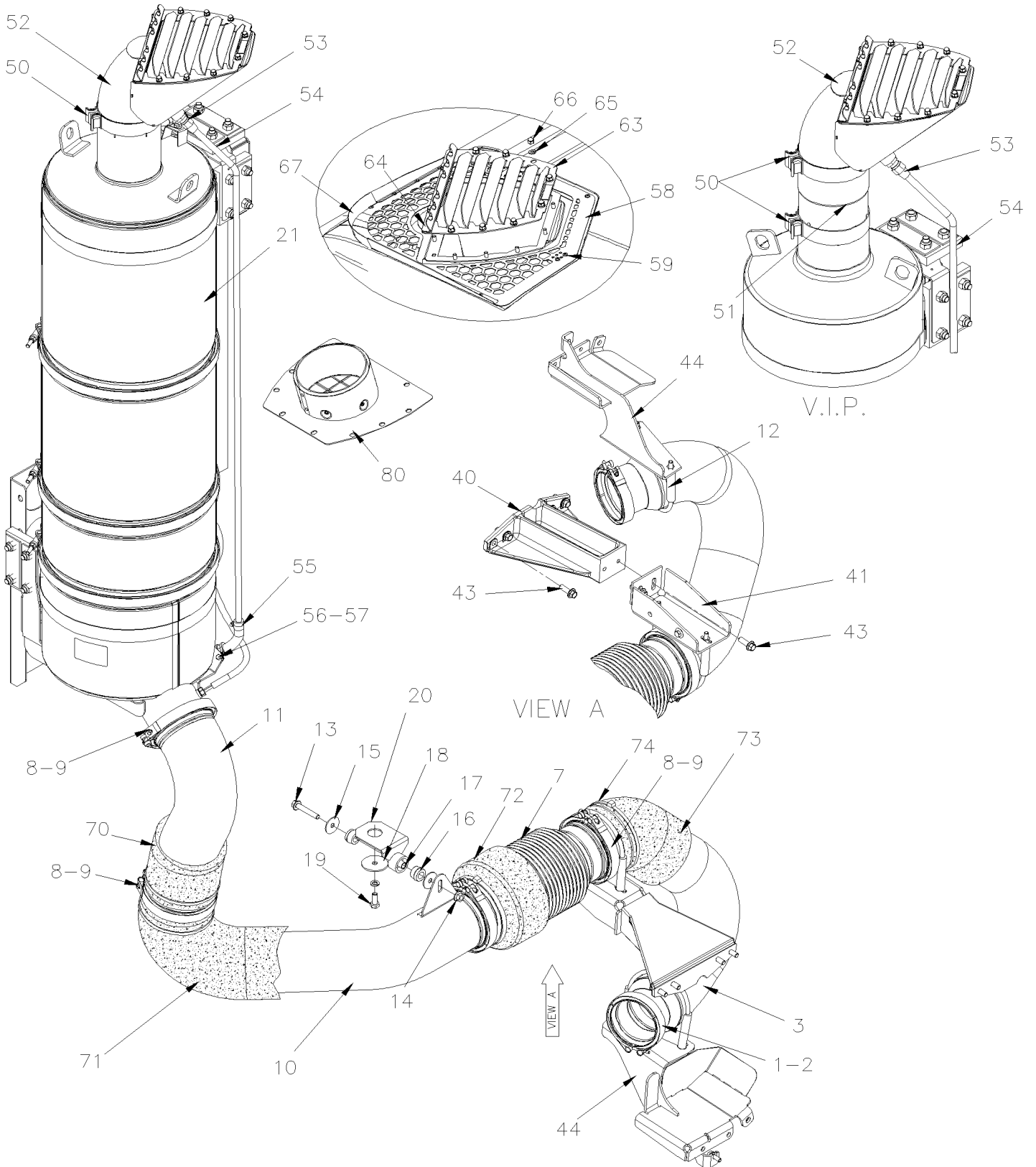
Item#	Part	Description	H 3 4 1	H 3 4 5	V I P 4 5	N O T E S
		DPF EXHAUST FILTER	1	1	1	
1	A6805420018	. SENSOR DOC OUTLET TEMPERATURE /	1	1	1	
4	A6804910337	. SENSOR DOC INLET TEMPERATURE / SENSOR DPF OUTLET TEMPERATURE	2	2	2	
6	A6804921255	. MODULE 12" ATD TO RAIN TRAP OUTLET	1	1	1	
7	A4709950002	. V-BAND CLAMP 12"	2	2	2	
8	A4709970045	. GASKET "V" SHAPE	2	2	2	
9	RA6804908692	. REMAN KIT DPF MODULE WITH GASKET	1	1	1	
10	RA6804901514	. MODULE 12" ATU TO 10" DOC	1	1	1	
11	A4709970070	. FITTING 7/16-20 1/4 COMP SS	1	1	1	
15	A4721530028	. SENSOR DPF PRESSURE 40KPA GAGE ATD	2	2	2	
16	A0039903050	. NUT HEX JAM 7/16-20 SS	2	2	2	
17	A4721500633	. HARNESS ASSY DPF	1	1	1	
18	A6805420555	. BRACKET MOUNTING SENSOR	1	1	1	
20	040744	HOSE ASSY TEFLON #4 280MM	1	1	1	
21	040620	HOSE ASSY TEFLON #4 240MM	1	1	1	

From 8-1202 To A-1720

Date:10/2022

PAGE:H7-0405-01

## MUFFLER - INSTALLATION WITH DPF FILTER WITH VOLVO D13

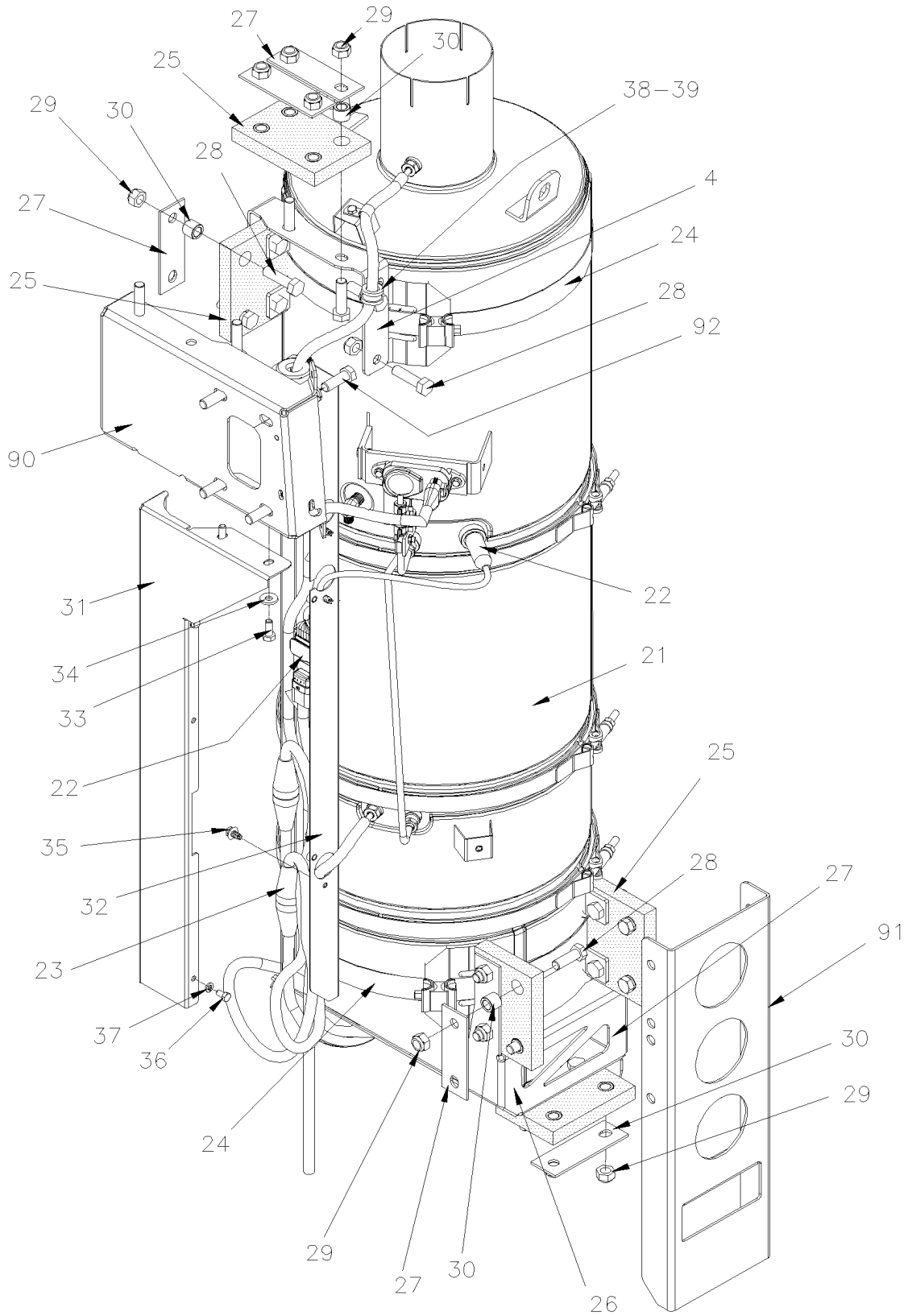


From 8-1202 To A-1720

Date:10/2022

PAGE:H7-0405-01

## MUFFLER - INSTALLATION WITH DPF FILTER WITH VOLVO D13



From 8-1202 To A-1720	Date:10/2022	PAGE:H7-0405-01
<b>MUFFLER - INSTALLATION WITH DPF FILTER WITH VOLVO D13</b>		

Item#	Part	Description	H 3 4 1	H 3 4 5	V I P 4 5	N O T E S
1	21060426	V-CLAMP / (USE W GASKET) 4.81" I.D.	1	1		
2	21048738	GASKET 4.81" I.D. V-CLAMP	1	1		
3	040651	PIPE, EXHAUST "U"	1	1		
4	040687	SUPPORT UPPER DPF To 9-1393	1	1		
4	21138599	SUPPORT UPPER DPF From 9-1394 To A-1654	1	1		
4	040929	SUPPORT UPPER DPF From A-1655	1	1	1	
7	540066	BELLOWS - EXHAUST 5" I.D. x 14.49"	1	1		
8	21021850	V-CLAMP / (USE W GASKET) 5.91" I.D.	4	4		
9	21048740	GASKET 5.91" I.D. V-CLAMP	4	4		
10	040650	PIPE, EXHAUST / CENTER	1	1		
11	040653	PIPE, EXHAUST / UPPER	1	1		
12	540018	U-CLAMP / (GUILLOTINE TYPE) / 5" I.D.	2	2		
13	5001595	SCREW CAP HEXF M10-1.5x60 G8.8 G500	1	1		
14	971098	NUT HEXF STO M10-1.5 G8 ZP	1	1		
15	500261	WASHER FL .390x1.500x.083 N500	2	2		
16	661074	BUSHING / RUBBER 3/4" x 5/8" I.D.	2	2		
17	505217	SPACER 7/16" X 1 1/4"	1	1		
18	040627	WASHER FL 10.5x54x11GA SS	1	1		
18	3852496	WASHER LO SPT 10.2x18.1x2.2 ZG603	1	1		
19	502804	SCREW CAP HEX M10-1.5x25 G8.8 N500	1	1		
20	040626	ANGLE PIPE SUPPORT	1	1		
21	<b>20944629</b>	<b>MUFFLER DPF EXHAUST FILTER From 8-0948 To 8-0995</b>	1	1		
. NS	Refer To Volvo	. FOR SERVICE PARTS SEE IMPACT From 8-0948 To 8-0995	1	1		V
. NS	Refer To Volvo	. OR CALL ORDER DESK From 8-0948 To 8-0995	1	1		V
21	<b>21096838</b>	<b>MUFFLER DPF EXHAUST FILTER From 8-0996</b>	1	1		
. NS	Refer To Volvo	. FOR SERVICE PARTS SEE IMPACT From 8-0996				V
. NS	Refer To Volvo	. OR CALL ORDER DESK From 8-0996				V
21	20864316	. PARTICULATE FILTER	1	1		
21	85000725	. PARTICULATE FILTER (reman)	1	1		
. NS	Refer To Volvo	. . FOR SERVICE PARTS SEE IMPACT				V
. NS	Refer To Volvo	. . OR CALL ORDER DESK				V
22	20789066	SENSOR NOX ASSY W/CABLE To 8-1215	1	1		
22	21069361	SENSOR NOX ASSY W/CABLE From 8-1216	1	1		
23	20891130	CABLE ASSY SENSOR MODULE	1	1		
24	040623	CLAMP SUPPORT ASSY To 9-1393	2	2		
24	21120780	CLAMP SUPPORT ASSY From 9-1394	1	1		
25	040579	MUFFLER CONNECTION RUBBER 135MM x 93MM To 9-1393	5	5		
25	21120785	MUFFLER CONNECTION RUBBER 135MM x 93MM From 9-1394	5	5		
26	040636	SUPPORT LOWER DPF PROTO	1	1		
26	040726	SUPPORT LOWER DPF To 9-1393	1	1		
26	21102659	SUPPORT LOWER DPF From 9-1394 To A-1654	1	1		
26	040931	SUPPORT LOWER DPF From A-1655	1	1	1	

<b>From 8-1202 To A-1720</b>	<b>Date:10/2022</b>	<b>PAGE:H7-0405-01</b>
<b>MUFFLER - INSTALLATION WITH DPF FILTER WITH VOLVO D13</b>		

<b>Item#</b>	<b>Part</b>	<b>Description</b>	<b>H 3 4 1</b>	<b>H 3 4 5</b>	<b>V I P 4 5</b>	<b>N O T E S</b>
27	040575	PLATE ATTACHMENT 120MM X 40MM To 9-1393	6	6		
27	21138255	PLATE ATTACHMENT 120MM X 40MM From 9-1394	1	1		
28	5001338	SCREW CAP HEX M12-1.75x45 G10.9 N500	AR	AR		
29	500811	NUT HEX STO M12-1.75 G500	AR	AR		
30	040680	SPACER 3/4" O.D. X 16MM SS	AR	AR		
30	040937	SPACER 3/4" O.D. X 16MM ST	AR	AR		
31	040689	PROTECTOR CABLE SUPPORT To A-1654	1	1		
31	040928	PROTECTOR CABLE SUPPORT From A-1655	1	1	1	
32	041068	CABLE SUPPORT To A-1654	1	1		
32	040924	CABLE SUPPORT From A-1655	1	1	1	
NS	955269	SCREW CAP HEX M6-1.0x12 G8.8 ZG603	2	2		
NS	500877	WASHER FL .250x.562x.065 N500	2	2		
NS	504264	GROMMET / .750x1.250x.062x.250x1.625	1	1		
33	502862	SCREW CAP HEX M8-1.25x20 G8.8 N500	2	2		
34	500321	WASHER BEL SPR .331x.827x.098 N500	2	2		
NS	5001337	NUT INS FL HEX M8-1.25 0.5-3.0 Z050	2	2		
35	509815	TIE MOUNT / ATTACHMENT W/TREE MOUNT	AR	AR		
36	955269	SCREW CAP HEX M6-1.0x12 G8.8 ZG603	2	2		
37	502853	WASHER LO SPT 6.1x11.8x1.6 N500	2	2		
38	952629	CLAMP / 5/8" I.D.	1	1		
39	502868	SCREW TC TR PH #10-16x1/2 N500	1	1		
40	040664	SUPPORT PRIMARY / EXHAUST PIPE	1	1		
41	040659	SUPPORT SECONDARY / EXHAUST PIPE	1	1		
43	5001644	SCREW CAP HEXF M10-1.5x30 G8.8 G500	6	6		
44	040662	SUPPORT EXHAUST PIPE	1	1		
50	540067	CLAMP BAND SEAL / LAP JOINT / 5" I.D.x1.25"	1	1		
52	040719	DIFFUSOR ASSY To 9-1393	1	1		
52	21102422	DIFFUSOR ASSY From 9-1394	1	1		
53	640873	MALE CONNECTOR / AB FITTING / #8x1/2NPT-M BR	1	1		
54	040599	TUBE DRAIN 1/2" O.D. 1354MM SS W/BEND To 8-1135	1	1		
54	040723	TUBE DRAIN 1/2" O.D. 1472MM SS W/BEND From 8-1136	1	1		
55	040700	HOSE DRAIN / 1/2" I.D. 1900MM To 8-1135	1	1		
. NS	503593	. HOSE FC-505-10 / FREON R-134a To 8-1135	AR	AR		
NS	504018	HOSE CLAMP / 7/16"-1" SS / HS-8 To 8-1135	1	1		
56	952631	CLAMP / 3/4" I.D.	1	1		
57	955269	SCREW CAP HEX M6-1.0x12 G8.8 ZG603	1	1		
57	502681	NUT HEX NYRT M6-1.0 N500 G8	1	1		
58	040589	GRILL ROOF	1	1		
NS	040710	HOSE ADAPTOR, EXHAUST W/TOP DIFFUSOR FOR ADAPTEUR GARAGE VENTILATION	AR	AR		
. NS	5001685	. SCREW TH SHR 1/4-20x1 1/2 SS	2	2		
59	500952	SCREW TP BDG PH #8x1/2 SS	15	15		



From 8-1202 To A-1720	Date:10/2022	PAGE:H7-0405-01
<b>MUFFLER - INSTALLATION WITH DPF FILTER WITH VOLVO D13</b>		

Item#	Part	Description	H 3 4 1	H 3 4 5	V I P 4 5	N O T E S
63	040668	GRILL DIFFUSOR To 9-1309	1	1		
63	040747	GRILL DIFFUSOR From 9-1310 To 9-1393	1	1		
63	21139384	GRILL DIFFUSOR From 9-1394	1	1		
64	040161	PLATE "WARNING" THIS DIFFUSOR MUST BE FLUSH.. To 9-1393	1	1		
64	21139388	PLATE "WARNING" THIS DIFFUSOR MUST BE FLUSH.. From 9-1394	1	1		
65	502573	WASHER FL 6.4x12.5x1.6 SS	10	10		
66	5001684	NUT HEX CAP M6-1.0 SS	10	10		
67	040748	DEFLECTOR TAPER - H SERIES From 9-1310	1	1		
70	040714	INSULATED BLANKET / PIPE EXHAUST DPF	1	1		
NS	040715	SUPPORT PIPE	1	1		
71	040655	INSULATED BLANKET / PIPE	1	1		
72	040692	INSULATED BLANKET / BELLOW	1	1		
73	040654	INSULATED BLANKET / PIPE TURBO	1	1		
74	504737	CABLE TIE / .300" X 30"1/2	AR	AR		
90	040690	SUPPORT UPPER DPF	1	1		
91	218172	SUPPORT LOWER DPF	1	1		
92	500806	SCREW CAP HEX M12-1.75X35 G10.9 G500	4	4		
92	500747	WASHER LO SPT 12.2x21.1x2.5 N500	4	4		
		V) SEE IMPACT OR CALL ORDER DESK				

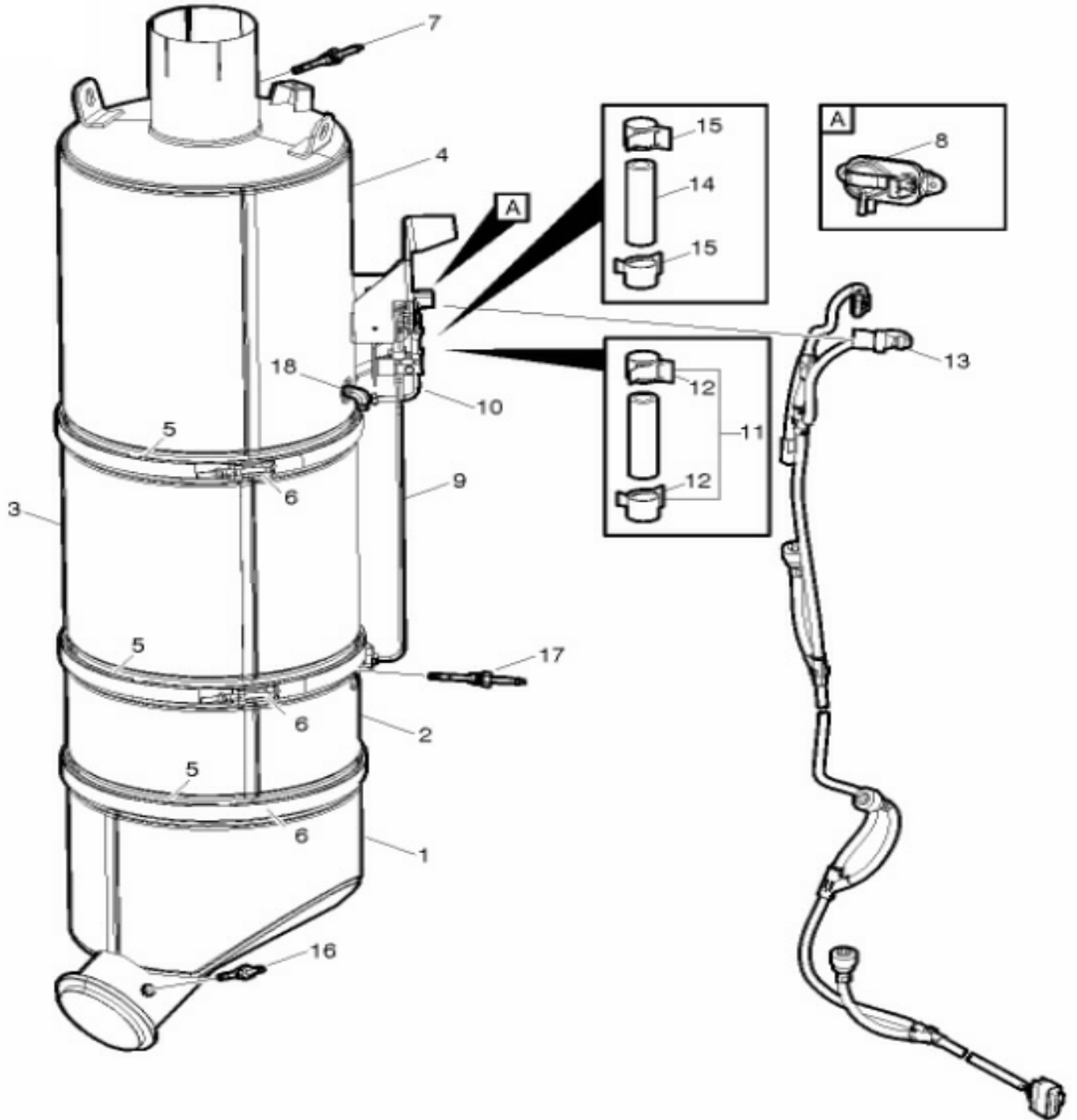


From 8-0948 To 8-0995

Date:10/2022

PAGE:20944629

MUFFLER DPF EXHAUST FILTER



From 8-0948 To 8-0995	Date:10/2022	PAGE:20944629
<b>MUFFLER DPF EXHAUST FILTER</b>		

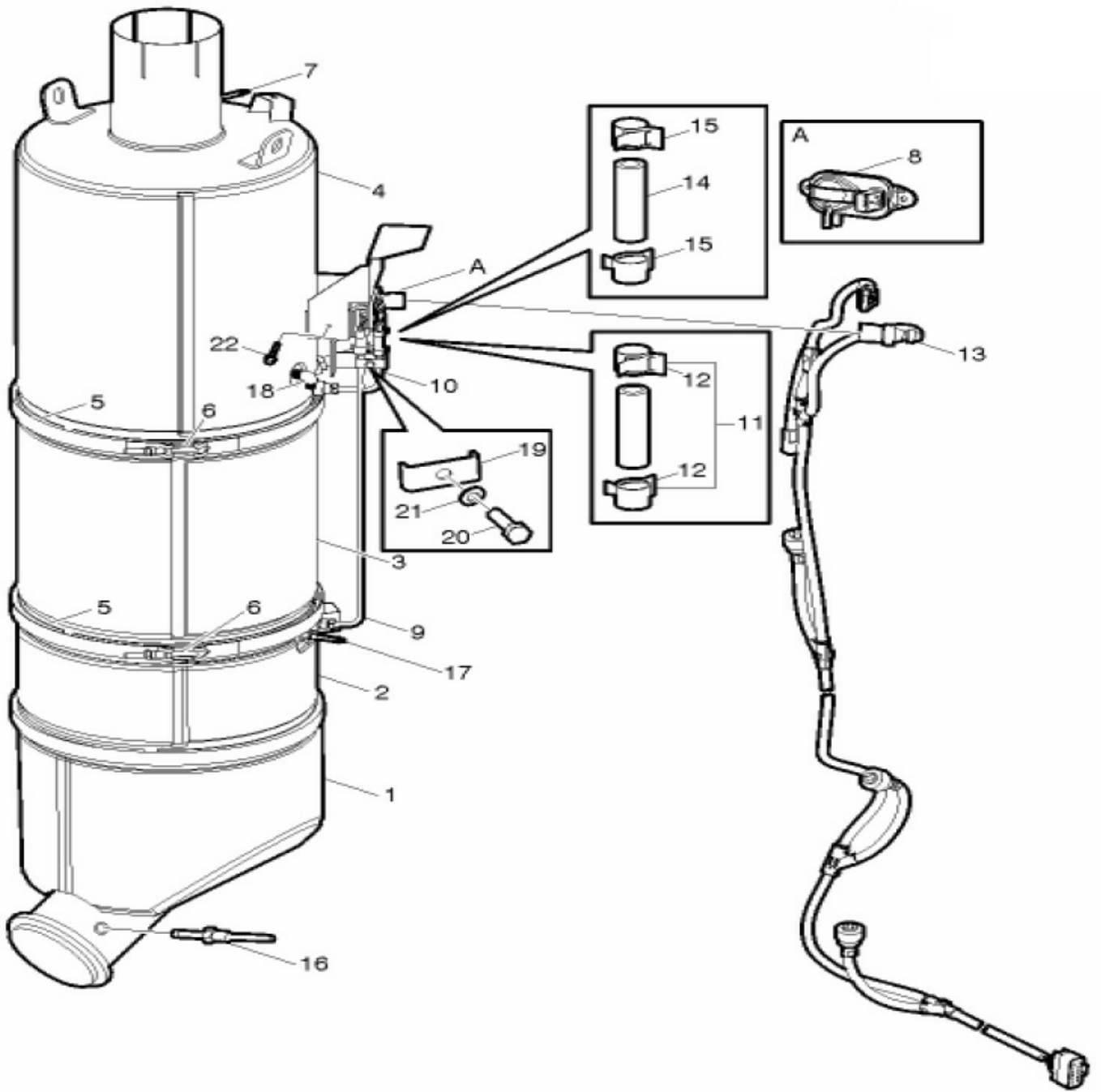
Item#	Part	Description	H 3 4 1	H 3 4 5	V I P 4 5	N O T E S
1	20944633	SILENCER	1	1	1	
2	20864129	CATALYTIC CONVERTER	1	1	1	
3	20864316	PARTICULATE FILTER	1	1	1	
4	20966118	SILENCER	1	1	1	
5	20864007	GASKET DPF V-CLAMP	3	3	3	
6	20864019	CLAMP	3	3	3	
7	20451990	SENSOR TEMPERATURE STRAIGHT END, 39 HARNESS "	1	1	1	
8	20451992	SENSOR DIFFERENTIAL PRESSURE	1	1	1	
9	20864325	TUBE	1	1	1	
10	20906269	TUBE	1	1	1	
11	20942072	KIT HOSES AND CLAMPS FOR DPF	1	1	1	
12	20915806	CLAMP	2	2	2	
13	21076411	CABLE HARNESS	1	1	1	
14	21009859	HOSE	1	1	1	
15	21009862	CLAMP	2	2	2	
16	21022201	TEMPERATURE SENSOR STRAIGHT END, 23 HARNESS "	1	1	1	
17	21022199	TEMPERATURE SENSOR 90DEG END, 28 HARNESS "	1	1	1	
18	21147959	ELBOW	1	1	1	

From 8-0996

Date:10/2022

PAGE:21096838

## MUFFLER DPF EXHAUST FILTER



From 8-0996	Date:10/2022	PAGE:21096838
<b>MUFFLER DPF EXHAUST FILTER</b>		

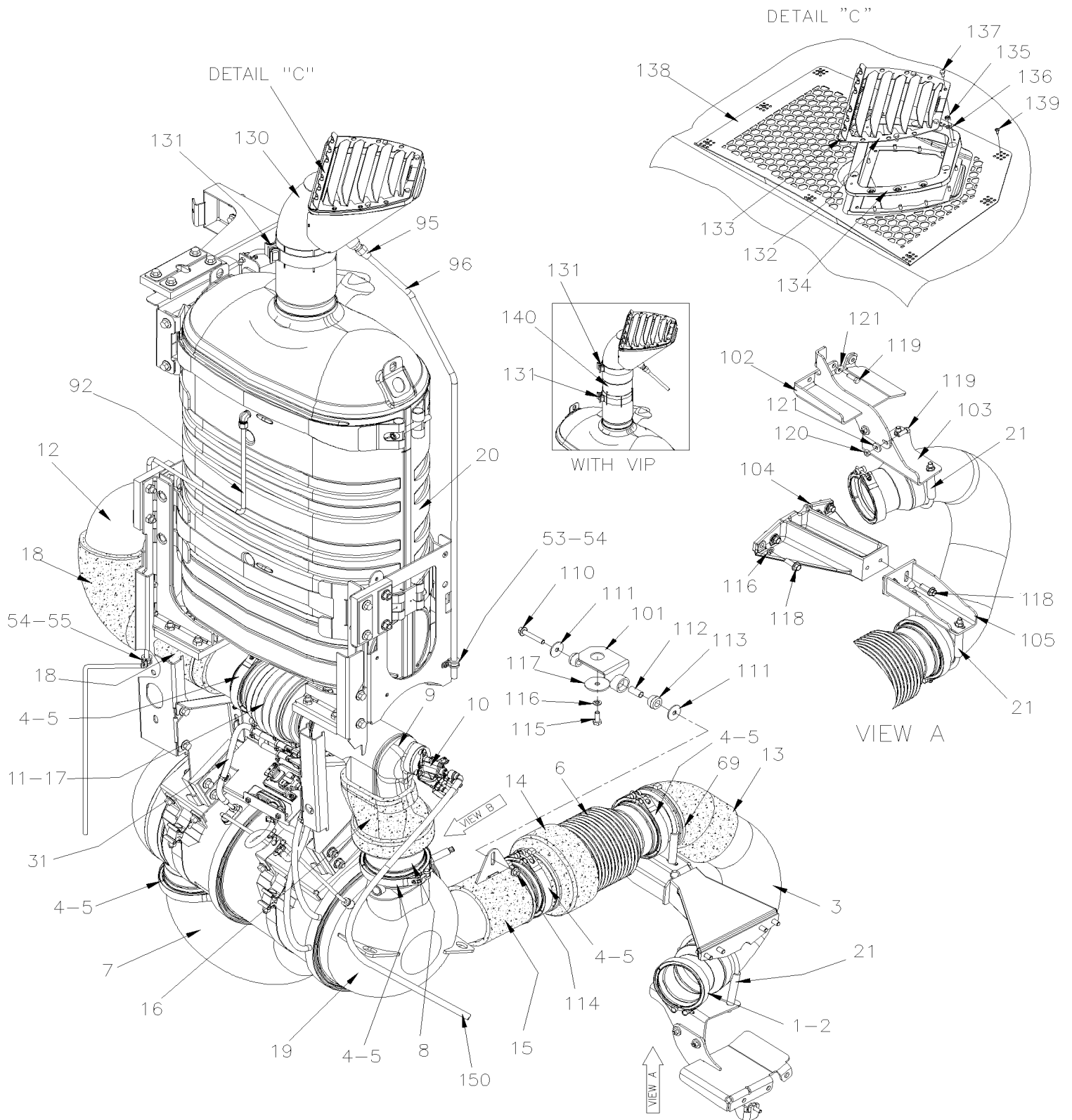
Item#	Part	Description	H 3 4 1	H 3 4 5	V I P 4 5	N O T E S
1	20944633	SILENCER				
2	20864129	CATALYTIC CONVERTER				
3	20864316	PARTICULATE FILTER				
4	20966118	SILENCER				
5	21371339	GASKET				
6	20864019	CLAMP				
7	20451990	SENSOR TEMPERATURE STRAIGHT END, 39 HARNESS "				
8	20451992	SENSOR DIFFERENTIAL PRESSURE				
9	20864325	TUBE				
10	20906269	TUBE				
11	20942072	KIT HOSES AND CLAMPS FOR DPF				
12	20915806	CLAMP				
13	21076411	CABLE HARNESS				
14	21009859	HOSE				
15	21009862	CLAMP				
16	21022201	TEMPERATURE SENSOR STRAIGHT END, 23 HARNESS "				
17	21022199	TEMPERATURE SENSOR 90DEG END, 28 HARNESS "				
18	21147959	ELBOW				
19	21180016	BRACKET				
20	963548	HEXAGON SCREW				
21	940191	WASHER				
22	963553	HEXAGON SCREW M6x10				

From B-1721 To J-0294

Date:10/2022

PAGE:H7-0405-02

## MUFFLER - INSTALLATION WITH DPF & SCR WITH VOLVO D13 WITH "EPA 2010"

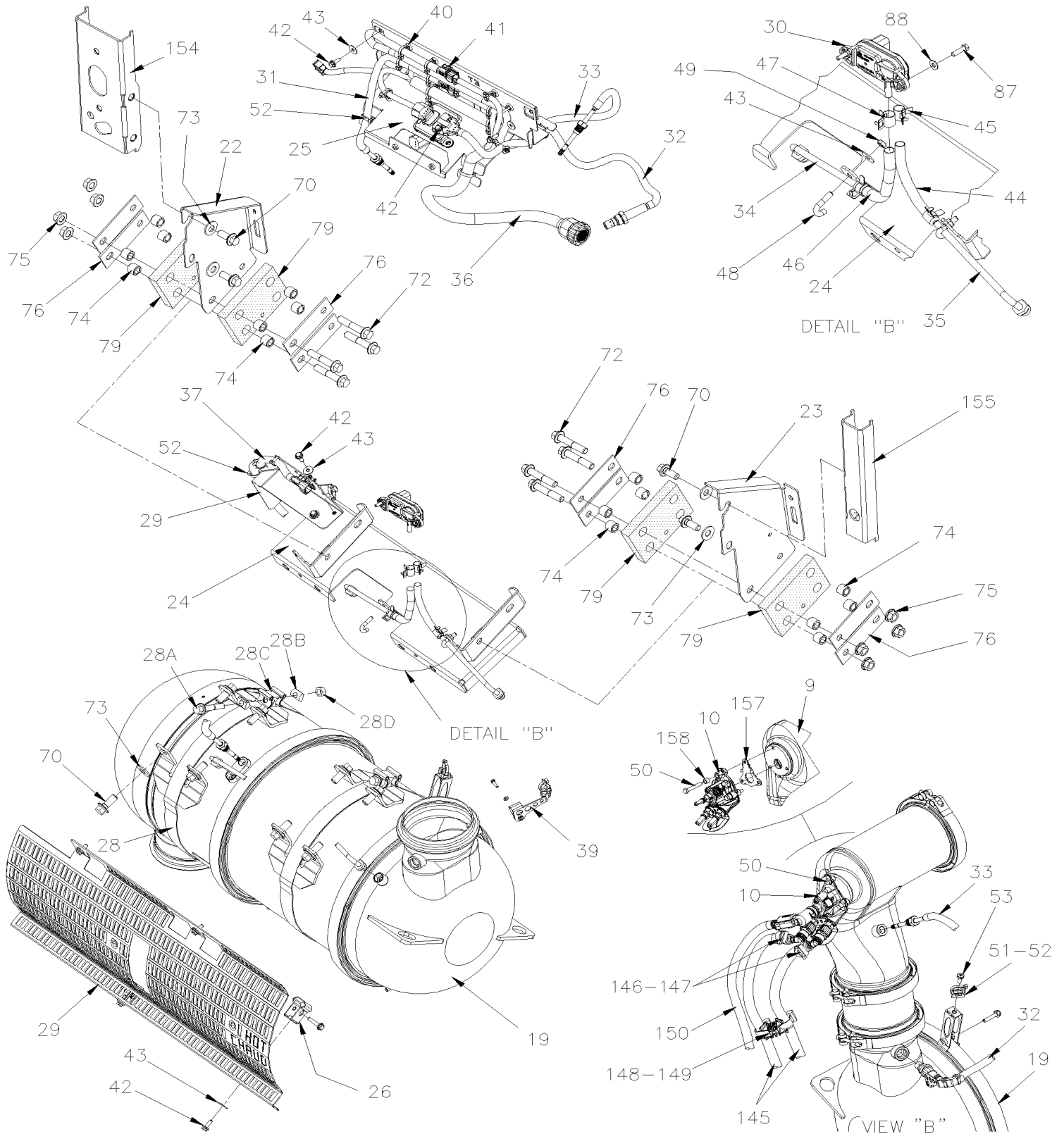


From B-1721 To J-0294

Date:10/2022

PAGE:H7-0405-02

## MUFFLER - INSTALLATION WITH DPF & SCR WITH VOLVO D13 WITH "EPA 2010"





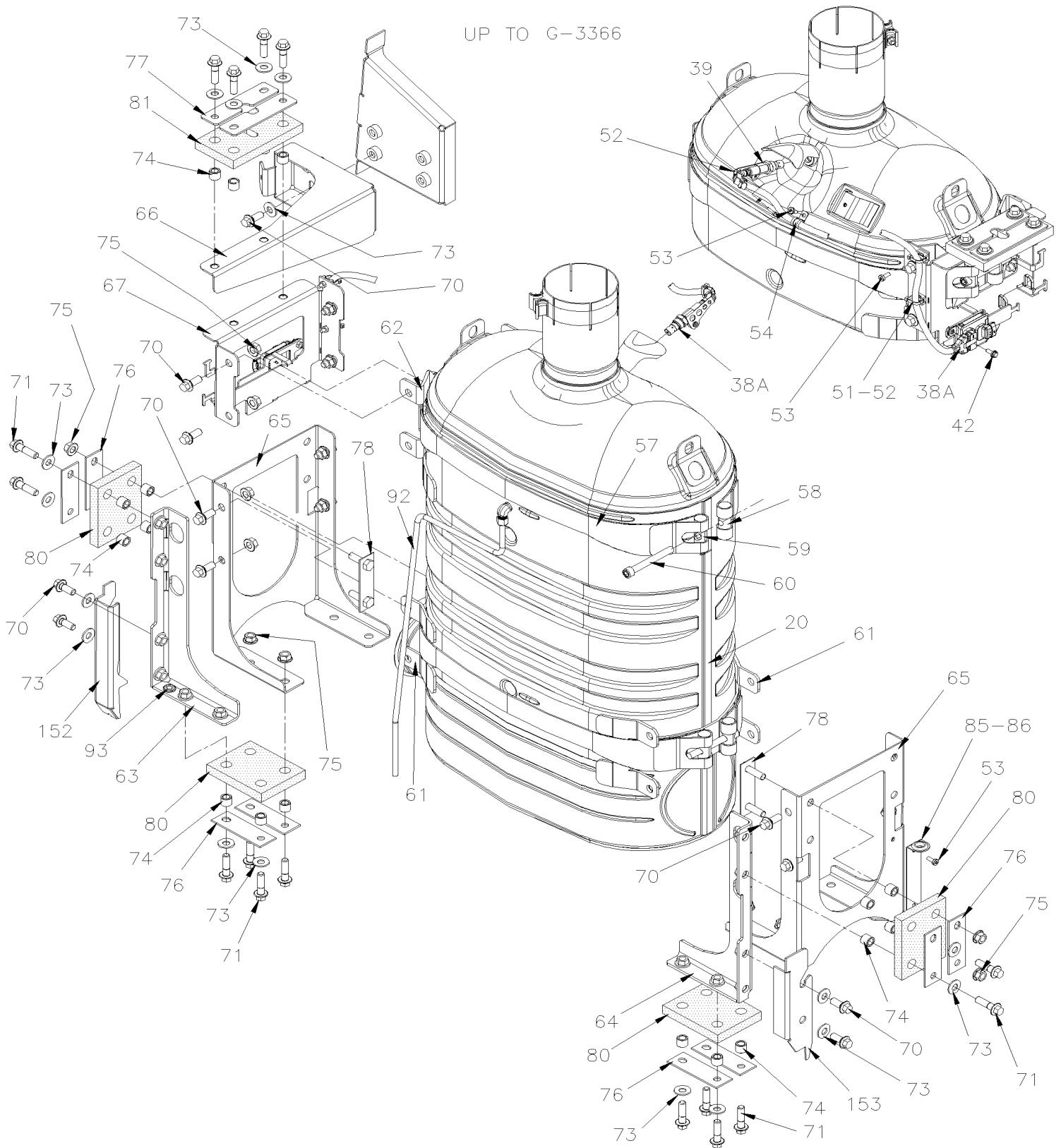
From B-1721 To J-0294

Date:10/2022

PAGE:H7-0405-02

## MUFFLER - INSTALLATION WITH DPF & SCR WITH VOLVO D13 WITH "EPA 2010"

UP TO G-3366





From B-1721 To J-0294	Date:10/2022	PAGE:H7-0405-02
<b>MUFFLER - INSTALLATION WITH DPF &amp; SCR WITH VOLVO D13 WITH "EPA 2010"</b>		

Item#	Part	Description	H 3 4 1	H 3 4 5	V I P 4 5	N O T E S
1	21060426	V-CLAMP / (USE W GASKET) 4.81" I.D.	1	1	1	
2	21095721	GASKET	1	1	1	
3	040651	PIPE, EXHAUST "U"	1	1	1	
4	21021850	V-CLAMP / (USE W GASKET) 5.91" I.D.	8	8	8	
5	21095726	GASKET	8	8	8	
6	540071	BELLOWS - EXHAUST 5" I.D. x 14.49"	1	1	1	
7	040778	PIPE DPF INLET	1	1	1	
8	040826	PIPE EXHAUST	1	1	1	
9	21403611	SWIRL PIPE To H-3734	1	1	1	
9	<b>23041035</b>	<b>SWIRL PIPE From H-3735</b>	1	1	1	
. NS	21209156	. TIE WRAP STAINLESS STEEL From H-3735	4	4	4	
10	<b>21332704</b>	<b>NOZZLE UREA TB-128613692-1 To A-1720</b>	1	1	1	
10	<b>21575532</b>	<b>NOZZLE UREA TB-129663536-1 From B-1721 To F-2729</b>	1	1	1	
10	046557	NOZZLE UREA PRODUCTION ONLY PRODUCTION ONLY From F-2730 To F-2732	1	1	1	
10	<b>22391563</b>	<b>NOZZLE UREA TB-134512462-1 From F-2733 To H-3734</b>	1	1	1	
10	22757225	NOZZLE UREA, 2.5 From H-3735	1	1	1	
11	540072	BELLOWS - EXHAUST	1	1	1	
12	040777	PIPE EXHAUST	1	1	1	
13	040654	INSULATED BLANKET / PIPE TURBO To G-3119	1	1	1	
13	041115	INSULATED BLANKET / PIPE TURBO W/SPRING ATTACHMENT From G-3120	1	1	1	
14	040961	INSULATED BLANKET / BELLOW To E-2531	1	1	1	
14	041015	INSULATED BLANKET / BELLOW From E-2532 To E-2693	1	1	1	
14	041095	INSULATED BLANKET / BELLOW W/SPRING ATTACHMENT From E-2694	1	1	1	
15	040867	INSULATED BLANKET / PIPE DPF INLET To G-3119	1	1	1	
15	041124	INSULATED BLANKET / PIPE DPF INLET W/SPRING ATTACHMENT From G-3120	1	1	1	
16	040858	INSULATED BLANKET / PIPE SWIRL To G-3119	1	1	1	
16	041125	INSULATED BLANKET / PIPE SWIRL W/SPRING ATTACHMENT From G-3120 To H-3734	1	1	1	
16	040016	INSULATED BLANKET / PIPE SWIRL From H-3735	1	1	1	
17	040960	INSULATED BLANKET / BELLOW To G-3119	1	1	1	
17	041119	INSULATED BLANKET / BELLOW W/SPRING ATTACHMENT From G-3120	1	1	1	
18	040857	INSULATED BLANKET / PIPE EXHAUST To G-3119	1	1	1	
18	041126	INSULATED BLANKET / PIPE EXHAUST W/SPRING ATTACHMENT From G-3120	1	1	1	
19	<b>22058307</b>	<b>MUFFLER DPF EXHAUST FILTER From H-3735</b>	1	1	1	
19	Refer To Volvo	MUFFLER DPF EXHAUST FILTER	1	1	1	V
20	21437514	MUFFLER SCR EXHAUST FILTER To G-3366	1	1	1	
. NS	Refer To Volvo	. FOR SERVICE PARTS SEE IMPACT To G-3366	1	1	1	V
. NS	Refer To Volvo	. OR CALL ORDER DESK To G-3366	1	1	1	V
20	22409129	MUFFLER SCR EXHAUST FILTER From G-3367 To H-3734	1	1	1	
. NS	Refer To Volvo	. FOR SERVICE PARTS SEE IMPACT From G-3367 To H-3734	1	1	1	V
. NS	Refer To Volvo	. OR CALL ORDER DESK From G-3367 To H-3734	1	1	1	V
21	540018	U-CLAMP / (GUILLOTINE TYPE) / 5" I.D.	2	2	2	
22	040789	ATTACHMENT DPF VOLVO	1	1	1	

<b>From B-1721 To J-0294</b>	<b>Date:10/2022</b>	<b>PAGE:H7-0405-02</b>
<b>MUFFLER - INSTALLATION WITH DPF &amp; SCR WITH VOLVO D13 WITH "EPA 2010"</b>		

Item#	Part	Description	H 3 4 1	H 3 4 5	V I P 4 5	N O T E S
23	040829	ATTACHMENT DPF VOLVO	1	1	1	
24	040790	ATTACHMENT LOWER DPF	1	1	1	
25	040951	SUPPORT CABLE DPF To D-2188	1	1	1	
25	040983	SUPPORT CABLE DPF From D-2189 To D-2363	1	1	1	
25	040982	SUPPORT CABLE DPF From D-2364	1	1	1	
26	040861	CABLE SUPPORT	2	2	2	
27	040898	SUPPORT CABLE DPF	1	1	1	
28	21462547	CLAMP SUPPORT ASSY To D-2286	2	2	2	
. A	5001801	. SCREW CAP HEXF M10-1.5x55 G10.9 N500 To D-2286	1	1	1	
. B	540085	. SPACER / HALF MOON SHAPE To D-2286	2	2	2	
. C	540086	. SPACER / ANVIL SHAPE To D-2286	1	1	1	
. D	5001758	. NUT HEX STO M10-1.5 N500 To D-2286	1	1	1	
28	040986	CLAMP SUPPORT ASSY From D-2287	2	2	2	
28A	5001801	SCREW CAP HEXF M10-1.5x55 G10.9 N500 From D-2287	AR	AR	AR	
28B	540085	SPACER / HALF MOON SHAPE From D-2287	AR	AR	AR	
28C	540086	SPACER / ANVIL SHAPE From D-2287	AR	AR	AR	
28D	5001758	NUT HEX STO M10-1.5 N500 From D-2287	AR	AR	AR	
29	040953	GRILLE PROTECTOR OVER DFP	1	1	1	
30	20451992	SENSOR DIFFERENTIAL PRESSURE To D-2363	1	1	1	
30	21403962	SENSOR PRESSURE "DELTA" From D-2364	1	1	1	
30	<b>040096</b>	<b>KIT SENSOR PRESSURE DPF From D-2364</b>	1	1	1	
31	21164414	SENSOR TEMPEARATURE "T2" To H-3734	1	1	1	
31	21673931	SENSOR TEMPEARATURE "T2" From H-3735	1	1	1	
32	21346959	SENSOR "NOX" / DPF FILTER To A-1719	1	1	1	
32	21479638	SENSOR "NOX" / DPF FILTER From A-1720 To A-1720	1	1	1	
32	21567764	SENSOR "NOX" / DPF FILTER From B-1721 To D-2268	1	1	1	
32	21636091	SENSOR "NOX" / DPF FILTER From D-2269 To G-3205	1	1	1	
32	22303390	SENSOR "NOX" / DPF FILTER From G-3206	1	1	1	
33	21126692	SENSOR TEMPEARATURE "T3" To H-3734	1	1	1	
33	21412472	SENSOR TEMPEARATURE "T3" From H-3735	1	1	1	
34	040911	PIPE, DP HIGH PRESSURE	1	1	1	
35	040912	PIPE, DP LOW PRESSURE	1	1	1	
36	067656	HARNESS DPF "VOLVO" To C-2058	1	1	1	
36	068335	HARNESS DPF "VOLVO" From C-2059 To D-2271	1	1	1	
36	067825	HARNESS DPF "VOLVO" From D-2272 To D-2363	1	1	1	
36	068649	HARNESS DPF "VOLVO" From D-2364 To E-2539	1	1	1	
36	068908	HARNESS DPF "VOLVO" From E-2540 To E-2661	1	1	1	
36	068993	HARNESS DPF "VOLVO" From E-2662 To G-3366	1	1	1	
36	069503	HARNESS DPF "VOLVO" From G-3367	1	1	1	
37	21225020	SENSOR TEMPEARATURE "T1"	1	1	1	
38A	21479637	SENSOR "NOX" / SCR FILTER To A-1720	1	1	1	
38A	21567763	SENSOR "NOX" / SCR FILTER From B-1721 To D-2268	1	1	1	

<b>From B-1721 To J-0294</b>	<b>Date:10/2022</b>	<b>PAGE:H7-0405-02</b>
<b>MUFFLER - INSTALLATION WITH DPF &amp; SCR WITH VOLVO D13 WITH "EPA 2010"</b>		

Item#	Part	Description	H 3 4 1	H 3 4 5	V I P 4 5	N O T E S
38A	21636088	SENSOR "NOX" / SCR FILTER From D-2269 To D-2363	1	1	1	
38A	22014032	SENSOR "NOX" / SCR FILTER From D-2364 To G-3205	1	1	1	
38A	22303391	SENSOR "NOX" / SCR FILTER From G-3206	1	1	1	
38B	060161	SENSOR "PM" / SCR FILTER ASSY From G-3367 To H-3578	1	1	1	
. NS	22733524	. SENSOR "PM" / SCR FILTER From G-3367 To H-3578	1	1	1	
. NS	562387	. CONVOLUTED TUBING / SLIT / BLACK / .250" From G-3367 To H-3578	AR	AR	AR	
. NS	564099	. TAPE ADHESIF ELECTRICAL TISSUS / BLACK 838MM From G-3367 To H-3578	AR	AR	AR	
38B	060327	SENSOR "PM" / SCR FILTER ASSY From H-3579	1	1	1	
38B	22835170	. SENSOR "PM" / SCR FILTER From H-3579 To J-0244	1	1	1	
38B	22946032	. SENSOR "PM" / SCR FILTER From J-0245	1	1	1	
39	040954	GUIDE, WIRING To G-3366	2	2	2	
39	040954	GUIDE, WIRING From G-3367	1	1	1	
NS	502556	WASHER FL 4.3x9.0x0.8 SS To G-3366	2	2	2	
39	502556	WASHER FL 4.3x9.0x0.8 SS From G-3367	1	1	1	
NS	502799	SCREW CAP HEX M4-0.7X16 G8.8 N500 To G-3366	2	2	2	
39	502799	SCREW CAP HEX M4-0.7X16 G8.8 N500 From G-3367	1	1	1	
40	564108	SELF MOUNTING STUD // DEUTSCH 1011-310-0205	4	4	4	
41	8631155	CABLE TIE / 4.6MM x 200 / CHRISTMAS TREE	13	13	13	
42	5001730	SCREW CAP HEXF M6-1.0x16 G10.9 N500 To G-3366	12	12	12	
42	5001730	SCREW CAP HEXF M6-1.0x16 G10.9 N500 From G-3367	16	16	16	
43	5001833	WASHER BEL SPR 6.1x18x1.27 SS	10	10	10	
44	040913	HOSE	1	1	1	
44	503776	. HOSE SILICONE 1/4" I.D. x 10' / S.L.	AR	AR	AR	
45	21283793	SPRING HOSE CLAMP 5/16"	2	2	2	
46	040914	HOSE	1	1	1	
46	503775	. HOSE SILICONE 5/16" I.D. x 10' / S.L.	AR	AR	AR	
47	21283796	SPRING HOSE CLAMP 1/4"	2	2	2	
48	040916	J-HOOK / M6-1.0 x 33 SS	2	2	2	
49	502854	NUT HEX M6-1.0 N500	2	2	2	
50	502622	SCREW CAP HEX M6-1.0x20 SS BK To H-3734	3	3	3	
50	5000310	SCREW CAP HEX M6-1.0x40 BK From H-3735	3	3	3	
51	504013	TIE MOUNT / 1/4" X 1/4" I.D.	AR	AR	AR	
52	504637	CABLE TIE / 3/16" x 13"	AR	AR	AR	
53	502817	SCREW MA PAN PH M6-1.0x16 N500	AR	AR	AR	
54	952624	CLAMP / 1/4" I.D.	1	1	1	
55	040918	SUPPORT / DRAIN	1	1	1	
NS	504356	GROMMET / .625x.875x.062x.312x1.125	1	1	1	
56	504379	RIVET POP DOME OE 3/16x1/4 SS	AR	AR	AR	
57	21282895	STRAP SCR	4	4	4	
58	21321221	BAR THREAD SCR	2	2	2	
59	20974254	BAR ROUND SCR	4	4	4	
60	509892	SCREW CAP HEXS M12-1.75x100 G8.8 N500	4	4	4	

<b>From B-1721 To J-0294</b>	<b>Date:10/2022</b>	<b>PAGE:H7-0405-02</b>
<b>MUFFLER - INSTALLATION WITH DPF &amp; SCR WITH VOLVO D13 WITH "EPA 2010"</b>		

Item#	Part	Description	H 3 4 1	H 3 4 5	V I P 4 5	N O T E S
61	040786	ATTACHMENT, LOWER, SCR VOLVO	2	2	2	
62	040855	ATTACHMENT, UPPER, SCR VOLVO	1	1	1	
63	040847	SUPPORT SCR VOLVO / STREET SIDE	1	1	1	
64	040848	SUPPORT SCR VOLVO / CUBRE SIDE	1	1	1	
65	040827	SUPPORT, LOWER, SCR VOLVO	2	2	2	
66	040852	SUPPORT, UPPER, SCR VOLVO	1	1	1	
67	040851	ATTACHMENT UPPER To G-3366	1	1	1	
67	041157	ATTACHMENT UPPER From G-3367	1	1	1	
68	041156	SUPPORT, UPPER, SCR VOLVO From G-3367	1	1	1	
69	504737	CABLE TIE / .300" X 30"1/2 To G-3112	15	15	15	
70	5001726	SCREW CAP HEXF M12-1.75x30 G10.9 N500 To D-2209	32	32	32	
70	5001866	SCREW CAP HEX M12-1.75x30 G10.9 N500 From D-2210	32	32	32	
71	5001338	SCREW CAP HEX M12-1.75x45 G10.9 N500	18	18	18	
72	5001861	SCREW CAP HEX M12-1.75x60 G10.9 N500	8	8	8	
73	500967	WASHER BEL SPR .512x1.142x.098 N500	32	32	32	
74	040680	SPACER 3/4" O.D. X 16MM SS To B-1676	36	36	36	
74	040937	SPACER 3/4" O.D. X 16MM ST From B-1677	36	36	36	
75	5001774	NUT HEXF STO M12-1.75 MAGNI G500	28	28	28	
76	21138255	PLATE ATTACHMENT 120MM X 40MM	16	16	16	
77	040783	PLATE ATTACHMENT 120MM X 40MM	2	2	2	
78	040844	PLATE ATTACHMENT 120MM X 34MM / W/2 M12-1.75x40	2	2	2	
79	21120785	MUFFLER CONNECTION RUBBER 135MM x 93MM To E-2531	4	4	4	
79	22227002	MUFFLER CONNECTION RUBBER 135MM x 93MM From E-2532	4	4	4	
80	040574	MUFFLER CONNECTION RUBBER 135MM x 107MM To E-2531	4	4	4	
80	041069	MUFFLER CONNECTION RUBBER 135MM x 107MM From E-2532	4	4	4	
81	040787	MUFFLER CONNECTION RUBBER 170MM x 93MM To E-2531	1	1	1	
81	041070	MUFFLER CONNECTION RUBBER 170MM x 93MM From E-2532	1	1	1	
82	502737	SCREW CAP HEX M6-1.0x25 SS BK From G-3367	2	2	2	
83	509490	ATTACHMENT DOUBLE USE WITH CABLE TIE From G-3367	2	2	2	
85	040918	SUPPORT / DRAIN	1	1	1	
86	504356	GROMMET / .625x.875x.062x.312x1.125	1	1	1	
87	5001146	SCREW CAP HEX M5-0.8x20 SS BK	2	2	2	
88	500804	WASHER FL .203x.500x.047 N500	2	2	2	
89	502737	SCREW CAP HEX M6-1.0x25 SS BK From G-3367	2	2	2	
90	509490	ATTACHMENT DOUBLE USE WITH CABLE TIE From G-3367	2	2	2	
92	040965	HOSE DRAIN SCR	1	1	1	
93	504070	GROMMET / .375x.625x.156x.406x1.000	1	1	1	
95	640873	MALE CONNECTOR / AB FITTING / #8x1/2NPT-M BR	1	1	1	
95	680098	THREAD SEALANT LOCTITE #567 / WHITE / 250ml	AR	AR	AR	
96	040863	PIPE DRAIN	1	1	1	
97	20565546	PLUG / DPF	1	1	1	
98	947625	SEAL COPPER / DPF	1	1	1	



<b>From B-1721 To J-0294</b>	<b>Date:10/2022</b>	<b>PAGE:H7-0405-02</b>
<b>MUFFLER - INSTALLATION WITH DPF &amp; SCR WITH VOLVO D13 WITH "EPA 2010"</b>		

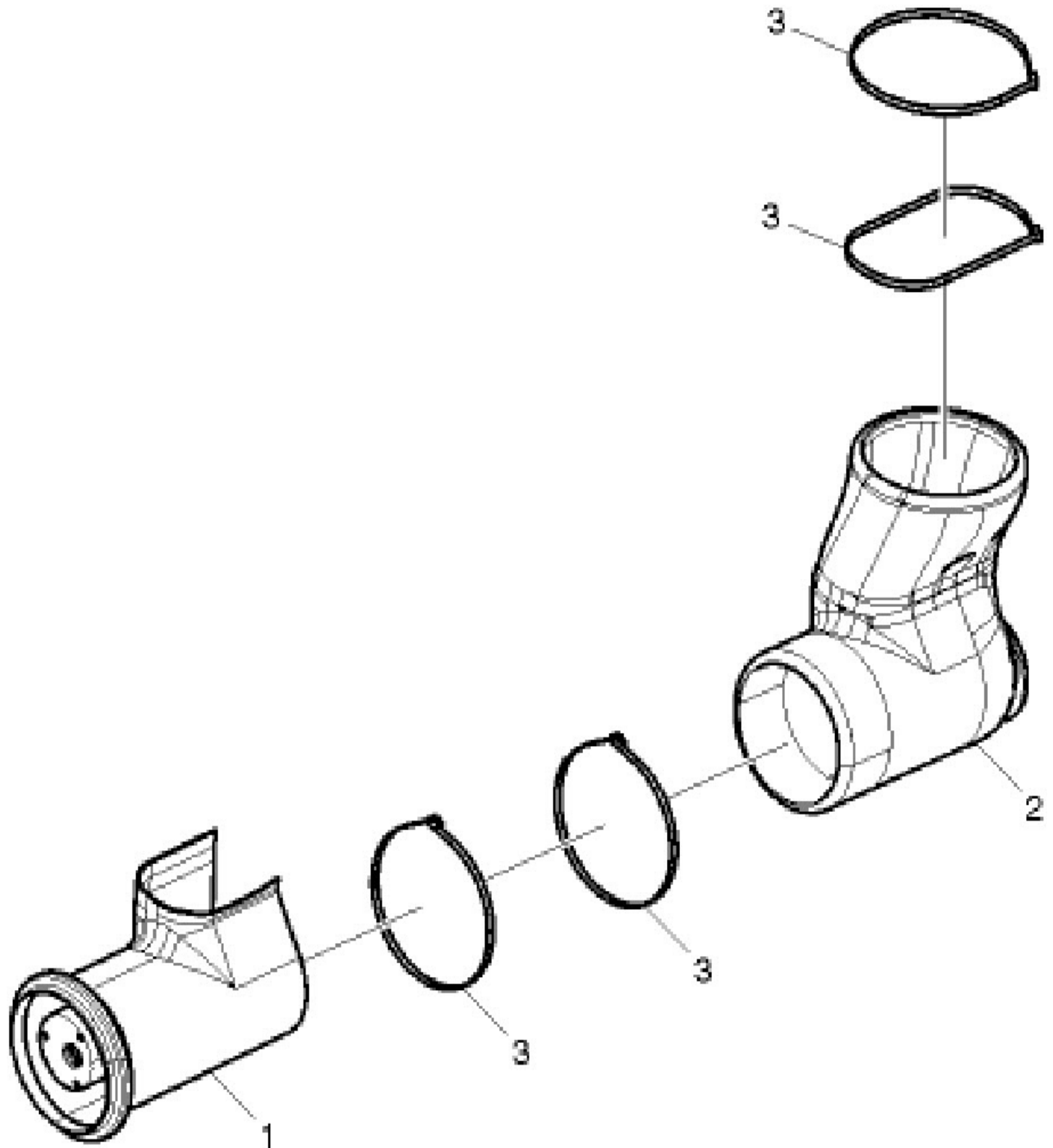
Item#	Part	Description	H 3 4 1	H 3 4 5	V I P 4 5	N O T E S
101	040892	ANGLE PIPE SUPPORT	1	1	1	
102	21589669	SUPPORT EXHAUST PIPE From B-1721	1	1	1	
103	040952	SUPPORT PIPE	1	1	1	
104	040664	SUPPORT PRIMARY / EXHAUST PIPE To E-2601	1	1	1	
104	041006	SUPPORT PRIMARY / EXHAUST PIPE From E-2602	1	1	1	
105	040659	SUPPORT SECONDARY / EXHAUST PIPE To B-1834	1	1	1	
105	040969	SUPPORT SECONDARY / EXHAUST PIPE From B-1835	1	1	1	
110	5001595	SCREW CAP HEXF M10-1.5x60 G8.8 G500	1	1	1	
111	500261	WASHER FL .390x1.500x.083 N500	2	2	2	
112	505217	SPACER 7/16" X 1 1/4"	1	1	1	
113	661074	BUSHING / RUBBER 3/4" x 5/8" I.D.	2	2	2	
114	5001727	NUT HEXF NYRT M10-1.5 N500	1	1	1	
115	502804	SCREW CAP HEX M10-1.5x25 G8.8 N500	1	1	1	
116	5001834	WASHER BEL SPR 10.5X23X2.5 N500	4	4	4	
117	040627	WASHER FL 10.5x54x11GA SS	1	1	1	
118	5001644	SCREW CAP HEXF M10-1.5x30 G8.8 G500	6	6	6	
119	5001745	SCREW CAP HEX M8-1.25x25 G8.8 N500	2	2	2	
120	5001740	NUT HEX STO M8-1.25 N500	2	2	2	
121	500401	WASHER FL .343x.875x.125 N500	4	4	4	
122	23009772	INSULATED BLANKET / SCR UPPER From H-3735 To H-3990	1	1	1	
. NS	22998036	. TIE WRAP STAINLESS STEEL 1905MM From H-3735 To H-3990	2	2	2	
122	23090827	INSULATED BLANKET / SCR UPPER From H-3991	1	1	1	
. NS	22998036	. TIE WRAP STAINLESS STEEL 1905MM From H-3991	1	1	1	
123	23009773	INSULATED BLANKET / SCR LOWER From H-3735 To H-3990	1	1	1	
. NS	22998036	. TIE WRAP STAINLESS STEEL 1905MM From H-3735 To H-3990	2	2	2	
123	23090830	INSULATED BLANKET / SCR LOWER From H-3991	1	1	1	
. NS	22998036	. TIE WRAP STAINLESS STEEL 1905MM From H-3991	2	2	2	
130	21603076	DIFFUSOR ASSY From B-1721	1	1	1	
NS	<b>041139</b>	<b>KIT, REPLACEMENT SHUTTER OF DIFFUSOR</b>	1	1	1	
131	540067	CLAMP BAND SEAL / LAP JOINT / 5" I.D.x1.25"	1	1	1	
132	21139384	GRILL DIFFUSOR From B-1721	1	1	1	
133	21139388	PLATE "WARNING" THIS DIFFUSOR MUST BE FLUSH..	1	1	1	
134	040906	SPACER / DIFFUSOR GRILL	1	1	1	
135	502854	NUT HEX M6-1.0 N500	10	10	10	
136	500877	WASHER FL .250x.562x.065 N500	10	10	10	
137	5001181	SCREW CAP HEX M6-1.0x12 SS	6	6	6	
138	478748	GRILL ROOF	1	1	1	
139	500952	SCREW TP BDG PH #8x1/2 SS	9	9	9	
140	040617	PIPE 5" O.D. X 226MM			1	
NS	040955	KIT EXTENSION DIFFUSOR / 6 5/8"			1	
. NS	040677	. EXTENTION DIFFUSOR / 6 5/8"			1	
. NS	040958	. PROTECTOR GRILL EXTENTION / 6 5/8"			1	

<b>From B-1721 To J-0294</b>	<b>Date:10/2022</b>	<b>PAGE:H7-0405-02</b>
<b>MUFFLER - INSTALLATION WITH DPF &amp; SCR WITH VOLVO D13 WITH "EPA 2010"</b>		

Item#	Part	Description	H 3 4 1	H 3 4 5	V I P 4 5	N O T E S
. NS	5001684	. NUT HEX CAP M6-1.0 SS			10	
. NS	502573	. WASHER FL 6.4x12.5x1.6 SS			10	
NS	040956	KIT EXTENSION DIFFUSOR / 9"			1	
. NS	040648	. EXTENTION DIFFUSOR / 9"			1	
. NS	040957	. PROTECTOR GRILL EXTENTION / 9"			1	
. NS	5001684	. NUT HEX CAP M6-1.0 SS			10	
. NS	502573	. WASHER FL 6.4x12.5x1.6 SS			10	
145	503702	HOSE / (SAFETY STRIPE) / 3/8" I.D. 50' / S.L. To F-2933	AR	AR	AR	
145	503821	HOSE SILICONE 4 PLY / NOMEX-ARAMID 3/8" x 144" To F-2933	1	1	1	
145	503821	HOSE SILICONE 4 PLY / NOMEX-ARAMID 3/8" x 144" From F-2934	1	1	1	
NS	053008	RESTRICTION / ALU. TUBE 20MM X 9.05MM O.D. W/3.05MM HOLE	1	1	1	
146	20805110	QUICK CONNECTOR 90° 10MM To F-2874	2	2	2	
146	21312072	QUICK CONNECTOR 45° 10MM From F-2875	2	2	2	
147	992081	HOSE CLAMP / 12MM/22MM	2	2	2	
148	509490	ATTACHMENT DOUBLE USE WITH CABLE TIE	AR	AR	AR	
NS	504751	ROTATIF SPACER DOUBLE / SMALL	AR	AR	AR	
149	509491	CABLE TIE / 13MM x 383MM	AR	AR	AR	
150	040909	HOSE HEATED ASSY 9300MM To F-2922	1	1	1	
. NS	N8902118	. CONNECTOR CLIP - 5/16" To F-2922	2	2	2	
150	041122	HOSE HEATED ASSY 9400MM From F-2923	1	1	1	
. NS	N8902118	. CONNECTOR CLIP - 5/16" From F-2923	2	2	2	
150	<b>H7-0410-00</b>	<b>UREA RESERVOIR ASSY</b>				
152	272444	ATTACHMENT, LOWER, SCR VOLVO STREET SIDE	1	1	1	
153	272429	ATTACHMENT, LOWER, SCR VOLVO CURBE SIDE	1	1	1	
154	272430	ATTACHMENT, DPF VOLVO STREET SIDE To D-2188	1	1	1	
154	272496	ATTACHMENT, DPF VOLVO STREET SIDE From D-2189	1	1	1	
155	272431	ATTACHMENT, DPF VOLVO CURBE SIDE	1	1	1	
156	218503	ATTACHMENT, SUPPORT EXHAUST PIPE	1	1	1	
157	22677399	GASKET NOZZLE UREA From H-3735	1	1	1	
158	22757141	SPACER From H-3735	1	1	1	
		V) SEE IMPACT OR CALL ORDER DESK				
		V) SEE IMPACT OR CALL ORDER DESK				



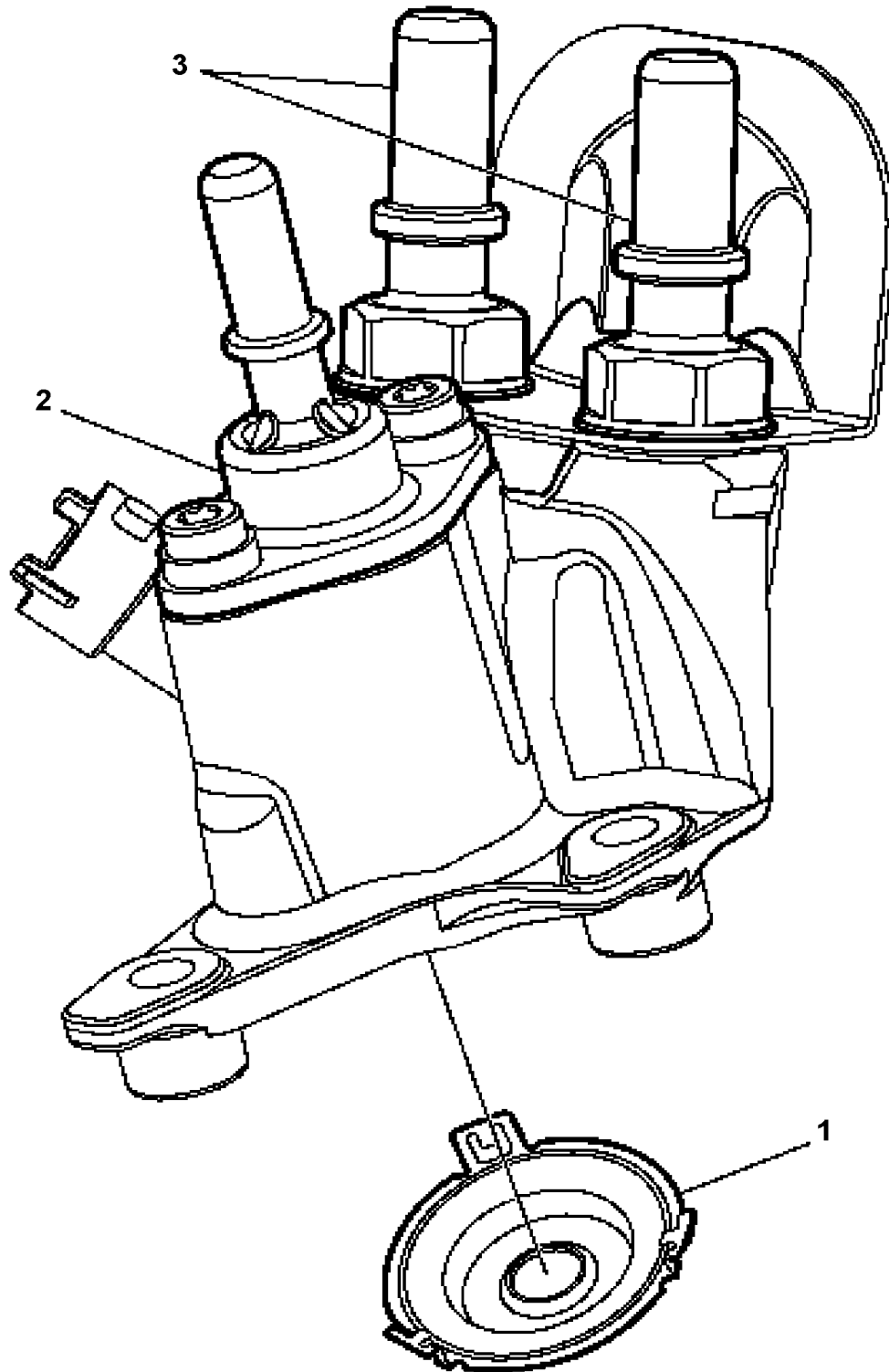
From H-3735	Date:10/2022	PAGE:23041035
SWIRL PIPE		



From H-3735	Date:10/2022	PAGE:23041035
<b>SWIRL PIPE</b>		

Item#	Part	Description	H 3 4 1	H 3 4 5	V I P 4 5	N O T E S
1	21403611	SWIRL PIPE	1	1	1	
2	23041032	HEAT SHEILD	1	1	1	
3	21209156	TIE WRAP STAINLESS STEEL	4	4	4	

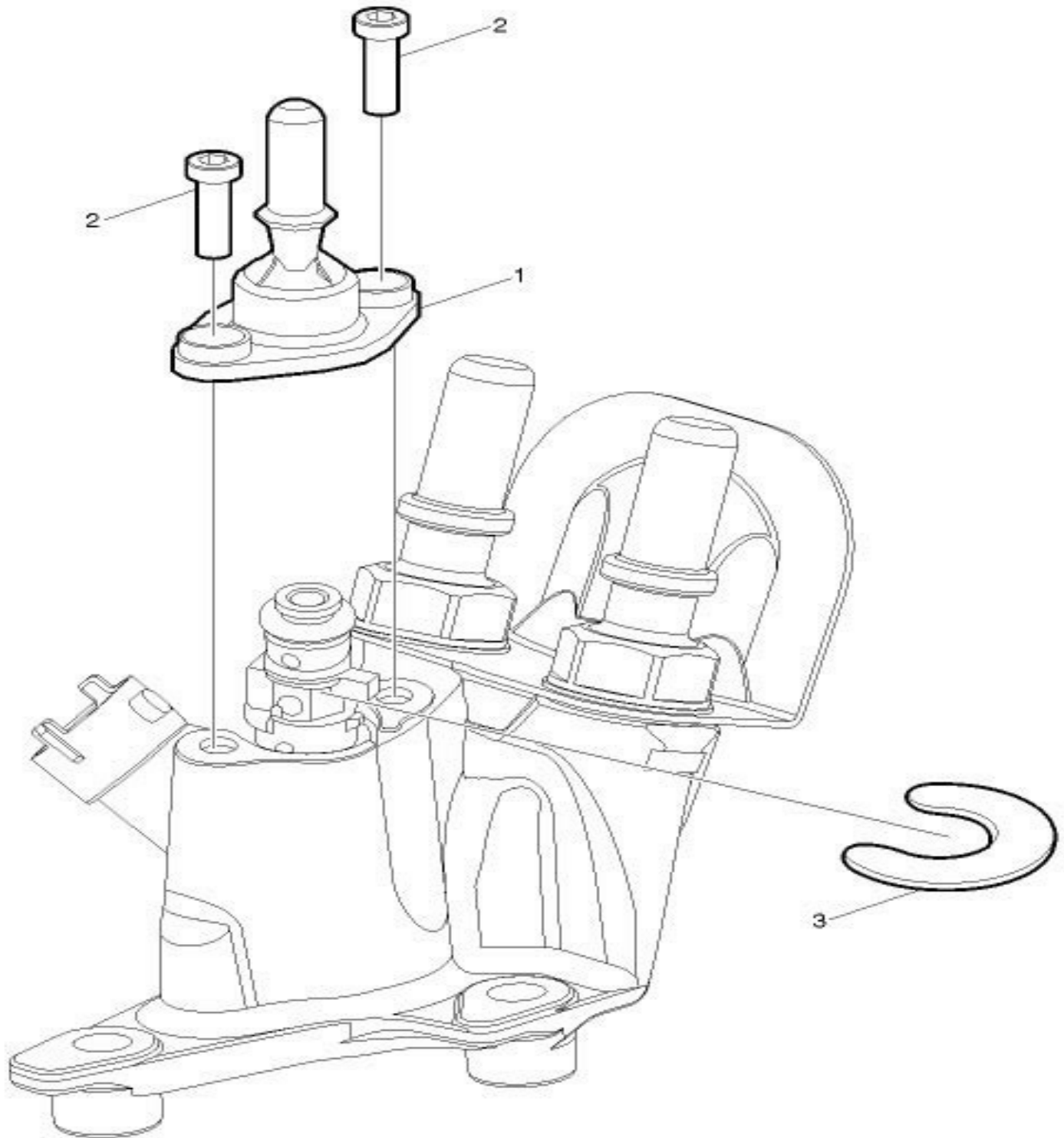
To A-1720	Date:10/2022	PAGE:21332704
NOZZLE UREA TB-128613692-1		



To A-1720	Date:10/2022	PAGE:21332704
<b>NOZZLE UREA TB-128613692-1</b>		

Item#	Part	Description	H 3 4 1	H 3 4 5	V I P 4 5	N O T E S
1	21376801	SEALING PLATE	1	1	1	
2	<b>21377177</b>	<b>CONNECTOR UREA TB-128633728-1</b>	1	1	1	
3	21376813	CONNECTOR COOLING	1	1	1	

To A-1720	Date:10/2022	PAGE:21377177
CONNECTOR UREA TB-128633728-1		



To A-1720	Date:10/2022	PAGE:21377177
<b>CONNECTOR UREA TB-128633728-1</b>		

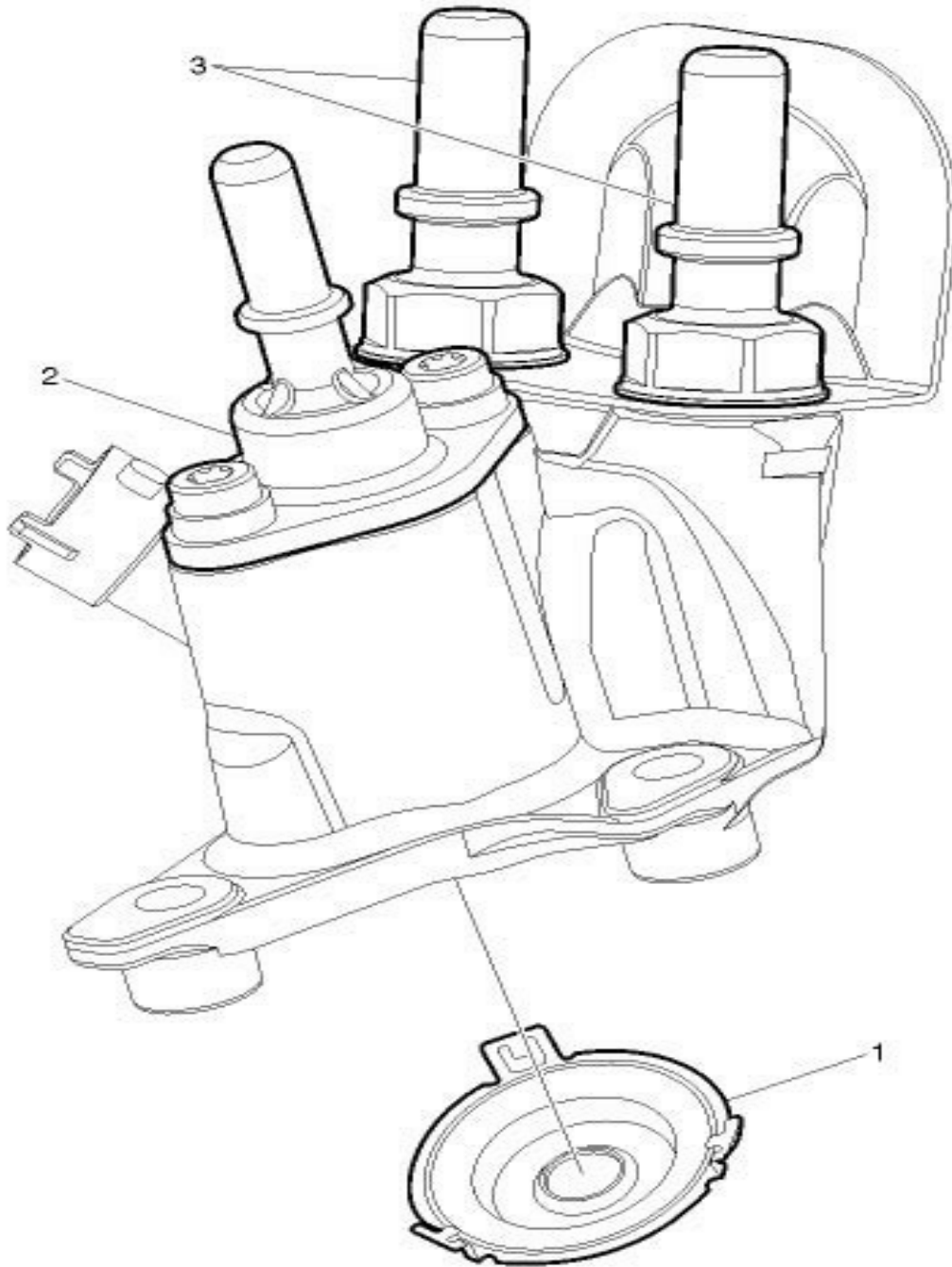
Item#	Part	Description	H 3 4 1	H 3 4 5	V I P 4 5	N O T E S
1	N.S.S.	VALVE HOLDER				1
2	N.S.S.	SCREW SOCKET				1
3	N.S.S.	HOLDING PLATE				1
		1) NOT SOLD SEPARATELY				

From B-1721 To F-2729

Date:10/2022

PAGE:21575532

NOZZLE UREA TB-129663536-1



From B-1721 To F-2729	Date:10/2022	PAGE:21575532
<b>NOZZLE UREA TB-129663536-1</b>		

Item#	Part	Description	H 3 4 1	H 3 4 5	V I P 4 5	N O T E S
1	21376801	SEALING PLATE	1	1	1	
2	<b>21377177</b>	<b>CONNECTOR UREA TB-128633728-1</b>	1	1	1	
3	21376813	CONNECTOR COOLING	1	1	1	

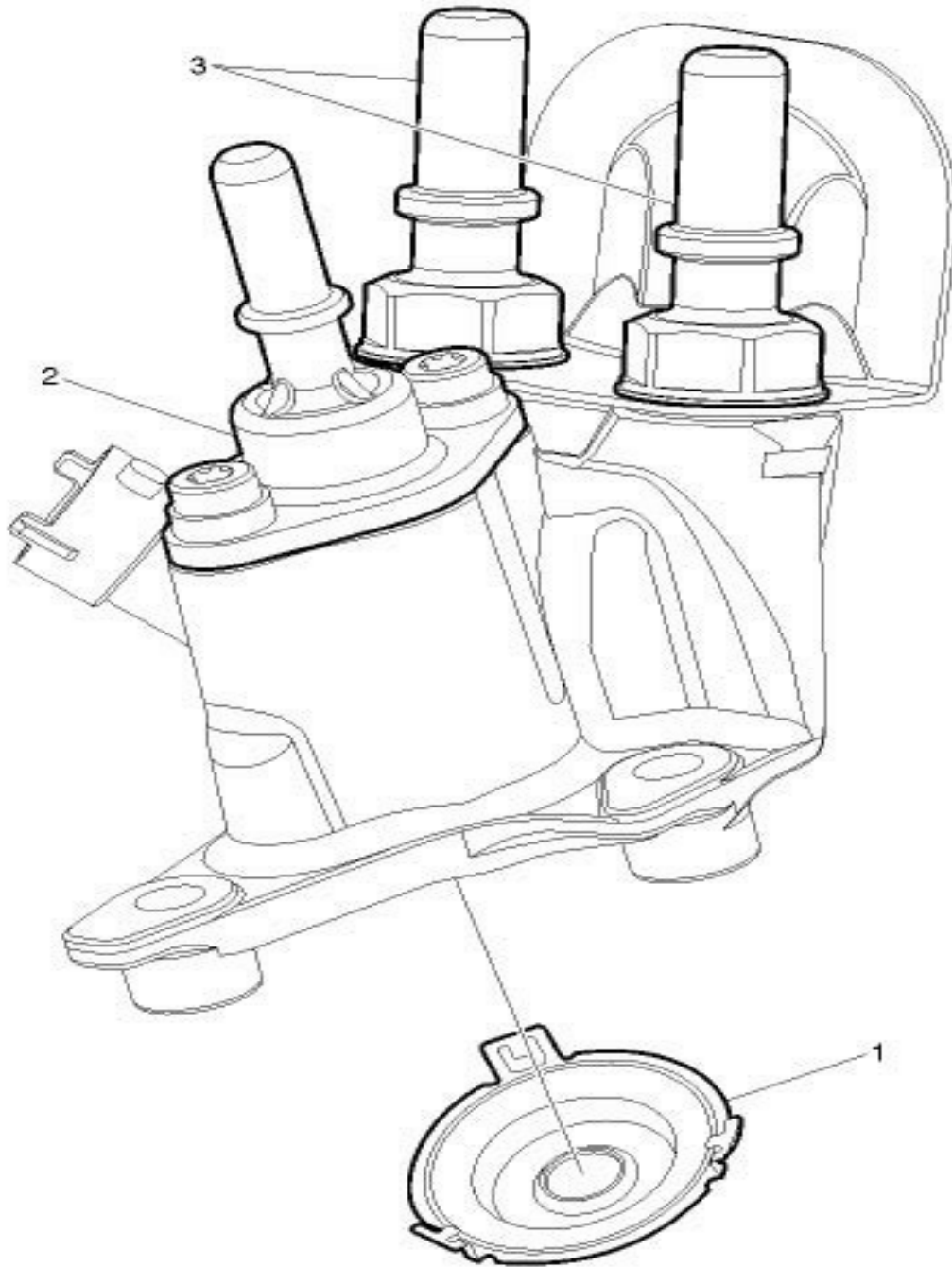


From F-2733 To H-3734

Date:10/2022

PAGE:22391563

NOZZLE UREA TB-134512462-1



From F-2733 To H-3734	Date:10/2022	PAGE:22391563
<b>NOZZLE UREA TB-134512462-1</b>		

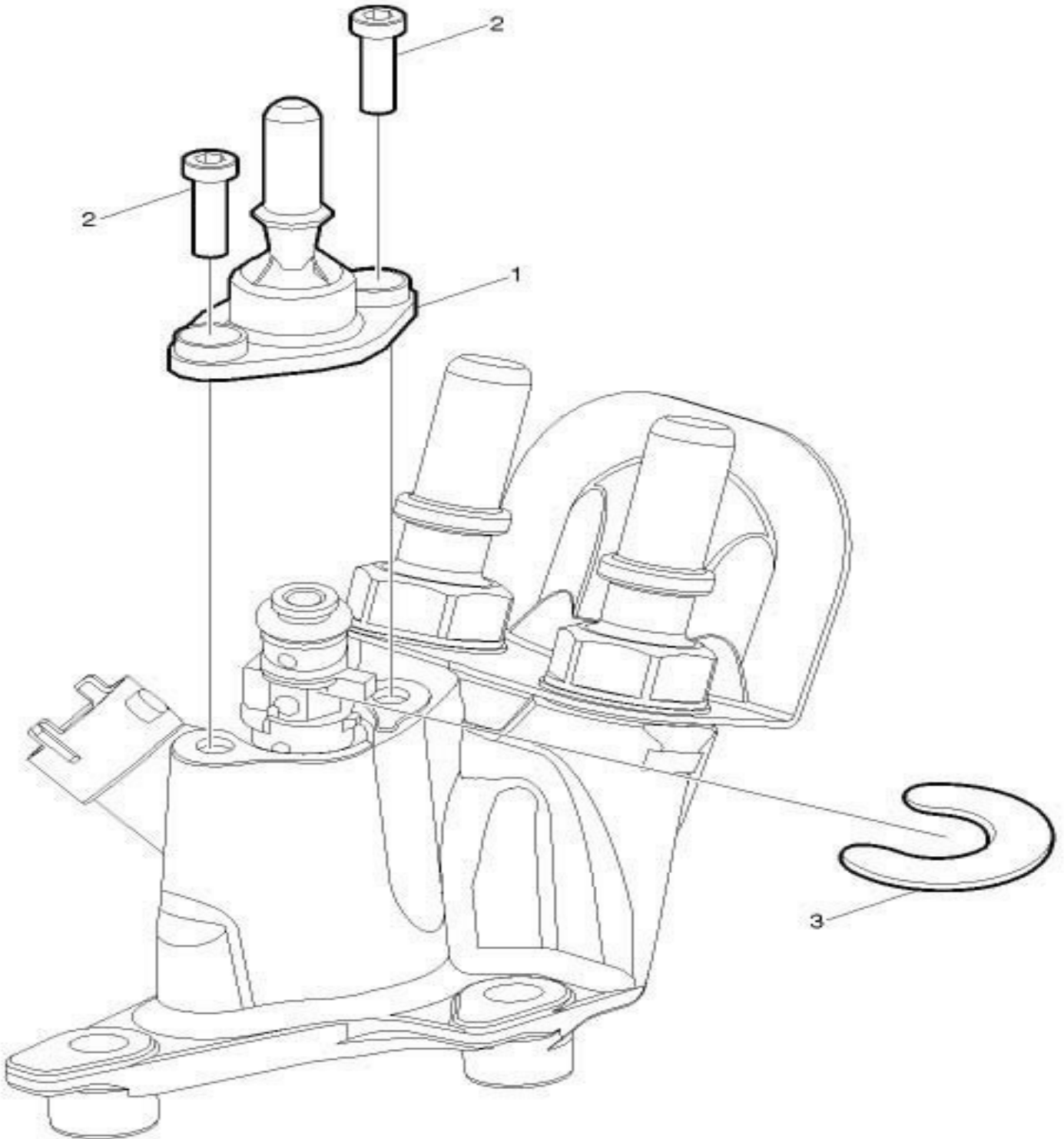
Item#	Part	Description	H 3 4 1	H 3 4 5	V I P 4 5	N O T E S
1	21376801	SEALING PLATE	1	1	1	
2	<b>N.S.S.</b>	<b>CONNECTOR UREA TB-129663345-1</b>	1	1	1	1
3	21376813	CONNECTOR COOLING	1	1	1	
		1) NOT SOLD SEPARATELY				

From F-2733 To H-3734

Date:10/2022

PAGE:21579080

CONNECTOR UREA TB-129663345-1



R1045189

From F-2733 To H-3734	Date:10/2022	PAGE:21579080
<b>CONNECTOR UREA TB-129663345-1</b>		

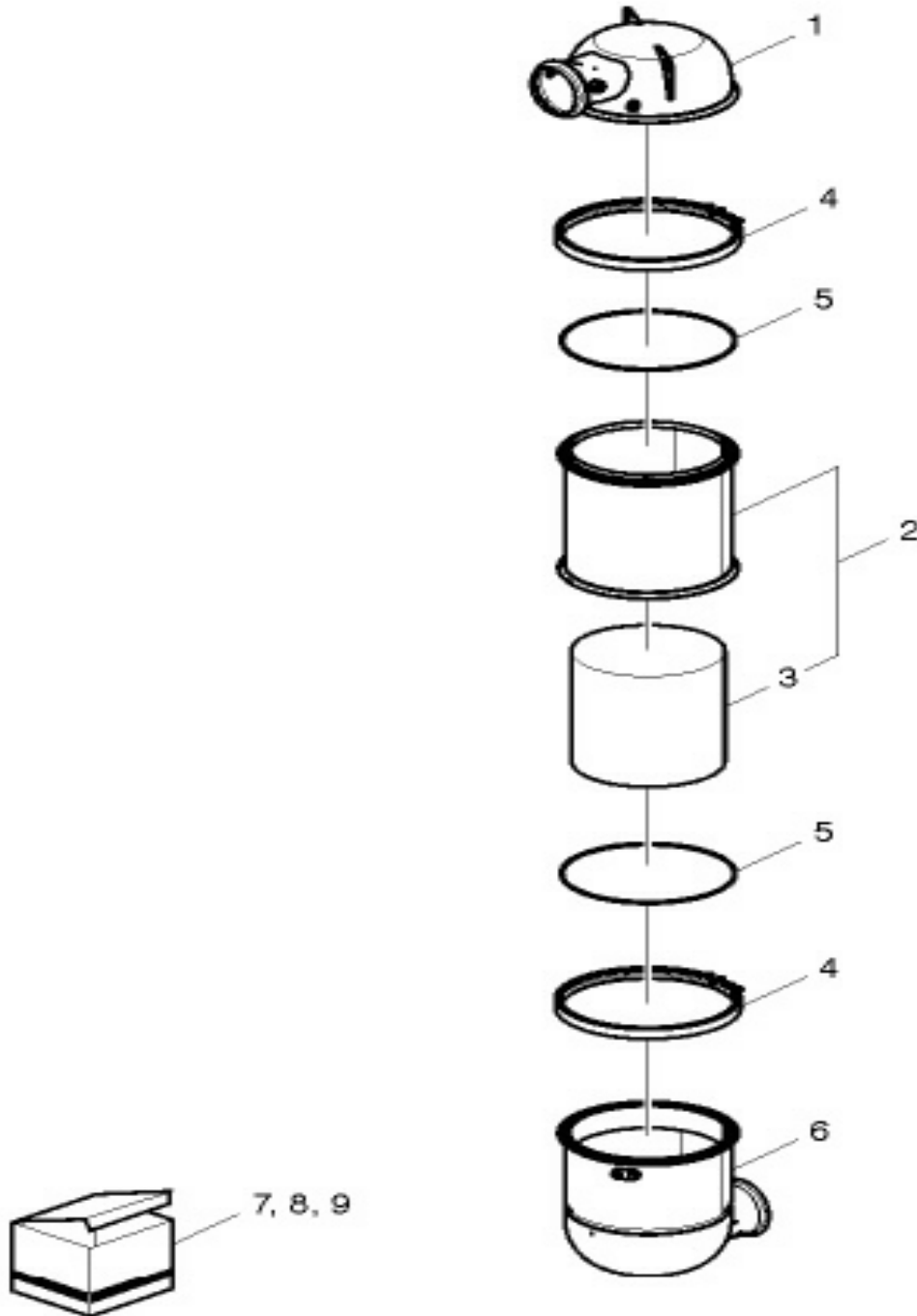
Item#	Part	Description	H 3 4 1	H 3 4 5	V I P 4 5	N O T E S
	N.S.S.		X	X	X	1
	N.S.S.		X	X	X	1
	N.S.S.		X	X	X	1
		1) NOT SOLD SEPARATELY				

From H-3735

Date:10/2022

PAGE:22058307

MUFFLER DPF EXHAUST FILTER



From H-3735	Date:10/2022	PAGE:22058307
<b>MUFFLER DPF EXHAUST FILTER</b>		

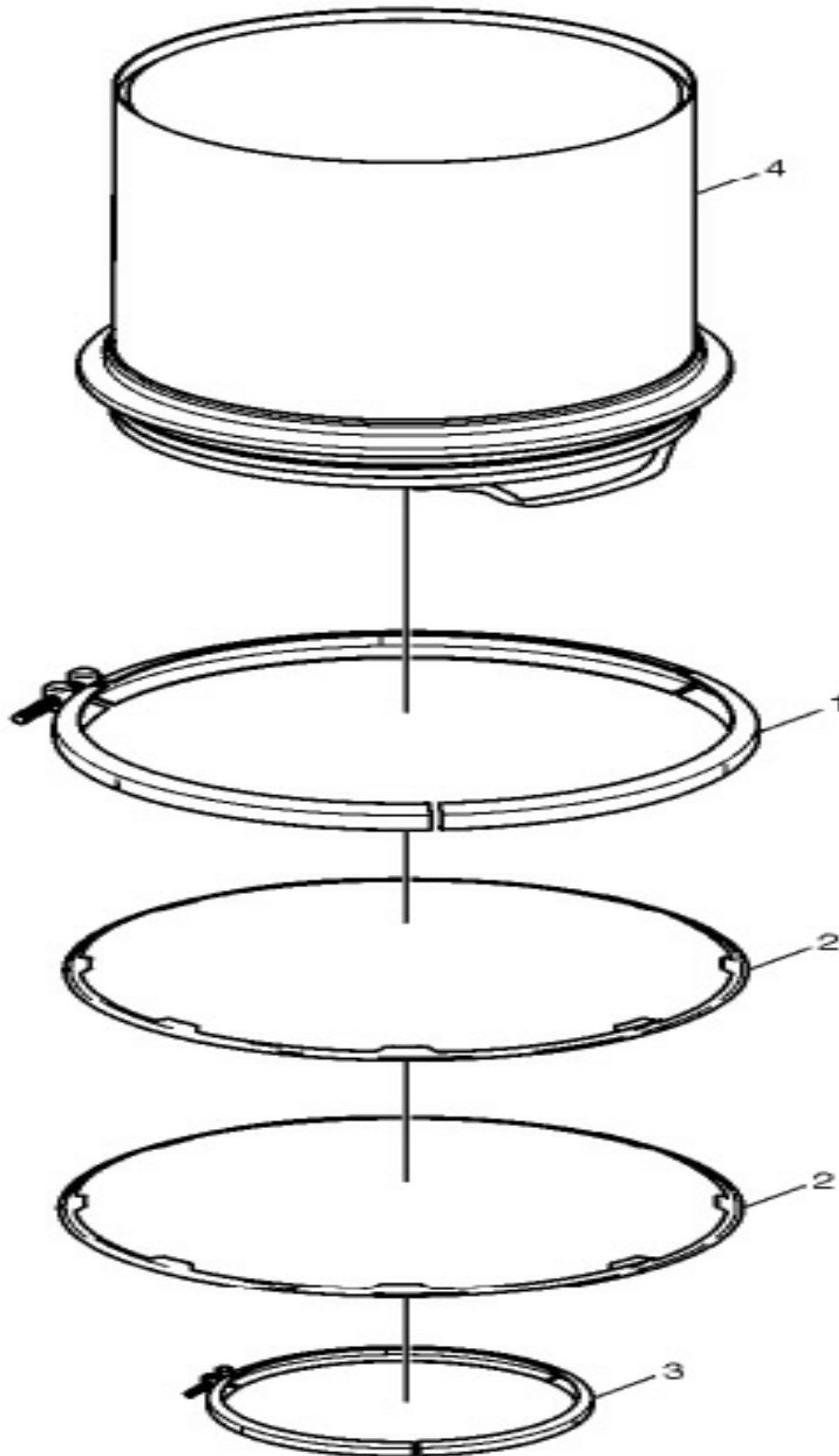
Item#	Part	Description	H 3 4 1	H 3 4 5	V I P 4 5	N O T E S
1	N.S.S.	MODULE	1	1	1	1
2	22342601	MODULE	1	1	1	
3	N.S.S.	. PARTICULATE FILTER	1	1	1	1
4	21048521	V-CLAMP	2	2	2	
5	N.S.S.	GASKET	2	2	2	1
6	N.S.S.	MODULE	1	1	1	1
7	22776216	KIT	1	1	1	
8	<b>21775800</b>	<b>PARTICULATE FILTER / KIT TB-131710424-1</b>	1	1	1	
9	85124654	KIT	1	1	1	
		1) NOT SOLD SEPARATELY				

From H-3735

Date:10/2022

PAGE:21775800

PARTICULATE FILTER / KIT TB-131710424-1



R1368569

From H-3735	Date:10/2022	PAGE:21775800
<b>PARTICULATE FILTER / KIT TB-131710424-1</b>		

Item#	Part	Description	H 3 4 1	H 3 4 5	V I P 4 5	N O T E S
1	21445539	V-CLAMP	1	1	1	
2	21570880	GASKET	2	2	2	
3	21445536	V-CLAMP	1	1	1	
4	N.S.S.	PARTICULATE FILTER	1	1	1	1
		1) NOT SOLD SEPARATELY				

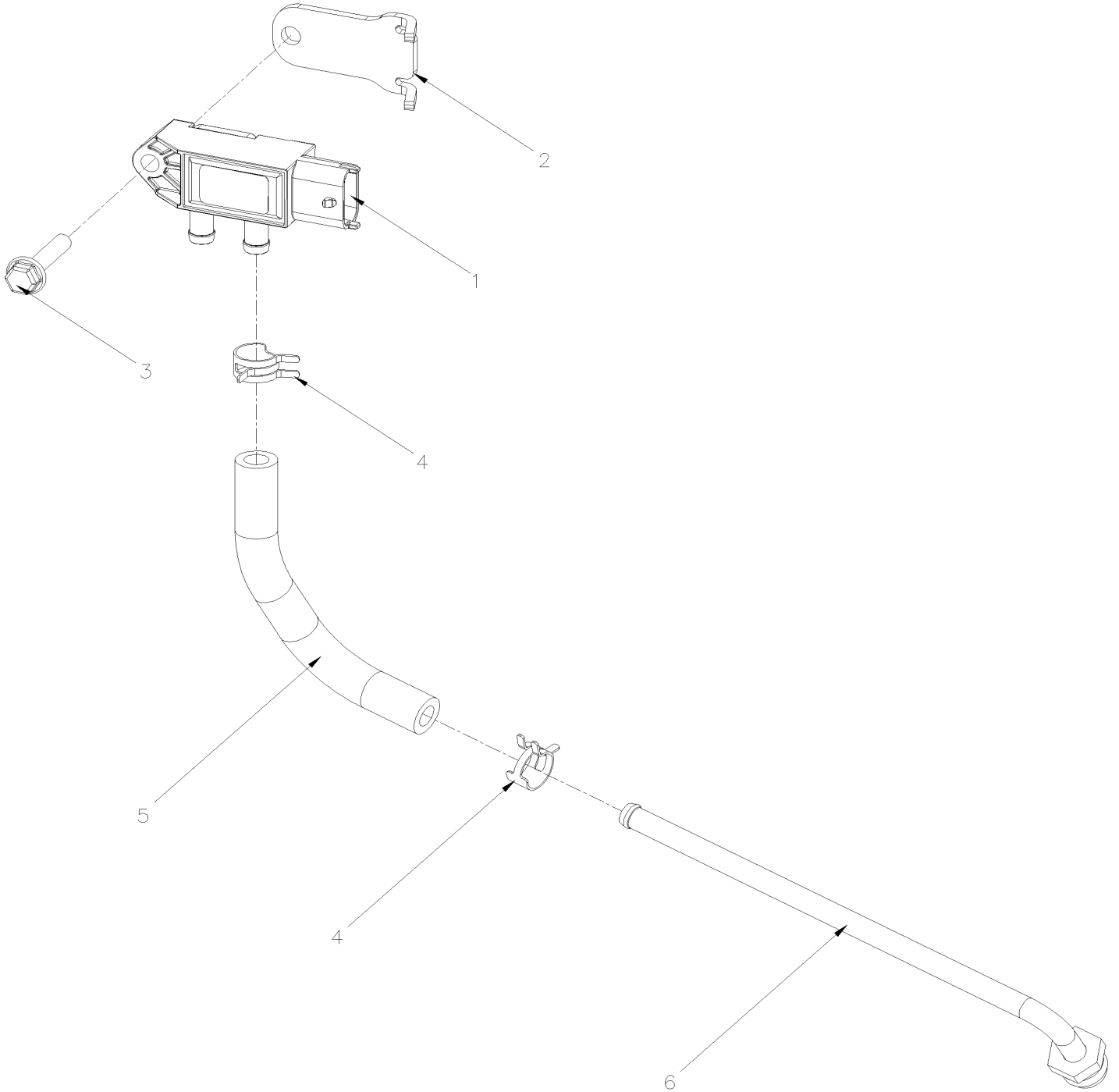


From D-2364

Date:10/2022

PAGE:040096

**KIT SENSOR PRESSURE DPF**



From D-2364	Date:10/2022	PAGE:040096
<b>KIT SENSOR PRESSURE DPF</b>		

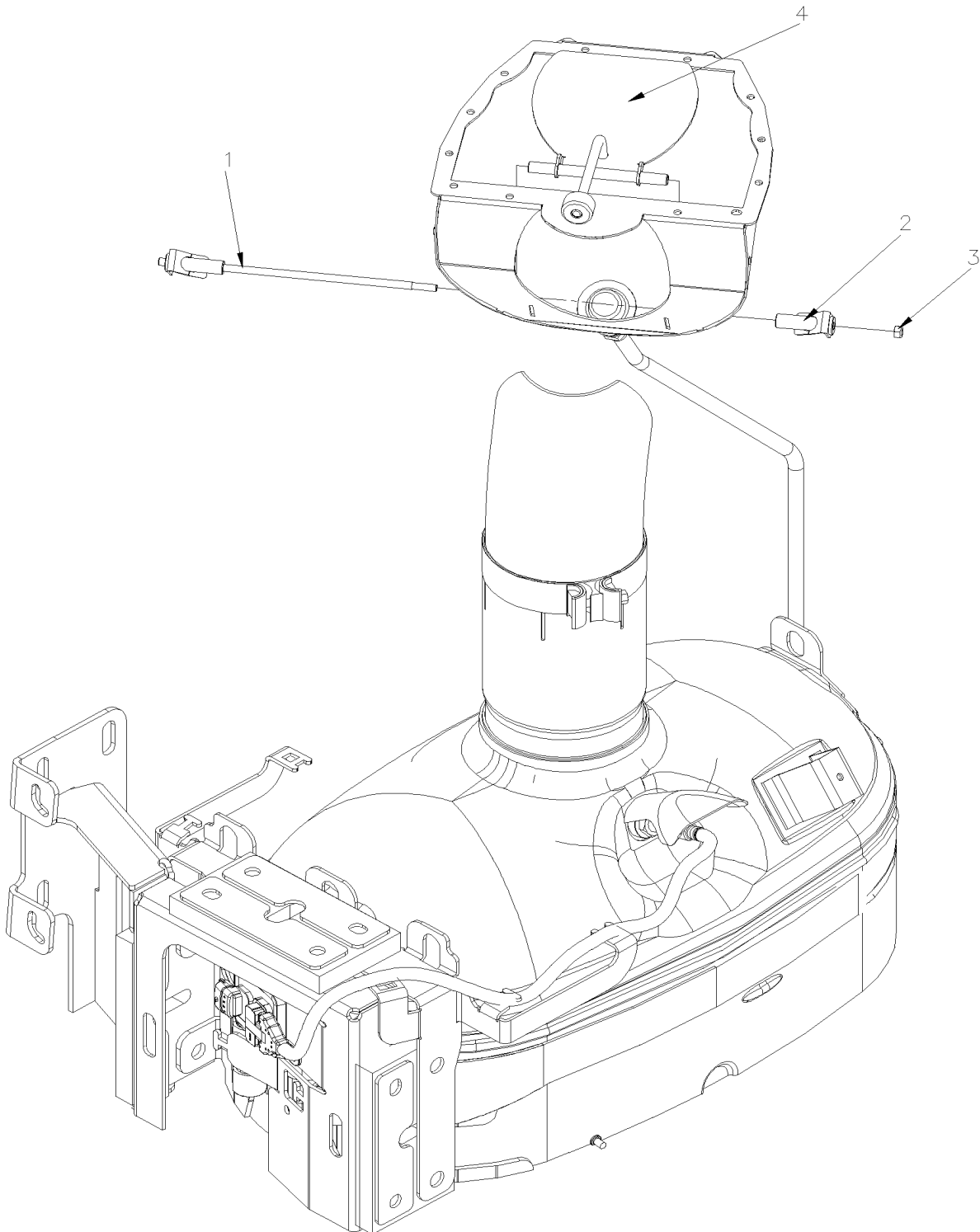
Item#	Part	Description	H 3 4 1	H 3 4 5	V I P 4 5	N O T E S
1	23488881	SENSOR PRESSURE "DELTA"	1	1	1	
2	040097	SPACER, FOR SENSOR OF PRESSURE	1	1	1	
3	5001815	SCREW CAP HEXF M6-1.0x30 G 8.8 N500	1	1	1	
4	21283793	SPRING HOSE CLAMP 5/16"	2	2	2	
5	040914	HOSE	1	1	1	
6	040093	PIPE, DP LOW PRESSURE	1	1	1	

From B-1721 To J-0294

Date:10/2022

PAGE:041139

**KIT, REPLACEMENT SHUTTER OF DIFFUSOR**



From B-1721 To J-0294	Date:10/2022	PAGE:041139
<b>KIT, REPLACEMENT SHUTTER OF DIFFUSOR</b>		

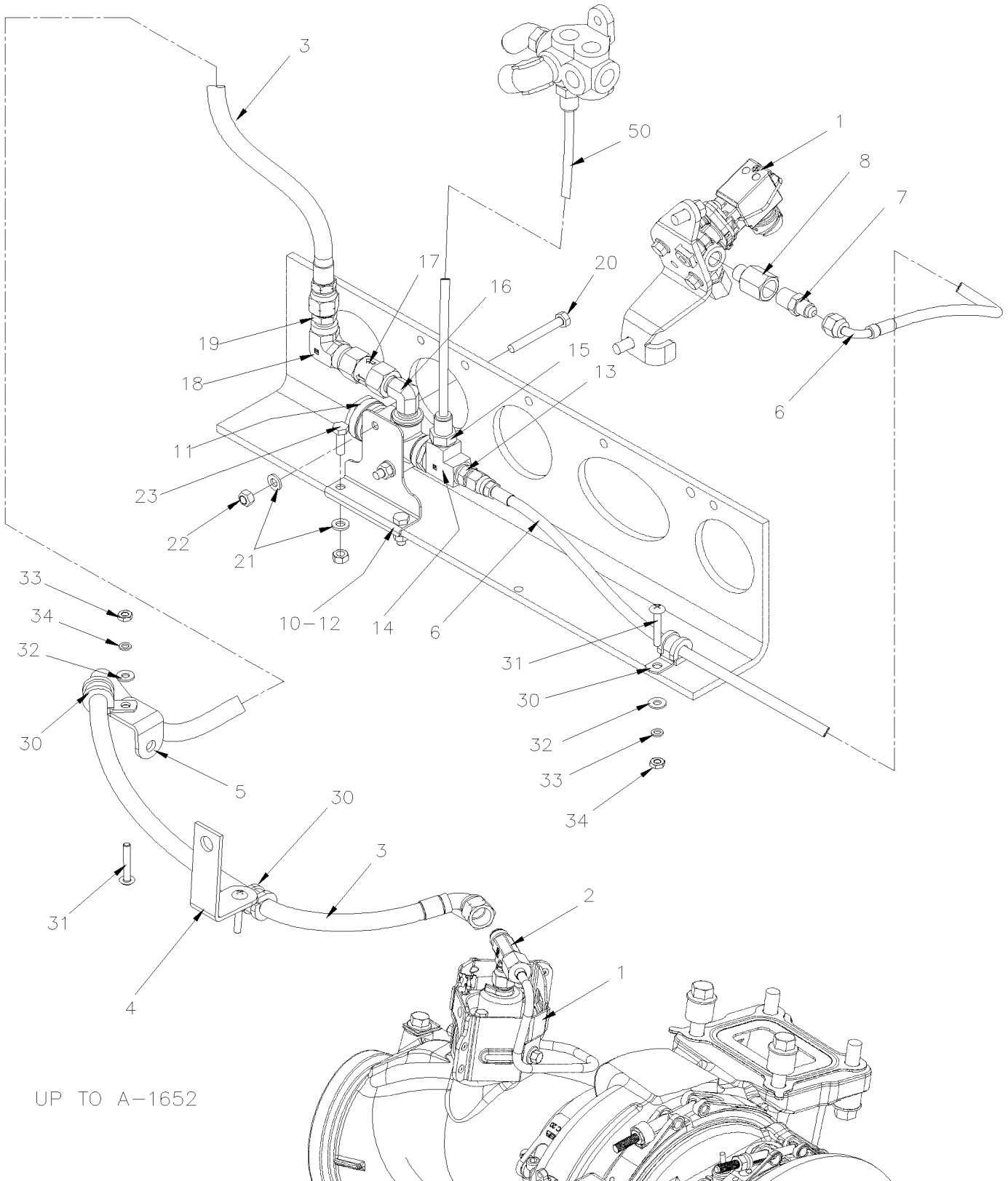
Item#	Part	Description	H 3 4 1	H 3 4 5	V I P 4 5	N O T E S
1	041137	PIVOT, LATERAL, ASSY	1	1	1	
2	041134	PIVOT, LATERAL, ASSY	1	1	1	
3	502860	NUT HEX STO M6-1.0 N500	1	1	1	
4	041130	SHUTTER ASSY	1	1	1	

From 9-1402 To C-1885

Date:10/2022

PAGE:H7-0405-10

7TH INJECTOR / EXHAUST VOLVO D13

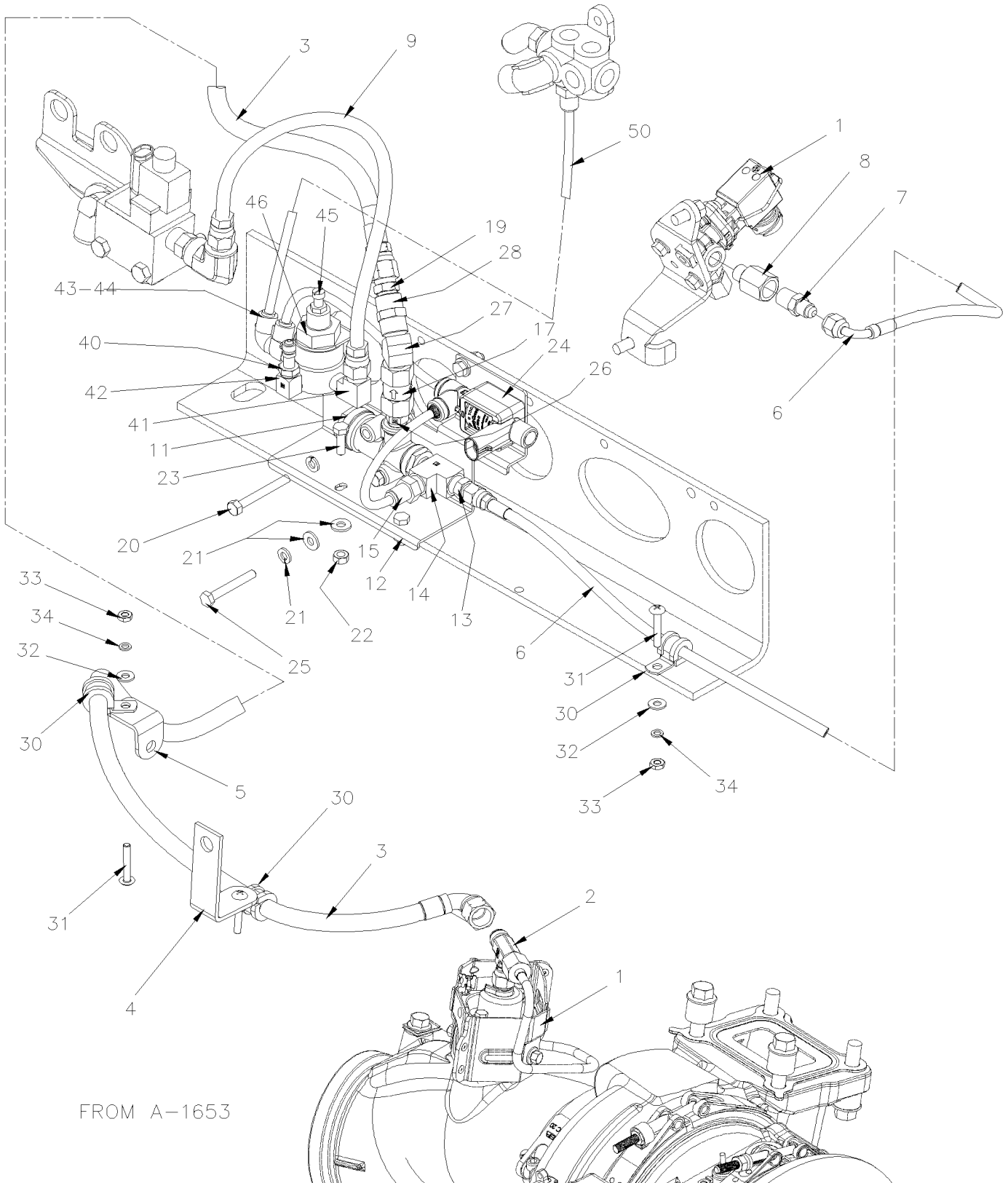


From 9-1402 To C-1885

Date:10/2022

PAGE:H7-0405-10

## 7TH INJECTOR / EXHAUST VOLVO D13



From 9-1402 To C-1885	Date:10/2022	PAGE:H7-0405-10
<b>7TH INJECTOR / EXHAUST VOLVO D13</b>		

Item#	Part	Description	H 3 4 1	H 3 4 5	V I P 4 5	N O T E S
1	Refer To Volvo	SEE IMPACT OR CALL ORDER DESK	1	1	1	V
2	21201274	CHECK VALVE To 9-1401	1	1		B
2	21226456	CHECK VALVE From 9-1402	1	1	1	
3	143025	HOSE ASSY TEFLON #6 1524MM	1	1	1	
4	143024	ANGLE SUPPORT 75x50	1	1	1	
NS	946173	SCREW CAP HEXF M8-1.25x20	1	1	1	
NS	507637	SCREW CAP HEXF M8-1.25x20 G10.9 PHC	1	1	1	
5	142893	ANGLE SUPPORT 34x32	1	1	1	
6	143023	HOSE ASSY TEFLON #4 820MM	1	1	1	WB
6	142807	HOSE ASSY TEFLON #4 1620MM	1	1	1	
7	501027	MALE CONNECTOR / SAE 45° FITTING / #4FL-Mx1/4NPT-M BR	1	1	1	
8	5011304	FEMALE CONNECTOR / PIPE @ ORB / 1/4NPT-FxM12-1.5 ORB-M	1	1	1	
9	071089	HOSE ASSY TEFLON #6 355MM From A-1653				
10	Call order desk	VALVE ASSY RV-3 W/SUPPORT To A-1652	1	1		P
10		VALVE ASSY RV-3 W/SUPPORT To A-1652	1	1		
10	Call order desk	VALVE ASSY RV-3 W/SUPPORT From A-1653	1	1	1	P
10	Call order desk	VALVE ASSY RV-3 W/SUPPORT From A-1653	1	1	1	P
11	21243502	VALVE PRESSURE REDUCER RV-3 / K028993	1	1	1	
12	143022	SUPPORT VALVE "T" SHAPE To A-1652	1	1	1	
12	143123	SUPPORT VALVE From A-1653	1	1	1	
13	501027	MALE CONNECTOR / SAE 45° FITTING / #4FL-Mx1/4NPT-M BR	1	1	1	
14	501338	MALE RUN TEE / PIPE FITTING / 1/4NPT-Mx1/4NPT-Fx1/4NPT-F BR	1	1	1	
15	641332	MALE CONNECTOR / PUSH-IN FITTING / #4x1/4NPT-M BR	1	1	1	
16	641999	MALE ELBOW 90° / PIPE FITTING / 3/8NPT-Mx3/8NPT-M BR To A-1652	1	1		
17	640135	VALVE, CHECK 1/4 NPT	1	1	1	
18	501335	FEMALE ELBOW 90° / PIPE FITTING / 1/4NPT-Fx1/4NPT-F BR To A-1652	1	1		
19	501029	MALE CONNECTOR / SAE 45° FITTING / #6FL-Mx1/4NPT-M BR	1	1	1	
20	502656	SCREW CAP HEX M6-1.0x50 SS	2	2	2	
21	502573	WASHER FL 6.4x12.5x1.6 SS	4	4	4	
21	500877	WASHER FL .250x.562x.065 N500	4	4	4	
21	502853	WASHER LO SPT 6.1x11.8x1.6 N500	1	1	1	
22	502860	NUT HEX STO M6-1.0 N500	2	2	2	
23	502830	SCREW CAP HEX M6-1.0x20 G8.8 N500	3	3	3	
24	20807261	VALVE SOLOID 3 WAY From A-1653	1	1	1	
25	502843	SCREW CAP HEX M6-1.0x45 G8.8 N500 From A-1653	2	2	2	
26	501321	NIPPLE HEX / PIPE FITTING / 1/4NPT-Mx1/4NPT-Mx1 3/8 BR From A-1653	1	1	1	
27	501329	STREET ELBOW 45° / PIPE FITTING / 1/4NPT-Mx1/4NPT-F BR From A-1653	1	1	1	
28	501318	COUPLING / PIPE FITTING / 1/4NPT-Fx1/4NPT-F BR From A-1653	1	1	1	
NS	952627	CLAMP / 1/2" I.D.	3	3	3	
30	952625	CLAMP / 3/8" I.D.	3	3	3	
31	500574	SCREW MA TR PH #10-24x1 1/4 SS	AR	AR	AR	

<b>From 9-1402 To C-1885</b>	<b>Date:10/2022</b>	<b>PAGE:H7-0405-10</b>
<b>7TH INJECTOR / EXHAUST VOLVO D13</b>		

Item#	Part	Description	H 3 4 1	H 3 4 5	V I P 4 5	N O T E S
32	500964	WASHER FL .203x.500x.047 Z050	AR	AR	AR	
NS	502570	WASHER LO SPT 6.1x11.8x1.6 SS	AR	AR	AR	
33	500470	WASHER LO SPT .193x.334x.047 Z050	AR	AR	AR	
NS	500787	NUT HEX #10-24 SS	AR	AR	AR	
34	500786	NUT HEX #10-24 Z050	AR	AR	AR	
NS	5001241	SCREW MA TR PH #10-24x1/2 SS	AR	AR	AR	
		NEXT ITEMS ARE RELATED WITH				
		TRANSMISSION WITH RETARDER				
40	640488	VALVE, AIR FILL 1/8" NPT From A-1653	1	1	1	W
NS	650164	CAP VALVE / CHROME From A-1653	1	1	1	W
41	641371	MALE ELBOW 90° NON-SWIVEL / PUSH-IN FITTING / #4x1/4NPT-M BR From A-1653	1	1	1	W
42	501331	STREET ELBOW 90° / PIPE FITTING / 1/8NPT-Mx1/8NPT-F BR From A-1653	1	1	1	W
43	501312	BUSHING REDUCER / PIPE FITTING / 1/4NTP-Mx1/8NPT-F BR From A-1653	1	1	1	W
44	642127	MALE ELBOW 90° SWIVEL DUAL PORT / PUSH-IN / #4x#4x1/8NPT-M BR From A-1653	1	1	1	W
45	641472	AIR PRESSURE REGULATOR 1/4" NPT / COPPER From A-1653	1	1	1	W
46	500734	NUT HEX JAM 3/4-16 Z050 From A-1653	1	1	1	W
50	503402	TUBE, NYLON 1/4 O.D. / BLACK S.L.	AR	AR	AR	
60	012584	KIT EXHAUST AIR INJECTOR To 9-1402	1	1		
61	012632	KIT CHECK VALVE FUEL LINE To 9-1402	1	1		
NS	501007	SWIVEL NUT ELBOW 90° / JIC 37° FITTING / #4JIC-Fx#4JIC-M STL To 9-1402	1	1		
NS	030004	ANGLE SUPPORT 50MM x 19MM To 9-1402	1	1		
NS	946440	SCREW CAP HEXF M12-1.75x140 G8.8 MAGNI 565 To 9-1402	1	1		
NS	21226456	CHECK VALVE To 9-1402	1	1		
NS	21339351	CHECK VALVE To 9-1402	1	1		
62	144052	KIT RETROFIT AIR VALVE / D13 SERIES H	1	1		
NS	068093	CABLE ASSY POWER AIR VALVE FOR D13	1	1		
NS	642023	VALVE, 5 WAYS, 2 POSITIONS 24V / MODEL V19	1	1		
NS	641385	CONNECTOR / SOCKET HOUSING ASSY 3C / PNEUMAC 54934-01	1	1		
NS	641943	SILENCER / MUFFLER / 1/8NPT-M	2	2		
NS	641369	MALE ELBOW 90° NON-SWIVEL / PUSH-IN FITTING / #4x1/8NPT-M BR	1	1		
NS	641242	MALE CONNECTOR / PUSH-IN FITTING / #4x1/8NPT-M BR	1	1		
NS	501072	PLUG HEXS / PIPE FITTING / 1/8NPT-M STL	1	1		
NS	5001696	SCREW MA PAN PH M4-0.7x35 SS	2	2		
NS	502557	NUT HEX NYRT M4-0.7 SS	2	2		
NS	503402	TUBE, NYLON 1/4 O.D. / BLACK S.L.	AR	AR		
NS	WB10-03	SEE WARRANTY BULLETIN	1	1		



From 9-1402 To C-1885	Date:10/2022	PAGE:H7-0405-10
<b>7TH INJECTOR / EXHAUST VOLVO D13</b>		

Item#	Part	Description	H 3 4 1	H 3 4 5	V I P 4 5	N O T E S
		B) FOR PRODUCT IMPROVEMENT ASK KIT # 012632				
		W) WITH TRANSMISION "WORLD"				
		WB) SEE WARRANTY BULLETIN # WB-10-26 AND SCI 10-25 SERVICE CENTER INFORMATION				
		P) CALL ORDER DESK FOR SPECIFIC APPLICATION (V.I.N.)				
		V) SEE IMPACT OR CALL ORDER DESK				

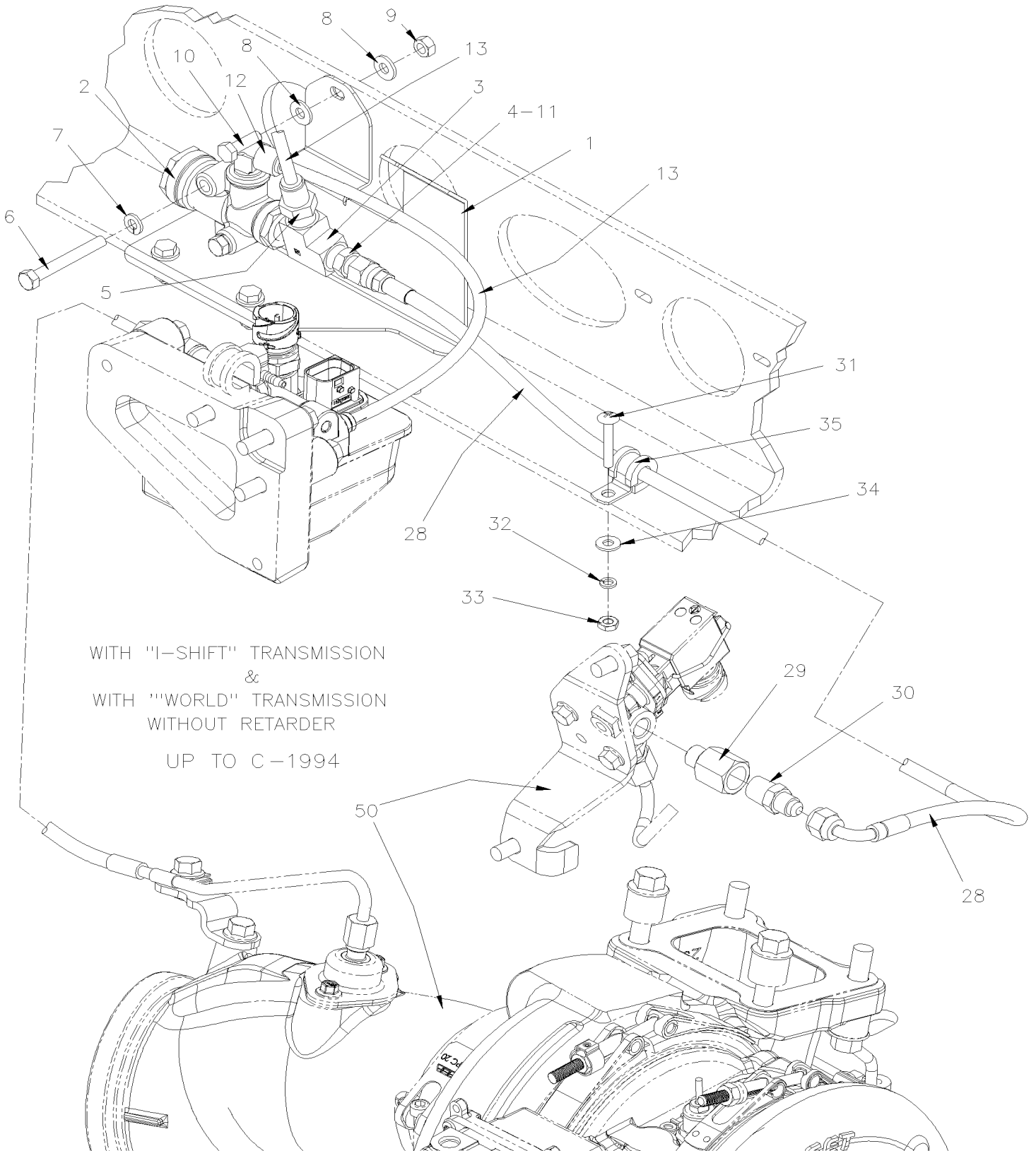


From C-1886 To H-3734

Date:10/2022

PAGE:H7-0405-11

## 7TH INJECTOR / "AHI" / EXHAUST VOLVO D13

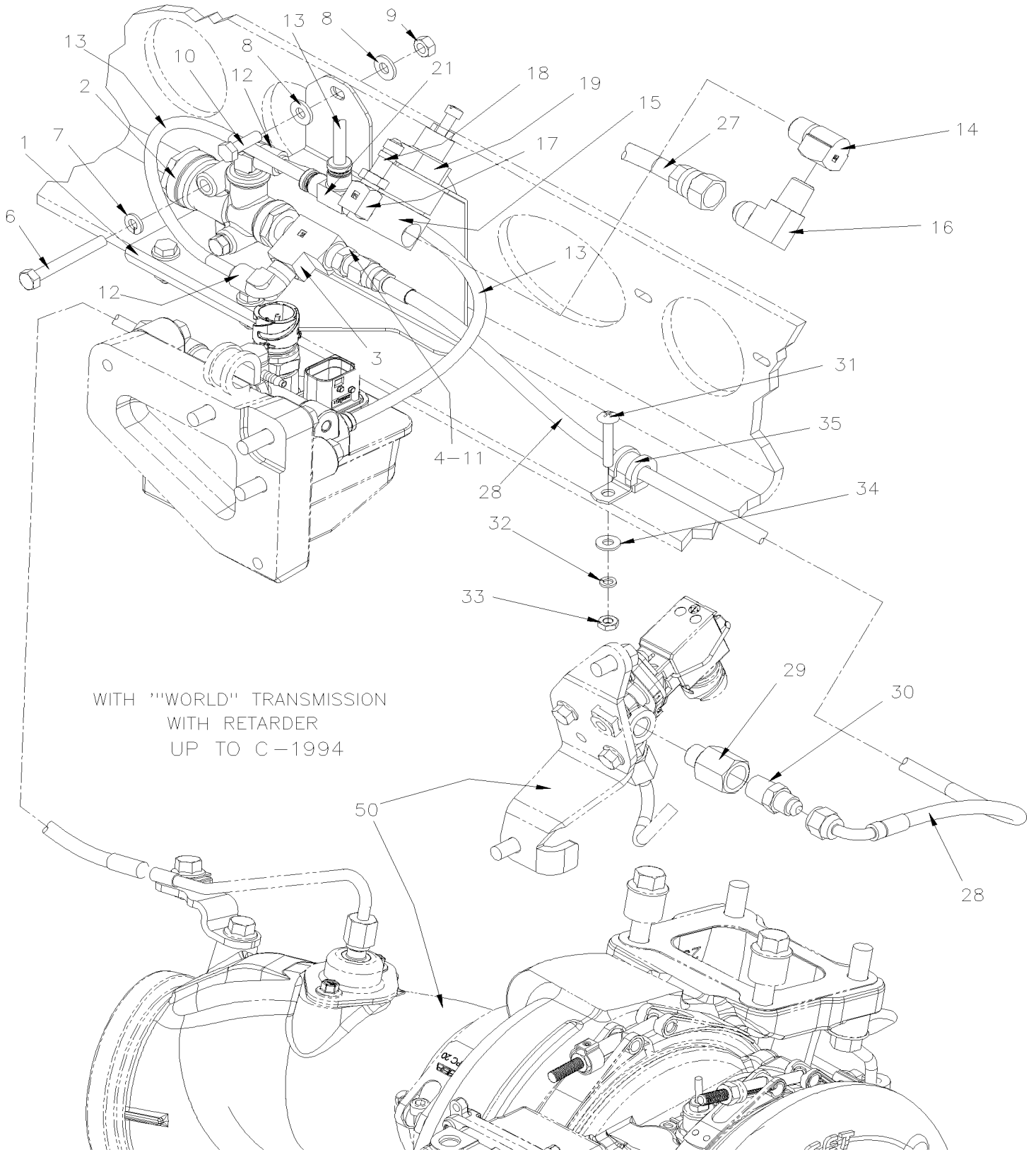


From C-1886 To H-3734

Date:10/2022

PAGE:H7-0405-11

## 7TH INJECTOR / "AHI" / EXHAUST VOLVO D13

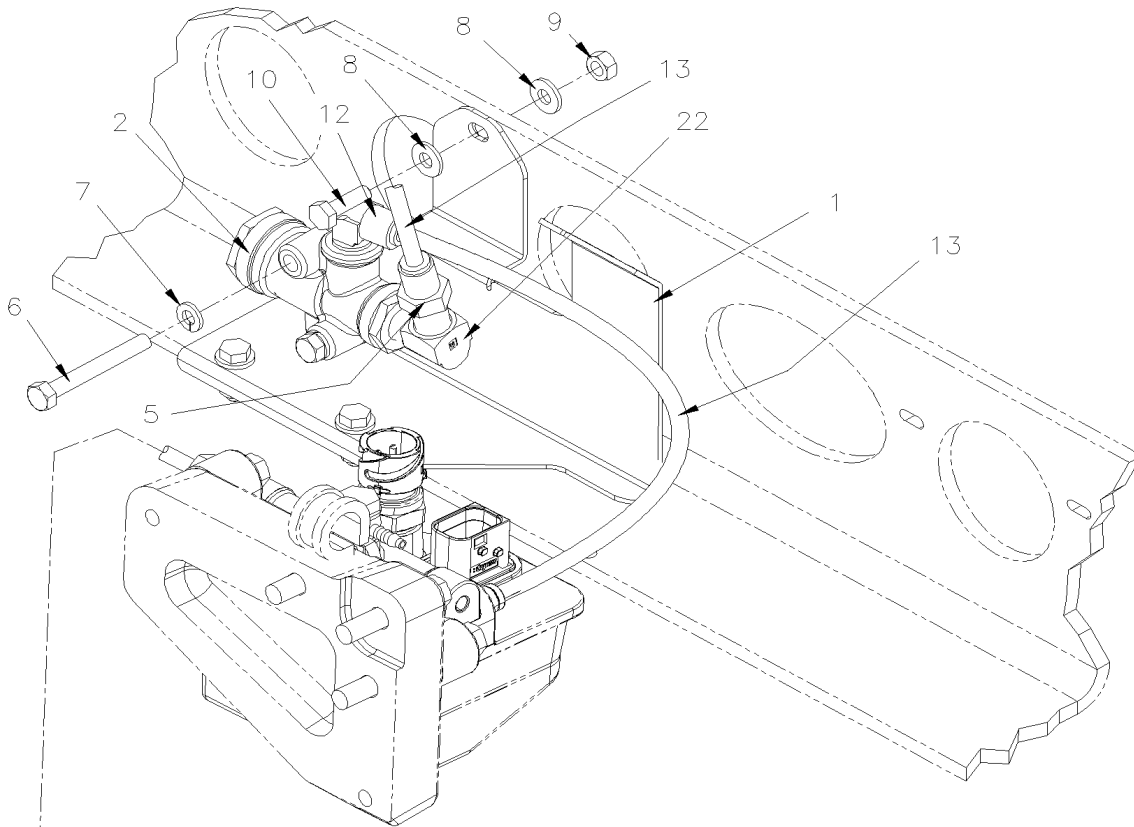


From C-1886 To H-3734

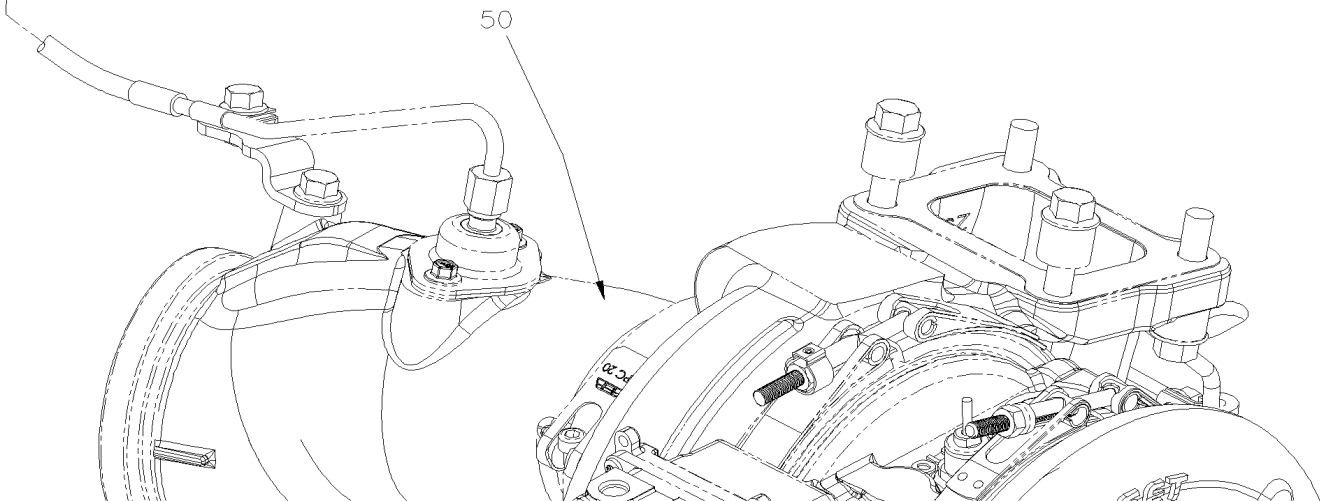
Date:10/2022

PAGE:H7-0405-11

## 7TH INJECTOR / "AHI" / EXHAUST VOLVO D13



WITH "I-SHIFT" TRANSMISSION  
&  
WITH "WORLD" TRANSMISSION  
WITHOUT RETARDER  
FROM C-1995 UP TO F-2727

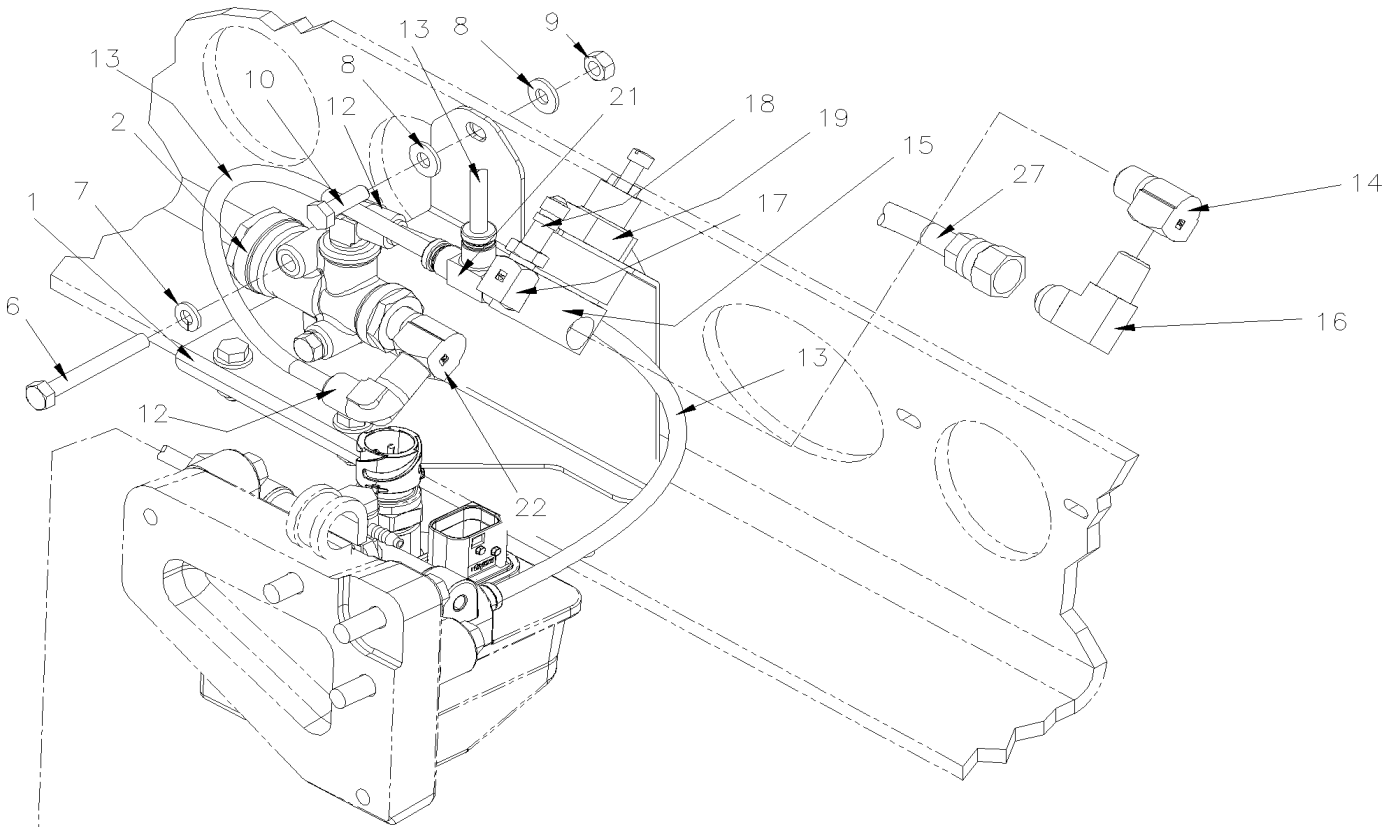


From C-1886 To H-3734

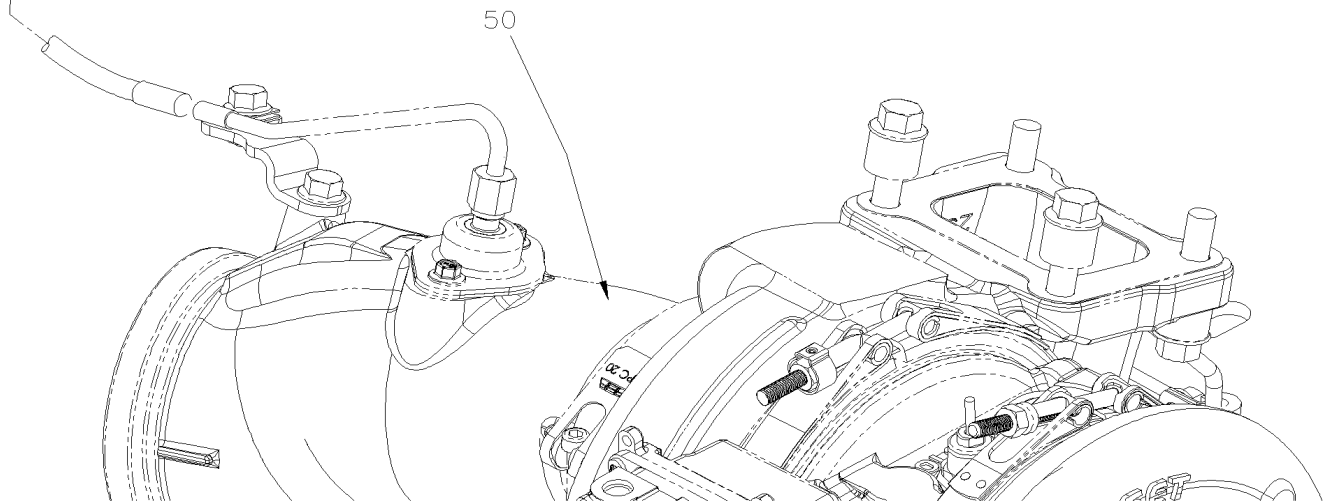
Date:10/2022

PAGE:H7-0405-11

## 7TH INJECTOR / "AHI" / EXHAUST VOLVO D13



WITH "WORLD" TRANSMISSION  
WITH RETARDER  
FROM C-1995 UP TO F-2727

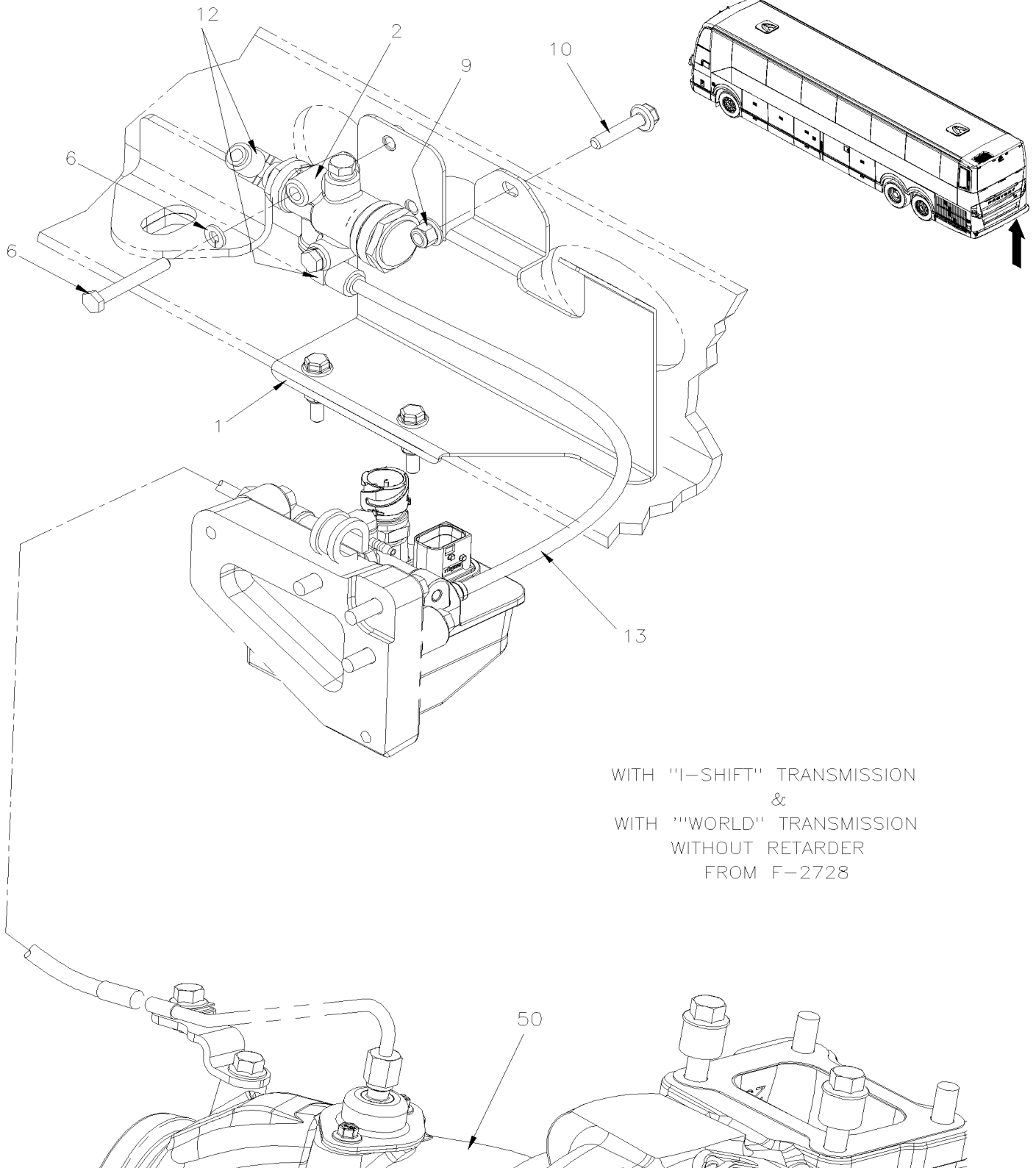


From C-1886 To H-3734

Date:10/2022

PAGE:H7-0405-11

## 7TH INJECTOR / "AHI" / EXHAUST VOLVO D13

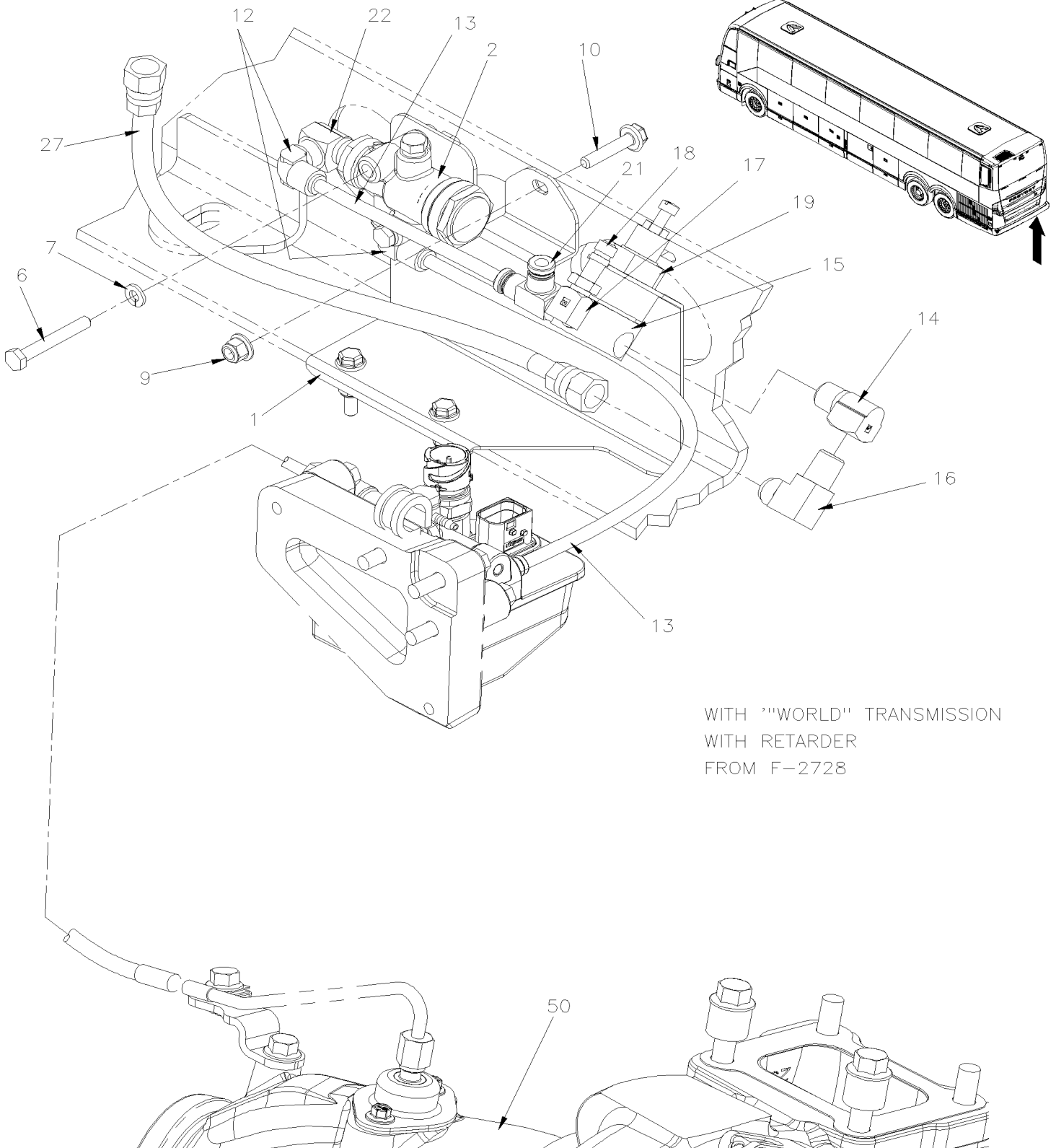


From C-1886 To H-3734

Date:10/2022

PAGE:H7-0405-11

## 7TH INJECTOR / "AHI" / EXHAUST VOLVO D13





<b>From C-1886 To H-3734</b>	<b>Date:10/2022</b>	<b>PAGE:H7-0405-11</b>
<b>7TH INJECTOR / "AHI" / EXHAUST VOLVO D13</b>		

Item#	Part	Description	H 3 4 1	H 3 4 5	V I P 4 5	N O T E S
	Call order desk	VALVE ASSY RV-3 W/SUPPORT To C-1994	1	1	1	PI
	Call order desk	VALVE ASSY RV-3 W/SUPPORT From C-1995 To F-2727	1	1	1	PI
	Call order desk	VALVE ASSY RV-3 W/SUPPORT From F-2728	1	1	1	PI
	Call order desk	VALVE ASSY RV-3 W/SUPPORT To C-1994	1	1	1	PR
	Call order desk	VALVE ASSY RV-3 W/SUPPORT From C-1995 To F-2727	1	1	1	PR
	143280P	VALVE ASSY RV-3 W/SUPPORT From F-2728	1	1	1	R
1	143243	SUPPORT VALVE To F-2727	1	1	1	
1	143278	SUPPORT VALVE From F-2728	1	1	1	
2	21243502	VALVE PRESSURE REDUCER RV-3 / K028993	1	1	1	
3	501338	MALE RUN TEE / PIPE FITTING / 1/4NPT-Mx1/4NPT-Fx1/4NPT-F BR To C-1994	1	1	1	
4	501027	MALE CONNECTOR / SAE 45° FITTING / #4FL-Mx1/4NPT-M BR	1	1	1	
5	641956	MALE RUN TEE SWIVEL / PUSH-IN FITTING / #4x#4x1/4NPT-M BR	1	1	1	I
6	502656	SCREW CAP HEX M6-1.0x50 SS	2	2	2	
7	502853	WASHER LO SPT 6.1x11.8x1.6 N500	2	2	2	
8	500877	WASHER FL .250x.562x.065 N500 To E-2621	6	6	6	
9	502860	NUT HEX STO M6-1.0 N500 To E-2621	3	3	3	
9	5001932	NUT HEXF NYRT M6-1.0 G8.8 N500 From E-2622	3	3	3	
10	502830	SCREW CAP HEX M6-1.0x20 G8.8 N500 To E-2621	3	3	3	
10	5001815	SCREW CAP HEXF M6-1.0x30 G 8.8 N500 From E-2622	3	3	3	
11	680098	THREAD SEALANT LOCTITE #567 / WHITE / 250ml	AR	AR	AR	
12	641371	MALE ELBOW 90° NON-SWIVEL / PUSH-IN FITTING / #4x1/4NPT-M BR	1	1	1	
13	503402	TUBE, NYLON 1/4 O.D. / BLACK S.L.	AR	AR	AR	
14	501332	STREET ELBOW 90° / PIPE FITTING / 1/4NPT-Mx1/4NPT-F BR	1	1	1	R
15	641472	AIR PRESSURE REGULATOR 1/4" NPT / COPPER	1	1	1	R
16	501695	MALE ELBOW 90° / JIC 37° FITTING / #6JIC-Mx1/4NPT-M STL	1	1	1	R
17	501331	STREET ELBOW 90° / PIPE FITTING / 1/8NPT-Mx1/8NPT-F BR	1	1	1	R
18	640488	VALVE, AIR FILL 1/8" NPT	1	1	1	R
. NS	650164	. CAP VALVE / CHROME	1	1	1	R
19	500734	NUT HEX JAM 3/4-16 Z050	1	1	1	R
21	641956	MALE RUN TEE SWIVEL / PUSH-IN FITTING / #4x#4x1/4NPT-M BR	1	1	1	R
22	501332	STREET ELBOW 90° / PIPE FITTING / 1/4NPT-Mx1/4NPT-F BR From C-1995	1	1	1	
27	071658P	HOSE ASSY TEFLON #6 270MM To G-3296	1	1	1	
. NS	5011194	. FEMALE CONNECTOR SWIVEL / JIC 37° FITTING / TEFLON / #6JIC-Fx#6 STL To G-3296	2	2	2	
. NS	503065	. HOSE TEFLON #6 / S.L. To G-3296	AR	AR	AR	
27	070052	HOSE ASSY TEFLON #6 270MM From G-3297	1	1	1	
. NS	5011194	. FEMALE CONNECTOR SWIVEL / JIC 37° FITTING / TEFLON / #6JIC-Fx#6 STL From G-3297	2	2	2	
. NS	503065	. HOSE TEFLON #6 / S.L. From G-3297	AR	AR	AR	
28	143023	HOSE ASSY TEFLON #4 820MM	1	1	1	
29	5011304	FEMALE CONNECTOR / PIPE @ ORB / 1/4NPT-FxM12-1.5 ORB-M	1	1	1	
30	501027	MALE CONNECTOR / SAE 45° FITTING / #4FL-Mx1/4NPT-M BR	1	1	1	
31	500574	SCREW MA TR PH #10-24x1 1/4 SS	3	3	3	
32	500470	WASHER LO SPT .193x.334x.047 Z050	3	3	3	

From C-1886 To H-3734	Date:10/2022	PAGE:H7-0405-11
<b>7TH INJECTOR / "AHI" / EXHAUST VOLVO D13</b>		

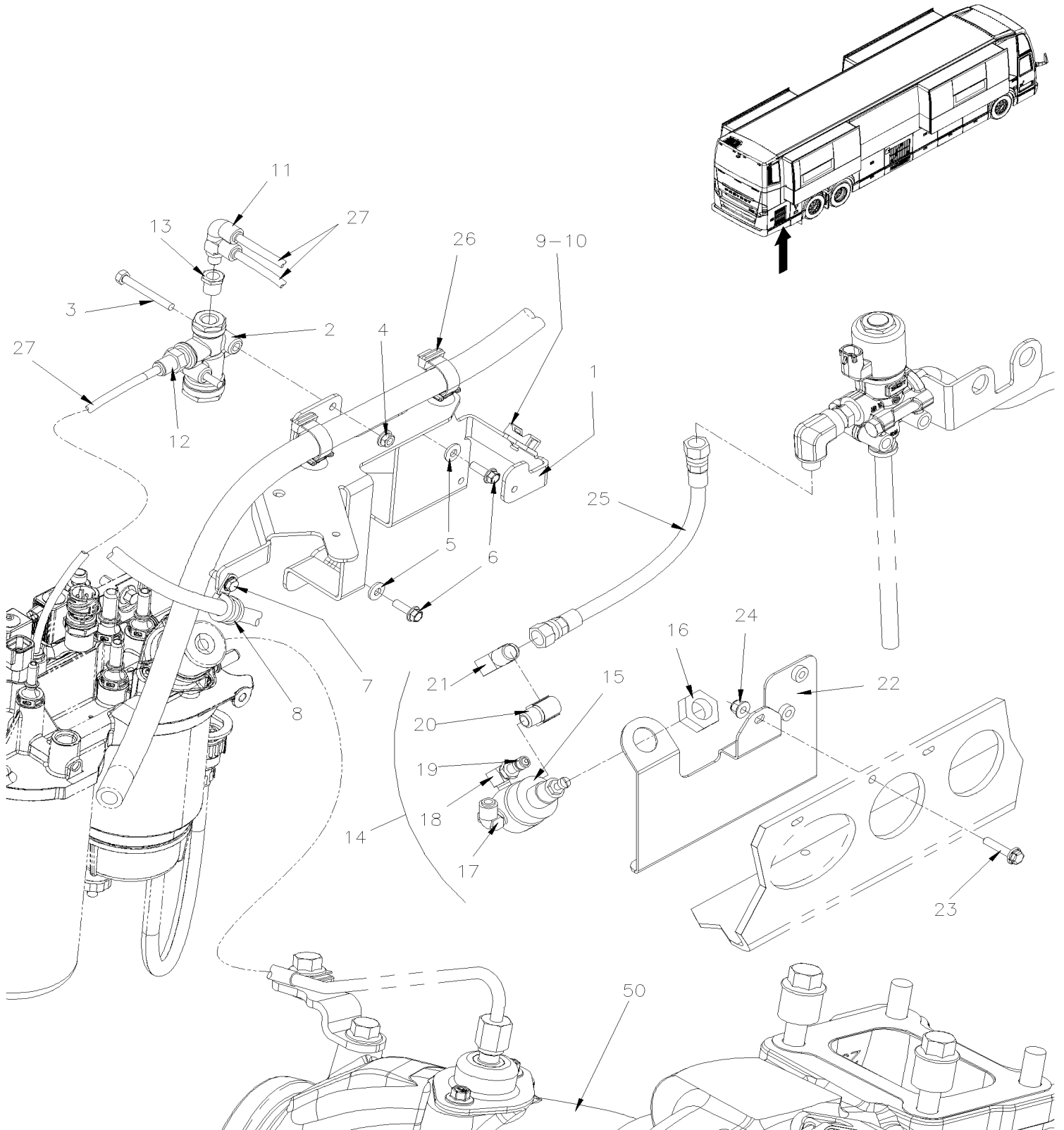
Item#	Part	Description	H 3 4 1	H 3 4 5	V I P 4 5	N O T E S
33	500786	NUT HEX #10-24 Z050	3	3	3	
34	500964	WASHER FL .203x.500x.047 Z050	3	3	3	
35	952625	CLAMP / 3/8" I.D.	1	1	1	
NS	<b>Call order desk</b>	<b>KIT RELOCATED VALVE RV-3</b>				P
50	Refer To Volvo	SEE IMPACT OR CALL ORDER DESK				V
		I) TRANSMISSION WITHOUT RETARDER & TRANSMISSION "I-SHIFT"				
		R) TRANSMISSION WITH RETARDER				
		P) CALL ORDER DESK FOR SPECIFIC APPLICATION (V.I.N.)				
		V) SEE IMPACT OR CALL ORDER DESK				

From H-3735 To J-0294

Date:10/2022

PAGE:H7-0405-12

## 7TH INJECTOR / "AHI" / EXHAUST VOLVO D13 - GHG17



From H-3735 To J-0294	Date:10/2022	PAGE:H7-0405-12
<b>7TH INJECTOR / "AHI" / EXHAUST VOLVO D13 - GHG17</b>		

Item#	Part	Description	H 3 4 1	H 3 4 5	V I P 4 5	N O T E S
	Call order desk	VALVE ASSY RV-3 W/SUPPORT	1	1	1	P
	Call order desk	VALVE ASSY RV-3 W/SUPPORT	1	1	1	P WO
1	010043	SUPPORT FUEL LINE	1	1	1	
2	21243502	VALVE PRESSURE REDUCER RV-3 / K028993	1	1	1	
3	5001923	SCREW CAP HEX M6-1.0x45 SS BK	2	2	2	
4	5001857	NUT HEXF M6-1.0 N500	2	2	2	
NS	680098	THREAD SEALANT LOCTITE #567 / WHITE / 250ml	AR	AR	AR	
5	500321	WASHER BEL SPR .331x.827x.098 N500	3	3	3	
6	5001643	SCREW CAP HEXF M8-1.25x25 G8.8 G500	3	3	3	
NS	5001931	NUT HEXF NYRT M8-1.25 G8.8 N500	1	1	1	
7	502848	SCREW TC CAP HEXF 1/4-20x3/4 N500	1	1	1	
8	952627	CLAMP / 1/2" I.D.	1	1	1	
9	504488	RIVET MGLP PRDG 3/16x17/64 SS	1	1	1	
10	504013	TIE MOUNT / 1/4" X 1/4" I.D.	1	1	1	
11	642127	MALE ELBOW 90° SWIVEL DUAL PORT / PUSH-IN / #4x#4x1/8NPT-M BR	1	1	1	W
11	641371	MALE ELBOW 90° NON-SWIVEL / PUSH-IN FITTING / #4x1/4NPT-M BR	1	1	1	WO
12	641332	MALE CONNECTOR / PUSH-IN FITTING / #4x1/4NPT-M BR	1	1	1	
13	501312	BUSHING REDUCER / PIPE FITTING / 1/4NTP-Mx1/8NPT-F BR	1	1	1	
14	Call order desk	AIR REGULATOR TRANS. ALLISON /	1	1	1	P W
15	641472	. AIR PRESSURE REGULATOR 1/4" NPT / COPPER	1	1	1	
16	500734	. NUT HEX JAM 3/4-16 Z050	1	1	1	
17	641371	. MALE ELBOW 90° NON-SWIVEL / PUSH-IN FITTING / #4x1/4NPT-M BR	1	1	1	
18	501331	. STREET ELBOW 90° / PIPE FITTING / 1/8NPT-Mx1/8NPT-F BR	1	1	1	
19	640488	. VALVE, AIR FILL 1/8" NPT	1	1	1	
. NS	650164	. . CAP VALVE / CHROME	1	1	1	
20	501332	. STREET ELBOW 90° / PIPE FITTING / 1/4NPT-Mx1/4NPT-F BR	1	1	1	
NS	680098	. THREAD SEALANT LOCTITE #567 / WHITE / 250ml	AR	AR	AR	
21	501695	. MALE ELBOW 90° / JIC 37° FITTING / #6JIC-Mx1/4NPT-M STL	1	1	1	
22	143278	. SUPPORT VALVE	1	1	1	
23	5001815	. SCREW CAP HEXF M6-1.0x30 G 8.8 N500	1	1	1	
24	5001932	. NUT HEXF NYRT M6-1.0 G8.8 N500	AR	AR	AR	
25	070063	HOSE ASSY TEFLON #6 285MM	AR	AR	AR	W
NS	507664	CABLE TIE / 3/16" 11" / DOUBLE LOOP HEAD	1	1	1	
26	504750	CABLE TIE / 1/2" x 15" / CHRISTMAS TREE	AR	AR	AR	
27	503402	TUBE, NYLON 1/4 O.D. / BLACK S.L.	AR	AR	AR	
50	Refer To Volvo	SEE IMPACT OR CALL ORDER DESK	1	1	1	V
		W) WITH RETARDER ONLY				
		WO) WITHOUT RETARDER				
		P) CALL ORDER DESK FOR SPECIFIC APPLICATION (V.I.N.)				

From H-3735 To J-0294	Date:10/2022	PAGE:H7-0405-12
7TH INJECTOR / "AHI" / EXHAUST VOLVO D13 - GHG17		

Item#	Part	Description	H 3 4 1	H 3 4 5	V I P 4 5	N O T E S
		V) SEE IMPACT OR CALL ORDER DESK				

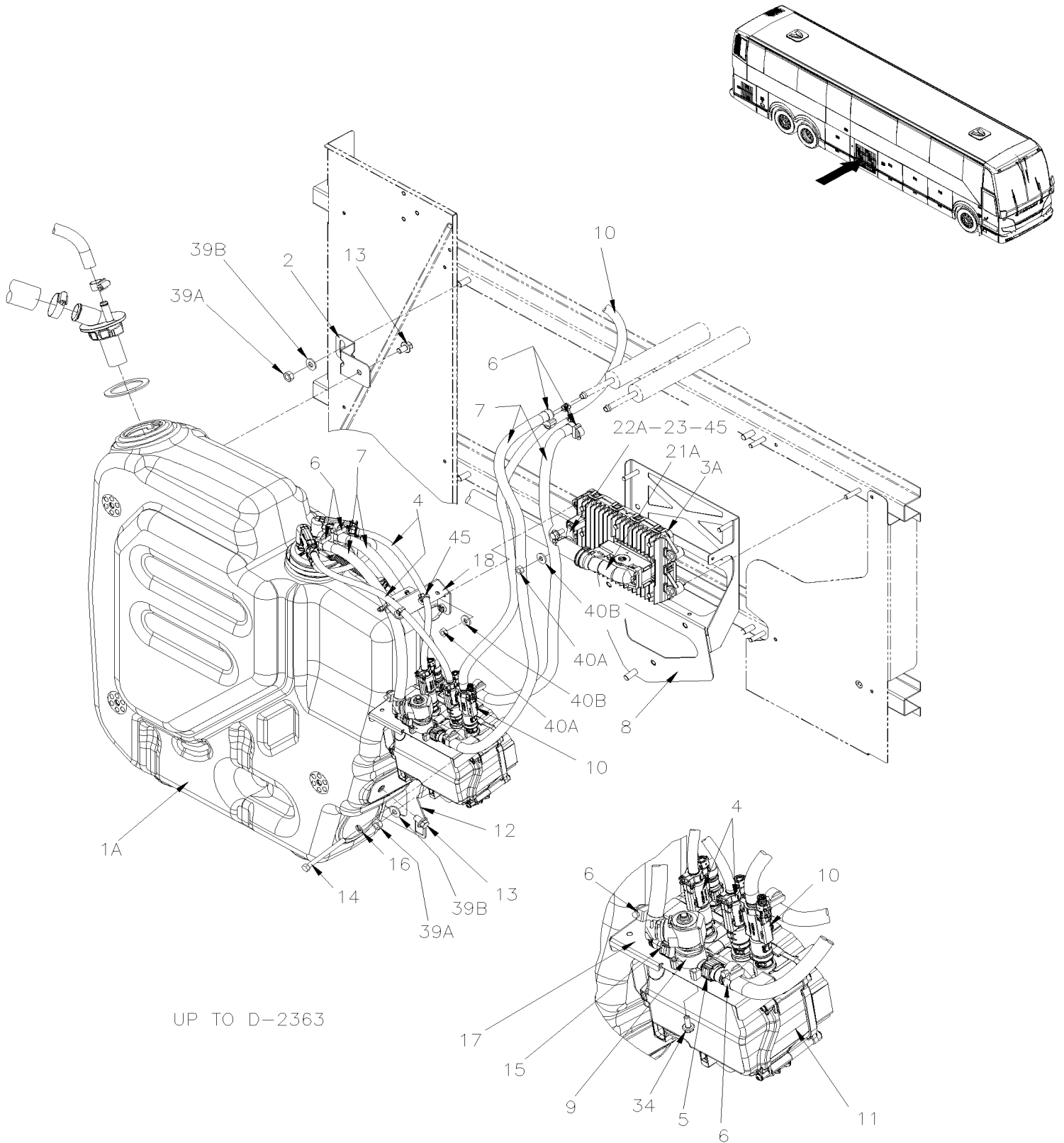


From B-1721 To J-0294

Date:10/2022

PAGE:H7-0410-00

## UREA RESERVOIR ASSY

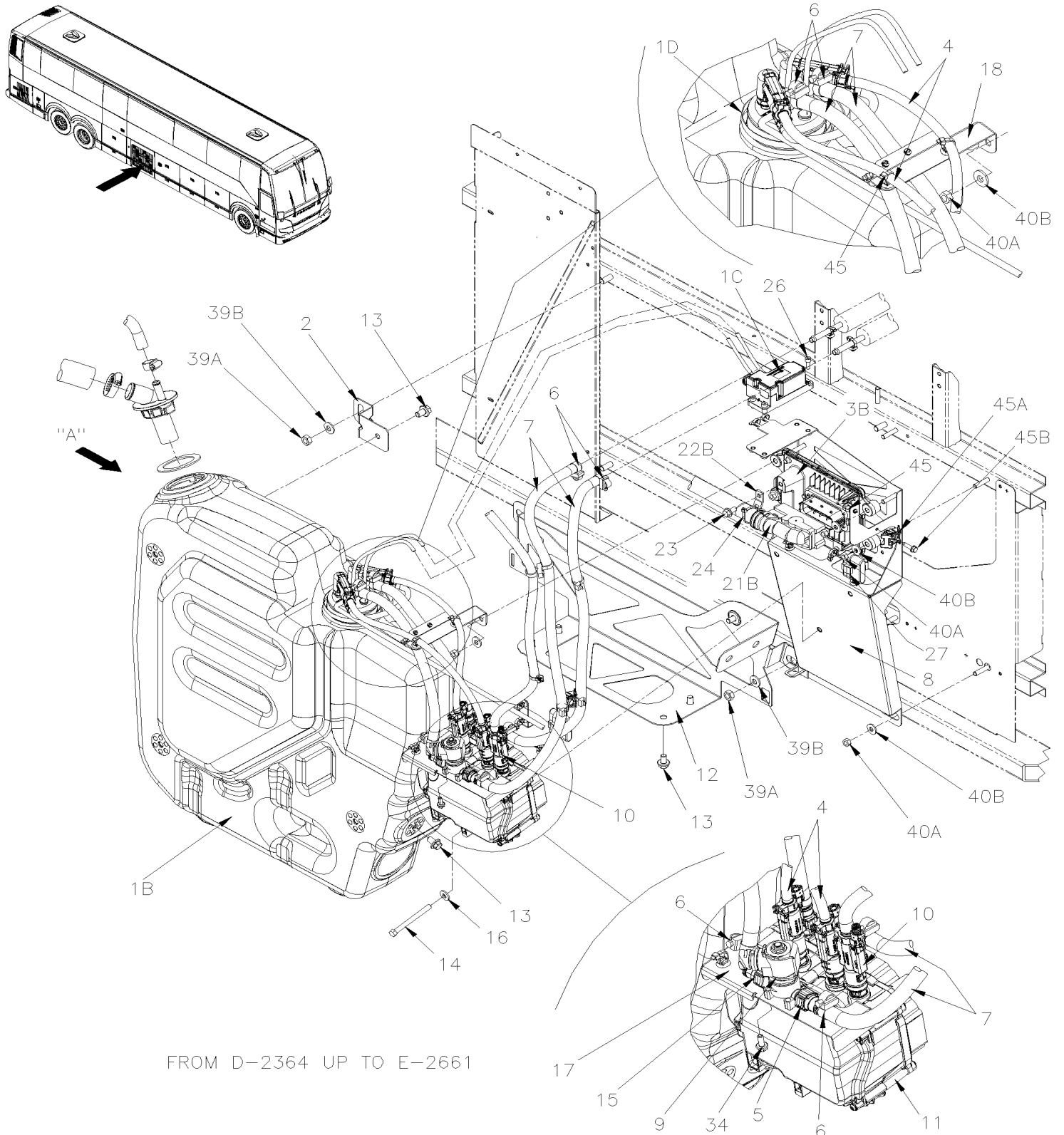


From B-1721 To J-0294

Date:10/2022

PAGE:H7-0410-00

## UREA RESERVOIR ASSY



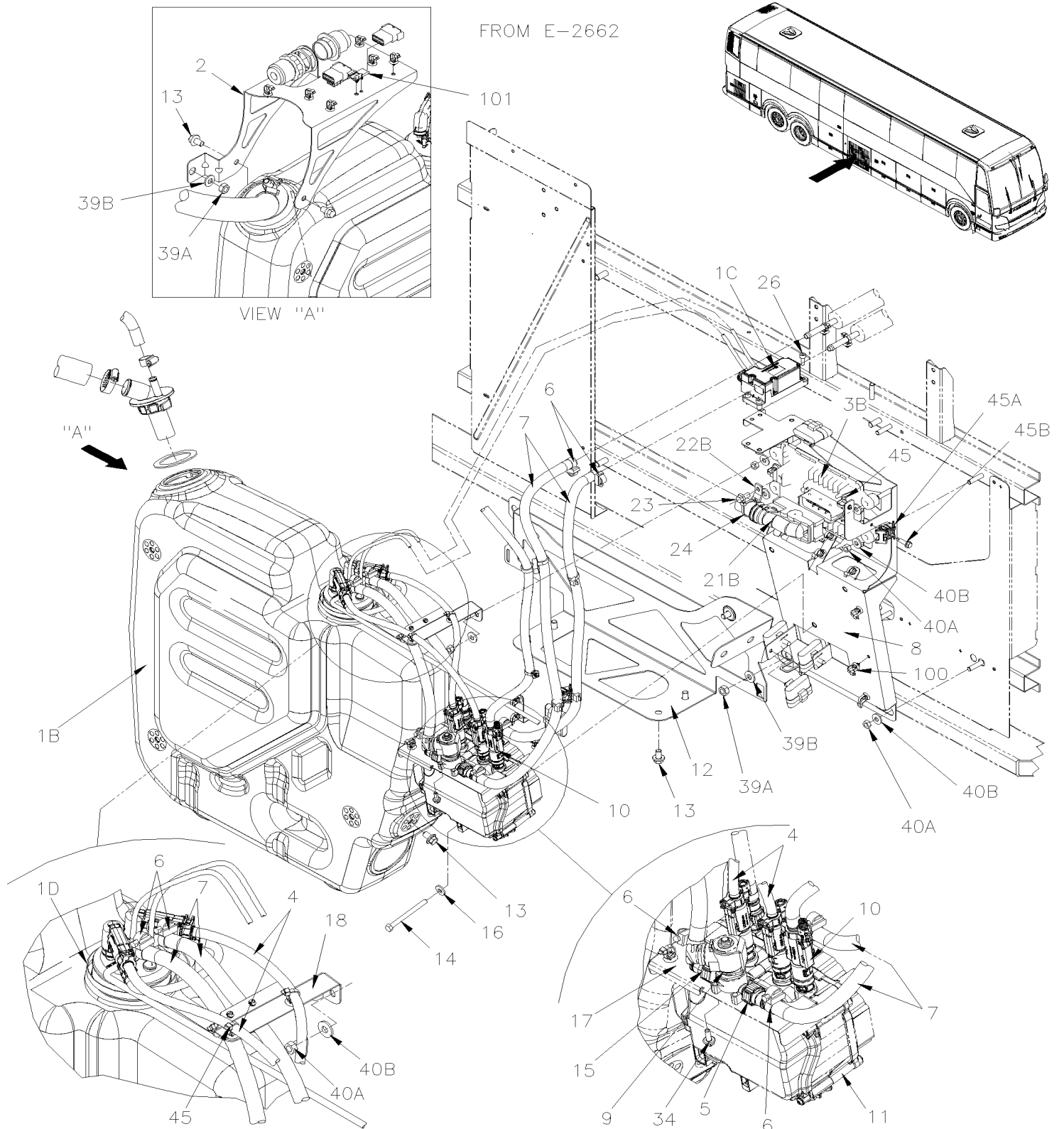


From B-1721 To J-0294

Date:10/2022

PAGE:H7-0410-00

## UREA RESERVOIR ASSY

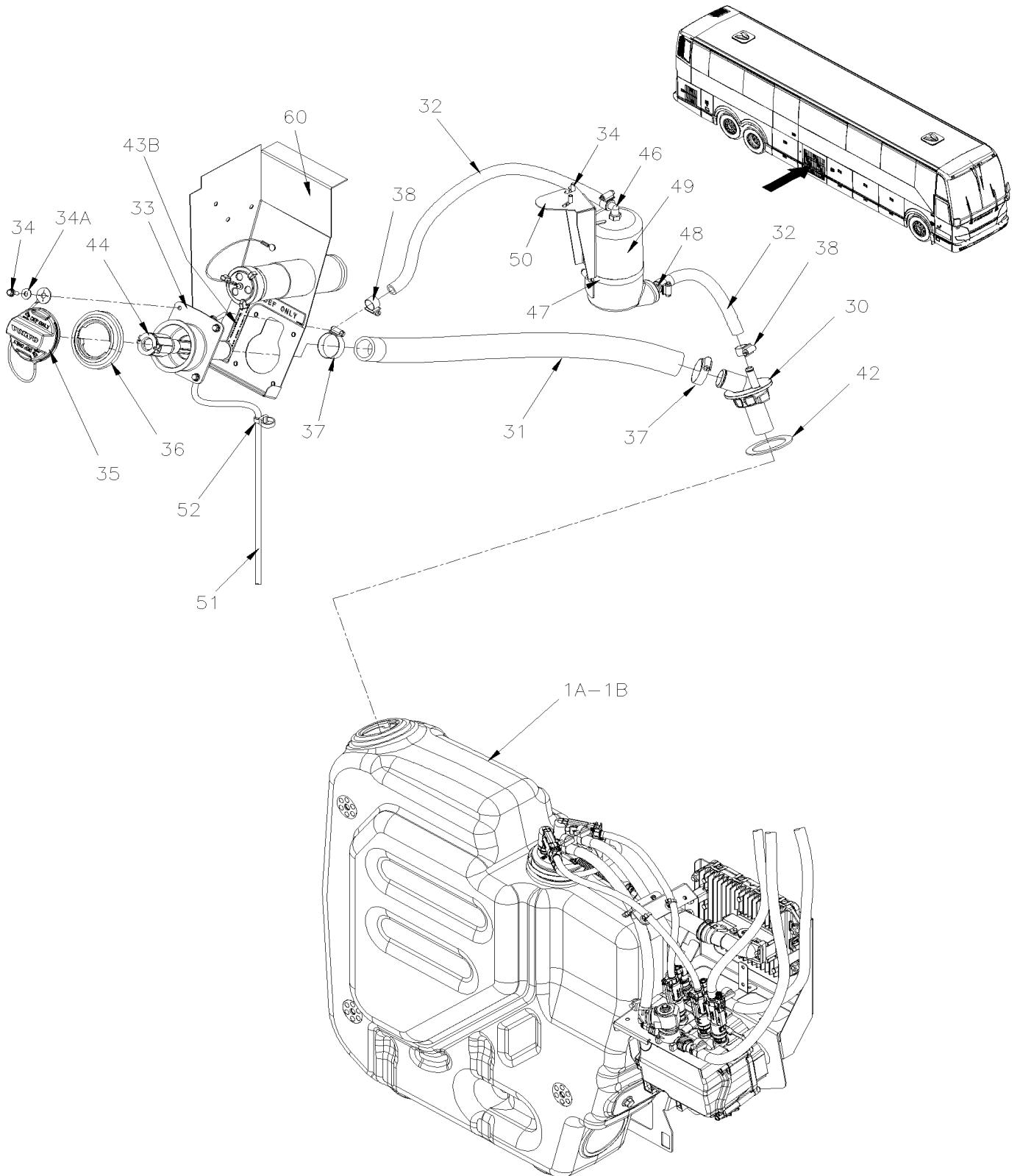


From B-1721 To J-0294

Date:10/2022

PAGE:H7-0410-00

## UREA RESERVOIR ASSY

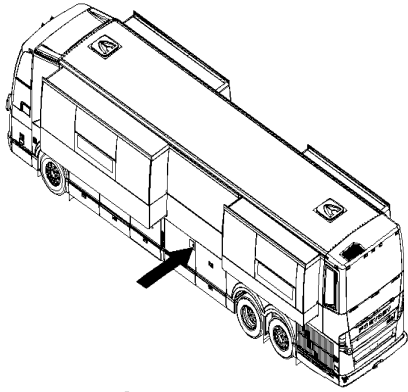


From B-1721 To J-0294

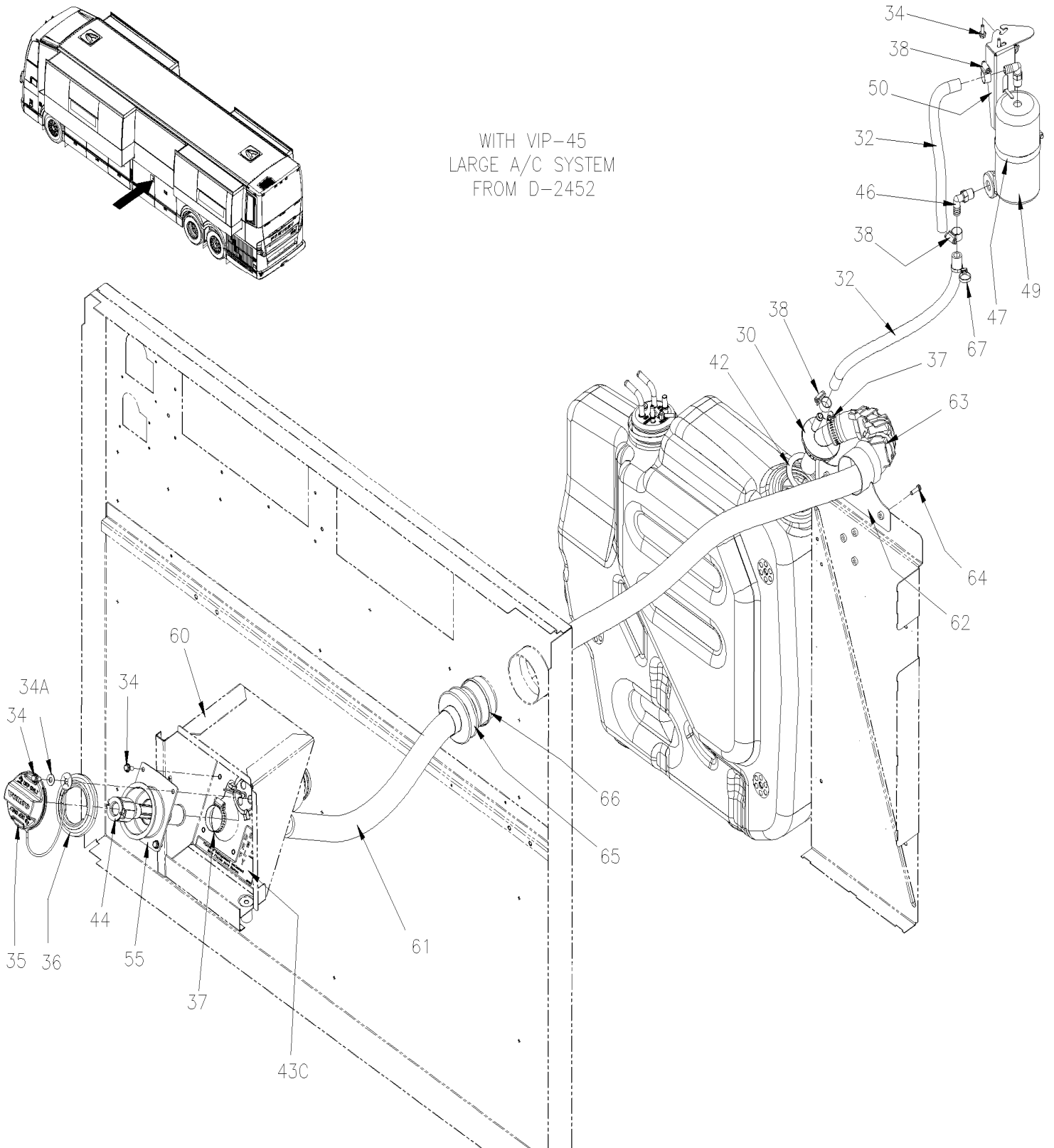
Date:10/2022

PAGE:H7-0410-00

## UREA RESERVOIR ASSY



WITH VIP-45  
LARGE A/C SYSTEM  
FROM D-2452

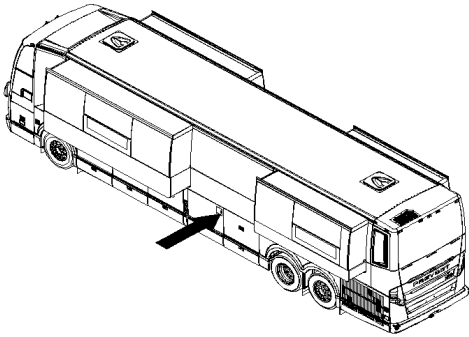


From B-1721 To J-0294

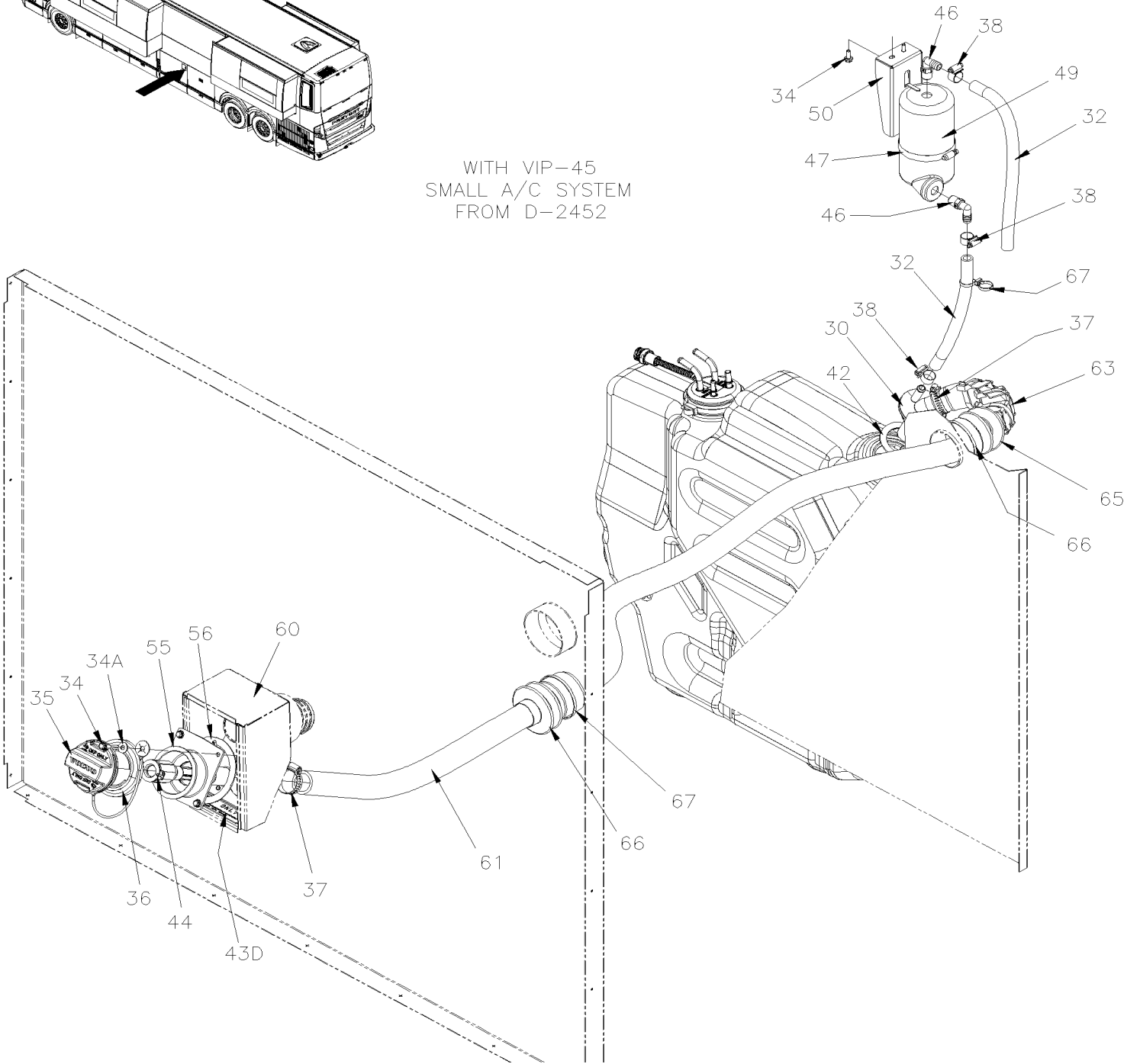
Date:10/2022

PAGE:H7-0410-00

## UREA RESERVOIR ASSY



WITH VIP-45  
SMALL A/C SYSTEM  
FROM D-2452



<b>From B-1721 To J-0294</b>	<b>Date:10/2022</b>	<b>PAGE:H7-0410-00</b>
<b>UREA RESERVOIR ASSY</b>		

Item#	Part	Description	H 3 4 1	H 3 4 5	V I P 4 5	N O T E S
1A	21134658	RESERVOIR UREA 60Liters To C-2090	1	1	1	
1A	21728142	RESERVOIR UREA 60Liters From C-2091 To D-2363	1	1	1	
1B	21967924	RESERVOIR UREA 60Liters From D-2364	1	1	1	
1C	22073036	HEATER AND SENSOR From D-2364 To F-2987	1	1	1	
1C	22560276	HEATER AND SENSOR From F-2988 To H-3934	1	1	1	
. NS	22406383	. FILTER KIT From F-2988 To H-3934	1	1	1	
1C	22997058	HEATER AND SENSOR From H-3935	1	1	1	
. NS	22406383	. FILTER KIT From H-3935	1	1	1	
1D	992091	HOSE CLAMP / 80MM/100MM From D-2364	1	1	1	
NS	685328	UREA 2 GALLONS US	AR	AR	AR	
NS	685329	UREA 55 GALLONS US	AR	AR	AR	
NS	680753	UREA 1250 LITER SQ	AR	AR	AR	
2	040873	SUPPORT UPPER BACKWARD To E-2661	1	1	1	
2	041088	SUPPORT UPPER BACKWARD From E-2662 To G-3205	1	1	1	
2	041158	SUPPORT UPPER BACKWARD From G-3206	1	1	1	
3A	21063597	UNIT CONTROL "ACM" To D-2363	1	1	1	
3B	21870087	UNIT CONTROL "ACM" From D-2364 To G-3128	1	1	1	
3B	22449432	UNIT CONTROL "ACM" From G-3129	1	1	1	
4	040901	HOSE HEATER ASSY "H" STYLE	1	1	1	
. NS	540089	. CONNECTOR CLIP - 3/8"	3	3	3	
. NS	N8902118	. CONNECTOR CLIP - 5/16"	1	1	1	
5	20805109	QUICK CONECTOR 10MM	2	2	2	
6	992081	HOSE CLAMP / 12MM/22MM	8	8	8	
7	503779	HOSE SILICONE 1PLY 3/8" I.D. x 100' To D-2275	AR	AR	AR	
7	503806	HOSE SILICONE 1 PLY / NOMEX-ARAMID 3/8" I.D. x 100' From D-2276 To F-2711	AR	AR	AR	
7	503821	HOSE SILICONE 4 PLY / NOMEX-ARAMID 3/8" x 144" From F-2712	AR	AR	AR	
NS	504671	GROMMET / .687x1.000x.125x.437x1.312			2	S
7	040935	CLOSING PLATE AROUND 3 HOSES 130MM x 98MM SS			1	S
NS	502868	SCREW TC TR PH #10-16x1/2 N500			2	S
8	040948	SUPPORT PUMP & UNIT CONTROL To D-2363		1	1	
8	040981	SUPPORT PUMP & UNIT CONTROL From D-2364 To E-2661		1	1	
8	041087	SUPPORT PUMP & UNIT CONTROL From E-2662		1	1	
9	21314741	SOLENOID VALVE	1	1	1	
10	040909	HOSE HEATED ASSY 9300MM To F-2922	1	1	1	
. NS	N8902118	. CONNECTOR CLIP - 5/16" To F-2922	2	2	2	
10	041122	HOSE HEATED ASSY 9400MM From F-2923	1	1	1	
. NS	N8902118	. CONNECTOR CLIP - 5/16" From F-2923	2	2	2	
NS	506205	PIPE INSULATING / 5/8" I.D. X 1/2" TH. X 72 / SPLIT ADHESIVE	AR	AR	AR	
NS	957022	TAPE ELASTOMERIC 1/8" X 2" X 30"	AR	AR	AR	
NS	509490	ATTACHMENT DOUBLE USE WITH CABLE TIE	2	2	2	
NS	500266	SCREW TC CAP HEX 1/4-20x1 N500	2	2	2	
NS	504016	CABLE TIE / 5/16" X 14"1/2	AR	AR	AR	

From B-1721 To J-0294	Date:10/2022	PAGE:H7-0410-00
<b>UREA RESERVOIR ASSY</b>		

Item#	Part	Description	H 3 4 1	H 3 4 5	V I P 4 5	N O T E S
NS	507664	CABLE TIE / 3/16" 11" / DOUBLE LOOP HEAD	AR	AR	AR	
NS	504013	TIE MOUNT / 1/4" X 1/4" I.D.	4	4	4	
NS	502868	SCREW TC TR PH #10-16x1/2 N500	3	3	3	
10	504379	RIVET POP DOME OE 3/16x1/4 SS	1	1	1	
NS	504768	CABLE TIE / 3/16" 14.7" / DOUBLE LOOP HEAD	AR	AR	AR	
NS	504751	ROTATIF SPACER DOUBLE / SMALL	1	1	1	
NS	504750	CABLE TIE / 1/2" x 15" / CHRISTMAS TREE	AR	AR	AR	
NS	504637	CABLE TIE / 3/16" x 13"	AR	AR	AR	
NS	504460	GROMMET / 1.500x1.750x.062x.437x2.125 To E-2455	1	1	1	
NS	504622	GROMMET / 1.500x1.750x.062x.437x2.125 From E-2456	1	1	1	
NS	504579	GROMMET / .750x1.625x.125x.437x2.000	1	1	1	
NS	684517	ADHESIVE SIMSON #ISR 70-03 / GREY / 310ml CARTRIDGE	AR	AR	AR	
11	<b>21576178</b>	<b>PUMP ASSY UREA TB-129684310-1</b>	1	1	1	
12	040895	SUPPORT RESERVOIR UREA	1	1	1	
13	5001729	SCREW CAP HEXF M10-1.5x16 G8.8 N500 To E-2661	9	9	9	
13	5001729	SCREW CAP HEXF M10-1.5x16 G8.8 N500 From E-2662	10	10	10	
14	5001186	SCREW CAP HEX M8-1.25x90 SS BK	3	3	3	
15	20805110	QUICK CONNECTOR 90° 10MM	2	2	2	
16	500321	WASHER BEL SPR .331x.827x.098 N500	3	3	3	
17	040893	SUPPORT WATER VALVE	1	1	1	
18	040905	SUPPORT HOSE UREE To B-1744	1	1	1	
18	040944	SUPPORT HOSE UREA From B-1745	1	1	1	
21A	067603	WIRING HARNESS / UREA SYSTEM To C-2058	1	1	1	
21A	068332	WIRING HARNESS / UREA SYSTEM From C-2059 To D-2363	1	1	1	
21B	068466	WIRING HARNESS / UREA SYSTEM From D-2364 To E-2661	1	1	1	
21B	068988	WIRING HARNESS / UREA SYSTEM From E-2662 To G-3205	1	1	1	
21B	069502	WIRING HARNESS / UREA SYSTEM From G-3206	1	1	1	
22A	040943	PLATE / ATTACHMENT CABLE To D-2363	1	1	1	
22B	040974	PLATE / ATTACHMENT CABLE From D-2364	1	1	1	
23	5001780	SCREW CAP HEXF M8-1.25x16 G8.8 N500	1	1	1	
24	504637	CABLE TIE / 3/16" x 13"	AR	AR	AR	
26	5001648	SCREW CAP HEXS M6-1.0x18 SS BK From D-2364	4	4	4	
27	564542	TREE MOUNT CLIP FOR PED CONNECTOR From D-2364	1	1	1	
30	040838	ADAPTOR FILLER HOSE & VENT	1	1	1	
NS	040968	FILTER / UREA	1	1	1	
30	680066	ADHESIVE / ADBOND #5014 / 23.6ML BOTTLE	AR	AR	AR	
31	503773	HOSE (GREEN STRIPE) 1 1/4 I.D.	AR	AR	AR	
32	503772	HOSE (GREEN STRIPE) 1/2" I.D. x 50'	AR	AR	AR	
33	040874	FILLER NECK ASSY	1	1		
33	040874	FILLER NECK ASSY To D-2451			1	
34	5001730	SCREW CAP HEXF M6-1.0x16 G10.9 N500	4	4	4	
34A	502638	WASHER FL .312x.734x.065 N500	1	1	1	

<b>From B-1721 To J-0294</b>	<b>Date:10/2022</b>	<b>PAGE:H7-0410-00</b>
<b>UREA RESERVOIR ASSY</b>		

Item#	Part	Description	H 3 4 1	H 3 4 5	V I P 4 5	N O T E S
35	21148722	CAP FILLER UREA	1	1	1	
35	21148725	CAP FILLER UREA / WITH LOCK	1	1	1	
36	540083	RING FILLER NECK	1	1	1	
37	504022	HOSE CLAMP / 3/4"-1"3/4 SS / HS-20	2	2	2	
38	504019	HOSE CLAMP / 9/16"-1"1/16 SS / HS-10	2	2	2	
39	5001727	NUT HEXF NYRT M10-1.5 N500 To B-1744	4	4	4	
39A	500847	NUT HEX M10-1.5 N500 From B-1745	3	3	3	
39B	5001834	WASHER BEL SPR 10.5X23X2.5 N500 From B-1745	3	3	3	
40	502837	NUT HEXF STO M8-1.25 N500 To B-1744	2	2	2	
40A	502851	NUT HEX M8-1.25 N500 From B-1745	5	5	5	
40B	500321	WASHER BEL SPR .331x.827x.098 N500 From B-1745	5	5	5	
41	5001648	SCREW CAP HEXS M6-1.0x18 SS BK	4	4	4	
42	540084	GASKET, UREA TANK	1	1	1	
43B	21467930	DECAL, UREA FILLING To H-3490	1	1	1	
43B	21467930	DECAL, UREA FILLING To H-3490	1	1	1	
43B	030030	DECAL "DEF ONLY" From H-3491	1	1	1	
43C	030036	DECAL "DEF ONLY" From H-3491			1	
43D	21467930	DECAL, UREA FILLING From H-3491			1	S
43D	21467930	DECAL, UREA FILLING From H-3491			1	S
44	82269261	FILTER	1	1	1	
45	8631155	CABLE TIE / 4.6MM x 200 / CHRISTMAS TREE	AR	AR	AR	
45A	509490	ATTACHMENT DOUBLE USE WITH CABLE TIE	1	1	1	
45B	500266	SCREW TC CAP HEX 1/4-20x1 N500	1	1	1	
46	5011292	MALE ELBOW 90° / HOSE BARB FITTING / #8x3/8NPT-M POLY	2	2	2	
47	504026	HOSE CLAMP / 2"13/16-3"3/4 SS / HS-52	1	1	1	
48	5011291	MALE CONNECTOR / HOSE BARB FITTING / #8x3/8NPT-M POLY To B-1801	1	1	1	
48	5011292	MALE ELBOW 90° / HOSE BARB FITTING / #8x3/8NPT-M POLY From B-1802	1	1	1	
48	5011291	MALE CONNECTOR / HOSE BARB FITTING / #8x3/8NPT-M POLY To C-1942			1	S
48	5011292	MALE ELBOW 90° / HOSE BARB FITTING / #8x3/8NPT-M POLY From C-1943			1	S
49	040964	TANK, VENT UREA	1	1	1	
50	374590	SUPPORT, UREA VENT TANK	1	1	1	
50	040966	SUPPORT, UREA VENT TANK To C-1942			1	S
50	040973	SUPPORT, UREA VENT TANK From C-1943			1	S
NS	509815	TIE MOUNT / ATTACHMENT W/TREE MOUNT	1	1	1	
NS	504637	CABLE TIE / 3/16" x 13"	1	1	1	
51	503404	TUBE, NYLON 3/8 O.D. / BLACK S.L.	AR	AR	AR	
52	504768	CABLE TIE / 3/16" 14.7" / DOUBLE LOOP HEAD	1	1	1	
55	041014	FILLER NECK ASSY From D-2452			1	
56	506268	TAPE RUB ADH1 URE 3/8" x 1/2" x 25' / GREY 1820 From D-2452			AR	
60	<b>H7-0310-10</b>	<b>FUEL FILLING CAP</b>				
60	<b>H7-1865-21</b>	<b>EVAPORATOR &amp; CONDENSOR WALL INSTALLATION</b>				
61	503811	HOSE / EPDM 1 PLY 1 1/4 I.D. From D-2452			AR	



From B-1721 To J-0294	Date:10/2022	PAGE:H7-0410-00
<b>UREA RESERVOIR ASSY</b>		

Item#	Part	Description	H 3 4 1	H 3 4 5	V I P 4 5	N O T E S
62	040989	BRACKET HOSE From D-2452			1	
63	505111	COIL PROTECTOR / PLASTIC / #22 From D-2452 To H-3542			AR	
63	040013	SUPPORT HOSE From H-3543			1	
63	509491	CABLE TIE / 13MM x 383MM From H-3543			3	
64	502568	SCREW MA PAN PH M6-1.0x20 EMN From D-2452			2	
65	504385	CUFF END BELLOW / 1 1/2" I.D. x 2 1/2" x 4" From D-2452			2	
66	504637	CABLE TIE / 3/16" x 13" From D-2452			AR	
67	507664	CABLE TIE / 3/16" 11" / DOUBLE LOOP HEAD From D-2452			AR	
69	<b>042318</b>	<b>FILLING, UREA LEFT, VIP SMALL A/C To D-2451</b>			1	
69	<b>042319</b>	<b>FILLING, UREA LEFT, VIP LARGE A/C To D-2451</b>			1	
100	8631155	CABLE TIE / 4.6MM x 200 / CHRISTMAS TREE	AR	AR	AR	
101	564108	SELF MOUNTING STUD // DEUTSCH 1011-310-0205 From E-2662	2	2	2	
		A) AVIALABLE END OF DECEMBER 2010				
		S) WITH SMALL A/C SYSTEM				

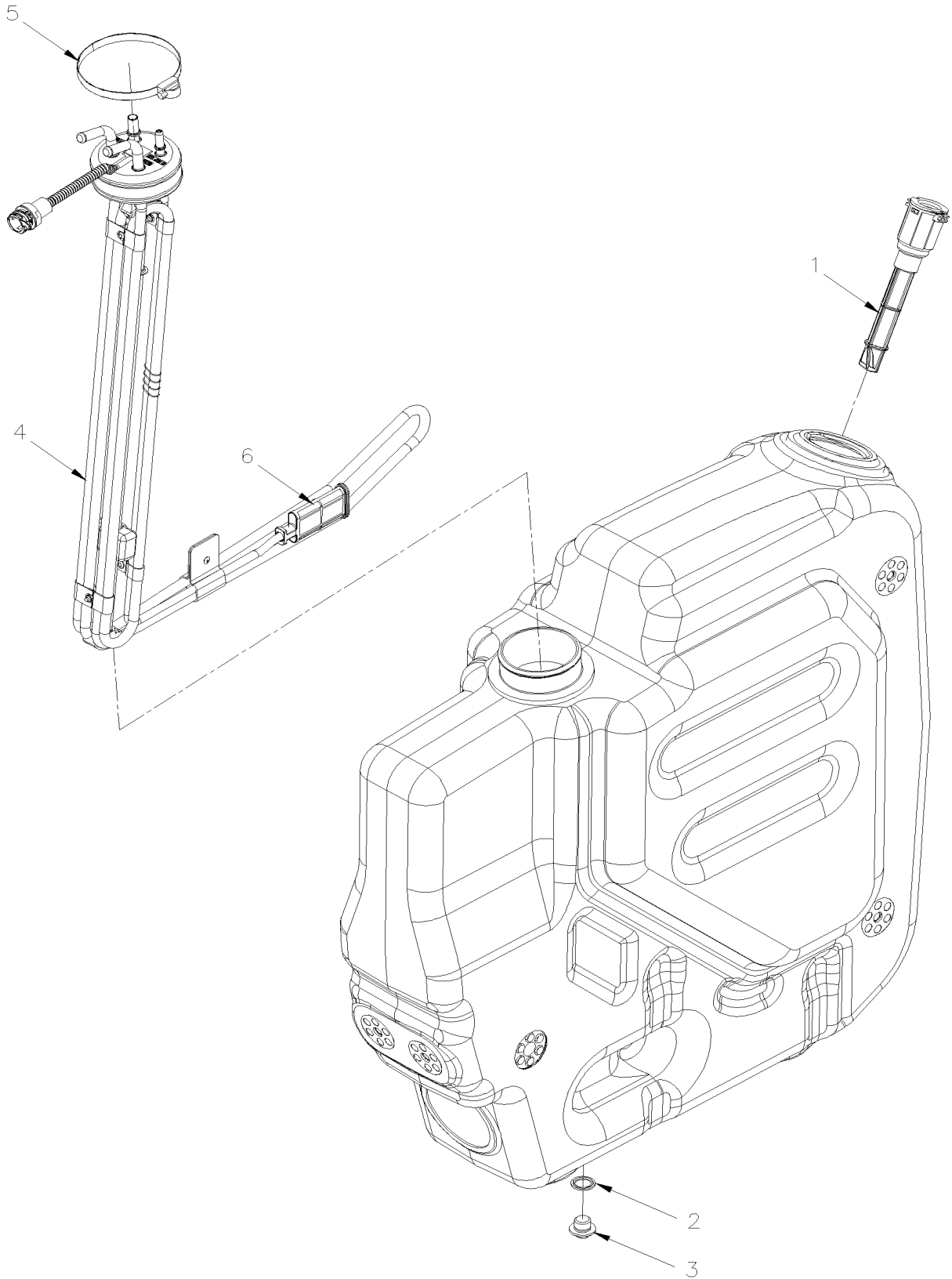


To C-2090

Date:10/2022

PAGE:21134658

**RESERVOIR UREA 60Liters**



To C-2090	Date:10/2022	PAGE:21134658
<b>RESERVOIR UREA 60Liters</b>		

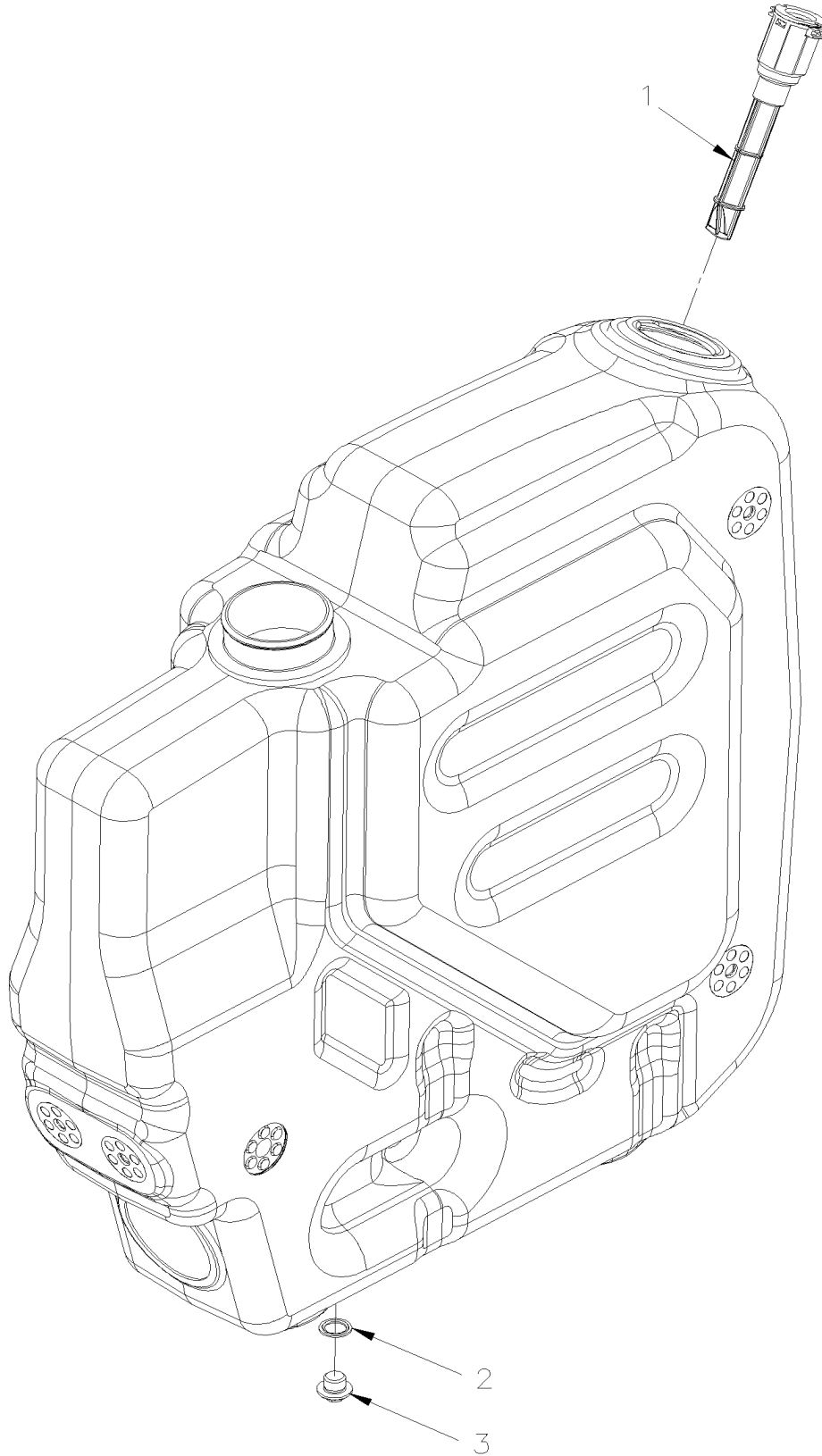
Item#	Part	Description	H 3 4 1	H 3 4 5	V I P 4 5	N O T E S
		RESERVOIR UREA	1	1	1	
1	20742759	. INSERT, FILLER NECK	1	1	1	
2	982724	. GASKET M16x6	1	1	1	
3	20562668	. DRAIN PLUG	1	1	1	
4	21073825	. HEATER	1	1	1	
5	980137	. HOSE CLAMP / 70MM/100MM	1	1	1	
6	21228120	. FILTER	1	1	1	

From D-2364

Date:10/2022

PAGE:21967924

**RESERVOIR UREA 60Liters**



From D-2364	Date:10/2022	PAGE:21967924
<b>RESERVOIR UREA 60Liters</b>		

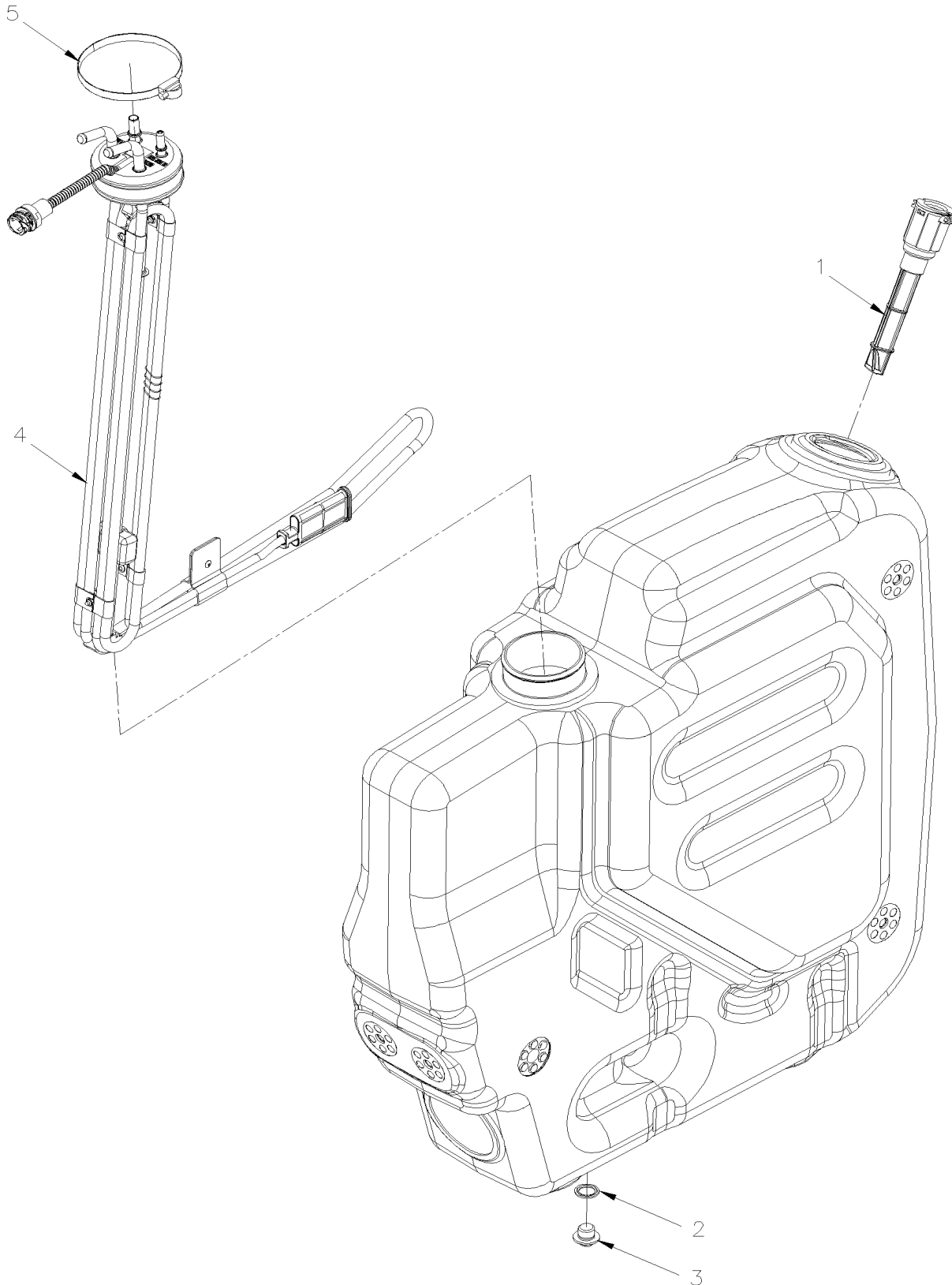
Item#	Part	Description	H 3 4 1	H 3 4 5	V I P 4 5	N O T E S
		RESERVOIR UREA	1	1	1	
1	82269261	. FILTER	1	1	1	
2	982724	. GASKET M16x6	1	1	1	
3	20562668	. DRAIN PLUG	1	1	1	

From C-2091 To D-2363

Date:10/2022

PAGE:21728142

## RESERVOIR UREA 60Liters



From C-2091 To D-2363	Date:10/2022	PAGE:21728142
<b>RESERVOIR UREA 60Liters</b>		

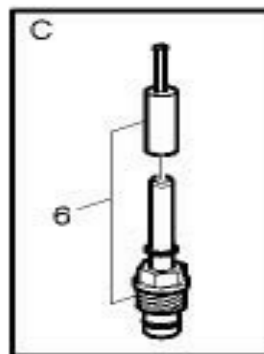
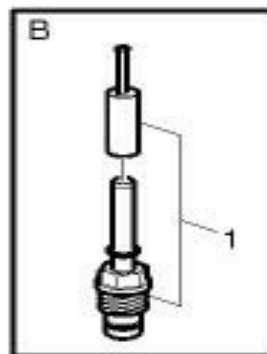
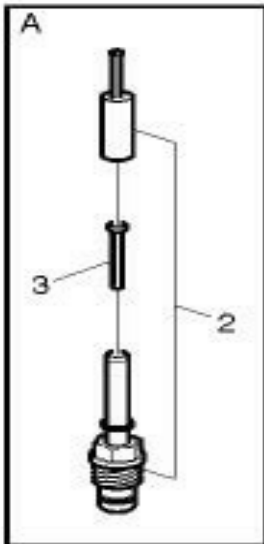
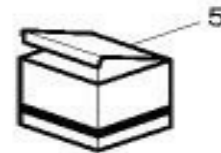
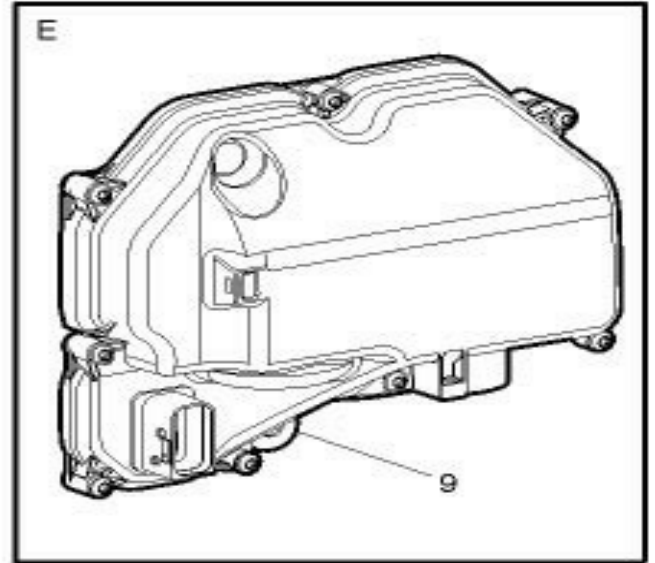
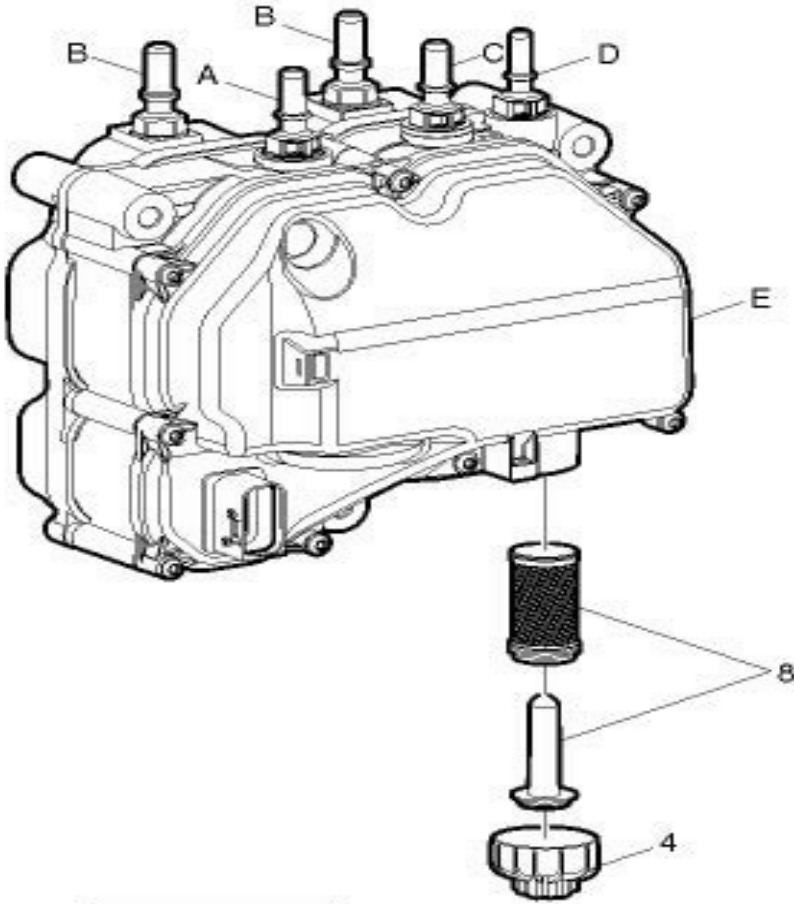
Item#	Part	Description	H 3 4 1	H 3 4 5	V I P 4 5	N O T E S
		RESERVOIR UREA	1	1	1	
1	82269261	. FILTER	1	1	1	
2	982724	. GASKET M16x6	1	1	1	
3	20562668	. DRAIN PLUG	1	1	1	
4	21715211	. HEATER	1	1	1	
5	992091	. HOSE CLAMP / 80MM/100MM	1	1	1	

From B-1721 To J-0294

Date:10/2022

PAGE:21576178

PUMP ASSY UREA TB-129684310-1

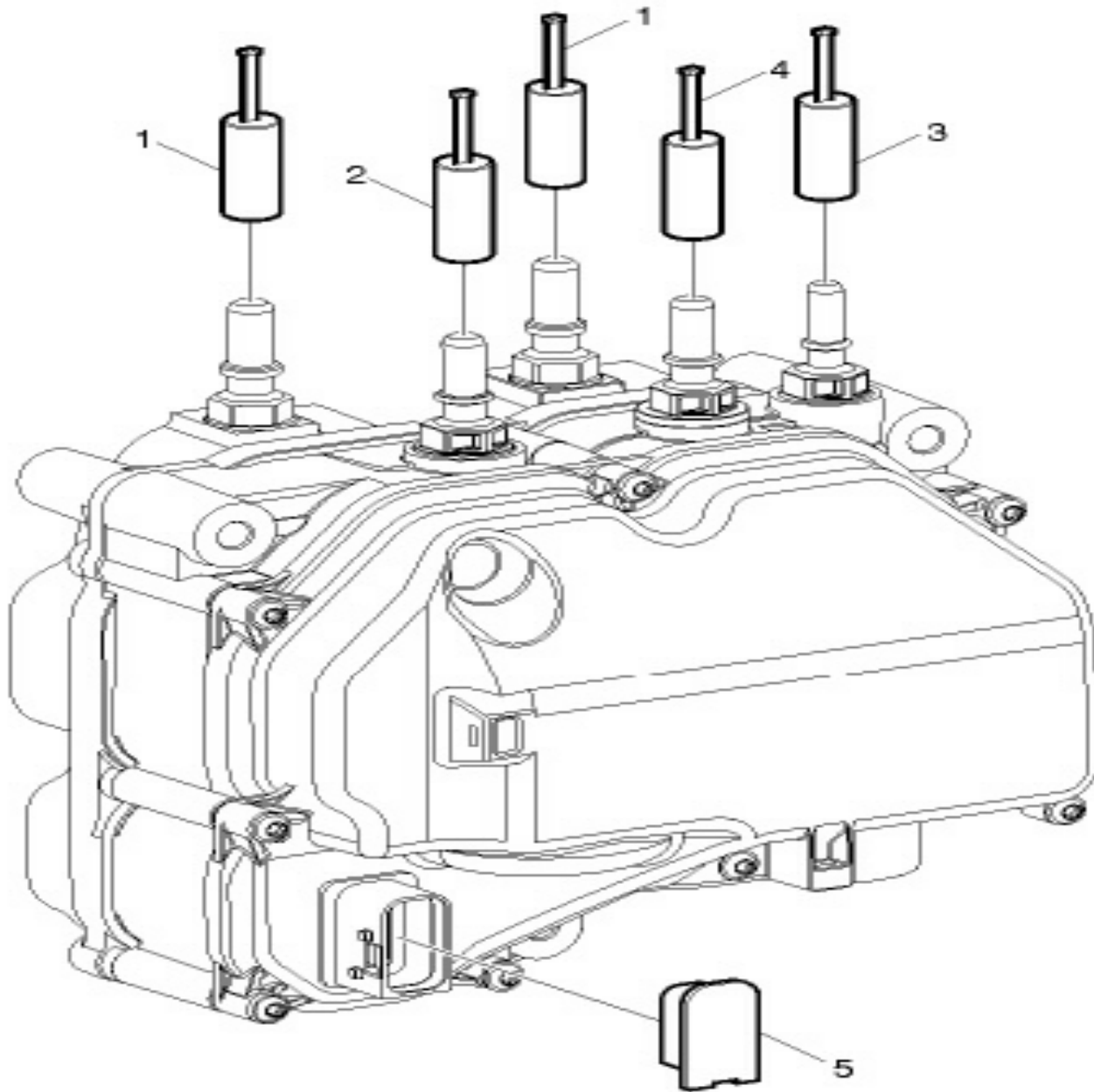


From B-1721 To J-0294	Date:10/2022	PAGE:21576178
<b>PUMP ASSY UREA TB-129684310-1</b>		

Item#	Part	Description	H 3 4 1	H 3 4 5	V I P 4 5	N O T E S
1	21376749	CONNECTOR / HEATER	2	2	2	
2	21376721	CONNECTOR / INLET	1	1	1	
3	21954674	. STRAINER	1	1	1	
4	21376707	FILTER CAP	1	1	1	
5	<b>21376772</b>	<b>CAP PLUG</b>	1	1	1	
6	21376746	CONNECTEUR / BACKFLOW	1	1	1	
7	21376731	CONNECTEUR / OUTLET	1	1	1	
8	21516229	FILTER	1	1	1	
9	21378032	COVER	1	1	1	



From B-1721 To J-0294	Date:10/2022	PAGE:21376772
CAP PLUG		



From B-1721 To J-0294	Date:10/2022	PAGE:21376772
<b>CAP PLUG</b>		

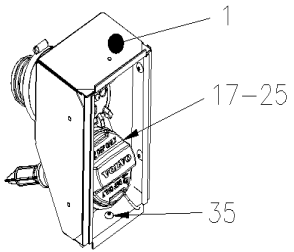
Item#	Part	Description	H 3 4 1	H 3 4 5	V I P 4 5	N O T E S
1	N.S.S.	COOLANT	1	1	1	1
2	N.S.S.	INLET	1	1	1	1
3	N.S.S.	BACKFLOW	1	1	1	1
4	N.S.S.	OUTLET	1	1	1	1
5	N.S.S.	ELECTRICAL	1	1	1	1
		1) NOT SOLD SEPARATELY				

To D-2451

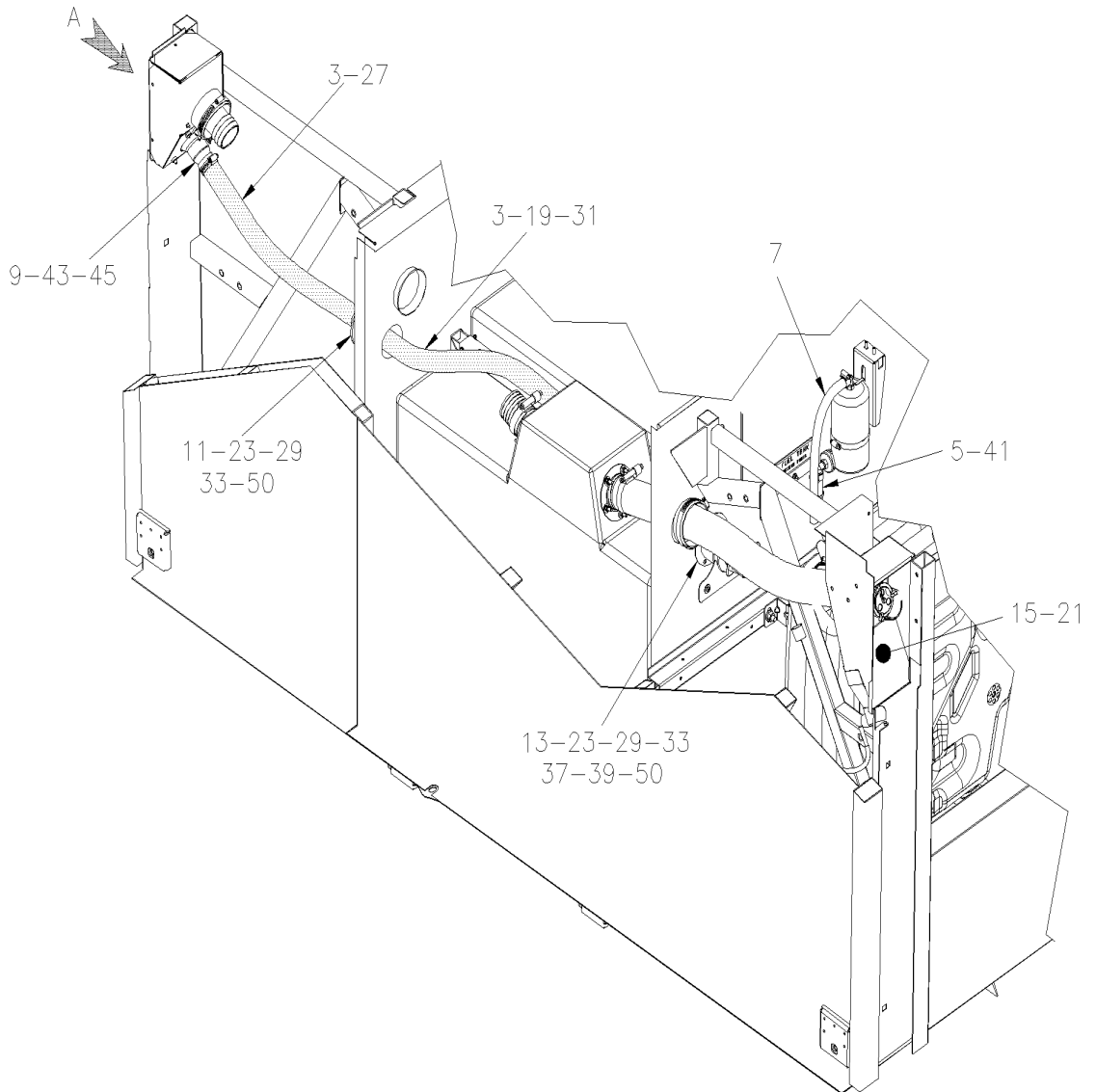
Date:10/2022

PAGE:042318

FILLING, UREA LEFT, VIP SMALL A/C



VIEW A



<b>To D-2451</b>	<b>Date:10/2022</b>	<b>PAGE:042318</b>
<b>FILLING, UREA LEFT, VIP SMALL A/C</b>		

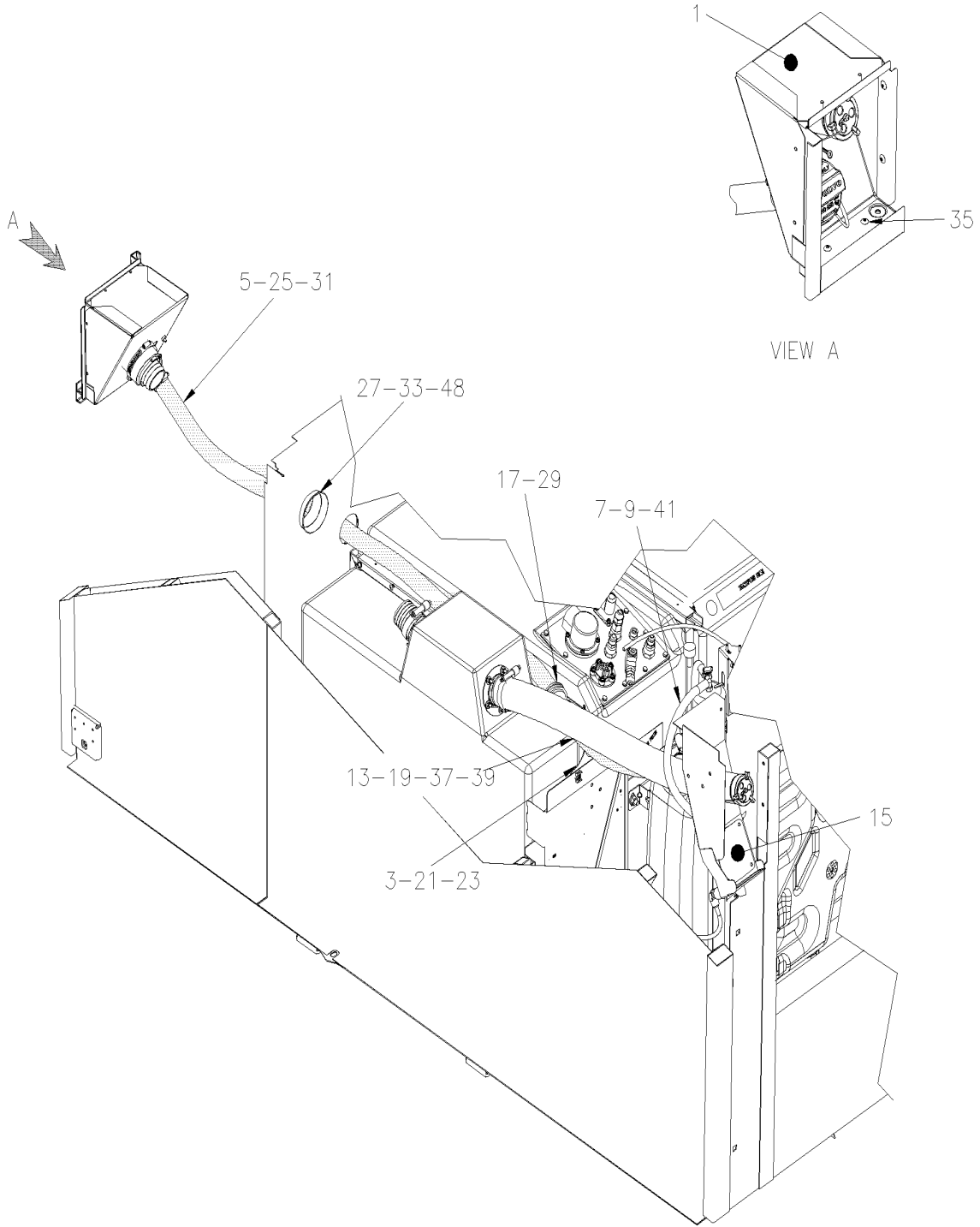
Item#	Part	Description	H 3 4 1	H 3 4 5	V I P 4 5	N O T E S
1	033954	FUEL BOX ASSY, (WELDED)	1	1	1	
3	040991P	HOSE UREA FILLING 2085 MM LG	1	1	1	
. NS	503811	. HOSE / EPDM 1 PLY 1 1/4 I.D.	AR	AR	AR	
5	040992P	HOSE VENT 255 MM LG	1	1	1	
. NS	503772	. HOSE (GREEN STRIPE) 1/2" I.D. x 50'	AR	AR	AR	
7	040993P	HOSE VENT 355 MM LG	1	1	1	
. NS	503772	. HOSE (GREEN STRIPE) 1/2" I.D. x 50'	AR	AR	AR	
9	041014	FILLER NECK ASSY	1	1	1	
11	041016	BRACKET, HOSE ASSY	1	1	1	
13	041018	BRACKET, HOSE ASSY	1	1	1	
15	041019	PLATE CLOSING	1	1	1	
17	21148722	CAP FILLER UREA	1	1	1	
19	5001017	SCREW TC CAP HEXW #10-24x1/2 Z050	1	1	1	
21	5001730	SCREW CAP HEXF M6-1.0x16 G10.9 N500	4	4	4	
23	500957	SCREW TP BDG PH #10x3/4 N500	AR	AR	AR	
25	502638	WASHER FL .312x.734x.065 N500	1	1	1	
27	504022	HOSE CLAMP / 3/4"-1"3/4 SS / HS-20	1	1	1	
29	504385	CUFF END BELLOW / 1 1/2" I.D. x 2 1/2" x 4"	2	2	2	
31	504458	CLAMP / 1 5/8" I.D.	1	1	1	
33	504637	CABLE TIE / 3/16" x 13"	2	2	2	
35	504745	RIVET HKL MMS 3/16x1/8 SS	6	6	6	
37	505111	COIL PROTECTOR / PLASTIC / #22	AR	AR	AR	
39	506268	TAPE RUB ADH1 URE 3/8" x 1/2" x 25' / GREY 1820	AR	AR	AR	
41	507664	CABLE TIE / 3/16" 11" / DOUBLE LOOP HEAD	1	1	1	
43	540083	RING FILLER NECK	1	1	1	
45	82269261	FILTER	1	1	1	
47	FI12143	FEUILLE D'INSTRUCTION	1	1	1	
49	IS12143	INSTRUCTION SHEET	1	1	1	
50	684517	ADHESIVE SIMSON #ISR 70-03 / GREY / 310ml CARTRIDGE	AR	AR	AR	

To D-2451

Date:10/2022

PAGE:042319

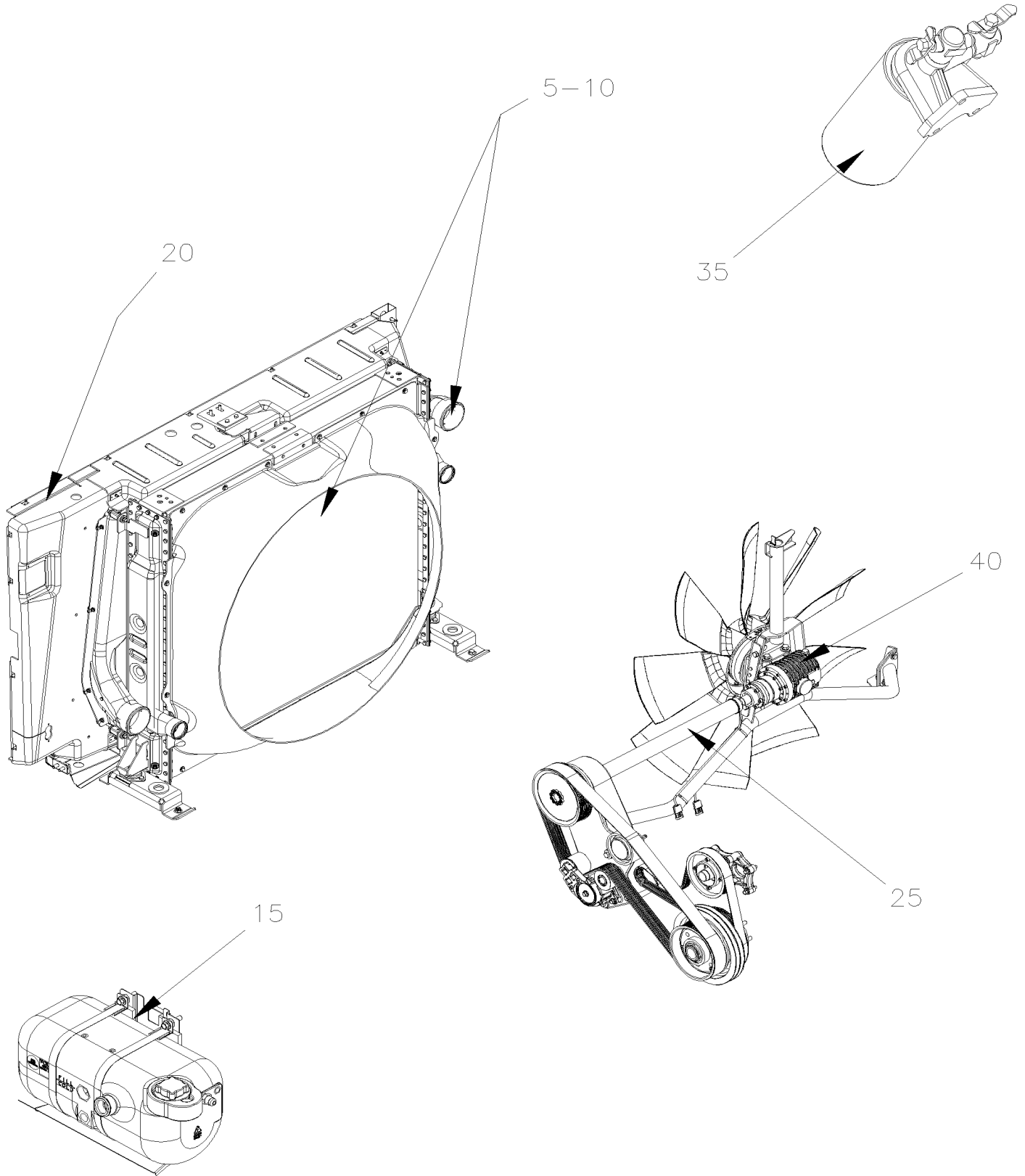
FILLING, UREA LEFT, VIP LARGE A/C



<b>To D-2451</b>	<b>Date:10/2022</b>	<b>PAGE:042319</b>
<b>FILLING, UREA LEFT, VIP LARGE A/C</b>		

Item#	Part	Description	H 3 4 1	H 3 4 5	V I P 4 5	N O T E S
1	033956	FUEL BOX ASSY (WELDED)	1	1	1	
3	040989	BRACKET HOSE	1	1	1	
5	040991P	HOSE UREA FILLING 2085 MM LG	1	1	1	
. NS	503811	. HOSE / EPDM 1 PLY 1 1/4 I.D.	AR	AR	AR	
7	040992P	HOSE VENT 255 MM LG	1	1	1	
. NS	503772	. HOSE (GREEN STRIPE) 1/2" I.D. x 50'	AR	AR	AR	
9	040993P	HOSE VENT 355 MM LG	1	1	1	
. NS	503772	. HOSE (GREEN STRIPE) 1/2" I.D. x 50'	AR	AR	AR	
NS	040997	SHIELD ASSY	1	1	1	
13	041018	BRACKET, HOSE ASSY	1	1	1	
15	041019	PLATE CLOSING	1	1	1	
17	5001017	SCREW TC CAP HEXW #10-24x1/2 Z050	1	1	1	
19	500957	SCREW TP BDG PH #10x3/4 N500	AR	AR	AR	
21	502568	SCREW MA PAN PH M6-1.0x20 EMN	2	2	2	
23	504013	TIE MOUNT / 1/4" X 1/4" I.D.	2	2	2	
25	504022	HOSE CLAMP / 3/4"-1"3/4 SS / HS-20	1	1	1	
27	504385	CUFF END BELLOW / 1 1/2" I.D. x 2 1/2" x 4"	1	1	1	
29	504458	CLAMP / 1 5/8" I.D.	1	1	1	
31	504527	BUMPER PLUG / .625ODx.312THx.250HOLEx.125	1	1	1	
33	504637	CABLE TIE / 3/16" x 13"	3	3	3	
35	504793	RIVET MNB OE LARGE HEAD 3/16x7/16 SS	8	8	8	
37	505111	COIL PROTECTOR / PLASTIC / #22	1	1	1	
39	506268	TAPE RUB ADH1 URE 3/8" x 1/2" x 25' / GREY 1820	1	1	1	
41	507664	CABLE TIE / 3/16" 11" / DOUBLE LOOP HEAD	1	1	1	
NS	680038	THREAD LOCKER LOCTITE #243 / BLUE / 50ml	1	1	1	
45	FI12143	FEUILLE D'INSTRUCTION	1	1	1	
47	IS12143	INSTRUCTION SHEET	1	1	1	
48	684517	ADHESIVE SIMSON #ISR 70-03 / GREY / 310ml CARTRIDGE	AR	AR	AR	

	Date:10/2022	H7-05
COOLING		



		Date:10/2022	H7-05			
COOLING						
Item#	Part	Description	H 3 4 1	H 3 4 5	V I P 4 5	N O T E S
5	H7-0500-00	COOLANT PIPING WITH DETROIT S-60 From 7-0671 To A-1720				
5	H7-0500-01	COOLANT PIPING WITH VOLVO D13 From 8-1202 To J-0287				
10	H7-0505-00	RADIATOR ASSY From 7-0671 To J-0287				
15	H7-0510-00	SURGE TANK From 7-0671 To A-1720				
15	H7-0510-01	SURGE TANK WITH "EPA 2010" From B-1721 To E-2621				
15	H7-0510-02	SURGE TANK From E-2622 To J-0287				
15	H7-0510-10	SURGE TANK AUXILIARY From B-1721 To J-0184				
20	H7-0518-00	RADIATOR SEALING FRAME From 7-0671 To A-1720				
20	H7-0518-01	RADIATOR SEALING FRAME From B-1721 To J-0287				
25	H7-0520-00	FAN DRIVE - INSTALLATION From 7-0671 To B-1834				
25	H7-0520-01	FAN DRIVE - INSTALLATION From B-1835 To J-0287				A
35	H7-0530-00	COOLANT FILTER - INSTALLATION WITH DETROIT S-60 From 7-0671 To A-1720				
35	H7-0530-01	COOLANT FILTER - INSTALLATION WITH VOLVO D13 From 8-1202 To A-1720				
35	H7-0530-02	COOLANT FILTER - INSTALLATION WITH VOLVO D13 From B-1721 To J-0287				
40	H7-0540-00	FAN CLUTCH & ANGLE DRIVE ASSY C.C.W From 7-0671 To B-1834				
40	H7-0540-01	FAN CLUTCH & ANGLE DRIVE ASSY C.W. From B-1835 To J-0287				A
50	H7-0599-00	RETROFIT ELECTRIC FAN DRIVE COOLING SYSTEM CONVERSION From B-1721 To J-0287				
		A) PRELIMINARAY VEHICLE B-1724 / B-1735 / B-1789				

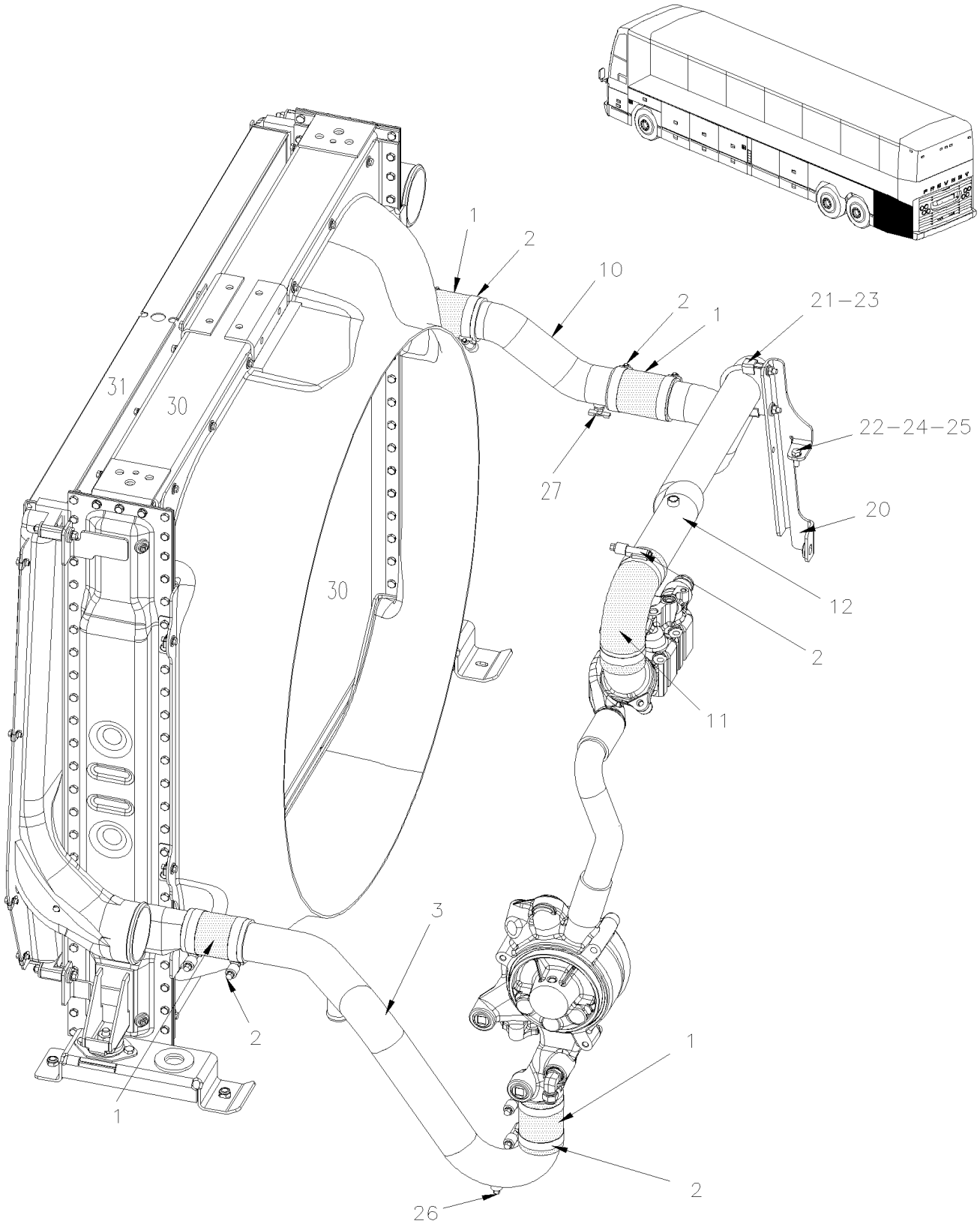


From 7-0671 To A-1720

Date:10/2022

PAGE:H7-0500-00

## COOLANT PIPING WITH DETROIT S-60



<b>From 7-0671 To A-1720</b>	<b>Date:10/2022</b>	<b>PAGE:H7-0500-00</b>
<b>COOLANT PIPING WITH DETROIT S-60</b>		

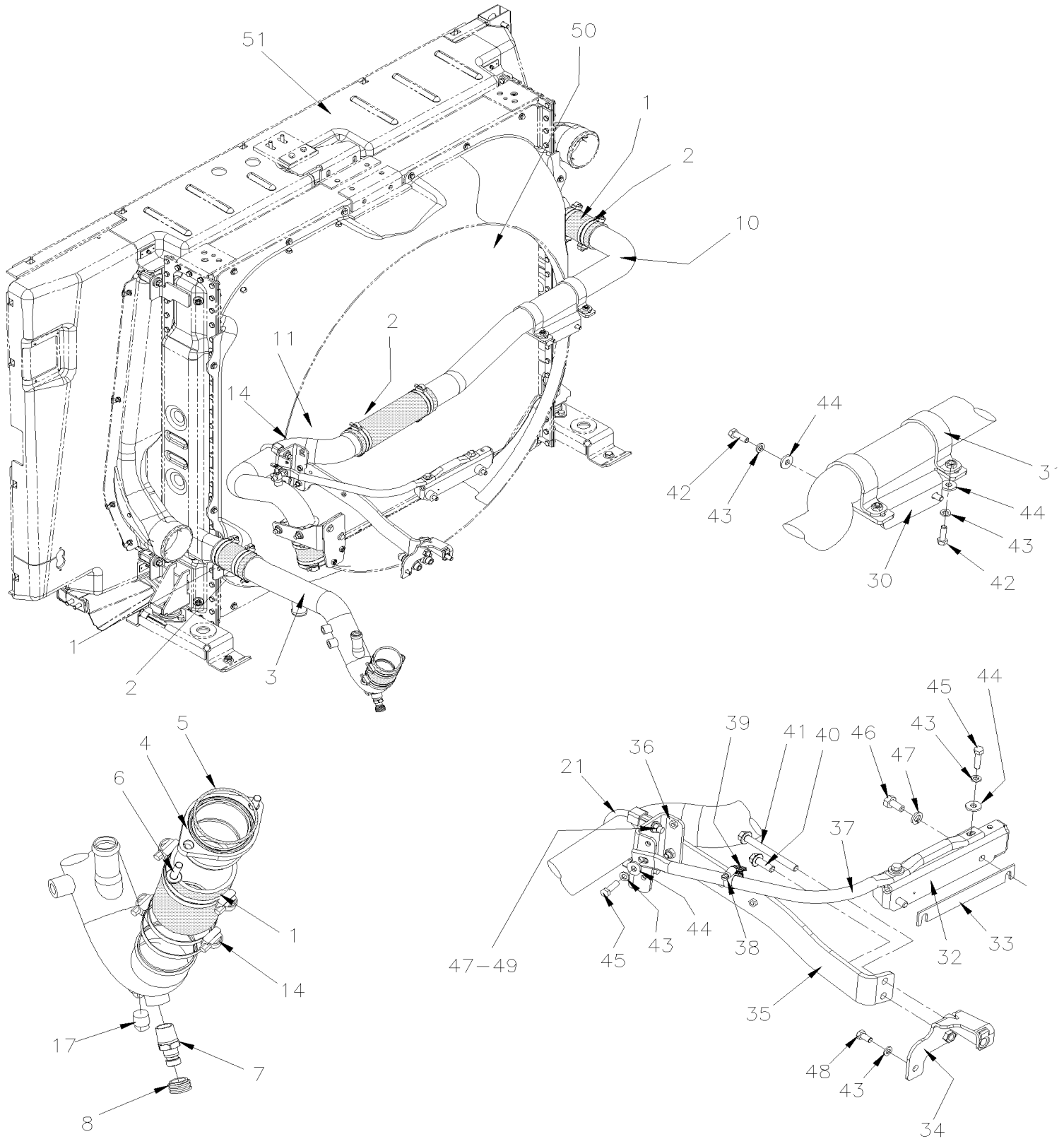
Item#	Part	Description	H 3 4 1	H 3 4 5	V I P 4 5	N O T E S
1	052416	HOSE 2 1/2" I.D. 105MM To 9-1393	4	4	4	
1	70396483	HOSE 2 1/2" I.D. 105MM From 9-1394	4	4	4	
1	557055	HOSE / W/HUMP 2 1/2" I.D. x 4" SERVICE	4	4	4	
2	504562	HOSE CLAMP / 2"3/4-3"5/8 / C.T. 350	AR	AR	AR	
3	052696	PIPE / RADIATOR & ENGINE WATER PUMP	4	4	4	
3	053521	PIPE / RADIATOR & ENGINE WATER PUMP SS	1	1	1	
10	052697	PIPE / RADIATOR TO ELBOW 90°	1	1	1	
11	052599	ELBOW 90° X 2 1/2" I.D. / 118MM x 118MM C/C / SILICONE To 7-1022	2	2	2	
11	052897	ELBOW 90° X 2 1/2" I.D. / 118MM x 118MM C/C / SILICONE From 7-1023	2	2	2	
12	052695	PIPE / 2 ELBOW 90° TO THERMOSTAT HOUSING	1	1	1	
20	052753	PIPE SUPPORT	1	1	1	
21	505535	U BOLT 2 1/2" I.D. SS	1	1	1	
22	955297	SCREW CAP HEX M8-1.25x25 G8.8 ZG603	4	4	4	
23	500942	WASHER LO SPT 8.1x14.8x2.0 N500	4	4	4	
24	500401	WASHER FL .343x.875x.125 N500	4	4	4	
25	502638	WASHER FL .312x.734x.065 N500	2	2	2	
26	501449	PLUG HEXS / PIPE FITTING / 3/8NPT-M STL To A-1500	1	1	1	
26	501305	PLUG SQUARE HEAD / PIPE FITTING / 3/8NPT-M BR From A-1501	1	1	1	
27	501129	EXTERNAL SEAL DRAIN 1/4 NPT	1	1	1	
30	<b>H7-0505-00</b>	<b>RADIATOR ASSY</b>				
31	<b>H7-0330-00</b>	<b>AIR FILTER &amp; INTAKE - INSTALLATION WITH DETROIT S-60</b>				

From 8-1202 To J-0287

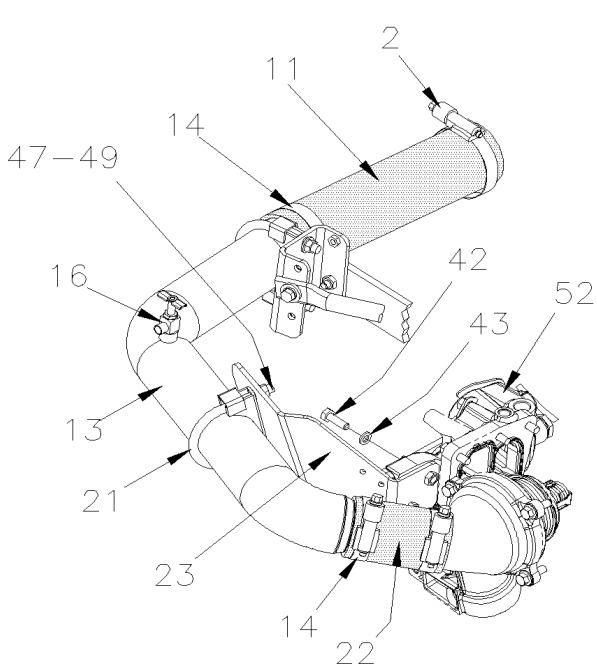
Date:10/2022

PAGE:H7-0500-01

## COOLANT PIPING WITH VOLVO D13

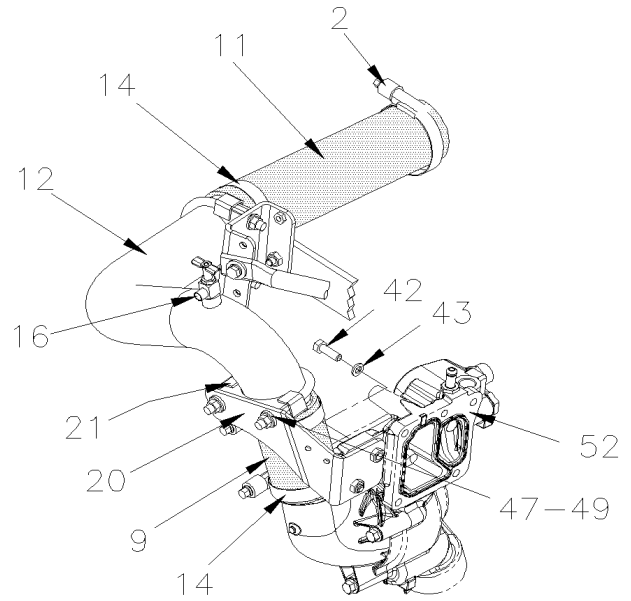


**COOLANT PIPING WITH VOLVO D13**

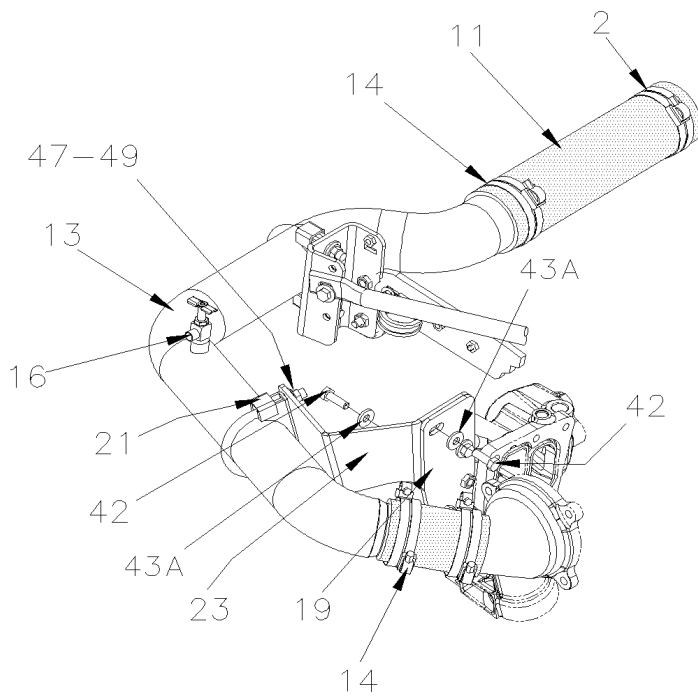


WITH "I-SHIFT"  
TRANSMISSION

UP TO B-1834

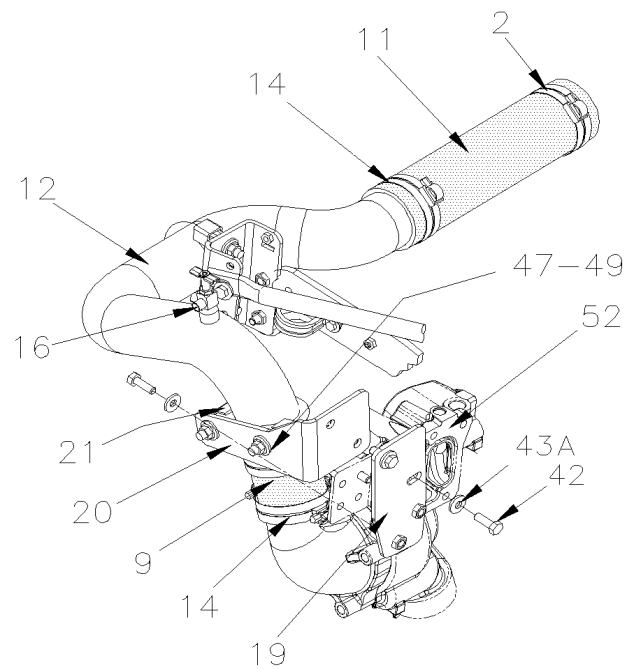


WITH "WORLD"  
TRANSMISSION



WITH "I-SHIFT"  
TRANSMISSION

FROM B-1835



WITH "WORLD"  
TRANSMISSION

<b>From 8-1202 To J-0287</b>	<b>Date:10/2022</b>	<b>PAGE:H7-0500-01</b>
<b>COOLANT PIPING WITH VOLVO D13</b>		

Item#	Part	Description	H 3 4 1	H 3 4 5	V I P 4 5	N O T E S
1	052416	HOSE 2 1/2" I.D. 105MM To 9-1393	3	3		
1	557055	HOSE / W/HUMP 2 1/2" I.D. x 4" To 9-1393	3	3	3	
1	70396483	HOSE 2 1/2" I.D. 105MM From 9-1394 To D-2275	3	3	3	
1	503722	. HOSE SILICONE 4 PLY 2 1/2" I.D. x 4' From 9-1394 To D-2275	AR	AR	AR	
1	053617	HOSE SILICONE / NOMEX 2 1/2" I.D. 105MM From D-2276	3	3	3	
. NS	503786	. HOSE SILICONE 4 PLY / NOMEX-ARAMID 2 1/2" I.D. x 6' From D-2276	1	1	1	
1	503786	. HOSE SILICONE 4 PLY / NOMEX-ARAMID 2 1/2" I.D. x 6' From D-2276	AR	AR	AR	
2	504561	HOSE CLAMP / 2"1/4-3"1/8 / C.T. 300 To F-2815	5	5	5	
2	992089	HOSE CLAMP / 60MM/80MM From F-2816	10	10	10	
2	504770	HOSE CLAMP STEPLESS SPRING SS / OETIKER / 2.563-2.938	5	5	5	C
3	053461	PIPE / RADIATOR & ENGINE WATER PUMP To 8-1201	1	1		
3	053518	PIPE / RADIATOR & ENGINE WATER PUMP From 8-1202 To A-1720	1	1		
3	052933	PIPE / RADIATOR & ENGINE WATER PUMP From B-1721 To E-2660	1	1	1	
3	053062	PIPE / RADIATOR & ENGINE WATER PUMP From E-2661	1	1	1	
4	053462	PIPE ADAPTOR ENGINE WATER PUMP	1	1	1	
4	21264361	PIPE ADAPTOR ENGINE WATER PUMP	1	1	1	
5	975675	O-RING 64.5 MM X 3MM	1	1	1	
6	5001742	SCREW CAP HEXF M8-1.25x30 G8.8 N500	2	2	2	
7	1675641	NIPPLE / QUICK DISCONNECT "VOLVO" / 1/2NPT-M	1	1	1	
. NS	V476279	. DUST CAP / QUICK DISCONNECT "VOLVO" /	1	1	1	
. NS	507666	. DUST CAP / QUICK DISCONNECT "VOLVO" /	1	1	1	
NS	85112740	COOLANT EXTRACTOR	1	1	1	
. NS	9996049	. Quick coupling adaptor for Volvo # 1675641	1	1	1	
8	507666	DUST CAP / QUICK DISCONNECT "VOLVO" /	1	1	1	
9	053466	HOSE 2 3/8" I.D. 105MM	1	1	1	W
10	052882	PIPE / ELBOW 90° To A-1720	1	1		
10	052934	PIPE / ELBOW 90° From B-1721 To B-5049	1	1	1	
10	053611	PIPE / ELBOW 90° From B-5050 To E-2660	1	1	1	
10	053071	PIPE / ELBOW 90° From E-2661	1	1	1	
11	052889	HOSE SILICONE 2 1/2" I.D. 280MM	1	1	1	
12	053465	PIPE / ELBOW 90° TO THERMOSTAT HOUSING To B-1834	1	1	1	W
12	053613	PIPE / ELBOW 90° TO THERMOSTAT HOUSING From B-1835 To E-2660	1	1	1	W
12	053064	PIPE / ELBOW 90° TO THERMOSTAT HOUSING From E-2661	1	1	1	W
13	053546	PIPE / ELBOW 90° TO THERMOSTAT HOUSING From B-1721 To B-1834	1	1		I
13	053612	PIPE / ELBOW 90° TO THERMOSTAT HOUSING From B-1835	1	1		I
14	504561	HOSE CLAMP / 2"1/4-3"1/8 / C.T. 300 To F-2815	5	5	5	
14	992089	HOSE CLAMP / 60MM/80MM From F-2816	10	10	10	
14	504770	HOSE CLAMP STEPLESS SPRING SS / OETIKER / 2.563-2.938	5	5	5	C
16	501025	DRAIN VALVE 1/4NPTM 3/8TUBE	1	1	1	
17	501449	PLUG HEXS / PIPE FITTING / 3/8NPT-M STL From B-1721 To D-2264	1	1	1	
17	501305	PLUG SQUARE HEAD / PIPE FITTING / 3/8NPT-M BR From D-2265	1	1	1	
19	053608	PIPE SUPPORT From B-1835	1	1	1	A

<b>From 8-1202 To J-0287</b>	<b>Date:10/2022</b>	<b>PAGE:H7-0500-01</b>
<b>COOLANT PIPING WITH VOLVO D13</b>		

Item#	Part	Description	H 3 4 1	H 3 4 5	V I P 4 5	N O T E S
20	053470	PIPE SUPPORT / "WORLD TRANSMISSION To B-1834	1	1	1	W
20	053609	PIPE SUPPORT / "WORLD TRANSMISSION From B-1835	1	1	1	W
21	505535	U BOLT 2 1/2" I.D. SS	2	2	2	
22	053557	HOSE 2 1/4" I.D. 100MM From B-1721	1	1	1	I
22	503774	. HOSE SILICONE 4PLY 2 1/4" I.D. x 4' To D-2275	1	1	1	I
22	503801	. HOSE SILICONE 4PLY / NOMEX-ARAMID 2 1/4" I.D. x 6' From D-2276	1	1	1	I
23	053545	PIPE SUPPORT / "I-SHIFT" TRANSMISSION From B-1721 To B-1834	1	1	1	I
23	053610	PIPE SUPPORT / "I-SHIFT" TRANSMISSION From B-1835	1	1	1	I
30	053506	SUPPORT PIPE / ELBOW 90°	1	1	1	
31	052921	P-CLAMP PIPE / 2 1/2" I.D. / M8-1.25	2	2	2	
32	053491	ATTACHMENT ENGINE BLOCK To E-2601	1	1	1	
32	053660	ATTACHMENT ENGINE BLOCK From E-2602	1	1	1	
33	053501	SPACER To E-2601	1	1	1	
34	053485	ATTACHMENT ENGINE BLOCK	1	1	1	
35	053490	BRACE PIPE SUPPORT To B-1834	1	1	1	
35	053607	BRACE PIPE SUPPORT From B-1835 To G-3053	1	1	1	
35	053708	BRACE PIPE SUPPORT From G-3054	1	1	1	
36	053486	PIPE SUPPORT To B-1834	1	1	1	
36	053606	PIPE SUPPORT From B-1835	1	1	1	
37	053489	BRACE PIPE SUPPORT To E-2601	1	1	1	
37	053659	BRACE PIPE SUPPORT From E-2602	1	1	1	
38	504021	HOSE CLAMP / 11/16"-1"1/2 SS / HS-16	1	1	1	
39	504751	ROTATIF SPACER DOUBLE / SMALL	1	1	1	
40	5001644	SCREW CAP HEXF M10-1.5x30 G8.8 G500	1	1	1	
41	5001785	SCREW CAP HEXF M10-1.5x100 G10.9 N500	1	1	1	
42	5001745	SCREW CAP HEX M8-1.25x25 G8.8 N500	6	6	6	
43	500942	WASHER LO SPT 8.1x14.8x2.0 N500	11	11	11	
43A	500321	WASHER BEL SPR .331x.827x.098 N500 From B-1835	4	4		
44	500401	WASHER FL .343x.875x.125 N500	8	8	8	
45	5001738	SCREW CAP HEX M8-1.25x30 G8.8 N500	4	4	4	
46	500359	SCREW CAP HEX M10-1.5x22 G8.8 N500	2	2	2	
47	500487	WASHER LO SPT .443x.779x.109 N500	6	6	6	
48	500820	SCREW CAP HEX M8-1.25x16 G10.9 N500	1	1	1	
49	960143	WASHER FL 10.5x26.0x2.0 ZP	4	4	4	
50	<b>H7-0505-00</b>	<b>RADIATOR ASSY</b>				
51	<b>H7-0330-01</b>	<b>AIR FILTER &amp; INTAKE - INSTALLATION WITH VOLVO D13 To H-3734</b>				
51	<b>H7-0330-02</b>	<b>AIR FILTER &amp; INTAKE - INSTALLATION WITH VOLVO D13 From H-3735</b>				
52	Refer To Volvo	SEE IMPACT OR CALL ORDER DESK				V
53	<b>053635</b>	<b>PIPE SUPPORT SERVICE KIT To A-1720</b>	1	1	1	A

From 8-1202 To J-0287	Date:10/2022	PAGE:H7-0500-01
<b>COOLANT PIPING WITH VOLVO D13</b>		

Item#	Part	Description	H 3 4 1	H 3 4 5	V I P 4 5	N O T E S
		A) USE ONLY IF YOU CHANGE TO THE NEW THERMOSATS HOUSING				
		C) WITH OPTION "OETIKER" HOSE CLAMP				
		I) WITH "I-SHIFT" TRANSMISSION				
		W) WITH "WORLD" TRANSMISSION				
		V) SEE IMPACT OR CALL ORDER DESK				



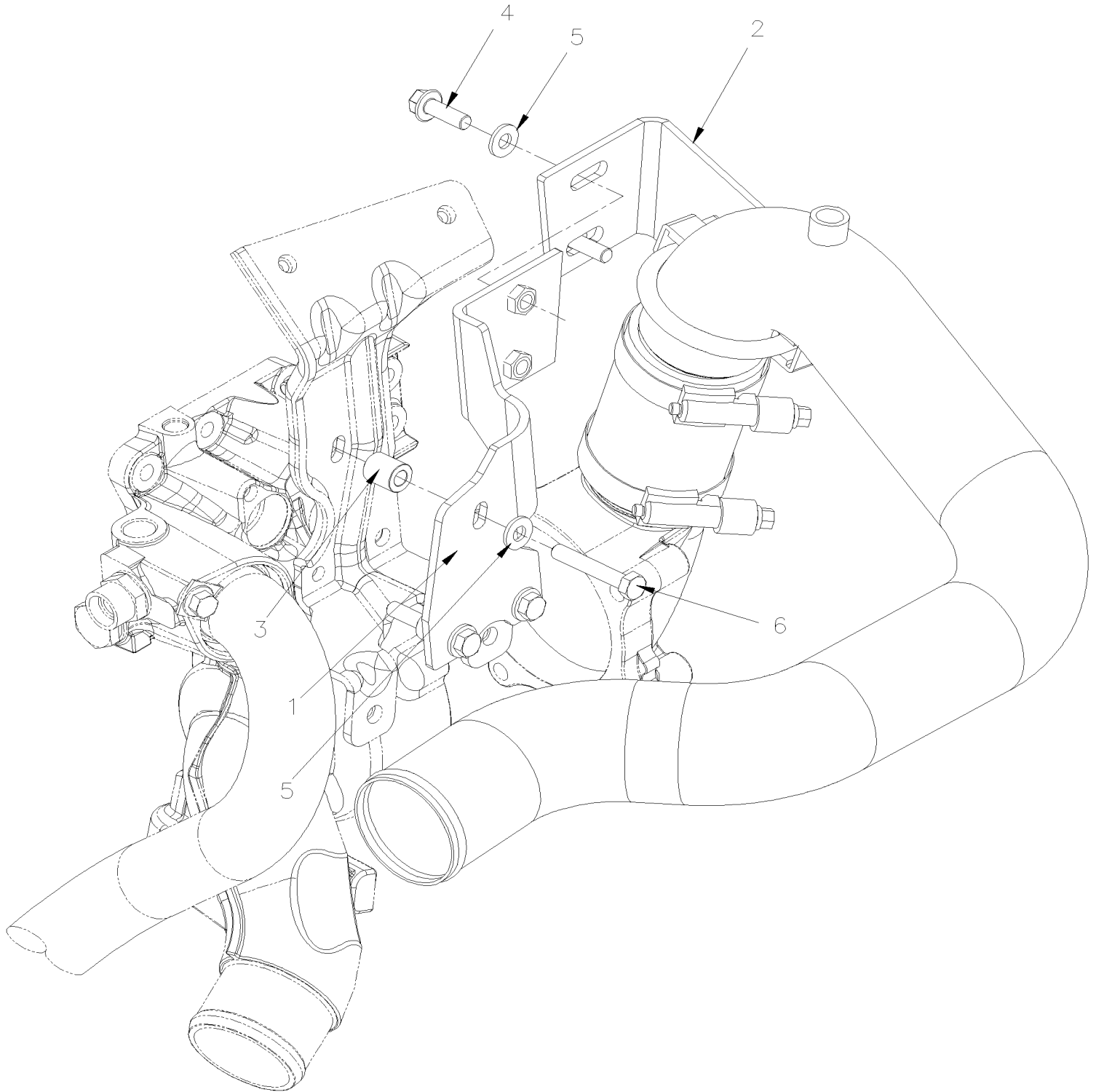


To A-1720

Date:10/2022

PAGE:053635

**PIPE SUPPORT SERVICE KIT**



To A-1720	Date:10/2022	PAGE:053635
<b>PIPE SUPPORT SERVICE KIT</b>		

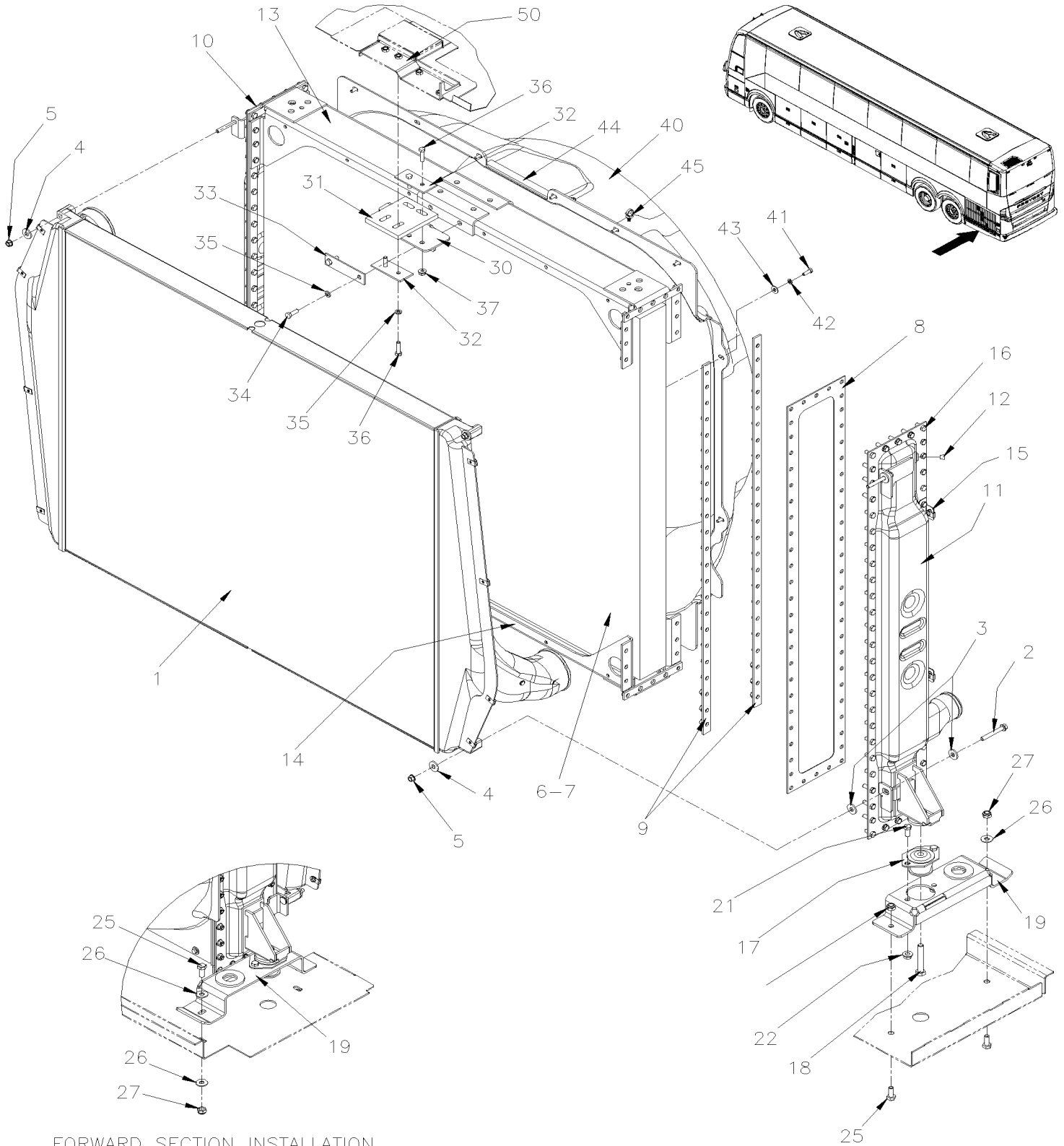
Item#	Part	Description	H 3 4 1	H 3 4 5	V I P 4 5	N O T E S
1	053648	SUPPORT WATER PIPE	1	1	1	
2	053649	SUPPORT WATER PIPE	1	1	1	
3	053650	SPACER	3	3	3	
4	5001643	SCREW CAP HEXF M8-1.25x25 G8.8 G500	2	2	2	
5	5001736	WASHER FL 8.4x18.0x2.0 N500	5	5	5	
6	502927	SCREW CAP HEX M8-1.25x50 G8.8 N500	3	3	3	

From 7-0671 To J-0287

Date:10/2022

PAGE:H7-0505-00

## RADIATOR ASSY



FORWARD SECTION INSTALLATION

From 7-0671 To J-0287	Date:10/2022	PAGE:H7-0505-00
<b>RADIATOR ASSY</b>		

Item#	Part	Description	H 3 4 1	H 3 4 5	V I P 4 5	N O T E S
	550901	RADIATOR & AIR COOLER ASSY H & MTH-45 To A-1499	1	1	1	
	21139031	RADIATOR & AIR COOLER ASSY H, MTH-45 & 9700 From A-1500 To B-1720	1	1	1	
	21576796	RADIATOR & AIR COOLER ASSY H, MTH-45 & 9700 From B-1721 To F-3005	1	1	1	
	22509587	RADIATOR & AIR COOLER ASSY H, W5 & 9700 From F-3006	1	1	1	
1	550918	. AIR COOLER ASSY H & MTH-45 To A-1499	1	1	1	
1	21120811	. AIR COOLER ASSY H, MTH-45 & 9700 From A-1500 To B-1720	1	1	1	
1	21576798	. AIR COOLER ASSY H, MTH-45 & 9700 TitanX From B-1721	1	1	1	
1	21576801	. AIR COOLER ASSY H, MTH-45 & 9700 Dura-Lite From B-1721	1	1	1	
1	550296	. GASKET / COVER / BOLT KIT	1	1	1	
2	N20874	. SCREW CAP HEX M8-1.25x70 G8.8 YP	2	2	2	
3	502220	. WASHER FL .375x1.000x.125 RUB	4	4	4	
4	500270	. WASHER FL .406x1.000x.063 SS	6	6	6	
5	5001082	. NUT HEXF M8-1.25 G500	4	4	4	
6	550917	. RADIATOR ASSY H & MTH-45 To A-1499	1	1	1	
6	21120738	. RADIATOR ASSY H, MTH-45 & 9700 From A-1500	1	1	1	
6	<b>7775022</b>	<b>. RADIATOR ASSY SERVICE</b>	1	1	1	
6	550297	. . BOLT KIT / TO FIX AIR COOLER	1	1	1	
7	550931	. . CORE ASSY To F-3005	1	1	1	
7	550058	. . CORE ASSY From F-3006	1	1	1	
8	550937	. . GASKET To F-3005	2	2	2	
8	551014	. . GASKET From F-3006	1	1	1	
9	550940	. . REINFORCMENT BAR	4	4	4	
10	550942	. . TANK ASSY / FORWARD	1	1	1	
11	550943	. . TANK ASSY / BACKWARD	1	1	1	
NS	501304	. . PLUG SQUARE HEAD / PIPE FITTING / 1/4NPT-M BR To A-1499	2	2	2	
12	501800	. . PLUG HEXS / PIPE FITTING / 1/4NPT-M STL From A-1500	2	2	2	
13	550944	. . SUPPORT ASSY TOP	1	1	1	
14	550945	. . SUPPORT ASSY BOTTOM	1	1	1	
15	550938	. . ANGLE BRACKET 16 GA SS	2	2	2	
16	500179	. . SCREW CAP HEX 5/16-18x3/4 G5 Z050	66	66	66	
16	500181	. . SCREW CAP HEX 5/16-18x1 G5 Z050	44	44	44	
16	502846	. . NUT HEX 5/16-18 N500	AR	AR	AR	
17	550904	. BUSHING RUBBER	2	2	2	
17	550905	. WASHER FL 16x52x3 ZP	2	2	2	
18	N21798	. SCREW CAP HEX M12-1.75x75 G8.8 YP	2	2	2	
19	550932	. BRACKET ASSY / RUBBER MOUNTING SUPPORT	2	2	2	
21	500190	. SCREW CAP HEX 3/8-16x3/4 G5 Z050	4	4	4	
22	500301	. NUT HEXF STO 3/8-16 Z050	4	4	4	
25	502804	SCREW CAP HEX M10-1.5x25 G8.8 N500	4	4	4	
26	5001751	WASHER FL 10.5x26.0x2.0 N500	4	4	4	
27	502859	NUT HEX NYRT M10-1.5 N500	4	4	4	

<b>From 7-0671 To J-0287</b>	<b>Date:10/2022</b>	<b>PAGE:H7-0505-00</b>
<b>RADIATOR ASSY</b>		

Item#	Part	Description	H 3 4 1	H 3 4 5	V I P 4 5	N O T E S
30	052752	ATTACHMENT UPPER RADIATOR To A-1720	1	1	1	
30	054989	ATTACHMENT UPPER RADIATOR From B-1721	1	1	1	
31	052441	RUBBER PAD 100MM X 123MM To 9-1393	1	1	1	
31	21185073	RUBBER PAD 100MM X 123MM From 9-1394	1	1	1	
32	052473	PLATE / UPPER RADIATOR 40MM X 90MM	1	1	1	
33	052795	PLATE / UPPER RADIATOR 30MM X 120MM	1	1	1	
34	5001745	SCREW CAP HEX M8-1.25x25 G8.8 N500	2	2	2	
35	500942	WASHER LO SPT 8.1x14.8x2.0 N500	4	4	4	
36	5001738	SCREW CAP HEX M8-1.25x30 G8.8 N500	4	4	4	
37	502837	NUT HEXF STO M8-1.25 N500	2	2	2	
40	052683	SHROUD W/38" FAN BLADE To 9-1393	1	1	1	
40	21120999	SHROUD W/38" FAN BLADE From 9-1394	1	1	1	
41	502830	SCREW CAP HEX M6-1.0x20 G8.8 N500	AR	AR	AR	
42	502853	WASHER LO SPT 6.1x11.8x1.6 N500	AR	AR	AR	
43	502638	WASHER FL .312x.734x.065 N500	AR	AR	AR	
44	506040	TAPE RUB ADH1 CC EPDM 5/16" x 3/4" x 25' / BLACK OR GREY 144X	AR	AR	AR	
45	509815	TIE MOUNT / ATTACHMENT W/TREE MOUNT	3	3	3	
45	504637	CABLE TIE / 3/16" x 13"	3	3	3	
50	212694	ATTACHMENT UPPER RADIATOR WELDED AT STRUCTURE To A-1720	1	1	1	
50	216158	ATTACHMENT UPPER RADIATOR WELDED AT STRUCTURE From B-1721	1	1	1	

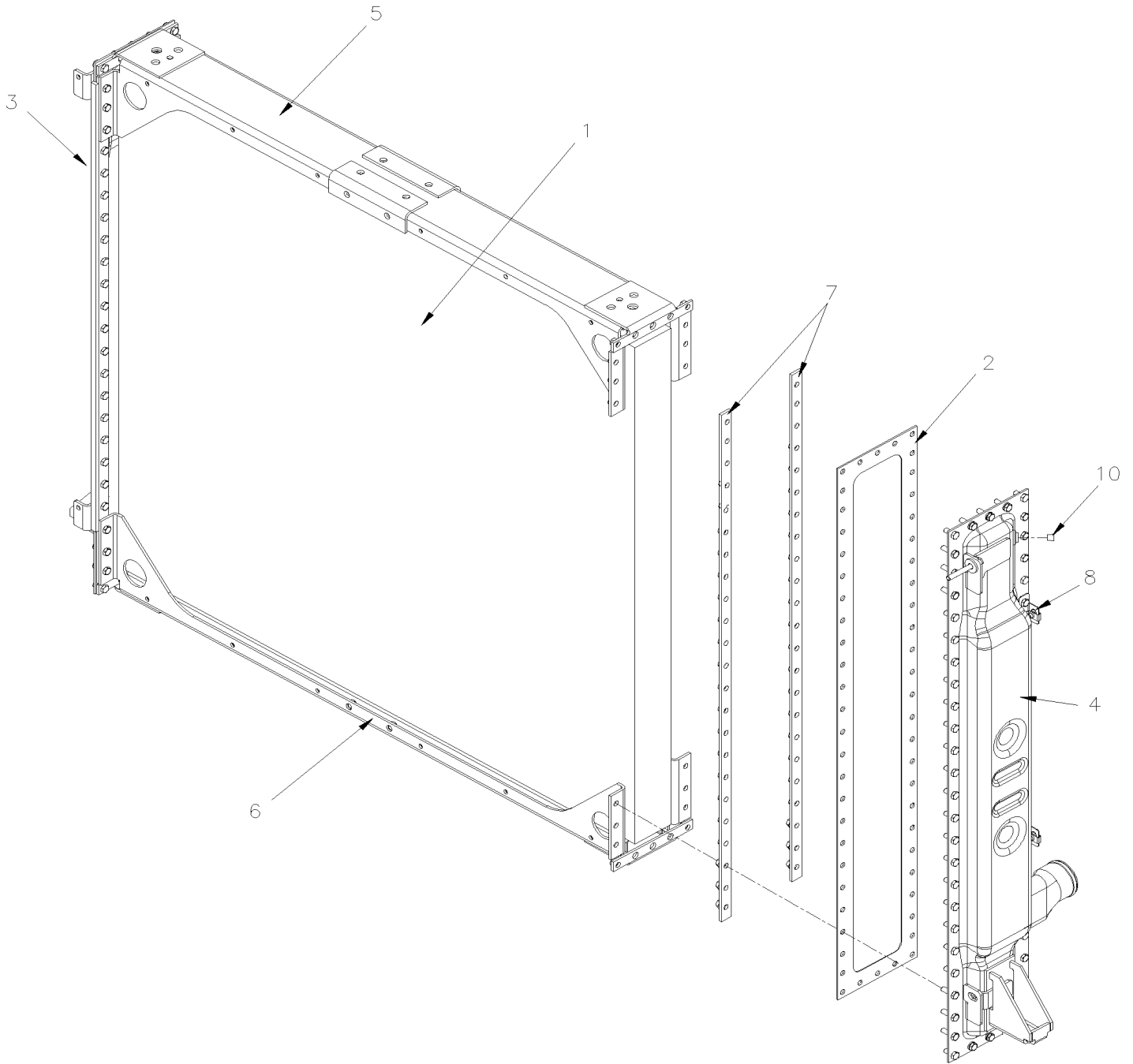


From 7-0671 To J-0287

Date:10/2022

PAGE:7775022

## RADIATOR ASSY SERVICE



From 7-0671 To J-0287      Date:10/2022      PAGE:7775022

**RADIATOR ASSY SERVICE**

Item#	Part	Description	H 3 4 1	H 3 4 5	V I P 4 5	N O T E S
1	7770990	CORE ASSY	1	1	1	
2	7770989	GASKET	1	1	1	
3	7775146	TANK, LEFT	1	1	1	
4	7775147	TANK, RIGHT	1	1	1	
5	7775148	BRACKET UPPER	1	1	1	
6	7775149	BRACKET LOWER	1	1	1	
7	7775150	CLAMP STRIP	4	4	4	
8	7775151	ANGULAR SS 3"	4	4	4	
10	501304	PLUG SQUARE HEAD / PIPE FITTING / 1/4NPT-M BR	2	2	2	

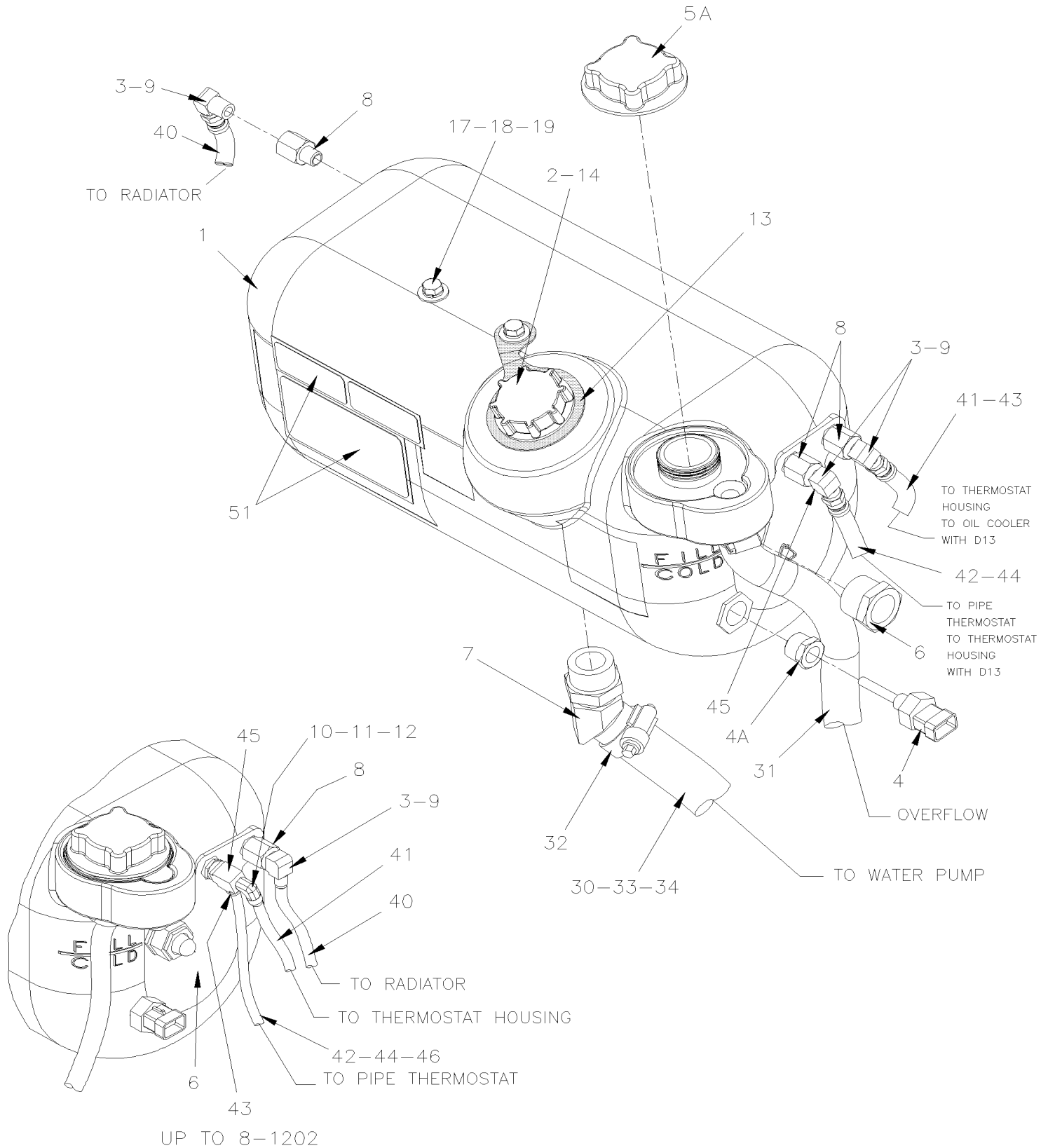


From 7-0671 To A-1720

Date:10/2022

PAGE:H7-0510-00

SURGE TANK

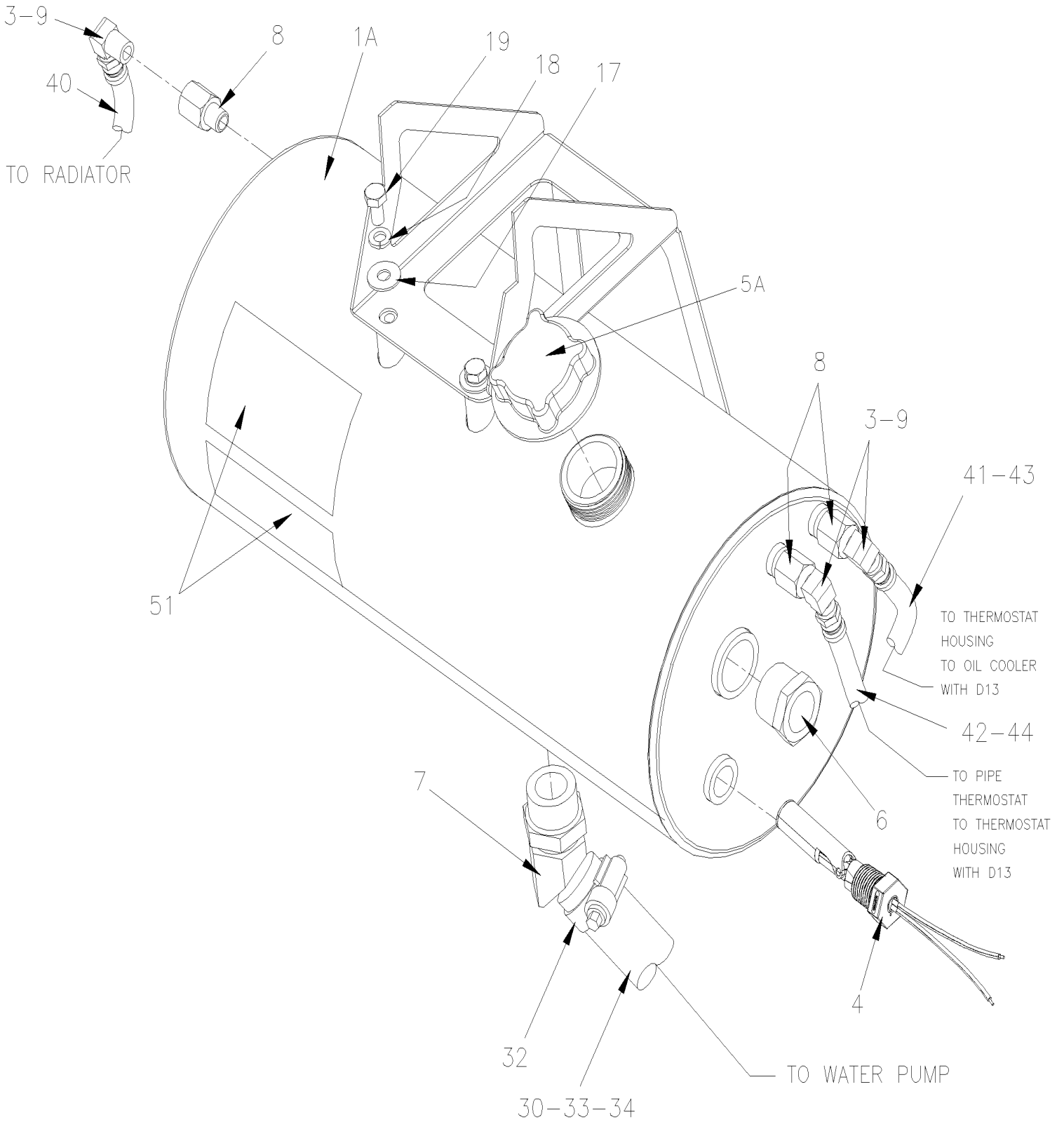


From 7-0671 To A-1720

Date:10/2022

PAGE:H7-0510-00

## SURGE TANK

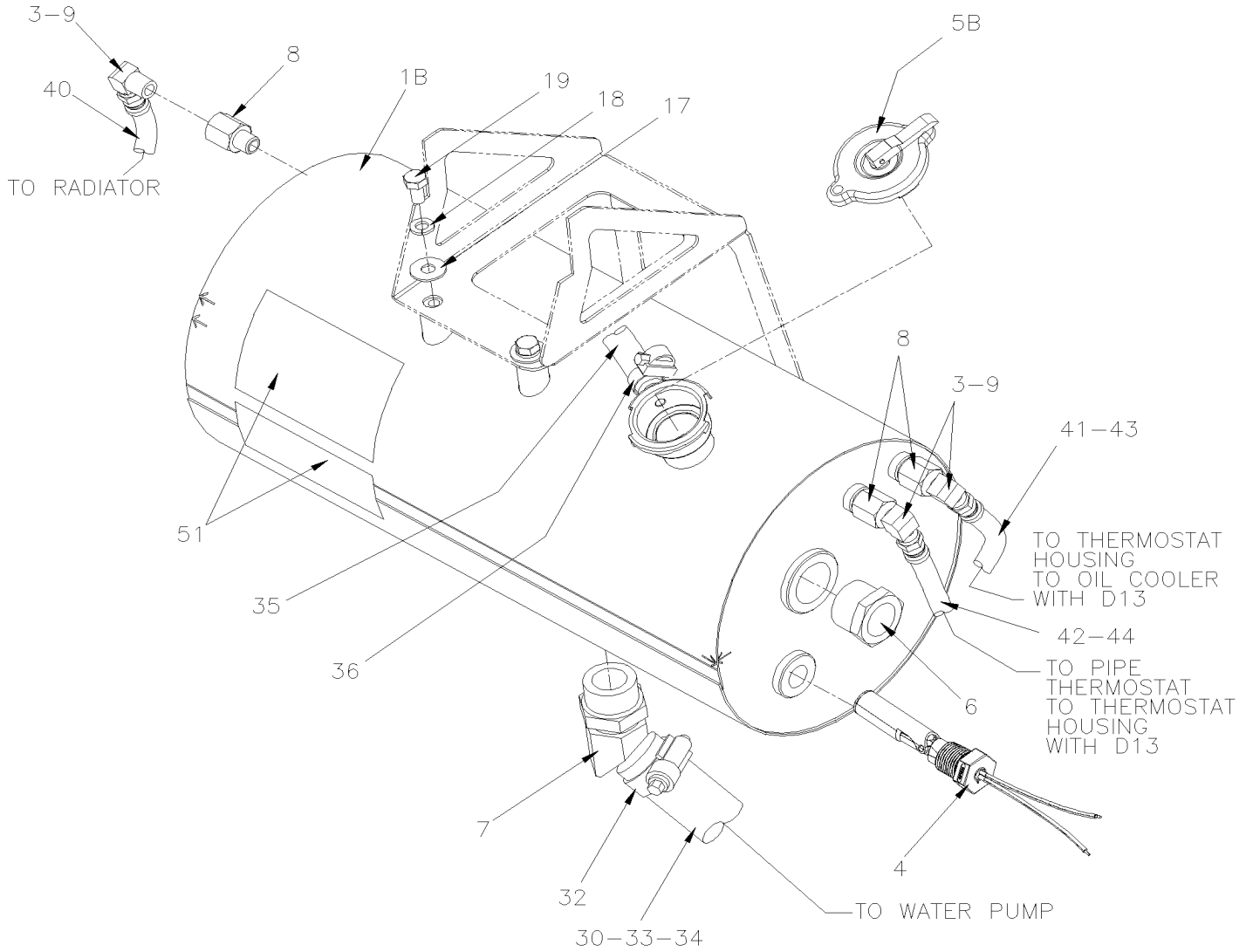


From 7-0671 To A-1720

Date:10/2022

PAGE:H7-0510-00

## SURGE TANK



From 7-0671 To A-1720	Date:10/2022	PAGE:H7-0510-00
<b>SURGE TANK</b>		

Item#	Part	Description	H 3 4 1	H 3 4 5	V I P 4 5	N O T E S
	Call order desk	SURGE TANK ASSY To 8-1201	1	1		P
	Call order desk	SURGE TANK ASSY To 8-1201	1	1		P
	Call order desk	SURGE TANK ASSY From 8-1202	1	1		P
	Call order desk	SURGE TANK ASSY From 8-1202	1	1		P
	Call order desk	SURGE TANK ASSY PROTO To 8-1201	1	1		P D13
	Call order desk	SURGE TANK ASSY To 8-1201	1	1		P
	053508P	SURGE TANK ASSY From 8-1202	1	1		D13
1	70307450	. SURGE TANK PLASTIC To 8-1201	1	1	1	
1	70307450	. SURGE TANK PLASTIC From 8-1202 To 9-1393	1	1	1	N
1	21176709	. SURGE TANK PLASTIC From 9-1394 To A-1490	1	1	1	1/2"
1	21334408	. SURGE TANK PLASTIC From A-1491 To A-1625	1	1	1	1"
1A	550960	. SURGE TANK ROUND STAINLESS From A-1626	1	1	1	1"
. NS	8149353	. . PRESSURE CAP 14LBS From A-1626	1	1	1	1"
1B	050028	. SURGE TANK ROUND STAINLESS	1	1	1	1"
2	3979593	. FILLER CAP	1	1	1	
. NS	3979595	. . SEAL	1	1	1	
3	501037	. MALE ELBOW 90° / SAE 45° FITTING / #4FL-Mx1/4NPT-M BR	3	3	3	
4	562395	. SENSOR PROBE "LOW LEVEL COOLANT" / 1/4" NPT	1	1	1	
4	067304	. SENSOR PROBE "LOW LEVEL COOLANT" ASSY / 1/2" NPT From 8-1202	1	1		D13
. NS	564465	. . SENSOR PROBE "LOW LEVEL COOLANT" / 1/2" NPT From 8-1202	1	1		D13
. NS	21242838	. . SENSOR PROBE "LOW LEVEL COOLANT" / 1/2" NPT From 8-1202	1	1		D13
. NS	563764	. . CONNECTOR / CPC SERIES 3 / PH 3C / PED 15300002 From 8-1202	1	1		D13
. NS	563765	. . PIN TERMINAL / 18-16 / PED 12048159 From 8-1202	2	2		D13
. NS	563369	. . CABLE SEAL / GRAY / PED 12010293 From 8-1202	2	2		D13
. NS	562387	. . CONVOLUTED TUBING / SLIT / BLACK / .250" From 8-1202	AR	AR		D13
. NS	562388	. . SECONDARY LOCK / METRI-PACK 280 / 2C / BLUE / PED 15300014 From 8-1202	1	1		D13
NS	501800	. PLUG HEXS / PIPE FITTING / 1/4NPT-M STL From 8-1202	1	1	1	
4A	501316	. BUSHING REDUCER / PIPE FITTING / 1/2NPT-Mx1/4NPT-F BR From 8-1202	1	1	1	
5A	8149353	. PRESSURE CAP 14LBS	1	1	1	
5B	550984	. CAP PRESSURE / OVER 13 LBS	1	1	1	A
6	550850	. SIGHT GLASS 1/2" NPT To 9-1393	1	1	1	
. NS	N8881803	. . BODY 1/2 NPT To 9-1393	1	1	1	
. NS	N8881804	. . NUT BODY TO FIX GLASS To 9-1393	1	1	1	
. NS	N8881805	. . GLASS To 9-1393	1	1	1	
. NS	N8881806	. . O-RING To 9-1393	1	1	1	
6	21246185	. SIGHT GLASS 1/2" NPT From 9-1394 To A-1490	1	1	1	
. NS	N8881803	. . BODY 1/2 NPT From 9-1394 To A-1490	1	1	1	
. NS	N8881804	. . NUT BODY TO FIX GLASS From 9-1394 To A-1490	1	1	1	
. NS	N8881805	. . GLASS From 9-1394 To A-1490	1	1	1	
. NS	N8881806	. . O-RING From 9-1394 To A-1490	1	1	1	
6	21331481	. SIGHT GLASS 1" NPT From A-1491	1	1	1	
7	5001521	. MALE ELBOW 45° / BEADED HOSE BARB / #16x#16ORB-M STL	1	1	1	

<b>From 7-0671 To A-1720</b>	<b>Date:10/2022</b>	<b>PAGE:H7-0510-00</b>
<b>SURGE TANK</b>		

Item#	Part	Description	H 3 4 1	H 3 4 5	V I P 4 5	N O T E S
7	5011285	. MALE CONNECTOR / BEADED HOSE BARB / #16x#16ORB-M STL From 8-1202 To 9-1393	1	1		
7	21247975	. MALE CONNECTOR / BEADED HOSE BARB / #16x#16ORB-M STL From 9-1394	1	1	1	
8	501308	. ADAPTER / PIPE FITTING / 1/4NPT-Fx1/4NPT-M BR	3	3	3	
9	680098	. THREAD SEALANT LOCTITE #567 / WHITE / 250ml	AR	AR	AR	
10	501312	. BUSHING REDUCER / PIPE FITTING / 1/4NTP-Mx1/8NPT-F BR	1	1	1	
11	501707	. ADAPTER TEE / SAE 45° FITTING / #4FL-Mx1/8NPT-Mx1/8NPT-F BR	1	1	1	
12	501036	. MALE ELBOW 90° / SAE 45° FITTING / #4FL-Mx1/8NPT-M BR	1	1	1	
13	052955	. SAFETY RETAINER STRAP "GREYHOUND"	1	1	1	
14	052954	. FILLER CAP / W/GROOVE FOR SAFETY RETAINER "GREYHOUND"	1	1	1	
17	5001448	WASHER FL .343x.875x.062 SS18-8	4	4	4	
18	5001161	WASHER LO SPT 8.1x14.8x2.0 SS-304	4	4	4	
19	5001527	SCREW CAP HEX M8-1.25x16 SS BK	4	4	4	
30	052782	HOSE 1" I.D. 575MM	1	1	1	
30	053463	HOSE 1" I.D. 965MM	1	1	1	D13
30	503579	. HOSE 1" I.D. X 50' / "GREEN STRIPE"	AR	AR	AR	
31	052792	HOSE #12 1550MM	1	1	1	
31	053464	HOSE #12 1700MM	1	1	1	D13
. NS	503006	. HOSE 5/8" I.D. 50' / S.L.	AR	AR	AR	D13
31	503006	. HOSE 5/8" I.D. 50' / S.L.	AR	AR	AR	
32	504658	HOSE CLAMP / 13/16"-1"3/4 / C.T. 9420	AR	AR	AR	
33	5011255	MALE ELBOW 90° / JIC 37° FITTING / #16JIC-MxM33-2.0 ORB-M STL	1	1	1	
34	5011147	FEMALE CONNECTOR SWIVEL / COLLAR FITTING / #16JIC-Fx#16 STL	1	1	1	
35	503702	HOSE / (SAFETY STRIPE) / 3/8" I.D. 50' / S.L.	AR	AR	AR	A
36	992081	HOSE CLAMP / 12MM/22MM	1	1	1	A
40	052790	HOSE ASSY / #4 750MM To 8-1201	1	1	1	
40	053512	HOSE ASSY / #4 575MM From 8-1202	1	1	1	
41	052819	HOSE ASSY / #4 730MM	1	1	1	
41	509883	SWIVEL NUT BRANCH TEE / JIC 37° FITTING / #4JIC-Mx#4JIC-Mx#4JIC-F STL	1	1	1	
41	509884	MALE ELBOW 90° / JIC 37° FITTING / #4JIC-MxM12-1.5-M STL	1	1	1	
. NS	N.P.N.	. O-RING	1	1	1	4
. NS	N.P.N.	. WASHER RET	1	1	1	4
42	052791	HOSE ASSY / #4 700MM	1	1	1	
42	503692	. HOSE / (SAFETY STRIPE) / 1/4" I.D. 50' / S.L.	AR	AR	AR	
42	501347	. FEMALE CONNECTOR SWIVEL / PUSH-LOK FITTING #4JIC-Fx#4 BR	2	2	2	
42	505181	. COIL PROTECTOR / PLASTIC / #8	AR	AR	AR	
43	052919	HOSE ASSY TEFLON #4 2190MM W/ RETARDER From 8-1202	1	1		D13
43	052915	HOSE ASSY TEFLON #4 2050MM W/OUT RETARDER From 8-1202	1	1		D13
44	053460	HOSE ASSY / #6 520MM	1	1	1	D13
. NS	503702	. HOSE / (SAFETY STRIPE) / 3/8" I.D. 50' / S.L.	AR	AR	AR	D13
. NS	5011260	. FEMALE CONNECTOR SWIVEL / PUSH-LOK FITTING / #8FL-Fx#6 BR	1	1	1	D13
44	503702	. HOSE / (SAFETY STRIPE) / 3/8" I.D. 50' / S.L.	1	1	1	D13
45	501332	STREET ELBOW 90° / PIPE FITTING / 1/4NPT-Mx1/4NPT-F BR	1	1	1	D13

From 7-0671 To A-1720	Date:10/2022	PAGE:H7-0510-00
<b>SURGE TANK</b>		

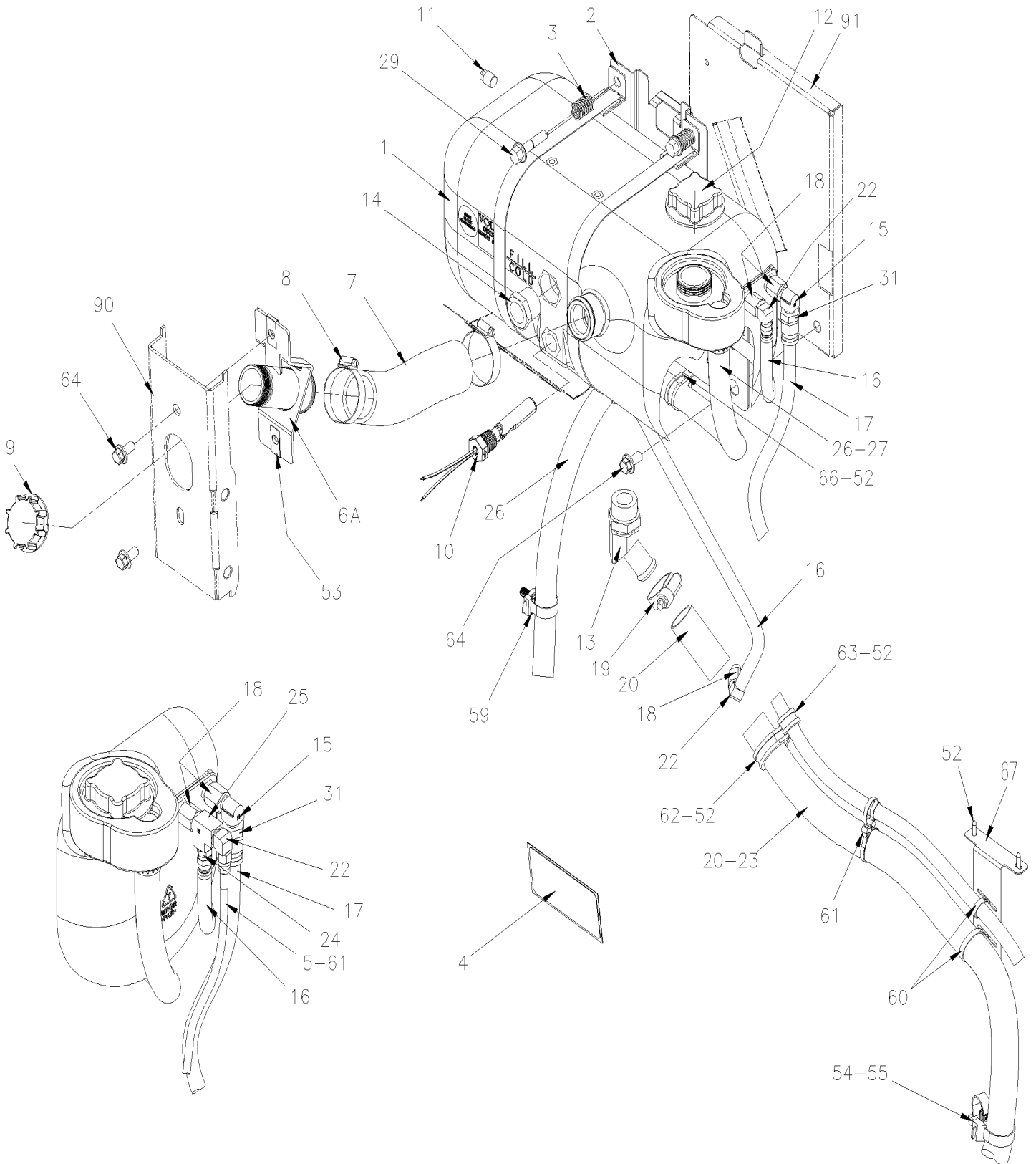
Item#	Part	Description	H 3 4 1	H 3 4 5	V I P 4 5	N O T E S
45	501033	MALE CONNECTOR / SAE 45° FITTING / #8FL-Mx1/4NPT-M BR	1	1	1	D13
46	052509	HOSE ASSY TEFLON #4 1170MM W/OUT RETARDER	1	1	1	
46	053532	HOSE ASSY TEFLON #4 1250MM W/OUT RETARDER	1	1	1	
50	<b>H7-0530-00</b>	<b>COOLANT FILTER - INSTALLATION WITH DETROIT S-60</b>				
50	<b>H7-0530-01</b>	<b>COOLANT FILTER - INSTALLATION WITH VOLVO D13</b>				
51	052635	DECAL SPEC / ANTIFREEZE / W/ "DETROIT" ENGINE / ENGLISH & FRANCAIS	1	1	1	
51	053487	DECAL SPEC / ANTIFREEZE / W/ "VOLVO" ENGINE FR/ENG	1	1	1	
51	053488	DECAL SPEC / ANTIFREEZE / W/ "VOLVO" ENGINE / ENGLISH & SPANISH	1	1	1	
NS	218173	SUPPORT SURGE TANK (WELDED TO STRUCTURE)	1	1	1	
NS	685125	ANTIFREEZE / ETHYLENE GLYCOL / SPEC #7SE298 & TMC RP-329, T To A-1720	AR	AR	AR	S60
. NS	MI04-06	. SEE MAINTENANCE INFORMATION To A-1720	1	1	1	S60
NS	685241	. . COOLANT PRESTONE / 208 LITERS 50%/50% PRE-MIXED W/"VOLVO" From 8-1202	1	1	1	D13
NS	685127	. . . COOLANT PRESTONE / 4 LITERS 50%/50% PRE-MIXED W/"VOLVO" From 8-1202	1	1	1	D13
		½") THIS TANK HAVE ½" NPT SIGHT GLASS				
		1") THIS TANK HAVE 1" NPT SIGHT GLASS				
		A) USE WITH SURGE TANK 050028				
		D13) WITH "VOLVO" ENGINE D-13				
		N) NOTE WITH THIS EFFECTIVITY WE CHANGE THE EXIT FOR COOLANT LEVEL AND THE EXIT FOR ONE HOSE AT CURBESIDE END				
		S60) WITH DETROIT S60 ENGINE				
		P) CALL ORDER DESK FOR SPECIFIC APPLICATION (V.I.N.)				
		4) NO PARTS NUMBER				

From B-1721 To E-2621

Date:10/2022

PAGE:H7-0510-01

## SURGE TANK WITH "EPA 2010"

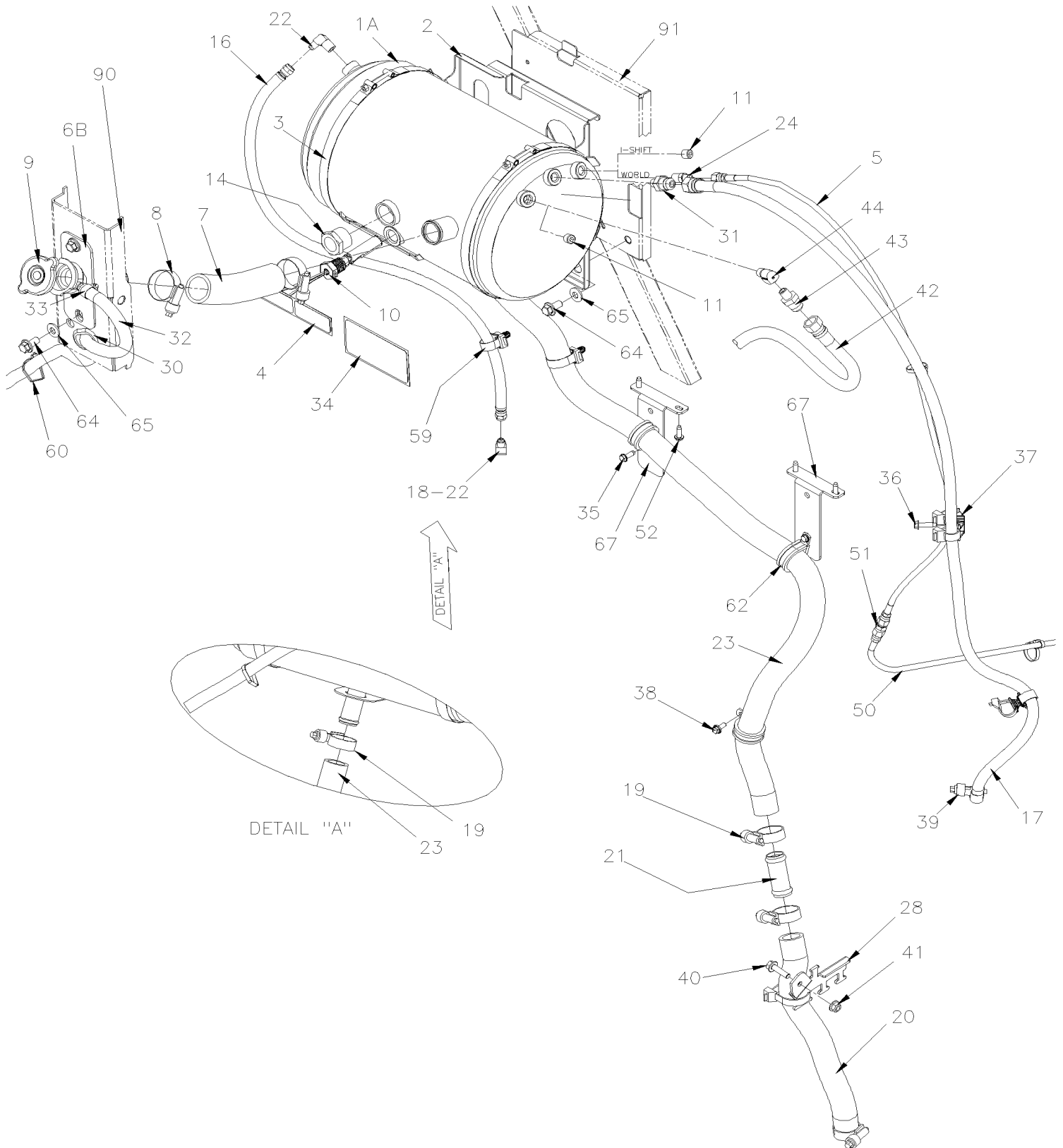


From B-1721 To E-2621

Date:10/2022

PAGE:H7-0510-01

## SURGE TANK WITH "EPA 2010"



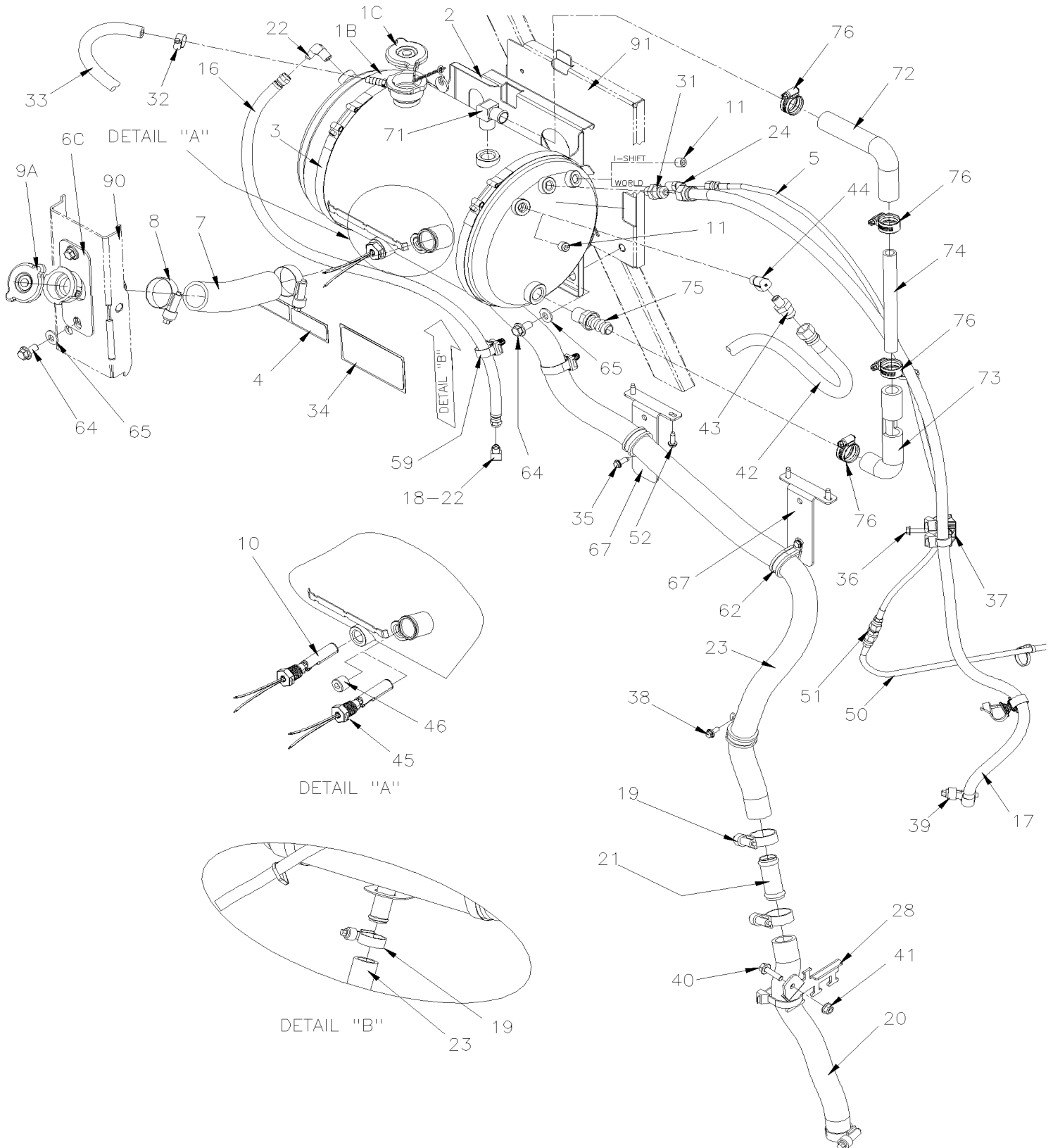


From B-1721 To E-2621

Date:10/2022

PAGE:H7-0510-01

## SURGE TANK WITH "EPA 2010"

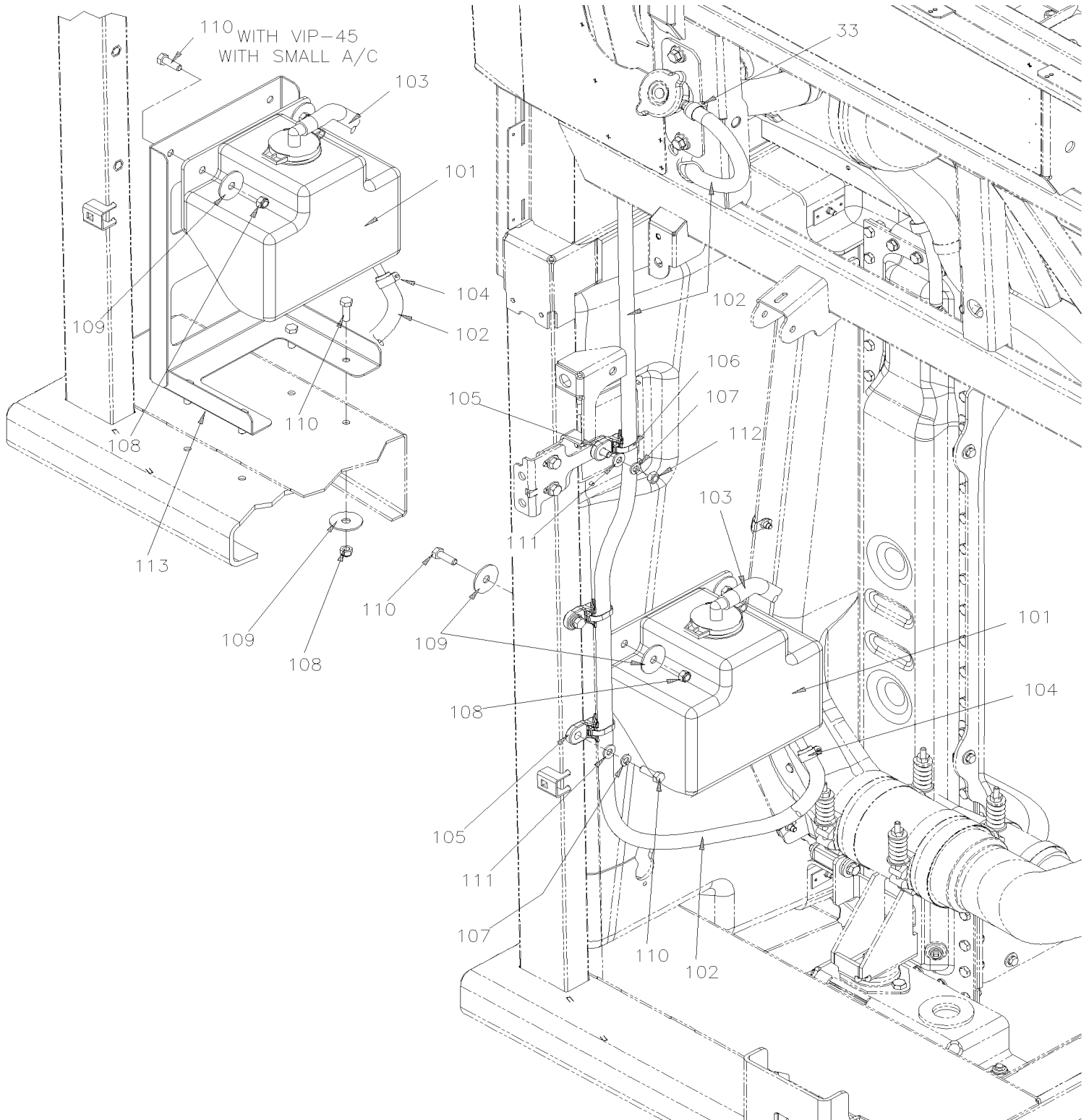


From B-1721 To E-2621

Date:10/2022

PAGE:H7-0510-01

**SURGE TANK WITH "EPA 2010"**



<b>From B-1721 To E-2621</b>	<b>Date:10/2022</b>	<b>PAGE:H7-0510-01</b>
<b>SURGE TANK WITH "EPA 2010"</b>		

Item#	Part	Description	H 3 4 1	H 3 4 5	V I P 4 5	N O T E S
		. . . . . "WARNING" - "WARNING" - "WARNING"				
		. . . . . A-1573 , A-1605, A-1627 & A-1636				
		. . . . . ARE EQUIPPED WITH PLASTIC SURGE TANK From A-1573 To A-1636				
1	052961	SURGE TANK PLASTIC PROTO From A-1573 To A-1636		1		
1A	053586	SURGE TANK SS From A-1637 To D-2188	1	1	1	
1B	053642	SURGE TANK ALUMINIUM From D-2189	1	1	1	
1C	21528785	. CAP PRESSURE / OVER 13 LBS From D-2189	1	1	1	
2	053551	SUPPORT ASSY / SURGE TANK PROTO From A-1573 To A-1636		1		
2	053565	SUPPORT ASSY / SURGE TANK / W/ROUND S-T From A-1637	1	1	1	
3	502144	SPRING COMPRESSION / .720 O.D. x 2 x .062 From A-1573 To A-1636		2		
3	504775	T-BOLT BAND CLAMP/ 9.69" ID From A-1637	2	2	2	
4	053597	DECAL SPEC / ANTIFREEZE / W/ "VOLVO" ENGINE FRANCAIS / ENGLISH / SPANISH	1	1	1	
5	053594P	HOSE ASSY TEFLON #4 875MM	1	1	1	
5	052971	HOSE ASSY TEFLON #4 2265MM PROTO From A-1573 To A-1636		1		R
5	052970	HOSE ASSY TEFLON #4 2242MM PROTO From A-1573 To A-1636		1		S
5	053594P	HOSE ASSY TEFLON #4 875MM	1	1	1	
6A	052960	FILLER NECK "COOLANT" PROTO From A-1573 To A-1636		1		
6B	053569	FILLER NECK "COOLANT" To D-2188	1	1	1	
6C	053646	FILLER NECK "COOLANT" ASS From D-2189	1	1	1	
7	053542	HOSE 1 3/4" I.D. X 190MM PROTO From A-1573 To A-1636		1		
7	503392	HOSE SILICONE 4PLY 1 3/8" I.D. x 4'	AR	AR	AR	
8	504024	HOSE CLAMP / 1"13/16"-2"3/4 SS / HS-36 PROTO From A-1573 To A-1636		2		
8	504657	HOSE CLAMP / 1"1/16"-2" C.T. 9424 To D-2301	2	2	2	
8	504783	HOSE CLAMP / 1"1/16"-2" SS / C.T. W.S. From D-2302	1	1	1	
8	504692	HOSE CLAMP STEPLESS SPRING SS / OETIKER / 1.5-1.8	1	1	1	C
8	504687	HOSE CLAMP STEPLESS SPRING SS / OETIKER / 1.2-1.4	1	1	1	C
9	3979593	FILLER CAP PROTO From A-1573 To A-1636		1		
. NS	3979595	. SEAL From A-1573 To A-1636		1		
9A	550005	PRESSURE CAP, WO/SPRING	1	1	1	
10	067304	SENSOR PROBE "LOW LEVEL COOLANT" ASSY / 1/2" NPT	1	1	1	
. NS	564465	. SENSOR PROBE "LOW LEVEL COOLANT" / 1/2" NPT	1	1	1	
. NS	21242838	. SENSOR PROBE "LOW LEVEL COOLANT" / 1/2" NPT	1	1	1	
. NS	563764	. CONNECTOR / CPC SERIES 3 / PH 3C / PED 15300002	1	1	1	
. NS	563765	. PIN TERMINAL / 18-16 / PED 12048159	2	2	2	
. NS	563369	. CABLE SEAL / GRAY / PED 12010293	2	2	2	
. NS	562387	. CONVOLUTED TUBING / SLIT / BLACK / .250"	AR	AR	AR	
. NS	562388	. SECONDARY LOCK / METRI-PACK 280 / 2C / BLUE / PED 15300014	1	1	1	
NS	680098	THREAD SEALANT LOCTITE #567 / WHITE / 250ml	AR	AR	AR	
NS	688914	PRIMER LOCTITE #7649 1.75 oz	AR	AR	AR	
11	501304	PLUG SQUARE HEAD / PIPE FITTING / 1/4NPT-M BR PROTO From A-1573 To A-1636		1		
11	501800	PLUG HEXS / PIPE FITTING / 1/4NPT-M STL	1	1	1	

<b>From B-1721 To E-2621</b>	<b>Date:10/2022</b>	<b>PAGE:H7-0510-01</b>
<b>SURGE TANK WITH "EPA 2010"</b>		

Item#	Part	Description	H 3 4 1	H 3 4 5	V I P 4 5	N O T E S
12	8149353	PRESSURE CAP 14LBS PROTO From A-1573 To A-1636		1		
13	5001521	MALE ELBOW 45° / BEADED HOSE BARB / #16x#16ORB-M STL PROTO From A-1573 To A-1636		1		
14	21331481	SIGHT GLASS 1" NPT To D-2188	1	1	1	
15	501332	STREET ELBOW 90° / PIPE FITTING / 1/4NPT-Mx1/4NPT-F BR PROTO From A-1573 To A-1636		1		
16	503692	HOSE / (SAFETY STRIPE) / 1/4" I.D. 50' / S.L.	AR	AR	AR	
16	501347	FEMALE CONNECTOR SWIVEL / PUSH-LOK FITTING #4JIC-Fx#4 BR	2	2	2	
NS	504637	CABLE TIE / 3/16" x 13"	2	2	2	
17	503702	HOSE / (SAFETY STRIPE) / 3/8" I.D. 50' / S.L.	AR	AR	AR	
17	5011260	FEMALE CONNECTOR SWIVEL / PUSH-LOK FITTING / #8FL-Fx#6 BR	2	2	2	
17	505181	COIL PROTECTOR / PLASTIC / #8 PROTO From A-1573 To A-1636		AR		
18	501308	ADAPTER / PIPE FITTING / 1/4NPT-Fx1/4NPT-M BR	3	3	3	
19	504658	HOSE CLAMP / 13/16"-1"3/4 / C.T. 9420 To D-2301	2	2	2	
19	504782	HOSE CLAMP / 1 3/16-1 13/16 SS / C.T. W.S. From D-2302	2	2	2	
19	504687	HOSE CLAMP STEPLESS SPRING SS / OETIKER / 1.2-1.4	2	2	2	C
20	503579	HOSE 1" I.D. X 50' / "GREEN STRIPE"	AR	AR	AR	
21	053007	HOSE COUPLING / COOPER 1" O.D. x 65MM	1	1	1	
22	501037	MALE ELBOW 90° / SAE 45° FITTING / #4FL-Mx1/4NPT-M BR	2	2	2	
23	503579	HOSE 1" I.D. X 50' / "GREEN STRIPE"	AR	AR	AR	
24	501027	MALE CONNECTOR / SAE 45° FITTING / #4FL-Mx1/4NPT-M BR	2	2	2	
25	501338	MALE RUN TEE / PIPE FITTING / 1/4NPT-Mx1/4NPT-Fx1/4NPT-F BR	2	2	2	
26	N.S.A.	HOSE #12 1700MM PROTO From A-1573 To A-1636		1		3
. NS	503006	. HOSE 5/8" I.D. 50' / S.L. From A-1573 To A-1636		AR		
27	504019	HOSE CLAMP / 9/16"-1"1/16 SS / HS-10 PROTO From A-1573 To A-1636		1		
28	053006	SUPPORT HOSE	1	1	1	
29	5001800	SCREW CAP HEXF M10-1.5x45 G10.9 N500	2	2	2	
30	504059	GROMMET / 1.250x1.500x.094x.375x1.875 To D-2189	1	1	1	
31	501033	MALE CONNECTOR / SAE 45° FITTING / #8FL-Mx1/4NPT-M BR	1	1	1	
32	503702	HOSE / (SAFETY STRIPE) / 3/8" I.D. 50' / S.L.	AR	AR	AR	
33	504230	HOSE CLAMP / 3/8"-7/8" SS / HS-6	1	1	1	
34	012702	DECAL "OIL SPEC" 10W/40 / ENGLISH & FRANCAIS / SPANISH	1	1	1	
35	502848	SCREW TC CAP HEXF 1/4-20x3/4 N500	6	6	6	
36	502666	SCREW MA FL PH #6-32x3/4 SS BK	1	1	1	
37	509490	ATTACHMENT DOUBLE USE WITH CABLE TIE	1	1	1	
38	5001730	SCREW CAP HEXF M6-1.0x16 G10.9 N500	1	1	1	
39	504020	HOSE CLAMP / 9/16"-1"1/4 SS / HS-12	1	1	1	
40	5001742	SCREW CAP HEXF M8-1.25x30 G8.8 N500	1	1	1	
41	502837	NUT HEXF STO M8-1.25 N500	1	1	1	
42	053629P	HOSE ASSY #6 1900MM From D-2189	1	1	1	O
43	501033	MALE CONNECTOR / SAE 45° FITTING / #8FL-Mx1/4NPT-M BR From D-2189	1	1	1	O
44	501332	STREET ELBOW 90° / PIPE FITTING / 1/4NPT-Mx1/4NPT-F BR From D-2189	1	1	1	O
45	067304	SENSOR PROBE "LOW LEVEL COOLANT" ASSY / 1/2" NPT From D-2189	1	1	1	O
. NS	564465	. SENSOR PROBE "LOW LEVEL COOLANT" / 1/2" NPT From D-2189	1	1	1	O

From B-1721 To E-2621	Date:10/2022	PAGE:H7-0510-01
<b>SURGE TANK WITH "EPA 2010"</b>		

Item#	Part	Description	H 3 4 1	H 3 4 5	V I P 4 5	N O T E S
. NS	21242838	. SENSOR PROBE "LOW LEVEL COOLANT" / 1/2" NPT From D-2189	1	1	1	O
. NS	563764	. CONNECTOR / CPC SERIES 3 / PH 3C / PED 15300002 From D-2189	1	1	1	O
. NS	563765	. PIN TERMINAL / 18-16 / PED 12048159 From D-2189	2	2	2	O
. NS	563369	. CABLE SEAL / GRAY / PED 12010293 From D-2189	2	2	2	O
. NS	562387	. CONVOLUTED TUBING / SLIT / BLACK / .250" From D-2189	AR	AR	AR	O
. NS	562388	. SECONDARY LOCK / METRI-PACK 280 / 2C / BLUE / PED 15300014 From D-2189	1	1	1	O
46	501966	PLUG HEXS / PIPE FITTING / 1/2NPT-M STL	1	1	1	
50	<b>H7-0750-02</b>	<b>AUTOMATIC TRANSMISSION - "WORLD" WITH VOLVO D13</b>				
51	052962	SUPPORT / HOSE	2	2	2	
52	500957	SCREW TP BDG PH #10x3/4 N500	4	4	4	
53	5001809	NUT SPR U M10-1.5 1.0-6.0 G500 PROTO From A-1573 To A-1636		2		
54	504751	ROTATIF SPACER DOUBLE / SMALL	2	2	2	
55	509491	CABLE TIE / 13MM x 383MM	3	3	3	
59	504750	CABLE TIE / 1/2" x 15" / CHRISTMAS TREE	4	4	4	
60	504637	CABLE TIE / 3/16" x 13"	2	2	2	
61	507664	CABLE TIE / 3/16" 11" / DOUBLE LOOP HEAD	AR	AR	AR	
62	952641	CLAMP / 1 5/16" I.D.	1	1	1	
63	952629	CLAMP / 5/8" I.D.	1	1	1	
64	5001307	SCREW CAP HEXF M10-1.5x20 8.8 N500	4	4	4	
65	5001834	WASHER BEL SPR 10.5X23X2.5 N500	4	4	4	
66	952633	CLAMP / 7/8" I.D.	1	1	1	
67	052962	SUPPORT / HOSE	2	2	2	
71	5011038	MALE ELBOW 90° / BEADED HOSE BARB / #12x1/2NPT-M From D-2189	1	1	1	
72	053643	ELBOW SILICONE / 3/4" I.D. From D-2189 To D-2275	1	1	1	
72	503804	ELBOW SILICONE / 3/4" I.D. / NOMEX-ARAMID From D-2276	1	1	1	
73	053644	ELBOW SILICONE / 3/4" I.D. From D-2189 To D-2275	1	1	1	
73	503805	ELBOW SILICONE / 3/4" I.D. / NOMEX-ARAMID From D-2276	1	1	1	
74	053645	TUBE POLYCARBONATE / 3/4" O.D. X 175MM From D-2189	1	1	1	
74	053055	DECAL / SURGE TANK LEVEL	1	1	1	
75	507605	MALE CONNECTOR / HOSE BARB FITTING / #12x1/2NPT-M BR From D-2189	1	1	1	
76	504781	HOSE CLAMP / 13/16"-1 5/16" SS / C.T. W.S. From D-2189	4	4	4	
90	272430	ATTACHMENT, DPF VOLVO STREET SIDE To D-2188	1	1	1	
90	272496	ATTACHMENT, DPF VOLVO STREET SIDE From D-2189	1	1	1	
91	218459	SUPPORT SURGE TANK	1	1	1	
100	053653	KIT / AUXILIARY SURGE TANK To D-2188	1	1	1	
. NS	WB12-41	. SEE WARRANTY BULLETIN To D-2188	1	1	1	
100	053656	KIT / AUXILIARY SURGE TANK WITH SMALL A/C To D-2188			1	B
. NS	WB12-41	. SEE WARRANTY BULLETIN To D-2188			1	B
101	557067	. SURGE TANK AUXILIARY To D-2188	1	1	1	
102	503702	. HOSE / (SAFETY STRIPE) / 3/8" I.D. 50' / S.L. To D-2188	AR	AR	AR	

From B-1721 To E-2621	Date:10/2022	PAGE:H7-0510-01
<b>SURGE TANK WITH "EPA 2010"</b>		

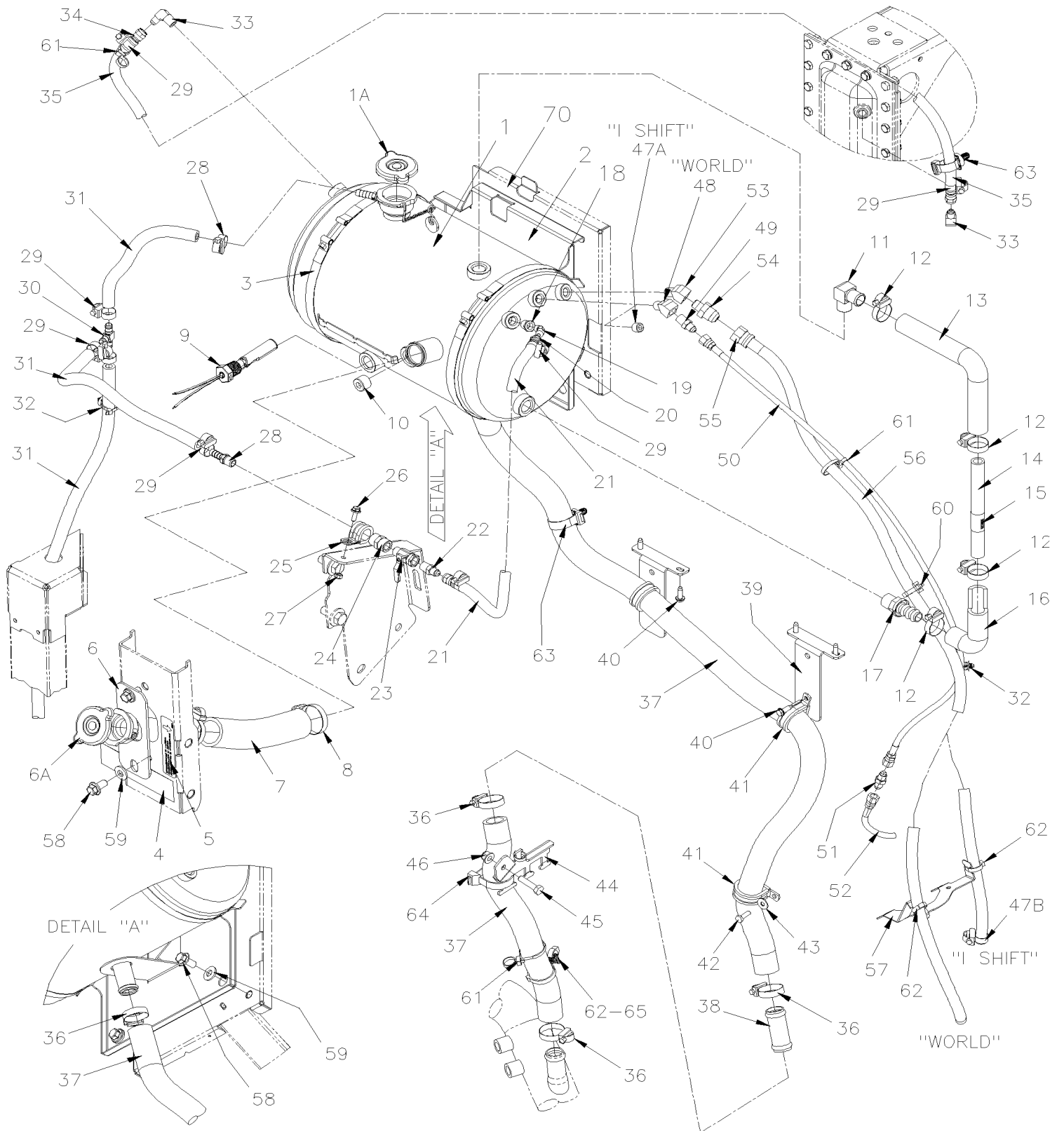
Item#	Part	Description	H 3 4 1	H 3 4 5	V I P 4 5	N O T E S
103	503707	. HOSE / PVC REINFORCED 1/2" I.D. 100' / S.L. To D-2188	AR	AR	AR	
104	504230	. HOSE CLAMP / 3/8"-7/8" SS / HS-6 To D-2188	1	1	1	
105	507383	. TIE MOUNT HOLE 3/8" To D-2188	3	3	3	
106	504016	. CABLE TIE / 5/16" X 14"1/2 To D-2188	3	3	3	
107	500942	. WASHER LO SPT 8.1x14.8x2.0 N500 To D-2188	4	4	4	
108	502847	. NUT HEX NYRT M8-1.25 N500 To D-2188	2	2	2	
109	500261	. WASHER FL .390x1.500x.083 N500 To D-2188	4	4	4	
110	5001745	. SCREW CAP HEX M8-1.25x25 G8.8 N500 To D-2188	4	4	4	
111	5001736	. WASHER FL 8.4x18.0x2.0 N500 To D-2188	3	3	3	
112	5001188	NUT HEX M8-1.25 SS To D-2188	1	1	1	
113	053657	SUPPPORT / SURGE TANK AUXILIARY			1	B
NS	685241	. . COOLANT PRESTONE / 208 LITERS 50%/50% PRE-MIXED W/"VOLVO"	AR	AR	AR	
NS	685127	. . . COOLANT PRESTONE / 4 LITERS 50%/50% PRE-MIXED W/"VOLVO"	AR	AR	AR	
		B) WITH SMALL A/C SYSTEM				
		C) WITH OPTION "OETIKER" HOSE CLAMP				
		O) WITH AUXLIAIRY SURGE TANK				
		R) WORLD TRANSMISSION WITH RETARDER				
		S) WORLD TRANSMISSION WITHOUT RETARDER				
		3) NOT SOLD ASSEMBLY				

From E-2622 To J-0287

Date:10/2022

PAGE:H7-0510-02

## SURGE TANK





<b>From E-2622 To J-0287</b>	<b>Date:10/2022</b>	<b>PAGE:H7-0510-02</b>
<b>SURGE TANK</b>		

Item#	Part	Description	H 3 4 1	H 3 4 5	V I P 4 5	N O T E S
1	053642	SURGE TANK ALUMINIUM	1	1	1	
1A	21528785	. CAP PRESSURE / OVER 13 LBS	1	1	1	
2	053565	SUPPORT ASSY / SURGE TANK / W/ROUND S-T	1	1	1	
3	504775	T-BOLT BAND CLAMP/ 9.69" ID	2	2	2	
4	053597	DECAL SPEC / ANTIFREEZE / W/ "VOLVO" ENGINE FRANCAIS / ENGLISH / SPANISH	1	1	1	
5	053060	DECAL, M3 MOT COOLANT DEPRES. FR / ENG / SPANISH	1	1	1	
NS	012702	DECAL "OIL SPEC" 10W/40 / ENGLISH & FRANCAIS / SPANISH	1	1	1	
NS	Call order desk	DECAL, S3 ENGINE CERTIFICATION FR / ENG From E-2647	1	1	1	P
6	053646	FILLER NECK "COOLANT" ASS	1	1	1	
6A	550005	. PRESSURE CAP, WO/SPRING	1	1	1	
7	503392	HOSE SILICONE 4PLY 1 3/8" I.D. x 4'	AR	AR	AR	
8	504782	HOSE CLAMP / 1 3/16-1 13/16 SS / C.T. W.S. To F-2891	2	2	2	
8	992086	HOSE CLAMP / 32MM/52MM From F-2892	2	2	2	
9	067304	SENSOR PROBE "LOW LEVEL COOLANT" ASSY / 1/2" NPT To H-3416	1	1	1	
. NS	564465	. SENSOR PROBE "LOW LEVEL COOLANT" / 1/2" NPT To H-3416	1	1	1	
. NS	21242838	. SENSOR PROBE "LOW LEVEL COOLANT" / 1/2" NPT To H-3416	1	1	1	
. NS	563764	. CONNECTOR / CPC SERIES 3 / PH 3C / PED 15300002 To H-3416	1	1	1	
. NS	563765	. PIN TERMINAL / 18-16 / PED 12048159 To H-3416	2	2	2	
. NS	563369	. CABLE SEAL / GRAY / PED 12010293 To H-3416	2	2	2	
. NS	562387	. CONVOLUTED TUBING / SLIT / BLACK / .250" To H-3416	AR	AR	AR	
. NS	562388	. SECONDARY LOCK / METRI-PACK 280 / 2C / BLUE / PED 15300014 To H-3416	1	1	1	
9	060139	SENSOR PROBE "LOW LEVEL COOLANT" ASSY / 1/2" NPT From H-3417	1	1	1	
. NS	560058	. SENSOR PROBE "LOW LEVEL COOLANT" / 1/2" NPT From H-3417	1	1	1	
. NS	563764	. CONNECTOR / CPC SERIES 3 / PH 3C / PED 15300002 From H-3417	1	1	1	
. NS	563763	. PIN TERMINAL / 14-12 / PED 12129497 From H-3417	2	2	2	
. NS	561786	. CABLE SEAL / GRAY / PED 15324980 From H-3417	2	2	2	
. NS	562387	. CONVOLUTED TUBING / SLIT / BLACK / .250" From H-3417	AR	AR	AR	
. NS	562388	. SECONDARY LOCK / METRI-PACK 280 / 2C / BLUE / PED 15300014 From H-3417	1	1	1	
10	501966	PLUG HEXS / PIPE FITTING / 1/2NPT-M STL	1	1	1	
11	5011038	MALE ELBOW 90° / BEADED HOSE BARB / #12x1/2NPT-M	1	1	1	
12	504781	HOSE CLAMP / 13/16"-1 5/16" SS / C.T. W.S. To F-2891	4	4	4	
12	992084	HOSE CLAMP / 23MM/35MM From F-2892	4	4	4	
12	504569	HOSE CLAMP STEPLESS SPRING / HC12-20 / 1"	4	4	4	C
13	503804	ELBOW SILICONE / 3/4" I.D. / NOMEX-ARAMID	1	1	1	
14	053647	TUBE PYREX	1	1	1	
15	053055	DECAL / SURGE TANK LEVEL	1	1	1	
16	503805	ELBOW SILICONE / 3/4" I.D. / NOMEX-ARAMID	1	1	1	
17	507605	MALE CONNECTOR / HOSE BARB FITTING / #12x1/2NPT-M BR	1	1	1	
18	501312	BUSHING REDUCER / PIPE FITTING / 1/4NTP-Mx1/8NPT-F BR	1	1	1	
19	501808	MALE ELBOW 45° / SAE 45° FITTING / #4FL-Mx1/8NPT-M BR	1	1	1	
20	501347	FEMALE CONNECTOR SWIVEL / PUSH-LOK FITTING #4JIC-Fx#4 BR	2	2	2	
21	503692	HOSE / (SAFETY STRIPE) / 1/4" I.D. 50' / S.L. To F-2933	AR	AR	AR	



<b>From E-2622 To J-0287</b>	<b>Date:10/2022</b>	<b>PAGE:H7-0510-02</b>
<b>SURGE TANK</b>		

Item#	Part	Description	H 3 4 1	H 3 4 5	V I P 4 5	N O T E S
21	503789	HOSE SILICONE 1 PLY / NOMEX-ARAMID 1/4" X 25' From F-2934	AR	AR	AR	
22	501027	MALE CONNECTOR / SAE 45° FITTING / #4FL-Mx1/4NPT-M BR	1	1	1	
23	642194	BALL VALVE 1/4 NPT M x 1/4 NPT F	1	1	1	
24	501318	COUPLING / PIPE FITTING / 1/4NPT-Fx1/4NPT-F BR	1	1	1	
25	977742	CLAMP / 3/4" I.D.	1	1	1	
26	5001730	SCREW CAP HEXF M6-1.0x16 G10.9 N500	1	1	1	
27	502681	NUT HEX NYRT M6-1.0 N500 G8	1	1	1	
28	642196	MALE CONNECTOR / HOSE BARB FITTING / #6x1/4NPT-M BR	1	1	1	
29	504230	HOSE CLAMP / 3/8"-7/8" SS / HS-6 To F-2891	AR	AR	AR	
29	992081	HOSE CLAMP / 12MM/22MM From F-2892	AR	AR	AR	
30	642195	UNION TEE / HOSE BARB FITTING / #6x#6x#6 BR To H-3766	1	1	1	
30	501071	UNION TEE / HOSE BARB FITTING / #6x#6x#6 BR From H-3767	1	1	1	
31	503702	HOSE / (SAFETY STRIPE) / 3/8" I.D. 50' / S.L. To F-2933	AR	AR	AR	
31	503821	HOSE SILICONE 4 PLY / NOMEX-ARAMID 3/8" x 144" From F-2934 To F-2994	AR	AR	AR	
31	503702	HOSE / (SAFETY STRIPE) / 3/8" I.D. 50' / S.L. From F-2995	AR	AR	AR	
32	8631155	CABLE TIE / 4.6MM x 200 / CHRISTMAS TREE	AR	AR	AR	
33	501037	MALE ELBOW 90° / SAE 45° FITTING / #4FL-Mx1/4NPT-M BR	2	2	2	
33	501332	STREET ELBOW 90° / PIPE FITTING / 1/4NPT-Mx1/4NPT-F BR To F-2933	2	2	2	O
34	053571P	HOSE ASSY / 1/4 x 750MM	1	1	1	
34	501347	. FEMALE CONNECTOR SWIVEL / PUSH-LOK FITTING #4JIC-Fx#4 BR	2	2	2	
34	507602	MALE CONNECTOR / PUSH-LOK FITTING / 1/4NPT-Mx#4 BR To F-2933	2	2	2	O
34	992081	HOSE CLAMP / 12MM/22MM To F-2933	2	2	2	O
35	503692	. HOSE / (SAFETY STRIPE) / 1/4" I.D. 50' / S.L. To F-2933	AR	AR	AR	
35	503789	. HOSE SILICONE 1 PLY / NOMEX-ARAMID 1/4" X 25' From F-2934 To J-0036	AR	AR	AR	
35	503706	HOSE FC-332-4 #4 From J-0037	AR	AR	AR	
35	503789	HOSE SILICONE 1 PLY / NOMEX-ARAMID 1/4" X 25' To F-2933	AR	AR	AR	O
36	504782	HOSE CLAMP / 1 3/16-1 13/16 SS / C.T. W.S. To F-2891	4	4	4	
36	992084	HOSE CLAMP / 23MM/35MM From F-2892	4	4	4	
36	504687	HOSE CLAMP STEPLESS SPRING SS / OETIKER / 1.2-1.4	4	4	4	C
37	503579	HOSE 1" I.D. X 50' / "GREEN STRIPE" To F-2933	AR	AR	AR	
37	503788	HOSE SILICONE 4 PLY / NOMEX-ARAMID 1" I.D. x 54" From F-2934	AR	AR	AR	
37	503788	HOSE SILICONE 4 PLY / NOMEX-ARAMID 1" I.D. x 54" To F-2933	AR	AR	AR	O
38	053007	HOSE COUPLING / COOPER 1" O.D. x 65MM	1	1	1	
39	052962	SUPPORT / HOSE	2	2	2	
40	502848	SCREW TC CAP HEXF 1/4-20x3/4 N500	6	6	6	
41	952641	CLAMP / 1 5/16" I.D.	3	3	3	
42	502830	SCREW CAP HEX M6-1.0x20 G8.8 N500	1	1	1	
43	5001833	WASHER BEL SPR 6.1x18x1.27 SS	1	1	1	
44	053006	SUPPORT HOSE To G-3366	1	1	1	
44	050007	SUPPORT HOSE From G-3367	1	1	1	
45	502836	SCREW CAP HEX M8-1.25x35 G8.8 N500	1	1	1	
46	5001931	NUT HEXF NYRT M8-1.25 G8.8 N500	1	1	1	

<b>From E-2622 To J-0287</b>	<b>Date:10/2022</b>	<b>PAGE:H7-0510-02</b>
<b>SURGE TANK</b>		

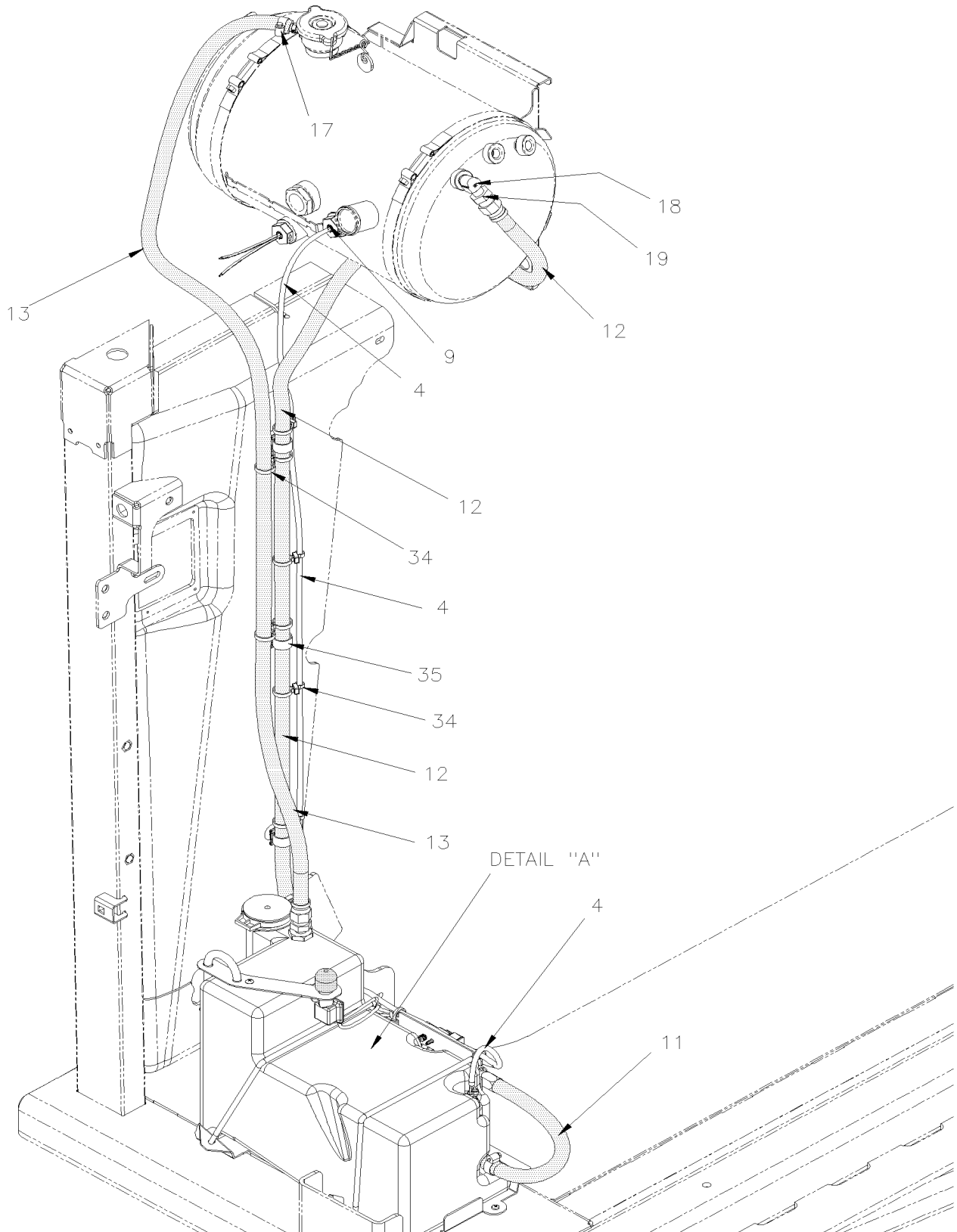
Item#	Part	Description	H 3 4 1	H 3 4 5	V I P 4 5	N O T E S
47A	501800	PLUG HEXS / PIPE FITTING / 1/4NPT-M STL To G-3374	1	1		A
47A	501800	PLUG HEXS / PIPE FITTING / 1/4NPT-M STL From G-3375	1	1		AS
47B	992081	HOSE CLAMP / 12MM/22MM	1	1	1	A
48	501329	STREET ELBOW 45° / PIPE FITTING / 1/4NPT-Mx1/4NPT-F BR To G-3374	1	1	1	B
48	501329	STREET ELBOW 45° / PIPE FITTING / 1/4NPT-Mx1/4NPT-F BR From G-3375	1	1	1	R
49	501027	MALE CONNECTOR / SAE 45° FITTING / #4FL-Mx1/4NPT-M BR To G-3374	1	1	1	B
49	501027	MALE CONNECTOR / SAE 45° FITTING / #4FL-Mx1/4NPT-M BR From G-3375	1	1	1	R
50	053594P	HOSE ASSY TEFLON #4 875MM To G-3374	1	1	1	B
50	053594P	HOSE ASSY TEFLON #4 875MM From G-3375	1	1	1	R
51	501017	UNION / SAE 45° FITTING / #4FL-Mx#4FL-M BR To G-3374	1	1	1	B
51	501017	UNION / SAE 45° FITTING / #4FL-Mx#4FL-M BR From G-3375	1	1	1	R
52	<b>H7-0750-02</b>	<b>AUTOMATIC TRANSMISSION - "WORLD" WITH VOLVO D13 To H-3734</b>	1	1	1	
52	<b>H7-0750-03</b>	<b>AUTOMATIC TRANSMISSION - "WORLD" WITH VOLVO D13 From H-3735</b>	1	1	1	
53	501329	STREET ELBOW 45° / PIPE FITTING / 1/4NPT-Mx1/4NPT-F BR	1	1	1	
54	501033	MALE CONNECTOR / SAE 45° FITTING / #8FL-Mx1/4NPT-M BR	1	1	1	
55	5011260	FEMALE CONNECTOR SWIVEL / PUSH-LOK FITTING / #8FL-Fx#6 BR	1	1	1	
55	501179	MALE CONNECTOR / PUSH-LOK FITTING / 1/4NPT-Mx#6 BR To F-2933	1	1	1	O
55	992081	HOSE CLAMP / 12MM/22MM To F-2933	1	1	1	O
56	503702	HOSE / (SAFETY STRIPE) / 3/8" I.D. 50' / S.L. To F-2933	AR	AR	AR	
56	503821	HOSE SILICONE 4 PLY / NOMEX-ARAMID 3/8" x 144" From F-2934	AR	AR	AR	
56	503821	HOSE SILICONE 4 PLY / NOMEX-ARAMID 3/8" x 144" To F-2933	AR	AR	AR	O
57	053600	SUPPORT HOSE	1	1	1	
58	5001307	SCREW CAP HEXF M10-1.5x20 8.8 N500	4	4	4	
59	5001834	WASHER BEL SPR 10.5X23X2.5 N500	4	4	4	
60	504013	TIE MOUNT / 1/4" X 1/4" I.D.	1	1	1	
60	502868	SCREW TC TR PH #10-16x1/2 N500	1	1	1	
60	504016	CABLE TIE / 5/16" X 14"1/2	1	1	1	
61	507664	CABLE TIE / 3/16" 11" / DOUBLE LOOP HEAD	AR	AR	AR	
62	504016	CABLE TIE / 5/16" X 14"1/2	AR	AR	AR	
63	504750	CABLE TIE / 1/2" x 15" / CHRISTMAS TREE	2	2	2	
64	509491	CABLE TIE / 13MM x 383MM	1	1	1	
65	504751	ROTATIF SPACER DOUBLE / SMALL	1	1	1	
70	218459	SUPPORT SURGE TANK	1	1	1	
NS	680098	THREAD SEALANT LOCTITE #567 / WHITE / 250ml	AR	AR	AR	
		A) WITH "I-SHIFT" TRANSMISSION				
		B) WITH "WORLD" TRANSMISSION				
		C) WITH OPTION "OETIKER" HOSE CLAMP				
		O) OPTION WITH ARAMID HOSE				
		R) WITH "WORLD" TRANSMISSION WITH RETARDER				

From E-2622 To J-0287	Date:10/2022	PAGE:H7-0510-02
<b>SURGE TANK</b>		

Item#	Part	Description	H 3 4 1	H 3 4 5	V I P 4 5	N O T E S
		S) WITH "WORLD" TRANSMISSION WITHOUT RETARDER				
		P) CALL ORDER DESK FOR SPECIFIC APPLICATION (V.I.N.)				

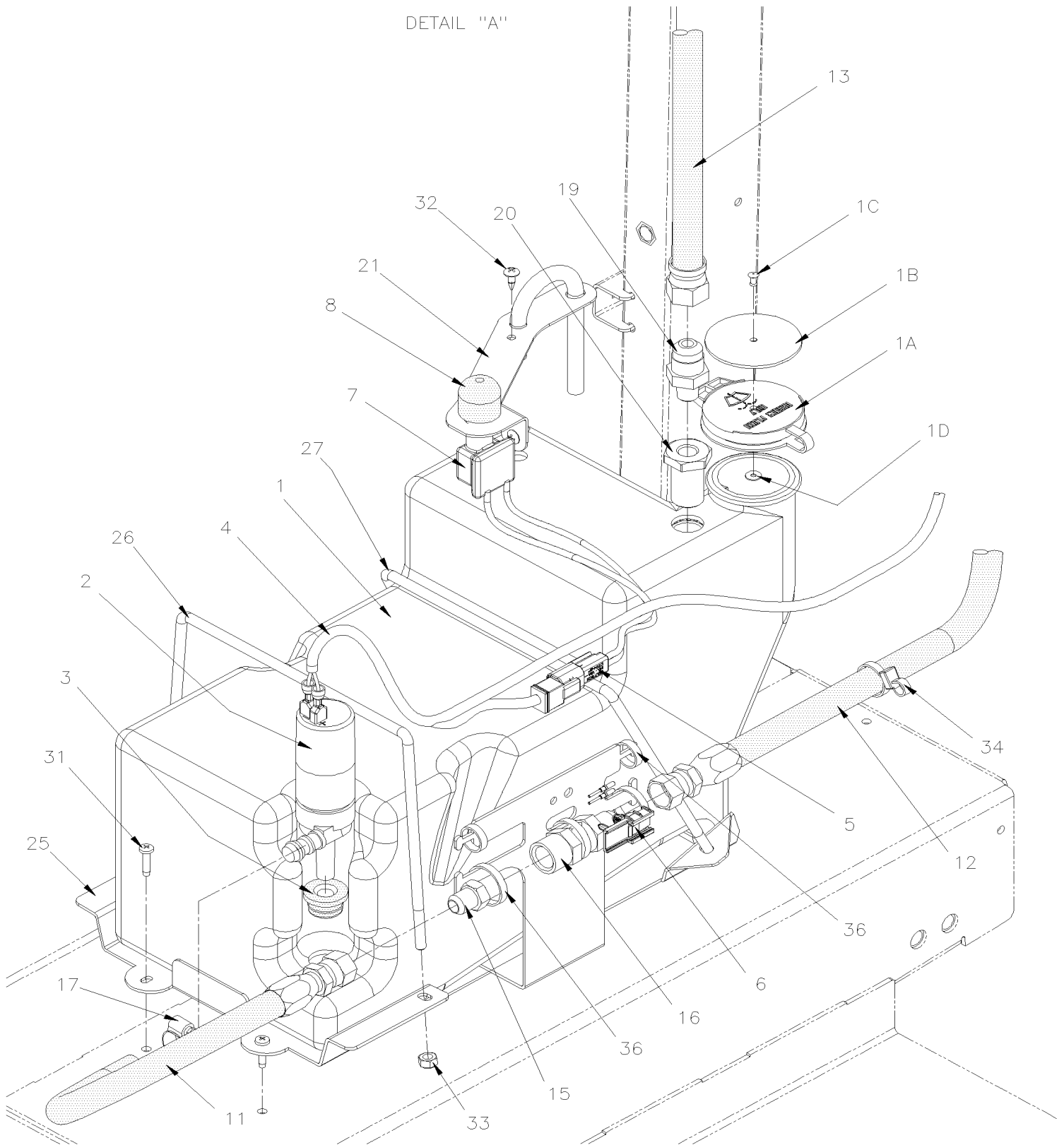


SURGE TANK AUXILIARY



SURGE TANK AUXILIARY

DETAIL "A"



<b>From B-1721 To J-0184</b>	<b>Date:10/2022</b>	<b>PAGE:H7-0510-10</b>
<b>SURGE TANK AUXILIARY</b>		

Item#	Part	Description	H 3 4 1	H 3 4 5	V I P 4 5	N O T E S
1	557066	SURGE TANK AUXILIARY	1	1		
1A	20462640	COVER WASHER RESERVOIR	1	1		
1B	Call order desk	CAP	1	1		P
1C	504339	RIVET POP DOME OE 1/8x3/8 SS	1	1		
1D	500157	WASHER FL .125x.375x.032 SS	1	1		
2	800367	PUMP SEALBEAM WASHER	1	1		
3	800368	GROMMET PUMP	1	1		
4	067950	HARNESS SURGE TANK PUMP	1	1		
5	564108	SELF MOUNTING STUD // DEUTSCH 1011-310-0205	1	1		
6	562486	CONNECTOR / DT SERIES / PH 2C / GRAY / DEUTSCH DT04-2P	1	1		
6	562286	PIN TERMINAL / 18-16 / DEUTSCH 0460-202-16141	2	2		
7	562484	SWITCH S.P.S.T. / N.C.	1	1		
8	561891	. CAP RUBBER	1	1		
9	067304	SENSOR PROBE "LOW LEVEL COOLANT" ASSY / 1/2" NPT To H-3416	1	1		
. NS	564465	. SENSOR PROBE "LOW LEVEL COOLANT" / 1/2" NPT To H-3416	1	1		
. NS	21242838	. SENSOR PROBE "LOW LEVEL COOLANT" / 1/2" NPT To H-3416	1	1		
. NS	563764	. CONNECTOR / CPC SERIES 3 / PH 3C / PED 15300002 To H-3416	1	1		
. NS	563765	. PIN TERMINAL / 18-16 / PED 12048159 To H-3416	2	2		
. NS	563369	. CABLE SEAL / GRAY / PED 12010293 To H-3416	2	2		
. NS	562387	. CONVOLUTED TUBING / SLIT / BLACK / .250" To H-3416	AR	AR		
. NS	562388	. SECONDARY LOCK / METRI-PACK 280 / 2C / BLUE / PED 15300014 To H-3416	1	1		
9	060139	SENSOR PROBE "LOW LEVEL COOLANT" ASSY / 1/2" NPT From H-3417 To J-0230	1	1		
. NS	560058	. SENSOR PROBE "LOW LEVEL COOLANT" / 1/2" NPT From H-3417 To J-0230	1	1		
. NS	563764	. CONNECTOR / CPC SERIES 3 / PH 3C / PED 15300002 From H-3417 To J-0230	1	1		
. NS	563763	. PIN TERMINAL / 14-12 / PED 12129497 From H-3417 To J-0230	2	2		
. NS	561786	. CABLE SEAL / GRAY / PED 15324980 From H-3417 To J-0230	2	2		
. NS	562387	. CONVOLUTED TUBING / SLIT / BLACK / .250" From H-3417 To J-0230	AR	AR		
. NS	562388	. SECONDARY LOCK / METRI-PACK 280 / 2C / BLUE / PED 15300014 From H-3417 To J-0230	1	1		
9	069812	SENSOR PROBE "LOW LEVEL COOLANT" ASSY / 1/2" NPT From J-0231	1	1		
. NS	560058	. SENSOR PROBE "LOW LEVEL COOLANT" / 1/2" NPT From J-0231	1	1		
. NS	563764	. CONNECTOR / CPC SERIES 3 / PH 3C / PED 15300002 From J-0231	1	1		
. NS	563763	. PIN TERMINAL / 14-12 / PED 12129497 From J-0231	2	2		
. NS	561786	. CABLE SEAL / GRAY / PED 15324980 From J-0231	2	2		
. NS	562387	. CONVOLUTED TUBING / SLIT / BLACK / .250" From J-0231	AR	AR		
. NS	562388	. SECONDARY LOCK / METRI-PACK 280 / 2C / BLUE / PED 15300014 From J-0231	1	1		
9	680098	THREAD SEALANT LOCTITE #567 / WHITE / 250ml	AR	AR		
9	688914	PRIMER LOCTITE #7649 1.75 oz	AR	AR		
11	053627P	HOSE ASSY / #6 280 MM	1	1		
11	501836	. FEMALE CONNECTOR SWIVEL / SAE 45° FITTING / #6FL-Fx#6 STL To FORMER	1	1		
11	5011157	. FEMALE CONNECTOR SWIVEL / PUSH-LOK FITTING / #6FL-Fx#6 BR From CURRENT	1	1		
11	503702	. HOSE / (SAFETY STRIPE) / 3/8" I.D. 50' / S.L.	AR	AR		
12	053629P	HOSE ASSY #6 1900MM	1	1		

<b>From B-1721 To J-0184</b>	<b>Date:10/2022</b>	<b>PAGE:H7-0510-10</b>
<b>SURGE TANK AUXILIARY</b>		

Item#	Part	Description	H 3 4 1	H 3 4 5	V I P 4 5	N O T E S
12	501836	. FEMALE CONNECTOR SWIVEL / SAE 45° FITTING / #6FL-Fx#6 STL To FORMER	1	1		
12	5011157	. FEMALE CONNECTOR SWIVEL / PUSH-LOK FITTING / #6FL-Fx#6 BR From CURRENT	1	1		
12	5011260	. FEMALE CONNECTOR SWIVEL / PUSH-LOK FITTING / #8FL-Fx#6 BR	1	1		
12	503702	. HOSE / (SAFETY STRIPE) / 3/8" I.D. 50' / S.L.	AR	AR		
NS	504016	CABLE TIE / 5/16" X 14"1/2	2	2		
NS	504751	ROTATIF SPACER DOUBLE / SMALL	1	1		
13	053628P	HOSE ASSY / #6 1800MM	1	1		
13	5011260	. FEMALE CONNECTOR SWIVEL / PUSH-LOK FITTING / #8FL-Fx#6 BR	1	1		
13	503702	. HOSE / (SAFETY STRIPE) / 3/8" I.D. 50' / S.L.	AR	AR		
15	501617	MALE CONNECTOR / SAE 45° FITTING / #6FL-Mx3/8NPT-M BR	1	1		
16	531415	CHECK VALVE	1	1		
17	504230	HOSE CLAMP / 3/8"-7/8" SS / HS-6	2	2		
18	501332	STREET ELBOW 90° / PIPE FITTING / 1/4NPT-Mx1/4NPT-F BR	1	1		
19	501033	MALE CONNECTOR / SAE 45° FITTING / #8FL-Mx1/4NPT-M BR	2	2		
20	501711	BULKHEAD COUPLING / PIPE FITTING / 1/4NPT-Fx1/4NPT-Fx1 1/2 BR	1	1		
21	053634	BRACKET / SWITCH	1	1		
25	053626	SUPPORT / SURGE TANK AUXILIARY	1	1		
26	053632	ROD FIXING TANK	1	1		
27	053631	ROD FIXING TANK	1	1		
31	500854	SCREW TC BDG PH #8-32x3/4 N500	4	4		
32	500124	SCREW TP TR PH #8x1/2 SS	2	2		
33	5001182	NUT HEX NYRT M6-1.0 SS	4	4		
34	507664	CABLE TIE / 3/16" 11" / DOUBLE LOOP HEAD	8	8		
35	504750	CABLE TIE / 1/2" x 15" / CHRISTMAS TREE	3	3		
36	504637	CABLE TIE / 3/16" x 13"	5	5		
		P) CALL ORDER DESK FOR SPECIFIC APPLICATION (V.I.N.)				

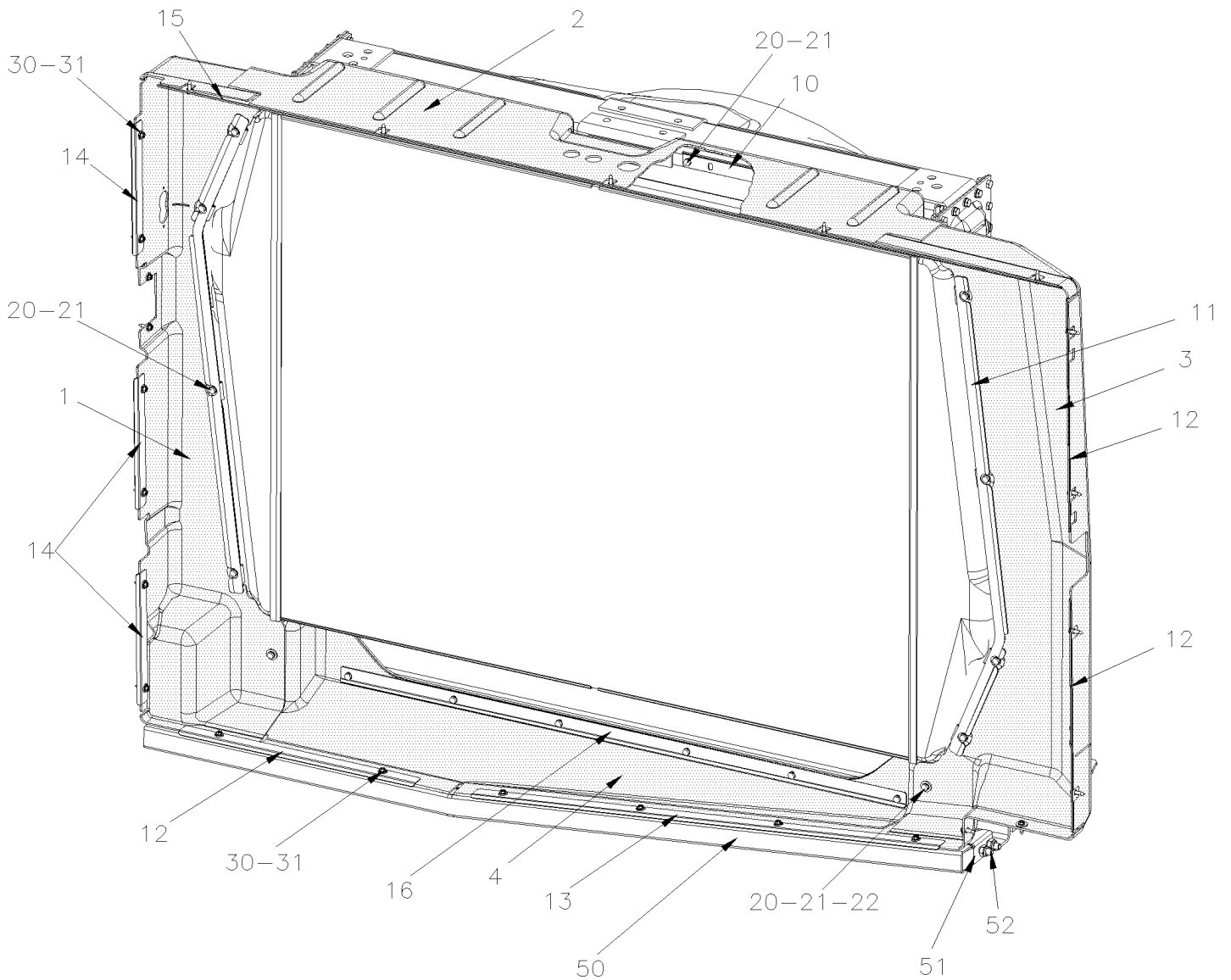
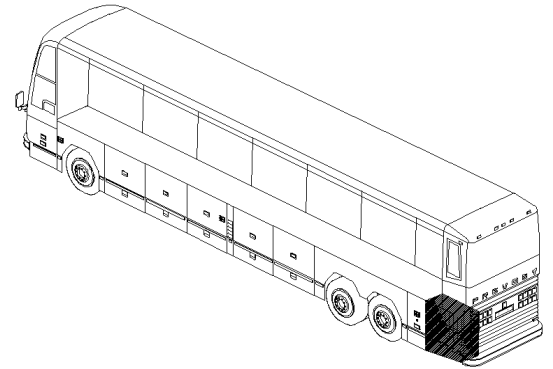


From 7-0671 To A-1720

Date:10/2022

PAGE:H7-0518-00

## RADIATOR SEALING FRAME



<b>From 7-0671 To A-1720</b>	<b>Date:10/2022</b>	<b>PAGE:H7-0518-00</b>
<b>RADIATOR SEALING FRAME</b>		

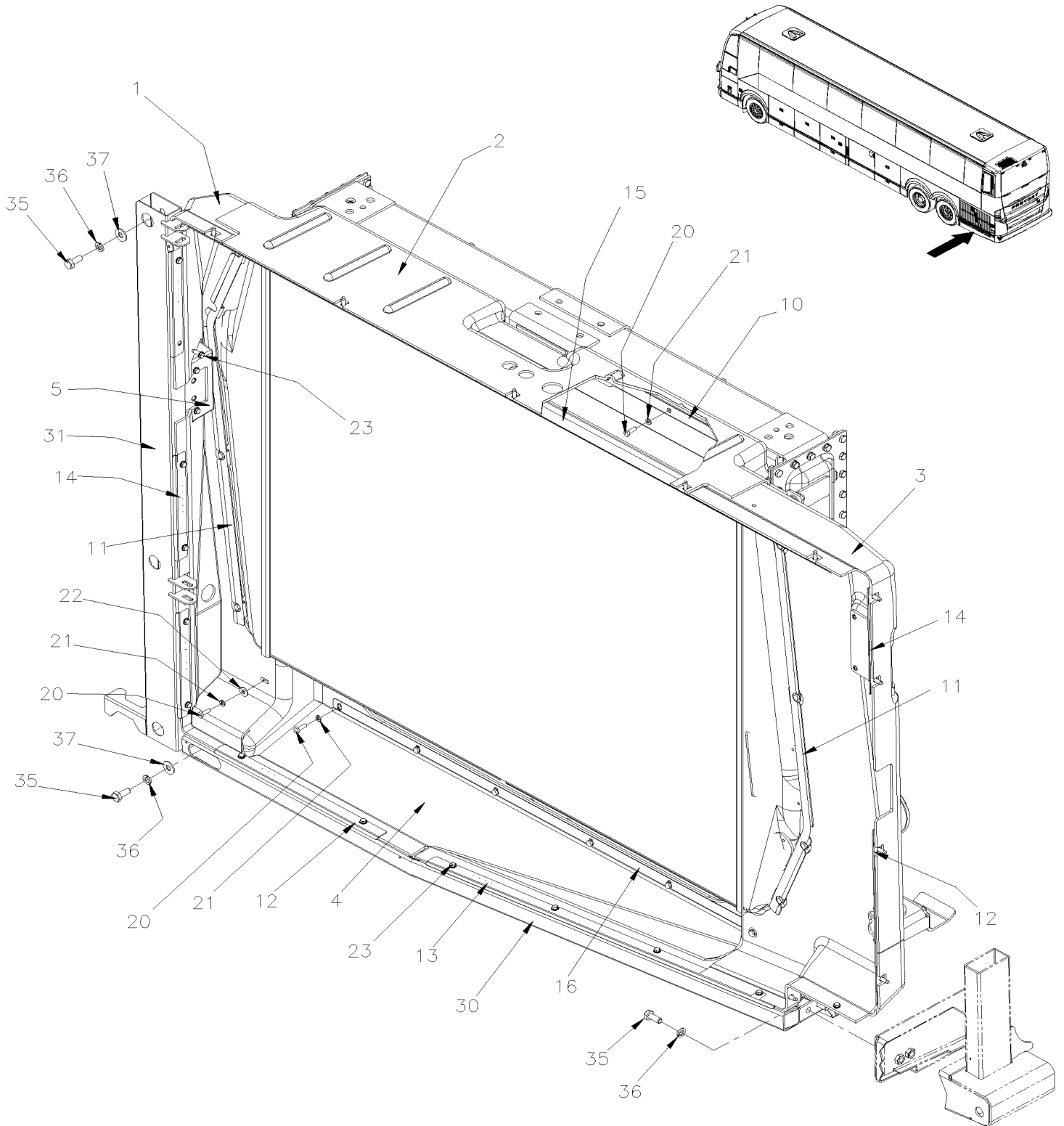
Item#	Part	Description	H 3 4 1	H 3 4 5	V I P 4 5	N O T E S
	052875	KIT SEALING FRAME H	1	1	1	
1	052741	. FRAME, SEALING / FORWARD	1	1	1	
2	052744	. FRAME, SEALING / UPPER	1	1	1	
3	052742	. FRAME, SEALING / BACKWARD	1	1	1	
4	052743	. FRAME, SEALING / LOWER	1	1	1	
NS	506277	TAPE RUB ADH1 CC POL 1/2" x 3/4" x 15' / GREY 2520X	AR	AR	AR	
10	052748	ANGLE REINFORCEMENT 400MM	1	1	1	
11	052750	REINFORCMENT "U" 862MM	2	2	2	
. NS	5001965	. NUT SPR U M6-1.0 0.6-4.0 N500	8	8	8	
12	052843	ANGLE REINFORCEMENT 425MM	3	3	3	
13	052751	ANGLE REINFORCEMENT 850MM	1	1	1	
14	052842	ANGLE REINFORCEMENT 240MM	3	3	3	
15	052520	ANGLE REINFORCEMENT 1630MM	1	1	1	
16	052749	ANGLE REINFORCEMENT 1030MM	1	1	1	
20	502830	SCREW CAP HEX M6-1.0x20 G8.8 N500	AR	AR	AR	
20	5001965	NUT SPR U M6-1.0 0.6-4.0 N500	AR	AR	AR	
21	502853	WASHER LO SPT 6.1x11.8x1.6 N500	AR	AR	AR	
22	502638	WASHER FL .312x.734x.065 N500	AR	AR	AR	
30	500526	SCREW TP CAP HEXW #12x3/4 N500	AR	AR	AR	
31	500877	WASHER FL .250x.562x.065 N500	AR	AR	AR	
50	289394	TUBE PROTECTOR LOWER RADIATOR 1476MM	1	1	1	
NS	502804	SCREW CAP HEX M10-1.5x25 G8.8 N500	2	2	2	
NS	500401	WASHER FL .343x.875x.125 N500	2	2	2	
NS	500942	WASHER LO SPT 8.1x14.8x2.0 N500	2	2	2	
NS	5001738	SCREW CAP HEX M8-1.25x30 G8.8 N500	2	2	2	
51	289395	ANGLE SUPPORT	1	1	1	
52	502859	NUT HEX NYRT M10-1.5 N500	2	2	2	

From B-1721 To J-0287

Date:10/2022

PAGE:H7-0518-01

## RADIATOR SEALING FRAME



From B-1721 To J-0287	Date:10/2022	PAGE:H7-0518-01
<b>RADIATOR SEALING FRAME</b>		

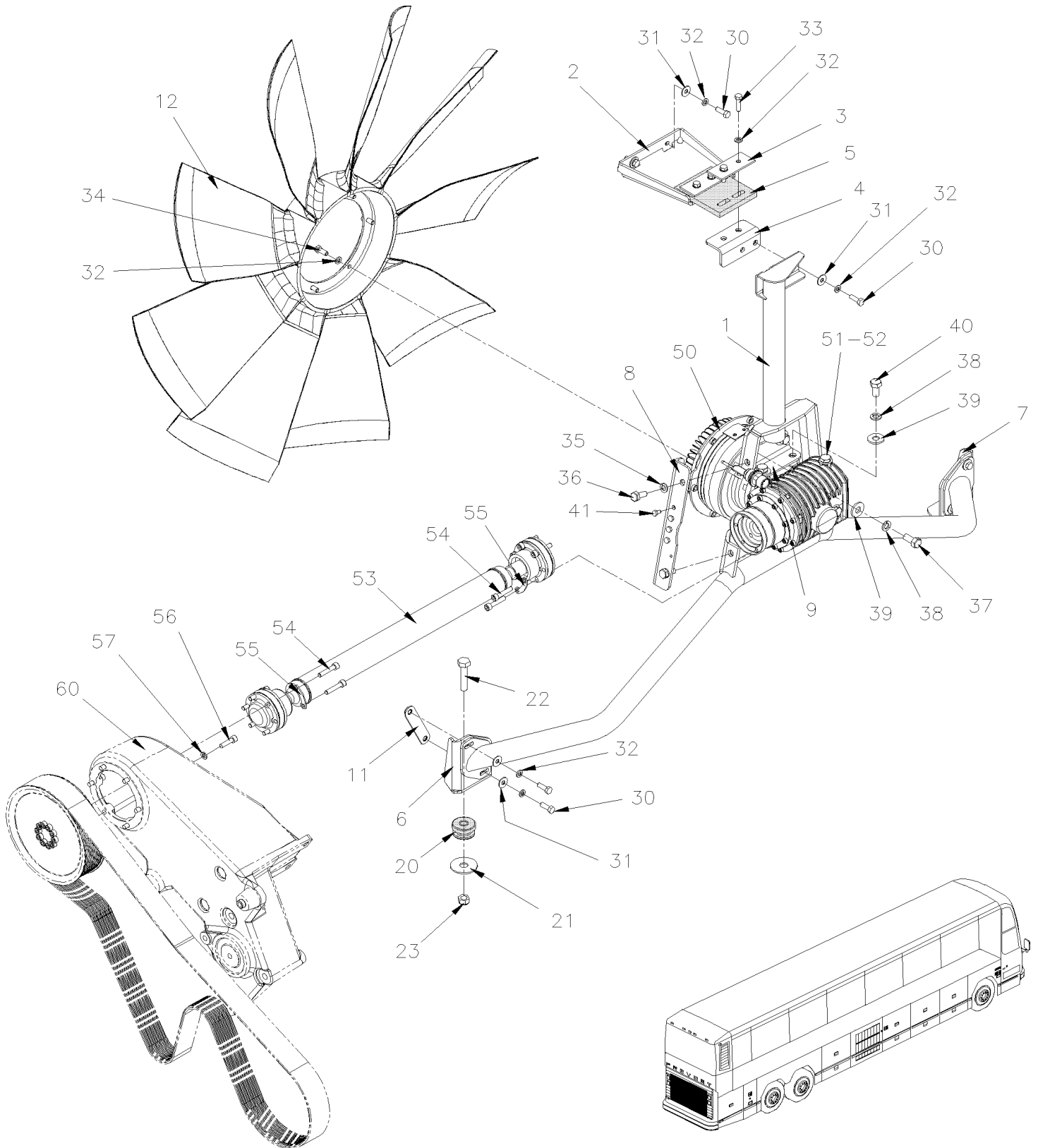
Item#	Part	Description	H 3 4 1	H 3 4 5	V I P 4 5	N O T E S
	052945	KIT SEALING FRAME H	1	1	1	
1	052941	. FRAME, SEALING / FORWARD	1	1	1	
2	052944	. FRAME, SEALING / UPPER	1	1	1	
3	052942	. FRAME, SEALING / BACKWARD	1	1	1	
4	052943	. FRAME, SEALING / LOWER	1	1	1	
5	052976	. CLOSING FRAME, SEALING / FORWARD	1	1	1	
NS	506277	TAPE RUB ADH1 CC POL 1/2" x 3/4" x 15' / GREY 2520X	AR	AR	AR	
10	052748	ANGLE REINFORCEMENT 400MM	1	1	1	
11	052750	REINFORCMENT "U" 862MM	2	2	2	
. NS	5001965	. NUT SPR U M6-1.0 0.6-4.0 N500	8	8	8	
12	052843	ANGLE REINFORCEMENT 425MM	2	2	2	
13	052751	ANGLE REINFORCEMENT 850MM	1	1	1	
14	052842	ANGLE REINFORCEMENT 240MM	4	4	4	
15	052946	ANGLE REINFORCEMENT 1559.3MM	1	1	1	
16	052749	ANGLE REINFORCEMENT 1030MM	1	1	1	
20	502830	SCREW CAP HEX M6-1.0x20 G8.8 N500	AR	AR	AR	
20	5001965	NUT SPR U M6-1.0 0.6-4.0 N500	AR	AR	AR	
21	502853	WASHER LO SPT 6.1x11.8x1.6 N500	AR	AR	AR	
22	502638	WASHER FL .312x.734x.065 N500	AR	AR	AR	
23	502848	SCREW TC CAP HEXF 1/4-20x3/4 N500	AR	AR	AR	
30	287643	TUBE PROTECTOR LOWER RADIATOR 1463MM	1	1	1	
31	288123	POST PANTOGRAPH DOOR ASSY(WELDED To J-0112	1	1	1	
31	2801074	POST PANTOGRAPH DOOR ASSY(WELDED From J-0113	1	1	1	
35	502804	SCREW CAP HEX M10-1.5x25 G8.8 N500	7	7	7	
36	5001737	WASHER LO SPT 10.2x18.1x2.2 N500	7	7	7	
37	5001751	WASHER FL 10.5x26.0x2.0 N500	5	5	5	

From 7-0671 To B-1834

Date:10/2022

PAGE:H7-0520-00

## FAN DRIVE - INSTALLATION

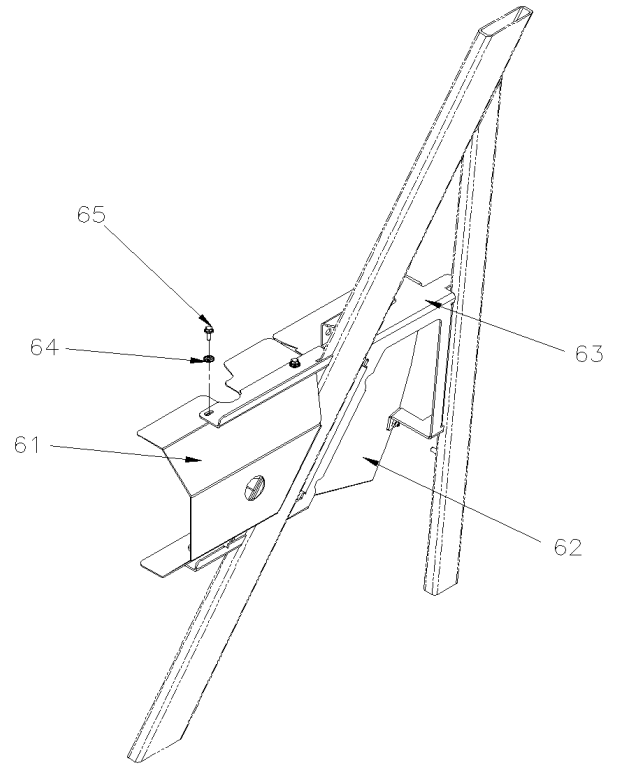
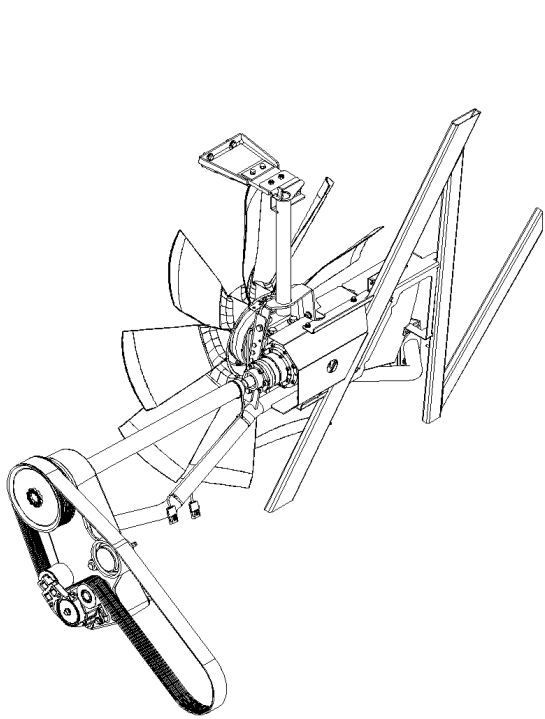


From 7-0671 To B-1834

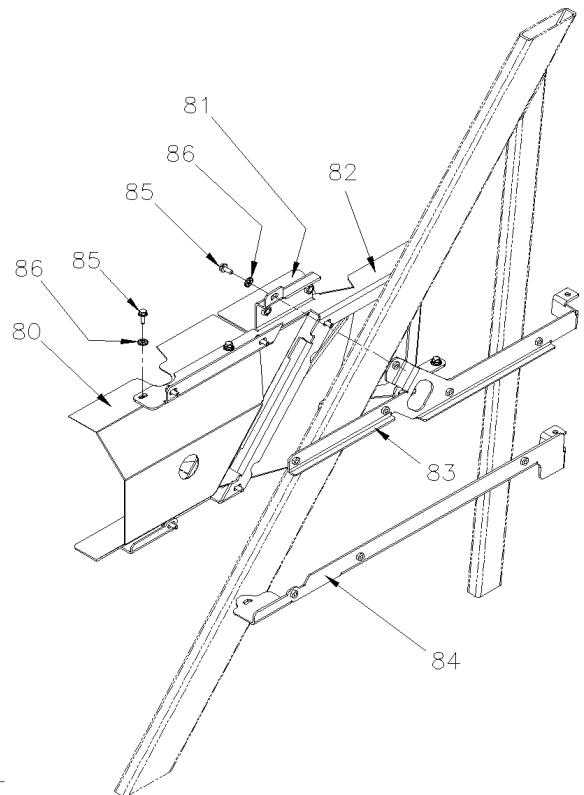
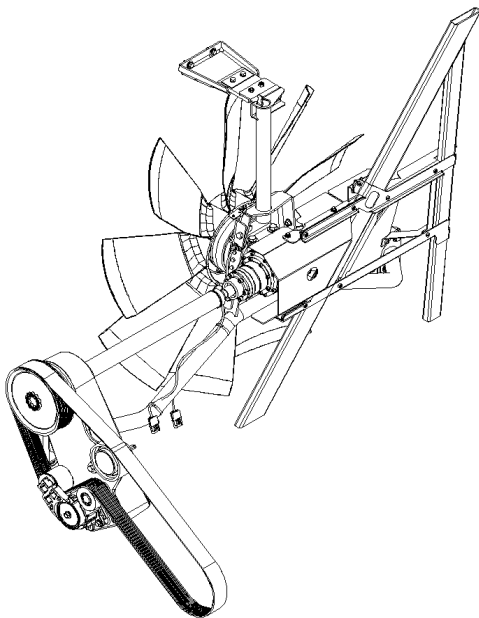
Date:10/2022

PAGE:H7-0520-00

## FAN DRIVE - INSTALLATION



FROM A-1608



RETROFIT

<b>From 7-0671 To B-1834</b>	<b>Date:10/2022</b>	<b>PAGE:H7-0520-00</b>
<b>FAN DRIVE - INSTALLATION</b>		

Item#	Part	Description	H 3 4 1	H 3 4 5	V I P 4 5	N O T E S
1	052740	TRIPOD SUPPORT LONG To 8-1123	1	1	1	
1	052893	TRIPOD SUPPORT LONG From 8-1124 To A-1720	1	1	1	
1	052938	TRIPOD SUPPORT LONG From B-1721	1	1	1	C
2	052728	SUPPORT UPPER TRIPOD	1	1	1	
NS	502851	NUT HEX M8-1.25 N500	2	2	2	A
3	052473	PLATE / UPPER RADIATOR 40MM X 90MM	2	2	2	
4	052730	ANGLE OFFSET RETAINER / UPPER RADIATOR To 8-1123	1	1	1	
NS	502851	NUT HEX M8-1.25 N500	2	2	2	A
4	052903	ANGLE OFFSET RETAINER / UPPER RADIATOR From 8-1124	1	1	1	
5	052441	RUBBER PAD 100MM X 123MM To 9-1393	1	1	1	
5	21185073	RUBBER PAD 100MM X 123MM From 9-1394	1	1	1	
6	052736	SUPPORT LOWER TRIPOD / BACKWARD	1	1	1	
7	052737	SUPPORT LOWER TRIPOD / FORWARD	1	1	1	
8	052735	ANGLE CLOSING BACKWARD SUPPORT TRIPOD	1	1	1	
8	052754	ANGLE CLOSING BACKWARD SUPPORT TRIPOD	1	1	1	
9	052734	ANGLE RETAINER UPPER 90° GEARBOX To 8-1123	1	1	1	
NS	052762	ANGLE RETAINER LOWER 90° GEARBOX To 8-1123	1	1	1	
9	052884	ANGLE RETAINER UP & LOWER 90° GEARBOX From 8-1124	2	2	2	
11	052840	PLATE ATTACHMENT W/2 NUTS M8-1.25	2	2	2	
12	550908	FAN ASSY / CCW 38" / 9 BLADES PLASTIC	1	1	1	
20	052764	RUBBER BUSHING To 9-1393	2	2	2	
20	21183424	RUBBER BUSHING From 9-1394	2	2	2	
21	052765	WASHER FL 12.5MMx52MMx3MM	2	2	2	
22	5001861	SCREW CAP HEX M12-1.75x60 G10.9 N500	2	2	2	
23	971084	NUT HEX STO M12-1.75 ZG603	2	2	2	
30	955297	SCREW CAP HEX M8-1.25x25 G8.8 ZG603	8	8	8	
31	500332	WASHER FL .328x.875x.062 N500	12	12	12	
32	500942	WASHER LO SPT 8.1x14.8x2.0 N500	18	18	18	
33	940142	SCREW CAP HEX M8-1.25x30 G8.8 ZG603	4	4	4	
34	502862	SCREW CAP HEX M8-1.25x20 G8.8 N500	6	6	6	
35	502804	SCREW CAP HEX M10-1.5x25 G8.8 N500	2	2	2	
36	502616	WASHER LO SPT 10.2x18.1x2.2 SS	2	2	2	
37	502705	SCREW CAP HEX M12-1.75x25 G8.8 N500	4	4	4	
38	500747	WASHER LO SPT 12.2x21.1x2.5 N500	8	8	8	
39	500211	WASHER FL .531x1.250x.125 N500	8	8	8	
40	5001645	SCREW CAP HEX M12-1.5x25 G8.8 N500	4	4	4	
41	5001181	SCREW CAP HEX M6-1.0x12 SS	4	4	4	
NS	680038	THREAD LOCKER LOCTITE #243 / BLUE / 50ml	AR	AR	AR	
50	<b>H7-0540-00</b>	<b>FAN CLUTCH &amp; ANGLE DRIVE ASSY C.C.W</b>				
51	550946	CHECK VALVE	1	1	1	
52	550947	GASKET CHECK VALVE	1	1	1	
53	550909	DRIVE SHAFT 740MM To A-1720	1	1	1	

From 7-0671 To B-1834	Date:10/2022	PAGE:H7-0520-00
<b>FAN DRIVE - INSTALLATION</b>		

Item#	Part	Description	H 3 4 1	H 3 4 5	V I P 4 5	N O T E S
. NS	550930	. PLATE REINFORCMENT HALF CIRCLE To A-1720	6	6	6	
. NS	502743	. SCREW CAP HEXS M8-1.25x40 G8.8 To A-1720	12	12	12	
53	557068	DRIVE SHAFT 740MM SERVICE ONLY To A-1720	1	1	1	
. NS	550930	. PLATE REINFORCMENT HALF CIRCLE To A-1720	6	6	6	
. NS	502743	. SCREW CAP HEXS M8-1.25x40 G8.8 To A-1720	12	12	12	
53	550979	DRIVE SHAFT 740MM ALTERNATIVE PART To A-1720	1	1	1	
. NS	5000356	. SCREW CAP HEXS LOW HEAD M8-1.25x40 G8.8 YZP To A-1720	12	12	12	
53	557058	DRIVE SHAFT 821MM From B-1721	1	1	1	
. NS	550930	. PLATE REINFORCMENT HALF CIRCLE From B-1721	6	6	6	
. NS	502743	. SCREW CAP HEXS M8-1.25x40 G8.8 From B-1721	12	12	12	
53	557070	DRIVE SHAFT 821MM From B-1721	1	1	1	
. NS	550930	. PLATE REINFORCMENT HALF CIRCLE From B-1721	6	6	6	
. NS	502743	. SCREW CAP HEXS M8-1.25x40 G8.8 From B-1721	12	12	12	
53	550988	DRIVE SHAFT 821MM ALTERNATIVE PART From B-1721	1	1	1	
. NS	5000356	. SCREW CAP HEXS LOW HEAD M8-1.25x40 G8.8 YZP From B-1721	12	12	12	
54	502743	SCREW CAP HEXS M8-1.25x40 G8.8	12	12	12	B
55	550930	PLATE REINFORCMENT HALF CIRCLE	6	6	6	B
56	940142	SCREW CAP HEX M8-1.25x30 G8.8 ZG603	6	6	6	
57	5001161	WASHER LO SPT 8.1x14.8x2.0 SS-304	6	6	6	
60	<b>H7-0120-00</b>	<b>DRIVE PULLEY, BELTS &amp; TENSIONER WITH DETROIT S-60</b>				
61	052991	AIR DEFLECTOR FOWARD From A-1608	1	1	1	
62	052990	AIR DEFLECTOR BACKWARD From A-1608	1	1	1	
63	174999	SUPPORT AIR DEFLECTOR From A-1608	1	1	1	
64	5001730	SCREW CAP HEXF M6-1.0x16 G10.9 N500 From A-1608	7	7	7	
65	500356	WASHER LO SERR 6.1x16.0x0.9 N500 From A-1608	7	7	7	
79	052800	KIT RETROFIT FAN CLUTCH AIR DEFLECTOR SERIES "H" To A-1607	1	1	1	
80	052996	. AIR DEFLECTOR BACKWARD To A-1607	1	1	1	R
81	052995	. AIR DEFLECTOR FORWARD To A-1607	1	1	1	R
82	175001	. SUPPORT AIR DEFLECTOR To A-1607	1	1	1	R
83	175002	. RETAINER UPPER SUPPORT AIR DEFLECTOR To A-1607	1	1	1	R
84	175003	. RETAINER LOWER SUPPORT AIR DEFLECTOR To A-1607	1	1	1	R
85	5001730	. SCREW CAP HEXF M6-1.0x16 G10.9 N500 To A-1607	16	16	16	R
86	500356	. WASHER LO SERR 6.1x16.0x0.9 N500 To A-1607	16	16	16	R
		A) FOR PRODUCT IMPROVMENT ADD 2 X 502851.				
		B) ONLY USE WITH THE OEM PART				
		C) COOLING EPA 2010				
		R) RETROFIT				

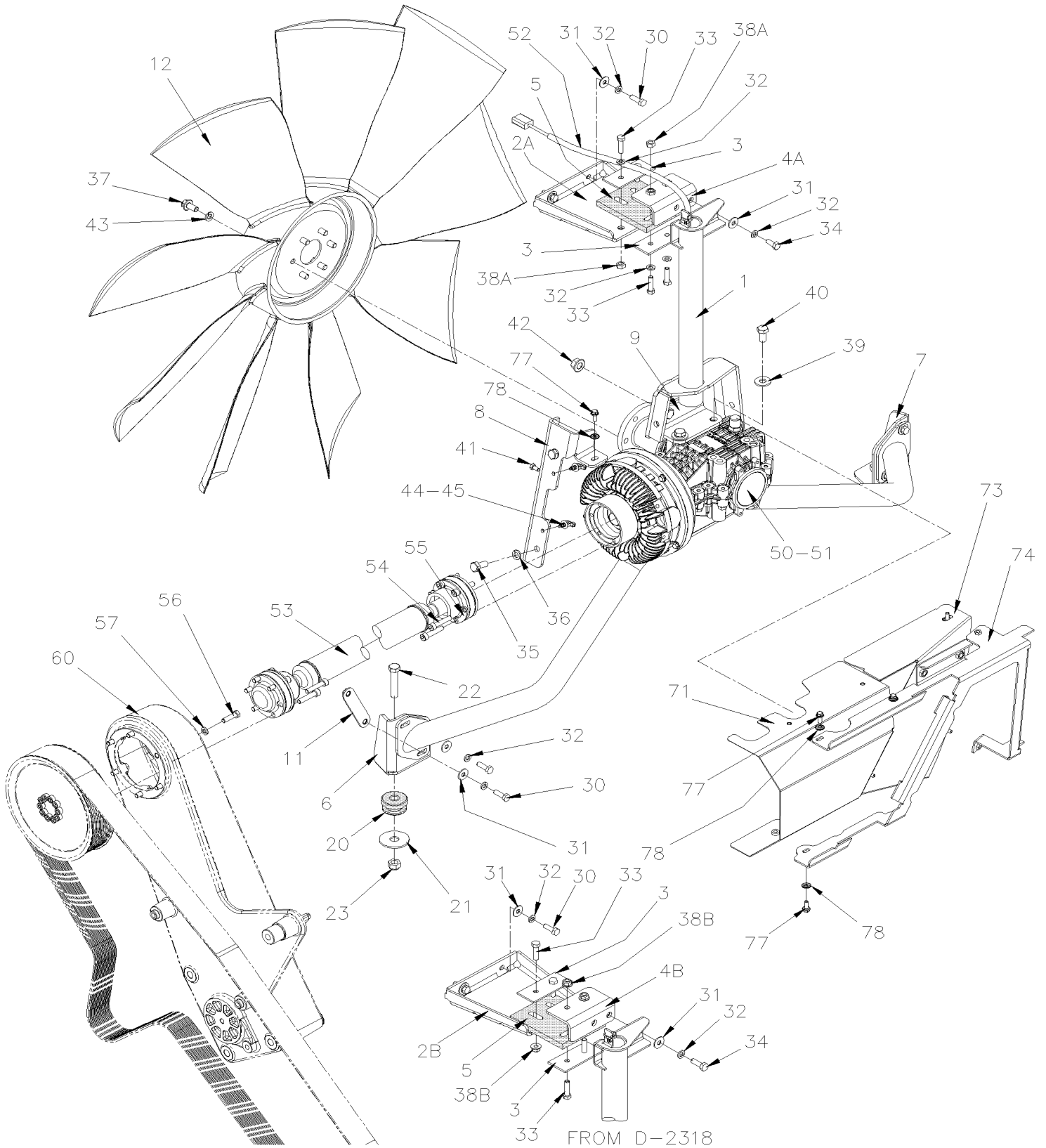


From B-1835 To J-0287

Date:10/2022

PAGE:H7-0520-01

## FAN DRIVE - INSTALLATION



<b>From B-1835 To J-0287</b>	<b>Date:10/2022</b>	<b>PAGE:H7-0520-01</b>
<b>FAN DRIVE - INSTALLATION</b>		

Item#	Part	Description	H 3 4 1	H 3 4 5	V I P 4 5	N O T E S
1	052938	TRIPOD SUPPORT LONG	1	1	1	
2A	052728	SUPPORT UPPER TRIPOD To D-2317	1	1	1	
2B	053024	SUPPORT UPPER TRIPOD From D-2318	1	1	1	
3	052473	PLATE / UPPER RADIATOR 40MM X 90MM	2	2	2	
4A	052903	ANGLE OFFSET RETAINER / UPPER RADIATOR To D-2317	1	1	1	
4B	053025	SUPPORT UPPER TRIPOD From D-2318	1	1	1	
5	21185073	RUBBER PAD 100MM X 123MM	1	1	1	
6	052901	SUPPORT LOWER TRIPOD / BACKWARD	1	1	1	
7	052905	SUPPORT LOWER TRIPOD / FORWARD	1	1	1	
8	052754	ANGLE CLOSING BACKWARD SUPPORT TRIPOD To D-2152	1	1	1	
8	053637	ANGLE CLOSING BACKWARD SUPPORT TRIPOD From D-2153	1	1	1	
9	052306	ANGLE RETAINER UP 90° GEARBOX	2	2	2	
11	052840	PLATE ATTACHMENT W/2 NUTS M8-1.25	2	2	2	
12	557064	FAN ASSY / CW 38" / 9 BLADES PLASTIC	1	1	1	
20	21183424	RUBBER BUSHING	2	2	2	
21	052765	WASHER FL 12.5MMx52MMx3MM	2	2	2	
22	5001861	SCREW CAP HEX M12-1.75x60 G10.9 N500	2	2	2	
23	5001759	NUT HEX STO M12-1.75 N500	2	2	2	
30	5001745	SCREW CAP HEX M8-1.25x25 G8.8 N500	6	6	6	
31	500332	WASHER FL .328x.875x.062 N500	8	8	8	
32	500942	WASHER LO SPT 8.1x14.8x2.0 N500 To D-2317	12	12	12	
32	500942	WASHER LO SPT 8.1x14.8x2.0 N500 From D-2318	8	8	8	
33	5001738	SCREW CAP HEX M8-1.25x30 G8.8 N500	4	4	4	
34	502862	SCREW CAP HEX M8-1.25x20 G8.8 N500	6	6	6	
35	502804	SCREW CAP HEX M10-1.5x25 G8.8 N500	2	2	2	
36	502616	WASHER LO SPT 10.2x18.1x2.2 SS	2	2	2	
37	5001307	SCREW CAP HEXF M10-1.5x20 8.8 N500	4	4	4	
38A	502851	NUT HEX M8-1.25 N500 To D-2317	4	4	4	A
38B	502837	NUT HEXF STO M8-1.25 N500	4	4	4	
39	500967	WASHER BEL SPR .512x1.142x.098 N500	8	8	8	
40	5001222	SCREW CAP HEX M12-1.5x30 G10.9 N500	4	4	4	
41	5001181	SCREW CAP HEX M6-1.0x12 SS	4	4	4	
41	680038	THREAD LOCKER LOCTITE #243 / BLUE / 50ml	AR	AR	AR	
42	5001774	NUT HEXF STO M12-1.75 MAGNI G500	4	4	4	
43	5001834	WASHER BEL SPR 10.5X23X2.5 N500	6	6	6	
44	509815	TIE MOUNT / ATTACHMENT W/TREE MOUNT	AR	AR	AR	
45	504637	CABLE TIE / 3/16" x 13"	AR	AR	AR	
50	<b>H7-0540-01</b>	<b>FAN CLUTCH &amp; ANGLE DRIVE ASSY C.W.</b>				
51	550813	CHECK VALVE To G-3055	1	1	1	
52	068185	CABLE ADAPTOR FAN CLUTCH / WITH 4 CONTACTS	1	1	1	
53	557063	DRIVE SHAFT 690MM To F-2961	1	1	1	

<b>From B-1835 To J-0287</b>	<b>Date:10/2022</b>	<b>PAGE:H7-0520-01</b>
<b>FAN DRIVE - INSTALLATION</b>		

Item#	Part	Description	H 3 4 1	H 3 4 5	V I P 4 5	N O T E S
53	557073	DRIVE SHAFT 690MM From F-2962	1	1	1	
. NS	550930	. PLATE REINFORCMENT HALF CIRCLE From F-2962	6	6	6	
. NS	502743	. SCREW CAP HEXS M8-1.25x40 G8.8 From F-2962	12	12	12	
53	550991	DRIVE SHAFT 690MM ALTERNATIVE PART	1	1	1	
54	502743	SCREW CAP HEXS M8-1.25x40 G8.8	12	12	12	B
55	550930	PLATE REINFORCMENT HALF CIRCLE	6	6	6	B
56	5001738	SCREW CAP HEX M8-1.25x30 G8.8 N500	6	6	6	
57	5001161	WASHER LO SPT 8.1x14.8x2.0 SS-304 To F-2711	6	6	6	
57	500321	WASHER BEL SPR .331x.827x.098 N500 From F-2712	6	6	6	
60	<b>H7-0120-02</b>	<b>DRIVE PULLEY, BELTS &amp; TENSIONER WITH VOLVO D13 &amp; 2x120Amps</b>				
71	053564	AIR DEFLECTOR FOWARD To D-2152	1	1	1	
71	053636	AIR DEFLECTOR FOWARD From D-2153	1	1	1	
73	052990	AIR DEFLECTOR BACKWARD	1	1	1	
74	174999	SUPPORT AIR DEFLECTOR	1	1	1	
77	5001730	SCREW CAP HEXF M6-1.0x16 G10.9 N500	7	7	7	
78	500356	WASHER LO SERR 6.1x16.0x0.9 N500	7	7	7	
		PRELIMINARY VEHICLE B-1724 / B-1735 / B-1789				
		A) FOR PRODUCT IMPROVMENT ADD 4 X 502851				
		B) ONLY USE WITH THE OEM PART				

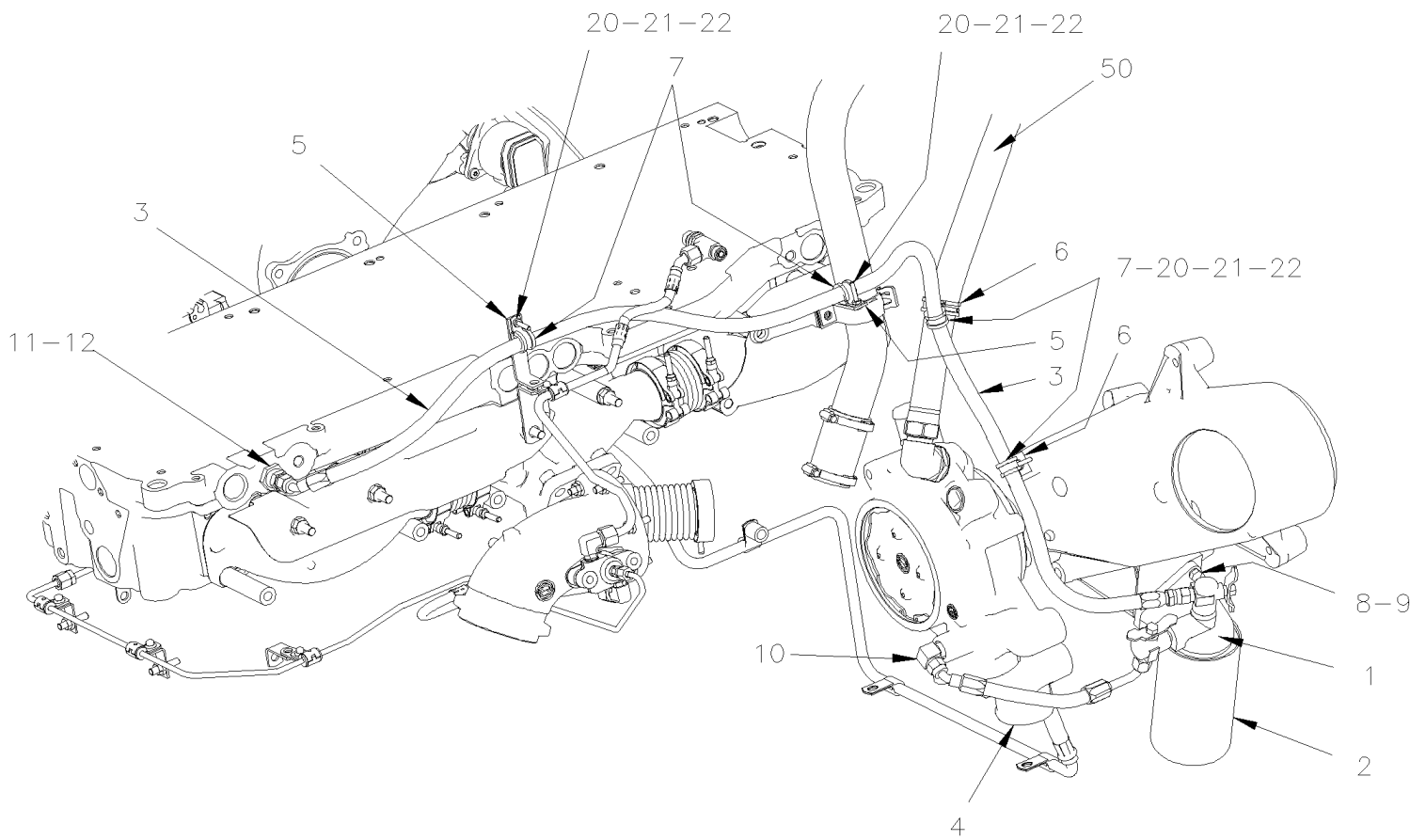


From 7-0671 To A-1720

Date:10/2022

PAGE:H7-0530-00

## COOLANT FILTER - INSTALLATION WITH DETROIT S-60



From 7-0671 To A-1720	Date:10/2022	PAGE:H7-0530-00
<b>COOLANT FILTER - INSTALLATION WITH DETROIT S-60</b>		

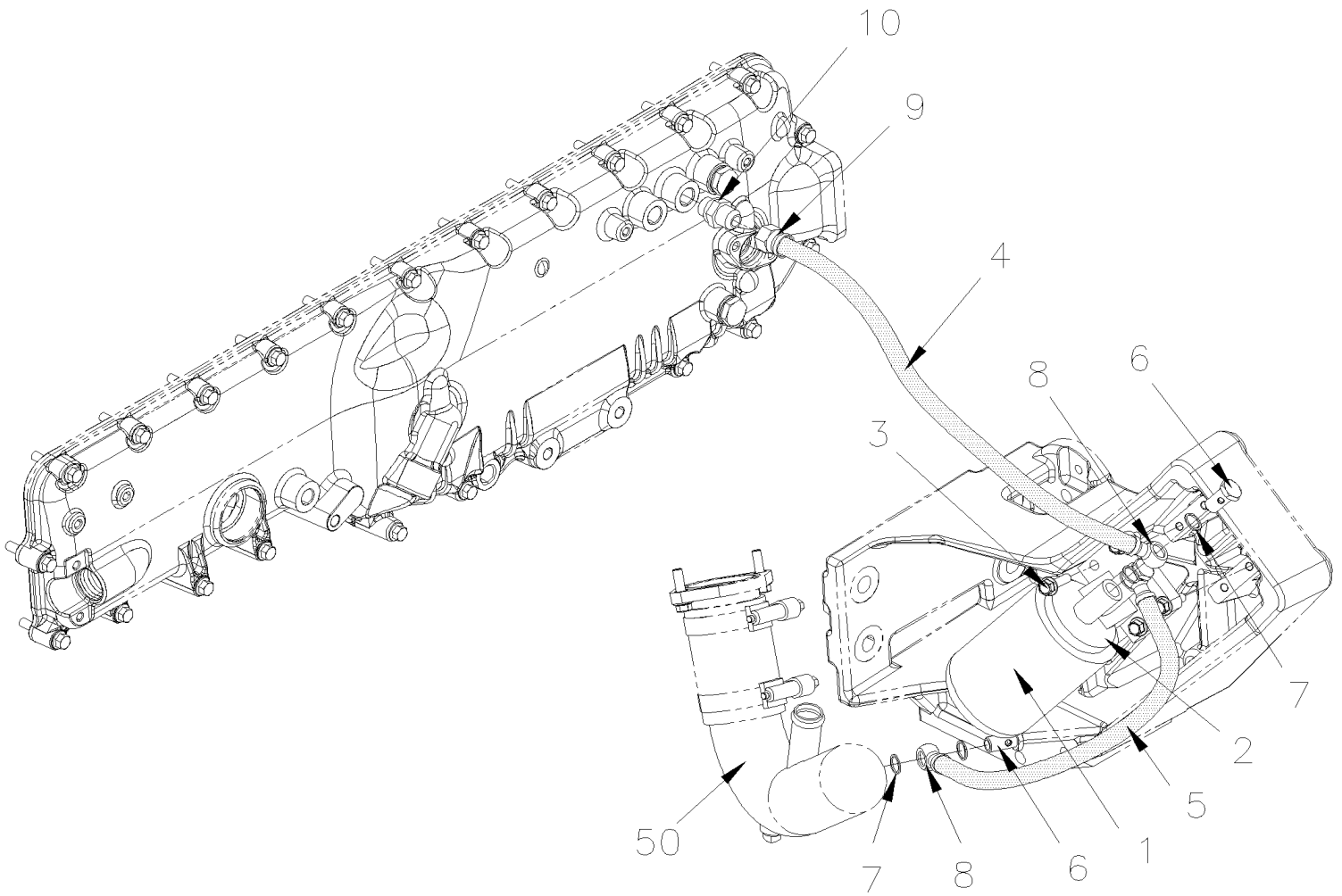
Item#	Part	Description	H 3 4 1	H 3 4 5	V I P 4 5	N O T E S
1	550874	ADAPTOR HEAD, COOLANT FILTER	1	1	1	
1	550061	VALVE	2	2	2	
2	550630	CARTRIGE "MAINTENANCE" "NALCOOL" 3000	1	1	1	
3	052759	HOSE ASSY / #6 1560MM	1	1	1	
4	052760	HOSE ASSY / #6 215MM	1	1	1	
5	070368	SUPPORT	2	2	2	
6	061025	SUPPORT	1	1	1	
7	952629	CLAMP / 5/8" I.D.	4	4	4	
8	955297	SCREW CAP HEX M8-1.25x25 G8.8 ZG603	3	3	3	
9	502889	WASHER LO SPT 8.1x12.7x2.0 N500	3	3	3	
10	501042	MALE ELBOW 90° / SAE 45° FITTING / #6FL-Mx3/8NPT-M BR	1	1	1	
11	501618	MALE CONNECTOR / SAE 45° FITTING / #6FL-Mx1/2NPT-M BR	1	1	1	
12	501462	BUSHING REDUCER / PIPE FITTING / 3/4NTP-Mx1/2NPT-F BR	1	1	1	
20	500574	SCREW MA TR PH #10-24x1 1/4 SS	AR	AR	AR	
21	500914	WASHER LO SPT .193x.334x.047 N500	AR	AR	AR	
22	502882	NUT HEX #10-24 N500	AR	AR	AR	
50	<b>H7-0510-00</b>	<b>SURGE TANK</b>				

From 8-1202 To A-1720

Date:10/2022

PAGE:H7-0530-01

## COOLANT FILTER - INSTALLATION WITH VOLVO D13



WITH EPA 2007

From 8-1202 To A-1720	Date:10/2022	PAGE:H7-0530-01
<b>COOLANT FILTER - INSTALLATION WITH VOLVO D13</b>		

Item#	Part	Description	H 3 4 1	H 3 4 5	V I P 4 5	N O T E S
1	20458771	CARTRIGE "MAINTENANCE" COOLANT LONG LIFE "WITH D13 ENGINE" To A-1720	1	1		
2	<b>3979836</b>	<b>ADAPTOR HEAD, COOLANT FILTER</b>	1	1		
3	5001742	SCREW CAP HEXF M8-1.25x30 G8.8 N500	4	4		
4	053469	HOSE #6 470MM To A-1720	1	1		A
. NS	503702	. HOSE / (SAFETY STRIPE) / 3/8" I.D. 50' / S.L. To A-1720	AR	AR		A
5	053468	HOSE #6 376MM To A-1720	1	1		A
. NS	503702	. HOSE / (SAFETY STRIPE) / 3/8" I.D. 50' / S.L. To A-1720	AR	AR		A
6	507655	BANJO BOLT / M14-1.5	4	4		
7	507657	BANJO WASHER / M14	8	8		
8	507653	BANJO UNION / 14MMx#6HOSE	4	4		
9	5011260	FEMALE CONNECTOR SWIVEL / PUSH-LOK FITTING / #8FL-Fx#6 BR	1	1		
10	5011192	MALE CONNECTOR / JIC 37° FITTING / #8JIC-Mxm18-1.5-M STL	1	1		
. NS	N.P.N.	. O-RING	1	1		4
. NS	N.P.N.	. WASHER RET	1	1		4
50	<b>H7-0500-01</b>	<b>COOLANT PIPING WITH VOLVO D13</b>				
51	<b>H7-0405-01</b>	<b>MUFFLER - INSTALLATION WITH DPF FILTER WITH VOLVO D13</b>				
		A) THIS HOSE DO NOT INCLUDE THE FITTING				
		4) NO PARTS NUMBER				

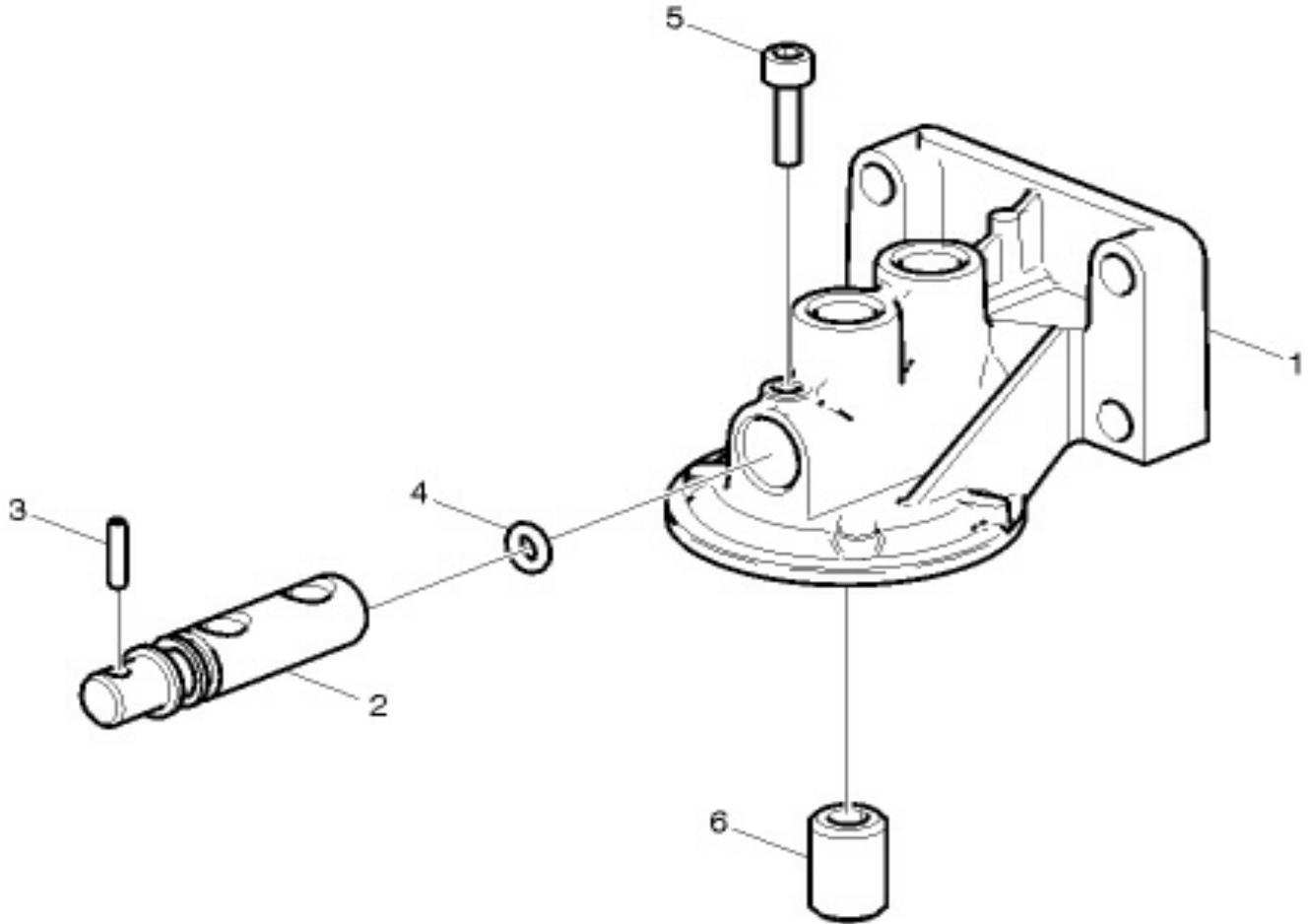


From 8-1202 To A-1720

Date:10/2022

PAGE:3979836

**ADAPTOR HEAD, COOLANT FILTER**



From 8-1202 To A-1720	Date:10/2022	PAGE:3979836
<b>ADAPTOR HEAD, COOLANT FILTER</b>		

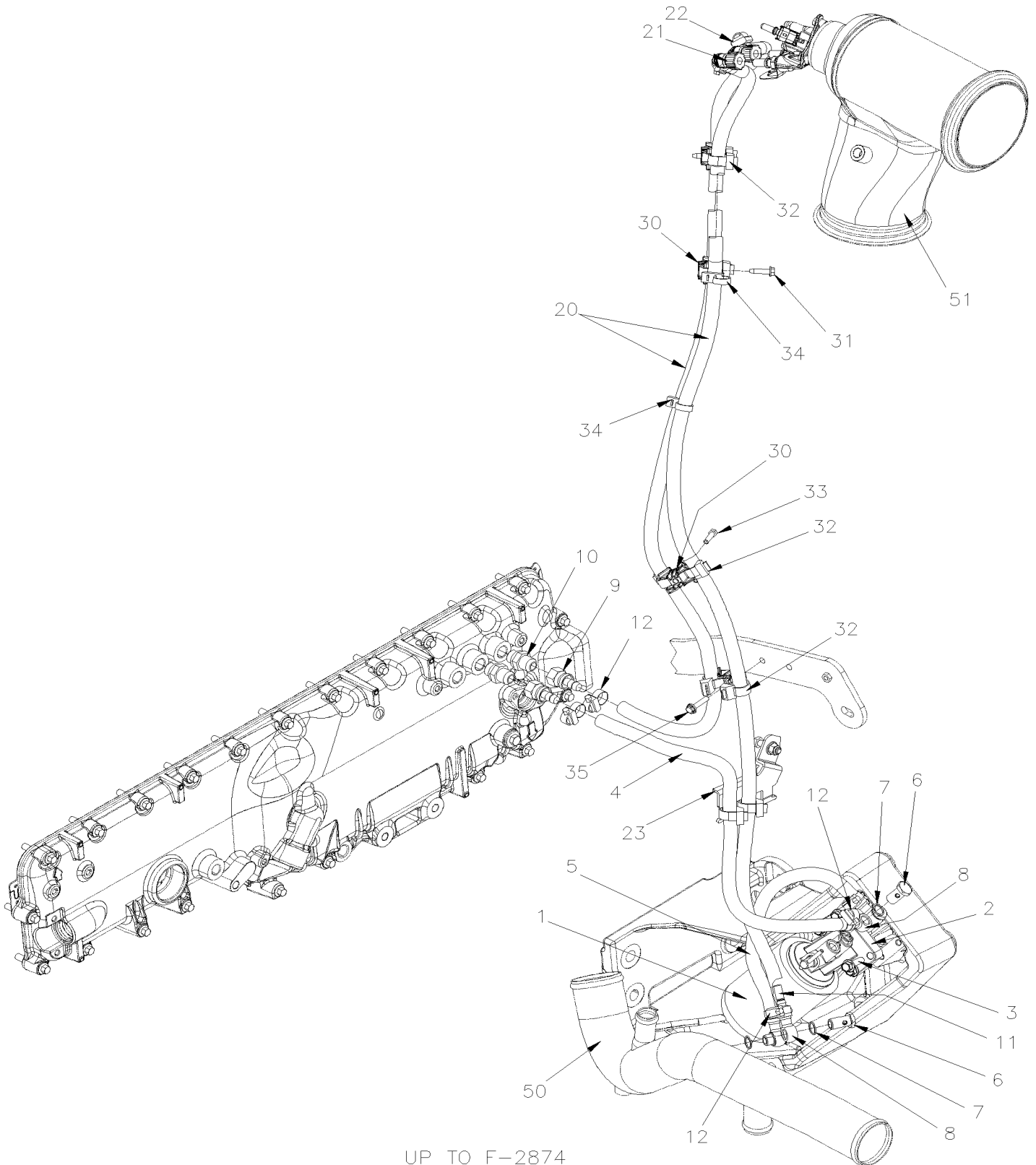
Item#	Part	Description	H 3 4 1	H 3 4 5	V I P 4 5	N O T E S
1	1661683	HOUSING	1	1	1	
2	1661686	SPINDLE	1	1	1	
3	951972	SPRING PIN	1	1	1	
4	968725	O-RING 11.3X2.4	1	1	1	
5	963692	HEX. SOCKET SCREW	1	1	1	
6	1676554	NIPPLE COOLANT FILTER	1	1	1	

From B-1721 To J-0287

Date:10/2022

PAGE:H7-0530-02

## COOLANT FILTER - INSTALLATION WITH VOLVO D13

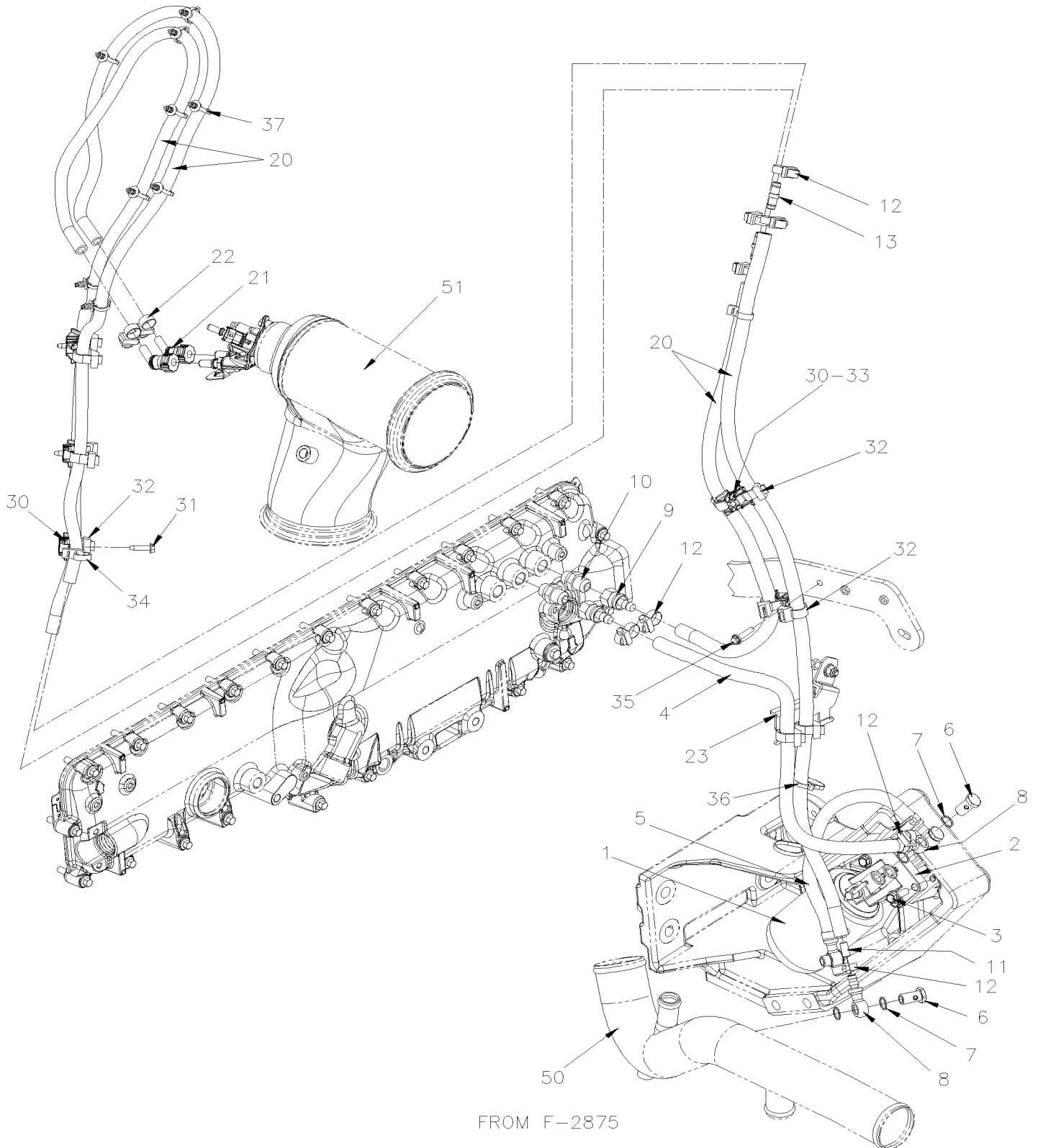


From B-1721 To J-0287

Date:10/2022

PAGE:H7-0530-02

## COOLANT FILTER - INSTALLATION WITH VOLVO D13



<b>From B-1721 To J-0287</b>	<b>Date:10/2022</b>	<b>PAGE:H7-0530-02</b>
<b>COOLANT FILTER - INSTALLATION WITH VOLVO D13</b>		

Item#	Part	Description	H 3 4 1	H 3 4 5	V I P 4 5	N O T E S
1	21388479	CARTRIGE "MAINTENANCE" COOLANT LONG LIFE "WITH D13 ENGINE" To D-2303	1	1	1	C
1	21937327	CARTRIGE "MAINTENANCE" COOLANT LONG LIFE "WITH D13 ENGINE" From D-2304	1	1	1	C
2	<b>3979836</b>	<b>ADAPTOR HEAD, COOLANT FILTER</b>	1	1	1	
3	5001742	SCREW CAP HEXF M8-1.25x30 G8.8 N500	4	4	4	
4	503702	HOSE / (SAFETY STRIPE) / 3/8" I.D. 50' / S.L. To F-2711	AR	AR	AR	
4	503821	HOSE SILICONE 4 PLY / NOMEX-ARAMID 3/8" x 144" From F-2712	AR	AR	AR	
5	503702	HOSE / (SAFETY STRIPE) / 3/8" I.D. 50' / S.L. To F-2711	AR	AR	AR	
5	503821	HOSE SILICONE 4 PLY / NOMEX-ARAMID 3/8" x 144" From F-2712	AR	AR	AR	
6	507655	BANJO BOLT / M14-1.5	4	4	4	
7	507657	BANJO WASHER / M14	8	8	8	
8	507653	BANJO UNION / 14MMx#6HOSE	4	4	4	
9	5011260	FEMALE CONNECTOR SWIVEL / PUSH-LOK FITTING / #8FL-Fx#6 BR	1	1	1	
10	5011192	MALE CONNECTOR / JIC 37° FITTING / #8JIC-MxM18-1.5-M STL	1	1	1	
. NS	N.P.N.	. O-RING	1	1	1	4
. NS	N.P.N.	. WASHER RET	1	1	1	4
11	053008	RESTRICTION / ALU. TUBE 20MM X 9.05MM O.D. W/3.05MM HOLE	1	1	1	
12	992081	HOSE CLAMP / 12MM/22MM To F-2874	6	6	6	
12	992081	HOSE CLAMP / 12MM/22MM From F-2875	10	10	10	
13	5011340	UNION / MINI BARB FITTING / #8x#8 BR From F-2875	2	2	2	
20	503702	HOSE / (SAFETY STRIPE) / 3/8" I.D. 50' / S.L. To F-2933	AR	AR	AR	
20	503821	HOSE SILICONE 4 PLY / NOMEX-ARAMID 3/8" x 144" To F-2933	AR	AR	AR	O
20	503821	HOSE SILICONE 4 PLY / NOMEX-ARAMID 3/8" x 144" From F-2934	AR	AR	AR	
21	20805110	QUICK CONNECTOR 90° 10MM To F-2874	2	2	2	
21	21312072	QUICK CONNECTOR 45° 10MM From F-2875	2	2	2	
22	992081	HOSE CLAMP / 12MM/22MM	2	2	2	
23	053006	SUPPORT HOSE	1	1	1	
NS	5001742	SCREW CAP HEXF M8-1.25x30 G8.8 N500	1	1	1	
NS	502837	NUT HEXF STO M8-1.25 N500	1	1	1	
30	509490	ATTACHMENT DOUBLE USE WITH CABLE TIE	5	5	5	
31	500266	SCREW TC CAP HEX 1/4-20x1 N500	3	3	3	
32	509491	CABLE TIE / 13MM x 383MM	AR	AR	AR	
33	502737	SCREW CAP HEX M6-1.0x25 SS BK	1	1	1	
34	504768	CABLE TIE / 3/16" 14.7" / DOUBLE LOOP HEAD	AR	AR	AR	
35	5001815	SCREW CAP HEXF M6-1.0x30 G 8.8 N500	1	1	1	
36	507664	CABLE TIE / 3/16" 11" / DOUBLE LOOP HEAD	AR	AR	AR	
37	509815	TIE MOUNT / ATTACHMENT W/TREE MOUNT From F-2875	AR	AR	AR	
37	504637	CABLE TIE / 3/16" x 13" From F-2875	AR	AR	AR	
NS	<b>041141</b>	<b>KIT, HOSES INSTALLATION</b>	1	1	1	
50	<b>H7-0500-01</b>	<b>COOLANT PIPING WITH VOLVO D13</b>				
51	<b>H7-0405-02</b>	<b>MUFFLER - INSTALLATION WITH DPF &amp; SCR WITH VOLVO D13 WITH "EPA 2010"</b>				

From B-1721 To J-0287	Date:10/2022	PAGE:H7-0530-02
<b>COOLANT FILTER - INSTALLATION WITH VOLVO D13</b>		

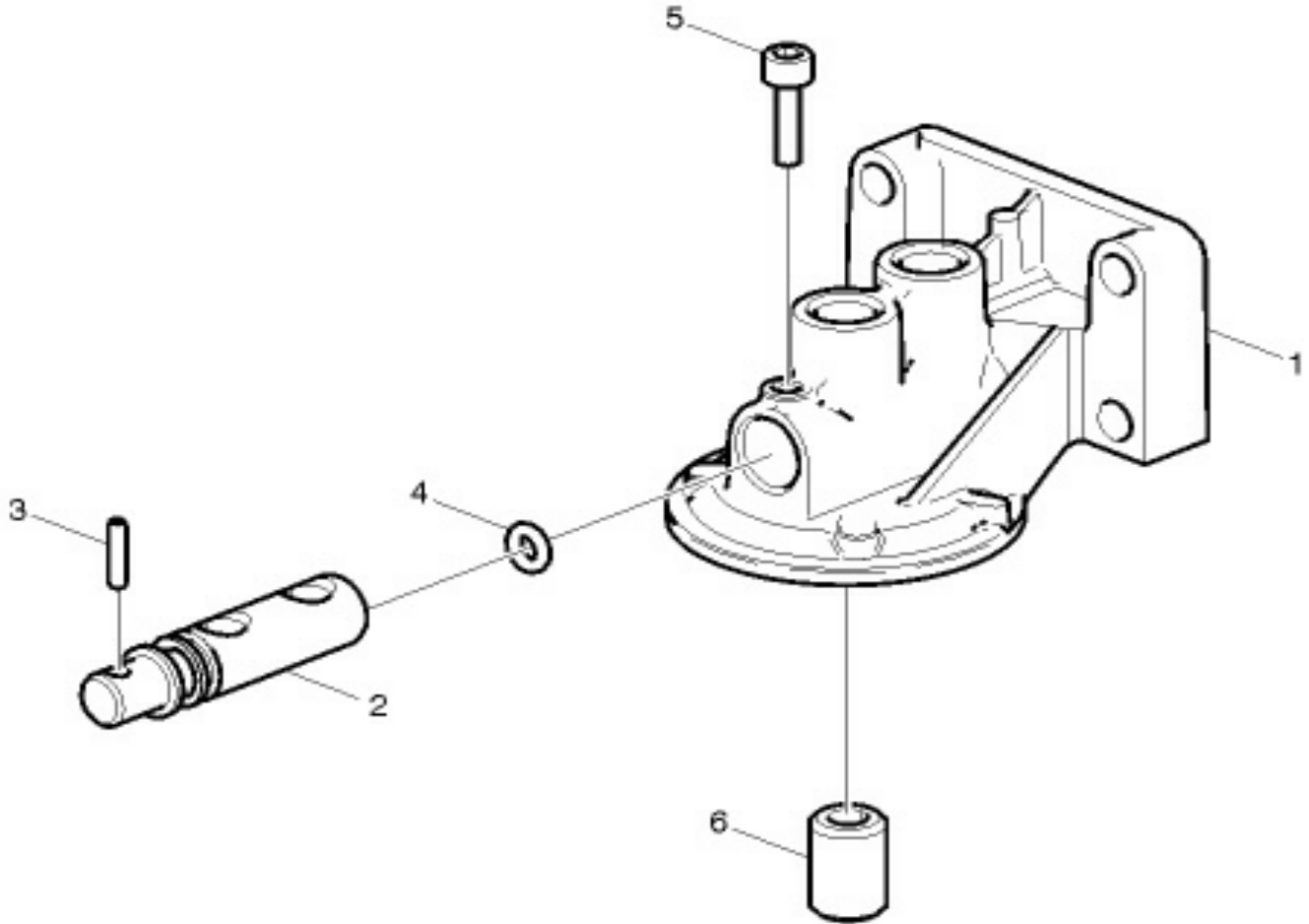
Item#	Part	Description	H 3 4 1	H 3 4 5	V I P 4 5	N O T E S
		C) COOLING EPA 2010				
		O) OPTION				
		4) NO PARTS NUMBER				

From B-1721 To J-0287

Date:10/2022

PAGE:3979836

**ADAPTOR HEAD, COOLANT FILTER**



From B-1721 To J-0287	Date:10/2022	PAGE:3979836
<b>ADAPTOR HEAD, COOLANT FILTER</b>		

Item#	Part	Description	H 3 4 1	H 3 4 5	V I P 4 5	N O T E S
1	1661683	HOUSING	1	1	1	
2	1661686	SPINDLE	1	1	1	
3	951972	SPRING PIN	1	1	1	
4	968725	O-RING 11.3X2.4	1	1	1	
5	963692	HEX. SOCKET SCREW	1	1	1	
6	1676554	NIPPLE COOLANT FILTER	1	1	1	

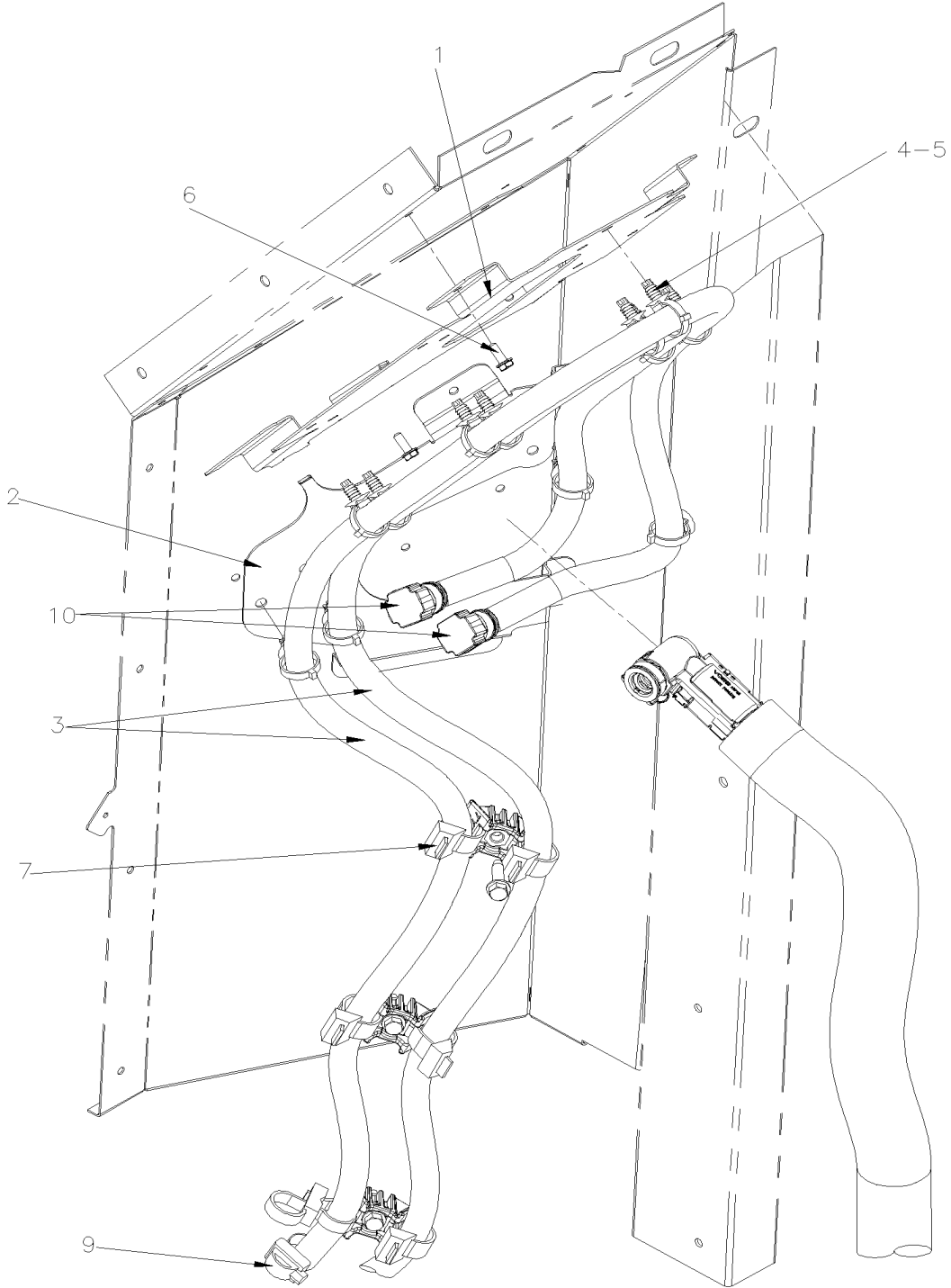


From B-1721 To J-0287

Date:10/2022

PAGE:041141

**KIT, HOSES INSTALLATION**



From B-1721 To J-0287	Date:10/2022	PAGE:041141
<b>KIT, HOSES INSTALLATION</b>		

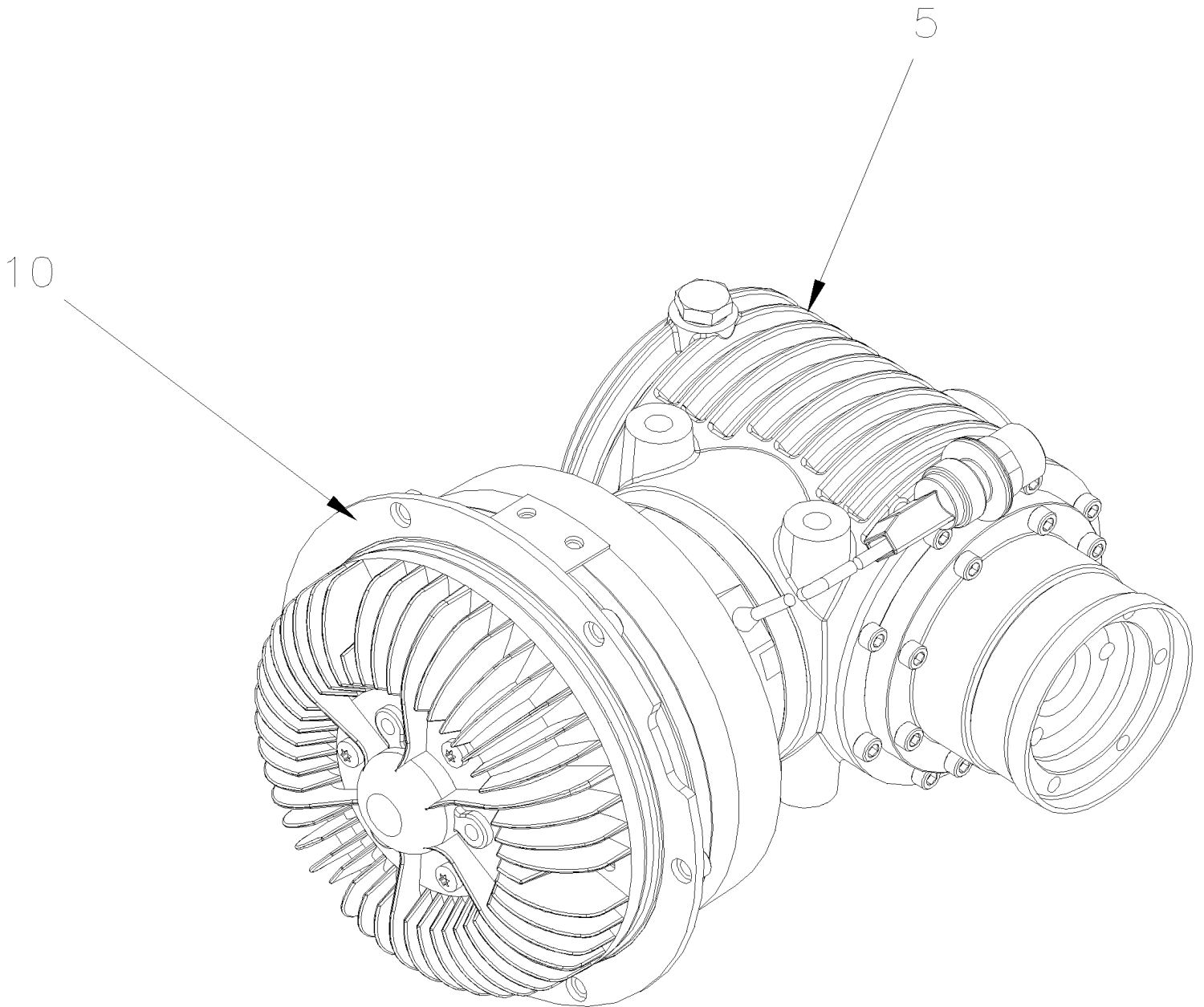
Item#	Part	Description	H 3 4 1	H 3 4 5	V I P 4 5	N O T E S
1	041128	BRACKET	1	1	1	
2	041129	BRACKET	1	1	1	
3	503821	HOSE SILICONE 4 PLY / NOMEX-ARAMID 3/8" x 144"	AR	AR	AR	
4	504637	CABLE TIE / 3/16" x 13"	10	10	10	
5	509815	TIE MOUNT / ATTACHMENT W/TREE MOUNT	11	11	11	
6	5001017	SCREW TC CAP HEXW #10-24x1/2 Z050	9	9	9	
7	509491	CABLE TIE / 13MM x 383MM	2	2	2	
9	992081	HOSE CLAMP / 12MM/22MM	6	6	6	
10	20805109	QUICK CONECTOR 10MM	2	2	2	
NS	5011340	UNION / MINI BARB FITTING / #8x#8 BR	2	2	2	
NS	507664	CABLE TIE / 3/16" 11" / DOUBLE LOOP HEAD	3	3	3	

From 7-0671 To B-1834

Date:10/2022

PAGE:H7-0540-00

**FAN CLUTCH & ANGLE DRIVE ASSY C.C.W**



From 7-0671 To B-1834	Date:10/2022	PAGE:H7-0540-00
<b>FAN CLUTCH &amp; ANGLE DRIVE ASSY C.C.W</b>		

Item#	Part	Description	H 3 4 1	H 3 4 5	V I P 4 5	N O T E S
	550911	GEARBOX ASSY WITH FAN CLUTCH To A-1589	1	1	1	
. NS	MI10-24	. SEE MAINTENANCE INFORMATION To A-1589	1	1	1	
	550958	GEARBOX ASSY WITH FAN CLUTCH From A-1590 To A-1654	1	1	1	
. NS	MI10-24	. SEE MAINTENANCE INFORMATION From A-1590 To A-1654	1	1	1	
	550962	GEARBOX ASSY WITH FAN CLUTCH From A-1655	1	1	1	
. NS	MI10-24	. SEE MAINTENANCE INFORMATION From A-1655	1	1	1	
	<b>550974</b>	<b>GEARBOX ASSY WITH FAN CLUTCH ALTERNATIVE PART</b>	1	1	1	A
. NS	551003	. BREATHER W/ OIL DIPSTICK	1	1	1	A
. NS	551004	. WASHER, DRAIN PLUG	1	1	1	A
. NS	551005	. PLUG, DRAIN	1	1	1	A
. NS	550062	. LOCKING TABS	1	1	1	A
	069718	HARNESS JUMPER FAN CLUTCH	1	1	1	A
	680719	. OIL SYNTHETIC GEAR BOX TITAN SAE 75W90 W/O-RING WASHER	1	1	1	
	068063	CABLE ADAPTOR FORMER TO CURRENT FAN CLUTCH / WITH 3 CONTACTS To A-1654	1	1	1	
11	068185	CABLE ADAPTOR FAN CLUTCH / WITH 4 CONTACTS From B-1721				
5	N.P.N.	. GEARBOX	1	1	1	4
10	N.P.N.	. FAN CLUTCH	1	1	1	4
		A) USE 069718 WHEN YOU CHANGE THE FAN CLUTCH 550962 FOR A FAN CLUTCH 550974				
		4) NO PARTS NUMBER				

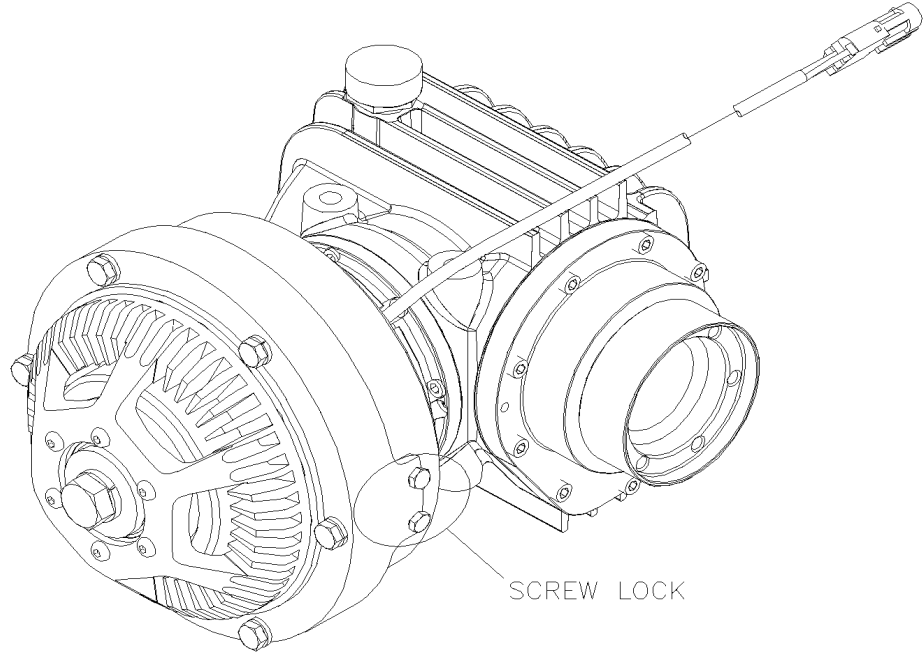
From 7-0671 To B-1834

Date:10/2022

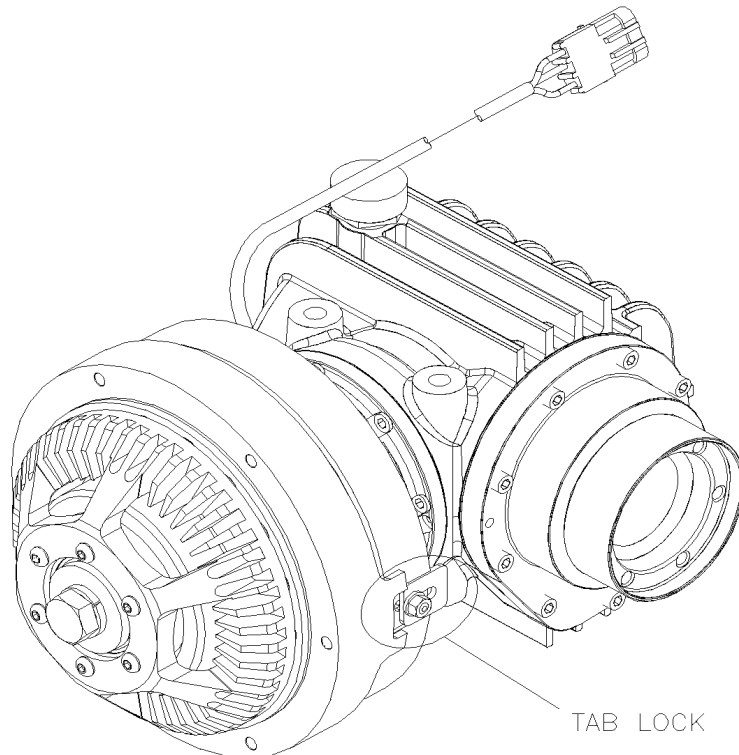
PAGE:550974

**GEARBOX ASSY WITH FAN CLUTCH ALTERNATIVE PART**

FORMER



CURRENT



From 7-0671 To B-1834 Date:10/2022 PAGE:550974

**GEARBOX ASSY WITH FAN CLUTCH ALTERNATIVE PART**

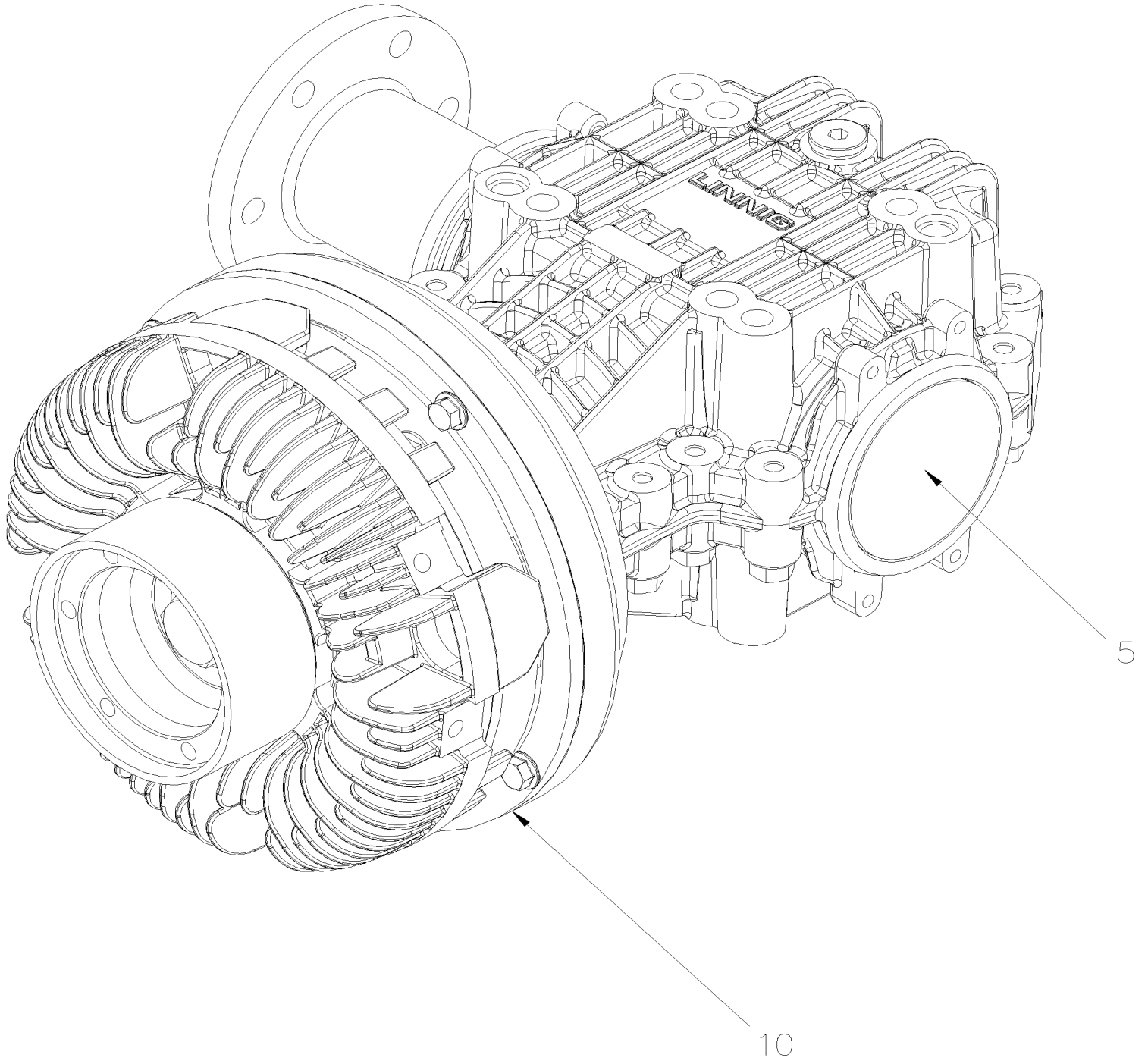
Item#	Part	Description	H 3 4 1	H 3 4 5	V I P 4 5	N O T E S
1		FORMER WITH SCREW LOCK	1	1	1	
2		CURRENT WITH TAB LOCK	1	1	1	

From B-1835 To J-0287

Date:10/2022

PAGE:H7-0540-01

**FAN CLUTCH & ANGLE DRIVE ASSY C.W.**



From B-1835 To J-0287	Date:10/2022	PAGE:H7-0540-01
<b>FAN CLUTCH &amp; ANGLE DRIVE ASSY C.W.</b>		

Item#	Part	Description	H 3 4 1	H 3 4 5	V I P 4 5	N O T E S
	557065	GEARBOX ASSY WITH FAN CLUTCH To E-2426	1	1	1	
. NS	550294	. DRAIN PLUG WITH MAGNET To E-2426	1	1	1	
. NS	550295	. DRAIN PLUG To E-2426	1	1	1	
. NS	5002257	. SEALING CRUSH WASHER 14.0x20.0x1.5 COP To E-2426	1	1	1	
	550987	GEARBOX ASSY WITH FAN CLUTCH From E-2427 To G-3055	1	1	1	
. NS	550294	. DRAIN PLUG WITH MAGNET From E-2427 To G-3055	1	1	1	
. NS	550295	. DRAIN PLUG From E-2427 To G-3055	1	1	1	
. NS	551001	. MAGNET From E-2427 To G-3055	1	1	1	
. NS	5002257	. SEALING CRUSH WASHER 14.0x20.0x1.5 COP From E-2427 To G-3055	1	1	1	
	550130	GEARBOX ASSY WITH FAN CLUTCH From G-3056	1	1	1	
. NS	550294	. DRAIN PLUG WITH MAGNET From G-3056	1	1	1	
. NS	550295	. DRAIN PLUG From G-3056	1	1	1	
. NS	551001	. MAGNET From G-3056	1	1	1	
. NS	5002257	. SEALING CRUSH WASHER 14.0x20.0x1.5 COP From G-3056	1	1	1	
. NS	550265	. CHECK VALVE From G-3056	1	1	1	
	680719	. OIL SYNTHETIC GEAR BOX TITAN SAE 75W90 W/O-RING WASHER	1	1	1	
5	N.P.N.	. GEARBOX	1	1	1	4
10	N.P.N.	. FAN CLUTCH	1	1	1	4
NS	<b>551017</b>	<b>REPAIR KIT CLUTCH</b>	1	1	1	
NS	<b>551016</b>	<b>REPAIR KIT RADIAL SHAFT SEAL</b>	1	1	1	
NS	<b>551015</b>	<b>TOOL KIT FOR GEARBOX WITH FAN CLUTCH</b>	1	1	1	
NS	068185	CABLE ADAPTOR FAN CLUTCH / WITH 4 CONTACTS	1	1	1	
		4) NO PARTS NUMBER				

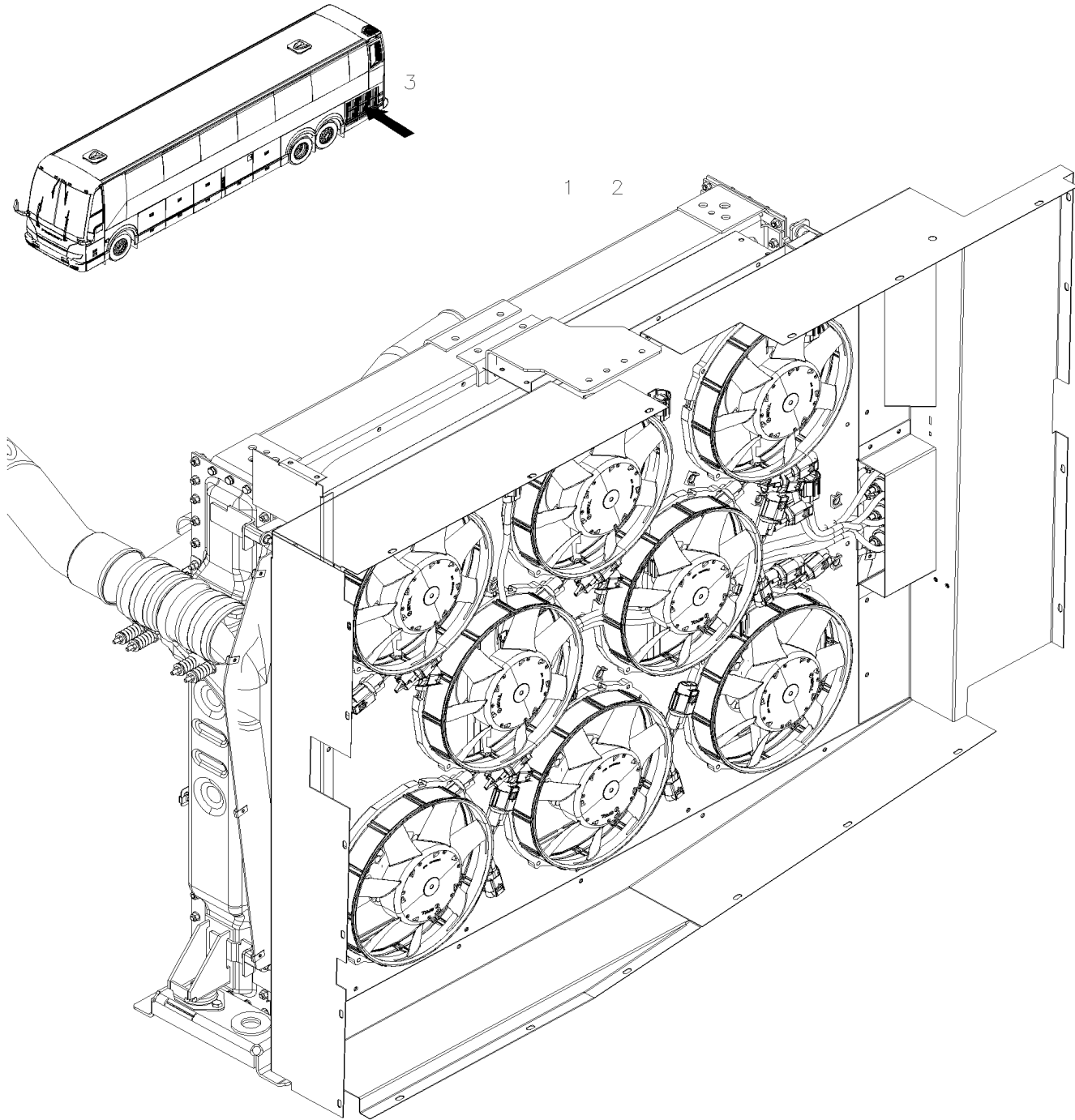


From B-1721 To J-0287

Date:10/2022

PAGE:H7-0599-00

## RETROFIT ELECTRIC FAN DRIVE COOLING SYSTEM CONVERSION



ALWAYS REFER TO INSTRUCTION SHEET FOR ALL INFORMATION NOT SHOWN

From B-1721 To J-0287      Date:10/2022      PAGE:H7-0599-00

**RETROFIT ELECTRIC FAN DRIVE COOLING SYSTEM CONVERSION**

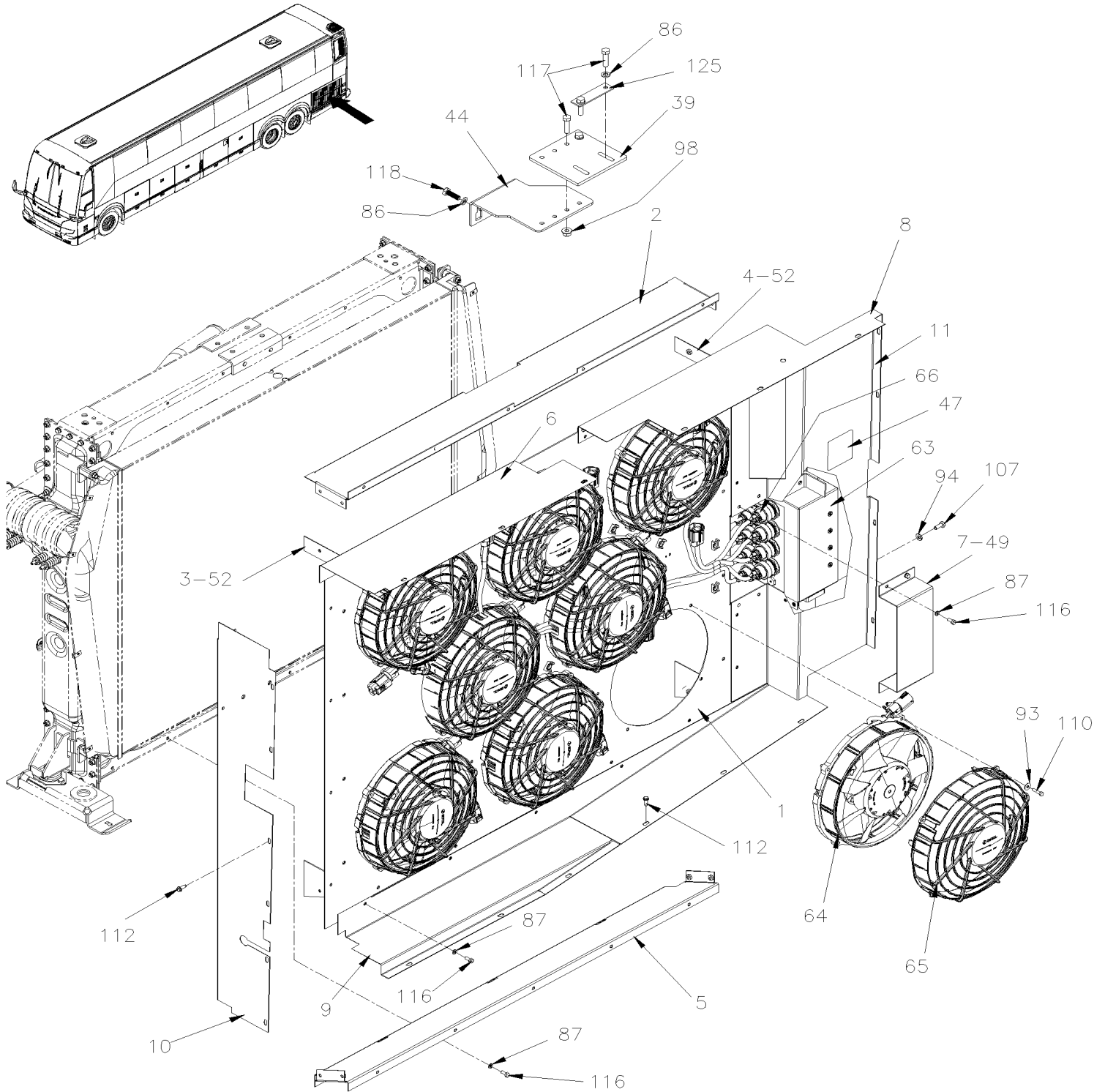
Item#	Part	Description	H 3 4 1	H 3 4 5	V I P 4 5	N O T E S
		***ALWAYS REFER TO INSTRUCTION SHEET FOR ALL INFORMATION NOT SHOWN****				
1	IS19900	ELECTRIC FAN DRIVE COOL. SYS. CONVERSION-BOSCH ALT. H3-US10 to GHG17 From B-1721	1	1	1	
2	IS19910	ELECTRIC FAN DRIVE COOL. SYS. CONVERSION-REMY ALT. H3 US10 to GHG17 From B-1721	1	1	1	
22		REGARDING YOUR VIN, IT IS RECOMMANDED TO INSTALL ONE OF FOLLOWING KITS	1	1	1	
3	IS19913	BOSCH TO DELCO REMY ALTERNATOR INSTALLATION, US10 From B-1721 To D-2363	1	1	1	
3	IS19908	BOSCH TO DELCO REMY ALTERNATOR INSTALLATION From D-2364	1	1	1	

From B-1721

Date:10/2022

PAGE:IS19900

## ELECTRIC FAN DRIVE COOL. SYS. CONVERSION-BOSCH ALT. H3-US10 to GHG17

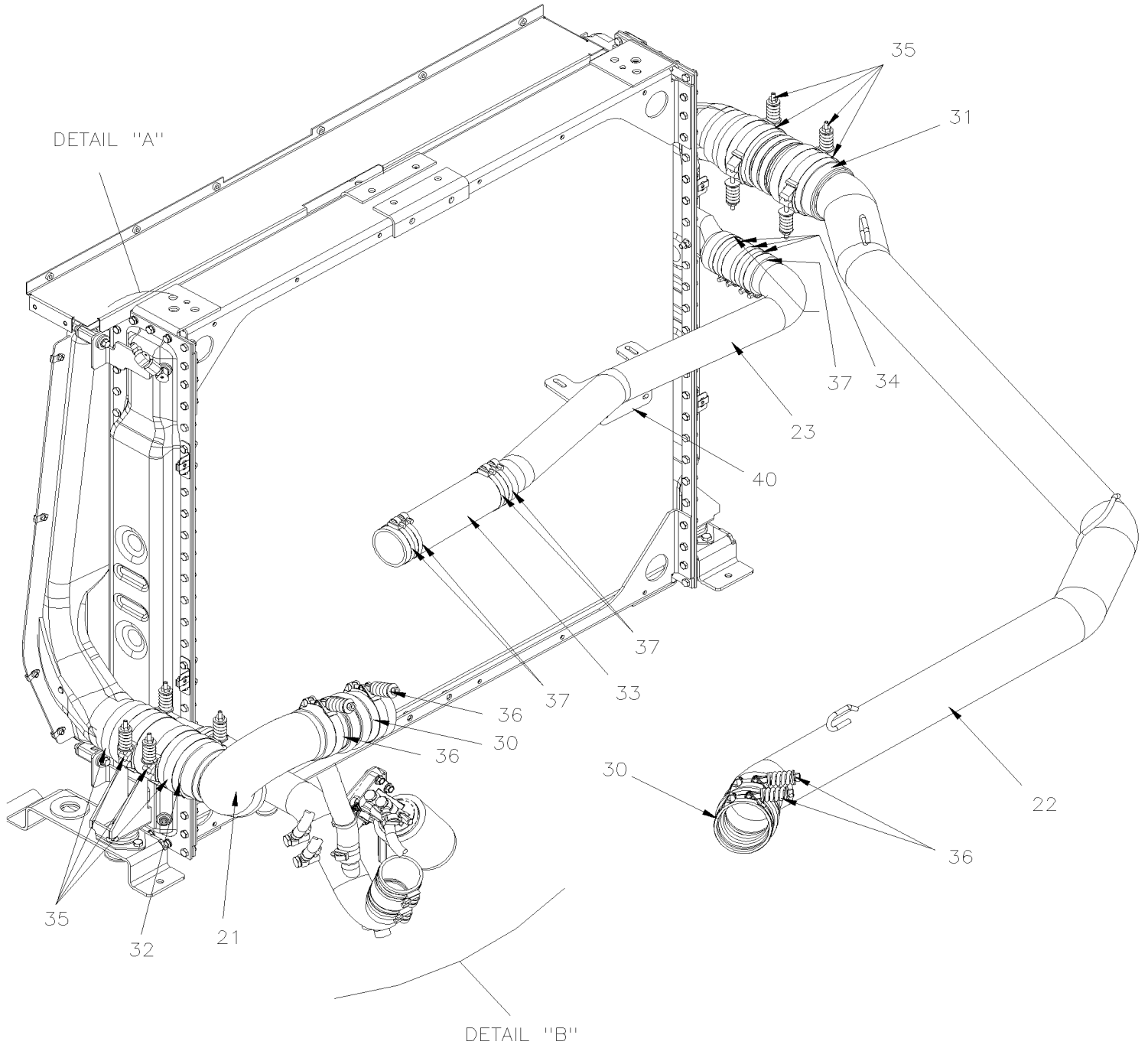


From B-1721

Date:10/2022

PAGE:IS1990

ELECTRIC FAN DRIVE COOL. SYS. CONVERSION-BOSCH ALT. H3-US10 to GHG17

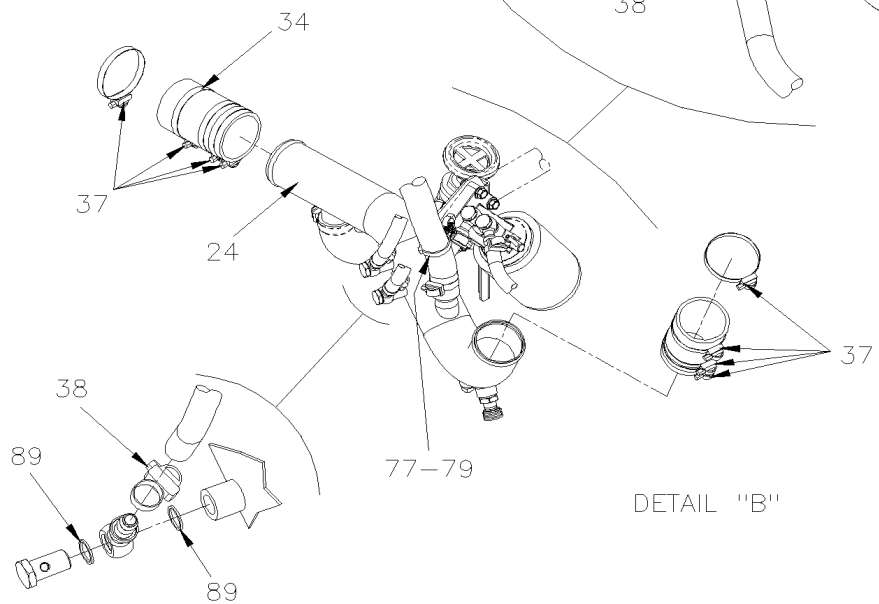
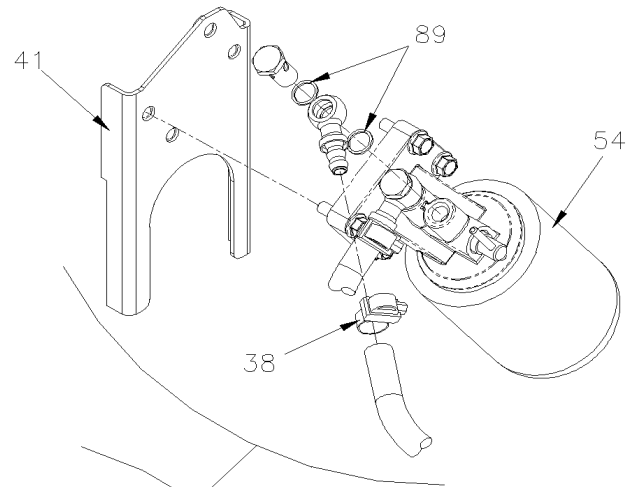
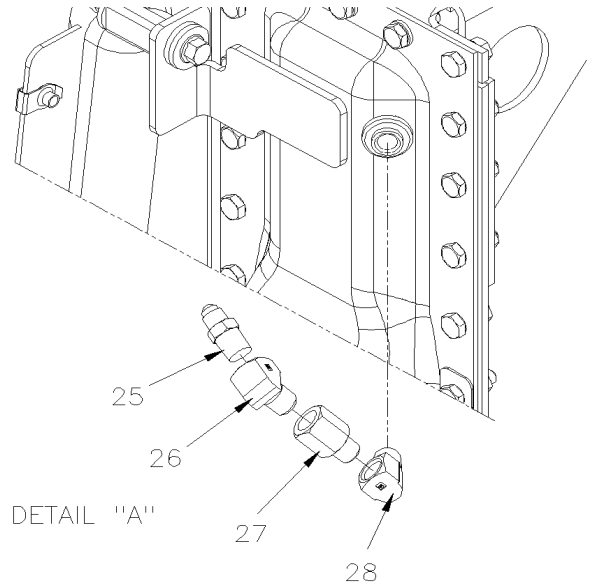
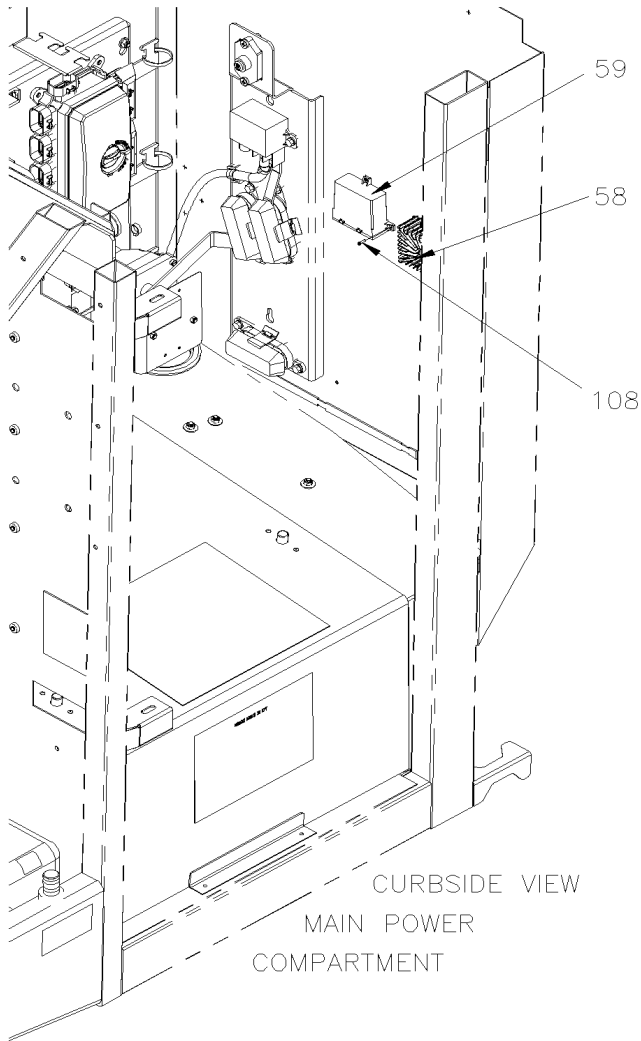


From B-1721

Date:10/2022

PAGE:IS1990

## ELECTRIC FAN DRIVE COOL. SYS. CONVERSION-BOSCH ALT. H3-US10 to GHG17



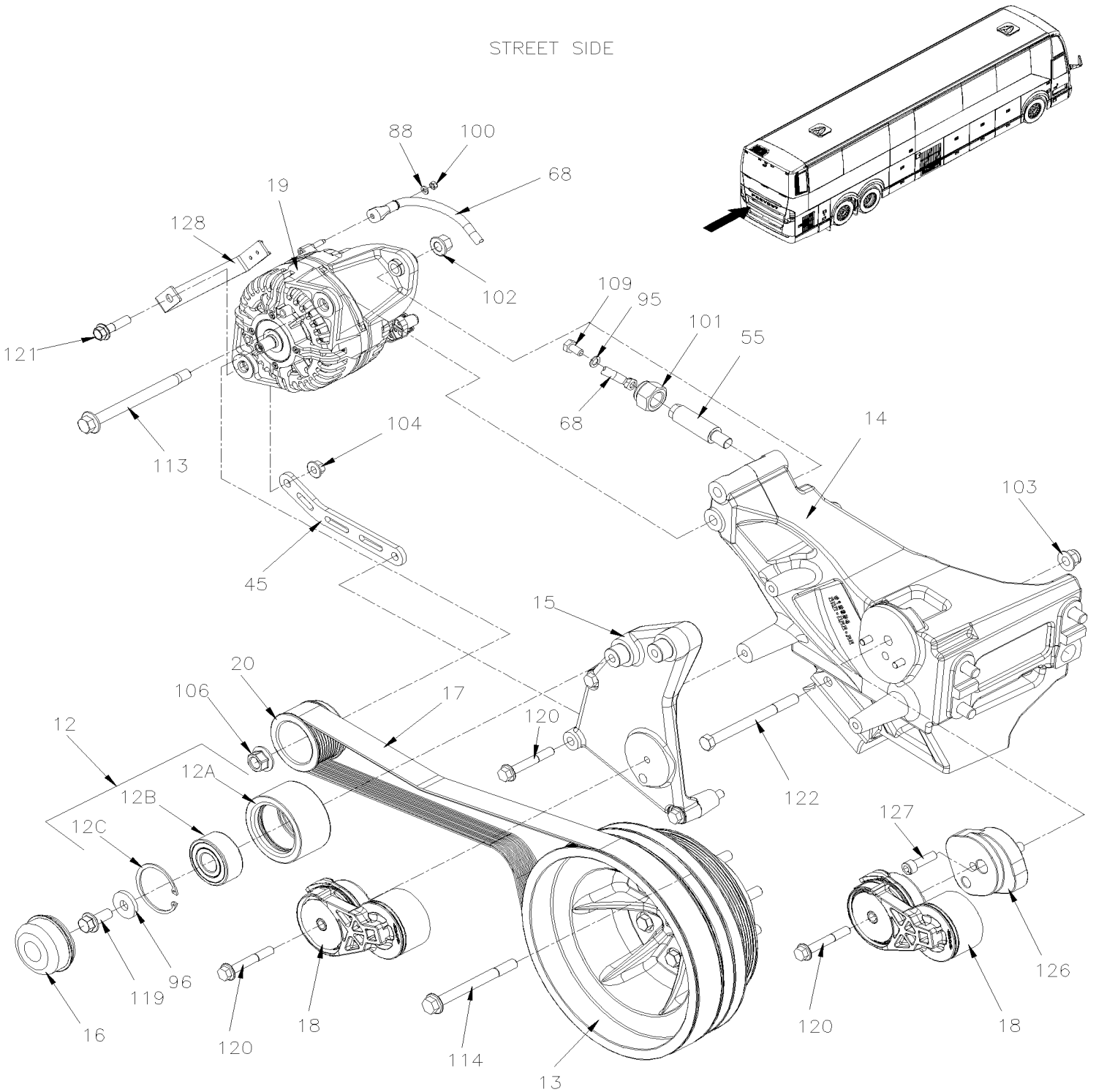
From B-1721

Date:10/2022

PAGE:IS19900

## ELECTRIC FAN DRIVE COOL. SYS. CONVERSION-BOSCH ALT. H3-US10 to GHG17

STREET SIDE



<b>From B-1721</b>		<b>Date:10/2022</b>	<b>PAGE:IS19900</b>
<b>ELECTRIC FAN DRIVE COOL. SYS. CONVERSION-BOSCH ALT. H3-US10 to GHG17</b>			

Item#	Part	Description	H 3 4 1	H 3 4 5	V I P 4 5	N O T E S
		SEE INSTRUCTION SHEET # IS-19900 FOR MISSING INFORMATIONS				
		11 (ELEVEN) FOLLOWING PARTS ARE FOR SHROUD ASS'Y				
1	050195	FAN SUPPORT PANEL				
1	504016	CABLE TIE / 5/16" X 14"1/2	58	58	58	
1	504013	TIE MOUNT / 1/4" X 1/4" I.D.	25	25	25	
1	504379	RIVET POP DOME OE 3/16x1/4 SS	41	41	41	
2	050200	UPPER SHROUD TRANSITION	1	1	1	
3	050201	LEFT SHROUD TRANSITION	1	1	1	
4	050202	RIGHT SHROUD TRANSITION	1	1	1	
5	050203	UPPER LEFT SHROUD PANEL	1	1	1	
6	050204	ELECTRICAL CONNECTOR COVER	1	1	1	
7	050229	ELECTRICAL CONNECTOR COVER	1	1	1	
8	050206	UPPER RIGHT SHROUD PANEL	1	1	1	
9	050213	LOWER SHROUD PANEL	1	1	1	
10	050208	LH SIDE SHROUD PANEL	1	1	1	
11	050255	RIGHT SIDE SHROUD PANEL & WURTH BOX SUPPORT	1	1	1	
12	012349	PULLEY ASSY W/BEARING / 48MM x 90MM O.D.	1	1	1	
12A	012958	PULLEY / 48MM x 90MM O.D.	1	1	1	
12B	509952	BALL BEARING 25 ID x 62 OD x 25.4 W HI-TEMP	1	1	1	
12C	504040	RING RETAINER / INT 2.440 x 1.860 x 0.078 STL BLK	1	1	1	
13	012941	DRIVE PULLEY / 280MMx10RIB/ 268.3MMx2V / 220.8MMx10 RIB	1	1	1	
14	012942	ENGINE MOUNT STREET SIDE W/D13	1	1	1	
15	012943	IDLER SUPPORT To FORMER	1	1	1	
15	011213	IDLER SUPPORT From CURRENT	1	1	1	
16	453076	CAP, DUST	1	1	1	
17	505606	MULTI V-BELT / 10 RIB (1695MM) 10PK1695 STANDARD DUTY	2	2	2	
18	510991	AUTOMATIC TENSIONER ASSY	AR	AR	AR	
19	564593	ALTERNATOR ASSY 24V/150 AMPS / W/OUT PULLEY	1	1	1	
NS	060297	ADAPTOR STUD M8 Male x M8 Female + FLANGE M8-1.25 x 18MM SS	1	1	1	
NS	069511	HARNESS LH ALT CONTROL	1	1	1	
20	0600265	PULLEY ALTERNATOR / "BOSCH" / 73MM DOB x 10 RIB	1	1	1	
21	050286	CAC INLET PIPE	1	1	1	
22	050406	CAC OUTLET PIPE	1	1	1	
23	050414	RADIATOR INLET COOLANT PIPE	1	1	1	
24	050288	RADIATOR OUTLET PIPE	1	1	1	
25	501027	MALE CONNECTOR / SAE 45° FITTING / #4FL-Mx1/4NPT-M BR	1	1	1	
26	501329	STREET ELBOW 45° / PIPE FITTING / 1/4NPT-Mx1/4NPT-F BR	1	1	1	
27	501308	ADAPTER / PIPE FITTING / 1/4NPT-Fx1/4NPT-M BR	1	1	1	
28	501332	STREET ELBOW 90° / PIPE FITTING / 1/4NPT-Mx1/4NPT-F BR	1	1	1	
NS	052366	HOSE / LOWER / #6 1550MM	1	1	1	
NS	503702	HOSE / (SAFETY STRIPE) / 3/8" I.D. 50' / S.L.	AR	AR	AR	
30	030096	HOSE 86MM I.D. X 162.5MM	2	2	2	



From B-1721		Date:10/2022	PAGE:IS19900
<b>ELECTRIC FAN DRIVE COOL. SYS. CONVERSION-BOSCH ALT. H3-US10 to GHG17</b>			

Item#	Part	Description	H 3 4 1	H 3 4 5	V I P 4 5	N O T E S
31	531469	HOSE / W/2 RING / 4" I.D. 8" / 500°F	1	1	1	
32	531471	HOSE SILICONE 4" I.D. 6 1/2" / 500°F	1	1	1	
33	052889	HOSE SILICONE 2 1/2" I.D. 280MM	1	1	1	
34	053617	HOSE SILICONE / NOMEX 2 1/2" I.D. 105MM	3	3	3	
. NS	503786	. HOSE SILICONE 4 PLY / NOMEX-ARAMID 2 1/2" I.D. x 6'	1	1	1	
35	21490616	HOSE CLAMP SPRING LOAD / HEAVY DUTY 4"1/8-4"7/16	8	8	8	
36	21490630	HOSE CLAMP SPRING LOAD / HEAVY DUTY 3"5/8-3"15/16	4	4	4	
37	992089	HOSE CLAMP / 60MM/80MM	16	16	16	
38	992081	HOSE CLAMP / 12MM/22MM	4	4	4	
39	21185073	RUBBER PAD 100MM X 123MM	1	1	1	
40	050305	BRACKET, RADIATOR INLET PIPE	1	1	1	
41	050265	COOLANT FILTER SUPPORT	1	1	1	
44	050214	UPPER RADIATOR SUPPORT	1	1	1	
45	060102	ALTERNATOR, LOWER BRACKET	1	1	1	
NS	010060	DECAL / "BELT ROUTING"	1	1	1	
47	069205	DECAL "WARNING FAN"	2	2	2	
49	506025	RUBBER CHANNEL / 1/18" x 5/16" INT "U" SHAPE / SQUARE C.T.L.	AR	AR	AR	
52	506040	TAPE RUB ADH1 CC EPDM 5/16" x 3/4" x 25' / BLACK OR GREY 144X	1	1	1	
54	21937327	CARTRIGE "MAINTENANCE" COOLANT LONG LIFE "WITH D13 ENGINE"	1	1	1	
55	012921	GROUND STUD M14 Lg.:88MM	1	1	1	
58	22722850	I/O B E-MODULE VOLVO MULTIPLEX / ALUMINUM	1	1	1	
59	23499009-EFD	MCM PROGRAMME - SERVICE KIT EFD	1	1	1	
NS	563593	CONNECTOR W/END OF LINE RESISTOR 120R / DTM SERIES / SH 2C / GRAY / DEUTSCH DTM06-2S-P006	2	2	2	
NS	050303	ALTERNATOR TELLTALE BRACKET	1	1	1	
NS	562113	TELLTALE ASSY / 24V SHORT	1	1	1	
NS	391028	INSERT / RED / GENERATOR	1	1	1	
NS	563750	FUSEHOLDER W/RED COVER / MEGA FUSE /	1	1	1	
NS	564520	FUSE / MEGA FUSE / 300 AMPS / GREY	1	1	1	
63	564612	POWER BOX, FAN DRIVE	1	1	1	
64	564312	ELECTRIC FAN FOR RADIATOR & CAC	8	8	8	
. NS	568092	. CONNECTOR / PH 4C / YAZAKI 7282-8497-90	1	1	1	
. NS	560009	. CONNECTOR CLIP / HELLERMAN TYTON 155-30702	1	1	1	
65	563533	HAND GUARD, FAN	8	8	8	
66	068820	HARNESS FAN DRIVE	1	1	1	
NS	069246	HARNESS GROUND FAN DRIVE	1	1	1	
NS	500942	WASHER LO SPT 8.1x14.8x2.0 N500	AR	AR	AR	
NS	500998	NUT HEX 1/2-13 BR	1	1	1	
NS	561610	CONNECTOR / WEATHER PACK / PH 4C / BLACK / PED 12015024	1	1	1	
NS	561783	SEAL PLUG CAVITY / GREEN / PED 12010300	4	4	4	
68	069504	HARNESS LH GROUND ALTERNATOR	1	1	1	
NS	23445869	HARNESS	1	1	1	
NS	23488790	FAN TO RJB INTERFACE HARNESS H345	1	1	1	



From B-1721	Date:10/2022	PAGE:IS19900
<b>ELECTRIC FAN DRIVE COOL. SYS. CONVERSION-BOSCH ALT. H3-US10 to GHG17</b>		

Item#	Part	Description	H 3 4 1	H 3 4 5	V I P 4 5	N O T E S
NS	23490553	VEHICLE INTERFACE HARNESS H345	1	1	1	
NS	23498450	BATTERY CABLE MASTER SW TO FUSE	1	1	1	
NS	23498721	CABLE FAN DRIVE POWER	1	1	1	
NS	23498785	L.H. ALTERNATOR POWER CABLE, 4450mm	1	1	1	
NS	N37749	CABLE TIE DUAL .250-2.300	15	15	15	
77	504016	CABLE TIE / 5/16" X 14"1/2	AR	AR	AR	
79	504751	ROTATIF SPACER DOUBLE / SMALL	4	4	4	
NS	504750	CABLE TIE / 1/2" x 15" / CHRISTMAS TREE	1	1	1	
NS	509490	ATTACHMENT DOUBLE USE WITH CABLE TIE	15	15	15	
NS	509491	CABLE TIE / 13MM x 383MM	38	38	38	
NS	562679	4 WAY ADH. BACKED MOUNTS 1.000 x 1.000 x .160	4	4	4	
NS	500449	WASHER FL .625x1.500 SS	1	1	1	
NS	500482	WASHER LO SPT .506x.873x.125 Z050	1	1	1	
86	500942	WASHER LO SPT 8.1x14.8x2.0 N500	AR	AR	AR	
87	502570	WASHER LO SPT 6.1x11.8x1.6 SS	62	62	62	
88	502573	WASHER FL 6.4x12.5x1.6 SS	1	1	1	
89	507657	BANJO WASHER / M14	8	8	8	
NS	5001341	WASHER FL 8.4x17.0x1.6 SS	6	6	6	
91	5001737	WASHER LO SPT 10.2x18.1x2.2 N500	4	4	4	
NS	5001751	WASHER FL 10.5x26.0x2.0 N500	10	10	10	
93	5001833	WASHER BEL SPR 6.1x18x1.27 SS	32	32	32	
94	5001868	WASHER BEL SPR 8.4x18x2 SS	4	4	4	
95	5001935	WASHER FL 10.5x18.0x1.6 SS	1	1	1	
96	5002008	WASHER FL 13.0x35.0x5.0 N500	1	1	1	
98	502837	NUT HEXF STO M8-1.25 N500	2	2	2	
99	502859	NUT HEX NYRT M10-1.5 N500	4	4	4	
100	5001182	NUT HEX NYRT M6-1.0 SS	1	1	1	
101	5001665	NUT HEX NYRT M22-2.5 G8 Z050	1	1	1	
102	5001728	NUT HEXF STO M12-1.75 N500 G10	1	1	1	
103	5001761	NUT HEXF NYRT M12-1.75 G8 N500	2	2	2	
104	5001930	NUT HEXF NYRT M10-1.5 N500 G10.9	2	2	2	
NS	5001983	NUT HEX NYRT M8-1.25 SS SS BK	3	3	3	
106	21429955	FLANGE NUT	1	1	1	
107	500119	SCREW CAP HEX M8X1.25X20 BK	4	4	4	
108	500658	SCREW TC PAN PH #10-24x3/4 Z050	11	11	11	
109	502719	SCREW CAP HEX M10-1.5x20 SS EMN	1	1	1	
110	502686	SCREW CAP HEX M6-1.0x30 SS BK	33	33	33	
NS	502804	SCREW CAP HEX M10-1.5x25 G8.8 N500	8	8	8	
112	502848	SCREW TC CAP HEXF 1/4-20x3/4 N500	22	22	22	
113	502950	SCREW SHR CAP HEXF 13x135 (M12x1.75 G10.9 N500	1	1	1	
114	5001296	SCREW CAP HEXF M12-1.75x80 G10.9 N500	6	6	6	
NS	5001643	SCREW CAP HEXF M8-1.25x25 G8.8 G500	3	3	3	

From B-1721	Date:10/2022	PAGE:IS19900
<b>ELECTRIC FAN DRIVE COOL. SYS. CONVERSION-BOSCH ALT. H3-US10 to GHG17</b>		

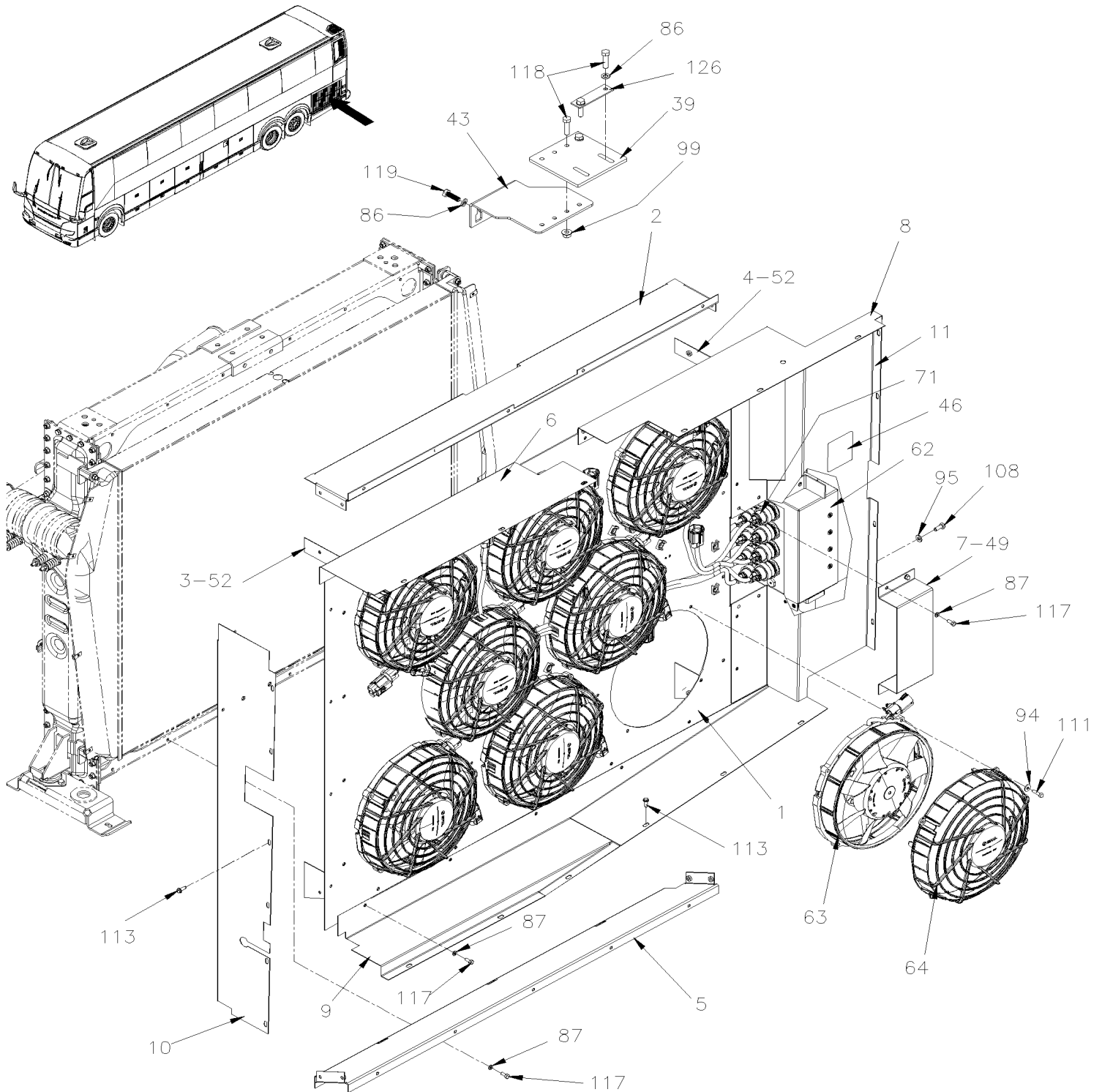
Item#	Part	Description	H 3 4 1	H 3 4 5	V I P 4 5	N O T E S
116	5001697	SCREW CAP HEX M6-1.0x16 SS BK	62	62	62	
117	5001738	SCREW CAP HEX M8-1.25x30 G8.8 N500	4	4	4	
118	5001745	SCREW CAP HEX M8-1.25x25 G8.8 N500	2	2	2	
119	5001786	SCREW CAP HEXF M12-1.75x30 G8.8 N500	1	1	1	
120	5001799	SCREW CAP HEXF M10-1.5x70 G10.9 N500	4	4	4	
121	5001800	SCREW CAP HEXF M10-1.5x45 G10.9 N500	1	1	1	
122	5001940	SCREW CAP HEX M12-1.75x140 G10.9 N500	2	2	2	
NS	504610	RIVET MGLP PRDG 1/4x5/8 SS	14	14	14	
125	052473	PLATE / UPPER RADIATOR 40MM X 90MM	AR	AR	AR	
126	012695	SUPPORT ADAPTOR AUTOMTIC TENSIONER ASSY W/DOWEL / WATER PUMP	1	1	1	
. NS	502941	. DOWEL PIN	2	2	2	
127	5001620	SCREW CAP HEXS M10-1.5X35 G10.9 G500	1	1	1	
128	050266	ALTERNATOR BATTERY CABLE SUPPORT	1	1	1	
NS	504013	TIE MOUNT / 1/4" X 1/4" I.D.	2	2	2	
NS	504379	RIVET POP DOME OE 3/16x1/4 SS	2	2	2	
NS	504016	CABLE TIE / 5/16" X 14"1/2	AR	AR	AR	
NS	IS-19900	INSTRUCTION SHEET	1	1	1	
NS	FI-19900	VOIR FEUILLE D'INSTRUCTION	1	1	1	

From B-1721

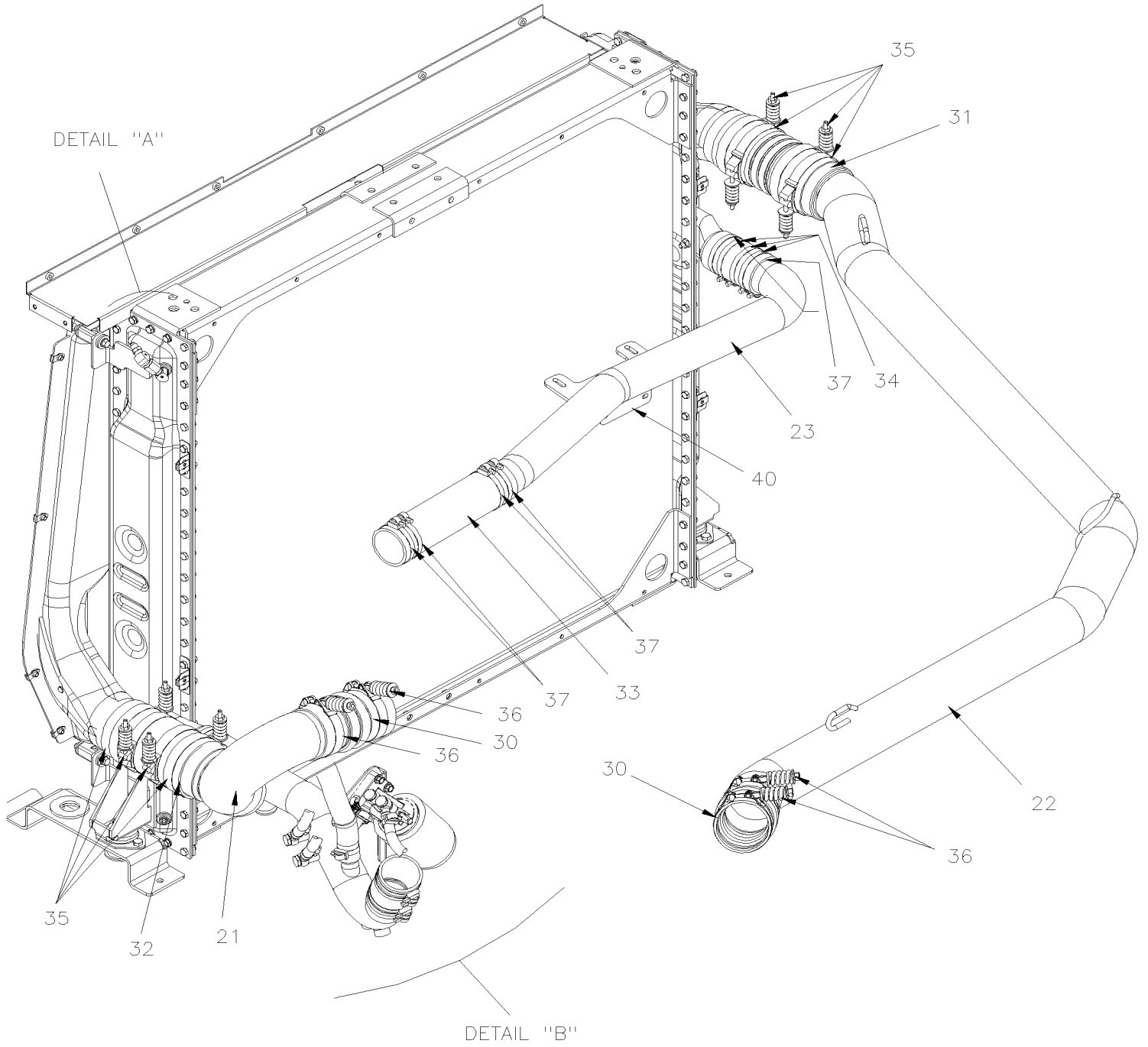
Date:10/2022

PAGE:IS19910

## ELECTRIC FAN DRIVE COOL. SYS. CONVERSION-REMY ALT. H3 US10 to GHG17



From B-1721	Date:10/2022	PAGE:IS19910
ELECTRIC FAN DRIVE COOL. SYS. CONVERSION-REMY ALT. H3 US10 to GHG17		

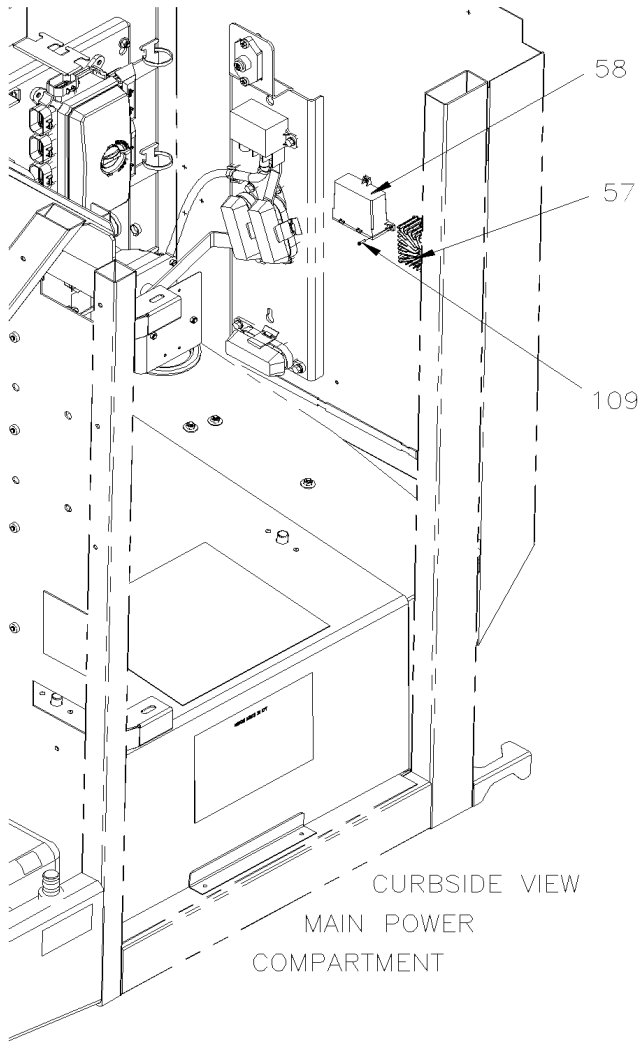


From B-1721

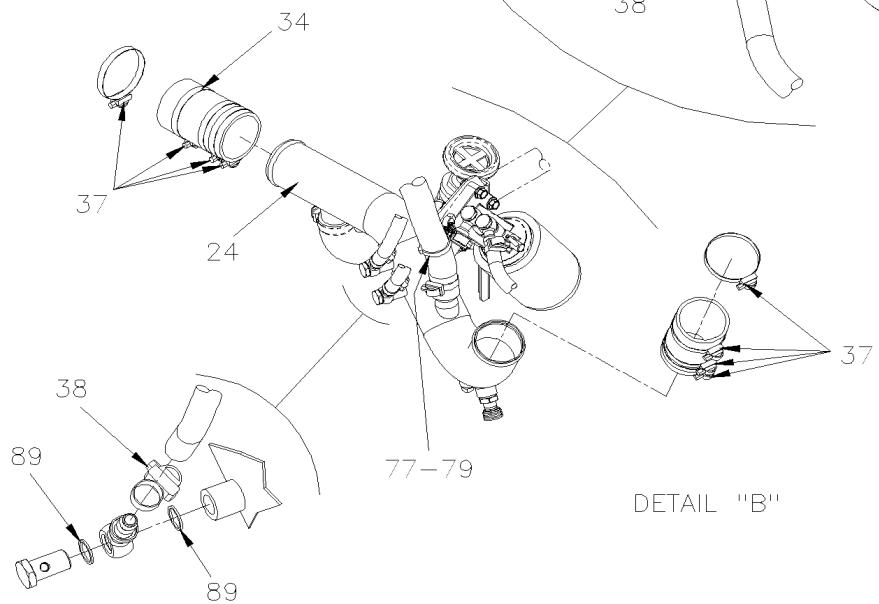
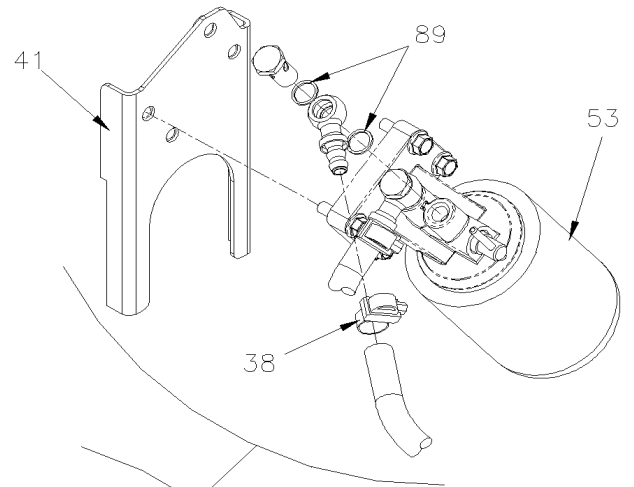
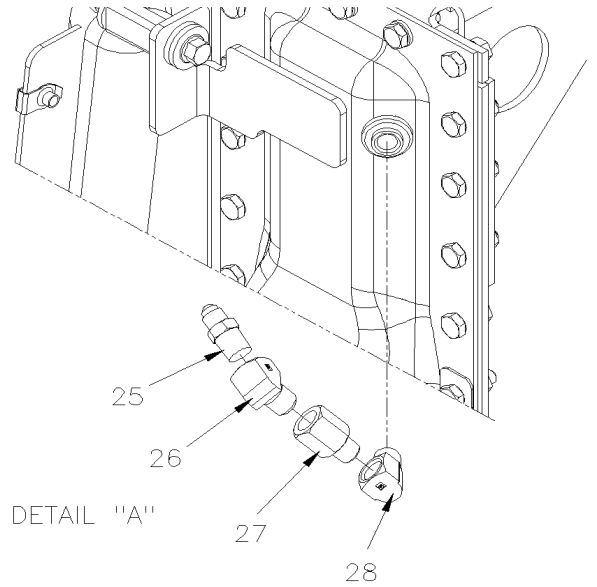
Date:10/2022

PAGE:IS19910

## ELECTRIC FAN DRIVE COOL. SYS. CONVERSION-REMY ALT. H3 US10 to GHG17



CURBSIDE VIEW  
MAIN POWER  
COMPARTMENT



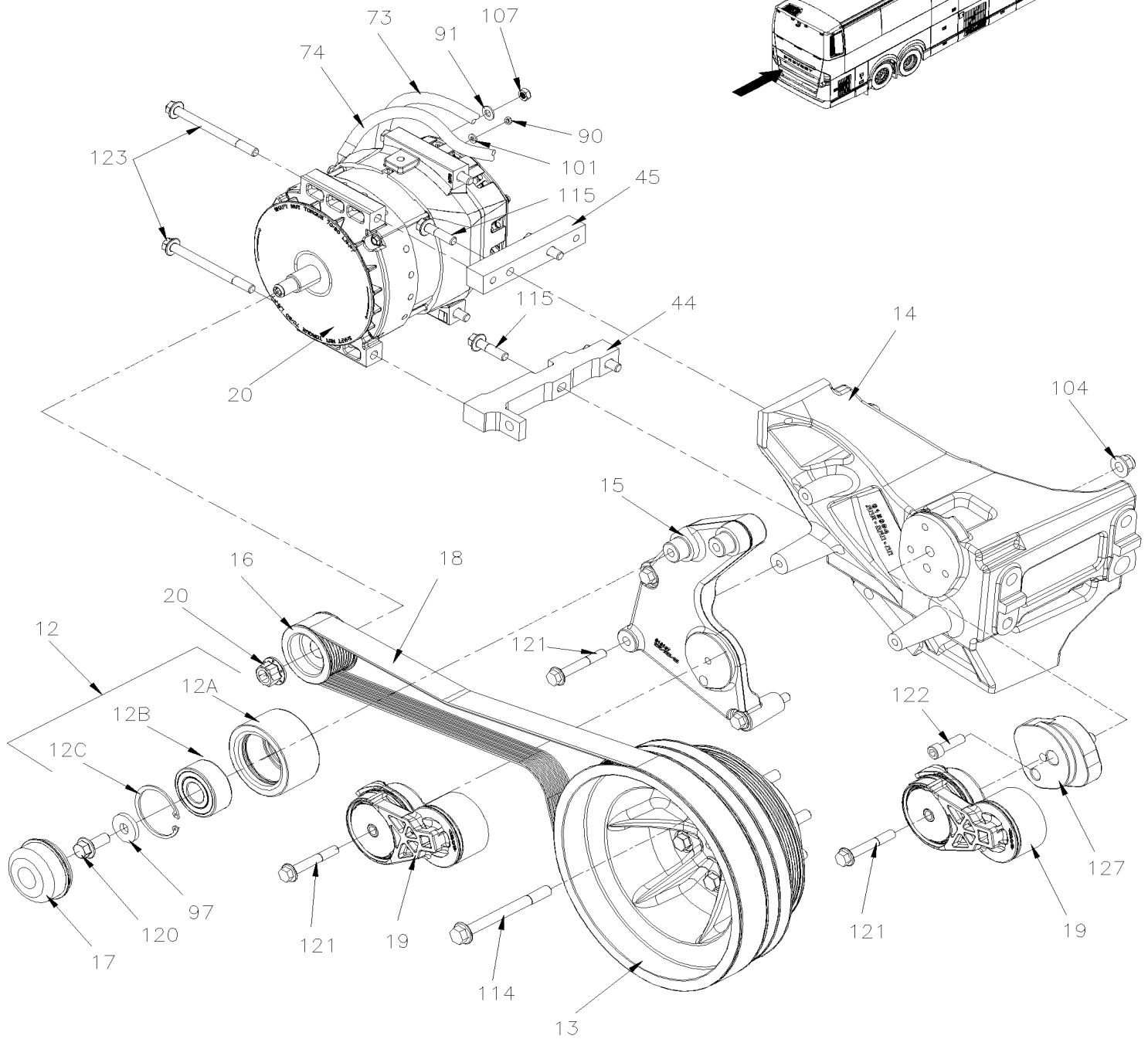
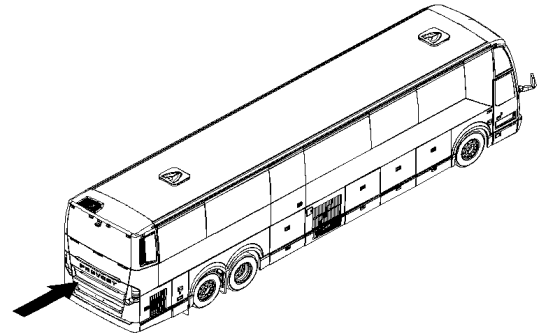
From B-1721

Date:10/2022

PAGE:IS19910

ELECTRIC FAN DRIVE COOL. SYS. CONVERSION-REMY ALT. H3 US10 to GHG17

STREET SIDE



<b>From B-1721</b>		<b>Date:10/2022</b>	<b>PAGE:IS19910</b>
<b>ELECTRIC FAN DRIVE COOL. SYS. CONVERSION-REMY ALT. H3 US10 to GHG17</b>			

Item#	Part	Description	H 3 4 1	H 3 4 5	V I P 4 5	N O T E S
		11 (ELEVEN) FOLLOWING PARTS ARE FOR SHROUD ASS'Y				
1	050195	FAN SUPPORT PANEL	1	1	1	
2	050200	UPPER SHROUD TRANSITION	1	1	1	
3	050201	LEFT SHROUD TRANSITION	1	1	1	
4	050202	RIGHT SHROUD TRANSITION	1	1	1	
5	050203	UPPER LEFT SHROUD PANEL	1	1	1	
6	050204	ELECTRICAL CONNECTOR COVER	1	1	1	
7	050229	ELECTRICAL CONNECTOR COVER	1	1	1	
8	050206	UPPER RIGHT SHROUD PANEL	1	1	1	
9	050213	LOWER SHROUD PANEL	1	1	1	
10	050208	LH SIDE SHROUD PANEL	1	1	1	
11	050255	RIGHT SIDE SHROUD PANEL & WURTH BOX SUPPORT	1	1	1	
12	012349	PULLEY ASSY W/BEARING / 48MM x 90MM O.D.	1	1	1	
12A	012958	PULLEY / 48MM x 90MM O.D.	1	1	1	
12B	509952	BALL BEARING 25 ID x 62 OD x 25.4 W HI-TEMP	1	1	1	
12C	504040	RING RETAINER / INT 2.440 x 1.860 x 0.078 STL BLK	1	1	1	
13	012941	DRIVE PULLEY / 280MMx10RIB/ 268.3MMx2V / 220.8MMx10 RIB	1	1	1	
14	010090	ENGINE MOUNT STREET SIDE W/D13 W/REMY	1	1	1	
15	012943	IDLER SUPPORT To FORMER	1	1	1	
15	011213	IDLER SUPPORT From CURRENT	1	1	1	
16	069893	PULLEY ALTERNATOR / "REMY" / 69MM DOB x 10 PK	1	1	1	
17	453076	CAP, DUST	1	1	1	
18	20846320	MULTI V-BELT / 10 RIB 67.1" (1705MM) 10PK1705 STANDARD DUTY	2	2	2	
19	510991	AUTOMATIC TENSIONER ASSY	AR	AR	AR	
20	560720	ALTERNATOR ASSY 24V/250 AMPS / "REMY"	1	1	1	
21	050286	CAC INLET PIPE	1	1	1	
22	050406	CAC OUTLET PIPE	1	1	1	
23	050414	RADIATOR INLET COOLANT PIPE	1	1	1	
24	050288	RADIATOR OUTLET PIPE	1	1	1	
25	501027	MALE CONNECTOR / SAE 45° FITTING / #4FL-Mx1/4NPT-M BR	1	1	1	
26	501308	ADAPTER / PIPE FITTING / 1/4NPT-Fx1/4NPT-M BR	1	1	1	
27	501329	STREET ELBOW 45° / PIPE FITTING / 1/4NPT-Mx1/4NPT-F BR	1	1	1	
28	501332	STREET ELBOW 90° / PIPE FITTING / 1/4NPT-Mx1/4NPT-F BR	1	1	1	
NS	052366	HOSE / LOWER / #6 1550MM	1	1	1	
. NS	503702	. HOSE / (SAFETY STRIPE) / 3/8" I.D. 50' / S.L.	AR	AR	AR	
30	550095	HOSE CAC, ARAMID 4 PLY / 3.5ID 4" LG	2	2	2	
31	531469	HOSE / W/2 RING / 4" I.D. 8" / 500°F	1	1	1	
32	531471	HOSE SILICONE 4" I.D. 6 1/2" / 500°F	1	1	1	
33	052889	HOSE SILICONE 2 1/2" I.D. 280MM	1	1	1	
34	053617	HOSE SILICONE / NOMEX 2 1/2" I.D. 105MM	3	3	3	
. NS	503786	. HOSE SILICONE 4 PLY / NOMEX-ARAMID 2 1/2" I.D. x 6'	1	1	1	
35	21490616	HOSE CLAMP SPRING LOAD / HEAVY DUTY 4"1/8-4"7/16	AR	AR	AR	



From B-1721	Date:10/2022	PAGE:IS19910
<b>ELECTRIC FAN DRIVE COOL. SYS. CONVERSION-REMY ALT. H3 US10 to GHG17</b>		

Item#	Part	Description	H 3 4 1	H 3 4 5	V I P 4 5	N O T E S
36	21490630	HOSE CLAMP SPRING LOAD / HEAVY DUTY 3"5/8-3"15/16	AR	AR	AR	
37	992089	HOSE CLAMP / 60MM/80MM	AR	AR	AR	
38	992081	HOSE CLAMP / 12MM/22MM	AR	AR	AR	
39	21185073	RUBBER PAD 100MM X 123MM	1	1	1	
40	050305	BRACKET, RADIATOR INLET PIPE	1	1	1	
41	050265	COOLANT FILTER SUPPORT	1	1	1	
NS	050303	ALTERNATOR TELLTALE BRACKET	1	1	1	
43	050214	UPPER RADIATOR SUPPORT	1	1	1	
44	069890	BRACKET, ALTERNATOR REMY LOWER	1	1	1	
45	069891	BRACKET, ALTERNATOR REMY UPPER	1	1	1	
46	069205	DECAL "WARNING FAN"	2	2	2	
NS	010111	DECAL / "BELT ROUTING" W/REMY	1	1	1	
NS	391028	INSERT / RED / GENERATOR	1	1	1	
49	506025	RUBBER CHANNEL / 1/18" x 5/16" INT "U" SHAPE / SQUARE C.T.L.	AR	AR	AR	
NS	380360	STUD, GROUND (WELDED TO STRUCTURE) 1/2-13	1	1	1	
NS	506040	TAPE RUB ADH1 CC EPDM 5/16" x 3/4" x 25' / BLACK OR GREY 144X	1	1	1	
52	562113	TELLTALE ASSY / 24V SHORT	1	1	1	
53	21937327	CARTRIDGE "MAINTENANCE" COOLANT LONG LIFE "WITH D13 ENGINE"	1	1	1	
NS	012921	GROUND STUD M14 Lg.:88MM	1	1	1	
NS	561610	CONNECTOR / WEATHER PACK / PH 4C / BLACK / PED 12015024	1	1	1	
NS	561783	SEAL PLUG CAVITY / GREEN / PED 12010300	4	4	4	
57	22722850	I/O B E-MODULE VOLVO MULTIPLEX / ALUMINUM	1	1	1	
58	23499009-EFD	MCM PROGRAMME - SERVICE KIT EFD	1	1	1	
NS	563593	CONNECTOR W/END OF LINE RESISTOR 120R / DTM SERIES / SH 2C / GRAY / DEUTSCH DTM06-2S-P006	2	2	2	
NS	563750	FUSEHOLDER W/RED COVER / MEGA FUSE /	1	1	1	
NS	564520	FUSE / MEGA FUSE / 300 AMPS / GREY	1	1	1	
62	564612	POWER BOX, FAN DRIVE	1	1	1	
63	564312	ELECTRIC FAN FOR RADIATOR & CAC	8	8	8	
NS	568092	CONNECTOR / PH 4C / YAZAKI 7282-8497-90	1	1	1	
NS	560009	CONNECTOR CLIP / HELLERMAN TYTON 155-30702	1	1	1	
64	563533	HAND GUARD, FAN	8	8	8	
NS	23498721	CABLE FAN DRIVE POWER	1	1	1	
NS	23524934	CABLE ALTERNATOR LH 3/0	1	1	1	
NS	23498450	BATTERY CABLE MASTER SW TO FUSE	1	1	1	
NS	23445869	HARNESS	1	1	1	
NS	23488790	FAN TO RJB INTERFACE HARNESS H345	1	1	1	
NS	23490553	VEHICLE INTERFACE HARNESS H345	1	1	1	
71	068820	HARNESS FAN DRIVE	1	1	1	
NS	069246	HARNESS GROUND FAN DRIVE	1	1	1	
73	0610037	HARNESS, ALTERNATOR CONTROL / STREET SIDE	1	1	1	
74	0610035	HARNESS, ALTERNATOR CHASSIS GROUND / STREET SIDE	1	1	1	
NS	N37749	CABLE TIE DUAL .250-2.300	AR	AR	AR	



<b>From B-1721</b>	<b>Date:10/2022</b>	<b>PAGE:IS19910</b>
<b>ELECTRIC FAN DRIVE COOL. SYS. CONVERSION-REMY ALT. H3 US10 to GHG17</b>		

Item#	Part	Description	H 3 4 1	H 3 4 5	V I P 4 5	N O T E S
NS	509491	CABLE TIE / 13MM x 383MM	AR	AR	AR	
77	504016	CABLE TIE / 5/16" X 14"1/2	AR	AR	AR	
NS	504013	TIE MOUNT / 1/4" X 1/4" I.D.	AR	AR	AR	
79	504751	ROTATIF SPACER DOUBLE / SMALL	4	4	4	
80	504750	CABLE TIE / 1/2" x 15" / CHRISTMAS TREE	1	1	1	
NS	509490	ATTACHMENT DOUBLE USE WITH CABLE TIE	AR	AR	AR	
82	562679	4 WAY ADH. BACKED MOUNTS 1.000 x 1.000 x .160	4	4	4	
83	500411	WASHER FL .260x.697x.050 SS	1	1	1	
84	500449	WASHER FL .625x1.500 SS	1	1	1	
NS	500482	WASHER LO SPT .506x.873x.125 Z050	1	1	1	
86	500942	WASHER LO SPT 8.1x14.8x2.0 N500	4	4	4	
87	502570	WASHER LO SPT 6.1x11.8x1.6 SS	AR	AR	AR	
NS	502573	WASHER FL 6.4x12.5x1.6 SS	1	1	1	
89	507657	BANJO WASHER / M14	8	8	8	
90	5001137	WASHER FL .203x.438x.050 SS	2	2	2	
91	5001341	WASHER FL 8.4x17.0x1.6 SS	7	7	7	
NS	5001737	WASHER LO SPT 10.2x18.1x2.2 N500	4	4	4	
NS	5001751	WASHER FL 10.5x26.0x2.0 N500	AR	AR	AR	
94	5001833	WASHER BEL SPR 6.1x18x1.27 SS	AR	AR	AR	
95	5001868	WASHER BEL SPR 8.4x18x2 SS	4	4	4	
NS	5001935	WASHER FL 10.5x18.0x1.6 SS	1	1	1	
97	5002008	WASHER FL 13.0x35.0x5.0 N500	1	1	1	
99	502837	NUT HEXF STO M8-1.25 N500	2	2	2	
NS	502859	NUT HEX NYRT M10-1.5 N500	4	4	4	
101	5001180	NUT HEX NYRT #10-24 SS	2	2	2	
NS	5001182	NUT HEX NYRT M6-1.0 SS	1	1	1	
NS	5001665	NUT HEX NYRT M22-2.5 G8 Z050	1	1	1	
104	5001761	NUT HEXF NYRT M12-1.75 G8 N500	2	2	2	
NS	5001930	NUT HEXF NYRT M10-1.5 N500 G10.9	2	2	2	
NS	5001983	NUT HEX NYRT M8-1.25 SS SS BK	3	3	3	
107	500685	NUT HEX NYRT 5/16-18 SS	1	1	1	
108	500119	SCREW CAP HEX M8X1.25X20 BK	4	4	4	
109	500658	SCREW TC PAN PH #10-24x3/4 Z050	AR	AR	AR	
NS	502719	SCREW CAP HEX M10-1.5x20 SS EMN	1	1	1	
111	502686	SCREW CAP HEX M6-1.0x30 SS BK	AR	AR	AR	
NS	502804	SCREW CAP HEX M10-1.5x25 G8.8 N500	AR	AR	AR	
113	502848	SCREW TC CAP HEXF 1/4-20x3/4 N500	AR	AR	AR	
114	5001296	SCREW CAP HEXF M12-1.75x80 G10.9 N500	6	6	6	
115	5001308	SCREW CAP HEXF M10-1.5x40 G10.9 N500	4	4	4	
NS	5001643	SCREW CAP HEXF M8-1.25x25 G8.8 G500	3	3	3	
117	5001697	SCREW CAP HEX M6-1.0x16 SS BK	AR	AR	AR	
118	5001738	SCREW CAP HEX M8-1.25x30 G8.8 N500	4	4	4	

From B-1721	Date:10/2022	PAGE:IS19910
<b>ELECTRIC FAN DRIVE COOL. SYS. CONVERSION-REMY ALT. H3 US10 to GHG17</b>		

Item#	Part	Description	H 3 4 1	H 3 4 5	V I P 4 5	N O T E S
119	5001745	SCREW CAP HEX M8-1.25x25 G8.8 N500	2	2	2	
120	5001786	SCREW CAP HEXF M12-1.75x30 G8.8 N500	1	1	1	
121	5001799	SCREW CAP HEXF M10-1.5x70 G10.9 N500	AR	AR	AR	
122	5001940	SCREW CAP HEX M12-1.75x140 G10.9 N500	2	2	2	
123	5002091	SCREW CAP HEXF M10-1.5X120 G10.9 N500	4	4	4	
NS	504379	RIVET POP DOME OE 3/16x1/4 SS	AR	AR	AR	
NS	504610	RIVET MGLP PRDG 1/4x5/8 SS	AR	AR	AR	
126	052473	PLATE / UPPER RADIATOR 40MM X 90MM	AR	AR	AR	
127	012695	SUPPORT ADAPTOR AUTOMTIC TENSIONER ASSY W/DOWEL / WATER PUMP	1	1	1	
. NS	502941	. DOWEL PIN	2	2	2	
NS	IS-19910	INSTRUCTION SHEET	1	1	1	
NS	FI-19910	VOIR FEUILLE D'INSTRUCTION	1	1	1	

From B-1721 To J-0287	Date:10/2022	PAGE:IS19913
<b>BOSCH TO DELCO REMY ALTERNATOR INSTALLATION, US10</b>		

Item#	Part	Description	H 3 4 1	H 3 4 5	V I P 4 5	N O T E S
1	0610086	KIT INSTALLATION, ALTERNATOR REMY CURB SIDE	1	1	1	
2	0610088	KIT ALTERNATOR REMY ADAPTATION FROM US10 ENGINE	1	1	1	
3	IS-19913	SEE INSTRUCTION SHEET	1	1	1	

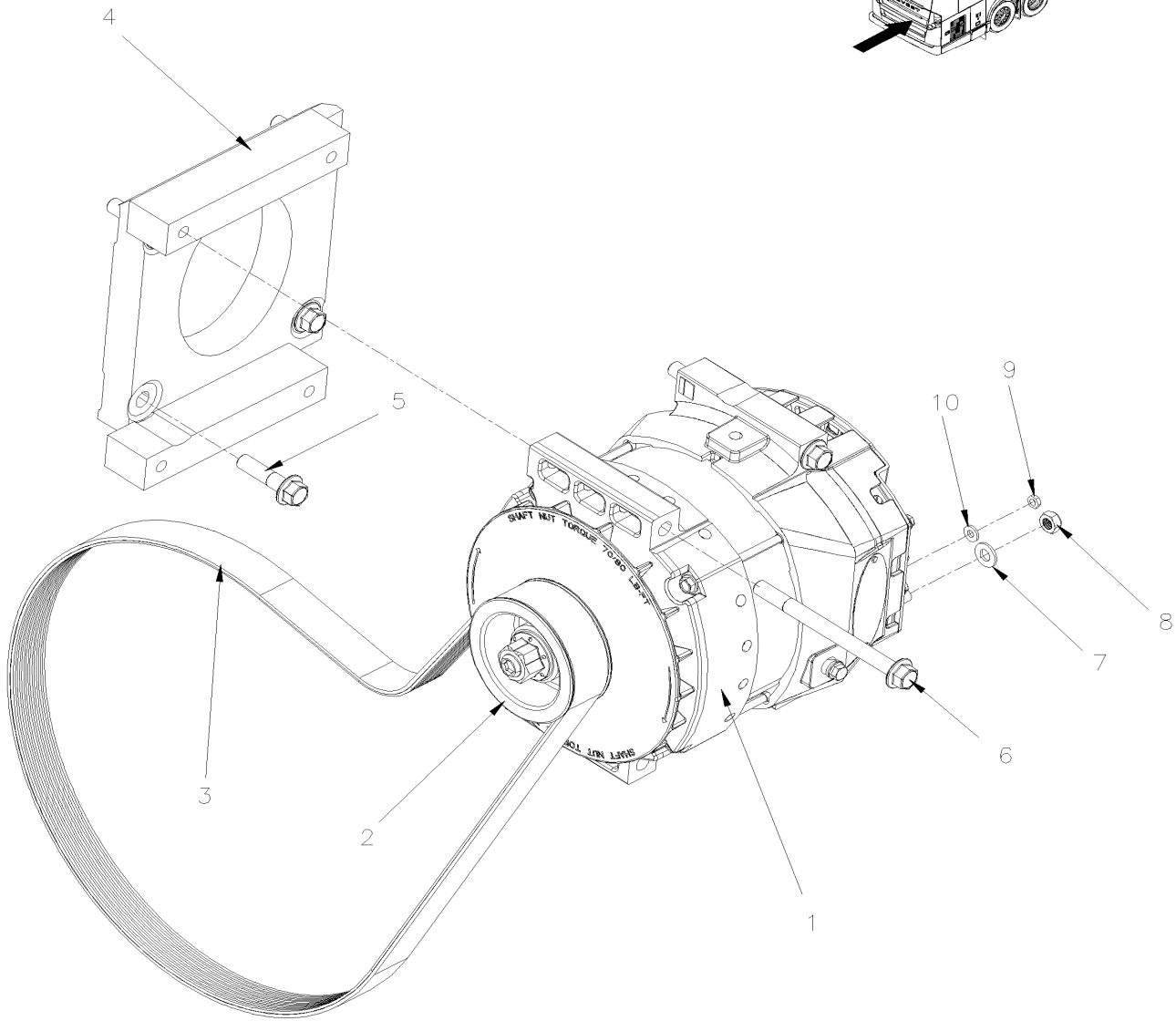
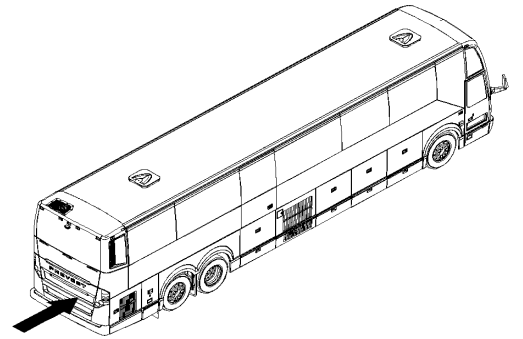


From B-1721 To D-2363

Date:10/2022

PAGE:0610086

## KIT INSTALLATION, ALTERNATOR REMY CURB SIDE



From B-1721 To D-2363	Date:10/2022	PAGE:0610086
<b>KIT INSTALLATION, ALTERNATOR REMY CURB SIDE</b>		

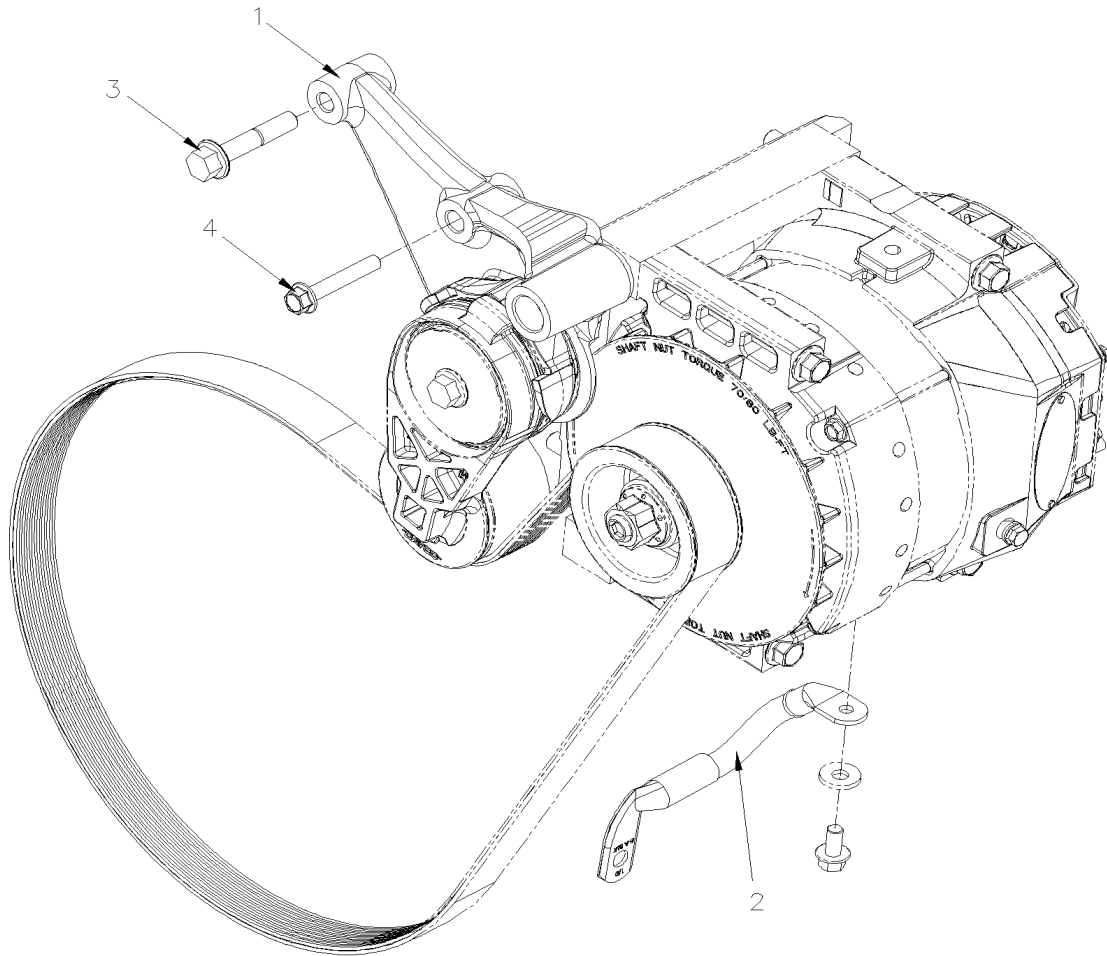
Item#	Part	Description	H 3 4 1	H 3 4 5	V I P 4 5	N O T E S
1	560720	ALTERNATOR ASSY 24V/250 AMPS / "REMY"	1	1	1	
2	069892	PULLEY ALTERNATOR / "REMY" / 83MM DOB. x 8 PK	1	1	1	
3	506065	MULTI V-BELT / 8 RIB 56.5" (1435MM) 8PK1435 QT EPDM	2	2	2	
4	069894	BRACKET, ALTERNATOR REMY	1	1	1	
5	5001308	SCREW CAP HEXF M10-1.5x40 G10.9 N500	4	4	4	
6	5002091	SCREW CAP HEXF M10-1.5X120 G10.9 N500	4	4	4	
7	5001341	WASHER FL 8.4x17.0x1.6 SS	1	1	1	
8	500685	NUT HEX NYRT 5/16-18 SS	1	1	1	
9	5001180	NUT HEX NYRT #10-24 SS	2	2	2	
10	5001137	WASHER FL .203x.438x.050 SS	2	2	2	
NS	500411	WASHER FL .260x.697x.050 SS	1	1	1	
NS	IS-19905	SEE INSTRUCTION SHEET	1	1	1	

From B-1721 To D-2363

Date:10/2022

PAGE:0610088

**KIT ALTERNATOR REMY ADAPTATION FROM US10 ENGINE**



From B-1721 To D-2363	Date:10/2022	PAGE:0610088
<b>KIT ALTERNATOR REMY ADAPTATION FROM US10 ENGINE</b>		

Item#	Part	Description	H 3 4 1	H 3 4 5	V I P 4 5	N O T E S
1	010116	SUPPORT PULLEY ALT & A/C	1	1	1	
2	0610034	HARNESS, ALTERNATOR CHASSIS GROUND / CURBSIDE	1	1	1	
3	5001801	SCREW CAP HEXF M10-1.5x55 G10.9 N500	2	2	2	
4	500796	SCREW CAP HEXF M8-1.25x50 G10.9 N500	1	1	1	
5	563548	SHRINK TUBING / .187" - .093" / BLACK / ALPHA FIT-221-3/16-4-B	1	1	1	
6	563870	RING TERMINAL #5 / 16-14 / DURASEAL / AMP B-106-1502	3	3	3	
7	994445	FLANGE SCREW M8x16	1	1	1	

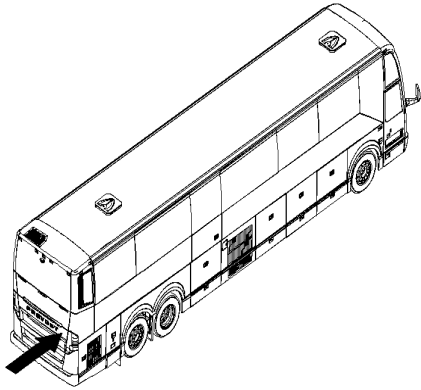


From B-1721 To J-0287

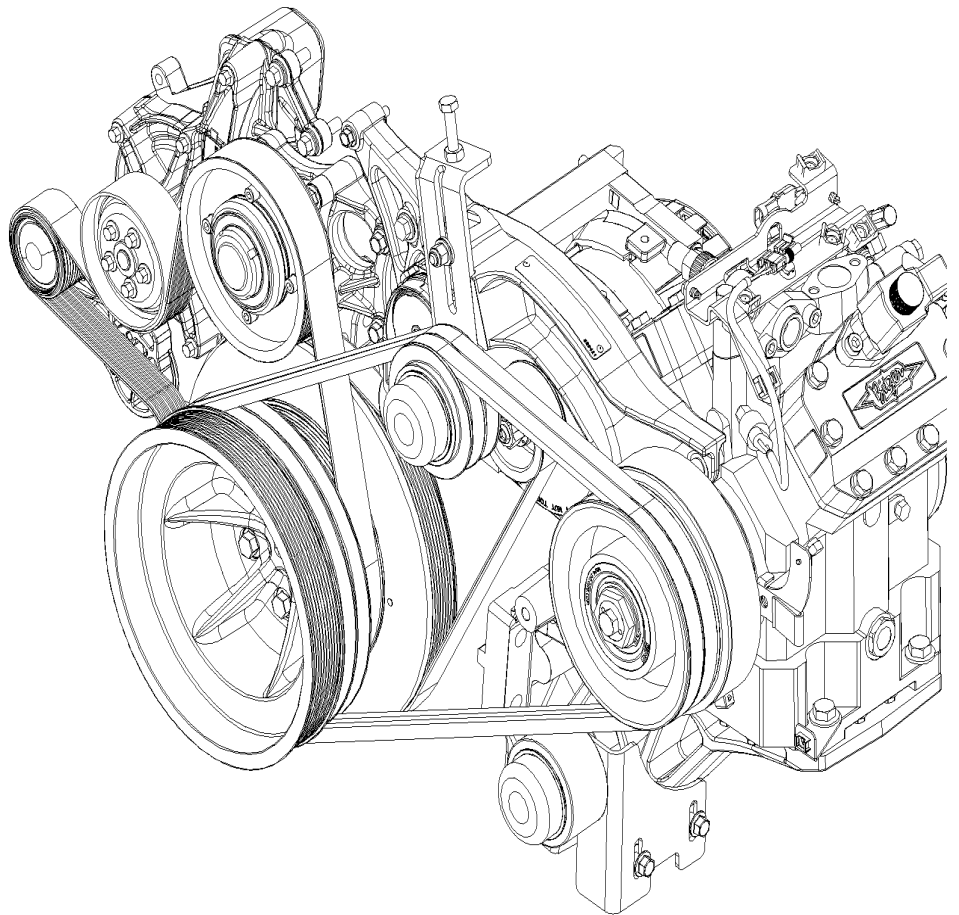
Date:10/2022

PAGE:IS19908

## BOSCH TO DELCO REMY ALTERNATOR INSTALLATION



WITH REMY ALTERNATOR



From B-1721 To J-0287 Date:10/2022 PAGE:IS19908

**BOSCH TO DELCO REMY ALTERNATOR INSTALLATION**

Item#	Part	Description	H 3 4 1	H 3 4 5	V I P 4 5	N O T E S
1	0610086	KIT INSTALLATION, ALTERNATOR REMY CURB SIDE	1	1		
2	0610089	RH ALTERNATOR REMY ADAPTATION H3 CURB SIDE	1	1		
3	IS-19908	INSTRUCTION SHEET	1	1		

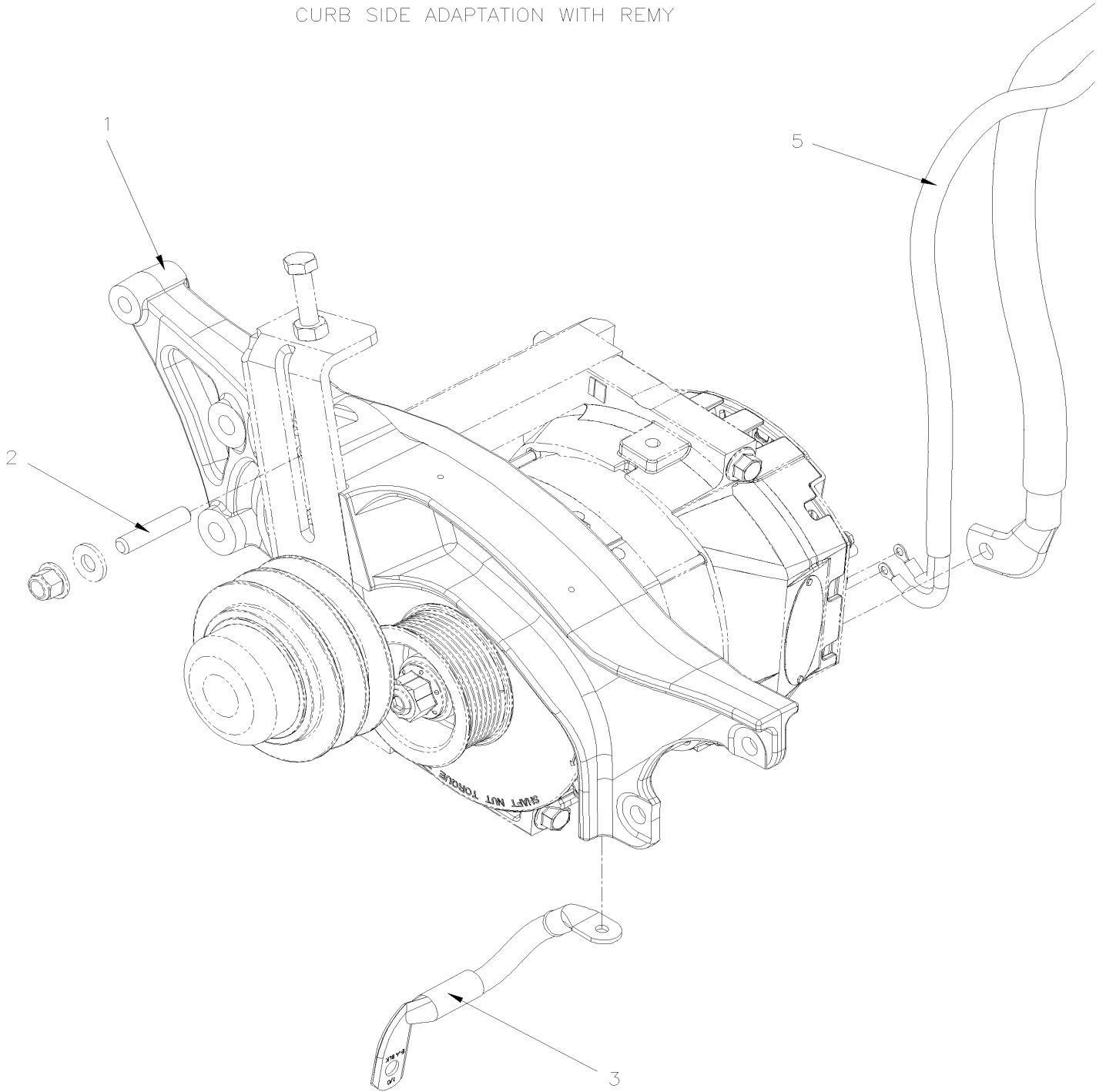
From D-2364

Date:10/2022

PAGE:0610089

## RH ALTERNATOR REMY ADAPTATION H3 CURB SIDE

CURB SIDE ADAPTATION WITH REMY

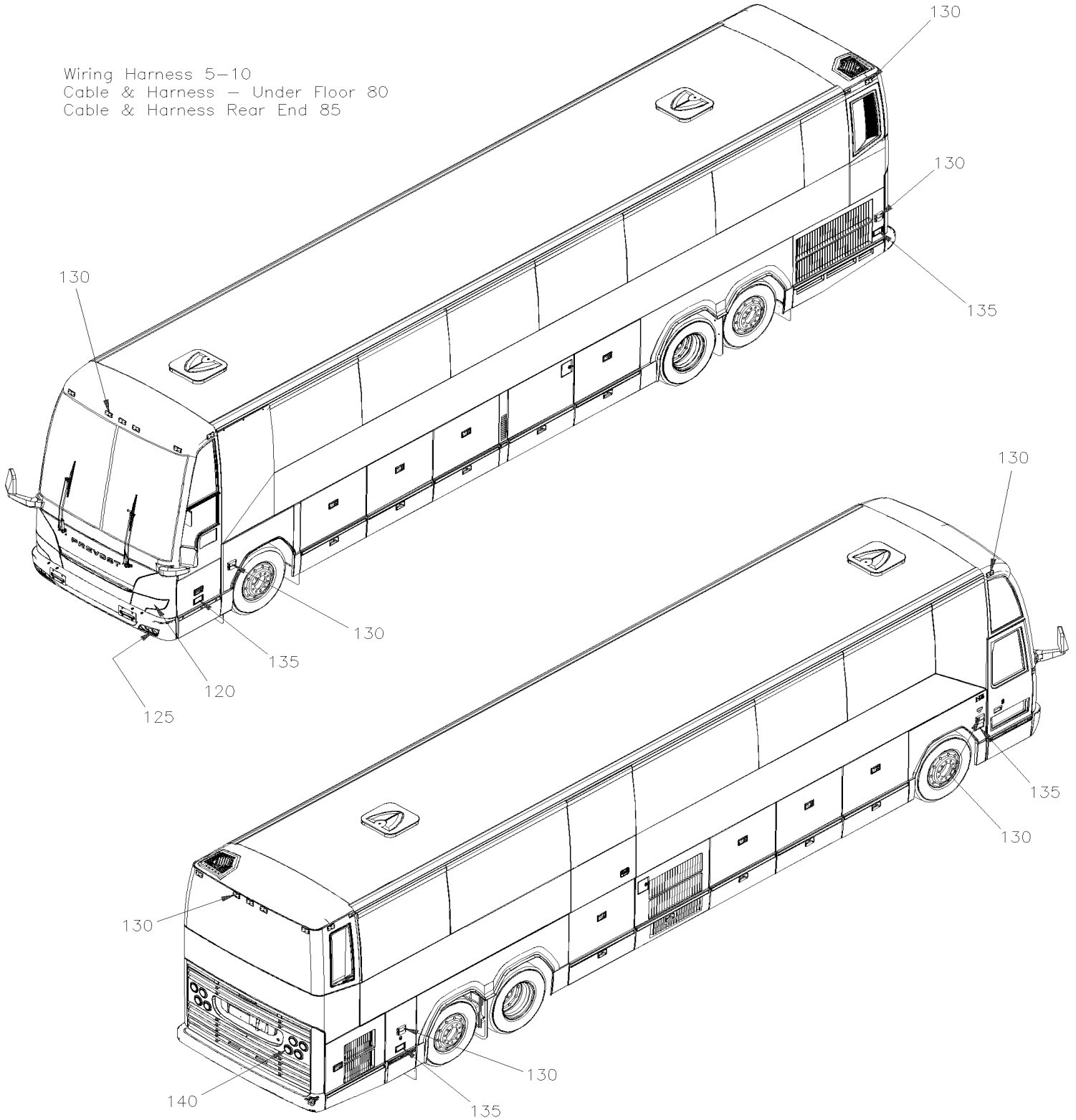


From D-2364	Date:10/2022	PAGE:0610089
<b>RH ALTERNATOR REMY ADAPTATION H3 CURB SIDE</b>		

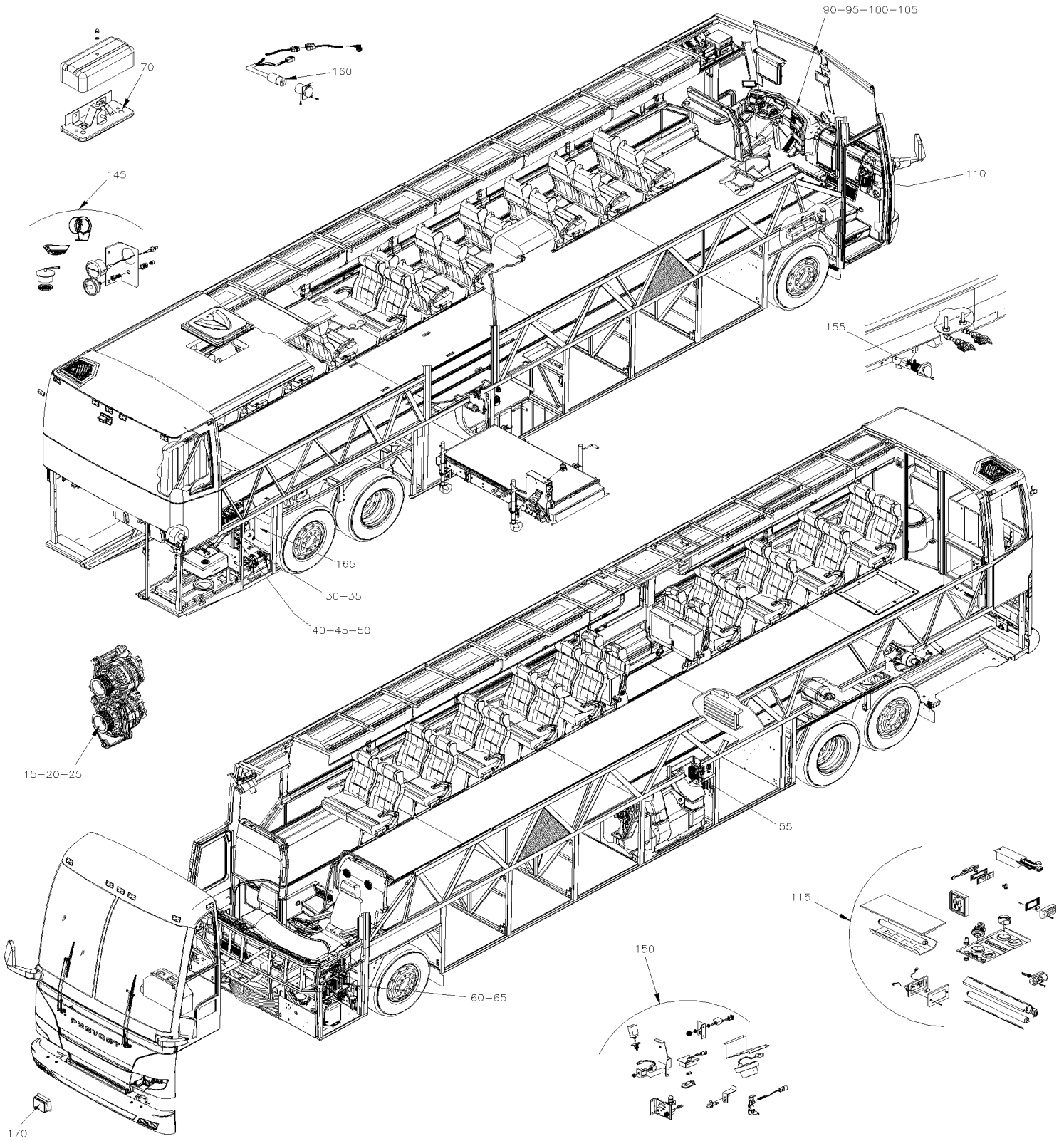
Item#	Part	Description	H 3 4 1	H 3 4 5	V I P 4 5	N O T E S
1	450580	SUPPORT, TENSIONNER CASTING	1	1		
2	5000360	ROD M10-1.5x52 N500	1	1		
3	0610034	HARNESS, ALTERNATOR CHASSIS GROUND / CURBSIDE	1	1		
4	0610052	HARNESS, ALTERNATOR BATTERY / CURBSIDE	1	1		
NS	N55439-02	RING TERMINAL #5 / 16-14 / DURASEAL / AMP B-106-1502	3	3	3	
NS	N33509-06	SHRINK TUBING / .187" - .060" / BLACK / RAYCHEM SCL 3/16-0	AR	AR	AR	
NS	5001834	WASHER BEL SPR 10.5X23X2.5 N500	1	1	1	
NS	5001930	NUT HEXF NYRT M10-1.5 N500 G10.9	1	1	1	
NS	IS-19905	SEE INSTRUCTION SHEET	1	1	1	

	Date:10/2022	H7-06
ELECTRICAL		

Wiring Harness 5-10  
Cable & Harness - Under Floor 80  
Cable & Harness Rear End 85



	Date: 10/2022	H7-06
ELECTRICAL		





		Date:10/2022	H7-06			
<b>ELECTRICAL</b>						

Item#	Part	Description	H 3 4 1	H 3 4 5	V I P 4 5	N O T E S
5	H7-0600-00	WIRING HARNESS - BUS / MUX DIAGRAM D-061020 - C1 From 7-0671 To J-0184				
10	H7-0600-50	WIRING HARNESS - V.I.P. / MUX DIAGRAM D-061040 - C1 From 7-0671 To J-0287				
15	H7-0605-00	ALTERNATOR 24V/140 AMPS / "BOSCH" From 7-0671 To A-1720				
15	H7-0605-01	ALTERNATOR 24V/120 AMPS / "BOSCH" From A-1477 To G-3047				
15	H7-0605-02	ALTERNATOR 24V/150 AMPS / "BOSCH" From G-3048 To J-0184				
15	H7-0605-11	ALTERNATOR 24V/120 AMPS / "BOSCH" From A-1477 To F-2996				
15	H7-0605-12	ALTERNATOR 24V/150 AMPS / "BOSCH" From F-2997 To J-0287				
15	H7-0605-50	ALTERNATOR 24V/270 AMPS / "DELCO" #562235 SEE FINAL VEHICLE RECORD From 7-0671 To A-1720				
15	H7-0605-51	ALTERNATOR 12V/300 AMPS / "DELCO" #562355 SEE FINAL VEHICLE RECORD From 7-0671 To A-1720				
15	H7-0605-52	ALTERNATOR 12V/200 AMPS / "BOSCH" From B-1721 To J-0287				
15	H7-0605-90	ALTERNATOR 24V/150 AMPS / "BOSCH" OPTION From F-2751 To J-0287				S
20	H7-0610-00	ALTERNATOR MOUNTING / "BOSCH" 2X140AMPS DETROIT S-60 From 7-0671 To A-1476				
20	H7-0610-01	ALTERNATOR MOUNTING / "BOSCH" 2x140Amps VOLVO D13 From 8-1202 To A-1720				
20	H7-0610-05	ALTERNATOR MOUNTING / "BOSCH" 2X120AMPS DETROIT S-60 From A-1477 To A-1720				
20	H7-0610-06	ALTERNATOR MOUNTING / "BOSCH" VOLVO D13 From B-1721 To J-0287				
20	H7-0610-25	ALTERNATOR MOUNTING / COACH WITH 3 ALTERNATORS OPTION From F-2878 To J-0184				
25	H7-0610-50	ALTERNATOR MOUNTING / "NEIHOF"READY INSTALLATION From 7-0671 To A-1720				
25	H7-0610-55	ALTERNATOR MOUNTING / 24V-140Amps D-061074 From 7-0671 To A-1720				
25	H7-0610-56	ALTERNATOR MOUNTING / 12V-200Amps From 7-0671 To A-1720				
25	H7-0610-57	ALTERNATOR MOUNTING / 12V-200Amps WITH "BITZER" From 8-1362 To A-1720				
25	H7-0610-60	ALTERNATOR MOUNTING From B-1721 To D-2363				
25	H7-0610-61	ALTERNATOR MOUNTING - A/C COMPRESSOR SUPPORT / W/SMALL A/C From D-2364 To J-0287				
25	H7-0610-65	ALTERNATOR MOUNTING - W/LARGE A/C From D-2364 To J-0287				
30	H7-0615-00	BATTERIES COMPARTMENT - INSTALLATION From 7-0671 To D-2363				
30	H7-0615-01	BATTERIES COMPARTMENT - INSTALLATION From D-2364 To J-0287				
35	H7-0615-60	BATTERIES AUXILIARY - INSTALLATION From 7-0671 To J-0184				
40	H7-0616-00	JUNCTION BOX COMPONENTS From 7-0671 To J-0287				
45	H7-0616-10	BREAKER PANEL From 7-0671 To D-2363				
45	H7-0616-11	BREAKER PANEL From D-2364 To J-0287				
50	H7-0620-00	REAR JUNCTION BOX ASSY From 7-0671 To D-2363				
50	H7-0620-01	REAR JUNCTION BOX ASSY From D-2364 To J-0287				
50	H7-0620-20	PARCEL RACK JUNCTION PANEL From D-2364 To J-0287				
55	H7-0621-10	A/C ELECTRICAL PANEL ASSY / EVAPORATOR COMPARTMENT From 7-0671 To E-2661				
55	H7-0621-11	A/C ELECTRICAL PANEL ASSY / EVAPORATOR COMPARTMENT From E-2662 To J-0287				
60	H7-0625-00	FRONT JUNCTION PANEL From 7-0671 To J-0287				
65	H7-0625-50	FRONT JUNCTION BOX - INSTALLATION From 7-0671 To J-0287				
70	H7-0628-00	CHIME BELL - INSTALLATION From 7-0671 To A-1492				
80	H7-0630-00	CABLE & HARNESS - UNDER FLOOR - W/MUX From 7-0671 To J-0287				
81	H7-0640-00	CABLE & HARNESS - FRONT END INSTALLATION From 7-0671 To J-0287				
83	H7-0640-10	CABLE HARNESS - PIPE INSTALLATION From 7-0671 To J-0287				
84	H7-0640-80	CABLE & HARNESS - W.C.L. From 7-0671 To J-0184				
85	H7-0641-00	CABLE & HARNESS - REAR END INSTALLATION From 7-0671 To B-1720				

		Date:10/2022	H7-06			
<b>ELECTRICAL</b>						

Item#	Part	Description	H 3 4 1	H 3 4 5	V I P 4 5	N O T E S
85	H7-0641-01	CABLE & HARNESS - REAR END INSTALLATION From B-1721 To J-0287				
90	H7-0645-00	SWITCHES L.H. CONSOLE - BUS From 7-0671 To J-0184				
90	H7-0645-05	SWITCHES L.H. CONSOLE - V.I.P. From 7-0671 To J-0287				
95	H7-0645-10	L.H. DASHBOARD PANEL From 7-0671 To J-0287				
100	H7-0645-20	CENTER DASHBOARD PANEL From 7-0671 To A-1720				
100	H7-0645-21	CENTER DASHBOARD PANEL WITH "EPA 2010" From B-1721 To J-0287				
105	H7-0645-30	R.H. DASHBOARD PANEL From 7-0671 To J-0287				
110	H7-0650-50	ENTRANCE DOOR MODULE - V.I.P. From 7-0671 To J-0287				
115	H7-0655-00	INTERIOR LIGHTING From 7-0671 To D-2264				
115	H7-0655-01	INTERIOR LIGHTING LED From D-2265 To J-0287				
120	H7-0660-00	HEADLAMP "HALOGENE" & FRONT DIRECTIONAL LAMPS From 7-0671 To 9-1469				
120	H7-0660-01	HEADLAMP "XENON" & FRONT DIRECTIONAL LAMPS From 7-0671 To 9-1469				
120	H7-0660-02	HEADLAMP & FRONT DIRECTIONAL LAMPS From A-1470 To J-0287				
125	H7-0661-00	FOG LAMP From 7-0671 To J-0287				
130	H7-0662-00	CLEARANCE & MARKER LIGHT From 7-0671 To J-0287				
133	H7-0662-10	BEACON LIGHT INSTALLATION From F-2878 To J-0184				
135	H7-0663-00	DOCK & CORNERING LIGHT From 7-0671 To J-0287				
140	H7-0664-00	REAR EXTERIOR LIGHTS & PLATE HOLDER From 7-0671 To A-1720				
140	H7-0664-01	REAR EXTERIOR LIGHTS & PLATE HOLDER From B-1721 To J-0287				
145	H7-0665-00	ENGINE COMPARTMENT - ELECTRIC COMPONENTS From 7-0671 To A-1720				
145	H7-0665-01	ENGINE COMPARTMENT - ELECTRIC COMPONENTS AND LAVATORY VALVE From B-1721 To J-0287				
150	H7-0665-10	SWITCHES, LIGHTS, AJAR - UNDER FLOOR & ENGINE COMPARTMENT From 7-0671 To J-0287				
155	H7-0665-20	CABLE TRAILER - INSTALLATION - BUS From 7-0671 To J-0184				
160	H7-0666-00	BLOCK HEATER RECEPTACLE From 7-0671 To J-0184				
165	H7-0670-10	BATTERIES CHARGER - INSTALLATION From 7-0671 To J-0184				
170	H7-0675-00	SYSTEM - "VORAD" From 7-0671 To A-1720				
175	H7-0675-05	SYSTEM - ADAPTIVE CRUISE CONTROL ACB - "BENDIX" From B-1786 To E-2659				
180	H7-0675-06	SYSTEM - ADAPTIVE CRUISE CONTROL ACB - "BENDIX FLR20 & FLR21 From E-2660 To J-0287				
185	H7-0690-00	FAN PARCEL RACK From G-3099 To J-0184				
186	IS19913	BOSCH TO DELCO REMY ALTERNATOR INSTALLATION, US10 From B-1721 To D-2363				
187	IS19908	BOSCH TO DELCO REMY ALTERNATOR INSTALLATION From D-2364 To J-0184				
		S) SPECIAL OPTION				



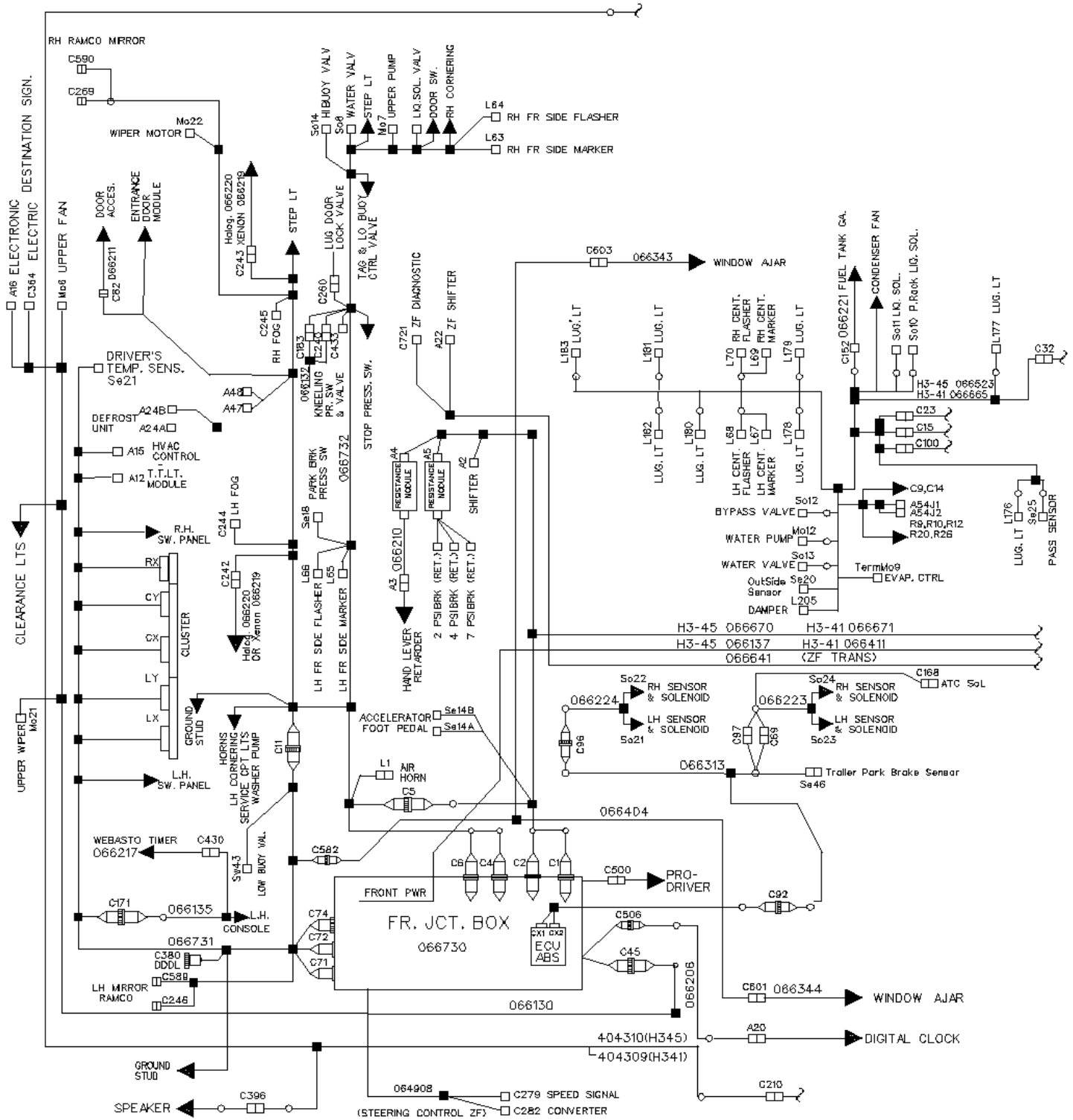
From 7-0671 To J-0184

Date:10/2022

PAGE:H7-0600-00

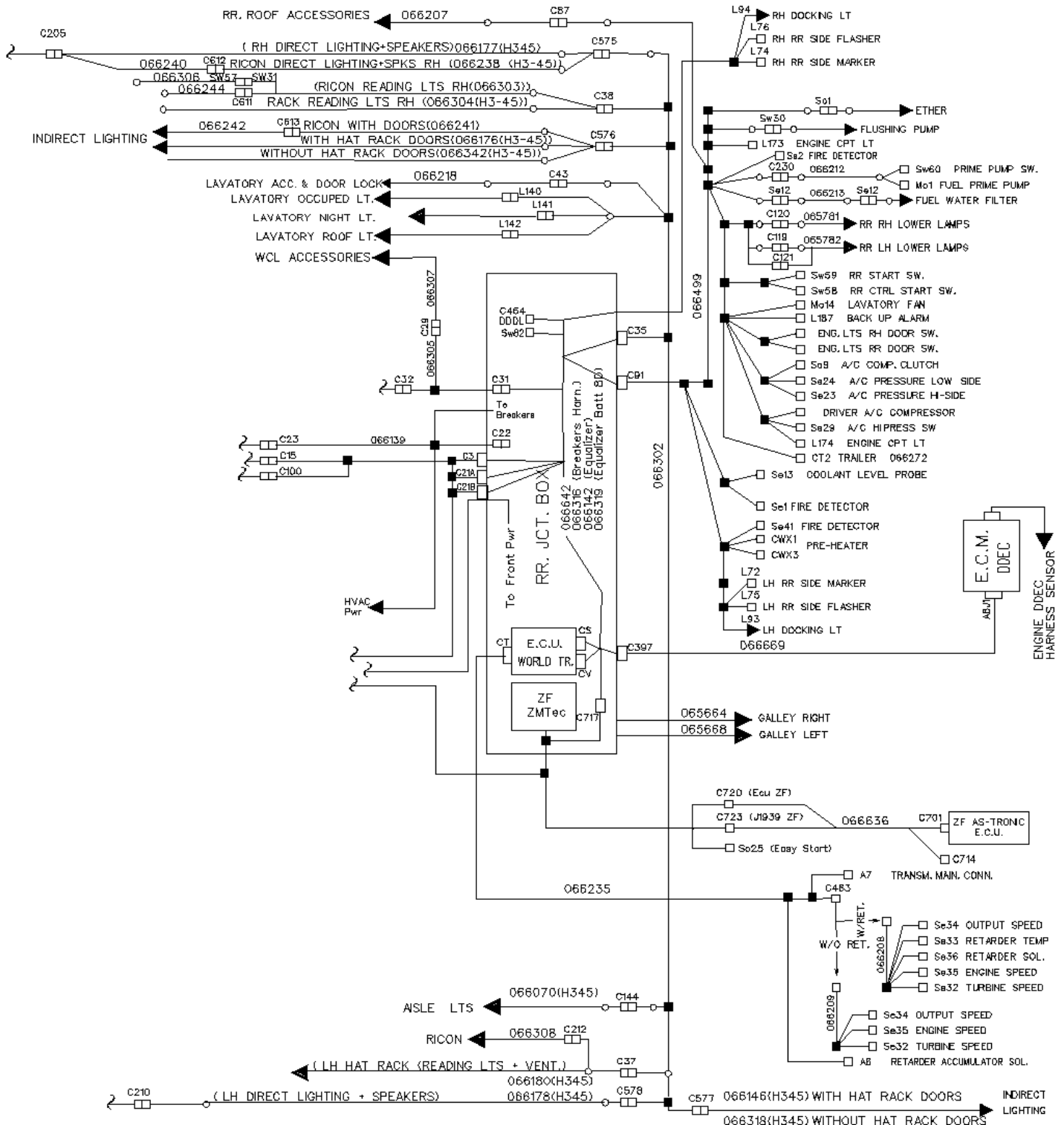
**WIRING HARNESS - BUS / MUX DIAGRAM D-061020 - C1**

**DRAWING FROM REV 10**



WIRING HARNESS - BUS / MUX DIAGRAM D-061020 - C1

B DRAWING FROM REV 10



From 7-0671 To J-0184

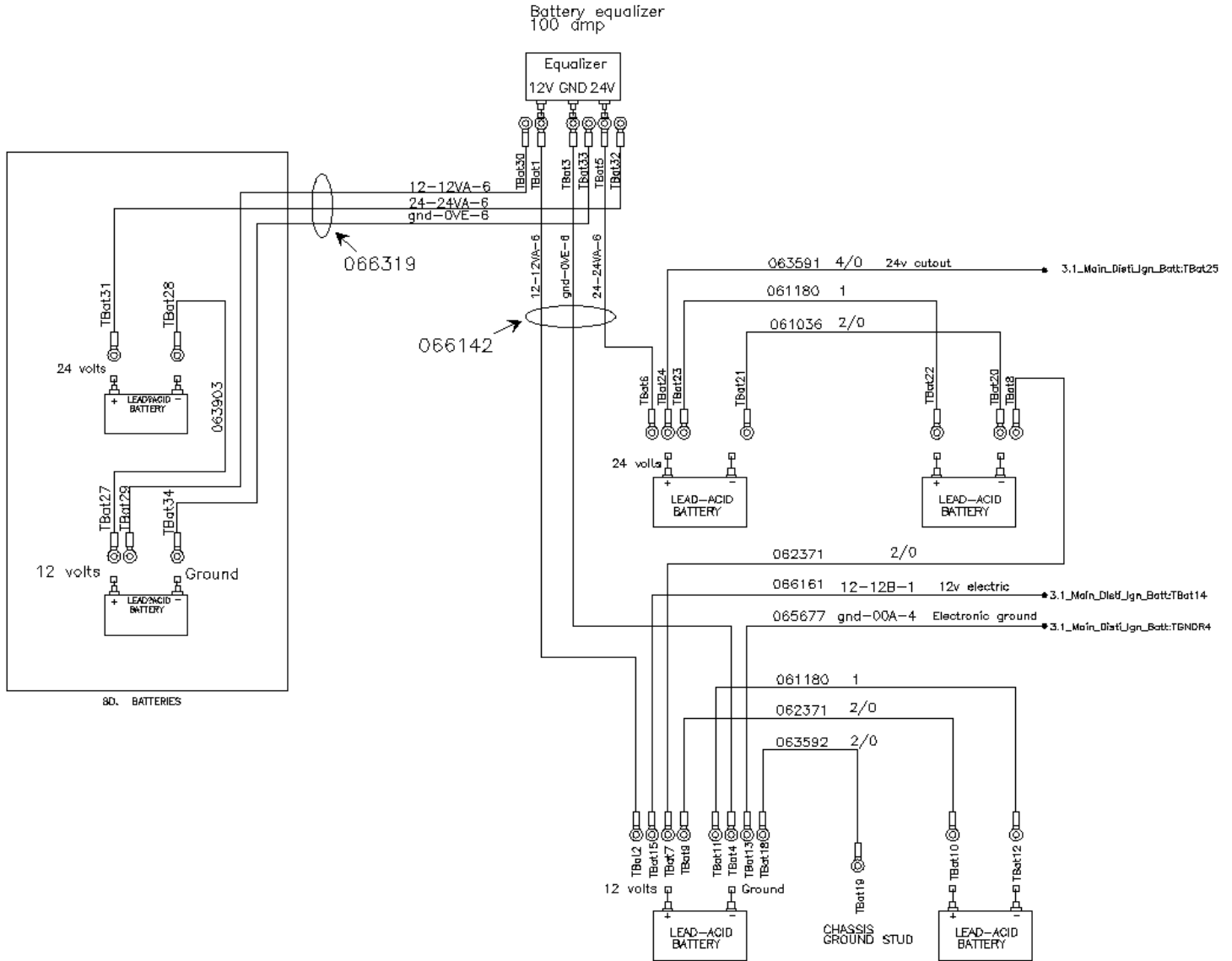
Date:10/2022

PAGE:H7-0600-00

## WIRING HARNESS - BUS / MUX DIAGRAM D-061020 - C1

Battery equalizer  
100 amp

Equalizer  
12V GND 24V



From 7-0671 To J-0184	Date:10/2022	PAGE:H7-0600-00
<b>WIRING HARNESS - BUS / MUX DIAGRAM D-061020 - C1</b>		

Item#	Part	Description	H 3 4 1	H 3 4 5	V I P 4 5	N O T E S
		IN BATTERIES COMPARTMENT				
1	063592	CABLE ASSY / B - TO GROUND	1	1		
2	062371	CABLE ASSY / B + TO B +	2	2		
3	061180	CABLE ASSY / B - TO B -	2	2		
4	061036	CABLE ASSY / B - TO B -	1	1		
5	063591	CABLE ASSY / RELAY BATTERY & BATTERY #24	1	1		
6	066161	CABLE POWER 12B / CB4 / MUX	1	1		
7	066142	CABLE HARNESS / EQUALIZER	1	1		
12	065677	CABLE ASSY / # 00A	1	1		
		WITH BATTERIES 8D "OPTION"				
23	063903	CABLE ASSY / B + TO B -	1	1		
29	066319	CABLE HARNESS / EQUALIZER / W/8D BATTERIES / MUX	1	1		
		FROM REAR JUNCTION BOX				
		TO E.C.M. & ENGINE ACCESSORIES				
42	067091	CABLE ASSY / ECU & REAR JCT BOX / W/"DETROIT" To 9-1417	1	1		
42	067366	CABLE ASSY / ECU & REAR JCT BOX / W/"DETROIT" From 9-1418 To A-1476	1	1		
42	067427	CABLE ASSY / ECU & REAR JCT BOX / W/"DETROIT" From A-1477 To A-1720	1	1		
42	067090	CABLE ASSY / ECU & REAR JCT BOX / W/"VOLVO" To A-1677	1	1		
42	067798	CABLE ASSY / ECU & REAR JCT BOX / W/"VOLVO" From A-1678 To A-1720	1	1		
42	067600	CABLE ASSY / ECU & REAR JCT BOX / W/"VOLVO" From B-1721 To C-1885	1	1		
42	068406	CABLE ASSY / ECU & REAR JCT BOX / W/"VOLVO" From C-1886 To C-2058	1	1		
42	068429	CABLE ASSY / ECU & REAR JCT BOX / W/"VOLVO" From C-2059 To D-2363	1	1		
42	068566	CABLE ASSY / ECU & REAR JCT BOX / W/"VOLVO" From D-2364 To E-2539	1	1		
42	068907	CABLE ASSY / ECU & REAR JCT BOX / W/"VOLVO" From E-2540 To E-2661	1	1		
42	068982	CABLE ASSY / ECU & REAR JCT BOX / W/"VOLVO" From E-2662	1	1		
44	066237	CABLE POWER / W.C.L. "RICON"		1		
44	066305	CABLE POWER / ACCESSORIES & W.C.L. "RICON" To E-2584		1		
44	066305	CABLE POWER / ACCESSORIES & W.C.L. "RICON" From E-2585 To G-3205	1	1		
44	069448	CABLE POWER / ACCESSORIES & W.C.L. "RICON" From G-3206	1	1		
44	069704	CABLE POWER / ACCESSORIES & W.C.L. "RICON" WITH INTERLOK From H-3599		1		B
46	065664	CABLE ASSY / RJB & GALLEY CURBSIDE	1	1		
46	065668	CABLE ASSY / RJB & GALLEY STREETSIDE	1	1		
49	066307	CABLE ASSY / POWER / W.C.L. "RICON" To D-2298		1		
49	068665	CABLE ASSY / POWER / W.C.L. "RICON" From D-2299		1		
		INSIDE REAR JUNCTION BOX				

<b>From 7-0671 To J-0184</b>	<b>Date:10/2022</b>	<b>PAGE:H7-0600-00</b>
<b>WIRING HARNESS - BUS / MUX DIAGRAM D-061020 - C1</b>		

Item#	Part	Description	H 3 4 1	H 3 4 5	V I P 4 5	N O T E S
51	067092	CABLE HARNESS / REAR JUNCTION BOX	1	1		
51	067219	CABLE HARNESS / REAR JUNCTION BOX	1	1		
53	066139	CABLE POWER / BREAKERS & HVAC To 8-1291	1	1		
53	067331	CABLE POWER / BREAKERS & HVAC From 8-1292 To D-2363	1	1		
53	068629	CABLE POWER / BREAKERS & HVAC From D-2364 To E-2661	1	1		
53	069147	CABLE POWER / BREAKERS & HVAC From E-2662	1	1		
54	066316	CABLE ASSY / BREAKERS	1	1		
		FROM REAR JUNCTION BOX				
		TO ENGINE COMPARTMENT				
61	067094	CABLE HARNESS / ENGINE ACCESSORIES To 8-1169	1	1		
61	067269	CABLE HARNESS / ENGINE ACCESSORIES From 8-1170 To A-1720	1	1		
61	067857	CABLE HARNESS / ENGINE ACCESSORIES From B-1721 To C-2058	1	1		
61	068428	CABLE HARNESS / ENGINE ACCESSORIES From C-2059 To D-2271	1	1		
61	068143	CABLE HARNESS / ENGINE ACCESSORIES From D-2272 To D-2363	1	1		
61	068647	CABLE HARNESS / ENGINE ACCESSORIES From D-2364 To E-2539	1	1		
61	068906	CABLE HARNESS / ENGINE ACCESSORIES From E-2540 To E-2661	1	1		
61	068975	CABLE HARNESS / ENGINE ACCESSORIES From E-2662 To F-2751	1	1		
61	069086	CABLE HARNESS / ENGINE ACCESSORIES From F-2752 To G-3205	1	1		
61	069519	CABLE HARNESS / ENGINE ACCESSORIES From G-3206 To G-3366	1	1		
61	069594	CABLE HARNESS / ENGINE ACCESSORIES From G-3367	1	1		
NS	067656	HARNESS DPF "VOLVO" From B-1721 To C-2058	1	1		
61	068335	HARNESS DPF "VOLVO" From C-2059 To D-2271	1	1		
61	067825	HARNESS DPF "VOLVO" From D-2272 To D-2363	1	1		
61	068469	HARNESS DPF "VOLVO" PRELIM	1	1		
61	068649	HARNESS DPF "VOLVO" From D-2364 To E-2539	1	1		
61	068908	HARNESS DPF "VOLVO" From E-2540 To E-2661	1	1		
61	068993	HARNESS DPF "VOLVO" From E-2662 To G-3366	1	1		
61	069503	HARNESS DPF "VOLVO" From G-3367	1	1		
NS	067657	HARNESS SCR "VOLVO" From B-1721	1	1		
NS	067658	HARNESS DPF T1 EXTENTION From B-1721	1	1		
NS	7770134	WIRING HARNESS / DPF ONLY W/DETROIT S60 To A-1720	1	1		
62	066897	CABLE HARNESS / CLEARENCE LIGHT REAR CURBSIDE To A-1720	1	1		
62	067898	CABLE HARNESS / CLEARENCE LIGHT REAR CURBSIDE From B-1721 To H-3734	1	1		
62	069647	CABLE HARNESS / CLEARENCE LIGHT REAR CURBSIDE From H-3735	1	1		
63	065781	CABLE ASSY R.H. LAMP / REAR ENGINE DOOR / MUX To A-1720	1	1		
63	067858	CABLE ASSY LAMP / REAR ENGINE DOOR From B-1721	1	1		
64	065782	CABLE ASSY L.H. LAMP / REAR ENGINE DOOR / MUX To A-1720	1	1		
64	067858	CABLE ASSY LAMP / REAR ENGINE DOOR From B-1721	1	1		
65	066213	CABLE ASSY / FUEL WATER FILTER	1	1		

<b>From 7-0671 To J-0184</b>	<b>Date:10/2022</b>	<b>PAGE:H7-0600-00</b>
<b>WIRING HARNESS - BUS / MUX DIAGRAM D-061020 - C1</b>		

Item#	Part	Description	H 3 4 1	H 3 4 5	V I P 4 5	N O T E S
66	066898	CABLE HARNESS / CLEARENCE LIGHT REAR STREETSIDE To A-1720	1	1		
66	067859	CABLE HARNESS / CLEARENCE LIGHT REAR STREETSIDE From B-1721 To H-3734	1	1		
66	069648	CABLE HARNESS / CLEARENCE LIGHT REAR STREETSIDE From H-3735	1	1		
NS	067860	CABLE ASSY REAR COMPARTMENT From B-1721	1	1		
67	067265	CABLE THERMO DETECTOR (LINEAR FIRE CABLE) / 8.4M / 168C/180C // 334F/356F	1	1		
. NS	563587	. MODULE DETECTOR / END CIRCUIT	1	1		
68	067266	CABLE THERMO DETECTOR (LINEAR FIRE CABLE) / 3M / 168C/180C // 334F/356F	1	1		
. NS	563587	. MODULE DETECTOR / END CIRCUIT	1	1		
		FROM REAR JUNCTION BOX				
		TO PARCEL RACK & LAVATORY				
81	066900	CABLE POWER / PARCEL RACK & LAVATORY To D-2264	1	1		
81	067714	CABLE POWER / PARCEL RACK & LAVATORY From D-2265 To D-2363	1	1		
81	068628	CABLE POWER / PARCEL RACK & LAVATORY From D-2364 To G-3128	1	1		
81	069311	CABLE POWER / PARCEL RACK & LAVATORY From G-3129	1	1		
82	066899	CABLE ASSY / TIMER & ACCESSORIES / MUX	1	1		
84	066712	CABLE ASSY / DIRECT LIGHT & SPEAKER L.H. To D-2271	1	1		
85	066711	CABLE ASSY / DIRECT LIGHT & SPEAKER R.H. To D-2271	1	1		
85	066701	CABLE, DIRECT LIGHT REAR RH / W/W.C.L. To D-2271	1	1		
85	066703	CABLE, DIRECT LIGHT FRONT RH / W/W.C.L. To D-2271	1	1		
86	066707	CABLE ASSY / MAIN AISLE LAMP W/SUBWOOFER / SERIES "H"	1	1		
87	066146	CABLE HARNESS / IND LIGHT L.H. / W/DOOR / MUX To D-2271	1	1		
87	066318	CABLE HARNESS / IND LIGHT L.H. / W/O DDOR / MUX	1	1		
88	066176	CABLE HARNESS / IND LIGHT R.H. / W/DOOR / MUX To D-2271	1	1		
88	066342	CABLE HARNESS / IND LIGHT R.H. / W/O DOOR / MUX	1	1		
88	066241	CABLE HARNESS / IND LIGHT R.H. / W/DOOR RR / W/W.C.L. To A-1720	1	1		
88	068114	CABLE HARNESS / IND LIGHT R.H. / W/DOOR RR / W/W.C.L. From B-1721	1	1		
88	066242	CABLE HARNESS / IND LIGHT R.H. / W/DOOR FRT / W/W.C.L. To A-1720	1	1		
88	068115	CABLE HARNESS / IND LIGHT R.H. / W/DOOR FRT / W/W.C.L. From B-1721	1	1		
90	066706	CABLE HARNESS / READING LIGHT CURB SIDE / MUX	1	1		
90	066710	CABLE HARNESS / READING LIGHT CURBSIDE REAR / W/W.C.L. To D-2363	1	1		
90	068634	CABLE HARNESS / READING LIGHT CURB SIDE / W/W.C.L. From D-2364 To G-3128	1	1		
90	069308	CABLE HARNESS / READING LIGHT CURB SIDE From G-3129	1	1		
91	066705	CABLE HARNESS / READING LIGHT STREETSIDE To D-2363	1	1		
91	068632	CABLE HARNESS / READING LIGHT STREETSIDE From D-2364 To G-3128	1	1		
91	069310	CABLE HARNESS / READING LIGHT STREETSIDE From G-3129	1	1		
95	066709	CABLE HARNESS / READING LIGHT CURBSIDE FRONT / W/W.C.L. To D-2363	1	1		
95	068633	CABLE HARNESS / READING LIGHT CURBSIDE FRONT / W/W.C.L. From D-2364 To G-3128	1	1		
95	069308	CABLE HARNESS / READING LIGHT CURB SIDE From G-3129	1	1		
96	066306	CABLE ASSY / W/WCL	1	1		
98	066308	CABLE ASSY / TO L.H. WINDOW / W/W.C.L. To E-2584		1		

<b>From 7-0671 To J-0184</b>	<b>Date:10/2022</b>	<b>PAGE:H7-0600-00</b>
<b>WIRING HARNESS - BUS / MUX DIAGRAM D-061020 - C1</b>		

Item#	Part	Description	H 3 4 1	H 3 4 5	V I P 4 5	N O T E S
98	066308	CABLE ASSY / TO L.H. WINDOW / W/W.C.L. From E-2585 To G-3128	1	1		
		FROM REAR JUNCTION BOX				
		TO COMPARTMENT UNDER FLOOR ACCESORIES				
101	066665	CABLE ASSY / POWER ACCES TO ACCESORIES To 8-1291		1		
101	067317	CABLE ASSY / POWER ACCES TO ACCESORIES / W/4 FANS From 8-1292 To 9-1408		1		
101	067611	CABLE ASSY / POWER ACCES TO ACCESORIES / W/4 FANS From 9-1409 To A-1720		1		
101	067902	CABLE ASSY / POWER ACCES TO ACCESORIES / W/4 FANS From B-1721 To B-1828		1		
101	068278	CABLE ASSY / POWER ACCES TO ACCESORIES / W/4 FANS From B-1829 To D-2363		1		
101	068631	CABLE ASSY / POWER ACCES TO ACCESORIES / W/4 FANS From D-2364 To E-2661		1		
101	069145	CABLE ASSY / POWER ACCES TO ACCESORIES From E-2662 To G-3128		1		
101	069485	CABLE ASSY / POWER ACCES TO ACCESORIES From G-3129 To G-3205		1		
101	069362	CABLE ASSY / POWER ACCES TO ACCESORIES From G-3206 To H-3734		1		
101	069671	CABLE ASSY / POWER ACCES TO ACCESORIES From H-3735		1		
101	069703	CABLE ASSY / POWER ACCES TO ACCESORIES WITH INTERLOK From H-3599		1		B
101	066523	CABLE ASSY / POWER ACCES TO ACCESORIES To 8-1291	1			
101	067318	CABLE ASSY / POWER ACCES TO ACCESORIES / W/4 FANS From 8-1292 To 9-1408	1			
101	067612	CABLE ASSY / POWER ACCES TO ACCESORIES / W/4 FANS From 9-1409 To A-1720	1			
101	067903	CABLE ASSY / POWER ACCES TO ACCESORIES / W/4 FANS From B-1721 To D-2363	1			
101	068635	CABLE ASSY / POWER ACCES TO ACCESORIES / W/4 FANS From D-2364 To E-2661	1			
101	069146	CABLE ASSY / POWER ACCES TO ACCESORIES From E-2662 To G-3128	1			
101	069486	CABLE ASSY / POWER ACCES TO ACCESORIES From G-3129 To G-3205	1			
101	069363	CABLE ASSY / POWER ACCES TO ACCESORIES From G-3206 To H-3734	1			
101	069672	CABLE ASSY / POWER ACCES TO ACCESORIES From H-3735	1			
104	066221	CABLE HARNESS / FUEL TANK / MUX	1	1		
		FROM REAR JUNCTION BOX				
		VEHICLE WITH "WORLD" TRANSMISSION				
111	067095	CABLE ASSY / FRT SELECTOR & RR ECU & VIM To 8-1169		1		
111	067228	CABLE ASSY / FRT SELECTOR & RR ECU & VIM From 8-1170 To A-1720		1		
111	067627	CABLE ASSY / FRT SELECTOR & RR ECU & VIM From B-1721 To C-2058		1		
111	068426	CABLE ASSY / FRT SELECTOR & RR ECU & VIM From C-2059 To D-2363		1		
111	068636	CABLE ASSY / FRT SELECTOR & RR ECU & VIM From D-2364 To E-2661		1		
111	068983	CABLE ASSY / FRT SELECTOR & RR ECU & VIM From E-2662 To G-3205		1		
111	069428	CABLE ASSY / FRT SELECTOR & RR ECU & VIM From G-3206 To H-3734		1		
111	069657	CABLE ASSY / FRT SELECTOR & RR ECU & VIM From H-3735		1		
111	067096	CABLE ASSY / FRT SELECTOR & RR ECU & VIM To 8-1169	1			
111	067231	CABLE ASSY / FRT SELECTOR & RR ECU & VIM From 8-1170 To A-1720	1			
111	067632	CABLE ASSY / FRT SELECTOR & RR ECU & VIM From B-1721 To C-2058	1			
111	068436	CABLE ASSY / FRT SELECTOR & RR ECU & VIM From C-2059 To D-2363	1			

<b>From 7-0671 To J-0184</b>	<b>Date:10/2022</b>	<b>PAGE:H7-0600-00</b>
<b>WIRING HARNESS - BUS / MUX DIAGRAM D-061020 - C1</b>		

Item#	Part	Description	H 3 4 1	H 3 4 5	V I P 4 5	N O T E S
111	068637	CABLE ASSY / FRT SELECTOR & RR ECU & VIM From D-2364 To E-2661	1			
111	069025	CABLE ASSY / FRT SELECTOR & RR ECU & VIM From E-2662 To G-3205	1			
111	069429	CABLE ASSY / FRT SELECTOR & RR ECU & VIM From G-3206 To H-3734	1			
111	069658	CABLE ASSY / FRT SELECTOR & RR ECU & VIM From H-3735	1			
112	066210	CABLE ASSY / RESISTANCE MODULE & SWITCH / MUX	1	1		
114	066697	CABLE ASSY / E.C.U. & TRANS SPEED SWITCH / MUX To 8-1169	1	1		
114	067216	CABLE ASSY / E.C.U. & TRANS SPEED SWITCH / MUX From 8-1170 To A-1720	1	1		
114	067922	CABLE ASSY / E.C.U. & TRANS SPEED SWITCH / MUX From B-1721 To D-2363	1	1		
114	068454	CABLE ASSY / E.C.U. & TRANS SPEED SWITCH From D-2364 To E-2601	1	1		
114	068806	CABLE ASSY / E.C.U. & TRANS SPEED SWITCH From E-2602 To F-2861	1	1		
114	069218	CABLE ASSY / E.C.U. & TRANS SPEED SWITCH From F-2862 To G-3205	1	1		
114	069510	CABLE ASSY / E.C.U. & TRANS SPEED SWITCH From G-3206	1	1		
116	066208	CABLE HARNESS / SENSOR WTEC W/RETARDER / MUX To A-1720	1	1		S60
116	066209	CABLE HARNESS / SENSOR WTEC W/OUT RETARDER / MUX To A-1720	1	1		S60
116	066797	CABLE HARNESS / SENSOR WTEC W/RETARDER / MUX To G-3205	1	1		D13
116	069509	CABLE HARNESS / SENSOR WTEC W/RETARDER From G-3206	1	1		D13
116	066209	CABLE HARNESS / SENSOR WTEC W/OUT RETARDER / MUX To G-3205	1	1		D13
116	069508	CABLE HARNESS / SENSOR WTEC W/OUT RETARDER From G-3206	1	1		D13
		FROM REAR JUNCTION BOX				
		VEHICLE WITH "ZF" TRANSMISSION				
121	066879	CABLE ASSY / FRT SELECTOR & RR "ZMTec"	1	1		
122	066636	CABLE ASSY / FRT SELECTOR & RR "ZMTec"	1	1		
. NS	563340	. CONNECTOR / SEAL CIRC. 2.5 SERIES / SH 4C / AMP 1-967325-1	1	1		
. NS	562877	. CONNECTOR / DT SERIES / PH 3C / GRAY / DEUTSCH DT04-3P-E008	1	1		
		FROM REAR JUNCTION BOX				
		TO FRONT JUNCTION BOX				
131	066411	CABLE POWER / RJB TO FJB To C-2058	1			
131	068435	CABLE POWER / RJB TO FJB From C-2059 To D-2363	1			
131	067976	CABLE POWER / RJB TO FJB From D-2364	1			
131	066137	CABLE POWER / RJB TO FJB To C-2058		1		
131	068433	CABLE POWER / RJB TO FJB From C-2059 To D-2363		1		
131	067975	CABLE POWER / RJB TO FJB From D-2364		1		
		INSIDE FRONT JUNCTION BOX				
141	<b>H7-0625-00</b>	<b>FRONT JUNCTION PANEL</b>				
142	064908	CABLE ASSY TO STEERING SPEED SIGNAL ECU / W/"ZF" STEERING	1	1		
143	066426	SERIES "H" CAN HARNESS / FRT JCT BOX	1	1		



<b>From 7-0671 To J-0184</b>	<b>Date:10/2022</b>	<b>PAGE:H7-0600-00</b>
<b>WIRING HARNESS - BUS / MUX DIAGRAM D-061020 - C1</b>		

Item#	Part	Description	H 3 4 1	H 3 4 5	V I P 4 5	N O T E S
143	068073	UNIVERSAL CAN HARNESS / FRT JCT BOX	1	1	1	
144	067073	CABLE ASSY W/DETROIT	1	1		
144	067074	CABLE ASSY VECU VOLVO To 8-1169	1	1		
144	067254	CABLE ASSY VECU VOLVO From 8-1170 To B-5002	1	1		
145	067267	CABLE ASSY / FIRE DETECTOR FRT JCT BOX	1	1		
		FROM FRONT JUNCTION BOX				
		TO "ABS" MODULE				
161	066987	CABLE ASSY "ABS" PREMIUM & E.S.P. To B-1785	1	1		
161	068262	CABLE ASSY "ABS" PREMIUM & E.S.P. From B-1786 To C-2058	1	1		
161	068497	CABLE ASSY "ABS" PREMIUM & E.S.P. From C-2059 To D-2163	1	1		
161	068554	CABLE ASSY "ABS" PREMIUM & E.S.P. From D-2164 To E-2504	1	1		
161	068987	CABLE ASSY "ABS" PREMIUM & E.S.P. From E-2505	1	1		
162	066986	CABLE ASSY / FRONT "ABS" SENSOR & VALVE / MUX & EPS To B-1785	1	1		
162	068263	CABLE ASSY / FRONT "ABS" SENSOR & VALVE / MUX & EPS From B-1786 To E-2504	1	1		
162	068924	CABLE ASSY / FRONT "ABS" SENSOR & VALVE / MUX & EPS From E-2505 To E-2661	1	1		
162	069014	CABLE ASSY / FRONT "ABS" SENSOR & VALVE / MUX & EPS From E-2662	1	1		
163	067059	CABLE ASSY / REAR "ABS" SENSOR & VALVE / MUX To C-2058	1	1		
163	068491	CABLE ASSY / REAR "ABS" SENSOR & VALVE From C-2059 To D-2164	1	1		
		FROM FRONT JUNCTION BOX				
		FORWARD VEHICULE				
173	066910	CABLE ASSY / FRONT LOWER END To 9-1469	1	1		
173	067381	CABLE ASSY / FRONT LOWER END From A-1470 To A-1523	1	1		
173	067706	CABLE ASSY / FRONT LOWER END From A-1524 To A-1720	1	1		
173	067863	CABLE ASSY / FRONT LOWER END From B-1721 To C-2006	1	1		
173	068449	CABLE ASSY / FRONT LOWER END From C-2007 To D-2271	1	1		
173	068144	CABLE ASSY / FRONT LOWER END From D-2272 To E-2661	1	1		
173	069015	CABLE ASSY / FRONT LOWER END From E-2662 To F-2886	1	1		
173	069264	CABLE ASSY / FRONT LOWER END From F-2887 To F-2922	1	1		
173	069277	CABLE ASSY / FRONT LOWER END From F-2923 To G-3205	1	1		
173	069505	CABLE ASSY / FRONT LOWER END From G-3206 To J-0112	1	1		
173	069649	CABLE ASSY / FRONT LOWER END From J-0113	1	1		
173	067172	CABLE HARNESS / FRONT ROOF To H-3734	1	1		
173	069646	CABLE HARNESS / FRONT ROOF From H-3735	1	1		
175	066889	WIRING HARNESS DASHBOARD CENTRAL MODULE / MUX To 8-1044	1	1		
175	067097	WIRING HARNESS DASHBOARD CENTRAL MODULE / MUX From 8-1045 To 8-1169	1	1		
175	067209	WIRING HARNESS DASHBOARD CENTRAL MODULE / MUX From 8-1170 To 9-1469	1	1		
175	067386	WIRING HARNESS DASHBOARD CENTRAL MODULE / MUX From A-1470 To A-1492	1	1		
175	067713	WIRING HARNESS DASHBOARD CENTRAL MODULE / MUX From A-1493 To A-1523	1	1		

From 7-0671 To J-0184	Date:10/2022	PAGE:H7-0600-00
<b>WIRING HARNESS - BUS / MUX DIAGRAM D-061020 - C1</b>		

Item#	Part	Description	H 3 4 1	H 3 4 5	V I P 4 5	N O T E S
175	067718	WIRING HARNESS DASHBOARD CENTRAL MODULE / MUX From A-1524 To A-1720	1	1		
175	067433	WIRING HARNESS DASHBOARD CENTRAL MODULE / MUX From B-1721 To D-2264	1	1		
175	068289	WIRING HARNESS DASHBOARD CENTRAL MODULE / MUX From D-2265 To D-2363	1	1		
175	068638	WIRING HARNESS DASHBOARD CENTRAL MODULE From D-2364 To F-2899	1	1		
175	069248	WIRING HARNESS DASHBOARD CENTRAL MODULE From F-2900 To F-2922	1	1		
175	069276	WIRING HARNESS DASHBOARD CENTRAL MODULE From F-2923 To G-3128	1	1		
175	069307	WIRING HARNESS DASHBOARD CENTRAL MODULE From G-3129 To J-0082	1	1		
175	061413	WIRING HARNESS DASHBOARD CENTRAL MODULE From J-0083	1	1		
		CABLE / CONNECTED AT HARNESS / # 175				
		FROM DASHBOARD CENTRAL MODULE				
181	067103	WIRING HARNESS DASHBOARD LEFT MODULE / W/MUX To 8-1169	1	1		
181	067218	WIRING HARNESS DASHBOARD LEFT MODULE / W/MUX From 8-1170 To 9-1365	1	1		
181	067426	WIRING HARNESS DASHBOARD LEFT MODULE / W/MUX From 9-1366 To F-2922	1	1		
181	069278	WIRING HARNESS DASHBOARD LEFT MODULE / W/MUX From F-2923	1	1		
182	066217	WIRING HARNESS / W/ "WEBASTO" PREHEATER / W/MUX	1	1		
183	066404	CABLE ASSY TO WINDOW AJAR BOTH SIDE	1	1		
184	066344	CABLE HARNESS / STREETSIDE WINDOW AJAR / MUX	1	1		
185	066343	CABLE HARNESS / CURBSIDE WINDOW AJAR / MUX	1	1		
186	067122	CABLE HARNESS / WCL WINDOW AJAR	1	1		
		CABLE / CONNECTED AT HARNESS / # 173				
		FROM CABLE ASSY/ FRONT LOWER END				
191	066133	CABLE ASSY / ENTRANCE DOOR MODULE / MUX	1	1		
192	066647	CABLE ASSY / DOOR ACCESSORIES / MUX To A-1720	1	1		
192	067862	CABLE ASSY / DOOR ACCESSORIES From B-1721	1	1		
194	066220	CABLE ASSY / W/"HALOGENE" LAMPS / MUX To 9-1469	2	2		
195	066219	CABLE ASSY / "XENON" / MUX To 9-1469	2	2		
196	066132	CABLE ASSY / KNEELING PRESSURE SWITCH To E-2565	1	1		
196	068835	CABLE ASSY / KNEELING PRESSURE SWITCH From E-2566	1	1		
197	066560	CABLE ASSY CAN POWER LOGIC	1	1		
		FRONT UPPER CABLE				
		SOUND COMPONENTS				
205	404309	CABLE ASSY / HAT RACK / L.H. & R.H.	1			
205	404310	CABLE ASSY / HAT RACK / L.H. & R.H.		1		
		FROM FRONT JUNCTION BOX				
		TO MISCELLANEOUS COMPONENTS				

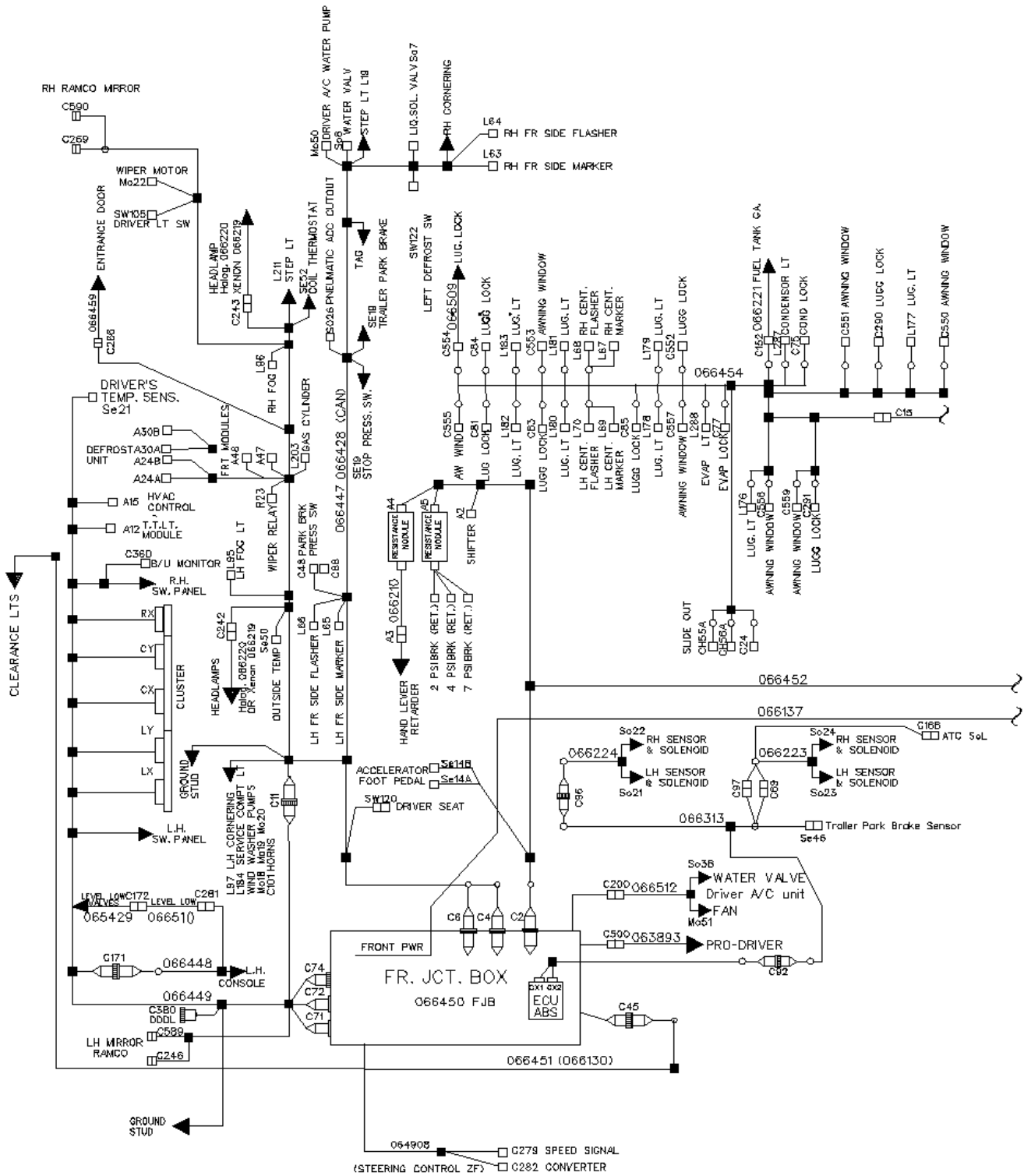
From 7-0671 To J-0184	Date:10/2022	PAGE:H7-0600-00
<b>WIRING HARNESS - BUS / MUX DIAGRAM D-061020 - C1</b>		

Item#	Part	Description	H 3 4 1	H 3 4 5	V I P 4 5	N O T E S
221	066206	CABLE ASSY TO DIGITAL CLOCK	1	1		
221	066298	CABLE ASSY TO DIGITAL CLOCK / CENTRAL INSTALLTION	1	1		
		B) USE WITH WHEEL CHAIR LIFT AND DOOR INTERLOK				
		D13) WITH VOLVO D13 ENGINE				
		S60) WITH DETROIT S60 ENGINE				



WIRING HARNESS - V.I.P. / MUX DIAGRAM D-061040 - C1

A DRAWING FROM REV 00



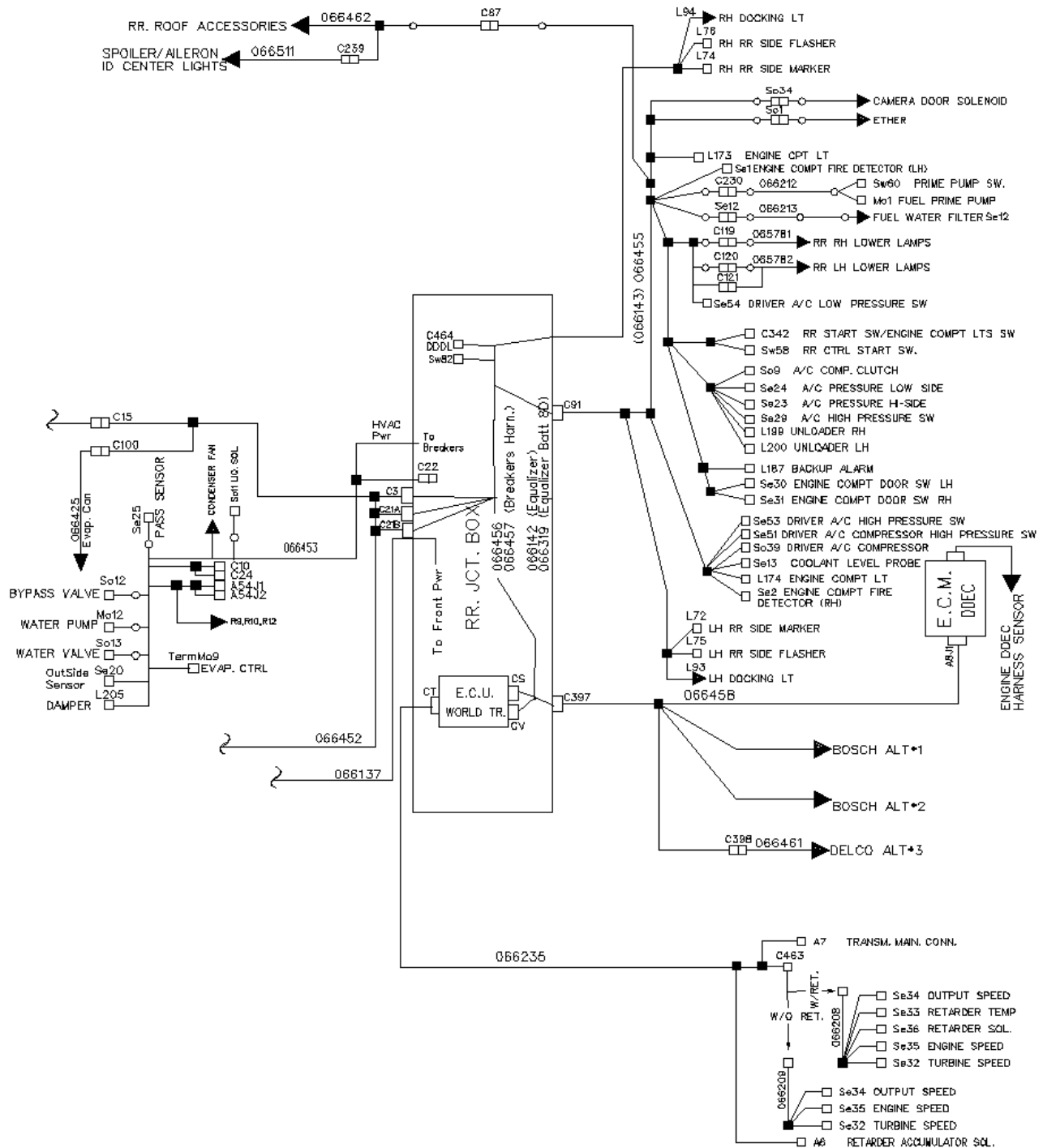
From 7-0671 To J-0287

Date:10/2022

PAGE:H7-0600-50

## WIRING HARNESS - V.I.P. / MUX DIAGRAM D-061040 - C1

**B** DRAWING FROM REV 00

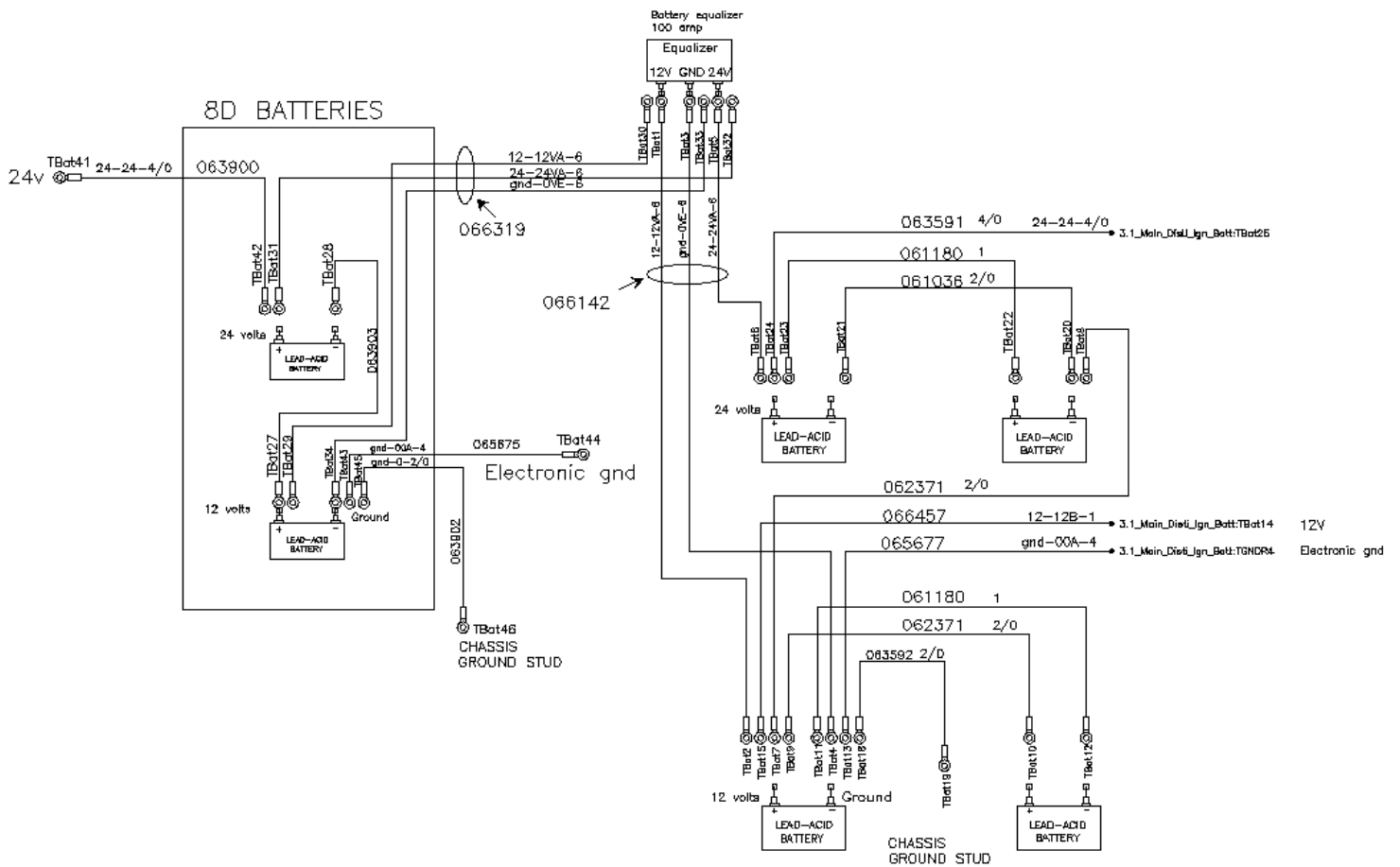


From 7-0671 To J-0287

Date:10/2022

PAGE:H7-0600-50

WIRING HARNESS - V.I.P. / MUX DIAGRAM D-061040 - C1



From 7-0671 To J-0287	Date:10/2022	PAGE:H7-0600-50
<b>WIRING HARNESS - V.I.P. / MUX DIAGRAM D-061040 - C1</b>		

Item#	Part	Description	H 3 4 1	H 3 4 5	V I P 4 5	N O T E S
		IN BATTERIES COMPARTMENT				
1	063592	CABLE ASSY / B - TO GROUND			1	
2	062371	CABLE ASSY / B + TO B +			2	
3	061180	CABLE ASSY / B - TO B -			2	
4	061036	CABLE ASSY / B - TO B -			1	
5	063591	CABLE ASSY / RELAY BATTERY & BATTERY #24			1	
6	066316	CABLE ASSY / BREAKERS To C-2058			1	
6	068498	CABLE ASSY / BREAKERS From C-2059 To D-2363			1	
6	067960	CABLE ASSY / BREAKERS From D-2364			1	
7	066142	CABLE HARNESS / EQUALIZER			1	
12	065677	CABLE ASSY / # 00A			1	
		WITH BATTERIES 8D "OPTION"				
20	063902	CABLE ASSY / #0VA			1	
23	063903	CABLE ASSY / B + TO B -			1	
27	063900	CABLE ASSY / RELAY BATTERY & BATTERY #24			1	
28	065675	CABLE ASSY / # 00A			1	
29	066319	CABLE HARNESS / EQUALIZER / W/8D BATTERIES / MUX			1	
		FROM REAR JUNCTION BOX				
		TO E.C.U. & ENGINE ACCESSORIES				
42	066831	CABLE ASSY / ECU & REAR JCT BOX / W/"DETROIT" To 7-0981			1	
42	067132	CABLE ASSY / ECU & REAR JCT BOX / W/"DETROIT" From 7-0982 To 8-1150			1	
42	067299	CABLE ASSY / ECU & REAR JCT BOX / W/"DETROIT" From 8-1151 To 9-1417			1	
42	067367	CABLE ASSY / ECU & REAR JCT BOX / W/"DETROIT" From 9-1418 To A-1720			1	
42	067850	CABLE ASSY / ECU & REAR JCT BOX / W/"VOLVO" From B-1721 To D-2363			1	
42	068813	CABLE ASSY / ECU & REAR JCT BOX / W/"VOLVO" From D-2364 To E-2539			1	
42	068910	CABLE ASSY / ECU & REAR JCT BOX / W/"VOLVO" From E-2540 To E-2661			1	
42	069004	CABLE ASSY / ECU & REAR JCT BOX / W/"VOLVO" From E-2662 To F-2751			1	
42	069088	CABLE ASSY / ECU & REAR JCT BOX / W/"VOLVO" From F-2752			1	
45	067180	CABLE POWER / BREAKERS & HVAC To 8-1291			1	
45	067572	CABLE POWER / BREAKERS & HVAC From 8-1292 To 9-1408			1	
45	067614	CABLE POWER / BREAKERS & HVAC From 9-1409 To A-1720			1	
45	067795	CABLE POWER / BREAKERS & HVAC From B-1721 To B-1828			1	
45	068279	CABLE POWER / BREAKERS & HVAC From B-1829 To D-2363			1	
45	067964	CABLE POWER / BREAKERS & HVAC From D-2364 To E-2661			1	
45	069124	CABLE POWER / BREAKERS & HVAC From E-2662 To F-2886			1	
45	069269	CABLE POWER / BREAKERS & HVAC From F-2887 To G-3205			1	



<b>From 7-0671 To J-0287</b>	<b>Date:10/2022</b>	<b>PAGE:H7-0600-50</b>
<b>WIRING HARNESS - V.I.P. / MUX DIAGRAM D-061040 - C1</b>		

Item#	Part	Description	H 3 4 1	H 3 4 5	V I P 4 5	N O T E S
45	069529	CABLE POWER / BREAKERS & HVAC From G-3206 To H-3734			1	
45	069668	CABLE POWER / BREAKERS & HVAC From H-3735			1	
47	066461	CABLE ASSY / ECU & "DELCO" 50DN			1	
		INSIDE REAR JUNCTION BOX				
51	067131	CABLE HARNESS / REAR JUNCTION BOX To 9-1417			1	
51	067365	CABLE HARNESS / REAR JUNCTION BOX From 9-1418 To A-1720			1	
51	067709	CABLE HARNESS / REAR JUNCTION BOX From B-1721 To C-1948			1	
51	068391	CABLE HARNESS / REAR JUNCTION BOX From C-1949 To C-2058			1	
51	068431	CABLE HARNESS / REAR JUNCTION BOX From C-2059 To D-2363			1	
51	068512	CABLE HARNESS / REAR JUNCTION BOX From D-2364			1	
53	066453	CABLE POWER / BREAKERS & HVAC			1	
54	066316	CABLE ASSY / BREAKERS To C-2058			1	
54	068498	CABLE ASSY / BREAKERS From C-2059 To D-2363			1	
54	067960	CABLE ASSY / BREAKERS From D-2364			1	
		FROM REAR JUNCTION BOX				
		TO ENGINE COMPARTMENT				
61	067133	CABLE HARNESS / ENGINE ACCESSORIES / W/MUX To 8-1150			1	
61	067301	CABLE HARNESS / ENGINE ACCESSORIES / W/MUX From 8-1151 To 8-1169			1	
61	067575	CABLE HARNESS / ENGINE ACCESSORIES / W/MUX From 8-1170 To A-1720			1	
61	067711	CABLE HARNESS / ENGINE ACCESSORIES / W/MUX From B-1721 To C-2058			1	
61	068432	CABLE HARNESS / ENGINE ACCESSORIES / W/MUX From C-2059 To D-2271			1	
61	068440	CABLE HARNESS / ENGINE ACCESSORIES / W/MUX From D-2272 To D-2363			1	
61	068695	CABLE HARNESS / ENGINE ACCESSORIES / W/MUX From D-2364 To E-2539			1	
61	068909	CABLE HARNESS / ENGINE ACCESSORIES / W/MUX From E-2540 To E-2661			1	
61	069003	CABLE HARNESS / ENGINE ACCESSORIES / W/MUX From E-2662 To F-2751			1	
61	069089	CABLE HARNESS / ENGINE ACCESSORIES / W/MUX From F-2752 To G-3205			1	
61	069531	CABLE HARNESS / ENGINE ACCESSORIES From G-3206 To G-3366			1	
61	069620	CABLE HARNESS / ENGINE ACCESSORIES From G-3367			1	
61	7770134	WIRING HARNESS / DPF ONLY W/DETROIT S60 To A-1720			1	
62	066897	CABLE HARNESS / CLEARANCE LIGHT REAR CURBSIDE To A-1720			1	
62	067898	CABLE HARNESS / CLEARANCE LIGHT REAR CURBSIDE From B-1721 To H-3734			1	
62	069647	CABLE HARNESS / CLEARANCE LIGHT REAR CURBSIDE From H-3735			1	
63	065781	CABLE ASSY R.H. LAMP / REAR ENGINE DOOR / MUX To A-1720			1	
63	067858	CABLE ASSY LAMP / REAR ENGINE DOOR From B-1721			1	
64	065782	CABLE ASSY L.H. LAMP / REAR ENGINE DOOR / MUX To A-1720			1	
64	067858	CABLE ASSY LAMP / REAR ENGINE DOOR From B-1721			1	
65	066213	CABLE ASSY / FUEL WATER FILTER			1	
66	066898	CABLE HARNESS / CLEARANCE LIGHT REAR STREETSIDE To A-1720			1	

<b>From 7-0671 To J-0287</b>	<b>Date:10/2022</b>	<b>PAGE:H7-0600-50</b>
<b>WIRING HARNESS - V.I.P. / MUX DIAGRAM D-061040 - C1</b>		

Item#	Part	Description	H 3 4 1	H 3 4 5	V I P 4 5	N O T E S
66	067859	CABLE HARNESS / CLEARANCE LIGHT REAR STREETSIDE From B-1721 To H-3734			1	
66	069648	CABLE HARNESS / CLEARANCE LIGHT REAR STREETSIDE From H-3735			1	
67	067860	CABLE ASSY REAR COMPARTMENT From B-1721			1	
69	066212	CABLE ASSY / PRIMER FUEL PUMP To A-1720			1	
		FROM REAR JUNCTION BOX				
		TO COMPARTMENT UNDER FLOOR				
101	067098	CABLE ASSY / POWER ACCES TO ACCESORIES To D-2363			1	
101	068753	CABLE ASSY / POWER ACCES TO ACCESORIES From D-2364 To E-2661			1	
101	069021	CABLE ASSY / POWER ACCES TO ACCESORIES From E-2662 To G-3205			1	
101	069364	CABLE ASSY / POWER ACCES TO ACCESORIES From G-3206			1	
103	066425	CABLE ASSY / EVAPO CAN			1	
104	066221	CABLE HARNESS / FUEL TANK / MUX			1	
109	066509	CABLE HARNESS ASSY / LUG. LOCK / W/MUX To A-1672			1	
109	068078	CABLE HARNESS ASSY / LUG. LOCK / W/MUX From A-1673 To G-3205			1	
109	069437	CABLE HARNESS ASSY PANTOGRAPH DOOR / LUG. LOCK From G-3206			1	
109	069435	CABLE HARNESS ASSY HINGE DOOR / LUG. LOCK From G-3206			1	
		FROM REAR JUNCTION BOX				
		OF VEHICLE WITH "WORLD" TRANSMISION				
111	066828	CABLE FRT JCT BOX TO RR JCT BOX To 7-0983			1	
111	067134	CABLE FRT JCT BOX TO RR JCT BOX From 7-0984 To 8-1169			1	
111	067230	CABLE FRT JCT BOX TO RR JCT BOX From 8-1170 To 8-1429			1	
111	067347	CABLE FRT JCT BOX TO RR JCT BOX From 8-1430 To 9-1403			1	
111	067579	CABLE FRT JCT BOX TO RR JCT BOX From 9-1404 To A-1720			1	
111	067708	CABLE FRT JCT BOX TO RR JCT BOX From B-1721 To C-2058			1	
111	068430	CABLE FRT JCT BOX TO RR JCT BOX From C-2059 To D-2363			1	
111	068508	CABLE FRT JCT BOX TO RR JCT BOX From D-2364 To E-2661			1	
111	069006	CABLE FRT JCT BOX TO RR JCT BOX From E-2662 To G-3205			1	
111	069433	CABLE FRT JCT BOX TO RR JCT BOX From G-3206 To G-3366			1	
111	069624	CABLE FRT JCT BOX TO RR JCT BOX From G-3367			1	
112	066210	CABLE ASSY / RESISTANCE MODULE & SWITCH / MUX			1	
114	066697	CABLE ASSY / E.C.U. & TRANS SPEED SWITCH / MUX			1	
116	066208	CABLE HARNESS / SENSOR WTEC W/RETARDER / MUX To A-1720			1	S60
116	066209	CABLE HARNESS / SENSOR WTEC W/OUT RETARDER / MUX To A-1720			1	S60
116	066797	CABLE HARNESS / SENSOR WTEC W/RETARDER / MUX To G-3205			1	D13
116	069509	CABLE HARNESS / SENSOR WTEC W/RETARDER From G-3206			1	D13
116	066209	CABLE HARNESS / SENSOR WTEC W/OUT RETARDER / MUX To G-3205			1	D13
116	069508	CABLE HARNESS / SENSOR WTEC W/OUT RETARDER From G-3206			1	D13

From 7-0671 To J-0287	Date:10/2022	PAGE:H7-0600-50
<b>WIRING HARNESS - V.I.P. / MUX DIAGRAM D-061040 - C1</b>		

Item#	Part	Description	H 3 4 1	H 3 4 5	V I P 4 5	N O T E S
		FROM REAR JUNCTION BOX				
		TO FRONT JUNCTION BOX				
131	066137	CABLE POWER / RJB TO FJB To 7-0772			1	
131	066861	CABLE POWER / RJB TO FJB From 7-0772 To C-2058			1	
131	068499	CABLE POWER / RJB TO FJB From C-2059 To D-2363			1	
131	067963	CABLE POWER / RJB TO FJB From D-2364			1	
		INSIDE FRONT JUNCTION BOX				
141	<b>H7-0625-00</b>	<b>FRONT JUNCTION PANEL</b>				
142	064908	CABLE ASSY TO STEERING SPEED SIGNAL ECU / W/"ZF" STEERING			1	
		FROM FRONT JUNCTION BOX				
		TO "ABS" MODULE				
161	066987	CABLE ASSY "ABS" PREMIUM & E.S.P. To B-1785			1	
161	068262	CABLE ASSY "ABS" PREMIUM & E.S.P. From B-1786 To C-2058			1	
161	068497	CABLE ASSY "ABS" PREMIUM & E.S.P. From C-2059 To D-2163			1	
161	068554	CABLE ASSY "ABS" PREMIUM & E.S.P. From D-2164 To E-2504			1	
161	068987	CABLE ASSY "ABS" PREMIUM & E.S.P. From E-2505			1	
162	066986	CABLE ASSY / FRONT "ABS" SENSOR & VALVE / MUX & EPS To B-1785			1	
162	068263	CABLE ASSY / FRONT "ABS" SENSOR & VALVE / MUX & EPS From B-1786 To E-2504			1	
162	068924	CABLE ASSY / FRONT "ABS" SENSOR & VALVE / MUX & EPS From E-2505 To E-2661			1	
162	069014	CABLE ASSY / FRONT "ABS" SENSOR & VALVE / MUX & EPS From E-2662			1	
		FROM FRONT JUNCTION BOX				
		FORWARD VEHICULE				
173	066824	WIRING HARNESS FJB TO MAJOR FRT ACCESSORIES To 9-1469			1	
173	067382	WIRING HARNESS FJB TO MAJOR FRT ACCESSORIES From A-1470 To A-1523			1	
173	067780	WIRING HARNESS FJB TO MAJOR FRT ACCESSORIES From A-1524 To A-1572			1	
173	068212	WIRING HARNESS FJB TO MAJOR FRT ACCESSORIES From A-1573 To A-1720			1	
173	067436	WIRING HARNESS FJB TO MAJOR FRT ACCESSORIES From B-1721 To D-2363			1	
173	068694	WIRING HARNESS FJB TO MAJOR FRT ACCESSORIES From D-2364 To E-2661			1	
173	069016	WIRING HARNESS FJB TO MAJOR FRT ACCESSORIES From E-2662 To F-2886			1	
173	069265	WIRING HARNESS FJB TO MAJOR FRT ACCESSORIES From F-2887 To F-2928			1	
173	069236	WIRING HARNESS FJB TO MAJOR FRT ACCESSORIES From F-2929 To G-3143			1	
173	069413	WIRING HARNESS FJB TO MAJOR FRT ACCESSORIES From G-3144 To G-3205			1	
173	069532	WIRING HARNESS FJB TO MAJOR FRT ACCESSORIES From G-3206 To J-0112			1	
173	069650	WIRING HARNESS FJB TO MAJOR FRT ACCESSORIES From J-0113			1	
174	067172	CABLE HARNESS / FRONT ROOF To H-3734			1	

<b>From 7-0671 To J-0287</b>	<b>Date:10/2022</b>	<b>PAGE:H7-0600-50</b>
<b>WIRING HARNESS - V.I.P. / MUX DIAGRAM D-061040 - C1</b>		

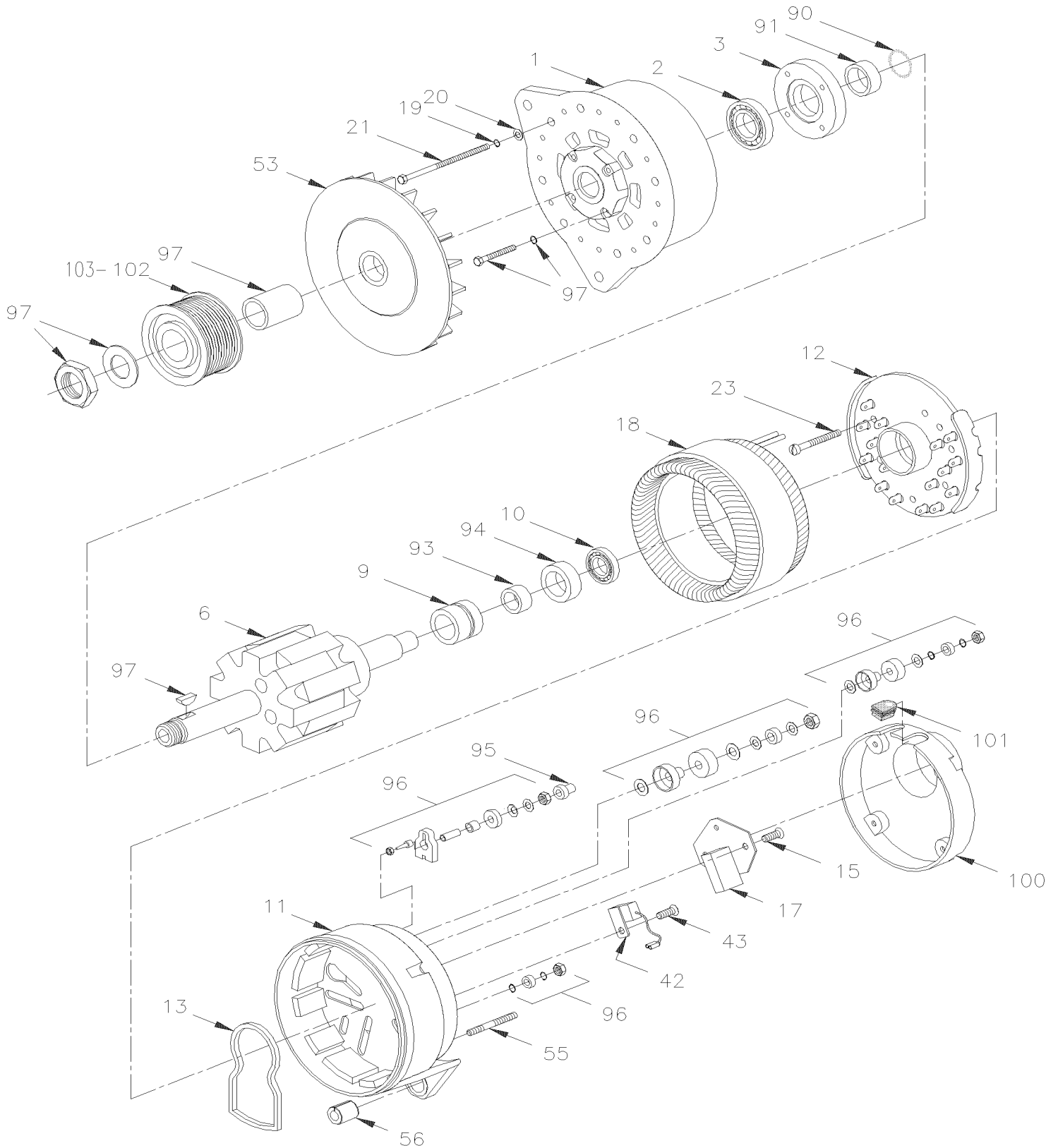
Item#	Part	Description	H 3 4 1	H 3 4 5	V I P 4 5	N O T E S
174	069646	CABLE HARNESS / FRONT ROOF From H-3735			1	
175	066825	WIRING HARNESS DASHBOARD CENTRAL MODULE / W/DETROIT ENGINE To 7-0983			1	
175	067130	WIRING HARNESS DASHBOARD CENTRAL MODULE / MUX From 7-0984 To 8-1171			1	
175	067195	WIRING HARNESS DASHBOARD CENTRAL MODULE / MUX From 8-1172 To 9-1480			1	
175	067589	WIRING HARNESS DASHBOARD CENTRAL MODULE / MUX From 9-1481 To A-1523			1	
175	067778	WIRING HARNESS DASHBOARD CENTRAL MODULE / MUX From A-1524 To A-1720			1	
175	067435	WIRING HARNESS DASHBOARD CENTRAL MODULE / MUX From B-1721 To D-2363			1	
175	068511	WIRING HARNESS DASHBOARD CENTRAL MODULE From D-2364 To F-2928			1	
175	069238	WIRING HARNESS DASHBOARD CENTRAL MODULE From F-2929 To G-3143			1	
175	069415	WIRING HARNESS DASHBOARD CENTRAL MODULE From G-3144			1	
176	066512	CABLE ASSY / TO DRIVER'S A/C UNIT			1	
177	063893	CABLE ASSY / PRODRIVER POWER			1	
		CABLE / CONNECTED AT HARNESS / # 175				
		FROM DASHBOARD CENTRAL MODULE				
181	066826	WIRING HARNESS DASHBOARD LEFT MODULE To 7-0983			1	
181	067135	WIRING HARNESS DASHBOARD LEFT MODULE From 7-0984 To 8-1171			1	
181	067197	WIRING HARNESS DASHBOARD LEFT MODULE From 8-1172 To F-2923			1	
181	069239	WIRING HARNESS DASHBOARD LEFT MODULE From F-2924			1	
182	066510	CABLE ASSY / W/"LEVEL LOW" / MUX			1	
183	065429	CABLE ASSY / VALVE "LEVEL-LOW"			1	
		CABLE / CONNECTED AT HARNESS / # 173				
		FROM CABLE ASSY / FRONT LOWER END				
191	066459	CABLE HARNESS / ENTRANCE DOOR To A-1672			1	
191	068079	CABLE HARNESS / ENTRANCE DOOR From A-1673			1	
192	066428	CABLE ASSY CAN POWER LOGIC			1	
193	068085	CABLE HARNESS / ENTRANCE DOOR From B-1721 To D-2300	1	1	1	
193	068720	CABLE HARNESS / ENTRANCE DOOR From D-2301	1	1	1	
194	066220	CABLE ASSY / W/"HALOGENE" LAMPS / MUX			2	
195	066219	CABLE ASSY / "XENON" / MUX To 9-1469			2	
		D13) WITH VOLVO D13 ENGINE				
		S60) WITH DETROIT S60 ENGINE				

From 7-0671 To A-1720

Date:10/2022

PAGE:H7-0605-00

**ALTERNATOR 24V/140 AMPS / "BOSCH"**



<b>From 7-0671 To A-1720</b>	<b>Date:10/2022</b>	<b>PAGE:H7-0605-00</b>
<b>ALTERNATOR 24V/140 AMPS / "BOSCH"</b>		

Item#	Part	Description	H 3 4 1	H 3 4 5	V I P 4 5	N O T E S
	562752	ALTERNATOR ASSY 24V/140 AMPS	2	2	2	
1	562971	. DRIVE END SHIELD	1	1	1	
2	562972	. BALL BEARING	1	1	1	
3	562973	. COVER PLATE / (1 120 033 009)	1	1	1	
6	562974	. ROTOR / (1 124 037 004)	1	1	1	
9	562975	. . COLLECTOR-RING	1	1	1	
10	562976	. CYLINDER ROLLER BEARING	1	1	1	
NS	684922	. . GREASE "POLYREX" EM / TO USE W/"BOSCH" ALTERNATOR	AR	AR	AR	
11	562977	. COLLECTOR-RING END SHIELD	1	1	1	
12	562978	. RECTIFIER PLATE ASSY / (1 127 320 973)	1	1	1	
13	562979	. . SEAL	1	1	1	
15	562980	. WASHER-AND-SCREW ASSEMBLY	3	3	3	
17	562981	. TRANSISTOR REGULATOR	1	1	1	
17	562982	. . COMPRESSION SPRING	2	2	2	
17	562983	. . BRUSH SET	2	2	2	
17	562984	. GASKET	1	1	1	
18	562985	. STATOR ASSY	1	1	1	
19	562986	. WASHER LOCK SPRING 6MM	4	4	4	
20	562987	. PLAIN WASHER	4	4	4	
21	562988	. OVAL-HEAD SCREW	4	4	4	
23	562989	. WASHER-AND-SCREW ASSEMBLY	3	3	3	
42	562990	. SUPPRESSION CAPACITOR	1	1	1	
43	562991	. OVAL-HEAD SCREW M6 X 10-5.8	1	1	1	
53	562992	. FAN	1	1	1	
55	562993	. STUD M6 X 35-5.6 / (2 912 212 207)	4	4	4	
56	562994	. EXPANSION BUSHING / (1 120 300 018)	1	1	1	
90	562995	. RETAINER DIN 9045-30 / (2916 600 016)	1	1	1	
91	562996	. SUPPORT RING / (1 120 114 002)	1	1	1	
93	562997	. SPACER RING	1	1	1	
94	562998	. RADIAL SEAL	1	1	1	
95	562999	. PROTECTIVE CAP	1	1	1	
96	563000	. PARTS SET TERMINAL B+,B-,D+,W /	1	1	1	
97	563001	. KIT NUT & WASHER M24-1.5 YC	1	1	1	
100	562851	AIR-INTAKE COVER	1	1	1	
100	067178	AIR-INTAKE COVER / (1 125 500 023) / MODIFIED UPPER ALTER H3-41,H3-45 From 8-1202	1	1	1	D13
101	563002	GROMMET / (1 120 312 000)	1	1	1	
101	504421	GROMMET / .625x.875x.187x.437x1.125	1	1	1	
102	066062	PULLEY ALTERNATOR / "BOSCH" / 10 RIB	1	1	1	
102	067037	PULLEY ALTERNATOR / "BOSCH" / 8 RIB H3-41,H3-45 From 8-1202	1	1	1	D13
103	<b>H7-0610-00</b>	<b>ALTERNATOR MOUNTING / "BOSCH" 2X140AMPS DETROIT S-60</b>				
103	<b>H7-0120-01</b>	<b>DRIVE PULLEY, BELTS &amp; TENSIONER WITH VOLVO D13 &amp; 2x140Amps</b>				

From 7-0671 To A-1720	Date:10/2022	PAGE:H7-0605-00
<b>ALTERNATOR 24V/140 AMPS / "BOSCH"</b>		

Item#	Part	Description	H 3 4 1	H 3 4 5	V I P 4 5	N O T E S
		D13) WITH "VOLVO" ENGINE				



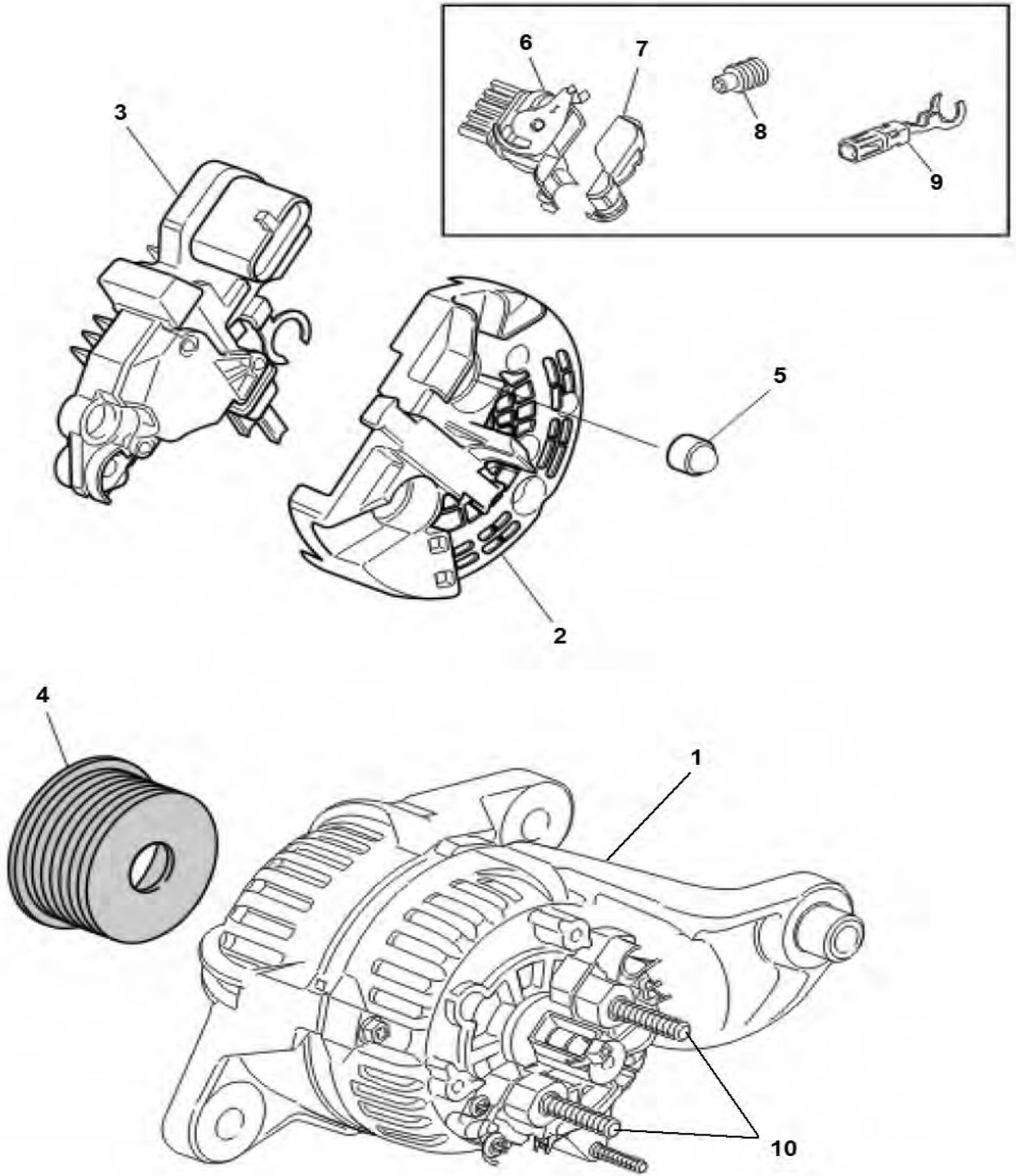


From A-1477 To G-3047

Date:10/2022

PAGE:H7-0605-01

**ALTERNATOR 24V/120 AMPS / "BOSCH"**



<b>From A-1477 To G-3047</b>	<b>Date:10/2022</b>	<b>PAGE:H7-0605-01</b>
<b>ALTERNATOR 24V/120 AMPS / "BOSCH"</b>		

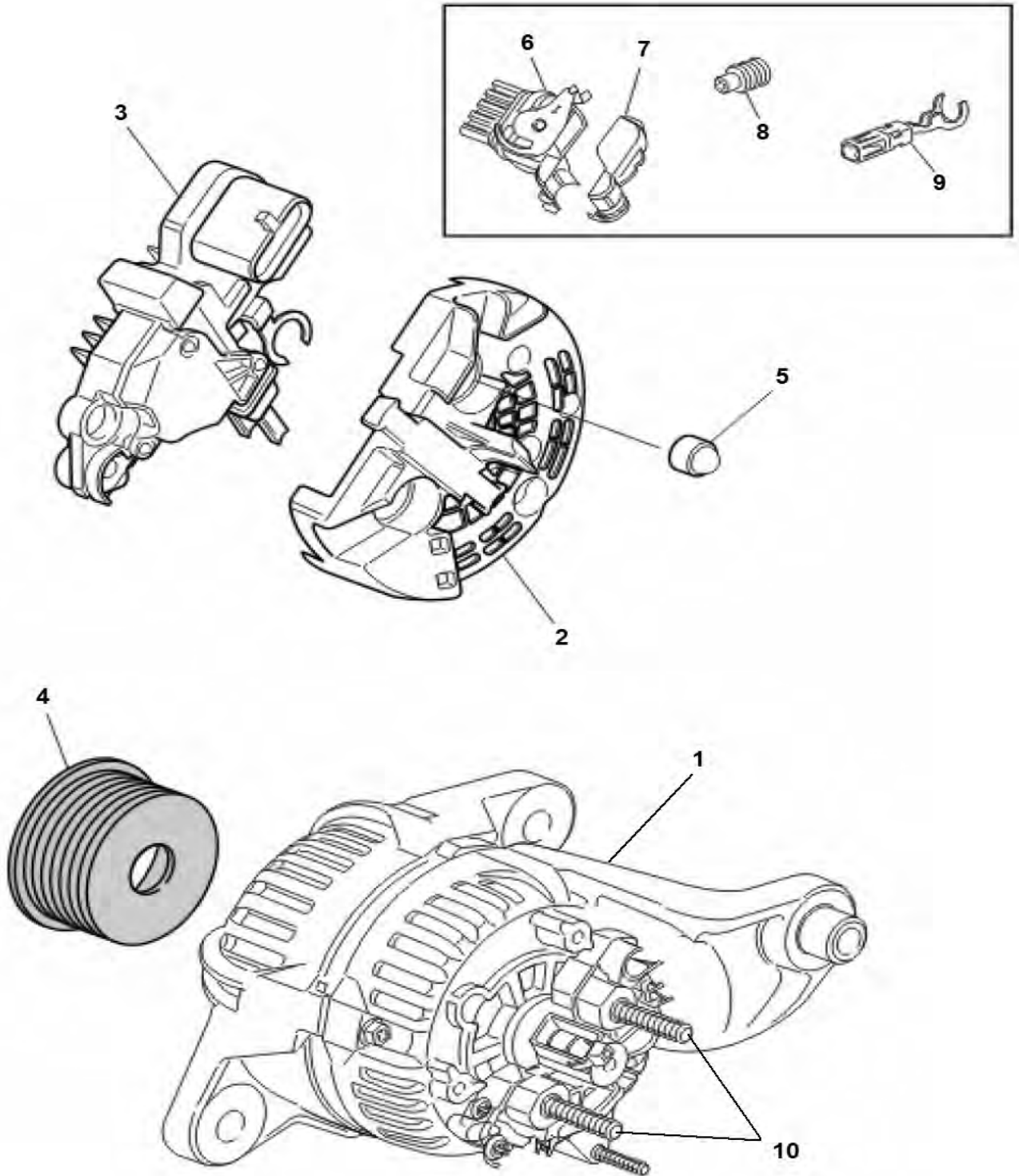
Item#	Part	Description	H 3 4 1	H 3 4 5	V I P 4 5	N O T E S
1	564109	ALTERNATOR ASSY 24V/120 AMPS W/8 RIB PULLEY	1	1	1	D13
. NS	564119	. ALTERNATOR ASSY 24V/120 AMPS / W/OUT PULLEY	1	1	1	D13
. . NS	564469	. . CONNECTOR / MKR-PLUS / SH 5C / G&H 18241 000 000	1	1	1	D13
. NS	564131	. PULLEY ALTERNATOR / "BOSCH" / 74MM O.D. x 8 RIB	1	1	1	D13
1	564119	ALTERNATOR ASSY 24V/120 AMPS / W/OUT PULLEY	1	1	1	
. NS	564469	. CONNECTOR / MKR-PLUS / SH 5C / G&H 18241 000 000	1	1	1	
2	20523388	. COVER	1	1	1	
3	20523391	. BRUSH ASSY W/CHARGE REGULATOR / 24VOLT	1	1	1	
4	564120	PULLEY ALTERNATOR / "BOSCH" / 76MM O.D. x 10 RIB To A-1720	1	1		
4	564131	PULLEY ALTERNATOR / "BOSCH" / 74MM O.D. x 8 RIB To A-1720	1	1	1	D13
4	565869	PULLEY ALTERNATOR / "BOSCH" / 83MM DOB x 8 RIB From B-1720	1	1	1	D13
NS	21034254	FLANGE NUT	1	1	1	
5	20576874	NUT, CAP PROTECTOR	1	1	1	
6	564469	CONNECTOR / MKR-PLUS / SH 5C / G&H 18241 000 000	1	1	1	
6	20429872	CONNECTOR / MKR-PLUS / SH 5C	1	1	1	
7	564470	COVER / MKR-PLUS	1	1	1	
7	20429873	COVER / MKR-PLUS	1	1	1	
8	564473	CABLE SEAL / BLUE // G&H 16695 627 642	1	1	1	
8	3944654	CABLE SEAL / BLUE /	1	1	1	
8	564474	CABLE SEAL / RED // G&H 16694 627 626	1	1	1	
9	564471	SOCKET TERMINAL / 18-16 / G&H 26780	1	1	1	
10	564159	ADAPTOR STUD M8 Male x M8 Female M8-1.25 x 18MM SS To E-2583	2	2	2	D13
10	564590	ADAPTOR STUD M8 Male x M8 Female M8-1.25 x 18MM SS From E-2584	2	2	2	D13
NS	067633	PROTECTION PLATE ASSY W/"DETROIT" ENGINE From A-1477 To A-1720	1	1	1	
NS	067776	PROTECTION PLATE ASSY W/"DETROIT" ENGINE From A-1477 To A-1720	1	1	1	
NS	069116	PROTECTION PLATE ASSY W/"DETROIT" ENGINE From A-1477 To A-1720	1	1	1	
NS	068013	PROTECTION PLATE ASSY W/"VOLVO" ENGINE From B-1721	1	1	1	
50	<b>H7-0100-06</b>	<b>ENGINE WIRING HARNESS - INSTALLATION WITH VOLVO D13 To E-5759</b>				
50	<b>H7-0100-07</b>	<b>ENGINE WIRING HARNESS - INSTALLATION WITH VOLVO D13 From F-5760</b>				
90	061226	KIT TWIN ALTERNATOR 150AMP CONVERSION H3	1	1	1	
		D13) WITH "VOLVO" ENGINE				

From G-3048 To J-0184

Date:10/2022

PAGE:H7-0605-02

**ALTERNATOR 24V/150 AMPS / "BOSCH"**



From G-3048 To J-0184	Date:10/2022	PAGE:H7-0605-02
<b>ALTERNATOR 24V/150 AMPS / "BOSCH"</b>		

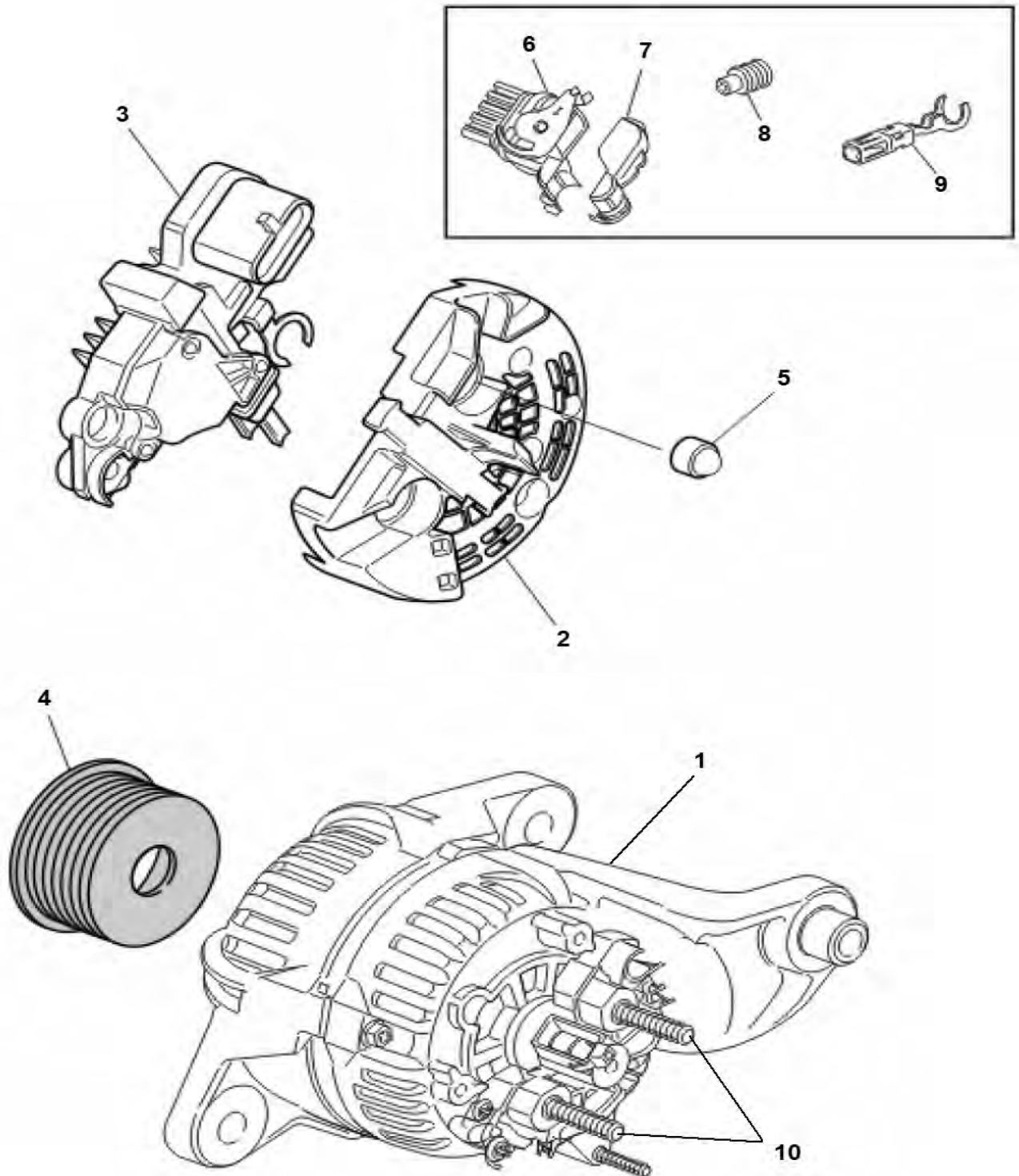
Item#	Part	Description	H 3 4 1	H 3 4 5	V I P 4 5	N O T E S
1	564593	ALTERNATOR ASSY 24V/150 AMPS / W/OUT PULLEY	1	1	1	
2	20523388	. COVER	1	1	1	
3	20523391	. BRUSH ASSY W/CHARGE REGULATOR / 24VOLT	1	1	1	
4	565869	PULLEY ALTERNATOR / "BOSCH" / 83MM DOB x 8 RIB	1	1	1	C
4	21429955	FLANGE NUT	1	1	1	
4	500449	WASHER FL .625x1.500 SS	1	1	1	
5	20576874	NUT, CAP PROTECTOR	1	1	1	
6	564469	CONNECTOR / MKR-PLUS / SH 5C / G&H 18241 000 000	1	1	1	
6	20429872	CONNECTOR / MKR-PLUS / SH 5C	1	1	1	
7	564470	COVER / MKR-PLUS	1	1	1	
7	20429873	COVER / MKR-PLUS	1	1	1	
8	564473	CABLE SEAL / BLUE // G&H 16695 627 642	1	1	1	
8	3944654	CABLE SEAL / BLUE /	1	1	1	
8	564474	CABLE SEAL / RED // G&H 16694 627 626	1	1	1	
9	564471	SOCKET TERMINAL / 18-16 / G&H 26780	1	1	1	
10	564590	ADAPTOR STUD M8 Male x M8 Female M8-1.25 x 18MM SS To H-3734	2	2	2	
10	060297	ADAPTOR STUD M8 Male x M8 Female + FLANGE M8-1.25 x 18MM SS From H-3735	2	2	2	
50	<b>H7-0100-07</b>	<b>ENGINE WIRING HARNESS - INSTALLATION WITH VOLVO D13</b>				
		C) CURBSIDE				

From A-1477 To F-2996

Date:10/2022

PAGE:H7-0605-11

## ALTERNATOR 24V/120 AMPS / "BOSCH"





From A-1477 To F-2996	Date:10/2022	PAGE:H7-0605-11
<b>ALTERNATOR 24V/120 AMPS / "BOSCH"</b>		

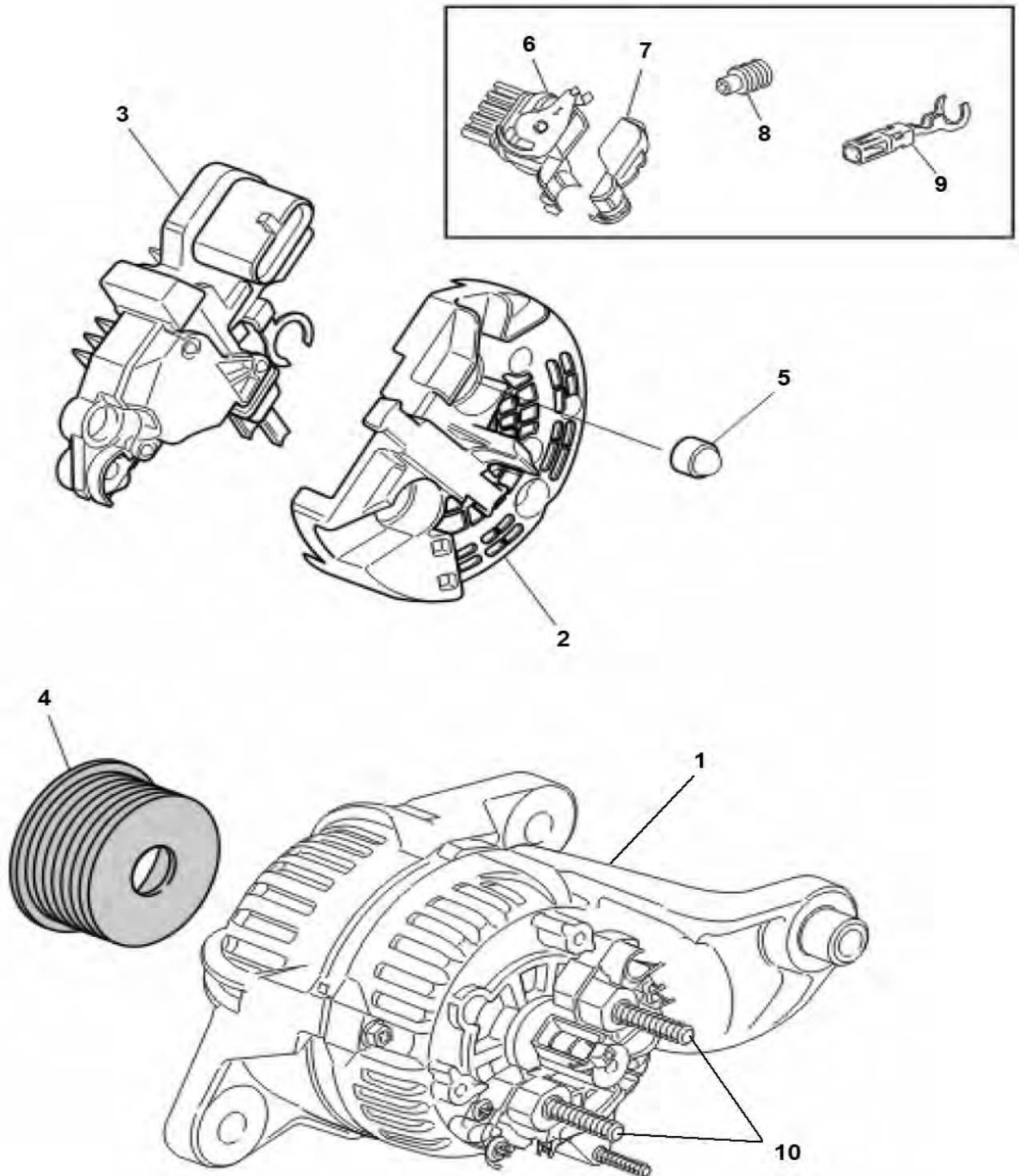
Item#	Part	Description	H 3 4 1	H 3 4 5	V I P 4 5	N O T E S
1	564109	ALTERNATOR ASSY 24V/120 AMPS W/8 RIB PULLEY	1	1	1	D13
. NS	564119	. ALTERNATOR ASSY 24V/120 AMPS / W/OUT PULLEY	1	1	1	D13
. . NS	564469	. . CONNECTOR / MKR-PLUS / SH 5C / G&H 18241 000 000	1	1	1	D13
. NS	564131	. PULLEY ALTERNATOR / "BOSCH" / 74MM O.D. x 8 RIB	1	1	1	D13
1	564119	ALTERNATOR ASSY 24V/120 AMPS / W/OUT PULLEY	1	1	1	
. NS	564469	. CONNECTOR / MKR-PLUS / SH 5C / G&H 18241 000 000	1	1	1	
2	20523388	. COVER	1	1	1	
3	20523391	. BRUSH ASSY W/CHARGE REGULATOR / 24VOLT	1	1	1	
4	564120	PULLEY ALTERNATOR / "BOSCH" / 76MM O.D. x 10 RIB To A-1720	1	1		
4	564131	PULLEY ALTERNATOR / "BOSCH" / 74MM O.D. x 8 RIB To A-1720	1	1	1	D13
4	565869	PULLEY ALTERNATOR / "BOSCH" / 83MM DOB x 8 RIB From B-1720	1	1	1	D13
NS	21034254	FLANGE NUT	1	1	1	
5	20576874	NUT, CAP PROTECTOR	1	1	1	
6	564469	CONNECTOR / MKR-PLUS / SH 5C / G&H 18241 000 000	1	1	1	
6	20429872	CONNECTOR / MKR-PLUS / SH 5C	1	1	1	
7	564470	COVER / MKR-PLUS	1	1	1	
7	20429873	COVER / MKR-PLUS	1	1	1	
8	564473	CABLE SEAL / BLUE // G&H 16695 627 642	1	1	1	
8	3944654	CABLE SEAL / BLUE /	1	1	1	
8	564474	CABLE SEAL / RED // G&H 16694 627 626	1	1	1	
9	564471	SOCKET TERMINAL / 18-16 / G&H 26780	1	1	1	
10	564159	ADAPTOR STUD M8 Male x M8 Female M8-1.25 x 18MM SS To E-2583	2	2	2	D13
10	564590	ADAPTOR STUD M8 Male x M8 Female M8-1.25 x 18MM SS From E-2584	2	2	2	D13
NS	067633	PROTECTION PLATE ASSY W/"DETROIT" ENGINE From A-1477 To A-1720	1	1	1	
NS	067776	PROTECTION PLATE ASSY W/"DETROIT" ENGINE From A-1477 To A-1720	1	1	1	
NS	069116	PROTECTION PLATE ASSY W/"DETROIT" ENGINE From A-1477 To A-1720	1	1	1	
NS	068013	PROTECTION PLATE ASSY W/"VOLVO" ENGINE From B-1721	1	1	1	
50	<b>H7-0100-06</b>	<b>ENGINE WIRING HARNESS - INSTALLATION WITH VOLVO D13 To E-5759</b>				
50	<b>H7-0100-07</b>	<b>ENGINE WIRING HARNESS - INSTALLATION WITH VOLVO D13 From F-5760</b>				
		D13) WITH "VOLVO" ENGINE				

From F-2997 To J-0287

Date:10/2022

PAGE:H7-0605-12

ALTERNATOR 24V/150 AMPS / "BOSCH"



From F-2997 To J-0287	Date:10/2022	PAGE:H7-0605-12
<b>ALTERNATOR 24V/150 AMPS / "BOSCH"</b>		

Item#	Part	Description	H 3 4 1	H 3 4 5	V I P 4 5	N O T E S
1	564593	ALTERNATOR ASSY 24V/150 AMPS / W/OUT PULLEY	1	1	1	
2	20523388	. COVER	1	1	1	
3	20523391	. BRUSH ASSY W/CHARGE REGULATOR / 24VOLT	1	1	1	
4	565869	PULLEY ALTERNATOR / "BOSCH" / 83MM DOB x 8 RIB To H-3906	1	1	1	
4	0600264	PULLEY ALTERNATOR / "BOSCH" / 83MM DOB x 8 RIB From H-3907	1	1	1	
4	500449	WASHER FL .625x1.500 SS	1	1	1	
5	20576874	NUT, CAP PROTECTOR	1	1	1	
6	564469	CONNECTOR / MKR-PLUS / SH 5C / G&H 18241 000 000	1	1	1	
6	20429872	CONNECTOR / MKR-PLUS / SH 5C	1	1	1	
7	564470	COVER / MKR-PLUS	1	1	1	
7	20429873	COVER / MKR-PLUS	1	1	1	
8	564473	CABLE SEAL / BLUE // G&H 16695 627 642	1	1	1	
8	3944654	CABLE SEAL / BLUE /	1	1	1	
8	564474	CABLE SEAL / RED // G&H 16694 627 626	1	1	1	
9	564471	SOCKET TERMINAL / 18-16 / G&H 26780	1	1	1	
10	564590	ADAPTOR STUD M8 Male x M8 Female M8-1.25 x 18MM SS To H-3734	2	2	2	
10	060297	ADAPTOR STUD M8 Male x M8 Female + FLANGE M8-1.25 x 18MM SS From H-3735	2	2	2	
50	<b>H7-0100-07</b>	<b>ENGINE WIRING HARNESS - INSTALLATION WITH VOLVO D13</b>				

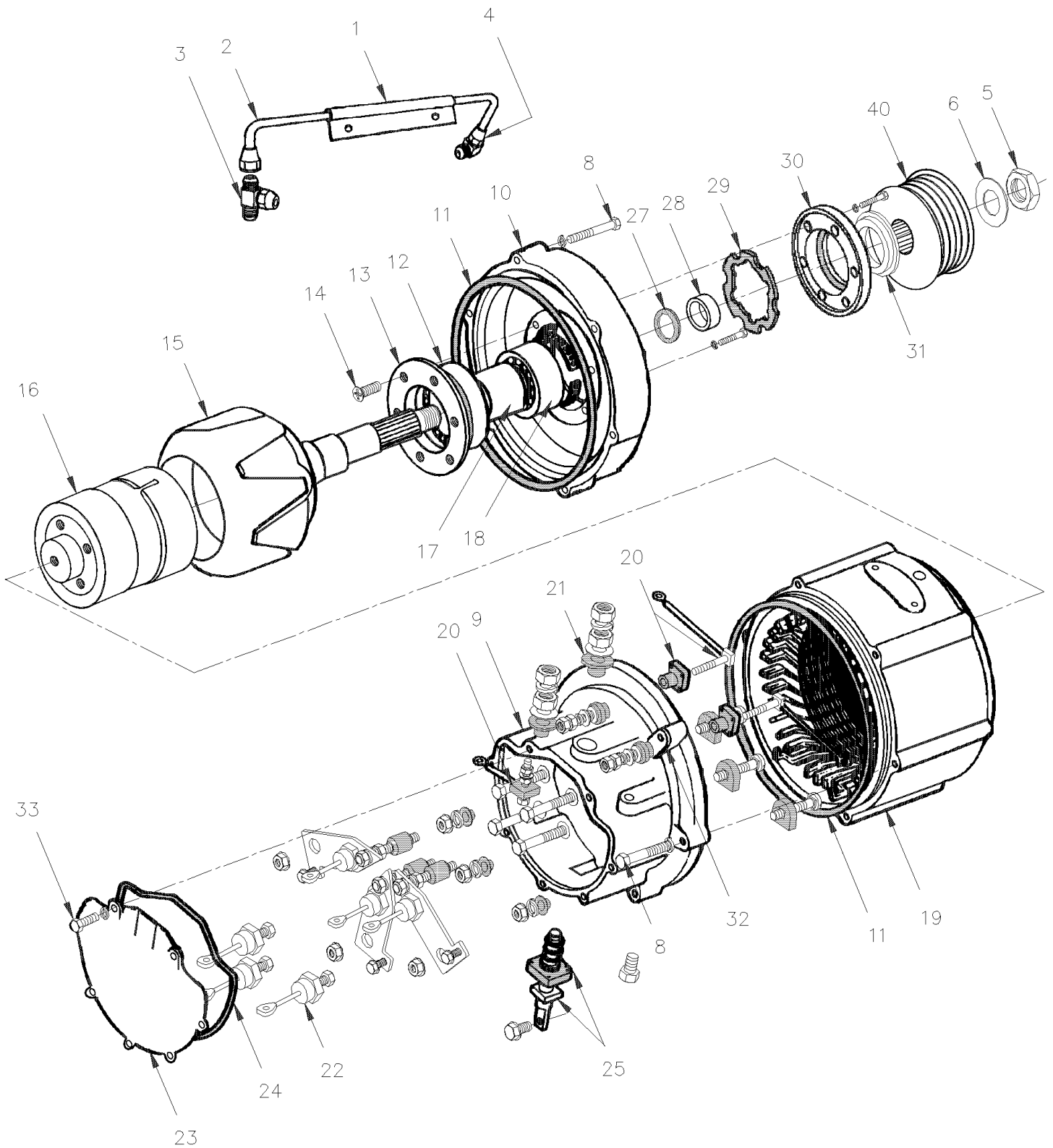


From 7-0671 To A-1720

Date:10/2022

PAGE:H7-0605-50

ALTERNATOR 24V/270 AMPS / "DELCO" #562235 SEE FINAL VEHICLE RECORD



From 7-0671 To A-1720      Date:10/2022      PAGE:H7-0605-50  
**ALTERNATOR 24V/270 AMPS / "DELCO" #562235 SEE FINAL VEHICLE RECORD**

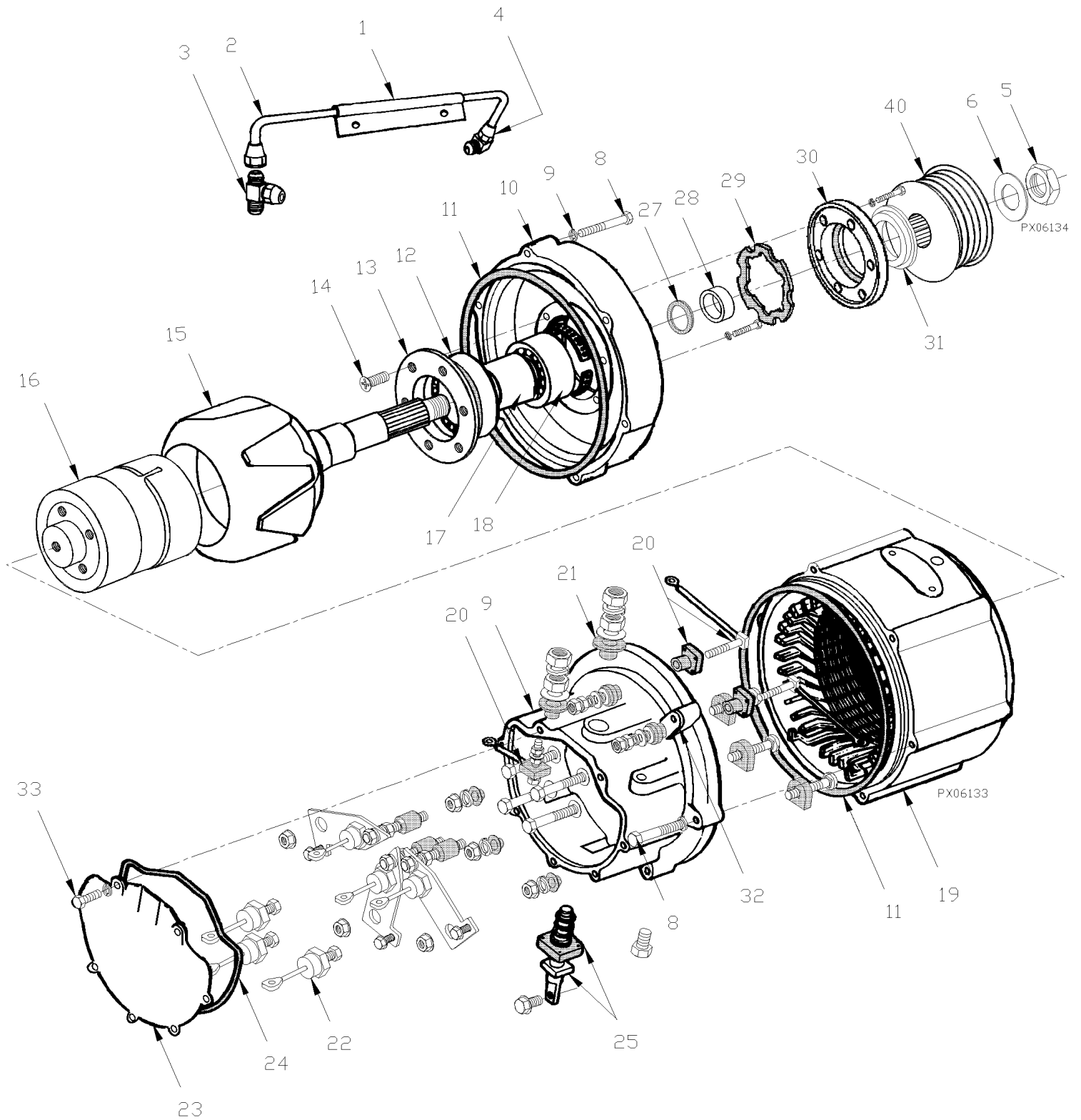
Item#	Part	Description	H 3 4 1	H 3 4 5	V I P 4 5	N O T E S
	563437	ALTERNATOR ASSY 24V/270 AMPS			1	
1	561169	. CLAMP / OIL LINE TUBE			1	
2	562238	. OIL LINE TUBE			1	
3	561171	. TEE			1	
4	561170	. ELBOW 90°			1	
5	562457	. NUT, DRIVE END			1	
6	560973	. WASHER / PINION			1	
8	500170	. SCREW CAP HEX 1/4-20x2 G5 PT Z050			12	
NS	500473	. WASHER LO SPT .262x.489x.062 Z050			12	
9	563440	. FRAME RECTIFIER END			1	
10	562241	. FRAME D.E.			1	
. NS	562509	. . OIL SEAL 2.247" O.D.			1	
10	10523585	. FRAME D.E.			1	
11	562196	. O-RING			2	
12	562186	. BEARING INNER D.E.			1	
13	N8885671	. RETAINER BEARING (1941060)			1	
14	500371	. SCREW MA FL PH M4-0.7x8 N500			6	
15	562240	. ROTOR			1	
16	562182	. FIELD ASSY			1	
18	562184	. BEARING OUTER D.E.			1	
19	563438	. STATOR ASSY / W/FLEX LEAD & INSULATOR			1	
20	560724	. STUD TERMINAL FIELD			2	
21	560846	. SLEEVE INSULATOR DC+ STUD			1	
22	562193	. DIODE (NEGATIF) / ALTERNATOR 50 DN			6	
23	562466	. COVER / RECTIFIER END / ALUMINUM DIE CAST			1	
24	562467	. . O-RING			1	
25	562450	. STUD TERMINAL DC +			1	
27	562242	. O-RING / SPACER COLLAR & BEARING			1	
28	562245	. SPACER COLLAR D.E.			1	
29	562243	. GASKET PLATE DRIVE END			1	
30	562244	. RETAINER BEARING D.E.			1	
31	562509	. . OIL SEAL 2.247" O.D.			1	
31	N8896697	. OIL SEAL W/FLANGE 30375" O.D.			1	
. NS	N8885631	. . O-RING / SPACER COLLAR & BEARING			1	
. NS	N8893250	. . SPACER COLLAR D.E.			1	
32	562386	. STRAP / FIELD TERMINAL & GROUND			1	
33	500163	. SCREW CAP HEX 1/4-20x3/4 G5 Z050			6	
40	510926	PULLEY ALTERNATOR 10 RIB			1	

From 7-0671 To A-1720

Date:10/2022

PAGE:H7-0605-51

ALTERNATOR 12V/300 AMPS / "DELCO" #562355 SEE FINAL VEHICLE RECORD



From 7-0671 To A-1720	Date:10/2022	PAGE:H7-0605-51
<b>ALTERNATOR 12V/300 AMPS / "DELCO" #562355 SEE FINAL VEHICLE RECORD</b>		

Item#	Part	Description	H 3 4 1	H 3 4 5	V I P 4 5	N O T E S
	562355	ALTERNATOR ASSY 12V/300 AMPS /			1	
1	561169	. CLAMP / OIL LINE TUBE			1	
2	562238	. OIL LINE TUBE			1	
3	561171	. TEE			1	
4	561170	. ELBOW 90°			1	
5	562457	. NUT, DRIVE END			1	
6	560973	. WASHER / PINION			1	
8	500170	. SCREW CAP HEX 1/4-20x2 G5 PT Z050			12	
NS	500473	. WASHER LO SPT .262x.489x.062 Z050			12	
9	N8885614	. FRAME RECTIFIER END			1	
10	562241	. FRAME D.E.			1	
. NS	562509	. . OIL SEAL 2.247" O.D.			1	
10	10523585	. FRAME D.E.			1	
11	562196	. O-RING			2	
12	562186	. BEARING INNER D.E.			1	
13	N8885671	. RETAINER BEARING (1941060)			1	
14	500371	. SCREW MA FL PH M4-0.7x8 N500			6	
15	562240	. ROTOR			1	
16	562448	. FIELD ASSY			1	
18	562184	. BEARING OUTER D.E.			1	
19	562449	. STATOR ASSY / W/RIGID LEAD			1	
20	560724	. STUD TERMINAL FIELD			2	
21	560846	. SLEEVE INSULATOR DC+ STUD			1	
22	562193	. DIODE (NEGATIF) / ALTERNATOR 50 DN			6	
23	562466	. COVER / RECTIFIER END / ALUMINUM DIE CAST			1	
24	562467	. . O-RING			1	
25	562450	. STUD TERMINAL DC +			1	
27	562242	. O-RING / SPACER COLLAR & BEARING			1	
28	562245	. SPACER COLLAR D.E.			1	
29	562243	. GASKET PLATE DRIVE END			1	
30	562244	. RETAINER BEARING D.E.			1	
31	562509	. . OIL SEAL 2.247" O.D.			1	
31	N8896697	. OIL SEAL W/FLANGE 30375" O.D.			1	
. NS	N8885631	. . O-RING / SPACER COLLAR & BEARING			1	
. NS	N8893250	. . SPACER COLLAR D.E.			1	
32	562386	. STRAP / FIELD TERMINAL & GROUND			1	
33	500163	. SCREW CAP HEX 1/4-20x3/4 G5 Z050			6	
40	510926	PULLEY ALTERNATOR 10 RIB			1	

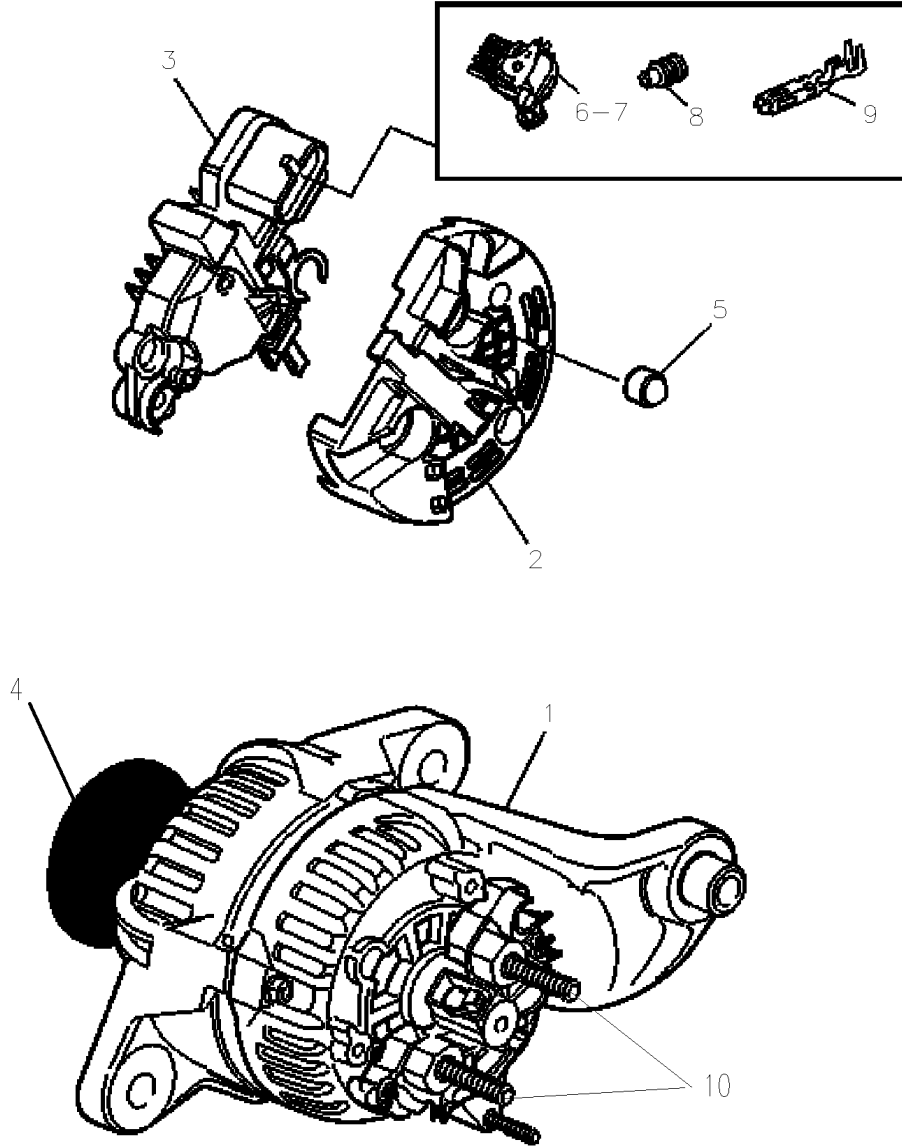
From B-1721 To J-0287

Date:10/2022

PAGE:H7-0605-52

ALTERNATOR 12V/200 AMPS / "BOSCH"

**HARNESS INSTALLATION 50**



From B-1721 To J-0287	Date:10/2022	PAGE:H7-0605-52
<b>ALTERNATOR 12V/200 AMPS / "BOSCH"</b>		

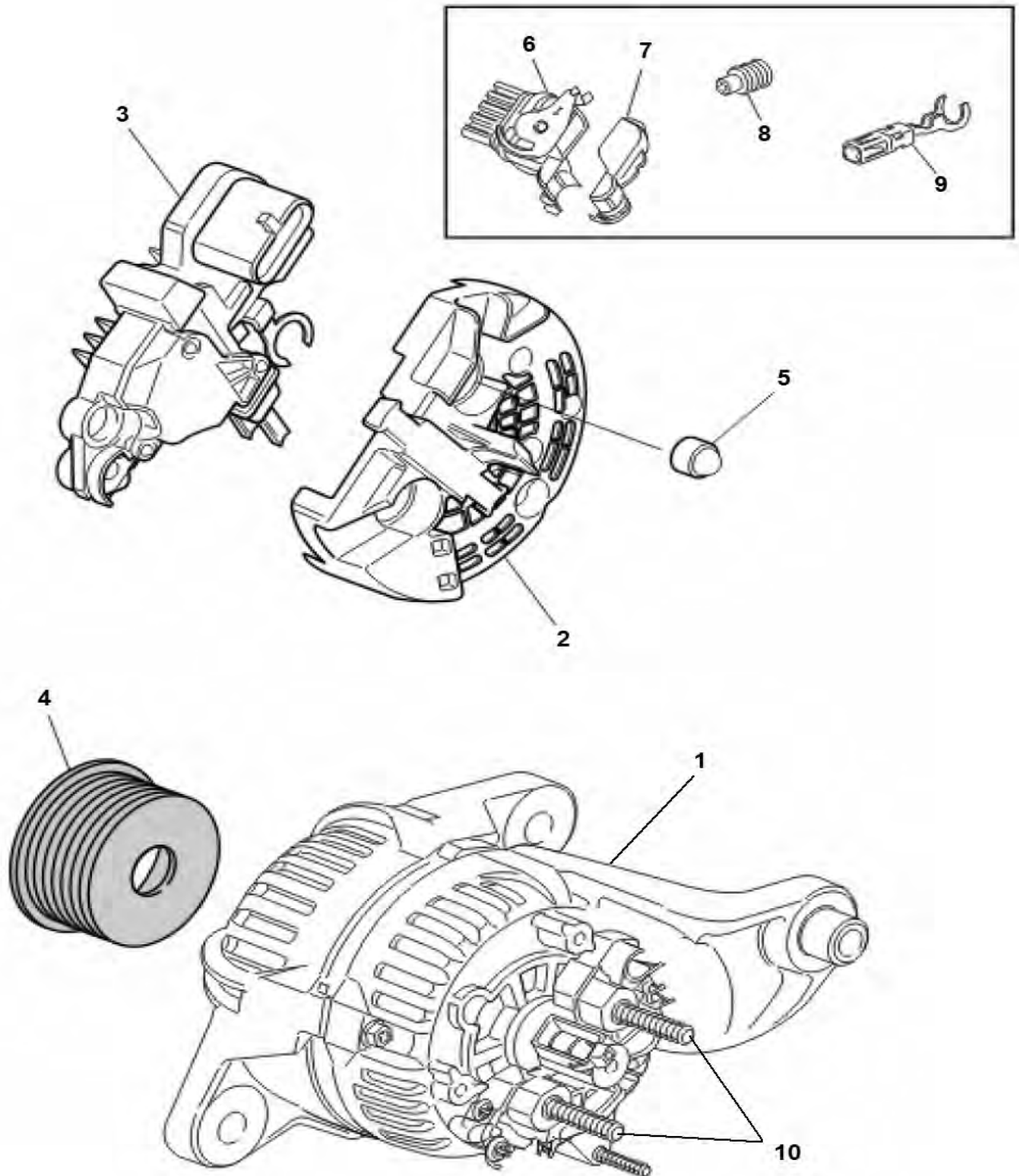
Item#	Part	Description	H 3 4 1	H 3 4 5	V I P 4 5	N O T E S
1	564492	ALTERNATOR ASSY 12V/200 AMPS / W/OUT PULLEY			1	
2	N.P.N.	. COVER			1	4
3	N.P.N.	. CHARGE REGULATOR / 12VOLT			1	4
4	<b>H7-0610-60</b>	<b>ALTERNATOR MOUNTING From B-1721 To D-2363</b>			1	
4	<b>H7-0610-61</b>	<b>ALTERNATOR MOUNTING - A/C COMPRESSOR SUPPORT / W/SMALL A/C From D-2364</b>			1	
4	<b>H7-0610-65</b>	<b>ALTERNATOR MOUNTING - W/LARGE A/C From D-2364</b>			1	
5	20576874	NUT, CAP PROTECTOR			1	
6	564469	CONNECTOR / MKR-PLUS / SH 5C / G&H 18241 000 000			1	
6	20429872	CONNECTOR / MKR-PLUS / SH 5C			1	
7	564470	COVER / MKR-PLUS			1	
7	20429873	COVER / MKR-PLUS			1	
8	564473	CABLE SEAL / BLUE // G&H 16695 627 642			1	
8	3944654	CABLE SEAL / BLUE /			1	
8	564474	CABLE SEAL / RED // G&H 16694 627 626			1	
9	564471	SOCKET TERMINAL / 18-16 / G&H 26780			1	
10	564159	ADAPTOR STUD M8 Male x M8 Female M8-1.25 x 18MM SS To E-2583			2	
10	564590	ADAPTOR STUD M8 Male x M8 Female M8-1.25 x 18MM SS From E-2584 To H-3734			2	
10	060297	ADAPTOR STUD M8 Male x M8 Female + FLANGE M8-1.25 x 18MM SS From H-3735			2	
NS	068013	PROTECTION PLATE ASSY W/"VOLVO" ENGINE			1	
50	<b>H7-0100-06</b>	<b>ENGINE WIRING HARNESS - INSTALLATION WITH VOLVO D13</b>				
		4) NO PARTS NUMBER				

From F-2751 To J-0287

Date:10/2022

PAGE:H7-0605-90

ALTERNATOR 24V/150 AMPS / "BOSCH" OPTION



From F-2751 To J-0287	Date:10/2022	PAGE:H7-0605-90
<b>ALTERNATOR 24V/150 AMPS / "BOSCH" OPTION</b>		

Item#	Part	Description	H 3 4 1	H 3 4 5	V I P 4 5	N O T E S
1	564491	ALTERNATOR ASSY 24V/150 AMPS / W/OUT PULLEY	1	1	1	
2	20523388	. COVER	1	1	1	
3	20523391	. BRUSH ASSY W/CHARGE REGULATOR / 24VOLT	1	1	1	
4	565869	PULLEY ALTERNATOR / "BOSCH" / 83MM DOB x 8 RIB	1	1	1	
4	21429955	FLANGE NUT	1	1	1	
4	500449	WASHER FL .625x1.500 SS	1	1	1	
5	20576874	NUT, CAP PROTECTOR	1	1	1	
6	564469	CONNECTOR / MKR-PLUS / SH 5C / G&H 18241 000 000	1	1	1	
6	20429872	CONNECTOR / MKR-PLUS / SH 5C	1	1	1	
7	564470	COVER / MKR-PLUS	1	1	1	
7	20429873	COVER / MKR-PLUS	1	1	1	
8	564473	CABLE SEAL / BLUE // G&H 16695 627 642	1	1	1	
8	3944654	CABLE SEAL / BLUE /	1	1	1	
8	564474	CABLE SEAL / RED // G&H 16694 627 626	1	1	1	
9	564471	SOCKET TERMINAL / 18-16 / G&H 26780	1	1	1	
10	564590	ADAPTOR STUD M8 Male x M8 Female M8-1.25 x 18MM SS To H-3734	2	2	2	
10	060297	ADAPTOR STUD M8 Male x M8 Female + FLANGE M8-1.25 x 18MM SS From H-3735	2	2	2	
50	<b>H7-0100-07</b>	<b>ENGINE WIRING HARNESS - INSTALLATION WITH VOLVO D13</b>				

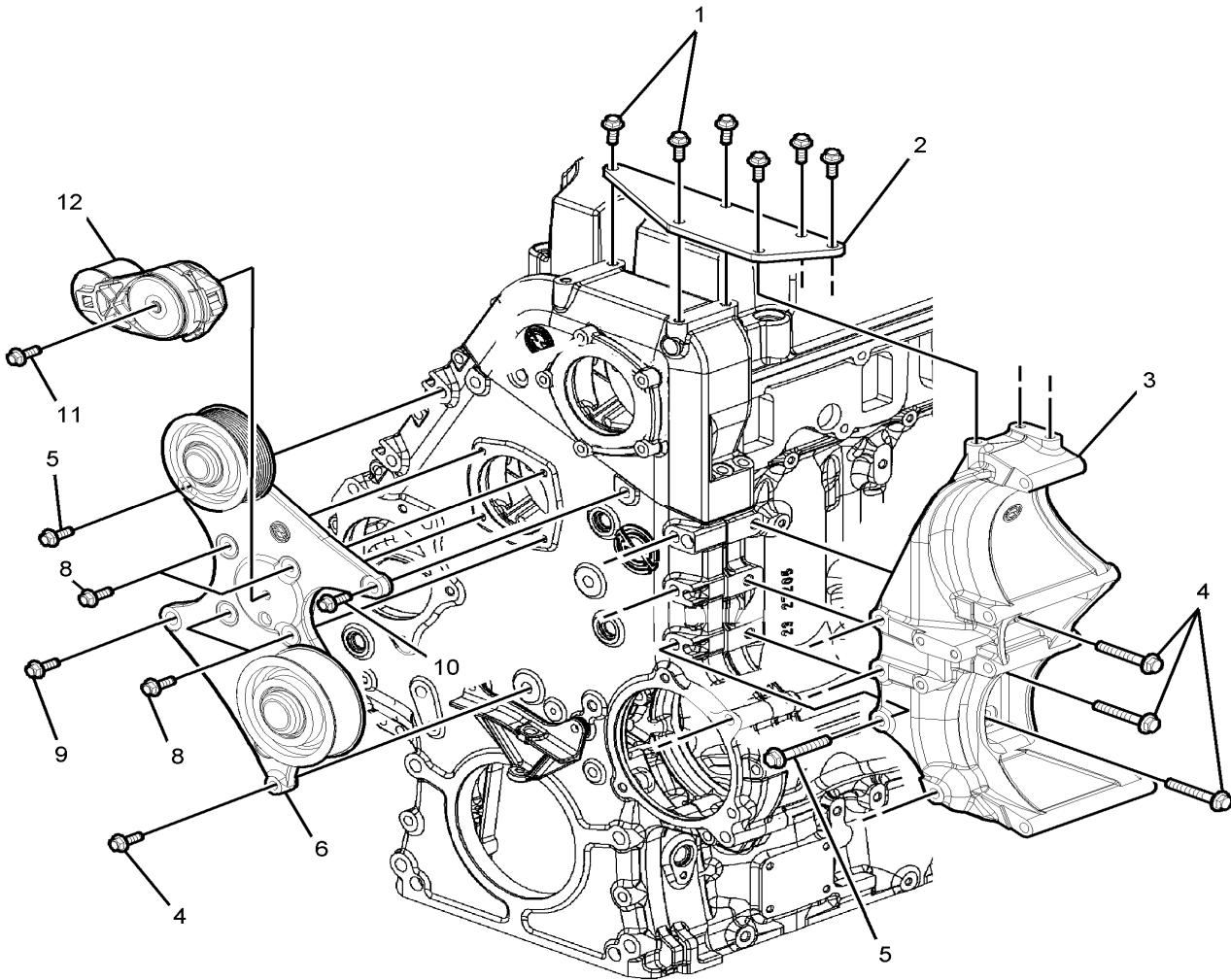


From 7-0671 To A-1476

Date:10/2022

PAGE:H7-0610-00

ALTERNATOR MOUNTING / "BOSCH" 2X140AMPS DETROIT S-60

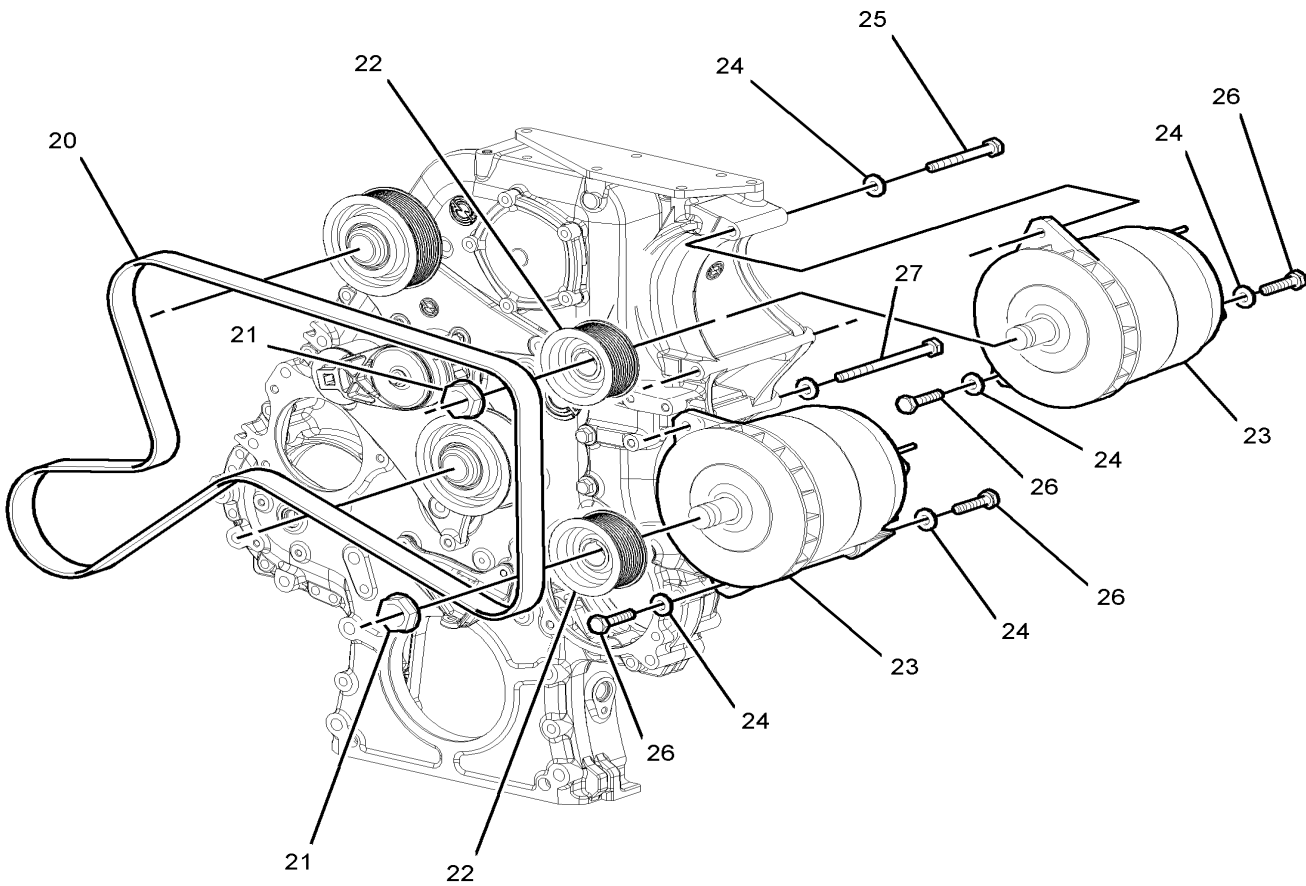


From 7-0671 To A-1476

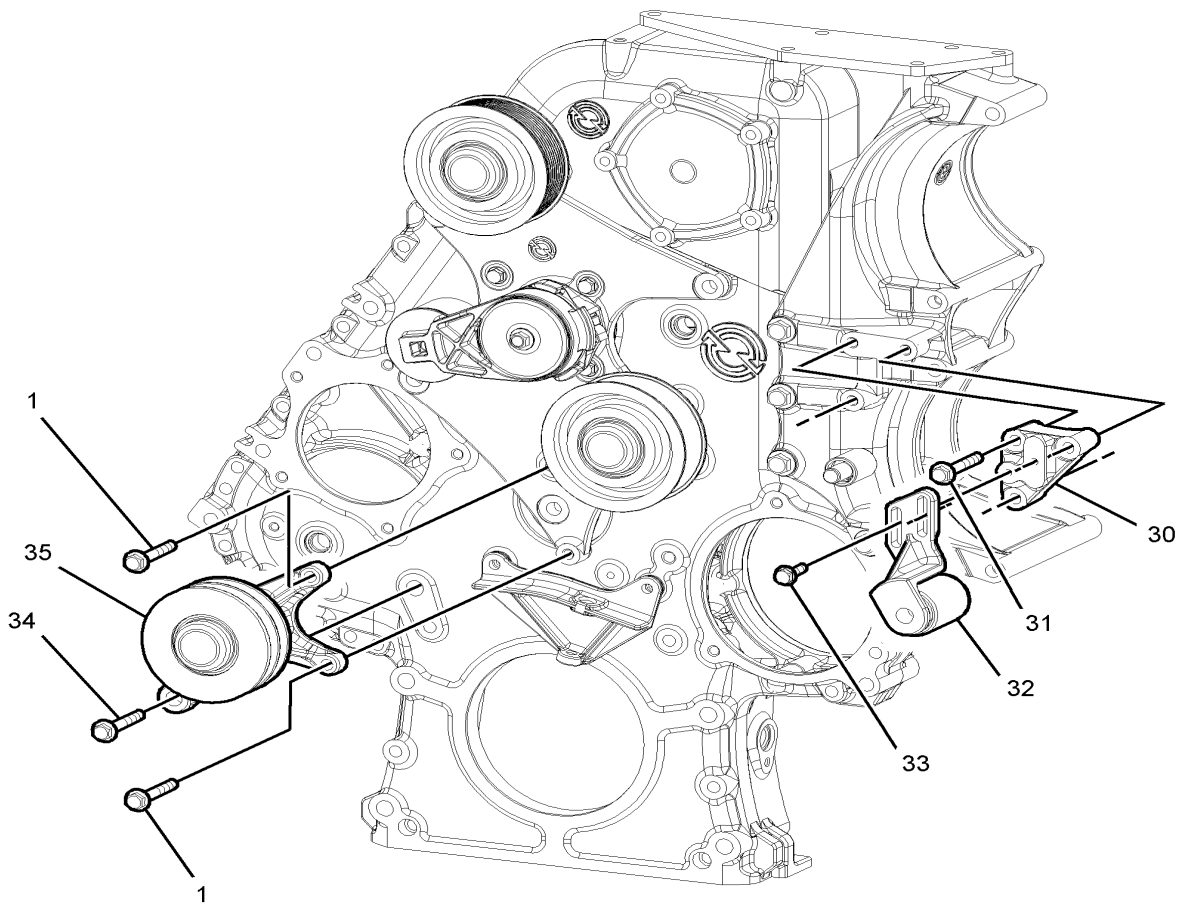
Date:10/2022

PAGE:H7-0610-00

## ALTERNATOR MOUNTING / "BOSCH" 2X140AMPS DETROIT S-60



From 7-0671 To A-1476	Date:10/2022	PAGE:H7-0610-00
ALTERNATOR MOUNTING / "BOSCH" 2X140AMPS DETROIT S-60		



**ALTERNATOR MOUNTING / "BOSCH" 2X140AMPS DETROIT S-60**

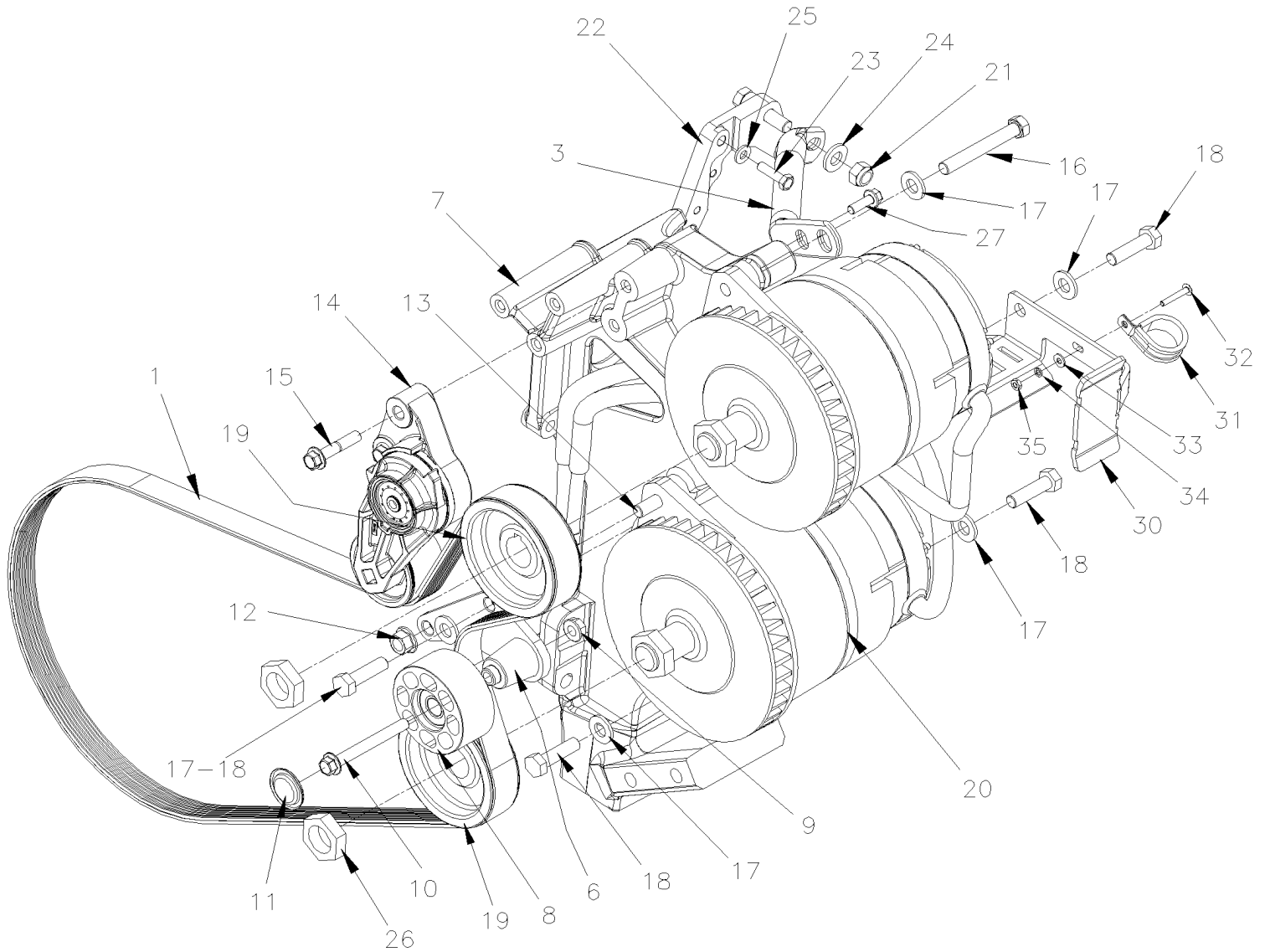
Item#	Part	Description	H 3 4 1	H 3 4 5	V I P 4 5	N O T E S
1	5001644	SCREW CAP HEXF M10-1.5x30 G8.8 G500	8	8	8	
2	23527310	STRAP	1	1	1	
3	23530258	BRACKET	1	1	1	
4	23528697	SCREW CAP HEXF M12-1.75x60 G10.9	4	4	4	
5	23528406	SCREW CAP HEXF M12-1.75x80 G10.9	6	6	6	
6	23534290	PULLEY ASSY CURRENT	1	1	1	
8	11504822	SCREW CAP HEXF M9-1.25x30 G10.9	4	4	4	
9	23528698	SCREW CAP HEX M14-2.00x130 G10.9	1	1	1	
10	23528406	SCREW CAP HEXF M12-1.75x80 G10.9	2	2	2	
11	11503669	SCREW CAP HEX M10-1.50x80 G10.9	1	1	1	
12	012329	AUTOMATIC TENSIONER ASSY	1	1	1	
20	5060088	MULTI V-BELT / 10 RIB 88.38" (2245) 23356465 To A-1476	1	1	1	
20	5061277	MULTI V-BELT / 10 RIB 87.99" (2235) 5100880 From A-1477	1	1	1	
20	5060056	MULTI V-BELT / 10 RIB 78 3/4" (2000) 23530282 To A-1476	1	1	1	A
20	5061276	MULTI V-BELT / 10 RIB 77.17" (1960) 21-1158 From A-1477	1	1	1	A
21	563001	KIT NUT & WASHER M24-1.5 YC	2	2	2	
22	066062	PULLEY ALTERNATOR / "BOSCH" / 10 RIB	2	2	2	
23	<b>H7-0605-00</b>	<b>ALTERNATOR 24V/140 AMPS / "BOSCH"</b>				
24	23509483	WASHER	6	6	6	
25	23528696	SCREW CAP HEX M12-1.50x100	1	1	1	
26	23523176	SCREW CAP HEX M12-1.75x50	4	4	4	
27	23523490	SCREW CAP HEX M12-1.50x150	1	1	1	
30	012455	ADAPTOR SNUBBER MOUNTING	1	1	1	
31	5001595	SCREW CAP HEXF M10-1.5x60 G8.8 G500	3	3	3	
32	012453	. SUPPORT	1	1	1	
32	012456	. ROLLER 48MM O.D. x 64MM	1	1	1	
32	012458	. BEARING MODIFIED PREVOST	1	1	1	
32	5006768	. SCREW DRV RND #14x5/8 Z050	1	1	1	
32	012467	SNUBBER ASSY	1	1	1	D
33	5001643	SCREW CAP HEXF M8-1.25x25 G8.8 G500	2	2	2	
34	5001596	SCREW CAP HEXF M14-2.0x90 G8.8 MAGNI 565	1	1	1	
35	012466	PULLEY ASSY IDLER	1	1	1	D
		A) EMERGENCY USE ONLY WITH ONE ALTERNATOR				
		D) SEE DETAIL AT PAGE HF-0120-00				

From 8-1202 To A-1720

Date:10/2022

PAGE:H7-0610-01

## ALTERNATOR MOUNTING / "BOSCH" 2x140Amps VOLVO D13

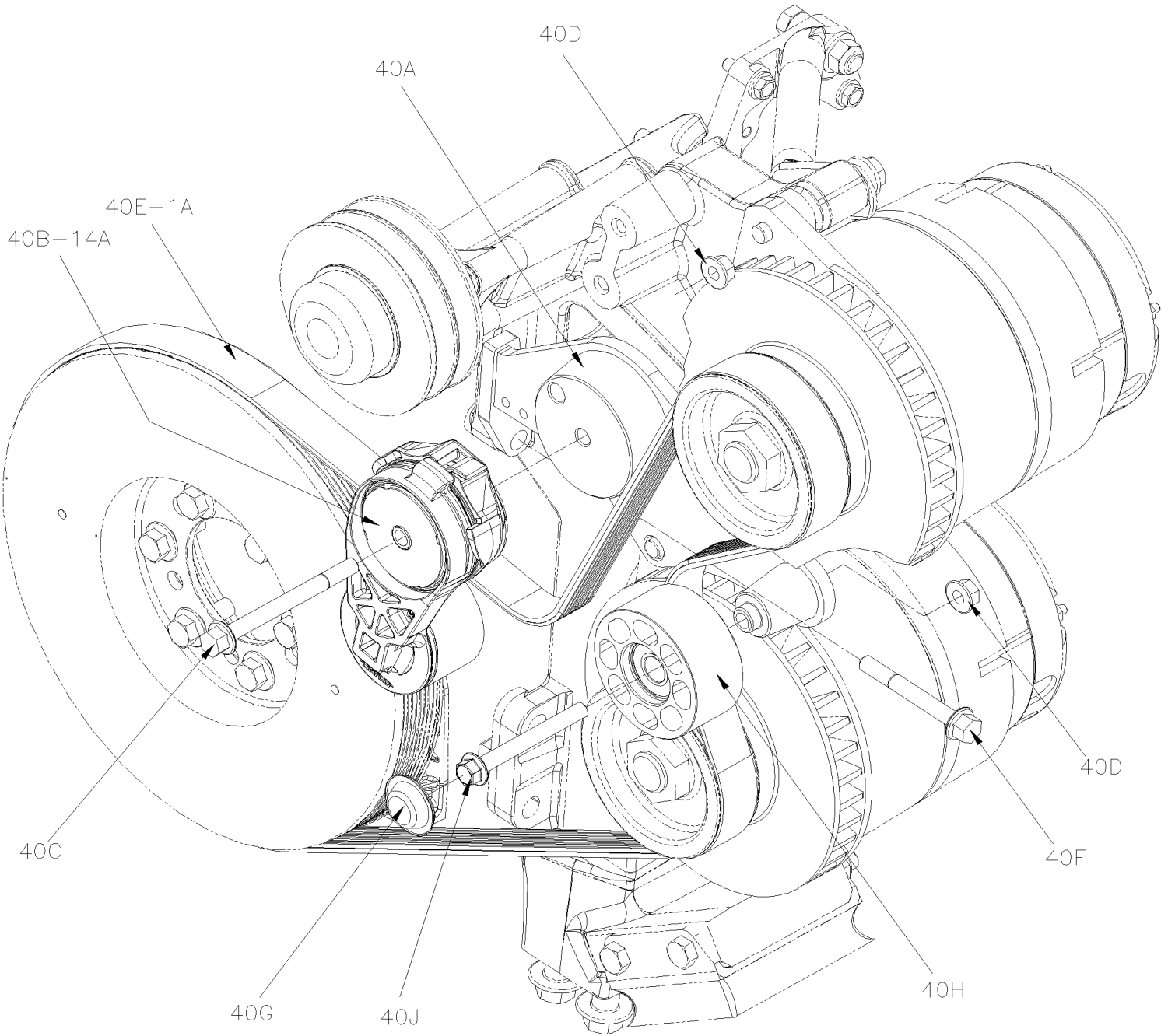


From 8-1202 To A-1720

Date:10/2022

PAGE:H7-0610-01

ALTERNATOR MOUNTING / "BOSCH" 2x140Amps VOLVO D13



From 8-1202 To A-1720	Date:10/2022	PAGE:H7-0610-01
<b>ALTERNATOR MOUNTING / "BOSCH" 2x140Amps VOLVO D13</b>		

Item#	Part	Description	H 3 4 1	H 3 4 5	V I P 4 5	N O T E S
1	506039	MULTI V-BELT / 8 RIB 76.18" (1935) 8PK1935 QT + ARAMIDE To A-1489	1	1		F A
1	506062	MULTI V-BELT / 8 RIB 78.54" (1995) 8PK1995 QT + ARAMIDE From A-1490	1	1		F
1	506057	MULTI V-BELT / 8 RIB 78.54" (1995) 8PK1995 QT + SD ARAMIDE From A-1490	1	1		H
1	506042	MULTI V-BELT / 8 RIB 73" (1865) 8PK1865 QT + ARAMIDE EMERGENCY	1	1		E
1A	506212	MULTI V-BELT / 8 RIB 80.91" (2055) 8PK2055 ORION QT+ SD ARAMIDE	1	1		G
1A	506244	MULTI V-BELT / 8 RIB 75.79" (1925) 8PK1925 ORION QT+ SD ARAMIDE EMERGENCY	1	1		E G
3	012500	ALTERNATOR BRACE W/D13	1	1		
6	012589	SUPPORT ASSY IDLER PULLEY From A-1490	1	1		
7	012501	ENGINE MOUNT & ALTERNATOR MOUNT CURBSIDE W/D13	1	1		
NS	5001308	SCREW CAP HEXF M10-1.5x40 G10.9 N500	4	4		
NS	5001671	SCREW CAP HEXF M14-2.0x45 G8.8 G500	1	1		
8	510970	PULLEY ASSY From A-1490	1	1		
. NS	560974	. BALL BEARING From A-1490	2	2		
9	5001084	NUT HEXF M10-1.5 G500 From A-1490	1	1		
10	5001784	SCREW CAP HEXF M10-1.5x90 G8.8 AD N500 From A-1490	1	1		
11	550924	PROTECTOR CAP / STEEL 40.7MM O.D. x 5MM From A-1490	1	1		
11	557056	PROTECTOR CAP / STEEL 40.7MM O.D. x 11MM From A-1490	1	1		
12	5001721	NUT HEXF STO M12-1.5 G10.9 MAG565 From A-1490	1	1		
13	5001583	SCREW CAP HEX M12-1.5x100 G10.9 DP From A-1490	1	1		
14	20762060	AUTOMATIC TENSIONER ASSY To 9-1403	1	1		
14	20935523	AUTOMATIC TENSIONER ASSY From 9-1404 To A-1627	1	1		
14	21404578	AUTOMATIC TENSIONER ASSY From A-1628 To A-1678	1	1		
14	510991	AUTOMATIC TENSIONER ASSY From A-1679	1	1		
14	510991	AUTOMATIC TENSIONER ASSY From A-1679	1	1		
NS	068151	SUPPORT ADAPTOR AUTOMTIC TENSIONER ALTERNATOR From A-1679	1	1		
NS	5001644	SCREW CAP HEXF M10-1.5x30 G8.8 G500 From A-1679	2	2		
NS	5001802	SCREW CAP HEXF M10-1.5x80 G10.9 N500 From A-1679	1	1		
14A	510991	AUTOMATIC TENSIONER ASSY	1	1	1	G
14A	510991	AUTOMATIC TENSIONER ASSY	1	1	1	G
15	965186	SCREW CAP HEXF M10-1.5x50 G8.8 ZG603	2	2		
16	5001693	SCREW CAP HEX M12-1.5x90 G10.9 MAGNI 565	1	1		
17	5001585	WASHER FL 13.5x27x2.46-4.5 DP	5	5		
18	5001338	SCREW CAP HEX M12-1.75x45 G10.9 N500	4	4		
19	067037	PULLEY ALTERNATOR / "BOSCH" / 8 RIB	2	2		
20	<b>H7-0605-00</b>	<b>ALTERNATOR 24V/140 AMPS / "BOSCH"</b>				
21	500811	NUT HEX STO M12-1.75 G500	1	1		
22	012499	ALTERNATOR BRACE PLATE W/D13	1	1		
23	5001687	SCREW CAP HEX M8-1.25x30 G10.9 MAGNI 565	3	3		
24	5001585	WASHER FL 13.5x27x2.46-4.5 DP	1	1		
25	192288	WASHER FL 8.4x18.0x2.0 ZG603	3	3		
26	563001	KIT NUT & WASHER M24-1.5 YC	1	1		
27	5001643	SCREW CAP HEXF M8-1.25x25 G8.8 G500 From A-1490	1	1		



From 8-1202 To A-1720	Date:10/2022	PAGE:H7-0610-01
<b>ALTERNATOR MOUNTING / "BOSCH" 2x140Amps VOLVO D13</b>		

Item#	Part	Description	H 3 4 1	H 3 4 5	V I P 4 5	N O T E S
30	012475	SUPPORT OIL FILLERTUBE From A-1490	1	1		
31	952639	CLAMP / 1"1/4 I.D. From A-1490	1	1		
32	500574	SCREW MA TR PH #10-24x1 1/4 SS From A-1490	1	1		
33	500804	WASHER FL .203x.500x.047 N500 From A-1490	1	1		
34	500914	WASHER LO SPT .193x.334x.047 N500 From A-1490	1	1		
35	502882	NUT HEX #10-24 N500 From A-1490	1	1		
37	067742	KIT RETROFIT "ADD PULLEY" To A-1489	1	1		B
40	010325	KIT "BELT TENSIONNER"	1	1		G
. A	010323	. SUPPORT, ASSEMBLY	1	1		G
. B	510991	. AUTOMATIC TENSIONER ASSY	1	1		G
. C	5001884	. SCREW CAP HEXF M10-1.5X110 G10.9 N500	1	1		G
. D	5001727	. NUT HEXF NYRT M10-1.5 N500	2	2		G
. E	5061286	. MULTI V-BELT / 8 RIB 80.91" (2055) 8PK2055 ORION QT+ SD	1	1		G
. F	5001843	. SCREW CAP HEXF AD M10-1.5x50 G10.9 N500	1	1		G
. G	557056	. PROTECTOR CAP / STEEL 40.7MM O.D. x 11MM	1	1		G
. H	510970	. PULLEY ASSY	1	1		G
. . NS	560974	. . BALL BEARING	2	2		G
. J	5001784	. SCREW CAP HEXF M10-1.5x90 G8.8 AD N500	1	1		G
. E2	506212	. MULTI V-BELT / 8 RIB 80.91" (2055) 8PK2055 ORION QT+ SD ARAMIDE	1	1		G
. E3	5061287	. MULTI V-BELT / 8 RIB 75.79" (1925) 8PK1925 ORION QT+ SD	1	1		G
. E4	506244	. MULTI V-BELT / 8 RIB 75.79" (1925) 8PK1925 ORION QT+ SD ARAMIDE	1	1		G
		A) FOR PRODUCT IMPROVEMEN ASK KIT # 067742				
		B) INCLUDE ITEMS WITH GREEN HOT SPOT ( ITEMS 1, 6, 8, 9, 10, 11, 12, 13)				
		E) USE ON EMERGENCY WITH ONE ALTERNATOR				
		F) USE WITH PRODUCT IMPROVMENT NEW PULLEY CONFIGURATION				
		G) USE IF YOU HAVE DID PRODUCT IMPROVEMENT KIT # 012770				
		H) SUPER HEAVY DUTY				

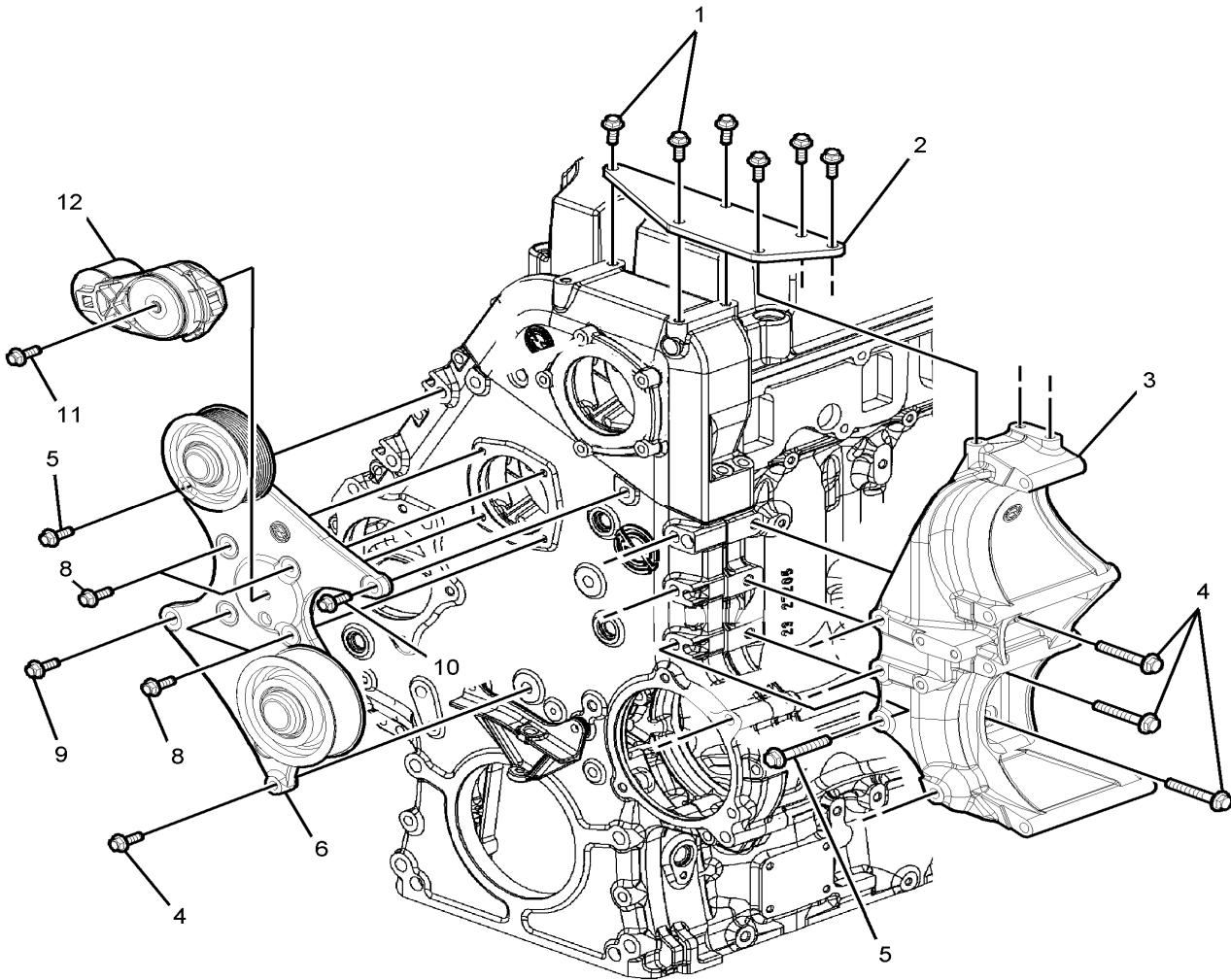


From A-1477 To A-1720

Date:10/2022

PAGE:H7-0610-05

## ALTERNATOR MOUNTING / "BOSCH" 2X120AMPS DETROIT S-60

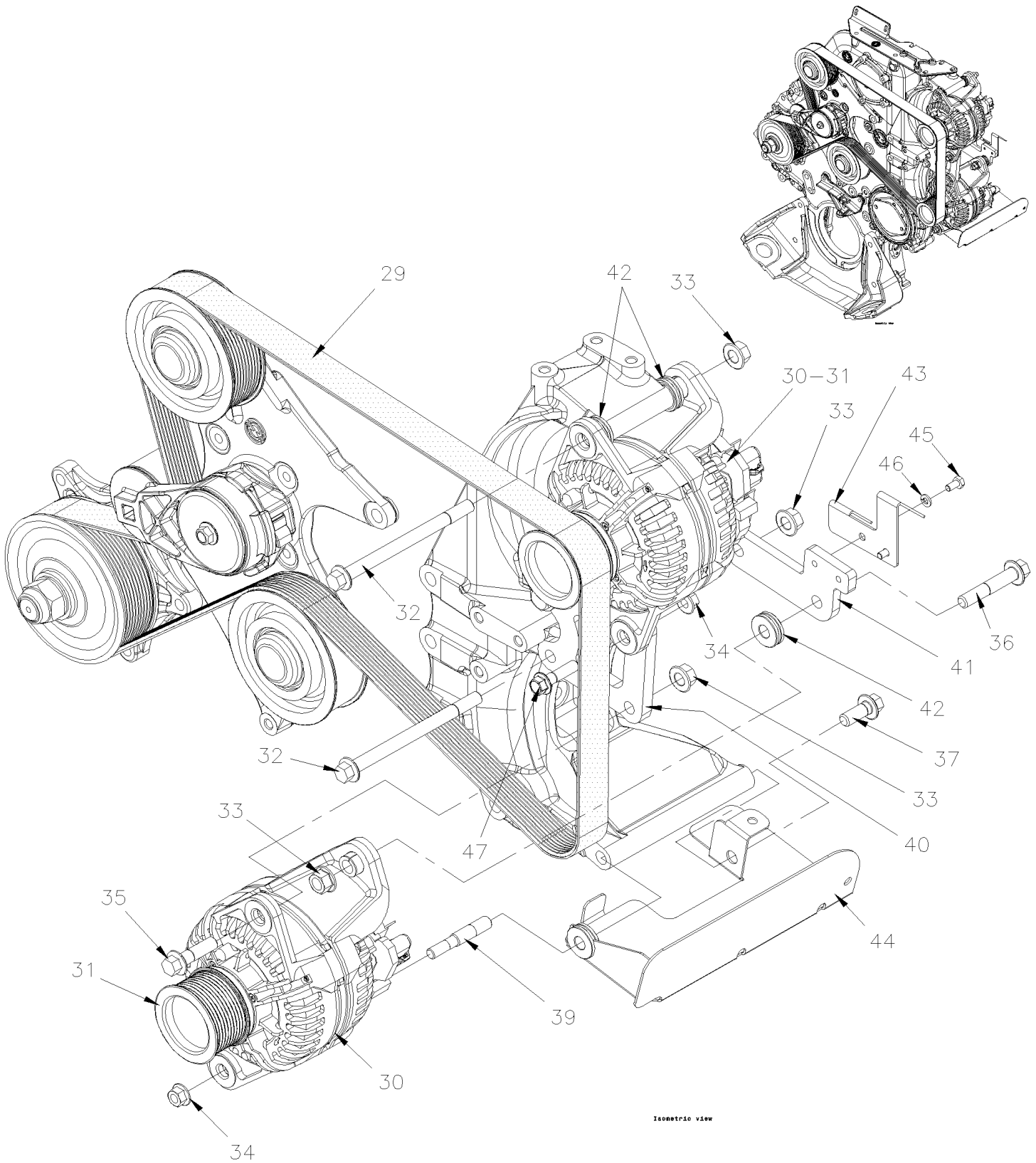


From A-1477 To A-1720

Date:10/2022

PAGE:H7-0610-05

## ALTERNATOR MOUNTING / "BOSCH" 2X120AMPS DETROIT S-60

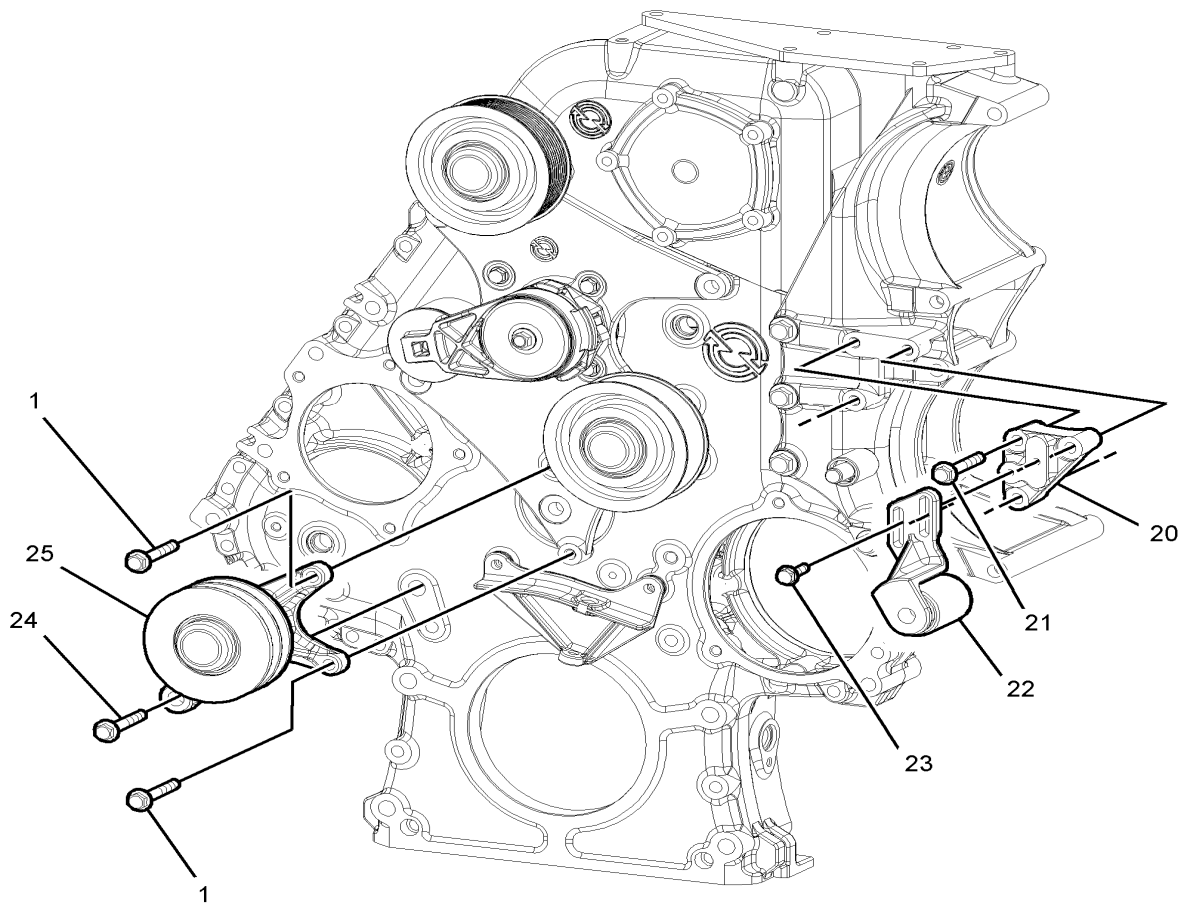


From A-1477 To A-1720

Date:10/2022

PAGE:H7-0610-05

**ALTERNATOR MOUNTING / "BOSCH" 2X120AMPS DETROIT S-60**



From A-1477 To A-1720	Date:10/2022	PAGE:H7-0610-05
<b>ALTERNATOR MOUNTING / "BOSCH" 2X120AMPS DETROIT S-60</b>		

Item#	Part	Description	H 3 4 1	H 3 4 5	V I P 4 5	N O T E S
1	5001644	SCREW CAP HEXF M10-1.5x30 G8.8 G500	8	8		
2	23527310	STRAP	1	1		
3	23530258	BRACKET	1	1		
4	23528697	SCREW CAP HEXF M12-1.75x60 G10.9	4	4		
5	23528406	SCREW CAP HEXF M12-1.75x80 G10.9	6	6		
6	23534290	PULLEY ASSY CURRENT	1	1		
8	11504822	SCREW CAP HEXF M9-1.25x30 G10.9	4	4		
9	23528698	SCREW CAP HEX M14-2.00x130 G10.9	1	1		
10	23528406	SCREW CAP HEXF M12-1.75x80 G10.9	2	2		
11	11503669	SCREW CAP HEX M10-1.50x80 G10.9	1	1		
12	012329	AUTOMATIC TENSIONER ASSY	1	1		
20	012455	ADAPTOR SNUBBER MOUNTING	1	1		
21	5001595	SCREW CAP HEXF M10-1.5x60 G8.8 G500	3	3		
22	012453	. SUPPORT	1	1		
22	012456	. ROLLER 48MM O.D. x 64MM	1	1		
22	012458	. BEARING MODIFIED PREVOST	1	1		
22	5006768	. SCREW DRV RND #14x5/8 Z050	1	1		
22	012467	SNUBBER ASSY	1	1		D
23	5001643	SCREW CAP HEXF M8-1.25x25 G8.8 G500	2	2		
24	5001596	SCREW CAP HEXF M14-2.0x90 G8.8 MAGNI 565	1	1		
25	012466	PULLEY ASSY IDLER	1	1		D
29	5061277	MULTI V-BELT / 10 RIB 87.99" (2235) 5100880	1	1		
29	5061276	MULTI V-BELT / 10 RIB 77.17" (1960) 21-1158	1	1		A
30	564119	ALTERNATOR ASSY 24V/120 AMPS / W/OUT PULLEY	2	2		
. NS	564469	. CONNECTOR / MKR-PLUS / SH 5C / G&H 18241 000 000	1	1		
31	564120	PULLEY ALTERNATOR / "BOSCH" / 76MM O.D. x 10 RIB	2	2		
32	5001723	SCREW CAP HEXF M12-1.75x160 G10.9 N500	2	2		
33	5001728	NUT HEXF STO M12-1.75 N500 G10	4	4		
34	5001727	NUT HEXF NYRT M10-1.5 N500	2	2		
35	5001724	SCREW CAP HEXF M12-1.75x45 G10.9 N500	2	2		
36	5001861	SCREW CAP HEX M12-1.75x60 G10.9 N500	1	1		
37	5001726	SCREW CAP HEXF M12-1.75x30 G10.9 N500	1	1		
39	564476	STUD M10-1.5 x M12-1.75 x 70MM	1	1		
40	067619	SUPPORT / ALTERNATOR FORWARD	1	1		
41	067620	SUPPORT / ALTERNATOR BACKWARD	1	1		
42	067621	BUSHING 31.0MM O.D.x9.5MM	3	3		
43	067622	SUPPORT / WIRING HARNESS	1	1		
44	067633	PROTECTION PLATE ASSY W/"DETROIT" ENGINE	1	1		
44	067776	PROTECTION PLATE ASSY W/"DETROIT" ENGINE	1	1		
44	069116	PROTECTION PLATE ASSY W/"DETROIT" ENGINE	1	1		
45	955269	SCREW CAP HEX M6-1.0x12 G8.8 ZG603	2	2		
46	502853	WASHER LO SPT 6.1x11.8x1.6 N500	2	2		

From A-1477 To A-1720	Date:10/2022	PAGE:H7-0610-05
<b>ALTERNATOR MOUNTING / "BOSCH" 2X120AMPS DETROIT S-60</b>		

Item#	Part	Description	H 3 4 1	H 3 4 5	V I P 4 5	N O T E S
47	5001308	SCREW CAP HEXF M10-1.5x40 G10.9 N500	1	1		
		A) EMERGENCY USE ONLY WITH ONE ALTERNATOR				
		D) SEE DETAIL AT PAGE HF-0120-00				

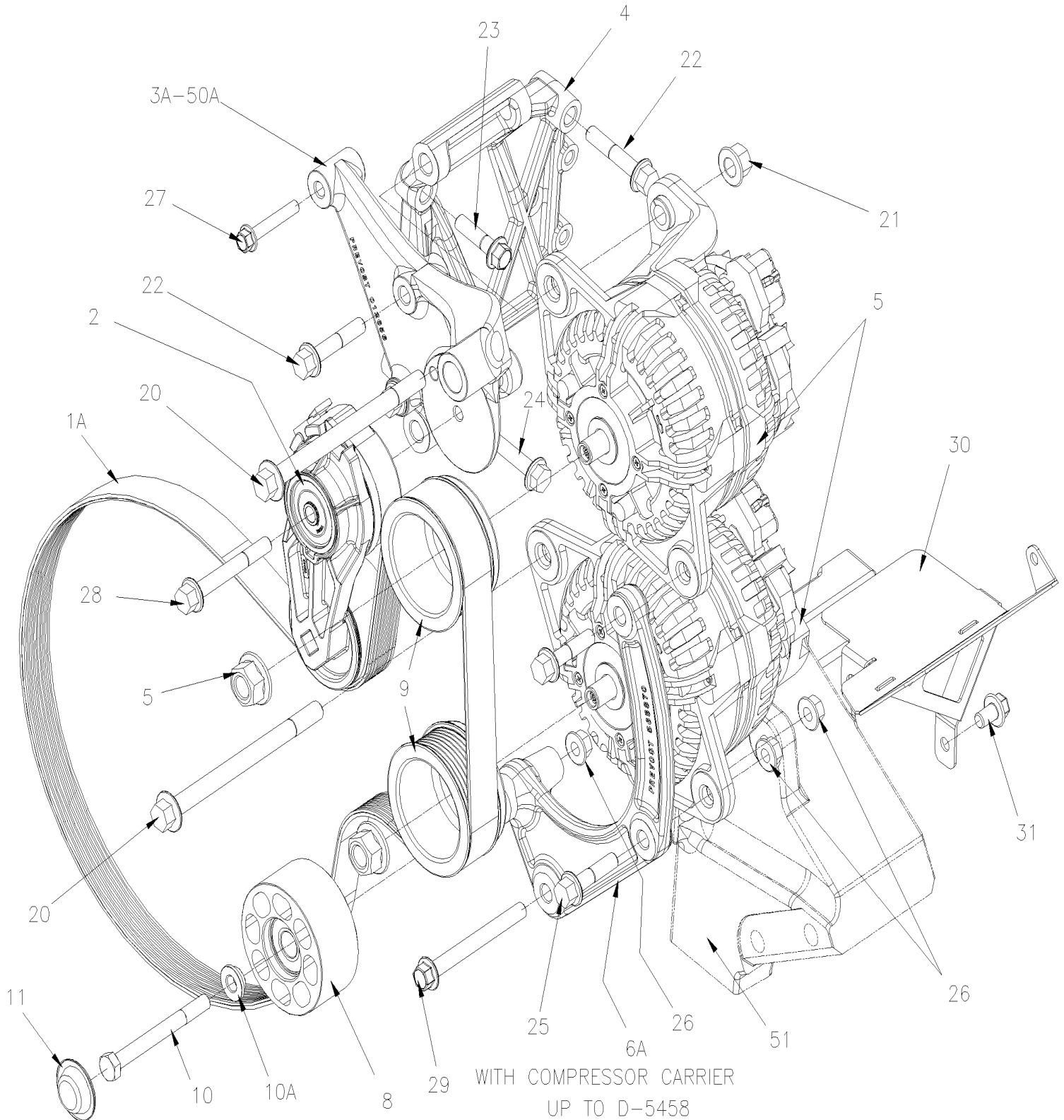


From B-1721 To J-0287

Date:10/2022

PAGE:H7-0610-06

## ALTERNATOR MOUNTING / "BOSCH" VOLVO D13



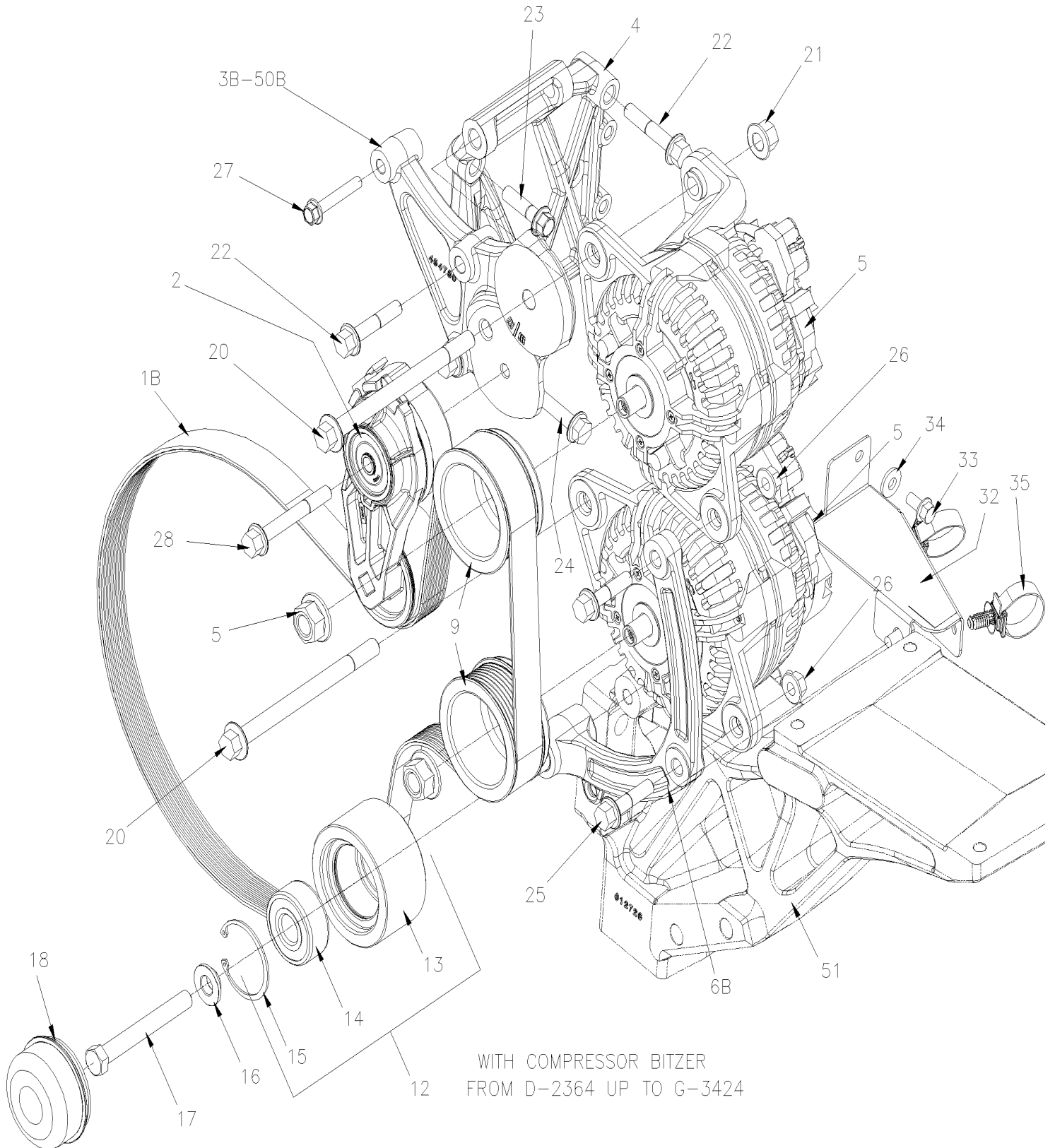


From B-1721 To J-0287

Date:10/2022

PAGE:H7-0610-06

## ALTERNATOR MOUNTING / "BOSCH" VOLVO D13



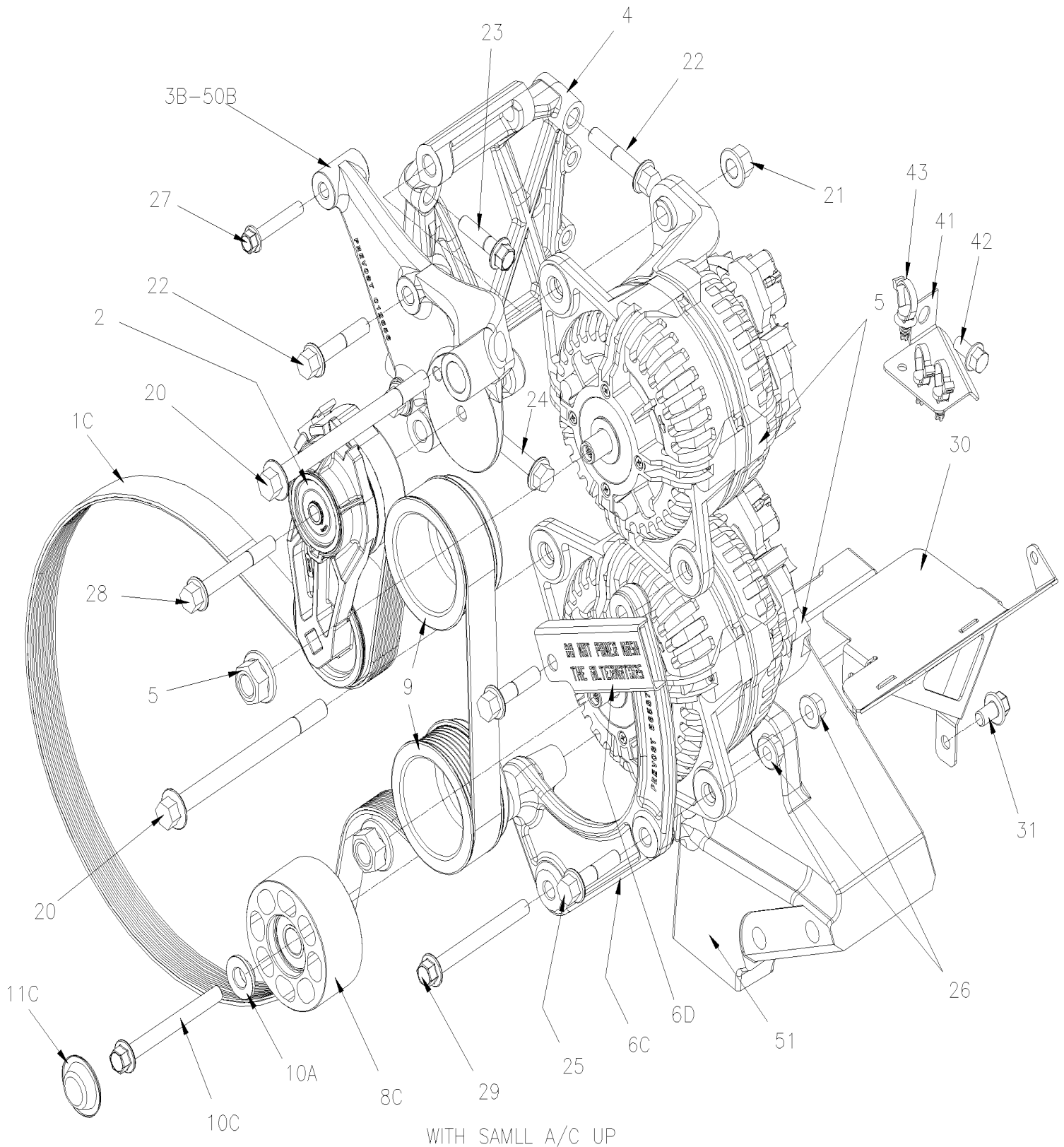


From B-1721 To J-0287

Date:10/2022

PAGE:H7-0610-06

## ALTERNATOR MOUNTING / "BOSCH" VOLVO D13

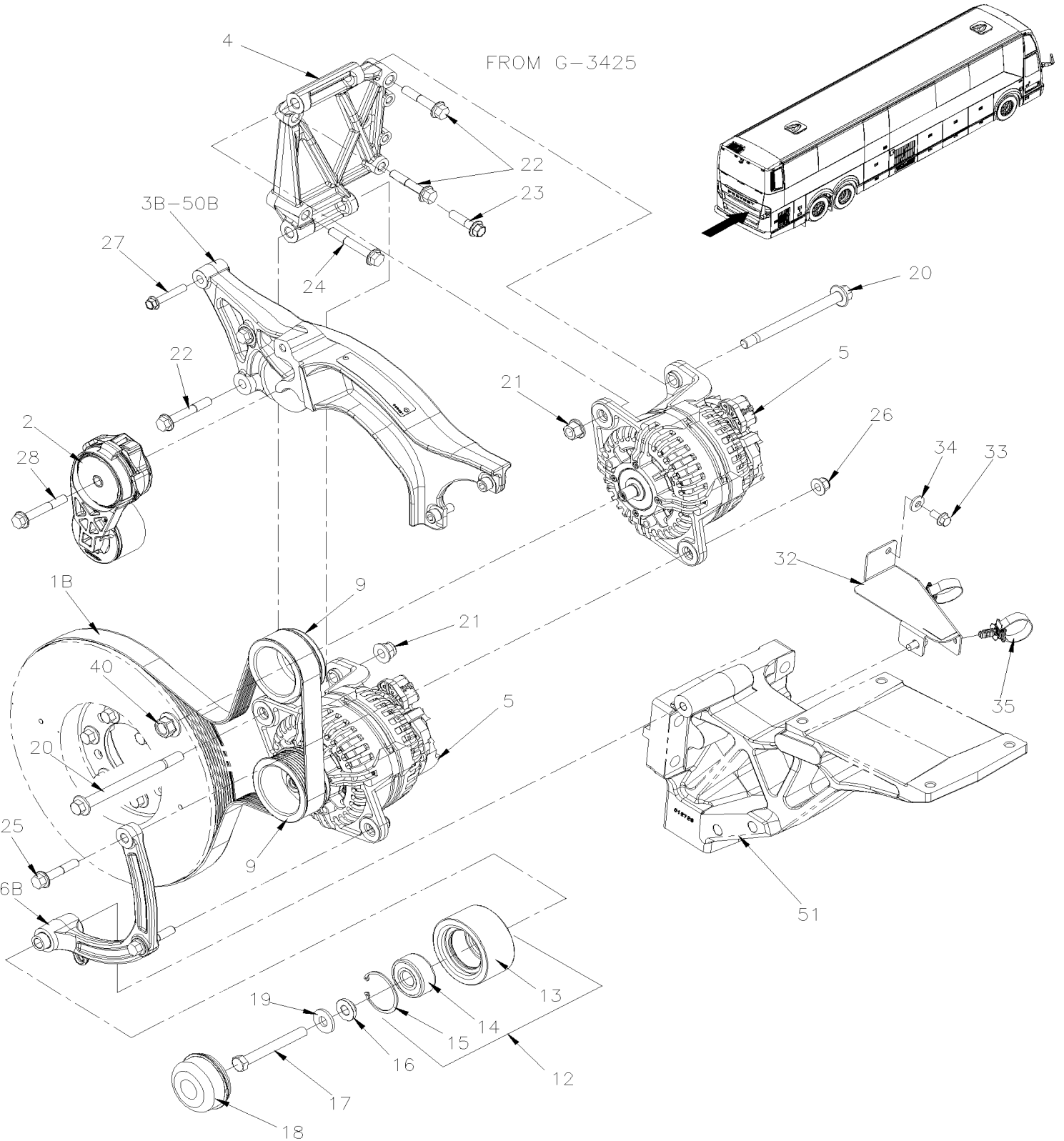


From B-1721 To J-0287

Date:10/2022

PAGE:H7-0610-06

## ALTERNATOR MOUNTING / "BOSCH" VOLVO D13



<b>From B-1721 To J-0287</b>	<b>Date:10/2022</b>	<b>PAGE:H7-0610-06</b>
<b>ALTERNATOR MOUNTING / "BOSCH" VOLVO D13</b>		

Item#	Part	Description	H 3 4 1	H 3 4 5	V I P 4 5	N O T E S
1A	505608	MULTI V-BELT / 8 RIB 62.5" (1587.5) 8PK1587 STANDARD DUTY To D-2383	1	1	1	
1A	505608	MULTI V-BELT / 8 RIB 62.5" (1587.5) 8PK1587 STANDARD DUTY To D-2383	1	1	1	
1A	5060114	MULTI V-BELT / 8 RIB 62.5" (1587.5) 8PK1587.5 QT + SD (21-2121) To D-2363	1	1	1	H
1A	5060113	MULTI V-BELT / 8 RIB 60" (1524) 8PK1524 QT (21-2116) To D-2363	1	1	1	E
1A	5060113	MULTI V-BELT / 8 RIB 60" (1524) 8PK1524 QT (21-2116) To D-2363	1	1	1	E
1B	5060129	MULTI V-BELT / 8 RIB 62" (1575MM) 8PK1575 QT From D-2364	1	1	1	
1B	5060130	MULTI V-BELT / 8 RIB 62" (1575MM) 8PK1575 SEVERE DUTY From D-2364	1	1	1	H
1B	5060131	MULTI V-BELT / 8 RIB 59.5" (1512MM) 8PK1512 QT From D-2364	1	1	1	E
1C	505608	MULTI V-BELT / 8 RIB 62.5" (1587.5) 8PK1587 STANDARD DUTY			1	S
1C	505608	MULTI V-BELT / 8 RIB 62.5" (1587.5) 8PK1587 STANDARD DUTY			1	S
1C	5060113	MULTI V-BELT / 8 RIB 60" (1524) 8PK1524 QT (21-2116)			1	E S
1C	5060113	MULTI V-BELT / 8 RIB 60" (1524) 8PK1524 QT (21-2116)			1	E S
2	20924200	AUTOMATIC TENSIONER ASSY PROTO To A-1677	1	1		
2	510991	AUTOMATIC TENSIONER ASSY From A-1678	1	1	1	
3	012674	SUPPORT PULLEY ALT & A/C PROTO	1	1	1	U
3A	012656	SUPPORT PULLEY ALT & A/C To D-2363	1	1	1	
3B	454779	SUPPORT PULLEY ALT & A/C WELDED From D-2364 To G-3424	1	1	1	
3B	457750	SUPPORT, TENSIONNER CASTING From G-3425	1	1	1	
4	20995657	ALTERNATOR MOUNT UPPER	1	1	1	
5	<b>H7-0605-01</b>	<b>ALTERNATOR 24V/120 AMPS / "BOSCH" To G-3047</b>				
5	<b>H7-0605-02</b>	<b>ALTERNATOR 24V/150 AMPS / "BOSCH" From G-3048</b>				
5	<b>H7-0605-11</b>	<b>ALTERNATOR 24V/120 AMPS / "BOSCH" To F-2996</b>			1	
5	<b>H7-0605-12</b>	<b>ALTERNATOR 24V/150 AMPS / "BOSCH" From F-2997</b>			1	
6A	565870	SUPPORT ASSY IDLER PULLEY & ALTERNATOR To D-2363	1	1	1	
6A	565870	SUPPORT ASSY IDLER PULLEY & ALTERNATOR To D-2363	1	1	1	
6B	21134692	SUPPORT ASSY IDLER PULLEY & ALTERNATOR From D-2364	1	1	1	
6C	565870	SUPPORT ASSY IDLER PULLEY & ALTERNATOR			1	S
6C	565870	SUPPORT ASSY IDLER PULLEY & ALTERNATOR			1	S
6D	068689	PLATE "DO NOT POWER WASH THE ALTERNATORS"			1	S
8	510970	PULLEY ASSY To D-2363	1	1	1	C
8	510970	PULLEY ASSY To D-2363	1	1	1	C
. NS	560974	. BALL BEARING To D-2363	2	2	2	C
8C	510970	PULLEY ASSY			1	S
8C	510970	PULLEY ASSY			1	S
. NS	560974	. BALL BEARING			2	S
9	565869	PULLEY ALTERNATOR / "BOSCH" / 83MM DOB x 8 RIB	2	2	2	
NS	068346	SHIM 20GA	AR	AR	AR	G
NS	068347	SHIM 26GA	AR	AR	AR	G
9	500449	WASHER FL .625x1.500 SS	1	1	1	
10	5001785	SCREW CAP HEXF M10-1.5x100 G10.9 N500 To B-1762	1	1	1	
10	5001785	SCREW CAP HEXF M10-1.5x100 G10.9 N500 To B-1762	1	1	1	
10	5001901	SCREW CAP HEX M10-1.5x100 G10.9 N500 From B-1763 To D-2363	1	1	1	

<b>From B-1721 To J-0287</b>	<b>Date:10/2022</b>	<b>PAGE:H7-0610-06</b>
<b>ALTERNATOR MOUNTING / "BOSCH" VOLVO D13</b>		

Item#	Part	Description	H 3 4 1	H 3 4 5	V I P 4 5	N O T E S
10	5001901	SCREW CAP HEX M10-1.5x100 G10.9 N500 From B-1763 To D-2363	1	1	1	
10A	053022	GUIDE, BUSHING From B-1763 To D-2363	1	1	1	
10C	5001785	SCREW CAP HEXF M10-1.5x100 G10.9 N500 To B-1762			1	S
10C	5001785	SCREW CAP HEXF M10-1.5x100 G10.9 N500 To B-1762			1	S
10C	5001901	SCREW CAP HEX M10-1.5x100 G10.9 N500 From B-1763			1	S
10C	5001901	SCREW CAP HEX M10-1.5x100 G10.9 N500 From B-1763			1	S
10D	053022	GUIDE, BUSHING From B-1763			1	S
11	550924	PROTECTOR CAP / STEEL 40.7MM O.D. x 5MM To D-2363	1	1	1	
11	550924	PROTECTOR CAP / STEEL 40.7MM O.D. x 5MM To D-2363	1	1	1	
11	557056	PROTECTOR CAP / STEEL 40.7MM O.D. x 11MM To D-2363	1	1	1	
11	557056	PROTECTOR CAP / STEEL 40.7MM O.D. x 11MM To D-2363	1	1	1	
11C	550924	PROTECTOR CAP / STEEL 40.7MM O.D. x 5MM			1	S
11C	550924	PROTECTOR CAP / STEEL 40.7MM O.D. x 5MM			1	S
11C	557056	PROTECTOR CAP / STEEL 40.7MM O.D. x 11MM			1	S
11C	557056	PROTECTOR CAP / STEEL 40.7MM O.D. x 11MM			1	S
12	457503	PULLEY ASSY W/BEARING / 46MM x 86.5MM O.D. From D-2364 To F-2700	1	1	1	F
12	457705	PULLEY ASSY W/BEARING / 45MM x 90MM O.D. From F-2701 To G-3412	1	1	1	F
12	010074	KIT PULLEY REPLACEMENT / SERVICE From D-2364 To G-3412	1	1	1	F
12	012961	PULLEY ASSY W/BEARING / 48MM x 90MM O.D. From G-3413 To H-3596	1	1	1	
12	012349	PULLEY ASSY W/BEARING / 48MM x 90MM O.D. From H-3597	1	1	1	
12	012349	PULLEY ASSY W/BEARING / 48MM x 90MM O.D. INCLUDE INSIDE KIT 010074 From D-2364 To G-3412	1	1	1	F
13	457502	. PULLEY / 46MM x 86.5MM O.D. From D-2364 To F-2700	1	1	1	
13	453834	. PULLEY / 45MM x 90MM O.D. From F-2701 To G-3412	1	1	1	
13	012958	. PULLEY / 48MM x 90MM O.D. From G-3413	1	1	1	
13	012958	. PULLEY / 48MM x 90MM O.D. INCLUDE INSIDE KIT 010074 From D-2364 To G-3412	1	1	1	F
14	507340	. BALL BEARING 20 ID x 52 OD x 22.2 W From D-2364 To G-3412	1	1	1	D
14	507014	. BALL BEARING 20 ID x 52 OD x 22.2 W From D-2364 To G-3412	1	1	1	
14	507006	. BALL BEARING 25 ID x 62 OD x 25.4 W From G-3413 To H-3596	1	1	1	
14	509952	. BALL BEARING 25 ID x 62 OD x 25.4 W HI-TEMP From H-3597	1	1	1	
14	509952	. BALL BEARING 25 ID x 62 OD x 25.4 W HI-TEMP INCLUDE INSIDE KIT 010074 From D-2364 To G-3412	1	1	1	F
15	504095	. RING RETAINER / INT 2.00 x 2.12 x .062 From D-2364 To G-3412	1	1	1	
15	504040	. RING RETAINER / INT 2.440 x 1.860 x 0.078 STL BLK From G-3413	1	1	1	
15	504040	. RING RETAINER / INT 2.440 x 1.860 x 0.078 STL BLK INCLUDE INSIDE KIT 010074 From D-2364 To G-3412	1	1	1	F
16	053033	GUIDE, BUSHING From D-2364 To E-2620	1	1	1	
16	053690	GUIDE, BUSHING From E-2621 To G-3412	1	1	1	
16	060137	GUIDE, BUSHING From G-3413	1	1	1	
17	5001688	SCREW CAP HEX M12-1.75x100 G10.9 G500 From D-2364	1	1	1	
18	453076	CAP, DUST From D-2364	1	1	1	
19	500211	WASHER FL .531x1.250x.125 N500 To G-3412	1	1	1	
20	5001723	SCREW CAP HEXF M12-1.75x160 G10.9 N500 To B-1753	2	2	2	
20	5001853	SCREW SHR CAP HEXF 13x130 {M12x1.75 G10.9 N500 From B-1754 To G-3424	1	1	1	
20	502950	SCREW SHR CAP HEXF 13x135 {M12x1.75 G10.9 N500 From G-3425	2	2	2	

From B-1721 To J-0287 Date:10/2022 PAGE:H7-0610-06

**ALTERNATOR MOUNTING / "BOSCH" VOLVO D13**

Item#	Part	Description	H 3 4 1	H 3 4 5	V I P 4 5	N O T E S
21	5001728	NUT HEXF STO M12-1.75 N500 G10 To E-2621	2	2	2	
21	5001761	NUT HEXF NYRT M12-1.75 G8 N500 From E-2622 To G-3424	2	2	2	
21	5001728	NUT HEXF STO M12-1.75 N500 G10 From G-3425	2	2	2	
22	5001801	SCREW CAP HEXF M10-1.5x55 G10.9 N500	4	4	4	
23	5001308	SCREW CAP HEXF M10-1.5x40 G10.9 N500	1	1	1	
24	5001799	SCREW CAP HEXF M10-1.5x70 G10.9 N500	1	1	1	
25	5001800	SCREW CAP HEXF M10-1.5x45 G10.9 N500 To E-2621	2	2	2	
25	5001801	SCREW CAP HEXF M10-1.5x55 G10.9 N500 From E-2622	2	2	2	
26	5001727	NUT HEXF NYRT M10-1.5 N500 To E-2621	2	2	2	
26	5001930	NUT HEXF NYRT M10-1.5 N500 G10.9 From E-2622	2	2	2	
27	500796	SCREW CAP HEXF M8-1.25x50 G10.9 N500	1	1	1	
28	5001802	SCREW CAP HEXF M10-1.5x80 G10.9 N500 To B-1821	1	1	1	
28	5001799	SCREW CAP HEXF M10-1.5x70 G10.9 N500 From B-1822	1	1	1	
29	5001785	SCREW CAP HEXF M10-1.5x100 G10.9 N500	2	2	2	
30	068013	PROTECTION PLATE ASSY W/"VOLVO" ENGINE PROTO		1		U
30	067854	PROTECTION PLATE ASSY W/"VOLVO" ENGINE To D-2363	1	1	1	
30	069144	PROTECTION PLATE ASSY From E-2694			1	
31	5001729	SCREW CAP HEXF M10-1.5x16 G8.8 N500	1	1	1	
32	068541	SUPPORT CABLE GROUND ALTERNATOR	1	1	1	
33	5001780	SCREW CAP HEXF M8-1.25x16 G8.8 N500	3	3	3	
34	500321	WASHER BEL SPR .331x.827x.098 N500	3	3	3	
35	504750	CABLE TIE / 1/2" x 15" / CHRISTMAS TREE	2	2	2	
41	067206	SUPPORT CABLE GROUND ALTERNATOR			1	S
42	5001780	SCREW CAP HEXF M8-1.25x16 G8.8 N500			1	S
43	509815	TIE MOUNT / ATTACHMENT W/TREE MOUNT			3	S
43	504637	CABLE TIE / 3/16" x 13"			3	S
50A	<b>H7-0120-02</b>	<b>DRIVE PULLEY, BELTS &amp; TENSIONER WITH VOLVO D13 &amp; 2x120Amps</b>				
50B	<b>H7-0120-03</b>	<b>DRIVE PULLEY, BELTS &amp; TENSIONER WITH VOLVO D13</b>				
51	<b>H7-0150-01</b>	<b>ENGINE CRADLE - WITH VOLVO D13</b>				
51	012670	ENGINE MOUNT CURBSIDE W/D13 PROTO		1		U
NS	565874	SPACER MOUNTING W/D13 PROTO		1		U
		A) FOR PRODUCT IMPROVEMEN ASK KIT # 067742				
		C) FOR PRODUCT IMPROVEMENT ASK FOR 1 X 053022 & 1 X 5001901				
		D) REPLACE BY 507014				
		E) USE ON EMERGENCY WITH ONE ALTERNATOR				
		F) FOR PRODUCT IMPROVMENT ASK FOR #010074				

From B-1721 To J-0287	Date:10/2022	PAGE:H7-0610-06
<b>ALTERNATOR MOUNTING / "BOSCH" VOLVO D13</b>		

Item#	Part	Description	H 3 4 1	H 3 4 5	V I P 4 5	N O T E S
		G) USE TO ALIGN PULLEYS				
		H) SEVERE DUTY				
		S) WITH SMALL A/C SYSTEM				

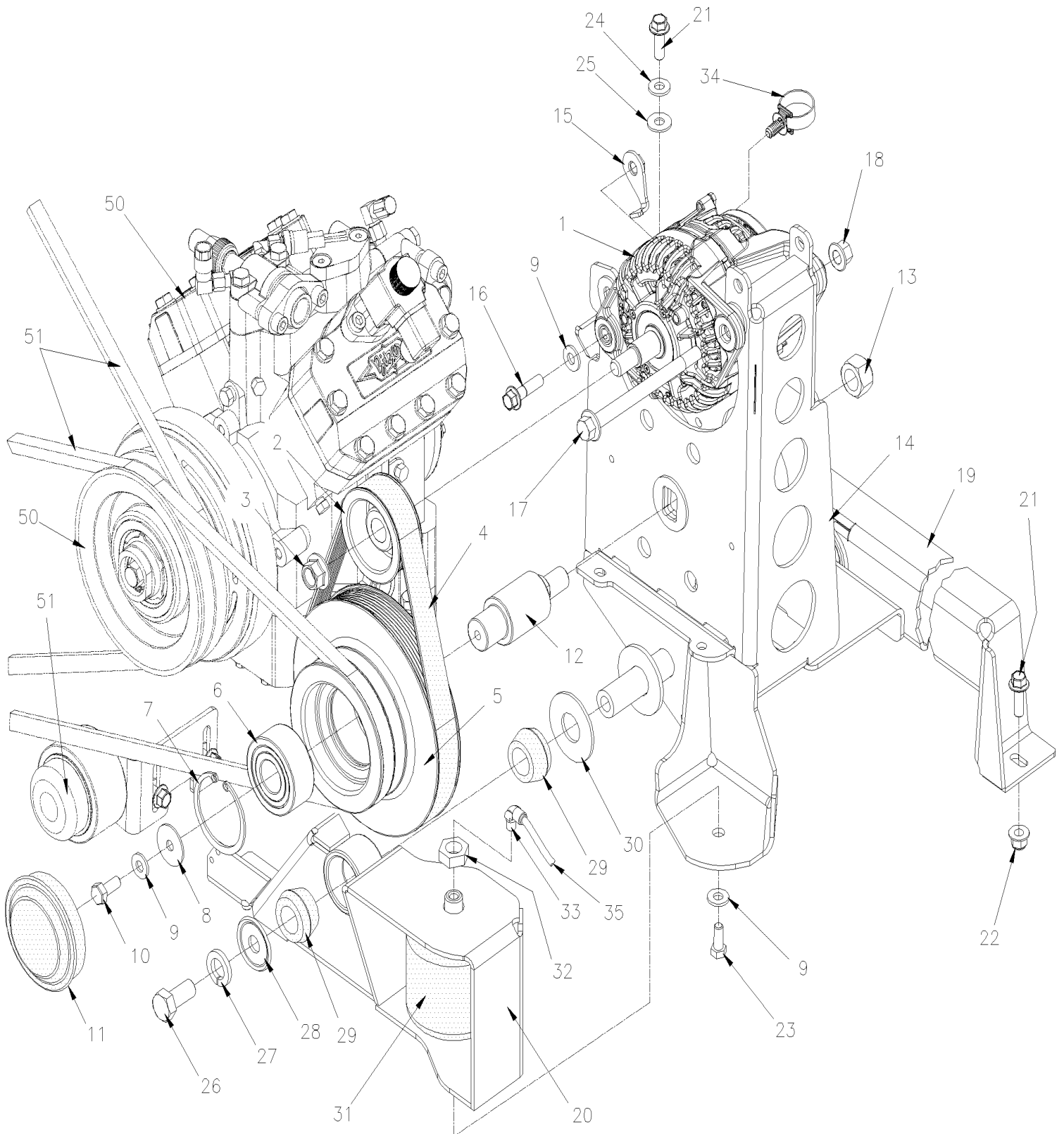


From F-2878 To J-0184

Date:10/2022

PAGE:H7-0610-25

ALTERNATOR MOUNTING / COACH WITH 3 ALTERNATORS OPTION



<b>From F-2878 To J-0184</b>	<b>Date:10/2022</b>	<b>PAGE:H7-0610-25</b>
<b>ALTERNATOR MOUNTING / COACH WITH 3 ALTERNATORS OPTION</b>		

Item#	Part	Description	H 3 4 1	H 3 4 5	V I P 4 5	N O T E S
1	564119	ALTERNATOR ASSY 24V/120 AMPS / W/OUT PULLEY To G-3047		1		
. NS	564469	. CONNECTOR / MKR-PLUS / SH 5C / G&H 18241 000 000 To G-3047		1		
1	564593	ALTERNATOR ASSY 24V/150 AMPS / W/OUT PULLEY From G-3048		1		
2	565869	PULLEY ALTERNATOR / "BOSCH" / 83MM DOB x 8 RIB To H-3906		1		24V
2	0600264	PULLEY ALTERNATOR / "BOSCH" / 83MM DOB x 8 RIB From H-3907		1		24V
3	21034254	FLANGE NUT To G-3047		1		
3	21429955	FLANGE NUT From G-3048		1		
3	500449	WASHER FL .625x1.500 SS To H-3906		1		
3	680038	THREAD LOCKER LOCTITE #243 / BLUE / 50ml		AR		
4	5060117	MULTI V-BELT / 8 RIB 33.66" (855) 8PK855 QT (21-2186)		1		
5	457530	PULLEY / W/4 GROOVE & 8 RIB 2/B + 8 RIB + 2/A		1		
6	507675	BALL BEARING To G-3412		1		
6	507008	BALL BEARING 30MM x 72MM x 30.2 W From G-3413 To H-3596		1		
6	509953	BALL BEARING 30MM x 72MM x 30.2 W HI-TEMP From H-3597		1		
7	504736	RING RETAINER / INT 72 x 75 x 2.5MM		1		
8	500261	WASHER FL .390x1.500x.083 N500		1		
9	5001834	WASHER BEL SPR 10.5X23X2.5 N500		3		
10	502804	SCREW CAP HEX M10-1.5x25 G8.8 N500		1		
11	950471	CAP, DUST		1		
12	457474	SHAFT PULLEY		1		
13	5001252	NUT HEX STO M20-2.5 DP		1		
14	069283	SUPPORT ASSY / ALTERNATOR		1		
15	457491	ATTACHMENT ALTERNATOR		1		
16	5001308	SCREW CAP HEXF M10-1.5x40 G10.9 N500		1		
17	5001853	SCREW SHR CAP HEXF 13x130 {M12x1.75 G10.9 N500 To G-3424		1		
17	502950	SCREW SHR CAP HEXF 13x135 {M12x1.75 G10.9 N500 From G-3425		1		
18	5001774	NUT HEXF STO M12-1.75 MAGNI G500		1		
19	069285	SUPPORT OPPOSITE PULLEY SIDE		1		
20	457529	SUPPORT ASSY To J-3912		1		
20	450742	SUPPORT ASSY From J-3913		1		
21	5001741	SCREW CAP HEXF M10-1.5x30 G8.8 N500 To H-3549		4		
21	5000343	SCREW CAP HEXF M10-1.5x30 G10.9 N500 From H-3550	4	4	4	
22	5001930	NUT HEXF NYRT M10-1.5 N500 G10.9		4		
23	502926	SCREW CAP HEX 3/8-16x7/8 G5 N500		1		
24	5001834	WASHER BEL SPR 10.5X23X2.5 N500		1		
25	5001751	WASHER FL 10.5x26.0x2.0 N500		1		
26	500813	SCREW CAP HEX M16-2.0x35 G8.8 ZP To G-3166		2		
26	5001896	SCREW CAP HEX M16-2.0x35 G10.9 N500 From G-3167		2		
27	502884	WASHER LO SPT 16.2x27.4x3.5 N500		2		
28	5001151	WASHER CON 16.5x50.0x4.5 ZP		2		
29	630002	BUSHING / RUBBER / (TWO PIECES) 1" x 1.005" I.D.		4		
30	500997	WASHER FL 1.062x2.500x.125 SS		2		



From F-2878 To J-0184      Date:10/2022      PAGE:H7-0610-25

**ALTERNATOR MOUNTING / COACH WITH 3 ALTERNATORS OPTION**

Item#	Part	Description	H 3 4 1	H 3 4 5	V I P 4 5	N O T E S
31	550840	BELLOW ASSY / BELT TENSIONER / 4" O.D.		1		
32	502917	NUT HEX JAM 3/4-16 G2 N500		1		
NS	680038	THREAD LOCKER LOCTITE #243 / BLUE / 50ml		AR		
33	641369	MALE ELBOW 90° NON-SWIVEL / PUSH-IN FITTING / #4x1/8NPT-M BR		1		
NS	680098	THREAD SEALANT LOCTITE #567 / WHITE / 250ml		AR		
34	504750	CABLE TIE / 1/2" x 15" / CHRISTMAS TREE		1		
35	503402	TUBE, NYLON 1/4 O.D. / BLACK S.L.		AR		
50	<b>H7-2245-02</b>	<b>A/C COMPRESSOR "BITZER" - INSTALLATION</b>				
51	<b>H7-0120-03</b>	<b>DRIVE PULLEY, BELTS &amp; TENSIONER WITH VOLVO D13</b>				
		24V) USE WITH 24VOLTS ALTERNATOR				

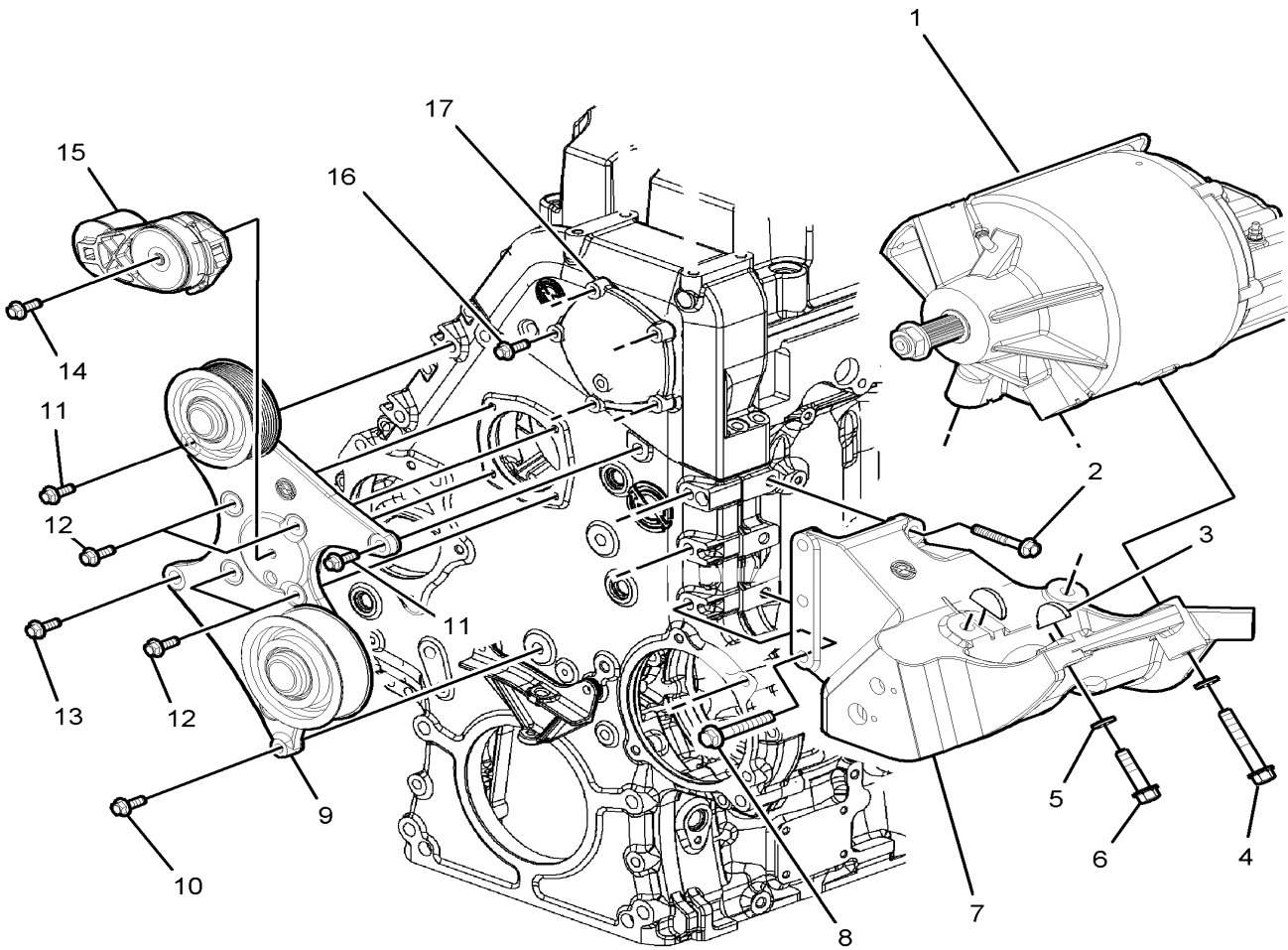


From 7-0671 To A-1720

Date:10/2022

PAGE:H7-0610-50

## ALTERNATOR MOUNTING / "NEIHOFF"READY INSTALLATION

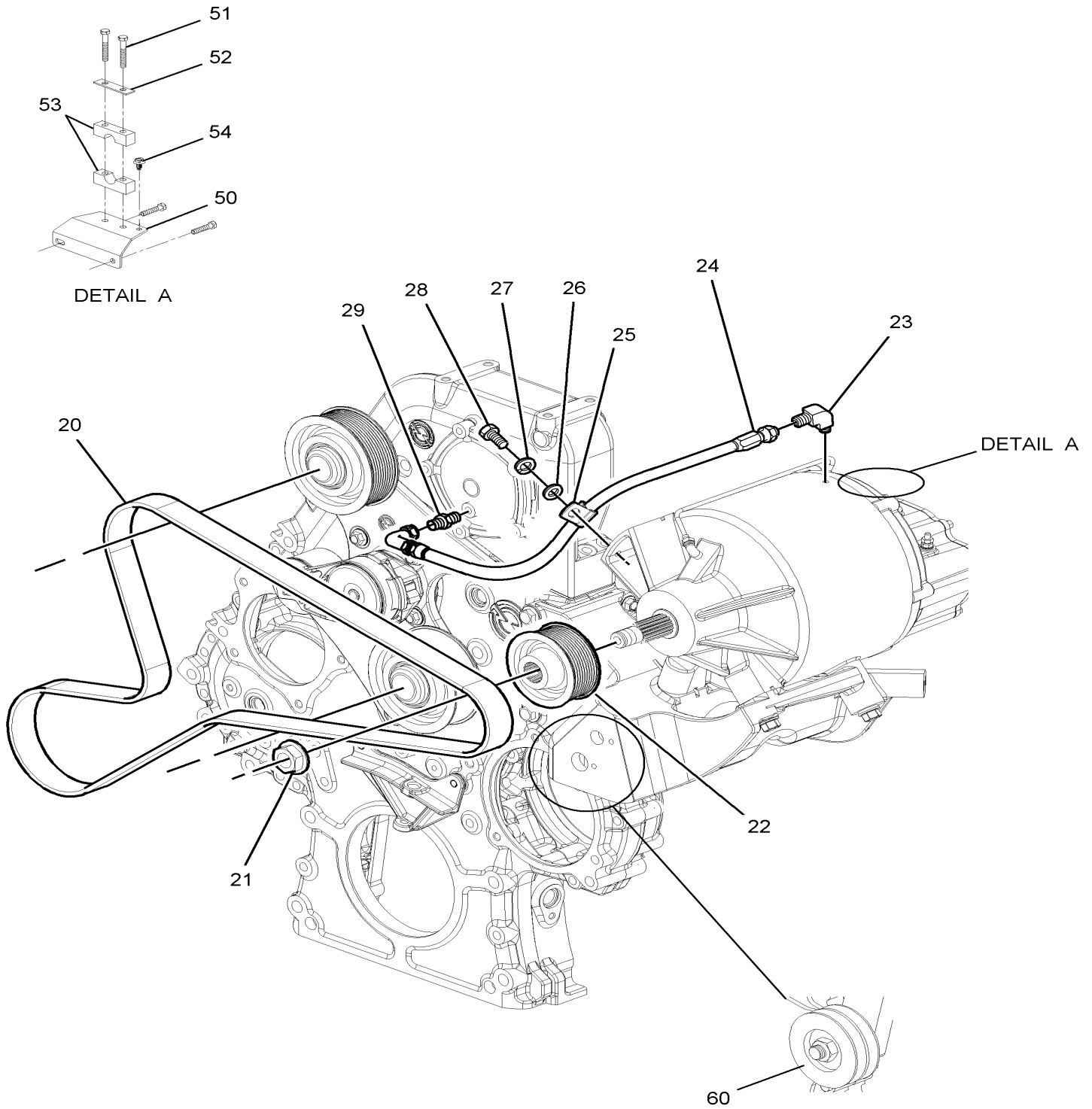


From 7-0671 To A-1720

Date:10/2022

PAGE:H7-0610-50

## ALTERNATOR MOUNTING / "NEIHOF"READY INSTALLATION

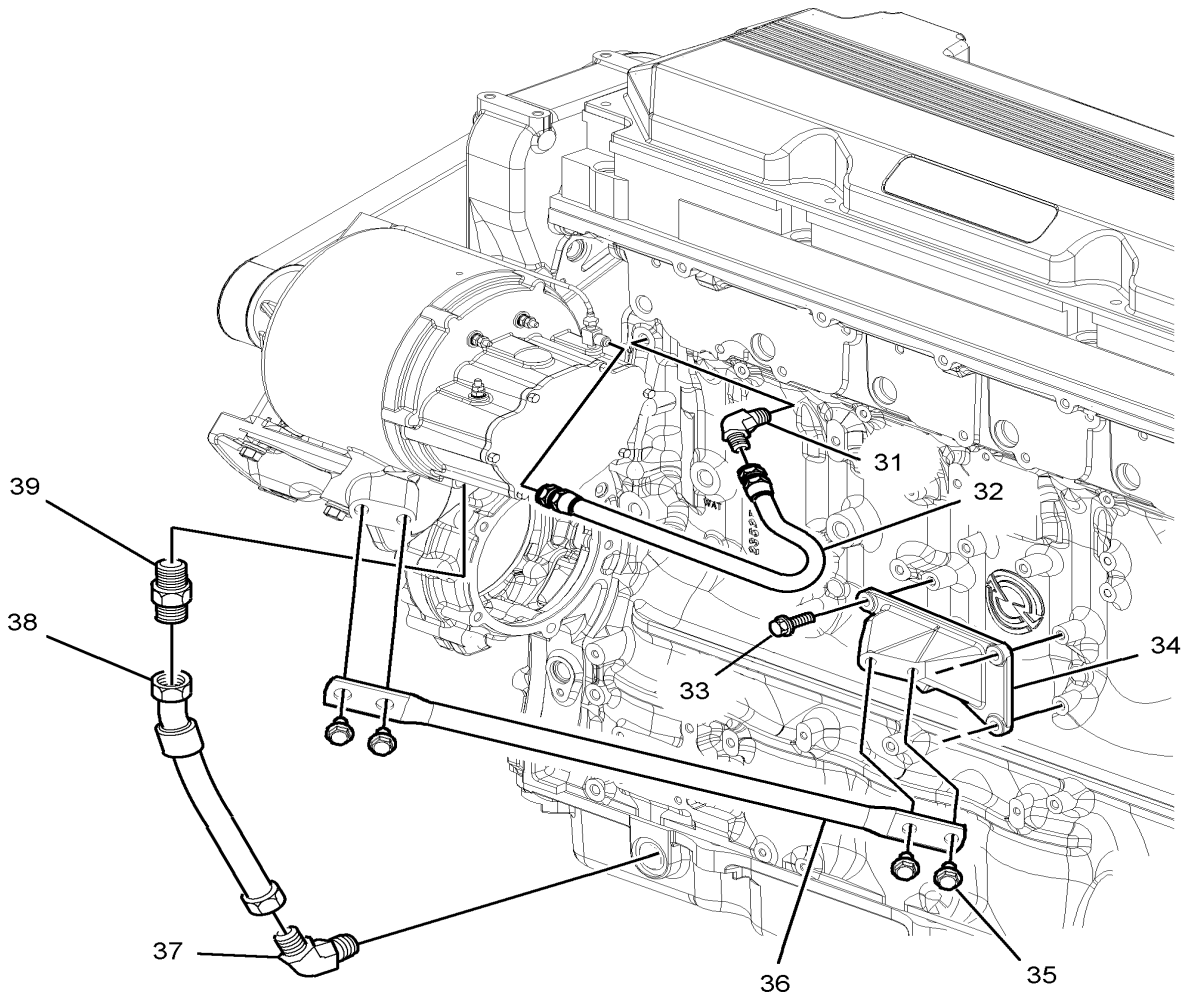


From 7-0671 To A-1720

Date:10/2022

PAGE:H7-0610-50

**ALTERNATOR MOUNTING / "NEIHOFF"READY INSTALLATION**



From 7-0671 To A-1720	Date:10/2022	PAGE:H7-0610-50
-----------------------	--------------	-----------------

**ALTERNATOR MOUNTING / "NEIHOFF"READY INSTALLATION**

Item#	Part	Description	H 3 4 1	H 3 4 5	V I P 4 5	N O T E S
		SEE YOUR CONVERTER'S FOR THIS ITEM				
2	23509520	SCREW CAP HEXF M12-1.75x47			2	
3	00120502	KEY, WOODRUFF 3/16" X 7/8"			2	
4	179893	SCREW CAP HEX 1/2-13x3.00			1	
5	5132715	WASHER			4	
6	0455001	SCREW CAP HEX 1/2-13x2 G8 ZP			3	
7	23530336	SUPPORT			1	
8	23528406	SCREW CAP HEXF M12-1.75x80 G10.9			3	
9	23534290	PULLEY ASSY CURRENT			1	
10	23528697	SCREW CAP HEXF M12-1.75x60 G10.9			1	
11	23519770	SCREW CAP HEXF M12-1.75x75 G10.9			2	
12	5249900304	SCREW CAP HEXF M12-1.75x75 G10.9			4	
13	23528696	SCREW CAP HEX M12-1.50x100			1	
14	11503669	SCREW CAP HEX M10-1.50x80 G10.9			1	
15	012329	AUTOMATIC TENSIONER ASSY			1	
16	11504822	SCREW CAP HEXF M9-1.25x30 G10.9			5	
17	23530576	COVER			1	
20	5060056	MULTI V-BELT / 10 RIB 78 3/4" (2000) 23530282			1	
21	562457	NUT, DRIVE END			1	
22	510926	PULLEY ALTERNATOR 10 RIB			1	
23	8924998	ELBOW 1/4 NPT X 3/8 TUBE			1	
24	HAHU0185	HOSE			1	
25	23528937	CLIP			1	
26	500985	WASHER FL .343x.875x.125 Z050			1	
27	500480	WASHER LO SPT .443x.779x.109 Z050			1	
28	500305	SCREW CAP HEX 3/8-16x7/8 G5 Z050			1	
29	8929833	CONNECTOR 1/4 NPT X 1/4 TUBE			1	
31	23523489	ELBOW 1/4 NPT X 3/8 TUBE			1	
32	FKHH0182	HOSE ASSY #5 X 20.50"			1	
33	11505299	SCREW CAP HEX M10-1.50x30 G10.9			3	
34	23511744	SUPPORT			1	
35	11509528	SCREW CAP HEX M12-1.75x30 G10.9			4	
36	23530558	BRACE			1	
37	9402830	ELBOW 1" NPT X 1" TUBE			1	
38	BELM0194	HOSE ASSY /			1	
39	9402713	MALE CONNECTOR / JIC 37° FITTING / #16JIC-Mx1NPT-M STL			1	
50	065693	SUPPORT, DELCO ALT HARNESS			1	
51	500170	SCREW CAP HEX 1/4-20x2 G5 PT Z050			2	
52	504614	PLATE RETAINING / COLLAR			1	
53	504703	COLLAR 1/2" I.D. / TO FIX HOSE			1	
54	509815	TIE MOUNT / ATTACHMENT W/TREE MOUNT			2	
60	<b>H7-0120-00</b>	<b>DRIVE PULLEY, BELTS &amp; TENSIONER WITH DETROIT S-60</b>				

From 7-0671 To A-1720	Date:10/2022	PAGE:H7-0610-50
-----------------------	--------------	-----------------

**ALTERNATOR MOUNTING / "NEIHOFF"READY INSTALLATION**

Item#	Part	Description	H 3 4 1	H 3 4 5	V I P 4 5	N O T E S





From 7-0671 To A-1720

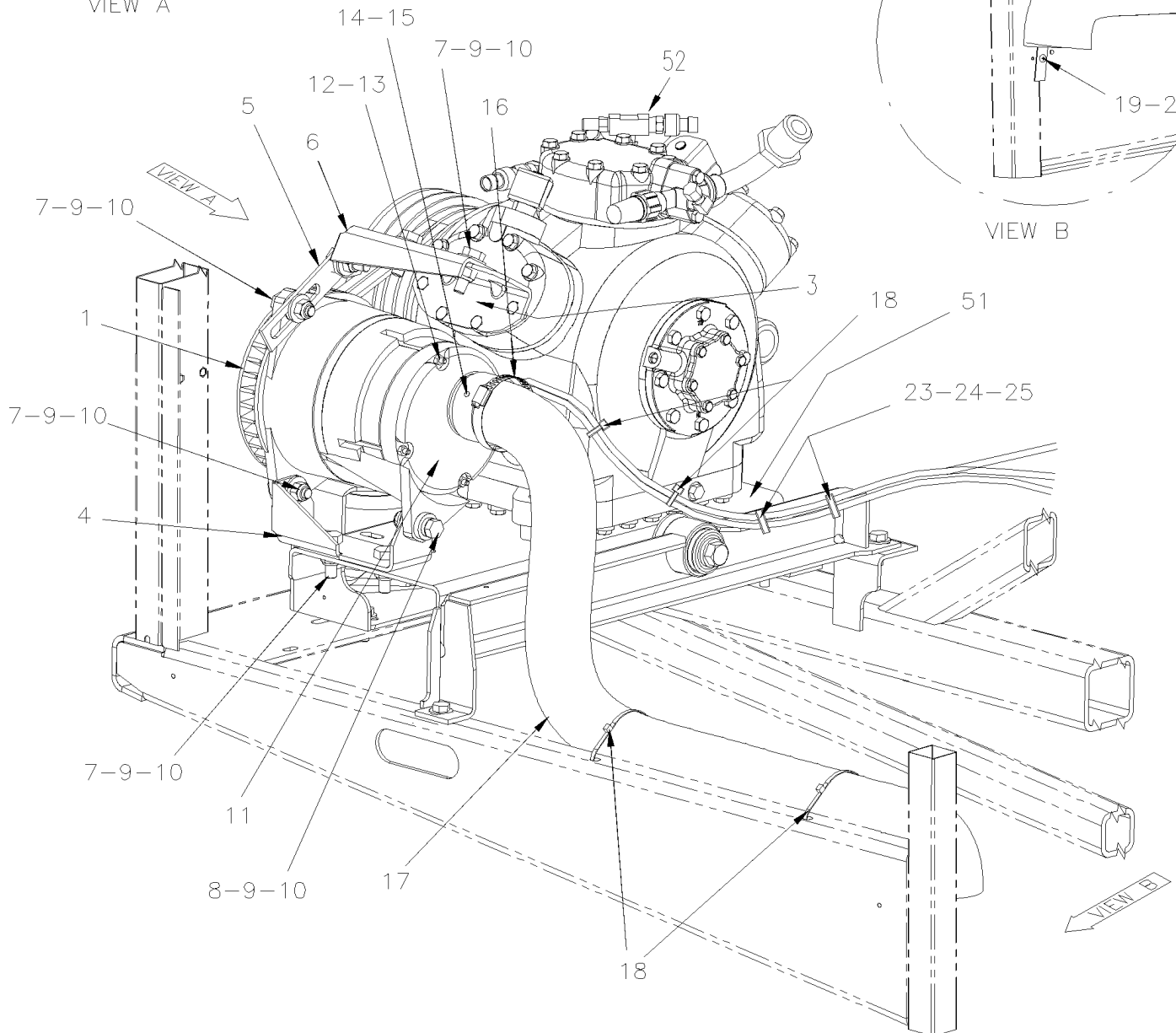
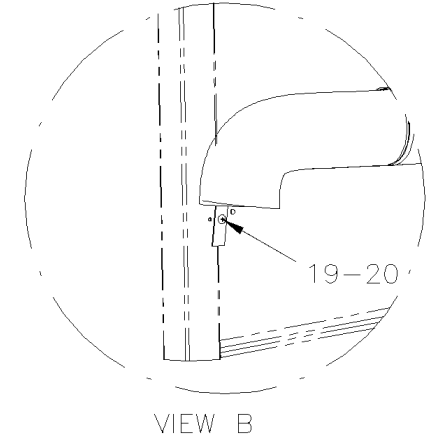
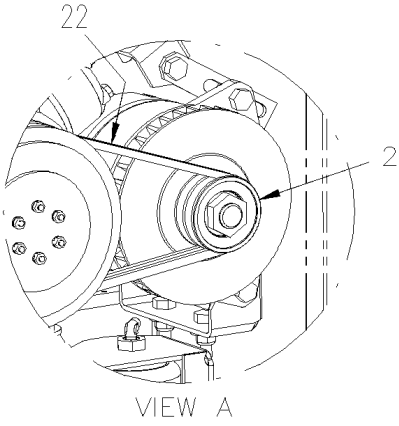
Date:10/2022

PAGE:H7-0610-55

**ALTERNATOR MOUNTING / 24V-140Amps D-061074**

**WITH ALTERNATOR MOUNTING ON 05G COMPRESSOR**

**YOU REQUIRE TO ROTATE ALTERNATOR PULLEY SIDE COVER**

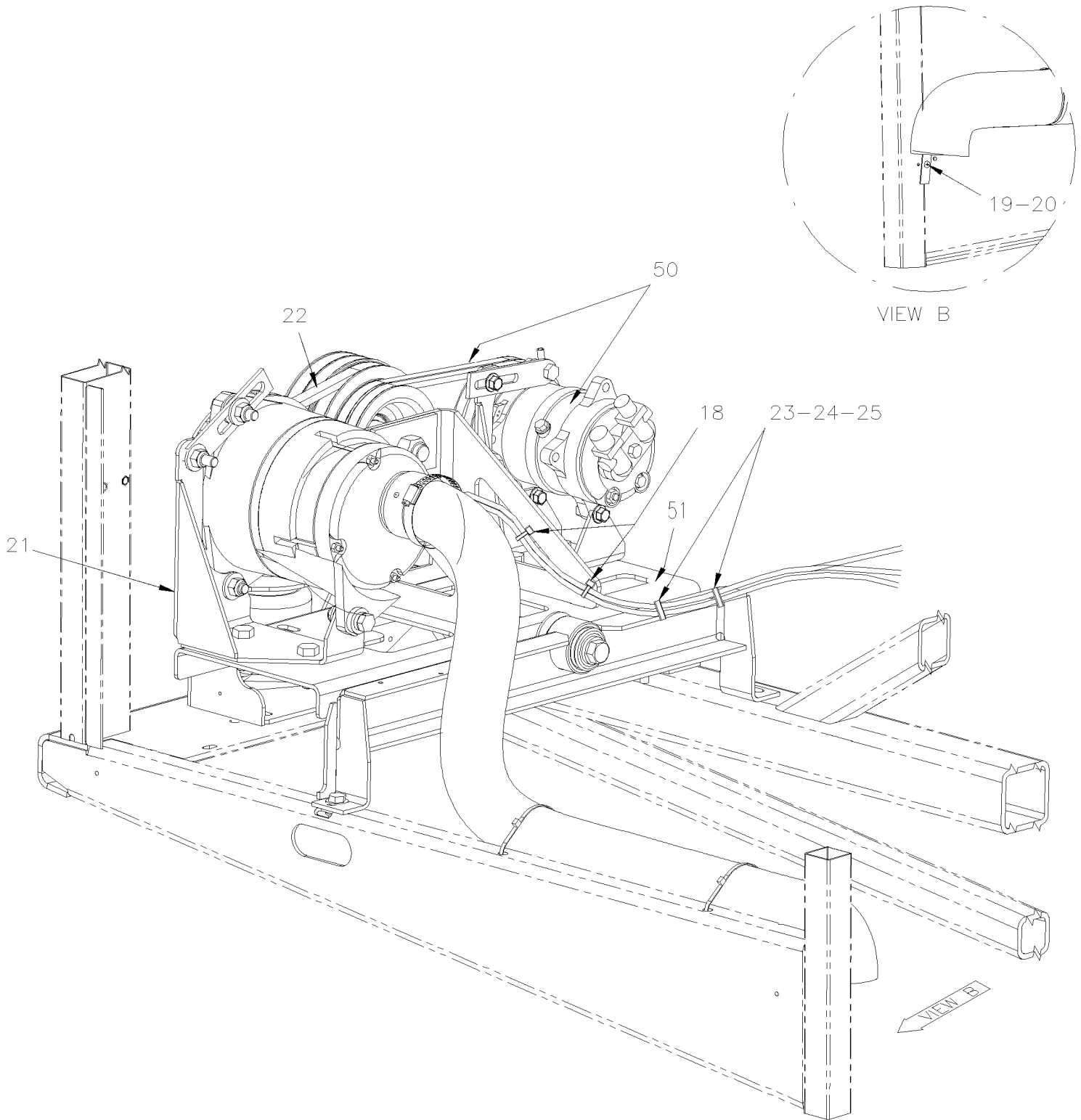


From 7-0671 To A-1720

Date:10/2022

PAGE:H7-0610-55

ALTERNATOR MOUNTING / 24V-140Amps D-061074



SMALL A/C SYSTEM

From 7-0671 To A-1720	Date:10/2022	PAGE:H7-0610-55
<b>ALTERNATOR MOUNTING / 24V-140Amps D-061074</b>		

Item#	Part	Description	H 3 4 1	H 3 4 5	V I P 4 5	N O T E S
1	562752	ALTERNATOR ASSY 24V/140 AMPS	1	1	1	
2	064543	PULLEY ALTERNATOR "BOSCH" / W/ 1Vx 88.9MM O.D.	1	1	1	
2	066823	PULLEY ALTERNATOR "BOSCH" / W/ 2Vx 82.6MM O.D.	1	1	1	
3	454490	ANGLE SUPPORT / (BOLTED ON 05G COMPRESSOR)	1	1	1	
4	066813	SUPPORT ALTERNATOR W/05G COMPRESSOR	1	1	1	
5	066814	TENSIONER 150MM	1	1	1	
6	066815	SUPPORT UPPER TENSIONER	1	1	1	
7	502731	SCREW CAP HEX M12-1.75x40 G8.8 Z050	7	7	7	
8	5001043	SCREW CAP HEX M12-1.75x50 G8.8 Z050	1	1	1	
9	500446	WASHER FL .531x1.250x.125 Z050	8	8	8	
10	500811	NUT HEX STO M12-1.75 G500	1	1	1	
11	562851	AIR-INTAKE COVER	1	1	1	
11	504421	GROMMET / .625x.875x.187x.437x1.125	1	1	1	
12	502565	NUT HEX M6-1.0 SS	4	4	4	
13	502570	WASHER LO SPT 6.1x11.8x1.6 SS	4	4	4	
14	064552	ADAPTOR	1	1	1	
15	504339	RIVET POP DOME OE 1/8x3/8 SS	1	1	1	
16	504025	HOSE CLAMP / 2"5/16-3"1/4 SS / HS-44	1	1	1	
17	066816	HOSE FLEXIBLE / 2 1/2" I.D. X 1100MM	1	1	1	
NS	503674	. HOSE FLEXIBLE / AIR DUCT 2 1/2" I.D. X 25'	AR	AR	AR	
18	504637	CABLE TIE / 3/16" x 13"	6	6	6	
19	372343	HOSE RETAINER	1	1	1	
20	500854	SCREW TC BDG PH #8-32x3/4 N500	1	1	1	
21	066874	SUPPORT ALTERNATOR W/SD7 COMPRESSOR	1	1	1	
22	5060089	V-BELT / BX-31 9013-2031	1	1	1	
22	506683	V-BELT / BX-31 9013-2031	1	1	1	
22	5060079	V-BELT / AX-38 / SET OF 2 9012-2038	2	2	2	
23	952639	CLAMP / 1"1/4 I.D.	2	2	2	
24	500574	SCREW MA TR PH #10-24x1 1/4 SS	2	2	2	
25	5001180	NUT HEX NYRT #10-24 SS	2	2	2	
26	067320	CABLE GROUND ALT "BOSCH"	1	1	1	
50	<b>H7-2245-50</b>	<b>A/C COMPRESSOR SMALL - INSTALLATION</b>				
51	<b>H7-2245-00</b>	<b>A/C COMPRESSOR 05G - INSTALLATION</b>				
52	<b>H7-2250-00</b>	<b>A/C COMPRESSOR ASSY 05G - TWIN PORT</b>				
53	<b>H7-2246-00</b>	<b>A/C CLUTCH 05G - HOUSING MOUNTED</b>				

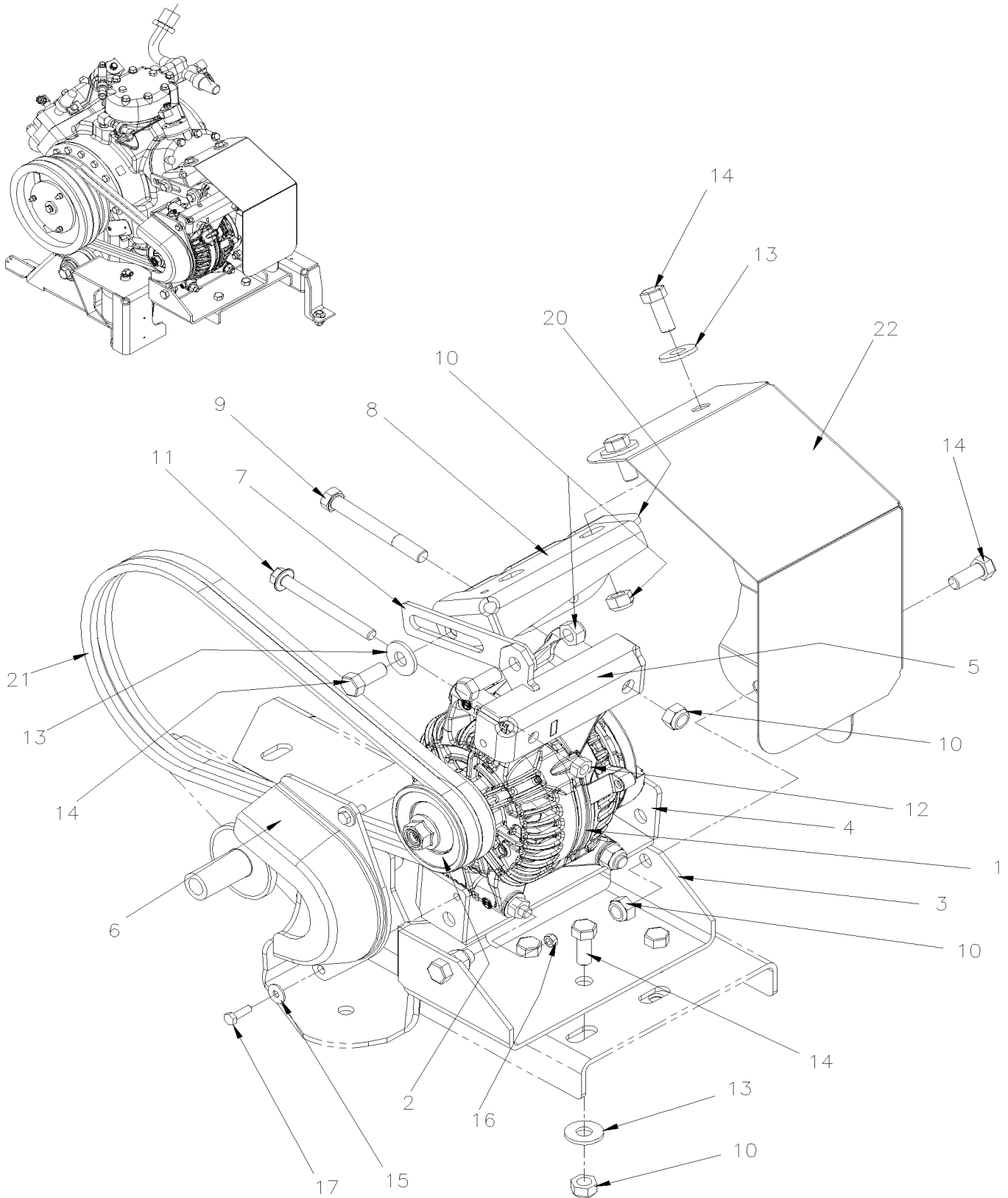


From 7-0671 To A-1720

Date:10/2022

PAGE:H7-0610-56

## ALTERNATOR MOUNTING / 12V-200Amps



From 7-0671 To A-1720	Date:10/2022	PAGE:H7-0610-56
<b>ALTERNATOR MOUNTING / 12V-200Amps</b>		

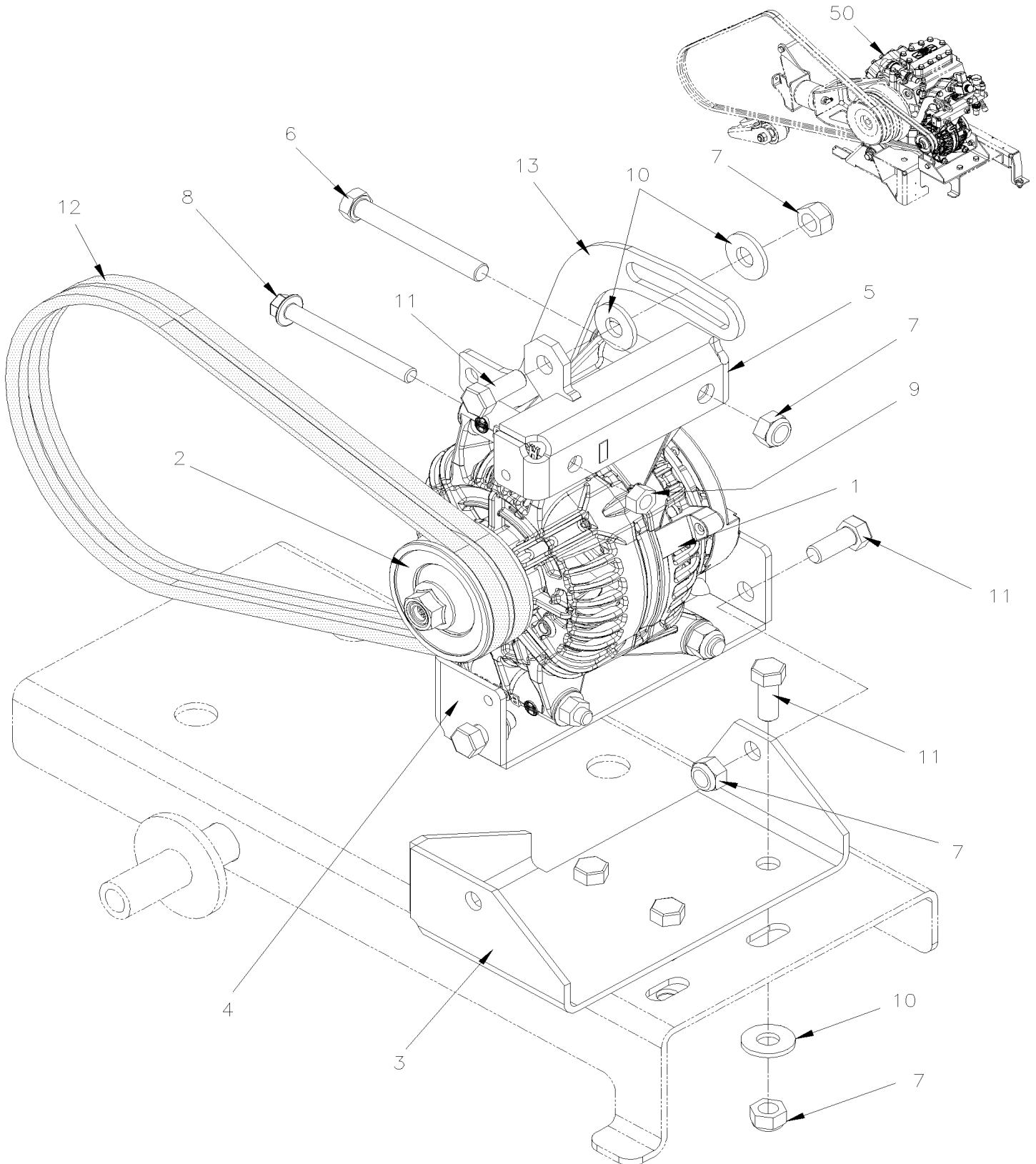
Item#	Part	Description	H 3 4 1	H 3 4 5	V I P 4 5	N O T E S
1	563734	ALTERNATOR ASSY 12V/200AMPS / HD10E 200A 14V			1	
2	067065	PULLEY ALTERNATOR "BOSCH" / W/ 2V x 82.5MM OD			1	
3	067057	SUPPORT PIVOT ALTERNATOR			1	
4	067056	SUPPORT ALTERNATOR LOWER "BOSCH" 12V			1	
5	067063	SUPPORT ALTERNATOR UPPER "BOSCH" 12V			1	
6	067066	GUARD PROTECTOR			1	
7	066814	TENSIONER 150MM			1	
8	067064	SUPPORT UPPER TENSIONER			1	
9	5001688	SCREW CAP HEX M12-1.75x100 G10.9 G500			2	
10	500811	NUT HEX STO M12-1.75 G500			11	
11	5001785	SCREW CAP HEXF M10-1.5x100 G10.9 N500			2	
12	5001758	NUT HEX STO M10-1.5 N500			2	
13	500446	WASHER FL .531x1.250x.125 Z050			6	
14	5001755	SCREW CAP HEX M12-1.75x30 G8.8 N500			9	
15	5001462	WASHER FL 6.4x18.0x1.6 Z050			2	
16	502511	NUT HEX NYRT M6-1.0 Z050			2	
17	502830	SCREW CAP HEX M6-1.0x20 G8.8 N500			2	
20	454490	ANGLE SUPPORT / (BOLTED ON 05G COMPRESSOR)			1	
21	5060094	V-BELT / AX-40 / SET OF 2 9012-2040			1	
22	068419	MUD GARD FOR ALTERNATOR SERVICE			1	
50	<b>H7-2245-00</b>	<b>A/C COMPRESSOR 05G - INSTALLATION</b>				
51	<b>H7-2246-00</b>	<b>A/C CLUTCH 05G - HOUSING MOUNTED</b>				

From 8-1362 To A-1720

Date:10/2022

PAGE:H7-0610-57

## ALTERNATOR MOUNTING / 12V-200Amps WITH "BITZER"



From 8-1362 To A-1720	Date:10/2022	PAGE:H7-0610-57
<b>ALTERNATOR MOUNTING / 12V-200Amps WITH "BITZER"</b>		

Item#	Part	Description	H 3 4 1	H 3 4 5	V I P 4 5	N O T E S
1	563734	ALTERNATOR ASSY 12V/200AMPS / HD10E 200A 14V			1	
2	067065	PULLEY ALTERNATOR "BOSCH" / W/ 2V x 82.5MM OD			1	
3	067057	SUPPORT PIVOT ALTERNATOR			1	
4	067056	SUPPORT ALTERNATOR LOWER "BOSCH" 12V			1	
5	067063	SUPPORT ALTERNATOR UPPER "BOSCH" 12V			1	
6	5001688	SCREW CAP HEX M12-1.75x100 G10.9 G500			2	
7	5001695	NUT HEX NYRT M12-1.75 Z050			8	
8	965190	SCREW CAP HEXF M10-1.5x100 G8.8 ZG603			1	
9	5001758	NUT HEX STO M10-1.5 N500			1	
10	500211	WASHER FL .531x1.250x.125 N500			5	
11	970970	SCREW CAP HEX M12-1.75x30 G8.8 ZG603			6	
12	506192	V-BELT / AX-37 / SET OF 2 9012-2037			1	
13	067599	TENSIONER			1	
50	<b>H7-2245-30</b>	<b>A/C COMPRESSOR "BITZER" - INSTALLATION</b>				

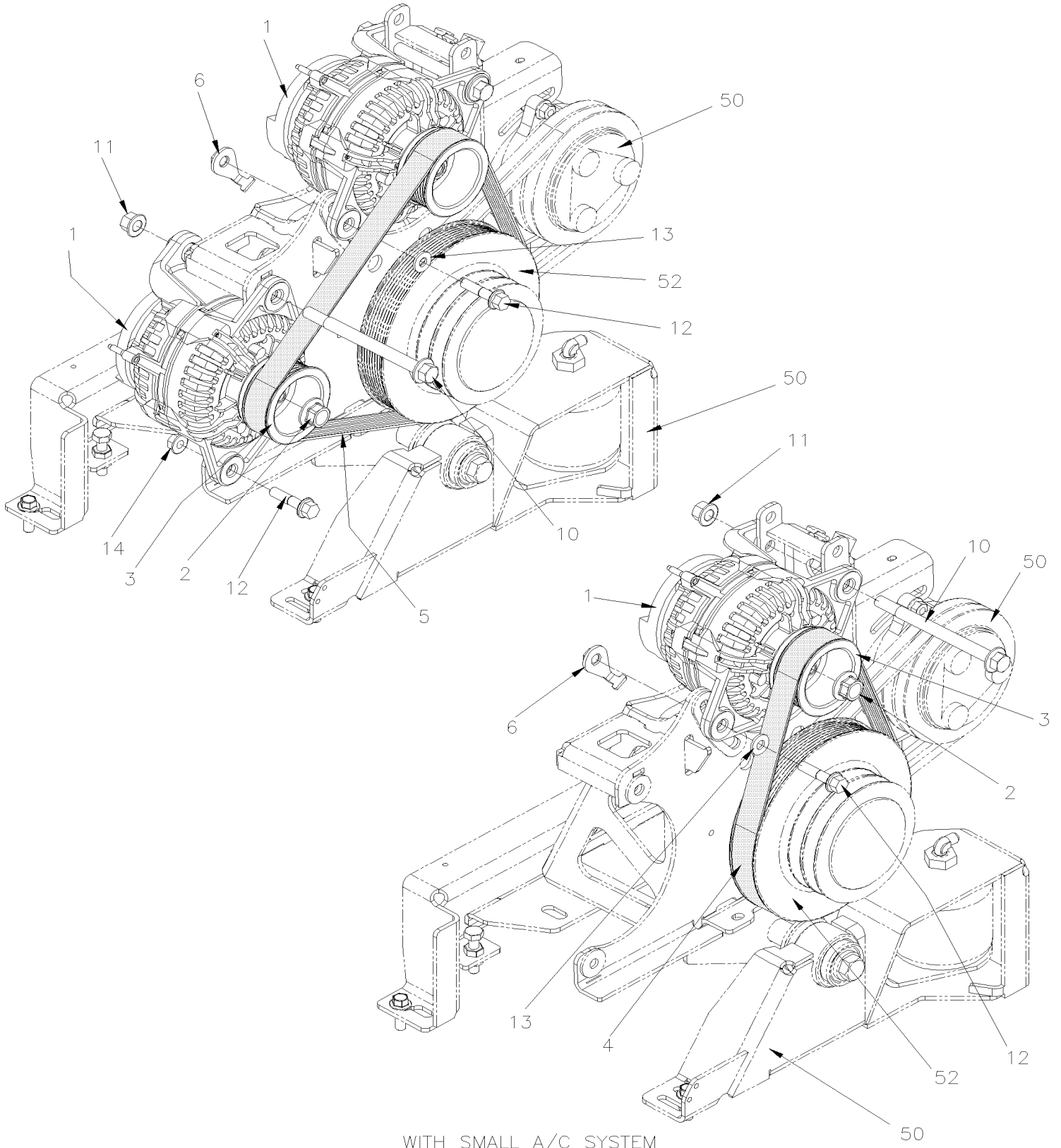


From B-1721 To D-2363

Date:10/2022

PAGE:H7-0610-60

## ALTERNATOR MOUNTING

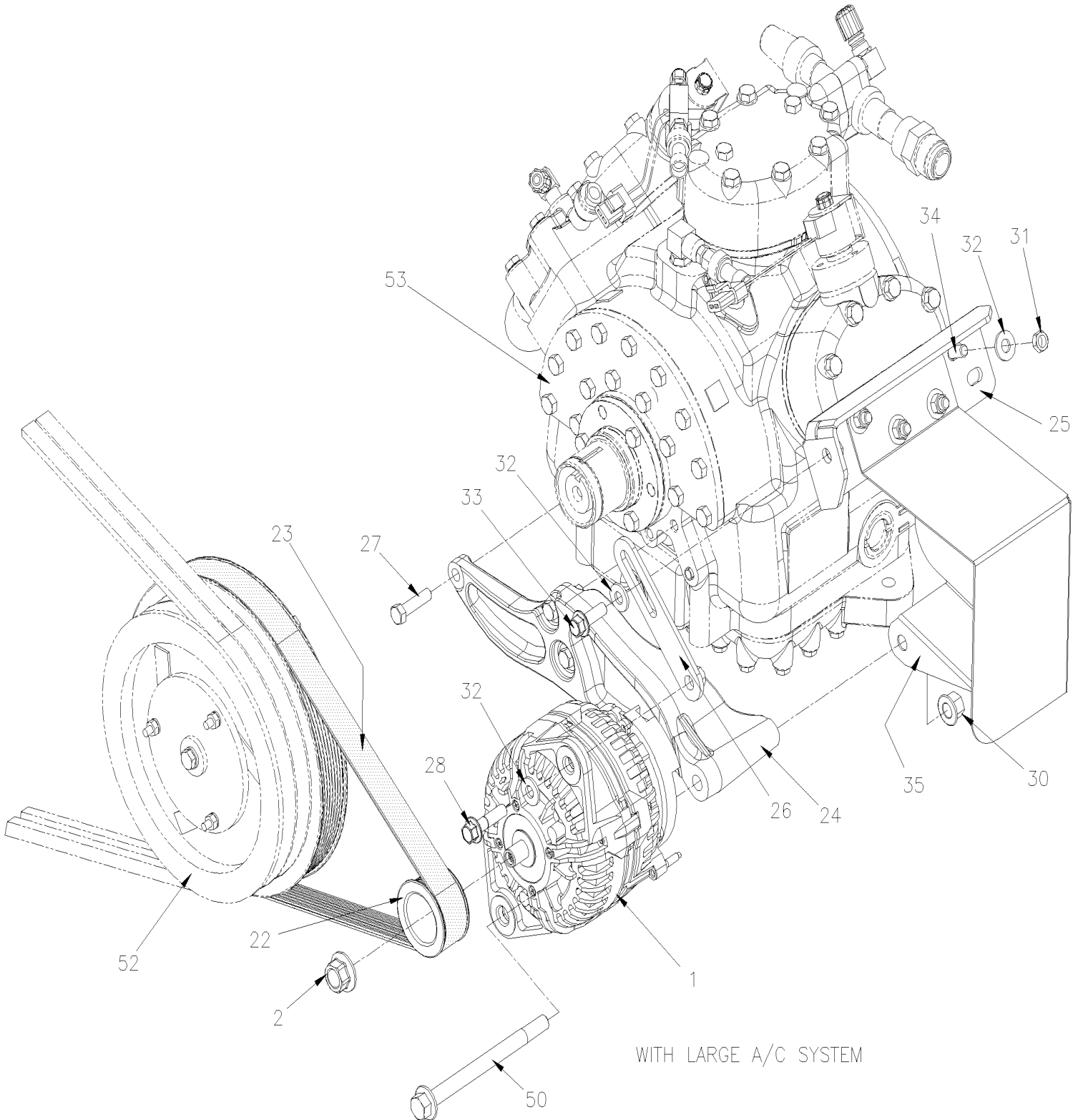


From B-1721 To D-2363

Date:10/2022

PAGE:H7-0610-60

## ALTERNATOR MOUNTING



<b>From B-1721 To D-2363</b>	<b>Date:10/2022</b>	<b>PAGE:H7-0610-60</b>
<b>ALTERNATOR MOUNTING</b>		

Item#	Part	Description	H 3 4 1	H 3 4 5	V I P 4 5	N O T E S
1	564119	ALTERNATOR ASSY 24V/120 AMPS / W/OUT PULLEY			AR	
. NS	564469	. CONNECTOR / MKR-PLUS / SH 5C / G&H 18241 000 000			1	
1	564492	ALTERNATOR ASSY 12V/200 AMPS / W/OUT PULLEY			AR	
2	21034254	FLANGE NUT			1	
2	500449	WASHER FL .625x1.500 SS			1	24V
3	565869	PULLEY ALTERNATOR / "BOSCH" / 83MM DOB x 8 RIB			AR	24V
3	564511	PULLEY ALTERNATOR / "BOSCH" / 83MM O.D. x 8 RIB			1	12V
4	978218	MULTI V-BELT / 8 RIB 33.66" (855) 8PK855			1	
4	5060117	MULTI V-BELT / 8 RIB 33.66" (855) 8PK855 QT (21-2186)			1	
5	5061281	MULTI V-BELT / 8 RIB 42.52" (1080) 8PK1080			1	
5	5060116	MULTI V-BELT / 8 RIB 42.52" (1080) 8PK1080 QT (21-2115)			1	
6	457491	ATTACHMENT ALTERNATOR			1	
10	5001853	SCREW SHR CAP HEXF 13x130 (M12x1.75 G10.9 N500			2	
11	5001728	NUT HEXF STO M12-1.75 N500 G10			2	
12	5001800	SCREW CAP HEXF M10-1.5x45 G10.9 N500			2	
13	5001834	WASHER BEL SPR 10.5X23X2.5 N500			1	
14	5001727	NUT HEXF NYRT M10-1.5 N500			1	
22	564493	PULLEY ALTERNATOR / "BOSCH" / 59MM O.D. x 8 RIB			1	24V
22	564510	PULLEY ALTERNATOR / "BOSCH" / 59MM O.D. x 8 RIB			1	12V
23	5060116	MULTI V-BELT / 8 RIB 42.52" (1080) 8PK1080 QT (21-2115)			1	
24	068284	SUPPORT ALTERNATOR LOWER			1	
25	068015	SUPPORT UPPER TENSIONER / M10.5			1	
26	068016	TENSIONER 144.5MM / M10-1.5			1	
27	500193	SCREW CAP HEX 3/8-16x1 1/2 G5 Z050			3	
28	5001308	SCREW CAP HEXF M10-1.5x40 G10.9 N500			1	
29	5001853	SCREW SHR CAP HEXF 13x130 (M12x1.75 G10.9 N500			1	
30	5001728	NUT HEXF STO M12-1.75 N500 G10			1	
31	500208	NUT HEX STO 3/8-16 N500 To C-2037			4	
31	500102	NUT HEX 3/8-16 SS From C-2038			4	
32	5001834	WASHER BEL SPR 10.5X23X2.5 N500			10	
33	5001741	SCREW CAP HEXF M10-1.5x30 G8.8 N500			1	
34	G5009572	STUD			4	
35	068457	MUD GARD FOR ALTERNATOR From C-2038			1	
50	H7-2245-51	A/C COMPRESSOR SMALL - INSTALLATION				
51	H7-2250-00	A/C COMPRESSOR ASSY 05G - TWIN PORT				
52	H7-2246-01	A/C CLUTCH - WITH "BITZER" COMPRESSOR				
53	H7-2245-01	A/C COMPRESSOR 05G - INSTALLATION				
54	H7-0120-02	DRIVE PULLEY, BELTS & TENSIONER WITH VOLVO D13 & 2x120Amps				

From B-1721 To D-2363	Date:10/2022	PAGE:H7-0610-60
-----------------------	--------------	-----------------

**ALTERNATOR MOUNTING**

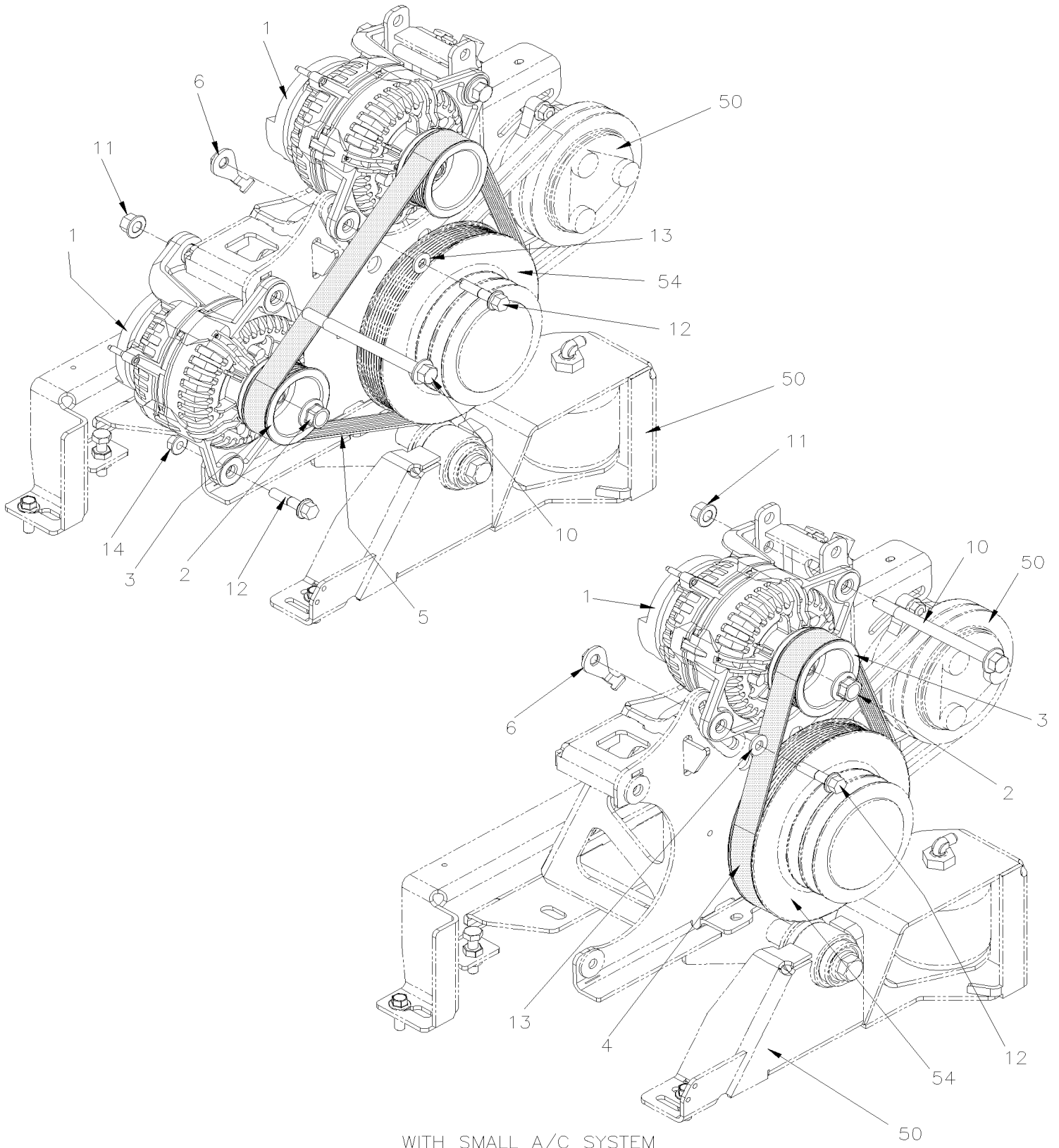
Item#	Part	Description	H 3 4 1	H 3 4 5	V I P 4 5	N O T E S
		12V) USE WITH 12VOLTS ALTERNATOR				
		24V) USE WITH 24VOLTS ALTERNATOR				

From D-2364 To J-0287

Date:10/2022

PAGE:H7-0610-61

## ALTERNATOR MOUNTING - A/C COMPRESSOR SUPPORT / W/SMALL A/C



WITH SMALL A/C SYSTEM

From D-2364 To J-0287      Date:10/2022      PAGE:H7-0610-61

**ALTERNATOR MOUNTING - A/C COMPRESSOR SUPPORT / W/SMALL A/C**

Item#	Part	Description	H 3 4 1	H 3 4 5	V I P 4 5	N O T E S
1	564119	ALTERNATOR ASSY 24V/120 AMPS / W/OUT PULLEY To F-2996			AR	
NS	564469	. CONNECTOR / MKR-PLUS / SH 5C / G&H 18241 000 000 To F-2996			1	
1	564593	ALTERNATOR ASSY 24V/150 AMPS / W/OUT PULLEY From F-2997			AR	
1	564492	ALTERNATOR ASSY 12V/200 AMPS / W/OUT PULLEY			AR	
1	067836	CABLE ALTERNATOR MOUNT ON 1 SMALL COMPRESSOR			1	A
1	069111	EXTENSION / ALTERNATOR & COMPRESSOR			1	B
2	21034254	FLANGE NUT To F-2996			1	
2	21429955	FLANGE NUT From F-2997			1	
2	500449	WASHER FL .625x1.500 SS			1	
3	565869	PULLEY ALTERNATOR / "BOSCH" / 83MM DOB x 8 RIB			AR	24V
3	564511	PULLEY ALTERNATOR / "BOSCH" / 83MM O.D. x 8 RIB			AR	12V
4	978218	MULTI V-BELT / 8 RIB 33.66" (855) 8PK855			1	
4	5060117	MULTI V-BELT / 8 RIB 33.66" (855) 8PK855 QT (21-2186)			1	
5	5061281	MULTI V-BELT / 8 RIB 42.52" (1080) 8PK1080			1	
5	5060116	MULTI V-BELT / 8 RIB 42.52" (1080) 8PK1080 QT (21-2115)			1	
6	457491	ATTACHMENT ALTERNATOR			1	
10	5001853	SCREW SHR CAP HEXF 13x130 {M12x1.75 G10.9 N500 To G-3424			2	
10	502950	SCREW SHR CAP HEXF 13x135 {M12x1.75 G10.9 N500 From G-3425			2	
11	5001728	NUT HEXF STO M12-1.75 N500 G10			2	
12	5001308	SCREW CAP HEXF M10-1.5x40 G10.9 N500			2	
13	5001834	WASHER BEL SPR 10.5X23X2.5 N500			1	
14	5001727	NUT HEXF NYRT M10-1.5 N500			1	
NS	680038	THREAD LOCKER LOCTITE #243 / BLUE / 50ml				
50	<b>H7-2245-51</b>	<b>A/C COMPRESSOR SMALL - INSTALLATION</b>				
54	<b>H7-2245-51</b>	<b>A/C COMPRESSOR SMALL - INSTALLATION</b>				
		12V) USE WITH 12VOLTS ALTERNATOR				
		24V) USE WITH 24VOLTS ALTERNATOR				
		A) WITH 1 ALT MOUNT ON SMALL A/C COMPRESSOR				
		B) USE WITH 3RD ALTERNATOR				

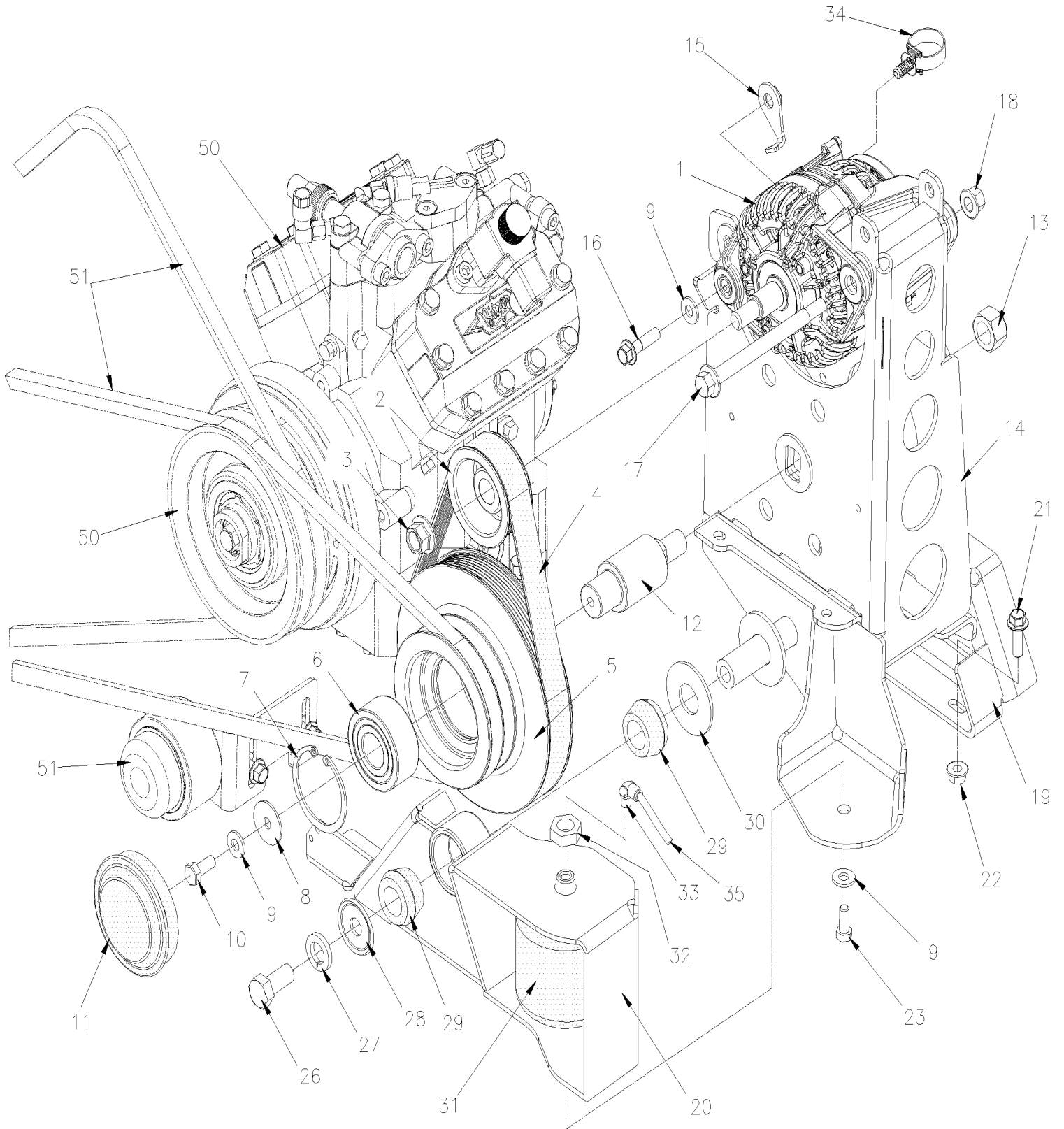


From D-2364 To J-0287

Date:10/2022

PAGE:H7-0610-65

## ALTERNATOR MOUNTING - W/LARGE A/C



<b>From D-2364 To J-0287</b>	<b>Date:10/2022</b>	<b>PAGE:H7-0610-65</b>
<b>ALTERNATOR MOUNTING - W/LARGE A/C</b>		

Item#	Part	Description	H 3 4 1	H 3 4 5	V I P 4 5	N O T E S
1	564119	ALTERNATOR ASSY 24V/120 AMPS / W/OUT PULLEY To F-2996			1	
. NS	564469	. CONNECTOR / MKR-PLUS / SH 5C / G&H 18241 000 000 To F-2996			1	
1	564593	ALTERNATOR ASSY 24V/150 AMPS / W/OUT PULLEY From F-2997			1	
1	564492	ALTERNATOR ASSY 12V/200 AMPS / W/OUT PULLEY			1	
1	069111	EXTENSION / ALTERNATOR & COMPRESSOR			1	A
2	565869	PULLEY ALTERNATOR / "BOSCH" / 83MM DOB x 8 RIB			1	24V
2	564511	PULLEY ALTERNATOR / "BOSCH" / 83MM O.D. x 8 RIB			1	12V
3	21034254	FLANGE NUT To F-2996			1	
3	21429955	FLANGE NUT From F-2997			1	
3	500449	WASHER FL .625x1.500 SS			1	
4	5060117	MULTI V-BELT / 8 RIB 33.66" (855) 8PK855 QT (21-2186)			1	
5	457530	PULLEY / W/4 GROOVE & 8 RIB 2/B + 8 RIB + 2/A			1	
6	507675	BALL BEARING To G-3412			1	
6	507008	BALL BEARING 30MM x 72MM x 30.2 W From G-3413 To H-3596			1	
6	509953	BALL BEARING 30MM x 72MM x 30.2 W HI-TEMP From H-3597			1	
7	504736	RING RETAINER / INT 72 x 75 x 2.5MM			1	
8	500261	WASHER FL .390x1.500x.083 N500			1	
9	5001834	WASHER BEL SPR 10.5X23X2.5 N500			3	
10	502804	SCREW CAP HEX M10-1.5x25 G8.8 N500			1	
11	950471	CAP, DUST			1	
12	457474	SHAFT PULLEY			1	
13	5001252	NUT HEX STO M20-2.5 DP			1	
14	068612	SUPPORT ASSY / ALTERNATOR			1	
14	060800	SUPPORT ASSY / ALTERNATOR W/ "VOLTA" From H-3901			1	B
. NS	061155	. SLEEVE, ALTERNATOR PIVOT DOUILLE, PIVOT D'ALTERNATEUR From H-3901			2	B
NS	450508	BRACKET, COMPRESSOR HOSE From H-3901			1	B
NS	505111	COIL PROTECTOR / PLASTIC / #22 From H-3901			AR	B
NS	504013	TIE MOUNT / 1/4" X 1/4" I.D. From H-3901			1	B
NS	504379	RIVET POP DOME OE 3/16x1/4 SS From H-3901			1	B
15	457491	ATTACHMENT ALTERNATOR			1	
16	5001308	SCREW CAP HEXF M10-1.5x40 G10.9 N500			1	
17	5001853	SCREW SHR CAP HEXF 13x130 {M12x1.75 G10.9 N500 To G-3424			1	
17	502950	SCREW SHR CAP HEXF 13x135 {M12x1.75 G10.9 N500 From G-3425			1	
18	5001728	NUT HEXF STO M12-1.75 N500 G10			1	
19	457528	SUPPORT OPPOSITE PULLEY SIDE			1	
20	457529	SUPPORT ASSY			1	
21	5001741	SCREW CAP HEXF M10-1.5x30 G8.8 N500 To H-3549			4	
21	5000343	SCREW CAP HEXF M10-1.5x30 G10.9 N500 From H-3550			4	
22	5001727	NUT HEXF NYRT M10-1.5 N500 To E-2621			4	
22	5001930	NUT HEXF NYRT M10-1.5 N500 G10.9 From E-2622	4	4	4	
23	502926	SCREW CAP HEX 3/8-16x7/8 G5 N500			1	
26	500813	SCREW CAP HEX M16-2.0x35 G8.8 ZP To G-3166			2	



From D-2364 To J-0287	Date:10/2022	PAGE:H7-0610-65
<b>ALTERNATOR MOUNTING - W/LARGE A/C</b>		

Item#	Part	Description	H 3 4 1	H 3 4 5	V I P 4 5	N O T E S
26	5001896	SCREW CAP HEX M16-2.0x35 G10.9 N500 From G-3167			2	
27	502884	WASHER LO SPT 16.2x27.4x3.5 N500			2	
28	5001151	WASHER CON 16.5x50.0x4.5 ZP			2	
29	630002	BUSHING / RUBBER / (TWO PIECES) 1" x 1.005" I.D.			4	
30	500997	WASHER FL 1.062x2.500x.125 SS			2	
31	550840	BELLOW ASSY / BELT TENSIONER / 4" O.D.			1	
32	502917	NUT HEX JAM 3/4-16 G2 N500			1	
NS	680038	THREAD LOCKER LOCTITE #243 / BLUE / 50ml			AR	
33	641369	MALE ELBOW 90° NON-SWIVEL / PUSH-IN FITTING / #4x1/8NPT-M BR			1	
NS	680098	THREAD SEALANT LOCTITE #567 / WHITE / 250ml			AR	
34	504750	CABLE TIE / 1/2" x 15" / CHRISTMAS TREE			1	
35	503402	TUBE, NYLON 1/4 O.D. / BLACK S.L.			AR	
50	<b>H7-2245-02</b>	<b>A/C COMPRESSOR "BITZER" - INSTALLATION</b>				
51	<b>H7-0120-03</b>	<b>DRIVE PULLEY, BELTS &amp; TENSIONER WITH VOLVO D13</b>				
		12V) USE WITH 12VOLTS ALTERNATOR				
		24V) USE WITH 24VOLTS ALTERNATOR				
		A) USE WITH 3RD ALTERNATOR B) WITH "VOLTA" ALTERNATOR READY				
		B) USE WITH 3RD ALTERNATOR				

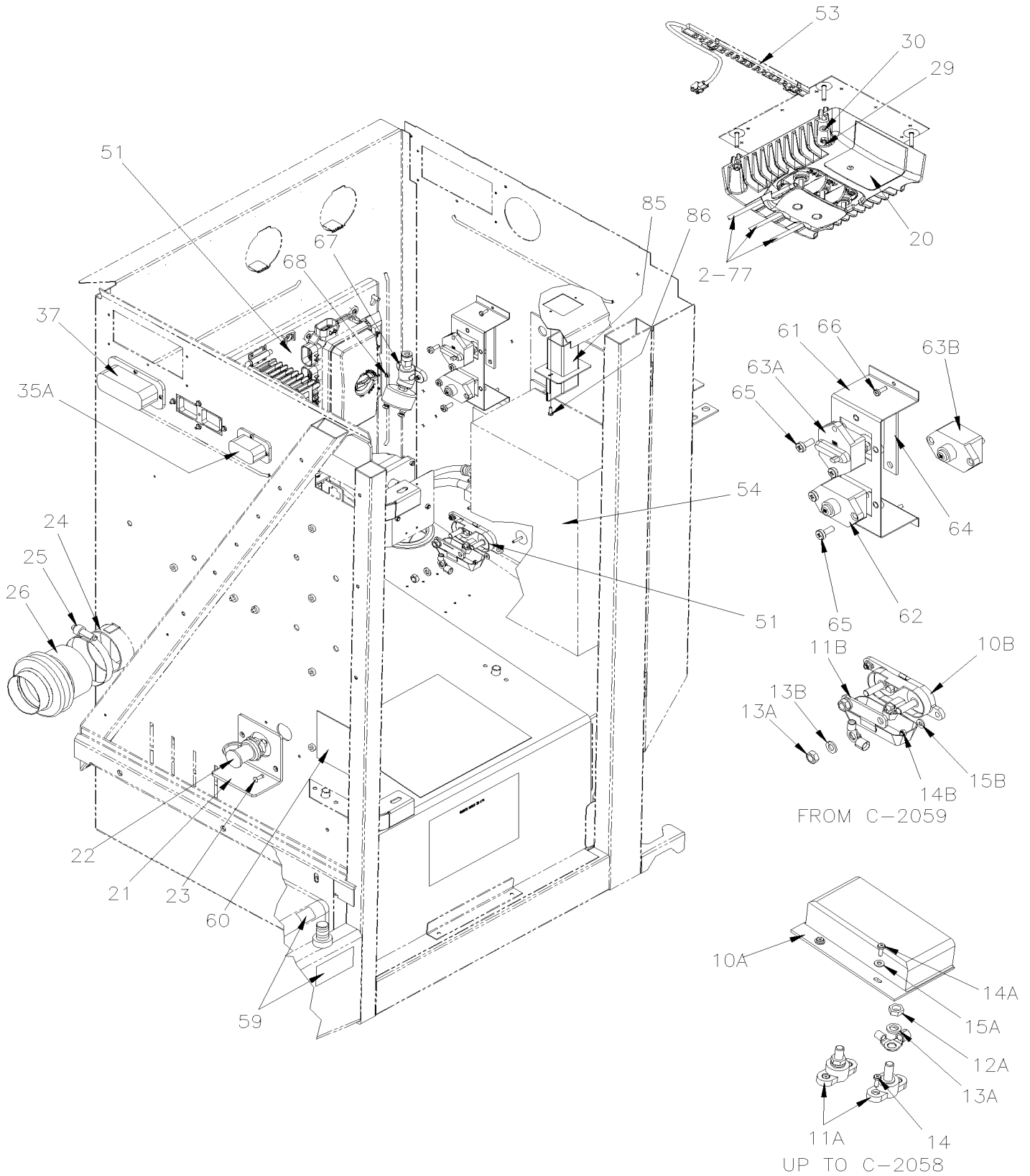


From 7-0671 To D-2363

Date:10/2022

PAGE:H7-0615-00

## BATTERIES COMPARTMENT - INSTALLATION

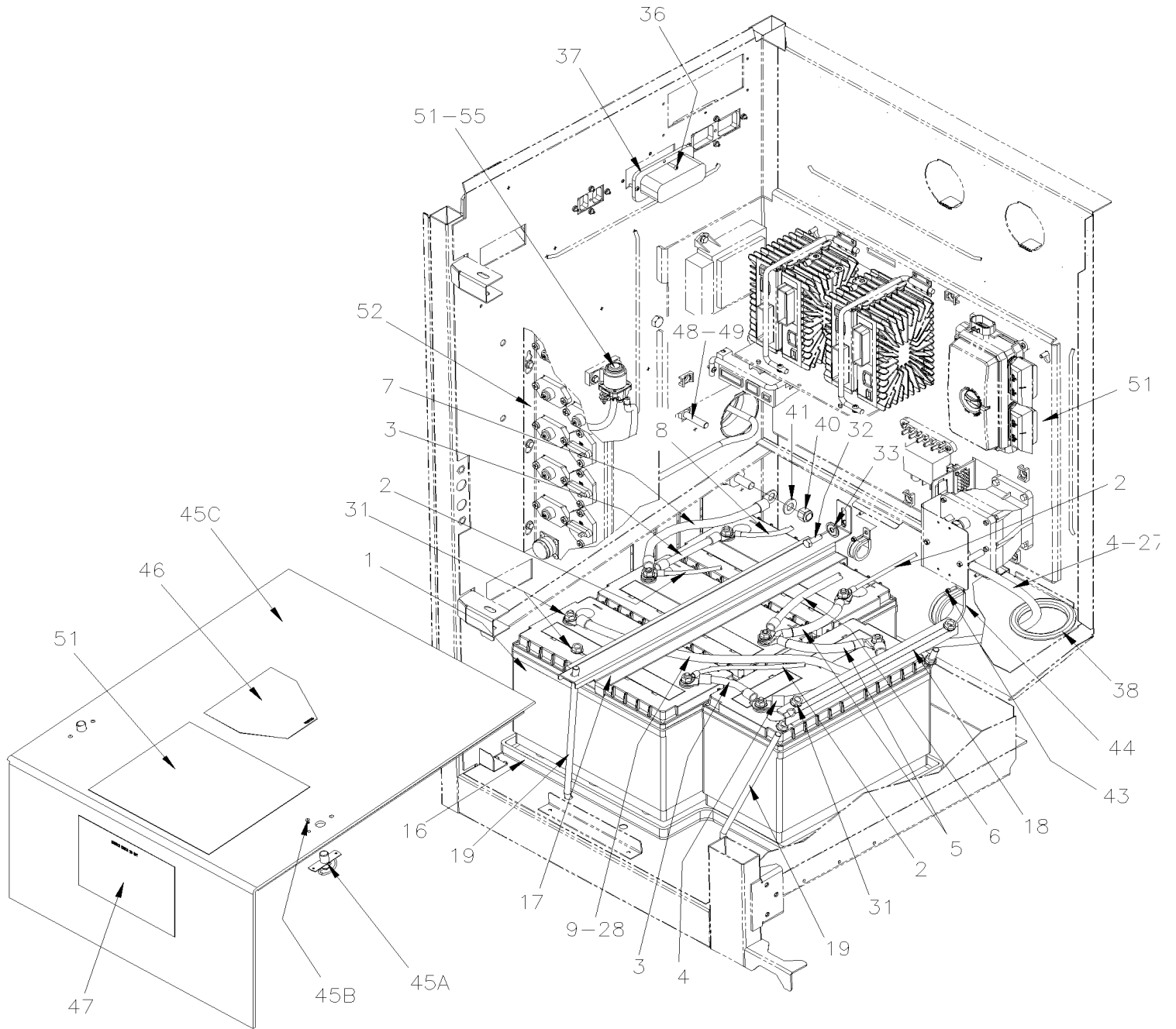


From 7-0671 To D-2363

Date:10/2022

PAGE:H7-0615-00

## BATTERIES COMPARTMENT - INSTALLATION

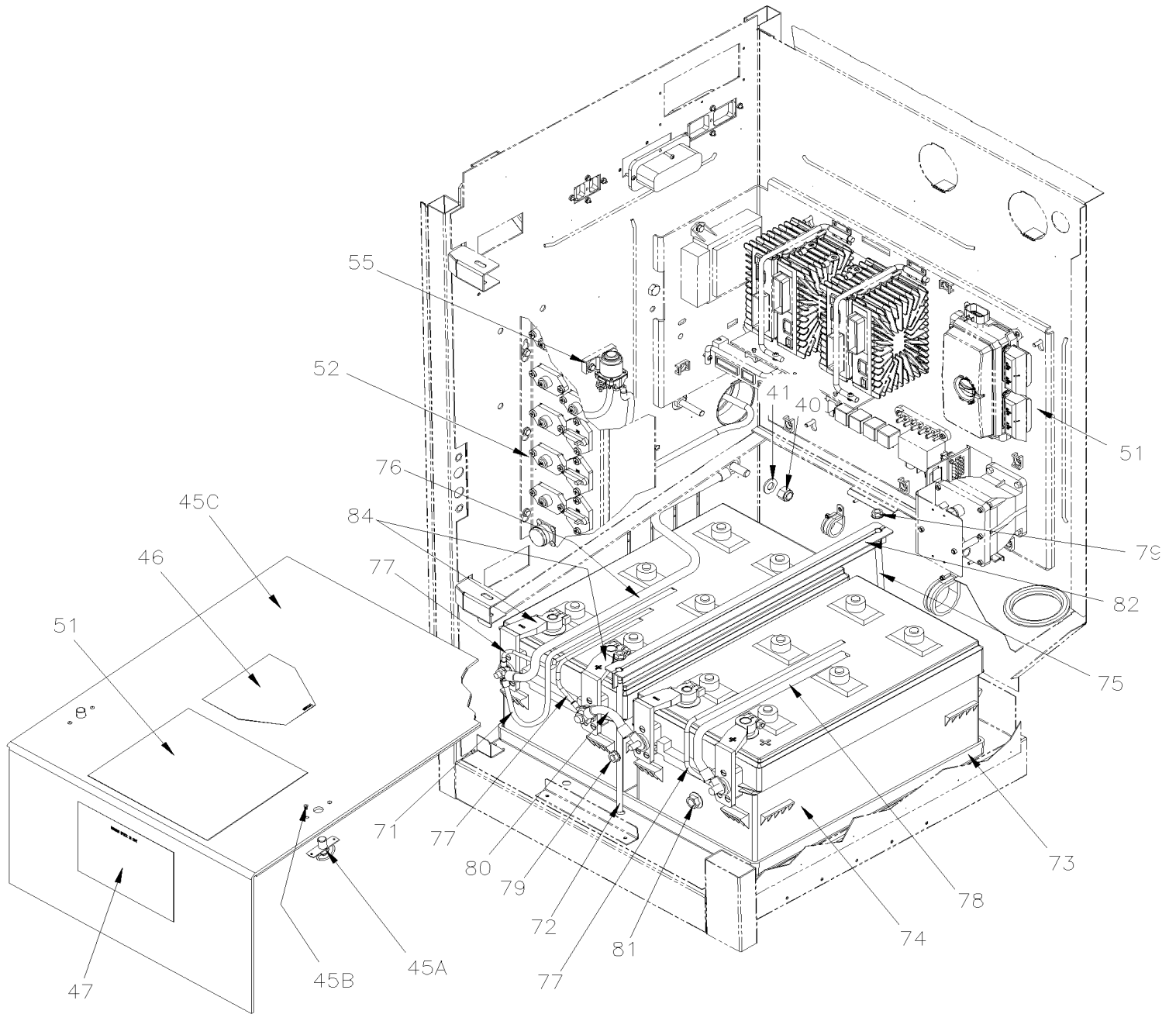


From 7-0671 To D-2363

Date:10/2022

PAGE:H7-0615-00

BATTERIES COMPARTMENT - INSTALLATION



UP TO A-1655

## BATTERIES COMPARTMENT - INSTALLATION

Item#	Part	Description	H 3 4 1	H 3 4 5	V I P 4 5	N O T E S
1	563030	BATTERY 12V/930 CCA / GR31	4	4	4	
2	066142	CABLE HARNESS / EQUALIZER	1	1	1	
3	061180	CABLE ASSY / B - TO B -	2	2	2	
4	063591	CABLE ASSY / RELAY BATTERY & BATTERY #24	1	1	1	
5	062371	CABLE ASSY / B + TO B +	2	2	2	
6	066316	CABLE ASSY / BREAKERS To C-2058	1	1	1	
6	068498	CABLE ASSY / BREAKERS From C-2059	1	1	1	
7	063592	CABLE ASSY / B - TO GROUND	1	1	1	
8	065677	CABLE ASSY / # 00A	1	1	1	
9	061036	CABLE ASSY / B - TO B -	1	1	1	
10A	381223	COVER PROTECTOR To C-2058	1	1	1	
10B	563238	FUSEHOLDER W/BLACK COVER / MEGA FUSE / From C-2059	1	1	1	
11A	560422	BLOCK, TERMINAL / 1 STUD 3/8-16 / BLACK To C-2058	2	2	2	
11B	068169	BUS BAR / W/2 HOLES From C-2059	1	1	1	
12A	500379	NUT HEX 3/8-16 BR To C-2058	2	2	2	
12B	500615	NUT HEX M8-1.25 BR From C-2059	2	2	2	
13A	500478	WASHER LO SPT .380x.683x.094 Z050 To C-2058	2	2	2	
13B	5001161	WASHER LO SPT 8.1x14.8x2.0 SS-304 From C-2059	2	2	2	
14A	500965	SCREW TC BDG PH #8-32x1/2 N500 To C-2058	6	6	6	
14B	500539	NUT HEX NYRT M4-0.7 N500 From C-2059	2	2	2	
15A	500855	WASHER FL .188x.438x.049 N500 To C-2058	2	2	2	
15A	500855	WASHER FL .188x.438x.049 N500 To C-2058	2	2	2	
15B	500855	WASHER FL .188x.438x.049 N500 From C-2059	2	2	2	
15B	500855	WASHER FL .188x.438x.049 N500 From C-2059	2	2	2	
16	380671	TRAY, BATTERIES	1	1	1	
17	381600	BATTERIES SUPPORT	1	1	1	
18	381602	RACK BATTERIES	1	1	1	
19	381660	BATTERY SUP. HOOK 38-16x280MM SS	3	3	3	
20	563334	EQUALIZER "VANNER" 100AMPS To A-1720	1	1	1	
20	563634	EQUALIZER "VANNER" 100AMPS From B-1721	1	1	1	B
20	560699	EQUALIZER "VANNER" 100AMPS From B-1721	1	1	1	
21	381210	SEPARATOR / FIBERGLASS RED	1	1	1	
21	680532	SEALANT SIKA #221 / GREY / 310ml CARTRIDGE	AR	AR	AR	
22	561856	BOOSTER BLOCK, REMOTE / RED	1	1	1	
22	5001935	WASHER FL 10.5x18.0x1.6 SS	1	1	1	
22	5001936	NUT HEX NYRT 3/8-16 SS	1	1	1	
23	504118	RIVET POP DOME OE 3/16x3/8 AL	2	2	2	
24	382151	TUBE PVC / 2" 30MM To 9-1417	1	1	1	
24	382414	TUBE PVC / 3" 30MM From 9-1418	1	1	1	
25	504025	HOSE CLAMP / 2"5/16-3"1/4 SS / HS-44 To 9-1417	1	1	1	
25	504026	HOSE CLAMP / 2"13/16-3"3/4 SS / HS-52 From 9-1418	1	1	1	
26	504533	CUFF END BELLOW / 2 3/8" I.D. x 2 3/8" x 4" To 9-1417	1	1	1	

From 7-0671 To D-2363	Date:10/2022	PAGE:H7-0615-00
-----------------------	--------------	-----------------

## BATTERIES COMPARTMENT - INSTALLATION

Item#	Part	Description	H 3 4 1	H 3 4 5	V I P 4 5	N O T E S
26	504499	CUFF END BELLOW / 2 7/8" I.D. x 3 5/8" x 4 7/16 From 9-1418	1	1	1	
27	562053	CONVOLUTED TUBING / UNSLIT / BLACK / 1.000"	AR	AR	AR	
28	562123	CONVOLUTED TUBING / UNSLIT / BLACK / .750	AR	AR	AR	
29	502681	NUT HEX NYRT M6-1.0 N500 G8	4	4	4	
30	500877	WASHER FL .250x.562x.065 N500	4	4	4	
31	5001522	NUT HEXF LO 3/8-16 SS	14	14	14	
32	502780	SCREW CAP HEX M8-1.25x25 SS BK	1	1	1	
33	5001699	WASHER BEL SPR 8.2x22x1.4 N500	1	1	1	
35	563210	GASKET / DRC SERIES / 24C / DEUTSCH DRC24-GKT To A-1720	1	1	1	
35	564196	GASKET / DRC SERIES / 24C / DEUTSCH DRC24-GKT AD From B-1721	1	1	1	
36	502698	SCREW MA PAN PH M4-0.7x16 SS BK	AR	AR	AR	
37	563212	GASKET / DRC SERIES / 70C / DEUTSCH DRC70-GKT To A-1720	2	2	2	
37	564198	GASKET / DRC SERIES / 70C, ADHESIVE BACK / DEUTSCH DRC70-GKT AD From B-1721	2	2	2	
38	504606	GROMMET / 3.000x3.500x.062x.500x4.000	1	1	1	
38	506283	PIPE INSULATING / 1 5/8" I.D. X 1/2" TH. X 72 / APT15812	AR	AR	AR	
NS	063751	DECAL BATTERY WIRING CABLE / ENGLISH	1	1	1	D
NS	066047	DECAL BATTERY WIRING CABLE / ENGLISH & SPANISH	1	1	1	
40	502595	NUT HEX NYRT 1/2-13 Z050	1	1	1	
41	500958	WASHER FL .531x1.062x.095 SS	1	1	1	
NS	504637	CABLE TIE / 3/16" x 13"	AR	AR	AR	
NS	504013	TIE MOUNT / 1/4" X 1/4" I.D.	AR	AR	AR	
43	500539	NUT HEX NYRT M4-0.7 N500	2	2	2	
44	977742	CLAMP / 3/4" I.D.	AR	AR	AR	
44	952635	CLAMP / 1" I.D.	AR	AR	AR	
44	504458	CLAMP / 1 5/8" I.D.	AR	AR	AR	
44	562060	CLAMP / 1 3/4" I.D.	AR	AR	AR	
45	381983	COVER BATTERIES ASSY / W/2 LATCH	1	1	1	
45A	504203	. SPRING LATCH / KNURLED STEEL KNOB	2	2	2	
45B	504717	. RIVET POP DOME OE 1/8x1/4 SS	4	4	4	
45C	381982	. COVER PANEL	1	1	1	
NS	506738	. TAPE RUB ADH1 CC POL 1/8" x 1" x 50' / GREY 2520	AR	AR	AR	
NS	160295	. DECAL / "IT FORBIDDEN TO STOCK ANYTING IN TH. / ENGLISH & FRANCAIS	1	1	1	
46	066155	DECAL PIN OUT / JCT BOX W/MUX	1	1	1	
47	160295	DECAL / "IT FORBIDDEN TO STOCK ANYTING IN TH. / ENGLISH & FRANCAIS	1	1	1	
47	161191	DECAL / "IT FORBIDDEN TO STOCK ANYTING IN TH. / ENGLISH & SPANISH	1	1	1	
NS	402804	DECAL / "ALWAYS DISCONNECT..." / ENGLISH	1	1	1	
NS	405638	DECAL / "ALWAYS DISCONNECT..." / ENGLISH & SPANISH	1	1	1	
48	502859	NUT HEX NYRT M10-1.5 N500	1	1	1	
49	500832	WASHER FL .406x.812x.065 N500	1	1	1	
51	<b>H7-0620-00</b>	<b>REAR JUNCTION BOX ASSY</b>				
52	<b>H7-0616-10</b>	<b>BREAKER PANEL</b>				
53	<b>H7-0665-10</b>	<b>SWITCHES, LIGHTS, AJAR - UNDER FLOOR &amp; ENGINE COMPARTMENT</b>				

## BATTERIES COMPARTMENT - INSTALLATION

Item#	Part	Description	H 3 4 1	H 3 4 5	V I P 4 5	N O T E S
54	H7-0670-10	BATTERIES CHARGER - INSTALLATION				
55	H7-0100-10	STARTER - INSTALLATION				
NS	066436	DECAL / "CAUTION" BEFORE WELDING...." // ENGLISH	1	1	1	
NS	066596	DECAL / "CAUTION" BEFORE WELDING...." // ENGLISH & FRANCAIS	1	1	1	
NS	067067	DECAL / "CAUTION" BEFORE WELDING...." // ENGLISH & SPANISH	1	1	1	
59	062682	DECAL / "BOOSTER BLOCK" / ENGLISH & FRANCAIS To 8-1201	1	1	1	
59	066045	DECAL / "BOOSTER BLOCK" / ENGLISH & SPANISH To 8-1201	1	1	1	
59	067314	DECAL / "BOOSTER BLOCK" - GRD / ENGLISH & FRANCAIS From 8-1202	1	1	1	
59	067316	DECAL / BARRA DE AYUDA / - GRD / SPANISH From 8-1262	1	1	1	
60	067313	DECAL / "BOOSTER BLOCK" + 24 / ENGLISH & FRANCAIS From 8-1202	1	1	1	
60	067315	DECAL / BARRA DE AYUDA / + 24 / SPANISH From 8-1262	1	1	1	
61	388811	SUPPORT BREAKER	1	1	1	
NS	065543	CABLE ASSY #4 X 550MM	1	1	1	
62	562683	BREAKER 90AMPS / 24V /	1	1	1	
62	563425	BREAKER 90AMPS / 24V / From D-2259	1	1	1	O
62	065543	CABLE ASSY #4 X 550MM From D-2259	1	1	1	O
63A	563553	BREAKER 50AMPS / 24V /	1	1	1	
63B	563355	BREAKER 50AMPS / 24V /	1	1	1	
63B	562686	BREAKER 40AMPS / 24V /	1	1	1	C
64	382088	BUS BAR / W/2 HOLES / 80MM C/C	1	1	1	
65	502569	SCREW MA PAN PH M6-1.0x16 BK	4	4	4	
66	500654	SCREW TC BDG PH #8-32x1/2 Z050	2	2	2	
67	641462	PRESSURE SWITCH N.O. 4PSI / 1/4NPT W/10-32 / SL-5 BRAKE To A-1720	1	1	1	A
68	500539	NUT HEX NYRT M4-0.7 N500 To A-1720	2	2	2	A
71	065675	CABLE ASSY / # 00A To A-1655	1	1	1	
72	381660	BATTERY SUP. HOOK 38-16x280MM SS To A-1655	1	1	1	
73	381670	TRAY, BATTERIES 8D To A-1655	1	1	1	
74	563031	BATTERY 12V/8D / W/TOP POSTS To A-1655	2	2	2	
75	381513	J-HOOK / 209.55MM / 3/8-16 SS To A-1655	1	1	1	
76	063902	CABLE ASSY / #0VA To A-1655	1	1	1	
77	066319	CABLE HARNESS / EQUALIZER / W/8D BATTERIES / MUX To A-1655	1	1	1	
78	063900	CABLE ASSY / RELAY BATTERY & BATTERY #24 To A-1655	1	1	1	
79	5001522	NUT HEXF LO 3/8-16 SS To A-1655	5	5	5	
80	063903	CABLE ASSY / B + TO B - To A-1655	1	1	1	
81	5001523	NUT HEXF LO 1/2-13 SS To A-1655	2	2	2	
82	381669	RACK BATTERIES To A-1655	1	1	1	
83	063912	DECAL BATTERIES WIRING CABLE / ENGLISH To A-1655	1	1	1	
83	066048	DECAL BATTERIES WIRING CABLE / ENGLISH & SPANISH To A-1655	1	1	1	
84	563065	BATTERY KIT, SIDE POSTS / FOR 8D BATTERIES To A-1655	2	2	2	
85	328171	FLAPGATE ASSY 1 1/2" x 1 1/2" TUBE	1	1	1	
86	500965	SCREW TC BDG PH #8-32x1/2 N500	1	1	1	
NS	065329	DECAL "BATTERY"	1	1	1	E



From 7-0671 To D-2363	Date:10/2022	PAGE:H7-0615-00
<b>BATTERIES COMPARTMENT - INSTALLATION</b>		

Item#	Part	Description	H 3 4 1	H 3 4 5	V I P 4 5	N O T E S
		A) WITH ZF TRANSMISSION				
		B) FOR PRODUCT IMPROVMENT ASK FOR #560699				
		C) WITH ELECTRIC CAPTIAIN SEAT				
		D) FIX INSIDE SERVICE DOOR				
		E) OPTION				
		O) WITH PRE-HEATER ORLEAN OPTION				

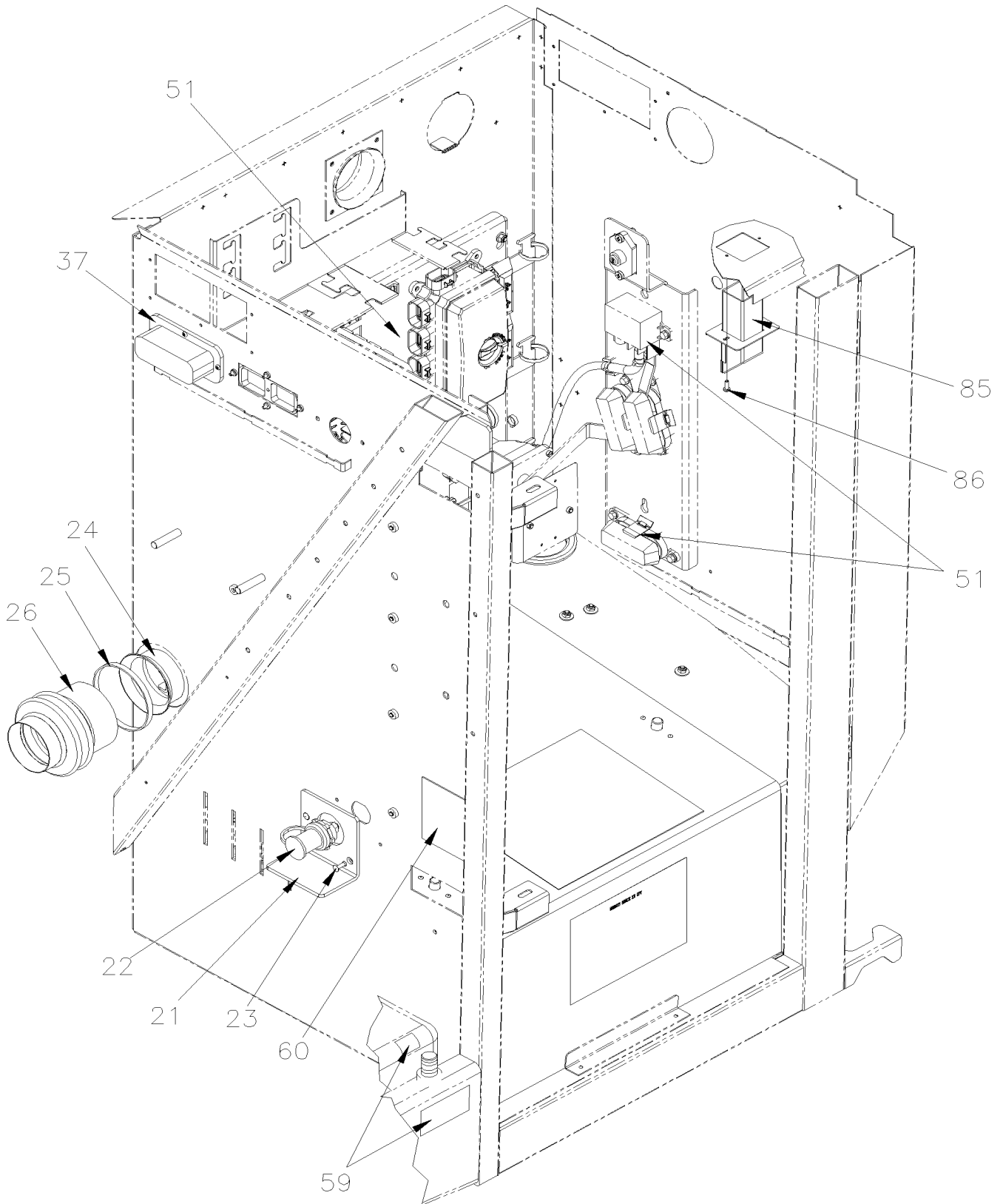


From D-2364 To J-0287

Date:10/2022

PAGE:H7-0615-01

**BATTERIES COMPARTMENT - INSTALLATION**

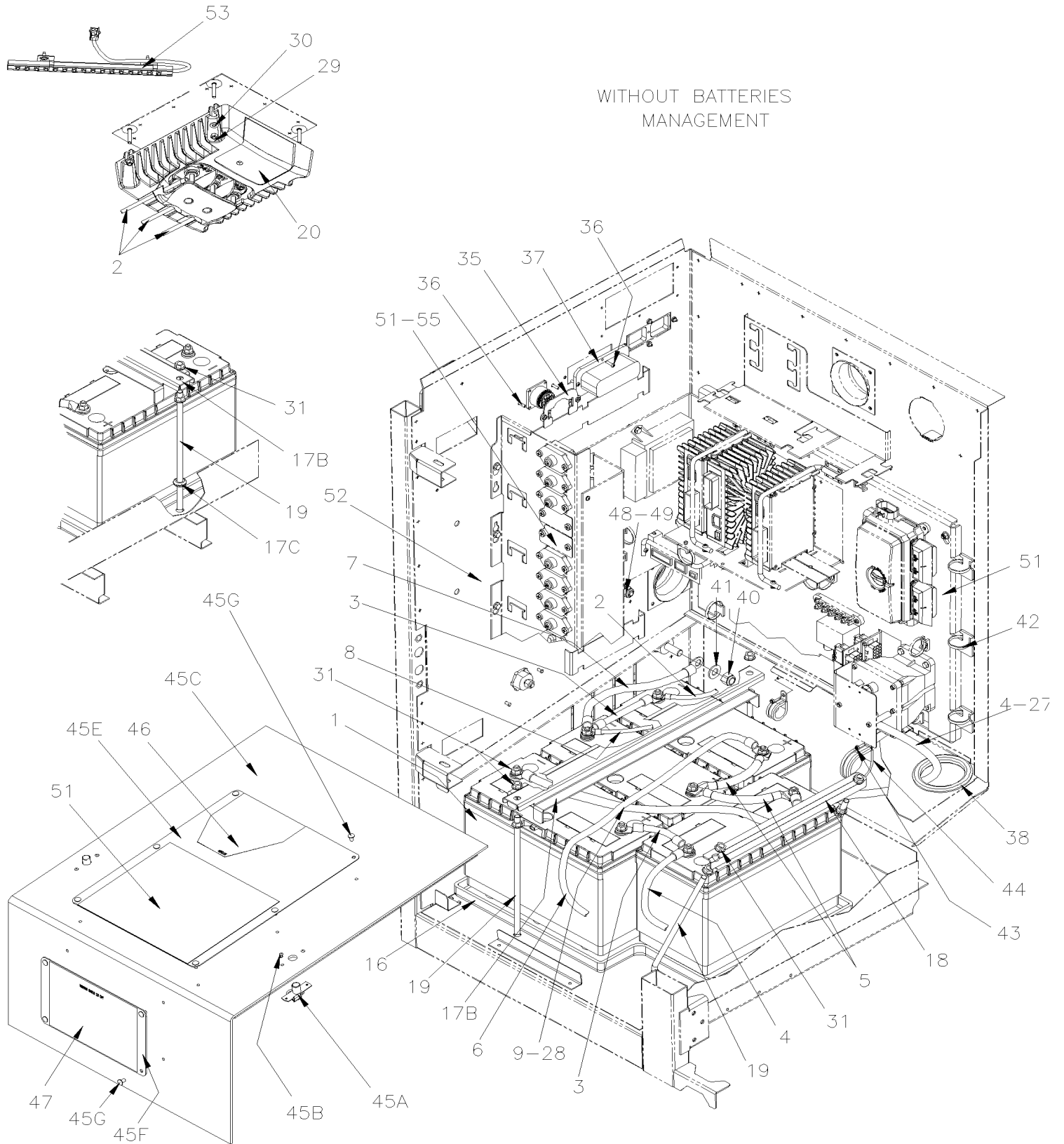


From D-2364 To J-0287

Date:10/2022

PAGE:H7-0615-01

## BATTERIES COMPARTMENT - INSTALLATION

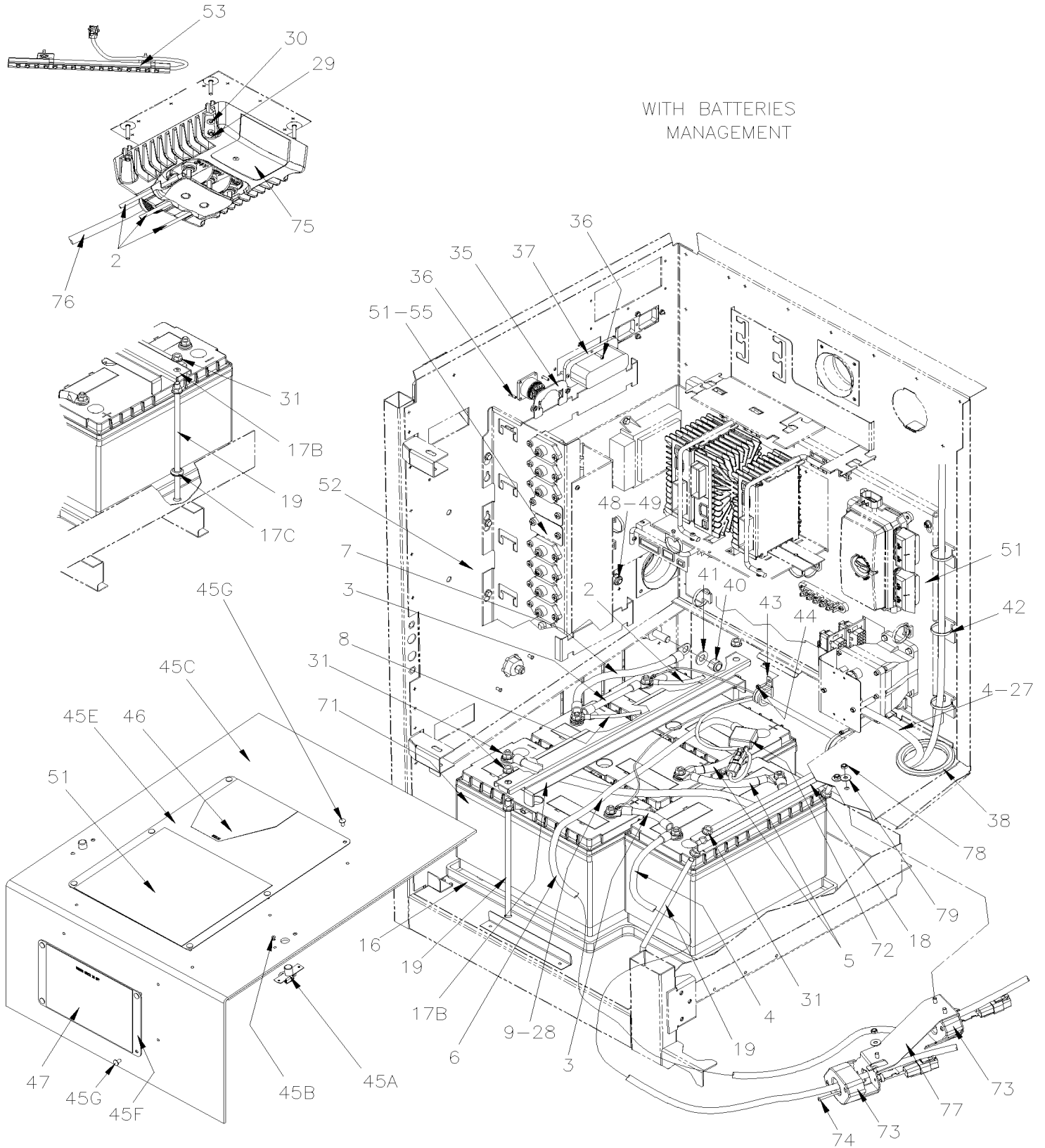


From D-2364 To J-0287

Date:10/2022

PAGE:H7-0615-01

## BATTERIES COMPARTMENT - INSTALLATION



<b>From D-2364 To J-0287</b>	<b>Date:10/2022</b>	<b>PAGE:H7-0615-01</b>
<b>BATTERIES COMPARTMENT - INSTALLATION</b>		

Item#	Part	Description	H 3 4 1	H 3 4 5	V I P 4 5	N O T E S
1	563030	BATTERY 12V/930 CCA / GR31	4	4		
2	067958	CABLE HARNESS / EQUALIZER	1	1	1	
3	061180	CABLE ASSY / B - TO B -	2	2	2	
4	068742	CABLE ASSY / RELAY BATTERY & BATTERY #24	1	1	1	
5	062371	CABLE ASSY / B + TO B +	2	2	2	
6	067960	CABLE ASSY / BREAKERS	1	1	1	
7	063592	CABLE ASSY / B - TO GROUND	1	1	1	
8	065677	CABLE ASSY / # 00A	1	1	1	
9	061036	CABLE ASSY / B - TO B -	1	1	1	
16	380671	TRAY, BATTERIES	1	1	1	
17B	382499	BATTERIES SUPPORT	1	1	1	
17B	506350	TAPE RUB ADH1 NEO 3/16" x 1" x 25' / BLACK	AR	AR	AR	
17C	504650	GROMMET / .375x.625x.062x.313x.875	1	1	1	
18	381602	RACK BATTERIES	1	1	1	
19	381660	BATTERY SUP. HOOK 38-16x280MM SS	4	4	4	
20	563634	EQUALIZER "VANNER" 100AMPS	1	1	1	E
20	560699	EQUALIZER "VANNER" 100AMPS	1	1	1	
21	381210	SEPARATOR / FIBERGLASS RED	1	1	1	
21	680532	SEALANT SIKA #221 / GREY / 310ml CARTRIDGE	AR	AR	AR	
22	561856	BOOSTER BLOCK, REMOTE / RED	1	1	1	
22	5001935	WASHER FL 10.5x18.0x1.6 SS From E-2624	1	1	1	
22	5001936	NUT HEX NYRT 3/8-16 SS From E-2624	1	1	1	
23	504118	RIVET POP DOME OE 3/16x3/8 AL	2	2	2	
24	068050	PANEL ASSY / PASS CABLE LOWER SIDE BOX	1	1	1	
25	504737	CABLE TIE / .300" X 30"1/2	1	1	1	
26	504499	CUFF END BELLOW / 2 7/8" I.D. x 3 5/8" x 4 7/16	1	1	1	
27	562053	CONVOLUTED TUBING / UNSLIT / BLACK / 1.000"	AR	AR	AR	
28	564099	TAPE ADHESIF ELECTRICAL TISSUS / BLACK 838MM	AR	AR	AR	
29	502681	NUT HEX NYRT M6-1.0 N500 G8	4	4	4	
30	500877	WASHER FL .250x.562x.065 N500	4	4	4	
31	5001522	NUT HEXF LO 3/8-16 SS	16	16	16	
35	382505	PLATE, FIXATION	1	1	1	
35	565902	GASKET / CPC SEAL / AMP 81665-2 To D-2264	1	1	1	
35	068713	GASKET, CONNECTOR 16POS CPC From D-2265	1	1	1	
36	502698	SCREW MA PAN PH M4-0.7x16 SS BK	AR	AR	AR	
37	564198	GASKET / DRC SERIES / 70C, ADHESIVE BACK / DEUTSCH DRC70-GKT AD	2	2	2	
38	504606	GROMMET / 3.000x3.500x.062x.500x4.000	1	1	1	
38	506283	PIPE INSULATING / 1 5/8" I.D. X 1/2" TH. X 72 / APT15812	AR	AR	AR	
NS	068745	DECAL BATTERY WIRING CABLE	1	1		D
40	502595	NUT HEX NYRT 1/2-13 Z050	1	1	1	
41	500958	WASHER FL .531x1.062x.095 SS	1	1	1	
42	504637	CABLE TIE / 3/16" x 13"	AR	AR	AR	

## BATTERIES COMPARTMENT - INSTALLATION

Item#	Part	Description	H 3 4 1	H 3 4 5	V I P 4 5	N O T E S
NS	504013	TIE MOUNT / 1/4" X 1/4" I.D.	AR	AR	AR	
43	500539	NUT HEX NYRT M4-0.7 N500	2	2	2	
44	977742	CLAMP / 3/4" I.D.	AR	AR	AR	
44	952635	CLAMP / 1" I.D.	AR	AR	AR	
44	504458	CLAMP / 1 5/8" I.D.	AR	AR	AR	
44	562060	CLAMP / 1 3/4" I.D.	AR	AR	AR	
45	381983	COVER BATTERIES ASSY / W/2 LATCH To E-2505	1	1	1	
45	Call order desk	COVER BATTERIES ASSY / W/2 LATCH From E-2506	1	1	1	P
45A	504203	. SPRING LATCH / KNURLED STEEL KNOB	2	2	2	
45B	504717	. RIVET POP DOME OE 1/8x1/4 SS	4	4	4	
45C	381982	. COVER PANEL To E-2505	1	1	1	
45C	382511	. COVER PANEL From E-2506	1	1	1	
NS	506738	. TAPE RUB ADH1 CC POL 1/8" x 1" x 50' / GREY 2520	AR	AR	AR	
45E	382512	. PLATE, DECAL From E-2506	1	1	1	
45F	382513	. PLATE, DECAL From E-2506	1	1	1	
45G	504619	. CLIP CHRISTMAS TREE / BLACK 7/32"O.D.x1/2" HOLE 3/16 From E-2506	10	10	10	
46	066155	DECAL PIN OUT / JCT BOX W/MUX	1	1	1	
47	160295	DECAL / "IT FORBIDDEN TO STOCK ANYTING IN TH. / ENGLISH & FRANCAIS	1	1	1	
47	161191	DECAL / "IT FORBIDDEN TO STOCK ANYTING IN TH. / ENGLISH & SPANISH	1	1	1	
48	502859	NUT HEX NYRT M10-1.5 N500	1	1	1	
49	500832	WASHER FL .406x.812x.065 N500	1	1	1	
51	<b>H7-0620-01</b>	<b>REAR JUNCTION BOX ASSY</b>				
52	<b>H7-0616-11</b>	<b>BREAKER PANEL</b>				
53	<b>H7-0665-10</b>	<b>SWITCHES, LIGHTS, AJAR - UNDER FLOOR &amp; ENGINE COMPARTMENT</b>				
54	<b>H7-0670-10</b>	<b>BATTERIES CHARGER - INSTALLATION</b>				
55	<b>H7-0100-10</b>	<b>STARTER - INSTALLATION</b>				
NS	066436	DECAL / "CAUTION" BEFORE WELDING...." // ENGLISH	1	1	1	
NS	066596	DECAL / "CAUTION" BEFORE WELDING...." // ENGLISH & FRANCAIS	1	1	1	
NS	067067	DECAL / "CAUTION" BEFORE WELDING...." // ENGLISH & SPANISH	1	1	1	
59	067314	DECAL / "BOOSTER BLOCK" - GRD / ENGLISH & FRANCAIS To D-2398	1	1	1	
59	067316	DECAL / BARRA DE AYUDA / - GRD / SPANISH To D-2398	1	1	1	
59	067969	DECAL / "BOOSTER BLOCK" - GRD PICTOGRAM From D-2399	1	1	1	
60	067313	DECAL / "BOOSTER BLOCK" + 24 / ENGLISH & FRANCAIS To D-2398	1	1	1	
60	067315	DECAL / BARRA DE AYUDA / + 24 / SPANISH To D-2398	1	1	1	
60	067968	DECAL / "BOOSTER BLOCK" + 24 PICTOGRAM From D-2399	1	1	1	
NS	402804	DECAL / "ALWAYS DISCONNECT..." / ENGLISH	1	1	1	
NS	405638	DECAL / "ALWAYS DISCONNECT..." / ENGLISH & SPANISH	1	1	1	
		NEXT FOLLOWING ITEM ARE USE ONLY WITH				
		PRIME - "POWER RECOVERY BY INTELLIGENT MANAGEMENT OF ENERGY"				
71	21258363	BATTERY AGM - 12V GR31 800 CCA	4	4	4	

From D-2364 To J-0287	Date:10/2022	PAGE:H7-0615-01
<b>BATTERIES COMPARTMENT - INSTALLATION</b>		

Item#	Part	Description	H 3 4 1	H 3 4 5	V I P 4 5	N O T E S
71	067977	DECAL BATTERIES MANAGEMENT	1	1	1	D
72	067952	SENSOR VOLT AND TEMP - VANNER	1	1	1	
73	067954	SENSOR 80/600AMP - VANNER	2	2	2	
74	5001694	SCREW MA PAN PH M4-0.7x40 SS BK	4	4	4	
75	067951	EQUALIZER "VANNER" 100AMPS	1	1	1	B
75	560705	EQUALIZER "VANNER" 100AMPS	1	1	1	
76	067956	HARNESS EQUALIZER CONTROL	1	1	1	
77	382494	SUPPORT / SENSOR	1	1	1	
78	502854	NUT HEX M6-1.0 N500	4	4	4	
79	5001833	WASHER BEL SPR 6.1x18x1.27 SS	4	4	4	
85	328171	FLAPGATE ASSY 1½" x 1½ TUBE	1	1	1	
86	500965	SCREW TC BDG PH #8-32x1/2 N500	2	2	2	
NS	065329	DECAL "BATTERY"	1	1	1	A
		A) OPTION				
		B) FOR PRODUCT IMPROVMENT ASK FOR #560705				
		D) FIX INSIDE SERVICE DOOR				
		E) FOR PRODUCT IMPROVMENT ASK FOR #560699				
		P) CALL ORDER DESK FOR SPECIFIC APPLICATION (V.I.N.)				

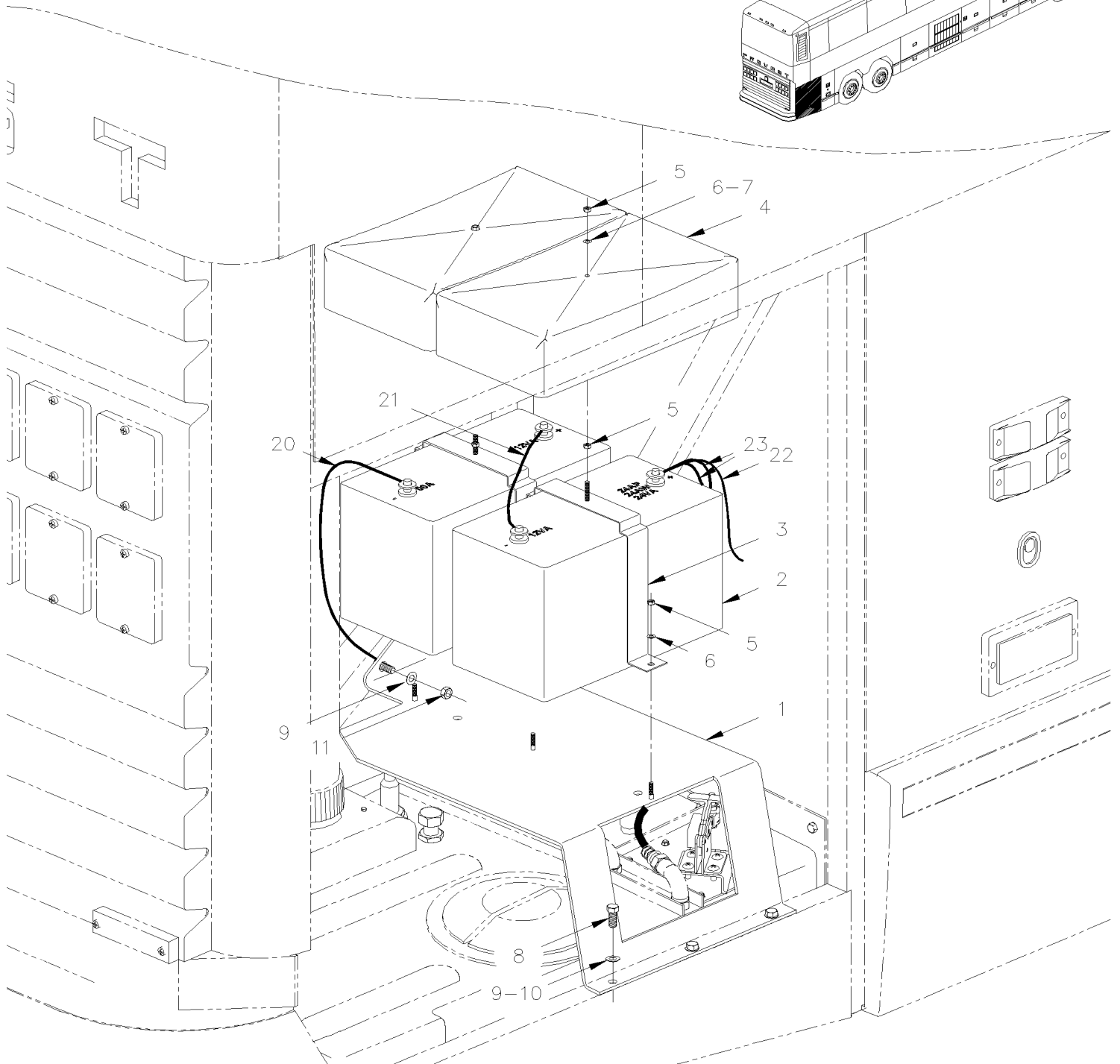
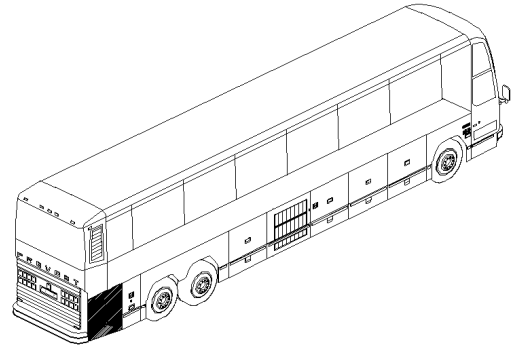


From 7-0671 To J-0184

Date:10/2022

PAGE:H7-0615-60

## BATTERIES AUXILIARY - INSTALLATION



From 7-0671 To J-0184 Date:10/2022 PAGE:H7-0615-60

**BATTERIES AUXILIARY - INSTALLATION**

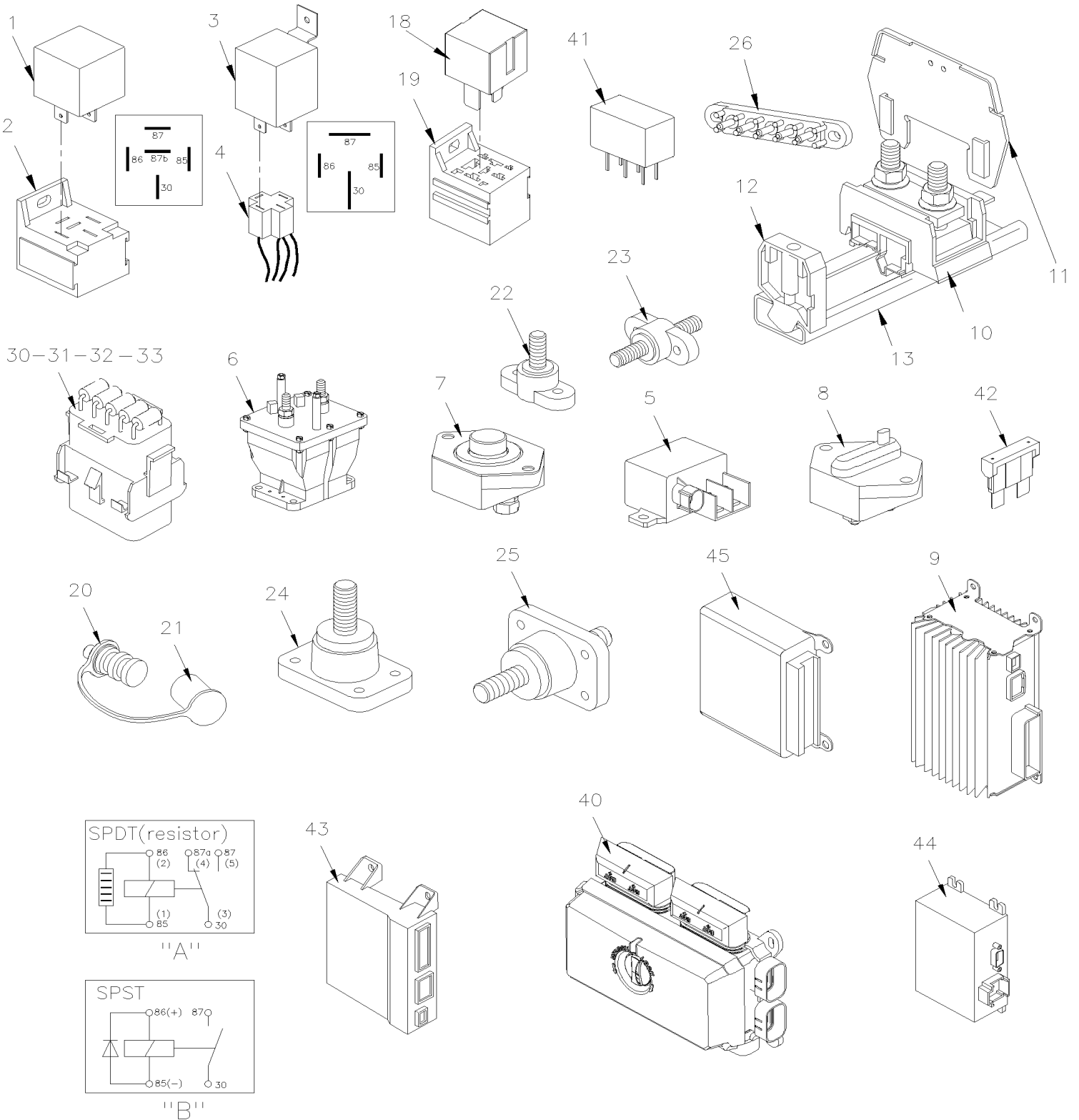
Item#	Part	Description	H 3 4 1	H 3 4 5	V I P 4 5	N O T E S
1	381956	BATTERY SUPPORT	1	1		
2	562626	BATTERY 12V/W/3/8-16POST / MARINE GEL	2	2		
2	563030	BATTERY 12V/930 CCA / GR31	1	1		
NS	562500	BATTERY WARMER 80 WATTS	2	2		
NS	562501	BATTERY WARMER 160 WATTS	2	2		
NS	065462	CABLE ASSY / 110V BATTERIES WARMER INSTALL	1	1		
3	381955	STRAP RETAINER	2	2		
4	880043	BOX, BATTERY	1	1		
5	502511	NUT HEX NYRT M6-1.0 Z050	6	6		
6	502573	WASHER FL 6.4x12.5x1.6 SS	6	6		
7	500950	WASHER FL .187x.625x.094 RUB	2	2		
8	502559	SCREW CAP HEX M10-1.5x25 G8.8 Z050	3	3		
9	502644	WASHER FL 10.5x30.0x2.5 Z050	3	3		
10	500257	WASHER LO SPT 10.2x18.1x2.2 Z050	3	3		
11	500256	NUT HEX M10-1.5 Z050	1	1		
NS	064046	CABLE ASSY / #24VA	1	1		
NS	560271	RELAY SOLOINOID 12V S.P.S.T. N.O.	AR	AR		
20	064044	CABLE ASSY / #00A	1	1		
21	063667	CABLE ASSY / #12VA	1	1		
22	065826	CABLE ASSY #24VA	1	1		
23	064125	WIRING HARNESS AUXILIARY BATTERIES / W/8D BATTERIES	1	1		

From 7-0671 To J-0287

Date:10/2022

PAGE:H7-0616-00

## JUNCTION BOX COMPONENTS



<b>From 7-0671 To J-0287</b>	<b>Date:10/2022</b>	<b>PAGE:H7-0616-00</b>
<b>JUNCTION BOX COMPONENTS</b>		

Item#	Part	Description	H 3 4 1	H 3 4 5	V I P 4 5	N O T E S
1	563332	RELAY 24V S.P.D.T. W/RESISTOR / "VOLVO" (20374662)	AR	AR	AR	A
1	563337	RELAY 12V S.P.D.T. W/RESISTOR /	AR	AR	AR	A
2	561183	RELAY BASE / TAB TERMINAL / BOSCH 3334485008	AR	AR	AR	
3	561991	RELAY 24V S.P.S.T. / 70 AMPS N.O. To C-1948	AR	AR	AR	
4	562367	CONNECTOR / TAB HOUSING 4C / POTTER BRUMFIELD VCF7-1000 To C-1948	AR	AR	AR	
5	563348	RELAY POWER 24V 200 AMPS / S.P.S.T. N.O.	AR	AR	AR	
. NS	5001182	. NUT HEX NYRT M6-1.0 SS	1	1	1	
. NS	502573	. WASHER FL 6.4x12.5x1.6 SS	1	1	1	
. NS	563409	. CONNECTOR / SUPERSEAL 1.5 SERIES / SH 2C / AMP 282080-1	1	1	1	
. NS	562607	. SOCKET TERMINAL / 20-16 / AMP 183025-1	1	1	1	
6	562364	RELAY 24V S.P.S.T. / 300 AMPS N.O. // BATTERY DISCONNECT	1	1	1	
7	562686	BREAKER 40AMPS / 24V / To E-2507	AR	AR	AR	
7	565134	BREAKER 40AMPS / 24V / W/O HARDWARE From E-2508	AR	AR	AR	
7	563355	BREAKER 50AMPS / 24V / To E-2507	AR	AR	AR	
7	565135	BREAKER 50AMPS / 24V / W/O HARDWARE From E-2508	AR	AR	AR	
7	562687	BREAKER 70AMPS / 24V / To E-2507	AR	AR	AR	
7	565136	BREAKER 70AMPS / 24V / W/O HARDWARE From E-2508	AR	AR	AR	
7	562683	BREAKER 90AMPS / 24V / To E-2507	AR	AR	AR	
7	565137	BREAKER 90AMPS / 24V / W/O HARDWARE From E-2508	AR	AR	AR	
7	562685	BREAKER 105AMPS / 24V / To E-2507	AR	AR	AR	
7	565138	BREAKER 105AMPS / 24V / W/O HARDWARE From E-2508	AR	AR	AR	
7	562688	BREAKER 120AMPS / 24V / To E-2507	AR	AR	AR	
7	565139	BREAKER 120AMPS / 24V / W/O HARDWARE From E-2508	AR	AR	AR	
7	562684	BREAKER 150AMPS / 24V / To E-2507	AR	AR	AR	
7	565140	BREAKER 150AMPS / 24V / W/O HARDWARE From E-2508	AR	AR	AR	
NS	5001924	NUT HEX NYRT THN 1/4-28 SS From E-2508	AR	AR	AR	
NS	502573	WASHER FL 6.4x12.5x1.6 SS From E-2508	AR	AR	AR	
8	563418	BREAKER 30AMPS / 24V / To E-2507	AR	AR	AR	
8	565141	BREAKER 30AMPS / 24V / W/O HARDWARE From E-2508	AR	AR	AR	
8	563420	BREAKER 40AMPS / 24V / To E-2507	AR	AR	AR	
8	565143	BREAKER 40AMPS / 24V / W/O HARDWARE From E-2508	AR	AR	AR	
8	563553	BREAKER 50AMPS / 24V / To E-2507	AR	AR	AR	
8	563424	BREAKER 70AMPS / 24V / To E-2507	AR	AR	AR	
8	565146	BREAKER 70AMPS / 24V / W/O HARDWARE From E-2508	AR	AR	AR	
8	563425	BREAKER 90AMPS / 24V / To E-2507	AR	AR	AR	
8	565147	BREAKER 90AMPS / 24V / W/O HARDWARE From E-2508	AR	AR	AR	
8	563419	BREAKER 100AMPS / 24V / To E-2507	AR	AR	AR	
8	565142	BREAKER 100AMPS / 24V / W/O HARDWARE From E-2508	AR	AR	AR	
8	563421	BREAKER 120AMPS / 24V / To E-2507	AR	AR	AR	
8	565144	BREAKER 120AMPS / 24V / W/O HARDWARE From E-2508	AR	AR	AR	
8	563422	BREAKER 150AMPS / 24V / To E-2507	AR	AR	AR	
8	565145	BREAKER 150AMPS / 24V / W/O HARDWARE From E-2508	AR	AR	AR	

<b>From 7-0671 To J-0287</b>	<b>Date:10/2022</b>	<b>PAGE:H7-0616-00</b>
------------------------------	---------------------	------------------------

**JUNCTION BOX COMPONENTS**

Item#	Part	Description	H 3 4 1	H 3 4 5	V I P 4 5	N O T E S
NS	5001924	NUT HEX NYRT THN 1/4-28 SS From E-2508	AR	AR	AR	
NS	502573	WASHER FL 6.4x12.5x1.6 SS From E-2508	AR	AR	AR	
9	565865	I/O B-MODULE VOLVO MULTIPLEX / ALUMINUM To A-1555	AR	AR	AR	
. NS	563132	. CONNECTOR / SH 2C / YAZAKI 7283-6458-40 To A-1555	1	1	1	
. NS	563133	. CONNECTOR / JUNIOR POWER TIMER / SH 29C / AMP 1-963449-2 To A-1555	1	1	1	
. NS	562957	. CONNECTOR / SH 5C / GREEN / JAE IL-AG5-5S-S3C1 To A-1555	1	1	1	
9	564075	I/O B-MODULE VOLVO MULTIPLEX / ALUMINUM From A-1556 To B-1817	AR	AR	AR	
. NS	563132	. CONNECTOR / SH 2C / YAZAKI 7283-6458-40 From A-1556 To B-1817	1	1	1	
. NS	563133	. CONNECTOR / JUNIOR POWER TIMER / SH 29C / AMP 1-963449-2 From A-1556 To B-1817	1	1	1	
. NS	562957	. CONNECTOR / SH 5C / GREEN / JAE IL-AG5-5S-S3C1 From A-1556 To B-1817	1	1	1	
9	564193	I/O B-MODULE VOLVO MULTIPLEX / ALUMINUM From B-1818 To G-3374	AR	AR	AR	
. NS	563132	. CONNECTOR / SH 2C / YAZAKI 7283-6458-40 From B-1818 To G-3374	1	1	1	
. NS	563133	. CONNECTOR / JUNIOR POWER TIMER / SH 29C / AMP 1-963449-2 From B-1818 To G-3374	1	1	1	
. NS	562957	. CONNECTOR / SH 5C / GREEN / JAE IL-AG5-5S-S3C1 From B-1818 To G-3374	1	1	1	
9	22722842	I/O B-MODULE VOLVO MULTIPLEX / ALUMINUM From G-3375	AR	AR	AR	
. NS	563132	. CONNECTOR / SH 2C / YAZAKI 7283-6458-40 From G-3375	1	1	1	
. NS	563133	. CONNECTOR / JUNIOR POWER TIMER / SH 29C / AMP 1-963449-2 From G-3375	1	1	1	
. NS	562957	. CONNECTOR / SH 5C / GREEN / JAE IL-AG5-5S-S3C1 From G-3375	1	1	1	
10	561727	SCREW MA PAN PH	AR	AR	AR	
11	561731	COVER SUPPORT	AR	AR	AR	
12	562645	STOPPER "U" RAIL	AR	AR	AR	
13	382184	RAIL SUPPORT "U" SHAPE 112MM	AR	AR	AR	
13	382187	RAIL SUPPORT "U" SHAPE 400MM	AR	AR	AR	
18	564218	RELAY 24V S.P.S.T. / 40 AMPS N.O. From C-1949	AR	AR	AR	
19	564210	RELAY BASE / TAB TERMINAL / COLE HERSEE 99025 From C-1949	AR	AR	AR	
20	561856	BOOSTER BLOCK, REMOTE / RED	AR	AR	AR	
20	5001935	WASHER FL 10.5x18.0x1.6 SS From E-2624	1	1	1	
20	5001936	NUT HEX NYRT 3/8-16 SS From E-2624	1	1	1	
20	561857	BOOSTER BLOCK, REMOTE / BLACK	AR	AR	AR	
20	5001935	WASHER FL 10.5x18.0x1.6 SS From E-2624	1	1	1	
20	5001936	NUT HEX NYRT 3/8-16 SS From E-2624	1	1	1	
21	562691	. PROTECTOR CAP / RED	1	1	1	
21	562692	. PROTECTOR CAP / BLACK	1	1	1	
22	560422	BLOCK, TERMINAL / 1 STUD 3/8-16 / BLACK	AR	AR	AR	
23	561102	BLOCK, JUNCTION / 2 STUD 3/8-16 / BLACK	AR	AR	AR	
24	560177	BLOCK, TERMINAL / 1 STUD 1/2-13 / BLACK	AR	AR	AR	
25	560176	BLOCK, JUNCTION / 2 STUD 1/2-13 / RED	AR	AR	AR	
26	563218	JUNCTION BLOCK W/5 STUDS	AR	AR	AR	
30	381145	DIODE ASSY / W/5 3AMPS	AR	AR	AR	
31	382097	DIODE ASSY / W/3 3AMPS & 2 RESISTORS 270 OHMS To A-1476	AR	AR	AR	
31	382421	DIODE ASSY / W/3 3AMPS From A-1477	AR	AR	AR	
32	382175	DIODE ASSY / W/3 3AMPS & 2 RESISTORS 100 OHMS	AR	AR	AR	

## JUNCTION BOX COMPONENTS

Item#	Part	Description	H 3 4 1	H 3 4 5	V I P 4 5	N O T E S
33	382244	RESISTANCE ASSY / W/5 RESISTORS 1.2k OHMS	AR	AR	AR	
40	563361	VEC DISTRIBUTION MODULE / FRONT JCT BOX To A-1720	1	1	1	
. NS	564104	. COVER / VEC BOX To A-1720	1	1	1	
. NS	563269	. RELAY 24V S.P.D.T. W/RESISTOR / To A-1720	1	1	1	
. NS	563004	. FUSE / ATM 2 AMPS GREY To A-1720	1	1	1	
. NS	563279	. FUSE / ATM 3 AMPS VIOLET To A-1720	14	14	14	
. NS	563280	. FUSE / ATM 5 AMPS AMBER To A-1720	2	2	2	
. NS	563005	. FUSE / ATM 7.5 AMPS BROWN To A-1720	5	5	5	
. NS	563283	. FUSE / ATM 10 AMPS RED To A-1720	6	6	6	
. NS	563284	. FUSE / ATM 15 AMPS BLUE To A-1720	4	4	4	
. NS	563282	. FUSE / ATM 20 AMPS YELLOW To A-1720	7	7	7	
. NS	563153	. FUSE / ATM 25 AMPS NATURAL To A-1720	2	2	2	
. NS	563165	. FUSE / ATM 30 AMPS GREEN To A-1720	3	3	3	
. NS	564464	. MINI BREAKER / 20 AMPS / SERIES 223 To A-1720	1	1	1	
. NS	563181	. CONNECTOR / SH 8C / YELLOW / BUSSMANN 32006-E21 To A-1720	1	1	1	
. NS	563182	. CONNECTOR / SH 8C / ORANGE / BUSSMANN 32006-G21 To A-1720	1	1	1	
. NS	563183	. CONNECTOR / SH 8C / RED / BUSSMANN 32006-F21 To A-1720	1	1	1	
. NS	563184	. CONNECTOR / SH 8C / GREEN / BUSSMANN 32006-C21 To A-1720	1	1	1	
. NS	563185	. CONNECTOR / SH 8C / BLACK / BUSSMANN 32006-A21 To A-1720	1	1	1	
. NS	563186	. CONNECTOR / SH 8C / GREY / BUSSMANN 32006-B21 To A-1720	1	1	1	
. NS	563187	. CONNECTOR / SH 8C / BROWN / BUSSMANN 32006-H21 To A-1720	1	1	1	
. NS	563448	. CONNECTOR / SH 8C / BLUE / BUSSMANN 32006-D21 To A-1720	1	1	1	
. NS	19518268	. COVER RUBBER RED To A-1720	2	2	2	
40	564145	VEC DISTRIBUTION MODULE / FRONT JCT BOX From B-1721	1	1	1	
. NS	564104	. COVER / VEC BOX From B-1721	1	1	1	
. NS	563269	. RELAY 24V S.P.D.T. W/RESISTOR / From B-1721	1	1	1	
. NS	563004	. FUSE / ATM 2 AMPS GREY From B-1721	1	1	1	
. NS	563279	. FUSE / ATM 3 AMPS VIOLET From B-1721	12	12	12	
. NS	563280	. FUSE / ATM 5 AMPS AMBER From B-1721	4	4	4	
. NS	563005	. FUSE / ATM 7.5 AMPS BROWN From B-1721	3	3	3	
. NS	563283	. FUSE / ATM 10 AMPS RED From B-1721	7	7	7	
. NS	563284	. FUSE / ATM 15 AMPS BLUE From B-1721	8	8	8	
. NS	563282	. FUSE / ATM 20 AMPS YELLOW From B-1721	7	7	7	
. NS	563153	. FUSE / ATM 25 AMPS NATURAL From B-1721	1	1	1	
. NS	563165	. FUSE / ATM 30 AMPS GREEN From B-1721	1	1	1	
. NS	564464	. MINI BREAKER / 20 AMPS / SERIES 223 From B-1721	1	1	1	
. NS	563181	. CONNECTOR / SH 8C / YELLOW / BUSSMANN 32006-E21 From B-1721	1	1	1	
. NS	563182	. CONNECTOR / SH 8C / ORANGE / BUSSMANN 32006-G21 From B-1721	1	1	1	
. NS	563183	. CONNECTOR / SH 8C / RED / BUSSMANN 32006-F21 From B-1721	1	1	1	
. NS	563184	. CONNECTOR / SH 8C / GREEN / BUSSMANN 32006-C21 From B-1721	1	1	1	
. NS	563185	. CONNECTOR / SH 8C / BLACK / BUSSMANN 32006-A21 From B-1721	1	1	1	
. NS	563186	. CONNECTOR / SH 8C / GREY / BUSSMANN 32006-B21 From B-1721	1	1	1	

From 7-0671 To J-0287 Date:10/2022 PAGE:H7-0616-00

**JUNCTION BOX COMPONENTS**

Item#	Part	Description	H 3 4 1	H 3 4 5	V I P 4 5	N O T E S
. NS	563187	. CONNECTOR / SH 8C / BROWN / BUSSMANN 32006-H21 From B-1721	1	1	1	
. NS	563448	. CONNECTOR / SH 8C / BLUE / BUSSMANN 32006-D21 From B-1721	1	1	1	
. NS	564132	. LOCK CONNECTOR POSITION ASSURANCE / BUSSMANN 32004-CP From B-1721	AR	AR	AR	
. NS	19518268	. COVER RUBBER RED From B-1721	2	2	2	
40	563698	VEC DISTRIBUTION MODULE / REAR JCT BOX To A-1720	1	1	1	
. NS	564104	. COVER / VEC BOX To A-1720	1	1	1	
. NS	563269	. RELAY 24V S.P.D.T. W/RESISTOR / To A-1720	3	3	3	
. NS	563004	. FUSE / ATM 2 AMPS GREY To A-1720	1	1	1	
. NS	563279	. FUSE / ATM 3 AMPS VIOLET To A-1720	1	1	1	
. NS	563005	. FUSE / ATM 7.5 AMPS BROWN To A-1720	1	1	1	
. NS	563283	. FUSE / ATM 10 AMPS RED To A-1720	12	12	12	
. NS	563284	. FUSE / ATM 15 AMPS BLUE To A-1720	11	11	11	
. NS	563282	. FUSE / ATM 20 AMPS YELLOW To A-1720	9	9	9	
. NS	563153	. FUSE / ATM 25 AMPS NATURAL To A-1720	6	6	6	
. NS	563165	. FUSE / ATM 30 AMPS GREEN To A-1720	1	1	1	
. NS	564464	. MINI BREAKER / 20 AMPS / SERIES 223 To A-1720	1	1	1	
. NS	563181	. CONNECTOR / SH 8C / YELLOW / BUSSMANN 32006-E21 To A-1720	1	1	1	
. NS	563182	. CONNECTOR / SH 8C / ORANGE / BUSSMANN 32006-G21 To A-1720	1	1	1	
. NS	563183	. CONNECTOR / SH 8C / RED / BUSSMANN 32006-F21 To A-1720	1	1	1	
. NS	563184	. CONNECTOR / SH 8C / GREEN / BUSSMANN 32006-C21 To A-1720	1	1	1	
. NS	563185	. CONNECTOR / SH 8C / BLACK / BUSSMANN 32006-A21 To A-1720	1	1	1	
. NS	563186	. CONNECTOR / SH 8C / GREY / BUSSMANN 32006-B21 To A-1720	1	1	1	
. NS	563187	. CONNECTOR / SH 8C / BROWN / BUSSMANN 32006-H21 To A-1720	1	1	1	
. NS	563448	. CONNECTOR / SH 8C / BLUE / BUSSMANN 32006-D21 To A-1720	1	1	1	
. NS	19518268	. COVER RUBBER RED To A-1720	2	2	2	
40	563635	VEC DISTRIBUTION MODULE / REAR JCT BOX From B-1721 To C-2058	1	1	1	
. NS	564104	. COVER / VEC BOX From B-1721 To C-2058	1	1	1	
. NS	563269	. RELAY 24V S.P.D.T. W/RESISTOR / From B-1721 To C-2058	4	4	4	
. NS	563004	. FUSE / ATM 2 AMPS GREY From B-1721 To C-2058	2	2	2	
. NS	563279	. FUSE / ATM 3 AMPS VIOLET From B-1721 To C-2058	3	3	3	
. NS	563005	. FUSE / ATM 7.5 AMPS BROWN From B-1721 To C-2058	2	2	2	
. NS	563283	. FUSE / ATM 10 AMPS RED From B-1721 To C-2058	13	13	13	
. NS	563284	. FUSE / ATM 15 AMPS BLUE From B-1721 To C-2058	9	9	9	
. NS	563282	. FUSE / ATM 20 AMPS YELLOW From B-1721 To C-2058	12	12	12	
. NS	563153	. FUSE / ATM 25 AMPS NATURAL From B-1721 To C-2058	6	6	6	
. NS	563165	. FUSE / ATM 30 AMPS GREEN From B-1721 To C-2058	3	3	3	
. NS	563181	. CONNECTOR / SH 8C / YELLOW / BUSSMANN 32006-E21 From B-1721 To C-2058	1	1	1	
. NS	563182	. CONNECTOR / SH 8C / ORANGE / BUSSMANN 32006-G21 From B-1721 To C-2058	1	1	1	
. NS	563183	. CONNECTOR / SH 8C / RED / BUSSMANN 32006-F21 From B-1721 To C-2058	1	1	1	
. NS	563184	. CONNECTOR / SH 8C / GREEN / BUSSMANN 32006-C21 From B-1721 To C-2058	1	1	1	
. NS	563185	. CONNECTOR / SH 8C / BLACK / BUSSMANN 32006-A21 From B-1721 To C-2058	1	1	1	
. NS	563186	. CONNECTOR / SH 8C / GREY / BUSSMANN 32006-B21 From B-1721 To C-2058	1	1	1	



<b>From 7-0671 To J-0287</b>	<b>Date:10/2022</b>	<b>PAGE:H7-0616-00</b>
<b>JUNCTION BOX COMPONENTS</b>		

Item#	Part	Description	H 3 4 1	H 3 4 5	V I P 4 5	N O T E S
. NS	563187	. CONNECTOR / SH 8C / BROWN / BUSSMANN 32006-H21 From B-1721 To C-2058	1	1	1	
. NS	563448	. CONNECTOR / SH 8C / BLUE / BUSSMANN 32006-D21 From B-1721 To C-2058	1	1	1	
. NS	19518268	. COVER RUBBER RED From B-1721 To C-2058	2	2	2	
40	563239	VEC DISTRIBUTION MODULE / REAR JCT BOX From C-2059	1	1	1	
. NS	564104	. COVER / VEC BOX From C-2059	1	1	1	
. NS	563269	. RELAY 24V S.P.D.T. W/RESISTOR / From C-2059	4	4	4	
. NS	563004	. FUSE / ATM 2 AMPS GREY From C-2059	2	2	2	
. NS	563279	. FUSE / ATM 3 AMPS VIOLET From C-2059	3	3	3	
. NS	563005	. FUSE / ATM 7.5 AMPS BROWN From C-2059	2	2	2	
. NS	563283	. FUSE / ATM 10 AMPS RED From C-2059	13	13	13	
. NS	563284	. FUSE / ATM 15 AMPS BLUE From C-2059	9	9	9	
. NS	563282	. FUSE / ATM 20 AMPS YELLOW From C-2059	12	12	12	
. NS	563153	. FUSE / ATM 25 AMPS NATURAL From C-2059	6	6	6	
. NS	563165	. FUSE / ATM 30 AMPS GREEN From C-2059	3	3	3	
. NS	563181	. CONNECTOR / SH 8C / YELLOW / BUSSMANN 32006-E21 From C-2059	1	1	1	
. NS	563182	. CONNECTOR / SH 8C / ORANGE / BUSSMANN 32006-G21 From C-2059	1	1	1	
. NS	563183	. CONNECTOR / SH 8C / RED / BUSSMANN 32006-F21 From C-2059	1	1	1	
. NS	563184	. CONNECTOR / SH 8C / GREEN / BUSSMANN 32006-C21 From C-2059	1	1	1	
. NS	563185	. CONNECTOR / SH 8C / BLACK / BUSSMANN 32006-A21 From C-2059	1	1	1	
. NS	563186	. CONNECTOR / SH 8C / GREY / BUSSMANN 32006-B21 From C-2059	1	1	1	
. NS	563187	. CONNECTOR / SH 8C / BROWN / BUSSMANN 32006-H21 From C-2059	1	1	1	
. NS	563448	. CONNECTOR / SH 8C / BLUE / BUSSMANN 32006-D21 From C-2059	1	1	1	
. NS	19518268	. COVER RUBBER RED From C-2059	2	2	2	
41	563269	. RELAY 24V S.P.D.T. W/RESISTOR /	AR	AR	AR	A V
42	563004	. FUSE / ATM 2 AMPS GREY	AR	AR	AR	V
42	563279	. FUSE / ATM 3 AMPS VIOLET	AR	AR	AR	V
42	563280	. FUSE / ATM 5 AMPS AMBER	AR	AR	AR	V
42	563005	. FUSE / ATM 7.5 AMPS BROWN	AR	AR	AR	V
42	563283	. FUSE / ATM 10 AMPS RED	AR	AR	AR	V
42	563284	. FUSE / ATM 15 AMPS BLUE	AR	AR	AR	V
42	563282	. FUSE / ATM 20 AMPS YELLOW	AR	AR	AR	V
42	563153	. FUSE / ATM 25 AMPS NATURAL	AR	AR	AR	V
42	563165	. FUSE / ATM 30 AMPS GREEN	AR	AR	AR	V
43	565864	I/O A-MODULE VOLVO MULTIPLEX / BLACK To A-1580	AR	AR	AR	
. NS	562767	. CONNECTOR / SH 30C / GREEN / JAE IL-AG5-30S-D3C1 To A-1580	1	1	1	
. NS	562957	. CONNECTOR / SH 5C / GREEN / JAE IL-AG5-5S-S3C1 To A-1580	1	1	1	
. NS	563132	. CONNECTOR / SH 2C / YAZAKI 7283-6458-40 To A-1580	1	1	1	
43	564101	I/O A-MODULE VOLVO MULTIPLEX / BLACK From A-1581 To B-1817	AR	AR	AR	
. NS	562767	. CONNECTOR / SH 30C / GREEN / JAE IL-AG5-30S-D3C1 From A-1581 To B-1817	1	1	1	
. NS	562957	. CONNECTOR / SH 5C / GREEN / JAE IL-AG5-5S-S3C1 From A-1581 To B-1817	1	1	1	
. NS	563132	. CONNECTOR / SH 2C / YAZAKI 7283-6458-40 From A-1581 To B-1817	1	1	1	
43	564194	I/O A-MODULE VOLVO MULTIPLEX / BLACK From B-1818 To F-2924	AR	AR	AR	



<b>From 7-0671 To J-0287</b>	<b>Date:10/2022</b>	<b>PAGE:H7-0616-00</b>
------------------------------	---------------------	------------------------

**JUNCTION BOX COMPONENTS**

Item#	Part	Description	H 3 4 1	H 3 4 5	V I P 4 5	N O T E S
. NS	562767	. CONNECTOR / SH 30C / GREEN / JAE IL-AG5-30S-D3C1 From B-1818 To F-2924	1	1	1	
. NS	562957	. CONNECTOR / SH 5C / GREEN / JAE IL-AG5-5S-S3C1 From B-1818 To F-2924	1	1	1	
. NS	563132	. CONNECTOR / SH 2C / YAZAKI 7283-6458-40 From B-1818 To F-2924	1	1	1	
43	22561320	I/O A-MODULE VOLVO MULTIPLEX / BLACK From F-2925 To G-3374	AR	AR	AR	
. NS	562767	. CONNECTOR / SH 30C / GREEN / JAE IL-AG5-30S-D3C1 From F-2925 To G-3374	1	1	1	
. NS	562957	. CONNECTOR / SH 5C / GREEN / JAE IL-AG5-5S-S3C1 From F-2925 To G-3374	1	1	1	
. NS	563132	. CONNECTOR / SH 2C / YAZAKI 7283-6458-40 From F-2925 To G-3374	1	1	1	
43	22722832	I/O A-MODULE VOLVO MULTIPLEX / BLACK From G-3375	AR	AR	AR	
. NS	562767	. CONNECTOR / SH 30C / GREEN / JAE IL-AG5-30S-D3C1 From G-3375	1	1	1	
. NS	562957	. CONNECTOR / SH 5C / GREEN / JAE IL-AG5-5S-S3C1 From G-3375	1	1	1	
. NS	563132	. CONNECTOR / SH 2C / YAZAKI 7283-6458-40 From G-3375	1	1	1	
44	563295	MASTER ID-MODULE VOLVO MULTIPLEX	1	1	1	
. NS	562794	. CONNECTOR / JUNIOR POWER TIMER / SH 9C / AMP 964561-4	1	1	1	
44	069538	"MASTER ID" REPLACEMENT WITH "MCM" MODULE	1	1	1	C
. NS	069420	. HARNESS MCM	1	1	1	C
. NS	IS-11003	. SEE INSTRUCTION SHEET	1	1	1	C
45	7770363	CONTROL UNIT 12V / ABS 4 CH / UNPROGRAMMED	1	1	1	
45	641948P	CONTROL UNIT 12V / ABS 4 CH / PROGRAMMED	1	1	1	
46	068380	SERVICE KIT TO REPLACE 70 AMP RELAY	AR	AR	AR	
. NS	564210	. RELAY BASE / TAB TERMINAL / COLE HERSEE 99025	1	1	1	
. NS	564218	. RELAY 24V S.P.S.T. / 40 AMPS N.O.	1	1	1	
. NS	F111015	. SEE INSTRUCTION SHEET ENS. REPLACEMENT RELAIS 70A	1	1	1	
. NS	IS11015	. SEE INSTRUCTION SHEET	1	1	1	
		A) SEE CONTACT CONFIGURATION "A"				
		C) CUSTOMER MUST CHECK ABS MODULE NUMBER BEFORE ORDERING. IF MODULE IS 642083 (BENDIX 5019416): MUST REPLACE BY 642206. ASK VIN TO CUSTOMER AND PROGRAM AT THE SAME TIME AS MCM				
		V) INSIDE OF "VEC"				

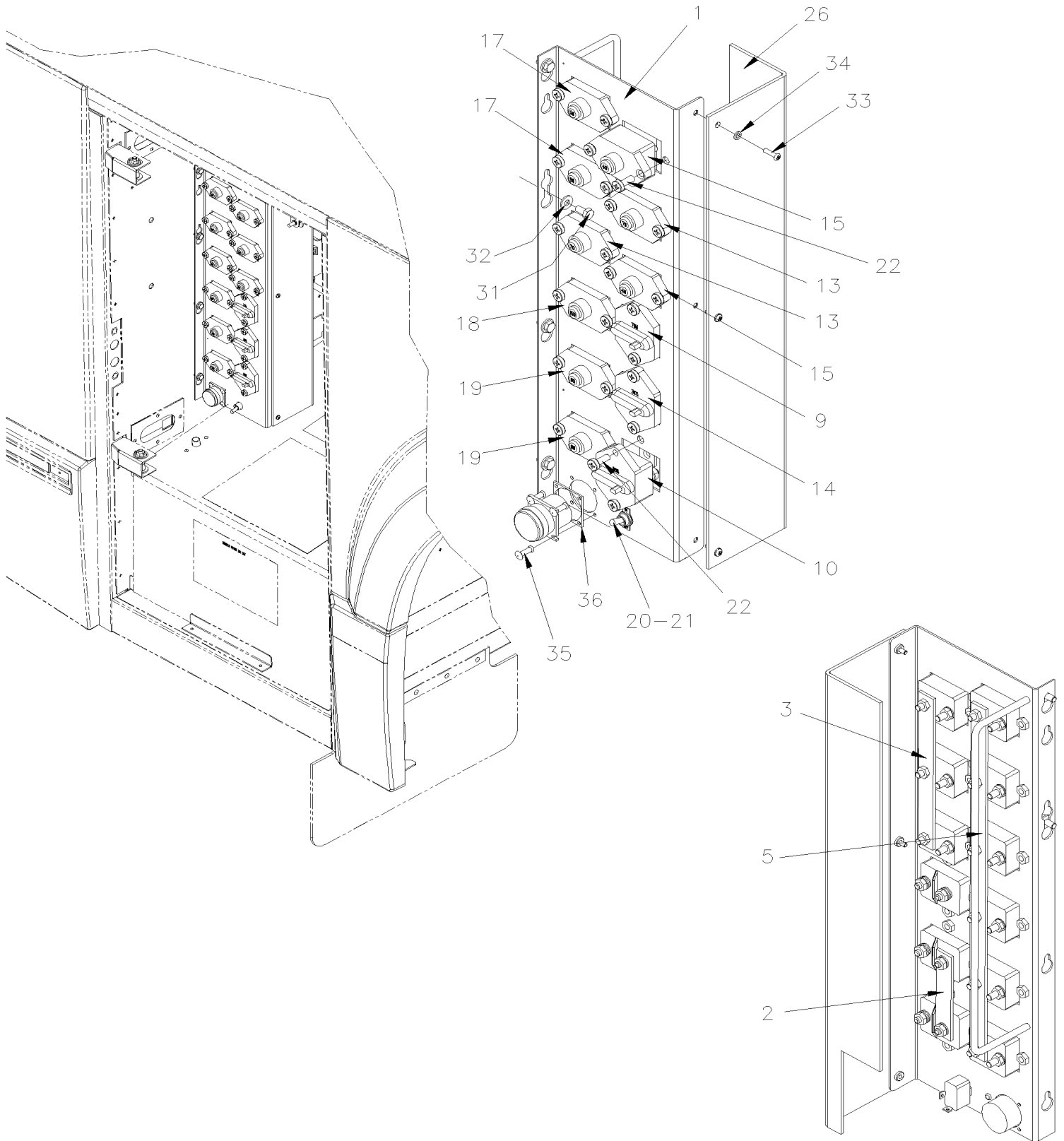


From 7-0671 To D-2363

Date:10/2022

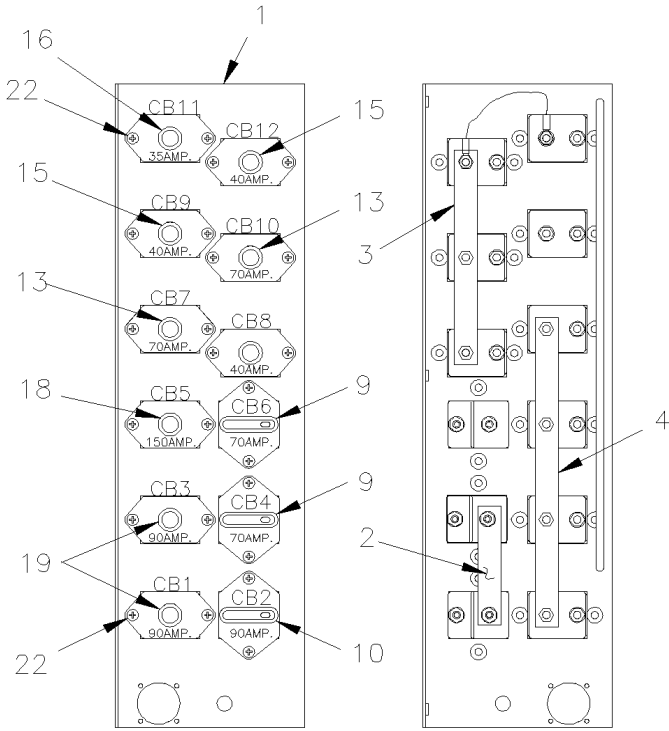
PAGE:H7-0616-10

## BREAKER PANEL

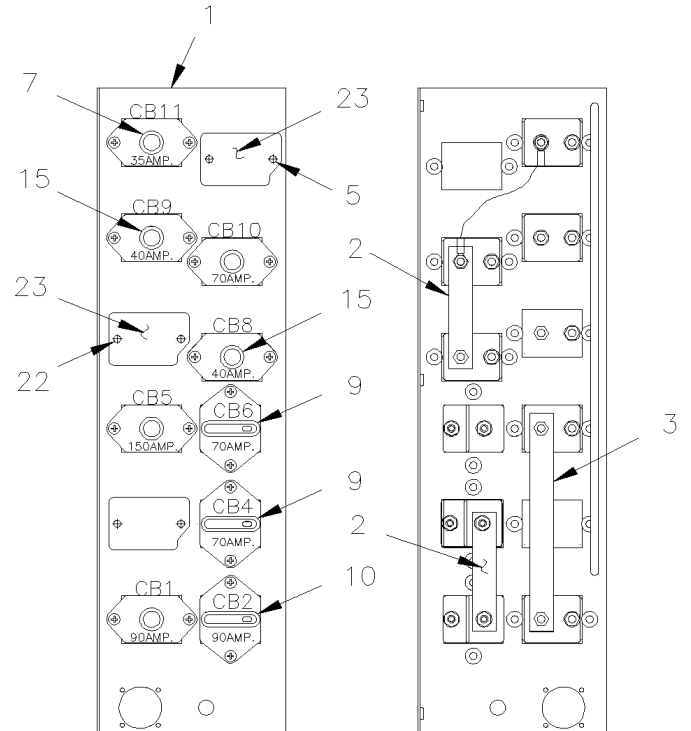


## BREAKER PANEL

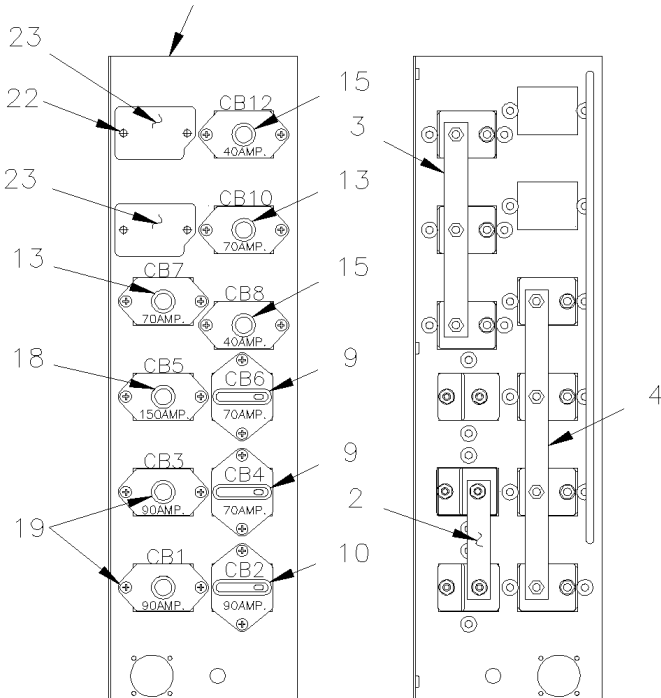
LARGE A/C & SLIDE-OUT



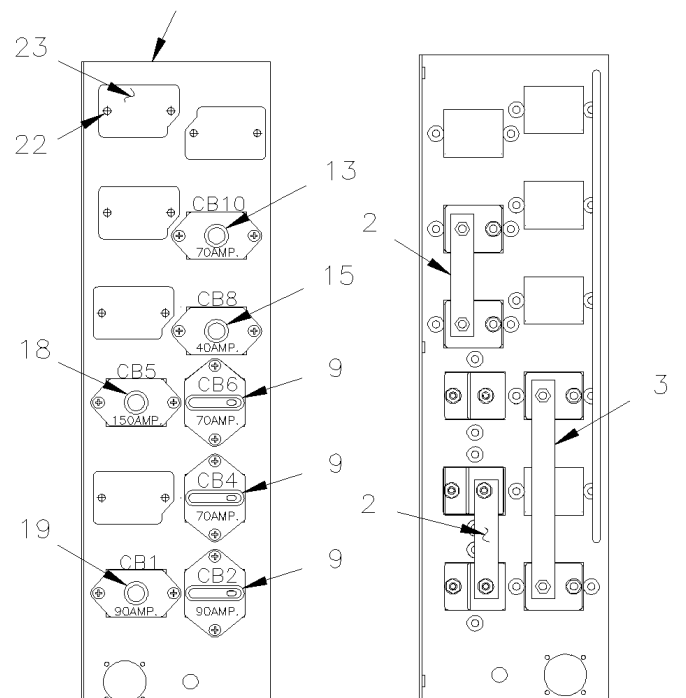
SMALL A/C & SLIDE-OUT



LARGE A/C



SMALL A/C



From 7-0671 To D-2363	Date:10/2022	PAGE:H7-0616-10
<b>BREAKER PANEL</b>		

Item#	Part	Description	H 3 4 1	H 3 4 5	V I P 4 5	N O T E S
1	382139	SUPPORT BREAKER To A-1720	1	1	1	
1	382451	SUPPORT BREAKER From B-1721	1	1	1	
2	382088	BUS BAR / W/2 HOLES / 80MM C/C	1	1	1	
3	382089	BUS BAR / W/3 HOLES / 80MM C/C	1	1	1	
4	382090	BUS BAR / W/4 HOLES / 80MM C/C	1	1	1	
5	382158	BUS BAR / W/6 HOLES / 80MM C/C	1	1	1	
6	382158	BUS BAR / W/6 HOLES / 80MM C/C	1	1	1	
9	563424	BREAKER 70AMPS / 24V /	2	2	2	
10	563425	BREAKER 90AMPS / 24V /	4	4	4	
11	563422	BREAKER 150AMPS / 24V /	1	1	1	
13	562687	BREAKER 70AMPS / 24V /	1	1	1	
14	563418	BREAKER 30AMPS / 24V /	1	1		
15	562686	BREAKER 40AMPS / 24V /	1	1	1	
16	563594	BREAKER 35AMPS / 24V /	1	1	1	
17	563355	BREAKER 50AMPS / 24V /	1	1	1	
18	562684	BREAKER 150AMPS / 24V /	1	1	1	
19	562683	BREAKER 90AMPS / 24V /	1	1	1	
20	563398	SWITCH / OFF-ON / D.P.S.T. / MUX	1	1	1	
21	562394	PLATE, INDICATING (ON/OFF)	1	1	1	
22	502569	SCREW MA PAN PH M6-1.0x16 BK	24	24	24	
23	382116	CLOSING PLATE BREAKER HOLE	AR	AR	AR	
26	382100	PROTECTOR / SIDE BREAKER	1	1	1	
31	5001743	SCREW CAP HEX M6-1.0x12 G8.8 N500	4	4	4	
32	500877	WASHER FL .250x.562x.065 N500	4	4	4	
33	5001332	SCREW MA PAN PH M4-0.7x16 SS	3	3	3	
34	500914	WASHER LO SPT .193x.334x.047 N500	3	3	3	
35	504118	RIVET POP DOME OE 3/16x3/8 AL	4	4	4	
36	563096	GASKET MOUNTING / HD10 SERIES / 6C / DEUTSCH HD10-6-GKT	1	1	1	
NS	067125	DECAL "REAR JCT BREAKER'S PANEL To 8-1291	1	1		
NS	067330	DECAL "REAR JCT BREAKER'S PANEL From 8-1292	1	1		
NS	066901	DECAL "REAR JCT BREAKER'S PANEL To 8-1291			1	
NS	067574	DECAL "REAR JCT BREAKER'S PANEL From 8-1292			1	

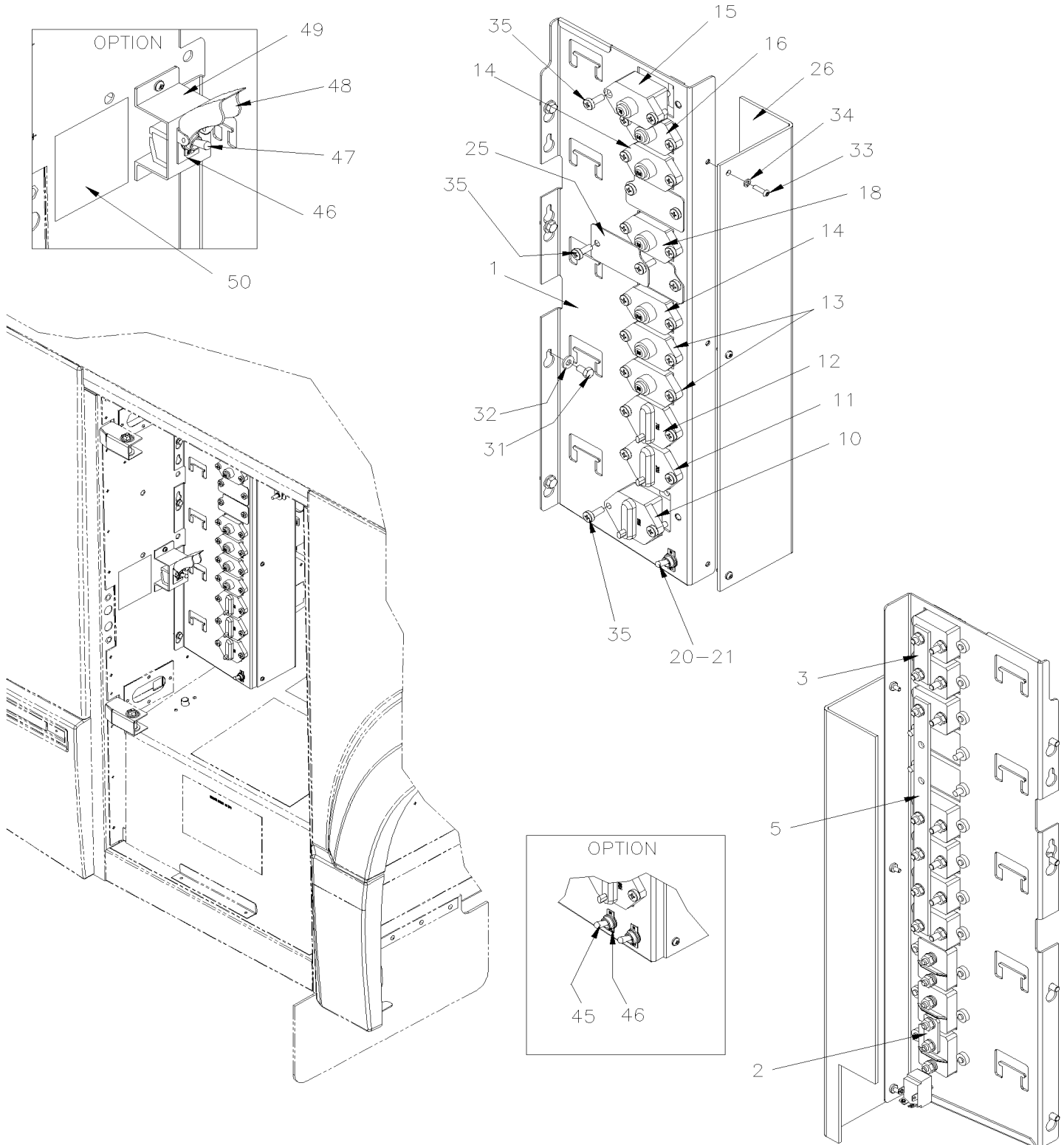


From D-2364 To J-0287

Date:10/2022

PAGE:H7-0616-11

## BREAKER PANEL



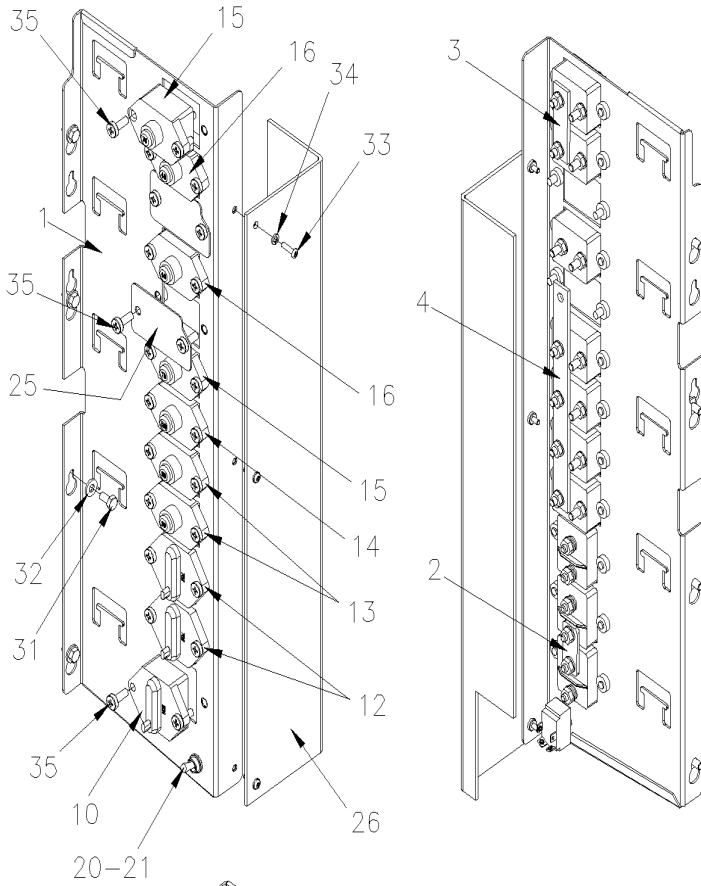
From D-2364 To J-0287

Date:10/2022

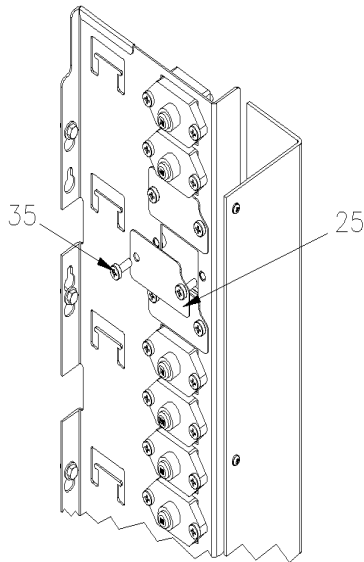
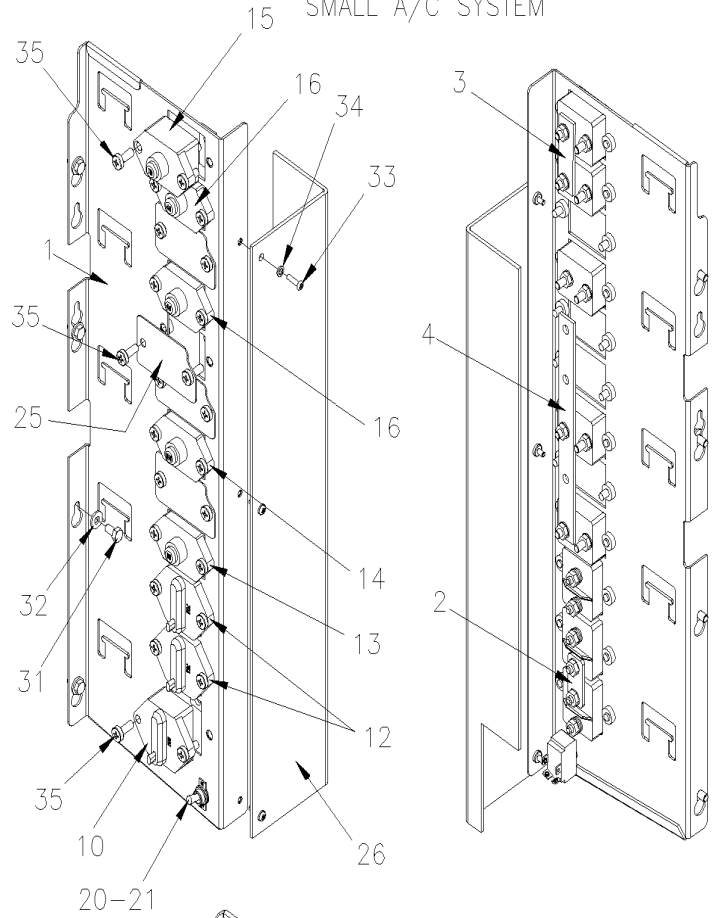
PAGE:H7-0616-11

## BREAKER PANEL

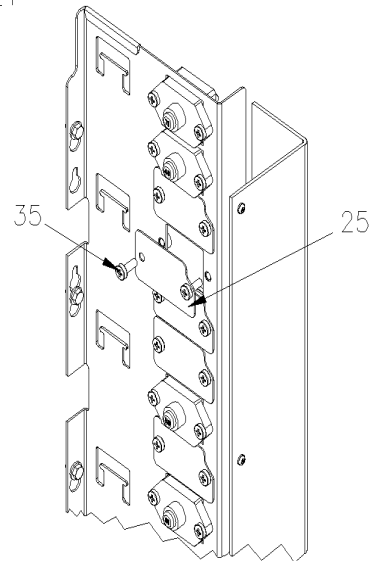
VIP WITH  
LARGE A/C SYSTEM



VIP WITH  
SMALL A/C SYSTEM



VIP WITH  
LARGE A/C SYSTEM  
WITHOUT SLIDE OUT



VIP WITH  
SMALL A/C SYSTEM  
WITHOUT SLIDE OUT



<b>From D-2364 To J-0287</b>	<b>Date:10/2022</b>	<b>PAGE:H7-0616-11</b>
<b>BREAKER PANEL</b>		

Item#	Part	Description	H 3 4 1	H 3 4 5	V I P 4 5	N O T E S
1	382498	SUPPORT BREAKER	1	1	1	
2	068058	BUS BAR / W/2 HOLES / 27.7MM C/C	1	1	1	
3	068055	BUS BAR / W/2 HOLES / 45.5MM C/C	1	1	1	
4	068059	BUS BAR / W/5 HOLES / 45.5MM C/C			1	
5	068718	BUS BAR / W/7 HOLES / 45.5MM C/C	1	1	1	
10	563425	BREAKER 90AMPS / 24V / To E-2507	AR	AR	AR	
10	565147	BREAKER 90AMPS / 24V / W/O HARDWARE From E-2508	AR	AR	AR	
11	563418	BREAKER 30AMPS / 24V / To E-2507	AR	AR	AR	
11	565141	BREAKER 30AMPS / 24V / W/O HARDWARE From E-2508	AR	AR	AR	
12	563424	BREAKER 70AMPS / 24V / To E-2507	AR	AR	AR	
12	565146	BREAKER 70AMPS / 24V / W/O HARDWARE From E-2508	AR	AR	AR	
13	562683	BREAKER 90AMPS / 24V / To E-2507	AR	AR	AR	
13	565137	BREAKER 90AMPS / 24V / W/O HARDWARE From E-2508	AR	AR	AR	
14	562684	BREAKER 150AMPS / 24V / To E-2507	AR	AR	AR	
14	565140	BREAKER 150AMPS / 24V / W/O HARDWARE From E-2508	AR	AR	AR	
15	562687	BREAKER 70AMPS / 24V / To E-2507	AR	AR	AR	
15	565136	BREAKER 70AMPS / 24V / W/O HARDWARE From E-2508	AR	AR	AR	
16	562686	BREAKER 40AMPS / 24V / To E-2507	AR	AR	AR	
16	565134	BREAKER 40AMPS / 24V / W/O HARDWARE From E-2508	AR	AR	AR	
NS	5001924	NUT HEX NYRT THN 1/4-28 SS From E-2508	AR	AR	AR	
NS	502573	WASHER FL 6.4x12.5x1.6 SS From E-2508	AR	AR	AR	
18	565135	BREAKER 50AMPS / 24V / W/O HARDWARE From E-2585	AR	AR	AR	
20	563398	SWITCH / OFF-ON / D.P.S.T. / MUX	1	1	1	
21	562394	PLATE, INDICATING (ON/OFF)	1	1	1	
25	382450	CLOSING PLATE BREAKER HOLE	AR	AR	AR	
26	382100	PROTECTOR / SIDE BREAKER	1	1	1	
31	5001743	SCREW CAP HEX M6-1.0x12 G8.8 N500	4	4	4	
32	500877	WASHER FL .250x.562x.065 N500	4	4	4	
33	5001332	SCREW MA PAN PH M4-0.7x16 SS To H-3838	3	3	3	
33	502698	SCREW MA PAN PH M4-0.7x16 SS BK From H-3839	3	3	3	
34	500914	WASHER LO SPT .193x.334x.047 N500 To H-3838	3	3	3	
34	500855	WASHER FL .188x.438x.049 N500 From H-3839	3	3	3	
35	502817	SCREW MA PAN PH M6-1.0x16 N500	24	24	24	
NS	067960	CABLE ASSY / BREAKERS	1	1	1	
40	067979	DECAL "REAR JCT BREAKER'S PANEL	1	1		
40	067978	DECAL "REAR JCT BREAKER'S PANEL			1	
45	563609	SWITCH / OFF-ON / S.P.S.T. / SEALED W/WIRES ASSY	1	1	1	
		WITH PREHEATER CUT-OUT SWITCH				
45	563609	SWITCH / OFF-ON / S.P.S.T. / SEALED W/WIRES ASSY	1	1	1	
45	561689	SOCKET TERMINAL / 20-18 / PED 12089188	2	2	2	

From D-2364 To J-0287      Date:10/2022      PAGE:H7-0616-11

**BREAKER PANEL**

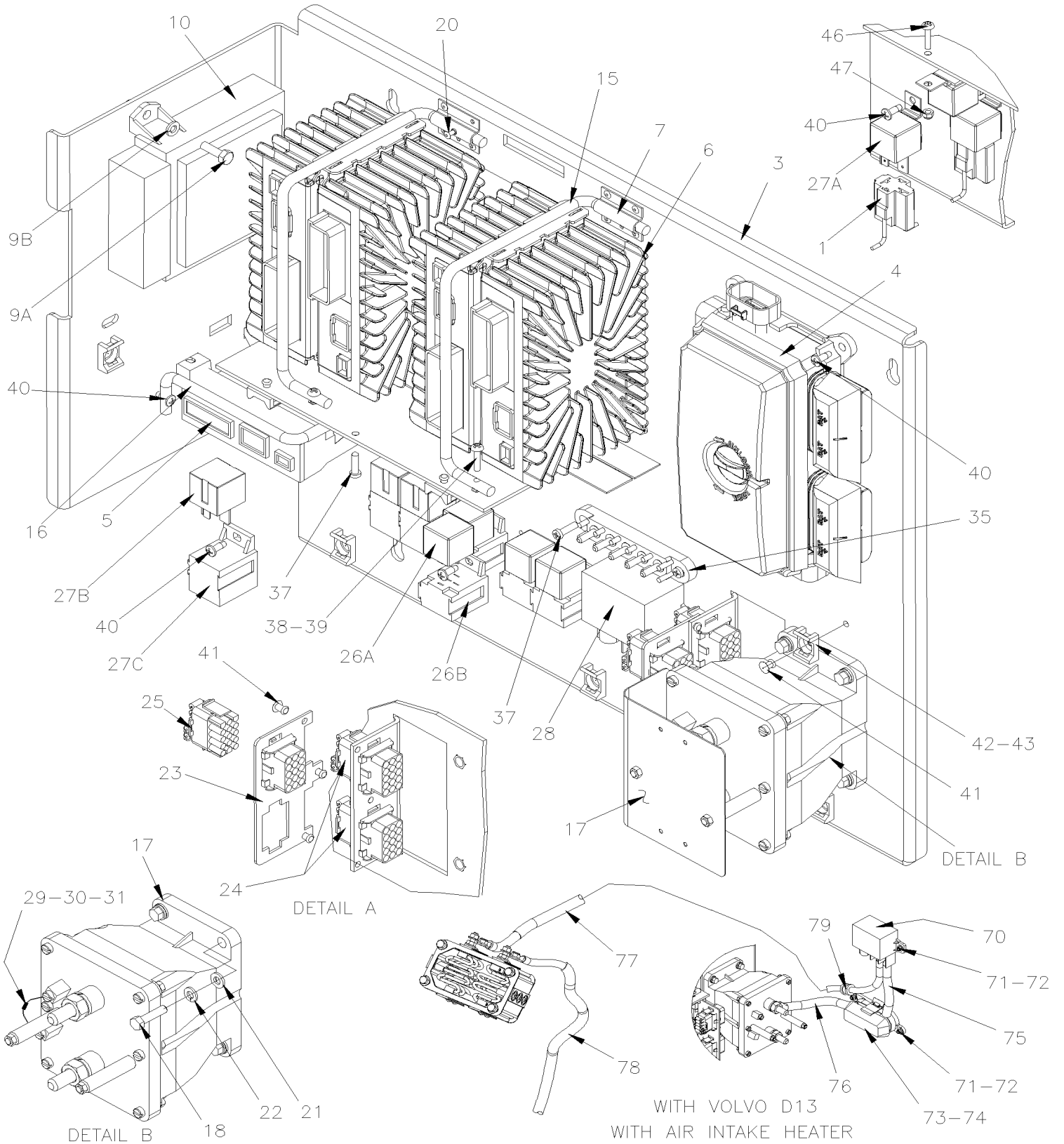
Item#	Part	Description	H 3 4 1	H 3 4 5	V I P 4 5	N O T E S
45	561690	CONNECTOR / WEATHER PACK / SH 2C / BLACK / PED 12015792	1	1	1	
45	561565	CABLE SEAL / GREEN / PED 15324982	1	1	1	
45	560241	RUBBER PROTECTOR, TOGGLE SWITCH	2	2	2	
45	068500	DECAL "COUPE PRECHAUFF..."	1	1	1	
45	562590	WIRE CABLE 18 / RED / TXL	AR	AR	AR	
45	560784	SHRINK TUBING / .250" - .080" / BLACK / ALPHA FIT-300-1/4-4B	AR	AR	AR	
45	562228	BUTT SPLICE / 16-14 / AMP 31819	2	2	2	
46	562394	PLATE, INDICATING (ON/OFF)	1	1	1	
47	564609	SWITCH ON-NONE-ON / S.P.D.T. From H-3911 To H-3912	1	1	1	SP
48	560262	SWITCH GUARD / RED	1	1	1	SP
49	Call order desk	BRACKET FOR SWITCH	1	1	1	P SP
50	069291	STICKER SPARE ALT. ACTIVATION From H-3911 To H-3912	1	1	1	SP
		SP) SPECIAL OPTION WITH 3RD ALTERNATOR				
		P) CALL ORDER DESK FOR SPECIFIC APPLICATION (V.I.N.)				

From 7-0671 To D-2363

Date:10/2022

PAGE:H7-0620-00

## REAR JUNCTION BOX ASSY



<b>From 7-0671 To D-2363</b>	<b>Date:10/2022</b>	<b>PAGE:H7-0620-00</b>
<b>REAR JUNCTION BOX ASSY</b>		

Item#	Part	Description	H 3 4 1	H 3 4 5	V I P 4 5	N O T E S
1	067092	CABLE HARNESS / REAR JUNCTION BOX To 8-1169	1	1		
1	067219	CABLE HARNESS / REAR JUNCTION BOX From 8-1170 To 9-1417	1	1		
1	067363	CABLE HARNESS / REAR JUNCTION BOX From 9-1418 To A-1720	1	1		
1	067602	CABLE HARNESS / REAR JUNCTION BOX From A-1573 To A-1573		1		
1	067602	CABLE HARNESS / REAR JUNCTION BOX From A-1605 To A-1605		1		
1	067602	CABLE HARNESS / REAR JUNCTION BOX From A-1627 To A-1627		1		
1	067799	CABLE HARNESS / REAR JUNCTION BOX From A-1678 To A-1720	1	1		
1	067856	CABLE HARNESS / REAR JUNCTION BOX From B-1721 To C-1948	1	1		
1	068389	CABLE HARNESS / REAR JUNCTION BOX From C-1949 To C-2058	1	1		
1	068427	CABLE HARNESS / REAR JUNCTION BOX From C-2059	1	1		
1	066829	CABLE HARNESS / REAR JUNCTION BOX To 7-0893			1	
1	067131	CABLE HARNESS / REAR JUNCTION BOX From 7-0894 To 8-1169			1	
1	067221	CABLE HARNESS / REAR JUNCTION BOX From 8-1170 To 9-1417			1	
1	067365	CABLE HARNESS / REAR JUNCTION BOX From 9-1418 To A-1720			1	
1	067709	CABLE HARNESS / REAR JUNCTION BOX From B-1721 To C-1948			1	
1	068391	CABLE HARNESS / REAR JUNCTION BOX From C-1949 To C-2058			1	
1	068431	CABLE HARNESS / REAR JUNCTION BOX From C-2059			1	
3	382357	PANEL MOUNTING REAR JCT BOX To 8-1051	1	1	1	
3	382228	PANEL MOUNTING REAR JCT BOX From 8-1052	1	1	1	
NS	680066	ADHESIVE / ADBOND #5014 / 23.6ML BOTTLE	AR	AR	AR	
NS	506339	TAPE RUB ADH1 NIT 1/4" x 1" x 35' / BLACK 1220	AR	AR	AR	
NS	506025	RUBBER CHANNEL / 1/18" x 5/16" INT "U" SHAPE / SQUARE C.T.L.	AR	AR	AR	
NS	502737	SCREW CAP HEX M6-1.0x25 SS BK	1	1	1	
NS	500877	WASHER FL .250x.562x.065 N500	5	5	5	
NS	502511	NUT HEX NYRT M6-1.0 Z050	4	4	4	
4	563698	VEC DISTRIBUTION MODULE / REAR JCT BOX From 7-0671 To A-1720	1	1	1	
. NS	564104	. COVER / VEC BOX From 7-0671 To A-1720	1	1	1	
. NS	563269	. RELAY 24V S.P.D.T. W/RESISTOR / From 7-0671 To A-1720	3	3	3	
. NS	563004	. FUSE / ATM 2 AMPS GREY From 7-0671 To A-1720	1	1	1	
. NS	563279	. FUSE / ATM 3 AMPS VIOLET From 7-0671 To A-1720	1	1	1	
. NS	563005	. FUSE / ATM 7.5 AMPS BROWN From 7-0671 To A-1720	1	1	1	
. NS	563283	. FUSE / ATM 10 AMPS RED From 7-0671 To A-1720	12	12	12	
. NS	563284	. FUSE / ATM 15 AMPS BLUE From 7-0671 To A-1720	11	11	11	
. NS	563282	. FUSE / ATM 20 AMPS YELLOW From 7-0671 To A-1720	9	9	9	
. NS	563153	. FUSE / ATM 25 AMPS NATURAL From 7-0671 To A-1720	6	6	6	
. NS	563165	. FUSE / ATM 30 AMPS GREEN From 7-0671 To A-1720	1	1	1	
. NS	564464	. MINI BREAKER / 20 AMPS / SERIES 223 From 7-0671 To A-1720	1	1	1	
. NS	563181	. CONNECTOR / SH 8C / YELLOW / BUSSMANN 32006-E21 From 7-0671 To A-1720	1	1	1	
. NS	563182	. CONNECTOR / SH 8C / ORANGE / BUSSMANN 32006-G21 From 7-0671 To A-1720	1	1	1	
. NS	563183	. CONNECTOR / SH 8C / RED / BUSSMANN 32006-F21 From 7-0671 To A-1720	1	1	1	
. NS	563184	. CONNECTOR / SH 8C / GREEN / BUSSMANN 32006-C21 From 7-0671 To A-1720	1	1	1	
. NS	563185	. CONNECTOR / SH 8C / BLACK / BUSSMANN 32006-A21 From 7-0671 To A-1720	1	1	1	

<b>From 7-0671 To D-2363</b>	<b>Date:10/2022</b>	<b>PAGE:H7-0620-00</b>
<b>REAR JUNCTION BOX ASSY</b>		

Item#	Part	Description	H 3 4 1	H 3 4 5	V I P 4 5	N O T E S
. NS	563186	. CONNECTOR / SH 8C / GREY / BUSSMANN 32006-B21 From 7-0671 To A-1720	1	1	1	
. NS	563187	. CONNECTOR / SH 8C / BROWN / BUSSMANN 32006-H21 From 7-0671 To A-1720	1	1	1	
. NS	563448	. CONNECTOR / SH 8C / BLUE / BUSSMANN 32006-D21 From 7-0671 To A-1720	1	1	1	
. NS	19518268	. COVER RUBBER RED From 7-0671 To A-1720	2	2	2	
4	563635	VEC DISTRIBUTION MODULE / REAR JCT BOX From B-1721 To C-2058	1	1	1	
. NS	564104	. COVER / VEC BOX From B-1721 To C-2058	1	1	1	
. NS	563269	. RELAY 24V S.P.D.T. W/RESISTOR / From B-1721 To C-2058	4	4	4	
. NS	563004	. FUSE / ATM 2 AMPS GREY From B-1721 To C-2058	2	2	2	
. NS	563279	. FUSE / ATM 3 AMPS VIOLET From B-1721 To C-2058	3	3	3	
. NS	563005	. FUSE / ATM 7.5 AMPS BROWN From B-1721 To C-2058	2	2	2	
. NS	563283	. FUSE / ATM 10 AMPS RED From B-1721 To C-2058	13	13	13	
. NS	563284	. FUSE / ATM 15 AMPS BLUE From B-1721 To C-2058	9	9	9	
. NS	563282	. FUSE / ATM 20 AMPS YELLOW From B-1721 To C-2058	12	12	12	
. NS	563153	. FUSE / ATM 25 AMPS NATURAL From B-1721 To C-2058	6	6	6	
. NS	563165	. FUSE / ATM 30 AMPS GREEN From B-1721 To C-2058	3	3	3	
. NS	563181	. CONNECTOR / SH 8C / YELLOW / BUSSMANN 32006-E21 From B-1721 To C-2058	1	1	1	
. NS	563182	. CONNECTOR / SH 8C / ORANGE / BUSSMANN 32006-G21 From B-1721 To C-2058	1	1	1	
. NS	563183	. CONNECTOR / SH 8C / RED / BUSSMANN 32006-F21 From B-1721 To C-2058	1	1	1	
. NS	563184	. CONNECTOR / SH 8C / GREEN / BUSSMANN 32006-C21 From B-1721 To C-2058	1	1	1	
. NS	563185	. CONNECTOR / SH 8C / BLACK / BUSSMANN 32006-A21 From B-1721 To C-2058	1	1	1	
. NS	563186	. CONNECTOR / SH 8C / GREY / BUSSMANN 32006-B21 From B-1721 To C-2058	1	1	1	
. NS	563187	. CONNECTOR / SH 8C / BROWN / BUSSMANN 32006-H21 From B-1721 To C-2058	1	1	1	
. NS	563448	. CONNECTOR / SH 8C / BLUE / BUSSMANN 32006-D21 From B-1721 To C-2058	1	1	1	
. NS	19518268	. COVER RUBBER RED From B-1721 To C-2058	2	2	2	
4	563239	VEC DISTRIBUTION MODULE / REAR JCT BOX From C-2059	1	1	1	
. NS	564104	. COVER / VEC BOX From C-2059	1	1	1	
. NS	563269	. RELAY 24V S.P.D.T. W/RESISTOR / From C-2059	4	4	4	
. NS	563004	. FUSE / ATM 2 AMPS GREY From C-2059	2	2	2	
. NS	563279	. FUSE / ATM 3 AMPS VIOLET From C-2059	3	3	3	
. NS	563005	. FUSE / ATM 7.5 AMPS BROWN From C-2059	2	2	2	
. NS	563283	. FUSE / ATM 10 AMPS RED From C-2059	13	13	13	
. NS	563284	. FUSE / ATM 15 AMPS BLUE From C-2059	9	9	9	
. NS	563282	. FUSE / ATM 20 AMPS YELLOW From C-2059	12	12	12	
. NS	563153	. FUSE / ATM 25 AMPS NATURAL From C-2059	6	6	6	
. NS	563165	. FUSE / ATM 30 AMPS GREEN From C-2059	3	3	3	
. NS	563181	. CONNECTOR / SH 8C / YELLOW / BUSSMANN 32006-E21 From C-2059	1	1	1	
. NS	563182	. CONNECTOR / SH 8C / ORANGE / BUSSMANN 32006-G21 From C-2059	1	1	1	
. NS	563183	. CONNECTOR / SH 8C / RED / BUSSMANN 32006-F21 From C-2059	1	1	1	
. NS	563184	. CONNECTOR / SH 8C / GREEN / BUSSMANN 32006-C21 From C-2059	1	1	1	
. NS	563185	. CONNECTOR / SH 8C / BLACK / BUSSMANN 32006-A21 From C-2059	1	1	1	
. NS	563186	. CONNECTOR / SH 8C / GREY / BUSSMANN 32006-B21 From C-2059	1	1	1	
. NS	563187	. CONNECTOR / SH 8C / BROWN / BUSSMANN 32006-H21 From C-2059	1	1	1	

<b>From 7-0671 To D-2363</b>	<b>Date:10/2022</b>	<b>PAGE:H7-0620-00</b>
<b>REAR JUNCTION BOX ASSY</b>		

Item#	Part	Description	H 3 4 1	H 3 4 5	V I P 4 5	N O T E S
. NS	563448	. CONNECTOR / SH 8C / BLUE / BUSSMANN 32006-D21 From C-2059	1	1	1	
. NS	19518268	. COVER RUBBER RED From C-2059	2	2	2	
4	564132	LOCK CONNECTOR POSITION ASSURANCE / BUSSMANN 32004-CP	8	8	8	
4	563699	MINI BREAKER / 20 AMPS / SERIES 212	2	2	2	
5	565864	I/O A-MODULE VOLVO MULTIPLEX / BLACK To A-1580	AR	AR	AR	
. NS	562767	. CONNECTOR / SH 30C / GREEN / JAE IL-AG5-30S-D3C1 To A-1580	1	1	1	
. NS	562957	. CONNECTOR / SH 5C / GREEN / JAE IL-AG5-5S-S3C1 To A-1580	1	1	1	
. NS	563132	. CONNECTOR / SH 2C / YAZAKI 7283-6458-40 To A-1580	1	1	1	
5	564101	I/O A-MODULE VOLVO MULTIPLEX / BLACK From A-1581 To B-1817	AR	AR	AR	
. NS	562767	. CONNECTOR / SH 30C / GREEN / JAE IL-AG5-30S-D3C1 From A-1581 To B-1817	1	1	1	
. NS	562957	. CONNECTOR / SH 5C / GREEN / JAE IL-AG5-5S-S3C1 From A-1581 To B-1817	1	1	1	
. NS	563132	. CONNECTOR / SH 2C / YAZAKI 7283-6458-40 From A-1581 To B-1817	1	1	1	
5	564194	I/O A-MODULE VOLVO MULTIPLEX / BLACK From B-1818	AR	AR	AR	
. NS	562767	. CONNECTOR / SH 30C / GREEN / JAE IL-AG5-30S-D3C1 From B-1818	1	1	1	
. NS	562957	. CONNECTOR / SH 5C / GREEN / JAE IL-AG5-5S-S3C1 From B-1818	1	1	1	
. NS	563132	. CONNECTOR / SH 2C / YAZAKI 7283-6458-40 From B-1818	1	1	1	
6	565865	I/O B-MODULE VOLVO MULTIPLEX / ALUMINUM To A-1580	4	4	4	
. NS	563132	. CONNECTOR / SH 2C / YAZAKI 7283-6458-40 To A-1580	1	1	1	
. NS	563133	. CONNECTOR / JUNIOR POWER TIMER / SH 29C / AMP 1-963449-2 To A-1580	1	1	1	
. NS	562957	. CONNECTOR / SH 5C / GREEN / JAE IL-AG5-5S-S3C1 To A-1580	1	1	1	
6	564075	I/O B-MODULE VOLVO MULTIPLEX / ALUMINUM From A-1581 To B-1817	4	4	4	
. NS	563132	. CONNECTOR / SH 2C / YAZAKI 7283-6458-40 From A-1581 To B-1817	1	1	1	
. NS	563133	. CONNECTOR / JUNIOR POWER TIMER / SH 29C / AMP 1-963449-2 From A-1581 To B-1817	1	1	1	
. NS	562957	. CONNECTOR / SH 5C / GREEN / JAE IL-AG5-5S-S3C1 From A-1581 To B-1817	1	1	1	
6	564193	I/O B-MODULE VOLVO MULTIPLEX / ALUMINUM From B-1818	4	4	4	
. NS	563132	. CONNECTOR / SH 2C / YAZAKI 7283-6458-40 From B-1818	1	1	1	
. NS	563133	. CONNECTOR / JUNIOR POWER TIMER / SH 29C / AMP 1-963449-2 From B-1818	1	1	1	
. NS	562957	. CONNECTOR / SH 5C / GREEN / JAE IL-AG5-5S-S3C1 From B-1818	1	1	1	
7	382169	HINGE ROD ATTACHMENT	2	2		
9A	502622	SCREW CAP HEX M6-1.0x20 SS BK	3	3	3	
9A	502797	SCREW CAP HEX M8-1.25x70 G10.9 G500 To 8-1051	2	2		Z
9B	502570	WASHER LO SPT 6.1x11.8x1.6 SS	3	3	3	
NS	500942	WASHER LO SPT 8.1x14.8x2.0 N500 To 8-1051	2	2		Z
10	572047	E.C.U. B500 / GEN IV To 8-1125	1	1	1	S60
10	572066	E.C.U. B500 / GEN IV From 8-1126 To 8-1400	1	1	1	S60
10	572113	INTERFACE TCM / B500 / GEN IV From 8-1401 To A-1720	1	1	1	S60
10	572048	E.C.U. 4000MH / GEN IV To 8-1125			1	S60
10	572067	E.C.U. 4000MH / GEN IV From 8-1126 To 8-1400			1	S60
10	572114	E.C.U. 4000MH / GEN IV From 8-1401 To A-1720			1	S60
10	572059	INTERFACE TCM From 8-1202 To 8-1400	1	1	1	D13

From 7-0671 To D-2363	Date:10/2022	PAGE:H7-0620-00
<b>REAR JUNCTION BOX ASSY</b>		

Item#	Part	Description	H 3 4 1	H 3 4 5	V I P 4 5	N O T E S
10	572115	INTERFACE TCM D13 From 8-1401 To A-1720	1	1	1	D13
10	572146	INTERFACE TCM / B500 / GEN IV USE WITH 3.91 RATIO From B-1721 To B-1834	1	1	1	D13
10	572152	INTERFACE TCM / B500 / USE WITH 3.91/4.10 RATIO From B-1835	1	1	1	D13
10	572151	INTERFACE TCM / B500 / GEN IV USE WITH 3.58 RATIO From B-1831	1	1	1	D13
10	572150	E.C.U. B500 / WITH MODE 1= 5 SPEEDS & MODE 2 = 6 SPEEDS / GEN IV USE WITH 3.91 RATIO T.R.Y. inc From B-1810 To B-1810	1	1	1	
10	572145	E.C.U. 4000MH From B-1831			1	D13
10	572027	MODULE "ZF" ZMTEC / W10 SPEEDS To 8-1051	1	1		S60
10	572041	MODULE "ZF" ZMTEC / W12 SPEEDS From 8-1052 To A-1720	1	1		S60
15	382166	ROD ATTACHMENT / I/O B MODULE	2	2	2	
16	382179	ROD ATTACHMENT / I/O A MODULE	1	1	1	
17	562364	RELAY 24V S.P.S.T. / 300 AMPS N.O. // BATTERY DISCONNECT	1	1	1	
18	502737	SCREW CAP HEX M6-1.0x25 SS BK	4	4	4	
20	504340	RIVET POP DOME OE 1/8x3/16 SS	8	8	8	
21	502573	WASHER FL 6.4x12.5x1.6 SS	4	4	4	
22	502570	WASHER LO SPT 6.1x11.8x1.6 SS	4	4	4	
23	382161	SUPPORT / LED	1	1	1	
24	381145	DIODE ASSY / W/5 3AMPS	2	2	2	
25	382097	DIODE ASSY / W/3 3AMPS & 2 RESISTORS 270 OHMS To A-1476	1	1	1	
25	382421	DIODE ASSY / W/3 3AMPS From A-1477	1	1	1	
26A	563332	RELAY 24V S.P.D.T. W/RESISTOR / "VOLVO" (20374662)	3	3		
26A	563332	RELAY 24V S.P.D.T. W/RESISTOR / "VOLVO" (20374662)			4	
26B	561183	RELAY BASE / TAB TERMINAL / BOSCH 3334485008	3	3		
26B	561183	RELAY BASE / TAB TERMINAL / BOSCH 3334485008			4	
27A	561991	RELAY 24V S.P.S.T. / 70 AMPS N.O. To C-1948	2	2	2	A
27B	564218	RELAY 24V S.P.S.T. / 40 AMPS N.O. From C-1949	2	2	2	
27C	564210	RELAY BASE / TAB TERMINAL / COLE HERSEE 99025 From C-1949	2	2	2	
28	563348	RELAY POWER 24V 200 AMPS / S.P.S.T. N.O.	1	1	1	
. NS	5001182	. NUT HEX NYRT M6-1.0 SS	1	1	1	
. NS	502573	. WASHER FL 6.4x12.5x1.6 SS	1	1	1	
. NS	563409	. CONNECTOR / SUPERSEAL 1.5 SERIES / SH 2C / AMP 282080-1	1	1	1	
. NS	562607	. SOCKET TERMINAL / 20-16 / AMP 183025-1	1	1	1	
28	5001182	NUT HEX NYRT M6-1.0 SS	2	2	2	
28	502570	WASHER LO SPT 6.1x11.8x1.6 SS	2	2	2	
29	064792	DIODE ASSY	1	1	1	
. NS	561740	. DIODE / 3AMPS	1	1	1	
. NS	560082	. RING TERMINAL #10 / 16-14 / INSULATED / AMP 626033-2	1	1	1	
. NS	560815	. RING TERMINAL #10 / 22-18 / INSULATED / AMP 42037-2	1	1	1	
. NS	562499	. SHRINK TUBING / .250" - .125" / CLEAR / ALPHA FIT 221-1/4	AR	AR	AR	
30	560082	RING TERMINAL #10 / 16-14 / INSULATED / AMP 626033-2	2	2	2	
31	560382	PLASTIC TUBING / 1/4" / CLEAR	AR	AR	AR	
35	563218	JUNCTION BLOCK W/5 STUDS	1	1	1	



<b>From 7-0671 To D-2363</b>	<b>Date:10/2022</b>	<b>PAGE:H7-0620-00</b>
<b>REAR JUNCTION BOX ASSY</b>		

Item#	Part	Description	H 3 4 1	H 3 4 5	V I P 4 5	N O T E S
35	500765	NUT HEX #10-32 BR	10	10	10	
36	066316	CABLE ASSY / BREAKERS To C-2058	1	1	1	
36	068498	CABLE ASSY / BREAKERS From C-2059	1	1	1	
37	500623	SCREW TC PAN PH #10-24x3/4 N500	5	5	5	
38	509827	SCREW MA RND PH M4-0.7x20 SS	2	2	2	
39	504726	NUT INS FL HEX M4-0.7 0.5-2.0 DP	2	2	2	
40	502868	SCREW TC TR PH #10-16x1/2 N500	AR	AR	AR	
41	504347	RIVET POP DOME OE 3/16x1/4 AL	AR	AR	AR	
42	504013	TIE MOUNT / 1/4" X 1/4" I.D.	AR	AR	AR	
43	504637	CABLE TIE / 3/16" x 13"	AR	AR	AR	
46	509827	SCREW MA RND PH M4-0.7x20 SS To C-1948	1	1	1	
47	502557	NUT HEX NYRT M4-0.7 SS To C-1948	1	1	1	
50	563439	REGULATOR ASSY 24V / W/5 SCREWS			1	
50	564017	NOISE SUPPRESSOR CONDENSATOR / STAMPED			1	
. NS	M106-04	. SEE MAINTENANCE INFORMATION			1	
50	500855	WASHER FL .188x.438x.049 N500			4	
60	068380	SERVICE KIT TO REPLACE 70 AMP RELAY	AR	AR	AR	
. NS	564210	. RELAY BASE / TAB TERMINAL / COLE HERSEE 99025	1	1	1	
. NS	564218	. RELAY 24V S.P.S.T. / 40 AMPS N.O.	1	1	1	
. NS	F111015	. SEE INSTRUCTION SHEET ENS. REPLACEMENT RELAIS 70A	1	1	1	
. NS	IS11015	. SEE INSTRUCTION SHEET	1	1	1	
70	563348	RELAY POWER 24V 200 AMPS / S.P.S.T. N.O.	1	1		H
. NS	5001182	. NUT HEX NYRT M6-1.0 SS	1	1		H
. NS	502573	. WASHER FL 6.4x12.5x1.6 SS	1	1		H
. NS	563409	. CONNECTOR / SUPERSEAL 1.5 SERIES / SH 2C / AMP 282080-1	1	1		H
. NS	562607	. SOCKET TERMINAL / 20-16 / AMP 183025-1	1	1		H
71	500539	NUT HEX NYRT M4-0.7 N500	1	1		H
72	500855	WASHER FL .188x.438x.049 N500	1	1		H
73	563751	FUSE / MEGA FUSE / 125 AMPS / GREEN	1	1		H
73	564174	FUSE / MEGA FUSE / 150 AMPS / ORANGE	1	1		H
74	563750	FUSEHOLDER W/RED COVER / MEGA FUSE /	1	1		H
75	067100	CABLE ASS FUSE & HEATER ELEMENT	1	1		H
76	067099	CABLE ASS ELEMENT & POWER	1	1		H
77	067101	CABLE HEATER ELEMENT RELAY	1	1		H
78	067102	CABLE NEG HEATER ELEMENT	1	1		H
79	952625	CLAMP / 3/8" I.D.	1	1		H
80	067199	DECAL REAR JCT BOX H3 W/MUX To 8-1201				
80	067346	DECAL REAR JCT BOX H3 W/MUX From 8-1202 To A-1720	1	1		
80	067895	DECAL REAR JCT BOX H3 W/MUX From B-1721 To C-1948	1	1		
80	068401	DECAL REAR JCT BOX H3 W/MUX From C-1949 To C-2058	1	1		
80	068526	DECAL REAR JCT BOX H3 W/MUX From C-2059	1	1		



From 7-0671 To D-2363	Date:10/2022	PAGE:H7-0620-00
<b>REAR JUNCTION BOX ASSY</b>		

Item#	Part	Description	H 3 4 1	H 3 4 5	V I P 4 5	N O T E S
80	066902	DECAL REAR JCT BOX VIP W/MUX To 9-1417			1	
80	067387	DECAL REAR JCT BOX VIP W/MUX From 9-1418 To A-1720			1	
80	067924	DECAL REAR JCT BOX VIP W/MUX From B-1721 To C-1948			1	
80	068402	DECAL REAR JCT BOX VIP W/MUX From C-1949 To C-2058			1	
80	068527	DECAL REAR JCT BOX VIP W/MUX From C-2059			1	
		A) FOR SERVICE USE KIT 068380				
		D13) WITH D13 ENGINE				
		H) WITH D13 ENGINE WITH AIR INTAKE HEATER				
		S60) WITH SERIE 60 ENGINE				
		Z) WITH "ZF" TRANSMISSION				

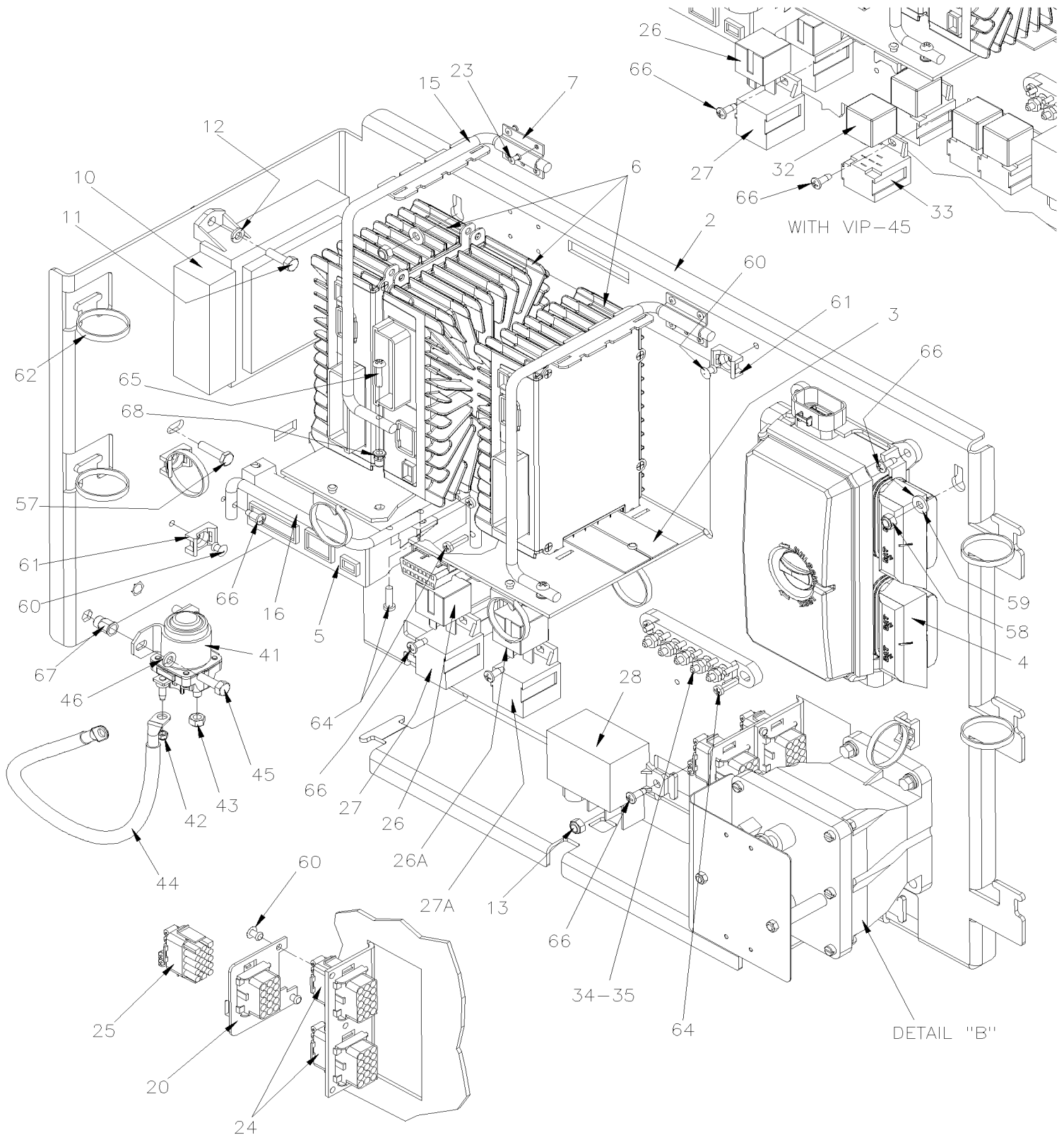


From D-2364 To J-0287

Date:10/2022

PAGE:H7-0620-01

## REAR JUNCTION BOX ASSY

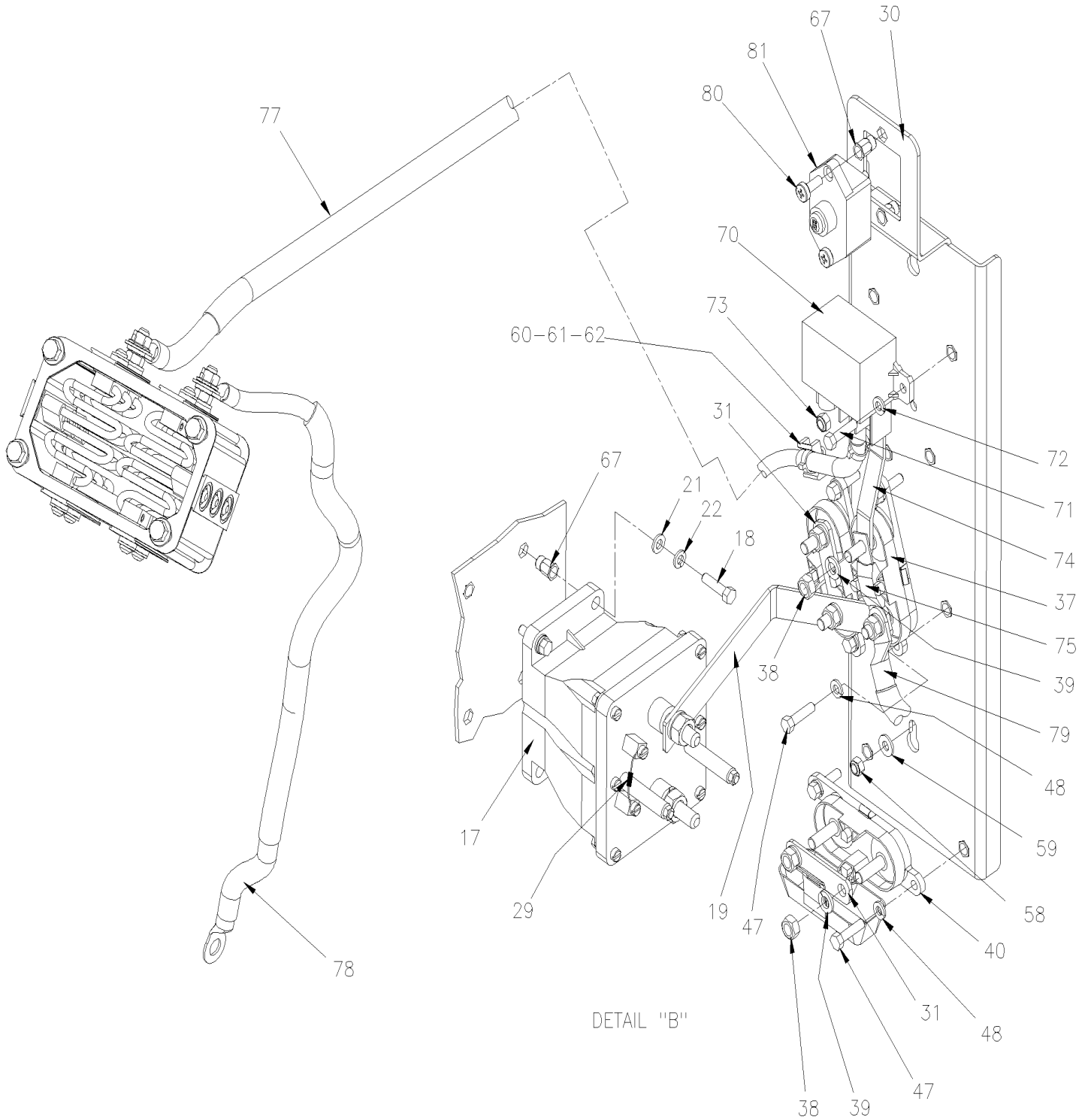


From D-2364 To J-0287

Date:10/2022

PAGE:H7-0620-01

## REAR JUNCTION BOX ASSY

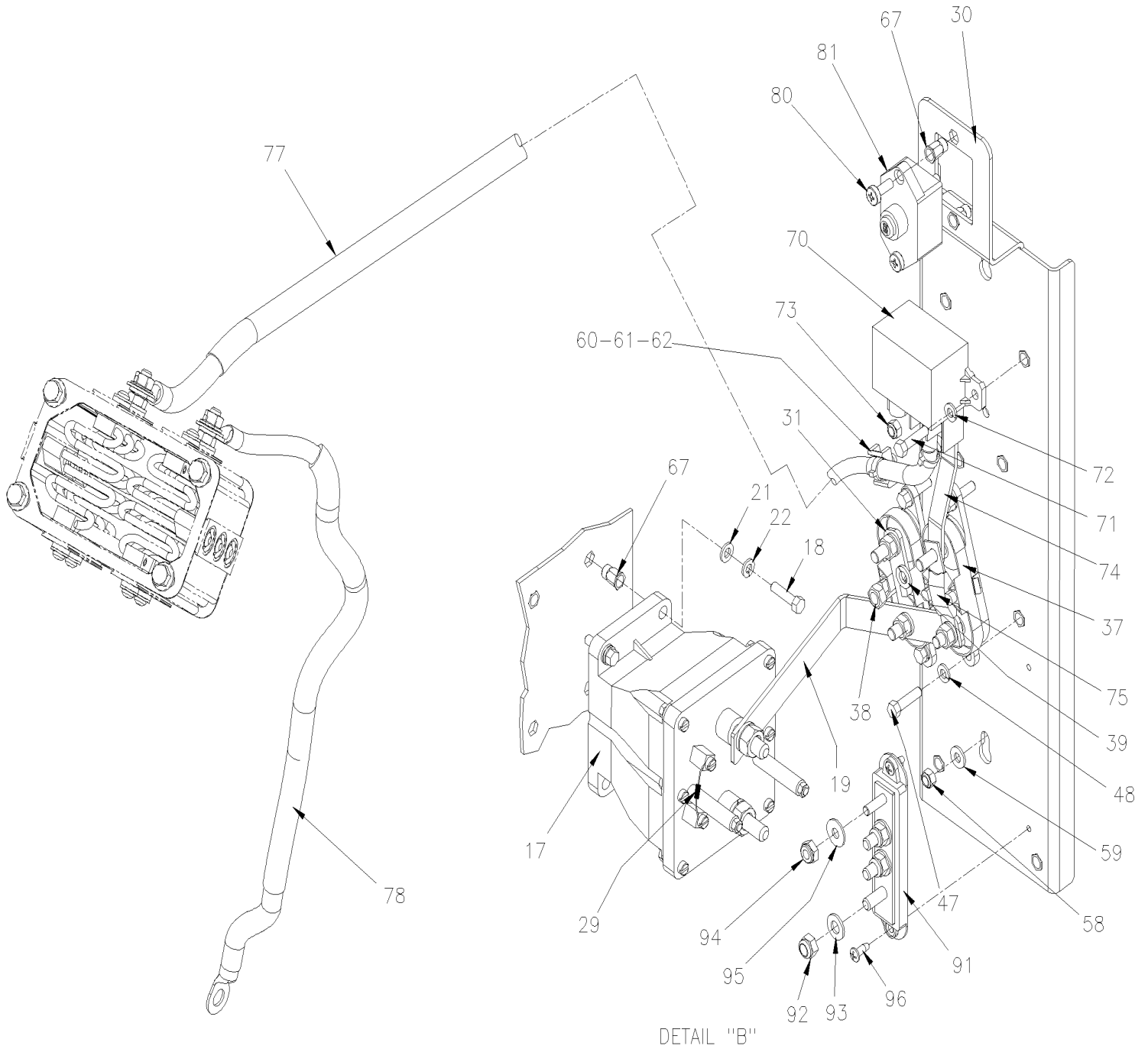


From D-2364 To J-0287

Date:10/2022

PAGE:H7-0620-01

## REAR JUNCTION BOX ASSY



VIP-45  
FROM H-3645

<b>From D-2364 To J-0287</b>	<b>Date:10/2022</b>	<b>PAGE:H7-0620-01</b>
<b>REAR JUNCTION BOX ASSY</b>		

Item#	Part	Description	H 3 4 1	H 3 4 5	V I P 4 5	N O T E S
1	068630	CABLE HARNESS / REAR JUNCTION BOX To D-2363	1	1		
1	068884	CABLE HARNESS / REAR JUNCTION BOX From D-2364 To E-2661	1	1		
1	068992	CABLE HARNESS / REAR JUNCTION BOX From E-2662 To F-2751	1	1		
1	069087	CABLE HARNESS / REAR JUNCTION BOX From F-2752 To F-2861	1	1		
1	069220	CABLE HARNESS / REAR JUNCTION BOX From F-2862 To G-3128	1	1		
1	069430	CABLE HARNESS / REAR JUNCTION BOX From G-3129 To G-3324	1	1		
1	069579	CABLE HARNESS / REAR JUNCTION BOX From G-3325 To H-3734	1	1		
1	069656	CABLE HARNESS / REAR JUNCTION BOX From H-3735	1	1		
1	068512	CABLE HARNESS / REAR JUNCTION BOX To D-2363			1	
1	068885	CABLE HARNESS / REAR JUNCTION BOX From D-2364 To E-2661			1	
1	069005	CABLE HARNESS / REAR JUNCTION BOX From E-2662 To F-2751			1	
1	069090	CABLE HARNESS / REAR JUNCTION BOX From F-2752 To F-2861			1	
1	069223	CABLE HARNESS / REAR JUNCTION BOX From F-2862 To G-3205			1	
1	069434	CABLE HARNESS / REAR JUNCTION BOX From G-3206 To H-3644			1	
1	068691	CABLE HARNESS / REAR JUNCTION BOX From H-3645 To H-3734			1	
1	069666	CABLE HARNESS / REAR JUNCTION BOX From H-3735			1	
2	382496	PANEL MOUNTING REAR JCT BOX	1	1	1	
2	506339	TAPE RUB ADH1 NIT 1/4" x 1" x 35' / BLACK 1220	AR	AR	AR	
2	680066	ADHESIVE / ADBOND #5014 / 23.6ML BOTTLE	AR	AR	AR	
3	506025	RUBBER CHANNEL / 1/18" x 5/16" INT "U" SHAPE / SQUARE C.T.L.	AR	AR	AR	
4	563239	VEC DISTRIBUTION MODULE / REAR JCT BOX	1	1	1	
. NS	564104	. COVER / VEC BOX	1	1	1	
. NS	563269	. RELAY 24V S.P.D.T. W/RESISTOR /	4	4	4	
. NS	563004	. FUSE / ATM 2 AMPS GREY	2	2	2	
. NS	563279	. FUSE / ATM 3 AMPS VIOLET	3	3	3	
. NS	563005	. FUSE / ATM 7.5 AMPS BROWN	2	2	2	
. NS	563283	. FUSE / ATM 10 AMPS RED	13	13	13	
. NS	563284	. FUSE / ATM 15 AMPS BLUE	9	9	9	
. NS	563282	. FUSE / ATM 20 AMPS YELLOW	12	12	12	
. NS	563153	. FUSE / ATM 25 AMPS NATURAL	6	6	6	
. NS	563165	. FUSE / ATM 30 AMPS GREEN	3	3	3	
. NS	563181	. CONNECTOR / SH 8C / YELLOW / BUSSMANN 32006-E21	1	1	1	
. NS	563182	. CONNECTOR / SH 8C / ORANGE / BUSSMANN 32006-G21	1	1	1	
. NS	563183	. CONNECTOR / SH 8C / RED / BUSSMANN 32006-F21	1	1	1	
. NS	563184	. CONNECTOR / SH 8C / GREEN / BUSSMANN 32006-C21	1	1	1	
. NS	563185	. CONNECTOR / SH 8C / BLACK / BUSSMANN 32006-A21	1	1	1	
. NS	563186	. CONNECTOR / SH 8C / GREY / BUSSMANN 32006-B21	1	1	1	
. NS	563187	. CONNECTOR / SH 8C / BROWN / BUSSMANN 32006-H21	1	1	1	
. NS	563448	. CONNECTOR / SH 8C / BLUE / BUSSMANN 32006-D21	1	1	1	
. NS	19518268	. COVER RUBBER RED	2	2	2	
4	564132	LOCK CONNECTOR POSITION ASSURANCE / BUSSMANN 32004-CP	8	8	8	
4	563699	MINI BREAKER / 20 AMPS / SERIES 212			2	

<b>From D-2364 To J-0287</b>	<b>Date:10/2022</b>	<b>PAGE:H7-0620-01</b>
<b>REAR JUNCTION BOX ASSY</b>		

Item#	Part	Description	H 3 4 1	H 3 4 5	V I P 4 5	N O T E S
5	564194	I/O A-MODULE VOLVO MULTIPLEX / BLACK To F-2924	1	1	1	
. NS	562767	. CONNECTOR / SH 30C / GREEN / JAE IL-AG5-30S-D3C1 To F-2924	1	1	1	
. NS	562957	. CONNECTOR / SH 5C / GREEN / JAE IL-AG5-5S-S3C1 To F-2924	1	1	1	
. NS	563132	. CONNECTOR / SH 2C / YAZAKI 7283-6458-40 To F-2924	1	1	1	
5	22561320	I/O A-MODULE VOLVO MULTIPLEX / BLACK From F-2925 To G-3374	1	1	1	
. NS	562767	. CONNECTOR / SH 30C / GREEN / JAE IL-AG5-30S-D3C1 From F-2925 To G-3374	1	1	1	
. NS	562957	. CONNECTOR / SH 5C / GREEN / JAE IL-AG5-5S-S3C1 From F-2925 To G-3374	1	1	1	
. NS	563132	. CONNECTOR / SH 2C / YAZAKI 7283-6458-40 From F-2925 To G-3374	1	1	1	
5	22722832	I/O A-MODULE VOLVO MULTIPLEX / BLACK From G-3375	1	1	1	
. NS	562767	. CONNECTOR / SH 30C / GREEN / JAE IL-AG5-30S-D3C1 From G-3375	1	1	1	
. NS	562957	. CONNECTOR / SH 5C / GREEN / JAE IL-AG5-5S-S3C1 From G-3375	1	1	1	
. NS	563132	. CONNECTOR / SH 2C / YAZAKI 7283-6458-40 From G-3375	1	1	1	
6	564193	I/O B-MODULE VOLVO MULTIPLEX / ALUMINUM To G-3374	3	3	3	
. NS	563132	. CONNECTOR / SH 2C / YAZAKI 7283-6458-40 To G-3374	1	1	1	
. NS	563133	. CONNECTOR / JUNIOR POWER TIMER / SH 29C / AMP 1-963449-2 To G-3374	1	1	1	
. NS	562957	. CONNECTOR / SH 5C / GREEN / JAE IL-AG5-5S-S3C1 To G-3374	1	1	1	
6	22722842	I/O B-MODULE VOLVO MULTIPLEX / ALUMINUM From G-3375	1	1	1	
. NS	563132	. CONNECTOR / SH 2C / YAZAKI 7283-6458-40 From G-3375	1	1	1	
. NS	563133	. CONNECTOR / JUNIOR POWER TIMER / SH 29C / AMP 1-963449-2 From G-3375	1	1	1	
. NS	562957	. CONNECTOR / SH 5C / GREEN / JAE IL-AG5-5S-S3C1 From G-3375	1	1	1	
7	382169	HINGE ROD ATTACHMENT	2	2	2	
10	572162	INTERFACE TCM / B500 WITH 3.58 RATIO To E-2437	1	1		
10	572163	INTERFACE TCM / B500 WITH 3.58 RATIO From E-2438 To E-2601	1	1		
10	572157	INTERFACE TCM / B500 WITH 3.91 / 4.10 RATIO To E-2437	1	1		
10	572164	INTERFACE TCM / B500 WITH 3.91 / 4.10 RATIO From E-2438 To E-2601	1	1		
10	572161	INTERFACE TCM / 400MH / WITH 4.10 RATIO To E-2601			1	
10	572168	INTERFACE TCM 4000MH 2014 / 500HP WITH 3.91 / 4.10 RATIO From E-2602 To H-3442			1	
10	570009	INTERFACE TCM 4000MH 2014 / 500HP WITH ALL RATIOS W/O VAC From H-3443			1	
10	572169	INTERFACE TCM B500 2014 / 435HP OR 500HP WITH ALL RATIOS W/O VAC From E-2602 To F-2769	1	1	1	
10	572178	INTERFACE TCM B500 2014 / 435HP OR 500HP WITH ALL RATIOS W/O VAC From F-2770 To H-3442	1	1	1	
10	570012	INTERFACE TCM B500 / 435HP WITH ALL RATIOS W/O VAC From H-3443	1	1	1	
10	572172	INTERFACE TCM B500 2014 / 435HP OR 500HP WITH ALL RATIOS W/VAC From E-2602 To F-2769	1	1	1	
10	572179	INTERFACE TCM B500 2014 / 435HP OR 500HP WITH ALL RATIOS W/VAC From F-2770 To H-3442	1	1	1	
10	570013	INTERFACE TCM B500 / 435HP WITH ALL RATIOS W/VAC From H-3443	1	1	1	
10	572176	INTERFACE TCM B500 2014 / 435HP OR 500HP WITH 3.58 RATIO / 5 SPEEDS From F-2723 To F-2769	1	1		TRY
10	572180	INTERFACE TCM B500 2014 / 435HP OR 500HP WITH 3.58 RATIO / 5 SPEEDS From F-2770	1	1		TRY
11	502622	SCREW CAP HEX M6-1.0x20 SS BK	3	3	3	
12	502570	WASHER LO SPT 6.1x11.8x1.6 SS	3	3	3	
13	5001182	NUT HEX NYRT M6-1.0 SS	2	2	2	
15	382166	ROD ATTACHMENT / I/O B MODULE	2	2	2	

From D-2364 To J-0287	Date:10/2022	PAGE:H7-0620-01
<b>REAR JUNCTION BOX ASSY</b>		

Item#	Part	Description	H 3 4 1	H 3 4 5	V I P 4 5	N O T E S
16	382179	ROD ATTACHMENT / I/O A MODULE	1	1	1	
17	562364	RELAY 24V S.P.S.T. / 300 AMPS N.O. // BATTERY DISCONNECT	1	1	1	
18	502737	SCREW CAP HEX M6-1.0x25 SS BK	4	4	4	
19	068604	BUS BAR / W/3 HOLES	1	1	1	
20	382558	SUPPORT / LED	1	1	1	
21	502573	WASHER FL 6.4x12.5x1.6 SS	4	4	4	
22	502570	WASHER LO SPT 6.1x11.8x1.6 SS	7	7	7	
23	504340	RIVET POP DOME OE 1/8x3/16 SS	8	8	8	
24	381145	DIODE ASSY / W/5 3AMPS	2	2	2	
25	382175	DIODE ASSY / W/3 3AMPS & 2 RESISTORS 100 OHMS	1	1	1	
26	564218	RELAY 24V S.P.S.T. / 40 AMPS N.O.	2	2	2	
26A	563337	RELAY 12V S.P.D.T. W/RESISTOR / To F-2711	1	1	1	
27	564210	RELAY BASE / TAB TERMINAL / COLE HERSEE 99025	2	2	2	
27A	561183	RELAY BASE / TAB TERMINAL / BOSCH 3334485008	1	1	1	
28	563348	RELAY POWER 24V 200 AMPS / S.P.S.T. N.O.	1	1	1	
. NS	5001182	. NUT HEX NYRT M6-1.0 SS	1	1	1	
. NS	502573	. WASHER FL 6.4x12.5x1.6 SS	1	1	1	
. NS	563409	. CONNECTOR / SUPERSEAL 1.5 SERIES / SH 2C / AMP 282080-1	1	1	1	
. NS	562607	. SOCKET TERMINAL / 20-16 / AMP 183025-1	1	1	1	
29	064792	DIODE ASSY	1	1	1	
. NS	561740	. DIODE / 3AMPS	1	1	1	
. NS	560082	. RING TERMINAL #10 / 16-14 / INSULATED / AMP 626033-2	1	1	1	
. NS	560815	. RING TERMINAL #10 / 22-18 / INSULATED / AMP 42037-2	1	1	1	
. NS	562499	. SHRINK TUBING / .250" - .125" / CLEAR / ALPHA FIT 221-1/4	AR	AR	AR	
30	382497	SUPPORT ASSY	1	1	1	
31	068169	BUS BAR / W/2 HOLES	2	2	2	
32	563332	RELAY 24V S.P.D.T. W/RESISTOR / "VOLVO" (20374662)			4	
33	561183	RELAY BASE / TAB TERMINAL / BOSCH 3334485008			4	
34	563218	JUNCTION BLOCK W/5 STUDS	1	1	1	
35	500765	NUT HEX #10-32 BR	10	10	10	
36	<b>H7-0616-11</b>	<b>BREAKER PANEL</b>				
37	563750	FUSEHOLDER W/RED COVER / MEGA FUSE /	2	2	2	
38	500615	NUT HEX M8-1.25 BR To E-2507	6	6	6	
38	966171	NUT HEX NYRT M8x1.25 SS From E-2508	6	6	6	
39	5001161	WASHER LO SPT 8.1x14.8x2.0 SS-304 To E-2507	6	6	6	
39	5001341	WASHER FL 8.4x17.0x1.6 SS From E-2508	6	6	6	
40	563238	FUSEHOLDER W/BLACK COVER / MEGA FUSE /	1	1	1	
41	564095	SMALL STARTOR RELAY	1	1	1	
42	500539	NUT HEX NYRT M4-0.7 N500	2	2	2	
43	5001182	NUT HEX NYRT M6-1.0 SS	2	2	2	
44	067327	CABLE ASSY / RELAY & BREAKER	1	1	1	
45	502622	SCREW CAP HEX M6-1.0x20 SS BK	2	2	2	



<b>From D-2364 To J-0287</b>	<b>Date:10/2022</b>	<b>PAGE:H7-0620-01</b>
<b>REAR JUNCTION BOX ASSY</b>		

Item#	Part	Description	H 3 4 1	H 3 4 5	V I P 4 5	N O T E S
46	502570	WASHER LO SPT 6.1x11.8x1.6 SS	2	2	2	
47	502737	SCREW CAP HEX M6-1.0x25 SS BK To E-2445	6	6	6	
47	502622	SCREW CAP HEX M6-1.0x20 SS BK From E-2446	6	6	6	
48	502570	WASHER LO SPT 6.1x11.8x1.6 SS To E-2445	6	6	6	
NS	561754	SHRINK TUBING / .500" - .250" / RED / ALPHA FIT-221-1/2	1	1	1	
57	502737	SCREW CAP HEX M6-1.0x25 SS BK	1	1	1	
58	502681	NUT HEX NYRT M6-1.0 N500 G8	6	6	6	
59	500877	WASHER FL .250x.562x.065 N500	6	6	6	
60	504347	RIVET POP DOME OE 3/16x1/4 AL	14	14	14	
61	504013	TIE MOUNT / 1/4" X 1/4" I.D.	11	11	11	
62	504637	CABLE TIE / 3/16" x 13"	AR	AR	AR	
64	500623	SCREW TC PAN PH #10-24x3/4 N500	5	5	5	
65	509827	SCREW MA RND PH M4-0.7x20 SS	2	2	2	
66	502868	SCREW TC TR PH #10-16x1/2 N500	8	8	8	
67	5001344	NUT INS FL HEX M6-1.0 0.5-3.0 SS	10	10	10	
68	504784	NUT INS FL HEX M4-0.7 0.5-3.0 ZP	4	4	4	
70	563348	RELAY POWER 24V 200 AMPS / S.P.S.T. N.O.	1	1	1	H
. NS	5001182	. NUT HEX NYRT M6-1.0 SS	1	1	1	H
. NS	502573	. WASHER FL 6.4x12.5x1.6 SS	1	1	1	H
. NS	563409	. CONNECTOR / SUPERSEAL 1.5 SERIES / SH 2C / AMP 282080-1	1	1	1	H
. NS	562607	. SOCKET TERMINAL / 20-16 / AMP 183025-1	1	1	1	H
71	502737	SCREW CAP HEX M6-1.0x25 SS BK	2	2	2	H
72	502570	WASHER LO SPT 6.1x11.8x1.6 SS	2	2	2	H
73	5001182	NUT HEX NYRT M6-1.0 SS	2	2	2	H
74	068072	BUS BAR / W/2 HOLES / 96.4MM C/C 14MM / OFFSET	1	1	1	H
75	564174	FUSE / MEGA FUSE / 150 AMPS / ORANGE	1	1	1	H
77	067101	CABLE HEATER ELEMENT RELAY	1	1	1	H
78	067102	CABLE NEG HEATER ELEMENT	1	1	1	H
79	069635	CABLE ASSY W/ALTERNATOR # 102-3/0 From H-3911 To H-3912	1	1	1	SP
NS	067320	CABLE GROUND ALT "BOSCH" From H-3911 To H-3912	1	1	1	SP
NS	068515	EXTENSION / ALTERNATOR & COMPRESSOR From H-3911 To H-3912	1	1	1	SP
NS	069678	HARN. SPEC. ALT. CTRL 3RD ALTERNATOR From H-3911 To H-3912	1	1	1	SP
80	502817	SCREW MA PAN PH M6-1.0x16 N500	2	2	2	
81	562684	BREAKER 150AMPS / 24V / To E-2507	1	1	1	A
81	565140	BREAKER 150AMPS / 24V / W/O HARDWARE From E-2508	1	1	1	A
81	563355	BREAKER 50AMPS / 24V / To E-2507	1	1	1	G
81	565135	BREAKER 50AMPS / 24V / W/O HARDWARE From E-2508	1	1	1	G
81	563425	BREAKER 90AMPS / 24V / To H-3748	1	1	1	O
81	565147	BREAKER 90AMPS / 24V / W/O HARDWARE From H-3749	1	1	1	O
81	065543	CABLE ASSY #4 X 550MM To E-2434	1	1	1	O
81	068414	CABLE ASSY #24P From E-2435	1	1	1	O
81	5001924	NUT HEX NYRT THN 1/4-28 SS From E-2508	2	2	2	

From D-2364 To J-0287	Date:10/2022	PAGE:H7-0620-01
<b>REAR JUNCTION BOX ASSY</b>		

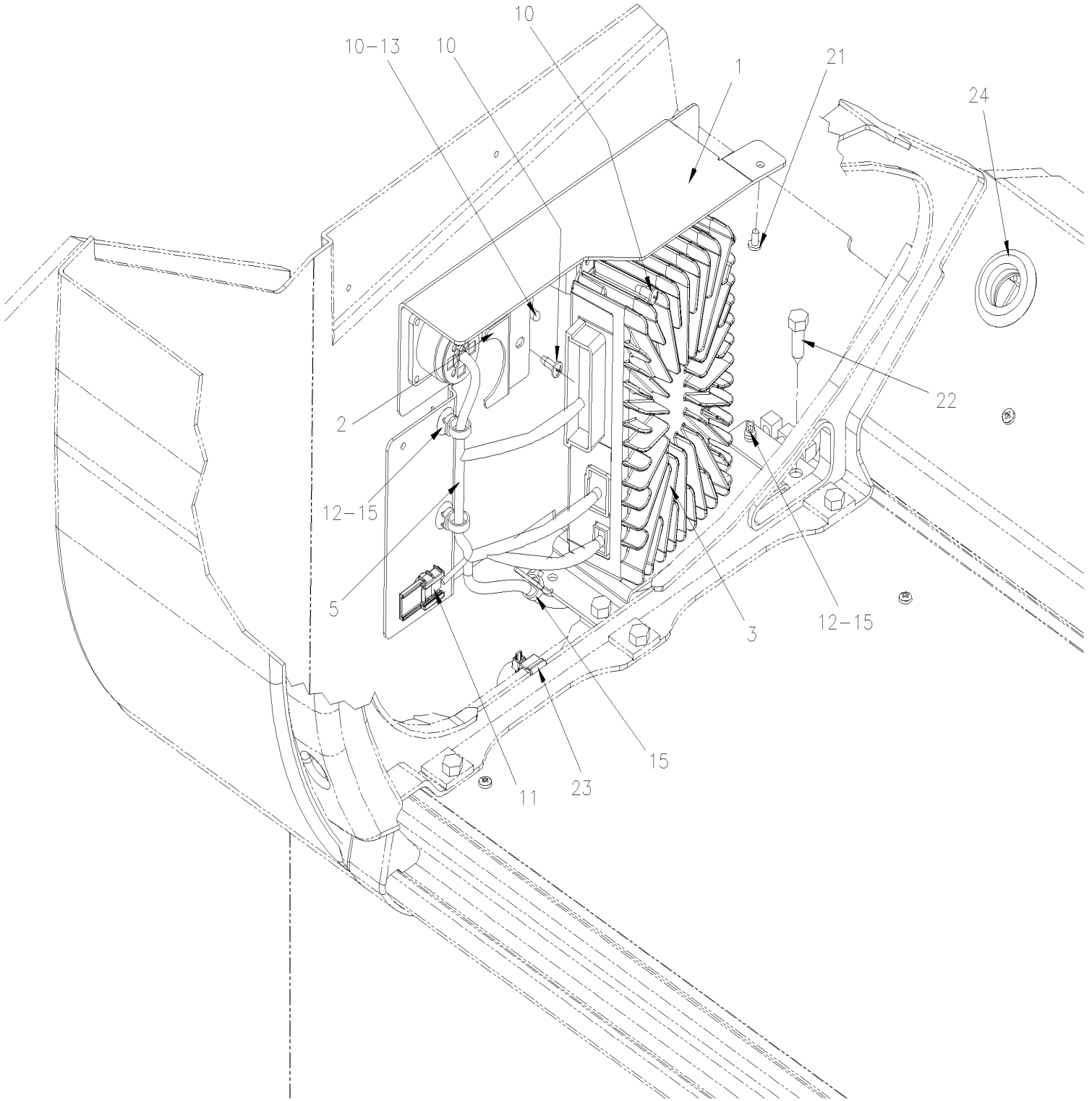
Item#	Part	Description	H 3 4 1	H 3 4 5	V I P 4 5	N O T E S
81	502573	WASHER FL 6.4x12.5x1.6 SS From E-2508	2	2	2	
NS	068641	DECAL REAR JCT BOX H3 W/MUX To G-3128	1	1		
NS	069455	DECAL REAR JCT BOX H3 W/MUX From G-3129 To G-3324	1	1		
NS	069580	DECAL REAR JCT BOX H3 W/MUX From G-3325	1	1		
NS	067959	DECAL REAR JCT BOX VIP W/MUX To G-3324			1	
NS	069581	DECAL REAR JCT BOX VIP W/MUX From G-3325 To H-3644			1	
90	060248	DECAL REAR JCT BOX VIP W/MUX From H-3645			1	
91	568099	JUNCTION BLOCK W/4 STUDS To H-3644			1	
91	560224	JUNCTION BLOCK W/4 STUDS From H-3645			1	
92	5001251	NUT HEX NYRT 1/4-20 SS From H-3645			3	
93	502573	WASHER FL 6.4x12.5x1.6 SS From H-3645			3	
94	5001251	NUT HEX NYRT 1/4-20 SS From H-3645			1	
95	502573	WASHER FL 6.4x12.5x1.6 SS From H-3645			1	
96	502868	SCREW TC TR PH #10-16x1/2 N500 From H-3645			2	
		A) WITH INVERTER				
		G) WITH GALLEY				
		H) WITH D13 ENGINE WITH AIR INTAKE HEATER				
		O) WITH PRE-HEATER ORLEAN OPTION				
		SP) SPECIAL FOR PREFERRED CHARTERS, WITH 3RD ALTERNATOR				
		TRY) OPTION YOUNG TRANSPORTATION				

From D-2364 To J-0287

Date:10/2022

PAGE:H7-0620-20

**PARCEL RACK JUNCTION PANEL**



<b>From D-2364 To J-0287</b>	<b>Date:10/2022</b>	<b>PAGE:H7-0620-20</b>
<b>PARCEL RACK JUNCTION PANEL</b>		

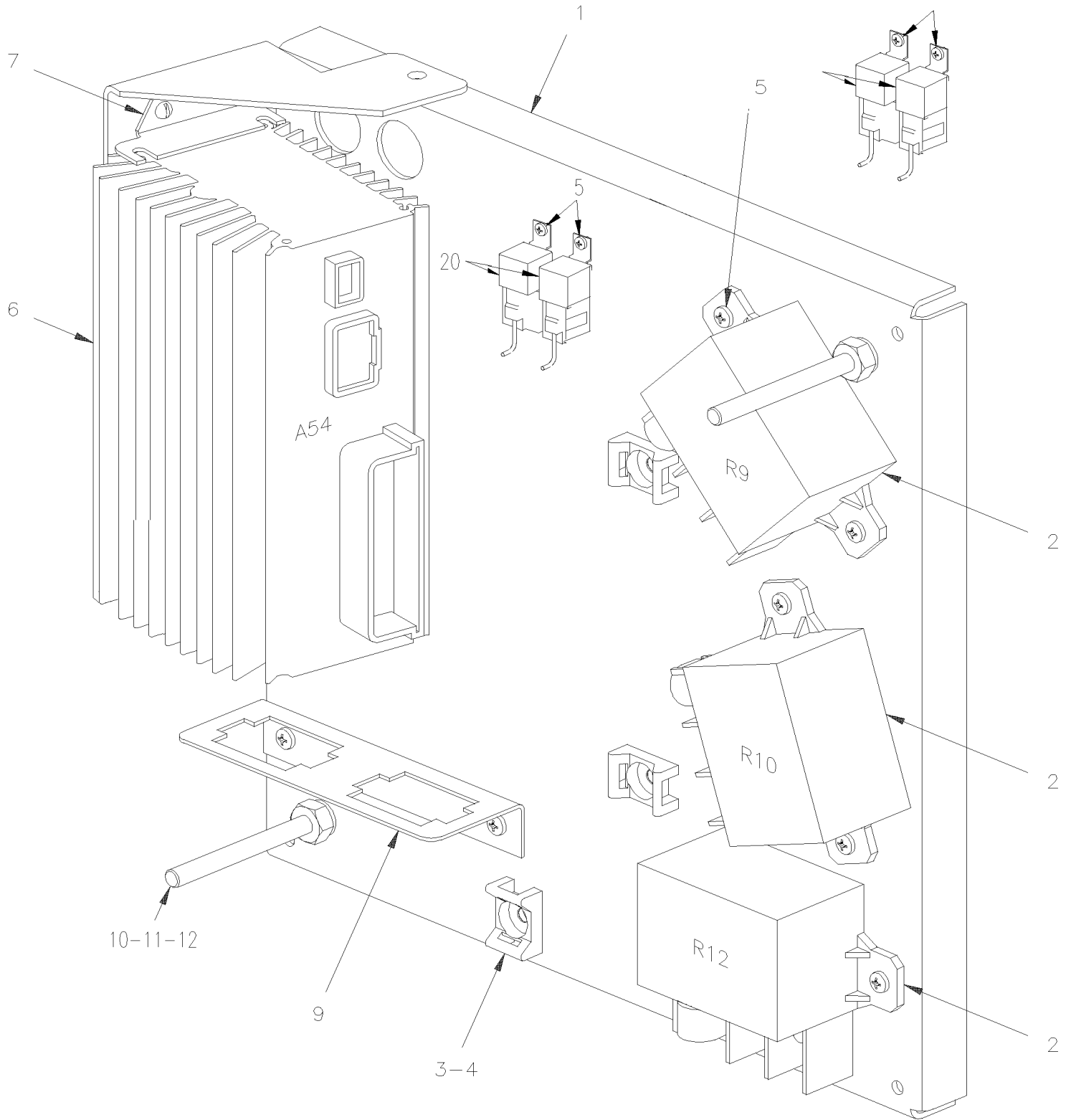
Item#	Part	Description	H 3 4 1	H 3 4 5	V I P 4 5	N O T E S
1	382359	SUPPORT MODULE I/O B To K-0184	1	1		
1	380076	SUPPORT MODULE I/O B From K-0185	1	1		
NS	506339	TAPE RUB ADH1 NIT 1/4" x 1" x 35' / BLACK 1220 To D-2353	AR	AR		
NS	506758	TAPE RUB ADH1 NEO 1/16"X 1 1/2"X50' From D-2354	AR	AR		
2	382556	SUPPORT CONNECTOR	1	1		
3	564193	I/O B-MODULE VOLVO MULTIPLEX / ALUMINUM To G-3374	1	1		
. NS	563132	. CONNECTOR / SH 2C / YAZAKI 7283-6458-40 To G-3374	1	1		
. NS	563133	. CONNECTOR / JUNIOR POWER TIMER / SH 29C / AMP 1-963449-2 To G-3374	1	1		
. NS	562957	. CONNECTOR / SH 5C / GREEN / JAE IL-AG5-5S-S3C1 To G-3374	1	1		
3	22722842	I/O B-MODULE VOLVO MULTIPLEX / ALUMINUM From G-3375 To K-0184	1	1		
. NS	563132	. CONNECTOR / SH 2C / YAZAKI 7283-6458-40 From G-3375 To K-0184	1	1		
. NS	563133	. CONNECTOR / JUNIOR POWER TIMER / SH 29C / AMP 1-963449-2 From G-3375 To K-0184	1	1		
. NS	562957	. CONNECTOR / SH 5C / GREEN / JAE IL-AG5-5S-S3C1 From G-3375 To K-0184	1	1		
5	067995	CABLE HARNESS / PARCEL RACK JUNCTION PANEL To G-3128	1	1		
5	069303	CABLE HARNESS / PARCEL RACK JUNCTION PANEL From G-3129 To K-0184	1	1		
5	060867	CABLE HARNESS / PARCEL RACK JUNCTION PANEL From K-0185	1	1		
10	502868	SCREW TC TR PH #10-16x1/2 N500	4	4		
11	564108	SELF MOUNTING STUD // DEUTSCH 1011-310-0205	1	1		
12	509815	TIE MOUNT / ATTACHMENT W/TREE MOUNT	AR	AR		
12	504114	RIVET POP DOME OE 3/16x1/4 AL	6	6		
12	504013	TIE MOUNT / 1/4" X 1/4" I.D.	6	6		
13	507333	PROTECTOR CAP / BLACK / .172 I.D. x .500	1	1		
15	504637	CABLE TIE / 3/16" x 13"	3	3		
21	500582	SCREW TP PAN PH #8x3/8 Z050	1	1		
22	502513	SCREW TP CAP HEX 5/16x1 Z050	2	2		
23	564534	CABLE TIE / WITH EDGE CLIP / T50REC5A 10 MM x 200 MM	1	1		
24	504666	GROMMET / 1.000x1.375x.250x.625x1.750	1	1		

From 7-0671 To E-2661

Date:10/2022

PAGE:H7-0621-10

A/C ELECTRICAL PANEL ASSY / EVAPORATOR COMPARTMENT



From 7-0671 To E-2661	Date:10/2022	PAGE:H7-0621-10
<b>A/C ELECTRICAL PANEL ASSY / EVAPORATOR COMPARTMENT</b>		

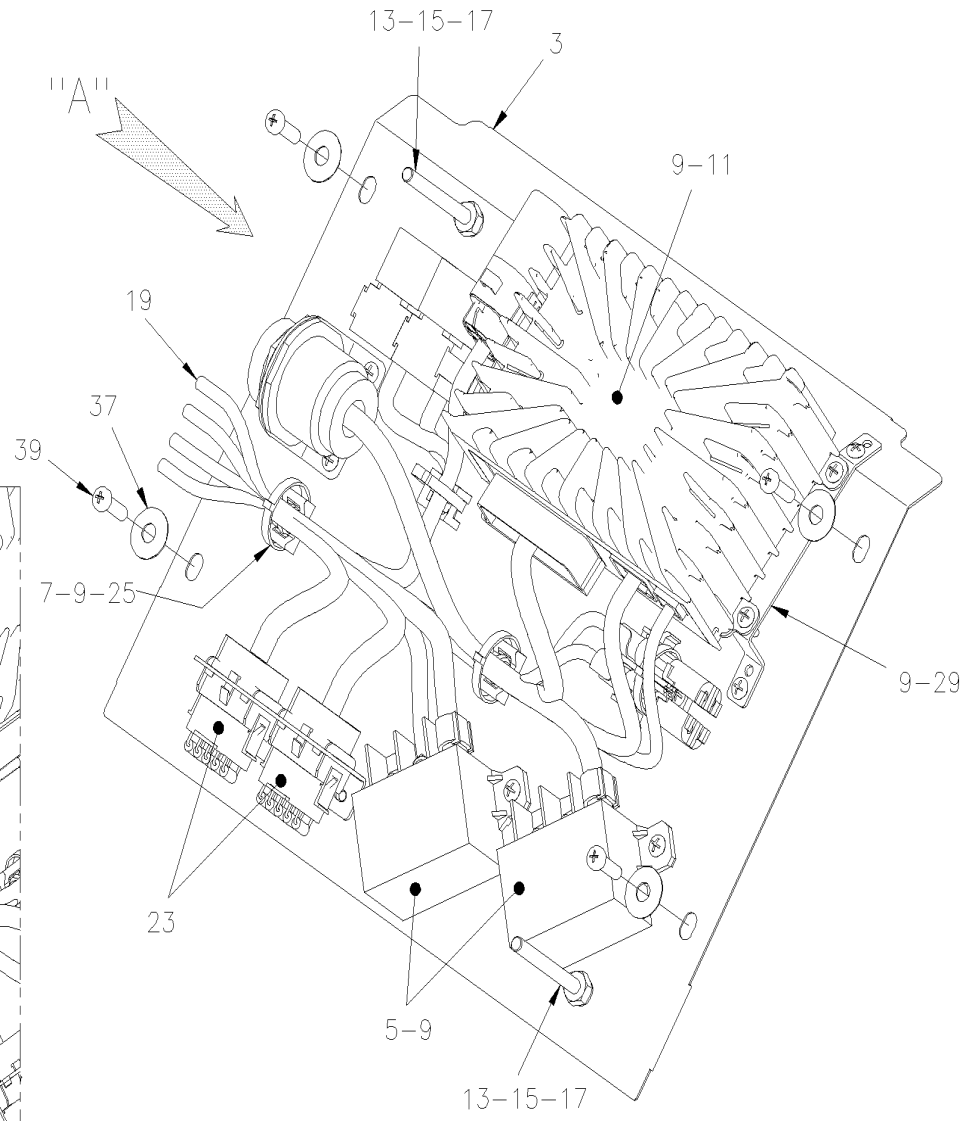
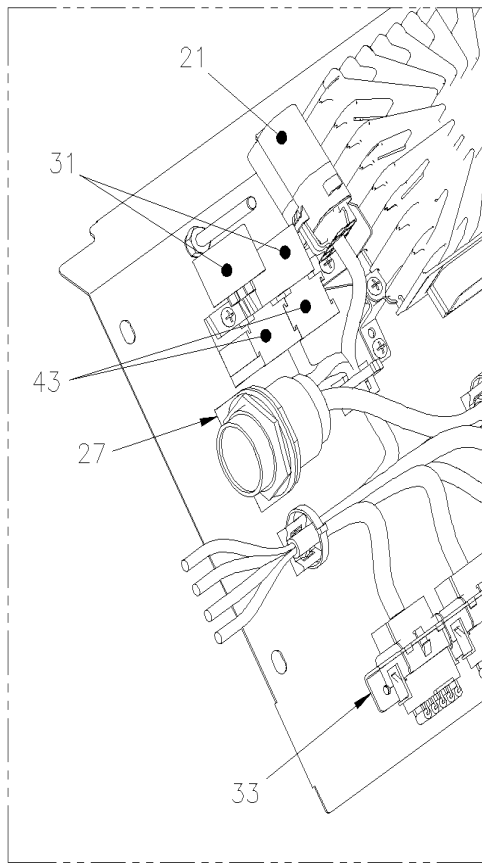
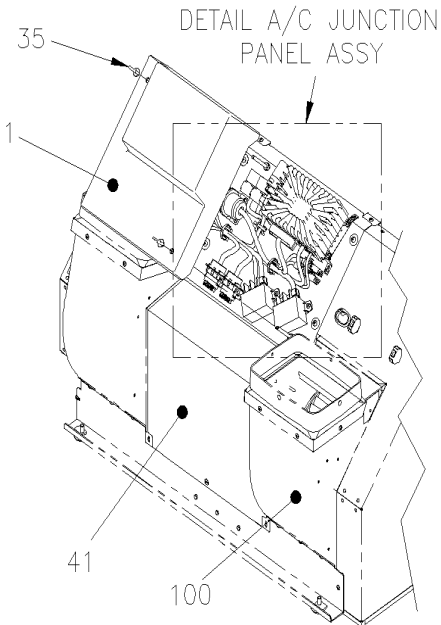
Item#	Part	Description	H 3 4 1	H 3 4 5	V I P 4 5	N O T E S
1	382077	PANEL MOUNTING REAR JCT BOX / MUX	1	1	1	
2	563348	RELAY POWER 24V 200 AMPS / S.P.S.T. N.O.	1	1	1	
. NS	5001182	. NUT HEX NYRT M6-1.0 SS	1	1	1	
. NS	502573	. WASHER FL 6.4x12.5x1.6 SS	1	1	1	
. NS	563409	. CONNECTOR / SUPERSEAL 1.5 SERIES / SH 2C / AMP 282080-1	1	1	1	
. NS	562607	. SOCKET TERMINAL / 20-16 / AMP 183025-1	1	1	1	
3	504013	TIE MOUNT / 1/4" X 1/4" I.D.	AR	AR	AR	
4	500638	SCREW TP PAN PH #8x1/2 Z050	3	3	3	
5	500965	SCREW TC BDG PH #8-32x1/2 N500	14	14	14	
6	565865	I/O B-MODULE VOLVO MULTIPLEX / ALUMINUM To A-1555	1	1	1	
. NS	563132	. CONNECTOR / SH 2C / YAZAKI 7283-6458-40 To A-1555	1	1	1	
. NS	563133	. CONNECTOR / JUNIOR POWER TIMER / SH 29C / AMP 1-963449-2 To A-1555	1	1	1	
. NS	562957	. CONNECTOR / SH 5C / GREEN / JAE IL-AG5-5S-S3C1 To A-1555	1	1	1	
6	564075	I/O B-MODULE VOLVO MULTIPLEX / ALUMINUM From A-1556 To B-1817	1	1	1	
. NS	563132	. CONNECTOR / SH 2C / YAZAKI 7283-6458-40 From A-1556 To B-1817	1	1	1	
. NS	563133	. CONNECTOR / JUNIOR POWER TIMER / SH 29C / AMP 1-963449-2 From A-1556 To B-1817	1	1	1	
. NS	562957	. CONNECTOR / SH 5C / GREEN / JAE IL-AG5-5S-S3C1 From A-1556 To B-1817	1	1	1	
6	564193	I/O B-MODULE VOLVO MULTIPLEX / ALUMINUM From B-1818	1	1	1	
. NS	563132	. CONNECTOR / SH 2C / YAZAKI 7283-6458-40 From B-1818	1	1	1	
. NS	563133	. CONNECTOR / JUNIOR POWER TIMER / SH 29C / AMP 1-963449-2 From B-1818	1	1	1	
. NS	562957	. CONNECTOR / SH 5C / GREEN / JAE IL-AG5-5S-S3C1 From B-1818	1	1	1	
9	382087	DIODE SUPPORT	1	1	1	
NS	381145	DIODE ASSY / W/5 3AMPS	2	2	2	
10	5001593	SCREW MA RND SLT 1/4-20x2 3/4 SS	1	1	1	
11	500477	WASHER LO SPT .262x.489x.062 SS	1	1	1	
12	500771	NUT HEX 1/4-20 SS	1	1	1	
NS	5001348	NUT WING 1/4-20 NYL	1	1	1	
20	563332	RELAY 24V S.P.D.T. W/RESISTOR / "VOLVO" (20374662)	2	2	2	
21	382078	COVER PROTECTOR	1	1	1	
21	066279	DECAL RELAY IDENTIFICATION EVAPORATOR CONTROL To 8-1291	1	1	1	
21	067319	DECAL RELAY IDENTIFICATION EVAPORATOR CONTROL From 8-1292	1	1	1	
NS	066155	DECAL PIN OUT / JCT BOX W/MUX	1	1	1	
NS	066618	CABLE ASSY #90H1 - MUX To E-2661	1	1	1	
NS	069002	CABLE ASSY #90H1 - MUX From E-2662	1	1	1	
NS	066617	CABLE ASSY #0A	1	1	1	

From E-2662 To J-0287

Date:10/2022

PAGE:H7-0621-11

## A/C ELECTRICAL PANEL ASSY / EVAPORATOR COMPARTMENT



<b>From E-2662 To J-0287</b>	<b>Date:10/2022</b>	<b>PAGE:H7-0621-11</b>
<b>A/C ELECTRICAL PANEL ASSY / EVAPORATOR COMPARTMENT</b>		

Item#	Part	Description	H 3 4 1	H 3 4 5	V I P 4 5	N O T E S
1	382514	A/C JUNCTION BOX PANEL-COVER	1	1	1	
1	069158	DECAL EVAPORATOR PANEL To G-3205	1	1		
1	069466	DECAL EVAPORATOR PANEL From G-3206	1	1		
1	069159	DECAL EVAPORATOR PANEL			1	
3	457559	CENTRAL UPPER PANEL PLENUM	1	1	1	
5	563348	RELAY POWER 24V 200 AMPS / S.P.S.T. N.O.	2	2	2	
. NS	5001182	. NUT HEX NYRT M6-1.0 SS	1	1	1	
. NS	502573	. WASHER FL 6.4x12.5x1.6 SS	1	1	1	
. NS	563409	. CONNECTOR / SUPERSEAL 1.5 SERIES / SH 2C / AMP 282080-1	1	1	1	
. NS	562607	. SOCKET TERMINAL / 20-16 / AMP 183025-1	1	1	1	
7	504013	TIE MOUNT / 1/4" X 1/4" I.D.	3	3	3	
9	502868	SCREW TC TR PH #10-16x1/2 N500	AR	AR	AR	
11	564193	I/O B-MODULE VOLVO MULTIPLEX / ALUMINUM To G-3374	1	1	1	
. NS	563132	. CONNECTOR / SH 2C / YAZAKI 7283-6458-40 To G-3374	1	1	1	
. NS	563133	. CONNECTOR / JUNIOR POWER TIMER / SH 29C / AMP 1-963449-2 To G-3374	1	1	1	
. NS	562957	. CONNECTOR / SH 5C / GREEN / JAE IL-AG5-5S-S3C1 To G-3374	1	1	1	
11	22722842	I/O B-MODULE VOLVO MULTIPLEX / ALUMINUM From G-3375	1	1	1	
. NS	563132	. CONNECTOR / SH 2C / YAZAKI 7283-6458-40 From G-3375	1	1	1	
. NS	563133	. CONNECTOR / JUNIOR POWER TIMER / SH 29C / AMP 1-963449-2 From G-3375	1	1	1	
. NS	562957	. CONNECTOR / SH 5C / GREEN / JAE IL-AG5-5S-S3C1 From G-3375	1	1	1	
13	5001593	SCREW MA RND SLT 1/4-20x2 3/4 SS	2	2	2	
15	500477	WASHER LO SPT .262x.489x.062 SS	2	2	2	
17	500771	NUT HEX 1/4-20 SS	2	2	2	
19	069019	HVAC CONTROL HARNESS To F-2861	1	1		
19	069219	HVAC CONTROL HARNESS From F-2862 To G-3128	1	1		
19	069487	HVAC CONTROL HARNESS From G-3129 To G-3205	1	1		
19	069427	HVAC CONTROL HARNESS From G-3206	1	1		
19	069029	HVAC CONTROL HARNESS To F-2861			1	
19	069224	HVAC CONTROL HARNESS From F-2862 To G-3205			1	
19	069530	HVAC CONTROL HARNESS From G-3206			1	
NS	069002	CABLE ASSY #90H1 - MUX	1	1	1	
21	564238	FUSE HOLDER / LONG / BUSSMANN CFH-ALE To E-2661	1	1	1	
23	381145	DIODE ASSY / W/5 3AMPS To G-3205	1	1	1	
25	504637	CABLE TIE / 3/16" x 13"	4	4	4	
27	457567	SUPPORT, DEUTSCH CONN. To G-3205	1	1	1	
27	457574	SUPPORT, DEUTSCH CONN. From G-3206	1	1	1	
29	457566	SUPPORT IO/B	2	2	2	
31	563332	RELAY 24V S.P.D.T. W/RESISTOR / "VOLVO" (20374662) To E-2661	2	2	2	
33	457565	SUPPORT, DIODE CONN.	1	1	1	
35	5001348	NUT WING 1/4-20 NYL	2	2	2	
37	5001699	WASHER BEL SPR 8.2x22x1.4 N500	4	4	4	
39	502626	SCREW MA PAN PH M6-1.0x20 N500	4	4	4	



From E-2662 To J-0287	Date:10/2022	PAGE:H7-0621-11
<b>A/C ELECTRICAL PANEL ASSY / EVAPORATOR COMPARTMENT</b>		

Item#	Part	Description	H 3 4 1	H 3 4 5	V I P 4 5	N O T E S
41	457562P	PLENUM CENTRAL SECTION	1	1	1	
43	561183	RELAY BASE / TAB TERMINAL / BOSCH 3334485008	2	2	2	
100	H7-2210-06	HEATER & EVAPORATOR BLOWER - INSTALLATION				

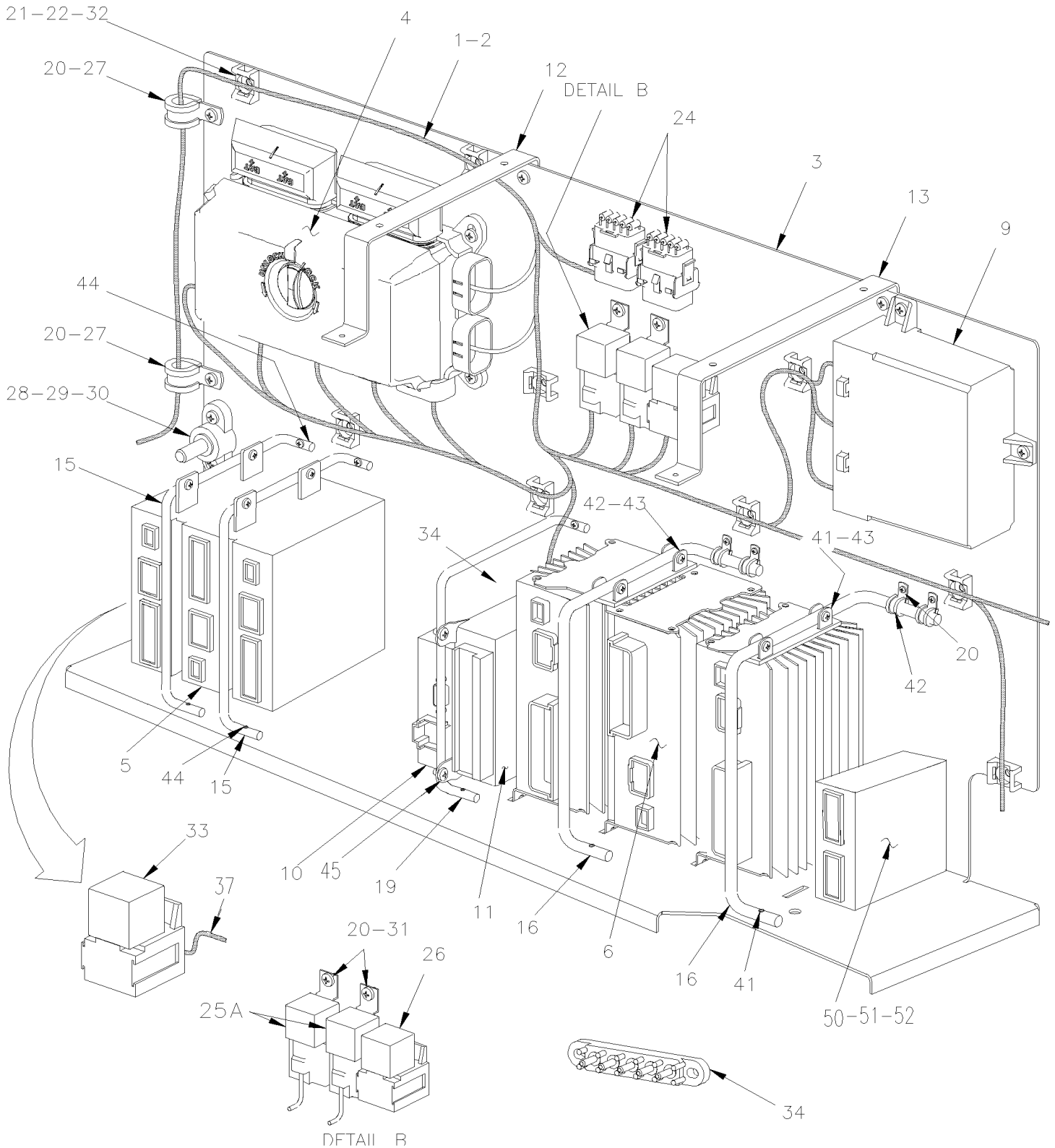


From 7-0671 To J-0287

Date:10/2022

PAGE:H7-0625-00

## FRONT JUNCTION PANEL

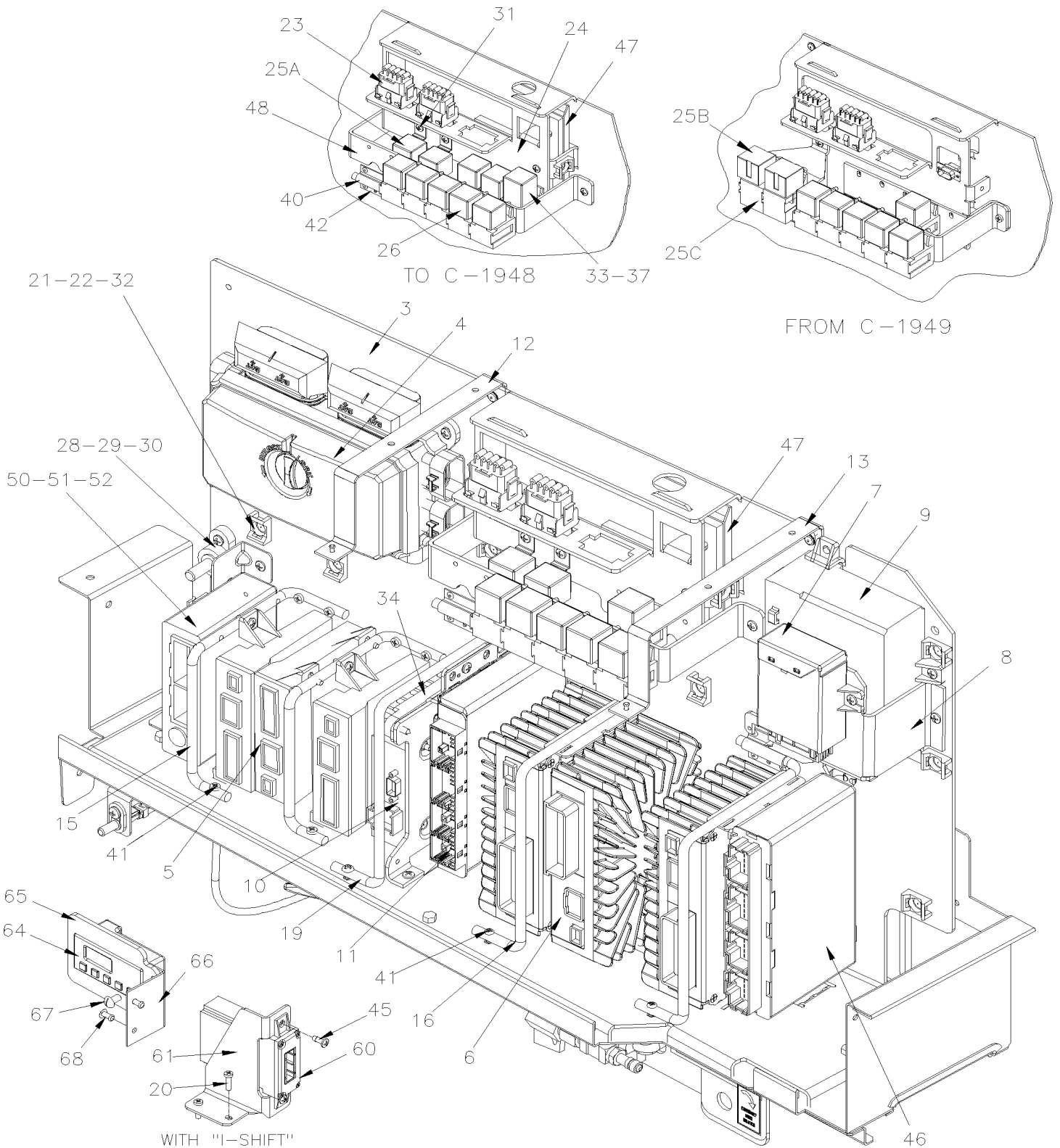


From 7-0671 To J-0287

Date:10/2022

PAGE:H7-0625-00

## FRONT JUNCTION PANEL



From 7-0671 To J-0287 Date:10/2022 PAGE:H7-0625-00

**FRONT JUNCTION PANEL**

Item#	Part	Description	H 3 4 1	H 3 4 5	V I P 4 5	N O T E S
1	066891	WIRING HARNESS FRONT JUNCTION BOX / W/MUX	1	1		
1	067093	WIRING HARNESS FRONT JUNCTION BOX / W/MUX To 8-1169	1	1		
1	067217	WIRING HARNESS FRONT JUNCTION BOX / W/MUX From 8-1170 To 9-1469	1	1		
1	067385	WIRING HARNESS FRONT JUNCTION BOX / W/MUX From A-1470 To A-1523	1	1		
1	067719	WIRING HARNESS FRONT JUNCTION BOX / W/MUX From A-1524 To A-1598	1	1		
1	068004	WIRING HARNESS FRONT JUNCTION BOX / W/MUX From A-1599 To A-1720	1	1		
1	067631	WIRING HARNESS FRONT JUNCTION BOX / W/MUX From B-1721 To B-1785	1	1		
1	068261	WIRING HARNESS FRONT JUNCTION BOX / W/MUX From B-1786 To B-1842	1	1		
1	068365	WIRING HARNESS FRONT JUNCTION BOX / W/MUX From C-1912 To C-1948	1	1		
1	068388	WIRING HARNESS FRONT JUNCTION BOX / W/MUX From C-1949 To C-2006	1	1		
1	068451	WIRING HARNESS FRONT JUNCTION BOX / W/MUX From C-2007 To C-2058	1	1		
1	068298	WIRING HARNESS FRONT JUNCTION BOX / W/MUX From C-2059 To D-2163	1	1		
1	068553	WIRING HARNESS FRONT JUNCTION BOX / W/MUX From D-2164 To D-2271	1	1		
1	068197	WIRING HARNESS FRONT JUNCTION BOX / W/MUX From D-2272 To D-2363	1	1		
1	067973	WIRING HARNESS FRONT JUNCTION BOX / W/MUX From D-2364 To E-2661	1	1		
1	069017	WIRING HARNESS FRONT JUNCTION BOX / W/MUX From E-2662 To F-2922	1	1		
1	069109	WIRING HARNESS FRONT JUNCTION BOX / W/MUX From F-2923 To G-3205	1	1		
1	069445	WIRING HARNESS FRONT JUNCTION BOX / W/MUX From G-3206 To H-3734	1	1		
1	069747	WIRING HARNESS FRONT JUNCTION BOX / W/MUX From H-3735 To J-0082	1	1		
1	061415	WIRING HARNESS FRONT JUNCTION BOX / W/MUX From J-0083	1	1		
1	066827	WIRING HARNESS FRONT JUNCTION BOX / W/MUX To 7-0894			1	
1	067128	WIRING HARNESS FRONT JUNCTION BOX / W/MUX From 7-0893 To 8-1169			1	
1	067196	WIRING HARNESS FRONT JUNCTION BOX / W/MUX From 8-1170 To 9-1403			1	
1	067578	WIRING HARNESS FRONT JUNCTION BOX / W/MUX From 9-1404 To 9-1469			1	
1	067587	WIRING HARNESS FRONT JUNCTION BOX / W/MUX From A-1470 To A-1523			1	
1	067779	WIRING HARNESS FRONT JUNCTION BOX / W/MUX From A-1524 To A-1720			1	
1	067707	WIRING HARNESS FRONT JUNCTION BOX / W/MUX From B-1721 To B-1785			1	
1	068264	WIRING HARNESS FRONT JUNCTION BOX / W/MUX From B-1786 To B-1842			1	
1	068366	WIRING HARNESS FRONT JUNCTION BOX / W/MUX From C-1912 To C-1948			1	
1	068390	WIRING HARNESS FRONT JUNCTION BOX / W/MUX From C-1949 To C-2074			1	
1	068299	WIRING HARNESS FRONT JUNCTION BOX / W/MUX From C-2075 To D-2163			1	
1	068558	WIRING HARNESS FRONT JUNCTION BOX / W/MUX From D-2164 To D-2363			1	
1	068509	WIRING HARNESS FRONT JUNCTION BOX / W/MUX From D-2364 To E-2661			1	
1	069018	WIRING HARNESS FRONT JUNCTION BOX / W/MUX From E-2662 To F-2922			1	
1	069237	WIRING HARNESS FRONT JUNCTION BOX / W/MUX From F-2923 To G-3143			1	
1	069414	WIRING HARNESS FRONT JUNCTION BOX / W/MUX From G-3144 To G-3205			1	
1	069446	WIRING HARNESS FRONT JUNCTION BOX / W/MUX From G-3206 To H-3644			1	
1	068690	WIRING HARNESS FRONT JUNCTION BOX / W/MUX From H-3645 To H-3734			1	
1	069751	WIRING HARNESS FRONT JUNCTION BOX / W/MUX From H-3735			1	
NS	067204	WIRING HARNESS / ECU FRT JCT BOX & ACCES.. From 8-1169	1	1	1	
NS	067267	CABLE ASSY / FIRE DETECTOR FRT JCT BOX From 9-1404 To D-2363	1	1	1	
1	068646	CABLE ASSY / FIRE DETECTOR FRT JCT BOX From D-2364	1	1	1	

From 7-0671 To J-0287 Date:10/2022 PAGE:H7-0625-00

**FRONT JUNCTION PANEL**

Item#	Part	Description	H 3 4 1	H 3 4 5	V I P 4 5	N O T E S
2	068073	UNIVERSAL CAN HARNESS / FRT JCT BOX	AR	AR	AR	
3	382402	FRONT PANEL BOX To A-1544	1	1	1	
3	382445	FRONT PANEL BOX From A-1545 To A-1580	1	1	1	
3	382416	FRONT PANEL BOX From A-1581 To C-2058	1	1	1	
3	382471	FRONT PANEL BOX From C-2059 To D-2236	1	1	1	
3	382502	FRONT PANEL BOX From D-2237	1	1	1	
. NS	504784	. NUT INS FL HEX M4-0.7 0.5-3.0 ZP From D-2237	3	3	3	
4	563674	VEC DISTRIBUTION MODULE / FRONT JCT BOX To A-1720	1	1	1	
. NS	564104	. COVER / VEC BOX To A-1720	1	1	1	
. NS	563004	. FUSE / ATM 2 AMPS GREY To A-1720	1	1	1	
. NS	563279	. FUSE / ATM 3 AMPS VIOLET To A-1720	14	14	14	
. NS	563280	. FUSE / ATM 5 AMPS AMBER To A-1720	2	2	2	
. NS	563005	. FUSE / ATM 7.5 AMPS BROWN To A-1720	3	3	3	
. NS	563283	. FUSE / ATM 10 AMPS RED To A-1720	6	6	6	
. NS	563284	. FUSE / ATM 15 AMPS BLUE To A-1720	9	9	9	
. NS	563282	. FUSE / ATM 20 AMPS YELLOW To A-1720	6	6	6	
. NS	563153	. FUSE / ATM 25 AMPS NATURAL To A-1720	1	1	1	
. NS	563165	. FUSE / ATM 30 AMPS GREEN To A-1720	3	3	3	
. NS	564464	. MINI BREAKER / 20 AMPS / SERIES 223 To A-1720	1	1	1	
. NS	563181	. CONNECTOR / SH 8C / YELLOW / BUSSMANN 32006-E21 To A-1720	1	1	1	
. NS	563182	. CONNECTOR / SH 8C / ORANGE / BUSSMANN 32006-G21 To A-1720	1	1	1	
. NS	563183	. CONNECTOR / SH 8C / RED / BUSSMANN 32006-F21 To A-1720	1	1	1	
. NS	563184	. CONNECTOR / SH 8C / GREEN / BUSSMANN 32006-C21 To A-1720	1	1	1	
. NS	563185	. CONNECTOR / SH 8C / BLACK / BUSSMANN 32006-A21 To A-1720	1	1	1	
. NS	563186	. CONNECTOR / SH 8C / GREY / BUSSMANN 32006-B21 To A-1720	1	1	1	
. NS	563187	. CONNECTOR / SH 8C / BROWN / BUSSMANN 32006-H21 To A-1720	1	1	1	
. NS	563448	. CONNECTOR / SH 8C / BLUE / BUSSMANN 32006-D21 To A-1720	1	1	1	
. NS	19518268	. COVER RUBBER RED To A-1720	2	2	2	
4	564145	VEC DISTRIBUTION MODULE / FRONT JCT BOX From B-1721	1	1	1	
. NS	564104	. COVER / VEC BOX From B-1721	1	1	1	
. NS	563269	. RELAY 24V S.P.D.T. W/RESISTOR / From B-1721	1	1	1	
. NS	563004	. FUSE / ATM 2 AMPS GREY From B-1721	1	1	1	
. NS	563279	. FUSE / ATM 3 AMPS VIOLET From B-1721	12	12	12	
. NS	563280	. FUSE / ATM 5 AMPS AMBER From B-1721	4	4	4	
. NS	563005	. FUSE / ATM 7.5 AMPS BROWN From B-1721	3	3	3	
. NS	563283	. FUSE / ATM 10 AMPS RED From B-1721	7	7	7	
. NS	563284	. FUSE / ATM 15 AMPS BLUE From B-1721	8	8	8	
. NS	563282	. FUSE / ATM 20 AMPS YELLOW From B-1721	7	7	7	
. NS	563153	. FUSE / ATM 25 AMPS NATURAL From B-1721	1	1	1	
. NS	563165	. FUSE / ATM 30 AMPS GREEN From B-1721	1	1	1	
. NS	564464	. MINI BREAKER / 20 AMPS / SERIES 223 From B-1721	1	1	1	
. NS	563181	. CONNECTOR / SH 8C / YELLOW / BUSSMANN 32006-E21 From B-1721	1	1	1	

From 7-0671 To J-0287 Date:10/2022 PAGE:H7-0625-00

**FRONT JUNCTION PANEL**

Item#	Part	Description	H 3 4 1	H 3 4 5	V I P 4 5	N O T E S
. NS	563182	. CONNECTOR / SH 8C / ORANGE / BUSSMANN 32006-G21 From B-1721	1	1	1	
. NS	563183	. CONNECTOR / SH 8C / RED / BUSSMANN 32006-F21 From B-1721	1	1	1	
. NS	563184	. CONNECTOR / SH 8C / GREEN / BUSSMANN 32006-C21 From B-1721	1	1	1	
. NS	563185	. CONNECTOR / SH 8C / BLACK / BUSSMANN 32006-A21 From B-1721	1	1	1	
. NS	563186	. CONNECTOR / SH 8C / GREY / BUSSMANN 32006-B21 From B-1721	1	1	1	
. NS	563187	. CONNECTOR / SH 8C / BROWN / BUSSMANN 32006-H21 From B-1721	1	1	1	
. NS	563448	. CONNECTOR / SH 8C / BLUE / BUSSMANN 32006-D21 From B-1721	1	1	1	
. NS	564132	. LOCK CONNECTOR POSITION ASSURANCE / BUSSMANN 32004-CP From B-1721	AR	AR	AR	
. NS	19518268	. COVER RUBBER RED From B-1721	2	2	2	
5	565864	I/O A-MODULE VOLVO MULTIPLEX / BLACK To A-1580	3	3	3	
. NS	562767	. CONNECTOR / SH 30C / GREEN / JAE IL-AG5-30S-D3C1 To A-1580	1	1	1	
. NS	562957	. CONNECTOR / SH 5C / GREEN / JAE IL-AG5-5S-S3C1 To A-1580	1	1	1	
. NS	563132	. CONNECTOR / SH 2C / YAZAKI 7283-6458-40 To A-1580	1	1	1	
5	564101	I/O A-MODULE VOLVO MULTIPLEX / BLACK From A-1581 To B-1817	3	3	3	
. NS	562767	. CONNECTOR / SH 30C / GREEN / JAE IL-AG5-30S-D3C1 From A-1581 To B-1817	1	1	1	
. NS	562957	. CONNECTOR / SH 5C / GREEN / JAE IL-AG5-5S-S3C1 From A-1581 To B-1817	1	1	1	
. NS	563132	. CONNECTOR / SH 2C / YAZAKI 7283-6458-40 From A-1581 To B-1817	1	1	1	
5	564194	I/O A-MODULE VOLVO MULTIPLEX / BLACK From B-1818 To F-2924	3	3	3	
. NS	562767	. CONNECTOR / SH 30C / GREEN / JAE IL-AG5-30S-D3C1 From B-1818 To F-2924	1	1	1	
. NS	562957	. CONNECTOR / SH 5C / GREEN / JAE IL-AG5-5S-S3C1 From B-1818 To F-2924	1	1	1	
. NS	563132	. CONNECTOR / SH 2C / YAZAKI 7283-6458-40 From B-1818 To F-2924	1	1	1	
5	22561320	I/O A-MODULE VOLVO MULTIPLEX / BLACK From F-2925 To G-3374	3	3	3	
. NS	562767	. CONNECTOR / SH 30C / GREEN / JAE IL-AG5-30S-D3C1 From F-2925 To G-3374	1	1	1	
. NS	562957	. CONNECTOR / SH 5C / GREEN / JAE IL-AG5-5S-S3C1 From F-2925 To G-3374	1	1	1	
. NS	563132	. CONNECTOR / SH 2C / YAZAKI 7283-6458-40 From F-2925 To G-3374	1	1	1	
5	22722832	I/O A-MODULE VOLVO MULTIPLEX / BLACK From G-3375	3	3	3	
. NS	562767	. CONNECTOR / SH 30C / GREEN / JAE IL-AG5-30S-D3C1 From G-3375	1	1	1	
. NS	562957	. CONNECTOR / SH 5C / GREEN / JAE IL-AG5-5S-S3C1 From G-3375	1	1	1	
. NS	563132	. CONNECTOR / SH 2C / YAZAKI 7283-6458-40 From G-3375	1	1	1	
6	565865	I/O B-MODULE VOLVO MULTIPLEX / ALUMINUM To A-1555	3	3	3	
. NS	563132	. CONNECTOR / SH 2C / YAZAKI 7283-6458-40 To A-1555	1	1	1	
. NS	563133	. CONNECTOR / JUNIOR POWER TIMER / SH 29C / AMP 1-963449-2 To A-1555	1	1	1	
. NS	562957	. CONNECTOR / SH 5C / GREEN / JAE IL-AG5-5S-S3C1 To A-1555	1	1	1	
6	564075	I/O B-MODULE VOLVO MULTIPLEX / ALUMINUM From A-1556 To B-1817	3	3	3	
. NS	563132	. CONNECTOR / SH 2C / YAZAKI 7283-6458-40 From A-1556 To B-1817	1	1	1	
. NS	563133	. CONNECTOR / JUNIOR POWER TIMER / SH 29C / AMP 1-963449-2 From A-1556 To B-1817	1	1	1	
. NS	562957	. CONNECTOR / SH 5C / GREEN / JAE IL-AG5-5S-S3C1 From A-1556 To B-1817	1	1	1	
6	564193	I/O B-MODULE VOLVO MULTIPLEX / ALUMINUM From B-1818 To G-3374	3	3	3	
. NS	563132	. CONNECTOR / SH 2C / YAZAKI 7283-6458-40 From B-1818 To G-3374	1	1	1	
. NS	563133	. CONNECTOR / JUNIOR POWER TIMER / SH 29C / AMP 1-963449-2 From B-1818 To G-3374	1	1	1	
. NS	562957	. CONNECTOR / SH 5C / GREEN / JAE IL-AG5-5S-S3C1 From B-1818 To G-3374	1	1	1	
6	22722842	I/O B-MODULE VOLVO MULTIPLEX / ALUMINUM From G-3375	3	3	3	

From 7-0671 To J-0287	Date:10/2022	PAGE:H7-0625-00
<b>FRONT JUNCTION PANEL</b>		

Item#	Part	Description	H 3 4 1	H 3 4 5	V I P 4 5	N O T E S
. NS	563132	. CONNECTOR / SH 2C / YAZAKI 7283-6458-40 From G-3375	1	1	1	
. NS	563133	. CONNECTOR / JUNIOR POWER TIMER / SH 29C / AMP 1-963449-2 From G-3375	1	1	1	
. NS	562957	. CONNECTOR / SH 5C / GREEN / JAE IL-AG5-5S-S3C1 From G-3375	1	1	1	
7	564076	ECU TIRE PRESSURE To G-3276	1	1	1	
. NS	564073	. CONNECTOR TANDEM SPRING/ AMPMODU / SH 32C / AMP 1394010-1 To G-3276	1	1	1	
7	560056	ECU TIRE PRESSURE From G-3277	1	1	1	
8	382406	SUPPORT TIRE ECU PRESSURE	1	1	1	
9	563274	CECM VOLVO MULTIPLEX MODULE To C-2006	1	1	1	
9	563851	MCM - VOLVO MULTIPLEX MODULE From C-2007	1	1	1	B
9	23317365	MCM - VOLVO MULTIPLEX MODULE	1	1	1	B
10	563295	MASTER ID-MODULE VOLVO MULTIPLEX To C-2006	1	1	1	
. NS	562794	. CONNECTOR / JUNIOR POWER TIMER / SH 9C / AMP 964561-4 To C-2006	1	1	1	
10	069538	"MASTER ID" REPLACEMENT WITH "MCM" MODULE To C-2006	1	1	1	A
. NS	069420	. HARNESS MCM To C-2006	1	1	1	A
. NS	IS-11003	. SEE INSTRUCTION SHEET To C-2006	1	1	1	A
10	066009	CABLE ADAPTOR / INTERFACE PC TO MASTER ID (3Meter)	1	1	1	
. NS	562650	. CONNECTOR / HDP-20 / SH 9C / AMP 205203-1	2	2	2	
11	642081	ECU ABS / W/6 CHANNELS / STANDARD To D-2163	1	1	1	
11	642083	ECU ABS / W/6 CHANNELS / ADVANCED ESP To A-1507	1	1	1	
11	642131	ECU ABS / W/6 CHANNELS / ADVANCED ESP From A-1508 To A-1615	1	1	1	
11	642146	ECU ABS / W/6 CHANNELS / ADVANCED ESP UNPROGRAMMED / NON-PROGRAMME From A-1616	1	1	1	
NS	067060	CABLE ASSY ESP FRT JC BOX To A-1720	1	1	1	
11	067934	CABLE ASSY ESP FRT JC BOX From B-1721 To B-1785	1	1	1	
11	068260	CABLE ASSY ESP FRT JC BOX From B-1786 To D-2163	1	1	1	
12	382084	SUPPORT FRONT PANEL UPPER FORWARD SHORT	1	1	1	
13	382085	SUPPORT FRONT PANEL UPPER BACKWARD LONG	1	1	1	
15	382179	ROD ATTACHMENT / I/O A MODULE	1	1	1	
16	382222	ROD ATTACHMENT CABLE / I/O B To A-1555	2	2	2	
16	382417	ROD ATTACHMENT / I/O B MODULE From A-1556	2	2	2	
19	382223	ROD ATTACHMENT CABLE To A-1555	1	1	1	
19	382418	ROD ATTACHMENT CABLE From A-1556	1	1	1	
20	500623	SCREW TC PAN PH #10-24x3/4 N500	AR	AR	AR	
21	504013	TIE MOUNT / 1/4" X 1/4" I.D.	AR	AR		
22	504347	RIVET POP DOME OE 3/16x1/4 AL	AR	AR		
23	381145	DIODE ASSY / W/5 3AMPS	AR	AR	AR	
23	382244	RESISTANCE ASSY / W/5 RESISTORS 1.2k OHMS From B-1721			1	
24	382387	DIODE SUPPORT PLATE From 8-1202 To C-2058	1	1	1	
24	382470	DIODE SUPPORT PLATE From C-2059	1	1	1	
25A	561991	RELAY 24V S.P.S.T. / 70 AMPS N.O. To C-1948	2	2	2	
25B	564218	RELAY 24V S.P.S.T. / 40 AMPS N.O. From C-1949	2	2	2	
25C	564210	RELAY BASE / TAB TERMINAL / COLE HERSEE 99025 From C-1949	2	2	2	
26	563332	RELAY 24V S.P.D.T. W/RESISTOR / "VOLVO" (20374662)	AR	AR	AR	



<b>From 7-0671 To J-0287</b>	<b>Date:10/2022</b>	<b>PAGE:H7-0625-00</b>
<b>FRONT JUNCTION PANEL</b>		

Item#	Part	Description	H 3 4 1	H 3 4 5	V I P 4 5	N O T E S
27	952627	CLAMP / 1/2" I.D.	2	2	2	
28	560422	BLOCK, TERMINAL / 1 STUD 3/8-16 / BLACK	1	1	1	
29	500478	WASHER LO SPT .380x.683x.094 Z050	1	1	1	
30	500379	NUT HEX 3/8-16 BR	1	1	1	
31	500834	WASHER LO INT .168x.340x.023 N500	1	1	1	
32	504637	CABLE TIE / 3/16" x 13"	AR	AR	AR	
33	563033	E.C.U. / W/STEERING ASSIST (STP 272 or 330) ((77//125))	1	1	1	
33	661170	E.C.U. / W/STEERING ASSIST (STP 338) ((60//95))	1	1	1	C
33	563465	E.C.U. / W/STEERING ASSIST W/"ZF" TRANS ONLY (STP 146)	1	1		
34	563218	JUNCTION BLOCK W/5 STUDS	1	1	1	
37	066570	CABLE ASSY TO STEERING SPEED SIGNAL ECU	1	1	1	
40	504340	RIVET POP DOME OE 1/8x3/16 SS	12	12	12	
41	509827	SCREW MA RND PH M4-0.7x20 SS	AR	AR	AR	
42	382169	HINGE ROD ATTACHMENT	2	2		
43	504340	RIVET POP DOME OE 1/8x3/16 SS	12	12	12	
44	500965	SCREW TC BDG PH #8-32x1/2 N500	AR	AR	AR	
45	502868	SCREW TC TR PH #10-16x1/2 N500	AR	AR	AR	
46	563762	CPC MODULE DETROIT To A-1506	1	1	1	
46	565866	CPC MODULE DETROIT From A-1506 To A-1506	1	1	1	
46	565867	CPC MODULE DETROIT From A-1507	1	1	1	
46	20758808	VECU MODULE / VOLVO To A-1607	1	1		D13
46	21083383	VECU MODULE / VOLVO From A-1608 To D-2152	1	1	1	D13
46	21720495	VECU4 MODULE / VOLVO From D-2153	1	1	1	D13
46	067625	CABLE ASSY FRT JCT BOX WORLD TRANSMISSION To D-2363	1	1	1	
46	068590	CABLE ASSY FRT JCT BOX WORLD TRANSMISSION From D-2364	1	1	1	
46	382221	SUPPORT VECU MODULE / VOLVO	1	1		D13
46	502817	SCREW MA PAN PH M6-1.0x16 N500	2	2		D13
47	20700142	ECU VOLVO LINK MODULE To C-2057	1	1	1	D13
47	21284312	ECU VOLVO LINK MODULE From C-2058 To E-2547	1	1	1	D13
47	21985688	ECU VOLVO LINK MODULE From E-2548 To F-2922	1	1	1	D13
47	22357675	ECU VOLVO LINK MODULE From F-2923 To H-3940	1	1	1	D13
47	22861158	ECU VOLVO LINK MODULE From H-3941	1	1	1	D13
47	IS14122	REPLACEMENT KIT TGW1 TO TWG2 To F-2922	1	1	1	D13
. NS	IS-14122	. SEE INSTRUCTION SHEET To F-2922	1	1	1	D13
. NS	069100	. KIT SERVICE TGW1 TO TGW2 To F-2922	1	1	1	D13
. NS	22357675	. ECU VOLVO LINK MODULE To F-2922	1	1	1	D13
47	067448	RETROFIT KIT / VOLVO LINK MODULE ONLY / WITH EPA 2010 From B-1721 To C-2057	1	1	1	
. NS	21385255	. CABLE ANTENNA (RF-in VOLVO LINK) From B-1721 To C-2057	1	1	1	
. NS	21383947	. ANTENNA (VOLVO LINK) From B-1721 To C-2057	1	1	1	
. NS	21443469	. SIM CARD VOLVO LINK MODULE From B-1721 To C-2057	1	1	1	
. NS	21284312	. ECU VOLVO LINK MODULE From B-1721 To C-2057	1	1	1	
. NS	067447	. CABLE / "GATEWAY" From B-1721 To C-2057	1	1	1	

<b>From 7-0671 To J-0287</b>	<b>Date:10/2022</b>	<b>PAGE:H7-0625-00</b>
<b>FRONT JUNCTION PANEL</b>		

Item#	Part	Description	H 3 4 1	H 3 4 5	V I P 4 5	N O T E S
. NS	562583	. CONNECTOR / DT SERIES / PH 6C / GRAY / DEUTSCH DT04-6P From B-1721 To C-2057	1	1	1	
. NS	562286	. PIN TERMINAL / 18-16 / DEUTSCH 0460-202-16141 From B-1721 To C-2057	6	6	6	
. NS	382470	. DIODE SUPPORT PLATE From B-1721 To C-2057	1	1	1	
. NS	382472	. SUPPORT / RELAY From B-1721 To C-2057	1	1	1	
. NS	504013	. TIE MOUNT / 1/4" X 1/4" I.D. From B-1721 To C-2057	1	1	1	
. NS	502868	. SCREW TC TR PH #10-16x1/2 N500 From B-1721 To C-2057	3	3	3	
. NS	504347	. RIVET POP DOME OE 3/16x1/4 AL From B-1721 To C-2057	1	1	1	
. NS	880050	. WASHER FL 19X24.4X3.2 RUB From B-1721 To C-2057	1	1	1	
47	21443469	SIM CARD VOLVO LINK MODULE From C-2058 To H-3858	1	1	1	D13
47	22990242	SIM CARD VOLVO LINK MODULE FOR SERVICE From H-3859	1	1	1	D13
48	382407	SUPPORT / RELAY To C-2057	1	1	1	
48	382472	SUPPORT / RELAY From C-2058 To D-2363	1	1	1	
48	382557	SUPPORT / RELAY From D-2364	1	1	1	
NS	20890176	CONTROL UNIT FMS GATEWAY From J-0083	1	1		
50	563541	KEYLESS MODULE / 350' RANGE To F-2928			1	
51	382162	SUPPORT UPPER KEYLESS MODULE To F-2928			1	
52	382163	SUPPORT LOWER KEYLESS MODULE To F-2928			1	
60	20848526	GS ECU 24v MODULE I-SHIFT TRANS From B-1721 To B-1723	1	1		
60	21522732	GS ECU 24v MODULE I-SHIFT TRANS From B-1724 To D-2145	1	1		
60	21715161	GS ECU 24v MODULE I-SHIFT TRANS From D-2146	1	1		
NS	067626	CABLE ASSY FRT JCT BOX I-SHIFT TRANSMISSION To D-2363	1	1		
60	068721	CABLE ASSY FRT JCT BOX I-SHIFT TRANSMISSION From D-2364	1	1		
61	382430	SUPPORT GSECU I-SHIFT TRANS From B-1721 To J-0082	1	1		
61	380121	SUPPORT GSECU I-SHIFT TRANS From J-0083	1	1		
64	871250	TIMER ASSY / W/"WEBASTO" PREHEATER To H-3762	1	1		O
64	871464	TIMER ASSY / W/"SPHEROS" PREHEATER From H-3763	1	1		O
65	374614	SUPPORT / TIMER WEBASTO	1	1		O
66	374615	SUPPORT / TIMER WEBASTO	1	1		O
67	500965	SCREW TC BDG PH #8-32x1/2 N500	2	2		O
68	504488	RIVET MGLP PRDG 3/16x17/64 SS	2	2		O
70	066931	DECAL "FRT JCT BOX" COMPONENTS To 8-1043	1	1		
70	067225	DECAL "FRT JCT BOX" COMPONENTS From 8-1044 To 8-1169	1	1		
70	067561	DECAL "FRT JCT BOX" COMPONENTS From 8-1170 To A-1720	1	1		
70	067894	DECAL "FRT JCT BOX" COMPONENTS From B-1721 To B-1842	1	1		
70	068361	DECAL "FRT JCT BOX" COMPONENTS From C-1912 To C-1948	1	1		
70	068392	DECAL "FRT JCT BOX" COMPONENTS From C-1949 To C-2006	1	1		
70	068421	DECAL "FRT JCT BOX" COMPONENTS From C-2007 To D-2363	1	1		
70	068661	DECAL "FRT JCT BOX" COMPONENTS From D-2364 To G-3296	1	1		
70	069601	DECAL "FRT JCT BOX" COMPONENTS From G-3297 To H-3734	1	1		
70	069750	DECAL "FRT JCT BOX" COMPONENTS From H-3735 To J-0082	1	1		

<b>From 7-0671 To J-0287</b>	<b>Date:10/2022</b>	<b>PAGE:H7-0625-00</b>
<b>FRONT JUNCTION PANEL</b>		

Item#	Part	Description	H 3 4 1	H 3 4 5	V I P 4 5	N O T E S
70	069817	DECAL "FRT JCT BOX" COMPONENTS From J-0083	1	1		
NS	066930	DECAL "FRT JCT BOX" COMPONENTS To 8-1055			1	
NS	067224	DECAL "FRT JCT BOX" COMPONENTS From 8-1056 To 8-1169			1	
NS	067562	DECAL "FRT JCT BOX" COMPONENTS From 8-1170 To 9-1403			1	
NS	067580	DECAL "FRT JCT BOX" COMPONENTS From 9-1404 To A-1720			1	
70	067923	DECAL "FRT JCT BOX" COMPONENTS From B-1721 To B-1842			1	
70	068362	DECAL "FRT JCT BOX" COMPONENTS From C-1912 To C-1948			1	
70	068399	DECAL "FRT JCT BOX" COMPONENTS From C-1949 To C-2006			1	
70	068423	DECAL "FRT JCT BOX" COMPONENTS From C-2007 To D-2363			1	
70	068663	DECAL "FRT JCT BOX" COMPONENTS From D-2364 To F-2922			1	
70	069343	DECAL "FRT JCT BOX" COMPONENTS From F-2923 To G-3296			1	
70	069602	DECAL "FRT JCT BOX" COMPONENTS From G-3297 To H-3734			1	
70	069753	DECAL "FRT JCT BOX" COMPONENTS From H-3735			1	
80	068380	SERVICE KIT TO REPLACE 70 AMP RELAY	AR	AR	AR	
. NS	564210	. RELAY BASE / TAB TERMINAL / COLE HERSEE 99025	1	1	1	
. NS	564218	. RELAY 24V S.P.S.T. / 40 AMPS N.O.	1	1	1	
. NS	FI11015	. SEE INSTRUCTION SHEET ENS. REPLACEMENT RELAIS 70A	1	1	1	
. NS	IS11015	. SEE INSTRUCTION SHEET	1	1	1	
NS	564527	MODULE GATEWAY VANSCO From J-0043	1	1	1	O
NS	061488	CONNECTOR C-700 BYPASSED (CTGI) From J-0043	1	1	1	O
. NS	562637	. HEAT DETECTOR SENSOR 2500MM From J-0043	1	1	1	O
. NS	561240	. SOCKET TERMINAL / 18-16 / SIGNAL CONTACT / AMP 66101-2 From J-0043	4	4	4	O
. NS	561653	. CABLE CLAMP / CPC / #13 / AMP 206966-1 From J-0043	1	1	1	O
. NS	562593	. WIRE CABLE 18 / YELLOW / TXL From J-0043	1	1	1	O
. NS	563623	. BUTT SPLICE / 16-14 / BLUE / W/THERMORETRAC / PANDUIT BSH14-Q From J-0043	1	1	1	O
90	<b>069798</b>	<b>ELD INTERFACE KIT FOR PREVOST VEHICLES &amp; MULTIPLEX WITH DETROIT DIESEL ENGINES To 8-1201</b>	AR	AR	AR	
91	<b>069799</b>	<b>ELD INTERFACE KIT FOR PRE-OBD PREVOST VEHICLES WITH VOLVO D13 ENGINE From 8-1202 To D-2363</b>	AR	AR	AR	
92	<b>069800</b>	<b>VOLVO ELD INTERFACE KIT FOR OBD VEHICLES From D-2364 To J-0082</b>	AR	AR	AR	
100	<b>IS19911</b>	<b>ISM-INTELLIGENT SLEEP MODE- INSTALI.W/PRIME INSTALLED ONLY From G-3129 To J-0184</b>	1	1	1	
		A) CUSTOMER MUST CHECK ABS MODULE NUMBER BEFORE ORDERING. IF MODULE IS 642083 (BENDIX 5019416): MUST REPLACE BY 642206. ASK VIN TO CUSTOMER AND PROGRAM AT THE SAME TIME AS MCM				
		B) WHEN YOU MUST REPLACE 563851, YOU MUST ORDER 23317365, BUT YOU MUST GIVE THE SERIAL NUMBER OF YOUR VEHICLE FOR IT TO BE PROGRAM				
		C) THIS E.C.U. GIVE LESS ASSISTANCE AT LOW SPEED				
		D13) WITH VOLVO D13 ENGINE				
		O) OPTION				

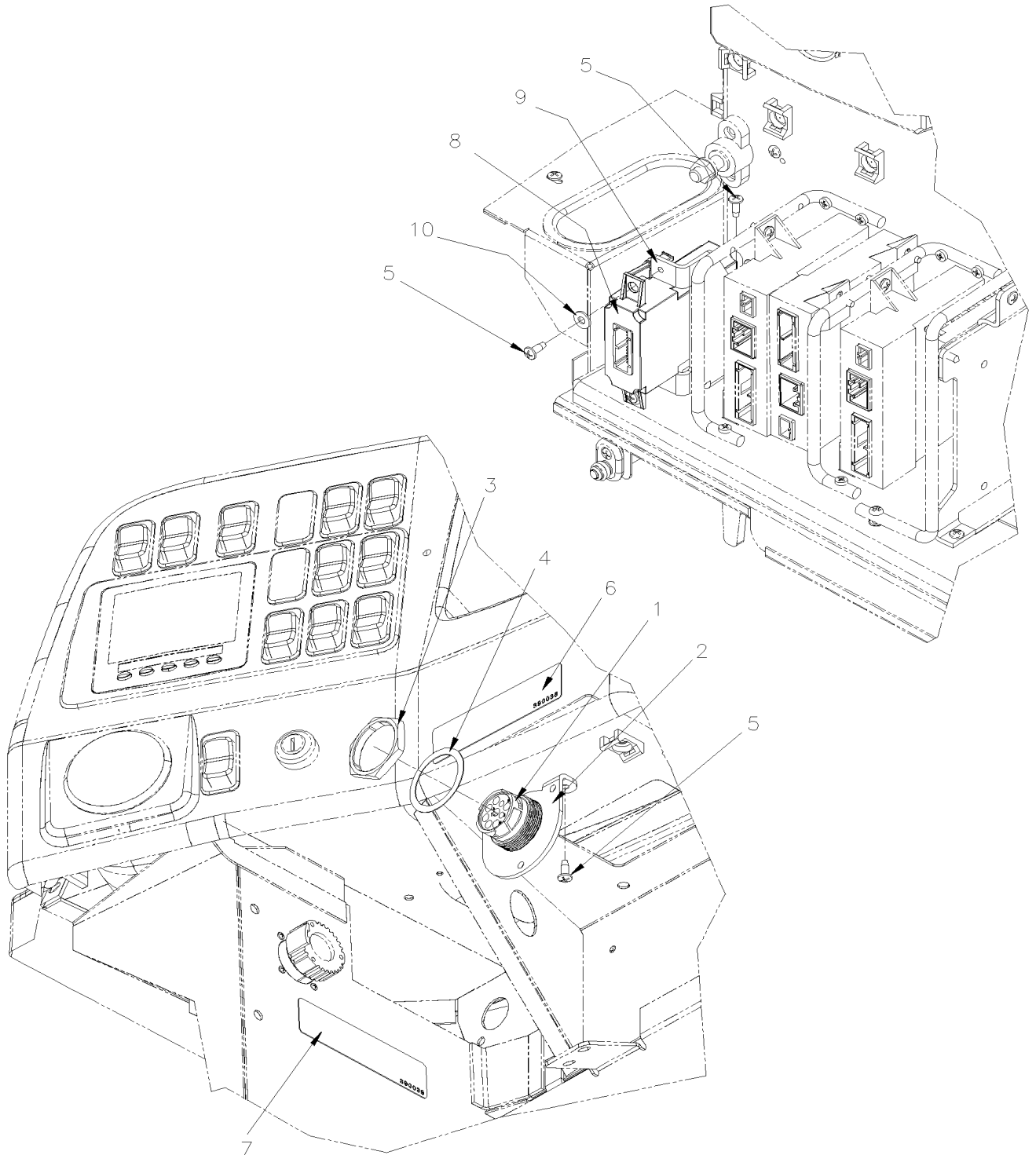


To 8-1201

Date:10/2022

PAGE:069798

## ELD INTERFACE KIT FOR PREVOST VEHICLES & MULTIPLEX WITH DETROIT DIESEL ENGINES



To 8-1201	Date:10/2022	PAGE:069798
-----------	--------------	-------------

**ELD INTERFACE KIT FOR PREVOST VEHICLES & MULTIPLEX WITH DETROIT DIESEL ENGINES**

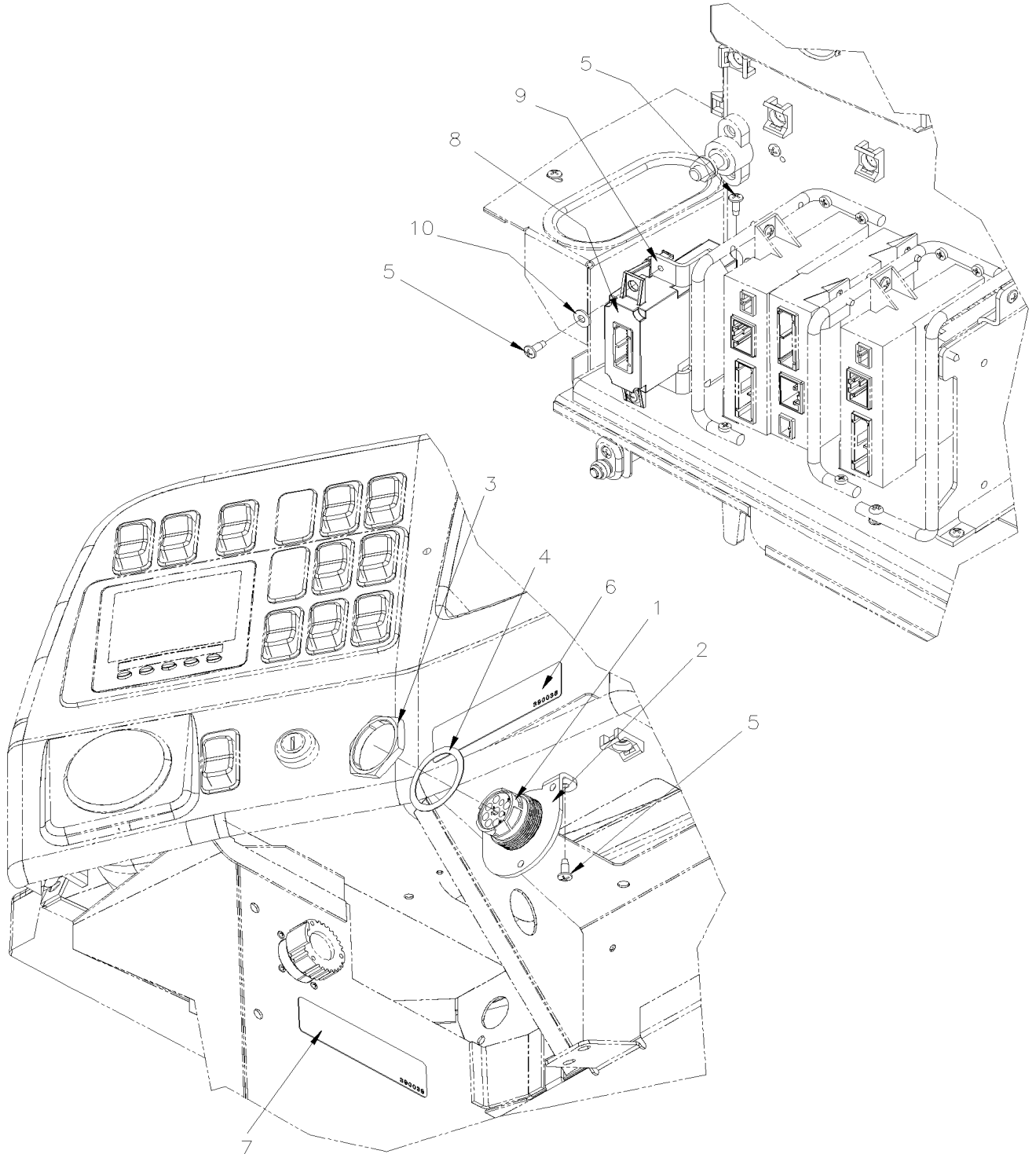
Item#	Part	Description	H 3 4 1	H 3 4 5	V I P 4 5	N O T E S
1	061889	ELD_AFTERMARKET_HARNES_9PIN	1	1	1	
2	380120	CONNECTOR SUPPORT	1	1	1	
3	566004	PANEL NUT / HDP20 SERIES / DEUTSCH 2411-002-1805	1	1	1	
4	566006	LOCK WASHER / HDP20 SERIES / DEUTSCH 2414-002-1886	1	1	1	
5	502868	SCREW TC TR PH #10-16x1/2 N500	6	6	6	
6	390038	DECAL, ELECTRONIC LOGGING DEVICE( ELD) / FR, ENG, SP	1	1	1	
7	390039	DECAL, ON-BOARD DIAGNOSTIC(OBD) / FR, ENG, SP	1	1	1	
8	20890176P	CONTROL UNIT FMS GATEWAY (PRE-PROGRAMMED)	1	1	1	
9	380121	SUPPORT GSECU I-SHIFT TRANS	1	1	1	
10	500855	WASHER FL .188x.438x.049 N500	2	2	2	
NS	504637	CABLE TIE / 3/16" x 13"	20	20	20	
NS	563160	SOCKET TERMINAL / 12 / YAZAKI 7116-4122-02	1	1	1	
NS	560587	RING TERMINAL .250 / 18-14 / INSULATED / AMP 160337-2	1	1	1	
NS	FI-17906	FEUILLE D'INSTRUCTION	1	1	1	
NS	IS-17906	INSTRUCTION SHEET	1	1	1	

From 8-1202 To D-2363

Date:10/2022

PAGE:069799

## ELD INTERFACE KIT FOR PRE-OBD PREVOST VEHICLES WITH VOLVO D13 ENGINE



From 8-1202 To D-2363 Date:10/2022 PAGE:069799

**ELD INTERFACE KIT FOR PRE-OBD PREVOST VEHICLES WITH VOLVO D13 ENGINE**

Item#	Part	Description	H 3 4 1	H 3 4 5	V I P 4 5	N O T E S
1	061889	ELD_AFTERMARKET_HARNES_9PIN	1	1	1	
2	380120	CONNECTOR SUPPORT	1	1	1	
3	566004	PANEL NUT / HDP20 SERIES / DEUTSCH 2411-002-1805	1	1	1	
4	566006	LOCK WASHER / HDP20 SERIES / DEUTSCH 2414-002-1886	1	1	1	
5	502868	SCREW TC TR PH #10-16x1/2 N500	6	6	6	
6	390038	DECAL, ELECTRONIC LOGGING DEVICE( ELD) / FR, ENG, SP	1	1	1	
7	390039	DECAL, ON-BOARD DIAGNOSTIC(OBD) / FR, ENG, SP	1	1	1	
8	20890176	CONTROL UNIT FMS GATEWAY To N-6754				
8	23888708	CONTROL UNIT FMS GATEWAY From N-6755				
8	20890176	CONTROL UNIT FMS GATEWAY To P-1297	1	1		
8	23888708	CONTROL UNIT FMS GATEWAY From P-1298	1	1		
9	380121	SUPPORT GSECU I-SHIFT TRANS	1	1	1	
10	500855	WASHER FL .188x.438x.049 N500	2	2	2	
NS	504637	CABLE TIE / 3/16" x 13"	20	20	20	
NS	563160	SOCKET TERMINAL / 12 / YAZAKI 7116-4122-02	1	1	1	
NS	560587	RING TERMINAL .250 / 18-14 / INSULATED / AMP 160337-2	1	1	1	
NS	FI-17905	FEUILLE D'INSTRUCTION	1	1	1	
NS	IS-17905	INSTRUCTION SHEET	1	1	1	

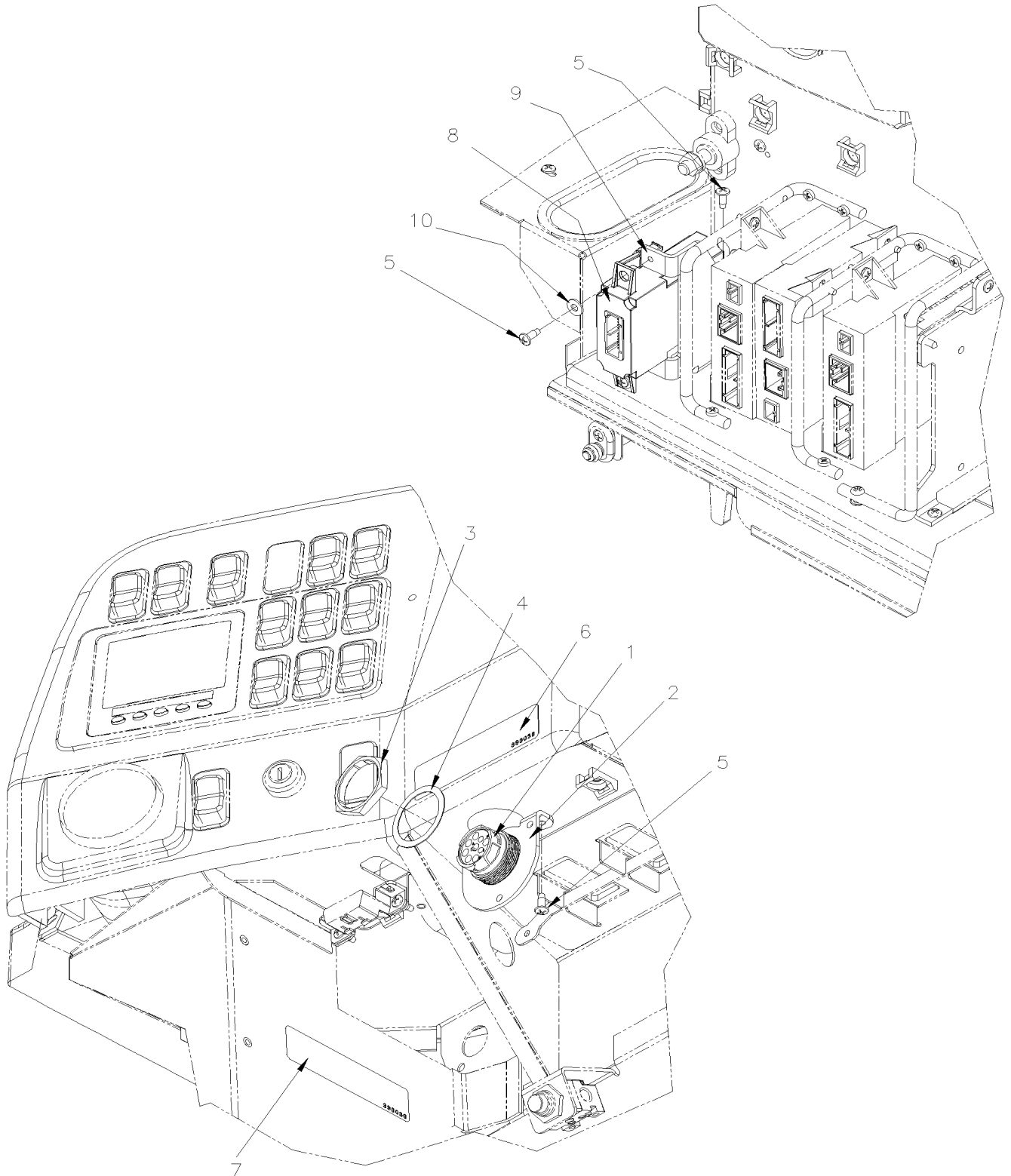


From D-2364 To J-0082

Date:10/2022

PAGE:069800

## VOLVO ELD INTERFACE KIT FOR OBD VEHICLES



From D-2364 To J-0082	Date:10/2022	PAGE:069800
<b>VOLVO ELD INTERFACE KIT FOR OBD VEHICLES</b>		

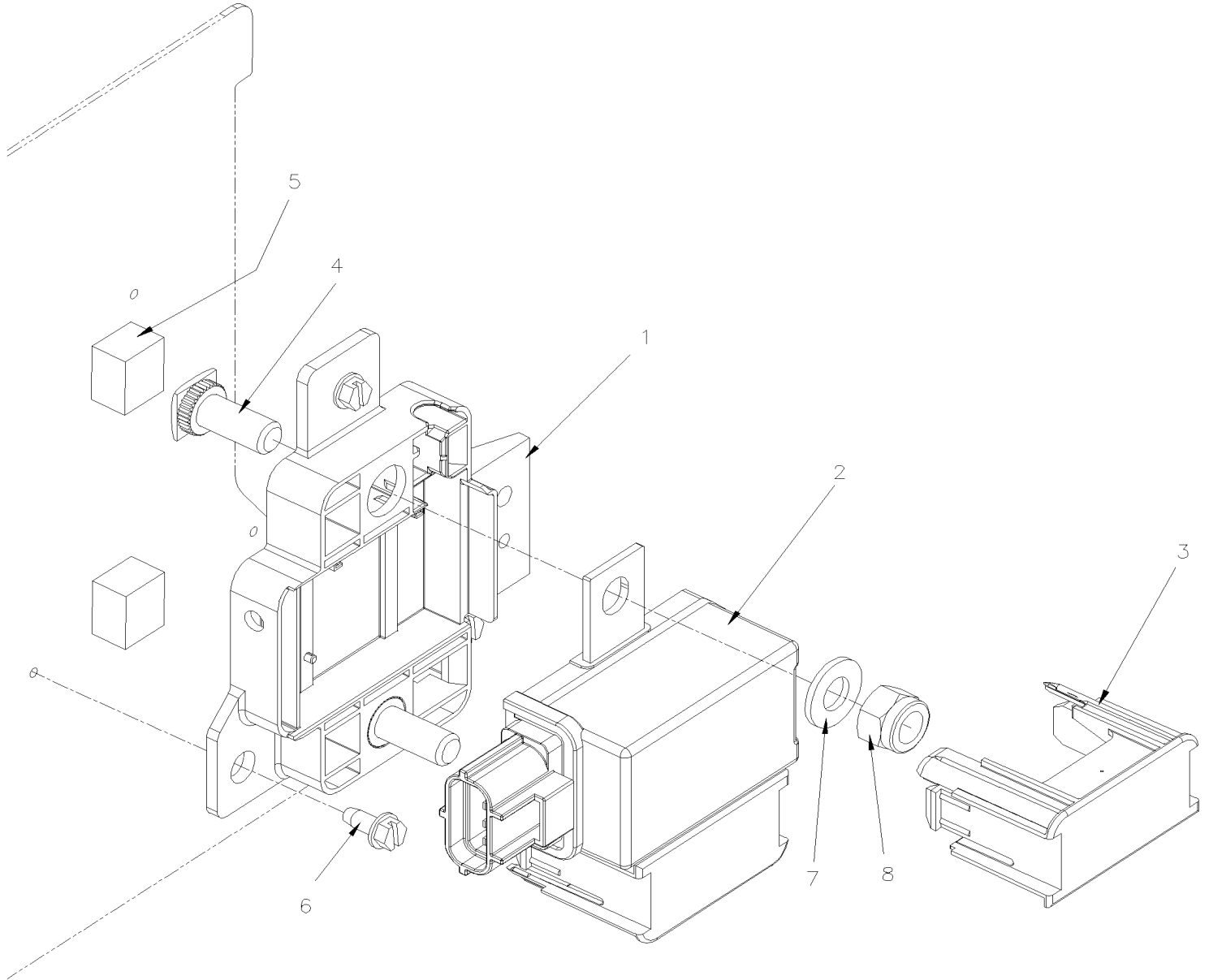
Item#	Part	Description	H 3 4 1	H 3 4 5	V I P 4 5	N O T E S
		LAPTOP WITH PTT (PREMIUM TECH TOOL, LATEST VERSION INSTALLED) & RELATED CABLES	1	1	1	
1	061890	ELD_AFTERMARKET_HARNESS_OBDII	1	1	1	
2	380120	CONNECTOR SUPPORT	1	1	1	
3	566004	PANEL NUT / HDP20 SERIES / DEUTSCH 2411-002-1805	1	1	1	
4	566006	LOCK WASHER / HDP20 SERIES / DEUTSCH 2414-002-1886	1	1	1	
5	502868	SCREW TC TR PH #10-16x1/2 N500	6	6	6	
6	390038	DECAL, ELECTRONIC LOGGING DEVICE( ELD) / FR, ENG, SP	1	1	1	
7	390039	DECAL, ON-BOARD DIAGNOSTIC(OBD) / FR, ENG, SP	1	1	1	
8	20890176	CONTROL UNIT FMS GATEWAY To N-6754				
8	23888708	CONTROL UNIT FMS GATEWAY From N-6755				
8	20890176	CONTROL UNIT FMS GATEWAY To P-1297	1	1	1	
8	23888708	CONTROL UNIT FMS GATEWAY From P-1298	1	1	1	
9	380121	SUPPORT GSECU I-SHIFT TRANS	1	1	1	
10	500855	WASHER FL .188x.438x.049 N500	2	2	2	
NS	504637	CABLE TIE / 3/16" x 13"	20	20	20	
NS	560587	RING TERMINAL .250 / 18-14 / INSULATED / AMP 160337-2	1	1	1	
NS	563160	SOCKET TERMINAL / 12 / YAZAKI 7116-4122-02	1	1	1	
NS	FI-17071	VOIR FEUILLE D'INSTRUCTION	1	1	1	
NS	IS-17071	SEE INSTRUCTION SHEET	1	1	1	

From G-3129 To J-0184

Date:10/2022

PAGE:IS19911

ISM-INTELLIGENT SLEEP MODE- INSTALI.W/PRIME INSTALLED ONLY



From G-3129 To J-0184	Date:10/2022	PAGE:IS19911
<b>ISM-INTELLIGENT SLEEP MODE- INSTALI.W/PRIME INSTALLED ONLY</b>		

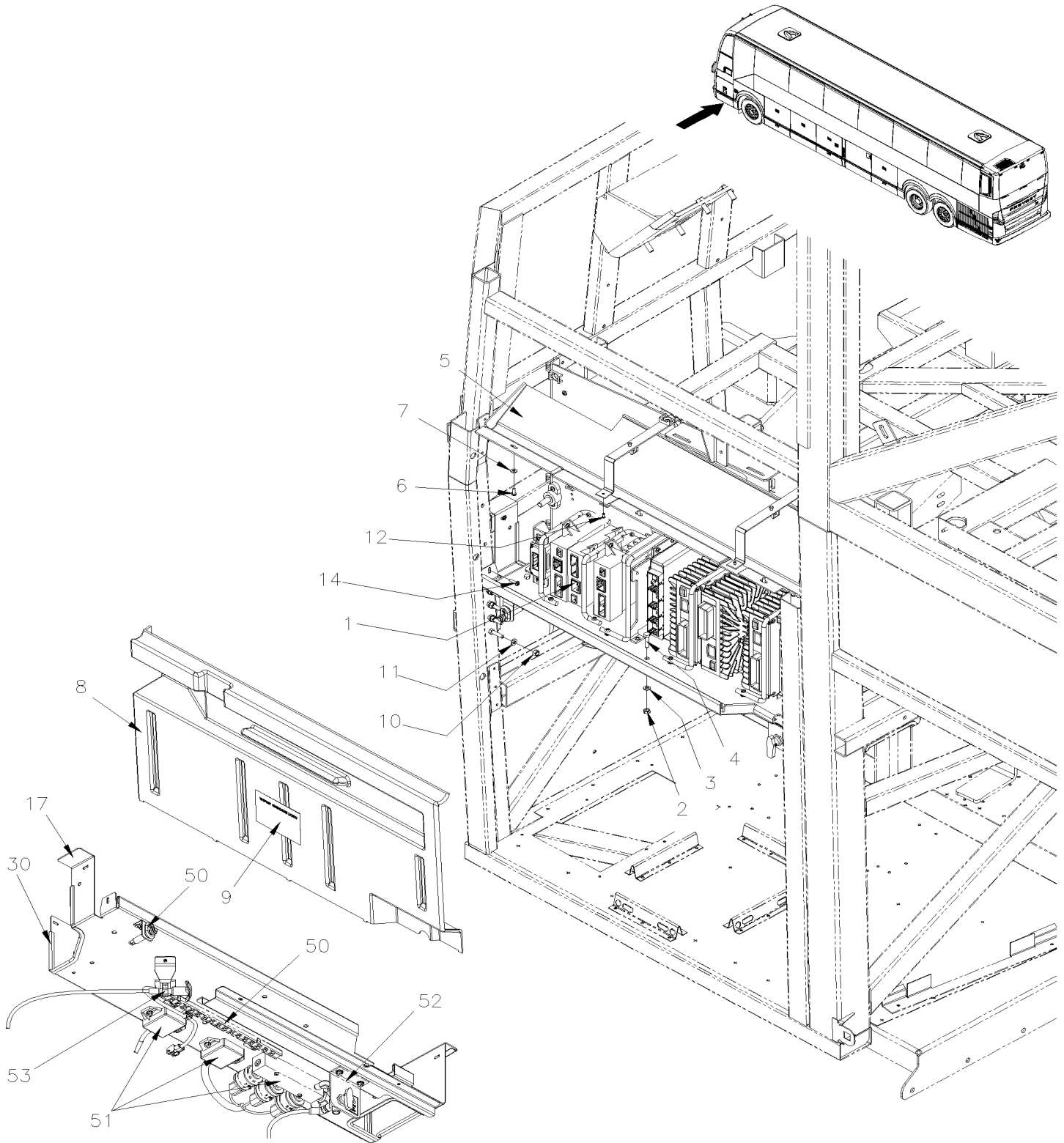
Item#	Part	Description	H 3 4 1	H 3 4 5	V I P 4 5	N O T E S
1	560529	BASE FOR LACTHING RELAY BDS-A 24V	1	1	1	
2	560493	LACTHING RELAY BDS-A 24V	1	1	1	
3	560538	COVER RELAY	2	2	2	
4	560539	SCREW FOR LACTHING RELAY BDS-A 24V / M8	2	2	2	
5	506004	TAPE RUB ADH1 CC POL 3/8" x 1/2" x 20' / GREY 2520X	AR	AR	AR	
6	5001245	SCREW TC CAP HEXW SLT #12-24x1/2 Z050	3	3	3	
7	5001341	WASHER FL 8.4x17.0x1.6 SS	2	2	2	
8	5001787	NUT HEX NYRT M8-1.25 SS	2	2	2	
NS	062305	ISM HARNESS	1	1	1	
NS	563158	SHRINK TUBING / .300" - .060" / BLACK / 3M EPS-400.300	AR	AR	AR	
NS	562935	BUTT SPLICE / 22-18 / RED / AMP 55824-1	2	2	2	
12	IS-19911	INSTRUCTION SHEET	1	1	1	

From 7-0671 To J-0287

Date:10/2022

PAGE:H7-0625-50

## FRONT JUNCTION BOX - INSTALLATION



<b>From 7-0671 To J-0287</b>	<b>Date:10/2022</b>	<b>PAGE:H7-0625-50</b>
<b>FRONT JUNCTION BOX - INSTALLATION</b>		

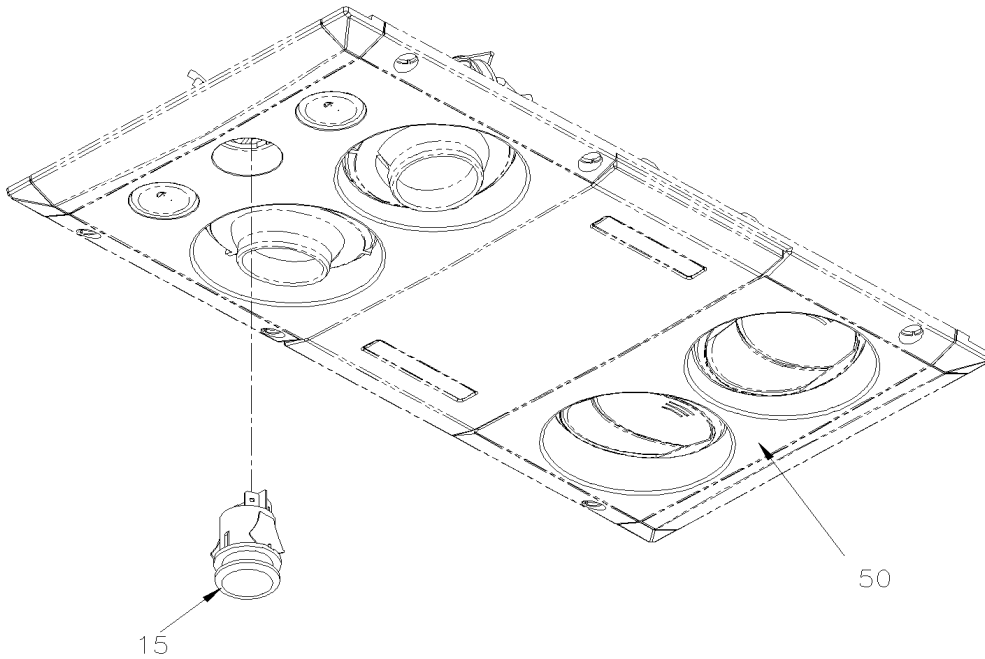
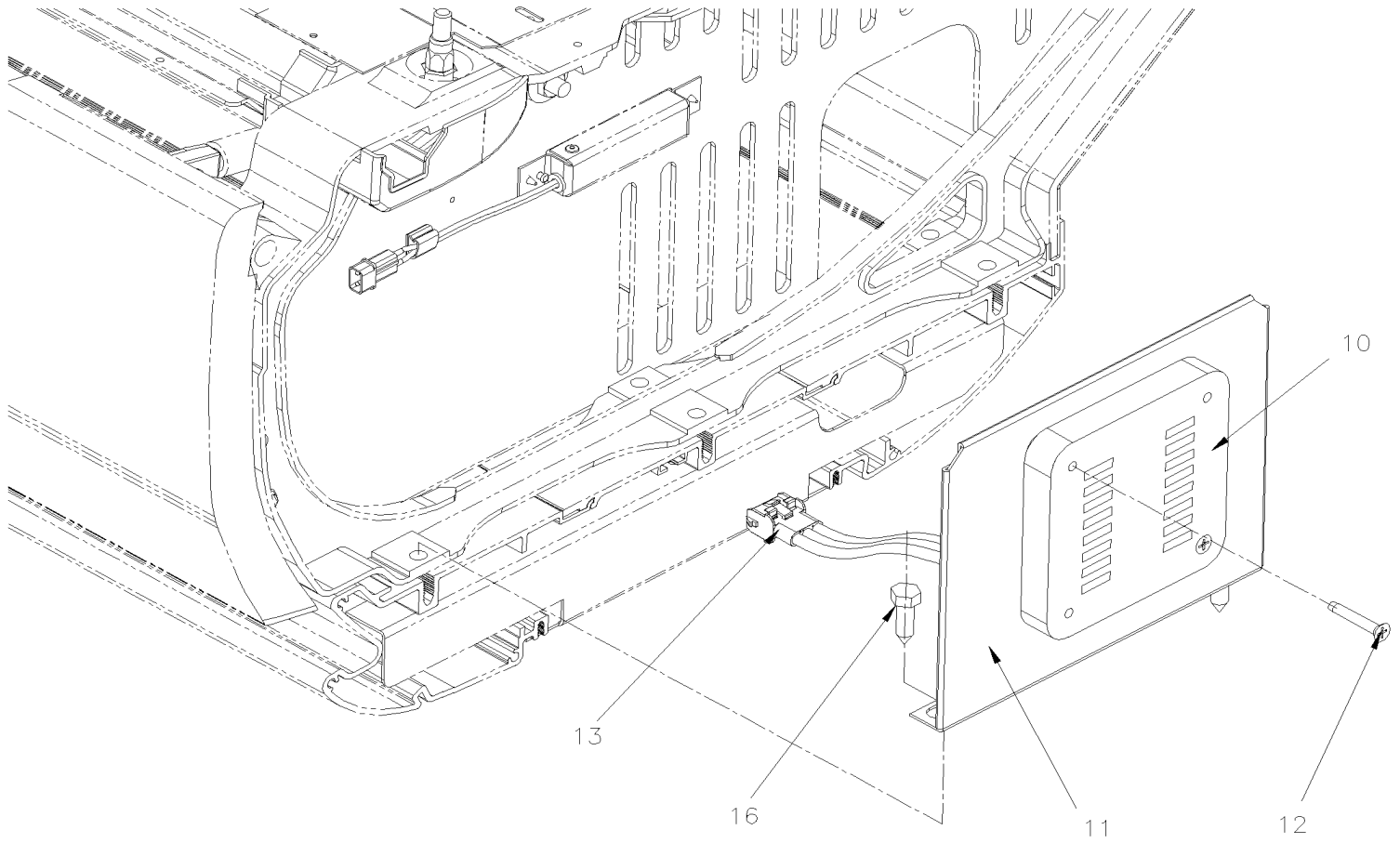
Item#	Part	Description	H 3 4 1	H 3 4 5	V I P 4 5	N O T E S
1	<b>H7-0625-00</b>	<b>FRONT JUNCTION PANEL</b>				
2	502565	NUT HEX M6-1.0 SS	4	4	4	
3	502564	WASHER LO SPT 6.1x11.8x1.6 Z050	4	4	4	
4	502737	SCREW CAP HEX M6-1.0x25 SS BK	4	4	4	
5	382107	DRIP PANEL TOP	1	1	1	
6	500443	SCREW TP PAN PH #8x1/2 N500	3	3	3	
7	500855	WASHER FL .188x.438x.049 N500	3	3	3	
8	382117	PROTECTOR PANEL To D-2236	1	1	1	
8	382504	PROTECTOR PANEL From D-2237	1	1	1	
9	180246	DECAL / VEHICULE WHEELHOUSING.... TREATED / ENGLISH & FRANCAIS	1	1	1	
10	5001182	NUT HEX NYRT M6-1.0 SS	4	4	4	
11	502573	WASHER FL 6.4x12.5x1.6 SS	4	4	4	
12	504339	RIVET POP DOME OE 1/8x3/8 SS	2	2	2	
12	504488	RIVET MGLP PRDG 3/16x17/64 SS	2	2	2	
14	500641	SCREW TP PAN PH #8x3/4 Z050	10	10	10	
NS	500539	NUT HEX NYRT M4-0.7 N500	1	1	1	
NS	500615	NUT HEX M8-1.25 BR	1	1	1	
17	382073	SUPPORT FRONT JCT BOX To 9-1469	1	1	1	
17	382415	SUPPORT FRONT JCT BOX From A-1470 To C-1931	1	1	1	
17	382454	SUPPORT FRONT JCT BOX From C-1932 To D-2236	1	1	1	
17	382503	SUPPORT FRONT JCT BOX From D-2237 To E-2660	1	1	1	
17	382515	SUPPORT FRONT JCT BOX From E-2661 To H-3790	1	1	1	
17	380097	SUPPORT FRONT JCT BOX From H-3791	1	1	1	
17	506227	TAPE RUB ADH1 CC POL 1/16" x 3/4" x 100' / GREY 2520	AR	AR	AR	
30	506338	RUBBER CHANNEL / 1/16" x 1/4" INT "U" SHAPE / ROUND C.T.L.	AR	AR	AR	
30	680066	ADHESIVE / ADBOND #5014 / 23.6ML BOTTLE	AR	AR	AR	
NS	8631155	CABLE TIE / 4.6MM x 200 / CHRISTMAS TREE	1	1	1	
50	<b>H7-0665-10</b>	<b>SWITCHES, LIGHTS, AJAR - UNDER FLOOR &amp; ENGINE COMPARTMENT</b>				
51	<b>H7-0750-00</b>	<b>AUTOMATIC TRANSMISSION - "WORLD" WITH DETROIT S-60 From 7-0671 To A-1720</b>				
51	<b>H7-0750-01</b>	<b>AUTOMATIC TRANSMISSION - "WORLD" WITH VOLVO D13 From 8-1202 To A-1720</b>				
51	<b>H7-0750-02</b>	<b>AUTOMATIC TRANSMISSION - "WORLD" WITH VOLVO D13 From B-1721 To H-3734</b>				
51	<b>H7-0750-03</b>	<b>AUTOMATIC TRANSMISSION - "WORLD" WITH VOLVO D13 From H-3735</b>				
52	<b>H7-1802-00</b>	<b>ENTRANCE DOOR CONTROL</b>				
53	<b>H7-1860-10</b>	<b>SPARE WHEEL DOOR MECHANISM FRONT BUMPER To 9-1469</b>				
53	<b>H7-1860-11</b>	<b>SPARE WHEEL DOOR MECHANISM FRONT BUMPER From A-1470</b>				

From 7-0671 To A-1492

Date:10/2022

PAGE:H7-0628-00

**CHIME BELL - INSTALLATION**



From 7-0671 To A-1492	Date:10/2022	PAGE:H7-0628-00
-----------------------	--------------	-----------------

**CHIME BELL - INSTALLATION**

Item#	Part	Description	H 3 4 1	H 3 4 5	V I P 4 5	N O T E S
10	381854	CHIME / PASSENGER`S SIGNAL	1	1		
11	312709	. SUPPORT CHIM BELL	1	1		
12	500844	. SCREW TC FL PH #10-32x1 1/4 Z050	2	2		
13	561667	. CONNECTOR / UNIVERSAL MATE-N-LOK / PH 3C / AMP 1-480701-0	1	1		
NS	561671	. PIN TERMINAL / 24-18 / AMP 350690-1	2	2		
NS	562122	. PIN TERMINAL / 20-14 / AMP 350547-1	1	1		
NS	561740	. DIODE / 3AMPS	1	1		
15	830159	SWITCH / OFF-M/ON / S.P.S.T. / CHIME	AR	AR		
16	502513	SCREW TP CAP HEX 5/16x1 Z050	2	2		
50	<b>H7-0655-00</b>	<b>INTERIOR LIGHTING</b>				

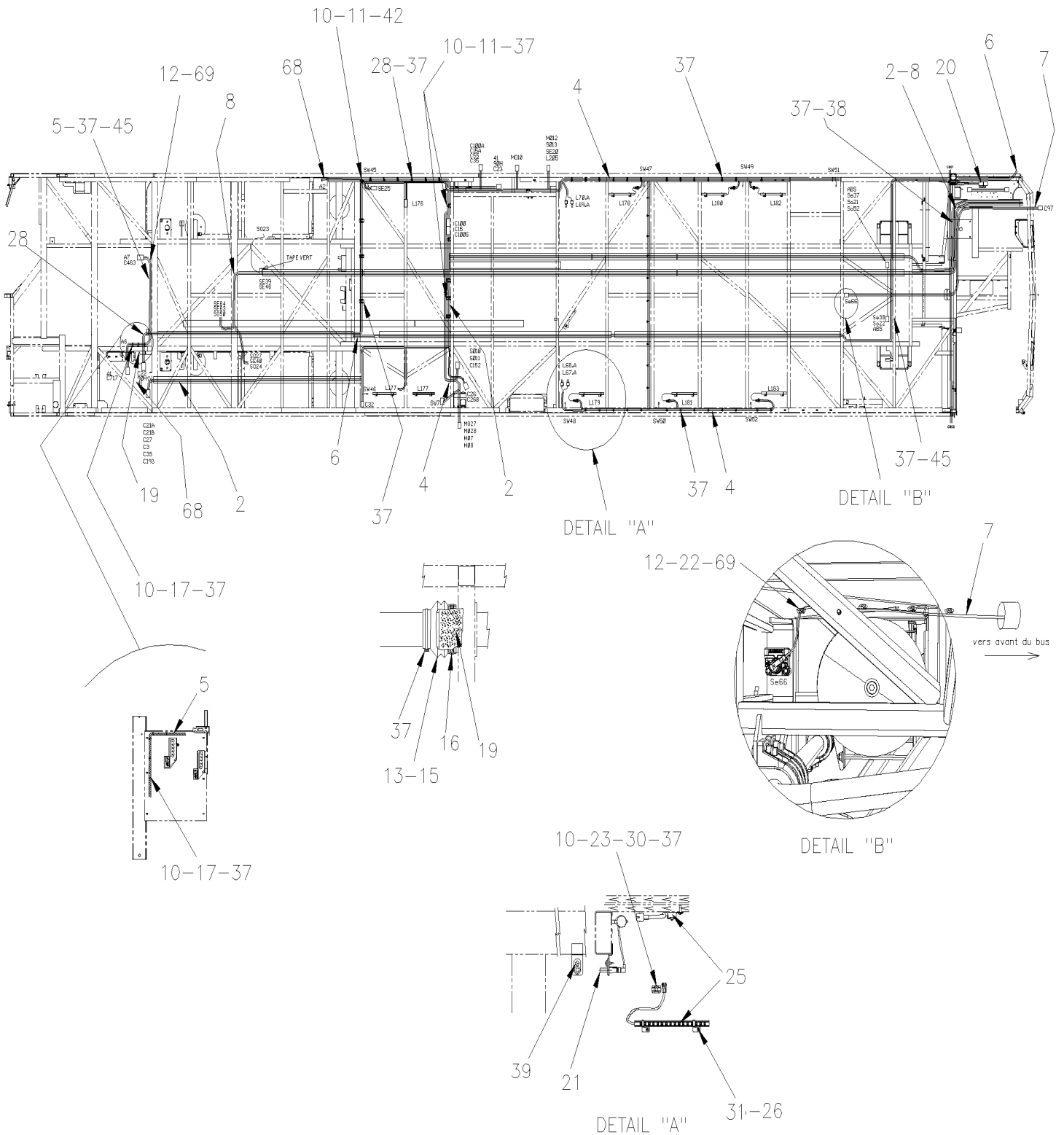


From 7-0671 To J-0287

Date:10/2022

PAGE:H7-0630-00

## CABLE & HARNESS - UNDER FLOOR - W/MUX



From 7-0671 To J-0287	Date:10/2022	PAGE:H7-0630-00
<b>CABLE &amp; HARNESS - UNDER FLOOR - W/MUX</b>		

Item#	Part	Description	H 3 4 1	H 3 4 5	V I P 4 5	N O T E S
2	067096	CABLE ASSY / FRT SELECTOR & RR ECU & VIM To 8-1169	1			
2	067231	CABLE ASSY / FRT SELECTOR & RR ECU & VIM From 8-1170 To A-1720	1			
2	067632	CABLE ASSY / FRT SELECTOR & RR ECU & VIM From B-1721 To C-2058	1			
2	068436	CABLE ASSY / FRT SELECTOR & RR ECU & VIM From C-2059 To D-2363	1			
2	068637	CABLE ASSY / FRT SELECTOR & RR ECU & VIM From D-2364 To E-2661	1			
2	069025	CABLE ASSY / FRT SELECTOR & RR ECU & VIM From E-2662 To G-3205	1			
2	069429	CABLE ASSY / FRT SELECTOR & RR ECU & VIM From G-3206 To H-3734	1			
2	069658	CABLE ASSY / FRT SELECTOR & RR ECU & VIM From H-3735	1			
2	067095	CABLE ASSY / FRT SELECTOR & RR ECU & VIM To 8-1169		1		
2	067228	CABLE ASSY / FRT SELECTOR & RR ECU & VIM From 8-1170 To A-1720		1		
2	067627	CABLE ASSY / FRT SELECTOR & RR ECU & VIM From B-1721 To C-2058		1		
2	068426	CABLE ASSY / FRT SELECTOR & RR ECU & VIM From C-2059 To D-2363		1		
2	068442	CABLE ASSY / FRT SELECTOR & RR ECU & VIM From D-2363 To D-2363		1		
2	068636	CABLE ASSY / FRT SELECTOR & RR ECU & VIM From D-2364 To E-2661		1		
2	068983	CABLE ASSY / FRT SELECTOR & RR ECU & VIM From E-2662 To G-3205		1		
2	069428	CABLE ASSY / FRT SELECTOR & RR ECU & VIM From G-3206 To H-3734		1		
2	069657	CABLE ASSY / FRT SELECTOR & RR ECU & VIM From H-3735		1		
2	066695	CABLE ASSY / FRT SELECTOR & RR "ZMTec" To A-1720	1	1		
2	066828	CABLE FRT JCT BOX TO RR JCT BOX To 7-0983			1	
2	067134	CABLE FRT JCT BOX TO RR JCT BOX From 7-0984 To 8-1169			1	
2	067230	CABLE FRT JCT BOX TO RR JCT BOX From 8-1170 To 8-1429			1	
2	067347	CABLE FRT JCT BOX TO RR JCT BOX From 8-1430 To 9-1403			1	
2	067579	CABLE FRT JCT BOX TO RR JCT BOX From 9-1404 To A-1720			1	
2	067708	CABLE FRT JCT BOX TO RR JCT BOX From B-1721 To C-2058			1	
2	068430	CABLE FRT JCT BOX TO RR JCT BOX From C-2059 To D-2363			1	
2	068508	CABLE FRT JCT BOX TO RR JCT BOX From D-2364 To E-2661			1	
2	069006	CABLE FRT JCT BOX TO RR JCT BOX From E-2662 To G-3205			1	
2	069433	CABLE FRT JCT BOX TO RR JCT BOX From G-3306 To G-3366			1	
2	069624	CABLE FRT JCT BOX TO RR JCT BOX From G-3367 To H-3644			1	
2	068343	CABLE FRT JCT BOX TO RR JCT BOX From H-3645 To H-3734			1	
2	069667	CABLE FRT JCT BOX TO RR JCT BOX From H-3735			1	
4	066681	CABLE ASSY / POWER ACCES TO ACCESORIES To 8-1291	1			
4	067318	CABLE ASSY / POWER ACCES TO ACCESORIES / W/4 FANS From 8-1292 To 9-1408	1			
4	067612	CABLE ASSY / POWER ACCES TO ACCESORIES / W/4 FANS From 9-1409 To A-1720	1			
4	067903	CABLE ASSY / POWER ACCES TO ACCESORIES / W/4 FANS From B-1721 To D-2363	1			
4	068635	CABLE ASSY / POWER ACCES TO ACCESORIES / W/4 FANS From D-2364 To E-2661	1			
4	069146	CABLE ASSY / POWER ACCES TO ACCESORIES From E-2662 To G-3128	1			
4	069486	CABLE ASSY / POWER ACCES TO ACCESORIES From G-3129 To G-3205	1			
4	069363	CABLE ASSY / POWER ACCES TO ACCESORIES From G-3206 To H-3734	1			
4	069672	CABLE ASSY / POWER ACCES TO ACCESORIES From H-3735	1			
4	066682	CABLE ASSY / POWER ACCES TO ACCESORIES To 8-1291		1		
4	067317	CABLE ASSY / POWER ACCES TO ACCESORIES / W/4 FANS From 8-1292 To 9-1408		1		

<b>From 7-0671 To J-0287</b>	<b>Date:10/2022</b>	<b>PAGE:H7-0630-00</b>
<b>CABLE &amp; HARNESS - UNDER FLOOR - W/MUX</b>		

Item#	Part	Description	H 3 4 1	H 3 4 5	V I P 4 5	N O T E S
4	067611	CABLE ASSY / POWER ACCES TO ACCESORIES / W/4 FANS From 9-1409 To A-1720		1		
4	067902	CABLE ASSY / POWER ACCES TO ACCESORIES / W/4 FANS From B-1721 To B-1828		1		
4	068278	CABLE ASSY / POWER ACCES TO ACCESORIES / W/4 FANS From B-1829 To D-2363		1		
4	068631	CABLE ASSY / POWER ACCES TO ACCESORIES / W/4 FANS From D-2364 To E-2661		1		
4	069145	CABLE ASSY / POWER ACCES TO ACCESORIES From E-2662 To G-3128		1		
4	069485	CABLE ASSY / POWER ACCES TO ACCESORIES From G-3129 To G-3205		1		
4	069362	CABLE ASSY / POWER ACCES TO ACCESORIES From G-3206 To H-3734		1		
4	069671	CABLE ASSY / POWER ACCES TO ACCESORIES From H-3735		1		
4	069703	CABLE ASSY / POWER ACCES TO ACCESORIES WITH INTERLOK From H-3599		1		A
4	067098	CABLE ASSY / POWER ACCES TO ACCESORIES To D-2363			1	
4	068753	CABLE ASSY / POWER ACCES TO ACCESORIES From D-2364 To E-2661			1	
4	069021	CABLE ASSY / POWER ACCES TO ACCESORIES From E-2662 To G-3205			1	
4	069364	CABLE ASSY / POWER ACCES TO ACCESORIES From G-3205 To H-3644			1	
4	067559	CABLE ASSY / POWER ACCES TO ACCESORIES From H-3645			1	
5	066697	CABLE ASSY / E.C.U. & TRANS SPEED SWITCH / MUX To 8-1169	1	1	1	
5	067216	CABLE ASSY / E.C.U. & TRANS SPEED SWITCH / MUX From 8-1170 To A-1720	1	1	1	
5	067922	CABLE ASSY / E.C.U. & TRANS SPEED SWITCH / MUX From B-1721 To D-2363	1	1	1	
5	068454	CABLE ASSY / E.C.U. & TRANS SPEED SWITCH From D-2364 To E-2601	1	1	1	
5	068806	CABLE ASSY / E.C.U. & TRANS SPEED SWITCH From E-2602 To F-2861	1	1	1	
5	069218	CABLE ASSY / E.C.U. & TRANS SPEED SWITCH From F-2862 To G-3205	1	1	1	
5	069510	CABLE ASSY / E.C.U. & TRANS SPEED SWITCH From G-3206	1	1		
5	069510	CABLE ASSY / E.C.U. & TRANS SPEED SWITCH From G-3206			1	
5	067353	CABLE HARNESS I-SHIFT TRANS From B-1721 To D-2363	1	1		
5	068453	CABLE HARNESS I-SHIFT TRANS From D-2364 To H-3734	1	1		
5	060560	CABLE HARNESS I-SHIFT TRANS From H-3735	1	1		
6	066411	CABLE POWER / RJB TO FJB To C-2058	1			
6	068435	CABLE POWER / RJB TO FJB From C-2059 To D-2363	1			
6	067976	CABLE POWER / RJB TO FJB From D-2364	1			
6	066137	CABLE POWER / RJB TO FJB To C-2058		1		
6	068433	CABLE POWER / RJB TO FJB From C-2059 To D-2363		1		
6	067975	CABLE POWER / RJB TO FJB From D-2364		1		
6	066861	CABLE POWER / RJB TO FJB From 7-0772 To C-2058			1	
6	068499	CABLE POWER / RJB TO FJB From C-2059 To D-2363			1	
6	067963	CABLE POWER / RJB TO FJB From D-2364 To H-3644			1	
6	068342	CABLE POWER / RJB TO FJB From H-3645			1	
7	066986	CABLE ASSY / FRONT "ABS" SENSOR & VALVE / MUX & EPS To B-1785	1	1	1	
7	068263	CABLE ASSY / FRONT "ABS" SENSOR & VALVE / MUX & EPS From B-1786 To E-2504	1	1	1	
7	068924	CABLE ASSY / FRONT "ABS" SENSOR & VALVE / MUX & EPS From E-2505 To E-2661	1	1	1	
7	069014	CABLE ASSY / FRONT "ABS" SENSOR & VALVE / MUX & EPS From E-2662	1	1	1	
8	066987	CABLE ASSY "ABS" PREMIUM & E.S.P. To B-1785	1	1	1	
8	068262	CABLE ASSY "ABS" PREMIUM & E.S.P. From B-1786 To C-2058	1	1	1	
8	068497	CABLE ASSY "ABS" PREMIUM & E.S.P. From C-2059 To D-2163	1	1	1	

<b>From 7-0671 To J-0287</b>	<b>Date:10/2022</b>	<b>PAGE:H7-0630-00</b>
<b>CABLE &amp; HARNESS - UNDER FLOOR - W/MUX</b>		

Item#	Part	Description	H 3 4 1	H 3 4 5	V I P 4 5	N O T E S
8	068554	CABLE ASSY "ABS" PREMIUM & E.S.P. From D-2164 To E-2504	1	1	1	
8	068987	CABLE ASSY "ABS" PREMIUM & E.S.P. From E-2505	1	1	1	
8	067059	CABLE ASSY / REAR "ABS" SENSOR & VALVE / MUX To C-2058	1	1	1	
8	068491	CABLE ASSY / REAR "ABS" SENSOR & VALVE From C-2059 To D-2163	1	1	1	
10	504013	TIE MOUNT / 1/4" X 1/4" I.D.	AR	AR	AR	
11	500957	SCREW TP BDG PH #10x3/4 N500	AR	AR	AR	
12	680096	SEALANT BUTYL ALUM / GREY / 310ml CARTRIDGE	AR	AR	AR	
13	504385	CUFF END BELLOW / 1 1/2" I.D. x 2 1/2" x 4" To 8-1191	1	1	1	
13	504533	CUFF END BELLOW / 2 3/8" I.D. x 2 3/8" x 4" From 8-1192 To A-1720	1	1	1	
13	504499	CUFF END BELLOW / 2 7/8" I.D. x 3 5/8" x 4 7/16 From B-1721	1	1	1	
15	504441	CUFF END BELLOW / 3 1/2" I.D. x 3 1/2" x 5 5/8" To A-1720	2	2		
15	504499	CUFF END BELLOW / 2 7/8" I.D. x 3 5/8" x 4 7/16 From B-1721	2	2	2	
16	504026	HOSE CLAMP / 2"13/16-3"3/4 SS / HS-52	2	2	2	
16	504024	HOSE CLAMP / 1"13/16"-2"3/4 SS / HS-36	1	1		
16	504024	HOSE CLAMP / 1"13/16"-2"3/4 SS / HS-36 To A-1720			1	
16	504026	HOSE CLAMP / 2"13/16-3"3/4 SS / HS-52 From B-1721 To H-3644			1	
16	504016	CABLE TIE / 5/16" X 14"1/2 From H-3645			3	
17	504379	RIVET POP DOME OE 3/16x1/4 SS	AR	AR	AR	
19	066010	INSULATING PAD 76MM x 330MM To A-1720	AR	AR	AR	
19	371600	INSULATING PAD 76.2MM x 374.7MM From B-1721	AR	AR	AR	
20	504016	CABLE TIE / 5/16" X 14"1/2			AR	
21	563464	SWITCH / S.P.S.T. / N.C. / W/RUBBER BOOT To G-3205	8			
21	563464	SWITCH / S.P.S.T. / N.C. / W/RUBBER BOOT To G-3205		10	10	
22	504013	TIE MOUNT / 1/4" X 1/4" I.D.	AR	AR	AR	
23	500443	SCREW TP PAN PH #8x1/2 N500	AR	AR	AR	
24	562060	CLAMP / 1 3/4" I.D. From H-3645			1	
25	330224	LAMP ASSY 24V / BAGGAGE COMPARTMENT LAMP W/2 BULBS G4-10W To C-1931	6			
. NS	330396	. BULB / 10 WATTS -28VOLTS / SAE# G4-28 To C-1931	2			
25	330299	LAMP ASSY 24V / BAGGAGE COMPARTMENT LAMP / LED From C-1932 To H-3790	6			B
. NS	561248	. CONNECTOR / UNIVERSAL MATE-N-LOK / PH 2C / AMP 1-480699-0 From C-1932 To H-3790	1			B
25	830008	LAMP ASSY 24V / LED From H-3791	6			
. NS	561248	. CONNECTOR / UNIVERSAL MATE-N-LOK / PH 2C / AMP 1-480699-0 From H-3791	1			
25	330224	LAMP ASSY 24V / BAGGAGE COMPARTMENT LAMP W/2 BULBS G4-10W To C-1931		8	8	
. NS	330396	. BULB / 10 WATTS -28VOLTS / SAE# G4-28 To C-1931		2	2	
25	330299	LAMP ASSY 24V / BAGGAGE COMPARTMENT LAMP / LED From C-1932 To H-3790		8	8	B C
. NS	561248	. CONNECTOR / UNIVERSAL MATE-N-LOK / PH 2C / AMP 1-480699-0 From C-1932 To H-3790		1	1	B C
25	830008	LAMP ASSY 24V / LED From H-3791		8	8	
. NS	561248	. CONNECTOR / UNIVERSAL MATE-N-LOK / PH 2C / AMP 1-480699-0 From H-3791		1	1	
26	330411	SUPPORT, LIGHT To H-3790	12			
26	330411	SUPPORT, LIGHT To H-3790		16	16	
26	330004	SUPPORT, LIGHT			2	C

From 7-0671 To J-0287	Date:10/2022	PAGE:H7-0630-00
<b>CABLE &amp; HARNESS - UNDER FLOOR - W/MUX</b>		

Item#	Part	Description	H 3 4 1	H 3 4 5	V I P 4 5	N O T E S
28	066139	CABLE POWER / BREAKERS & HVAC To 8-1291	1	1		
28	067331	CABLE POWER / BREAKERS & HVAC From 8-1292 To D-2363	1	1		
28	068629	CABLE POWER / BREAKERS & HVAC From D-2364 To E-2661	1	1		
28	069147	CABLE POWER / BREAKERS & HVAC From E-2662	1	1		
28	067180	CABLE POWER / BREAKERS & HVAC To 8-1291			1	
28	067572	CABLE POWER / BREAKERS & HVAC From 8-1292 To 9-1408			1	
28	067614	CABLE POWER / BREAKERS & HVAC From 9-1409 To A-1720			1	
28	067795	CABLE POWER / BREAKERS & HVAC From B-1721 To B-1828			1	
28	068279	CABLE POWER / BREAKERS & HVAC From B-1829 To D-2363			1	
28	067964	CABLE POWER / BREAKERS & HVAC From D-2364 To E-2661			1	
28	069124	CABLE POWER / BREAKERS & HVAC From E-2662 To F-2886			1	
28	069269	CABLE POWER / BREAKERS & HVAC From F-2887 To G-3205			1	
28	069529	CABLE POWER / BREAKERS & HVAC From G-3206 To H-3734			1	
28	069668	CABLE POWER / BREAKERS & HVAC From H-3735			1	
30	500240	WASHER LO EXT .195x.410x.025 Z050	AR	AR	AR	
31	500430	SCREW TC PAN PH #8-32x1 1/4 SS BK To H-3790	AR	AR	AR	
31	500443	SCREW TP PAN PH #8x1/2 N500 From H-3791	AR	AR	AR	
37	504637	CABLE TIE / 3/16" x 13"	AR	AR	AR	
37	504273	CABLE TIE / 1/8" X 3"1/2	AR	AR	AR	
37	504750	CABLE TIE / 1/2" x 15" / CHRISTMAS TREE	10	10	10	
38	504013	TIE MOUNT / 1/4" X 1/4" I.D.			AR	
39	500623	SCREW TC PAN PH #10-24x3/4 N500	AR	AR	AR	
NS	504751	ROTATIF SPACER DOUBLE / SMALL From H-3645			AR	
NS	509490	ATTACHMENT DOUBLE USE WITH CABLE TIE From H-3645			AR	
42	502868	SCREW TC TR PH #10-16x1/2 N500	AR	AR	AR	
NS	064410	CABLE ASSY / BACK-UP CAMERA VIDEO / CAMERA & MONITOR B&W / 60' To 8-1142	1	1		
. NS	990288	. CABLE BACK-UP CAMERA 60' To 8-1142	1	1		
. NS	561681	. CONVOLUTED TUBING / SLIT / BLACK & GRAY / .350" To 8-1142	25	25		
NS	067071	CABLE ASSY / BACK-UP CAMERA VIDEO / CAMERA & MONITOR LCD / 60' From 8-1143 To 9-1412	1	1		
. NS	901268	. CABLE BACK-UP CAMERA "COLOR" From 8-1143 To 9-1412	1	1		
. NS	561681	. CONVOLUTED TUBING / SLIT / BLACK & GRAY / .350" From 8-1143 To 9-1412	25	25		
NS	067696	CABLE ASSY / BACK-UP CAMERA VIDEO / CAMERA & MONITOR LCD / 60' From 9-1413 To G-3144	1	1		
. NS	901308	. CABLE BACK-UP CAMERA "COLOR" From 9-1413 To G-3144	1	1		
. NS	561681	. CONVOLUTED TUBING / SLIT / BLACK & GRAY / .350" From 9-1413 To G-3144	25	25		
NS	901433	CABLE ASSY / BACK-UP CAMERA VIDEO / CAMERA & MONITOR LCD / 50' From G-3145	1	1		
NS	901434	CABLE ASSY / BACK-UP CAMERA VIDEO / CAMERA & MONITOR LCD / 15' From G-3145	1	1		
45	509815	TIE MOUNT / ATTACHMENT W/TREE MOUNT	AR	AR	AR	
NS	504610	RIVET MGLP PRDG 1/4x5/8 SS	AR	AR	AR	
NS	504488	RIVET MGLP PRDG 3/16x17/64 SS	AR	AR	AR	
68	507295	HOLE PLUG BUTTON / 1.375 O.D. BLACK To A-1720	1	1	1	
68	680532	SEALANT SIKA #221 / GREY / 310ml CARTRIDGE From B-1721	AR	AR	AR	
69	680532	SEALANT SIKA #221 / GREY / 310ml CARTRIDGE			AR	

From 7-0671 To J-0287	Date:10/2022	PAGE:H7-0630-00
<b>CABLE &amp; HARNESS - UNDER FLOOR - W/MUX</b>		

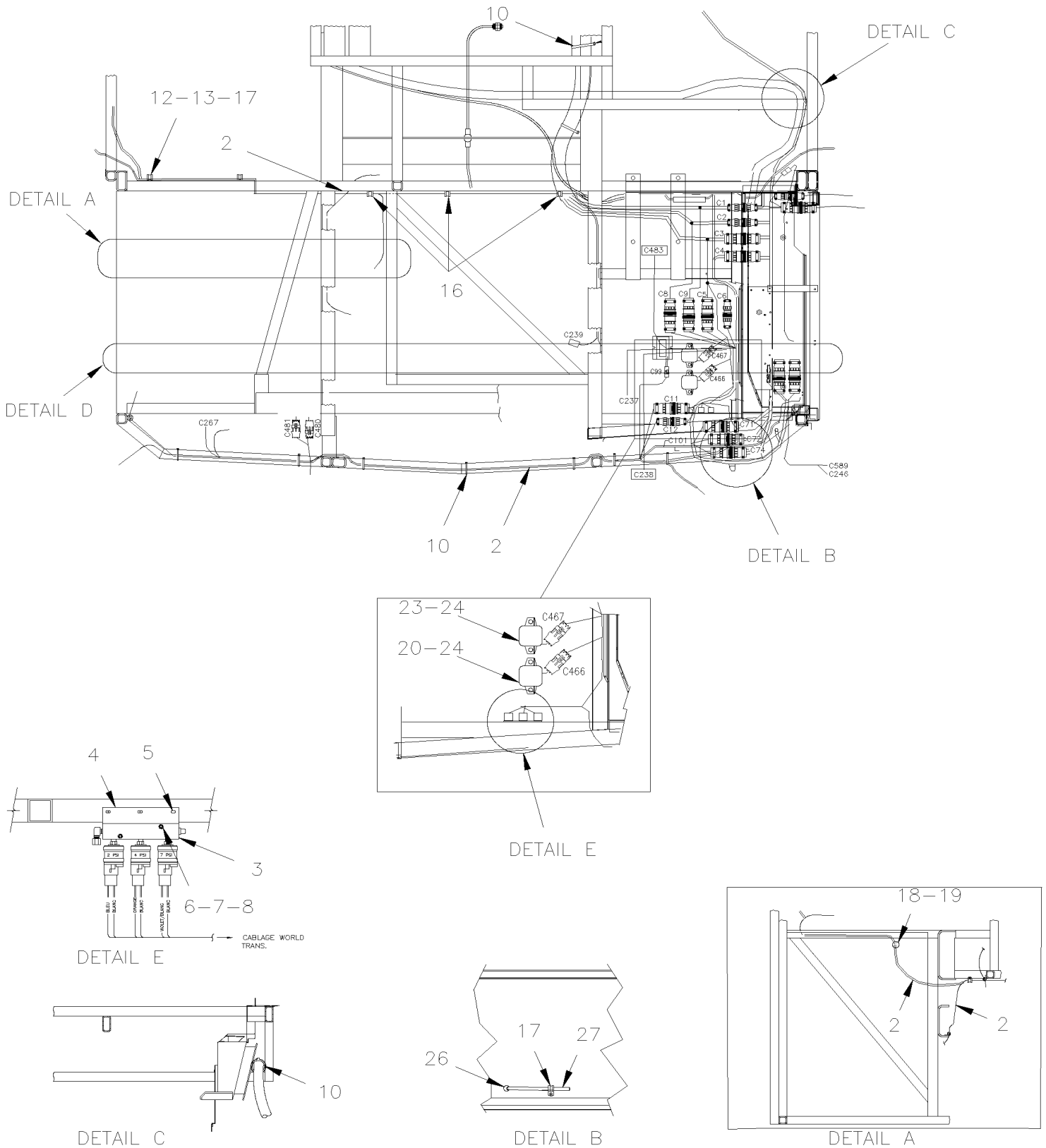
Item#	Part	Description	H 3 4 1	H 3 4 5	V I P 4 5	N O T E S
		A) USE WITH WHEEL CHAIR LIFT AND DOOR INTERLOK				
		B) WHEN YOU REPLACE LAMP #330299 BY THE NEW LAMP #830008 YOU HAVE TO DRILL HOLE TO INSTALL IT				
		C) WHEN YOU REPLACE LAMP #330299 BY THE NEW LAMP #830008 YOU HAVE TO DRILL HOLE TO INSTALL IT WITH TWO SCREWS #500443 OR #500965				

From 7-0671 To J-0287

Date:10/2022

PAGE:H7-0640-00

## CABLE & HARNESS - FRONT END INSTALLATION

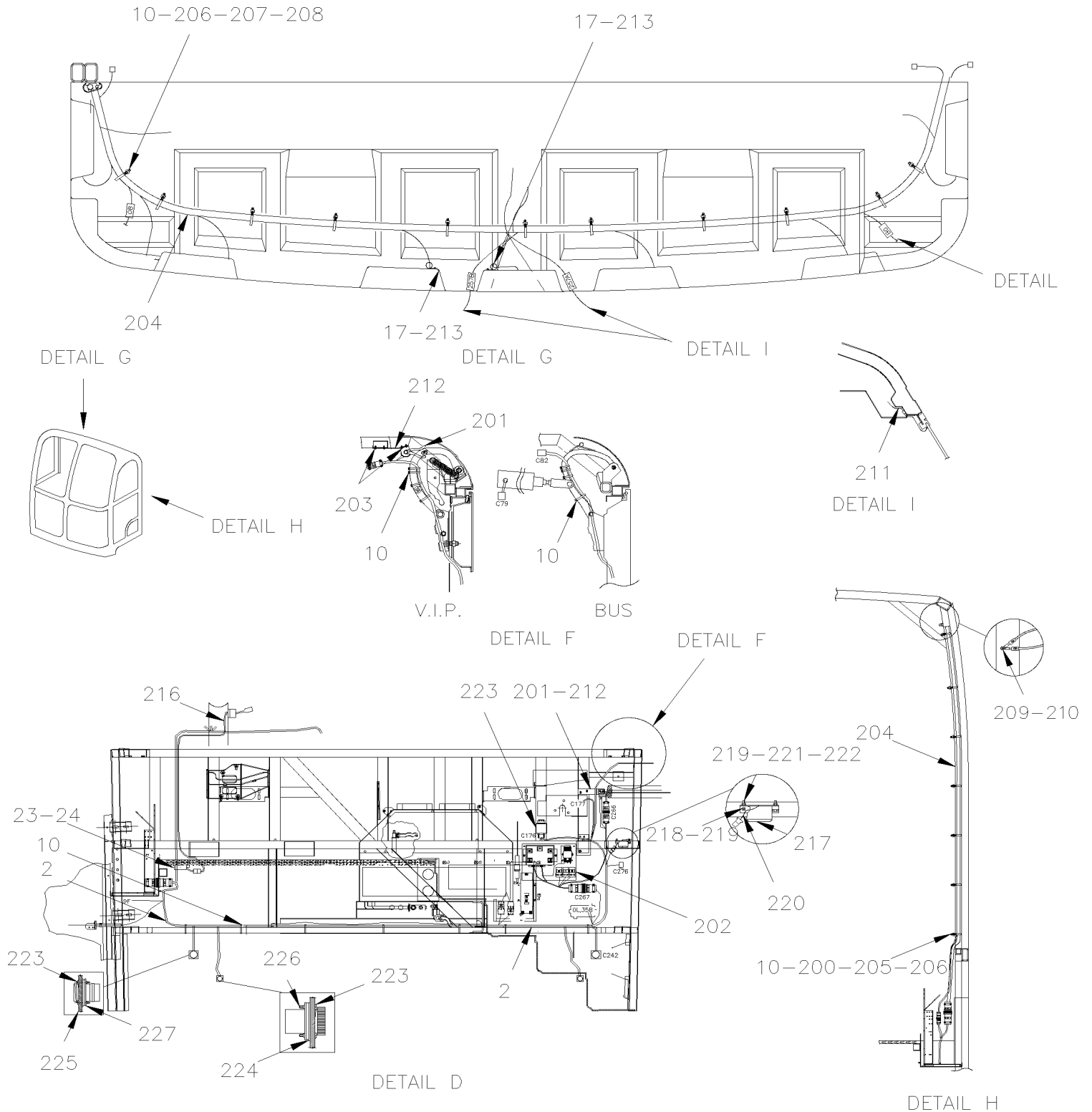


From 7-0671 To J-0287

Date:10/2022

PAGE:H7-0640-00

## CABLE & HARNESS - FRONT END INSTALLATION



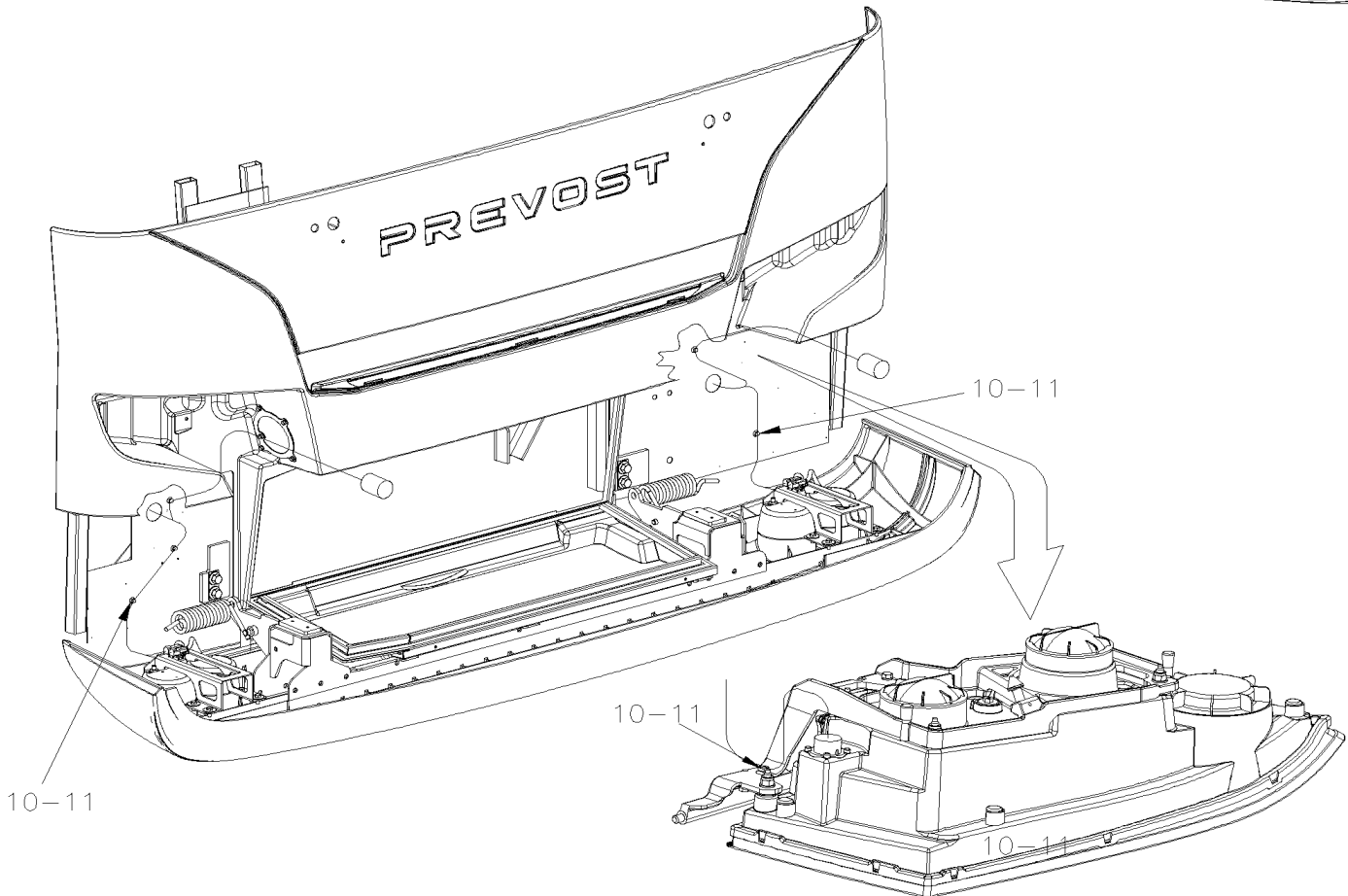
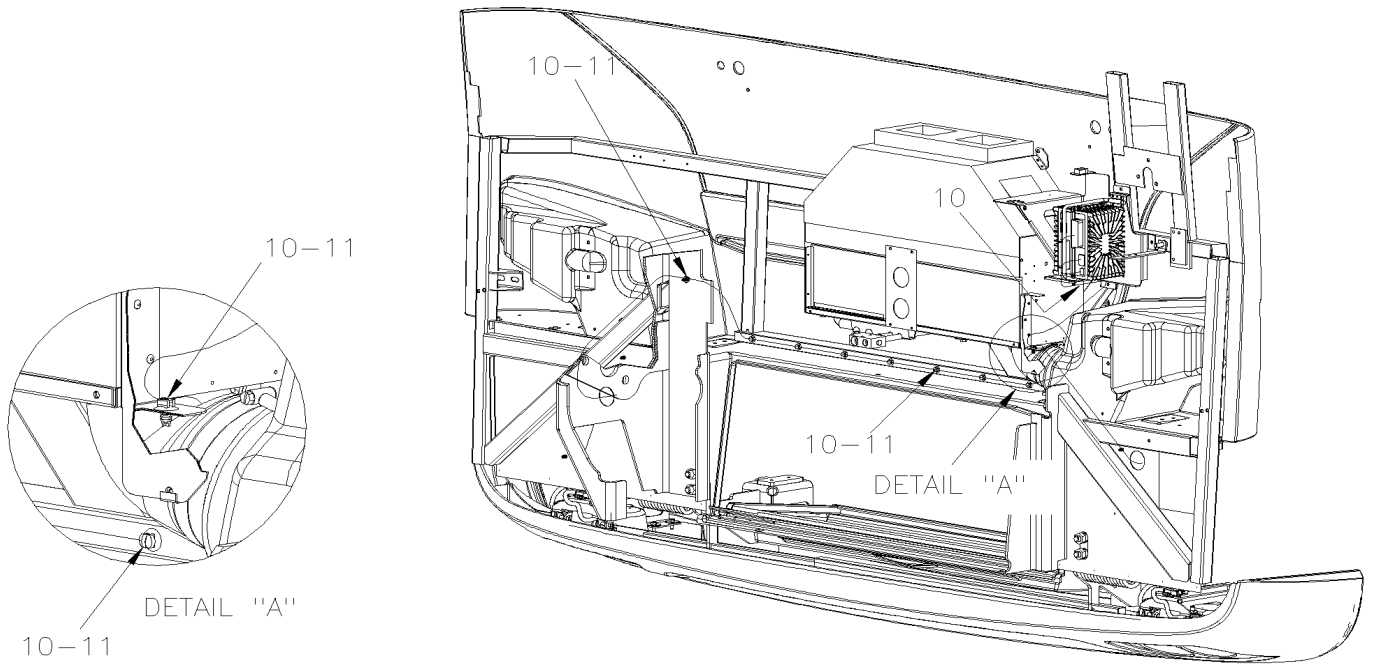


From 7-0671 To J-0287

Date:10/2022

PAGE:H7-0640-00

## CABLE & HARNESS - FRONT END INSTALLATION



<b>From 7-0671 To J-0287</b>	<b>Date:10/2022</b>	<b>PAGE:H7-0640-00</b>
<b>CABLE &amp; HARNESS - FRONT END INSTALLATION</b>		

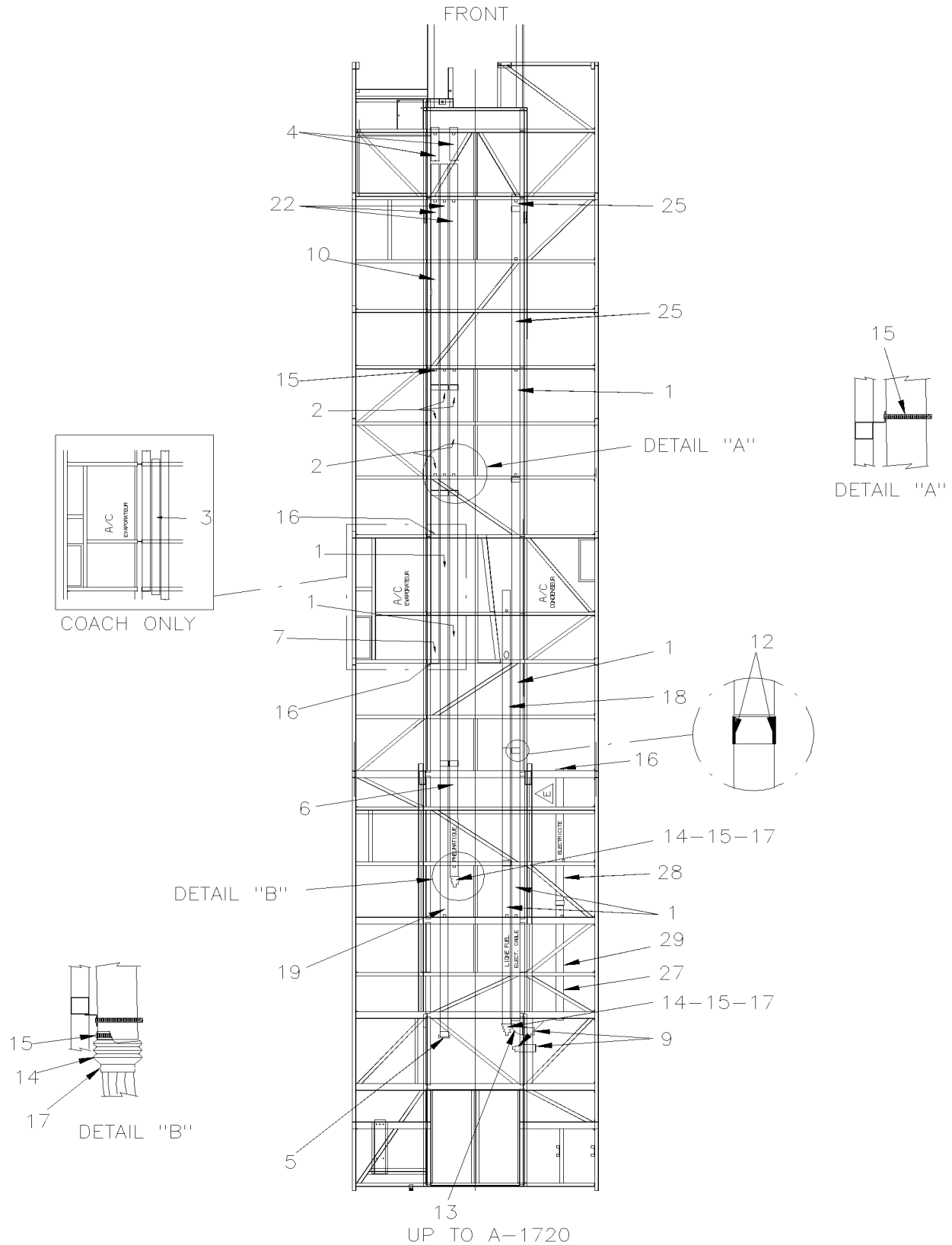
Item#	Part	Description	H 3 4 1	H 3 4 5	V I P 4 5	N O T E S
2	066910	CABLE ASSY / FRONT LOWER END To 9-1469	1	1		
2	067381	CABLE ASSY / FRONT LOWER END From A-1470 To A-1523	1	1		
2	067706	CABLE ASSY / FRONT LOWER END From A-1524 To A-1720	1	1		
2	067434	CABLE ASSY / FRONT LOWER END PROTO From B-1721 To B-1721	1	1		
2	067863	CABLE ASSY / FRONT LOWER END From B-1721 To C-2006	1	1		
2	068449	CABLE ASSY / FRONT LOWER END From C-2007 To D-2271	1	1		
2	068144	CABLE ASSY / FRONT LOWER END From D-2272 To E-2661	1	1		
2	069015	CABLE ASSY / FRONT LOWER END From E-2662 To F-2886	1	1		
2	069264	CABLE ASSY / FRONT LOWER END From F-2887 To F-2922	1	1		
2	069277	CABLE ASSY / FRONT LOWER END From F-2923 To G-3205	1	1		
2	069505	CABLE ASSY / FRONT LOWER END From G-3206 To J-0112	1	1		
2	069649	CABLE ASSY / FRONT LOWER END From J-0113	1	1		
2	564462	. GROMMET, TAP 48MM From A-1470	1	1		
2	066824	WIRING HARNESS FJB TO MAJOR FRT ACCESSORIES To 9-1469			1	
2	067382	WIRING HARNESS FJB TO MAJOR FRT ACCESSORIES From A-1470 To A-1523			1	
2	067780	WIRING HARNESS FJB TO MAJOR FRT ACCESSORIES From A-1524 To A-1572			1	
2	068212	WIRING HARNESS FJB TO MAJOR FRT ACCESSORIES From A-1573 To A-1720			1	
2	067436	WIRING HARNESS FJB TO MAJOR FRT ACCESSORIES From B-1721 To D-2363			1	
2	068694	WIRING HARNESS FJB TO MAJOR FRT ACCESSORIES From D-2364 To E-2661			1	
2	069016	WIRING HARNESS FJB TO MAJOR FRT ACCESSORIES From E-2662 To F-2886			1	
2	069265	WIRING HARNESS FJB TO MAJOR FRT ACCESSORIES From F-2887 To F-2928			1	
2	069236	WIRING HARNESS FJB TO MAJOR FRT ACCESSORIES From F-2929 To G-3143			1	
2	069413	WIRING HARNESS FJB TO MAJOR FRT ACCESSORIES From G-3144 To G-3205			1	
2	069532	WIRING HARNESS FJB TO MAJOR FRT ACCESSORIES From G-3206 To J-0112			1	
2	069650	WIRING HARNESS FJB TO MAJOR FRT ACCESSORIES From J-0113			1	
2	564462	. GROMMET, TAP 48MM From A-1470			1	
3	<b>H7-0750-00</b>	<b>AUTOMATIC TRANSMISSION - "WORLD" WITH DETROIT S-60 From 7-0671 To A-1720</b>				
3	<b>H7-0750-01</b>	<b>AUTOMATIC TRANSMISSION - "WORLD" WITH VOLVO D13 From 8-1202 To A-1720</b>	1	1	1	
3	<b>H7-0750-02</b>	<b>AUTOMATIC TRANSMISSION - "WORLD" WITH VOLVO D13 From B-1721 To H-3734</b>	1	1	1	
3	<b>H7-0750-03</b>	<b>AUTOMATIC TRANSMISSION - "WORLD" WITH VOLVO D13 From H-3735</b>	1	1	1	
4	141722	SUPPORT PRESSURE SWITCH	1	1	1	
5	500611	SCREW TC PAN PH #10-24x1/2 Z050	3	3	3	
6	500579	SCREW MA RND PH #10-24x1 3/4 Z050	2	2	2	
7	500470	WASHER LO SPT .193x.334x.047 Z050	2	2	2	
8	500786	NUT HEX #10-24 Z050	2	2	2	
10	504637	CABLE TIE / 3/16" x 13"	AR	AR	AR	
11	509815	TIE MOUNT / ATTACHMENT W/TREE MOUNT	AR	AR	AR	
12	502587	STUD WD WOC M4-0.7x25 SS	AR	AR	AR	
13	502557	NUT HEX NYRT M4-0.7 SS	AR	AR	AR	
16	952635	CLAMP / 1" I.D.	AR	AR	AR	
17	952625	CLAMP / 3/8" I.D.	AR	AR	AR	
18	504264	GROMMET / .750x1.250x.062x.250x1.625	1	1	1	

From 7-0671 To J-0287	Date:10/2022	PAGE:H7-0640-00
<b>CABLE &amp; HARNESS - FRONT END INSTALLATION</b>		

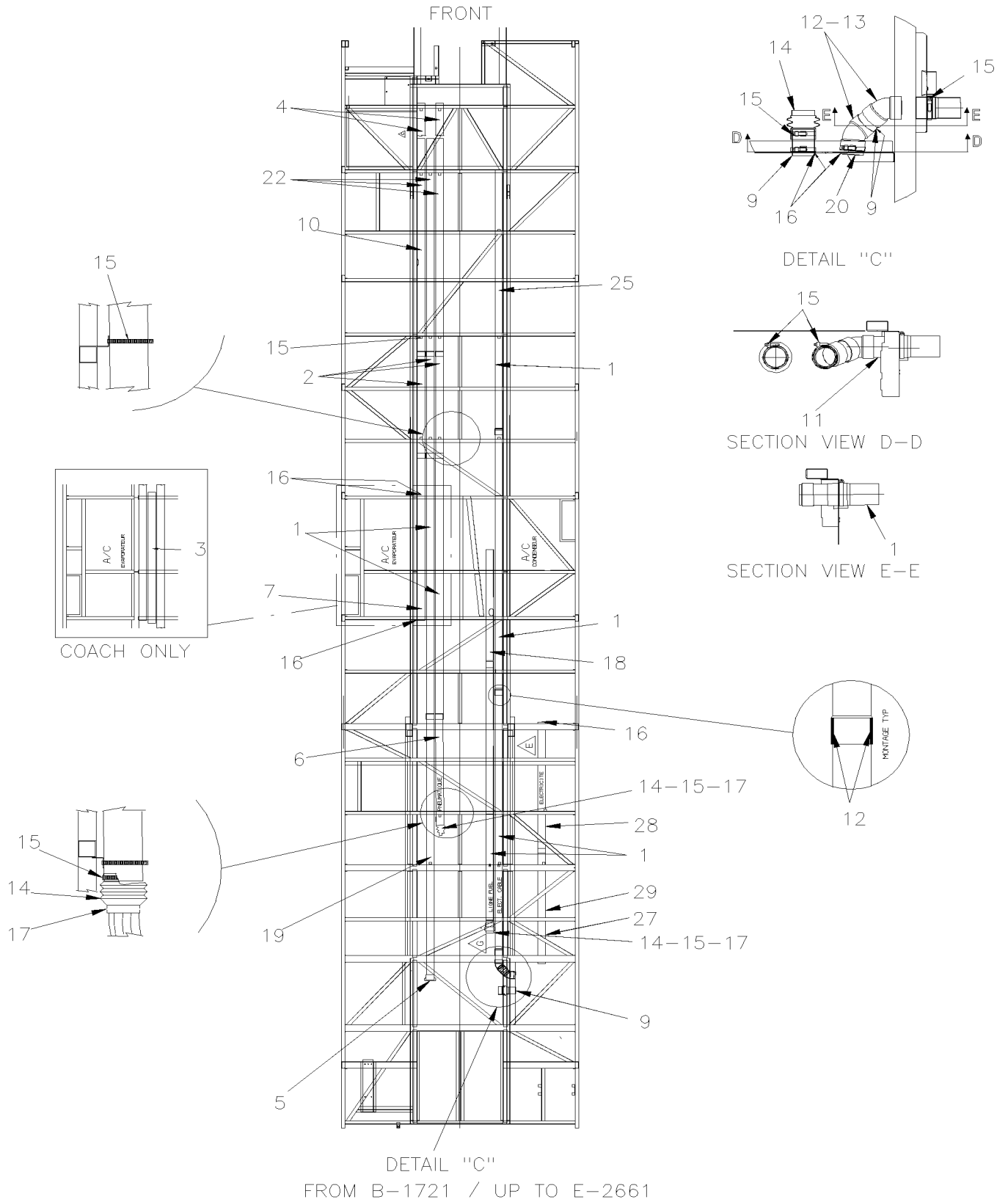
Item#	Part	Description	H 3 4 1	H 3 4 5	V I P 4 5	N O T E S
18	504398	GROMMET / 1.000x1.375x.062x.437x1.750	1	1	1	
19	680096	SEALANT BUTYL ALUM / GREY / 310ml CARTRIDGE	AR	AR	AR	
20	562381	RESISTANCE MODULE	1	1	1	
23	562357	RESISTANCE MODULE	1	1	1	
24	500643	SCREW TP PAN PH #12x3/4 Z050	2	2	2	
26	504547	GROMMET / .375x.500x.125x.375x.812 x.625x.125	1	1	1	
27	<b>H7-2210-50</b>	<b>AIR MAIN SENSOR</b>				
200	500437	WASHER FL .125x.375x.040 Z050	7	7	7	
201	060338	SWITCH DOOR LIGHT	1	1	1	
202	<b>H7-0650-50</b>	<b>ENTRANCE DOOR MODULE - V.I.P.</b>				
203	500657	SCREW TC TR PH #10-24x1/2 Z050	4	4	4	
204	067172	CABLE HARNESS / FRONT ROOF To H-3734	1	1	1	
204	069646	CABLE HARNESS / FRONT ROOF From H-3735	1	1	1	
205	504473	RIVET POP DOME OE 1/8x1/4 SS	AR	AR	AR	
206	504013	TIE MOUNT / 1/4" X 1/4" I.D.	AR	AR	AR	
207	500510	SCREW MA BDG PH #10-32x3/4 SS EMN	AR	AR	AR	
208	500519	NUT WELL #10-32x.518	AR	AR	AR	
209	5001182	NUT HEX NYRT M6-1.0 SS	AR	AR	AR	
210	502573	WASHER FL 6.4x12.5x1.6 SS	AR	AR	AR	
211	504448	CABLE CLIP 1/4" / ADHESIVE	AR	AR	AR	
212	064702	SUPPORT SWITCH			1	
213	500613	SCREW TP PAN PH #10x1/2 Z050	AR	AR	AR	
216	063782	CABLE ASSY / RESISTANCE MODULE & SWITCH	1	1	1	
217	064094	FIRE & KNEELING / ALARM ASSY / SERVICE	1	1		
218	500641	SCREW TP PAN PH #8x3/4 Z050	2	2		
219	502636	WASHER LO SPT 4.1x7.6x0.9 Z050	4	4		
220	064180	SUPPORT / KNEELING ALARM	1	1		
221	500588	SCREW CAP HEX M4-0.7x20 G8.8 Z050	2	2		
222	502524	NUT HEX M4-0.7 Z050	2	2		
223	5001454	SCREW MA BDG PH #4-40x1/2 SS			16	
224	562945	GASKET MOUNTING / HD10 SERIES / 3C / DEUTSCH HD10-3-GKT			2	
225	562946	GASKET MOUNTING / HD10 SERIES / 5C / DEUTSCH HD10-5-GKT			2	
226	062268	NUT, RING #11 / .940" I.D. W/4 4-40			2	
227	561820	NUT, RING #13 / 1.125" I.D. W/4 4-40			2	



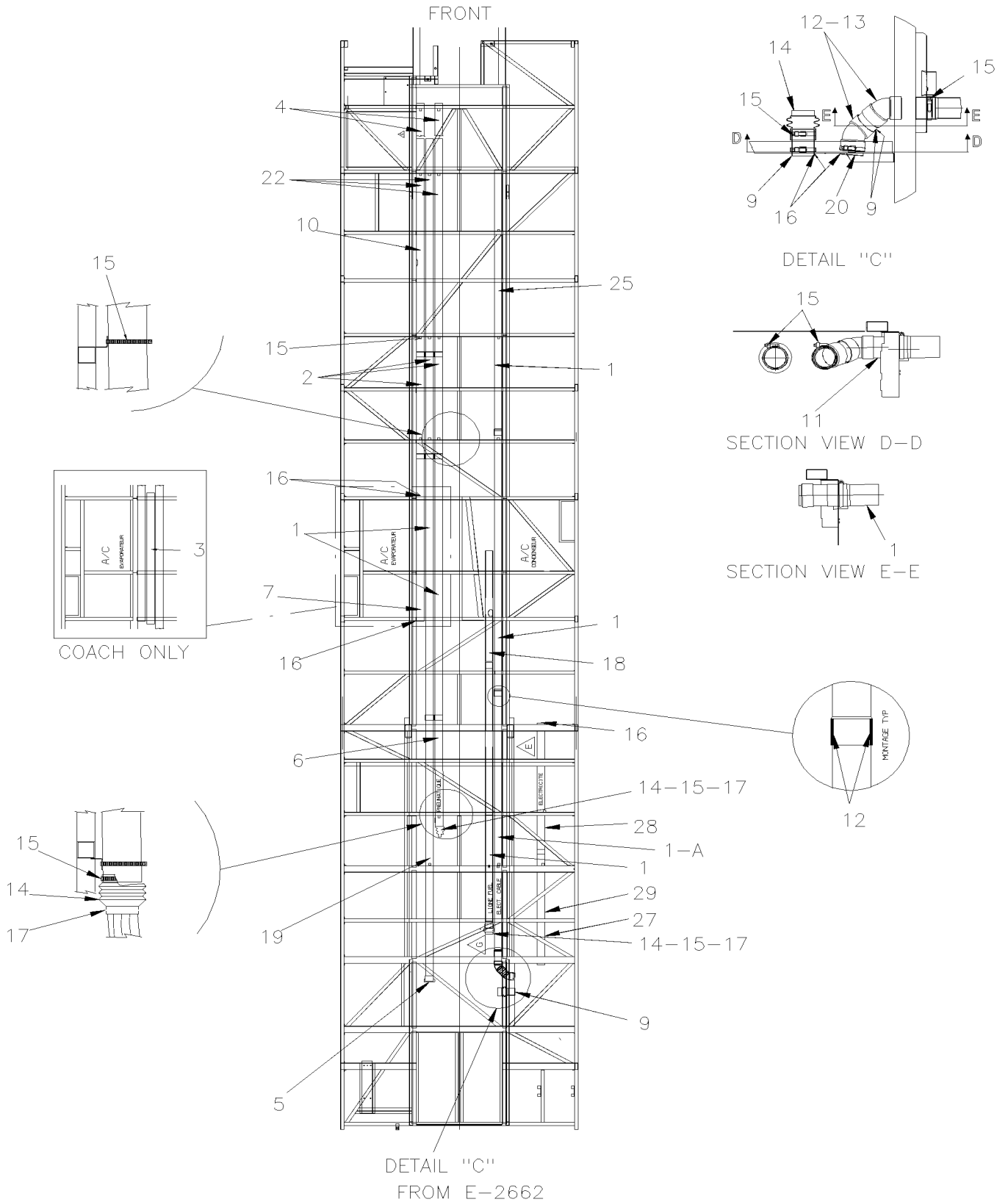
CABLE HARNESS - PIPE INSTALLATION



<b>From 7-0671 To J-0287</b>	<b>Date:10/2022</b>	<b>PAGE:H7-0640-10</b>
<b>CABLE HARNESS - PIPE INSTALLATION</b>		



**CABLE HARNESS - PIPE INSTALLATION**



<b>From 7-0671 To J-0287</b>	<b>Date:10/2022</b>	<b>PAGE:H7-0640-10</b>
<b>CABLE HARNESS - PIPE INSTALLATION</b>		

Item#	Part	Description	H 3 4 1	H 3 4 5	V I P 4 5	N O T E S
1	142032	TUBE PVC / 3" X 3041MM To E-2661		5		
1	142032	TUBE PVC / 3" X 3041MM From E-2662		4		
1	142032	TUBE PVC / 3" X 3041MM To E-2661	4			
1	142032	TUBE PVC / 3" X 3041MM From E-2662	3			
1	142032	TUBE PVC / 3" X 3041MM To E-2661			6	
1	142032	TUBE PVC / 3" X 3041MM From E-2662			5	
1A	067866	TUBE PVC / 3" X 2674MM From E-2662	1	1	1	
NS	371600	INSULATING PAD 76.2MM x 374.7MM	2	2	2	
2	063688	TUBE PVC / 3" X 1220MM W/F		2		
2	063688	TUBE PVC / 3" X 1220MM W/F			3	
3	141472	TUBE PVC / 3" X 1500MM	1	1		
4	063690	TUBE PVC / 3" X 2905MM W/F	2	2		
5	681278	CAP PLUG / 3.403" I.D. x 3.518" O.D.			1	
6	062922	TUBE PVC / 3" X 1275MM	1	1	1	
7	062439	TUBE PVC / 3" X 1915MM	1	1	1	
9	063692	TUBE PVC / 3" X 120MM To B-1720	2	2	2	
9	063692	TUBE PVC / 3" X 120MM From B-1721	1	1	1	
10	066887	TUBE PVC / WITH 1 HOLE 3" X 2500M			1	
11	068219	TUBE PVC / 3" X 150MM	1	1	1	
12	680290	ADHESIVE PVC / 946ml	AR	AR	AR	
13	503588	UNION ELBOW 90° / PVC PIPE / 3Fx3F PVC To A-1720	1	1	1	
13	503800	UNION ELBOW 45° / PVC PIPE / 3Fx3F PVC From B-1721	2	2	2	
14	504499	CUFF END BELLOW / 2 7/8" I.D. x 3 5/8" x 4 7/16	3	3	3	
15	504026	HOSE CLAMP / 2"13/16-3"3/4 SS / HS-52	AR	AR	AR	
16	680532	SEALANT SIKA #221 / GREY / 310ml CARTRIDGE	AR	AR	AR	
17	504637	CABLE TIE / 3/16" x 13"	AR	AR	AR	
17	504273	CABLE TIE / 1/8" X 3"1/2	AR	AR	AR	
18	063738	TUBE PVC / 3" X 1800MM W/F & HOLE To A-1720	1	1	1	
18	067834	TUBE PVC / 3" X 1350MM W/ HOLE From B-1721	1	1	1	
19	063691	TUBE PVC / 3" X 2850MM			1	
20	068220	TUBE PVC / 3" X 65MM	1	1	1	
22	063944	TUBE PVC / 3" X 2500MM W/F			1	
25	063816	TUBE PVC / 3" X 190MM W/F To A-1720		1	1	
25	063869	TUBE PVC / 3" X 3100MM W/F To A-1720	1			
25	066698	TUBE PVC / 3" X 1980MM From B-1721	1			
27	067554	TUBE PVC / 3" X 1340MM			1	
28	141472	TUBE PVC / 3" X 1500MM			1	
29	064935	TUBE PVC / 3" X 2770MM	1	1	1	
NS	503390	TUBE / PVC PIPE / 3"x10' WHITE PVC	AR	AR	AR	

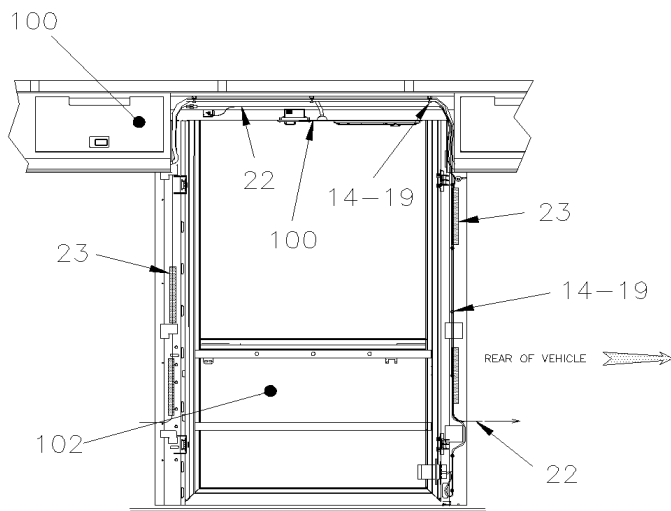
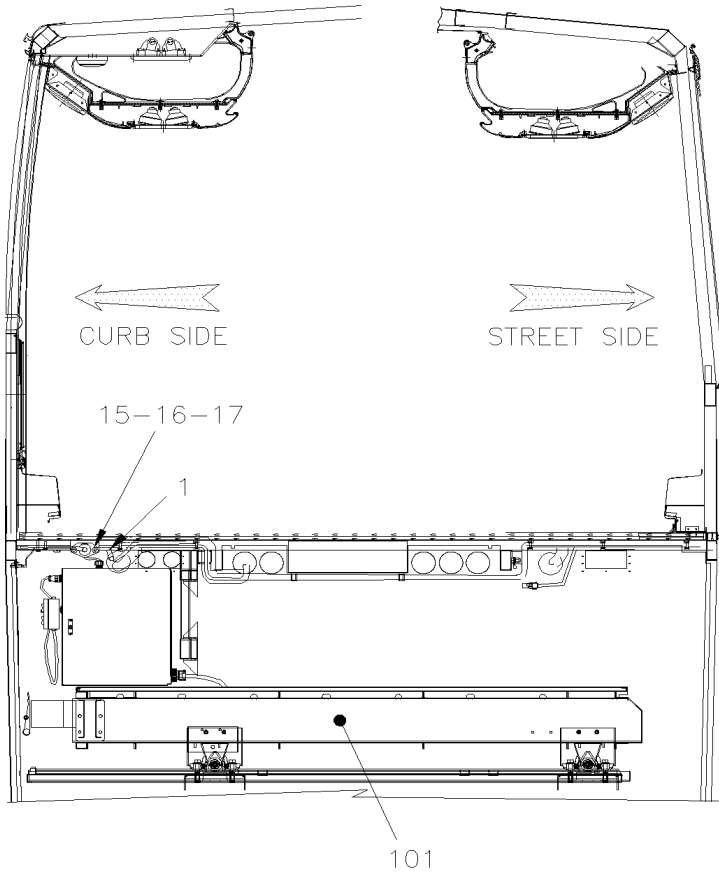


From 7-0671 To J-0184

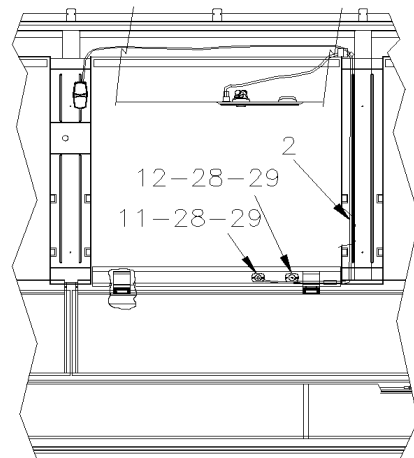
Date:10/2022

PAGE:H7-0640-80

## CABLE & HARNESS - W.C.L.



CURB SIDE



STREET SIDE

From 7-0671 To J-0184	Date:10/2022	PAGE:H7-0640-80
<b>CABLE &amp; HARNESS - W.C.L.</b>		

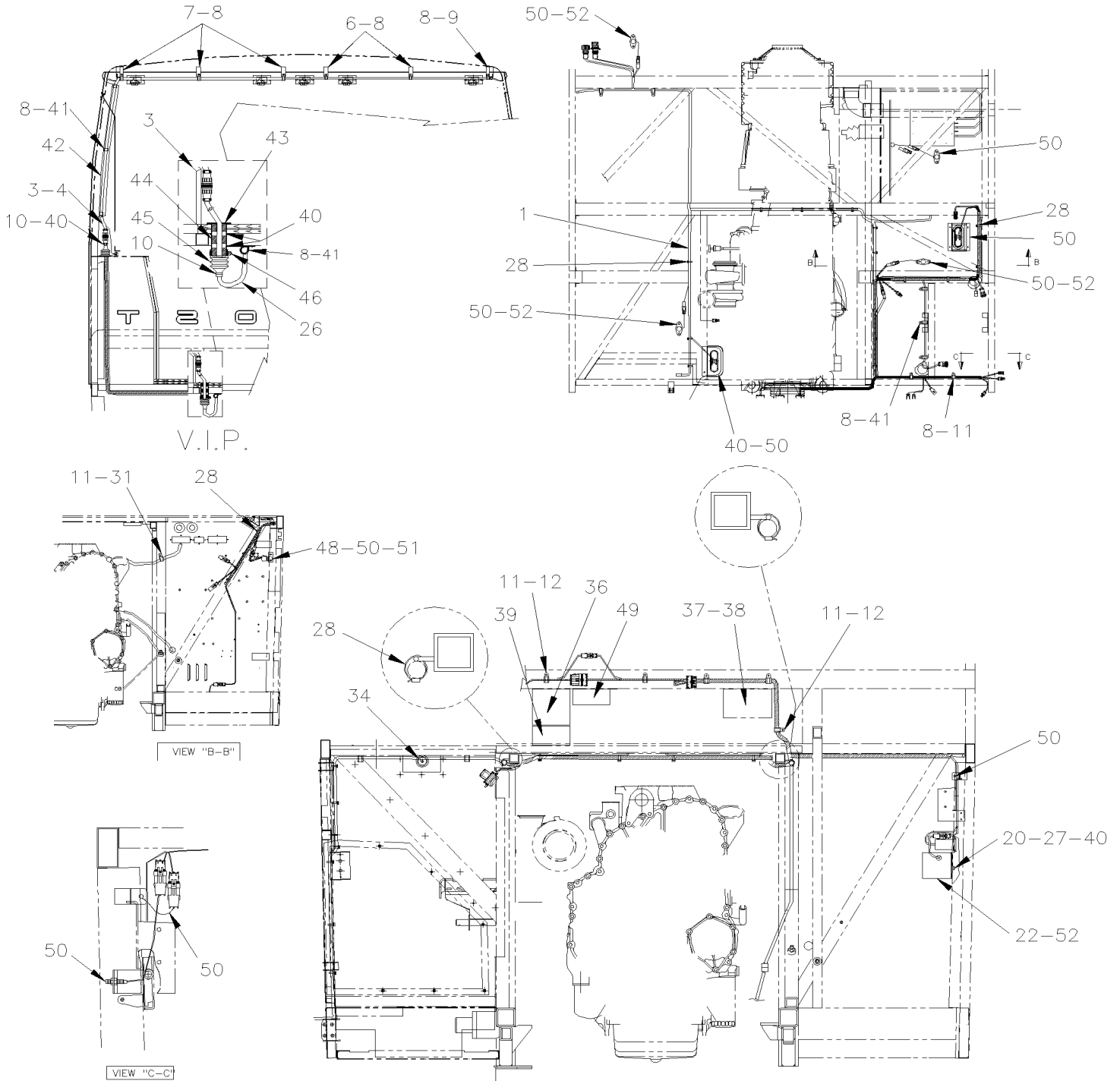
Item#	Part	Description	H 3 4 1	H 3 4 5	V I P 4 5	N O T E S
1	066305	CABLE POWER / ACCESSORIES & W.C.L. "RICON" To G-3205	1	1		
1	069448	CABLE POWER / ACCESSORIES & W.C.L. "RICON" From G-3206	1	1		
1	069704	CABLE POWER / ACCESSORIES & W.C.L. "RICON" WITH INTERLOK From H-3599		1		A
2	066308	CABLE ASSY / TO L.H. WINDOW / W/W.C.L. To G-3128	1	1		
2	069304	CABLE ASSY / TO L.H. WINDOW / W/W.C.L. From G-3129	1	1		
NS	680067	SEALANT TAPE BUTYL / BLACK / 1/8"x3/4"x25' / 75211E760	AR	AR		
11	830159	SWITCH / OFF-M/ON / S.P.S.T. / CHIME	1	1		
12	830158	SWITCH / OFF-ON / S.P.S.T. / READING LIGHT	1	1		
14	504637	CABLE TIE / 3/16" x 13"	3	3		
15	502862	SCREW CAP HEX M8-1.25x20 G8.8 N500	2	2		
16	500942	WASHER LO SPT 8.1x14.8x2.0 N500	2	2		
17	500332	WASHER FL .328x.875x.062 N500	2	2		
19	509815	TIE MOUNT / ATTACHMENT W/TREE MOUNT	9	9		
22	066539	WIRING HARNESS RIGHT AWNING WINDOWS	1	1		
23	685089	TAPE ADHESIVE RED 60MMx60M	AR	AR		
28	500814	SCREW TP BDG PH #6x3/4 BK	4	4		
29	409259	PROTECTOR SWITCH / CAP	2	2		
. NS	288728	. REINFORCMENT FOR SCREW PROTECTOR CAP	1	1		
100	<b>H7-1836-01</b>	<b>PARCEL RACK W/TAN FINISHING To E-2584</b>				
100	<b>H7-1836-02</b>	<b>PARCEL RACK W/TAN FINISHING From E-2585</b>				
101	<b>H7-2380-00</b>	<b>W.C.L. "RICON" REMOVABLE - INSTALLATION MODEL "F9TF" To E-2584</b>				
101	<b>H7-2380-01</b>	<b>W.C.L. "RICON" REMOVABLE - INSTALLATION MODEL "F9TF" &amp; "F9TH" From E-2585</b>				
102	<b>H7-1862-85</b>	<b>SLIDING DOOR - INSTALLATION To E-2584</b>				
102	<b>H7-1862-86</b>	<b>SLIDING DOOR - INSTALLATION From E-2585</b>				
		A) USE WITH WHEEL CHAIR LIFT AND DOOR INTERLOK				

From 7-0671 To B-1720

Date:10/2022

PAGE:H7-0641-00

## CABLE & HARNESS - REAR END INSTALLATION



From 7-0671 To B-1720	Date:10/2022	PAGE:H7-0641-00
-----------------------	--------------	-----------------

**CABLE & HARNESS - REAR END INSTALLATION**

Item#	Part	Description	H 3 4 1	H 3 4 5	V I P 4 5	N O T E S
1	066377	CABLE HARNESS / ENGINE ACCESSORIES	1	1		
2	<b>H7-0665-10</b>	<b>SWITCHES, LIGHTS, AJAR - UNDER FLOOR &amp; ENGINE COMPARTMENT</b>				
3	504013	TIE MOUNT / 1/4" X 1/4" I.D.	AR	AR	AR	
4	064646	CABLE HARNESS / ENGINE ACC. TO ROOF LIGHT	1	1		
6	952627	CLAMP / 1/2" I.D.	AR	AR	AR	
7	952629	CLAMP / 5/8" I.D.	AR	AR	AR	
8	500641	SCREW TP PAN PH #8x3/4 Z050	AR	AR	AR	
9	952625	CLAMP / 3/8" I.D.	1	1	1	
10	504012	CABLE TIE / 3/16" X 6"1/2	AR	AR	AR	
11	952631	CLAMP / 3/4" I.D.	AR	AR	AR	
11	560483	CLAMP / 7/8" I.D.	2	2	2	
12	502896	SCREW TC BDG PH #12-24x3/4 N500	5	5	5	
13	952631	CLAMP / 3/4" I.D.	1	1	1	
15	955269	SCREW CAP HEX M6-1.0x12 G8.8 ZG603	2	2	2	
16	502556	WASHER FL 4.3x9.0x0.8 SS	4	4	4	
17	502853	WASHER LO SPT 6.1x11.8x1.6 N500	2	2	2	
20	5001527	SCREW CAP HEX M8-1.25x16 SS BK	2	2	2	
22	563199	BACK-UP ALARM "ECCO" / 12-36vdc / 107db	2	2	2	
26	066207	CABLE HARNESS / CLEARANCE LIGHT REAR / MUX	1	1		
27	966171	NUT HEX NYRT M8x1.25 SS	2	2		
28	504637	CABLE TIE / 3/16" x 13"	AR	AR	AR	
30	680096	SEALANT BUTYL ALUM / GREY / 310ml CARTRIDGE	AR	AR	AR	
31	500957	SCREW TP BDG PH #10x3/4 N500			AR	
33	500998	NUT HEX 1/2-13 BR	AR	AR	AR	
34	504579	GROMMET / .750x1.625x.125x.437x2.000	1	1	1	
36	066436	DECAL / "CAUTION" BEFORE WELDING...." // ENGLISH	1	1	1	
37	052375	DECAL / "WARNING WARRANTY....." / ENGLISH & FRANCAIS	1	1	1	
37	052576	DECAL / "WARNING WARRANTY....." / ENGLISH & SPANISH	1	1	1	
38	071249	DECAL "TranSynd OIL ONLY" / ENGLISH & FRANCAIS	1	1	1	
38	071364	DECAL "TranSynd OIL ONLY" / ENGLISH & SPANISH	1	1	1	
39	454118	DECAL R134A / NOMINAL CHARGE 6.LBS / PAG OIL	1	1	1	
40	500965	SCREW TC BDG PH #8-32x1/2 N500	2	2		
41	952635	CLAMP / 1" I.D.	AR	AR	AR	
42	065277	CABLE HARNESS / ENGINE COMP. TO DEFLECTOR			1	
43	062698	TUBE ASSY 1 3/4" O.D. SS			1	
44	506264	TAPE RUB ADH1 URE 3/4" x 1" x 12.5' / GREY 1820X			AR	
45	504384	CUFF END BELLOW / 1 1/4" I.D. x 1 3/4" x 4"			1	
46	504302	HOSE CLAMP / 1"9/16-2"1/2 SS / E.T. 32			1	
50	<b>H7-0665-10</b>	<b>SWITCHES, LIGHTS, AJAR - UNDER FLOOR &amp; ENGINE COMPARTMENT</b>				
51	<b>H7-0666-00</b>	<b>BLOCK HEATER RECEPTACLE</b>				
52	<b>H7-0665-00</b>	<b>ENGINE COMPARTMENT - ELECTRIC COMPONENTS</b>				
53	<b>H7-0665-00</b>	<b>ENGINE COMPARTMENT - ELECTRIC COMPONENTS</b>				

From 7-0671 To B-1720	Date:10/2022	PAGE:H7-0641-00
<b>CABLE &amp; HARNESS - REAR END INSTALLATION</b>		

Item#	Part	Description	H 3 4 1	H 3 4 5	V I P 4 5	N O T E S
54	H7-0120-00	DRIVE PULLEY, BELTS & TENSIONER WITH DETROIT S-60				

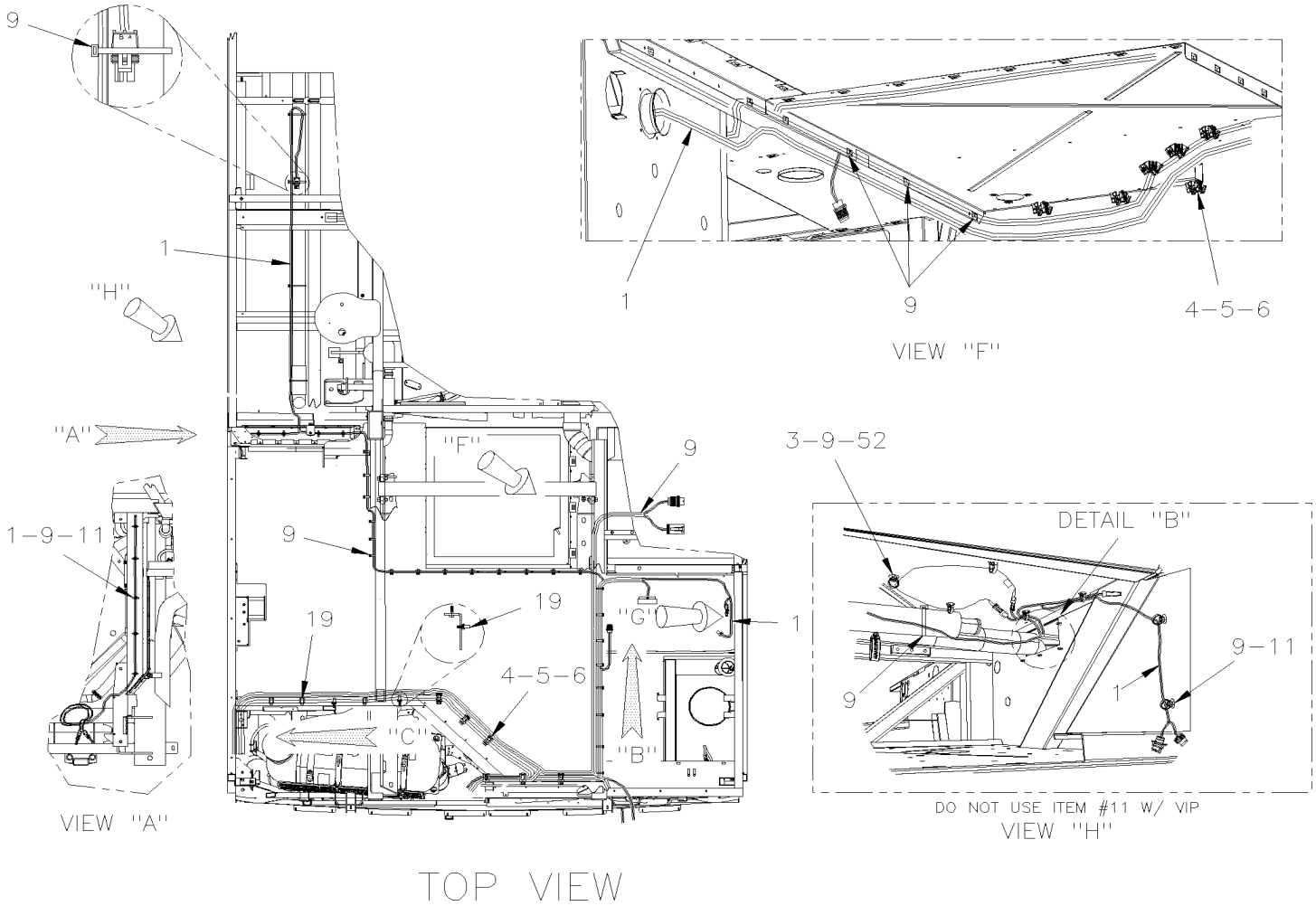


From B-1721 To J-0287

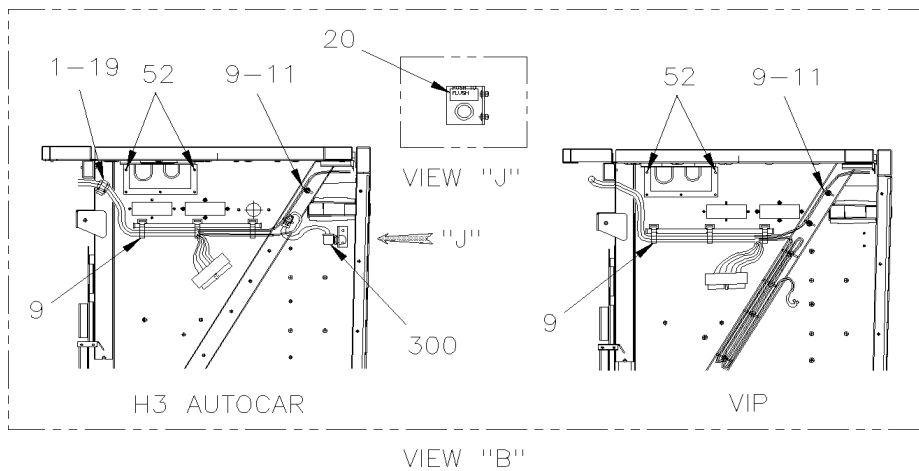
Date:10/2022

PAGE:H7-0641-01

## CABLE & HARNESS - REAR END INSTALLATION



TOP VIEW



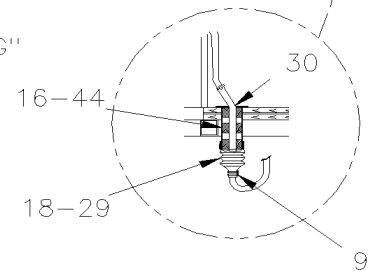
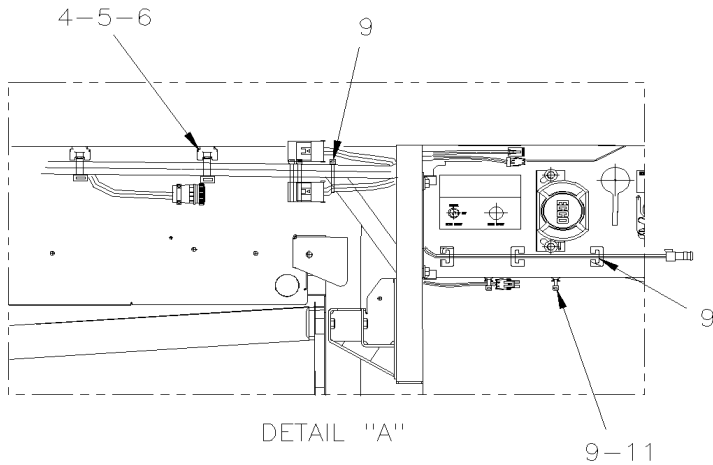
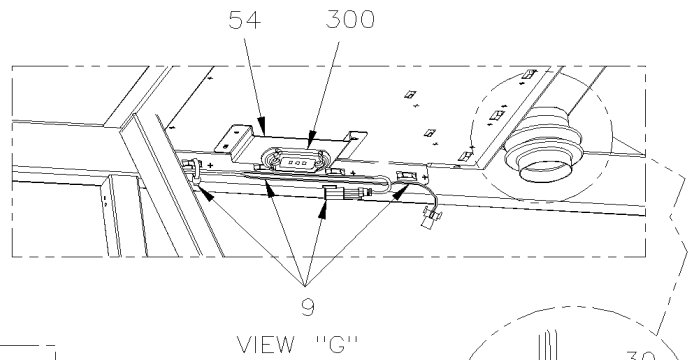
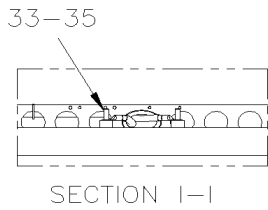
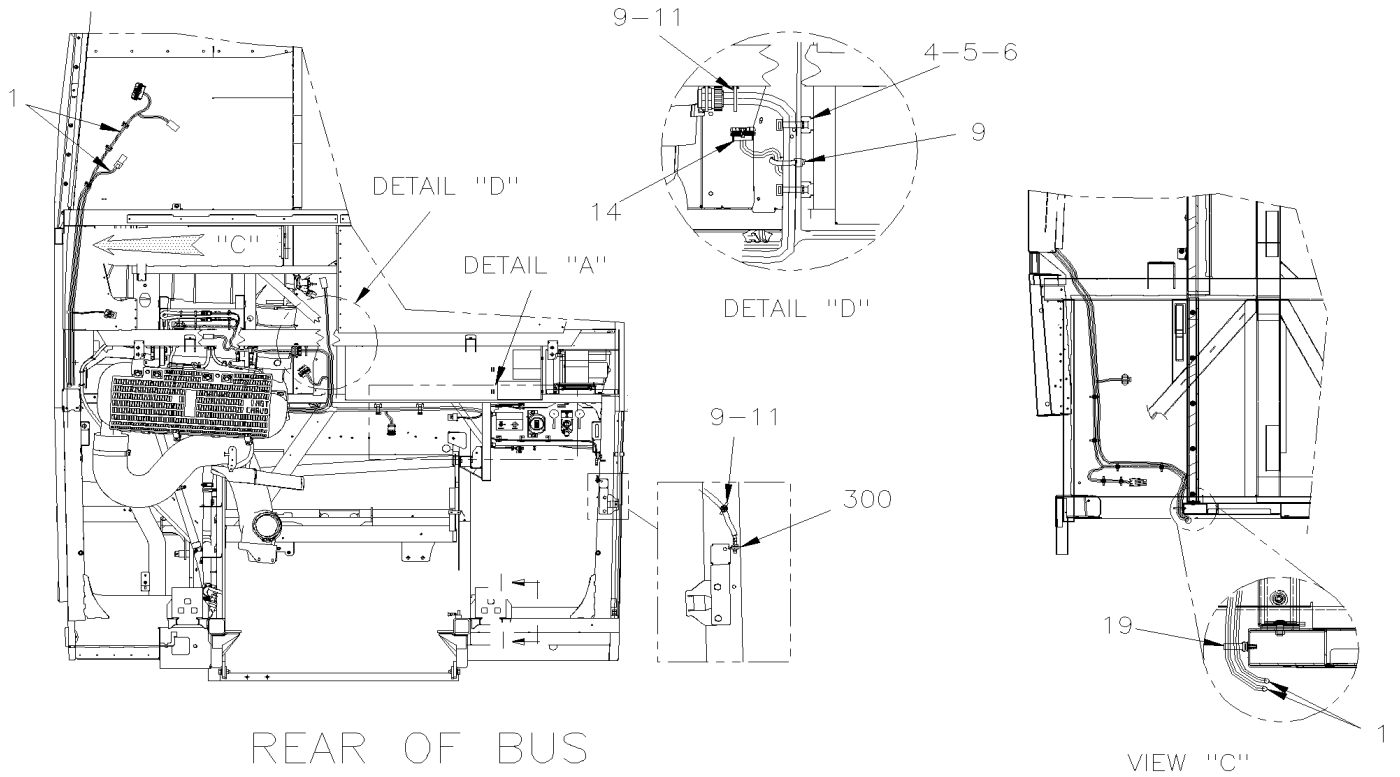
VIEW "B"

From B-1721 To J-0287

Date:10/2022

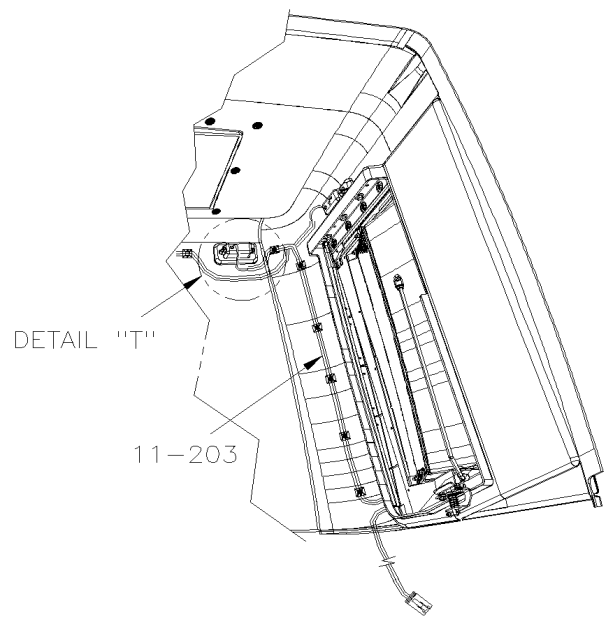
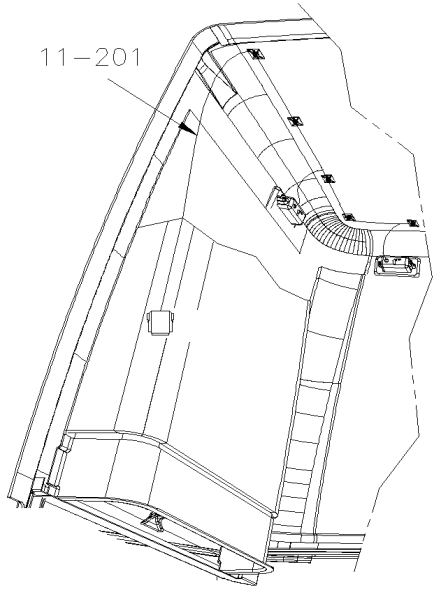
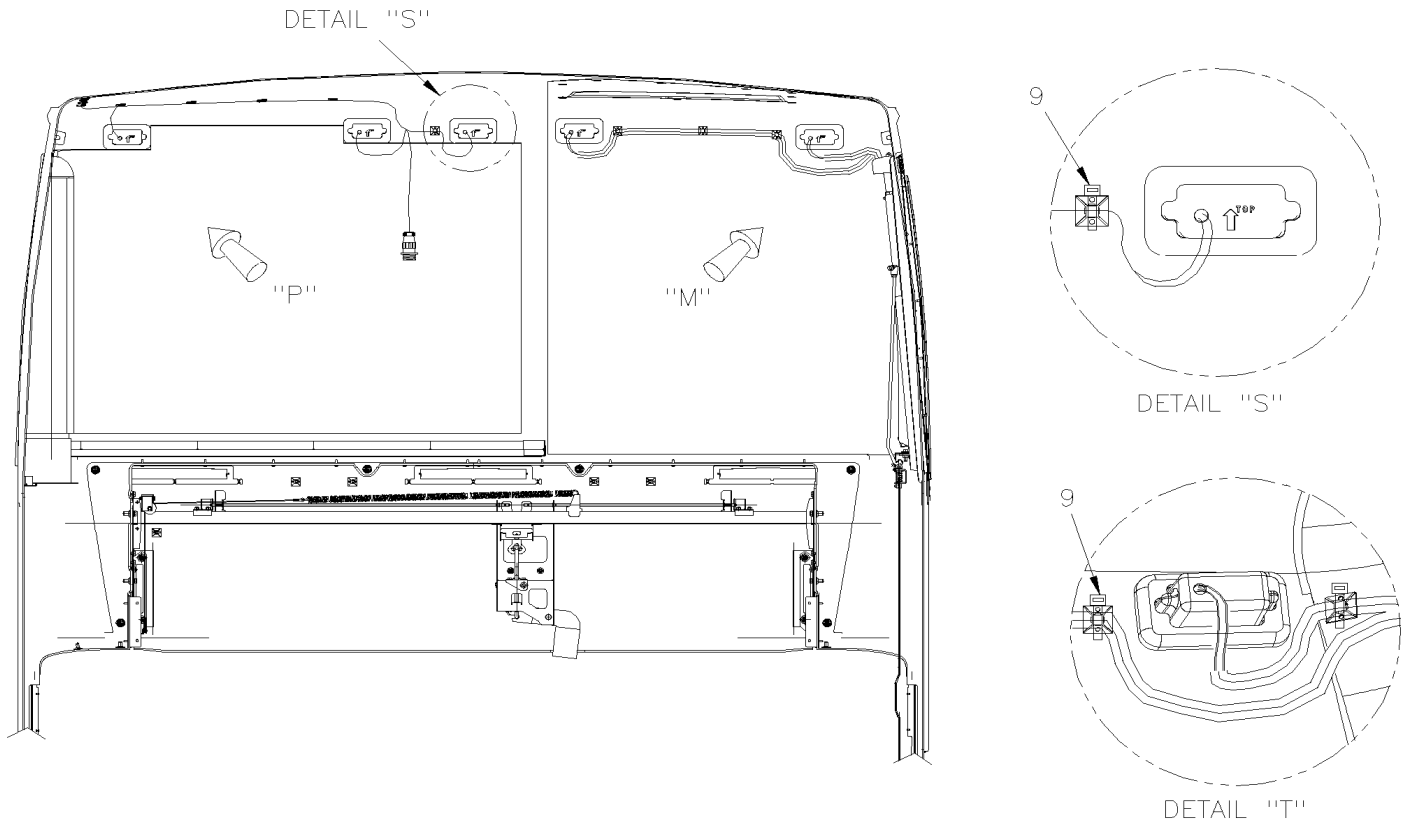
PAGE:H7-0641-01

## CABLE & HARNESS - REAR END INSTALLATION





CABLE & HARNESS - REAR END INSTALLATION



<b>From B-1721 To J-0287</b>	<b>Date:10/2022</b>	<b>PAGE:H7-0641-01</b>
<b>CABLE &amp; HARNESS - REAR END INSTALLATION</b>		

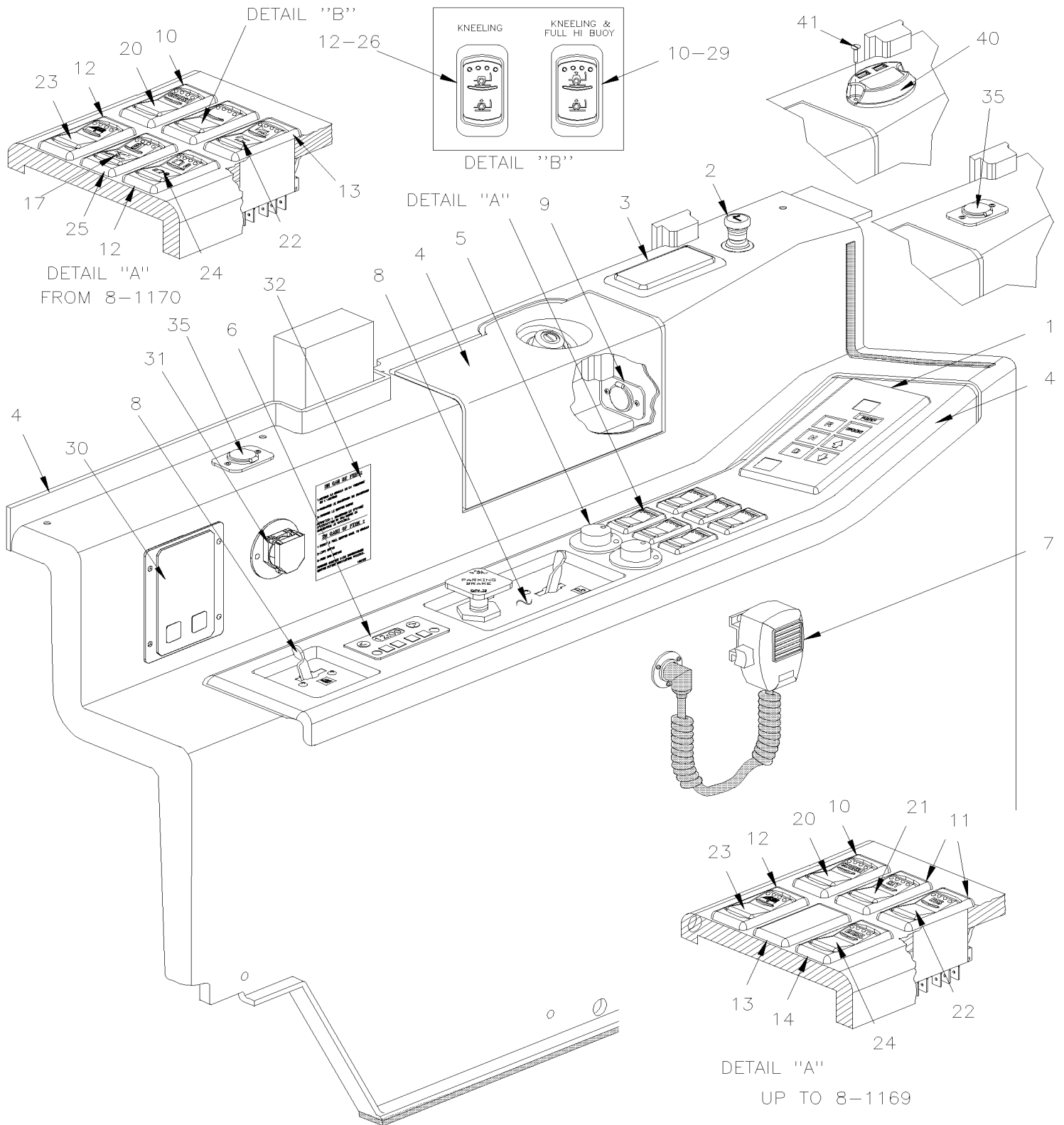
Item#	Part	Description	H 3 4 1	H 3 4 5	V I P 4 5	N O T E S
1	069086	CABLE HARNESS / ENGINE ACCESSORIES To G-3205	1	1		
1	069519	CABLE HARNESS / ENGINE ACCESSORIES From G-3206 To G-3366	1	1		
1	069594	CABLE HARNESS / ENGINE ACCESSORIES From G-3367	1	1		
1	069089	CABLE HARNESS / ENGINE ACCESSORIES / W/MUX To G-3205			1	
1	069531	CABLE HARNESS / ENGINE ACCESSORIES From G-3206 To G-3366			1	
1	069620	CABLE HARNESS / ENGINE ACCESSORIES From G-3367			1	
3	504013	TIE MOUNT / 1/4" X 1/4" I.D.	AR	AR	AR	
4	509491	CABLE TIE / 13MM x 383MM	AR	AR	AR	
5	500266	SCREW TC CAP HEX 1/4-20x1 N500	AR	AR	AR	
6	509490	ATTACHMENT DOUBLE USE WITH CABLE TIE	AR	AR	AR	
9	504637	CABLE TIE / 3/16" x 13"	AR	AR	AR	
10	069206	CABLE ASSY / A/C COMPRESSOR W/LARGE SYSTEM To G-3121	1	1	1	
10	069492	CABLE ASSY / A/C COMPRESSOR W/LARGE SYSTEM From G-3122 To H-3734	1	1	1	
10	069654	CABLE ASSY / A/C COMPRESSOR W/LARGE SYSTEM From H-3735 To H-3998	1	1	1	
10	061487	CABLE ASSY / A/C COMPRESSOR W/LARGE SYSTEM From H-3997	1	1	1	
10	069210	CABLE ASSY / A/C COMPRESSOR W/SMALL SYSTEM			1	
11	509815	TIE MOUNT / ATTACHMENT W/TREE MOUNT To F-2811	AR	AR	AR	
11	504013	TIE MOUNT / 1/4" X 1/4" I.D. From F-2812	AR	AR	AR	
11	500209	SCREW TC BDG PH #10-24x3/8 N500 From F-2812 To G-3047	AR	AR	AR	
11	5001975	SCREW TC BDG PH #10-24x3/8 SS410 ZINC From G-3048	AR	AR	AR	
12	502556	WASHER FL 4.3x9.0x0.8 SS			4	
14	564542	TREE MOUNT CLIP FOR PED CONNECTOR	1	1	1	
15	5001743	SCREW CAP HEX M6-1.0x12 G8.8 N500			2	
16	371600	INSULATING PAD 76.2MM x 374.7MM	1	1	1	
17	502853	WASHER LO SPT 6.1x11.8x1.6 N500			2	
18	504025	HOSE CLAMP / 2"5/16-3"1/4 SS / HS-44			1	
19	504750	CABLE TIE / 1/2" x 15" / CHRISTMAS TREE			6	
20	065466	DECAL / LAVATORY PUMP FLUSH / ENGLISH & FRANCAIS	1	1		
20	066050	DECAL / LAVATORY PUMP FLUSH / ENGLISH & SPANISH	1	1		
22	504117	RIVET POP DOME CLE 3/16x3/8 AL	2	2		
29	504707	CUFF END BELLOW / 2 1/2" I.D. x 3 7/8" x 2 5/8"	1	1	1	
30	680096	SEALANT BUTYL ALUM / GREY / 310ml CARTRIDGE	AR	AR	AR	
33	500958	WASHER FL .531x1.062x.095 SS	2	2	2	
35	502595	NUT HEX NYRT 1/2-13 Z050	2	2	2	
44	506264	TAPE RUB ADH1 URE 3/4" x 1" x 12.5' / GREY 1820X	AR	AR	AR	
52	502868	SCREW TC TR PH #10-16x1/2 N500 To F-2811	6	6	6	
52	500206	SCREW CAP HEX 7/16-14x2 G5 CP From F-2812	6	6	6	
54	5001730	SCREW CAP HEXF M6-1.0x16 G10.9 N500	1	1	1	
201	067898	CABLE HARNESS / CLEARANCE LIGHT REAR CURBSIDE To H-3734	1	1	1	
201	069647	CABLE HARNESS / CLEARANCE LIGHT REAR CURBSIDE From H-3735	1	1	1	
203	067859	CABLE HARNESS / CLEARANCE LIGHT REAR STREETSIDE To H-3734	1	1	1	
203	069648	CABLE HARNESS / CLEARANCE LIGHT REAR STREETSIDE From H-3735	1	1	1	

From B-1721 To J-0287	Date:10/2022	PAGE:H7-0641-01
<b>CABLE &amp; HARNESS - REAR END INSTALLATION</b>		

Item#	Part	Description	H 3 4 1	H 3 4 5	V I P 4 5	N O T E S
222	066436	DECAL / "CAUTION" BEFORE WELDING...." // ENGLISH	1	1	1	
300	<b>H7-0665-10</b>	<b>SWITCHES, LIGHTS, AJAR - UNDER FLOOR &amp; ENGINE COMPARTMENT</b>				



SWITCHES L.H. CONSOLE - BUS



<b>From 7-0671 To J-0184</b>	<b>Date:10/2022</b>	<b>PAGE:H7-0645-00</b>
<b>SWITCHES L.H. CONSOLE - BUS</b>		

Item#	Part	Description	H 3 4 1	H 3 4 5	V I P 4 5	N O T E S
1	572031	SHIFTER, SELECTOR "WORLD" / GEN IV To 8-1400	1	1		
1	572124	SHIFTER, SELECTOR "WORLD" / GEN IV From 8-1401 To E-2601	1	1		
1	572155	SHIFTER, SELECTOR "WORLD" / GEN V From E-2602	1	1		
1	571773	SHIFTER SELECTOR "ZF" To A-1720	1	1		
1	071587	SHIFTER SELECTOR "I-SHIFT" From B-1721	1	1		
NS	071562	DECAL / USE ELECTRONIC...PROXI...MAY CAUSE... / ENGLISH	1	1		I ZF
1	071563	DECAL / USE ELECTRONIC...PROXI...MAY CAUSE... / FRENCH / ENGLISH	1	1		I ZF
1	071564	DECAL / USE ELECTRONIC...PROXI...MAY CAUSE... / ENGLISH / SPANISH	1	1		I ZF
NS	406174	SUNLIGHT DEFLECTOR	1	1		
NS	071300	SUPPORT / SHIFTER SELECTOR "ZF"	2	2		
NS	500423	NUT HEX NYRT #10-32 SS	2	2		
1	066890	WIRING HARNESS DASHBOARD LEFT MODULE / W/MUX To 8-1169	1	1		
1	067103	WIRING HARNESS DASHBOARD LEFT MODULE / W/MUX To 8-1169	1	1		
1	067218	WIRING HARNESS DASHBOARD LEFT MODULE / W/MUX From 8-1170 To 9-1365	1	1		
1	067426	WIRING HARNESS DASHBOARD LEFT MODULE / W/MUX From 9-1366 To F-2922	1	1		
1	069278	WIRING HARNESS DASHBOARD LEFT MODULE / W/MUX From F-2923	1	1		
2	561491	LIGHTER ASSY / 12V	1	1		
3	890006	ASHTRAY	1	1		
4	<b>H7-1806-10</b>	<b>L.H. CONSOLE - BUS</b>				
5	562748	SWITCH, MIRROR / ROUND	AR	AR		
5		CLIP RETAINER / MIRROR SWITCH (R2000-1372P)	2	2		
NS	562749	CONNECTOR / SH 8C / EURAMTEC W-RT8-200	2	2		
NS	507295	HOLE PLUG BUTTON / 1.375 O.D. BLACK	AR	AR		
6	871250	TIMER ASSY / W/"WEBASTO" PREHEATER To H-3762	1	1		
6	871464	TIMER ASSY / W/"SPHEROS" PREHEATER From H-3763	1	1		
6	871101	TIMER ASSY / W/"PROHEAT" PREHEATER	1	1		
NS	392162	SUPPORT W/"PROHEAT" TIMER	1	1		
NS	066217	WIRING HARNESS / W/ "WEBASTO" PREHEATER / W/MUX	1	1		
NS	066310	WIRING HARNESS / W/ "PROHEAT" PREHEATER / W/MUX	1	1		B
NS	391968	DUMMY / W/O TIMER	1	1		
7	<b>H7-2315-00</b>	<b>SOUND SYSTEM &amp; ACCESSORIES</b>				
8	<b>H7-1806-10</b>	<b>L.H. CONSOLE - BUS</b>				
9	562796	12 VOLTS POWER OUTLET	1	1		
NS	562773	SWITCH / "DUMMY" / PLUG	AR	AR		
10	562697	SWITCH / ON-ON / D.P.D.T. / CH-OVER / W/RED & GREEN LED	AR	AR		
11	562698	SWITCH / OFF-M/ON / D.P.S.T. / W/GREEN LED To 8-1169	AR	AR		
12	562699	SWITCH / M/ON-OFF-M/ON / D.P.D.T. / W/GREEN LED	AR	AR		
13	562773	SWITCH / "DUMMY" / PLUG To 8-1169	AR	AR		
14	563725	SWITCH / ON- M/ON / D.P.D.T. / W/RED LED To 8-1169	1	1		
16	563012	SWITCH / ON-ON / D.P.D.T. / CH-OVER / W/GREEN LED From 9-1170	AR	AR		
17	562854	SWITCH / ON-ON / D.P.D.T. / CH-OVER / W/RED LED To 9-1365	1	1		
NS	564079	SWITCH / M/OFF-OFF-M/ON From 9-1366	1	1		

From 7-0671 To J-0184	Date:10/2022	PAGE:H7-0645-00
<b>SWITCHES L.H. CONSOLE - BUS</b>		

Item#	Part	Description	H 3 4 1	H 3 4 5	V I P 4 5	N O T E S
NS	562763	CONNECTOR RH 10C / SWITCH / NGR 28-5637-2	AR	AR		
NS	562768	SOCKET TERMINAL / 16-14 / PED 12015870	AR	AR		
20	562724	CAP / CRUISE CONTROL	1	1		
21	562725	CAP / SET / CRUISE CONTROL To 8-1169	1	1		
22	562726	CAP / RESUME / CRUISE CONTROL To 8-1169	1	1		
22	564081	CAP / HORN SELECTOR - ELEC / AIR From 8-1170	1	1		
23	562740	CAP / WINDOW DRIVER'S	1	1		
24	562787	CAP / DECEL / CRUISE CONTROL To 8-1169	1	1		
24	562736	CAP / LUGGAGE DOOR LOCK	1	1		
25	562713	CAP / MIRROR HEATER From 8-1170	1	1		
26	562737	CAP / KNEELING From 8-1170	1	1		
27	562713	CAP / MIRROR HEATER From 8-1170	1	1		
29	562738	CAP / UP-DOWN From 8-1170	1	1		
30	563455	PANEL FIRE PROTECTOR DISPLAY	1	1		
31	563456	BUTTON FIRE / MANUAL OPERATING	1	1		
. NS	563462	. SEAL BUTTON FIRE / MANUAL OPERATING	1	1		
32	405725	DECAL / "IN CASE OF FIRE..." / ENGLISH & FRANCAIS	1	1		
32	405724	DECAL / "IN CASE OF FIRE..." / ENGLISH	1	1		
32	400032	DECAL / "IN CASE OF FIRE..." / ENGLISH & FRANCAIS & SPANISH	1	1		
35	562796	12 VOLTS POWER OUTLET	2	2		A
NS	500539	NUT HEX NYRT M4-0.7 N500	4	4		A
NS	502556	WASHER FL 4.3x9.0x0.8 SS	4	4		A
NS	5001414	SCREW MA FL PH M4-0.7x16 BK	4	4		A
NS	562101	SOCKET TERMINAL / 14-12 / PED 12129493	1	1		A
NS	561539	TAB RECEPTACLE TERMINAL INSUL. NYLON / 16 / AMP 3-520141-2	4	4		A
NS	560587	RING TERMINAL .250 / 18-14 / INSULATED / AMP 160337-2	1	1		A
NS	504637	CABLE TIE / 3/16" x 13"	AR	AR		A
NS	560784	SHRINK TUBING / .250" - .080" / BLACK / ALPHA FIT-300-1/4-4B	AR	AR		A
NS	561681	CONVOLUTED TUBING / SLIT / BLACK & GRAY / .350"	AR	AR		A
NS	562586	WIRE CABLE 16 / BLACK / TXL	AR	AR		A
NS	562592	WIRE CABLE 16 / YELLOW / TXL	AR	AR		A
40	560466	MODULE USB DUAL PORT	1	1		C
40	563622	BUTT SPLICE / 22-18 / RED / W/THERMORETRAC / PANDUIT BSH18-Q	2	2		C
40	564099	TAPE ADHESIF ELECTRICAL TISSUS / BLACK 838MM	AR	AR		C
41	5001411	SCREW MA FL PH M4-0.7x20 BK	2	2		C
41	500539	NUT HEX NYRT M4-0.7 N500	2	2		C
		A) USE WITH 3 12V POWER OUTLET				

From 7-0671 To J-0184	Date:10/2022	PAGE:H7-0645-00
-----------------------	--------------	-----------------

**SWITCHES L.H. CONSOLE - BUS**

Item#	Part	Description	H 3 4 1	H 3 4 5	V I P 4 5	N O T E S
		B) USE WITH PRO-HEAT M80				
		C) USE WITH DUAL USB PORT				
		I) WITH "I-SHIFT" SHIFTER				
		ZF) WITH "ZF" SHIFTER				

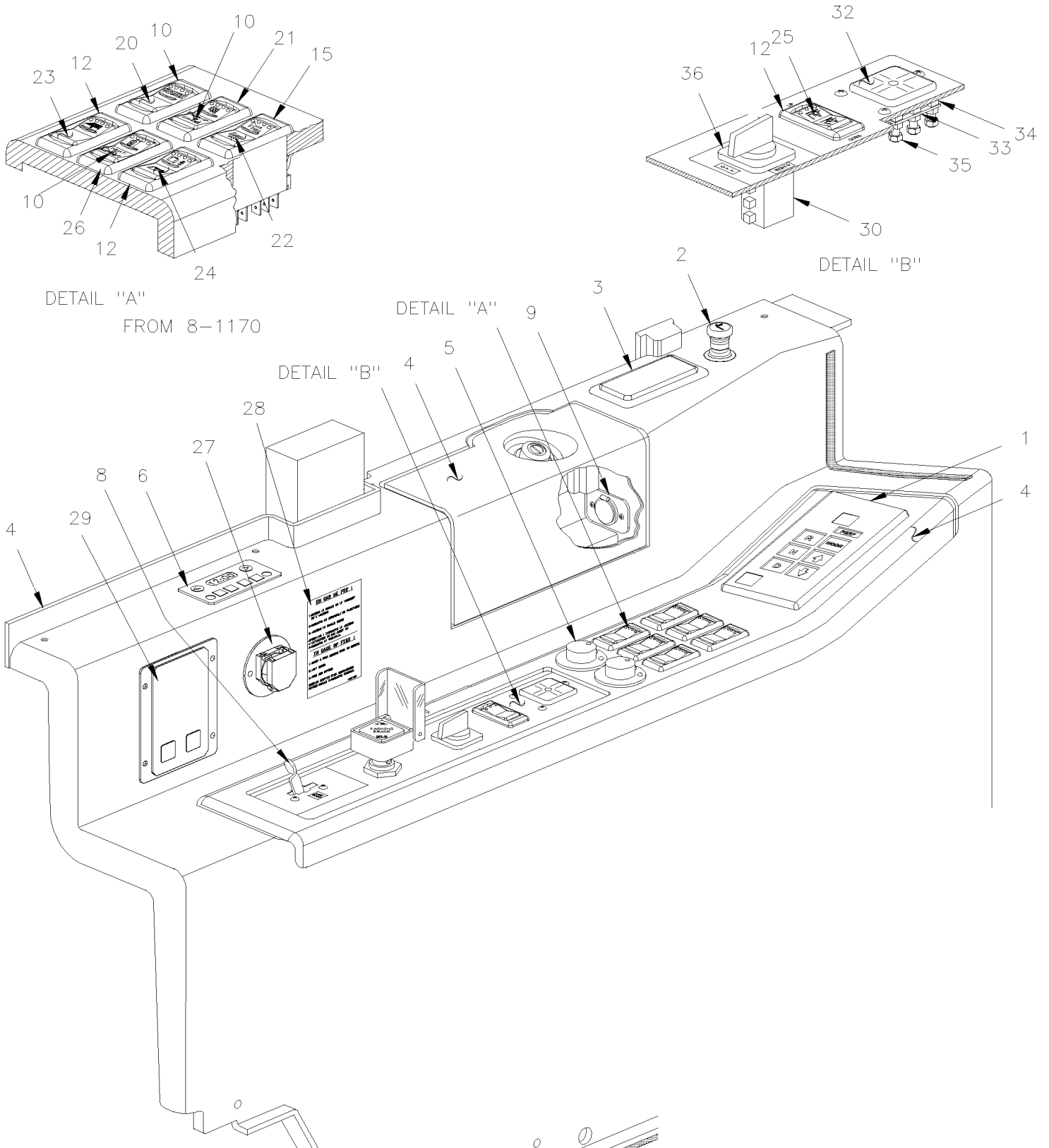


From 7-0671 To J-0287

Date:10/2022

PAGE:H7-0645-05

## SWITCHES L.H. CONSOLE - V.I.P.



From 7-0671 To J-0287	Date:10/2022	PAGE:H7-0645-05
<b>SWITCHES L.H. CONSOLE - V.I.P.</b>		

Item#	Part	Description	H 3 4 1	H 3 4 5	V I P 4 5	N O T E S
1	572031	SHIFTER, SELECTOR "WORLD" / GEN IV To 8-1400			1	
1	572124	SHIFTER, SELECTOR "WORLD" / GEN IV From 8-1401 To E-2601			1	
1	572155	SHIFTER, SELECTOR "WORLD" / GEN V From E-2602			1	
1	066826	WIRING HARNESS DASHBOARD LEFT MODULE To 7-0983			1	
1	067135	WIRING HARNESS DASHBOARD LEFT MODULE From 7-0984 To 8-1171			1	
1	067197	WIRING HARNESS DASHBOARD LEFT MODULE From 8-1172 To F-2923			1	
1	069239	WIRING HARNESS DASHBOARD LEFT MODULE From F-2924			1	
2	561491	LIGHTER ASSY / 12V			1	
3	890006	ASHTRAY			1	
4	<b>H7-1806-15</b>	<b>L.H. CONSOLE - V.I.P.</b>				
5	562748	SWITCH, MIRROR / ROUND			AR	
5	N.P.N.	CLIP RETAINER / MIRROR SWITCH (R2000-1372P)			2	4
NS	562749	CONNECTOR / SH 8C / EURAMTEC W-RT8-200			2	
NS	507295	HOLE PLUG BUTTON / 1.375 O.D. BLACK			AR	
6	871250	TIMER ASSY / W/"WEBASTO" PREHEATER			1	
6	871464	TIMER ASSY / W/"SPHEROS" PREHEATER			1	
NS	871101	TIMER ASSY / W/"PROHEAT" PREHEATER			1	
NS	066217	WIRING HARNESS / W/ "WEBASTO" PREHEATER / W/MUX			1	
NS	066310	WIRING HARNESS / W/ "PROHEAT" PREHEATER / W/MUX			1	
8	<b>H7-1806-15</b>	<b>L.H. CONSOLE - V.I.P.</b>				
9	562796	12 VOLTS POWER OUTLET			1	
10	562697	SWITCH / ON-ON / D.P.D.T. / CH-OVER / W/RED & GREEN LED			AR	
11	562698	SWITCH / OFF-M/ON / D.P.S.T. / W/GREEN LED			AR	
12	562699	SWITCH / M/ON-OFF-M/ON / D.P.D.T. / W/GREEN LED			AR	
13	562854	SWITCH / ON-ON / D.P.D.T. / CH-OVER / W/RED LED To 8-1365			1	
13	564079	SWITCH / M/OFF-OFF-M/ON From 8-1366			1	
14	563725	SWITCH / ON- M/ON / D.P.D.T. / W/RED LED To 8-1169			1	
15	563012	SWITCH / ON-ON / D.P.D.T. / CH-OVER / W/GREEN LED From 8-1170			1	
20	562724	CAP / CRUISE CONTROL			1	
21	562725	CAP / SET / CRUISE CONTROL To 8-1169			1	
21	562731	CAP / BACK-UP ALARM From 8-1170			1	
22	562726	CAP / RESUME / CRUISE CONTROL To 8-1169			1	
22	564081	CAP / HORN SELECTOR - ELEC / AIR From 8-1170			1	
23	562740	CAP / WINDOW DRIVER'S			1	
24	562787	CAP / DECEL / CRUISE CONTROL To 8-1169			1	
24	562736	CAP / LUGGAGE DOOR LOCK From 8-1170			1	
25	562738	CAP / UP-DOWN			1	
26	562713	CAP / MIRROR HEATER From 8-1170			1	
27	563456	BUTTON FIRE / MANUAL OPERATING			1	
NS	563462	. SEAL BUTTON FIRE / MANUAL OPERATING			1	
28	405725	DECAL / "IN CASE OF FIRE..." / ENGLISH & FRANCAIS			1	
28	405724	DECAL / "IN CASE OF FIRE..." / ENGLISH			1	

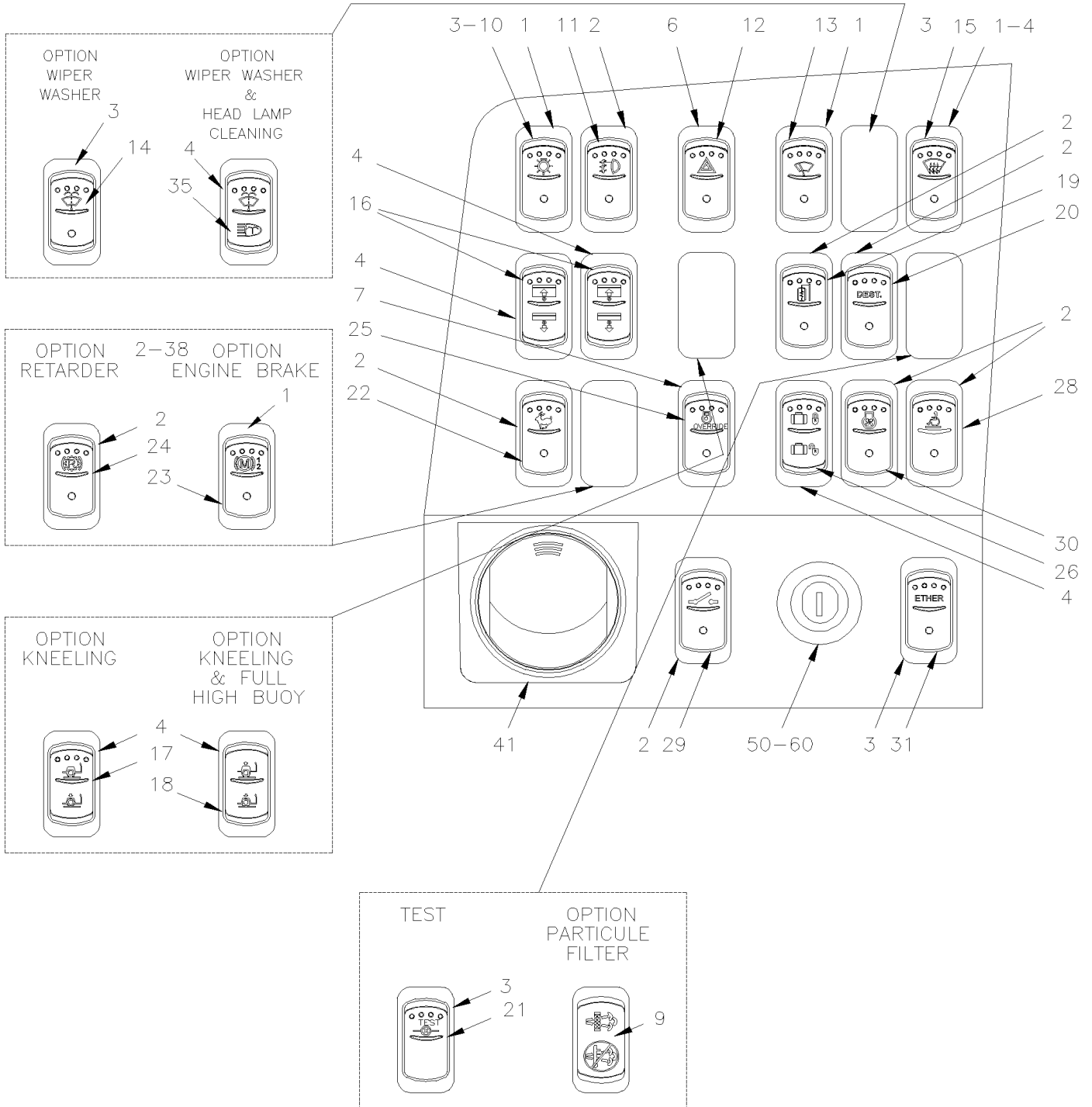
From 7-0671 To J-0287	Date:10/2022	PAGE:H7-0645-05
<b>SWITCHES L.H. CONSOLE - V.I.P.</b>		

Item#	Part	Description	H 3 4 1	H 3 4 5	V I P 4 5	N O T E S
29	563455	PANEL FIRE PROTECTOR DISPLAY			1	
30	563086	SWITCH / 10 AMPS 4 POSITIONS 90°			1	
31	066510	CABLE ASSY / W/"LEVEL LOW" / MUX			1	
32	630075	LEVEL 5 WAYS			1	
33	391827	BRACKET / TO FIX LEVEL			1	
34	502162	SPRING COMPRESSION / .240 O.D. x .312 x .026			3	
35	500670	NUT HEX NYRT #8-32 Z050			3	
36	392317	PLATE PLASTIC "LEVEL LOW"			1	
		4) NO PARTS NUMBER				



**L.H. DASHBOARD PANEL**

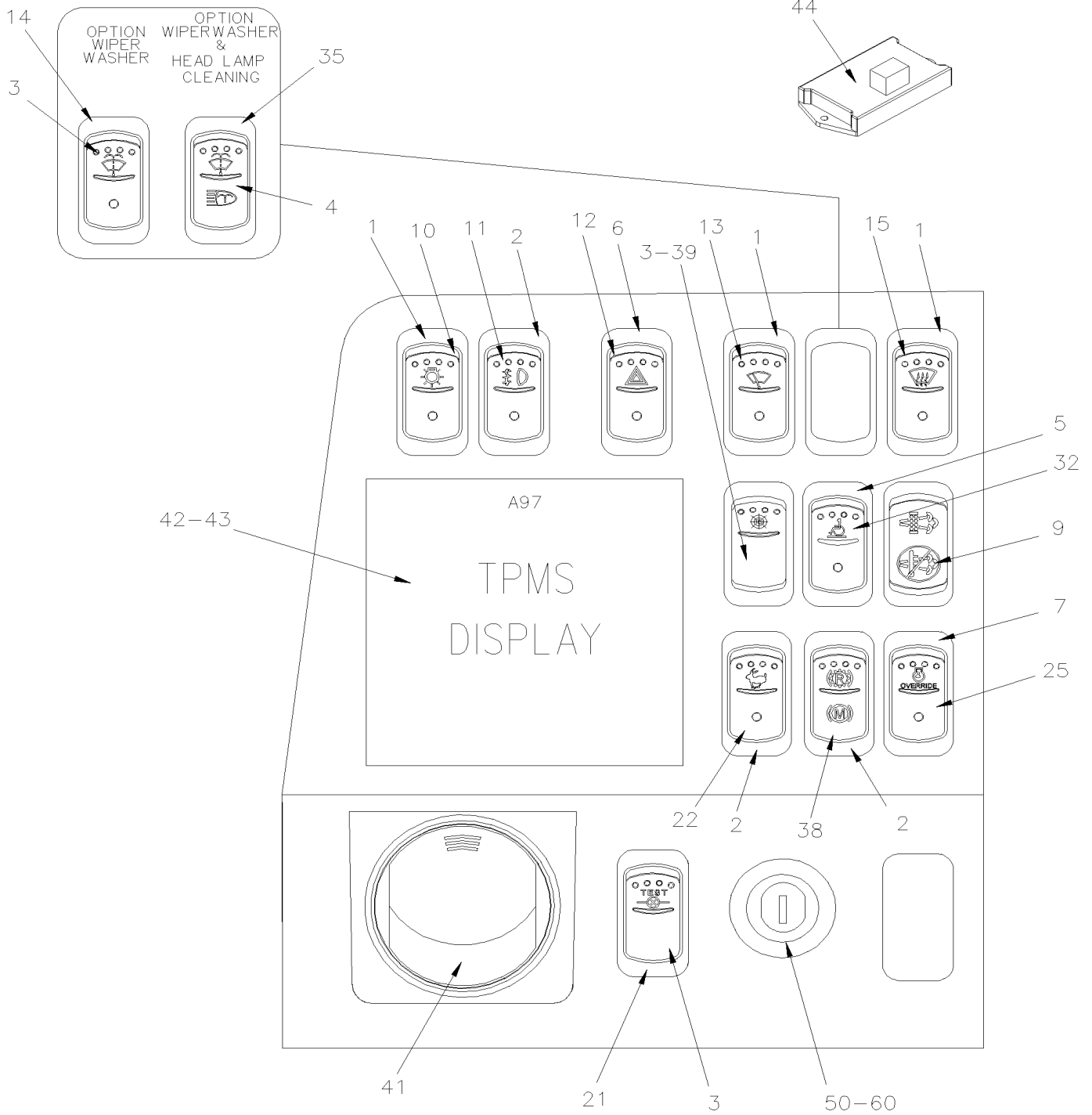
BUS



UP TO 8-1169

L.H. DASHBOARD PANEL

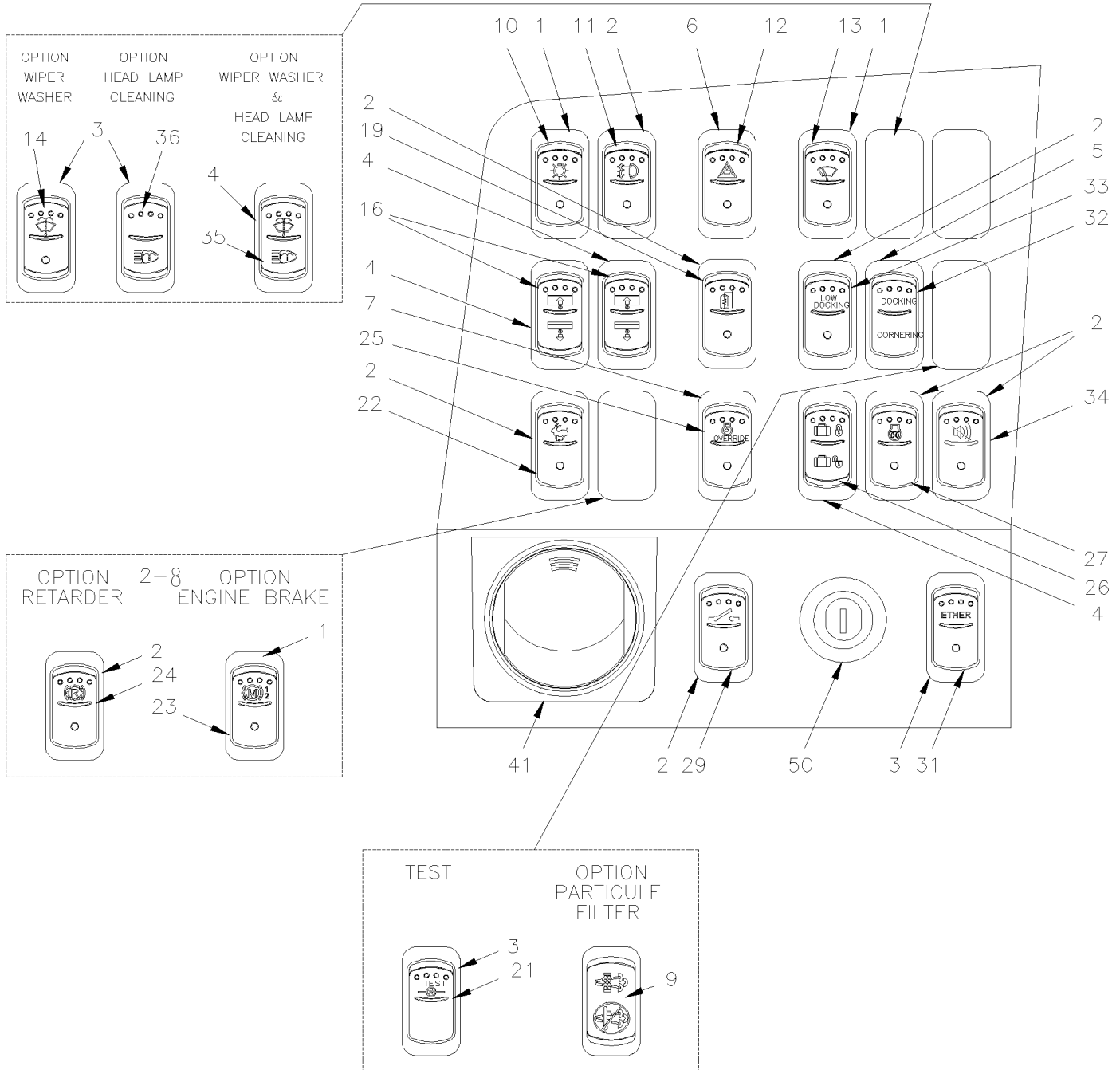
BUS



FROM 8-1170 UP TO A-1720

L.H. DASHBOARD PANEL

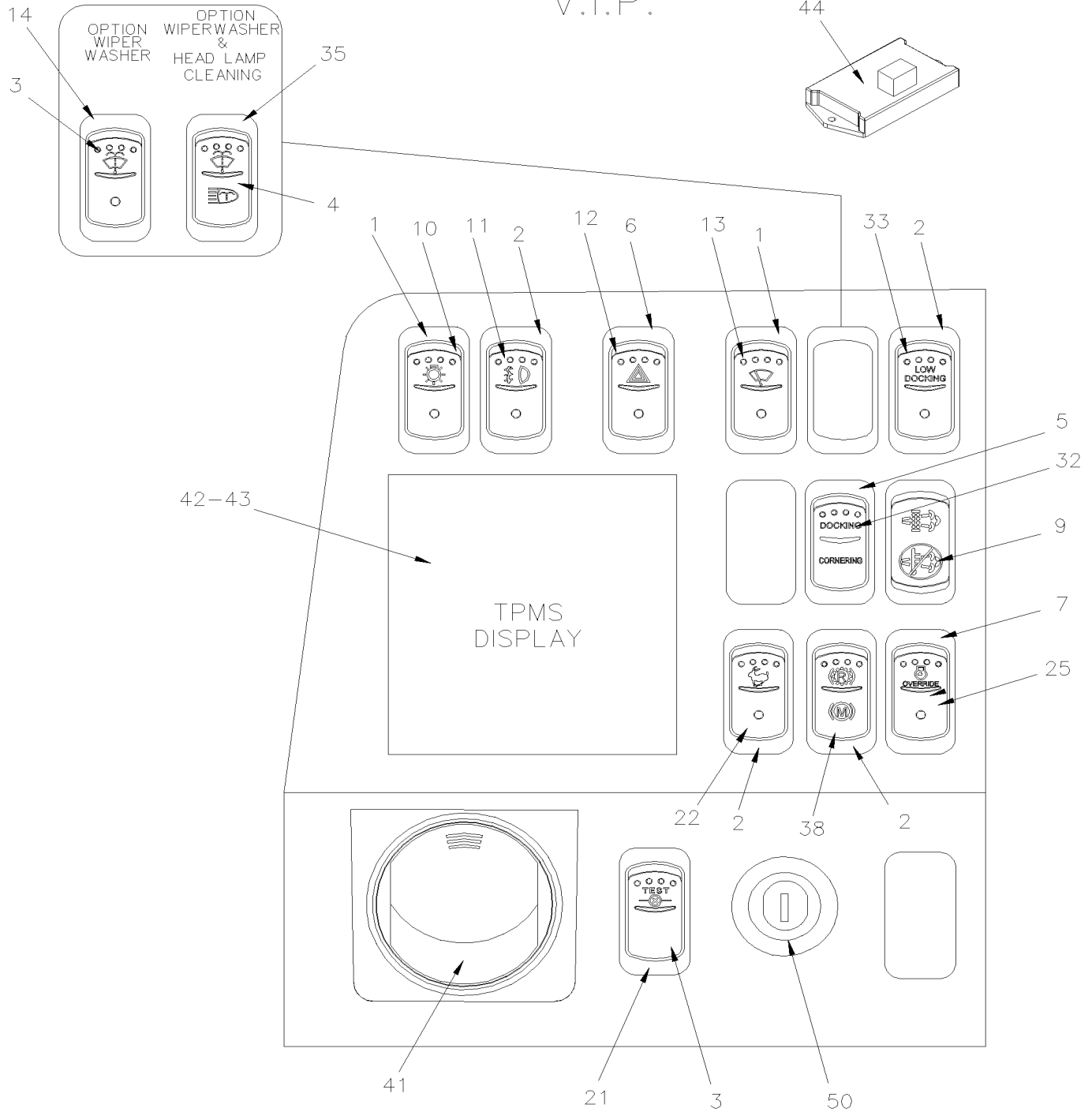
V.I.P.



UP TO 8-1169

From 7-0671 To J-0287	Date:10/2022	PAGE:H7-0645-10
L.H. DASHBOARD PANEL		

V.I.P.

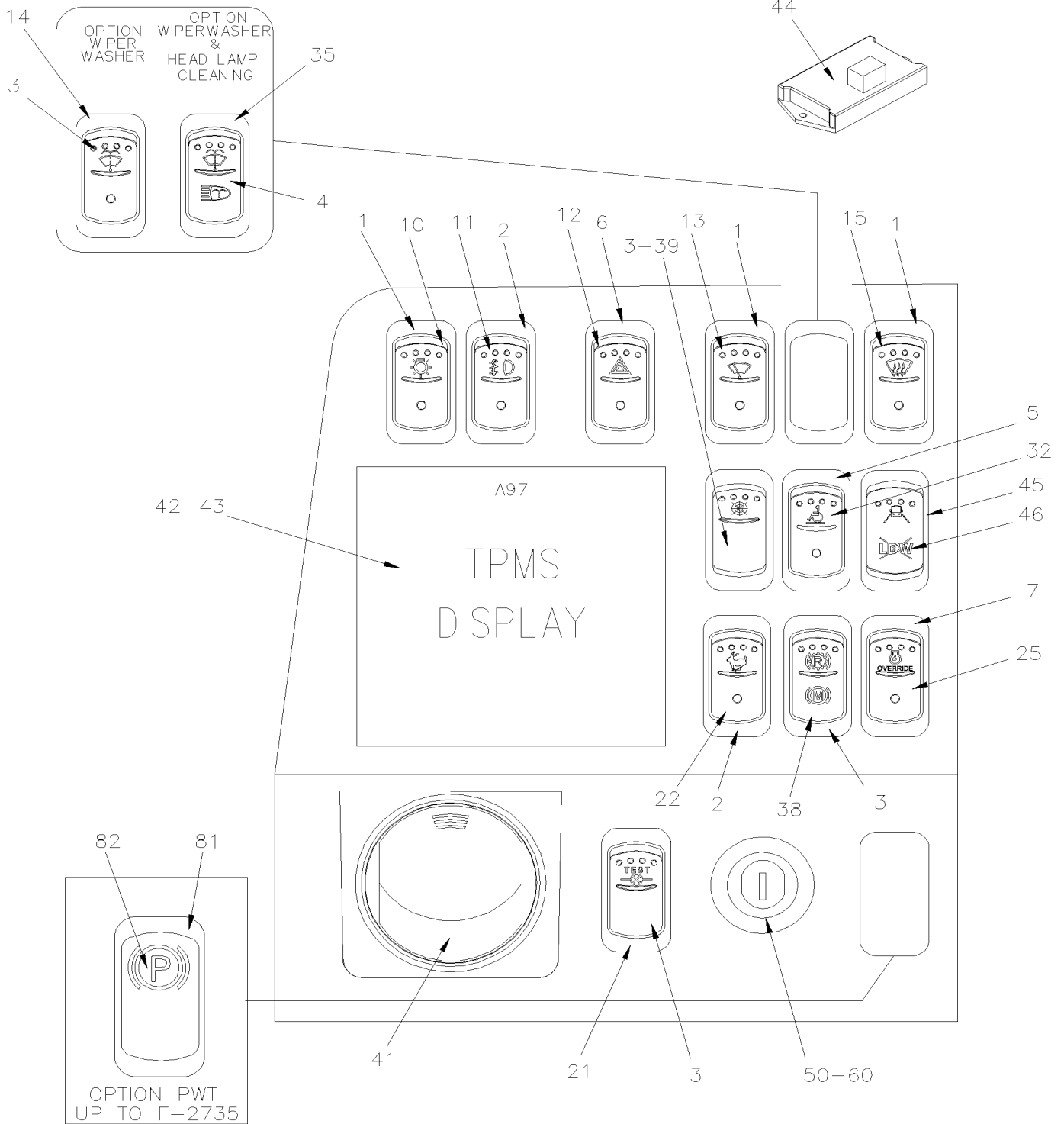


FROM 8-1170 UP TO A-1720



From 7-0671 To J-0287	Date:10/2022	PAGE:H7-0645-10
L.H. DASHBOARD PANEL		

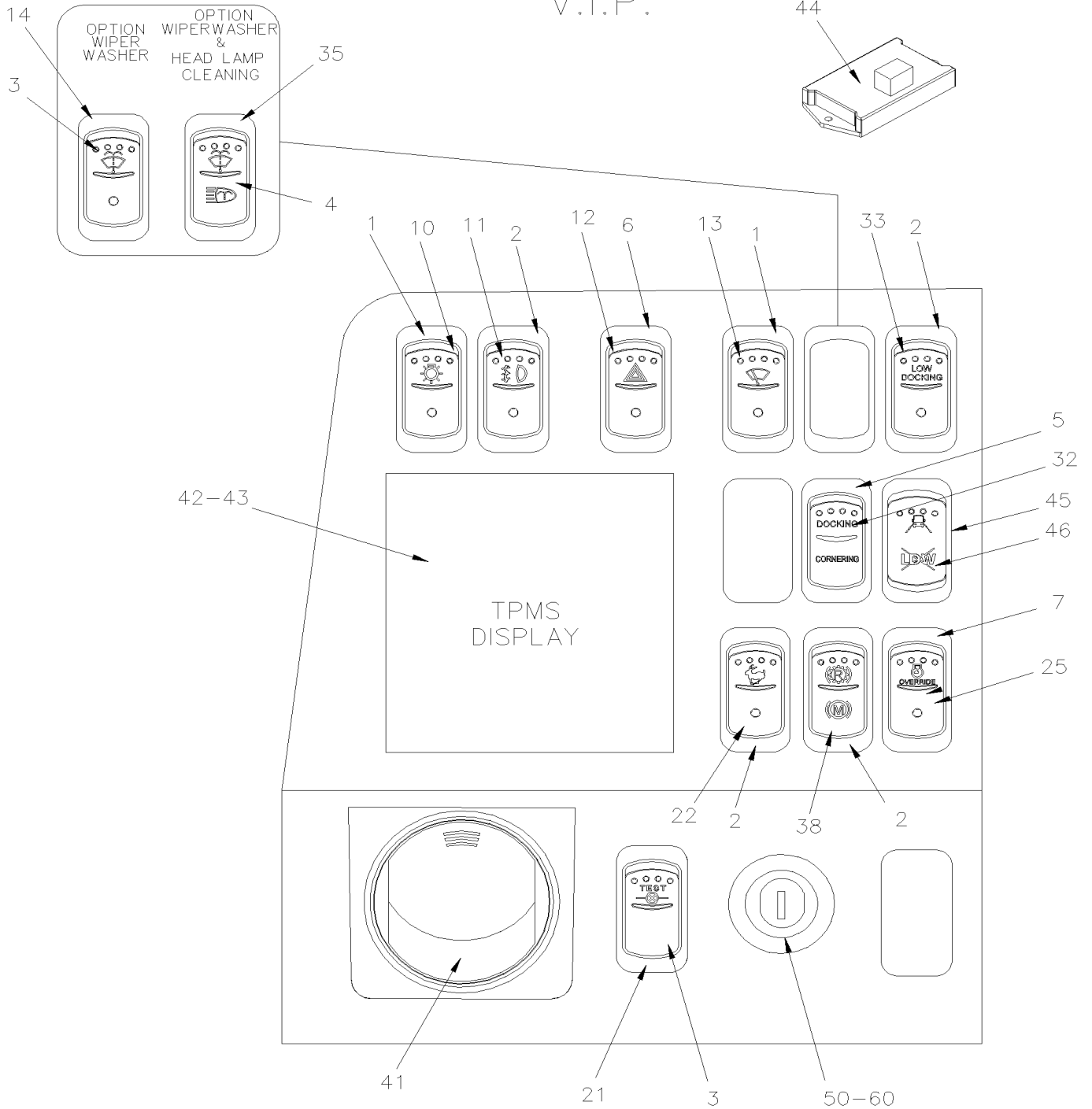
BUS



FROM B-1721 UP TO F-2899

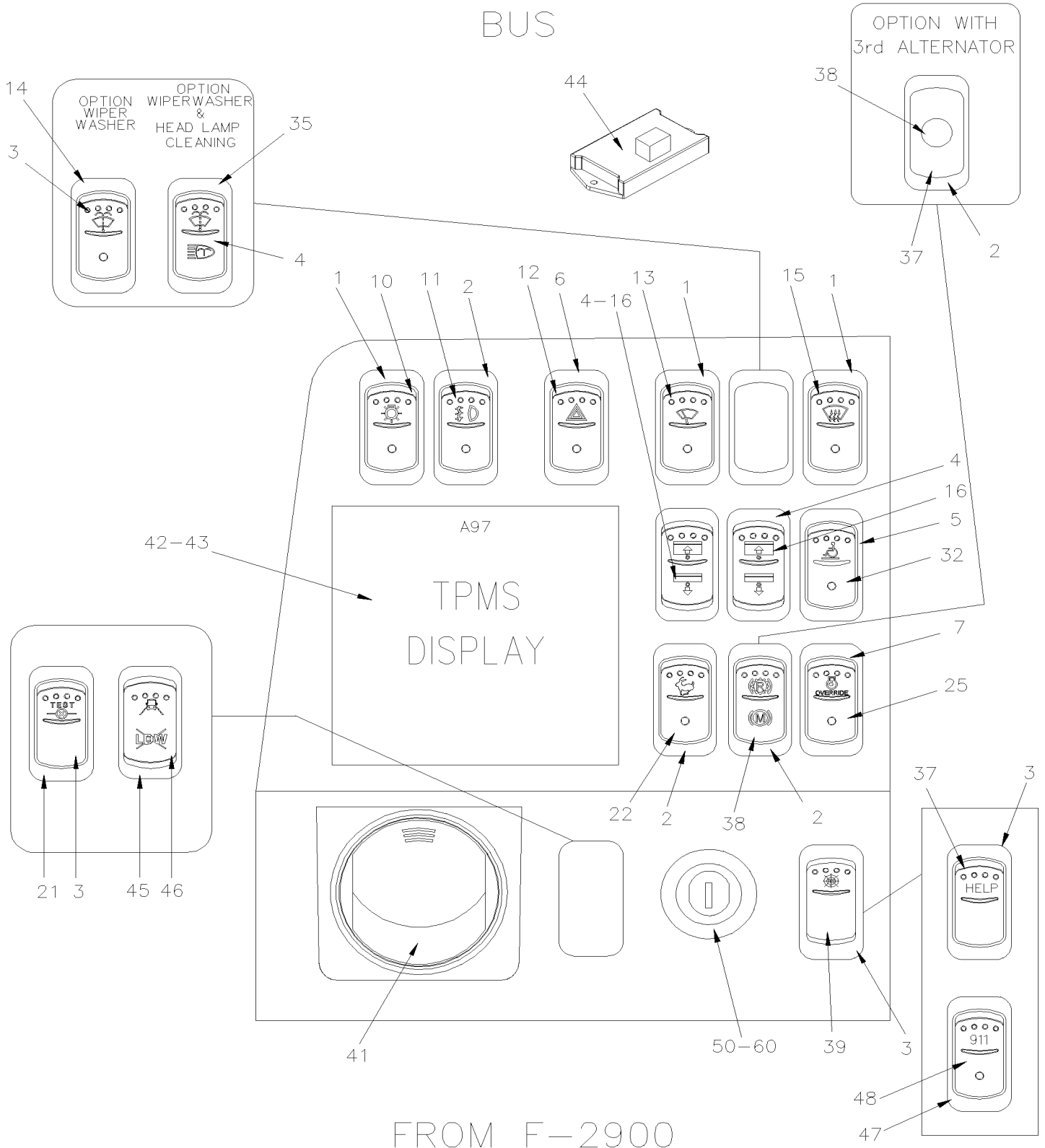
L.H. DASHBOARD PANEL

V.I.P.



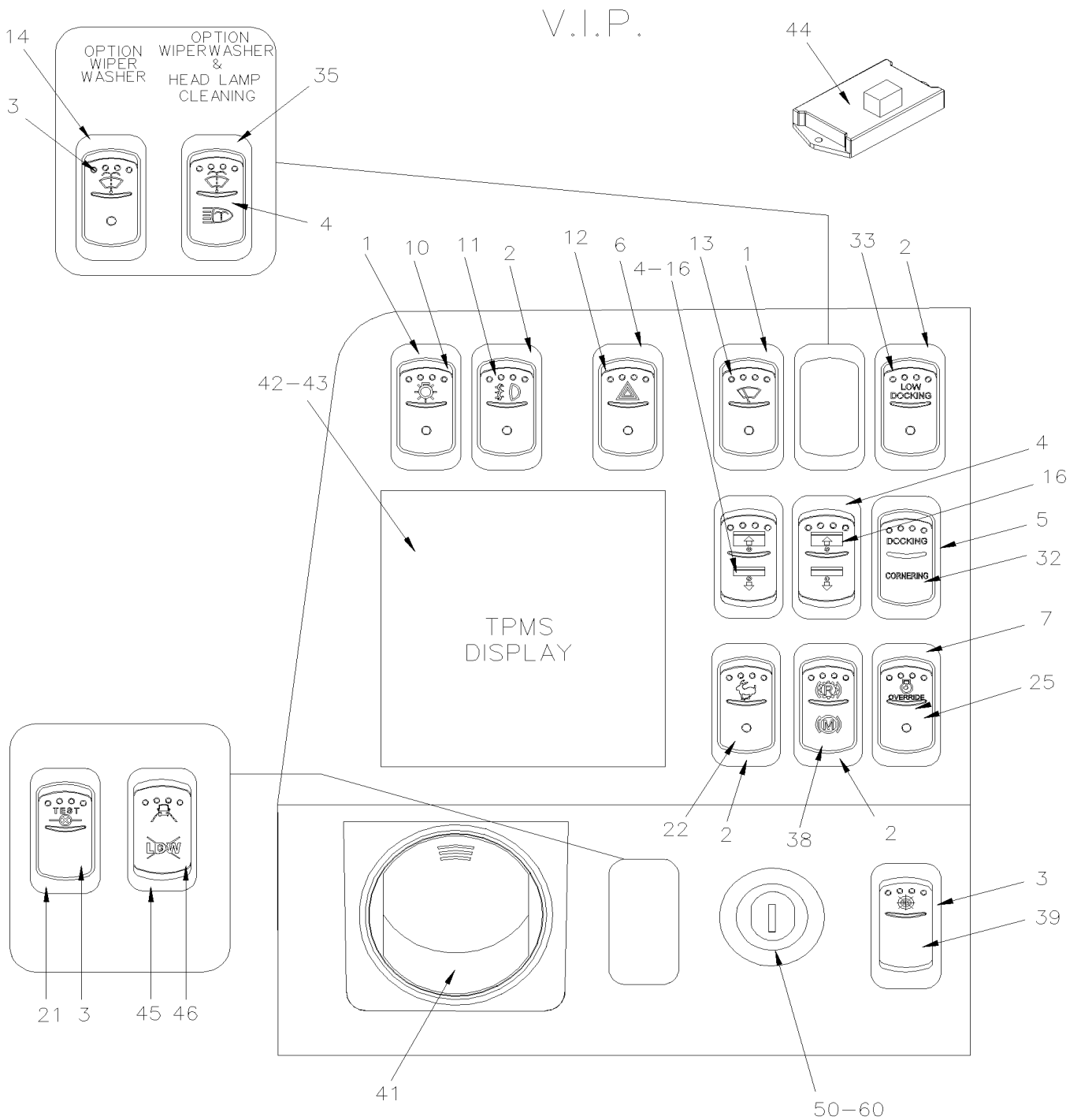
FROM B-1721 UP TO F-2899

L.H. DASHBOARD PANEL



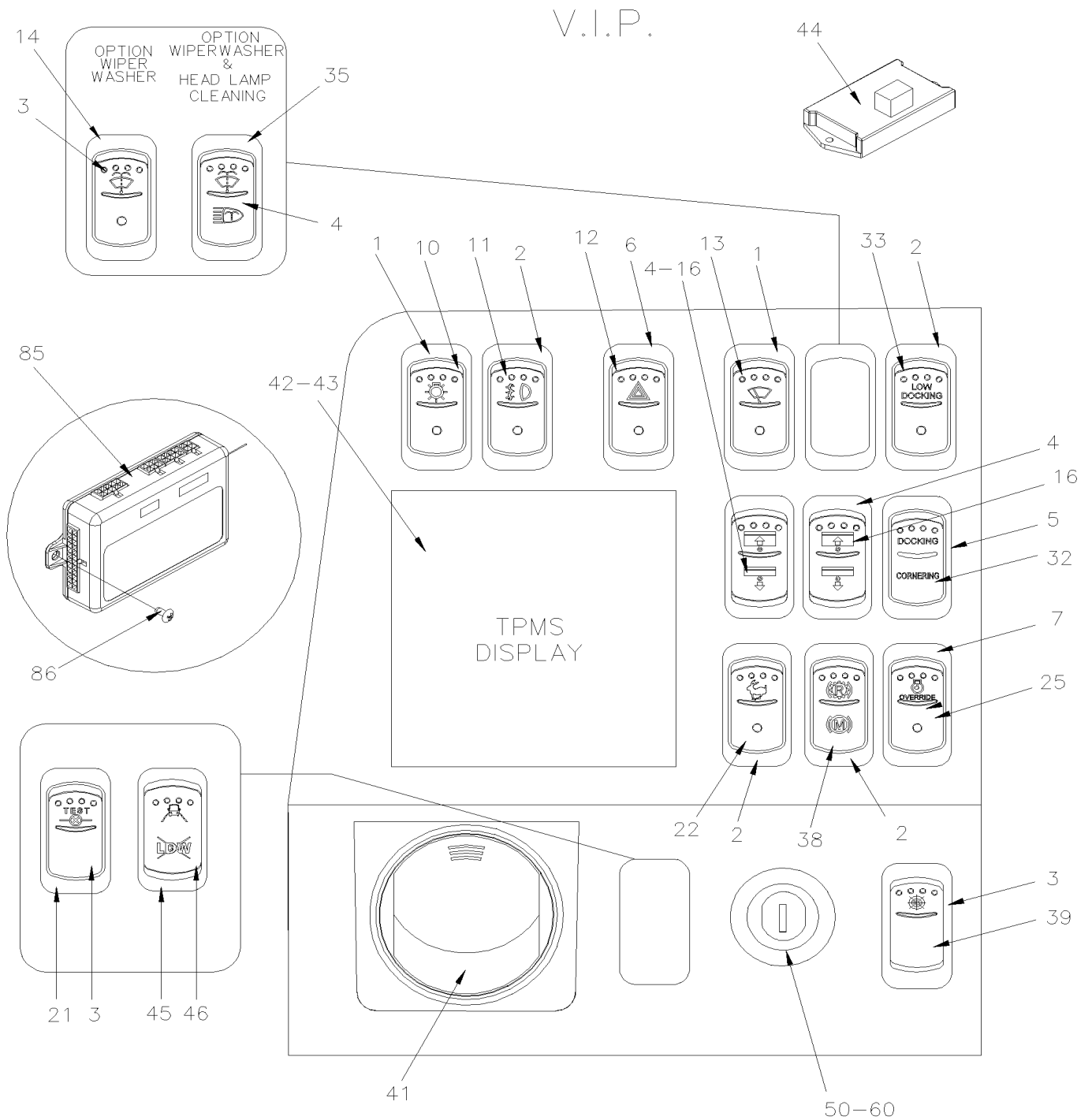
FROM F-2900

L.H. DASHBOARD PANEL



FROM F-2900 UP TO F-2928

L.H. DASHBOARD PANEL



FROM F-2929

From 7-0671 To J-0287	Date:10/2022	PAGE:H7-0645-10
<b>L.H. DASHBOARD PANEL</b>		

Item#	Part	Description	H 3 4 1	H 3 4 5	V I P 4 5	N O T E S
1	562696	SWITCH / OFF-ON-ON SERIES S.P.D.T. / W/RED & GREEN LED	4	4	4	
2	562697	SWITCH / ON-ON / D.P.D.T. / CH-OVER / W/RED & GREEN LED	AR	AR	AR	
3	562698	SWITCH / OFF-M/ON / D.P.S.T. / W/GREEN LED	1	1		
3	562698	SWITCH / OFF-M/ON / D.P.S.T. / W/GREEN LED	1	1		F
3	901568	CABLE ASSY, EMERGENCY W/SPLITTER / 25'	1	1	1	F
4	562699	SWITCH / M/ON-OFF-M/ON / D.P.D.T. / W/GREEN LED	3	3	3	
5	562700	SWITCH / ON-OFF-ON / D.P.D.T. / W/GREEN LED			1	
6	562854	SWITCH / ON-ON / D.P.D.T. / CH-OVER / W/RED LED	1	1	1	
7	562855	SWITCH / OFF-M/ON / D.P.S.T. / W/RED LED	1	1	1	
8	563012	SWITCH / ON-ON / D.P.D.T. / CH-OVER / W/GREEN LED From 8-1170	1	1	1	
9	563722	SWITCH ASSY W/CAP BLUE / D.P.Filter To 9-1360	1	1	1	
9	564106	SWITCH ASSY W/CAP BLUE / D.P.Filter From 9-1361 To A-1720	1	1	1	
NS	562763	CONNECTOR RH 10C / SWITCH / NGR 28-5637-2	AR	AR	AR	
NS	562768	SOCKET TERMINAL / 16-14 / PED 12015870	AR	AR	AR	
NS	562773	SWITCH / "DUMMY" / PLUG	AR	AR	AR	
10	562708	CAP / HEADLIGHT	1	1	1	
11	562709	CAP / FOG	1	1	1	
12	562710	CAP / WARNING LIGHT HAZARD	1	1	1	
13	562711	CAP / WIPER (UPPER)	1	1	1	
14	562715	CAP / WINDSHIELD WASHER (UPPER)	1	1	1	
15	562712	CAP / DEFOGGER	1	1		
16	562739	CAP / ROLLER BLIND To 8-1169	2	2	2	
16	562739	CAP / ROLLER BLIND From F-2900	2	2	2	
16	IS-14145	SUNVISOR SWITCHES ON DASHBOARD From B-1721 To F-2899	1	1	1	
NS	069234	SUN VISOR SWITCH HARNESS From B-1721 To F-2899	1	1	1	
NS	562699	SWITCH / M/ON-OFF-M/ON / D.P.D.T. / W/GREEN LED From B-1721 To F-2899	2	2	2	
NS	562739	CAP / ROLLER BLIND From B-1721 To F-2899	2	2	2	
NS	562769	SOCKET TERMINAL / 20-18 / PED 12015869 From B-1721 To F-2899	3	3	3	
NS	IS14145	SEE INSTRUCTION SHEET From B-1721 To F-2899	1	1	1	
17	562737	CAP / KNEELING To 8-1169	1	1		
18	562738	CAP / UP-DOWN To 8-1169	1	1		
19	562713	CAP / MIRROR HEATER To 8-1169	1	1	1	
20	562743	CAP / DESTINATION SIGN	1	1		
21	562741	CAP / TELL TALE TEST From B-1721	1	1	1	
NS	562697	SWITCH / ON-ON / D.P.D.T. / CH-OVER / W/RED & GREEN LED	1	1	1	A
22	562723	CAP / FAST IDLE	1	1	1	
23	562728	CAP / "JACOB'S" To 8-1169	1	1	1	C
NS	562697	SWITCH / ON-ON / D.P.D.T. / CH-OVER / W/RED & GREEN LED To 8-1169	1	1	1	C D
NS	066255	CABLE ASSY / BETWEN PRESSURE SWITCH & C419 To 8-1169	1	1	1	C
NS	064819	DIODE DOUBLE ASSY To 8-1169	1	1	1	D
NS	065389	CABLE ASSY / "JACOB'S" & RETARDER To 8-1169	1	1	1	D
23	563332	RELAY 24V S.P.D.T. W/RESISTOR / "VOLVO" (20374662) To 8-1169	1	1	1	D

<b>From 7-0671 To J-0287</b>	<b>Date:10/2022</b>	<b>PAGE:H7-0645-10</b>
<b>L.H. DASHBOARD PANEL</b>		

Item#	Part	Description	H 3 4 1	H 3 4 5	V I P 4 5	N O T E S
24	562729	CAP / "RETARDER" To 8-1169	1	1	1	
25	562727	CAP / ENGINE OVERRIDE	1	1	1	
26	562736	CAP / LUGGAGE DOOR LOCK To 8-1169	1	1	1	
27	562722	CAP / PRE-HEATER To 8-1169	1	1	1	
28	562774	CAP / W.C.L.	1	1	1	
29	562742	CAP / MASTER CUT-OFF To 8-1169	1	1	1	
30	562735	CAP / RADIATOR FAN To 8-1169	1	1	1	
31	562734	CAP / ETHER To 8-1169	AR	AR	AR	
32	562733	CAP / DOCKING & CORNERING			1	
33	562732	CAP / LIGHT LOW DOCKING			1	
34	562731	CAP / BACK-UP ALARM To 8-1169			1	
35	564007	CAP / WASHER WIDSHIELD & HEADLAMP	1	1	1	
36	564006	CAP / HEADLAMP WASHER			1	HW
37	562714	CAP / PLAIN (W/O DESCRIPTION) To H-3480	1	1		F
37	565923	CAP / HELP ! From H-3481	1	1		F
37	566015	CAP / "911" From H-3599	1	1		F
37	069706	WIRING HARNESS EMERGENCY DESTINATION SIGN From H-3481	1	1		F
38	564082	CAP / "JACOB'S" & RETARDER" From 8-1170	1	1	1	
38	564146	CAP / "JACOB'S" From B-1721	1	1	1	I
38	562698	SWITCH / OFF-M/ON / D.P.S.T. / W/GREEN LED From G-3185	1	1	1	G
38	564146	CAP / "JACOB'S" From G-3185	1	1	1	G
38	564500	LIGHT, INDICATOR AMBER (28VDC-1W)	1	1	1	SP
NS	562714	CAP / PLAIN (W/O DESCRIPTION)	1	1	1	SP
NS	061383	CABLE 3RD ALERNATOR	1	1	1	SP
39	564147	CAP / TCS	1	1	1	
41	871314	LOUVER, ADJUSTABLE / ROUND 2 5/8" O.D.	1	1	1	
42	564083	SCREEN MONITOR TIRE From 8-1170 To B-1803	1	1	1	
42	564094	SCREEN MONITOR TIRE From B-1804 To E-2545	1	1	1	
42	565912	SCREEN MONITOR TIRE From E-2546 To J-0226	1	1	1	
42	560561	SCREEN MONITOR TIRE From J-0227	1	1	1	
43	564084	PLATE TPMS / FIXED AT CENTRAL BOARD From 8-1170	1	1	1	
43	564086	PLATE REAR TPMS ON CENTRAL BOARD	1	1	1	
43	564085	PLATE W/OUT TPMS ON CENTRAL BOARD From 8-1170	1	1	1	
NS	5001690	SCREW TC M5 to fix plate From 8-1170	5	5	5	
44	382446	GATEWAY LIN BUS INTERFACE To D-2431	1	1	1	E
44	382562	GATEWAY LIN BUS INTERFACE From D-2432 To E-2572	1	1	1	E
44	565917	GATEWAY LIN BUS INTERFACE From E-2573 To E-2641	1	1	1	E
44	565921	GATEWAY LIN BUS INTERFACE From E-2642 To G-3199	1	1	1	E
44	560008	GATEWAY LIN BUS INTERFACE From G-3200	1	1	1	E
45	565890	SWITCH / M/OFF-OFF-M/ON / W/AMBER LED From £-12080	1	1	1	
46	565891	CAP / LDW From £-12080	1	1	1	

<b>From 7-0671 To J-0287</b>	<b>Date:10/2022</b>	<b>PAGE:H7-0645-10</b>
<b>L.H. DASHBOARD PANEL</b>		

Item#	Part	Description	H 3 4 1	H 3 4 5	V I P 4 5	N O T E S
47	562698	SWITCH / OFF-M/ON / D.P.S.T. / W/GREEN LED From H-3599	1	1		H
47	069706	WIRING HARNESS EMERGENCY DESTINATION SIGN From H-3599	1	1		H
48	566015	CAP / "911" From H-3599	1	1		H
50	562147	SWITCH, IGNITION / CODE 801	1	1	1	
. NS	780003	. KEY, IGNITION SWITCH CODE 801	1	1	1	
50	562148	SWITCH, IGNITION / CODE 802	1	1	1	
. NS	780004	. KEY, IGNITION SWITCH CODE 802	1	1	1	
50	562151	SWITCH, IGNITION / CODE 803	1	1	1	
. NS	780006	. KEY, IGNITION SWITCH CODE 803	1	1	1	
50	562150	SWITCH, IGNITION / CODE 804	1	1	1	
. NS	780007	. KEY, IGNITION SWITCH CODE 804	1	1	1	
50	562152	SWITCH, IGNITION / CODE 805	1	1	1	
. NS	780008	. KEY, IGNITION SWITCH CODE 805	1	1	1	
50	562149	SWITCH, IGNITION / CODE 806	1	1	1	
. NS	780009	. KEY, IGNITION SWITCH CODE 806	1	1	1	
NS	562296	KEY / IGNITION BLANCK UNCUT	AR	AR	AR	
50	562146	SWITCH, IGNITION / KEYLESS (ACC-OFF-IGN-START)	1	1	1	
NS	563542	KEYLESS / TRANSMITTER KEY RING / W/PICTOGRA To F-2928			1	
50	565987	KEYLESS, FOBS WITH MEDALLIONS From F-2929			1	
50	565985	KEYLESS MODULE From F-2929 To H-3806			1	
50	560454	KEYLESS MODULE From H-3807			1	
NS	065045	CABLE ASSY L.H. PARCEL RACK	1	1	1	A
NS	065046	CABLE ASSY R.H. PARCEL RACK	1	1	1	A
50	066169	CABLE ASSY RELAY READING LIGHT	1	1	1	A
NS	065053	CABLE ASSY SWITCH READING LIGHT	1	1	1	A
50	563332	RELAY 24V S.P.D.T. W/RESISTOR / "VOLVO" (20374662)	1	1	1	A
		NEXT ITEMS ARE USED WITH				
		"FORD" IGNITION SWITCH				
60	065512	CYLINDER IGNITION / CODE FA 0000	1	1		B
60	065658	CYLINDER IGNITION / CODE FA 0001	1	1		B
60	064902	CYLINDER IGNITION / CODE FA 0013	1	1		B
60	065590	CYLINDER IGNITION / CODE FA 0055	1	1		B
60	065409	CYLINDER IGNITION / CODE FA 0107	1	1		B
60	065851	CYLINDER IGNITION / CODE FA 0109	1	1		B
60	065396	CYLINDER IGNITION / CODE FA 0113	1	1		B
60	068344	CYLINDER IGNITION / CODE FA 0150	1	1		B
60	065397	CYLINDER IGNITION / CODE FA 0206	1	1		B
60	065878	CYLINDER IGNITION / CODE FA 0208	1	1		B
60	061022	CYLINDER IGNITION / CODE FA 0231	1	1		B
60	064417	CYLINDER IGNITION / CODE FA 0528	1	1		B



<b>From 7-0671 To J-0287</b>	<b>Date:10/2022</b>	<b>PAGE:H7-0645-10</b>
<b>L.H. DASHBOARD PANEL</b>		

Item#	Part	Description	H 3 4 1	H 3 4 5	V I P 4 5	N O T E S
60	065043	CYLINDER IGNITION / CODE FA 0528	1	1		B
60	067194	CYLINDER IGNITION / CODE FA 0692	1	1		B
60	065500	CYLINDER IGNITION / CODE FA 0704	1	1		B
60	065607	CYLINDER IGNITION / CODE FA 0714	1	1		B
60	069458	CYLINDER IGNITION / CODE FA 0726	1	1		B
60	065501	CYLINDER IGNITION / CODE FA 1343	1	1		B
60	067937	CYLINDER IGNITION / CODE FA 1509	1	1		B
60	562654	SWITCH & CABLE / SWITCH To D-2227	1	1		B
60	068259	SERVICE KIT FOR FORD KEY SWITCH To D-2227	1	1		B
60	564566	SWITCH From D-2228	1	1		B
60	561626	TAB RECEPTACLE TERMINAL INSUL. NYLON / 22 / AMP 2-520264-4 From D-2228	4	4		B
60	562655	NUT / TO FIX SWITCH	1	1		B
60	391904	SPACER / SWITCH & MOUNTING PLATE	1	1		B
61	780645	KEY CODE A	1	1		B
61	780654	KEY CODE / FA 0001	1	1		B
61	780604	KEY CODE / FA 0013	1	1		B
61	780651	KEY CODE / FA 0055	1	1		B
61	780627	KEY CODE / FA 0113	1	1		B
61	780634	KEY CODE / FA 0107	1	1		B
61	780656	KEY CODE / FA 0109	1	1		B
61	780631	KEY CODE / FA 0206	1	1		B
61	780659	KEY CODE / FA 0208	1	1		B
61	780579	KEY CODE / FA 0528	1	1		B
61	780632	KEY CODE / FA 0692	1	1		B
61	780639	KEY CODE / FA 0704	1	1		B
61	780608	KEY CODE / FA 0714	1	1		B
61	780644	KEY CODE / FA 1343	1	1		B
61	780798	KEY CODE / FA 0726	1	1		B
61	780020	KEY CODE / FA 0231	1	1		B
71	064673	CABLE ASSY / ANTI-THEF To C-1957	1	1		O
71	068452	CABLE ASSY / ANTI-THEF From C-1958	1	1		O
80	069256	SERVICE KIT / PARK BRAKE INDICATOR From F-2735	1	1		PWT
81	565954	BASE INDICATOR / RED From F-2735	1	1		PWT
81	069257	HARNESS / PARKING BRAKE INDICATOR From F-2735	1	1		PWT
82	565955	LIGHT SWITCH / PARK BRAKE From F-2735	1	1		PWT
85	565985	KEYLESS MODULE From F-2929 To H-3806	1	1	1	
85	560454	KEYLESS MODULE From H-3807	1	1	1	
86	500599	SCREW TC TR PH #8-32x3/8 ZP	2	2	2	
90	IS-14145	SUNVISOR SWITCHES ON DASHBOARD	1	1	1	

From 7-0671 To J-0287	Date:10/2022	PAGE:H7-0645-10
<b>L.H. DASHBOARD PANEL</b>		

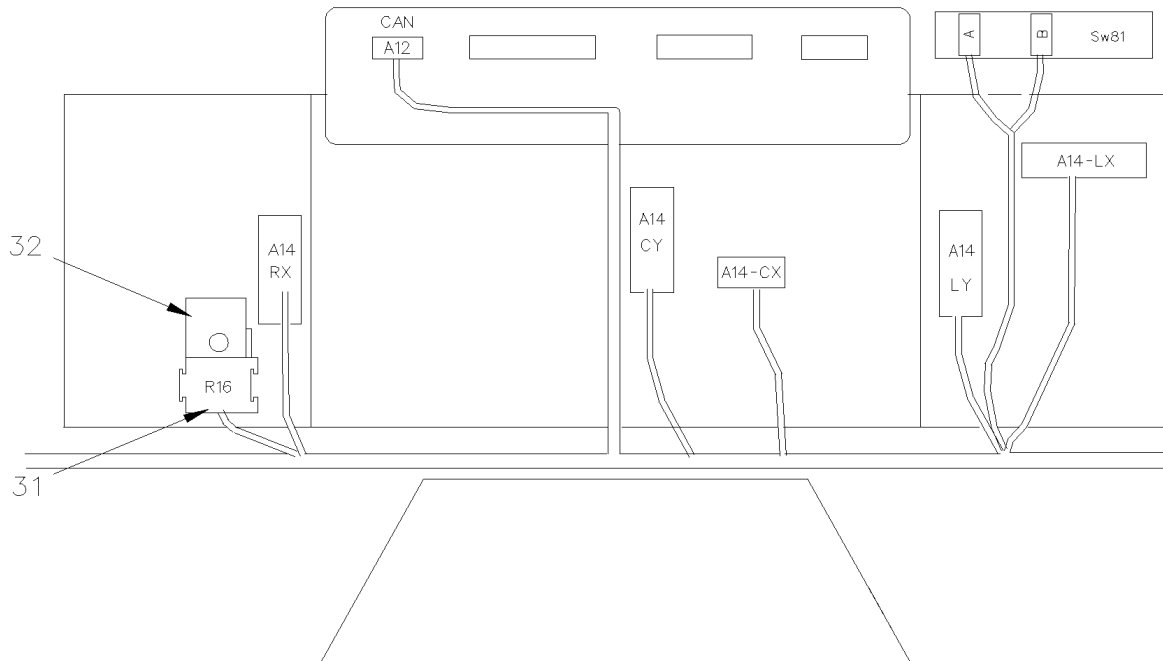
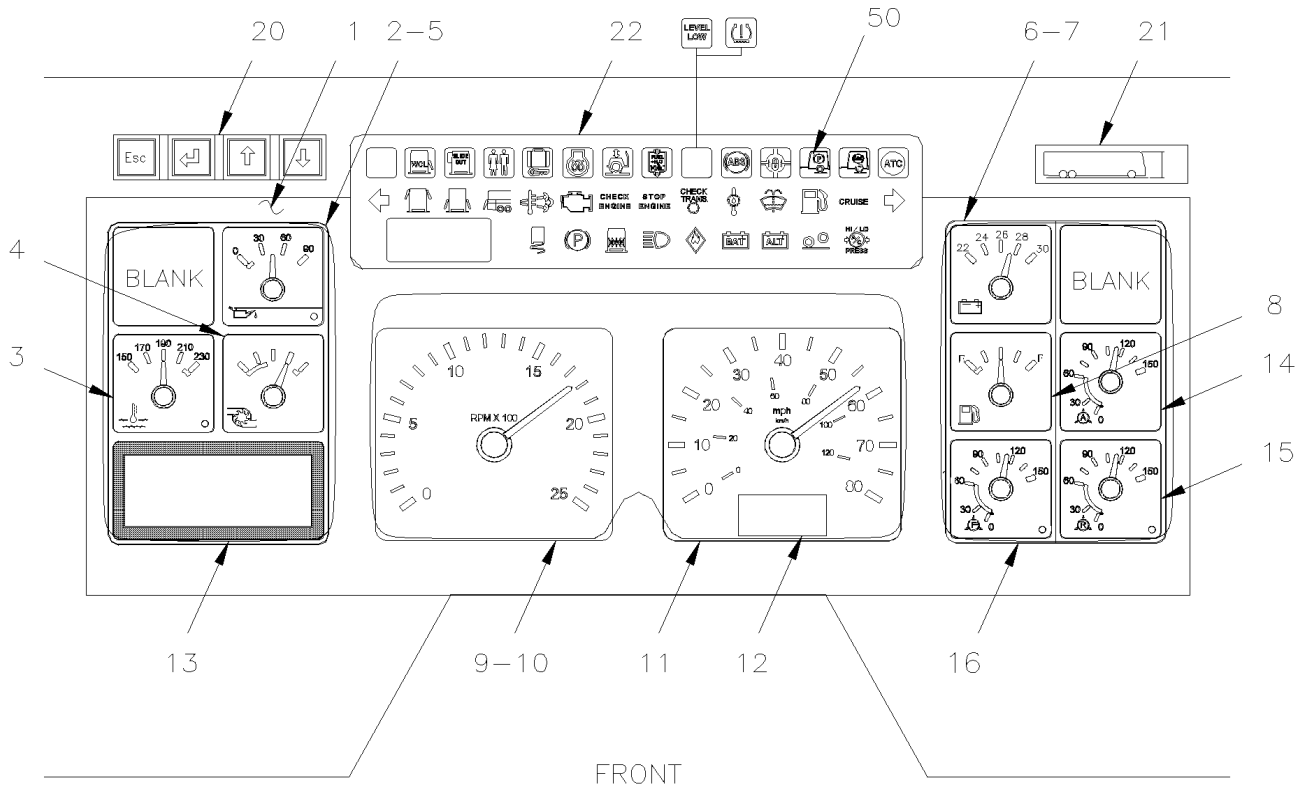
Item#	Part	Description	H 3 4 1	H 3 4 5	V I P 4 5	N O T E S
. NS	069234	. SUN VISOR SWITCH HARNESS	1	1	1	
. NS	562699	. SWITCH / M/ON-OFF-M/ON / D.P.D.T. / W/GREEN LED	2	2	2	
. NS	562739	. CAP / ROLLER BLIND	2	2	2	
. NS	562769	. SOCKET TERMINAL / 20-18 / PED 12015869	3	3	3	
. NS	IS14145	. SEE INSTRUCTION SHEET	1	1	1	
		A) COACH WITH READING LIGHT TEST D060949 PAGE 11.3 SP2				
		B) THOSE ITEMS ARE USED WITH "FORD" IGNITION KEY SEE DIAGRAM D060950 FOR MORE INFORMATION				
		C) THOSE ITEMS ARE USED WITH "JACOB" ON BRAKE PEDAL (SEE DIAGRAM D060976 P.19.1 FOR MORE INFO)				
		D) VEHICLE EQUIPPED WITH "JACOB" & "RETARDER"				
		E) THIS INTERFACE IS LOCATED INSIDE OF DASH				
		F) OPTION FOR SWITCH EMERGENCY ON DESTINATION DISPLAY				
		G) WITH ENGINE BRAKE WITH AUTOMATIQUE TRANSMISSION WITHOUT RETARDER				
		H) USE WITH "911" SWITCH				
		HW) WITH VEHICULE WITHOUT UPPER WIPER				
		I) WITH I-SHIFT TRANSMISSION				
		O) WITH ORLEAN OPTION				
		PWT) PWT OPTION				
		SP) SPECIAL OPTION WITH 3RD ALTERNATOR				

From 7-0671 To A-1720

Date:10/2022

PAGE:H7-0645-20

## CENTER DASHBOARD PANEL



From 7-0671 To A-1720	Date:10/2022	PAGE:H7-0645-20
<b>CENTER DASHBOARD PANEL</b>		

Item#	Part	Description	H 3 4 1	H 3 4 5	V I P 4 5	N O T E S
1	563666	CLUSTER, MPH	1	1	1	
1	563665	CLUSTER, KPH	1	1	1	
1	563667	CLUSTER, MPH / W/"ZF" TRANS	1	1		
1	563668	CLUSTER, KPH / W/"ZF" TRANS	1	1		
NS	065703	. KIT, CLUSTER "POLLACK" GLASS REPLACEMENT	1	1	1	
. NS	IS-02038	. . SEE INSTRUCTION SHEET				
2	563573	. GAUGES LEFT SIDE ASSY / 3 GAUGES	1	1	1	
3	N.P.N.	. . GAUGE WATER TEMPERATURE	1	1	1	4
4	N.P.N.	. . GAUGE OIL TEMPERATURE	1	1	1	4
5	N.P.N.	. . GAUGE OIL PRESSURE	1	1	1	4
6	563574	. GAUGES RIGHT SIDE ASSY / 2 GAUGES	1	1	1	
7	N.P.N.	. . GAUGE VOLTAGE	1	1	1	4
8	N.P.N.	. . GAUGE FUEL LEVEL	1	1	1	4
9	563566	. TACHO & SPEEDOMETER ASSY / MILES	1	1	1	
9	563567	. TACHO & SPEEDOMETER ASSY / KM	1	1	1	
10	N.P.N.	. . TACHOMETER	1	1	1	4
11	N.P.N.	. . SPEEDOMETER MILES	1	1	1	4
11	N.P.N.	. . SPEEDOMETER KM	1	1	1	4
12	N.P.N.	. . ODO LCD	1	1	1	4
13	066075	. KIT, GRAPHIC DISPLAY "POLLACK"	1	1	1	
. NS	563539	. . GRAPHIC DISPLAY "POLLACK"	1	1	1	
. NS	564586	. . GRAPHIC DISPLAY MODULE "POLLACK" CURRENT	1	1	1	
. NS	IS-17903	. . SEE INSTRUCTION SHEET	1	1	1	
13	IS17910	. KIT, GRAPHIC DISPLAY "POLLACK"	1	1	1	
. NS	19519274	. . GRAPHIC DISPLAY	1	1	1	
. NS	IS-17910	. . SEE INSTRUCTION SHEET	1	1	1	
NS	562838	. BULB / .50WATT-12VOLTS / SAE #2721MFX	AR	AR	AR	A
NS	392009	MOUNTING PLATE / CLUSTER	2	2	2	
NS	5001402	SCREW MA CHE PH M4-0.7x25 Z050	5	5	5	
NS	562909	TOOL / CLUSTER BULB REMOVER	AR	AR	AR	
. NS	M103-14A	. SEE MAINTENANCE INFORMATION	1	1	1	
14	563565	. GAUGE AIR APPLICATION	1	1	1	
15	563564	. GAUGE AIR REAR	1	1	1	
16	563563	. GAUGE AIR FRONT	1	1	1	
NS	563575	. BUZZER	1	1	1	
NS	563576	. CPU BOARD SPARE	1	1	1	
NS	641447	UNION ELBOW 90° / PUSH-IN FITTING / #4x#4 BR	3	3	3	
20	563017	CLUSTER SWITCH ASSY "POLLACK"	1	1	1	
NS	392011	MOUNTING PLATE / CLUSTER SWITCH	1	1	1	
NS	5001412	SCREW MA CHE PH M3-0.5x20 EMN	2	2	2	
NS	5001408	NUT HEX STO M3-0.5 ZP	2	2	2	
21	403831	DECAL / VEHICLE HEIGHT 12' 4"	1	1		

From 7-0671 To A-1720	Date:10/2022	PAGE:H7-0645-20
<b>CENTER DASHBOARD PANEL</b>		

Item#	Part	Description	H 3 4 1	H 3 4 5	V I P 4 5	N O T E S
21	403830	DECAL / VEHICLE HEIGHT 12' 10"	1	1	1	
21	408275	DECAL / VEHICLE HEIGHT 13' 3" W/SATELITE R6DX	1	1	1	
22	564080	TELLTALE MODULE ASSY To 8-1169	1	1	1	
22	564032	TELLTALE MODULE ASSY From 8-1170	1	1	1	
. NS	564201	. FACE PLACE INSERT RETAINER From 8-1170	1	1	1	
NS	392010	ATTACHMENT ANGLE / TO FIX TELLTALE	1	1	1	
NS	5001401	SCREW MA CHE PH M4-0.7x8 ZP	4	4	4	
NS	5001397	SCREW MA CHE PH M3-0.5x8 SS	4	4	4	
NS	5001407	WASHER LO EXT 3.2x6.0x0.4 SS	4	4	4	
NS	<b>H7-1806-00</b>	<b>CENTRAL DASHBOARD PANEL</b>				
32	561706	RELAY 12V S.P.D.T. W/DIODE /	1	1	1	
33	563161	ALARM BUZZER	2	2	2	
50	<b>FM-00IM-00</b>	<b>INSERT - "MEGATECH"</b>				
		A) TOOL TO REMOVE BULB #562909				
		4) NO PARTS NUMBER				

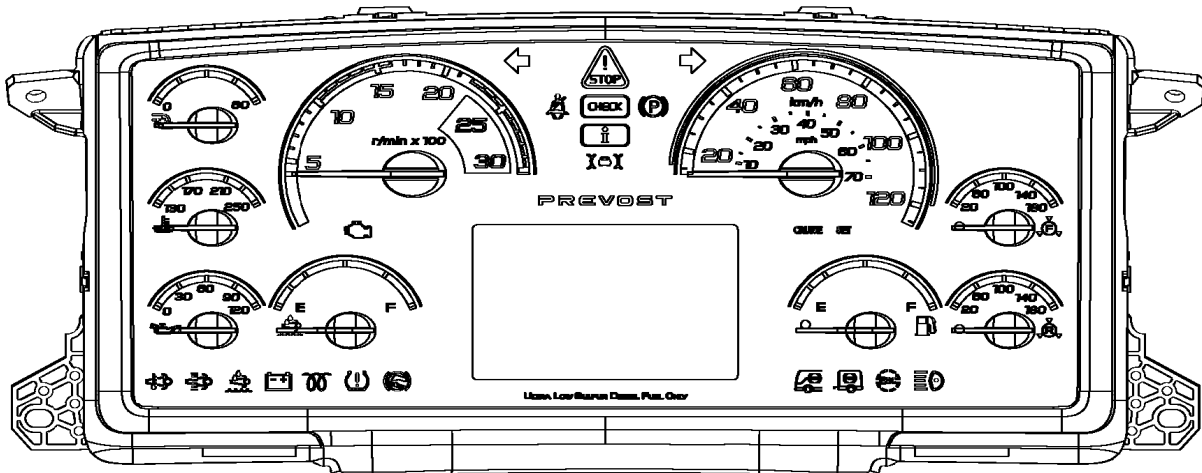
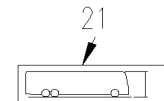
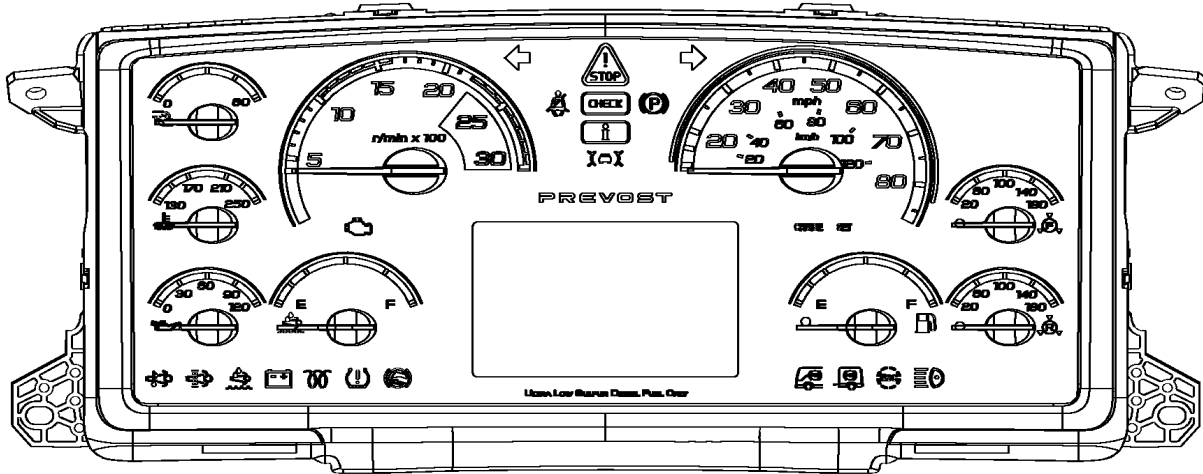


From B-1721 To J-0287

Date:10/2022

PAGE:H7-0645-21

## CENTER DASHBOARD PANEL WITH "EPA 2010"



From B-1721 To J-0287	Date:10/2022	PAGE:H7-0645-21
<b>CENTER DASHBOARD PANEL WITH "EPA 2010"</b>		

Item#	Part	Description	H 3 4 1	H 3 4 5	V I P 4 5	N O T E S
1	564111	CLUSTER, MPH To C-2041	1	1	1	
1	21580323	CLUSTER, MPH From C-2042 To D-2305	1	1	1	
1	21874708	CLUSTER, MPH From D-2306 To F-2947	1	1	1	
1	22261894	CLUSTER, MPH From F-2948	1	1	1	
1	564144	CLUSTER, KPH To C-2041	1	1	1	
1	21580324	CLUSTER, KPH From C-2042 To D-2305	1	1	1	
1	21874711	CLUSTER, KPH From D-2306 To F-2947	1	1	1	
1	22261896	CLUSTER, KPH From F-2948	1	1	1	
1	N.P.N.	. . GAUGE WATER TEMPERATURE	1	1	1	4
1	N.P.N.	. . GAUGE OIL TEMPERATURE	1	1	1	4
1	N.P.N.	. . GAUGE OIL PRESSURE	1	1	1	4
1	N.P.N.	. . GAUGE VOLTAGE	1	1	1	4
1	N.P.N.	. . GAUGE FUEL LEVEL	1	1	1	4
1	N.P.N.	. . TACHOMETER	1	1	1	4
1	N.P.N.	. . SPEEDOMETER MILES	1	1	1	4
1	N.P.N.	. . SPEEDOMETER KM	1	1	1	4
1	N.P.N.	. . ODO LCD	1	1	1	4
1	N.P.N.	. GAUGE AIR APPLICATION	1	1	1	4
1	N.P.N.	. GAUGE AIR REAR	1	1	1	4
1	N.P.N.	. GAUGE AIR FRONT	1	1	1	4
NS	20476992	TRANSDUCER PRESSURE (0-12Bar / 0-174PSI)	3	3	3	B
21	403831	DECAL / VEHICLE HEIGHT 12' 4"	1	1		
21	403830	DECAL / VEHICLE HEIGHT 12' 10"	1	1	1	
21	408275	DECAL / VEHICLE HEIGHT 13' 3" W/SATELITE R6DX	1	1	1	
NS	<b>H7-1806-00</b>	<b>CENTRAL DASHBOARD PANEL</b>				
		B) THIS TRANSDUCER USE ON ALLS AIR GAUGE APPLICATION				
		4) NO PARTS NUMBER				

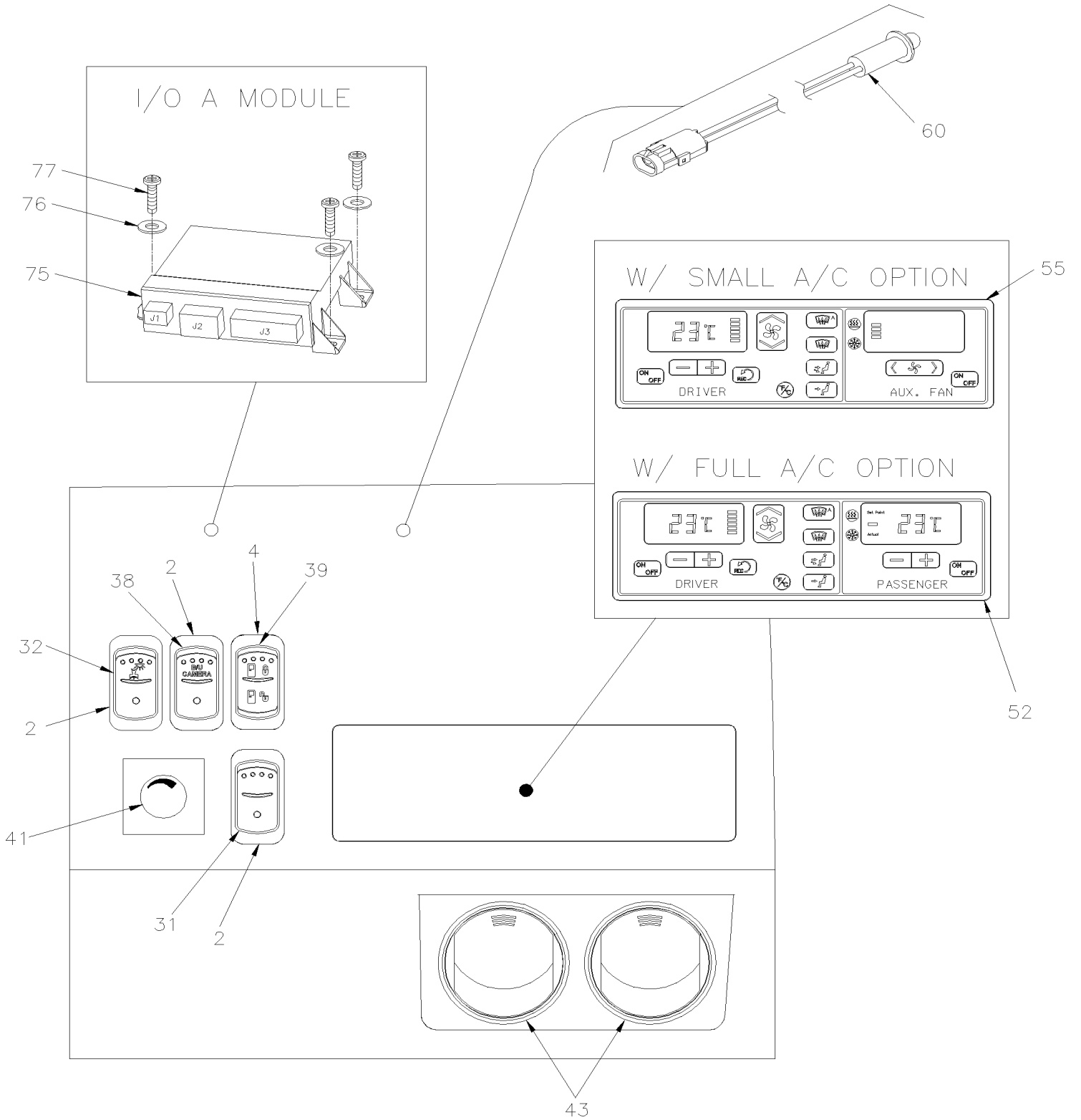


From 7-0671 To J-0287

Date:10/2022

PAGE:H7-0645-30

## R.H. DASHBOARD PANEL



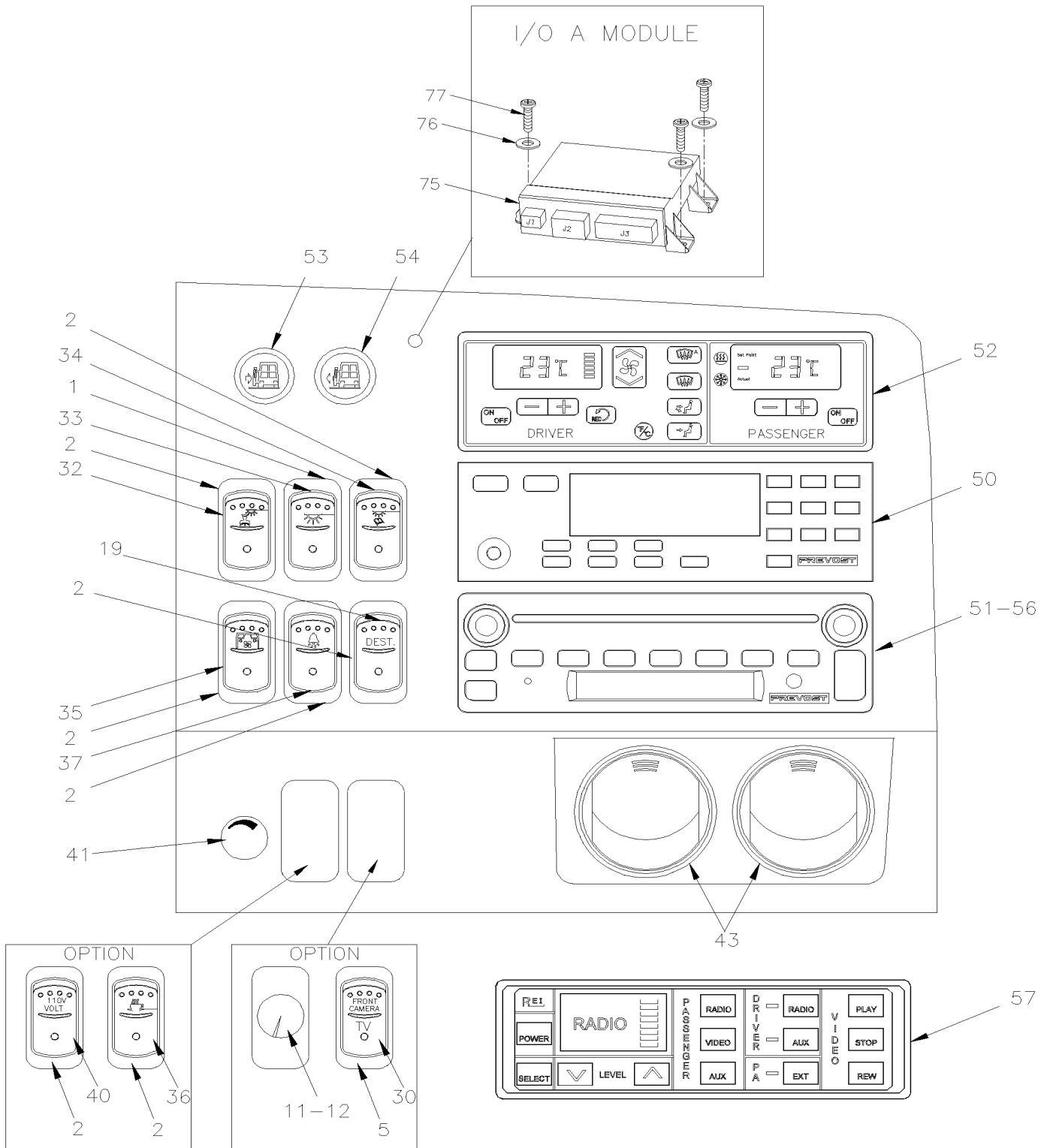
V.I.P.

From 7-0671 To J-0287

Date:10/2022

PAGE:H7-0645-30

## R.H. DASHBOARD PANEL



<b>From 7-0671 To J-0287</b>	<b>Date:10/2022</b>	<b>PAGE:H7-0645-30</b>
<b>R.H. DASHBOARD PANEL</b>		

Item#	Part	Description	H 3 4 1	H 3 4 5	V I P 4 5	N O T E S
1	562696	SWITCH / OFF-ON-ON SERIES S.P.D.T. / W/RED & GREEN LED	AR	AR	AR	
2	562697	SWITCH / ON-ON / D.P.D.T. / CH-OVER / W/RED & GREEN LED	AR	AR	AR	
4	562699	SWITCH / M/ON-OFF-M/ON / D.P.D.T. / W/GREEN LED			1	
NS	562773	SWITCH / "DUMMY" / PLUG	AR	AR	AR	
NS	562763	CONNECTOR RH 10C / SWITCH / NGR 28-5637-2	AR	AR	AR	
NS	562768	SOCKET TERMINAL / 16-14 / PED 12015870	AR	AR	AR	
5	563012	SWITCH / ON-ON / D.P.D.T. / CH-OVER / W/GREEN LED	1	1		
11	069707	POTENTIOMETRE ASS / WPER INTERMITTENT From H-3599	1	1		C
. NS	560335	. POTENTIOMETER 10K - OHMS - 2W From H-3599	1	1		C
11	562773	SWITCH / "DUMMY" / PLUG From H-3599	1	1		C
12	560334	KNOB From H-3599	1	1		C
19	562743	CAP / DESTINATION SIGN	1	1		
30	562941	CAP / FRONT CAMERA	1	1		
31	563151	CAP / MAIN VENTILATION RECIRCULATING	1	1		
32	562716	CAP / DRIVER'S LAMP	1	1	1	
33	562717	CAP / INTERIOR LIGHT	1	1	1	
34	562718	CAP / READING LAMP	1	1		
35	562720	CAP / PARCEL RACK VENTILATION	1	1		A
36	562721	CAP / GALLEY	1	1		
37	562719	CAP / HOSTESS BELL	1	1		
38	562786	CAP / BACK-UP CAMERA			1	
39	562831	CAP / DOOR LOCK			1	
39	562736	CAP / LUGGAGE DOOR LOCK			1	
40	562746	CAP / 110 VOLT PLUG From J-0174	1	1		
40	069855	HARNESS LH P-RACK 120V DASHBOARD SWITCH From J-0174	1	1		
41	562846	KNOB / DASH ILLUMINATION	1	1	1	
NS	562845	RHEOSTAT / DASH ILLUMINATION	1	1	1	
NS	1212770	. NUT RND SLT BK M8-.75	1	1	1	
43	871315	LOUVER, ADJUSTABLE / ROUND 2 1/8" O.D.	2	2	2	
43	871314	LOUVER, ADJUSTABLE / ROUND 2 5/8" O.D.	2	2	2	
50	901192	CONTROL HEAD / "VOLVO" (VSS-04) To A-1492	1	1		
. NS	901266	. REMOTE CONTROL / CONTROL HEAD VOLVO / VSS04 To A-1492	1	1		
		WHEN CHANGE VSS04 TO VSS05 YOU NEED CONTROL HEAD 21516503 To A-1492				
		& HARNESS KIT 409439 & NEW RADIO To A-1492				
		901417P OR 901418P OR 901419P To A-1492				
50	IS08080	SOUND SELECTOR REPLACEMENT, VSS04 VS VSS05 To A-1492	1	1		
. NS	900238	. CONTROL HEAD / "VOLVO" (VSS-05A) To A-1492	1	1		
. . NS	21251311	. . REMOTE CONTROL / CONTROL HEAD VOLVO / VSS05 To A-1492	1	1		
. NS	0610388	. CABLE INTERFACE VSS04 TO VSS05 To A-1492	1	1		
. NS	IS-08080	. SEE INSTRUCTION SHEET To A-1492	1	1		

From 7-0671 To J-0287	Date:10/2022	PAGE:H7-0645-30
<b>R.H. DASHBOARD PANEL</b>		

Item#	Part	Description	H 3 4 1	H 3 4 5	V I P 4 5	N O T E S
50	21516503	CONTROL HEAD / "VOLVO" (VSS-05) To A-1492	1	1		
. NS	21251311	. REMOTE CONTROL / CONTROL HEAD VOLVO / VSS05 To A-1492	1	1		
50	901417P	RADIO "PREVOST" AM/FM/CD & MP3 BLUETOOTH COMPUTERIZ To A-1492	1	1		
50	901418P	RADIO "PREVOST" AM/FM/CD & MP3 BLUETOOTH SIRIUS COMPUTERIZ To A-1492	1	1		
50	901419P	RADIO "PREVOST" AM/FM/CD & MP3 BLUETOOTH & XM COMPUTERIZ To A-1492	1	1		
50	21116371	CONTROL HEAD / "VOLVO" (VSS-05) From A-1493 To B-1728	1	1		
. NS	21251311	. REMOTE CONTROL / CONTROL HEAD VOLVO / VSS05 From A-1493 To B-1728	1	1		
50	21516503	CONTROL HEAD / "VOLVO" (VSS-05) From B-1729	1	1		
. NS	21251311	. REMOTE CONTROL / CONTROL HEAD VOLVO / VSS05 From B-1729	1	1		
51	<b>H7-2315-00</b>	<b>SOUND SYSTEM &amp; ACCESSORIES</b>				
51	<b>H7-2317-30</b>	<b>VIDEO &amp; AUDIO SYSTEM - INSTALLATION</b>				
NS	409149	CABLE ASSY / DASH & PARCEL RACK / AUDIO	1	1		
NS	900875	CABLE RADIO ANTENNA / M/F 6'	1	1		
52	871350	A/C CONTROL MODULE / W/MUX To J-0094	1	1	1	
52	870008	A/C CONTROL MODULE From J-0095	1	1	1	
NS	563335	SENSOR THERMISTOR ASSY / OUTSIDE // PED 15416387	1	1	1	
53	563578	SWITCH / DOOR CLOSE	1	1		
53	562810	INSERT / DOOR CLOSE	1	1		
54	563579	SWITCH / DOOR OPEN	1	1		
54	562830	INSERT / DOOR OPEN	1	1		
55	871386	A/C CONTROL MODULE / W/SMALL A/C SYSTEM / W/MUX To J-0094			1	
55	870010	A/C CONTROL MODULE / W/SMALL A/C SYSTEM From J-0095			1	
56	901190	RADIO AM-FM-CD-CDX / "PREVOST" MP3 VR-300	1	1		
56	901209	RADIO "PREVOST" AM-FM-CD / "XM" READY (DELPHI)	1	1		
56	901218	RADIO "PREVOST" AM-FM-CD / "SIRIUS" READY (DELPHI)	1	1		
56	901315	RADIO "PREVOST" AM/FM/CD & MP3 BLUETOOTH (DELPHI) To A-1543	1	1		
56	901341	RADIO "PREVOST" AM/FM/CD & MP3 BLUETOOTH (DELPHI / PANA PACIFIC) From A-1544 To A-1694	1	1		
56	901380	RADIO "PREVOST" AM/FM/CD & MP3 BLUETOOTH (DELPHI / PANA PACIFIC) From A-1695 To C-2108	1	1		
56	901417	RADIO "PREVOST" AM/FM/CD & MP3 BLUETOOTH (DELPHI / PANA PACIFIC) From C-2109 To E-2570	1	1		
56	901437	RADIO "PREVOST" AM/FM/CD & MP3 BLUETOOTH (DELPHI / PANA PACIFIC) From E-2571 To H-3734	1	1		
56	23000462	RADIO "PREVOST" AM/FM/CD & MP3 BLUETOOTH (PANA PACIFIC) From H-3735	1	1		
56	901316	RADIO "PREVOST" AM/FM/CD & MP3 BLUETOOTH & XM (DELPHI) From A-1493 To A-1543	1	1		
56	901342	RADIO "PREVOST" AM/FM/CD & MP3 BLUETOOTH & XM (DELPHI / PANA PACIFIC) From A-1544 To A-1715	1	1		
56	901381	RADIO "PREVOST" AM/FM/CD & MP3 BLUETOOTH & XM (DELPHI / PANA PACIFIC) From A-1716 To C-2108	1	1		
56	901419	RADIO "PREVOST" AM/FM/CD & MP3 BLUETOOTH & XM (DELPHI / PANA PACIFIC) From C-2109 To E-2602	1	1		
56	901439	RADIO "PREVOST" AM/FM/CD & MP3 BLUETOOTH & XM (DELPHI / PANA PACIFIC) From E-2603 To H-3734	1	1		
56	23000444	RADIO "PREVOST" AM/FM/CD & MP3 BLUETOOTH & XM & SIRIUS (PANA PACIFIC) From H-3735	1	1		
56	901317	RADIO "PREVOST" AM/FM/CD & MP3 BLUETOOTH SIRIUS (DELPHI) From A-1493 To A-1543	1	1		
56	901343	RADIO "PREVOST" AM/FM/CD & MP3 BLUETOOTH SIRIUS (DELPHI / PANA PACIFIC) From A-1544 To B-1728	1	1		
56	901382	RADIO "PREVOST" AM/FM/CD & MP3 BLUETOOTH SIRIUS (DELPHI / PANA PACIFIC) From B-1729 To C-2108	1	1		
56	901418	RADIO "PREVOST" AM/FM/CD & MP3 BLUETOOTH SIRIUS (DELPHI / PANA PACIFIC) From C-2109 To E-2656	1	1		
56	901438	RADIO "PREVOST" AM/FM/CD & MP3 BLUETOOTH SIRIUS (DELPHI / PANA PACIFIC) From E-2657 To H-3734	1	1		

## R.H. DASHBOARD PANEL

Item#	Part	Description	H 3 4 1	H 3 4 5	V I P 4 5	N O T E S
56	23000444	RADIO "PREVOST" AM/FM/CD & MP3 BLUETOOTH & XM & SIRIUS (PANA PACIFIC) From H-3735	1	1		
56	400469	REPLACEMENT OF RADIO #901437 BY #23000462 WITH CONVERSION KIT VSS04 TO VSS05 To A-1492	1	1		
. NS	23000462	. RADIO "PREVOST" AM/FM/CD & MP3 BLUETOOTH (PANA PACIFIC) To A-1492	1	1		
. NS	061010	. JUMPER HARNESS FOR DEA5XX RADIO To A-1492	1	1		
. NS	563962	. CONNECTOR / JUNIOR POWER TIMER / SH 8C / AMP 962191-1 To A-1492	1	1		
. NS	21516503	. CONTROL HEAD / "VOLVO" (VSS-05) To A-1492	1	1		
. . NS	21251311	. . REMOTE CONTROL / CONTROL HEAD VOLVO / VSS05 To A-1492	1	1		
. NS	21285274	. CABLE INTERFACE VSS04 to VSS05 To A-1492	1	1		
. NS	IS-08080	. SEE INSTRUCTION SHEET To A-1492	1	1		
56	390021	REPLACEMENT OF RADIO #901437 BY #23000462 From A-1493 To H-3734	1	1		
. NS	23000444	. RADIO "PREVOST" AM/FM/CD & MP3 BLUETOOTH & XM & SIRIUS (PANA PACIFIC) From A-1493 To H-3734	1	1		
. NS	061010	. JUMPER HARNESS FOR DEA5XX RADIO From A-1493 To H-3734	1	1		
. NS	563962	. CONNECTOR / JUNIOR POWER TIMER / SH 8C / AMP 962191-1 From A-1493 To H-3734	1	1		
. NS	IS16100	. SEE INSTRUCTION SHEET From A-1493 To H-3734	1	1		
56	400483	REPLACEMENT OF RADIO #901438 & #901439 BY #23000444 WITH CONVERSION KIT VSS04 TO VSS05 To A-1492	1	1		
. NS	23000444	. RADIO "PREVOST" AM/FM/CD & MP3 BLUETOOTH & XM & SIRIUS (PANA PACIFIC) To A-1492	1	1		
. NS	061010	. JUMPER HARNESS FOR DEA5XX RADIO To A-1492	1	1		
. NS	563962	. CONNECTOR / JUNIOR POWER TIMER / SH 8C / AMP 962191-1 To A-1492	1	1		
. NS	21516503	. CONTROL HEAD / "VOLVO" (VSS-05) To A-1492	1	1		
. . NS	21251311	. . REMOTE CONTROL / CONTROL HEAD VOLVO / VSS05 To A-1492	1	1		
. NS	21285274	. CABLE INTERFACE VSS04 to VSS05 To A-1492	1	1		
. NS	IS-08080	. SEE INSTRUCTION SHEET To A-1492	1	1		
56	390023	REPLACEMENT OF RADIO #901438 & #901439 BY #23000444 From A-1493 To H-3734	1	1		
. NS	23000444	. RADIO "PREVOST" AM/FM/CD & MP3 BLUETOOTH & XM & SIRIUS (PANA PACIFIC) From A-1493 To H-3734	1	1		
. NS	061010	. JUMPER HARNESS FOR DEA5XX RADIO From A-1493 To H-3734	1	1		
. NS	563962	. CONNECTOR / JUNIOR POWER TIMER / SH 8C / AMP 962191-1 From A-1493 To H-3734	1	1		
. NS	IS16100	. SEE INSTRUCTION SHEET From A-1493 To H-3734	1	1		
NS	406440	ATTACHMENT / RADIO	AR	AR		
NS	500989	WASHER FL .219x.875x.062 Z050	AR	AR		
NS	500470	WASHER LO SPT .193x.334x.047 Z050	AR	AR		
NS	502816	NUT HEX M5-0.8 N500	AR	AR		
57	900803	CONTROL HEAD / "R.E.I." SYSTEM 2000 To A-1492	1	1		R
. NS	563064	. BULB (CONTROL HEAD GREEN ) / 12VOLTS / 2700 To A-1492	1	1		R
60	330238P	TELLTALE ASSY / RED			1	
75	565864	I/O A-MODULE VOLVO MULTIPLEX / BLACK From 8-1170 To A-1580	1	1	1	S
. NS	562767	. CONNECTOR / SH 30C / GREEN / JAE IL-AG5-30S-D3C1 From 8-1170 To A-1580	1	1	1	S
. NS	562957	. CONNECTOR / SH 5C / GREEN / JAE IL-AG5-5S-S3C1 From 8-1170 To A-1580	1	1	1	S
. NS	563132	. CONNECTOR / SH 2C / YAZAKI 7283-6458-40 From 8-1170 To A-1580	1	1	1	S
75	564101	I/O A-MODULE VOLVO MULTIPLEX / BLACK From A-1581 To B-1817	1	1	1	S
. NS	562767	. CONNECTOR / SH 30C / GREEN / JAE IL-AG5-30S-D3C1 From A-1581 To B-1817	1	1	1	S
. NS	562957	. CONNECTOR / SH 5C / GREEN / JAE IL-AG5-5S-S3C1 From A-1581 To B-1817	1	1	1	S
. NS	563132	. CONNECTOR / SH 2C / YAZAKI 7283-6458-40 From A-1581 To B-1817	1	1	1	S

From 7-0671 To J-0287	Date:10/2022	PAGE:H7-0645-30
<b>R.H. DASHBOARD PANEL</b>		

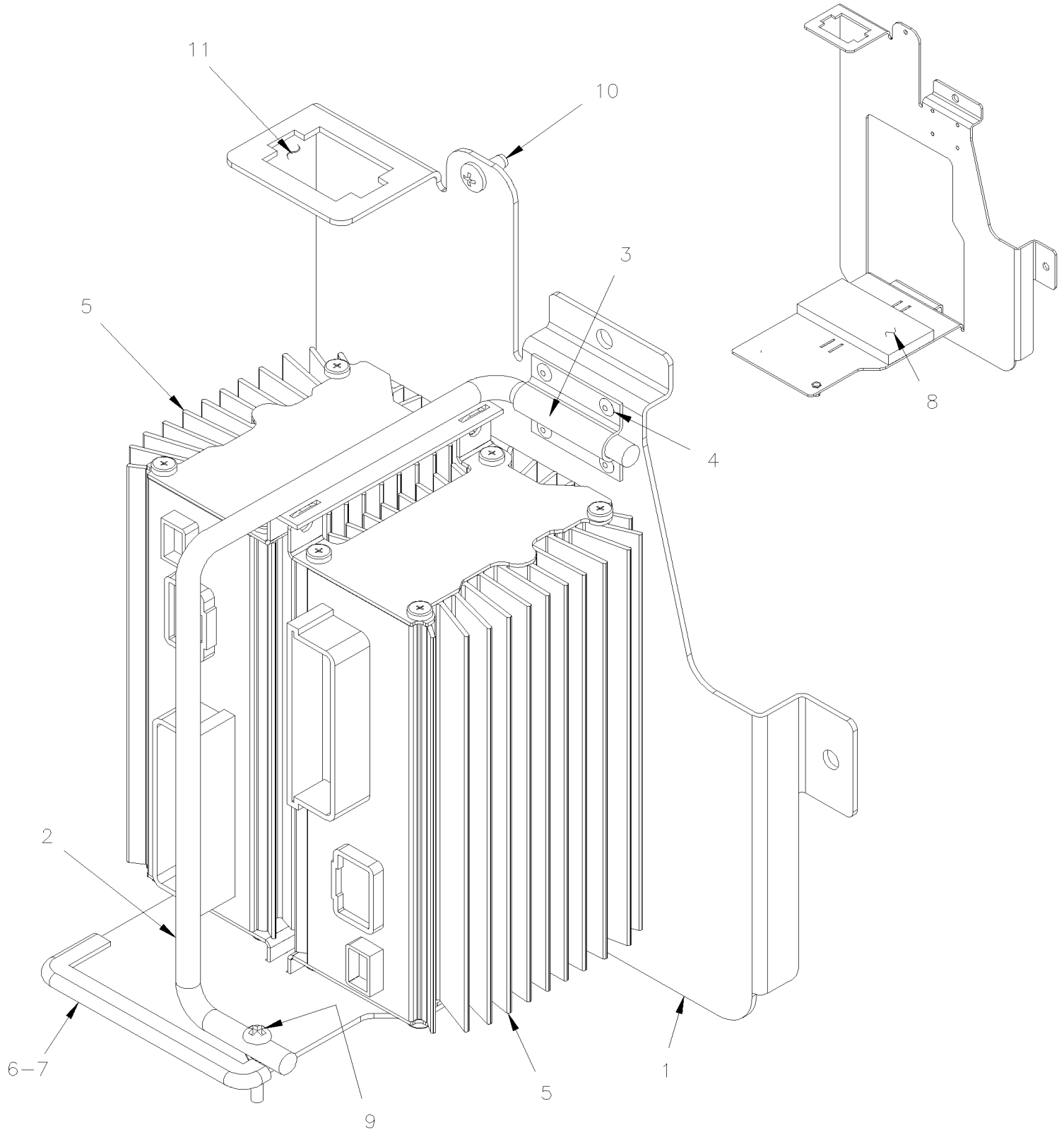
Item#	Part	Description	H 3 4 1	H 3 4 5	V I P 4 5	N O T E S
75	564194	I/O A-MODULE VOLVO MULTIPLEX / BLACK From B-1818 To F-2924	1	1	1	S
. NS	562767	. CONNECTOR / SH 30C / GREEN / JAE IL-AG5-30S-D3C1 From B-1818 To F-2924	1	1	1	S
. NS	562957	. CONNECTOR / SH 5C / GREEN / JAE IL-AG5-5S-S3C1 From B-1818 To F-2924	1	1	1	S
. NS	563132	. CONNECTOR / SH 2C / YAZAKI 7283-6458-40 From B-1818 To F-2924	1	1	1	S
75	22561320	I/O A-MODULE VOLVO MULTIPLEX / BLACK From F-2925 To G-3374	1	1	1	S
. NS	562767	. CONNECTOR / SH 30C / GREEN / JAE IL-AG5-30S-D3C1 From F-2925 To G-3374	1	1	1	S
. NS	562957	. CONNECTOR / SH 5C / GREEN / JAE IL-AG5-5S-S3C1 From F-2925 To G-3374	1	1	1	S
. NS	563132	. CONNECTOR / SH 2C / YAZAKI 7283-6458-40 From F-2925 To G-3374	1	1	1	S
75	22722832	I/O A-MODULE VOLVO MULTIPLEX / BLACK From G-3375	1	1	1	S
. NS	562767	. CONNECTOR / SH 30C / GREEN / JAE IL-AG5-30S-D3C1 From G-3375	1	1	1	S
. NS	562957	. CONNECTOR / SH 5C / GREEN / JAE IL-AG5-5S-S3C1 From G-3375	1	1	1	S
. NS	563132	. CONNECTOR / SH 2C / YAZAKI 7283-6458-40 From G-3375	1	1	1	S
76	502690	WASHER FL 4.3x9.0x0.8 Z050 From 8-1170	3	3	3	S
77	502698	SCREW MA PAN PH M4-0.7x16 SS BK From 8-1170	3	3	3	S
		A) WE USE #562699 SWITCH AND RESISTOR #562908				
		C) WITH "ORELAN" OPTION				
		R) USE WITH "OPTION" R.E.I. CONTROL HEAD				
		S) ONLY W/ STEERING WHEEL CONTROLS BUTTON				

From 7-0671 To J-0287

Date:10/2022

PAGE:H7-0650-50

**ENTRANCE DOOR MODULE - V.I.P.**



<b>From 7-0671 To J-0287</b>	<b>Date:10/2022</b>	<b>PAGE:H7-0650-50</b>
<b>ENTRANCE DOOR MODULE - V.I.P.</b>		

Item#	Part	Description	H 3 4 1	H 3 4 5	V I P 4 5	N O T E S
	Call order desk	CONTROL MODULE ASSY			1	P
	Call order desk	CONTROL MODULE ASSY			1	P
1	382164	. SUPPORT MODULE			1	
2	382166	. ROD ATTACHMENT / I/O B MODULE			1	
3	382169	. HINGE ROD ATTACHMENT			1	
4	504340	. RIVET POP DOME OE 1/8x3/16 SS			4	
5	565865	. I/O B-MODULE VOLVO MULTIPLEX / ALUMINUM To A-1555			1	
. NS	563132	. . CONNECTOR / SH 2C / YAZAKI 7283-6458-40 To A-1555			1	
. NS	563133	. . CONNECTOR / JUNIOR POWER TIMER / SH 29C / AMP 1-963449-2 To A-1555			1	
. NS	562957	. . CONNECTOR / SH 5C / GREEN / JAE IL-AG5-5S-S3C1 To A-1555			1	
5	564075	. I/O B-MODULE VOLVO MULTIPLEX / ALUMINUM From A-1556 To B-1817			1	
. NS	563132	. . CONNECTOR / SH 2C / YAZAKI 7283-6458-40 From A-1556 To B-1817			1	
. NS	563133	. . CONNECTOR / JUNIOR POWER TIMER / SH 29C / AMP 1-963449-2 From A-1556 To B-1817			1	
. NS	562957	. . CONNECTOR / SH 5C / GREEN / JAE IL-AG5-5S-S3C1 From A-1556 To B-1817			1	
5	564193	. I/O B-MODULE VOLVO MULTIPLEX / ALUMINUM From B-1818 To G-3374			1	
. NS	563132	. . CONNECTOR / SH 2C / YAZAKI 7283-6458-40 From B-1818 To G-3374			1	
. NS	563133	. . CONNECTOR / JUNIOR POWER TIMER / SH 29C / AMP 1-963449-2 From B-1818 To G-3374			1	
. NS	562957	. . CONNECTOR / SH 5C / GREEN / JAE IL-AG5-5S-S3C1 From B-1818 To G-3374			1	
5	22722842	. I/O B-MODULE VOLVO MULTIPLEX / ALUMINUM From G-3375			1	
. NS	563132	. . CONNECTOR / SH 2C / YAZAKI 7283-6458-40 From G-3375			1	
. NS	563133	. . CONNECTOR / JUNIOR POWER TIMER / SH 29C / AMP 1-963449-2 From G-3375			1	
. NS	562957	. . CONNECTOR / SH 5C / GREEN / JAE IL-AG5-5S-S3C1 From G-3375			1	
6	506338	. RUBBER CHANNEL / 1/16" x 1/4" INT "U" SHAPE / ROUND C.T.L.				AR
7	680066	. ADHESIVE / ADBOND #5014 / 23.6ML BOTTLE				AR
8	506006	. TAPE RUB ADH1 CC POL 3/8" x 1 1/4" x 20' / GREY 2520				AR
9	509827	. SCREW MA RND PH M4-0.7x20 SS			1	
10	502868	. SCREW TC TR PH #10-16x1/2 N500			4	
11	381145	DIODE ASSY / W/5 3AMPS			1	
NS	509815	TIE MOUNT / ATTACHMENT W/TREE MOUNT			2	
NS	504637	. CABLE TIE / 3/16" x 13"			3	
NS	504013	. TIE MOUNT / 1/4" X 1/4" I.D.			3	
50	<b>H7-0625-00</b>	<b>FRONT JUNCTION PANEL</b>				
		P) CALL ORDER DESK FOR SPECIFIC APPLICATION (V.I.N.)				

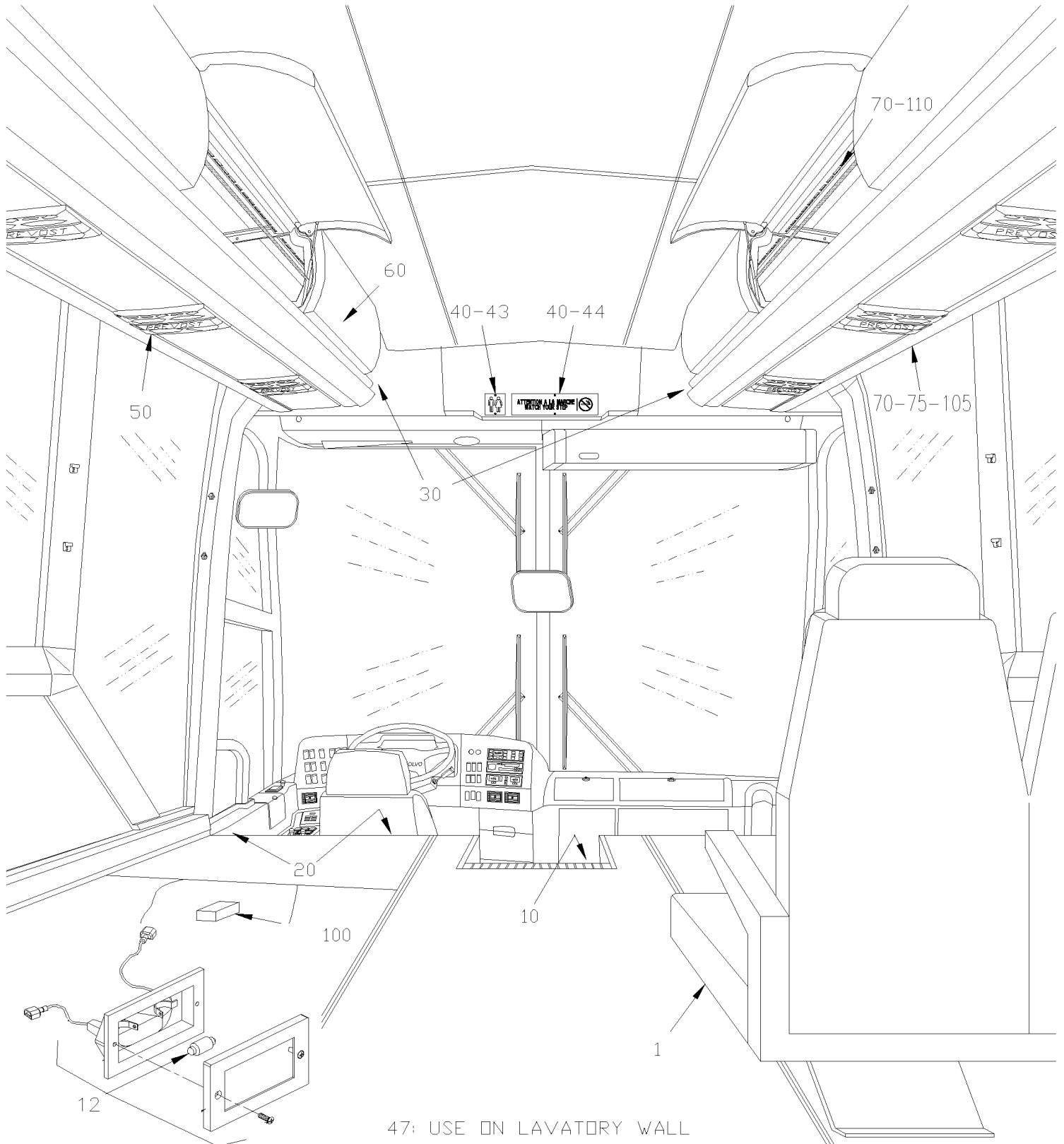


From 7-0671 To D-2264

Date:10/2022

PAGE:H7-0655-00

INTERIOR LIGHTING

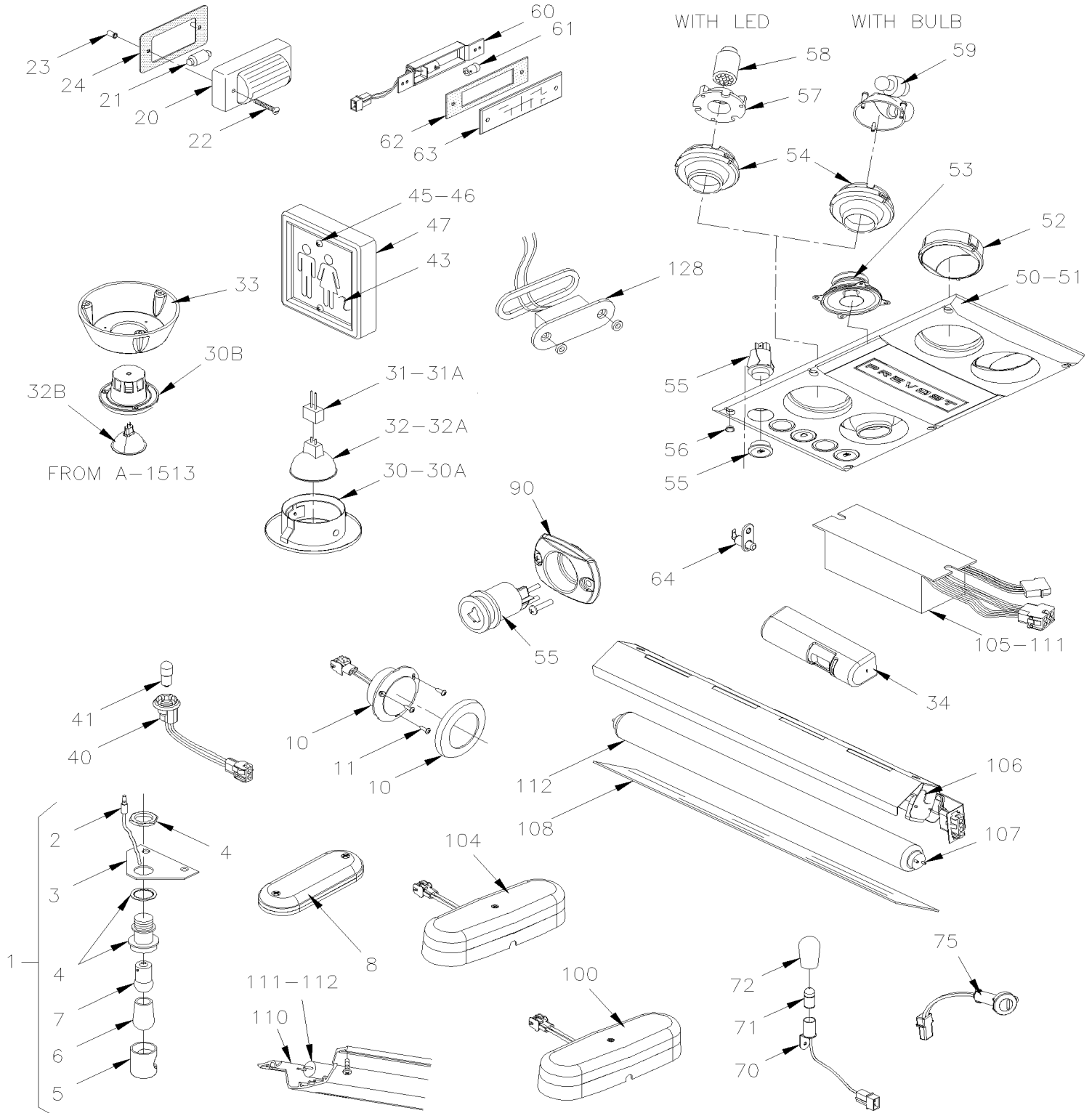


From 7-0671 To D-2264

Date:10/2022

PAGE:H7-0655-00

## INTERIOR LIGHTING



From 7-0671 To D-2264		Date:10/2022	PAGE:H7-0655-00
<b>INTERIOR LIGHTING</b>			

Item#	Part	Description	H 3 4 1	H 3 4 5	V I P 4 5	N O T E S
		AISLE LAMP - UNDER PASSENGER'S SEAT				
1	330367	LAMP ASSY / UNDER SEAT W/LED To B-1775	AR	AR		
2	560098	. TERMINAL SNAP PLUG / 16-14 / INSULATED / AMP 2-324225-1 To B-1775	1	1		
3	361343	. SUPPORT To B-1775	1	1		
4	830096	. LAMP To B-1775	1	1		
5	830113	. . CAP PROTECTOR To B-1775	1	1		
6	563546	. BULB / 7 LEDS BLUE / UNDER SEAT / #B607-2PB-028W To 9-1366	1	1		
6	564100	. BULB / 7 LEDS BLUE / UNDER SEAT / #270015 From 9-1367 To B-1775	1	1		
NS	061310	CABLE ASSY / LIGHT & MAIN CABLE	AR	AR		
7	065467	CABLE ASSY / MAIN AISLE LAMP	1			
7	065036	CABLE ASSY / MAIN AISLE LAMP		1		
8	564184	LAMP LED ASSY / BLUE 24V From B-1776	1	1	1	
		STEPWELL LAMP				
10	830177	STEP LAMP 24v ASSY / LED	2	2		
10	830182	. BEZEL BLACK / PLASTIC ROUND 3" O.D.	1	1		
NS	562485	. CONNECTOR / DT SERIES / SH 2C / GRAY / DEUTSCH DT06-2S	1	1		
NS	562488	. SECONDARY LOCK / DT SERIES / SH 2C / DEUTSCH W2S	1	1		
NS	561608	. SOCKET TERMINAL / 18-16 / DEUTSCH 0462-201-16141	2	2		
NS	562498	. RESISTOR / 220 OHMS / 2 W	1	1		
11	500583	SCREW TP PAN PH #6x1/2 Z050	3	3		
12		ENTRANCE DOOR LAMP	1	1	1	
12	330279	LAMP ASSY 24V W/BULB To A-1720	1	1	1	
. NS	830142	. LAMP To A-1720	1	1	1	
. NS	562278	. BULB / 10WATT-24VOLTS / SAE# 6429 To A-1720	1	1	1	
NS	830197	LAMP ASSY 24V LEDS From B-1721	1	1	1	
NS	068140	CABLE INTERFACE 330279 TO 830197 To A-1720	AR	AR	AR	
NS	068488	CABLE / LAMP CENTER DASH BOTTOM	1	1		O
NS	500385	NUT SPR U #6-32 .135-.150 N500	2	2		O
NS	5001303	SCREW MA BDG PH #6-32x1 ZP EMN	2	2		O
		GALLEY & WASTE CONTAINER LAMP				
20	830124	LAMP ASSY	1	1		
21	562278	BULB / 10WATT-24VOLTS / SAE# 6429	1	1		
21	562305	BULB / 5WATT-12VOLTS / SAE# 6413	AR	AR		
22	500678	NUT WELL #8-32x.450	2	2		
23	500580	SCREW MA RND SLT #8-32x1/2 ZP	2	2		

<b>From 7-0671 To D-2264</b>	<b>Date:10/2022</b>	<b>PAGE:H7-0655-00</b>
<b>INTERIOR LIGHTING</b>		

Item#	Part	Description	H 3 4 1	H 3 4 5	V I P 4 5	N O T E S
24	391525	RUBBER PLATE GASKET	1	1		
		DRIVER'S LAMP & LAVATORY LAMP				
30	830179	LAMP BASE	2	2	2	
30	830179	LAMP BASE	2	2	2	
30	564054	LAMP ASSY / LAVATORY "FRILIGHT" GRAY / GRIS - 28V	2	2		B
. NS	330396	. BULB / 10 WATTS -28VOLTS / SAE# G4-28	1	1		B
30A	830179	LAMP BASE To A-1512	1	1	1	L
30A	830179	LAMP BASE To A-1512	1	1	1	L
30B	830191	LAMP ASSY / LAVATORY "FRILIGHT" BLACK From A-1513	1	1	1	L
. NS	830196	. BULB / 20 WATTS-12V/SAE#Q20MR16/FL40D From A-1513	1	1	1	L
31	562803	CONNECTOR / SOCKET HOUSING ASSY / LEECRAFT QBL-12	1	1	1	
31	562803	CONNECTOR / SOCKET HOUSING ASSY / LEECRAFT QBL-12	1	1	1	
31A	562803	CONNECTOR / SOCKET HOUSING ASSY / LEECRAFT QBL-12 To A-1512	1	1	1	L
31A	562803	CONNECTOR / SOCKET HOUSING ASSY / LEECRAFT QBL-12 To A-1512	1	1	1	L
32	830176	BULB / 20 WATTS-12V/SAE#Q20MR16/FL40D	1	1	1	
32	830176	BULB / 20 WATTS-12V/SAE#Q20MR16/FL40D	1	1	1	
32A	830176	BULB / 20 WATTS-12V/SAE#Q20MR16/FL40D To A-1512	1	1	1	L
32A	830176	BULB / 20 WATTS-12V/SAE#Q20MR16/FL40D To A-1512	1	1	1	L
32B	830196	BULB / 20 WATTS-12V/SAE#Q20MR16/FL40D From A-1513	1	1	1	L
33	405371	LAMP SUPPORT / LAVATORY GREY PLATINE To 8-1135	1	1		
33	406045	LAMP SUPPORT / LAVATORY MIDNIGHT CHARCOAL From 8-1136 To A-1512	1	1		
33	409271	LAMP SUPPORT / LAVATORY MIDNIGHT CHARCOAL From A-1513	1	1		L
33	330361	LAMP SUPPORT / DRIVER'S			1	
		LAVATORY LAMP MOTION SENSOR				
34	066927	MOTION SENSOR ASSY W/CABLE	1	1	1	
34	563689	. MOTION SENSOR	1	1	1	
		LAVATORY LAMP (OCCUPIED)				
40	330342	BASE ASSY W/SOCKET & BULB 24V / LIGHT GREY To 8-1135	1	1		
40	330395	BASE ASSY W/SOCKET & BULB 24V / MIDNIGHT CHARCOAL From 8-1136	1	1	1	
40	330341	. BASE BOX, LAMP / LIGHT GREY To 8-1135	1	1	1	
40	330394	. BASE BOX, LAMP / MIDNIGHT CHARCOAL From 8-1136	1	1	1	
40	330265	. SOCKET ASSY W/CONNECTOR / W2.1x9.Dd	1	1		
. NS	562295	. . SOCKET BULB / PLASTIC W/WIRE / W2.1x9.5d	1	1		
. NS	561248	. . CONNECTOR / UNIVERSAL MATE-N-LOK / PH 2C / AMP 1-480699-0	1	1		
. NS	562122	. . PIN TERMINAL / 20-14 / AMP 350547-1	2	2		
41	561166	. BULB / 3WATT-24VOLTS / SAE# 464	1	1		

From 7-0671 To D-2264	Date:10/2022	PAGE:H7-0655-00
-----------------------	--------------	-----------------

**INTERIOR LIGHTING**

Item#	Part	Description	H 3 4 1	H 3 4 5	V I P 4 5	N O T E S
43	403137	LENS	1	1		
44	<b>H7-1832-00</b>	<b>FRONT FINISHING CAP W/GREY FINISHING</b>				
45	500504	SCREW TC OV PH #6-32x1/2 BK	2	2		
46	500422	NUT SPR U #6-32 .110-.120 SS	2	2		
		PARCEL RACK				
50	330379	MODULE ASSY W/LEDS LAMP, AIR DIFFUSOR & COAXIAL SPEAKER	1	1		
. NS	830184	. MODULE ASSY W/OUT LAMP & W/AIR DIFFUSOR COAXIAL SPEAKER	1	1		
. NS	830180	. SUPPORT / 12 LEDES BULB	2	2		
. NS	563630	. BULB / 12 LEDES / READING LIGHT 24VOLTS / #270017	2	2		
. NS	500235	. SCREW TP BDG PH #6x3/4 N500	6	6		
50	330380	MODULE ASSY W/LEDS LAMP, AIR DIFFUSOR & DUAL CONE SPEAKER	1	1		
. NS	830185	. MODULE ASSY W/OUT LED AND W/AIR DIFFUSOR DUAL CONE SPEAKER	1	1		
. NS	830180	. SUPPORT / 12 LEDES BULB	2	2		
. NS	563630	. BULB / 12 LEDES / READING LIGHT 24VOLTS / #270017	2	2		
. NS	500235	. SCREW TP BDG PH #6x3/4 N500	6	6		
50	330397	MODULE ASSY W/LEDS LAMP, AIR DIFFUSOR & DUAL CONE SPEAKER SILVER From 8-1136	1	1		
. NS	830189	. MODULE ASSY W/OUT LAMP & W/AIR DIFFUSOR DUAL CONE SPEAKER SILVER From 8-1136	1	1		
. NS	830180	. SUPPORT / 12 LEDES BULB From 8-1136	2	2		
. NS	563630	. BULB / 12 LEDES / READING LIGHT 24VOLTS / #270017 From 8-1136	2	2		
. NS	500235	. SCREW TP BDG PH #6x3/4 N500 From 8-1136	2	2		
51	830187	. MODULE ASSY W/BULB LAMP, AIR DIFFUSOR & COAXIAL SPEAKER	1	1		BS
51	830186	. MODULE ASSY W/BULB LAMP, AIR DIFFUSOR & DUAL CONE SPEAKER	1	1		BS
51	830190	. MODULE ASSY W/BULB LAMP, AIR DIFFUSOR & DUAL CONE SPEAKER SILVER From 8-1136	1	1		BS
51	830175	. MODULE ASSY W/OUT LAMP AND W/AIR DIFFUSOR	AR	AR		A
51	830188	. MODULE ASSY W/OUT LAMP & W/AIR DIFFUSOR SILVER From 8-1136	1	1		
NS	065387	. CABLE	1	1		A
52	830157	. AIR DIFFUSOR	2	2		
53	901195	. SPEAKER COAXIAL	1	1		
53	901194	. SPEAKER DUAL CONE	1	1		
54	830156	. READING LAMP ASSY W/REFLECTOR LENS & CLIP	2	2		
NS	830172	. . REFLECTOR ASSY W/CLIP	1	1		
NS	830169	. . . CLIP SOKET RETAINER	1	1		
55	830159	. SWITCH / OFF-M/ON / S.P.S.T. / CHIME	1	1		WCL
55	830158	. SWITCH / OFF-ON / S.P.S.T. / READING LIGHT	2	2		WCL
56	830160	. PLUG COVER SCREW	6	6		
NS	5001439	. SCREW TP OV PH #6x5/8 BK	4	4		
57	830180	. SUPPORT / 12 LEDES BULB	1	1		
NS	500235	. SCREW TP BDG PH #6x3/4 N500	4	4		
58	563630	. BULB / 12 LEDES / READING LIGHT 24VOLTS / #270017	1	1		
59	560135	. BULB / 6WATT-24VOLTS / SAE# 623	1	1		

From 7-0671 To D-2264	Date:10/2022	PAGE:H7-0655-00
<b>INTERIOR LIGHTING</b>		

Item#	Part	Description	H 3 4 1	H 3 4 5	V I P 4 5	N O T E S
NS	065044	DIODE ASSY	1	1		C
NS	066796	RESISTOR 4 OHMS 25W W/CONNECTOR	3	3	3	
59	830164	TOOL / LENS REMOVER READING LIGHT	1	1	1	
60	430314	LAMP ASSY	AR	AR		
60	430313	. BOX	1	1		
60	561556	. SOCKET BULB / METAL W/2 WIRES / BA9s / LEECRAFT B22Q2	1	1		
60	504462	. SNAP BUSHING / .187x.375x.312	1	1		
60	560853	. PIN TERMINAL / 24-18 / AMP 60618-1	2	2		
60	560900	. CONNECTOR / COM. MATE-N-LOCK / PH 2C / AMP 1-480319-0	1	1		
60	504109	. RIVET POP DOME OE 5/32x3/16 AL	2	2		
61	560144	BULB / 1.6WATT-24VOLTS / SAE# 1820	AR	AR		
62	430316	SEAL	1	1		
63	430312	LENS	2	2		
NS	500124	SCREW TP TR PH #8x1/2 SS	1	1		
64	561563	SWITCH / S.P.S.T. / N.C.	1	1		
		EMERGENCY EXIT LAMP - LOCATED				
		UPPER OF SIDE WINDOW To 8-1054				
		ALSO IN LIGHTING MODULE OVER				
		PARCEL RACK DOORS				
70	330217	SOCKET ASSY	AR	AR		
71	560601	BULB / 2WATT-24VOLTS / SAE# 456	AR	AR		
71	560623	BULB / 3.5WATT-24VOLTS / SAE# 313	AR	AR		
72	560942	BULB COVERING / BLUE	AR	AR		
NS	500648	SCREW TC BDG PH #6-32x1/4 ZP	AR	AR		
NS	500438	WASHER FL .187x.437x.050 Z050	AR	AR		
		NEXT LAMPS USE "EMERGENCY" ONLY				
75	564070	LAMP ASSY "LED" W/RETAINING RING From 8-1055	AR	AR		
. A	563723	. DIFFUSOR From 8-1055	1	1		
. B	563724	. RECEPTACLE ASSY From 8-1055	1	1		
. C	330393	. PIN HAIR CUTTER .062 X 9/32 SPEC From 8-1055	1	1		
90	409259	PROTECTOR SWITCH / CAP From A-1486	AR	AR		WCL
. NS	288728	. REINFORCMENT FOR SCREW PROTECTOR CAP From A-1486	1	1		WCL
90	500814	SCREW TP BDG PH #6x3/4 BK From A-1486	2	2		WCL
		BAGGAGE & SERVICE DOOR				

From 7-0671 To D-2264 Date:10/2022 PAGE:H7-0655-00

**INTERIOR LIGHTING**

Item#	Part	Description	H 3 4 1	H 3 4 5	V I P 4 5	N O T E S
100	330224	LAMP ASSY 24V / BAGGAGE COMPARTMENT LAMP W/2 BULBS G4-10W To C-1931	AR	AR	AR	
. NS	330396	. BULB / 10 WATTS -28VOLTS / SAE# G4-28 To C-1931	2	2	2	
100	330299	LAMP ASSY 24V / BAGGAGE COMPARTMENT LAMP / LED From C-1932	AR	AR	AR	E
. NS	561248	. CONNECTOR / UNIVERSAL MATE-N-LOK / PH 2C / AMP 1-480699-0 From C-1932	1	1	1	E
100	830008	LAMP ASSY 24V / LED	AR	AR	AR	
. NS	561248	. CONNECTOR / UNIVERSAL MATE-N-LOK / PH 2C / AMP 1-480699-0	1	1	1	
		FLUORESCENT UNDER PARCEL RACK				
105	830155	BALLAST / 24 VOLTS / TO USE W/830153	AR	AR		
105	562850	. FUSE / 4 AMPS / GMA-4A	1	1		
106	330340	SOCKET / TUBE	2	2		
106	561247	. CONNECTOR / UNIVERSAL MATE-N-LOK / SH 2C / AMP 1-480698-0	1	1		
106	561514	. SOCKET TERMINAL / 20-14 / AMP 350537-3	2	2		
106	830145	. SOCKET / BIPIN HOLDER	1	1		
107	830153	TUBE / 32WATT / F32T8SPX41 - 48"	AR	AR		
108	312502	LENS 470MM		1		
108	312503	LENS 831MM	1			
108	312501	LENS 1235MM	10			
108	312501	LENS 1235MM		12		
108	313085	LENS / W/A/C 1194MM	1	1		
		FRONT PARCEL RACK FLUORESCENT				
110	312445	LIGHTING MODULE / W/TUBE 1590MM To 8-1135	10			D
110	314055	LIGHTING MODULE / W/TUBE 1590MM From 8-1136	10			D
110	312445	LIGHTING MODULE / W/TUBE 1590MM To 8-1135		12		D
110	314055	LIGHTING MODULE / W/TUBE 1590MM From 8-1136		12		D
110	312451	LIGHTING MODULE / "DUMMY" 661.2MM To 8-1135		2		
110	314058	LIGHTING MODULE / "DUMMY" 661.2MM From 8-1136		1		
110	312450	LIGHTING MODULE / "DUMMY" 779.5MM To 8-1135	2	2		
110	314057	LIGHTING MODULE / "DUMMY" 779.5MM From 8-1136	1	1		
110	312448	LIGHTING MODULE / "DUMMY" 1086MM To 8-1135	2			
110	314062	LIGHTING MODULE / "DUMMY" 1086MM From 8-1136	1			
110	312452	LIGHTING MODULE / "DUMMY" / W/W.C.L. "RICON" / 50MM To 8-1135		1		
110	314059	LIGHTING MODULE / "DUMMY" / W/W.C.L. "RICON" / 50MM From 8-1136		1		
110	316094	LIGHTING MODULE / "DUMMY" / W/W.C.L. "RICON" / 343MM To 8-1135	1			
111	830154	. BALLAST / 24 VOLTS / TO USE W/830152	AR	AR		
NS	562850	. . FUSE / 4 AMPS / GMA-4A	1	1		
NS	562784	. SOCKET / BIPIN HOLDER / LEVITON 420	AR	AR		

From 7-0671 To D-2264 Date:10/2022 PAGE:H7-0655-00

**INTERIOR LIGHTING**

Item#	Part	Description	H 3 4 1	H 3 4 5	V I P 4 5	N O T E S
112	830152	TUBE / 13WATT / F13T5CW - 21" / G5 MINI BIPIN	AR	AR		
112	830195	TUBE / 8WATT / F8T5CW - 12" / G5 MINI BIPIN From A-1560 To A-1569	1	1		
		LAVATORY NIGHT LIGHT				
128	563460	LAMP ASSY "LED" From 9-1367	AR	AR		
		A) ONLY ON COACH W/OUT READING LAMP ON FIRST SEAT				
		B) USED FOR BURLINGTON STAGE LINES INC. / 7-0769				
		BS) BULB SOCKET IT NOT AVAILABLE FOR REPLACEMENT ASK FOR CHEAPER MODULE # 830178				
		C) ONLY ON COACH WITH READING LIGHT TEST SWITCH				
		D) INCLUDE ITEM # 70 & 111				
		E) WHEN YOU REPLACE LAMP #330299 BY THE NEW LAMP #830008 YOU HAVE TO DRILL HOLE TO INSTALL IT WITH TWO SCREWS #500443 OR #500965				
		L) THIS LAMP ARE USE IN LAVATORY				
		O) WITH ORLEAN VEHICLE				
		WCL) THIS SWITCH IT ALSO INSTALL ON LOWER WINDOW MOULDING WITH PROTECTOR # 409259				

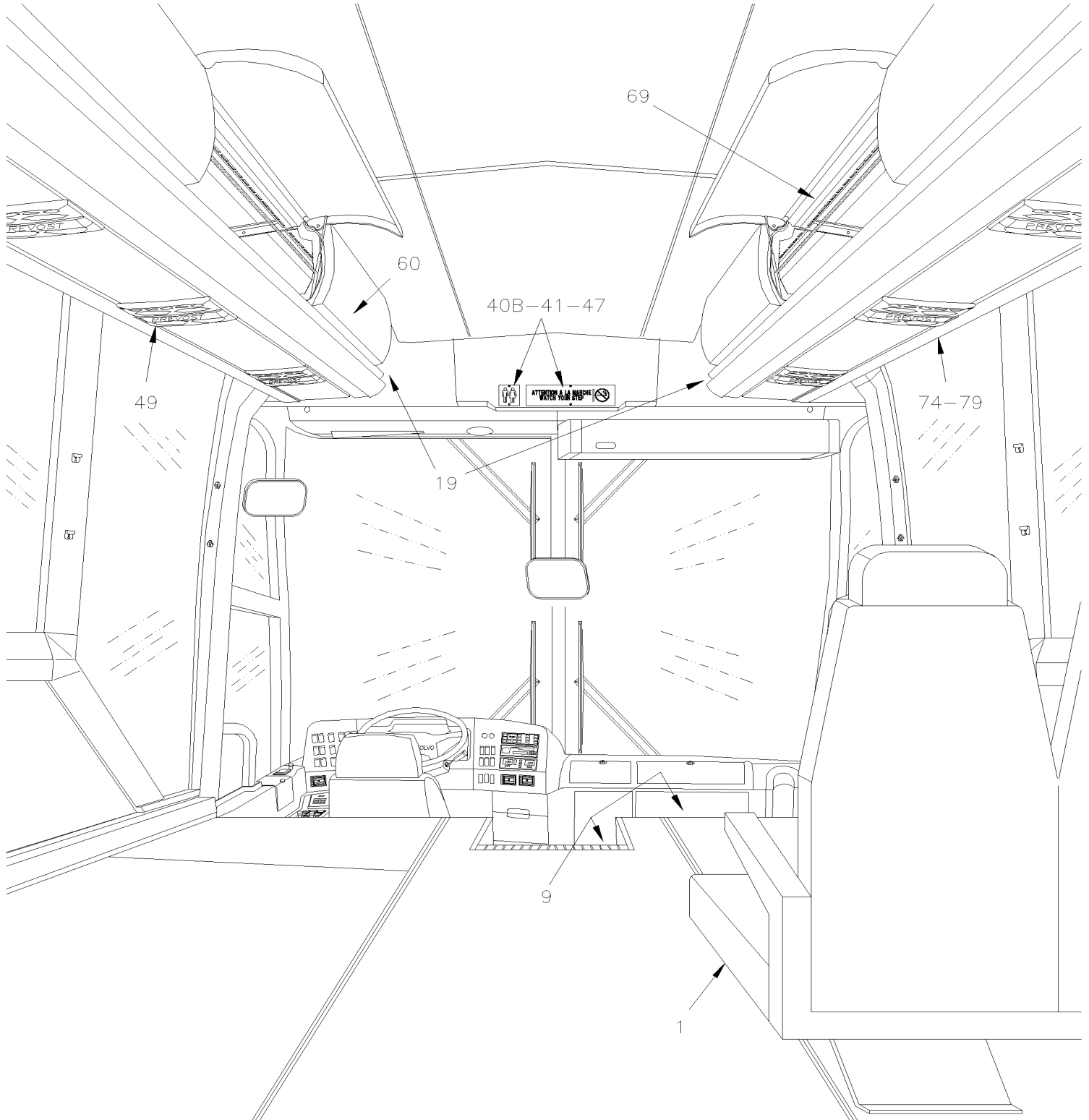


From D-2265 To J-0287

Date:10/2022

PAGE:H7-0655-01

## INTERIOR LIGHTING LED

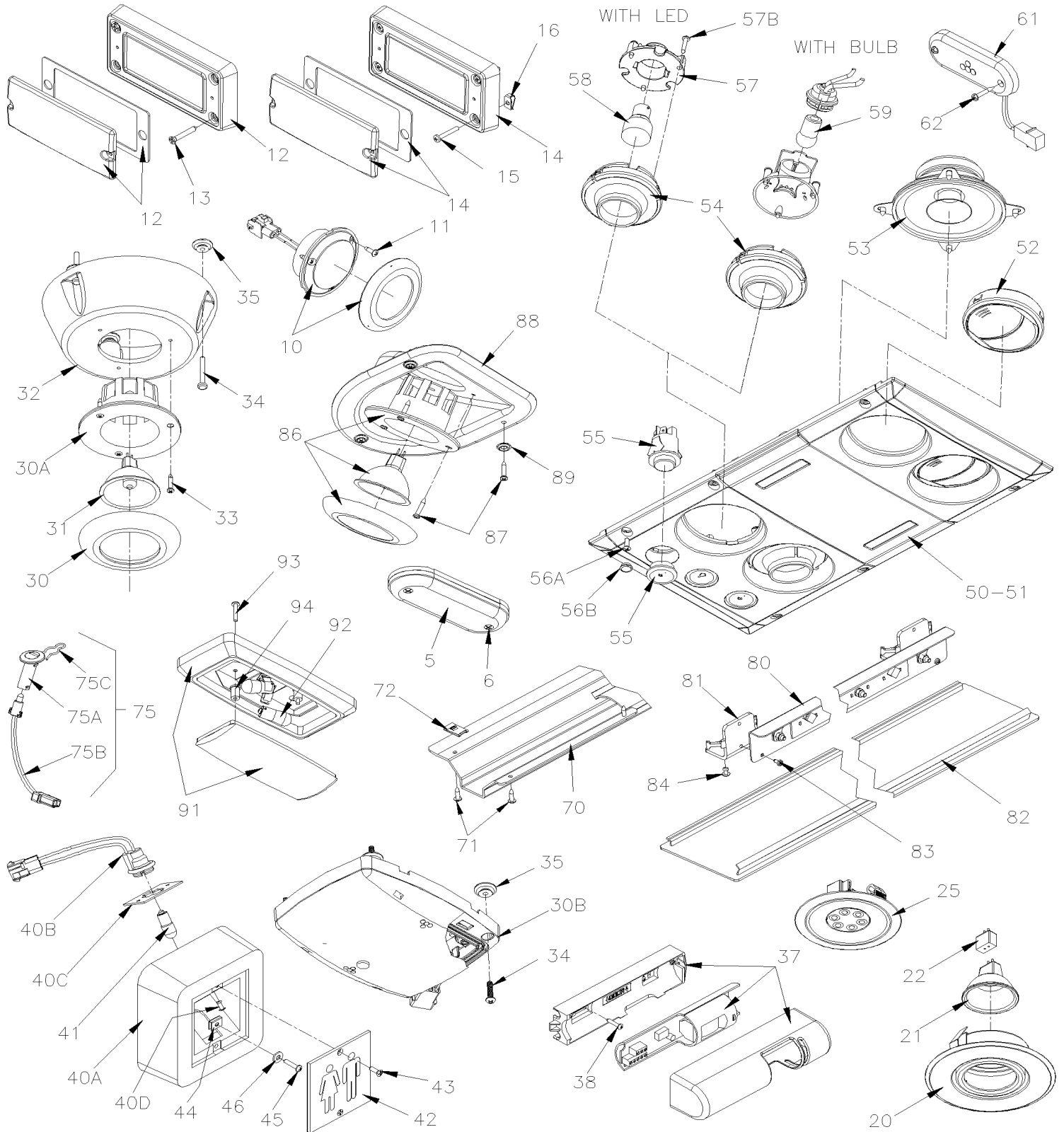


From D-2265 To J-0287

Date:10/2022

PAGE:H7-0655-01

## INTERIOR LIGHTING LED



From D-2265 To J-0287 Date:10/2022 PAGE:H7-0655-01

**INTERIOR LIGHTING LED**

Item#	Part	Description	H 3 4 1	H 3 4 5	V I P 4 5	N O T E S
		AISLE LAMP - UNDER PASSENGER'S SEAT				
5	564184	LAMP LED ASSY / BLUE 24V	7	7		
6	500657	SCREW TC TR PH #10-24x1/2 Z050	14	14		
NS	061310	CABLE ASSY / LIGHT & MAIN CABLE	7	7		
NS	067274	CABLE AISLE LAMP W/SUBWOOFER / SERIES "H" To D-2363	1			
NS	068627	CABLE ASSY TO AISLE LAMP From D-2364	1			
NS	067274	CABLE AISLE LAMP W/SUBWOOFER / SERIES "H" To D-2363		1		
NS	068627	CABLE ASSY TO AISLE LAMP From D-2364		1		
NS	504637	CABLE TIE / 3/16" x 13"		AR		
7	069902	HARN. AISLE LAMPS WHT, SW25 TO C626 From J-0174		1		W
7	069903	HARN. AISLE LAMPS WHITE (JUMPER 1200) From J-0174		25		W
7	069904	HARN. AISLE LAMPS WHITE (JUMPER 2900) From J-0174		1		W
7	069905	HARN. AISLE LAMPS WHITE, WCL DOOR JMP From J-0174		1		W
7	069906	HARN. AISLE LAMPS WHITE FRONT (MOD-P) From J-0174		1		W
		STEPWELL LAMP				
10	830177	STEP LAMP 24v ASSY / LED	3	3		
10	830182	. BEZEL BLACK / PLASTIC ROUND 3" O.D.	1	1		
NS	562485	. CONNECTOR / DT SERIES / SH 2C / GRAY / DEUTSCH DT06-2S	1	1		
NS	562488	. SECONDARY LOCK / DT SERIES / SH 2C / DEUTSCH W2S	1	1		
NS	561608	. SOCKET TERMINAL / 18-16 / DEUTSCH 0462-201-16141	2	2		
NS	562498	. RESISTOR / 220 OHMS / 2 W	1	1		
11	500583	SCREW TP PAN PH #6x1/2 Z050	9	9		
		ENTRANCE DOOR LAMP & STEPWELL LAMP				
12	830197	LAMP ASSY 24V LEDES	1	1		
12	830197	LAMP ASSY 24V LEDES			3	
13	502903	SCREW TC FL PH #10-24x1 1/4 N500	2	2	2	
13	502611	SCREW TP FL PH #6x1/2 Z050			4	G
14		DASH LAMP				O
14	830197	LAMP ASSY 24V LEDES	1	1		O
NS	068488	CABLE / LAMP CENTER DASH BOTTOM	1	1		O
15	5001303	SCREW MA BDG PH #6-32x1 ZP EMN	2	2		O
16	500385	NUT SPR U #6-32 .135-.150 N500	2	2		O
		DRIVER'S LAMP				

<b>From D-2265 To J-0287</b>	<b>Date:10/2022</b>	<b>PAGE:H7-0655-01</b>
<b>INTERIOR LIGHTING LED</b>		

Item#	Part	Description	H 3 4 1	H 3 4 5	V I P 4 5	N O T E S
20	830179	LAMP BASE	2	2	2	
21	830176	BULB / 20 WATTS-12V/SAE#Q20MR16/FL40D	2	2	2	
22	562803	CONNECTOR / SOCKET HOUSING ASSY / LEECRAFT QBL-12	1	1	1	
22	562803	CONNECTOR / SOCKET HOUSING ASSY / LEECRAFT QBL-12	1	1	1	
NS	330361	LAMP SUPPORT / DRIVER'S	2	2	2	
NS	500432	SCREW TC PAN PH #8-32x3/4 Z050	2	2	2	
		LAVATORY LAMP				
30A	830191	LAMP ASSY / LAVATORY "FRILIGHT" BLACK	1	1		
. NS	830196	. BULB / 20 WATTS-12V/SAE#Q20MR16/FL40D	1	1		
31	830176	BULB / 20 WATTS-12V/SAE#Q20MR16/FL40D	1	1		
32	409271	LAMP SUPPORT / LAVATORY MIDNIGHT CHARCOAL	1	1		
33	500333	SCREW TP OV PH #6x3/4 BK	3	3		
34	500564	SCREW MA RND PH #8-32x3/4 Z050	3	3		
35	500678	NUT WELL #8-32x.450	3	3		
		LAVATORY LAMP MOTION SENSOR				
37	066927	MOTION SENSOR ASSY W/CABLE	1	1		
37	563689	. MOTION SENSOR	1	1		
38	500640	SCREW TP PAN PH #6x3/4 Z050	2	2		
		LAVATORY LAMP (OCCUPIED)				
40	330395	BASE ASSY W/SOCKET & BULB 24V / MIDNIGHT CHARCOAL	1	1		
40A	330394	. BASE BOX, LAMP / MIDNIGHT CHARCOAL	1	1		
40B	330265	. SOCKET ASSY W/CONNECTOR / W2.1x9.Dd	1	1		
. NS	562295	. . SOCKET BULB / PLASTIC W/WIRE / W2.1x9.5d	1	1		
. NS	561248	. . CONNECTOR / UNIVERSAL MATE-N-LOK / PH 2C / AMP 1-480699-0	1	1		
. NS	562122	. . PIN TERMINAL / 20-14 / AMP 350547-1	2	2		
40C	340847	RECEPTACLE	1	1		
40D	504105	RIVET POP DOME OE 1/8x3/16 AL	2	2		
41	561166	. BULB / 3WATT-24VOLTS / SAE# 464	1	1		
42	403137	LENS	1	1		
43	500686	SCREW TP OV PH #6x1/2 BK	2	2		
44	500422	NUT SPR U #6-32 .110-.120 SS	2	2		
45	500640	SCREW TP PAN PH #6x3/4 Z050	2	2		
46	500855	WASHER FL .188x.438x.049 N500	2	2		
47	<b>H7-1832-01</b>	<b>FRONT FINISHING CAP W/TAN FINISHING</b>				

From D-2265 To J-0287 Date:10/2022 PAGE:H7-0655-01

**INTERIOR LIGHTING LED**

Item#	Part	Description	H 3 4 1	H 3 4 5	V I P 4 5	N O T E S
		PARCEL RACK				
50	330379	MODULE ASSY W/LEDS LAMP, AIR DIFFUSOR & COAXIAL SPEAKER To D-2396	1	1		
. NS	830184	. MODULE ASSY W/OUT LAMP & W/AIR DIFFUSOR COAXIAL SPEAKER To D-2396	1	1		
. NS	830180	. SUPPORT / 12 LEDES BULB To D-2396	2	2		
. NS	563630	. BULB / 12 LEDES / READING LIGHT 24VOLTS / #270017 To D-2396	2	2		
. NS	500235	. SCREW TP BDG PH #6x3/4 N500 To D-2396	6	6		
50	830205	MODULE ASSY W/LEDS LAMP, AIR DIFFUSOR & COAXIAL SPEAKER From D-2397 To G-3128	1	1		
50	830228	MODULE ASSY W/LEDS LAMP, AIR DIFFUSOR & COAXIAL SPEAKER From G-3129	1	1		
50	330380	MODULE ASSY W/LEDS LAMP, AIR DIFFUSOR & DUAL CONE SPEAKER To D-2396	1	1		
. NS	830185	. MODULE ASSY W/OUT LED AND W/AIR DIFFUSOR DUAL CONE SPEAKER To D-2396	1	1		
. NS	830180	. SUPPORT / 12 LEDES BULB To D-2396	2	2		
. NS	563630	. BULB / 12 LEDES / READING LIGHT 24VOLTS / #270017 To D-2396	2	2		
. NS	500235	. SCREW TP BDG PH #6x3/4 N500 To D-2396	6	6		
50	830201	MODULE ASSY W/LEDS LAMP, AIR DIFFUSOR & DUAL CONE SPEAKER From D-2397 To G-3128	1	1		
50	830225	MODULE ASSY W/LEDS LAMP, AIR DIFFUSOR & DUAL CONE SPEAKER From G-3129	1	1		
50	330397	MODULE ASSY W/LEDS LAMP, AIR DIFFUSOR & DUAL CONE SPEAKER SILVER To E-2422	1	1		
. NS	830189	. MODULE ASSY W/OUT LAMP & W/AIR DIFFUSOR DUAL CONE SPEAKER SILVER To E-2422	1	1		
. NS	830180	. SUPPORT / 12 LEDES BULB To E-2422	2	2		
. NS	563630	. BULB / 12 LEDES / READING LIGHT 24VOLTS / #270017 To E-2422	2	2		
. NS	500235	. SCREW TP BDG PH #6x3/4 N500 To E-2422	2	2		
50	830202	MODULE ASSY W/LEDS LAMP, AIR DIFFUSOR & DUAL CONE SPEAKER SILVER From E-2423 To G-3128	1	1		
50	830226	MODULE ASSY W/LEDS LAMP, AIR DIFFUSOR & DUAL CONE SPEAKER SILVER From G-3129	1	1		
51	830187	. MODULE ASSY W/BULB LAMP, AIR DIFFUSOR & COAXIAL SPEAKER To D-2363	1	1		BS
51	830186	. MODULE ASSY W/BULB LAMP, AIR DIFFUSOR & DUAL CONE SPEAKER To D-2363	1	1		BS
51	830190	. MODULE ASSY W/BULB LAMP, AIR DIFFUSOR & DUAL CONE SPEAKER SILVER To D-2363	1	1		BS
51	830175	. MODULE ASSY W/OUT LAMP AND W/AIR DIFFUSOR	AR	AR		A
51	830188	. MODULE ASSY W/OUT LAMP & W/AIR DIFFUSOR SILVER To E-2422	1	1		
51	830206	. MODULE ASSY W/OUT LAMP & W/AIR DIFFUSOR SILVER From E-2423 To H-3825	1	1		
51	830236	. MODULE ASSY W/OUT LAMP & W/AIR DIFFUSOR SILVER From H-3826	1	1		
NS	065387	. CABLE	1	1		A
52	830157	. AIR DIFFUSOR To D-2396	2	2		
52	871456	. AIR DIFFUSOR From D-2397	1	1		
53	901195	. SPEAKER COAXIAL	1	1		
53	901194	. SPEAKER DUAL CONE	1	1		
53	901536	. GRILL, SPEAKER From D-2397	1	1		
53	830223	. SCREW, PHILLIPS SELF-TREADED From D-2397	4	4		
53	830221	. TAG, PREVOST From D-2397	1	1		
53	500209	. SCREW TC BDG PH #10-24x3/8 N500 To G-3047	4	4		E
53	5001975	. SCREW TC BDG PH #10-24x3/8 SS410 ZINC From G-3048	4	4		E
54	830156	. READING LAMP ASSY W/REFLECTOR LENS & CLIP To D-2396	2	2		
NS	830172	. . REFLECTOR ASSY W/CLIP To D-2396	1	1		

<b>From D-2265 To J-0287</b>	<b>Date:10/2022</b>	<b>PAGE:H7-0655-01</b>
<b>INTERIOR LIGHTING LED</b>		

Item#	Part	Description	H 3 4 1	H 3 4 5	V I P 4 5	N O T E S
NS	830169	. . . CLIP SOKET RETAINER To D-2396	1	1		
55	830159	. SWITCH / OFF-M/ON / S.P.S.T. / CHIME To D-2396	1	1		WCL
55	565942	. SWITCH, BUTTON / CHIME From D-2397	1	1		WCL
55	830158	. SWITCH / OFF-ON / S.P.S.T. / READING LIGHT To D-2396	2	2		WCL
55	565941	. SWITCH, BUTTON / READING LIGHT From D-2397 To G-3128	2	2		WCL
55	830232	. BEZEL, LAMP From G-3129	2	2		
56A	5001368	. SCREW TC OV PH #8-32X1/2 BK	6	6		
56B	830160	. PLUG COVER SCREW	6	6		
57	830180	. SUPPORT / 12 LEDS BULB To D-2396	2	2		
57	565949	. BEZEL, LAMP From D-2397	2	2		
57B	500235	. SCREW TP BDG PH #6x3/4 N500 To D-2396	6	6		
58	563630	. BULB / 12 LEDS / READING LIGHT 24VOLTS / #270017 To D-2396	2	2		
58	565952	. BULB / LEDS / READING LIGHT 24VOLTS From D-2397 To G-3128	2	2		
58	565946	. WIRING HARNESS From D-2397 To G-3128	1	1		
58	830224	. LED CHIP BOARD From G-3129	2	2		
58	Call order desk	. SCREW TP PAN PH ST3.5x9.5 From G-3129	4	4		P
58	Call order desk	. WASHER 7.1MM O.D. x 3.7MM I.D. From G-3129	4	4		P
59	560135	. BULB / 6WATT-24VOLTS / SAE# 623 To D-2363	2	2		
NS	065044	DIODE ASSY	1	1		C
NS	066796	RESISTOR 4 OHMS 25W W/CONNECTOR	3	3	3	
59	830164	TOOL / LENS REMOVER READING LIGHT	1	1		
		LAMP LED INSIDE PARCEL RACK				
61	565889	LAMP LED	1	1		
62	502752	SCREW TP RND PH #4x3/4 ZP	2	2		
		LAMP LED INDIRECT LIGHT PARCEL RACK				
70	316586	LIGHT, INDIRECT, PARCEL RACK W/DOORS AISLE SIDE 1585MM 24V LED TAN To G-3128	10			
70	319185	LIGHT, INDIRECT, PARCEL RACK W/DOORS AISLE SIDE 1585MM 24V LED TAN From G-3129	10			
70	316586	LIGHT, INDIRECT, PARCEL RACK W/DOORS AISLE SIDE 1585MM 24V LED TAN To G-3128		12		
70	319185	LIGHT, INDIRECT, PARCEL RACK W/DOORS AISLE SIDE 1585MM 24V LED TAN From G-3129		12		
70	310241	LIGHT, INDIRECT, PARCEL RACK W/DOORS AISLE SIDE 1585MM 24V LED GREY From H-3497		12		F
70	316587	LIGHT, INDIRECT, PARCEL RACK W/O DOORS AISLE SIDE 1585MM 24VDC LED To G-3128	10			
70	319188	LIGHT, INDIRECT, PARCEL RACK W/O DOORS AISLE SIDE 1585MM 24VDC LED From G-3129	10			
70	316587	LIGHT, INDIRECT, PARCEL RACK W/O DOORS AISLE SIDE 1585MM 24VDC LED To G-3128		12		
70	319188	LIGHT, INDIRECT, PARCEL RACK W/O DOORS AISLE SIDE 1585MM 24VDC LED From G-3129		12		
70	316585	INDIRECT LIGHTING "DUMMY", PARCEL RACK AISLE SIDE 770MM / TAN	2	2		
70	310239	INDIRECT LIGHTING "DUMMY", PARCEL RACK AISLE SIDE 770MM / GREY From H-3497		2		F
70	317082	INDIRECT LIGHTING "DUMMY", PARCEL RACK AISLE SIDE 644.5MM / TAN		1		

From D-2265 To J-0287 Date:10/2022 PAGE:H7-0655-01

**INTERIOR LIGHTING LED**

Item#	Part	Description	H 3 4 1	H 3 4 5	V I P 4 5	N O T E S
70	316624	LIGHT, INDIRECT, PARCEL RACK W/DOORS AISLE SIDE 770MM 24VDC LED To G-3128	2	2		
70	319191	LIGHT, INDIRECT, PARCEL RACK W/DOORS AISLE SIDE 770MM 24VDC LED From G-3129	2	2		
70	316589	LIGHT, INDIRECT, PARCEL RACK W/O DOORS AISLE SIDE 1082MM 24VDC LED To G-3128	2			D
70	319187	LIGHT, INDIRECT, PARCEL RACK W/O DOORS AISLE SIDE 1082MM 24VDC LED From G-3129	2			D
70	316590	LIGHT, INDIRECT, PARCEL RACK W/DOORS AISLE SIDE 1082MM 24VDC LED To G-3128	1			
70	319190	LIGHT, INDIRECT, PARCEL RACK W/DOORS AISLE SIDE 1082MM 24VDC LED, From G-3129	1			
70	316571	INDIRECT LIGHTING "DUMMY", PARCEL RACK AISLE SIDE 667MM TAN		2		
70	310240	INDIRECT LIGHTING "DUMMY", PARCEL RACK AISLE SIDE 667MM GREY From H-3497		2		F
70	316571	INDIRECT LIGHTING "DUMMY", PARCEL RACK AISLE SIDE 667MM TAN	2			D
70	316572	INDIRECT LIGHTING "DUMMY", PARCEL RACK AISLE SIDE 399MM TAN		1		D
70	310242	INDIRECT LIGHTING "DUMMY", PARCEL RACK AISLE SIDE 399MM GREY From H-3497		1		D F
70	316588	LIGHT, INDIRECT, PARCEL RACK W/O DOORS AISLE SIDE 1472MM 24VDC LED To G-3128		2		D
70	319189	LIGHT, INDIRECT, PARCEL RACK W/O DOORS AISLE SIDE 1472MM 24VDC LED From G-3129		2		D
70	316570	LIGHT, INDIRECT, PARCEL RACK W/DOORS AISLE SIDE 1472MM 24VDC LED To G-3128		2		D
70	319186	LIGHT, INDIRECT, PARCEL RACK W/DOORS AISLE SIDE 1472MM 24V LED TAN From G-3129		2		D
70	310243	LIGHT, INDIRECT, PARCEL RACK W/DOORS AISLE SIDE 1472MM 24V LED GREY From H-3497		2		D F
70	316570	LIGHT, INDIRECT, PARCEL RACK W/DOORS AISLE SIDE 1472MM 24VDC LED To G-3128	2			D
70	319186	LIGHT, INDIRECT, PARCEL RACK W/DOORS AISLE SIDE 1472MM 24V LED TAN From G-3129	2			D
71	500583	SCREW TP PAN PH #6x1/2 Z050	AR	AR	AR	
72	508423	NUT SPR U #6 .025 - .064	AR	AR	AR	
73	5001490	WASHER SHR .312 ID NYL	AR	AR	AR	
		NEXT LAMPS USE "EMERGENCY" ONLY				
75	564070	LAMP ASSY "LED" W/RETAINING RING	AR	AR		
. A	563723	. DIFFUSOR	1	1		
. B	563724	. RECEPTACLE ASSY	1	1		
. C	330393	. PIN HAIR CUTTER .062 X 9/32 SPEC	1	1		
		LAMP LED DIRECT LIGHT PARCEL RACK To G-3128				
80	316458	LIGHT, DIRECT, PARCEL RACK WINDOW SIDE 1200MM 24VDC To G-3128	10			
80	319194	LIGHT, DIRECT, PARCEL RACK WINDOW SIDE 1200MM 24VDC From G-3128 To G-3128	10			
80	316453	LIGHT, DIRECT, PARCEL RACK WINDOW SIDE 600MM 24VDC To G-3128	2			
80	319193	LIGHT, DIRECT, PARCEL RACK WINDOW SIDE 600MM 24VDC From G-3128 To G-3128	2			
80	316458	LIGHT, DIRECT, PARCEL RACK WINDOW SIDE 1200MM 24VDC To G-3128		12		
80	319194	LIGHT, DIRECT, PARCEL RACK WINDOW SIDE 1200MM 24VDC From G-3128 To G-3128		12		
80	316453	LIGHT, DIRECT, PARCEL RACK WINDOW SIDE 600MM 24VDC To G-3128		1		
80	319193	LIGHT, DIRECT, PARCEL RACK WINDOW SIDE 600MM 24VDC From G-3128 To G-3128		1		
81	314372	ANGLE, LED LIGHT To G-3128	1	1		
82	312501	LENS 1235MM To G-3128	10			



<b>From D-2265 To J-0287</b>	<b>Date:10/2022</b>	<b>PAGE:H7-0655-01</b>
<b>INTERIOR LIGHTING LED</b>		

Item#	Part	Description	H 3 4 1	H 3 4 5	V I P 4 5	N O T E S
82	319085	LENS 871MM To G-3128	2			
82	312501	LENS 1235MM To G-3128		12		
82	316534	LENS 572MM To G-3128		1		
83	500601	SCREW TC PAN PH #6-32x3/8 N500 To G-3128	4	4		
84	504106	RIVET POP DOME OE 1/8x1/4 AL To G-3128	4	4		
		LAMP WCL ENTRANCE DOOR				
86	830191	LAMP ASSY / LAVATORY "FRILIGHT" BLACK				
	830196	. BULB / 20 WATTS-12V/SAE#Q20MR16/FL40D		1		
87	500333	SCREW TP OV PH #6x3/4 BK		6		
88	341227	SUPPORT, LIGHT, INS ANGLE From D-2370		1		
89	500345	WASHER FN CKF .187x.500x.090 BR BK From D-2370		3		
90		PASSENGER'S LAMP WITH GALLEY		1		
91	830110	LAMP ASSY		1		
91	504062	GROMMET / .4375x.687x.125x.375x.937		1		
92	563010	BULB / 16WATT-24VOLTS / SAE# 1308		1		
93	502677	SCREW MA RND PH M4-0.7x25 SS		2		
94	500589	NUT WELL M4-0.7x13.5		2		
		A) ONLY ON COACH W/OUT READING LAMP ON FIRST SEAT				
		BS) BULB SOCKET IT NOT AVAILABLE FOR REPLACEMENT ASK FOR CHEAPER MODULE # 830178				
		C) ONLY ON COACH WITH READING LIGHT TEST SWITCH				
		D) USE WITH WCL				
		E) USE TO FIX SPEAKER WITH SIVLER MODEL				
		F) "BAUER'S TRANSPORTATION" OPTION				
		G) USE TO FIX LAMP ON STEPWELL				
		O) WITH ORLEAN VEHICLE				
		W) WESTLUND OPTION				
		WCL) THIS SWITCH IT ALSO INSTALL ON LOWER WINDOW MOULDING WITH PROTECTOR # 409259				
		P) CALL ORDER DESK FOR SPECIFIC APPLICATION (V.I.N.)				

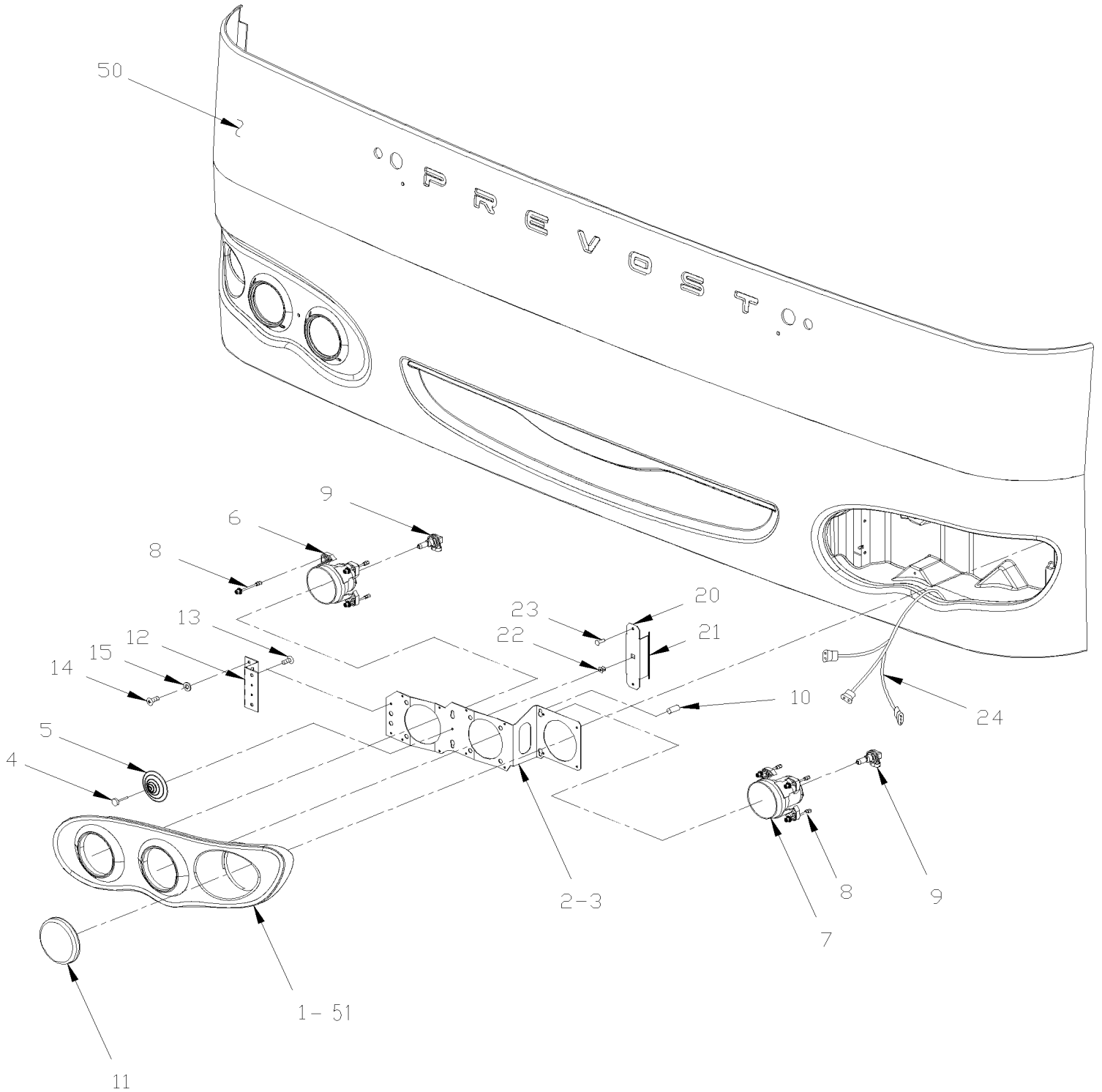


From 7-0671 To 9-1469

Date:10/2022

PAGE:H7-0660-00

## HEADLAMP "HALOGENE" & FRONT DIRECTIONAL LAMPS



From 7-0671 To 9-1469 Date:10/2022 PAGE:H7-0660-00

HEADLAMP "HALOGENE" & FRONT DIRECTIONAL LAMPS

Item#	Part	Description	H 3 4 1	H 3 4 5	V I P 4 5	N O T E S
	430635	LAMP ASSY L.H. "HALO" W/BEZEL "H"	1	1	1	
	430636	LAMP ASSY L.H. "HALO" W/BEZEL & WASHER "H"	1	1	1	
	430639	LAMP ASSY R.H. "HALO" W/BEZEL "H"	1	1	1	
	430640	LAMP ASSY R.H. "HALO" W/BEZEL & WASHER "H"	1	1	1	
1	475197	. HEADLAMP BEZEL, L.H.	1	1	1	
1	476571	. HEADLAMP BEZEL, R.H. / W/HEADLAMP WASHER	1	1	1	
1	475119	. HEADLAMP BEZEL, R.H.	1	1	1	
1	476572	. HEADLAMP BEZEL, L.H. / W/HEADLAMP WASHER	1	1	1	
2	430584	. SUPPORT L.H.	1	1	1	
3	430585	. SUPPORT R.H.	1	1	1	
4	502706	. SCREW TP PAN PH #14x1 SS	1	1	1	
5	930369	. SPRING CONICAL	1	1	1	
6	930359	. LAMP ASSY / HIGH	1	1	1	
7	930360	. LAMP ASSY / LOW	1	1	1	A
8	930373	. . KIT, BOLTS ADJUSTMENT (3 BOLTS)	1	1	1	
9	563092	. BULB / 65WATT-12VOLTS / SAE# H9	1	1	1	
10	5001416	. BUMPER RUBBER / 11/16x1/2x3/32	2	2	2	
11	930364	. LED AMBER 4" / DIRECTIONAL / FRONT 12Volt / 60L (PREVOST)	2	2	2	
12	430555	. HINGE / DOUBLE	1	1	1	
13	5001536	. SCREW PTR BDG PH M4x12 SS	4	4	4	
14	502622	. SCREW CAP HEX M6-1.0x20 SS BK	2	2	2	
15	502570	. WASHER LO SPT 6.1x11.8x1.6 SS	2	2	2	
20	430556	. SUPPORT / CENTRAL	1	1	1	
21	506338	. RUBBER CHANNEL / 1/16" x 1/4" INT "U" SHAPE / ROUND C.T.L.	AR	AR	AR	
22	5001009	. NUT AN 1/4 NYL	1	1	1	
23	504379	. RIVET POP DOME OE 3/16x1/4 SS	2	2	2	
24	065477	. CABLE ASSY / W/"HALOGENE" LAMPS / W/H3	2	2	2	
NS	504428	. TIE MOUNT / 3/16" #10 SCREW / TA1S10-C	10	10	10	
NS	504637	. CABLE TIE / 3/16" x 13"	10	10	10	
NS	507336	. PROTECTOR CAP / BLACK / .281 I.D. x .500	AR	AR	AR	
50	<b>H7-1851-00</b>	<b>CAP - FRONT &amp; REAR - INSTALLATION</b>				
51	<b>H7-2305-25</b>	<b>. HEAD LAMP CLEANING WASHER TANK</b>				
NS	067488	RETROFIT KIT, HEADLAMP WASHER / SERIES "H" ELECTRIC SECTION BUS W/MUX	1	1	1	
. NS	066960	. CABLE ASSY / SWITCH HEADLAMP WASHER PUMP / "H" SERIES / MUX	1	1	1	
. NS	066961	. CABLE ASSY / HEADLAMP WASHER PUMP / "H" SERIES	1	1	1	
. NS	562699	. SWITCH / M/ON-OFF-M/ON / D.P.D.T. / W/GREEN LED	1	1	1	
. NS	564007	. CAP / WASHER WIDSHIELD & HEADLAMP	1	1	1	
. NS	563623	. BUTT SPLICE / 16-14 / BLUE / W/THERMORETRAC / PANDUIT BSH14-Q	2	2	2	
NS	067489	RETROFIT KIT, HEADLAMP WASHER / SERIES "H" ELECTRIC SECTION VIP W/MUX	1	1	1	
. NS	066960	. CABLE ASSY / SWITCH HEADLAMP WASHER PUMP / "H" SERIES / MUX	1	1	1	
. NS	066961	. CABLE ASSY / HEADLAMP WASHER PUMP / "H" SERIES	1	1	1	

From 7-0671 To 9-1469	Date:10/2022	PAGE:H7-0660-00
-----------------------	--------------	-----------------

**HEADLAMP "HALOGENE" & FRONT DIRECTIONAL LAMPS**

Item#	Part	Description	H 3 4 1	H 3 4 5	V I P 4 5	N O T E S
. NS	564006	. CAP / HEADLAMP WASHER	1	1	1	
. NS	564008	. SWITCH / OFF-M/ON / S.P.S.T. / W/GREEN LED	1	1	1	
. NS	563623	. BUTT SPLICE / 16-14 / BLUE / W/THERMORETRAC / PANDUIT BSH14-Q	2	2	2	
		A) TO CONVERT HALOGENE TO "XENON" , ASK FOR KIT #430601				

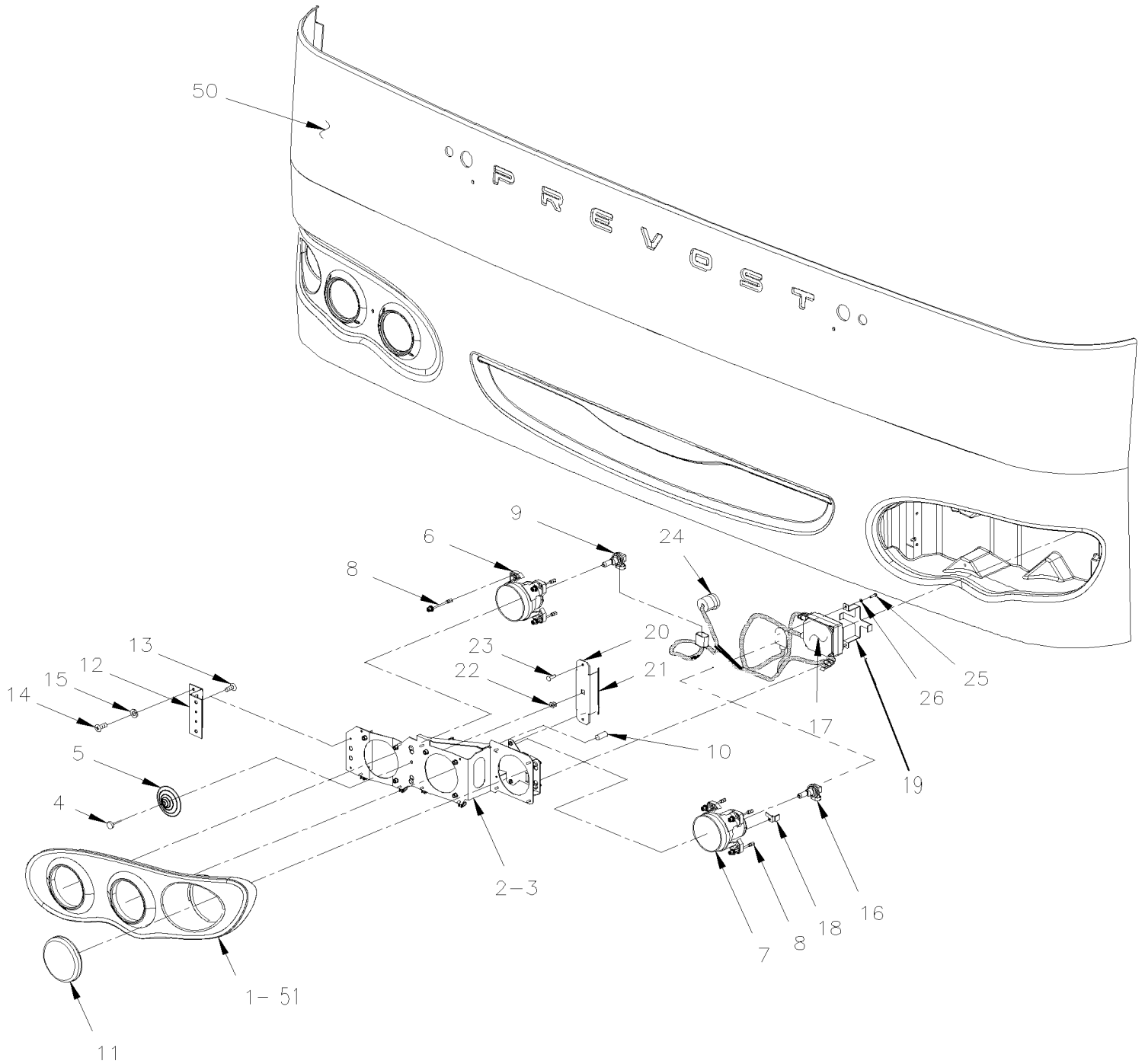


From 7-0671 To 9-1469

Date:10/2022

PAGE:H7-0660-01

## HEADLAMP "XENON" & FRONT DIRECTIONAL LAMPS



From 7-0671 To 9-1469	Date:10/2022	PAGE:H7-0660-01
-----------------------	--------------	-----------------

**HEADLAMP "XENON" & FRONT DIRECTIONAL LAMPS**

Item#	Part	Description	H 3 4 1	H 3 4 5	V I P 4 5	N O T E S
	430637	LAMP ASSY L.H. "XENON" W/BEZEL "H"	1	1	1	
	430638	LAMP ASSY L.H. "XENON" W/BEZEL & WASHER "H"	1	1	1	
	430641	LAMP ASSY R.H. "XENON" W/BEZEL "H"	1	1	1	
	430642	LAMP ASSY R.H. "XENON" W/BEZEL & WASHER "H"	1	1	1	
1	475197	. HEADLAMP BEZEL, L.H.	1	1	1	
1	476571	. HEADLAMP BEZEL, R.H. / W/HEADLAMP WASHER	1	1	1	
1	475119	. HEADLAMP BEZEL, R.H.	1	1	1	
1	476572	. HEADLAMP BEZEL, L.H. / W/HEADLAMP WASHER	1	1	1	
2	430584	. SUPPORT L.H.	1	1	1	
3	430585	. SUPPORT R.H.	1	1	1	
4	502706	. SCREW TP PAN PH #14x1 SS	1	1	1	
5	930369	. SPRING CONICAL	1	1	1	
6	930359	. LAMP ASSY / HIGH	1	1	1	
7	930388	. LAMP ASSY "XENON" / W/BALLAST	1	1	1	
7	930389	. . LAMP ASSY "XENON" / W/OUT BALLAST & W/OUT BULB	1	1	1	
8	930373	. . KIT, BOLTS ADJUSTMENT (3 BOLTS)	1	1	1	
9	563092	. BULB / 65WATT-12VOLTS / SAE# H9	1	1	1	
10	5001416	. BUMPER RUBBER / 11/16x1/2x3/32	2	2	2	
11	930364	. LED AMBER 4" / DIRECTIONAL / FRONT 12Volt / 60L (PREVOST)	2	2	2	
12	430555	. HINGE / DOUBLE	1	1	1	
13	5001536	. SCREW PTR BDG PH M4x12 SS	4	4	4	
14	502622	. SCREW CAP HEX M6-1.0x20 SS BK	2	2	2	
15	502570	. WASHER LO SPT 6.1x11.8x1.6 SS	2	2	2	
16	563365	. BULB / 35WATT / SAE D2S / 85122	1	1	1	
17	930390	. BALLAST "XENON" LOW BEAM 12Volt Power	1	1	1	A
18	430604	. BULB STOPPER / "SAFETY FAILURE STRESS" / SS	1	1	1	
19	930434	. SUPPORT "XENON" BALLAST BLACK	1	1	1	
20	430556	. SUPPORT / CENTRAL	1	1	1	
21	506338	. RUBBER CHANNEL / 1/16" x 1/4" INT "U" SHAPE / ROUND C.T.L.	AR	AR	AR	
22	5001009	. NUT AN 1/4 NYL	1	1	1	
23	504379	. RIVET POP DOME OE 3/16x1/4 SS	2	2	2	
24	066011	. CABLE ASSY / W/"XENON" LAMPS / W/H3	2	2	2	
NS	504428	. TIE MOUNT / 3/16" #10 SCREW / TA1S10-C	10	10	10	
NS	504637	. CABLE TIE / 3/16" x 13"	10	10	10	
24	507336	. PROTECTOR CAP / BLACK / .281 I.D. x .500	AR	AR	AR	
25	502698	. SCREW MA PAN PH M4-0.7x16 SS BK	4	4	4	
26	502834	. WASHER LO SPT 4.1x7.6x0.9 N500	4	4	4	
50	<b>H7-1851-00</b>	<b>CAP - FRONT &amp; REAR - INSTALLATION</b>				
51	<b>H7-2305-25</b>	<b>HEAD LAMP CLEANING WASHER TANK</b>				
101	067488	RETROFIT KIT, HEADLAMP WASHER / SERIES "H" ELECTRIC SECTION BUS W/MUX	1	1		
. NS	066960	. CABLE ASSY / SWITCH HEADLAMP WASHER PUMP / "H" SERIES / MUX	1	1		
. NS	066961	. CABLE ASSY / HEADLAMP WASHER PUMP / "H" SERIES	1	1		

From 7-0671 To 9-1469	Date:10/2022	PAGE:H7-0660-01
<b>HEADLAMP "XENON" &amp; FRONT DIRECTIONAL LAMPS</b>		

Item#	Part	Description	H 3 4 1	H 3 4 5	V I P 4 5	N O T E S
. NS	562699	. SWITCH / M/ON-OFF-M/ON / D.P.D.T. / W/GREEN LED	1	1		
. NS	564007	. CAP / WASHER WIDSHIELD & HEADLAMP	1	1		
. NS	563623	. BUTT SPLICE / 16-14 / BLUE / W/THERMORETRAC / PANDUIT BSH14-Q	2	2		
102	067489	RETROFIT KIT, HEADLAMP WASHER / SERIES "H" ELECTRIC SECTION VIP W/MUX			1	
. NS	066960	. CABLE ASSY / SWITCH HEADLAMP WASHER PUMP / "H" SERIES / MUX			1	
. NS	066961	. CABLE ASSY / HEADLAMP WASHER PUMP / "H" SERIES			1	
. NS	564006	. CAP / HEADLAMP WASHER			1	
. NS	564008	. SWITCH / OFF-M/ON / S.P.S.T. / W/GREEN LED			1	
. NS	563623	. BUTT SPLICE / 16-14 / BLUE / W/THERMORETRAC / PANDUIT BSH14-Q			2	
		A) FOR OPTIMAL OPERATION OF THIS BALLAST REPLACE MASTER ID/CECM WITH NEW MCM. PERFORM IS-11003E				



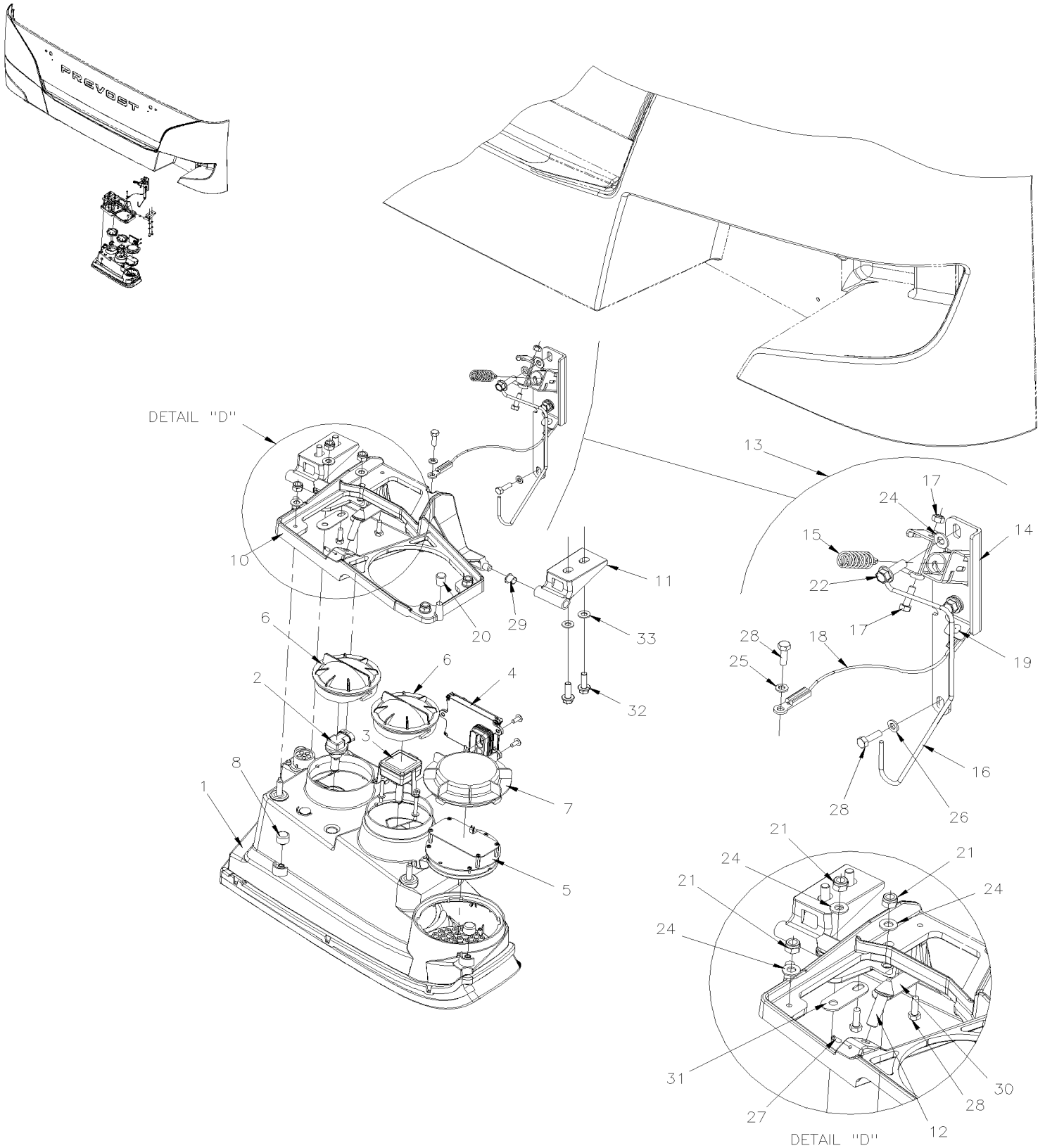


From A-1470 To J-0287

Date:10/2022

PAGE:H7-0660-02

## HEADLAMP & FRONT DIRECTIONAL LAMPS



<b>From A-1470 To J-0287</b>	<b>Date:10/2022</b>	<b>PAGE:H7-0660-02</b>
<b>HEADLAMP &amp; FRONT DIRECTIONAL LAMPS</b>		

Item#	Part	Description	H 3 4 1	H 3 4 5	V I P 4 5	N O T E S
1	930402	HEADLAMP "HALOGENE" & FRONT DIRECTIONAL LAMPS L.H.	1	1	1	
1	930403	HEADLAMP "HALOGENE" & FRONT DIRECTIONAL LAMPS R.H.	1	1	1	
1	930404	HEADLAMP "XENON" & FRONT DIRECTIONAL LAMPS L.H. To E-2660	1	1	1	
. NS	930455	. SCREW, ADJUSTING To E-2660	2	2	2	
1	930447	HEADLAMP "XENON" & FRONT DIRECTIONAL LAMPS L.H. W/ KEBODA From E-2661 To F-2705	1	1	1	
. NS	930455	. SCREW, ADJUSTING From E-2661 To F-2705	2	2	2	
1	930450	HEADLAMP "XENON" & FRONT DIRECTIONAL LAMPS L.H. W/ KEBODA From F-2706 To H-3584	1	1	1	
. NS	930455	. SCREW, ADJUSTING From F-2706 To H-3584	2	2	2	
1	930425	HEADLAMP "XENON" & FRONT DIRECTIONAL LAMPS L.H. W/ KEBODA From H-3585	1	1	1	
. NS	930455	. SCREW, ADJUSTING From H-3585	2	2	2	
1	930405	HEADLAMP "XENON" & FRONT DIRECTIONAL LAMPS R.H. To E-2660	1	1	1	
. NS	930455	. SCREW, ADJUSTING To E-2660	2	2	2	
1	930448	HEADLAMP "XENON" & FRONT DIRECTIONAL LAMPS R.H. W/ KEBODA From E-2661 To F-2705	1	1	1	
. NS	930455	. SCREW, ADJUSTING From E-2661 To F-2705	2	2	2	
1	930451	HEADLAMP "XENON" & FRONT DIRECTIONAL LAMPS R.H. W/ KEBODA From F-2706 To H-3584	1	1	1	
. NS	930455	. SCREW, ADJUSTING From F-2706 To H-3584	2	2	2	
1	930426	HEADLAMP "XENON" & FRONT DIRECTIONAL LAMPS R.H. W/ KEBODA From H-3585	1	1	1	
. NS	930455	. SCREW, ADJUSTING From H-3585	2	2	2	
1	430681	HEADLAMP SEAL / R.H. From D-2337 To E-2464	1	1	1	
1	430693	HEADLAMP SEAL / R.H. / UPPER 360MM From E-2465	1	1	1	
1	430694	HEADLAMP SEAL / R.H. / SIDE 255MM From E-2465	1	1	1	
1	564553	WIRING HARNESS RETROFIT HEADLAMP RH To 9-1469	1	1	1	R
1	564549	WIRING HARNESS RETROFIT HEADLAMP LH To 9-1469	1	1	1	R
2	563092	. BULB / 65WATT-12VOLTS / SAE# H9	2	2	2	
3	563092	. BULB / 65WATT-12VOLTS / SAE# H9	2	2	2	
3	564477	. BULB / 35WATT / HID D1S To H-3584	1	1	1	X B
3	564405	. BULB / 35WATT / HID D1S From H-3585	1	1	1	X
3	930003	. SUPPORT / BULD HID XENON To H-3584	1	1	1	X B
3	930004	. SUPPORT / BULD HID XENON From H-3585	1	1	1	X
4	930413	. BALLAST FOR D1S To E-2660	1	1	1	X A
4	930449	. BALLAST KEBODA From E-2661 To F-2705	1	1	1	X
4	930452	. BALLAST KEBODA From F-2706	1	1	1	X
5	930409	. LED AMBER / DIRECTIONAL / FRONT	1	1	1	
6	930410	. BACK COVER / HEADLAMP	2	2	2	
NS	930414	. SEAL COVER	2	2	2	
7	930411	. BACK COVER / DIRECTIONAL LAMP	1	1	1	
8	930412	. VENT TUBE ASSY	1	1	1	
10	430650	SUPPORT HEAD LAMP L.H.	1	1	1	
10	430649	SUPPORT HEAD LAMP R.H.	1	1	1	
11	430651	HINGE PIVOT	2	2	2	
12	430656	PIN STOPPER M10 x 1.5	2	2	2	
13	478317	GUIDE ASSY L.H.	1	1	1	

<b>From A-1470 To J-0287</b>	<b>Date:10/2022</b>	<b>PAGE:H7-0660-02</b>
------------------------------	---------------------	------------------------

**HEADLAMP & FRONT DIRECTIONAL LAMPS**

Item#	Part	Description	H 3 4 1	H 3 4 5	V I P 4 5	N O T E S
13	478398	GUIDE ASSY R.H.	1	1	1	
14	430658	. GUIDE L.H.	1	1	1	
14	430661	. GUIDE R.H.	1	1	1	
15	472829	. SPRING COMPRESSION / .610 O.D. x 2.18 x .072	1	1	1	
16	430654	. SPRING RETAINER L.H.	1	1	1	
16	430653	. SPRING RETAINER R.H.	1	1	1	
17	502622	. SCREW CAP HEX M6-1.0x20 SS BK	1	1	1	
17	5001182	. NUT HEX NYRT M6-1.0 SS	1	1	1	
18	430662	. CABLE ASSY 224MM	1	1	1	
19	504379	. RIVET POP DOME OE 3/16x1/4 SS	1	1	1	
20	504756	PROTECTOR CAP / BLACK / RUBBER .328 I.D. x .500 x 11/16	1	1	1	
21	5001787	NUT HEX NYRT M8-1.25 SS	10	10	10	
22	502912	SCREW CAP HEXF M8-1.25x25 SS BK	4	4	4	
24	5001341	WASHER FL 8.4x17.0x1.6 SS	10	10	10	
25	502570	WASHER LO SPT 6.1x11.8x1.6 SS	2	2	2	
26	502573	WASHER FL 6.4x12.5x1.6 SS	2	2	2	
27	502574	SCREW SET HEXS CUP M4-0.7x12 SS	2	2	2	
28	502622	SCREW CAP HEX M6-1.0x20 SS BK	8	8	8	
29	507260	BUSHING NYLINER W/SHOULDER .375x.437x.375x.594	4	4	4	
30	478393	ADJUSTEMENT PLATE 20MM x 67MM	1	1	1	
31	478394	ADJUSTEMENT PLATE 20MM x 56MM	1	1	1	
32	5001742	SCREW CAP HEXF M8-1.25x30 G8.8 N500	8	8	8	
33	5001849	WASHER FL 8.4x24.0x2.0 SS	8	8	8	
		A) WHEN YOU REPLACE THE BALLAST WITH THE NEW 930452 YOU NEED TO UPDATE THE MULTIPLEX SOFTWARE PLEASE CONTACT YOUR PREVOST SERVICE CENTER OR REPRESENTATIVE				
		B) WHEH YOU REPLACE THE BULB #564477 WITH THE NEW ONE #564405 YOU NEED TO CHANGE THE SUPPORT #930003 WITH THE NEW ONE #930004				
		R) USE WHEN YOU RETROFIT YOUR OLD STYLE LAMP (ROUND) WITH NEW HEADLAMP STYLE				
		X) WITH "XENON" HEADLAMP				

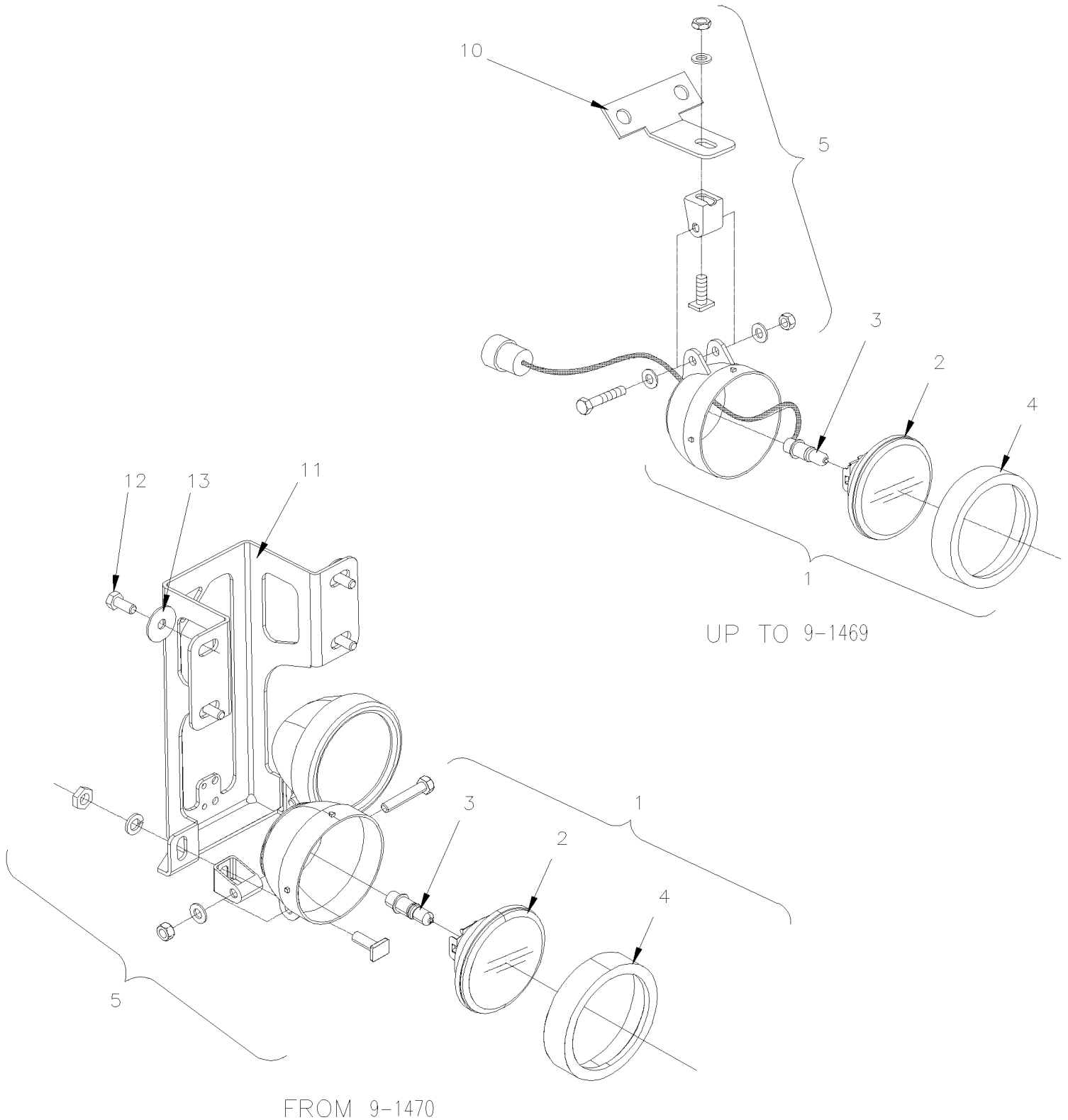


From 7-0671 To J-0287

Date:10/2022

PAGE:H7-0661-00

## FOG LAMP



From 7-0671 To J-0287	Date:10/2022	PAGE:H7-0661-00
<b>FOG LAMP</b>		

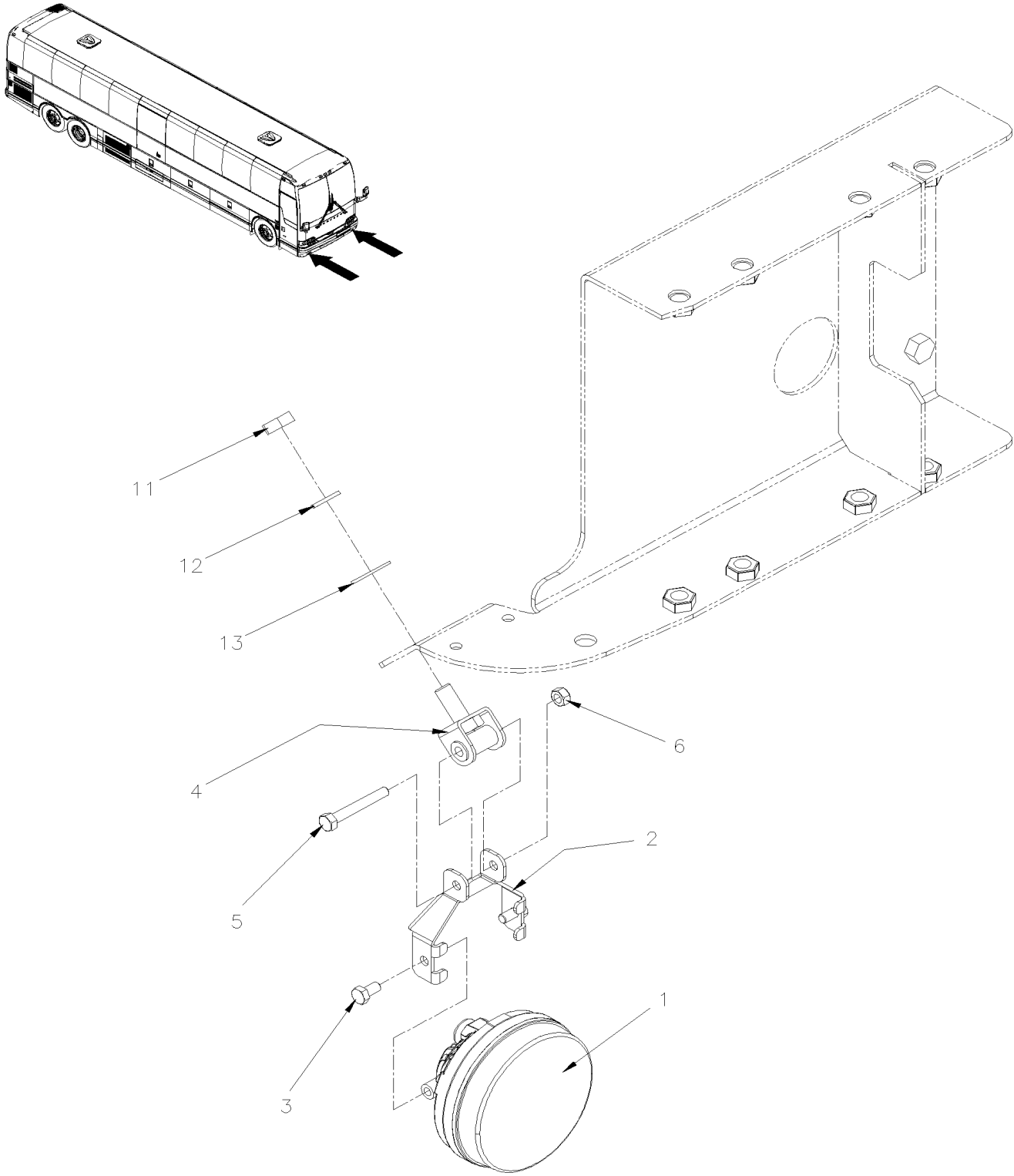
Item#	Part	Description	H 3 4 1	H 3 4 5	V I P 4 5	N O T E S
	430553	FOG LAMP 12 V / "BOSCH" COMPACT 100 / W/CONECTOR "DEUTSCH" To 9-1469	2	2	2	
	430663	FOG LAMP 12 V / "BOSCH" COMPACT 100 / W/CONECTOR "DEUTSCH" From A-1470 To G-3424	4	4	4	
	430707	FOG LAMP 12 V / "BOSCH" COMPACT 100 / W/CONECTOR "DEUTSCH" From G-3425	4	4	4	
1	930361	. FOG LAMP ASSY To 9-1469	1	1	1	
1	564475	. FOG LAMP ASSY From A-1470	1	1	1	
2	930370	. GLASS	1	1	1	
3	561882	. BULB / 55WATT-12VOLTS / SAE# H3 / 64151	1	1	1	
3	069637	. WIRING HARNESS, FOG LAMP From G-3425	1	1	1	
4	930371	. HOLDER RING	1	1	1	
5	930372	. KIT HARDWARE	1	1	1	
10	410914	SUPPORT To 9-1469	2	2	2	A
NS	5001542	SCREW TC CAP HEX 5/16-18X3/4 EMN	4	4	4	A
NS	5001467	WASHER FL .343x1.250x.062 SS18-8	4	4	4	A
NS	952625	CLAMP / 3/8" I.D.	2	2	2	B
NS	500957	SCREW TP BDG PH #10x3/4 N500	2	2	2	B
11	411161	SUPPORT From A-1470	1	1	1	
12	5001720	SCREW TC CAP HEX 5/16-18X5/8 EMN From A-1470	8	8	8	
13	5001467	WASHER FL .343x1.250x.062 SS18-8 From A-1470	8	8	8	
20	<b>430220</b>	<b>FOG LAMP / REPLACEMENT KIT 2 LAMPS / "XL-II" &amp; "X3" &amp; "H3" &amp; "VIP" / BASIC KIT To 9-1469</b>	1	1	1	
NS	<b>430030</b>	<b>FOG LAMP / REPLACEMENT KIT 2 LAMPS LED / "H3" &amp; "VIP" / ADVANCED KIT From A-1470</b>				D
NS	<b>430209</b>	<b>FOG LAMP / REPLACEMENT KIT 2 LAMPS / "H3" &amp; "VIP" / BASIC KIT From A-1470</b>	1	1	1	E
NS	<b>430027</b>	<b>FOG LAMP / REPLACEMENT KIT 4 LAMPS LED / "H3" &amp; "VIP" / ADVANCED KIT From A-1470</b>	1	1	1	D
NS	<b>430209</b>	<b>FOG LAMP / REPLACEMENT KIT 2 LAMPS / "H3" &amp; "VIP" / BASIC KIT From A-1470</b>	2	2	2	C E
		A) TO FIX FOG TO BUMPER				
		B) TO FIX CABLE TO BODY				
		C) FOR VEHICLES WITH FOUR FOG LAMPS. YOU HAVE TO ORDER TWO REPLACEMENT SETS				
		D) ADVANCED KIT ALLOW ADJSUTMENT				
		E) BASIC KIT				

To 9-1469

Date:10/2022

PAGE:430220

FOG LAMP / REPLACEMENT KIT 2 LAMPS / "XL-II" & "X3" & "H3" & "VIP" / BASIC KIT



To 9-1469	Date:10/2022	PAGE:430220
<b>FOG LAMP / REPLACEMENT KIT 2 LAMPS / "XL-II" &amp; "X3" &amp; "H3" &amp; "VIP" / BASIC KIT</b>		

Item#	Part	Description	H 3 4 1	H 3 4 5	V I P 4 5	N O T E S
1	560636	FOG LAMP LED	2	2	2	
2	430200	SUPPORT, FOG LIGHT	2	2	2	
3	5001982	SCREW CAP HEX M6-1.0x12 SS BK	4	4	4	
4	430208	SUPPORT, FOG LIGHT	2	2	2	
5	5001923	SCREW CAP HEX M6-1.0x45 SS BK	2	2	2	
6	5001182	NUT HEX NYRT M6-1.0 SS	2	2	2	
11	502567	NUT HEX M10-1.5 SS	2	2	2	
12	502616	WASHER LO SPT 10.2x18.1x2.2 SS	2	2	2	
13	500270	WASHER FL .406x1.000x.063 SS	2	2	2	
NS	IS-17151	SEE INSTRUCTION SHEET	1	1	1	
NS	FI-17151	VOIR FEUILLE D'INSTRUCTION	1	1	1	

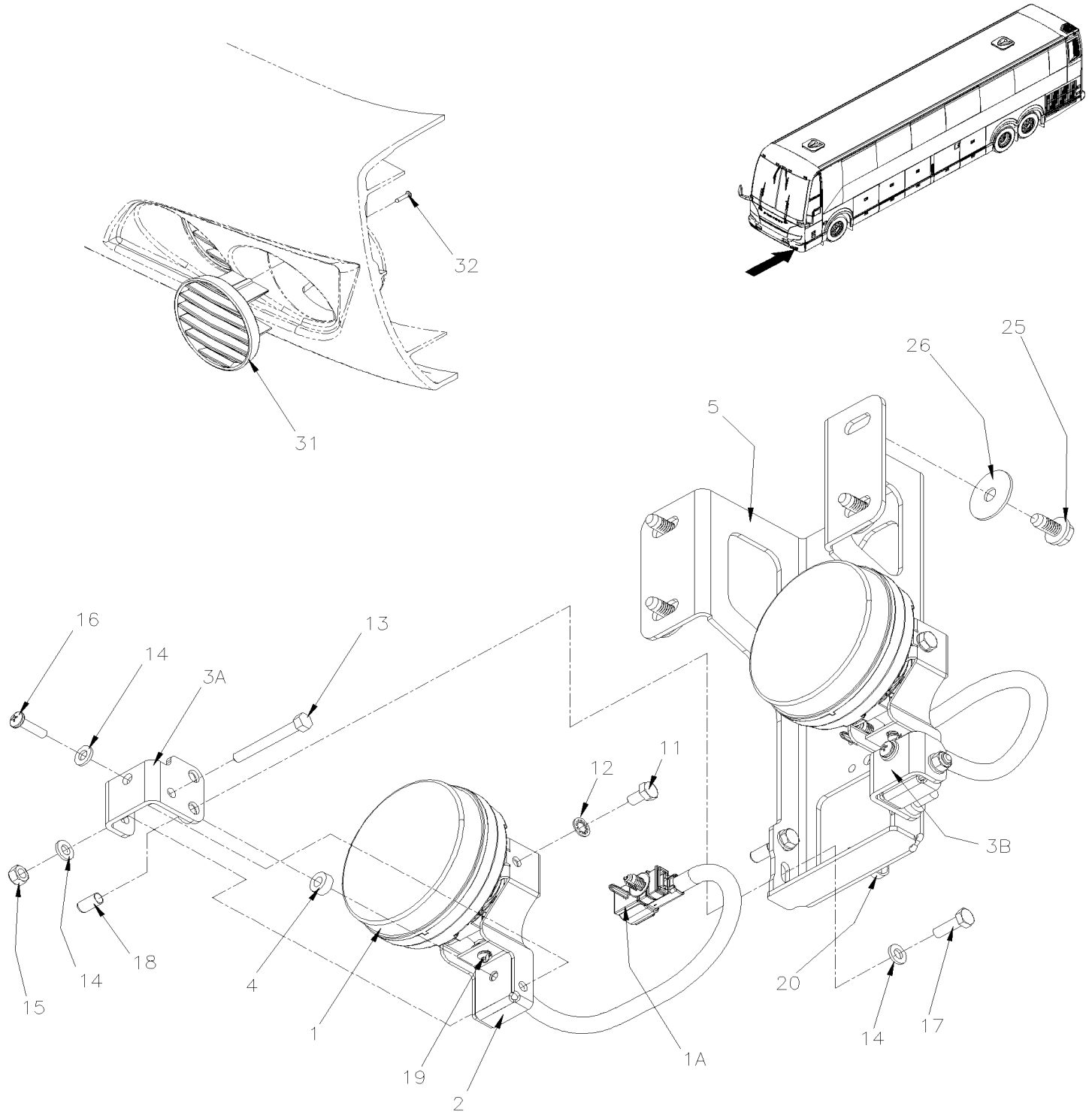


From A-1470

Date:10/2022

PAGE:430030

## FOG LAMP / REPLACEMENT KIT 2 LAMPS LED / "H3" & "VIP" / ADVANCED KIT



From A-1470	Date:10/2022	PAGE:430030
<b>FOG LAMP / REPLACEMENT KIT 2 LAMPS LED / "H3" &amp; "VIP" / ADVANCED KIT</b>		

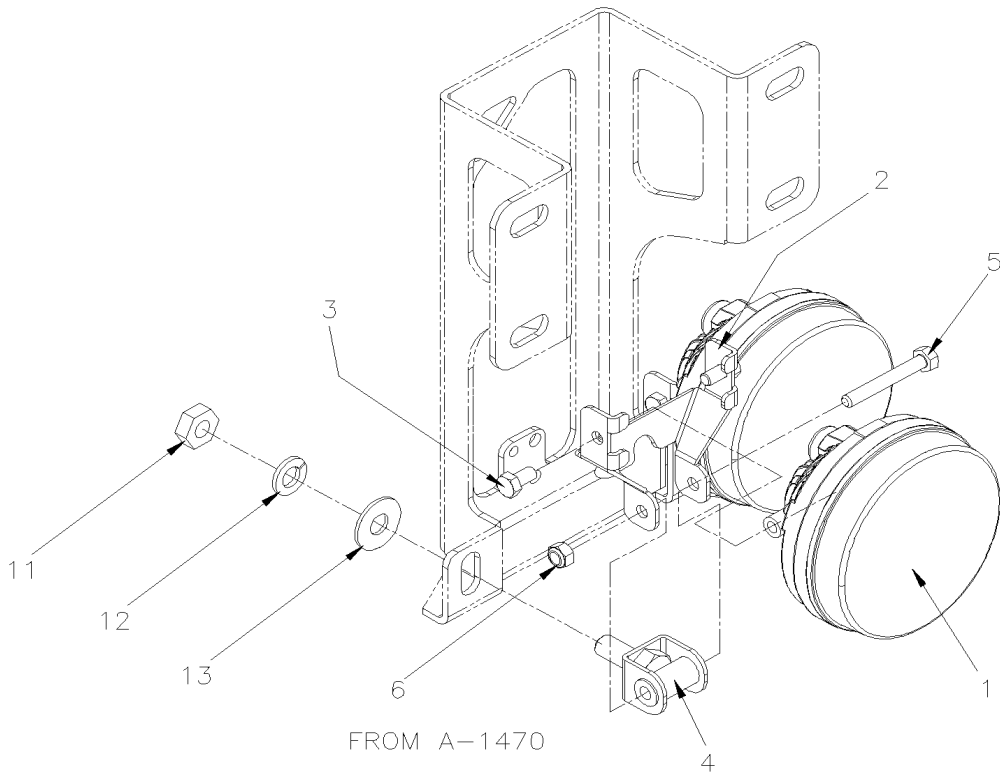
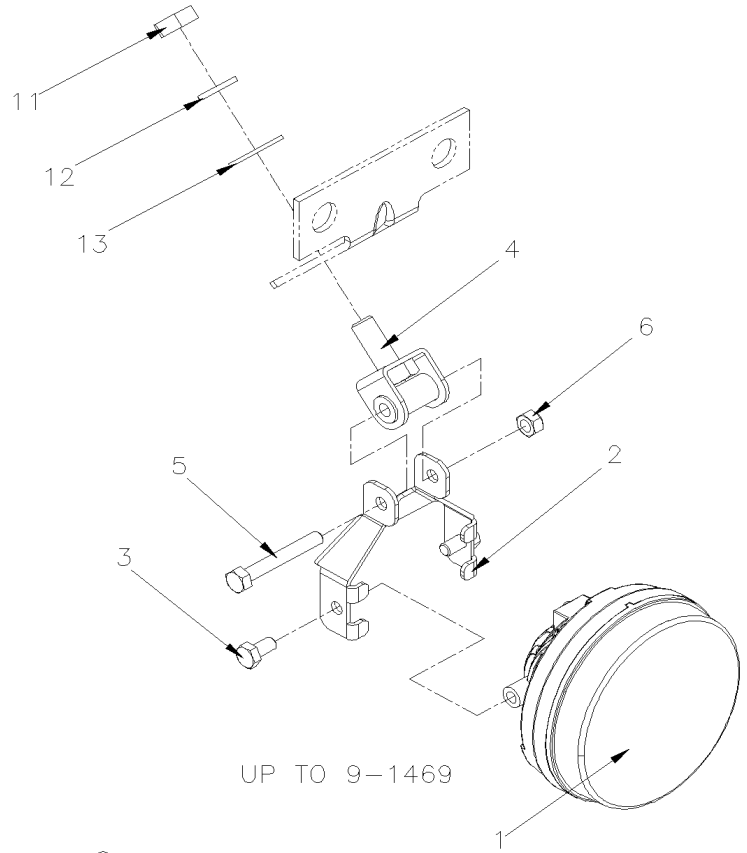
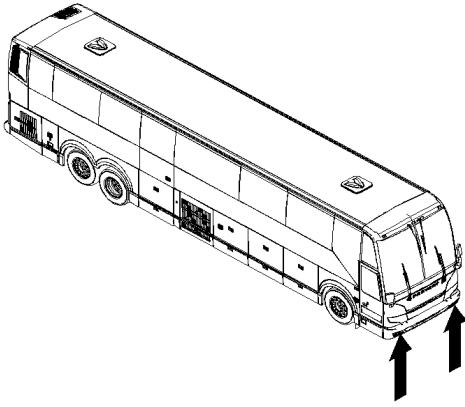
Item#	Part	Description	H 3 4 1	H 3 4 5	V I P 4 5	N O T E S
1	560637	FOG LAMP / LED	2	2	2	
. A	564108	. SELF MOUNTING STUD // DEUTSCH 1011-310-0205	1	1	1	
2	430024	SUPPORT, FOG LAMP	2	2	2	
3A	430017	ATTACH, RH FOG LIGHT To FORMER	1	1	1	
3A	430111	ATTACH, RH FOG LIGHT From CURRENT	1	1	1	
3B	430010	ATTACH, LH FOG LIGHT To FORMER	1	1	1	
3B	430112	ATTACH, LH FOG LIGHT From CURRENT	1	1	1	
4	430015	SPACER	2	2	2	
5	410100	SUPPORT, FOG LAMP To FORMER	2	2	2	
5	410249	SUPPORT, FOG LAMP From CURRENT	2	2	2	
11	5001982	SCREW CAP HEX M6-1.0x12 SS BK	4	4	4	
12	5001432	WASHER LO INT .256x.478x.028 SS 410	4	4	4	
13	5001636	SCREW CAP HEX M6-1.0x50 SS BK	2	2	2	
14	502573	WASHER FL 6.4x12.5x1.6 SS	8	8	8	
15	5001182	NUT HEX NYRT M6-1.0 SS	2	2	2	
16	502746	SCREW MA PAN PH M5-0.8x20 SS BK	2	2	2	
17	502622	SCREW CAP HEX M6-1.0x20 SS BK	4	4	4	
18	507335	PROTECTOR CAP / BLACK / .234 I.D. x .500	4	4	4	
19	8631155	CABLE TIE / 4.6MM x 200 / CHRISMAS TREE	2	2	2	
20	509815	TIE MOUNT / ATTACHMENT W/TREE MOUNT	1	1	1	
20	504637	CABLE TIE / 3/16" x 13"	1	1	1	

From A-1470

Date:10/2022

PAGE:430209

## FOG LAMP / REPLACEMENT KIT 2 LAMPS / "H3" & "VIP" / BASIC KIT



FROM A-1470

From A-1470	Date:10/2022	PAGE:430209
<b>FOG LAMP / REPLACEMENT KIT 2 LAMPS / "H3" &amp; "VIP" / BASIC KIT</b>		

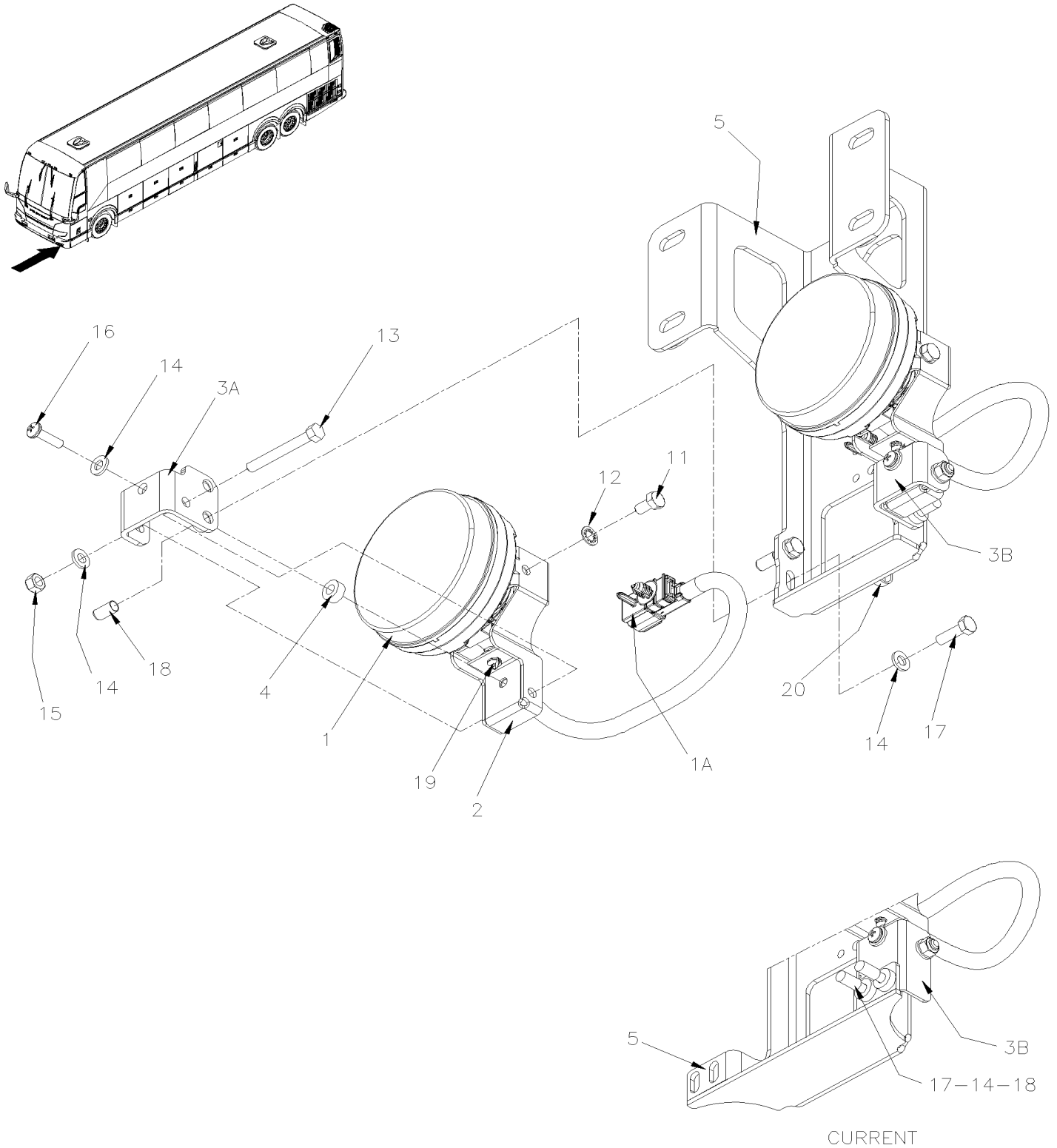
Item#	Part	Description	H 3 4 1	H 3 4 5	V I P 4 5	N O T E S
		FOR VEHICLES WITH FOUR FOG LAMPS.	1	1	1	
		YOU HAVE TO ORDER TWO REPLACEMENT SETS	1	1	1	
1	560636	FOG LAMP LED	2	2	2	
2	430200	SUPPORT, FOG LIGHT	2	2	2	
3	5001982	SCREW CAP HEX M6-1.0x12 SS BK	4	4	4	
4	430208	SUPPORT, FOG LIGHT	2	2	2	
5	5001923	SCREW CAP HEX M6-1.0x45 SS BK	2	2	2	
6	5001182	NUT HEX NYRT M6-1.0 SS	2	2	2	
11	502567	NUT HEX M10-1.5 SS	2	2	2	
12	502616	WASHER LO SPT 10.2x18.1x2.2 SS	2	2	2	
13	500270	WASHER FL .406x1.000x.063 SS	2	2	2	
NS	IS-17151	SEE INSTRUCTION SHEET	1	1	1	
NS	FI-17151	VOIR FEUILLE D'INSTRUCTION	1	1	1	

From A-1470

Date:10/2022

PAGE:430027

## FOG LAMP / REPLACEMENT KIT 4 LAMPS LED / "H3" & "VIP" / ADVANCED KIT



<b>From A-1470</b>	<b>Date:10/2022</b>	<b>PAGE:430027</b>
<b>FOG LAMP / REPLACEMENT KIT 4 LAMPS LED / "H3" &amp; "VIP" / ADVANCED KIT</b>		

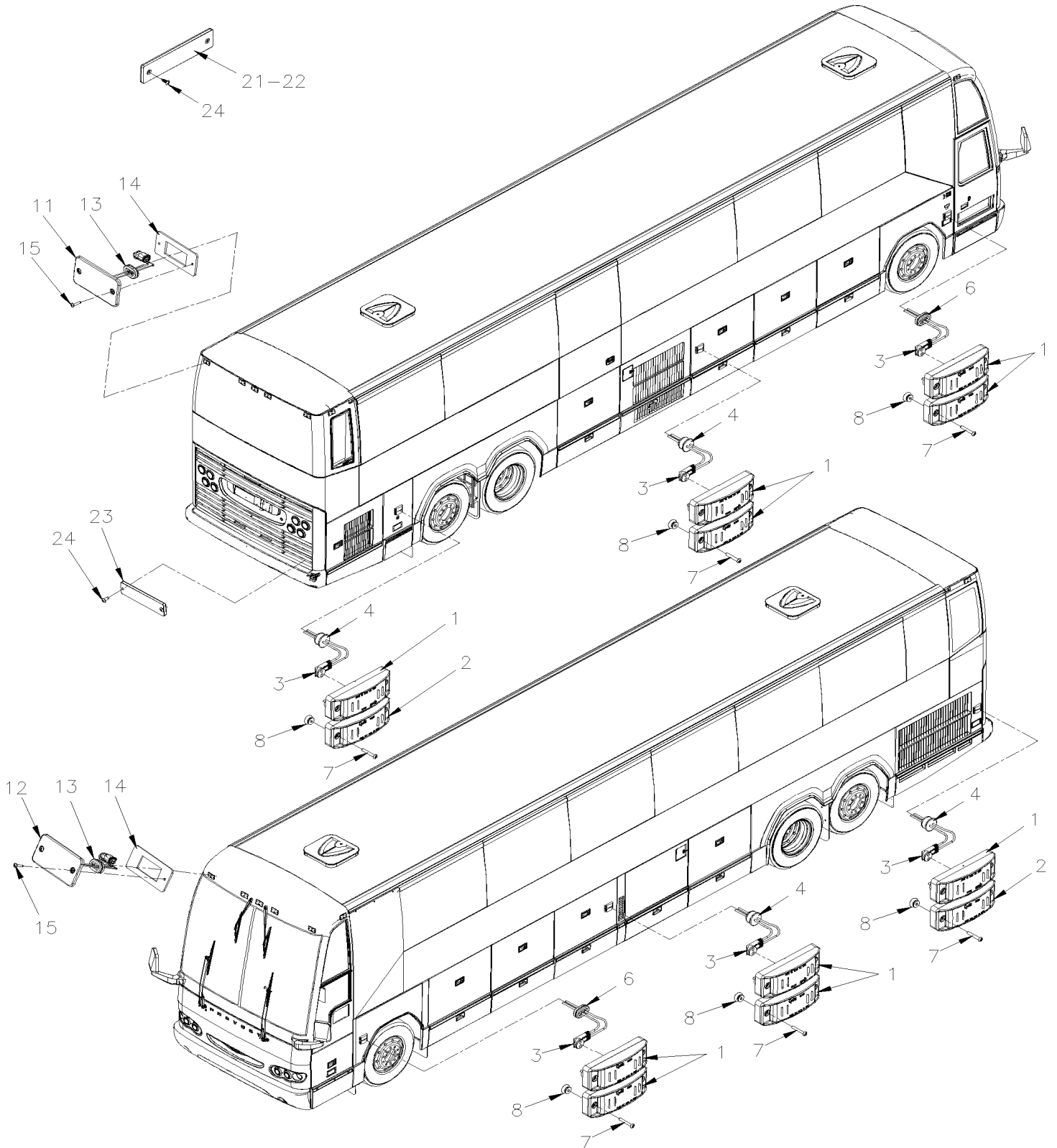
Item#	Part	Description	H 3 4 1	H 3 4 5	V I P 4 5	N O T E S
1	560637	FOG LAMP / LED	4	4		
. A	564108	. SELF MOUNTING STUD // DEUTSCH 1011-310-0205	1	1		
2	430024	SUPPORT, FOG LAMP	4	4		
3A	430017	ATTACH, RH FOG LIGHT To FORMER	2	2		
3A	430111	ATTACH, RH FOG LIGHT From CURRENT	1	1		
3B	430010	ATTACH, LH FOG LIGHT To FORMER	2	2		
3B	430112	ATTACH, LH FOG LIGHT From CURRENT	1	1		
4	430015	SPACER	4	4		
5	410100	SUPPORT, FOG LAMP To FORMER	2	2		
5	410249	SUPPORT, FOG LAMP From CURRENT	2	2		
11	5001982	SCREW CAP HEX M6-1.0x12 SS BK	8	8		
12	5001432	WASHER LO INT .256x.478x.028 SS 410	8	8		
13	5001636	SCREW CAP HEX M6-1.0x50 SS BK	4	4		
14	502573	WASHER FL 6.4x12.5x1.6 SS	16	16		
15	5001182	NUT HEX NYRT M6-1.0 SS	4	4		
16	502746	SCREW MA PAN PH M5-0.8x20 SS BK	4	4		
17	502622	SCREW CAP HEX M6-1.0x20 SS BK	8	8		
18	507335	PROTECTOR CAP / BLACK / .234 I.D. x .500	8	8		
19	8631155	CABLE TIE / 4.6MM x 200 / CHRISTMAS TREE	4	4		
20	509815	TIE MOUNT / ATTACHMENT W/TREE MOUNT	2	2		
20	504637	CABLE TIE / 3/16" x 13"	2	2		

From 7-0671 To J-0287

Date:10/2022

PAGE:H7-0662-00

## CLEARANCE & MARKER LIGHT

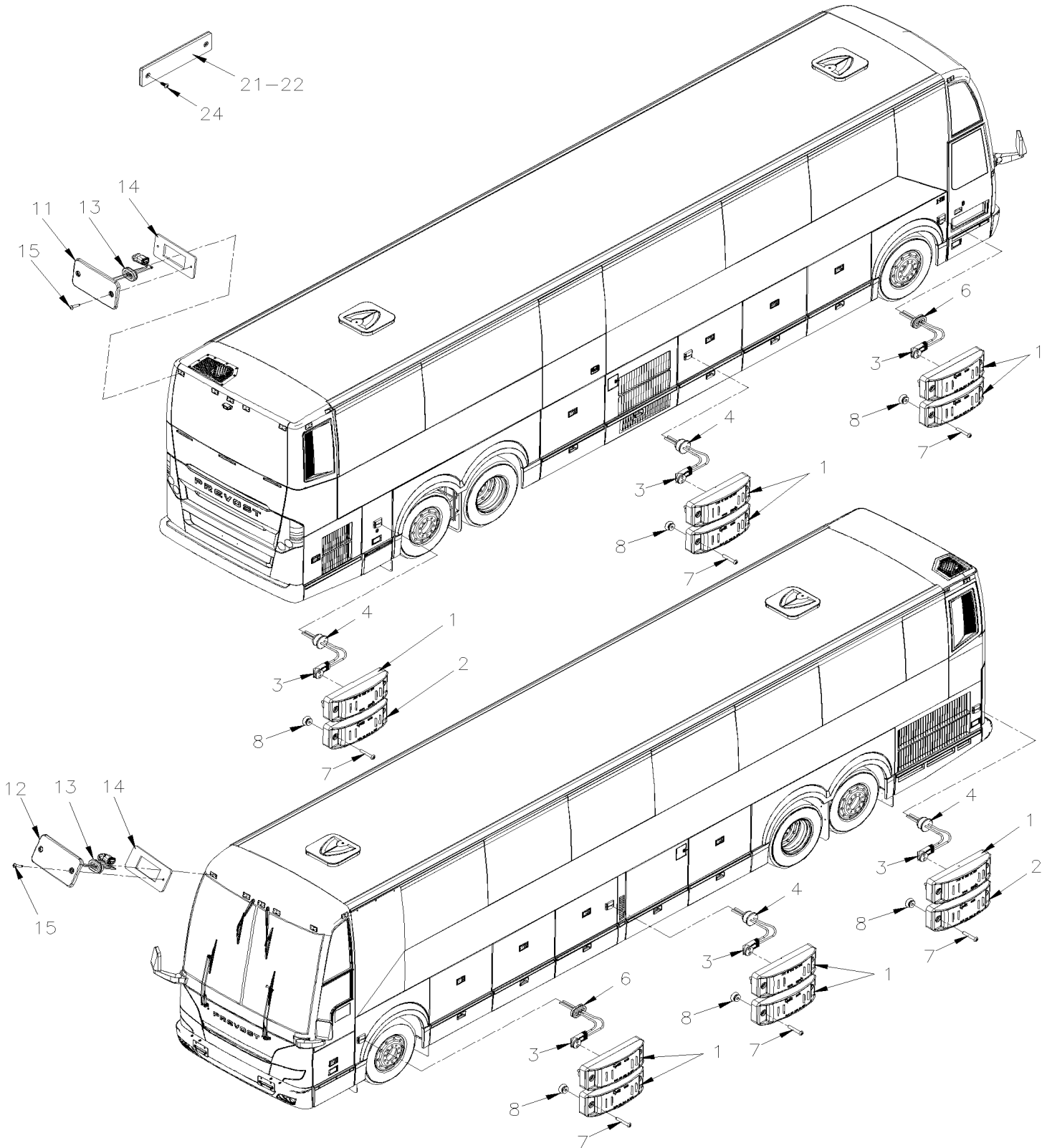


From 7-0671 To J-0287

Date:10/2022

PAGE:H7-0662-00

## CLEARANCE & MARKER LIGHT





<b>From 7-0671 To J-0287</b>	<b>Date:10/2022</b>	<b>PAGE:H7-0662-00</b>
<b>CLEARANCE &amp; MARKER LIGHT</b>		

Item#	Part	Description	H 3 4 1	H 3 4 5	V I P 4 5	N O T E S
1	930401	SIDE MARKER ASSY / AMBER / W/6 LED W/REFLECTOR To D-2281	10	10	10	
1	930443	SIDE MARKER ASSY / AMBER / W/2 LED W/REFLECTOR To D-2281	10	10	10	S
1	930441	SIDE MARKER ASSY / AMBER / W/6 LED W/O REFLECTOR From D-2282	10	10	10	
2	930400	SIDE MARKER ASSY / RED / W/6 LED W/REFLECTOR To D-2281	2	2	2	
2	930444	SIDE MARKER ASSY / RED / W/2 LED W/REFLECTOR To D-2281	2	2	2	S
2	930440	SIDE MARKER ASSY / RED / W/6 LED W/O REFLECTOR From D-2282	2	2	2	
3	562155	CONNECTOR ASSY SEALED 2C / GROTE 6618-G8	AR	AR	AR	B
4	478247	GROMMET 2 HOLESx1.6x23.5MMx10.5MMx16.5MMx28MM	AR	AR	AR	B
NS	430573	CAP PLASTIC / USE W/LIGHT FIXED ON DOOR To 7-0859	AR	AR	AR	
NS	430500	CLOSING PLATE / USE W/LIGHT FIXED ON PANEL To 7-0859	AR	AR	AR	
6	478900	GROMMET, MARKER LIGHT From D-2272	4	4	4	
7	5001042	SCREW MA RND PH #10-32x1 1/4 SS To H-3990	24	24	24	
7	5002021	SCREW MA TR PH #10-32x1 1/4 SS From H-3991	24	24	24	
8	502774	NUT WELL #10-32x.625	24	24	24	
11	066122	LAMP ID & CLEAR -6 LED RED / "JIFFI SPLICE" To C-1928	7	7	7	
. NS	930334	. LAMP ID & CLEAR -LED RED / 6 LEDS To C-1928	1	1	1	
. NS	430630	. SEAL LAMP BLACK 1/8" THICK To C-1928	1	1	1	
. NS	562286	. PIN TERMINAL / 18-16 / DEUTSCH 0460-202-16141 To C-1928	1	1	1	
. NS	561608	. SOCKET TERMINAL / 18-16 / DEUTSCH 0462-201-16141 To C-1928	1	1	1	
11	066526	LAMP ID & CLEAR -3 LED RED / "JIFFI SPLICE" From C-1929 To H-3734	7	7	7	
. NS	930415	. LAMP ID & CLEAR -LED RED / 3 LEDS From C-1929 To H-3734	1	1	1	
. NS	430630	. SEAL LAMP BLACK 1/8" THICK From C-1929 To H-3734	1	1	1	
. NS	562286	. PIN TERMINAL / 18-16 / DEUTSCH 0460-202-16141 From C-1929 To H-3734	1	1	1	
. NS	561608	. SOCKET TERMINAL / 18-16 / DEUTSCH 0462-201-16141 From C-1929 To H-3734	1	1	1	
11	930421	LAMP ID & CLEAR -3 LED RED From H-3735	7	7	7	
NS	563545	SPLICE / JIFFI SPLICE / 16G / DEUTSCH JS16-00 To H-3734	AR	AR	AR	
12	066123	LAMP ID & CLEAR -6 LED AMBER / "JIFFI SPLICE" To C-1928	7	7	7	
. NS	930337	. LAMP ID & CLEAR -LED AMBER / 6 LEDS To C-1928	1	1	1	
. NS	430630	. SEAL LAMP BLACK 1/8" THICK To C-1928	1	1	1	
. NS	562286	. PIN TERMINAL / 18-16 / DEUTSCH 0460-202-16141 To C-1928	1	1	1	
. NS	561608	. SOCKET TERMINAL / 18-16 / DEUTSCH 0462-201-16141 To C-1928	1	1	1	
12	066527	LAMP ID & CLEAR -3 LED AMBER / "JIFFI SPLICE" From C-1929 To H-3734	7	7	7	
. NS	930416	. LAMP ID & CLEAR -LED AMBER / 3 LEDS From C-1929 To H-3734	1	1	1	
. NS	430630	. SEAL LAMP BLACK 1/8" THICK From C-1929 To H-3734	1	1	1	
. NS	562286	. PIN TERMINAL / 18-16 / DEUTSCH 0460-202-16141 From C-1929 To H-3734	1	1	1	
. NS	561608	. SOCKET TERMINAL / 18-16 / DEUTSCH 0462-201-16141 From C-1929 To H-3734	1	1	1	
12	930422	LAMP ID & CLEAR -3 LED AMBER From H-3735	7	7	7	
NS	563545	SPLICE / JIFFI SPLICE / 16G / DEUTSCH JS16-00 To H-3734	AR	AR	AR	
NS	473832	GROMMET 2 HOLESx1.6x11.0MMx2.0MMx8.0MMx16MM To H-3734	14	14	14	B
13	478900	GROMMET, MARKER LIGHT From H-3735	14	14	14	B
14	430630	SEAL LAMP BLACK 1/8" THICK To H-3734	14	14	14	
15	5001547	SCREW PTR TR PH M4x20 G500	28	28	28	

From 7-0671 To J-0287	Date:10/2022	PAGE:H7-0662-00
<b>CLEARANCE &amp; MARKER LIGHT</b>		

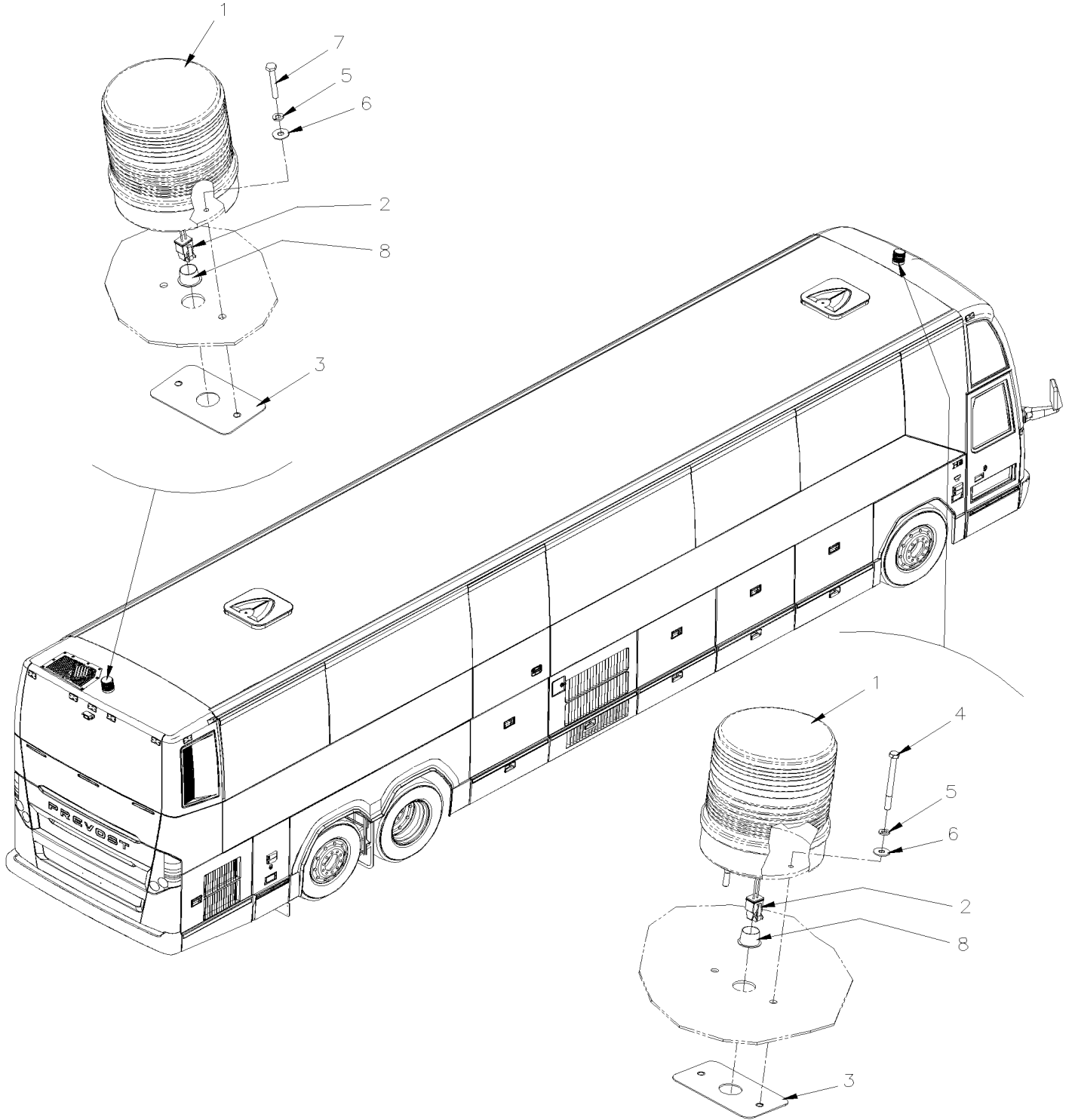
Item#	Part	Description	H 3 4 1	H 3 4 5	V I P 4 5	N O T E S
15	5001055	NUT WELL M4-0.7x14.5	14	14	14	
21	930302	REFLECTOR RED 40MM x 180MM	2	2	2	
22	930374	REFLECTOR AMBER 40MM x 180MM	2	2	2	
23	930320	REFLECTOR RED 1 3/16" x 4 7/16" To A-1720	2	2	2	
24	5001087	SCREW TP BDG PH #10x1/2 SS To A-1720	12	12	12	
24	5001087	SCREW TP BDG PH #10x1/2 SS From B-1721	8	8	8	
24	5001052	NUT AN #10 NYL	2	2	2	
		B) PART OF LAMP HARNESS				
		S) SERVICE				

From F-2878 To J-0184

Date:10/2022

PAGE:H7-0662-10

## BEACON LIGHT INSTALLATION



From F-2878 To J-0184	Date:10/2022	PAGE:H7-0662-10
<b>BEACON LIGHT INSTALLATION</b>		

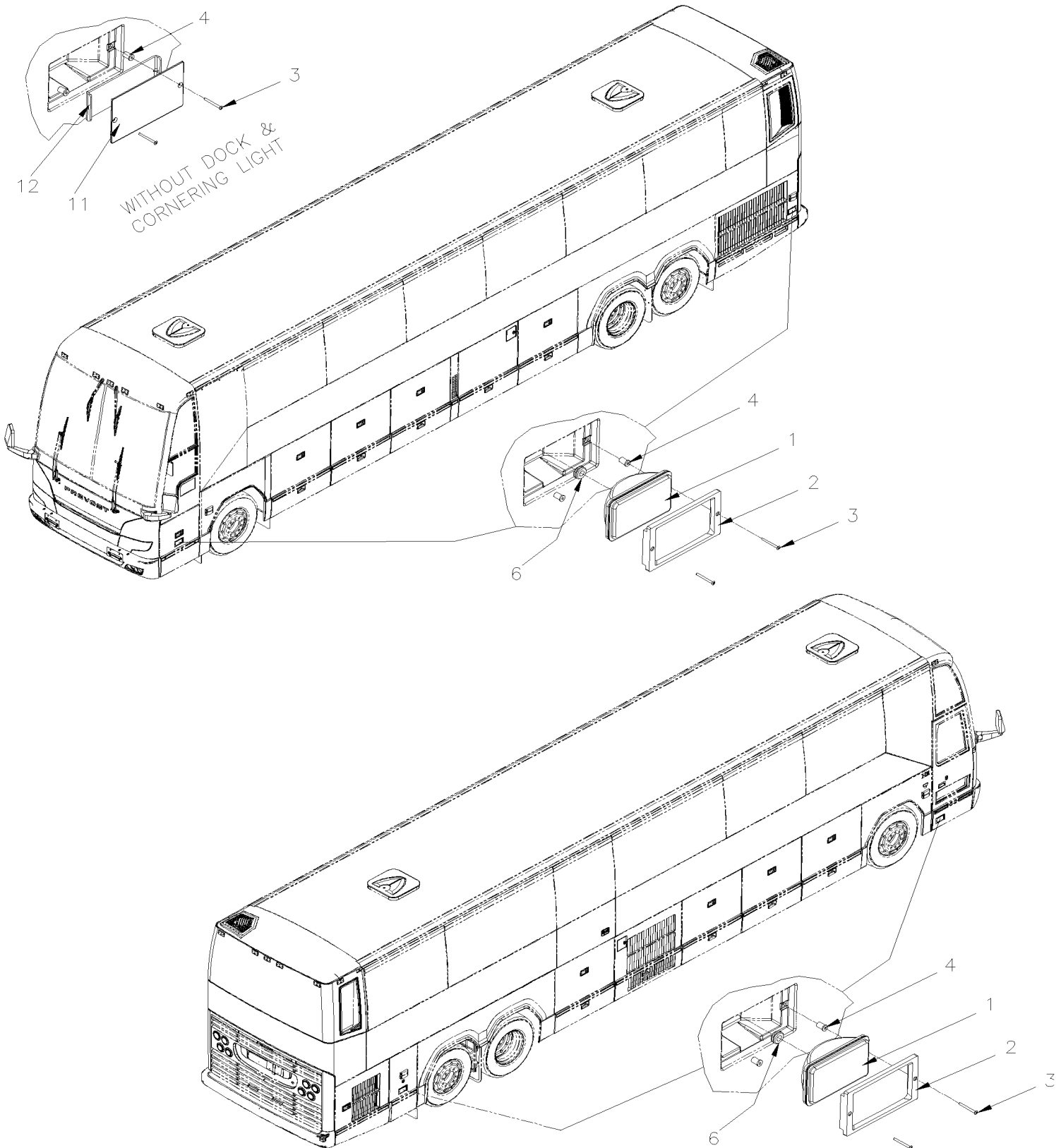
Item#	Part	Description	H 3 4 1	H 3 4 5	V I P 4 5	N O T E S
1	N.S.P.	BEACON LAMP		1		2
2	562485	CONNECTOR / DT SERIES / SH 2C / GRAY / DEUTSCH DT06-2S		2		
3	491496	SUPPORT BEACON LAMP		2		
4	5001817	SCREW CAP HEX M6-1.0x70 G8.8 N500		2		
5	502853	WASHER LO SPT 6.1x11.8x1.6 N500		4		
6	500411	WASHER FL .260x.697x.050 SS		4		
7	502843	SCREW CAP HEX M6-1.0x45 G8.8 N500		2		
8	680468	CAP PLUG ID .708 OD .808		2		
8	684517	ADHESIVE SIMSON #ISR 70-03 / GREY / 310ml CARTRIDGE		AR		
		2) NOT SOLD BY PREVOST (SEE MANUFACTURING PART NUMBER AT END OF DESCRIPTION LINE)				

From 7-0671 To J-0287

Date:10/2022

PAGE:H7-0663-00

## DOCK & CORNERING LIGHT



<b>From 7-0671 To J-0287</b>	<b>Date:10/2022</b>	<b>PAGE:H7-0663-00</b>
<b>DOCK &amp; CORNERING LIGHT</b>		

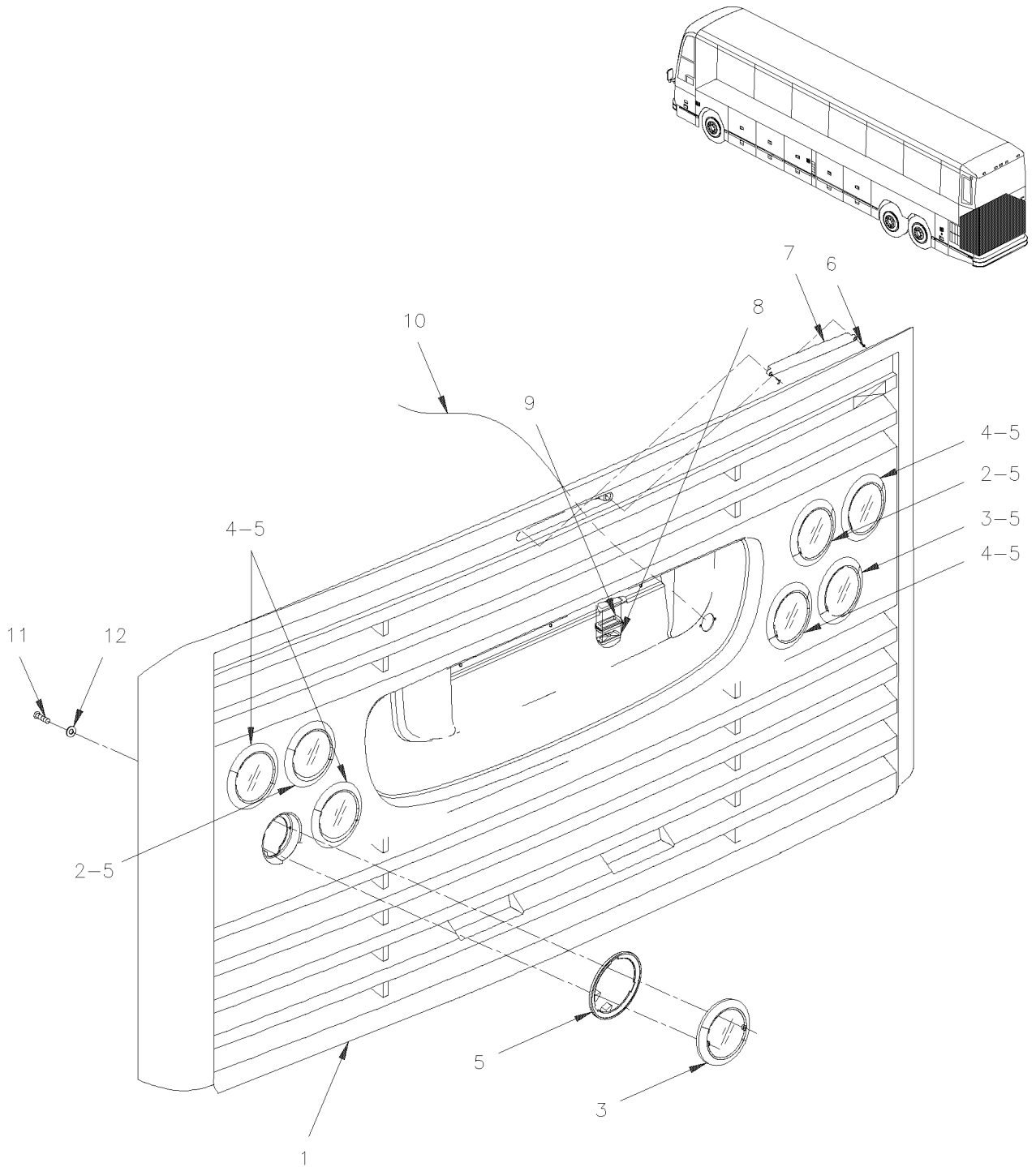
Item#	Part	Description	H 3 4 1	H 3 4 5	V I P 4 5	N O T E S
1	930319	SEAL BEAM / 37.5WATT-12V / SAE# H9415	4	4	4	
NS	430500	CLOSING PLATE / USE W/LIGHT FIXED ON PANEL From B-1721	1	1	1	
1	506191	TAPE RUB ADH1 CC POL 1/8" x 1/4" x 50' / GREY 2520X	AR	AR	AR	
2	473424	BEZEL	4	4	4	
3	502530	SCREW MA OV PH M4-0.7x40 SS	8	8	8	
4	500589	NUT WELL M4-0.7x13.5	8	8	8	
6	504062	GROMMET / .4375x.687x.125x.375x.937	4	4	4	
NS	681095	GREASE "NYOGEL" ELECTRICAL / 1.1 LBS	AR	AR	AR	
NS	680532	SEALANT SIKA #221 / GREY / 310ml CARTRIDGE	AR	AR	AR	
NS	684685	ADHESIVE SIMSON #ISR 70-03 / 310ml CARTRIDGE	AR	AR	AR	
		FOLLOWING ITEMS ARE USED FOR				
		CUT OFF "DOCKING & CORNERING LIGHT" ON COACH				
NS	562697	SWITCH / ON-ON / D.P.D.T. / CH-OVER / W/RED & GREEN LED	1	1		
NS	563620	CAP / DOCKING	1	1		
NS	563621	CAP / CORNERING	1	1		
NS	066613	CABLE "DOCKING & CORNERING LIGHT"	1	1		
8	069115	DOCKING LIGHT, CABLE	1	1		
		WITHOUT DOCK & CORNERING LIGHT				
11	430676	COVER PLATE / DOCKING LIGHT From B-1843	4	4		A
11	430500	CLOSING PLATE / USE W/LIGHT FIXED ON PANEL From B-1843	3	3		A
12	430675	COVER SUPPORT From B-1843	4	4		A
		A) FOR VIRGINIA STATE				

From 7-0671 To A-1720

Date:10/2022

PAGE:H7-0664-00

## REAR EXTERIOR LIGHTS & PLATE HOLDER



From 7-0671 To A-1720	Date:10/2022	PAGE:H7-0664-00
<b>REAR EXTERIOR LIGHTS &amp; PLATE HOLDER</b>		

Item#	Part	Description	H 3 4 1	H 3 4 5	V I P 4 5	N O T E S
1	<b>H7-1870-00</b>	<b>ENGINE DOOR ASSY</b>				
2	930367	LAMP BACK-UP 4" 12Volt / Sealed	2	2	2	A
3	930365	LED AMBER 4" / DIRECTIONAL / REAR 12Volt / 42L (PREVOST)	2	2	2	
4	930366	LED STOP & TAIL 4" 12Volt / 6L (PREVOST)	4	4	4	
5	430554	SUPPORT LAMP	8	8	8	
6	502665	SCREW TP OV PH #6x3/4 SS EMN	2	2	2	
7	930330	CYCLOP LAMP	1	1	1	
. NS	930353	. CAP PLUG SCREW	2	2	2	
8	930368	SEAL LEDS / W/CONNECTOR LEDS - 12VOLTS	2	2	2	
. NS	12015378	. CONNECTOR / WEATHER PACK / SH 2C / GRAY / PED 12015378	1	1	1	
. NS	N.P.N.	. SEAL LEDS / W/CONNECTOR				4
. NS	562348	. CONNECTOR / WEATHER PACK / PH 2C / GRAY / PED 12034074	1	1	1	
. NS	561786	. CABLE SEAL / GRAY / PED 15324980	2	2	2	
. NS	561568	. PIN TERMINAL / 16-14 / PED 12089305	2	2	2	
9	930208	GROMMET RUBBER RETAINER / LICENCE LAMP TL 15700 To 8-1187	2	2	2	
9	930408	GROMMET RUBBER RETAINER / LICENCE LAMP TL 150702 From 8-1188	2	2	2	
10	065782	CABLE ASSY L.H. LAMP / REAR ENGINE DOOR / MUX	1	1	1	
10	065781	CABLE ASSY R.H. LAMP / REAR ENGINE DOOR / MUX	1	1	1	
NS	066003	CABLE ADAPTOR / N.J. D.O.T / TAIL & STOP / SEPARATED TAIL & STOP	2	2	2	N
11	5001547	SCREW PTR TR PH M4x20 G500	16	16	16	
12	502556	WASHER FL 4.3x9.0x0.8 SS	16	16	16	
NS	192215	LED BACK-UP 4" / W/CABLE ADAPTOR & GROMMET 12Volt / 27L	1	1	1	
. A	194114	. LED BACK-UP 4" 12Volt / 27L	1	1	1	
. B	G1076517	. GROMMET 4" I.D, BLACK TL 40700	1	1	1	
. C	N.P.N.	. LED BACK-UP 4" / W/CABLE ADAPTOR & GROMMET	1	1	1	4
NS	G1093246	ADAPTOR HARNESS ASSY / 2 WIRES / TRUCK-LITE 94789	1	1	1	
. NS	562601	. CONNECTOR / SUPERSEAL 1.5 SERIES / SH 3C / AMP 282087-1	1	1	1	
NS	430040	KIT, HEAT SHIELD PROTECTOR 4" O.D. LAMP	AR	AR	AR	
. A	430041	. INSULATING PAD	1	1	1	
. B	430042	. PROTECTOR PLATE	1	1	1	
		A) FOR REPLACE BULB LAMP TO "LEDS" ASK FOR 1 x 192215 + 1 x G1093246				
		N) USE WITH "NEW JERSEY" DOT REGULATION				
		4) NO PARTS NUMBER				

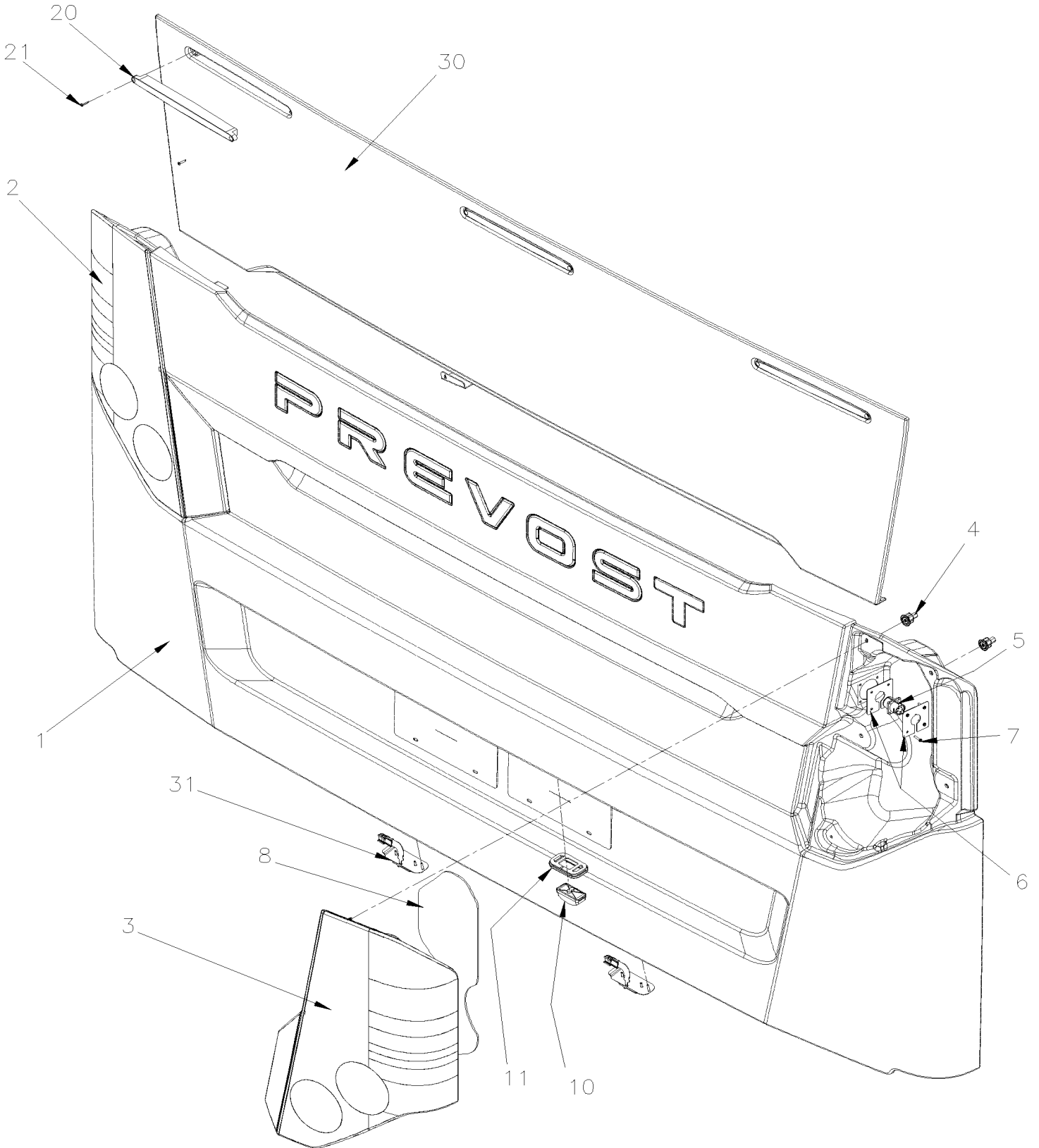


From B-1721 To J-0287

Date:10/2022

PAGE:H7-0664-01

## REAR EXTERIOR LIGHTS & PLATE HOLDER



<b>From B-1721 To J-0287</b>	<b>Date:10/2022</b>	<b>PAGE:H7-0664-01</b>
<b>REAR EXTERIOR LIGHTS &amp; PLATE HOLDER</b>		

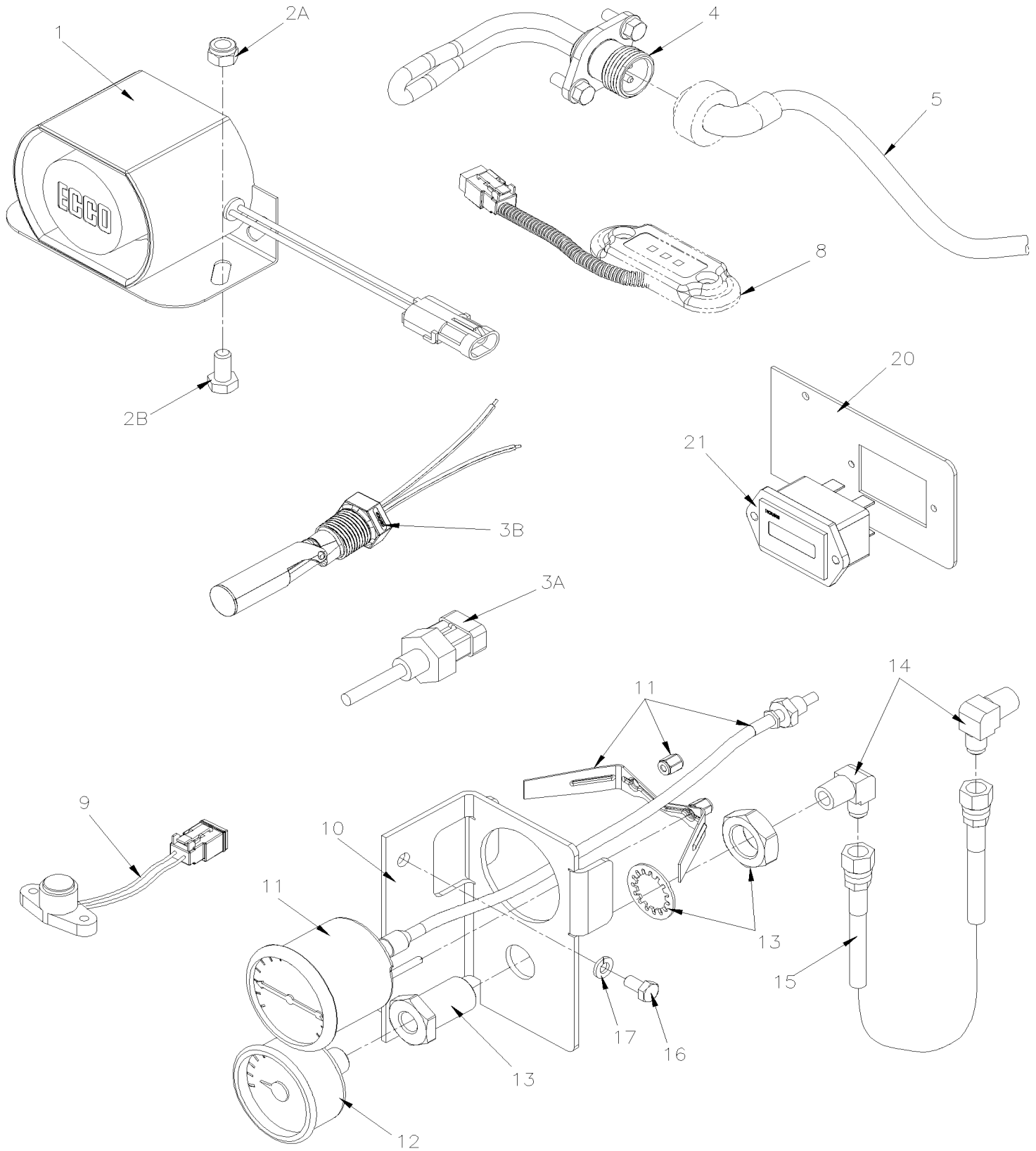
Item#	Part	Description	H 3 4 1	H 3 4 5	V I P 4 5	N O T E S
1	<b>H7-1870-01</b>	<b>ENGINE DOOR ASSY</b>				
2	930432	LAMP ASSY L.H. ENGINE DOOR	1	1	1	
. NS	930435	. DIRECTIONAL LED MODULES	1	1	1	
. NS	930436	. STOP & TAIL LED MODULE	2	2	2	
. NS	564175	. BULB / 16WATT-12VOLTS / SAE# 916	1	1	1	
. NS	930438	. WIRE HARNESS W/CAP SEAL L.H.	1	1	1	
3	930433	LAMP ASSY R.H. ENGINE DOOR	1	1	1	
. NS	930435	. DIRECTIONAL LED MODULES	1	1	1	
. NS	930436	. STOP & TAIL LED MODULE	2	2	2	
. NS	564175	. BULB / 16WATT-12VOLTS / SAE# 916	1	1	1	
. NS	930437	. WIRE HARNESS W/CAP SEAL R.H.	1	1	1	
4	491237	NUT WING / PLASTIC M6-1.0 x 23	10	10	10	
5	067858	CABLE ASSY LAMP / REAR ENGINE DOOR	1	1	1	
NS	564108	SELF MOUNTING STUD // DEUTSCH 1011-310-0205	2	2	2	
6	289679	PLATE CONNECTOR RETAINER TYPE 16 70MMx70MM W/SLOT SS	4	4	4	
7	5001040	SCREW TC PAN PH #6-32x3/4 SS	8	8	8	
8	289813	INSULATION / BACK REAR LAMP	2	2	2	
10	930368	SEAL LEDS / W/CONNECTOR LEDS - 12VOLTS	2	2	2	
. NS	12015378	. CONNECTOR / WEATHER PACK / SH 2C / GRAY / PED 12015378	1	1	1	
. NS	N.P.N.	. SEAL LEDS / W/CONNECTOR				4
. NS	562348	. CONNECTOR / WEATHER PACK / PH 2C / GRAY / PED 12034074	1	1	1	
. NS	561786	. CABLE SEAL / GRAY / PED 15324980	2	2	2	
. NS	561568	. PIN TERMINAL / 16-14 / PED 12089305	2	2	2	
11	930408	GROMMET RUBBER RETAINER / LICENCE LAMP TL 150702	2	2	2	
12	502556	WASHER FL 4.3x9.0x0.8 SS	16	16	16	
13	5001547	SCREW PTR TR PH M4x20 G500	16	16	16	
20	930330	CYCLOP LAMP	3	3	3	
. NS	930353	. CAP PLUG SCREW	2	2	2	
20	067860	CABLE ASSY REAR COMPARTMENT	1	1	1	
20	504448	CABLE CLIP ¼" / ADHESIVE	1	1	1	
21	502665	SCREW TP OV PH #6x3/4 SS EMN	2	2	2	
30	<b>H7-1870-21</b>	<b>REAR ENGINE UPPER DOOR WITH "EPA 2010"</b>				
31	<b>H7-0665-10</b>	<b>SWITCHES, LIGHTS, AJAR - UNDER FLOOR &amp; ENGINE COMPARTMENT</b>				
		4) NO PARTS NUMBER				

From 7-0671 To A-1720

Date:10/2022

PAGE:H7-0665-00

## ENGINE COMPARTMENT - ELECTRIC COMPONENTS



<b>From 7-0671 To A-1720</b>	<b>Date:10/2022</b>	<b>PAGE:H7-0665-00</b>
------------------------------	---------------------	------------------------

**ENGINE COMPARTMENT - ELECTRIC COMPONENTS**

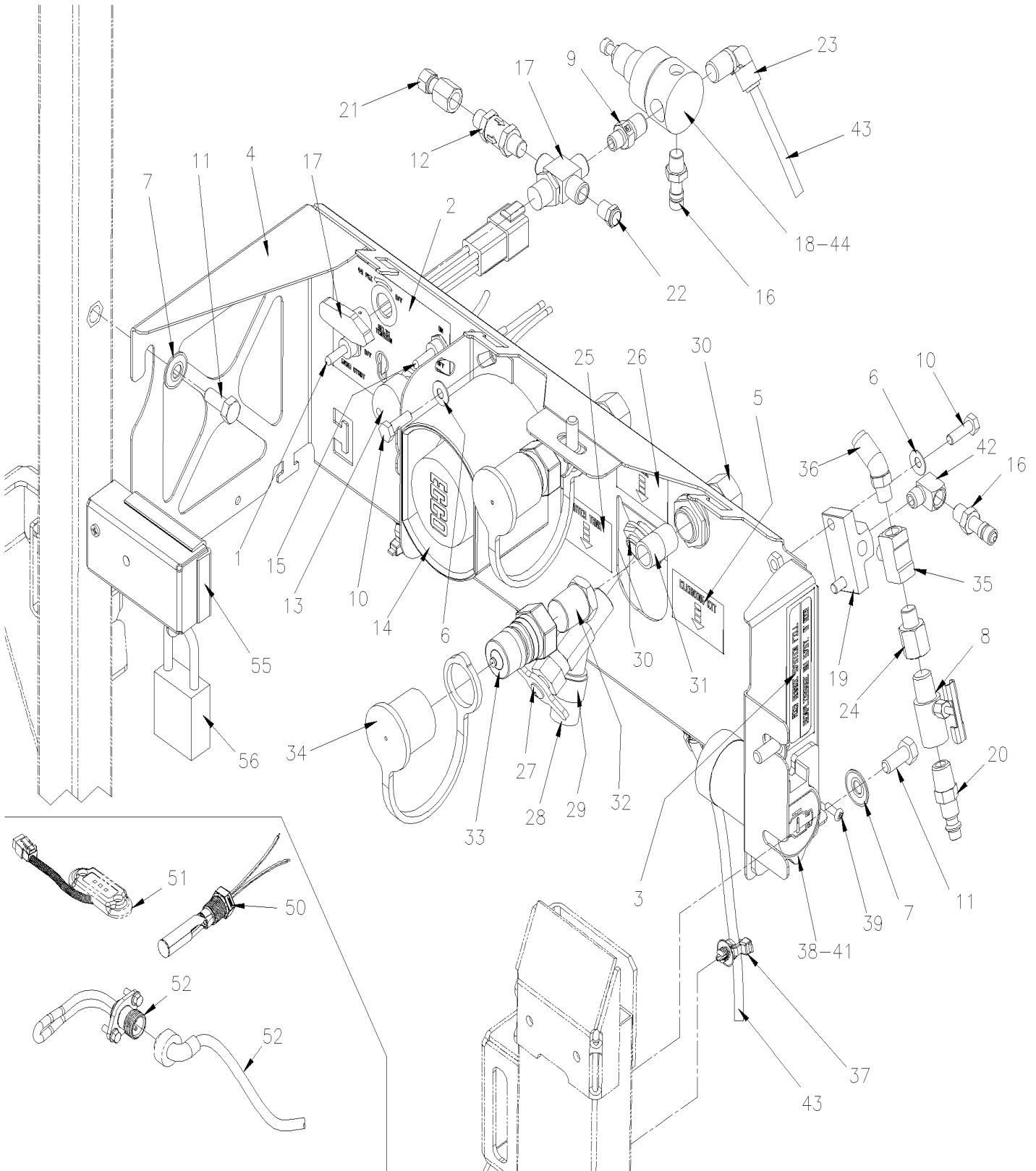
Item#	Part	Description	H 3 4 1	H 3 4 5	V I P 4 5	N O T E S
1	563199	BACK-UP ALARM "ECCO" / 12-36vdc / 107db	1	1	1	
NS	219043	SUPPORT BACK UP ALARM To A-1720	1	1	1	
1	216761	SUPPORT BACK UP ALARM PRELIMIARY US10 From A-1605 To A-1605	1	1	1	
1	216761	SUPPORT BACK UP ALARM PRELIMIARY US10 From A-1573 To A-1573	1	1	1	
2A	5001787	NUT HEX NYRT M8-1.25 SS	2	2	2	
2B	5001527	SCREW CAP HEX M8-1.25x16 SS BK	2	2	2	
3A	562395	SENSOR PROBE "LOW LEVEL COOLANT" / 1/4" NPT	1	1	1	
3A	067304	SENSOR PROBE "LOW LEVEL COOLANT" ASSY / 1/2" NPT From 8-1202	1	1		D13
. NS	564465	. SENSOR PROBE "LOW LEVEL COOLANT" / 1/2" NPT From 8-1202	1	1		D13
. NS	21242838	. SENSOR PROBE "LOW LEVEL COOLANT" / 1/2" NPT From 8-1202	1	1		D13
. NS	563764	. CONNECTOR / CPC SERIES 3 / PH 3C / PED 15300002 From 8-1202	1	1		D13
. NS	563765	. PIN TERMINAL / 18-16 / PED 12048159 From 8-1202	2	2		D13
. NS	563369	. CABLE SEAL / GRAY / PED 12010293 From 8-1202	2	2		D13
. NS	562387	. CONVOLUTED TUBING / SLIT / BLACK / .250" From 8-1202	AR	AR		D13
. NS	562388	. SECONDARY LOCK / METRI-PACK 280 / 2C / BLUE / PED 15300014 From 8-1202	1	1		D13
3B	564463	SENSOR PROBE "LOW LEVEL COOLANT" / 1/4" NPT PROTO To 8-1201	1	1		D13
4	564525	BLOCK HEATER	1	1	1	
4	Refer To Volvo	BLOCK HEATER	1	1	1	V D13
5	<b>H7-0666-00</b>	<b>BLOCK HEATER RECEPTACLE</b>				
8	<b>H7-0665-10</b>	<b>SWITCHES, LIGHTS, AJAR - UNDER FLOOR &amp; ENGINE COMPARTMENT</b>				
9	065290	HEAT DETECTOR "THERMO-DISK" To 8-1169	AR	AR	AR	
9	<b>H7-2320-35</b>	<b>FIRE PROTECTION SYSTEM BUS INSTALLATION To 9-1403</b>				
9	<b>H7-2320-36</b>	<b>FIRE PROTECTION SYSTEM BUS INSTALLATION / EPA 2007 From 9-1404 To A-1720</b>				
10	011952	SUPPORT	AR	AR	AR	
11	562331	GAUGE WATER TEMPERATURE / MECHANICAL (CURRENT)	AR	AR	AR	
12	510481	GAUGE, OIL PRESSURE / MECHANICAL (CURRENT)	AR	AR	AR	
13	501711	BULKHEAD COUPLING / PIPE FITTING / 1/4NPT-Fx1/4NPT-Fx1 1/2 BR	AR	AR	AR	
14	501037	MALE ELBOW 90° / SAE 45° FITTING / #4FL-Mx1/4NPT-M BR	AR	AR	AR	
15	011617	HOSE ASSY TEFLON #4 2615MM	AR	AR	AR	
16	5001743	SCREW CAP HEX M6-1.0x12 G8.8 N500	2	2	2	
17	502564	WASHER LO SPT 6.1x11.8x1.6 Z050	2	2	2	
20	011538	HOURMETER SUPPORT / TOP MOUNT / 93MM X 60MM	1	1	1	
20	017328	HOURMETER SUPPORT / SIDE MOUNT / 100MM X 54MM	1	1	1	
21	560366	HOURMETER 4-40VOLT DC	1	1	1	
		D13) WITH "VOLVO" ENGINE D-13				
		V) SEE IMPACT OR CALL ORDER DESK				

From B-1721 To J-0287

Date:10/2022

PAGE:H7-0665-01

## ENGINE COMPARTMENT - ELECTRIC COMPONENTS AND LAVATORY VALVE



<b>From B-1721 To J-0287</b>	<b>Date:10/2022</b>	<b>PAGE:H7-0665-01</b>
<b>ENGINE COMPARTMENT - ELECTRIC COMPONENTS AND LAVATORY VALVE</b>		

Item#	Part	Description	H 3 4 1	H 3 4 5	V I P 4 5	N O T E S
1	064362	SWITCH ASSY / WATERPROOF	1	1	1	
2	066381	DECAL / "MOTOR SWITCH REGULATOR" / 45PSI / W/3 SWITCHES To B-1771	1	1	1	
2	068302	DECAL / "MOTOR SWITCH REGULATOR" / 45PSI / W/2 SWITCHES From B-1772 To E-2687			1	
2	069129	DECAL / "MOTOR SWITCH REGULATOR" / 30PSI / W/2 SWITCHES From E-2688			1	
2	0610100	DECAL / "MOTOR SWITCH REGULATOR" / 65PSI From J-0101			1	V
2	068302	DECAL / "MOTOR SWITCH REGULATOR" / 45PSI / W/2 SWITCHES From B-1772 To D-2363	1	1		
2	068807	DECAL / "MOTOR SWITCH / W/2 SWITCHES From D-2364	1	1		
2	068302	DECAL / "MOTOR SWITCH REGULATOR" / 45PSI / W/2 SWITCHES From B-1772 To E-2687		1		A
2	069129	DECAL / "MOTOR SWITCH REGULATOR" / 30PSI / W/2 SWITCHES From E-2688		1		A
3	140381	DECAL / "AIR BRAKE SYSTEM FILL" // ENGLISH & FRANCAIS	1	1	1	
3	142369	DECAL / "AIR BRAKE SYSTEM FILL" // ENGLISH & SPANISH	1	1	1	
4	380034	SUPPORT ACCESSORIES To D-2363	1	1	1	
4	382559	SUPPORT ACCESSORIES From D-2364 To H-3734	1	1	1	
4	382591	SUPPORT ACCESSORIES From H-3735	1	1	1	
NS	504398	GROMMET / 1.000x1.375x.062x.437x1.750 From H-3735	1	1	1	
4	380034	SUPPORT ACCESSORIES From D-2364 To H-3734			1	S
5	403551	DECAL / "CLEANING KIT" / ENGLISH	1	1	1	
6	5001833	WASHER BEL SPR 6.1x18x1.27 SS	4	4	4	
7	5001848	WASHER BEL SPR .827 x .331 x .098 th SS To £-13073	5	5	5	
7	5001868	WASHER BEL SPR 8.4x18x2 SS From £-13073	5	5	5	
8	5011129	NEEDLE VALVE 1/4 NPT M x 1/4 NPT F	1	1	1	
9	501650	NIPPLE REDUCER HEX / PIPE FITTING / 1/4NPT-Mx1/8NPT-Mx1 3/16 BR	1	1	1	
10	502622	SCREW CAP HEX M6-1.0x20 SS BK	2	2	2	
11	502780	SCREW CAP HEX M8-1.25x25 SS BK	1	1	1	
12	530175	VALVE, CHECK 1/8 NPT	1	1	1	
13	562484	SWITCH S.P.S.T. / N.C.	1	1	1	
NS	562479	CONNECTOR / DT SERIES / PH 4C / GRAY / DEUTSCH DT04-4P-C015	1	1	1	
NS	562480	SECONDARY LOCK / DT SERIES / PH 4C / DEUTSCH W4P	1	1	1	
NS	562286	PIN TERMINAL / 18-16 / DEUTSCH 0460-202-16141	4	4	4	
14	563199	BACK-UP ALARM "ECCO" / 12-36vdc / 107db	1	1	1	
15	563609	SWITCH / OFF-ON / S.P.S.T. / SEALED W/WIRES ASSY	1	1	1	
16	640488	VALVE, AIR FILL 1/8" NPT	1	1	1	
. NS	650164	. CAP VALVE / CHROME	1	1	1	
17	641417	VALVE, 3 WAYS 1/8NPT-Fx1/8NPT-Fx1/8NPT-F BR To C-2005	1	1	1	
. NS	642014	. HANDLE / RED To C-2005	1	1	1	
17	642161	VALVE, 3 WAYS 1/8NPT-Fx1/8NPT-Fx1/8NPT-F BR From C-2006	1	1	1	
. NS	642014	. HANDLE / RED From C-2006	1	1	1	
18	641472	AIR PRESSURE REGULATOR 1/4" NPT / COPPER	1	1	1	
19	642021	DROP-EAR ELBOW 90° / PIPE FITTING / 1/8NPT-F BR	1	1	1	
20	684613	NIPPLE / QUICK DISCONNECT "INDUSTRIAL" / #4x1/4NPT-M STL	1	1	1	
21	641013	FEMALE CONNECTOR / NTA FITTING / #4x1/8NPT-F BR	1	1	1	
22	641943	SILENCER / MUFFLER / 1/8NPT-M	1	1	1	

From B-1721 To J-0287      Date:10/2022      PAGE:H7-0665-01

## ENGINE COMPARTMENT - ELECTRIC COMPONENTS AND LAVATORY VALVE

Item#	Part	Description	H 3 4 1	H 3 4 5	V I P 4 5	N O T E S
23	641371	MALE ELBOW 90° NON-SWIVEL / PUSH-IN FITTING / #4x1/4NPT-M BR	1	1	1	
24	501310	ADAPTER / PIPE FITTING / 1/4NPT-Fx1/8NPT-M BR	1	1	1	
25	403550	DECAL / "WATER TANK" / ENGLISH	1	1	1	
25	405640	DECAL / "WATER TANK" / ENGLISH & SPANISH	1	1	1	
26	405298	DECAL / "DRAINING WATER TANK" / ENGLISH	1	1	1	
27	501531	DRAIN VALVE 3/8 NPT M x 5/8 HOSE	1	1	1	
28	503006	HOSE 5/8" I.D. 50' / S.L.	AR	AR	AR	
29	504319	HOSE CLAMP / 1"-1"1/2 SS / E.T. 16	1	1	1	
30	641012	BULKHEAD UNION / NTA FITTING / #8x3/8NPT-M BR	2	2	2	
31	501325	NIPPLE / PIPE FITTING / 3/8NPT-Mx3/8NPT-Mx1 BR	2	2	2	
32	501534	BUSHING REDUCER / PIPE FITTING / 1/2NPT-Mx3/8NPT-F BR	1	1	1	
33	900323	NIPPLE / QUICK DISCONNECT "B SERIES" / #10x1/2NPT-F BR	1	1	1	
34	900326	DUST CAP / QUICK DISCONNECT "B SERIES" / #10 VINYL	1	1	1	
35	507589	MALE BRANCHE TEE / PIPE FITTING / 1/8NPT-Fx1/8NPT-Fx1/8NPT-M BR	1	1	1	
36	641365	MALE ELBOW 45° NON-SWIVEL / PUSH-IN FITTING / #4x1/8NPT-M BR	1	1	1	
37	8631155	CABLE TIE / 4.6MM x 200 / CHRISTMAS TREE	1	1	1	
38	<b>H7-0666-00</b>	<b>BLOCK HEATER RECEPTACLE</b>				
39	500623	SCREW TC PAN PH #10-24x3/4 N500	2	2	2	
41	019224	DECAL / BLOCK HEATER	1	1	1	
42	501331	STREET ELBOW 90° / PIPE FITTING / 1/8NPT-Mx1/8NPT-F BR	1	1	1	
43	503402	TUBE, NYLON 1/4 O.D. / BLACK S.L.	AR	AR	AR	
44	680098	THREAD SEALANT LOCTITE #567 / WHITE / 250ml	AR	AR	AR	
45	140381	DECAL / "AIR BRAKE SYSTEM FILL" // ENGLISH & FRANCAIS	1	1	1	
46	871433	FILTER "washable" 1" x 38" X 21"	1	1	1	
50	<b>H7-0510-01</b>	<b>SURGE TANK WITH "EPA 2010" To E-2621</b>	1	1	1	
50	<b>H7-0510-02</b>	<b>SURGE TANK From E-2622</b>	1	1	1	
51	<b>H7-0665-10</b>	<b>SWITCHES, LIGHTS, AJAR - UNDER FLOOR &amp; ENGINE COMPARTMENT</b>	1	1	1	
52	<b>H7-0666-00</b>	<b>BLOCK HEATER RECEPTACLE</b>	1	1	1	
55	G34583	LOCKING BOX ASSEMBLY From F-2953	1	1	1	
56	N.S.P.	PADLOCK From F-2953	1	1	1	2
		A) WITH A/C IN PARCEL RACK				
		S) WITH SMALL A/C SYSTEM				
		V) VOLTA ALTERNATOR OPTION				
		2) NOT SOLD BY PREVOST (SEE MANUFACTURING PART NUMBER AT END OF DESCRIPTION LINE)				



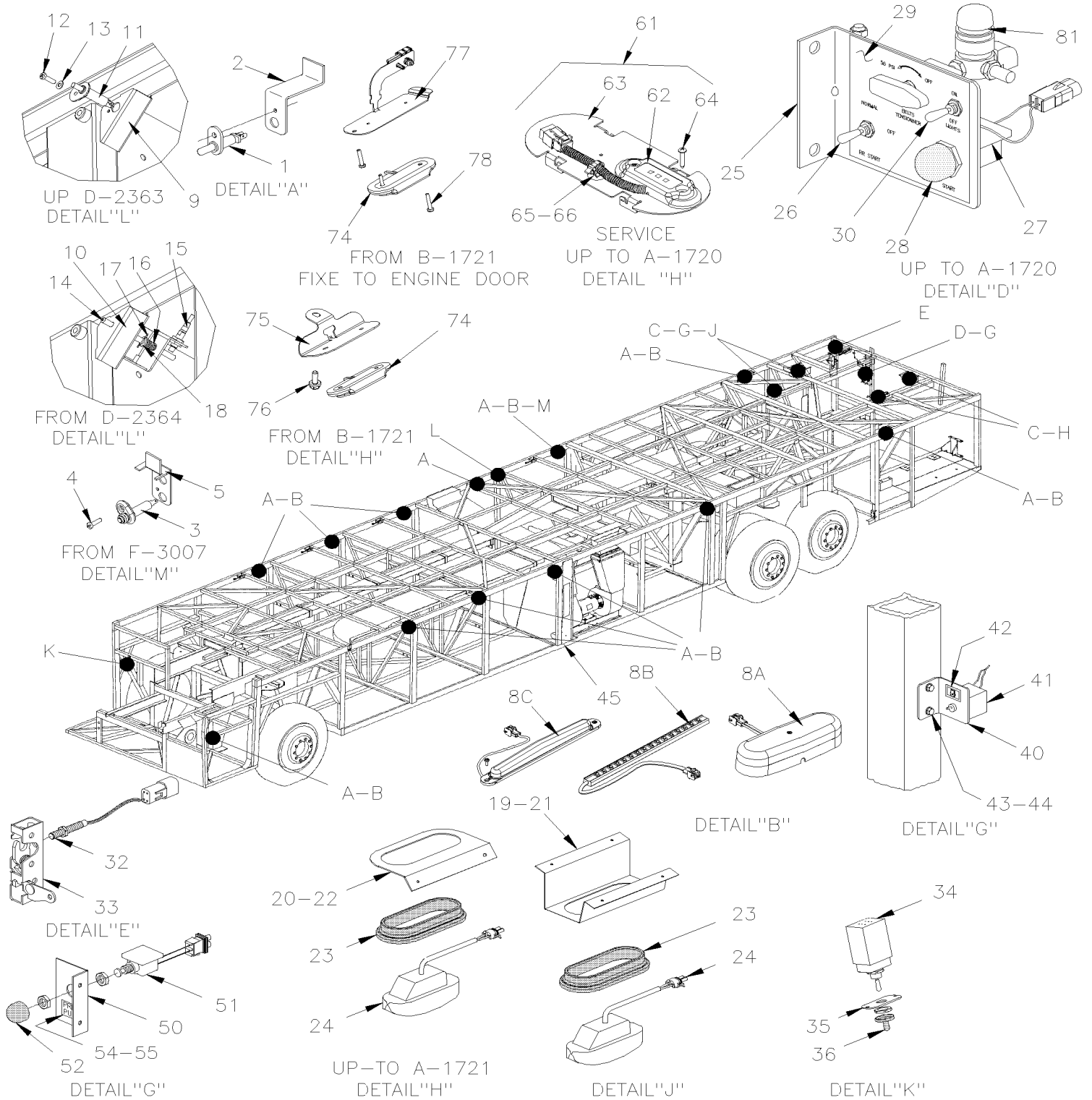


From 7-0671 To J-0287

Date:10/2022

PAGE:H7-0665-10

## SWITCHES, LIGHTS, AJAR - UNDER FLOOR & ENGINE COMPARTMENT



<b>From 7-0671 To J-0287</b>	<b>Date:10/2022</b>	<b>PAGE:H7-0665-10</b>
<b>SWITCHES, LIGHTS, AJAR - UNDER FLOOR &amp; ENGINE COMPARTMENT</b>		

Item#	Part	Description	H 3 4 1	H 3 4 5	V I P 4 5	N O T E S
1	563464	SWITCH / S.P.S.T. / N.C. / W/RUBBER BOOT	AR	AR	AR	
1	563464	SWITCH / S.P.S.T. / N.C. / W/RUBBER BOOT BAGGAGE COMPARTMENT ONLY To G-3205	8	8	8	
1	564272	LOCK SPAGNOLET R.H. / WITH SWITCH BAGGAGE COMPARTMENT ONLY From G-3206	8	8	8	
. NS	565205	. MICRO SWITCH From G-3206	1	1	1	
. NS	563864	. HARDWARES FOR SWITCH From G-3206	1	1	1	
2	066637	SUPPORT / BAGGAGE & REAR SERVICE DOOR To G-3205	AR	AR	AR	
2	069209	SUPPORT / BAGGAGE & REAR SERVICE DOOR To G-3205			AR	
2	066585	SUPPORT / CONDENSOR DOOR To A-1720	1	1	1	
2	289713	SUPPORT / CONDENSOR DOOR From B-1721	1	1	1	
NS	212743	SUPPORT / REAR SERVICE DOOR / (AS SHOWN)	1	1	1	
2	066638	SWITCH SUPPORT / FRONT SERVICE DOOR	1	1	1	
3	563464	SWITCH / S.P.S.T. / N.C. / W/RUBBER BOOT From F-3007	1	1	1	
4	500623	SCREW TC PAN PH #10-24x3/4 N500 From F-3007	1	1	1	
5	069294	SUPPORT / SWITCH From F-3007	1	1	1	
8A	330224	LAMP ASSY 24V / BAGGAGE COMPARTMENT LAMP W/2 BULBS G4-10W To C-1931	AR	AR	AR	
. NS	330396	. BULB / 10 WATTS -28VOLTS / SAE# G4-28 To C-1931	2	2	2	
8B	330299	LAMP ASSY 24V / BAGGAGE COMPARTMENT LAMP / LED From C-1932 To H-3790	AR	AR	AR	K
. NS	561248	. CONNECTOR / UNIVERSAL MATE-N-LOK / PH 2C / AMP 1-480699-0 From C-1932 To H-3790	1	1	1	K
NS	330411	SUPPORT, LIGHT To H-3790	AR	AR	AR	
8C	830008	LAMP ASSY 24V / LED From H-3791	AR	AR	AR	
. NS	561248	. CONNECTOR / UNIVERSAL MATE-N-LOK / PH 2C / AMP 1-480699-0 From H-3791	1	1	1	
NS	500443	SCREW TP PAN PH #8x1/2 N500 To C-1931	AR	AR	AR	
NS	500430	SCREW TC PAN PH #8-32x1 1/4 SS BK From C-1932 To H-3790	AR	AR	AR	
NS	500443	SCREW TP PAN PH #8x1/2 N500 From H-3791	AR	AR	AR	
NS	502868	SCREW TC TR PH #10-16x1/2 N500 To H-3790			6	
NS	500965	SCREW TC BDG PH #8-32x1/2 N500 From H-3791			6	
8D	500653	SCREW TC PAN PH #8-32x1/4 Z050 From H-3791	2	2	2	
NS	504013	TIE MOUNT / 1/4" X 1/4" I.D.	AR	AR	AR	
NS	504637	CABLE TIE / 3/16" x 13"	AR	AR	AR	
9	289713	SUPPORT / CONDENSOR DOOR To D-2363	1	1	1	
10	289014	SUPPORT / SWITCH From D-2364	1	1	1	
11	563464	SWITCH / S.P.S.T. / N.C. / W/RUBBER BOOT To D-2363	1	1		J
11	562303	SWITCH / S.P.S.T. / N.C. To D-2363			1	J
12	500623	SCREW TC PAN PH #10-24x3/4 N500 To D-2363	1	1	1	J
13	500840	WASHER LO EXT .195x.410x.025 N500 To D-2363	1	1	1	J
14	289015	ROD, SWITCH From D-2364	1	1	1	J
15	068076	SWITCH PROXIMITY WITH LED ASSY From D-2364	1	1	1	J
. NS	564176	. SWITCH PROXIMITY / S.P.D.T. / W/3 WIRES W/LED From D-2364	1	1	1	J
16	5021001	SPRING COMPRESSION / .360 O.D. x 1.5 x .038 From D-2364	1	1	1	J
17	5001860	PIN HITCH CLIP .054 x 3/4 SS From D-2364	1	1	1	J
18	502573	WASHER FL 6.4x12.5x1.6 SS From D-2364	1	1	1	J
19	430567	LAMP ASSY W/CONNECTOR / "U" SHAPE	1	1	1	

<b>From 7-0671 To J-0287</b>	<b>Date:10/2022</b>	<b>PAGE:H7-0665-10</b>
<b>SWITCHES, LIGHTS, AJAR - UNDER FLOOR &amp; ENGINE COMPARTMENT</b>		

Item#	Part	Description	H 3 4 1	H 3 4 5	V I P 4 5	N O T E S
20	430629	LAMP ASSY W/CONNECTOR / "L" SHAPE To A-1720	1	1	1	
20	491125	SUPPORT FIRE NOZZLE, LAMP & SENSOR ASSY To 9-1403	1	1	1	
20	Call order desk	SUPPORT FIRE NOZZLE, LAMP & SENSOR ASSY From 9-1404 To A-1720	1	1	1	P
21	052503	. SUPPORT LAMP / "U" SHAPE To A-1720	1	1	1	
22	430628	. SUPPORT LAMP / "L" SHAPE To A-1720	1	1	1	
22	491123	. SUPPORT FIRE NOZZLE, LAMP & SENSOR To 9-1403	1	1	1	
22	491194	. SUPPORT FIRE NOZZLE, LAMP & SENSOR From 9-1404 To A-1720	1	1	1	
NS	506338	. RUBBER CHANNEL / 1/16" x 1/4" INT "U" SHAPE / ROUND C.T.L. To A-1720	1	1	1	
23	930382	. GROMMET OBLONG, BLACK To A-1720	1	1	1	
23	689819	. LUBRICANT CLEAR LUBE 32A / 2 LBS To A-1720	AR	AR	AR	
24	930383	. LAMP ASSY CLEAR SEALED / BACK-UP 12V To A-1720	1	1	1	A
25	066382	PLATE SWITCH SUPPORT / W/3 SWITCHES	1	1	1	
26	064362	SWITCH ASSY / WATERPROOF	1	1	1	
27	064555	SWITCH ASSY	1	1	1	
27	562484	. SWITCH S.P.S.T. / N.C.	1	1	1	
28	561891	. CAP RUBBER	1	1	1	
NS	562479	. CONNECTOR / DT SERIES / PH 4C / GRAY / DEUTSCH DT04-4P-C015	1	1	1	
NS	562286	. PIN TERMINAL / 18-16 / DEUTSCH 0460-202-16141	AR	AR	AR	
NS	562480	. SECONDARY LOCK / DT SERIES / PH 4C / DEUTSCH W4P	1	1	1	
29	066381	DECAL / "MOTOR SWITCH REGULATOR" / 45PSI / W/3 SWITCHES	1	1	1	
29	067624	DECAL / "MOTOR SWITCH REGULATOR" / 25PSI / W/3 SWITCHES From 8-1362	1	1		B
30	563609	SWITCH / OFF-ON / S.P.S.T. / SEALED W/WIRES ASSY	1	1	1	
32	065011	SWITCH PROXIMITY ASSY To A-1720	1	1	1	G
. NS	562950	. SWITCH PROXIMITY / S.P.D.T. / W/3 WIRES To A-1720	1	1	1	G
. NS	561566	. CONNECTOR / WEATHER PACK / PH 2C / BLACK / PED 12010973 To A-1720	1	1	1	G
32	065557	SWITCH PROXIMITY ASSY To A-1720	1	1	1	
32	068053	SWITCH PROXIMITY WITH LED ASSY From B-1721 To D-2157	1	1	1	
. NS	564176	. SWITCH PROXIMITY / S.P.D.T. / W/3 WIRES W/LED From B-1721 To D-2157	1	1	1	
32	068076	SWITCH PROXIMITY WITH LED ASSY From D-2158	1	1	1	
. NS	564176	. SWITCH PROXIMITY / S.P.D.T. / W/3 WIRES W/LED From D-2158	1	1	1	
NS	562949	MAGNET ROUND .200x.700 DIA	1	1	1	
32	068145	KIT, RETROFIT PROXIMITY SWITH / "H" SERIES To A-1720	1	1	1	C
. NS	065557	. SWITCH PROXIMITY ASSY To A-1720	2	2	2	C
. NS	065558	. CABLE INTERFACE / SWITHS AND MAIN HARNESS To A-1720	2	2	2	C
. NS	289705	. PLATE RETAINER / W/SWITCH SUPPORT / 66MM X 25.4MM To A-1720	1	1	1	C
. NS	289706	. GUIDE PIN PLATE / SIDE SENSOR / 60MM X 140MM To A-1720	1	1	1	C
. NS	289707	. SUPPORT ANGLE / PROXIMITY SWITCH To A-1720	1	1	1	C
. NS	504717	. RIVET POP DOME OE 1/8x1/4 SS To A-1720	2	2	2	C
32	068621	KIT SERVICE / PROXIMITY SWITCH CONNECTOR From B-1721 To D-2157	1	1	1	C
. NS	564555	. CONNECTOR / DT SERIES / SH 3C / BLACK / DEUTSCH DT06-3S-CE02 From B-1721 To D-2157	1	1	1	C
. NS	564556	. BACKSHELL / DT SERIES / 3C / DEUTSCH 1011-259-0305 From B-1721 To D-2157	1	1	1	C
. NS	IS-12059	. SEE INSTRUCTION SHEET From B-1721 To D-2157	1	1	1	C

From 7-0671 To J-0287	Date:10/2022	PAGE:H7-0665-10
<b>SWITCHES, LIGHTS, AJAR - UNDER FLOOR &amp; ENGINE COMPARTMENT</b>		

Item#	Part	Description	H 3 4 1	H 3 4 5	V I P 4 5	N O T E S
32	068622	KIT SERVICE / PROXIMITY SWITCH From B-1721 To D-2157	1	1	1	C
. NS	068076	. SWITCH PROXIMITY WITH LED ASSY From B-1721 To D-2157	1	1	1	C
. . NS	564176	. . SWITCH PROXIMITY / S.P.D.T. / W/3 WIRES W/LED From B-1721 To D-2157	1	1	1	C
. NS	IS-12059	. SEE INSTRUCTION SHEET From B-1721 To D-2157	1	1	1	C
33	<b>H7-1870-10</b>	<b>REAR ENGINE DOOR - INSTALLATION</b>				
34	563047	SWITCH ASSY / WATERPROOF	1	1		
35	473454	SUPPORT	1	1		
36	560241	RUBBER PROTECTOR, TOGGLE SWITCH	1	1		
37	214053	SUPPORT MAGNETIC SWITCH	1	1		
40	148405	SUPPORT / SWITCH FAN CLUTCH	1	1		
41	563609	SWITCH / OFF-ON / S.P.S.T. / SEALED W/WIRES ASSY	1	1		
42	565859	DECAL "FAN CLUTCH PICTOGRAM"	1	1		
43	502848	SCREW TC CAP HEXF 1/4-20x3/4 N500	2	2		
44	955920	WASHER LO SPT 6.5x11.5x1.6 ZP	2	2		
45	505056	ANTISTATIC STRAP / UNDER STRUCTURE	1	1		
50	064856	SUPPORT SWITCH	1	1		D
51	064554	SWITCH ASSY W/CONNECTOR	1	1		D
51	562484	. SWITCH S.P.S.T. / N.C.	1	1		
NS	561690	. CONNECTOR / WEATHER PACK / SH 2C / BLACK / PED 12015792	1	1		
NS	561565	. CABLE SEAL / GREEN / PED 15324982	2	2		
NS	561578	. SOCKET TERMINAL / 16-14 / PED 12010182	2	2		
52	561891	. . CAP RUBBER	1	1		
54	064099	DECAL "PRIME PUMP" / ENGLISH	1	1		E
54	066049	DECAL "PRIME PUMP" / ENGLISH & SPANISH	1	1		E
NS	064101	CABLE ASSY / SWITCH & PUMP	1	1		
NS	064128	CABLE ASSY / STUD GRD & CONNECTOR C-220 IN REAR JUNCT.BOX	1	1		
55	065466	DECAL / LAVATORY PUMP FLUSH / ENGLISH & FRANCAIS	1	1		
55	066050	DECAL / LAVATORY PUMP FLUSH / ENGLISH & SPANISH	1	1		
61	430672	KIT, LAMP LED / ENGINE COMPARTMENT To A-1720	1	1	1	
. A	430671	. LAMPE LED ASSY To A-1720	2	2	2	
. B	563590	. CONNECTOR / DTM SERIES / PH 2C / GRAY / DEUTSCH DTM04-2P To A-1720	2	2	2	
. C	563588	. PIN TERMINAL / 20-16 / DEUTSCH 0460-202-20141 To A-1720	6	6	6	
. D	563536	. RING TERMINAL .3125 / 12-10 / AMP 33459 To A-1720	1	1	1	
. E	562120	. FUSE / 2 AMPS / 3AG-2 To A-1720	1	1	1	
. F	560067	. FUSE HOLDER IN LINE To A-1720	1	1	1	
. . NS	8905111	. . TERMINAL FUSE HOLDER To A-1720	QR	QR	QR	
. G	563593	. CONNECTOR W/END OF LINE RESISTOR 120R / DTM SERIES / SH 2C / GRAY / DEUTSCH DTM06-2S-P006 To A-1720	1	1	1	
. H	561608	. SOCKET TERMINAL / 18-16 / DEUTSCH 0462-201-16141 To A-1720	1	1	1	
. I	562286	. PIN TERMINAL / 18-16 / DEUTSCH 0460-202-16141 To A-1720	3	3	3	

<b>From 7-0671 To J-0287</b>	<b>Date:10/2022</b>	<b>PAGE:H7-0665-10</b>
<b>SWITCHES, LIGHTS, AJAR - UNDER FLOOR &amp; ENGINE COMPARTMENT</b>		

Item#	Part	Description	H 3 4 1	H 3 4 5	V I P 4 5	N O T E S
. J	562806	. SOCKET TERMINAL / 20-16 / AMP 927779-3 To A-1720	2	2	2	
. K	562953	. BUTT SPLICE / 16-14 / BLUE / AMP 55825-1 To A-1720	2	2	2	
. L	560784	. SHRINK TUBING / .250" - .080" / BLACK / ALPHA FIT-300-1/4-4B To A-1720	AR	AR	AR	
. M	564099	. TAPE ADHESIF ELECTRICAL TISSUS / BLACK 838MM To A-1720	AR	AR	AR	
. N	564088	. CONVOLUTED TUBING / .125" POLYPROPYLENE To A-1720	AR	AR	AR	
. O	561258	. WIRE CABLE 18 / RED / GXL To A-1720	AR	AR	AR	
. P	561261	. WIRE CABLE 18 / BLACK / GXL To A-1720	AR	AR	AR	
. Q	560673	. WIRE CABLE 16 / BLACK / GXL To A-1720	AR	AR	AR	
. R	560667	. WIRE CABLE 12 / RED / GXL To A-1720	AR	AR	AR	
61	430671	. LAMPE LED ASSY To A-1720	1	1	1	
61	IS-10016	. . SEE INSTRUCTION SHEET To A-1720				
62	563845	. . LAMP ASSY 24V / W/LEDS To A-1720	1	1	1	
. NS	563589	. . . CONNECTOR / DTM SERIES / SH 2C / GRAY / DEUTSCH DTM06-2S-E007 To A-1720	1	1	1	
63	430670	. . SUPPORT ENGINE COMPARTMENT LAMP To A-1720	1	1	1	
64	500235	. . SCREW TP BDG PH #6x3/4 N500 To A-1720	2	2	2	
65	509815	. . TIE MOUNT / ATTACHMENT W/TREE MOUNT To A-1720	1	1	1	
66	504637	. . CABLE TIE / 3/16" x 13" To A-1720	1	1	1	
70	148405	SUPPORT / SWITCH FAN CLUTCH	1	1		H
71	563609	SWITCH / OFF-ON / S.P.S.T. / SEALED W/WIRES ASSY	1	1		H
72	565859	DECAL "FAN CLUTCH PICTOGRAM"	1	1		H
73	502848	SCREW TC CAP HEXF 1/4-20x3/4 N500	2	2		H
73	955920	WASHER LO SPT 6.5x11.5x1.6 ZP	2	2		H
74	563845	LAMP ASSY 24V / W/LEDS From B-1721	4	4	4	
. NS	563589	. CONNECTOR / DTM SERIES / SH 2C / GRAY / DEUTSCH DTM06-2S-E007 From B-1721	1	1	1	
75	068065	SUPPORT LAMP From B-1721	2	2	2	
76	5001730	SCREW CAP HEXF M6-1.0x16 G10.9 N500 From B-1721	2	2	2	
77	287678	SUPPORT LAMP From B-1721	1	1	1	S
77	564108	SELF MOUNTING STUD // DEUTSCH 1011-310-0205	2	2	2	S
NS	068170	SUPPORT LAMP From B-1721 To F-2749	1	1	1	
78	5001040	SCREW TC PAN PH #6-32x3/4 SS From B-1721	6	6	6	S
81	<b>H7-0120-00</b>	<b>DRIVE PULLEY, BELTS &amp; TENSIONER WITH DETROIT S-60</b>				
81	<b>H7-0120-01</b>	<b>DRIVE PULLEY, BELTS &amp; TENSIONER WITH VOLVO D13 &amp; 2x140Amps</b>				
		A) FOR PRODUCT IMPROVEMENT LIFE OF THIS LAMP ASK KIT # 430672 FOR REPLACEMENT				
		B) WITH A/C COMPRESSOR "BITZER"				
		C) SERVICE				
		D) USE WITH PRIME PUMP & LAVATORY FLUSH				

From 7-0671 To J-0287	Date:10/2022	PAGE:H7-0665-10
-----------------------	--------------	-----------------

**SWITCHES, LIGHTS, AJAR - UNDER FLOOR & ENGINE COMPARTMENT**

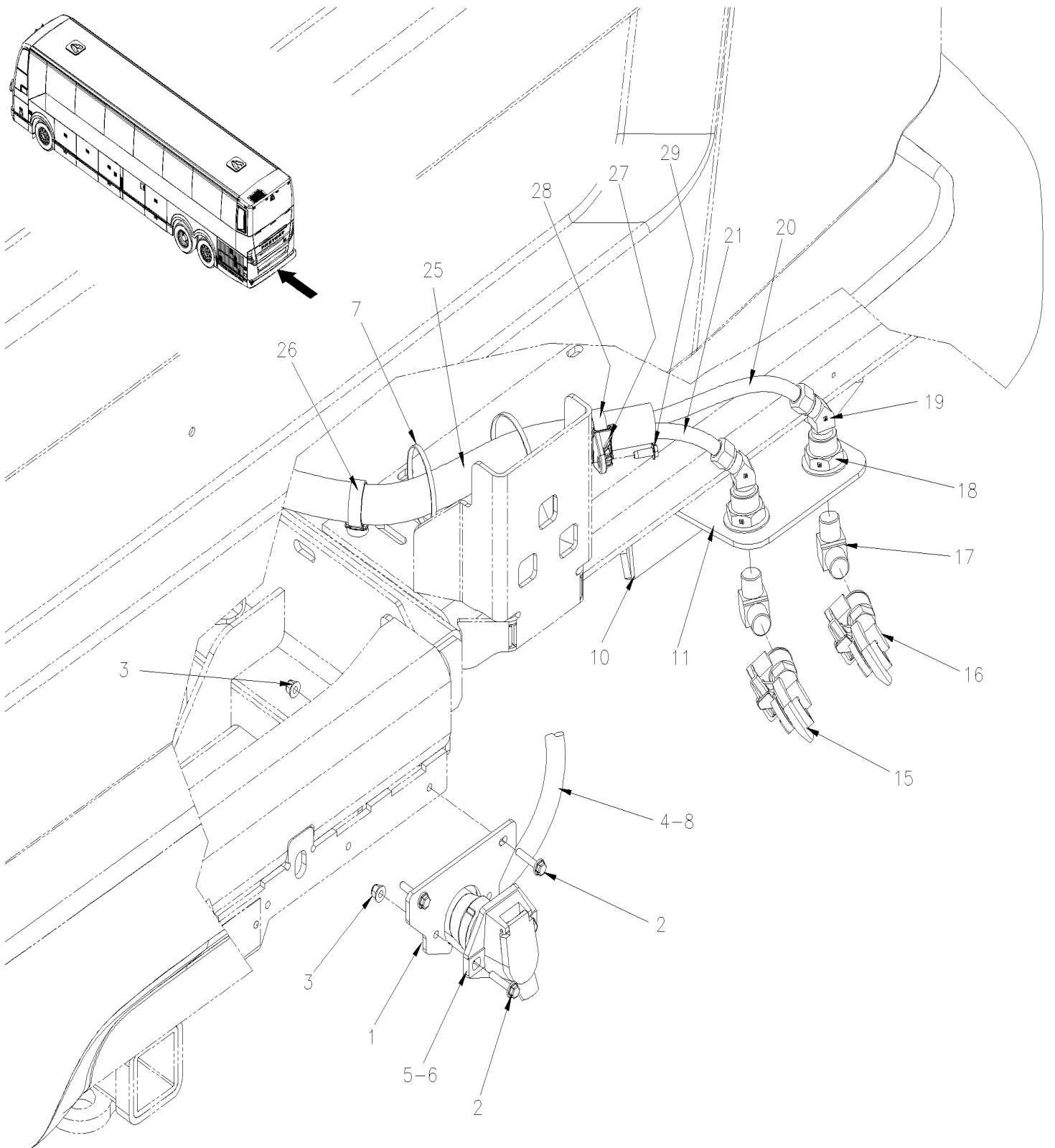
Item#	Part	Description	H 3 4 1	H 3 4 5	V I P 4 5	N O T E S
		E) IN ENGINE COMPARTMENT WITH KIT #064824				
		G) FOR PRODUCT IMPROVEMENT OF THIS SWITCH ASK KIT # 068145 FOR REPLACEMENT				
		H) WITH FAN CLUTCH STOP SWITCH FIXED ON POST				
		J) WITH CURD SIDE FUEL DOOR				
		K) WHEN YOU REPLACE LAMP #330299 BY THE NEW LAMP #830008 YOU HAVE TO DRILL HOLE TO INSTALL IT WITH TWO SCREWS #500443 OR #500965				
		S) FIX TO ENGINE DOOR				
		P) CALL ORDER DESK FOR SPECIFIC APPLICATION (V.I.N.)				

From 7-0671 To J-0184

Date:10/2022

PAGE:H7-0665-20

## CABLE TRAILER - INSTALLATION - BUS





From 7-0671 To J-0184	Date:10/2022	PAGE:H7-0665-20
-----------------------	--------------	-----------------

## CABLE TRAILER - INSTALLATION - BUS

Item#	Part	Description	H 3 4 1	H 3 4 5	V I P 4 5	N O T E S
1	410998	SUPPORT ELECTRICAL CONECTOR	1	1		
2	5001815	SCREW CAP HEXF M6-1.0x30 G 8.8 N500	4	4		
3	502681	NUT HEX NYRT M6-1.0 N500 G8 To E-2621	4	4		
3	5001932	NUT HEXF NYRT M6-1.0 G8.8 N500 From E-2622	4	4		
4	066272	CABLE ASSY / TRAILER CONNECTOR / "POLLAK" CONNECTOR To C-2091	1	1		
4	068532	CABLE ASSY / TRAILER CONNECTOR / "POLLAK" CONNECTOR From C-2092	1	1		
4	067309	CABLE ASSY / TRAILER CONNECTOR / "TRUCK-LITE" CONNECTOR	1	1		
5	563224	. CONNECTOR MALE 7C / POLLAK 15-720	1	1		
6	563225	. BOOT PROTECTOR / POLLAK 15-740	1	1		
7	504637	CABLE TIE / 3/16" x 13"	AR	AR		
8	8631155	CABLE TIE / 4.6MM x 200 / CHRISTMAS TREE	3	3		
10	410996	PROTECTOR VALVE CONNECTOR	1	1		
11	410997	SUPPORT QUICK CONNECT HOSE CONNECTOR To F-2901	1	1		
11	411336	SUPPORT QUICK CONNECT HOSE CONNECTOR From F-2902	1	1		
15	641938	GLANDHAND W/DUST COVER "RED"	1	1		
15	641957	GLANDHAND SWING-AWAY "RED"	AR	AR		A
15	644957	CAP / GLANDHAND SWING-AWAY	1	1		
16	641939	GLANDHAND W/DUST COVER "BLUE"	1	1		
16	641958	GLANDHAND SWING-AWAY "BLUE"	AR	AR		A
16	644957	CAP / GLANDHAND SWING-AWAY	1	1		
17	501713	MALE ELBOW 90° / PIPE FITTING / 1/2NPT-Mx1/2NPT-M BR	2	2		
18	501796	BULKHEAD COUPLING / PIPE FITTING / 1/2NPT-Fx1/2NPT-Fx1 1/2 BR	2	2		
19	641089	MALE ELBOW 45° / NTA FITTING / #8x1/2NPT-M BR	2	2		
20	503406	TUBE, NYLON 1/2 O.D. / GREEN S.L.	AR	AR		
21	503638	TUBE, NYLON 1/2 O.D. / BROWN S.L.	AR	AR		
25	562218	CONVOLUTED TUBING / UNSLIT / BLACK & GRAY / 1.000"	AR	AR		
26	504750	CABLE TIE / 1/2" x 15" / CHRISTMAS TREE	AR	AR		
27	504772	ATTACHMENT USE WITH CABLE TIE 5/16 BOLT	1	1		
28	509491	CABLE TIE / 13MM x 383MM	1	1		
29	502848	SCREW TC CAP HEXF 1/4-20x3/4 N500	1	1		
50	<b>H7-1220-50</b>	<b>TRAILER VALVE INSTALLATION To E-2504</b>				
50	<b>H7-1220-51</b>	<b>TRAILER VALVE INSTALLATION From E-2505</b>				
		A) THOSE GLANDHAND ARE INSTALLED ON REAR ENGINE DOOR				

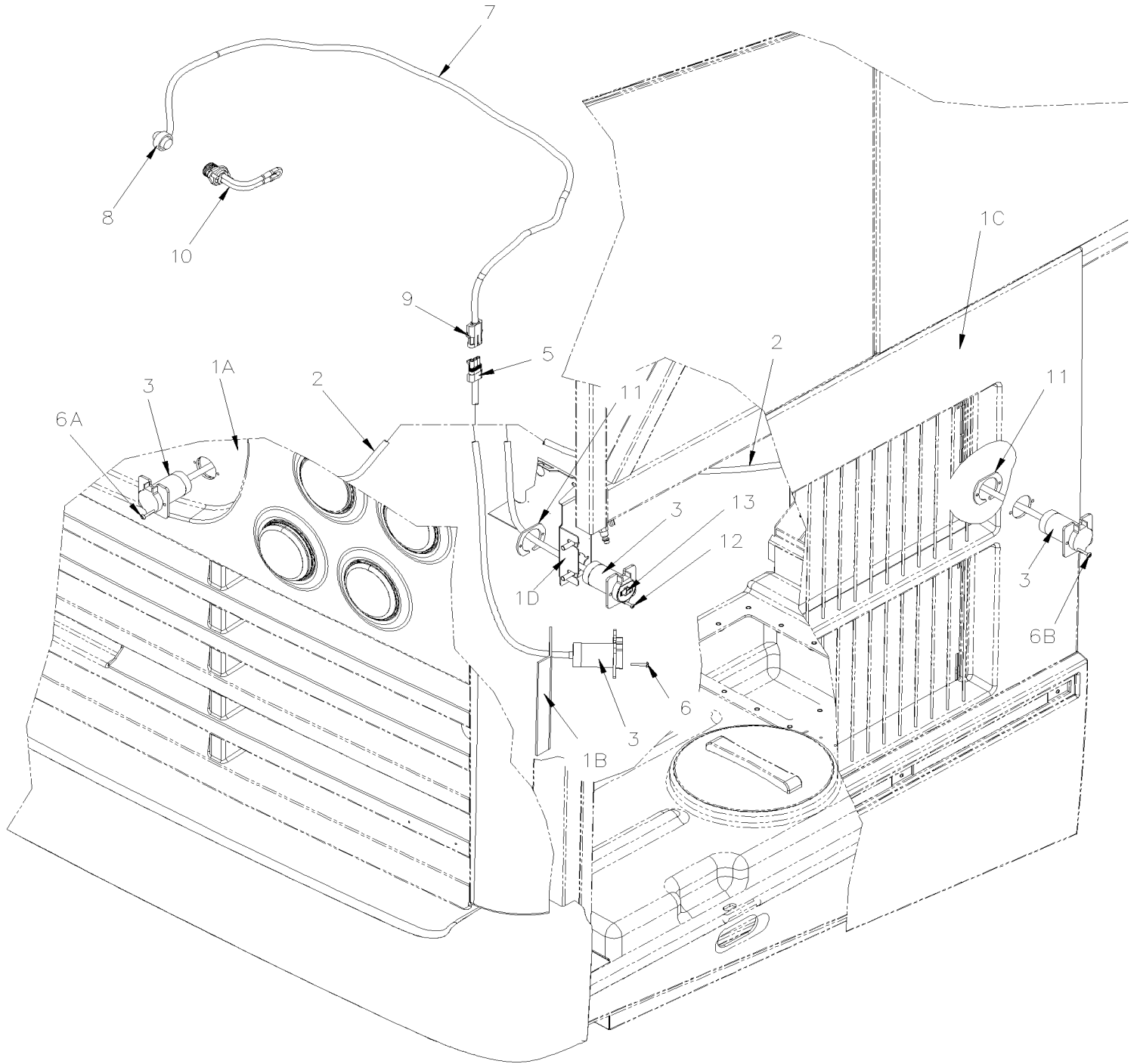


From 7-0671 To J-0184

Date:10/2022

PAGE:H7-0666-00

BLOCK HEATER RECEPTACLE

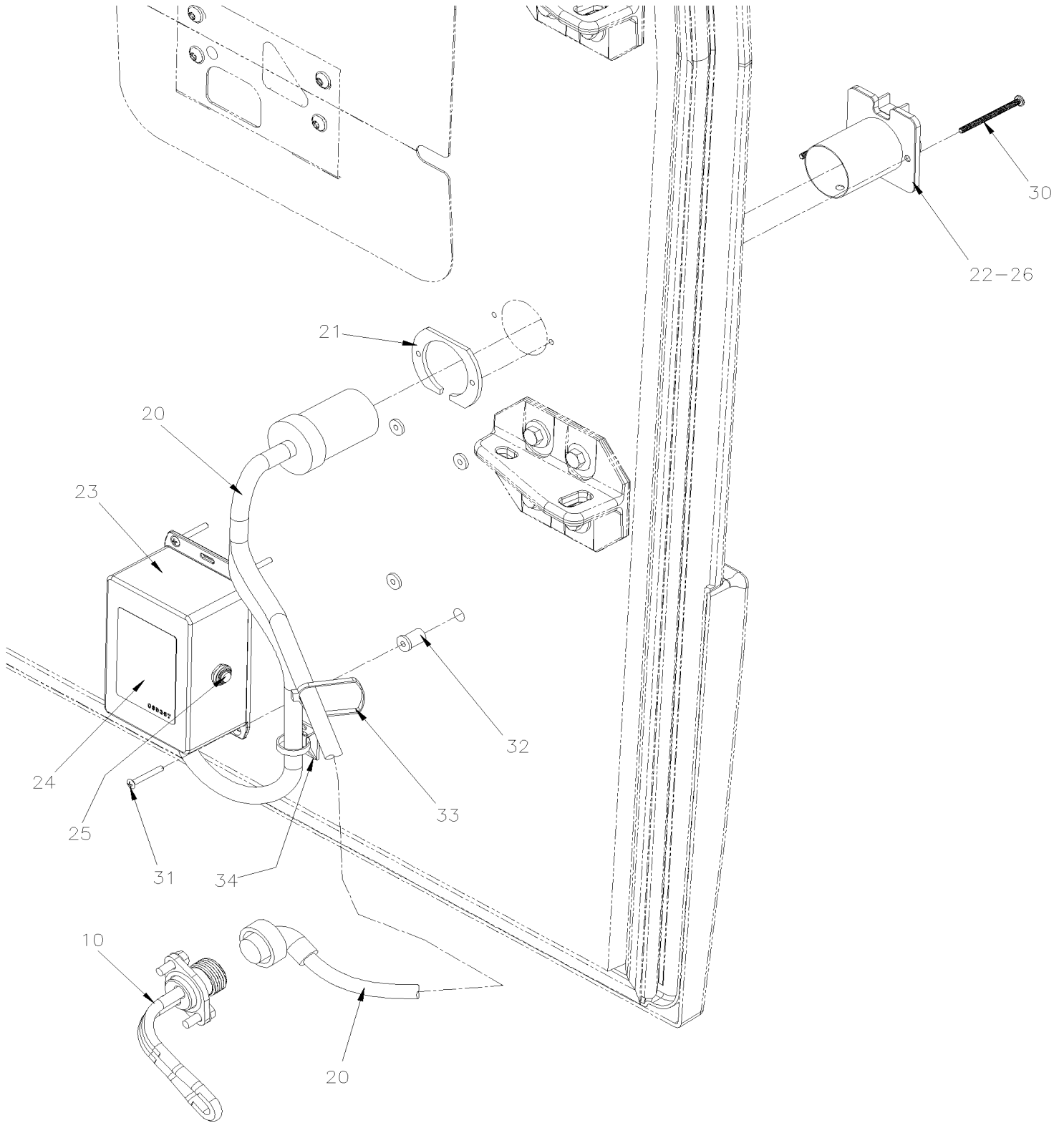


From 7-0671 To J-0184

Date:10/2022

PAGE:H7-0666-00

BLOCK HEATER RECEPTACLE



<b>From 7-0671 To J-0184</b>	<b>Date:10/2022</b>	<b>PAGE:H7-0666-00</b>
<b>BLOCK HEATER RECEPTACLE</b>		

Item#	Part	Description	H 3 4 1	H 3 4 5	V I P 4 5	N O T E S
1A	H7-1870-00	ENGINE DOOR ASSY To A-1720				
1B	215740	SUPPORT BACK UP ALARM & 110V OUTLET To A-1720				
1C	H7-1866-00	EVAPORATOR DOOR ASSY From B-1721				
1D	H7-0665-01	ENGINE COMPARTMENT - ELECTRIC COMPONENTS AND LAVATORY VALVE From B-1721				
2	067411	CABLE ASSY / 110V BLOCK HEATER To D-2271	1	1	1	
2	068723	CABLE ASSY / 110V BLOCK HEATER From D-2272	1	1	1	
NS	8631155	CABLE TIE / 4.6MM x 200 / CHRISTMAS TREE From D-2364	AR	AR	AR	
3	564103	. RECEPTACLE ASSY W/CORD To D-2271	1	1	1	
5	561782	. CONNECTOR / WEATHER PACK / SH 3C / BLACK / PED 12015793 To D-2271	1	1	1	
NS	561786	. CABLE SEAL / GRAY / PED 15324980 To D-2271	3	3	3	
NS	561778	. WIRE CABLE 12 / BLUE / TEW To D-2271	3	3	3	
NS	561783	. SEAL PLUG CAVITY / GREEN / PED 12010300 To D-2271	2	2	2	
6A	502677	SCREW MA RND PH M4-0.7x25 SS	2	2	2	
6B	5001562	SCREW MA PAN PH M4-0.7x50 SS	2	2	2	
7	067413	CABLE ASSY / 110V BLOCK HEATER ENGINE SECTION To D-2271	1	1	1	
8	564102	. HEATER PLUG ASSY	1	1	1	
8	019224	. DECAL / BLOCK HEATER	1	1	1	
NS	561681	. CONVOLUTED TUBING / SLIT / BLACK & GRAY / .350"	AR	AR	AR	
9	561781	. CONNECTOR / WEATHER PACK / PH 3C / BLACK / PED 12010717 To D-2271	1	1	1	
NS	561568	. PIN TERMINAL / 16-14 / PED 12089305 To D-2271	3	3	3	
NS	561786	. CABLE SEAL / GRAY / PED 15324980 To D-2271	3	3	3	
10	564525	BLOCK HEATER To A-1720	1	1	1	S60
10	Refer To Volvo	BLOCK HEATER	1	1	1	V D13
10	Refer To Volvo	HEATER, OIL PAN	1	1	1	V D13
10	21762285	ENGINE HEATER, 120V 1500W From H-3826	1	1	1	
11	064388	FIXATION RING	1	1	1	
12	5001676	SCREW MA PAN PH M4-0.7x12 MAGNI 565	2	2	2	
13	019224	DECAL / BLOCK HEATER	1	1	1	
20	069440	CABLE ASSY / 110V BLOCK HEATER From G-3053	1	1		B
21	064388	FIXATION RING From G-3053	1	1		B
22	564103	RECEPTACLE ASSY W/CORD From G-3053	1	1		B
23	Call order desk	BOX, ABS W/FLANGED LID WIHTOUT BREAKER From G-3053	1	1		P B
24	069367	DECAL, 120VAC ENG. BLOCK HEATER PROT. From G-3053	1	1		B
25	565184	BREAKER 20AMPS / 250V / From G-3053	1	1		B
26	019224	DECAL / BLOCK HEATER From G-3053	1	1		B
30	5001562	SCREW MA PAN PH M4-0.7x50 SS From G-3053	2	2		B
31	502809	SCREW MA OV PH M4-0.7x30 SS BK From G-3053	4	4		B
32	500589	NUT WELL M4-0.7x13.5 From G-3053	4	4		B
33	504637	CABLE TIE / 3/16" x 13" From G-3053	2	2		B
34	562679	4 WAY ADH. BACKED MOUNTS 1.000 x 1.000 x .160 From G-3053	1	1		B

From 7-0671 To J-0184	Date:10/2022	PAGE:H7-0666-00
-----------------------	--------------	-----------------

**BLOCK HEATER RECEPTACLE**

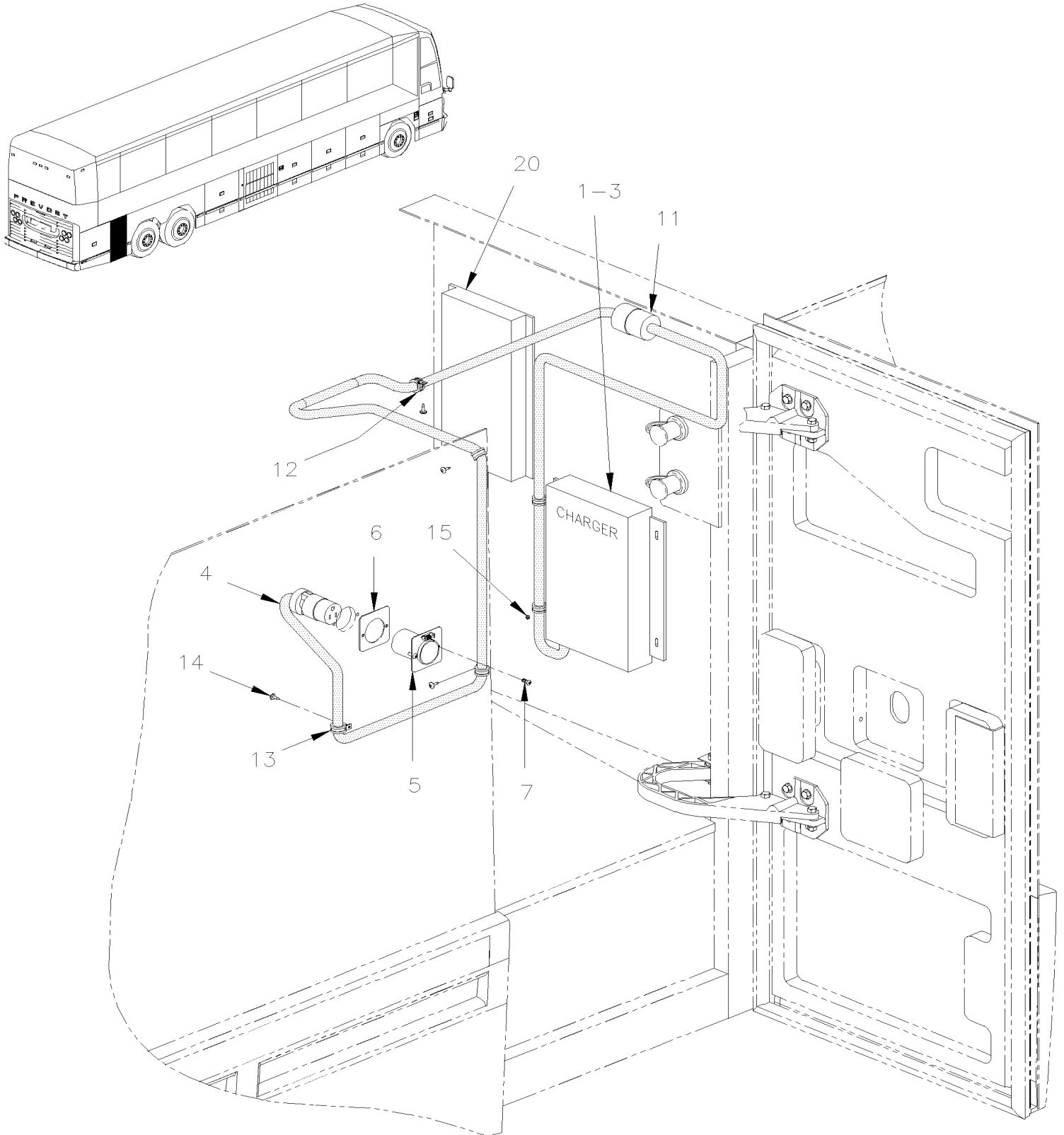
Item#	Part	Description	H 3 4 1	H 3 4 5	V I P 4 5	N O T E S
		B) OPTION WITH FRONT BLOCK HEATER PLUG				
		D13) WITH "VOLVO" ENGINE				
		S60) WITH DETROIT S60				
		P) CALL ORDER DESK FOR SPECIFIC APPLICATION (V.I.N.)				
		V) SEE IMPACT OR CALL ORDER DESK				

From 7-0671 To J-0184

Date:10/2022

PAGE:H7-0670-10

## BATTERIES CHARGER - INSTALLATION



From 7-0671 To J-0184	Date:10/2022	PAGE:H7-0670-10
<b>BATTERIES CHARGER - INSTALLATION</b>		

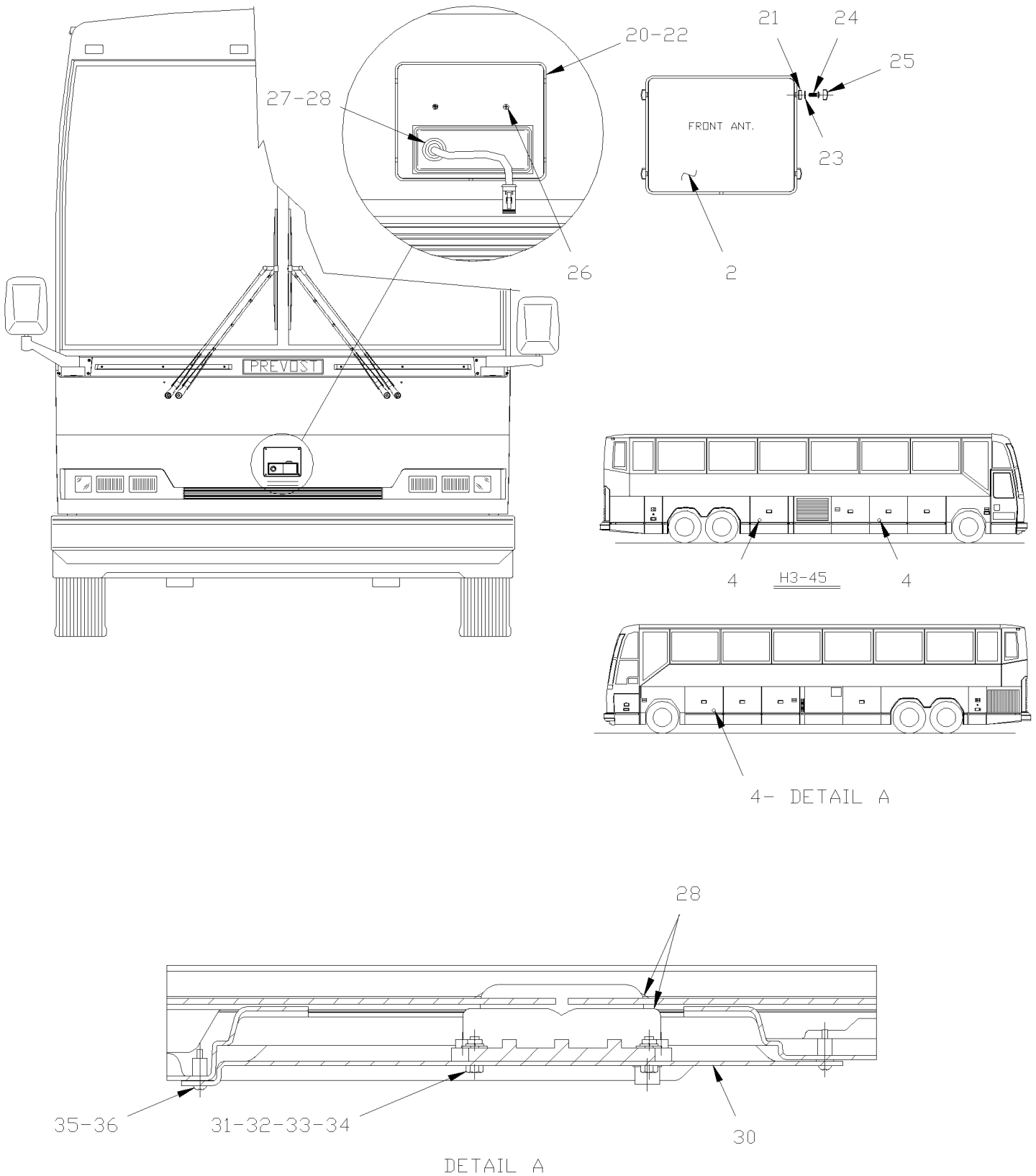
Item#	Part	Description	H 3 4 1	H 3 4 5	V I P 4 5	N O T E S
	065415	SUPPORT BATTERIES CHARGER	1	1		
1	562967	BATTERY CHARGER 24V	1	1		
4	066226	CABLE ASSY WITH OUTLET / DOOR SECTION	1	1		
NS	561681	CONVOLUTED TUBING / SLIT / BLACK & GRAY / .350"	AR	AR		
5	561572	. RECEPTACLE ASSY W/CORD	1	1		
6	064388	. FIXATION RING	1	1		
7	502677	. SCREW MA RND PH M4-0.7x25 SS	4	4		
11	561932	. CONNECTOR / 15 AMPS / HUBBELL 5269-C	1	1		
12	952637	CLAMP / 1"1/16 I.D.	1	1		
13	952631	CLAMP / 3/4" I.D.	1	1		
14	500590	NUT HEX NYRT M4-0.7 Z050	1	1		
15	502565	NUT HEX M6-1.0 SS	4	4		
15	502570	WASHER LO SPT 6.1x11.8x1.6 SS	4	4		
15	500411	WASHER FL .260x.697x.050 SS	4	4		
NS	509490	ATTACHMENT DOUBLE USE WITH CABLE TIE	1	1		
NS	504016	CABLE TIE / 5/16" X 14"1/2	2	2		
NS	502681	NUT HEX NYRT M6-1.0 N500 G8	1	1		
20	<b>H7-0615-00</b>	<b>BATTERIES COMPARTMENT - INSTALLATION From 7-0671 To D-2363</b>				
20	<b>H7-0615-01</b>	<b>BATTERIES COMPARTMENT - INSTALLATION From D-2364</b>				
NS	068112	DECAL / ICON "BATTERY CHARGER" 41.5MM O.D.	1	1		A
NS	068113	DECAL / ICON "BATTERY WARMER" 41.5MM O.D.	1	1		A
NS	382255	SUPPORT	1	1		B
NS	067411	CABLE ASSY / 110V BLOCK HEATER	1	1		B
NS	561932	CONNECTOR / 15 AMPS / HUBBELL 5269-C	1	1		B
		A) THIS DECAL IT FIXED OUTSIDE OF RECEPTACLE (# 561572) COVER				
		B) WITH BATTERIES CHARGER INSIDE COMPRESSOR COMPERTMENT				

From 7-0671 To A-1720

Date:10/2022

PAGE:H7-0675-00

## SYSTEM - "VORAD"

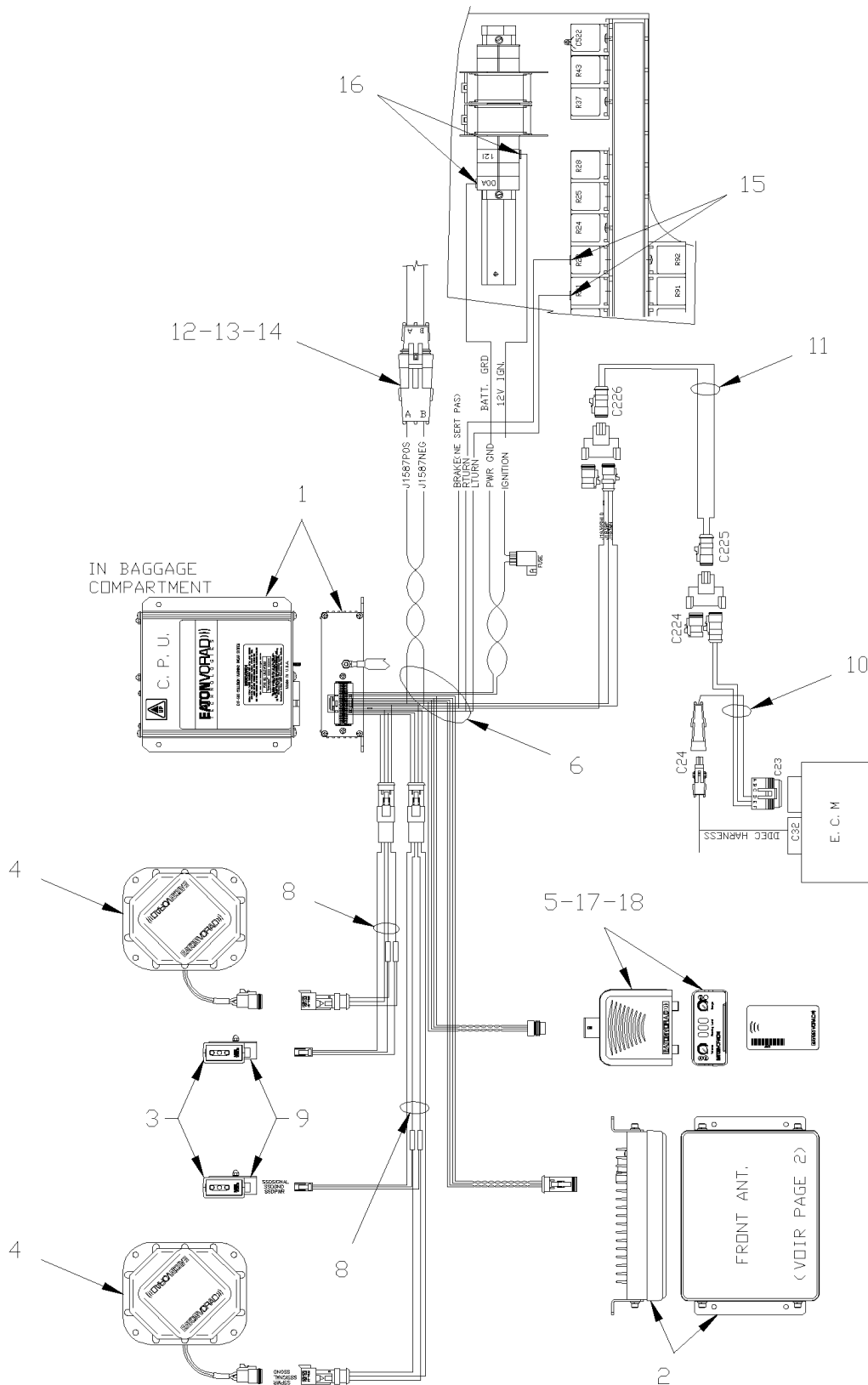


From 7-0671 To A-1720

Date:10/2022

PAGE:H7-0675-00

## SYSTEM - "VORAD"





<b>From 7-0671 To A-1720</b>	<b>Date:10/2022</b>	<b>PAGE:H7-0675-00</b>
<b>SYSTEM - "VORAD"</b>		

Item#	Part	Description	H 3 4 1	H 3 4 5	V I P 4 5	N O T E S
1	563192	MODULE CONTROL "VORAD"	1	1	1	
NS	381997	SUPPORT, MODULE CONTROL	1	1	1	
2	563188	FRONT SENSOR ANTENNA	1	1	1	
3	563189	FRONT SENSOR & DISPLAY	2	2	2	
4	563191	SIDE SENSOR ANTENNA	2	2	2	
5	563190	DRIVER'S DISPLAY	1	1	1	
6	065608	CABLE ASSY / MAIN	1	1	1	
8	065609	CABLE ASSY / SIDE ANTENNA	2	2	2	
9	7770276	BRACKET FRONT SENSOR, LH	1	1	1	
9	7770277	BRACKET FRONT SENSOR, RH	1	1	1	
10	065591	CABLE ASSY / ECM	1	1	1	
11	065592	CABLE ASSY / J1939	1	1	1	
12	561566	CONNECTOR / WEATHER PACK / PH 2C / BLACK / PED 12010973	1	1	1	
13	561568	PIN TERMINAL / 16-14 / PED 12089305	2	2	2	
14	561565	CABLE SEAL / GREEN / PED 15324982	2	2	2	
15	561181	TAB RECEPTACLE TERMINAL / 12 / AMP 60508-2	2	2	2	
16	561700	SPRING SPADE TERMINAL #8 / 16-14 / AMP 52936	2	2	2	
17	382008	SUPPORT, DRIVER'S DISPLAY	1	1	1	
18	5001479	SCREW TP BDG PH #6x3/8 SS EMN	8	8	8	
20	382009	BOX , FRONT ANTENNA	1	1	1	
21	504399	WASHER RETAINER SNAP CAP #10	4	4	4	
22	506785	TAPE RUB ADH2 CC POL 1/16" x 1/4" x 200' / BLACK I1C-N-A	AR	AR	AR	
23	5001544	WASHER LO EXT .195x.410x.025 SS	4	4	4	
24	5001543	SCREW MA PAN PH #10-32x1/2 SS	4	4	4	
25	504403	SNAP CAP #8 FINISHING BLACK	4	4	4	
26	500952	SCREW TP BDG PH #8x1/2 SS	2	2	2	
27	504671	GROMMET / .687x1.000x.125x.437x1.312	1	1	1	
28	682462	ADHESIVE SIKA #252 / BLACK / 310ml CARTRIDGE	AR	AR	AR	
30	381995	SUPPORT, SIDE SENSOR ANTENNA	2	2	2	
31	502622	SCREW CAP HEX M6-1.0x20 SS BK	12	12	12	
32	500411	WASHER FL .260x.697x.050 SS	8	8	8	
33	502570	WASHER LO SPT 6.1x11.8x1.6 SS	12	12	12	
34	502565	NUT HEX M6-1.0 SS	12	12	12	
35	500589	NUT WELL M4-0.7x13.5	8	8	8	
36	502677	SCREW MA RND PH M4-0.7x25 SS	8	8	8	
NS	382012	KIT RETROFIT / "VORAD" SYSTEM	AR	AR	AR	
. NS	IS-01171	. SEE INSTRUCTION SHEET	1	1	1	
NS	563193	VDO CASSETTE DRIVER'S TRAINING "VORAD CRUISE"	AR	AR	AR	

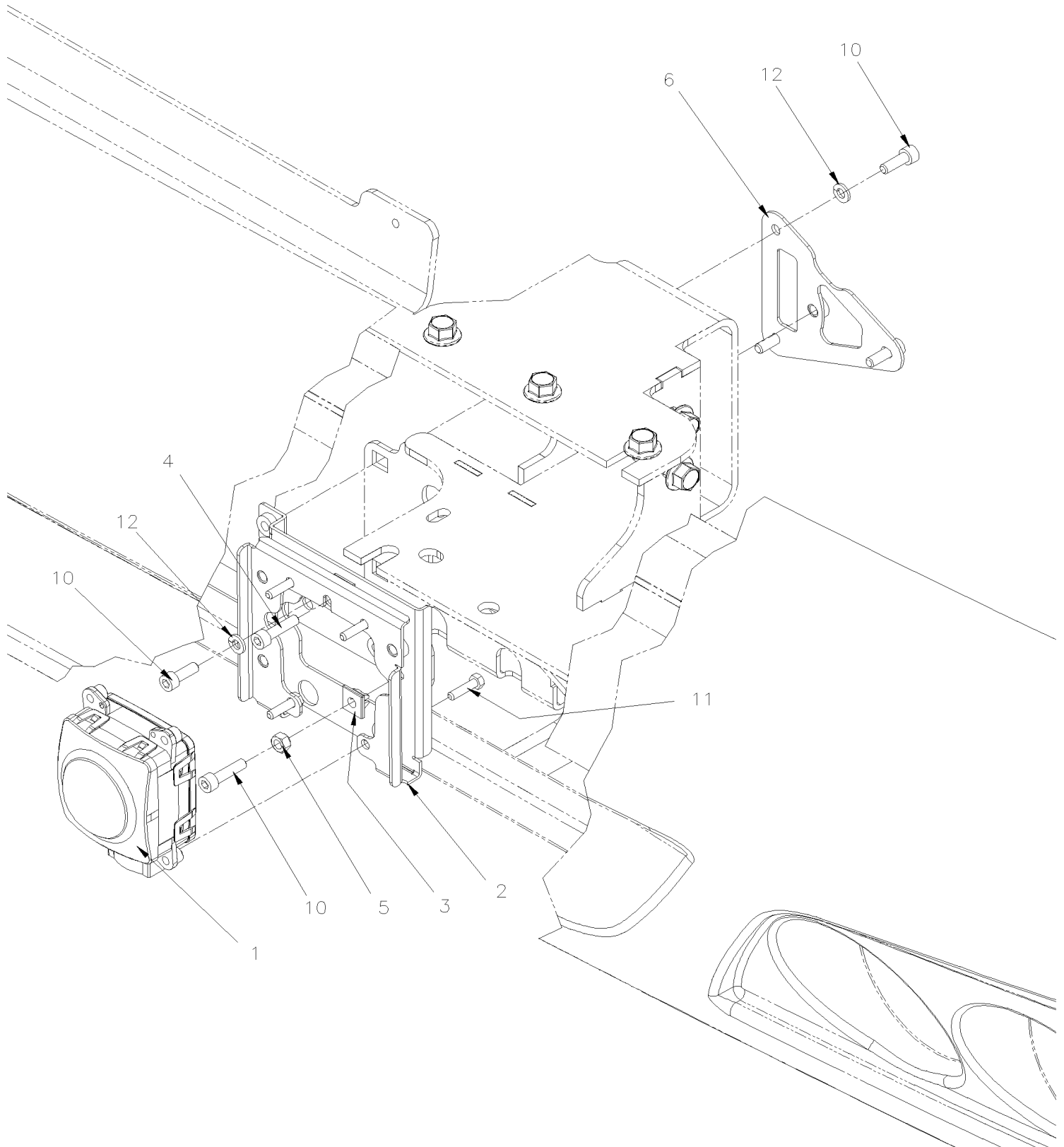


From B-1786 To E-2659

Date:10/2022

PAGE:H7-0675-05

## SYSTEM - ADAPTIVE CRUISE CONTROL ACB - "BENDIX"



From B-1786 To E-2659	Date:10/2022	PAGE:H7-0675-05
<b>SYSTEM - ADAPTIVE CRUISE CONTROL ACB - "BENDIX"</b>		

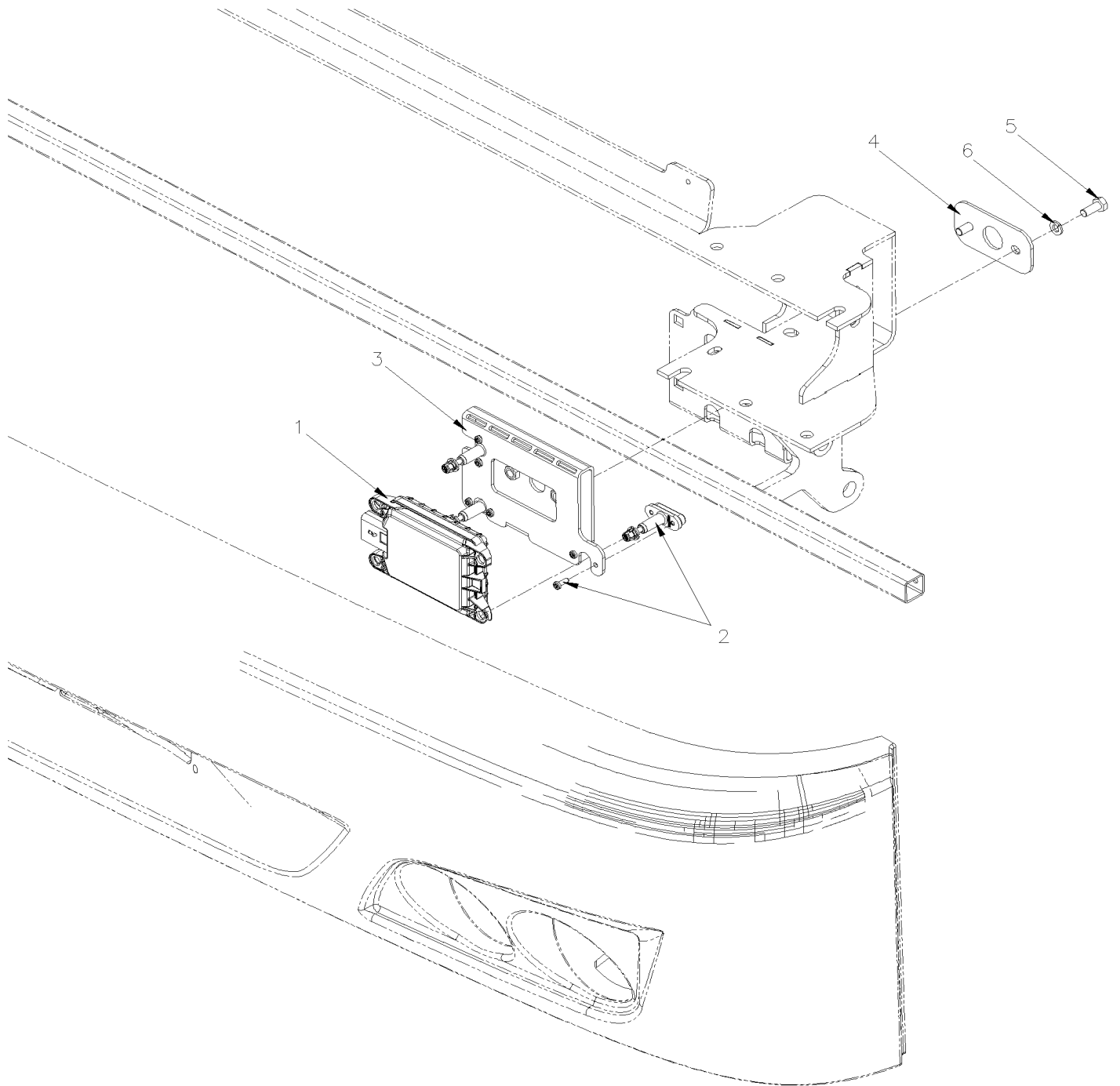
Item#	Part	Description	H 3 4 1	H 3 4 5	V I P 4 5	N O T E S
1	563636	RADAR ACB "BENDIX" To C-1893	1	1	1	
1	564209	RADAR ACB "BENDIX" From C-1894	1	1	1	
1	564561	RADAR ACB "BENDIX"	1	1	1	S
1	564594	RADAR ACB "BENDIX"	1	1	1	S
2	Call order desk	SUPPORT ASSY	1	1	1	P
2	143204	. SUPPORT	1	1	1	
3	502939	. NUT AN 1/4 NYL	2	2	2	
4	5001610	. SCREW CAP HEXS M6-1.0x25 SS EMN	2	2	2	
5	5001182	. NUT HEX NYRT M6-1.0 SS	2	2	2	
5	502573	. WASHER FL 6.4x12.5x1.6 SS	2	2	2	
6	143207	ATTACHMENT	1	1	1	
10	5001648	SCREW CAP HEXS M6-1.0x18 SS BK	4	4	4	
11	500032	SCREW CAP HEX M5-0.8x16 BK	4	4	4	
12	502570	WASHER LO SPT 6.1x11.8x1.6 SS	4	4	4	
14	140289	<b>PREVOST AWARE ADAPTIVE CRUISE BRAKING (ACB) – FLR10 TO FLR21 RADAR SENSOR UPGRADE</b>	1	1	1	
		S) SERVICE				
		P) CALL ORDER DESK FOR SPECIFIC APPLICATION (V.I.N.)				

From B-1786 To E-2659

Date:10/2022

PAGE:140289

**PREVOST AWARE ADAPTIVE CRUISE BRAKING (ACB) – FLR10 TO FLR21 RADAR SENSOR UPGRADE**



From B-1786 To E-2659      Date:10/2022      PAGE:140289

**PREVOST AWARE ADAPTIVE CRUISE BRAKING (ACB) – FLR10 TO FLR21 RADAR SENSOR UPGRADE**

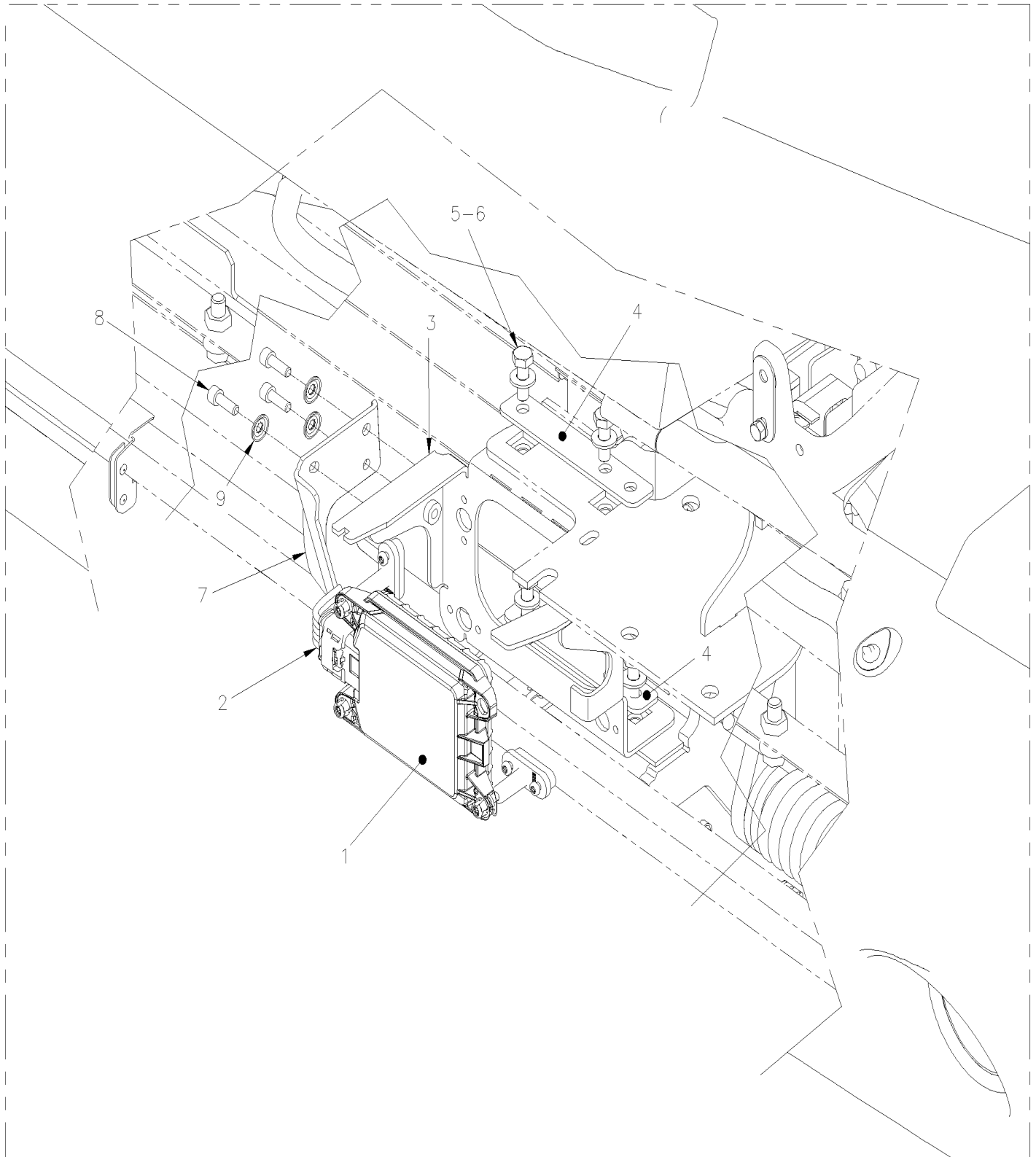
Item#	Part	Description	H 3 4 1	H 3 4 5	V I P 4 5	N O T E S
1	560468	FLR21 RADAR (NEW)	1	1	1	
NS	060672	CABLE ADAPTIVE CRUISE CONTROL	1	1	1	
2	564257	FLR20 AJUSTER KIT SET OF 3	1	1	1	
3	140290	RADAR SUPPORT	1	1	1	
4	140291	FIXTURE	1	1	1	
5	500119	SCREW CAP HEX M8X1.25X20 BK	2	2	2	
6	5001161	WASHER LO SPT 8.1x14.8x2.0 SS-304	2	2	2	
NS	504637	CABLE TIE / 3/16" x 13"	6	6	6	
NS	IS-20025	SEE INSTRUCTION SHEET	1	1	1	
NS	FI-20025	VOIR FEUILLE D'INSTRUCTION	1	1	1	

From E-2660 To J-0287

Date:10/2022

PAGE:H7-0675-06

SYSTEM - ADAPTIVE CRUISE CONTROL ACB - "BENDIX FLR20 & FLR21



From E-2660 To J-0287	Date:10/2022	PAGE:H7-0675-06
<b>SYSTEM - ADAPTIVE CRUISE CONTROL ACB - "BENDIX FLR20 &amp; FLR21</b>		

Item#	Part	Description	H 3 4 1	H 3 4 5	V I P 4 5	N O T E S
1	IS13169-1	FLR20 RADAR SENSOR REPLACEMENT KIT H3-45 / SAV To J-0184	1	1	1	
. NS	145373	. RADAR ACB ASSY To J-0184	1	1	1	
. . NS	564257	. . FLR20 AJUSTER KIT SET OF 3 To J-0184	1	1	1	
. NS	IS-13169	. INSTRUCTION SHEET To J-0184	1	1	1	
. NS	FI-13169	. FEUILLE D'INSTRUCTION To J-0184	1	1	1	
2	069007	CABLE ADAPTIVE CRUISE CONTROL To H-3734	1	1	1	
2	069749	CABLE ADAPTIVE CRUISE CONTROL From H-3735	1	1		
2	069749	CABLE ADAPTIVE CRUISE CONTROL From H-3735			1	
3	145225	SUPPORT RADAR	1	1	1	
4	145223	SEATING PLATE, RADAR	2	2	2	
5	5001868	WASHER BEL SPR 8.4x18x2 SS	4	4	4	
6	502780	SCREW CAP HEX M8-1.25x25 SS BK	4	4	4	
7	145226	WIRE GUARD, RADAR	1	1	1	
8	5001648	SCREW CAP HEXS M6-1.0x18 SS BK	3	3	3	
9	500356	WASHER LO SERR 6.1x16.0x0.9 N500	3	3	3	
NS	564108	SELF MOUNTING STUD // DEUTSCH 1011-310-0205	1	1	1	
NS	8631155	CABLE TIE / 4.6MM x 200 / CHRISTMAS TREE	AR	AR	AR	

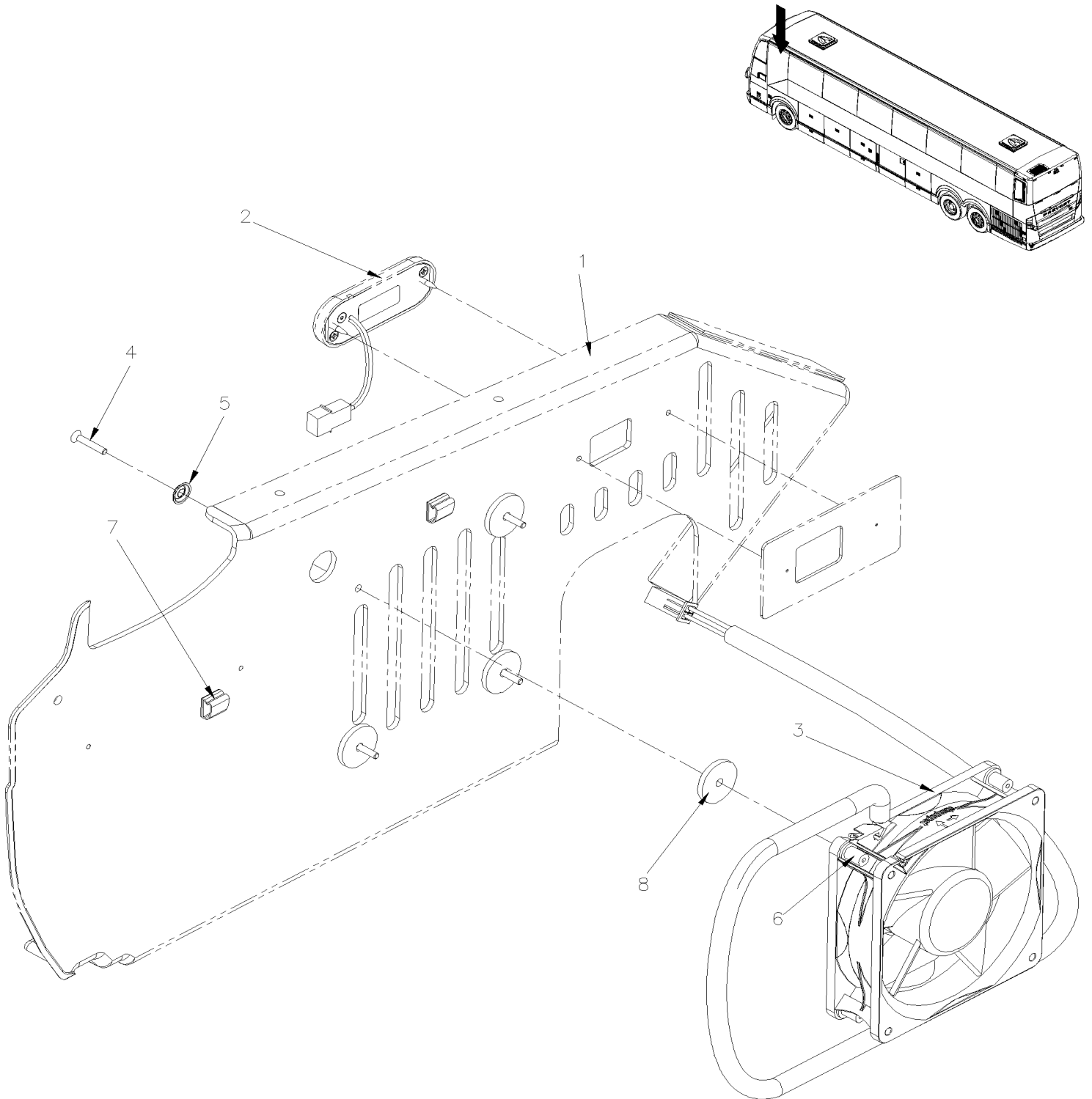


From G-3099 To J-0184

Date:10/2022

PAGE:H7-0690-00

## FAN PARCEL RACK



From G-3099 To J-0184	Date:10/2022	PAGE:H7-0690-00
<b>FAN PARCEL RACK</b>		

Item#	Part	Description	H 3 4 1	H 3 4 5	V I P 4 5	N O T E S
1	H7-1836-02	PARCEL RACK W/TAN FINISHING	1	1	1	
2	H7-0655-01	INTERIOR LIGHTING LED	1	1	1	
3	564622	AXIAL FAN / 119x119x38MM 12VDC, 120CFM	1	1	1	
3	563040	CONNECTOR / MINI FIT JR / PH 4C / MOLEX 39-01-3043	1	1	1	
3	563041	PIN TERMINAL 24-18 / MOLEX 39-00-0041	2	2	2	
3	562229	BUTT SPLICE / 22-16 / AMP 31818	2	2	2	
3	561918	SHRINK TUBING / .125" - .062" / BLACK / ALPHA FIT-221-1/8-4-B	AR	AR	AR	
3	562028	CONVOLUTED TUBING / UNSLIT / BLACK / .350"	AR	AR	AR	
3	562587	WIRE CABLE 18 / BLACK / TXL	AR	AR	AR	
3	562593	WIRE CABLE 18 / YELLOW / TXL	AR	AR	AR	
4	502666	SCREW MA FL PH #6-32x3/4 SS BK	4	4	4	
5	500345	WASHER FN CKF .187x.500x.090 BR BK	4	4	4	
6	500286	NUT WELL #6-32	4	4	4	
7	504448	CABLE CLIP 1/4" / ADHESIVE	2	2	2	
8	502820	WASHER FL .187x1.000x.125 RUB BK	4	4	4	

From B-1721 To D-2363	Date:10/2022	PAGE:IS19913
<b>BOSCH TO DELCO REMY ALTERNATOR INSTALLATION, US10</b>		

Item#	Part	Description	H 3 4 1	H 3 4 5	V I P 4 5	N O T E S
1	0610086	KIT INSTALLATION, ALTERNATOR REMY CURB SIDE	1	1	1	
2	0610088	KIT ALTERNATOR REMY ADAPTATION FROM US10 ENGINE	1	1	1	
3	IS-19913	SEE INSTRUCTION SHEET	1	1	1	

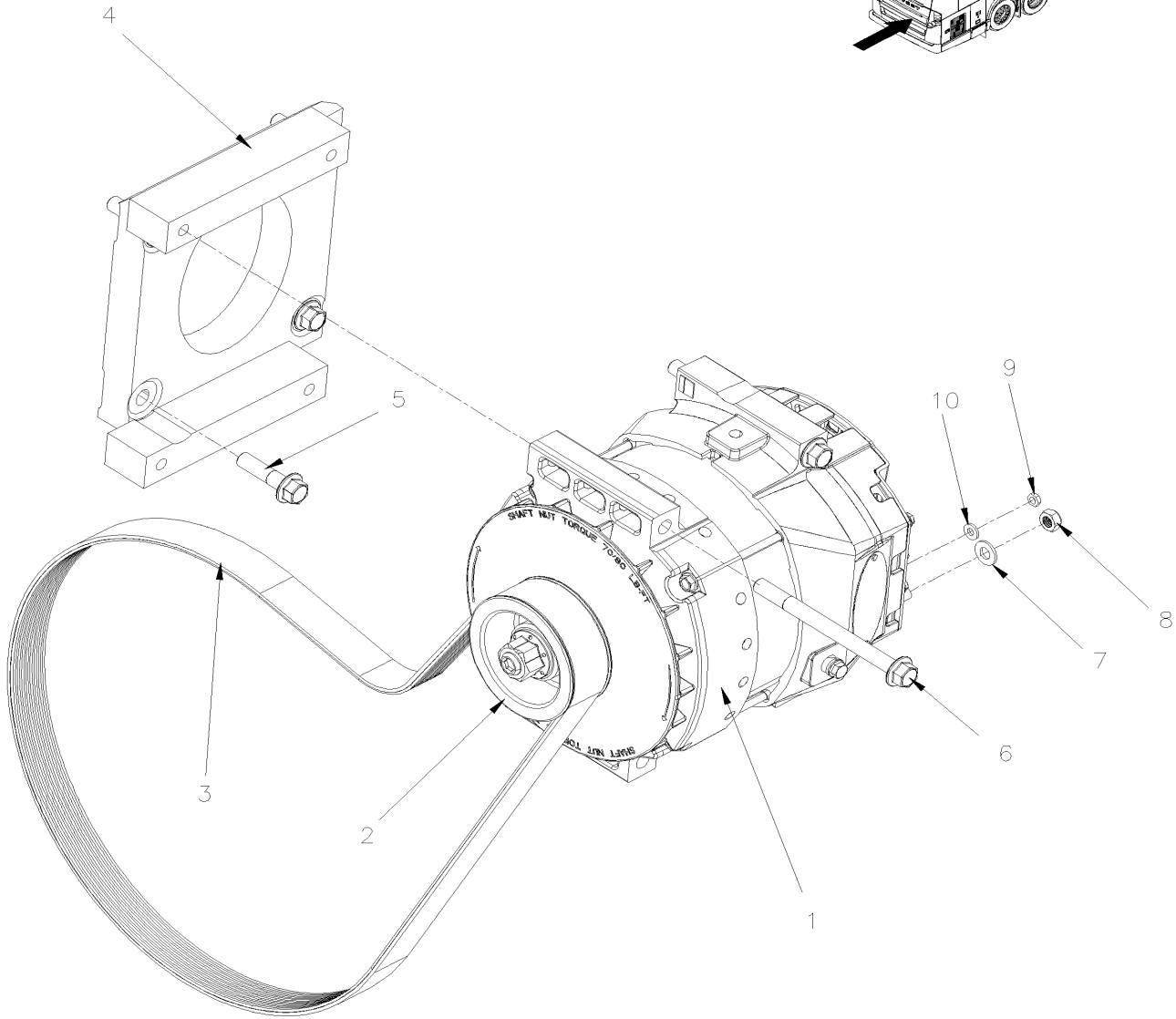
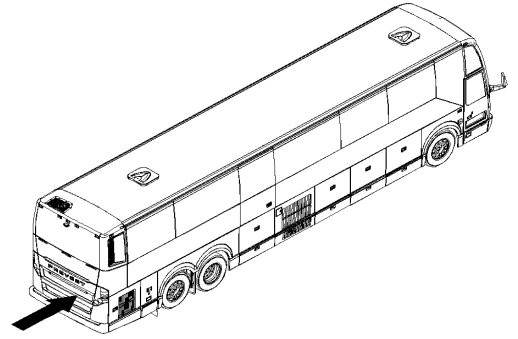


From B-1721 To D-2363

Date:10/2022

PAGE:0610086

## KIT INSTALLATION, ALTERNATOR REMY CURB SIDE



From B-1721 To D-2363	Date:10/2022	PAGE:0610086
<b>KIT INSTALLATION, ALTERNATOR REMY CURB SIDE</b>		

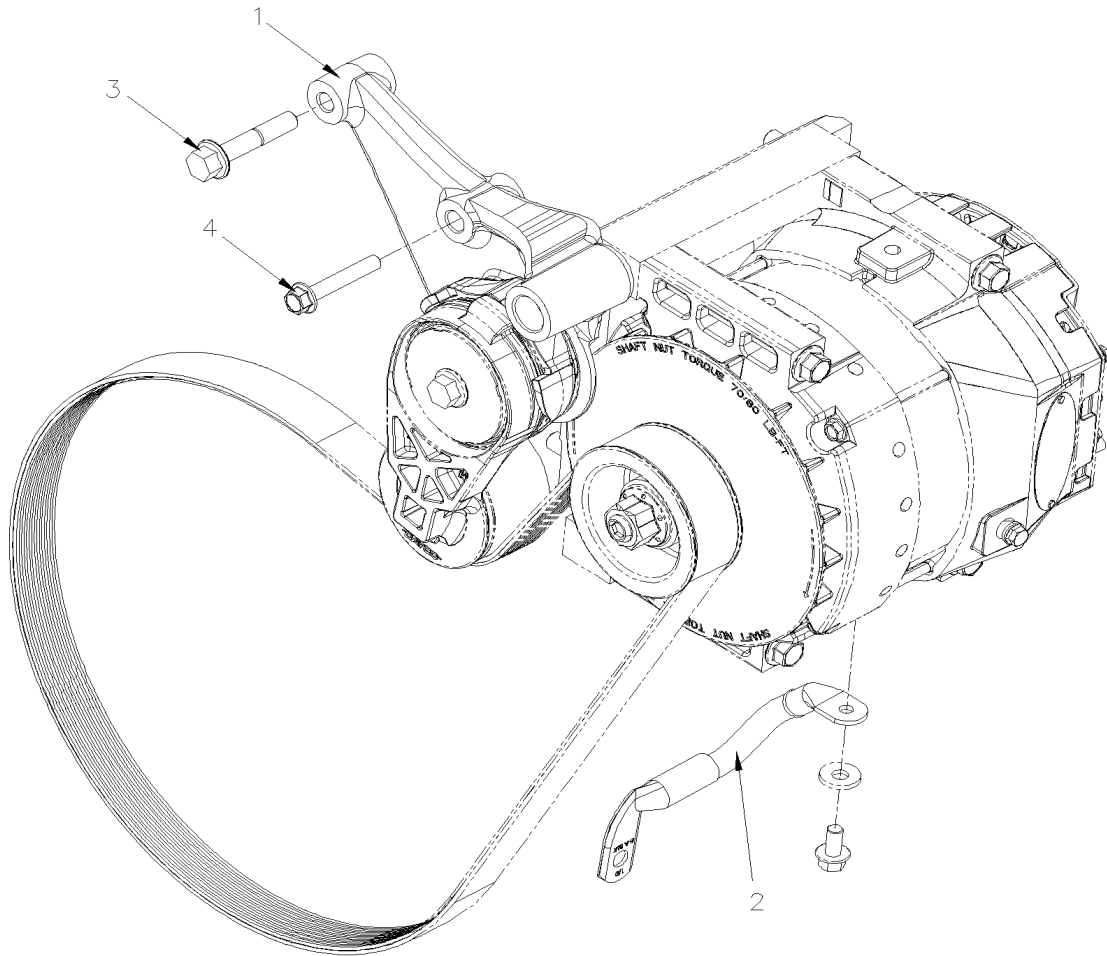
Item#	Part	Description	H 3 4 1	H 3 4 5	V I P 4 5	N O T E S
1	560720	ALTERNATOR ASSY 24V/250 AMPS / "REMY"	1	1	1	
2	069892	PULLEY ALTERNATOR / "REMY" / 83MM DOB. x 8 PK	1	1	1	
3	506065	MULTI V-BELT / 8 RIB 56.5" (1435MM) 8PK1435 QT EPDM	2	2	2	
4	069894	BRACKET, ALTERNATOR REMY	1	1	1	
5	5001308	SCREW CAP HEXF M10-1.5x40 G10.9 N500	4	4	4	
6	5002091	SCREW CAP HEXF M10-1.5X120 G10.9 N500	4	4	4	
7	5001341	WASHER FL 8.4x17.0x1.6 SS	1	1	1	
8	500685	NUT HEX NYRT 5/16-18 SS	1	1	1	
9	5001180	NUT HEX NYRT #10-24 SS	2	2	2	
10	5001137	WASHER FL .203x.438x.050 SS	2	2	2	
NS	500411	WASHER FL .260x.697x.050 SS	1	1	1	
NS	IS-19905	SEE INSTRUCTION SHEET	1	1	1	

From B-1721 To D-2363

Date:10/2022

PAGE:0610088

**KIT ALTERNATOR REMY ADAPTATION FROM US10 ENGINE**



From B-1721 To D-2363	Date:10/2022	PAGE:0610088
<b>KIT ALTERNATOR REMY ADAPTATION FROM US10 ENGINE</b>		

Item#	Part	Description	H 3 4 1	H 3 4 5	V I P 4 5	N O T E S
1	010116	SUPPORT PULLEY ALT & A/C	1	1	1	
2	0610034	HARNESS, ALTERNATOR CHASSIS GROUND / CURBSIDE	1	1	1	
3	5001801	SCREW CAP HEXF M10-1.5x55 G10.9 N500	2	2	2	
4	500796	SCREW CAP HEXF M8-1.25x50 G10.9 N500	1	1	1	
5	563548	SHRINK TUBING / .187" - .093" / BLACK / ALPHA FIT-221-3/16-4-B	1	1	1	
6	563870	RING TERMINAL #5 / 16-14 / DURASEAL / AMP B-106-1502	3	3	3	
7	994445	FLANGE SCREW M8x16	1	1	1	

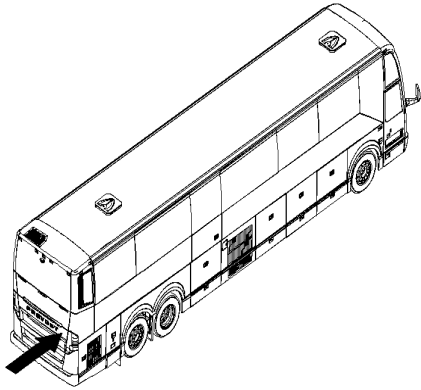


From D-2364 To J-0184

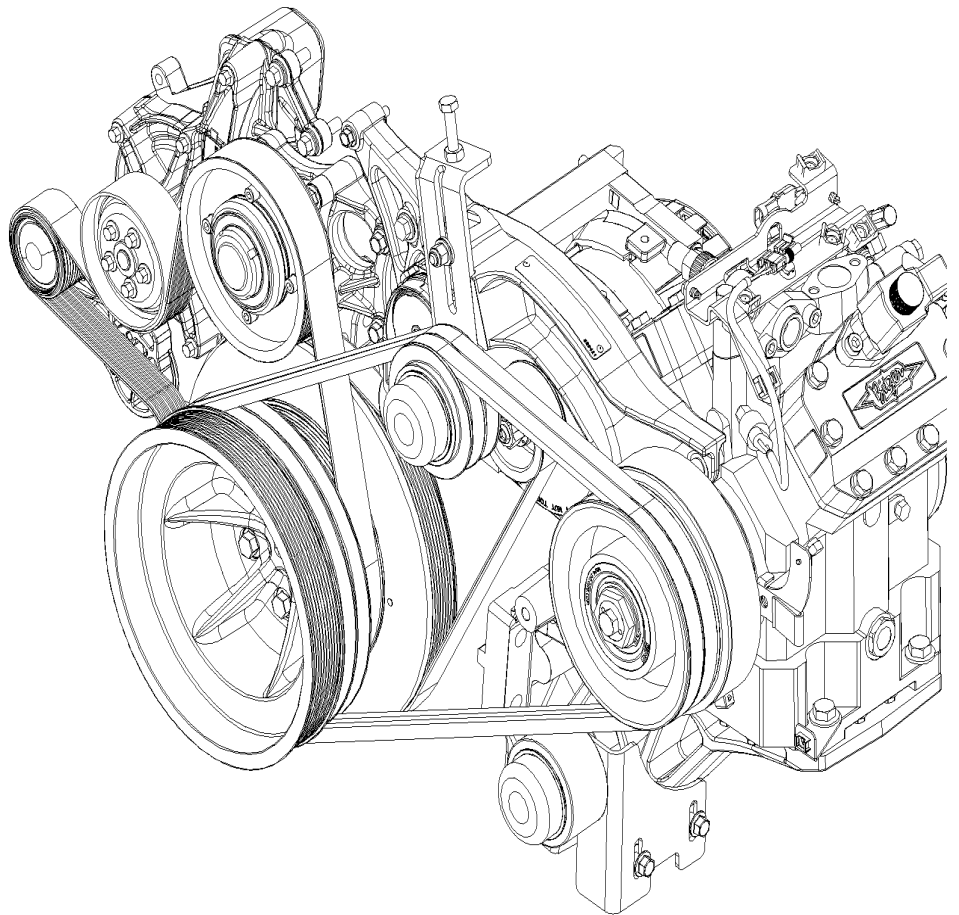
Date:10/2022

PAGE:IS19908

## BOSCH TO DELCO REMY ALTERNATOR INSTALLATION



WITH REMY ALTERNATOR



From D-2364 To J-0184	Date:10/2022	PAGE:IS19908
<b>BOSCH TO DELCO REMY ALTERNATOR INSTALLATION</b>		

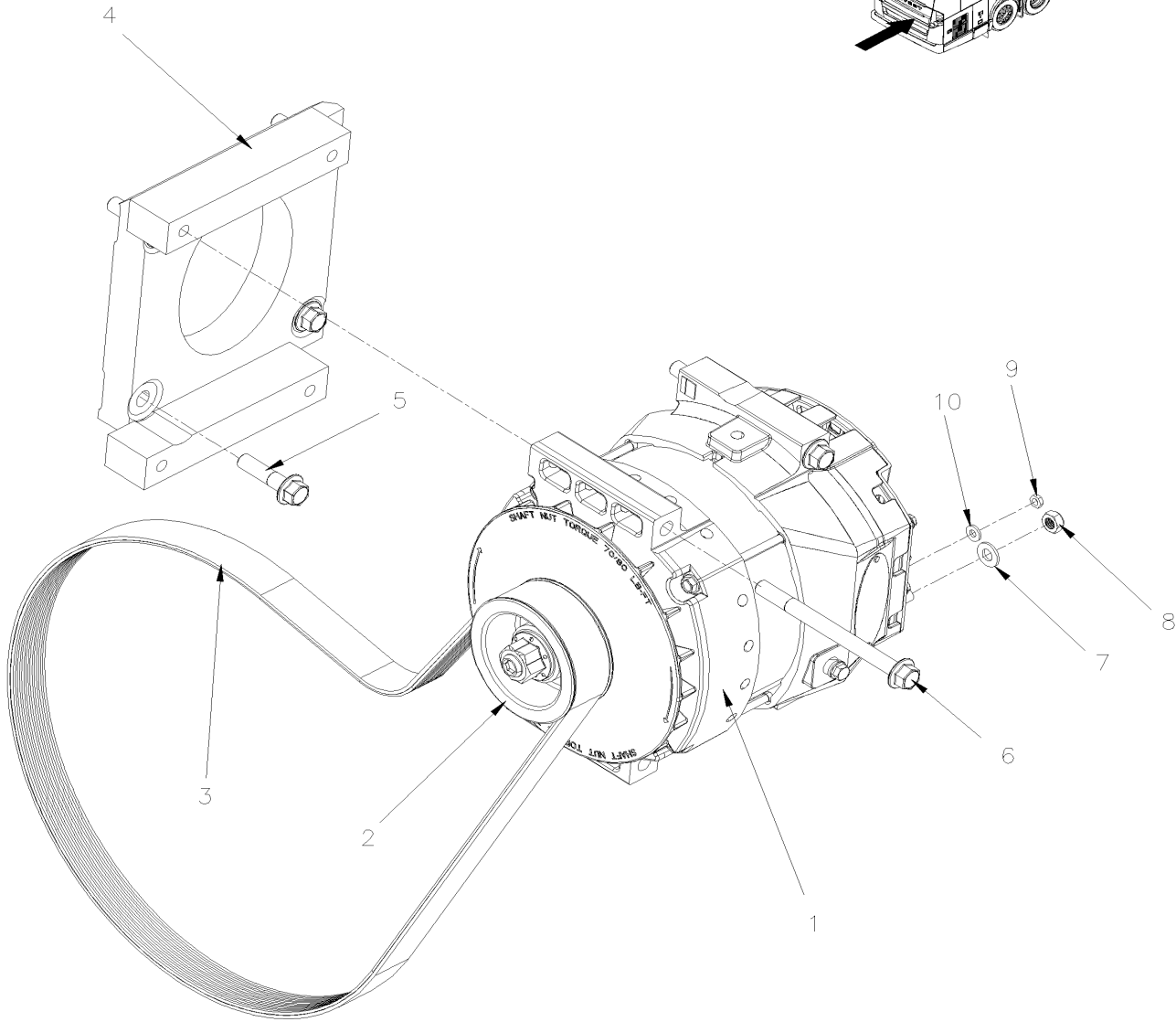
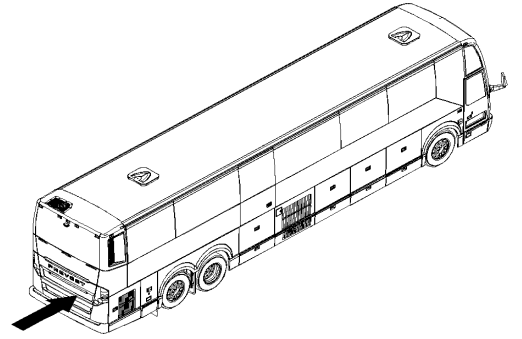
Item#	Part	Description	H 3 4 1	H 3 4 5	V I P 4 5	N O T E S
1	0610086	KIT INSTALLATION, ALTERNATOR REMY CURB SIDE	1	1		
2	0610089	RH ALTERNATOR REMY ADAPTATION H3 CURB SIDE	1	1		
3	IS-19908	INSTRUCTION SHEET	1	1		

From D-2364 To J-0184

Date:10/2022

PAGE:0610086

## KIT INSTALLATION, ALTERNATOR REMY CURB SIDE



From D-2364 To J-0184	Date:10/2022	PAGE:0610086
<b>KIT INSTALLATION, ALTERNATOR REMY CURB SIDE</b>		

Item#	Part	Description	H 3 4 1	H 3 4 5	V I P 4 5	N O T E S
1	560720	ALTERNATOR ASSY 24V/250 AMPS / "REMY"	1	1	1	
2	069892	PULLEY ALTERNATOR / "REMY" / 83MM DOB. x 8 PK	1	1	1	
3	506065	MULTI V-BELT / 8 RIB 56.5" (1435MM) 8PK1435 QT EPDM	2	2	2	
4	069894	BRACKET, ALTERNATOR REMY	1	1	1	
5	5001308	SCREW CAP HEXF M10-1.5x40 G10.9 N500	4	4	4	
6	5002091	SCREW CAP HEXF M10-1.5X120 G10.9 N500	4	4	4	
7	5001341	WASHER FL 8.4x17.0x1.6 SS	1	1	1	
8	500685	NUT HEX NYRT 5/16-18 SS	1	1	1	
9	5001180	NUT HEX NYRT #10-24 SS	2	2	2	
10	5001137	WASHER FL .203x.438x.050 SS	2	2	2	
NS	500411	WASHER FL .260x.697x.050 SS	1	1	1	
NS	IS-19905	SEE INSTRUCTION SHEET	1	1	1	

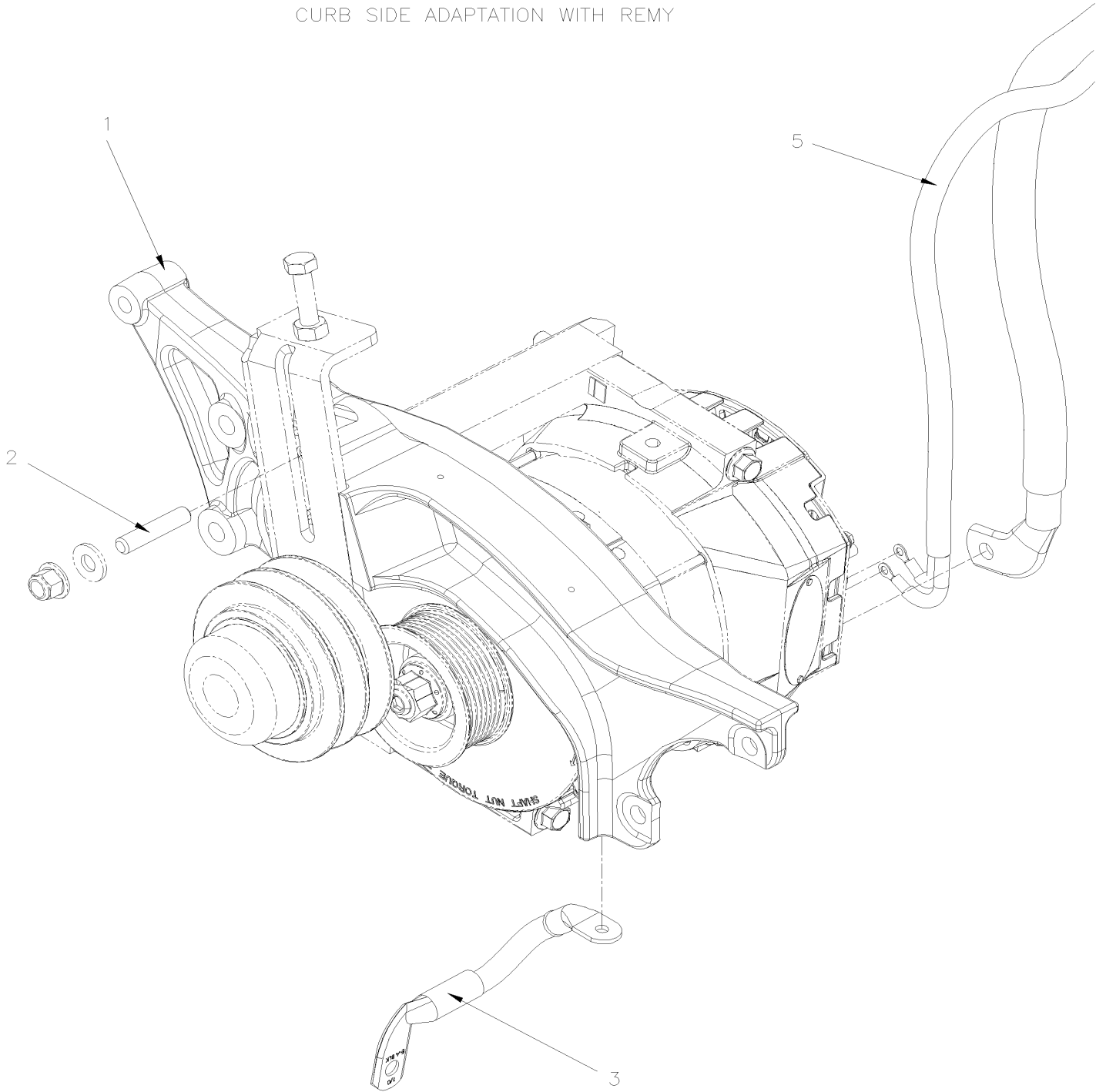
From D-2364 To J-0184

Date:10/2022

PAGE:0610089

## RH ALTERNATOR REMY ADAPTATION H3 CURB SIDE

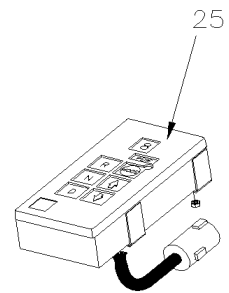
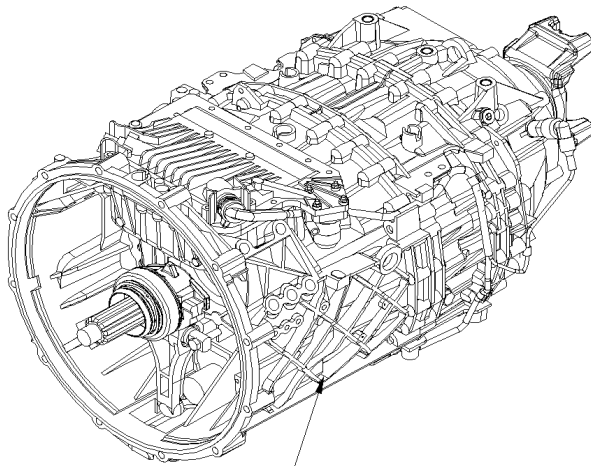
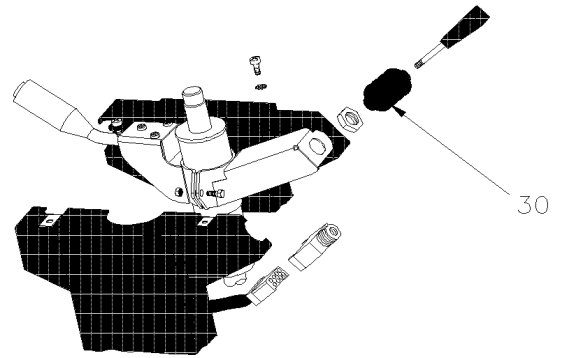
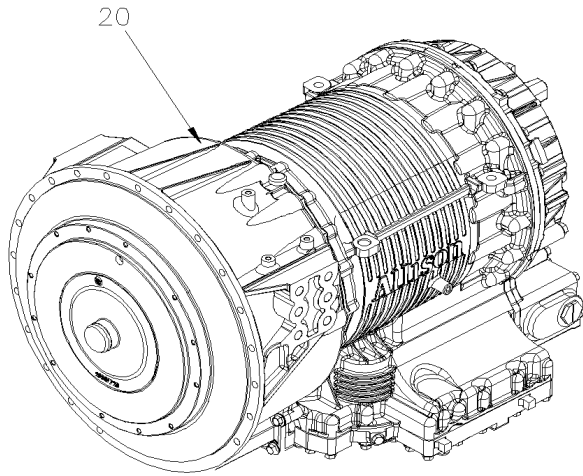
CURB SIDE ADAPTATION WITH REMY



From D-2364 To J-0184	Date:10/2022	PAGE:0610089
<b>RH ALTERNATOR REMY ADAPTATION H3 CURB SIDE</b>		

Item#	Part	Description	H 3 4 1	H 3 4 5	V I P 4 5	N O T E S
1	450580	SUPPORT, TENSIONNER CASTING	1	1		
2	5000360	ROD M10-1.5x52 N500	1	1		
3	0610034	HARNESS, ALTERNATOR CHASSIS GROUND / CURBSIDE	1	1		
4	0610052	HARNESS, ALTERNATOR BATTERY / CURBSIDE	1	1		
NS	N55439-02	RING TERMINAL #5 / 16-14 / DURASEAL / AMP B-106-1502	3	3	3	
NS	N33509-06	SHRINK TUBING / .187" - .060" / BLACK / RAYCHEM SCL 3/16-0	AR	AR	AR	
NS	5001834	WASHER BEL SPR 10.5X23X2.5 N500	1	1	1	
NS	5001930	NUT HEXF NYRT M10-1.5 N500 G10.9	1	1	1	
NS	IS-19905	SEE INSTRUCTION SHEET	1	1	1	

	Date:10/2022	H7-07
TRANSMISSION		



	<b>Date:10/2022</b>	<b>H7-07</b>
<b>TRANSMISSION</b>		

Item#	Part	Description	H 3 4 1	H 3 4 5	V I P 4 5	N O T E S
5	H7-0700-00	TRANSMISSION "ZF" - INSTALLATION From 7-0671 To A-1720				
5	H7-0700-01	TRANSMISSION "VOLVO I-SHIFT" - INSTALLATION WITH "EPA 2010" From B-1721 To J-0184				
10	H7-0700-05	TRANSMISSION "ZF" - AIR SYSTEM From 7-0671 To A-1720				
15	H7-0705-00	TRANSMISSION "ZF- ASTRONIC" From 7-0671 To A-1720				
15	H7-0705-05	GEARBOX HOUSING From 7-0671 To A-1720				
15	H7-0705-10	INPUT SHAFT From 7-0671 To A-1720				
15	H7-0705-15	LAYSHAFT From 7-0671 To A-1720				
15	H7-0705-20	MAIN SHAFT From 7-0671 To A-1720				
15	H7-0705-25	REVERSE GEAR From 7-0671 To A-1720				
15	H7-0705-30	GEAR SHIFT SYSTEM From 7-0671 To A-1720				
15	H7-0705-35	OUTPUT HOUSING From 7-0671 To A-1720				
15	H7-0705-40	OUTPUT FLANGE & PLANETARY DRIVE From 7-0671 To A-1720				
15	H7-0705-45	SYNCHRONIZER ASSY From 7-0671 To A-1720				
15	H7-0705-50	TRANS "I-SHIFT" - OIL FILTER - INSTALLATION From B-1721 To J-0184				
20	H7-0750-00	AUTOMATIC TRANSMISSION - "WORLD" WITH DETROIT S-60 From 7-0671 To A-1720				
20	H7-0750-01	AUTOMATIC TRANSMISSION - "WORLD" WITH VOLVO D13 From 8-1202 To A-1720				
20	H7-0750-02	AUTOMATIC TRANSMISSION - "WORLD" WITH VOLVO D13 From B-1721 To H-3734				
20	H7-0750-03	AUTOMATIC TRANSMISSION - "WORLD" WITH VOLVO D13 From H-3735 To J-0287				
25	H7-0755-15	SHIFTER ELECTRONIC - "WORLD" TRANSMISSION From 7-0671 To J-0287				
30	H7-0760-00	RETARDER SELECTOR SWITCH - "WORLD" From 7-0671 To J-0287				

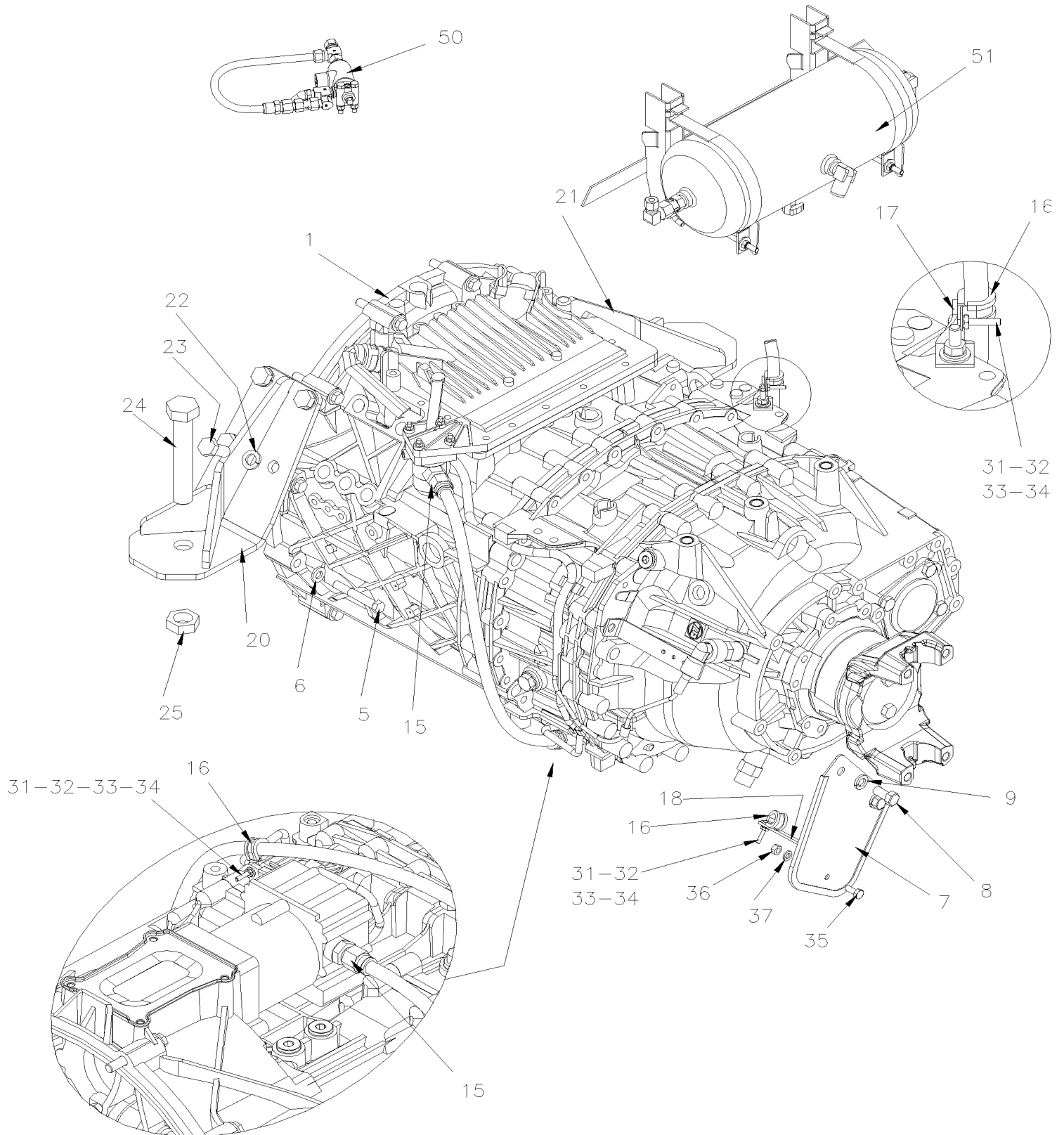


From 7-0671 To A-1720

Date:10/2022

PAGE:H7-0700-00

## TRANSMISSION "ZF" - INSTALLATION



From 7-0671 To A-1720	Date:10/2022	PAGE:H7-0700-00
<b>TRANSMISSION "ZF" - INSTALLATION</b>		

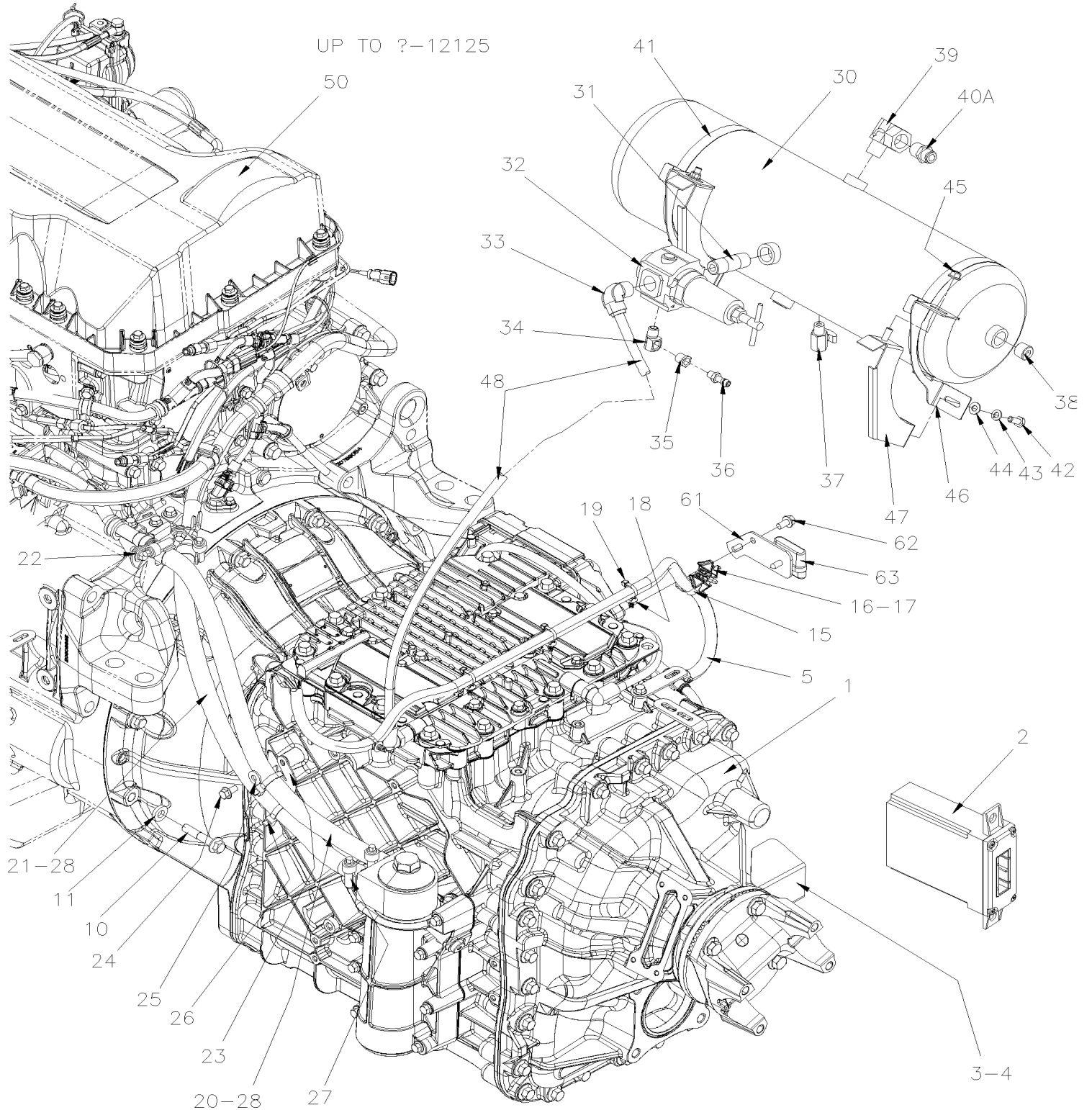
Item#	Part	Description	H 3 4 1	H 3 4 5	V I P 4 5	N O T E S
1	571772	TRANSMISSION "ZF" W/O INTARDER / W10 SPEEDS To 8-1051	1	1		
1	572042	TRANSMISSION "ZF" W/O INTARDER / W12 SPEEDS From 8-1052 To 8-1169	1	1		
1	572112	TRANSMISSION "ZF" W/O INTARDER / W12 SPEEDS From 8-1170	1	1		
1	571775	CLUTCH ASSY	1	1		
1	571776	PRESSURE PLATE	1	1		
1	507113	BALL BEARING	1	1		
5	955554	SCREW CAP HEX 7/16-14x3 G8 ZP	24	24		
6	5001567	WASHER FL .474x.937x.112 CP STP	12	12		
7	071293	PROTECTOR CABLE RUBBER	1	1		
8	500850	SCREW CAP HEX M12-1.75X25 G8.8 Z050	2	2		
9	500482	WASHER LO SPT .506x.873x.125 Z050	2	2		
12	504649	HOSE CLAMP / 4"5/8-7"1/2 SS	1	1		
15	641977	MALE CONNECTOR / PUSH-IN FITTING / #4xM16NPT-M BR	1	1		
16	952629	CLAMP / 5/8" I.D.	3	3		
17	061027	SUPPORT 2"1/2 LG	2	2		
18	070368	SUPPORT	3	3		
20	012282	SUPPORT REAR R.H. W/"ZF" TRANS	1	1		
21	012278	SUPPORT REAR L.H. W/"ZF" TRANS	1	1		
22	502884	WASHER LO SPT 16.2x27.4x3.5 N500	8	8		
23	5001591	SCREW CAP HEX M16-1.5x35 G10.9 DP	8	8		
24	500571	SCREW CAP HEX M24-3.0x150 G10.9 N500	2	2		
25	500570	NUT HEX STO M24-3.0 GR.10 N500	2	2		
31	500574	SCREW MA TR PH #10-24x1 1/4 SS	3	3		
32	500786	NUT HEX #10-24 Z050	3	3		
33	500470	WASHER LO SPT .193x.334x.047 Z050	3	3		
34	500964	WASHER FL .203x.500x.047 Z050	3	3		
35	502862	SCREW CAP HEX M8-1.25x20 G8.8 N500	1	1		
36	502851	NUT HEX M8-1.25 N500	1	1		
37	500942	WASHER LO SPT 8.1x14.8x2.0 N500	1	1		
50	<b>H7-0700-05</b>	<b>TRANSMISSION "ZF" - AIR SYSTEM</b>	1	1	1	
51	<b>H7-1203-00</b>	<b>AIR TANK - INSTALLATION</b>	1	1	1	

From B-1721 To J-0184

Date:10/2022

PAGE:H7-0700-01

## TRANSMISSION "VOLVO I-SHIFT" - INSTALLATION WITH "EPA 2010"

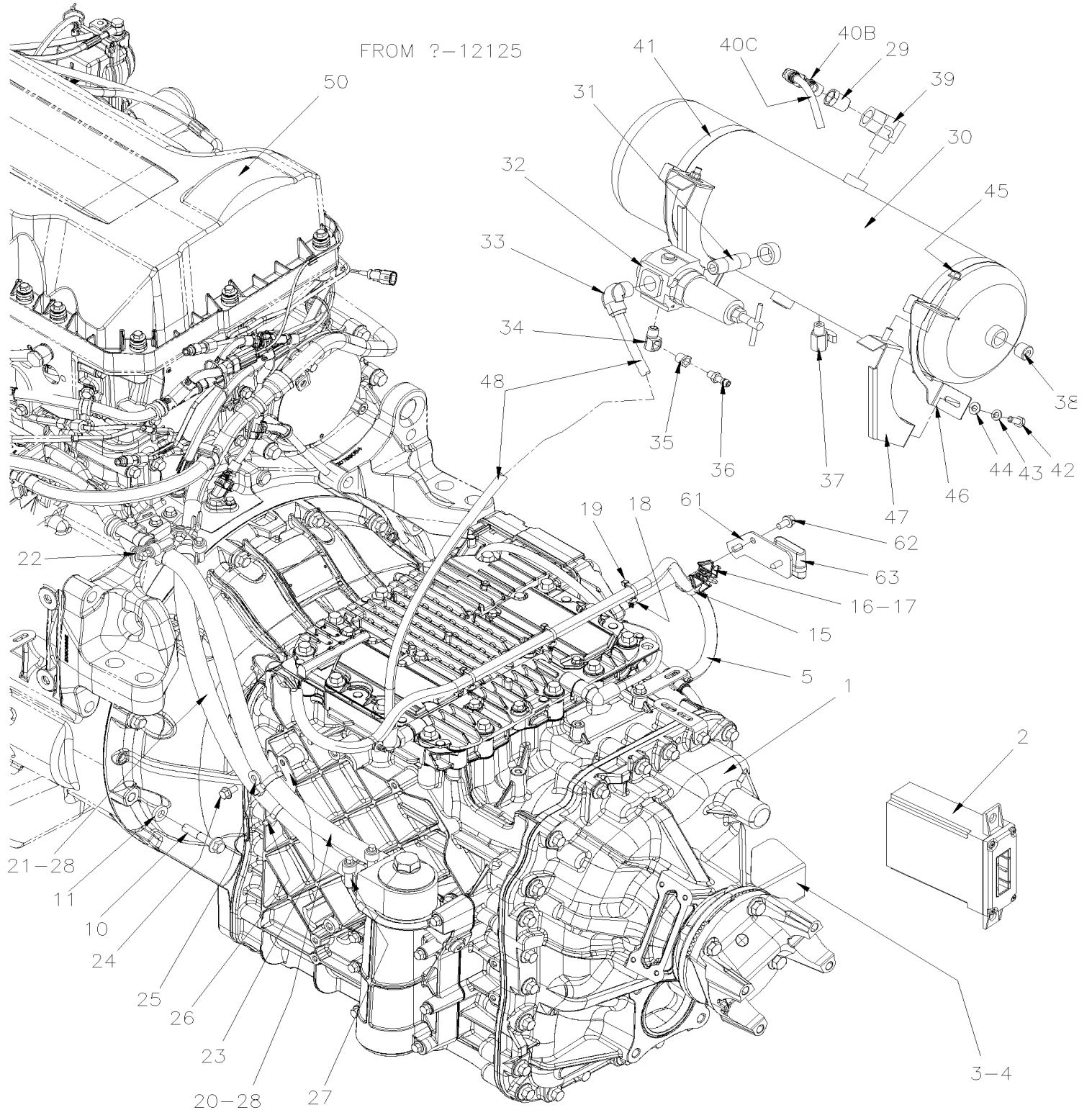


From B-1721 To J-0184

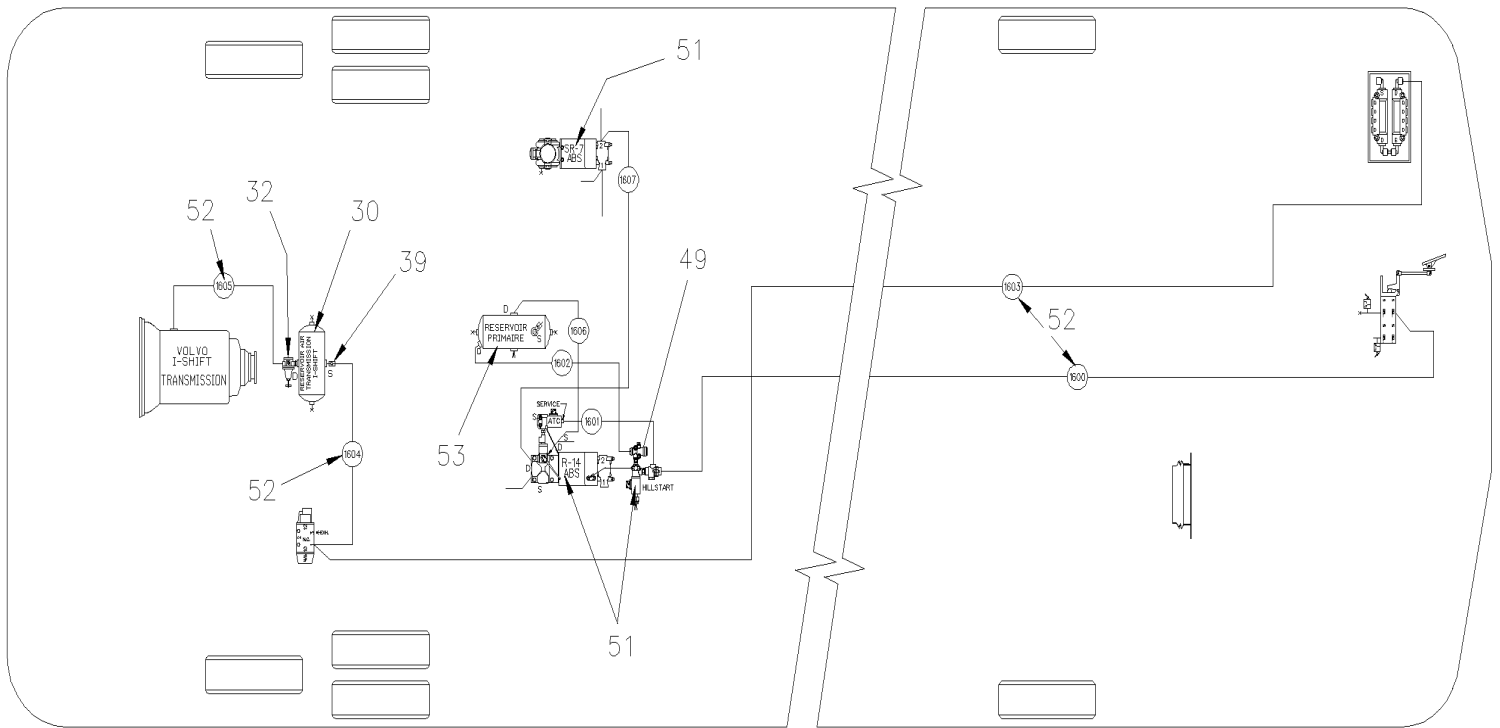
Date:10/2022

PAGE:H7-0700-01

## TRANSMISSION "VOLVO I-SHIFT" - INSTALLATION WITH "EPA 2010"



From B-1721 To J-0184	Date:10/2022	PAGE:H7-0700-01
TRANSMISSION "VOLVO I-SHIFT" - INSTALLATION WITH "EPA 2010"		





<b>From B-1721 To J-0184</b>	<b>Date:10/2022</b>	<b>PAGE:H7-0700-01</b>
<b>TRANSMISSION "VOLVO I-SHIFT" - INSTALLATION WITH "EPA 2010"</b>		

Item#	Part	Description	H 3 4 1	H 3 4 5	V I P 4 5	N O T E S
1	Refer To Volvo	TRANSMISSION "VOLVO I-SHIFT"	1	1		V
1	572140	PRESSURE PLATE	1	1		
1	572141	CLUTCH ASSY	1	1		
1	20566389	CLUTCH ASSY	1	1		
1	21539802	CLUTCH ASSY To C-1993	1	1		
1	21593944	CLUTCH ASSY From C-1994 To F-2981	1	1		
1	21615194	CLUTCH ASSY From F-2982	1	1		
2	20848526	GS ECU 24v MODULE I-SHIFT TRANS To B-1723	1	1		
2	21522732	GS ECU 24v MODULE I-SHIFT TRANS From B-1724 To D-2145	1	1		
2	21715161	GS ECU 24v MODULE I-SHIFT TRANS From D-2146	1	1		
3	071594	CAP PROTECTOR CABLE	1	1		
4	5001314	SCREW CAP HEX M12-1.75x19 G8.8 ZP	2	2		
5	067353	CABLE HARNESS I-SHIFT TRANS To D-2363	1	1		
5	068453	CABLE HARNESS I-SHIFT TRANS From D-2364 To H-3734	1	1		
5	060560	CABLE HARNESS I-SHIFT TRANS From H-3735	1	1		
10	5001764	SCREW CAP HEXF 7/16-14x2 1/4 G8 N500	12	12		
11	5001792	WASHER FL HARD .468x.937x.187 Z050	12	12		
15	509491	CABLE TIE / 13MM x 383MM	1	1		
16	500266	SCREW TC CAP HEX 1/4-20x1 N500	1	1		
17	509490	ATTACHMENT DOUBLE USE WITH CABLE TIE	1	1		
18	509815	TIE MOUNT / ATTACHMENT W/TREE MOUNT	1	1		
19	504637	CABLE TIE / 3/16" x 13"	1	1		
20	Call order desk	HOSE 5/8" I.D. x 620MM	1	1		P
20	503720	. HOSE SILICONE 1 PLY 5/8" I.D. x 25' / S.L. To D-2275	AR	AR		
20	503802	. HOSE SILICONE 1 PLY / NOMEX-ARAMID 5/8" I.D. x 100' / S.L. From D-2276	AR	AR		
21	Call order desk	HOSE 5/8" I.D. x 640MM	1	1		P
21	503720	. HOSE SILICONE 1 PLY 5/8" I.D. x 25' / S.L. To D-2275	AR	AR		
21	503802	. HOSE SILICONE 1 PLY / NOMEX-ARAMID 5/8" I.D. x 100' / S.L. From D-2276	AR	AR		
22	374358	ADAPTOR HOSE D15 TO 5/8" I.D. HOSE	1	1		
23	071624	SUPPORT HOSE	1	1		
24	5001780	SCREW CAP HEXF M8-1.25x16 G8.8 N500	1	1		
25	500321	WASHER BEL SPR .331x.827x.098 N500	1	1		
26	504016	CABLE TIE / 5/16" X 14"1/2	2	2		
27	504646	HOSE CLAMP / 11/16"-1"1/4 / C.T. 9412 To D-2301	4	4		
27	504781	HOSE CLAMP / 13/16"-1 5/16" SS / C.T. W.S. From D-2302 To F-2891	4	4		
27	992084	HOSE CLAMP / 23MM/35MM From F-2892	4	4		
28	<b>H7-2327-00</b>	<b>SUMP TANK - PLASTIC 30 GALLONS</b>	1	1	1	
29	501534	BUSHING REDUCER / PIPE FITTING / 1/2NPT-Mx3/8NPT-F BR From E-2505	1	1		
30	641456	AIR TANK / 976 IN° / 7" O.D. X 25.5"	1	1		
31	501426	NIPPLE / PIPE FITTING / 1/2NPT-Mx1/2NPT-Mx2 1/2 STL	1	1		
32	641352	AIR PRESSURE REGULATOR 1/2" NPT	1	1		
33	641378	MALE ELBOW 90° / PUSH-IN FITTING / #8x1/2NPT-M BRASS	1	1		

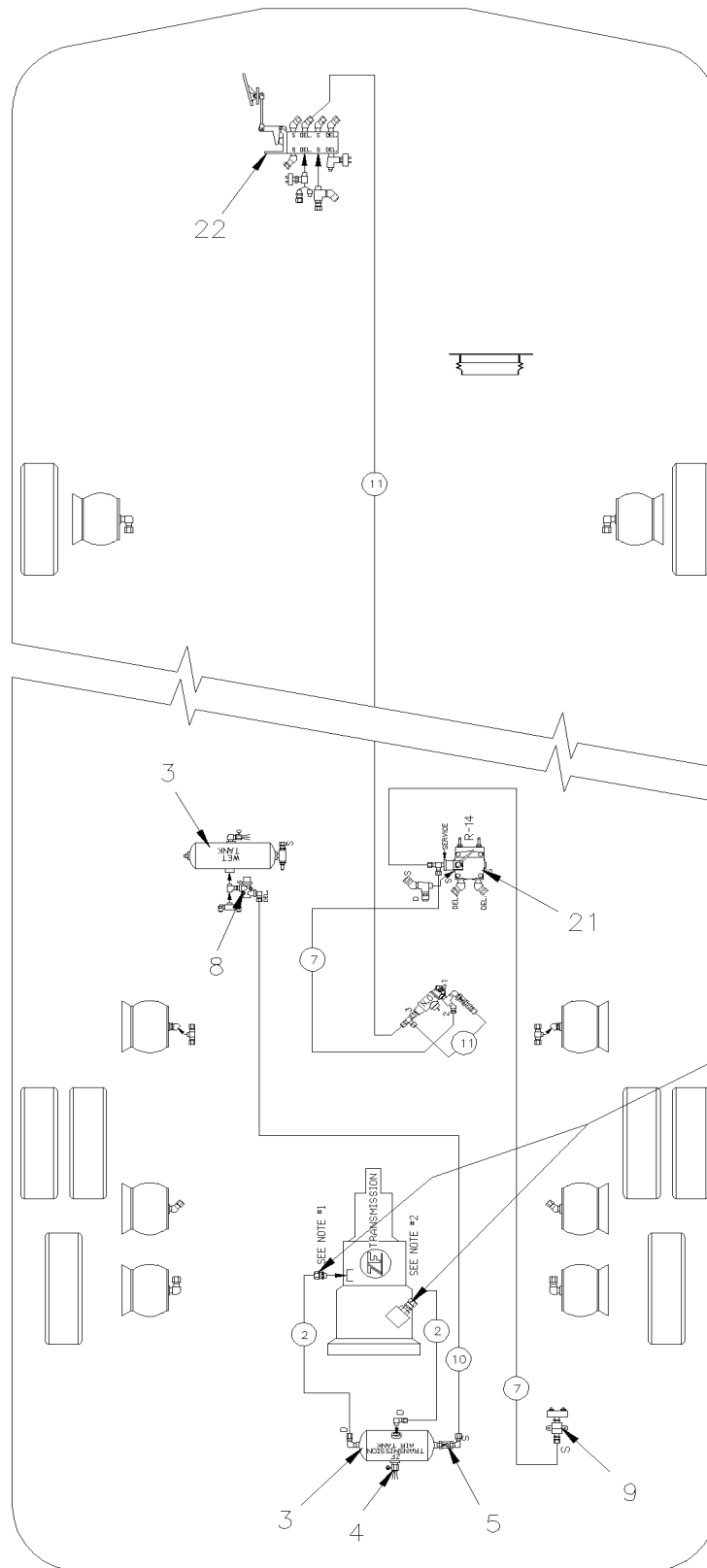
From B-1721 To J-0184	Date:10/2022	PAGE:H7-0700-01
<b>TRANSMISSION "VOLVO I-SHIFT" - INSTALLATION WITH "EPA 2010"</b>		

Item#	Part	Description	H 3 4 1	H 3 4 5	V I P 4 5	N O T E S
34	501332	STREET ELBOW 90° / PIPE FITTING / 1/4NPT-Mx1/4NPT-F BR	1	1		
35	501312	BUSHING REDUCER / PIPE FITTING / 1/4NPT-Mx1/8NPT-F BR	1	1		
36	640488	VALVE, AIR FILL 1/8" NPT	1	1		
NS	650164	CAP VALVE / CHROME	1	1		
37	641043	DRAIN VALVE 1/4 NPT M	1	1		
38	501966	PLUG HEXS / PIPE FITTING / 1/2NPT-M STL	3	3		
39	641172	VALVE, CHECK ELBOW 90° 1/2 NPT	1	1		
40A	641382	MALE CONNECTOR / PUSH-IN FITTING / #6x1/2NPT-M BR To E-2504	1	1		
40B	642128	MALE ELBOW 90° SWIVEL DUAL PORT / PUSH-IN / #6x#6x3/8NPT-M BR From E-2505	1	1		
40C	503404	TUBE, NYLON 3/8 O.D. / BLACK S.L. From E-2505	AR	AR		
41	509915	T-BOLT BAND CLAMP/ 9.19" ID To E-2504	2	2		
41	504041	T-BOLT BAND CLAMP/ 6.75" ID From E-2505	1	1		
42	502862	SCREW CAP HEX M8-1.25x20 G8.8 N500	2	2		
43	502507	WASHER LO SPT 8.1x14.8x2.0 Z050	2	2		
44	500874	WASHER FL 8.4x17.0x1.6 Z050	2	2		
45	502837	NUT HEXF STO M8-1.25 N500	2	2		
46	143134	ATTACHMENT AIR TANK	1	1		
47	173707	SUPPORT AIR TANK (WELDED AT STRUCTURE)	1	1		
48	503488	TUBE, NYLON 1/2 O.D. / BLACK S.L./	AR	AR		
49	642136	VALVE, PRESSURE REDUCING / RV-3 55 PSI	1	1		
49	144980	RESTRICTION / 1.59MM From B-1835	1	1		
50	Refer To Volvo	SEE IMPACT OR CALL ORDER DESK				V
51	<b>H7-1250-10</b>	<b>ABS BRAKE VALVE - INSTALLATION</b>				
52	<b>H7-1202-00</b>	<b>TUBES PLASTIC / AIR D.O.T.</b>				
61	965534	SUPPORT CABLE To D-2363	1	1		
61	071680	SUPPORT CABLE From D-2364 To H-3735	1	1		
62	946173	SCREW CAP HEXF M8-1.25x20	1	1		
63	564139	CAP CONNECTOR / METRI-PACK 280 / 6C / BLACK From D-2364	1	1		
63	564542	TREE MOUNT CLIP FOR PED CONNECTOR From D-2364	1	1		
		P) CALL ORDER DESK FOR SPECIFIC APPLICATION (V.I.N.)				
		V) SEE IMPACT OR CALL ORDER DESK				





TRANSMISSION "ZF" - AIR SYSTEM



From 7-0671 To A-1720	Date:10/2022	PAGE:H7-0700-05
<b>TRANSMISSION "ZF" - AIR SYSTEM</b>		

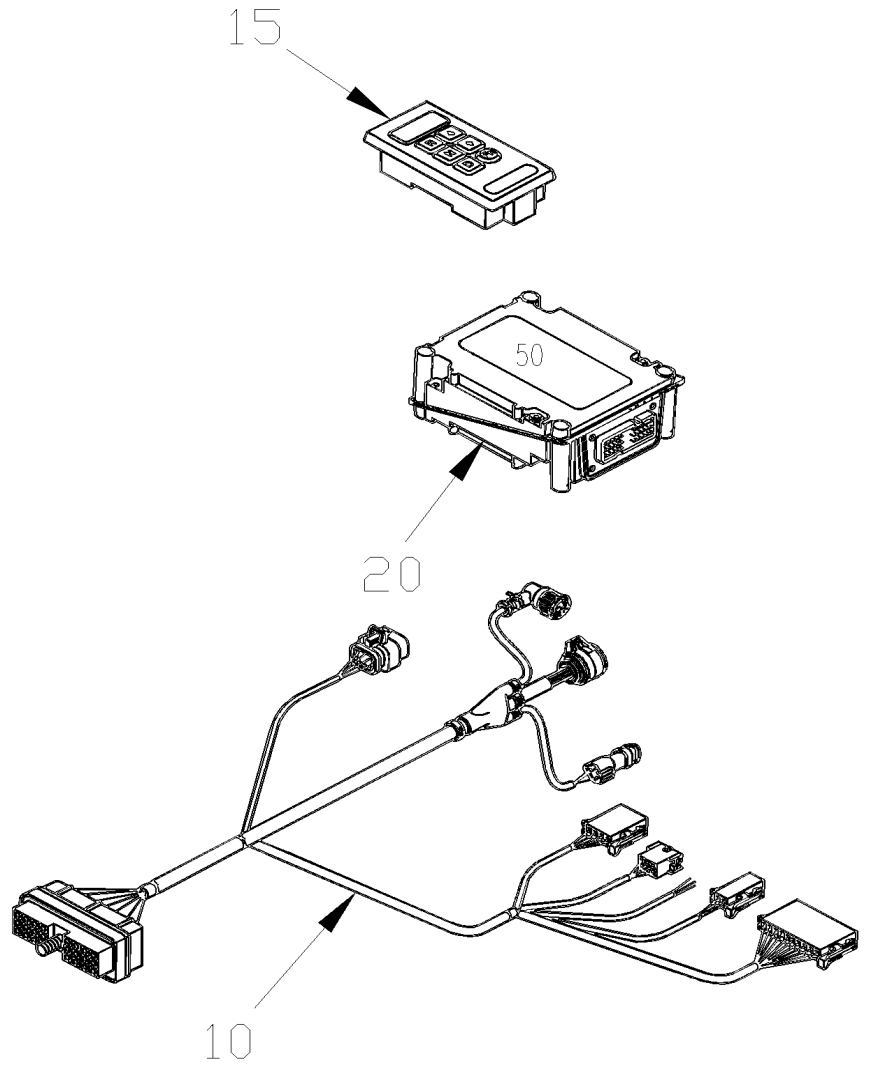
Item#	Part	Description	H 3 4 1	H 3 4 5	V I P 4 5	N O T E S
1	641977	MALE CONNECTOR / PUSH-IN FITTING / #4xM16NPT-M BR	2	2		
2	503540	TUBE, NYLON 5/8 O.D. / BLACK S.L.	AR	AR		
3	<b>H7-1203-00</b>	<b>AIR TANK - INSTALLATION</b>				
4	641043	DRAIN VALVE 1/4 NPT M	1	1		
5	640123	VALVE, CHECK 1/2 NPT SC-1	1	1		
. NS	641401	. VALVE, CHECK 1/2 NPT SC-1	1	1		
7	503463	TUBE, NYLON 3/8 O.D. / GREEN S.L.	AR	AR		
8	641137	VALVE, PRESSURE PROTECTION TYPE PR-4 70PSI	1	1	1	
9	641462	PRESSURE SWITCH N.O. 4PSI / 1/4NPT W/10-32 / SL-5 BRAKE	1	1		
10	503404	TUBE, NYLON 3/8 O.D. / BLACK S.L.	AR	AR		
11	503406	TUBE, NYLON 1/2 O.D. / GREEN S.L.	AR	AR		
22	<b>H7-1220-10</b>	<b>BRAKE PEDAL VALVE "BENDIX" E-10P</b>				

From 7-0671 To A-1720

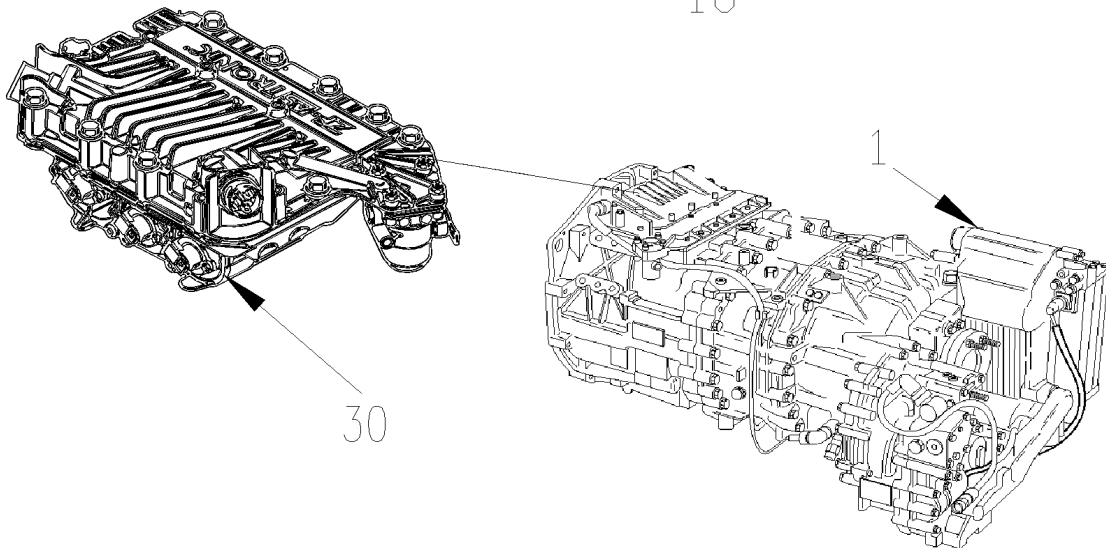
Date:10/2022

PAGE:H7-0705-00

TRANSMISSION "ZF- ASTRONIC"



SEE DETAIL "A" PAGE OVER



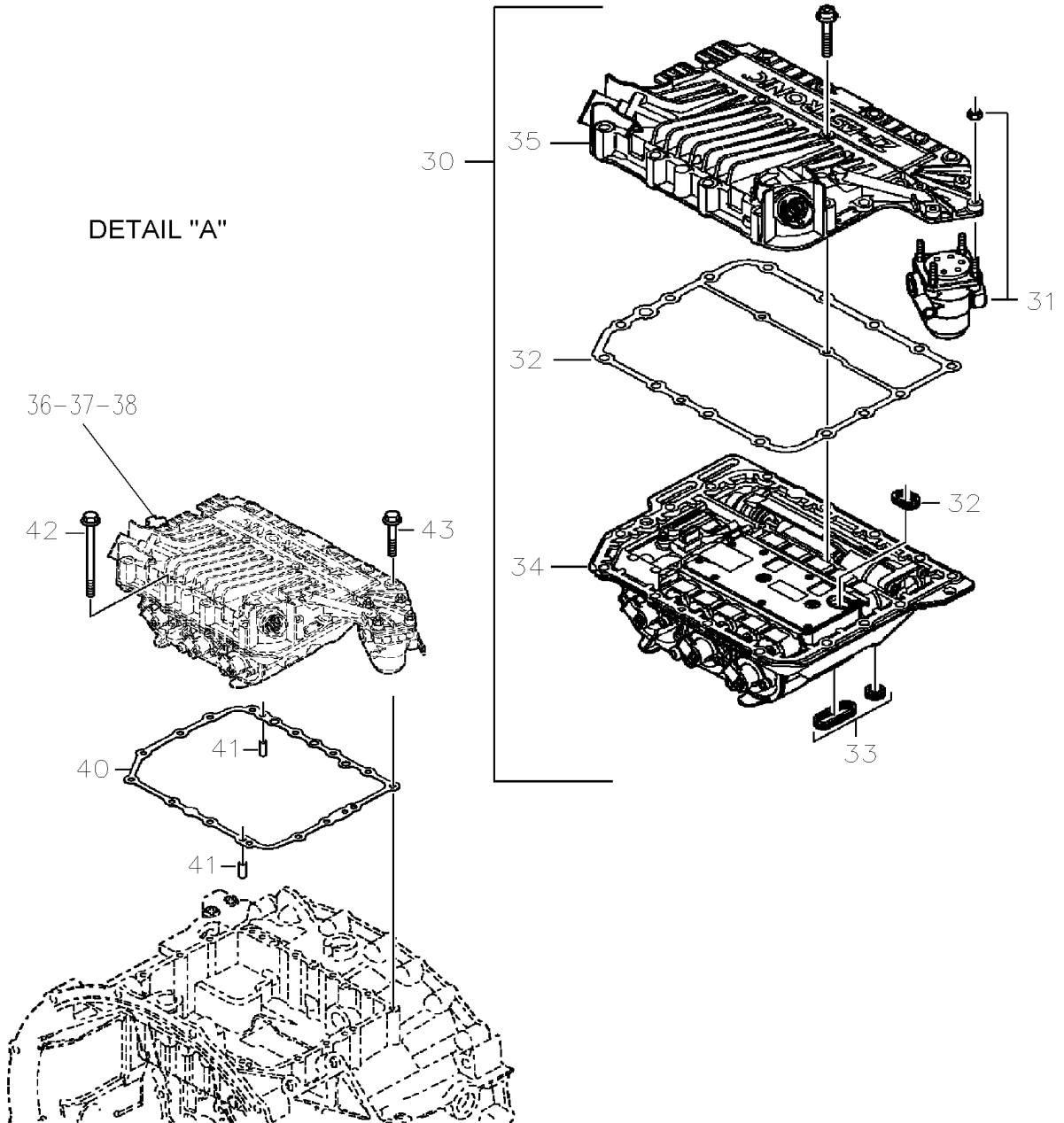
From 7-0671 To A-1720

Date:10/2022

PAGE:H7-0705-00

TRANSMISSION "ZF- ASTRONIC"

DETAIL "A"



From 7-0671 To A-1720	Date:10/2022	PAGE:H7-0705-00
<b>TRANSMISSION "ZF- ASTRONIC"</b>		

Item#	Part	Description	H 3 4 1	H 3 4 5	V I P 4 5	N O T E S
		"WARNING" - "WARNING" -"WARNING" - "WARNING"				
		V.I.N. 8-0749 IT EQUIPED WITH 12 SPEEDS TRANS				
1	571772	TRANSMISSION "ZF" W/O INTARDER / W10 SPEEDS To 8-1051	1	1		
1	572042	TRANSMISSION "ZF" W/O INTARDER / W12 SPEEDS From 8-1052 To 8-1169	1	1		
1	572112	TRANSMISSION "ZF" W/O INTARDER / W12 SPEEDS From 8-1170	1	1		
NS	684516	OIL TRANSYND TRANSMISSION "ZF" CASTROL / 75W/85 AP1 GL4 / (25 LITERS)	AR	AR		
1	684911	OIL TRANSYND TRANSMISSION "ZF" TOTAL EXON / 75W/80 AP1 GL4 / (20 LITERS)	AR	AR		
10	066636	CABLE ASSY / FRT SELECTOR & RR "ZMTec"	1	1		
. NS	563340	. CONNECTOR / SEAL CIRC. 2.5 SERIES / SH 4C / AMP 1-967325-1	1	1		
. NS	562877	. CONNECTOR / DT SERIES / PH 3C / GRAY / DEUTSCH DT04-3P-E008	1	1		
15	571773	SHIFTER SELECTOR "ZF"	1	1		
20	572027	MODULE "ZF" ZMTEC / W10 SPEEDS To 8-1051	1	1		
20	572041	MODULE "ZF" ZMTEC / W12 SPEEDS From 8-1052	1	1		
30	572022	TRANSMISSION ACTUATOR GS 3 / 10 speeds To 8-1051	1	1		
30	572093	TRANSMISSION ACTUATOR GS 3.3 / 12 speeds From 8-1052	1	1		
31	19504975	. PRESSURE REDUCER VALVE	1	1		
32	570003	. SEAL KIT	1	1		
33	Call order desk	. . SEAL KIT	1	1		P
34	N.S.P.	. BOTTOM ACTUATOR 6009.274.058	1	1		2
35	N.S.P.	. UPPER PART ACTUATOR 6009.397.074	1	1		2
36	572131	. BREATHER	1	1		
37	572132	. ELBOW 90°	1	1		
38	572133	. ADAPTOR	1	1		
40	572024	GASKET / TRANS ACTUATOR & HOUSING	1	1		
41	N.S.P.	CYLINDRICAL PIN 6.8MX16MM 0631.306.863	2	2		2
42	502797	SCREW CAP HEX M8-1.25x70 G10.9 G500	6	6		
43	N.S.P.	SCREW CAP HEX M8-1.25x45 G10.9 DP	9	9		2
44	N.S.P.	ANGLE PIECE 0501.315.796	1	1		2
50	<b>H7-0625-00</b>	<b>FRONT JUNCTION PANEL</b>				
		2) NOT SOLD BY PREVOST (SEE MANUFACTURING PART NUMBER AT END OF DESCRIPTION LINE)				
		P) CALL ORDER DESK FOR SPECIFIC APPLICATION (V.I.N.)				

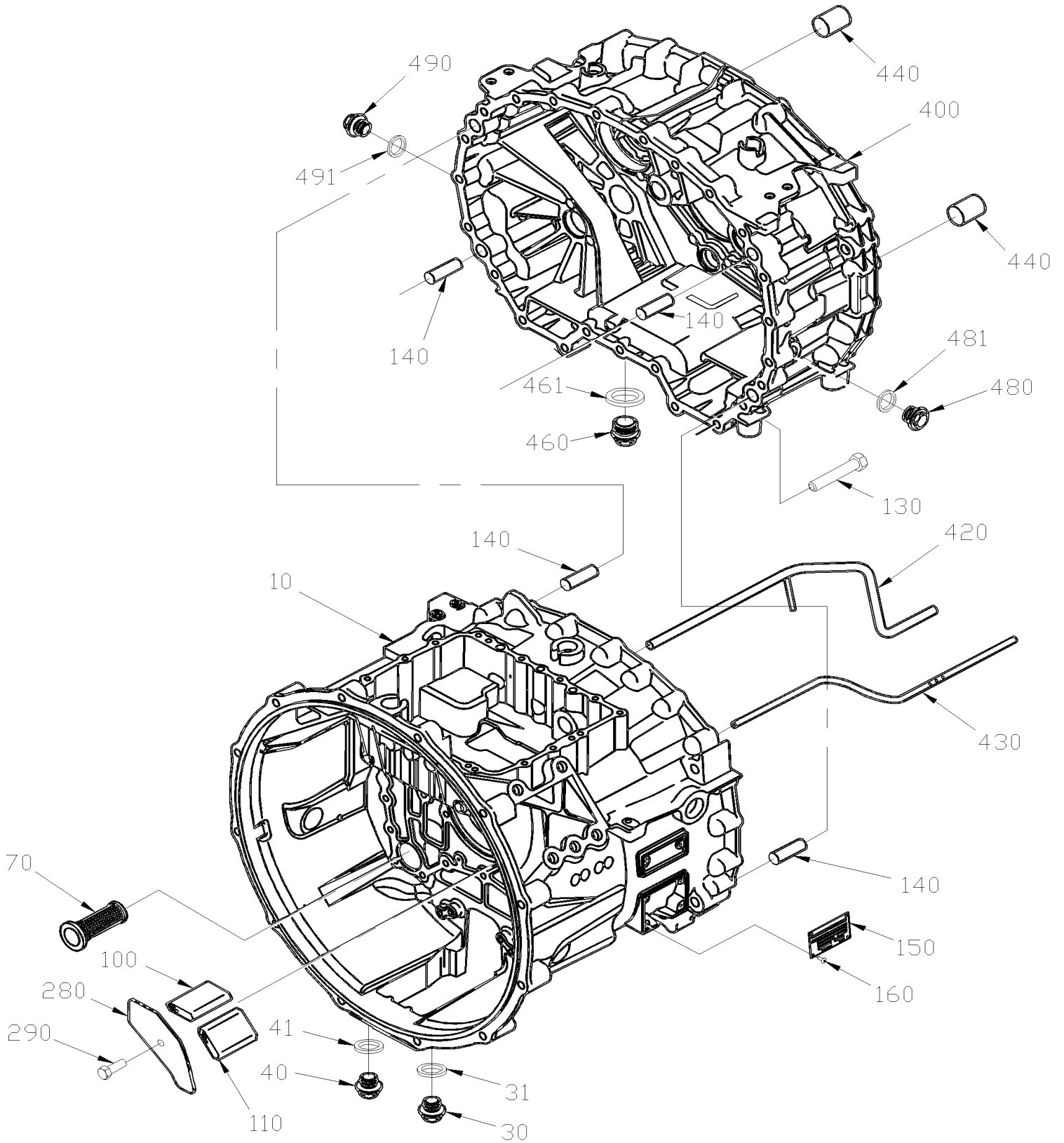


From 7-0671 To A-1720

Date:10/2022

PAGE:H7-0705-05

## GEARBOX HOUSING



From 7-0671 To A-1720	Date:10/2022	PAGE:H7-0705-05
<b>GEARBOX HOUSING</b>		

Item#	Part	Description	H 3 4 1	H 3 4 5	V I P 4 5	N O T E S
		"WARNING" - "WARNING" -"WARNING" - "WARNING"				
		V.I.N. 8-0749 IT EQUIPED WITH 12 SPEEDS TRANS				
10	571787	HOUSING To 8-1051	1	1		
10	571527	HOUSING From 8-1052	1	1		
NS	572068	GASKET / BETWEEN HOUSING / METAL	1	1		
10	571004	GASKET / BETWEEN HOUSING / METAL / AFTER MARKET	1	1		
30	571788	SCREW PLUG M22x1.5 DIN 908	1	1		
31	571789	SEALING RING	1	1		
40	571788	SCREW PLUG M22x1.5 DIN 908	1	1		
41	571789	SEALING RING	1	1		
70	571790	SCREEN INSERT	1	1		
100	571791	BREATHER	1	1		
110	571791	BREATHER	1	1		
130	571792	SCREW CAP HEX M101.5x60 G10.9	24	24		
140	571793	CYLINDRICAL PIN	4	4		
150	571794	TYPE PLATE	1	1		
160	571795	BLIND RIVET	4	4		
280	571796	COVER	1	1		
290	502790	SCREW CAP HEX M8-1.25x20 G8.8 Z050	1	1		
400	571797	HOUSING To 8-1051	1	1		
400	571656	HOUSING From 8-1052	1	1		
400	571657	HOUSING	1	1		
420	571798	SPRAY TUBE To 8-1051	1	1		
420	571675	SPRAY TUBE From 8-1052	1	1		
430	571799	SPRAY TUBE To 8-1051	1	1		
430	571677	SPRAY TUBE From 8-1052	1	1		
440	571800	PIN	2	2		
460	571801	SCREW PLUG	1	1		
461	571802	SEALING RING	1	1		
480	571803	SCREW PLUG M24x1.5 DIN 910	1	1		
481	571802	SEALING RING	1	1		
490	571803	SCREW PLUG M24x1.5 DIN 910	1	1		
491	571802	SEALING RING	1	1		
NS	684516	OIL TRANSYND TRANSMISSION "ZF" CASTROL / 75W/85 AP1 GL4 / (25 LITERS)	AR	AR		
NS	684911	OIL TRANSYND TRANSMISSION "ZF" TOTAL EXON / 75W/80 AP1 GL4 / (20 LITERS)	AR	AR		

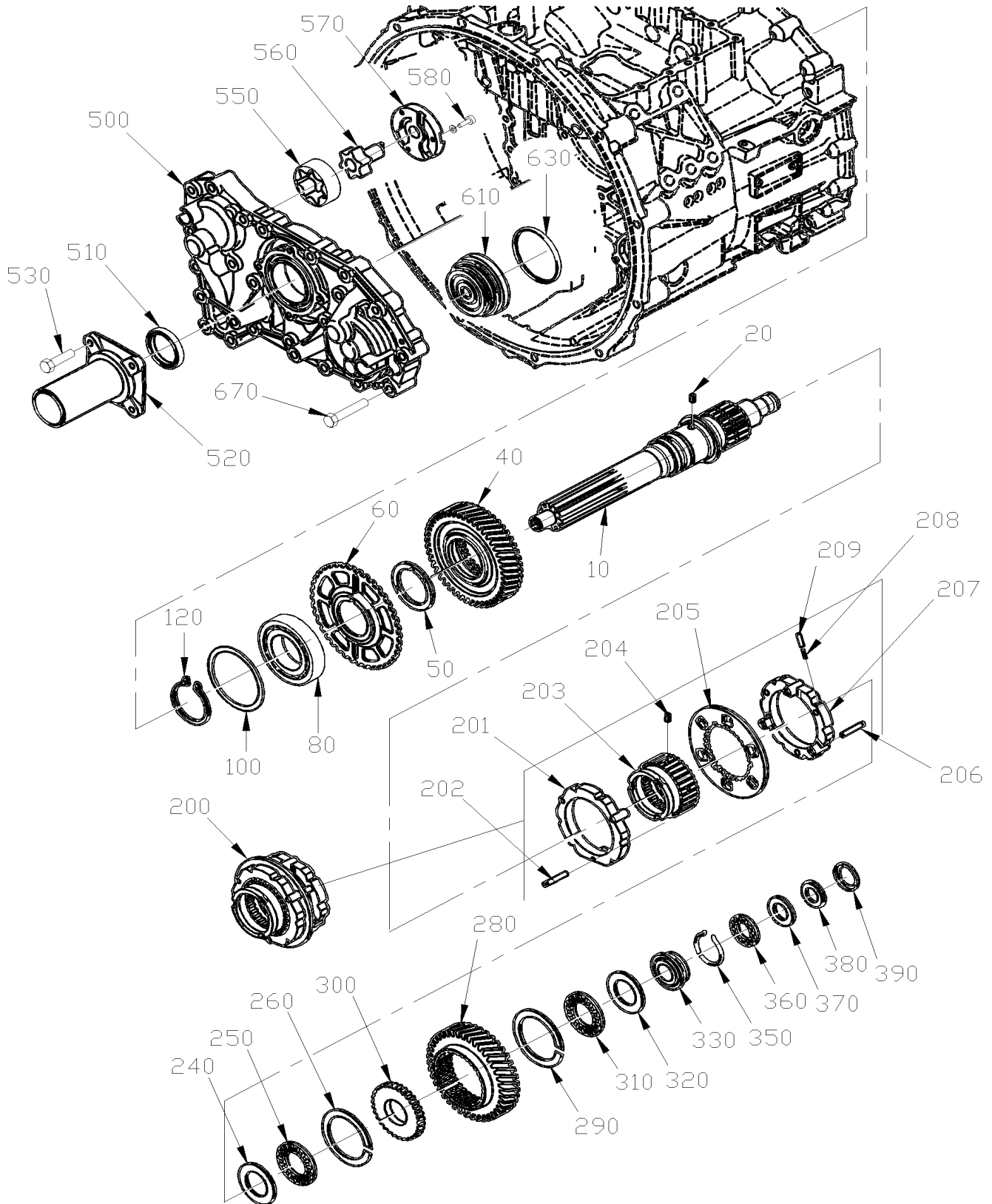


From 7-0671 To A-1720

Date:10/2022

PAGE:H7-0705-10

## INPUT SHAFT



<b>From 7-0671 To A-1720</b>	<b>Date:10/2022</b>	<b>PAGE:H7-0705-10</b>
<b>INPUT SHAFT</b>		

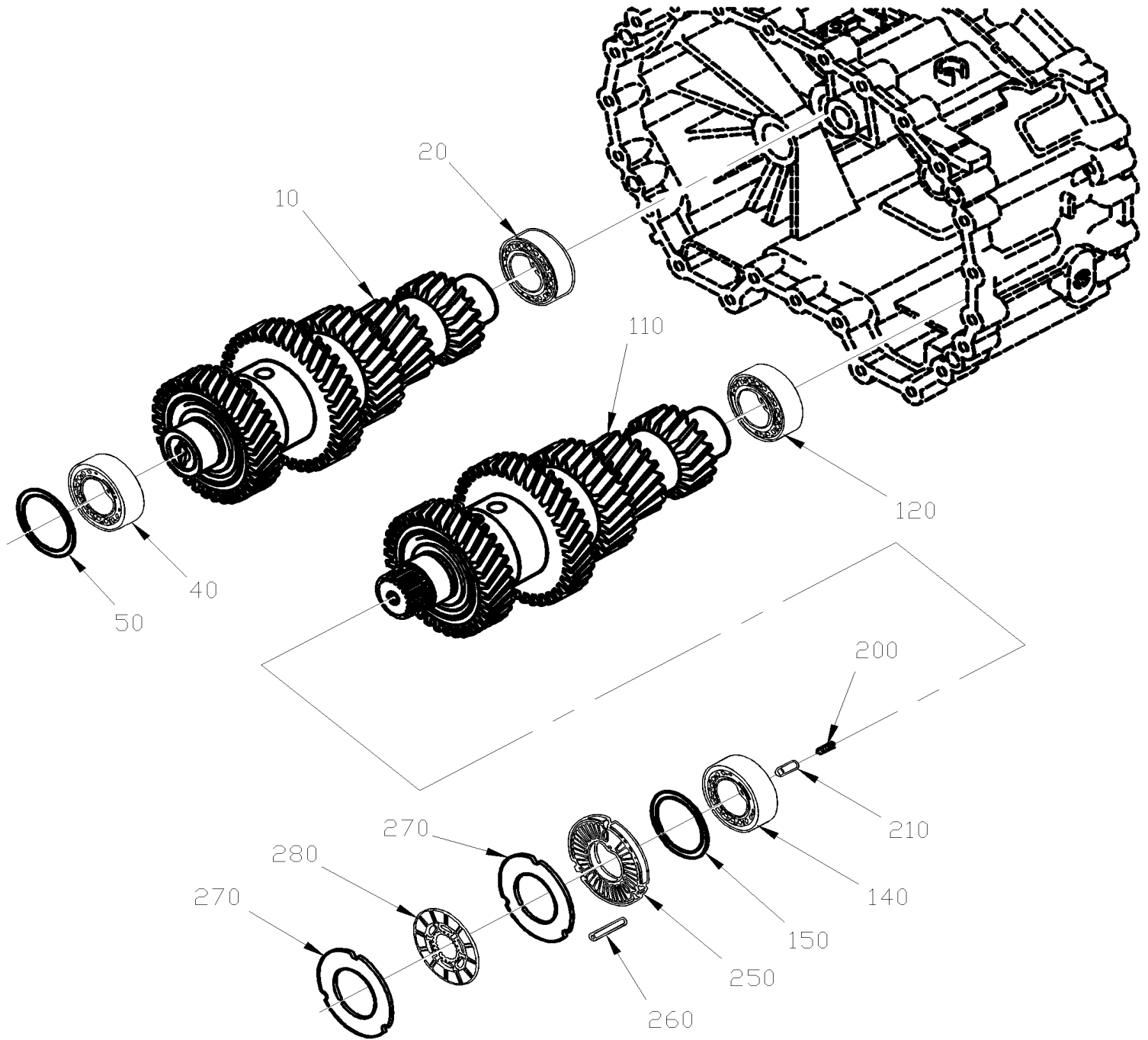
Item#	Part	Description	H 3 4 1	H 3 4 5	V I P 4 5	N O T E S
		"WARNING" - "WARNING" -"WARNING" - "WARNING"				
		V.I.N. 8-0749 IT EQUIPED WITH 12 SPEEDS TRANS				
10	571804	INPUT SHAFT	1	1		
20	571805	PIN	1	1		
40	571806	HELICAL GEAR	1	1		
50	571807	THRUST WASHER	1	1		
60	571808	COUNTING RING	1	1		
80	571809	BALL BEARING	1	1		
100	571810	SHIM 1.40MM	AR	AR		
100	571811	SHIM 1.45MM	AR	AR		
100	571812	SHIM 1.50MM	AR	AR		
100	571813	SHIM 1.55MM	AR	AR		
100	571814	SHIM 1.60MM	AR	AR		
100	571815	SHIM 1.65MM	AR	AR		
100	571816	SHIM 1.70MM	AR	AR		
100	571817	SHIM 1.75MM	AR	AR		
100	571818	SHIM 1.80MM	AR	AR		
100	571819	SHIM 1.85MM	AR	AR		
100	571820	SHIM 1.90MM	AR	AR		
100	571821	SHIM 1.95MM	AR	AR		
100	571822	SHIM 2.00MM	AR	AR		
120	571823	RETAINING RING 3.25MM	AR	AR		
120	571824	RETAINING RING 3.30MM	AR	AR		
120	571825	RETAINING RING 3.35MM	AR	AR		
120	571826	RETAINING RING 3.40MM	AR	AR		
120	571827	RETAINING RING 3.45MM	AR	AR		
120	571828	RETAINING RING 3.50MM	AR	AR		
120	571829	RETAINING RING 3.55MM	AR	AR		
120	571830	RETAINING RING 3.60MM	AR	AR		
120	571831	RETAINING RING 3.65MM	AR	AR		
120	571832	RETAINING RING 3.70MM	AR	AR		
120	571833	RETAINING RING 3.75MM	AR	AR		
120	571834	RETAINING RING 3.80MM	AR	AR		
120	571835	RETAINING RING 3.85MM	AR	AR		
120	571836	RETAINING RING 3.90MM	AR	AR		
120	571837	RETAINING RING 3.95MM	AR	AR		
120	571838	RETAINING RING 4.00MM	AR	AR		
200	571839	SYCHRONIZER ASSY To 8-1051	1	1		
200	572069	SYCHRONIZER ASSY From 8-1052	1	1		
201	571840	. SYCHRONIZER RING To 8-1051	1	1		
201	572071	. SYCHRONIZER RING From 8-1052	1	1		

<b>From 7-0671 To A-1720</b>	<b>Date:10/2022</b>	<b>PAGE:H7-0705-10</b>
<b>INPUT SHAFT</b>		

Item#	Part	Description	H 3 4 1	H 3 4 5	V I P 4 5	N O T E S
202	571841	. PIN	3	3		
203	571842	. GEAR SHIFT SLEEVE	1	1		
204	571805	. PIN	1	1		
205	571843	. PLATE To 8-1051	1	1		
206	571844	. PIN	3	3		
207	571845	. SYCHRONIZER RING To 8-1051	1	1		
207	572073	. SYCHRONIZER RING From 8-1052	1	1		
208	571846	. COMPRESSION SPRING	3	3		
209	571847	. CYLINDER ROLLER 7X10 DIN 5402	3	3		
212	572072	PLATE From 8-1052	1	1		
240	571848	WASHER	1	1		
250	571849	AXLE NEEDLE CAGE	1	1		
260	571850	SNAP RING To 8-1051	1	1		
260	572074	SNAP RING From 8-1052	1	1		
280	571851	HELICAL GEAR	1	1		
290	571850	SNAP RING	1	1		
300	571852	BEARING DISC	1	1		
310	571849	AXLE NEEDLE CAGE	1	1		
320	571848	WASHER	1	1		
330	571853	BEARING RING	1	1		
350	571854	RETAINING RING	1	1		
360	571855	AXLE ROLLER CAGE	1	1		
370	571856	WASHER / 5MM	1	1		
380	571857	SPLIT RING To 8-1051	1	1		
380	572075	SPLIT RING From 8-1052	1	1		
390	571858	RETAINING RING	1	1		
500	571859	CONNECTING PLATE	1	1		
510	571860	SHAFT SEAL	1	1		
520	571861	RELEASE FLANGE	1	1		
522	572076	GASKET From 8-1052	1	1		
530	502589	SCREW CAP HEX M8-1.25x25 G8.8 Z050	4	4		
550	571862	ROTOR	1	1		
560	571863	PUMP SHAFT	1	1		
570	571864	PUMP COVER	1	1		
580	571865	SCREW CAP HEXS TORX M6-1.0x25	3	3		
610	571866	PISTON	1	1		
630	571867	U-RING	1	1		
670	571868	SCREW CAP HEX M10-1.5x60 G10.9	22	22		



From 7-0671 To A-1720	Date:10/2022	PAGE:H7-0705-15
LAYSHAFT		



From 7-0671 To A-1720	Date:10/2022	PAGE:H7-0705-15
<b>LAYSHAFT</b>		

Item#	Part	Description	H 3 4 1	H 3 4 5	V I P 4 5	N O T E S
		"WARNING" - "WARNING" -"WARNING" - "WARNING"				
		V.I.N. 8-0749 IT EQUIPED WITH 12 SPEEDS TRANS				
10	571869	LAYSHAFT	1	1		
20	571870	ROLLER BEARING	1	1		
40	571870	ROLLER BEARING	1	1		
50	571871	SHIM 1.70MM	AR	AR		
50	571872	SHIM 1.75MM	AR	AR		
50	571873	SHIM 1.80MM	AR	AR		
50	571874	SHIM 1.85MM	AR	AR		
50	571875	SHIM 1.90MM	AR	AR		
50	571876	SHIM 1.95MM	AR	AR		
50	571877	SHIM 2.00MM	AR	AR		
50	571878	SHIM 2.05MM	AR	AR		
50	571879	SHIM 2.10MM	AR	AR		
50	571880	SHIM 2.15MM	AR	AR		
50	571881	SHIM 2.20MM	AR	AR		
50	571882	SHIM 2.25MM	AR	AR		
50	571883	SHIM 2.30MM	AR	AR		
50	571884	SHIM 2.35MM	AR	AR		
50	571885	SHIM 2.40MM	AR	AR		
50	571886	SHIM 2.45MM	AR	AR		
50	571887	SHIM 2.50MM	AR	AR		
50	571888	SHIM 2.55MM	AR	AR		
50	571889	SHIM 2.60MM	AR	AR		
50	571890	SHIM 2.65MM	AR	AR		
50	571891	SHIM 2.70MM	AR	AR		
50	571892	SHIM 2.75MM	AR	AR		
50	571893	SHIM 2.80MM	AR	AR		
110	571894	LAYSHAFT To 8-1051	1	1		
120	571870	ROLLER BEARING	1	1		
140	571870	ROLLER BEARING	1	1		
150	571871	SHIM 1.70MM	AR	AR		
150	571872	SHIM 1.75MM	AR	AR		
150	571873	SHIM 1.80MM	AR	AR		
150	571874	SHIM 1.85MM	AR	AR		
150	571875	SHIM 1.90MM	AR	AR		
150	571876	SHIM 1.95MM	AR	AR		
150	571877	SHIM 2.00MM	AR	AR		
150	571878	SHIM 2.05MM	AR	AR		
150	571879	SHIM 2.10MM	AR	AR		
150	571880	SHIM 2.15MM	AR	AR		

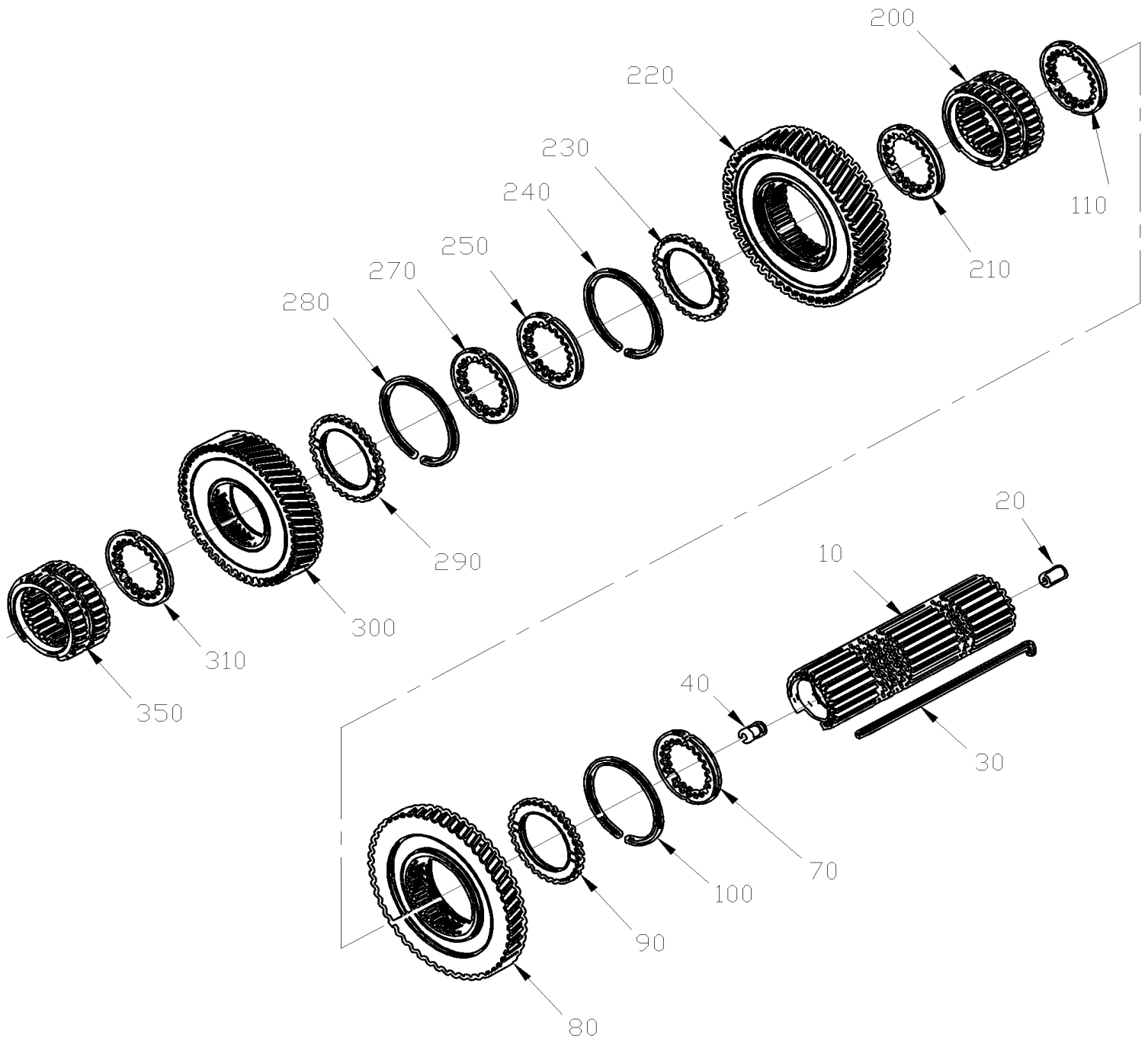
From 7-0671 To A-1720	Date:10/2022	PAGE:H7-0705-15
<b>LAYSHAFT</b>		

Item#	Part	Description	H 3 4 1	H 3 4 5	V I P 4 5	N O T E S
150	571881	SHIM 2.20MM	AR	AR		
150	571882	SHIM 2.25MM	AR	AR		
150	571883	SHIM 2.30MM	AR	AR		
150	571884	SHIM 2.35MM	AR	AR		
150	571885	SHIM 2.40MM	AR	AR		
150	571886	SHIM 2.45MM	AR	AR		
150	571887	SHIM 2.50MM	AR	AR		
150	571888	SHIM 2.55MM	AR	AR		
150	571889	SHIM 2.60MM	AR	AR		
150	571890	SHIM 2.65MM	AR	AR		
150	571891	SHIM 2.70MM	AR	AR		
150	571892	SHIM 2.75MM	AR	AR		
150	571893	SHIM 2.80MM	AR	AR		
200	571895	COMPRESSION SPRING	1	1		
210	571896	DETENT PIN	1	1		
250	571897	BRAKE COVER	1	1		
260	571898	CYLINDRICAL PIN M6x50	3	3		
270	571899	OUT CLUTCH DISC	4	4		
280	571900	LINNIG CLUTCH DISC	2	2		





From 7-0671 To A-1720	Date:10/2022	PAGE:H7-0705-20
MAIN SHAFT		



From 7-0671 To A-1720	Date:10/2022	PAGE:H7-0705-20
<b>MAIN SHAFT</b>		

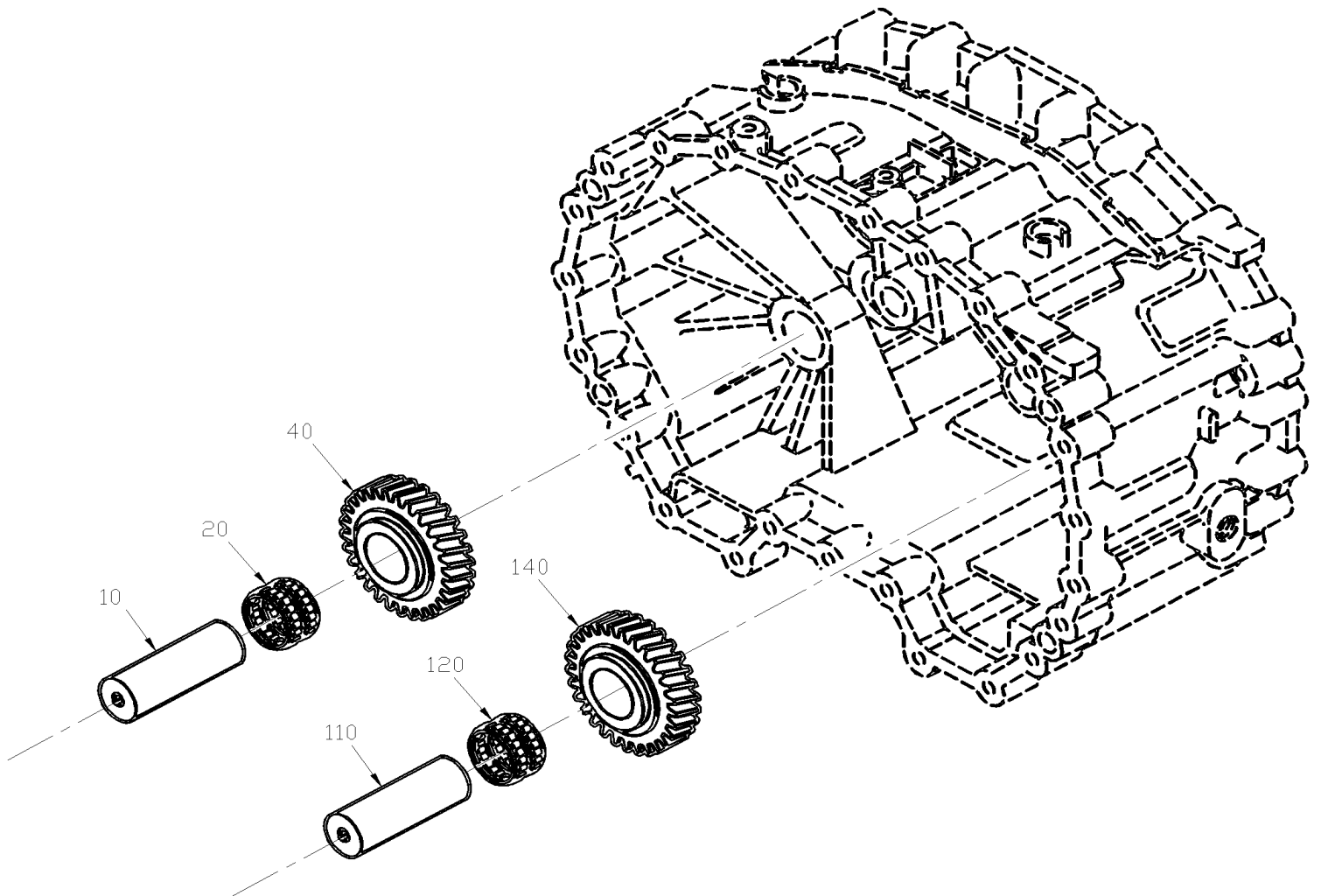
Item#	Part	Description	H 3 4 1	H 3 4 5	V I P 4 5	N O T E S
		"WARNING" - "WARNING" -"WARNING" - "WARNING"				
		V.I.N. 8-0749 IT EQUIPED WITH 12 SPEEDS TRANS				
10	571901	MAIN SHAFT To 8-1051	1	1		
10	572077	MAIN SHAFT From 8-1052	1	1		
20	571902	OIL TUBE	1	1		
30	571903	KEY	1	1		
40	571904	OIL TUBE	1	1		
70	571905	WASHER	1	1		
80	571906	HELICAL GEAR	1	1		
90	571907	WASHER	1	1		
100	571850	SNAP RING	1	1		
110	571905	WASHER	1	1		
200	571908	SLIDING SLEEVE To 8-1051	1	1		
200	572078	SLIDING SLEEVE From 8-1052	1	1		
210	571905	WASHER	1	1		
220	571909	HELICAL GEAR	1	1		
230	571907	WASHER	1	1		
240	571850	SNAP RING	1	1		
250	571905	WASHER	1	1		
270	571905	WASHER	1	1		
280	571850	SNAP RING	1	1		
290	571907	WASHER	1	1		
300	571910	HELICAL GEAR To 8-1051	1	1		
310	571905	WASHER	1	1		
350	571908	SLIDING SLEEVE	1	1		

From 7-0671 To A-1720

Date:10/2022

PAGE:H7-0705-25

REVERSE GEAR



From 7-0671 To A-1720	Date:10/2022	PAGE:H7-0705-25
<b>REVERSE GEAR</b>		

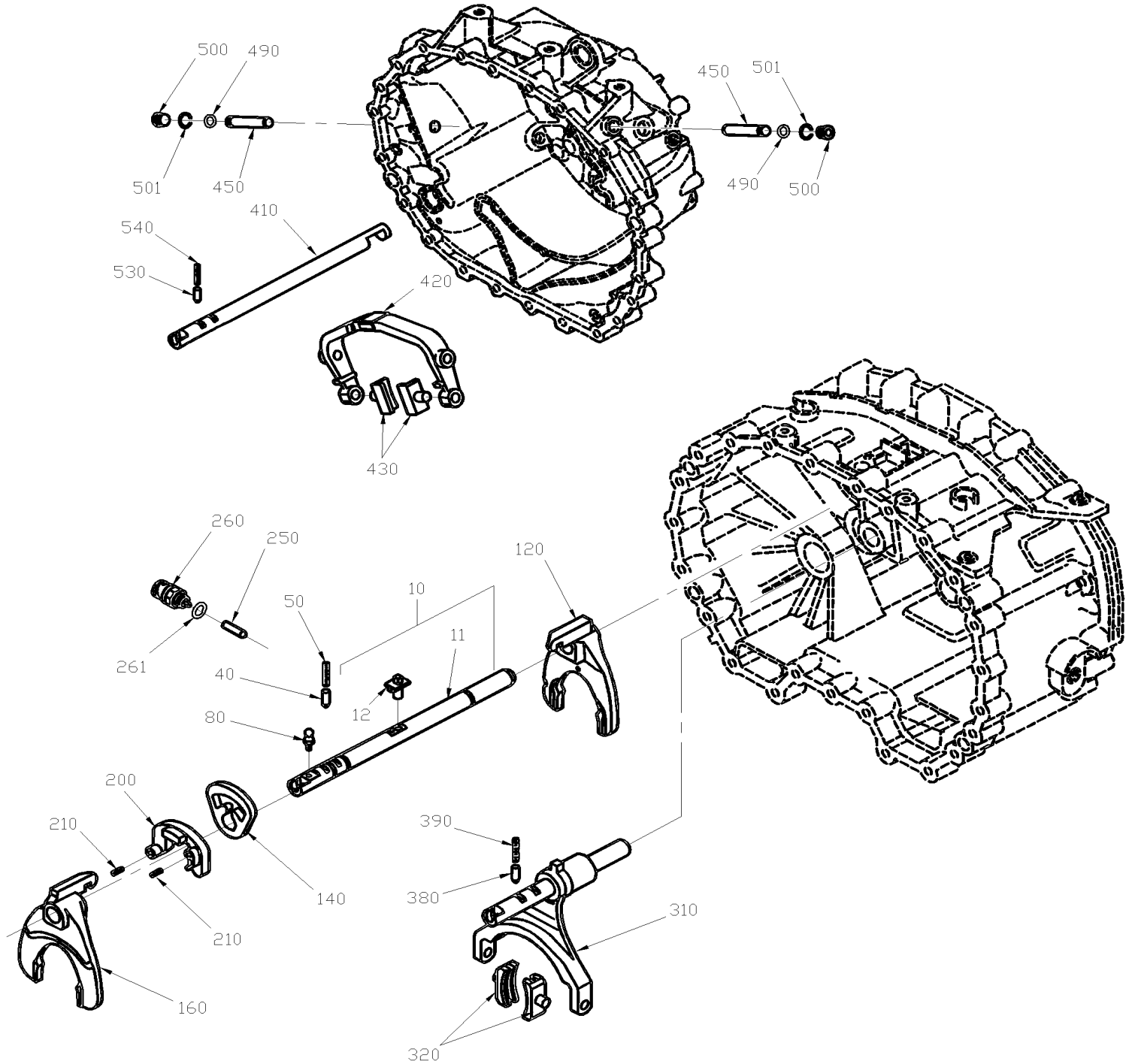
Item#	Part	Description	H 3 4 1	H 3 4 5	V I P 4 5	N O T E S
10	571911	REVERSE IDLER SHAFT	1	1		
20	571912	NEEDLE CAGE	1	1		
40	571913	HELICAL GEAR	1	1		
110	571911	REVERSE IDLER SHAFT	1	1		
120	571912	NEEDLE CAGE	1	1		
140	571913	HELICAL GEAR	1	1		

From 7-0671 To A-1720

Date:10/2022

PAGE:H7-0705-30

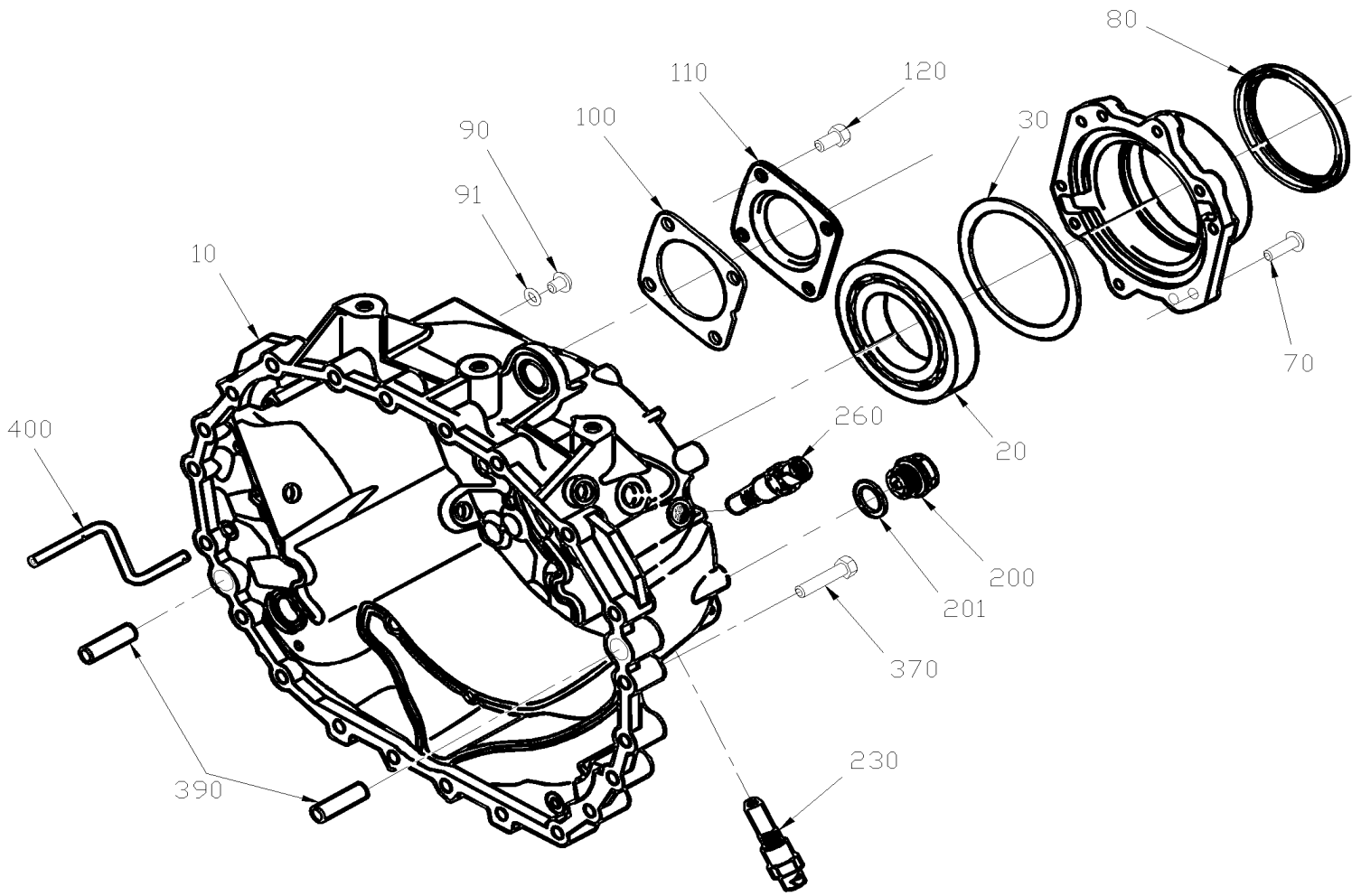
## GEAR SHIFT SYSTEM



From 7-0671 To A-1720	Date:10/2022	PAGE:H7-0705-30
<b>GEAR SHIFT SYSTEM</b>		

Item#	Part	Description	H 3 4 1	H 3 4 5	V I P 4 5	N O T E S
10	571914	GEAR SHIFT SHAFT ASSY	1	1		
11	571915	. GEAR SHIFT SHAFT	1	1		
12	571916	. GEAR SHIFT FINGER	1	1		
40	571896	DETENT PIN	1	1		
50	571895	COMPRESSION SPRING	1	1		
80	571917	BALL PIN	1	1		
120	571918	GEAR SHIFT FORK	1	1		
140	571919	INERTLOCK	1	1		
160	571920	GEAR SHIFT FORK	1	1		
200	571921	SPACER	1	1		
210	571922	SLOT PIN 6x18MM	2	2		
250	571923	PIN	1	1		
260	571925	SWITCH / NEUTRAL N.O. / W/"ZF"MANUAL TRANS	1	1		
261	571924	SEALING RING	1	1		
310	571926	GEAR SHIFT FORK	1	1		
320	571927	SLIDING PAD	2	2		
380	571896	DETENT PIN	1	1		
390	571895	COMPRESSION SPRING	1	1		
410	571998	GEAR SHIFT RAIL	1	1		
420	571999	GEAR SHIFT FORK	1	1		
430	572000	SLIDING PAD	2	2		
450	572001	JOINT PIN	2	2		
490	572002	SNAP RING	2	2		
500	572003	SCREW PLUG M20x1.5 DIN 908	2	2		
501	572004	SEALING RING	2	2		
530	571896	DETENT PIN	1	1		
540	571895	COMPRESSION SPRING	1	1		

From 7-0671 To A-1720	Date:10/2022	PAGE:H7-0705-35
OUTPUT HOUSING		



From 7-0671 To A-1720	Date:10/2022	PAGE:H7-0705-35
<b>OUTPUT HOUSING</b>		

Item#	Part	Description	H 3 4 1	H 3 4 5	V I P 4 5	N O T E S
		"WARNING" - "WARNING" -"WARNING" - "WARNING"				
		V.I.N. 8-0749 IT EQUIPED WITH 12 SPEEDS TRANS				
10	571928	HOUSING To 8-1051	1	1		
10	572079	HOUSING From 8-1052	1	1		
NS	571006	GASKET / BETWEEN HOUSING / METAL	1	1		
20	571929	BALL BEARING To 8-1051	1	1		
20	572080	BALL BEARING From 8-1052	1	1		
30	571930	SHIM 0.20MM	AR	AR		
30	571931	SHIM 0.30MM	AR	AR		
30	571932	SHIM 0.40MM	AR	AR		
30	571933	SHIM 0.50MM	AR	AR		
30	571934	SHIM 0.60MM	AR	AR		
50	571935	COVER To 8-1051	1	1		
50	572081	COVER From 8-1052	1	1		
70	500829	SCREW CAP HEX M10-1.5x40 G8.8	10	10		
80	571936	SHAFT SEAL	1	1		
90	571937	SCREW PLUG M10x1.0 DIN 908	1	1		
91	571938	SEALING RING	1	1		
100	571939	GASKET	1	1		
110	571940	COVER	1	1		
120	500850	SCREW CAP HEX M12-1.75X25 G8.8 Z050	4	4		
200	571801	SCREW PLUG	1	1		
201	571802	SEALING RING	1	1		
230	571941	PULSE SENSOR	1	1		
260	571941	PULSE SENSOR	1	1		
350		GASKET 0501.321.443 From 8-1052	1	1		
370	571792	SCREW CAP HEX M101.5x60 G10.9	22	22		
390	571793	CYLINDRICAL PIN	2	2		
400	571942	SPRAY TUBE	1	1		

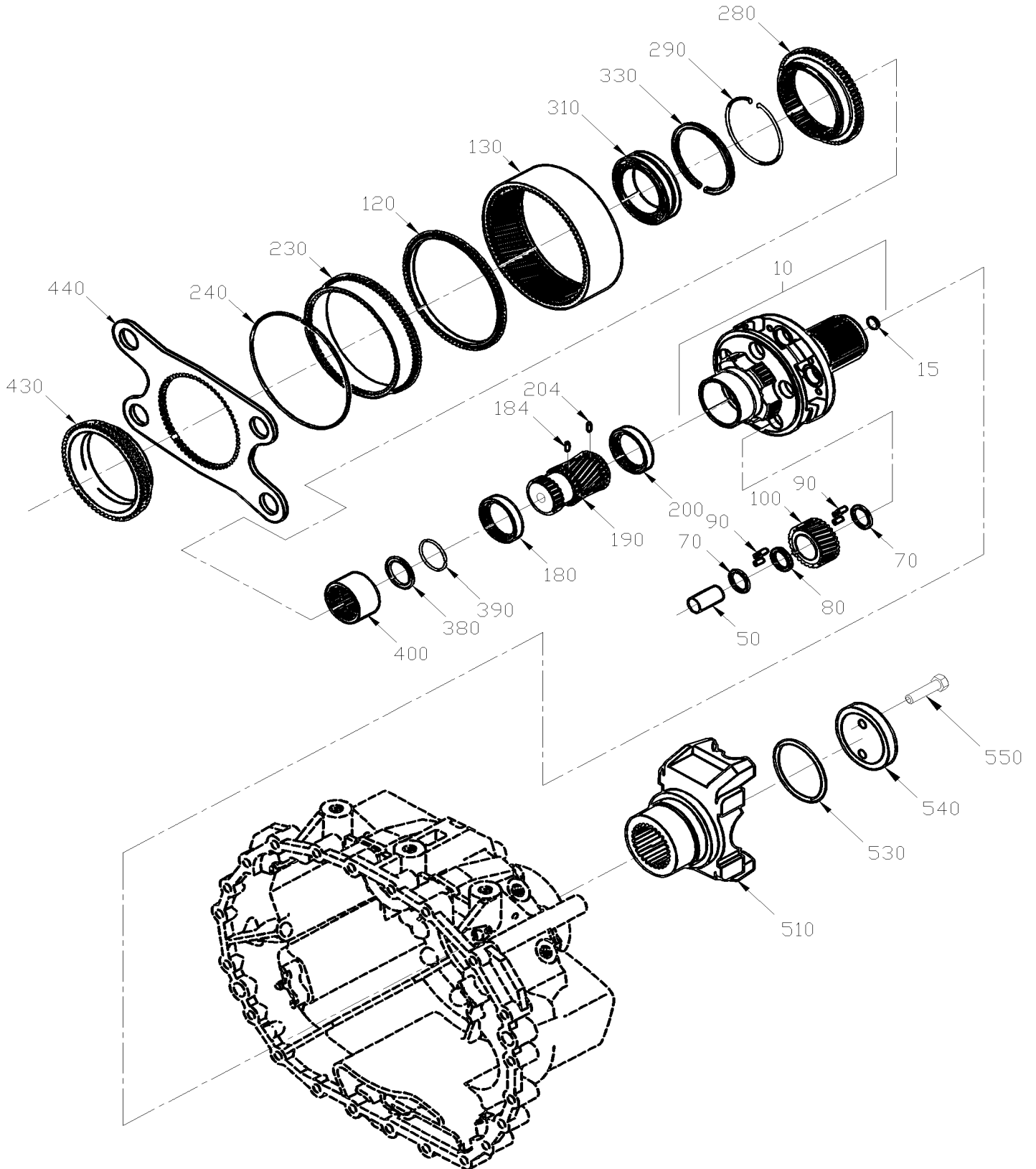


From 7-0671 To A-1720

Date:10/2022

PAGE:H7-0705-40

OUTPUT FLANGE & PLANETARY DRIVE



From 7-0671 To A-1720	Date:10/2022	PAGE:H7-0705-40
<b>OUTPUT FLANGE &amp; PLANETARY DRIVE</b>		

Item#	Part	Description	H 3 4 1	H 3 4 5	V I P 4 5	N O T E S
		"WARNING" - "WARNING" -"WARNING" - "WARNING"				
		V.I.N. 8-0749 IT EQUIPED WITH 12 SPEEDS TRANS				
10	571943	PLANET CARRIER To 8-1051	1	1		
10	572082	PLANET CARRIER From 8-1052	1	1		
15	571944	. SEALING CAP	1	1		
50	571945	PLANET SHAFT	5	5		
70	571946	WASHER	10	10		
80	571947	WASHER	5	5		
90	571948	ROLLER	140	140		
100	571949	PLANET GEAR SET	1	1		
120	571950	THRUST RING To 8-1051	1	1		
120	572083	THRUST RING From 8-1052	1	1		
130	571951	RING GEAR To 8-1051	1	1		
130	572084	RING GEAR From 8-1052	1	1		
180	571952	PRESSURE DISC	1	1		
184	571953	DRIVING PIN	1	1		
190	571954	SUN GEAR	1	1		
200	571952	PRESSURE DISC	1	1		
204	571953	DRIVING PIN	1	1		
230	571955	RING GEAR CARRIER	1	1		
240	571956	LOCKING WIRE	1	1		
280	571957	CLUTCH BODY To 8-1051	1	1		
280	572085	CLUTCH BODY From 8-1052	1	1		
290	571958	RETAINING RING	1	1		
310	571959	CYLINDRICAL ROLLER BEARING	1	1		
330	571960	SNAP RING	1	1		
380	571961	SHIM 1.00MM	AR	AR		
380	571962	SHIM 1.10MM	AR	AR		
380	571963	SHIM 1.20MM	AR	AR		
380	571964	SHIM 1.30MM	AR	AR		
380	571965	SHIM 1.40MM	AR	AR		
380	571966	SHIM 1.50MM	AR	AR		
380	571967	SHIM 1.60MM	AR	AR		
380	571968	SHIM 1.70MM	AR	AR		
380	571969	SHIM 1.80MM	AR	AR		
380	571970	SHIM 1.90MM	AR	AR		
380	571971	SHIM 2.00MM	AR	AR		
380	571972	SHIM 2.10MM	AR	AR		
380	571973	SHIM 2.20MM	AR	AR		
380	571974	SHIM 2.30MM	AR	AR		
380	571975	SHIM 2.40MM	AR	AR		

From 7-0671 To A-1720	Date:10/2022	PAGE:H7-0705-40
<b>OUTPUT FLANGE &amp; PLANETARY DRIVE</b>		

Item#	Part	Description	H 3 4 1	H 3 4 5	V I P 4 5	N O T E S
380	571976	SHIM 2.50MM	AR	AR		
380	571977	SHIM 2.60MM	AR	AR		
380	571978	SHIM 2.70MM	AR	AR		
380	571979	SHIM 2.80MM	AR	AR		
380	571980	SHIM 2.90MM	AR	AR		
380	571981	SHIM 3.00MM	AR	AR		
380	571982	SHIM 3.10MM	AR	AR		
380	571983	SHIM 3.20MM	AR	AR		
380	571984	SHIM 3.30MM	AR	AR		
390	571985	RETAINING RING	1	1		
400	571986	SLEEVE	1	1		
430	571987	CLUTCH BODY	1	1		
440	571988	PLATE	1	1		
510	571989	YOKE (1810) HALF ROUND / "ZF" TRANS To 8-1051	1	1		
510	572086	YOKE (1810) HALF ROUND / "ZF" TRANS 1348.332.001 From 8-1052	1	1		
530	571990	O-RING	1	1		
540	571991	WASHER	1	1		
550	571992	SCREW CAP HEX M10-1.5x60 G10.9	2	2		

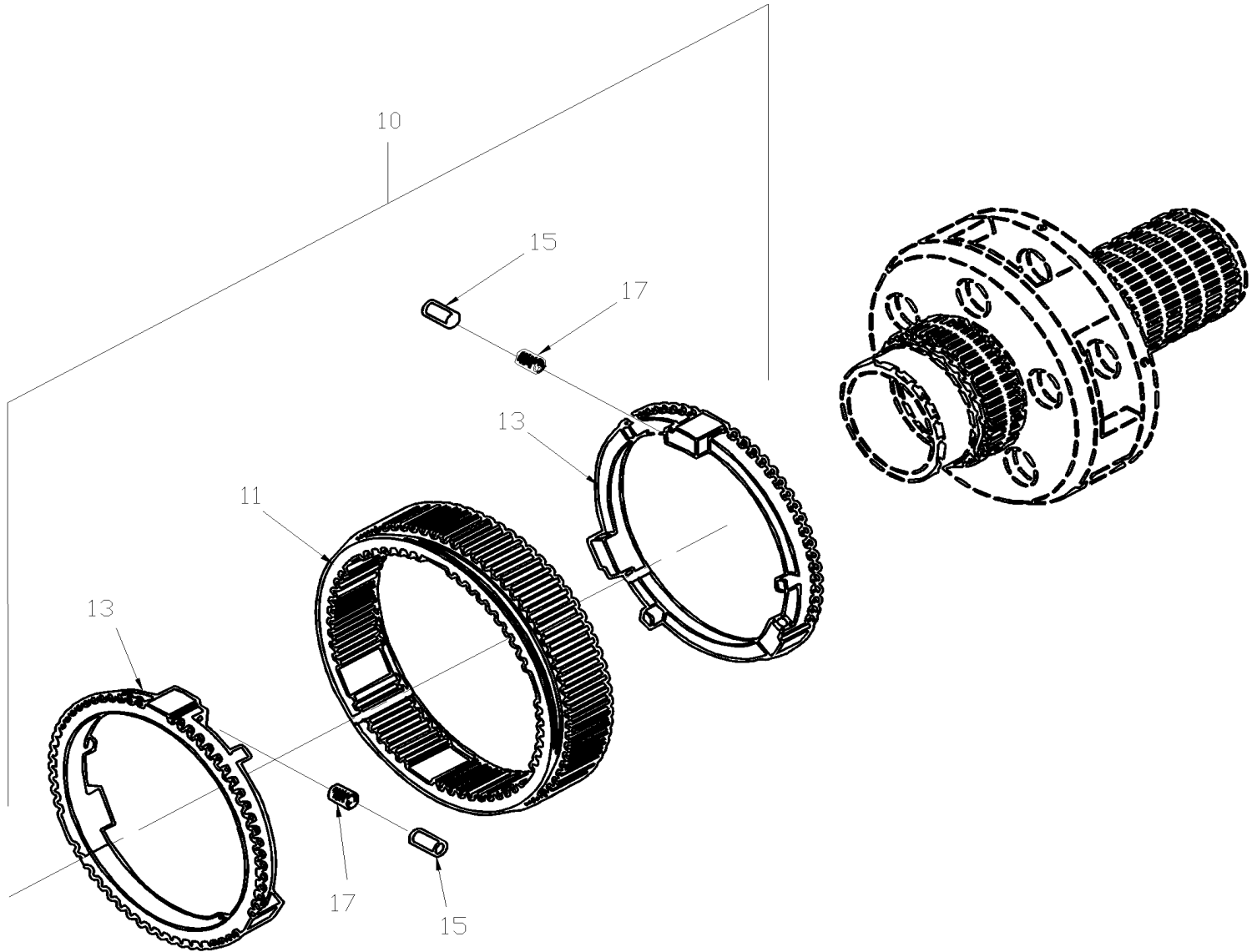


From 7-0671 To A-1720

Date:10/2022

PAGE:H7-0705-45

SYNCHRONIZER ASSY



From 7-0671 To A-1720	Date:10/2022	PAGE:H7-0705-45
-----------------------	--------------	-----------------

**SYNCHRONIZER ASSY**

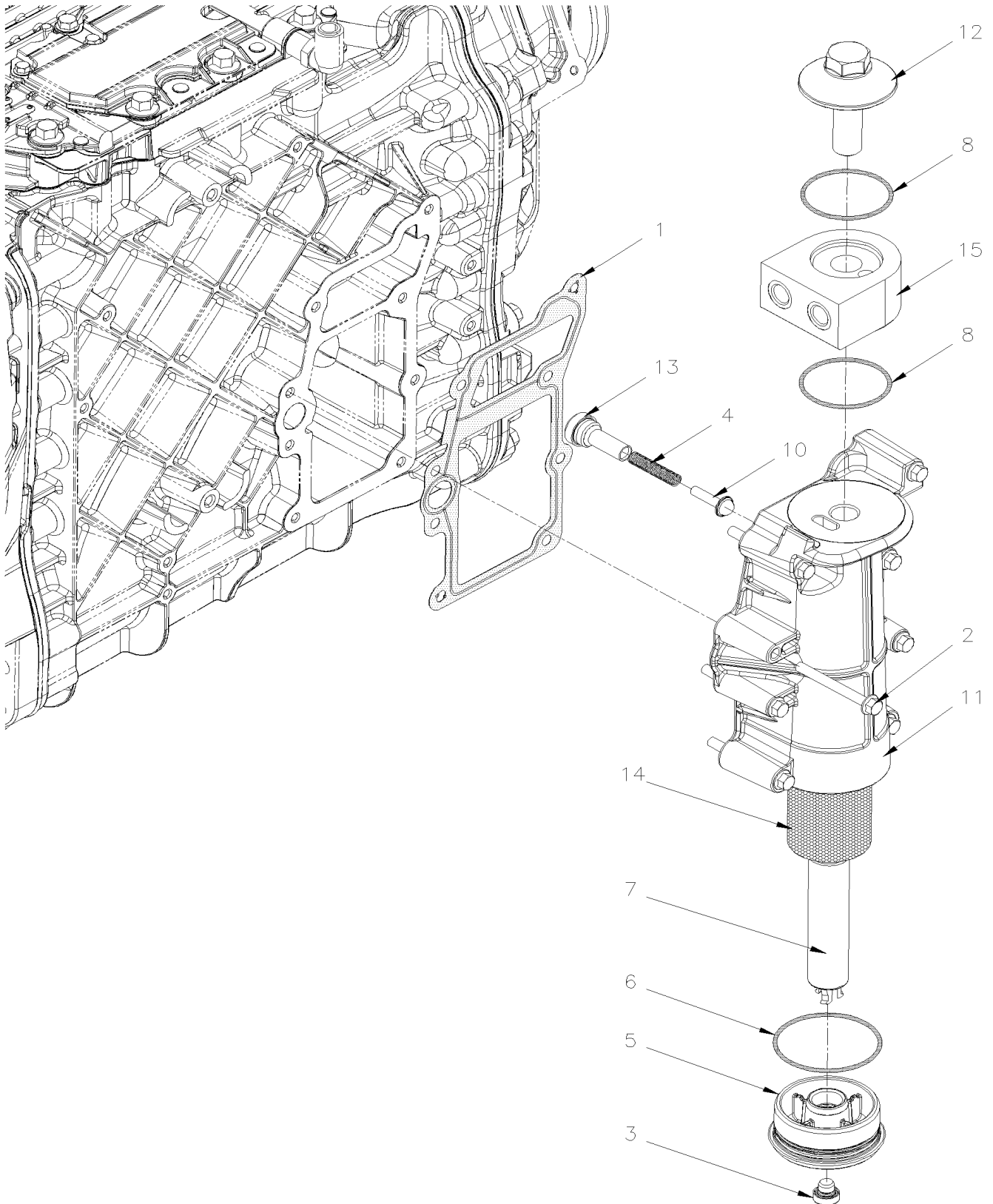
Item#	Part	Description	H 3 4 1	H 3 4 5	V I P 4 5	N O T E S
10	571993	SYNCHRONIZER ASSY	1	1		
11	571994	. SLIDING SLEEVE	1	1		
13	571995	. SYCHRONIZER RING	2	2		
15	571996	. BUSHING	6	6		
17	571997	. COMPRESSION SPRING	6	6		

From B-1721 To J-0184

Date:10/2022

PAGE:H7-0705-50

## TRANS "I-SHIFT" - OIL FILTER - INSTALLATION

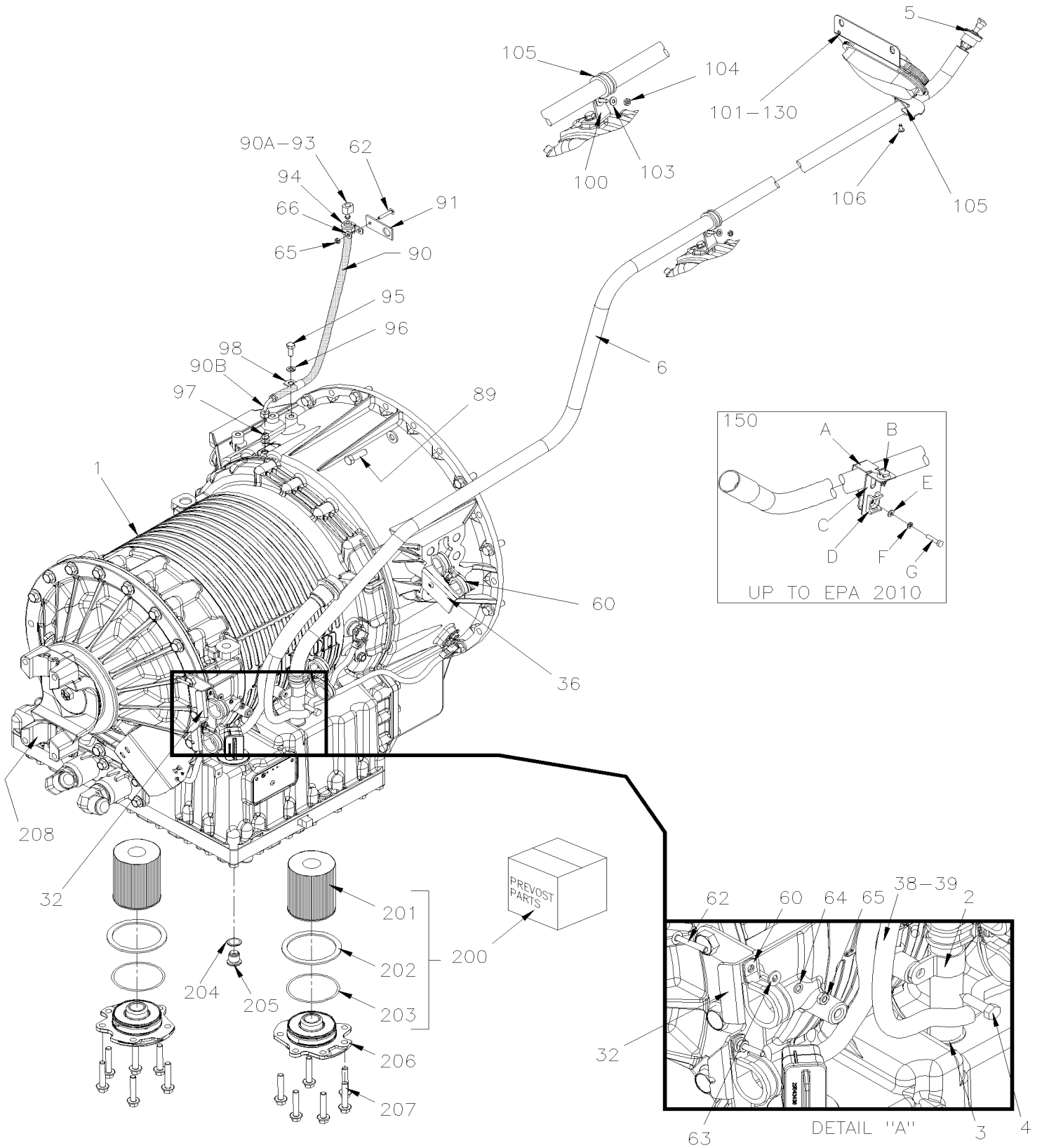


From B-1721 To J-0184	Date:10/2022	PAGE:H7-0705-50
<b>TRANS "I-SHIFT" - OIL FILTER - INSTALLATION</b>		

Item#	Part	Description	H 3 4 1	H 3 4 5	V I P 4 5	N O T E S
1	Refer To Volvo	GASKET OIL FILTER HOUSING	1	1	1	V
2	Refer To Volvo	FLANGE SCREW	1	1	1	V
3	Refer To Volvo	DRAIN PLUG	2	2	2	V
4	Refer To Volvo	SPRING BY-PASS	1	1	1	V
5	Refer To Volvo	COVER LOWER FILTER	1	1	1	V
6	Refer To Volvo	O-RING	1	1	1	V
7	Refer To Volvo	TUBE	1	1	1	V
8	Refer To Volvo	O-RING	3	3	3	V
10	Refer To Volvo	VALVE BY-PASS	1	1	1	V
11	Refer To Volvo	FILTER HOUSING	1	1	1	V
12	Refer To Volvo	COVER	1	1	1	V
13	Refer To Volvo	PLUG	1	1	1	V
14	Refer To Volvo	KIT, OIL FILTER TRANS I-SHIFT	1	1	1	V I
15	Refer To Volvo	CONNECTING BLOCK	1	1	1	V
NS	Refer To Volvo	NIPPLE	2	2	2	V
NS	Refer To Volvo	GASKET	4	4	4	V
		I) INCLUDE ITEM # 6 & 8				
		V) SEE IMPACT OR CALL ORDER DESK				



From 7-0671 To A-1720	Date:10/2022	PAGE:H7-0750-00
<b>AUTOMATIC TRANSMISSION - "WORLD" WITH DETROIT S-60</b>		

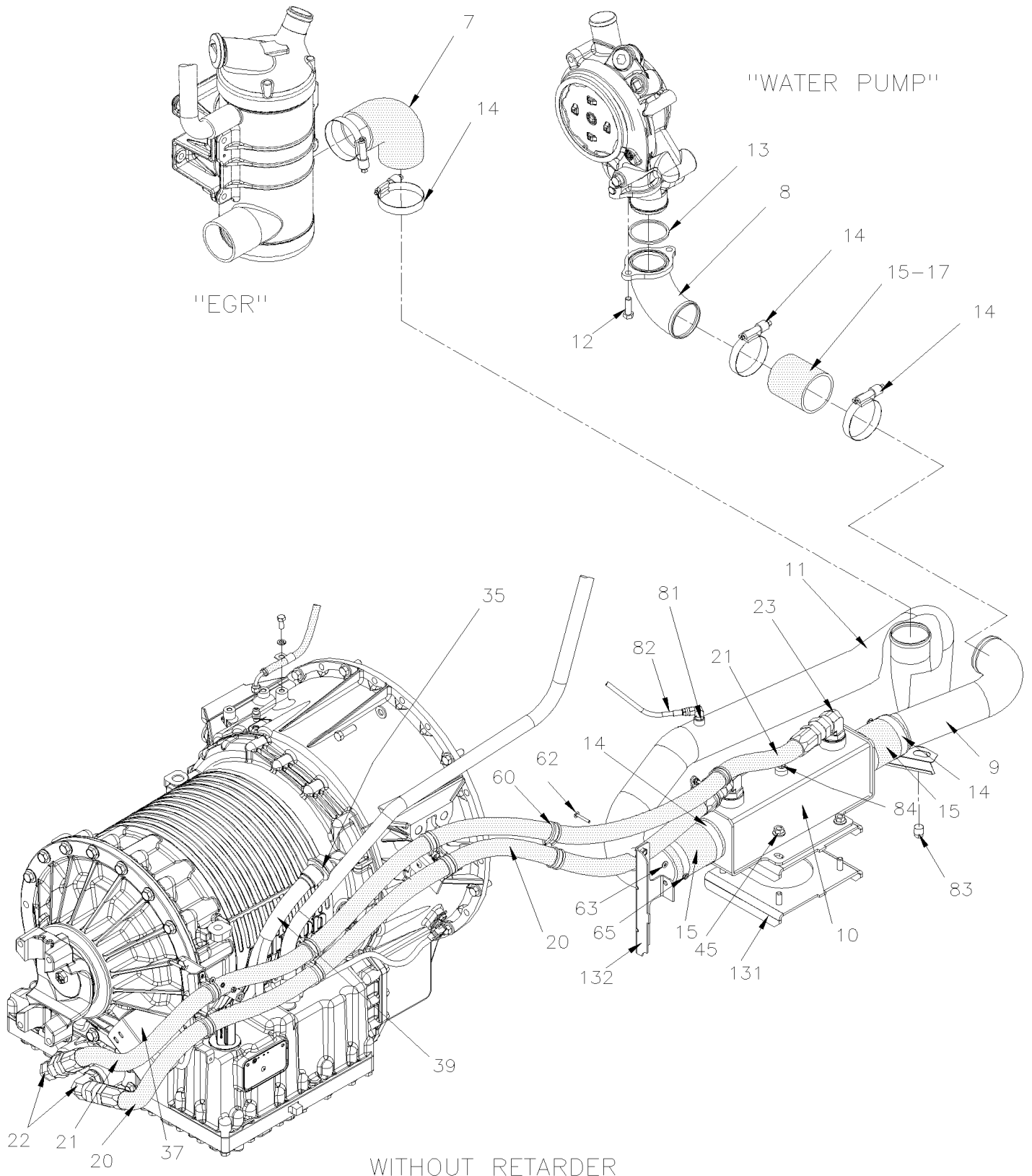


From 7-0671 To A-1720

Date:10/2022

PAGE:H7-0750-00

AUTOMATIC TRANSMISSION - "WORLD" WITH DETROIT S-60

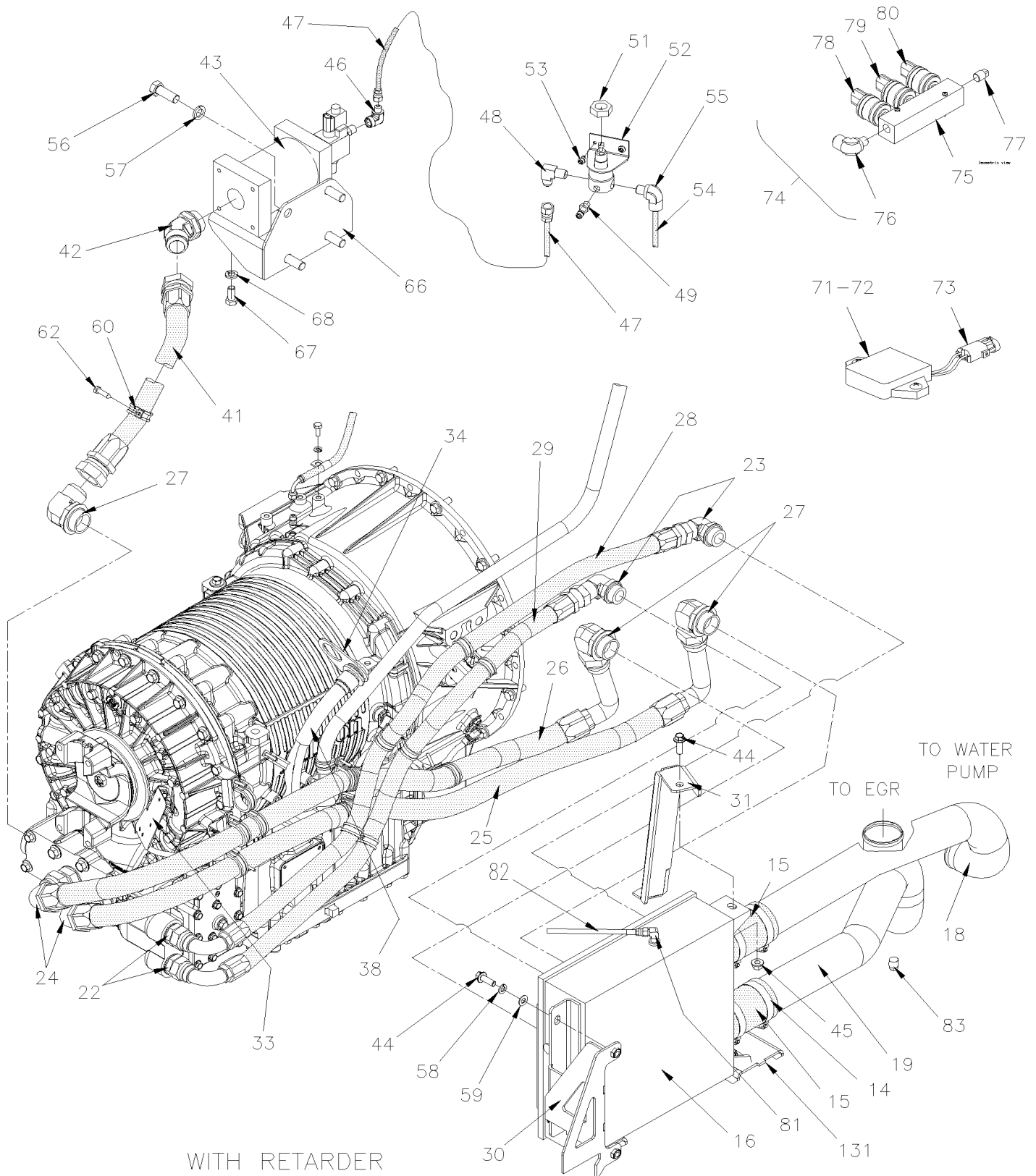


From 7-0671 To A-1720

Date:10/2022

PAGE:H7-0750-00

## AUTOMATIC TRANSMISSION - "WORLD" WITH DETROIT S-60



From 7-0671 To A-1720	Date:10/2022	PAGE:H7-0750-00
<b>AUTOMATIC TRANSMISSION - "WORLD" WITH DETROIT S-60</b>		

Item#	Part	Description	H 3 4 1	H 3 4 5	V I P 4 5	N O T E S
		THE NEXT FOLLOWING TRANSMISSION W/O RETARDER	1	1	1	
		ARE USED WITH 12.7 LITERS / 350HP				
572029		TRANSMISSION ASSY B500 / GEN IV	1	1		
572047		E.C.U. B500 / GEN IV To 8-1125	1	1		
572066		E.C.U. B500 / GEN IV From 8-1126 To 8-1400	1	1		
572113		INTERFACE TCM / B500 / GEN IV From 8-1401	1	1		
572127		INTERFACE TCM / B500 / GEN IV USE WITH 3.42 RATIO	1	1		
		THE NEXT FOLLOWING TRANSMISSION W/RETARDER				
		ARE USED WITH 12.7 LITERS / 350HP				
572036		TRANSMISSION ASSY B500R / GEN IV	1	1		
572047		E.C.U. B500 / GEN IV To 8-1125	1	1		
572066		E.C.U. B500 / GEN IV From 8-1126 To 8-1400	1	1		
572113		INTERFACE TCM / B500 / GEN IV From 8-1401	1	1		
		THE NEXT FOLLOWING TRANSMISSION W/O RETARDER				
		ARE USED WITH 12.7 LITERS / 400HP				
572032		TRANSMISSION ASSY B500 / GEN IV To 8-1400	1	1		
572116		TRANSMISSION ASSY B500 / GEN IV From 8-1401	1	1		
572033		TRANSMISSION ASSY 4000MH / GEN IV To 8-1400			1	
572118		TRANSMISSION ASSY 4000MH / GEN IV From 8-1401			1	
572048		E.C.U. 4000MH / GEN IV To 8-1125			1	
572067		E.C.U. 4000MH / GEN IV From 8-1126 To 8-1400			1	
572114		E.C.U. 4000MH / GEN IV From 8-1401			1	
		THE NEXT FOLLOWING TRANSMISSION W/RETARDER				
		ARE USED WITH 12.7 LITERS / 400HP				
572035		TRANSMISSION ASSY B500R / GEN IV To 8-1400	1	1		
572117		TRANSMISSION ASSY B500R / GEN IV From 8-1401	1	1		
572034		TRANSMISSION ASSY 4000MH / GEN IV To 8-1400			1	
572119		TRANSMISSION ASSY 4000MH / GEN IV From 8-1401			1	
572048		E.C.U. 4000MH / GEN IV To 8-1125			1	
572067		E.C.U. 4000MH / GEN IV From 8-1126 To 8-1400			1	
572114		E.C.U. 4000MH / GEN IV From 8-1401			1	
		TRANSMISSION ASSY / SEE ABOVE				
2	504602	CLAMP / 1" I.D. X .375 HOLE	1	1	1	

From 7-0671 To A-1720	Date:10/2022	PAGE:H7-0750-00
<b>AUTOMATIC TRANSMISSION - "WORLD" WITH DETROIT S-60</b>		

Item#	Part	Description	H 3 4 1	H 3 4 5	V I P 4 5	N O T E S
3	571662	GROMMET RUBBER / TUBE & TRANS	1	1	1	
4	5001473	SCREW CAP HEXS 5/16-18x3/4 NYRT	1	1	1	
5	572128	TRANS DIPSTICK 2465.7MM	1	1	1	
6	071389	TUBE DIPSTICK	1	1	1	
7	052898	ELBOW 90° X 2 3/4" I.D. / 110MM x 110MM C/C / SILICONE	1	1	1	
8	071231	ELBOW 90°	1	1	1	
9	071240	PIPE WATER PUMP TO OIL COOLER / W/O RETARDER	1	1	1	
10	571769	OIL COOLER "MODINE" / SINGLE	1	1	1	
11	071521	PIPE OIL COOLER TO EGR / W/O RETARDER To A-1500	1	1	1	
11	071540	PIPE OIL COOLER TO EGR / SS / W/O RETARDER From A-1501	1	1	1	
12	510779	BOLT / TO FIX ELBOW	2	2	2	
13	510778	O-RING 2.612 I.D.	1	1	1	
14	504562	HOSE CLAMP / 2"3/4-3"5/8 / C.T. 350	8	8	8	
15	071250	HOSE 2 3/4" I.D. X 100MM	AR	AR	AR	
15	503395	. HOSE SILICONE 4PLY 2 3/4" I.D. x 3'	AR	AR	AR	
16	571770	OIL COOLER "MODINE" / DOUBLE To 8-9293	1	1	1	
16	572046	OIL COOLER "MODINE" / DOUBLE From 8-9294	1	1	1	
17	071268	HOSE SILICONE 4 PLY 2 3/4" I.D X 84MM	1	1	1	
17	503395	. HOSE SILICONE 4PLY 2 3/4" I.D. x 3'	AR	AR	AR	
18	071338	PIPE WATER PUMP TO OIL COOLER	1	1	1	
19	071390	PIPE OIL COOLER TO EGR To A-1500	1	1	1	
19	071539	PIPE OIL COOLER TO EGR / SS From A-1501	1	1	1	
20	071262	HOSE ASSY / #16 1480MM To 9-1395	1	1	1	C
20	079024	HOSE ASSY / #16 1520MM From 9-1396	1	1	1	
21	071261	HOSE ASSY / #16 1795MM To 9-1395	1	1	1	B
21	079023	HOSE ASSY / #16 1840MM From 9-1396	1	1	1	
22	501573	MALE CONNECTOR / JIC 37° FITTING / #16JIC-Mx#16ORB-M STL To 9-1395	2	2	2	O
22	501523	MALE ELBOW 90° / JIC 37° FITTING / #16JIC-Mx#16ORB-M STL From 9-1396	2	2	2	O
22	501573	MALE CONNECTOR / JIC 37° FITTING / #16JIC-Mx#16ORB-M STL	2	2	2	R
23	501523	MALE ELBOW 90° / JIC 37° FITTING / #16JIC-Mx#16ORB-M STL	2	2	2	
24	501575	MALE CONNECTOR / JIC 37° FITTING / #20JIC-Mx#20ORB-M STL VITON	2	2	2	
25	071332	HOSE ASSY / #20 1385MM	1	1	1	
26	071331	HOSE ASSY / #20 1287MM	1	1	1	
27	5011065	MALE ELBOW 90° / JIC 37° FITTING / #20JIC-Mx#20ORB-M STL VITON	2	2	2	
28	071333	HOSE ASSY / #16 1240MM	1	1	1	
29	071334	HOSE ASSY / #16 996MM	1	1	1	
30	071343	ATTACHMENT / 255MM HIGHT To 8-1201	1	1	1	
31	071328	ATTACHMENT	1	1	1	
32	071407	SUPPORT HOSE	1	1	1	
33	071097	PROTECTOR SUPPORT SS 102MM X 90MM	1	1	1	R S
35	071403	SUPPORT CABLE HARNESS / W/1 HOLE & 1 STUD / GEN IV	1	1	1	
36	071305	SUPPORT "J" SHAPE	1	1	1	

<b>From 7-0671 To A-1720</b>	<b>Date:10/2022</b>	<b>PAGE:H7-0750-00</b>
<b>AUTOMATIC TRANSMISSION - "WORLD" WITH DETROIT S-60</b>		

Item#	Part	Description	H 3 4 1	H 3 4 5	V I P 4 5	N O T E S
37	071096	PROTECTOR SUPPORT SS ANGLE SHAPE 61MM X 73MM To 7-0936	1	1	1	O S
37	071440	PROTECTOR SUPPORT SS "V" SHAPE 80MM HIGH From 7-0937 To 9-1395	1	1	1	O
37	079022	PROTECTOR SUPPORT SS "V" SHAPE 74MM HIGH From 9-1396	1	1	1	O
38	066208	CABLE HARNESS / SENSOR WTEC W/RETARDER / MUX	1	1	1	
39	066209	CABLE HARNESS / SENSOR WTEC W/OUT RETARDER / MUX	1	1	1	
39	061129	SUPPORT FLAT TWISTED / TUBE DIPSTICK	1	1	1	
39	071341	PROTECTOR RUBBER CABLE HARNESS & HOSES To 7-0936	1	1	1	
39	071408	PROTECTOR RUBBER CABLE HARNESS & HOSES From 7-0937	1	1	1	O
39	071404	PROTECTOR RUBBER CABLE HARNESS & HOSES From 7-0937	1	1	1	R
41	071335	HOSE ASSY / #20 770MM	1	1	1	
42	507558	MALE ELBOW 45° / JIC 37° FITTING / #20JIC-Mx#20ORB-M STL VITON	1	1	1	
43	571745	ACCUMULATOR & SOLENOID / WTEC III	1	1	1	
. NS	571707	. ACCUMULATOR	1	1	1	
. NS	571708	. VALVE SOLENOID 12V	1	1	1	
43	572030	ACCUMULATOR & SOLENOID / GEN IV	1	1	1	
43	571708	. VALVE SOLENOID 12V	1	1	1	
44	5001741	SCREW CAP HEXF M10-1.5x30 G8.8 N500	5	5	5	
45	5001760	NUT HEXF STO M10-1.5 G8 ZP	5	5	5	
46	5011112	FEMALE ELBOW 90° / JIC 37° FITTING / #6JIC-Mx3/8NPT-F STL	1	1	1	
47	140376	HOSE ASSY TEFLON #6 686MM	1	1	1	
48	501687	MALE CONNECTOR / JIC 37° FITTING / #6JIC-Mx1/4NPT-M STL	1	1	1	
49	640488	VALVE, AIR FILL 1/8" NPT	1	1	1	
. NS	650164	. CAP VALVE / CHROME	1	1	1	
50	641472	AIR PRESSURE REGULATOR 1/4" NPT / COPPER	1	1	1	
51	500734	NUT HEX JAM 3/4-16 Z050	1	1	1	
52	142013	SUPPORT AIR REGULATOR / ANGLE 90DEG STYLE	1	1	1	
53	500535	SCREW TP CAP HEX #14x3/4 Z050	2	2	2	
NS	500473	WASHER LO SPT .262x.489x.062 Z050	2	2	2	
54	503404	TUBE, NYLON 3/8 O.D. / BLACK S.L.	AR	AR	AR	
55	641372	MALE ELBOW 90° NON-SWIVEL / PUSH-IN FITTING / #6x1/4NPT-M BR	1	1	1	
56	500225	SCREW CAP HEX 5/8-11x1 G5 Z050	3	3	3	
56	500817	SCREW CAP HEX 5/8-11x1 3/4 G5 Z050	3	3	3	
57	500484	WASHER LO SPT .635x1.079x.156 Z050	3	3	3	
57	500802	WASHER LO SPT 16.2x37.4x3.5 Z050	3	3	3	
58	3852496	WASHER LO SPT 10.2x18.1x2.2 ZG603	2	2	2	
59	500832	WASHER FL .406x.812x.065 N500	2	2	2	
60	952637	CLAMP / 1"1/16 I.D.	AR	AR	AR	
60	952641	CLAMP / 1 5/16" I.D.	AR	AR	AR	
62	500574	SCREW MA TR PH #10-24x1 1/4 SS	AR	AR	AR	
63	500964	WASHER FL .203x.500x.047 Z050	AR	AR	AR	
64	500470	WASHER LO SPT .193x.334x.047 Z050	AR	AR	AR	
65	500786	NUT HEX #10-24 Z050	AR	AR	AR	



<b>From 7-0671 To A-1720</b>	<b>Date:10/2022</b>	<b>PAGE:H7-0750-00</b>
<b>AUTOMATIC TRANSMISSION - "WORLD" WITH DETROIT S-60</b>		

Item#	Part	Description	H 3 4 1	H 3 4 5	V I P 4 5	N O T E S
66	071329	SUPPORT / TRANS & ACUMULATOR / WTEC III (168mm c/c holes)	1	1	1	
66	071400	SUPPORT / TRANS & ACUMULATOR / GEN IV (155mm c/c holes)	1	1	1	
67	500213	SCREW CAP HEX 1/2-13x1 G5 Z050	4	4	4	
68	500482	WASHER LO SPT .506x.873x.125 Z050	4	4	4	
71	562357	RESISTANCE MODULE	1	1	1	
72	562381	RESISTANCE MODULE	1	1	1	
73	063782	CABLE ASSY / RESISTANCE MODULE & SWITCH	1	1	1	
74	070902	PRESSURES SWITCH ASSY W/MANIFOLD	1	1	1	
75	070903	. MANIFOLD	1	1	1	
76	640999	. MALE ELBOW 90° / NTA FITTING / #6x1/4NPT-M BR	1	1	1	
77	501304	. PLUG SQUARE HEAD / PIPE FITTING / 1/4NPT-M BR To A-1677	1	1	1	
77	501800	. PLUG HEXS / PIPE FITTING / 1/4NPT-M STL From A-1678	1	1	1	
78	562358	. PRESSURE SWITCH N.O. 2PSI / 1/8NPT	1	1	1	
79	562384	. PRESSURE SWITCH N.O. 4PSI / 1/8NPT	1	1	1	
80	562385	. PRESSURE SWITCH N.O. 7PSI / 1/8NPT	1	1	1	
81	501037	MALE ELBOW 90° / SAE 45° FITTING / #4FL-Mx1/4NPT-M BR	1	1	1	
81	501027	MALE CONNECTOR / SAE 45° FITTING / #4FL-Mx1/4NPT-M BR	1	1	1	
82	053532	HOSE ASSY TEFLON #4 1250MM	1	1	1	O
82	052509	HOSE ASSY TEFLON #4 1170MM	1	1	1	R
83	501129	EXTERNAL SEAL DRAIN 1/4 NPT	1	1	1	
83	501305	PLUG SQUARE HEAD / PIPE FITTING / 3/8NPT-M BR To A-1677	1	1	1	
83	501449	PLUG HEXS / PIPE FITTING / 3/8NPT-M STL From A-1678	1	1	1	
84	501304	PLUG SQUARE HEAD / PIPE FITTING / 1/4NPT-M BR To A-1677	1	1	1	
84	501800	PLUG HEXS / PIPE FITTING / 1/4NPT-M STL From A-1678	1	1	1	
85	061025	SUPPORT	1	1	1	
88	502719	SCREW CAP HEX M10-1.5x20 SS EMN	1	1	1	
89	5001427	SCREW CAP HEX 7/16-14x1 3/8 G5 Z050	12	12	12	
NS	500853	WASHER LO EXT .437x.760x.036 Z050	12	12	12	
90	071170	HOSE ASSY / #4 24"	1	1	1	
. A	071167	. FEMALE CONNECTOR / HOSE BARB @ METRIC / #4x M10-1.5-F BR	1	1	1	
. B	071166	. MALE CONNECTOR / HOSE BARB @ METRIC / #4x M10-1.5-M BR	1	1	1	
91	060840	SUPPORT HARNESS	1	1	1	
92	504601	CLAMP / 5/16" I.D. x .375 HOLE	1	1	1	
93	571763	BREATHER	1	1	1	
94	952627	CLAMP / 1/2" I.D.	1	1	1	
95	502862	SCREW CAP HEX M8-1.25x20 G8.8 N500	1	1	1	
96	500942	WASHER LO SPT 8.1x14.8x2.0 N500	1	1	1	
97	071166	MALE CONNECTOR / HOSE BARB @ METRIC / #4x M10-1.5-M BR	1	1	1	
97	071497	MALE CONNECTOR / SAE 45° @ METRIC / #4FL-Mx M10-1.5 M BR	1	1	1	
98	504601	CLAMP / 5/16" I.D. x .375 HOLE	1	1	1	
100	071392	SUPPORT / TUBE DIPSTICK / ANGLE W/STUD	1	1	1	
101	430628	SUPPORT LAMP / "L" SHAPE	1	1	1	

From 7-0671 To A-1720	Date:10/2022	PAGE:H7-0750-00
<b>AUTOMATIC TRANSMISSION - "WORLD" WITH DETROIT S-60</b>		

Item#	Part	Description	H 3 4 1	H 3 4 5	V I P 4 5	N O T E S
NS	500574	SCREW MA TR PH #10-24x1 1/4 SS	1	1	1	
103	500470	WASHER LO SPT .193x.334x.047 Z050	1	1	1	
104	500786	NUT HEX #10-24 Z050	1	1	1	
105	952635	CLAMP / 1" I.D.	1	1	1	
130	<b>H7-0665-10</b>	<b>SWITCHES, LIGHTS, AJAR - UNDER FLOOR &amp; ENGINE COMPARTMENT</b>				
131	<b>H7-0150-00</b>	<b>ENGINE CRADLE - WITH DETROIT S-60</b>				
150	068139	KIT CABLE SUPPORT / THERMAL PROTECTOR	1	1	1	
. A	071638	. BASE SUPPORT / W/NUT M4-0.7	1	1	1	
. B	509815	. TIE MOUNT / ATTACHMENT W/TREE MOUNT	1	1	1	
. C	071639	. ANGLE CABLE SUPPORT / THERMAL DETECTOR 25.4MMx 61.3MMx25.4	1	1	1	
. D	504013	. TIE MOUNT / 1/4" X 1/4" I.D.	1	1	1	
. E	502556	. WASHER FL 4.3x9.0x0.8 SS	1	1	1	
. F	502834	. WASHER LO SPT 4.1x7.6x0.9 N500	1	1	1	
. G	502685	. SCREW CAP HEX M4-0.7x20 SS EMN	1	1	1	
152	683904	TESTING FOR GLYCOL CONTAMINATION IN TRANSMISSION OIL	1	1	1	
. NS	IS-99901A	. SEE INSTRUCTION SHEET	1	1	1	
200	572050	TRANSMISSION FILTER / MAINTENANCE KIT	AR	AR	AR	
. NS	571692	. O-RING / (LARGE SQUARE CUT)	2	2	2	
. NS	571693	. O-RING / (SMALL)	2	2	2	
. NS	571694	. O-RING / DRAIN PLUG	2	2	2	
. NS	571695	. DRAIN PLUG ASSY W/O-RING	1	1	1	
201	N.S.S.	. FILTER	2	2	2	1
202	571692	. O-RING / (LARGE SQUARE CUT)	2	2	2	
203	571693	. O-RING / (SMALL)	2	2	2	
204	571694	. O-RING / DRAIN PLUG	2	2	2	
205	571695	DRAIN PLUG ASSY W/O-RING	1	1	1	
NS	071249	DECAL "TranSynd OIL ONLY" / ENGLISH & FRANCAIS	1	1	1	
NS	071364	DECAL "TranSynd OIL ONLY" / ENGLISH & SPANISH	1	1	1	
NS	684016	OIL TRANSYND TRANSMISSION "WORLD"	1	1	1	
206	N.S.P.	COVER FILTER / (29507434)	2	2	2	2
207	N.S.P.	BOLT M10-1.5 x 55M / (2954186)	AR	AR	AR	2
208	N.S.P.	YOKE (1810) HALF ROUND(29511516/6.5-4-4521-1)	1	1	1	2
		B) PRODUCT IMPROVEMENT CORRODING HOSE FITTING, CHANGE FOR HOSE # 079023 WITH 1 FITTING # 501523				
		C) PRODUCT IMPROVEMENT CORRODING HOSE CHANGE FOR HOSE # 079024 WITH 1 FITTING # 501523				
		O) WITHOUT RETARDER				
		R) WITH RETARDER				



From 7-0671 To A-1720	Date:10/2022	PAGE:H7-0750-00
-----------------------	--------------	-----------------

**AUTOMATIC TRANSMISSION - "WORLD" WITH DETROIT S-60**

Item#	Part	Description	H 3 4 1	H 3 4 5	V I P 4 5	N O T E S
		S) AS SHOWN				
		1) NOT SOLD SEPARATELY				
		2) NOT SOLD BY PREVOST (SEE MANUFACTURING PART NUMBER AT END OF DESCRIPTION LINE)				

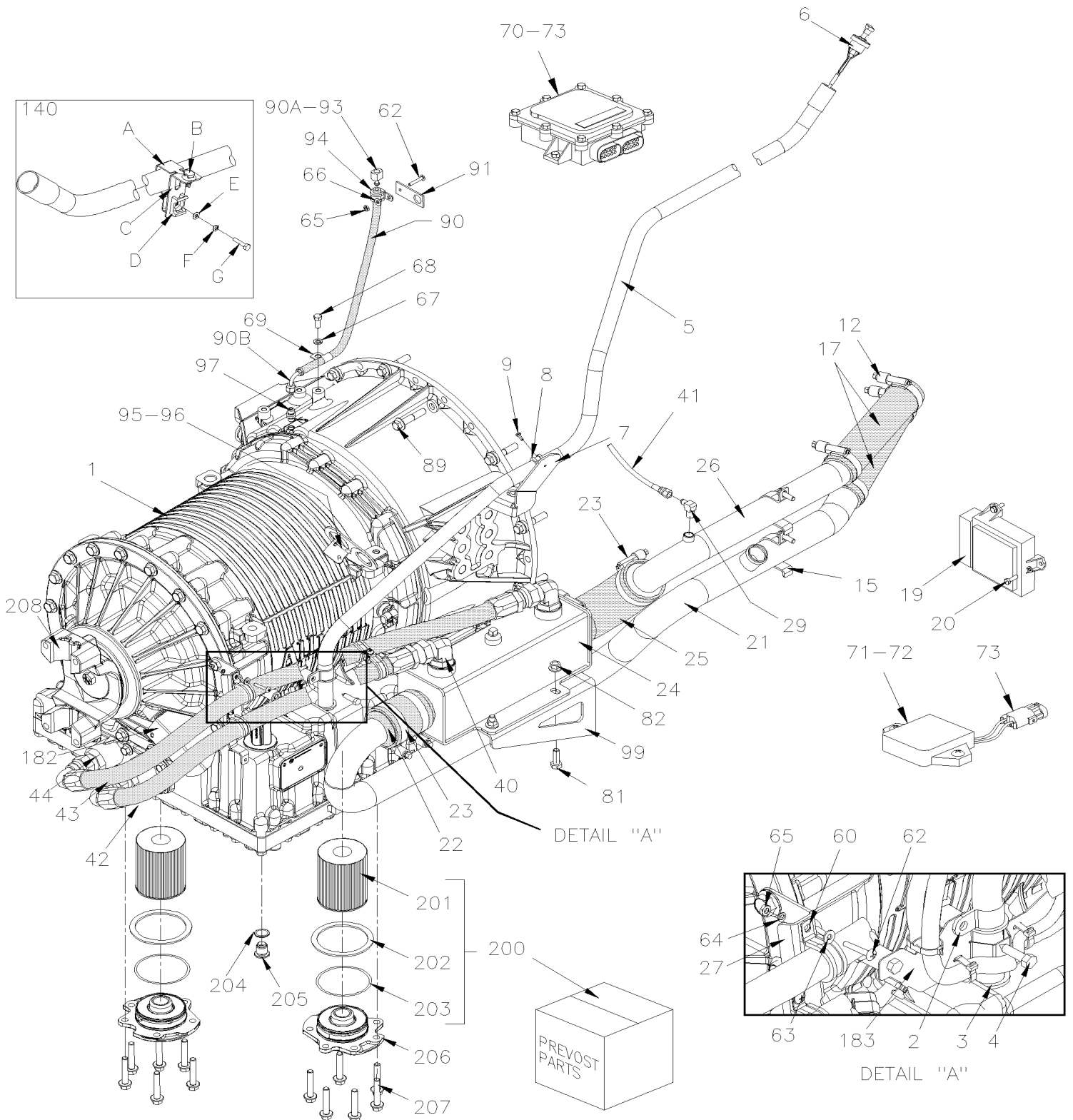


From 8-1202 To A-1720

Date:10/2022

PAGE:H7-0750-01

## AUTOMATIC TRANSMISSION - "WORLD" WITH VOLVO D13

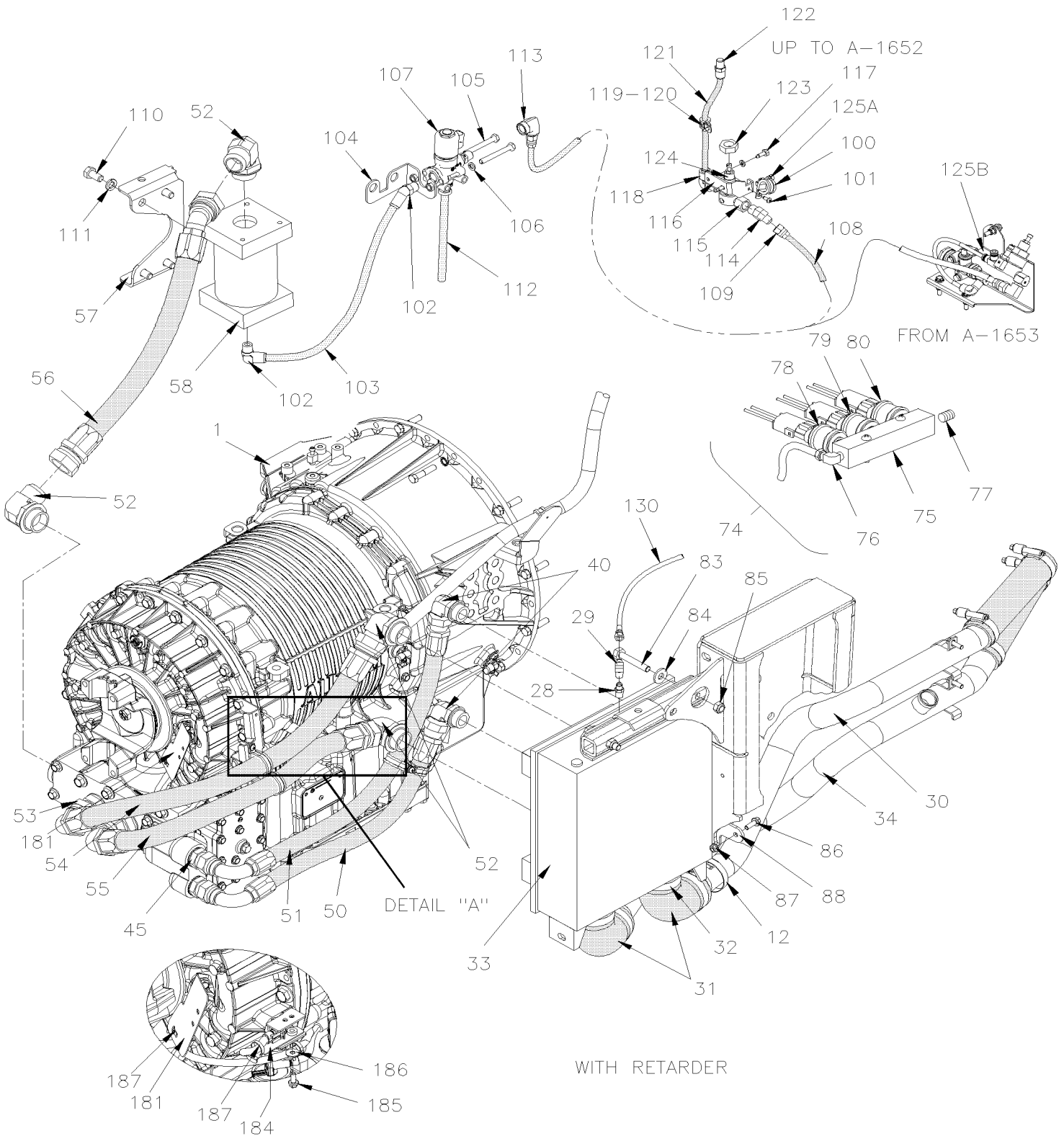


From 8-1202 To A-1720

Date:10/2022

PAGE:H7-0750-01

## AUTOMATIC TRANSMISSION - "WORLD" WITH VOLVO D13

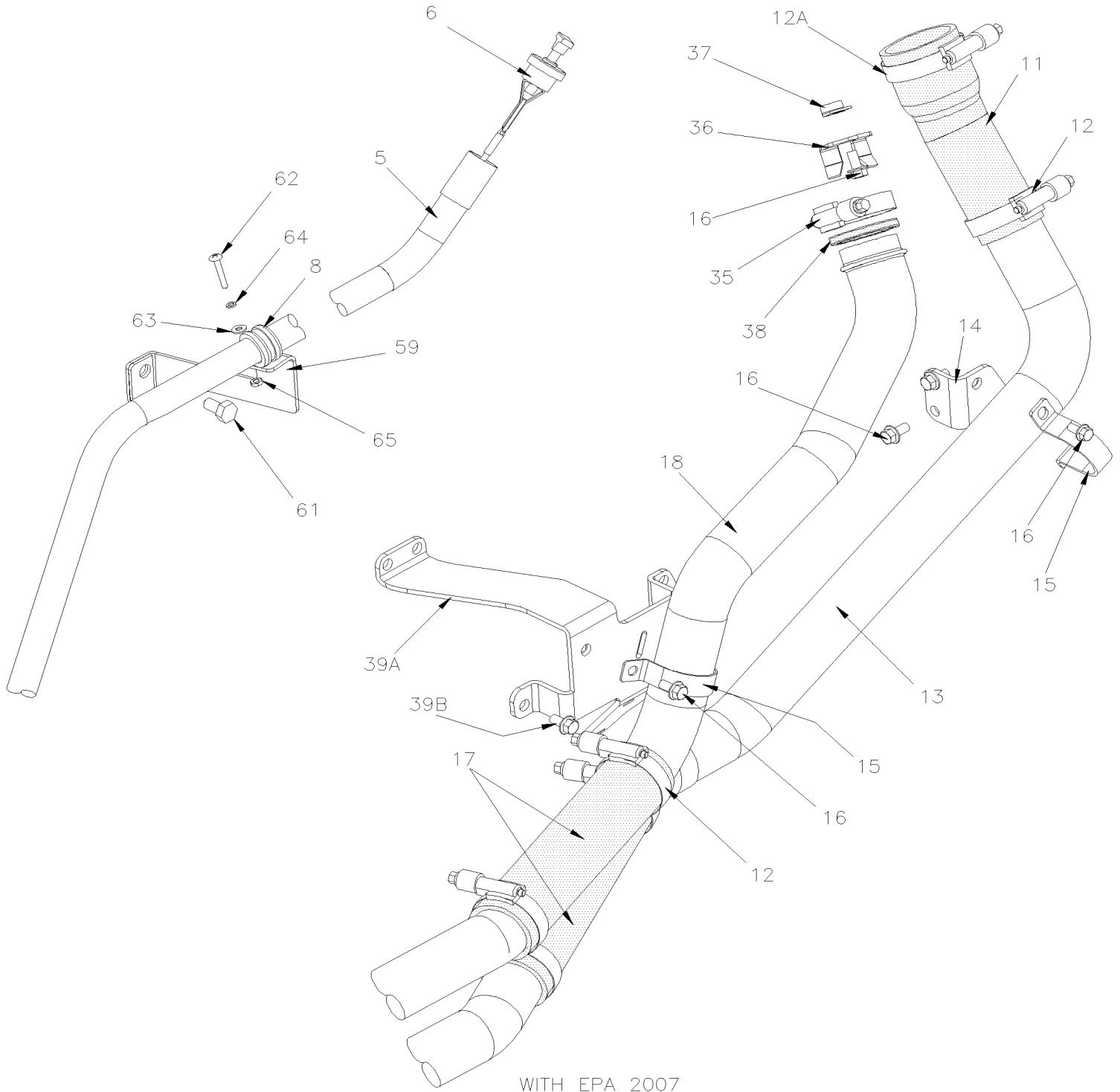


From 8-1202 To A-1720

Date:10/2022

PAGE:H7-0750-01

## AUTOMATIC TRANSMISSION - "WORLD" WITH VOLVO D13



<b>From 8-1202 To A-1720</b>	<b>Date:10/2022</b>	<b>PAGE:H7-0750-01</b>
<b>AUTOMATIC TRANSMISSION - "WORLD" WITH VOLVO D13</b>		

Item#	Part	Description	H 3 4 1	H 3 4 5	V I P 4 5	N O T E S
		THE NEXT FOLLOWING TRANSMISSION W/O RETARDER ARE USED WITH D13 ENGINE / 435HP				
	572056	TRANSMISSION ASSY B500 / GEN IV To 8-1400	1	1		
	572120	TRANSMISSION ASSY B500 / GEN IV From 8-1401	1	1		
		THE NEXT FOLLOWING TRANSMISSION W/O RETARDER ARE USED WITH D13 ENGINE / 485HP				
	572053	TRANSMISSION ASSY B500 / GEN IV To 8-1400	1	1		
	572120	TRANSMISSION ASSY B500 / GEN IV From 8-1401	1	1		
		THE NEXT FOLLOWING TRANSMISSION W/RETARDER ARE USED WITH D13 ENGINE / 435HP				
	572052	TRANSMISSION ASSY B500R / GEN IV To 8-1400	1	1		
	572121	TRANSMISSION ASSY B500R / GEN IV From 8-1401	1	1		
		THE NEXT FOLLOWING TRANSMISSION W/RETARDER ARE USED WITH D13 ENGINE / 485HP				
	572051	TRANSMISSION ASSY B500R / GEN IV To 8-1400	1	1		
	572121	TRANSMISSION ASSY B500R / GEN IV From 8-1401	1	1		
		TRANSMISSION ASSY SEE ABOVE				
NS	20788933	SPACER FLY WHEEL HOUSING 21MM	1	1	1	
NS	684016	OIL TRANSYND TRANSMISSION "WORLD"	AR	AR	AR	
2	504602	CLAMP / 1" I.D. X .375 HOLE	1	1	1	
3	571662	GROMMET RUBBER / TUBE & TRANS	1	1	1	
4	502513	SCREW TP CAP HEX 5/16x1 Z050	1	1	1	
5	071399	TUBE DIPSTICK ASSY	1	1	1	
6	572038	TRANS DIPSTICK 2465.7MM To 9-1455	1	1		
6	572128	TRANS DIPSTICK 2465.7MM From 9-1456	1	1	1	
NS	071249	DECAL "TranSynd OIL ONLY" / ENGLISH & FRANCAIS	1	1	1	
6	071364	DECAL "TranSynd OIL ONLY" / ENGLISH & SPANISH	1	1	1	
7	071447	SUPPORT / TUBE DIPSTICK	1	1	1	
8	952635	CLAMP / 1" I.D.	2	2	2	
9	500965	SCREW TC BDG PH #8-32x1/2 N500	1	1	1	
11	20960543	HOSE REDUCER 58.1 I.D. X 48.5 I.D. x 190MM / SILICONE To A-1661	1	1		
11	21000149	HOSE REDUCER 58 I.D. X 48I.D. x 190MM / SILICONE From A-1662	1	1	1	
12	504754	HOSE CLAMP / 1"3/4-2"5/8 / C.T. 250	AR	AR	AR	

<b>From 8-1202 To A-1720</b>	<b>Date:10/2022</b>	<b>PAGE:H7-0750-01</b>
<b>AUTOMATIC TRANSMISSION - "WORLD" WITH VOLVO D13</b>		

Item#	Part	Description	H 3 4 1	H 3 4 5	V I P 4 5	N O T E S
12	504769	HOSE CLAMP STEPLESS SPRING SS / OETIKER / 2.156-2.563	AR	AR	AR	
12	504769	HOSE CLAMP STEPLESS SPRING SS / OETIKER / 2.156-2.563	AR	AR	AR	
12A	504561	HOSE CLAMP / 2"1/4-3"1/8 / C.T. 300	1	1	1	
12A	504769	HOSE CLAMP STEPLESS SPRING SS / OETIKER / 2.156-2.563	1	1	1	A
12A	504769	HOSE CLAMP STEPLESS SPRING SS / OETIKER / 2.156-2.563	1	1	1	A
13	012524	PIPE / THERMOSTAT HOUSING & OIL COOLER	1	1	1	
14	012358	SUPPORT OIL COOLER PIPE	1	1	1	
15	012551	"U" CLAMP OFFSET 51MM I.D.	3	3	3	
16	5001780	SCREW CAP HEXF M8-1.25x16 G8.8 N500	5	5	5	
17	071429	HOSE SILICONE 4PLY 2" I.D. x 254 MM	2	2	2	
17	572049	. HOSE SILICONE 4PLY 2" I.D. x 12'	AR	AR	AR	
18	012525	PIPE / OIL COOLER TO HOSE REDUCER	1	1	1	
19	572059	INTERFACE TCM To 8-1400	1	1		
19	572115	INTERFACE TCM From 8-1401	1	1	1	
20	502622	SCREW CAP HEX M6-1.0x20 SS BK	3	3	3	
20	502570	WASHER LO SPT 6.1x11.8x1.6 SS	3	3	3	
21	071517	PIPE 2" O.D. INLET x 2 3/4" O.D. OUTLET	1	1	1	
22	071268	HOSE SILICONE 4 PLY 2 3/4" I.D X 84MM	1	1	1	
22	503395	HOSE SILICONE 4PLY 2 3/4" I.D. x 3'	1	1	1	
23	504562	HOSE CLAMP / 2"3/4-3"5/8 / C.T. 350	4	4	4	
23	504686	HOSE CLAMP STEPLESS SPRING SS / OETIKER / 2.8-3.1	4	4	4	A
24	571769	OIL COOLER "MODINE" / SINGLE	1	1	1	
25	052898	ELBOW 90° X 2 3/4" I.D. / 110MM x 110MM C/C / SILICONE	1	1	1	
26	071516	PIPE 2 3/4" I.D. INLET x 2" O.D. OUTLET	1	1	1	
NS	052915	HOSE ASSY TEFLON #4 2050MM	1	1	1	S
27	071407	SUPPORT HOSE	1	1	1	
28	501027	MALE CONNECTOR / SAE 45° FITTING / #4FL-Mx1/4NPT-M BR	1	1	1	
29	501037	MALE ELBOW 90° / SAE 45° FITTING / #4FL-Mx1/4NPT-M BR	1	1	1	
30	071523	PIPE 2" O.D. INLET x 2 3/4" O.D. OUTLET	1	1	1	
31	052898	ELBOW 90° X 2 3/4" I.D. / 110MM x 110MM C/C / SILICONE	2	2	2	
31	053696	ELBOW 90° X 2 3/4" I.D. / 110MM x 110MM C/C / SILICONE ARAMID	2	2	2	
32	504562	HOSE CLAMP / 2"3/4-3"5/8 / C.T. 350	6	6	6	
33	572046	OIL COOLER "MODINE" / DOUBLE	1	1	1	
NS	052915	HOSE ASSY TEFLON #4 2050MM	1	1	1	S
34	071524	PIPE ELBOW 2 3/4" I.D. INLET x 2" O.D. OUTLET	1	1	1	
NS	501449	PLUG HEXS / PIPE FITTING / 3/8NPT-M STL	1	1	1	
35	504561	HOSE CLAMP / 2"1/4-3"1/8 / C.T. 300	1	1	1	
35	504769	HOSE CLAMP STEPLESS SPRING SS / OETIKER / 2.156-2.563	1	1	1	A
36	012529	ANGLE RETAINER TUBE "U" SHAPE	1	1	1	
37	1546532	ANGLE RETAINER	1	1	1	
38	1547254	RUBBER JOINT 49MM ID	1	1	1	
39A	21104724	SUPPORT OIL COOLER PIPE	1	1	1	

<b>From 8-1202 To A-1720</b>	<b>Date:10/2022</b>	<b>PAGE:H7-0750-01</b>
<b>AUTOMATIC TRANSMISSION - "WORLD" WITH VOLVO D13</b>		

Item#	Part	Description	H 3 4 1	H 3 4 5	V I P 4 5	N O T E S
39B	5001780	SCREW CAP HEXF M8-1.25x16 G8.8 N500	2	2	2	
40	501523	MALE ELBOW 90° / JIC 37° FITTING / #16JIC-Mx#16ORB-M STL	2	2	2	
41	052915	HOSE ASSY TEFLON #4 2050MM	1	1		S
41	052970	HOSE ASSY TEFLON #4 2242MM From A-1605 To A-1605	1	1	1	S
42	071472	HOSE ASSY / #16 710MM To 9-1395	1	1		
42	079026	HOSE ASSY / #16 710MM From 9-1396	1	1	1	
42	071652	HOSE ASSY / BRAIDED SS #16 725MM	1	1		
43	071473	HOSE ASSY / #16 1040MM To 9-1395	1	1		
43	079025	HOSE ASSY / #16 1040MM From 9-1396	1	1	1	
43	071653	HOSE ASSY / BRAIDED SS #16 1045MM	1	1	1	
44	501573	MALE CONNECTOR / JIC 37° FITTING / #16JIC-Mx#16ORB-M STL To 9-1395	2	2		
44	501523	MALE ELBOW 90° / JIC 37° FITTING / #16JIC-Mx#16ORB-M STL From 9-1396	2	2	2	
45	501573	MALE CONNECTOR / JIC 37° FITTING / #16JIC-Mx#16ORB-M STL	2	2	2	
50	071427	HOSE ASSY / #16 514MM	1	1	1	
51	071426	HOSE ASSY / #16 682MM	1	1	1	
52	5011065	MALE ELBOW 90° / JIC 37° FITTING / #20JIC-Mx#20ORB-M STL VITON	4	4	4	
53	501575	MALE CONNECTOR / JIC 37° FITTING / #20JIC-Mx#20ORB-M STL VITON	2	2	2	
54	071424	HOSE ASSY / #20 746MM	1	1	1	
55	071425	HOSE ASSY / #20 627MM	1	1	1	
56	071433	HOSE ASSY / #20 440MM	1	1	1	
57	071432	SUPPORT ACCUMULATOR	1	1	1	
58	572030	ACCUMULATOR & SOLENOID / GEN IV	1	1	1	
59	071485	SUPPORT DIPSTICK To A-1622	1	1		
59	071610	SUPPORT DIPSTICK From A-1623	1	1	1	
60	952637	CLAMP / 1"1/16 I.D.	AR	AR	AR	
61	502719	SCREW CAP HEX M10-1.5x20 SS EMN	1	1	1	
62	500574	SCREW MA TR PH #10-24x1 1/4 SS	AR	AR	AR	
63	500964	WASHER FL .203x.500x.047 Z050	AR	AR	AR	
64	500470	WASHER LO SPT .193x.334x.047 Z050	AR	AR	AR	
65	500786	NUT HEX #10-24 Z050	AR	AR	AR	
66	500440	WASHER FL .250x.562x.065 Z050	1	1	1	
67	500942	WASHER LO SPT 8.1x14.8x2.0 N500	1	1	1	
68	502862	SCREW CAP HEX M8-1.25x20 G8.8 N500	1	1	1	
69	504601	CLAMP / 5/16" I.D. x .375 HOLE	1	1	1	
70	563669	VECU MODULE / VOLVO / (VOLVO 20758808)	1	1	1	
70	20758808	VECU MODULE / VOLVO To A-1607	1	1		
70	21083383	VECU MODULE / VOLVO From A-1608	1	1	1	
71	562357	RESISTANCE MODULE	1	1	1	
72	562381	RESISTANCE MODULE	1	1	1	
73	563762	CPC MODULE DETROIT To A-1506	1	1		
73	565866	CPC MODULE DETROIT From A-1506 To A-1506	1	1		
73	565867	CPC MODULE DETROIT From A-1507	1	1	1	



From 8-1202 To A-1720	Date:10/2022	PAGE:H7-0750-01
<b>AUTOMATIC TRANSMISSION - "WORLD" WITH VOLVO D13</b>		

Item#	Part	Description	H 3 4 1	H 3 4 5	V I P 4 5	N O T E S
74	070902	PRESSURES SWITCH ASSY W/MANIFOLD	1	1	1	
75	070903	. MANIFOLD	1	1	1	
76	640999	. MALE ELBOW 90° / NTA FITTING / #6x1/4NPT-M BR	1	1	1	
77	501304	. PLUG SQUARE HEAD / PIPE FITTING / 1/4NPT-M BR To A-1677	1	1	1	
77	501800	. PLUG HEXS / PIPE FITTING / 1/4NPT-M STL From A-1678	1	1	1	
78	562358	. PRESSURE SWITCH N.O. 2PSI / 1/8NPT	1	1	1	
79	562384	. PRESSURE SWITCH N.O. 4PSI / 1/8NPT	1	1	1	
80	562385	. PRESSURE SWITCH N.O. 7PSI / 1/8NPT	1	1	1	
81	5001741	SCREW CAP HEXF M10-1.5x30 G8.8 N500	4	4	4	
82	5001760	NUT HEXF STO M10-1.5 G8 ZP	4	4	4	
83	5001756	SCREW CAP HEX M12-1.75x70 G8.8 N500	2	2	2	
84	500211	WASHER FL .531x1.250x.125 N500	2	2	2	
85	5001759	NUT HEX STO M12-1.75 N500	2	2	2	
86	5001643	SCREW CAP HEXF M8-1.25x25 G8.8 G500	2	2	2	
87	502837	NUT HEXF STO M8-1.25 N500	1	1	1	
88	071525	SUPPORT COOLER LOWER & PIPES	1	1	1	
89	20953751	SCREW CAP HEXF 7/16-14x2 1/4 G8 MAGNI 565	12	12	12	
NS	8397499	WASHER FL HARD .468x.937x.187 ZP	12	12	12	
90	071500	HOSE ASSY / #4 610MM	1	1	1	
. A	071167	. FEMALE CONNECTOR / HOSE BARB @ METRIC / #4x M10-1.5-F BR	1	1	1	
. B	5011303	. FEMALE ELBOW 90° SWIVEL / PUSH-LOK FITTING / #4FL-Fx#4 BR	1	1	1	
. C	503706	. HOSE FC-332-4 #4	AR	AR	AR	
91	060840	SUPPORT HARNESS	1	1	1	
93	571763	BREATHER	1	1	1	
94	952627	CLAMP / 1/2" I.D.	1	1	1	
95	071403	SUPPORT CABLE HARNESS / W/1 HOLE & 1 STUD / GEN IV	1	1	1	
NS	500829	SCREW CAP HEX M10-1.5x40 G8.8	1	1	1	
NS	5001834	WASHER BEL SPR 10.5X23X2.5 N500	1	1	1	
NS	5001930	NUT HEXF NYRT M10-1.5 N500 G10.9	1	1	1	
96	071035	SUPPORT CABLE HARNESS / W/2 HOLES / WTEC III	1	1	1	
97	071497	MALE CONNECTOR / SAE 45° @ METRIC / #4FL-Mx M10-1.5 M BR	1	1	1	
99	071635	SUPPORT OIL COOLER W/O RETARDER	1	1	1	
100	952631	CLAMP / 3/4" I.D. To A-1653	1	1	1	
101	500945	SCREW TC BDG PH #10-24x1/2 G500 To A-1653	1	1	1	
102	641376	MALE ELBOW 90° NON-SWIVEL / PUSH-IN FITTING / #8x3/8NPT-M BR	2	2	2	
103	503488	TUBE, NYLON 1/2 O.D. / BLACK S.L./	AR	AR	AR	
104	071484	SUPPORT SOLENOID	1	1	1	
105	5001347	SCREW CAP HEX M8-1.25x70 SS	2	2	2	
106	500942	WASHER LO SPT 8.1x14.8x2.0 N500	2	2	2	
107	571708	VALVE SOLENOID 12V	1	1	1	
108	142774	HOSE ASSY TEFLON #6 455MM To A-1652	1	1		
108	071089	HOSE ASSY TEFLON #6 355MM From A-1653	1	1	1	

<b>From 8-1202 To A-1720</b>	<b>Date:10/2022</b>	<b>PAGE:H7-0750-01</b>
<b>AUTOMATIC TRANSMISSION - "WORLD" WITH VOLVO D13</b>		

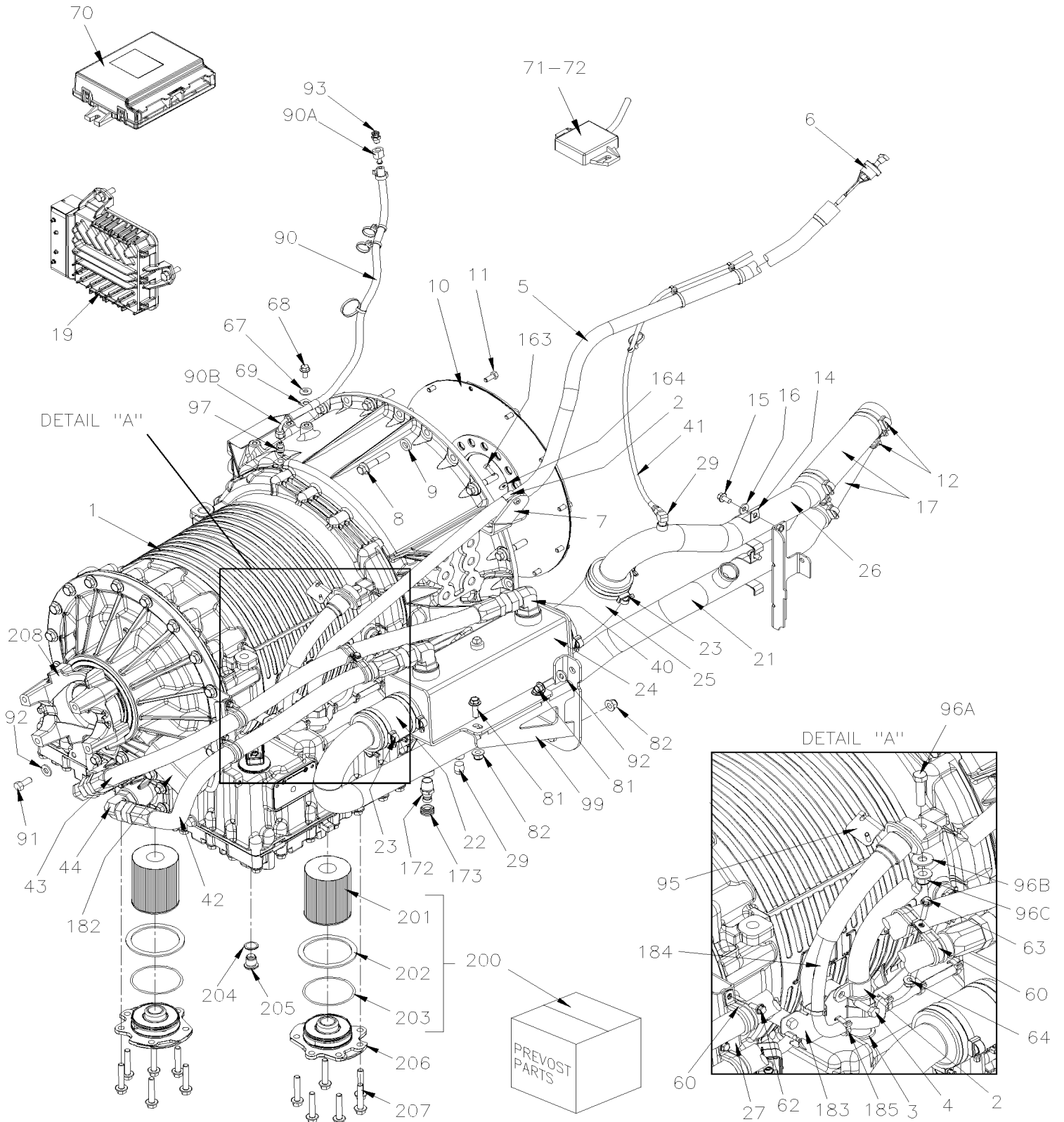
Item#	Part	Description	H 3 4 1	H 3 4 5	V I P 4 5	N O T E S
109	5011194	FEMALE CONNECTOR SWIVEL / JIC 37° FITTING / TEFLON / #6JIC-Fx#6 STL	2	2	2	
110	500213	SCREW CAP HEX 1/2-13x1 G5 Z050	4	4	4	
111	500482	WASHER LO SPT .506x.873x.125 Z050	4	4	4	
112	560384	PLASTIC TUBING / 3/8" / CLEAR	AR	AR	AR	
113	5011112	FEMALE ELBOW 90° / JIC 37° FITTING / #6JIC-Mx3/8NPT-F STL	1	1	1	
114	507573	MALE ELBOW 45° / JIC 37° FITTING / #6JIC-Mx3/8NPT-M STL To A-1652	1	1	1	
115	501311	ADAPTER / PIPE FITTING / 3/8NPT-Fx1/4NPT-M BR To A-1652	1	1	1	
116	163489	SUPPORT AIR REGULATOR / ANGLE 90DEG STYLE To A-1652	1	1	1	
117	502878	SCREW TP CAP HEX #14x3/4 N500 To A-1652	2	2	2	
117	955920	WASHER LO SPT 6.5x11.5x1.6 ZP To A-1652	2	2	2	
118	641372	MALE ELBOW 90° NON-SWIVEL / PUSH-IN FITTING / #6x1/4NPT-M BR To A-1652	1	1	1	
119	952625	CLAMP / 3/8" I.D. To A-1652	1	1	1	
120	500613	SCREW TP PAN PH #10x1/2 Z050 To A-1652	1	1	1	
121	503404	TUBE, NYLON 3/8 O.D. / BLACK S.L. To A-1652	1	1	1	
122	641331	MALE CONNECTOR / PUSH-IN FITTING / #6x1/4NPT-M BR To A-1652	1	1	1	
123	500734	NUT HEX JAM 3/4-16 Z050 To A-1652	1	1	1	
124A	641472	AIR PRESSURE REGULATOR 1/4" NPT / COPPER To A-1652	1	1	1	
124B	<b>H7-0405-10</b>	<b>7TH INJECTOR / EXHAUST VOLVO D13</b>	1	1	1	
125	640488	VALVE, AIR FILL 1/8" NPT To A-1652	1	1	1	
. NS	650164	. CAP VALVE / CHROME To A-1652	1	1	1	
130	052919	HOSE ASSY TEFLON #4 2190MM	1	1	1	R S
130	052971	HOSE ASSY TEFLON #4 2265MM From A-1605 To A-1605	1	1	1	R S
140	068139	KIT CABLE SUPPORT / THERMAL PROTECTOR From A-1648	1	1	1	
. A	071638	. BASE SUPPORT / W/NUT M4-0.7 From A-1648	1	1	1	
. B	509815	. TIE MOUNT / ATTACHMENT W/TREE MOUNT From A-1648	1	1	1	
. C	071639	. ANGLE CABLE SUPPORT / THERMAL DETECTOR 25.4MMx 61.3MMx25.4 From A-1648	1	1	1	
. D	504013	. TIE MOUNT / 1/4" X 1/4" I.D. From A-1648	1	1	1	
. E	502556	. WASHER FL 4.3x9.0x0.8 SS From A-1648	1	1	1	
. F	502834	. WASHER LO SPT 4.1x7.6x0.9 N500 From A-1648	1	1	1	
. G	502685	. SCREW CAP HEX M4-0.7x20 SS EMN From A-1648	1	1	1	
181	071097	PROTECTOR SUPPORT SS 102MM X 90MM	1	1	1	
182	071096	PROTECTOR SUPPORT SS ANGLE SHAPE 61MM X 73MM To 7-0936	1	1	1	
182	071440	PROTECTOR SUPPORT SS "V" SHAPE 80MM HIGH From 7-0937 To 9-1397	1	1	1	
182	079022	PROTECTOR SUPPORT SS "V" SHAPE 74MM HIGH From 9-1396	1	1	1	
183	066209	CABLE HARNESS / SENSOR WTEC W/OUT RETARDER / MUX	1	1	1	
183	066797	CABLE HARNESS / SENSOR WTEC W/RETARDER / MUX	1	1	1	
184	065398	SUPPORT RETARDER TEMPERATURE SENSOR	1	1	1	R
185	500344	SCREW MA RND PH M4-0.7x12 Z050	1	1	1	R
185	502524	NUT HEX M4-0.7 Z050	1	1	1	R
186	502636	WASHER LO SPT 4.1x7.6x0.9 Z050	1	1	1	R
187	504637	CABLE TIE / 3/16" x 13"	AR	AR	AR	R

From 8-1202 To A-1720	Date:10/2022	PAGE:H7-0750-01
<b>AUTOMATIC TRANSMISSION - "WORLD" WITH VOLVO D13</b>		

Item#	Part	Description	H 3 4 1	H 3 4 5	V I P 4 5	N O T E S
200	572050	TRANSMISSION FILTER / MAINTENANCE KIT	1	1	1	
. NS	571692	. O-RING / (LARGE SQUARE CUT)	2	2	2	
. NS	571693	. O-RING / (SMALL)	2	2	2	
. NS	571694	. O-RING / DRAIN PLUG	2	2	2	
. NS	571695	. DRAIN PLUG ASSY W/O-RING	1	1	1	
201	N.S.S.	. FILTER	2	2	2	1
202	571692	. O-RING / (LARGE SQUARE CUT)	2	2	2	
203	571693	. O-RING / (SMALL)	2	2	2	
204	571694	. O-RING / DRAIN PLUG	2	2	2	
205	571695	. DRAIN PLUG ASSY W/O-RING	1	1	1	
205	684016	OIL TRANSYND TRANSMISSION "WORLD"	AR	AR	AR	
206	N.S.P.	COVER FILTER / (29507434)	2	2	2	2
207	N.S.P.	BOLT M10-1.5 x 55M / (2954186)	AR	AR	AR	2
208	N.S.P.	YOKE (1810) HALF ROUND (29511516/6.5-4-4521-1)	1	1	1	2
208	N.S.P.	STRAP LOCK PLATE	1	1	1	2
208	N.S.P.	BOLT M10-1.5 X 30MM GR 10.9	2	2	2	2
208	N.S.P.	SEAL OUTPUT / (29515621)	1	1	1	2
		A) WITH OPTION "OETIKER" HOSE CLAMP				
		R) WITH RETARDER				
		S) TO SURGE TANK				
		1) NOT SOLD SEPARATELY				
		2) NOT SOLD BY PREVOST (SEE MANUFACTURING PART NUMBER AT END OF DESCRIPTION LINE)				



From B-1721 To H-3734	Date:10/2022	PAGE:H7-0750-02
AUTOMATIC TRANSMISSION - "WORLD" WITH VOLVO D13		

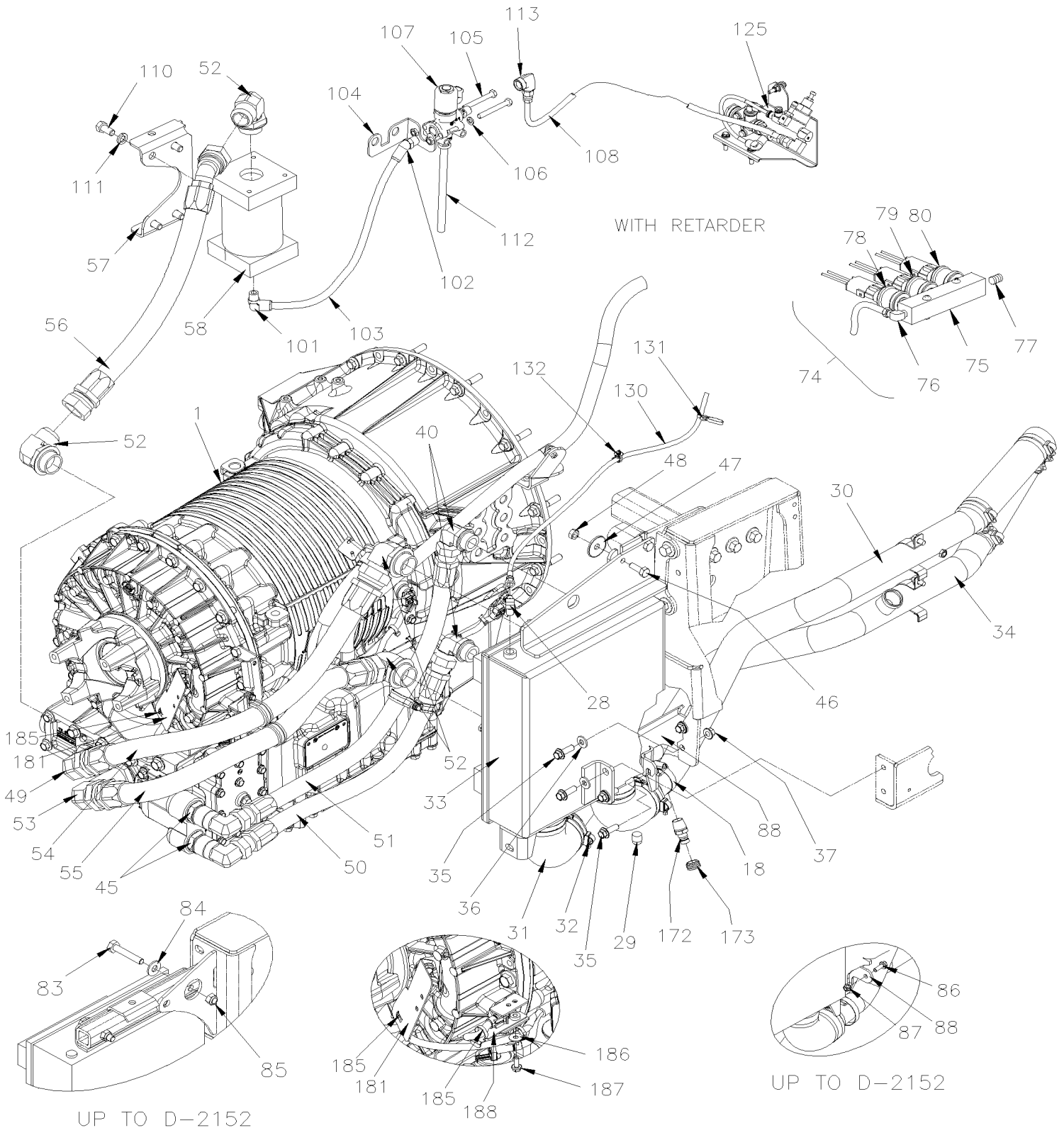


From B-1721 To H-3734

Date:10/2022

PAGE:H7-0750-02

## AUTOMATIC TRANSMISSION - "WORLD" WITH VOLVO D13

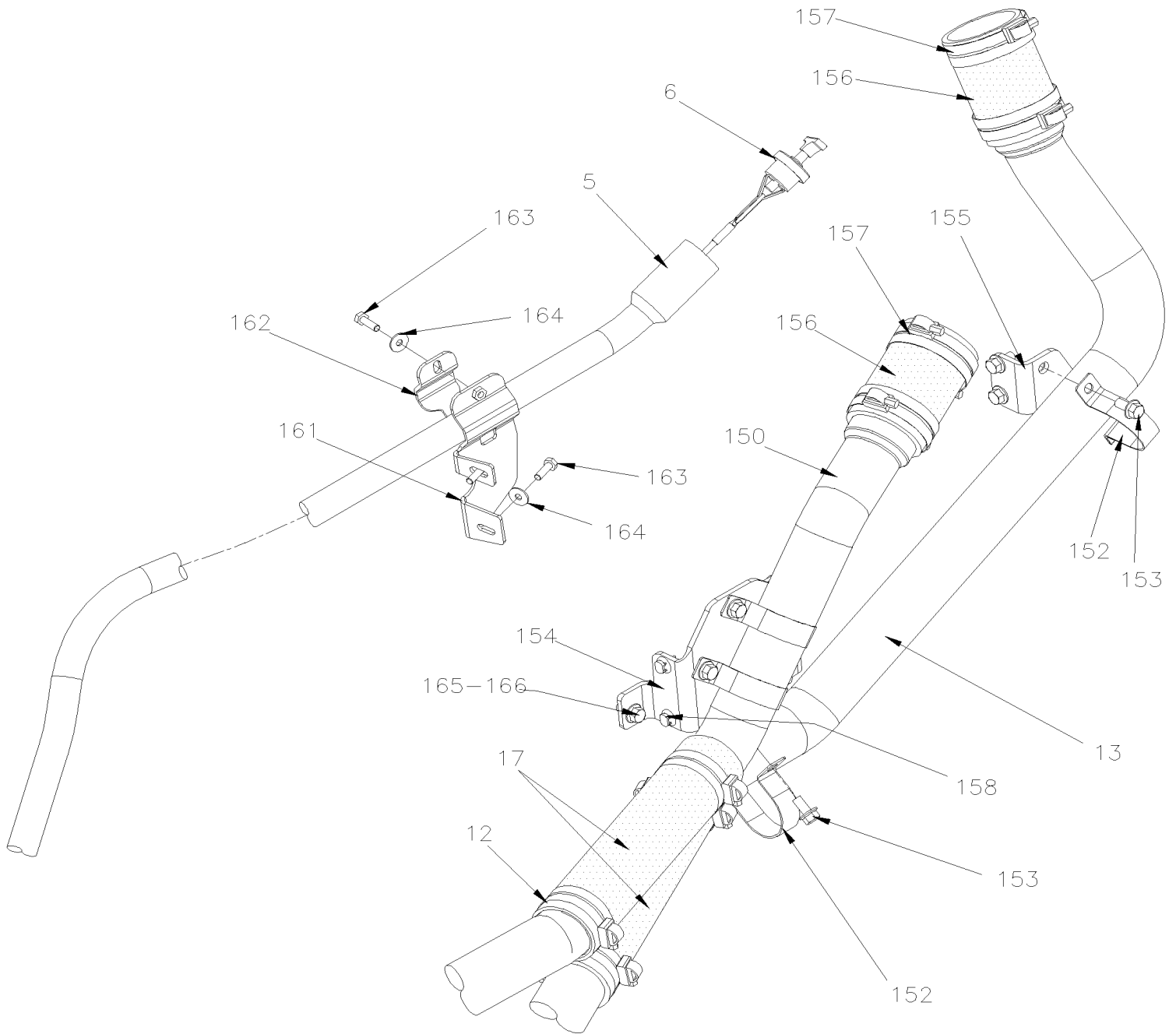


From B-1721 To H-3734

Date:10/2022

PAGE:H7-0750-02

## AUTOMATIC TRANSMISSION - "WORLD" WITH VOLVO D13



WITH EPA 2010

From B-1721 To H-3734	Date:10/2022	PAGE:H7-0750-02
<b>AUTOMATIC TRANSMISSION - "WORLD" WITH VOLVO D13</b>		

Item#	Part	Description	H 3 4 1	H 3 4 5	V I P 4 5	N O T E S
		THE NEXT FOLLOWING TRANSMISSION W/O RETARDER				
	572138	TRANSMISSION ASSY B500 / GEN V	1	1		
		THE NEXT FOLLOWING TRANSMISSION W/RETARDER				
	572139	TRANSMISSION ASSY B500R / GEN V	1	1		
		THE NEXT FOLLOWING TRANSMISSION W/O RETARDER				
	572138	TRANSMISSION ASSY B500 / GEN V			1	
	572136	TRANSMISSION ASSY4000MH / GEN V			1	
		THE NEXT FOLLOWING TRANSMISSION W/RETARDER				
	572139	TRANSMISSION ASSY B500R / GEN V			1	
	572137	TRANSMISSION ASSY4000MH R / GEN V			1	
		TRANSMISSION ASSY SEE ABOVE				
NS	683276	GREASE LOW TEMPERATURE 450GR To G-3091	AR	AR	AR	
NS	685371	GREASE / GREY BLACK MOBIL XHP 222 SPECIAL 400 g From G-3092	AR	AR	AR	
NS	20788933	SPACER FLY WHEEL HOUSING 21MM	1	1	1	
NS	684016	OIL TRANSYND TRANSMISSION "WORLD"	AR	AR	AR	
2	504602	CLAMP / 1" I.D. X .375 HOLE	1	1	1	
3	571662	GROMMET RUBBER / TUBE & TRANS	1	1	1	
4	502513	SCREW TP CAP HEX 5/16x1 Z050	1	1	1	
5	071636	TUBE DIPSTICK ASSY To B-1854	1	1	1	
5	071656	TUBE DIPSTICK ASSY From B-1855	1	1	1	
6	572147	TRANS DIPSTICK 2385.7MM	1	1	1	
NS	071249	DECAL "TranSynd OIL ONLY" / ENGLISH & FRANCAIS	1	1	1	
6	071364	DECAL "TranSynd OIL ONLY" / ENGLISH & SPANISH	1	1	1	
7	071641	SUPPORT / TUBE DIPSTICK To E-2604	1	1	1	
7	071685	SUPPORT / TUBE DIPSTICK From E-2605	1	1	1	
8	20953751	SCREW CAP HEXF 7/16-14x2 1/4 G8 MAGNI 565	12	12	12	
9	8397499	WASHER FL HARD .468x.937x.187 ZP	12	12	12	
10	Refer To Volvo	FLEXPLATE	1	1	1	V
11	5001217	SCREW CAP HEX M8-1.25x20 G10.9	12	12	12	
12	504754	HOSE CLAMP / 1"3/4-2"5/8 / C.T. 250 To F-2815	4	4	4	
12	992088	HOSE CLAMP / 50MM/70MM From F-2816	8	8	8	
12	504769	HOSE CLAMP STEPLESS SPRING SS / OETIKER / 2.156-2.563	4	4	4	A
13	019225	PIPE / THERMOSTAT HOUSING & OIL COOLER To E-2660	1	1	1	



<b>From B-1721 To H-3734</b>	<b>Date:10/2022</b>	<b>PAGE:H7-0750-02</b>
<b>AUTOMATIC TRANSMISSION - "WORLD" WITH VOLVO D13</b>		

Item#	Part	Description	H 3 4 1	H 3 4 5	V I P 4 5	N O T E S
13	071696	PIPE / THERMOSTAT HOUSING & OIL COOLER From E-2661	1	1	1	
14	012551	"U" CLAMP OFFSET 51MM I.D.	2	2	2	
15	5001780	SCREW CAP HEXF M8-1.25x16 G8.8 N500	2	2	2	
16	500321	WASHER BEL SPR .331x.827x.098 N500	2	2	2	
17	071429	HOSE SILICONE 4PLY 2" I.D. x 254 MM	2	2	2	
17	572049	. HOSE SILICONE 4PLY 2" I.D. x 12' To D-2275	AR	AR	AR	
17	503784	. HOSE SILICONE 4 PLY / NOMEX-ARAMID 2" I.D. x 12' From D-2276	AR	AR	AR	
18	504024	HOSE CLAMP / 1"13/16"-2"3/4 SS / HS-36	2	2	2	
19	<b>H7-0620-00</b>	<b>REAR JUNCTION BOX ASSY To D-2363</b>				
19	<b>H7-0620-01</b>	<b>REAR JUNCTION BOX ASSY From D-2364</b>				
21	071517	PIPE 2" O.D. INLET x 2 3/4" O.D. OUTLET	1	1	1	
22	071268	HOSE SILICONE 4 PLY 2 3/4" I.D X 84MM	1	1	1	
22	503395	. HOSE SILICONE 4PLY 2 3/4" I.D. x 3' To D-2275	1	1	1	
22	503787	. HOSE SILICONE 4 PLY / NOMEX-ARAMID 2 3/4" I.D. x 6' From D-2276	1	1	1	
23	504562	HOSE CLAMP / 2"3/4-3"5/8 / C.T. 350 To F-2863	4	4	4	
23	992090	HOSE CLAMP / 70MM/90MM From F-2864	8	8	8	
23	504686	HOSE CLAMP STEPLESS SPRING SS / OETIKER / 2.8-3.1	4	4	4	A
24	571769	OIL COOLER "MODINE" / SINGLE To G-3334	1	1	1	
24	570014	OIL COOLER "MODINE" / SINGLE / SS From G-3335	1	1	1	
24	501304	PLUG SQUARE HEAD / PIPE FITTING / 1/4NPT-M BR	1	1	1	
25	052898	ELBOW 90° X 2 3/4" I.D. / 110MM x 110MM C/C / SILICONE To F-2863	1	1	1	
25	053696	ELBOW 90° X 2 3/4" I.D. / 110MM x 110MM C/C / SILICONE ARAMID From F-2864	1	1	1	
26	071516	PIPE 2 3/4" I.D. INLET x 2" O.D. OUTLET To E-2660	1	1	1	
26	071693	PIPE 2 3/4" I.D. INLET x 2" O.D. OUTLET From E-2661 To G-3374	1	1	1	
NS	070056	PIPE 2 3/4" I.D. INLET x 2" O.D. OUTLET From G-3375	1	1	1	
27	071407	SUPPORT HOSE	1	1	1	
28	501037	MALE ELBOW 90° / SAE 45° FITTING / #4FL-Mx1/4NPT-M BR To G-3374	1	1	1	
NS	501449	PLUG HEXS / PIPE FITTING / 3/8NPT-M STL To D-2264	1	1	1	
29	501305	PLUG SQUARE HEAD / PIPE FITTING / 3/8NPT-M BR From D-2265	1	1	1	
30	071523	PIPE 2" O.D. INLET x 2 3/4" O.D. OUTLET To E-2660	1	1	1	
30	071692	PIPE 2" O.D. INLET x 2 3/4" O.D. OUTLET From E-2661	1	1	1	
31	052898	ELBOW 90° X 2 3/4" I.D. / 110MM x 110MM C/C / SILICONE To F-2863	2	2	2	
31	053696	ELBOW 90° X 2 3/4" I.D. / 110MM x 110MM C/C / SILICONE ARAMID From F-2864	2	2	2	
32	504562	HOSE CLAMP / 2"3/4-3"5/8 / C.T. 350 To F-2863	4	4	4	
32	992090	HOSE CLAMP / 70MM/90MM From F-2864	8	8	8	
33	572046	OIL COOLER "MODINE" / DOUBLE To D-2152	1	1	1	
33	572154	OIL COOLER "MODINE" / DOUBLE From D-2153	1	1	1	
34	071524	PIPE ELBOW 2 3/4" I.D. INLET x 2" O.D. OUTLET To D-2152	1	1	1	
34	071677	PIPE ELBOW 2 3/4" I.D. INLET x 2" O.D. OUTLET From D-2153 To E-2660	1	1	1	
34	071691	PIPE ELBOW 2 3/4" I.D. INLET x 2" O.D. OUTLET From E-2661	1	1	1	
35	5001741	SCREW CAP HEXF M10-1.5x30 G8.8 N500 From D-2153	5	5	5	
36	5001834	WASHER BEL SPR 10.5X23X2.5 N500 From D-2153	4	4	4	

<b>From B-1721 To H-3734</b>	<b>Date:10/2022</b>	<b>PAGE:H7-0750-02</b>
<b>AUTOMATIC TRANSMISSION - "WORLD" WITH VOLVO D13</b>		

Item#	Part	Description	H 3 4 1	H 3 4 5	V I P 4 5	N O T E S
37	5001930	NUT HEXF NYRT M10-1.5 N500 G10.9 From D-2153	1	1	1	
39	501304	PLUG SQUARE HEAD / PIPE FITTING / 1/4NPT-M BR	1	1	1	
40	501523	MALE ELBOW 90° / JIC 37° FITTING / #16JIC-Mx#16ORB-M STL To D-2383	2	2	2	
40	5001917	MALE ELBOW 90° / JIC 37° FITTING / #16JIC-Mx#16ORB-M STL VITON From D-2384	2	2	2	
41	053592P	HOSE ASSY TEFLON #4 1340MM To G-3374	1	1	1	S
42	071566	HOSE ASSY / #16 725MM	1	1	1	
42	071652	HOSE ASSY / BRAIDED SS #16 725MM	1	1	1	O
43	071567	HOSE ASSY / #16 1045MM	1	1	1	
43	071653	HOSE ASSY / BRAIDED SS #16 1045MM	1	1	1	O
44	501523	MALE ELBOW 90° / JIC 37° FITTING / #16JIC-Mx#16ORB-M STL To D-2383	2	2	2	
44	5001917	MALE ELBOW 90° / JIC 37° FITTING / #16JIC-Mx#16ORB-M STL VITON From D-2384	2	2	2	
45	501573	MALE CONNECTOR / JIC 37° FITTING / #16JIC-Mx#16ORB-M STL To C-1927	2	2	2	
45	501708	MALE ELBOW 90° LONG / JIC 37° FITTING / #16JIC-Mx#16ORB-Mx3.72 STL From C-1928 To D-2383	2	2	2	
45	5001919	MALE ELBOW 90° LONG / JIC 37° FITTING / #16JIC-M x#16ORB-Mx3.72 STL VITON From D-2384	2	2	2	
46	500065	SCREW CAP HEX M10-1.5x30 G10.9 DP From D-2153	2	2	2	
47	500494	WASHER BEL SPR .470x1.680x.125 N500 From D-2153	2	2	2	
48	500847	NUT HEX M10-1.5 N500 From D-2153	2	2	2	
49	501575	MALE CONNECTOR / JIC 37° FITTING / #20JIC-Mx#20ORB-M STL VITON To C-1927	1	1	1	
49	5011065	MALE ELBOW 90° / JIC 37° FITTING / #20JIC-Mx#20ORB-M STL VITON From C-1928	1	1	1	
50	071427	HOSE ASSY / #16 514MM To C-1927	1	1	1	
50	071663P	HOSE ASSY / #16 495MM From C-1928	1	1	1	
51	071426	HOSE ASSY / #16 682MM To C-1927	1	1	1	
51	071664P	HOSE ASSY / #16 663MM From C-1928	1	1	1	
52	5011065	MALE ELBOW 90° / JIC 37° FITTING / #20JIC-Mx#20ORB-M STL VITON	4	4	4	
53	501575	MALE CONNECTOR / JIC 37° FITTING / #20JIC-Mx#20ORB-M STL VITON To C-1927	1	1	1	
53	501709	MALE ELBOW 90° LONG / JIC 37° FITTING / #20JIC-Mx#20ORB-Mx4.41 STL From C-1928 To D-2383	1	1	1	
53	5001918	MALE ELBOW 90° LONG / JIC 37° FITTING / #20JIC-Mx#20ORB-Mx4.41 STL VIT From D-2384	1	1	1	
54	071596	HOSE ASSY / #20 759.8M To C-1927	1	1	1	
54	071666P	HOSE ASSY / #20 718M From C-1928	1	1	1	
55	071597	HOSE ASSY / #20 593.1MM To C-1927	1	1	1	
55	071665P	HOSE ASSY / #20 609MM From C-1928	1	1	1	
56	071595	HOSE ASSY / #20 493MM	1	1	1	
57	071565	SUPPORT ACCUMULATOR To D-2152	1	1	1	
57	071672	SUPPORT ACCUMULATOR From D-2153	1	1	1	
58	572030	ACCUMULATOR & SOLENOID / GEN IV	1	1	1	
60	952637	CLAMP / 1"1/16 I.D.	AR	AR	AR	
60	952641	CLAMP / 1 5/16" I.D.	AR	AR	AR	
62	500574	SCREW MA TR PH #10-24x1 1/4 SS To E-2621	2	2	2	
62	500964	WASHER FL .203x.500x.047 Z050 To E-2621	2	2	2	
62	500470	WASHER LO SPT .193x.334x.047 Z050 To E-2621	2	2	2	
62	5001730	SCREW CAP HEXF M6-1.0x16 G10.9 N500 From E-2622	1	1	1	
63	500574	SCREW MA TR PH #10-24x1 1/4 SS To E-2621	2	2	2	

From B-1721 To H-3734	Date:10/2022	PAGE:H7-0750-02
<b>AUTOMATIC TRANSMISSION - "WORLD" WITH VOLVO D13</b>		

Item#	Part	Description	H 3 4 1	H 3 4 5	V I P 4 5	N O T E S
63	500964	WASHER FL .203x.500x.047 Z050 To E-2621	2	2	2	
63	500470	WASHER LO SPT .193x.334x.047 Z050 To E-2621	2	2	2	
63	500786	NUT HEX #10-24 Z050 To E-2548	2	2	2	
63	5001815	SCREW CAP HEXF M6-1.0x30 G 8.8 N500 From E-2622	1	1	1	
64	500786	NUT HEX #10-24 Z050 To E-2621	1	1	1	
64	5001932	NUT HEXF NYRT M6-1.0 G8.8 N500 From E-2622	1	1	1	
67	500321	WASHER BEL SPR .331x.827x.098 N500	1	1	1	
68	5001780	SCREW CAP HEXF M8-1.25x16 G8.8 N500	1	1	1	
69	504601	CLAMP / 5/16" I.D. x .375 HOLE	1	1	1	
70	<b>H7-0625-00</b>	<b>FRONT JUNCTION PANEL</b>	1	1	1	
71	562357	RESISTANCE MODULE	1	1	1	
72	562381	RESISTANCE MODULE	1	1	1	
74	070902	PRESSURES SWITCH ASSY W/MANIFOLD	1	1	1	
75	070903	. MANIFOLD	1	1	1	
76	640999	. MALE ELBOW 90° / NTA FITTING / #6x1/4NPT-M BR	1	1	1	
77	501800	. PLUG HEXS / PIPE FITTING / 1/4NPT-M STL	1	1	1	
78	562358	. PRESSURE SWITCH N.O. 2PSI / 1/8NPT	1	1	1	
79	562384	. PRESSURE SWITCH N.O. 4PSI / 1/8NPT	1	1	1	
80	562385	. PRESSURE SWITCH N.O. 7PSI / 1/8NPT	1	1	1	
81	5001741	SCREW CAP HEXF M10-1.5x30 G8.8 N500 To D-2152	4	4	4	
81	5001741	SCREW CAP HEXF M10-1.5x30 G8.8 N500 From D-2153	5	5	5	
82	5001727	NUT HEXF NYRT M10-1.5 N500 To D-2152	4	4	4	
82	5001727	NUT HEXF NYRT M10-1.5 N500 From D-2153 To E-2621	6	6	6	
82	5001930	NUT HEXF NYRT M10-1.5 N500 G10.9 From E-2622	6	6	6	
83	5001756	SCREW CAP HEX M12-1.75x70 G8.8 N500 To D-2152	2	2	2	
84	500211	WASHER FL .531x1.250x.125 N500 To D-2152	2	2	2	
85	5001759	NUT HEX STO M12-1.75 N500 To D-2152	2	2	2	
86	5001643	SCREW CAP HEXF M8-1.25x25 G8.8 G500 To D-2152	2	2	2	
87	502837	NUT HEXF STO M8-1.25 N500 To D-2152	1	1	1	
88	071525	SUPPORT COOLER LOWER & PIPES To D-2152	1	1	1	
88	071676	SUPPORT HOSE W/RETARDER From D-2153	1	1	1	
90	071500	HOSE ASSY / #4 610MM	1	1	1	
. A	071167	. FEMALE CONNECTOR / HOSE BARB @ METRIC / #4x M10-1.5-F BR	1	1	1	
. B	5011303	. FEMALE ELBOW 90° SWIVEL / PUSH-LOK FITTING / #4FL-Fx#4 BR	1	1	1	
. C	503706	. HOSE FC-332-4 #4	AR	AR	AR	
91	502655	SCREW CAP HEX M10-1.5x25 SS BK	2	2	2	
92	5001834	WASHER BEL SPR 10.5X23X2.5 N500	3	3	3	
93	571763	BREATHER	1	1	1	
95	071403	SUPPORT CABLE HARNESS / W/1 HOLE & 1 STUD / GEN IV To G-3205	1	1	1	
95	071733	SUPPORT CABLE HARNESS / W/1 HOLE & 1 STUD From G-3206	1	1	1	
96A	500829	SCREW CAP HEX M10-1.5x40 G8.8	1	1	1	
96B	5001751	WASHER FL 10.5x26.0x2.0 N500	1	1	1	

<b>From B-1721 To H-3734</b>	<b>Date:10/2022</b>	<b>PAGE:H7-0750-02</b>
<b>AUTOMATIC TRANSMISSION - "WORLD" WITH VOLVO D13</b>		

Item#	Part	Description	H 3 4 1	H 3 4 5	V I P 4 5	N O T E S
96C	5001930	NUT HEXF NYRT M10-1.5 N500 G10.9	1	1	1	
97	071497	MALE CONNECTOR / SAE 45° @ METRIC / #4FL-Mx M10-1.5 M BR	1	1	1	
99	071635	SUPPORT OIL COOLER W/O RETARDER To D-2152	1	1	1	
99	071674	SUPPORT OIL COOLER W/O RETARDER From D-2153 To G-3157	1	1	1	
99	071713	SUPPORT OIL COOLER W/O RETARDER From G-3158	1	1	1	
101	641376	MALE ELBOW 90° NON-SWIVEL / PUSH-IN FITTING / #8x3/8NPT-M BR	1	1	1	
102	641376	MALE ELBOW 90° NON-SWIVEL / PUSH-IN FITTING / #8x3/8NPT-M BR From E-2601	1	1	1	
102	641368	MALE ELBOW 45° NON-SWIVEL / PUSH-IN FITTING / #8x3/8NPT-M BR From E-2602	1	1	1	
103	503488	TUBE, NYLON 1/2 O.D. / BLACK S.L./	AR	AR	AR	
104	071484	SUPPORT SOLENOID To E-2601	1	1	1	
104	071690	SUPPORT SOLENOID From E-2602	1	1	1	
105	5001347	SCREW CAP HEX M8-1.25x70 SS	2	2	2	
106	500942	WASHER LO SPT 8.1x14.8x2.0 N500	2	2	2	
107	571708	VALVE SOLENOID 12V	1	1	1	
108	071089	HOSE ASSY TEFLON #6 355MM To C-1885	1	1	1	
108	071658P	HOSE ASSY TEFLON #6 270MM From C-1886 To G-3296	1	1	1	
. NS	5011194	. FEMALE CONNECTOR SWIVEL / JIC 37° FITTING / TEFLON / #6JIC-Fx#6 STL From C-1886 To G-3296	2	2	2	
. NS	503065	. HOSE TEFLON #6 / S.L. From C-1886 To G-3296	AR	AR	AR	
108	070052	HOSE ASSY TEFLON #6 270MM From G-3297	1	1	1	
. NS	5011194	. FEMALE CONNECTOR SWIVEL / JIC 37° FITTING / TEFLON / #6JIC-Fx#6 STL From G-3297	2	2	2	
. NS	503065	. HOSE TEFLON #6 / S.L. From G-3297	AR	AR	AR	
110	5001565	SCREW CAP HEX 1/2-13x1 G5 N500 To D-2152	4	4	4	
110	5001565	SCREW CAP HEX 1/2-13x1 G5 N500 From D-2153	3	3	3	
111	500967	WASHER BEL SPR .512x1.142x.098 N500 To D-2152	4	4	4	
111	500967	WASHER BEL SPR .512x1.142x.098 N500 From D-2153	3	3	3	
112	560384	PLASTIC TUBING / 3/8" / CLEAR	AR	AR	AR	
113	5011112	FEMALE ELBOW 90° / JIC 37° FITTING / #6JIC-Mx3/8NPT-F STL	1	1	1	
125	<b>H7-0405-10</b>	<b>7TH INJECTOR / EXHAUST VOLVO D13 To C-1885</b>	1	1	1	
125	<b>H7-0405-11</b>	<b>7TH INJECTOR / "AHI" / EXHAUST VOLVO D13 From C-1886</b>	1	1	1	
130	053593P	HOSE ASSY TEFLON #4 1690MM To D-2152	1	1	1	S R
130	053021P	HOSE ASSY TEFLON #4 1870MM From D-2153	1	1	1	S R
131	507664	CABLE TIE / 3/16" 11" / DOUBLE LOOP HEAD	AR	AR	AR	
132	8631155	CABLE TIE / 4.6MM x 200 / CHRISTMAS TREE	AR	AR	AR	
150	019226	PIPE / OIL COOLER TO HOSE REDUCER To E-2660	1	1	1	
150	071697	PIPE / OIL COOLER TO HOSE REDUCER From E-2661	1	1	1	
152	012551	"U" CLAMP OFFSET 51MM I.D.	4	4	4	
153	5001780	SCREW CAP HEXF M8-1.25x16 G8.8 N500	AR	AR	AR	
154	012668	SUPPORT OIL COOLER PIPE	1	1	1	
155	012358	SUPPORT OIL COOLER PIPE	1	1	1	
156	984677	HOSE 60 I.D. x 102MM / SILICONE To D-2288	2	2	2	
156	071660	HOSE / SILICONE W/NOMEX 2 3/8" I.D. 98MM From D-2289	2	2	2	
157	504561	HOSE CLAMP / 2"1/4-3"1/8 / C.T. 300 To F-2815	4	4	4	

<b>From B-1721 To H-3734</b>	<b>Date:10/2022</b>	<b>PAGE:H7-0750-02</b>
<b>AUTOMATIC TRANSMISSION - "WORLD" WITH VOLVO D13</b>		

Item#	Part	Description	H 3 4 1	H 3 4 5	V I P 4 5	N O T E S
157	992089	HOSE CLAMP / 60MM/80MM From F-2816	8	8	8	
157	504770	HOSE CLAMP STEPLESS SPRING SS / OETIKER / 2.563-2.938	4	4	4	A
158	509815	TIE MOUNT / ATTACHMENT W/TREE MOUNT	2	2	2	
158	504637	CABLE TIE / 3/16" x 13"	2	2	2	
161	071640	SUPPORT / TUBE DIPSTICK	1	1	1	
162	071487	ATTACHMENT DIPSTICK TUBE W1 HOLE & HOCK	1	1	1	
163	502830	SCREW CAP HEX M6-1.0x20 G8.8 N500	4	4	4	
164	5001833	WASHER BEL SPR 6.1x18x1.27 SS	4	4	4	
165	5001745	SCREW CAP HEX M8-1.25x25 G8.8 N500	3	3	3	
166	500321	WASHER BEL SPR .331x.827x.098 N500	3	3	3	
172	1675641	NIPPLE / QUICK DISCONNECT "VOLVO" / 1/2NPT-M	1	1	1	
. NS	V476279	. DUST CAP / QUICK DISCONNECT "VOLVO" /	1	1	1	
. NS	507666	. DUST CAP / QUICK DISCONNECT "VOLVO" /	1	1	1	
173	507666	DUST CAP / QUICK DISCONNECT "VOLVO" /	1	1	1	
181	071097	PROTECTOR SUPPORT SS 102MM X 90MM	1	1	1	
182	079022	PROTECTOR SUPPORT SS "V" SHAPE 74MM HIGH	1	1	1	
183	071581	SUPPORT CABLE HARNESS	1	1	1	
184	066209	CABLE HARNESS / SENSOR WTEC W/OUT RETARDER / MUX To G-3205	1	1	1	
184	069508	CABLE HARNESS / SENSOR WTEC W/OUT RETARDER From G-3206	1	1	1	
184	066797	CABLE HARNESS / SENSOR WTEC W/RETARDER / MUX To G-3205	1	1	1	
184	069509	CABLE HARNESS / SENSOR WTEC W/RETARDER From G-3206	1	1	1	
185	504637	CABLE TIE / 3/16" x 13"	AR	AR	AR	
186	502636	WASHER LO SPT 4.1x7.6x0.9 Z050 To E-2621	1	1	1	
186	5001833	WASHER BEL SPR 6.1x18x1.27 SS From E-2622	1	1	1	
187	500344	SCREW MA RND PH M4-0.7x12 Z050 To E-2621	1	1	1	
187	502524	NUT HEX M4-0.7 Z050 To E-2621	1	1	1	
187	5001730	SCREW CAP HEXF M6-1.0x16 G10.9 N500 From E-2622	1	1	1	
188	065398	SUPPORT RETARDER TEMPERATURE SENSOR	1	1	1	
200	572050	TRANSMISSION FILTER / MAINTENANCE KIT	1	1	1	
. NS	571692	. O-RING / (LARGE SQUARE CUT)	2	2	2	
. NS	571693	. O-RING / (SMALL)	2	2	2	
. NS	571694	. O-RING / DRAIN PLUG	2	2	2	
. NS	571695	. DRAIN PLUG ASSY W/O-RING	1	1	1	
201	N.S.S.	. FILTER	2	2	2	1
202	571692	. O-RING / (LARGE SQUARE CUT)	2	2	2	
203	571693	. O-RING / (SMALL)	2	2	2	
204	571694	. O-RING / DRAIN PLUG	2	2	2	
205	571695	. DRAIN PLUG ASSY W/O-RING	1	1	1	
205	684016	OIL TRANSYND TRANSMISSION "WORLD"	AR	AR	AR	
206	N.S.P.	COVER FILTER / (29507434)	2	2	2	2

From B-1721 To H-3734	Date:10/2022	PAGE:H7-0750-02
<b>AUTOMATIC TRANSMISSION - "WORLD" WITH VOLVO D13</b>		

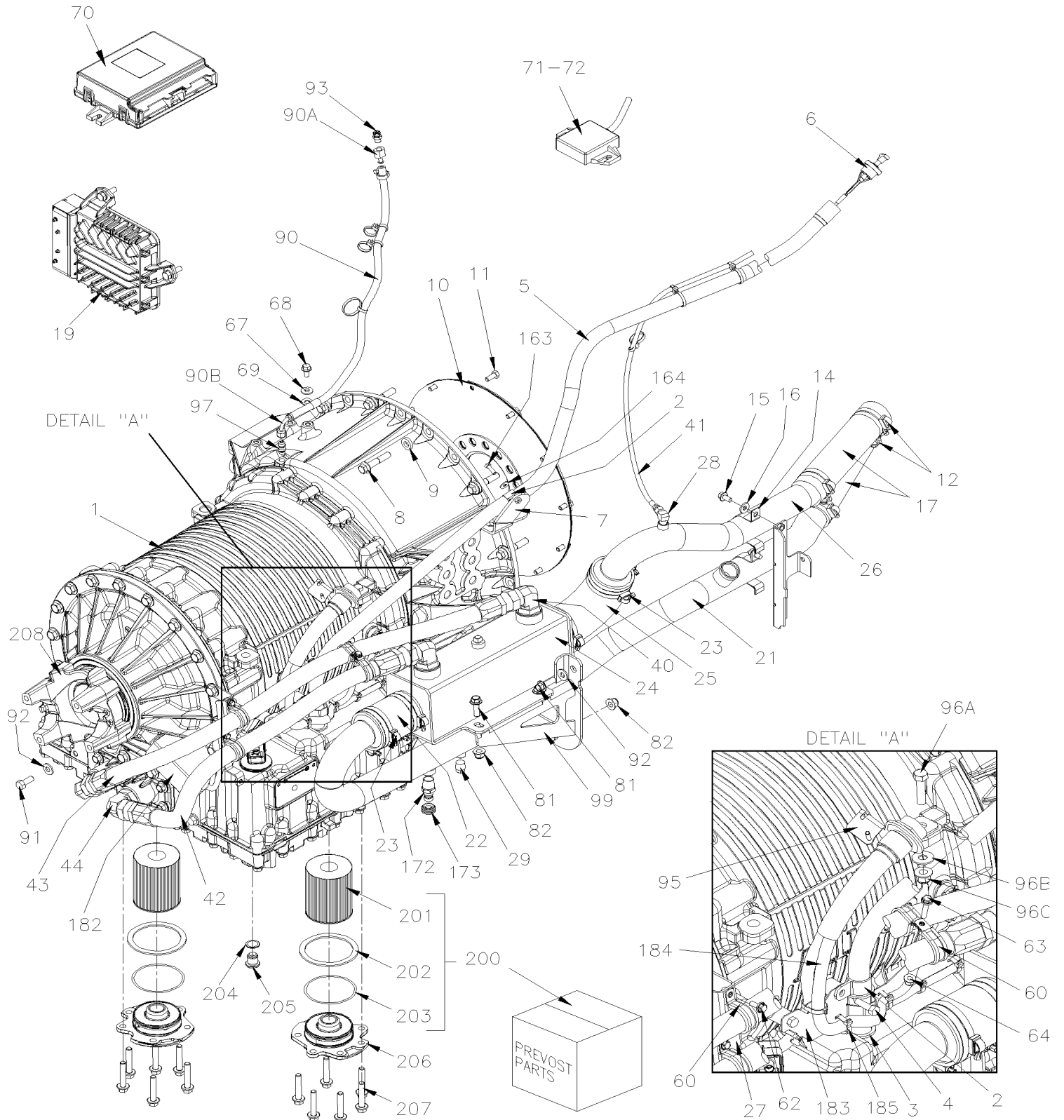
Item#	Part	Description	H 3 4 1	H 3 4 5	V I P 4 5	N O T E S
207	N.S.P.	BOLT M10-1.5 x 55M / (2954186)	AR	AR	AR	2
208	N.S.P.	YOKE (1810) HALF ROUND	1	1	1	2
208	N.S.P.	STRAP LOCK PLATE	1	1	1	2
208	N.S.P.	BOLT M10-1.5 X 30MM GR 10.9	2	2	2	2
208	N.S.P.	SEAL OUTPUT / (29515621)	1	1	1	2
		A) WITH OPTION "OETIKER" HOSE CLAMP				
		O) OPTION				
		R) WITH RETARDER				
		S) TO SURGE TANK				
		1) NOT SOLD SEPARATELY				
		2) NOT SOLD BY PREVOST (SEE MANUFACTURING PART NUMBER AT END OF DESCRIPTION LINE)				
		V) SEE IMPACT OR CALL ORDER DESK				

From H-3735 To J-0287

Date:10/2022

PAGE:H7-0750-03

## AUTOMATIC TRANSMISSION - "WORLD" WITH VOLVO D13



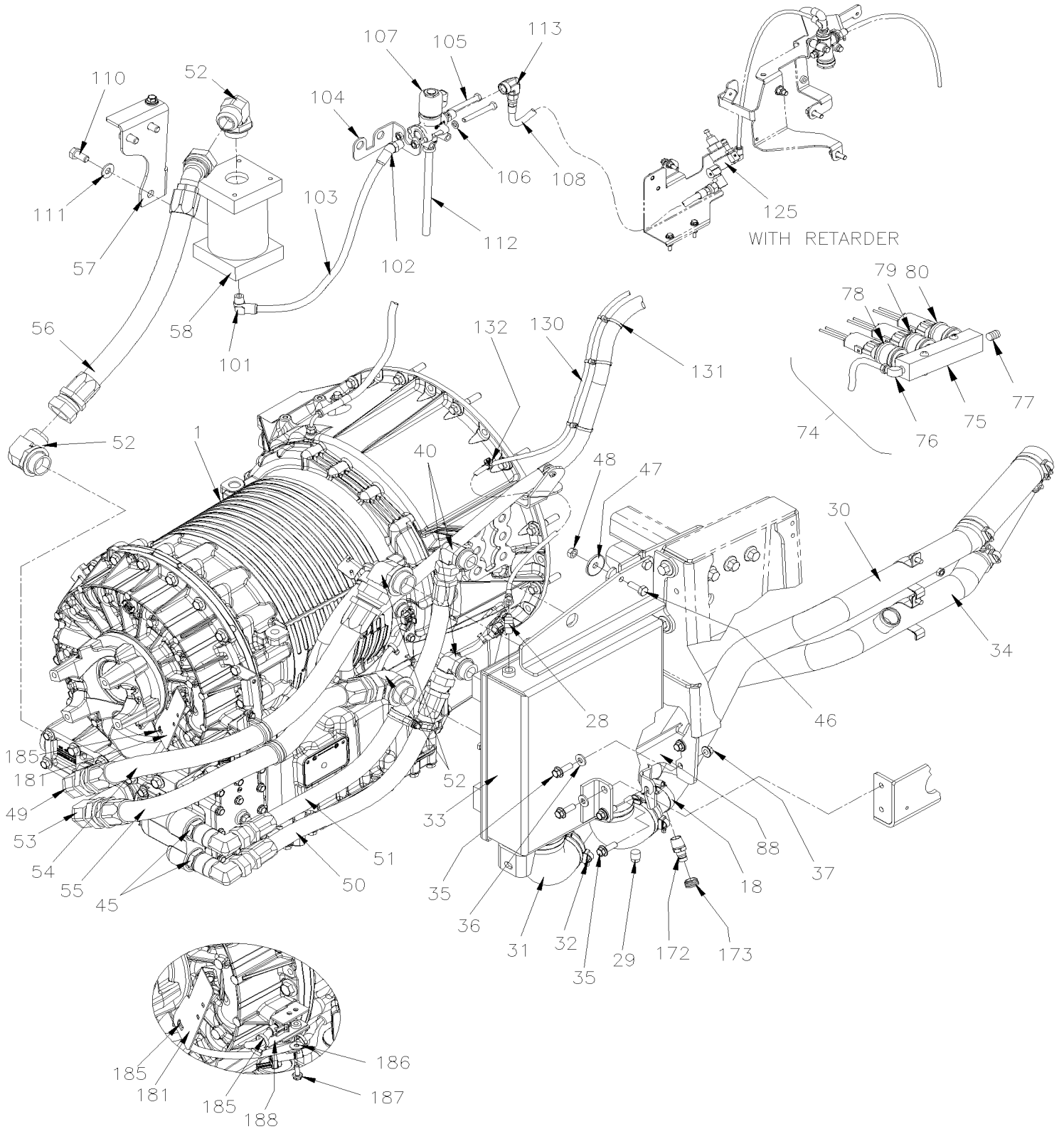


From H-3735 To J-0287

Date:10/2022

PAGE:H7-0750-03

AUTOMATIC TRANSMISSION - "WORLD" WITH VOLVO D13



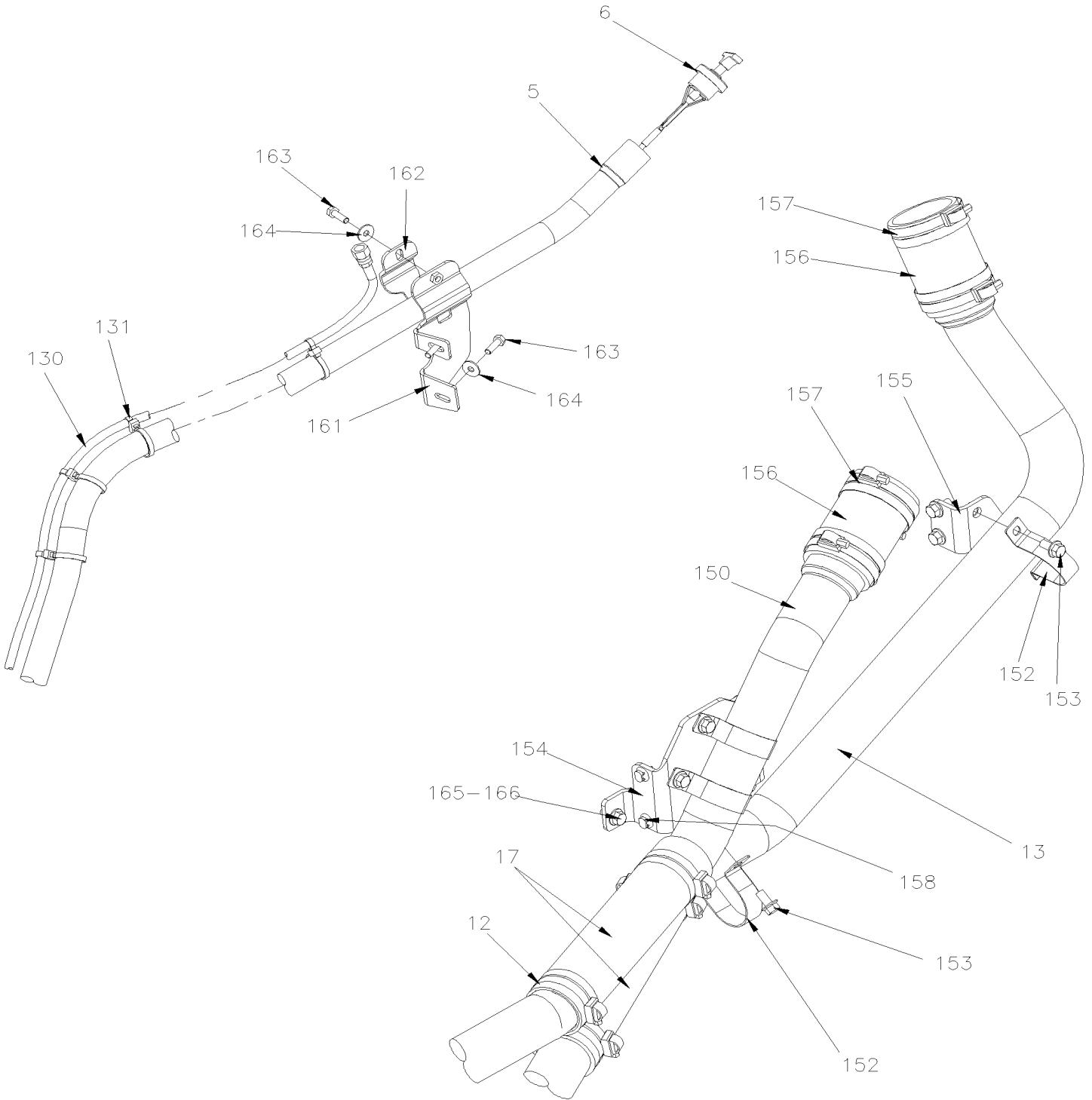


From H-3735 To J-0287

Date:10/2022

PAGE:H7-0750-03

## AUTOMATIC TRANSMISSION - "WORLD" WITH VOLVO D13



From H-3735 To J-0287	Date:10/2022	PAGE:H7-0750-03
<b>AUTOMATIC TRANSMISSION - "WORLD" WITH VOLVO D13</b>		

Item#	Part	Description	H 3 4 1	H 3 4 5	V I P 4 5	N O T E S
		THE NEXT FOLLOWING TRANSMISSION W/O RETARDER				
	572138	TRANSMISSION ASSY B500 / GEN V	1	1		
		THE NEXT FOLLOWING TRANSMISSION W/RETARDER				
	572139	TRANSMISSION ASSY B500R / GEN V	1	1		
		THE NEXT FOLLOWING TRANSMISSION W/O RETARDER				
	572138	TRANSMISSION ASSY B500 / GEN V			1	
	572136	TRANSMISSION ASSY4000MH / GEN V			1	
		THE NEXT FOLLOWING TRANSMISSION W/RETARDER				
	572139	TRANSMISSION ASSY B500R / GEN V			1	
	572137	TRANSMISSION ASSY4000MH R / GEN V			1	
		TRANSMISSION ASSY SEE ABOVE				
NS	685371	GREASE / GREY BLACK MOBIL XHP 222 SPECIAL 400 g	AR	AR	AR	
NS	20788933	SPACER FLY WHEEL HOUSING 21MM	1	1	1	
NS	684016	OIL TRANSYND TRANSMISSION "WORLD"	AR	AR	AR	
2	504602	CLAMP / 1" I.D. X .375 HOLE	1	1	1	
3	571662	GROMMET RUBBER / TUBE & TRANS	1	1	1	
4	502513	SCREW TP CAP HEX 5/16x1 Z050	1	1	1	
5	071656	TUBE DIPSTICK ASSY	1	1	1	
6	572147	TRANS DIPSTICK 2385.7MM	1	1	1	
NS	071249	DECAL "TranSynd OIL ONLY" / ENGLISH & FRANCAIS	1	1	1	
7	071685	SUPPORT / TUBE DIPSTICK	1	1	1	
8	5001764	SCREW CAP HEXF 7/16-14x2 1/4 G8 N500	12	12	12	
9	5001792	WASHER FL HARD .468x.937x.187 Z050	12	12	12	
10	Refer To Volvo	FLEXPLATE	1	1	1	V
11	5001217	SCREW CAP HEX M8-1.25x20 G10.9	12	12	12	
12	992088	HOSE CLAMP / 50MM/70MM	8	8	8	
12	504769	HOSE CLAMP STEPLESS SPRING SS / OETIKER / 2.156-2.563	4	4	4	A
13	070062	PIPE / THERMOSTAT HOUSING & OIL COOLER	1	1	1	
14	012551	"U" CLAMP OFFSET 51MM I.D.	2	2	2	
15	5001780	SCREW CAP HEXF M8-1.25x16 G8.8 N500	2	2	2	
16	500321	WASHER BEL SPR .331x.827x.098 N500	2	2	2	
17	071429	HOSE SILICONE 4PLY 2" I.D. x 254 MM	2	2	2	
17	503784	. HOSE SILICONE 4 PLY / NOMEX-ARAMID 2" I.D. x 12"	AR	AR	AR	

From H-3735 To J-0287	Date:10/2022	PAGE:H7-0750-03
<b>AUTOMATIC TRANSMISSION - "WORLD" WITH VOLVO D13</b>		

Item#	Part	Description	H 3 4 1	H 3 4 5	V I P 4 5	N O T E S
NS	504024	HOSE CLAMP / 1"13/16"-2"3/4 SS / HS-36	2	2	2	
19	<b>H7-0620-01</b>	<b>REAR JUNCTION BOX ASSY</b>				
21	071517	PIPE 2" O.D. INLET x 2 3/4" O.D. OUTLET	1	1	1	
22	071268	HOSE SILICONE 4 PLY 2 3/4" I.D X 84MM	1	1	1	
22	503787	. HOSE SILICONE 4 PLY / NOMEX-ARAMID 2 3/4" I.D. x 6'	1	1	1	
23	992090	HOSE CLAMP / 70MM/90MM	8	8	8	
23	504686	HOSE CLAMP STEPLESS SPRING SS / OETIKER / 2.8-3.1	4	4	4	A
24	570014	OIL COOLER "MODINE" / SINGLE / SS	1	1	1	
NS	501304	. PLUG SQUARE HEAD / PIPE FITTING / 1/4NPT-M BR	1	1	1	
25	053696	ELBOW 90° X 2 3/4" I.D. / 110MM x 110MM C/C / SILICONE ARAMID	1	1	1	
26	070056	PIPE 2 3/4" I.D. INLET x 2" O.D. OUTLET	1	1	1	
27	071407	SUPPORT HOSE	1	1	1	
29	501305	PLUG SQUARE HEAD / PIPE FITTING / 3/8NPT-M BR	1	1	1	
30	071692	PIPE 2" O.D. INLET x 2 3/4" O.D. OUTLET	1	1	1	
31	053696	ELBOW 90° X 2 3/4" I.D. / 110MM x 110MM C/C / SILICONE ARAMID	2	2	2	
32	992090	HOSE CLAMP / 70MM/90MM	8	8	8	
33	572154	OIL COOLER "MODINE" / DOUBLE	1	1	1	
34	071691	PIPE ELBOW 2 3/4" I.D. INLET x 2" O.D. OUTLET	1	1	1	
35	5001741	SCREW CAP HEXF M10-1.5x30 G8.8 N500	5	5	5	
36	5001834	WASHER BEL SPR 10.5X23X2.5 N500	4	4	4	
37	5001930	NUT HEXF NYRT M10-1.5 N500 G10.9	1	1	1	
40	5001917	MALE ELBOW 90° / JIC 37° FITTING / #16JIC-Mx#16ORB-M STL VITON	2	2	2	
41	053592P	HOSE ASSY TEFLON #4 1340MM	1	1	1	S
42	071566	HOSE ASSY / #16 725MM	1	1	1	
42	071652	HOSE ASSY / BRAIDED SS #16 725MM	1	1	1	O
43	071567	HOSE ASSY / #16 1045MM	1	1	1	
43	071653	HOSE ASSY / BRAIDED SS #16 1045MM	1	1	1	O
44	5001917	MALE ELBOW 90° / JIC 37° FITTING / #16JIC-Mx#16ORB-M STL VITON	2	2	2	
45	5001919	MALE ELBOW 90° LONG / JIC 37° FITTING / #16JIC-M x#16ORB-Mx3.72 STL VITON	2	2	2	
46	500065	SCREW CAP HEX M10-1.5x30 G10.9 DP	2	2	2	
47	500494	WASHER BEL SPR .470x1.680x.125 N500	2	2	2	
48	500847	NUT HEX M10-1.5 N500	2	2	2	
49	5011065	MALE ELBOW 90° / JIC 37° FITTING / #20JIC-Mx#20ORB-M STL VITON	1	1	1	
50	071663P	HOSE ASSY / #16 495MM	1	1	1	
51	071664P	HOSE ASSY / #16 663MM	1	1	1	
52	5011065	MALE ELBOW 90° / JIC 37° FITTING / #20JIC-Mx#20ORB-M STL VITON	4	4	4	
53	5001918	MALE ELBOW 90° LONG / JIC 37° FITTING / #20JIC-Mx#20ORB-Mx4.41 STL VIT To H-3802	1	1	1	
53	501074	MALE ELBOW 90° LONG / JIC 37° FITTING / #20JIC-M x#20ORB-Mx4.41 STL VITON From H-3803	1	1	1	
54	071666P	HOSE ASSY / #20 718M	1	1	1	
55	071665P	HOSE ASSY / #20 609MM	1	1	1	
56	071595	HOSE ASSY / #20 493MM	1	1	1	
57	071672	SUPPORT ACCUMULATOR	1	1	1	

From H-3735 To J-0287	Date:10/2022	PAGE:H7-0750-03
<b>AUTOMATIC TRANSMISSION - "WORLD" WITH VOLVO D13</b>		

Item#	Part	Description	H 3 4 1	H 3 4 5	V I P 4 5	N O T E S
58	572030	ACCUMULATOR & SOLENOID / GEN IV	1	1	1	
60	952637	CLAMP / 1"1/16 I.D.	AR	AR	AR	
60	952641	CLAMP / 1 5/16" I.D.	AR	AR	AR	
62	5001730	SCREW CAP HEXF M6-1.0x16 G10.9 N500	1	1	1	
63	5001815	SCREW CAP HEXF M6-1.0x30 G 8.8 N500	1	1	1	
64	5001932	NUT HEXF NYRT M6-1.0 G8.8 N500	1	1	1	
67	500321	WASHER BEL SPR .331x.827x.098 N500	1	1	1	
68	5001780	SCREW CAP HEXF M8-1.25x16 G8.8 N500	1	1	1	
69	504601	CLAMP / 5/16" I.D. x .375 HOLE To K-0376	1	1	1	
70	<b>H7-0625-00</b>	<b>FRONT JUNCTION PANEL</b>	1	1	1	
71	562357	RESISTANCE MODULE	1	1	1	
72	562381	RESISTANCE MODULE	1	1	1	
74	070902	PRESSURES SWITCH ASSY W/MANIFOLD	1	1	1	
75	070903	. MANIFOLD	1	1	1	
76	641372	. MALE ELBOW 90° NON-SWIVEL / PUSH-IN FITTING / #6x1/4NPT-M BR	1	1	1	
77	501800	. PLUG HEXS / PIPE FITTING / 1/4NPT-M STL	1	1	1	
78	562358	. PRESSURE SWITCH N.O. 2PSI / 1/8NPT	1	1	1	
79	562384	. PRESSURE SWITCH N.O. 4PSI / 1/8NPT	1	1	1	
80	562385	. PRESSURE SWITCH N.O. 7PSI / 1/8NPT	1	1	1	
81	5001741	SCREW CAP HEXF M10-1.5x30 G8.8 N500	5	5	5	
82	5001930	NUT HEXF NYRT M10-1.5 N500 G10.9	6	6	6	
88	071676	SUPPORT HOSE W/RETARDER	1	1	1	
90	071500	HOSE ASSY / #4 610MM To K-0376	1	1	1	
. A	071167	. FEMALE CONNECTOR / HOSE BARB @ METRIC / #4x M10-1.5-F BR To K-0376	1	1	1	
. B	5011303	. FEMALE ELBOW 90° SWIVEL / PUSH-LOK FITTING / #4FL-Fx#4 BR To K-0376	1	1	1	
. C	503706	. HOSE FC-332-4 #4 To K-0376	AR	AR	AR	
91	502655	SCREW CAP HEX M10-1.5x25 SS BK	2	2	2	
92	5001834	WASHER BEL SPR 10.5X23X2.5 N500	3	3	3	
93	571763	BREATHER	1	1	1	
95	071733	SUPPORT CABLE HARNESS / W/1 HOLE & 1 STUD	1	1	1	
96A	500829	SCREW CAP HEX M10-1.5x40 G8.8	1	1	1	
96B	5001751	WASHER FL 10.5x26.0x2.0 N500	1	1	1	
96C	5001930	NUT HEXF NYRT M10-1.5 N500 G10.9	1	1	1	
97	071497	MALE CONNECTOR / SAE 45° @ METRIC / #4FL-Mx M10-1.5 M BR	1	1	1	
99	071713	SUPPORT OIL COOLER W/O RETARDER	1	1	1	
101	641376	MALE ELBOW 90° NON-SWIVEL / PUSH-IN FITTING / #8x3/8NPT-M BR	1	1	1	
102	641376	MALE ELBOW 90° NON-SWIVEL / PUSH-IN FITTING / #8x3/8NPT-M BR	1	1	1	
102	641368	MALE ELBOW 45° NON-SWIVEL / PUSH-IN FITTING / #8x3/8NPT-M BR	1	1	1	
103	503488	TUBE, NYLON 1/2 O.D. / BLACK S.L./	AR	AR	AR	
104	071690	SUPPORT SOLENOID	1	1	1	
105	5001347	SCREW CAP HEX M8-1.25x70 SS	2	2	2	
106	500942	WASHER LO SPT 8.1x14.8x2.0 N500	2	2	2	

From H-3735 To J-0287	Date:10/2022	PAGE:H7-0750-03
<b>AUTOMATIC TRANSMISSION - "WORLD" WITH VOLVO D13</b>		

Item#	Part	Description	H 3 4 1	H 3 4 5	V I P 4 5	N O T E S
107	571708	VALVE SOLENOID 12V	1	1	1	
108	070052	HOSE ASSY TEFLON #6 270MM	1	1	1	
. NS	5011194	. FEMALE CONNECTOR SWIVEL / JIC 37° FITTING / TEFLON / #6JIC-Fx#6 STL	2	2	2	
. NS	503065	. HOSE TEFLON #6 / S.L.	AR	AR	AR	
110	5001565	SCREW CAP HEX 1/2-13x1 G5 N500	3	3	3	
111	500967	WASHER BEL SPR .512x1.142x.098 N500	3	3	3	
112	560384	PLASTIC TUBING / 3/8" / CLEAR	AR	AR	AR	
113	5011112	FEMALE ELBOW 90° / JIC 37° FITTING / #6JIC-Mx3/8NPT-F STL	1	1	1	
125	<b>H7-0405-12</b>	<b>7TH INJECTOR / "AHI" / EXHAUST VOLVO D13 - GHG17</b>	1	1	1	
130	053021P	HOSE ASSY TEFLON #4 1870MM	1	1	1	S R
131	507664	CABLE TIE / 3/16" 11" / DOUBLE LOOP HEAD	AR	AR	AR	
132	8631155	CABLE TIE / 4.6MM x 200 / CHRISTMAS TREE	AR	AR	AR	
150	071697	PIPE / OIL COOLER TO HOSE REDUCER	1	1	1	
152	012551	"U" CLAMP OFFSET 51MM I.D.	4	4	4	
153	5001780	SCREW CAP HEXF M8-1.25x16 G8.8 N500	AR	AR	AR	
NS	500321	WASHER BEL SPR .331x.827x.098 N500	AR	AR	AR	
154	010070	SUPPORT OIL COOLER PIPE	1	1	1	
155	010072	SUPPORT OIL COOLER PIPE	1	1	1	
156	071660	HOSE / SILICONE W/NOMEX 2 3/8" I.D. 98MM	2	2	2	
157	992089	HOSE CLAMP / 60MM/80MM	8	8	8	
157	504770	HOSE CLAMP STEPLESS SPRING SS / OETIKER / 2.563-2.938	4	4	4	A
158	509815	TIE MOUNT / ATTACHMENT W/TREE MOUNT	2	2	2	
158	504637	CABLE TIE / 3/16" x 13"	2	2	2	
161	071640	SUPPORT / TUBE DIPSTICK	1	1	1	
162	071487	ATTACHMENT DIPSTICK TUBE W1 HOLE & HOCK	1	1	1	
163	502830	SCREW CAP HEX M6-1.0x20 G8.8 N500	4	4	4	
164	5001833	WASHER BEL SPR 6.1x18x1.27 SS	4	4	4	
165	5001745	SCREW CAP HEX M8-1.25x25 G8.8 N500	3	3	3	
166	500321	WASHER BEL SPR .331x.827x.098 N500	3	3	3	
172	1675641	NIPPLE / QUICK DISCONNECT "VOLVO" / 1/2NPT-M	1	1	1	
. NS	V476279	. DUST CAP / QUICK DISCONNECT "VOLVO" /	1	1	1	
. NS	507666	. DUST CAP / QUICK DISCONNECT "VOLVO" /	1	1	1	
173	507666	DUST CAP / QUICK DISCONNECT "VOLVO" /	1	1	1	
181	071097	PROTECTOR SUPPORT SS 102MM X 90MM	1	1	1	
182	079022	PROTECTOR SUPPORT SS "V" SHAPE 74MM HIGH	1	1	1	
183	071581	SUPPORT CABLE HARNESS	1	1	1	
184	069508	CABLE HARNESS / SENSOR WTEC W/OUT RETARDER	1	1	1	
184	069509	CABLE HARNESS / SENSOR WTEC W/RETARDER	1	1	1	
185	504637	CABLE TIE / 3/16" x 13"	AR	AR	AR	
186	5001833	WASHER BEL SPR 6.1x18x1.27 SS	1	1	1	
187	5001730	SCREW CAP HEXF M6-1.0x16 G10.9 N500	1	1	1	

From H-3735 To J-0287	Date:10/2022	PAGE:H7-0750-03
<b>AUTOMATIC TRANSMISSION - "WORLD" WITH VOLVO D13</b>		

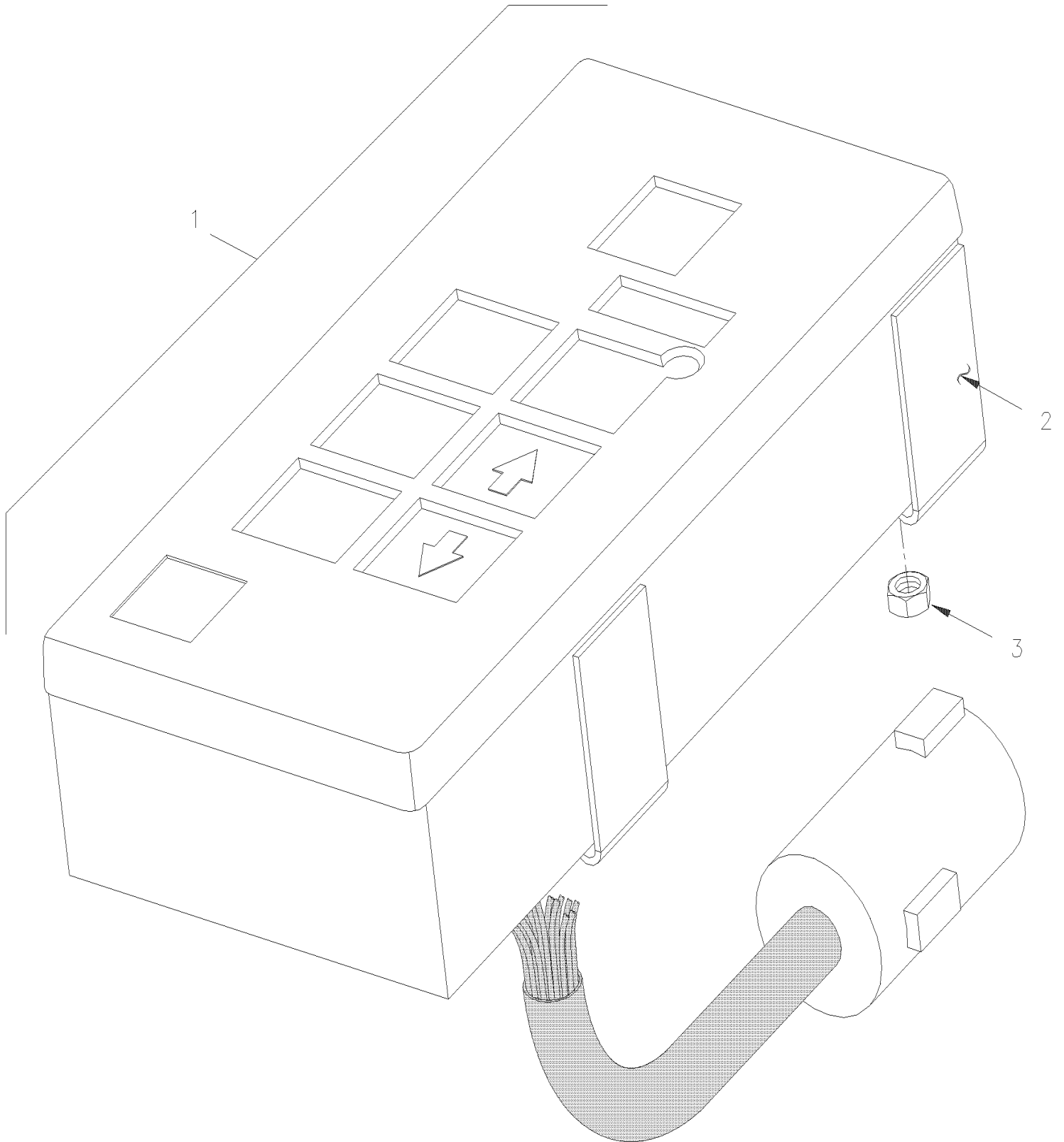
Item#	Part	Description	H 3 4 1	H 3 4 5	V I P 4 5	N O T E S
188	065398	SUPPORT RETARDER TEMPERATURE SENSOR	1	1	1	
200	572050	TRANSMISSION FILTER / MAINTENANCE KIT	1	1	1	
. NS	571692	. O-RING / (LARGE SQUARE CUT)	2	2	2	
. NS	571693	. O-RING / (SMALL)	2	2	2	
. NS	571694	. O-RING / DRAIN PLUG	2	2	2	
. NS	571695	. DRAIN PLUG ASSY W/O-RING	1	1	1	
201	N.S.S.	. FILTER	2	2	2	1
202	571692	. O-RING / (LARGE SQUARE CUT)	2	2	2	
203	571693	. O-RING / (SMALL)	2	2	2	
204	571694	. O-RING / DRAIN PLUG	2	2	2	
205	571695	. DRAIN PLUG ASSY W/O-RING	1	1	1	
205	684016	OIL TRANSYND TRANSMISSION "WORLD"	AR	AR	AR	
206	N.S.P.	COVER FILTER / (29507434)	2	2	2	2
207	N.S.P.	BOLT M10-1.5 x 55M / (2954186)	AR	AR	AR	2
208	N.S.P.	YOKE (1810) HALF ROUND	1	1	1	2
208	N.S.P.	STRAP LOCK PLATE	1	1	1	2
208	N.S.P.	BOLT M10-1.5 X 30MM GR 10.9	2	2	2	2
208	N.S.P.	SEAL OUTPUT / (29515621)	1	1	1	2
		A) WITH OPTION "OETIKER" HOSE CLAMP				
		O) OPTION				
		R) WITH RETARDER				
		S) TO SURGE TANK				
		1) NOT SOLD SEPARATELY				
		2) NOT SOLD BY PREVOST (SEE MANUFACTURING PART NUMBER AT END OF DESCRIPTION LINE)				
		V) SEE IMPACT OR CALL ORDER DESK				

From 7-0671 To J-0287

Date:10/2022

PAGE:H7-0755-15

**SHIFTER ELECTRONIC - "WORLD" TRANSMISSION**



From 7-0671 To J-0287	Date:10/2022	PAGE:H7-0755-15
<b>SHIFTER ELECTRONIC - "WORLD" TRANSMISSION</b>		

Item#	Part	Description	H 3 4 1	H 3 4 5	V I P 4 5	N O T E S
1	572031	SHIFTER, SELECTOR "WORLD" / GEN IV To 8-1400	1	1	1	
1	572124	SHIFTER, SELECTOR "WORLD" / GEN IV From 8-1401 To E-2601	1	1	1	
1	572155	SHIFTER, SELECTOR "WORLD" / GEN V From E-2602	1	1	1	
2	N.S.S.	. BRACKET	2	2	2	1
3	500423	. NUT HEX NYRT #10-32 SS	4	4	4	
		1) NOT SOLD SEPARATELY				

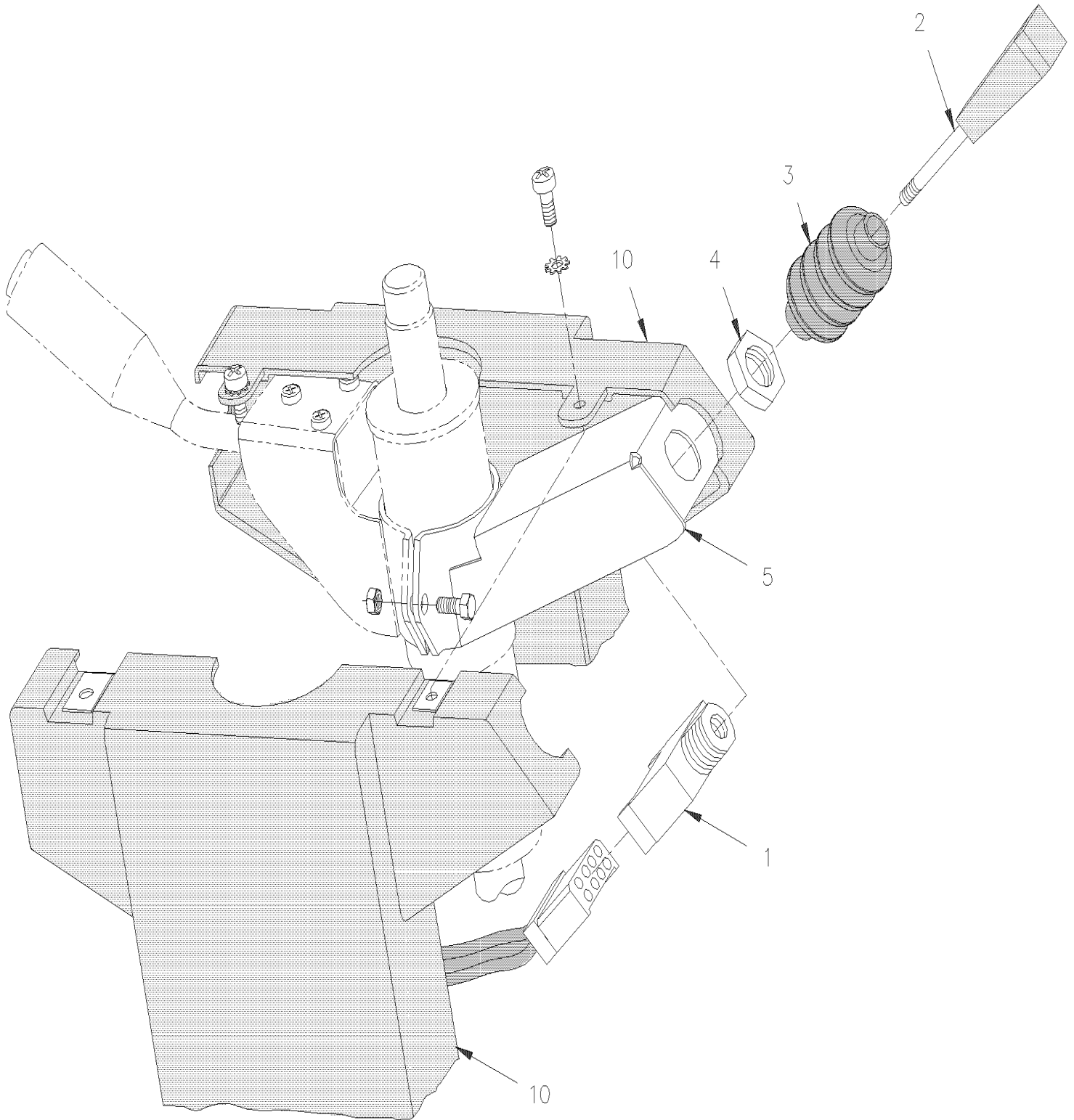


From 7-0671 To J-0287

Date:10/2022

PAGE:H7-0760-00

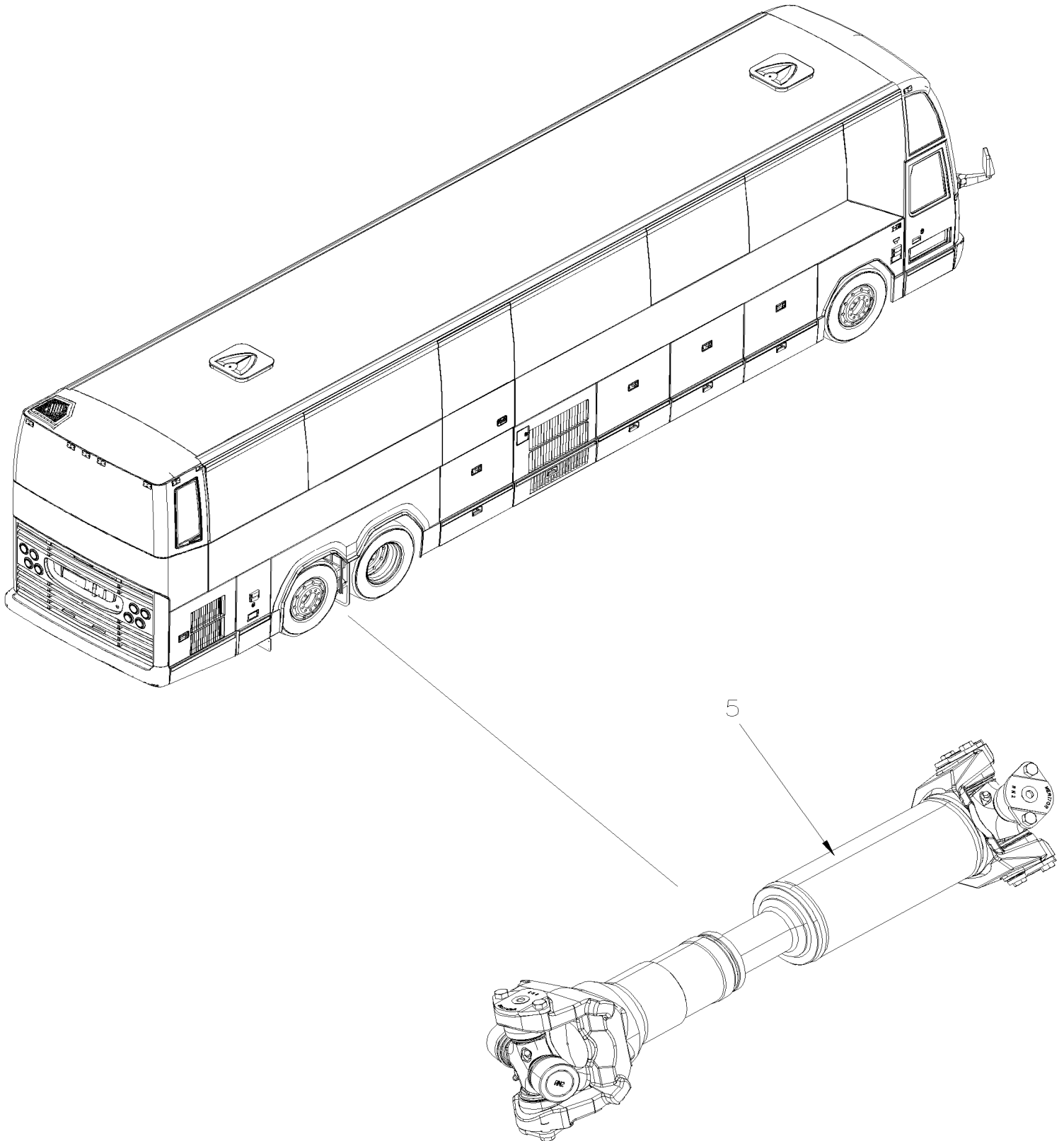
**RETARDER SELECTOR SWITCH - "WORLD"**



From 7-0671 To J-0287	Date:10/2022	PAGE:H7-0760-00
<b>RETARDER SELECTOR SWITCH - "WORLD"</b>		

Item#	Part	Description	H 3 4 1	H 3 4 5	V I P 4 5	N O T E S
1	562356	SWITCH ASSY / W/LEVER & BOOT / 6 POSITIONS	1	1	1	
2	N.S.S.	. LEVER	1	1	1	1
3	N.S.S.	. BOOT	1	1	1	1
4	N.S.S.	. NUT JAM	1	1	1	1
5		SUPPORT CONTROL SWITCH	1	1	1	
10	<b>H7-1407-00</b>	<b>STEERING COLUMN &amp; COVER - INSTALLATION</b>				
		1) NOT SOLD SEPARATELY				

	Date:10/2022	H7-09
PROPELLER SHAFT		



	Date:10/2022	H7-09
<b>PROPELLER SHAFT</b>		

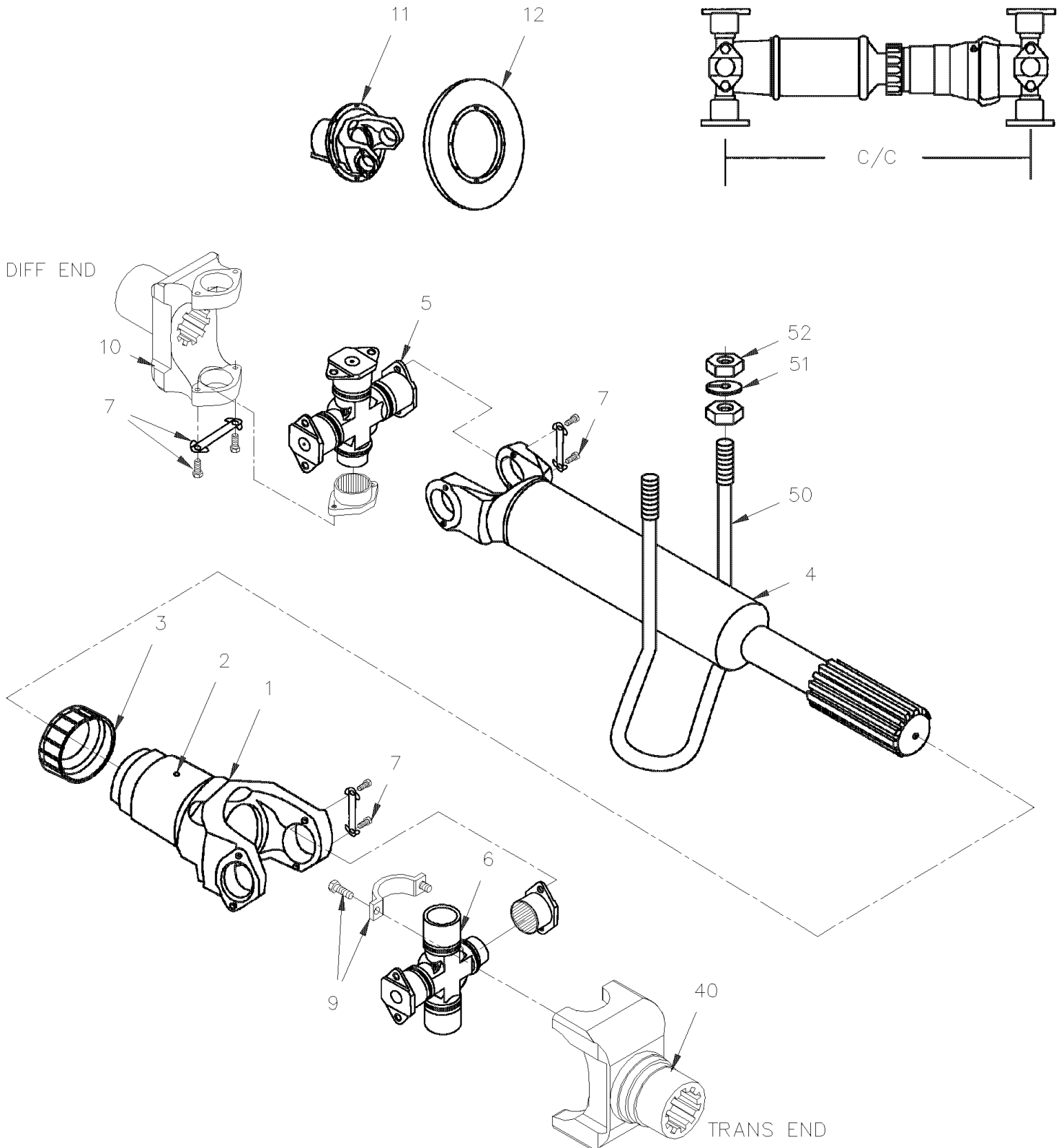
Item#	Part	Description	H 3 4 1	H 3 4 5	V I P 4 5	N O T E S
5	H7-0905-00	PROPELLER SHAFT From 7-0671 To A-1720				
5	H7-0905-01	PROPELLER SHAFT WITH "EPA 2010" From B-1721 To J-0287				

From 7-0671 To A-1720

Date:10/2022

PAGE:H7-0905-00

## PROPELLER SHAFT



<b>From 7-0671 To A-1720</b>	<b>Date:10/2022</b>	<b>PAGE:H7-0905-00</b>
<b>PROPELLER SHAFT</b>		

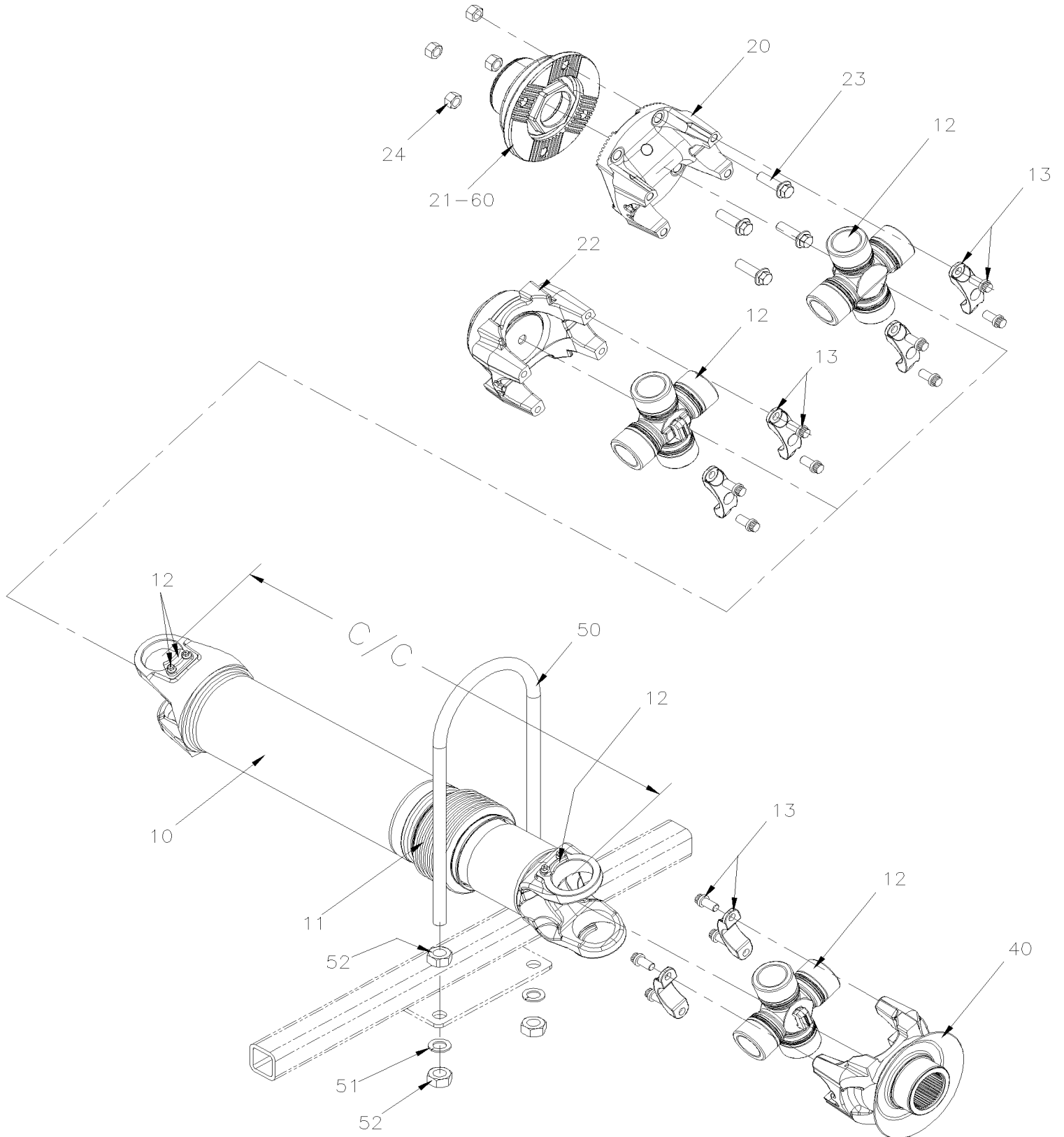
Item#	Part	Description	H 3 4 1	H 3 4 5	V I P 4 5	N O T E S
		PROPELLER SHAFT SERIES 1810				
	580069	SHAFT ASSY 36" C/C / W"WORLD" AUTOMATIC TRANS	1	1	1	
	580081	SHAFT ASSY 31" C/C W/MANUAL TRANSMISSION "ZF"	1	1		Z
1	580065	. SLIP YOKE	1	1	1	
. NS	580078	. . WELSH PLUG / PLASTIC BLUE 3 1/4" O.D. THIN	1	1	1	
2	501491	. . GREASE FITTING / 1/8 NPTx3/4"	1	1	1	
3	580052	. DUST CAP KIT / W/1800 SERIES	1	1	1	
4	N.S.P.	. YOKE SHAFT	1	1	1	2
5	580043	. KIT, CROSS & BEARING / W/1800 FULL ROUND	1	1	1	
6	580062	. KIT, CROSS & BEARING / W/1800 HALF ROUND	1	1	1	C
NS	580067	. . BEARING END (1810) W/QUICK DISCONNECT	2	2	2	
7	580071	. . SCREW CAP HEX 3/8-24 x 5/8 G8	8	8	8	
9	580063	. KIT STRAP & BOLT	1	1	1	
. NS	N8893184	. . SCREW CB 12POINT (SET OF 4) 1/2-20 x 1" G8	4	4	4	
		NEXT FOLLOWING YOKE ARE PART OF REAR AXLE				
10	621403	YOKE (1810) FULL ROUND (46 SPL)	1	1	1	
. NS	621501	. DEFLECTOR, OIL	1	1	1	
. NS	621492	. SPEEDY SLEEVE 3.250" I.D. / TO REPAIR OIL LEAK ON YOKE	1	1	1	
		NEXT FOLLOWING YOKE ARE PART OF TRANSMISSION				
40	N.S.P.	YOKE (1810) HALF ROUND / W"WORLD" TRANS /(29511516)	1	1	1	2
40	571989	YOKE (1810) HALF ROUND / "ZF" TRANS To 8-1051	1	1		Z
40	572086	YOKE (1810) HALF ROUND / "ZF" TRANS 1348.332.001 From 8-1052	1	1		Z
50	121440	PROTECTOR GUARD PROPELLER SHAFT 424MM x 140MM	1	1	1	
51	500488	WASHER LO SPT .760x1.271x.188 Z050	2	2	2	
52	500733	NUT HEX 3/4-16 Z050	2	2	2	
		C) QUICK DISCONNECT HALF ROUND (5-676X) / USE W/ITEM #40 Z) WITH "ZF" TRANSMISSION				
		2) NOT SOLD BY PREVOST (SEE MANUFACTURING PART NUMBER AT END OF DESCRIPTION LINE)				

From B-1721 To J-0287

Date:10/2022

PAGE:H7-0905-01

## PROPELLER SHAFT WITH "EPA 2010"

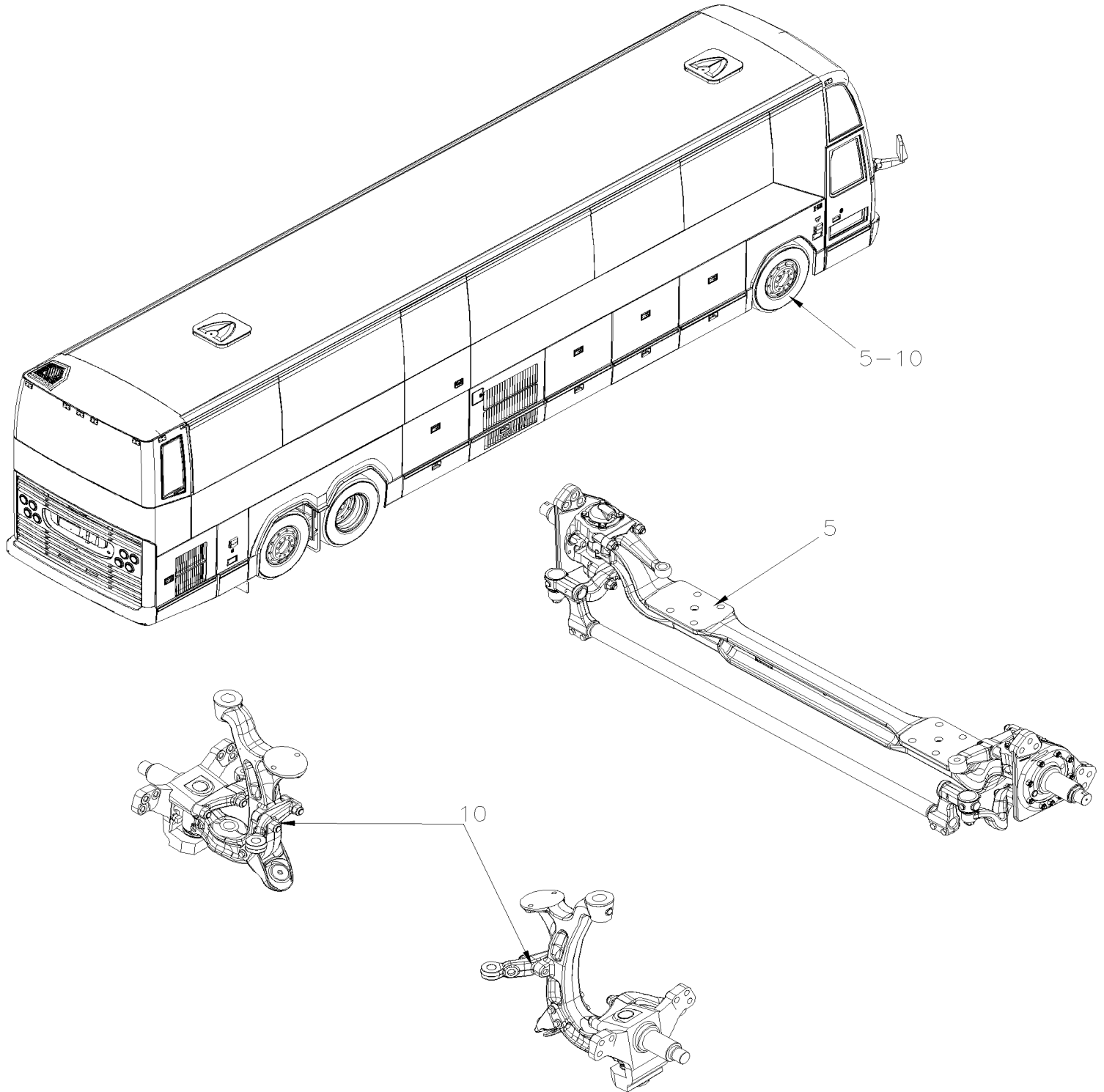


From B-1721 To J-0287	Date:10/2022	PAGE:H7-0905-01
<b>PROPELLER SHAFT WITH "EPA 2010"</b>		

Item#	Part	Description	H 3 4 1	H 3 4 5	V I P 4 5	N O T E S
		PROPELLER SHAFT SERIES SLP250				
10	580085	SHAFT ASSY 820MM C/C / SLP250-820MM I-SHIFT	1	1		
10	580087	SHAFT ASSY 935MM C/C / SLP250-935MM WORLD TRANS	1	1	1	
11	3947801	. KIT BOOT & CLIPS SPL250X	1	1	1	
12	19511258	. KIT, CROSS & BEARING SPL250-3X	2	2	2	
. NS	3095735	. . GREASE FITTING	1	1	1	
13	3947800	. KIT STRAP & BOLT SPL250-70-18X	2	2	2	
		NEXT FOLLOWING YOKE ARE PART OF TRANSMISSION				
20	580089	FLANGE YOKE "I"-SHIFT SPL250	1	1		
20	20828302	FLANGE YOKE "I"-SHIFT OR "ZF DRIVE AXLE" SPL250	1	1		
21	20773853	COMPANION FLANGE "I" -SHIFT TRANS	1	1		
22	N.P.N.	YOKE SERIES 250 HALF ROUND / W/"WORLD" TRANS	1	1	1	4
23	5001715	SCREW CAP HEXF M14-2.0x47 G10.9 MAGNI 565	4	4		
24	5001716	NUT HEX M14-2.0 MAG565 G10.9	4	4		
		NEXT FOLLOWING YOKE ARE PART OF DIFERENTIAL				
40	621833	YOKE SERIES 250 HALF ROUND	1	1	1	
. NS	621501	. DEFLECTOR, OIL	1	1	1	
. NS	621492	. SPEEDY SLEEVE 3.250" I.D. / TO REPAIR OIL LEAK ON YOKE	1	1	1	
50	121909	PROTECTOR GUARD PROPELLER SHAFT 433.5MM x 169MM	1	1	1	
51	500488	WASHER LO SPT .760x1.271x.188 Z050	2	2	2	
52	500733	NUT HEX 3/4-16 Z050	4	4	4	
60	SEE IMPACT	SEE IMPACT OR CALL ORDER DESK				
		4) NO PARTS NUMBER				



	Date:10/2022	H7-10
FRONT AXLE		



		Date:10/2022	H7-10
<b>FRONT AXLE</b>			

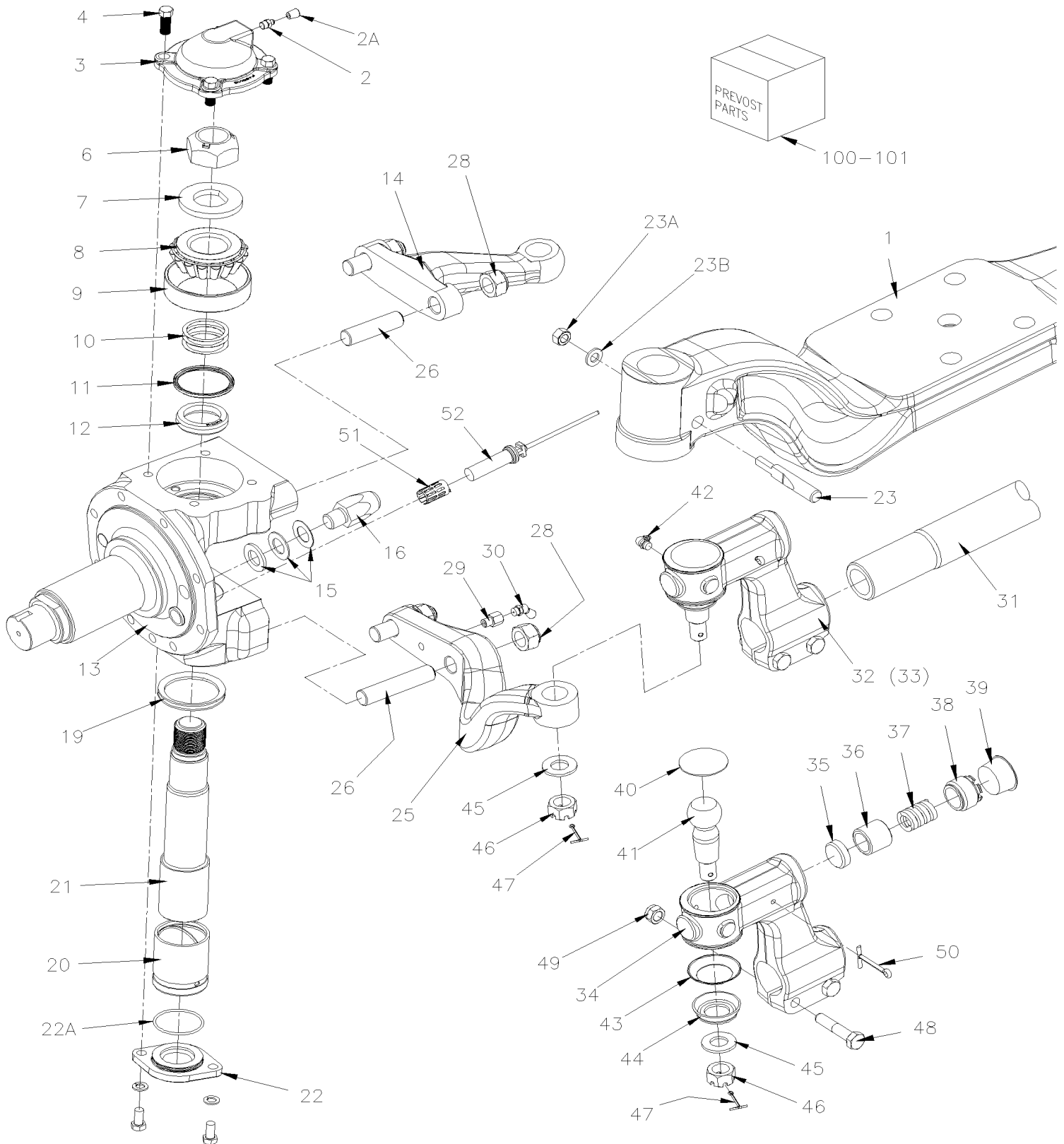
Item#	Part	Description	H 3 4 1	H 3 4 5	V I P 4 5	N O T E S
5	H7-1005-00	FRONT AXLE - I BEAM RIGID MODEL "S84U" From 7-0671 To J-0184				
10	H7-1005-50	FRONT AXLE - INDEPENDENT MODEL "NDIFS80P" / 18000LBS From 7-0671 To C-1909				
10	H7-1005-51	FRONT AXLE - INDEPENDENT MODEL "NDIFS80P" / 19000LBS From C-1910 To J-0287				
10	H7-1005-60	FRONT AXLE - INDEPENDENT MODEL "NDIFS80P" / 18000LBS From 7-0671 To F-2716				
10	H7-1005-61	FRONT AXLE - INDEPENDENT MODEL "NDIFS80P" / 19000LBS From F-2717 To J-0184				

From 7-0671 To J-0184

Date:10/2022

PAGE:H7-1005-00

## FRONT AXLE - I BEAM RIGID MODEL "S84U"



From 7-0671 To J-0184	Date:10/2022	PAGE:H7-1005-00
<b>FRONT AXLE - I BEAM RIGID MODEL "S84U"</b>		

Item#	Part	Description	H 3 4 1	H 3 4 5	V I P 4 5	N O T E S
	612350	AXLE ASSY W/ABS / MODEL "S84U" W/TYPE 24 BOOSTER To 8-1292	1	1		
	611964	AXLE ASSY W/ABS / MODEL "S84U" W/TYPE 24 BOOSTER From 8-1293 To A-1593	1	1		
	611351	AXLE ASSY W/ABS / MODEL "S84U" / W/ BRAKE INDICATOR W/TYPE 24 BOOSTER From A-1594 To E-2485	1	1		
	612386	AXLE ASSY W/ABS / MODEL "S84U" / W/ BRAKE INDICATOR W/TYPE 24 BOOSTER From E-2486 To H-3772	1	1		
	610019	AXLE ASSY W/ABS / MODEL "S84U" / W/ BRAKE INDICATOR W/TYPE 24 BOOSTER From H-3773	1	1		
1	611454	. AXLE BEAM	1	1		
2	501491	. GREASE FITTING / 1/8 NPTx3/4"	2	2		
2A	504615	. PROTECTOR CAP / BLACK / .313 I.D. x .500	2	2		
3	611008	. CAP COVER	2	2		
4	500067	. SCREW CAP HEX 7/16-20x1 G5 Z050	4	4		
4	680404	. . CAP PLUG	1	1		
4	500447	. WASHER FL .562x1.375x.109 ZP	4	4		
6	611153	. NUT HEX STO 1 3/8"-12	2	2		
7	611010	. WASHER 38.23x69.85x7	2	2		
8	611011	. CONE BEARING	2	2		
9	611012	. CUP BEARING	2	2		
10	611017	. WASHER SHIM / .015"	AR	AR		
10	611016	. WASHER SHIM / .010"	AR	AR		
10	611015	. WASHER SHIM / .008"	AR	AR		
10	611014	. WASHER SHIM / .006"	AR	AR		
10	611013	. WASHER SHIM / .005"	AR	AR		
11	611145	. OIL SEAL	2	2		
12	611154	. SLEEVE	2	2		
13	611290	. KNUCKLE R.H. CURBSIDE	1	1		
13	611289	. KNUCKLE L.H. STREET SIDE	1	1		
14	611031	. STEERING ARM UPPER L.H. STREET SIDE	1	1		
14	161033	. STEERING ARM UPPER R.H. CURBSIDE	1	1		
15	611042	. WASHER SHIM / 1/32" TH	AR	AR		
15	611041	. WASHER SHIM / 1/16" TH	AR	AR		
15	611040	. WASHER SHIM / 1/8" TH	AR	AR		
16	611170	. SWIVEL STOP SCREW 43MM	2	2		
16	611296	. SWIVEL STOP SCREW 54MM To A-1593	1	1		
16	611355	. SWIVEL STOP SCREW 54MM From A-1594	1	1		
18	5007001	. NUT HEX STO 1/2-20 Z050 G "C"	16	16		
19	611020	. V-SEAL To 8-1292	2	2		
NS	611152	. SEAL RING To 8-1292	2	2		
19	611294	. V-SEAL From 8-1293	2	2		
20	611144	. BUSHING LOWER KING PIN	2	2		
21	611148	. KING PIN	2	2		
22	611155	. CAP LOWER / KING PIN	2	2		
22	612364	. SCREW 3/8-24	4	4		
22	612363	. WASHER	4	4		

<b>From 7-0671 To J-0184</b>	<b>Date:10/2022</b>	<b>PAGE:H7-1005-00</b>
<b>FRONT AXLE - I BEAM RIGID MODEL "S84U"</b>		

Item#	Part	Description	H 3 4 1	H 3 4 5	V I P 4 5	N O T E S
22A	611156	. O-RING	1	1		
23	611258	. SWIVEL PIN LOCK	2	2		
23A	610029	. NUT 7/16 UNF	1	1		
23B	5001200	. WASHER FL .453x.875x.090	1	1		
25	611032	. STEERING ARM LOWER L.H. STREET SIDE	1	1		
NS	611033	. STEERING ARM LOWER R.H. CURBSIDE	1	1		
26	611028	. STUD / STREET SIDE / 3/4-16 X 3" To 8-1292	2	2		
26	611029	. STUD / TO FIX LOWER ARM 3/4-16 X 3 5/8" To 8-1292	2	2		
26	611291	. STUD 3/4-16 X 4" To 8-1292	2	2		
26	611331	. STUD / CURBSIDE / 3/4-16 X 4 1/4" From 8-1293	2	2		
26	611479	. STUD / STREET SIDE / 3/4-16 X 3" From 8-1293	2	2		
26	611166	. STUD 3/4-16 X 3 1/4" From 8-1293	2	2		
26	611330	. STUD 3/4-16 X 3 7/8" From 8-1293	2	2		
28	5001196	. NUT HEX SLT 3/4-16 To 8-1292	8	8		
28	611480	. NUT HEX SLO 3/4-16 From 8-1293	8	8		
29	611062	. ADAPTER / BSP FITTING / 1/8BSP-Mx1/8NPT-F To G-3227	2	2		
30	501493	. GREASE FITTING 45° / 1/8 NPT To G-3227	2	2		
30	610004	. GREASE FITTING 45° / 1/8BSP-M From G-3228	2	2		
NS	504615	. PROTECTOR CAP / BLACK / .313 I.D. x .500	2	2		
31	611292	. ROD	1	1		
32	611024	. TIE ROD ASSY / 5" OFFSET / R.H. THREAD M48-2 CURB SIDE	1	1		
33	611025	. TIE ROD ASSY / 5" OFFSET / L.H. THREAD M48-2 STREET SIDE	1	1		
34	N.S.S.	. . HOUSING / OFFSET L.H. THREAD	1	1		1
34	N.S.S.	. . HOUSING / OFFSET R.H. THREAD	1	1		1
35	N.S.P.	. . RUBBING PAD / (7157/156)	1	1		2
36	N.S.P.	. . THRUST CUP / (7157/153)	1	1		2
37	N.S.P.	. . COMPRESSION SPRING / (5443/4)	1	1		2
38	N.S.P.	. . ADJUSTER PIECE / (5443/154)	1	1		2
39	680404	. . CAP PLUG	1	1		
40	N.S.P.	. . PLUG / (5247/155)	1	1		2
40	N.S.P.	. . SNAP RING / (ML7544/55N)	1	1		2
41	N.S.P.	. . BALL STUD / (F4223/11)	1	1		2
42	501495	. . GREASE FITTING 90° / 1/8 NPT	2	2		
43	611056	. . DIRT SEAL PRESSING	1	1		
44	611057	. . RUBBER SEAL BOOT	1	1		
45	500420	. . WASHER FL .938x1.750x.134 ZP	1	1		
46	5001196	. . NUT HEX SLT 3/4-16	1	1		
47	502111	. . PIN, COTTER 1/8 x 1 1/2 SS	1	1		
48	5001861	. . SCREW CAP HEX M12-1.75x60 G10.9 N500	2	2		
49	500811	. . NUT HEX STO M12-1.75 G500	2	2		
50	502115	. . PIN, COTTER 3/16 x 2 1/2	1	1		
51	641096	. CLIP, SPRING / TO FIX SENSOR	2	2		

From 7-0671 To J-0184	Date:10/2022	PAGE:H7-1005-00
<b>FRONT AXLE - I BEAM RIGID MODEL "S84U"</b>		

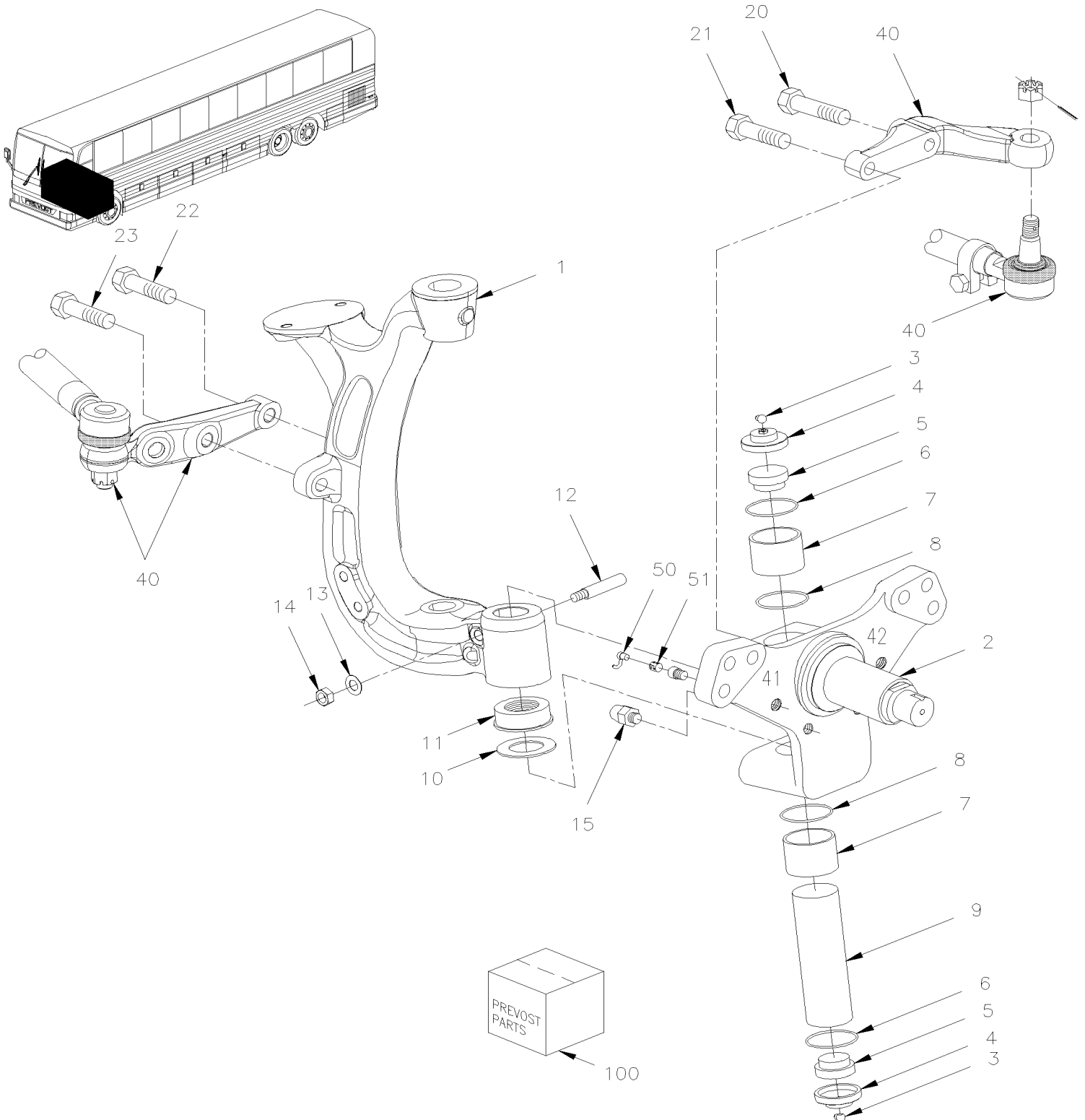
Item#	Part	Description	H 3 4 1	H 3 4 5	V I P 4 5	N O T E S
52	642084	. SENSOR ABS 90° ANGLE - OEM	2	2		
53	H7-1225-00	<b>BRAKE PARTS - FRONT &amp; TAG AXLE "KNORR-BREMSE" SN7 SERIES To A-1593</b>				
53	H7-1225-01	<b>BRAKE PARTS - FRONT &amp; TAG AXLE "KNORR-BREMSE" SN7 SERIES W/NEW SLIDE PINS From A-1594 To E-2485</b>				
53	H7-1225-02	<b>BRAKE PARTS - FRONT &amp; TAG AXLE "KNORR-BREMSE" SN7 SERIES W/N2G ADJUSTER From E-2486</b>				
54	H7-1300-00	<b>HUB &amp; ROTOR - FRONT AXLE - I BEAM MODEL "S84U"</b>				
55	H7-1410-00	<b>STEERING GEAR BOX &amp; DRAG LINK - INSTALLATION</b>				
100	611966	KIT REPAIR / STEERING KNUCKLE BUSHING (PARALLEL) / (REQUIRES 2 KITS)	AR	AR		B
101	611101	KIT REPAIR / TIE ROD END	2	2		A
102	IS18091	TIE ROD 610052 FIRST INSTALLATION INSTRUCTIONS	1	1		
. NS	610052	. TIE ROD ASSY	1	1		
. NS	610051	. NUT HEX SLO / SINGLE USE M24-1.5	2	2		
. NS	IS-18091	. SEE INSTRUCTION SHEET	1	1		
. NS	FI-18091	. VOIR FEUILLE D'INSTRUCTION	1	1		
		A) INCLUDING ITEMS #35 TO 50				
		B) INCLUDING ITEMS #4 TO 12, 19 TO 21 & 23				
		1) NOT SOLD SEPARATELY				
		2) NOT SOLD BY PREVOST (SEE MANUFACTURING PART NUMBER AT END OF DESCRIPTION LINE)				

From 7-0671 To C-1909

Date:10/2022

PAGE:H7-1005-50

## FRONT AXLE - INDEPENDENT MODEL "NDIFS80P" / 18000LBS



From 7-0671 To C-1909	Date:10/2022	PAGE:H7-1005-50
<b>FRONT AXLE - INDEPENDENT MODEL "NDIFS80P" / 18000LBS</b>		

Item#	Part	Description	H 3 4 1	H 3 4 5	V I P 4 5	N O T E S
	612355	AXLE ASSY L.H. & R.H. / NDIFS80P / W/58 Deg To 8-1333			1	
	611963	AXLE ASSY L.H. & R.H. / NDIFS80P / W/58 Deg From 8-1334 To A-1593			1	
	611352	AXLE ASSY L.H. & R.H. / NDIFS80P / W/58 Deg From A-1594			1	
1	612370	. AXLE L.H. / W/DOUBLE LOCK ON KING PIN			1	
1	612369	. AXLE R.H. / W/DOUBLE LOCK ON KING PIN			1	
2	611280	. KNUCKLE L.H. & R.H.			2	
3	501490	. GREASE FITTING / 1/8 NPT			2	
4	611283	. CAP UPPER & LOWER			2	
5	611939	. FOAM INSERT			2	
6	611284	. SNAP RING, EXT 2400-55			2	
7	611937	. BUSHING (STD)			2	
8	611936	. OIL SEAL			2	
10	611956	. SHIM 0.013			AR	
10	611957	. SHIM 0.025			AR	
10	611958	. SHIM 0.050			AR	
10	611959	. SHIM 0.020			AR	
11	611941	. BEARING THRUST			1	
20	611308	. SCREW CAP HEX M20-2.5x100 G12.9			1	
21	611306	. SCREW CAP HEX M20-2.5x65 G12.9			1	
22	611305	. SCREW CAP HEX M20-2.5x60 G12.9			1	
23	611307	. SCREW CAP HEX M20-2.5x80 G12.9			1	
40	<b>H7-1410-50</b>	<b>STEERING RODS - INSTALLATION W/INDEPENDENT "NDIFS80P" / 18000LBS</b>				
41	<b>H7-1225-00</b>	<b>BRAKE PARTS - FRONT &amp; TAG AXLE "KNORR-BREMSE" SN7 SERIES</b>				
42	<b>H7-1300-00</b>	<b>HUB &amp; ROTOR - FRONT AXLE - I BEAM MODEL "S84U"</b>				
50	642085	SENSOR ABS - OEM			1	
50	642184	SENSOR ABS - AFTER MARKET	1	1	1	
51	641096	CLIP, SPRING / TO FIX SENSOR			1	
100	611131	KIT REPAIR / STEERING KNUCKLE BUSHING (UNDER SIZED) / (REQUIRE 2 KITS)			2	T
. NS	SB07_03	. NSDIFS80P - KINGPIN KITS			1	T
100	611132	KIT REPAIR / STEERING KNUCKLE BUSHING (STD) / (REQUIRE 2 KITS)			2	
. NS	SB07_03	. NSDIFS80P - KINGPIN KITS			1	
		T) WITH THIS KITS YOU REQUIRE REAMER TOOL TO REPAIR				

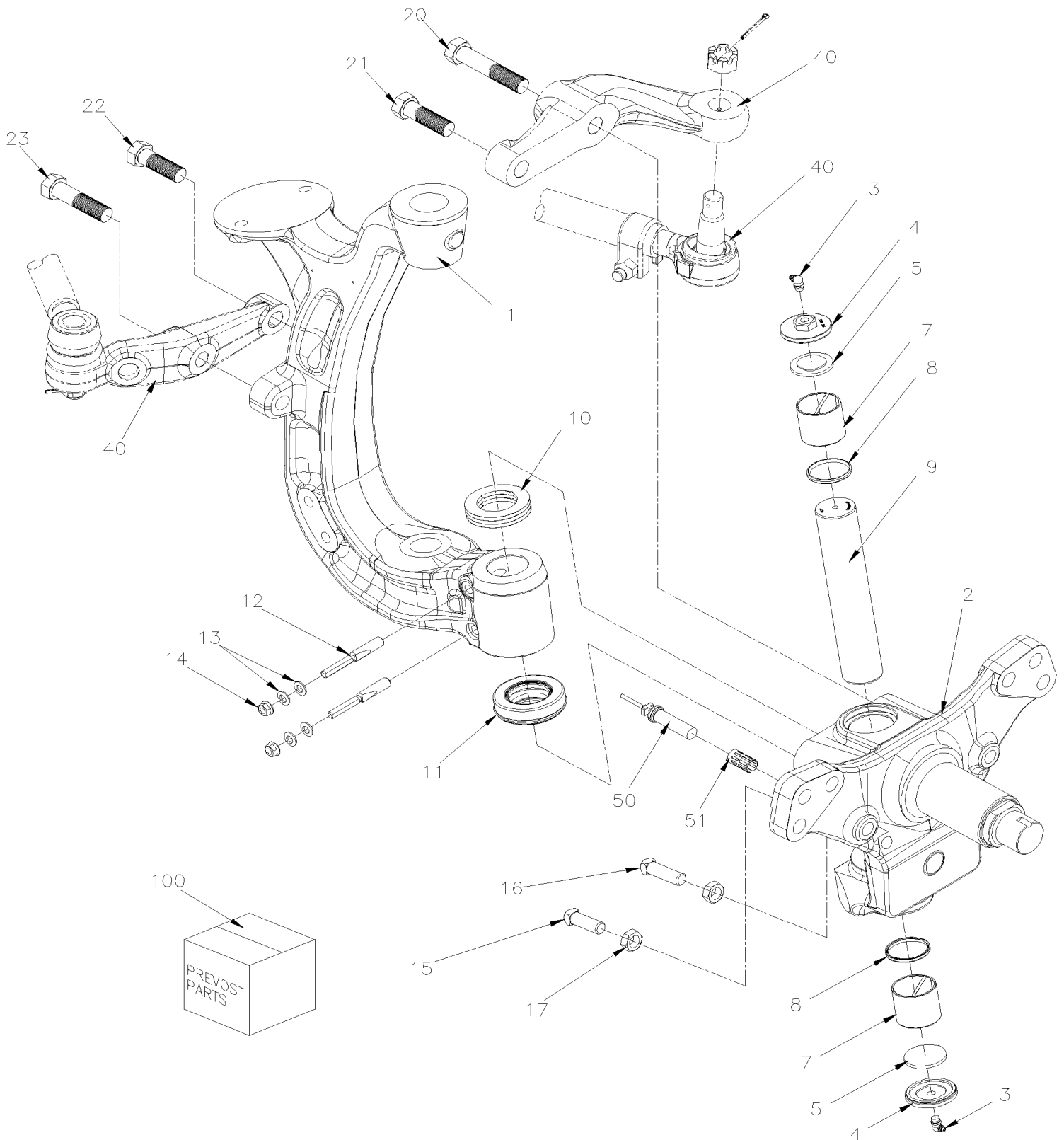


From C-1910 To J-0287

Date:10/2022

PAGE:H7-1005-51

## FRONT AXLE - INDEPENDENT MODEL "NDIFS80P" / 19000LBS



From C-1910 To J-0287      Date:10/2022      PAGE:H7-1005-51

**FRONT AXLE - INDEPENDENT MODEL "NDIFS80P" / 19000LBS**

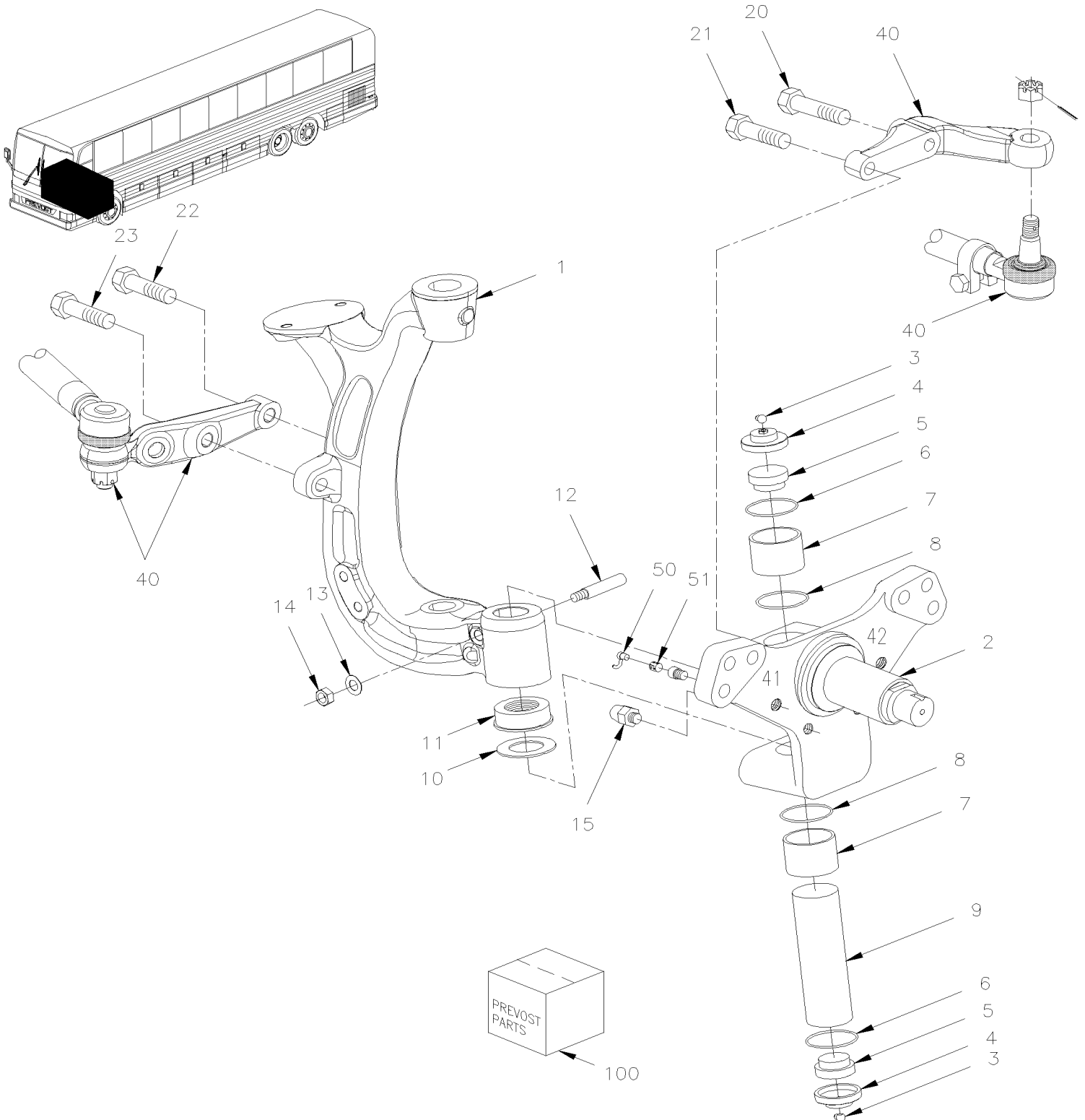
Item#	Part	Description	H 3 4 1	H 3 4 5	V I P 4 5	N O T E S
	612375	AXLE ASSY L.H. & R.H. / NDIFS80P / 19K To E-2487			1	
	612387	AXLE ASSY L.H. & R.H. / NDIFS80P / 19K From E-2488 To G-3175			1	
	612391	AXLE ASSY L.H. & R.H. / NDIFS80P / 19K From G-3176 To H-3826			1	
	610020	AXLE ASSY L.H. & R.H. / NDIFS80P / 19K From H-3827			1	
1	612377	. AXLE L.H. / W/DOUBLE LOCK ON KING PIN / 19K			1	
1	612376	. AXLE R.H. / W/DOUBLE LOCK ON KING PIN / 19K			1	
2	612361	. KNUCKEL L.H. & R.H.			2	
3	501490	. GREASE FITTING / 1/8 NPT			2	
4	611283	. CAP UPPER & LOWER			2	
5	611939	. FOAM INSERT			2	
7	N.S.S.	. BUSHING (STD)			2	1
8	611936	. OIL SEAL			2	
9	N.S.S.	. KING PIN			2	1
10	611956	. SHIM 0.013			AR	
10	611957	. SHIM 0.025			AR	
11	N.S.S.	. THRUST BEARING			2	1
12	N.S.S.	. DRAW KEY			4	1
13	N.S.S.	. WASHER - DRAW KEY			8	1
14	N.S.S.	. NUT - DRAW KEY			4	1
15	611287	. LOCKSTOP SCREW FRONT To G-3175			2	
15	611288	. LOCKSTOP SCREW FRONT From G-3176			2	
16	611288	. LOCKSTOP SCREW BACK To G-3175			2	
16	611288	. LOCKSTOP SCREW BACK From G-3176			2	
17	612392	. NUT - LOCKSTOP To G-3175			4	
17	612393	. NUT - LOCKSTOP From G-3176			4	
20	612359	. SCREW CAP HEX M22-2.5x100 G12.9			1	
21	612360	. SCREW CAP HEX M22-2.5x65 G12.9			1	
22	611305	. SCREW CAP HEX M20-2.5x60 G12.9			1	
23	611307	. SCREW CAP HEX M20-2.5x80 G12.9			1	
40	<b>H7-1410-51</b>	<b>STEERING RODS - INSTALLATION W/INDEPENDENT "NDIFS80P" / 19000LBS</b>				
50	642085	SENSOR ABS - OEM			2	
50	642184	SENSOR ABS - AFTER MARKET	2	2	2	
51	641096	CLIP, SPRING / TO FIX SENSOR			2	
100	611132	KIT REPAIR / STEERING KNUCKLE BUSHING (STD) / (REQUIRE 2 KITS)			1	A
. NS	SB07_03	. NSDIFS80P - KINGPIN KITS			1	A
		A) THIS KIT INCLUDES ITEMS 3, 4, 5, 7, 8, 9, 10, 11, 12, 13, 14				
		1) NOT SOLD SEPARATELY				

From 7-0671 To F-2716

Date:10/2022

PAGE:H7-1005-60

## FRONT AXLE - INDEPENDENT MODEL "NDIFS80P" / 18000LBS



**From 7-0671 To F-2716** **Date:10/2022** **PAGE:H7-1005-60**

**FRONT AXLE - INDEPENDENT MODEL "NDIFS80P" / 18000LBS**

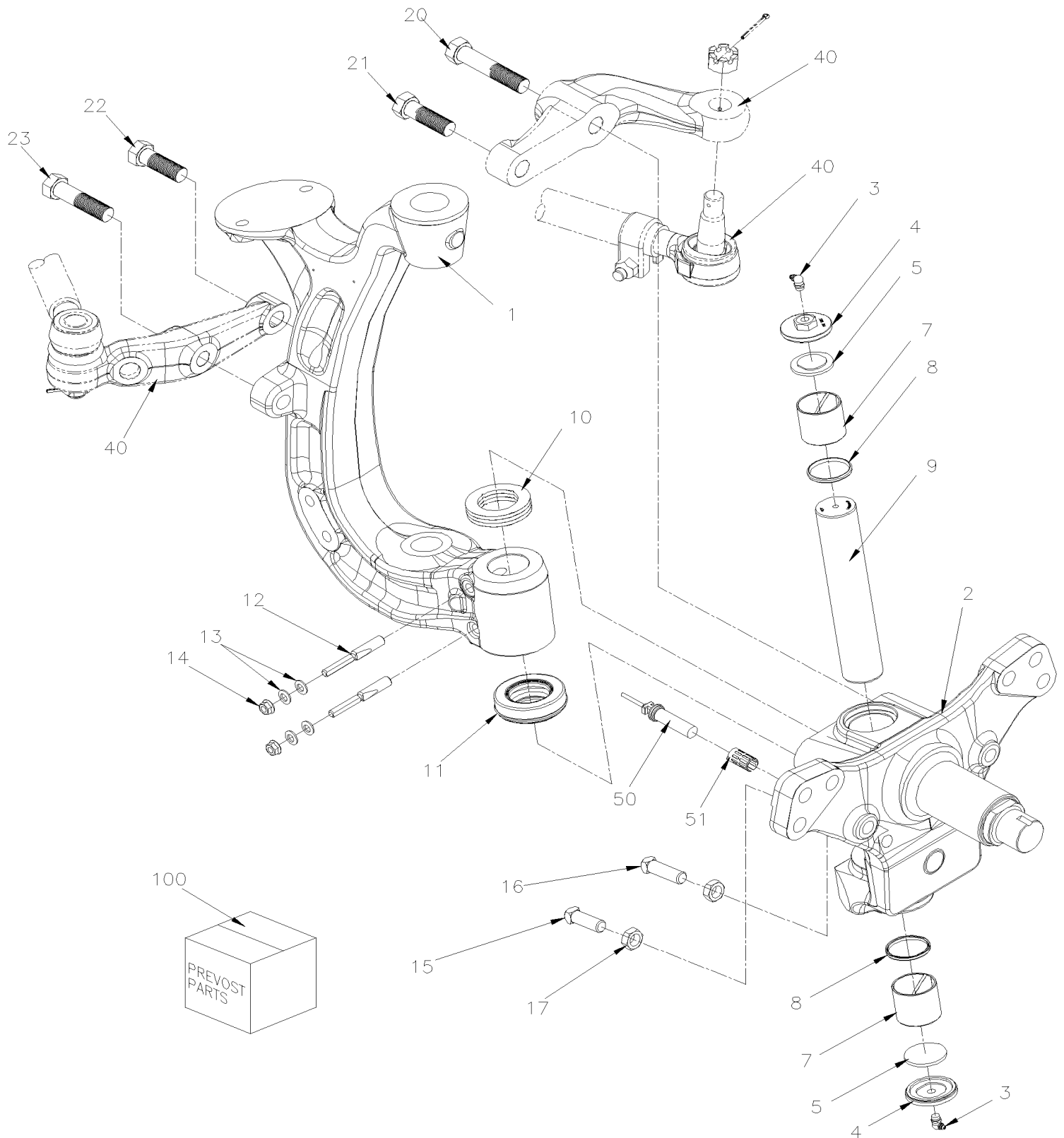
Item#	Part	Description	H 3 4 1	H 3 4 5	V I P 4 5	N O T E S
	612355	. AXLE ASSY L.H. & R.H. / NDIFS80P / W/58 Deg To 8-1333		1		
	611963	. AXLE ASSY L.H. & R.H. / NDIFS80P / W/58 Deg From 8-1334 To A-1593		1		
	611352	. AXLE ASSY L.H. & R.H. / NDIFS80P / W/58 Deg From A-1594 To E-2543		1		
	612383	. AXLE ASSY L.H. & R.H. / NDIFS80P / W/58 Deg From E-2544		1		
1	612370	. AXLE L.H. / W/DOUBLE LOCK ON KING PIN		1		
1	612369	. AXLE R.H. / W/DOUBLE LOCK ON KING PIN		1		
2	611280	. KNUCKLE L.H. & R.H.		2		
3	501490	. GREASE FITTING / 1/8 NPT		2		
4	611283	. CAP UPPER & LOWER		2		
5	611939	. FOAM INSERT		2		
6	611284	. SNAP RING, EXT 2400-55		2		
7	611937	. BUSHING (STD)		2		
8	611936	. OIL SEAL		2		
10	611956	. SHIM 0.013		AR		
10	611957	. SHIM 0.025		AR		
10	611958	. SHIM 0.050		AR		
10	611959	. SHIM 0.020		AR		
11	611941	. BEARING THRUST		1		
20	611308	. SCREW CAP HEX M20-2.5x100 G12.9		1		
21	611306	. SCREW CAP HEX M20-2.5x65 G12.9		1		
22	611305	. SCREW CAP HEX M20-2.5x60 G12.9		1		
23	611307	. SCREW CAP HEX M20-2.5x80 G12.9		1		
40	<b>H7-1410-50</b>	<b>STEERING RODS - INSTALLATION W/INDEPENDENT "NDIFS80P" / 18000LBS</b>				
41	<b>H7-1225-00</b>	<b>BRAKE PARTS - FRONT &amp; TAG AXLE "KNORR-BREMSE" SN7 SERIES</b>				
42	<b>H7-1300-00</b>	<b>HUB &amp; ROTOR - FRONT AXLE - I BEAM MODEL "S84U"</b>				
50	642085	. SENSOR ABS - OEM		1		
50	642184	. SENSOR ABS - AFTER MARKET	1	1	1	
51	641096	. CLIP, SPRING / TO FIX SENSOR		1		
100	611131	. KIT REPAIR / STEERING KNUCKLE BUSHING (UNDER SIZED) / (REQUIRE 2 KITS)		2		T
. NS	SB07_03	. NSDIFS80P - KINGPIN KITS		1		T
100	611132	. KIT REPAIR / STEERING KNUCKLE BUSHING (STD) / (REQUIRE 2 KITS)		2		
. NS	SB07_03	. NSDIFS80P - KINGPIN KITS		1		
		T) WITH THIS KITS YOU REQUIRE REAMER TOOL TO REPAIR				

From F-2717 To J-0184

Date:10/2022

PAGE:H7-1005-61

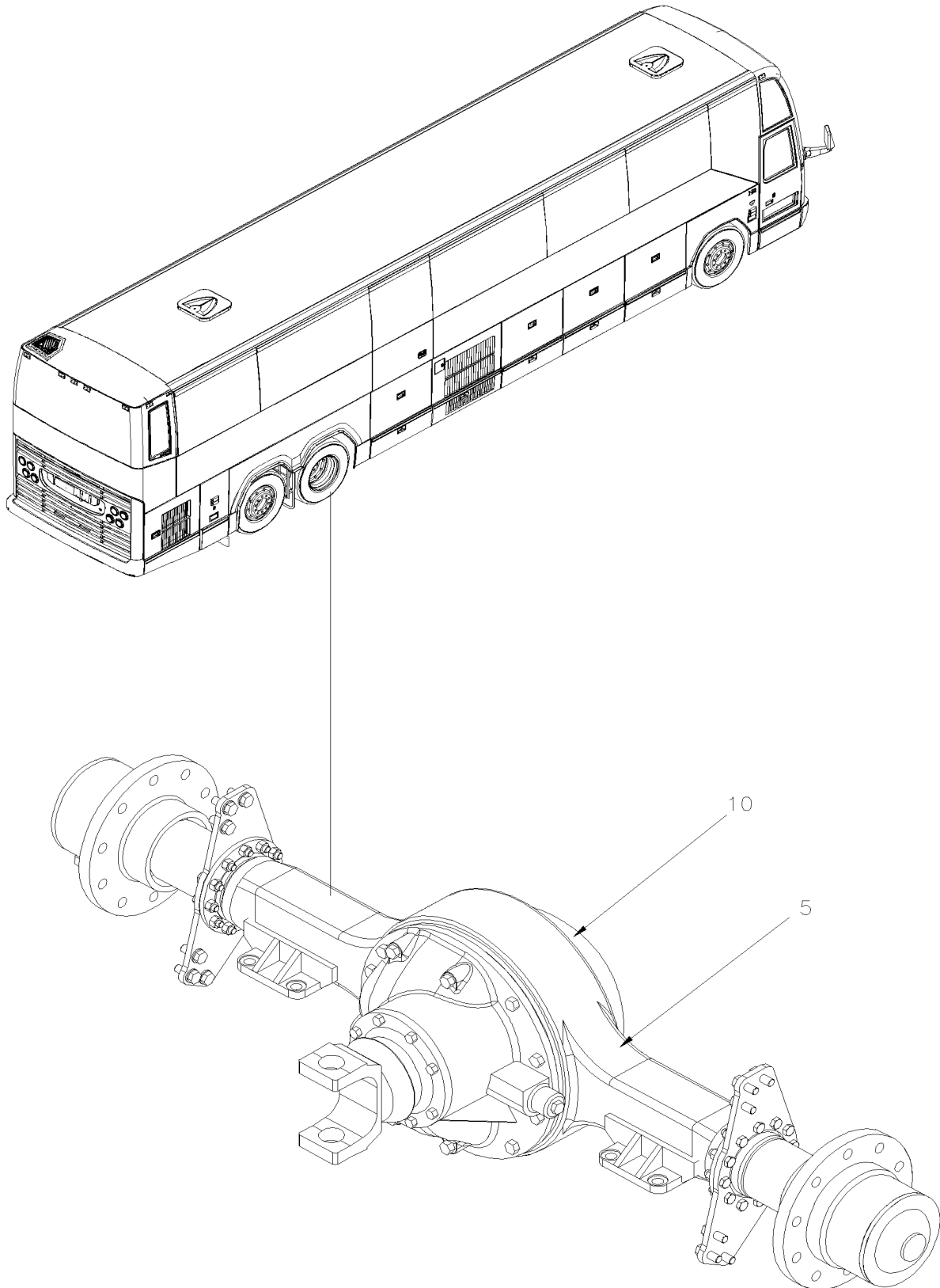
## FRONT AXLE - INDEPENDENT MODEL "NDIFS80P" / 19000LBS



From F-2717 To J-0184	Date:10/2022	PAGE:H7-1005-61
<b>FRONT AXLE - INDEPENDENT MODEL "NDIFS80P" / 19000LBS</b>		

Item#	Part	Description	H 3 4 1	H 3 4 5	V I P 4 5	N O T E S
	612375	AXLE ASSY L.H. & R.H. / NDIFS80P / 19K To E-2485		1		
	612387	AXLE ASSY L.H. & R.H. / NDIFS80P / 19K From E-2486 To G-3175		1		
	612391	AXLE ASSY L.H. & R.H. / NDIFS80P / 19K From G-3176 To H-3826		1		
	610020	AXLE ASSY L.H. & R.H. / NDIFS80P / 19K From H-3827		1		
1	612377	. AXLE L.H. / W/DOUBLE LOCK ON KING PIN / 19K		1		
1	612376	. AXLE R.H. / W/DOUBLE LOCK ON KING PIN / 19K		1		
2	612361	. KNUCKEL L.H. & R.H.		2		
3	501490	. GREASE FITTING / 1/8 NPT		2		
4	611283	. CAP UPPER & LOWER		2		
5	611939	. FOAM INSERT		2		
7	N.S.S.	. BUSHING (STD)		2		1
8	611936	. OIL SEAL		2		
9	N.S.S.	. KING PIN		2		1
10	611956	. SHIM 0.013		AR		
10	611957	. SHIM 0.025		AR		
11	N.S.S.	. THRUST BEARING		2		1
12	N.S.S.	. DRAW KEY		4		1
13	N.S.S.	. WASHER - DRAW KEY		8		1
14	N.S.S.	. NUT - DRAW KEY		4		1
15	611287	. LOCKSTOP SCREW FRONT To G-3175		2		
15	611288	. LOCKSTOP SCREW FRONT From G-3176		2		
16	611288	. LOCKSTOP SCREW BACK To G-3175		2		
16	611288	. LOCKSTOP SCREW BACK From G-3176		2		
17	612392	. NUT - LOCKSTOP To G-3175		4		
17	612393	. NUT - LOCKSTOP From G-3176		4		
20	612359	. SCREW CAP HEX M22-2.5x100 G12.9		1		
21	612360	. SCREW CAP HEX M22-2.5x65 G12.9		1		
22	611305	. SCREW CAP HEX M20-2.5x60 G12.9		1		
23	611307	. SCREW CAP HEX M20-2.5x80 G12.9		1		
40	<b>H7-1410-61</b>	<b>STEERING RODS - INSTALLATION W/INDEPENDENT "NDIFS80P" / 19000LBS</b>				
50	642085	SENSOR ABS - OEM		2		
50	642184	SENSOR ABS - AFTER MARKET	2	2	2	
51	641096	CLIP, SPRING / TO FIX SENSOR		2		
100	611132	KIT REPAIR / STEERING KNUCKLE BUSHING (STD) / (REQUIRE 2 KITS)		1		A
. NS	SB07_03	. NSDIFS80P - KINGPIN KITS		1		A
		A) THIS KIT INCLUDES ITEMS 3, 4, 5, 7, 8, 9, 10, 11, 12, 13, 14				
		1) NOT SOLD SEPARATELY				

	Date:10/2022	H7-11
REAR AXLE		



		Date:10/2022	H7-11			
REAR AXLE						
Item#	Part	Description	H 3 4 1	H 3 4 5	V I P 4 5	N O T E S
5	H7-1105-00	REAR AXLE - MODEL "RC23165" From 7-0671 To J-0287				
10	H7-1110-00	CARRIER ASSY From 7-0671 To J-0287				

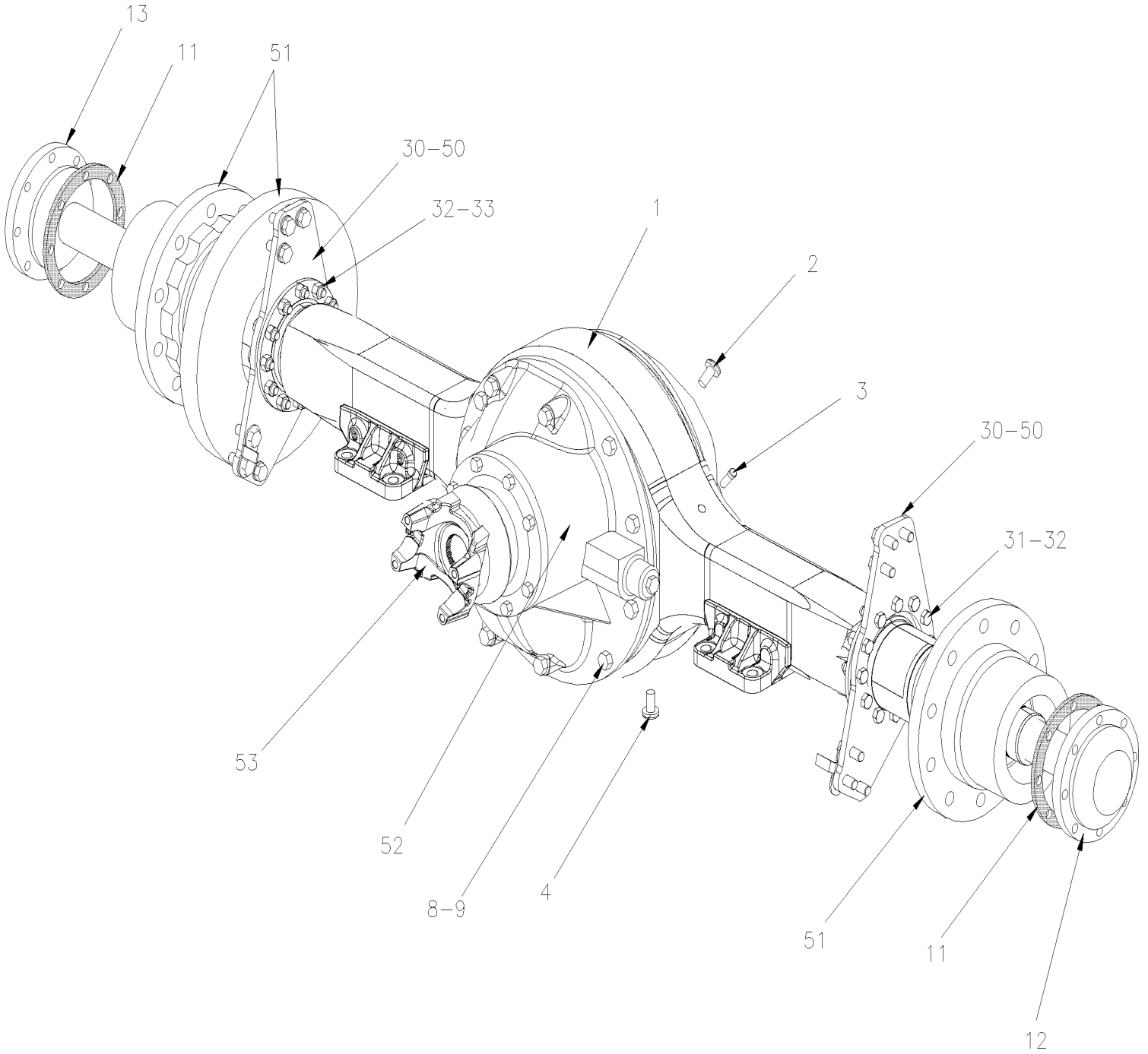


From 7-0671 To J-0287

Date:10/2022

PAGE:H7-1105-00

## REAR AXLE - MODEL "RC23165"



<b>From 7-0671 To J-0287</b>	<b>Date:10/2022</b>	<b>PAGE:H7-1105-00</b>
<b>REAR AXLE - MODEL "RC23165"</b>		

Item#	Part	Description	H 3 4 1	H 3 4 5	V I P 4 5	N O T E S
		..... AXLE ASSY WITHOUT WHEELS STUD				
	621815	REAR AXLE ASSY / 2.50 RATIO From B-1721 To E-2504	1	1		V IS
	621880	REAR AXLE ASSY / 2.50 RATIO From E-2505 To E-2520	1	1		V IS
	621896	REAR AXLE ASSY / 2.50 RATIO From E-2521 To E-2579	1	1		V IS
	621908	REAR AXLE ASSY / 2.50 RATIO From E-2580	1	1		V IS
	621827	REAR AXLE ASSY / 2.50 RATIO / SUPER SINGLE From B-1721 To E-2520	1	1		V IS
	621885	REAR AXLE ASSY / 2.50 RATIO / SUPER SINGLE From E-2521 To E-2579	1	1		V IS
	621902	REAR AXLE ASSY / 2.50 RATIO / SUPER SINGLE From E-2580	1	1		V IS
	621794	REAR AXLE ASSY / 3.21 RATIO From 8-1052 To A-1720	1	1		ZF
	621798	REAR AXLE ASSY / 3.21 RATIO / SUPER SINGLE From 8-1052 To A-1720	1	1		ZF
	621769	REAR AXLE ASSY / 3.42 RATIO To 8-1051	1	1		ZF
	621791	REAR AXLE ASSY / 3.42 RATIO From 8-1052 To A-1720	1	1		ZF
	621792	REAR AXLE ASSY / 3.42 RATIO / SUPER SINGLE From 8-1052 To A-1720	1	1		ZF
	621838	REAR AXLE ASSY / 3.42 RATIO / SUPER SINGLE To A-1720	1	1		
	621760	REAR AXLE ASSY / 3.58 RATIO To 8-1051	1	1		ZF
	621789	REAR AXLE ASSY / 3.58 RATIO From 8-1052 To A-1720	1	1		ZF
	621790	REAR AXLE ASSY / 3.58 RATIO / SUPER SINGLE To A-1720	1	1		ZF
	621864	REAR AXLE ASSY / 3.58 RATIO From B-1831 To E-2504	1	1	1	V
	621881	REAR AXLE ASSY / 3.58 RATIO From E-2505 To E-2520	1	1	1	V
	621897	REAR AXLE ASSY / 3.58 RATIO From E-2521 To E-2579	1	1	1	V
	621909	REAR AXLE ASSY / 3.58 RATIO From E-2580	1	1	1	V
	621862	REAR AXLE ASSY / 3.58 RATIO / SUPER SINGLE From B-1831 To E-2520	1	1	1	V
	621886	REAR AXLE ASSY / 3.58 RATIO / SUPER SINGLE From E-2521 To E-2579	1	1	1	V
	621903	REAR AXLE ASSY / 3.58 RATIO / SUPER SINGLE From E-2580	1	1	1	V
	621788	REAR AXLE ASSY / 3.73 RATIO To A-1720	1	1		ZF
	621782	REAR AXLE ASSY / 3.73 RATIO / SUPER SINGLE To A-1720	1	1		ZF
	621799	REAR AXLE ASSY / 3.91 RATIO To A-1720	1	1		
	621820	REAR AXLE ASSY / 3.91 RATIO From B-1721 To E-2504	1	1		V
	621882	REAR AXLE ASSY / 3.91 RATIO From E-2505 To E-2520	1	1		V
	621895	REAR AXLE ASSY / 3.91 RATIO From E-2521 To E-2579	1	1		V
	621907	REAR AXLE ASSY / 3.91 RATIO From E-2580	1	1		V
	621843	REAR AXLE ASSY / 3.91 RATIO From A-1695 To A-1695	1	1		
	621800	REAR AXLE ASSY / 3.91 RATIO / SUPER SINGLE From 8-1202 To A-1720	1	1		
	621824	REAR AXLE ASSY / 3.91 RATIO / SUPER SINGLE From B-1721 To E-2520	1	1		V
	621887	REAR AXLE ASSY / 3.91 RATIO / SUPER SINGLE From E-2521 To E-2579	1	1		V
	621904	REAR AXLE ASSY / 3.91 RATIO / SUPER SINGLE From E-2580	1	1		V
	621784	REAR AXLE ASSY / 4.10 RATIO To A-1720	1	1	1	
	621818	REAR AXLE ASSY / 4.10 RATIO From B-1721 To E-2504	1	1	1	V
	621883	REAR AXLE ASSY / 4.10 RATIO From E-2505 To E-2520	1	1	1	V
	621898	REAR AXLE ASSY / 4.10 RATIO From E-2521 To E-2579	1	1	1	V
	621910	REAR AXLE ASSY / 4.10 RATIO From E-2580	1	1	1	V
	621781	REAR AXLE ASSY / 4.10 RATIO / SUPER SINGLE To A-1720	1	1	1	

From 7-0671 To J-0287	Date:10/2022	PAGE:H7-1105-00
<b>REAR AXLE - MODEL "RC23165"</b>		

Item#	Part	Description	H 3 4 1	H 3 4 5	V I P 4 5	N O T E S
	621822	REAR AXLE ASSY / 4.10 RATIO / SUPER SINGLE From B-1721 To E-2520	1	1	1	V
	621888	REAR AXLE ASSY / 4.10 RATIO / SUPER SINGLE From E-2521 To E-2579	1	1	1	V
	621905	REAR AXLE ASSY / 4.10 RATIO / SUPER SINGLE From E-2580	1	1	1	V
	621785	REAR AXLE ASSY / 4.30 RATIO To A-1720	1	1	1	
	621780	REAR AXLE ASSY / 4.30 RATIO / SUPER SINGLE To A-1720	1	1	1	
	621786	REAR AXLE ASSY / 4.56 RATIO To A-1720	1	1	1	
	621779	REAR AXLE ASSY / 4.56 RATIO / SUPER SINGLE To A-1720	1	1	1	
	621793	REAR AXLE ASSY / 4.56 RATIO / W/DIFF LOCK To A-1720	1	1	1	
	621741	REAR AXLE ASSY / 4.56 RATIO / W/DIFF LOCK & SUPER SINGLE To A-1720	1	1	1	
	621787	REAR AXLE ASSY / 4.89 RATIO To A-1720	1	1	1	
	621783	REAR AXLE ASSY / 4.89 RATIO / SUPER SINGLE To A-1720	1	1	1	
1	621754	HOUSING ASSY W/BRACKET WELDED To A-1720	1	1	1	D
1	620046	HOUSING ASSY W/BRACKET WELDED From B-1721 To E-2504	1	1	1	D
1	620047	HOUSING ASSY W/BRACKET WELDED From E-2505	1	1	1	D
1	621752	HOUSING ASSY W/BRACKET WELDED / SUPER SINGLE	1	1	1	S
NS	680053	. SILICONE TUBE RTV103 / BLACK / 3 oz	2	2	2	
2	620317	. PLUG FILLER	1	1	1	
3	620442	. BREATHER / (CURRENT 1 PIECE) To F-2886	2	2	2	
3	621871	. BREATHER AND TUBE From F-2887	1	1	1	
4	621615	. PLUG MAGNETIC	1	1	1	
8	5001422	. SCREW CAP HEX 5/8-11x2 1/2 G8 ZP	12	12	12	
8	5001423	. SCREW CAP HEX 5/8-11x4 G8 ZP	4	4	4	
8	621221	. SCREW CAP HEX 5/8-11x1 3/4 G8 ZP	AR	AR	AR	
9	620474	. WASHER HARDENED / 5/8" I.D.	18	18	18	
10	500742	. NUT HEX STO 7/8-14 ZP	18	18	18	
11	621640	. GASKET / AXLE SHAFT W/8 STUDS	2	2	2	
12	621626	. SHAFT, AXLE / 42" (stp 1537) (INSTALL RH CURBSIDE) To E-2504	1	1	1	D
12	620022	. SHAFT, AXLE / 41.41" (STP 2394) (INSTALL RH CURBSIDE) From E-2505	1	1	1	D
12	621755	. SHAFT, AXLE / 46.30" (stp 1998) / SUPER SINGLE (INSTALL RH CURBSIDE)	1	1	1	S
13	621625	. SHAFT, AXLE / 40 1/8" (stp 1536) (INSTALL LH STREET SIDE) To E-2504	1	1	1	D
13	620020	. SHAFT, AXLE / 39.41" (STP 2393) (INSTALL LH STREET SIDE) From E-2505	1	1	1	D
13	621756	. SHAFT, AXLE / 44.37"(stp 1999) / SUPER SINGLE (INSTALL LH STREET SIDE)	1	1	1	S
NS	689949	OIL DIFERENTIAL S.A.E. 140 GL5 85-140W (VRAC) To D-2291	AR	AR	AR	
NS	686082	OIL DIFERENTIAL S.A.E. 140 GL5 85-140W (VRAC) From D-2292	AR	AR	AR	
		NEXT FOLLOWING ITEMS ARE RELATED				
		WITH "OPTION" DIFFERENTIAL LOCK				
NS	624216	DECAL "CAUTION" DIFFERENTIAL LOCK..."	1	1	1	
NS	562697	SWITCH / ON-ON / D.P.D.T. / CH-OVER / W/RED & GREEN LED	1	1	1	
NS	564013	CAP / DIFFERENTIAL LOCK	1	1	1	

From 7-0671 To J-0287	Date:10/2022	PAGE:H7-1105-00
<b>REAR AXLE - MODEL "RC23165"</b>		

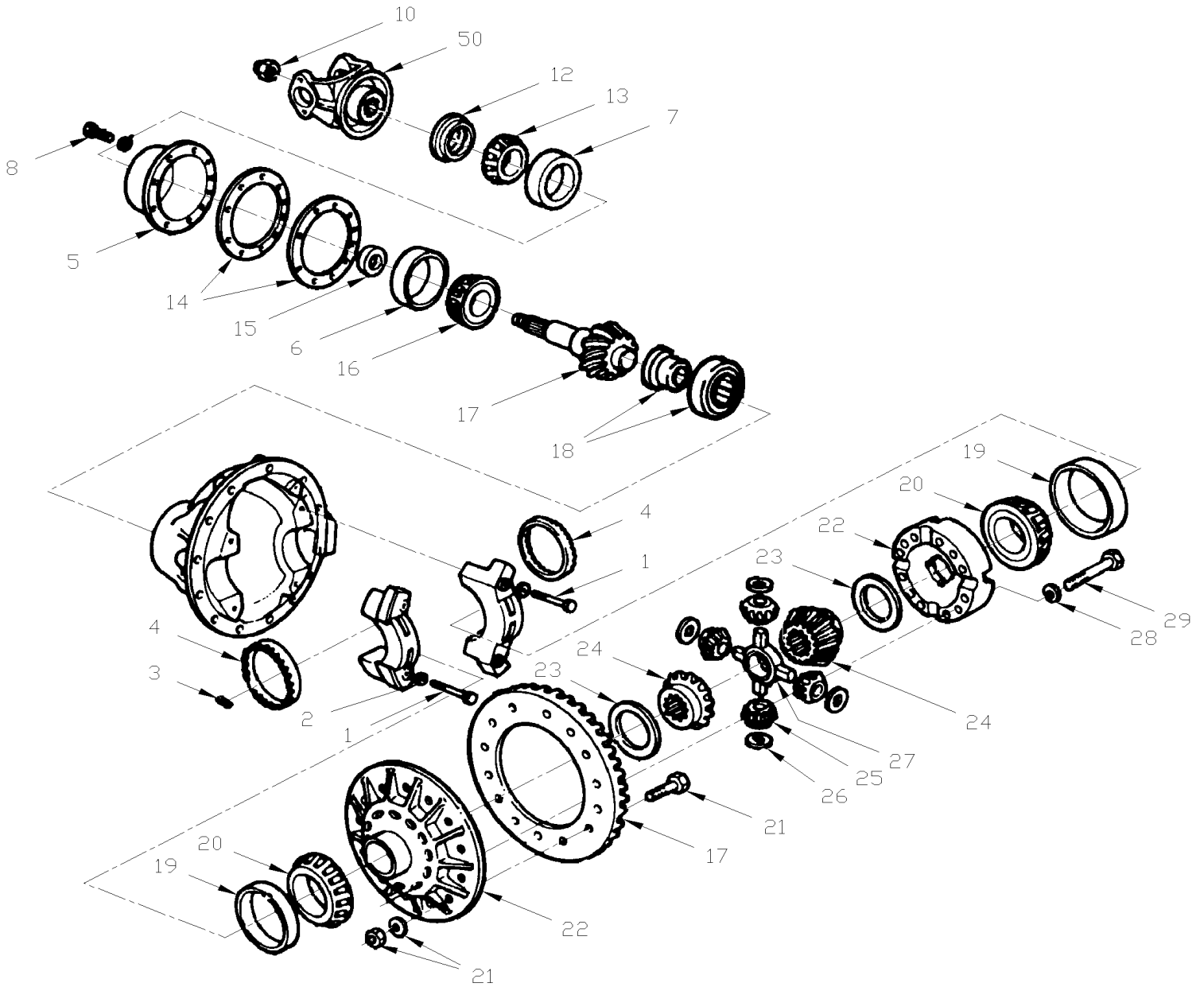
Item#	Part	Description	H 3 4 1	H 3 4 5	V I P 4 5	N O T E S
NS	142364	HOSE ASSY / DIFF & STRUCTURE / #6 695MM	1	1	1	
NS	172589	SUPPORT HOSE / (WELDED TO STRUCTURE)	1	1	1	
NS	641937	VALVE, 3 WAYS, 2 POSITIONS N.C. / W/MAN OVERRIDE	1	1	1	
. NS	641929	. COIL 24V	1	1	1	
. NS	641385	. CONNECTOR / SOCKET HOUSING ASSY 3C / PNEUMAC 54934-01	1	1	1	
NS	641934	SILENCER / MUFFLER / 3/8NPT-M	1	1	1	
30	621868	CALIPER MOUNTING BRACKET L.H. & R.H. W/OUT BUSHING	2	2	2	
30	621869	BUSHING - ABS SENSOR	2	2	2	
31	621636	SCREW CAP HEX / TO FIX BRACKET TO AXLE 9/16-18 X 2 GR 8	12	12	12	
32	621365	WASHER (HARD) .59IDX.97ODX.09	24	24	24	
33	621638	NUT HEX 9/16-18 GR8	12	12	12	
50	<b>H7-1235-00</b>	<b>BRAKE PARTS - DRIVE AXLE "KNORR-BREMSE" SN7 SERIES To E-2520</b>				
50	<b>H7-1235-02</b>	<b>BRAKE PARTS - DRIVE AXLE "KNORR-BREMSE" SN7 SERIES W/N2G ADJUSTER From E-2521</b>				
51	<b>H7-1305-00</b>	<b>HUB &amp; ROTOR - DRIVE AXLE</b>				
52	<b>H7-1110-00</b>	<b>CARRIER ASSY</b>				
53	<b>H7-0905-00</b>	<b>PROPELLER SHAFT To A-1720</b>				
53	<b>H7-0905-01</b>	<b>PROPELLER SHAFT WITH "EPA 2010" From B-1721</b>				
		D) WITH DOUBLE WHEEL ONLY				
		IS) WITH I-SHIFT TRANS				
		S) WITH I-SHIFT TRANS				
		V) WITH "VOLVO 2010 ENGINE ONLY				
		ZF) WITH "ZF" TRANS ONLY				

From 7-0671 To J-0287

Date:10/2022

PAGE:H7-1110-00

## CARRIER ASSY



From 7-0671 To J-0287	Date:10/2022	PAGE:H7-1110-00
<b>CARRIER ASSY</b>		

Item#	Part	Description	H 3 4 1	H 3 4 5	V I P 4 5	N O T E S
	621875	CARRIER ASSY / 2.50 RATIO From B-1721	1	1		C
	621715	CARRIER ASSY / 3.21 RATIO To A-1720	1	1		
	621722	CARRIER ASSY / 3.42 RATIO To A-1720	1	1		
	621728	CARRIER ASSY / 3.58 RATIO To A-1720	1	1	1	
	621242	CARRIER ASSY / 3.58 RATIO From B-1831	1	1	1	
	621723	CARRIER ASSY / 3.73 RATIO To A-1720	1	1		
	621812	CARRIER ASSY / 3.91 RATIO To A-1720	1	1		
	621866	CARRIER ASSY / 3.91 RATIO From B-1721	1	1		
	621724	CARRIER ASSY / 4.10 RATIO To A-1720	1	1	1	
	621249	CARRIER ASSY / 4.10 RATIO From B-1721	1	1	1	
	621725	CARRIER ASSY / 4.30 RATIO To A-1720	1	1	1	
	621726	CARRIER ASSY / 4.56 RATIO To A-1720	1	1	1	
	621729	CARRIER ASSY / 4.56 RATIO / W/DIFF LOCK To A-1720	1	1	1	
	621727	CARRIER ASSY / 4.89 RATIO To A-1720	1	1	1	
	N.S.P.	. CASE CARRIER	1	1	1	2
1	621418	. SCREW, CAP	4	4	4	
2	621417	. WASHER	4	4	4	
3	505128	. SPRING, PIN 1/4 X 2	2	2	2	
4	621479	. RING, ADJUSTING / W/MODEL 3200-P-1706	2	2	2	
5	621419	. CASE & CUP ASSY / PINION BEARING	1	1	1	
6	621420	. . CUP BEARING / INNER BEARING	1	1	1	
7	621421	. . CUP BEARING / OUTER BEARING	1	1	1	
8	621439	. SCREW, CAP	8	8	8	
10	621418	. SCREW, CAP	4	4	4	
10	621445	. NUT / DRIVE PINION	1	1	1	
12	621424	. SEAL, OIL	1	1	1	
NS	195671	SEAL INSTALLER TOOL / CARRIER DRIVE PINION (2731T1)	1	1	1	I
13	621423	. CONE BEARING / OUTER	1	1	1	
14	621438	. SHIM 0.020	AR	AR	AR	
14	621437	. SHIM 0.008	AR	AR	AR	
14	621436	. SHIM 0.005	AR	AR	AR	
14	621435	. SHIM 0.003	AR	AR	AR	
15	621434	. SPACER .263	AR	AR	AR	
15	621433	. SPACER .262	AR	AR	AR	
15	621432	. SPACER .261	AR	AR	AR	
15	621431	. SPACER .260	AR	AR	AR	
15	621430	. SPACER .256	AR	AR	AR	
15	621429	. SPACER .254	AR	AR	AR	
15	621428	. SPACER .253	AR	AR	AR	
15	621427	. SPACER .252	AR	AR	AR	
15	621426	. SPACER .251	AR	AR	AR	
15	621425	. SPACER .250	AR	AR	AR	

From 7-0671 To J-0287	Date:10/2022	PAGE:H7-1110-00
<b>CARRIER ASSY</b>		

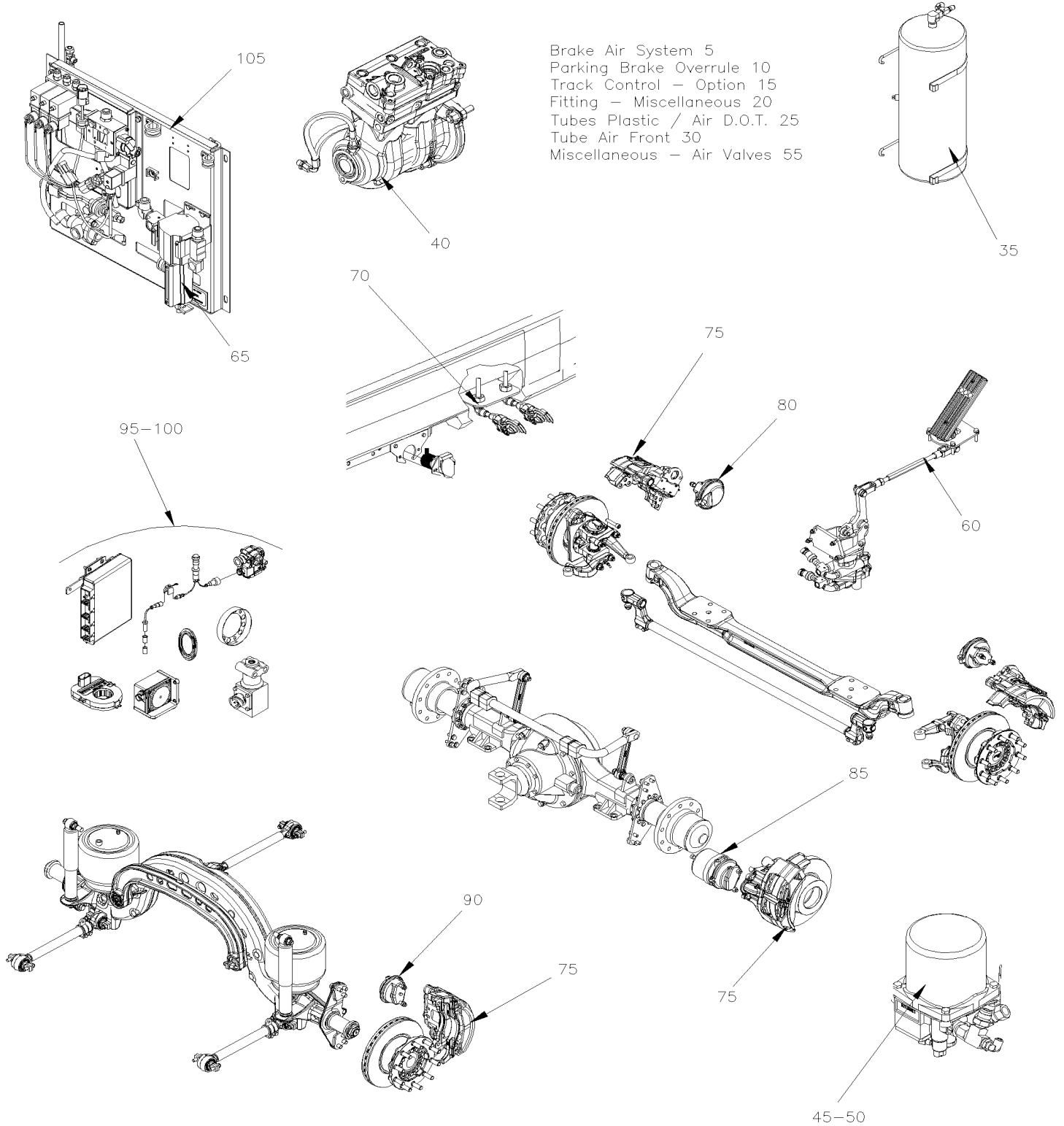
Item#	Part	Description	H 3 4 1	H 3 4 5	V I P 4 5	N O T E S
16	621422	. CONE BEARING / INNER	1	1	1	
		FOLLOWING SET, GEAR DRIVE & PINION ARE USED ONLY WITH CARRIER MODEL 3200-P-1706				
17	621877	. SET, GEAR DRIVE & PINION / 2.50 RATIO				C
17	621721	. SET, GEAR DRIVE & PINION / 3.21 RATIO	1	1		
17	621712	. SET, GEAR DRIVE & PINION / 3.42 RATIO	1	1		
17	621718	. SET, GEAR DRIVE & PINION / 3.58 RATIO	1	1		
17	621713	. SET, GEAR DRIVE & PINION / 3.73 RATIO	1	1		
17	621813	. SET, GEAR DRIVE & PINION / 3.91 RATIO	1	1	1	
17	621710	. SET, GEAR DRIVE & PINION / 4.10 RATIO	1	1	1	
17	621720	. SET, GEAR DRIVE & PINION / 4.30 RATIO	1	1	1	
17	621716	. SET, GEAR DRIVE & PINION / 4.56 RATIO	1	1	1	
17	621719	. SET, GEAR DRIVE & PINION / 4.89 RATIO	1	1	1	
18	621481	. BEARING SPIGOT / INNER & OUTER / W/3200-P-1706	1	1	1	
NS	621482	. RING, SNAP / TO FIX SPIGOT BEARING	1	1	1	
19	621210	. CUP BEARING	2	2	2	A
20	621209	. CONE BEARING	2	2	2	A
21	621444	. BOLT, NUT & WASHER / (KIT OF 12)	1	1	1	
		FOLLOWING CASES ASSY DO NOT INCLUDE ITEMS #23 TO 27 FOR CARRIER MODEL 3200-P-1706 WITH ABS SENSOR MOUNTED ON HUB WHEEL.				
22	621876	. CASE ASSY / W/RATIO 2.50	1	1	1	C
22	621480	. CASE ASSY W/RATIO 3.07, 3.21, 3.42& 3.73	1	1		
22	621488	. CASE ASSY / W/RATIO 3.91, 4.10, 4.30 & 4.56	1	1	1	
22	621539	. CASE ASSY / W/RATIO 4.89	1	1	1	
23	621449	. WASHER, THRUST / SIDE GEAR	2	2	2	
24	621450	. GEAR, SIDE	4	4	4	
25	621452	. GEAR, PINION	4	4	4	
26	621453	. WASHER, GEAR PINION	4	4	4	
27	621451	. SPIDER	1	1	1	
28	621447	. WASHER	12	12	12	
29	621448	. SCREW, CAP	12	12	12	
NS	621653	KIT, CUP & CONE	1	1	1	A
50	621403	YOKE (1810) FULL ROUND (46 SPL) To A-1720	1	1	1	
. NS	621501	. DEFLECTOR, OIL To A-1720	1	1	1	
. NS	621492	. SPEEDY SLEEVE 3.250" I.D. / TO REPAIR OIL LEAK ON YOKE To A-1720	1	1	1	
50	621833	YOKE SERIES 250 HALF ROUND From B-1721	1	1	1	

From 7-0671 To J-0287	Date:10/2022	PAGE:H7-1110-00
<b>CARRIER ASSY</b>		

Item#	Part	Description	H 3 4 1	H 3 4 5	V I P 4 5	N O T E S
. NS	621501	. DEFLECTOR, OIL From B-1721	1	1	1	
. NS	621492	. SPEEDY SLEEVE 3.250" I.D. / TO REPAIR OIL LEAK ON YOKE From B-1721	1	1	1	
50	621501	DEFLECTOR, OIL To A-1720	1	1	1	
50	621492	SPEEDY SLEEVE 3.250" I.D. / TO REPAIR OIL LEAK ON YOKE To A-1720	1	1	1	B
		A) ALSO SOLD IN KIT #621653 KIT BEARING #403				
		B) TO REPAIR OIL LEAK ON YOKE				
		C) WITH "I-SHIFT" TRANSMISSION				
		I) THIS TOOL INSTALLER ARE USE WITH NEW SEAL STAMPED A1205A2731				
		2) NOT SOLD BY PREVOST (SEE MANUFACTURING PART NUMBER AT END OF DESCRIPTION LINE)				



	Date:10/2022	H7-12
<b>BRAKE</b>		



	Date:10/2022	H7-12
<b>BRAKE</b>		

Item#	Part	Description	H 3 4 1	H 3 4 5	V I P 4 5	N O T E S
5	H7-1200-00	BRAKE AIR SYSTEM From 7-0671 To F-2922				
5	H7-1200-01	BRAKE AIR SYSTEM From F-2923 To J-0287				
10	H7-1200-05	PARKING BRAKE OVERRULE From 7-0671 To 9-1469				
15	H7-1200-10	TRACK CONTROL - OPTION From 7-0671 To D-2163				
20	H7-1201-00	FITTING - MISCELLANEOUS From 7-0671 To J-0287				
25	H7-1202-00	TUBES PLASTIC / AIR D.O.T. From 7-0671 To J-0287				
30	H7-1202-05	TUBE AIR FRONT INSTALLATION From 7-0671 To F-2923				
35	H7-1203-00	AIR TANK - INSTALLATION From 7-0671 To E-2504				
35	H7-1203-01	AIR TANK - INSTALLATION From E-2505 To J-0287				
40	H7-1205-10	AIR COMPRESSOR - "BA921" - WITH DETROIT S-60 From 7-0671 To A-1720				
40	H7-1205-11	AIR COMPRESSOR - "WABCO" 636CC - WITH VOLVO D13 From 8-1202 To J-0184				
43	H7-1206-10	AIR LINE / FIRST BAGGAGE COMPARTMENT From D-2321 To J-0184				
45	H7-1215-00	AIR DRYER - "BENDIX" AD-9 "OPTIONAL" SPECIAL From 7-0671 To C-2046				
45	H7-1215-01	AIR DRYER - "HALDEX" From 7-0671 To D-2363				
45	H7-1215-02	AIR DRYER - "WABCO" From 8-1202 To D-2363				
45	H7-1215-03	AIR DRYER - "WABCO" / SUB FRAME INSTALLATION From D-2364 To J-0287				
45	H7-1215-05	AIR DRYER - "WABCO" / BAGGAGE COMPARTMENT INSTALLATION From E-2505 To J-0184				
45	H7-1215-10	AIR DRYER TUBE - INSTALLATION From 7-0671 To J-0287				
50	H7-1215-15	CHECK VALVE INSTALLATION W/"WABCO" & "BENDIX" AIR DRYER From 8-1202 To A-1720				
55	H7-1220-00	MISCELLANEOUS AIR VALVE From 7-0671 To J-0287				
60	H7-1220-10	BRAKE PEDAL VALVE "BENDIX" E-10P From 7-0671 To F-2909				
60	H7-1220-11	BRAKE PEDAL VALVE - "BENDIX" E-8P From F-2910 To J-0287				
65	H7-1220-15	AIR FILTER - ACCESSORIES From 7-0671 To E-2565				
70	H7-1220-50	TRAILER VALVE INSTALLATION From 7-0671 To E-2504				
70	H7-1220-51	TRAILER VALVE INSTALLATION From E-2505 To J-0287				
75	H7-1225-00	BRAKE PARTS - FRONT & TAG AXLE "KNORR-BREMSE" SN7 SERIES From 7-0671 To A-1593				
75	H7-1225-01	BRAKE PARTS - FRONT & TAG AXLE "KNORR-BREMSE" SN7 SERIES W/NEW SLIDE PINS From A-1594 To E-2485				
75	H7-1225-02	BRAKE PARTS - FRONT & TAG AXLE "KNORR-BREMSE" SN7 SERIES W/N2G ADJUSTER From E-2486 To J-0287				R
75	H7-1225-20	BRAKE PARTS - FRONT INDEPENDENT "KNORR-BREMSE" SN7 SERIES W/NEW SLIDE PINS From E-2486 To F-2716				A
75	H7-1225-21	BRAKE PARTS - FRONT INDEPENDENT "KNORR-BREMSE" SN7 SERIES W/N2G ADJUSTER From F-2717 To J-0184				A
80	H7-1225-10	BRAKE CHAMBER - FRONT AXLE TYPE 24 From 7-0671 To J-0184				
80	H7-1225-50	BRAKE CHAMBER - FRONT AXLE TYPE 27 From 7-0671 To J-0287				I
85	H7-1235-00	BRAKE PARTS - DRIVE AXLE "KNORR-BREMSE" SN7 SERIES From 7-0671 To E-2520				
85	H7-1235-02	BRAKE PARTS - DRIVE AXLE "KNORR-BREMSE" SN7 SERIES W/N2G ADJUSTER From E-2521 To J-0287				
85	H7-1235-10	BRAKE CHAMBER - DRIVE AXLE TYPE 24/24 From 7-0671 To J-0287				
90	H7-1245-10	BRAKE CHAMBER - TAG AXLE TYPE 14 & 16 From 7-0671 To J-0287				
95	H7-1250-00	ABS & ESP CONTROL From 7-0671 To E-2504				
95	H7-1250-01	ABS & ESP CONTROL From E-2505 To J-0287				
100	H7-1250-10	ABS BRAKE VALVE - INSTALLATION From 7-0671 To E-2504				
100	H7-1250-11	ABS/ESP BRAKE VALVE - INSTALLATION From E-2505 To J-0287				
105	H7-1260-00	VALVE SUPPORT ASSY From 7-0671 To E-2565				
105	H7-1260-01	VALVE SUPPORT ASSY From E-2566 To F-2923				

		Date:10/2022	H7-12			
<b>BRAKE</b>						

Item#	Part	Description	H 3 4 1	H 3 4 5	V I P 4 5	N O T E S
		A) WITH INDEPENANTE SUSPENSION				
		I) WITH 19 000LBS INDEPENANTE SUSPENSION				
		R) WITH "I" BEAM SUSPENSION				

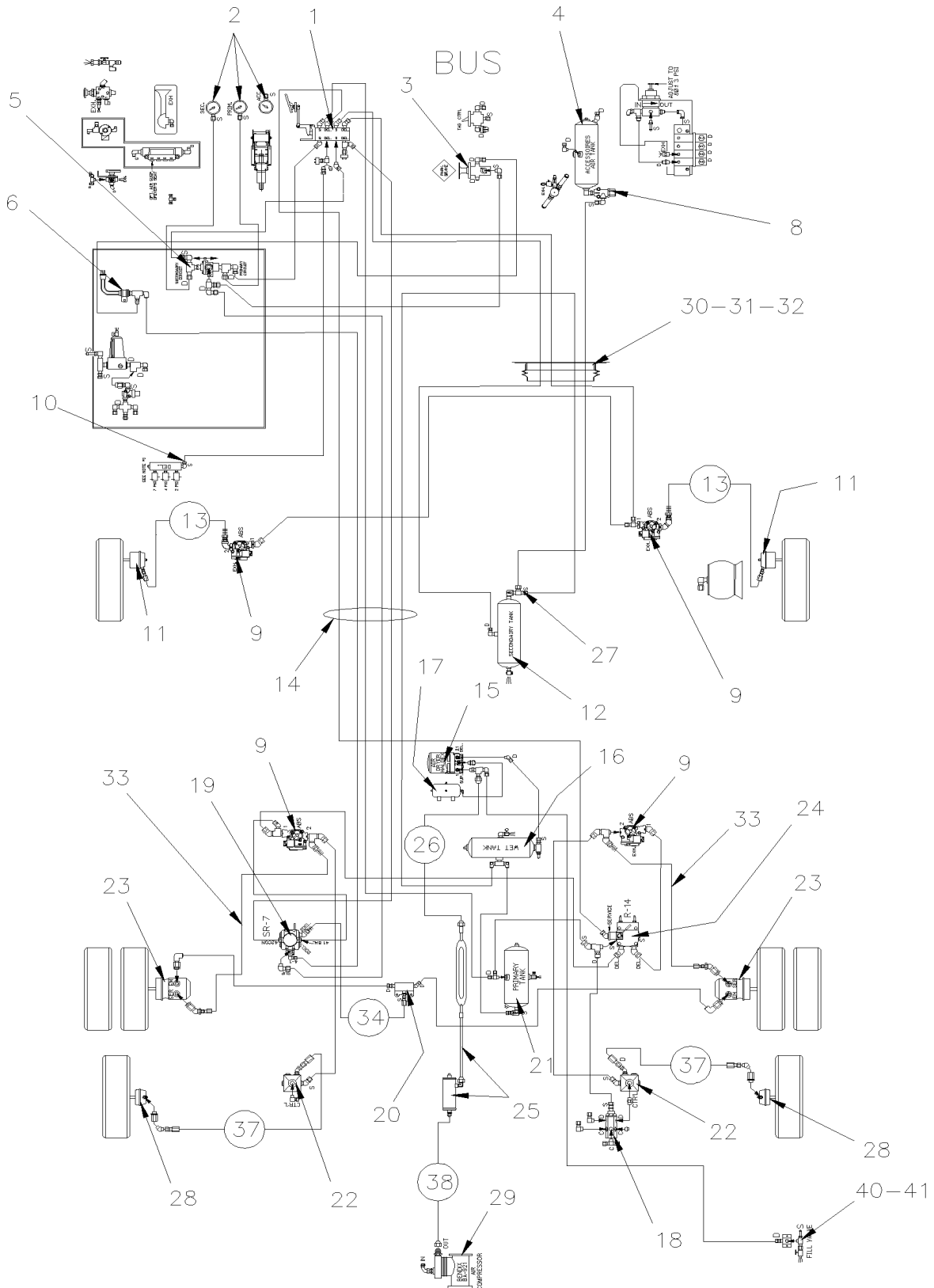


From 7-0671 To F-2922

Date:10/2022

PAGE:H7-1200-00

## BRAKE AIR SYSTEM

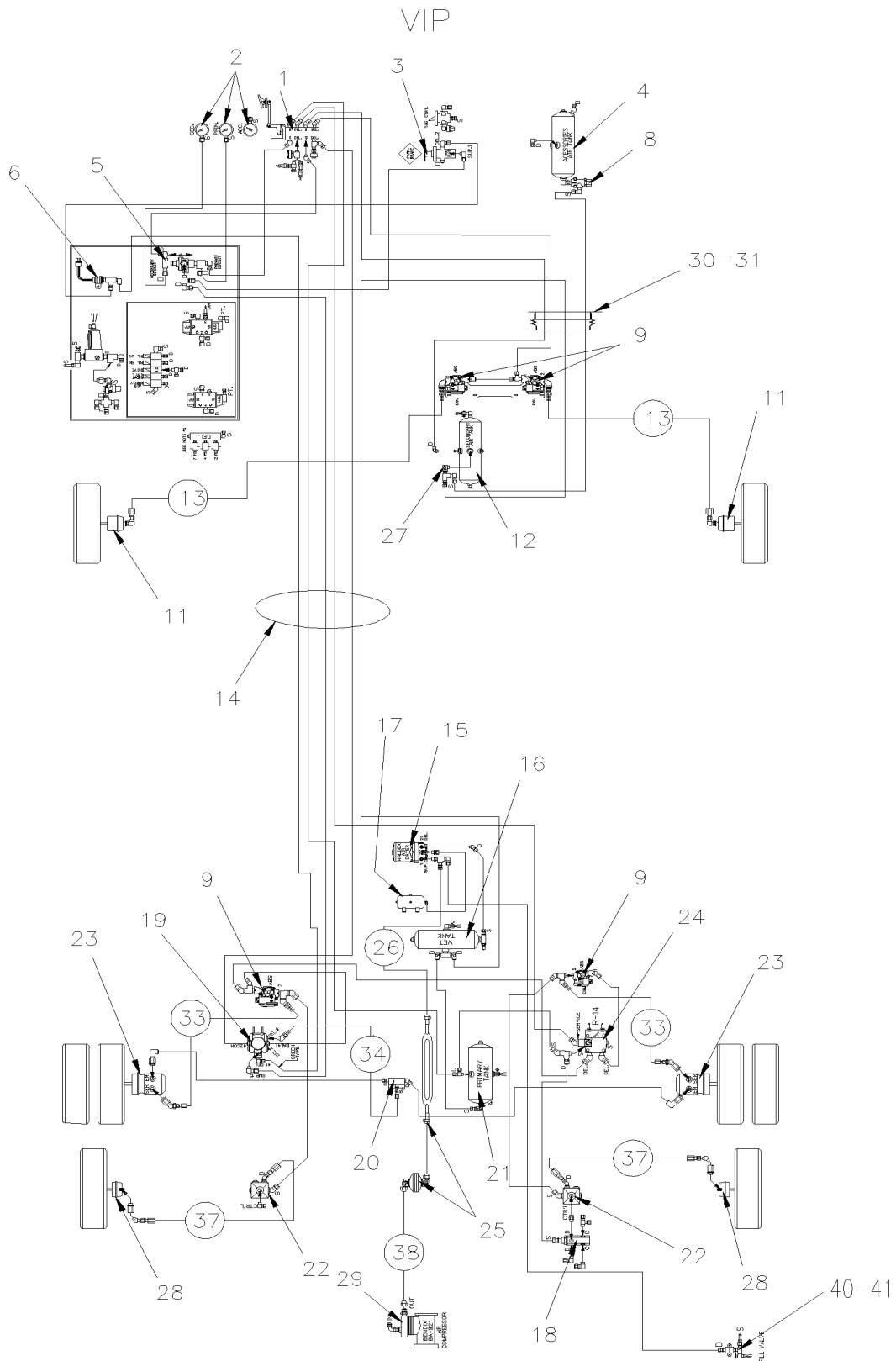


From 7-0671 To F-2922

Date:10/2022

PAGE:H7-1200-00

## BRAKE AIR SYSTEM



From 7-0671 To F-2922	Date:10/2022	PAGE:H7-1200-00
<b>BRAKE AIR SYSTEM</b>		

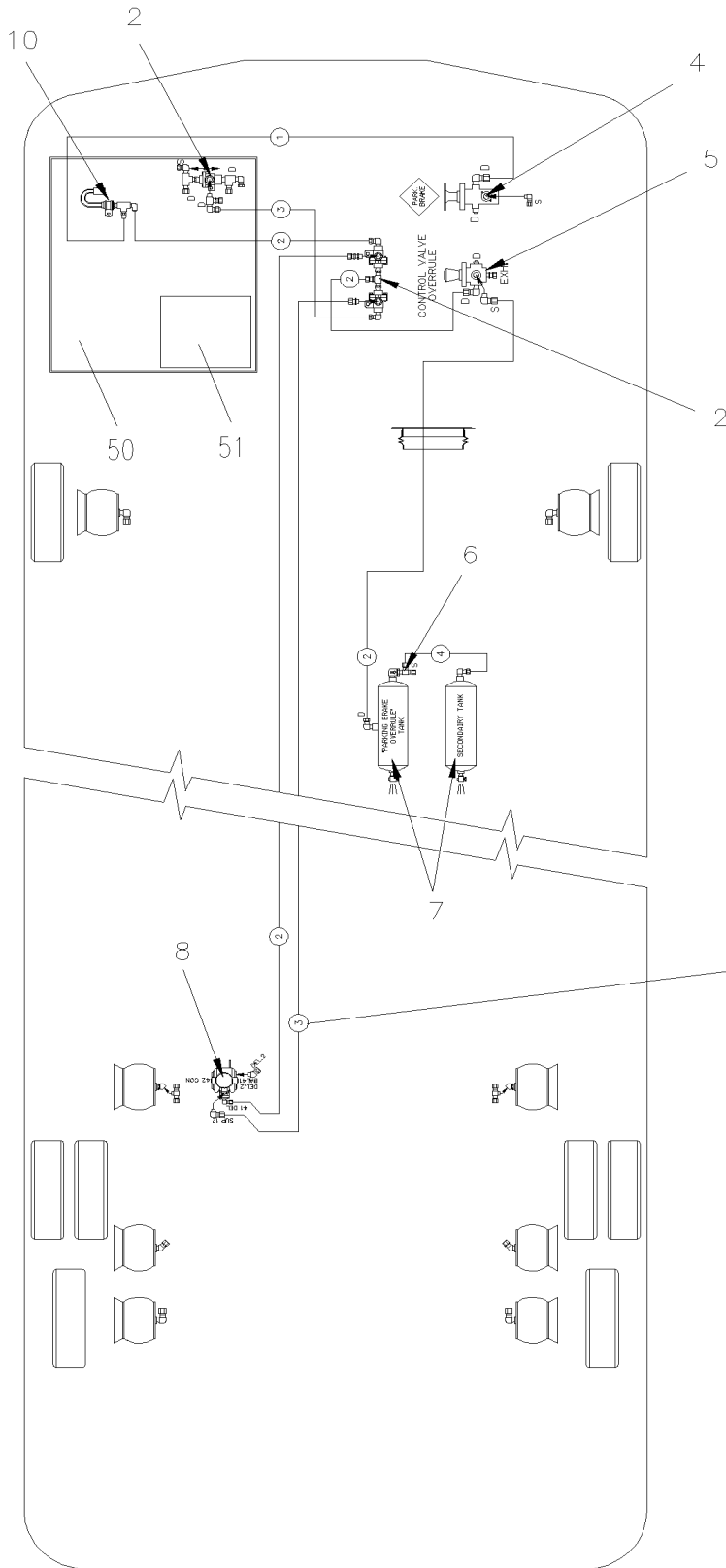
Item#	Part	Description	H 3 4 1	H 3 4 5	V I P 4 5	N O T E S
1	<b>H7-1220-10</b>	<b>BRAKE PEDAL VALVE "BENDIX" E-10P</b>				
2	<b>H7-0645-20</b>	<b>CENTER DASHBOARD PANEL</b>				
3	641128	VALVE, CONTROL VALVE PP-1 / 40PSI To D-2380	1	1	1	
. NS	641154	. REPAIR KIT / PP-1 & RD-3 To D-2380	1	1	1	
3	642169	VALVE, CONTROL VALVE PP-1 / 60PSI From D-2381	1	1	1	
. NS	641154	. REPAIR KIT / PP-1 & RD-3 From D-2381	1	1	1	
. NS	641149	. BUTTON, PARKING BRAKE DIAMOND YELLOW / 1" From D-2381	1	1	1	
4	140868	AIR TANK / W/END LOWER DRAIN 1228 IN° / 8" O.D. X 26"	1	1	1	
5	641564	VALVE, DOUBLE CHECK DC-4	1	1	1	
6	287234	PRESSURE SWITCH N.C. 30-10 20PS001AB030E010E	2	2	2	
8	640439	VALVE, PRESSURE PROTECTION / PR-2 75PSI To 8-1319	1	1	1	
8	641137	VALVE, PRESSURE PROTECTION TYPE PR-4 70PSI From 8-1320	1	1	1	
9	642077	VALVE, "ABS" 12VOLT / M-32QR To G-3241	AR	AR	AR	A
9	640228	VALVE, "ABS" 12VOLT / M-40QR From G-3242	AR	AR	AR	
10	<b>H7-0750-00</b>	<b>AUTOMATIC TRANSMISSION - "WORLD" WITH DETROIT S-60</b>				
11	<b>H7-1225-10</b>	<b>BRAKE CHAMBER - FRONT AXLE TYPE 24</b>				
11	<b>H7-1225-50</b>	<b>BRAKE CHAMBER - FRONT AXLE TYPE 27</b>			1	
12	140869	AIR TANK / 1791 IN° / 9 1/2" O.D. X 27"	1	1	1	
13	641903	HOSE BRAKE #8 1090MM (43")			2	
14	<b>H7-1202-00</b>	<b>TUBES PLASTIC / AIR D.O.T.</b>				
15	<b>H7-1215-01</b>	<b>AIR DRYER - "HALDEX"</b>				
15	<b>H7-1215-15</b>	<b>CHECK VALVE INSTALLATION W/"WABCO" &amp; "BENDIX" AIR DRYER</b>				
16	140869	AIR TANK / 1791 IN° / 9 1/2" O.D. X 27"	1	1	1	
17	70307176	AIR TANK / 281 IN° / 6" O.D. X 12"	1	1	1	
18	640442	VALVE, INVERSION TR-2 To D-2163	1	1	1	
19	643384	VALVE / SPRING BRAKE SR-7 From 8-1110	1	1	1	
. NS	642119	. VALVE / SPRING BRAKE SR-7 From 8-1110	1	1	1	
20	641136	ANCHOR TEE / PIPE FITTING / 3/8NPT-Fx3/8NPT-Fx3/8NPT-F ZP	2	2	2	
21	641411	AIR TANK / 2370 IN° / 12" O.D. X 24" To A-1655	1	1	1	
21	644219	AIR TANK / 2420 IN° / 11" O.D. X 28 1/2" From A-1656	1	1	1	
22	641088	VALVE, RELAY R-12 HORIZONTAL PORT To D-2163	2	2	2	
23	<b>H7-1235-10</b>	<b>BRAKE CHAMBER - DRIVE AXLE TYPE 24/24</b>				
24	641991	VALVE, RELAY R-14 "WABCO"	1	1	1	
25	<b>H7-1215-10</b>	<b>AIR DRYER TUBE - INSTALLATION</b>				
26	142149	HOSE ASSY / #12 1310MM	1	1	1	
27	641172	VALVE, CHECK ELBOW 90° 1/2 NPT	1	1	1	
28	<b>H7-1245-10</b>	<b>BRAKE CHAMBER - TAG AXLE TYPE 14 &amp; 16</b>				
29	<b>H7-1205-10</b>	<b>AIR COMPRESSOR - "BA921" - WITH DETROIT S-60</b>				
30	504499	CUFF END BELLOW / 2 7/8" I.D. x 3 5/8" x 4 7/16	1	1	1	
31	141567	PROTECTOR RUBBER 100MM	1	1	1	
32	509558	WEATHERSEAL SNAP-ON 1/8" / SINGLE LIP / WH / C.T.L.	AR	AR	AR	
33	641477	HOSE BRAKE #8 813MM (32") To D-2312	2	2	2	

From 7-0671 To F-2922	Date:10/2022	PAGE:H7-1200-00
<b>BRAKE AIR SYSTEM</b>		

Item#	Part	Description	H 3 4 1	H 3 4 5	V I P 4 5	N O T E S
33	642174	HOSE BRAKE #8 864MM (34") From D-2313 To E-2650	2	2	2	
33	642204	HOSE BRAKE #8 845MM (33-1/4") From E-2651 To F-2808	2	2	2	
33	642203	HOSE BRAKE #8 970MM (38-3/16") From F-2809	2	2	2	
33	642203	HOSE BRAKE #8 970MM (38-3/16") To E-2650	2	2	2	SS
34	642018	HOSE BRAKE #8 952MM (37 1/2") To A-1655	1	1	1	
34	641304	HOSE BRAKE #8 1045MM (41 1/8") From A-1656	1	1	1	
37	641903	HOSE BRAKE #8 1090MM (43")	2	2	2	
38	142575	HOSE ASSY TEFLON #12 1035MM	1	1		
38	142335	HOSE ASSY TEFLON #12 960MM			1	
40	640488	VALVE, AIR FILL 1/8" NPT	1	1	1	
. NS	650164	. CAP VALVE / CHROME	1	1	1	
40	684613	NIPPLE / QUICK DISCONNECT "INDUSTRIAL" / #4x1/4NPT-M STL	1	1	1	
41	5011129	NEEDLE VALVE 1/4 NPT M x 1/4 NPT F	1	1	1	
		A) WHEN YOU REPLACE THE VALVE #642077 BY THE VALVE #640228 YOU HAVE REPLACE BOTH SIDE LEFT AND RIGHT SIDE				
		SS) SUPER SINGLE				



## PARKING BRAKE OVERRULE



TUBE COLOR CODING	
ACTIVE COLOR	CIRCUIT
RED	SECONDARY
YELLOW	PARKING BRAKE

BALLOON	PIPE
*1	1/4" YELLOW
*2	3/8" YELLOW
*3	1/2" YELLOW
*4	5/8" O.D. RED

52

From 7-0671 To 9-1469	Date:10/2022	PAGE:H7-1200-05
<b>PARKING BRAKE OVERRULE</b>		

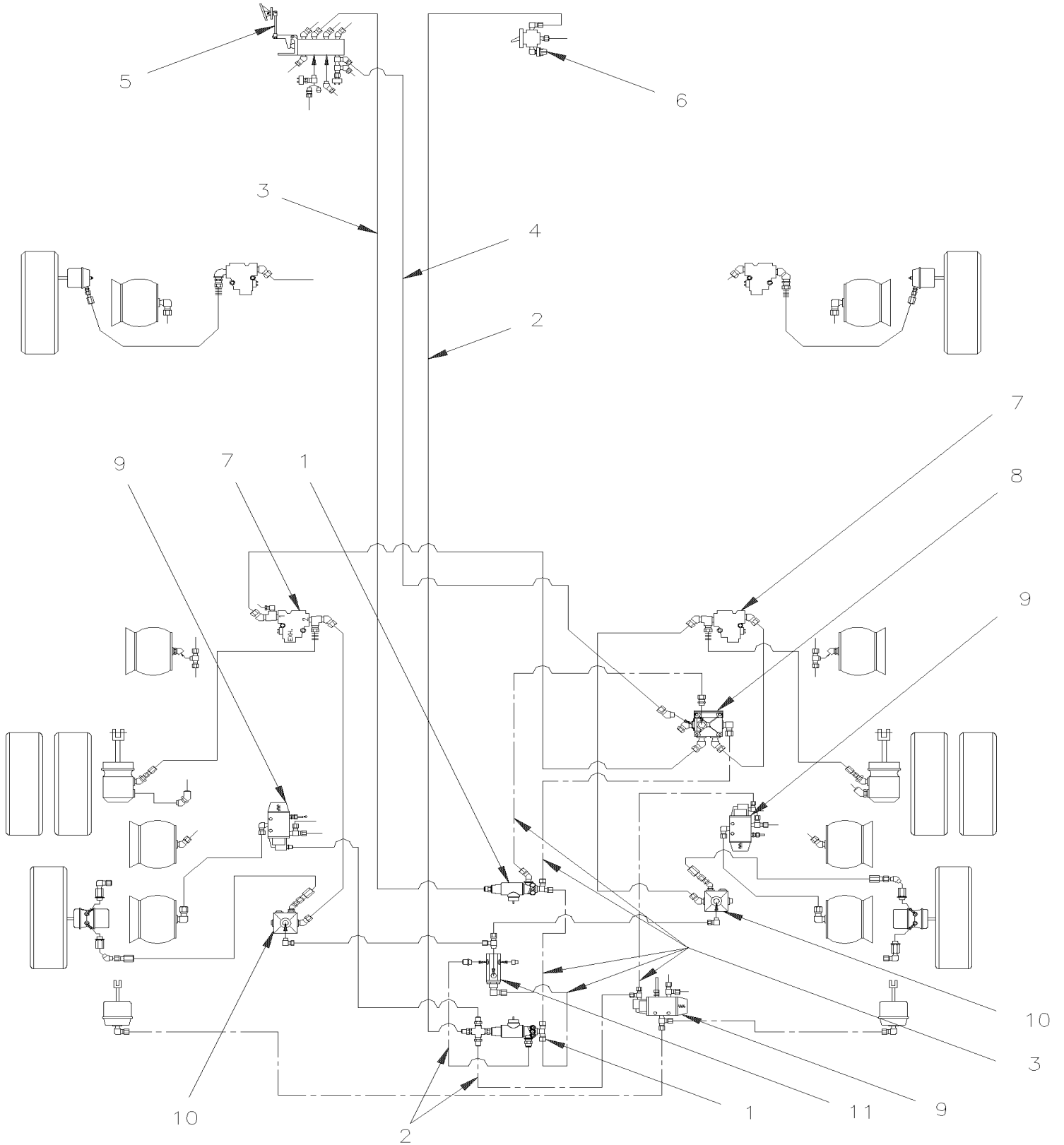
Item#	Part	Description	H 3 4 1	H 3 4 5	V I P 4 5	N O T E S
2	641564	VALVE, DOUBLE CHECK DC-4	3	3		
4	641128	VALVE, CONTROL VALVE PP-1 / 40PSI To D-2380	1	1		
. NS	641154	. REPAIR KIT / PP-1 & RD-3 To D-2380	1	1		
4	642169	VALVE, CONTROL VALVE PP-1 / 60PSI From D-2381	1	1		
. NS	641154	. REPAIR KIT / PP-1 & RD-3 From D-2381	1	1		
. NS	641149	. BUTTON, PARKING BRAKE DIAMOND YELLOW / 1" From D-2381	1	1		
5	640472	VALVE, CONTROL / RD-3	1	1		
. NS	641154	. REPAIR KIT / PP-1 & RD-3	1	1		
6	641172	VALVE, CHECK ELBOW 90° 1/2 NPT	1	1		
7	140869	AIR TANK / 1791 IN° / 9 1/2" O.D. X 27" To A-1655	1	1		
7	644219	AIR TANK / 2420 IN° / 11" O.D. X 28 1/2" From A-1656	1	1		
8	643384	VALVE / SPRING BRAKE SR-7	1	1		
. NS	642119	. VALVE / SPRING BRAKE SR-7	1	1		
10	287234	PRESSURE SWITCH N.C. 30-10 20PS001AB030E010E	1	1		
50	<b>H7-1630-00</b>	<b>FRONT KNEELING - CONTROL PANEL</b>				
51	<b>H7-1630-00</b>	<b>FRONT KNEELING - CONTROL PANEL</b>				
52	<b>H7-1202-00</b>	<b>TUBES PLASTIC / AIR D.O.T.</b>				

From 7-0671 To D-2163

Date:10/2022

PAGE:H7-1200-10

**TRACK CONTROL - OPTION**



From 7-0671 To D-2163	Date:10/2022	PAGE:H7-1200-10
<b>TRACK CONTROL - OPTION</b>		

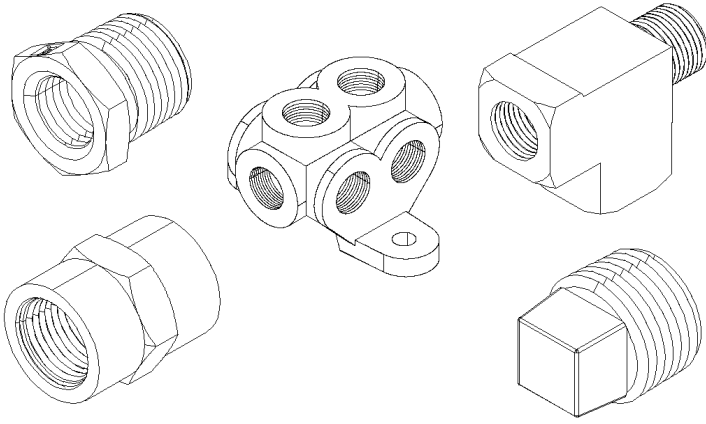
Item#	Part	Description	H 3 4 1	H 3 4 5	V I P 4 5	N O T E S
1	641950	VALVE, "ATC" 12VOLT	2	2	2	
2	503402	TUBE, NYLON 1/4 O.D. / BLACK S.L.	AR	AR	AR	
3	503463	TUBE, NYLON 3/8 O.D. / GREEN S.L.	AR	AR	AR	
4	503467	TUBE, NYLON 3/8 O.D. / RED S.L.	AR	AR	AR	
5	<b>H7-1220-10</b>	<b>BRAKE PEDAL VALVE "BENDIX" E-10P</b>				
6	640136	VALVE, CONTROL TW-1	1	1	1	
. NS	641156	. REPAIR KIT / TW-1	1	1	1	
7	641951	VALVE, "ABS" 12VOLT	2	2	2	
8	642013	VALVE, RELAY R-12 DC	1	1	1	
9	641274	VALVE, 3 WAYS, 2 POSITIONS N.C.	3	3	3	
10	642067	VALVE, RELAY R-12 HORIZONTAL PORT	2	2	2	
11	640442	VALVE, INVERSION TR-2	1	1	1	

From 7-0671 To J-0287

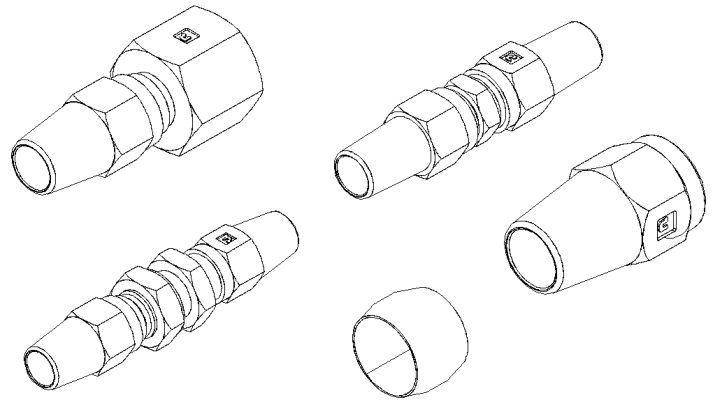
Date:10/2022

PAGE:H7-1201-00

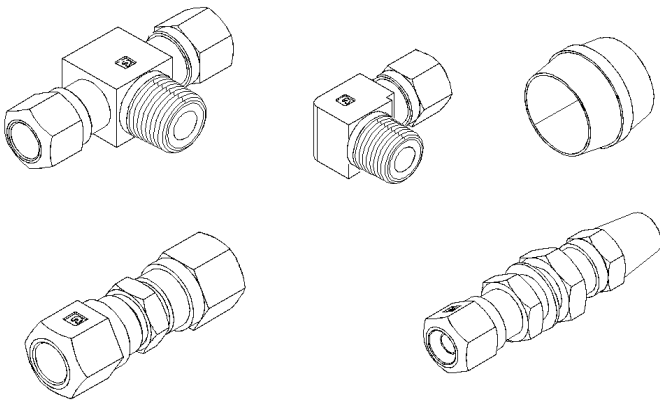
FITTING - MISCELLANEOUS



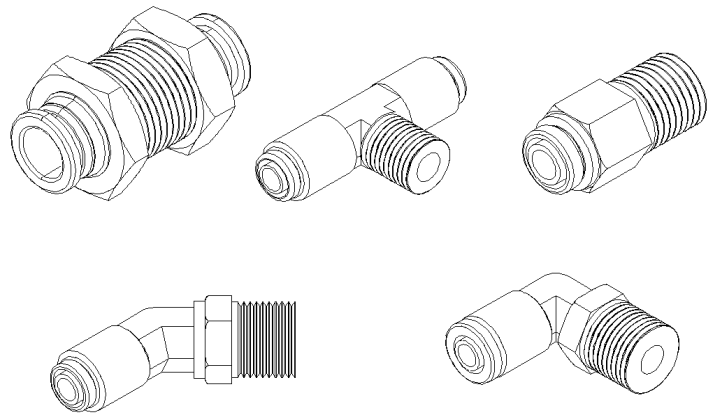
FITTING PIPE "NPT"  
1



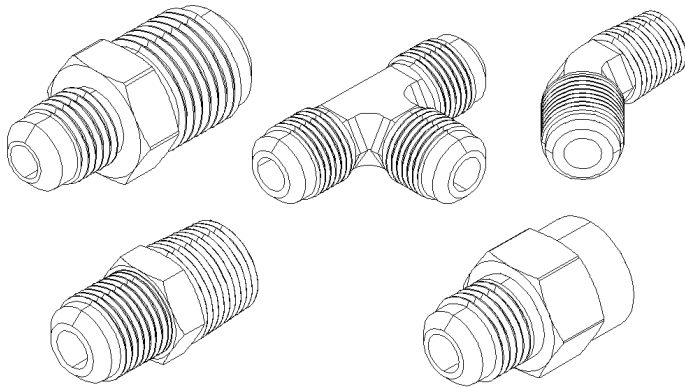
FITTING BRAKE "AB"  
2



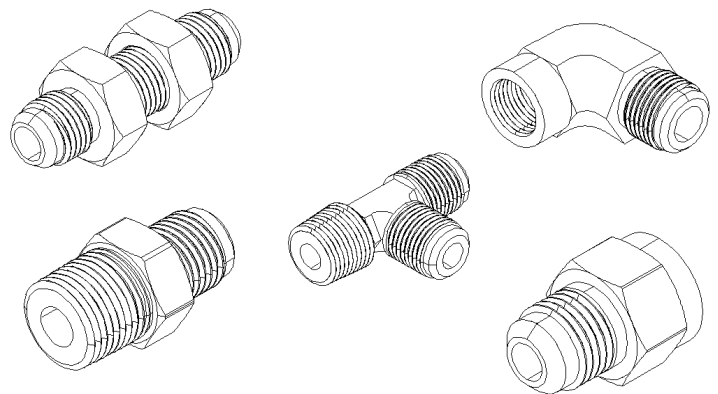
FITTING BRAKE "NTA"  
3



FITTING BRAKE "PUSH-IN"  
4

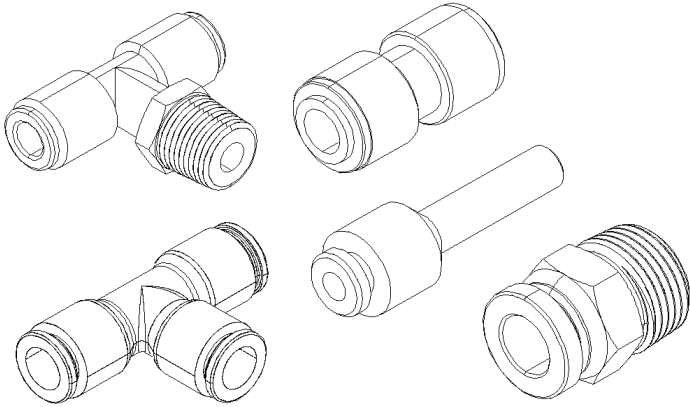


FITTING "SAE 45°"  
5

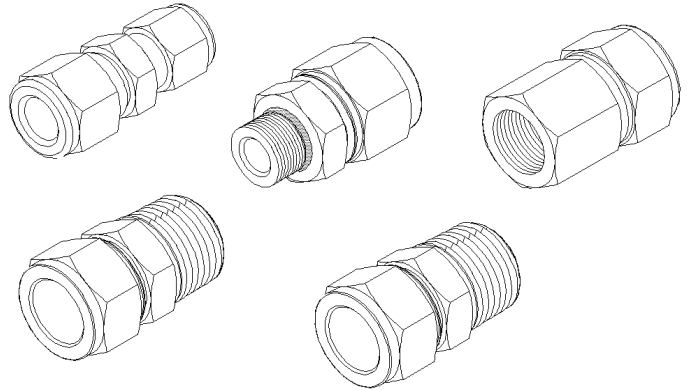


FITTING "JIC 37°"  
6

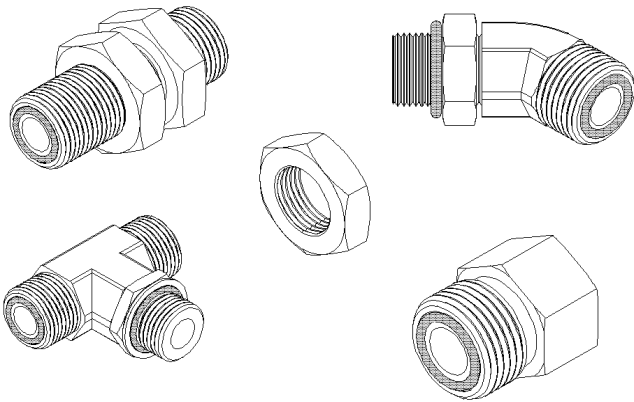
FITTING - MISCELLANEOUS



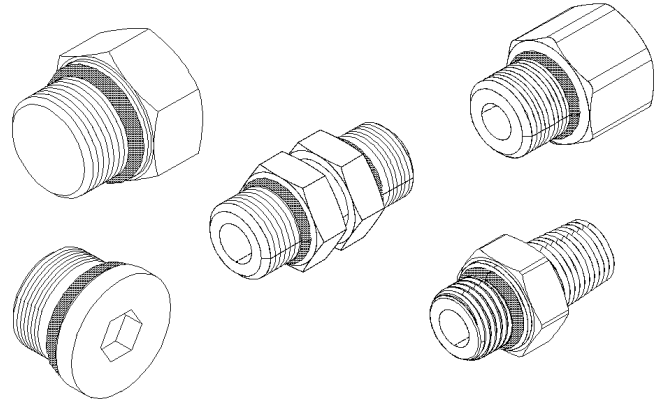
FITTING "PUSH-IN"  
7



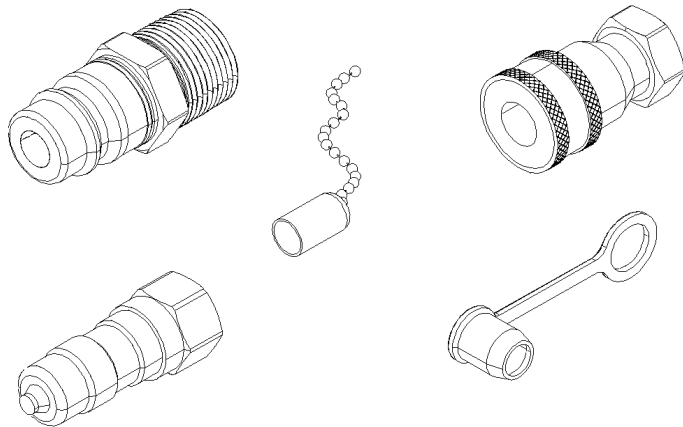
FITTING "A-LOK"  
8



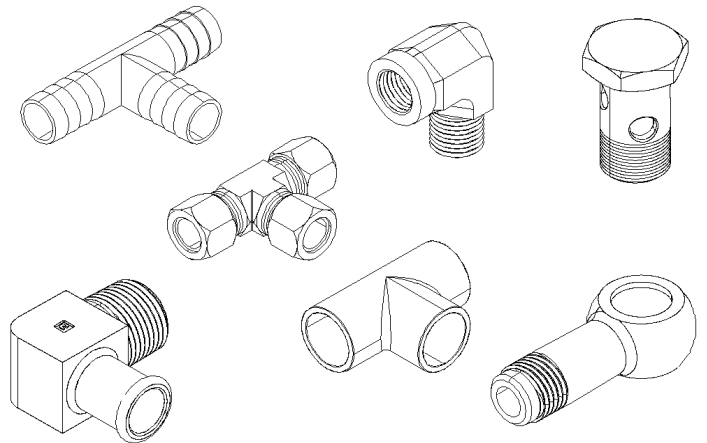
FITTING "ORS"  
9



FITTING "ORB"  
10



FITTING "QUICK DISCONNECT"  
11



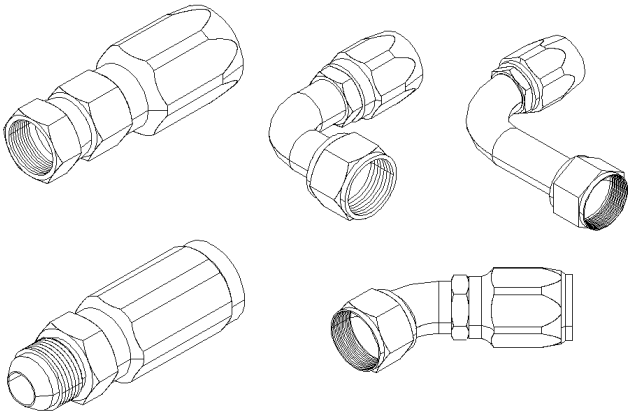
FITTING "MISCELANOUS"  
12

From 7-0671 To J-0287

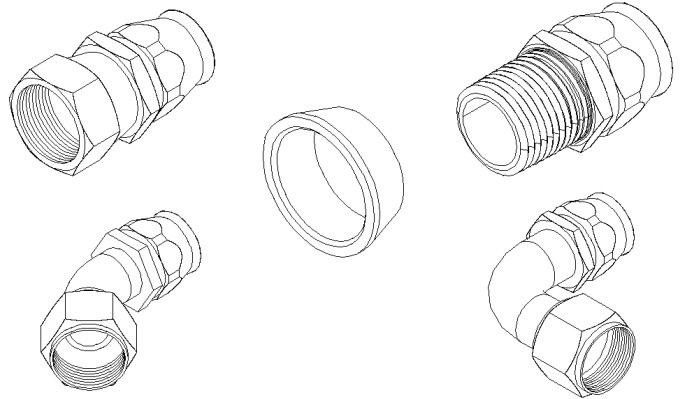
Date:10/2022

PAGE:H7-1201-00

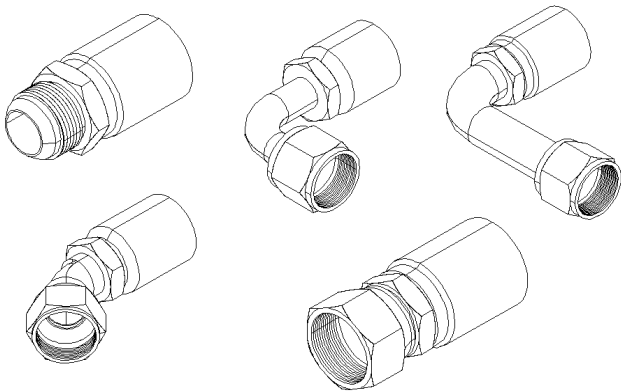
FITTING - MISCELLANEOUS



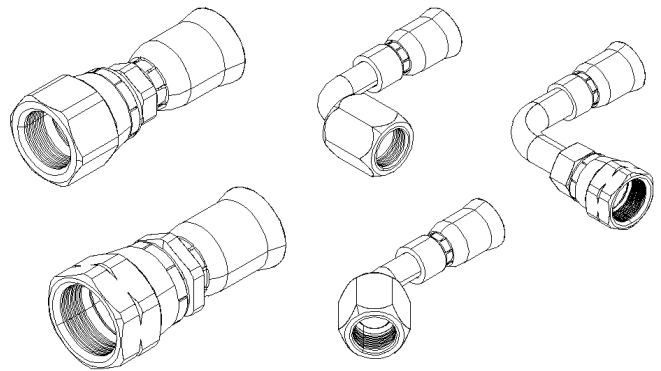
FITTING "HOSE END REUSABLE"  
13



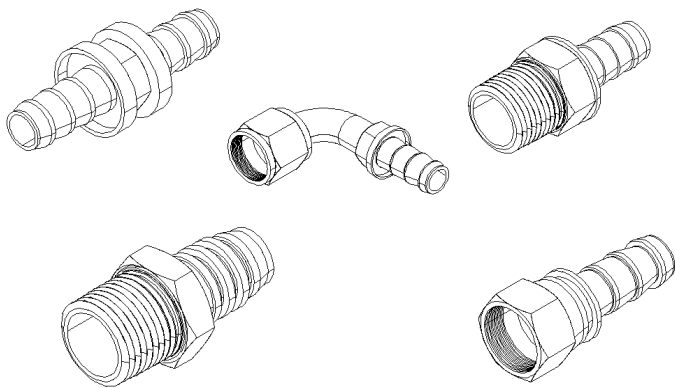
FITTING "HOSE END REUSABLE"  
TEFLON  
14



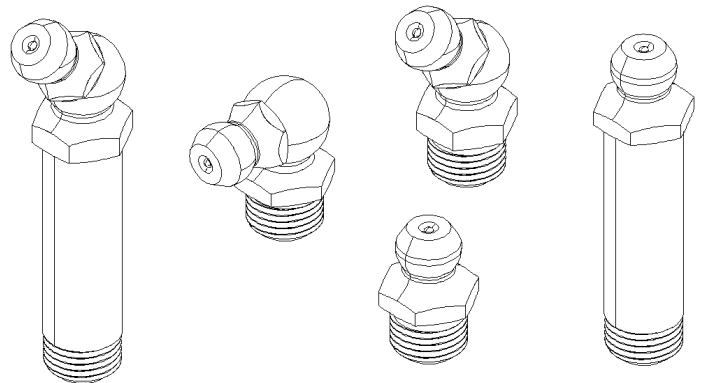
FITTING "HOSE END CRIMP"  
15



FITTING "HOSE END CRIMP"  
TEFLON  
16



FITTING "HOSE END"  
"PUSH-LOK & COLLAR"  
17



FITTING "GREASE"  
30

From 7-0671 To J-0287	Date:10/2022	PAGE:H7-1201-00
<b>FITTING - MISCELLANEOUS</b>		

Item#	Part	Description	H 3 4 1	H 3 4 5	V I P 4 5	N O T E S
		... BRAKE				
1	FM-00FM-00	FITTING NPT PIPE - MISCELANOUS				
2	FM-00FM-01	FITTING BRAKE "AB" - MISCELANOUS ( D.O.T. )				
3	FM-00FM-02	FITTING BRAKE "NTA" - MISCELANOUS ( D.O.T. )				
4	FM-00FM-03	FITTING BRAKE "PUSH-IN" - MISCELANOUS ( D.O.T. )				
		... SAE & JIC				
5	FM-00FM-04	FITTING "SAE 45°" - MISCELANOUS				
6	FM-00FM-05	FITTING "JIC 37°" - MISCELANOUS				
7	FM-00FM-06	FITTING "PUSH-IN" - MISCELANOUS				
8	FM-00FM-07	FITTING "A-LOK" - MISCELANOUS (SWAGLELOK)				
		... ORS & ORB				
9	FM-00FM-08	FITTING "ORS" - MISCELANOUS				
10	FM-00FM-09	FITTING "ORB" - MISCELANOUS				
		... QUICK DISCONNECT				
11	FM-00FM-10	FITTING "QUICK DISCONNECT" - MISCELANOUS				
12	FM-00FM-11	FITTING "MISCELANOUS"				
		... HOSE END FITTING				
13	FM-00FM-12	FITTING "HOSE END REUSABLE" - MISCELANOUS				
14	FM-00FM-13	FITTING "HOSE END REUSABLE TEFLON" - MISCELANOUS				
15	FM-00FM-14	FITTING "HOSE END CRIMP" - MISCELANOUS				
16	FM-00FM-15	FITTING "HOSE END CRIMP TEFLON" - MISCELANOUS				
17	FM-00FM-00	FITTING NPT PIPE - MISCELANOUS				
30	FM-00GF-00	GREASE FITTING				



From 7-0671 To J-0287	Date:10/2022	PAGE:H7-1202-00
TUBES PLASTIC / AIR D.O.T.		

ILLUSTRATION NOT  
AVAILABLE AT TIME OF  
PRINTING

From 7-0671 To J-0287	Date:10/2022	PAGE:H7-1202-00
<b>TUBES PLASTIC / AIR D.O.T.</b>		

Item#	Part	Description	H 3 4 1	H 3 4 5	V I P 4 5	N O T E S
		ADAPTER, 90HT, MALE (PUSH IN TUBE FITTINGS)				
	503747	TUBE, NYLON 6MM O.D. / BLACK S.L.				
	503529	TUBE, NYLON 8MM O.D. / BLACK S.L.				
	503563	TUBE, NYLON 6MM O.D. / WHITE S.L.				
	503566	TUBE, NYLON 1/4 O.D. / BLUE S.L.				
	503471	TUBE, NYLON 3/8 O.D. / BLUE S.L.				
	503517	TUBE, NYLON 1/2 O.D. / BLUE S.L.				
	503536	TUBE, NYLON 1/8 O.D. / BLACK S.L.				
	503402	TUBE, NYLON 1/4 O.D. / BLACK S.L.				
	503404	TUBE, NYLON 3/8 O.D. / BLACK S.L.				
	503488	TUBE, NYLON 1/2 O.D. / BLACK S.L./				
	503540	TUBE, NYLON 5/8 O.D. / BLACK S.L.				
	503541	TUBE, NYLON 3/4" O.D. / BLACK S.L				
	503548	TUBE, NYLON 1/4 O.D. / YELLOW S.L.				
	503470	TUBE, NYLON 3/8 O.D. / YELLOW S.L.				
	503533	TUBE, NYLON 1/2 O.D. / YELLOW S.L.				
. NS	19514092	. TUBE, NYLON 1/2 O.D. / YELLOW / 100FT ROLL				
	503466	TUBE, NYLON 1/4 O.D. / RED S.L.				
	503467	TUBE, NYLON 3/8 O.D. / RED S.L.				
	503468	TUBE, NYLON 1/2 O.D. / RED S.L.				
	503469	TUBE, NYLON 5/8 O.D. / RED S.L.				
	503464	TUBE, NYLON 1/4 O.D. / GREEN S.L.				
	503463	TUBE, NYLON 3/8 O.D. / GREEN S.L.				
	503406	TUBE, NYLON 1/2 O.D. / GREEN S.L.				
	503408	TUBE, NYLON 5/8 O.D. / GREEN S.L.				
	503465	TUBE, NYLON 3/4 O.D. / GREEN S.L.				
	503472	TUBE, NYLON 3/8 O.D. / GREY S.L.				
	503822	TUBE, NYLON 1/4 O.D. / BROWN S.L.				
	503639	TUBE, NYLON 3/8 O.D. / BROWN S.L.				
	503638	TUBE, NYLON 1/2 O.D. / BROWN S.L.				
NS	683355	TOOL PLASTIC TUBE CUTTER / PLASTIC	1	1	1	
NS	681625	TOOL PLASTIC TUBE CUTTER / METAL	1	1	1	

From 7-0671 To J-0287	Date:10/2022	PAGE:H7-1202-00
TUBES PLASTIC / AIR D.O.T.		

Item#	Part	Description	H 3 4 1	H 3 4 5	V I P 4 5	N O T E S

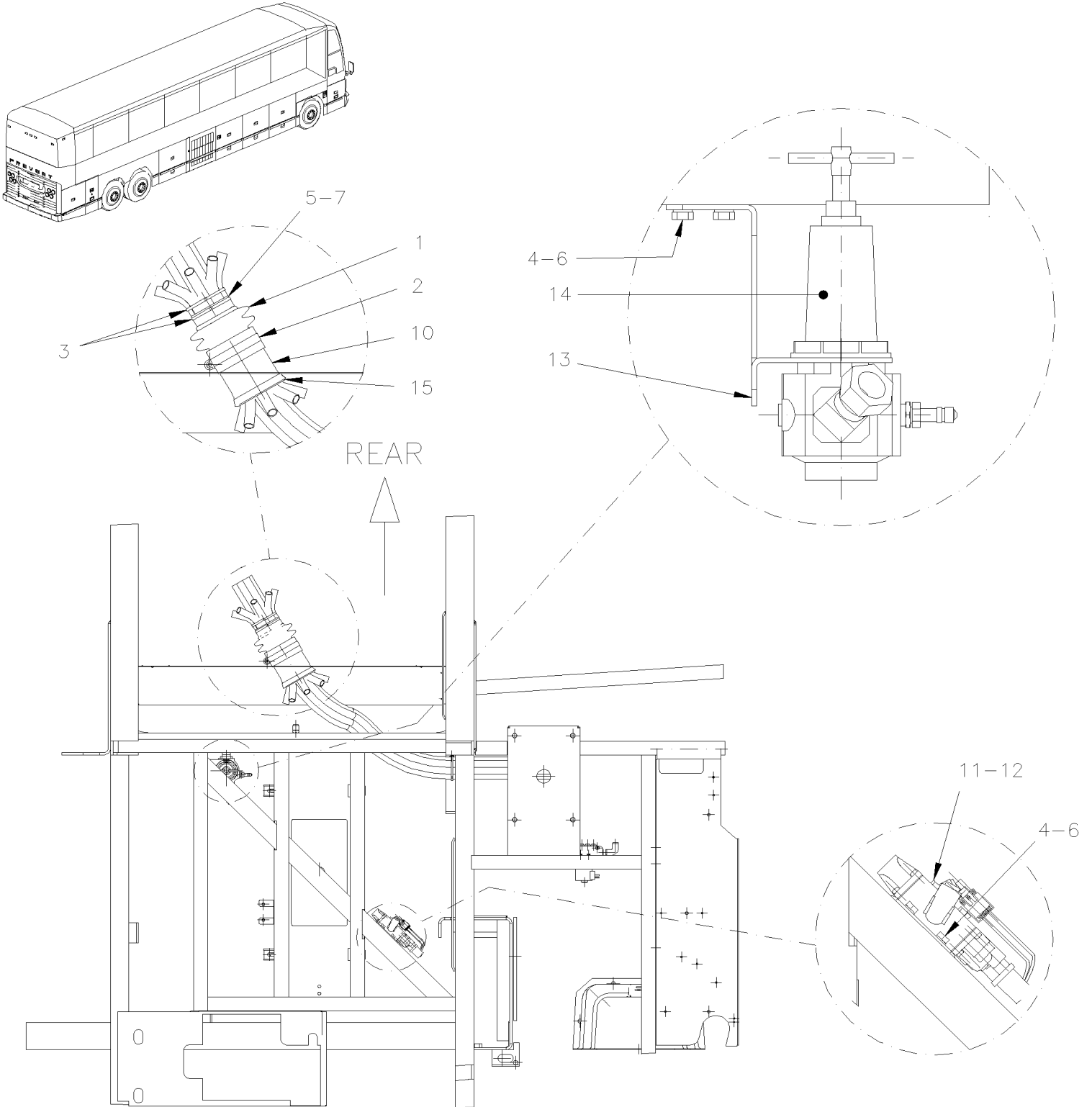


From 7-0671 To F-2923

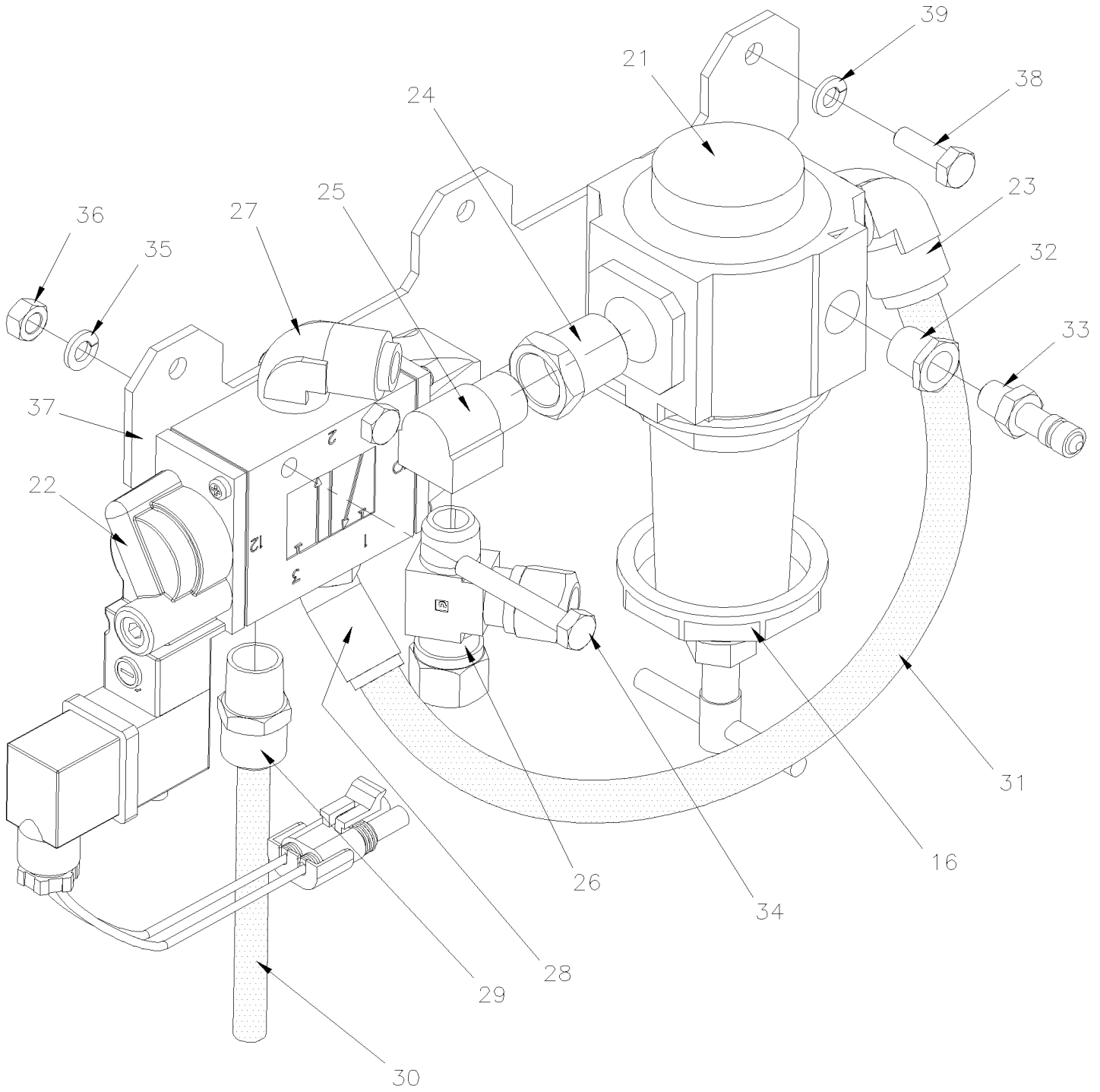
Date:10/2022

PAGE:H7-1202-05

## TUBE AIR FRONT INSTALLATION



TUBE AIR FRONT INSTALLATION



H3-45 WITH INDEPENDENT SUSPENSION  
FROM 9-1470

<b>From 7-0671 To F-2923</b>	<b>Date:10/2022</b>	<b>PAGE:H7-1202-05</b>
<b>TUBE AIR FRONT INSTALLATION</b>		

Item#	Part	Description	H 3 4 1	H 3 4 5	V I P 4 5	N O T E S
1	504499	CUFF END BELLOW / 2 7/8" I.D. x 3 5/8" x 4 7/16	1	1	1	
2	504026	HOSE CLAMP / 2"13/16-3"3/4 SS / HS-52	1	1	1	
3	504637	CABLE TIE / 3/16" x 13"	3	3	3	
NS	509815	TIE MOUNT / ATTACHMENT W/TREE MOUNT	1	1	1	
4	502848	SCREW TC CAP HEXF 1/4-20x3/4 N500	4	4	4	
5	506282	TAPE RUB ADH1 CC POL 3/8" x 1" x 20' / GREY 2520	AR	AR	AR	
6	955920	WASHER LO SPT 6.5x11.5x1.6 ZP	4	4	4	
7	680096	SEALANT BUTYL ALUM / GREY / 310ml CARTRIDGE	AR	AR	AR	
10	141567	PROTECTOR RUBBER 100MM	1	1	1	
11	141448	SUPPORT VALVE	1	1		A
12	641937	VALVE, 3 WAYS, 2 POSITIONS N.C. / W/MAN OVERRIDE	1	1		A
. NS	641929	. COIL 24V	1	1		A
. NS	641385	. CONNECTOR / SOCKET HOUSING ASSY 3C / PNEUMAC 54934-01	1	1		A
13	142025	SUPPORT / AIR REGULATOR	1	1		A
14	641352	AIR PRESSURE REGULATOR 1/2" NPT	1	1		A
15	509558	WEATHERSEAL SNAP-ON 1/8" / SINGLE LIP / WH / C.T.L.	AR	AR	AR	
NS	680066	ADHESIVE / ADBOND #5014 / 23.6ML BOTTLE	AR	AR	AR	
16	641506	NUT RING / AIR REGULATOR RETAINING	1	1	1	
20	Call order desk	AIR REGULATOR & VALVE PP-7 ASSY From A-1470		1		P
21	641352	. AIR PRESSURE REGULATOR 1/2" NPT From A-1470		1		I
22	641937	. VALVE, 3 WAYS, 2 POSITIONS N.C. / W/MAN OVERRIDE From A-1470		1		I
. NS	641929	. . COIL 24V From A-1470		1		I
. NS	641385	. . CONNECTOR / SOCKET HOUSING ASSY 3C / PNEUMAC 54934-01 From A-1470		1		I
22	561690	. CONNECTOR / WEATHER PACK / SH 2C / BLACK / PED 12015792 From A-1470		1		I
NS	562353	. DIODE / 1AMP From A-1470		1		I
23	641378	. MALE ELBOW 90° / PUSH-IN FITTING / #8x1/2NPT-M BRASS From A-1470		1		I
24	501534	. BUSHING REDUCER / PIPE FITTING / 1/2NPT-Mx3/8NPT-F BR From A-1470		1		I
25	501333	. STREET ELBOW 90° / PIPE FITTING / 3/8NPT-Mx3/8NPT-F BR From A-1470		1		I
26	641182	. MALE RUN TEE / NTA FITTING / #8x#8x3/8NPT-M BR From A-1470		1		I
27	641375	. MALE ELBOW 90° NON-SWIVEL / PUSH-IN FITTING / #6x3/8NPT-M BR From A-1470		1		I
28	641368	. MALE ELBOW 45° NON-SWIVEL / PUSH-IN FITTING / #8x3/8NPT-M BR From A-1470		1		I
29	641330	. MALE CONNECTOR / PUSH-IN FITTING / #6x3/8NPT-M BR From A-1470		1		I
30	503404	. TUBE, NYLON 3/8 O.D. / BLACK S.L. From A-1470		AR		I
31	503517	. TUBE, NYLON 1/2 O.D. / BLUE S.L. From A-1470		AR		I
32	501312	. BUSHING REDUCER / PIPE FITTING / 1/4NTP-Mx1/8NPT-F BR From A-1470		1		I
33	640488	. VALVE, AIR FILL 1/8" NPT From A-1470		1		I
. NS	650164	. . CAP VALVE / CHROME From A-1470		1		I
34	5001705	. SCREW CAP HEX 1/4-20x1 3/4 SS From A-1470		2		I
35	955920	. WASHER LO SPT 6.5x11.5x1.6 ZP From A-1470		2		I
36	500769	. NUT HEX 1/4-20 Z050 From A-1470		2		I
37	131894	. SUPPORT / AIR REGULATOR & VALVE PP-7 From A-1470		1		I

From 7-0671 To F-2923	Date:10/2022	PAGE:H7-1202-05
<b>TUBE AIR FRONT INSTALLATION</b>		

Item#	Part	Description	H 3 4 1	H 3 4 5	V I P 4 5	N O T E S
38	955513	SCREW CAP HEX 1/4-20x3/4 G5 ZG603 From A-1470		3		
39	955920	WASHER LO SPT 6.5x11.5x1.6 ZP From A-1470		3		
		A) WITH LOW-BUOY & HIGH-BUOY				
		I) BUS WITH INDEPENDENT SUSPENSION				
		P) CALL ORDER DESK FOR SPECIFIC APPLICATION (V.I.N.)				

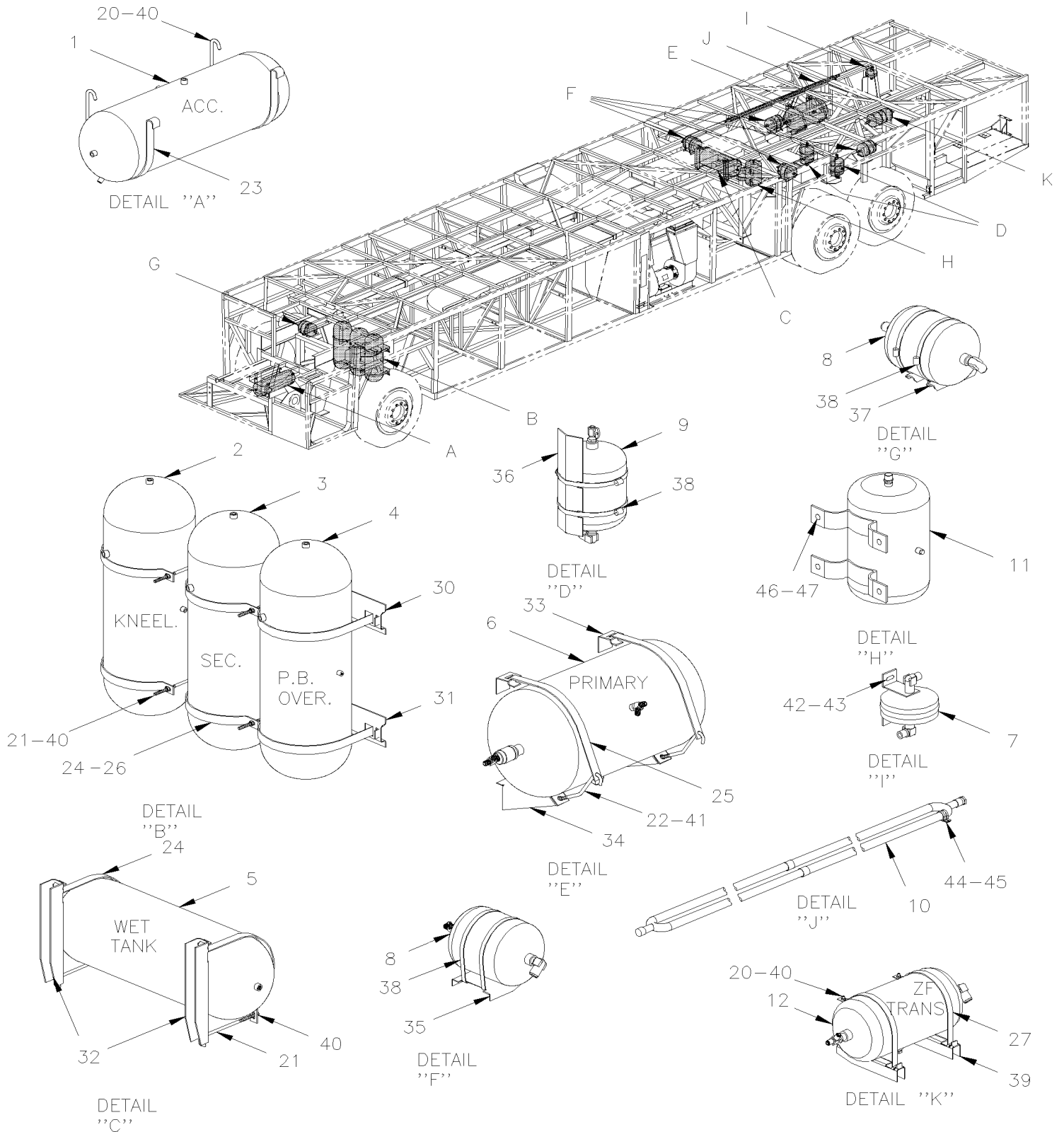


From 7-0671 To E-2504

Date:10/2022

PAGE:H7-1203-00

## AIR TANK - INSTALLATION



From 7-0671 To E-2504	Date:10/2022	PAGE:H7-1203-00
<b>AIR TANK - INSTALLATION</b>		

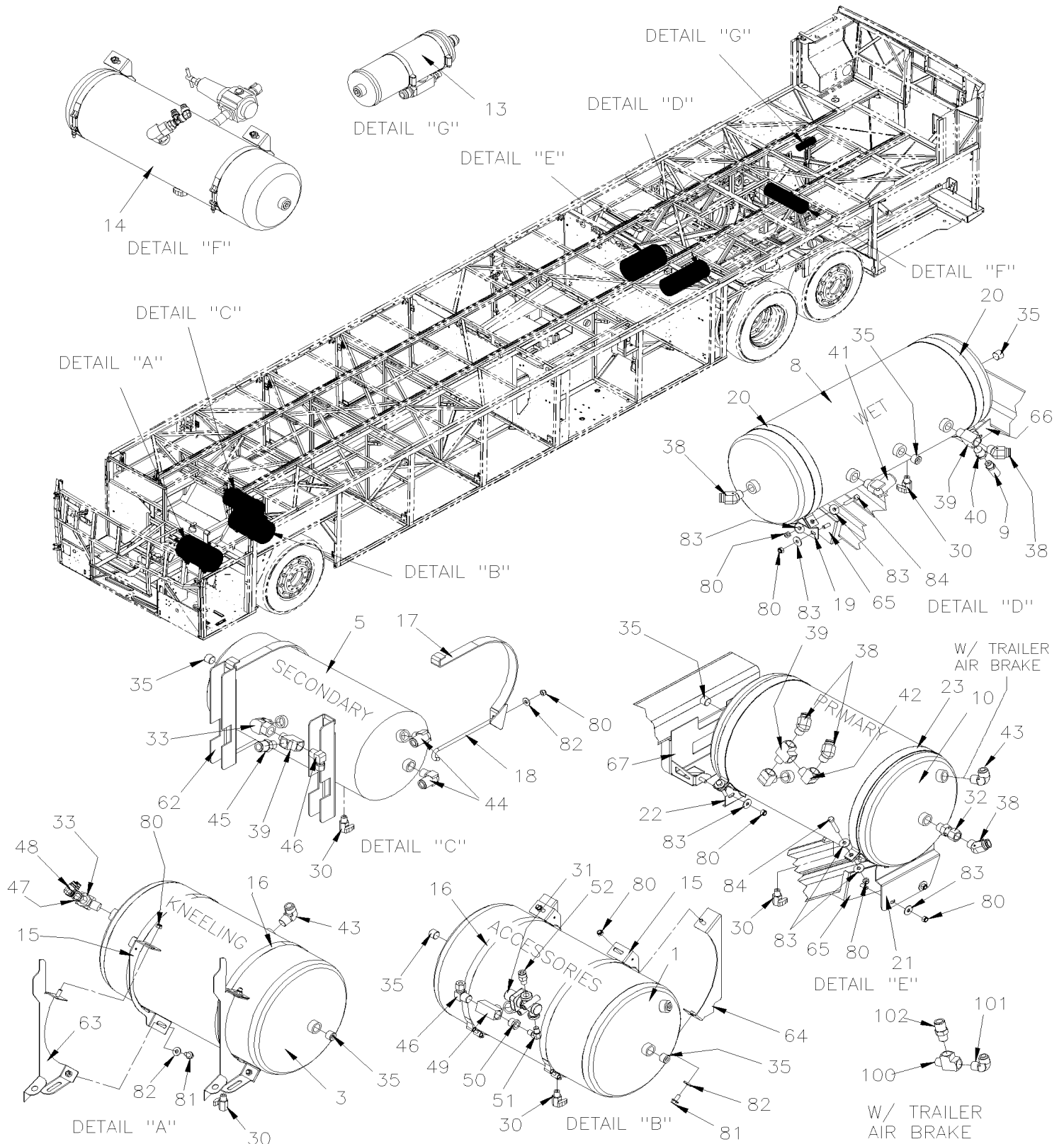
Item#	Part	Description	H 3 4 1	H 3 4 5	V I P 4 5	N O T E S
		ACCESSORIES AIR TANK				
1	140868	AIR TANK / W/END LOWER DRAIN 1228 IN° / 8" O.D. X 26"	1	1	1	
NS	640439	VALVE, PRESSURE PROTECTION / PR-2 75PSI To 8-1319	1	1	1	
NS	641137	VALVE, PRESSURE PROTECTION TYPE PR-4 70PSI From 8-1320	1	1	1	
		KNEELING AIR TANK				
2	140869	AIR TANK / 1791 IN° / 9 1/2" O.D. X 27"	AR	AR		
		SECONDARY AIR TANK				
3	140869	AIR TANK / 1791 IN° / 9 1/2" O.D. X 27" To A-1655	1	1		
3	141834	AIR TANK / 1303 IN° / 8" O.D. X 27"1/2 To A-1655			1	
		PARKING "OVER RULE" To 9-1469				
		KNEELING AIR TANK EXPANSION From A-1470				
4	140869	AIR TANK / 1791 IN° / 9 1/2" O.D. X 27"	1	1		
		WET TANK				
5	140869	AIR TANK / 1791 IN° / 9 1/2" O.D. X 27"	1	1	1	
NS	642022	SAFETY VALVE 150 PSI X 3/8 NPT / ST-3	1	1	1	
		PRIMARY AIR TANK				
6	641411	AIR TANK / 2370 IN° / 12" O.D. X 24" To A-1655	1	1	1	
6	644219	AIR TANK / 2420 IN° / 11" O.D. X 28 1/2" From A-1656	1	1	1	
		PING AIR TANK SEE PAGE 1215-10				
7	641982	AIR TANK / 96 IN° / 3 1/2" O.D. X 10"	1	1	1	
		AIR BELLOW EXPANSION TANK				
8	131403	AIR TANK / 434 IN° / 7" O.D. X 13 1/4"			4	
9	641424	AIR TANK / 288 IN° / 7" O.D. X 9 1/4" / W/(3) 1/2" NPT			4	
		AIR DRYER - TUBE				
10	<b>H7-1215-10</b>	<b>AIR DRYER TUBE - INSTALLATION</b>				
		PURGE TANK				
11	70307176	AIR TANK / 281 IN° / 6" O.D. X 12"	1	1	1	
		MANUAL TRANSMISSION "ZF" AIR TANK				
12	641978	AIR TANK / 610 IN° / 7" O.D.X 18"	1	1		

<b>From 7-0671 To E-2504</b>	<b>Date:10/2022</b>	<b>PAGE:H7-1203-00</b>
<b>AIR TANK - INSTALLATION</b>		

Item#	Part	Description	H 3 4 1	H 3 4 5	V I P 4 5	N O T E S
20	141815	J-HOOK / 194 MM / M8-1.25 SS	1	1	1	
21	141409	J-HOOK / 220 MM / M8-1.25 SS	1	1	1	
22	141926	J-HOOK / W/153 BEND / 220 MM / M8-1.25 SS	1	1	1	
23	141407	STRAP / TO USE W/8" O.D. TANK / "J" SHAPE	2	2	2	
24	141408	STRAP / TO USE W/9"1/2 O.D. TANK / "J" SHAPE	8	8		
24	141408	STRAP / TO USE W/9"1/2 O.D. TANK / "J" SHAPE			6	
25	141925	STRAP / TO USE W/12" O.D. TANK / "C" SHAPE	2	2	2	
26	141835	ROD / TO USE W/8" O.D. TANK / "U" SHAPE			2	
27	142322	STRAP / TO USE W/7" O.D. TANK / "J" SHAPE	2	2		
30	171170	SUPPORT UPPER / (WELDED TO FRAME)	1	1	1	
31	171171	SUPPORT LOWER / (WELDED TO FRAME)	1	1	1	
32	171669	BRACKET	2	2	2	
33	172100	SUPPORT UPPER (WELDED)	2	2	2	
34	172098	SUPPORT LOWER	2	2	2	
35	171974	SUPPORT / (WELDED TO FRAME)			2	
36	171973	SUPPORT AIR TANK			4	
37	131378	SUPPORT / (WELDED TO FRAME)			2	
NS	171771	SUPPORT LOWER / (WELDED TO FRAME) / TO FIX TANK ACCESSORIES	1	1		
NS	171817	SUPPORT LOWER / (WELDED TO FRAME) / TO FIX			1	
38	504229	HOSE CLAMP / 6"1/2-8"1/2 SS / HS-100			AR	
38	504415	HOSE CLAMP / 7"1/4-9"1/4 SS / HS-152			AR	
39	172820	SUPPORT / (WELDED TO FRAME)	2	2		
40	500868	NUT HEX NYRT M8-1.25 Z050	AR	AR	AR	
41	502692	NUT HEXF STO M8-1.25 Z050	AR	AR	AR	
42	502567	NUT HEX M10-1.5 SS	1	1	1	
43	502616	WASHER LO SPT 10.2x18.1x2.2 SS	1	1	1	
44	952633	CLAMP / 7/8" I.D.	2	2	2	
45	500879	SCREW TP PAN PH #10x1 Z050	2	2	2	
46	500778	NUT HEX 5/16-18 N500	4	4	4	
47	500942	WASHER LO SPT 8.1x14.8x2.0 N500	4	4	4	



## AIR TANK - INSTALLATION

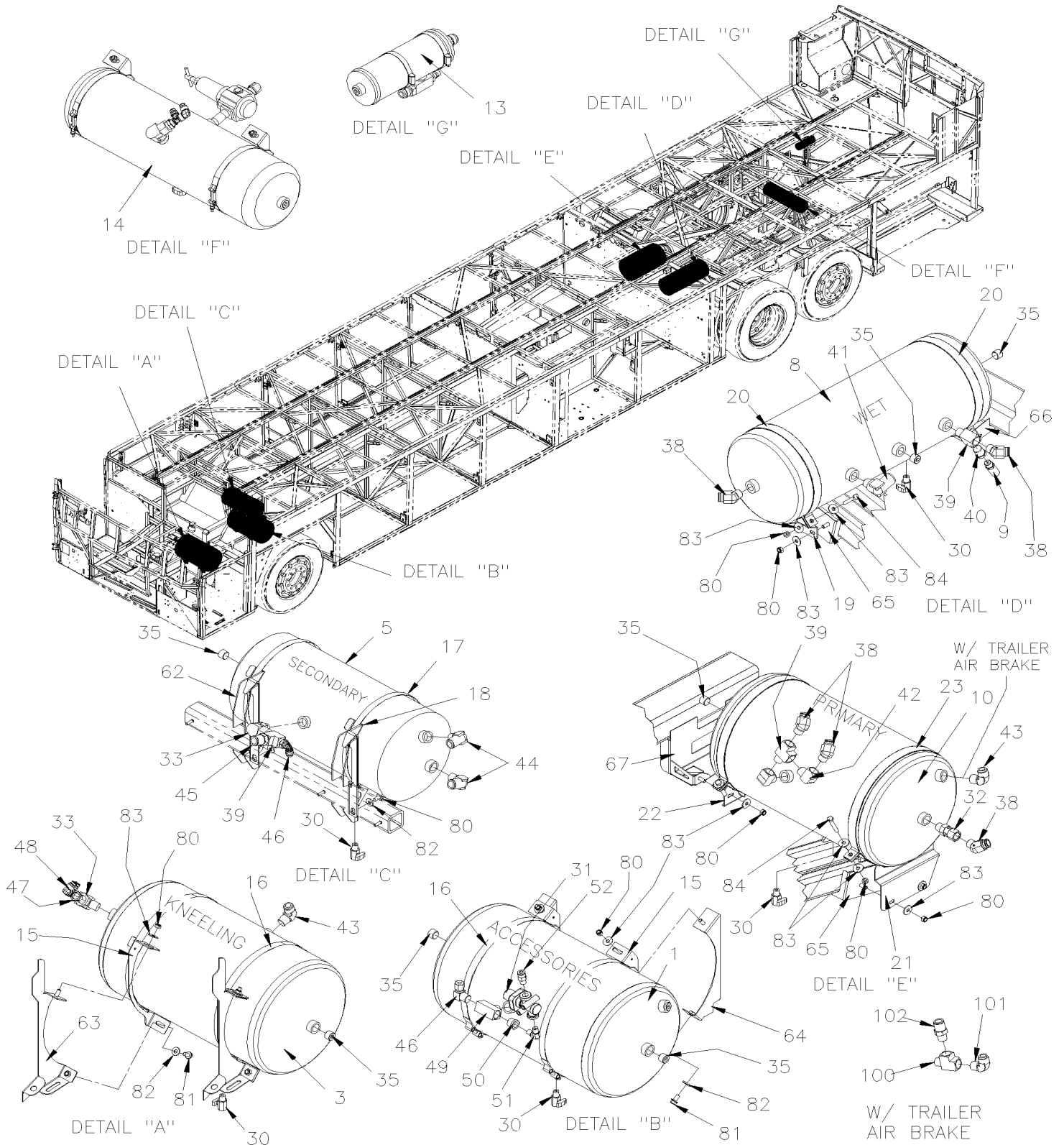


From E-2505 To J-0287

Date:10/2022

PAGE:H7-1203-01

## AIR TANK - INSTALLATION



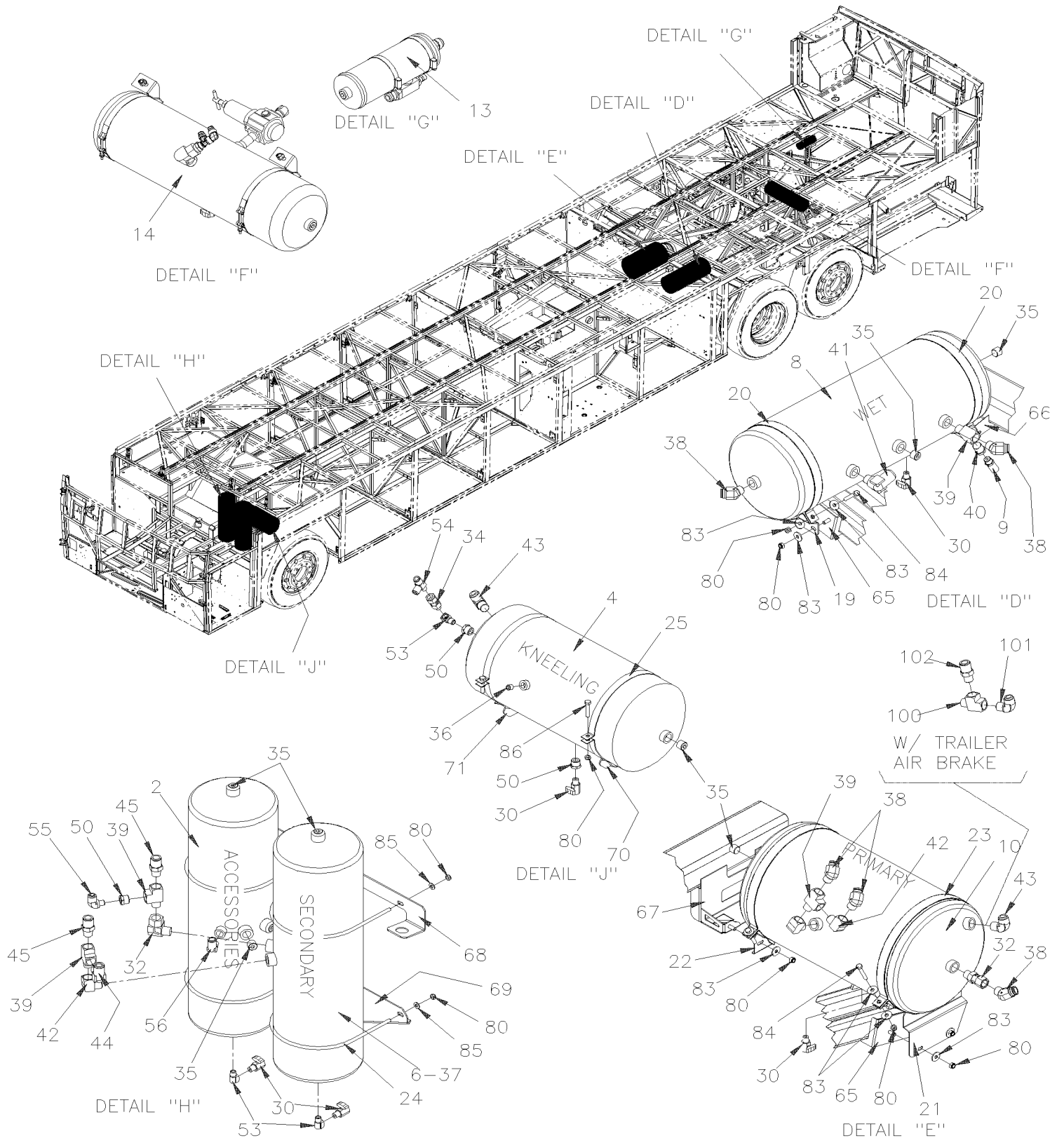


From E-2505 To J-0287

Date:10/2022

PAGE:H7-1203-01

## AIR TANK - INSTALLATION

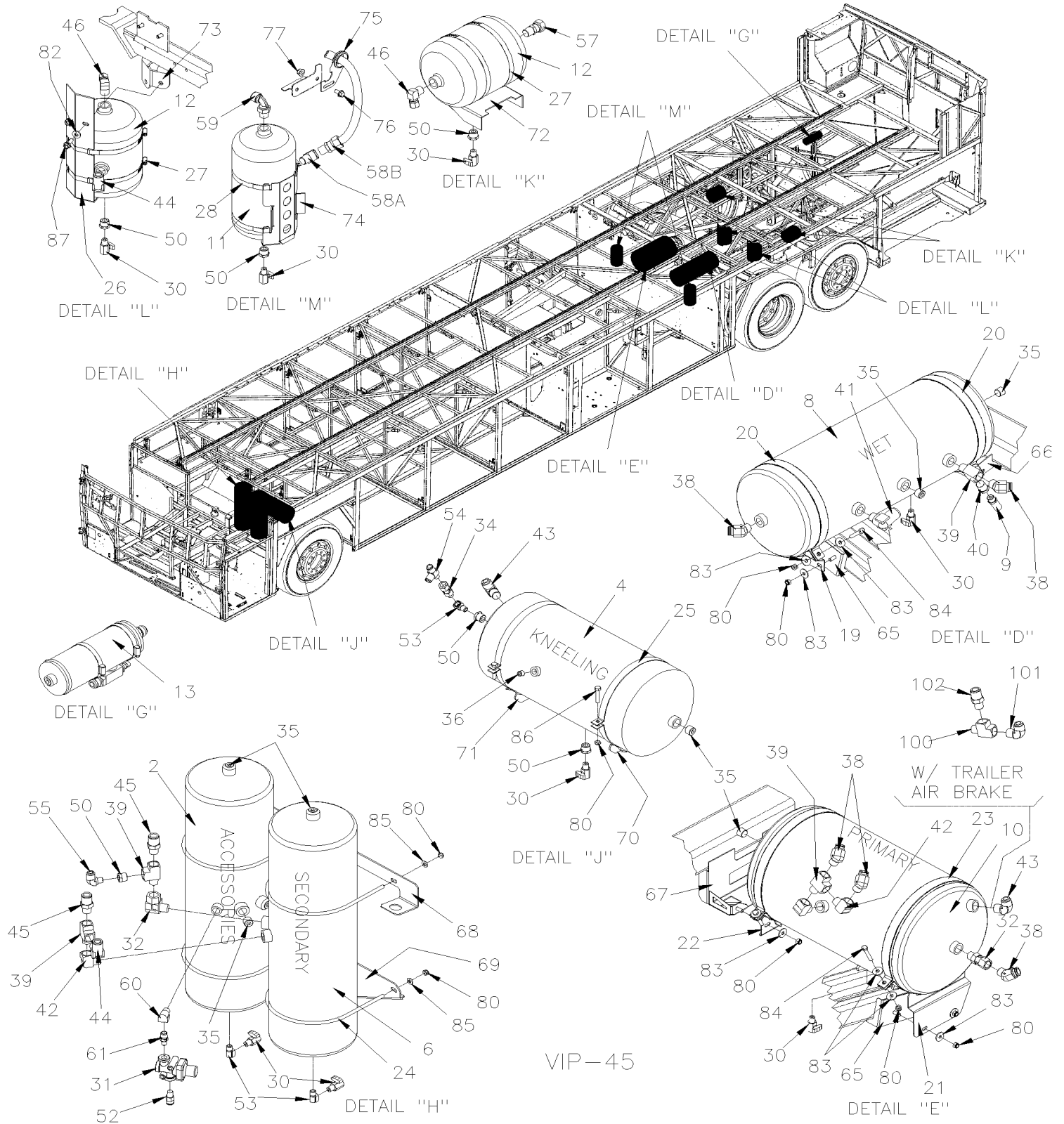


From E-2505 To J-0287

Date:10/2022

PAGE:H7-1203-01

## AIR TANK - INSTALLATION





<b>From E-2505 To J-0287</b>	<b>Date:10/2022</b>	<b>PAGE:H7-1203-01</b>
<b>AIR TANK - INSTALLATION</b>		

Item#	Part	Description	H 3 4 1	H 3 4 5	V I P 4 5	N O T E S
		ACCESSORIES AIR TANK				
1	641411	AIR TANK / 2370 IN° / 12" O.D. X 24"	1	1		R
2	141834	AIR TANK / 1303 IN° / 8" O.D. X 27"1/2	1	1	1	I
		KNEELING AIR TANK				
3	641411	AIR TANK / 2370 IN° / 12" O.D. X 24"	1	1	1	R
4	641583	AIR TANK / 1508 IN° / 9" 1/2 O.D. X 24"	1	1	1	I
		SECONDARY AIR TANK				
5	641583	AIR TANK / 1508 IN° / 9" 1/2 O.D. X 24"	1	1	1	
6	141834	AIR TANK / 1303 IN° / 8" O.D. X 27"1/2	1	1	1	
		WET AIR TANK				
8	642000	AIR TANK / 1791 IN° / 9 1/2" O.D. X 27"	1	1	1	
9	642022	SAFETY VALVE 150 PSI X 3/8 NPT / ST-3 To F-2874	1	1	1	
9	642210	SAFETY VALVE 153 PSI X 1/4 NPT OEM From F-2875	1	1	1	
9	19511125	SAFETY VALVE 153 PSI X 1/4 NPT AFTER-MARKET	1	1	1	
		PRIMARY AIR TANK				
10	641411	AIR TANK / 2370 IN° / 12" O.D. X 24"	1	1	1	
		AIR BELLOW EXPANSION TANK				
11	642110	AIR TANK / 290 IN° / 6" O.D. X 12" / W/(3) 1/2" NPT				2
12	641424	AIR TANK / 288 IN° / 7" O.D. X 9 1/4" / W/(3) 1/2" NPT				4
		PING AIR TANK				
13	<b>H7-1215-10</b>	<b>AIR DRYER TUBE - INSTALLATION</b>				
		"I-SHIFT TRANSMISSION AIR TANK				
14	<b>H7-0700-01</b>	<b>TRANSMISSION "VOLVO I-SHIFT" - INSTALLATION WITH "EPA 2010"</b>				T
15	140823	SUPPORT / AIR TANK To F-2711	2	2		
15	145222	SUPPORT / AIR TANK From F-2712	2	2		
16	504046	T-BOLT BAND CLAMP/ 12.05"-12.44" ID	4	4		

<b>From E-2505 To J-0287</b>	<b>Date:10/2022</b>	<b>PAGE:H7-1203-01</b>
<b>AIR TANK - INSTALLATION</b>		

Item#	Part	Description	H 3 4 1	H 3 4 5	V I P 4 5	N O T E S
17	142029	STRAP / TO USE W/9"1/2 O.D. TANK / "J" SHAPE To F-2722	2	2		
17	504775	T-BOLT BAND CLAMP/ 9.69" ID From F-2723	2	2		
18	141409	J-HOOK / 220 MM / M8-1.25 SS To F-2722	2	2		
18	145252	BRACKET, SECONDARY AIR TANK From F-2723	2	2		
19	145007	SUPPORT / WET AIR TANK / FORWAD	1	1	1	
20	145051	BAND CLAMPS 245MM I.D.	2	2	2	
21	145026	SUPPORT PRIMARY TANK REAR	1	1	1	
22	145025	SUPPORT PRIMARY TANK FRONT	1	1	1	
23	145067	COLLAR PRIMARY TANK	2	2	2	
24	141835	ROD / TO USE W/8" O.D. TANK / "U" SHAPE	4	4	4	
25	131610	STRAP / TO USE W/9"1/2 O.D. TANK / "O" SHAPE	2	2	2	
26	173481	SUPPORT / AIR TANK			2	
26	506758	TAPE RUB ADH1 NEO 1/16"X 1 1/2"X50'			AR	
27	504649	HOSE CLAMP / 4"5/8-7"1/2 SS			8	
28	504324	HOSE CLAMP / 4"1/2-6"1/2 SS / HS-96			4	
30	641043	DRAIN VALVE 1/4 NPT M	AR	AR	AR	
31	641137	VALVE, PRESSURE PROTECTION TYPE PR-4 70PSI	1	1	1	
32	640123	VALVE, CHECK 1/2 NPT SC-1	AR	AR	AR	
. NS	641401	. VALVE, CHECK 1/2 NPT SC-1	1	1	1	
33	641172	VALVE, CHECK ELBOW 90° 1/2 NPT To J-0230	AR	AR	AR	
33	640123	VALVE, CHECK 1/2 NPT SC-1 From J-0231	1	1	1	
. NS	641401	. VALVE, CHECK 1/2 NPT SC-1 From J-0231	1	1	1	
NS	507557	STREET ELBOW 90° / PIPE FITTING / 1/2NPT-Mx1/2NPT-F BR From J-0231	1	1	1	
34	640135	VALVE, CHECK 1/4 NPT	AR	AR	AR	
35	501966	PLUG HEXS / PIPE FITTING / 1/2NPT-M STL	AR	AR	AR	
36	501800	PLUG HEXS / PIPE FITTING / 1/4NPT-M STL	AR	AR	AR	
37	501449	PLUG HEXS / PIPE FITTING / 3/8NPT-M STL	AR	AR	AR	
38	642069	MALE ELBOW 45° NON-SWIVEL / PUSH-IN FITTING / #10x1/2NPT-M BR	AR	AR	AR	
39	501473	MALE RUN TEE / PIPE FITTING / 1/2NPT-Mx1/2NPT-Fx1/2NPT-F BR	AR	AR	AR	
40	501534	BUSHING REDUCER / PIPE FITTING / 1/2NPT-Mx3/8NPT-F BR To F-2874	AR	AR	AR	
40	501316	BUSHING REDUCER / PIPE FITTING / 1/2NPT-Mx1/4NPT-F BR From F-2875	AR	AR	AR	
41	641410	MALE ELBOW 90° NON-SWIVEL / PUSH-IN FITTING / #12x1/2NPT-M BR	AR	AR	AR	
42	507557	STREET ELBOW 90° / PIPE FITTING / 1/2NPT-Mx1/2NPT-F BR	AR	AR	AR	
43	641378	MALE ELBOW 90° / PUSH-IN FITTING / #8x1/2NPT-M BRASS	AR	AR	AR	
44	641379	MALE ELBOW 90° NON-SWIVEL / PUSH-IN FITTING / #10x1/2NPT-M BR	AR	AR	AR	
45	641384	MALE CONNECTOR / PUSH-IN FITTING / #10x1/2NPT-M BR To G-3318	AR	AR	AR	
45	640994	MALE CONNECTOR / NTA FITTING / #10x1/2NPT-M BR From G-3319	1	1	1	
46	641175	MALE ELBOW 90° / NTA FITTING / #6x1/2NPT-M BR	AR	AR	AR	
47	501534	BUSHING REDUCER / PIPE FITTING / 1/2NPT-Mx3/8NPT-F BR	AR	AR	AR	
48	642128	MALE ELBOW 90° SWIVEL DUAL PORT / PUSH-IN / #6x#6x3/8NPT-M BR	AR	AR	AR	
49	507556	MALE BRANCHE TEE / PIPE FITTING / 1/2NPT-Fx1/2NPT-Fx1/2NPT-M BR	AR	AR	AR	
50	501316	BUSHING REDUCER / PIPE FITTING / 1/2NPT-Mx1/4NPT-F BR	AR	AR	AR	

<b>From E-2505 To J-0287</b>	<b>Date:10/2022</b>	<b>PAGE:H7-1203-01</b>
<b>AIR TANK - INSTALLATION</b>		

Item#	Part	Description	H 3 4 1	H 3 4 5	V I P 4 5	N O T E S
51	641999	MALE ELBOW 90° / PIPE FITTING / 3/8NPT-Mx3/8NPT-M BR	AR	AR	AR	
52	641331	MALE CONNECTOR / PUSH-IN FITTING / #6x1/4NPT-M BR	AR	AR	AR	
53	501332	STREET ELBOW 90° / PIPE FITTING / 1/4NPT-Mx1/4NPT-F BR	AR	AR	AR	
54	641389	MALE RUN TEE SWIVEL / PUSH-IN FITTING / #6x#6x1/4NPT-M BR	AR	AR	AR	
55	641372	MALE ELBOW 90° NON-SWIVEL / PUSH-IN FITTING / #6x1/4NPT-M BR	AR	AR	AR	
56	641376	MALE ELBOW 90° NON-SWIVEL / PUSH-IN FITTING / #8x3/8NPT-M BR	AR	AR	AR	
57	640994	MALE CONNECTOR / NTA FITTING / #10x1/2NPT-M BR	AR	AR	AR	
58A	640995	MALE CONNECTOR / NTA FITTING / #12x1/2NPT-M BR	AR	AR	AR	
58B	501528	STREET ELBOW 45° / PIPE FITTING / 1/2NPT-Mx1/2NPT-F BR	AR	AR	AR	
59	641379	MALE ELBOW 90° NON-SWIVEL / PUSH-IN FITTING / #10x1/2NPT-M BR	AR	AR	AR	
60	501333	STREET ELBOW 90° / PIPE FITTING / 3/8NPT-Mx3/8NPT-F BR	AR	AR	AR	
61	501749	NIPPLE REDUCER HEX / PIPE FITTING / 3/8NPT-Mx1/4NPT-Mx1 13/32 BR	AR	AR	AR	
NS	680098	THREAD SEALANT LOCTITE #567 / WHITE / 250ml	AR	AR	AR	
62	172478	SUPPORT / SECONDARY AIR TANK / (WELDED TO FRAME) To F-2722	2	2		R
62	175215	SUPPORT / SECONDARY AIR TANK / (WELDED TO FRAME) From F-2723	2	2		
63	145062	SUPPORT / KNEELING AIR TANK / (WELDED TO FRAME) To F-2711	2	2		R
63	145221	SUPPORT / KNEELING AIR TANK / (WELDED TO FRAME) From F-2712	2	2		R
64	145021	SUPPORT / ACCESSORIES AIR TANK / (WELDED TO FRAME) To F-2711	2	2		R
64	145220	SUPPORT / ACCESSORIES AIR TANK / (WELDED TO FRAME) From F-2712	2	2		R
65	175124	SUPPORT / AIR TANK / BACKWARD / (WELDED TO FRAME)	2	2	2	
66	175125	SUPPORT / WET AIR TANK / FORWARD / (WELDED TO FRAME)	1	1	1	
67	175147	SUPPORT / PRIMARY AIR TANK / FORWARD / (WELDED TO FRAME)	1	1	1	
68	172704	SUPPORT AIR TANK / LOWER	1	1	1	
69	173724	SUPPORT AIR TANK / UPPER	1	1	1	
70	131747	SUPPORT L.H. "KNEELING" TANK	1	1	1	
71	131748	SUPPORT R.H. "KNEELING" TANK	1	1	1	
72	171974	SUPPORT / (WELDED TO FRAME)	2	2	2	
73	175073	SUPPORT / AIR TANK (WELDED AT STRUCTURE)	2	2	2	
74	173506	SUPPORT / AIR TANK W/6" TANK	2	2	2	
75	138639	SUPPORT, SUSPENSION TUBE ASSY From F-2864			2	
NS	504398	GROMMET / 1.000x1.375x.062x.437x1.750 From F-2864			1	
76	5001780	SCREW CAP HEXF M8-1.25x16 G8.8 N500 From F-2864			2	
77	5001931	NUT HEXF NYRT M8-1.25 G8.8 N500 From F-2864			2	
80	502847	NUT HEX NYRT M8-1.25 N500	AR	AR	AR	
81	5001780	SCREW CAP HEXF M8-1.25x16 G8.8 N500	AR	AR	AR	
82	500321	WASHER BEL SPR .331x.827x.098 N500	AR	AR	AR	
83	500381	WASHER FL 8.4x25.0x2.0 N500	AR	AR	AR	
84	502927	SCREW CAP HEX M8-1.25x50 G8.8 N500	AR	AR	AR	
85	500874	WASHER FL 8.4x17.0x1.6 Z050	AR	AR	AR	
86	5001319	SCREW CAP HEX M8-1.25x40 SS	AR	AR	AR	
87	5001643	SCREW CAP HEXF M8-1.25x25 G8.8 G500	AR	AR	AR	
100	501473	MALE RUN TEE / PIPE FITTING / 1/2NPT-Mx1/2NPT-Fx1/2NPT-F BR From E-2505	1	1	1	

From E-2505 To J-0287	Date:10/2022	PAGE:H7-1203-01
<b>AIR TANK - INSTALLATION</b>		

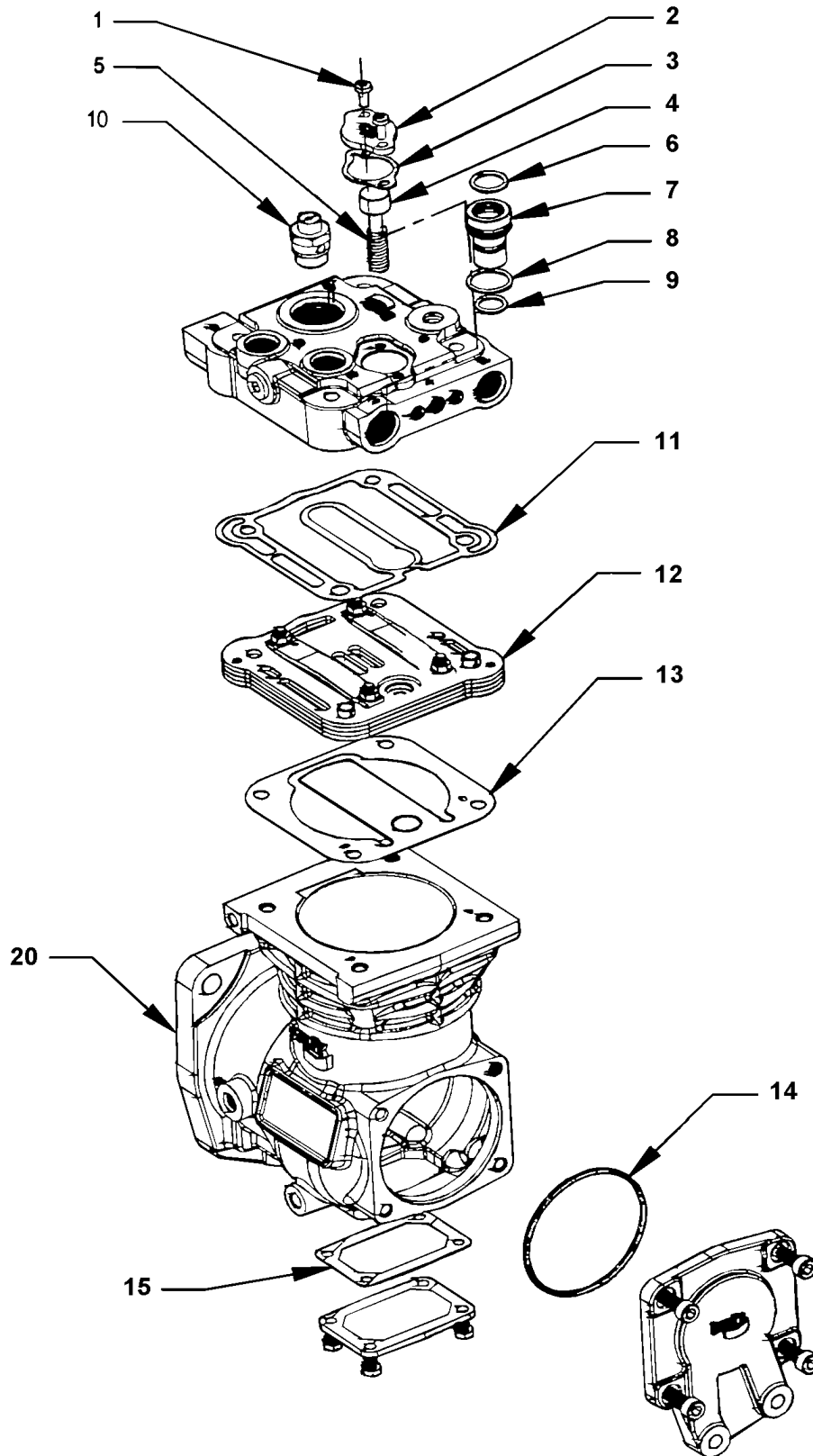
Item#	Part	Description	H 3 4 1	H 3 4 5	V I P 4 5	N O T E S
101	641378	MALE ELBOW 90° / PUSH-IN FITTING / #8x1/2NPT-M BRASS From E-2505	1	1	1	
102	641384	MALE CONNECTOR / PUSH-IN FITTING / #10x1/2NPT-M BR From E-2505	1	1	1	
		I) WITH INDEPENDANTE SUSPENSION				
		R) WITH I-BEAM SUSPENSION				
		T) WITH "I-SHIFT" TRANSMISSION				

From 7-0671 To A-1720

Date:10/2022

PAGE:H7-1205-10

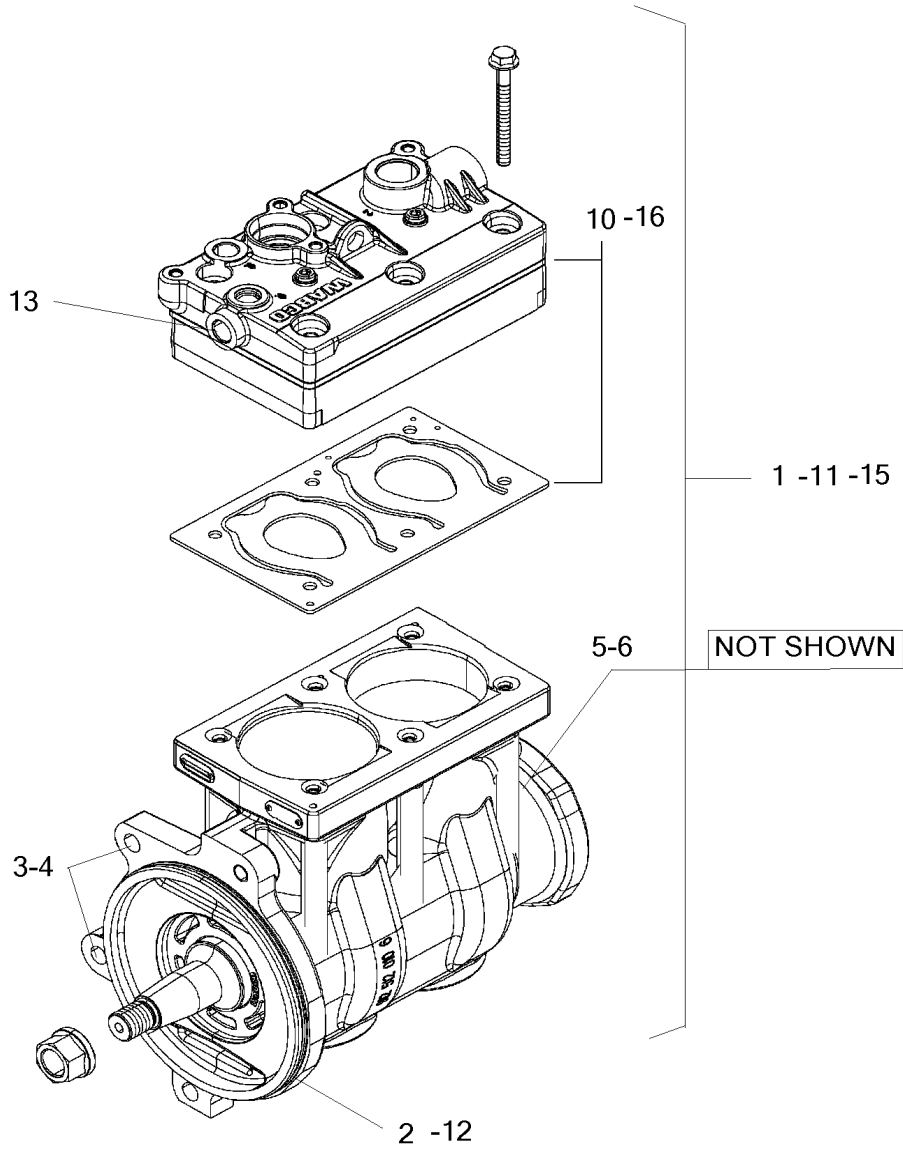
## AIR COMPRESSOR - "BA921" - WITH DETROIT S-60



From 7-0671 To A-1720	Date:10/2022	PAGE:H7-1205-10
<b>AIR COMPRESSOR - "BA921" - WITH DETROIT S-60</b>		

Item#	Part	Description	H 3 4 1	H 3 4 5	V I P 4 5	N O T E S
1	641990	COMPRESSOR, AIR (SUPPLY W/ENGINE)	1	1	1	
2	N.S.S.	. COVER	1	1	1	1 A
3	N.S.S.	. GASKET	1	1	1	1 A
4	N.S.S.	. BALANCE PISTON	1	1	1	1 A
5	N.S.S.	. SPRING	1	1	1	1 A
6	N.S.S.	. O-RING	1	1	1	1 A
7	N.S.S.	. PISTON	1	1	1	1 A
8	N.S.S.	. O-RING	1	1	1	1 A
9	N.S.S.	. O-RING	1	1	1	1 A
10	641989	. SAFETY VALVE ST-A / M16x1.5	1	1	1	
11	641986	. CYLINER HEAD SEAL KIT	1	1	1	B
12		. REED VALVE ASSY	1	1	1	
13		. INLET REED VALVE GASKET	1	1	1	
14	641987	. COMPRESSOR SEAL KIT	1	1	1	C
15		. BOTTOM COVER	1	1	1	
20	641988	. ENGINE INTERFACE SEAL KIT	1	1	1	
NS	066059	SUPPORT / AIR GOUVERNOR D-2	1	1		D
22	641933	GOVERNOR, AIR / D-2 / (110/130PSI)	1	1		D
. NS	640965	. REPAIR KIT / GOVERNOR D-2	1	1		D
. NS	640638	. GASKET, AIR GOVERNOR	1	1		D
. NS	500187	. SCREW CAP HEX 5/16-18x3 G5 Z050	2	2		D
. NS	500942	. WASHER LO SPT 8.1x14.8x2.0 N500	2	2		D
NS	141970	HOSE ASSY TEFLON #4 4090MM	2	2		E
NS	148039	HOSE ASSY TEFLON #4 290MM	1	1		F
		A) NOT REQUIRE WITH AIR DRYER "HALDEX"				
		B) INCLUDE ITEMS #11 & 13				
		C) THOSE ITEMS ARE USE TO FIXE HOTESS SEAT				
		D) THOSE ITEMS ARE USE TO FIXE HOTESS SEAT IN THE BAGGAGE COMPARTEMENT				
		E) BETWEEN GOVERNOR & TANK OR DRYER				
		F) BETWEEN GOVERNOR & COMPRESSOR				
		1) NOT SOLD SEPARATELY				

From 8-1202 To J-0184	Date:10/2022	PAGE:H7-1205-11
AIR COMPRESSOR - "WABCO" 636CC - WITH VOLVO D13		

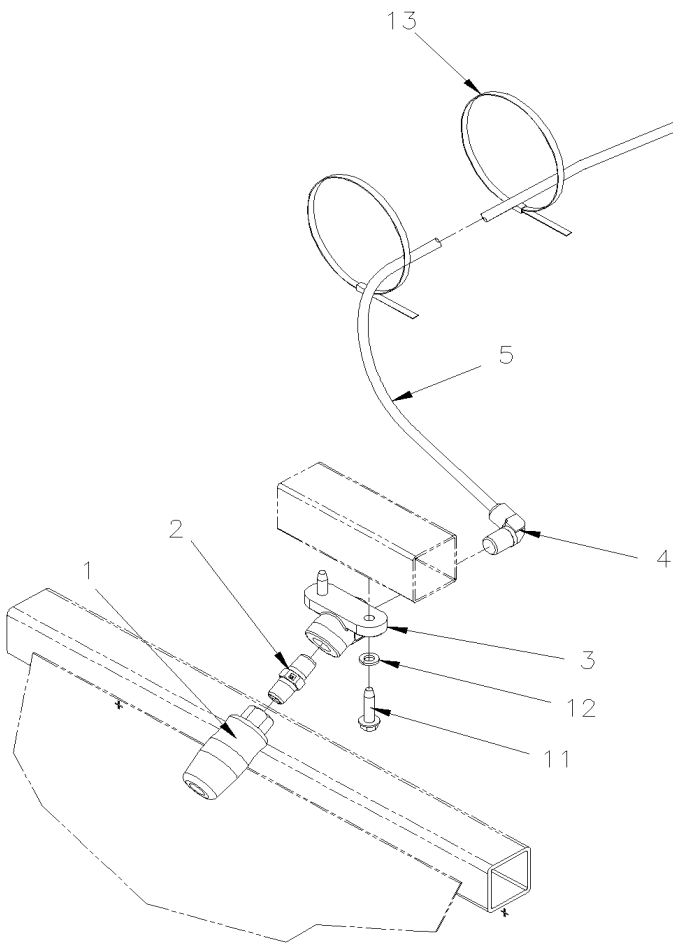
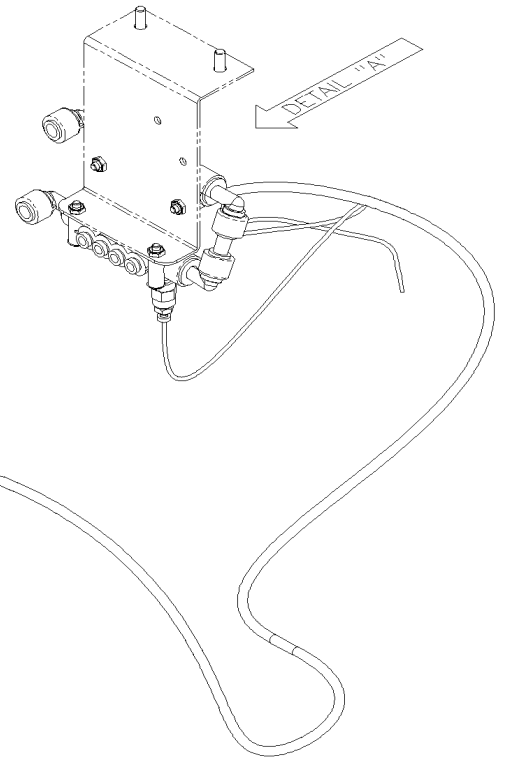
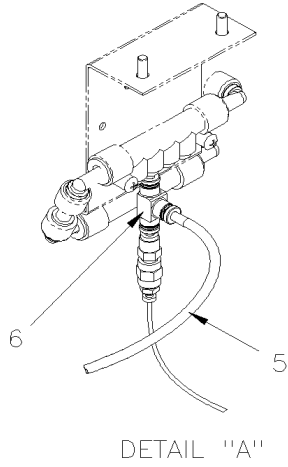


From 8-1202 To J-0184	Date:10/2022	PAGE:H7-1205-11
<b>AIR COMPRESSOR - "WABCO" 636CC - WITH VOLVO D13</b>		

Item#	Part	Description	H 3 4 1	H 3 4 5	V I P 4 5	N O T E S
1	Refer To Volvo	AIR COMPRESSOR 636CC ASSY	1	1		V
2	Refer To Volvo	O-RING 164.3	1	1		V
3	Refer To Volvo	STUD TO FIX COMPRESSOR M12x65x43	2	2		V
4	Refer To Volvo	FLANGE NUT M12x19.8	3	3		V
5	Refer To Volvo	NIPPLE (OIL HOSE)	2	2		V
6	Refer To Volvo	HOSE ASSEMBLY M12-1.5x340MM	1	1		V
10	Refer To Volvo	KIT COMPRESSOR EXCHANGE WABCO	1	1		V
11	Refer To Volvo	. AIR COMPRESSOR 636CC ASSY / EXCHANGE	1	1		V
12	Refer To Volvo	. O-RING 164.3	1	1		V
13	Refer To Volvo	. O-RING	1	1		V
NS	Refer To Volvo	. HOSE CLAMP	1	1		V
15	Refer To Volvo	. COMPRESSOR WABCO	1	1		V
16	Refer To Volvo	. KIT REPAIR WABCO	1	1		V
		V) SEE IMPACT OR CALL ORDER DESK				



AIR LINE / FIRST BAGGAGE COMPARTMENT



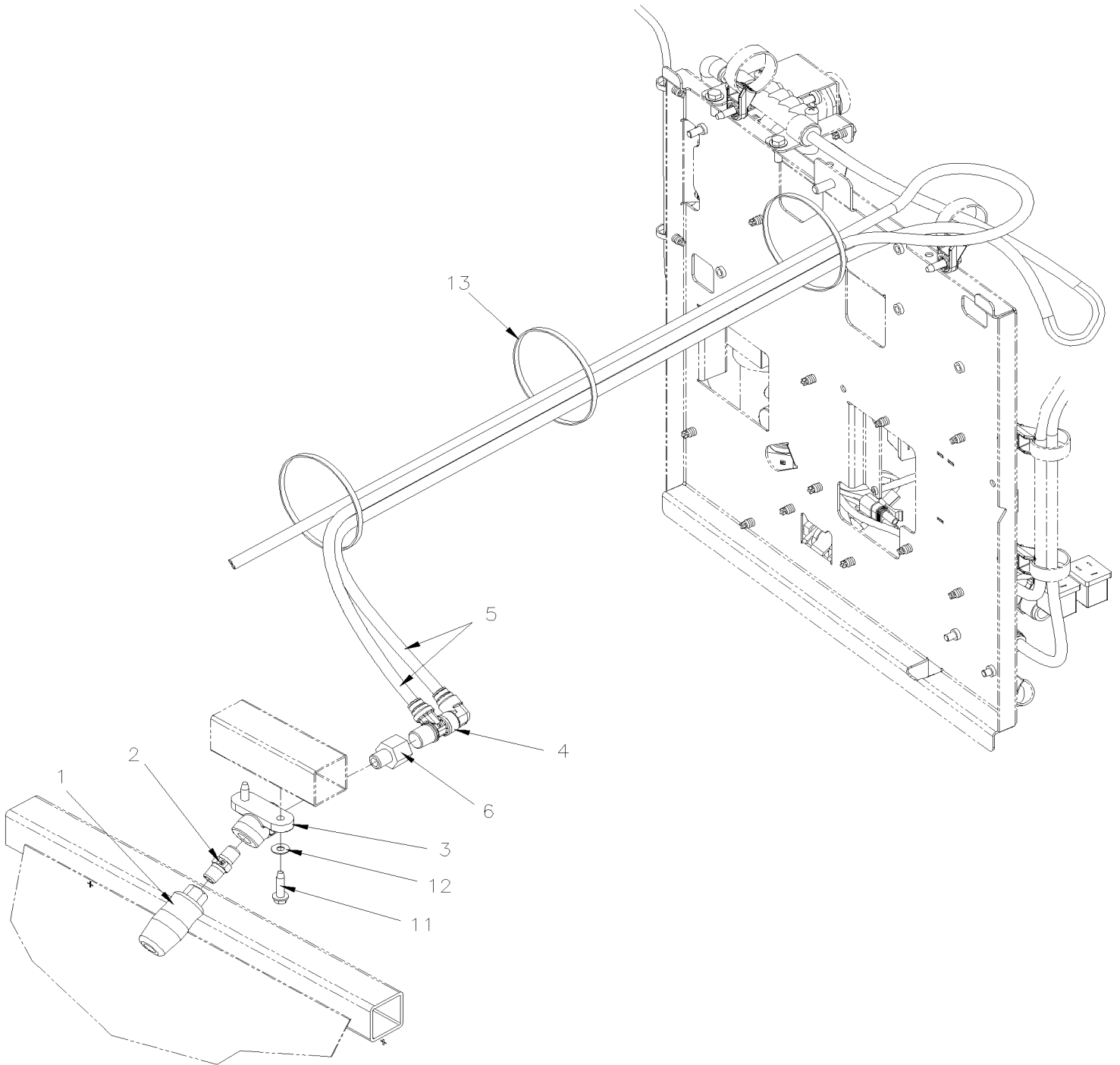
UP TO ?-13172

From D-2321 To J-0184

Date:10/2022

PAGE:H7-1206-10

**AIR LINE / FIRST BAGGAGE COMPARTMENT**



FROM ?-13172

From D-2321 To J-0184	Date:10/2022	PAGE:H7-1206-10
<b>AIR LINE / FIRST BAGGAGE COMPARTMENT</b>		

Item#	Part	Description	H 3 4 1	H 3 4 5	V I P 4 5	N O T E S
1	683935	COUPLER / QUICK DISCONNECT "INDUSTRIAL" / #4x1/4NPT-F BR-PLAS / SAFETY	1	1		
1	5011203	NIPPLE / QUICK DISCONNECT "INDUSTRIAL" / #4x1/8NPT-M ZP	1	1		
2	501321	NIPPLE HEX / PIPE FITTING / 1/4NPT-Mx1/4NPT-Mx1 3/8 BR	1	1		
3	640643	ANCHOR ELBOW / PIPE FITTING / 1/4NPT-Fx1/4NPT-F STL	1	1		
4	641371	MALE ELBOW 90° NON-SWIVEL / PUSH-IN FITTING / #4x1/4NPT-M BR To F-2922	1	1		
4	642128	MALE ELBOW 90° SWIVEL DUAL PORT / PUSH-IN / #6x#6x3/8NPT-M BR From F-2923	1	1		
5	503402	TUBE, NYLON 1/4 O.D. / BLACK S.L. To F-2922	AR	AR		
5	503404	TUBE, NYLON 3/8 O.D. / BLACK S.L. From F-2923	AR	AR		
6	641955	UNION TEE / PUSH-IN FITTING / #4x#4x#4 BR To F-2922	1	1		
6	501311	ADAPTER / PIPE FITTING / 3/8NPT-Fx1/4NPT-M BR From F-2923	1	1		
11	5001749	WASHER LO SPT 6.5x11.5x1.6 N500 To F-2922	1	1		
11	5001608	WASHER BEL SPR 6.2x15.0x0.7 G500 From F-2923	2	2		
12	502848	SCREW TC CAP HEXF 1/4-20x3/4 N500 To F-2922	2	2		
12	500266	SCREW TC CAP HEX 1/4-20x1 N500 From F-2923	2	2		
13	504637	CABLE TIE / 3/16" x 13"	3	3		

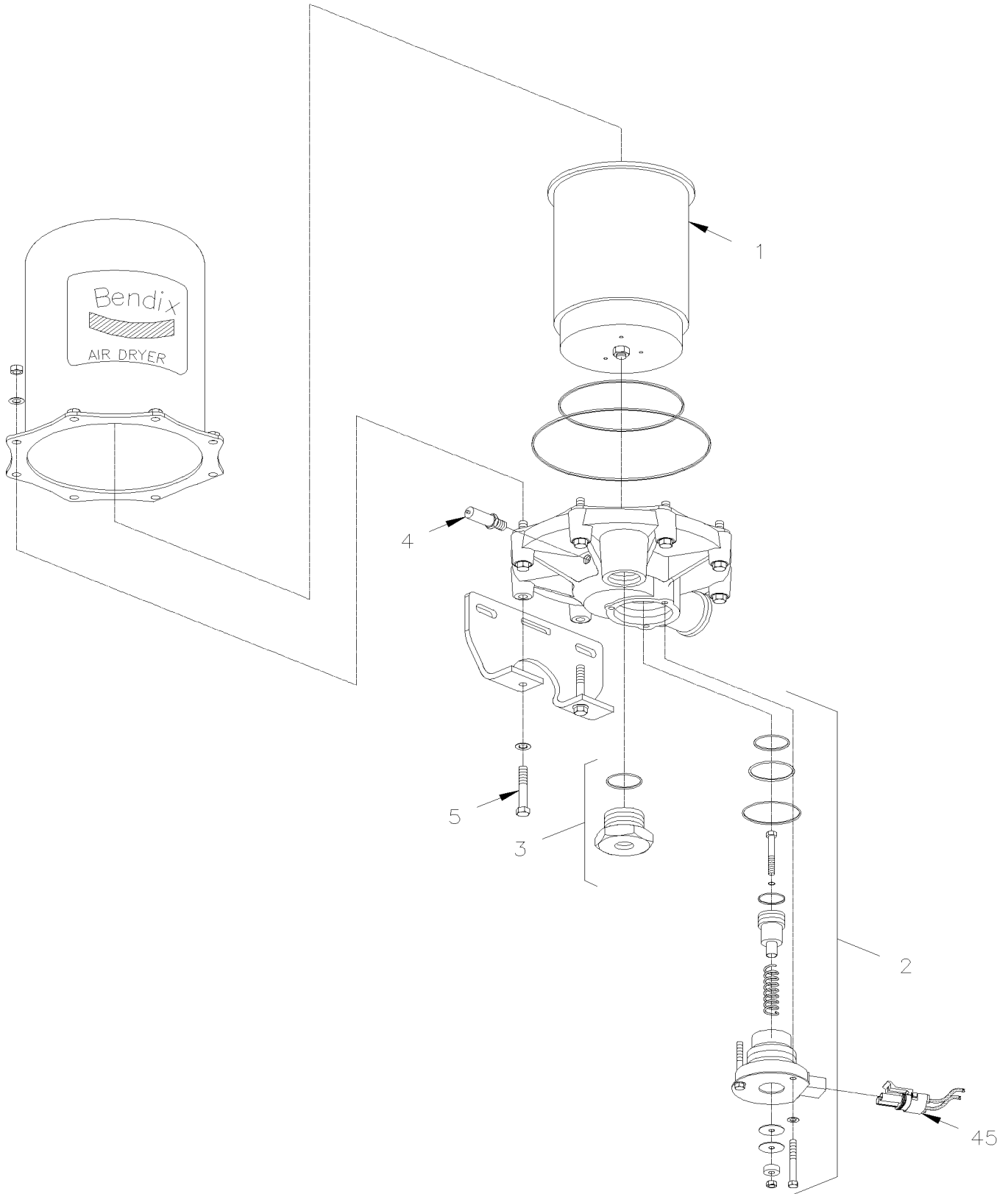


From 7-0671 To C-2046

Date:10/2022

PAGE:H7-1215-00

AIR DRYER - "BENDIX" AD-9 "OPTIONAL" SPECIAL

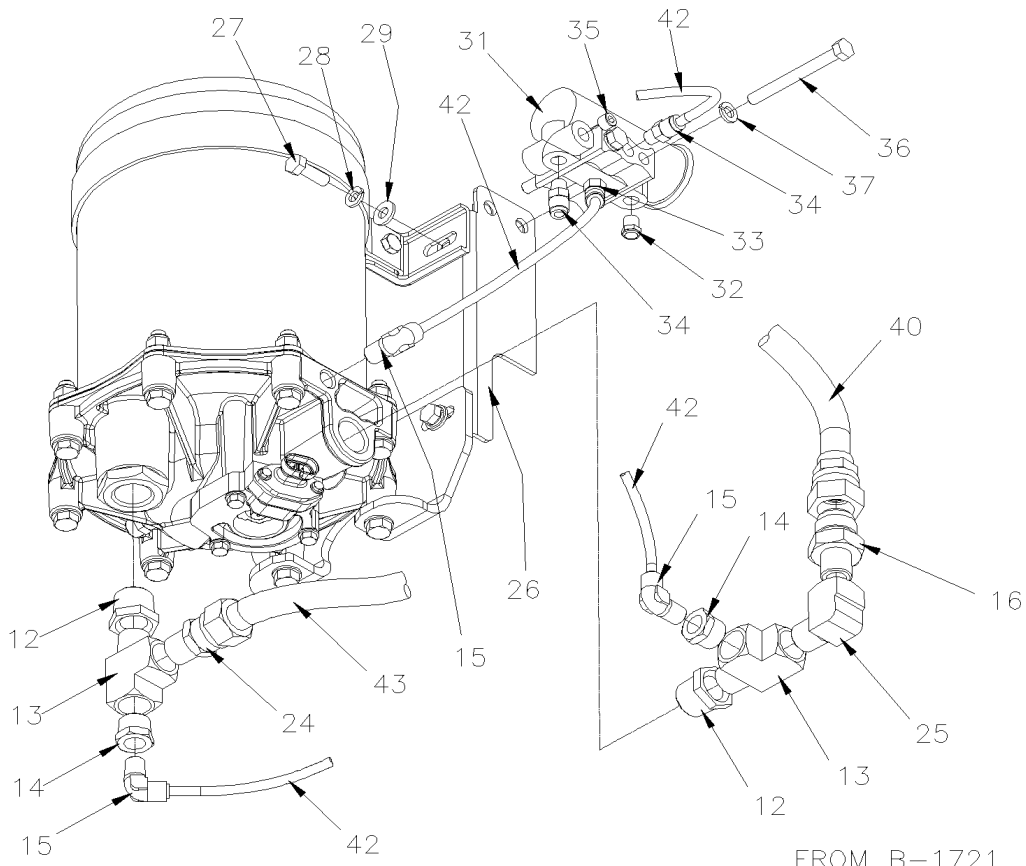
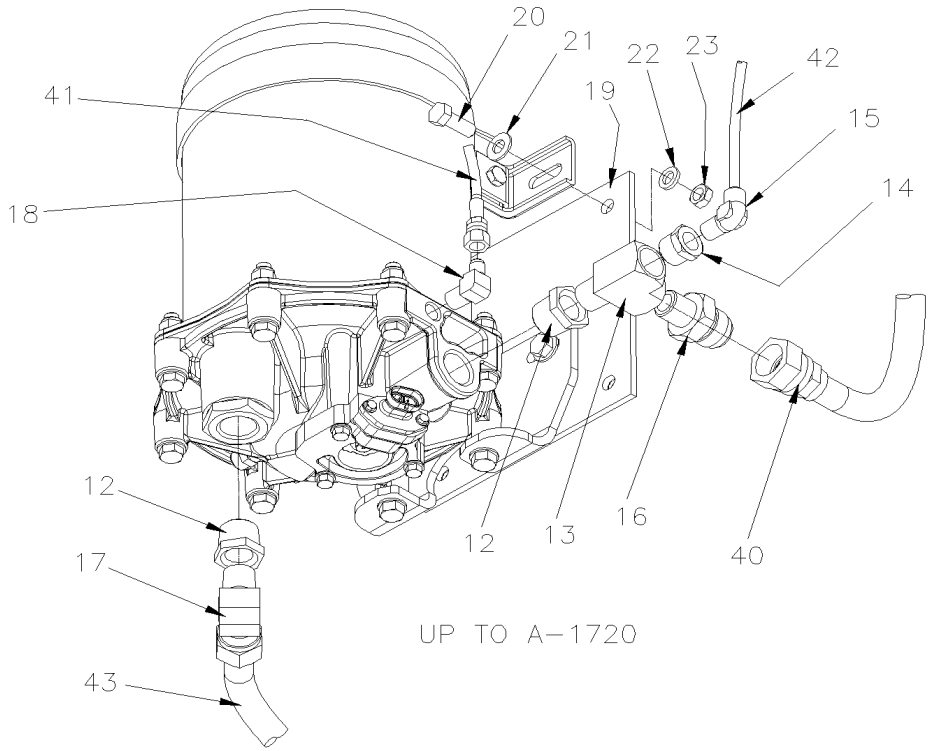


From 7-0671 To C-2046

Date:10/2022

PAGE:H7-1215-00

## AIR DRYER - "BENDIX" AD-9 "OPTIONAL" SPECIAL



<b>From 7-0671 To C-2046</b>	<b>Date:10/2022</b>	<b>PAGE:H7-1215-00</b>
<b>AIR DRYER - "BENDIX" AD-9 "OPTIONAL" SPECIAL</b>		

Item#	Part	Description	H 3 4 1	H 3 4 5	V I P 4 5	N O T E S
	641243	AIR DRYER ASSY AD-9 24 VOLTS	1	1	1	
1	641244	. DESICANT CARTRIDGE / "BENDIX" AD-9	1	1	1	
. NS	M104-12	. . SEE MAINTENANCE INFORMATION	1	1	1	
2	641464	. PURGE VALVE ASSY W/HEATER 24V	1	1	1	
. NS	109579	. . HEATER ELEMENT 24V -109579	1	1	1	
NS	641358	. . KIT REPAIR / PURGE VALVE	1	1	1	
3	641246	. CHECK VALVE MAINTENANCE KIT 3/4 NPT	1	1	1	
4	N.S.P.	. SAFETY VALVE (285849)	1	1	1	2
5	5001173	. SCREW CAP HEX 5/16-18x4 1/2 G8 ZP	2	2	2	
NS	680098	THREAD SEALANT LOCTITE #567 / WHITE / 250ml	AR	AR	AR	
12	501462	BUSHING REDUCER / PIPE FITTING / 3/4NTP-Mx1/2NPT-F BR	2	2	2	
13	501473	MALE RUN TEE / PIPE FITTING / 1/2NPT-Mx1/2NPT-Fx1/2NPT-F BR To A-1720	1	1	1	
13	501473	MALE RUN TEE / PIPE FITTING / 1/2NPT-Mx1/2NPT-Fx1/2NPT-F BR From B-1721	2	2	2	
14	501316	BUSHING REDUCER / PIPE FITTING / 1/2NPT-Mx1/4NPT-F BR To A-1720	1	1	1	
14	501316	BUSHING REDUCER / PIPE FITTING / 1/2NPT-Mx1/4NPT-F BR From B-1721	2	2	2	
15	641371	MALE ELBOW 90° NON-SWIVEL / PUSH-IN FITTING / #4x1/4NPT-M BR To A-1720	1	1	1	
15	641371	MALE ELBOW 90° NON-SWIVEL / PUSH-IN FITTING / #4x1/4NPT-M BR From B-1721	3	3	3	
16	501600	MALE CONNECTOR / JIC 37° FITTING / #12JIC-Mx1/2NPT-M STL	1	1	1	
17	641134	MALE ELBOW 90° / NTA FITTING / #12x1/2NPT-M BR To A-1720	1	1	1	
18	501037	MALE ELBOW 90° / SAE 45° FITTING / #4FL-Mx1/4NPT-M BR To A-1720	1	1	1	
19	172144	PLATE SUPPORT / AIR DRYER BENDIX To A-1720	AR	AR	AR	
20	500191	SCREW CAP HEX 3/8-16x1 G5 Z050 To A-1720	4	4	4	
21	500444	WASHER FL .406x.812x.065 Z050 To A-1720	4	4	4	
22	500478	WASHER LO SPT .380x.683x.094 Z050 To A-1720	4	4	4	
23	500783	NUT HEX 3/8-16 Z050 To A-1720	4	4	4	
24	640995	MALE CONNECTOR / NTA FITTING / #12x1/2NPT-M BR From B-1721	1	1	1	
25	507557	STREET ELBOW 90° / PIPE FITTING / 1/2NPT-Mx1/2NPT-F BR From B-1721	1	1	1	
26	173745	PLATE SUPPORT / AIR DRYER BENDIX From B-1721	1	1	1	
27	5001745	SCREW CAP HEX M8-1.25x25 G8.8 N500 From B-1721	4	4	4	
28	500942	WASHER LO SPT 8.1x14.8x2.0 N500 From B-1721	4	4	4	
29	5001736	WASHER FL 8.4x18.0x2.0 N500 From B-1721	4	4	4	
31	641933	GOVERNOR, AIR / D-2 / (110/130PSI) From B-1721	1	1	1	
. NS	640965	. REPAIR KIT / GOVERNOR D-2 From B-1721	1	1	1	
. NS	640638	. GASKET, AIR GOVERNOR From B-1721	1	1	1	
. NS	500187	. SCREW CAP HEX 5/16-18x3 G5 Z050 From B-1721	2	2	2	
. NS	500942	. WASHER LO SPT 8.1x14.8x2.0 N500 From B-1721	2	2	2	
32	641943	SILENCER / MUFFLER / 1/8NPT-M From B-1721	1	1	1	
33	641365	MALE ELBOW 45° NON-SWIVEL / PUSH-IN FITTING / #4x1/8NPT-M BR From B-1721	1	1	1	
34	641242	MALE CONNECTOR / PUSH-IN FITTING / #4x1/8NPT-M BR From B-1721	2	2	2	
35	501072	PLUG HEXS / PIPE FITTING / 1/8NPT-M STL From B-1721	3	3	3	
36	5001185	SCREW CAP HEX M8-1.25x80 SS BK	2	2	2	
37	500942	WASHER LO SPT 8.1x14.8x2.0 N500	2	2	2	

From 7-0671 To C-2046	Date:10/2022	PAGE:H7-1215-00
<b>AIR DRYER - "BENDIX" AD-9 "OPTIONAL" SPECIAL</b>		

Item#	Part	Description	H 3 4 1	H 3 4 5	V I P 4 5	N O T E S
40	142296	HOSE ASSY / #12 410MM To A-1720	1	1	1	
40	143119	HOSE ASSY TEFLON #12 4000MM From B-1721	1	1	1	
41	141970	HOSE ASSY TEFLON #4 4090MM To A-1720	1	1	1	
42	503464	TUBE, NYLON 1/4 O.D. / GREEN S.L.	1	1	1	
43	503465	TUBE, NYLON 3/4 O.D. / GREEN S.L.	1	1	1	
45	063791	CABLE ASSY / AIR DRYER AD-9 HEATER	1	1	1	
NS	562251	. CONNECTOR / METRI-PACK 280 / SH 2C / PED 12020599	1	1	1	
NS	562287	. SECONDARY LOCK / METRI-PACK 280 / 2C / BLACK / PED 12034446	1	1	1	
NS	562101	. SOCKET TERMINAL / 14-12 / PED 12129493	2	2	2	
NS	562106	. SEAL CONNECTOR / METRI-PACK / 3C / BLACK / PED 12048370	2	2	2	
51	<b>H7-1215-10</b>	<b>AIR DRYER TUBE - INSTALLATION</b>				
52	<b>H7-1215-15</b>	<b>CHECK VALVE INSTALLATION W/"WABCO" &amp; "BENDIX" AIR DRYER</b>				
		2) NOT SOLD BY PREVOST (SEE MANUFACTURING PART NUMBER AT END OF DESCRIPTION LINE)				

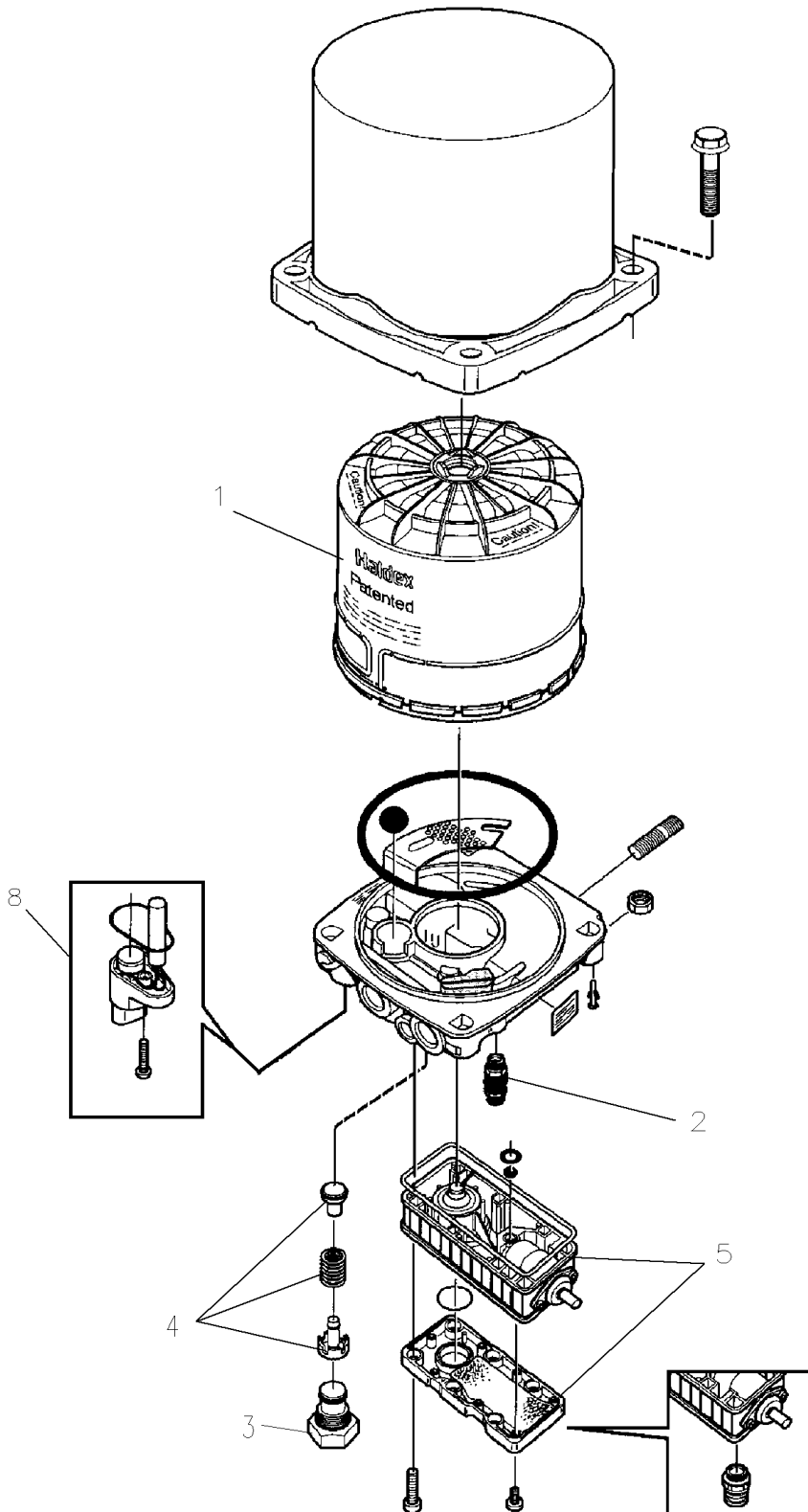


From 7-0671 To D-2363

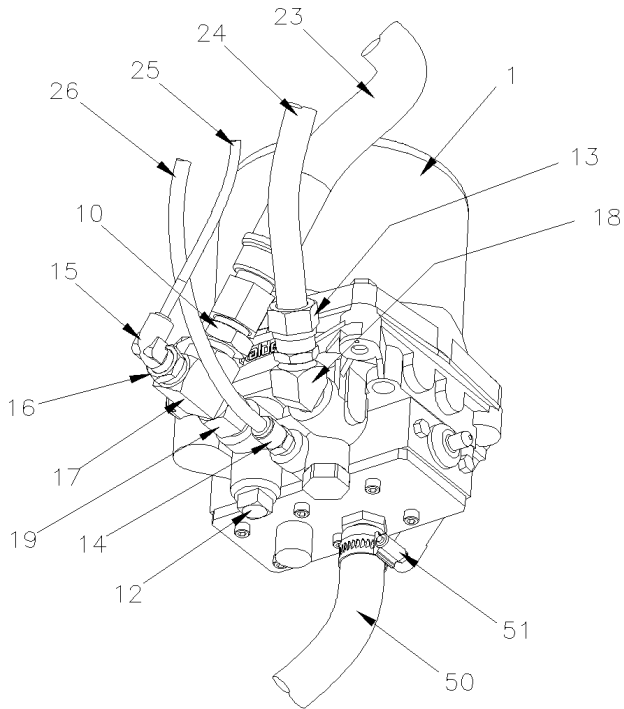
Date:10/2022

PAGE:H7-1215-01

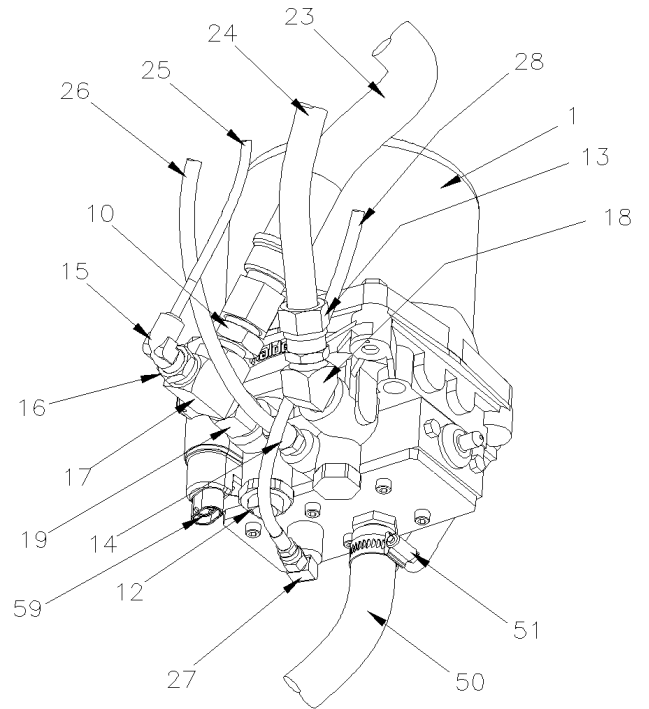
AIR DRYER - "HALDEX"



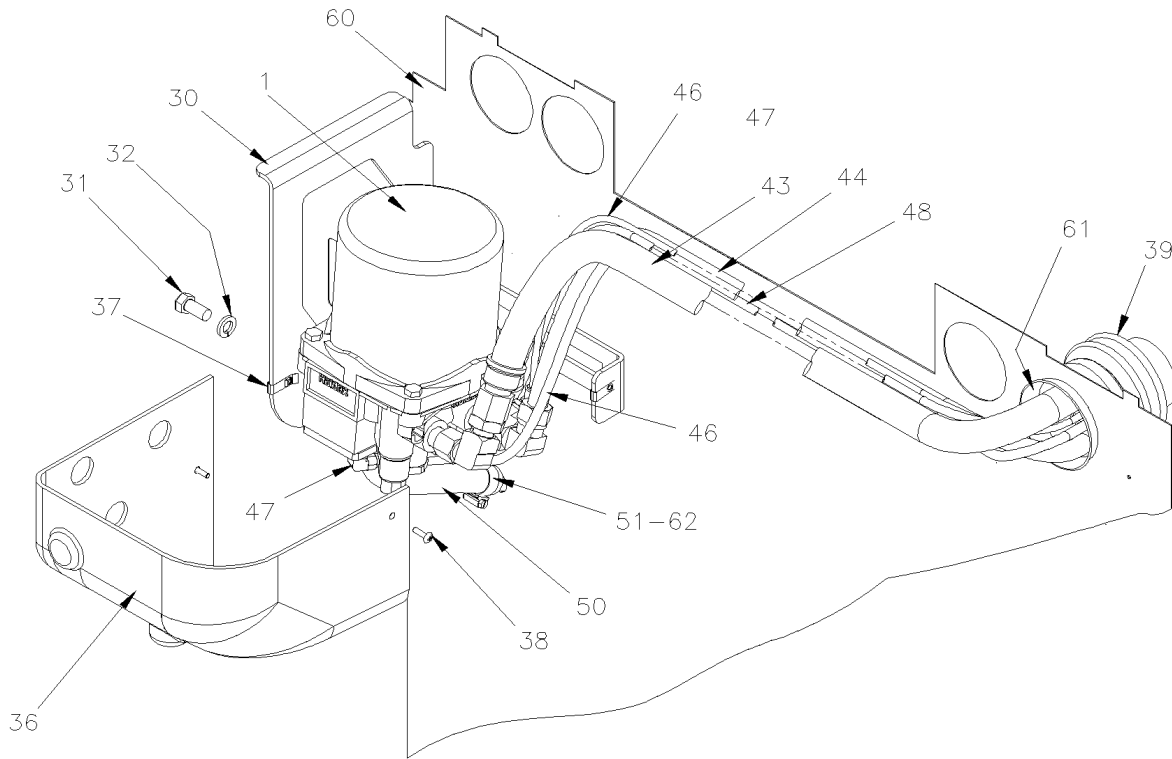
From 7-0671 To D-2363	Date:10/2022	PAGE:H7-1215-01
<b>AIR DRYER - "HALDEX"</b>		



WITH DETROIT S-60



WITH VOLVO D13



WITH AIR DRYER  
INSIDE BAGGAGE COMPARTMENT

<b>From 7-0671 To D-2363</b>	<b>Date:10/2022</b>	<b>PAGE:H7-1215-01</b>
<b>AIR DRYER - "HALDEX"</b>		

Item#	Part	Description	H 3 4 1	H 3 4 5	V I P 4 5	N O T E S
	642070	AIR DRYER "HALDEX" / WITH GOVERNOR 9.0 Bar To A-1720	1	1	1	
	642111	AIR DRYER "HALDEX" / WITH GOVERNOR 9.0 Bar From 8-1202	1	1		D13
1	3097369	. DESICANT CARTRIDGE / "HALDEX"	1	1	1	
2	641953	SAFETY VALVE	1	1	1	
3	N8885277	. REGENERATION VALVE BLACK PLASTIC M22-1.5	1	1	1	
4	N8894693	. . KIT CHECK VALVE	1	1	1	
5	642071	. VALVE PACK / W/INTEGRATED GOVERNOR 9.0BAR	1	1	1	
8	N8882161	. HEATER ELEMENT 24VOLT / W/ PIG TAIL CONNECTOR From 8-1202	1	1		D13
. NS	562251	. . CONNECTOR / METRI-PACK 280 / SH 2C / PED 12020599 From 8-1202	1	1		D13
9	5001700	STUD M12-1.75x50	3	3	3	
NS	5001761	NUT HEXF NYRT M12-1.75 G8 N500	3	3	3	
10	501600	MALE CONNECTOR / JIC 37° FITTING / #12JIC-Mx1/2NPT-M STL	1	1	1	
12	501517	PLUG SQUARE HEAD / PIPE FITTING / 3/4NPT-M BR To A-1677	1	1	1	
12	500720	PLUG HEXS / PIPE FITTING / 3/4NPT-M STL From A-1678	1	1	1	
13	640995	MALE CONNECTOR / NTA FITTING / #12x1/2NPT-M BR	1	1	1	
14	641331	MALE CONNECTOR / PUSH-IN FITTING / #6x1/4NPT-M BR	1	1	1	
15	641374	MALE ELBOW 90° NON-SWIVEL / PUSH-IN FITTING / #4x3/8NPT-M BR	1	1	1	
16	501534	BUSHING REDUCER / PIPE FITTING / 1/2NPT-Mx3/8NPT-F BR	1	1	1	
17	501473	MALE RUN TEE / PIPE FITTING / 1/2NPT-Mx1/2NPT-Fx1/2NPT-F BR	1	1	1	
18	501528	STREET ELBOW 45° / PIPE FITTING / 1/2NPT-Mx1/2NPT-F BR	1	1	1	
19	5011119	ADAPTER / PIPE FITTING / 1/2NPT-Fx1/2NPT-M BR	1	1	1	
23	142149	HOSE ASSY / #12 1310MM	1	1	1	
24	503465	TUBE, NYLON 3/4 O.D. / GREEN S.L.	AR	AR	AR	
25	503402	TUBE, NYLON 1/4 O.D. / BLACK S.L.	AR	AR	AR	
25	144905	HOSE ASSY TEFLON #4 4675MM From 8-1202	1	1		D13
26	503472	TUBE, NYLON 3/8 O.D. / GREY S.L.	AR	AR	AR	
27	501037	MALE ELBOW 90° / SAE 45° FITTING / #4FL-Mx1/4NPT-M BR	1	1		D13
28	144905	HOSE ASSY TEFLON #4 4675MM	1	1		D13
		NEXT ITEMS ARE USED WITH				
		AIR DRIER INSIDE OF BAGGAGE COMPARTMENT				
30	173576	SUPPORT AIR DRYER "WABCO" From 8-1202	1	1		D13 B
31	500850	SCREW CAP HEX M12-1.75X25 G8.8 Z050 From 8-1202	3	3		D13 B
32	500944	WASHER LO SPT .506x.873x.125 N500 From 8-1202	3	3		D13 B
36	142888	COVER PROTECTOR From 8-1202	AR	AR		D13 B
37	500252	NUT SPR U #10-24 .156-.187 From 8-1202	3	3		D13 B
38	500606	SCREW MA TR PH #10-24x3/4 SS From 8-1202	3	3		D13 B
39	504499	CUFF END BELLOW / 2 7/8" I.D. x 3 5/8" x 4 7/16	1	1		
NS	504026	HOSE CLAMP / 2"13/16-3"3/4 SS / HS-52	1	1		

From 7-0671 To D-2363	Date:10/2022	PAGE:H7-1215-01
<b>AIR DRYER - "HALDEX"</b>		

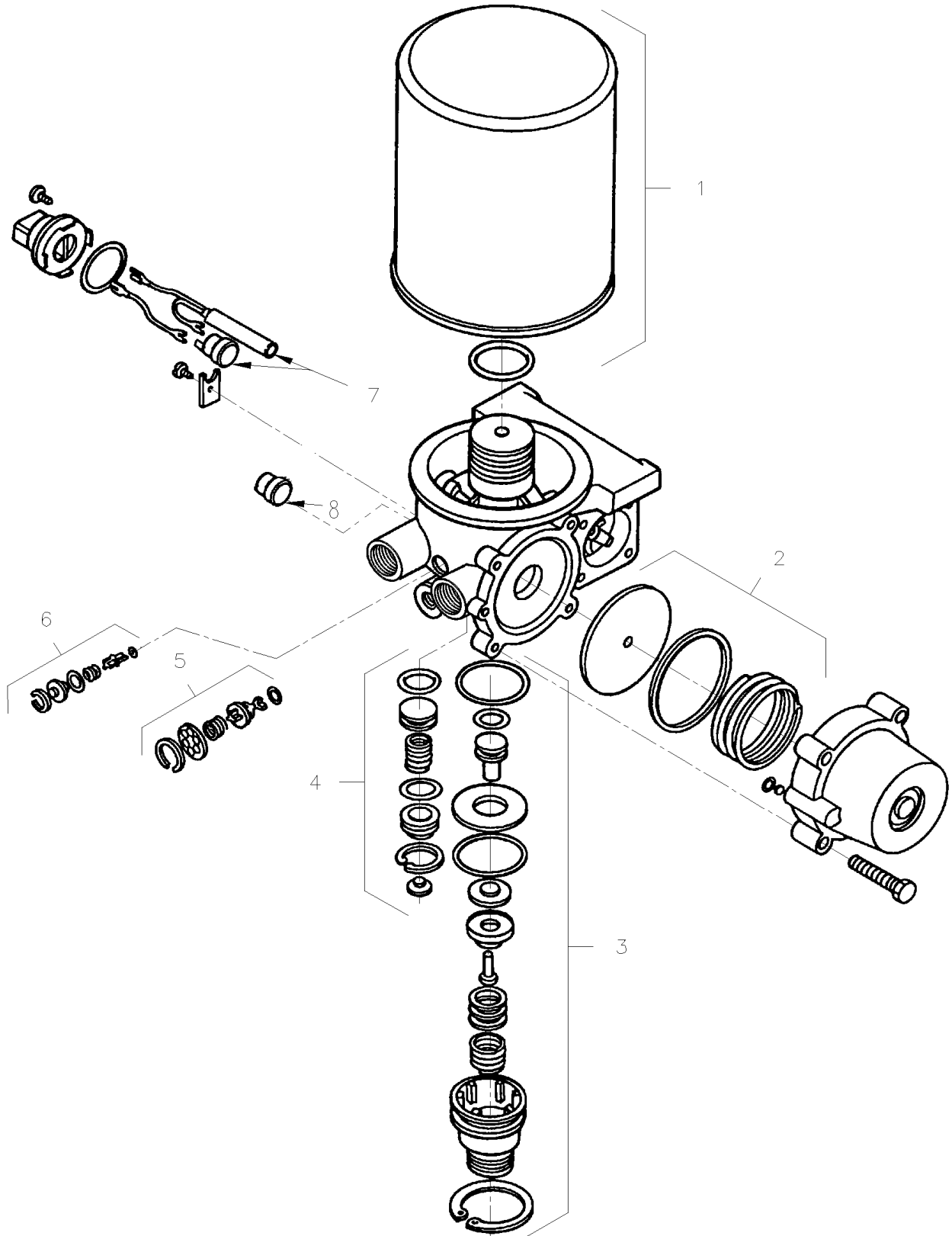
Item#	Part	Description	H 3 4 1	H 3 4 5	V I P 4 5	N O T E S
NS	371600	INSULATING PAD 76.2MM x 374.7MM	1	1		
NS	504637	CABLE TIE / 3/16" x 13"	1	1		
43	142884	HOSE ASSY / #12 2667MM From 8-1202	1	1		D13 B
44	503465	TUBE, NYLON 3/4 O.D. / GREEN S.L.	AR	AR		
46	503472	TUBE, NYLON 3/8 O.D. / GREY S.L.	AR	AR		
47	501037	MALE ELBOW 90° / SAE 45° FITTING / #4FL-Mx1/4NPT-M BR	1	1		
48	142887	HOSE ASSY TEFLON #4 5590MM From 8-1202	1	1		D13 B
50	503523	HOSE SILICONE 1PLY 3/4" I.D. x 100' / S.L.	AR	AR		
51	504020	HOSE CLAMP / 9/16"-1"1/4 SS / HS-12	2	2		
59	067307	CABLE ASSY / "AIR DRYER "WABCO" EXTENTION W/"OPTION" BAGGAGE From 8-1202	1	1		D13 B
60	216443	PANEL / REAR / W/AIR DRYER W/O W.C.L. From 8-1202	1	1		D13 B
61	172326	TUBE / FIXED TO REAR WALL / 89MM O.D. From 8-1202	1	1		D13 B
62	142512	TUBE 3/4" O.D. / FIXED TO REAR WALL From 8-1202	1	1		D13 B
		B) WITH AIR DRYER IN BAGGAGE COMPARTMENT				
		D13) WITH "VOLVO" ENGINE				

From 8-1202 To D-2363

Date:10/2022

PAGE:H7-1215-02

AIR DRYER - "WABCO"

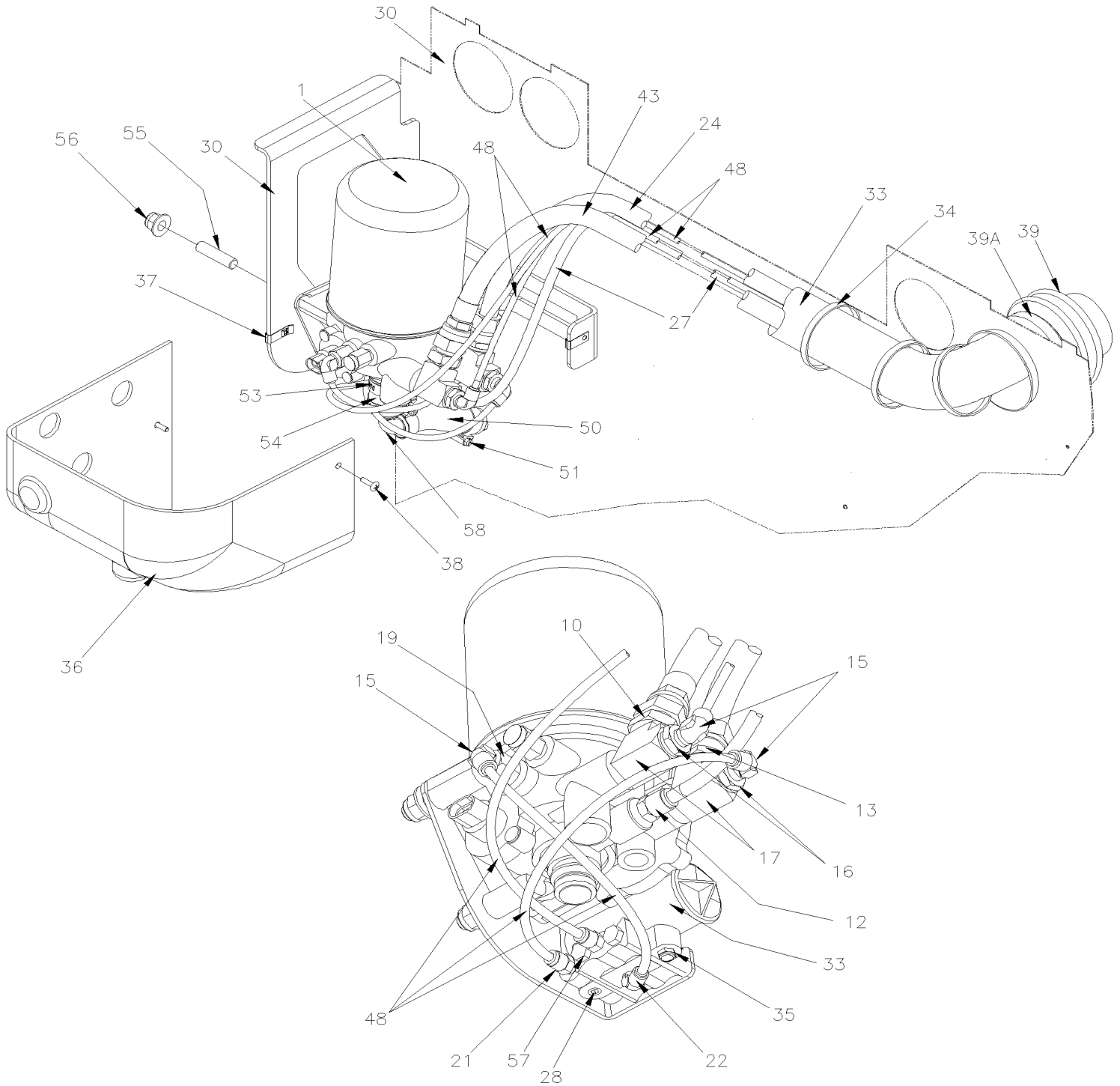


From 8-1202 To D-2363

Date:10/2022

PAGE:H7-1215-02

AIR DRYER - "WABCO"



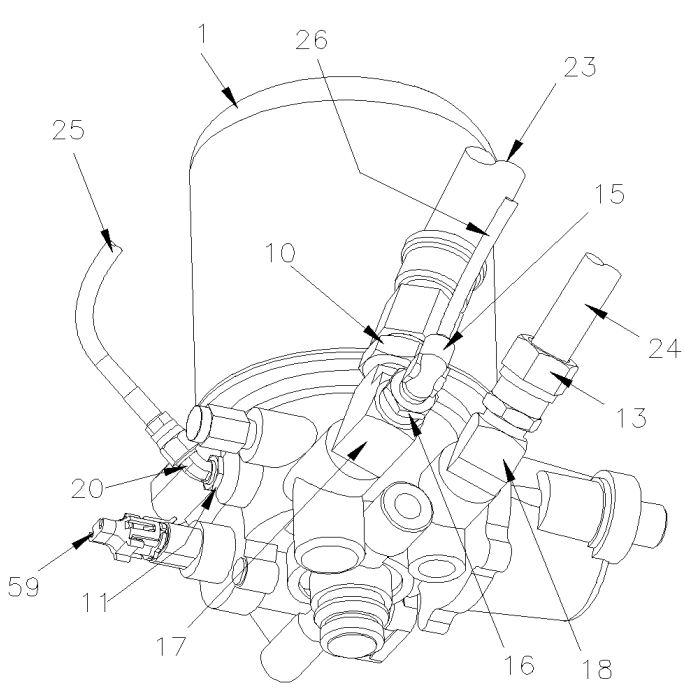
WITH AIR DRYER  
INSIDE BAGGAGE COMPARTMENT  
FROM B-1721

From 8-1202 To D-2363

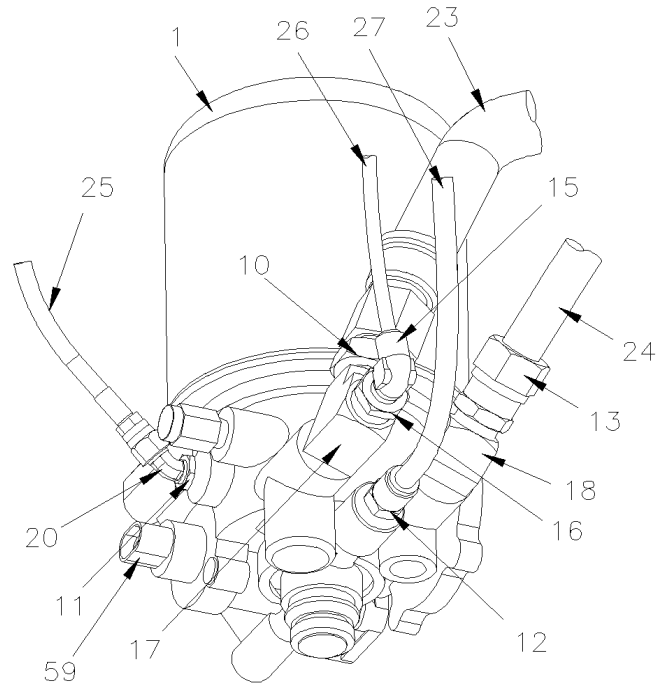
Date:10/2022

PAGE:H7-1215-02

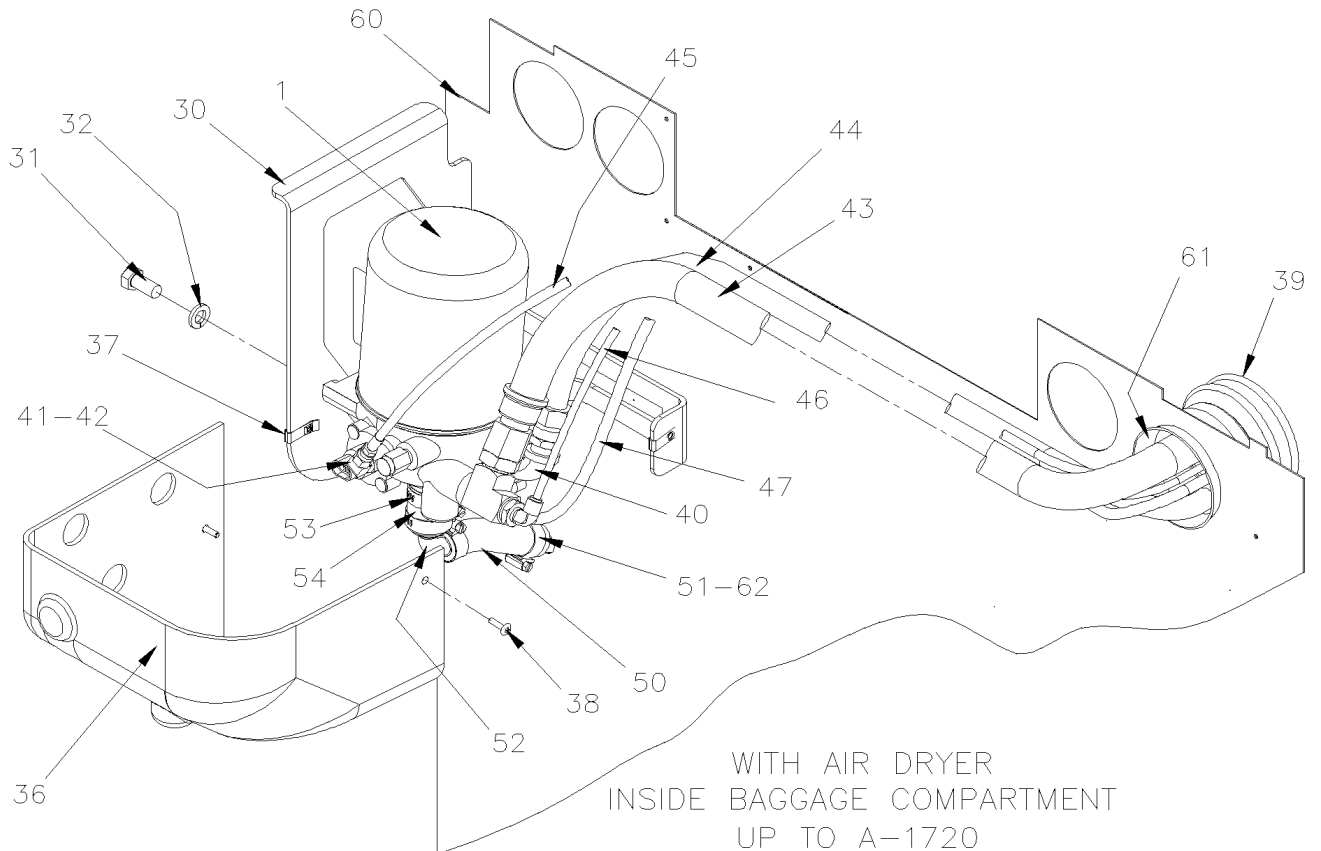
AIR DRYER - "WABCO"



WITH DETROIT S-60



WITH VOLVO D13



WITH AIR DRYER  
INSIDE BAGGAGE COMPARTMENT  
UP TO A-1720

<b>From 8-1202 To D-2363</b>	<b>Date:10/2022</b>	<b>PAGE:H7-1215-02</b>
<b>AIR DRYER - "WABCO"</b>		

Item#	Part	Description	H 3 4 1	H 3 4 5	V I P 4 5	N O T E S
		THIS AIR DRYER USE SAME GOVERNOR				
		AND AIR DRYER TUBE THAN WITH "WABCO" DRIER				
	20935355	AIR DRYER "WABCO" / SS-1200UP / 12V HEATER To A-1509	1	1	1	W
	642118	AIR DRYER "WABCO" / SS-1200UP / 24V HEATER NEVER USE From A-1510 To A-1681				
	20935355	AIR DRYER "WABCO" / SS-1200UP / 12V HEATER From A-1882	1	1	1	W
1	642123	. DESICANT CARTRIDGE / "WABCO" / SS-1200UP	1	1	1	
1	640045	. DESICANT CARTRIDGE / "WABCO"	1	1	1	
1	3915558	. DESICANT CARTRIDGE / "WABCO"	1	1	1	
. NS	M104-12	. . SEE MAINTENANCE INFORMATION	1	1	1	
3	641283	. PURGE VALVE KIT	1	1	1	
4	641282	. TURBO CUT-OFF VALVE KIT	1	1	1	
5	641281	. OUTLET CHECK VALVE KIT	1	1	1	
6	641280	. BY-PASS VALVE KIT	1	1	1	
7	641279	. HEATER ASSY KIT 24 VOLTS	1	1	1	
. NS	562251	. . CONNECTOR / METRI-PACK 280 / SH 2C / PED 12020599	1	1	1	
. NS	562101	. . SOCKET TERMINAL / 14-12 / PED 12129493	2	2	2	
8	3919796	. RELIEF VALVE ASSY	1	1	1	
NS	641319	SNUBBLER AIR DISCHARGE / BLACK PLASTIC	AR	AR	AR	
10	501600	MALE CONNECTOR / JIC 37° FITTING / #12JIC-Mx1/2NPT-M STL	1	1	1	
11	501312	BUSHING REDUCER / PIPE FITTING / 1/4NTP-Mx1/8NPT-F BR	1	1	1	
12	641331	MALE CONNECTOR / PUSH-IN FITTING / #6x1/4NPT-M BR	1	1	1	
13	640995	MALE CONNECTOR / NTA FITTING / #12x1/2NPT-M BR	1	1	1	
15	641371	MALE ELBOW 90° NON-SWIVEL / PUSH-IN FITTING / #4x1/4NPT-M BR	1	1	1	
16	501316	BUSHING REDUCER / PIPE FITTING / 1/2NPT-Mx1/4NPT-F BR	1	1	1	
17	501473	MALE RUN TEE / PIPE FITTING / 1/2NPT-Mx1/2NPT-Fx1/2NPT-F BR	1	1	1	
18	501528	STREET ELBOW 45° / PIPE FITTING / 1/2NPT-Mx1/2NPT-F BR	1	1	1	
19	501808	MALE ELBOW 45° / SAE 45° FITTING / #4FL-Mx1/8NPT-M BR	1	1	1	
20	501808	MALE ELBOW 45° / SAE 45° FITTING / #4FL-Mx1/8NPT-M BR	1	1	1	
21	641242	MALE CONNECTOR / PUSH-IN FITTING / #4x1/8NPT-M BR	1	1	1	
22	641369	MALE ELBOW 90° NON-SWIVEL / PUSH-IN FITTING / #4x1/8NPT-M BR	1	1	1	
23	142149	HOSE ASSY / #12 1310MM	1	1		T
24	503465	TUBE, NYLON 3/4 O.D. / GREEN S.L.	AR	AR		A
NS	144889	HOSE ASSY TEFLON #4 3470MM From 8-1202	1	1	1	H
25	144890	HOSE ASSY TEFLON #4 4750MM From 8-1202	1	1		G D13
26	503402	TUBE, NYLON 1/4 O.D. / BLACK S.L.	AR	AR		
27	503472	TUBE, NYLON 3/8 O.D. / GREY S.L.	AR	AR	AR	
28	501072	PLUG HEXS / PIPE FITTING / 1/8NPT-M STL	1	1	1	
		NEXT ITEMS ARE USED WITH				
		AIR DRIER INSIDE OF BAGGAGE COMPARTMENT				



<b>From 8-1202 To D-2363</b>	<b>Date:10/2022</b>	<b>PAGE:H7-1215-02</b>
<b>AIR DRYER - "WABCO"</b>		

Item#	Part	Description	H 3 4 1	H 3 4 5	V I P 4 5	N O T E S
30	173576	SUPPORT AIR DRYER "WABCO" From 8-1329	1	1		
31	500850	SCREW CAP HEX M12-1.75X25 G8.8 Z050	3	3		
32	500482	WASHER LO SPT .506x.873x.125 Z050	3	3		
33	506242	PIPE INSULATING / 1 3/8" I.D. X 1/2" TH. X 72 / APT13812 From B-1721	AR	AR	AR	
34	504016	CABLE TIE / 5/16" X 14"1/2 From B-1721	AR	AR	AR	
35	641943	SILENCER / MUFFLER / 1/8NPT-M From B-1721	1	1	1	
36	142888	COVER PROTECTOR From 8-1329	1	1		
37	500252	NUT SPR U #10-24 .156-.187	3	3		
38	500606	SCREW MA TR PH #10-24x3/4 SS	3	3		
39	504499	CUFF END BELLOW / 2 7/8" I.D. x 3 5/8" x 4 7/16	1	1		
39	371600	INSULATING PAD 76.2MM x 374.7MM	1	1		
39	504637	CABLE TIE / 3/16" x 13"	1	1		
39A	504026	HOSE CLAMP / 2"13/16-3"3/4 SS / HS-52	1	1		
40	5011170	STREET ELBOW 90° / PIPE FITTING / 1/2NPT-Mx1/2NPT-F GAL	1	1		
41	148991	HOSE ASSY TEFLON #4 5010MM	1	1		G
41	501308	ADAPTER / PIPE FITTING / 1/4NPT-Fx1/4NPT-M BR	1	1		
42	501037	MALE ELBOW 90° / SAE 45° FITTING / #4FL-Mx1/4NPT-M BR	1	1		
43	142884	HOSE ASSY / #12 2667MM To A-1720	1	1		T D13
43	143113	HOSE ASSY TEFLON #12 5060MM From B-1721	1	1		
44	503465	TUBE, NYLON 3/4 O.D. / GREEN S.L.	AR	AR		
NS	144889	HOSE ASSY TEFLON #4 3470MM From 8-1202	1	1		H D13
45	141970	HOSE ASSY TEFLON #4 4090MM	1	1		H
45	142887	HOSE ASSY TEFLON #4 5590MM	1	1		G D13
46	148039	HOSE ASSY TEFLON #4 290MM	1	1		C
46	144885	HOSE ASSY TEFLON #4 180MM From 8-1202	1	1		C D13
47	503472	TUBE, NYLON 3/8 O.D. / GREY S.L.	AR	AR		
48	503464	TUBE, NYLON 1/4 O.D. / GREEN S.L. From B-1721	AR	AR		
49	144870	HOSE ASSY TEFLON #12 260MM	1	1		J
50	503523	HOSE SILICONE 1PLY 3/4" I.D. x 100' / S.L.	AR	AR		
51	504020	HOSE CLAMP / 9/16"-1"1/4 SS / HS-12	2	2		
52	142545	ELBOW REDUCER ASSY 1" x 5/8"	1	1		
53	504022	HOSE CLAMP / 3/4"-1"3/4 SS / HS-20	1	1		
54	503652	HOSE SILICONE 2PLY 1 1/8" I.D. x 3' To D-2275	AR	AR		
54	503796	HOSE SILICONE 2 PLY / NOMEX-ARAMID 1 1/8" I.D. x 6' From D-2276	AR	AR		
55	5001879	STUD 1/2-13x2" From B-1721	3	3		
56	500276	NUT HEX STO 1/2-13 N500 From B-1721	3	3		
56	5001585	WASHER FL 13.5x27x2.46-4.5 DP From B-1721	3	3		
57	502797	SCREW CAP HEX M8-1.25x70 G10.9 G500	2	2		
58	507547	FEMALE ELBOW 90° SHORT RADIUS / COPPER TUBE / 1Fx1/2F	1	1	1	
59	067307	CABLE ASSY / "AIR DRYER "WABCO" EXTENTION W/"OPTION" BAGGAGE	1	1		

From 8-1202 To D-2363	Date:10/2022	PAGE:H7-1215-02
<b>AIR DRYER - "WABCO"</b>		

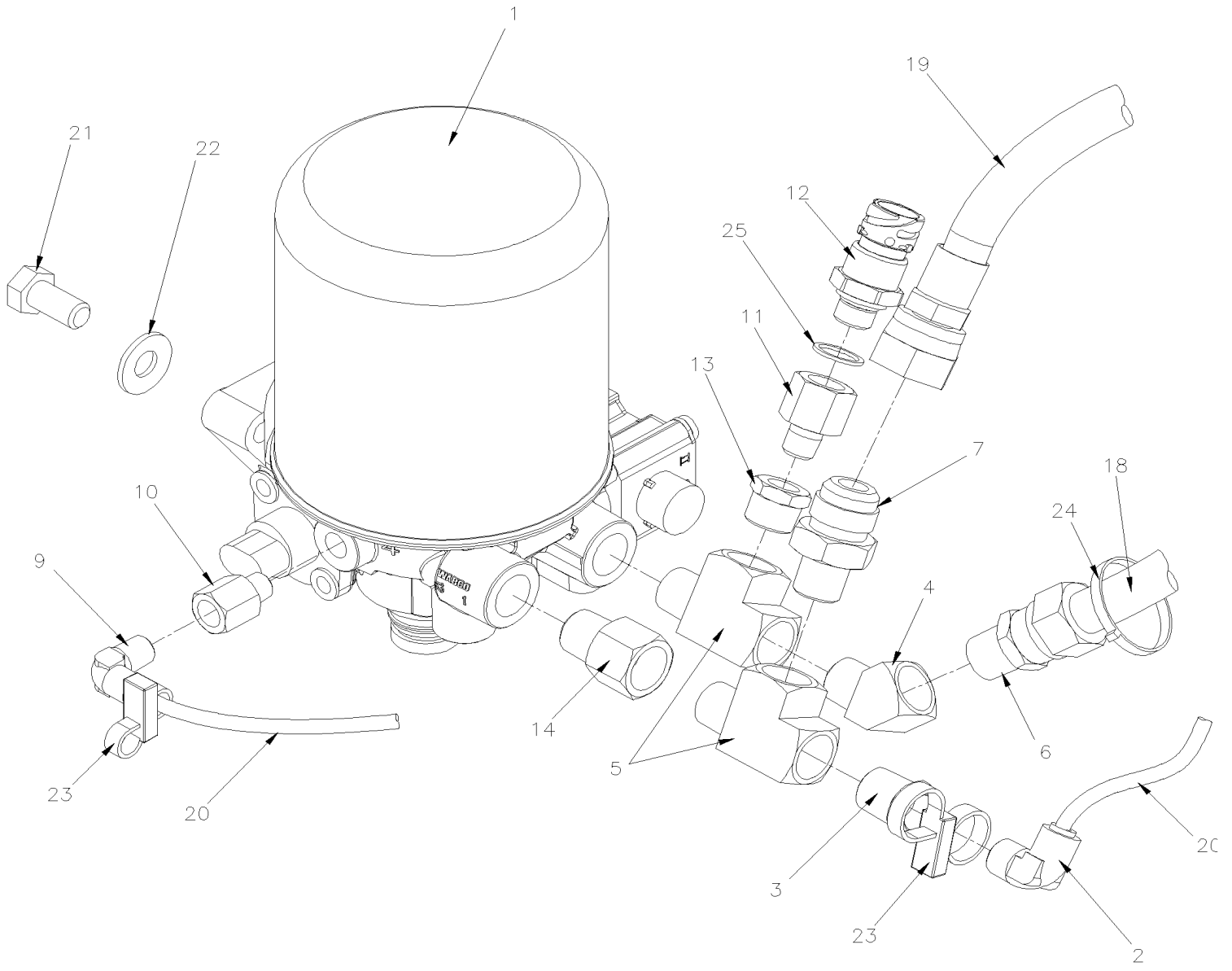
Item#	Part	Description	H 3 4 1	H 3 4 5	V I P 4 5	N O T E S
60	216443	PANEL / REAR / W/AIR DRYER W/O W.C.L. From 8-1329	1	1		
61	172326	TUBE / FIXED TO REAR WALL / 89MM O.D. From 8-1329	1	1		
62	142512	TUBE 3/4" O.D. / FIXED TO REAR WALL From 8-1329	1	1		
		A) DRYER & WET AIR TANK				
		C) GOVERNOR & COMPRESSOR				
		D13) WITH VOLVO ENGINE				
		G) DRYER & GOVERNOR				
		H) GOVERNOR & TANK				
		J) COMPRESSOR & PING TANK				
		T) DRYER & AIR DRYER TUBE				
		W) "WARNING BEFOR INSTALL THIS AIR DRYER ON VEHICULE DO NOT FORGET TO CHANGE ITEM # 7 HEATER KIT # 641279				

From D-2364 To J-0287

Date:10/2022

PAGE:H7-1215-03

AIR DRYER - "WABCO" / SUB FRAME INSTALLATION



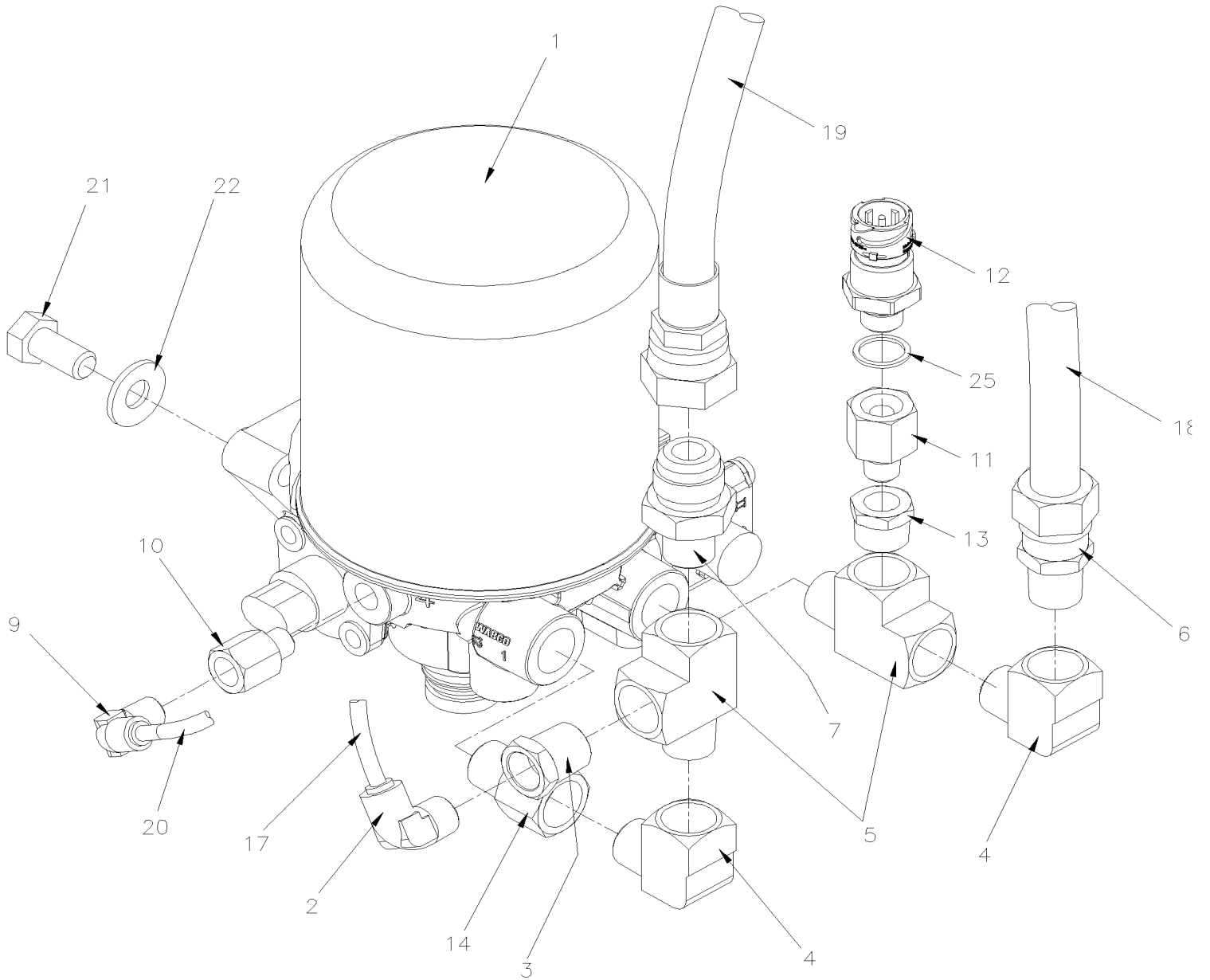
UP TO E-2504

From D-2364 To J-0287

Date:10/2022

PAGE:H7-1215-03

**AIR DRYER - "WABCO" / SUB FRAME INSTALLATION**



FROM E-2505

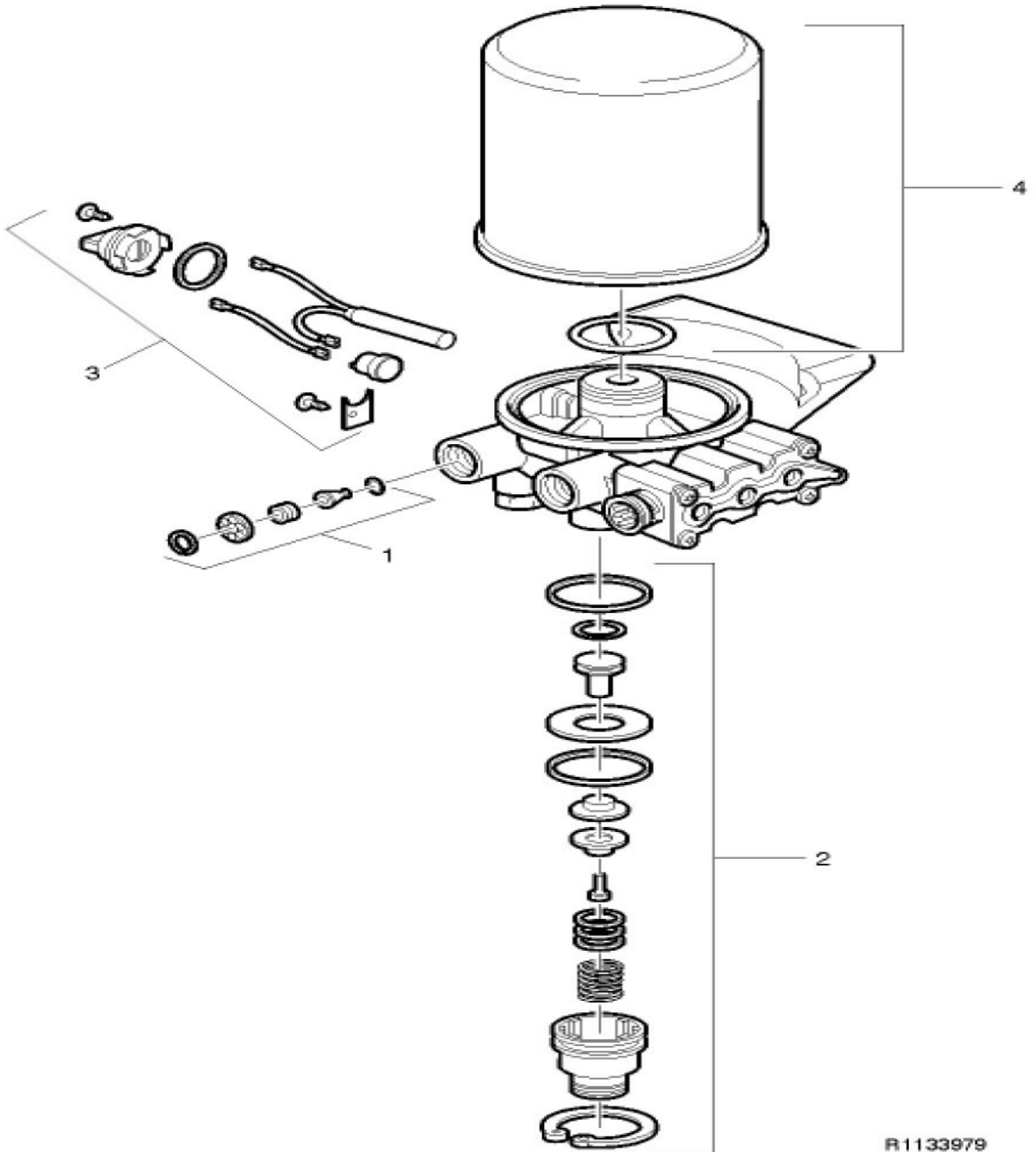
From D-2364 To J-0287 Date:10/2022 PAGE:H7-1215-03

**AIR DRYER - "WABCO" / SUB FRAME INSTALLATION**

Item#	Part	Description	H 3 4 1	H 3 4 5	V I P 4 5	N O T E S
1	21440978	AIR DRYER "WABCO" 12 VOLTS	1	1	1	
1	067957	HARNESS / AIR DRYER CONTROL	1	1	1	B
2	641374	MALE ELBOW 90° NON-SWIVEL / PUSH-IN FITTING / #4x3/8NPT-M BR	1	1	1	
3	501534	BUSHING REDUCER / PIPE FITTING / 1/2NPT-Mx3/8NPT-F BR	1	1	1	
4	501528	STREET ELBOW 45° / PIPE FITTING / 1/2NPT-Mx1/2NPT-F BR To E-2504	1	1	1	
4	507557	STREET ELBOW 90° / PIPE FITTING / 1/2NPT-Mx1/2NPT-F BR From E-2505	2	2	2	
5	501473	MALE RUN TEE / PIPE FITTING / 1/2NPT-Mx1/2NPT-Fx1/2NPT-F BR	2	2	2	
6	640995	MALE CONNECTOR / NTA FITTING / #12x1/2NPT-M BR	1	1	1	
7	501600	MALE CONNECTOR / JIC 37° FITTING / #12JIC-Mx1/2NPT-M STL	1	1	1	
9	641371	MALE ELBOW 90° NON-SWIVEL / PUSH-IN FITTING / #4x1/4NPT-M BR	1	1	1	
10	501308	ADAPTER / PIPE FITTING / 1/4NPT-Fx1/4NPT-M BR	1	1	1	
11	647893	ADAPTER / PIPE FITTING / 1/4NPT-MxM16-F STL	1	1	1	
12	20829689	SENSOR PRESSURE / 0-15bar	1	1	1	
13	501316	BUSHING REDUCER / PIPE FITTING / 1/2NPT-Mx1/4NPT-F BR	1	1	1	
14	5011119	ADAPTER / PIPE FITTING / 1/2NPT-Fx1/2NPT-M BR	1	1	1	
NS	680098	THREAD SEALANT LOCTITE #567 / WHITE / 250ml	AR	AR	AR	
17	503464	TUBE, NYLON 1/4 O.D. / GREEN S.L. To F-2922	AR	AR	AR	
17	503548	TUBE, NYLON 1/4 O.D. / YELLOW S.L. From F-2923	AR	AR	AR	
18	503465	TUBE, NYLON 3/4 O.D. / GREEN S.L.	AR	AR	AR	
19	143119	HOSE ASSY TEFLON #12 4000MM To E-2504	1	1	1	
19	145098	HOSE ASSY TEFLON #12 3670MM From E-2505	1	1	1	
20	503464	TUBE, NYLON 1/4 O.D. / GREEN S.L.	AR	AR	AR	
21	5001565	SCREW CAP HEX 1/2-13x1 G5 N500	3	3	3	
22	500967	WASHER BEL SPR .512x1.142x.098 N500	3	3	3	
23	504768	CABLE TIE / 3/16" 14.7" / DOUBLE LOOP HEAD To E-2504	AR	AR	AR	
24	504637	CABLE TIE / 3/16" x 13" To E-2504	AR	AR	AR	
25	504789	RETAINING RING	1	1	1	
		B) WITH PRIME - "POWER RECOVERY BY INTELLIGENT MANAGEMENT OF ENERGY"				



From D-2364 To J-0287	Date:10/2022	PAGE:21440978
AIR DRYER "WABCO" 12 VOLTS		



From D-2364 To J-0287	Date:10/2022	PAGE:21440978
<b>AIR DRYER "WABCO" 12 VOLTS</b>		

Item#	Part	Description	H 3 4 1	H 3 4 5	V I P 4 5	N O T E S
1	641281	OUTLET CHECK VALVE KIT	1	1	1	
2	641283	PURGE VALVE KIT	1	1	1	
3	3918354	HEATER ASSY KIT 12 VOLTS	1	1	1	
. NS	562251	. CONNECTOR / METRI-PACK 280 / SH 2C / PED 12020599	1	1	1	
. NS	562101	. SOCKET TERMINAL / 14-12 / PED 12129493	2	2	2	
4	642123	DESICANT CARTRIDGE / "WABCO" / SS-1200UP	1	1	1	
4	640045	DESICANT CARTRIDGE / "WABCO"	1	1	1	

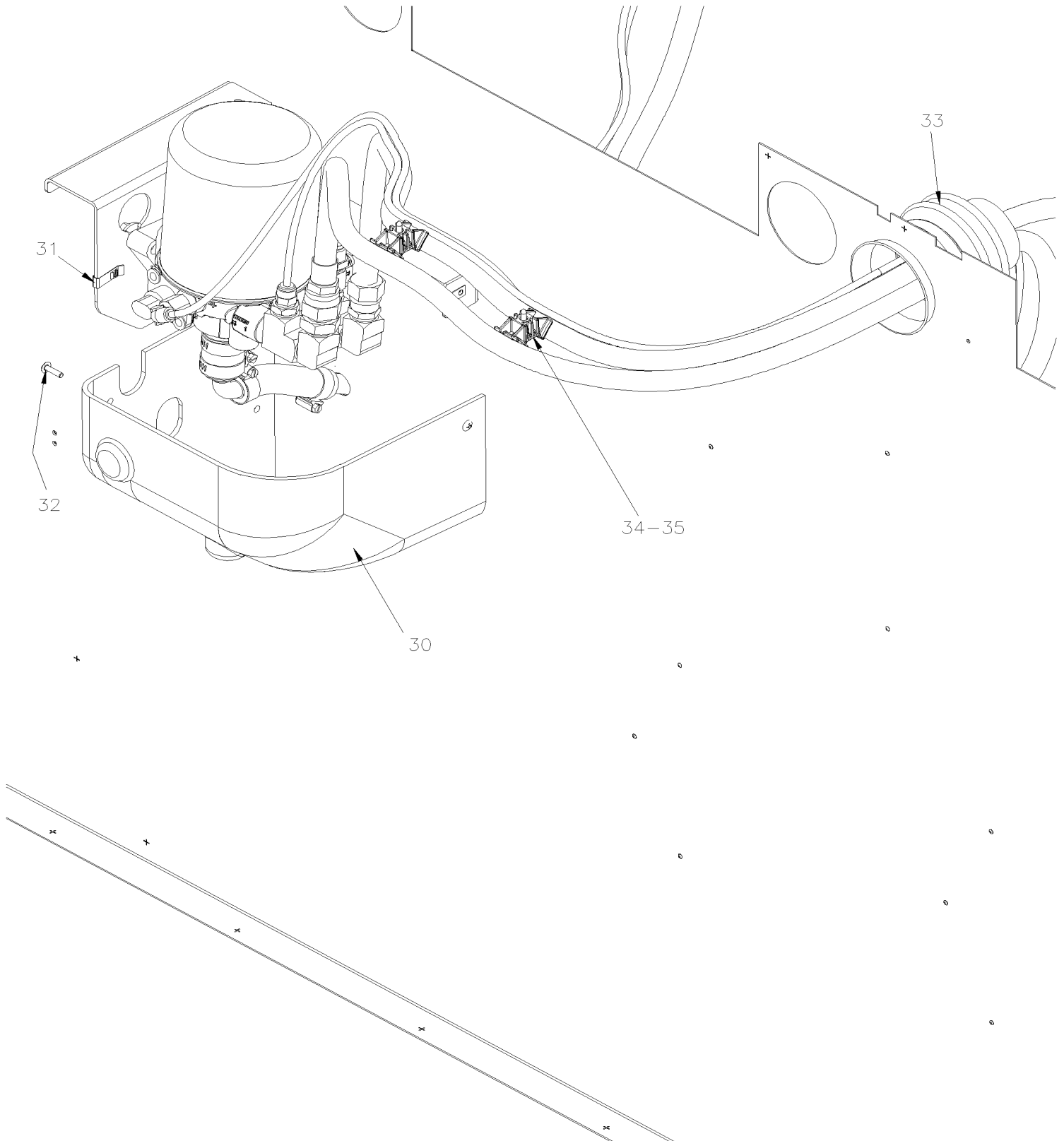


From E-2505 To J-0184

Date:10/2022

PAGE:H7-1215-05

## AIR DRYER - "WABCO" / BAGGAGE COMPARTMENT INSTALLATION

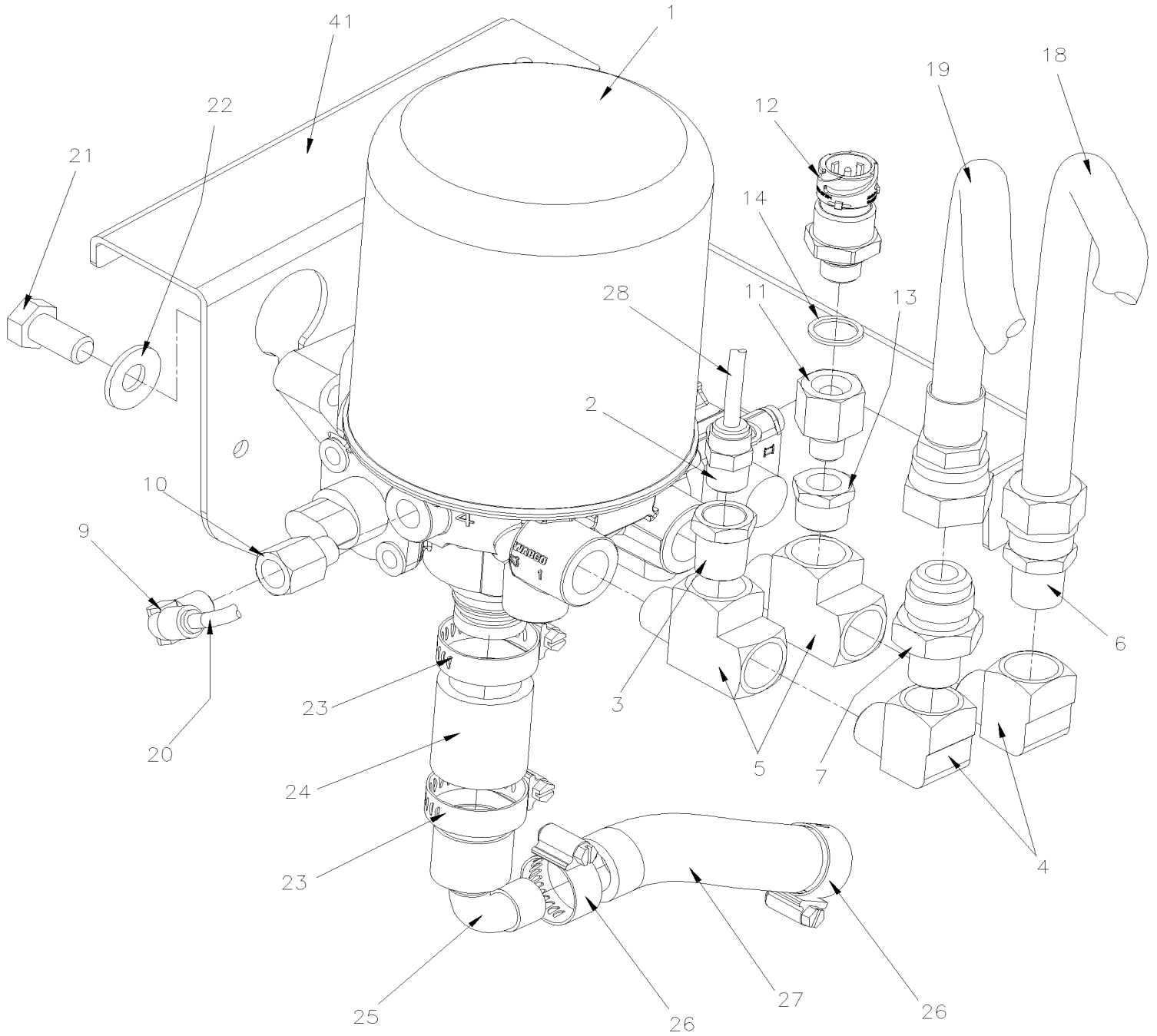


From E-2505 To J-0184

Date:10/2022

PAGE:H7-1215-05

**AIR DRYER - "WABCO" / BAGGAGE COMPARTMENT INSTALLATION**

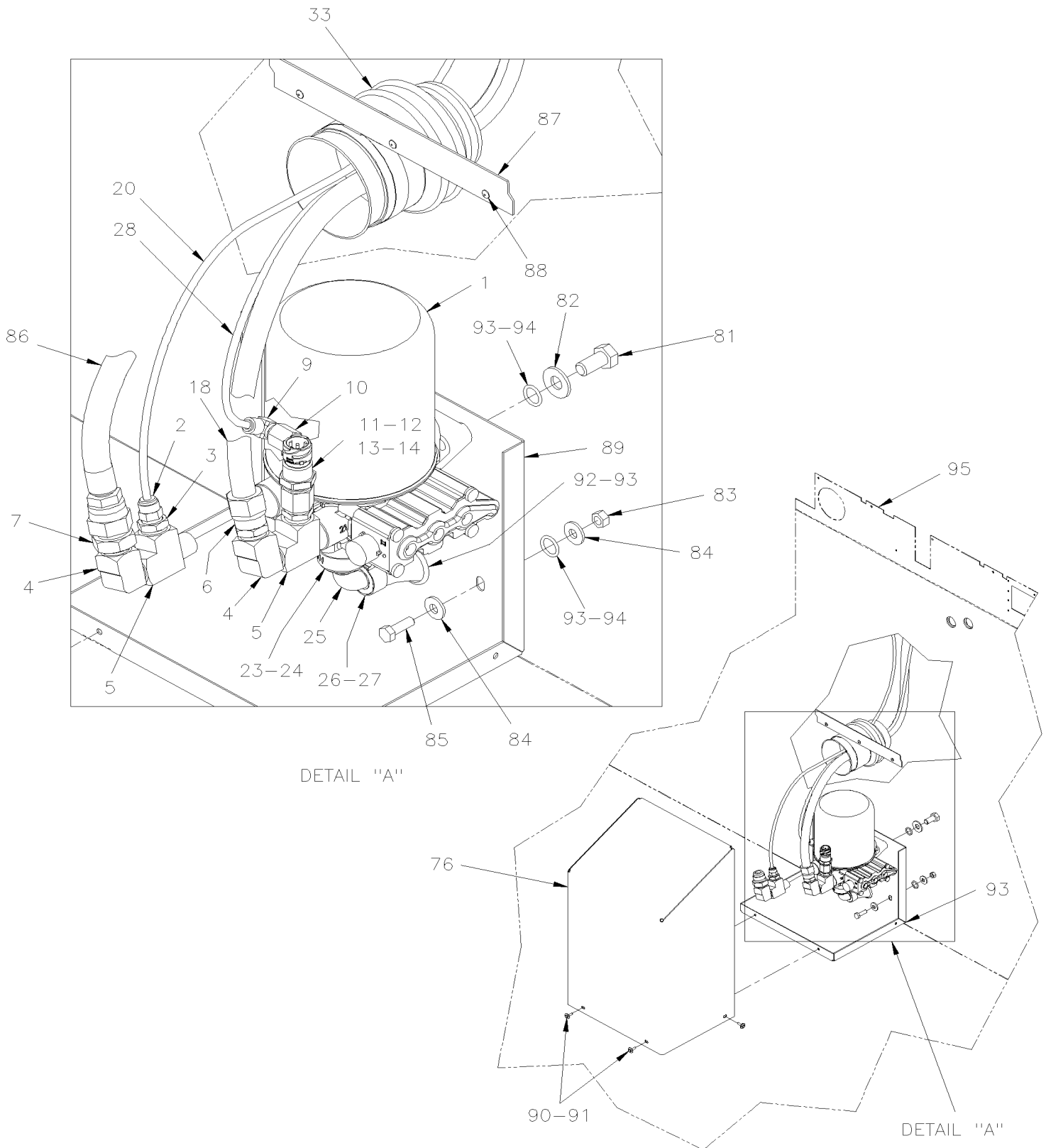


From E-2505 To J-0184

Date:10/2022

PAGE:H7-1215-05

## AIR DRYER - "WABCO" / BAGGAGE COMPARTMENT INSTALLATION



<b>From E-2505 To J-0184</b>	<b>Date:10/2022</b>	<b>PAGE:H7-1215-05</b>
<b>AIR DRYER - "WABCO" / BAGGAGE COMPARTMENT INSTALLATION</b>		

Item#	Part	Description	H 3 4 1	H 3 4 5	V I P 4 5	N O T E S
1	<b>21440978</b>	<b>AIR DRYER "WABCO" 12 VOLTS</b>	1	1		
1	067957	HARNESS / AIR DRYER CONTROL	1	1		B
2	641347	MALE CONNECTOR / PUSH-IN FITTING / #4x3/8NPT-M BR	1	1		
3	501534	BUSHING REDUCER / PIPE FITTING / 1/2NPT-Mx3/8NPT-F BR	1	1		
4	507557	STREET ELBOW 90° / PIPE FITTING / 1/2NPT-Mx1/2NPT-F BR	2	2		
5	501473	MALE RUN TEE / PIPE FITTING / 1/2NPT-Mx1/2NPT-Fx1/2NPT-F BR	2	2		
6	640995	MALE CONNECTOR / NTA FITTING / #12x1/2NPT-M BR	1	1		
7	501600	MALE CONNECTOR / JIC 37° FITTING / #12JIC-Mx1/2NPT-M STL	1	1		
9	641371	MALE ELBOW 90° NON-SWIVEL / PUSH-IN FITTING / #4x1/4NPT-M BR	1	1		
10	501308	ADAPTER / PIPE FITTING / 1/4NPT-Fx1/4NPT-M BR	1	1		
11	647893	ADAPTER / PIPE FITTING / 1/4NPT-MxM16-F STL	1	1		
12	20829689	SENSOR PRESSURE / 0-15bar	1	1		
13	501316	BUSHING REDUCER / PIPE FITTING / 1/2NPT-Mx1/4NPT-F BR	1	1		
14	504789	RETAINING RING	1	1		
NS	680098	THREAD SEALANT LOCTITE #567 / WHITE / 250ml	AR	AR		
18	503465	TUBE, NYLON 3/4 O.D. / GREEN S.L.	AR	AR		
19	145105	HOSE ASSY TEFLON #12 4877MM	1	1		
20	503464	TUBE, NYLON 1/4 O.D. / GREEN S.L. To F-2922	AR	AR		
20	503548	TUBE, NYLON 1/4 O.D. / YELLOW S.L. From F-2923	AR	AR		
21	5001565	SCREW CAP HEX 1/2-13x1 G5 N500	3	3		
22	500967	WASHER BEL SPR .512x1.142x.098 N500	3	3		
23	504022	HOSE CLAMP / 3/4"-1"3/4 SS / HS-20	2	2		
24	503796	HOSE SILICONE 2 PLY / NOMEX-ARAMID 1 1/8" I.D. x 6'	AR	AR		
25	507547	FEMALE ELBOW 90° SHORT RADIUS / COPPER TUBE / 1Fx1/2F	1	1		
26	504020	HOSE CLAMP / 9/16"-1"1/4 SS / HS-12	2	2		
27	503523	HOSE SILICONE 1PLY 3/4" I.D. x 100' / S.L.	AR	AR		
28	503464	TUBE, NYLON 1/4 O.D. / GREEN S.L.	AR	AR		
30	142888	COVER PROTECTOR	1	1		
31	500252	NUT SPR U #10-24 .156-.187	3	3		
32	500606	SCREW MA TR PH #10-24x3/4 SS To H-3590	3	3		
32	500070	SCREW MA TR PH AD #10-24x3/4 SS From H-3591	3	3		
33	504499	CUFF END BELLOW / 2 7/8" I.D. x 3 5/8" x 4 7/16	1	1		
33	504026	HOSE CLAMP / 2"13/16-3"3/4 SS / HS-52	1	1		
NS	504016	CABLE TIE / 5/16" X 14"1/2	AR	AR		
NS	371600	INSULATING PAD 76.2MM x 374.7MM	1	1		
NS	680532	SEALANT SIKA #221 / GREY / 310ml CARTRIDGE	AR	AR		
34	509490	ATTACHMENT DOUBLE USE WITH CABLE TIE	2	2		
35	500879	SCREW TP PAN PH #10x1 Z050	2	2		
41	218727	SUPPORT / AIR DRYER WABCO	1	1		
50	<b>H7-1215-10</b>	<b>AIR DRYER TUBE - INSTALLATION</b>				
80	149993	PROTECTION ENCLOSURE	1	1		O
81	5001565	SCREW CAP HEX 1/2-13x1 G5 N500	3	3		O

From E-2505 To J-0184	Date:10/2022	PAGE:H7-1215-05
<b>AIR DRYER - "WABCO" / BAGGAGE COMPARTMENT INSTALLATION</b>		

Item#	Part	Description	H 3 4 1	H 3 4 5	V I P 4 5	N O T E S
82	500967	WASHER BEL SPR .512x1.142x.098 N500	3	3		O
83	502851	NUT HEX M8-1.25 N500	2	2		O
84	500321	WASHER BEL SPR .331x.827x.098 N500	4	4		O
85	5001745	SCREW CAP HEX M8-1.25x25 G8.8 N500	2	2		O
86	149024	HOSE ASSY TEFLON #12 4400MM	1	1		O
87	149994	SUPPORT ASSY	1	1		O
88	504488	RIVET MGLP PRDG 3/16x17/64 SS	3	3		O
89	149028	PROTECTION ENCLOSURE BASE	1	1		O
90	502799	SCREW CAP HEX M4-0.7X16 G8.8 N500	4	4		O
91	5001750	WASHER FL 4.3x14.0x1.0 N500	4	4		O
92	504574	GROMMET / 1.125x1.312x.062x.312x1.56	1	1		O
93	685126	ADHESIVE SIMSON #ISR 70-03 / GREY / 600ml SAUSAGE	AR	AR		O
94	507368	O-RING	5	5		O
95	Call order desk	CENTRAL STRUCT, PANEL, WOWCL ASSY				P O
		B) WITH PRIME - "POWER RECOVERY BY INTELLIGENT MANAGEMENT OF ENERGY"				
		O) OPTION ORLEAN				
		P) CALL ORDER DESK FOR SPECIFIC APPLICATION (V.I.N.)				

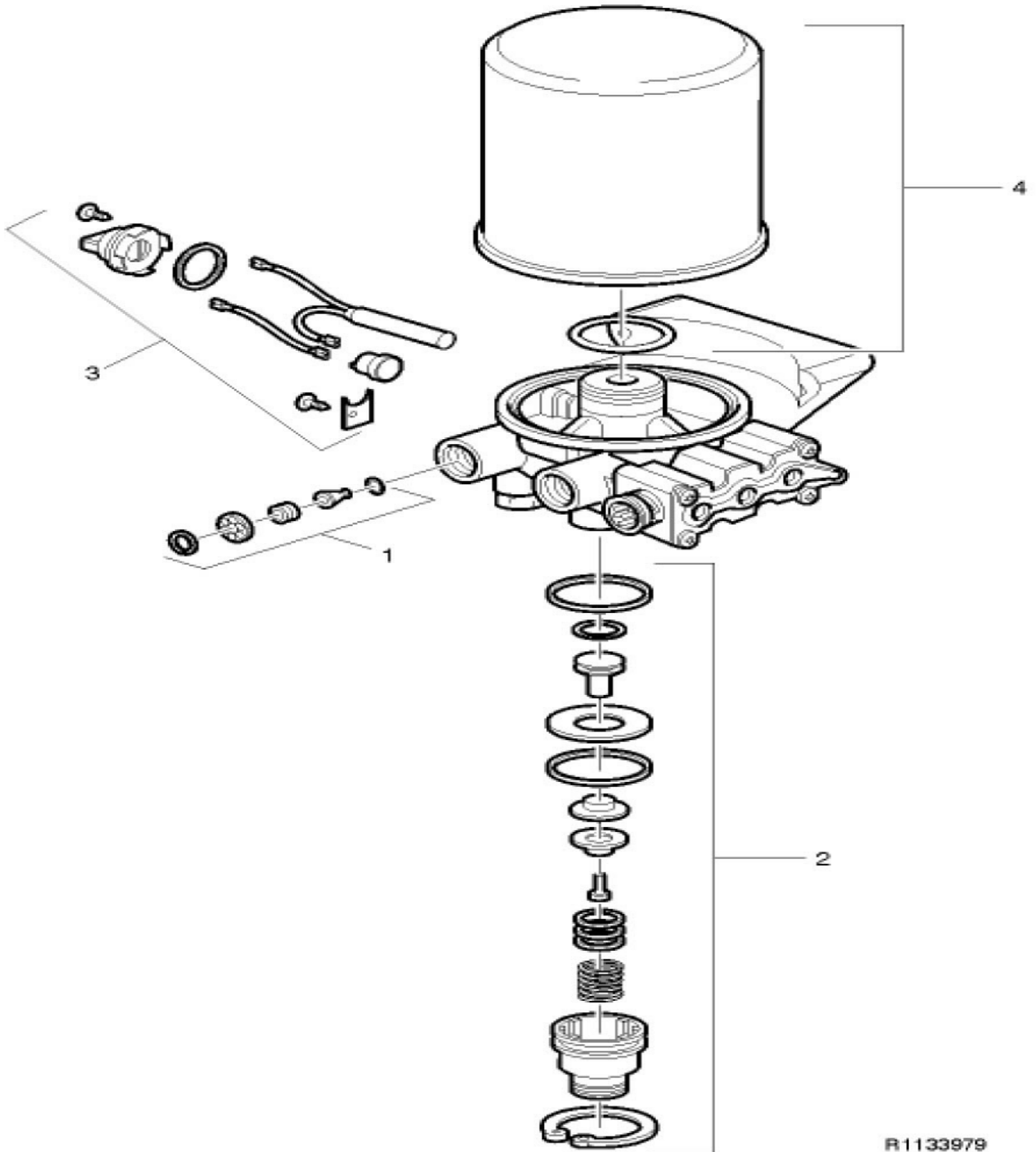


From E-2505 To J-0184

Date:10/2022

PAGE:21440978

**AIR DRYER "WABCO" 12 VOLTS**



From E-2505 To J-0184	Date:10/2022	PAGE:21440978
<b>AIR DRYER "WABCO" 12 VOLTS</b>		

Item#	Part	Description	H 3 4 1	H 3 4 5	V I P 4 5	N O T E S
1	641281	OUTLET CHECK VALVE KIT	1	1	1	
2	641283	PURGE VALVE KIT	1	1	1	
3	3918354	HEATER ASSY KIT 12 VOLTS	1	1	1	
. NS	562251	. CONNECTOR / METRI-PACK 280 / SH 2C / PED 12020599	1	1	1	
. NS	562101	. SOCKET TERMINAL / 14-12 / PED 12129493	2	2	2	
4	642123	DESICANT CARTRIDGE / "WABCO" / SS-1200UP	1	1	1	
4	640045	DESICANT CARTRIDGE / "WABCO"	1	1	1	

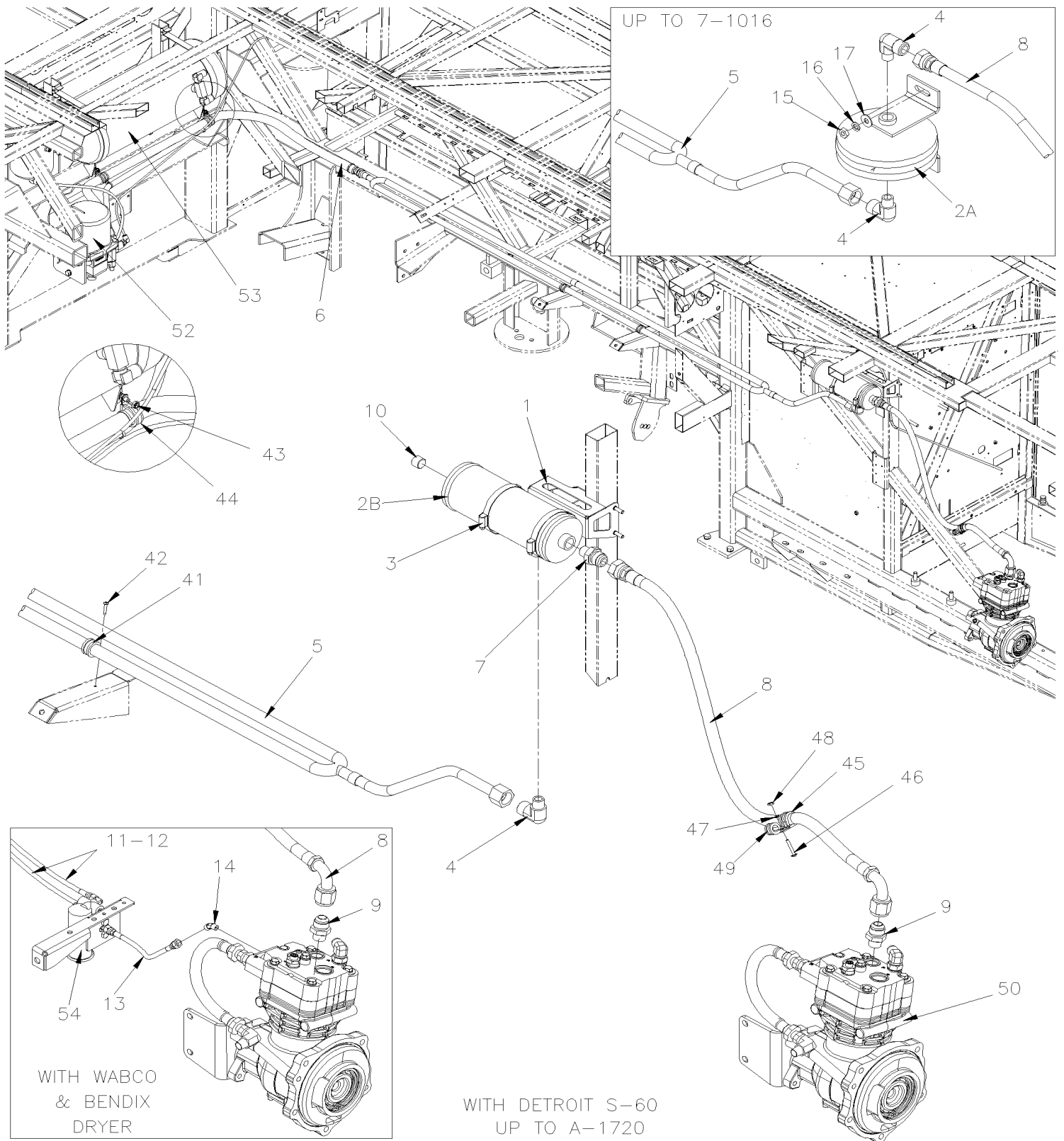


From 7-0671 To J-0287

Date:10/2022

PAGE:H7-1215-10

## AIR DRYER TUBE - INSTALLATION

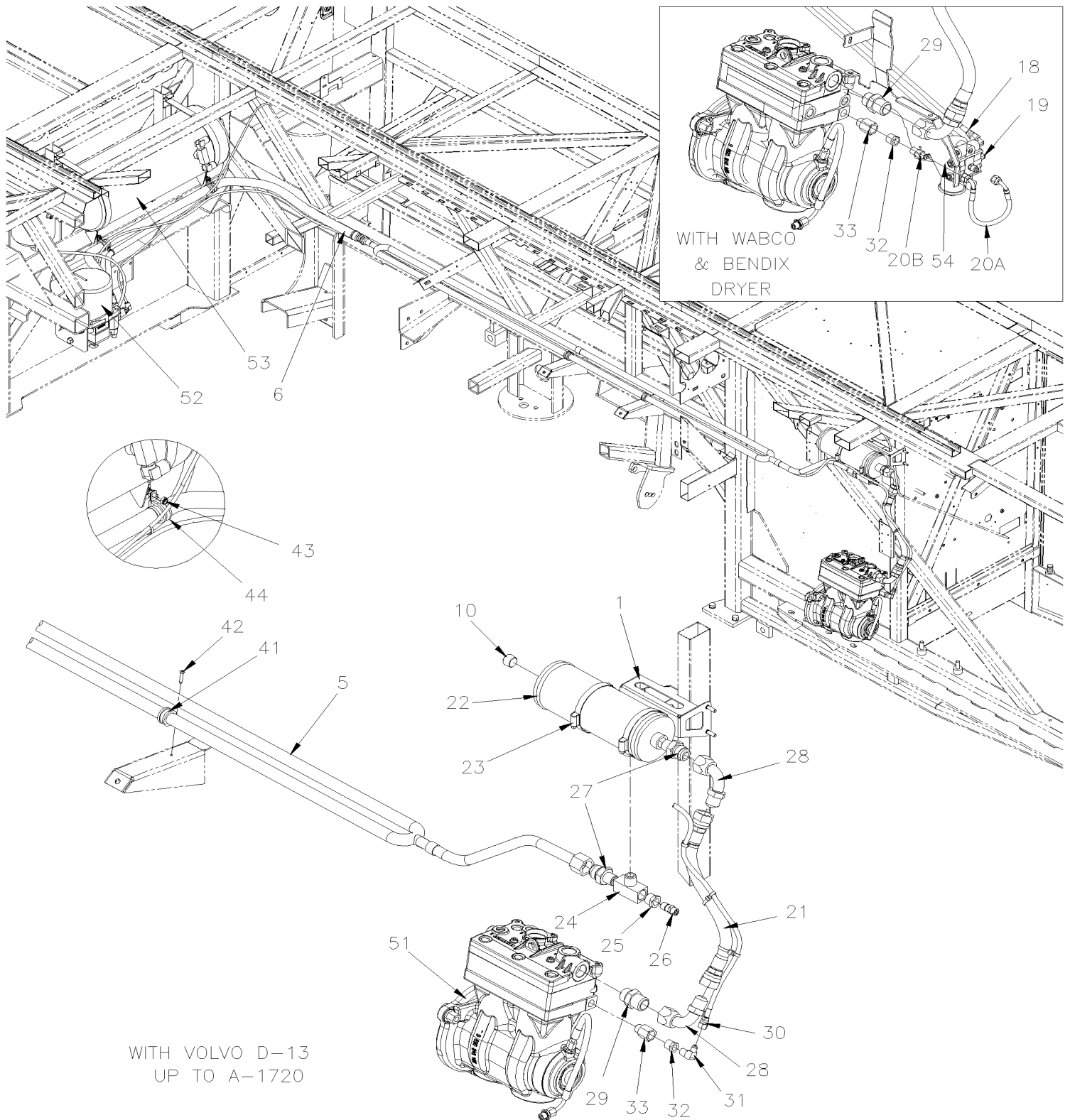


From 7-0671 To J-0287

Date:10/2022

PAGE:H7-1215-10

## AIR DRYER TUBE - INSTALLATION

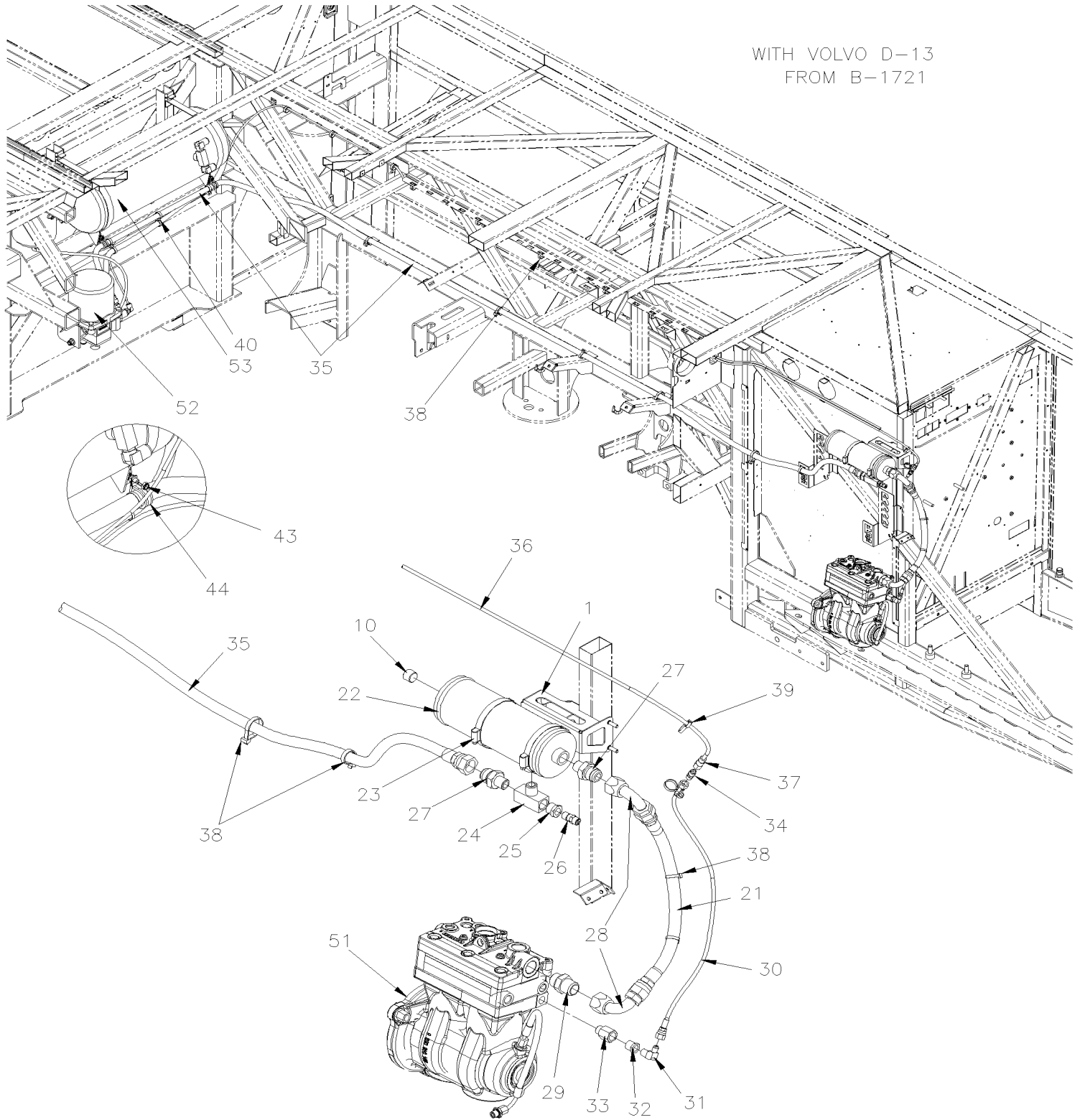


From 7-0671 To J-0287

Date:10/2022

PAGE:H7-1215-10

## AIR DRYER TUBE - INSTALLATION



<b>From 7-0671 To J-0287</b>	<b>Date:10/2022</b>	<b>PAGE:H7-1215-10</b>
<b>AIR DRYER TUBE - INSTALLATION</b>		

Item#	Part	Description	H 3 4 1	H 3 4 5	V I P 4 5	N O T E S
1	149000	SUPPORT PING AIR TANK	1	1	1	
2A	032428	AIR TANK / 61 IN° / 6" O.D. X 4" To 7-1018	1	1	1	
2B	641982	AIR TANK / 96 IN° / 3 1/2" O.D. X 10" From 7-1017 To A-1720	1	1	1	
3	504026	HOSE CLAMP / 2"13/16-3"3/4 SS / HS-52 To A-1720	2	2	2	
4	5011233	MALE ELBOW 90° / JIC 37° FITTING / #12JIC-Mx1/2NPT-M SS To 7-1018	2	2	2	
4	5011233	MALE ELBOW 90° / JIC 37° FITTING / #12JIC-Mx1/2NPT-M SS From 7-1017 To A-1720	1	1	1	
5	Call order desk	AIR DRYER TUBE ASSY W/HOSE SEE DETAIL SERVICE To A-1720	1	1	1	P
. A	142504	. AIR DRYER TUBE ASSY To A-1720	1	1	1	
. B	142149	. HOSE ASSY / #12 1310MM To A-1720	1	1	1	
5	Call order desk	AIR DRYER TUBE ASSY W/HOSE SEE DETAIL SERVICE To A-1720	1	1	1	P C
. A	142504	. AIR DRYER TUBE ASSY To A-1720	1	1	1	C
. B	142296	. HOSE ASSY / #12 410MM To A-1720	1	1	1	C
5	Call order desk	AIR DRYER TUBE ASSY W/HOSE SEE DETAIL SERVICE To A-1720	1	1	1	P B
. A	142504	. AIR DRYER TUBE ASSY To A-1720	1	1	1	B
. B	142884	. HOSE ASSY / #12 2667MM To A-1720	1	1	1	B
5	142504	. AIR DRYER TUBE ASSY To A-1720	1	1	1	
6	142149	. HOSE ASSY / #12 1310MM To A-1720	1	1	1	
6	142296	. HOSE ASSY / #12 410MM To A-1720	1	1	1	C
6	142884	. HOSE ASSY / #12 2667MM To A-1720	1	1	1	B
7	501600	MALE CONNECTOR / JIC 37° FITTING / #12JIC-Mx1/2NPT-M STL To A-1720	1	1	1	
8	142575	HOSE ASSY TEFLON #12 1035MM To A-1720	1	1	1	
9	5011257	MALE CONNECTOR / JIC 37° FITTING / #12JIC-MxM22-1.5-M STL To A-1720	1	1	1	
. NS	N.P.N.	. O-RING To A-1720	1	1	1	4
. NS	507341	. WASHER RET M22x1.5 To A-1720	1	1	1	
10	501966	PLUG HEXS / PIPE FITTING / 1/2NPT-M STL From 7-1017	1	1	1	
11	141970	HOSE ASSY TEFLON #4 4090MM To A-1720	1	1	1	B D
11	141970	HOSE ASSY TEFLON #4 4090MM To A-1720	2	2	2	C
12	148991	HOSE ASSY TEFLON #4 5010MM To A-1720	1	1	1	D
13	148039	HOSE ASSY TEFLON #4 290MM To A-1720	1	1	1	C D
14	501808	MALE ELBOW 45° / SAE 45° FITTING / #4FL-Mx1/8NPT-M BR To A-1720	1	1	1	C D
15	502567	NUT HEX M10-1.5 SS To 7-1018	2	2	2	
16	502616	WASHER LO SPT 10.2x18.1x2.2 SS To 7-1018	2	2	2	
17	500270	WASHER FL .406x1.000x.063 SS To 7-1018	2	2	2	
18	144889	HOSE ASSY TEFLON #4 3470MM From 8-1202 To A-1720	1	1	1	D13
19	144890	HOSE ASSY TEFLON #4 4750MM From 8-1202 To A-1720	1	1	1	D13
20A	144885	HOSE ASSY TEFLON #4 180MM From 8-1202 To A-1720	1	1	1	D13
20B	5011186	MALE CONNECTOR / JIC 37° FITTING / #4JIC-Mx1/4NPT-M STL From 8-1202 To A-1720	1	1	1	D13
21	144870	HOSE ASSY TEFLON #12 260MM From 8-1202 To A-1720	1	1	1	D13
21	144940	HOSE ASSY TEFLON #12 375MM From B-1721	1	1	1	D13
22	641982	AIR TANK / 96 IN° / 3 1/2" O.D. X 10" From 8-1202	1	1	1	D13
23	504026	HOSE CLAMP / 2"13/16-3"3/4 SS / HS-52 From 8-1202	2	2	2	D13
24	507556	MALE BRANCHE TEE / PIPE FITTING / 1/2NPT-Fx1/2NPT-Fx1/2NPT-M BR From 8-1202	1	1	1	D13

From 7-0671 To J-0287 Date:10/2022 PAGE:H7-1215-10

**AIR DRYER TUBE - INSTALLATION**

Item#	Part	Description	H 3 4 1	H 3 4 5	V I P 4 5	N O T E S
25	501316	BUSHING REDUCER / PIPE FITTING / 1/2NPT-Mx1/4NPT-F BR From 8-1202	1	1	1	D13
26	642109	SAFETY VALVE 200 PSI x 1/4 NPT / ST-4 From 8-1202	1	1	1	D13
27	501600	MALE CONNECTOR / JIC 37° FITTING / #12JIC-Mx1/2NPT-M STL From 8-1202	2	2	2	D13
28	507544	SWIVEL NUT ELBOW 90° SHORT / JIC 37° FITTING / #12JIC-Fx#12JIC-Mx1.82 STL From 8-1202	2	2	2	D13
29	507647	MALE CONNECTOR W/ED SEAL / JIC 37° FITTING / #12JIC-MxM26-1.5-M STL From 8-1202	1	1	1	D13
30	144905	HOSE ASSY TEFLON #4 4675MM From 8-1202 To A-1720	1	1	1	D13
30	031147	HOSE ASSY TEFLON #4 522MM From B-1721	1	1	1	D13
31	501873	MALE ELBOW 90° / JIC 37° FITTING / #4JIC-Mx1/4NPT-M STL From 8-1202 To A-1720	1	1	1	D13
31	501037	MALE ELBOW 90° / SAE 45° FITTING / #4FL-Mx1/4NPT-M BR From B-1721	1	1	1	
32	501314	BUSHING REDUCER / PIPE FITTING / 3/8NPT-Mx1/4NPT-F BR From 8-1202	1	1	1	D13
33	5011205	FEMALE CONNECTOR / PIPE @ METRIC / 3/8NPT-FxM16-1.5-M ZP From 8-1202	1	1	1	D13
. NS	641297	. O-RING 13.1MM I.D. X 2.6 TH From 8-1202	1	1	1	D13
. NS	641298	. WASHER FL 17MM I.D x 22MM O.D. x 1.5MM From 8-1202	1	1	1	D13
34	501026	MALE CONNECTOR / SAE 45° FITTING / #4FL-Mx1/8NPT-M BR From B-1721	1	1	1	D13
35	143119	HOSE ASSY TEFLON #12 4000MM From B-1721	1	1	1	D13
35	143113	HOSE ASSY TEFLON #12 5060MM From B-1721	1	1	1	B D13
35	149024	HOSE ASSY TEFLON #12 4400MM From E-2536	1	1	1	D13 G
36	503464	TUBE, NYLON 1/4 O.D. / GREEN S.L. From B-1721 To F-2923	AR	AR	AR	D13
36	503548	TUBE, NYLON 1/4 O.D. / YELLOW S.L. From F-2922	AR	AR	AR	D13
37	642080	FEMALE CONNECTOR / PUSH-IN FITTING / #4x1/8NPT-F NP From B-1721	1	1	1	D13
38	504016	CABLE TIE / 5/16" X 14"1/2	AR	AR	AR	
39	507664	CABLE TIE / 3/16" 11" / DOUBLE LOOP HEAD	AR	AR	AR	
40	504768	CABLE TIE / 3/16" 14.7" / DOUBLE LOOP HEAD	AR	AR	AR	
41	952633	CLAMP / 7/8" I.D. To A-1720	4	4	4	
42	500608	SCREW TP BDG PH #10x1 N500 To A-1720	4	4	4	
43	977742	CLAMP / 3/4" I.D. To A-1720	1	1	1	
43	949997	CLAMP 31.8MM From B-1721	2	2	2	
44	500381	WASHER FL 8.4x25.0x2.0 N500	2	2	2	
44	502847	NUT HEX NYRT M8-1.25 N500	2	2	2	
45	952631	CLAMP / 3/4" I.D. To A-1720	1	1	1	
46	500574	SCREW MA TR PH #10-24x1 1/4 SS To A-1720	1	1	1	
47	500914	WASHER LO SPT .193x.334x.047 N500 To A-1720	1	1	1	
48	502882	NUT HEX #10-24 N500 To A-1720	1	1	1	
49	952627	CLAMP / 1/2" I.D. To A-1720	1	1	1	
50	<b>H7-1205-10</b>	<b>AIR COMPRESSOR - "BA921" - WITH DETROIT S-60</b>				
51	<b>H7-1205-11</b>	<b>AIR COMPRESSOR - "WABCO" 636CC - WITH VOLVO D13</b>				
52	<b>H7-1215-00</b>	<b>AIR DRYER - "BENDIX" AD-9 "OPTIONAL" SPECIAL</b>				
52	<b>H7-1215-01</b>	<b>AIR DRYER - "HALDEX"</b>				
52	<b>H7-1215-02</b>	<b>AIR DRYER - "WABCO"</b>				
53	<b>H7-1203-00</b>	<b>AIR TANK - INSTALLATION</b>				
54	<b>H7-1215-15</b>	<b>CHECK VALVE INSTALLATION W/"WABCO" &amp; "BENDIX" AIR DRYER To A-1720</b>	1	1	1	

From 7-0671 To J-0287	Date:10/2022	PAGE:H7-1215-10
<b>AIR DRYER TUBE - INSTALLATION</b>		

Item#	Part	Description	H 3 4 1	H 3 4 5	V I P 4 5	N O T E S
		B) WITH AIR DRYER IN BAGGAGE COMPARTMENT				
		C) WITH "BENDIX AD-9" AIR DRYER				
		D) WITH "WABCO" AIR DRYER				
		D13) WITH VOLVO ENGINE D-13				
		G) WITH AIR DRYER IN LOWER SECTION OF BAGGAGE COMPARTMENT				
		P) CALL ORDER DESK FOR SPECIFIC APPLICATION (V.I.N.)				
		4) NO PARTS NUMBER				

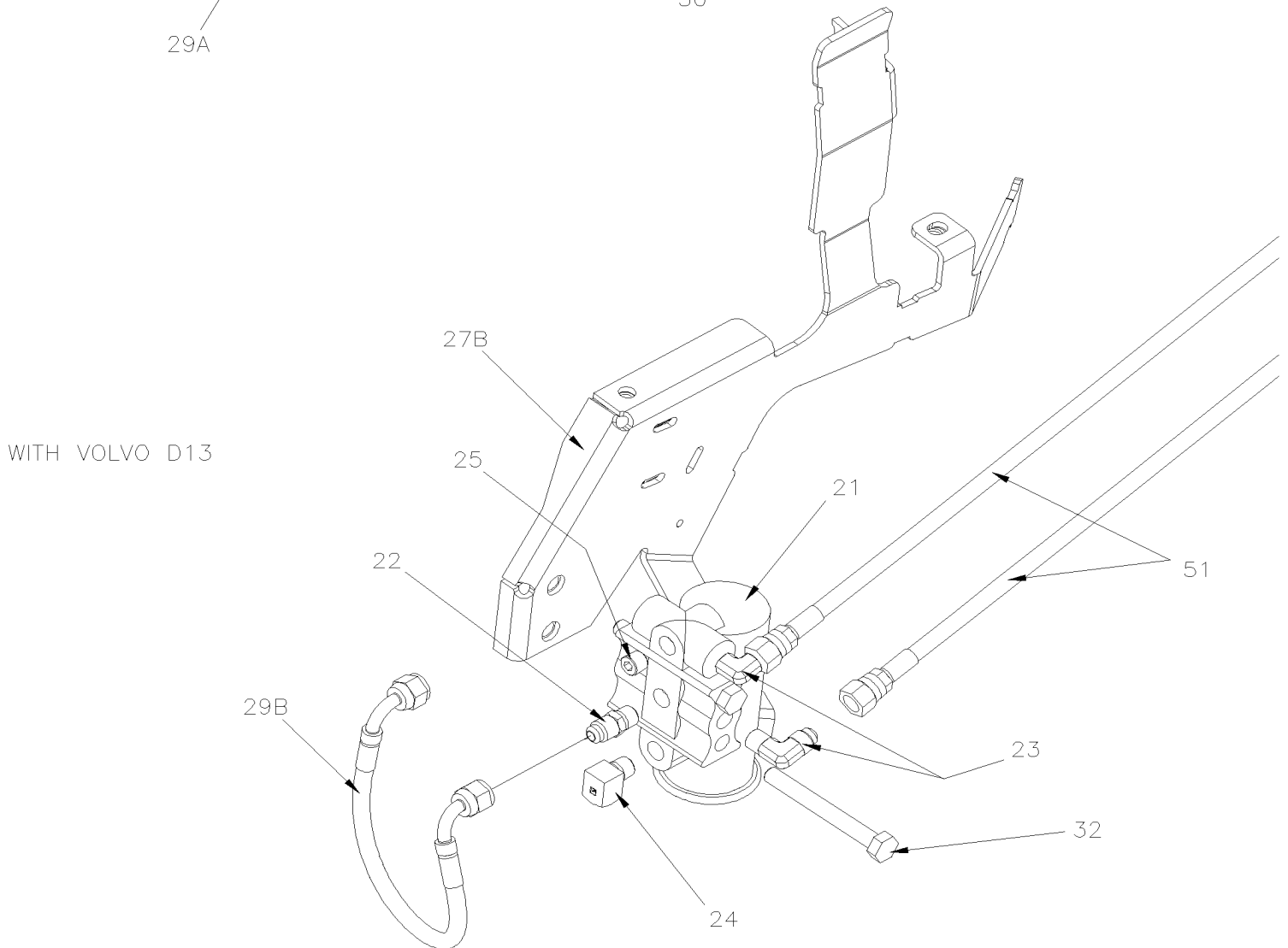
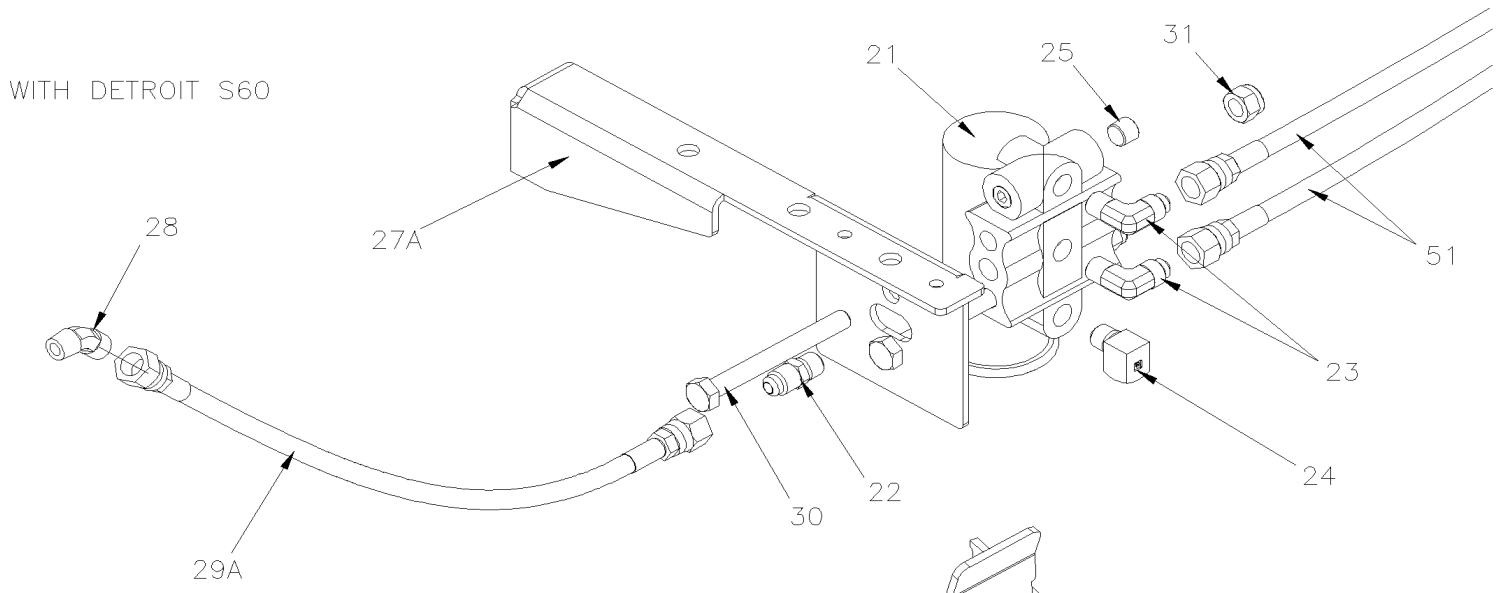


From 8-1202 To A-1720

Date:10/2022

PAGE:H7-1215-15

## CHECK VALVE INSTALLATION W/"WABCO" & "BENDIX" AIR DRYER



From 8-1202 To A-1720 Date:10/2022 PAGE:H7-1215-15

**CHECK VALVE INSTALLATION W/"WABCO" & "BENDIX" AIR DRYER**

Item#	Part	Description	H 3 4 1	H 3 4 5	V I P 4 5	N O T E S
21	641933	GOVERNOR, AIR / D-2 / (110/130PSI)	1	1		
. NS	640965	. REPAIR KIT / GOVERNOR D-2	1	1		
. NS	640638	. GASKET, AIR GOVERNOR	1	1		
. NS	500187	. SCREW CAP HEX 5/16-18x3 G5 Z050	2	2		
. NS	500942	. WASHER LO SPT 8.1x14.8x2.0 N500	2	2		
21	680098	THREAD SEALANT LOCTITE #567 / WHITE / 250ml	AR	AR	AR	
22	501026	MALE CONNECTOR / SAE 45° FITTING / #4FL-Mx1/8NPT-M BR	1	1		
23	501036	MALE ELBOW 90° / SAE 45° FITTING / #4FL-Mx1/8NPT-M BR	2	2		
24	501331	STREET ELBOW 90° / PIPE FITTING / 1/8NPT-Mx1/8NPT-F BR	1	1		
25	501072	PLUG HEXS / PIPE FITTING / 1/8NPT-M STL	3	3		
27A	066059	SUPPORT / AIR GOUVERNOR D-2	1	1	1	S60
27B	012528	SUPPORT / AIR GOUVERNOR D-2	1	1		D13
28	501808	MALE ELBOW 45° / SAE 45° FITTING / #4FL-Mx1/8NPT-M BR	1	1	1	S60
29A	148039	HOSE ASSY TEFLON #4 290MM	1	1		S60
29B	144885	HOSE ASSY TEFLON #4 180MM	1	1	1	D13
30	502258	SCREW CAP HEX M8-1.25x75 G8.8 FT Z050	2	2	2	S60
31	5001787	NUT HEX NYRT M8-1.25 SS	2	2	2	S60
32	502797	SCREW CAP HEX M8-1.25x70 G10.9 G500	2	2	2	D13
50	<b>H7-1205-10</b>	<b>AIR COMPRESSOR - "BA921" - WITH DETROIT S-60</b>				
50	<b>H7-1205-11</b>	<b>AIR COMPRESSOR - "WABCO" 636CC - WITH VOLVO D13</b>				
51	<b>H7-1215-10</b>	<b>AIR DRYER TUBE - INSTALLATION</b>				
		D13) WITH "VOLVO" ENGINE				
		S60) WITH "DETROIT" ENGINE				

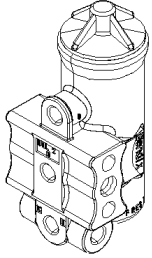


From 7-0671 To J-0287

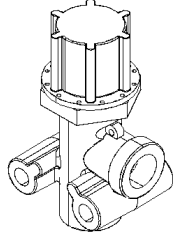
Date:10/2022

PAGE:H7-1220-00

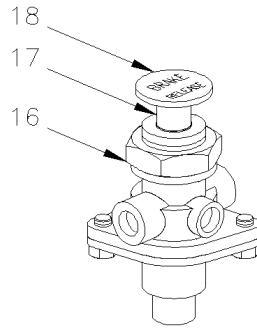
**MISCELLANEOUS AIR VALVE**



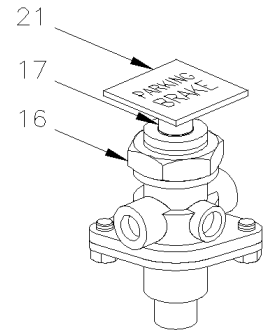
5



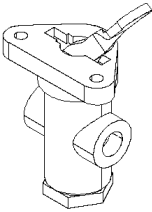
10



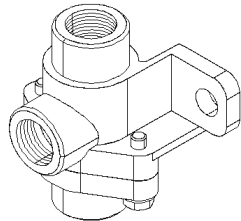
15



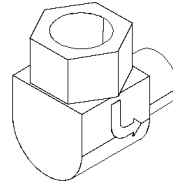
20



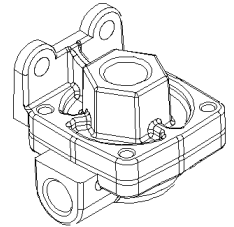
25



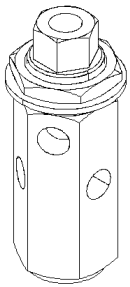
30



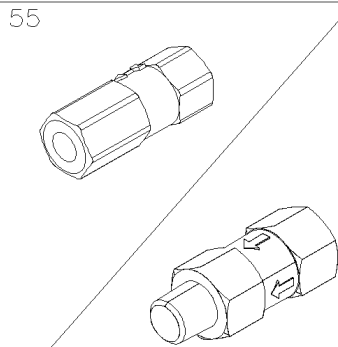
35



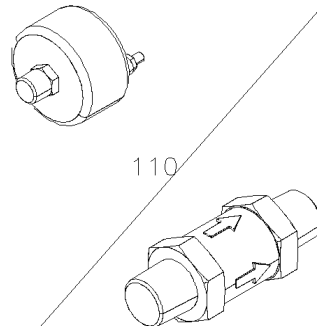
40



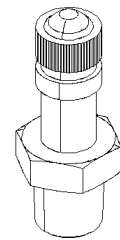
45



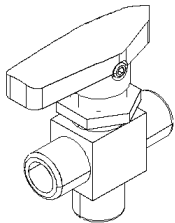
55



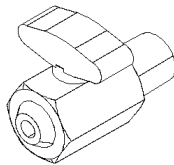
110



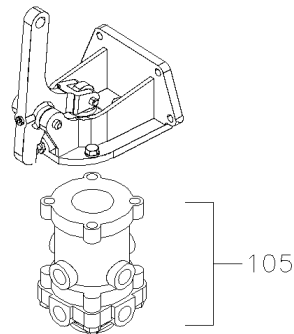
70



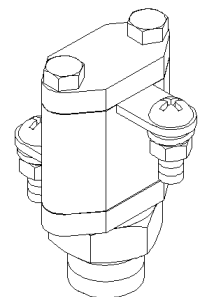
75



90



100



85

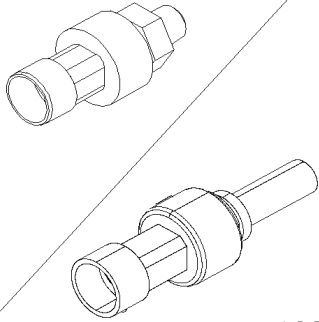
From 7-0671 To J-0287

Date:10/2022

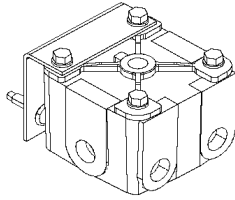
PAGE:H7-1220-00

MISCELLANEOUS AIR VALVE

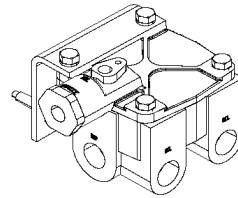
121



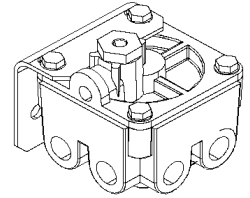
120



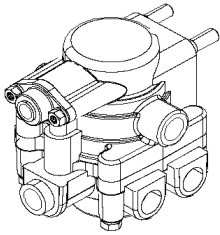
125



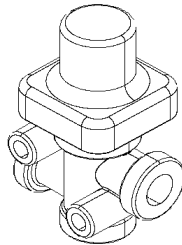
130



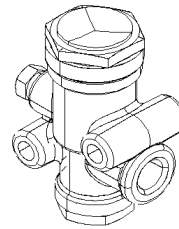
135



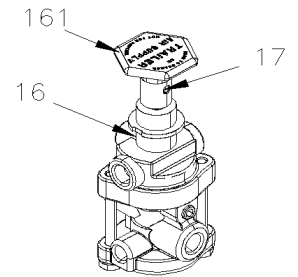
145



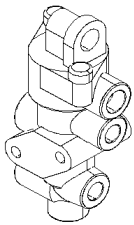
150



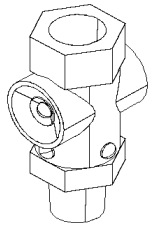
155



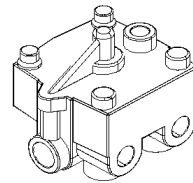
160



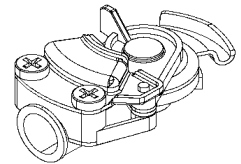
170



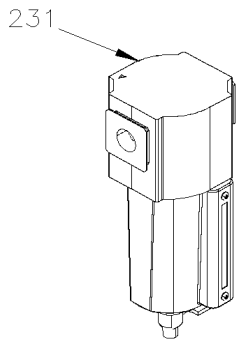
175



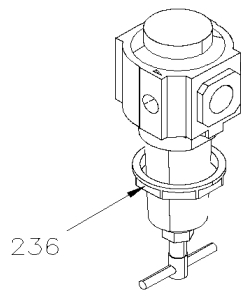
180



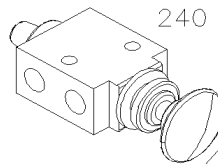
185-190



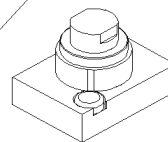
230



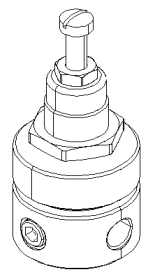
235



240



241



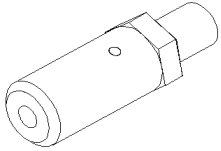
245

From 7-0671 To J-0287

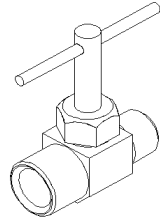
Date:10/2022

PAGE:H7-1220-00

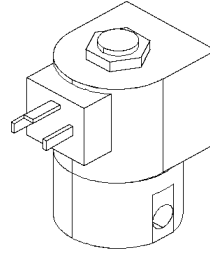
**MISCELLANEOUS AIR VALVE**



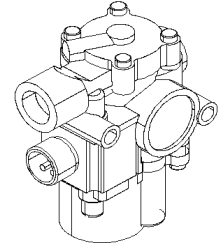
250



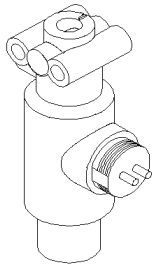
260



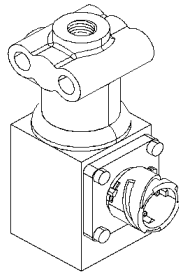
275



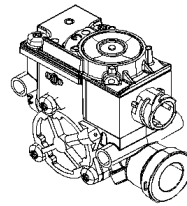
300



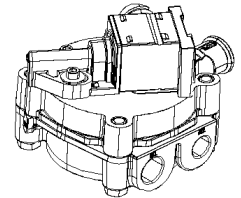
305



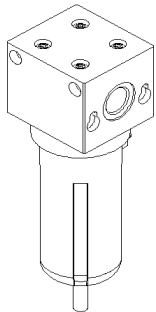
310



322



323



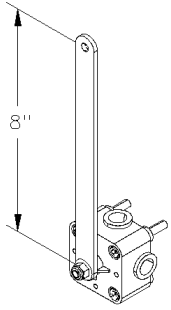
330

From 7-0671 To J-0287

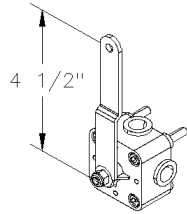
Date:10/2022

PAGE:H7-1220-00

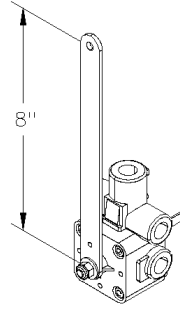
## MISCELLANEOUS AIR VALVE



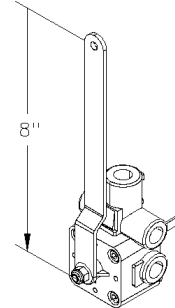
350



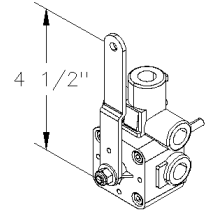
355



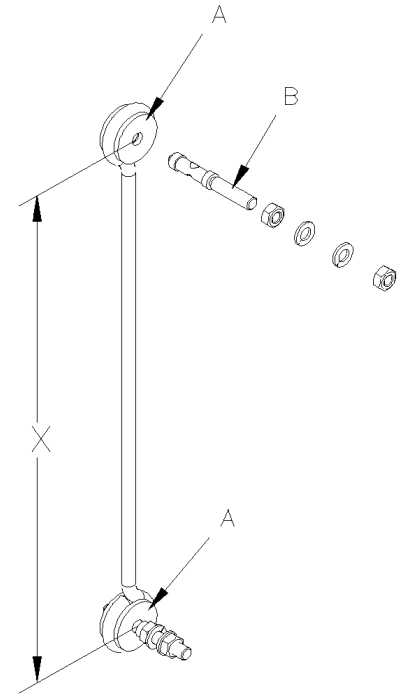
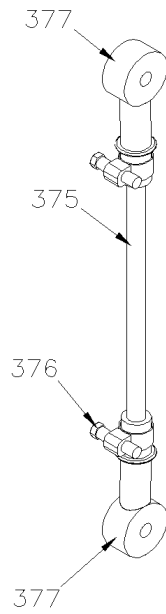
360



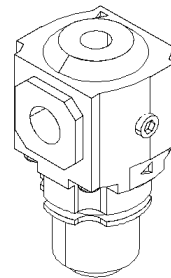
362



365



385



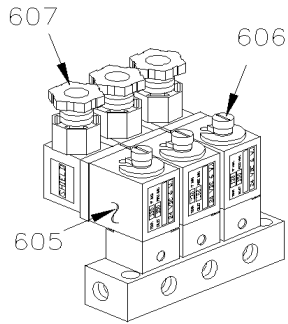
397

From 7-0671 To J-0287

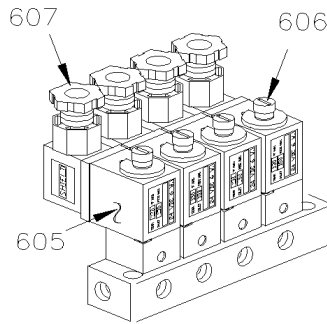
Date:10/2022

PAGE:H7-1220-00

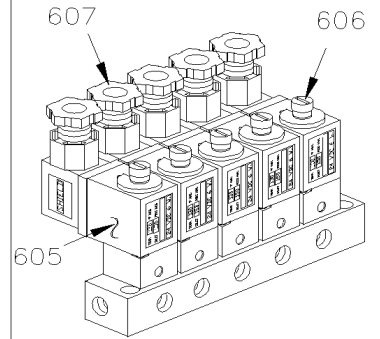
MISCELLANEOUS AIR VALVE



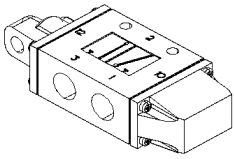
601



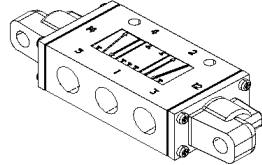
602



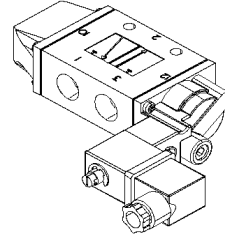
603



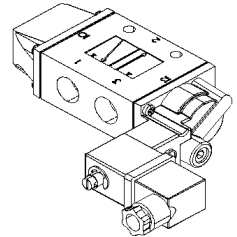
610



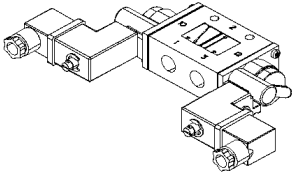
615



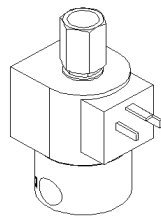
620



625



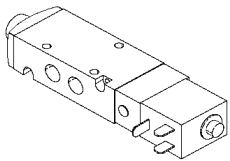
630



635

640

645



650

From 7-0671 To J-0287	Date:10/2022	PAGE:H7-1220-00
<b>MISCELLANEOUS AIR VALVE</b>		

Item#	Part	Description	H 3 4 1	H 3 4 5	V I P 4 5	N O T E S
5	641933	GOVERNOR, AIR / D-2 / (110/130PSI)	1	1		
. NS	640965	. REPAIR KIT / GOVERNOR D-2	1	1		
. NS	640638	. GASKET, AIR GOVERNOR	1	1		
. NS	500187	. SCREW CAP HEX 5/16-18x3 G5 Z050	2	2		
. NS	500942	. WASHER LO SPT 8.1x14.8x2.0 N500	2	2		
10	642136	VALVE, PRESSURE REDUCING / RV-3 55 PSI	1	1		
15	640472	VALVE, CONTROL / RD-3	1	1		
. NS	641154	. REPAIR KIT / PP-1 & RD-3	1	1		
16	640297	NUT	1	1	1	
17	640286	PIN ROLLER	1	1	1	
18	641155	BUTTON, OVERRULE ROUND BLACK	1	1	1	
NS	640394	BUTTON, PARKING BRAKE ROUND BLACK / 1"	1	1	1	
20	641128	VALVE, CONTROL VALVE PP-1 / 40PSI To D-2380	1	1	1	
. NS	641154	. REPAIR KIT / PP-1 & RD-3 To D-2380	1	1	1	
20	642169	VALVE, CONTROL VALVE PP-1 / 60PSI From D-2381	1	1	1	
. NS	641154	. REPAIR KIT / PP-1 & RD-3 From D-2381	1	1	1	
. NS	641149	. BUTTON, PARKING BRAKE DIAMOND YELLOW / 1" From D-2381	1	1	1	
21	641149	BUTTON, PARKING BRAKE DIAMOND YELLOW / 1"	1	1	1	
25	640136	VALVE, CONTROL TW-1	1	1	1	
. NS	641156	. REPAIR KIT / TW-1	1	1	1	
30	641564	VALVE, DOUBLE CHECK DC-4	1	1	1	
35	641172	VALVE, CHECK ELBOW 90° 1/2 NPT	1	1	1	
40	641429	VALVE, QUICK RELEASE QR-1 / 3/8NPTx3/8NPTx3/8NPT	1	1	1	
. NS	640924	. REPAIR KIT / QR-1	1	1	1	
45	640442	VALVE, INVERSION TR-2	1	1	1	
50	640135	VALVE, CHECK 1/4 NPT	1	1	1	
55	640123	VALVE, CHECK 1/2 NPT SC-1	1	1	1	
. NS	641401	. VALVE, CHECK 1/2 NPT SC-1	1	1	1	
55	641401	VALVE, CHECK 1/2 NPT SC-1	1	1	1	
60	530175	VALVE, CHECK 1/8 NPT	1	1	1	
70	640488	VALVE, AIR FILL 1/8" NPT	1	1	1	
. NS	650164	. CAP VALVE / CHROME	1	1	1	
75	641417	VALVE, 3 WAYS 1/8NPT-Fx1/8NPT-Fx1/8NPT-F BR	1	1	1	
. NS	642014	. HANDLE / RED	1	1	1	
75	642161	VALVE, 3 WAYS 1/8NPT-Fx1/8NPT-Fx1/8NPT-F BR / SERVICE	1	1	1	
. NS	642014	. HANDLE / RED	1	1	1	
85	640975	PRESSURE SWITCH N.C. 66PSI / 1/4NPT LP-3	1	1	1	
85	641174	PRESSURE SWITCH N.C. 30PSI / 1/4NPT LP-2	1	1	1	
90	641043	DRAIN VALVE 1/4 NPT M	1	1	1	
100	641856	BRAKE VALVE ASSY W/BRACKET / MODEL E-10P	1	1	1	
. NS	19507993	. BOOT PLUNGER	1	1	1	
. NS	19510779	. PLUNGER	1	1	1	

From 7-0671 To J-0287	Date:10/2022	PAGE:H7-1220-00
<b>MISCELLANEOUS AIR VALVE</b>		

Item#	Part	Description	H 3 4 1	H 3 4 5	V I P 4 5	N O T E S
. NS	2222120	. MOUNTING BRACKET COUPLING D-1	1	1	1	
105	641925	. VALVE SUB ASSY / MODEL E-10P	1	1	1	
110	641462	PRESSURE SWITCH N.O. 4PSI / 1/4NPT W/10-32 / SL-5 BRAKE	1	1	1	
120	642075	TRANSDUCER PRESSURE	1	1	1	
. NS	563159	. CONNECTOR / METRI-PACK 150 / SH 3C / PED 12065287	1	1	1	
125	641088	VALVE, RELAY R-12 HORIZONTAL PORT	1	1	1	
125	642068	VALVE, RELAY R-12 HORIZONTAL PORT / W/OUT SUPPORT	1	1	1	
130	641120	VALVE, RELAY R-14 HORIZONTAL PORT 4psi Crack	1	1	1	
. NS	10508267	. KIT, REPAIR	1	1	1	
135	641991	VALVE, RELAY R-14 "WABCO"	1	1	1	
145	643384	VALVE / SPRING BRAKE SR-7	1	1	1	
. NS	642119	. VALVE / SPRING BRAKE SR-7	1	1	1	
150	641137	VALVE, PRESSURE PROTECTION TYPE PR-4 70PSI	1	1	1	
155	640471	VALVE, INVERSION TR-3 25-40LBS	1	1	1	
155	21243502	VALVE PRESSURE REDUCER RV-3 / K028993	1	1	1	
160	641397	TRAILER SUPPLY VALVE PP-7	1	1	1	
161	641935	BUTTON RED / FOR TRAILER VALVE PP-7	1	1	1	
170	641495	TRACTOR PROTECTION VALVE TP-3 DC	1	1	1	
175	642088	VALVE, QUICK RELEASE QR-L / IN LINE	1	1	1	
180	641399	VALVE, RELAY R-12 P SUPPERSEED 642097	1	1	1	
185	641939	GLANDHAND W/DUST COVER "BLUE"	1	1	1	
185	641938	GLANDHAND W/DUST COVER "RED"	1	1	1	
230	641338	AIR FILTER ASSY	1	1	1	
231	641339	SUPPORT / AIR FILTER	1	1	1	
235	641352	AIR PRESSURE REGULATOR 1/2" NPT	1	1	1	
236	641506	NUT RING / AIR REGULATOR RETAINING	1	1	1	
240	641445	VALVE, 3 WAYS, 2 POSITIONS MECHANICAL To D-2363	1	1	1	
. NS	641992	. KNOB To D-2363	1	1	1	
241	642173	VALVE, 3 WAYS, 2 POSITIONS MECHANICAL From D-2364	1	1	1	
245	641472	AIR PRESSURE REGULATOR 1/4" NPT / COPPER	1	1	1	
250	642022	SAFETY VALVE 150 PSI X 3/8 NPT / ST-3	1	1	1	
260	501354	NEEDLE VALVE 1/8 NPT M x 1/8 NPT F	1	1	1	
275	562804	VALVE, 2 WAYS N.C.	1	1	1	
. NS	562848	. CONNECTOR / SOCKET HOUSING ASSY 3C / PNEUMAC 54933-05	1	1	1	
300	641951	VALVE, "ABS" 12VOLT	1	1	1	
305	641460	VALVE, "ATC" 24VOLT	1	1	1	
305	641950	VALVE, "ATC" 12VOLT	1	1	1	
310	642079	VALVE, "ATC" 12VOLT	1	1	1	
322	642077	VALVE, "ABS" 12VOLT / M-32QR To G-3241	1	1	1	
322	640228	VALVE, "ABS" 12VOLT / M-40QR From G-3242	1	1	1	
330	<b>642192</b>	<b>AIR FILTER</b>	1	1	1	
350	630156	VALVE, HEIGHT CONTROL "BARKSDALE" 8"	1	1	1	

<b>From 7-0671 To J-0287</b>	<b>Date:10/2022</b>	<b>PAGE:H7-1220-00</b>
<b>MISCELLANEOUS AIR VALVE</b>		

Item#	Part	Description	H 3 4 1	H 3 4 5	V I P 4 5	N O T E S
355	630237	VALVE, HEIGHT CONTROL "BARKSDALE" / FRONT 4½"			1	
360	630261	VALVE, HEIGHT CONTROL "BARKSDALE" / FRONT / W/DRAIN 8"	1	1		
362	630247	VALVE, HEIGHT CONTROL "BARKSDALE" / REAR / W/DRAIN 8"	1	1		
365	630266	VALVE, HEIGHT CONTROL "BARKSDALE" / FRONT / W/DRAIN 4½"	1	1		
375	131351	ROD LINK / 140MM	1	1	1	
375	131308	ROD LINK / 305MM x .250"	1	1	1	
376	504014	. HOSE CLAMP / 1/4"-5/8" SS / HM-4	AR	AR	AR	
377	630133	. ROD END / BLACK RUBBER 1/4" I.D.				
385	630231	LINK ASSY 185MM C/C 7 1/4"	1	1	1	
. A	N8889244	. GROMMET / LINK	2	2	2	
. B	630250	. STUD RETAINER 1/4-20 X 1"	2	2	2	
. C	500247	. NUT HEX 1/4-20 N500	4	4	4	
. D	500473	. WASHER LO SPT .262x.489x.062 Z050	4	4	4	
385	630229	LINK ASSY 344MM C/C 13 1/2"	1	1		
. A	N8889244	. GROMMET / LINK	2	2		
. C	630250	. STUD RETAINER 1/4-20 X 1"	2	2		
. NS	500769	. NUT HEX 1/4-20 Z050	4	4		
. NS	500473	. WASHER LO SPT .262x.489x.062 Z050	4	4		
397	630269	VALVE DISCHARGE V72G W/3/8	1	1		
601	641180	MANIFOLD VALVE / W/3 SOLENOID	1	1		
. NS	641928	. KIT, MANIFOLD REPAIR / N.C.	3	3		
. NS	641107	. COIL 24V	1	1		
602	641906	MANIFOLD VALVE / W/4 SOLENOID	1	1		
. NS	641927	. KIT, MANIFOLD REPAIR / N.O.	1	1		
. NS	641928	. KIT, MANIFOLD REPAIR / N.C.	3	3		
. NS	641107	. COIL 24V	1	1		
. NS	642213	. MALE ELBOW 90° SWIVEL / PUSH-IN FITTING / #2x10-32 NP	1	1		
. NS	990143	. MALE CONNECTOR / PUSH-IN FITTING / W/O-RING / #2x#10-32-M BR	1	1		
. NS	641385	. CONNECTOR / SOCKET HOUSING ASSY 3C / PNEUMAC 54934-01	1	1		
. NS	641455	. REDUCER STEM / PUSH-IN FITTING / #2x#4 PLAS	1	1		
603	641205	MANIFOLD VALVE / W/5 SOLENOID			1	
. NS	641928	. KIT, MANIFOLD REPAIR / N.C.			5	
. NS	641107	. COIL 24V			5	
605	641107	. COIL 24V	AR	AR		
606	641353	. PLUNGER REPAIR KIT / MANIFOLD VALVE (1)	AR	AR		
607	641385	. CONNECTOR / SOCKET HOUSING ASSY 3C / PNEUMAC 54934-01	AR	AR		
610	641274	VALVE, 3 WAYS, 2 POSITIONS N.C.	1	1	1	
615	641531	VALVE, 5 WAYS, 3 POSITIONS	1	1	1	
. NS	641186	. SPOOL	1	1	1	
620	641937	VALVE, 3 WAYS, 2 POSITIONS N.C. / W/MAN OVERRIDE	1	1	1	
. NS	641929	. COIL 24V	1	1	1	
. NS	641385	. CONNECTOR / SOCKET HOUSING ASSY 3C / PNEUMAC 54934-01	1	1	1	



From 7-0671 To J-0287	Date:10/2022	PAGE:H7-1220-00
<b>MISCELLANEOUS AIR VALVE</b>		

Item#	Part	Description	H 3 4 1	H 3 4 5	V I P 4 5	N O T E S
625	641528	VALVE, 3 WAYS, 2 POSITIONS N.O. To E-2565	1	1	1	
. NS	641929	. COIL 24V To E-2565	1	1	1	
. NS	641169	. SPOOL To E-2565	1	1	1	
. NS	641385	. CONNECTOR / SOCKET HOUSING ASSY 3C / PNEUMAC 54934-01 To E-2565	1	1	1	
630	641530	VALVE, 3 WAYS, 2 POSITIONS / 2 SOLENOIDS	1	1	1	
. NS	641929	. COIL 24V	1	1	1	
. NS	641169	. SPOOL	1	1	1	
. NS	641385	. CONNECTOR / SOCKET HOUSING ASSY 3C / PNEUMAC 54934-01	1	1	1	
635	642191	VALVE, 3 WAYS, 2 POSITIONS N.C. From E-2566 To G-3328	1	1	1	
. NS	195765	. SOLENOIDE 24 VOLTS From E-2566 To G-3328	1	1	1	
635	642227	VALVE, 3 WAYS, 2 POSITIONS N.C. From G-3329	1	1	1	
. NS	195765	. SOLENOIDE 24 VOLTS From G-3329	1	1	1	
650	642023	VALVE, 5 WAYS, 2 POSITIONS 24V / MODEL V19	1	1	1	
. NS	641385	. CONNECTOR / SOCKET HOUSING ASSY 3C / PNEUMAC 54934-01	1	1	1	
		A) WHEN YOU REPLACE THE VALVE #642077 BY THE VALVE #640228 YOU HAVE REPLACE BOTH SIDE LEFT AND RIGHT SIDE				

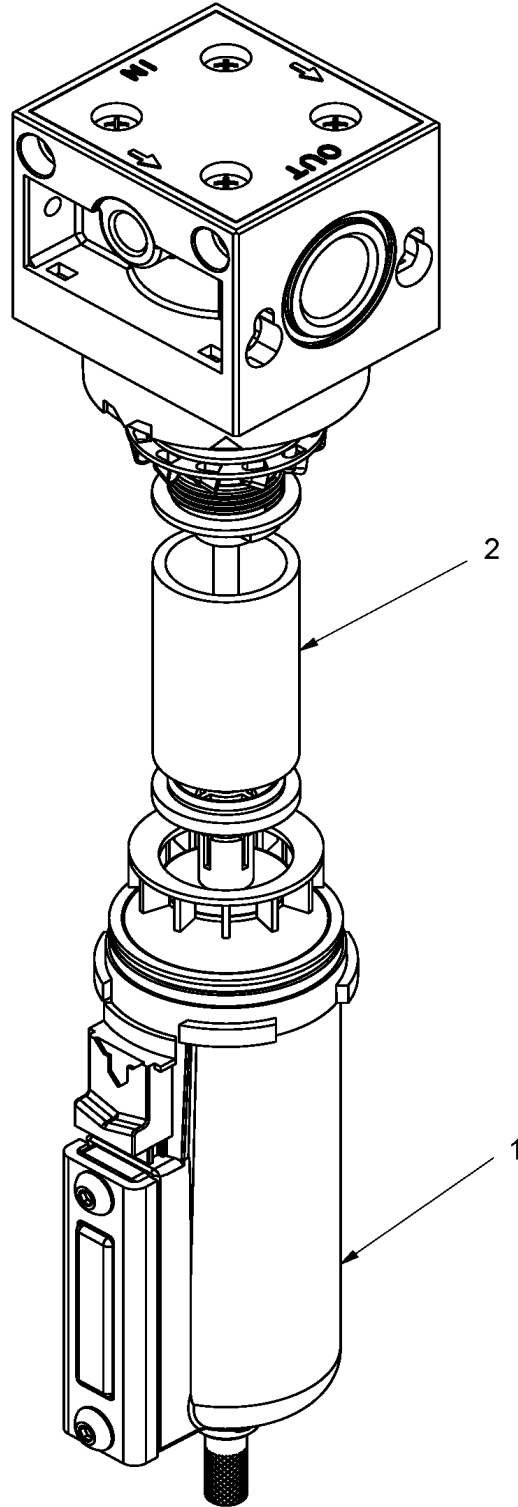


From 7-0671 To J-0287

Date:10/2022

PAGE:642192

**AIR FILTER**



From 7-0671 To J-0287	Date:10/2022	PAGE:642192
-----------------------	--------------	-------------

**AIR FILTER**

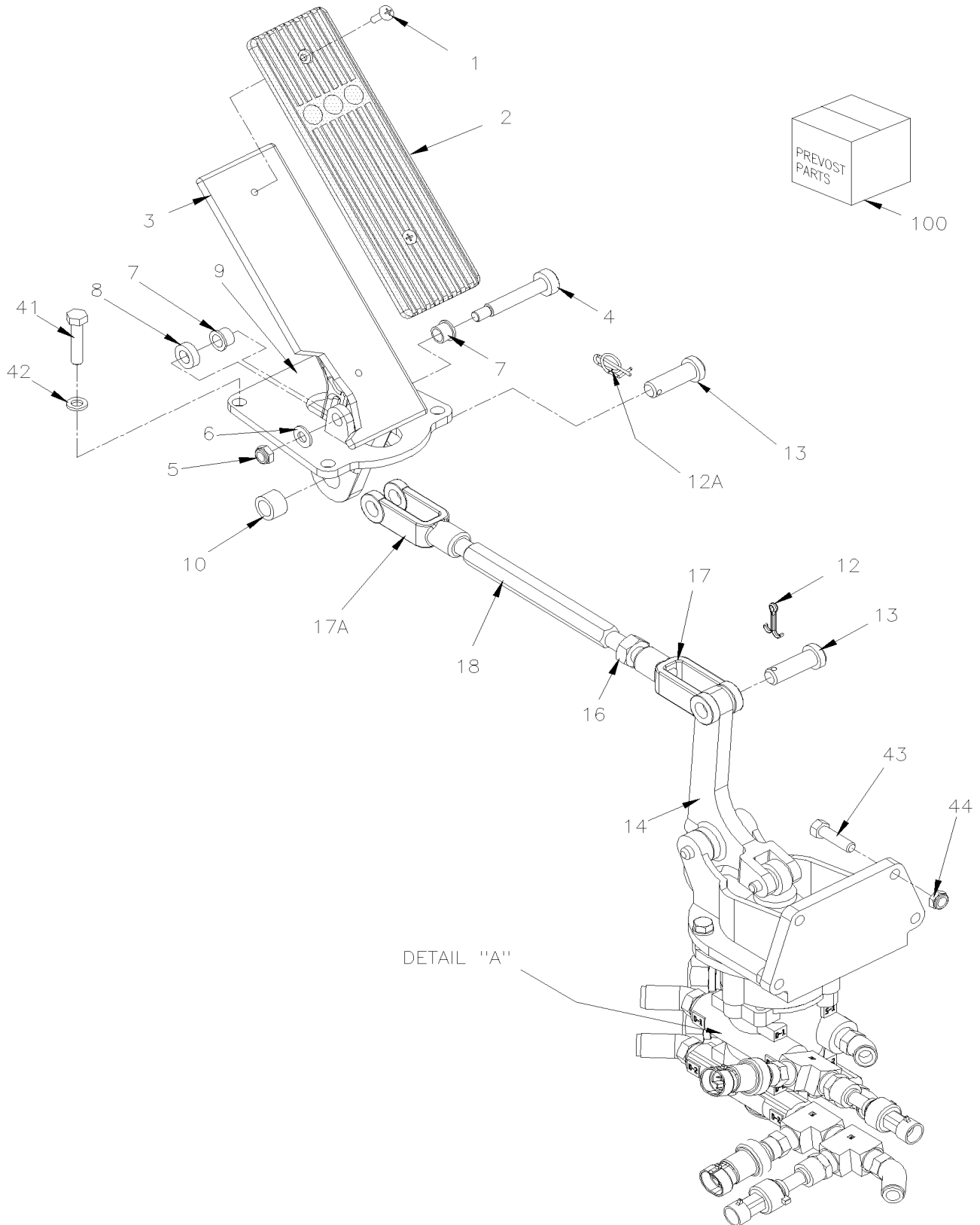
Item#	Part	Description	H 3 4 1	H 3 4 5	V I P 4 5	N O T E S
1	642219	METAL BOWL MANUAL DRAIN	1	1	1	
2	642220	FILTER ELEMENT	1	1	1	
NS	642221	SERVICE KIT AIR FILTER	1	1	1	A
. NS	N.S.S.	. FILTER SIDE PLATE	2	2	2	1 A
. NS	N.S.S.	. SCREW CAP BUT	2	2	2	1 A
. NS	N.S.S.	. PLUG	1	1	1	1 A
. NS	N.S.S.	. O-RING	1	1	1	1 A
. NS	N.S.S.	. GREASE PACKET	1	1	1	1 A
		A) CONTAIN SIDE COVER 2X / SCREW X2 / PLUG 1X / O-RING 1X / GREASE PACKAGE 1X				
		1) NOT SOLD SEPARATELY				

From 7-0671 To F-2909

Date:10/2022

PAGE:H7-1220-10

## BRAKE PEDAL VALVE "BENDIX" E-10P



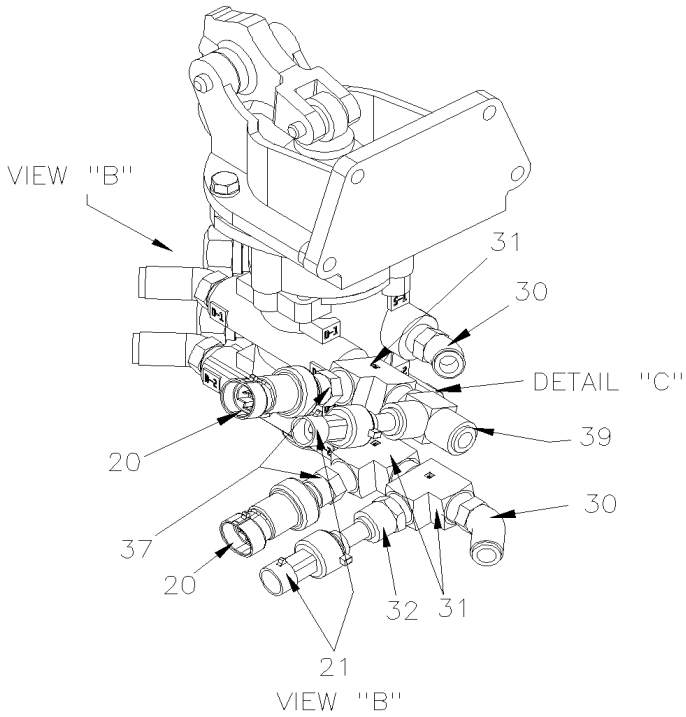
From 7-0671 To F-2909

Date:10/2022

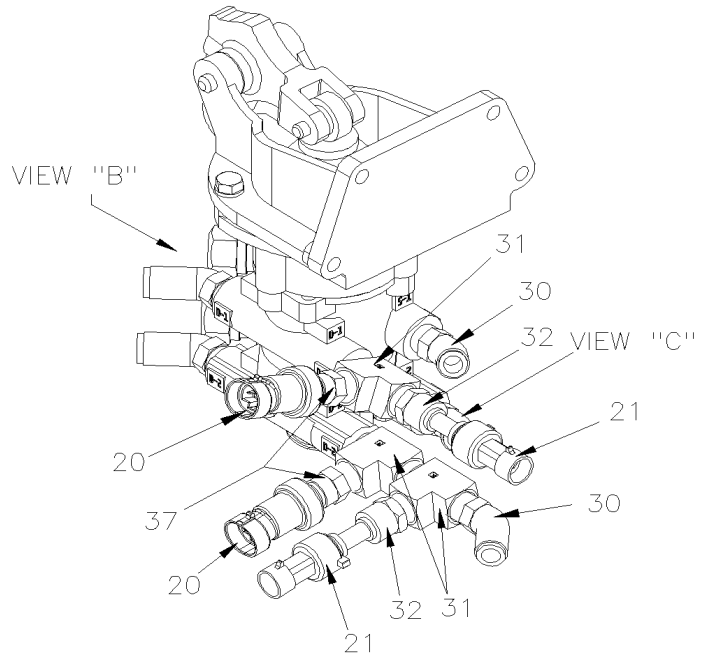
PAGE:H7-1220-10

## BRAKE PEDAL VALVE "BENDIX" E-10P

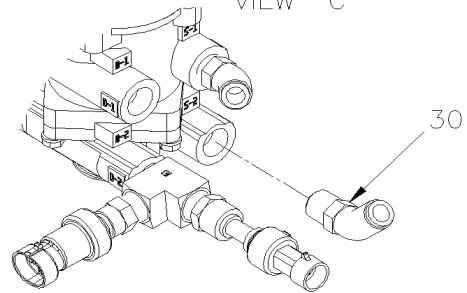
DETAIL "A"  
WITHOUT RETARDER



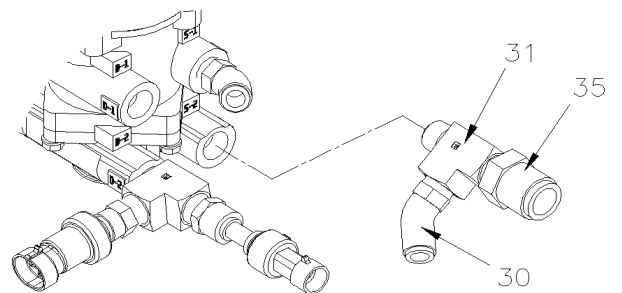
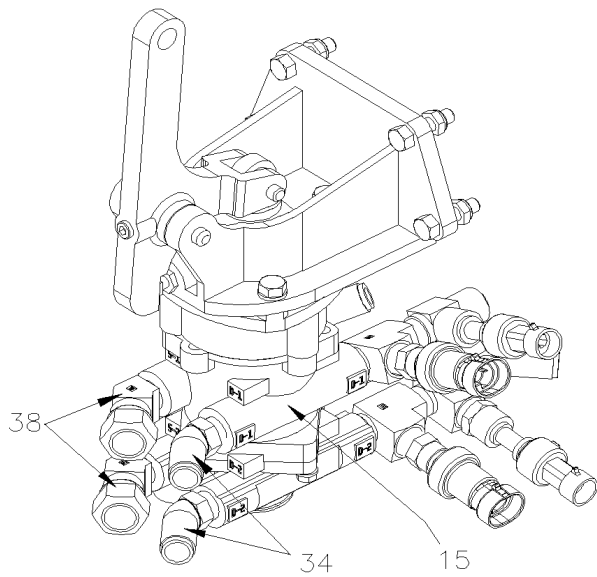
DETAIL "A"  
WITH RETARDER



VIEW "C"



WITHOUT TRAILER  
AIR BRAKE



WITH TRAILER  
AIR BRAKE

From 7-0671 To F-2909	Date:10/2022	PAGE:H7-1220-10
<b>BRAKE PEDAL VALVE "BENDIX" E-10P</b>		

Item#	Part	Description	H 3 4 1	H 3 4 5	V I P 4 5	N O T E S
	141206	PEDAL ASSY	1	1	1	
1	500416	. SCREW MA PAN PH #10-32x1/2 BK	2	2	2	
2	141212	. THREADLE COVER / W/STEEL BACKING To 9-1426	1	1	1	
2	142842	. THREADLE COVER / W/STEEL BACKING From 9-1427	1	1	1	
3	141207	. PEDAL BRAKE	1	1	1	
4	502575	. SCREW SHR HEXS 10x50 {M8-1.25	1	1	1	
5	500868	. NUT HEX NYRT M8-1.25 Z050	1	1	1	
6	500874	. WASHER FL 8.4x17.0x1.6 Z050	1	1	1	
7	507297	. FLANGE BUSHING	2	2	2	
8	141211	. SPACER	1	1	1	
9	141996	. SUPPORT ASSY / TO FIX BRAKE PEDAL	1	1	1	
10	507307	. BUSHING OIL 1/2 I.D. X 3/4 O.D. X 1/2	1	1	1	
12	502102	PIN, COTTER 1/8 x 1	1	1	1	
12A	502107	PIN, WRAP-AROUND LOCKING	1	1	1	
13	502035	PIN, CLEVIS 1/2 x 1 3/8 Z050	1	1	1	
14	641856	BRAKE VALVE ASSY W/BRACKET / MODEL E-10P	1	1	1	
. NS	19507993	. BOOT PLUNGER	1	1	1	
. NS	19510779	. PLUNGER	1	1	1	
. NS	2222120	. MOUNTING BRACKET COUPLING D-1	1	1	1	
15	641925	. VALVE SUB ASSY / MODEL E-10P	1	1	1	
16	500716	NUT HEX 1/2-20 Z050 To 8-1351	2	2	2	
16	500716	NUT HEX 1/2-20 Z050 From 8-1352	1	1	1	
17	020317	YOKE 1/2-20x1 15/16 C/Lx9/16Wx1/2 To 8-1351	1	1	1	
17	020317	YOKE 1/2-20x1 15/16 C/Lx9/16Wx1/2 To 8-1351	1	1	1	
17	142830	YOKE 1/2-20x1 15/16 C/Lx9/16Wx1/2 From 8-1352	1	1	1	
17A	020317	YOKE 1/2-20x1 15/16 C/Lx9/16Wx1/2 To 8-1351	1	1	1	
17A	020317	YOKE 1/2-20x1 15/16 C/Lx9/16Wx1/2 To 8-1351	1	1	1	
17A	142831	YOKE L.H. 1/2-20x1 15/16 C/Lx9/16Wx1/2 From 8-1352	1	1	1	
18	141178	SHAFT THREADED W/R.H. THREAD 260MM To 8-1351	1	1	1	
18	142829	SHAFT THREADED W/R.H. & L.H. THREAD 260MM From 8-1352 To C-1939	1	1	1	
18	142849	SHAFT THREADED W/R.H. & L.H. THREAD 275MM From C-1940	1	1	1	
20	642072	PRESSURE SWITCH N.C. 2-6 PSI / 1/4" TUBE	2	2	2	
. NS	563677	. CONNECTOR / METRI-PACK 150 / SH 4C / PED 12065402	1	1	1	
21	642075	TRANSDUCER PRESSURE	2	2	2	
. NS	563159	. CONNECTOR / METRI-PACK 150 / SH 3C / PED 12065287	1	1	1	
30	641367	MALE ELBOW 45° NON-SWIVEL / PUSH-IN FITTING / #6x3/8NPT-M BR	AR	AR	AR	
31	501699	MALE RUN TEE / PIPE FITTING / 3/8NPT-Mx3/8NPT-Fx3/8NPT-F BR	AR	AR	AR	
32	641330	MALE CONNECTOR / PUSH-IN FITTING / #6x3/8NPT-M BR	AR	AR	AR	
34	641368	MALE ELBOW 45° NON-SWIVEL / PUSH-IN FITTING / #8x3/8NPT-M BR	AR	AR	AR	
35	641602	MALE CONNECTOR / PUSH-IN FITTING / #10x3/8NPT-M BR	AR	AR	AR	
37	641347	MALE CONNECTOR / PUSH-IN FITTING / #4x3/8NPT-M BR	AR	AR	AR	
38	641921	MALE ELBOW 45° / NTA FITTING / #10x3/8NPT-M BR	AR	AR	AR	

From 7-0671 To F-2909	Date:10/2022	PAGE:H7-1220-10
<b>BRAKE PEDAL VALVE "BENDIX" E-10P</b>		

Item#	Part	Description	H 3 4 1	H 3 4 5	V I P 4 5	N O T E S
39	641388	MALE RUN TEE NON-SWIVEL / PUSH-IN FITTING / #6x#6x3/8NPT-M BR	AR	AR	AR	
41	5001814	SCREW CAP HEX 5/16-18X1 1/2 G5 N500	4	4	4	
42	500942	WASHER LO SPT 8.1x14.8x2.0 N500	4	4	4	
43	500544	SCREW CAP HEX M8-1.25x30 G8.8 Z050	4	4	4	
44	502692	NUT HEXF STO M8-1.25 Z050	4	4	4	
100	640949	KIT, REPAIR / BRAKE VALVE E-10	1	1	1	

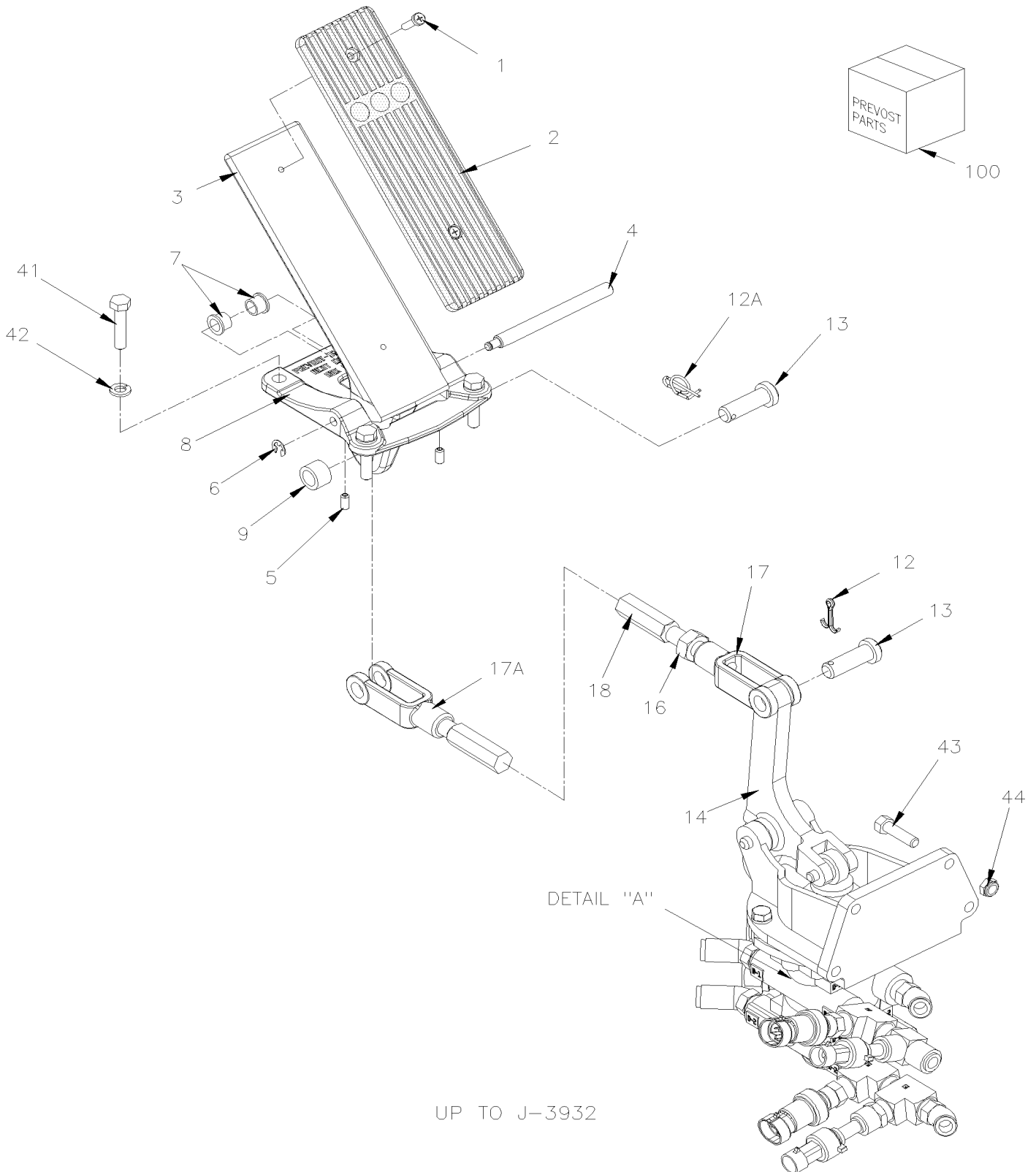


From F-2910 To J-0287

Date:10/2022

PAGE:H7-1220-11

## BRAKE PEDAL VALVE - "BENDIX" E-8P



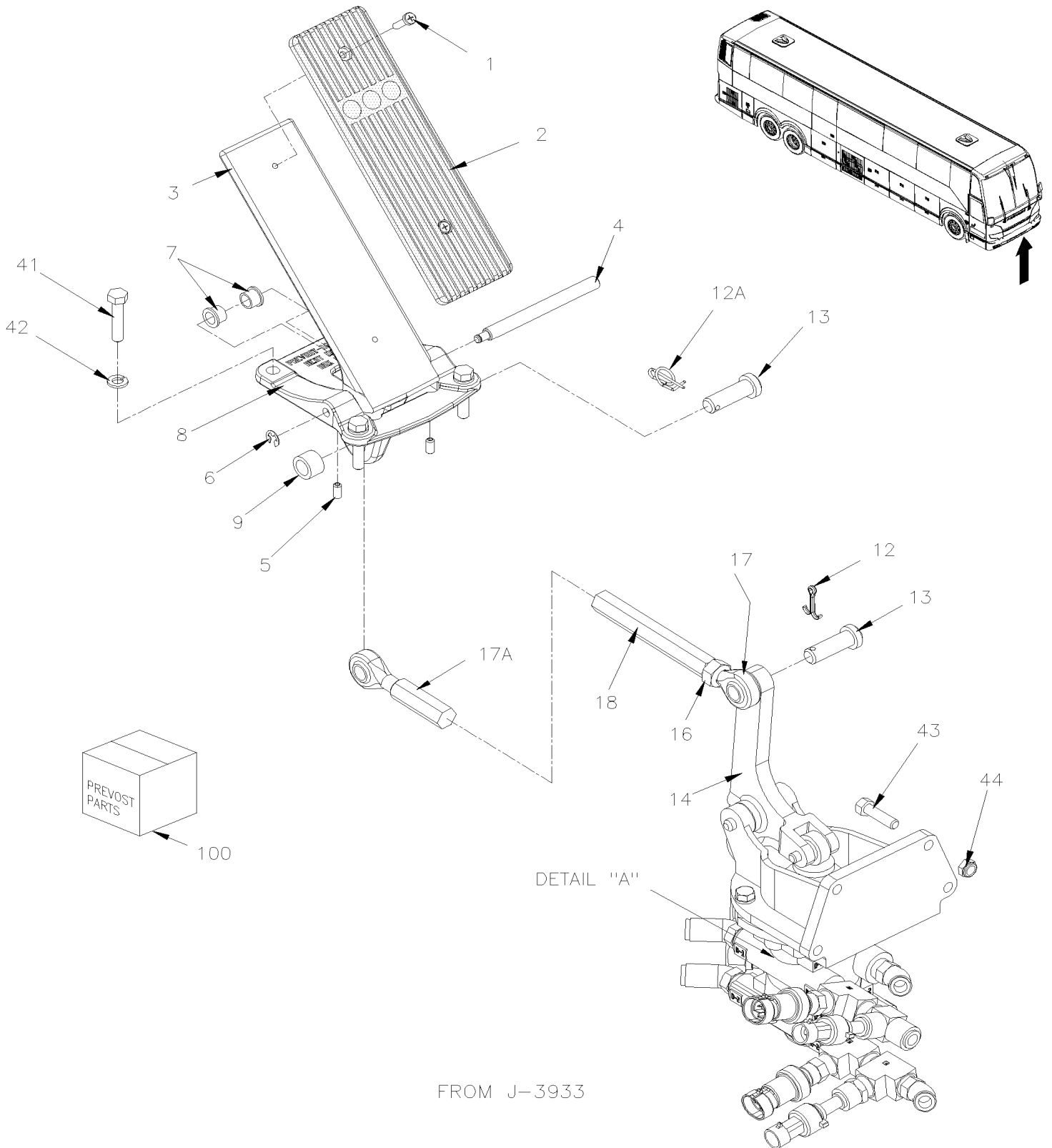
UP TO J-3932

From F-2910 To J-0287

Date:10/2022

PAGE:H7-1220-11

## BRAKE PEDAL VALVE - "BENDIX" E-8P



FROM J-3933

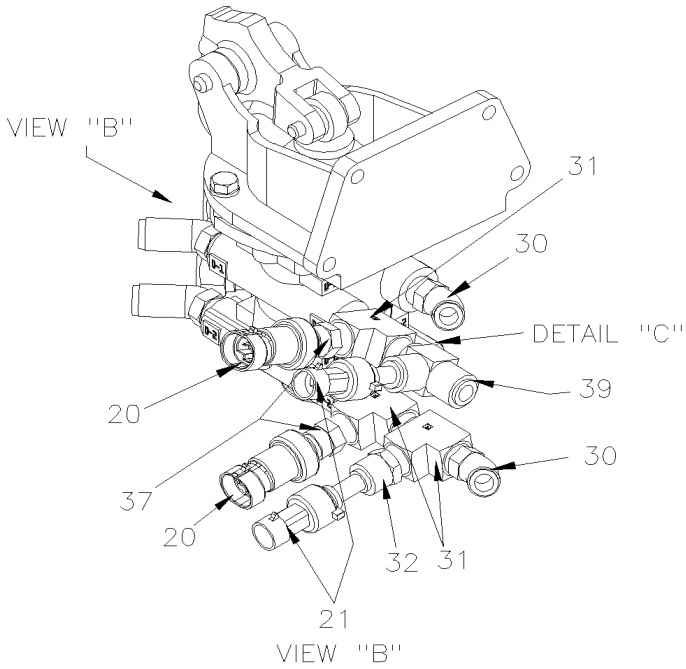
From F-2910 To J-0287

Date:10/2022

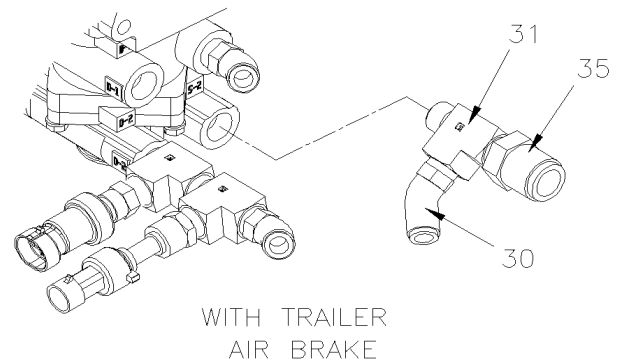
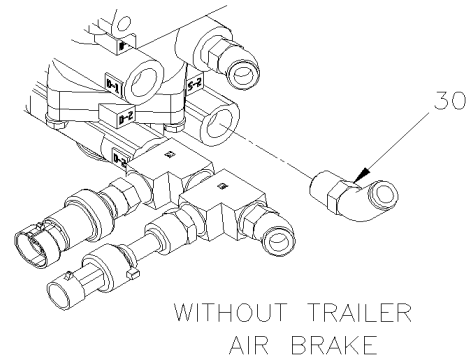
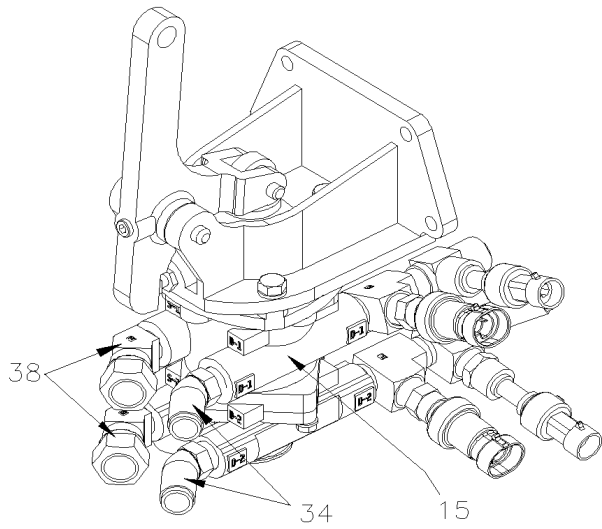
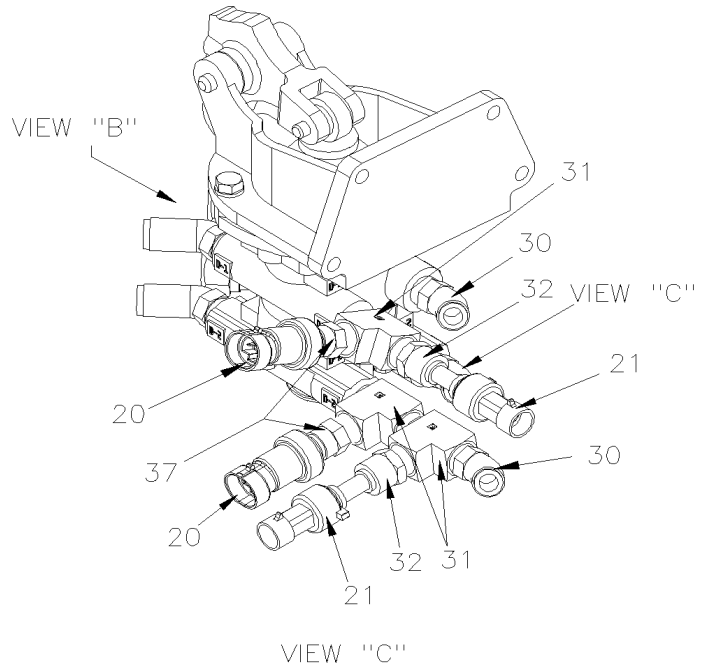
PAGE:H7-1220-11

## BRAKE PEDAL VALVE - "BENDIX" E-8P

DETAIL "A"  
WITHOUT RETARDER



DETAIL "A"  
WITH RETARDER



From F-2910 To J-0287	Date:10/2022	PAGE:H7-1220-11
<b>BRAKE PEDAL VALVE - "BENDIX" E-8P</b>		

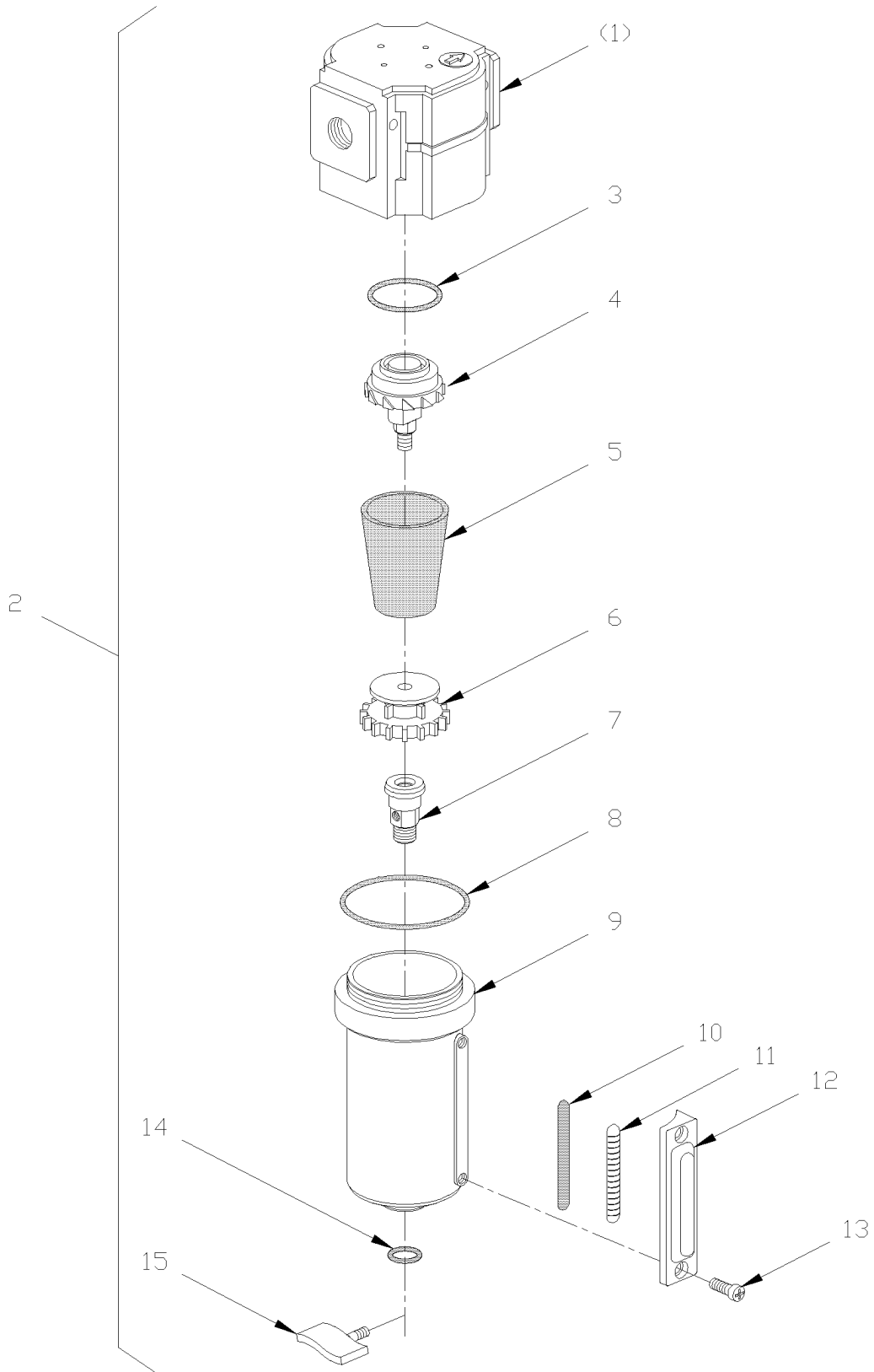
Item#	Part	Description	H 3 4 1	H 3 4 5	V I P 4 5	N O T E S
	145262	PEDAL ASSY	1	1	1	
1	502746	. SCREW MA PAN PH M5-0.8x20 SS BK	2	2	2	
2	142842	. THREADLE COVER / W/STEEL BACKING	1	1	1	
3	145309	. PEDAL BRAKE	1	1	1	
4	145311	. SHAFT, BRAKE PEDAL	1	1	1	
5	5001634	. SCREW SET HEXS CUP M6-1.0X12MM Z050	2	2	2	
6	504699	. RING RETAINER / EXT .250 x .207 x .025" / SS	1	1	1	
7	507297	. FLANGE BUSHING	2	2	2	
8	145310	. SUPPORT ASSY / TO FIX BRAKE PEDAL	1	1	1	
9	507307	. BUSHING OIL 1/2 I.D. X 3/4 O.D. X 1/2	1	1	1	
12	502102	PIN, COTTER 1/8 x 1	1	1	1	
12A	502107	PIN, WRAP-AROUND LOCKING	1	1	1	
13	502035	PIN, CLEVIS 1/2 x 1 3/8 Z050 To H-3932	2	2	2	
13	140050	PIN, CLEVIS 4 x 40 SS From H-3933	2	2	2	
14	<b>642211</b>	<b>BRAKE VALVE ASSY W/BACKET / MODEL E-8P</b>	1	1	1	
15	642212	. VALVE SUB ASSY / MODEL E-8P	1	1	1	
. NS	640943	. . REPAIR KIT / MINOR / VALVE MODEL E-8P	1	1	1	
. NS	6987220	. . REPAIR KIT / MAJOR / VALVE MODEL E-8P	1	1	1	
16	500716	NUT HEX 1/2-20 Z050 To H-3932	1	1	1	
16	5001757	NUT HEX M12-1.75 N500 From H-3933	1	1	1	
17	142830	YOKE 1/2-20x1 15/16 C/Lx9/16Wx1/2 To H-3932	1	1	1	
17	502252	ROD END MALE M12-1.75 / 12MM I.D. From H-3933	1	1	1	
17A	142831	YOKE L.H. 1/2-20x1 15/16 C/Lx9/16Wx1/2 To H-3932	1	1	1	
17A	502253	ROD END MALE L.H. M12-1.75-L.HH / 12MM I.D. From H-3933	1	1	1	
18	142829	SHAFT THREADED W/R.H. & L.H. THREAD 260MM To H-3932	1	1	1	
18	140049	SHAFT THREADED W/R.H. & L.H. THREAD 304MM From H-3933	1	1	1	
20	642072	PRESSURE SWITCH N.C. 2-6 PSI / 1/4" TUBE	2	2	2	
. NS	563677	. CONNECTOR / METRI-PACK 150 / SH 4C / PED 12065402	1	1	1	
21	642075	TRANSDUCER PRESSURE	2	2	2	
. NS	563159	. CONNECTOR / METRI-PACK 150 / SH 3C / PED 12065287	1	1	1	
30	641367	MALE ELBOW 45° NON-SWIVEL / PUSH-IN FITTING / #6x3/8NPT-M BR	AR	AR	AR	
31	501699	MALE RUN TEE / PIPE FITTING / 3/8NPT-Mx3/8NPT-Fx3/8NPT-F BR	AR	AR	AR	
32	641330	MALE CONNECTOR / PUSH-IN FITTING / #6x3/8NPT-M BR	AR	AR	AR	
34	641368	MALE ELBOW 45° NON-SWIVEL / PUSH-IN FITTING / #8x3/8NPT-M BR	AR	AR	AR	
35	641602	MALE CONNECTOR / PUSH-IN FITTING / #10x3/8NPT-M BR	AR	AR	AR	
37	641347	MALE CONNECTOR / PUSH-IN FITTING / #4x3/8NPT-M BR	AR	AR	AR	
38	641921	MALE ELBOW 45° / NTA FITTING / #10x3/8NPT-M BR	AR	AR	AR	
39	641388	MALE RUN TEE NON-SWIVEL / PUSH-IN FITTING / #6x#6x3/8NPT-M BR	AR	AR	AR	
41	5001814	SCREW CAP HEX 5/16-18X1 1/2 G5 N500 To H-3932	4	4	4	
41	5001992	SCREW CAP HEX SLO 5/16-18x1 1/2 SS From H-3933	4	4	4	
42	500942	WASHER LO SPT 8.1x14.8x2.0 N500 To H-3932	4	4	4	
42	5001341	WASHER FL 8.4x17.0x1.6 SS From H-3933	4	4	4	

From F-2910 To J-0287	Date:10/2022	PAGE:H7-1220-11
<b>BRAKE PEDAL VALVE - "BENDIX" E-8P</b>		

Item#	Part	Description	H 3 4 1	H 3 4 5	V I P 4 5	N O T E S
43	5001738	SCREW CAP HEX M8-1.25x30 G8.8 N500 To H-3990	4	4	4	
43	502836	SCREW CAP HEX M8-1.25x35 G8.8 N500 From H-3991	4	4	4	
44	502692	NUT HEXF STO M8-1.25 Z050	4	4	4	
100	640943	REPAIR KIT / MINOR / VALVE MODEL E-8P	1	1	1	
100	6987220	REPAIR KIT / MAJOR / VALVE MODEL E-8P	1	1	1	



AIR FILTER - ACCESSORIES

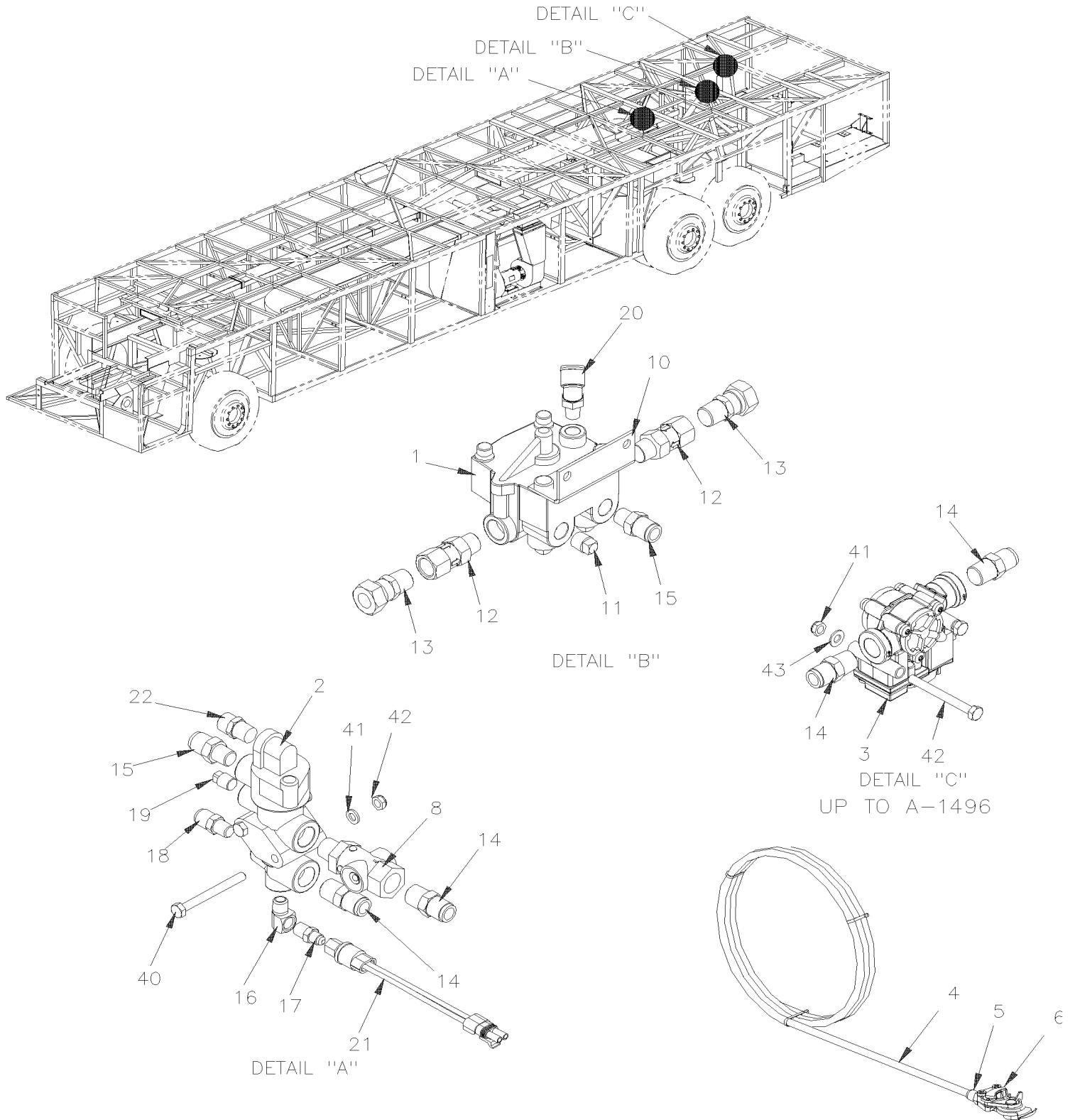


From 7-0671 To E-2565	Date:10/2022	PAGE:H7-1220-15
<b>AIR FILTER - ACCESSORIES</b>		

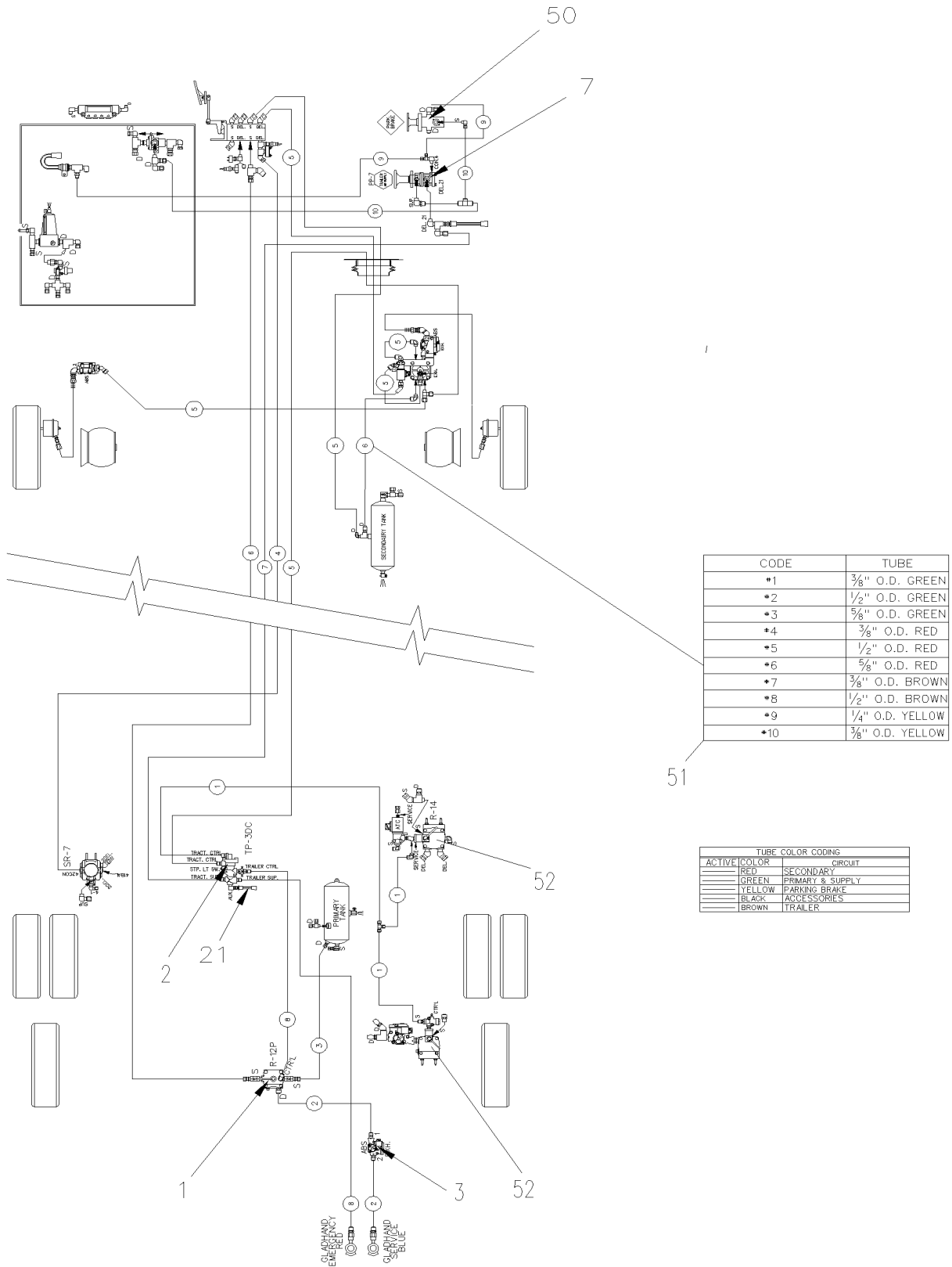
Item#	Part	Description	H 3 4 1	H 3 4 5	V I P 4 5	N O T E S
1	641339	SUPPORT / AIR FILTER	1	1	1	
2	641338	AIR FILTER ASSY	1	1	1	
3	N.S.S.	. O-RING / UPPER CENTER POST	1	1	1	1
4	641969	. CENTER POST	1	1	1	
5	641340	. FILTER ELEMENT	1	1	1	
6	641970	. SCREW BAFFLE	1	1	1	
7	641971	. DRAIN VALVE BODY	1	1	1	
8	N.S.S.	. O-RING / UPPER BOWL	1	1	1	1
9	N.S.S.	. BOWL METAL	1	1	1	1
10	N.S.S.	. INDICATOR FILTER	1	1	1	1
11	N.S.S.	. GLASS / INDICATOR	1	1	1	1
12	N.S.S.	. RETAINER / GLASS	1	1	1	1
13	N.S.S.	. SCREW / TO FIX RETAINER	2	2	2	1
14	N.S.S.	. O-RING / LOWER BOWL	1	1	1	1
15	641972	. DRAIN VALVE	1	1	1	
16	N.S.S.	. NUT RETAINER / DRAIN VALVE	1	1	1	1
NS	641354	KIT, O-RING	AR	AR	AR	A
NS	641355	KIT, LEVEL INDICATOR	AR	AR	AR	B
NS	7770058	KIT, DRAIN VALVE	AR	AR	AR	C
		A) INCLUDE ITEMS #3,8 & 14				
		B) INCLUDE ITEMS #8,10,11 & 13				
		C) INCLUDE ITEMS #7, 14 & 15				
		1) NOT SOLD SEPARATELY				



TRAILER VALVE INSTALLATION



## TRAILER VALVE INSTALLATION



From 7-0671 To E-2504 Date:10/2022 PAGE:H7-1220-50

## TRAILER VALVE INSTALLATION

Item#	Part	Description	H 3 4 1	H 3 4 5	V I P 4 5	N O T E S
1	641399	VALVE, RELAY R-12 P SUPPERSEDED 642097	1	1	1	
2	641495	TRACTOR PROTECTION VALVE TP-3 DC	1	1	1	
3	642077	VALVE, "ABS" 12VOLT / M-32QR To A-1497	1	1	1	B S
3	640228	VALVE, "ABS" 12VOLT / M-40QR To A-1497	1	1	1	
4	503638	TUBE, NYLON 1/2 O.D. / BROWN S.L.	AR	AR	AR	
4	503406	TUBE, NYLON 1/2 O.D. / GREEN S.L.	AR	AR	AR	
5	640992	MALE CONNECTOR / NTA FITTING / #8x1/2NPT-M BR	1	1	1	
6	641938	GLANDHAND W/DUST COVER "RED"	1	1	1	
6	641939	GLANDHAND W/DUST COVER "BLUE"	1	1	1	
6	641957	GLANDHAND SWING-AWAY "RED"	1	1		A
6	641958	GLANDHAND SWING-AWAY "BLUE"	1	1		A
6	644957	CAP / GLANDHAND SWING-AWAY	1	1	1	
7	641397	TRAILER SUPPLY VALVE PP-7	1	1	1	
8	642088	VALVE, QUICK RELEASE QR-L / IN LINE	1	1	1	
10	142164	SUPPORT VALVE R-12P	1	1	1	
11	501449	PLUG HEXS / PIPE FITTING / 3/8NPT-M STL	1	1	1	
12	640123	VALVE, CHECK 1/2 NPT SC-1	1	1	1	
. NS	641401	. VALVE, CHECK 1/2 NPT SC-1	1	1	1	
12	641172	VALVE, CHECK ELBOW 90° 1/2 NPT	1	1	1	
13	641384	MALE CONNECTOR / PUSH-IN FITTING / #10x1/2NPT-M BR	AR	AR	AR	
13	640994	MALE CONNECTOR / NTA FITTING / #10x1/2NPT-M BR	AR	AR	AR	
14	641383	MALE CONNECTOR / PUSH-IN FITTING / #8x1/2NPT-M BR	AR	AR	AR	
15	641381	MALE CONNECTOR / PUSH-IN FITTING / #8x3/8NPT-M BR	AR	AR	AR	
16	501332	STREET ELBOW 90° / PIPE FITTING / 1/4NPT-Mx1/4NPT-F BR	AR	AR	AR	
17	501027	MALE CONNECTOR / SAE 45° FITTING / #4FL-Mx1/4NPT-M BR	AR	AR	AR	
18	641331	MALE CONNECTOR / PUSH-IN FITTING / #6x1/4NPT-M BR	AR	AR	AR	
19	501304	PLUG SQUARE HEAD / PIPE FITTING / 1/4NPT-M BR To A-1677	AR	AR	AR	
19	501800	PLUG HEXS / PIPE FITTING / 1/4NPT-M STL From A-1678	AR	AR	AR	
20	642073	MALE ELBOW 45° / PUSH-IN FITTING / #8x1/4NPT-M	AR	AR	AR	
21	950245	PRESSURE SWITCH N.C. 20-30 LO-UNLOAD W/WIRE BLACK	1	1	1	
22	641330	MALE CONNECTOR / PUSH-IN FITTING / #6x3/8NPT-M BR	AR	AR	AR	
40	502507	WASHER LO SPT 8.1x14.8x2.0 Z050	AR	AR	AR	
41	500868	NUT HEX NYRT M8-1.25 Z050	AR	AR	AR	
42	502650	SCREW CAP HEX M8-1.25x80 G8.8 Z050	AR	AR	AR	
43	5001341	WASHER FL 8.4x17.0x1.6 SS	AR	AR	AR	
44	500778	NUT HEX 5/16-18 N500	AR	AR	AR	
50	<b>H7-1806-10</b>	<b>L.H. CONSOLE - BUS</b>				
50	<b>H7-1806-15</b>	<b>L.H. CONSOLE - V.I.P.</b>				
50	<b>H7-0665-20</b>	<b>CABLE TRAILER - INSTALLATION - BUS</b>				
51	<b>H7-1202-00</b>	<b>TUBES PLASTIC / AIR D.O.T.</b>				
52	<b>H7-1250-10</b>	<b>ABS BRAKE VALVE - INSTALLATION</b>				

From 7-0671 To E-2504	Date:10/2022	PAGE:H7-1220-50
-----------------------	--------------	-----------------

**TRAILER VALVE INSTALLATION**

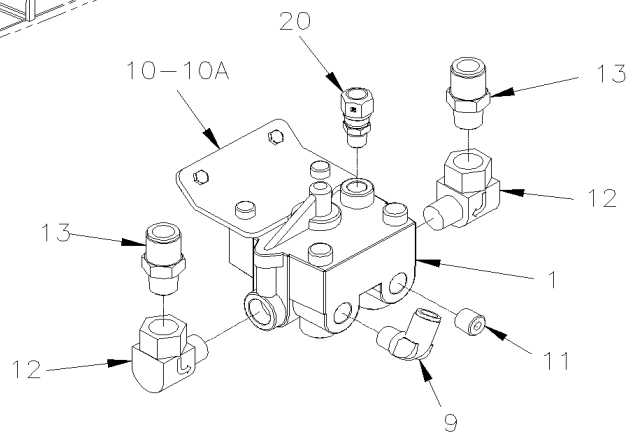
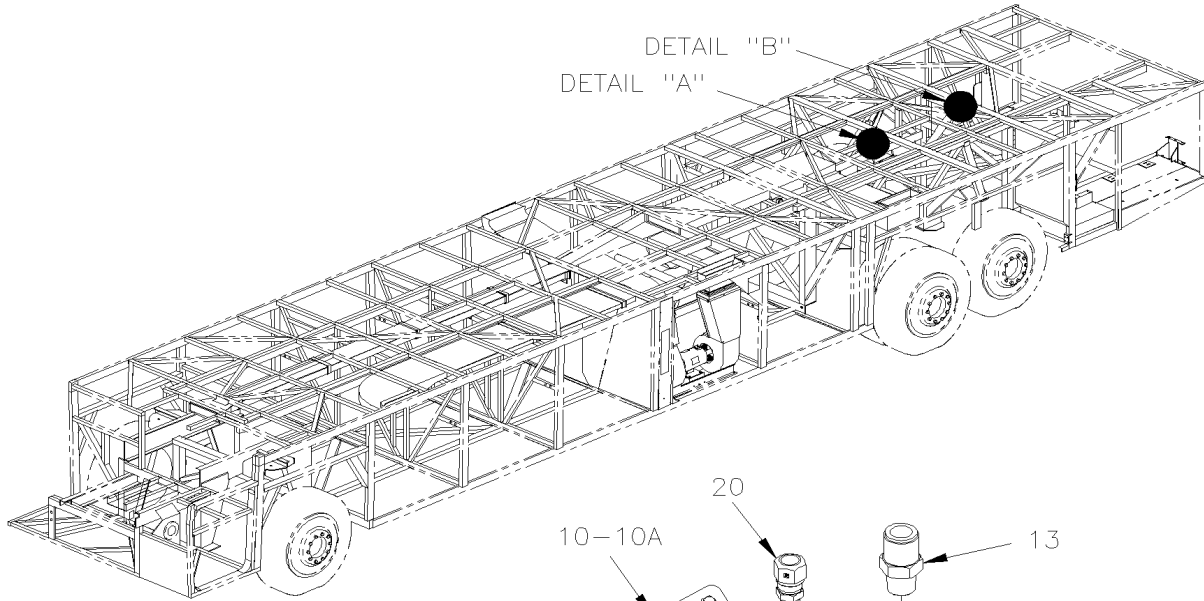
Item#	Part	Description	H 3 4 1	H 3 4 5	V I P 4 5	N O T E S
NS	143039	DECAL / TRAILER FRENCH	1	1	1	
NS	143040	DECAL / TRAILER ENGLISH	1	1	1	
NS	143065	DECAL / TRAILER SPANISH	1	1	1	
		A) THOSE GLANDHAND ARE INSTALLED ON REAR ENGINE DOOR				
		B) WHEN YOU REPLACE THE VALVE #642077 BY THE VALVE #640228 YOU HAVE REPLACE BOTH SIDE LEFT AND RIGHT SIDE				
		S) FOR YOUR SECURITY IF YOUR TRAILER ARE NOT EQUIPED WITH "EPS" SYTEM THIS VALVE DO NOT WORK PROPELY SEE DECAL # 143039,143040 OR 143065				

From E-2505 To J-0287

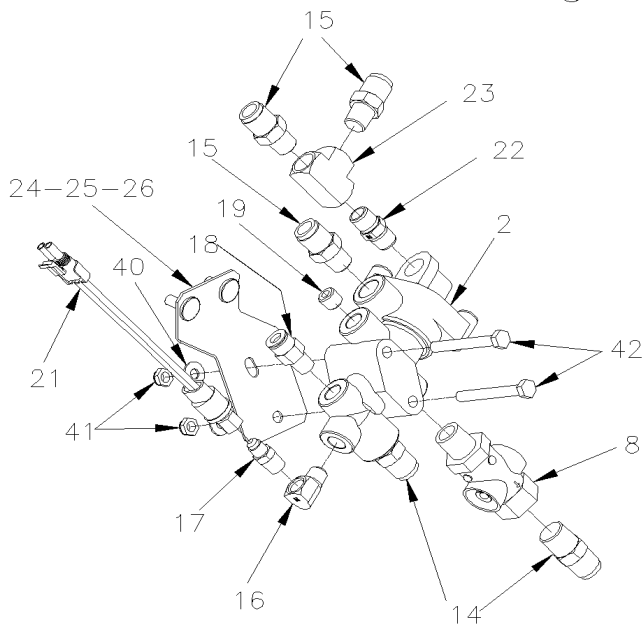
Date:10/2022

PAGE:H7-1220-51

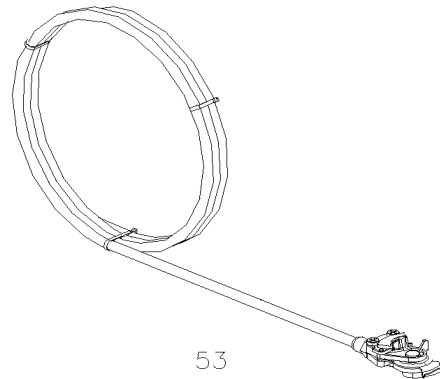
## TRAILER VALVE INSTALLATION



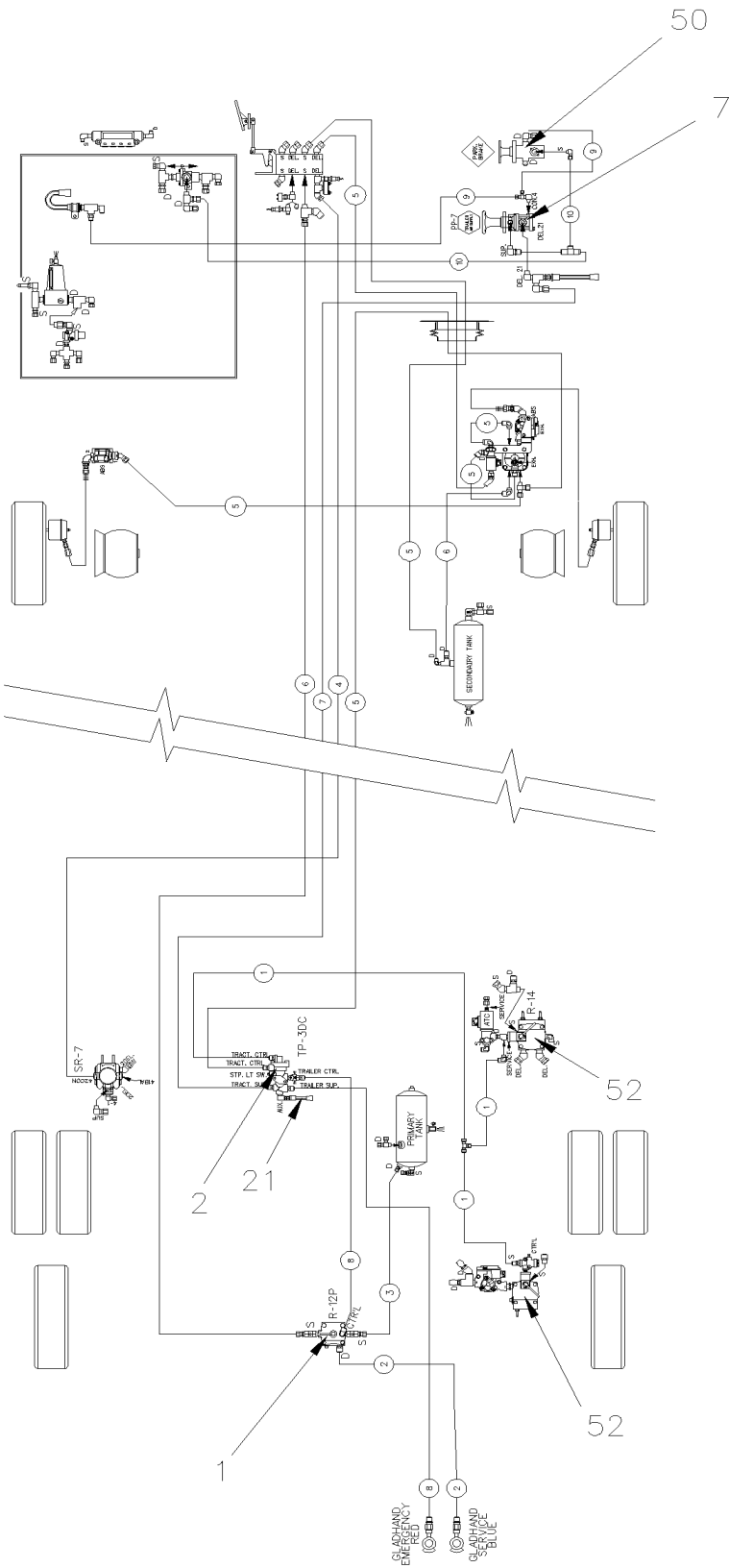
DETAIL "B"



DETAIL "A"



## TRAILER VALVE INSTALLATION



CODE	TUBE
#1	3/8" O.D. GREEN
#2	1/2" O.D. GREEN
#3	5/8" O.D. GREEN
#4	3/8" O.D. RED
#5	1/2" O.D. RED
#6	5/8" O.D. RED
#7	3/8" O.D. BROWN
#8	1/2" O.D. BROWN
#9	1/4" O.D. YELLOW
#10	3/8" O.D. YELLOW

TUBE COLOR CODING		
ACTIVE	COLOR	CIRCUIT
	RED	SECONDARY
	GREEN	PRIMARY & SUPPLY
	YELLOW	PARKING BRAKE
	BLACK	ACCESSORIES
	BROWN	TRAILER

**TRAILER VALVE INSTALLATION**

Item#	Part	Description	H 3 4 1	H 3 4 5	V I P 4 5	N O T E S
1	641399	VALVE, RELAY R-12 P SUPPERSEDED 642097	1	1	1	
2	641495	TRACTOR PROTECTION VALVE TP-3 DC	1	1	1	
7	641397	TRAILER SUPPLY VALVE PP-7	1	1	1	
8	642088	VALVE, QUICK RELEASE QR-L / IN LINE	1	1	1	
9	641376	MALE ELBOW 90° NON-SWIVEL / PUSH-IN FITTING / #8x3/8NPT-M BR	1	1	1	
10	142850	SUPPORT VALVE R-12P	1	1	1	
10A	502681	NUT HEX NYRT M6-1.0 N500 G8	2	2	2	
11	501449	PLUG HEXS / PIPE FITTING / 3/8NPT-M STL	3	3	3	
12	641172	VALVE, CHECK ELBOW 90° 1/2 NPT	1	1	1	
13	641384	MALE CONNECTOR / PUSH-IN FITTING / #10x1/2NPT-M BR	AR	AR	AR	
14	641383	MALE CONNECTOR / PUSH-IN FITTING / #8x1/2NPT-M BR	AR	AR	AR	
15	641381	MALE CONNECTOR / PUSH-IN FITTING / #8x3/8NPT-M BR	AR	AR	AR	
16	501332	STREET ELBOW 90° / PIPE FITTING / 1/4NPT-Mx1/4NPT-F BR	AR	AR	AR	
17	501027	MALE CONNECTOR / SAE 45° FITTING / #4FL-Mx1/4NPT-M BR	AR	AR	AR	
18	641331	MALE CONNECTOR / PUSH-IN FITTING / #6x1/4NPT-M BR	AR	AR	AR	
19	501800	PLUG HEXS / PIPE FITTING / 1/4NPT-M STL	AR	AR	AR	
20	641173	MALE CONNECTOR / NTA FITTING / #8x1/4NPT-M BR	AR	AR	AR	
21	950245	PRESSURE SWITCH N.C. 20-30 LO-UNLOAD W/WIRE BLACK	1	1	1	
22	501322	NIPPLE HEX / PIPE FITTING / 3/8NPT-Mx3/8NPT-Mx1 13/32 BR	1	1	1	
23	501527	FEMALE UNION TEE / PIPE FITTING / 3/8NPT-Fx3/8NPT-Fx3/8NPT-F BR	1	1	1	
24	145117	SUPPORT, TP3 VALVE ASSY	1	1	1	
25	500381	WASHER FL 8.4x25.0x2.0 N500	2	2	2	
26	502847	NUT HEX NYRT M8-1.25 N500	2	2	2	
NS	680098	THREAD SEALANT LOCTITE #567 / WHITE / 250ml	AR	AR	AR	
40	502638	WASHER FL .312x.734x.065 N500	AR	AR	AR	
41	500868	NUT HEX NYRT M8-1.25 Z050	AR	AR	AR	
42	502650	SCREW CAP HEX M8-1.25x80 G8.8 Z050	AR	AR	AR	
45	Call order desk	SUPPORTS VALVES	1	1	1	P
50	<b>H7-1806-10</b>	<b>L.H. CONSOLE - BUS</b>				
50	<b>H7-1806-15</b>	<b>L.H. CONSOLE - V.I.P.</b>				
50	<b>H7-0665-20</b>	<b>CABLE TRAILER - INSTALLATION - BUS</b>				
51	<b>H7-1202-00</b>	<b>TUBES PLASTIC / AIR D.O.T.</b>				
52	<b>H7-1250-10</b>	<b>ABS BRAKE VALVE - INSTALLATION</b>				
53	<b>H7-0665-20</b>	<b>CABLE TRAILER - INSTALLATION - BUS</b>				
NS	143039	DECAL / TRAILER FRENCH	1	1	1	
NS	143040	DECAL / TRAILER ENGLISH	1	1	1	
NS	143065	DECAL / TRAILER SPANISH	1	1	1	
		P) CALL ORDER DESK FOR SPECIFIC APPLICATION (V.I.N.)				



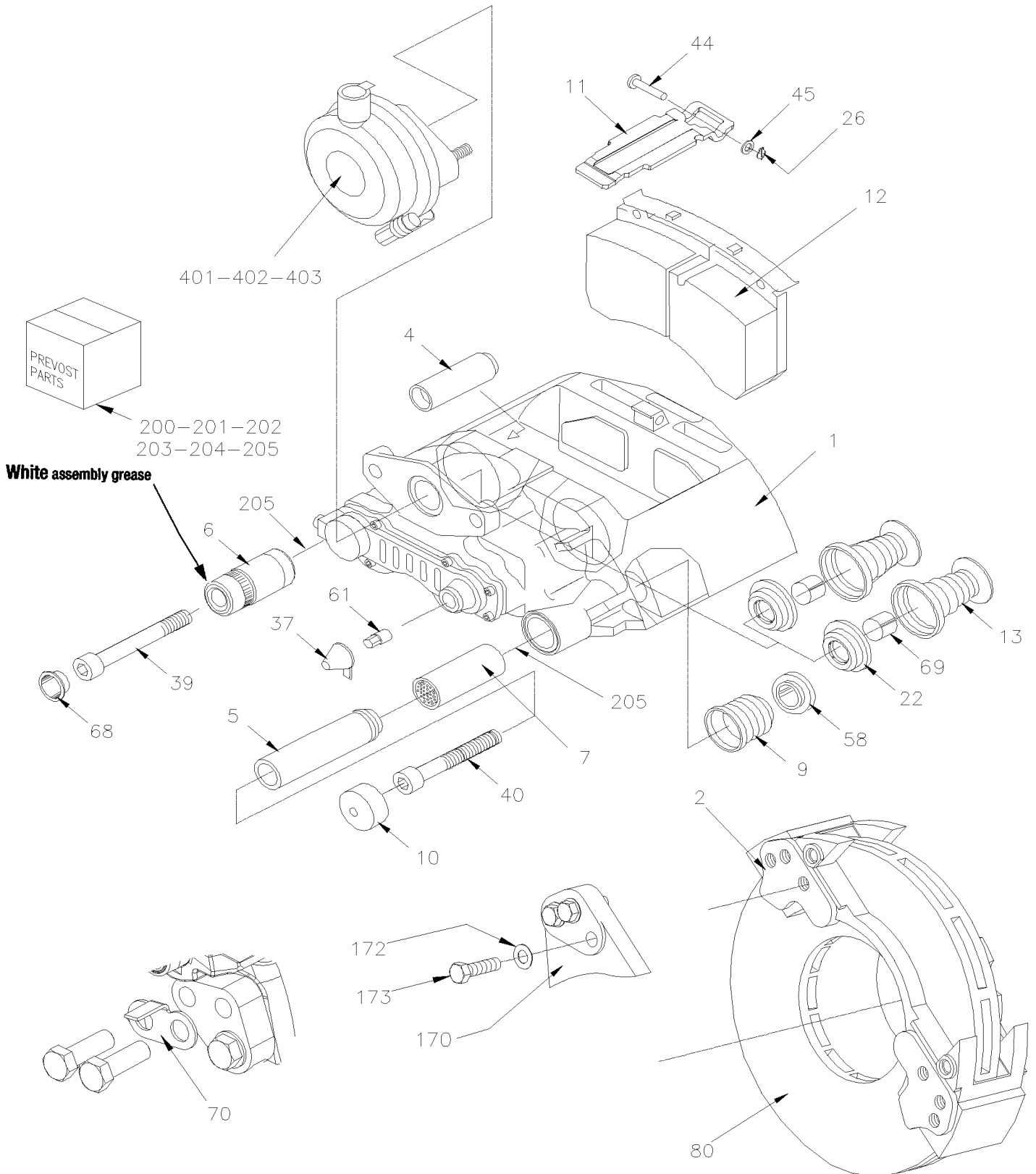


From 7-0671 To A-1593

Date:10/2022

PAGE:H7-1225-00

## BRAKE PARTS - FRONT & TAG AXLE "KNORR-BREMSE" SN7 SERIES



From 7-0671 To A-1593      Date:10/2022      PAGE:H7-1225-00

**BRAKE PARTS - FRONT & TAG AXLE "KNORR-BREMSE" SN7 SERIES**

Item#	Part	Description	H 3 4 1	H 3 4 5	V I P 4 5	N O T E S
	611341	CALIPER ASSY R.H. / W/O BOOSTER / SN7	1	1	1	A
	611342	CALIPER ASSY L.H. / W/O BOOSTER / SN7	1	1	1	A
1	N.S.S.	. CALIPER HOUSING	1	1	1	1
2	611960	. BRAKE CARRIER / W/6 HOLES BOLT RETAINERS M20-1.5	1	1	1	
4	N.S.S.	. . GUIDE BUSHING / SHORT	1	1	1	1
5	N.S.S.	. . GUIDE BUSHING / LONG	1	1	1	1
6	N.S.S.	. . GUIDE SLEEVE	1	1	1	1
7	611107	. BUSHING / BRASS	1	1	1	
8	N.S.S.	. . BOOT RUBBER / WHITE	2	2	2	1
9	N.S.S.	. . BELLOW GUIDE BUSHING / RED	1	1	1	1
10	N.S.S.	. . STEEL CAP	1	1	1	1
11	N.S.S.	. . BRAKE PAD BRACKET	1	1	1	1
12	611049	. . LINING SET STD /	1	1	1	B
. 11	N.S.S.	. . . BRAKE PAD BRACKET	1	1	1	1 B
. 26	N.S.S.	. . . SPRING SPLIT PIN	1	1	1	1 B
. 37	641313	. . . PLUG CAP / ADJUSTING DEVICE / PLASTIC INTERIOR GRIP	1	1	1	B
. 44	N.S.S.	. . . CLEVIS PIN	1	1	1	1 B
. 45	N.S.S.	. . . WASHER	1	1	1	1 B
. 61	N.S.S.	. . . SHEAR ADAPTER	1	1	1	1 B
13	N.S.S.	. . TAPPET WITH BOOT ASSY	2	2	2	1
22	N.S.S.	. . BOOT	2	2	2	1
26	N.S.S.	. . SPRING SPLINT PIN	1	1	1	1
37	N.S.S.	. . PLUG CAP / ADJUSTING DEVICE	1	1	1	1
39	N.S.S.	. . SCREW CAP HEXS ZP M16-1.5 GR10.9	1	1	1	1
40	N.S.S.	. . SCREW CAP HEXS ZP M16-1.5 GR10.9	1	1	1	1
44	N.S.S.	. . CLEVIS PIN	1	1	1	1
45	N.S.S.	. . WASHER	1	1	1	1
58	N.S.S.	. . RING	1	1	1	1
61	N.S.S.	. . SHEAR ADAPTER	1	1	1	1
68	N.S.S.	. . CAP	1	1	1	1
69	N.S.S.	. RING RETAINING	2	2	2	1
70	110786	BRAKE WEAR INDICATOR MECHANICAL / 44MM	AR	AR	AR	
80	<b>H7-1300-00</b>	<b>HUB &amp; ROTOR - FRONT AXLE - I BEAM MODEL "S84U"</b>				
80	<b>H7-1310-00</b>	<b>HUB &amp; ROTOR - TAG AXLE TYPE TS8U</b>				
170	<b>H7-1005-00</b>	<b>FRONT AXLE - I BEAM RIGID MODEL "S84U"</b>				
170	<b>H7-1005-50</b>	<b>FRONT AXLE - INDEPENDENT MODEL "NDIFS80P" / 18000LBS</b>				
170	<b>H7-1615-00</b>	<b>TAG AXLE - INSTALL SUSPENSION</b>				
172	502558	WASHER FL 21.0x37.0x3.0 G500	6	6	6	
173	5001529	SCREW CAP HEX M20-1.5x60 G10.9 G500	6	6	6	
200	642032	KIT, TAPPET W/BOOT	AR	AR	AR	C
201	642031	KIT, GUIDANCE PINS & BELLOW / SN W/39MM BUSHING END	AR	AR	AR	E
202	642034	KIT, PLUG CAP W/AJUSTING DEVICE (PACK of 10x #37, #37a & 61)	AR	AR	AR	S

From 7-0671 To A-1593      Date:10/2022      PAGE:H7-1225-00

## BRAKE PARTS - FRONT & TAG AXLE "KNORR-BREMSE" SN7 SERIES

Item#	Part	Description	H 3 4 1	H 3 4 5	V I P 4 5	N O T E S
203	641402	KIT, PAD HOLDER	AR	AR	AR	H
. 26	N.S.S.	. SPRING SPLIT PIN	1	1	1	1 H
. 44	N.S.S.	. CLEVIS PIN	1	1	1	1 H
. 45	N.S.S.	. WASHER	1	1	1	1 H
205	683345	GREASE WHITE / 5GR	AR	AR	AR	K
205	641930	GREASE WHITE / 500GR	AR	AR	AR	K
NS	641321	TOOL / THRUST MEMBER W/BELLOW	AR	AR	AR	L
NS	641322	TOOL / CALIPER INNER BELLOW	AR	AR	AR	M
NS	642074	TOOL / BUSHING INSTALLER / SERIES SN	AR	AR	AR	N
NS	641435	TOOL / FORK (FOR BELLOW CAP)	AR	AR	AR	L
NS	641993	TOOL / PRESS IN COVER	AR	AR	AR	X
NS	641994	TOOL / BUSHING - INSTALLER	AR	AR	AR	Y
NS	641998	TOOL / RUBBER BUSHING - INSTALLER	AR	AR	AR	Z
NS	642035	KIT TOOL BOX "KNORR BREMSE" SERIE SN7	AR	AR	AR	
401	<b>H7-1225-10</b>	<b>BRAKE CHAMBER - FRONT AXLE TYPE 24</b>				
401	<b>H7-1225-50</b>	<b>BRAKE CHAMBER - FRONT AXLE TYPE 27</b>				
402	<b>H7-1245-10</b>	<b>BRAKE CHAMBER - TAG AXLE TYPE 14 &amp; 16</b>				
500	Y006471_000_EN	MAINTENANCE MANUAL / ENGLISH KNORR-BREMSE				
NS	Y006471_000_FR	MANUEL D'ENTRETIEN / FRANÇAIS KNORR-BREMSE				
		A) DO NOT INCLUDE ITEM #2 & #12				
		B) INCLUDES ITEMS #11, 26, 37, 44, 45 & 61				
		C) INCLUDES 2 OF ITEMS #13, 22 & 69				
		E) INCLUDES ITEMS #4, 5, 6, 7, 9, 10, 39, 40, 58 & 68				
		H) INCLUDES ITEMS #11,26,44 & 45				
		K) FOR ITEMS #5 & 7				
		L) TO USE W/ITEMS #13				
		M) TO USE W/ITEM #9				
		N) TO USE W/ITEM #7				
		S) INCLUDES 10 ITEMS #37 AND 61				
		X) TO USE WITH ITEM #10				
		Y) TO USE WITH ITEM 6				
		Z) TO USE WITH ITEM #68				
		1) NOT SOLD SEPARATELY				
		1) NOT SOLD SEPARATELY				

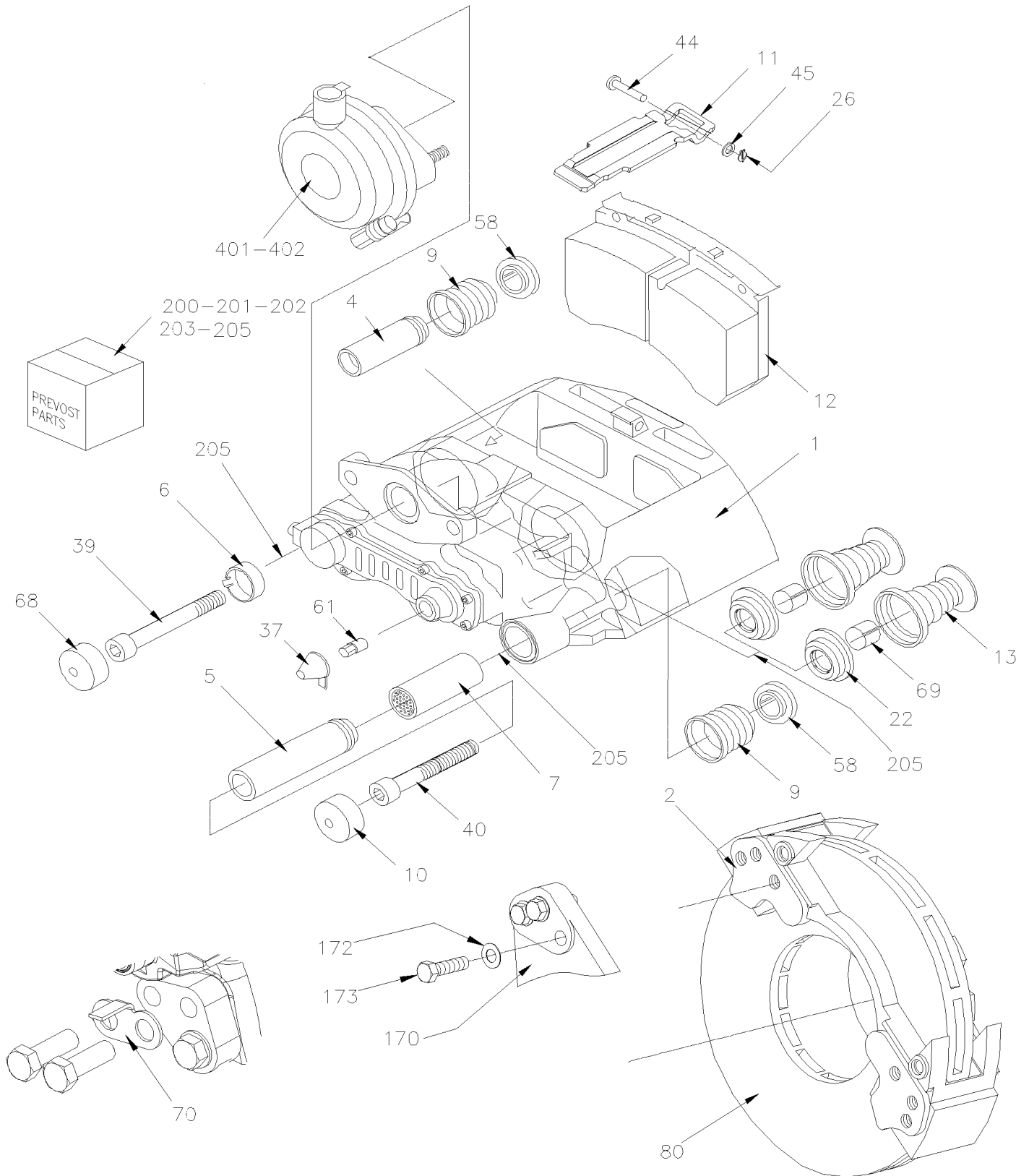


From A-1594 To E-2485

Date:10/2022

PAGE:H7-1225-01

## BRAKE PARTS - FRONT & TAG AXLE "KNORR-BREMSE" SN7 SERIES W/NEW SLIDE PINS



<b>From A-1594 To E-2485</b>	<b>Date:10/2022</b>	<b>PAGE:H7-1225-01</b>
<b>BRAKE PARTS - FRONT &amp; TAG AXLE "KNORR-BREMSE" SN7 SERIES W/NEW SLIDE PINS</b>		

Item#	Part	Description	H 3 4 1	H 3 4 5	V I P 4 5	N O T E S
	642134	CALIPER ASSY R.H. FRONT & TAG OR L.H. DRIVE AXLE / W/O BOOSTER SN7	1	1	1	
	642139	CALIPER ASSY L.H. FRONT & TAG OR R.H. DRIVE AXLE / W/O BOOSTER SN7	1	1	1	
1	N.S.S.	. CALIPER HOUSING	1	1	1	1
2	611960	. BRAKE CARRIER / W/6 HOLES BOLT RETAINERS M20-1.5	1	1	1	
4	N.S.S.	. . GUIDE BUSHING / SHORT	1	1	1	1
5	N.S.S.	. . GUIDE BUSHING / LONG	1	1	1	1
6	N.S.S.	. . GUIDE BUSHING / DU	1	1	1	1
7		. . BUSHING / BRASS	1	1	1	
8	N.S.S.	. . BOOT RUBBER / WHITE	2	2	2	1
9	N.S.S.	. . BELLOW GUIDE BUSHING / RED	2	2	2	1
10	N.S.S.	. . STEEL CAP	1	1	1	1
11	N.S.S.	. . BRAKE PAD BRACKET	1	1	1	1
12	611049	. . LINING SET STD /	1	1	1	B
. 11	N.S.S.	. . . BRAKE PAD BRACKET	1	1	1	1 B
. 26	N.S.S.	. . . SPRING SPLIT PIN	1	1	1	1 B
. 37	641313	. . . PLUG CAP / ADJUSTING DEVICE / PLASTIC INTERIOR GRIP	1	1	1	B
. 44	N.S.S.	. . . CLEVIS PIN	1	1	1	1 B
. 45	N.S.S.	. . . WASHER	1	1	1	1 B
. 61	N.S.S.	. . . SHEAR ADAPTER	1	1	1	1 B
13	N.S.S.	. . TAPPET WITH BOOT ASSY	2	2	2	1
22	N.S.S.	. . BOOT	2	2	2	1
26	N.S.S.	. . SPRING SPLINT PIN	1	1	1	1
37	N.S.S.	. . PLUG CAP / ADJUSTING DEVICE	1	1	1	1
39	N.S.S.	. . SCREW CAP HEXS ZP M16-1.5 GR10.9	1	1	1	1
40	N.S.S.	. . SCREW CAP HEXS ZP M16-1.5 GR10.9	1	1	1	1
44	N.S.S.	. . CLEVIS PIN	1	1	1	1
45	N.S.S.	. . WASHER	1	1	1	1
58	N.S.S.	. . RING	2	2	2	1
61	N.S.S.	. . SHEAR ADAPTER	1	1	1	1
68	N.S.S.	. . CAP	1	1	1	1
69	N.S.S.	. RING RETAINING	2	2	2	1
70	110786	BRAKE WEAR INDICATOR MECHANICAL / 44MM	AR	AR	AR	
80	<b>H7-1300-00</b>	<b>HUB &amp; ROTOR - FRONT AXLE - I BEAM MODEL "S84U"</b>				
80	<b>H7-1310-00</b>	<b>HUB &amp; ROTOR - TAG AXLE TYPE TS8U</b>				
170	<b>H7-1005-50</b>	<b>FRONT AXLE - INDEPENDENT MODEL "NDIFS80P" / 18000LBS</b>	1	1	1	
170	<b>H7-1005-00</b>	<b>FRONT AXLE - I BEAM RIGID MODEL "S84U"</b>	1	1	1	
170	<b>H7-1615-00</b>	<b>TAG AXLE - INSTALL SUSPENSION To A-1655</b>	1	1	1	
170	<b>H7-1615-01</b>	<b>TAG AXLE - INSTALL SUSPENSION ONE PIECE From A-1656</b>				
172	502558	WASHER FL 21.0x37.0x3.0 G500	6	6	6	
173	5001529	SCREW CAP HEX M20-1.5x60 G10.9 G500	6	6	6	
200	642032	KIT, TAPPET W/BOOT	AR	AR	AR	C
201	642141	KIT, GUIDANCE PINS & BELLOW / SN W/ GUIDE SLEEVE BUSHING END	AR	AR	AR	E

From A-1594 To E-2485	Date:10/2022	PAGE:H7-1225-01
-----------------------	--------------	-----------------

**BRAKE PARTS - FRONT & TAG AXLE "KNORR-BREMSE" SN7 SERIES W/NEW SLIDE PINS**

Item#	Part	Description	H 3 4 1	H 3 4 5	V I P 4 5	N O T E S
202	642034	KIT, PLUG CAP W/AJUSTING DEVICE (PACK of 10x #37, #37a & 61)	AR	AR	AR	S
203	641402	KIT, PAD HOLDER	AR	AR	AR	H
. 26	N.S.S.	. SPRING SPLIT PIN	1	1	1	1 H
. 44	N.S.S.	. CLEVIS PIN	1	1	1	1 H
. 45	N.S.S.	. WASHER	1	1	1	1 H
205	683345	GREASE WHITE / 5GR	AR	AR	AR	K
205	641930	GREASE WHITE / 500GR	AR	AR	AR	K
NS	641321	TOOL / THRUST MEMBER W/BELLOW	AR	AR	AR	L
NS	641322	TOOL / CALIPER INNER BELLOW	AR	AR	AR	M
NS	19400416	TOOL / PUSH-IN INNER BOOT (9)	AR	AR	AR	M
NS	642074	TOOL / BUSHING INSTALLER / SERIES SN	AR	AR	AR	N
NS	641435	TOOL / FORK (FOR BELLOW CAP)	AR	AR	AR	L
305	N.P.N.	TOOL / PRESS IN COVER / K015825	AR	AR	AR	4 X
306	N.P.N.	TOOL / BUSHING - INSTALLER & REMOVER KIT / K005986	AR	AR	AR	4 Y
307	N.P.N.	TOOL / RUBBER BUSHING - INSTALLER / K016743	AR	AR	AR	4 Z
NS	642035	KIT TOOL BOX "KNORR BREMSE" SERIE SN7	AR	AR	AR	
401	<b>H7-1225-10</b>	<b>BRAKE CHAMBER - FRONT AXLE TYPE 24</b>				
401	<b>H7-1225-50</b>	<b>BRAKE CHAMBER - FRONT AXLE TYPE 27</b>				
402	<b>H7-1245-10</b>	<b>BRAKE CHAMBER - TAG AXLE TYPE 14 &amp; 16</b>				
500	Y006471_000_EN	MAINTENANCE MANUAL / ENGLISH KNORR-BREMSE				
NS	Y006471_000_FR	MANUEL D'ENTRETIEN / FRANÇAIS KNORR-BREMSE				
		B) INCLUDES ITEMS #11, 26, 37, 44, 45 & 61				
		C) INCLUDES 2 OF ITEMS #13, 22 & 69				
		E) INCLUDES ITEMS #4, 5, 6, 7, 9, 10, 39, 40, 58 & 68				
		H) INCLUDES ITEMS #11,26,44 & 45				
		K) FOR ITEMS #5 & 7				
		L) TO USE W/ITEMS #13				
		M) TO USE W/ITEM #9				
		N) TO USE W/ITEM #7				
		S) INCLUDES 10 ITEMS #37 AND 61				
		X) TO USE WITH ITEM #10				
		Y) TO USE WITH ITEM 6				
		Z) TO USE WITH ITEM #68				
		1) NOT SOLD SEPARATELY				
		4) NO PARTS NUMBER				
		1) NOT SOLD SEPARATELY				



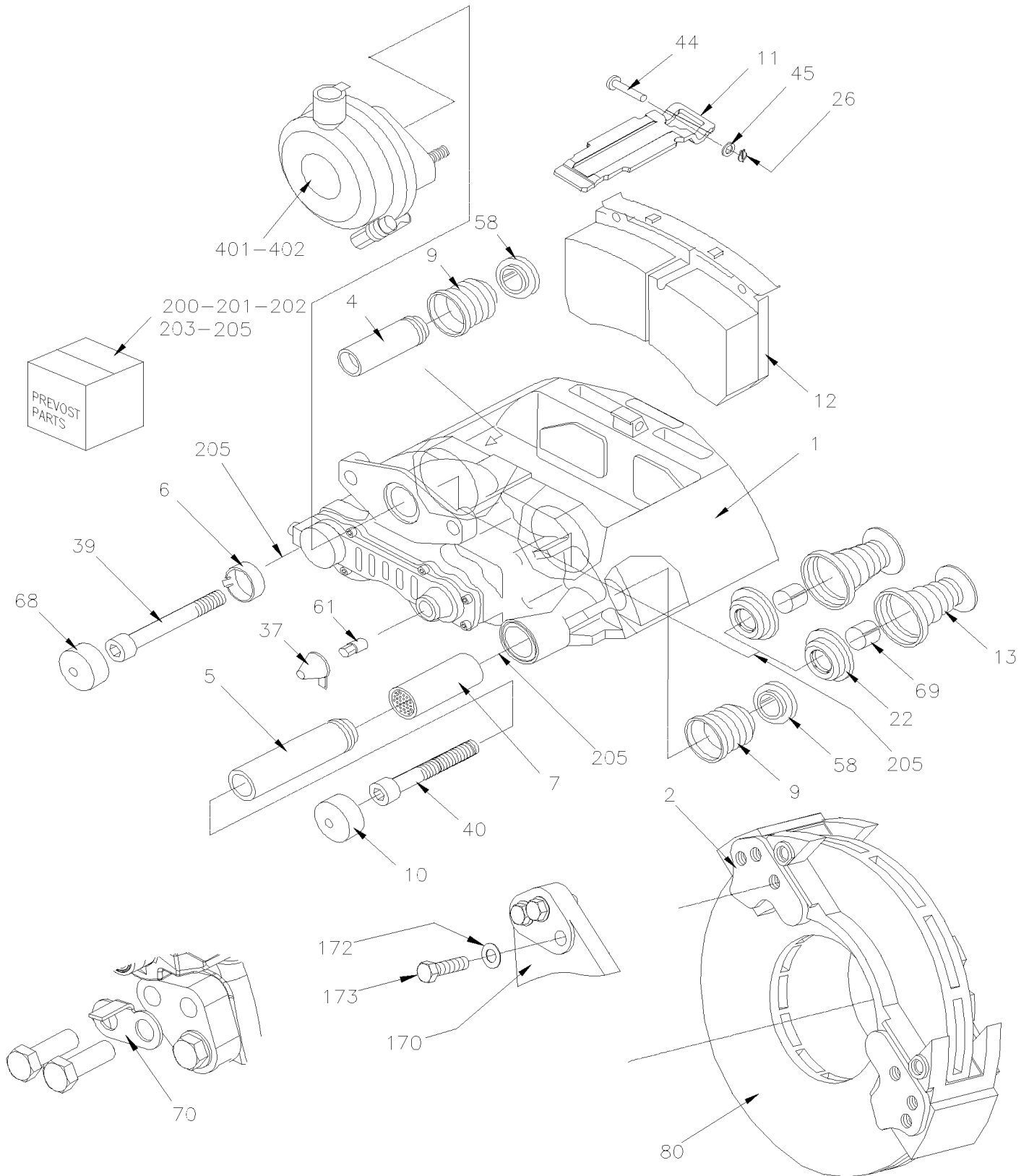


From E-2486 To J-0287

Date:10/2022

PAGE:H7-1225-02

## BRAKE PARTS - FRONT & TAG AXLE "KNORR-BREMSE" SN7 SERIES W/N2G ADJUSTER



From E-2486 To J-0287 Date:10/2022 PAGE:H7-1225-02

**BRAKE PARTS - FRONT & TAG AXLE "KNORR-BREMSE" SN7 SERIES W/N2G ADJUSTER**

Item#	Part	Description	H 3 4 1	H 3 4 5	V I P 4 5	N O T E S
	642186	CALIPER ASSY R.H. FRONT & TAG OR L.H. DRIVE AXLE / W/O POTENTIOMETER SN7	1	1	1	
	642187	CALIPER ASSY L.H. FRONT & TAG OR R.H. DRIVE AXLE / W/O POTENTIOMETER SN7	1	1	1	
1	N.S.S.	. CALIPER HOUSING	1	1	1	1
2	611960	. BRAKE CARRIER / W/6 HOLES BOLT RETAINERS M20-1.5	1	1	1	
4	N.S.S.	. . GUIDE BUSHING / SHORT	1	1	1	1
5	N.S.S.	. . GUIDE BUSHING / LONG	1	1	1	1
6	N.S.S.	. . GUIDE BUSHING / DU	1	1	1	1
7		. BUSHING / BRASS	1	1	1	
8	N.S.S.	. . BOOT RUBBER / WHITE	2	2	2	1
9	N.S.S.	. . BELLOW GUIDE BUSHING / RED	2	2	2	1
10	N.S.S.	. . STEEL CAP	1	1	1	1
11	N.S.S.	. . BRAKE PAD BRACKET	1	1	1	1
12	642188	. . LINING SET STD /	1	1	1	B
. 11	N.S.S.	. . . BRAKE PAD BRACKET	1	1	1	1 B
. 26	N.S.S.	. . . SPRING SPLIT PIN	1	1	1	1 B
. 37	642034	. . . KIT, PLUG CAP W/AJUSTING DEVICE (PACK of 10x #37, #37a & 61)	1	1	1	B
. 44	N.S.S.	. . . CLEVIS PIN	1	1	1	1 B
. 45	N.S.S.	. . . WASHER	1	1	1	1 B
. 61	N.S.S.	. . . SHEAR ADAPTER	1	1	1	1 B
13	N.S.S.	. . TAPPET WITH BOOT ASSY	2	2	2	1
22	N.S.S.	. . BOOT	2	2	2	1
26	N.S.S.	. . SPRING SPLINT PIN	1	1	1	1
37	N.S.S.	. . PLUG CAP / ADJUSTING DEVICE	1	1	1	1
39	N.S.S.	. . SCREW CAP HEXS ZP M16-1.5 GR10.9	1	1	1	1
40	N.S.S.	. . SCREW CAP HEXS ZP M16-1.5 GR10.9	1	1	1	1
44	N.S.S.	. . CLEVIS PIN	1	1	1	1
45	N.S.S.	. . WASHER	1	1	1	1
58	N.S.S.	. . RING	2	2	2	1
61	N.S.S.	. . SHEAR ADAPTER	1	1	1	1
68	N.S.S.	. . CAP	1	1	1	1
69	N.S.S.	. RING RETAINING	2	2	2	1
70	110786	BRAKE WEAR INDICATOR MECHANICAL / 44MM	AR	AR	AR	
70	142907	BRAKE WEAR INDICATOR WITH HOLE MECHANICAL	AR	AR	AR	TG
80	H7-1300-00	HUB & ROTOR - FRONT AXLE - I BEAM MODEL "S84U"				
80	H7-1300-50	HUB & ROTOR - FRONT AXLE - INDEPENDANT MODEL "NDIFS80P"				
80	H7-1310-00	HUB & ROTOR - TAG AXLE TYPE TS8U				
170	H7-1005-00	FRONT AXLE - I BEAM RIGID MODEL "S84U"				
170	H7-1005-51	FRONT AXLE - INDEPENDENT MODEL "NDIFS80P" / 19000LBS				
170	H7-1005-60	FRONT AXLE - INDEPENDENT MODEL "NDIFS80P" / 18000LBS To F-2716				
170	H7-1005-61	FRONT AXLE - INDEPENDENT MODEL "NDIFS80P" / 19000LBS From F-2717				
170	H7-1615-01	TAG AXLE - INSTALL SUSPENSION ONE PIECE				
172	502558	WASHER FL 21.0x37.0x3.0 G500	6	6	6	

From E-2486 To J-0287 Date:10/2022 PAGE:H7-1225-02

**BRAKE PARTS - FRONT & TAG AXLE "KNORR-BREMSE" SN7 SERIES W/N2G ADJUSTER**

Item#	Part	Description	H 3 4 1	H 3 4 5	V I P 4 5	N O T E S
173	5001529	SCREW CAP HEX M20-1.5x60 G10.9 G500	6	6	6	
200	19509429	KIT, TAPPET W/BOOT	AR	AR	AR	C
201	642141	KIT, GUIDANCE PINS & BELLOW / SN W/ GUIDE SLEEVE BUSHING END To F-2903	AR	AR	AR	E
201	640019	KIT, GUIDANCE PINS & BELLOW / SN W/ GUIDE SLEEVE BUSHING END From F-2904	AR	AR	AR	E
202	642034	KIT, PLUG CAP W/AJUSTING DEVICE (PACK of 10x #37, #37a & 61)	AR	AR	AR	S
203	641402	KIT, PAD HOLDER	AR	AR	AR	H
. 26	N.S.S.	. SPRING SPLIT PIN	1	1	1	1 H
. 44	N.S.S.	. CLEVIS PIN	1	1	1	1 H
. 45	N.S.S.	. WASHER	1	1	1	1 H
205	683345	GREASE WHITE / 5GR	AR	AR	AR	K
205	641930	GREASE WHITE / 500GR	AR	AR	AR	K
300	<b>642214</b>	<b>KIT TOOL TO REPAIR BRAKE N2G</b>	1	1	1	
401	<b>H7-1225-10</b>	<b>BRAKE CHAMBER - FRONT AXLE TYPE 24</b>				
401	<b>H7-1225-50</b>	<b>BRAKE CHAMBER - FRONT AXLE TYPE 27</b>				
402	<b>H7-1245-10</b>	<b>BRAKE CHAMBER - TAG AXLE TYPE 14 &amp; 16</b>				
		B) INCLUDES ITEMS #11, 26, 37, 44, 45 & 61				
		C) INCLUDES 2 OF ITEMS #13, 22 & 69				
		E) INCLUDES ITEMS #4, 5, 6, 7, 9, 10, 39, 40, 58 & 68				
		H) INCLUDES ITEMS #11,26,44 & 45				
		K) FOR ITEMS #5 & 7				
		S) INCLUDES 10 ITEMS #37 AND 61				
		TG) TAG AXLE ONLY				
		1) NOT SOLD SEPARATELY				
		1) NOT SOLD SEPARATELY				

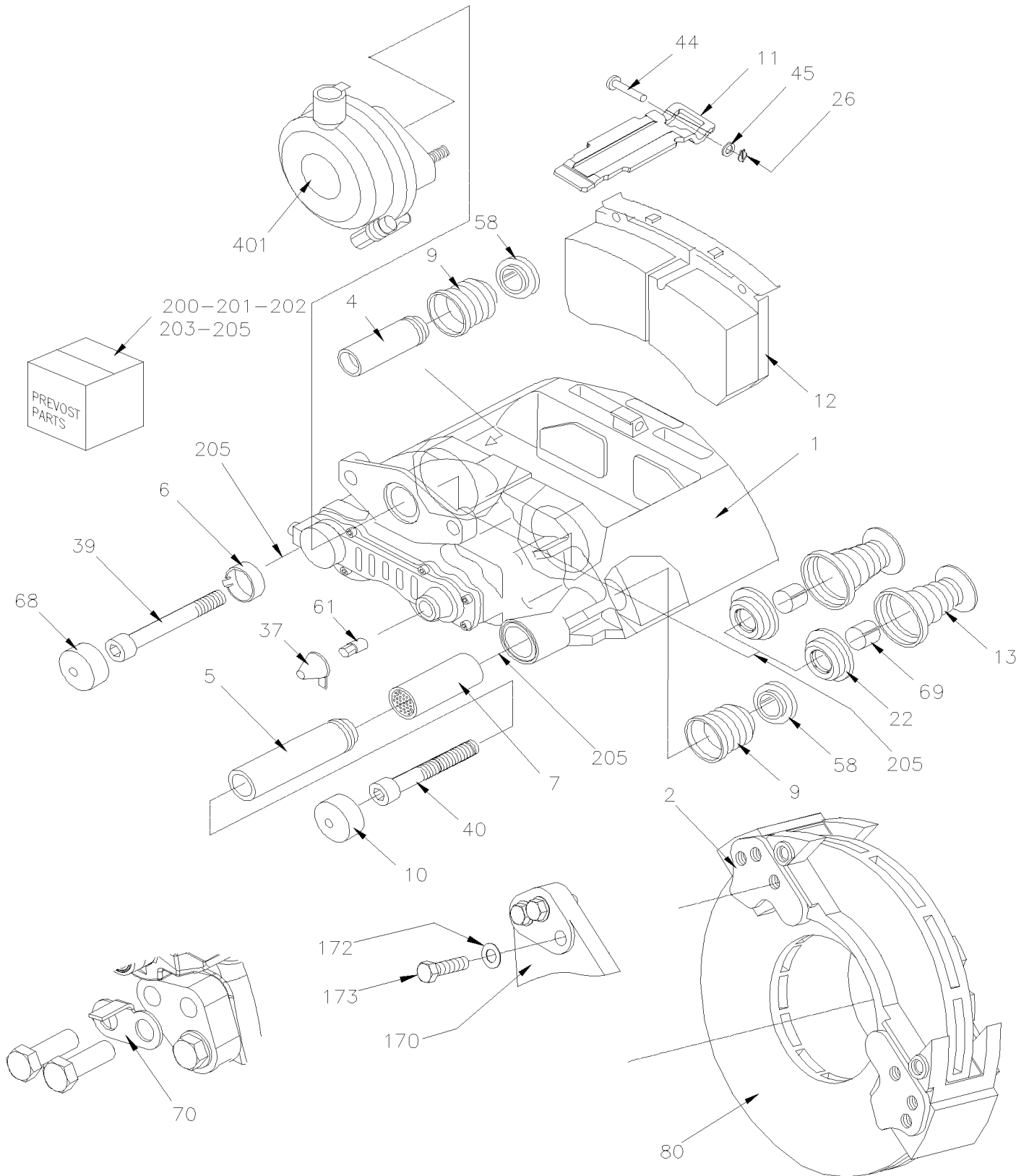


From E-2486 To F-2716

Date:10/2022

PAGE:H7-1225-20

## BRAKE PARTS - FRONT INDEPENDENT "KNORR-BREMSE" SN7 SERIES W/NEW SLIDE PINS



From E-2486 To F-2716      Date:10/2022      PAGE:H7-1225-20

**BRAKE PARTS - FRONT INDEPENDENT "KNORR-BREMSE" SN7 SERIES W/NEW SLIDE PINS**

Item#	Part	Description	H 3 4 1	H 3 4 5	V I P 4 5	N O T E S
	642134	CALIPER ASSY R.H. FRONT & TAG OR L.H. DRIVE AXLE / W/O BOOSTER SN7		1		
	642139	CALIPER ASSY L.H. FRONT & TAG OR R.H. DRIVE AXLE / W/O BOOSTER SN7		1		
1	N.S.S.	. CALIPER HOUSING		1		1
2	611960	. BRAKE CARRIER / W/6 HOLES BOLT RETAINERS M20-1.5		1		
4	N.S.S.	. . GUIDE BUSHING / SHORT		1		1
5	N.S.S.	. . GUIDE BUSHING / LONG		1		1
6	N.S.S.	. . GUIDE BUSHING / DU		1		1
7		. . BUSHING / BRASS		1		
8	N.S.S.	. . BOOT RUBBER / WHITE		2		1
9	N.S.S.	. . BELLOW GUIDE BUSHING / RED		2		1
10	N.S.S.	. . STEEL CAP		1		1
11	N.S.S.	. . BRAKE PAD BRACKET		1		1
12	611049	. . LINING SET STD /		1		B
. 11	N.S.S.	. . . BRAKE PAD BRACKET		1		1 B
. 26	N.S.S.	. . . SPRING SPLIT PIN		1		1 B
. 37	641313	. . . PLUG CAP / ADJUSTING DEVICE / PLASTIC INTERIOR GRIP		1		B
. 44	N.S.S.	. . . CLEVIS PIN		1		1 B
. 45	N.S.S.	. . . WASHER		1		1 B
. 61	N.S.S.	. . . SHEAR ADAPTER		1		1 B
13	N.S.S.	. . TAPPET WITH BOOT ASSY		2		1
22	N.S.S.	. . BOOT		2		1
26	N.S.S.	. . SPRING SPLINT PIN		1		1
37	N.S.S.	. . PLUG CAP / ADJUSTING DEVICE		1		1
39	N.S.S.	. . SCREW CAP HEXS ZP M16-1.5 GR10.9		1		1
40	N.S.S.	. . SCREW CAP HEXS ZP M16-1.5 GR10.9		1		1
44	N.S.S.	. . CLEVIS PIN		1		1
45	N.S.S.	. . WASHER		1		1
58	N.S.S.	. . RING		2		1
61	N.S.S.	. . SHEAR ADAPTER		1		1
68	N.S.S.	. . CAP		1		1
69	N.S.S.	. RING RETAINING		2		1
70	110786	BRAKE WEAR INDICATOR MECHANICAL / 44MM		AR		
80	<b>H7-1300-50</b>	<b>HUB &amp; ROTOR - FRONT AXLE - INDEPENDANT MODEL "NDIFS80P"</b>				
170	<b>H7-1005-50</b>	<b>FRONT AXLE - INDEPENDENT MODEL "NDIFS80P" / 18000LBS</b>				
172	502558	WASHER FL 21.0x37.0x3.0 G500		6		
173	5001529	SCREW CAP HEX M20-1.5x60 G10.9 G500		6		
200	642032	KIT, TAPPET W/BOOT		AR		C
201	642141	KIT, GUIDANCE PINS & BELLOW / SN W/ GUIDE SLEEVE BUSHING END		AR		E
202	642034	KIT, PLUG CAP W/AJUSTING DEVICE (PACK of 10x #37, #37a & 61)		AR		S
203	641402	KIT, PAD HOLDER		AR		H
. 26	N.S.S.	. SPRING SPLIT PIN		1		1 H
. 44	N.S.S.	. CLEVIS PIN		1		1 H

From E-2486 To F-2716      Date:10/2022      PAGE:H7-1225-20

**BRAKE PARTS - FRONT INDEPENDENT "KNORR-BREMSE" SN7 SERIES W/NEW SLIDE PINS**

Item#	Part	Description	H 3 4 1	H 3 4 5	V I P 4 5	N O T E S
. 45	N.S.S.	. WASHER		1		1 H
205	683345	GREASE WHITE / 5GR		AR		K
205	641930	GREASE WHITE / 500GR		AR		K
NS	641321	TOOL / THRUST MEMBER W/BELLOW		AR		L
NS	641322	TOOL / CALIPER INNER BELLOW		AR		M
NS	19400416	TOOL / PUSH-IN INNER BOOT (9)		AR		M
NS	642074	TOOL / BUSHING INSTALLER / SERIES SN		AR		N
NS	641435	TOOL / FORK (FOR BELLOW CAP)		AR		L
305	N.P.N.	TOOL / PRESS IN COVER / K015825		AR		4 X
306	N.P.N.	TOOL / BUSHING - INSTALLER & REMOVER KIT / K005986		AR		4 Y
307	N.P.N.	TOOL / RUBBER BUSHING - INSTALLER / K016743		AR		4 Z
NS	642035	KIT TOOL BOX "KNORR BREMSE" SERIE SN7		AR		
401	<b>H7-1225-10</b>	<b>BRAKE CHAMBER - FRONT AXLE TYPE 24</b>				
500	Y006471_000_EN	MAINTENANCE MANUAL / ENGLISH KNORR-BREMSE				
NS	Y006471_000_FR	MANUEL D'ENTRETIEN / FRANÇAIS KNORR-BREMSE				
		B) INCLUDES ITEMS #11, 26, 37, 44, 45 & 61				
		C) INCLUDES 2 OF ITEMS #13, 22 & 69				
		E) INCLUDES ITEMS #4, 5, 6, 7, 9, 10, 39, 40, 58 & 68				
		H) INCLUDES ITEMS #11,26,44 & 45				
		K) FOR ITEMS #5 & 7				
		L) TO USE W/ITEMS #13				
		M) TO USE W/ITEM #9				
		N) TO USE W/ITEM #7				
		S) INCLUDES 10 ITEMS #37 AND 61				
		X) TO USE WITH ITEM #10				
		Y) TO USE WITH ITEM 6				
		Z) TO USE WITH ITEM #68				
		1) NOT SOLD SEPARATELY				
		4) NO PARTS NUMBER				
		1) NOT SOLD SEPARATELY				



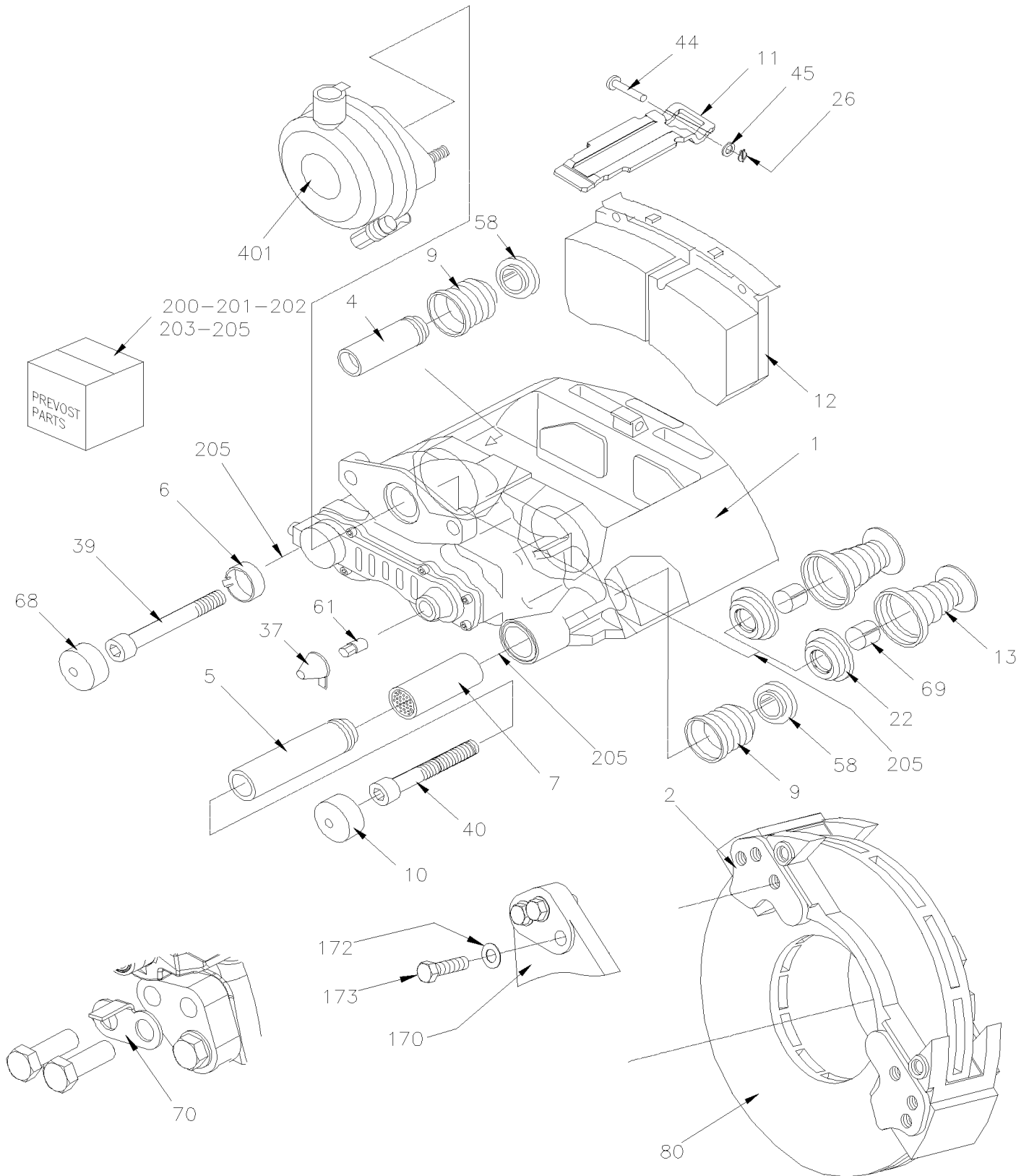


From F-2717 To J-0184

Date:10/2022

PAGE:H7-1225-21

## BRAKE PARTS - FRONT INDEPENDENT "KNORR-BREMSE" SN7 SERIES W/N2G ADJUSTER



From F-2717 To J-0184      Date:10/2022      PAGE:H7-1225-21

## BRAKE PARTS - FRONT INDEPENDENT "KNORR-BREMSE" SN7 SERIES W/N2G ADJUSTER

Item#	Part	Description	H 3 4 1	H 3 4 5	V I P 4 5	N O T E S
	642186	CALIPER ASSY R.H. FRONT & TAG OR L.H. DRIVE AXLE / W/O POTENTIOMETER SN7		1		
	642187	CALIPER ASSY L.H. FRONT & TAG OR R.H. DRIVE AXLE / W/O POTENTIOMETER SN7		1		
1	N.S.S.	. CALIPER HOUSING		1		1
2	611960	. BRAKE CARRIER / W/6 HOLES BOLT RETAINERS M20-1.5		1		
4	N.S.S.	. . GUIDE BUSHING / SHORT		1		1
5	N.S.S.	. . GUIDE BUSHING / LONG		1		1
6	N.S.S.	. . GUIDE BUSHING / DU		1		1
7		. . BUSHING / BRASS		1		
8	N.S.S.	. . BOOT RUBBER / WHITE		2		1
9	N.S.S.	. . BELLOW GUIDE BUSHING / RED		2		1
10	N.S.S.	. . STEEL CAP		1		1
11	N.S.S.	. . BRAKE PAD BRACKET		1		1
12	642188	. . LINING SET STD /		1		B
. 11	N.S.S.	. . . BRAKE PAD BRACKET		1		1 B
. 26	N.S.S.	. . . SPRING SPLIT PIN		1		1 B
. 37	642034	. . . KIT, PLUG CAP W/AJUSTING DEVICE (PACK of 10x #37, #37a & 61)		1		B
. 44	N.S.S.	. . . CLEVIS PIN		1		1 B
. 45	N.S.S.	. . . WASHER		1		1 B
. 61	N.S.S.	. . . SHEAR ADAPTER		1		1 B
13	N.S.S.	. . TAPPET WITH BOOT ASSY		2		1
22	N.S.S.	. . BOOT		2		1
26	N.S.S.	. . SPRING SPLINT PIN		1		1
37	N.S.S.	. . PLUG CAP / ADJUSTING DEVICE		1		1
39	N.S.S.	. . SCREW CAP HEXS ZP M16-1.5 GR10.9		1		1
40	N.S.S.	. . SCREW CAP HEXS ZP M16-1.5 GR10.9		1		1
44	N.S.S.	. . CLEVIS PIN		1		1
45	N.S.S.	. . WASHER		1		1
58	N.S.S.	. . RING		2		1
61	N.S.S.	. . SHEAR ADAPTER		1		1
68	N.S.S.	. . CAP		1		1
69	N.S.S.	. RING RETAINING		2		1
70	110786	BRAKE WEAR INDICATOR MECHANICAL / 44MM		AR		
80	<b>H7-1300-50</b>	<b>HUB &amp; ROTOR - FRONT AXLE - INDEPENDANT MODEL "NDIFS80P"</b>				
170	<b>H7-1005-61</b>	<b>FRONT AXLE - INDEPENDENT MODEL "NDIFS80P" / 19000LBS</b>				
172	502558	WASHER FL 21.0x37.0x3.0 G500		6		
173	5001529	SCREW CAP HEX M20-1.5x60 G10.9 G500		6		
200	19509429	KIT, TAPPET W/BOOT		AR		C
201	642141	KIT, GUIDANCE PINS & BELLOW / SN W/ GUIDE SLEEVE BUSHING END To F-2903		AR		E
201	640019	KIT, GUIDANCE PINS & BELLOW / SN W/ GUIDE SLEEVE BUSHING END From F-2904		AR		E
202	642034	KIT, PLUG CAP W/AJUSTING DEVICE (PACK of 10x #37, #37a & 61)		AR		S
205	683345	GREASE WHITE / 5GR		AR		K
205	641930	GREASE WHITE / 500GR		AR		K

From F-2717 To J-0184      Date:10/2022      PAGE:H7-1225-21

**BRAKE PARTS - FRONT INDEPENDENT "KNORR-BREMSE" SN7 SERIES W/N2G ADJUSTER**

Item#	Part	Description	H 3 4 1	H 3 4 5	V I P 4 5	N O T E S
300	642214	KIT TOOL TO REPAIR BRAKE N2G	1	1	1	
401	H7-1225-50	BRAKE CHAMBER - FRONT AXLE TYPE 27				
		B) INCLUDES ITEMS #11, 26, 37, 44, 45 & 61				
		C) INCLUDES 2 OF ITEMS #13, 22 & 69				
		E) INCLUDES ITEMS #4, 5, 6, 7, 9, 10, 39, 40, 58 & 68				
		K) FOR ITEMS #5 & 7				
		S) INCLUDES 10 ITEMS #37 AND 61				
		1) NOT SOLD SEPARATELY				
		1) NOT SOLD SEPARATELY				

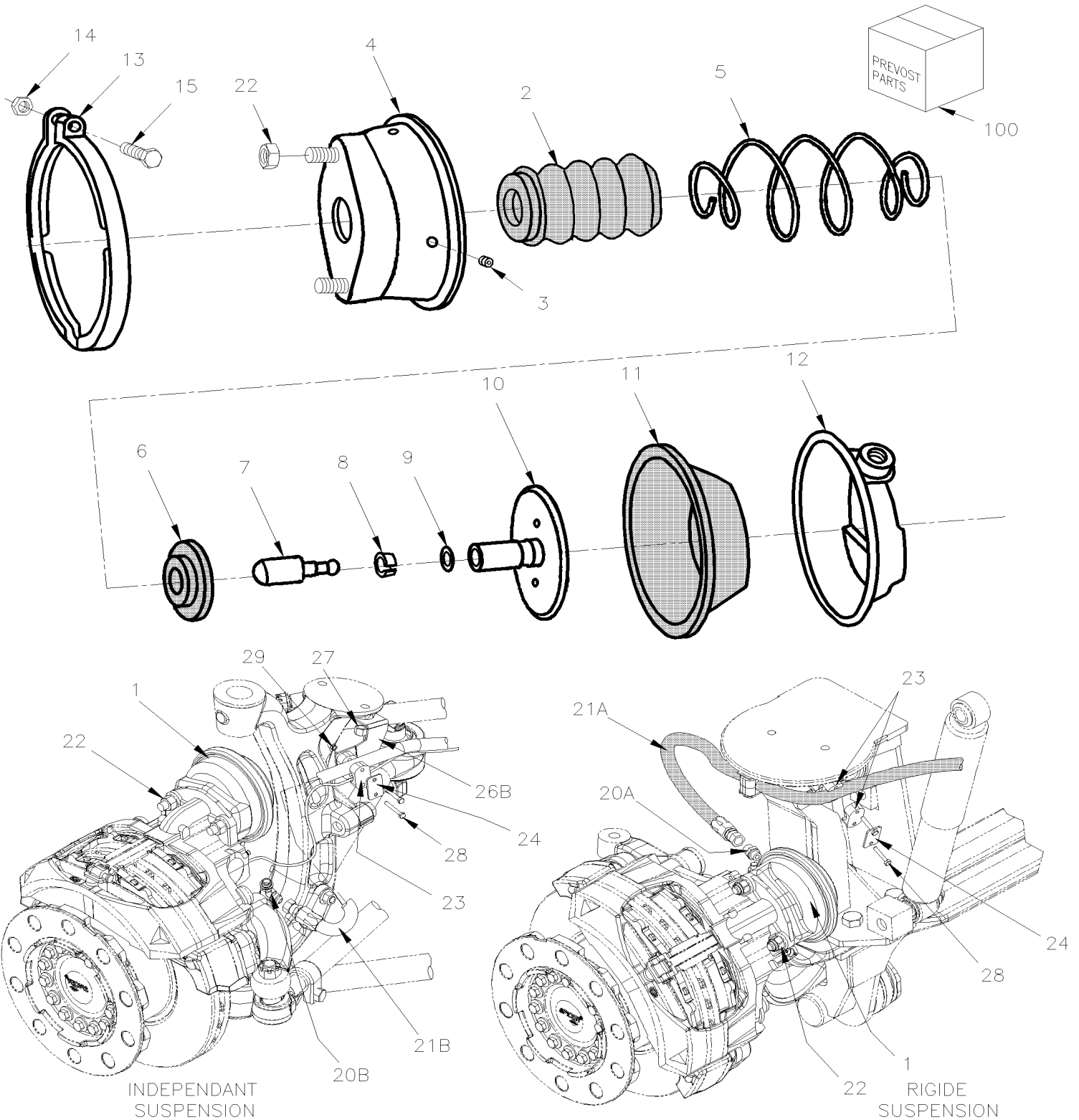


From 7-0671 To J-0184

Date:10/2022

PAGE:H7-1225-10

## BRAKE CHAMBER - FRONT AXLE TYPE 24

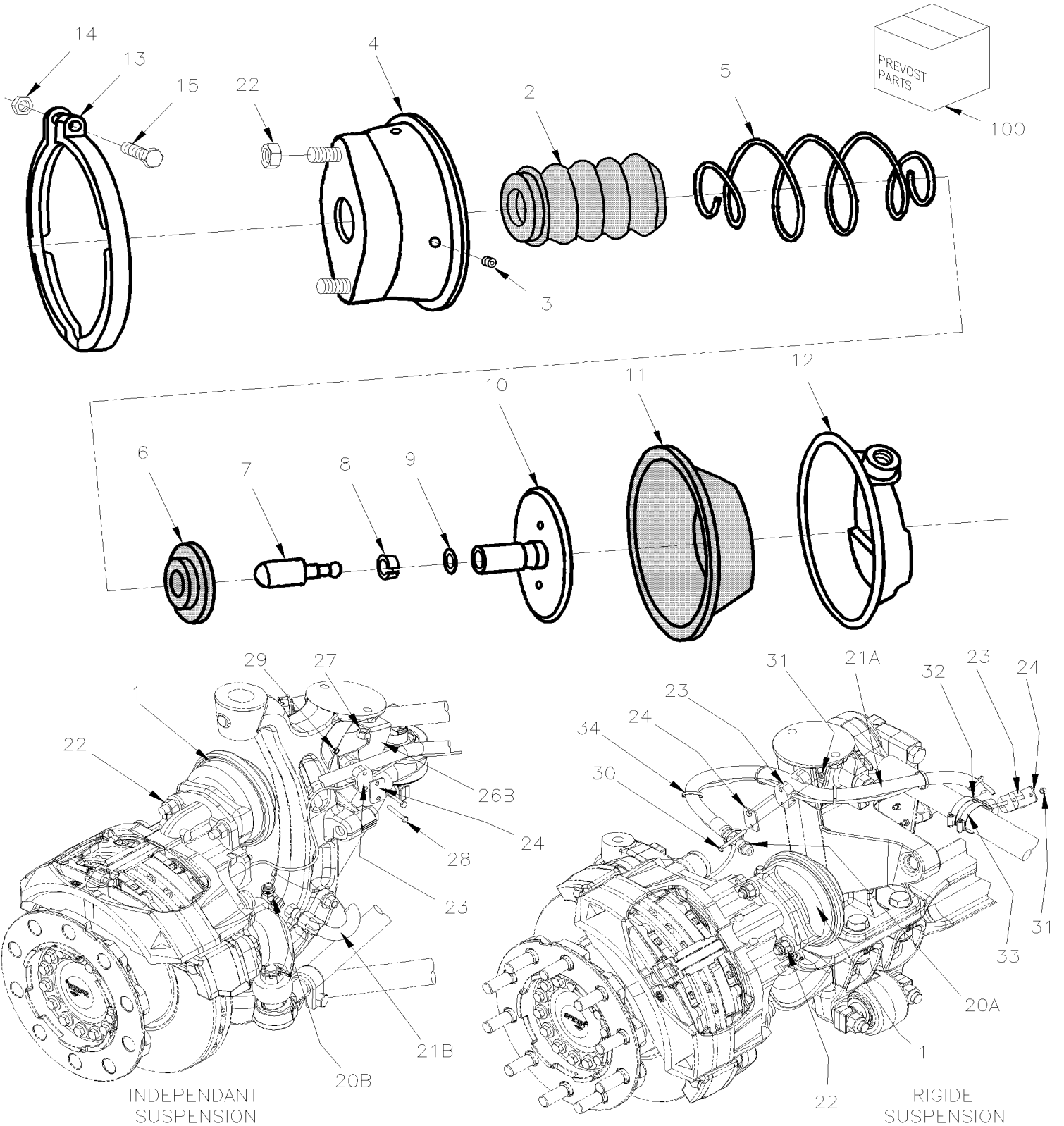


From 7-0671 To J-0184

Date:10/2022

PAGE:H7-1225-10

## BRAKE CHAMBER - FRONT AXLE TYPE 24



<b>From 7-0671 To J-0184</b>	<b>Date:10/2022</b>	<b>PAGE:H7-1225-10</b>
<b>BRAKE CHAMBER - FRONT AXLE TYPE 24</b>		

Item#	Part	Description	H 3 4 1	H 3 4 5	V I P 4 5	N O T E S
1	612353	BRAKE CHAMBER ASSY R.H. / TYPE 24 WITH "I" BEAM SUSPENSION	1	1		
1	612354	BRAKE CHAMBER ASSY L.H. / TYPE 24 WITH "I" BEAM SUSPENSION	1	1		
2	N.S.S.	. BOOT	1	1		1
3	N.S.S.	. HOLE PLUG	1	1		1
4	N.S.S.	. CHAMBER , NO-PRESSURE	1	1		1
5	640231	. SPRING, COMP.	1	1		
6	N.S.S.	. SPRING SEAT	1	1		1
7	N.S.S.	. PUSH ROD END	1	1		1
8	N.S.S.	. RETAINER	1	1		1
9	N.S.S.	. RING	1	1		1
10	N.S.S.	. PUSH ROD	1	1		1
11	640229	. DIAPHRAGM / TYPE 24	1	1		
12	N.S.S.	. CHAMBER PRESSURE PLATE	1	1		1
13	N.S.S.	. CLAMP W/BOLT & NUT	1	1		1
14	502543	. . NUT HEX M8-1.25 Z050	1	1		
15	5001021	. . SCREW CAP HEXS M8-1.25x60 G8.8 PT	1	1		
20A	641294	MALE CONNECTOR / JIC 37° FITTING / #8JIC-MxM16-1.5-M STL	1	1		
. NS	641297	. O-RING 13.1MM I.D. X 2.6 TH	1	1		
. NS	641298	. WASHER FL 17MM I.D x 22MM O.D. x 1.5MM	1	1		
20B	660914	MALE ELBOW 90° / JIC 37° FITTING / #8JIC-MxM16-1.5-M STL	1	1		
. NS	641297	. O-RING 13.1MM I.D. X 2.6 TH	1	1		
. NS	641298	. WASHER FL 17MM I.D x 22MM O.D. x 1.5MM	1	1		
21A	641903	HOSE BRAKE #8 1090MM (43") To 8-1282	1	1		R
21A	641903	HOSE BRAKE #8 1090MM (43") To 8-1282	1	1		R
21A	641904	HOSE BRAKE #8 1190MM (47") To 8-1282	1	1		R
21A	641903	HOSE BRAKE #8 1090MM (43") From 8-1283 To E-2504	2	2		R
21A	641903	HOSE BRAKE #8 1090MM (43") From 8-1283 To E-2504	2	2		R
21A	641908	HOSE BRAKE #8 1300MM (51") From E-2505 To F-2902	2	2		R
21A	145292P	HOSE BRAKE #8 1366MM From F-2903	2	2		R
21B	641903	HOSE BRAKE #8 1090MM (43")		2		I
21B	641903	HOSE BRAKE #8 1090MM (43")		2		I
22	5001253	NUT HEX STO M16-1.5 G500	2	2		
23	504612	COLLAR 13/16" I.D. / TO FIX HOSE To H-3822	2	2		
23	140079	HALF COLLAR 44MM I.D. / TO FIX HOSE From H-3823	4	4		
24	504614	PLATE RETAINING / COLLAR	2	2		
25	502843	SCREW CAP HEX M6-1.0x45 G8.8 N500	4	4		
26B	142353	HOSE SUPPORT L.H.		1		I
26B	142352	HOSE SUPPORT R.H.		1		I
27	500276	NUT HEX STO 1/2-13 N500		1		I
28	502656	SCREW CAP HEX M6-1.0x50 SS	2	2		
29	502565	NUT HEX M6-1.0 SS	2	2		
30	5001681	SCREW CAP HEX M6-1.0x60 SS From E-2505	8	8		R

From 7-0671 To J-0184	Date:10/2022	PAGE:H7-1225-10
<b>BRAKE CHAMBER - FRONT AXLE TYPE 24</b>		

Item#	Part	Description	H 3 4 1	H 3 4 5	V I P 4 5	N O T E S
31	502860	NUT HEX STO M6-1.0 N500 From E-2505	8	8		R
32	132002	SUPPORT HOSE LH From E-2505	2	2		R
33	504023	HOSE CLAMP / 1"5/16-2"1/4 SS / HS-28 From E-2505	4	4		R
34	504637	CABLE TIE / 3/16" x 13"	AR	AR		
34	507664	CABLE TIE / 3/16" 11" / DOUBLE LOOP HEAD	AR	AR		
50	<b>H7-1250-10</b>	<b>ABS BRAKE VALVE - INSTALLATION To 8-9276</b>				
100	641422	KIT REPAIR / TYPE 24	1	1		A
		A) INCLUDED ITEMS #2,3,6,8,9 & 11				
		I) WITH INDEPENDANT SUSPENSION				
		R) WITH "I" BEAM SUSPENSION				
		1) NOT SOLD SEPARATELY				

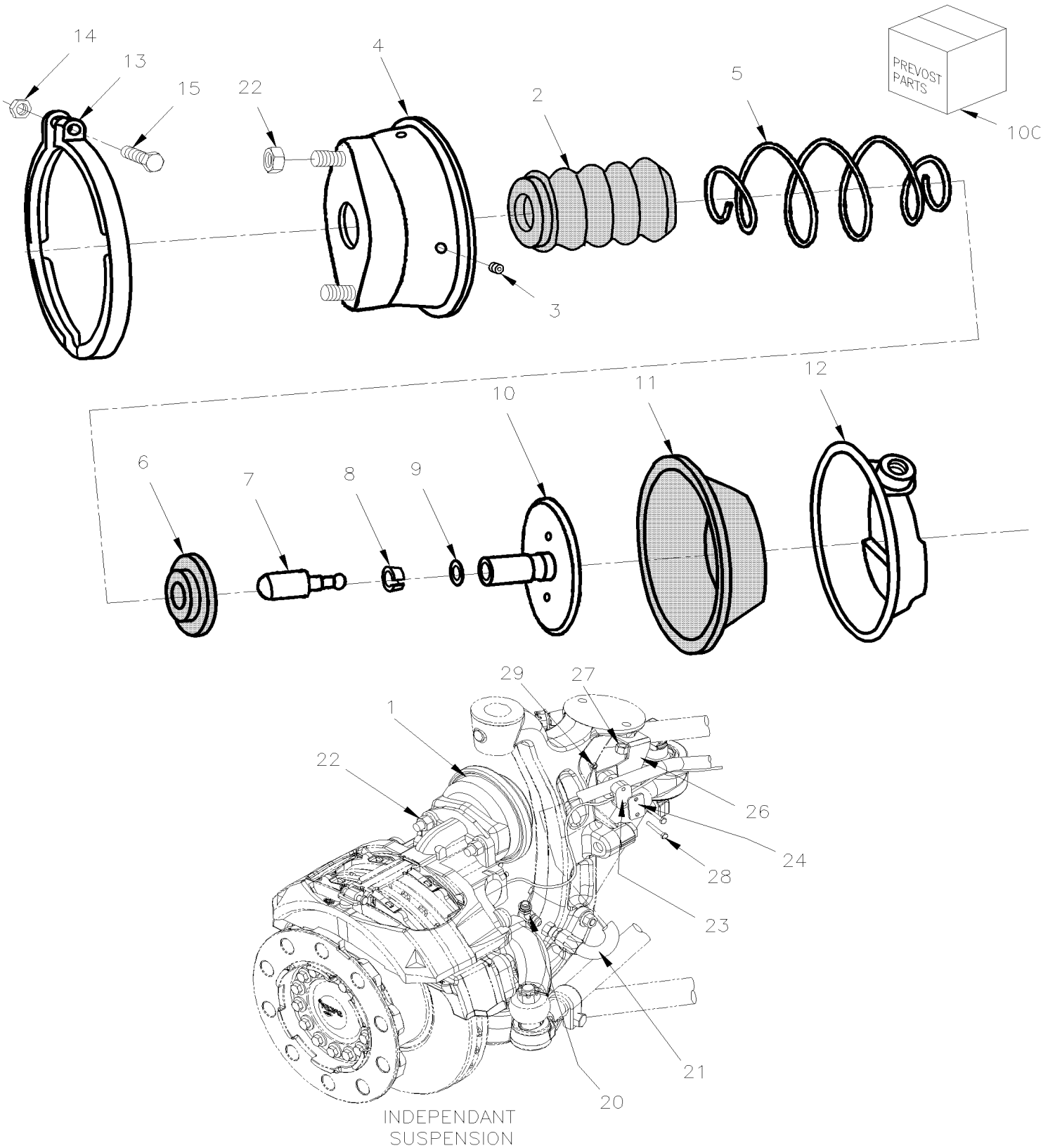


From 7-0671 To J-0287

Date:10/2022

PAGE:H7-1225-50

## BRAKE CHAMBER - FRONT AXLE TYPE 27



From 7-0671 To J-0287	Date:10/2022	PAGE:H7-1225-50
<b>BRAKE CHAMBER - FRONT AXLE TYPE 27</b>		

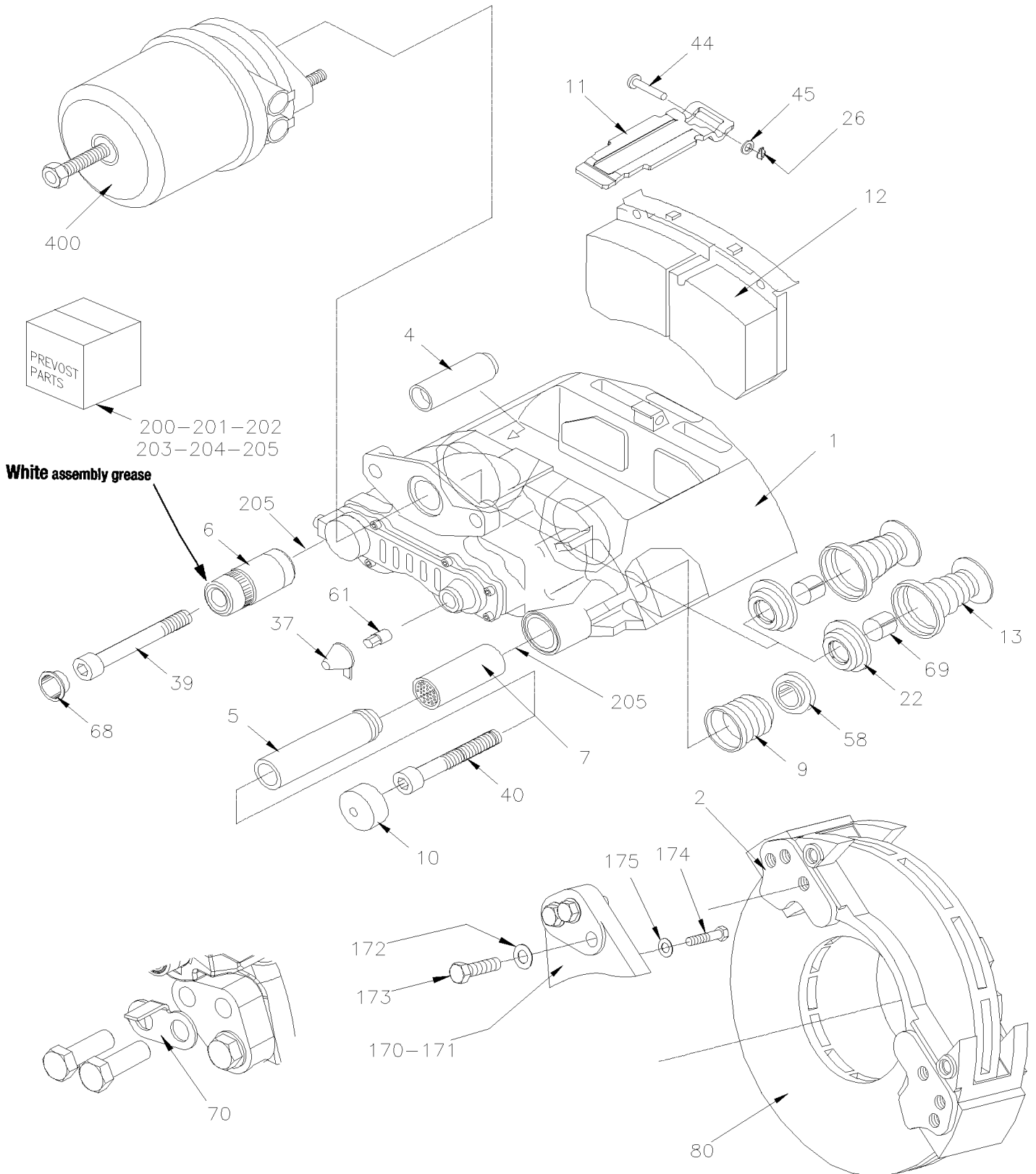
Item#	Part	Description	H 3 4 1	H 3 4 5	V I P 4 5	N O T E S
1	611276	BRAKE CHAMBER ASSY R.H. / TYPE 27			1	I
NS	611277	BRAKE CHAMBER ASSY L.H. / TYPE 27			1	I
2	N.S.S.	. BOOT			1	1
3	N.S.S.	. HOLE PLUG			1	1
4	N.S.S.	. CHAMBER , NO-PRESSURE			1	1
5		. SPRING, COMP.			1	
6	N.S.S.	. SPRING SEAT			1	1
7	N.S.S.	. PUSH ROD END			1	1
8	N.S.S.	. RETAINER			1	1
9	N.S.S.	. RING			1	1
10	N.S.S.	. PUSH ROD			1	1
11	N.S.S.	. DIAPHRAGM / TYPE 27			1	1
12	N.S.S.	. CHAMBER PRESSURE PLATE			1	1
13	N.S.S.	. CLAMP W/BOLT & NUT			1	1
14	502543	. . NUT HEX M8-1.25 Z050			1	
15	5001021	. . SCREW CAP HEXS M8-1.25x60 G8.8 PT			1	
20	660914	MALE ELBOW 90° / JIC 37° FITTING / #8JIC-MxM16-1.5-M STL			2	
. NS	641297	. O-RING 13.1MM I.D. X 2.6 TH			1	
. NS	641298	. WASHER FL 17MM I.D x 22MM O.D. x 1.5MM			1	
21	641903	HOSE BRAKE #8 1090MM (43")			2	
22	5001523	NUT HEXF LO 1/2-13 SS			4	
23	504612	COLLAR 13/16" I.D. / TO FIX HOSE To H-3823			4	
23	140079	HALF COLLAR 44MM I.D. / TO FIX HOSE From H-3823			8	
24	504614	PLATE RETAINING / COLLAR			2	
26	142353	HOSE SUPPORT L.H.			1	
26	142352	HOSE SUPPORT R.H.			1	
27	500276	NUT HEX STO 1/2-13 N500			2	
28	502656	SCREW CAP HEX M6-1.0x50 SS			4	
29	502565	NUT HEX M6-1.0 SS			4	
50	<b>H7-1250-10</b>	<b>ABS BRAKE VALVE - INSTALLATION</b>				
100	N.P.N.	KIT REPAIR			1	4 A
		A) INCLUDED ITEMS #2,3,6,8,9 & 11				
		I) V.I.P. 45' WITH INDEPENDANTE SUSPENSION				
		1) NOT SOLD SEPARATELY				
		4) NO PARTS NUMBER				

From 7-0671 To E-2520

Date:10/2022

PAGE:H7-1235-00

## BRAKE PARTS - DRIVE AXLE "KNORR-BREMSE" SN7 SERIES



From 7-0671 To E-2520 Date:10/2022 PAGE:H7-1235-00

## BRAKE PARTS - DRIVE AXLE "KNORR-BREMSE" SN7 SERIES

Item#	Part	Description	H 3 4 1	H 3 4 5	V I P 4 5	N O T E S
	611341	CALIPER ASSY R.H. / W/O BOOSTER / SN7	1	1	1	A
	611342	CALIPER ASSY L.H. / W/O BOOSTER / SN7	1	1	1	A
1	N.S.S.	. CALIPER HOUSING	1	1	1	1
2	611340	. BRAKE CARRIER / W/6 HOLES BOLT RETAINERS M20-2.5	1	1	1	
4	N.S.S.	. . GUIDE BUSHING / SHORT	1	1	1	1
5	N.S.S.	. . GUIDE BUSHING / LONG	1	1	1	1
6	N.S.S.	. . GUIDE SLEEVE	1	1	1	1
7	611107	. BUSHING / BRASS	1	1	1	
8	N.S.S.	. . BOOT RUBBER / WHITE	2	2	2	1
9	N.S.S.	. . BELLOW GUIDE BUSHING / RED	1	1	1	1
10	N.S.S.	. . STEEL CAP	1	1	1	1
11	N.S.S.	. . BRAKE PAD BRACKET	1	1	1	1
12	611049	. . LINING SET STD /	1	1	1	B
. 11	N.S.S.	. . . BRAKE PAD BRACKET	1	1	1	1 B
. 26	N.S.S.	. . . SPRING SPLIT PIN	1	1	1	1 B
. 37	641313	. . . PLUG CAP / ADJUSTING DEVICE / PLASTIC INTERIOR GRIP	1	1	1	B
. 44	N.S.S.	. . . CLEVIS PIN	1	1	1	1 B
. 45	N.S.S.	. . . WASHER	1	1	1	1 B
. 61	N.S.S.	. . . SHEAR ADAPTER	1	1	1	1 B
13	N.S.S.	. . TAPPET WITH BOOT ASSY	2	2	2	1
22	N.S.S.	. . BOOT	2	2	2	1
26	N.S.S.	. . SPRING SPLINT PIN	1	1	1	1
37	N.S.S.	. . PLUG CAP / ADJUSTING DEVICE	1	1	1	1
39	N.S.S.	. . SCREW CAP HEXS ZP M16-1.5 GR10.9	1	1	1	1
40	N.S.S.	. . SCREW CAP HEXS ZP M16-1.5 GR10.9	1	1	1	1
44	N.S.S.	. . CLEVIS PIN	1	1	1	1
45	N.S.S.	. . WASHER	1	1	1	1
58	N.S.S.	. . RING	1	1	1	1
61	N.S.S.	. . SHEAR ADAPTER	1	1	1	1
68	N.S.S.	. . CAP	1	1	1	1
69	N.S.S.	. RING RETAINING	2	2	2	1
70	110786	BRAKE WEAR INDICATOR MECHANICAL / 44MM	AR	AR	AR	
80	<b>H7-1305-00</b>	<b>HUB &amp; ROTOR - DRIVE AXLE</b>				
170	<b>H7-1105-00</b>	<b>REAR AXLE - MODEL "RC23165"</b>				
171	621868	CALIPER MOUNTING BRACKET L.H. & R.H. W/OUT BUSHING	1	1	1	D
172	502558	WASHER FL 21.0x37.0x3.0 G500	6	6	6	
173	5001529	SCREW CAP HEX M20-1.5x60 G10.9 G500	6	6	6	
174	621636	SCREW CAP HEX / TO FIX BRACKET TO AXLE 9/16-18 X 2 GR 8	24	24	24	D
175	621365	WASHER (HARD) .59IDX.97ODX.09	24	24	24	D
200	642032	KIT, TAPPET W/BOOT	AR	AR	AR	C
201	642031	KIT, GUIDANCE PINS & BELLOW / SN W/39MM BUSHING END	AR	AR	AR	E
202	642034	KIT, PLUG CAP W/AJUSTING DEVICE (PACK of 10x #37, #37a & 61)	AR	AR	AR	S

From 7-0671 To E-2520 Date:10/2022 PAGE:H7-1235-00

**BRAKE PARTS - DRIVE AXLE "KNORR-BREMSE" SN7 SERIES**

Item#	Part	Description	H 3 4 1	H 3 4 5	V I P 4 5	N O T E S
203	641402	KIT, PAD HOLDER	AR	AR	AR	H
. 26	N.S.S.	. SPRING SPLIT PIN	1	1	1	1 H
. 44	N.S.S.	. CLEVIS PIN	1	1	1	1 H
. 45	N.S.S.	. WASHER	1	1	1	1 H
205	683345	GREASE WHITE / 5GR	AR	AR	AR	K
205	641930	GREASE WHITE / 500GR	AR	AR	AR	K
NS	641321	TOOL / THRUST MEMBER W/BELLOW	AR	AR	AR	L
NS	641322	TOOL / CALIPER INNER BELLOW	AR	AR	AR	M
NS	642074	TOOL / BUSHING INSTALLER / SERIES SN	AR	AR	AR	N
NS	641435	TOOL / FORK (FOR BELLOW CAP)	AR	AR	AR	L
NS	641993	TOOL / PRESS IN COVER	AR	AR	AR	X
NS	641994	TOOL / BUSHING - INSTALLER	AR	AR	AR	Y
NS	641998	TOOL / RUBBER BUSHING - INSTALLER	AR	AR	AR	Z
NS	642035	KIT TOOL BOX "KNORR BREMSE" SERIE SN7	AR	AR	AR	
400	<b>H7-1235-10</b>	<b>BRAKE CHAMBER - DRIVE AXLE TYPE 24/24</b>				
500	Y006471_000_EN	MAINTENANCE MANUAL / ENGLISH KNORR-BREMSE				
NS	Y006471_000_FR	MANUEL D'ENTRETIEN / FRANÇAIS KNORR-BREMSE				
		A) DO NOT INCLUDE ITEM #2 & #12				
		B) INCLUDES ITEMS #11, 26, 37, 44, 45 & 61				
		C) INCLUDES 2 OF ITEMS #13, 22 & 69				
		D) ON DRIVE AXLE ONLY				
		E) INCLUDES ITEMS #4, 5, 6, 7, 9, 10, 39, 40, 58 & 68				
		H) INCLUDES ITEMS #11,26,44 & 45				
		K) FOR ITEMS #5 & 7				
		L) TO USE W/ITEMS #13				
		M) TO USE W/ITEM #9				
		N) TO USE W/ITEM #7				
		S) INCLUDES 10 ITEMS #37 AND 61				
		X) TO USE WITH ITEM #10				
		Y) TO USE WITH ITEM 6				
		Z) TO USE WITH ITEM #68				
		1) NOT SOLD SEPARATELY				
		1) NOT SOLD SEPARATELY				

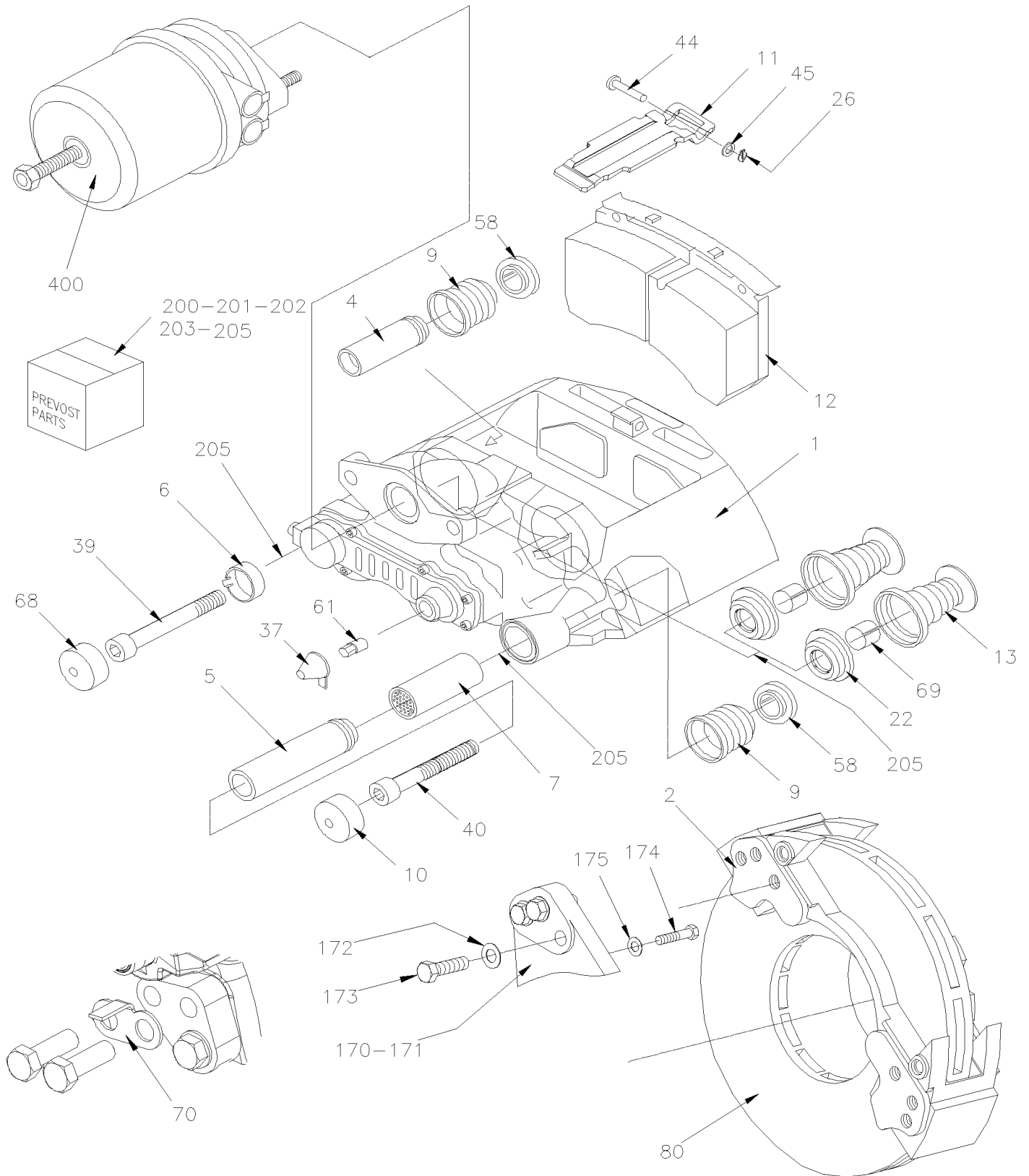


From E-2521 To J-0287

Date:10/2022

PAGE:H7-1235-02

## BRAKE PARTS - DRIVE AXLE "KNORR-BREMSE" SN7 SERIES W/N2G ADJUSTER



From E-2521 To J-0287      Date:10/2022      PAGE:H7-1235-02

**BRAKE PARTS - DRIVE AXLE "KNORR-BREMSE" SN7 SERIES W/N2G ADJUSTER**

Item#	Part	Description	H 3 4 1	H 3 4 5	V I P 4 5	N O T E S
	642186	CALIPER ASSY R.H. FRONT & TAG OR L.H. DRIVE AXLE / W/O POTENTIOMETER SN7 (L.H. ON DRIVE AXLE)	1	1	1	
	642187	CALIPER ASSY L.H. FRONT & TAG OR R.H. DRIVE AXLE / W/O POTENTIOMETER SN7 (R.H. ON DRIVE AXLE)	1	1	1	
1	N.S.S.	. CALIPER HOUSING	1	1	1	1
2	611960	. BRAKE CARRIER / W/6 HOLES BOLT RETAINERS M20-1.5	1	1	1	
4	N.S.S.	. . GUIDE BUSHING / SHORT	1	1	1	1
5	N.S.S.	. . GUIDE BUSHING / LONG	1	1	1	1
6	N.S.S.	. . GUIDE BUSHING / DU	1	1	1	1
7		. . BUSHING / BRASS	1	1	1	
8	N.S.S.	. . BOOT RUBBER / WHITE	2	2	2	1
9	N.S.S.	. . BELLOW GUIDE BUSHING / RED	2	2	2	1
10	N.S.S.	. . STEEL CAP	1	1	1	1
11	N.S.S.	. . BRAKE PAD BRACKET	1	1	1	1
12	642188	. . LINING SET STD /	1	1	1	B
. 11	N.S.S.	. . . BRAKE PAD BRACKET	1	1	1	1 B
. 26	N.S.S.	. . . SPRING SPLIT PIN	1	1	1	1 B
. 37	642034	. . . KIT, PLUG CAP W/AJUSTING DEVICE (PACK of 10x #37, #37a & 61)	1	1	1	B
. 44	N.S.S.	. . . CLEVIS PIN	1	1	1	1 B
. 45	N.S.S.	. . . WASHER	1	1	1	1 B
. 61	N.S.S.	. . . SHEAR ADAPTER	1	1	1	1 B
13	N.S.S.	. . TAPPET WITH BOOT ASSY	2	2	2	1
22	N.S.S.	. . BOOT	2	2	2	1
26	N.S.S.	. . SPRING SPLINT PIN	1	1	1	1
37	N.S.S.	. . PLUG CAP / ADJUSTING DEVICE	1	1	1	1
39	N.S.S.	. . SCREW CAP HEXS ZP M16-1.5 GR10.9	1	1	1	1
40	N.S.S.	. . SCREW CAP HEXS ZP M16-1.5 GR10.9	1	1	1	1
44	N.S.S.	. . CLEVIS PIN	1	1	1	1
45	N.S.S.	. . WASHER	1	1	1	1
58	N.S.S.	. . RING	2	2	2	1
61	N.S.S.	. . SHEAR ADAPTER	1	1	1	1
68	N.S.S.	. . CAP	1	1	1	1
69	N.S.S.	. RING RETAINING	2	2	2	1
70	110786	BRAKE WEAR INDICATOR MECHANICAL / 44MM	AR	AR	AR	
80	<b>H7-1305-00</b>	<b>HUB &amp; ROTOR - DRIVE AXLE</b>				
80	<b>H7-1305-99</b>	<b>ROTOR (SPLINED DISC) PRODUCT IMPROVMENT</b>				
170	<b>H7-1105-00</b>	<b>REAR AXLE - MODEL "RC23165"</b>				
171	621868	CALIPER MOUNTING BRACKET L.H. & R.H. W/OUT BUSHING	1	1	1	D
172	N8889049	WASHER	6	6	6	
173	5001529	SCREW CAP HEX M20-1.5x60 G10.9 G500	6	6	6	
174	621636	SCREW CAP HEX / TO FIX BRACKET TO AXLE 9/16-18 X 2 GR 8	24	24	24	D
175	621365	WASHER (HARD) .59IDX.97ODX.09	24	24	24	D
200	19509429	KIT, TAPPET W/BOOT	AR	AR	AR	C
201	642141	KIT, GUIDANCE PINS & BELLOW / SN W/ GUIDE SLEEVE BUSHING END To F-2903	AR	AR	AR	E



From E-2521 To J-0287      Date:10/2022      PAGE:H7-1235-02

**BRAKE PARTS - DRIVE AXLE "KNORR-BREMSE" SN7 SERIES W/N2G ADJUSTER**

Item#	Part	Description	H 3 4 1	H 3 4 5	V I P 4 5	N O T E S
201	640019	KIT, GUIDANCE PINS & BELLOW / SN W/ GUIDE SLEEVE BUSHING END From F-2904	AR	AR	AR	E
202	642034	KIT, PLUG CAP W/AJUSTING DEVICE (PACK of 10x #37, #37a & 61)	AR	AR	AR	S
205	683345	GREASE WHITE / 5GR	AR	AR	AR	K
205	641930	GREASE WHITE / 500GR	AR	AR	AR	K
300	<b>642214</b>	<b>KIT TOOL TO REPAIR BRAKE N2G</b>	1	1	1	
400	<b>H7-1235-10</b>	<b>BRAKE CHAMBER - DRIVE AXLE TYPE 24/24</b>				
		B) INCLUDES ITEMS #11, 26, 37, 44, 45 & 61				
		C) INCLUDES 2 OF ITEMS #13, 22 & 69				
		D) ON DRIVE AXLE ONLY				
		E) INCLUDES ITEMS #4, 5, 6, 7, 9, 10, 39, 40, 58 & 68				
		K) FOR ITEMS #5 & 7				
		S) INCLUDES 10 ITEMS #37 AND 61				
		1) NOT SOLD SEPARATELY				
		1) NOT SOLD SEPARATELY				

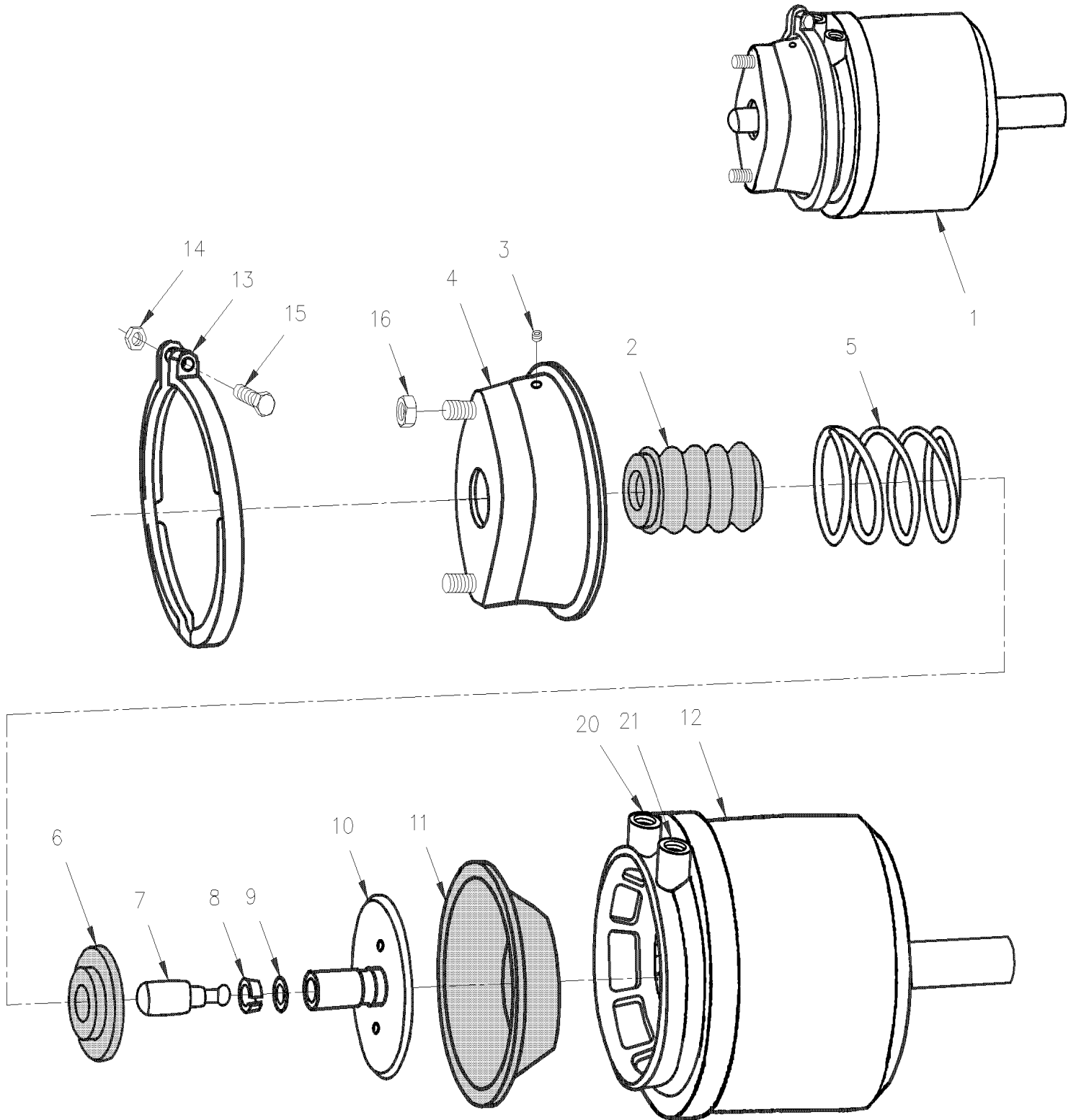


From 7-0671 To J-0287

Date:10/2022

PAGE:H7-1235-10

BRAKE CHAMBER - DRIVE AXLE TYPE 24/24

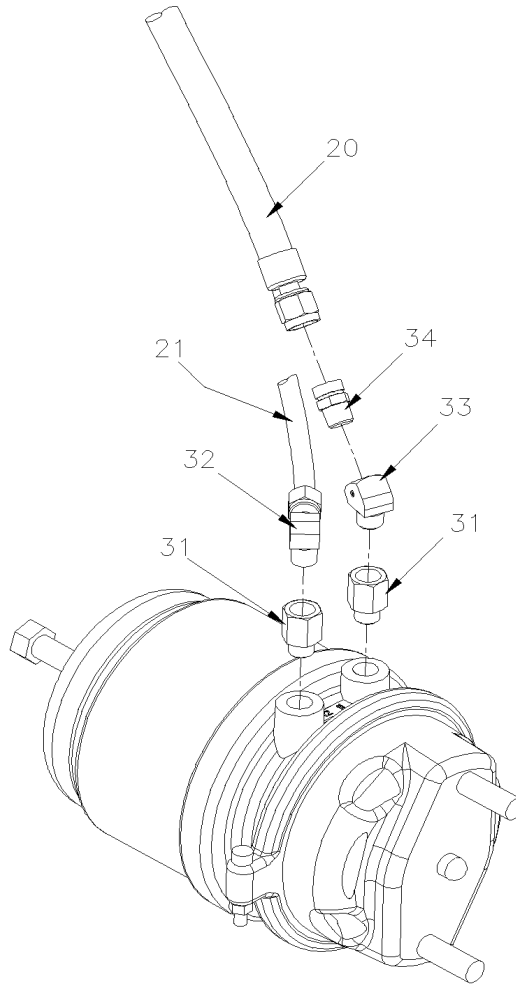


From 7-0671 To J-0287

Date:10/2022

PAGE:H7-1235-10

**BRAKE CHAMBER - DRIVE AXLE TYPE 24/24**



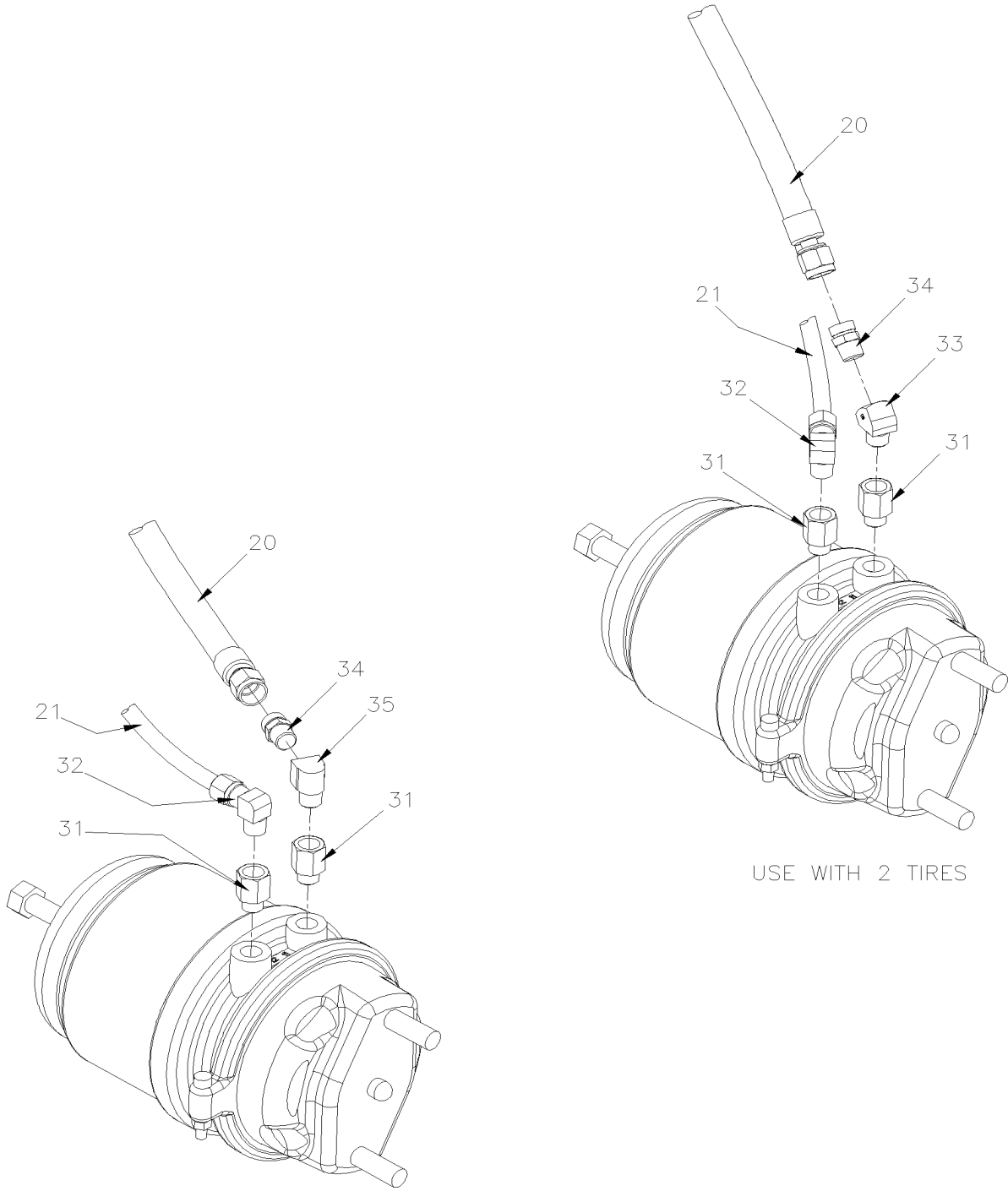
UP TO E-2504

From 7-0671 To J-0287

Date:10/2022

PAGE:H7-1235-10

## BRAKE CHAMBER - DRIVE AXLE TYPE 24/24



USE WITH WIDE BASED PLATFORM

FROM E-2505

From 7-0671 To J-0287	Date:10/2022	PAGE:H7-1235-10
<b>BRAKE CHAMBER - DRIVE AXLE TYPE 24/24</b>		

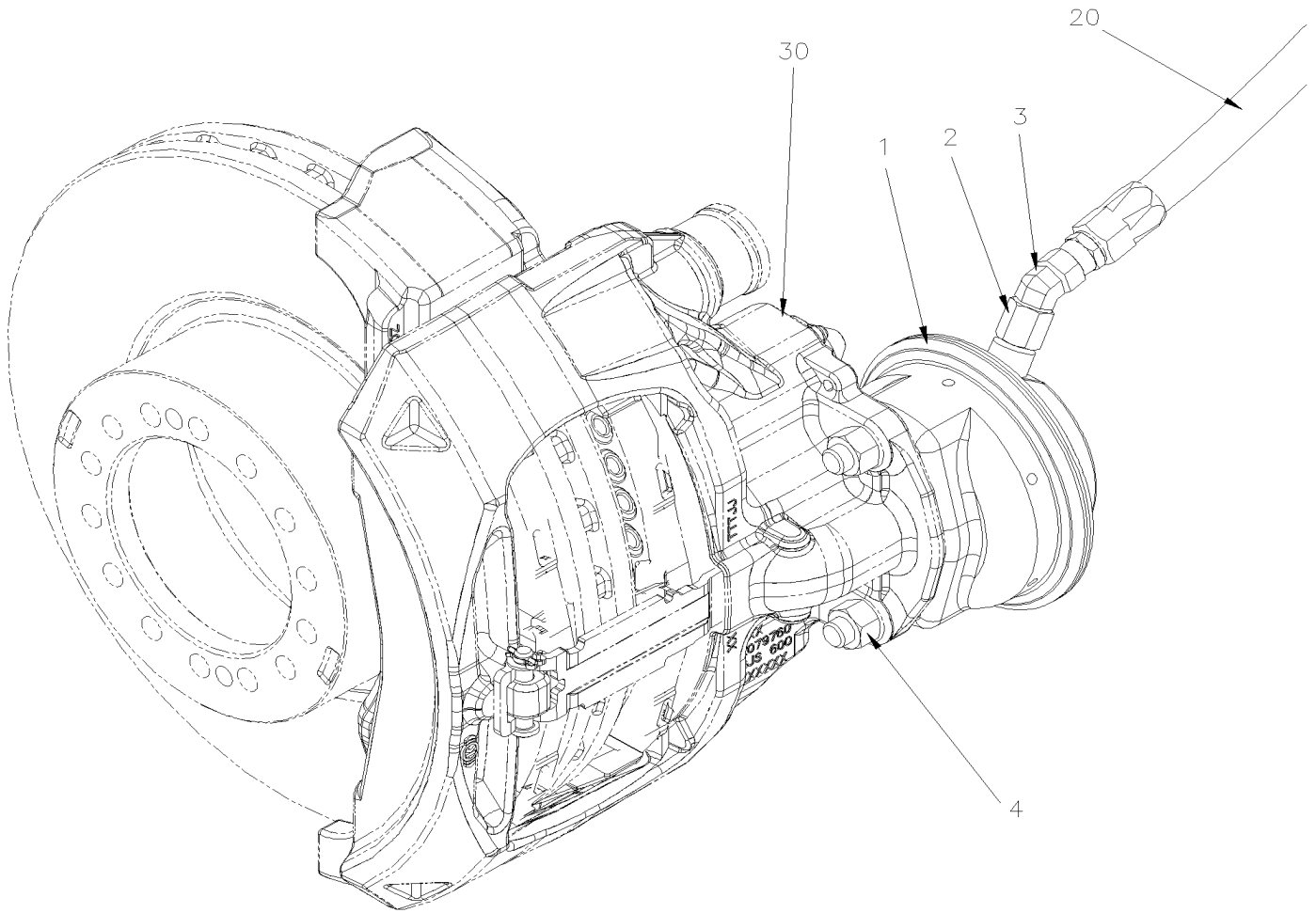
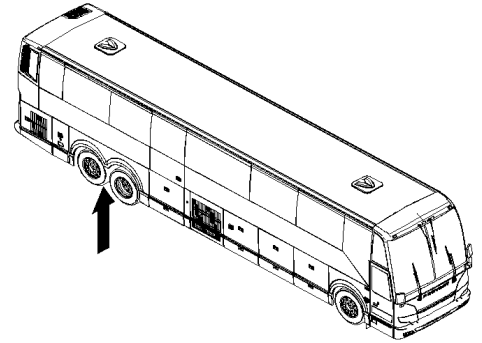
Item#	Part	Description	H 3 4 1	H 3 4 5	V I P 4 5	N O T E S
1	642057	BRAKE CHAMBER ASSY L.H. / TYPE 24/24 (SEALED) From 7-0870	1	1	1	
1	642058	BRAKE CHAMBER ASSY R.H. / TYPE 24/24 (SEALED) From 7-0870	1	1	1	
2	N.S.S.	. BOOT	1	1	1	1
3	N.S.S.	. HOLE PLUG	1	1	1	1
4	N.S.S.	. CHAMBER , NO-PRESSURE	1	1	1	1
5	N.S.S.	. SPRING	1	1	1	1
6	N.S.S.	. SPRING SEAT	1	1	1	1
7	N.S.S.	. PUSH ROD END	1	1	1	1
8	N.S.S.	. RETAINER	1	1	1	1
9	N.S.S.	. RING	1	1	1	1
10	N.S.S.	. PUSH ROD	1	1	1	1
16	5001253	NUT HEX STO M16-1.5 G500	2	2	2	
		HOSE SERVICE BRAKE				
20	641477	HOSE BRAKE #8 813MM (32")	2	2	2	A
20	642174	HOSE BRAKE #8 864MM (34") To E-2650	2	2	2	A
20	642204	HOSE BRAKE #8 845MM (33-1/4") From E-2651 To F-2808	2	2	2	
20	642203	HOSE BRAKE #8 970MM (38-3/16") From F-2809	2	2	2	
20	642203	HOSE BRAKE #8 970MM (38-3/16") To F-2808	2	2	2	SS
		HOSE EMERGENCY BRAKE				
21	503488	TUBE, NYLON 1/2 O.D. / BLACK S.L./	AR	AR	AR	
31	5011205	FEMALE CONNECTOR / PIPE @ METRIC / 3/8NPT-FxM16-1.5-M ZP	4	4	4	
. NS	641297	. O-RING 13.1MM I.D. X 2.6 TH	1	1	1	
. NS	641298	. WASHER FL 17MM I.D x 22MM O.D. x 1.5MM	1	1	1	
32	641040	MALE ELBOW 90° / NTA FITTING / #8x3/8NPT-M BR	2	2	2	
33	501330	STREET ELBOW 45° / PIPE FITTING / 3/8NPT-Mx3/8NPT-F BR	2	2	2	
34	501842	ADAPTER / AIR BRAKE HOSE FITTING / 3/4-20-Mx3/8NPT-M STL	2	2	2	
35	501333	STREET ELBOW 90° / PIPE FITTING / 3/8NPT-Mx3/8NPT-F BR From E-2505	2	2	2	SS
		A) L.H. & R.H.				
		SS) SUPER SINGLE				
		1) NOT SOLD SEPARATELY				

From 7-0671 To J-0287

Date:10/2022

PAGE:H7-1245-10

## BRAKE CHAMBER - TAG AXLE TYPE 14 & 16



From 7-0671 To J-0287	Date:10/2022	PAGE:H7-1245-10
<b>BRAKE CHAMBER - TAG AXLE TYPE 14 &amp; 16</b>		

Item#	Part	Description	H 3 4 1	H 3 4 5	V I P 4 5	N O T E S
1	642087	BRAKE CHAMBER ASSY / TYPE 14 / SEALED To D-2163	2	2	2	ABS
1	642086	BRAKE CHAMBER ASSY / TYPE 16 / SEALED	2	2	2	ESP
2	5011205	. FEMALE CONNECTOR / PIPE @ METRIC / 3/8NPT-FxM16-1.5-M ZP	2	2	2	
. NS	641297	. . O-RING 13.1MM I.D. X 2.6 TH	1	1	1	
. NS	641298	. . WASHER FL 17MM I.D x 22MM O.D. x 1.5MM	1	1	1	
3	501291	MALE ELBOW 45° / JIC 37° FITTING / #8JIC-Mx3/8NPT-M STL	2	2	2	
4	5001253	NUT HEX STO M16-1.5 G500	2	2	2	
20	<b>H7-1250-10</b>	<b>ABS BRAKE VALVE - INSTALLATION To E-2504</b>	1	1	1	
20	<b>H7-1250-11</b>	<b>ABS/ESP BRAKE VALVE - INSTALLATION From E-2505</b>	1	1	1	
30	<b>H7-1235-02</b>	<b>BRAKE PARTS - DRIVE AXLE "KNORR-BREMSE" SN7 SERIES W/N2G ADJUSTER</b>	1	1	1	
		ABS) WITH "ABS"				
		ESP) WITH "ESP"				

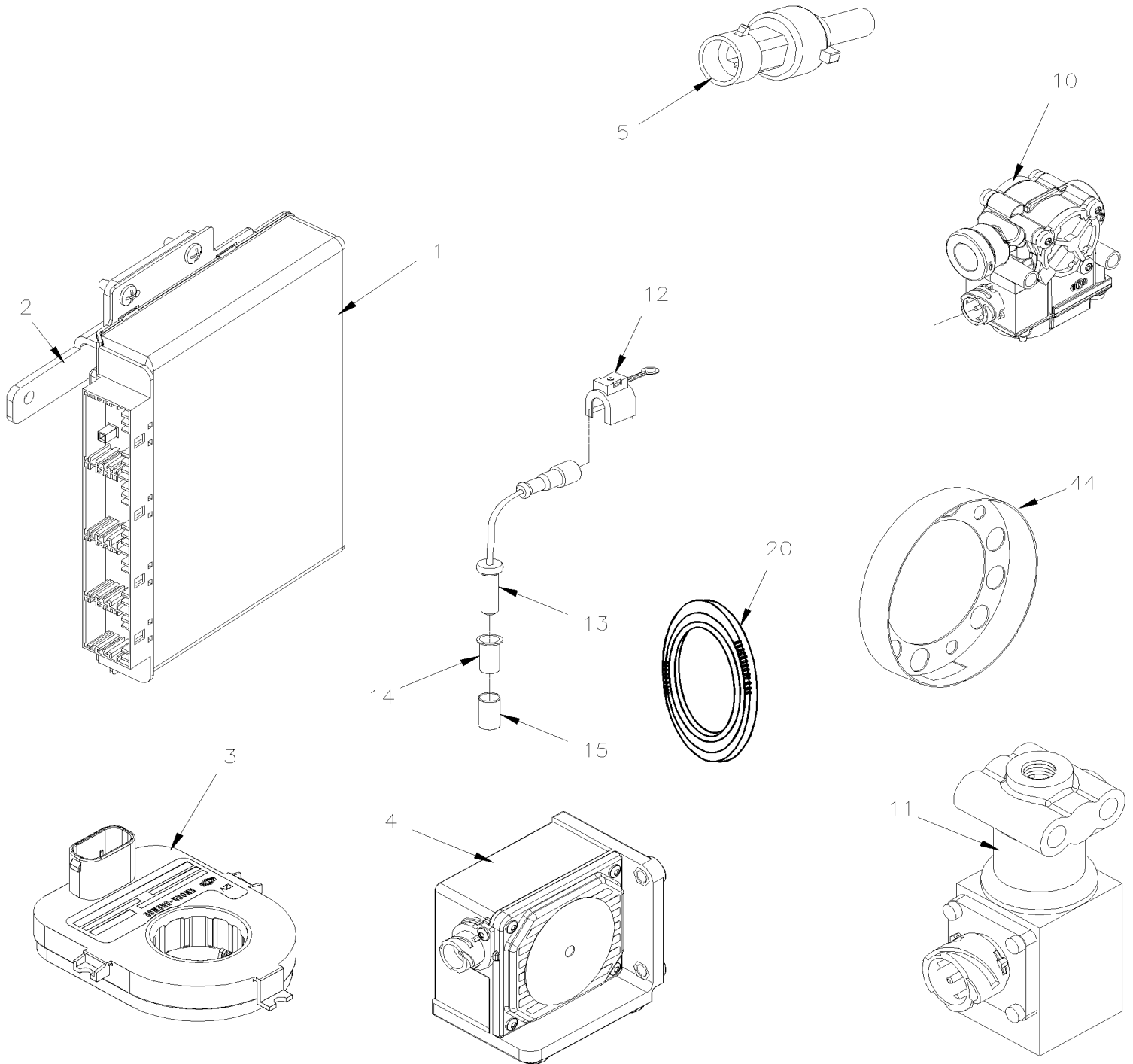


From 7-0671 To E-2504

Date:10/2022

PAGE:H7-1250-00

## ABS & ESP CONTROL



<b>From 7-0671 To E-2504</b>	<b>Date:10/2022</b>	<b>PAGE:H7-1250-00</b>
<b>ABS &amp; ESP CONTROL</b>		

Item#	Part	Description	H 3 4 1	H 3 4 5	V I P 4 5	N O T E S
1	642081	ECU ABS / W/6 CHANNELS / STANDARD To D-2163	1	1	1	
1	642083	ECU ABS / W/6 CHANNELS / ADVANCED ESP To A-1507	1	1	1	
1	642131	ECU ABS / W/6 CHANNELS / ADVANCED ESP From A-1508 To A-1615	1	1	1	
1	642146	ECU ABS / W/6 CHANNELS / ADVANCED ESP UNPROGRAMMED / NON-PROGRAMME From A-1616	1	1	1	
2	382375	SUPPORT ECU To D-2163	1	1	1	
2	382468	SUPPORT ECU From D-2164	1	1	1	
3	661120	SENSOR ANGLE POSITION DETECTOR	1	1	1	
. NS	564042	. CONNECTOR / BOSCH 1 928 404 025	1	1	1	
3	661148	SENSOR ANGLE POSITION DETECTOR	1	1	1	
. NS	564042	. CONNECTOR / BOSCH 1 928 404 025	1	1	1	
4	642076	SENSOR "YAW" To B-1785	1	1	1	
4	642151	SENSOR "YAW" From B-1786	1	1	1	
5	642075	TRANSDUCER PRESSURE	1	1	1	
. NS	563159	. CONNECTOR / METRI-PACK 150 / SH 3C / PED 12065287	1	1	1	
10	642077	VALVE, "ABS" 12VOLT / M-32QR	AR	AR	AR	B
10	640228	VALVE, "ABS" 12VOLT / M-40QR	AR	AR	AR	
11	642079	VALVE, "ATC" 12VOLT	1	1	1	
12	561115	CLAMP W/ 3 & 4 / ITT CANNON 029-0262-000	AR	AR	AR	
13	641946	SENSOR ABS (ON FRONT AXLE) 90° ANGLE To 8-1284	2	2	2	R
13	642084	SENSOR ABS 90° ANGLE - OEM From 8-1285	2	2	2	R
13	642108	SENSOR ABS 90° ANGLE - AFTER MARKET From 8-1285	2	2	2	R
13	641099	SENSOR ABS (ON FRONT & DRIVE AXLE) To 8-1284	2	2	2	I
13	642085	SENSOR ABS - OEM From 8-1285	2	2	2	I
13	642184	SENSOR ABS - AFTER MARKET From 8-1285	2	2	2	I
13	642085	SENSOR ABS - OEM	2	2	2	T
13	642184	SENSOR ABS - AFTER MARKET	2	2	2	T
13	641099	SENSOR ABS (ON FRONT & DRIVE AXLE) To 8-1284	2	2	2	A
13	642085	SENSOR ABS - OEM From 8-1285	2	2	2	A
13	642184	SENSOR ABS - AFTER MARKET From 8-1285	2	2	2	A
14	641096	CLIP, SPRING / TO FIX SENSOR	AR	AR	AR	
15	621869	BUSHING - ABS SENSOR	2	2	2	A
15	610641	BUSHING ABS SENSOR MOUNTING TAG AXLE To A-1655			1	T
15	121912	BUSHING ABS SENSOR MOUNTING TAG AXLE ONE PIECE From A-1656	2	2	2	T
20	611304	TOOTH WHEEL / FRONT AXLE W/ "TIMKEN" 138.89MM I.D. To 8-1284	2	2	2	I
20	611473	TOOTH WHEEL / FRONT AXLE & TAG W/ "FAG" 143.90MM I.D. From 8-1285			2	I D
20	611473	TOOTH WHEEL / FRONT AXLE & TAG W/ "FAG" 143.90MM I.D. From 7-0942			1	T
20	611457	ROTOR VENTED (W/TOOTH WHEEL / DRIVE AXLE)	2	2	2	
20	621801	TOOTH WHEEL / TAG AXLE W/CAST TAG From A-1656	2	2	2	
44	621711	ABS SHIELD PROTECTOR	2	2	2	
50	<b>H7-0625-00</b>	<b>FRONT JUNCTION PANEL</b>				

From 7-0671 To E-2504	Date:10/2022	PAGE:H7-1250-00
<b>ABS &amp; ESP CONTROL</b>		

Item#	Part	Description	H 3 4 1	H 3 4 5	V I P 4 5	N O T E S
		A) DRIVE AXLE ONLY				
		B) WHEN YOU REPLACE THE VALVE #642077 BY THE VALVE #640228 YOU HAVE REPLACE BOTH SIDE LEFT AND RIGHT SIDE				
		D) WITH HUB "FAG" ONLY				
		I) WITH INDEPENDENT SUSPENSION				
		R) WITH "I" BEAM SUSPENSION				
		T) TAG AXLE ONLY				

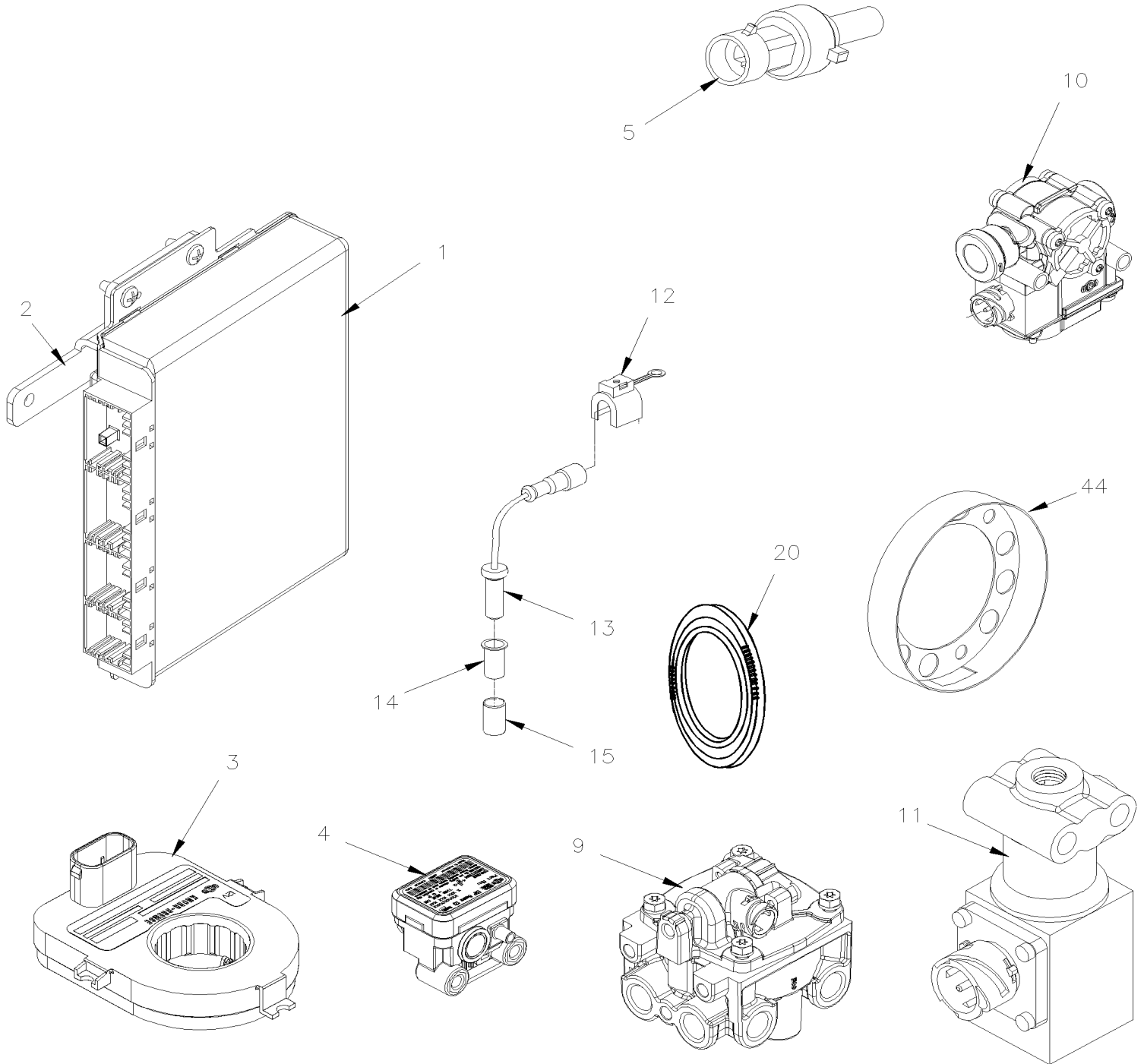


From E-2505 To J-0287

Date:10/2022

PAGE:H7-1250-01

## ABS & ESP CONTROL

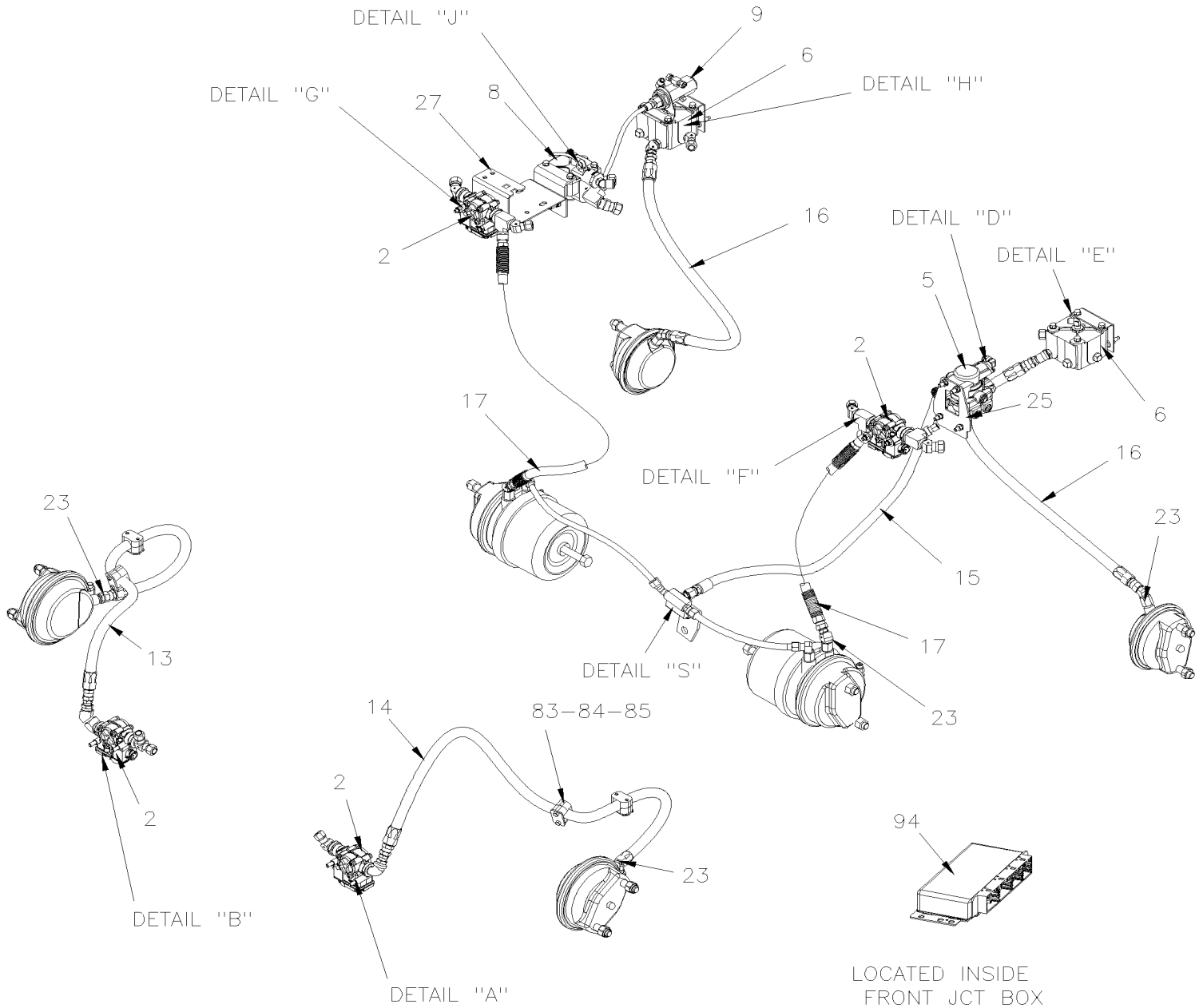


From E-2505 To J-0287	Date:10/2022	PAGE:H7-1250-01
<b>ABS &amp; ESP CONTROL</b>		

Item#	Part	Description	H 3 4 1	H 3 4 5	V I P 4 5	N O T E S
1	642146	ECU ABS / W/6 CHANNELS / ADVANCED ESP UNPROGRAMMED / NON-PROGRAMME To J-0184	1	1		
1	640010	ECU ABS / W/8 CHANNELS / ADVANCED ESP PRODUCTION From J-0185	1	1		
1	642146	ECU ABS / W/6 CHANNELS / ADVANCED ESP UNPROGRAMMED / NON-PROGRAMME To J-0294			1	
1	640010	ECU ABS / W/8 CHANNELS / ADVANCED ESP PRODUCTION From J-0295			1	
2	382468	SUPPORT ECU	1	1	1	
3	661148	SENSOR ANGLE POSITION DETECTOR	1	1	1	
. NS	564042	. CONNECTOR / BOSCH 1 928 404 025	1	1	1	
4	642151	SENSOR "YAW"	1	1	1	
5	642075	TRANSDUCER PRESSURE	1	1	1	
. NS	563159	. CONNECTOR / METRI-PACK 150 / SH 3C / PED 12065287	1	1	1	
9	640018	VALVE, RELAY & ATC / ATR-6	1	1	1	
10	642077	VALVE, "ABS" 12VOLT / M-32QR To G-3241	AR	AR	AR	B
10	640228	VALVE, "ABS" 12VOLT / M-40QR From G-3242	AR	AR	AR	
11	642079	VALVE, "ATC" 12VOLT	1	1	1	
12	561115	CLAMP W/ 3 & 4 / ITT CANNON 029-0262-000	AR	AR	AR	
13	642084	SENSOR ABS 90° ANGLE - OEM	2	2	2	R
13	642085	SENSOR ABS - OEM		2	2	I
13	642085	SENSOR ABS - OEM	2	2	2	A
13	642085	SENSOR ABS - OEM	2	2	2	T
13	504637	CABLE TIE / 3/16" x 13"	AR	AR	AR	
14	641096	CLIP, SPRING / TO FIX SENSOR	AR	AR	AR	
15	621869	BUSHING - ABS SENSOR	2	2	2	A
15	121912	BUSHING ABS SENSOR MOUNTING TAG AXLE ONE PIECE	2	2	2	T
20	611473	TOOTH WHEEL / FRONT AXLE & TAG W/ "FAG" 143.90MM I.D.		1	1	ID
20	611473	TOOTH WHEEL / FRONT AXLE & TAG W/ "FAG" 143.90MM I.D.	1	1	1	T
20	611457	ROTOR VENTED (W/TOOTH WHEEL / DRIVE AXLE)	1	1	1	
20	621801	TOOTH WHEEL / TAG AXLE W/CAST TAG	1	1	1	T
44	621870	ABS SHIELD PROTECTOR	2	2	2	
50	<b>H7-0625-00</b>	<b>FRONT JUNCTION PANEL</b>				
		A) DRIVE AXLE				
		B) WHEN YOU REPLACE THE VALVE #642077 BY THE VALVE #640228 YOU HAVE REPLACE BOTH SIDE LEFT AND RIGHT SIDE				
		D) WITH HUB "FAG"				
		I) WITH INDEPENDENT SUSPENSION				
		R) WITH I BEAM SUSPENSION				
		T) ON TAG AXLE				

ABS BRAKE VALVE - INSTALLATION

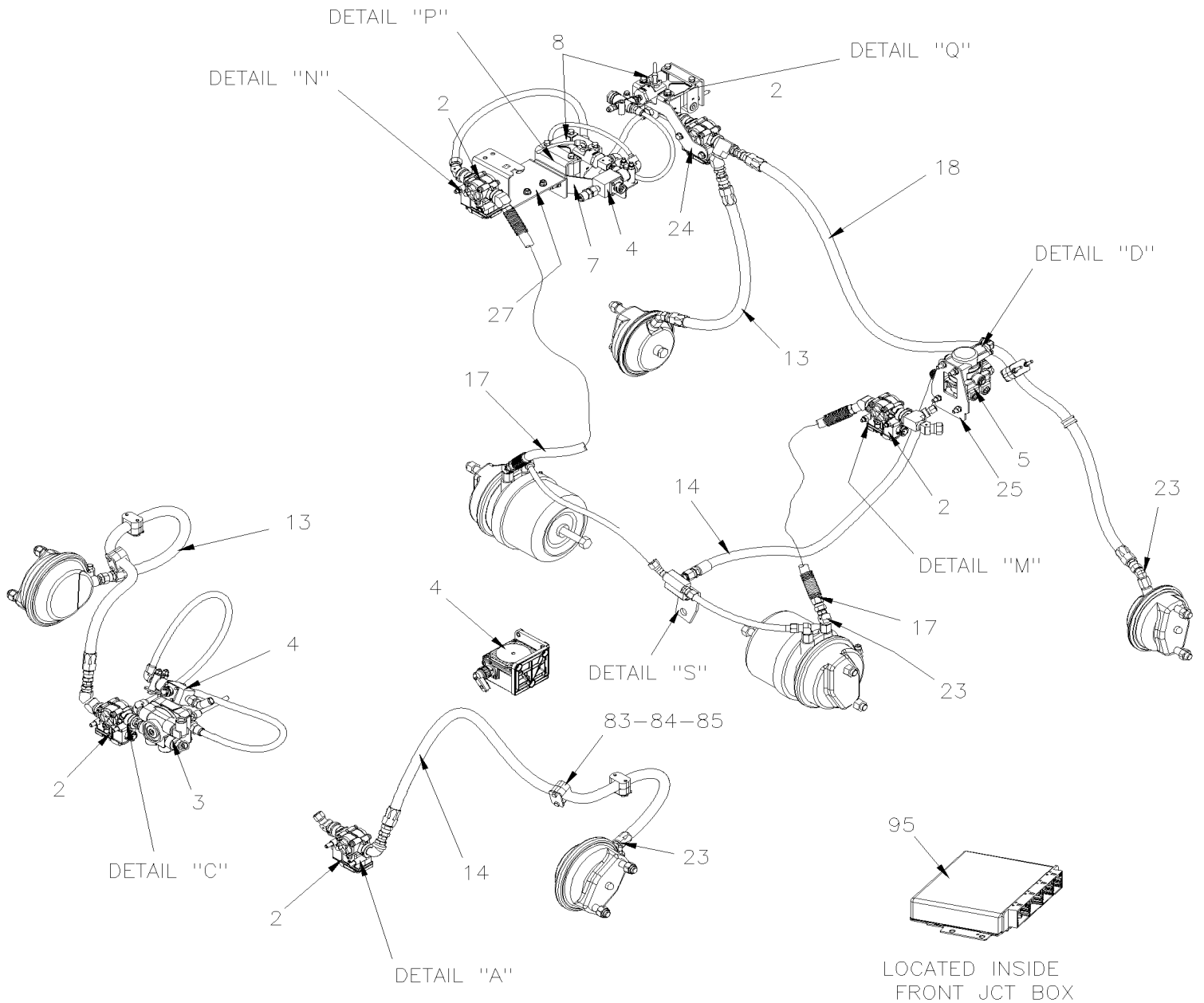
BUS WITH "I" BEAM RIGID SUSPENSION



WITH ANTILOCK BREAKING SYSTEM UP TO D-2163

ABS BRAKE VALVE - INSTALLATION

BUS  
WITH "I" BEAM RIGID SUSPENSION

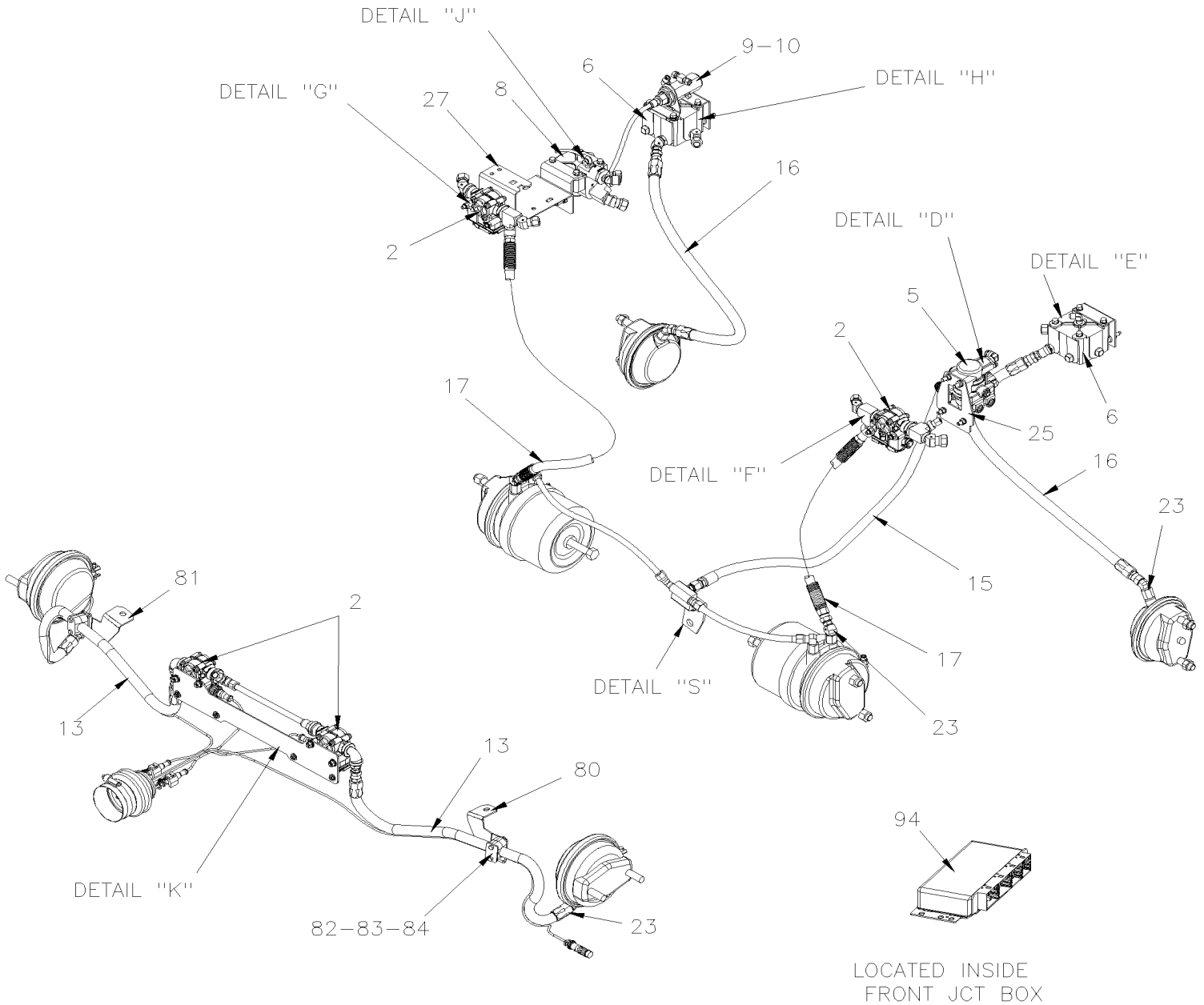


ELECTRONIC STABILITY PROGRAM



ABS BRAKE VALVE - INSTALLATION

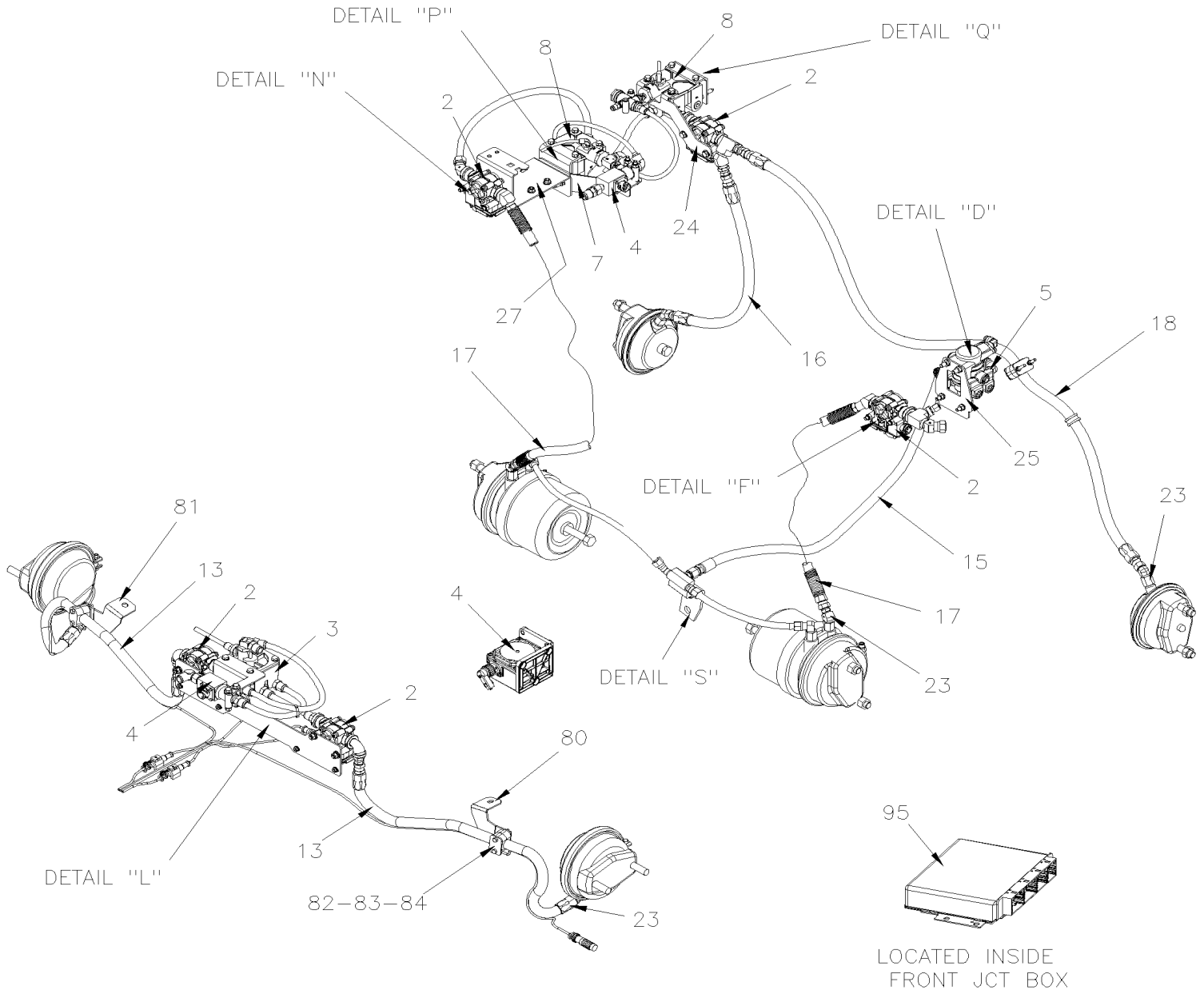
VIP  
WITH INDEPENDENT SUSPENSION



WITH ANTILOCK BREAKING SYSTEM  
UP TO D-2163

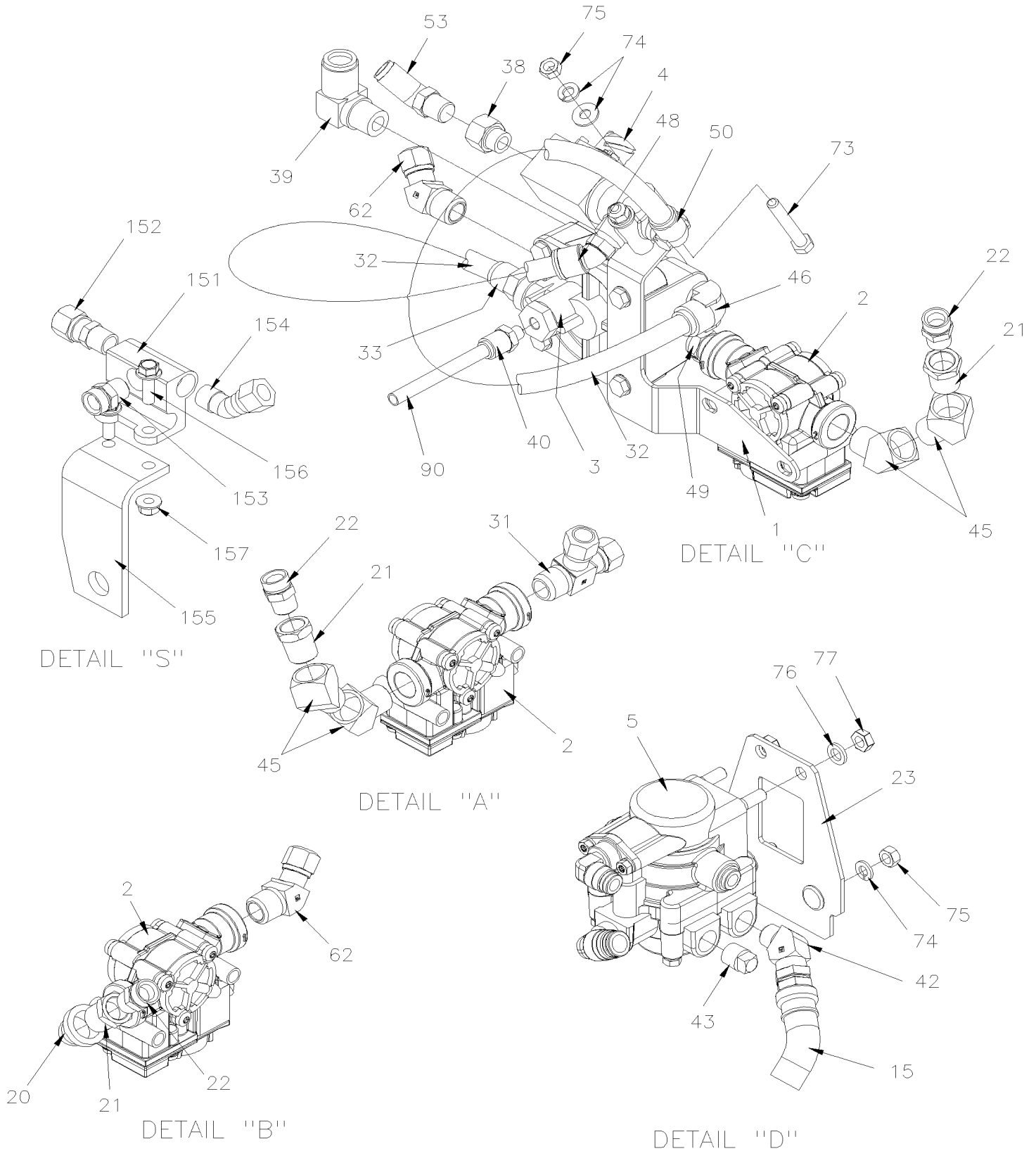
ABS BRAKE VALVE - INSTALLATION

VIP  
WITH INDEPENDENT SUSPENSION

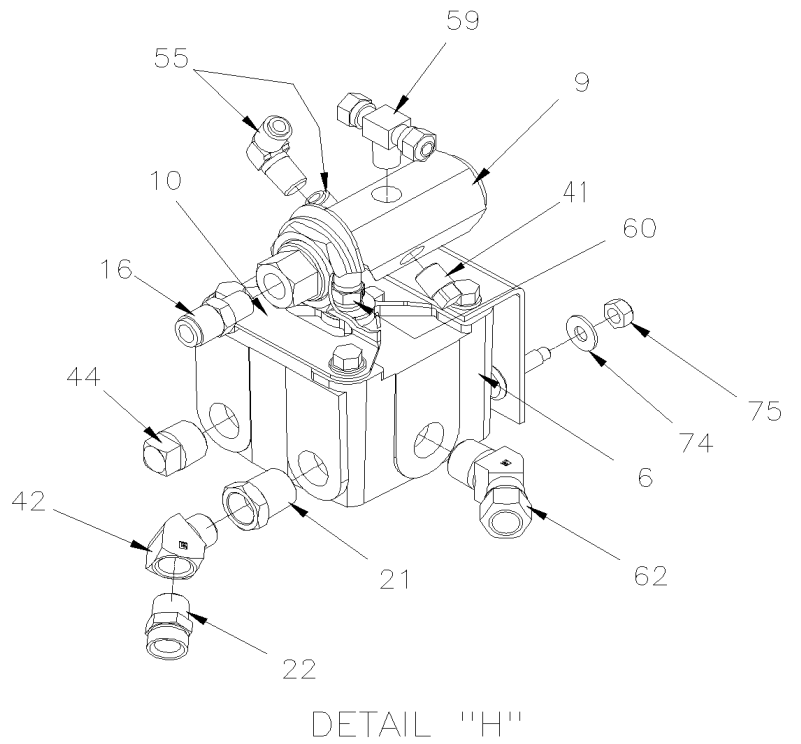
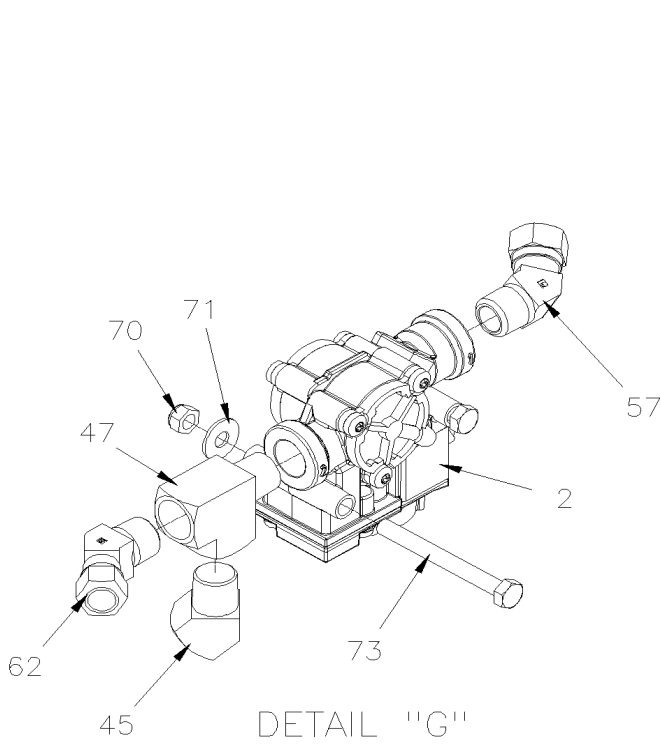
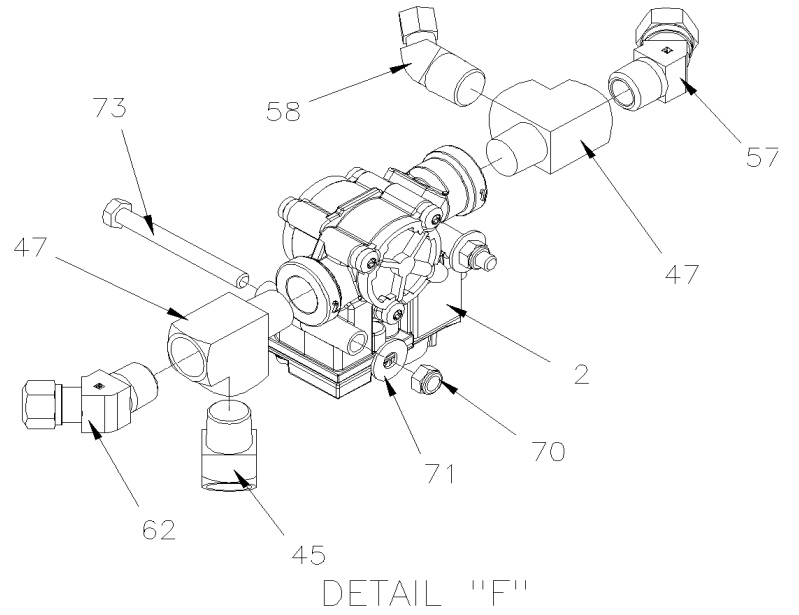
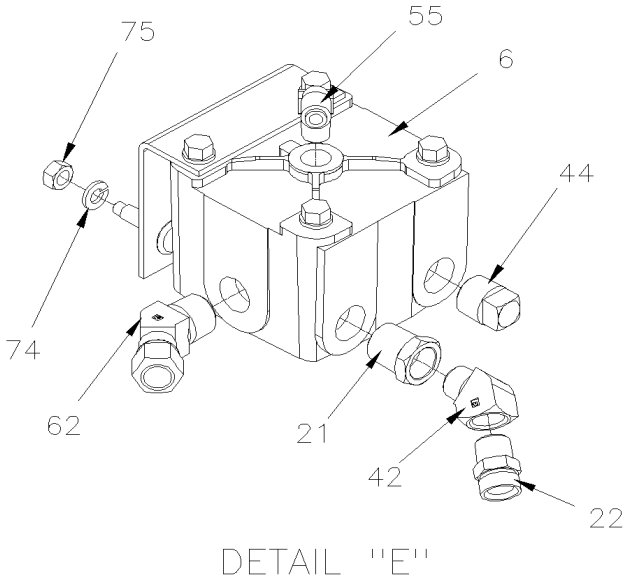


ELECTRONIC STABILITY PROGRAM

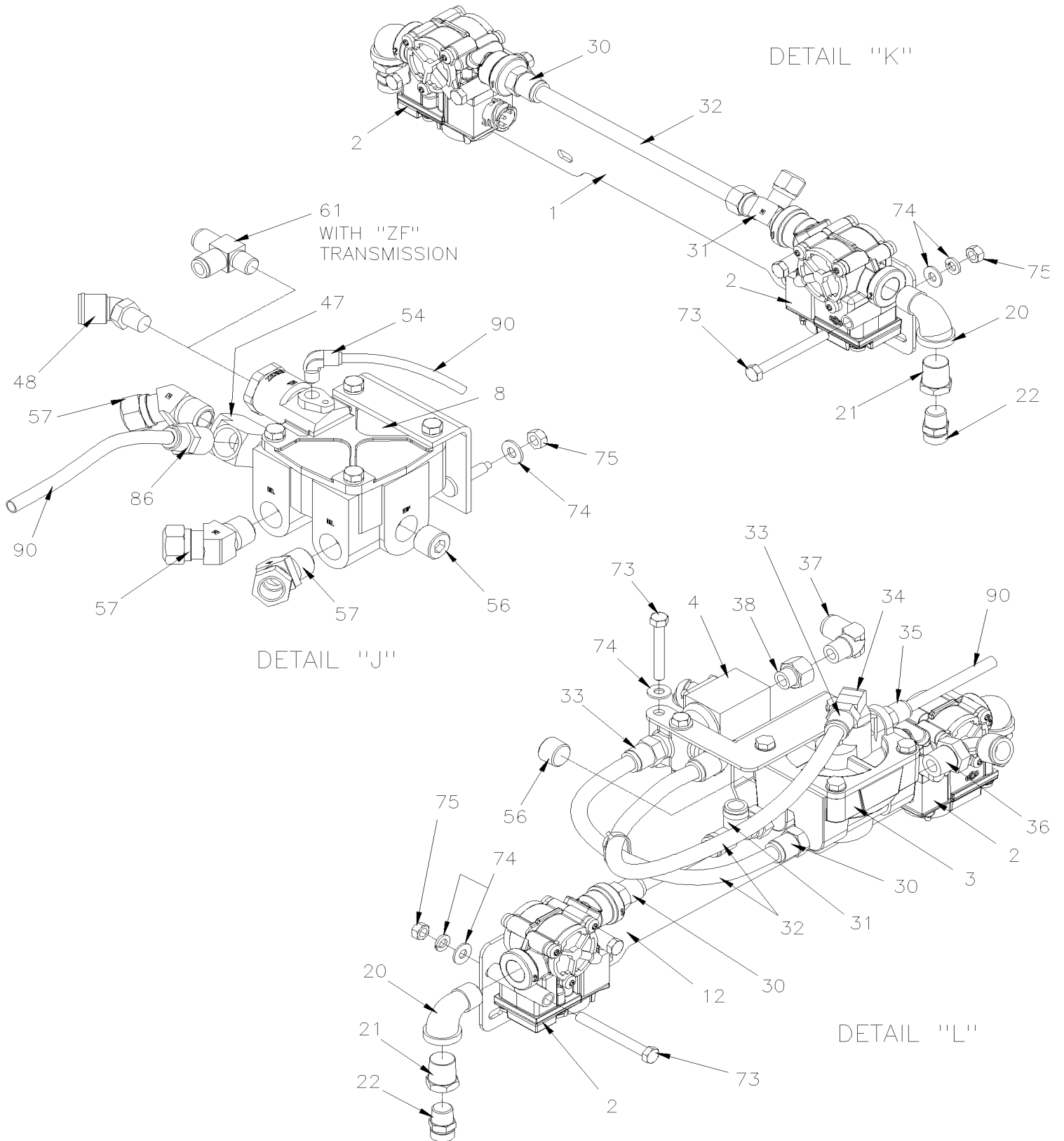
ABS BRAKE VALVE - INSTALLATION



From 7-0671 To E-2504	Date:10/2022	PAGE:H7-1250-10
<b>ABS BRAKE VALVE - INSTALLATION</b>		



## ABS BRAKE VALVE - INSTALLATION

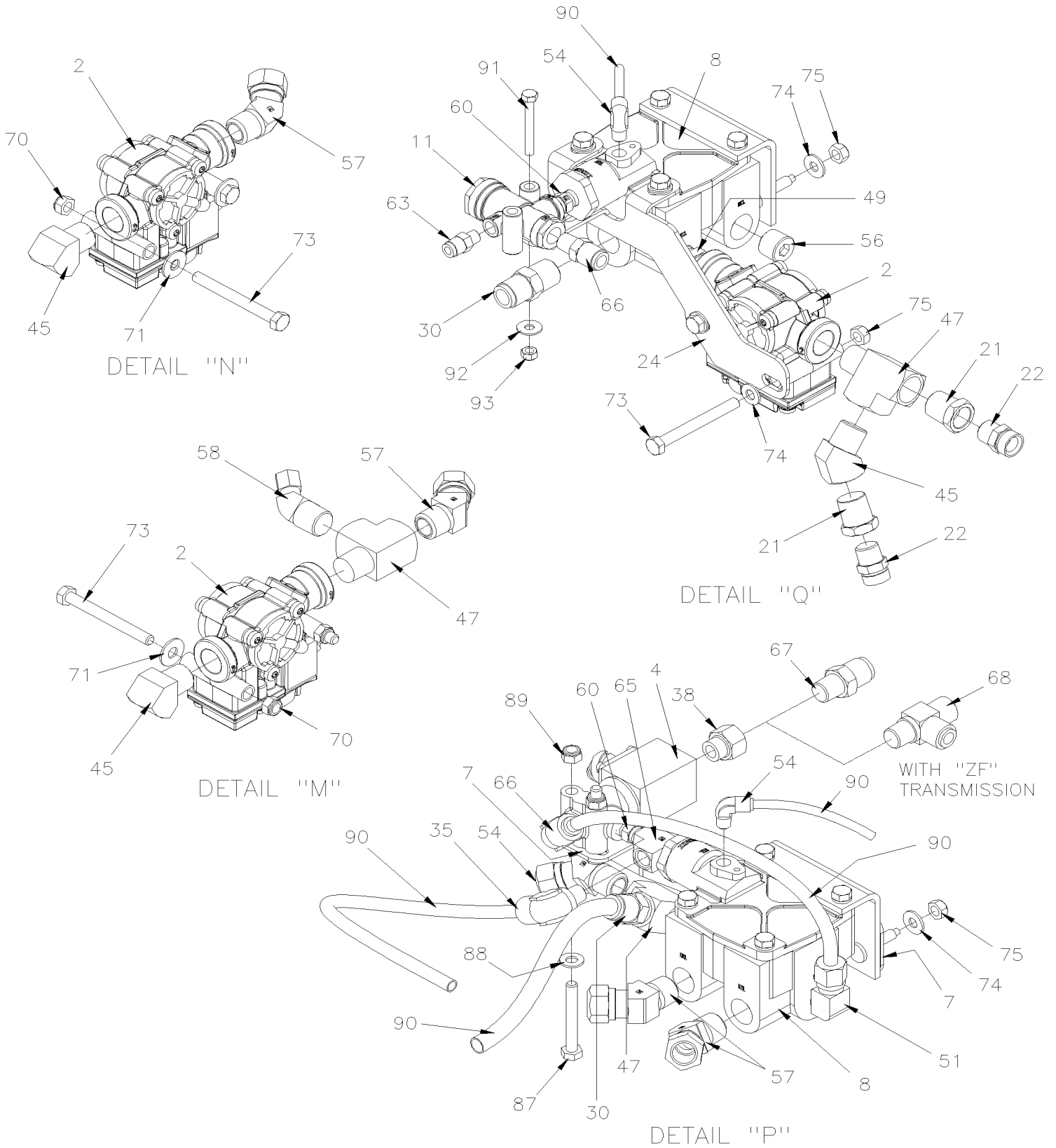


From 7-0671 To E-2504

Date:10/2022

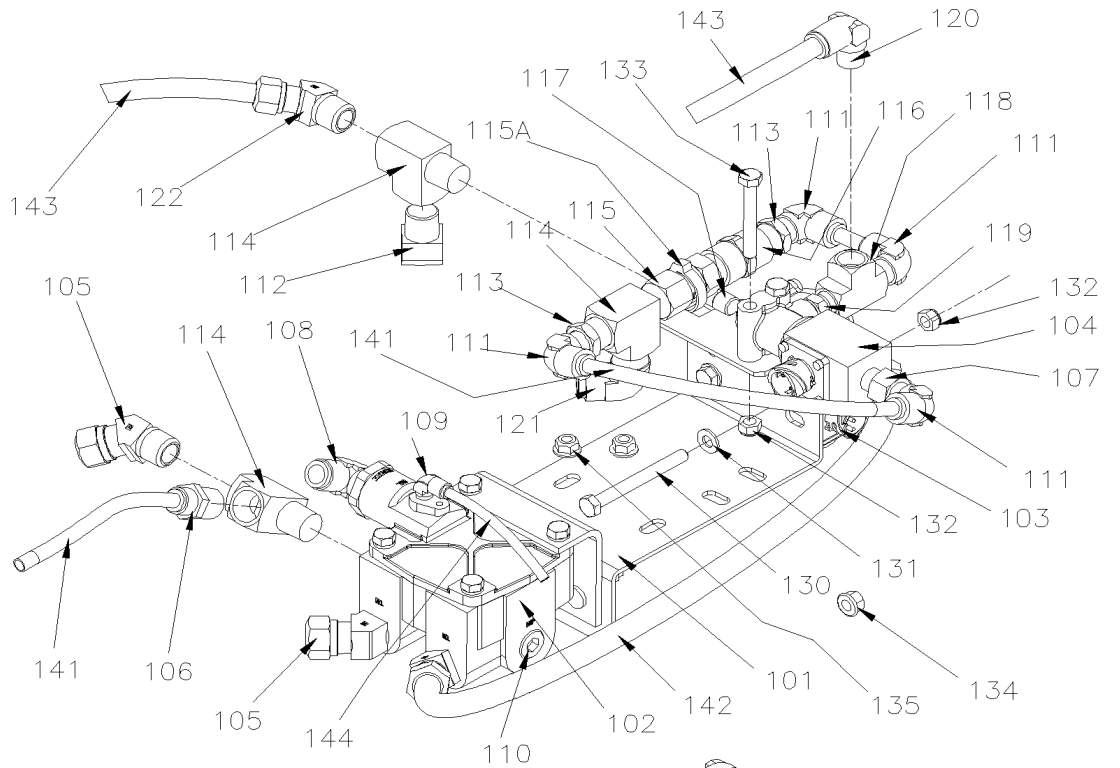
PAGE:H7-1250-10

## ABS BRAKE VALVE - INSTALLATION

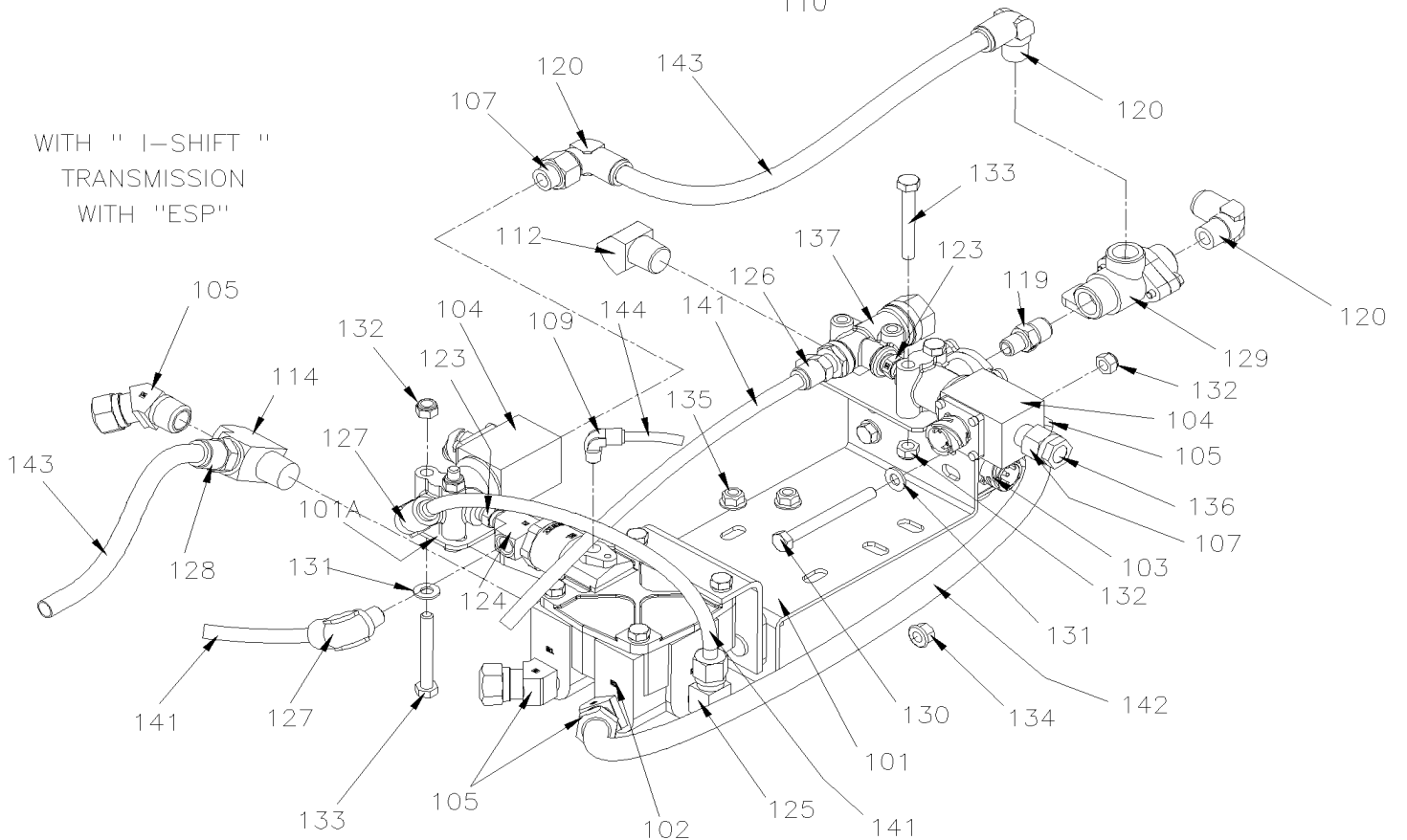


## ABS BRAKE VALVE - INSTALLATION

WITH " I-SHIFT " TRANSMISSION WITH "ABS" 6 UP TO D-2163



WITH " I-SHIFT " TRANSMISSION WITH "ESP"





From 7-0671 To E-2504	Date:10/2022	PAGE:H7-1250-10
<b>ABS BRAKE VALVE - INSTALLATION</b>		

Item#	Part	Description	H 3 4 1	H 3 4 5	V I P 4 5	N O T E S
1	142794	SUPPORT VALVE FRONT	1	1		R
2	642077	VALVE, "ABS" 12VOLT / M-32QR	AR	AR	AR	B
2	640228	VALVE, "ABS" 12VOLT / M-40QR	AR	AR	AR	
NS	504013	TIE MOUNT / 1/4" X 1/4" I.D.	AR	AR	AR	
NS	502868	SCREW TC TR PH #10-16x1/2 N500	AR	AR	AR	
NS	504637	CABLE TIE / 3/16" x 13"	AR	AR	AR	
3	641991	VALVE, RELAY R-14 "WABCO"	1	1	1	
4	642079	VALVE, "ATC" 12VOLT	1	1	1	
5	643384	VALVE / SPRING BRAKE SR-7	1	1	1	
. NS	642119	. VALVE / SPRING BRAKE SR-7	1	1	1	
6	641088	VALVE, RELAY R-12 HORIZONTAL PORT To D-2163	H	H	H	
6	642068	VALVE, RELAY R-12 HORIZONTAL PORT / W/OUT SUPPORT To D-2163	2	2	2	
7	142603	SUPPORT L.H. / VALVE ATC & RELAY VALVE	1	1	1	
8	641120	VALVE, RELAY R-14 HORIZONTAL PORT	1	1	1	
. NS	10508267	. KIT, REPAIR	1	1	1	
9	640442	VALVE, INVERSION TR-2 To D-2163	1	1	1	
10	142598	SUPPORT INVERSION VALVE To D-2163	1	1	1	
11	640471	VALVE, INVERSION TR-3 25-40LBS	1	1	1	
12	142781	SUPPORT VALVE FRONT "ADV"			1	I
12	142624	SUPPORT VALVE FRONT "STD" To D-2163			1	I
13	641903	HOSE BRAKE #8 1090MM (43") CURBSIDE	1	1		R
13	641903	HOSE BRAKE #8 1090MM (43")			2	I
14	641904	HOSE BRAKE #8 1190MM (47") STREETSIDE To 8-1282	1	1		R
14	641903	HOSE BRAKE #8 1090MM (43") STREETSIDE From 8-1283	1	1		R
15	642018	HOSE BRAKE #8 952MM (37 1/2") To A-1655	1	1	1	
15	641304	HOSE BRAKE #8 1045MM (41 1/8") From A-1656	1	1	1	
16	641903	HOSE BRAKE #8 1090MM (43")	AR	AR	AR	
17	641477	HOSE BRAKE #8 813MM (32") To D-2312	2	2	2	
17	642174	HOSE BRAKE #8 864MM (34") From D-2313	2	2	2	
18	642089	HOSE BRAKE #8 1625.6MM (64")	1	1	1	
19	642076	SENSOR "YAW" To B-1785	1	1	1	
19	642151	SENSOR "YAW" From B-1786	1	1	1	
20	501406	STREET ELBOW 90° / PIPE FITTING / 1/2NPT-Mx1/2NPT-F BR	2	2	2	
21	501534	BUSHING REDUCER / PIPE FITTING / 1/2NPT-Mx3/8NPT-F BR	2	2	2	
22	501842	ADAPTER / AIR BRAKE HOSE FITTING / 3/4-20-Mx3/8NPT-M STL	2	2	2	
23	660914	MALE ELBOW 90° / JIC 37° FITTING / #8JIC-MxM16-1.5-M STL	AR	AR	AR	
. NS	641297	. O-RING 13.1MM I.D. X 2.6 TH	1	1	1	
. NS	641298	. WASHER FL 17MM I.D x 22MM O.D. x 1.5MM	1	1	1	
24	142540	SUPPORT VALVE R-14 & "ABS" REAR	1	1	1	
25	142475	SUPPORT SPRING BRAKE VALVE	1	1	1	



<b>From 7-0671 To E-2504</b>	<b>Date:10/2022</b>	<b>PAGE:H7-1250-10</b>
<b>ABS BRAKE VALVE - INSTALLATION</b>		

Item#	Part	Description	H 3 4 1	H 3 4 5	V I P 4 5	N O T E S
26	H7-1220-50	TRAILER VALVE INSTALLATION To E-2504				
26	H7-1220-51	TRAILER VALVE INSTALLATION From E-2505				
27	173325	SUPPORT VALVE "Z" SHAPE To A-1720	1	1	1	
27	143097	SUPPORT VALVE "Z" SHAPE From B-1721	1	1	1	
30	641383	MALE CONNECTOR / PUSH-IN FITTING / #8x1/2NPT-M BR	AR	AR	AR	
31	641210	MALE RUN TEE / NTA FITTING / #8x#8x1/2NPT-M BR	AR	AR	AR	
32	503468	TUBE, NYLON 1/2 O.D. / RED S.L.	AR	AR	AR	
33	641380	MALE CONNECTOR / PUSH-IN FITTING / #8x1/4NPT-M BR	AR	AR	AR	
34	501787	STREET ELBOW 90° / PIPE FITTING / 1/8NPT-Mx1/4NPT-F BR	AR	AR	AR	
35	641331	MALE CONNECTOR / PUSH-IN FITTING / #6x1/4NPT-M BR	AR	AR	AR	
35	641372	MALE ELBOW 90° NON-SWIVEL / PUSH-IN FITTING / #6x1/4NPT-M BR	AR	AR	AR	
36	642098	MALE ELBOW 90° NON-SWIVEL / PUSH-IN FITTING / #10x1/2NPT-M COMPOSITE	AR	AR	AR	
37	641376	MALE ELBOW 90° NON-SWIVEL / PUSH-IN FITTING / #8x3/8NPT-M BR	AR	AR	AR	
38	5001660	REDUCER COUPLING / PIPE FITTING / 3/8NPT-Fx1/8NPT-F BR	AR	AR	AR	
39	641379	MALE ELBOW 90° NON-SWIVEL / PUSH-IN FITTING / #10x1/2NPT-M BR	AR	AR	AR	
40	641349	MALE CONNECTOR / PUSH-IN FITTING / #6x1/8NPT-M BR To B-1859	AR	AR	AR	
40	501787	STREET ELBOW 90° / PIPE FITTING / 1/8NPT-Mx1/4NPT-F BR From B-1860	AR	AR	AR	
40	641331	MALE CONNECTOR / PUSH-IN FITTING / #6x1/4NPT-M BR From B-1860	AR	AR	AR	
41	501304	PLUG SQUARE HEAD / PIPE FITTING / 1/4NPT-M BR To A-1677	AR	AR	AR	
41	501800	PLUG HEXS / PIPE FITTING / 1/4NPT-M STL From A-1678	AR	AR	AR	
42	501330	STREET ELBOW 45° / PIPE FITTING / 3/8NPT-Mx3/8NPT-F BR	AR	AR	AR	
43	501305	PLUG SQUARE HEAD / PIPE FITTING / 3/8NPT-M BR To A-1677	AR	AR	AR	
43	501449	PLUG HEXS / PIPE FITTING / 3/8NPT-M STL From A-1678	AR	AR	AR	
44	501306	PLUG SQUARE HEAD / PIPE FITTING / 1/2NPT-M BR To A-1677	AR	AR	AR	
44	501966	PLUG HEXS / PIPE FITTING / 1/2NPT-M STL From A-1678	AR	AR	AR	
45	501528	STREET ELBOW 45° / PIPE FITTING / 1/2NPT-Mx1/2NPT-F BR	AR	AR	AR	
46	641378	MALE ELBOW 90° / PUSH-IN FITTING / #8x1/2NPT-M BRASS	AR	AR	AR	
47	501473	MALE RUN TEE / PIPE FITTING / 1/2NPT-Mx1/2NPT-Fx1/2NPT-F BR	AR	AR	AR	
48	642073	MALE ELBOW 45° / PUSH-IN FITTING / #8x1/4NPT-M	AR	AR	AR	
49	5011067	NIPPLE HEX / PIPE FITTING / 1/2NPT-Mx1/2NPT-Mx1 13/16 BR	AR	AR	AR	
50	641373	MALE ELBOW 90° NON-SWIVEL / PUSH-IN FITTING / #8x1/4NPT-M BR	AR	AR	AR	
51	641175	MALE ELBOW 90° / NTA FITTING / #6x1/2NPT-M BR	AR	AR	AR	
53	641368	MALE ELBOW 45° NON-SWIVEL / PUSH-IN FITTING / #8x3/8NPT-M BR	AR	AR	AR	
54	641369	MALE ELBOW 90° NON-SWIVEL / PUSH-IN FITTING / #4x1/8NPT-M BR	AR	AR	AR	
55	641371	MALE ELBOW 90° NON-SWIVEL / PUSH-IN FITTING / #4x1/4NPT-M BR	AR	AR	AR	
56	501966	PLUG HEXS / PIPE FITTING / 1/2NPT-M STL	AR	AR	AR	
57	641027	MALE ELBOW 45° / NTA FITTING / #10x1/2NPT-M BR	AR	AR	AR	
58	641119	MALE ELBOW 45° / NTA FITTING / #6x1/2NPT-M BR	AR	AR	AR	
59	641006	MALE BRANCH TEE / NTA FITTING / #4x#4x1/4NPT-M BR	AR	AR	AR	
60	501321	NIPPLE HEX / PIPE FITTING / 1/4NPT-Mx1/4NPT-Mx1 3/8 BR	AR	AR	AR	
61	641389	MALE RUN TEE SWIVEL / PUSH-IN FITTING / #6x#6x1/4NPT-M BR	AR	AR	AR	

<b>From 7-0671 To E-2504</b>	<b>Date:10/2022</b>	<b>PAGE:H7-1250-10</b>
<b>ABS BRAKE VALVE - INSTALLATION</b>		

Item#	Part	Description	H 3 4 1	H 3 4 5	V I P 4 5	N O T E S
62	641089	MALE ELBOW 45° / NTA FITTING / #8x1/2NPT-M BR	AR	AR	AR	
63	641242	MALE CONNECTOR / PUSH-IN FITTING / #4x1/8NPT-M BR	AR	AR	AR	
64	641332	MALE CONNECTOR / PUSH-IN FITTING / #4x1/4NPT-M BR	AR	AR	AR	
65	501338	MALE RUN TEE / PIPE FITTING / 1/4NPT-Mx1/4NPT-Fx1/4NPT-F BR	AR	AR	AR	
66	641372	MALE ELBOW 90° NON-SWIVEL / PUSH-IN FITTING / #6x1/4NPT-M BR	AR	AR	AR	
67	641381	MALE CONNECTOR / PUSH-IN FITTING / #8x3/8NPT-M BR	AR	AR	AR	
68	641388	MALE RUN TEE NON-SWIVEL / PUSH-IN FITTING / #6x#6x3/8NPT-M BR	AR	AR	AR	
70	502847	NUT HEX NYRT M8-1.25 N500	2	2	2	
71	5001448	WASHER FL .343x.875x.062 SS18-8	2	2	2	
72	500170	SCREW CAP HEX 1/4-20x2 G5 PT Z050	1	1	1	
73	500187	SCREW CAP HEX 5/16-18x3 G5 Z050	2	2	2	
73	500185	SCREW CAP HEX 5/16-18x2 1/4 G5 Z050	2	2	2	
73	502650	SCREW CAP HEX M8-1.25x80 G8.8 Z050	2	2	2	
74	500441	WASHER FL .312x.734x.065 Z050	2	2	2	
74	502638	WASHER FL .312x.734x.065 N500	2	2	2	
NS	500942	WASHER LO SPT 8.1x14.8x2.0 N500	2	2	2	
75	500778	NUT HEX 5/16-18 N500	2	2	2	
75	500248	NUT HEX STO 5/16-18 N500	2	2	2	
76	500478	WASHER LO SPT .380x.683x.094 Z050	2	2	2	
77	500783	NUT HEX 3/8-16 Z050	2	2	2	
78	5011215	WASHER FL .328x.875x.062 Z050	2	2	2	
79	500868	NUT HEX NYRT M8-1.25 Z050	2	2	2	
80	142352	HOSE SUPPORT R.H.	1	1	1	
81	142353	HOSE SUPPORT L.H.	1	1	1	
82	504614	PLATE RETAINING / COLLAR	2	2	2	
83	504612	COLLAR 13/16" I.D. / TO FIX HOSE	2	2	2	
84	502656	SCREW CAP HEX M6-1.0x50 SS			2	
NS	502565	NUT HEX M6-1.0 SS	2	2	2	
85	500169	SCREW CAP HEX 1/4-20x1 1/2 G5 PT ZP W/ I-BEAM SUSPENSION	8	8		
86	641382	MALE CONNECTOR / PUSH-IN FITTING / #6x1/2NPT-M BR	1	1	1	
87	5001178	SCREW CAP HEX M8-1.25x60 SS BK	2	2	2	
88	5001341	WASHER FL 8.4x17.0x1.6 SS	2	2	2	
89	502847	NUT HEX NYRT M8-1.25 N500	2	2	2	
90	<b>H7-1202-00</b>	<b>TUBES PLASTIC / AIR D.O.T.</b>				
91	502656	SCREW CAP HEX M6-1.0x50 SS	2	2	2	
92	500411	WASHER FL .260x.697x.050 SS	2	2	2	
93	502681	NUT HEX NYRT M6-1.0 N500 G8	2	2	2	
94	642081	ECU ABS / W/6 CHANNELS / STANDARD To D-2163	1	1	1	
95	642083	ECU ABS / W/6 CHANNELS / ADVANCED ESP To A-1507	1	1	1	
95	642131	ECU ABS / W/6 CHANNELS / ADVANCED ESP From A-1508 To A-1615	1	1	1	
95	642146	ECU ABS / W/6 CHANNELS / ADVANCED ESP UNPROGRAMMED / NON-PROGRAMME From A-1616	1	1	1	
NS	<b>H7-1250-00</b>	<b>ABS &amp; ESP CONTROL</b>				

<b>From 7-0671 To E-2504</b>	<b>Date:10/2022</b>	<b>PAGE:H7-1250-10</b>
<b>ABS BRAKE VALVE - INSTALLATION</b>		

Item#	Part	Description	H 3 4 1	H 3 4 5	V I P 4 5	N O T E S
97	H7-0625-00	FRONT JUNCTION PANEL				
100		NEXT FOLLOWING ITEMS ARE RELATED WITH I-SHIFT TRANSMISSION	1	1	1	
101	143097	SUPPORT VALVE "Z" SHAPE	1	1	1	
101A	142603	SUPPORT L.H. / VALVE ATC & RELAY VALVE	1	1	1	E
102	641120	VALVE, RELAY R-14 HORIZONTAL PORT	1	1	1	
. NS	10508267	. KIT, REPAIR	1	1	1	
103	642077	VALVE, "ABS" 12VOLT / M-32QR	1	1	1	B
103	640228	VALVE, "ABS" 12VOLT / M-40QR	1	1	1	
104	642079	VALVE, "ATC" 12VOLT	1	1	1	
105	641027	MALE ELBOW 45° / NTA FITTING / #10x1/2NPT-M BR	4	4	4	
106	641382	MALE CONNECTOR / PUSH-IN FITTING / #6x1/2NPT-M BR	1	1	1	
107	5001660	REDUCER COUPLING / PIPE FITTING / 3/8NPT-Fx1/8NPT-F BR	2	2	2	
108	641373	MALE ELBOW 90° NON-SWIVEL / PUSH-IN FITTING / #8x1/4NPT-M BR	1	1	1	
109	641369	MALE ELBOW 90° NON-SWIVEL / PUSH-IN FITTING / #4x1/8NPT-M BR	1	1	1	
110	501966	PLUG HEXS / PIPE FITTING / 1/2NPT-M STL	1	1	1	
111	641375	MALE ELBOW 90° NON-SWIVEL / PUSH-IN FITTING / #6x3/8NPT-M BR	4	4	4	
112	501528	STREET ELBOW 45° / PIPE FITTING / 1/2NPT-Mx1/2NPT-F BR	1	1	1	
113	501534	BUSHING REDUCER / PIPE FITTING / 1/2NPT-Mx3/8NPT-F BR	1	1	1	
114	501473	MALE RUN TEE / PIPE FITTING / 1/2NPT-Mx1/2NPT-Fx1/2NPT-F BR	3	3	3	
115	640123	VALVE, CHECK 1/2 NPT SC-1	1	1	1	
. NS	641401	. VALVE, CHECK 1/2 NPT SC-1	1	1	1	
115A	504016	CABLE TIE / 5/16" X 14"1/2	1	1	1	
116	501529	COUPLING / PIPE FITTING / 1/2NPT-Fx1/2NPT-F BR	1	1	1	
117	501800	PLUG HEXS / PIPE FITTING / 1/4NPT-M STL	1	1	1	
118	501527	FEMALE UNION TEE / PIPE FITTING / 3/8NPT-Fx3/8NPT-Fx3/8NPT-F BR	1	1	1	
119	501749	NIPPLE REDUCER HEX / PIPE FITTING / 3/8NPT-Mx1/4NPT-Mx1 13/32 BR	1	1	1	
120	641376	MALE ELBOW 90° NON-SWIVEL / PUSH-IN FITTING / #8x3/8NPT-M BR	3	3	3	
121	641378	MALE ELBOW 90° / PUSH-IN FITTING / #8x1/2NPT-M BRASS	1	1	1	
122	641089	MALE ELBOW 45° / NTA FITTING / #8x1/2NPT-M BR	1	1	1	
123	501321	NIPPLE HEX / PIPE FITTING / 1/4NPT-Mx1/4NPT-Mx1 3/8 BR	2	2	2	
124	501338	MALE RUN TEE / PIPE FITTING / 1/4NPT-Mx1/4NPT-Fx1/4NPT-F BR	1	1	1	
125	641175	MALE ELBOW 90° / NTA FITTING / #6x1/2NPT-M BR	1	1	1	
126	641331	MALE CONNECTOR / PUSH-IN FITTING / #6x1/4NPT-M BR	1	1	1	
127	641372	MALE ELBOW 90° NON-SWIVEL / PUSH-IN FITTING / #6x1/4NPT-M BR	2	2	2	
128	641383	MALE CONNECTOR / PUSH-IN FITTING / #8x1/2NPT-M BR	1	1	1	
129	641564	VALVE, DOUBLE CHECK DC-4	1	1	1	
130	502650	SCREW CAP HEX M8-1.25x80 G8.8 Z050	2	2	2	
131	5001341	WASHER FL 8.4x17.0x1.6 SS	4	4	4	
132	502847	NUT HEX NYRT M8-1.25 N500	6	6	6	

From 7-0671 To E-2504	Date:10/2022	PAGE:H7-1250-10
-----------------------	--------------	-----------------

## ABS BRAKE VALVE - INSTALLATION

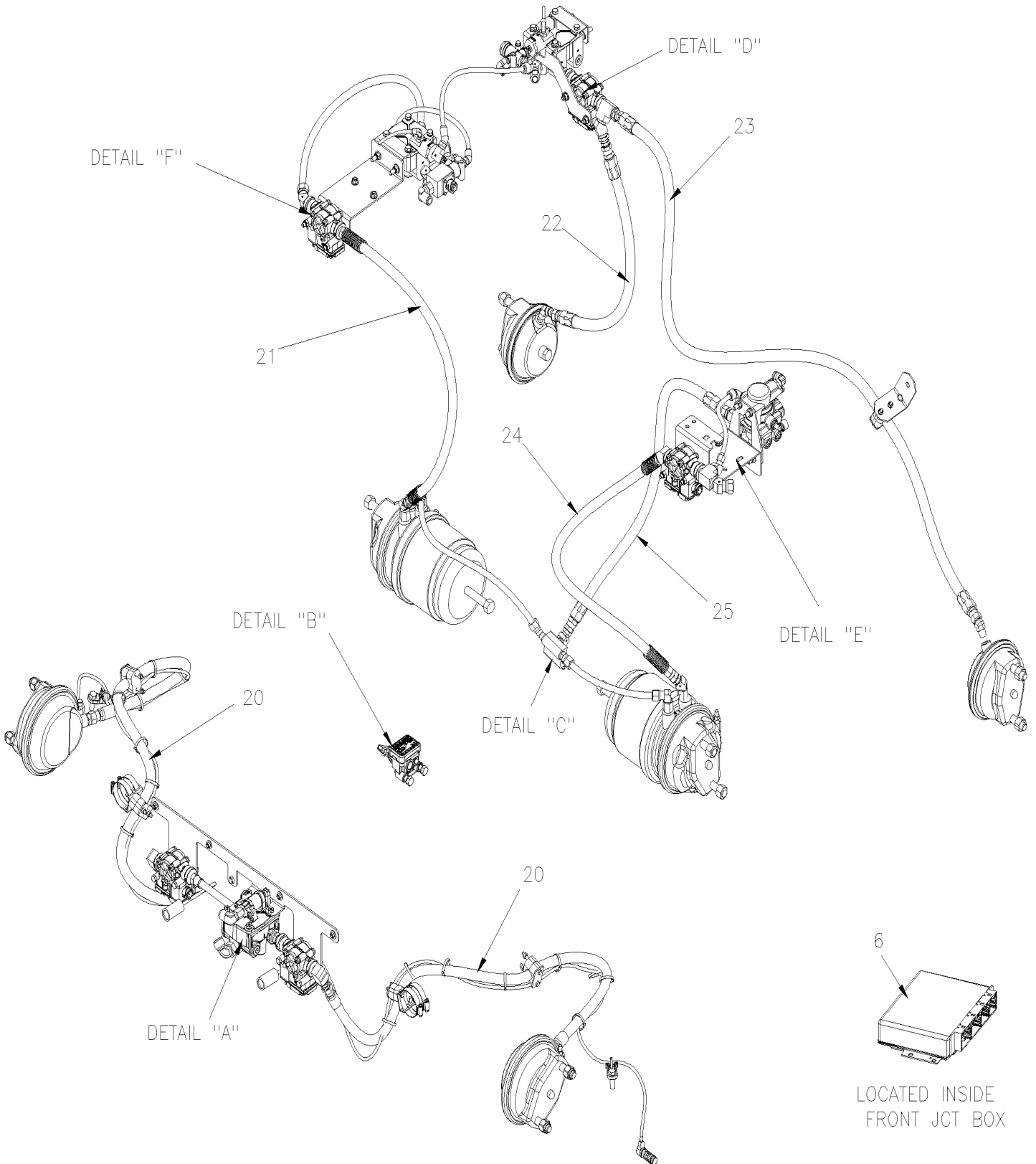
Item#	Part	Description	H 3 4 1	H 3 4 5	V I P 4 5	N O T E S
133	5001178	SCREW CAP HEX M8-1.25x60 SS BK	4	4	4	
134	5001083	NUT HEXF NYRT 5/16-18 Z050	2	2	2	
135	502837	NUT HEXF STO M8-1.25 N500	2	2	2	
136	641934	SILENCER / MUFFLER / 3/8NPT-M	1	1	1	E
137	642136	VALVE, PRESSURE REDUCING / RV-3 55 PSI	1	1	1	
137	641943	SILENCER / MUFFLER / 1/8NPT-M	1	1	1	
141	503463	TUBE, NYLON 3/8 O.D. / GREEN S.L.	AR	AR	AR	
142	503408	TUBE, NYLON 5/8 O.D. / GREEN S.L.	AR	AR	AR	
143	503406	TUBE, NYLON 1/2 O.D. / GREEN S.L.	AR	AR	AR	
144	503402	TUBE, NYLON 1/4 O.D. / BLACK S.L.	AR	AR	AR	
151	641136	ANCHOR TEE / PIPE FITTING / 3/8NPT-Fx3/8NPT-Fx3/8NPT-F ZP	1	1	1	
152	640991	MALE CONNECTOR / NTA FITTING / #8x3/8NPT-M BR	1	1	1	
153	501842	ADAPTER / AIR BRAKE HOSE FITTING / 3/4-20-Mx3/8NPT-M STL	1	1	1	
154	641010	MALE ELBOW 45° / NTA FITTING / #8x3/8NPT-M BR	1	1	1	
155	121444	SUPPORT / ANCHOR TEE / WITH MERITOR DRIVE AXLE	1	1	1	
156	5001643	SCREW CAP HEXF M8-1.25x25 G8.8 G500	2	2	2	
157	502837	NUT HEXF STO M8-1.25 N500	2	2	2	
		B) WHEN YOU REPLACE THE VALVE #642077 BY THE VALVE #640228 YOU HAVE REPLACE BOTH SIDE LEFT AND RIGHT SIDE				
		E) WITH ESP BRAKE SYSTEM (ADVANCE)				
		I) WITH INDEPENDENT SUSPENSION				
		R) WITH I-BEAM RIGID SUSPENSION				

From E-2505 To J-0287

Date:10/2022

PAGE:H7-1250-11

## ABS/ESP BRAKE VALVE - INSTALLATION



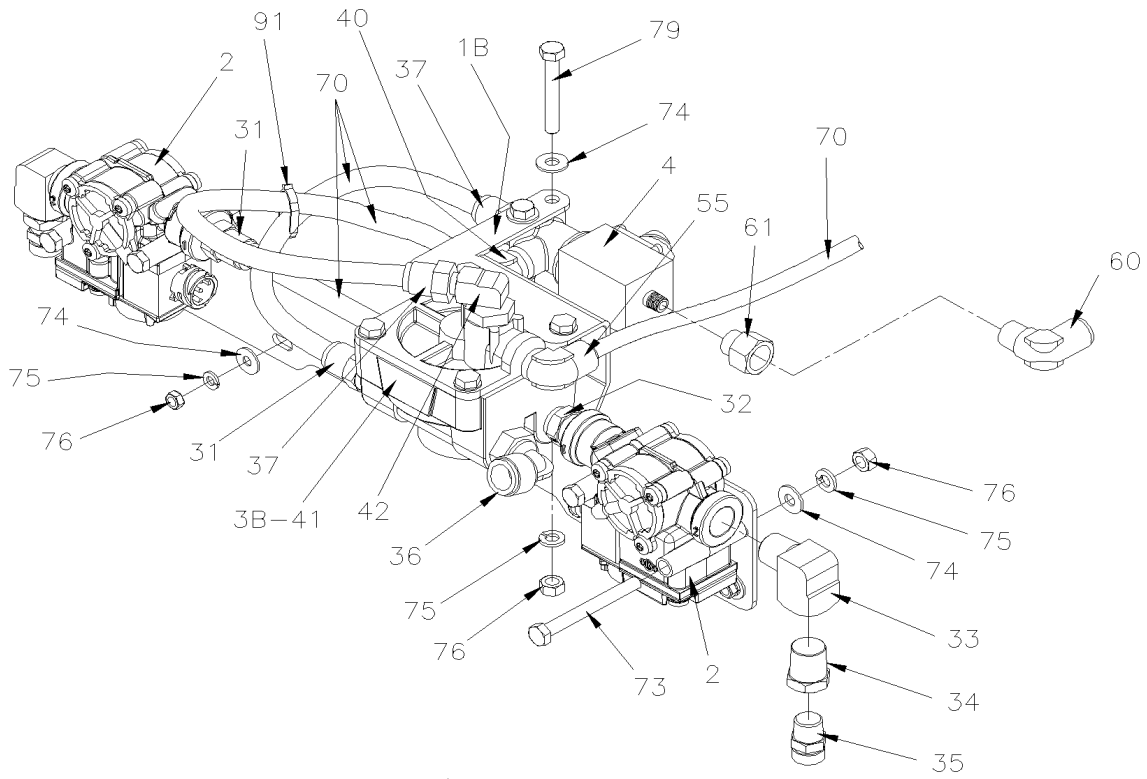
LOCATED INSIDE  
FRONT JCT BOX

From E-2505 To J-0287

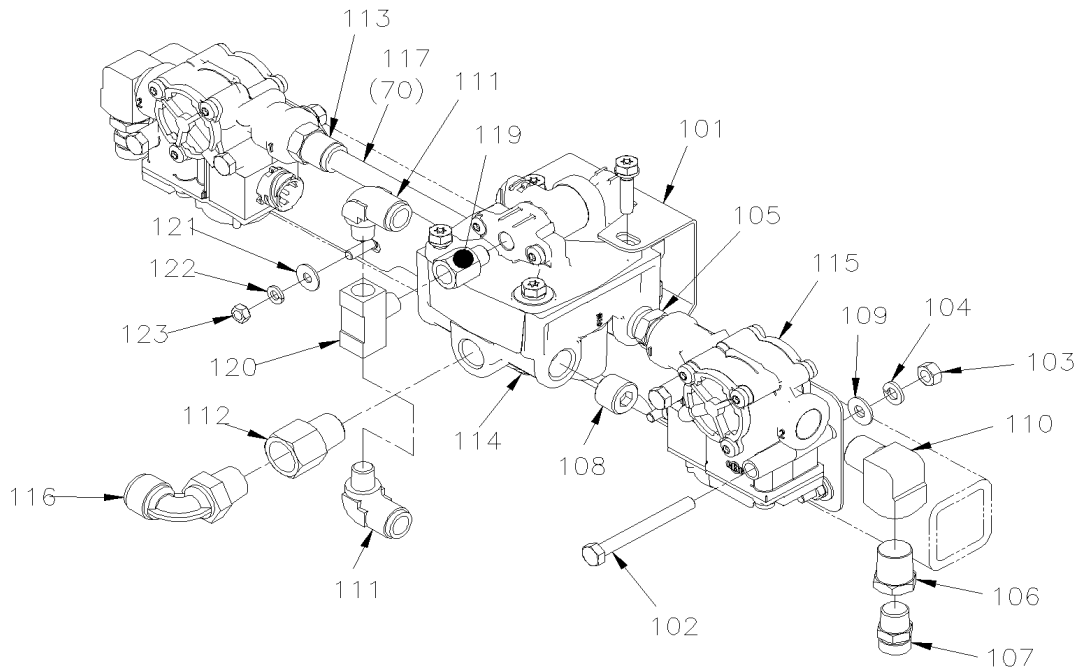
Date:10/2022

PAGE:H7-1250-11

## ABS/ESP BRAKE VALVE - INSTALLATION

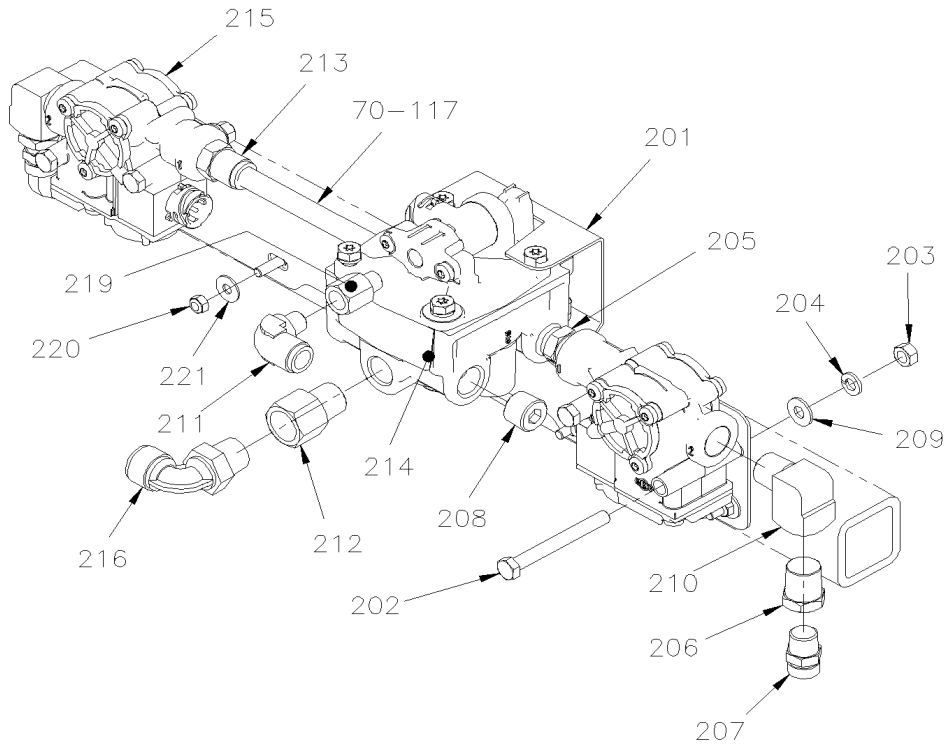


DETAIL "A" W/O TRAILER AIR BRAKE

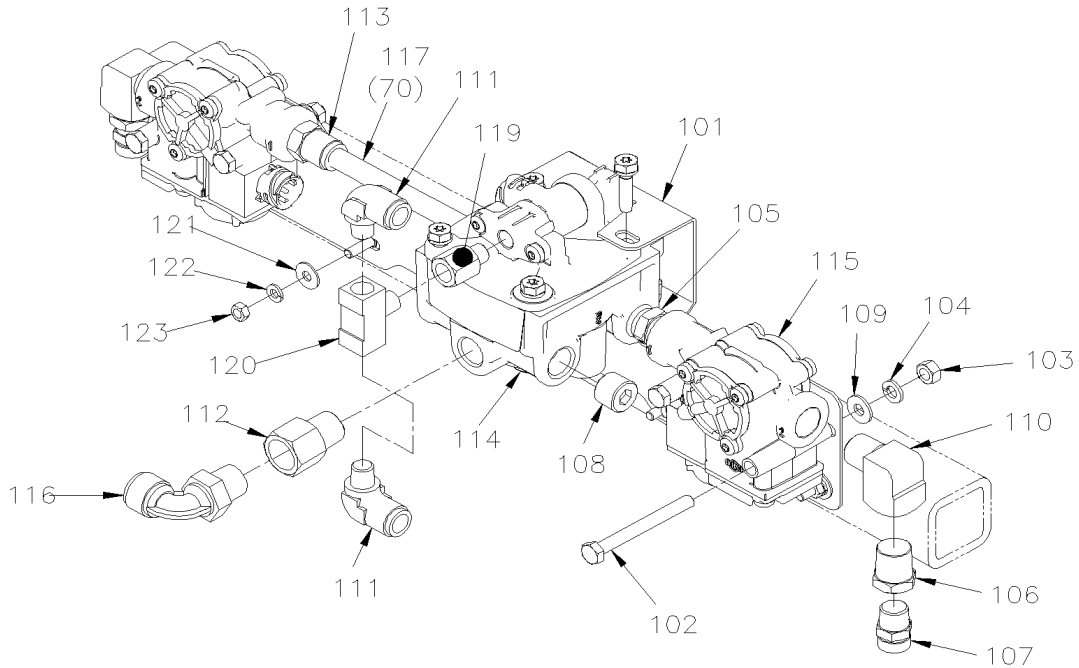


DETAIL "A" W/ TRAILER AIR BRAKE  
UP TO E-2607

## ABS/ESP BRAKE VALVE - INSTALLATION



UP TO J-3986  
DETAIL "A" W/O TRAILER AIR BRAKE



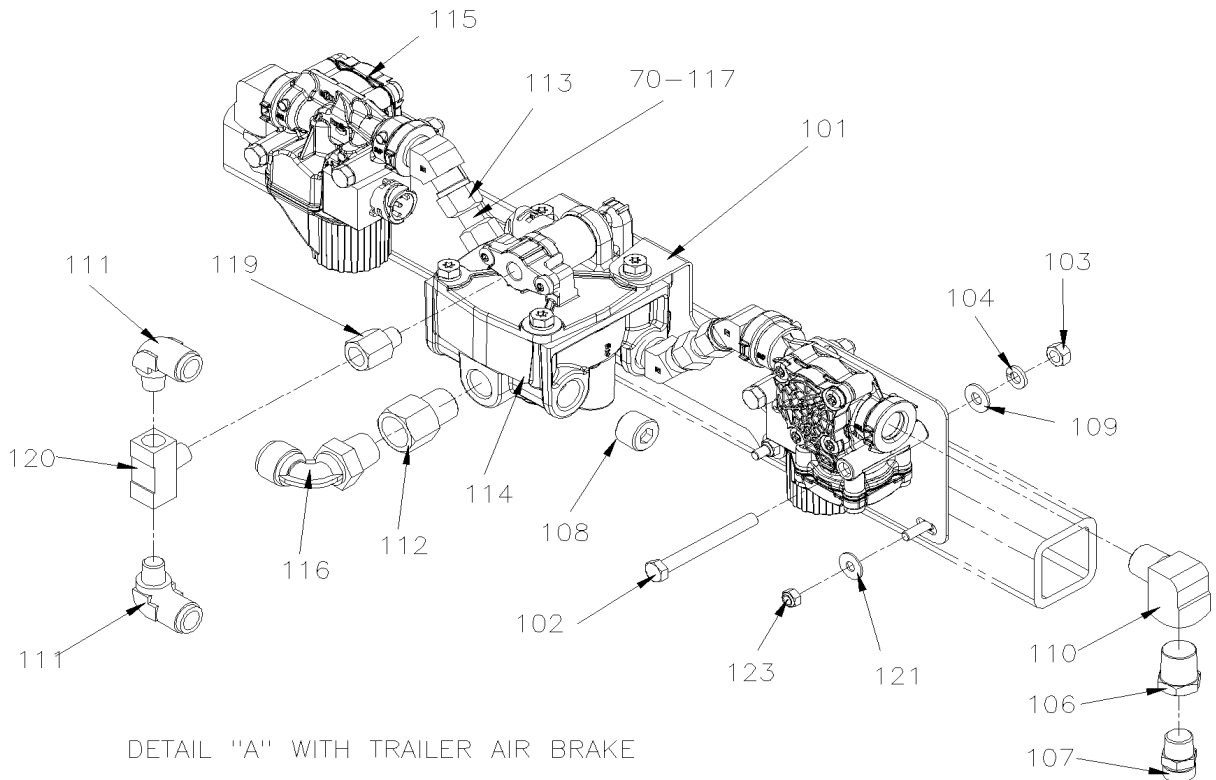
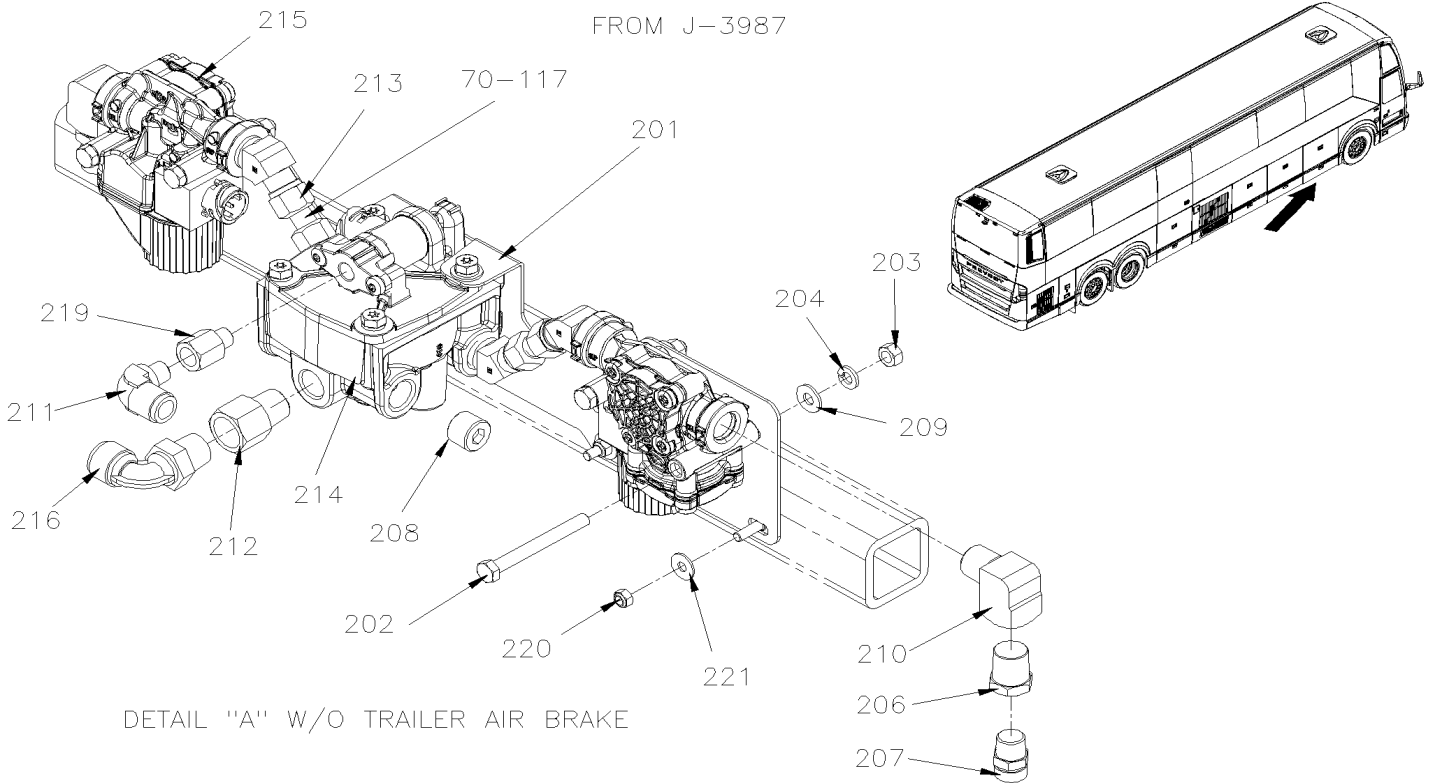
DETAIL "A" W/ TRAILER AIR BRAKE  
FROM E-2608 UP TO J-3986

From E-2505 To J-0287

Date:10/2022

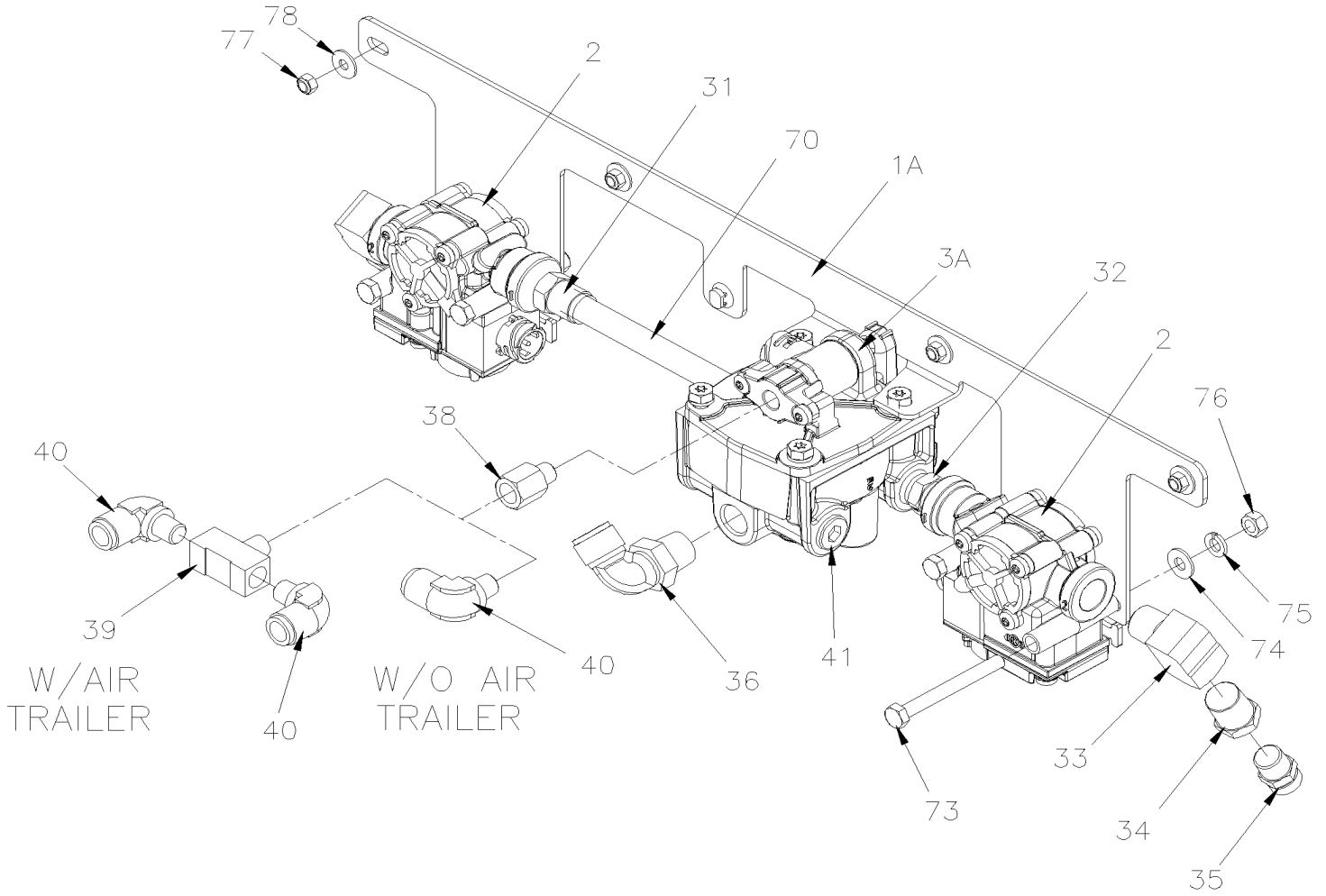
PAGE:H7-1250-11

## ABS/ESP BRAKE VALVE - INSTALLATION

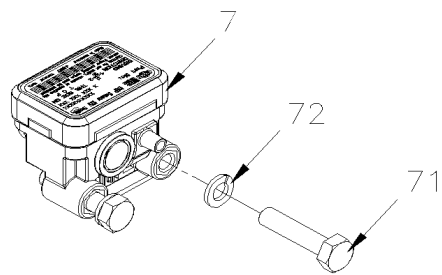




From E-2505 To J-0287	Date:10/2022	PAGE:H7-1250-11
ABS/ESP BRAKE VALVE - INSTALLATION		



WITH "I-BEAM" SUSPENSION  
DETAIL "A"

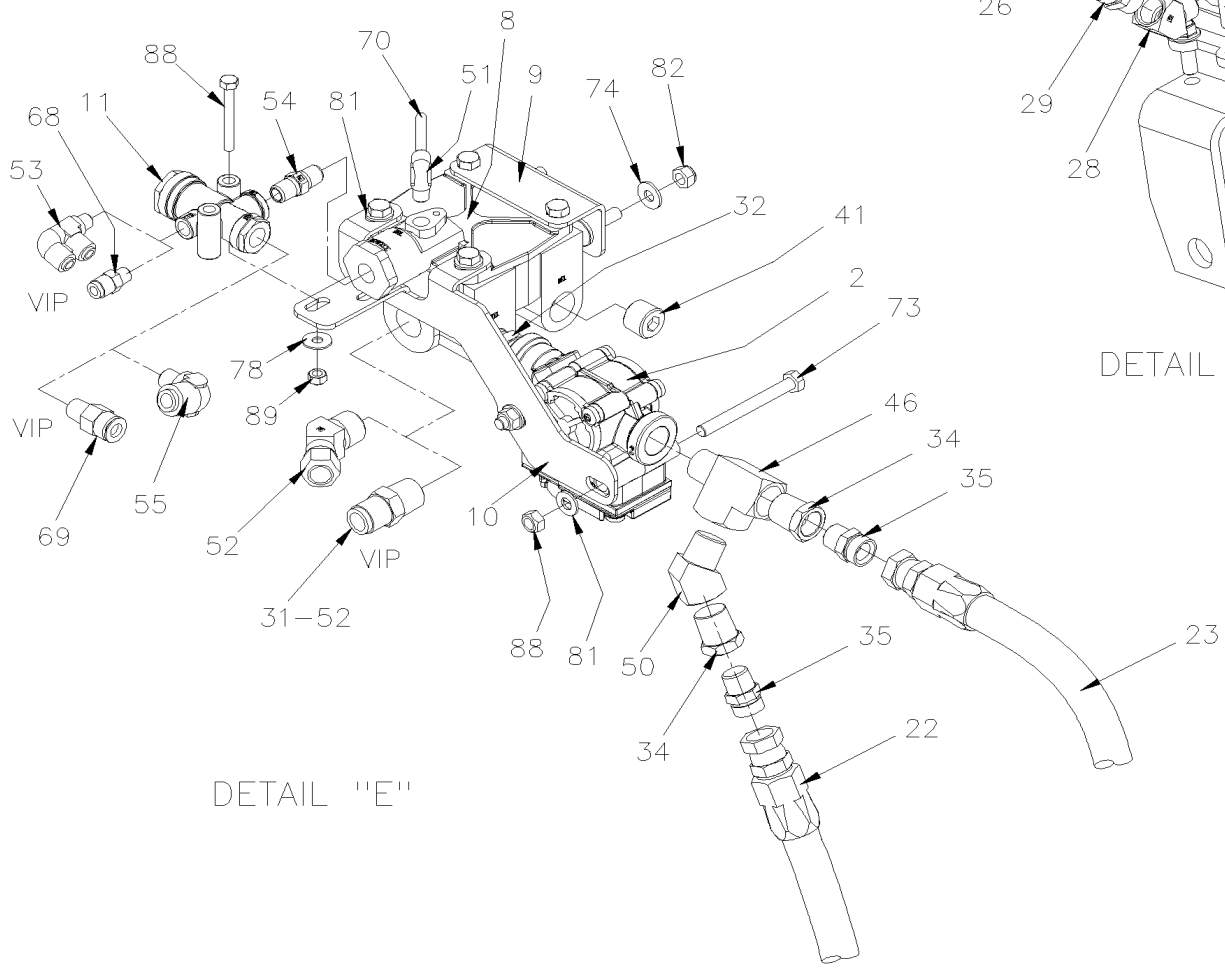
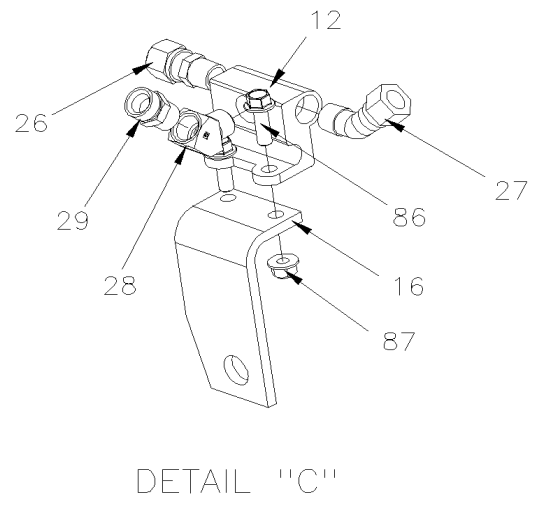
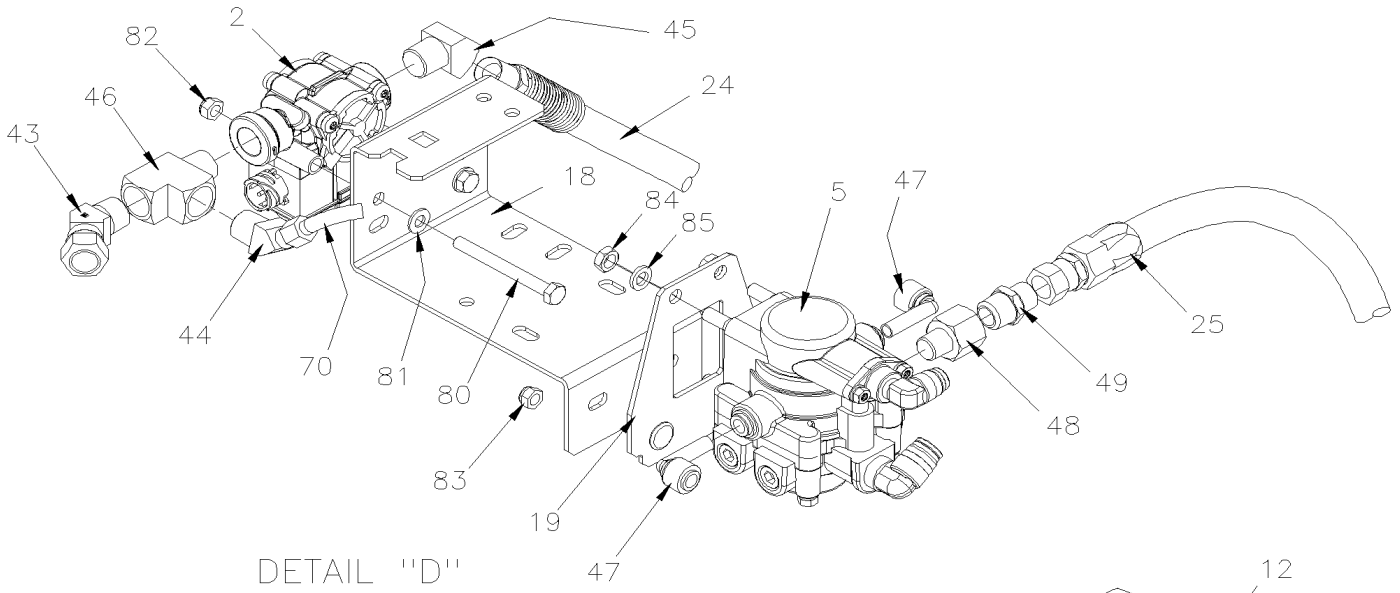


From E-2505 To J-0287

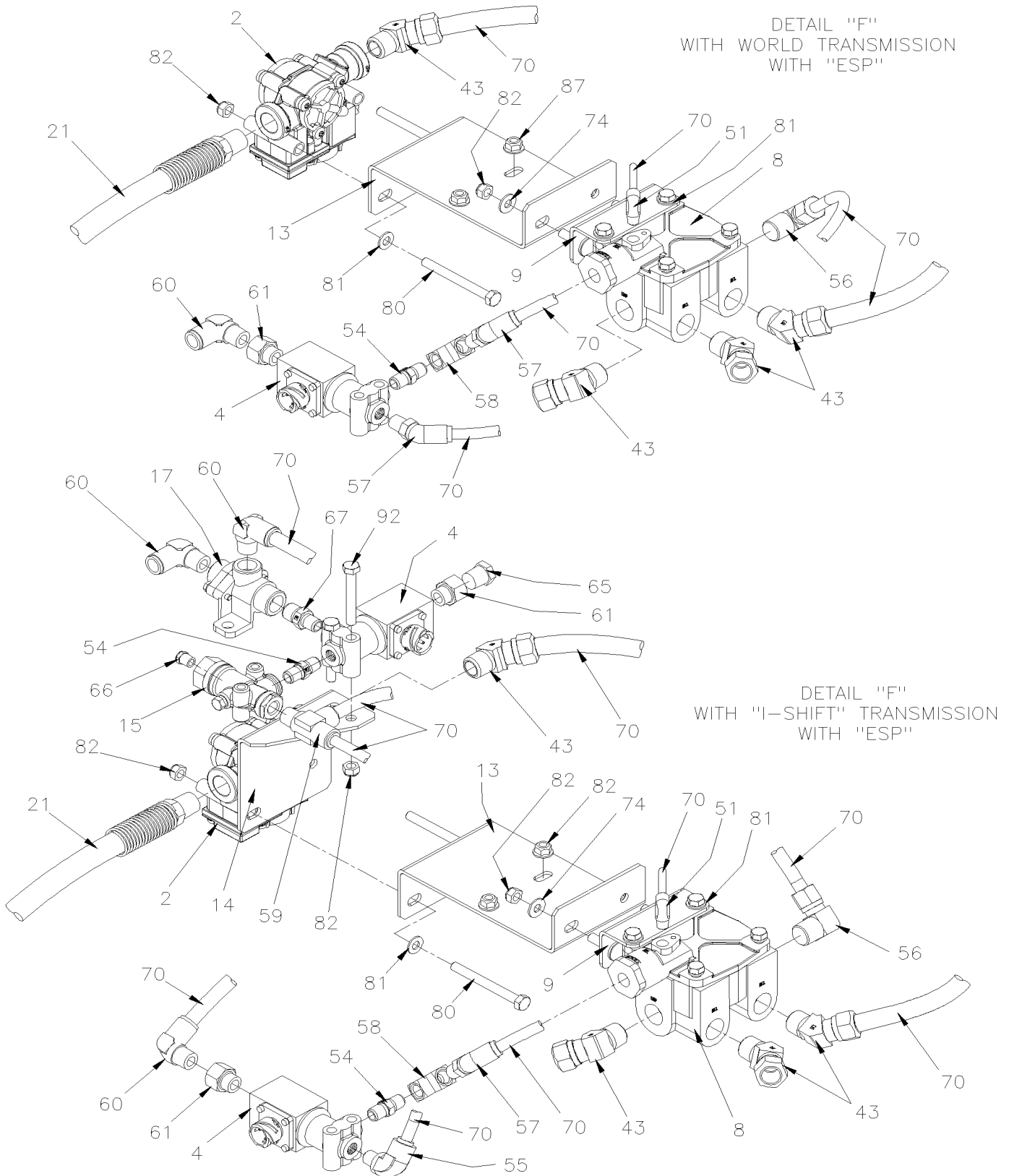
Date:10/2022

PAGE:H7-1250-11

## ABS/ESP BRAKE VALVE - INSTALLATION



## ABS/ESP BRAKE VALVE - INSTALLATION



<b>From E-2505 To J-0287</b>	<b>Date:10/2022</b>	<b>PAGE:H7-1250-11</b>
<b>ABS/ESP BRAKE VALVE - INSTALLATION</b>		

Item#	Part	Description	H 3 4 1	H 3 4 5	V I P 4 5	N O T E S
1A	145081	SUPPORT VALVE FRONT To J-0232	1	1		R
1A	140105	SUPPORT VALVE FRONT From J-0233	1	1		R
1B	142781	SUPPORT VALVE FRONT "ADV" To E-2604	1	1	1	I
2	642077	VALVE, "ABS" 12VOLT / M-32QR To G-3241	AR	AR	AR	B
2	640228	VALVE, "ABS" 12VOLT / M-40QR From G-3242	AR	AR	AR	
3A	640018	VALVE, RELAY & ATC / ATR-6	1	1	1	
3B	641991	VALVE, RELAY R-14 "WABCO" To E-2604	1	1	1	
4	642079	VALVE, "ATC" 12VOLT	1	1	1	
5	643384	VALVE / SPRING BRAKE SR-7	1	1	1	
. NS	642119	. VALVE / SPRING BRAKE SR-7	1	1	1	
6	642146	ECU ABS / W/6 CHANNELS / ADVANCED ESP UNPROGRAMMED / NON-PROGRAMME To J-0184	1	1		
6	642146	ECU ABS / W/6 CHANNELS / ADVANCED ESP UNPROGRAMMED / NON-PROGRAMME To J-0294			1	
6	640022	ECU ABS / W/8 CHANNELS / ADVANCED ESP AFTERMARKET From J-0185	1	1		
6	640022	ECU ABS / W/8 CHANNELS / ADVANCED ESP AFTERMARKET From J-0295			1	
7	642151	SENSOR "YAW"	1	1	1	
8	641120	VALVE, RELAY R-14 HORIZONTAL PORT To J-0184	2	2		
. NS	10508267	. KIT, REPAIR To J-0184	1	1		
8	641120	VALVE, RELAY R-14 HORIZONTAL PORT To J-0294			1	
. NS	10508267	. KIT, REPAIR To J-0294			1	
8	640013	VALVE, RELAY R-14 HORIZONTAL PORT From J-0185	1	1		
8	640013	VALVE, RELAY R-14 HORIZONTAL PORT From J-0295			1	
8	680098	THREAD SEALANT LOCTITE #567 / WHITE / 250ml	AR	AR	AR	
9	149011	SUPPORT VALVE R-14	1	1		
10	142540	SUPPORT VALVE R-14 & "ABS" REAR	1	1	1	
11	640471	VALVE, INVERSION TR-3 25-40LBS	1	1	1	
12	641136	ANCHOR TEE / PIPE FITTING / 3/8NPT-Fx3/8NPT-Fx3/8NPT-F ZP	1	1	1	
13	143263	SUPPORT VALVE	1	1	1	
14	145114	SUPPORT VALVE	1	1	1	
15	642136	VALVE, PRESSURE REDUCING / RV-3 55 PSI	1	1	1	
16	121444	SUPPORT / ANCHOR TEE / WITH MERITOR DRIVE AXLE	1	1	1	
17	641564	VALVE, DOUBLE CHECK DC-4	1	1	1	
18	143097	SUPPORT VALVE "Z" SHAPE	1	1	1	
19	142475	SUPPORT SPRING BRAKE VALVE	1	1	1	
20	641908	HOSE BRAKE #8 1300MM (51") To F-2902	2	2		R
20	145292P	HOSE BRAKE #8 1366MM From F-2903	2	2		R
20	641903	HOSE BRAKE #8 1090MM (43")	2	2	2	I
21	642174	HOSE BRAKE #8 864MM (34") To E-2650	1	1	1	
21	642204	HOSE BRAKE #8 845MM (33-1/4") From E-2651 To F-2808	1	1	1	
21	642203	HOSE BRAKE #8 970MM (38-3/16") From F-2809	1	1	1	
21	642203	HOSE BRAKE #8 970MM (38-3/16") To F-2808	1	1	1	SS
22	641903	HOSE BRAKE #8 1090MM (43")	1	1	1	
23	642089	HOSE BRAKE #8 1625.6MM (64")	1	1	1	

<b>From E-2505 To J-0287</b>	<b>Date:10/2022</b>	<b>PAGE:H7-1250-11</b>
<b>ABS/ESP BRAKE VALVE - INSTALLATION</b>		

Item#	Part	Description	H 3 4 1	H 3 4 5	V I P 4 5	N O T E S
24	642174	HOSE BRAKE #8 864MM (34") To E-2650	1	1	1	
24	642204	HOSE BRAKE #8 845MM (33-1/4") From E-2651 To F-2808	1	1	1	
24	642203	HOSE BRAKE #8 970MM (38-3/16") From F-2809	1	1	1	
24	642203	HOSE BRAKE #8 970MM (38-3/16") To F-2808	1	1	1	SS
25	641905	HOSE BRAKE #8 952MM (37 1/2")	1	1	1	
26	640991	MALE CONNECTOR / NTA FITTING / #8x3/8NPT-M BR	AR	AR	AR	
27	641010	MALE ELBOW 45° / NTA FITTING / #8x3/8NPT-M BR	AR	AR	AR	
28	501330	STREET ELBOW 45° / PIPE FITTING / 3/8NPT-Mx3/8NPT-F BR	AR	AR	AR	
29	501842	ADAPTER / AIR BRAKE HOSE FITTING / 3/4-20-Mx3/8NPT-M STL	AR	AR	AR	
31	641383	MALE CONNECTOR / PUSH-IN FITTING / #8x1/2NPT-M BR	AR	AR	AR	
32	5011067	NIPPLE HEX / PIPE FITTING / 1/2NPT-Mx1/2NPT-Mx1 13/16 BR	AR	AR	AR	
33	507557	STREET ELBOW 90° / PIPE FITTING / 1/2NPT-Mx1/2NPT-F BR	AR	AR	AR	
34	501534	BUSHING REDUCER / PIPE FITTING / 1/2NPT-Mx3/8NPT-F BR	AR	AR	AR	
35	501842	ADAPTER / AIR BRAKE HOSE FITTING / 3/4-20-Mx3/8NPT-M STL	AR	AR	AR	
36	642098	MALE ELBOW 90° NON-SWIVEL / PUSH-IN FITTING / #10x1/2NPT-M COMPOSITE	AR	AR	AR	
37	641380	MALE CONNECTOR / PUSH-IN FITTING / #8x1/4NPT-M BR	AR	AR	AR	
38	501308	ADAPTER / PIPE FITTING / 1/4NPT-Fx1/4NPT-M BR	AR	AR	AR	
39	501894	MALE BRANCHE TEE / PIPE FITTING / 1/4NPT-Fx1/4NPT-Fx1/4NPT-M BR	AR	AR	AR	
40	641373	MALE ELBOW 90° NON-SWIVEL / PUSH-IN FITTING / #8x1/4NPT-M BR	AR	AR	AR	
41	501966	PLUG HEXS / PIPE FITTING / 1/2NPT-M STL	AR	AR	AR	
42	501787	STREET ELBOW 90° / PIPE FITTING / 1/8NPT-Mx1/4NPT-F BR	AR	AR	AR	
43	641027	MALE ELBOW 45° / NTA FITTING / #10x1/2NPT-M BR	AR	AR	AR	
44	641119	MALE ELBOW 45° / NTA FITTING / #6x1/2NPT-M BR	AR	AR	AR	
45	501528	STREET ELBOW 45° / PIPE FITTING / 1/2NPT-Mx1/2NPT-F BR	AR	AR	AR	
46	501473	MALE RUN TEE / PIPE FITTING / 1/2NPT-Mx1/2NPT-Fx1/2NPT-F BR	AR	AR	AR	
47	20462708	ELBOW 90° STEM / PUSH-IN FITTING / #6x#6STEM PLAS To F-2706	AR	AR	AR	
47	647894	ELBOW 90° STEM / PUSH-IN FITTING / #6x#6STEM PLAS From F-2707	AR	AR	AR	
48	501810	ADAPTER / PIPE FITTING / 3/8NPT-Mx1/2NPT-F STL	AR	AR	AR	
49	501739	MALE CONNECTOR / JIC 37° FITTING / #8JIC-Mx1/2NPT-M STL	AR	AR	AR	
50	501528	STREET ELBOW 45° / PIPE FITTING / 1/2NPT-Mx1/2NPT-F BR	AR	AR	AR	
51	641369	MALE ELBOW 90° NON-SWIVEL / PUSH-IN FITTING / #4x1/8NPT-M BR	AR	AR	AR	
52	641089	MALE ELBOW 45° / NTA FITTING / #8x1/2NPT-M BR To E-2562	AR	AR	AR	
52	642069	MALE ELBOW 45° NON-SWIVEL / PUSH-IN FITTING / #10x1/2NPT-M BR From E-2563	AR	AR	AR	
53	642127	MALE ELBOW 90° SWIVEL DUAL PORT / PUSH-IN / #4x#4x1/8NPT-M BR	AR	AR	AR	
54	501321	NIPPLE HEX / PIPE FITTING / 1/4NPT-Mx1/4NPT-Mx1 3/8 BR	AR	AR	AR	
55	641372	MALE ELBOW 90° NON-SWIVEL / PUSH-IN FITTING / #6x1/4NPT-M BR	AR	AR	AR	
56	641175	MALE ELBOW 90° / NTA FITTING / #6x1/2NPT-M BR	AR	AR	AR	
57	641366	MALE ELBOW 45° NON-SWIVEL / PUSH-IN FITTING / #6x1/4NPT-M BR	AR	AR	AR	
58	501338	MALE RUN TEE / PIPE FITTING / 1/4NPT-Mx1/4NPT-Fx1/4NPT-F BR	AR	AR	AR	
59	641389	MALE RUN TEE SWIVEL / PUSH-IN FITTING / #6x#6x1/4NPT-M BR	AR	AR	AR	
60	641376	MALE ELBOW 90° NON-SWIVEL / PUSH-IN FITTING / #8x3/8NPT-M BR	AR	AR	AR	
61	5001660	REDUCER COUPLING / PIPE FITTING / 3/8NPT-Fx1/8NPT-F BR	AR	AR	AR	

<b>From E-2505 To J-0287</b>	<b>Date:10/2022</b>	<b>PAGE:H7-1250-11</b>
<b>ABS/ESP BRAKE VALVE - INSTALLATION</b>		

Item#	Part	Description	H 3 4 1	H 3 4 5	V I P 4 5	N O T E S
65	641934	SILENCER / MUFFLER / 3/8NPT-M	AR	AR	AR	
66	641943	SILENCER / MUFFLER / 1/8NPT-M	AR	AR	AR	
67	501749	NIPPLE REDUCER HEX / PIPE FITTING / 3/8NPT-Mx1/4NPT-Mx1 13/32 BR	AR	AR	AR	
68	641242	MALE CONNECTOR / PUSH-IN FITTING / #4x1/8NPT-M BR			1	
69	641331	MALE CONNECTOR / PUSH-IN FITTING / #6x1/4NPT-M BR			1	
70	<b>H7-1202-00</b>	<b>TUBES PLASTIC / AIR D.O.T.</b>				
71	5001316	SCREW CAP HEX M10-1.5x45 SS	2	2	2	
72	502616	WASHER LO SPT 10.2x18.1x2.2 SS	2	2	2	
73	500187	SCREW CAP HEX 5/16-18x3 G5 Z050	AR	AR	AR	
74	502638	WASHER FL .312x.734x.065 N500	AR	AR	AR	
75	500942	WASHER LO SPT 8.1x14.8x2.0 N500	AR	AR	AR	
76	500778	NUT HEX 5/16-18 N500	AR	AR	AR	
77	5001182	NUT HEX NYRT M6-1.0 SS	AR	AR	AR	
78	500411	WASHER FL .260x.697x.050 SS	AR	AR	AR	
79	500185	SCREW CAP HEX 5/16-18x2 1/4 G5 Z050	AR	AR	AR	
80	502650	SCREW CAP HEX M8-1.25x80 G8.8 Z050	AR	AR	AR	
81	5001341	WASHER FL 8.4x17.0x1.6 SS	AR	AR	AR	
82	502847	NUT HEX NYRT M8-1.25 N500	AR	AR	AR	
83	500685	NUT HEX NYRT 5/16-18 SS	AR	AR	AR	
84	500783	NUT HEX 3/8-16 Z050	AR	AR	AR	
85	500478	WASHER LO SPT .380x.683x.094 Z050	AR	AR	AR	
86	5001643	SCREW CAP HEXF M8-1.25x25 G8.8 G500	2	2	2	
87	502837	NUT HEXF STO M8-1.25 N500	2	2	2	
88	500248	NUT HEX STO 5/16-18 N500	AR	AR	AR	
89	502656	SCREW CAP HEX M6-1.0x50 SS	2	2	2	
90	502681	NUT HEX NYRT M6-1.0 N500 G8	2	2	2	
91	504637	CABLE TIE / 3/16" x 13"	AR	AR	AR	
92	5001178	SCREW CAP HEX M8-1.25x60 SS BK	2	2	2	
93	504013	TIE MOUNT / 1/4" X 1/4" I.D.	AR	AR	AR	
94	502868	SCREW TC TR PH #10-16x1/2 N500	AR	AR	AR	
NS	509490	ATTACHMENT DOUBLE USE WITH CABLE TIE	AR	AR	AR	
NS	504568	GROMMET / .437x.687x.250x.500x1.000	AR	AR	AR	
NS	504068	GROMMET / .500x.750x.062x.312x1.062	AR	AR	AR	
NS	509491	CABLE TIE / 13MM x 383MM	AR	AR	AR	
NS	509493	ATTACHMENT DOUBLE USE WITH CABLE TIE CHRISTMAS TREE	AR	AR	AR	
101	145056	SUPPORT VALVE FRONT To H-3986	1	1	1	
101	140083	SUPPORT VALVE FRONT From H-3987	1	1	1	
102	500187	SCREW CAP HEX 5/16-18x3 G5 Z050	4	4	4	
103	500778	NUT HEX 5/16-18 N500	4	4	4	
104	500942	WASHER LO SPT 8.1x14.8x2.0 N500	4	4	4	

<b>From E-2505 To J-0287</b>	<b>Date:10/2022</b>	<b>PAGE:H7-1250-11</b>
<b>ABS/ESP BRAKE VALVE - INSTALLATION</b>		

Item#	Part	Description	H 3 4 1	H 3 4 5	V I P 4 5	N O T E S
105	5011067	NIPPLE HEX / PIPE FITTING / 1/2NPT-Mx1/2NPT-Mx1 13/16 BR To H-3986	1	1	1	
106	501534	BUSHING REDUCER / PIPE FITTING / 1/2NPT-Mx3/8NPT-F BR	2	2	2	
107	501842	ADAPTER / AIR BRAKE HOSE FITTING / 3/4-20-Mx3/8NPT-M STL	2	2	2	
108	501966	PLUG HEXS / PIPE FITTING / 1/2NPT-M STL	2	2	2	
109	502638	WASHER FL .312x.734x.065 N500	4	4	4	
110	507557	STREET ELBOW 90° / PIPE FITTING / 1/2NPT-Mx1/2NPT-F BR	2	2	2	
111	641373	MALE ELBOW 90° NON-SWIVEL / PUSH-IN FITTING / #8x1/4NPT-M BR	2	2	2	
112	5011119	ADAPTER / PIPE FITTING / 1/2NPT-Fx1/2NPT-M BR	1	1	1	
113	641383	MALE CONNECTOR / PUSH-IN FITTING / #8x1/2NPT-M BR To H-3986	2	2	2	
113	641089	MALE ELBOW 45° / NTA FITTING / #8x1/2NPT-M BR From H-3987	4	4	4	
114	640018	VALVE, RELAY & ATC / ATR-6	1	1	1	
115	642077	VALVE, "ABS" 12VOLT / M-32QR To G-3241	2	2	2	B
115	640228	VALVE, "ABS" 12VOLT / M-40QR From G-3242	2	2	2	
116	642098	MALE ELBOW 90° NON-SWIVEL / PUSH-IN FITTING / #10x1/2NPT-M COMPOSITE	1	1	1	
117	503468	TUBE, NYLON 1/2 O.D. / RED S.L.	AR	AR	AR	
NS	680098	THREAD SEALANT LOCTITE #567 / WHITE / 250ml	AR	AR	AR	
119	501308	ADAPTER / PIPE FITTING / 1/4NPT-Fx1/4NPT-M BR	1	1	1	
120	501894	MALE BRANCHE TEE / PIPE FITTING / 1/4NPT-Fx1/4NPT-Fx1/4NPT-M BR	1	1	1	
121	500411	WASHER FL .260x.697x.050 SS	4	4	4	
122	502570	WASHER LO SPT 6.1x11.8x1.6 SS To H-3986	4	4	4	
123	502565	NUT HEX M6-1.0 SS To H-3986	4	4	4	
123	502681	NUT HEX NYRT M6-1.0 N500 G8 From H-3987	4	4	4	
201	145056	SUPPORT VALVE FRONT From E-2608 To H-3986	1	1	1	
201	140083	SUPPORT VALVE FRONT From H-3987	1	1	1	
202	500187	SCREW CAP HEX 5/16-18x3 G5 Z050 From E-2608	4	4	4	
203	500778	NUT HEX 5/16-18 N500 From E-2608	4	4	4	
204	500942	WASHER LO SPT 8.1x14.8x2.0 N500 From E-2608	4	4	4	
205	5011067	NIPPLE HEX / PIPE FITTING / 1/2NPT-Mx1/2NPT-Mx1 13/16 BR From E-2608 To H-3986	1	1	1	
206	501534	BUSHING REDUCER / PIPE FITTING / 1/2NPT-Mx3/8NPT-F BR From E-2608	2	2	2	
207	501842	ADAPTER / AIR BRAKE HOSE FITTING / 3/4-20-Mx3/8NPT-M STL From E-2608	2	2	2	
208	501966	PLUG HEXS / PIPE FITTING / 1/2NPT-M STL From E-2608	2	2	2	
209	502638	WASHER FL .312x.734x.065 N500 From E-2608	4	4	4	
210	507557	STREET ELBOW 90° / PIPE FITTING / 1/2NPT-Mx1/2NPT-F BR From E-2608	2	2	2	
211	641373	MALE ELBOW 90° NON-SWIVEL / PUSH-IN FITTING / #8x1/4NPT-M BR From E-2608	1	1	1	
212	5011119	ADAPTER / PIPE FITTING / 1/2NPT-Fx1/2NPT-M BR From E-2608	1	1	1	
213	641383	MALE CONNECTOR / PUSH-IN FITTING / #8x1/2NPT-M BR From E-2608 To H-3986	2	2	2	
213	641089	MALE ELBOW 45° / NTA FITTING / #8x1/2NPT-M BR From H-3987	2	2	2	
214	640018	VALVE, RELAY & ATC / ATR-6 From E-2608	1	1	1	
215	642077	VALVE, "ABS" 12VOLT / M-32QR From E-2608 To G-3241	2	2	2	B
215	640228	VALVE, "ABS" 12VOLT / M-40QR From G-3242	2	2	2	
216	642098	MALE ELBOW 90° NON-SWIVEL / PUSH-IN FITTING / #10x1/2NPT-M COMPOSITE From E-2608	1	1	1	
219	501308	ADAPTER / PIPE FITTING / 1/4NPT-Fx1/4NPT-M BR From E-2608	1	1	1	

From E-2505 To J-0287	Date:10/2022	PAGE:H7-1250-11
<b>ABS/ESP BRAKE VALVE - INSTALLATION</b>		

Item#	Part	Description	H 3 4 1	H 3 4 5	V I P 4 5	N O T E S
220	502681	NUT HEX NYRT M6-1.0 N500 G8 From E-2608	4	4	4	
221	500411	WASHER FL .260x.697x.050 SS From E-2608	4	4	4	
		B) WHEN YOU REPLACE THE VALVE #642077 BY THE VALVE #640228 YOU HAVE REPLACE BOTH SIDE LEFT AND RIGHT SIDE				
		I) WITH INDEPENDENT SUSPENSION				
		R) WITH I-BEAM RIGID SUSPENSION				
		SS) SUPER SINGLE				

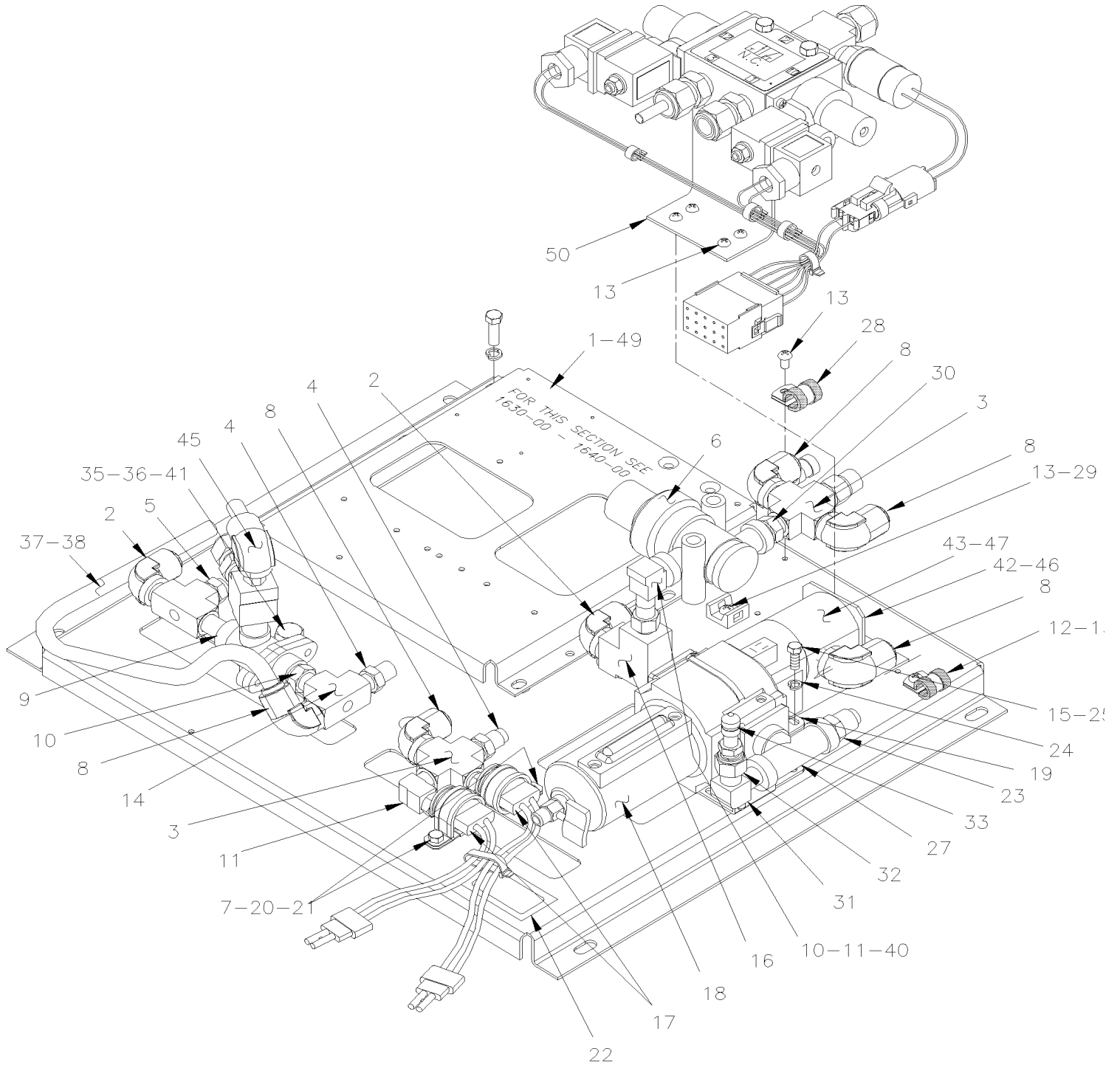


From 7-0671 To E-2565

Date:10/2022

PAGE:H7-1260-00

## VALVE SUPPORT ASSY

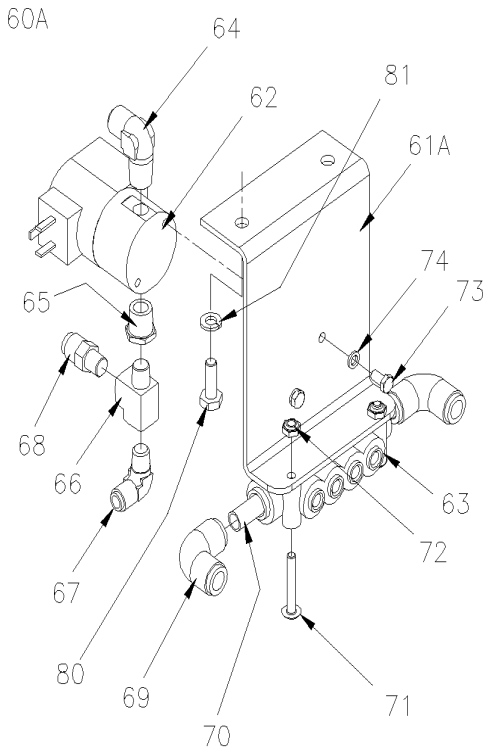


From 7-0671 To E-2565

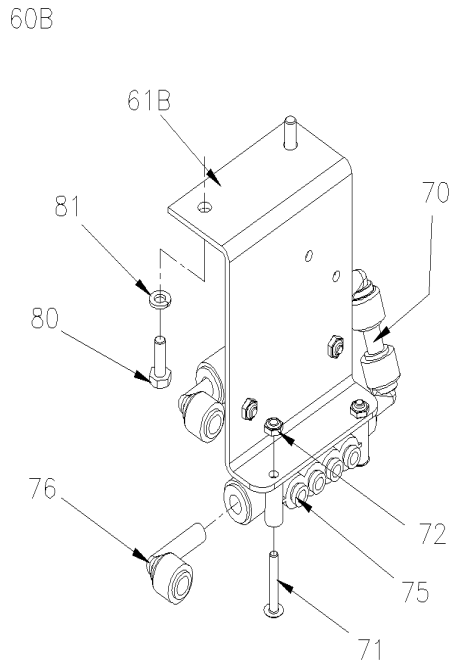
Date:10/2022

PAGE:H7-1260-00

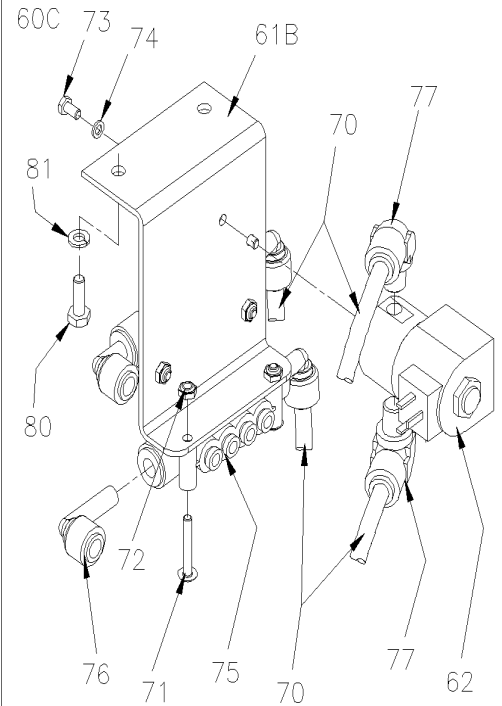
## VALVE SUPPORT ASSY



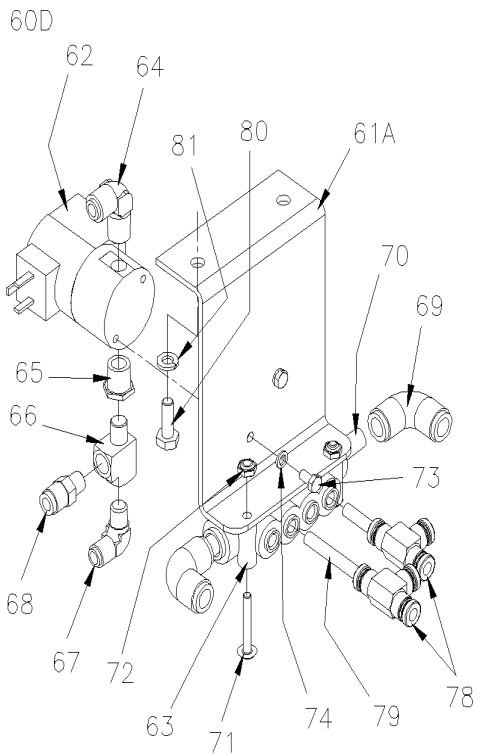
UP TO 9-1469



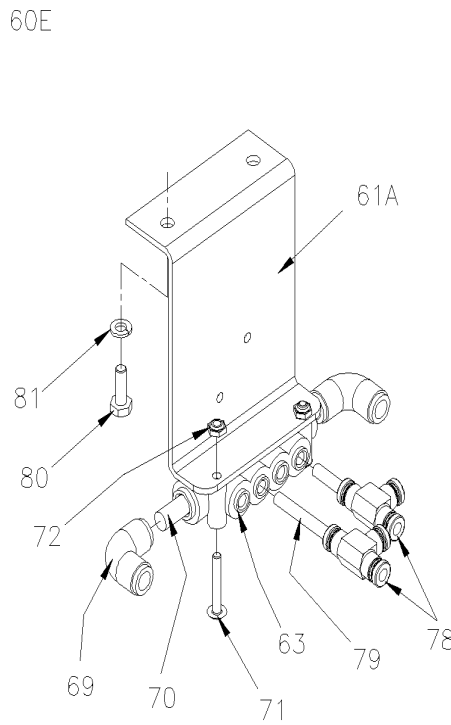
FROM 9-1470



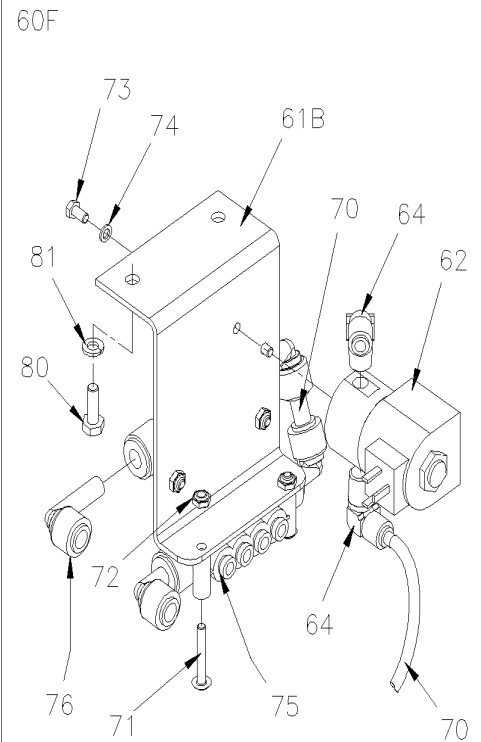
OPTION ORLEAN



OPTION UP TO 9-1469



UP TO A-1603



FROM A-1604

From 7-0671 To E-2565	Date:10/2022	PAGE:H7-1260-00
<b>VALVE SUPPORT ASSY</b>		

Item#	Part	Description	H 3 4 1	H 3 4 5	V I P 4 5	N O T E S
	142356P	PNEUMATIC MODULE ASSY To E-2504	1	1		
	142357P	PNEUMATIC MODULE ASSY To E-2504			1	
1	142468	. SUPPORT To E-2504	1	1	1	
1	142661	. SUPPORT From E-2505	1	1	1	
2	641375	. MALE ELBOW 90° NON-SWIVEL / PUSH-IN FITTING / #6x3/8NPT-M BR	2	2	2	
3	501902	. CROSS / PIPE FITTING / 1/4NPT-Fx1/4NPT-Fx 1/4NPT-Fx1/4NPT-F BR	2	2	2	
4	641332	. MALE CONNECTOR / PUSH-IN FITTING / #4x1/4NPT-M BR	2	2	2	
5	641347	. MALE CONNECTOR / PUSH-IN FITTING / #4x3/8NPT-M BR	1	1	1	
6	641137	. VALVE, PRESSURE PROTECTION TYPE PR-4 70PSI	1	1	1	
7	952633	. CLAMP / 7/8" I.D.	2	2	2	
8	641372	. MALE ELBOW 90° NON-SWIVEL / PUSH-IN FITTING / #6x1/4NPT-M BR	4	4	4	
9	641564	. VALVE, DOUBLE CHECK DC-4	1	1	1	
10	501749	. NIPPLE REDUCER HEX / PIPE FITTING / 3/8NPT-Mx1/4NPT-Mx1 13/32 BR	2	2	2	
11	501332	. STREET ELBOW 90° / PIPE FITTING / 1/4NPT-Mx1/4NPT-F BR	2	2	2	
12	952627	. CLAMP / 1/2" I.D.	2	2	2	
13	500657	. SCREW TC TR PH #10-24x1/2 Z050	3	3	3	
14	501337	. FEMALE UNION TEE / PIPE FITTING / 1/4NPT-Fx1/4NPT-Fx1/4NPT-F BR	1	1	1	
15	500438	. WASHER FL .187x.437x.050 Z050	2	2	2	
16	501699	. MALE RUN TEE / PIPE FITTING / 3/8NPT-Mx3/8NPT-Fx3/8NPT-F BR	2	2	2	
17	287234	. PRESSURE SWITCH N.C. 30-10 20PS001AB030E010E	2	2	2	
18	<b>H7-1220-15</b>	<b>. AIR FILTER - ACCESSORIES</b>	1	1	1	
19	641339	. SUPPORT / AIR FILTER	1	1	1	
20	502631	. SCREW CAP HEX M6-1.0x20 G8.8 Z050	3	3	3	
21	502564	. WASHER LO SPT 6.1x11.8x1.6 Z050	3	3	3	
22	140227	. DECAL / ACC AIR FILTER DRAIN / ENGLISH & FRANCAIS	1	1	1	
23	641330	. MALE CONNECTOR / PUSH-IN FITTING / #6x3/8NPT-M BR	2	2	2	
24	500470	. WASHER LO SPT .193x.334x.047 Z050	2	2	2	
25	500160	. SCREW CAP HEX #10-24x1/2 Z050	2	2	2	
26	641331	. MALE CONNECTOR / PUSH-IN FITTING / #6x1/4NPT-M BR	1	1	1	
27	501737	. MALE BRANCHE TEE / PIPE FITTING / 3/8NPT-Fx3/8NPT-Fx3/8NPT-M BR	1	1	1	
28	952631	. CLAMP / 3/4" I.D.	1	1	1	
29	504013	. TIE MOUNT / 1/4" X 1/4" I.D.	1	1	1	
30	501321	. NIPPLE HEX / PIPE FITTING / 1/4NPT-Mx1/4NPT-Mx1 3/8 BR	1	1	1	
31	501333	. STREET ELBOW 90° / PIPE FITTING / 3/8NPT-Mx3/8NPT-F BR	1	1	1	
32	501313	. BUSHING REDUCER / PIPE FITTING / 3/8NPT-Mx1/8NPT-F BR	1	1	1	
33	640488	. VALVE, AIR FILL 1/8" NPT	1	1	1	
. NS	650164	. . CAP VALVE / CHROME	1	1	1	
34	977742	. CLAMP / 3/4" I.D.	1	1	1	
35	502559	. SCREW CAP HEX M10-1.5x25 G8.8 Z050	1	1	1	
36	500257	. WASHER LO SPT 10.2x18.1x2.2 Z050	1	1	1	
37	503463	. TUBE, NYLON 3/8 O.D. / GREEN S.L.	AR	AR	AR	
38	503467	. TUBE, NYLON 3/8 O.D. / RED S.L.	AR	AR	AR	

From 7-0671 To E-2565	Date:10/2022	PAGE:H7-1260-00
<b>VALVE SUPPORT ASSY</b>		

Item#	Part	Description	H 3 4 1	H 3 4 5	V I P 4 5	N O T E S
NS	504637	CABLE TIE / 3/16" x 13"	2	2	2	
40	501309	ADAPTER / PIPE FITTING / 3/8NPT-Fx3/8NPT-M BR	1	1	1	
41	5001011	WASHER FL .406x.625x.040 Z050	1	1	1	
42	142256	SUPPORT	1	1	1	
43	562804	VALVE, 2 WAYS N.C.	1	1	1	
. NS	562848	. CONNECTOR / SOCKET HOUSING ASSY 3C / PNEUMAC 54933-05	1	1	1	
45	641376	MALE ELBOW 90° NON-SWIVEL / PUSH-IN FITTING / #8x3/8NPT-M BR	1	1	1	
46	502531	SCREW CAP HEX M6-1.0x16 G8.8 Z050	2	2	2	
47	502751	SCREW CAP HEX #10-32x3/8 Z050	2	2	2	
49	502681	NUT HEX NYRT M6-1.0 N500 G8 To E-2504	4	4	4	
49	502573	WASHER FL 6.4x12.5x1.6 SS To E-2504	4	4	4	
49	502862	SCREW CAP HEX M8-1.25x20 G8.8 N500 From E-2505	2	2	2	
49	5001868	WASHER BEL SPR 8.4x18x2 SS From E-2505	2	2	2	
50	<b>H7-1864-30</b>	<b>PNEUMATIC DOOR LOCK CONTROL VALVE</b>				
60A	141982	VALVE ASSY / W/SUPPORT & MANIFOLD To 9-1469	1	1		
60B	Call order desk	MANIFOLD ASSY / W/SUPPORT From 9-1460	1	1		P
60C	142906	VALVE ASSY / W/SUPPORT & MANIFOLD From C-1996		1		
60D	Call order desk	VALVE ASSY / W/SUPPORT & MANIFOLD To 9-1469			1	P O
60D	Call order desk	VALVE ASSY / W/SUPPORT & MANIFOLD To 9-1469			1	P O
60E	141933	MANIFOLD ASSY / W/SUPPORT To A-1603			1	A
60E	149988	MANIFOLD ASSY / W/SUPPORT To A-1603			1	B
60F	Call order desk	VALVE ASSY / W/SUPPORT & MANIFOLD From A-1604			1	P
60F	Call order desk	VALVE ASSY / W/SUPPORT & MANIFOLD From A-1604			1	P
61A	141930	. SUPPORT VALVE & MANIFOLD W/LOWER VALVE	1	1	1	
61B	142879	. SUPPORT VALVE & MANIFOLD W/UPPER VALVE	1	1	1	
62	562804	. VALVE, 2 WAYS N.C.	1	1	1	
. NS	562848	. . CONNECTOR / SOCKET HOUSING ASSY 3C / PNEUMAC 54933-05	1	1	1	
63	641415	. MANIFOLD / PUSH-IN FITTING / 2x#6 / 4x#4 PLAS	1	1	1	
64	641371	. MALE ELBOW 90° NON-SWIVEL / PUSH-IN FITTING / #4x1/4NPT-M BR	2	2	2	
65	501312	. BUSHING REDUCER / PIPE FITTING / 1/4NTP-Mx1/8NPT-F BR	1	1	1	
66	501653	. MALE RUN TEE / PIPE FITTING / 1/8NPT-Mx1/8NPT-Fx1/8NPT-F BR	1	1	1	
67	641369	. MALE ELBOW 90° NON-SWIVEL / PUSH-IN FITTING / #4x1/8NPT-M BR	1	1	1	
68	641242	. MALE CONNECTOR / PUSH-IN FITTING / #4x1/8NPT-M BR	1	1	1	
69	641436	. UNION ELBOW 90° / PUSH-IN FITTING / #6x#6 BR	2	2	2	
70	503404	. TUBE, NYLON 3/8 O.D. / BLACK S.L.	AR	AR	AR	
71	500574	. SCREW MA TR PH #10-24x1 1/4 SS	4	4	4	
72	500767	. NUT HEX #10-24 Z050	4	4	4	
73	502751	. SCREW CAP HEX #10-32x3/8 Z050	2	2	2	
74	500470	. WASHER LO SPT .193x.334x.047 Z050	2	2	2	
75	641897	. MANIFOLD / PUSH-IN FITTING / 2x#6 / 4x#4 PLAS	2	2	2	
76	20462708	. ELBOW 90° STEM / PUSH-IN FITTING / #6x#6STEM PLAS	4	4	4	
77	641372	. MALE ELBOW 90° NON-SWIVEL / PUSH-IN FITTING / #6x1/4NPT-M BR	2	2	2	

From 7-0671 To E-2565	Date:10/2022	PAGE:H7-1260-00
<b>VALVE SUPPORT ASSY</b>		

Item#	Part	Description	H 3 4 1	H 3 4 5	V I P 4 5	N O T E S
78	641955	. UNION TEE / PUSH-IN FITTING / #4x#4x#4 BR			2	
79	503402	. TUBE, NYLON 1/4 O.D. / BLACK S.L.			AR	
80	500923	SCREW TC CAP HEX 1/4-20x3/4 Z050	2	2	2	
81	500473	WASHER LO SPT .262x.489x.062 Z050	2	2	2	
90	<b>H7-1630-00</b>	<b>FRONT KNEELING - CONTROL PANEL</b>				
91	<b>H7-1640-50</b>	<b>LEVEL-LOW - CONTROL PANEL &amp; VALVES</b>				
		A) WITH SMALL A/C SYSTEM				
		B) WITH LARGE A/C SYSTEM				
		O) AIR HORN OPTION				
		P) CALL ORDER DESK FOR SPECIFIC APPLICATION (V.I.N.)				

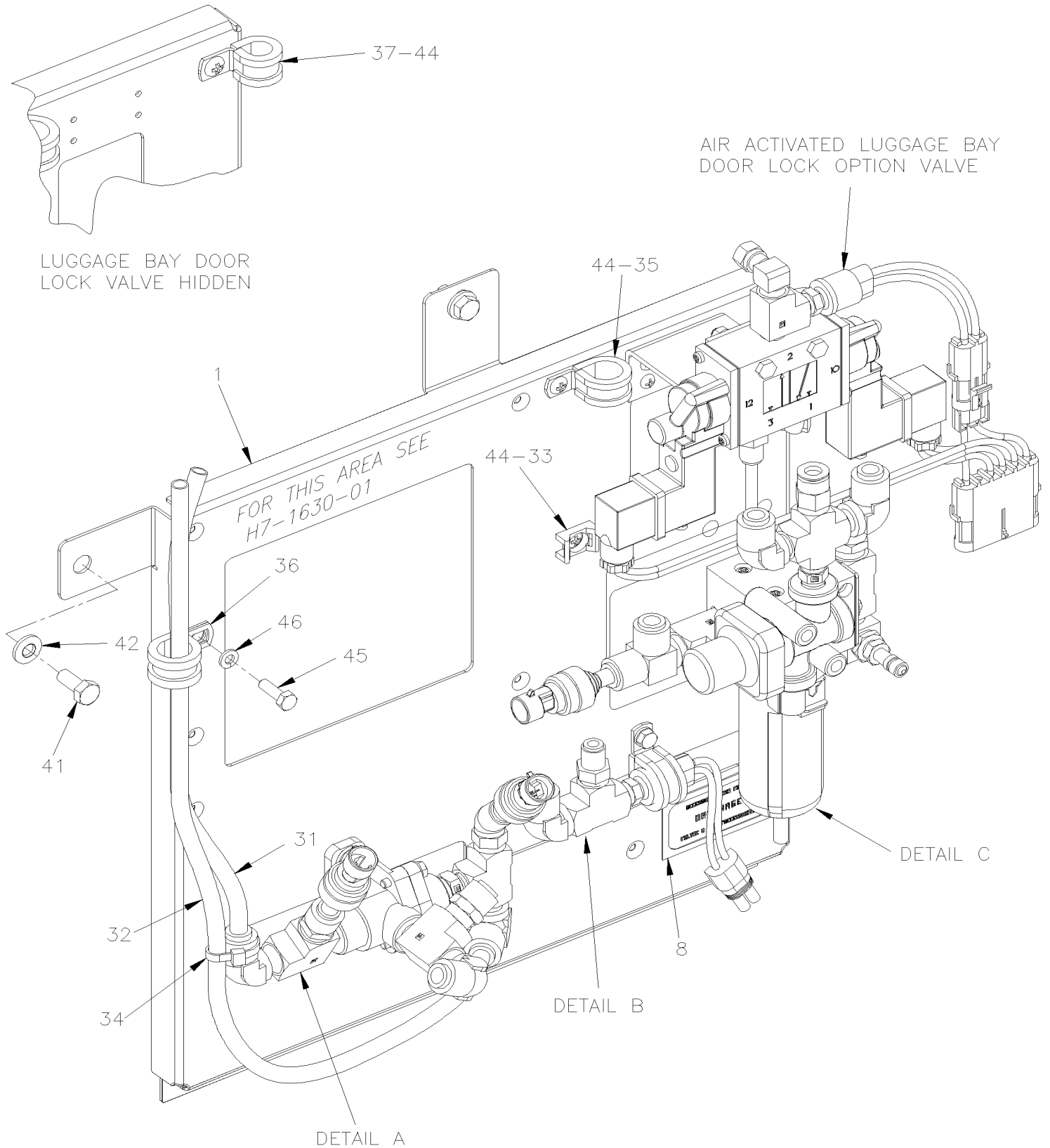


From E-2566 To F-2923

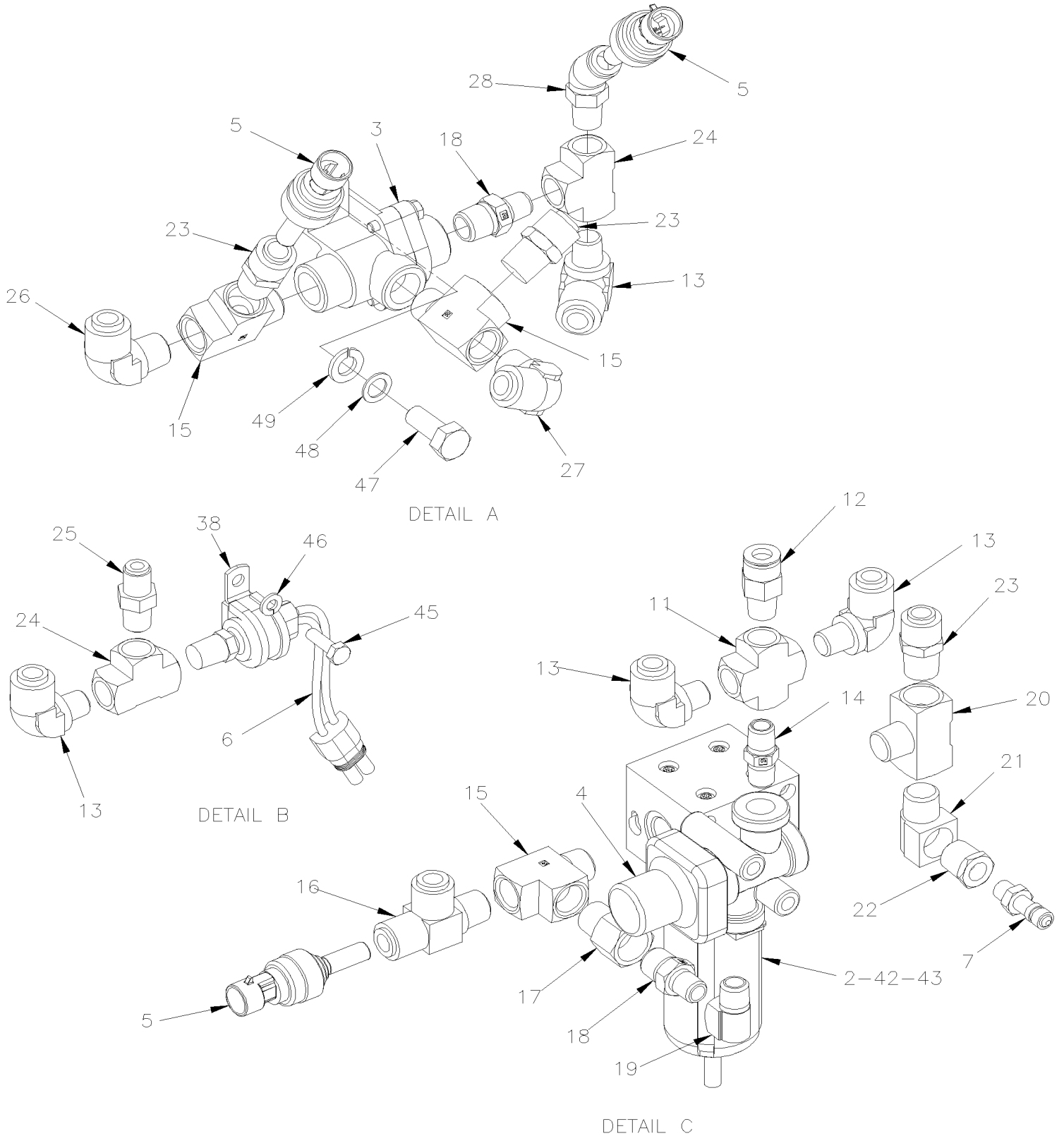
Date:10/2022

PAGE:H7-1260-01

## VALVE SUPPORT ASSY



VALVE SUPPORT ASSY





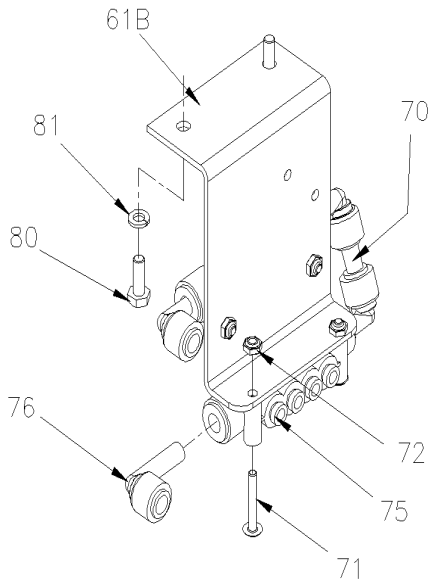
From E-2566 To F-2923

Date:10/2022

PAGE:H7-1260-01

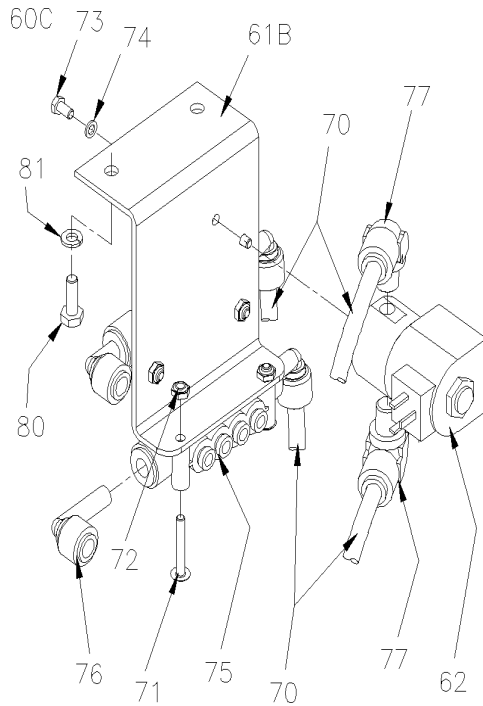
## VALVE SUPPORT ASSY

60B



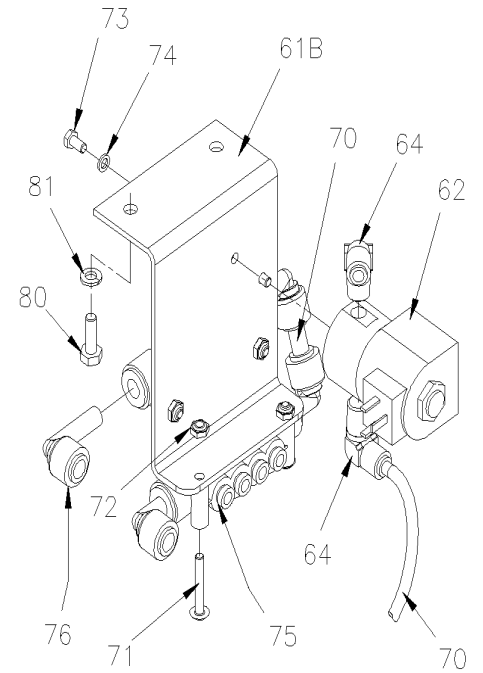
FROM 9-1470

60C



OPTION ORLEAN

60F



FROM A-1604

<b>From E-2566 To F-2923</b>	<b>Date:10/2022</b>	<b>PAGE:H7-1260-01</b>
<b>VALVE SUPPORT ASSY</b>		

Item#	Part	Description	H 3 4 1	H 3 4 5	V I P 4 5	N O T E S
1	142660	PNEUMATICS MOUNTING SUPPORT	1	1	1	
2	<b>642192</b>	<b>AIR FILTER</b>	1	1	1	
3	641564	VALVE, DOUBLE CHECK DC-4	1	1	1	
4	641137	VALVE, PRESSURE PROTECTION TYPE PR-4 70PSI	1	1	1	
5	20476992	TRANSDUCER PRESSURE (0-12Bar / 0-174PSI) To E-2622	3	3	3	
5	560005	TRANSDUCER PRESSURE (0-12 BAR, 0-174 PSI) From E-2623	3	3	3	
6	287234	PRESSURE SWITCH N.C. 30-10 20PS001AB030E010E	1	1	1	
7	640488	VALVE, AIR FILL 1/8" NPT	1	1	1	
. NS	650164	. CAP VALVE / CHROME	1	1	1	
8	140227	DECAL / ACC AIR FILTER DRAIN / ENGLISH & FRANCAIS	1	1	1	
11	501902	CROSS / PIPE FITTING / 1/4NPT-Fx1/4NPT-Fx 1/4NPT-Fx1/4NPT-F BR	1	1	1	
12	641331	MALE CONNECTOR / PUSH-IN FITTING / #6x1/4NPT-M BR	1	1	1	
13	641372	MALE ELBOW 90° NON-SWIVEL / PUSH-IN FITTING / #6x1/4NPT-M BR	4	4	4	
14	501321	NIPPLE HEX / PIPE FITTING / 1/4NPT-Mx1/4NPT-Mx1 3/8 BR	1	1	1	
15	501699	MALE RUN TEE / PIPE FITTING / 3/8NPT-Mx3/8NPT-Fx3/8NPT-F BR	3	3	3	
16	641388	MALE RUN TEE NON-SWIVEL / PUSH-IN FITTING / #6x#6x3/8NPT-M BR	1	1	1	
17	501309	ADAPTER / PIPE FITTING / 3/8NPT-Fx3/8NPT-M BR	1	1	1	
18	501749	NIPPLE REDUCER HEX / PIPE FITTING / 3/8NPT-Mx1/4NPT-Mx1 13/32 BR	2	2	2	
19	501332	STREET ELBOW 90° / PIPE FITTING / 1/4NPT-Mx1/4NPT-F BR	1	1	1	
20	501737	MALE BRANCHE TEE / PIPE FITTING / 3/8NPT-Fx3/8NPT-Fx3/8NPT-M BR	1	1	1	
21	501333	STREET ELBOW 90° / PIPE FITTING / 3/8NPT-Mx3/8NPT-F BR	1	1	1	
22	501313	BUSHING REDUCER / PIPE FITTING / 3/8NTP-Mx1/8NPT-F BR	1	1	1	
23	641330	MALE CONNECTOR / PUSH-IN FITTING / #6x3/8NPT-M BR	4	4	4	
24	501337	FEMALE UNION TEE / PIPE FITTING / 1/4NPT-Fx1/4NPT-Fx1/4NPT-F BR	2	2	2	
25	641332	MALE CONNECTOR / PUSH-IN FITTING / #4x1/4NPT-M BR	1	1	1	
26	641375	MALE ELBOW 90° NON-SWIVEL / PUSH-IN FITTING / #6x3/8NPT-M BR	1	1	1	
27	641376	MALE ELBOW 90° NON-SWIVEL / PUSH-IN FITTING / #8x3/8NPT-M BR	1	1	1	
28	641366	MALE ELBOW 45° NON-SWIVEL / PUSH-IN FITTING / #6x1/4NPT-M BR	1	1	1	
31	503463	TUBE, NYLON 3/8 O.D. / GREEN S.L.	AR	AR	AR	
32	503467	TUBE, NYLON 3/8 O.D. / RED S.L.	AR	AR	AR	
33	504013	TIE MOUNT / 1/4" X 1/4" I.D.	1	1	1	
34	504637	CABLE TIE / 3/16" x 13"	2	2	2	
35	952631	CLAMP / 3/4" I.D.	1	1	1	
36	977742	CLAMP / 3/4" I.D.	1	1	1	
37	952627	CLAMP / 1/2" I.D.	1	1	1	
38	952633	CLAMP / 7/8" I.D.	1	1	1	
41	502862	SCREW CAP HEX M8-1.25x20 G8.8 N500	2	2	2	
42	5001608	WASHER BEL SPR 6.2x15.0x0.7 G500	4	4	4	
43	500032	SCREW CAP HEX M5-0.8x16 BK	2	2	2	
44	500657	SCREW TC TR PH #10-24x1/2 Z050	3	3	3	
45	502830	SCREW CAP HEX M6-1.0x20 G8.8 N500	2	2	2	

<b>From E-2566 To F-2923</b>	<b>Date:10/2022</b>	<b>PAGE:H7-1260-01</b>
<b>VALVE SUPPORT ASSY</b>		

Item#	Part	Description	H 3 4 1	H 3 4 5	V I P 4 5	N O T E S
46	502564	WASHER LO SPT 6.1x11.8x1.6 Z050	2	2	2	
47	502804	SCREW CAP HEX M10-1.5x25 G8.8 N500	1	1	1	
48	502867	WASHER FL .406x.625x.040 N500	1	1	1	
49	500257	WASHER LO SPT 10.2x18.1x2.2 Z050	1	1	1	
50	<b>H7-1630-01</b>	<b>FRONT KNEELING - CONTROL PANEL</b>				
60B	Call order desk	MANIFOLD ASSY / W/SUPPORT	1	1		P
60C	142906	VALVE ASSY / W/SUPPORT & MANIFOLD		1		
60F	142630	VALVE ASSY / W/SUPPORT & MANIFOLD			1	
61B	142879	SUPPORT VALVE & MANIFOLD W/UPPER VALVE	1	1	1	
62	562804	VALVE, 2 WAYS N.C.	1	1	1	
. NS	562848	. CONNECTOR / SOCKET HOUSING ASSY 3C / PNEUMAC 54933-05	1	1	1	
64	641371	MALE ELBOW 90° NON-SWIVEL / PUSH-IN FITTING / #4x1/4NPT-M BR	2	2	2	
70	503404	TUBE, NYLON 3/8 O.D. / BLACK S.L.	AR	AR	AR	
71	500574	SCREW MA TR PH #10-24x1 1/4 SS	4	4	4	
72	500767	NUT HEX #10-24 Z050	4	4	4	
73	502751	SCREW CAP HEX #10-32x3/8 Z050	2	2	2	
74	500470	WASHER LO SPT .193x.334x.047 Z050	2	2	2	
75	641897	MANIFOLD / PUSH-IN FITTING / 2x#6 / 4x#4 PLAS	2	2	2	
76	20462708	ELBOW 90° STEM / PUSH-IN FITTING / #6x#6STEM PLAS	1	1	1	
76	647894	ELBOW 90° STEM / PUSH-IN FITTING / #6x#6STEM PLAS From F-2707	1	1	1	
76	641436	UNION ELBOW 90° / PUSH-IN FITTING / #6x#6 BR From F-2707			1	
76	503404	TUBE, NYLON 3/8 O.D. / BLACK S.L. From F-2707			AR	
77	641372	MALE ELBOW 90° NON-SWIVEL / PUSH-IN FITTING / #6x1/4NPT-M BR	2	2	2	
80	500923	SCREW TC CAP HEX 1/4-20x3/4 Z050	2	2	2	
81	500473	WASHER LO SPT .262x.489x.062 Z050	2	2	2	
		P) CALL ORDER DESK FOR SPECIFIC APPLICATION (V.I.N.)				

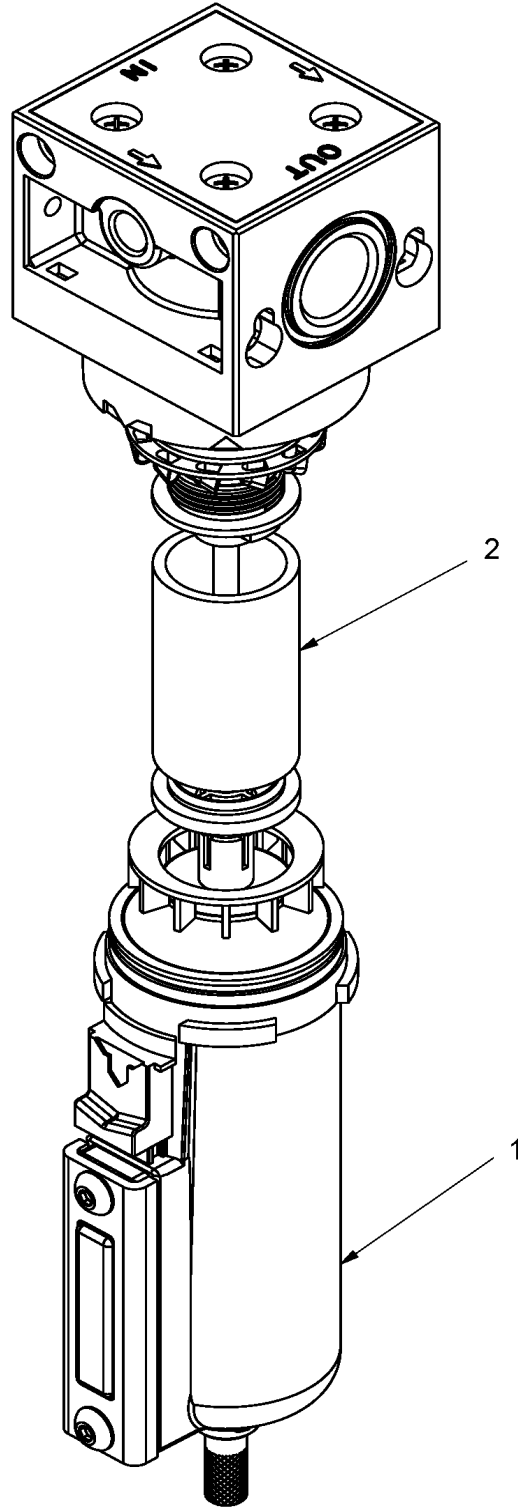


From E-2566 To F-2923

Date:10/2022

PAGE:642192

**AIR FILTER**

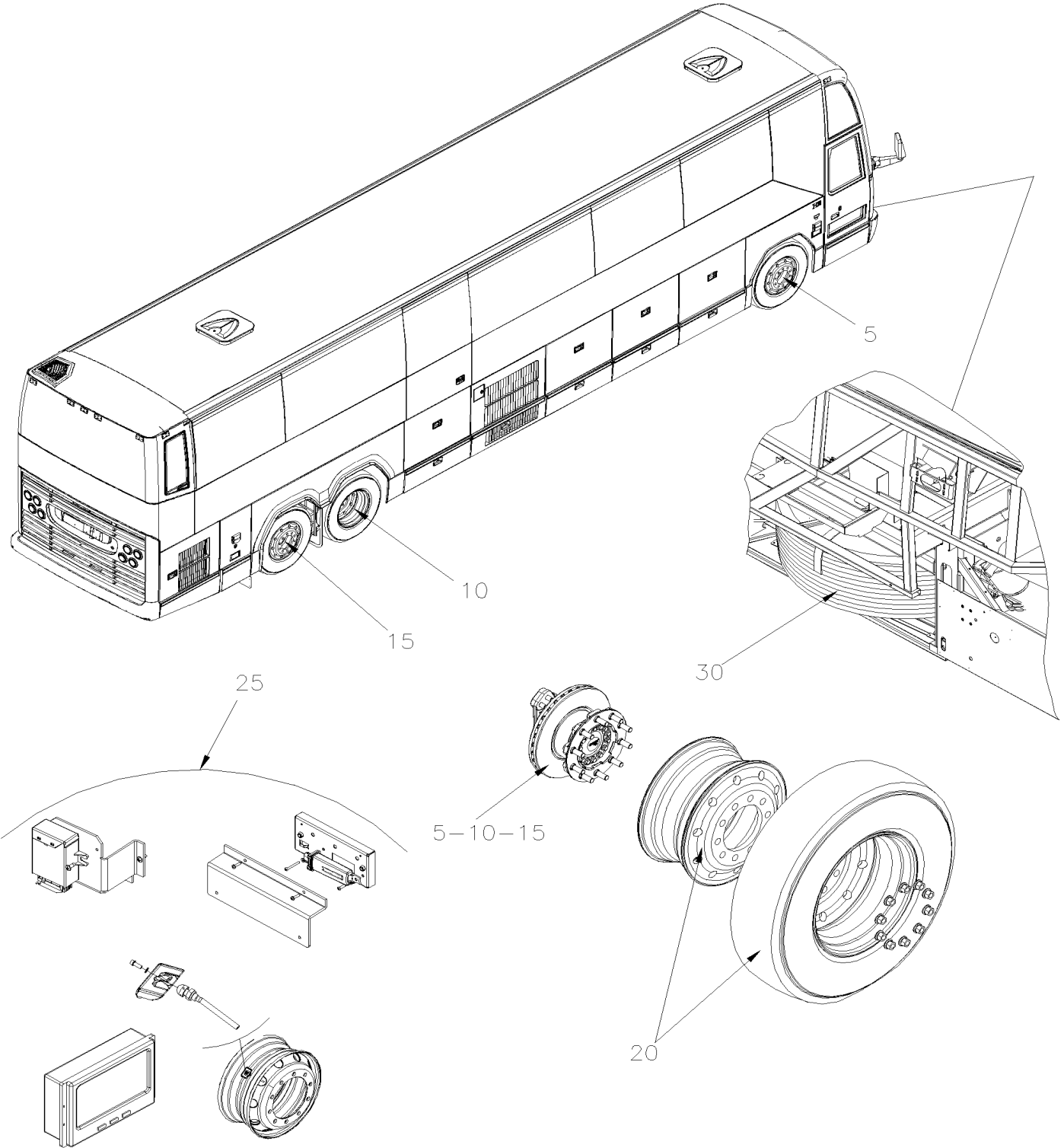


From E-2566 To F-2923	Date:10/2022	PAGE:642192
-----------------------	--------------	-------------

**AIR FILTER**

Item#	Part	Description	H 3 4 1	H 3 4 5	V I P 4 5	N O T E S
1	642219	METAL BOWL MANUAL DRAIN	1	1	1	
2	642220	FILTER ELEMENT	1	1	1	
NS	642221	SERVICE KIT AIR FILTER	1	1	1	A
. NS	N.S.S.	. FILTER SIDE PLATE	2	2	2	1 A
. NS	N.S.S.	. SCREW CAP BUT	2	2	2	1 A
. NS	N.S.S.	. PLUG	1	1	1	1 A
. NS	N.S.S.	. O-RING	1	1	1	1 A
. NS	N.S.S.	. GREASE PACKET	1	1	1	1 A
		A) CONTAIN SIDE COVER 2X / SCREW X2 / PLUG 1X / O-RING 1X / GREASE PACKAGE 1X				
		1) NOT SOLD SEPARATELY				

	Date:10/2022	H7-13
WHEELS, HUBS & TIRES		



	Date:10/2022	H7-13
<b>WHEELS, HUBS &amp; TIRES</b>		

Item#	Part	Description	H 3 4 1	H 3 4 5	V I P 4 5	N O T E S
5	H7-1300-00	HUB & ROTOR - FRONT AXLE - I BEAM MODEL "S84U" From 7-0671 To J-0184				
5	H7-1300-50	HUB & ROTOR - FRONT AXLE - INDEPENDANT MODEL "NDIFS80P" From 7-0671 To J-0287				
10	H7-1305-00	HUB & ROTOR - DRIVE AXLE From 7-0671 To J-0287				
10	H7-1305-99	ROTOR (SPLINED DISC) PRODUCT IMPROVMENT From 7-0671 To J-0287				
15	H7-1310-00	HUB & ROTOR - TAG AXLE TYPE TS8U From 7-0671 To J-0287				
20	H7-1318-00	WHEELS & COMPONENTS - TRUCK MOUNT (METRIC) From 7-0671 To J-0287				A
20	H7-1318-01	WHEELS & COMPONENTS - BUS MOUNT (STANDARD) From 7-0671 To 9-1457				B O
20	H7-1318-05	TAG AXLE WHEEL SCRAPER From 7-0671 To J-0184				
25	H7-1318-10	TIRE MONITOR - PRESSURE - "SMART" From 7-0671 To 8-1169				
25	H7-1318-11	TIRE MONITOR - PRESSURE - "BERU" From 8-1170 To J-0287				
30	H7-1325-00	SPARE WHEEL - INSTALLATION From 7-0671 To 9-1469				
30	H7-1325-01	SPARE WHEEL - INSTALLATION From A-1470 To J-0287				
		A) WITH HUB MOUNT WHEEL				
		B) WITH STUD MOUNT WHEEL				
		O) OPTION				

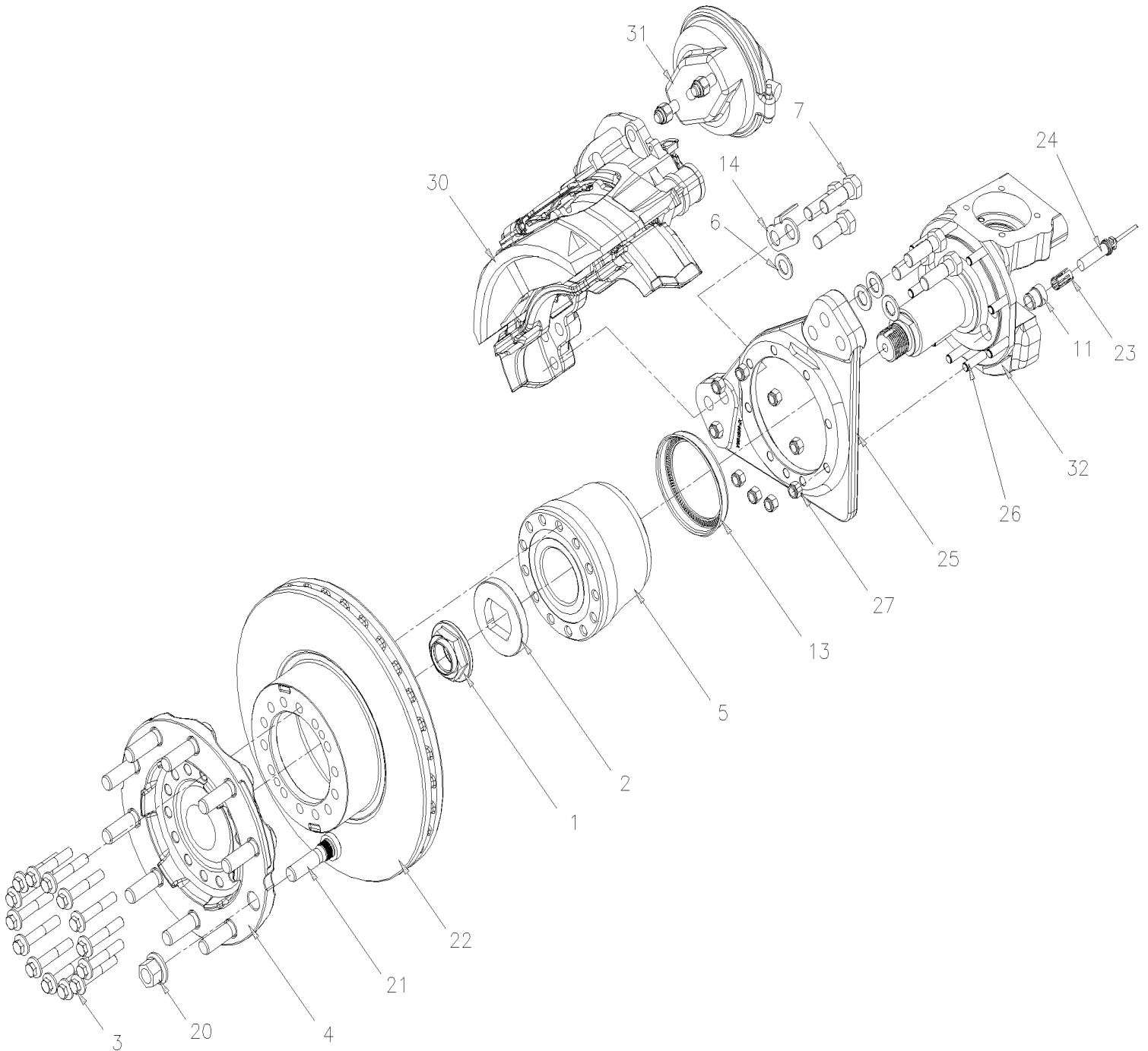


From 7-0671 To J-0184

Date:10/2022

PAGE:H7-1300-00

## HUB & ROTOR - FRONT AXLE - I BEAM MODEL "S84U"



<b>From 7-0671 To J-0184</b>	<b>Date:10/2022</b>	<b>PAGE:H7-1300-00</b>
<b>HUB &amp; ROTOR - FRONT AXLE - I BEAM MODEL "S84U"</b>		

Item#	Part	Description	H 3 4 1	H 3 4 5	V I P 4 5	N O T E S
1	611949	HUB NUT 1 3/4-8	1	1		
2	611948	THRUST WASHER	1	1		
3	611955	SCREW CAP HEXF M14-1.5x78 G12.9 N500	14	14		S
4	611301	HUB FLANGE	1	1		
5	611953	HUB ASSY / UNITISED L.H. & R.H. "TIMKEN" To 8-1284	1	1		R S
5	611471	HUB ASSY / UNITISED L.H. & R.H. "FAG" ASSY W/"ABS" RING From 8-1285 To H-3772	1	1		R S
. NS	N.S.S.	. TOOTH WHEEL From 8-1285 To H-3772	1	1		1 R S
. NS	509939	. SCREW DRV RND #4x1/4 SS From 8-1285 To H-3772	3	3		R S
5	611360	BEARING HOUSING ASSY / UNITISED L.H. & R.H. "FAG" ASSY W/"ABS" RING From H-3773	1	1		R S
. NS	N.S.S.	. HUB ASSY / UNITISED L.H. & R.H. "FAG" From H-3773	1	1		1 R S
. NS	N.S.S.	. TOOTH WHEEL From H-3773	1	1		1 R S
NS	491115	TOOL, HUB INSTALLER W/UNITISED BEARING / 70MM	1	1		
. NS	NDS8	. MAINTENANCE INSTRUCTION	1	1		
6	611044	WASHER FL HARD 21.0x37.0x3.0 N500 To 8-1284	4	4		
7	5001529	SCREW CAP HEX M20-1.5x60 G10.9 G500 To 8-1284	6	6		
7	612362	SCREW CAP HEXF M20-1.5x55 G10.9 From 8-1285	6	6		
11	612384	BUSHING / ABS SENSOR	1	1		
13	N.S.S.	TOOTH WHEEL / FRONT AXLE RIGID INCLUDE WITH ITEM #5	1	1		1 R
14	110786	BRAKE WEAR INDICATOR MECHANICAL / 44MM	1	1		
20	20434082	NUT R.H. / W/HUB-MOUNT WHEEL M22-1.5 / 27 MM TH	10	10		A
20	610175	NUT L.H. 1 1/8-16 / STUD MOUNT WHEEL To 9-1457	10	10		B
20	610176	NUT R.H. 1 1/8-16 / STUD MOUNT WHEEL To 9-1457	10	10		B
21	611207	STUD / R.H. / W/HUB-MOUNT WHEEL M22-1.5 x 81MM	10	10		A
21	610995	STUD / L.H. / W/STUD-MOUNT WHEEL To 9-1457	10	10		B
21	610996	STUD / R.H. / W/STUD-MOUNT WHEEL To 9-1457	10	10		B
22	611300	ROTOR VENTED	1	1		
23	641096	CLIP, SPRING / TO FIX SENSOR	1	1		
24	642084	SENSOR ABS 90° ANGLE - OEM	1	1		
24	642108	SENSOR ABS 90° ANGLE - AFTER MARKET	1	1		
25	611039	CALIPER MOUNTING BRACKET L.H. & R.H.	1	1		
26	611030	STUD 1/2-20 X 1 11/16"	AR	AR		
27	5007001	NUT HEX STO 1/2-20 Z050 G "C"	AR	AR		
30	<b>H7-1225-00</b>	<b>BRAKE PARTS - FRONT &amp; TAG AXLE "KNORR-BREMSE" SN7 SERIES To A-1593</b>				
30	<b>H7-1225-01</b>	<b>BRAKE PARTS - FRONT &amp; TAG AXLE "KNORR-BREMSE" SN7 SERIES W/NEW SLIDE PINS From A-1594 To E-2485</b>				
30	<b>H7-1225-02</b>	<b>BRAKE PARTS - FRONT &amp; TAG AXLE "KNORR-BREMSE" SN7 SERIES W/N2G ADJUSTER From E-2486</b>				
31	<b>H7-1225-10</b>	<b>BRAKE CHAMBER - FRONT AXLE TYPE 24</b>				
32	<b>H7-1005-00</b>	<b>FRONT AXLE - I BEAM RIGID MODEL "S84U"</b>				
NS	M108-04	SEE MAINTENANCE INFORMATION	1	1		
		A) WITH HUB MOUNT WHEEL				

From 7-0671 To J-0184	Date:10/2022	PAGE:H7-1300-00
<b>HUB &amp; ROTOR - FRONT AXLE - I BEAM MODEL "S84U"</b>		

Item#	Part	Description	H 3 4 1	H 3 4 5	V I P 4 5	N O T E S
		B) WITH STUD MOUNT WHEEL				
		R) WITH I BEAM RIGID SUSPENSION				
		S) INSPECTED ALL BOLTS FOR DAMAGE TO THE THREAD AND ON THE SURFACE BELOW THE HEAD WHEN YOU DISASSEMBLED OR UNSCREWED THE HUB AND REPLACE IF NECESSARY				
		1) NOT SOLD SEPARATELY				
		1) NOT SOLD SEPARATELY				

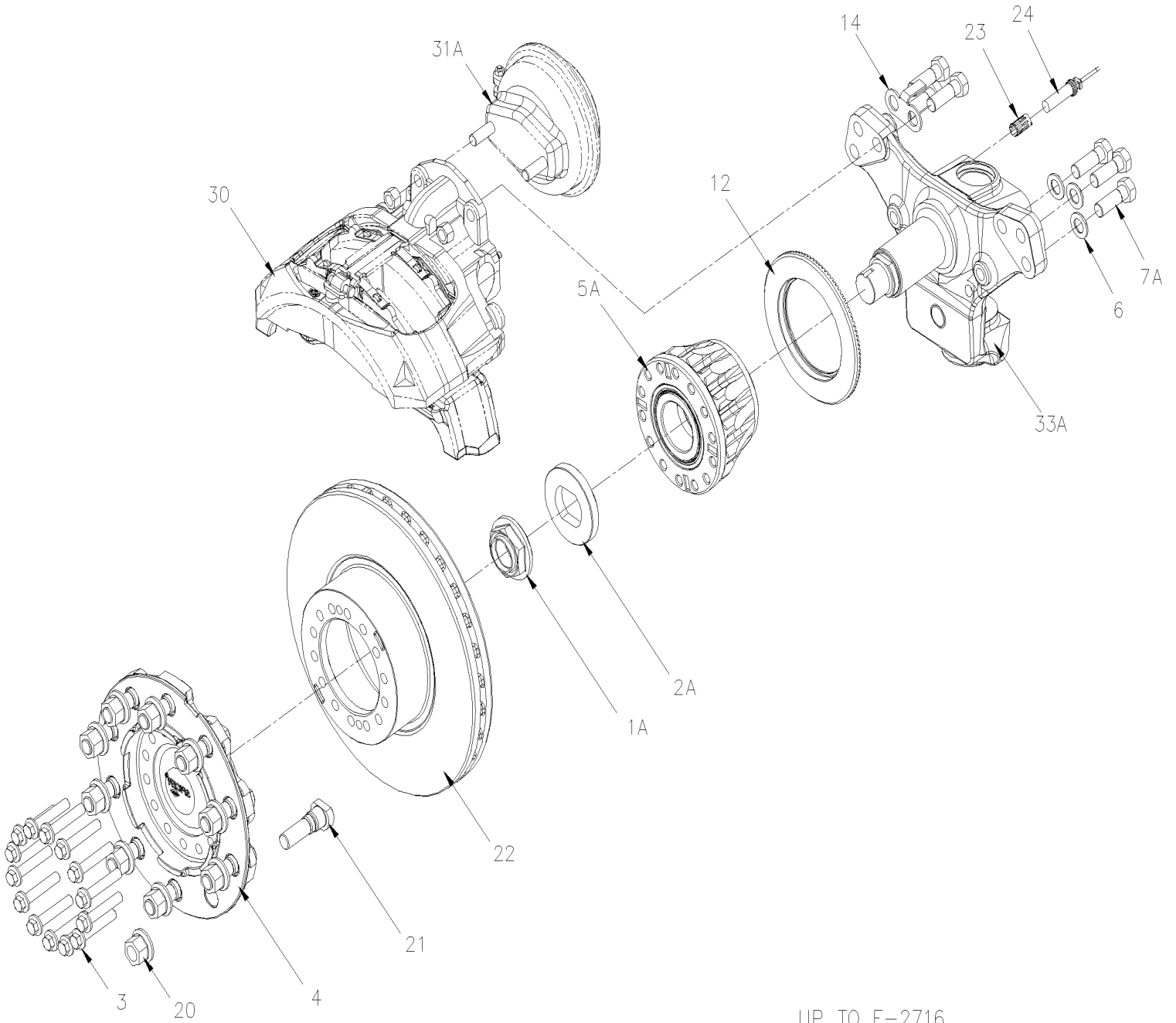


From 7-0671 To J-0287

Date:10/2022

PAGE:H7-1300-50

## HUB & ROTOR - FRONT AXLE - INDEPENDANT MODEL "NDIFS80P"



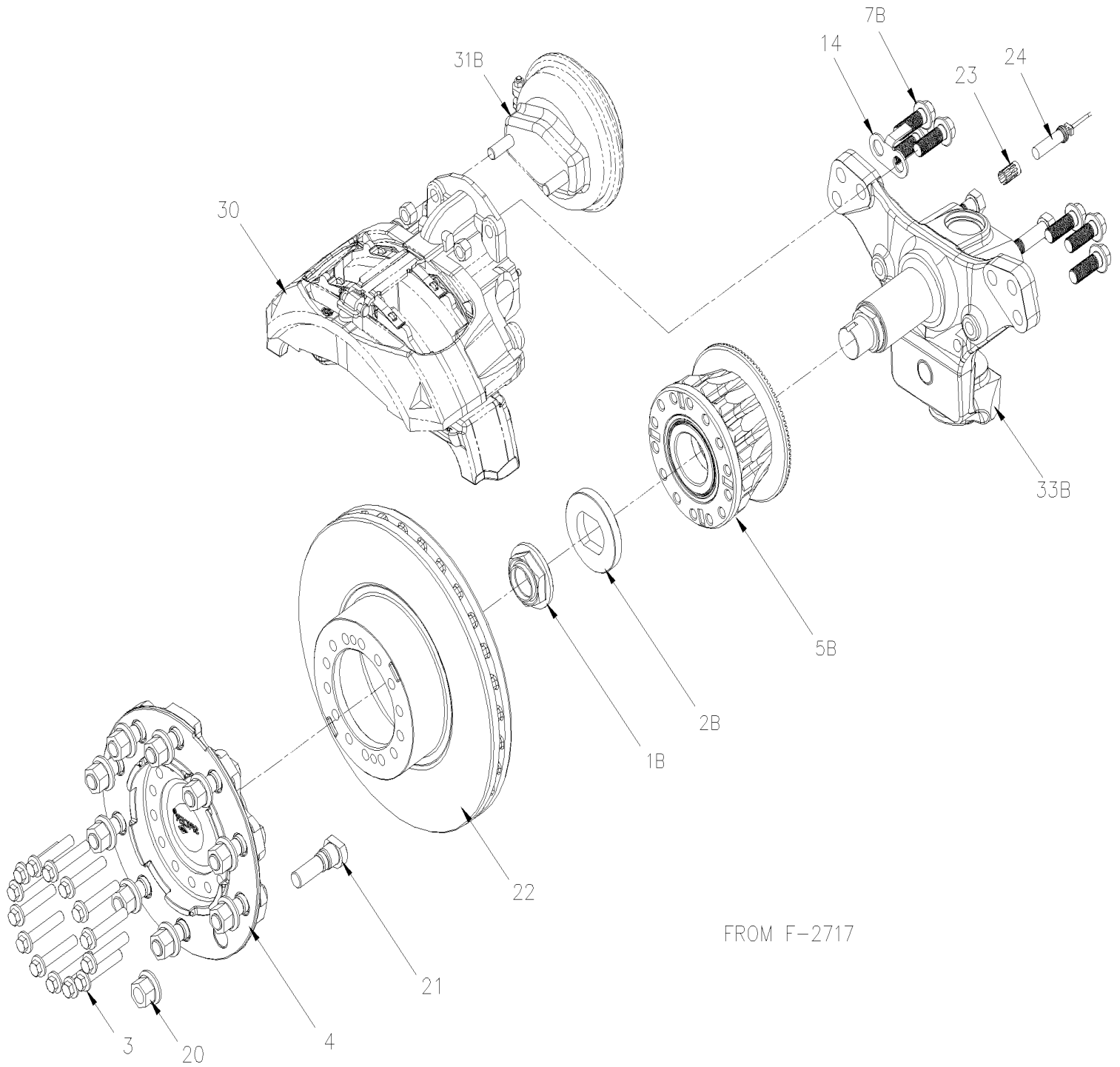
UP TO F-2716

From 7-0671 To J-0287

Date:10/2022

PAGE:H7-1300-50

HUB & ROTOR - FRONT AXLE - INDEPENDANT MODEL "NDIFS80P"

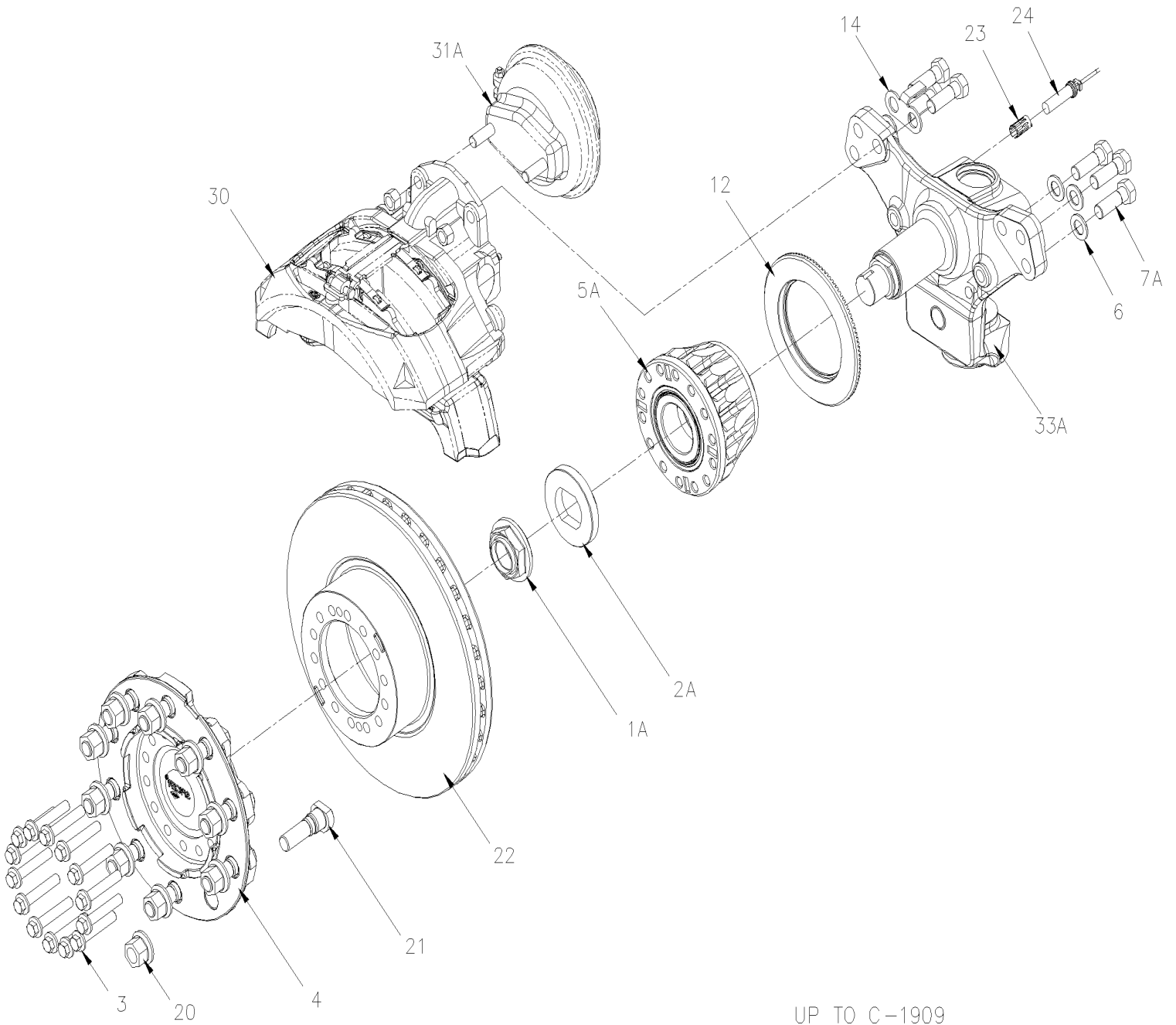


From 7-0671 To J-0287

Date:10/2022

PAGE:H7-1300-50

## HUB & ROTOR - FRONT AXLE - INDEPENDANT MODEL "NDIFS80P"



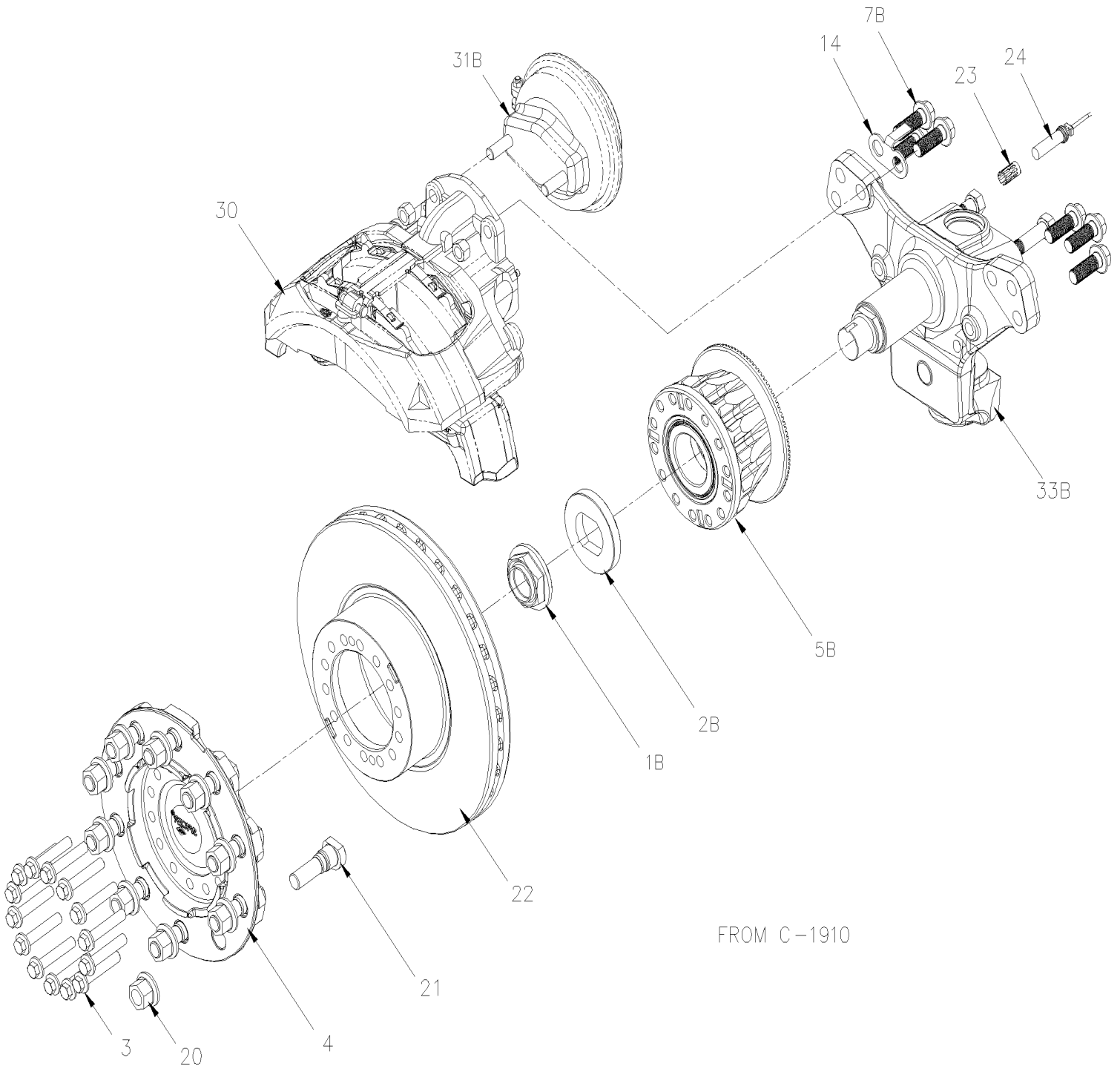
UP TO C-1909

From 7-0671 To J-0287

Date:10/2022

PAGE:H7-1300-50

## HUB & ROTOR - FRONT AXLE - INDEPENDANT MODEL "NDIFS80P"





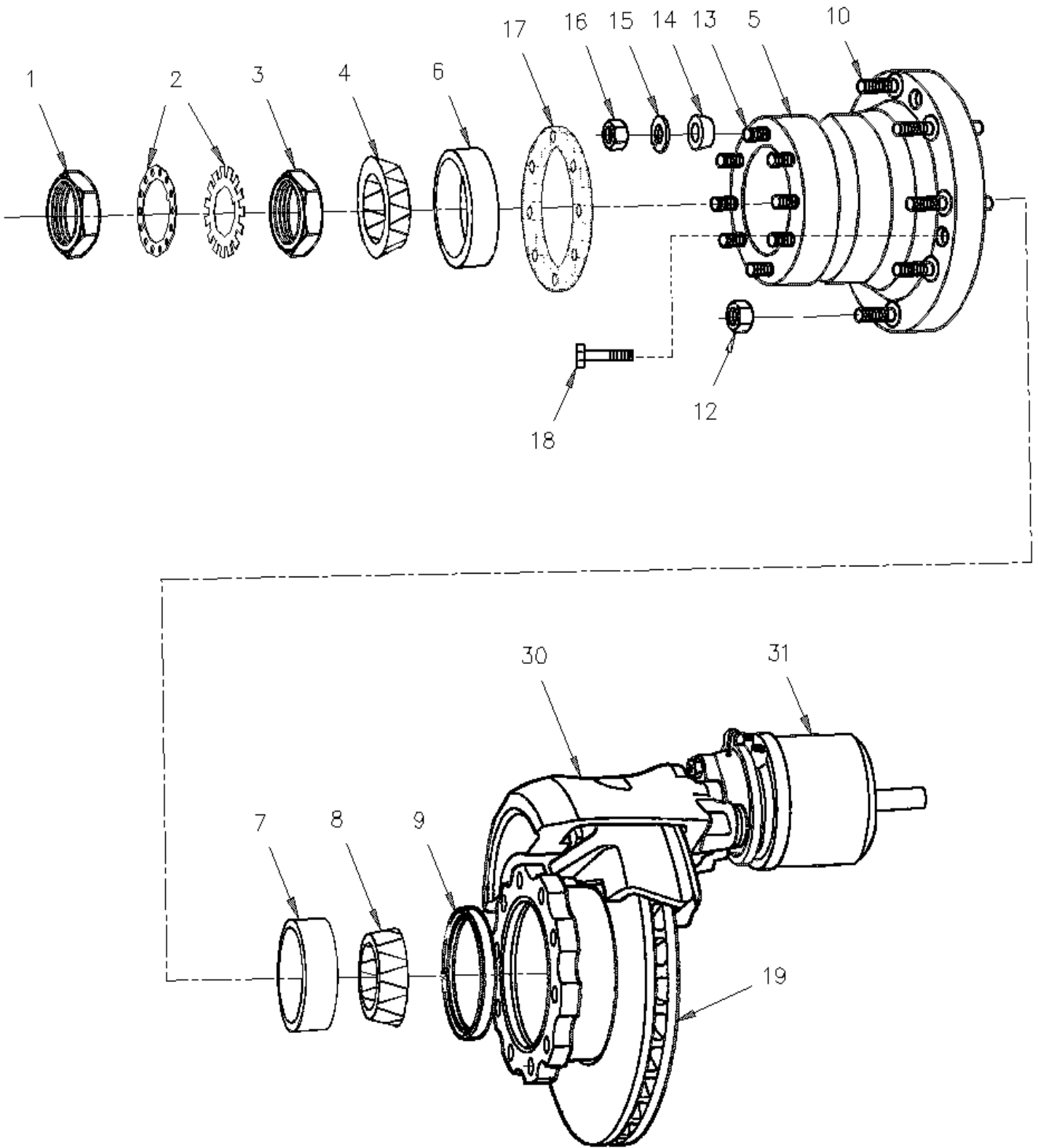
From 7-0671 To J-0287	Date:10/2022	PAGE:H7-1300-50
<b>HUB &amp; ROTOR - FRONT AXLE - INDEPENDANT MODEL "NDIFS80P"</b>		

Item#	Part	Description	H 3 4 1	H 3 4 5	V I P 4 5	N O T E S
1A	611949	HUB NUT 1 3/4-8 To C-1909			1	A
1A	611949	HUB NUT 1 3/4-8 To F-2716		1		A
1B	612357	HUB NUT M42-2.0 From C-1910			1	B
1B	612357	HUB NUT M42-2.0 From F-2717		1		B
2A	611948	THRUST WASHER To C-1909			1	A
2A	611948	THRUST WASHER To F-2716		1		A
2B	612358	THRUST WASHER From C-1910			1	B
2B	612358	THRUST WASHER From F-2717		1		B
3	611955	SCREW CAP HEXF M14-1.5x78 G12.9 N500		14	14	S
4	611301	HUB FLANGE		1	1	
5A	611474	HUB ASSY / UNITISED L.H. & R.H. "FAG" ASSY W/"ABS" RING To C-1909			1	A S
. NS	611472	. HUB ASSY / UNITISED L.H. & R.H. "FAG" To C-1909			1	A S
. NS	611473	. TOOTH WHEEL / FRONT AXLE & TAG W/ "FAG" 143.90MM I.D. To C-1909			1	A S
5A	610022	HUB ASSY / UNITISED L.H. & R.H. "FAG" ASSY W/"ABS" RING To C-1909			1	A S
. NS	N.S.S.	. HUB ASSY / UNITISED L.H. & R.H. "FAG" To C-1909			1	1 A S
. NS	N.S.S.	. TOOTH WHEEL / FRONT AXLE & TAG W/ "FAG" To C-1909			1	1 A S
5A	611474	HUB ASSY / UNITISED L.H. & R.H. "FAG" ASSY W/"ABS" RING To F-2716		1		A S
. NS	611472	. HUB ASSY / UNITISED L.H. & R.H. "FAG" To F-2716		1		A S
. NS	611473	. TOOTH WHEEL / FRONT AXLE & TAG W/ "FAG" 143.90MM I.D. To F-2716		1		A S
5A	610022	HUB ASSY / UNITISED L.H. & R.H. "FAG" ASSY W/"ABS" RING To F-2716		1		A S
. NS	N.S.S.	. HUB ASSY / UNITISED L.H. & R.H. "FAG" To F-2716		1		1 A S
. NS	N.S.S.	. TOOTH WHEEL / FRONT AXLE & TAG W/ "FAG" To F-2716		1		1 A S
5B	611471	HUB ASSY / UNITISED L.H. & R.H. "FAG" ASSY W/"ABS" RING From C-1910 To H-3826			1	B S
. NS	N.S.S.	. TOOTH WHEEL From C-1910 To H-3826			1	1 B S
. NS	509939	. SCREW DRV RND #4x1/4 SS From C-1910 To H-3826			3	B S
5B	611471	HUB ASSY / UNITISED L.H. & R.H. "FAG" ASSY W/"ABS" RING From F-2717 To H-3826		1		B S
. NS	N.S.S.	. TOOTH WHEEL From F-2717 To H-3826		1		1 B S
. NS	509939	. SCREW DRV RND #4x1/4 SS From F-2717 To H-3826		3		B S
5B	611360	BEARING HOUSING ASSY / UNITISED L.H. & R.H. "FAG" ASSY W/"ABS" RING From H-3827		1	1	B S
. NS	N.S.S.	. HUB ASSY / UNITISED L.H. & R.H. "FAG" From H-3827		1	1	1 B S
. NS	N.S.S.	. TOOTH WHEEL From H-3827		1	1	1 B S
NS	491115	TOOL, HUB INSTALLER W/UNITISED BEARING / 70MM		1	1	
. NS	NDS8	. MAINTENANCE INSTRUCTION		1	1	
6	611044	WASHER FL HARD 21.0x37.0x3.0 N500			4	A
7A	5001529	SCREW CAP HEX M20-1.5x60 G10.9 G500 To C-1909			6	A
7A	5001529	SCREW CAP HEX M20-1.5x60 G10.9 G500 To F-2716		6		A
7B	612362	SCREW CAP HEXF M20-1.5x55 G10.9 From C-1910			6	B
7B	612362	SCREW CAP HEXF M20-1.5x55 G10.9 From F-2717		6		B
12	611473	TOOTH WHEEL / FRONT AXLE & TAG W/ "FAG" 143.90MM I.D. To C-1909			1	A
12	611473	TOOTH WHEEL / FRONT AXLE & TAG W/ "FAG" 143.90MM I.D. To F-2716		1		A
14	110786	BRAKE WEAR INDICATOR MECHANICAL / 44MM		1	1	
20	20434082	NUT R.H. / W/HUB-MOUNT WHEEL M22-1.5 / 27 MM TH		10	10	

From 7-0671 To J-0287	Date:10/2022	PAGE:H7-1300-50
<b>HUB &amp; ROTOR - FRONT AXLE - INDEPENDANT MODEL "NDIFS80P"</b>		

Item#	Part	Description	H 3 4 1	H 3 4 5	V I P 4 5	N O T E S
21	611207	STUD / R.H. / W/HUB-MOUNT WHEEL M22-1.5 x 81MM		10	10	
22	611300	ROTOR VENTED		1	1	
23	641096	CLIP, SPRING / TO FIX SENSOR		1	1	
24	642085	SENSOR ABS - OEM		1	1	
24	642184	SENSOR ABS - AFTER MARKET	1	1	1	
30	H7-1225-00	<b>BRAKE PARTS - FRONT &amp; TAG AXLE "KNORR-BREMSE" SN7 SERIES To A-1593</b>				
30	H7-1225-01	<b>BRAKE PARTS - FRONT &amp; TAG AXLE "KNORR-BREMSE" SN7 SERIES W/NEW SLIDE PINS From A-1594 To E-2485</b>				
NS	H7-1225-02	<b>BRAKE PARTS - FRONT &amp; TAG AXLE "KNORR-BREMSE" SN7 SERIES W/N2G ADJUSTER From E-2486</b>		1	1	
31A	H7-1225-10	<b>BRAKE CHAMBER - FRONT AXLE TYPE 24</b>				
31B	H7-1225-50	<b>BRAKE CHAMBER - FRONT AXLE TYPE 27</b>				
33A	H7-1005-50	<b>FRONT AXLE - INDEPENDENT MODEL "NDIFS80P" / 18000LBS To C-1909</b>				
33A	H7-1005-60	<b>FRONT AXLE - INDEPENDENT MODEL "NDIFS80P" / 18000LBS From C-1910 To F-2716</b>				
33B	H7-1005-51	<b>FRONT AXLE - INDEPENDENT MODEL "NDIFS80P" / 19000LBS From F-2717</b>				
33B	H7-1005-61	<b>FRONT AXLE - INDEPENDENT MODEL "NDIFS80P" / 19000LBS</b>				
		A) WITH 18,000LBS INDEPENDANTE SUSPENSION				
		B) WITH 19,000LBS INDEPENDANTE SUSPENSION				
		S) INSPECTED ALL BOLTS FOR DAMAGE TO THE THREAD AND ON THE SURFACE BELOW THE HEAD WHEN YOU DISASSEMBLED OR UNSCREWED THE HUB AND REPLACE IF NECESSARY				
		1) NOT SOLD SEPARATELY				

From 7-0671 To J-0287	Date:10/2022	PAGE:H7-1305-00
HUB & ROTOR - DRIVE AXLE		



<b>From 7-0671 To J-0287</b>	<b>Date:10/2022</b>	<b>PAGE:H7-1305-00</b>
<b>HUB &amp; ROTOR - DRIVE AXLE</b>		

Item#	Part	Description	H 3 4 1	H 3 4 5	V I P 4 5	N O T E S
1	620275	NUT OUTER / WHEEL BEARING	1	1	1	
2	621624	WASHER LOCK / KIT	1	1	1	
3	620279	NUT INNER / WHEEL BEARING	1	1	1	
4	620034	CONE BEARING / OUTER WHEEL BEARING	1	1	1	A
5	621617	HUB & CUPS ASSY	2	2	2	
6	620032	. CUP BEARING	1	1	1	A
7	621210	. CUP BEARING	1	1	1	B
8	621209	CONE BEARING	1	1	1	B
9	621623	SEAL OIL To E-2579	1	1	1	
9	621916	SEAL OIL From E-2580	1	1	1	
NS	684646	SEAL INSTALLER TOOL / DRIVE W/DISC	1	1	1	
10	621645	STUD / R.H. / W/HUB-MOUNT WHEEL M22-1.5 x 100 MM To G-3138	10	10	10	E
10	620002	STUD / R.H. / W/HUB-MOUNT WHEEL M22-1.5 x 100 MM From G-3139 To J-0192	10	10	10	E
10	620027	STUD / R.H. / W/HUB-MOUNT WHEEL M22-1.5 x 98.5 MM From J-0193	10	10	10	E
10	621686	STUD / R.H. / W/HUB-MOUNT WHEEL M22-1.5 x 110 MM To G-3138	AR	AR	AR	DE
10	620004	STUD / R.H. / W/HUB-MOUNT WHEEL M22-1.5 x 110 MM From G-3139 To J-0192	AR	AR	AR	DE
10	620028	STUD / R.H. / W/HUB-MOUNT WHEEL M22-1.5 x 109.5 MM From J-0193	AR	AR	AR	DE
10	621634	STUD / L.H. / W/STUD-MOUNT WHEEL To 9-1457	10	10		F
10	621633	STUD / R.H. / W/STUD-MOUNT WHEEL To 9-1457	10	10		F
11	610961	NUT R.H. INNER / W/STEEL INSIDE & ALUM. OUTSI To 9-1457	10	10		F
11	610962	NUT L.H. INNER / W/STEEL INSIDE & ALUM. OUTSI To 9-1457	10	10		F
11	611192	NUT R.H. INNER / W/2 ALUMINUM WHEEL To 9-1457	10	10		F
11	611191	NUT L.H. INNER / W/2 ALUMINUM WHEEL To 9-1457	10	10		F
11	620250	NUT R.H. INNER / W/2 STEEL WHEEL To 9-1457	10	10		F
11	620251	NUT L.H. INNER / W/2 STEEL WHEEL To 9-1457	10	10		F
12	20434082	NUT R.H. / W/HUB-MOUNT WHEEL M22-1.5 / 27 MM TH	10	10	10	E
12	610175	NUT L.H. 1 1/8-16 / STUD MOUNT WHEEL To 9-1457	10	10		F
12	610176	NUT R.H. 1 1/8-16 / STUD MOUNT WHEEL To 9-1457	10	10		F
13	621730	STUD / 5/8-11x 5/8-18 x 2 7/8"	8	8	8	
14	621627	DOWEL 5/8" I.D.	8	8	8	WCL
15	5001518	WASHER LO EXT .625x1.070x.055 ZP	8	8	8	
16	500723	NUT HEX 5/8-18 ZP	8	8	8	
17	621640	GASKET / AXLE SHAFT W/8 STUDS	AR	AR	AR	
18	621628	SCREW CAP HEXS 5/8-18x1 3/4 GR8	10	10	10	
19	611457	ROTOR VENTED (W/TOOTH WHEEL / DRIVE AXLE)	1	1	1	
NS	621652	KIT, CUP & CONE	1	1	1	
30	<b>H7-1235-00</b>	<b>BRAKE PARTS - DRIVE AXLE "KNORR-BREMSE" SN7 SERIES To E-2520</b>				
30	<b>H7-1235-02</b>	<b>BRAKE PARTS - DRIVE AXLE "KNORR-BREMSE" SN7 SERIES W/N2G ADJUSTER From E-2521</b>				
31	<b>H7-1235-10</b>	<b>BRAKE CHAMBER - DRIVE AXLE TYPE 24/24</b>				

From 7-0671 To J-0287	Date:10/2022	PAGE:H7-1305-00
-----------------------	--------------	-----------------

**HUB & ROTOR - DRIVE AXLE**

Item#	Part	Description	H 3 4 1	H 3 4 5	V I P 4 5	N O T E S
		A) ALSO AVAILABLE IN KIT #621652				
		B) ALSO AVAILABLE IN KIT #621653				
		D) WITH 2 ALUMINUM WHEELS				
		E) WITH HUB MOUNT WHEEL				
		F) WITH STUD MOUNT WHEEL				

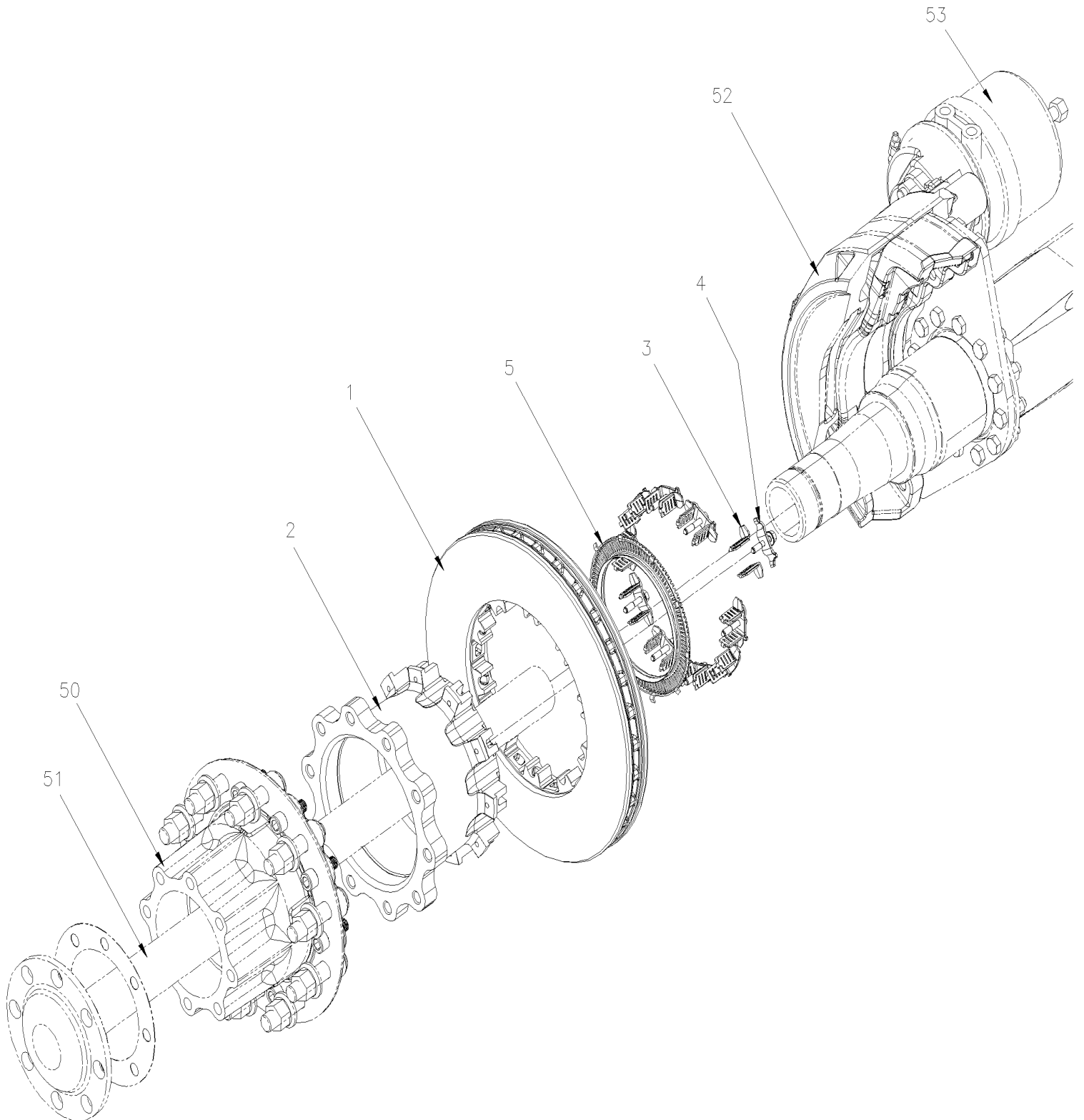


From 7-0671 To J-0287

Date:10/2022

PAGE:H7-1305-99

## ROTOR (SPLINED DISC) PRODUCT IMPROVMENT



From 7-0671 To J-0287	Date:10/2022	PAGE:H7-1305-99
<b>ROTOR (SPLINED DISC) PRODUCT IMPROVMENT</b>		

Item#	Part	Description	H 3 4 1	H 3 4 5	V I P 4 5	N O T E S
	144982	KIT SPLINED BRAKE DISC ON DRIVE AXLE	1	1	1	
. NS	IS-09085	. SEE INSTRUCTION SHEET	1	1	1	
1	144984	. ROTOR / "SPLINED DISC"	1	1	1	
2	144983	. ROTOR ADAPTOR / "SPLINED DISC"	1	1	1	
3	144986	. PIECE INTERMEDIATE / "SPLINED DISC"	20	20	20	
4	144985	. SPRING ELEMENT / "SPLINED DISC"	10	10	10	
5	124921	. TOOTH WHEEL / DRIVE AXLE / "SPLINED DISC"	1	1	1	
NS	680754	GREASE, ANTI-SEIZE PERMATEX COPPER (454GR)	AR	AR	AR	
50	<b>H7-1305-00</b>	<b>HUB &amp; ROTOR - DRIVE AXLE</b>				
51	<b>H7-1105-00</b>	<b>REAR AXLE - MODEL "RC23165"</b>				
52	<b>H7-1235-02</b>	<b>BRAKE PARTS - DRIVE AXLE "KNORR-BREMSE" SN7 SERIES W/N2G ADJUSTER</b>				
53	<b>H7-1235-10</b>	<b>BRAKE CHAMBER - DRIVE AXLE TYPE 24/24</b>				

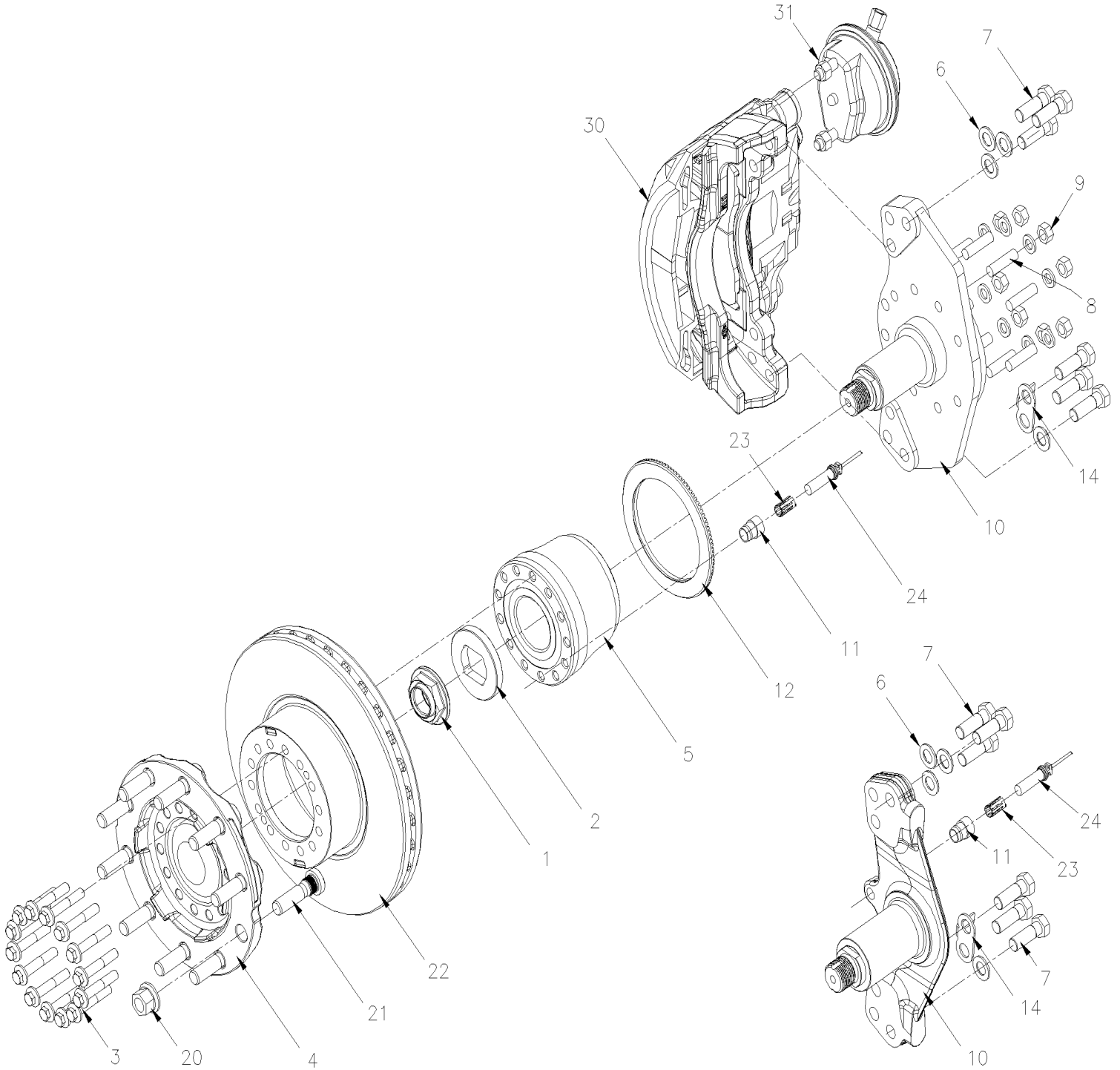


From 7-0671 To J-0287

Date:10/2022

PAGE:H7-1310-00

## HUB & ROTOR - TAG AXLE TYPE TS8U



WITH ONE PIECE TAG

<b>From 7-0671 To J-0287</b>	<b>Date:10/2022</b>	<b>PAGE:H7-1310-00</b>
<b>HUB &amp; ROTOR - TAG AXLE TYPE TS8U</b>		

Item#	Part	Description	H 3 4 1	H 3 4 5	V I P 4 5	N O T E S
1	611949	HUB NUT 1 3/4-8 To A-1655	1	1	1	
1	621811	HUB NUT 1 3/4-8 From A-1656 To G-3076	1	1	1	
1	621967	HUB NUT 1 3/4-8 From G-3077	1	1	1	
2	611948	THRUST WASHER	1	1	1	
2	621810	THRUST WASHER From A-1656	1	1	1	
3	611955	SCREW CAP HEXF M14-1.5x78 G12.9 N500 To A-1655	14	14	14	S
3	5001842	SCREW CAP HEXF M14-1.5x75 G10.9 SERR G500 From A-1656	14	14	14	S
4	611301	HUB FLANGE To A-1655	1	1	1	
4	621809	HUB FLANGE From A-1656	1	1	1	
5	611953	HUB ASSY / UNITISED L.H. & R.H. "TIMKEN" To 8-1284	1	1	1	S
5	611471	HUB ASSY / UNITISED L.H. & R.H. "FAG" ASSY W/"ABS" RING From 8-1285 To A-1655	1	1	1	S
. NS	N.S.S.	. TOOTH WHEEL From 8-1285 To A-1655	1	1	1	1 S
. NS	509939	. SCREW DRV RND #4x1/4 SS From 8-1285 To A-1655	3	3	3	S
5	611474	HUB ASSY / UNITISED L.H. & R.H. "FAG" ASSY W/"ABS" RING To A-1655	1	1	1	S A
. NS	611472	. HUB ASSY / UNITISED L.H. & R.H. "FAG" To A-1655	1	1	1	S A
. NS	611473	. TOOTH WHEEL / FRONT AXLE & TAG W/ "FAG" 143.90MM I.D. To A-1655	1	1	1	S A
5	621816P	HUB ASSY / UNITISED L.H. & R.H. "FAG" WITH TOOTH WHEEL From A-1656	1	1	1	S
. NS	621807	. HUB ASSY / UNITISED L.H. & R.H. "FAG" From A-1656	1	1	1	S
. . NS	621894	. . O-RING From A-1656	1	1	1	S
. NS	621801	. TOOTH WHEEL / TAG AXLE W/CAST TAG From A-1656	1	1	1	S
NS	491115	TOOL, HUB INSTALLER W/UNITISED BEARING / 70MM To A-1655	1	1	1	
. NS	NDS8	. MAINTENANCE INSTRUCTION To A-1655	1	1	1	
NS	G32950	TOOL, HUB INSTALLER W/UNITISED BEARING / 82MM From A-1656	1	1	1	
6	611044	WASHER FL HARD 21.0x37.0x3.0 N500	6	6	6	
7	5001529	SCREW CAP HEX M20-1.5x60 G10.9 G500	6	6	6	
8	611048	STUD / M16-2.0 x 60MM To A-1655	8	8	8	
NS	502884	WASHER LO SPT 16.2x27.4x3.5 N500 To A-1655	8	8	8	
9	502588	NUT HEX M16-2.0 ZP To A-1655	8	8	8	
10	611302	SPINDLE / WITH MODEL "G.K.N." (TS8U UNITISED) To 8-1044	1	1	1	
10	610640	SPINDLE / WITH MODEL "G.K.N." (TS8U UNITISED) W/ABS HOLE To A-1655	1	1	1	
. NS	610641	. BUSHING ABS SENSOR MOUNTING TAG AXLE To A-1655	1	1	1	
10	621808	TAG AXLE / FORGE From A-1656	1	1	1	
11	610641	BUSHING ABS SENSOR MOUNTING TAG AXLE To A-1655	1	1	1	
11	121912	BUSHING ABS SENSOR MOUNTING TAG AXLE ONE PIECE From A-1656	1	1	1	
12	611473	TOOTH WHEEL / FRONT AXLE & TAG W/ "FAG" 143.90MM I.D. To A-1655	1	1	1	
12	621801	TOOTH WHEEL / TAG AXLE W/CAST TAG From A-1656	1	1	1	
14	110786	BRAKE WEAR INDICATOR MECHANICAL / 44MM To F-2771	1	1	1	
14	142907	BRAKE WEAR INDICATOR WITH HOLE MECHANICAL From F-2772	1	1	1	

<b>From 7-0671 To J-0287</b>	<b>Date:10/2022</b>	<b>PAGE:H7-1310-00</b>
<b>HUB &amp; ROTOR - TAG AXLE TYPE TS8U</b>		

Item#	Part	Description	H 3 4 1	H 3 4 5	V I P 4 5	N O T E S
20	20434082	NUT R.H. / W/HUB-MOUNT WHEEL M22-1.5 / 27 MM TH	10	10	10	B
20	610175	NUT L.H. 1 1/8-16 / STUD MOUNT WHEEL To 9-1457	10	10		C
20	610176	NUT R.H. 1 1/8-16 / STUD MOUNT WHEEL To 9-1457	10	10		C
21	611207	STUD / R.H. / W/HUB-MOUNT WHEEL M22-1.5 x 81MM To A-1655	10	10	10	B
21	20515515	STUD / R.H. / W/HUB-MOUNT WHEEL M22-1.5 x 88MM From A-1656	10	10	10	B
21	610996	STUD / R.H. / W/STUD-MOUNT WHEEL To 9-1457	10	10		C
21	610995	STUD / L.H. / W/STUD-MOUNT WHEEL To 9-1457	10	10		C
22	611300	ROTOR VENTED	10	10	10	
23	641096	CLIP, SPRING / TO FIX SENSOR	1	1	1	
24	642085	SENSOR ABS - OEM	1	1	1	
24	642184	SENSOR ABS - AFTER MARKET	1	1	1	
30	<b>H7-1225-00</b>	<b>BRAKE PARTS - FRONT &amp; TAG AXLE "KNORR-BREMSE" SN7 SERIES To A-1593</b>				
30	<b>H7-1225-01</b>	<b>BRAKE PARTS - FRONT &amp; TAG AXLE "KNORR-BREMSE" SN7 SERIES W/NEW SLIDE PINS From A-1594 To E-2485</b>				
30	<b>H7-1225-02</b>	<b>BRAKE PARTS - FRONT &amp; TAG AXLE "KNORR-BREMSE" SN7 SERIES W/N2G ADJUSTER From E-2486</b>				
31	<b>H7-1245-10</b>	<b>BRAKE CHAMBER - TAG AXLE TYPE 14 &amp; 16</b>				
NS	MI08-04	SEE MAINTENANCE INFORMATION	1	1	1	
		A) THIS HUB ARE RELATED WITH ABS SYSTEM ON TAG (ESP)				
		B) WITH HUB MOUNT WHEEL				
		C) WITH STUD MOUNT WHEEL				
		S) REPLACED ALL BOLTS EACH TIME WHEN YOU DISASSEMBLED OR UNSCREWED THE HUB				
		1) NOT SOLD SEPARATELY				

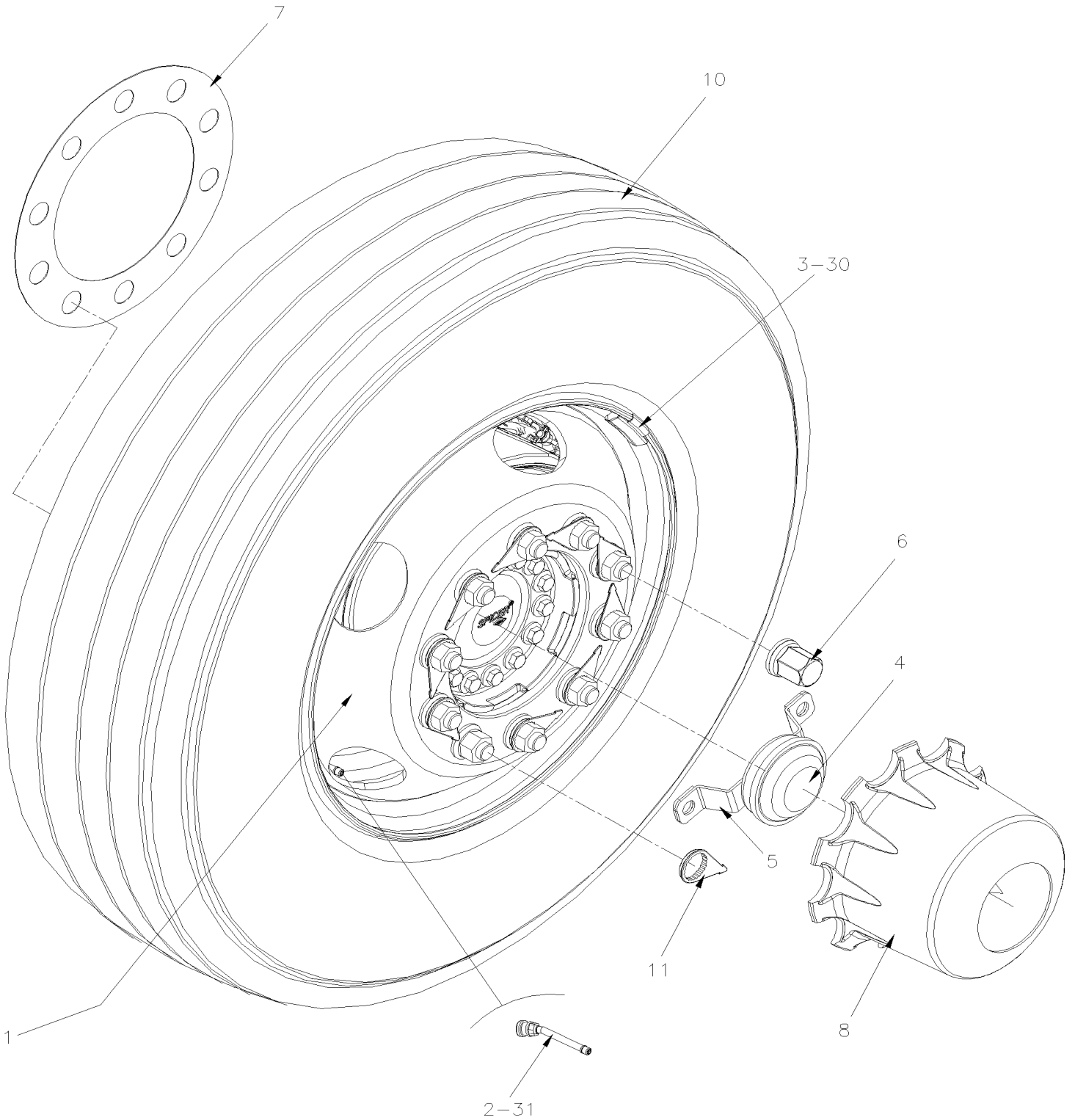


From 7-0671 To J-0287

Date:10/2022

PAGE:H7-1318-00

**WHEELS & COMPONENTS - TRUCK MOUNT (METRIC)**



From 7-0671 To J-0287 Date:10/2022 PAGE:H7-1318-00

**WHEELS & COMPONENTS - TRUCK MOUNT (METRIC)**

Item#	Part	Description	H 3 4 1	H 3 4 5	V I P 4 5	N O T E S
		STEEL WHEELS / HUB-MOUNTED				
1	650484	WHEEL, STEEL HUB 22.5 X 8.25 / WHITE / POWDER COAT To D-2363	AR	AR	AR	
1	650486	WHEEL, STEEL HUB 22.5 X 9.00 / SILVER / POWDER COAT	AR	AR	AR	
1	650485	WHEEL, STEEL HUB 22.5 X 9.00 / WHITE / POWDER COAT	AR	AR	AR	
1	650487	WHEEL, STEEL HUB 22.5 X 8.25 / SILVER / POWDER COAT To D-2363	AR	AR	AR	
1	650492	WHEEL, STEEL HUB 24.5 X 8.25 / SILVER / POWDER COAT To D-2363	AR	AR	AR	
		ALUMINIUM WHEELS / HUB-MOUNTED				
1	650488	WHEEL, ALU. HUB 22.5 X 9.00 / INSIDE POLISH	AR	AR	AR	C
1	650489	WHEEL, ALU. HUB 22.5 X 9.00 / OUTSIDE POLISH	AR	AR	AR	C
1	650490	WHEEL, ALU. HUB 22.5 X 9.00 / BOTH SIDE POLISH	AR	AR	AR	C
1	650491	WHEEL, ALU. HUB 22.5 X 9.00 / BOTH SIDE MACHINED	AR	AR	AR	C
1	650587	WHEEL, ALU. HUB 22.5 X 9.00 / BOTH SIDE DURA-BRIGHT	AR	AR	AR	C
1	650601	WHEEL, ALU. HUB 22.5 X 9.00 / INSIDE DURA BRIGHT	AR	AR	AR	C
1	650602	WHEEL, ALU. HUB 22.5 X 9.00 / OUTSIDE DURA-BRIGHT	AR	AR	AR	C
1	650662	WHEEL, ALU. HUB 22.5 X 10.5 / BOTH SIDE DURA-BRIGHT XBR To H-3454	AR	AR	AR	C
1	650047	WHEEL, ALU. HUB 22.5 X 10.5 / BOTH SIDE DURA-BRIGHT EVO From H-3455	AR	AR	AR	C
1	650443	WHEEL, ALU. HUB 22.5 X 10.5 / OUTSIDE POLISH	AR	AR	AR	C
1	650958	WHEEL, ALU. HUB 22.5 X 9.00 / BOTH SIDE MACHINED	AR	AR	AR	H
1	650959	WHEEL, ALU. HUB 22.5 X 9.00 / OUTSIDE POLISH To E-2639	AR	AR	AR	H
1	651145	WHEEL, ALU. HUB 22.5 X 9.00 / OUTSIDE POLISH From E-2640 To H-3454	AR	AR	AR	H
1	650038	WHEEL, ALU. HUB 22.5 X 9.00 / OUTSIDE POLISH From H-3455	AR	AR	AR	H
1	650976	WHEEL, ALU. HUB 22.5 X 9.00 / OUTSIDE DURA-BRIGHT To E-2639	AR	AR	AR	H
1	651140	WHEEL, ALU. HUB 22.5 X 9.00 / OUTSIDE DURA-BRIGHT XBR From E-2640 To H-3454	AR	AR	AR	H
1	650044	WHEEL, ALU. HUB 22.5 X 9.00 / OUTSIDE DURA-BRIGHT EVO From H-3455	AR	AR	AR	H
1	650989	WHEEL, ALU. HUB 22.5 X 9.00 / INSIDE POLISH To E-2639	AR	AR	AR	H
1	651143	WHEEL, ALU. HUB 22.5 X 9.00 / INSIDE POLISH From E-2640 To H-3454	AR	AR	AR	H
1	650039	WHEEL, ALU. HUB 22.5 X 9.00 / INSIDE POLISH From H-3455	AR	AR	AR	H
1	651007	WHEEL, ALU. HUB 22.5 X 9.00 / INSIDE DURA BRIGHT To E-2639	AR	AR	AR	H
1	651141	WHEEL, ALU. HUB 22.5 X 9.00 / INSIDE DURA BRIGHT XBR From E-2640 To H-3454	AR	AR	AR	H
1	650045	WHEEL, ALU. HUB 22.5 X 9.00 / INSIDE DURA BRIGHT EVO From H-3455	AR	AR	AR	H
1	651021	WHEEL, ALU. HUB 22.5 X 9.00 / BOTH SIDE POLISH To E-2639	AR	AR	AR	H
1	651144	WHEEL, ALU. HUB 22.5 X 9.00 / BOTH SIDE POLISH From E-2640 To H-3454	AR	AR	AR	H
1	650043	WHEEL, ALU. HUB 22.5 X 9.00 / BOTH SIDE POLISH From H-3455	AR	AR	AR	H
1	651038	WHEEL, ALU. HUB 22.5 X 9.00 / BOTH SIDE DURA-BRIGHT To E-2639	AR	AR	AR	H
1	651142	WHEEL, ALU. HUB 22.5 X 9.00 / BOTH SIDE DURA-BRIGHT XBR From E-2640 To H-3454	AR	AR	AR	H
1	650046	WHEEL, ALU. HUB 22.5 X 9.00 / BOTH SIDE DURA-BRIGHT EVO From H-3455	AR	AR	AR	H
1	650728	WHEEL, ALU. HUB 22.5 X 14.00 / INSIDE POLISH To A-1635	2	2	2	S
1	651548	WHEEL, ALU. HUB 22.5 X 14.00 / INSIDE POLISH From A-1636 To E-2639	2	2	2	S
1	659199	WHEEL, ALU. HUB 22.5 X 14.00 / INSIDE POLISH From E-2640 To H-3454	2	2	2	S

<b>From 7-0671 To J-0287</b>	<b>Date:10/2022</b>	<b>PAGE:H7-1318-00</b>
<b>WHEELS &amp; COMPONENTS - TRUCK MOUNT (METRIC)</b>		

Item#	Part	Description	H 3 4 1	H 3 4 5	V I P 4 5	N O T E S
1	650048	WHEEL, ALU. HUB 22.5 X 14.00 / INSIDE POLISH From H-3455	1	1	1	S
1	650729	WHEEL, ALU. HUB 22.5 X 14.00 / INSIDE DURA BRIGHT To A-1635	2	2	2	S
1	651549	WHEEL, ALU. HUB 22.5 X 14.00 / INSIDE DURA BRIGHT From A-1636 To E-2639	2	2	2	S
1	651159	WHEEL, ALU. HUB 22.5 X 14.00 / INSIDE DURA BRIGHT XBR From E-2640 To H-3454	2	2	2	S
1	650049	WHEEL, ALU. HUB 22.5 X 14.00 / INSIDE DURA BRIGHT EVO From H-3455	2	2	2	S
NS	683527	SEALANT "ALLUMINUM WHEEL" / SPRAY 13 OZ.	AR	AR	AR	
NS	683528	POLISH "ALLUMINUM WHEEL" / WAX 16 OZ.	AR	AR	AR	
NS	683529	CLEANER "ALUMINUM WHEEL" / SPRAY 22 OZ.	AR	AR	AR	
		VALVES - VALVE EXTENTION & HOLDER				
2	150293	VALVE / W/STEEL WHEEL / "KNORR-BREMSE " BRAKE -	AR	AR	AR	A
2	650194	VALVE / W/ALUMINUM WHEEL / 1.38" LG W/60 deg	AR	AR	AR	
2	650744	VALVE / W/ALUMINUM WHEEL / 1.26" LG	AR	AR	AR	
2	651078	VALVE / W/ALUMINUM WHEEL / 2.31" LG	AR	AR	AR	
2	651114	VALVE / W/ALUMINUM WHEEL / 2.60" LG W/60 deg	AR	AR	AR	
NS	650164	. CAP VALVE / CHROME	AR	AR	AR	
NS	650151	. CAP VALVE / STD	AR	AR	AR	
NS	650008	. SPRING VALVE	AR	AR	AR	
2	650745	EXTENSION VALVE 3/4" LG	AR	AR	AR	
2	650201	EXTENSION VALVE 1 3/8" LG	AR	AR	AR	
NS	650188	EXTENSION VALVE / 7" LG	AR	AR	AR	
NS	651064	RUBBER HOLDER / 2" O.D. / EXTENSION VALVE	AR	AR	AR	
NS	650205	SPRING VALVE 21116	AR	AR	AR	B
		WEIGHTS				
3	650030	WEIGHT BALANCING / 0.5 OZ / WEIGHT FREE LEAD	AR	AR	AR	
3	650003	WEIGHT BALANCING / W/STEEL WHEEL / 1 OZ / WEIGHT FREE LEAD	AR	AR	AR	
3	650062	WEIGHT BALANCING / W/STEEL WHEEL / 2 OZ	AR	AR	AR	
3	650005	WEIGHT BALANCING / W/STEEL WHEEL / 2 OZ / WEIGHT FREE LEAD	AR	AR	AR	
3	650063	WEIGHT BALANCING / W/STEEL WHEEL / 3 OZ	AR	AR	AR	
3	650006	WEIGHT BALANCING / W/STEEL WHEEL / 3 OZ / WEIGHT FREE LEAD	AR	AR	AR	
3	650064	WEIGHT BALANCING / W/STEEL WHEEL / 4 OZ	AR	AR	AR	
3	650010	WEIGHT BALANCING / W/STEEL WHEEL / 4 OZ / WEIGHT FREE LEAD	AR	AR	AR	
3	650011	WEIGHT BALANCING / W/STEEL WHEEL / 5 OZ / WEIGHT FREE LEAD	AR	AR	AR	
3	650065	WEIGHT BALANCING / W/STEEL WHEEL / 6 OZ	AR	AR	AR	
3	650012	WEIGHT BALANCING / W/STEEL WHEEL / 6 OZ / WEIGHT FREE LEAD	AR	AR	AR	
3	650066	WEIGHT BALANCING / W/STEEL WHEEL / 8 OZ	AR	AR	AR	
3	650032	WEIGHT BALANCING / W/STEEL WHEEL / 8 OZ / WEIGHT FREE LEAD	AR	AR	AR	
3	650067	WEIGHT BALANCING / W/STEEL WHEEL / 10 OZ	AR	AR	AR	

<b>From 7-0671 To J-0287</b>	<b>Date:10/2022</b>	<b>PAGE:H7-1318-00</b>
<b>WHEELS &amp; COMPONENTS - TRUCK MOUNT (METRIC)</b>		

Item#	Part	Description	H 3 4 1	H 3 4 5	V I P 4 5	N O T E S
3	650068	WEIGHT BALANCING / W/STEEL WHEEL / 12 OZ	AR	AR	AR	
3	650069	WEIGHT BALANCING / W/STEEL WHEEL / 14 OZ	AR	AR	AR	
3	650070	WEIGHT BALANCING / W/STEEL WHEEL / 16 OZ	AR	AR	AR	
3	650030	WEIGHT BALANCING / 0.5 OZ / WEIGHT FREE LEAD	AR	AR	AR	
3	650175	WEIGHT BALANCING / W/ALUMINUM WHEEL / INT. & EXT. / 2 OZ	AR	AR	AR	
3	650025	WEIGHT BALANCING / W/ALUMINUM WHEEL / 2 OZ / WEIGHT FREE LEAD	AR	AR	AR	
3	650109	WEIGHT BALANCING / W/ALUMINUM WHEEL / INT. & EXT. / 3 OZ	AR	AR	AR	
3	650026	WEIGHT BALANCING / W/ALUMINUM WHEEL / 3 OZ / WEIGHT FREE LEAD	AR	AR	AR	
3	650110	WEIGHT BALANCING / W/ALUMINUM WHEEL / EXT. ON 4 OZ	AR	AR	AR	
3	650114	WEIGHT BALANCING / W/ALUMINUM WHEEL / INT. ON 4 OZ	AR	AR	AR	
3	650027	WEIGHT BALANCING / W/ALUMINUM WHEEL / 4 OZ / WEIGHT FREE LEAD	AR	AR	AR	
3	650060	WEIGHT BALANCING / W/ALUMINUM WHEEL / 5 OZ / WEIGHT FREE LEAD	AR	AR	AR	
3	650111	WEIGHT BALANCING / W/ALUMINUM WHEEL / EXT. ON 6 OZ	AR	AR	AR	
3	650115	WEIGHT BALANCING / W/ALUMINUM WHEEL / INT. ON 6 OZ	AR	AR	AR	
3	650192	WEIGHT BALANCING / W/ALUMINUM WHEEL / W/ADHES 6 OZ	AR	AR	AR	
3	650028	WEIGHT BALANCING / W/ALUMINUM WHEEL / 6 OZ / WEIGHT FREE LEAD	AR	AR	AR	
3	650116	WEIGHT BALANCING / W/ALUMINUM WHEEL / INT. ON 8 OZ	AR	AR	AR	
3	650112	WEIGHT BALANCING / W/ALUMINUM WHEEL / EXT. ON 8 OZ	AR	AR	AR	
3	650029	WEIGHT BALANCING / W/ALUMINUM WHEEL / 8 OZ / WEIGHT FREE LEAD	AR	AR	AR	
3	650206	WEIGHT BALANCING / POWDER (12 OZ BAG)	AR	AR	AR	
		HUBODOMETER				
4	650002	HUBODOMETER, COMPLETE 11 X 20 & 12 X 22.5 MPH / STEMCO	AR	AR		
4	650117	HUBODOMETER, COMPLETE 11 X 20 & 12 X 22.5 KMH / STEMCO	AR	AR		
4	590216	HUBODOMETER, COMPLETE 11 X 20 & 12 X 22.5 KMH / V.D.O.	AR	AR		
4	650174	HUBODOMETER, COMPLETE / FOR 295/80 KMH	AR	AR		
5	650145	HUBODOMETER BRACKET / W/8 STUDS AXLE SHAFT	AR	AR		
5	150015	HUBODOMETER BRACKET / USE WITH 14" WHEEL ONLY From G-3213	AR	AR		
		OTHERS				
6	5001339	CAP, PLASTIC CHROME / WHEEL NUT / HUB MOUNT / PUSH-ON TYPE	60	60	60	E
7	650134	WHEEL GUARD MYLAR / WHEEL & HUB To H-3716	AR	AR	AR	
7	650134	WHEEL GUARD MYLAR / WHEEL & HUB From H-3717	AR	AR		
8	652236	HUB CAP PLASTIC CHROME / HUB MOUNT / METRIC ONE SET OF 2	1	1	1	G
8	621753	HUB CAP PLASTIC CHROME W/NUT / HUB MOUNT / METRIC	2	2	2	G
. NS	624215	. CAP NUT COVER WRENCH	1	1	1	G
8	150662	HUB CAP PLASTIC CHROME / HUB MOUNT / USE WITH HUBODOMETER WITH 9" WHEEL From G-3213	1	1		G
8	150016	HUB CAP PLASTIC CHROME / HUB MOUNT / USE WITH HUBODOMETER WITH 14" WHEEL From G-3213	1	1		G
8	652235	HUB CAP PLASTIC CHROME W/NUT / HUB MOUNT / METRIC ONE SET OF 2	2	2	2	D
8	611470	HUB CAP PLASTIC CHROME W/NUT / HUB MOUNT / METRIC	2	2	2	D



From 7-0671 To J-0287	Date:10/2022	PAGE:H7-1318-00
<b>WHEELS &amp; COMPONENTS - TRUCK MOUNT (METRIC)</b>		

Item#	Part	Description	H 3 4 1	H 3 4 5	V I P 4 5	N O T E S
. NS	624215	. CAP NUT COVER WRENCH	1	1	1	D
8	621683	HUB CAP PLASTIC CHROME W/NUT / HUB MOUNT	2	2	2	G
10	650447	TIRE MICHELIN 455/55 R22.5 X-ONE-XTE SUMMER TIRE	1	1	1	
10	652630	TIRE MICHELIN 455/55 R22.5 X ONE XDA-HT PLUS SUMMER TIRE To B-1784	1	1	1	
10	651120	TIRE MICHELIN 455/55 R22.5 X ONE XONE XDA-ENERGY SUMMER TIRE From B-1785	1	1	1	
10	651099	TIRE MICHELIN 455/55 R22.5 XD-N2 WINTER TIRE	1	1	1	
10	651131	TIRE BRIDGESTONE 315/80R22.5 R249BZ	1	1	1	
10	651148	TIRE CONTINENTAL 315/80R22.5 HA3	1	1	1	
NS	652066	WHEEL NUT FLAG, ORANGE	AR	AR	AR	
11	651163	WHEEL NUT FLAG, WHITE	AR	AR	AR	
		VALVES - WITH TIRE PRESSURE SENSOR				
30	066446	DECAL / "WARNING DETECTOR INSIDE" / ENGLISH & FRANCAIS	1	1	1	
30	066445	DECAL / "WARNING DETECTOR INSIDE" / ENGLISH	1	1	1	
31	<b>H7-1318-11</b>	<b>TIRE MONITOR - PRESSURE - "BERU"</b>				
NS	MI02-17	SEE MAINTENANCE INFORMATION	1	1	1	
NS	MI03-26A	SEE MAINTENANCE INFORMATION	1	1	1	
		A) USE THIS VALVE WITH ALLS STEEL WHEELS MOUNTED WITH "KNORR-BREMSE" BRAKE SYSTEM				
		B) USE THIS EXTENSION WITH POWDER BALANCING WEIGHT				
		C) USE WITH 650178 RUBBER HOLDER				
		D) TO USE WITH FRONT & TAG AXLE				
		E) TO USE WITH NUT 22MM X 33MM THICK (611189)				
		G) TO USE WITH DRIVE AXLE WHEEL				
		H) USE WITH 651064 RUBBER HOLDER				
		S) USE ONLY WITH SUPER SINGLE TIRE (650447)				

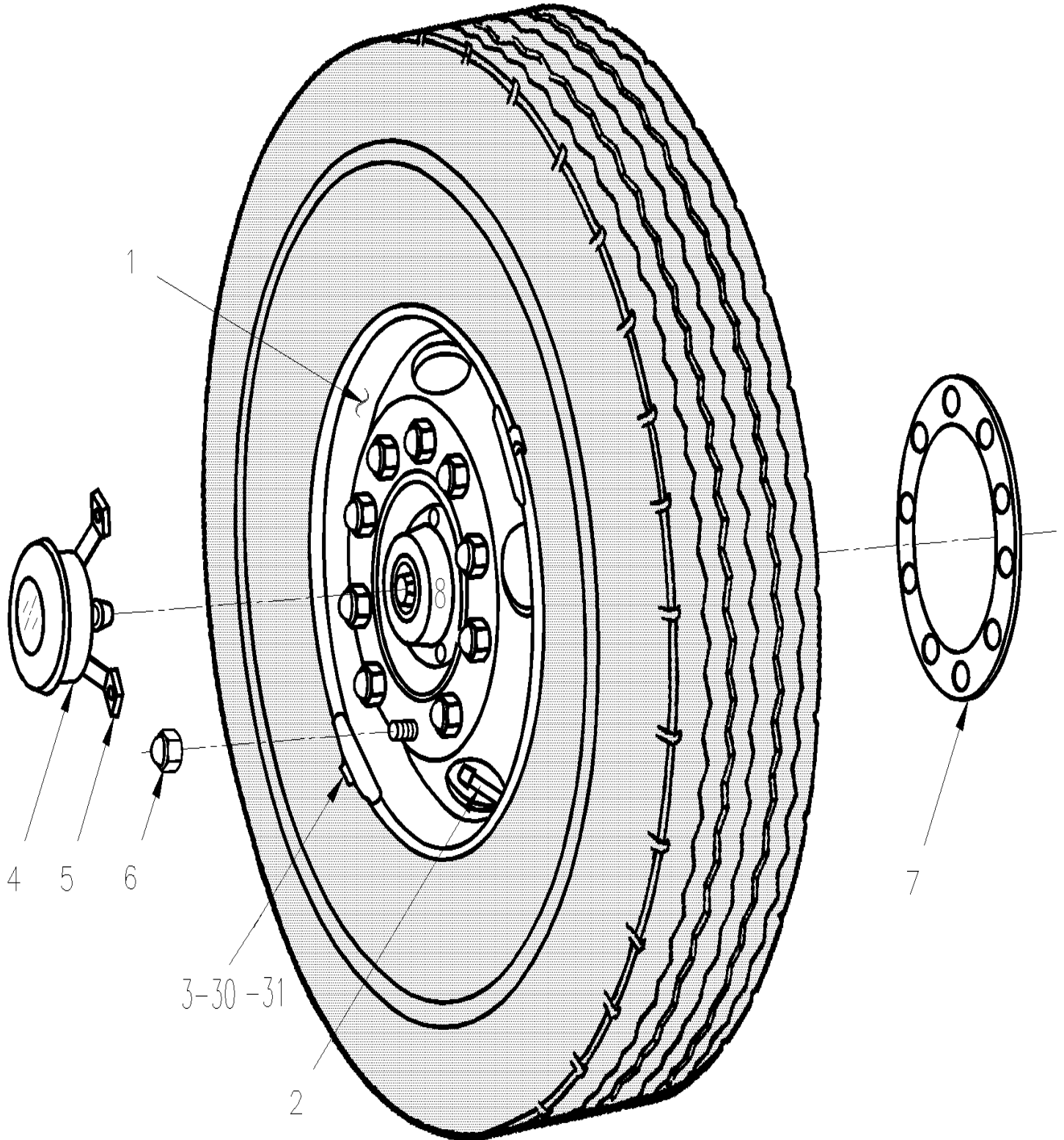


From 7-0671 To 9-1457

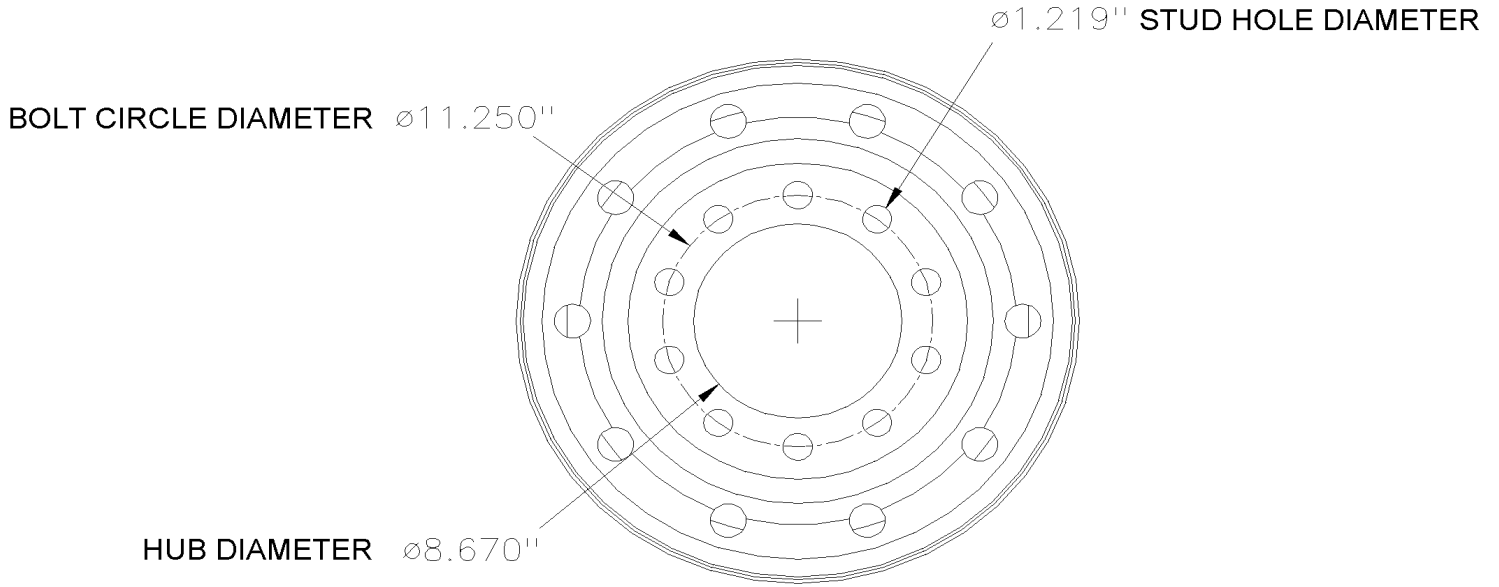
Date:10/2022

PAGE:H7-1318-01

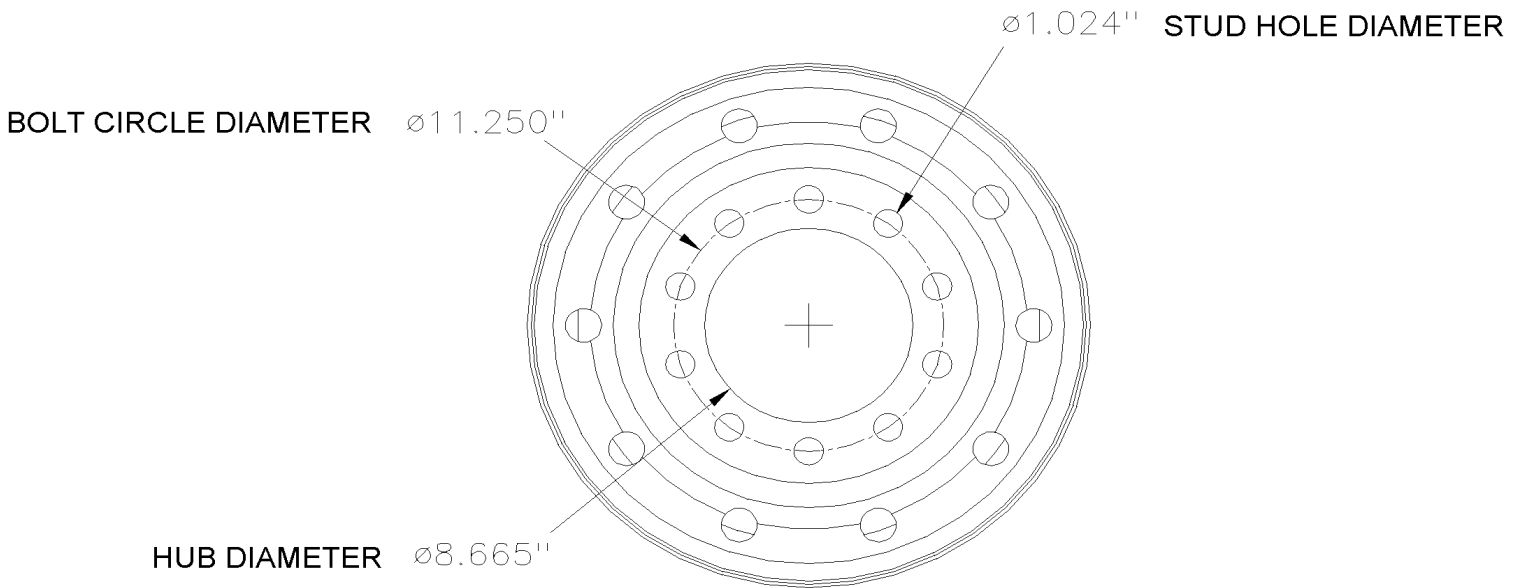
WHEELS & COMPONENTS - BUS MOUNT (STANDARD)



From 7-0671 To 9-1457	Date:10/2022	PAGE:H7-1318-01
<b>WHEELS &amp; COMPONENTS - BUS MOUNT (STANDARD)</b>		



BUS MOUNT STANDARD



TRUCK MOUNT METRIC

From 7-0671 To 9-1457 Date:10/2022 PAGE:H7-1318-01

**WHEELS & COMPONENTS - BUS MOUNT (STANDARD)**

Item#	Part	Description	H 3 4 1	H 3 4 5	V I P 4 5	N O T E S
		STEEL WHEELS / STUD MOUNTED				
1	650162	WHEEL, STEEL STUD 22.5 X 9.00 / WHITE / 2 HAND HOLE PC	AR	AR	AR	
1	650200	WHEEL, STEEL STUD 22.5 X 9.00 / GREY / 2 HAND HOLE	AR	AR	AR	
		STEEL WHEELS / HUB-MOUNTED				
1	650179	WHEEL, STEEL HUB 22.5 X 9.00 / WHITE	AR	AR	AR	
1	650213	WHEEL, STEEL HUB 22.5 X 9.00 / WHITE / POWDER COAT	AR	AR	AR	
		ALUMINIUM WHEELS / STUD-MOUNTED				
1	650190	WHEEL, ALU. STUD 22.5 X 9.00 / INSIDE POLISH	AR	AR	AR	
1	650191	WHEEL, ALU. STUD 22.5 X 9.00 / OUTSIDE POLISH	AR	AR	AR	
		ALUMINIUM WHEELS / HUB-MOUNTED				
1	650185	WHEEL, ALU. HUB 22.5 X 9.00 / INSIDE POLISH	AR	AR	AR	
1	650186	WHEEL, ALU. HUB 22.5 X 9.00 / OUTSIDE POLISH	AR	AR	AR	
1	650222	WHEEL, ALU. HUB 22.5 X 9.00 / BOTH SIDE POLISH	AR	AR	AR	
		VALVES - VALVE EXTENTION & HOLDER				
2	150293	VALVE / W/STEEL WHEEL / "KNORR-BREMSE " BRAKE -	AR	AR	AR	A
2	650194	VALVE / W/ALUMINUM WHEEL / 1.38" LG W/60 deg	AR	AR	AR	
NS	650164	. CAP VALVE / CHROME	AR	AR	AR	
NS	650151	. CAP VALVE / STD	AR	AR	AR	
NS	650008	. SPRING VALVE	AR	AR	AR	
NS	650205	. SPRING VALVE 21116	AR	AR	AR	B
2	650201	EXTENSION VALVE 1 3/8" LG	AR	AR	AR	
NS	650188	EXTENSION VALVE / 7" LG	AR	AR	AR	
NS	650178	RUBBER HOLDER / 1.5" O.D. / EXTENSION VALVE	AR	AR	AR	
		WEIGHTS				
3	650062	WEIGHT BALANCING / W/STEEL WHEEL / 2 OZ	AR	AR	AR	
3	650063	WEIGHT BALANCING / W/STEEL WHEEL / 3 OZ	AR	AR	AR	
3	650064	WEIGHT BALANCING / W/STEEL WHEEL / 4 OZ	AR	AR	AR	
3	650065	WEIGHT BALANCING / W/STEEL WHEEL / 6 OZ	AR	AR	AR	
3	650066	WEIGHT BALANCING / W/STEEL WHEEL / 8 OZ	AR	AR	AR	
3	650067	WEIGHT BALANCING / W/STEEL WHEEL / 10 OZ	AR	AR	AR	
3	650068	WEIGHT BALANCING / W/STEEL WHEEL / 12 OZ	AR	AR	AR	

From 7-0671 To 9-1457	Date:10/2022	PAGE:H7-1318-01
<b>WHEELS &amp; COMPONENTS - BUS MOUNT (STANDARD)</b>		

Item#	Part	Description	H 3 4 1	H 3 4 5	V I P 4 5	N O T E S
3	650069	WEIGHT BALANCING / W/STEEL WHEEL / 14 OZ	AR	AR	AR	
3	650070	WEIGHT BALANCING / W/STEEL WHEEL / 16 OZ	AR	AR	AR	
3	650175	WEIGHT BALANCING / W/ALUMINUM WHEEL / INT. & EXT. / 2 OZ	AR	AR	AR	
3	650109	WEIGHT BALANCING / W/ALUMINUM WHEEL / INT. & EXT. / 3 OZ	AR	AR	AR	
3	650110	WEIGHT BALANCING / W/ALUMINUM WHEEL / EXT. ON 4 OZ	AR	AR	AR	
3	650114	WEIGHT BALANCING / W/ALUMINUM WHEEL / INT. ON 4 OZ	AR	AR	AR	
3	650111	WEIGHT BALANCING / W/ALUMINUM WHEEL / EXT. ON 6 OZ	AR	AR	AR	
3	650115	WEIGHT BALANCING / W/ALUMINUM WHEEL / INT. ON 6 OZ	AR	AR	AR	
3	650112	WEIGHT BALANCING / W/ALUMINUM WHEEL / EXT. ON 8 OZ	AR	AR	AR	
3	650116	WEIGHT BALANCING / W/ALUMINUM WHEEL / INT. ON 8 OZ	AR	AR	AR	
3	650192	WEIGHT BALANCING / W/ALUMINUM WHEEL / W/ADHES 6 OZ	AR	AR	AR	
3	650206	WEIGHT BALANCING / POWDER (12 OZ BAG)	AR	AR	AR	
		HUBODOMETER				
4	650002	HUBODOMETER, COMPLETE 11 X 20 & 12 X 22.5 MPH / STEMCO	AR	AR		
4	650117	HUBODOMETER, COMPLETE 11 X 20 & 12 X 22.5 KMH / STEMCO	AR	AR		
4	590216	HUBODOMETER, COMPLETE 11 X 20 & 12 X 22.5 KMH / V.D.O.	AR	AR		
4	650174	HUBODOMETER, COMPLETE / FOR 295/80 KMH	AR	AR		
5	650106	HUBODOMETER BRACKET / W/10 STUDS AXLE SHAFT	AR	AR		
5	650145	HUBODOMETER BRACKET / W/8 STUDS AXLE SHAFT	AR	AR		
		OTHERS				
6	502221	CAP, PLASTIC CHROME / WHEEL NUT / HUB MOUNT	20	20		C
6	5001301	CAP, PLASTIC CHROME / WHEEL NUT / HUB MOUNT	40	40		D
6	502823	CAP, PLASTIC CHROME / WHEEL NUT / STUD MOUNT	60	60	60	
6	502223	CAP, PLASTIC WHITE / WHEEL NUT / STUD MOUNT	60	60	60	
6	5001339	CAP, PLASTIC CHROME / WHEEL NUT / HUB MOUNT / PUSH-ON TYPE	60	60	60	E
7	650134	WHEEL GUARD MYLAR / WHEEL & HUB	AR	AR	AR	
8	650224	HUB CAP PLASTIC CHROME W/NUT / STUD MOUNT	4	4	4	F
8	650225	HUB CAP PLASTIC CHROME W/NUT / STUD MOUNT	2	2	2	G
8	621673	HUB CAP PLASTIC CHROME W/NUT / STUD MOUNT	2	2	2	G
8	621683	HUB CAP PLASTIC CHROME W/NUT / HUB MOUNT	2	2	2	G
		A) USE THIS VALVE WITH ALLS STEEL WHEELS MOUNTED WITH "KNORR-BREMSE" BRAKE SYSTEM				
		B) USE THIS EXTENSION WITH POWDER BALANCING WEIGHT				
		C) TO USE WITH NUT 3/8"X 1"1/2 THICK (610774) / DRIVE AXLE				
		D) TO USE WITH NUT 29/32" X 1 "1/2 THICK (610773) / FRONT & TAG AXLE				

From 7-0671 To 9-1457	Date:10/2022	PAGE:H7-1318-01
<b>WHEELS &amp; COMPONENTS - BUS MOUNT (STANDARD)</b>		

Item#	Part	Description	H 3 4 1	H 3 4 5	V I P 4 5	N O T E S
		E) TO USE WITH NUT 22MM X 33MM THICK (611189)				
		F) TO USE WITH FRONT & TAG WHEEL				
		G) TO USE WITH DRIVE AXLE WHEEL				



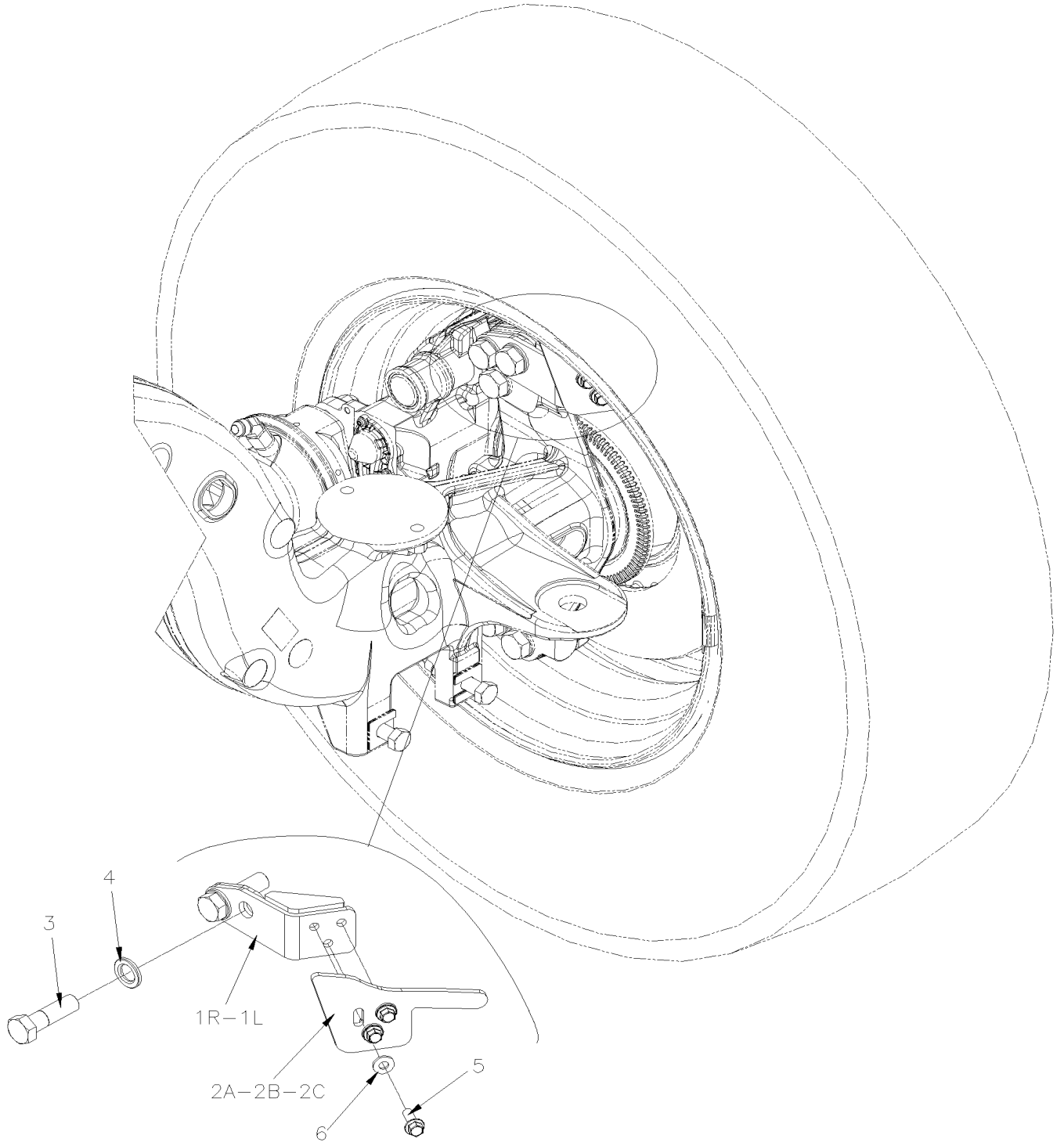


From 7-0671 To J-0184

Date:10/2022

PAGE:H7-1318-05

**TAG AXLE WHEEL SCRAPER**



From 7-0671 To J-0184	Date:10/2022	PAGE:H7-1318-05
<b>TAG AXLE WHEEL SCRAPER</b>		

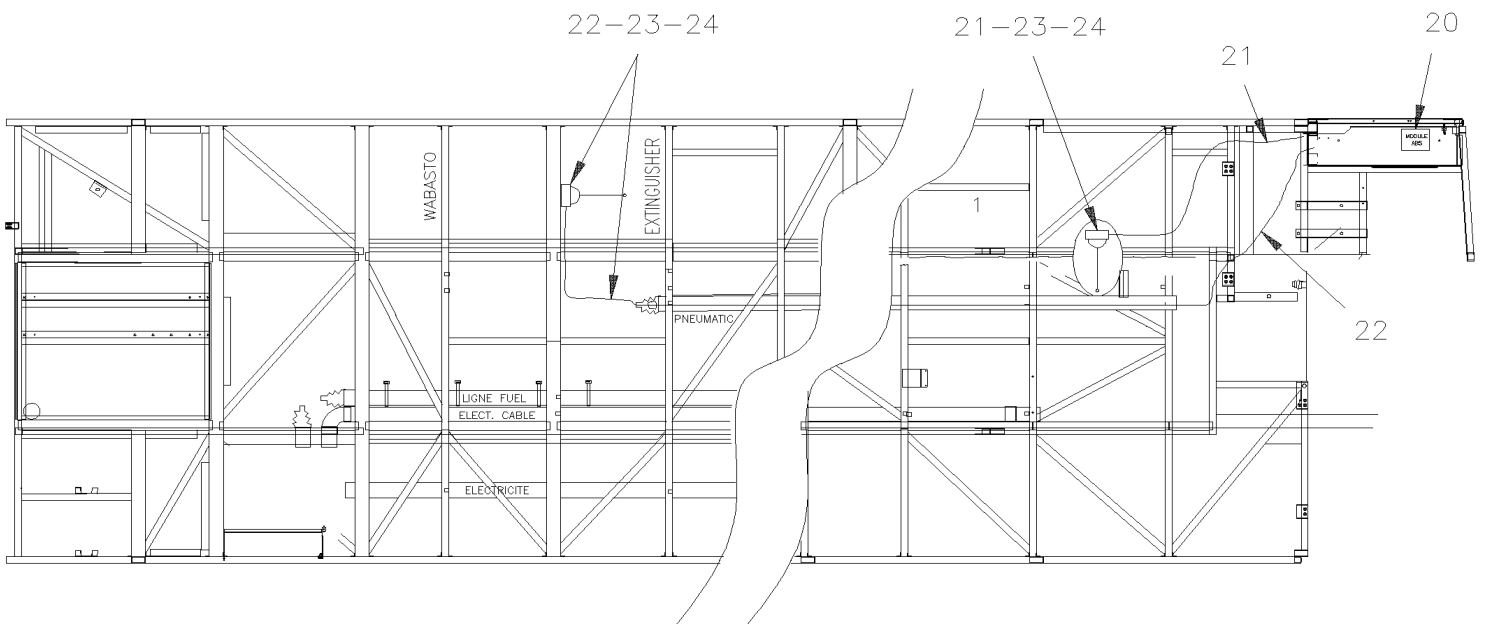
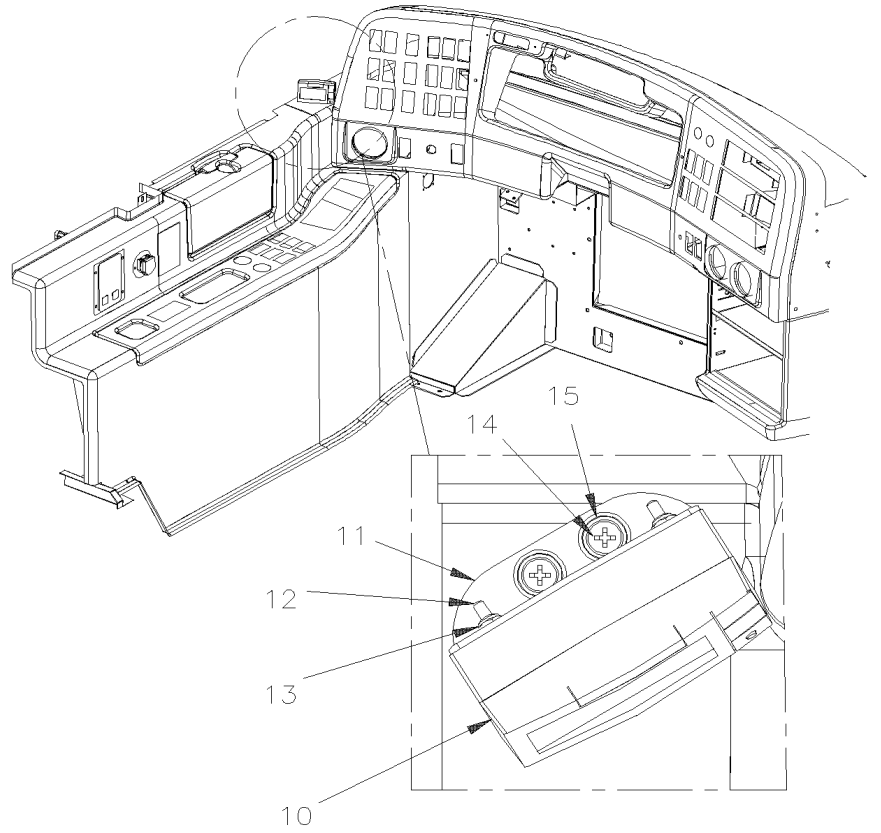
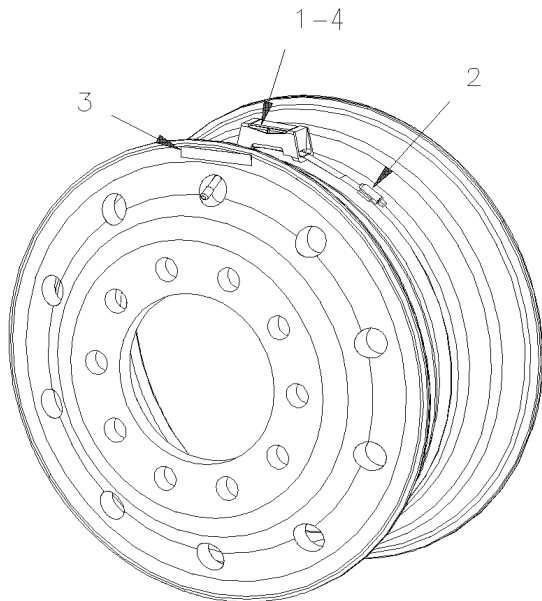
Item#	Part	Description	H 3 4 1	H 3 4 5	V I P 4 5	N O T E S
	Call order desk	KIT SCRAPER ALUMINUM WH 9" To A-1655	1	1		P
	150809	KIT SCRAPER ALUMINUM WH 9" ONE PIECE TAG From A-1656	1	1		
	Call order desk	KIT SCRAPER STEEL WH 9" To A-1655	1	1		P
	150810	KIT SCRAPER STEEL WH 9" ONE PIECE TAG From A-1656	1	1		
	Call order desk	KIT SCRAPER ALUMINUM WH 10.5" To A-1655	1	1		P
	150811	KIT SCRAPER ALUMINUM WH 10.5" ONE PIECE TAG From A-1656	1	1		
1L	150801	. SCRAPER HOLDER LEFT SIDE	1	1		L
1R	150800	. SCRAPER HOLDER RIGHT SIDE	1	1		R
2A	150806	. SCRAPER PLATE FOR RIM 9" STEEL	1	1		
2B	150807	. SCRAPER PLATE FOR RIM 9" ALUMINUM	1	1		
2C	150808	. SCRAPER PLATE FOR RIM 10.5" ALUMINUM	1	1		
3	5001997	. SCREW CAP HEX M20-2.5x70 G10.9 ZP	AR	AR		
4	611044	. WASHER FL HARD 21.0x37.0x3.0 N500	AR	AR		
5	5001741	. SCREW CAP HEXF M10-1.5x30 G8.8 N500	AR	AR		
6	5001834	. WASHER BEL SPR 10.5X23X2.5 N500	AR	AR		
		L) LEFT SIDER				
		R) RIGTH SIDE				
		P) CALL ORDER DESK FOR SPECIFIC APPLICATION (V.I.N.)				

From 7-0671 To 8-1169

Date:10/2022

PAGE:H7-1318-10

## TIRE MONITOR - PRESSURE - "SMART"



From 7-0671 To 8-1169	Date:10/2022	PAGE:H7-1318-10
<b>TIRE MONITOR - PRESSURE - "SMART"</b>		

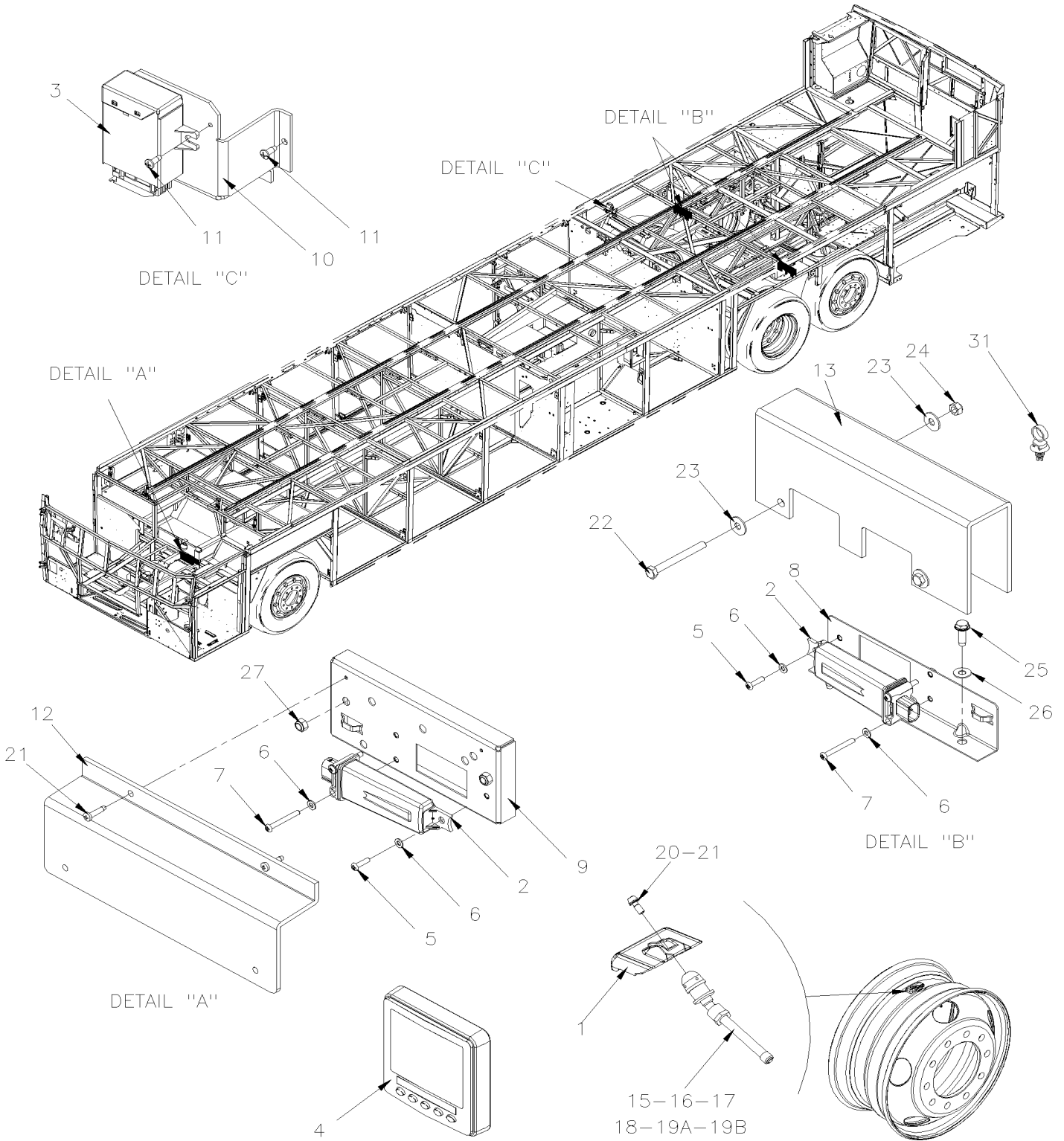
Item#	Part	Description	H 3 4 1	H 3 4 5	V I P 4 5	N O T E S
1	382333	DETECTOR PRESSURE & TEMPERATURE	AR	AR	AR	
2	507643	CLAMP DETECTOR PRESSURE / INSIDE OF WHEEL	AR	AR	AR	
3	066445	DECAL / "WARNING DETECTOR INSIDE" / ENGLISH	AR	AR	AR	
4	651068	CRADLE BOX / SENSOR	1	1	1	
10	382332	DISPLAY MONITOR TIRE / FULL PROGRAMATION	1	1	1	
11	382340	SUPPORT DISPLAY	1	1	1	
12	5001454	SCREW MA BDG PH #4-40x1/2 SS	2	2	2	
13	500425	NUT HEX NYRT #4-40 SS	2	2	2	
14	500353	SCREW TP FL PH #8x3/4 BK	2	2	2	
15	500345	WASHER FN CKF .187x.500x.090 BR BK	2	2	2	
20	382334	RECEIVER TIRE MONITOR / ASSY W/CONNECTOR	1	1	1	
. NS	382355	. RECEIVER TIRE MONITOR	1	1	1	
21	382331	ANTENNA TIRE MONITOR / FRONT	1	1	1	
22	382335	ANTENNA TIRE MONITOR / REAR	1	1	1	
22	382358	SUPPORT ANTENNA TIRE MONITOR	2	2	2	
23	500623	SCREW TC PAN PH #10-24x3/4 N500	6	6	6	
24	500470	WASHER LO SPT .193x.334x.047 Z050	6	6	6	
NS	563611	INITIALER TIRE SMART CONTROLER / CUSTOMER USE ONLY TO START S	1	1	1	
NS	060906	KIT, COMPLET MODULE TIRE PSI DETECTOR / W/MUX SERVICE	1	1	1	
. NS	IS-04084A	. SEE INSTRUCTION SHEET	1	1	1	

From 8-1170 To J-0287

Date:10/2022

PAGE:H7-1318-11

## TIRE MONITOR - PRESSURE - "BERU"

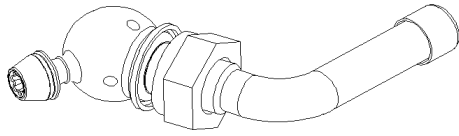


From 8-1170 To J-0287

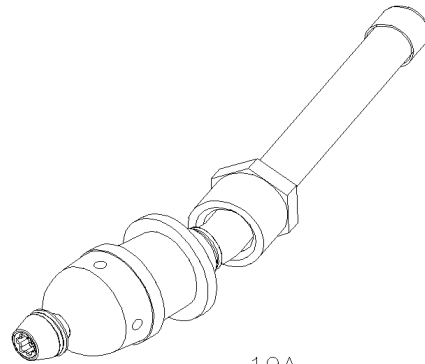
Date:10/2022

PAGE:H7-1318-11

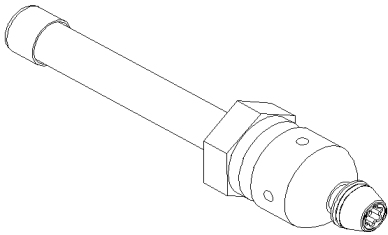
**TIRE MONITOR - PRESSURE - "BERU"**



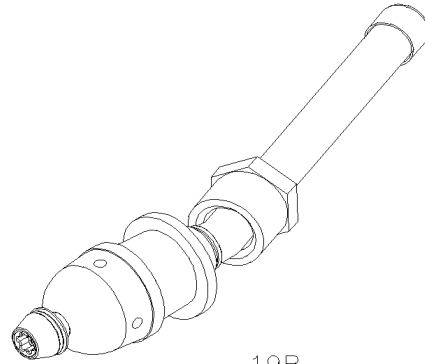
15



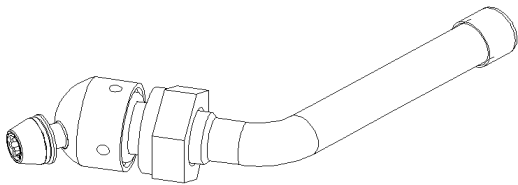
19A



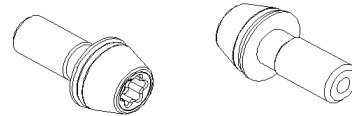
16



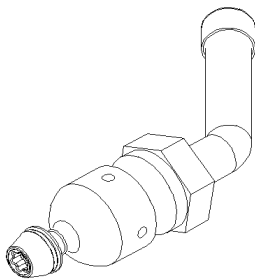
19B



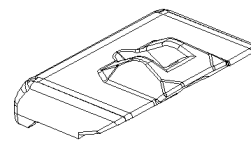
17



20



18



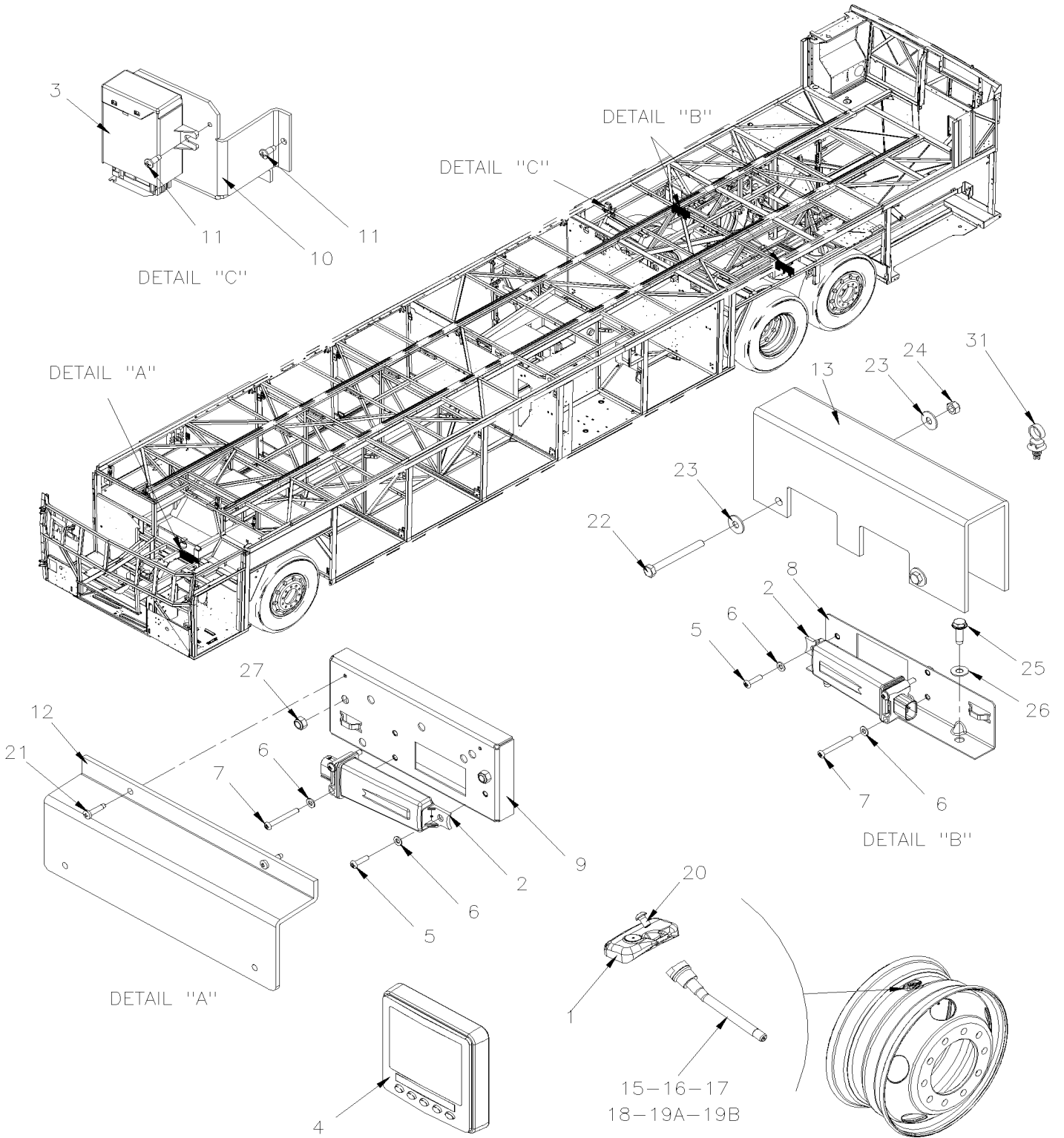
1

From 8-1170 To J-0287

Date:10/2022

PAGE:H7-1318-11

## TIRE MONITOR - PRESSURE - "BERU"

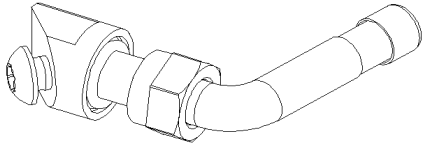


From 8-1170 To J-0287

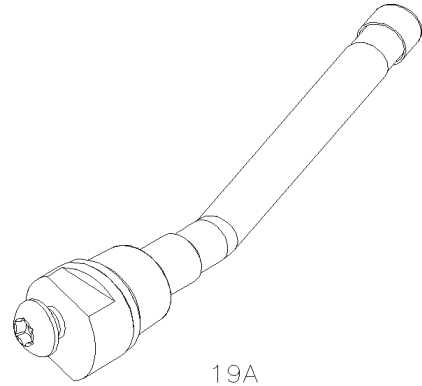
Date:10/2022

PAGE:H7-1318-11

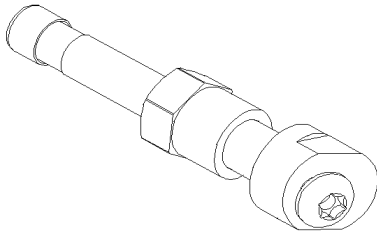
**TIRE MONITOR - PRESSURE - "BERU"**



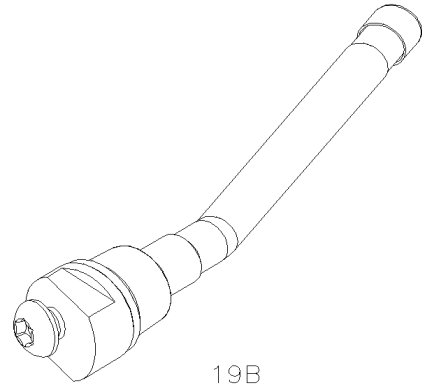
15



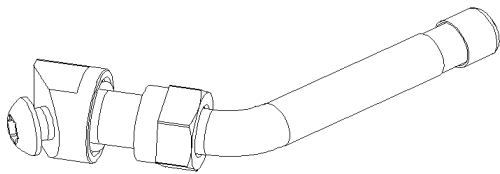
19A



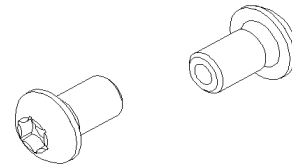
16



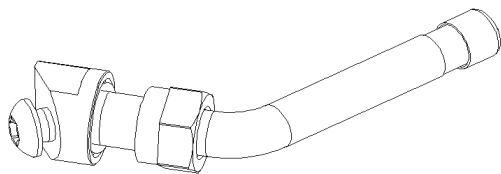
19B



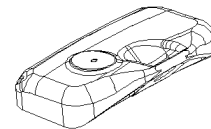
17



20



18



1



From 8-1170 To J-0287	Date:10/2022	PAGE:H7-1318-11
<b>TIRE MONITOR - PRESSURE - "BERU"</b>		

Item#	Part	Description	H 3 4 1	H 3 4 5	V I P 4 5	N O T E S
1	564078	SENSOR TIRE PRESSURE - "BERU" To G-3276	9	9	9	A
. NS	651118	. WASHER REINFORCMENT SENSOR TIRE MODULE OBLONG / SS To G-3276	1	1	1	A
1	560032	SENSOR TIRE PRESSURE - "BERU" From G-3277 To H-3674	9	9	9	
1	560279	SENSOR TIRE PRESSURE - "BERU" From H-3675	9	9	9	
NS	066445	DECAL / "WARNING DETECTOR INSIDE" / ENGLISH	AR	AR	AR	
NS	066446	DECAL / "WARNING DETECTOR INSIDE" / ENGLISH & FRANCAIS	AR	AR	AR	
2	564077	ANTENNA - TIRE PRESSURE	3	3	3	
. NS	563758	. CONNECTOR / MICRO-QUADLOK-SYSTEM / SH 4C / AMP 1-967640-1	1	1	1	
. NS	564074	. CONNECTOR CAP 90° / MICRO-QUADLOK-SYSTEM / SCH 7806880-K	1	1	1	
. NS	563759	. SOCKET TERMINAL / 20-18 / AMP 965907-1	1	1	1	
. NS	563761	. SEAL PLUG CAVITY / BLUE / AMP 967056-1	1	1	1	
3	564076	ECU TIRE PRESSURE To G-3276	1	1	1	
. NS	564073	. CONNECTOR TANDEM SPRING/ AMPMODU / SH 32C / AMP 1394010-1 To G-3276	1	1	1	
3	560056	ECU TIRE PRESSURE From G-3277	1	1	1	
4	564083	SCREEN MONITOR TIRE To B-1803	1	1	1	
4	564094	SCREEN MONITOR TIRE From B-1804 To E-2545	1	1	1	
4	565912	SCREEN MONITOR TIRE From E-2546 To J-0226	1	1	1	
4	560561	SCREEN MONITOR TIRE From J-0227	1	1	1	
NS	564084	PLATE TPMS / FIXED AT CENTRAL BOARD	1	1	1	
NS	564086	PLATE REAR TPMS ON CENTRAL BOARD	1	1	1	
NS	5001690	SCREW TC M5	3	3	3	
NS	564085	PLATE W/OUT TPMS ON CENTRAL BOARD	1	1	1	
NS	067205	WIRING HARNESS / FRT JCT BOX & ANTENNA To E-2504	1	1		
NS	068986	WIRING HARNESS / FRT JCT BOX & ANTENNA From E-2505	1	1		
NS	067205	WIRING HARNESS / FRT JCT BOX & ANTENNA To 8-1301			1	
NS	067586	WIRING HARNESS / FRT JCT BOX & ANTENNA From 8-1302			1	
NS	067585	WIRING HARNESS / FRT JCT BOX & ANTENNA EXTENSION FRONT ANTENNA To 8-1301	1	1	1	
NS	067204	WIRING HARNESS / ECU FRT JCT BOX & ACCES..	1	1	1	
NS	5001694	SCREW MA PAN PH M4-0.7x40 SS BK	6	6	6	
5	5001332	SCREW MA PAN PH M4-0.7x16 SS	3	3	3	
6	502556	WASHER FL 4.3x9.0x0.8 SS	9	9	9	
7	5001696	SCREW MA PAN PH M4-0.7x35 SS	6	6	6	
8	406121	SUPPORT ANTENNA TIRE PRESSURE From E-2505	2	2	2	
9	406085	SUPPORT ANTENNA TIRE PRESSURE To E-2504	3	3	3	
9	406085	SUPPORT ANTENNA TIRE PRESSURE From E-2505	1	1	1	
10	382406	SUPPORT TIRE ECU PRESSURE	1	1	1	
11	502868	SCREW TC TR PH #10-16x1/2 N500	5	5	5	
12	406119	PROTECTOR ANTENNA / AL "Z" SHAPE	1	1	1	
13	406119	PROTECTOR ANTENNA / AL "Z" SHAPE To E-2504	2	2	2	
13	406122	PROTECTOR ANTENNA / AL "U" SHAPE From E-2505	2	2	2	
15	651079	KIT VALVE TR543E 60DEG 17.1 HD / W/AL / 14" To C-1983	1	1	1	
. NS	651084	. SCREW MA BUT TORX W/HOLE M5-0.8x17 To C-1983	1	1	1	

From 8-1170 To J-0287	Date:10/2022	PAGE:H7-1318-11
<b>TIRE MONITOR - PRESSURE - "BERU"</b>		

Item#	Part	Description	H 3 4 1	H 3 4 5	V I P 4 5	N O T E S
. NS	651118	. . WASHER REINFORCMENT SENSOR TIRE MODULE OBLONG / SS To C-1983	1	1	1	
. NS	651116	. O-RING 8.9MM I.D. x 1.9MM "VITON" To C-1983	1	1	1	
15	651126	KIT VALVE TR543E 60DEG 17.1 HD / W/AL / 14" From C-1984 To G-3276	1	1	1	
. NS	651084	. SCREW MA BUT TORX W/HOLE M5-0.8x17 From C-1984 To G-3276	1	1	1	
. NS	651118	. . WASHER REINFORCMENT SENSOR TIRE MODULE OBLONG / SS From C-1984 To G-3276	1	1	1	
. NS	651117	. O-RING 9.5MM I.D. x 2.0MM "VITON" From C-1984 To G-3276	1	1	1	
15	650013	KIT VALVE 60DEG / W/AL / 14" From G-3277 To J-0117	1	1	1	
. NS	651116	. O-RING 8.9MM I.D. x 1.9MM "VITON" From G-3277 To J-0117	1	1	1	
. NS	650019	. SCREW MA BUT TORX W/HOLE M5 From G-3277 To J-0117	1	1	1	
15	650635	KIT VALVE 60DEG / W/AL / 14" From J-0118	1	1	1	
. NS	650019	. SCREW MA BUT TORX W/HOLE M5 From J-0118	1	1	1	
. NS	651191	. NUT From J-0118	1	1	1	
16	651080	KIT VALVE TR543 13HD / W/AL / 10.5" To C-1983	1	1	1	
. NS	651084	. SCREW MA BUT TORX W/HOLE M5-0.8x17 To C-1983	1	1	1	
. NS	651118	. . WASHER REINFORCMENT SENSOR TIRE MODULE OBLONG / SS To C-1983	1	1	1	
. NS	651117	. O-RING 9.5MM I.D. x 2.0MM "VITON" To C-1983	1	1	1	
16	651128	KIT VALVE TR543 13HD / W/AL / 10.5" From C-1984 To G-3276	1	1	1	
. NS	651084	. SCREW MA BUT TORX W/HOLE M5-0.8x17 From C-1984 To G-3276	1	1	1	
. NS	651118	. . WASHER REINFORCMENT SENSOR TIRE MODULE OBLONG / SS From C-1984 To G-3276	1	1	1	
. NS	651117	. O-RING 9.5MM I.D. x 2.0MM "VITON" From C-1984 To G-3276	1	1	1	
16	650014	KIT VALVE / W/AL / 10.5" From G-3277 To J-0117	1	1	1	
. NS	651116	. O-RING 8.9MM I.D. x 1.9MM "VITON" From G-3277 To J-0117	1	1	1	
. NS	650019	. SCREW MA BUT TORX W/HOLE M5 From G-3277 To J-0117	1	1	1	
16	650636	KIT VALVE / W/AL / 10.5" From J-0118	1	1	1	
. NS	650019	. SCREW MA BUT TORX W/HOLE M5 From J-0118	1	1	1	
17	651081	KIT VALVE TR544D 40DEG 13HD / W/AL HUB MOUNT / 9" To C-1983	1	1	1	
. NS	651084	. SCREW MA BUT TORX W/HOLE M5-0.8x17 To C-1983	1	1	1	
. NS	651118	. . WASHER REINFORCMENT SENSOR TIRE MODULE OBLONG / SS To C-1983	1	1	1	
. NS	651117	. O-RING 9.5MM I.D. x 2.0MM "VITON" To C-1983	1	1	1	
17	651122	KIT VALVE TR544D 40DEG 13HD / W/AL HUB MOUNT / 9" From C-1984 To G-3276	1	1	1	
. NS	651084	. SCREW MA BUT TORX W/HOLE M5-0.8x17 From C-1984 To G-3276	1	1	1	
. NS	651118	. . WASHER REINFORCMENT SENSOR TIRE MODULE OBLONG / SS From C-1984 To G-3276	1	1	1	
. NS	651117	. O-RING 9.5MM I.D. x 2.0MM "VITON" From C-1984 To G-3276	1	1	1	
17	650015	KIT VALVE 40DEG / W/AL / 9" From G-3277 To J-0117	1	1	1	
. NS	651116	. O-RING 8.9MM I.D. x 1.9MM "VITON" From G-3277 To J-0117	1	1	1	
. NS	650019	. SCREW MA BUT TORX W/HOLE M5 From G-3277 To J-0117	1	1	1	
17	650634	KIT VALVE 40DEG / W/AL / 9" From J-0118	1	1	1	
. NS	650019	. SCREW MA BUT TORX W/HOLE M5 From J-0118	1	1	1	
. NS	651191	. NUT From J-0118	1	1	1	
18	651082	KIT VALVE TR543C 9.5HD / W/AL STUD MOUNT / 9" To G-3276	1	1	1	
. NS	651084	. SCREW MA BUT TORX W/HOLE M5-0.8x17 To G-3276	1	1	1	
. NS	651118	. . WASHER REINFORCMENT SENSOR TIRE MODULE OBLONG / SS To G-3276	1	1	1	

<b>From 8-1170 To J-0287</b>	<b>Date:10/2022</b>	<b>PAGE:H7-1318-11</b>
<b>TIRE MONITOR - PRESSURE - "BERU"</b>		

Item#	Part	Description	H 3 4 1	H 3 4 5	V I P 4 5	N O T E S
. NS	651117	. O-RING 9.5MM I.D. x 2.0MM "VITON" To G-3276	1	1	1	
18	650015	KIT VALVE 40DEG / W/AL / 9" From G-3277 To J-0124	1	1	1	
. NS	651116	. O-RING 8.9MM I.D. x 1.9MM "VITON" From G-3277 To J-0124	1	1	1	
. NS	650019	. SCREW MA BUT TORX W/HOLE M5 From G-3277 To J-0124	1	1	1	
18	650634	KIT VALVE 40DEG / W/AL / 9" From J-0125	1	1	1	
. NS	650019	. SCREW MA BUT TORX W/HOLE M5 From J-0125	1	1	1	
. NS	651191	. NUT From J-0125	1	1	1	
19A	651083	KIT VALVE TR572 20DEG 13HD / W/STEEL WHEELS 8.25" & 9" To G-3276	1	1	1	9.0
19A	651083	KIT VALVE TR572 20DEG 13HD / W/STEEL WHEELS 8.25" & 9" To G-3276	1	1	1	9.0
. NS	651084	. SCREW MA BUT TORX W/HOLE M5-0.8x17 To G-3276	1	1	1	9.0
. NS	651118	. . WASHER REINFORCMENT SENSOR TIRE MODULE OBLONG / SS To G-3276	1	1	1	9.0
. NS	651119	. SEAL VALVE / STEEL "VITON" GREEN To G-3276	1	1	1	9.0
19A	650018	KIT VALVE 20DEG / W/STEEL WHEELS 9" From G-3277	1	1	1	9.0
. NS	650019	. SCREW MA BUT TORX W/HOLE M5 From G-3277	1	1	1	9.0
. NS	651119	. SEAL VALVE / STEEL "VITON" GREEN From G-3277	1	1	1	9.0
19B	651083	KIT VALVE TR572 20DEG 13HD / W/STEEL WHEELS 8.25" & 9" To G-3276	1	1	1	8.25
19B	651083	KIT VALVE TR572 20DEG 13HD / W/STEEL WHEELS 8.25" & 9" To G-3276	1	1	1	8.25
. NS	651084	. SCREW MA BUT TORX W/HOLE M5-0.8x17 To G-3276	1	1	1	8.25
. NS	651118	. . WASHER REINFORCMENT SENSOR TIRE MODULE OBLONG / SS To G-3276	1	1	1	8.25
. NS	651119	. SEAL VALVE / STEEL "VITON" GREEN To G-3276	1	1	1	8.25
19B	650017	KIT VALVE 20DEG / W/STEEL WHEELS 8.25" From G-3277	1	1	1	8.25
. NS	650019	. SCREW MA BUT TORX W/HOLE M5 From G-3277	1	1	1	8.25
. NS	651119	. SEAL VALVE / STEEL "VITON" GREEN From G-3277	1	1	1	8.25
20	651084	. SCREW MA BUT TORX W/HOLE M5-0.8x17 To G-3276	1	1	1	
. NS	651118	. . WASHER REINFORCMENT SENSOR TIRE MODULE OBLONG / SS To G-3276	1	1	1	
20	650019	. SCREW MA BUT TORX W/HOLE M5 From G-3277	1	1	1	
NS	685324	GREASE "PERMATEX" DIELECTRIC TUBE 3 OZ	AR	AR	AR	S
NS	680038	THREAD LOCKER LOCTITE #243 / BLUE / 50ml	AR	AR	AR	
21	500952	SCREW TP BDG PH #8x1/2 SS To E-2504	6	6	6	
21	500952	SCREW TP BDG PH #8x1/2 SS From E-2505	2	2	2	
22	5001681	SCREW CAP HEX M6-1.0x60 SS From E-2505	4	4	4	
23	500411	WASHER FL .260x.697x.050 SS From E-2505	8	8	8	
24	502681	NUT HEX NYRT M6-1.0 N500 G8	4	4	4	
25	502848	SCREW TC CAP HEXF 1/4-20x3/4 N500	4	4	4	
26	5001608	WASHER BEL SPR 6.2x15.0x0.7 G500	4	4	4	
27	5001182	NUT HEX NYRT M6-1.0 SS To E-2504	6	6	6	
27	5001182	NUT HEX NYRT M6-1.0 SS From E-2505	2	2	2	
31	509815	TIE MOUNT / ATTACHMENT W/TREE MOUNT	AR	AR	AR	
31	504637	CABLE TIE / 3/16" x 13"	AR	AR	AR	

From 8-1170 To J-0287	Date:10/2022	PAGE:H7-1318-11
<b>TIRE MONITOR - PRESSURE - "BERU"</b>		

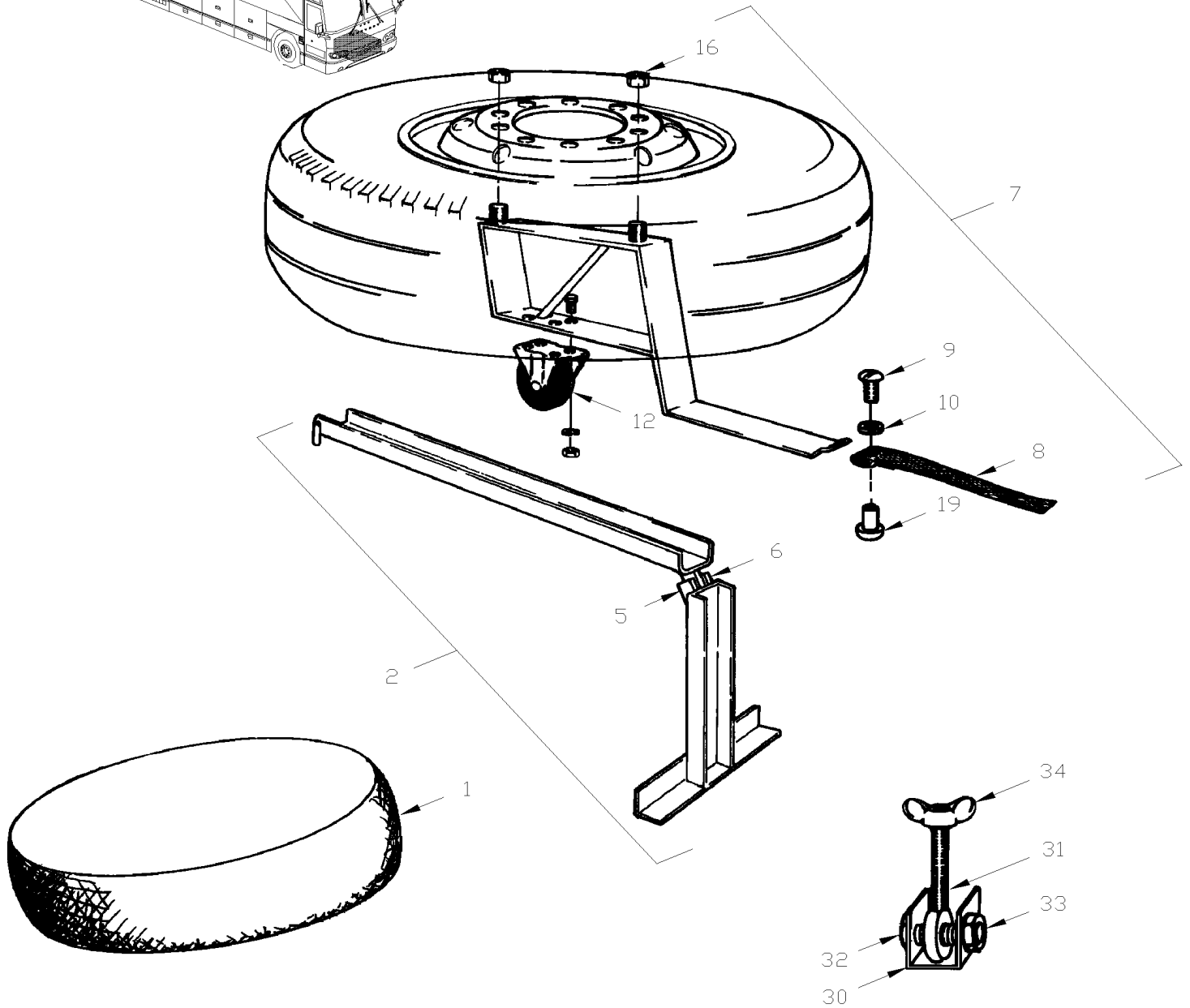
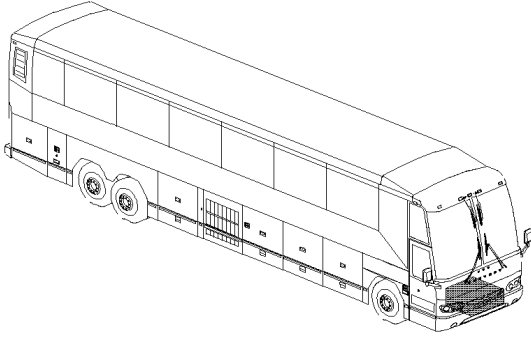
Item#	Part	Description	H 3 4 1	H 3 4 5	V I P 4 5	N O T E S
		8.25) USE WITH STEEL WHEEL 8.25"				
		9.0) USE WITH STEEL WHEEL 9.0"				
		A) WHEN YOU REPLACE SENSOR 564078 YOU NEED TO REPLACE IT WITH SENSOR 560032 AND CHOOSE KIT VALVE 650013 / 650014 / 650015 / 650018 / 650017 FOR YOUR WHEEL MODEL				
		S) USE TO PREVENT CORROSION WITH ALUMINUM WHEELS				

From 7-0671 To 9-1469

Date:10/2022

PAGE:H7-1325-00

## SPARE WHEEL - INSTALLATION



From 7-0671 To 9-1469	Date:10/2022	PAGE:H7-1325-00
<b>SPARE WHEEL - INSTALLATION</b>		

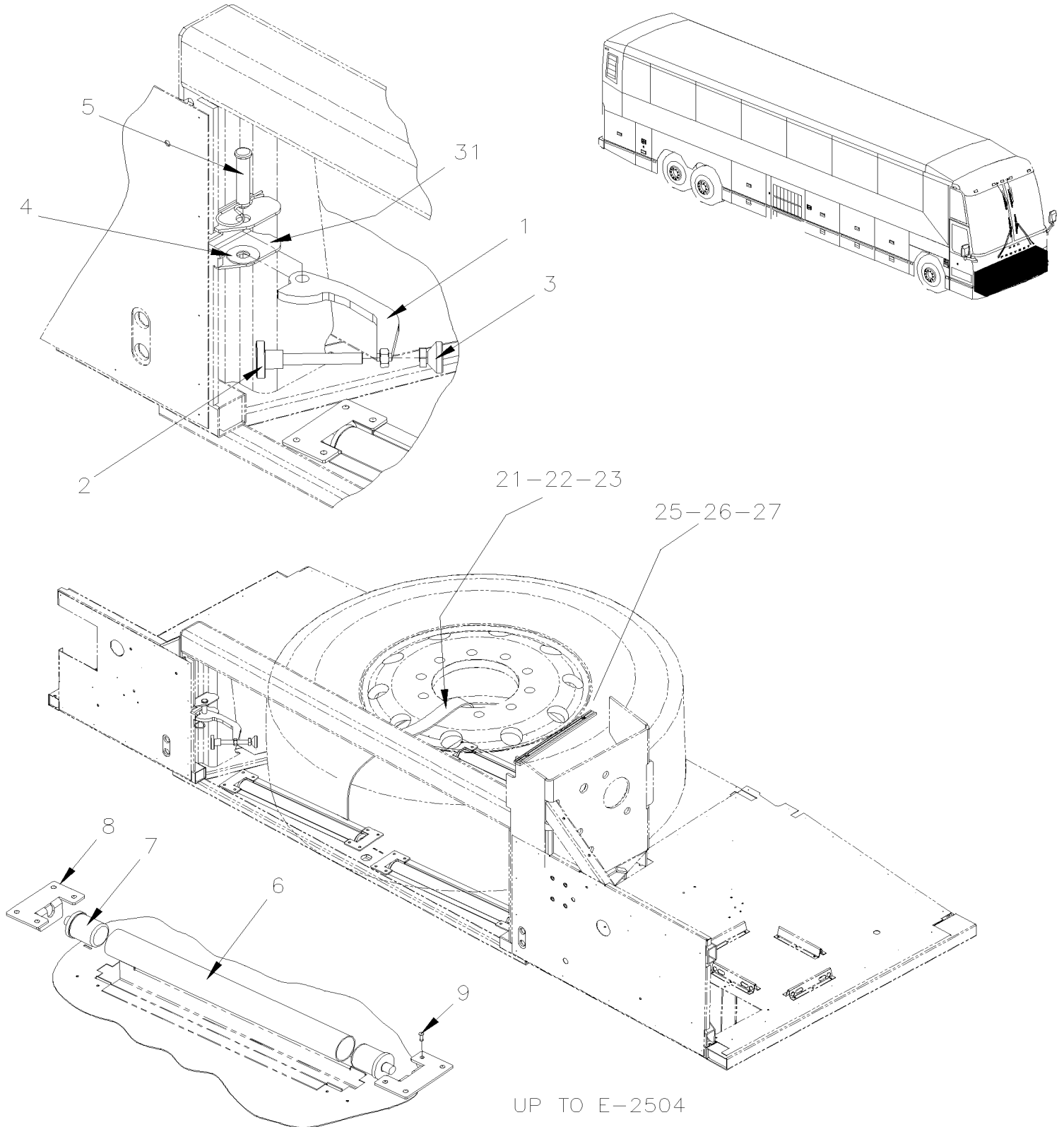
Item#	Part	Description	H 3 4 1	H 3 4 5	V I P 4 5	N O T E S
1	150128	COVER SPARE WHEEL	1	1		
1	150237	CHAIN ASSY / SPARE RETAINER	1	1		
1	505028	. TURN BUCKLE	1	1		
2	150528	RAIL ASSY	1	1		
5	502651	. SCREW CAP HEX M8-1.25x35 G8.8 Z050	1	1		
6	502744	. NUT HEX STO M8-1.25 Z050	1	1		
7	150275	SUPPORT ASSY / W/ALUMINUM WHEEL	1	1		
7	150270	. SUPPORT	1	1		
7	150276	SUPPORT ASSY / W/STEEL WHEEL	1	1		
7	150269	. SUPPORT	1	1		
8	150212	. STRAP 27"	1	1		
9	504339	. RIVET POP DOME OE 1/8x3/8 SS	2	2		
10	5001067	. WASHER FL .128x.312x.032 SS	2	2		
12	650041	WHEEL	1	1		
16	150555	PLATE ASSY W/2 SCREW	1	1		
16	502844	NUT WING M10-1.5 N500	2	2		
31	5001010	EYE BOLT M10-1.5x90 CJ	1	1		
32	502686	SCREW CAP HEX M6-1.0x30 SS BK	1	1		
33	502860	NUT HEX STO M6-1.0 N500	1	1		
34	502844	NUT WING M10-1.5 N500	1	1		

From A-1470 To J-0287

Date:10/2022

PAGE:H7-1325-01

## SPARE WHEEL - INSTALLATION

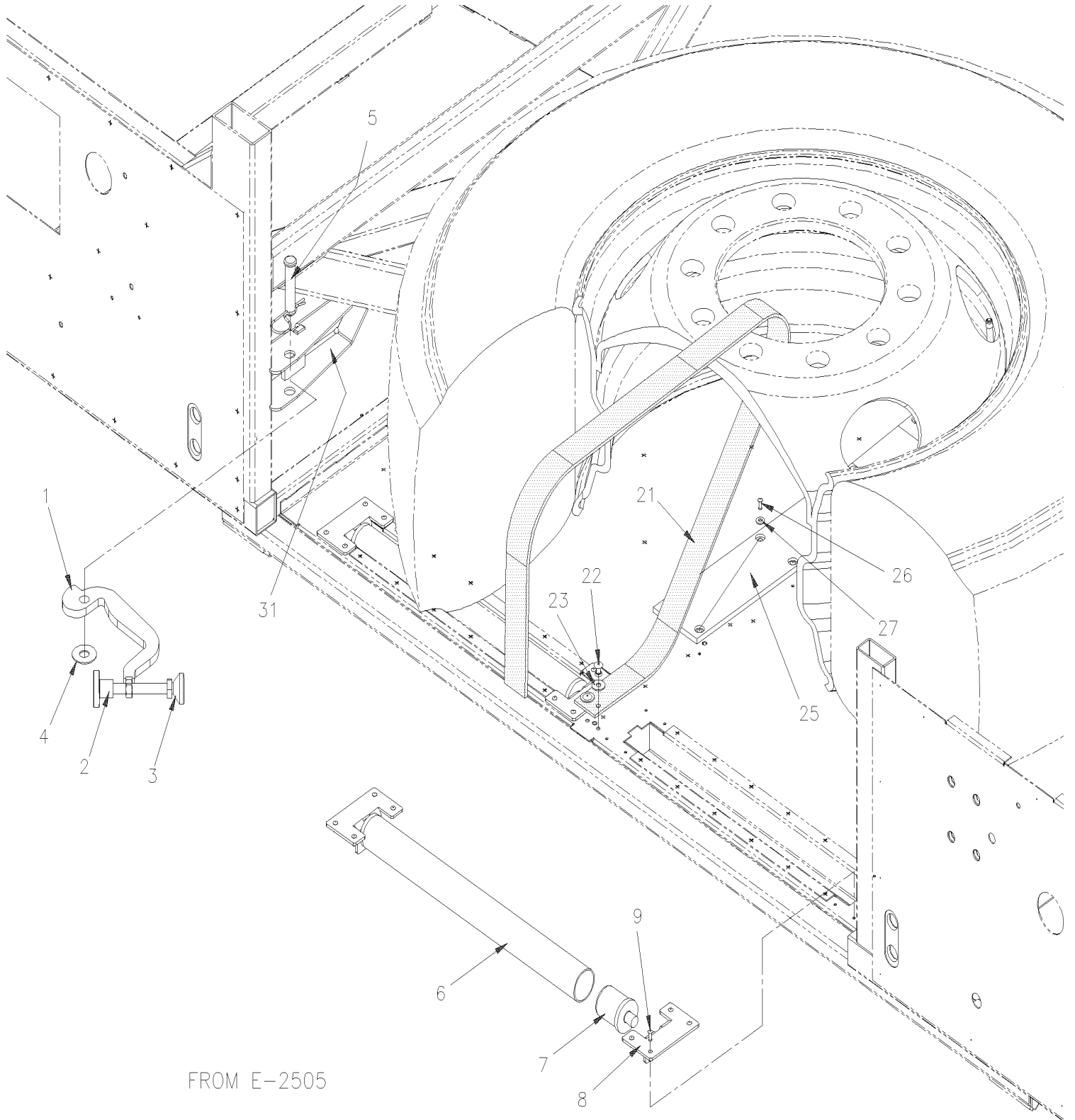


From A-1470 To J-0287

Date:10/2022

PAGE:H7-1325-01

SPARE WHEEL - INSTALLATION



FROM E-2505

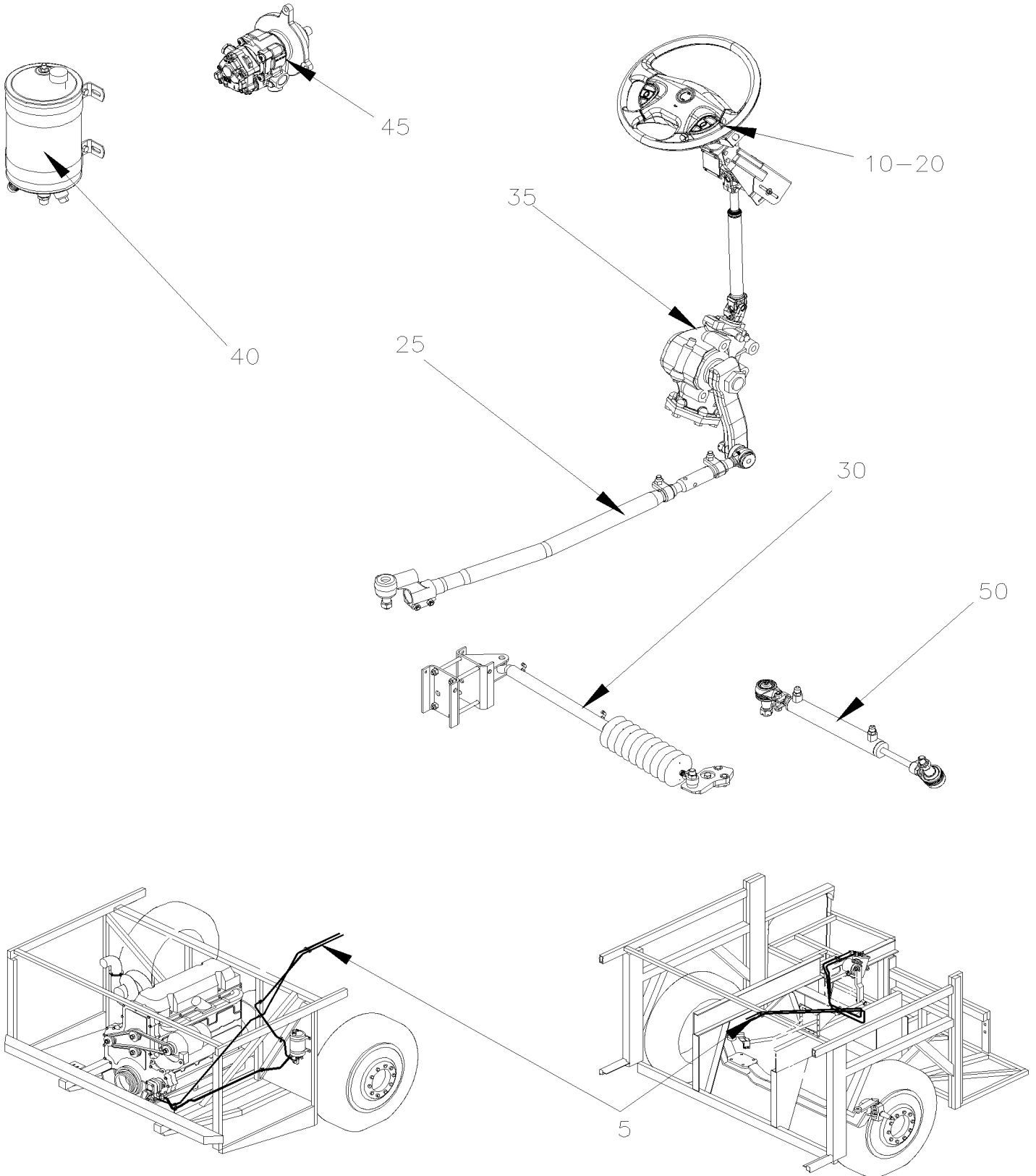


<b>From A-1470 To J-0287</b>	<b>Date:10/2022</b>	<b>PAGE:H7-1325-01</b>
<b>SPARE WHEEL - INSTALLATION</b>		

Item#	Part	Description	H 3 4 1	H 3 4 5	V I P 4 5	N O T E S
1	411153	STOPPER ASSY To E-2504	1	1	1	
1	411301	STOPPER ASSY From E-2505 To F-2956	1	1	1	
1	411302	STOPPER ASSY From F-2957	1	1	1	
2	5001701	BUTTON SS M10-1.5 SS	1	1	1	
3	5001702	NUT SW M10-1.5 SS	1	1	1	
4	5001233	WASHER FL .500x1.250x.062 NYL	1	1	1	
5	5001703	PIN, CLEVIS 1/2 x 2 1/2 SS	1	1	1	
6	150318	TUBE To E-2504	3	3	3	
6	150318	TUBE From E-2505	2	2	2	
7	150314	AXLE SHAFT To E-2504	6	6	6	
7	150314	AXLE SHAFT From E-2505	4	4	4	
8	150313	ANGLE SUPPORT To E-2504	6	6	6	
8	150797	ANGLE SUPPORT From E-2505	4	4	4	
9	504339	RIVET POP DOME OE 1/8x3/8 SS	24	24	24	
NS	680343	GREASE CLEAR SPRAY BOTTLE 283GR	1	1	1	
21	157734	STRAP	1	1	1	
22	504339	RIVET POP DOME OE 1/8x3/8 SS To E-2504	2	2	2	
22	504747	RIVET HKL MMS 3/16x3/8 SS From E-2505 To E-2580	2	2	2	
22	504793	RIVET MNB OE LARGE HEAD 3/16x7/16 SS From E-2581	2	2	2	
23	500411	WASHER FL .260x.697x.050 SS	2	2	2	
25	157733	SLIDE TRACK To E-2504	1	1	1	
25	150798	SLIDE TRACK From E-2505	1	1	1	
26	504339	RIVET POP DOME OE 1/8x3/8 SS To E-2504	2	2	2	
26	504339	RIVET POP DOME OE 1/8x3/8 SS	9	9	9	
27	502637	WASHER FL .200x.437x.037 SS To E-2504	2	2	2	
27	5001137	WASHER FL .203x.438x.050 SS From E-2505	9	9	9	
31	411150	STOPPER / SPARE TIRE ARM To E-2504	1	1	1	
31	173970	STOPPER / SPARE TIRE ARM From E-2505	1	1	1	



	Date:10/2022	H7-14
STEERING		



	Date:10/2022	H7-14
<b>STEERING</b>		

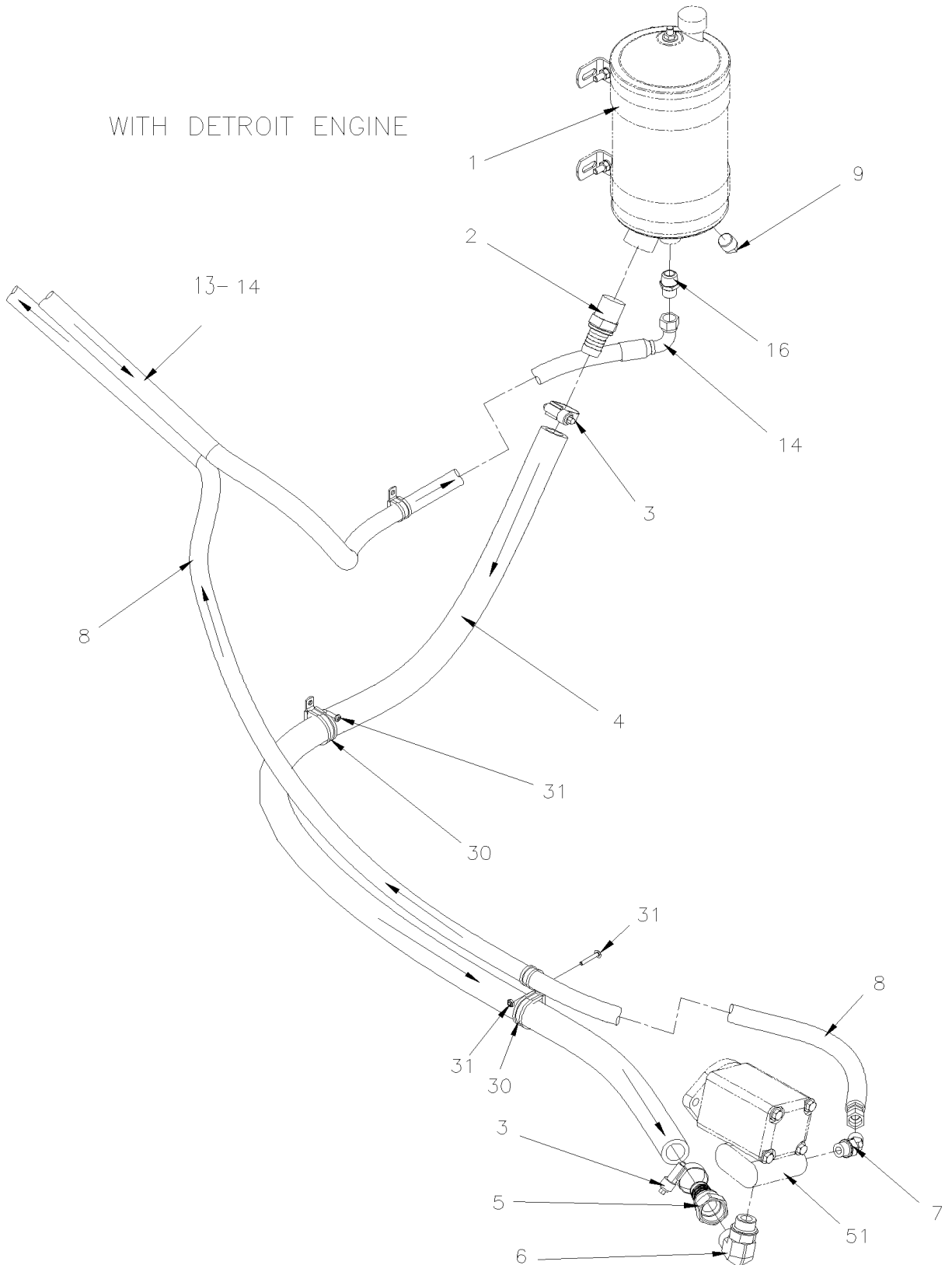
Item#	Part	Description	H 3 4 1	H 3 4 5	V I P 4 5	N O T E S
5	H7-1400-00	POWER STEERING HOSE - INSTALLATION From 7-0671 To A-1720				
5	H7-1400-01	POWER STEERING HOSE - INSTALLATION From B-1721 To J-0287				
10	H7-1405-00	STEERING WHEEL & COLUMN ASSY From 7-0671 To 8-1169				
10	H7-1405-01	STEERING WHEEL & COLUMN ASSY WITH CONTROL SWITCHES From 8-1170 To J-0287				
20	H7-1407-00	STEERING COLUMN & COVER - INSTALLATION From 7-0671 To J-0287				
25	H7-1410-00	STEERING GEAR BOX & DRAG LINK - INSTALLATION From 7-0671 To J-0287				
25	H7-1410-50	STEERING RODS - INSTALLATION W/INDEPENDENT "NDIFS80P" / 18000LBS From 7-0671 To C-1909				
25	H7-1410-51	STEERING RODS - INSTALLATION W/INDEPENDENT "NDIFS80P" / 19000LBS From C-1910 To J-0287				
25	H7-1410-60	STEERING RODS - INSTALLATION W/INDEPENDENT "NDIFS80P" / 18000LBS From A-1470 To F-2716				
25	H7-1410-61	STEERING RODS - INSTALLATION W/INDEPENDENT "NDIFS80P" / 19000LBS From F-2717 To J-0184				
30	H7-1412-00	STEERING DAMPER From 7-0671 To J-0184				
35	H7-1415-00	STEERING GEARBOX - "ZF" - W/ I BEAM RIGID From 7-0671 To J-0184				
35	H7-1415-50	STEERING GEARBOX - "ZF" - W/INDEPENDENT From 7-0671 To J-0287				
40	H7-1420-00	POWER STEERING TANK - 4 QT U.S. From 7-0671 To J-0287				
40	H7-1420-10	POWER STEERING TANK - ZF From D-2259 To J-0184				S
45	H7-1427-00	POWER STEERING PUMP - "TRW" - WITH DETROIT S-60 From 7-0671 To A-1720				
45	Refer To Volvo	POWER STEERING PUMP - "VOLVO" D13 From 8-1202 To J-0287				V
50	H7-1430-50	CYLINDER POWER STEERING From 7-0671 To J-0287				
		S) OPTION ORELAN & T.R.Y.				
		V) SEE IMPACT OR CALL ORDER DESK				

From 7-0671 To A-1720

Date:10/2022

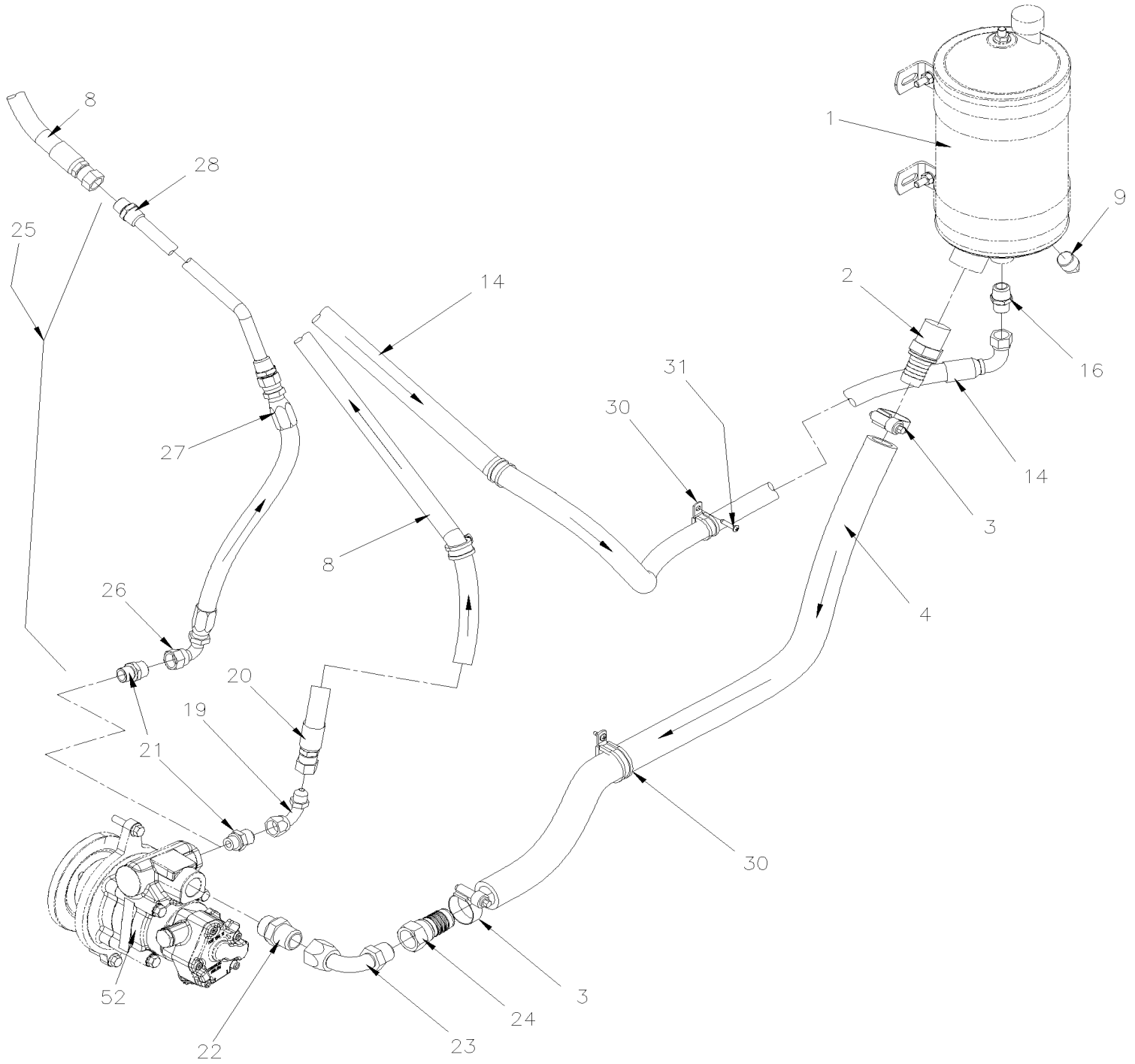
PAGE:H7-1400-00

## POWER STEERING HOSE - INSTALLATION



## POWER STEERING HOSE - INSTALLATION

WITH VOLVO ENGINE

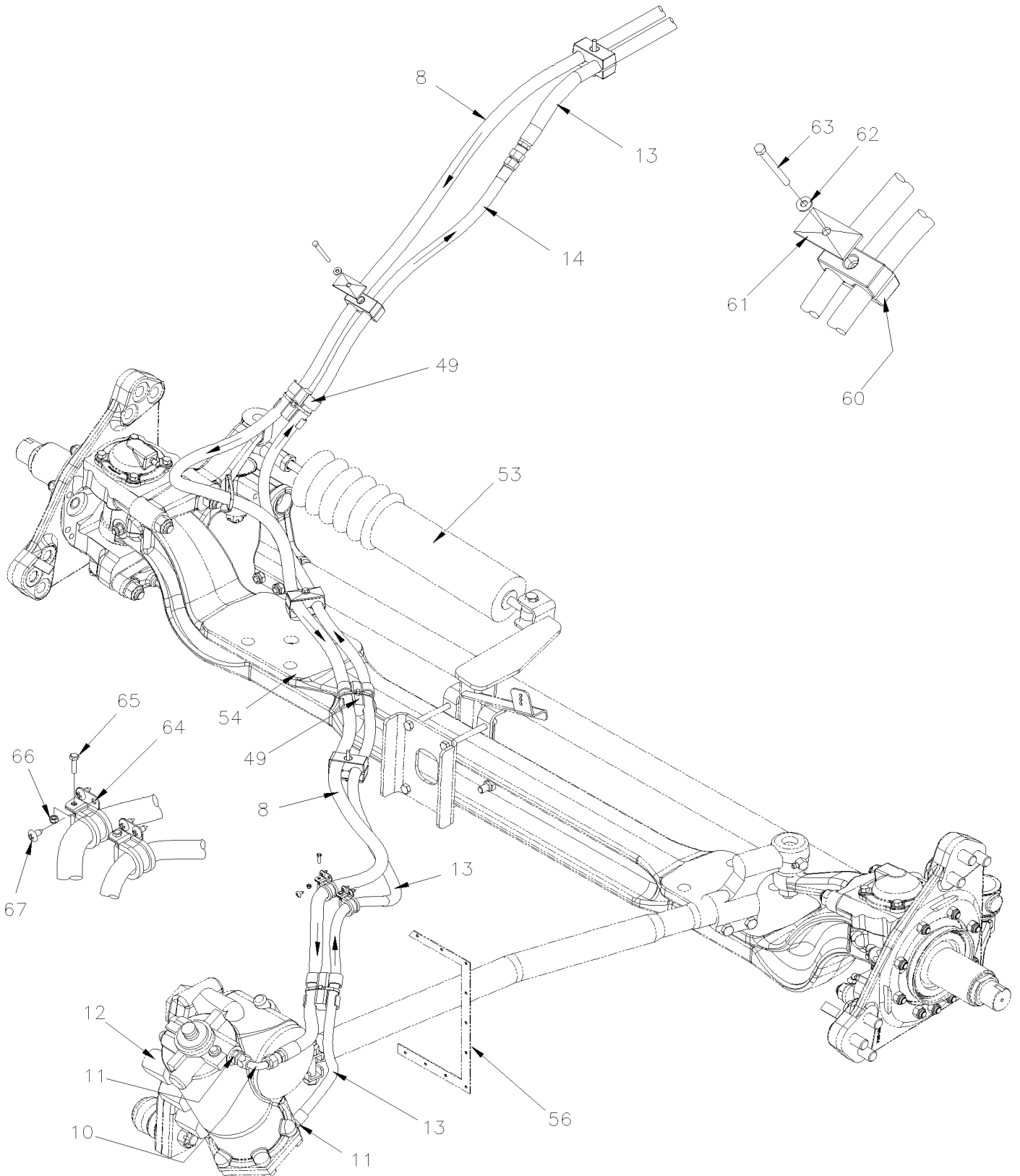


From 7-0671 To A-1720

Date:10/2022

PAGE:H7-1400-00

## POWER STEERING HOSE - INSTALLATION

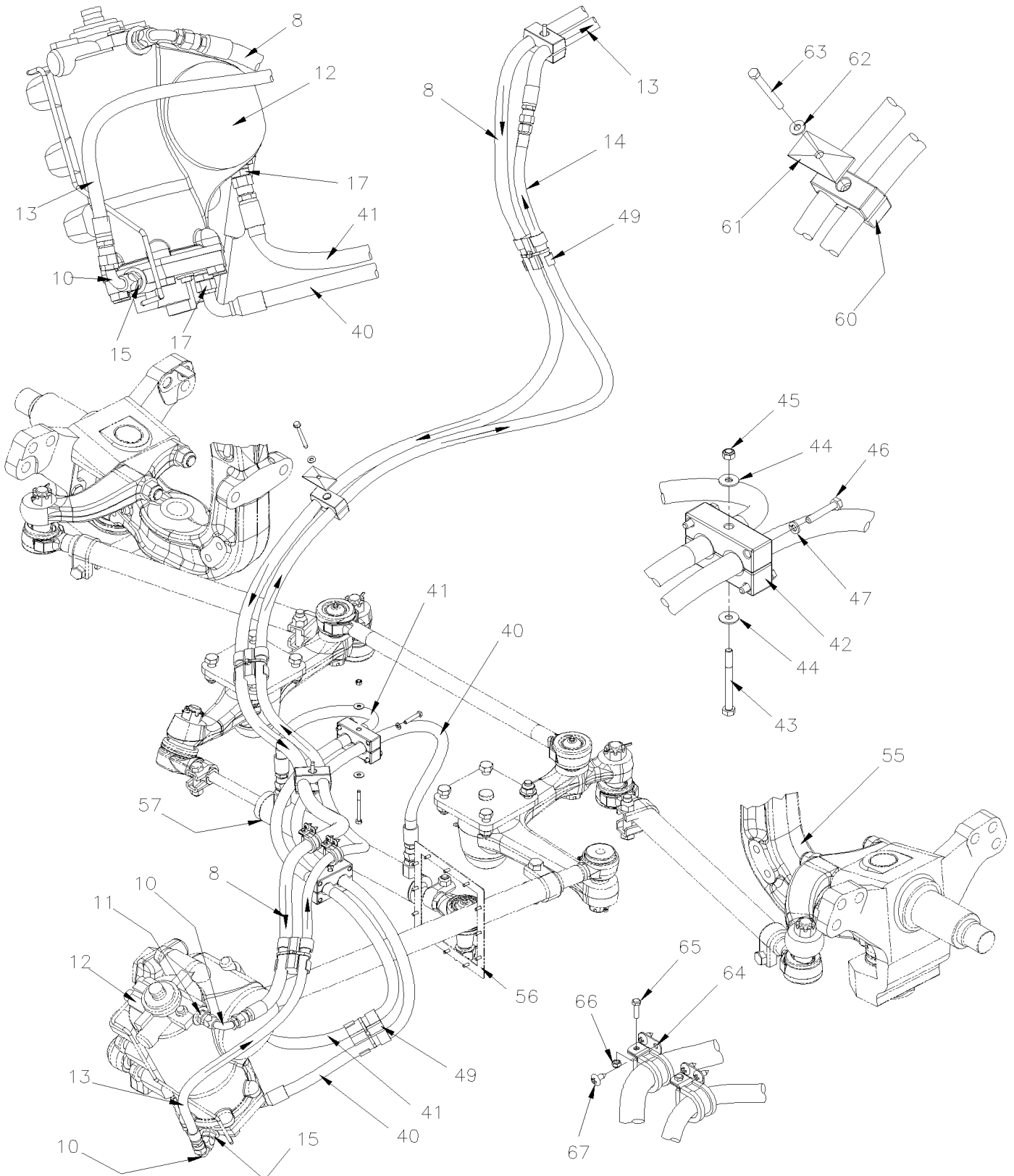


From 7-0671 To A-1720

Date:10/2022

PAGE:H7-1400-00

## POWER STEERING HOSE - INSTALLATION





<b>From 7-0671 To A-1720</b>	<b>Date:10/2022</b>	<b>PAGE:H7-1400-00</b>
<b>POWER STEERING HOSE - INSTALLATION</b>		

Item#	Part	Description	H 3 4 1	H 3 4 5	V I P 4 5	N O T E S
1	<b>H7-1420-00</b>	<b>POWER STEERING TANK - 4 QT U.S.</b>				
2	5011086	MALE CONNECTOR / PUSH-LOK FITTING / 1NPT-Mx#16 STL	1	1	1	
3	504291	HOSE CLAMP / 1"1/8-1"3/4 SS / E.T. 20	AR	AR	AR	
4	160949	HOSE / FEED LINE TO TANK / #16 1778MM	1	1	1	S60
4	163485	HOSE / FEED LINE TO TANK / #16 870MM From 8-1202	1	1		D13
5	5011147	FEMALE CONNECTOR SWIVEL / COLLAR FITTING / #16JIC-Fx#16 STL	1	1	1	
6	5011148	MALE ELBOW 90° / JIC 37° FITTING / #16JIC-Mx#12ORB-M STL	1	1	1	
7	5011167	MALE ELBOW 45° / JIC 37° FITTING / #8JIC-Mx#8ORB-M STL	1	1	1	
8	161164	HOSE ASSY / #8 14320MM		1	1	S60 A
8	161165	HOSE ASSY / #8 13180MM	1			S60 A
8	161198	KIT, HOSE REPAIR / FRONT SECTION STEERING / H3	1	1	1	
. NS	WB04-10A	. SEE WARRANTY BULLETIN	1	1	1	
. NS	161196	. HOSE ASSY / #8 1020MM	1	1	1	
. NS	501456	. MALE CONNECTOR / JIC 37° FITTING / #8JIC-Mx#8 STL	1	1	1	
8	161199	KIT, HOSE REPAIR / REAR SECTION STEERING / H3	1	1	1	
. NS	WB04-10A	. SEE WARRANTY BULLETIN	1	1	1	
. NS	161194	. HOSE ASSY / #8 1930MM	1	1	1	
. NS	501456	. MALE CONNECTOR / JIC 37° FITTING / #8JIC-Mx#8 STL	1	1	1	
8	161222	HOSE ASSY / #8 11930MM PROTO To 8-1201	1			D13
8	163488	HOSE ASSY / #8 12030MM From 8-1202	1			D13
8	163486	HOSE ASSY / #8 13270MM From 8-1202		1		D13
NS	503748	. HOSE PROTECTOR / YELLOW / .838 I.D.	AR	AR	AR	
9	501306	PLUG SQUARE HEAD / PIPE FITTING / 1/2NPT-M BR To A-1677	1	1	1	
9	501966	PLUG HEXS / PIPE FITTING / 1/2NPT-M STL From A-1678	1	1	1	
10	501845	SWIVEL NUT ELBOW 90° LONG / JIC 37° FITTING / #8JIC-Fx#8JIC-Mx1.86 STL	2	2	2	
11	5011192	MALE CONNECTOR / JIC 37° FITTING / #8JIC-MxM18-1.5-M STL	2	2	2	
. NS	N.P.N.	. O-RING	1	1	1	4
. NS	N.P.N.	. WASHER RET	1	1	1	4
NS	688910	THREAD LOCKER LOCTITE #262 / RED / 250ml	AR	AR	AR	
12	<b>H7-1415-00</b>	<b>STEERING GEARBOX - "ZF" - W/ I BEAM RIGID</b>				
12	<b>H7-1415-50</b>	<b>STEERING GEARBOX - "ZF" - W/INDEPENDENT</b>				
13	161015	HOSE ASSY / #8 13625MM To 8-1205		1	1	S60 A
13	161017	HOSE ASSY / #8 12405MM To 8-1205	1			S60 A
13	161198	KIT, HOSE REPAIR / FRONT SECTION STEERING / H3 To 8-1205	1	1	1	
. NS	WB04-10A	. SEE WARRANTY BULLETIN To 8-1205	1	1	1	
. NS	161196	. HOSE ASSY / #8 1020MM To 8-1205	1	1	1	
. NS	501456	. MALE CONNECTOR / JIC 37° FITTING / #8JIC-Mx#8 STL To 8-1205	1	1	1	
13	161199	KIT, HOSE REPAIR / REAR SECTION STEERING / H3 To 8-1205	1	1	1	
. NS	WB04-10A	. SEE WARRANTY BULLETIN To 8-1205	1	1	1	
. NS	161194	. HOSE ASSY / #8 1930MM To 8-1205	1	1	1	
. NS	501456	. MALE CONNECTOR / JIC 37° FITTING / #8JIC-Mx#8 STL To 8-1205	1	1	1	
13	161291	HOSE ASSY / #8 10580MM From 8-1206 To A-1587		1	1	

<b>From 7-0671 To A-1720</b>	<b>Date:10/2022</b>	<b>PAGE:H7-1400-00</b>
<b>POWER STEERING HOSE - INSTALLATION</b>		

Item#	Part	Description	H 3 4 1	H 3 4 5	V I P 4 5	N O T E S
13	161291	HOSE ASSY / #8 10580MM From A-1588		1	1	
13	161292	HOSE ASSY / #8 9360MM From 8-1206 To A-1587	1			
13	161292	HOSE ASSY / #8 9360MM From A-1588	1			
13	Call order desk	HOSE PHANTOM SUPPERSEDED BY # 161291 & # 161295 From A-1588		1	1	P D13
. NS	161291	. HOSE ASSY / #8 10580MM From A-1588		1	1	D13
. NS	161295	. HOSE ASSY / #6 3000MM From A-1588		1	1	D13
13	Call order desk	HOSE PHANTOM SUPPERSEDED BY # 161292 & # 161295 From A-1588	1			P D13
. NS	161292	. HOSE ASSY / #8 9360MM From A-1588	1			D13
. NS	161295	. HOSE ASSY / #6 3000MM From A-1588	1			D13
14	161295	HOSE ASSY / #6 3000MM From 8-1206 To A-1587	1	1	1	
14	161295	HOSE ASSY / #6 3000MM From A-1588	1	1	1	
NS	503748	. HOSE PROTECTOR / YELLOW / .838 I.D.	AR	AR	AR	
NS	161194	HOSE ASSY / #8 1930MM To 8-1201	1	1	1	C
15	5011192	MALE CONNECTOR / JIC 37° FITTING / #8JIC-MxM18-1.5-M STL			2	
. NS	N.P.N.	. O-RING			1	4
. NS	N.P.N.	. WASHER RET			1	4
16	501739	MALE CONNECTOR / JIC 37° FITTING / #8JIC-Mx1/2NPT-M STL	1	1	1	
17	5011192	MALE CONNECTOR / JIC 37° FITTING / #8JIC-MxM18-1.5-M STL			1	
. NS	N.P.N.	. O-RING			1	4
. NS	N.P.N.	. WASHER RET			1	4
19	501845	SWIVEL NUT ELBOW 90° LONG / JIC 37° FITTING / #8JIC-Fx#8JIC-Mx1.86 STL From 8-1202	1	1	1	D13
20	5011162	FEMALE CONNECTOR SWIVEL / JIC 37° FITTING / #8JIC-Fx#8 STL From 8-1202	1	1	1	D13
21	641294	MALE CONNECTOR / JIC 37° FITTING / #8JIC-MxM16-1.5-M STL From 8-1202	1	1	1	D13
. NS	641297	. O-RING 13.1MM I.D. X 2.6 TH From 8-1202	1	1	1	D13
. NS	641298	. WASHER FL 17MM I.D x 22MM O.D. x 1.5MM From 8-1202	1	1	1	D13
22	507647	MALE CONNECTOR W/ED SEAL / JIC 37° FITTING / #12JIC-MxM26-1.5-M STL From 8-1202	1	1	1	D13
23	507544	SWIVEL NUT ELBOW 90° SHORT / JIC 37° FITTING/ #12JIC-Fx#12JIC-Mx1.82 STL From 8-1202	1	1	1	D13
24	507646	FEMALE CONNECTOR SWIVEL / COLLAR FITTING / #12JIC-Fx#16 STL From 8-1202	1	1	1	D13
25	163490	KIT, NOISE ATENUATOR TUBE WITH VOLVO ENGINE From 8-1202 To A-1720	1	1	1	D13
. NS	IS-10015	. SEE INSTRUCTION SHEET From 8-1202 To A-1720	1	1	1	D13
. NS	163606	. HOSE ASSY WITH NOISE ATENUATOR TUBE From 8-1202 To A-1720	1	1	1	D13
. . NS	163607	. . HOSE ASSY #12 380MM From 8-1202 To A-1720	1	1	1	D13
. . NS	163608	. . PIPE ASSY From 8-1202 To A-1720	1	1	1	D13
. . NS	5011342	. . SWIVEL NUT ELBOW 90° LONG / JIC 37° FITTING / #12JIC-Mx#8JIC-F STL From 8-1202 To A-1720	1	1	1	D13
. NS	501005	. FEMALE CONNECTOR SWIVEL / JIC 37° FITTING / #8JIC-Fx#8 STL From 8-1202 To A-1720	1	1	1	D13
30	952631	CLAMP / 3/4" I.D.	AR	AR	AR	
30	952634	CLAMP / 15/16" I.D.	AR	AR	AR	
31	500613	SCREW TP PAN PH #10x1/2 Z050	AR	AR	AR	
32	952641	CLAMP / 1 5/16" I.D.	AR	AR	AR	
33	500574	SCREW MA TR PH #10-24x1 1/4 SS	AR	AR	AR	
34	500767	NUT HEX #10-24 Z050	AR	AR	AR	
35	562036	CLAMP / 7/8" I.D. X 90°	AR	AR	AR	

<b>From 7-0671 To A-1720</b>	<b>Date:10/2022</b>	<b>PAGE:H7-1400-00</b>
<b>POWER STEERING HOSE - INSTALLATION</b>		

Item#	Part	Description	H 3 4 1	H 3 4 5	V I P 4 5	N O T E S
36	500657	SCREW TC TR PH #10-24x1/2 Z050	AR	AR	AR	
40	161185	HOSE SET ASSY / CYLINDER POWER STEERING	1	1	1	
40	163470	. HOSE ASSY / #8 1648MM			1	
41	163469	. HOSE ASSY / #8 1648MM			1	
42	161177	. HOSE RETAINER BLOCK CLAMP To A-1486			4	
42	160033	. HOSE RETAINER BLOCK CLAMP From A-1487			4	
43	502541	. SCREW CAP HEX M6-1.0x65 G8.8 Z050			1	
44	500411	. WASHER FL .260x.697x.050 SS			2	
45	5001182	. NUT HEX NYRT M6-1.0 SS			1	
45	160203	KIT, POWER STEERING PUMP DISCHARGE HOSE (PRESSURE) H3-45,VIP-45 To A-1486			1	
. NS	160108	. HOSE ASSY / #8 12490MM To A-1486			1	
. NS	170758	. SUPPORT To A-1486			1	
. NS	5001730	. SCREW CAP HEXF M6-1.0x16 G10.9 N500 To A-1486			1	
. NS	5001833	. WASHER BEL SPR 6.1x18x1.27 SS To A-1486			1	
. NS	501031	. SEAL / JIC 37° FITTING / #8 To A-1486			1	
. NS	504189	. CLAMP DOUBLE ASS / SPLIT BLOC / 22MM/19MM x 67MM POLYA To A-1486			1	
. NS	504204	. CLAMP P SS ID. 36-51 To A-1486			1	
. NS	IS-19040	. INSTRUCTION SHEET To A-1486			1	
. NS	FI-19040	. VOIR FEUILLE D'INSTRUCTION To A-1486			1	
46	502888	SCREW CAP HEX M6-1.0x35 G8.8 N500			4	
46	502769	SCREW CAP HEX M6-1.0x70 G10.9 DP			4	
47	502570	WASHER LO SPT 6.1x11.8x1.6 SS			4	
49	504634	T-CLIP / 7/8" - 1"			AR	
NS	504637	CABLE TIE / 3/16" x 13"			AR	
NS	500620	SCREW TP FL PH #10x1 1/2 Z050			AR	
51	<b>H7-1427-00</b>	<b>POWER STEERING PUMP - "TRW" - WITH DETROIT S-60</b>				
52	<b>H7-1427-01</b>	<b>POWER STEERING PUMP - "VOLVO" D13</b>				
53	<b>H7-1412-00</b>	<b>STEERING DAMPER</b>				
54	<b>H7-1005-00</b>	<b>FRONT AXLE - I BEAM RIGID MODEL "S84U"</b>				
55	<b>H7-1005-50</b>	<b>FRONT AXLE - INDEPENDENT MODEL "NDIFS80P" / 18000LBS</b>				
56	<b>H7-1410-00</b>	<b>STEERING GEAR BOX &amp; DRAG LINK - INSTALLATION</b>				
57	<b>H7-1430-50</b>	<b>CYLINDER POWER STEERING</b>				
60	504727	CLAMP DOUBLE ASS / 2 HOSE SIZE 3/8"	AR	AR	AR	
61	504728	PLATE RETAINER	AR	AR	AR	
62	500440	WASHER FL .250x.562x.065 Z050	AR	AR	AR	
63	500107	SCREW TC CAP HEXW 1/4-20x2 1/2 Z050	AR	AR	AR	
64	562036	CLAMP / 7/8" I.D. X 90°	AR	AR	AR	
65	502550	SCREW CAP HEX M4-0.7x16 G8.8 Z050	AR	AR	AR	
66	500590	NUT HEX NYRT M4-0.7 Z050	AR	AR	AR	
67	500657	SCREW TC TR PH #10-24x1/2 Z050	AR	AR	AR	

From 7-0671 To A-1720	Date:10/2022	PAGE:H7-1400-00
<b>POWER STEERING HOSE - INSTALLATION</b>		

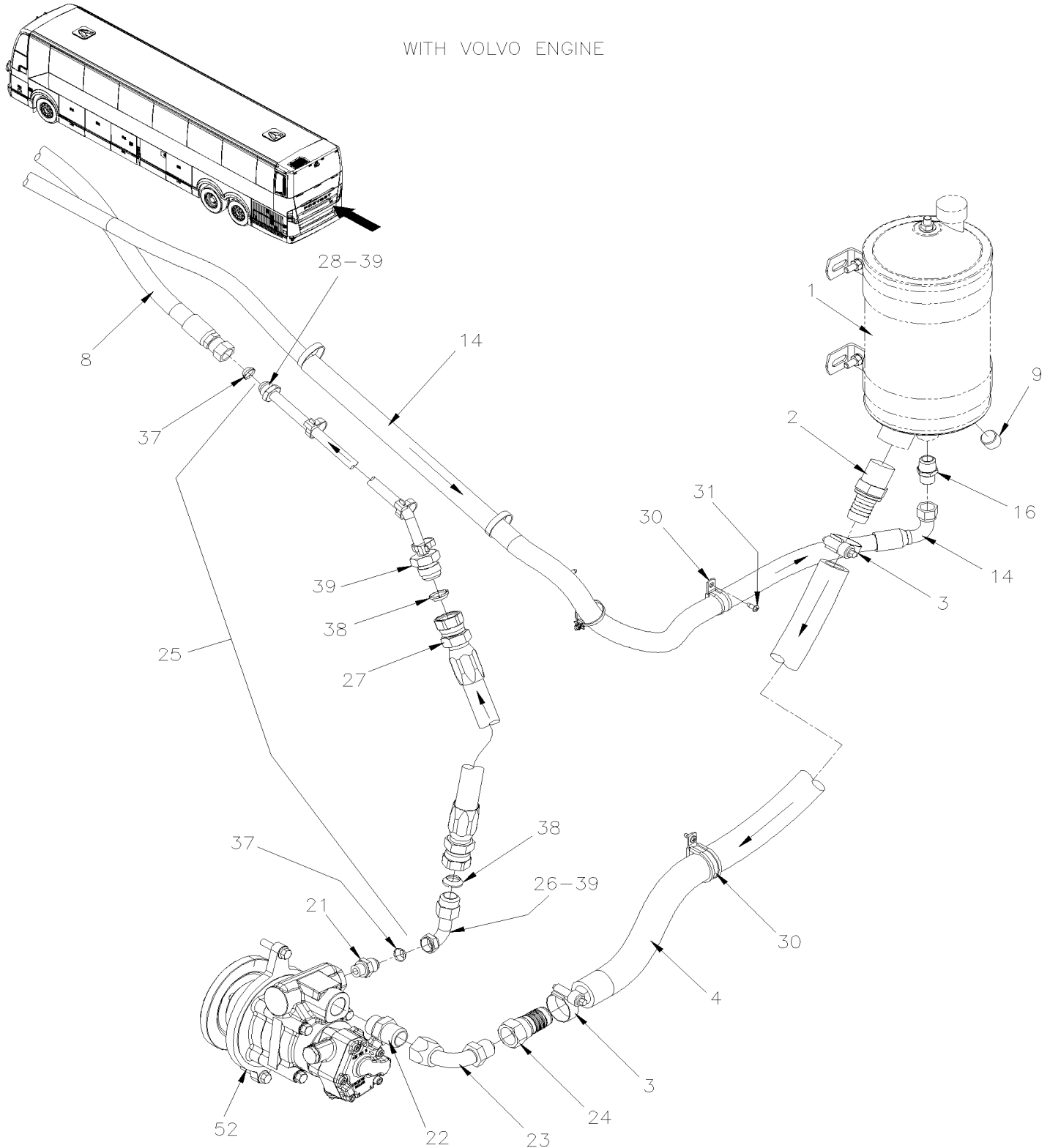
Item#	Part	Description	H 3 4 1	H 3 4 5	V I P 4 5	N O T E S
		A) FOR SERVICE, IT'S POSSIBLE TO REPAIR THESE HOSES IN FRONT SERVICE COMPARTMENT WITH KIT #161198 AND IN ENGINE COMPARTMENT WITH KIT #161199				
		C) INCLUDED IN KIT #161199				
		D13) WITH VOLVO D13 ENGINE				
		S60) WITH DETROIT ENGINE S60				
		P) CALL ORDER DESK FOR SPECIFIC APPLICATION (V.I.N.)				
		4) NO PARTS NUMBER				

From B-1721 To J-0287

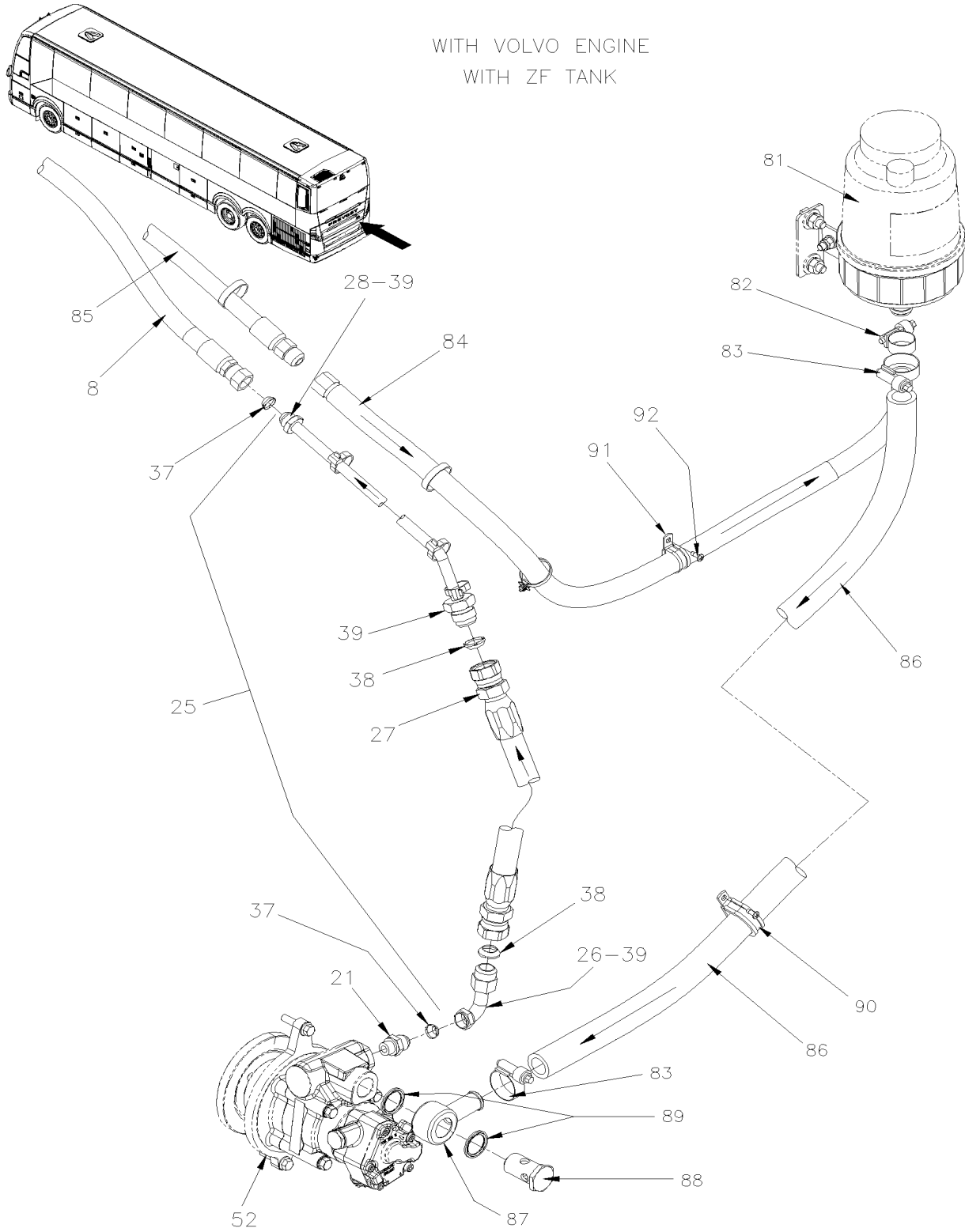
Date:10/2022

PAGE:H7-1400-01

## POWER STEERING HOSE - INSTALLATION



## POWER STEERING HOSE - INSTALLATION

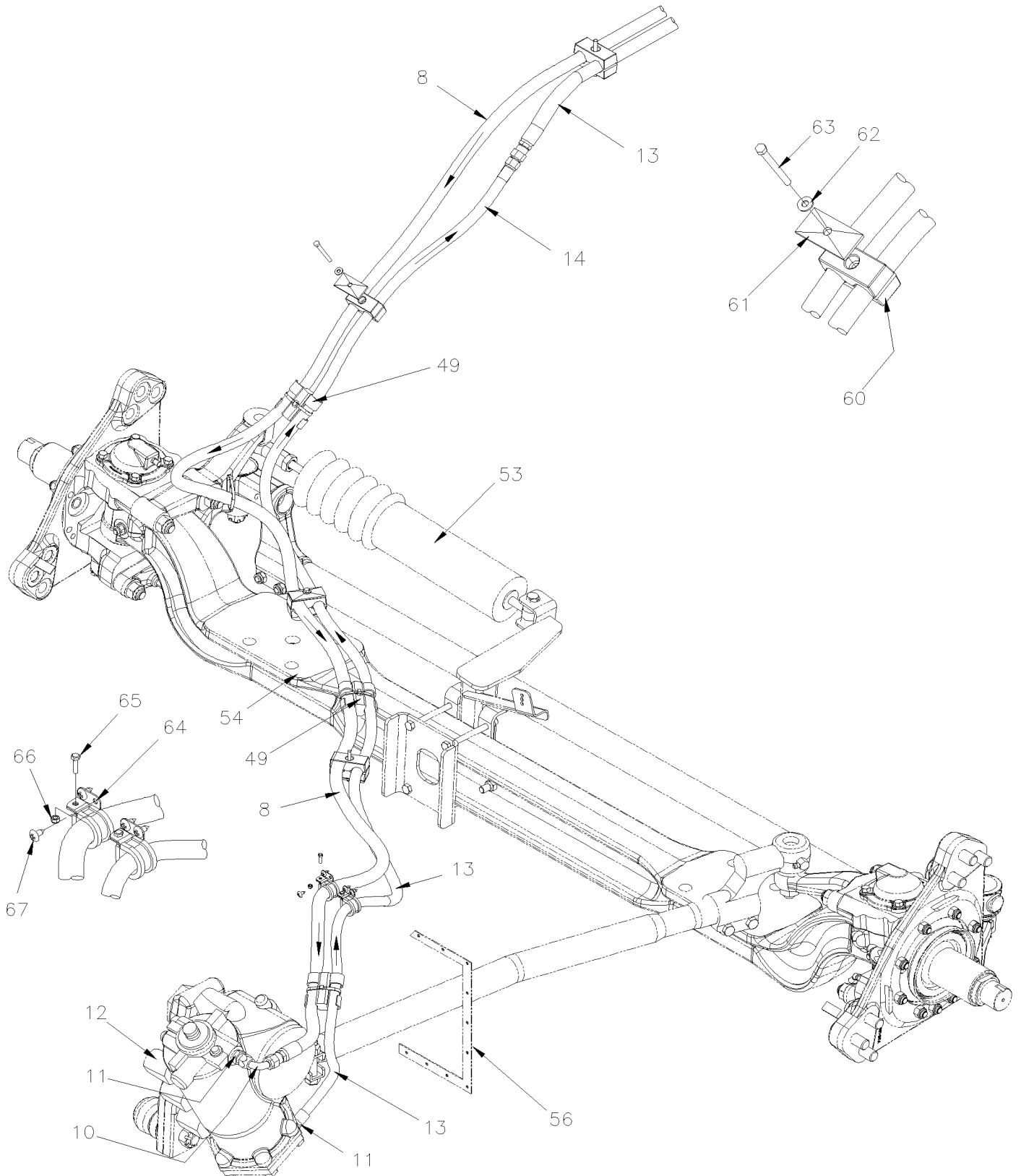


From B-1721 To J-0287

Date:10/2022

PAGE:H7-1400-01

## POWER STEERING HOSE - INSTALLATION

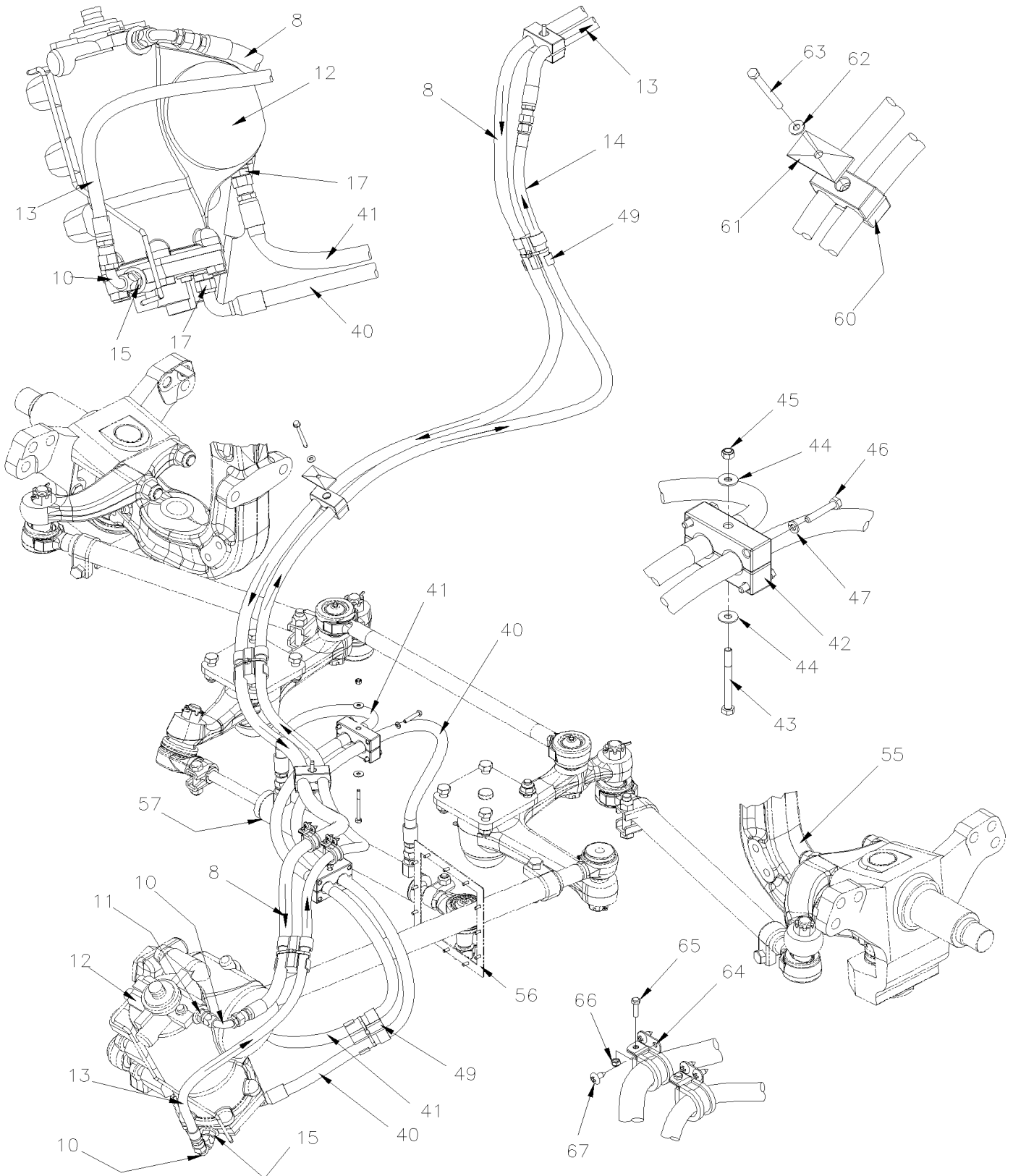


From B-1721 To J-0287

Date:10/2022

PAGE:H7-1400-01

## POWER STEERING HOSE - INSTALLATION





<b>From B-1721 To J-0287</b>	<b>Date:10/2022</b>	<b>PAGE:H7-1400-01</b>
<b>POWER STEERING HOSE - INSTALLATION</b>		

Item#	Part	Description	H 3 4 1	H 3 4 5	V I P 4 5	N O T E S
1	<b>H7-1420-00</b>	<b>POWER STEERING TANK - 4 QT U.S.</b>				
2	5011086	MALE CONNECTOR / PUSH-LOK FITTING / 1NPT-Mx#16 STL	1	1	1	
3	504291	HOSE CLAMP / 1"1/8-1"3/4 SS / E.T. 20	AR	AR	AR	
4	163485	HOSE / FEED LINE TO TANK / #16 870MM	1	1	1	D13
8	163492P	HOSE ASSY / #8 11176MM	1			D13
8	163491P	HOSE ASSY / #8 12420MM		1	1	D13
NS	503748	. HOSE PROTECTOR / YELLOW / .838 I.D.	AR	AR	AR	
8	161198	KIT, HOSE REPAIR / FRONT SECTION STEERING / H3	1	1	1	
. NS	WB04-10A	. SEE WARRANTY BULLETIN	1	1	1	
. NS	161196	. HOSE ASSY / #8 1020MM	1	1	1	
. NS	501456	. MALE CONNECTOR / JIC 37° FITTING / #8JIC-Mx#8 STL	1	1	1	
8	161199	KIT, HOSE REPAIR / REAR SECTION STEERING / H3	1	1	1	
. NS	WB04-10A	. SEE WARRANTY BULLETIN	1	1	1	
. NS	161194	. HOSE ASSY / #8 1930MM	1	1	1	
. NS	501456	. MALE CONNECTOR / JIC 37° FITTING / #8JIC-Mx#8 STL	1	1	1	
NS	160130	KIT, POWER STEERING PUMP DISCHARGE HOSE (PRESSURE) H3-41	1			
. NS	160010	. HOSE ASSY / #8 11246MM	1			
. NS	170758	. SUPPORT	1			
. NS	5001730	. SCREW CAP HEXF M6-1.0x16 G10.9 N500	1			
. NS	5001833	. WASHER BEL SPR 6.1x18x1.27 SS	1			
. NS	501031	. SEAL / JIC 37° FITTING / #8	1			
. NS	504189	. CLAMP DOUBLE ASS / SPLIT BLOC / 22MM/19MM x 67MM POLYA	9			
. NS	504204	. CLAMP P SS ID. 36-51	1			
. NS	IS-19040	. INSTRUCTION SHEET	1			
. NS	FI-19040	. VOIR FEUILLE D'INSTRUCTION	1			
NS	160203	KIT, POWER STEERING PUMP DISCHARGE HOSE (PRESSURE) H3-45,VIP-45		1	1	
. NS	160108	. HOSE ASSY / #8 12490MM		1	1	
. NS	170758	. SUPPORT		1	1	
. NS	5001730	. SCREW CAP HEXF M6-1.0x16 G10.9 N500		1	1	
. NS	5001833	. WASHER BEL SPR 6.1x18x1.27 SS		1	1	
. NS	501031	. SEAL / JIC 37° FITTING / #8		1	1	
. NS	504189	. CLAMP DOUBLE ASS / SPLIT BLOC / 22MM/19MM x 67MM POLYA		1	1	
. NS	504204	. CLAMP P SS ID. 36-51		1	1	
. NS	IS-19040	. INSTRUCTION SHEET		1	1	
. NS	FI-19040	. VOIR FEUILLE D'INSTRUCTION		1	1	
9	501966	PLUG HEXS / PIPE FITTING / 1/2NPT-M STL	1	1	1	
10	501845	SWIVEL NUT ELBOW 90° LONG / JIC 37° FITTING / #8JIC-Fx#8JIC-Mx1.86 STL	2	2	2	
11	5011192	MALE CONNECTOR / JIC 37° FITTING / #8JIC-MxM18-1.5-M STL	2	2	2	
. NS	N.P.N.	. O-RING	1	1	1	4
. NS	N.P.N.	. WASHER RET	1	1	1	4
NS	688910	THREAD LOCKER LOCTITE #262 / RED / 250ml	AR	AR	AR	
12	<b>H7-1415-00</b>	<b>STEERING GEARBOX - "ZF" - W/ I BEAM RIGID</b>				

<b>From B-1721 To J-0287</b>	<b>Date:10/2022</b>	<b>PAGE:H7-1400-01</b>
<b>POWER STEERING HOSE - INSTALLATION</b>		

Item#	Part	Description	H 3 4 1	H 3 4 5	V I P 4 5	N O T E S
12	<b>H7-1415-50</b>	<b>STEERING GEARBOX - "ZF" - W/INDEPENDENT</b>				
13	161291	HOSE ASSY / #8 10580MM		1	1	
13	161292	HOSE ASSY / #8 9360MM	1			
14	161295	HOSE ASSY / #6 3000MM	1	1	1	
NS	503748	. HOSE PROTECTOR / YELLOW / .838 I.D.	AR	AR	AR	
15	5011192	MALE CONNECTOR / JIC 37° FITTING / #8JIC-MxM18-1.5-M STL			2	
. NS	N.P.N.	. O-RING			1	4
. NS	N.P.N.	. WASHER RET			1	4
16	501739	MALE CONNECTOR / JIC 37° FITTING / #8JIC-Mx1/2NPT-M STL	1	1	1	
17	5011192	MALE CONNECTOR / JIC 37° FITTING / #8JIC-MxM18-1.5-M STL			1	
. NS	N.P.N.	. O-RING			1	4
. NS	N.P.N.	. WASHER RET			1	4
19	501845	SWIVEL NUT ELBOW 90° LONG / JIC 37° FITTING / #8JIC-Fx#8JIC-Mx1.86 STL	1	1	1	D13
20	5011162	FEMALE CONNECTOR SWIVEL / JIC 37° FITTING / #8JIC-Fx#8 STL	1	1	1	D13
21	641294	MALE CONNECTOR / JIC 37° FITTING / #8JIC-MxM16-1.5-M STL	1	1	1	D13
. NS	641297	. O-RING 13.1MM I.D. X 2.6 TH	1	1	1	D13
. NS	641298	. WASHER FL 17MM I.D x 22MM O.D. x 1.5MM	1	1	1	D13
22	507647	MALE CONNECTOR W/ED SEAL / JIC 37° FITTING / #12JIC-MxM26-1.5-M STL	1	1	1	D13
23	507544	SWIVEL NUT ELBOW 90° SHORT / JIC 37° FITTING / #12JIC-Fx#12JIC-Mx1.82 STL	1	1	1	D13
24	507646	FEMALE CONNECTOR SWIVEL / COLLAR FITTING / #12JIC-Fx#16 STL	1	1	1	D13
25	163596	HOSE ASSY WITH NOISE ATENUATOR TUBE	1	1	1	D13
26	5011342	. SWIVEL NUT ELBOW 90° LONG / JIC 37° FITTING / #12JIC-Mx#8JIC-F STL	1	1	1	D13
27	163607	. HOSE ASSY #12 380MM	1	1	1	D13
28	163608	. PIPE ASSY	2	2	2	D13
30	952631	CLAMP / 3/4" I.D.	AR	AR	AR	
30	952634	CLAMP / 15/16" I.D.	AR	AR	AR	
31	500613	SCREW TP PAN PH #10x1/2 Z050	AR	AR	AR	
32	952641	CLAMP / 1 5/16" I.D.	AR	AR	AR	
33	500574	SCREW MA TR PH #10-24x1 1/4 SS	AR	AR	AR	
34	500767	NUT HEX #10-24 Z050	AR	AR	AR	
35	562036	CLAMP / 7/8" I.D. X 90°	AR	AR	AR	
36	500657	SCREW TC TR PH #10-24x1/2 Z050	AR	AR	AR	
37	501031	SEAL / JIC 37° FITTING / #8 From G-3425	2	2	2	
38	501059	SEAL / JIC 37° FITTING / #12 From G-3425	2	2	2	
39	688910	THREAD LOCKER LOCTITE #262 / RED / 250ml From G-3425	AR	AR	AR	
40	161185	HOSE SET ASSY / CYLINDER POWER STEERING			1	
40	163470	. HOSE ASSY / #8 1648MM			1	
41	163469	. HOSE ASSY / #8 1648MM			1	
42	160033	. HOSE RETAINER BLOCK CLAMP			4	
43	502541	. SCREW CAP HEX M6-1.0x65 G8.8 Z050			1	
44	500411	. WASHER FL .260x.697x.050 SS			2	
45	5001182	. NUT HEX NYRT M6-1.0 SS			1	

<b>From B-1721 To J-0287</b>	<b>Date:10/2022</b>	<b>PAGE:H7-1400-01</b>
<b>POWER STEERING HOSE - INSTALLATION</b>		

Item#	Part	Description	H 3 4 1	H 3 4 5	V I P 4 5	N O T E S
46	502888	SCREW CAP HEX M6-1.0x35 G8.8 N500			4	
46	502769	SCREW CAP HEX M6-1.0x70 G10.9 DP			4	
47	502570	WASHER LO SPT 6.1x11.8x1.6 SS			4	
49	504634	T-CLIP / 7/8" - 1"	AR	AR	AR	
NS	504637	CABLE TIE / 3/16" x 13"	AR	AR	AR	
NS	500620	SCREW TP FL PH #10x1 1/2 Z050	AR	AR	AR	
49	509815	TIE MOUNT / ATTACHMENT W/TREE MOUNT	1	1	1	
52	<b>H7-1427-01</b>	<b>POWER STEERING PUMP - "VOLVO" D13</b>				
53	<b>H7-1412-00</b>	<b>STEERING DAMPER</b>				
54	<b>H7-1005-00</b>	<b>FRONT AXLE - I BEAM RIGID MODEL "S84U"</b>				
55	<b>H7-1005-50</b>	<b>FRONT AXLE - INDEPENDENT MODEL "NDIFS80P" / 18000LBS</b>				
56	<b>H7-1410-00</b>	<b>STEERING GEAR BOX &amp; DRAG LINK - INSTALLATION</b>				
57	<b>H7-1430-50</b>	<b>CYLINDER POWER STEERING</b>				
60	504727	CLAMP DOUBLE ASS / 2 HOSE SIZE 3/8"	AR	AR	AR	
61	504728	PLATE RETAINER	AR	AR	AR	
62	500440	WASHER FL .250x.562x.065 Z050	AR	AR	AR	
63	500107	SCREW TC CAP HEXW 1/4-20x2 1/2 Z050	AR	AR	AR	
64	562036	CLAMP / 7/8" I.D. X 90°	AR	AR	AR	
65	502550	SCREW CAP HEX M4-0.7x16 G8.8 Z050	AR	AR	AR	
66	500590	NUT HEX NYRT M4-0.7 Z050	AR	AR	AR	
67	500657	SCREW TC TR PH #10-24x1/2 Z050	AR	AR	AR	
81	<b>H7-1420-10</b>	<b>POWER STEERING TANK - ZF</b>				
82	504319	HOSE CLAMP / 1"-1"1/2 SS / E.T. 16 From D-2259	1	1	1	ZF
83	504291	HOSE CLAMP / 1"1/8-1"3/4 SS / E.T. 20 From D-2259	2	2	2	ZF
84	163497	HOSE ASSY / #10 1010MM From D-2259	1	1	1	ZF
85	163496	HOSE ASSY / #8 9800MM From D-2259	1	1	1	ZF
86	503809	HOSE, LOW PRESSURE 22 I.D. From D-2259	AR	AR	AR	ZF
87	507680	BANJO UNION / 26MMx22MMHOSE From D-2259	1	1	1	ZF
88	507681	BANJO BOLT / M26-1.5 From D-2259	1	1	1	ZF
89	507682	BANJO WASHER / M26 From D-2259	2	2	2	ZF
90	952641	CLAMP / 1 5/16" I.D. From D-2259	1	1	1	ZF
91	952631	CLAMP / 3/4" I.D. From D-2259	1	1	1	ZF
92	502868	SCREW TC TR PH #10-16x1/2 N500 From D-2259	2	2	2	ZF
		D13) WITH VOLVO D13 ENGINE				
		ZF) WITH ZF OIL TANK				
		4) NO PARTS NUMBER				

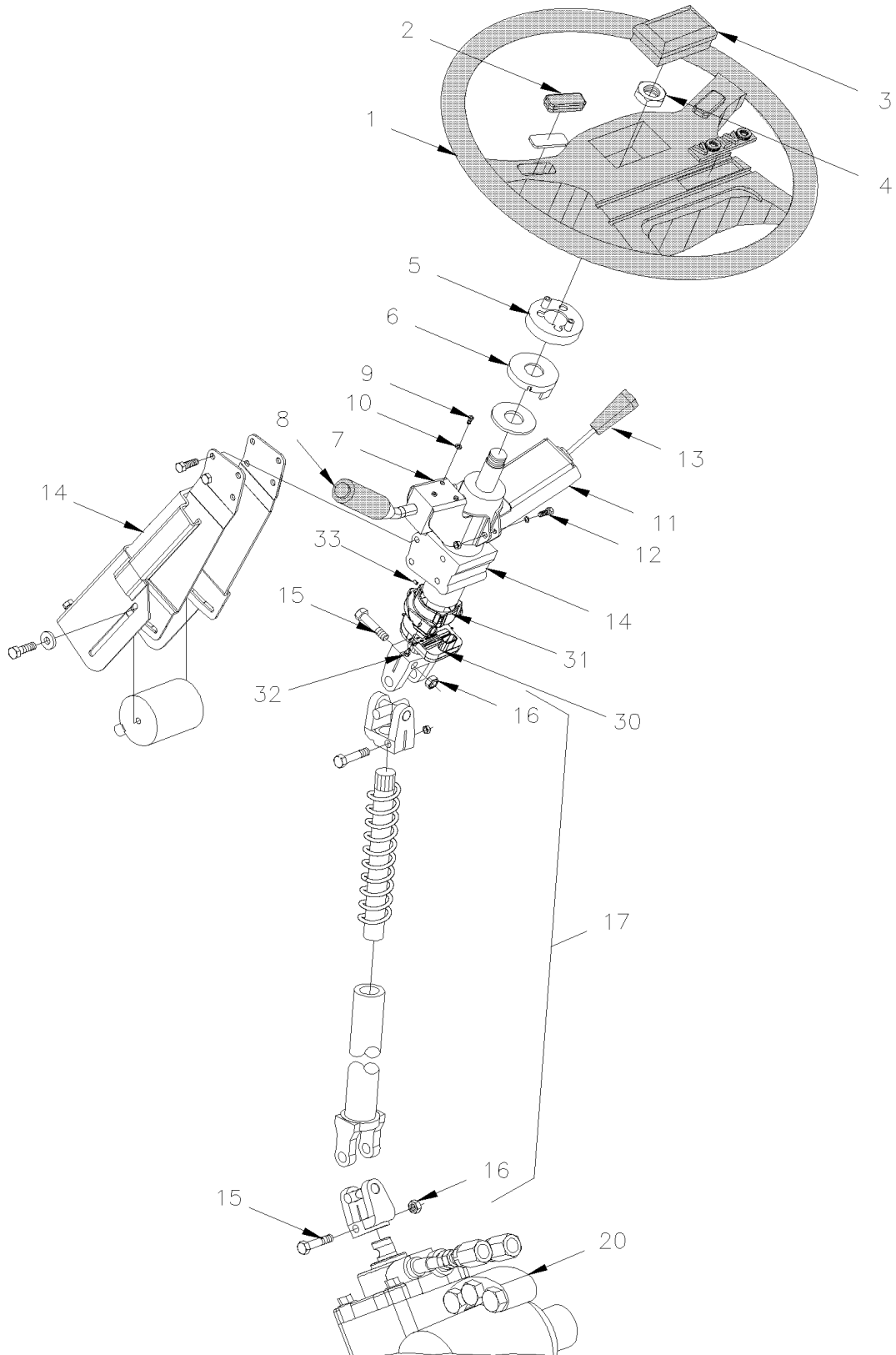


From 7-0671 To 8-1169

Date:10/2022

PAGE:H7-1405-00

STEERING WHEEL & COLUMN ASSY



From 7-0671 To 8-1169	Date:10/2022	PAGE:H7-1405-00
<b>STEERING WHEEL &amp; COLUMN ASSY</b>		

Item#	Part	Description	H 3 4 1	H 3 4 5	V I P 4 5	N O T E S
1	661032	STEERING WHEEL	1	1	1	
. NS	661061	. BRUSH ASSY SPOKE CONTACT	1	1	1	
. NS	661062	. BRUSH ASSY CENTRAL CONTACT	1	1	1	
. NS	661063	. GROUNDING CABLE ASSY	1	1	1	
. NS	661064	. INSULATOR	1	1	1	
2	661052	. HORN BUTTON / ELECTRICAL LH	1	1	1	
2	661053	. HORN BUTTON / ELECTRICAL RH	1	1	1	
NS	661058	. CONTACT PLATE	2	2	2	
3	661033	HORN BUTTON / AIR	1	1	1	
4	661051	NUT	1	1	1	
5	661035	RING TURN SIGNAL CANCELING	1	1	1	
NS	504669	RIVET DRV BDG .187x.609 NYL	2	2	2	
6	661034	HORN CONTACT RING	1	1	1	
NS	500344	SCREW MA RND PH M4-0.7x12 Z050	2	2	2	
NS	500590	NUT HEX NYRT M4-0.7 Z050	2	2	2	
7	161149	SUPPORT, DIRECTIONAL SWITCH	1	1	1	
8	661075	LEVER ASSY / MULTIFONCTINAL	1	1	1	
. NS	660781	. CAP PLEATED RUBBER	1	1	1	
9	5001377	SCREW MA PAN PH M5-0.8x8 SS	3	3	3	
10	5001378	WASHER LO EXT 5.3x10x0.6 Z050	3	3	3	
11	161058	COLLAR / W/O RETARDER	1	1	1	
11	161060	COLLAR W/SWITCH SUPPORT	1	1	1	
12	502631	SCREW CAP HEX M6-1.0x20 G8.8 Z050	2	2	2	
13	562356	SWITCH ASSY / W/LEVER & BOOT / 6 POSITIONS	1	1	1	
14	661122	STEERING COLUMN ASSY W/E.C.S. 36SPL / 66SPL LOWER	1	1	1	E
NS	161220	DECAL "WARNING" STREERING SYSTEM CALIBRA.."	2	2	2	E
NS	641242	MALE CONNECTOR / PUSH-IN FITTING / #4x1/8NPT-M BR	1	1	1	
15	661095	SCREW CAP HEX "SPECIAL" STEERING SHAFT "ZF"	2	2	2	
15	661195	SCREW "SPECIAL" STEERING SHAFT "ZF"	2	2	2	E
16	661096	NUT "SPECIAL" STEERING SHAFT "ZF"	2	2	2	
17	661123	SHAFT ASSY STEERING W/E.C.S. 66SPL / 79SPL LOWER	1	1	1	
. NS	661095	. SCREW CAP HEX "SPECIAL" STEERING SHAFT "ZF"	2	2	2	
. NS	661096	. NUT "SPECIAL" STEERING SHAFT "ZF"	2	2	2	
17	661179	SHAFT ASSY STEERING W/E.C.S. 66SPL / 79SPL LOWER	1	1	1	E
. NS	661195	. SCREW "SPECIAL" STEERING SHAFT "ZF"	2	2	2	E
20	<b>H7-1415-00</b>	<b>STEERING GEARBOX - "ZF" - W/ I BEAM RIGID</b>				
20	<b>H7-1415-50</b>	<b>STEERING GEARBOX - "ZF" - W/INDEPENDENT</b>				
30	661148	SENSOR ANGLE POSITION DETECTOR	1	1	1	E
. NS	564042	. CONNECTOR / BOSCH 1 928 404 025	1	1	1	E
31	161265	SUPPORT SENSOR ANGLE POSITION STEERING	1	1	1	E
32	5001670	SCREW CAP HEXS M4-0.7x8 G8.8 Z050	3	3	3	E
33	500587	SCREW SET HEXS CUP M4-0.7x6	3	3	3	E

From 7-0671 To 8-1169	Date:10/2022	PAGE:H7-1405-00
<b>STEERING WHEEL &amp; COLUMN ASSY</b>		

Item#	Part	Description	H 3 4 1	H 3 4 5	V I P 4 5	N O T E S
40	IS19036	PETRI STEERING WHEEL REPLACEMENT	1	1	1	
		E) WITH OPTION "ELECTRONIC CONTROL STABILITY"				



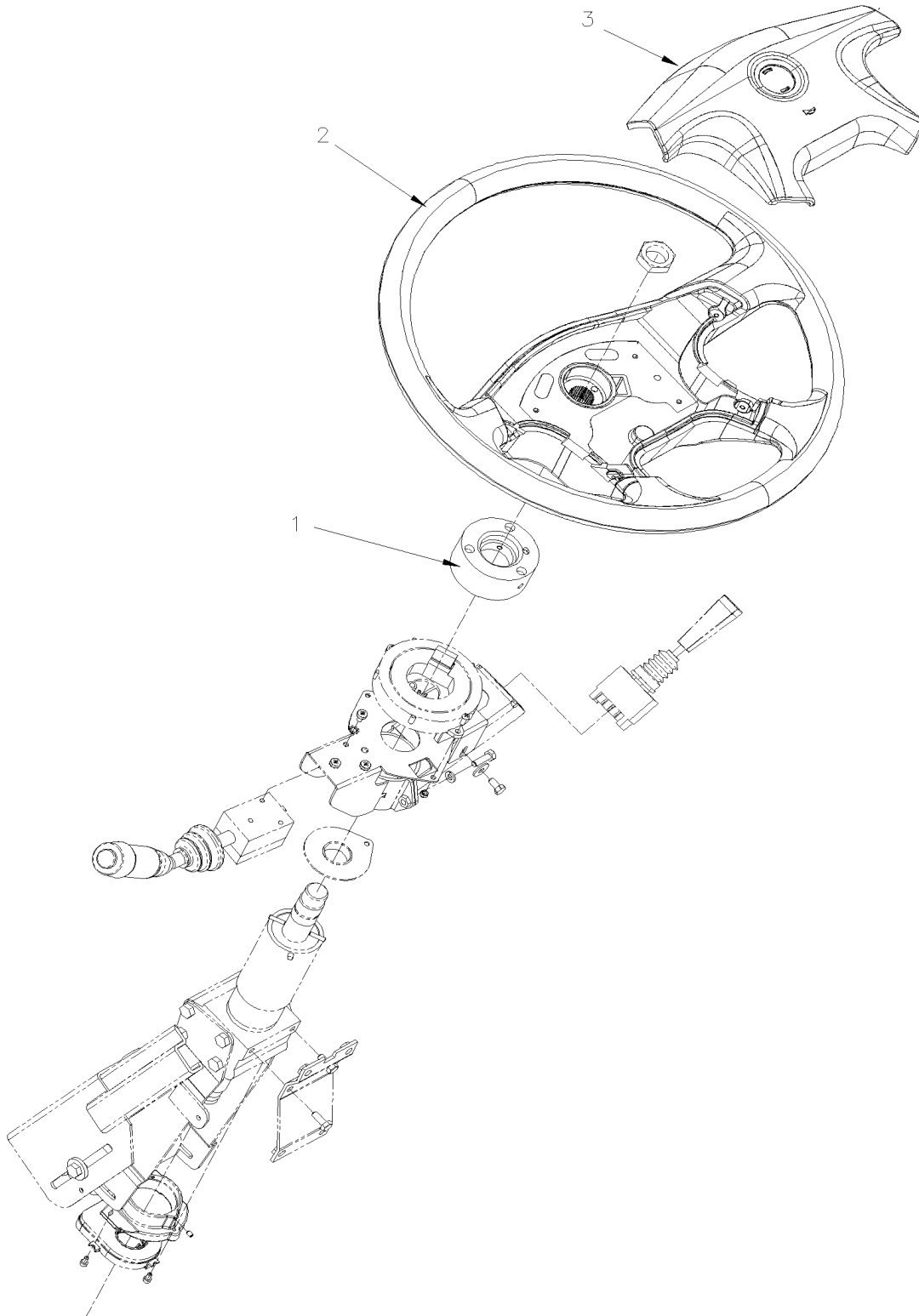


From 7-0671 To 8-1169

Date:10/2022

PAGE:IS19036

**PETRI STEERING WHEEL REPLACEMENT**



From 7-0671 To 8-1169	Date:10/2022	PAGE:IS19036
<b>PETRI STEERING WHEEL REPLACEMENT</b>		

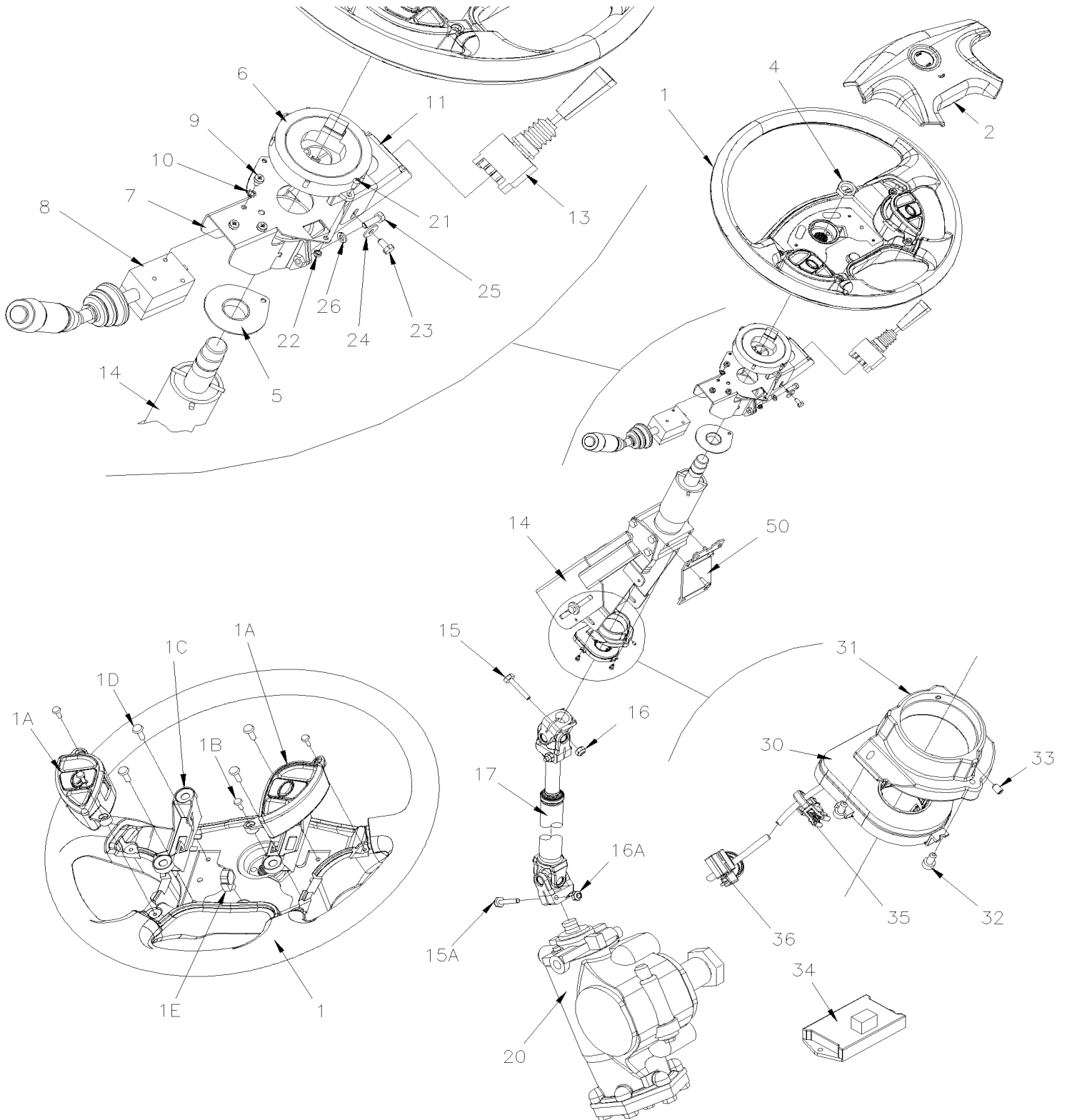
Item#	Part	Description	H 3 4 1	H 3 4 5	V I P 4 5	N O T E S
1	160004	STEERING ADAPTER RING	1	1	1	
2	661171	STEERING WHEEL URHETHANE W/OUT ANY CONTROL	1	1	1	
3	661149	HORN BUTTON CUSHION PAD W PROVOST EMBLEM	1	1	1	
. NS	N.S.S.	. SPRING HORN	4	4	4	1
. NS	661162	. SPRING RETAINER / HORN SPRING	4	4	4	
. NS	661163	. HORN CONTACT	1	1	1	
NS	562697	SWITCH / ON-ON / D.P.D.T. / CH-OVER / W/RED & GREEN LED	1	1	1	
NS	564081	CAP / HORN SELECTOR - ELEC / AIR	1	1	1	
NS	0610188	HARNESS, INTERFACE STEERING WHEEL	1	1	1	
NS	562768	SOCKET TERMINAL / 16-14 / PED 12015870	2	2	2	
8	IS-19036	SEE INSTRUCTION SHEET	1	1	1	
8	FI-19036	VOIR FEUILLE D'INSTRUCTION	1	1	1	
		1) NOT SOLD SEPARATELY				

From 8-1170 To J-0287

Date:10/2022

PAGE:H7-1405-01

## STEERING WHEEL & COLUMN ASSY WITH CONTROL SWITCHES



From 8-1170 To J-0287	Date:10/2022	PAGE:H7-1405-01
-----------------------	--------------	-----------------

**STEERING WHEEL & COLUMN ASSY WITH CONTROL SWITCHES**

Item#	Part	Description	H 3 4 1	H 3 4 5	V I P 4 5	N O T E S
1	661142	STEERING WHEEL URHETHANE To A-1720	1	1	1	
. A	661155	. SWITCH ASSY / W/OUT TRANS SHIFTER To A-1720	1	1	1	
. B	661159	. SCREW MA BUT M4-0.7x8 To A-1720	4	4	4	
. C	661157	. HORN PAD BASE To A-1720	2	2	2	
. D	661160	. SCREW MA M5-0.8x8 To A-1720	4	4	4	
. E	661158	. CLIP WIRE RETAINER To A-1720	1	1	1	
1	661172	STEERING WHEEL URHETHANE From B-1721	1	1	1	
. A	661204	. SWITCH ASSY / W/OUT TRANS SHIFTER From B-1721	1	1	1	
. B	661159	. SCREW MA BUT M4-0.7x8 From B-1721	4	4	4	
. C	661157	. HORN PAD BASE From B-1721	2	2	2	
. D	661160	. SCREW MA M5-0.8x8 From B-1721	4	4	4	
. E	661158	. CLIP WIRE RETAINER From B-1721	1	1	1	
1	661118	STEERING WHEEL URHETHANE W/ "ZF" TRANS SHIFTER To A-1720	1	1		
. A	661156	. SWITCH ASSY / W/ "ZF" TRANS SHIFTER To A-1720	1	1		
. B	661159	. SCREW MA BUT M4-0.7x8 To A-1720	4	4		
. C	661157	. HORN PAD BASE To A-1720	2	2		
. D	661160	. SCREW MA M5-0.8x8 To A-1720	4	4		
. E	661158	. CLIP WIRE RETAINER To A-1720	1	1		
1	661173	STEERING WHEEL URHETHANE W/ "I-Shift" "VOLVO" From B-1721	1	1		
. A	661205	. SWITCH ASSY / W/TRANS SHIFTER From B-1721	1	1		
. B	661159	. SCREW MA BUT M4-0.7x8 From B-1721	4	4		
. C	661157	. HORN PAD BASE From B-1721	2	2		
. D	661160	. SCREW MA M5-0.8x8 From B-1721	4	4		
. E	661158	. CLIP WIRE RETAINER From B-1721	1	1		
1	661143	STEERING WHEEL LEATHER To A-1720	1	1	1	
. A	661155	. SWITCH ASSY / W/OUT TRANS SHIFTER To A-1720	1	1	1	
. B	661159	. SCREW MA BUT M4-0.7x8 To A-1720	4	4	4	
. C	661157	. HORN PAD BASE To A-1720	2	2	2	
. D	661160	. SCREW MA M5-0.8x8 To A-1720	4	4	4	
. E	661158	. CLIP WIRE RETAINER To A-1720	1	1	1	
1	661174	STEERING WHEEL LEATHER From B-1721	1	1	1	
. A	661204	. SWITCH ASSY / W/OUT TRANS SHIFTER From B-1721	1	1	1	
. B	661159	. SCREW MA BUT M4-0.7x8 From B-1721	4	4	4	
. C	661157	. HORN PAD BASE From B-1721	2	2	2	
. D	661160	. SCREW MA M5-0.8x8 From B-1721	4	4	4	
. E	661158	. CLIP WIRE RETAINER From B-1721	1	1	1	
1	661144	STEERING WHEEL LEATHER W/ "ZF" TRANS SHIFTER To A-1720	1	1		
. A	661156	. SWITCH ASSY / W/ "ZF" TRANS SHIFTER To A-1720	1	1		
. B	661159	. SCREW MA BUT M4-0.7x8 To A-1720	4	4		
. C	661157	. HORN PAD BASE To A-1720	2	2		
. D	661160	. SCREW MA M5-0.8x8 To A-1720	4	4		
. E	661158	. CLIP WIRE RETAINER To A-1720	1	1		

From 8-1170 To J-0287 Date:10/2022 PAGE:H7-1405-01

**STEERING WHEEL & COLUMN ASSY WITH CONTROL SWITCHES**

Item#	Part	Description	H 3 4 1	H 3 4 5	V I P 4 5	N O T E S
1	661175	STEERING WHEEL LEATHER W/ "I-Shift" "VOLVO" From B-1721	1	1		
. A	661205	. SWITCH ASSY / W/TRANS SHIFTER From B-1721	1	1		
. B	661159	. SCREW MA BUT M4-0.7x8 From B-1721	4	4		
. C	661157	. HORN PAD BASE From B-1721	2	2		
. D	661160	. SCREW MA M5-0.8x8 From B-1721	4	4		
. E	661158	. CLIP WIRE RETAINER From B-1721	1	1		
1	661145	STEERING WHEEL LEATHER & WOOD To A-1720	1	1	1	
. A	661155	. SWITCH ASSY / W/OUT TRANS SHIFTER To A-1720	1	1	1	
. B	661159	. SCREW MA BUT M4-0.7x8 To A-1720	4	4	4	
. C	661157	. HORN PAD BASE To A-1720	2	2	2	
. D	661160	. SCREW MA M5-0.8x8 To A-1720	4	4	4	
. E	661158	. CLIP WIRE RETAINER To A-1720	1	1	1	
1	661176	STEERING WHEEL LEATHER & WOOD From B-1721	1	1	1	
. A	661204	. SWITCH ASSY / W/OUT TRANS SHIFTER From B-1721	1	1	1	
. B	661159	. SCREW MA BUT M4-0.7x8 From B-1721	4	4	4	
. C	661157	. HORN PAD BASE From B-1721	2	2	2	
. D	661160	. SCREW MA M5-0.8x8 From B-1721	4	4	4	
. E	661158	. CLIP WIRE RETAINER From B-1721	1	1	1	
1	661146	STEERING WHEEL LEATHER & WOOD W/ "ZF" TRANS SHIFTER To A-1720	1	1		
. A	661156	. SWITCH ASSY / W/ "ZF" TRANS SHIFTER To A-1720	1	1		
. B	661159	. SCREW MA BUT M4-0.7x8 To A-1720	4	4		
. C	661157	. HORN PAD BASE To A-1720	2	2		
. D	661160	. SCREW MA M5-0.8x8 To A-1720	4	4		
. E	661158	. CLIP WIRE RETAINER To A-1720	1	1		
1	661180	STEERING WHEEL LEATHER & WOOD W/ "I-Shift" "VOLVO" From B-1721	1	1		
. A	661205	. SWITCH ASSY / W/TRANS SHIFTER From B-1721	1	1		
. B	661159	. SCREW MA BUT M4-0.7x8 From B-1721	4	4		
. C	661157	. HORN PAD BASE From B-1721	2	2		
. D	661160	. SCREW MA M5-0.8x8 From B-1721	4	4		
. E	661158	. CLIP WIRE RETAINER From B-1721	1	1		
1	661164	STEERING WHEEL LEATHER & WOOD BLACK To A-1720	1	1	1	
. A	661155	. SWITCH ASSY / W/OUT TRANS SHIFTER To A-1720	1	1	1	
. B	661159	. SCREW MA BUT M4-0.7x8 To A-1720	4	4	4	
. C	661157	. HORN PAD BASE To A-1720	2	2	2	
. D	661160	. SCREW MA M5-0.8x8 To A-1720	4	4	4	
. E	661158	. CLIP WIRE RETAINER To A-1720	1	1	1	
1	661177	STEERING WHEEL LEATHER & WOOD BLACK From B-1721	1	1	1	
. A	661204	. SWITCH ASSY / W/OUT TRANS SHIFTER From B-1721	1	1	1	
. B	661159	. SCREW MA BUT M4-0.7x8 From B-1721	4	4	4	
. C	661157	. HORN PAD BASE From B-1721	2	2	2	
. D	661160	. SCREW MA M5-0.8x8 From B-1721	4	4	4	
. E	661158	. CLIP WIRE RETAINER From B-1721	1	1	1	

From 8-1170 To J-0287 Date:10/2022 PAGE:H7-1405-01

## STEERING WHEEL & COLUMN ASSY WITH CONTROL SWITCHES

Item#	Part	Description	H 3 4 1	H 3 4 5	V I P 4 5	N O T E S
1	661165	STEERING WHEEL LEATHER & WOOD BLACK W/ "ZF" TRANS SHIFTER To A-1720	1	1		
. NS	661156	. SWITCH ASSY / W/ "ZF" TRANS SHIFTER To A-1720	1	1		
. NS	661159	. SCREW MA BUT M4-0.7x8 To A-1720	4	4		
. NS	661157	. HORN PAD BASE To A-1720	2	2		
. NS	661160	. SCREW MA M5-0.8x8 To A-1720	4	4		
. NS	661158	. CLIP WIRE RETAINER To A-1720	1	1		
1	661181	STEERING WHEEL LEATHER & WOOD BLACK W/ "I-Shift" "VOLVO" From B-1721	1	1		
. A	661205	. SWITCH ASSY / W/TRANS SHIFTER From B-1721	1	1		
. B	661159	. SCREW MA BUT M4-0.7x8 From B-1721	4	4		
. C	661157	. HORN PAD BASE From B-1721	2	2		
. D	661160	. SCREW MA M5-0.8x8 From B-1721	4	4		
. E	661158	. CLIP WIRE RETAINER From B-1721	1	1		
2	661149	HORN BUTTON CUSHION PAD W PROVOST EMBLEM	1	1	1	
. NS	N.S.S.	. SPRING HORN	4	4	4	1
. NS	661162	. SPRING RETAINER / HORN SPRING	4	4	4	
. NS	661163	. HORN CONTACT	1	1	1	
4	661051	NUT	1	1	1	
5	161273	RING TURN SIGNAL CANCELING	1	1	1	
NS	502506	SCREW SET HEXS CUP M4-0.7x16	2	2	2	
6	661119	ROTATING CONTACT / CLOCK SPRING To H-3402	1	1	1	
6	660012	ROTATING CONTACT / CLOCK SPRING From H-3403	1	1	1	
NS	067214	EXTENSION, CLOCK SPRING	1	1	1	
NS	161249	GUIDE ROTATING CONTACT	1	1	1	
NS	504742	RING RETAINER / EXT 1.562 x 1.446 x 0.62	1	1	1	
7	161212	SUPPORT, DIRECTIONAL SWITCH	1	1	1	
8	661075	LEVER ASSY / MULTIFONCTINAL	1	1	1	
. NS	660781	. CAP PLEATED RUBBER	1	1	1	
8	504804	RING RETAINER / EXT 1 3/4 From F-2804	1	1	1	
9	5001377	SCREW MA PAN PH M5-0.8x8 SS	3	3	3	
10	5001378	WASHER LO EXT 5.3x10x0.6 Z050	3	3	3	
11	161211	COLLAR W/SWITCH SUPPORT	1	1	1	
13	562356	SWITCH ASSY / W/LEVER & BOOT / 6 POSITIONS	1	1	1	
14	661147	STEERING COLUMN ASSY W/E.C.S. 36SPL / 66SPL LOWER	1	1	1	
NS	161220	DECAL "WARNING" STREERING SYSTEM CALIBRA.."	1	1	1	
NS	641242	MALE CONNECTOR / PUSH-IN FITTING / #4x1/8NPT-M BR	1	1	1	
15	661095	SCREW CAP HEX "SPECIAL" STEERING SHAFT "ZF" To A-1692	1	1	1	
15	661095	SCREW CAP HEX "SPECIAL" STEERING SHAFT "ZF" To A-1692	1	1	1	
15	661195	SCREW "SPECIAL" STEERING SHAFT "ZF" From A-1693	1	1	1	
15	661195	SCREW "SPECIAL" STEERING SHAFT "ZF" From A-1693	1	1	1	
15A	661095	SCREW CAP HEX "SPECIAL" STEERING SHAFT "ZF" To A-1692	1	1	1	
15A	661095	SCREW CAP HEX "SPECIAL" STEERING SHAFT "ZF" To A-1692	1	1	1	
15A	661195	SCREW "SPECIAL" STEERING SHAFT "ZF" From A-1693 To F-2891	1	1		

From 8-1170 To J-0287 Date:10/2022 PAGE:H7-1405-01

**STEERING WHEEL & COLUMN ASSY WITH CONTROL SWITCHES**

Item#	Part	Description	H 3 4 1	H 3 4 5	V I P 4 5	N O T E S
15A	661195	SCREW "SPECIAL" STEERING SHAFT "ZF" From A-1693 To F-2891	1	1		
15A	502946	SCREW CAP HEX M10-1.5x50 G10.9 N500 From F-2882	1	1		
15A	661195	SCREW "SPECIAL" STEERING SHAFT "ZF" From A-1693 To F-2871			1	
15A	661195	SCREW "SPECIAL" STEERING SHAFT "ZF" From A-1693 To F-2871			1	
15A	502946	SCREW CAP HEX M10-1.5x50 G10.9 N500 From F-2872			1	
16	661096	NUT "SPECIAL" STEERING SHAFT "ZF" To A-1692	1	1	1	
16	661096	NUT "SPECIAL" STEERING SHAFT "ZF" To A-1692	1	1	1	
16A	661096	NUT "SPECIAL" STEERING SHAFT "ZF" To A-1692	1	1	1	
16A	661096	NUT "SPECIAL" STEERING SHAFT "ZF" To A-1692	1	1	1	
16A	502859	NUT HEX NYRT M10-1.5 N500 From F-2882	1	1		
16A	502859	NUT HEX NYRT M10-1.5 N500 From F-2872			1	
17	661123	SHAFT ASSY STEERING W/E.C.S. 66SPL / 79SPL LOWER To A-1692	1	1	1	
. NS	661095	. SCREW CAP HEX "SPECIAL" STEERING SHAFT "ZF" To A-1692	2	2	2	
. NS	661096	. NUT "SPECIAL" STEERING SHAFT "ZF" To A-1692	2	2	2	
17	661179	SHAFT ASSY STEERING W/E.C.S. 66SPL / 79SPL LOWER From A-1693 To F-2891	1	1		
. NS	661195	. SCREW "SPECIAL" STEERING SHAFT "ZF" From A-1693 To F-2891	2	2		
17	660770	SHAFT ASSY STEERING W/E.C.S. 66SPL / 79SPL LOWER From F-2892	1	1		
. NS	661195	. SCREW "SPECIAL" STEERING SHAFT "ZF" From F-2892	1	1		
17	661179	SHAFT ASSY STEERING W/E.C.S. 66SPL / 79SPL LOWER From A-1693 To F-2871			1	
. NS	661195	. SCREW "SPECIAL" STEERING SHAFT "ZF" From A-1693 To F-2871			2	
17	660770	SHAFT ASSY STEERING W/E.C.S. 66SPL / 79SPL LOWER From F-2872			1	
. NS	661195	. SCREW "SPECIAL" STEERING SHAFT "ZF" From F-2872			1	
NS	161220	DECAL "WARNING" STEERING SYSTEM CALIBRA.."	1	1	1	
20	<b>H7-1415-00</b>	<b>STEERING GEARBOX - "ZF" - W/ I BEAM RIGID</b>				
20	<b>H7-1415-50</b>	<b>STEERING GEARBOX - "ZF" - W/INDEPENDENT</b>				
21	500344	SCREW MA RND PH M4-0.7x12 Z050	2	2	2	
22	500590	NUT HEX NYRT M4-0.7 Z050	2	2	2	
23	502563	SCREW CAP HEX M6-1.0x12 G8.8 Z050	2	2	2	
24	5001462	WASHER FL 6.4x18.0x1.6 Z050	2	2	2	
25	502631	SCREW CAP HEX M6-1.0x20 G8.8 Z050	2	2	2	
26	500356	WASHER LO SERR 6.1x16.0x0.9 N500	2	2	2	
30	661148	SENSOR ANGLE POSITION DETECTOR	1	1	1	
. NS	564042	. CONNECTOR / BOSCH 1 928 404 025	1	1	1	
31	161265	SUPPORT SENSOR ANGLE POSITION STEERING	1	1	1	
32	5001670	SCREW CAP HEXS M4-0.7x8 G8.8 Z050	3	3	3	
33	500587	SCREW SET HEXS CUP M4-0.7x6	3	3	3	
34	382446	GATEWAY LIN BUS INTERFACE From B-1721 To D-2431	1	1	1	A
34	382562	GATEWAY LIN BUS INTERFACE From D-2432 To E-2572	1	1	1	A
34	565917	GATEWAY LIN BUS INTERFACE From E-2573 To E-2641	1	1	1	A
34	565921	GATEWAY LIN BUS INTERFACE From E-2642 To G-3199	1	1	1	A
34	560008	GATEWAY LIN BUS INTERFACE From G-3200	1	1	1	A
35	564204	CABLE TIE / WITH EDGE CLIP / T50REC4A 10MMx200MM From D-2236	1	1	1	

From 8-1170 To J-0287      Date:10/2022      PAGE:H7-1405-01

**STEERING WHEEL & COLUMN ASSY WITH CONTROL SWITCHES**

Item#	Part	Description	H 3 4 1	H 3 4 5	V I P 4 5	N O T E S
36	564534	CABLE TIE / WITH EDGE CLIP / T50REC5A 10 MM x 200 MM From D-2236	1	1	1	
50	<b>H7-1407-00</b>	<b>STEERING COLUMN &amp; COVER - INSTALLATION</b>				
		A) THIS INTERFACE BOX ARE LOCATED INSIDE OF DASH ON L.H. SIDE				
		1) NOT SOLD SEPARATELY				

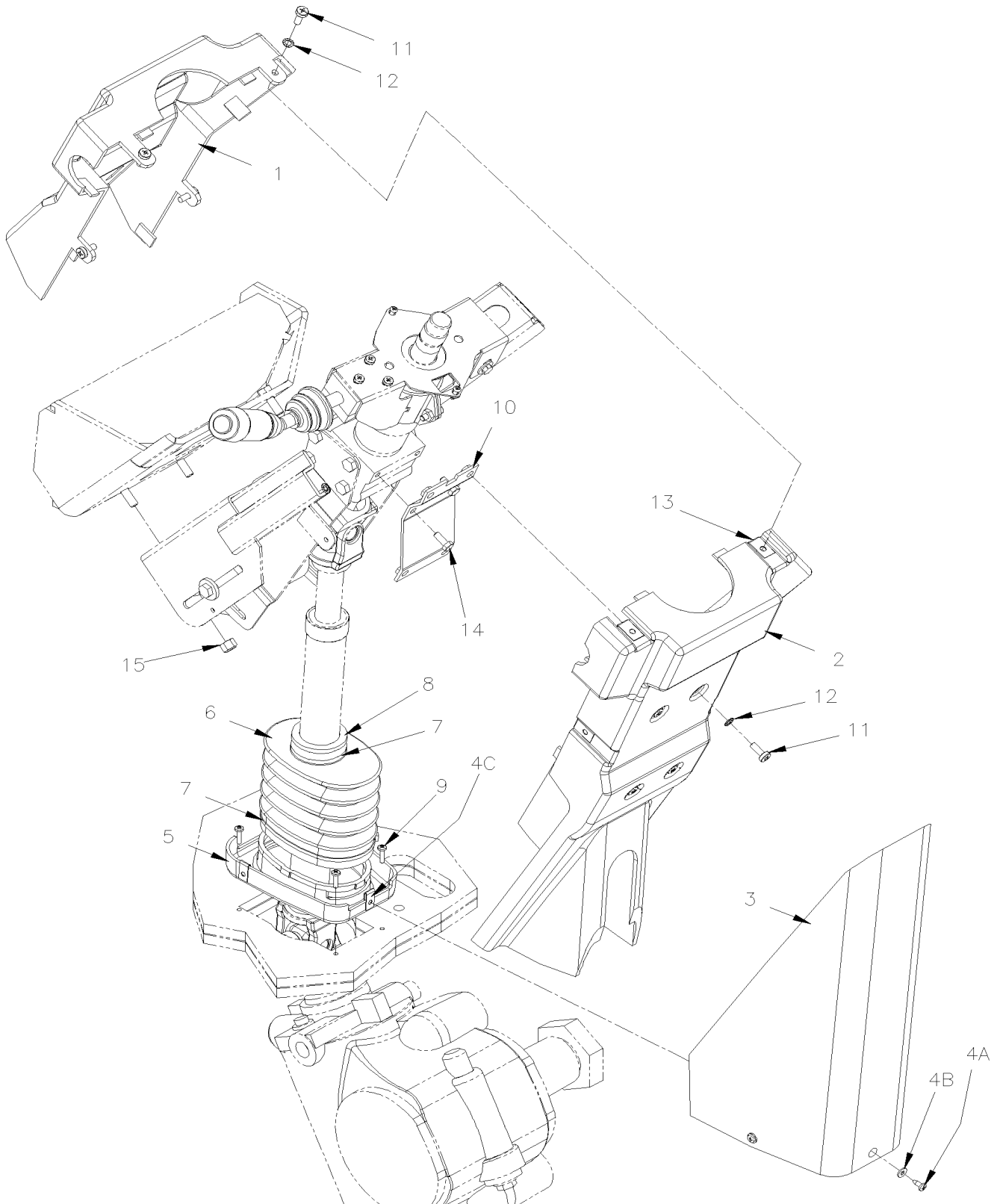


From 7-0671 To J-0287

Date:10/2022

PAGE:H7-1407-00

## STEERING COLUMN & COVER - INSTALLATION



<b>From 7-0671 To J-0287</b>	<b>Date:10/2022</b>	<b>PAGE:H7-1407-00</b>
<b>STEERING COLUMN &amp; COVER - INSTALLATION</b>		

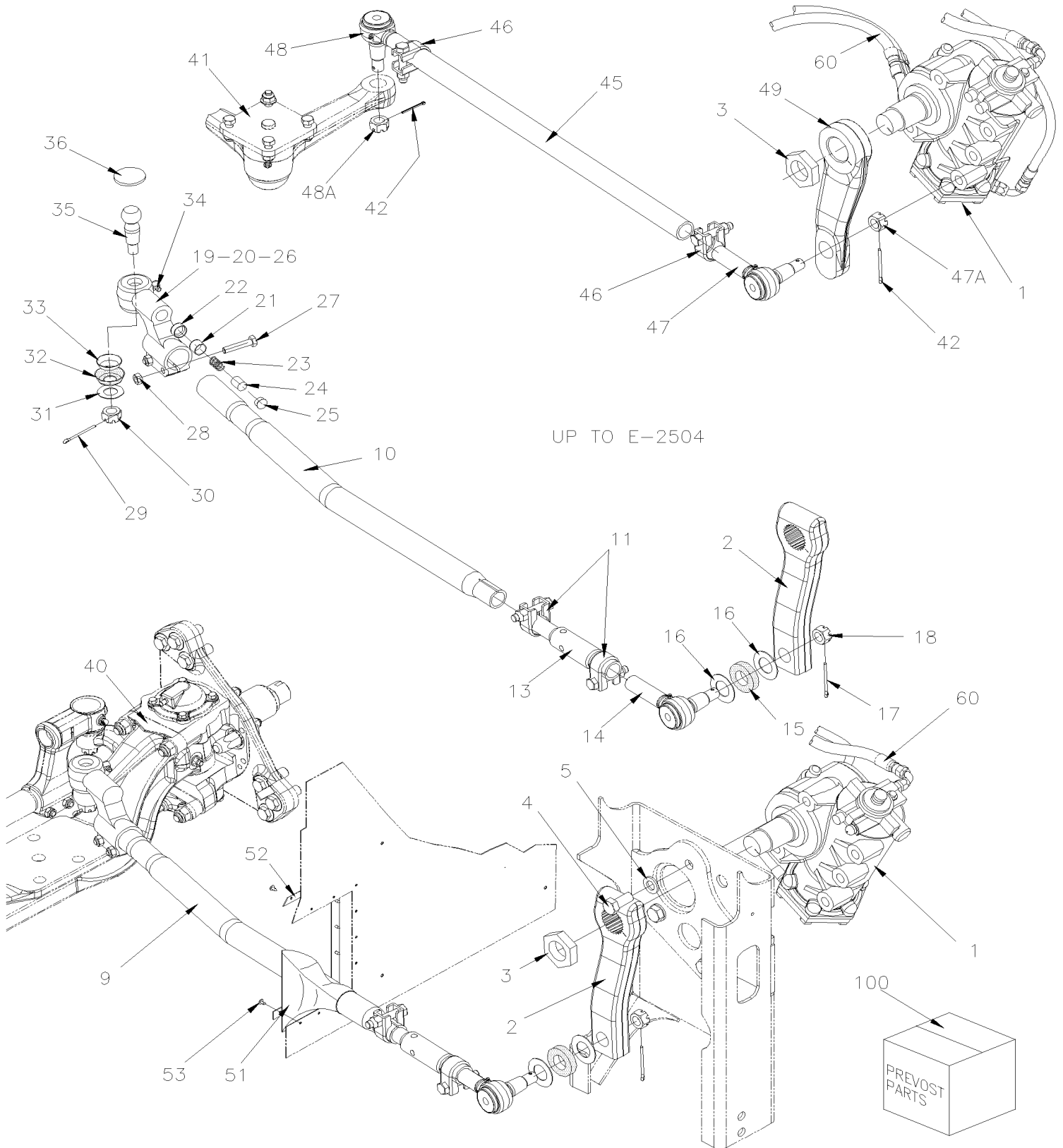
Item#	Part	Description	H 3 4 1	H 3 4 5	V I P 4 5	N O T E S
1	161086	COVER / W/RETARDER / BLACK To 8-1135	1	1	1	
1	161245	COVER / W/RETARDER / MID CHARCOALD From 8-1136 To 8-1169	1	1	1	
1	161252	COVER / W/RETARDER / MID CHARCOALD From 8-1170 To 9-1451	1	1	1	
1	161268	COVER / W/RETARDER / BLACK From 9-1452 To F-2839	1	1	1	
1	161358	COVER / W/RETARDER / BLACK From F-2840	1	1	1	
1	161087	COVER / W/O RETARDER / BLACK To 8-1135	1	1	1	
1	161246	COVER / W/O RETARDER / MID CHARCOALD From 8-1136 To 8-1169	1	1	1	
1	161266	COVER / W/O RETARDER / MID CHARCOALD From 8-1170 To 9-1451	1	1	1	
1	161270	COVER / W/O RETARDER / BLACK From 9-1452 To F-2727	1	1	1	
1	161356	COVER / W/O RETARDER / BLACK From F-2728	1	1	1	
2	161084	COVER / W/RETARDER / BLACK To 8-1135	1	1	1	
2	161243	COVER / W/RETARDER / MID CHARCOALD From 8-1136 To 8-1169	1	1	1	
2	161251	COVER / W/RETARDER / MID CHARCOALD From 8-1170 To 9-1451	1	1	1	
2	161271	COVER / W/RETARDER / BLACK From 9-1452 To F-2839	1	1	1	
2	161357	COVER / W/RETARDER / BLACK From F-2840	1	1	1	
2	161085	COVER / W/O RETARDER / BLACK To 8-1135	1	1	1	
2	161244	COVER / W/O RETARDER / MID CHARCOALD From 8-1136 To 8-1169	1	1	1	
2	161267	COVER / W/O RETARDER / MID CHARCOALD From 8-1170	1	1	1	
2	161269	COVER / W/O RETARDER / BLACK From 9-1452 To F-2727	1	1	1	
2	161355	COVER / W/O RETARDER / BLACK From F-2728	1	1	1	
3	161152	COVER, LOWER / BLACK To 8-1135	1	1	1	
3	161247	COVER, LOWER / MID CHARCOALD From 8-1136 To 9-1451	1	1	1	
3	161152	COVER, LOWER / BLACK From 9-1452 To F-2891	1	1		
3	160881	COVER, LOWER / BLACK From F-2892	1	1		
3	161152	COVER, LOWER / BLACK From 9-1452 To F-2871			1	
3	160881	COVER, LOWER / BLACK From F-2872			1	
4	504619	CLIP CHRISTMAS TREE / BLACK 7/32"O.D.x1/2" HOLE 3/16 To E-2573	3	3	3	
4A	500443	SCREW TP PAN PH #8x1/2 N500 From E-2574	3	3	3	
4B	500855	WASHER FL .188x.438x.049 N500 From E-2574	3	3	3	
4C	500684	NUT SPR U #8A .025-.064 From E-2574	3	3	3	
5	391974	PLATE SUPPORT	1	1	1	
6	660981	BELLOW	1	1	1	
7	504637	CABLE TIE / 3/16" x 13"	2	2	2	
8	391930	COLLAR	1	1	1	
9	500641	SCREW TP PAN PH #8x3/4 Z050	4	4	4	
10	161068	ATTACHMENT	1	1	1	
11	502569	SCREW MA PAN PH M6-1.0x16 BK	8	8	8	
12	500472	WASHER LO INT .256x.478x.028 Z050	8	8	8	
13	502738	NUT SPR U M6-1.0 0.6-4.0 To G-3047	2	2	2	
13	5001965	NUT SPR U M6-1.0 0.6-4.0 N500 From G-3048	2	2	2	
13	504669	RIVET DRV BDG .187x.609 NYL	2	2	2	
14	502531	SCREW CAP HEX M6-1.0x16 G8.8 Z050	2	2	2	

From 7-0671 To J-0287	Date:10/2022	PAGE:H7-1407-00
<b>STEERING COLUMN &amp; COVER - INSTALLATION</b>		

Item#	Part	Description	H 3 4 1	H 3 4 5	V I P 4 5	N O T E S
15	502600	NUT HEX NYRT 5/16-18 Z050	4	4	4	



From 7-0671 To J-0287	Date:10/2022	PAGE:H7-1410-00
STEERING GEAR BOX & DRAG LINK - INSTALLATION		

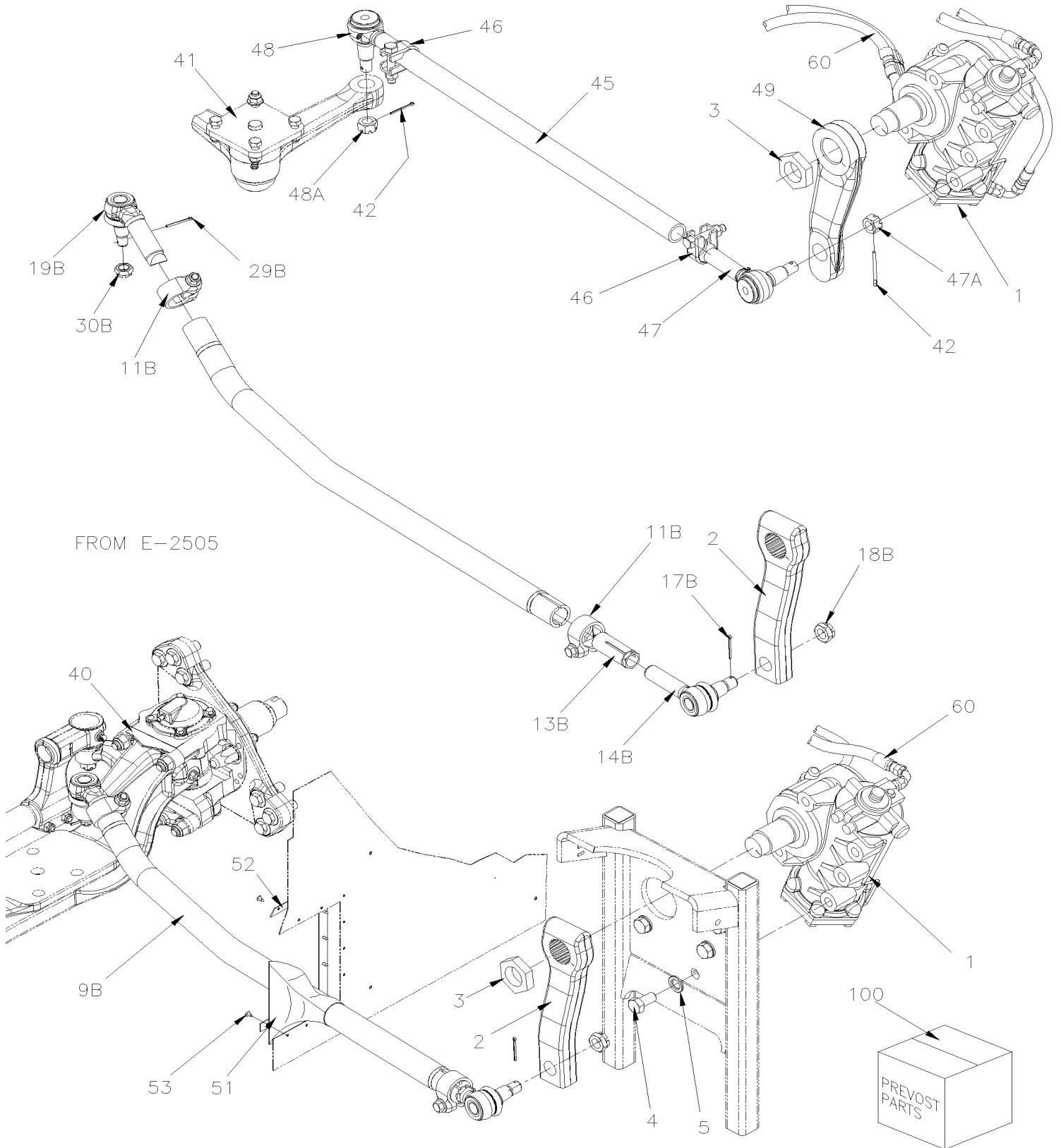


From 7-0671 To J-0287

Date:10/2022

PAGE:H7-1410-00

## STEERING GEAR BOX & DRAG LINK - INSTALLATION



From 7-0671 To J-0287

Date:10/2022

PAGE:H7-1410-00

**STEERING GEAR BOX & DRAG LINK - INSTALLATION**



<b>From 7-0671 To J-0287</b>	<b>Date:10/2022</b>	<b>PAGE:H7-1410-00</b>
<b>STEERING GEAR BOX &amp; DRAG LINK - INSTALLATION</b>		

Item#	Part	Description	H 3 4 1	H 3 4 5	V I P 4 5	N O T E S
1	H7-1415-00	STEERING GEARBOX - "ZF" - W/ I BEAM RIGID				
1	H7-1415-50	STEERING GEARBOX - "ZF" - W/INDEPENDENT				
2	661046	ARM, PITMAN 270MM C/C 116.5° MARK INDEX To A-1604	1	1		
2	661178	ARM, PITMAN 270MM C/C 119.5° MARK INDEX From A-1605 To E-2504	1	1		
2	661197	ARM, PITMAN 270MM C/C 119.5° MARK INDEX From E-2505 To F-2891	1	1		
2	660750	ARM, PITMAN 270MM C/C From F-2892	1	1		
3	661050	LOCKNUT M45X1.5 GEARBOX ZF	1	1	1	
4	5001494	SCREW CAP HEX M20-1.5x45 G10.9 Z050 To D-2285	5	5	5	R
4	5001442	SCREW CAP HEX M20-1.5x40 G10.9 N500 From D-2286	5	5	5	
5	5001495	WASHER FL 21.0x37.0x4.0 ZP To D-2285	5	5	5	R
5	611044	WASHER FL HARD 21.0x37.0x3.0 N500 From D-2286	5	5	5	
9A	160959	DRAG LINK ASSY / 1329.5MM C/C To A-1604	1	1		
9A	161329	DRAG LINK ASSY / 1355.5MM C/C From A-1605 To D-2351	1	1		
9A	161870	DRAG LINK ASSY / 1355.5MM C/C From D-2352 To E-2504	1	1		
9B	161458	DRAG LINK ZF / SERVICE KIT To E-2504	1	1		
. NS	660699	. DRAG LINK ASSY / 1320.5MM C/C To E-2504	1	1		
. NS	502104	. PIN, COTTER 5/32 x 2 To E-2504	2	2		
. NS	IS-13009	. INSTRUCTION SHEET To E-2504	1	1		
9B	660865	DRAG LINK ASSY / 1399MM C/C From E-2505	1	1		
10	160960	. ROD / W/1 CURVE // W/ONE CURVE 975MM To E-2504	1	1		
11A	661133	. COLLAR ASSY / W/BOLT & NUT & STOPPER 1 5/8" I.D. To E-2504	2	2		
. NS	500231	. . SCREW CAP HEX 5/8-11x3 G5 ZP To E-2504	1	1		
. NS	500683	. . NUT HEX STO 5/8-11 ZP To E-2504	1	1		
11B	661209	. COLLAR ASSY / W/BOLT & NUT 50MM I.D. From E-2505 To G-3286	2	2		
11B	660018	. COLLAR ASSY / W/BOLT & NUT 50MM I.D. From G-3287	2	2		
. NS	22164949	. . SCREW KIT From G-3287	1	1		
13A	160932	. TURNBUCKLE 275MM To E-2504	1	1		
13A	161910	. TURNBUCKLE 275MM To E-2504	1	1		S
13B	661210	. SLEEVE THREADED From E-2505 To G-3286	1	1		
13B	660013	. SLEEVE THREADED From G-3287	1	1		
14A	661150	. TIE ROD END L.H. THREAD 1 1/4-12 To E-2504	1	1		
14B	661212	. TIE ROD END R.H. THREAD M30-1.5 From E-2505	1	1		
15	661135	. . RUBBER WASHER SEAL To E-2504	1	1		
16	161989	. . WASHER FL 34.9x63.5x16GA SS To E-2504	1	1		
17A	502115	. . PIN, COTTER 3/16 x 2 1/2 To E-2504	2	2		
17B	502104	. . PIN, COTTER 5/32 x 2 From E-2505	1	1		
18A	5001345	. . NUT HEX CSL THN 7/8-14 To E-2504	1	1		
18B	661216	. NUT HEX CSL THN M24-1.5 From E-2505	1	1		
19A	610991	. TIE ROD ASSY / 3" OFFSET / L.H. THREAD M48-2 To E-2504	1	1		
19B	661211	. TIE ROD END R.H. THREAD M38-1.5 From E-2505	1	1		
20	N.S.P.	. . HOUSING / OFFSET L.H. THREAD M48-2 To E-2504	1	1		2
21	N.S.S.	. . RUBBING PAD / (7157/156) To E-2504	1	1		1



<b>From 7-0671 To J-0287</b>	<b>Date:10/2022</b>	<b>PAGE:H7-1410-00</b>
<b>STEERING GEAR BOX &amp; DRAG LINK - INSTALLATION</b>		

Item#	Part	Description	H 3 4 1	H 3 4 5	V I P 4 5	N O T E S
22	N.S.S.	. . THRUST CUP / (7157/153) To E-2504	1	1		1
23	N.S.S.	. . COMPRESSION SPRING / (5443/4) To E-2504	1	1		1
24	N.S.S.	. . ADJUSTER PIECE / (5443/154) To E-2504	1	1		1
25	680404	. . CAP PLUG To E-2504	1	1		
26	502115	. . PIN, COTTER 3/16 x 2 1/2 To E-2504	1	1		
27	5001177	. . SCREW CAP HEX M12-1.75x60 G8.8 Z050 To E-2504	2	2		
28	500811	. . NUT HEX STO M12-1.75 G500 To E-2504	2	2		
29A	502114	. . PIN, COTTER 5/32 x 2 1/2 To E-2504	2	2		
29B	502104	. . PIN, COTTER 5/32 x 2 From E-2505	1	1		
30A	5001196	. . NUT HEX SLT 3/4-16 To E-2504	1	1		
30B	661213	. . NUT HEX CSL THN M20-1.5 From E-2505	1	1		
31	161989	. . WASHER FL 34.9x63.5x16GA SS To E-2504	2	2		
32	611057	. . RUBBER SEAL BOOT To E-2504	1	1		
33	611056	. . DIRT SEAL PRESSING To E-2504	1	1		
34	501495	. . GREASE FITTING 90° / 1/8 NPT To E-2504	2	2		
35	N.S.S.	. . BALL STUD / (F4223/11) To E-2504	1	1		1
36	N.S.S.	. . PLUG / (5247/155) To E-2504	1	1		1
36	N.S.S.	. . SNAP RING / (ML7544/55N) To E-2504	1	1		1
40	611031	STEERING ARM UPPER L.H. STREET SIDE	1	1		
		WITH INDEPENDENT FRONT SUSPENSION				
41	<b>H7-1410-50</b>	<b>STEERING RODS - INSTALLATION W/INDEPENDENT "NDIFS80P" / 18000LBS To C-1909</b>				
41	<b>H7-1410-51</b>	<b>STEERING RODS - INSTALLATION W/INDEPENDENT "NDIFS80P" / 19000LBS From C-1910</b>				
41	<b>H7-1410-60</b>	<b>STEERING RODS - INSTALLATION W/INDEPENDENT "NDIFS80P" / 18000LBS To F-2716</b>				
41	<b>H7-1410-61</b>	<b>STEERING RODS - INSTALLATION W/INDEPENDENT "NDIFS80P" / 19000LBS From F-2717</b>				
42	502115	PIN, COTTER 3/16 x 2 1/2 To C-1909			2	
42	502104	PIN, COTTER 5/32 x 2 From C-1910			2	
42	502115	PIN, COTTER 3/16 x 2 1/2 From A-1470 To D-2361	2	2		
42	502104	PIN, COTTER 5/32 x 2 From D-2362	2	2		
NS	684420	SCREW MARKER LOCK 90ml	AR	AR	AR	
45	661130	DRAG LINK ASSY / 1044.7 MM C/C WITH LONG NECK TIE ROD END To 8-1432	1	1	1	
45	661154	DRAG LINK ASSY / 1044.7 MM C/C WITH LONG NECK TIE ROD END From 8-1433 To C-1909			1	
45	661203	DRAG LINK ASSY / 1046 MM C/C / 19000LBS From C-1910			1	
45	661154	DRAG LINK ASSY / 1044.7 MM C/C WITH LONG NECK TIE ROD END To D-2361	1	1		
45	661203	DRAG LINK ASSY / 1046 MM C/C / 19000LBS From D-2362	1	1		
45	N.S.S.	. . ROD	1	1	1	1
46	661133	. . COLLAR ASSY / W/BOLT & NUT & STOPPER 1 5/8" I.D.	2	2	2	
. NS	500231	. . SCREW CAP HEX 5/8-11x3 G5 ZP	1	1	1	
. NS	500683	. . NUT HEX STO 5/8-11 ZP	1	1	1	

From 7-0671 To J-0287	Date:10/2022	PAGE:H7-1410-00
<b>STEERING GEAR BOX &amp; DRAG LINK - INSTALLATION</b>		

Item#	Part	Description	H 3 4 1	H 3 4 5	V I P 4 5	N O T E S
47	661152	. TIE ROD END R.H. THREAD 1 1/4-12 W/LONG NECK TIE ROD To C-1909			1	
47	661200	. TIE ROD END R.H. THREAD 1 1/4-12 / 19000LBS From C-1910			1	
47	661152	. TIE ROD END R.H. THREAD 1 1/4-12 W/LONG NECK TIE ROD From A-1470 To D-2361	1	1		
47	661200	. TIE ROD END R.H. THREAD 1 1/4-12 / 19000LBS From D-2362	1	1		
47A	5001345	. . NUT HEX CSL THN 7/8-14 To C-1909			1	
47A	661207	. . NUT HEX CSL THN 1 1/8-12 From C-1910			1	
47A	5001345	. . NUT HEX CSL THN 7/8-14 From A-1470 To D-2361	1	1		
47A	661207	. . NUT HEX CSL THN 1 1/8-12 From D-2362	1	1		
48	661151	. TIE ROD END L.H. THREAD 1 1/4-12 W/LONG NECK TIE ROD To C-1909			1	
48	661202	. TIE ROD END L.H. THREAD 1 1/4-12 / 19000LBS From C-1910			1	
48	661151	. TIE ROD END L.H. THREAD 1 1/4-12 W/LONG NECK TIE ROD From A-1470 To D-2361	1	1		
48	661202	. TIE ROD END L.H. THREAD 1 1/4-12 / 19000LBS From D-2362	1	1		
48A	5001345	. . NUT HEX CSL THN 7/8-14 To C-1909			1	
48A	661207	. . NUT HEX CSL THN 1 1/8-12 From C-1910			1	
48A	5001345	. . NUT HEX CSL THN 7/8-14 From A-1470 To D-2361	1	1		
48A	661207	. . NUT HEX CSL THN 1 1/8-12 From D-2362	1	1		
49	661760	ARM, PITMAN 9" / (PAINTED BLACK) To C-1909			1	
49	661196	ARM, PITMAN 9" / (PAINTED BLACK) From C-1910 To F-2871			1	
49	660735	ARM, PITMAN 9" / (PAINTED BLACK) From F-2872			1	
49	661760	ARM, PITMAN 9" / (PAINTED BLACK) From A-1470 To D-2361	1	1		
49	661196	ARM, PITMAN 9" / (PAINTED BLACK) From D-2362 To F-2891	1	1		
49	660735	ARM, PITMAN 9" / (PAINTED BLACK) From F-2892	1	1		
51	160931	SHIELD RUBBER To H-3502	1	1		
51	160116	SHIELD RUBBER From H-3503	1	1		
51	161009	SHIELD RUBBER To H-3502	1	1	1	I
51	160112	SHIELD RUBBER From H-3503	1	1	1	I
51	680066	ADHESIVE / ADBOND #5014 / 23.6ML BOTTLE From H-3503	AR	AR	AR	
52	160961	COLLAR SHIELD RETAINER / "O" FORM OPEN ONE PIECE To E-2504	1	1		
52	161120	COLLAR SHIELD RETAINER From E-2505 To H-3502	1	1		
52	161994	COLLAR SHIELD RETAINER From H-3503	1	1		
52	160994	COLLAR SHIELD RETAINER / "O" FORM CLOSED To H-3502	1	1	1	I
52	161993	COLLAR SHIELD RETAINER From H-3503	1	1	1	I
52	680066	ADHESIVE / ADBOND #5014 / 23.6ML BOTTLE From H-3503	AR	AR	AR	
53	5001966	SCREW TC BDG PH #10-24x1/2 SS410 ZINC	AR	AR	AR	
NS	504089	BLACK NYLON RETAINER 13 x 5 16 mm Lg From H-3503	2	2	2	
NS	500855	WASHER FL .188x.438x.049 N500 From H-3503	2	2	2	
NS	500805	WASHER FL .218x.875x.062 N500 From H-3503	4	4	4	
60	<b>H7-1400-00</b>	<b>POWER STEERING HOSE - INSTALLATION To A-1720</b>				
60	<b>H7-1400-01</b>	<b>POWER STEERING HOSE - INSTALLATION From B-1721</b>				
100	611101	KIT REPAIR / TIE ROD END USE KIT 161458 To E-2504	AR	AR		A

From 7-0671 To J-0287	Date:10/2022	PAGE:H7-1410-00
<b>STEERING GEAR BOX &amp; DRAG LINK - INSTALLATION</b>		

Item#	Part	Description	H 3 4 1	H 3 4 5	V I P 4 5	N O T E S
100	161458	DRAG LINK ZF / SERVICE KIT To E-2504	1	1		
. NS	660699	. DRAG LINK ASSY / 1320.5MM C/C To E-2504	1	1		
. NS	502104	. PIN, COTTER 5/32 x 2 To E-2504	2	2		
. NS	IS-13009	. INSTRUCTION SHEET To E-2504	1	1		
		A) ITEMS 21 TO 36				
		I) WITH INDEPENDANT SUSPENSION ONLY				
		R) IF YOU HAVE REBUILT THE FRONT END STRUCTURE USE THOSE SCREW CAP 5001494 AND WASHER 611044				
		S) SERVICE ONLY				
		1) NOT SOLD SEPARATELY				
		2) NOT SOLD BY PREVOST (SEE MANUFACTURING PART NUMBER AT END OF DESCRIPTION LINE)				

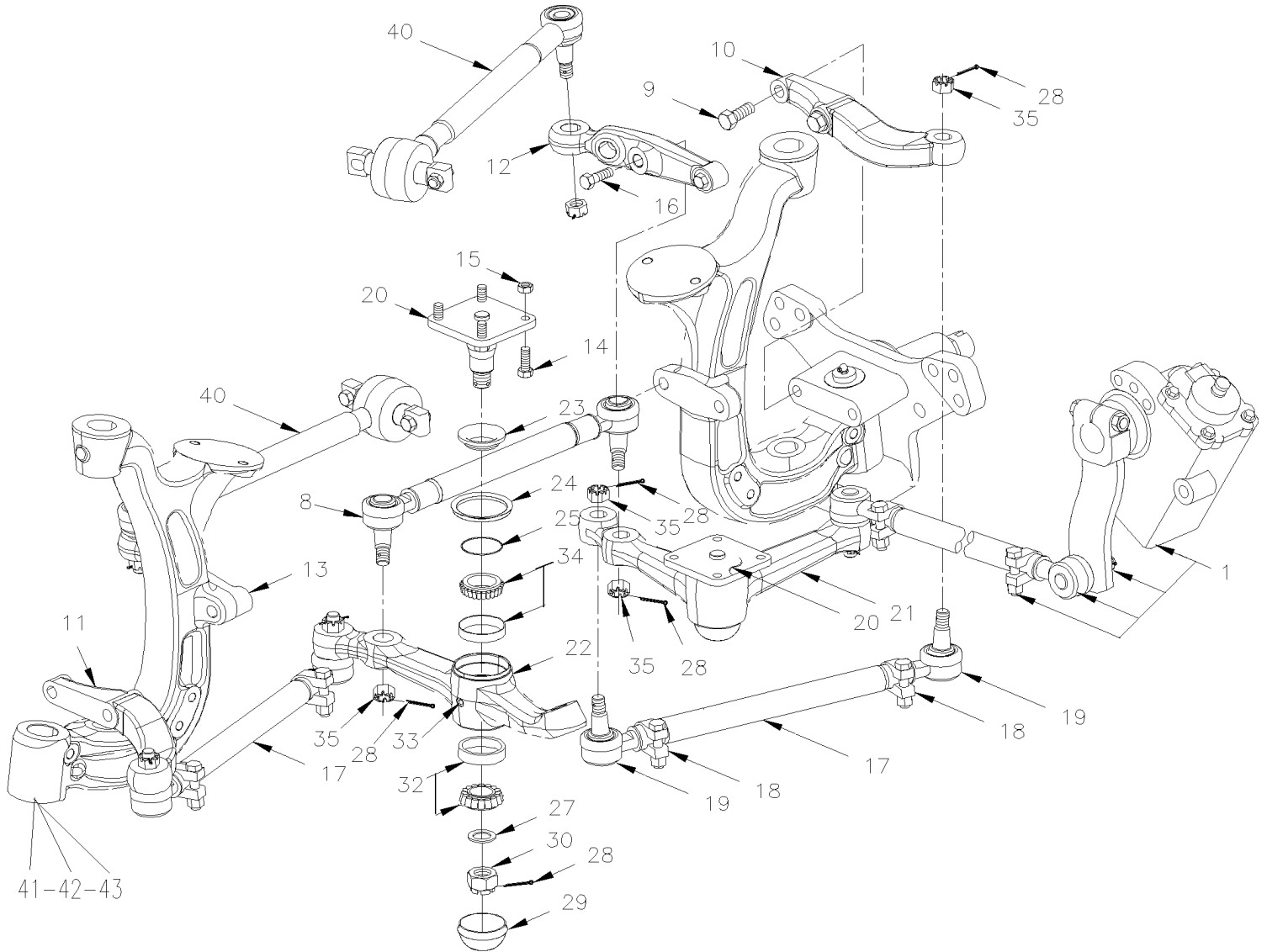


From 7-0671 To C-1909

Date:10/2022

PAGE:H7-1410-50

## STEERING RODS - INSTALLATION W/INDEPENDENT "NDIFS80P" / 18000LBS



<b>From 7-0671 To C-1909</b>	<b>Date:10/2022</b>	<b>PAGE:H7-1410-50</b>
<b>STEERING RODS - INSTALLATION W/INDEPENDENT "NDIFS80P" / 18000LBS</b>		

Item#	Part	Description	H 3 4 1	H 3 4 5	V I P 4 5	N O T E S
1	<b>H7-1410-00</b>	<b>STEERING GEAR BOX &amp; DRAG LINK - INSTALLATION</b>				
8	661132	ROD ASSY / 591.8MM C/C CENTER			1	
8	661183	ROD ASSY / 591.8MM C/C CENTER			1	S
9	611308	SCREW CAP HEX M20-2.5x100 G12.9			1	
9	611306	SCREW CAP HEX M20-2.5x65 G12.9			1	
10	163246	STEERING ARM L.H.			1	
10	612084	STEERING ARM L.H.			1	S
11	163468	STEERING ARM R.H.			1	
11	612085	STEERING ARM R.H.			1	S
12	661113	UPRIGHT ARM L.H / W/58 Deg			1	
12	612380	UPRIGHT ARM L.H			1	S
13	661114	UPRIGHT ARM R.H / W/58 Deg			1	
13	612381	UPRIGHT ARM R.H			1	S
14	5001476	SCREW CAP HEX M14-2.0x45 G8.8 G500			8	
NS	5001327	SCREW CAP HEX M14-2.0x80 G10.9 DP			1	
15	502538	NUT HEX STO M14-2.0 Z050			8	
16	611305	SCREW CAP HEX M20-2.5x60 G12.9			1	
16	611307	SCREW CAP HEX M20-2.5x80 G12.9			1	
17	661129	ROD ASSY / 657MM C/C WITH LONG NECK TIE ROD END			2	
17	661182	ROD ASSY / 657MM C/C			2	S
17	N.P.N.	. ROD			1	4
18	661133	. COLLAR ASSY / W/BOLT & NUT & STOPPER 1 5/8" I.D.			2	
. NS	500231	. . SCREW CAP HEX 5/8-11x3 G5 ZP			1	
. NS	500683	. . NUT HEX STO 5/8-11 ZP			1	
19	661138	. TIE ROD END R.H. THREAD 1 1/4-12			1	
19	661199	. TIE ROD END R.H. THREAD 1 1/4-12			1	S
19	661139	. TIE ROD END L.H. THREAD 1 1/4-12			1	
19	661201	. TIE ROD END L.H. THREAD 1 1/4-12			1	S
20	160983	SPINDLE SHAFT			1	
NS	161005	SHIM 26GAGE 105MM C/C x 14MM slot			AR	
NS	161006	SHIM 20GAGE 105MM C/C x 14MM slot			AR	
21	161169	LEVER L.H.			1	
21	<b>161349</b>	<b>REPLACEMENT KIT / LEVER L.H.</b>			1	S A
22	161170	LEVER R.H.			1	
22	<b>161350</b>	<b>REPLACEMENT KIT / LEVER R.H.</b>	1	1	1	S
23	160984	SLEEVE WIPER 63.5MM O.D.			1	
24	507351	DUST SEAL 3.270 I.D. X 3.085 O.D.			1	
25	507350	OIL SEAL			1	
27	5001227	WASHER FL .453x.875x.090			1	
28	502115	PIN, COTTER 3/16 x 2 1/2			1	
29	661014	COVER			1	
30	5001218	NUT HEX CSL M30-1.5			1	

From 7-0671 To C-1909	Date:10/2022	PAGE:H7-1410-50
<b>STEERING RODS - INSTALLATION W/INDEPENDENT "NDIFS80P" / 18000LBS</b>		

Item#	Part	Description	H 3 4 1	H 3 4 5	V I P 4 5	N O T E S
32	507354	KIT, CUP & CONE BEARING			2	
33	501490	GREASE FITTING / 1/8 NPT			1	
34	507353	KIT, CUP & CONE BEARING			2	
35	5001345	NUT HEX CSL THN 7/8-14			1	
40	<b>H7-1605-50</b>	<b>FRONT AXLE - INSTALL W/INDEPENDENT "NDIFS80P" / 18000LBS</b>				
41	<b>H7-1005-50</b>	<b>FRONT AXLE - INDEPENDENT MODEL "NDIFS80P" / 18000LBS</b>				
42	<b>H7-1225-00</b>	<b>BRAKE PARTS - FRONT &amp; TAG AXLE "KNORR-BREMSE" SN7 SERIES</b>				
42	<b>H7-1225-01</b>	<b>BRAKE PARTS - FRONT &amp; TAG AXLE "KNORR-BREMSE" SN7 SERIES W/NEW SLIDE PINS</b>				
43	<b>H7-1300-00</b>	<b>HUB &amp; ROTOR - FRONT AXLE - I BEAM MODEL "S84U"</b>				
50	680752	GREASE LITHIUM / BLUE			AR	
		A) USE ONLY WHEN THE OLD NUMBER IS NO LONGER AVAILABLE				
		S) SERVICE				
		4) NO PARTS NUMBER				



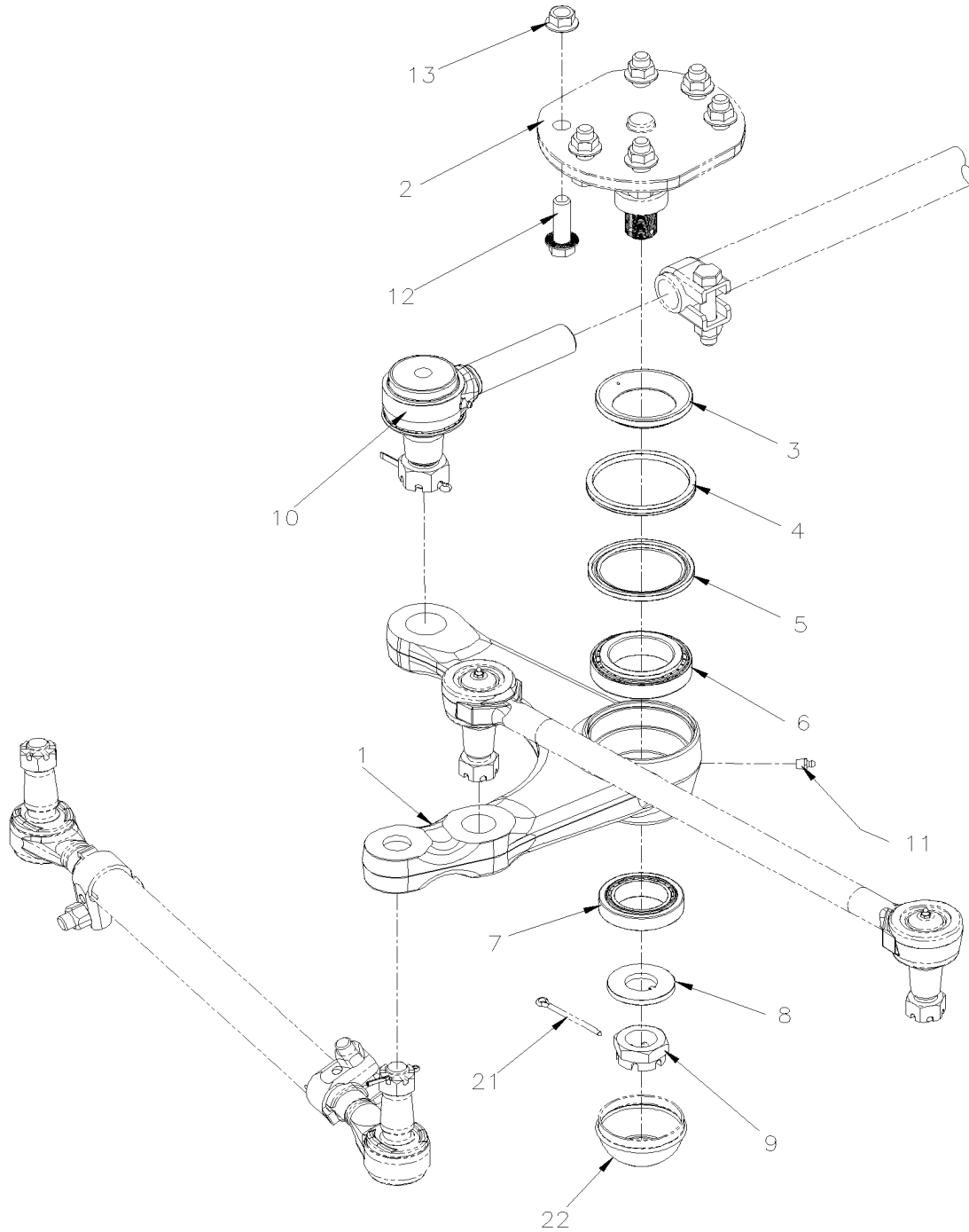


From 7-0671 To C-1909

Date:10/2022

PAGE:161349

REPLACEMENT KIT / LEVER L.H.



From 7-0671 To C-1909	Date:10/2022	PAGE:161349
<b>REPLACEMENT KIT / LEVER L.H.</b>		

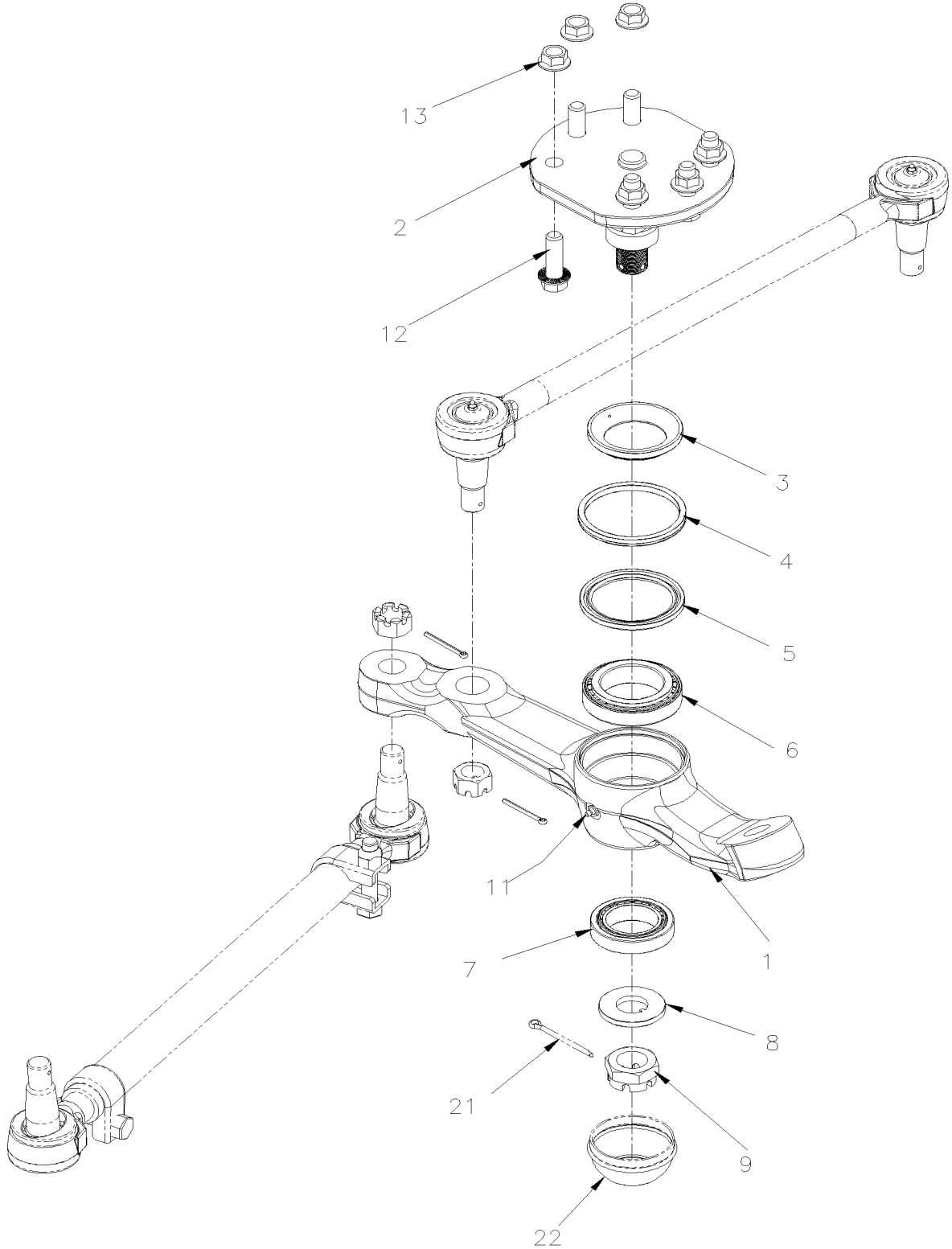
Item#	Part	Description	H 3 4 1	H 3 4 5	V I P 4 5	N O T E S
1	661185	LEVER L.H. / 19000LBS	1	1	1	
2	661186	SPINDLE SHAFT / 19K	1	1	1	
3	160115	SLEEVE WIPER 77.2MM O.D.	1	1	1	
4	507673	DUST SEAL 3.470 I.D. X 4.085 O.D.	1	1	1	
5	507674	OIL SEAL	1	1	1	
6	507672	KIT, CUP & CONE BEARING / 19K	1	1	1	
7	507353	KIT, CUP & CONE BEARING	1	1	1	
8	161338	WASHER FL / W/ INTERIOR KEY 30.5x63.05x6.3	1	1	1	
9	5001218	NUT HEX CSL M30-1.5	1	1	1	
10	661202	TIE ROD END L.H. THREAD 1 1/4-12 / 19000LBS	1	1	1	
11	501490	GREASE FITTING / 1/8 NPT	1	1	1	
12	5001859	SCREW CAP HEXF SERR M16-2.0x50 G10.9	4	4	4	
13	5001844	NUT HEXF SERR M16-2.0 G500	4	4	4	
NS	IS-12010	SEE INSTRUCTION SHEET	1	1	1	
NS	FI-12010	VOIR FEUILLE D'INSTRUCTION	1	1	1	
21	502115	PIN, COTTER 3/16 x 2 1/2 NOT INCLUDE WITH KIT	1	1	1	
NS	502104	PIN, COTTER 5/32 x 2 NOT INCLUDE WITH KIT	2	2	2	
NS	502109	PIN, COTTER 6.3MM x 71MM Z50 NOT INCLUDE WITH KIT	1	1	1	
22	661014	COVER NOT INCLUDE WITH KIT	1	1	1	

From 7-0671 To C-1909

Date:10/2022

PAGE:161350

**REPLACEMENT KIT / LEVER R.H.**



From 7-0671 To C-1909	Date:10/2022	PAGE:161350
<b>REPLACEMENT KIT / LEVER R.H.</b>		

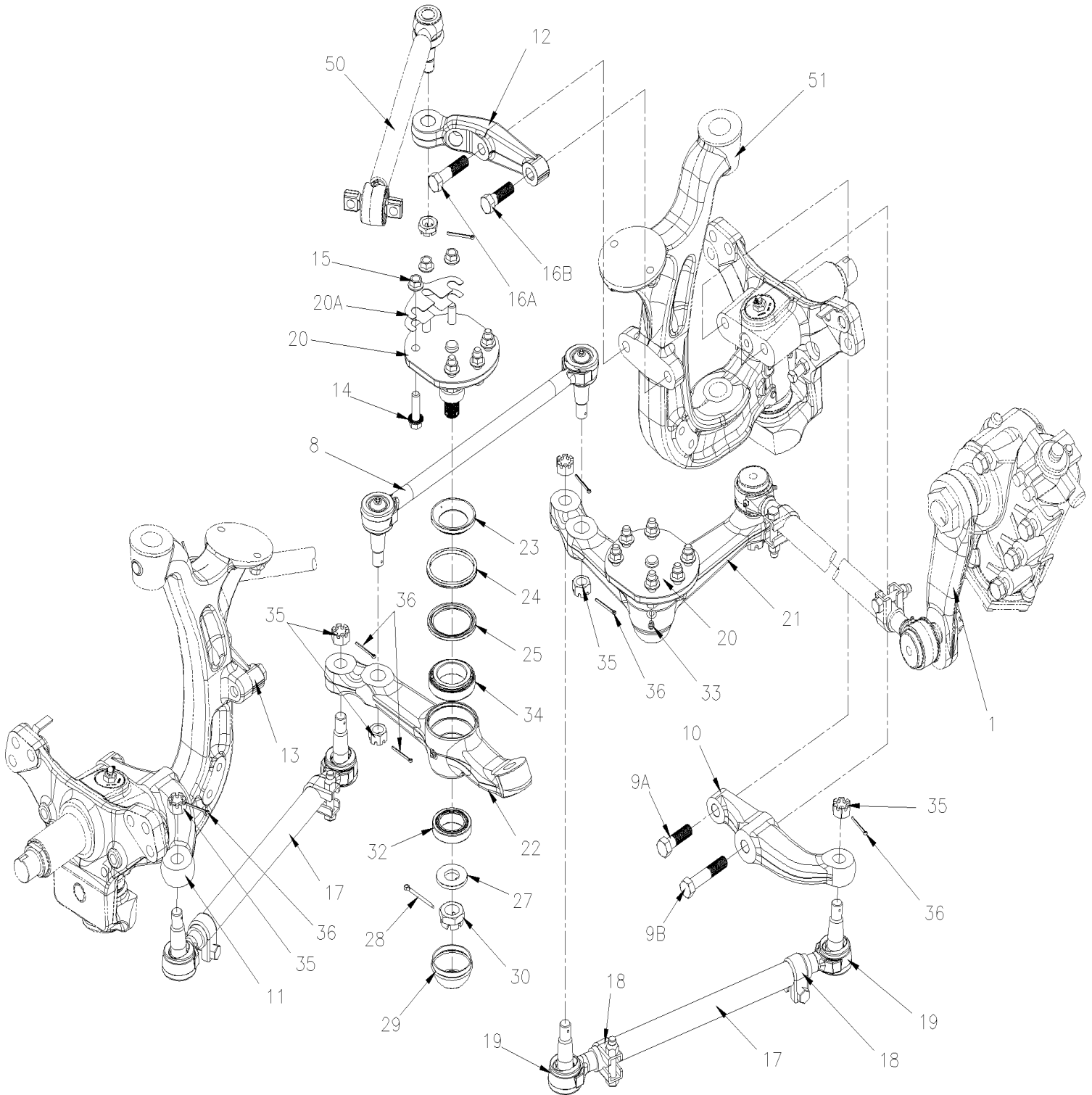
Item#	Part	Description	H 3 4 1	H 3 4 5	V I P 4 5	N O T E S
1	661184	LEVER R.H. / 19000LBS	1	1	1	
2	661186	SPINDLE SHAFT / 19K	1	1	1	
3	160115	SLEEVE WIPER 77.2MM O.D.	1	1	1	
4	507673	DUST SEAL 3.470 I.D. X 4.085 O.D.	1	1	1	
5	507674	OIL SEAL	1	1	1	
6	507672	KIT, CUP & CONE BEARING / 19K	1	1	1	
7	507353	KIT, CUP & CONE BEARING	1	1	1	
8	161338	WASHER FL / W/ INTERIOR KEY 30.5x63.05x6.3	1	1	1	
9	5001218	NUT HEX CSL M30-1.5	1	1	1	
11	501490	GREASE FITTING / 1/8 NPT	1	1	1	
12	5001859	SCREW CAP HEXF SERR M16-2.0x50 G10.9	4	4	4	
13	5001844	NUT HEXF SERR M16-2.0 G500	4	4	4	
NS	IS-12010	SEE INSTRUCTION SHEET	1	1	1	
NS	FI-12010	VOIR FEUILLE D'INSTRUCTION	1	1	1	
21	502115	PIN, COTTER 3/16 x 2 1/2 NOT INCLUDE WITH KIT	1	1	1	
22	661014	COVER NOT INCLUDE WITH KIT	1	1	1	

From C-1910 To J-0287

Date:10/2022

PAGE:H7-1410-51

## STEERING RODS - INSTALLATION W/INDEPENDENT "NDIFS80P" / 19000LBS



<b>From C-1910 To J-0287</b>	<b>Date:10/2022</b>	<b>PAGE:H7-1410-51</b>
<b>STEERING RODS - INSTALLATION W/INDEPENDENT "NDIFS80P" / 19000LBS</b>		

Item#	Part	Description	H 3 4 1	H 3 4 5	V I P 4 5	N O T E S
1	<b>H7-1410-00</b>	<b>STEERING GEAR BOX &amp; DRAG LINK - INSTALLATION</b>				
8	661183	ROD ASSY / 591.8MM C/C CENTER			1	
9A	612360	SCREW CAP HEX M22-2.5x65 G12.9			1	
9B	612359	SCREW CAP HEX M22-2.5x100 G12.9			1	
10	612378	STEERING ARM L.H. / 19000LBS To G-3175			1	
10	612389	STEERING ARM L.H. / 19000LBS From G-3176			1	
11	612379	STEERING ARM R.H. / 19000LBS To G-3175			1	
11	612390	STEERING ARM R.H. / 19000LBS From G-3176			1	
12	612380	UPRIGHT ARM L.H			1	
13	612381	UPRIGHT ARM R.H			1	
14	5001859	SCREW CAP HEXF SERR M16-2.0x50 G10.9			12	
15	5001844	NUT HEXF SERR M16-2.0 G500			12	
16A	611307	SCREW CAP HEX M20-2.5x80 G12.9			1	
16B	611305	SCREW CAP HEX M20-2.5x60 G12.9			1	
17	661182	ROD ASSY / 657MM C/C			2	
17	N.P.N.	. ROD			1	4
18	661133	. COLLAR ASSY / W/BOLT & NUT & STOPPER 1 5/8" I.D.			2	
. NS	500231	. . SCREW CAP HEX 5/8-11x3 G5 ZP			1	
. NS	500683	. . NUT HEX STO 5/8-11 ZP			1	
19	661199	. TIE ROD END R.H. THREAD 1 1/4-12			1	
19	661201	. TIE ROD END L.H. THREAD 1 1/4-12			1	
20	661186	SPINDLE SHAFT / 19K			1	
20A	161343	SHIM 26GAGE 105MM C/C x 18MM slot				AR
20A	161344	SHIM 20GAGE 105MM C/C x 18MM slot				AR
21	661185	LEVER L.H. / 19000LBS			1	
22	661184	LEVER R.H. / 19000LBS			1	
23	160115	SLEEVE WIPER 77.2MM O.D.			2	
24	507673	DUST SEAL 3.470 I.D. X 4.085 O.D.			2	
24	680752	GREASE LITHIUM / BLUE To G-3091				AR
24	685371	GREASE / GREY BLACK MOBIL XHP 222 SPECIAL 400 g From G-3092				AR
25	507674	OIL SEAL			2	
27	161338	WASHER FL / W/ INTERIOR KEY 30.5x63.05x6.3			2	
28	502115	PIN, COTTER 3/16 x 2 1/2			2	
29	661014	COVER			2	
30	5001218	NUT HEX CSL M30-1.5			2	
32	507353	KIT, CUP & CONE BEARING			2	
33	501490	GREASE FITTING / 1/8 NPT			2	
34	507672	KIT, CUP & CONE BEARING / 19K			2	
35	5001345	NUT HEX CSL THN 7/8-14			6	
36	502104	PIN, COTTER 5/32 x 2			6	
50	<b>H7-1605-51</b>	<b>FRONT AXLE - INSTALL W/INDEPENDENT "NDIFS80P" / 19000LBS</b>				
51	<b>H7-1005-51</b>	<b>FRONT AXLE - INDEPENDENT MODEL "NDIFS80P" / 19000LBS</b>				

From C-1910 To J-0287	Date:10/2022	PAGE:H7-1410-51
-----------------------	--------------	-----------------

**STEERING RODS - INSTALLATION W/INDEPENDENT "NDIFS80P" / 19000LBS**

Item#	Part	Description	H 3 4 1	H 3 4 5	V I P 4 5	N O T E S
		4) NO PARTS NUMBER				



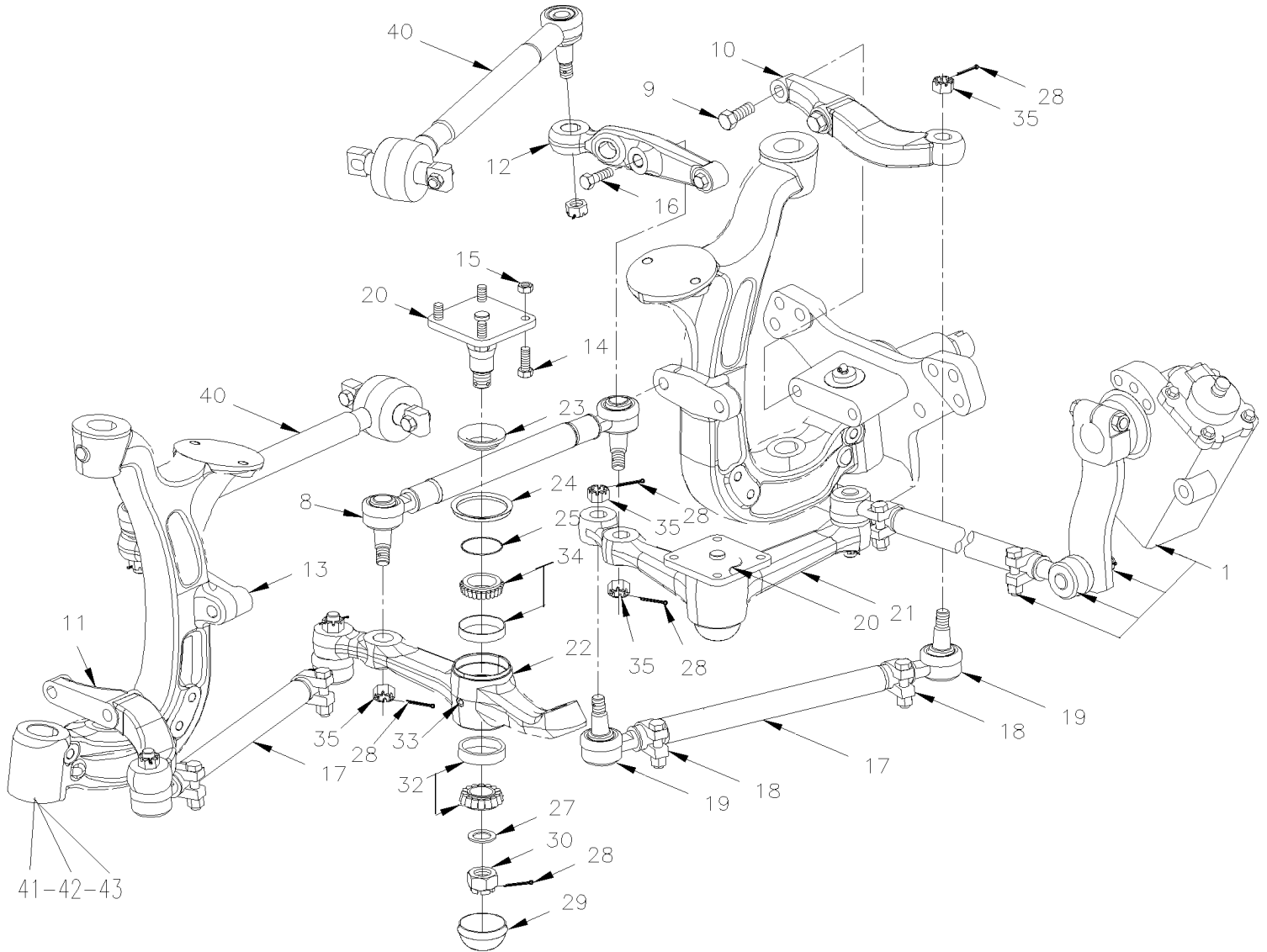


From A-1470 To F-2716

Date:10/2022

PAGE:H7-1410-60

## STEERING RODS - INSTALLATION W/INDEPENDENT "NDIFS80P" / 18000LBS



From A-1470 To F-2716	Date:10/2022	PAGE:H7-1410-60
<b>STEERING RODS - INSTALLATION W/INDEPENDENT "NDIFS80P" / 18000LBS</b>		

Item#	Part	Description	H 3 4 1	H 3 4 5	V I P 4 5	N O T E S
1	<b>H7-1410-00</b>	<b>STEERING GEAR BOX &amp; DRAG LINK - INSTALLATION</b>				
8	661132	ROD ASSY / 591.8MM C/C CENTER	1	1		
8	661183	ROD ASSY / 591.8MM C/C CENTER	1	1		S
9	611308	SCREW CAP HEX M20-2.5x100 G12.9	1	1		
9	611306	SCREW CAP HEX M20-2.5x65 G12.9	1	1		
10	163246	STEERING ARM L.H.	1	1		
10	612084	STEERING ARM L.H.	1	1		S
11	163468	STEERING ARM R.H.	1	1		
11	612085	STEERING ARM R.H.	1	1		S
12	661113	UPRIGHT ARM L.H / W/58 Deg	1	1		
12	612380	UPRIGHT ARM L.H	1	1		S
13	661114	UPRIGHT ARM R.H / W/58 Deg	1	1		
13	612381	UPRIGHT ARM R.H	1	1		S
14	5001476	SCREW CAP HEX M14-2.0x45 G8.8 G500	8	8		
NS	5001327	SCREW CAP HEX M14-2.0x80 G10.9 DP	1	1		
15	502538	NUT HEX STO M14-2.0 Z050	8	8		
16	611305	SCREW CAP HEX M20-2.5x60 G12.9	1	1		
16	611307	SCREW CAP HEX M20-2.5x80 G12.9	1	1		
17	661129	ROD ASSY / 657MM C/C WITH LONG NECK TIE ROD END	2	2		
17	661182	ROD ASSY / 657MM C/C	2	2		S
17	N.P.N.	. ROD	1	1		4
18	661133	. COLLAR ASSY / W/BOLT & NUT & STOPPER 1 5/8" I.D.	2	2		
. NS	500231	. . SCREW CAP HEX 5/8-11x3 G5 ZP	1	1		
. NS	500683	. . NUT HEX STO 5/8-11 ZP	1	1		
19	661138	. TIE ROD END R.H. THREAD 1 1/4-12	1	1		
19	661199	. TIE ROD END R.H. THREAD 1 1/4-12	1	1		S
19	661139	. TIE ROD END L.H. THREAD 1 1/4-12	1	1		
19	661201	. TIE ROD END L.H. THREAD 1 1/4-12	1	1		S
20	160983	SPINDLE SHAFT To C-2020	1	1		
20	661206	SPINDLE SHAFT From C-2021	1	1		
NS	161005	SHIM 26GAGE 105MM C/C x 14MM slot	AR	AR		
NS	161006	SHIM 20GAGE 105MM C/C x 14MM slot	AR	AR		
21	161169	LEVER L.H.	1	1		
21	<b>161349</b>	<b>REPLACEMENT KIT / LEVER L.H.</b>	1	1		S A
22	161170	LEVER R.H.	1	1		
22	<b>161350</b>	<b>REPLACEMENT KIT / LEVER R.H.</b>	1	1		S A
23	160984	SLEEVE WIPER 63.5MM O.D.	1	1		
24	507351	DUST SEAL 3.270 I.D. X 3.085 O.D.	1	1		
25	507350	OIL SEAL	1	1		
27	5001227	WASHER FL .453x.875x.090	1	1		
28	502115	PIN, COTTER 3/16 x 2 1/2	1	1		
29	661014	COVER	1	1		

From A-1470 To F-2716	Date:10/2022	PAGE:H7-1410-60
<b>STEERING RODS - INSTALLATION W/INDEPENDENT "NDIFS80P" / 18000LBS</b>		

Item#	Part	Description	H 3 4 1	H 3 4 5	V I P 4 5	N O T E S
30	5001218	NUT HEX CSL M30-1.5	1	1		
32	507354	KIT, CUP & CONE BEARING	2	2		
33	501490	GREASE FITTING / 1/8 NPT	1	1		
34	507353	KIT, CUP & CONE BEARING	2	2		
35	5001345	NUT HEX CSL THN 7/8-14	1	1		
40	<b>H7-1605-60</b>	<b>FRONT AXLE - INSTALL W/INDEPENDENT "NDIFS80P" / 18000LBS</b>				
41	<b>H7-1005-60</b>	<b>FRONT AXLE - INDEPENDENT MODEL "NDIFS80P" / 18000LBS</b>				
42	<b>H7-1225-00</b>	<b>BRAKE PARTS - FRONT &amp; TAG AXLE "KNORR-BREMSE" SN7 SERIES</b>				
42	<b>H7-1225-01</b>	<b>BRAKE PARTS - FRONT &amp; TAG AXLE "KNORR-BREMSE" SN7 SERIES W/NEW SLIDE PINS</b>				
43	<b>H7-1300-00</b>	<b>HUB &amp; ROTOR - FRONT AXLE - I BEAM MODEL "S84U"</b>				
		A) USE ONLY WHEN THE OLD NUMBER IS NO LONGER AVAILABLE				
		S) SERVICE				
		4) NO PARTS NUMBER				

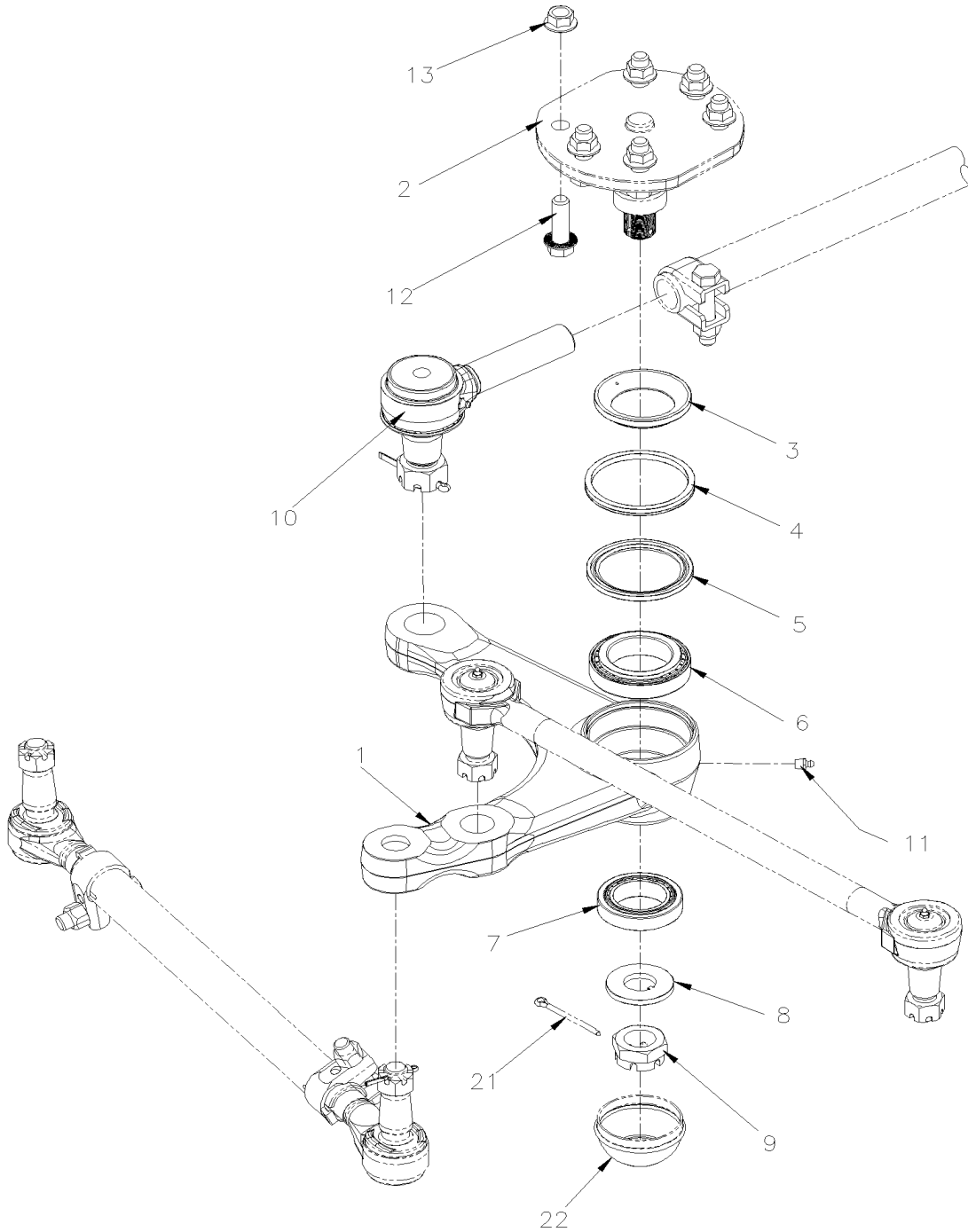


From A-1470 To F-2716

Date:10/2022

PAGE:161349

REPLACEMENT KIT / LEVER L.H.



<b>From A-1470 To F-2716</b>	<b>Date:10/2022</b>	<b>PAGE:161349</b>
<b>REPLACEMENT KIT / LEVER L.H.</b>		

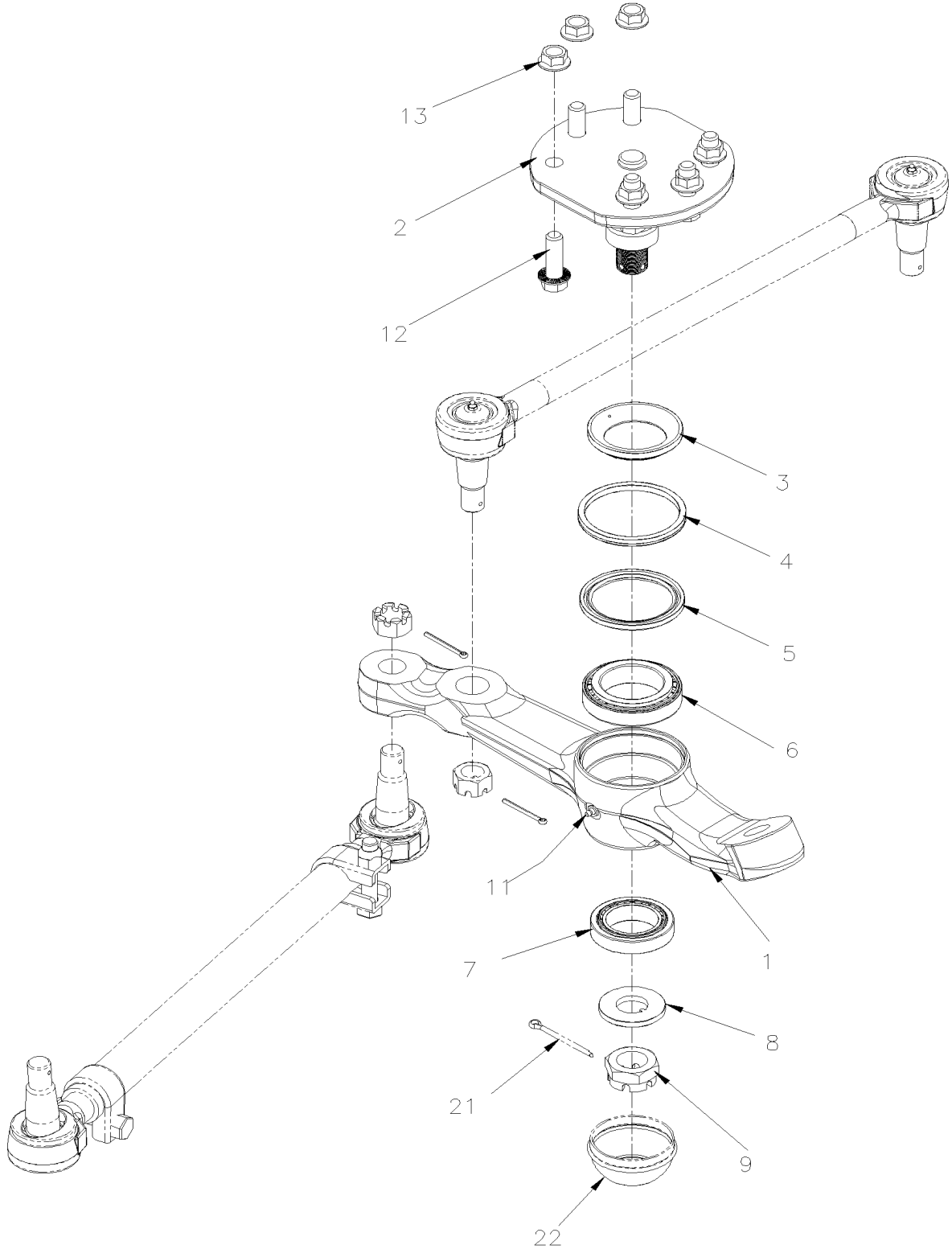
Item#	Part	Description	H 3 4 1	H 3 4 5	V I P 4 5	N O T E S
1	661185	LEVER L.H. / 19000LBS	1	1	1	
2	661186	SPINDLE SHAFT / 19K	1	1	1	
3	160115	SLEEVE WIPER 77.2MM O.D.	1	1	1	
4	507673	DUST SEAL 3.470 I.D. X 4.085 O.D.	1	1	1	
5	507674	OIL SEAL	1	1	1	
6	507672	KIT, CUP & CONE BEARING / 19K	1	1	1	
7	507353	KIT, CUP & CONE BEARING	1	1	1	
8	161338	WASHER FL / W/ INTERIOR KEY 30.5x63.05x6.3	1	1	1	
9	5001218	NUT HEX CSL M30-1.5	1	1	1	
10	661202	TIE ROD END L.H. THREAD 1 1/4-12 / 19000LBS	1	1	1	
11	501490	GREASE FITTING / 1/8 NPT	1	1	1	
12	5001859	SCREW CAP HEXF SERR M16-2.0x50 G10.9	4	4	4	
13	5001844	NUT HEXF SERR M16-2.0 G500	4	4	4	
NS	IS-12010	SEE INSTRUCTION SHEET	1	1	1	
NS	FI-12010	VOIR FEUILLE D'INSTRUCTION	1	1	1	
21	502115	PIN, COTTER 3/16 x 2 1/2 NOT INCLUDE WITH KIT	1	1	1	
NS	502104	PIN, COTTER 5/32 x 2 NOT INCLUDE WITH KIT	2	2	2	
NS	502109	PIN, COTTER 6.3MM x 71MM Z50 NOT INCLUDE WITH KIT	1	1	1	
22	661014	COVER NOT INCLUDE WITH KIT	1	1	1	

From A-1470 To F-2716

Date:10/2022

PAGE:161350

**REPLACEMENT KIT / LEVER R.H.**



From A-1470 To F-2716	Date:10/2022	PAGE:161350
<b>REPLACEMENT KIT / LEVER R.H.</b>		

Item#	Part	Description	H 3 4 1	H 3 4 5	V I P 4 5	N O T E S
1	661184	LEVER R.H. / 19000LBS	1	1	1	
2	661186	SPINDLE SHAFT / 19K	1	1	1	
3	160115	SLEEVE WIPER 77.2MM O.D.	1	1	1	
4	507673	DUST SEAL 3.470 I.D. X 4.085 O.D.	1	1	1	
5	507674	OIL SEAL	1	1	1	
6	507672	KIT, CUP & CONE BEARING / 19K	1	1	1	
7	507353	KIT, CUP & CONE BEARING	1	1	1	
8	161338	WASHER FL / W/ INTERIOR KEY 30.5x63.05x6.3	1	1	1	
9	5001218	NUT HEX CSL M30-1.5	1	1	1	
11	501490	GREASE FITTING / 1/8 NPT	1	1	1	
12	5001859	SCREW CAP HEXF SERR M16-2.0x50 G10.9	4	4	4	
13	5001844	NUT HEXF SERR M16-2.0 G500	4	4	4	
NS	IS-12010	SEE INSTRUCTION SHEET	1	1	1	
NS	FI-12010	VOIR FEUILLE D'INSTRUCTION	1	1	1	
21	502115	PIN, COTTER 3/16 x 2 1/2 NOT INCLUDE WITH KIT	1	1	1	
22	661014	COVER NOT INCLUDE WITH KIT	1	1	1	

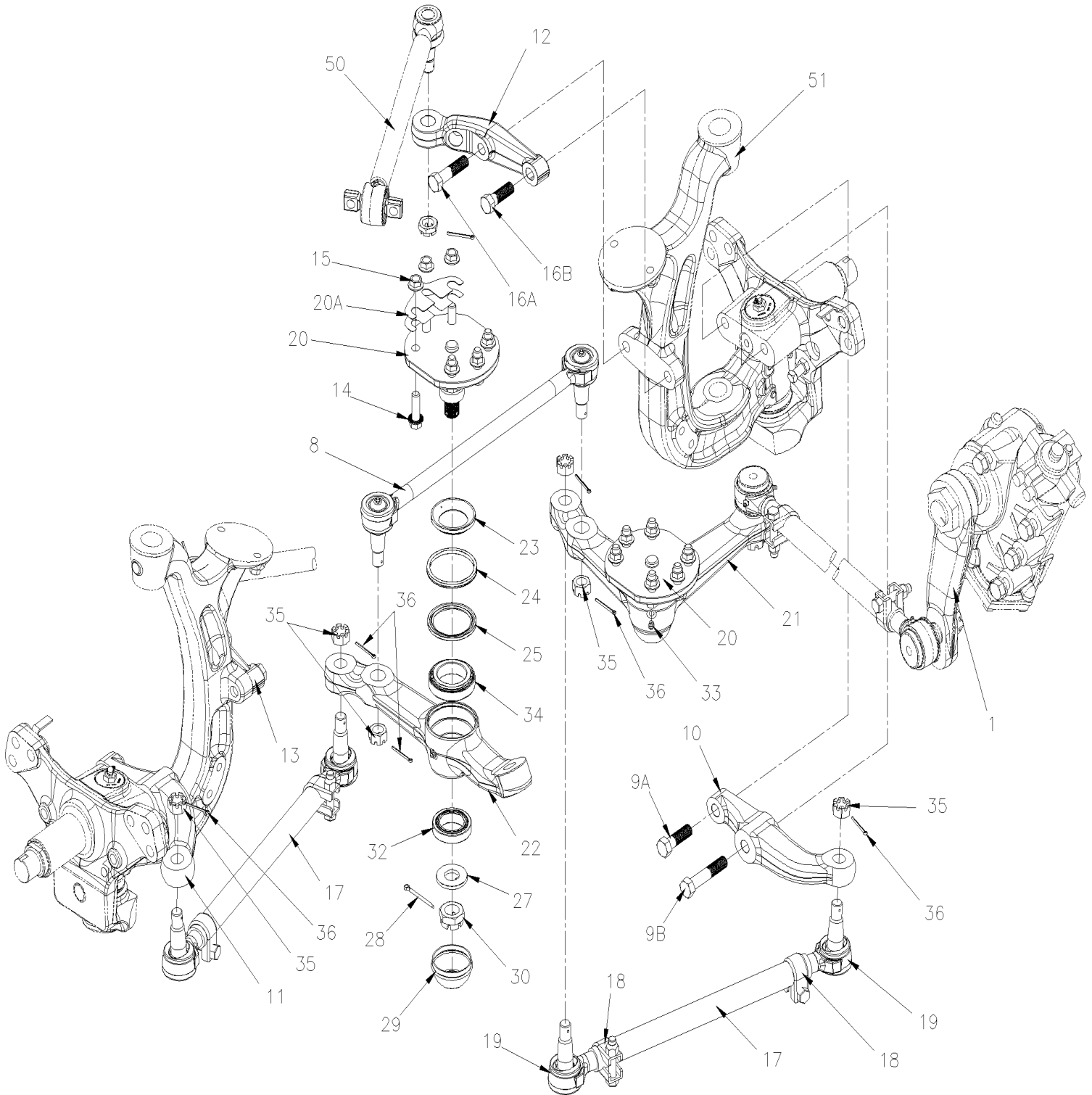


From F-2717 To J-0184

Date:10/2022

PAGE:H7-1410-61

STEERING RODS - INSTALLATION W/INDEPENDENT "NDIFS80P" / 19000LBS



From F-2717 To J-0184 Date:10/2022 PAGE:H7-1410-61

**STEERING RODS - INSTALLATION W/INDEPENDENT "NDIFS80P" / 19000LBS**

Item#	Part	Description	H 3 4 1	H 3 4 5	V I P 4 5	N O T E S
1	<b>H7-1410-00</b>	<b>STEERING GEAR BOX &amp; DRAG LINK - INSTALLATION</b>				
8	661183	ROD ASSY / 591.8MM C/C CENTER	1	1		
9A	612360	SCREW CAP HEX M22-2.5x65 G12.9	1	1		
9B	612359	SCREW CAP HEX M22-2.5x100 G12.9	1	1		
10	612378	STEERING ARM L.H. / 19000LBS To G-3175	1	1		
10	612389	STEERING ARM L.H. / 19000LBS From G-3176	1	1		
11	612379	STEERING ARM R.H. / 19000LBS To G-3175	1	1		
11	612390	STEERING ARM R.H. / 19000LBS From G-3176	1	1		
12	612380	UPRIGHT ARM L.H	1	1		
13	612381	UPRIGHT ARM R.H	1	1		
14	5001859	SCREW CAP HEXF SERR M16-2.0x50 G10.9	12	12		
15	5001844	NUT HEXF SERR M16-2.0 G500	12	12		
16A	611307	SCREW CAP HEX M20-2.5x80 G12.9	1	1		
16B	611305	SCREW CAP HEX M20-2.5x60 G12.9	1	1		
17	661182	ROD ASSY / 657MM C/C	2	2		
17	N.P.N.	. ROD	1	1		4
18	661133	. COLLAR ASSY / W/BOLT & NUT & STOPPER 1 5/8" I.D.	2	2		
. NS	500231	. . SCREW CAP HEX 5/8-11x3 G5 ZP	1	1		
. NS	500683	. . NUT HEX STO 5/8-11 ZP	1	1		
19	661199	. TIE ROD END R.H. THREAD 1 1/4-12	1	1		
19	661201	. TIE ROD END L.H. THREAD 1 1/4-12	1	1		
20	661186	SPINDLE SHAFT / 19K	1	1		
20A	161343	SHIM 26GAGE 105MM C/C x 18MM slot	AR	AR		
20A	161344	SHIM 20GAGE 105MM C/C x 18MM slot	AR	AR		
21	661185	LEVER L.H. / 19000LBS	1	1		
22	661184	LEVER R.H. / 19000LBS	1	1		
23	160115	SLEEVE WIPER 77.2MM O.D.	2	2		
24	507673	DUST SEAL 3.470 I.D. X 4.085 O.D.	2	2		
24	680752	GREASE LITHIUM / BLUE To G-3091	AR	AR		
24	685371	GREASE / GREY BLACK MOBIL XHP 222 SPECIAL 400 g From G-3092	AR	AR		
25	507674	OIL SEAL	2	2		
27	161338	WASHER FL / W/ INTERIOR KEY 30.5x63.05x6.3	2	2		
28	502115	PIN, COTTER 3/16 x 2 1/2	2	2		
29	661014	COVER	2	2		
30	5001218	NUT HEX CSL M30-1.5	2	2		
32	507353	KIT, CUP & CONE BEARING	2	2		
33	501490	GREASE FITTING / 1/8 NPT	2	2		
34	507672	KIT, CUP & CONE BEARING / 19K	2	2		
35	5001345	NUT HEX CSL THN 7/8-14	6	6		
36	502104	PIN, COTTER 5/32 x 2	6	6		
50	<b>H7-1605-61</b>	<b>FRONT AXLE - INSTALL W/INDEPENDENT "NDIFS80P" / 19000LBS</b>				
51	<b>H7-1005-61</b>	<b>FRONT AXLE - INDEPENDENT MODEL "NDIFS80P" / 19000LBS</b>				

From F-2717 To J-0184	Date:10/2022	PAGE:H7-1410-61
-----------------------	--------------	-----------------

**STEERING RODS - INSTALLATION W/INDEPENDENT "NDIFS80P" / 19000LBS**

Item#	Part	Description	H 3 4 1	H 3 4 5	V I P 4 5	N O T E S
		4) NO PARTS NUMBER				

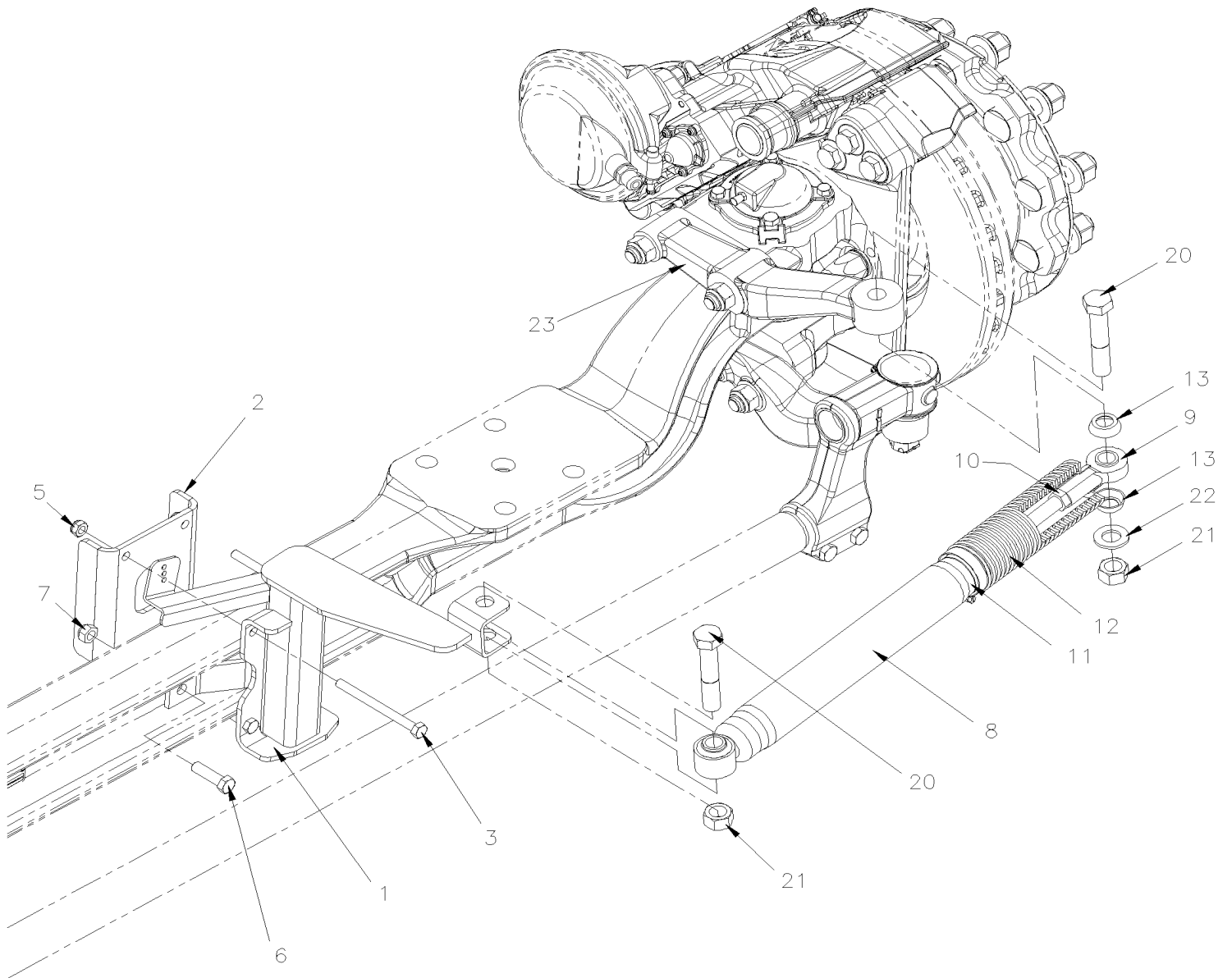
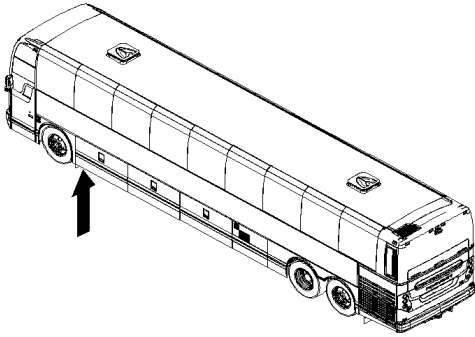


From 7-0671 To J-0184

Date:10/2022

PAGE:H7-1412-00

## STEERING DAMPER



From 7-0671 To J-0184	Date:10/2022	PAGE:H7-1412-00
<b>STEERING DAMPER</b>		

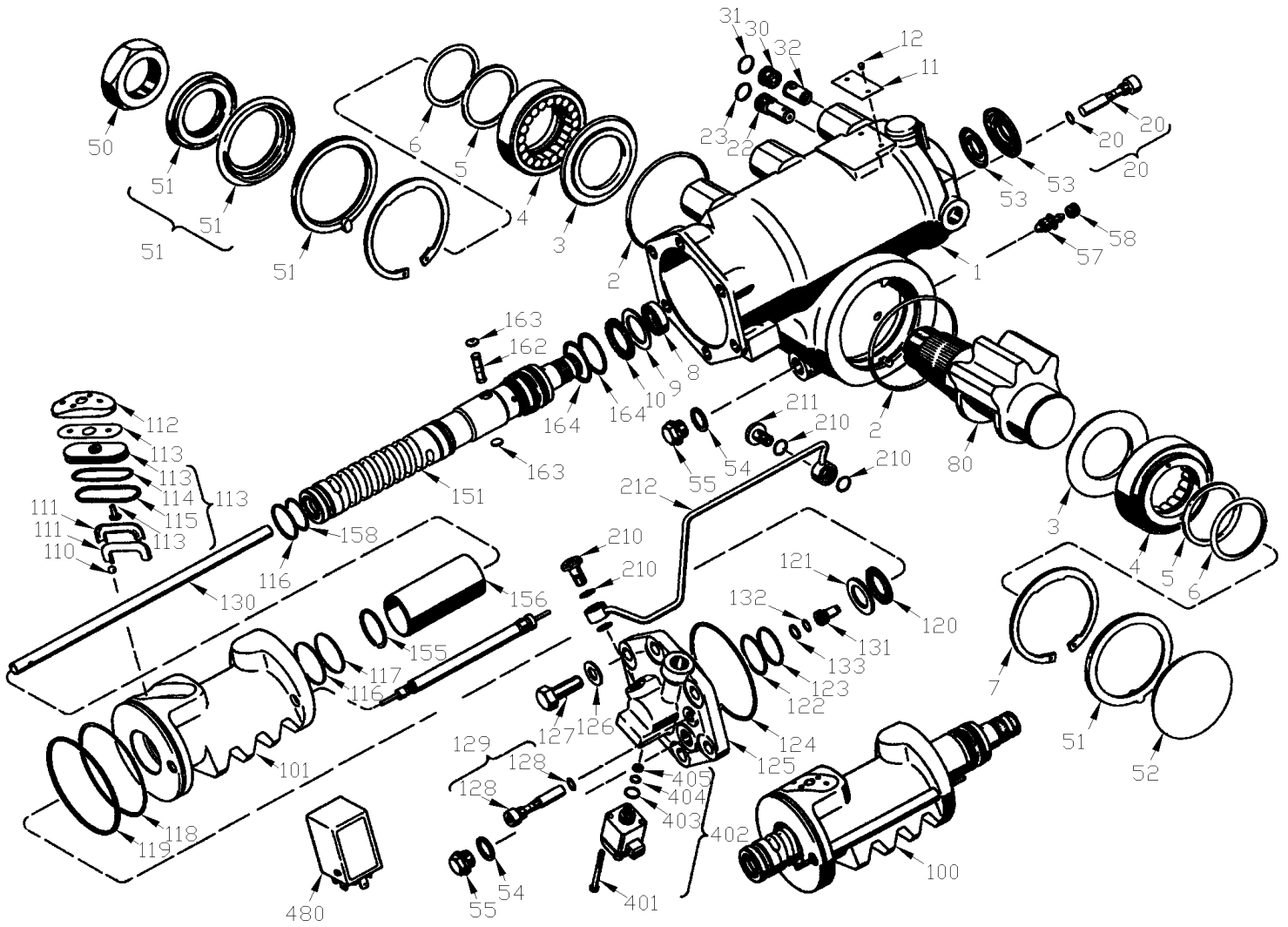
Item#	Part	Description	H 3 4 1	H 3 4 5	V I P 4 5	N O T E S
1	110741	ATTACHMENT CYLINDER	1	1		
2	110749	ATTACHMENT PLATE	1	1		
3	5001500	SCREW CAP HEX M10-1.5x120 G10.9 N500	4	4		
5	500680	NUT HEX STO M10-1.5 Z050	4	4		
6	502731	SCREW CAP HEX M12-1.75x40 G8.8 Z050	1	1		
7	500811	NUT HEX STO M12-1.75 G500	1	1		
8	160835	DAMPER SHOCK ASS	1	1		
. NS	IS-96052A	. SEE INSTRUCTION SHEET	1	1		
8	660979	. DAMPER SHOCK	1	1		
9	660884	. . ROD END FEMALE 3/4"-16 / 3/4 I.D.	1	1		
9	501497	. GREASE FITTING / 1/4-28	1	1		
10	500734	. . NUT HEX JAM 3/4-16 Z050	1	1		
11	504023	. HOSE CLAMP / 1"5/16-2"1/4 SS / HS-28 To E-2504	1	1		
11	504792	. HOSE CLAMP / 1"9/16-2.5" SS / HAS-32 From E-2505	1	1		
12	661007	. BOOT PROTECTOR	1	1		
13	660980	. COVER ROD END / RUBBER	2	2		
20	500145	SCREW CAP HEX 3/4-16x3 1/2 G5 Z050 To 9-1421	2	2		
20	500146	SCREW CAP HEX 3/4-16x4 G5 N500 From 9-1422	2	2		
21	500735	NUT HEX STO 3/4-16 ZP To 9-1457	2	2		
21	500251	NUT HEX NYRT 3/4-16 Z050 From 9-1458	2	2		
22	5001152	WASHER CON 21.0x50.0x4.5 ZP From F-2763 To G-3084	1	1		
22	500087	WASHER FL .812x1.500x.134 N500 From G-3267	1	1		
23	161033	STEERING ARM UPPER R.H. CURBSIDE	1	1		

From 7-0671 To J-0184

Date:10/2022

PAGE:H7-1415-00

STEERING GEARBOX - "ZF" - W/ I BEAM RIGID



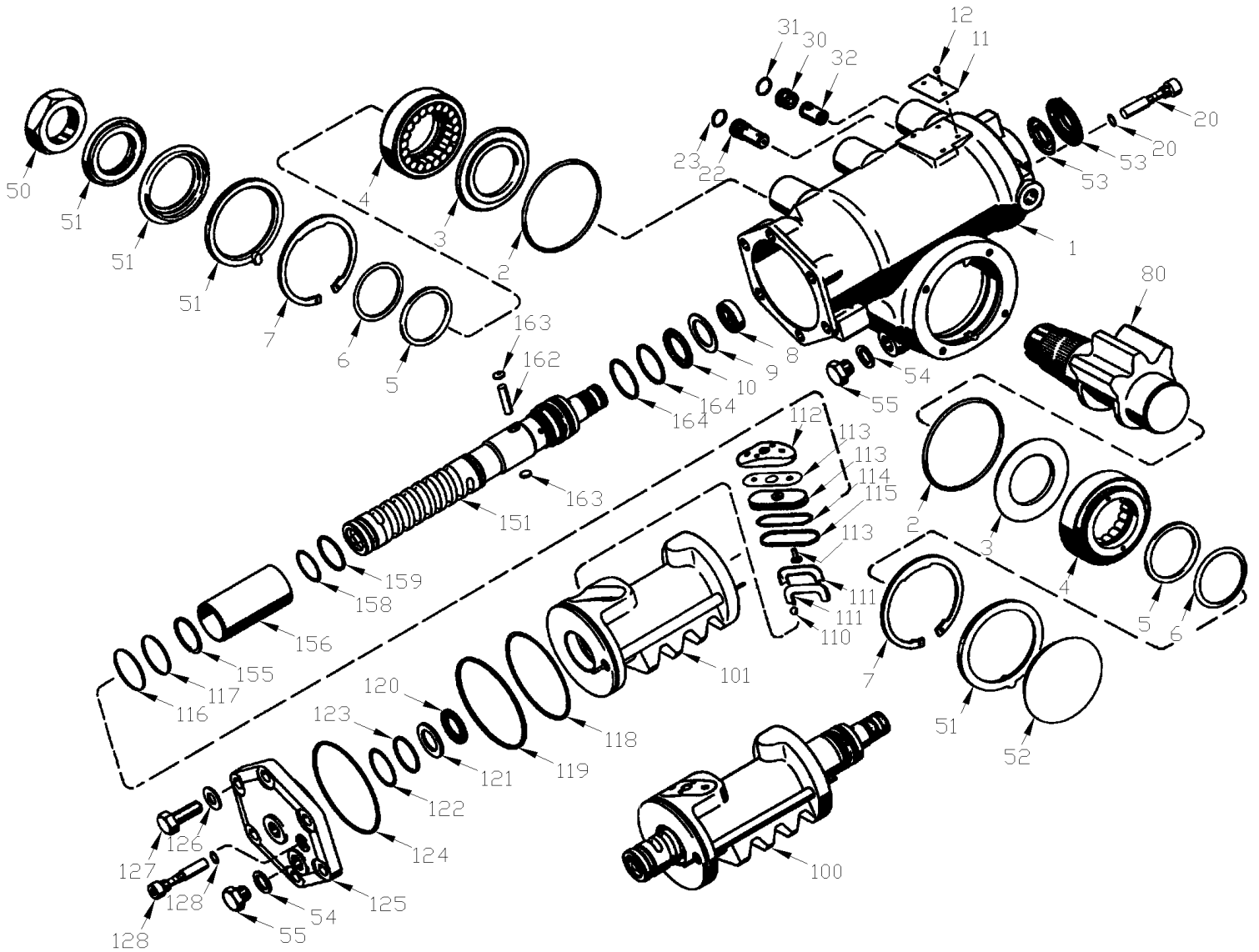
MODEL "ZF" - SERVOCOMTRONIC

From 7-0671 To J-0184

Date:10/2022

PAGE:H7-1415-00

## STEERING GEARBOX - "ZF" - W/ I BEAM RIGID



MODEL "ZF" - SEVOCOM



From 7-0671 To J-0184	Date:10/2022	PAGE:H7-1415-00
<b>STEERING GEARBOX - "ZF" - W/ I BEAM RIGID</b>		

Item#	Part	Description	H 3 4 1	H 3 4 5	V I P 4 5	N O T E S
	661044	GEARBOX STEERING "ZF" W/VARIABLE STEERING ASSISTANCE "SERVOCOMTRONIC" To A-1603	1	1		
	661136	GEARBOX STEERING "ZF" W/VARIABLE STEERING ASSISTANCE "SERVOCOMTRONIC" To A-1603	1	1		D13
	661167	GEARBOX STEERING "ZF" W/VARIABLE STEERING ASSISTANCE "SERVOCOMTRONIC" From A-1604	1	1		
	661045	GEARBOX STEERING "ZF" To A-1603	1	1		
	661137	GEARBOX STEERING "ZF" To A-1603	1	1		D13
	661137	GEARBOX STEERING "ZF" From A-1604	1	1		
1	N.P.N.	. HOUSING	1	1	1	4
2	N.P.N.	. O-RING	1	1	1	4
3	N.P.N.	. WASHER	1	1	1	4
4	N.P.N.	. HOUSING COVER	1	1	1	4
5	N.P.N.	. GASKET	1	1	1	4
6	N.P.N.	. SUPPORT RING	1	1	1	4
7	N.P.N.	. RETAINING RING	1	1	1	4
8	N.P.N.	. SHAFT SEAL	1	1	1	4
9	N.P.N.	. AXIAL-, WASHER	1	1	1	4
10	N.P.N.	. NEEDLE CAGE	1	1	1	4
11	N.P.N.	. TYPE PLATE	1	1	1	4
12	N.P.N.	. GROOVED STUD	1	1	1	4
20	661057	. SET SCREW / ADJUSTING SCREW / SCREW	1	1		
20	N.P.N.	. O-RING	1	1	1	4
21	N.P.N.	. COLLAR NUT	1	1	1	4
22	N.P.N.	. VALVE INSERT	1	1	1	4
23	N.P.N.	. O-RING	1	1	1	4
30	N.P.N.	. SCREW	1	1	1	4
31	N.P.N.	. O-RING	1	1	1	4
32	N.P.N.	. VALVE INSERT	1	1	1	4
50	661050	. LOCKNUT M45X1.5 GEARBOX ZF	1	1		
51	N.P.N.	. DUST SEAL	1	1	1	4
51	N.P.N.	. STOP-RING	1	1	1	4
51	N.P.N.	. GASKET	1	1	1	4
51	N.P.N.	. DUST SEAL	1	1	1	4
52	N.P.N.	. PLUG	1	1	1	4
53	N.P.N.	. PROTECTING CAP	1	1	1	4
53	N.P.N.	. GASKET	1	1	1	4
54	N.P.N.	. SEALING RING	1	1	1	4
55	N.P.N.	. SCREW PLUG	1	1	1	4
56	N.P.N.	. PROTECTING SLEEVE	1	1	1	4
57	N.P.N.	. BREATHER	1	1	1	4
58	N.P.N.	. PROTECTING CAP	1	1	1	4
80	661102	. SECTOR SHAFT	1	1		
100	661103	. PISTON	1	1		
100	661104	. PISTON	1	1		A

From 7-0671 To J-0184	Date:10/2022	PAGE:H7-1415-00
<b>STEERING GEARBOX - "ZF" - W/ I BEAM RIGID</b>		

Item#	Part	Description	H 3 4 1	H 3 4 5	V I P 4 5	N O T E S
101	N.P.N.	. PISTON	1	1	1	4
110	N.P.N.	. BALL SET	1	1	1	4
111	N.P.N.	. RECIRCULATING HALF TUBE	1	1	1	4
112	N.P.N.	. GASKET / PLUG	1	1	1	4
113	N.P.N.	. GASKET	1	1	1	4
113	N.P.N.	. COMPENSATING PLATE	1	1	1	4
113	N.P.N.	. PIN	1	1	1	4
114	N.P.N.	. O-RING	1	1	1	4
115	N.P.N.	. SEALING RING	1	1	1	4
116	N.P.N.	. SEALING RING	1	1	1	4
117	N.P.N.	. SEALING RING	1	1	1	4
118	N.P.N.	. O-RING	1	1	1	4
119	N.P.N.	. GASKET	1	1	1	4
120	N.P.N.	. NEEDLE CAGE	1	1	1	4
121	N.P.N.	. WASHER	1	1	1	4
122	N.P.N.	. O-RING	1	1	1	4
123	N.P.N.	. SEALING RING	1	1	1	4
124	N.P.N.	. O-RING	1	1	1	4
125	N.P.N.	. CYLINDER COVER	1	1	1	4
126	N.P.N.	. WASHER	1	1	1	4
127	N.P.N.	. HEXAGON SCREW	1	1	1	4
128	N.P.N.	. SET SCREW / SCREW	1	1	1	4
128	N.P.N.	. O-RING	1	1	1	4
129	N.P.N.	. COLLAR NUT	1	1	1	4
130	N.P.N.	. PIPE	1	1	1	4
131	N.P.N.	. REACTION PISTON	1	1	1	4
132	N.P.N.	. O-RING	1	1	1	4
133	N.P.N.	. SEALING RING	1	1	1	4
151	N.P.N.	. WORM	1	1	1	4
155	N.P.N.	. SNAP RING	1	1	1	4
156	N.P.N.	. SLIDING TUBE	1	1	1	4
158	N.P.N.	. O-RING	1	1	1	4
159	N.P.N.	. SEALING RING	1	1	1	4
162	N.P.N.	. PIN	1	1	1	4
163	N.P.N.	. PLUG	1	1	1	4
164	N.P.N.	. SEALING RING	1	1	1	4
210	661105	. O-RING	1	1		A
211	661106	. UNION SCREW	1	1		A
212	661107	. PIPE	1	1		A
401	N.P.N.	. CAP SCREW	1	1	1	4 A
402	661108	. CONVERTER	1	1		A
403	N.P.N.	. O-RING	1	1	1	4 A

From 7-0671 To J-0184	Date:10/2022	PAGE:H7-1415-00
<b>STEERING GEARBOX - "ZF" - W/ I BEAM RIGID</b>		

Item#	Part	Description	H 3 4 1	H 3 4 5	V I P 4 5	N O T E S
404	N.P.N.	. O-RING	1	1	1	4 A
405	N.P.N.	. OIL SCREEN	1	1	1	4 A
480	563033	E.C.U. / W/STEERING ASSIST (STP 272 or 330) ((77//125))	1	1	1	A
480	661170	E.C.U. / W/STEERING ASSIST (STP 338) ((60//95))	1	1	1	A C
480	563465	E.C.U. / W/STEERING ASSIST W/"ZF" TRANS ONLY (STP 146)	1	1		A
NS	661109	KIT, SEAL REPAIR MAJOR	1	1		
. NS	85109281	. KIT, SEAL REPAIR MAJOR	1	1		
NS	661110	KIT, SEAL REPAIR MAJOR / W/SERVOCOMTRONIC	1	1		A
. NS	85109291	. KIT, SEAL REPAIR MAJOR / W/SERVOCOMTRONIC	1	1		A
		A) WITH "ZF" SERVOCOMTRONIC				
		C) THIS E.C.U. GIVE LESS ASSISTANCE AT LOW SPEED				
		D13) WITH "VOLVO" ENGINE"				
		4) NO PARTS NUMBER				



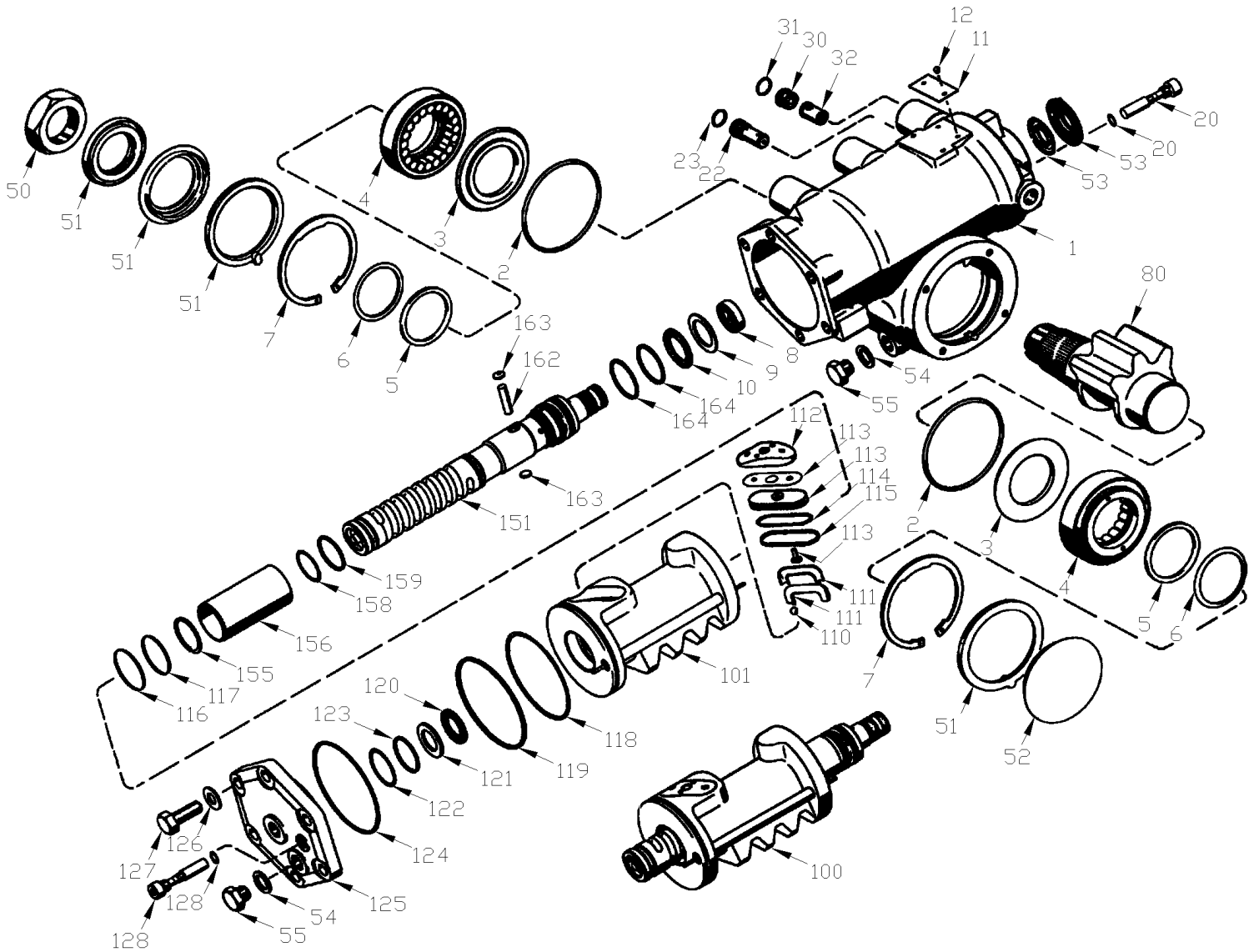


From 7-0671 To J-0287

Date:10/2022

PAGE:H7-1415-50

## STEERING GEARBOX - "ZF" - W/INDEPENDENT



MODEL "ZF" - SEVOCOM

From 7-0671 To J-0287	Date:10/2022	PAGE:H7-1415-50
<b>STEERING GEARBOX - "ZF" - W/INDEPENDENT</b>		

Item#	Part	Description	H 3 4 1	H 3 4 5	V I P 4 5	N O T E S
	661044	GEARBOX STEERING "ZF" W/VARIABLE STEERING ASSISTANCE "SERVOCOMTRONIC" To A-1603	1	1	1	
	661136	GEARBOX STEERING "ZF" W/VARIABLE STEERING ASSISTANCE "SERVOCOMTRONIC" To A-1603	1	1	1	D13
	661167	GEARBOX STEERING "ZF" W/VARIABLE STEERING ASSISTANCE "SERVOCOMTRONIC" From A-1604 To D-2286			1	
	661191	GEARBOX STEERING "ZF"® / W/SERVOCOMTRONIC From D-2287			1	
	661167	GEARBOX STEERING "ZF" W/VARIABLE STEERING ASSISTANCE "SERVOCOMTRONIC" From A-1604 To D-2361		1		
	661191	GEARBOX STEERING "ZF"® / W/SERVOCOMTRONIC From D-2362		1		
	661045	GEARBOX STEERING "ZF" To A-1603	1	1	1	
	661137	GEARBOX STEERING "ZF" To A-1603	1	1	1	D13
	661137	GEARBOX STEERING "ZF" From A-1604 To D-2286			1	
	661190	GEARBOX STEERING "ZF"® From D-2287			1	
	661137	GEARBOX STEERING "ZF" From A-1604 To D-2361		1		
	661190	GEARBOX STEERING "ZF"® From D-2362		1		
1	N.P.N.	. HOUSING	1	1	1	4
2	N.P.N.	. O-RING	1	1	1	4
3	N.P.N.	. WASHER	1	1	1	4
4	N.P.N.	. HOUSING COVER	1	1	1	4
5	N.P.N.	. GASKET	1	1	1	4
6	N.P.N.	. SUPPORT RING	1	1	1	4
7	N.P.N.	. RETAINING RING	1	1	1	4
8	N.P.N.	. SHAFT SEAL	1	1	1	4
9	N.P.N.	. AXIAL-, WASHER	1	1	1	4
10	N.P.N.	. NEEDLE CAGE	1	1	1	4
11	N.P.N.	. TYPE PLATE	1	1	1	4
12	N.P.N.	. GROOVED STUD	1	1	1	4
20	661057	. SET SCREW / ADJUSTING SCREW / SCREW	1	1	1	
20	N.P.N.	. O-RING	1	1	1	4
21	N.P.N.	. COLLAR NUT	1	1	1	4
22	N.P.N.	. VALVE INSERT	1	1	1	4
23	N.P.N.	. O-RING	1	1	1	4
30	N.P.N.	. SCREW	1	1	1	4
31	N.P.N.	. O-RING	1	1	1	4
32	N.P.N.	. VALVE INSERT	1	1	1	4
50	661050	. LOCKNUT M45X1.5 GEARBOX ZF	1	1	1	
51	N.P.N.	. DUST SEAL	1	1	1	4
51	N.P.N.	. STOP-RING	1	1	1	4
51	N.P.N.	. GASKET	1	1	1	4
51	N.P.N.	. DUST SEAL	1	1	1	4
52	N.P.N.	. PLUG	1	1	1	4
53	N.P.N.	. PROTECTING CAP	1	1	1	4
53	N.P.N.	. GASKET	1	1	1	4
54	N.P.N.	. SEALING RING	1	1	1	4
55	N.P.N.	. SCREW PLUG	1	1	1	4

From 7-0671 To J-0287	Date:10/2022	PAGE:H7-1415-50
<b>STEERING GEARBOX - "ZF" - W/INDEPENDENT</b>		

Item#	Part	Description	H 3 4 1	H 3 4 5	V I P 4 5	N O T E S
56	N.P.N.	. PROTECTING SLEEVE	1	1	1	4
57	N.P.N.	. BREATHER	1	1	1	4
58	N.P.N.	. PROTECTING CAP	1	1	1	4
80	661102	. SECTOR SHAFT			1	
100	661103	. PISTON			1	
100	661104	. PISTON			1	A
101	N.P.N.	. PISTON	1	1	1	4
110	N.P.N.	. BALL SET	1	1	1	4
111	N.P.N.	. RECIRCULATING HALF TUBE	1	1	1	4
112	N.P.N.	. GASKET / PLUG	1	1	1	4
113	N.P.N.	. GASKET	1	1	1	4
113	N.P.N.	. COMPENSATING PLATE	1	1	1	4
113	N.P.N.	. PIN	1	1	1	4
114	N.P.N.	. O-RING	1	1	1	4
115	N.P.N.	. SEALING RING	1	1	1	4
116	N.P.N.	. SEALING RING	1	1	1	4
117	N.P.N.	. SEALING RING	1	1	1	4
118	N.P.N.	. O-RING	1	1	1	4
119	N.P.N.	. GASKET	1	1	1	4
120	N.P.N.	. NEEDLE CAGE	1	1	1	4
121	N.P.N.	. WASHER	1	1	1	4
122	N.P.N.	. O-RING	1	1	1	4
123	N.P.N.	. SEALING RING	1	1	1	4
124	N.P.N.	. O-RING	1	1	1	4
125	N.P.N.	. CYLINDER COVER	1	1	1	4
126	N.P.N.	. WASHER	1	1	1	4
127	N.P.N.	. HEXAGON SCREW	1	1	1	4
128	N.P.N.	. SET SCREW / SCREW	1	1	1	4
128	N.P.N.	. O-RING	1	1	1	4
129	N.P.N.	. COLLAR NUT	1	1	1	4
130	N.P.N.	. PIPE	1	1	1	4
131	N.P.N.	. REACTION PISTON	1	1	1	4
132	N.P.N.	. O-RING	1	1	1	4
133	N.P.N.	. SEALING RING	1	1	1	4
151	N.P.N.	. WORM	1	1	1	4
155	N.P.N.	. SNAP RING	1	1	1	4
156	N.P.N.	. SLIDING TUBE	1	1	1	4
158	N.P.N.	. O-RING	1	1	1	4
159	N.P.N.	. SEALING RING	1	1	1	4
162	N.P.N.	. PIN	1	1	1	4
163	N.P.N.	. PLUG	1	1	1	4
164	N.P.N.	. SEALING RING	1	1	1	4



From 7-0671 To J-0287	Date:10/2022	PAGE:H7-1415-50
<b>STEERING GEARBOX - "ZF" - W/INDEPENDENT</b>		

Item#	Part	Description	H 3 4 1	H 3 4 5	V I P 4 5	N O T E S
210	661105	. O-RING	1	1	1	A
211	661106	. UNION SCREW	1	1	1	A
212	661107	. PIPE	1	1	1	A
401	N.P.N.	. CAP SCREW	1	1	1	4 A
402	661108	. CONVERTER	1	1	1	A
403	N.P.N.	. O-RING	1	1	1	4 A
404	N.P.N.	. O-RING	1	1	1	4 A
405	N.P.N.	. OIL SCREEN	1	1	1	4 A
480	563033	E.C.U. / W/STEERING ASSIST (STP 272 or 330) ((77//125))	1	1	1	A
480	661170	E.C.U. / W/STEERING ASSIST (STP 338) ((60//95))	1	1	1	A C
480	563465	E.C.U. / W/STEERING ASSIST W/"ZF" TRANS ONLY (STP 146)	1	1	1	A
NS	661109	KIT, SEAL REPAIR MAJOR	1	1	1	
. NS	85109281	. KIT, SEAL REPAIR MAJOR	1	1	1	
NS	661110	KIT, SEAL REPAIR MAJOR / W/SERVOCOMTRONIC	1	1	1	A
. NS	85109291	. KIT, SEAL REPAIR MAJOR / W/SERVOCOMTRONIC	1	1	1	A
		A) WITH "ZF" SERVOCOMTRONIC				
		C) THIS E.C.U. GIVE LESS ASSISTANCE AT LOW SPEED				
		D13) WITH "VOLVO" ENGINE"				
		4) NO PARTS NUMBER				

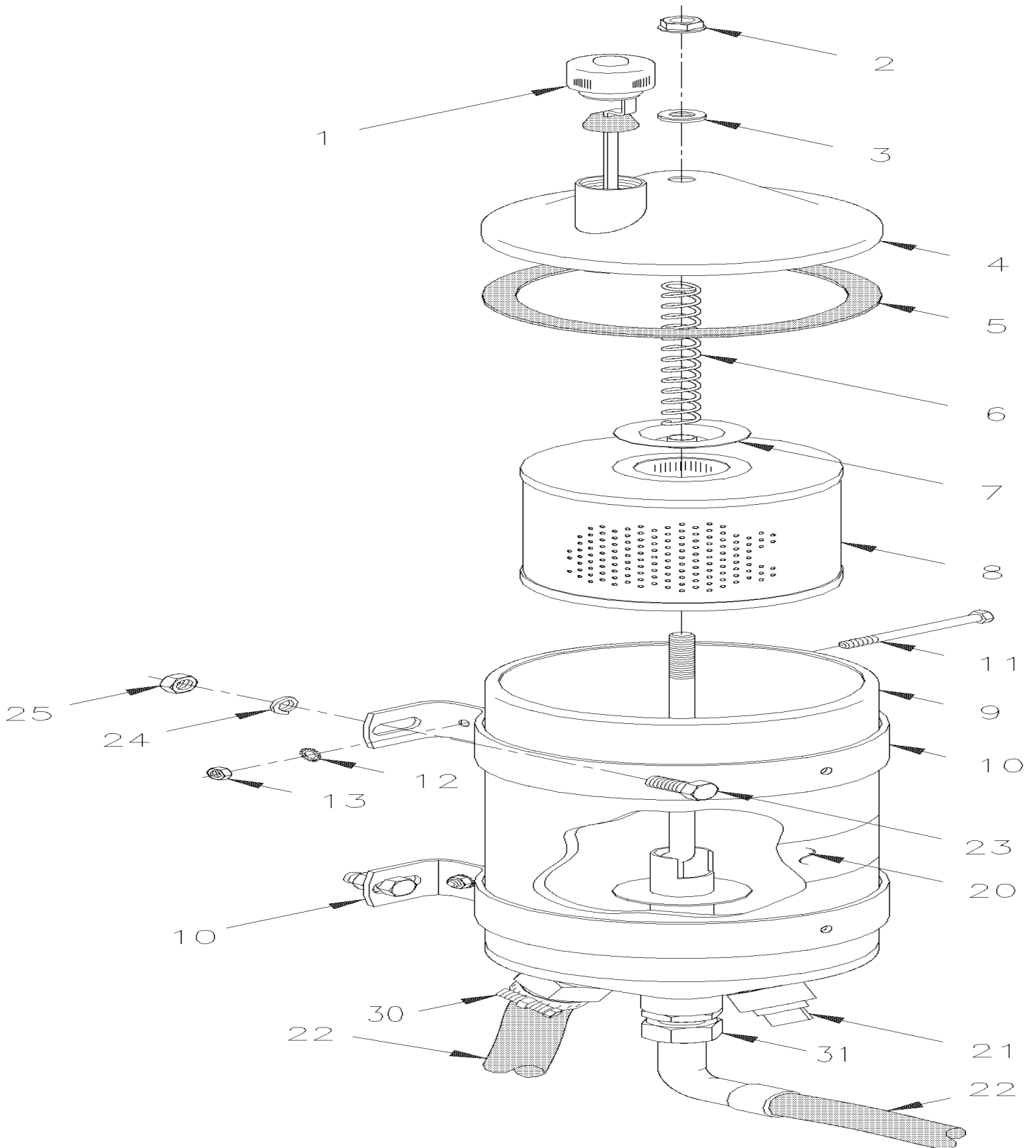


From 7-0671 To J-0287

Date:10/2022

PAGE:H7-1420-00

POWER STEERING TANK - 4 QT U.S.



From 7-0671 To J-0287	Date:10/2022	PAGE:H7-1420-00
<b>POWER STEERING TANK - 4 QT U.S.</b>		

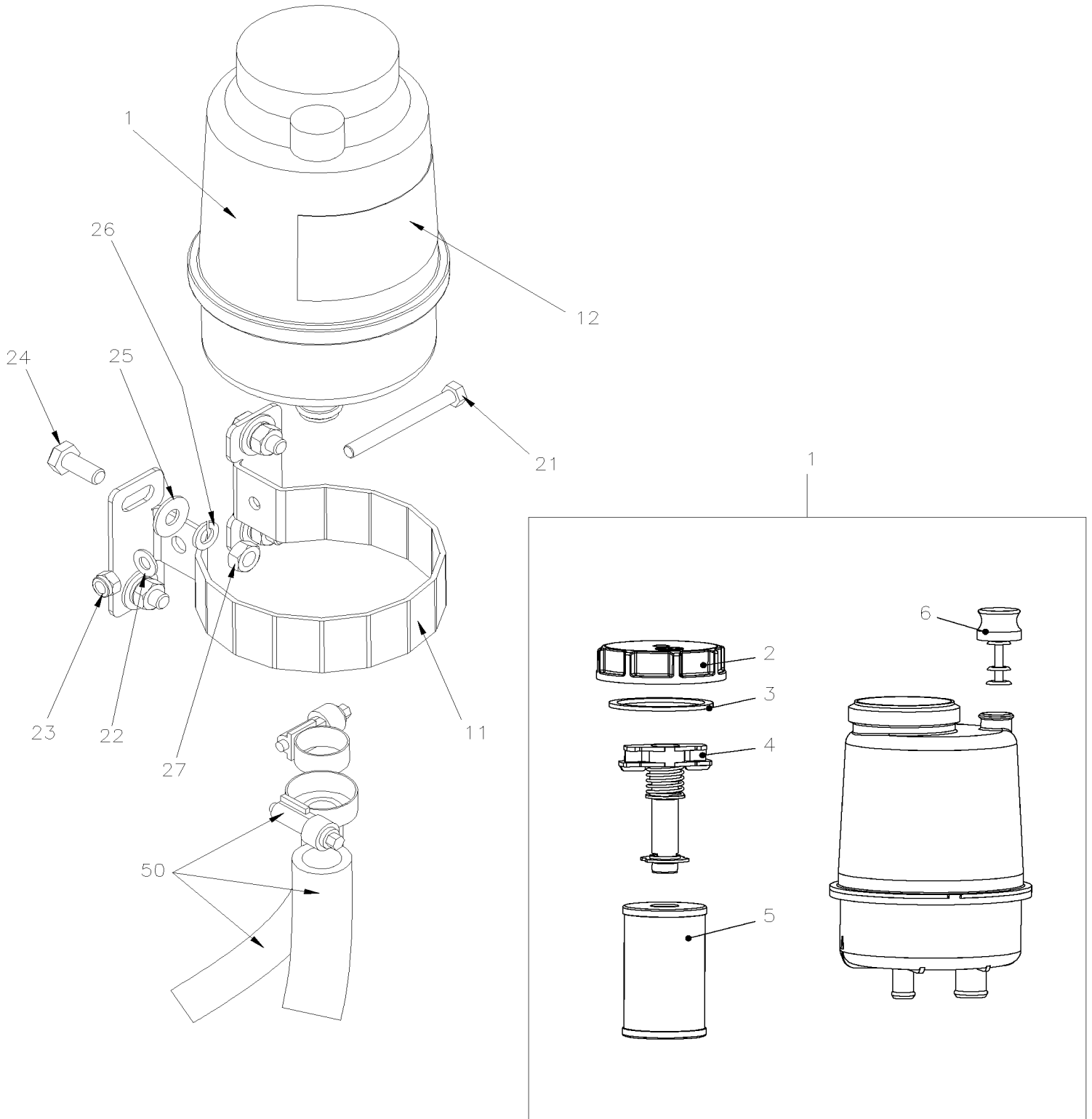
Item#	Part	Description	H 3 4 1	H 3 4 5	V I P 4 5	N O T E S
	660982	TANK ASSY 4QT U.S.	1	1	1	
	661060	TANK ASSY 4QT US / WITH SIGHT GLASS	1	1	1	A
1	660985	. DIPSTICK	1	1	1	
2	N.S.A.	. WING NUT 3/8-16	1	1	1	3
3	19512588	. WASHER	1	1	1	
4	660989	. COVER ASSY	1	1	1	
5	660986	. GASKET	1	1	1	
6	660991	. SPRING, COMP.	1	1	1	
7	N8886469	. WASHER, RETAINER	1	1	1	
8	660987	. ELEMENT FILTER	1	1	1	
9	N.S.P.	. TANK	1	1	1	2
10	660988	. ATTACHMENT SUPPORT	2	2	2	
11	500187	. . SCREW CAP HEX 5/16-18x3 G5 Z050	1	1	1	
12	500942	. . WASHER LO SPT 8.1x14.8x2.0 N500	1	1	1	
13	500778	. . NUT HEX 5/16-18 N500	1	1	1	
20	160370	. DECAL "OIL DEXTRON" To H-3734	1	1	1	
20	160044	DECAL "OIL DEXTRON" From H-3735	1	1	1	
21	501966	PLUG HEXS / PIPE FITTING / 1/2NPT-M STL To C-1935	1	1	1	
21	667586	PLUG HEXS / PIPE FITTING / MAGNETIC / 1/2NPT-M STL From C-1936	1	1	1	
22	<b>H7-1400-00</b>	<b>POWER STEERING HOSE - INSTALLATION To A-1720</b>				
22	<b>H7-1400-01</b>	<b>POWER STEERING HOSE - INSTALLATION From B-1721</b>				
23	502804	SCREW CAP HEX M10-1.5x25 G8.8 N500	4	4	4	
24	502644	WASHER FL 10.5x30.0x2.5 Z050	4	4	4	
NS	3852496	WASHER LO SPT 10.2x18.1x2.2 ZG603	4	4	4	
25	500256	NUT HEX M10-1.5 Z050	4	4	4	
30	5011086	MALE CONNECTOR / PUSH-LOK FITTING / 1NPT-Mx#16 STL	1	1	1	
30	992086	HOSE CLAMP / 32MM/52MM	1	1	1	
31	501739	MALE CONNECTOR / JIC 37° FITTING / #8JIC-Mx1/2NPT-M STL	1	1	1	
31	992086	HOSE CLAMP / 32MM/52MM	1	1	1	
		A) OPTION AMERICAN COACH LINES				
		2) NOT SOLD BY PREVOST (SEE MANUFACTURING PART NUMBER AT END OF DESCRIPTION LINE)				
		3) NOT SOLD ASSEMBLY				

From D-2259 To J-0184

Date:10/2022

PAGE:H7-1420-10

## POWER STEERING TANK - ZF



<b>From D-2259 To J-0184</b>	<b>Date:10/2022</b>	<b>PAGE:H7-1420-10</b>
<b>POWER STEERING TANK - ZF</b>		

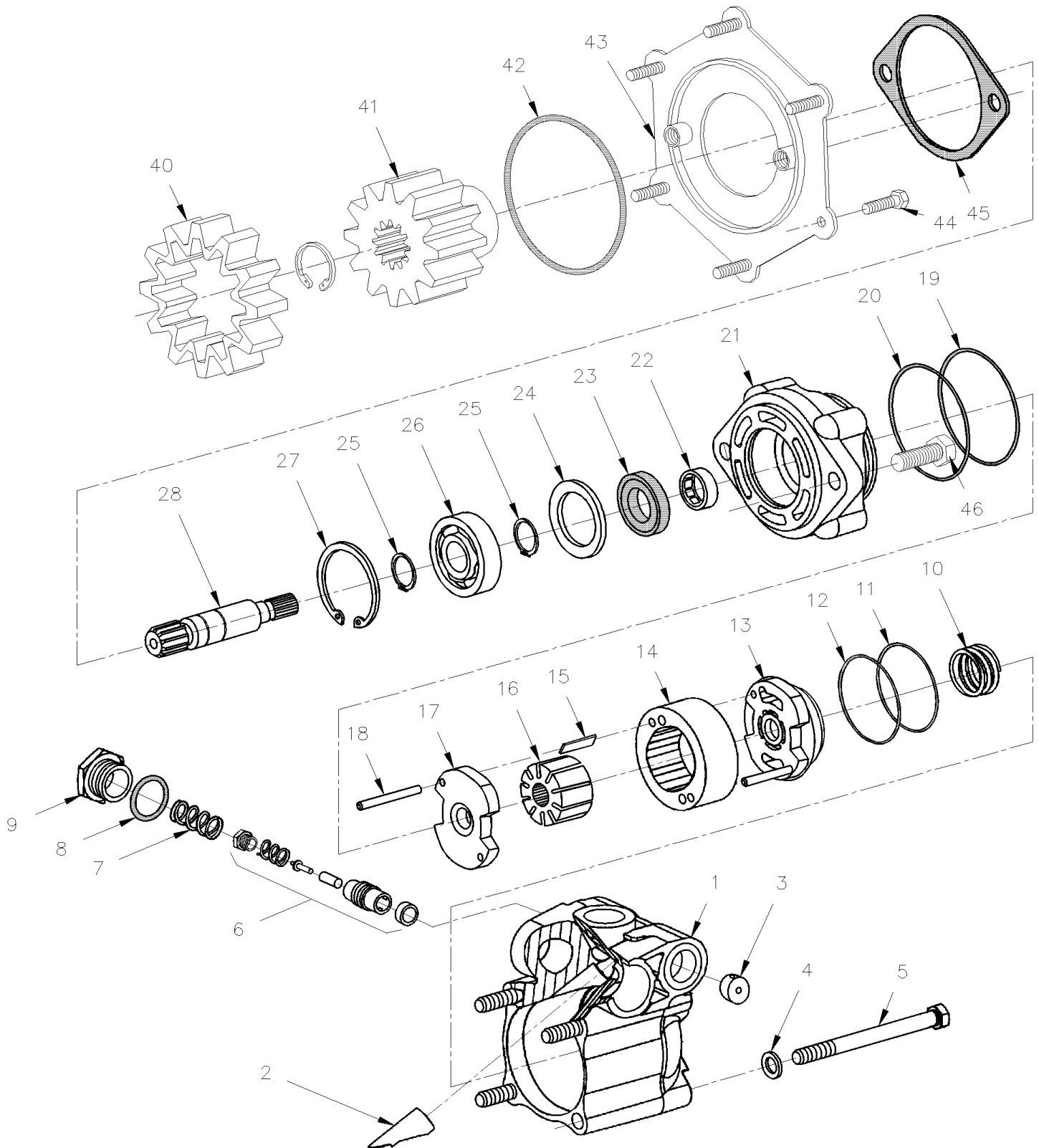
Item#	Part	Description	H 3 4 1	H 3 4 5	V I P 4 5	N O T E S
1	669400	TANK ASSY ZF	1	1	1	
2	660086	. CAP OIL TANK ZF	1	1	1	
3	1696360	. SEALING RING	1	1	1	
4	1696359	. BOLT OIL TANK ZF	1	1	1	
5	661221	. FILTER OIL TANK ZF	1	1	1	
6	661222	. DIPSTICK OIL TANK ZF	1	1	1	
11	169064	SUPPORT / OIL TANK ZF To E-2407	1	1	1	
11	169066	SUPPORT / OIL TANK ZF From E-2408	1	1	1	
12	160370	DECAL "OIL DEXTRON" To H-3734	1	1	1	
12	160044	DECAL "OIL DEXTRON" From H-3735	1	1	1	
21	5001185	SCREW CAP HEX M8-1.25x80 SS BK	1	1	1	
22	5001341	WASHER FL 8.4x17.0x1.6 SS	1	1	1	
23	5001787	NUT HEX NYRT M8-1.25 SS	1	1	1	
24	502804	SCREW CAP HEX M10-1.5x25 G8.8 N500 To E-2407	4	4	4	
24	502622	SCREW CAP HEX M6-1.0x20 SS BK From E-2408	4	4	4	
25	5001751	WASHER FL 10.5x26.0x2.0 N500 To E-2407	4	4	4	
25	500411	WASHER FL .260x.697x.050 SS From E-2408	8	8	8	
26	5001737	WASHER LO SPT 10.2x18.1x2.2 N500 To E-2407	4	4	4	
26	502570	WASHER LO SPT 6.1x11.8x1.6 SS From E-2408	4	4	4	
27	500847	NUT HEX M10-1.5 N500 To E-2407	4	4	4	
27	502565	NUT HEX M6-1.0 SS From E-2408	4	4	4	
50	<b>H7-1400-01</b>	<b>POWER STEERING HOSE - INSTALLATION</b>				

From 7-0671 To A-1720

Date:10/2022

PAGE:H7-1427-00

## POWER STEERING PUMP - "TRW" - WITH DETROIT S-60



From 7-0671 To A-1720	Date:10/2022	PAGE:H7-1427-00
<b>POWER STEERING PUMP - "TRW" - WITH DETROIT S-60</b>		

Item#	Part	Description	H 3 4 1	H 3 4 5	V I P 4 5	N O T E S
	661009	PUMP ASSY To A-1603	1	1		
	661070	PUMP ASSY From A-1604	1	1		
	661168	PUMP ASSY From A-1604	1	1		
	661092	PUMP ASSY To A-1603			1	
	661166	PUMP ASSY From A-1604			1	
1	N.S.S.	. HOUSING	1	1	1	1
2	N.S.S.	. BOOST TUBE	1	1	1	1
3	N.S.S.	. ORIFICE	1	1	1	1
4	N.S.S.	. BOLTS	1	1	1	1
5	N.S.S.	. WASHER	1	1	1	1
6	N.S.S.	. VALVE SPOOL ASSY	1	1	1	1
6	N.S.S.	. . SPOOL	1	1	1	1
6	N.S.S.	. . SPRING	1	1	1	1
6	N.S.S.	. . POPPET	1	1	1	1
6	N.S.S.	. . SHIMS	1	1	1	1
6	N.S.S.	. . RELIEF VALVE SEAT ASSY	1	1	1	1
7	N.S.S.	. SPRING	1	1	1	1
8	N.S.S.	. O-RING	1	1	1	1
9	N.S.S.	. PLUG	1	1	1	1
10	N.S.S.	. SPRING	1	1	1	1
11	N.S.S.	. O-RING	1	1	1	1
12	N.S.S.	. BACKUP RING	1	1	1	1
13	N.S.S.	. TOP PLATE	1	1	1	1
14	N.S.S.	. CAM RING	1	1	1	1
15	N.S.S.	. VANES	1	1	1	1
16	N.S.S.	. ROTOR	1	1	1	1
17	N.S.S.	. BOTTOM PLATE	1	1	1	1
18	N.S.S.	. LOCATING PINS	1	1	1	1
19	N.S.S.	. O-RING	1	1	1	1
20	N.S.S.	. O-RING	1	1	1	1
21	N.S.S.	. COVER	1	1	1	1
22	N.S.S.	. NEEDLE BEARING	1	1	1	1
23	N.S.S.	. SHAFT SEAL	1	1	1	1
24	N.S.S.	. SPACER	1	1	1	1
25	N.S.S.	. RETAINING RING	2	2	2	1
26	N.S.S.	. BALL BEARING	1	1	1	1
27	N.S.S.	. RETAINING RING	1	1	1	1
28	661011	. INPUT SHAFT	1	1	1	
40	510438	COUPLING DRIVE	1	1	1	
41	510437	SPROCKET ASSY W/SNAP-RING	1	1	1	
41	N.S.P.	. SNAP RING (92757)	1	1	1	2
42	N.S.P.	O-RING / (08929289)	1	1	1	2

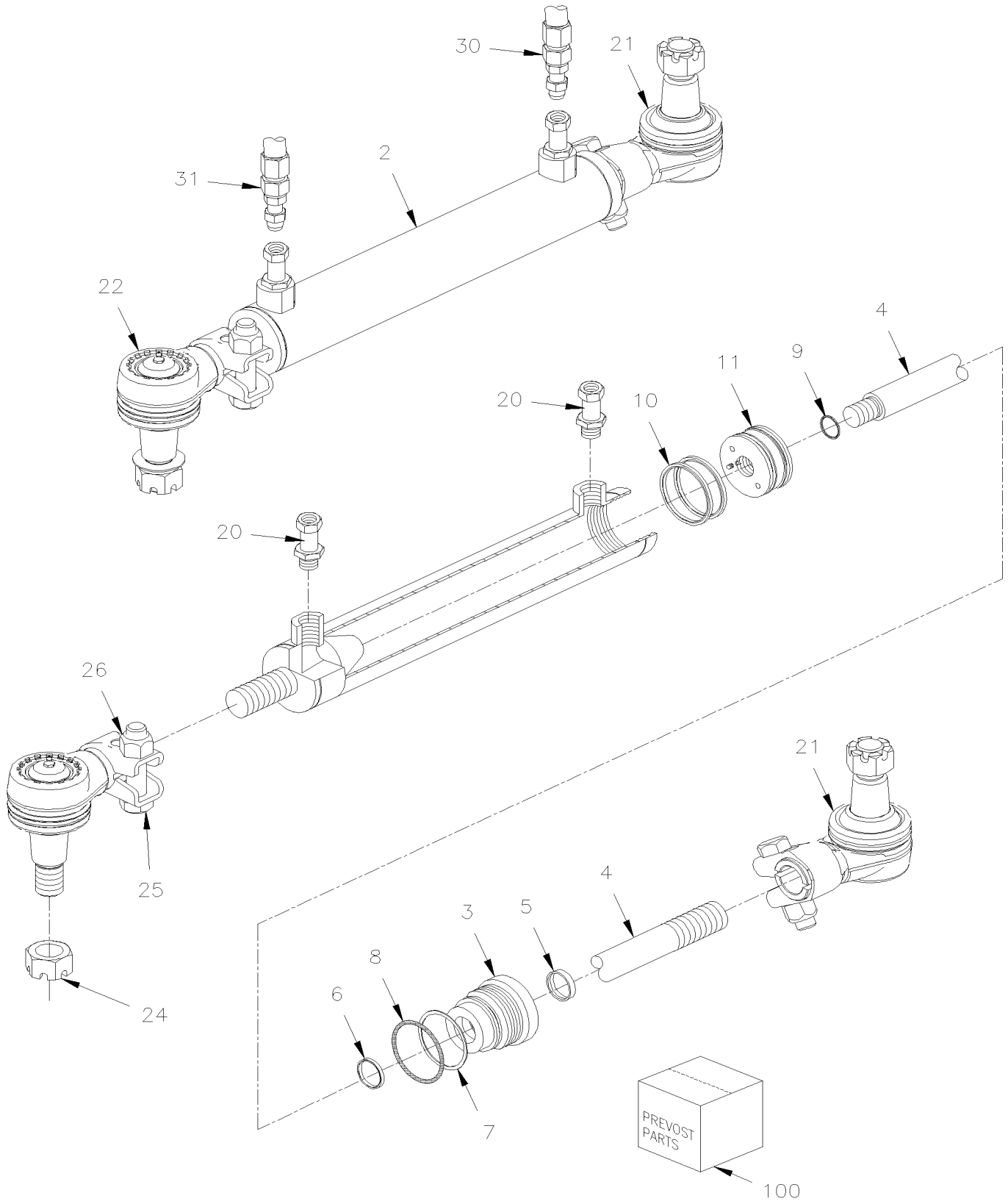


From 7-0671 To A-1720	Date:10/2022	PAGE:H7-1427-00
<b>POWER STEERING PUMP - "TRW" - WITH DETROIT S-60</b>		

Item#	Part	Description	H 3 4 1	H 3 4 5	V I P 4 5	N O T E S
43	N.S.P.	ADAPTOR, COVER (8929100)	1	1	1	2
44	N.S.P.	SCREW, M8-1.25 X 30MM (11514329) / 50-0544	5	5	5	2
44	N.S.P.	SCREW, M8-1.25 X 30MM (11505299)	1	1	1	2
45	510488	GASKET	1	1	1	
46	N.S.S.	SCREW, M10-1.5 X 30MM / 50-0065	2	2	2	1
46	N.S.S.	GASKET, COPPER	2	2	2	1
46	661012	KIT REPAIR				
		1) NOT SOLD SEPARATELY				
		2) NOT SOLD BY PREVOST (SEE MANUFACTURING PART NUMBER AT END OF DESCRIPTION LINE)				



CYLINDER POWER STEERING

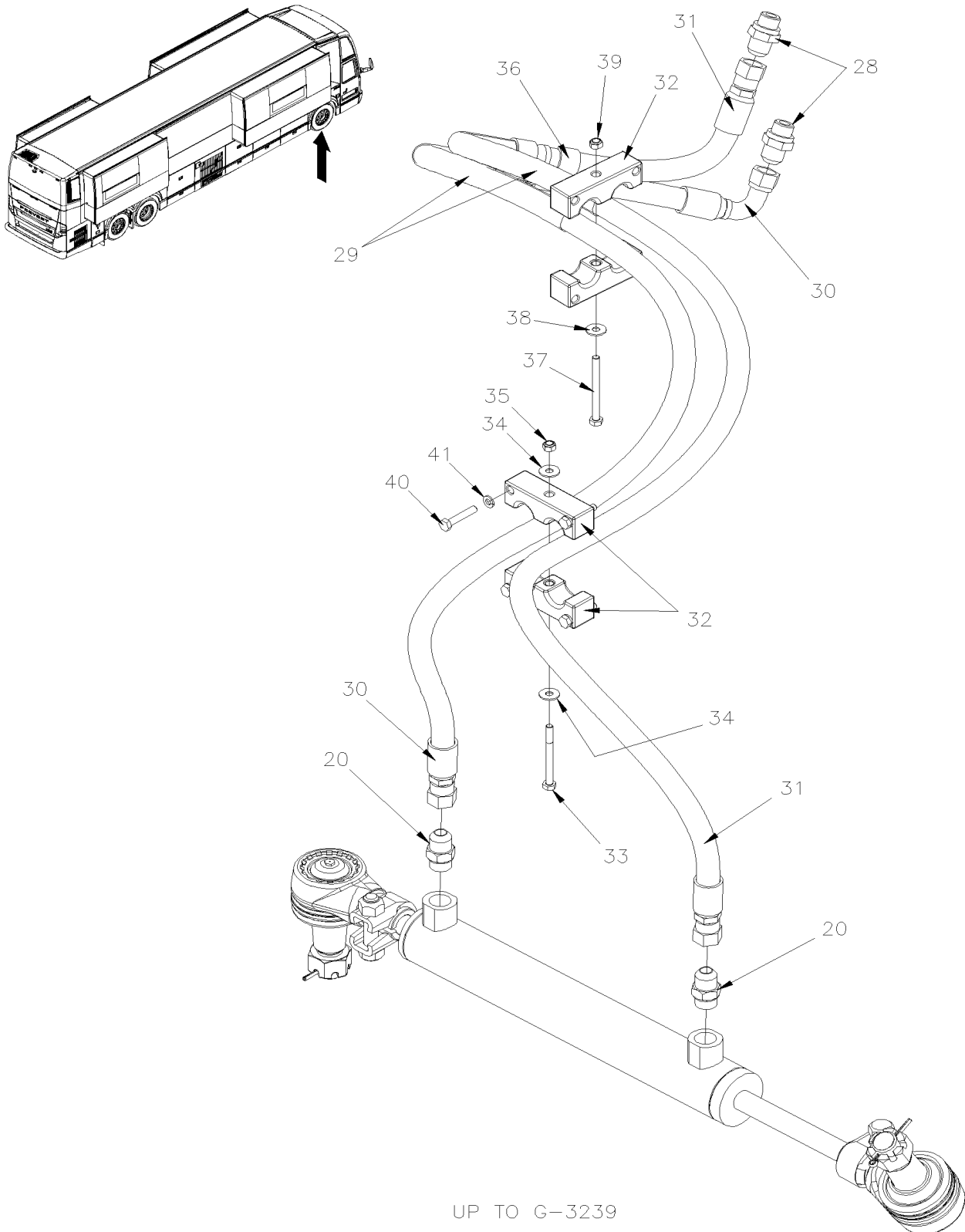


From 7-0671 To J-0287

Date:10/2022

PAGE:H7-1430-50

## CYLINDER POWER STEERING



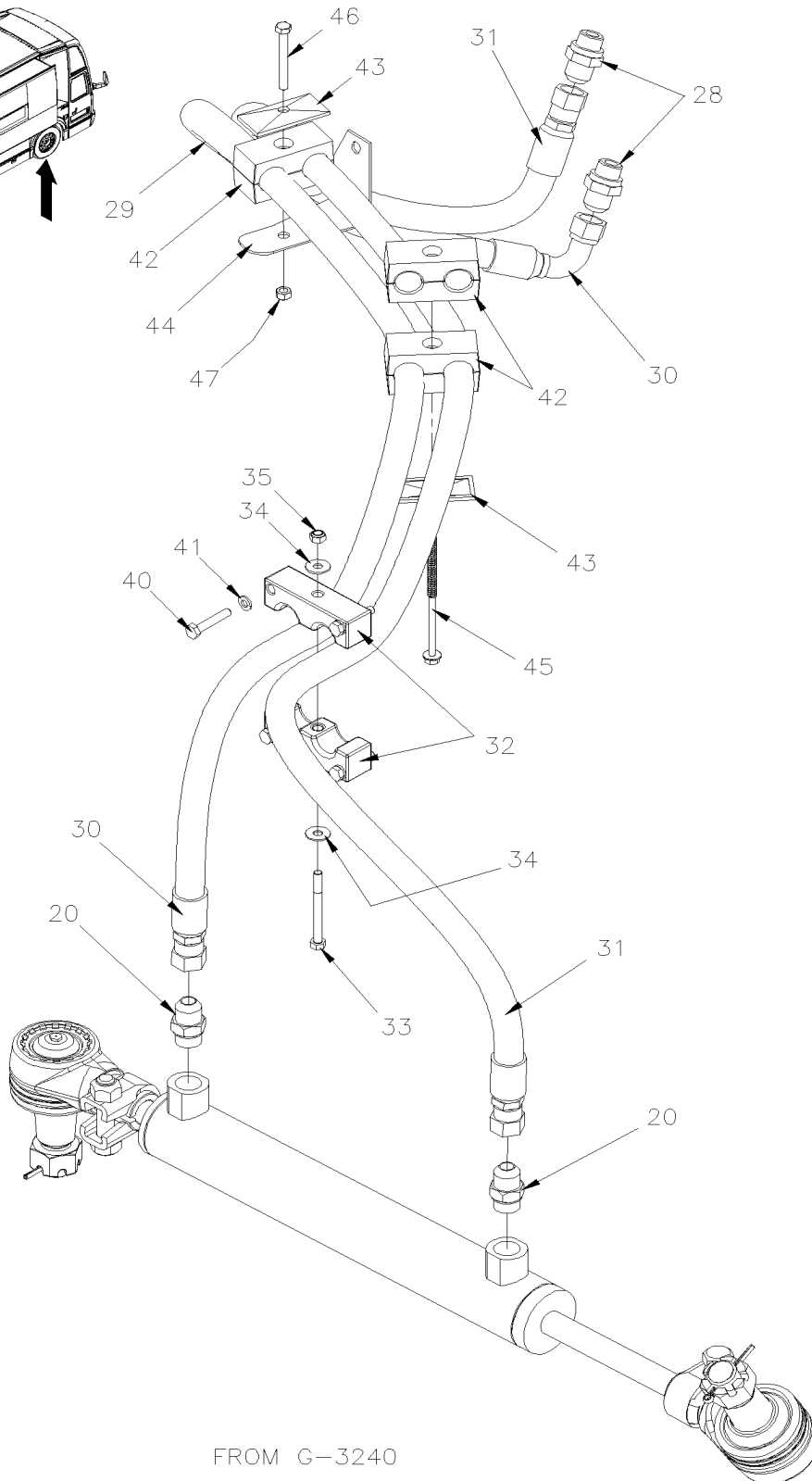
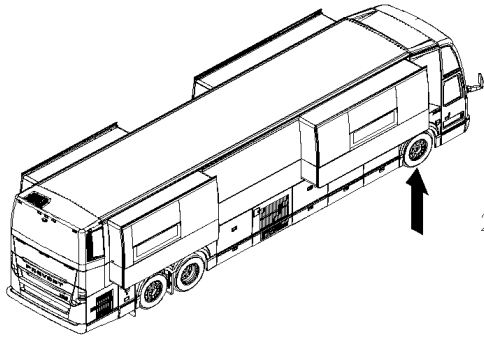
UP TO G-3239

From 7-0671 To J-0287

Date:10/2022

PAGE:H7-1430-50

## CYLINDER POWER STEERING



FROM G-3240

From 7-0671 To J-0287	Date:10/2022	PAGE:H7-1430-50
<b>CYLINDER POWER STEERING</b>		

Item#	Part	Description	H 3 4 1	H 3 4 5	V I P 4 5	N O T E S
1	661076	CYLINDER ASSY PRESSURE 160bar To D-2286			1	
1	661194	CYLINDER ASSY PRESSURE 170bar From D-2287			1	
2	N.S.S.	. TUBE			1	1
3	661098	. HEAD			1	
4	661097	. ROD			1	
5	N.S.S.	. WIPER ROD			1	1
6	N.S.S.	. SEAL ROD			1	1
7	N.S.S.	. BACK-UP			1	1
8	N.S.S.	. O-RING			1	1
9	N.S.S.	. O-RING			1	1
10	N.S.S.	. SEAL PISTON			2	1
11	661099	. PISTON			1	
20	501593	. MALE CONNECTOR / JIC 37° FITTING / #8JIC-Mx#8ORB-M STL			2	
21	611275	. END ASSY / STRUCTURE SIDE			1	
22	611469	. END ASSY / ROD SIDE			1	
24	5001345	. NUT HEX CSL THN 7/8-14			1	
25	N.P.N.	. SCREW CAP HEX ZP 1/2-20X2.25 G8			2	4
26	N.P.N.	. NUT 1/2-20 G8			2	4
28	5011192	MALE CONNECTOR / JIC 37° FITTING / #8JIC-MxM18-1.5-M STL			2	
. NS	N.P.N.	. O-RING			1	4
. NS	N.P.N.	. WASHER RET			1	4
29	505110	COIL PROTECTOR / PLASTIC / #12			AR	
30	163470	HOSE ASSY / #8 1648MM			1	
31	163469	HOSE ASSY / #8 1648MM			1	
32	161177	HOSE RETAINER BLOCK CLAMP To A-1486			4	
32	160033	HOSE RETAINER BLOCK CLAMP From A-1487 To G-3266			4	
32	160033	HOSE RETAINER BLOCK CLAMP From G-3267			2	
NS	160203	KIT, POWER STEERING PUMP DISCHARGE HOSE (PRESSURE) H3-45,VIP-45 To A-1486			2	
. NS	160108	. HOSE ASSY / #8 12490MM To A-1486			1	
. NS	170758	. SUPPORT To A-1486			1	
. NS	5001730	. SCREW CAP HEXF M6-1.0x16 G10.9 N500 To A-1486			1	
. NS	5001833	. WASHER BEL SPR 6.1x18x1.27 SS To A-1486			1	
. NS	501031	. SEAL / JIC 37° FITTING / #8 To A-1486			1	
. NS	504189	. CLAMP DOUBLE ASS / SPLIT BLOC / 22MM/19MM x 67MM POLYA To A-1486			1	
. NS	504204	. CLAMP P SS ID. 36-51 To A-1486			1	
. NS	IS-19040	. INSTRUCTION SHEET To A-1486			1	
. NS	FI-19040	. VOIR FEUILLE D'INSTRUCTION To A-1486			1	
33	502541	SCREW CAP HEX M6-1.0x65 G8.8 Z050			1	
34	500411	WASHER FL .260x.697x.050 SS			2	
35	5001182	NUT HEX NYRT M6-1.0 SS			1	
36	504634	T-CLIP / 7/8" - 1"			1	
36	504637	CABLE TIE / 3/16" x 13"			1	

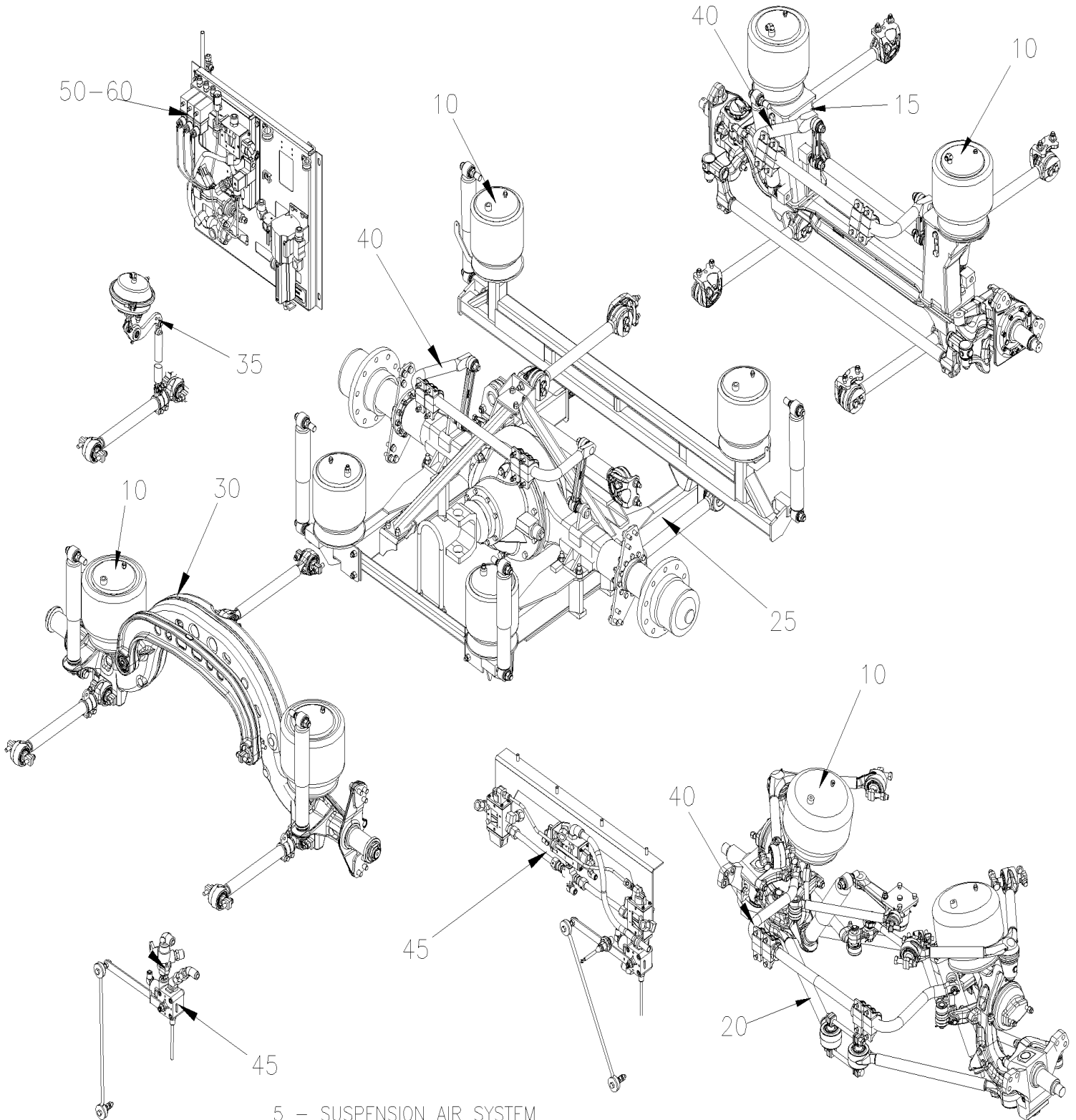
From 7-0671 To J-0287	Date:10/2022	PAGE:H7-1430-50
<b>CYLINDER POWER STEERING</b>		

Item#	Part	Description	H 3 4 1	H 3 4 5	V I P 4 5	N O T E S
37	502769	SCREW CAP HEX M6-1.0x70 G10.9 DP To G-3266			1	
38	500411	WASHER FL .260x.697x.050 SS To G-3266			1	
39	5001182	NUT HEX NYRT M6-1.0 SS To G-3266			1	
40	502888	SCREW CAP HEX M6-1.0x35 G8.8 N500			4	
41	502570	WASHER LO SPT 6.1x11.8x1.6 SS			4	
42	504727	CLAMP DOUBLE ASS / 2 HOSE SIZE 3/8" From G-3267			3	
43	504728	PLATE RETAINER From G-3267			2	
44	161379	SUPPORT / HOSE From G-3267			1	
45	500085	SCREW DR HEXW 1/4-14x5 PT N500 From G-3267			1	
46	509839	SCREW CAP HEX M6-1.0x60 G8.8 ZP From G-3267			1	
46	500877	WASHER FL .250x.562x.065 N500 From G-3267			1	
47	502681	NUT HEX NYRT M6-1.0 N500 G8 From G-3267			1	
200	661100	SEAL KIT, REPAIR From G-3267			1	A
		A) INCLUDES ITEMS 5, 6, 7, 8, 9, 10				
		1) NOT SOLD SEPARATELY				
		4) NO PARTS NUMBER				
		4) NO PARTS NUMBER				





	Date:10/2022	H7-16
SUSPENSION		



5 - SUSPENSION AIR SYSTEM

	<b>Date:10/2022</b>	<b>H7-16</b>
<b>SUSPENSION</b>		

Item#	Part	Description	H 3 4 1	H 3 4 5	V I P 4 5	N O T E S
5	H7-1600-00	SUSPENSION AIR SYSTEM From 7-0671 To F-2922				
5	H7-1600-01	SUSPENSION AIR SYSTEM From F-2923 To J-0287				
10	H7-1601-00	BELLOWS - AIR SUSPENSION From 7-0671 To J-0287				
15	H7-1605-00	FRONT AXLE - INSTALL W/ I BEAM RIGID From 7-0671 To E-2504				
15	H7-1605-01	FRONT AXLE - INSTALL W/ I BEAM RIGID From E-2505 To J-0184				
20	H7-1605-50	FRONT AXLE - INSTALL W/INDEPENDENT "NDIFS80P" / 18000LBS From 7-0671 To C-1909				
20	H7-1605-51	FRONT AXLE - INSTALL W/INDEPENDENT "NDIFS80P" / 19000LBS From C-1910 To J-0287				
20	H7-1605-60	FRONT AXLE - INSTALL W/INDEPENDENT "NDIFS80P" / 18000LBS From 7-0671 To F-2716				
20	H7-1605-61	FRONT AXLE - INSTALL W/INDEPENDENT "NDIFS80P" / 19000LBS From F-2717 To J-0287				
25	H7-1610-00	REAR AXLE - INSTALL SUSPENSION From 7-0671 To E-2504				
25	H7-1610-01	REAR AXLE - INSTALL SUSPENSION From E-2505 To J-0287				
30	H7-1615-00	TAG AXLE - INSTALL SUSPENSION From 7-0671 To A-1655				
30	H7-1615-01	TAG AXLE - INSTALL SUSPENSION ONE PIECE From A-1656 To J-0287				
35	H7-1615-10	TAG AXLE - LIFTING From 7-0671 To J-0287				
40	H7-1616-00	SWAY BAR From 7-0671 To E-2504				
40	H7-1616-01	SWAY BAR From E-2505 To J-0287				
45	H7-1620-00	HEIGHT CONTROL VALVE & FRONT KNEELING From 7-0671 To E-2504				
45	H7-1620-01	HEIGHT CONTROL VALVE & FRONT KNEELING From E-2505 To J-0184				
45	H7-1620-10	HIGH-BUOY, LOW BUOY & "KNEELING" VALVE From 7-0671 To F-2922				
45	H7-1620-11	HIGH-BUOY, LOW BUOY & "KNEELING" VALVE From F-2923 To J-0184				
45	H7-1620-50	HEIGHT CONTROL VALVE - V.I.P. From 7-0671 To E-2504				
45	H7-1620-51	HEIGHT CONTROL VALVE - V.I.P. From E-2505 To J-0287				
50	H7-1630-00	FRONT KNEELING - CONTROL PANEL From 7-0671 To E-2565				
50	H7-1630-01	FRONT KNEELING - CONTROL PANEL From E-2566 To F-2922				
50	H7-1630-02	FRONT KNEELING - CONTROL PANEL From F-2923 To J-0184				
60	H7-1640-50	LEVEL-LOW - CONTROL PANEL & VALVES From 7-0671 To F-2928				
60	H7-1640-51	LEVEL-LOW - CONTROL PANEL & VALVES From F-2929 To J-0287				
65	H7-1650-00	TAG UNLOAD - AIR VALVE INSTALLATION From 7-0671 To E-2504				
65	H7-1650-01	TAG UNLOAD - AIR VALVE INSTALLATION From E-2505 To J-0184				

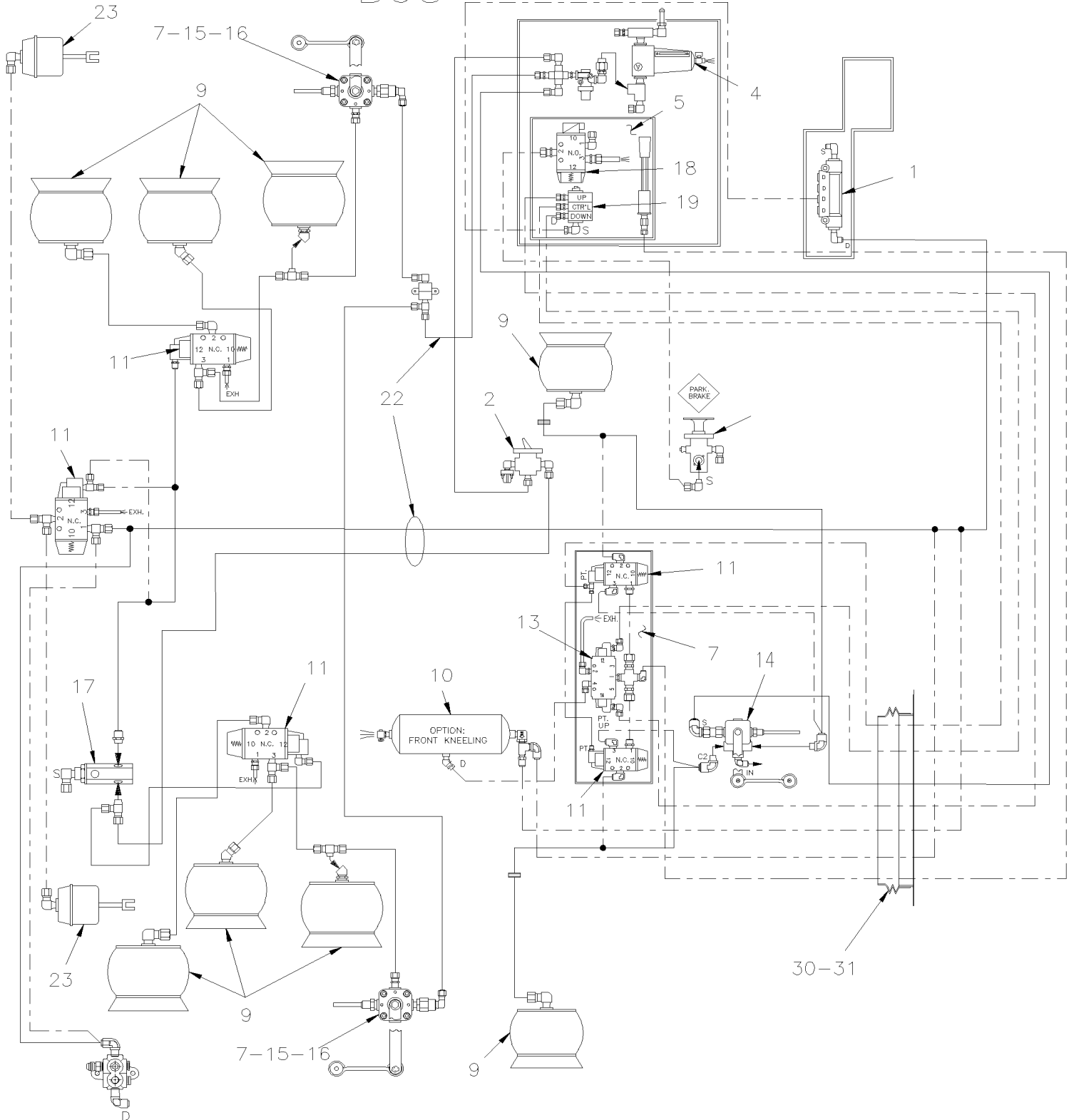
From 7-0671 To F-2922

Date:10/2022

PAGE:H7-1600-00

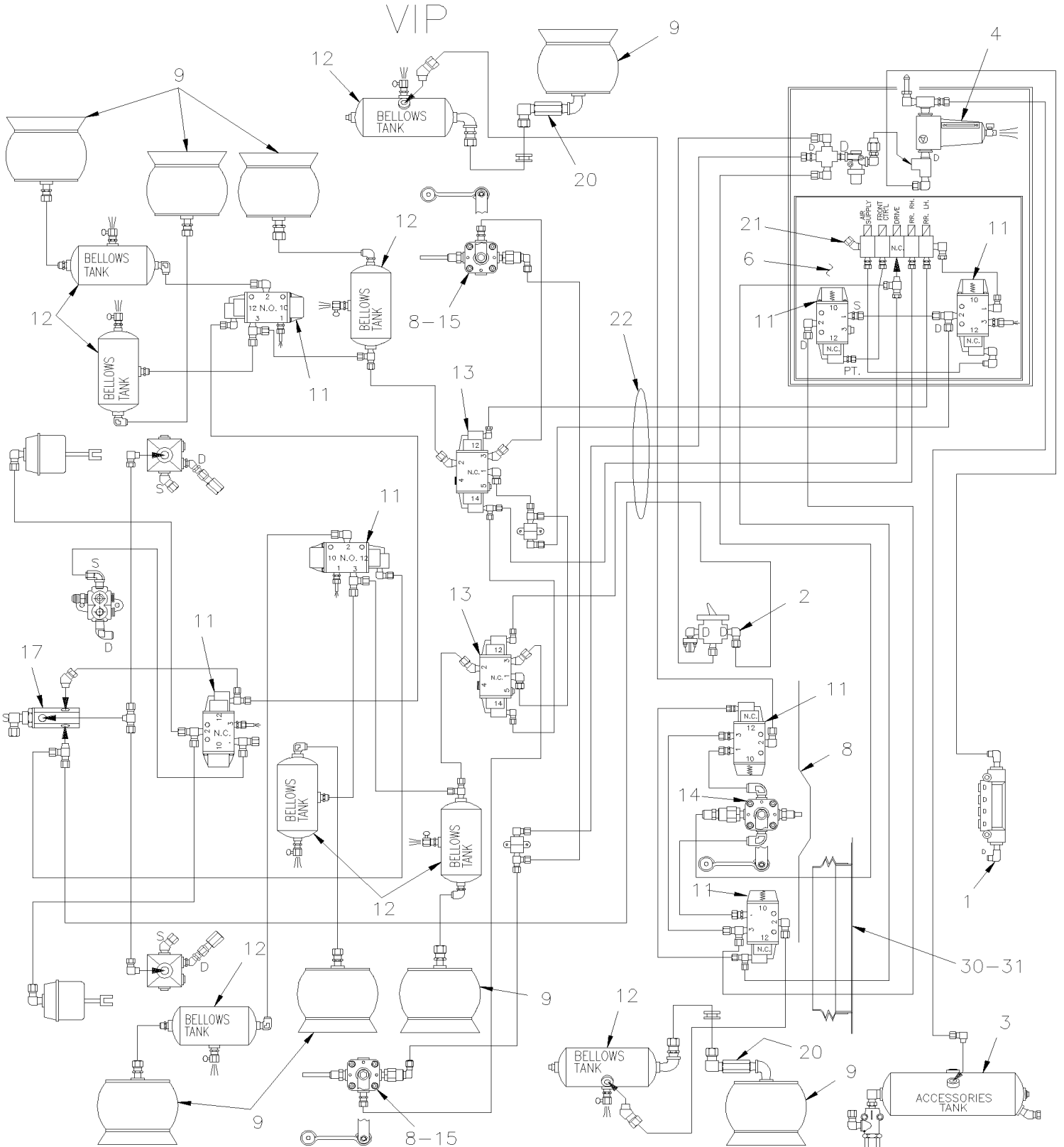
## SUSPENSION AIR SYSTEM

BUS



**SUSPENSION AIR SYSTEM**

VIP



<b>From 7-0671 To F-2922</b>	<b>Date:10/2022</b>	<b>PAGE:H7-1600-00</b>
<b>SUSPENSION AIR SYSTEM</b>		

Item#	Part	Description	H 3 4 1	H 3 4 5	V I P 4 5	N O T E S
1	641415	MANIFOLD / PUSH-IN FITTING / 2x#6 / 4x#4 PLAS	1	1	1	
2	640136	VALVE, CONTROL TW-1	1	1	1	
. NS	641156	. REPAIR KIT / TW-1	1	1	1	
3	140868	AIR TANK / W/END LOWER DRAIN 1228 IN° / 8" O.D. X 26"	1	1	1	
4	<b>H7-1220-15</b>	<b>AIR FILTER - ACCESSORIES</b>				
5	<b>H7-1630-00</b>	<b>FRONT KNEELING - CONTROL PANEL To E-2565</b>				
5	<b>H7-1630-01</b>	<b>FRONT KNEELING - CONTROL PANEL From E-2566</b>				
6	<b>H7-1640-50</b>	<b>LEVEL-LOW - CONTROL PANEL &amp; VALVES</b>				
7	<b>H7-1620-00</b>	<b>HEIGHT CONTROL VALVE &amp; FRONT KNEELING</b>				
7	<b>H7-1620-10</b>	<b>HIGH-BUOY, LOW BUOY &amp; "KNEELING" VALVE</b>				
8	<b>H7-1620-50</b>	<b>HEIGHT CONTROL VALVE - V.I.P.</b>				
9	<b>H7-1601-00</b>	<b>BELLOWS - AIR SUSPENSION</b>				
10	140869	AIR TANK / 1791 IN° / 9 1/2" O.D. X 27"	1	1	1	
11	641274	VALVE, 3 WAYS, 2 POSITIONS N.C.	AR	AR	AR	
12	<b>H7-1203-00</b>	<b>AIR TANK - INSTALLATION</b>				
13	641531	VALVE, 5 WAYS, 3 POSITIONS	1	1		
. NS	641186	. SPOOL	1	1		
13	641531	VALVE, 5 WAYS, 3 POSITIONS			2	
. NS	641186	. SPOOL			1	
14	630261	VALVE, HEIGHT CONTROL "BARKSDALE" / FRONT / W/DRAIN	1	1		R
14	630237	VALVE, HEIGHT CONTROL "BARKSDALE" / FRONT			1	
14	630156	VALVE, HEIGHT CONTROL "BARKSDALE"			1	
15	630156	VALVE, HEIGHT CONTROL "BARKSDALE"	2	2		H
15	630156	VALVE, HEIGHT CONTROL "BARKSDALE"			2	
16	630247	VALVE, HEIGHT CONTROL "BARKSDALE" / REAR / W/DRAIN	2	2		L
17	640442	VALVE, INVERSION TR-2 To D-2163	1	1	1	
18	641528	VALVE, 3 WAYS, 2 POSITIONS N.O. To E-2565	1	1		
. NS	641929	. COIL 24V To E-2565	1	1		
. NS	641169	. SPOOL To E-2565	1	1		
. NS	641385	. CONNECTOR / SOCKET HOUSING ASSY 3C / PNEUMAC 54934-01 To E-2565	1	1		
18	642191	VALVE, 3 WAYS, 2 POSITIONS N.C. From E-2566 To G-3328	1	1		
. NS	195765	. SOLENOIDE 24 VOLTS From E-2566 To G-3328	1	1		
18	642227	VALVE, 3 WAYS, 2 POSITIONS N.C. From G-3329	1	1		
. NS	195765	. SOLENOIDE 24 VOLTS From G-3329	1	1		
19	641180	MANIFOLD VALVE / W/3 SOLENOID	1	1		
. NS	641928	. KIT, MANIFOLD REPAIR / N.C.	3	3		
. NS	641107	. COIL 24V	1	1		
20	131737	MALE CONNECTOR 123.8MM 1/2 NPT			1	
21	641205	MANIFOLD VALVE / W/5 SOLENOID			1	
. NS	641928	. KIT, MANIFOLD REPAIR / N.C.			5	
. NS	641107	. COIL 24V			5	
22	<b>H7-1202-00</b>	<b>TUBES PLASTIC / AIR D.O.T.</b>				

From 7-0671 To F-2922	Date:10/2022	PAGE:H7-1600-00
<b>SUSPENSION AIR SYSTEM</b>		

Item#	Part	Description	H 3 4 1	H 3 4 5	V I P 4 5	N O T E S
23	H7-1615-10	TAG AXLE - LIFTING				
30	504499	CUFF END BELLOW / 2 7/8" I.D. x 3 5/8" x 4 7/16	1	1	1	
31	141567	PROTECTOR RUBBER 100MM	1	1	1	
NS	509558	WEATHERSEAL SNAP-ON 1/8" / SINGLE LIP / WH / C.T.L.	AR	AR	AR	
		H) ALSO WITH REAR "HIGHT-BUOY & FRONT KNEELING				
		L) WITH LOW BUOY OR HIGH-BUOY				
		R) WITH I BEAM RIGID SUSPENSION				

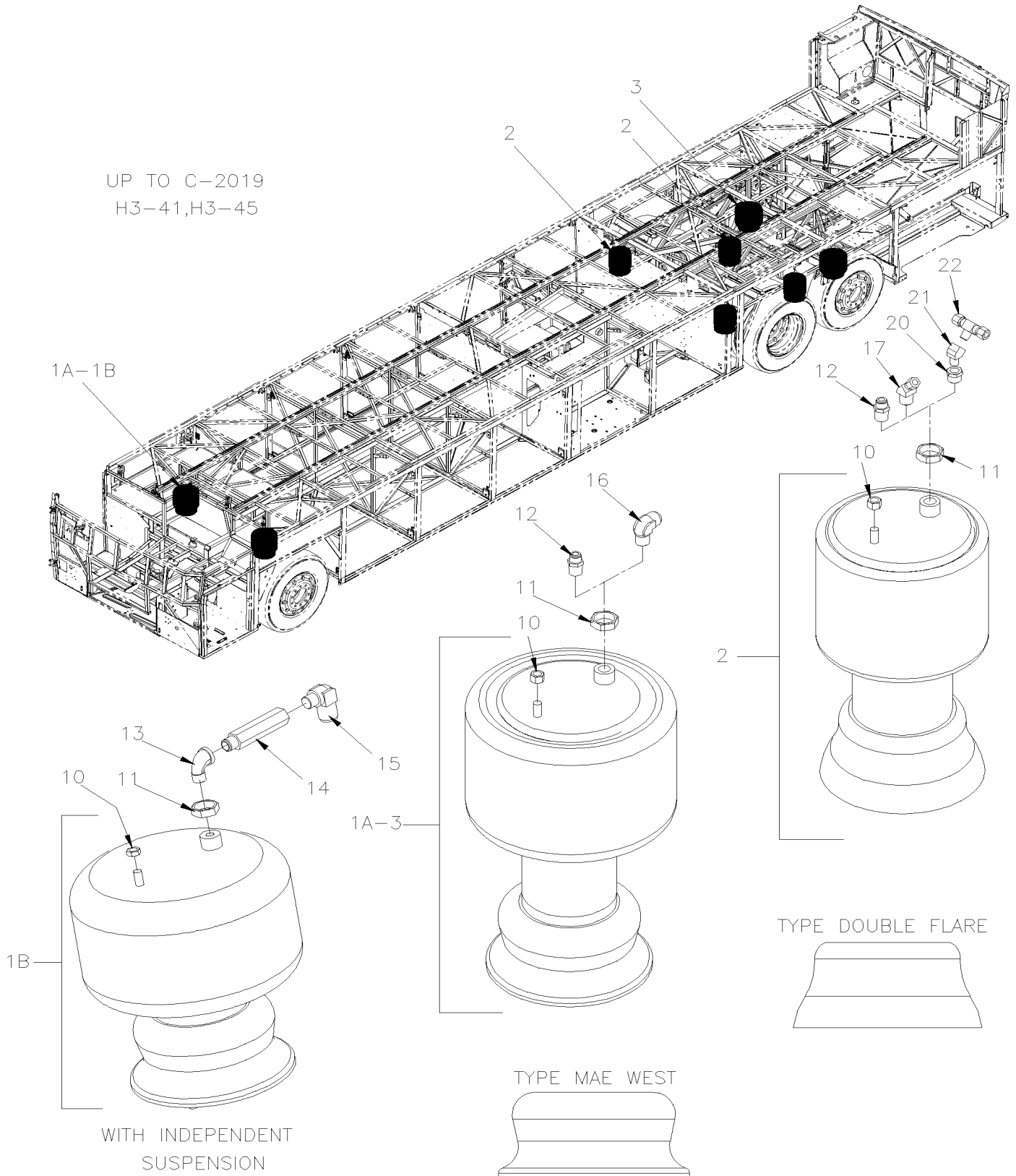
From 7-0671 To J-0287

Date:10/2022

PAGE:H7-1601-00

## BELLOWS - AIR SUSPENSION

UP TO C-2019  
H3-41,H3-45





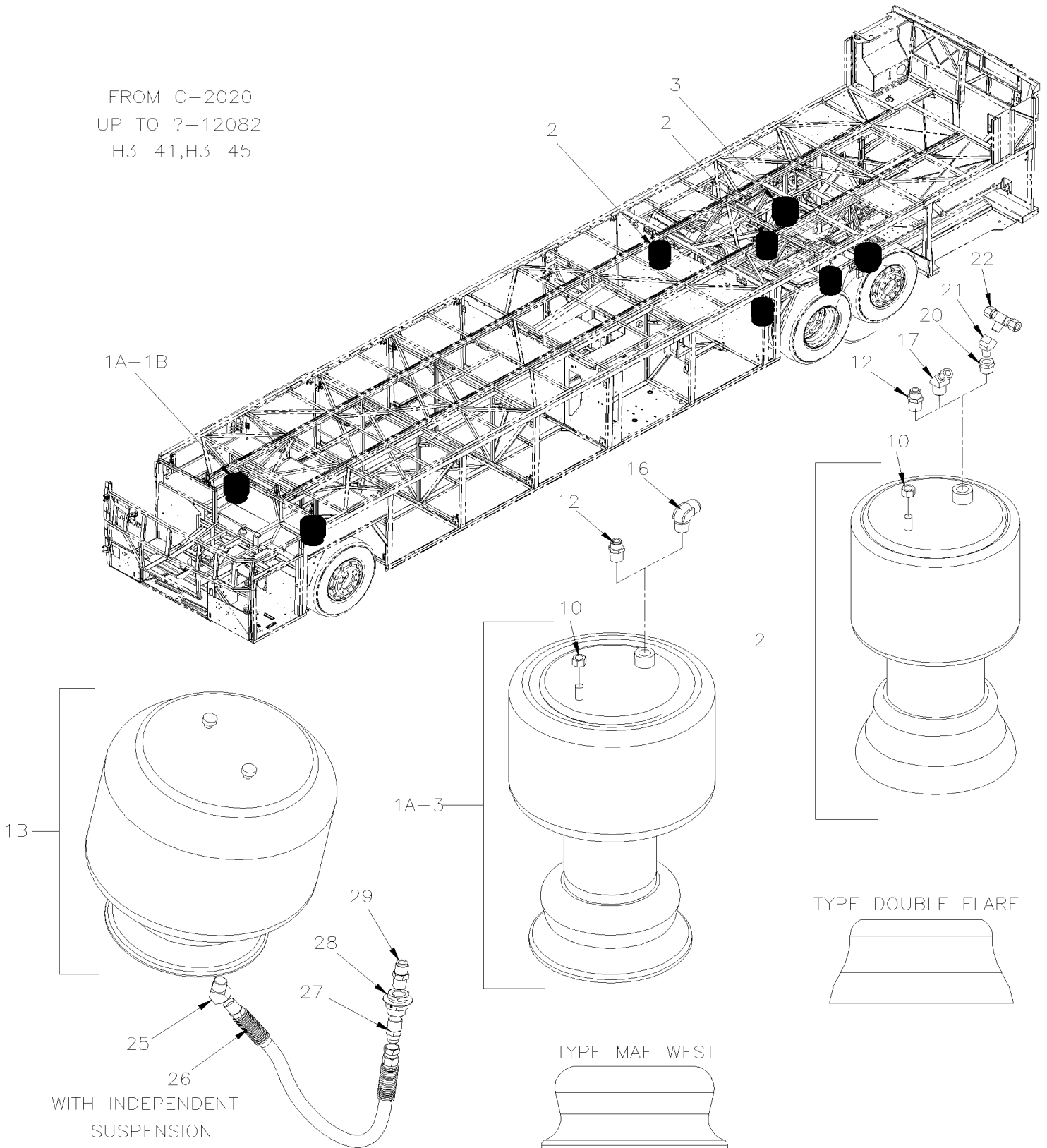
From 7-0671 To J-0287

Date:10/2022

PAGE:H7-1601-00

## BELLOWS - AIR SUSPENSION

FROM C-2020  
UP TO ?-12082  
H3-41,H3-45





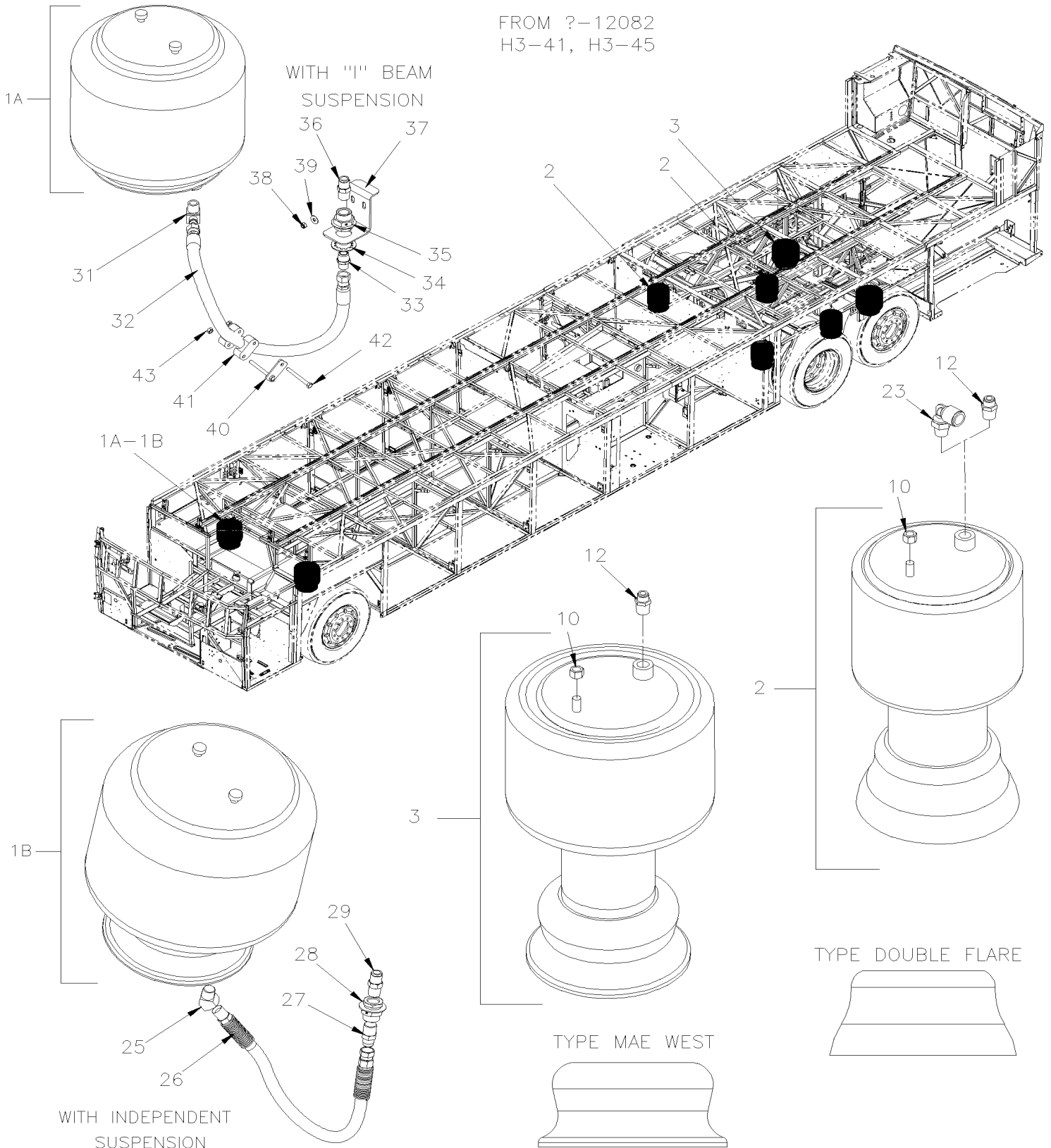
From 7-0671 To J-0287

Date:10/2022

PAGE:H7-1601-00

## BELLOWS - AIR SUSPENSION

FROM ?-12082  
H3-41, H3-45



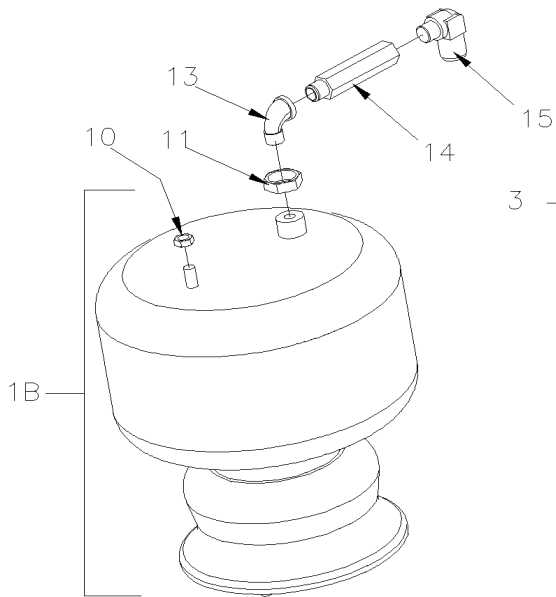
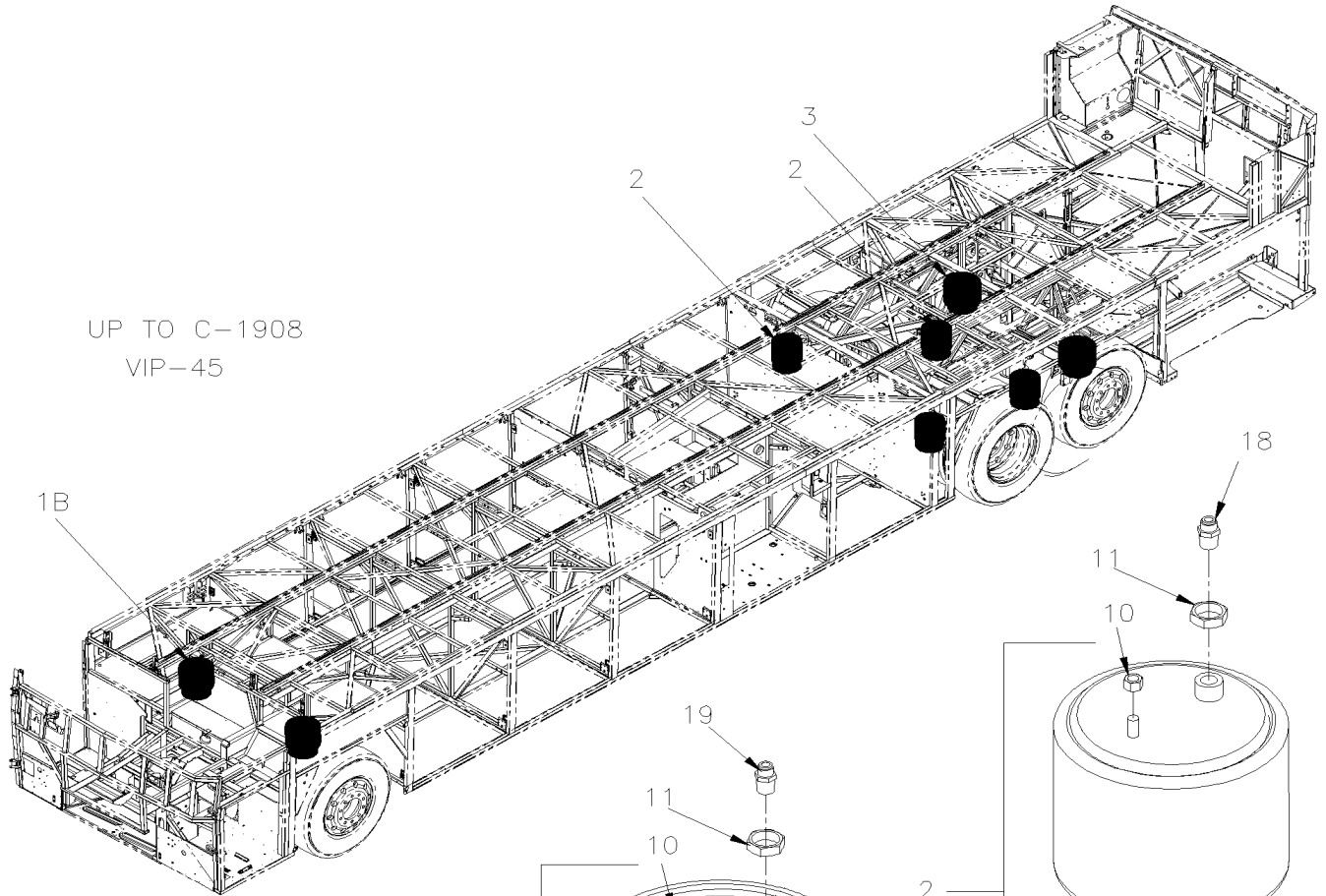
From 7-0671 To J-0287

Date:10/2022

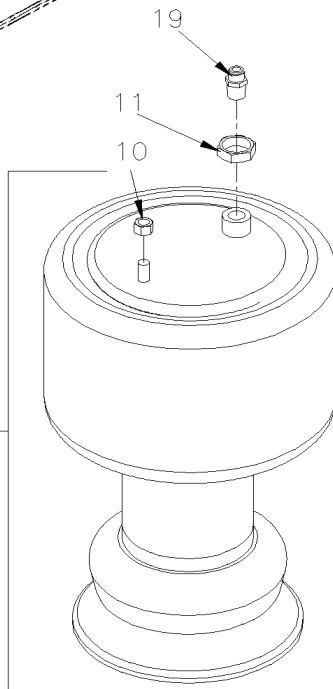
PAGE:H7-1601-00

## BELLOWS - AIR SUSPENSION

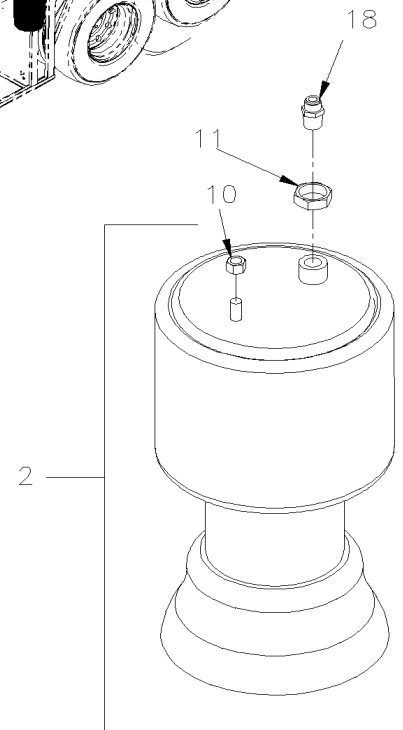
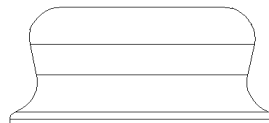
UP TO C-1908  
VIP-45



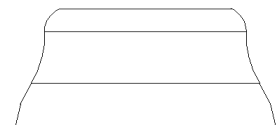
WITH INDEPENDENT  
SUSPENSION



TYPE MAE WEST



TYPE DOUBLE FLARE



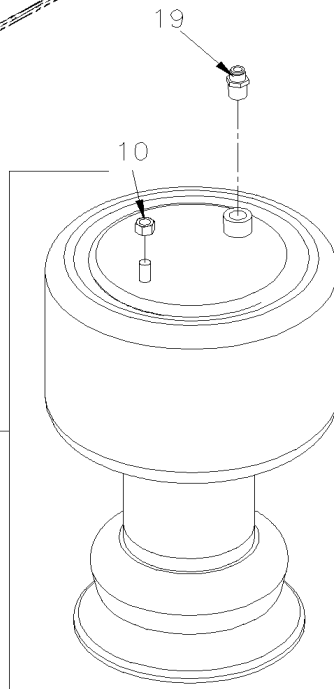
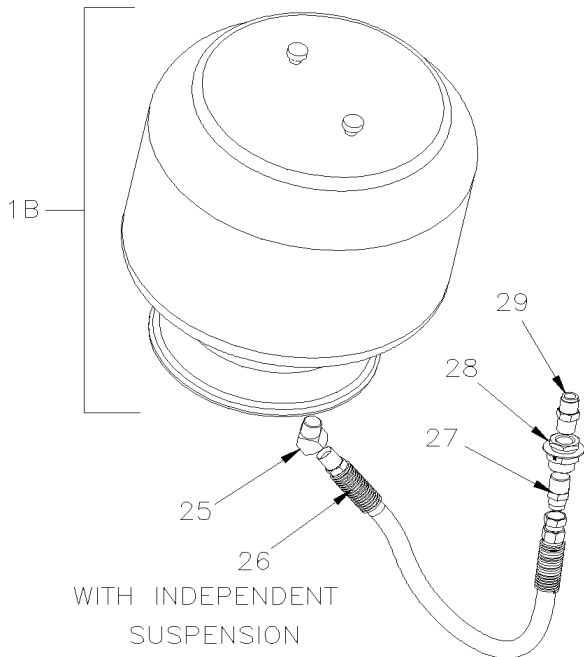
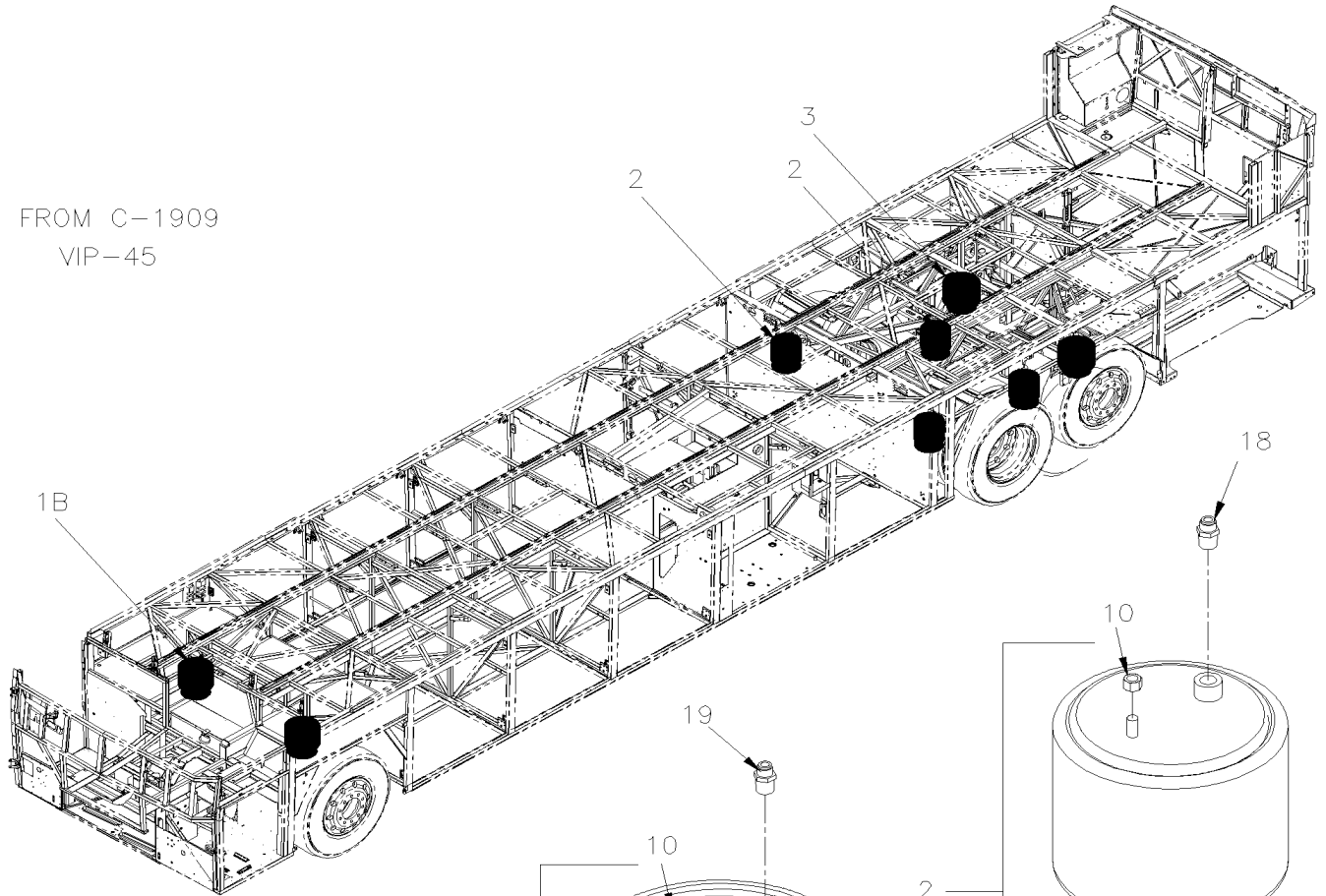
From 7-0671 To J-0287

Date:10/2022

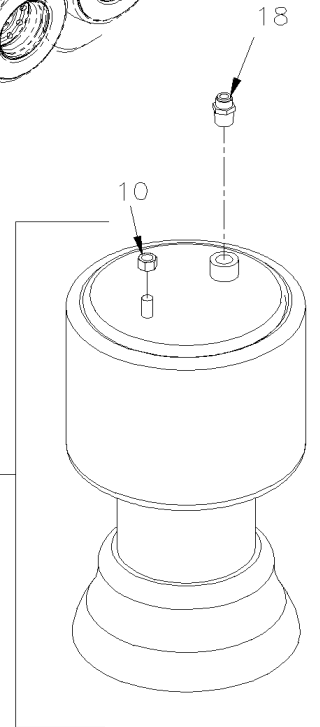
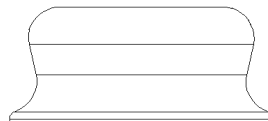
PAGE:H7-1601-00

## BELLOWS - AIR SUSPENSION

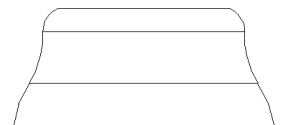
FROM C-1909  
VIP-45



TYPE MAE WEST



TYPE DOUBLE FLARE



From 7-0671 To J-0287	Date:10/2022	PAGE:H7-1601-00
<b>BELLOWS - AIR SUSPENSION</b>		

Item#	Part	Description	H 3 4 1	H 3 4 5	V I P 4 5	N O T E S
		FRONT AXLE BELLOW				
1A	630258	BELLOW ASSY / MODEL 1200 M.W. To E-2504	2	2		R
1A	630285	BELLOW ASSY / MODEL 1400 M.W. From E-2505	2	2		R
1B	630239	BELLOW ASSY / MODEL 1400 M.W. To C-2020		2		I
1B	630280	BELLOW ASSY / MODEL 1400 M.W. / 19000lbs From C-2021		2		I
1B	630239	BELLOW ASSY / MODEL 1400 M.W. To C-1909			2	I
1B	630280	BELLOW ASSY / MODEL 1400 M.W. / 19000lbs From C-1910			2	I
		DRIVE AXLE BELLOW				
2	630260	BELLOW ASSY / MODEL 1100 D.F.	4	4	4	
		TAG AXLE BELLOW				
3	630258	BELLOW ASSY / MODEL 1200 M.W. To A-1655	2	2		
3	630162	BELLOW ASSY / MODEL 1200 M.W. From A-1656 To E-2504	2	2		
3	630162	BELLOW ASSY / MODEL 1200 M.W. To E-2504			2	
3	630286	BELLOW ASSY / MODEL 1200 M.W. From E-2505	2	2	2	
5	630036	. PISTON / TYPE MAY WEST To A-1655	AR	AR		
10	500968	NUT HEX STO 1/2-13 Z050 To A-1502	AR	AR	AR	
10	5001599	NUT HEX NYRT THN 1/2-13 Z050 To A-1502	AR	AR	AR	
10	500968	NUT HEX STO 1/2-13 Z050 From A-1503 To A-1659	AR	AR	AR	
10	500276	NUT HEX STO 1/2-13 N500 From A-1660	AR	AR	AR	
11	5001041	NUT HEX THN 1 1/4-12x1/2	AR	AR	AR	
12	641382	MALE CONNECTOR / PUSH-IN FITTING / #6x1/2NPT-M BR	4	4	4	
NS	5011339	STREET ELBOW 90° / PIPE FITTING / 1/2NPT-Mx1/2NPT-F STL To C-2020		2		I
13	5011339	STREET ELBOW 90° / PIPE FITTING / 1/2NPT-Mx1/2NPT-F STL To C-1909			2	I
NS	131737	MALE CONNECTOR 123.8MM 1/2 NPT To C-2020		2		I
14	131737	MALE CONNECTOR 123.8MM 1/2 NPT To C-1909			2	I
NS	641410	MALE ELBOW 90° NON-SWIVEL / PUSH-IN FITTING / #12x1/2NPT-M BR To C-2020		2		I
15	641410	MALE ELBOW 90° NON-SWIVEL / PUSH-IN FITTING / #12x1/2NPT-M BR To C-1909			2	I
16	641378	MALE ELBOW 90° / PUSH-IN FITTING / #8x1/2NPT-M BRASS	2	2	2	
17	641119	MALE ELBOW 45° / NTA FITTING / #6x1/2NPT-M BR To E-2504		2		I
18	640994	MALE CONNECTOR / NTA FITTING / #10x1/2NPT-M BR To E-2540			2	
18	640995	MALE CONNECTOR / NTA FITTING / #12x1/2NPT-M BR To E-2540			2	
18	642069	MALE ELBOW 45° NON-SWIVEL / PUSH-IN FITTING / #10x1/2NPT-M BR From E-2541			2	
18	642124	MALE ELBOW 90° NON-SWIVEL / PUSH-IN FITTING / #12x1/2NPT-M COMPOSITE From E-2541			2	
19	640994	MALE CONNECTOR / NTA FITTING / #10x1/2NPT-M BR			2	
20	501316	BUSHING REDUCER / PIPE FITTING / 1/2NPT-Mx1/4NPT-F BR To E-2504	2	2		R

From 7-0671 To J-0287	Date:10/2022	PAGE:H7-1601-00
<b>BELLOWS - AIR SUSPENSION</b>		

Item#	Part	Description	H 3 4 1	H 3 4 5	V I P 4 5	N O T E S
21	501329	STREET ELBOW 45° / PIPE FITTING / 1/4NPT-Mx1/4NPT-F BR To E-2504	2	2		R
22	641007	MALE BRANCH TEE / NTA FITTING / #6x#6x1/4NPT-M BR To E-2504	1	1		R
23	642179	MALE ELBOW 90° NON-SWIVEL / PUSH-IN FITTING / #6 x1/2NPT-M COMPOSITE From E-2505	2	2		
25	501528	STREET ELBOW 45° / PIPE FITTING / 1/2NPT-Mx1/2NPT-F BR From C-2021		2		I
25	501528	STREET ELBOW 45° / PIPE FITTING / 1/2NPT-Mx1/2NPT-F BR From C-1910			2	I
26	642153	HOSE ASSY / #8 22" From C-2021		2		I
26	642153	HOSE ASSY / #8 22" From C-1910			2	I
27	501616	MALE CONNECTOR / SAE 45° FITTING / #8FL-Mx1/2NPT-M BR From C-2021		2		I
27	501616	MALE CONNECTOR / SAE 45° FITTING / #8FL-Mx1/2NPT-M BR From C-1910			2	I
28	501796	BULKHEAD COUPLING / PIPE FITTING / 1/2NPT-Fx1/2NPT-Fx1 1/2 BR From C-2021		2		I
28	501796	BULKHEAD COUPLING / PIPE FITTING / 1/2NPT-Fx1/2NPT-Fx1 1/2 BR From C-1910			2	I
29	641383	MALE CONNECTOR / PUSH-IN FITTING / #8x1/2NPT-M BR From C-2021		2		I
29	641383	MALE CONNECTOR / PUSH-IN FITTING / #8x1/2NPT-M BR From C-1910			2	
31	501719	MALE ELBOW 90° / JIC 37° FITTING / #8JIC-Mx1/2NPT-M BR From E-2505	2	2		R
32	642181	HOSE ASSY / #8 28" From E-2505 To F-2902	2	2		R
32	145293P	HOSE ASSY / #8 727MM From F-2903	2	2		R
33	501739	MALE CONNECTOR / JIC 37° FITTING / #8JIC-Mx1/2NPT-M STL From E-2505	2	2		R
34	500979	WASHER LO INT 1.144x1.830x.067 Z050 From E-2505	2	2		R
35	501796	BULKHEAD COUPLING / PIPE FITTING / 1/2NPT-Fx1/2NPT-Fx1 1/2 BR From E-2505	2	2		R
36	641383	MALE CONNECTOR / PUSH-IN FITTING / #8x1/2NPT-M BR From E-2505	2	2		R
37	132056	SUPPORT From E-2505 To J-0232	2	2		R
37	130028	SUPPORT From J-0233	2	2		R
38	5001182	NUT HEX NYRT M6-1.0 SS From E-2505	4	4		R
39	500411	WASHER FL .260x.697x.050 SS From E-2505	4	4		R
40	504614	PLATE RETAINING / COLLAR From E-2505	2	2		R
41	504612	COLLAR 13/16" I.D. / TO FIX HOSE From E-2505 To H-3822	4	4		R
41	140079	HALF COLLAR 44MM I.D. / TO FIX HOSE From H-3823	8	8		R
42	5001681	SCREW CAP HEX M6-1.0x60 SS From E-2505	4	4		R
43	502860	NUT HEX STO M6-1.0 N500 From E-2505	4	4		R
		I) WITH INDEPENDANT SUSPENSION				
		R) RIGID SUSPENSION				

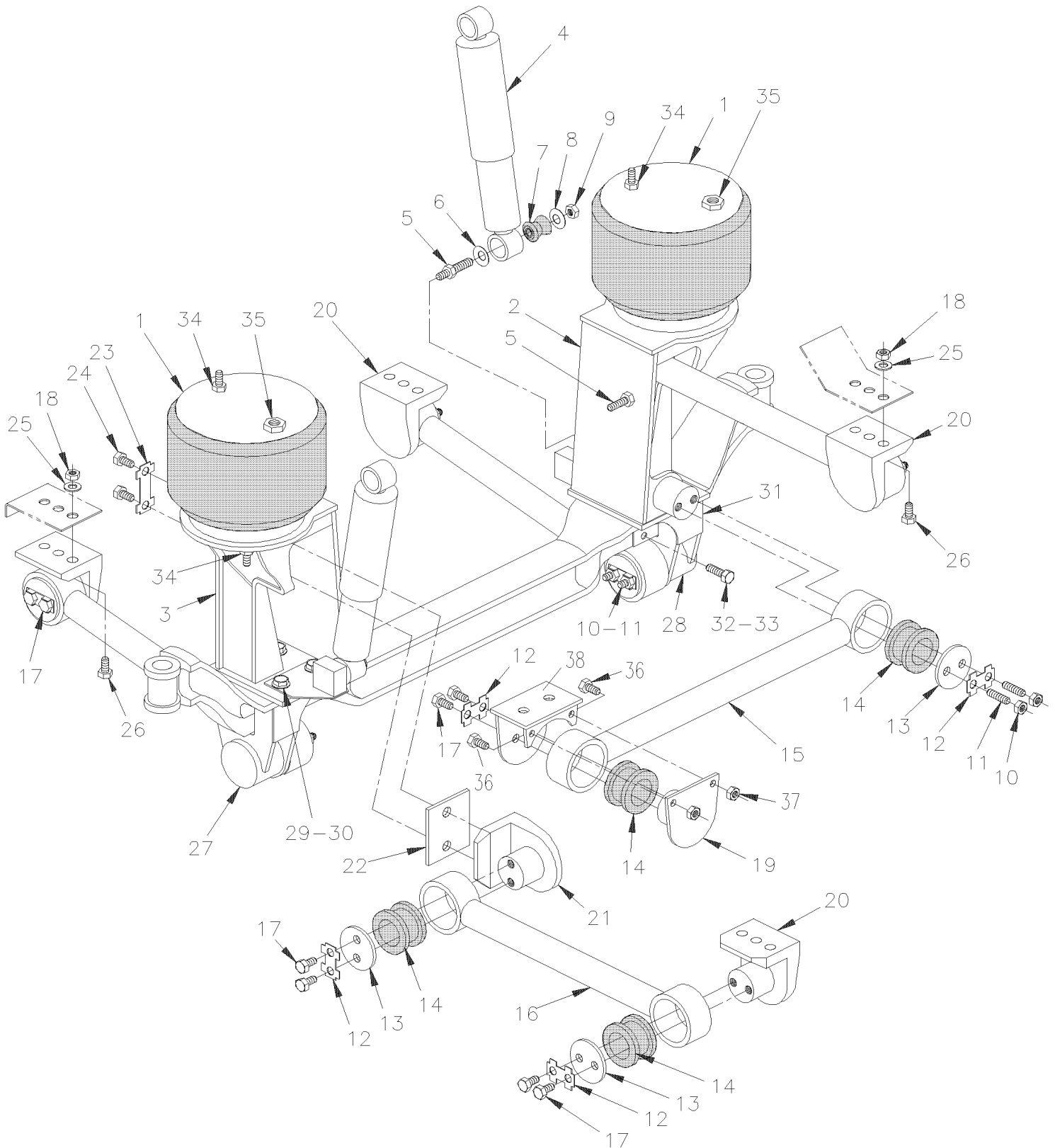


From 7-0671 To E-2504

Date:10/2022

PAGE:H7-1605-00

## FRONT AXLE - INSTALL W/ I BEAM RIGID





<b>From 7-0671 To E-2504</b>	<b>Date:10/2022</b>	<b>PAGE:H7-1605-00</b>
<b>FRONT AXLE - INSTALL W/ I BEAM RIGID</b>		

Item#	Part	Description	H 3 4 1	H 3 4 5	V I P 4 5	N O T E S
1	<b>H7-1601-00</b>	<b>BELLOWS - AIR SUSPENSION</b>				
2	110620P	SUPPORT, BELLOW / L.H. To 8-1280	1	1		
2	110778	SUPPORT, BELLOW / L.H. From 8-1281	1	1		
3	110751	SUPPORT, BELLOW / R.H.	1	1		
4	630252	SHOCK ABSORBER / SACHS	2	2		
4	630234	SHOCK ABSORBER / "KONI" (ORANGE)	2	2		O
5	131424	PIN W/TAPER ATTACHMENT M20-2.5	2	2		
6	5001153	WASHER CON 25.5x50.0x4.5 ZP	AR	AR		
7	630257	BUSHING / RUBBER / (TWO PIECES) 1" x 1.005" I.D.	AR	AR		
8	5001152	WASHER CON 21.0x50.0x4.5 ZP	8	8		
9	500809	NUT HEX STO M20-2.5 N500	4	4		
10	502588	NUT HEX M16-2.0 ZP	16	16		
11	130963	STUD M16-2.0x70	12	12		
12	110340	TAB LOCK / W/2 HOLES / W/4 TABS / 18MM I.D. X 38MM C/C To B-1760	AR	AR		
12	110788	TAB LOCK / W/2 HOLES / W/6 TABS / 18MM I.D. X 38MM C/C From B-1761	AR	AR		
13	110681	RETAINER PLATE / IRON 110MM OD W/16.7 @ 38C/C	9	9		
14	630021	RUBBER BUSHING "PREVOST"	10	10		
NS	192380	SHIM WASHER / BUSHING RADIUS ROD 2.795x4.330x.0625 SS	AR	AR		W
15	110648	ROD ASSY / 34 13/16" C/C (885MM)	1	1		
16	130615	ROD ASSY / 26 1/2" C/C (673MM)	4	4		
17	500813	SCREW CAP HEX M16-2.0x35 G8.8 ZP	10	10		
18	5001662	NUT HEX NYRT M16-2.0 G10 Z050	10	10		C
19	131784	ATTACHMENT	1	1		
20	132912	SUPPORT / ROD / W/2 M16-2 HOLES & DOWEL PIN / 95MM C/C // 150MM SHORT	1	1		
NS	121890	TORQUE PLATE / W/2HOLES 17MM I.D. X 90MM C/C	1	1	1	
NS	502164	PIN DOWEL M16 X 40MM	1	1		
21	131328	SUPPORT / ROD / W/4 M16-2 HOLES / 95MM C/C // 150MM SHORT	2	2		
22	110663	SHIM "U" 11GA SS 124MM x 92MM x 31MM wide	2	2		
23	110667	TAB LOCK / W/2 HOLES 18MM I.D. X 90MM C/C	2	2		
24	5001372	SCREW CAP HEX M16-2.0x50 G10.9 N500	4	4		
25	5001046	WASHER FL .656x1.500x.187	10	10		C
26	5001372	SCREW CAP HEX M16-2.0x50 G10.9 N500	8	8		
27	110652	ATTACHMENT / R.H.	1	1		
28	110653	ATTACHMENT / L.H.	1	1		
29	5001175	SCREW CAP HEX M22-2.5x80 G8.8 Z050	9	9		
30	5001176	NUT HEX STO M22-2.5 ZP	9	9		
31	110664	SPACER	1	1		
32	502731	SCREW CAP HEX M12-1.75x40 G8.8 Z050	2	2		
33	500860	NUT HEX M12-1.75 Z050	2	2		
34	502595	NUT HEX NYRT 1/2-13 Z050	6	6		
35	5001041	NUT HEX THN 1 1/4-12x1/2	2	2		



From 7-0671 To E-2504	Date:10/2022	PAGE:H7-1605-00
<b>FRONT AXLE - INSTALL W/ I BEAM RIGID</b>		

Item#	Part	Description	H 3 4 1	H 3 4 5	V I P 4 5	N O T E S
36	955385	SCREW CAP HEX M20-2.5x45 G8.8 ZP	2	2		
37	5001252	NUT HEX STO M20-2.5 DP	2	2		
38	131785	SUPPORT ASSY / (WELDED)	1	1		
		C) TO FIX ROD				
		O) "OPTION" SPECIAL				
		W) IF NEED, USE BETWEEN BUSHING ROD SUPPORT				

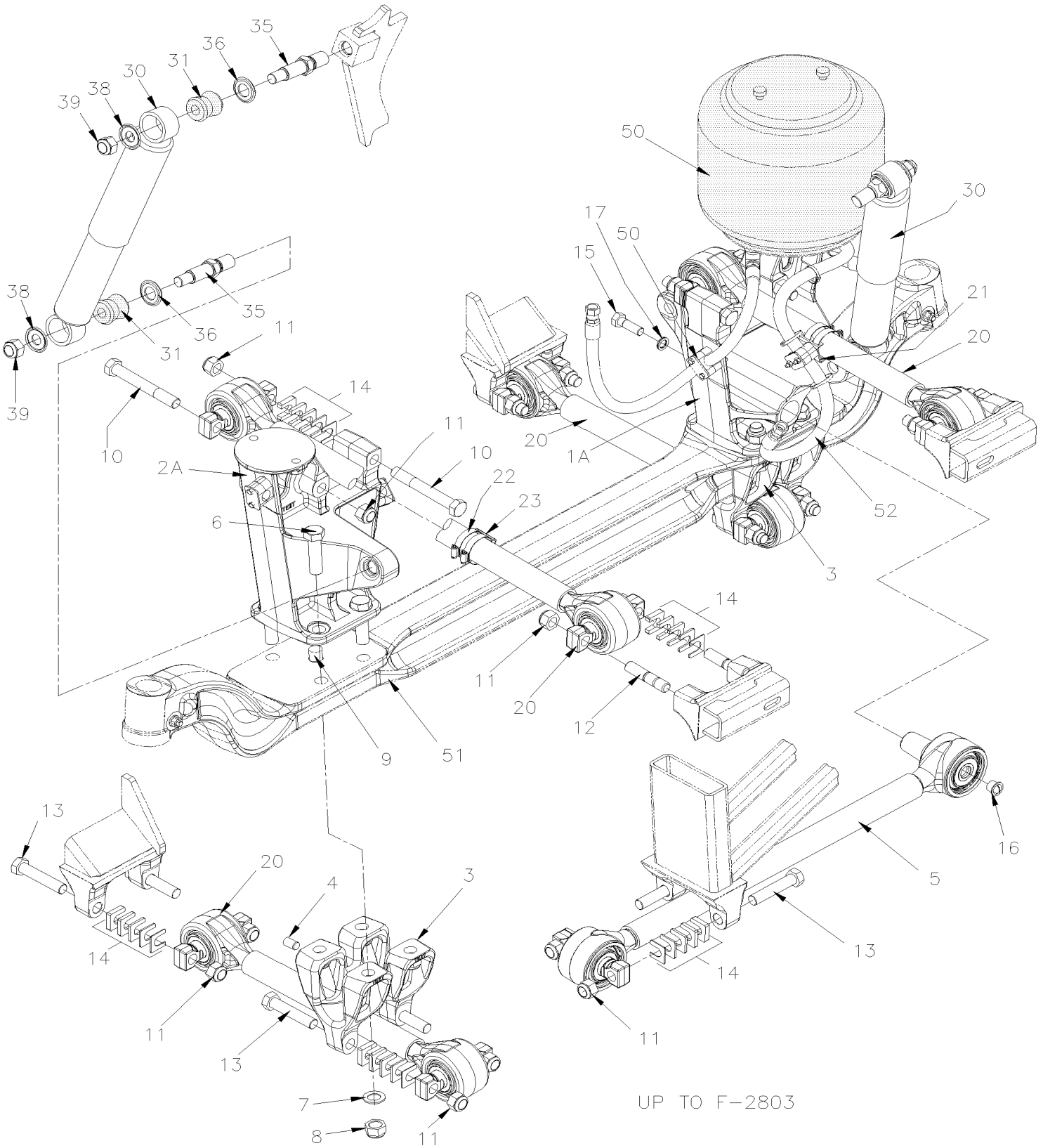


From E-2505 To J-0184

Date:10/2022

PAGE:H7-1605-01

## FRONT AXLE - INSTALL W/ I BEAM RIGID

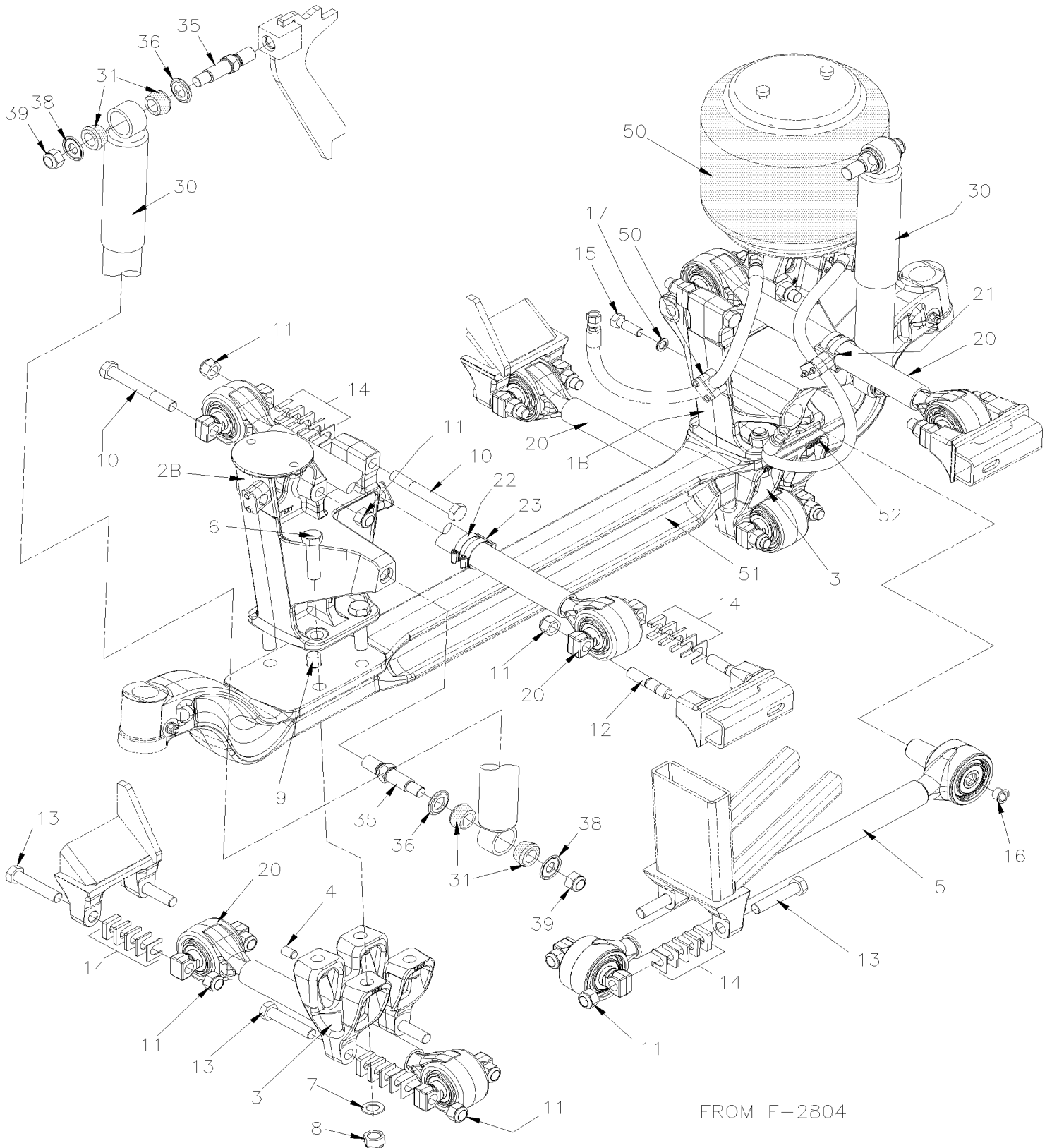


From E-2505 To J-0184

Date:10/2022

PAGE:H7-1605-01

## FRONT AXLE - INSTALL W/ I BEAM RIGID



FROM F-2804

<b>From E-2505 To J-0184</b>	<b>Date:10/2022</b>	<b>PAGE:H7-1605-01</b>
<b>FRONT AXLE - INSTALL W/ I BEAM RIGID</b>		

Item#	Part	Description	H 3 4 1	H 3 4 5	V I P 4 5	N O T E S
1A	611482	SUPPORT ASSY L.H. BELLOW To F-2803	1	1		
1B	611488	SUPPORT ASSY L.H. BELLOW From F-2804	1	1		
2A	611483	SUPPORT ASSY R.H. BELLOW To F-2803	1	1		
2B	611489	SUPPORT ASSY R.H. BELLOW From F-2804	1	1		
3	611487	SUPPORT RADIUS ROD To E-2619	2	2		
3	611484	SUPPORT RADIUS ROD From E-2620	2	2		
4	5001907	SCREW SET HEXS CUP M16-2x25 N500	2	2		
5	621879	ROD ASSY / 889MM	1	1		
. NS	621891	. BALL PIN BUSHING / REPAIR KIT 70MM O.D.	1	1		
. NS	621892	. BALL PIN BUSHING / REPAIR KIT 70MM O.D. / 130MM C/C	1	1		
6	5001909	SCREW CAP HEX M22-2.5x80 G10.9 N500	8	8		
7	5001509	WASHER FL 23.0x39.0x4.0 ZP	2	2		
8	5001665	NUT HEX NYRT M22-2.5 G8 Z050	8	8		
9	505541	DOWEL PIN 1"x1"	2	2		
10	5001905	SCREW CAP HEX M20-2.5X150 G10.9 N500	4	4		
11	5001663	NUT HEX NYRT M20-2.5 G10 Z050	18	18		
12	5001897	STUD M20-2.5x70 G10.9 N500	4	4		
13	5001525	SCREW CAP HEX M20-2.5x100 G10.9 N500	10	10		
14	661219	SHIM "U" 0.79 x 39.5MM x 38MM x 20 i.d.	AR	AR		
14	661101	SHIM "U" 1.52 x 39.5MM x 38MM x 20 i.d.	AR	AR		
14	160993	SHIM "U" 3.175x 39.5MM x 38MM x 20 i.d.	AR	AR		
14	661094	SHIM "U" 4.76 x 39.5MM x 38MM x 20 i.d.	AR	AR		
14	160992	SHIM "U" 6.35 x 39.5MM x 38MM x 20 i.d.	AR	AR		
14	163599	SHIM "U" 9.53 x 39.5MM x 38MM x 20 i.d.	AR	AR		
15	5001899	SCREW CAP HEX M16-1.5x50 G10.9 N500	1	1		
16	621832	PULL PLUG DIA. 23MM	1	1		
17	630278	WASHER "NORD-LOCK" 17.0x25.4x3.4 YP	1	1		
20	621878	ROD ASSY / 594MM To F-2729	4	4		
. NS	621890	. BALL PIN BUSHING / REPAIR KIT 70MM O.D. / 130MM C/C To F-2729	2	2		
20	621900	ROD ASSY / 594MM From F-2730	4	4		
21	132002	SUPPORT HOSE LH	1	1		
22	504792	HOSE CLAMP / 1"9/16-2.5" SS / HAS-32	4	4		
23	132022	SUPPORT HOSE RH	1	1		
30	630252	SHOCK ABSORBER / SACHS To F-2737	2	2		
30	630288	SHOCK ABSORBER / SACHS From F-2738	2	2		
31	630257	. BUSHING / RUBBER / (TWO PIECES) 1" x 1.005" I.D. To F-2737	4	4		
31	630291	. BUSHING / RUBBER / (TWO PIECES) 1" x 1.005" I.D. From F-2738	4	4		
35	131424	PIN W/TAPER ATTACHMENT M20-2.5	4	4		
36	5001153	WASHER CON 25.5x50.0x4.5 ZP	4	4		
38	5001152	WASHER CON 21.0x50.0x4.5 ZP	4	4		
39	5001663	NUT HEX NYRT M20-2.5 G10 Z050	2	2		
50	<b>H7-1601-00</b>	<b>BELLOWS - AIR SUSPENSION</b>				

From E-2505 To J-0184	Date:10/2022	PAGE:H7-1605-01
<b>FRONT AXLE - INSTALL W/ I BEAM RIGID</b>		

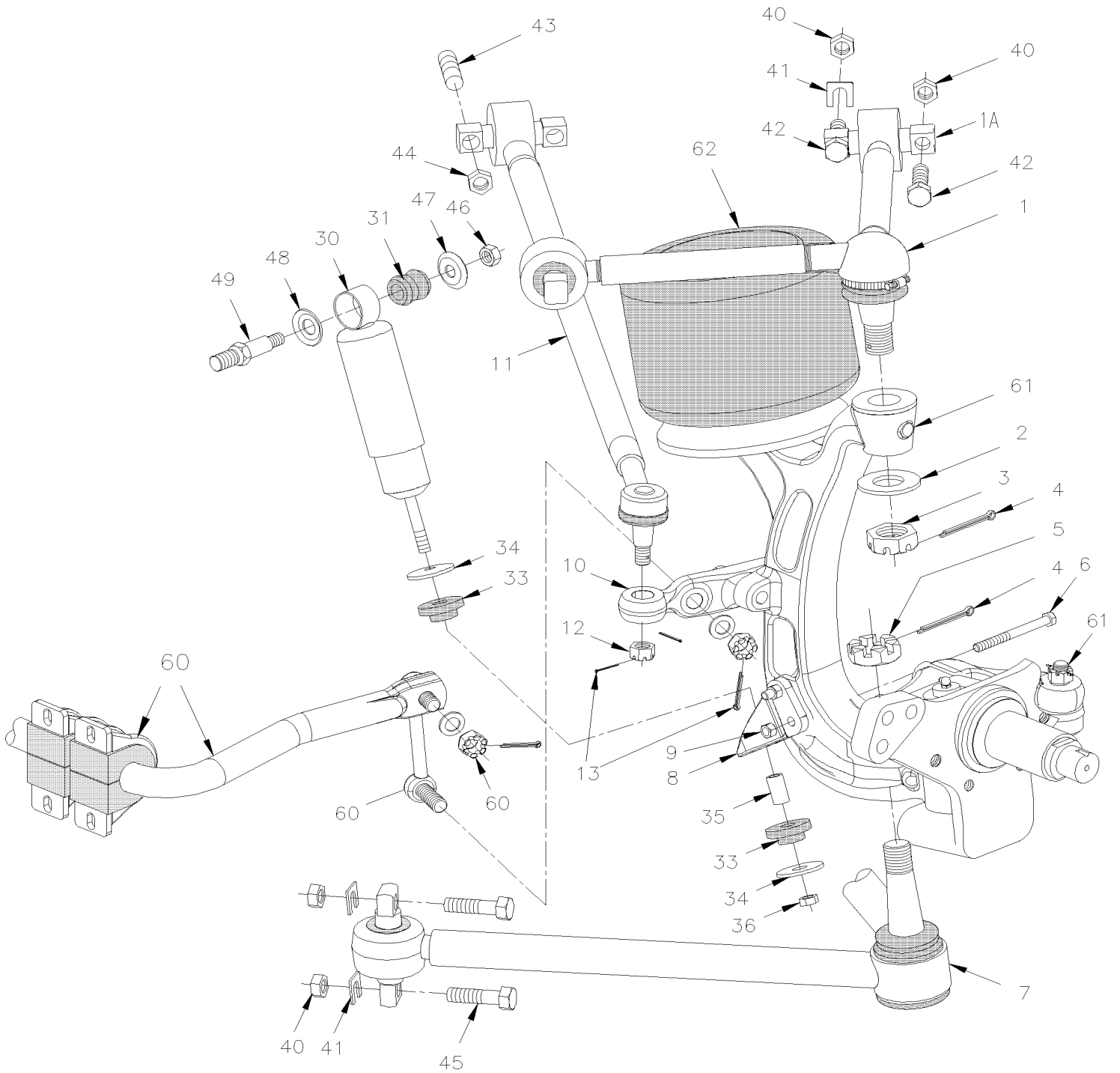
Item#	Part	Description	H 3 4 1	H 3 4 5	V I P 4 5	N O T E S
51	H7-1005-00	FRONT AXLE - I BEAM RIGID MODEL "S84U"				
52	H7-1225-10	BRAKE CHAMBER - FRONT AXLE TYPE 24				

From 7-0671 To C-1909

Date:10/2022

PAGE:H7-1605-50

FRONT AXLE - INSTALL W/INDEPENDENT "NDIFS80P" / 18000LBS



From 7-0671 To C-1909	Date:10/2022	PAGE:H7-1605-50
<b>FRONT AXLE - INSTALL W/INDEPENDENT "NDIFS80P" / 18000LBS</b>		

Item#	Part	Description	H 3 4 1	H 3 4 5	V I P 4 5	N O T E S
1	611270	UPPER ARM ASSY / L.H. & R.H.			2	
. A	611346	. BUSHING BAR PIN / 20MM 150mm c/c 85MM O.D. x 72MM wide			2	
. A1	611358	. BUSHING BAR PIN / 20MM 150mm c/c 85MM O.D. x 72MM wide			2	
2	5001255	WASHER FL 31.75x54.77x3.175			1	
3	5001321	NUT HEX CSL M30-1.5 17TH CJ			1	
4	502115	PIN, COTTER 3/16 x 2 1/2			2	
5	5001333	NUT HEX CSL M36-1.5 17TH CJ			1	
6	611273	SCREW CAP HEX M14-2.0x135 G8.8 Z050			2	
7	611344	LOWER ARM ASSY / R.H / W/58 Deg			1	
. NS	611326	. LOWER BEARING BALL ASSY / REPAIR KIT			1	
. NS	611325	. BUSHING BAR PIN / 20MM 150mm c/c 85MM O.D. x 70MM wide			2	
7	611343	LOWER ARM ASSY / L.H / W/58 Deg			1	
. NS	611326	. LOWER BEARING BALL ASSY / REPAIR KIT			1	
. NS	611325	. BUSHING BAR PIN / 20MM 150mm c/c 85MM O.D. x 70MM wide			2	
8	116454	ATTACHMENT / SHOCK ABSORBER			1	
9	502538	NUT HEX STO M14-2.0 Z050			2	
10	661113	UPRIGHT ARM L.H / W/58 Deg			1	
10	612380	UPRIGHT ARM L.H			1	S
10	661114	UPRIGHT ARM R.H / W/58 Deg			1	
10	612381	UPRIGHT ARM R.H			1	S
11	661111	ROD ASSY / 5TH / W/58 Deg			2	
12	5001325	. NUT HEX CSL M24-1.5 15TH CJ			1	
13	661215	. PIN, COTTER 5MMx40MM			1	
30	630251	SHOCK ABSORBER / SACHS / 208			2	
. NS	630255	. KIT WASHER & RUBBER BUSHING			1	
30	630235	SHOCK ABSORBER / "KONI" (ORANGE)			2	O
31	630257	. BUSHING / RUBBER / (TWO PIECES) 1" x 1.005" I.D.			2	
33	630255	. KIT WASHER & RUBBER BUSHING			2	
34	N.P.N.	. SLEEVE			1	4
35	N.P.N.	. WASHER			1	4
36	5001579	. NUT HEX NYRT M16-1.5 Z050			1	
40	5001252	NUT HEX STO M20-2.5 DP			4	
41	160992	SHIM "U" 6.35 x 39.5MM x 38MM x 20 i.d.			AR	
41	160993	SHIM "U" 3.175x 39.5MM x 38MM x 20 i.d.			AR	
41	661094	SHIM "U" 4.76 x 39.5MM x 38MM x 20 i.d.			AR	
42	983296	SCREW CAP HEX M20-2.5x90 G10.9 ZP			4	
42	130963	STUD M16-2.0x70			4	
43	5001525	SCREW CAP HEX M20-2.5x100 G10.9 N500			2	
44	502588	NUT HEX M16-2.0 ZP			2	
45	5001561	SCREW CAP HEX M20-2.5x250 G10.9 ZP			4	
46	500809	NUT HEX STO M20-2.5 N500			1	
47	5001152	WASHER CON 21.0x50.0x4.5 ZP			1	



From 7-0671 To C-1909	Date:10/2022	PAGE:H7-1605-50
<b>FRONT AXLE - INSTALL W/INDEPENDENT "NDIFS80P" / 18000LBS</b>		

Item#	Part	Description	H 3 4 1	H 3 4 5	V I P 4 5	N O T E S
48	5001153	WASHER CON 25.5x50.0x4.5 ZP			1	
49	131424	PIN W/TAPER ATTACHMENT M20-2.5			1	
60	<b>H7-1616-00</b>	<b>SWAY BAR</b>				
61	<b>H7-1005-50</b>	<b>FRONT AXLE - INDEPENDENT MODEL "NDIFS80P" / 18000LBS</b>				
62	<b>H7-1601-00</b>	<b>BELLOWS - AIR SUSPENSION</b>				
NS	630255	KIT WASHER & RUBBER BUSHING			AR	A
		A) INCLUDES #33 TO 36				
		O) OPTION				
		S) SERVICE				
		4) NO PARTS NUMBER				

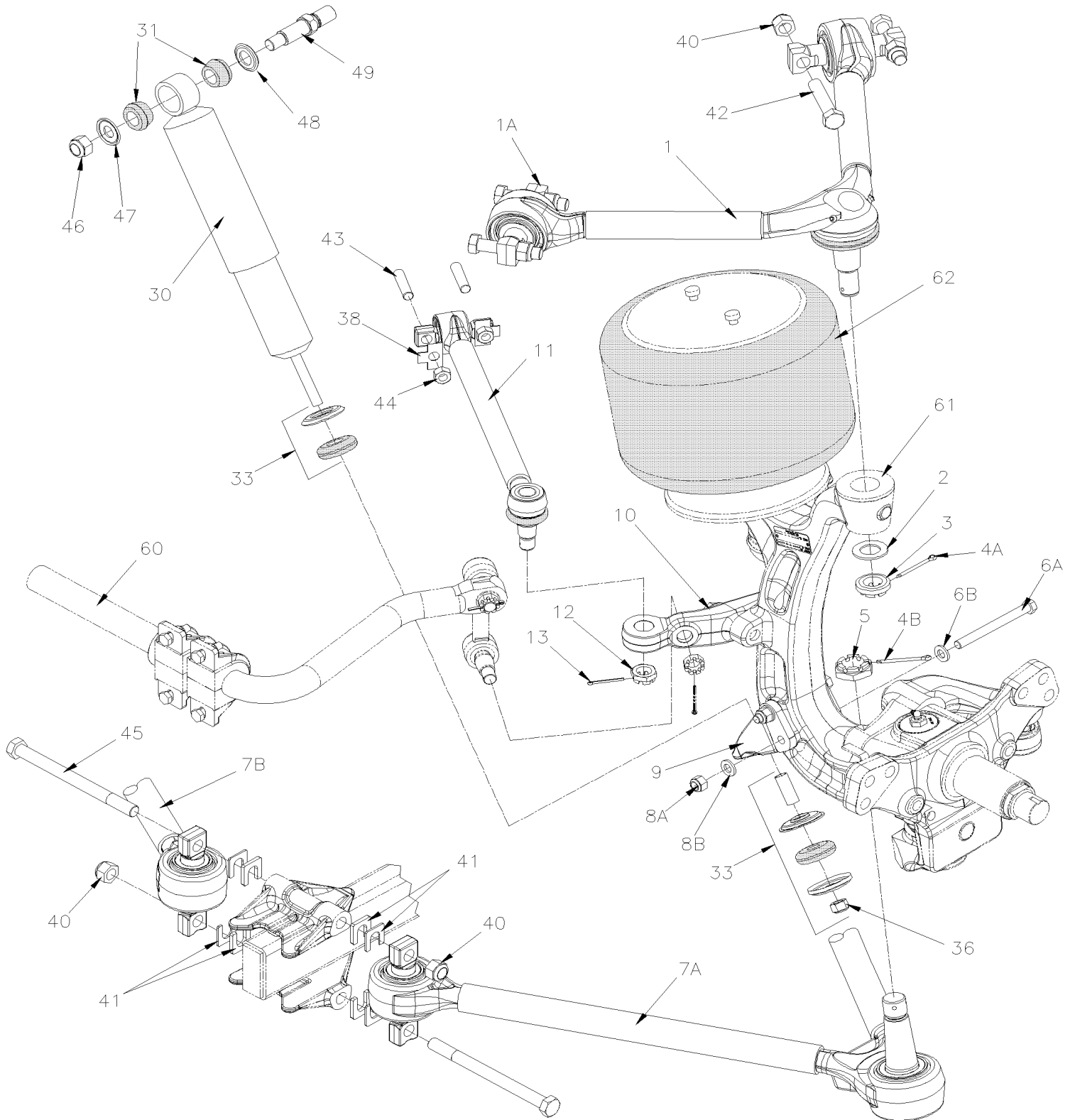


From C-1910 To J-0287

Date:10/2022

PAGE:H7-1605-51

## FRONT AXLE - INSTALL W/INDEPENDENT "NDIFS80P" / 19000LBS



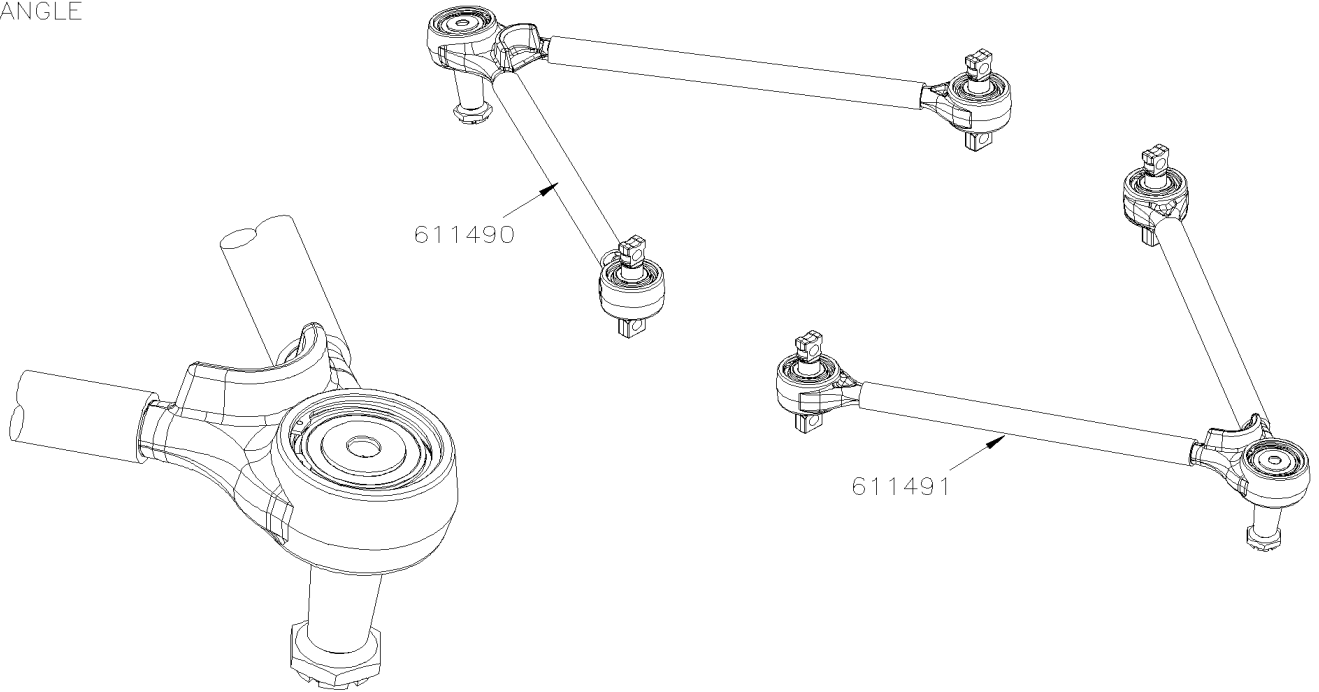
From C-1910 To J-0287

Date:10/2022

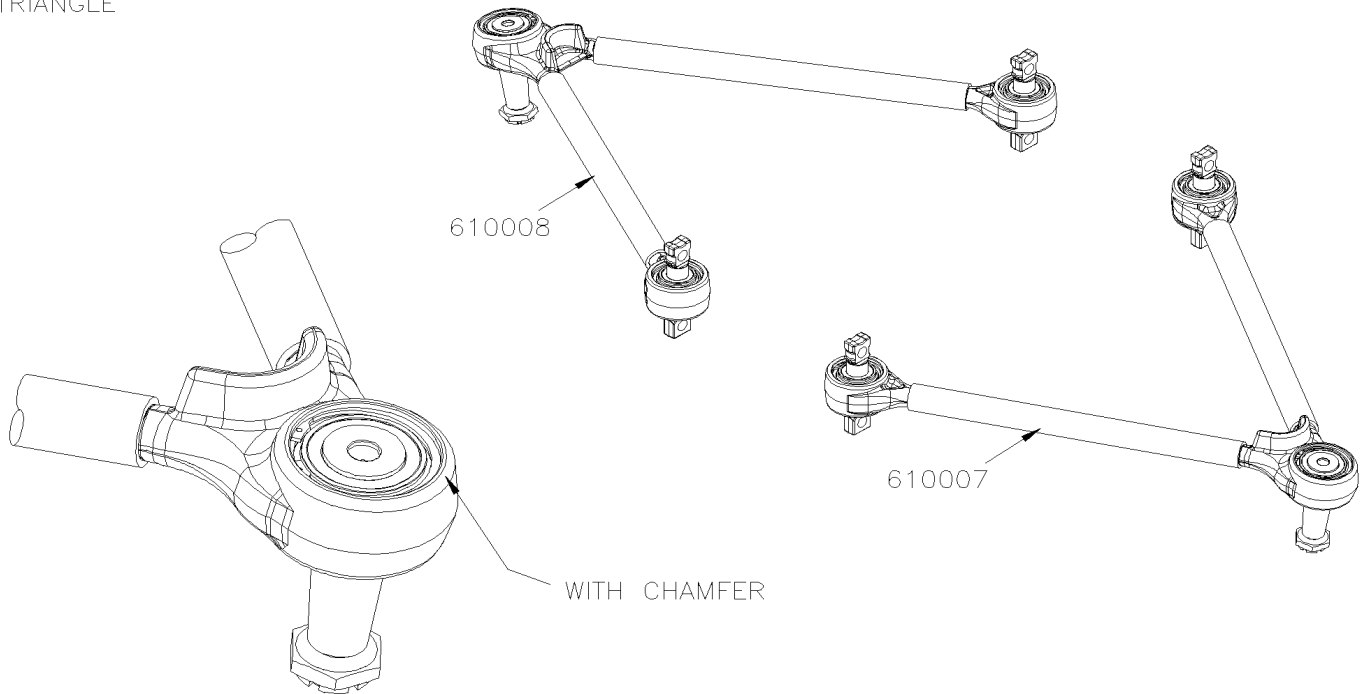
PAGE:H7-1605-51

FRONT AXLE - INSTALL W/INDEPENDENT "NDIFS80P" / 19000LBS

## OLD TRIANGLE



## NEW TRIANGLE



<b>From C-1910 To J-0287</b>	<b>Date:10/2022</b>	<b>PAGE:H7-1605-51</b>
<b>FRONT AXLE - INSTALL W/INDEPENDENT "NDIFS80P" / 19000LBS</b>		

Item#	Part	Description	H 3 4 1	H 3 4 5	V I P 4 5	N O T E S
1	611270	UPPER ARM ASSY / L.H. & R.H.			2	
. A	611346	. BUSHING BAR PIN / 20MM 150mm c/c 85MM O.D. x 72MM wide			2	
. A1	611358	. BUSHING BAR PIN / 20MM 150mm c/c 85MM O.D. x 72MM wide			2	
2	5001255	WASHER FL 31.75x54.77x3.175			2	
3	5001321	NUT HEX CSL M30-1.5 17TH CJ			2	
4A	502115	PIN, COTTER 3/16 x 2 1/2 To H-3566			4	
4A	502115	PIN, COTTER 3/16 x 2 1/2 From H-3567			2	
4B	502109	PIN, COTTER 6.3MM x 71MM Z50 From H-3567			2	
5	5001333	NUT HEX CSL M36-1.5 17TH CJ			2	
6A	5001790	SCREW CAP HEXF M14-2.0x130 G10.9 PHC To F-2940			2	
6A	5001993	SCREW CAP HEX M14-2.0x140 G10.9 PT N500 From F-2941 To H-3898			2	
6A	5002000	SCREW CAP HEX M14-2.0x150 G10.9 PT N500 From H-3899			2	
6B	5001995	WASHER FL 15.0x28.0x3.5 N500 From F-2941			2	
7A	612373	LOWER ARM ASSY / R.H / 19K To G-3175			1	
. NS	611477	. BUSHING BAR PIN / REPAIR KIT To G-3175			2	
. NS	611478	. BALL ASSY / REPAIR KIT To G-3175			1	
7A	611490	LOWER ARM ASSY / R.H / 19K From G-3176 To H-3590			1	
. NS	611477	. BUSHING BAR PIN / REPAIR KIT From G-3176 To H-3590			2	
. NS	611478	. BALL ASSY / REPAIR KIT From G-3176 To H-3590			1	
7A	610008	LOWER ARM ASSY / R.H / 19K From H-3591			1	
. NS	610009	. BUSHING BAR PIN / REPAIR KIT FRAME SIDE From H-3591			2	
. NS	610010	. BALL ASSY / REPAIR KIT WHEEL SIDE From H-3591			1	
7B	612374	LOWER ARM ASSY / L.H / 19K To G-3175			1	
. NS	611477	. BUSHING BAR PIN / REPAIR KIT To G-3175			2	
. NS	611478	. BALL ASSY / REPAIR KIT To G-3175			1	
7B	611491	LOWER ARM ASSY / L.H / 19K From G-3176 To H-3590			1	
. NS	611477	. BUSHING BAR PIN / REPAIR KIT From G-3176 To H-3590			2	
. NS	611478	. BALL ASSY / REPAIR KIT From G-3176 To H-3590			1	
7B	610007	LOWER ARM ASSY / L.H / 19K From H-3591			1	
. NS	610009	. BUSHING BAR PIN / REPAIR KIT FRAME SIDE From H-3591			2	
. NS	610010	. BALL ASSY / REPAIR KIT WHEEL SIDE From H-3591			1	
8A	5001771	NUT HEXF STO M14-2.0 G10 PHC To F-2979			2	
8A	5001994	NUT HEX NYRT M14-2.0 NX500 From F-2980			2	
8B	5001995	WASHER FL 15.0x28.0x3.5 N500 From F-2980			2	
9	116454	ATTACHMENT / SHOCK ABSORBER To G-3026			2	
9	110819	ATTACHMENT / SHOCK ABSORBER LH From G-3027 To H-3898			1	
9	110820	ATTACHMENT / SHOCK ABSORBER RH From G-3027 To H-3898			1	
9	110821	ATTACHMENT / SHOCK ABSORBER From H-3899			2	
10	612380	UPRIGHT ARM L.H			1	
10	612381	UPRIGHT ARM R.H			1	
11	661111	ROD ASSY / 5TH / W/58 Deg			2	
12	5001325	. NUT HEX CSL M24-1.5 15TH CJ			1	

<b>From C-1910 To J-0287</b>	<b>Date:10/2022</b>	<b>PAGE:H7-1605-51</b>
<b>FRONT AXLE - INSTALL W/INDEPENDENT "NDIFS80P" / 19000LBS</b>		

Item#	Part	Description	H 3 4 1	H 3 4 5	V I P 4 5	N O T E S
13	661215	. PIN, COTTER 5MMx40MM			1	
30	630281	SHOCK ABSORBER / SACHS To D-2273			1	
. NS	630255	. KIT WASHER & RUBBER BUSHING To D-2273			1	
. NS	630257	. BUSHING / RUBBER / (TWO PIECES) 1" x 1.005" I.D. To D-2273			1	
30	630282	SHOCK ABSORBER / "KONI" (GOLD) From D-2274 To F-3016			1	S
. NS	630255	. KIT WASHER & RUBBER BUSHING From D-2274 To F-3016			1	S
. NS	630291	. BUSHING / RUBBER / (TWO PIECES) 1" x 1.005" I.D. From D-2274 To F-3016			1	S
30	630287	SHOCK ABSORBER / SACHS From F-3017 To G-3248			1	
. NS	630255	. KIT WASHER & RUBBER BUSHING From F-3017 To G-3248			1	
. NS	630291	. BUSHING / RUBBER / (TWO PIECES) 1" x 1.005" I.D. From F-3017 To G-3248			1	
30	630292	SHOCK ABSORBER / SACHS From G-3249			1	M
. NS	630255	. KIT WASHER & RUBBER BUSHING From G-3249			1	M
. NS	630291	. BUSHING / RUBBER / (TWO PIECES) 1" x 1.005" I.D. From G-3249			1	M
30	630282	SHOCK ABSORBER / "KONI" (GOLD) From D-2274 To F-3016			1	S
. NS	630255	. KIT WASHER & RUBBER BUSHING From D-2274 To F-3016			1	S
. NS	630291	. BUSHING / RUBBER / (TWO PIECES) 1" x 1.005" I.D. From D-2274 To F-3016			1	S
30	131633	SHIM From D-2274 To F-3016			2	
31	630257	BUSHING / RUBBER / (TWO PIECES) 1" x 1.005" I.D. To F-2737			2	
31	630291	BUSHING / RUBBER / (TWO PIECES) 1" x 1.005" I.D. From F-2738			2	
33	630255	KIT WASHER & RUBBER BUSHING To G-3248			2	
36	5001579	NUT HEX NYRT M16-1.5 Z050			2	
38	161176	TAB LOCK W/1 HOLE 17MM I.D. To H-3716			4	
38	131961	TAB LOCK From H-3717			4	
40	5001663	NUT HEX NYRT M20-2.5 G10 Z050			12	
41	661219	SHIM "U" 0.79 x 39.5MM x 38MM x 20 i.d.			AR	
41	661101	SHIM "U" 1.52 x 39.5MM x 38MM x 20 i.d.			AR	
41	160993	SHIM "U" 3.175x 39.5MM x 38MM x 20 i.d.			AR	
41	661094	SHIM "U" 4.76 x 39.5MM x 38MM x 20 i.d.			AR	
41	160992	SHIM "U" 6.35 x 39.5MM x 38MM x 20 i.d.			AR	
41	163599	SHIM "U" 9.53 x 39.5MM x 38MM x 20 i.d.			AR	
42	5001525	SCREW CAP HEX M20-2.5x100 G10.9 N500			4	
43	130963	STUD M16-2.0x70 To H-3716			4	
43	5000308	STUD M16-2.0x50 G10.9 N500 From H-3717			4	
44	502588	NUT HEX M16-2.0 ZP To H-3716			4	
44	5001662	NUT HEX NYRT M16-2.0 G10 Z050 From H-3717			4	
45	5001561	SCREW CAP HEX M20-2.5x250 G10.9 ZP			8	
46	5001663	NUT HEX NYRT M20-2.5 G10 Z050			2	
47	5001152	WASHER CON 21.0x50.0x4.5 ZP			2	
48	5001153	WASHER CON 25.5x50.0x4.5 ZP			2	
49	131424	PIN W/TAPER ATTACHMENT M20-2.5			2	
60	<b>H7-1616-00</b>	<b>SWAY BAR</b>				
61	<b>H7-1005-51</b>	<b>FRONT AXLE - INDEPENDENT MODEL "NDIFS80P" / 19000LBS</b>				

From C-1910 To J-0287	Date:10/2022	PAGE:H7-1605-51
<b>FRONT AXLE - INSTALL W/INDEPENDENT "NDIFS80P" / 19000LBS</b>		

Item#	Part	Description	H 3 4 1	H 3 4 5	V I P 4 5	N O T E S
62	H7-1601-00	BELLOWS - AIR SUSPENSION				
		M) METAL SLEEVE FROM KIT 630255 NOT USED				
		S) USE IN SERVICE REQUIRE (2) TWO SHIMS #131633				







From 7-0671 To F-2716	Date:10/2022	PAGE:H7-1605-60
<b>FRONT AXLE - INSTALL W/INDEPENDENT "NDIFS80P" / 18000LBS</b>		

Item#	Part	Description	H 3 4 1	H 3 4 5	V I P 4 5	N O T E S
1	611270	UPPER ARM ASSY / L.H. & R.H.		2		
. A	611346	. BUSHING BAR PIN / 20MM 150mm c/c 85MM O.D. x 72MM wide		2		
. A1	611358	. BUSHING BAR PIN / 20MM 150mm c/c 85MM O.D. x 72MM wide		2		
2	5001255	WASHER FL 31.75x54.77x3.175		1		
3	5001321	NUT HEX CSL M30-1.5 17TH CJ		1		
4	502115	PIN, COTTER 3/16 x 2 1/2		2		
5	5001333	NUT HEX CSL M36-1.5 17TH CJ		1		
6	611273	SCREW CAP HEX M14-2.0x135 G8.8 Z050		2		
7	611344	LOWER ARM ASSY / R.H / W/58 Deg		1		
. NS	611326	. LOWER BEARING BALL ASSY / REPAIR KIT		1		
. NS	611325	. BUSHING BAR PIN / 20MM 150mm c/c 85MM O.D. x 70MM wide		2		
7	611343	LOWER ARM ASSY / L.H / W/58 Deg		1		
. NS	611326	. LOWER BEARING BALL ASSY / REPAIR KIT		1		
. NS	611325	. BUSHING BAR PIN / 20MM 150mm c/c 85MM O.D. x 70MM wide		2		
8	116454	ATTACHMENT / SHOCK ABSORBER		1		
9	502538	NUT HEX STO M14-2.0 Z050		2		
10	661113	UPRIGHT ARM L.H / W/58 Deg		1		
10	612380	UPRIGHT ARM L.H		1		S
10	661114	UPRIGHT ARM R.H / W/58 Deg		1		
10	612381	UPRIGHT ARM R.H		1		S
11	661111	ROD ASSY / 5TH / W/58 Deg		2		
12	5001325	. NUT HEX CSL M24-1.5 15TH CJ		1		
13	661215	. PIN, COTTER 5MMx40MM		1		
30	630136	SHOCK ABSORBER / BLACK		2		
31	630257	. BUSHING / RUBBER / (TWO PIECES) 1" x 1.005" I.D.		2		
33	630255	KIT WASHER & RUBBER BUSHING		2		
34	N.P.N.	. SLEEVE		1		4
35	N.P.N.	. WASHER		1		4
36	5001579	. NUT HEX NYRT M16-1.5 Z050		1		
40	5001252	NUT HEX STO M20-2.5 DP		4		
41	160992	SHIM "U" 6.35 x 39.5MM x 38MM x 20 i.d.		AR		
41	160993	SHIM "U" 3.175x 39.5MM x 38MM x 20 i.d.		AR		
41	661094	SHIM "U" 4.76 x 39.5MM x 38MM x 20 i.d.		AR		
42	983296	SCREW CAP HEX M20-2.5x90 G10.9 ZP		4		
42	130963	STUD M16-2.0x70		4		
43	5001525	SCREW CAP HEX M20-2.5x100 G10.9 N500		2		
44	502588	NUT HEX M16-2.0 ZP		2		
45	5001561	SCREW CAP HEX M20-2.5x250 G10.9 ZP		4		
46	500809	NUT HEX STO M20-2.5 N500		1		
47	5001152	WASHER CON 21.0x50.0x4.5 ZP		1		
48	5001153	WASHER CON 25.5x50.0x4.5 ZP		1		
49	131424	PIN W/TAPER ATTACHMENT M20-2.5		1		

From 7-0671 To F-2716	Date:10/2022	PAGE:H7-1605-60
<b>FRONT AXLE - INSTALL W/INDEPENDENT "NDIFS80P" / 18000LBS</b>		

Item#	Part	Description	H 3 4 1	H 3 4 5	V I P 4 5	N O T E S
60	H7-1616-00	SWAY BAR				
61	H7-1005-60	FRONT AXLE - INDEPENDENT MODEL "NDIFS80P" / 18000LBS				
62	H7-1601-00	BELLOWS - AIR SUSPENSION				
NS	630255	KIT WASHER & RUBBER BUSHING		AR		A
		A) INCLUDES #33 TO 36				
		S) SERVICE				
		4) NO PARTS NUMBER				

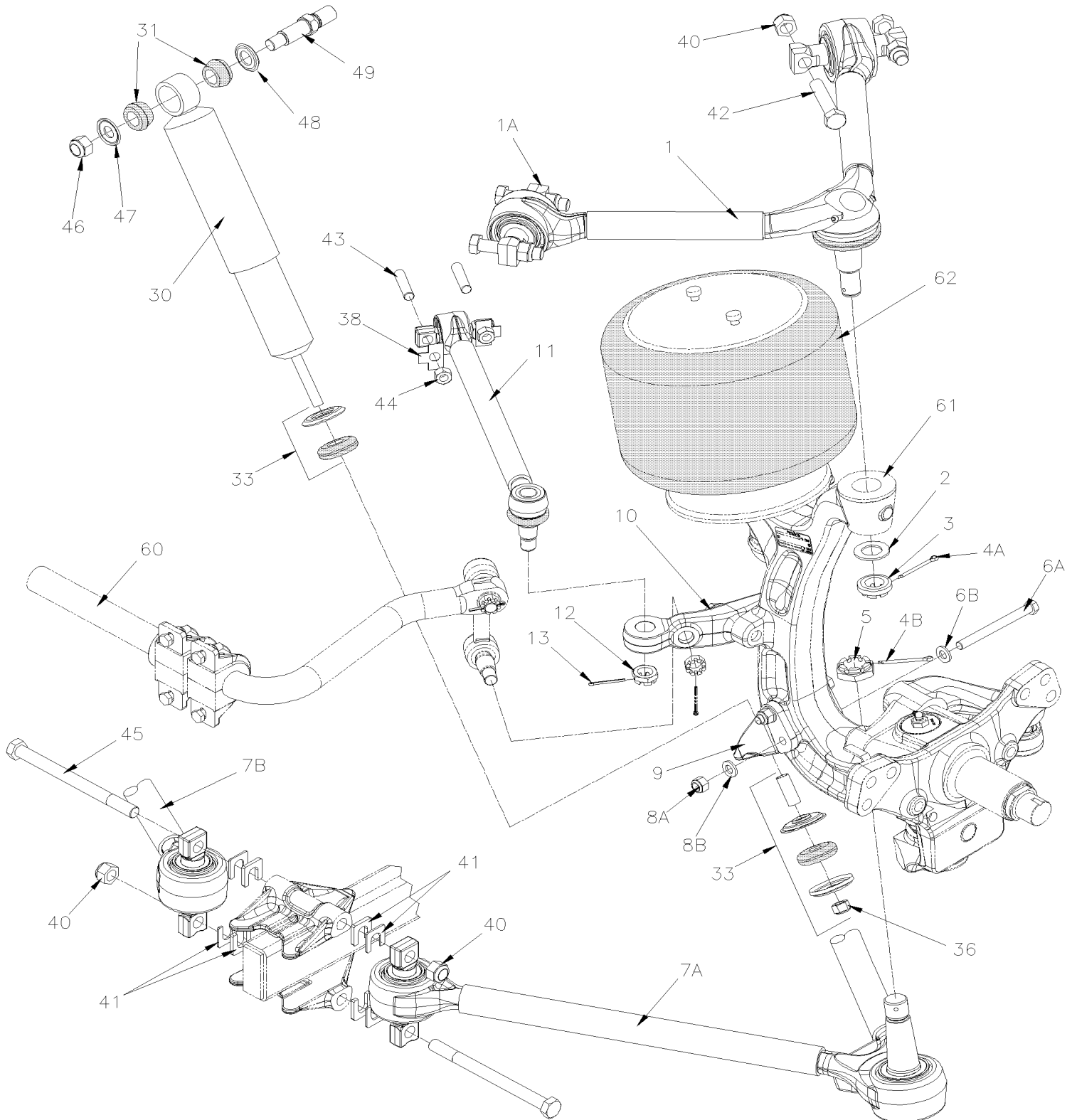


From F-2717 To J-0287

Date:10/2022

PAGE:H7-1605-61

## FRONT AXLE - INSTALL W/INDEPENDENT "NDIFS80P" / 19000LBS



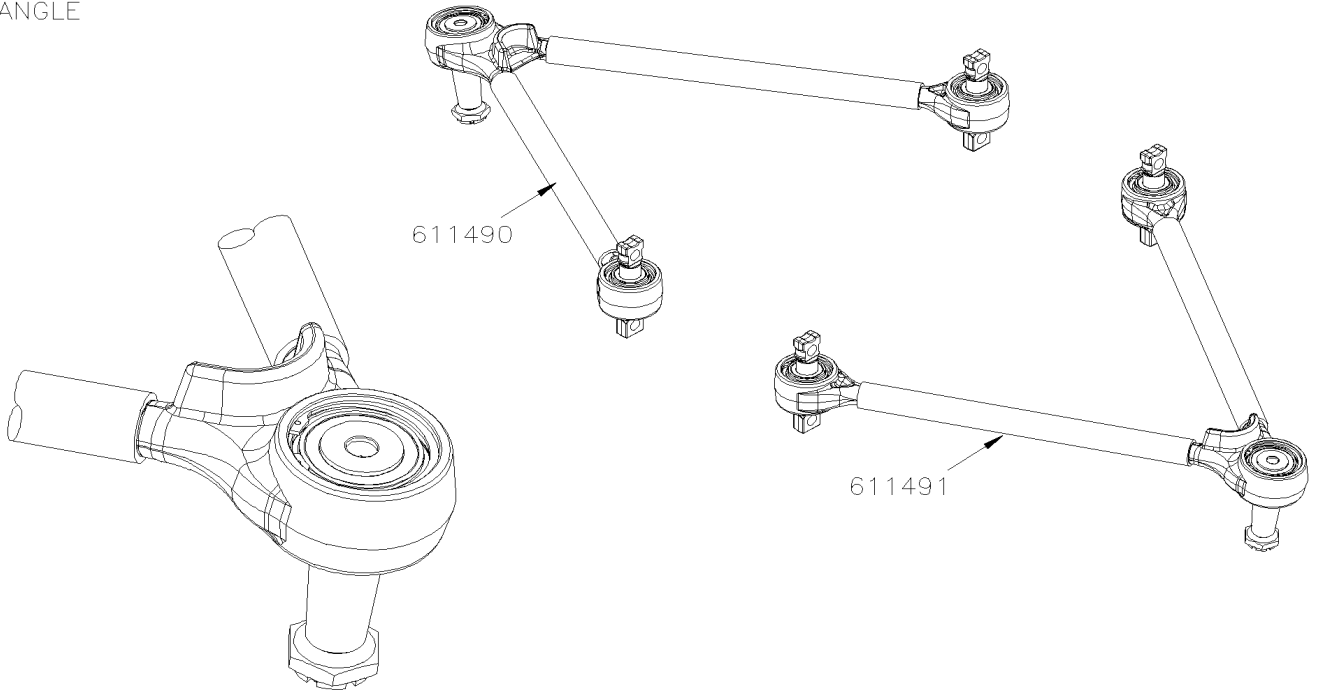
From F-2717 To J-0287

Date:10/2022

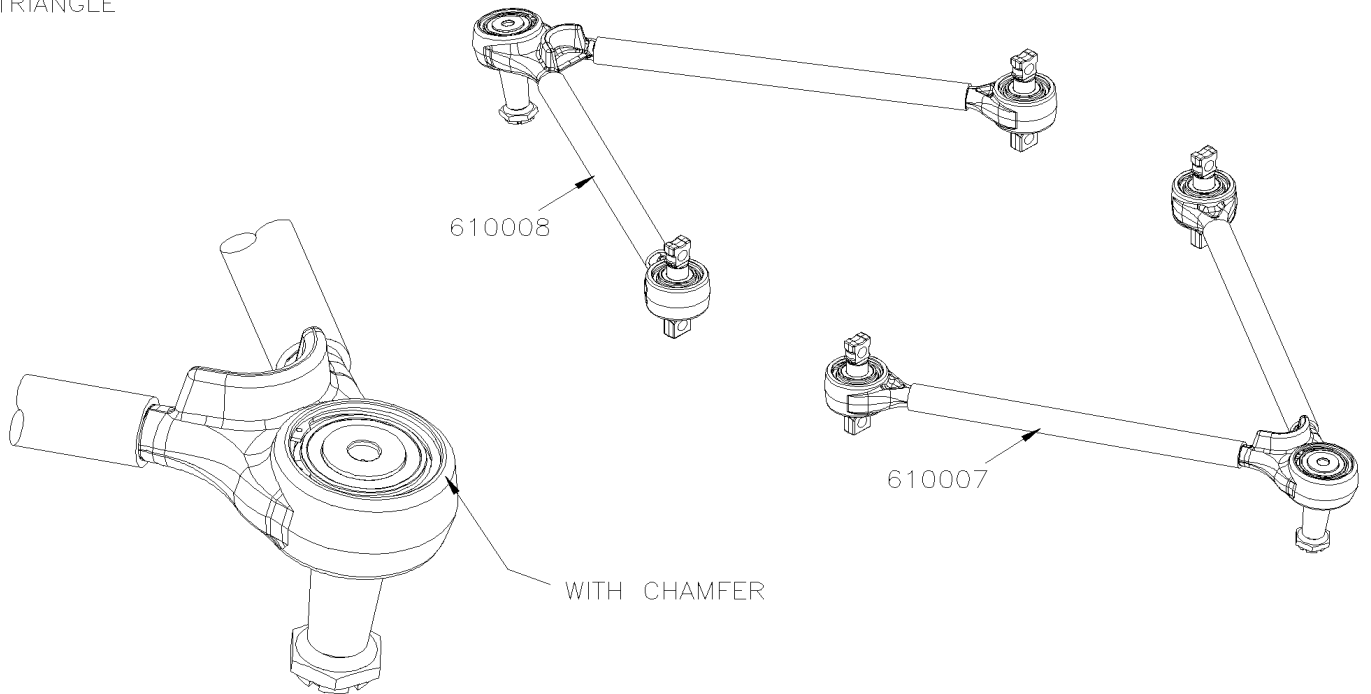
PAGE:H7-1605-61

FRONT AXLE - INSTALL W/INDEPENDENT "NDIFS80P" / 19000LBS

OLD TRIANGLE



NEW TRIANGLE



From F-2717 To J-0287	Date:10/2022	PAGE:H7-1605-61
<b>FRONT AXLE - INSTALL W/INDEPENDENT "NDIFS80P" / 19000LBS</b>		

Item#	Part	Description	H 3 4 1	H 3 4 5	V I P 4 5	N O T E S
1	611270	UPPER ARM ASSY / L.H. & R.H.		2		
. A	611346	. BUSHING BAR PIN / 20MM 150mm c/c 85MM O.D. x 72MM wide		2		
. A1	611358	. BUSHING BAR PIN / 20MM 150mm c/c 85MM O.D. x 72MM wide		2		
2	5001255	WASHER FL 31.75x54.77x3.175		2		
3	5001321	NUT HEX CSL M30-1.5 17TH CJ		2		
4A	502115	PIN, COTTER 3/16 x 2 1/2 To H-3566		4		
4A	502115	PIN, COTTER 3/16 x 2 1/2 From H-3567		2		
4B	502109	PIN, COTTER 6.3MM x 71MM Z50 From H-3567		2		
5	5001333	NUT HEX CSL M36-1.5 17TH CJ		2		
6A	5001790	SCREW CAP HEXF M14-2.0x130 G10.9 PHC To F-2940		2		
6A	5001993	SCREW CAP HEX M14-2.0x140 G10.9 PT N500 From F-2941 To H-3898		2		
6A	5002000	SCREW CAP HEX M14-2.0x150 G10.9 PT N500 From H-3899		2		
6B	5001995	WASHER FL 15.0x28.0x3.5 N500 From F-2941		2		
7A	612373	LOWER ARM ASSY / R.H / 19K To G-3175		1		
. NS	611477	. BUSHING BAR PIN / REPAIR KIT To G-3175		2		
. NS	611478	. BALL ASSY / REPAIR KIT To G-3175		1		
7A	611490	LOWER ARM ASSY / R.H / 19K From G-3176 To H-3590		1		
. NS	611477	. BUSHING BAR PIN / REPAIR KIT From G-3176 To H-3590		2		
. NS	611478	. BALL ASSY / REPAIR KIT From G-3176 To H-3590		1		
7A	610008	LOWER ARM ASSY / R.H / 19K From H-3591		1		
. NS	610009	. BUSHING BAR PIN / REPAIR KIT FRAME SIDE From H-3591		2		
. NS	610010	. BALL ASSY / REPAIR KIT WHEEL SIDE From H-3591		1		
7B	612374	LOWER ARM ASSY / L.H / 19K To G-3175		1		
. NS	611477	. BUSHING BAR PIN / REPAIR KIT To G-3175		2		
. NS	611478	. BALL ASSY / REPAIR KIT To G-3175		1		
7B	611491	LOWER ARM ASSY / L.H / 19K From G-3176 To H-3590		1		
. NS	611477	. BUSHING BAR PIN / REPAIR KIT From G-3176 To H-3590		2		
. NS	611478	. BALL ASSY / REPAIR KIT From G-3176 To H-3590		1		
7B	610007	LOWER ARM ASSY / L.H / 19K From H-3591		1		
. NS	610009	. BUSHING BAR PIN / REPAIR KIT FRAME SIDE From H-3591		2		
. NS	610010	. BALL ASSY / REPAIR KIT WHEEL SIDE From H-3591		1		
8A	5001771	NUT HEXF STO M14-2.0 G10 PHC To F-2979		2		
8A	5001994	NUT HEX NYRT M14-2.0 NX500 From F-2980		2		
8B	5001995	WASHER FL 15.0x28.0x3.5 N500 From F-2980		2		
9	116454	ATTACHMENT / SHOCK ABSORBER To F-3027		2		
9	110819	ATTACHMENT / SHOCK ABSORBER LH From F-3028 To H-3898		1		
9	110820	ATTACHMENT / SHOCK ABSORBER RH From F-3028 To H-3898		1		
9	110821	ATTACHMENT / SHOCK ABSORBER From H-3899		2		
10	612380	UPRIGHT ARM L.H		1		
10	612381	UPRIGHT ARM R.H		1		
11	661111	ROD ASSY / 5TH / W/58 Deg		2		
12	5001325	. NUT HEX CSL M24-1.5 15TH CJ		1		

From F-2717 To J-0287	Date:10/2022	PAGE:H7-1605-61
<b>FRONT AXLE - INSTALL W/INDEPENDENT "NDIFS80P" / 19000LBS</b>		

Item#	Part	Description	H 3 4 1	H 3 4 5	V I P 4 5	N O T E S
13	661215	. PIN, COTTER 5MMx40MM		1		
30	630281	SHOCK ABSORBER / SACHS To D-2271		1		
. NS	630255	. KIT WASHER & RUBBER BUSHING To D-2271		1		
. NS	630257	. BUSHING / RUBBER / (TWO PIECES) 1" x 1.005" I.D. To D-2271		1		
30	630282	SHOCK ABSORBER / "KONI" (GOLD) From D-2272 To F-2737		1		S
. NS	630255	. KIT WASHER & RUBBER BUSHING From D-2272 To F-2737		1		S
. NS	630291	. BUSHING / RUBBER / (TWO PIECES) 1" x 1.005" I.D. From D-2272 To F-2737		1		S
30	630287	SHOCK ABSORBER / SACHS From F-2738 To G-3248		1		
. NS	630255	. KIT WASHER & RUBBER BUSHING From F-2738 To G-3248		1		
. NS	630291	. BUSHING / RUBBER / (TWO PIECES) 1" x 1.005" I.D. From F-2738 To G-3248		1		
30	630292	SHOCK ABSORBER / SACHS From G-3249		1		M
. NS	630255	. KIT WASHER & RUBBER BUSHING From G-3249		1		M
. NS	630291	. BUSHING / RUBBER / (TWO PIECES) 1" x 1.005" I.D. From G-3249		1		M
30	630282	SHOCK ABSORBER / "KONI" (GOLD) From D-2272 To F-2737		1		S
. NS	630255	. KIT WASHER & RUBBER BUSHING From D-2272 To F-2737		1		S
. NS	630291	. BUSHING / RUBBER / (TWO PIECES) 1" x 1.005" I.D. From D-2272 To F-2737		1		S
30	131633	SHIM From D-2272 To F-2737		2		
31	630257	. BUSHING / RUBBER / (TWO PIECES) 1" x 1.005" I.D. To F-2737		2		
31	630291	. BUSHING / RUBBER / (TWO PIECES) 1" x 1.005" I.D. From F-2738		2		
33	630255	. KIT WASHER & RUBBER BUSHING To G-3248		2		
36	5001579	. NUT HEX NYRT M16-1.5 Z050		2		
38	161176	TAB LOCK W/1 HOLE 17MM I.D. To H-3716		4		
38	131961	TAB LOCK From H-3717		4		
40	5001663	NUT HEX NYRT M20-2.5 G10 Z050		12		
41	661219	SHIM "U" 0.79 x 39.5MM x 38MM x 20 i.d.		AR		
41	661101	SHIM "U" 1.52 x 39.5MM x 38MM x 20 i.d.		AR		
41	160993	SHIM "U" 3.175x 39.5MM x 38MM x 20 i.d.		AR		
41	661094	SHIM "U" 4.76 x 39.5MM x 38MM x 20 i.d.		AR		
41	160992	SHIM "U" 6.35 x 39.5MM x 38MM x 20 i.d.		AR		
41	163599	SHIM "U" 9.53 x 39.5MM x 38MM x 20 i.d.		AR		
42	5001525	SCREW CAP HEX M20-2.5x100 G10.9 N500		4		
43	130963	STUD M16-2.0x70 To H-3716		4		
43	5000308	STUD M16-2.0x50 G10.9 N500 From H-3717		4		
44	502588	NUT HEX M16-2.0 ZP To H-3716		4		
44	5001662	NUT HEX NYRT M16-2.0 G10 Z050 From H-3717		4		
45	5001561	SCREW CAP HEX M20-2.5x250 G10.9 ZP		8		
46	5001663	NUT HEX NYRT M20-2.5 G10 Z050		2		
47	5001152	WASHER CON 21.0x50.0x4.5 ZP		2		
48	5001153	WASHER CON 25.5x50.0x4.5 ZP		2		
49	131424	PIN W/TAPER ATTACHMENT M20-2.5		2		
60	<b>H7-1616-00</b>	<b>SWAY BAR</b>				
61	<b>H7-1005-61</b>	<b>FRONT AXLE - INDEPENDENT MODEL "NDIFS80P" / 19000LBS</b>				



From F-2717 To J-0287	Date:10/2022	PAGE:H7-1605-61
<b>FRONT AXLE - INSTALL W/INDEPENDENT "NDIFS80P" / 19000LBS</b>		

Item#	Part	Description	H 3 4 1	H 3 4 5	V I P 4 5	N O T E S
62	H7-1601-00	BELLOWS - AIR SUSPENSION				
		M) METAL SLEEVE FROM KIT 630255 NOT USED				
		S) USE IN SERVICE REQUIRE (2) TWO SHIMS #131633				

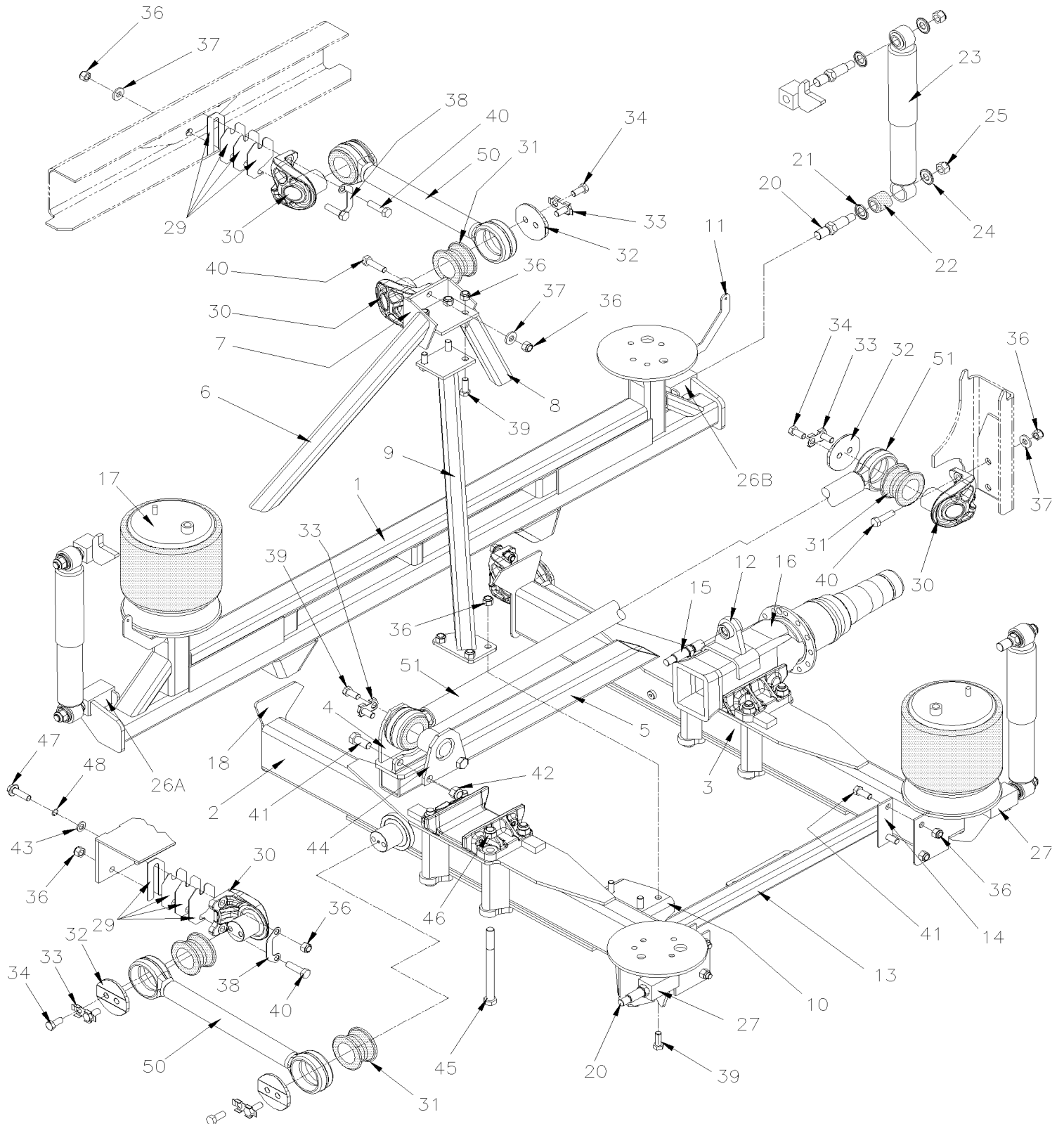


From 7-0671 To E-2504

Date:10/2022

PAGE:H7-1610-00

## REAR AXLE - INSTALL SUSPENSION



From 7-0671 To E-2504	Date:10/2022	PAGE:H7-1610-00
<b>REAR AXLE - INSTALL SUSPENSION</b>		

Item#	Part	Description	H 3 4 1	H 3 4 5	V I P 4 5	N O T E S
1	121563P	REAR DIFFERENTIAL CARRIER ASSY WELDED WITH DISC BRAKE To A-1553	1	1	1	
1	121893	REAR DIFFERENTIAL CARRIER ASSY WELDED WITH DISC BRAKE From A-1554	1	1	1	
2	121651P	BEAM ASSY / L.H. To A-1553	1	1	1	
2	121838	BEAM ASSY / L.H. From A-1554	1	1	1	
3	121652P	BEAM ASSY / R.H. To A-1553	1	1	1	
3	121839	BEAM ASSY / R.H. From A-1554	1	1	1	
4	131785	SUPPORT ASSY / (WELDED)	1	1	1	
5	121433	TUBE / (WELDED) UNDER	1	1	1	
6	121098	BRACE / FRONT L.H.	1	1	1	
7	121577P	PLATE TOP TRIPOD ASSY WELDED	1	1	1	
8	121099	BRACE / FRONT R.H.	1	1	1	
9	121610P	TRIPOD ASSY WELDED	1	1	1	
10	121601	PLATE SUPPORT	1	1	1	
11	121477	ACTUATOR SUPPORT / TO FIX LINK / (WELDED)	2	2	2	
12	121467	ATTACHMENT PIN SWAY BAR / (WELDED TO HOUSING)	2	2	2	
13	121575	BAR ASSY To A-1720	1	1	1	
13	121911	BAR ASSY From B-1721	1	1	1	
14	121442	. ATTACHMENT PLATE	2	2	2	
15	131522	PIN W/TAPER ATTACHMENT M20-2.5 / SWAY-BAR	2	2	2	
16	<b>H7-1105-00</b>	<b>REAR AXLE - MODEL "RC23165"</b>				
17	<b>H7-1601-00</b>	<b>BELLOWS - AIR SUSPENSION</b>				
18	121608	CLOSING END / BEAM / (WELDED)	2	2	2	
20	131424	PIN W/TAPER ATTACHMENT M20-2.5	4	4	4	
21	5001153	WASHER CON 25.5x50.0x4.5 ZP	8	8	8	
22	630257	BUSHING / RUBBER / (TWO PIECES) 1" x 1.005" I.D.	8	8	8	
23	630253	SHOCK ABSORBER / SACHS / 209	4	4	4	
23	630283	SHOCK ABSORBER / "KONI" (GOLD)	4	4	4	O
. NS	630255	. KIT WASHER & RUBBER BUSHING	1	1	1	O
. NS	630291	. BUSHING / RUBBER / (TWO PIECES) 1" x 1.005" I.D.	1	1	1	O
24	5001152	WASHER CON 21.0x50.0x4.5 ZP	8	8	8	
25	5001663	NUT HEX NYRT M20-2.5 G10 Z050	4	4	4	
26A	121565	RETAINER L.H. / (WELDED) To A-1553	1	1	1	
26A	121896	RETAINER L.H. / (WELDED) From A-1554	1	1	1	
26B	121567	RETAINER R.H. / (WELDED) To A-1553	1	1	1	
26B	121895	RETAINER R.H. / (WELDED) From A-1554	1	1	1	
27	171032	SUPPORT 1"-14 / SHOCK ABSORBER / 55MM To A-1553	2	2	2	
27	174988	ATTACHMENT PIN 1"-14 / SHOCK ABSORBER / 100MM From A-1554	2	2	2	
29	121267	SHIM 26GAGE	AR	AR	AR	
29	121039	SHIM 20GAGE	AR	AR	AR	
29	131068	SHIM 14GAGE	AR	AR	AR	
NS	483403	BOLT PROTECTOR PLASTIC / 140MM X 92MM X 15MM	2	2	2	B
30	132914	SUPPORT / ROD / W/2 M16-2 HOLES / 95MM C/C // 150MM SHORT	5	5	5	

From 7-0671 To E-2504	Date:10/2022	PAGE:H7-1610-00
<b>REAR AXLE - INSTALL SUSPENSION</b>		

Item#	Part	Description	H 3 4 1	H 3 4 5	V I P 4 5	N O T E S
. NS	121890	. TORQUE PLATE / W/2HOLES 17MM I.D. X 90MM C/C	AR	AR	AR	
31	630021	RUBBER BUSHING "PREVOST"	8	8	8	
NS	192380	SHIM WASHER / BUSHING RADIUS ROD 2.795x4.330x.0625 SS	AR	AR	AR	W
32	110681	RETAINER PLATE / IRON 110MM OD W/16.7 @ 38C/C	6	6	6	
33	110340	TAB LOCK / W/2 HOLES / W/4 TABS / 18MM I.D. X 38MM C/C To B-1760	6	6	6	
33	110788	TAB LOCK / W/2 HOLES / W/6 TABS / 18MM I.D. X 38MM C/C From B-1761	6	6	6	
34	500813	SCREW CAP HEX M16-2.0x35 G8.8 ZP	AR	AR	AR	
36	5001662	NUT HEX NYRT M16-2.0 G10 Z050	2	2	2	
37	5001046	WASHER FL .656x1.500x.187	4	4	4	
38	121890	TORQUE PLATE / W/2HOLES 17MM I.D. X 90MM C/C	3	3	3	
39	5001590	SCREW CAP HEX M16-2.0x40 G10.9 N500	8	8	8	
40	5001224	SCREW CAP HEX M16-2.0x60 G10.9 G500	8	8	8	
41	5001765	SCREW CAP HEX M20-2.5x45 G8.8 Z050	2	2	2	
42	5001252	NUT HEX STO M20-2.5 DP	2	2	2	
43	5001722	WASHER FL 17.0x30.0x3.0 SS	2	2	2	
44	131420	ATTACHMENT	1	1	1	
45	5001472	SCREW CAP HEX 3/4-16x9 1/2 G5 Z050 To A-1720	8	8	8	
45	5001829	SCREW CAP HEX M20-2.5x240 G10.9 N500 From B-1721	8	8	8	
46	500251	NUT HEX NYRT 3/4-16 Z050 To A-1720	8	8	8	
46	5001663	NUT HEX NYRT M20-2.5 G10 Z050 From B-1721	8	8	8	
47	5001656	SCREW CAP HEXF M16-2.0x50 G10.9 G500	4	4	4	
47	5001657	SCREW CAP HEXF M16-2.0x55 G10.9 DP	4	4	4	
47	5001658	SCREW CAP HEXF M16-2.0x70 G10.9 DP	4	4	4	
48	507368	O-RING	4	4	4	
50	120868	ROD ASSY / 23 3/8" C/C (593MM)	3	3	3	
51	110648	ROD ASSY / 34 13/16" C/C (885MM)	1	1	1	
		B) INSIDE OF BAGGAGE BAY				
		O) "OPTION" SPECIAL				
		W) IF NEED, USE BETWEEN BUSHING ROD SUPPORT				

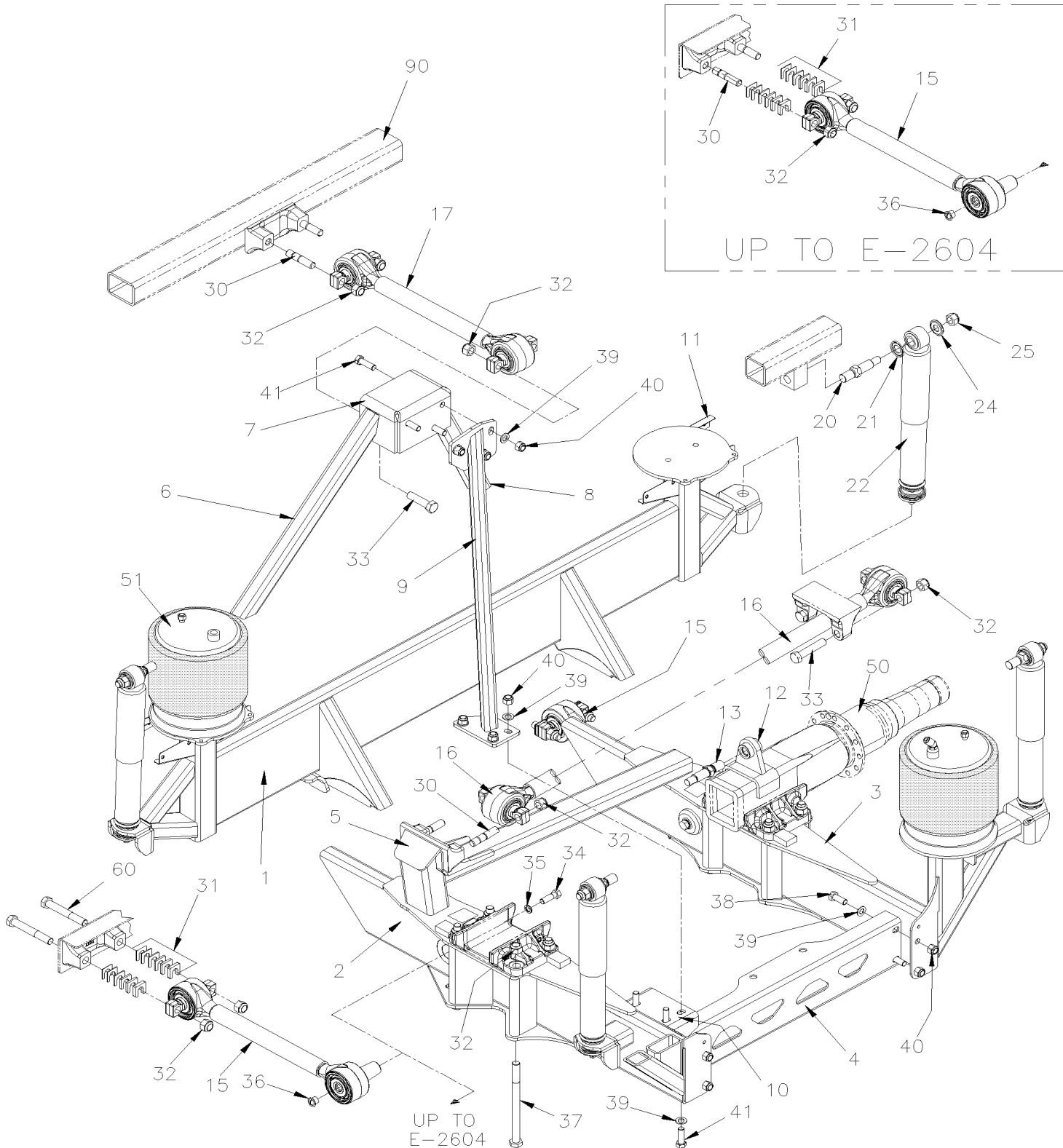


From E-2505 To J-0287

Date:10/2022

PAGE:H7-1610-01

## REAR AXLE - INSTALL SUSPENSION



From E-2505 To J-0287	Date:10/2022	PAGE:H7-1610-01
<b>REAR AXLE - INSTALL SUSPENSION</b>		

Item#	Part	Description	H 3 4 1	H 3 4 5	V I P 4 5	N O T E S
	Call order desk	REAR DIFFERENTIAL CARRIER ASSY WELDED To F-2737	1	1	1	P
	Call order desk	REAR DIFFERENTIAL CARRIER ASSY WELDED From F-2738	1	1	1	P
1	122048	. FRONT FRAME ASSY / W/AXLE To F-2737	1	1	1	
1	122053	. FRONT FRAME ASSY / W/AXLE From F-2738	1	1	1	
2	121967	. BEAM ASSY / L.H.	1	1	1	
3	121968	. BEAM ASSY / R.H.	1	1	1	
4	122000	. CROSS MEMBER ASSY	1	1	1	
5	121990	. PANHARD ATTACHMEN ASSY	1	1	1	
6	121998	BRACE / FRONT L.H.	1	1	1	
7	121970	TOP TRIPOD ASSY WELDED To F-2737	1	1	1	
7	Call order desk	TOP TRIPOD ASSY WELDED From F-2738	1	1	1	P
8	121997	BRACE / FRONT R.H.	1	1	1	
9	121980	TRIPOD ASSY WELDED	1	1	1	
10	Call order desk	PLATE SUPPORT	1	1	1	P
11	122013	ACTUATOR SUPPORT / TO FIX LINK / (WELDED)	2	2	2	
12	121467	ATTACHMENT PIN SWAY BAR / (WELDED TO HOUSING)	2	2	2	
13	131522	PIN W/TAPER ATTACHMENT M20-2.5 / SWAY-BAR	2	2	2	
15	621874	ROD ASSY / 594MM To F-2729	2	2	2	
. NS	621891	. BALL PIN BUSHING / REPAIR KIT 70MM O.D. To F-2729	1	1	1	
. NS	621892	. BALL PIN BUSHING / REPAIR KIT 70MM O.D. / 130MM C/C To F-2729	1	1	1	
15	621899	ROD ASSY / 594MM From F-2730	2	2	2	
. NS	630275	. BALL PIN BUSHING / REPAIR KIT 85MM O.D. From F-2730	1	1	1	
16	621873	ROD ASSY / 889MM	1	1	1	
. NS	621890	. BALL PIN BUSHING / REPAIR KIT 70MM O.D. / 130MM C/C	2	2	2	
17	621878	ROD ASSY / 594MM To F-2729	1	1	1	
. NS	621890	. BALL PIN BUSHING / REPAIR KIT 70MM O.D. / 130MM C/C To F-2729	2	2	2	
17	621900	ROD ASSY / 594MM From F-2730	1	1	1	
20	131424	PIN W/TAPER ATTACHMENT M20-2.5	4	4	4	
21	5001153	WASHER CON 25.5x50.0x4.5 ZP	4	4	4	
22	630271	SHOCK ABSORBER / SACHS To F-2737	4	4	4	
. NS	630257	. BUSHING / RUBBER / (TWO PIECES) 1" x 1.005" I.D. To F-2737	2	2	2	
. NS	630255	. KIT WASHER & RUBBER BUSHING To F-2737	1	1	1	
22	630289	SHOCK ABSORBER / DRIVE AXLE SACHS From F-2738 To G-3397	4	4	4	
. NS	630255	. KIT WASHER & RUBBER BUSHING From F-2738 To G-3397	1	1	1	
. NS	630291	. BUSHING / RUBBER / (TWO PIECES) 1" x 1.005" I.D. From F-2738 To G-3397	1	1	1	
22	630294	SHOCK ABSORBER / SACHS From G-3398	4	4	4	M
. NS	630291	. BUSHING / RUBBER / (TWO PIECES) 1" x 1.005" I.D. From G-3398	1	1	1	M
. NS	630255	. KIT WASHER & RUBBER BUSHING From G-3398	1	1	1	M
24	5001152	WASHER CON 21.0x50.0x4.5 ZP	4	4	4	
25	5001663	NUT HEX NYRT M20-2.5 G10 Z050	4	4	4	
30	5001897	STUD M20-2.5x70 G10.9 N500 To E-2604	8	8	8	
30	5001897	STUD M20-2.5x70 G10.9 N500 From E-2605	4	4	4	



<b>From E-2505 To J-0287</b>	<b>Date:10/2022</b>	<b>PAGE:H7-1610-01</b>
<b>REAR AXLE - INSTALL SUSPENSION</b>		

Item#	Part	Description	H 3 4 1	H 3 4 5	V I P 4 5	N O T E S
31	661219	SHIM "U" 0.79 x 39.5MM x 38MM x 20 i.d.	AR	AR	AR	
31	661101	SHIM "U" 1.52 x 39.5MM x 38MM x 20 i.d.	AR	AR	AR	
31	161351	SHIM "U" 2.28 x 39.5MM x 38MM x 20 i.d.	AR	AR	AR	
31	160993	SHIM "U" 3.175x 39.5MM x 38MM x 20 i.d.	AR	AR	AR	
31	661094	SHIM "U" 4.76 x 39.5MM x 38MM x 20 i.d.	AR	AR	AR	
31	160992	SHIM "U" 6.35 x 39.5MM x 38MM x 20 i.d.	AR	AR	AR	
31	163599	SHIM "U" 9.53 x 39.5MM x 38MM x 20 i.d.	AR	AR	AR	
32	5001663	NUT HEX NYRT M20-2.5 G10 Z050	20	20	20	
33	5001225	SCREW CAP HEX M20-2.5x80 G10.9 G500	4	4	4	
34	5001899	SCREW CAP HEX M16-1.5x50 G10.9 N500	2	2	2	B
35	630278	WASHER "NORD-LOCK" 17.0x25.4x3.4 YP	2	2	2	
36	621832	PULL PLUG DIA. 23MM	2	2	2	
37	5001898	SCREW CAP HEX M20-2.5x275 G10.9 N500	8	8	8	
38	5001590	SCREW CAP HEX M16-2.0x40 G10.9 N500	4	4	4	
39	5001150	WASHER FL 17.0x30.0x3.0 N500	13	13	13	
40	5001662	NUT HEX NYRT M16-2.0 G10 Z050	10	10	10	
NS	680038	THREAD LOCKER LOCTITE #243 / BLUE / 50ml	AR	AR	AR	
NS	688910	THREAD LOCKER LOCTITE #262 / RED / 250ml	AR	AR	AR	
NS	680098	THREAD SEALANT LOCTITE #567 / WHITE / 250ml	AR	AR	AR	
NS	680064	OIL ANTICOROSIVE GREY (TECTYL) (20 LITERS)	AR	AR	AR	
NS	682175	UNDERCOATING BLACK PROTECTOR (GRAVELGUARD) 567gr	AR	AR	AR	
50	<b>H7-1105-00</b>	<b>REAR AXLE - MODEL "RC23165"</b>				
51	<b>H7-1601-00</b>	<b>BELLOWS - AIR SUSPENSION</b>				
60	5001934	SCREW CAP HEX M20-2.5x140 G10.9 N500 From E-2605	4	4	4	
NS	502558	WASHER FL 21.0x37.0x3.0 G500 From E-2605	4	4	4	
90	175168	CROSSMEMBER REAR SUB-FRAM To E-2604	1	1	1	
90	178855	CROSSMEMBER REAR SUB-FRAM From E-2605 To J-0233	1	1	1	
90	170117	CROSSMEMBER REAR SUB-FRAM From J-0233	1	1	1	
		M) METAL SLEEVE FROM KIT 630255 NOT USED				
		P) CALL ORDER DESK FOR SPECIFIC APPLICATION (V.I.N.)				

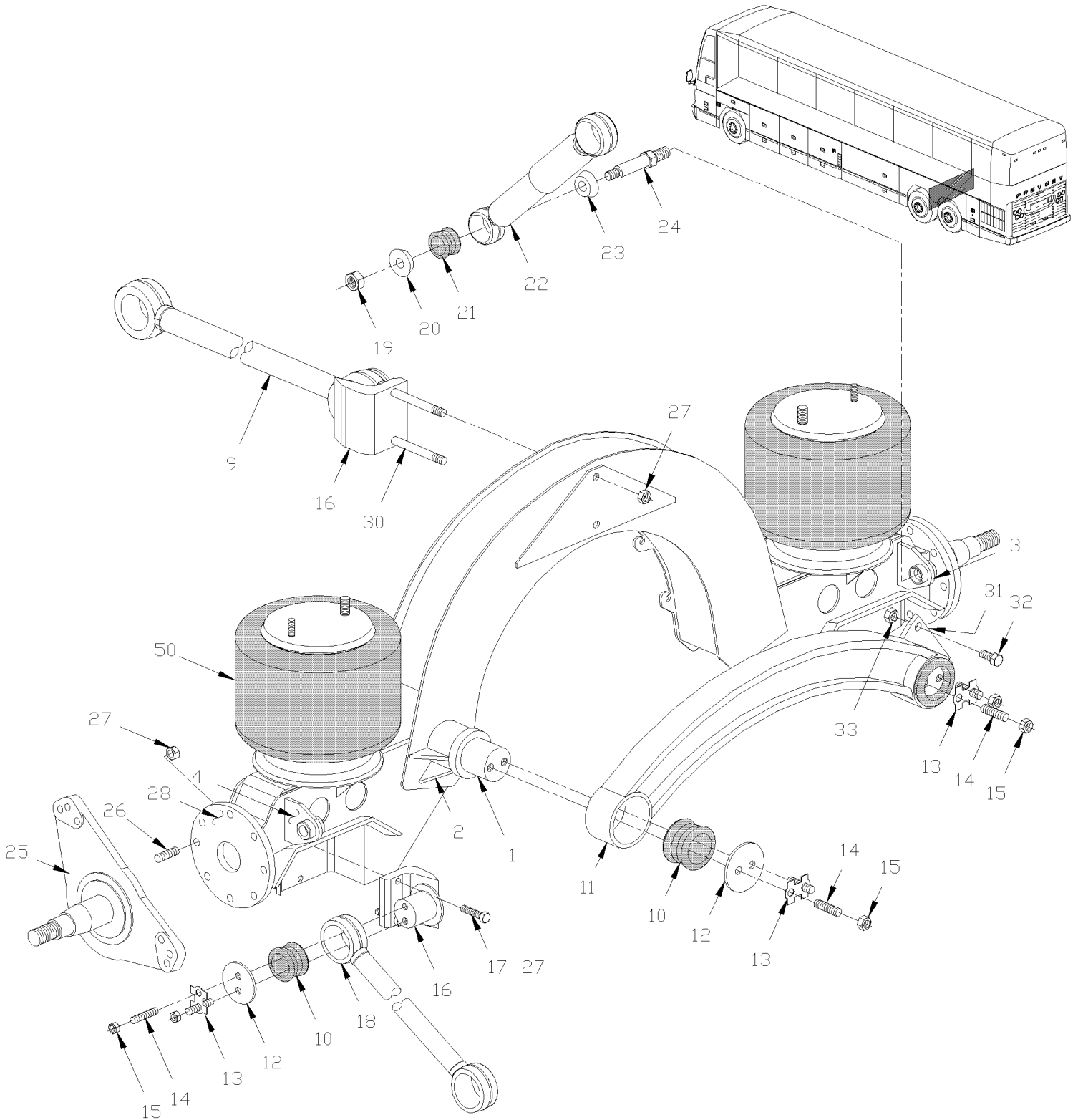


From 7-0671 To A-1655

Date:10/2022

PAGE:H7-1615-00

## TAG AXLE - INSTALL SUSPENSION



From 7-0671 To A-1655	Date:10/2022	PAGE:H7-1615-00
<b>TAG AXLE - INSTALL SUSPENSION</b>		

Item#	Part	Description	H 3 4 1	H 3 4 5	V I P 4 5	N O T E S
	121547P	AXLE ASSY W/AUTOMATIC TRANSMISSION	1	1	1	
1	121341	. SHAFT / TO FIX LATERAL ROD W/AXLE	1	1	1	
2	121268	. PLATE REINFORCEMENT (WELDED)	1	1	1	
3	121580	. ATTACHMENT / SHOCK ABSORBER PIN	1	1	1	
. NS	171032	. . SUPPORT 1"-14 / SHOCK ABSORBER / 55MM	1	1	1	
4	121580	. ATTACHMENT / SHOCK ABSORBER PIN	1	1	1	
. NS	171032	. . SUPPORT 1"-14 / SHOCK ABSORBER / 55MM	1	1	1	
9	120868	ROD ASSY / 23 3/8" C/C (593MM)	1	1	1	
10	630021	RUBBER BUSHING "PREVOST"	6	6	6	
NS	192380	SHIM WASHER / BUSHING RADIUS ROD 2.795x4.330x.0625 SS	AR	AR	AR	W
11	131749	ROD ASSY / 35" C/C (889MM) / CASTING	1	1	1	
12	110681	RETAINER PLATE / IRON 110MM OD W/16.7 @ 38C/C	6	6	6	
13	110340	TAB LOCK / W/2 HOLES / W/4 TABS / 18MM I.D. X 38MM C/C	6	6	6	
13	110788	TAB LOCK / W/2 HOLES / W/6 TABS / 18MM I.D. X 38MM C/C	6	6	6	
14	130963	STUD M16-2.0x70	12	12	12	
14	500813	SCREW CAP HEX M16-2.0x35 G8.8 ZP	12	12	12	
15	500781	NUT HEX STO M16-2.0 DP	18	18	18	
16	132914	SUPPORT / ROD / W/2 M16-2 HOLES / 95MM C/C // 150MM SHORT	3	3	3	
. NS	121890	. TORQUE PLATE / W/2HOLES 17MM I.D. X 90MM C/C	AR	AR	AR	
NS	502164	PIN DOWEL M16 X 40MM	1	1	1	
17	5001369	SCREW CAP HEX M16-2.0x70 G10.9 DP	4	4	4	
17	5001224	SCREW CAP HEX M16-2.0x60 G10.9 G500	4	4	4	
18	121358	ROD ASSY W/CHAIN HOOK / 23 3/8" C/C (593MM)	2	2	2	
19	500809	NUT HEX STO M20-2.5 N500	4	4	4	
20	5001152	WASHER CON 21.0x50.0x4.5 ZP	4	4	4	
21	630257	BUSHING / RUBBER / (TWO PIECES) 1" x 1.005" I.D.	4	4	4	
22	630253	SHOCK ABSORBER / SACHS / 209	2	2	2	
22	630236	SHOCK ABSORBER / "KONI" (ORANGE)	2	2	2	
. NS	630062	. BUSHING / RUBBER / (ONE PIECE) 2" x 1.005" I.D.	1	1	1	
. NS	630255	. KIT WASHER & RUBBER BUSHING	1	1	1	
23	5001153	WASHER CON 25.5x50.0x4.5 ZP	4	4	4	
24	131424	PIN W/TAPER ATTACHMENT M20-2.5	4	4	4	
25	611302	SPINDLE / WITH MODEL "G.K.N." (TS8U UNITISED) To 7-0941	2	2	2	
25	610640	SPINDLE / WITH MODEL "G.K.N." (TS8U UNITISED) W/ABS HOLE From 7-0942	2	2	2	
. NS	610641	. BUSHING ABS SENSOR MOUNTING TAG AXLE From 7-0942	1	1	1	
26	611048	STUD / M16-2.0 x 60MM	8	8	8	
27	502588	NUT HEX M16-2.0 ZP	8	8	8	
NS	502884	WASHER LO SPT 16.2x27.4x3.5 N500	8	8	8	
28	121203	SHIM / CAMBER ADJUSTMENT 0.117 DEGRES / SPINDLE & AXLE	AR	AR	AR	
28	121240	SHIM / CAMBER ADJUSTMENT 0.250 DEGRES / SPINDLE & AXLE	AR	AR	AR	
30	5001370	SCREW CAP HEX M16-2.0x180 G10.9 G500	2	2	2	
31	131784	ATTACHMENT	1	1	1	

From 7-0671 To A-1655	Date:10/2022	PAGE:H7-1615-00
<b>TAG AXLE - INSTALL SUSPENSION</b>		

Item#	Part	Description	H 3 4 1	H 3 4 5	V I P 4 5	N O T E S
32	955385	SCREW CAP HEX M20-2.5x45 G8.8 ZP	2	2	2	
33	5001252	NUT HEX STO M20-2.5 DP	2	2	2	
50	<b>H7-1601-00</b>	<b>BELLOWS - AIR SUSPENSION</b>				
		R) REFERENCE NUMERO DE PRODUCTION OC2008017				
		W) IF NEED, USE BETWEEN BUSHING ROD SUPPORT				

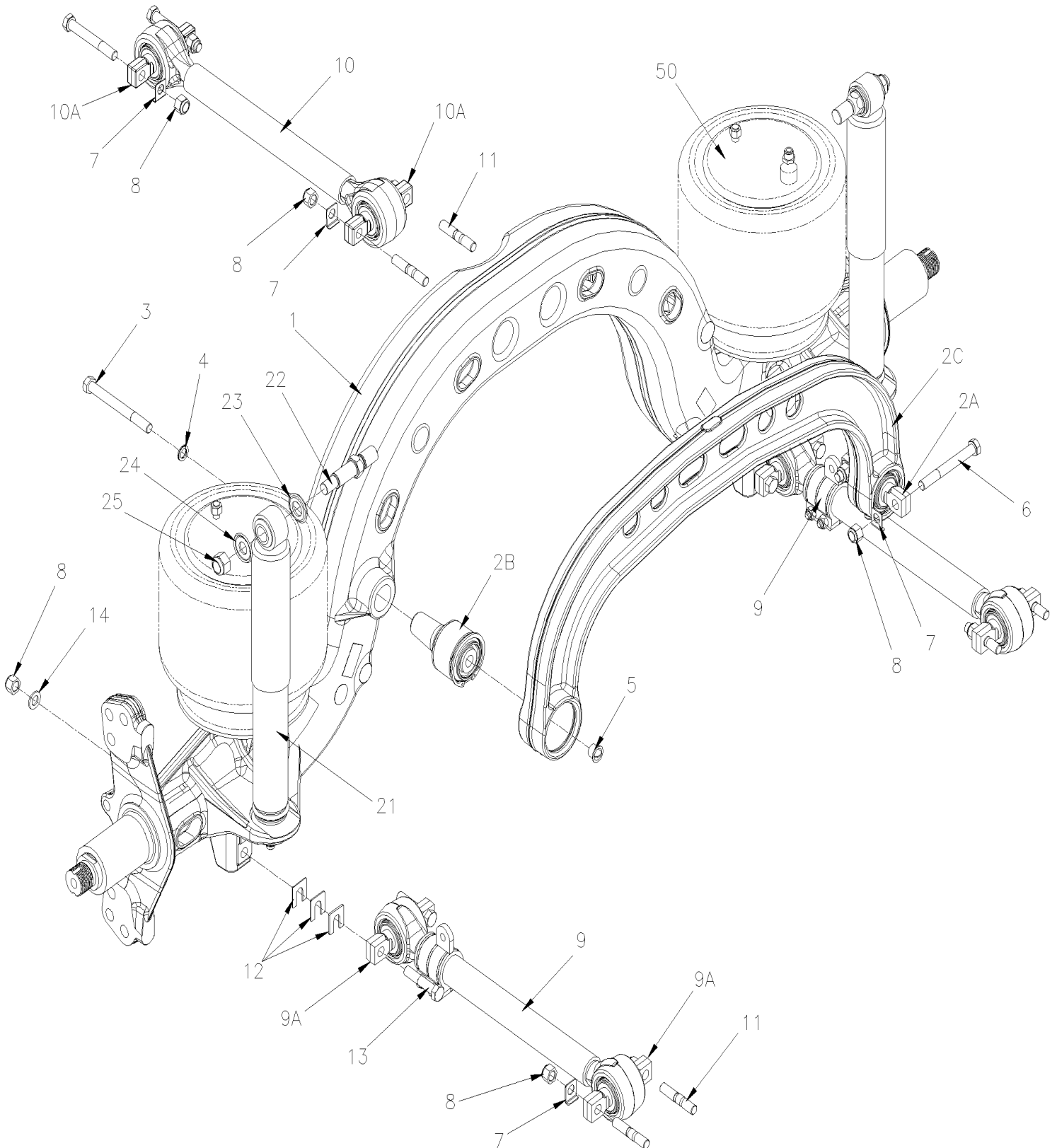


From A-1656 To J-0287

Date:10/2022

PAGE:H7-1615-01

## TAG AXLE - INSTALL SUSPENSION ONE PIECE



<b>From A-1656 To J-0287</b>	<b>Date:10/2022</b>	<b>PAGE:H7-1615-01</b>
<b>TAG AXLE - INSTALL SUSPENSION ONE PIECE</b>		

Item#	Part	Description	H 3 4 1	H 3 4 5	V I P 4 5	N O T E S
1	621808	TAG AXLE / FORGE	1	1	1	
2	630272	ROD ASSY WITH / 35" C/C (889MM) / CASTING	1	1	1	
. A	630274	. BALL PIN BUSHING / REPAIR KIT 75MM O.D. / 130MM C/C	1	1	1	
. B	630275	. BALL PIN BUSHING / REPAIR KIT 85MM O.D.	1	1	1	
. C	630273	. ROD 35" C/C (889MM) / CASTING	1	1	1	
NS	G32952	TOOL REMOVER TAG PANHARD FROM AXLE	1	1	1	
3	5001795	SCREW CAP HEX M16-1.5x160 G10.9 N500	1	1	1	
4	630278	WASHER "NORD-LOCK" 17.0x25.4x3.4 YP	1	1	1	
5	621832	PULL PLUG DIA. 23MM	1	1	1	
6	5001828	SCREW CAP HEX M16-2.0x140 G10.9 N500	2	2	2	
7	131961	TAB LOCK From B-1789	10	10	10	
8	5001662	NUT HEX NYRT M16-2.0 G10 Z050	14	14	14	
9	621803	ROD ASSY / 23.38" (594.1MM) / 130MM / M16	2	2	2	
. A	630274	. BALL PIN BUSHING / REPAIR KIT 75MM O.D. / 130MM C/C	2	2	2	
10	621806	ROD ASSY / 23.38" (594.1MM) / 130MM / M16	1	1	1	
. A	630274	. BALL PIN BUSHING / REPAIR KIT 75MM O.D. / 130MM C/C	2	2	2	
11	621795	STUD M16-2.0x72 MM ZP To B-1788	6	6	6	
11	5001867	STUD M16-2.0x60 G10.9 N500 From B-1789 To H-3716	6	6	6	
11	5000308	STUD M16-2.0x50 G10.9 N500 From H-3717	6	6	6	
12	661220	SHIM "U" 0.79 x39.5MM x 38MM x17 i.d.	AR	AR	AR	
12	621830	SHIM "U" 1.59 x 39.5MM x 38MM x17 i.d.	AR	AR	AR	
12	161352	SHIM "U" 2.28 x39.5MM x 38MM x17 i.d.	AR	AR	AR	
12	621831	SHIM "U" 3.175 x39.5MM x 38MM x17 i.d.	AR	AR	AR	
13	5001830	SCREW CAP HEX M16-2.0x80 G10.9 N500	4	4	4	
14	5001722	WASHER FL 17.0x30.0x3.0 SS	4	4	4	
15	5001827	SCREW CAP HEX M16-2.0x120 G10.9 N500	2	2	2	
21	630271	SHOCK ABSORBER / SACHS To F-2737	2	2	2	
. NS	630257	. BUSHING / RUBBER / (TWO PIECES) 1" x 1.005" I.D. To F-2737	2	2	2	
. NS	630255	. KIT WASHER & RUBBER BUSHING To F-2737	1	1	1	
21	630290	SHOCK ABSORBER / TAG AXLE SACHS From F-2738 To G-3401	2	2	2	
. NS	630255	. KIT WASHER & RUBBER BUSHING From F-2738 To G-3401	1	1	1	
. NS	630257	. BUSHING / RUBBER / (TWO PIECES) 1" x 1.005" I.D. From F-2738 To G-3401	1	1	1	
21	630295	SHOCK ABSORBER / SACHS From G-3402	2	2	2	M
. NS	630255	. KIT WASHER & RUBBER BUSHING From G-3402	1	1	1	M
. NS	630291	. BUSHING / RUBBER / (TWO PIECES) 1" x 1.005" I.D. From G-3402	1	1	1	M
22	131424	PIN W/TAPER ATTACHMENT M20-2.5	1	1	1	
23	5001153	WASHER CON 25.5x50.0x4.5 ZP	2	2	2	
24	5001152	WASHER CON 21.0x50.0x4.5 ZP	2	2	2	
25	5001663	NUT HEX NYRT M20-2.5 G10 Z050	2	2	2	
50	<b>H7-1601-00</b>	<b>BELLOWS - AIR SUSPENSION</b>				



From A-1656 To J-0287	Date:10/2022	PAGE:H7-1615-01
-----------------------	--------------	-----------------

**TAG AXLE - INSTALL SUSPENSION ONE PIECE**

Item#	Part	Description	H 3 4 1	H 3 4 5	V I P 4 5	N O T E S
		M) METAL SLEEVE FROM KIT 630255 NOT USED				

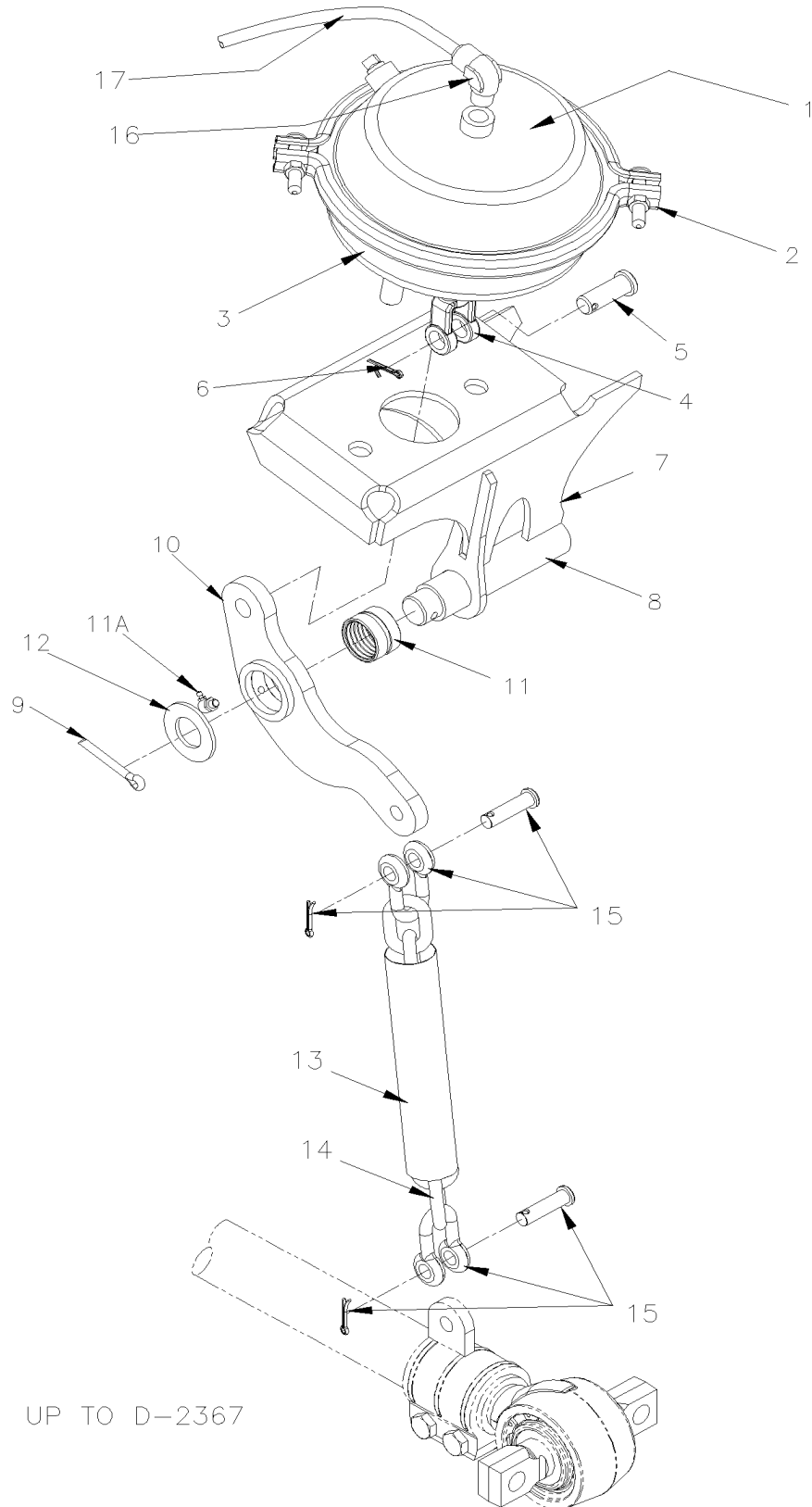


From 7-0671 To J-0287

Date:10/2022

PAGE:H7-1615-10

## TAG AXLE - LIFTING



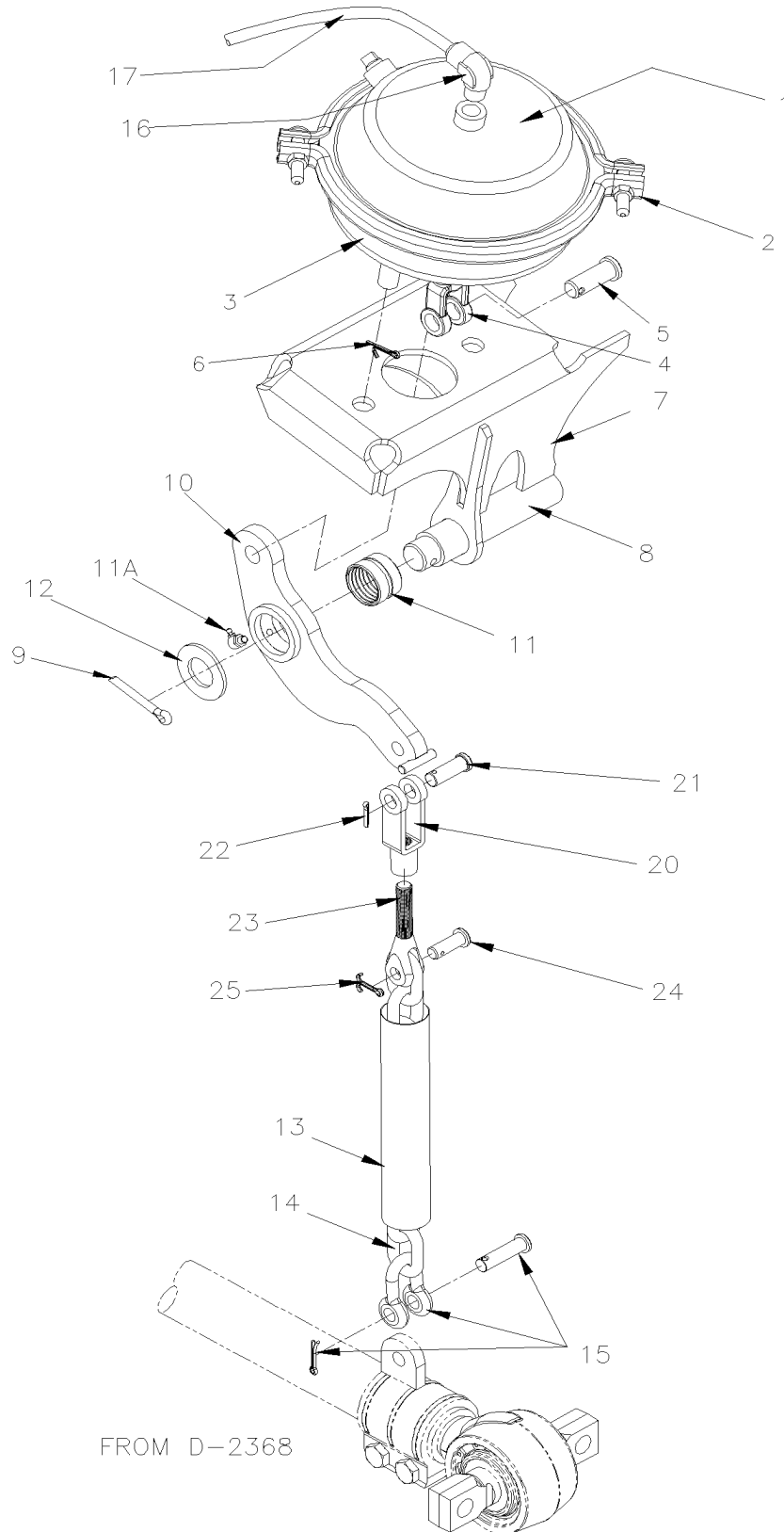
UP TO D-2367

From 7-0671 To J-0287

Date:10/2022

PAGE:H7-1615-10

TAG AXLE - LIFTING



From 7-0671 To J-0287	Date:10/2022	PAGE:H7-1615-10
<b>TAG AXLE - LIFTING</b>		

Item#	Part	Description	H 3 4 1	H 3 4 5	V I P 4 5	N O T E S
1	641425	BRAKE CHAMBER ASSY / TYPE 36	2	2	2	
2	641067	. CLAMP TYPE 36	1	1	1	
3	640979	. DIAPHRAGM / TYPE 36	1	1	1	
3	641066	. BOOT RUBBER	1	1	1	
4	640130	. YOKE 5/8-18x1 3/8 C/Lx9/16Wx5/8	1	1	1	
5	502028	. . PIN, CLEVIS 5/8 x 3/4	1	1	1	
6	502102	. . PIN, COTTER 1/8 x 1	1	1	1	
NS	641426	. . SHIELD, ROD CENTER HOLE	1	1	1	
7	172586	BRACKET / L.H. To A-1655	1	1	1	
7	175006	BRACKET / L.H. From A-1656 To E-2504	1	1	1	
7	175143	BRACKET / L.H. From E-2505	1	1	1	
7	172585	BRACKET / R.H. To A-1655	1	1	1	
7	175005	BRACKET / R.H. From A-1656 To E-2504	1	1	1	
7	175144	BRACKET / R.H. From E-2505	1	1	1	
8	121590	PIN SS / WELDED To A-1655	1	1	1	
8	175004	PIN SS / WELDED From A-1656 To E-2504	1	1	1	
8	175141	PIVOT PIN From E-2505	1	1	1	
9	502106	PIN, COTTER 1/4 x 2	1	1	1	
10	131700	LEVER ASSY To A-1720	1	1	1	
10	131837	LEVER ASSY From B-1721 To D-2367	1	1	1	
10	132004	LEVER ASSY From D-2368 To E-2504	1	1	1	
10	132007	LEVER ASSY From E-2505	1	1	1	
11	131699	. BUSHING BRASS / W/GROOVE INSIDE 31.94 O.D. x 25.5 I.D. x 25.4 To A-1720	1	1	1	
11	131791	. BUSHING BRASS / W/GROOVE INSIDE 38.17 O.D. x 32.2 I.D. x 25.4 From B-1721	1	1	1	
11A	501500	. GREASE FITTING 90° / 1/4-28	1	1	1	
12	500456	WASHER FL 1.062x2.000x.134 Z050	1	1	1	
13	121123	TUBE COVERING CHAIN 290MM To E-2504	1	1	1	
. NS	5001503	. TUBE, PVC / CLEAR / 1 1/2" I.D./ S.L. To E-2504	AR	AR	AR	
13	121850	TUBE COVERING CHAIN 140MM From E-2505	1	1	1	
. NS	5001503	. TUBE, PVC / CLEAR / 1 1/2" I.D./ S.L. From E-2505	AR	AR	AR	
14	121122	CHAIN / 340MM To A-1720	1	1	1	
14	121914	CHAIN / 383MM From B-1721 To D-2367	1	1	1	
14	121931	CHAIN / 313MM From D-2368 To E-2504	1	1	1	
14	121851	CHAIN / 210MM From E-2505 To G-3392	1	1	1	
14	121930	CHAIN / 243MM From G-3393	1	1	1	
15	505064	SHACKLE CHAIN 3/8 To D-2367	2	2	2	
15	505064	SHACKLE CHAIN 3/8 From D-2368	1	1	1	
16	641375	MALE ELBOW 90° NON-SWIVEL / PUSH-IN FITTING / #6x3/8NPT-M BR	1	1	1	
17	503404	TUBE, NYLON 3/8 O.D. / BLACK S.L.	AR	AR	AR	
20	5021002	CLEVIS ROD END 1/2 From D-2368	1	1	1	
21	502035	. PIN, CLEVIS 1/2 x 1 3/8 Z050 From D-2368	1	1	1	
22	502103	. PIN, COTTER 1/8 x 2 From D-2368	1	1	1	

From 7-0671 To J-0287	Date:10/2022	PAGE:H7-1615-10
<b>TAG AXLE - LIFTING</b>		

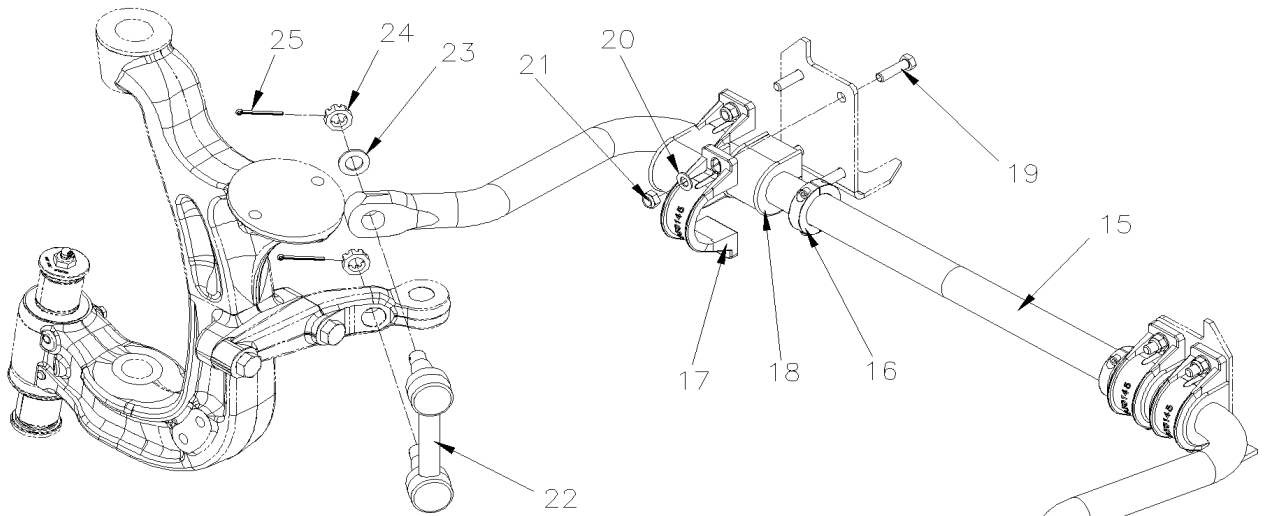
Item#	Part	Description	H 3 4 1	H 3 4 5	V I P 4 5	N O T E S
23	5021003	CLEVIS ROD END 7/16 From D-2368	1	1	1	
24	5021004	PIN, CLEVIS 7/16 x 1 1/4 ZP From D-2368	1	1	1	
25	502102	PIN, COTTER 1/8 x 1 From D-2368	1	1	1	

From 7-0671 To E-2504

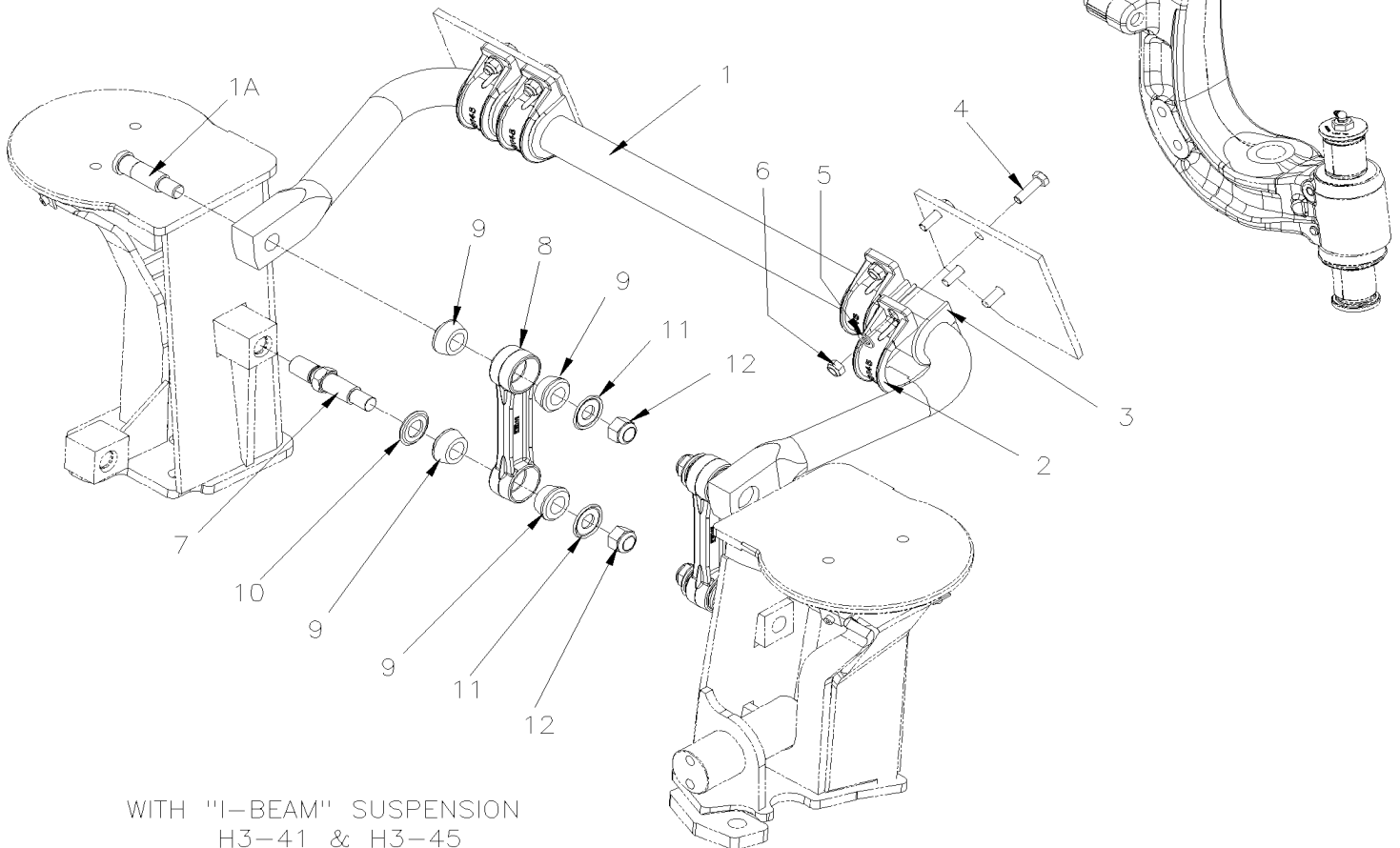
Date:10/2022

PAGE:H7-1616-00

## SWAY BAR



WITH INDEPENDANTE SUSPENSION  
H3-45 & VIP-45



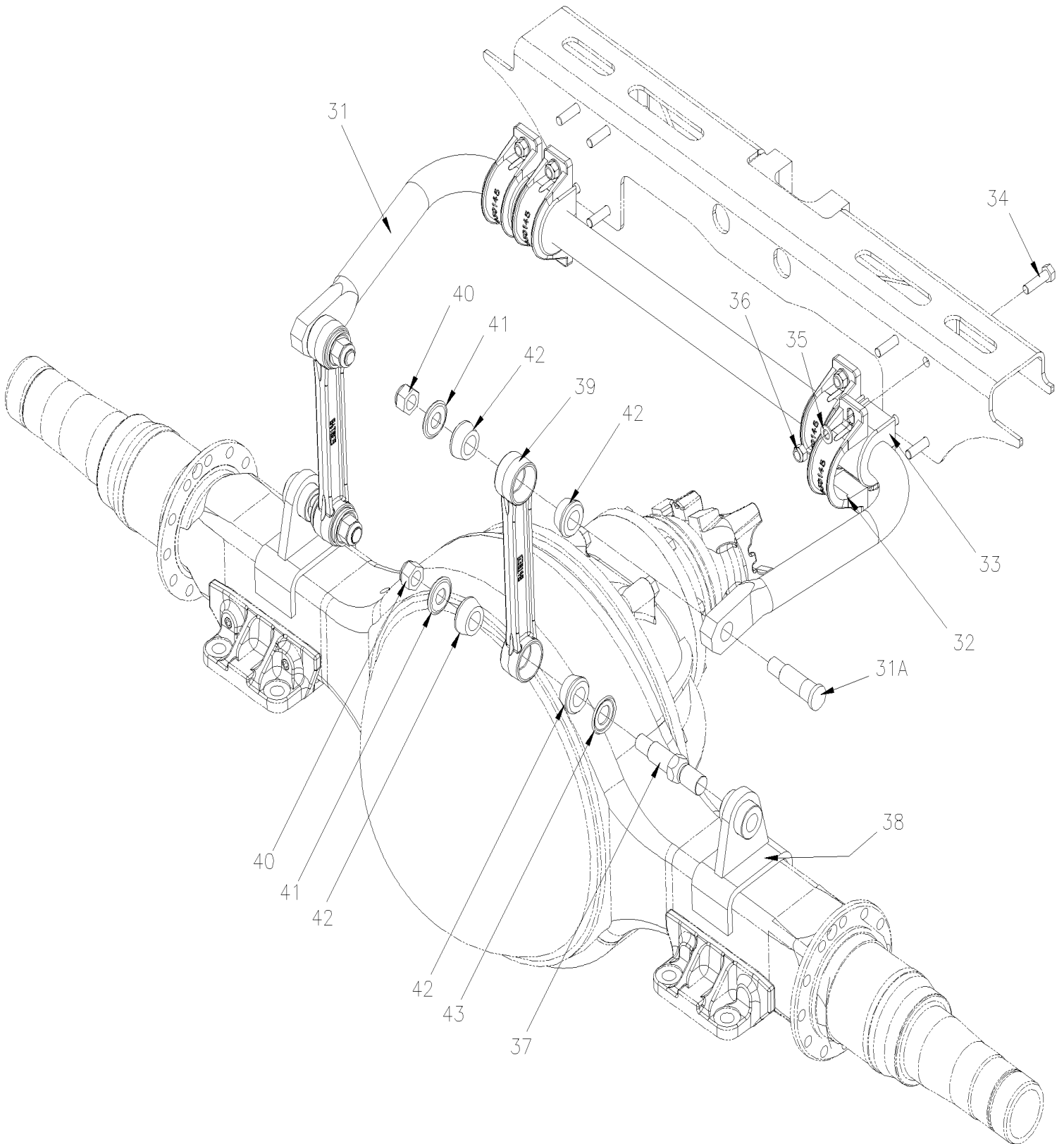
WITH "I-BEAM" SUSPENSION  
H3-41 & H3-45

From 7-0671 To E-2504

Date:10/2022

PAGE:H7-1616-00

SWAY BAR





<b>From 7-0671 To E-2504</b>	<b>Date:10/2022</b>	<b>PAGE:H7-1616-00</b>
<b>SWAY BAR</b>		

Item#	Part	Description	H 3 4 1	H 3 4 5	V I P 4 5	N O T E S
1	131359	SWAY BAR ASSY / 2" O.D. X 798MM	1	1		F
2	630145	COLLAR / IRON / 2x.472" HOLE 4 5/8 C/C	4	4		F
3	131355	BUSHING / RUBBER 2" I.D.	4	4		F
4	5001885	SCREW CAP HEX M12-1.75X40 G10.9 N500	8	8		F
5	500011	WASHER FL / HARDENED 13.0x24.0x3.0 STL	8	8		F
6	500811	NUT HEX STO M12-1.75 G500 To 8-1199	1	1		F
6	5001695	NUT HEX NYRT M12-1.75 Z050 From 8-1200	8	8		F
7	131522	PIN W/TAPER ATTACHMENT M20-2.5 / SWAY-BAR	2	2		F B
8	630146	LINK ASSY / 7" C/C / IRON	2	2		F
9	506678	BUSHING / POLYURETHANE / (TWO PIECES) RED 1" x 1.005" I.D.	8	8		F
10	5001153	WASHER CON 25.5x50.0x4.5 ZP	2	2		F
11	5001152	WASHER CON 21.0x50.0x4.5 ZP	4	4		F
12	500809	NUT HEX STO M20-2.5 N500 To 8-1199	4	4		F
12	5001663	NUT HEX NYRT M20-2.5 G10 Z050 From 8-1200	4	4		F
15	131755	SWAY BAR 1 3/4" O.D. 1175MM // W/58 Deg		1		I
15	131755	SWAY BAR 1 3/4" O.D. 1175MM // W/58 Deg To C-1909			1	I
15	131623	SWAY BAR 2" O.D. 1175MM / W/19000LBS / W/58 Deg From C-1910			1	I
16	563042	COLLAR 1 3/4" I.D.		2		I
16	563042	COLLAR 1 3/4" I.D. To C-1909			2	I
16	502942	COLLAR 2" I.D. From C-1910			2	I
17	630145	COLLAR / IRON / 2x.472" HOLE 4 5/8 C/C		4	4	I
18	630020	BUSHING / RUBBER / USE WITH SWAY BAR 1 3/4"		4	4	I
18	630020	BUSHING / RUBBER / USE WITH SWAY BAR 1 3/4" To C-1909			4	I
18	131355	BUSHING / RUBBER 2" I.D. From C-1910			4	I
19	500806	SCREW CAP HEX M12-1.75X35 G10.9 G500		8	8	I
20	500011	WASHER FL / HARDENED 13.0x24.0x3.0 STL		8	8	I
21	500811	NUT HEX STO M12-1.75 G500 To 8-1199		8	8	I
21	5001695	NUT HEX NYRT M12-1.75 Z050 From 8-1200		8	8	I
22	630246	LINK ASSY / 150MM C/C / W/18000LBS		2	2	I
23	502558	WASHER FL 21.0x37.0x3.0 G500		2	2	I
24	5001553	NUT HEX CSL M20-1.5 N500		4	4	I
25	502104	PIN, COTTER 5/32 x 2		4	4	I
31	131276	SWAY BAR ASSY / 1 3/4" O.D. X 848MM	1	1		R
31	131398	SWAY BAR ASSY / 2" O.D. X 848MM			1	R
. A	131520	. STUD 1 1/4" O.D.			2	R
32	630145	COLLAR / IRON / 2x.472" HOLE 4 5/8 C/C	4	4	4	R
33	630020	BUSHING / RUBBER / USE WITH SWAY BAR 1 3/4"	4	4		R
33	131355	BUSHING / RUBBER 2" I.D.			4	R
34	5001338	SCREW CAP HEX M12-1.75x45 G10.9 N500	8	8	8	R
35	500011	WASHER FL / HARDENED 13.0x24.0x3.0 STL	8	8	8	R
36	500811	NUT HEX STO M12-1.75 G500 To 8-1199	8	8	8	R

From 7-0671 To E-2504	Date:10/2022	PAGE:H7-1616-00
-----------------------	--------------	-----------------

**SWAY BAR**

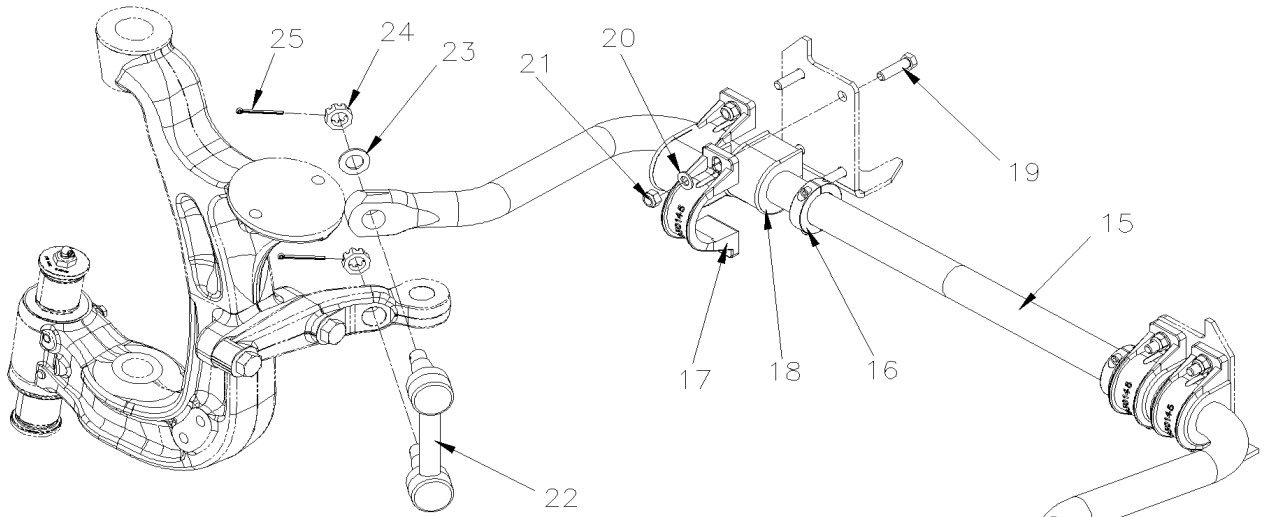
Item#	Part	Description	H 3 4 1	H 3 4 5	V I P 4 5	N O T E S
36	5001695	NUT HEX NYRT M12-1.75 Z050 From 8-1200	8	8	8	R
37	131522	PIN W/TAPER ATTACHMENT M20-2.5 / SWAY-BAR	2	2	2	R B
38	121467	ATTACHMENT PIN SWAY BAR / (WELDED TO HOUSING)	2	2	2	R
39	630148	LINK ASSY / 10 1/2" C/C / IRON	2	2	2	R
40	5001663	NUT HEX NYRT M20-2.5 G10 Z050	4	4	4	R
41	5001152	WASHER CON 21.0x50.0x4.5 ZP	4	4	4	R
42	506678	BUSHING / POLYURETHANE / (TWO PIECES) RED 1" x 1.005" I.D.	8	8	8	R
43	5001153	WASHER CON 25.5x50.0x4.5 ZP	2	2	2	R
NS	MI03-12	SEE MAINTENANCE INFORMATION	1	1	1	
NS	MI03-13	SEE MAINTENANCE INFORMATION	1	1	1	
		B) THIS PIN IS 3MM SHORTER ON BUSHING SIDE AND BLACK PAINTED FOR EASY IDENTIFICATION				
		F) FRONT I BEAM RIGIDE SUSPENSION				
		I) INDEPENDANT SUSPENSION				
		R) REAR SUSPENSION				

From E-2505 To J-0287

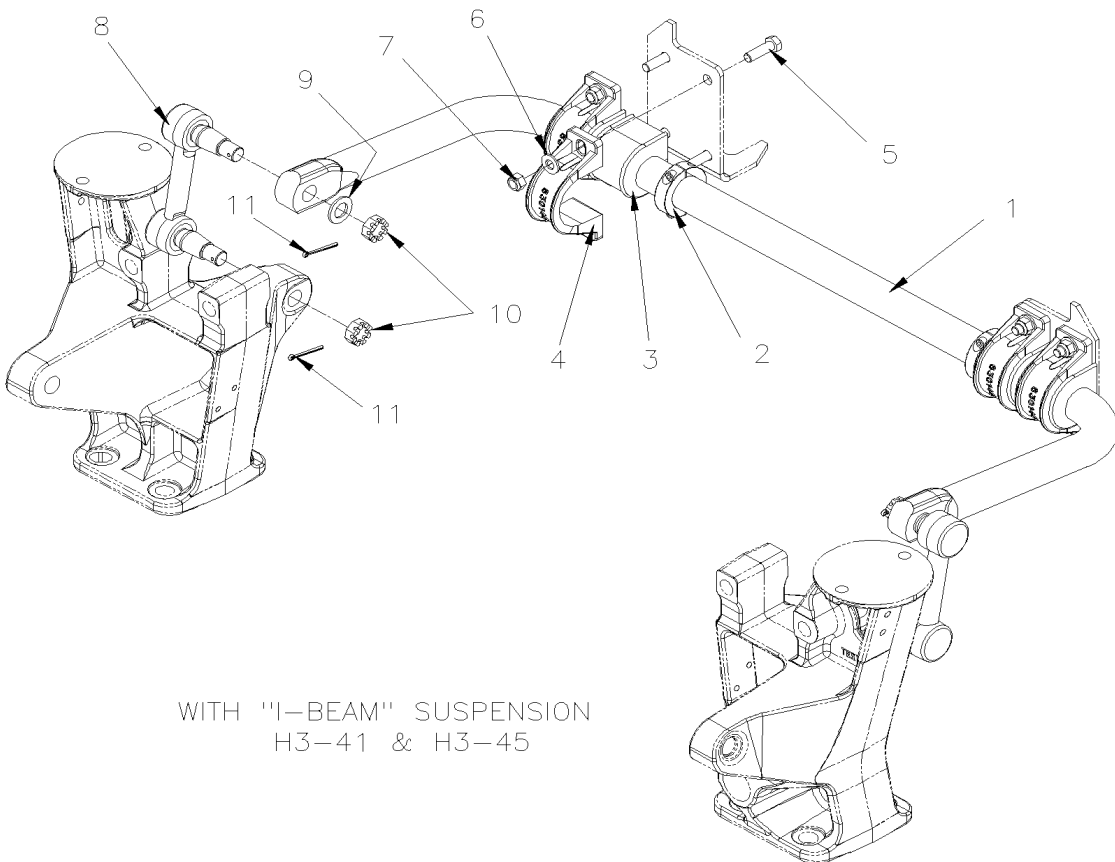
Date:10/2022

PAGE:H7-1616-01

## SWAY BAR



WITH INDEPENDANTE SUSPENSION  
H3-45 & VIP-45



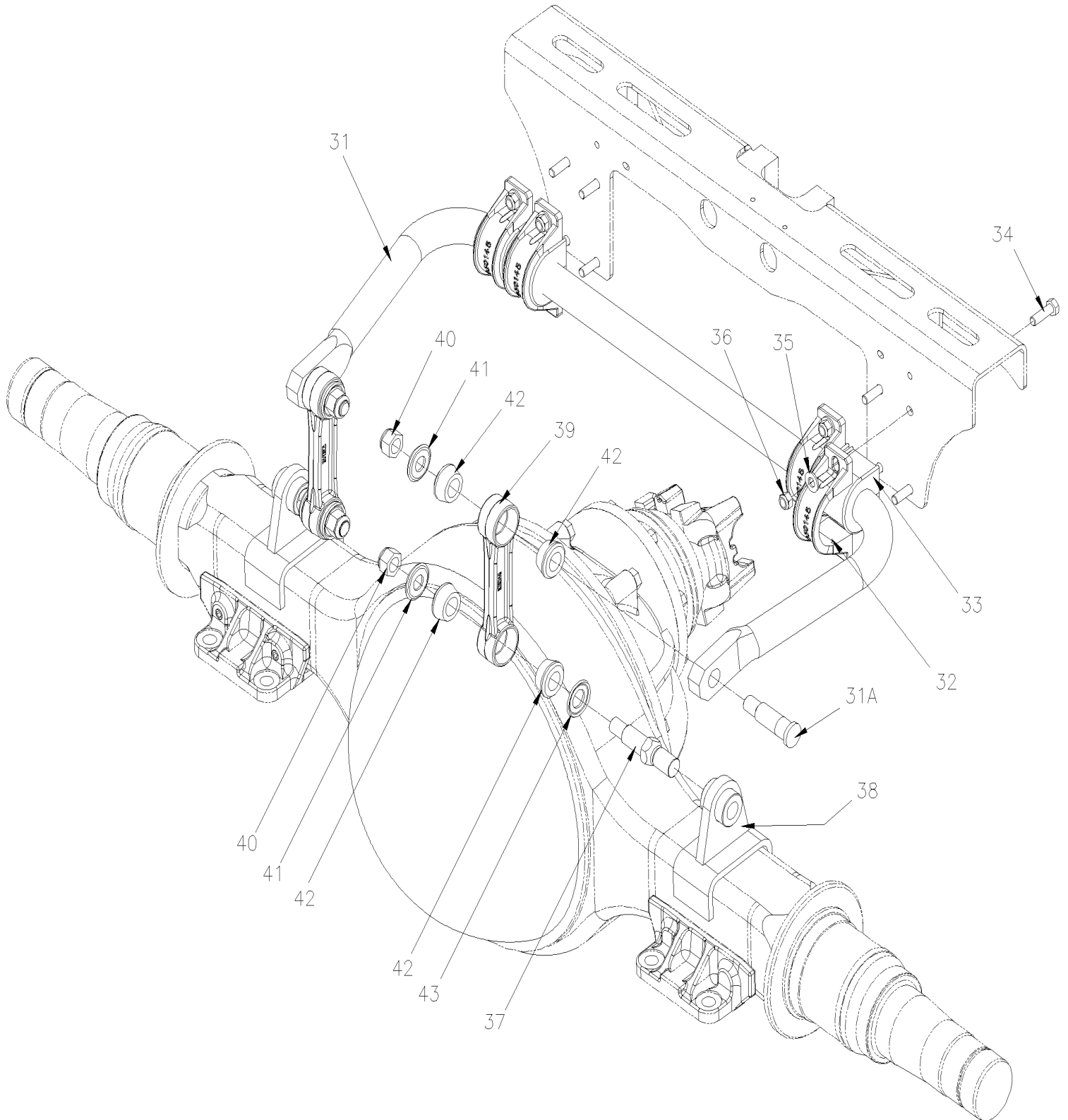
WITH "I-BEAM" SUSPENSION  
H3-41 & H3-45

From E-2505 To J-0287

Date:10/2022

PAGE:H7-1616-01

SWAY BAR



<b>From E-2505 To J-0287</b>	<b>Date:10/2022</b>	<b>PAGE:H7-1616-01</b>
<b>SWAY BAR</b>		

Item#	Part	Description	H 3 4 1	H 3 4 5	V I P 4 5	N O T E S
1	132008	SWAY BAR ASSY / 1 3/4" O.D. X 993MM	1	1		F
2	563042	COLLAR 1 3/4" I.D.	2	2		F
3	630020	BUSHING / RUBBER / USE WITH SWAY BAR 1 3/4"	4	4		F
4	630145	COLLAR / IRON / 2x.472" HOLE 4 5/8 C/C	4	4		F
5	5001885	SCREW CAP HEX M12-1.75X40 G10.9 N500	8	8		F
6	500011	WASHER FL / HARDENED 13.0x24.0x3.0 STL	8	8		F
7	5001695	NUT HEX NYRT M12-1.75 Z050	8	8		F
8	630246	LINK ASSY / 150MM C/C / W/18000LBS	2	2		F
9	502558	WASHER FL 21.0x37.0x3.0 G500	2	2		F
10	5001553	NUT HEX CSL M20-1.5 N500	4	4		F
11	502104	PIN, COTTER 5/32 x 2	4	4		F
15	131755	SWAY BAR 1 3/4" O.D. 1175MM // W/58 Deg		1		I
15	131623	SWAY BAR 2" O.D. 1175MM / W/19000LBS / W/58 Deg			1	I
16	563042	COLLAR 1 3/4" I.D.		2		I
16	502942	COLLAR 2" I.D.			2	I
17	630145	COLLAR / IRON / 2x.472" HOLE 4 5/8 C/C		4	4	I
18	630020	BUSHING / RUBBER / USE WITH SWAY BAR 1 3/4"		4	4	I
18	131355	BUSHING / RUBBER 2" I.D.			4	I
19	500806	SCREW CAP HEX M12-1.75X35 G10.9 G500		8	8	I
20	500011	WASHER FL / HARDENED 13.0x24.0x3.0 STL		8	8	I
21	5001695	NUT HEX NYRT M12-1.75 Z050		8	8	I
22	630246	LINK ASSY / 150MM C/C / W/18000LBS		2	2	I
23	502558	WASHER FL 21.0x37.0x3.0 G500		2	2	I
24	5001553	NUT HEX CSL M20-1.5 N500		4	4	I
25	502104	PIN, COTTER 5/32 x 2		4	4	I
31	131276	SWAY BAR ASSY / 1 3/4" O.D. X 848MM	1	1		R
31	131398	SWAY BAR ASSY / 2" O.D. X 848MM			1	R
. A	131520	. STUD 1 1/4" O.D.			2	R
32	630145	COLLAR / IRON / 2x.472" HOLE 4 5/8 C/C	4	4	4	R
33	630020	BUSHING / RUBBER / USE WITH SWAY BAR 1 3/4"	4	4		R
33	131355	BUSHING / RUBBER 2" I.D.			4	R
34	5001338	SCREW CAP HEX M12-1.75x45 G10.9 N500	8	8	8	R
35	500011	WASHER FL / HARDENED 13.0x24.0x3.0 STL	8	8	8	R
36	5001695	NUT HEX NYRT M12-1.75 Z050	8	8	8	R
37	131522	PIN W/TAPER ATTACHMENT M20-2.5 / SWAY-BAR	2	2	2	R B
38	121467	ATTACHMENT PIN SWAY BAR / (WELDED TO HOUSING)	2	2	2	R
39	630146	LINK ASSY / 7" C/C / IRON	2	2	2	R
40	5001663	NUT HEX NYRT M20-2.5 G10 Z050	4	4	4	R
41	5001152	WASHER CON 21.0x50.0x4.5 ZP	4	4	4	R
42	506678	BUSHING / POLYURETHANE / (TWO PIECES) RED 1" x 1.005" I.D.	8	8	8	R

From E-2505 To J-0287	Date:10/2022	PAGE:H7-1616-01
<b>SWAY BAR</b>		

Item#	Part	Description	H 3 4 1	H 3 4 5	V I P 4 5	N O T E S
43	5001153	WASHER CON 25.5x50.0x4.5 ZP	2	2	2	R
NS	MI03-12	SEE MAINTENANCE INFORMATION	1	1	1	
NS	MI03-13	SEE MAINTENANCE INFORMATION	1	1	1	
		B) THIS PIN IS 3MM SHORTER ON BUSHING SIDE AND BLACK PAINTED FOR EASY IDENTIFICATION				
		F) FRONT I BEAM RIGIDE SUSPENSION				
		I) INDEPENDANT SUSPENSION				
		R) REAR SUSPENSION				

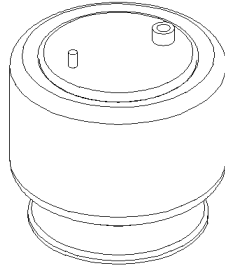
From 7-0671 To E-2504

Date:10/2022

PAGE:H7-1620-00

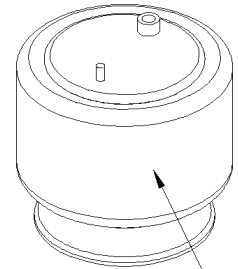
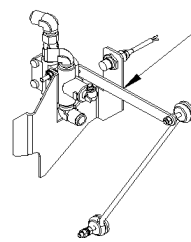
## HEIGHT CONTROL VALVE & FRONT KNEELING

FRONT AXLE  
I-BEAM RIGID SUSPENSION

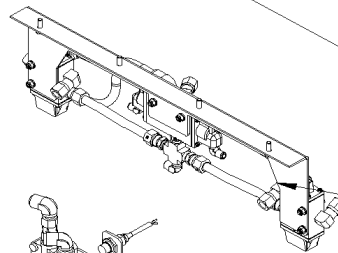
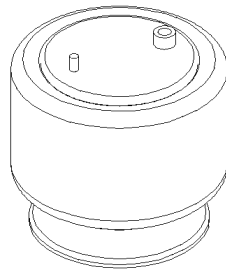


FRONT AXLE  
I-BEAM RIGID SUSPENSION  
WITH KNEELING

DETAIL "A"

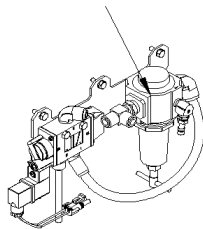


112

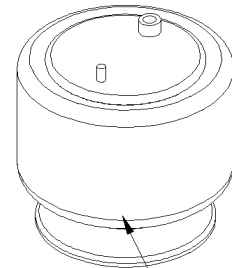
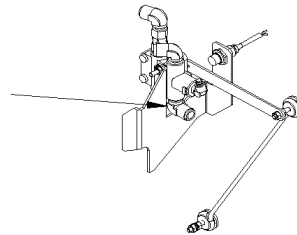


DETAIL "B"

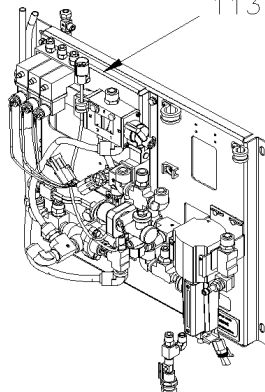
DETAIL "C"



DETAIL "A"



112



113

110

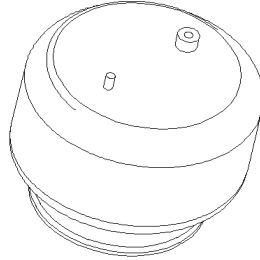
From 7-0671 To E-2504

Date:10/2022

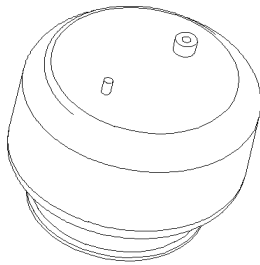
PAGE:H7-1620-00

HEIGHT CONTROL VALVE & FRONT KNEELING

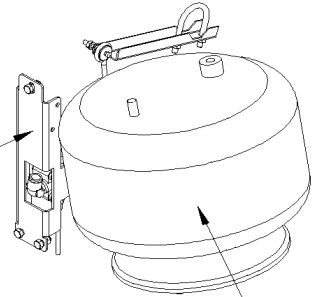
FRONT AXLE  
INDEPENDANT SUSPENSION



FRONT AXLE  
INDEPENDANT SUSPENSION  
WITH KNEELING

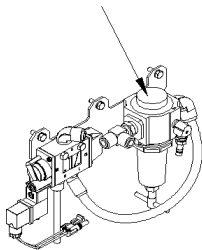


DETAIL "D"

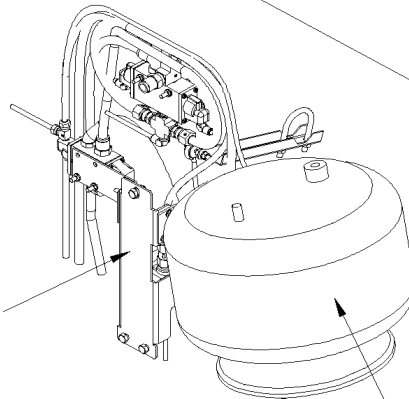


112

DETAIL "C"

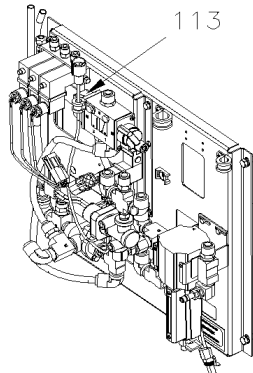


DETAIL "D"



113

112



110



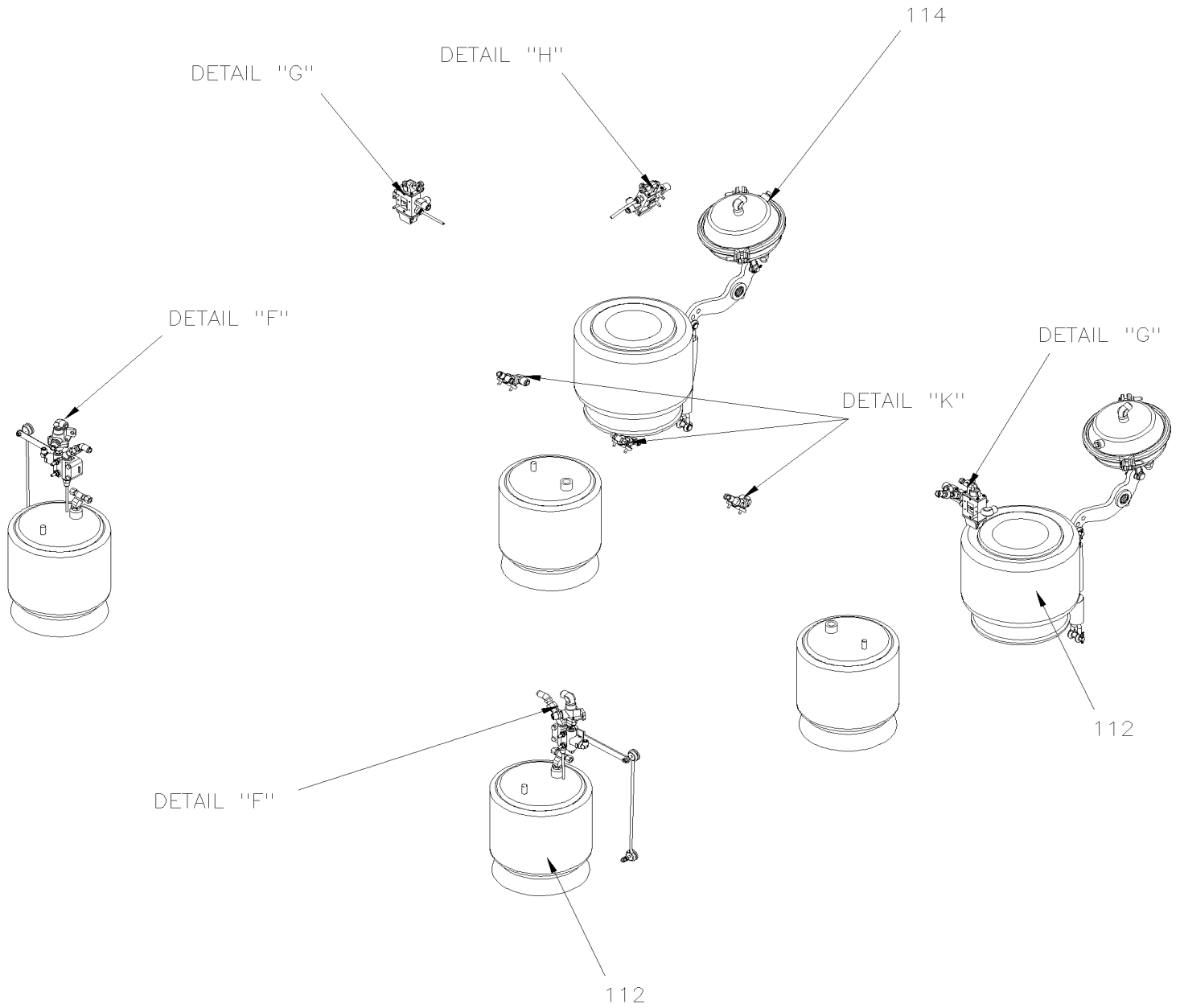
From 7-0671 To E-2504

Date:10/2022

PAGE:H7-1620-00

## HEIGHT CONTROL VALVE & FRONT KNEELING

REAR AND TAG AXLE



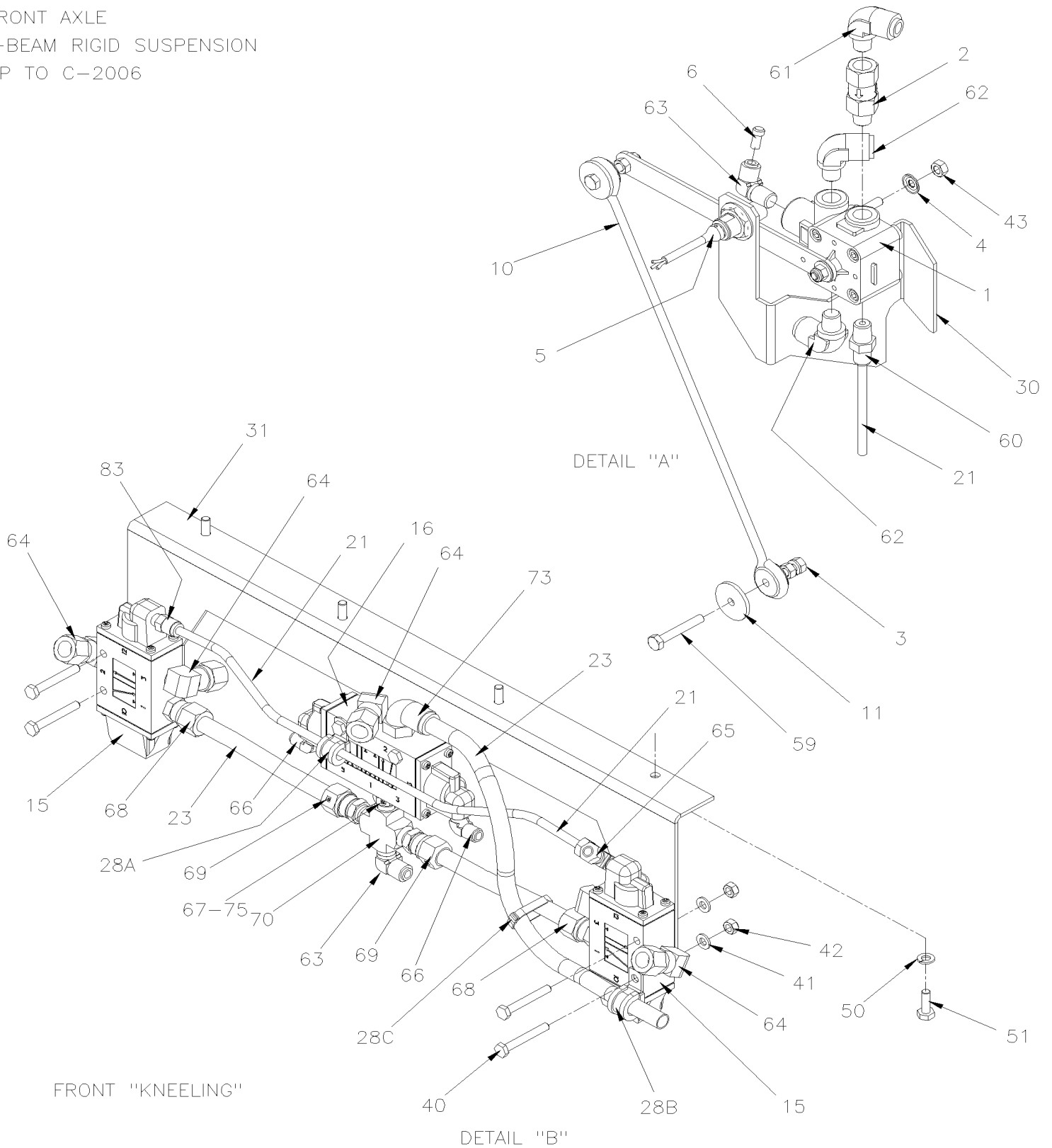
From 7-0671 To E-2504

Date:10/2022

PAGE:H7-1620-00

## HEIGHT CONTROL VALVE & FRONT KNEELING

FRONT AXLE  
I-BEAM RIGID SUSPENSION  
UP TO C-2006



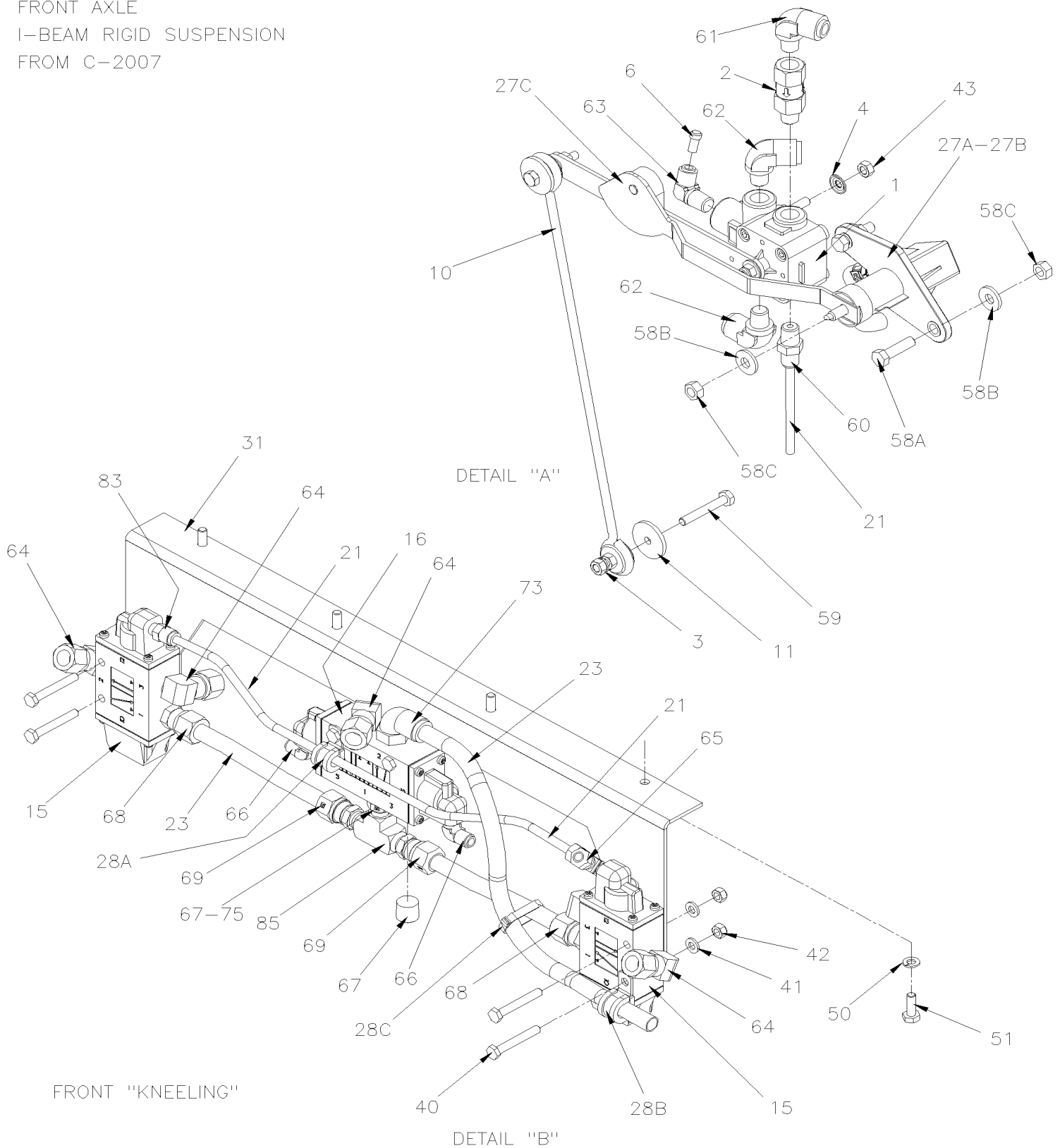
From 7-0671 To E-2504

Date:10/2022

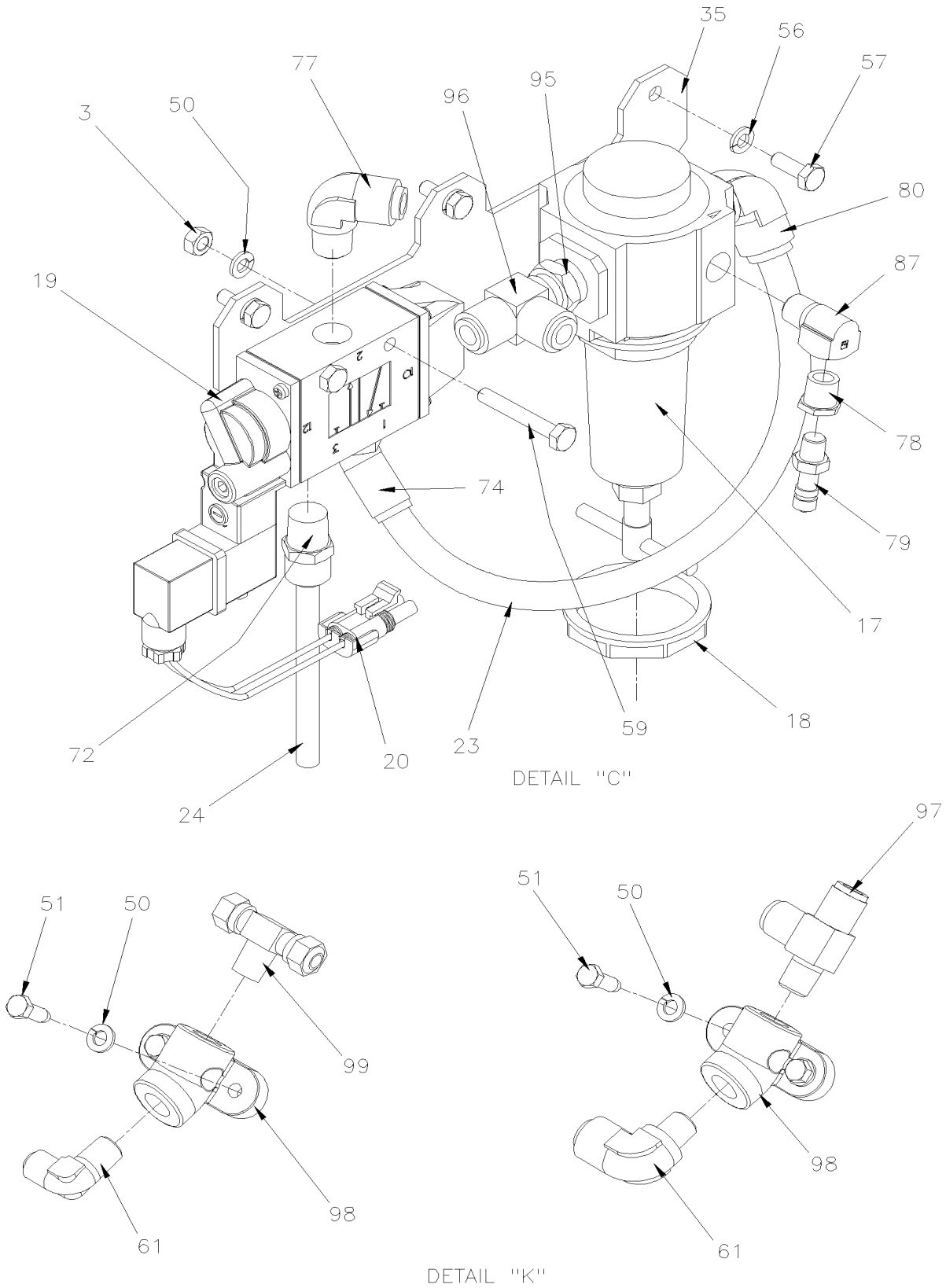
PAGE:H7-1620-00

## HEIGHT CONTROL VALVE & FRONT KNEELING

FRONT AXLE  
I-BEAM RIGID SUSPENSION  
FROM C-2007



HEIGHT CONTROL VALVE & FRONT KNEELING



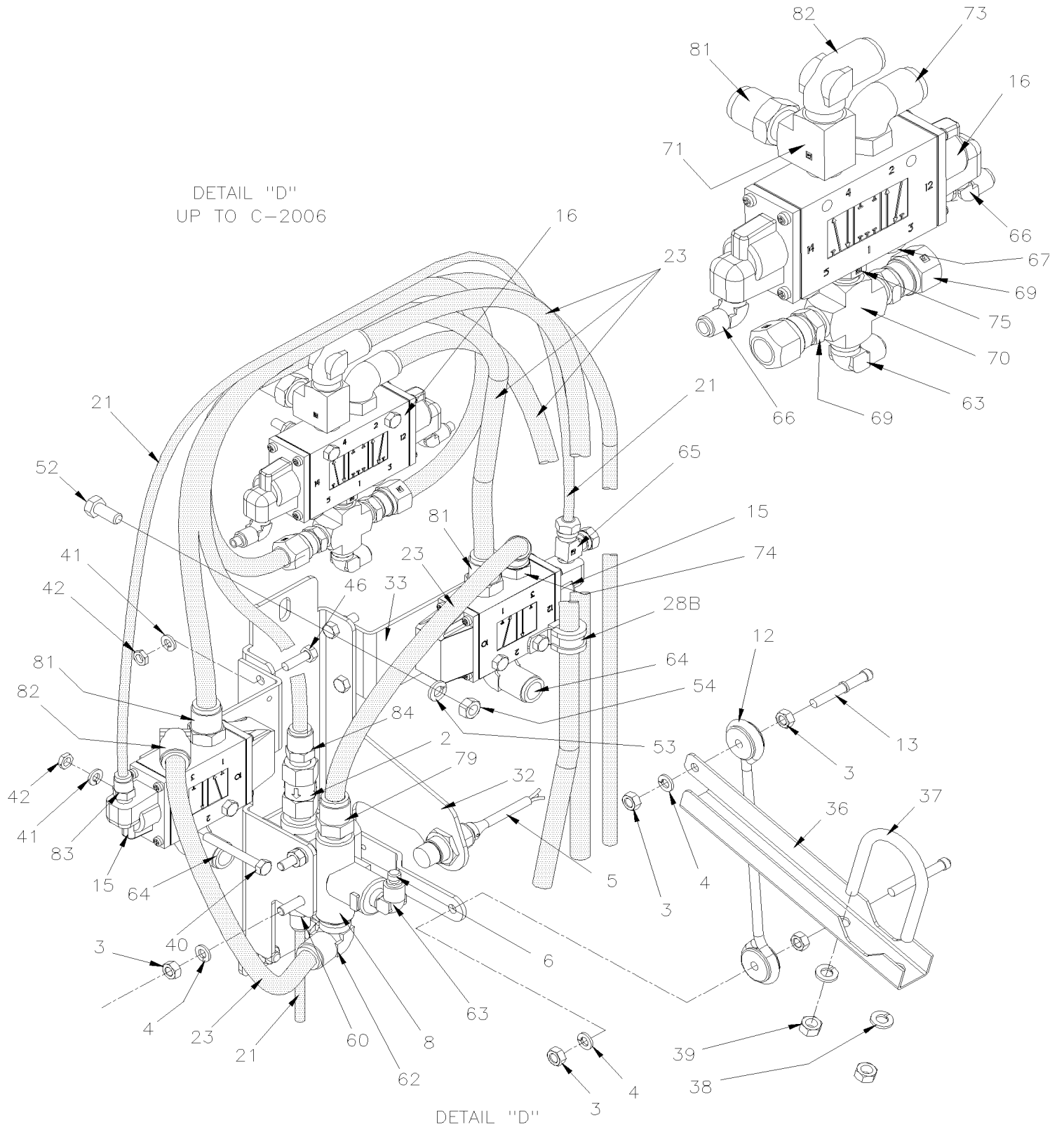
From 7-0671 To E-2504

Date:10/2022

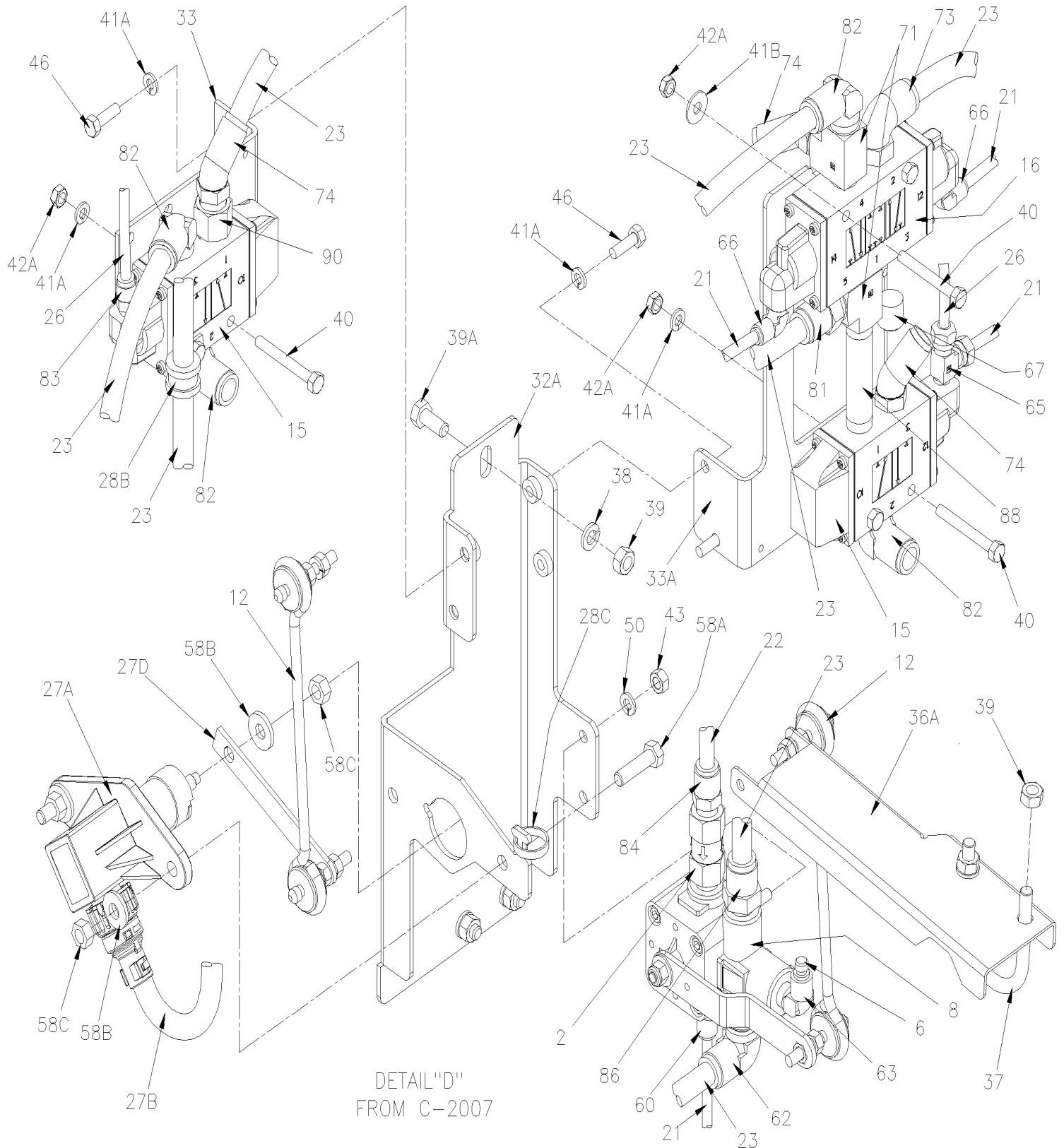
PAGE:H7-1620-00

## HEIGHT CONTROL VALVE & FRONT KNEELING

DETAIL "D"  
UP TO C-2006



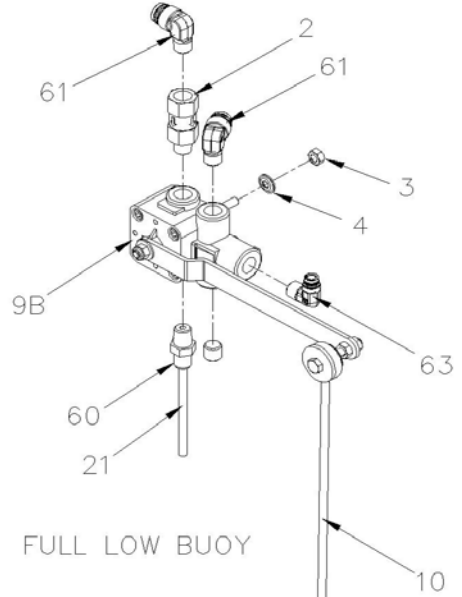
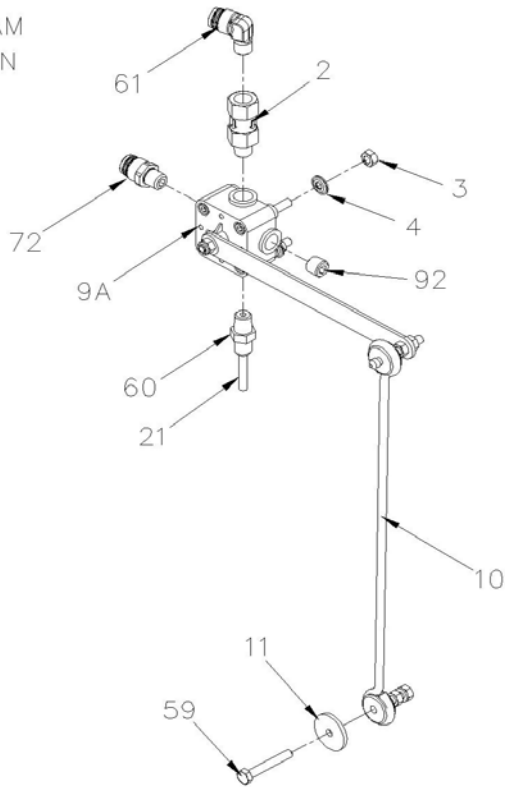
HEIGHT CONTROL VALVE & FRONT KNEELING



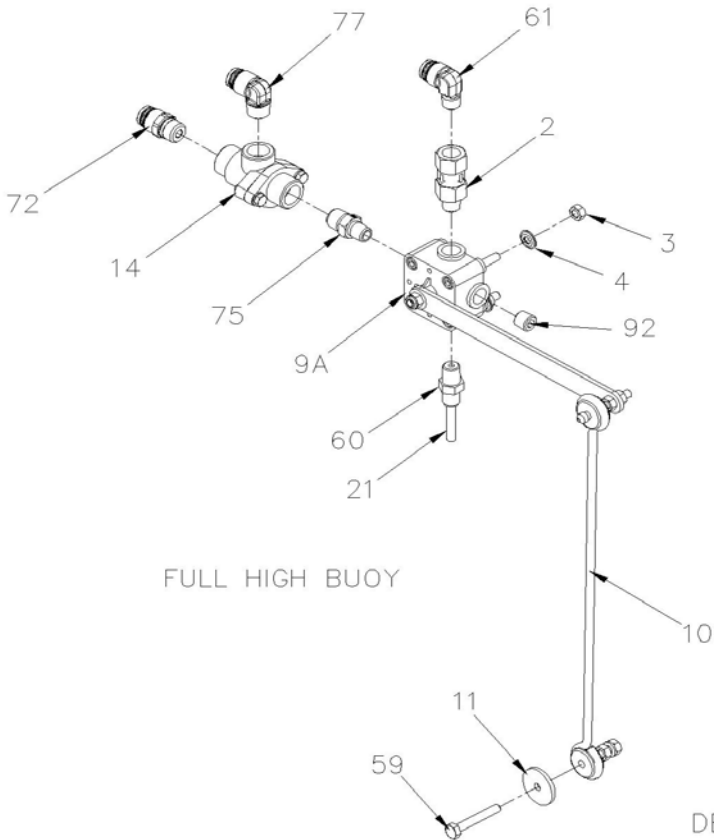
DETAIL "D"  
FROM C-2007

## HEIGHT CONTROL VALVE & FRONT KNEELING

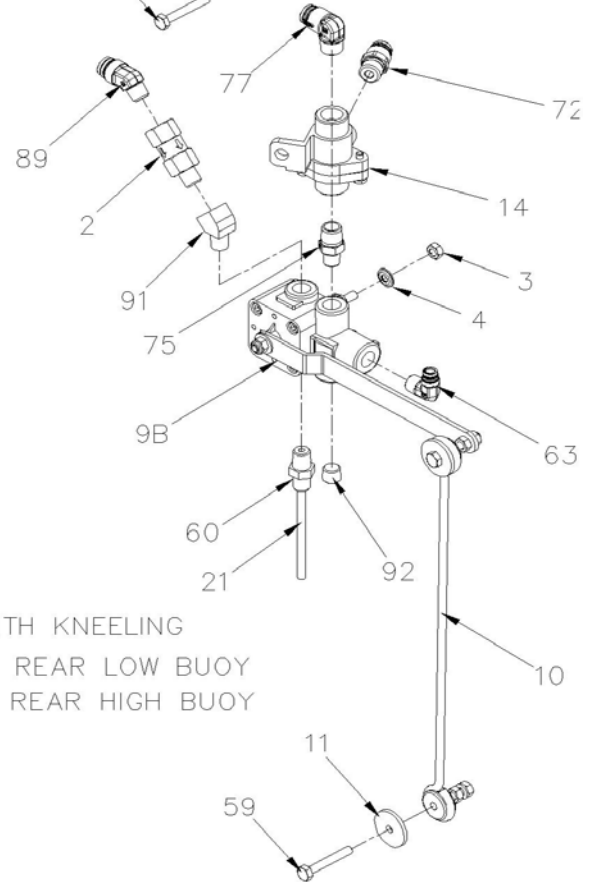
WITH I-BEAM  
SUSPENSION



FULL LOW BUOY



FULL HIGH BUOY

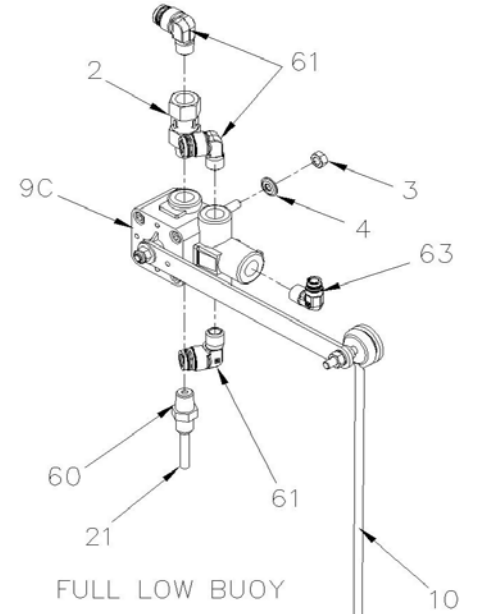
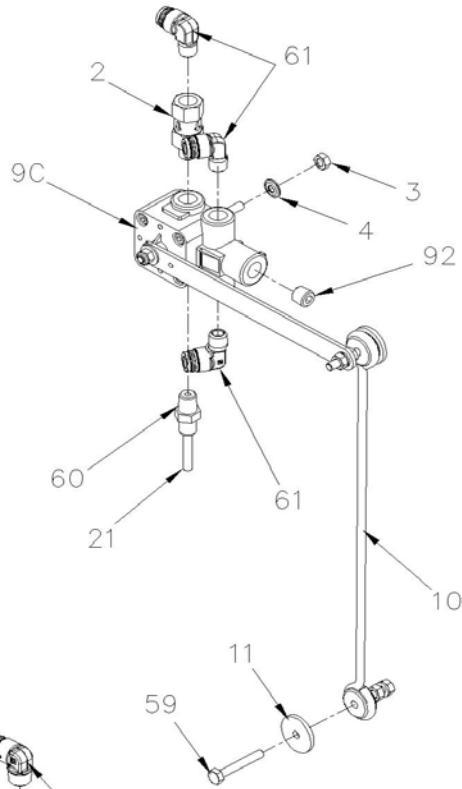


WITH KNEELING  
WITH REAR LOW BUOY  
WITH REAR HIGH BUOY

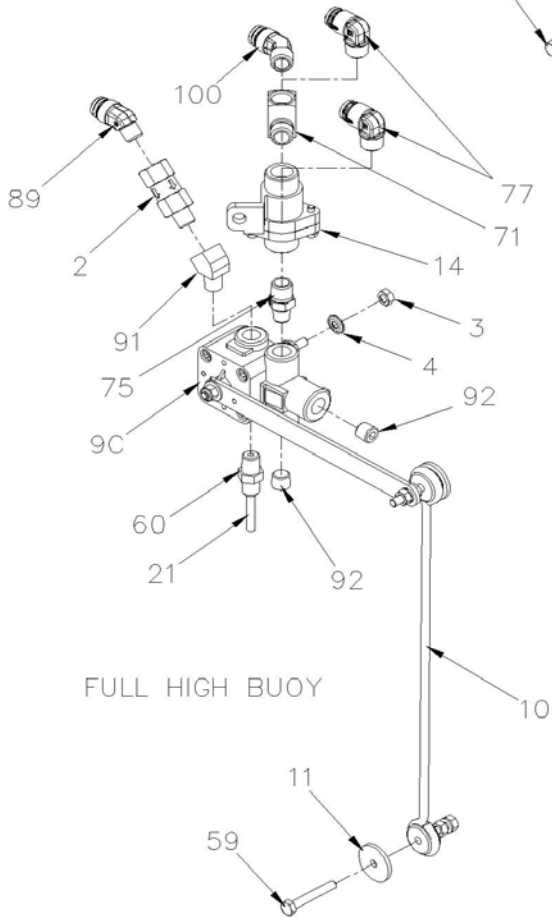
DETAIL "F"

## HEIGHT CONTROL VALVE & FRONT KNEELING

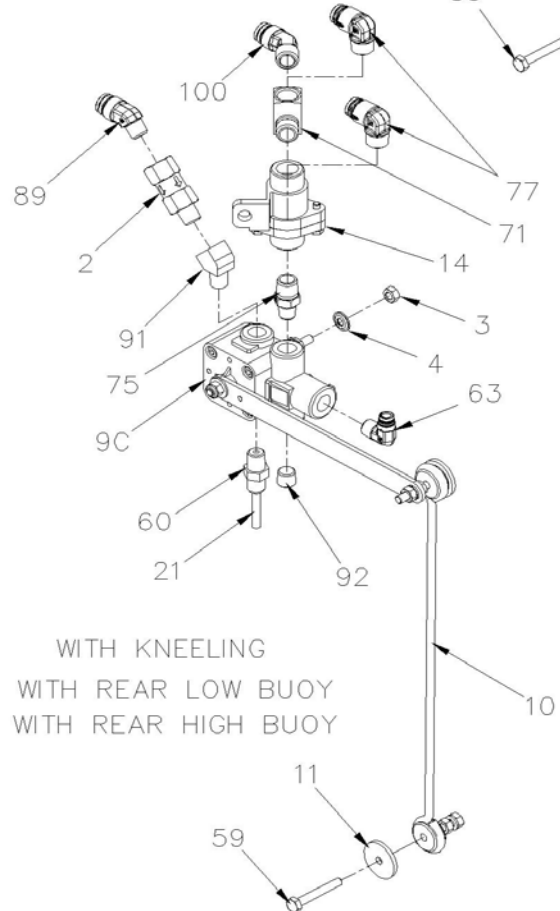
WITH INDEPENDANT  
SUSPENSION



FULL LOW BUOY



FULL HIGH BUOY

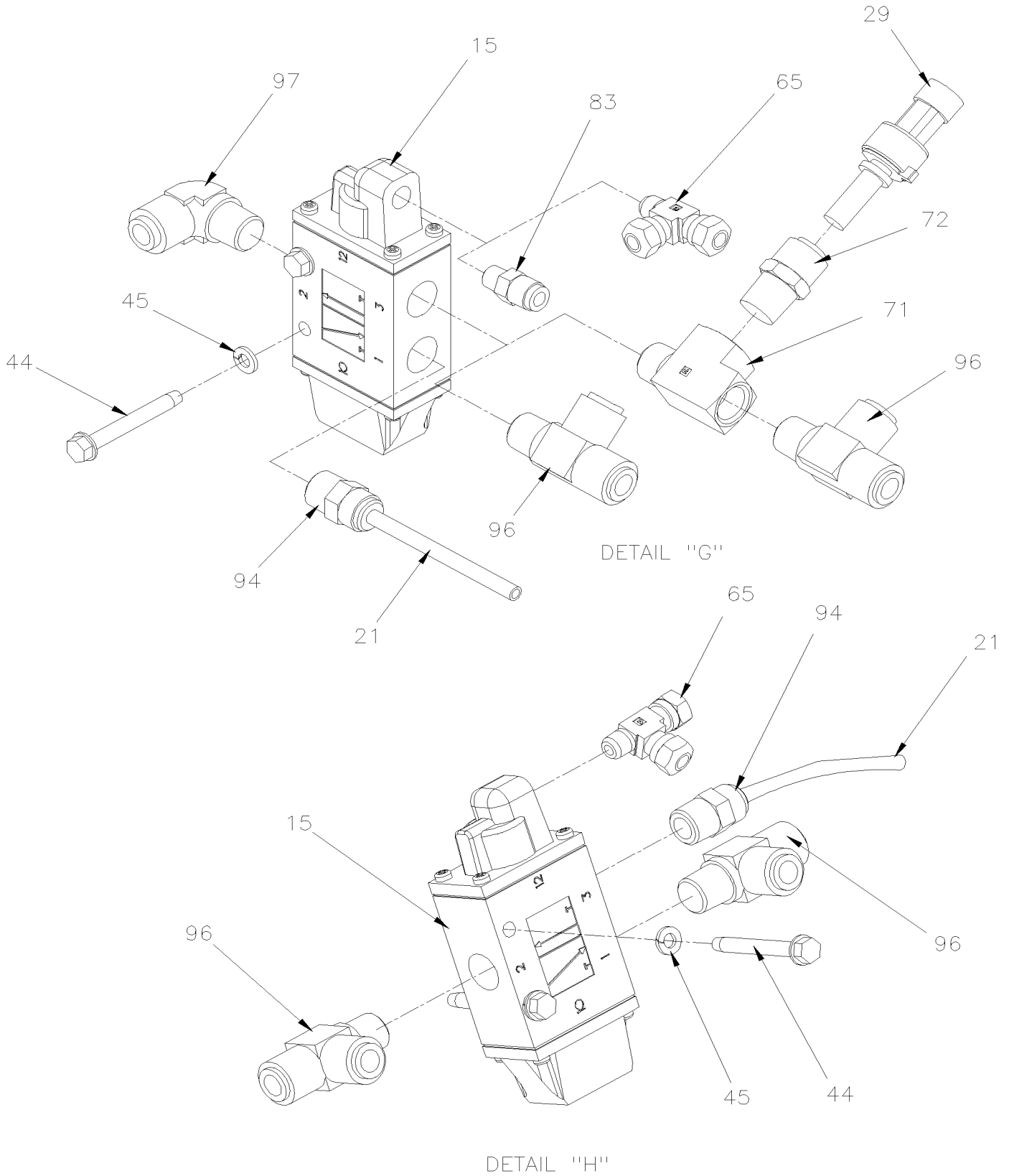


WITH KNEELING  
WITH REAR LOW BUOY  
WITH REAR HIGH BUOY

DETAIL "F"



HEIGHT CONTROL VALVE & FRONT KNEELING



From 7-0671 To E-2504	Date:10/2022	PAGE:H7-1620-00
<b>HEIGHT CONTROL VALVE &amp; FRONT KNEELING</b>		

Item#	Part	Description	H 3 4 1	H 3 4 5	V I P 4 5	N O T E S
1	630261	VALVE, HEIGHT CONTROL "BARKSDALE" / FRONT / W/DRAIN	1	1		R
2	640135	VALVE, CHECK 1/4 NPT	1	1		
3	500769	NUT HEX 1/4-20 Z050	2	2		
4	502582	WASHER LO SERR 6.1x16.2x0.9 Z050	2	2		
5	131059	SWITCH PROXIMITY ASSY 835MM To C-2006	1	1		R
5	131535	SWITCH PROXIMITY ASSY 1520MM To C-2006	1	1		I
6	641416	PLUG STEM / PUSH-IN FITTING / #4 PLAS	1	1		
6	642147	PLUG STEM / PUSH-IN FITTING / #6 PLAS	1	1		
8	630266	VALVE, HEIGHT CONTROL "BARKSDALE" / FRONT / W/DRAIN	1	1		I
9A	630156	VALVE, HEIGHT CONTROL "BARKSDALE"	2	2		R
9B	630247	VALVE, HEIGHT CONTROL "BARKSDALE" / REAR / W/DRAIN	2	2		R
9C	630261	VALVE, HEIGHT CONTROL "BARKSDALE" / FRONT / W/DRAIN	2	2		I
10	630229	LINK ASSY 344MM C/C 13 1/2"	3	3		
. A	N8889244	. GROMMET / LINK	2	2		
. C	630250	. STUD RETAINER 1/4-20 X 1"	2	2		
. NS	500769	. NUT HEX 1/4-20 Z050	4	4		
. NS	500473	. WASHER LO SPT .262x.489x.062 Z050	4	4		
11	131883	WASHER FL .250x1.250x.125 POLY	AR	AR		
12	630231	LINK ASSY 185MM C/C 7 1/4"	1	1		
. A	N8889244	. GROMMET / LINK	2	2		
. B	630250	. STUD RETAINER 1/4-20 X 1"	2	2		
. C	500247	. NUT HEX 1/4-20 N500	4	4		
. D	500473	. WASHER LO SPT .262x.489x.062 Z050	4	4		
13	630250	STUD RETAINER 1/4-20 X 1"	2	2		I
14	641564	VALVE, DOUBLE CHECK DC-4	1	1		
15	641274	VALVE, 3 WAYS, 2 POSITIONS N.C.	2	2		
16	641531	VALVE, 5 WAYS, 3 POSITIONS	1	1		
. NS	641186	. SPOOL	1	1		
17	641352	AIR PRESSURE REGULATOR 1/2" NPT	1	1		
18	641506	NUT RING / AIR REGULATOR RETAINING	1	1		
19	641937	VALVE, 3 WAYS, 2 POSITIONS N.C. / W/MAN OVERRIDE VOIR	1	1		
. NS	641929	. COIL 24V	1	1		
. NS	641385	. CONNECTOR / SOCKET HOUSING ASSY 3C / PNEUMAC 54934-01	1	1		
NS	562353	DIODE / 1AMP	1	1		
20	561690	CONNECTOR / WEATHER PACK / SH 2C / BLACK / PED 12015792	1	1		
NS	561565	CABLE SEAL / GREEN / PED 15324982	2	2		
NS	561578	SOCKET TERMINAL / 16-14 / PED 12010182	2	2		
21	503402	TUBE, NYLON 1/4 O.D. / BLACK S.L.	AR	AR		
22	503471	TUBE, NYLON 3/8 O.D. / BLUE S.L.	AR	AR		
23	503517	TUBE, NYLON 1/2 O.D. / BLUE S.L.	AR	AR		
24	503404	TUBE, NYLON 3/8 O.D. / BLACK S.L.	AR	AR		
26	503566	TUBE, NYLON 1/4 O.D. / BLUE S.L.	AR	AR		

<b>From 7-0671 To E-2504</b>	<b>Date:10/2022</b>	<b>PAGE:H7-1620-00</b>
<b>HEIGHT CONTROL VALVE &amp; FRONT KNEELING</b>		

Item#	Part	Description	H 3 4 1	H 3 4 5	V I P 4 5	N O T E S
27A	21585711	SENSOR / HEIGHT From C-2007 To C-2096	1	1		
27A	068563	SENSOR / HEIGHT ASSY From C-2097	1	1		
27B	068353	WIRING HARNESS From C-2007	1	1		
27C	138611	PIVOT CAPTOR ASSY From C-2007	1	1		R
27D	131968	PIVOT CAPTOR ASSY From C-2007	1	1		I
28A	952625	CLAMP / 3/8" I.D.	1	1		
28B	952627	CLAMP / 1/2" I.D.	1	1		
28C	504637	CABLE TIE / 3/16" x 13"	AR	AR		
29	642075	TRANSDUCER PRESSURE	1	1		A
. NS	563159	. CONNECTOR / METRI-PACK 150 / SH 3C / PED 12065287	1	1		A
30	173035	SUPPORT HEIGHT CONTROL VALVE / (WELDED) To C-2006	1	1		
31	131734	SUPPORT VALVE	1	1		
32	131621	SUPPORT HEIGHT CONTROL VALVE / WHITOUT "KNEELING"	1	1		
32	131921	SUPPORT HEIGHT CONTROL VALVE / W/KNEELING To C-2006	1	1		
32A	131969	SUPPORT HEIGHT CONTROL VALVE / W/KNEELING From C-2007	1	1		
33	131319	SUPPORT VALVE	2	2		
33A	131972	SUPPORT VALVE From C-2007	1	1		
35	131894	SUPPORT / AIR REGULATOR & VALVE PP-7	1	1		
36	110679	ACTUATOR LEVER To C-2006	1	1		C
36A	110798	ACTUATOR LEVER From C-2007	1	1		
37	504635	U-BOLT 1 3/4" I.D. x 2 3/4" x 5/16-18	1	1		
38	500476	WASHER LO SPT .317x.586x.078 Z050 To C-2006	2	2		
39	502846	NUT HEX 5/16-18 N500 To C-2006	2	2		
39	500685	NUT HEX NYRT 5/16-18 SS From C-2007	2	2		
39A	500836	SCREW CAP HEX 5/16-18x3/4 G5 N500	2	2		
40	502656	SCREW CAP HEX M6-1.0x50 SS	6	6		
40	502793	SCREW CAP HEX M6-1.0x45 G8.8 Z050	AR	AR		
41	502573	WASHER FL 6.4x12.5x1.6 SS	6	6		
41A	502570	WASHER LO SPT 6.1x11.8x1.6 SS	6	6		
41B	5001833	WASHER BEL SPR 6.1x18x1.27 SS	2	2		
42	502681	NUT HEX NYRT M6-1.0 N500 G8	6	6		
42	502511	NUT HEX NYRT M6-1.0 Z050	1	1		
42A	502565	NUT HEX M6-1.0 SS	6	6		
43	500247	NUT HEX 1/4-20 N500	2	2		
44	500600	SCREW TC CAP HEXW 1/4-20x2 N500	2	2		
45	502583	WASHER LO SERR 8.15x22.3x1.0 Z050	2	2		
46	502622	SCREW CAP HEX M6-1.0x20 SS BK	4	4		
50	500473	WASHER LO SPT .262x.489x.062 Z050	AR	AR		
50	5001749	WASHER LO SPT 6.5x11.5x1.6 N500	AR	AR		
51	500923	SCREW TC CAP HEX 1/4-20x3/4 Z050	2	2		
52	500179	SCREW CAP HEX 5/16-18x3/4 G5 Z050	2	2		
53	500942	WASHER LO SPT 8.1x14.8x2.0 N500	2	2		

<b>From 7-0671 To E-2504</b>	<b>Date:10/2022</b>	<b>PAGE:H7-1620-00</b>
<b>HEIGHT CONTROL VALVE &amp; FRONT KNEELING</b>		

Item#	Part	Description	H 3 4 1	H 3 4 5	V I P 4 5	N O T E S
54	500778	NUT HEX 5/16-18 N500	2	2		
56	5001749	WASHER LO SPT 6.5x11.5x1.6 N500	3	3		
57	5001746	SCREW CAP HEX 1/4-20x3/4 G5 N500	3	3		
58A	5001738	SCREW CAP HEX M8-1.25x30 G8.8 N500	2	2		
58B	500321	WASHER BEL SPR .331x.827x.098 N500	3	3		
58C	502851	NUT HEX M8-1.25 N500	3	3		
59	5001705	SCREW CAP HEX 1/4-20x1 3/4 SS	AR	AR		
60	641332	MALE CONNECTOR / PUSH-IN FITTING / #4x1/4NPT-M BR	1	1		
61	641372	MALE ELBOW 90° NON-SWIVEL / PUSH-IN FITTING / #6x1/4NPT-M BR	1	1		
62	641373	MALE ELBOW 90° NON-SWIVEL / PUSH-IN FITTING / #8x1/4NPT-M BR	2	2		
63	641371	MALE ELBOW 90° NON-SWIVEL / PUSH-IN FITTING / #4x1/4NPT-M BR	1	1		
64	641040	MALE ELBOW 90° / NTA FITTING / #8x3/8NPT-M BR	2	2		
65	641002	MALE RUN TEE / NTA FITTING / #4x#4x1/8NPT-M BR	1	1		
66	641369	MALE ELBOW 90° NON-SWIVEL / PUSH-IN FITTING / #4x1/8NPT-M BR	2	2		
67	501449	PLUG HEXS / PIPE FITTING / 3/8NPT-M STL	2	2		
68	640991	MALE CONNECTOR / NTA FITTING / #8x3/8NPT-M BR	1	1		
69	641173	MALE CONNECTOR / NTA FITTING / #8x1/4NPT-M BR	1	1		
70	501902	CROSS / PIPE FITTING / 1/4NPT-Fx1/4NPT-Fx 1/4NPT-Fx1/4NPT-F BR	1	1		
71	501699	MALE RUN TEE / PIPE FITTING / 3/8NPT-Mx3/8NPT-Fx3/8NPT-F BR	1	1		
72	641330	MALE CONNECTOR / PUSH-IN FITTING / #6x3/8NPT-M BR	1	1		
73	641428	MALE ELBOW 90° SWIVEL / PUSH-IN FITTING / #8x3/8NPT-M BR	1	1		
74	641368	MALE ELBOW 45° NON-SWIVEL / PUSH-IN FITTING / #8x3/8NPT-M BR	1	1		
75	501749	NIPPLE REDUCER HEX / PIPE FITTING / 3/8NPT-Mx1/4NPT-Mx1 13/32 BR	1	1		
76	501534	BUSHING REDUCER / PIPE FITTING / 1/2NPT-Mx3/8NPT-F BR	1	1		
77	641375	MALE ELBOW 90° NON-SWIVEL / PUSH-IN FITTING / #6x3/8NPT-M BR	1	1		
78	501312	BUSHING REDUCER / PIPE FITTING / 1/4NPT-Mx1/8NPT-F BR	1	1		
79	640488	VALVE, AIR FILL 1/8" NPT	1	1		
. NS	650164	. CAP VALVE / CHROME	1	1		
80	641378	MALE ELBOW 90° / PUSH-IN FITTING / #8x1/2NPT-M BRASS	1	1		
81	641381	MALE CONNECTOR / PUSH-IN FITTING / #8x3/8NPT-M BR	4	4		
82	641376	MALE ELBOW 90° NON-SWIVEL / PUSH-IN FITTING / #8x3/8NPT-M BR	1	1		
83	641242	MALE CONNECTOR / PUSH-IN FITTING / #4x1/8NPT-M BR	1	1		
84	641331	MALE CONNECTOR / PUSH-IN FITTING / #6x1/4NPT-M BR	1	1		
85	501337	FEMALE UNION TEE / PIPE FITTING / 1/4NPT-Fx1/4NPT-Fx1/4NPT-F BR	1	1		
86	641380	MALE CONNECTOR / PUSH-IN FITTING / #8x1/4NPT-M BR	1	1		
87	501332	STREET ELBOW 90° / PIPE FITTING / 1/4NPT-Mx1/4NPT-F BR	1	1		
88	501814	NIPPLE / PIPE FITTING / 3/8NPT-Mx3/8NPT-Mx3 BR	1	1		
89	641366	MALE ELBOW 45° NON-SWIVEL / PUSH-IN FITTING / #6x1/4NPT-M BR	1	1		
90	501309	ADAPTER / PIPE FITTING / 3/8NPT-Fx3/8NPT-M BR	1	1		
91	501329	STREET ELBOW 45° / PIPE FITTING / 1/4NPT-Mx1/4NPT-F BR	1	1		
92	501304	PLUG SQUARE HEAD / PIPE FITTING / 1/4NPT-M BR To A-1677	1	1		
92	501800	PLUG HEXS / PIPE FITTING / 1/4NPT-M STL From A-1678	1	1		

From 7-0671 To E-2504	Date:10/2022	PAGE:H7-1620-00
<b>HEIGHT CONTROL VALVE &amp; FRONT KNEELING</b>		

Item#	Part	Description	H 3 4 1	H 3 4 5	V I P 4 5	N O T E S
94	641347	MALE CONNECTOR / PUSH-IN FITTING / #4x3/8NPT-M BR	3	3		
95	501322	NIPPLE HEX / PIPE FITTING / 3/8NPT-Mx3/8NPT-Mx1 13/32 BR	1	1		
96	641388	MALE RUN TEE NON-SWIVEL / PUSH-IN FITTING / #6x#6x3/8NPT-M BR	1	1		
97	641389	MALE RUN TEE SWIVEL / PUSH-IN FITTING / #6x#6x1/4NPT-M BR	1	1		
98	640643	ANCHOR ELBOW / PIPE FITTING / 1/4NPT-Fx1/4NPT-F STL	1	1		
99	641008	MALE BRANCH TEE / NTA FITTING / #6x#6x3/8NPT-M BR	1	1		
99	641006	MALE BRANCH TEE / NTA FITTING / #4x#4x1/4NPT-M BR	1	1		
100	641367	MALE ELBOW 45° NON-SWIVEL / PUSH-IN FITTING / #6x3/8NPT-M BR	1	1	1	
105	131737	MALE CONNECTOR 123.8MM 1/2 NPT	2	2		
110	<b>H7-1630-00</b>	<b>FRONT KNEELING - CONTROL PANEL To E-2565</b>				
110	<b>H7-1630-01</b>	<b>FRONT KNEELING - CONTROL PANEL From E-2566</b>				
112	<b>H7-1601-00</b>	<b>BELLOWS - AIR SUSPENSION</b>				
114	<b>H7-1615-10</b>	<b>TAG AXLE - LIFTING</b>				
NS	132117	KIT SENSOR FOR FRONT BEAM AXLE From C-2007 To E-2504	1	1		
NS	132118	KIT SENSOR FOR INDEPENDENT FRONT SUSPENSION From C-2019 To D-2362	1	1		
		A) WITH OPTION "ABS-6 ESP ADVENCE				
		C) FIXED AT FRONT STABILISATOR BAR				
		G) WITH VEHICULE OPTION WEIGHT CONTROL ON FRONT AXLE				
		I) WITH INDEPENDANTE SUSPENSION				
		R) WITH "I BEAM" SUSPENSION				



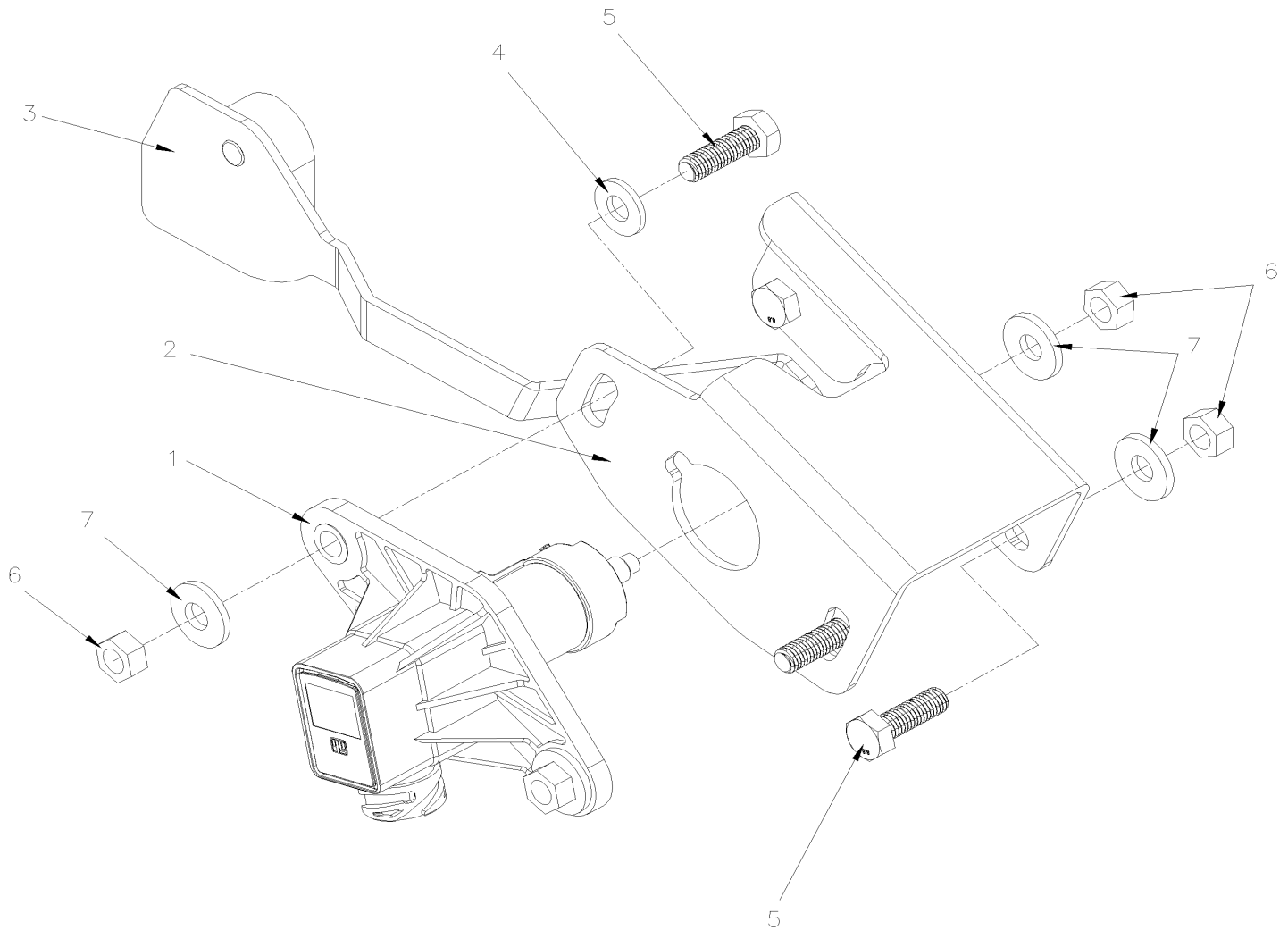
From C-2007 To E-2504

Date:10/2022

PAGE:132117

## KIT SENSOR FOR FRONT BEAM AXLE

SERVICE KIT 132117  
FROM S/N C-2007 UP TO E-2504



From C-2007 To E-2504	Date:10/2022	PAGE:132117
<b>KIT SENSOR FOR FRONT BEAM AXLE</b>		

Item#	Part	Description	H 3 4 1	H 3 4 5	V I P 4 5	N O T E S
1	22194741	SENSOR / HEIGHT ASSY	1	1	1	
2	132123	ADAPTOR CAPTOR ECS H3 FRONT BEAM AXLE	1	1	1	
3	132121	PIVOT CAPTOR H3 FRONT BEAM AXLE ASSY	1	1	1	
4	5001736	WASHER FL 8.4x18.0x2.0 N500	2	2	2	
5	5001745	SCREW CAP HEX M8-1.25x25 G8.8 N500	4	4	4	
6	502851	NUT HEX M8-1.25 N500	5	5	5	
7	500321	WASHER BEL SPR .331x.827x.098 N500	5	5	5	
NS	504637	CABLE TIE / 3/16" x 13"	4	4	4	
NS	IS-18025	SEE INSTRUCTION SHEET	1	1	1	



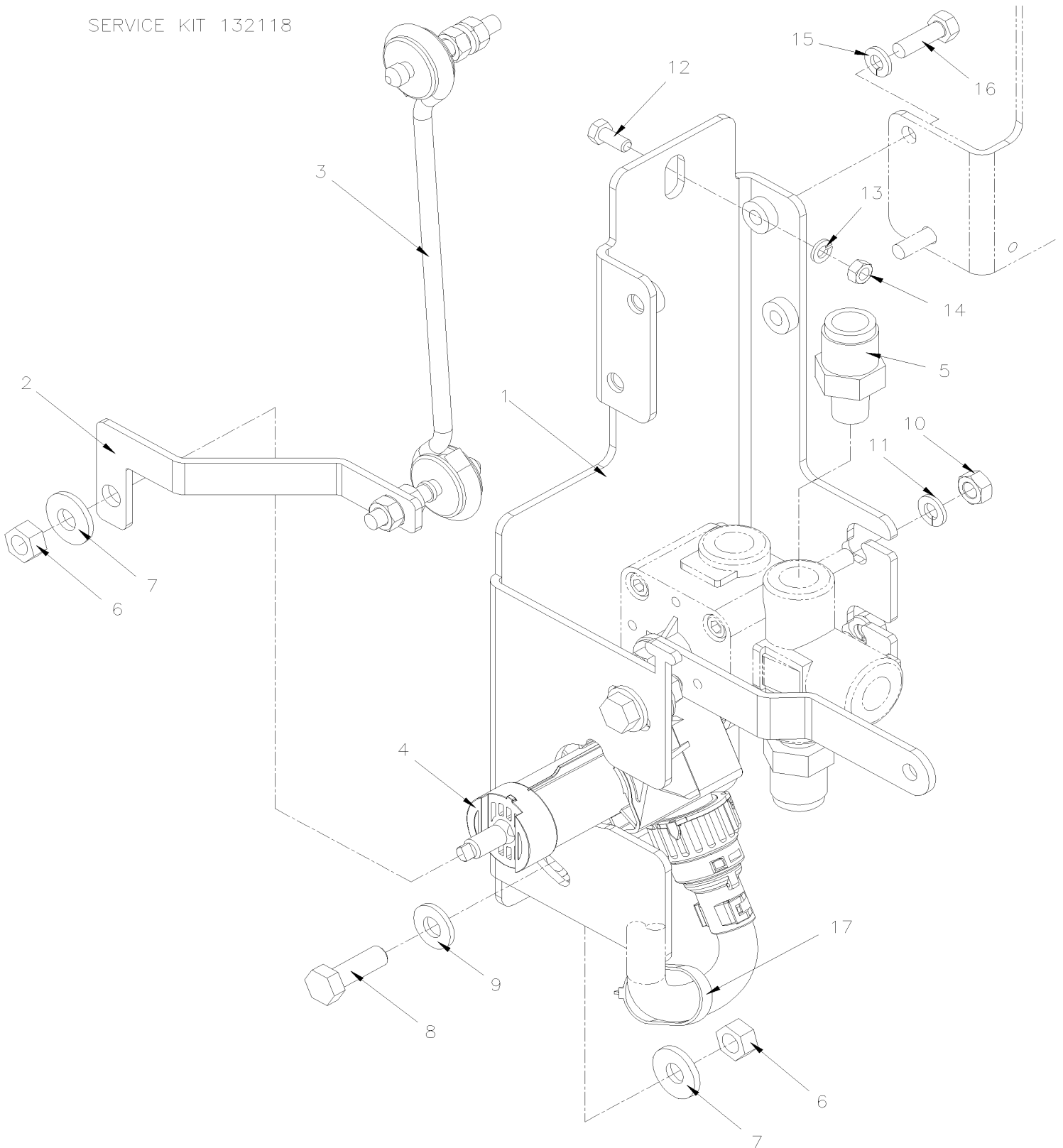
From C-2019 To D-2362

Date:10/2022

PAGE:132118

## KIT SENSOR FOR INDEPENDENT FRONT SUSPENSION

SERVICE KIT 132118



From C-2019 To D-2362	Date:10/2022	PAGE:132118
<b>KIT SENSOR FOR INDEPENDENT FRONT SUSPENSION</b>		

Item#	Part	Description	H 3 4 1	H 3 4 5	V I P 4 5	N O T E S
1	132127	SUPPORT HEIGHT CTR'L VALVE, W/FRONT KNEE	1	1	1	
2	132128	PIVOT ARM FOR ECS CAPTOR	1	1	1	
3	630231	LINK ASSY 185MM C/C 7 1/4"	1	1	1	
. A	N8889244	. GROMMET / LINK	2	2	2	
. B	630250	. STUD RETAINER 1/4-20 X 1"	2	2	2	
. C	500247	. NUT HEX 1/4-20 N500	4	4	4	
. D	500473	. WASHER LO SPT .262x.489x.062 Z050	4	4	4	
4	22194741	SENSOR / HEIGHT ASSY	1	1	1	
5	641380	MALE CONNECTOR / PUSH-IN FITTING / #8x1/4NPT-M BR	1	1	1	
6	502851	NUT HEX M8-1.25 N500	3	3	3	
7	500321	WASHER BEL SPR .331x.827x.098 N500	3	3	3	
8	5001745	SCREW CAP HEX M8-1.25x25 G8.8 N500	2	2	2	
9	5001736	WASHER FL 8.4x18.0x2.0 N500	2	2	2	
10	500247	NUT HEX 1/4-20 N500	2	2	2	
11	500473	WASHER LO SPT .262x.489x.062 Z050	2	2	2	
12	500836	SCREW CAP HEX 5/16-18x3/4 G5 N500	3	3	3	
13	500942	WASHER LO SPT 8.1x14.8x2.0 N500	3	3	3	
14	500778	NUT HEX 5/16-18 N500	3	3	3	
15	502570	WASHER LO SPT 6.1x11.8x1.6 SS	4	4	4	
16	502622	SCREW CAP HEX M6-1.0x20 SS BK	4	4	4	
17	504637	CABLE TIE / 3/16" x 13"	4	4	4	
NS	IS-18025	SEE INSTRUCTION SHEET	1	1	1	

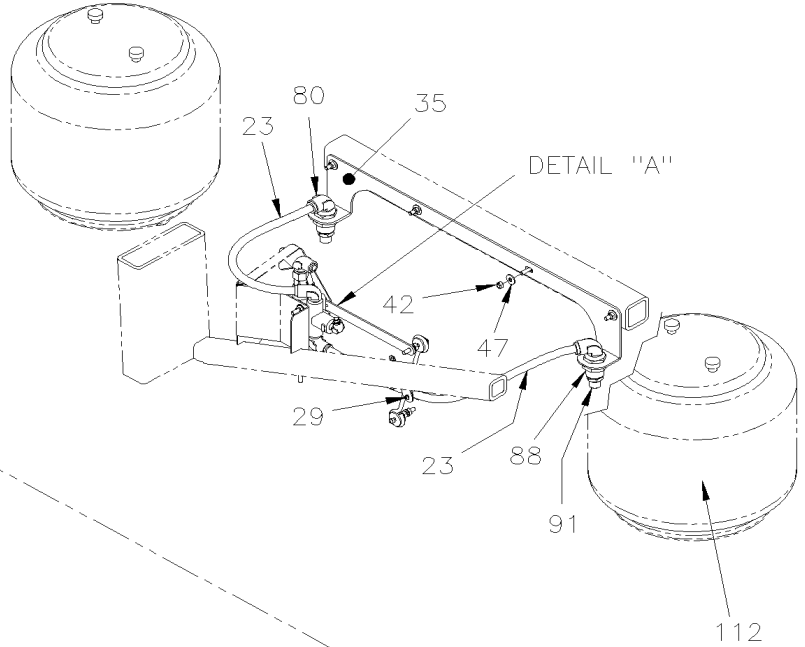
From E-2505 To J-0184

Date:10/2022

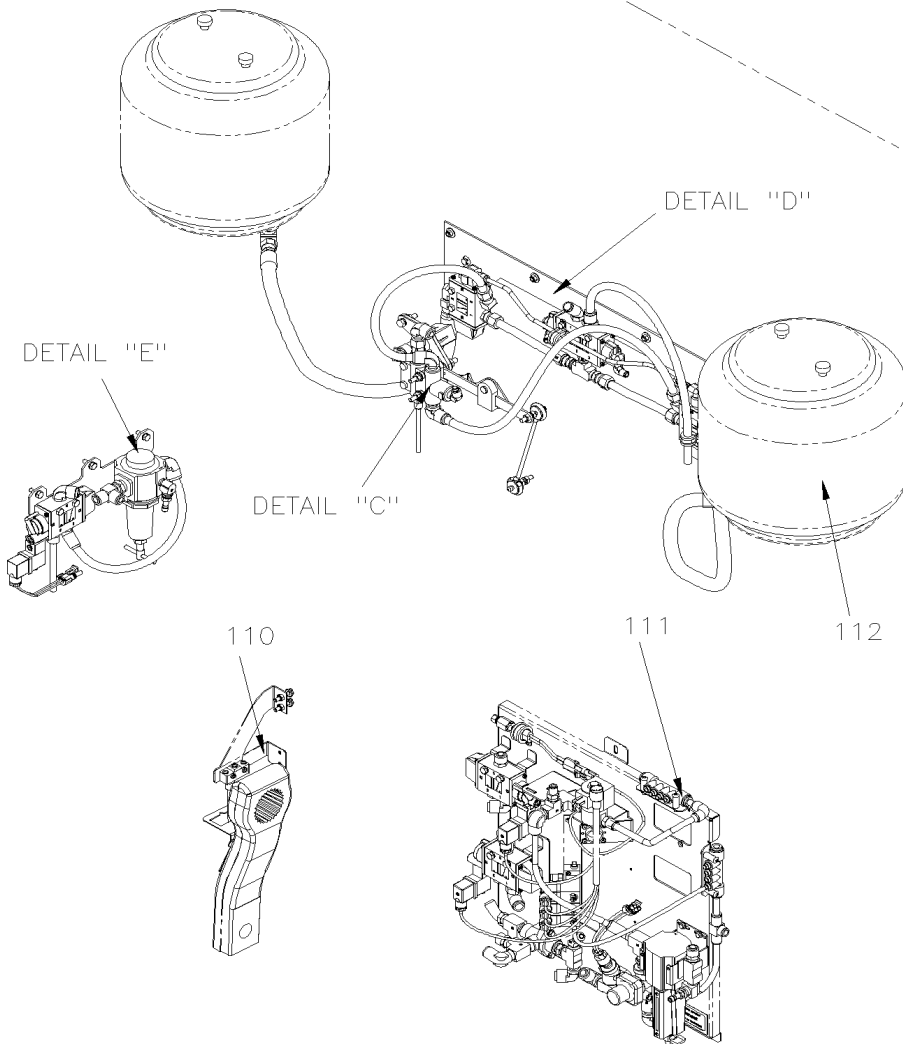
PAGE:H7-1620-01

## HEIGHT CONTROL VALVE & FRONT KNEELING

FRONT AXLE  
I-BEAM RIGID SUSPENSION



FRONT AXLE  
I-BEAM RIGID SUSPENSION  
WITH KNEELING



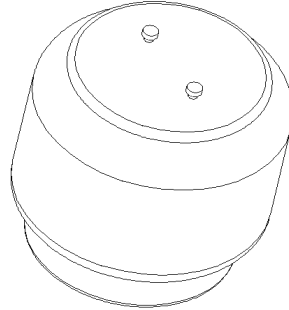
From E-2505 To J-0184

Date:10/2022

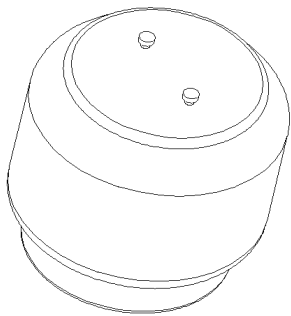
PAGE:H7-1620-01

## HEIGHT CONTROL VALVE & FRONT KNEELING

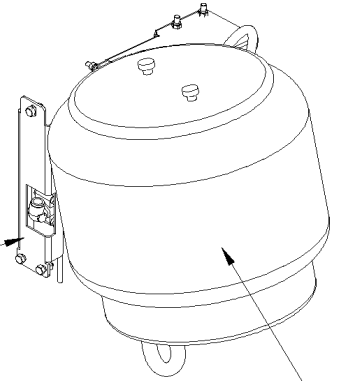
FRONT AXLE  
INDEPENDANT SUSPENSION



FRONT AXLE  
INDEPENDANT SUSPENSION  
WITH KNEELING

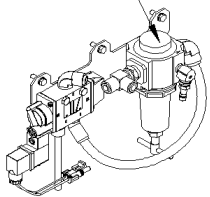


DETAIL "B"



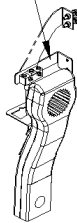
112

DETAIL "E"



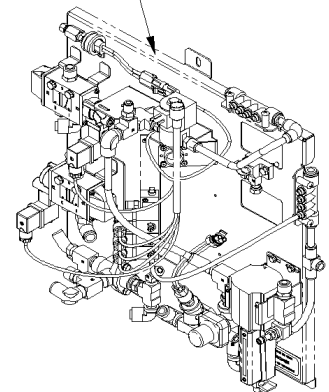
DETAIL "F"

110



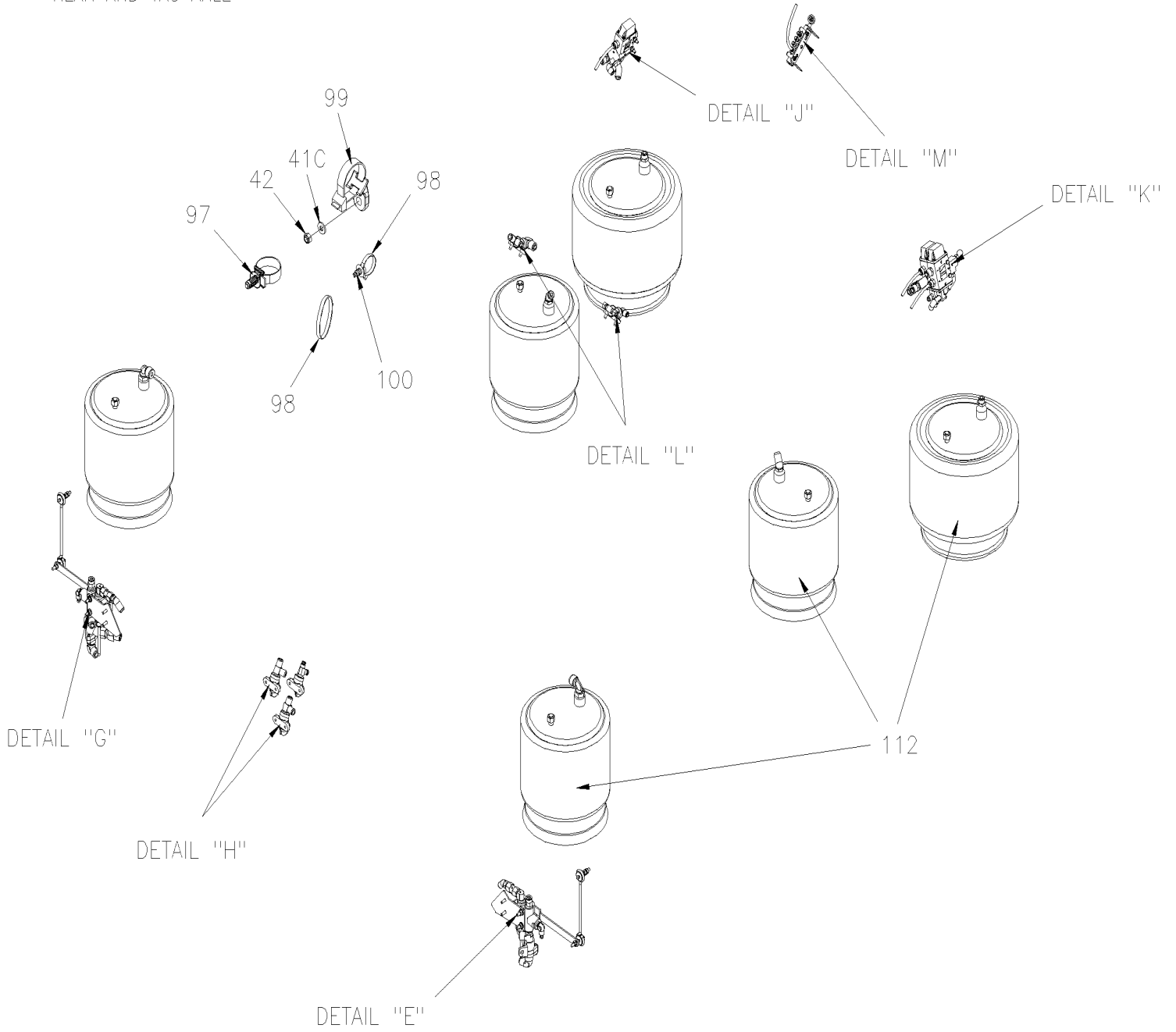
112

111



From E-2505 To J-0184	Date:10/2022	PAGE:H7-1620-01
HEIGHT CONTROL VALVE & FRONT KNEELING		

REAR AND TAG AXLE



From E-2505 To J-0184

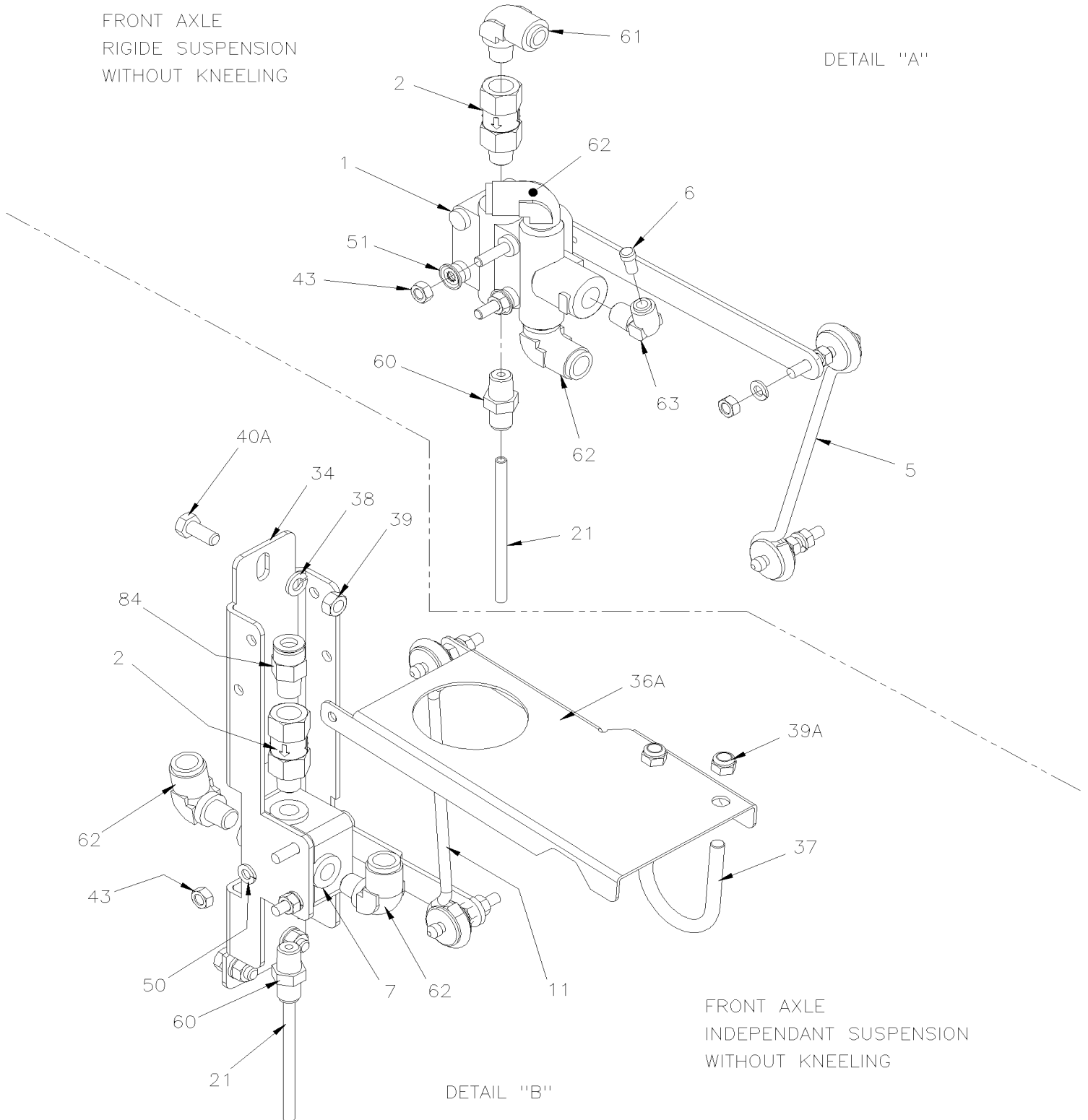
Date:10/2022

PAGE:H7-1620-01

## HEIGHT CONTROL VALVE & FRONT KNEELING

FRONT AXLE  
RIGIDE SUSPENSION  
WITHOUT KNEELING

DETAIL "A"

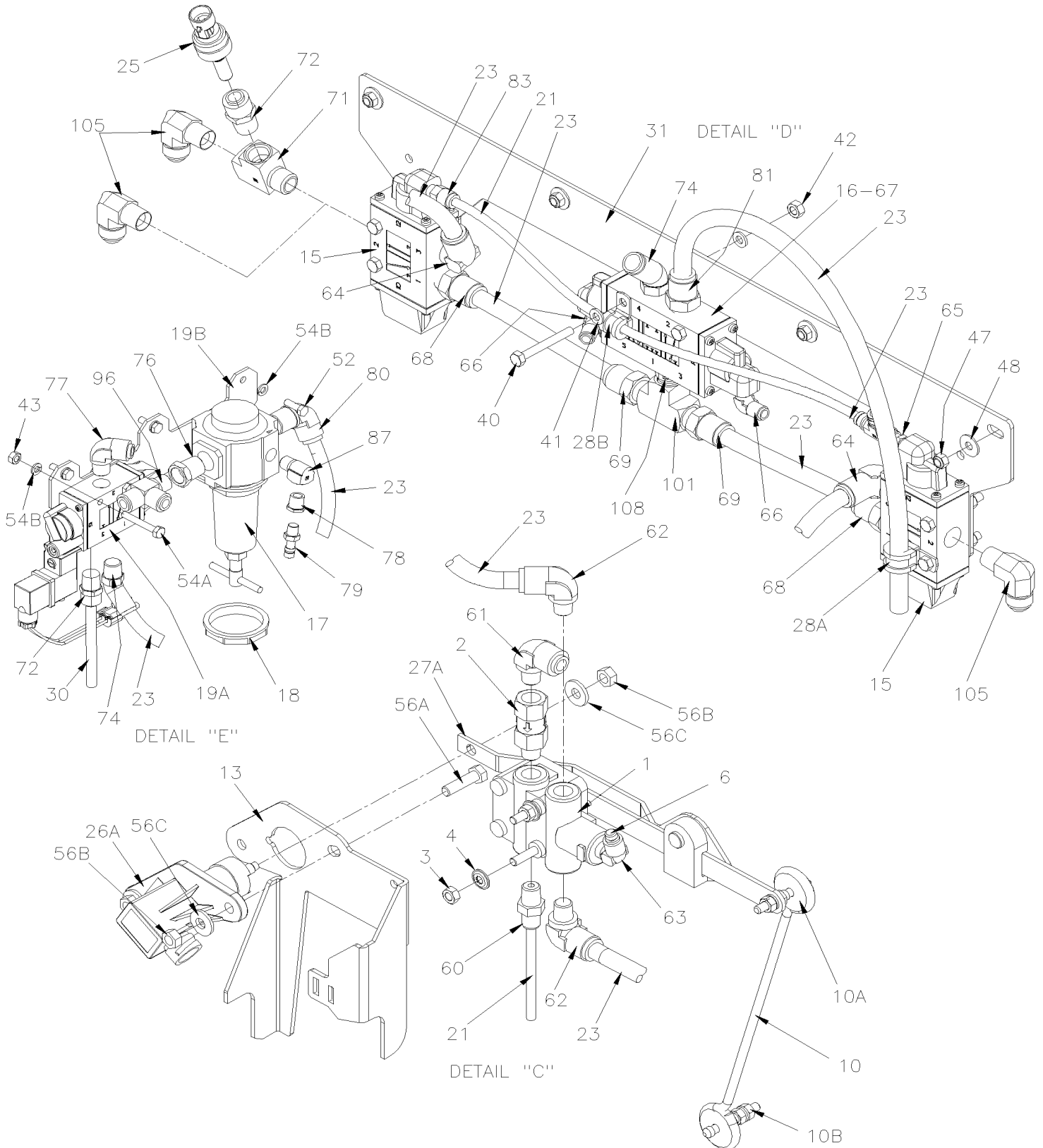


From E-2505 To J-0184

Date:10/2022

PAGE:H7-1620-01

## HEIGHT CONTROL VALVE & FRONT KNEELING

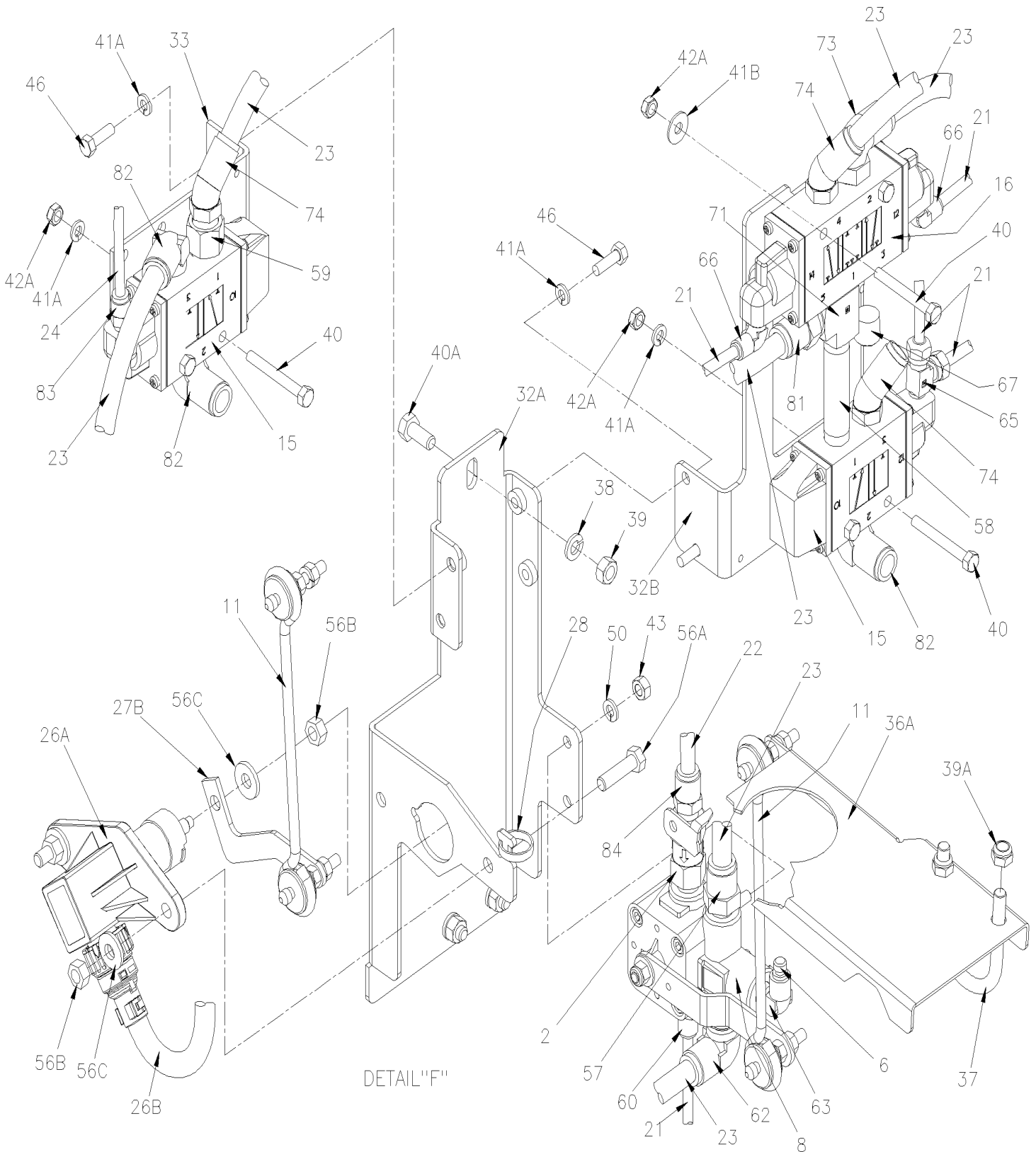


From E-2505 To J-0184

Date:10/2022

PAGE:H7-1620-01

## HEIGHT CONTROL VALVE & FRONT KNEELING



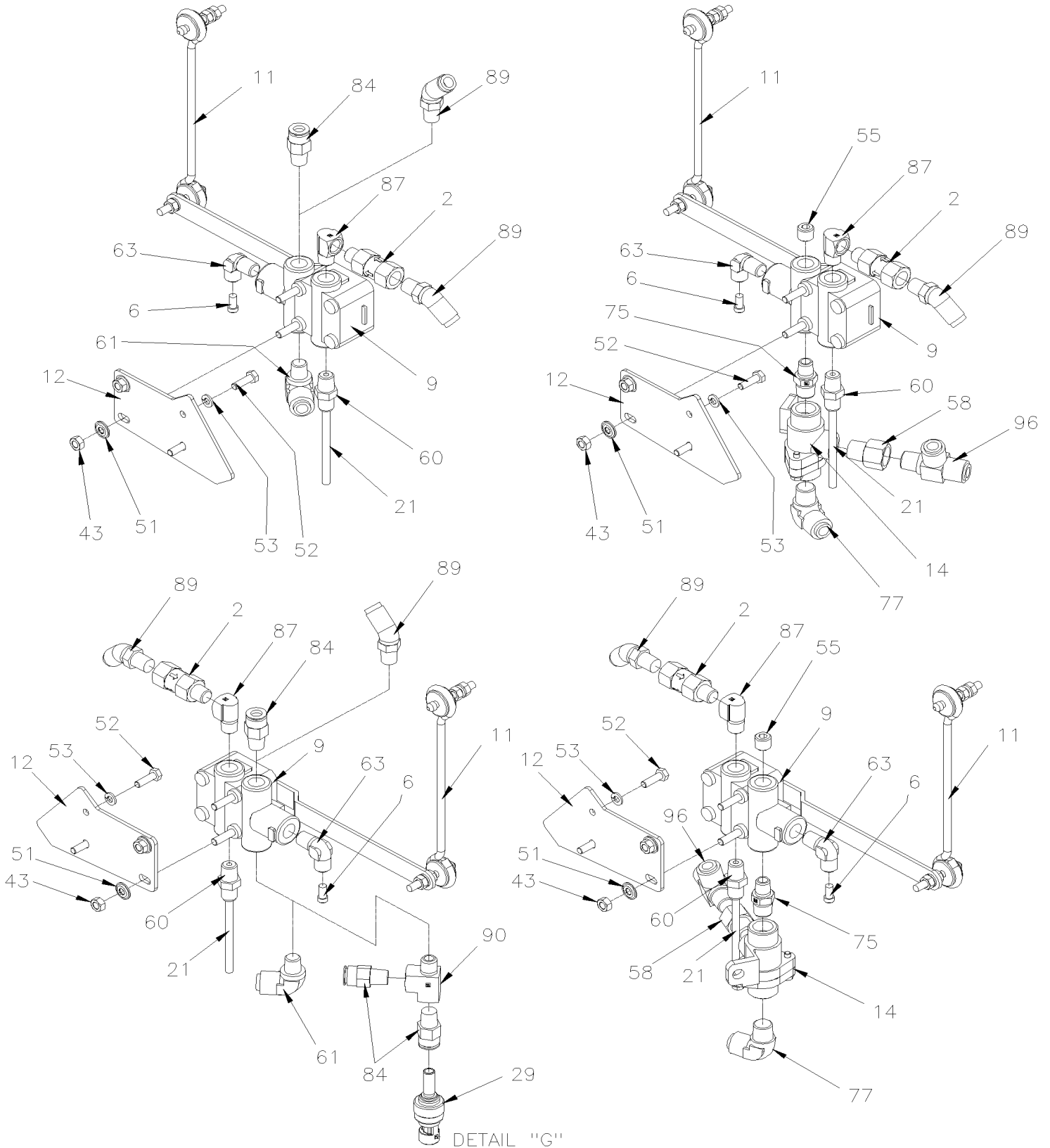


From E-2505 To J-0184

Date:10/2022

PAGE:H7-1620-01

## HEIGHT CONTROL VALVE & FRONT KNEELING

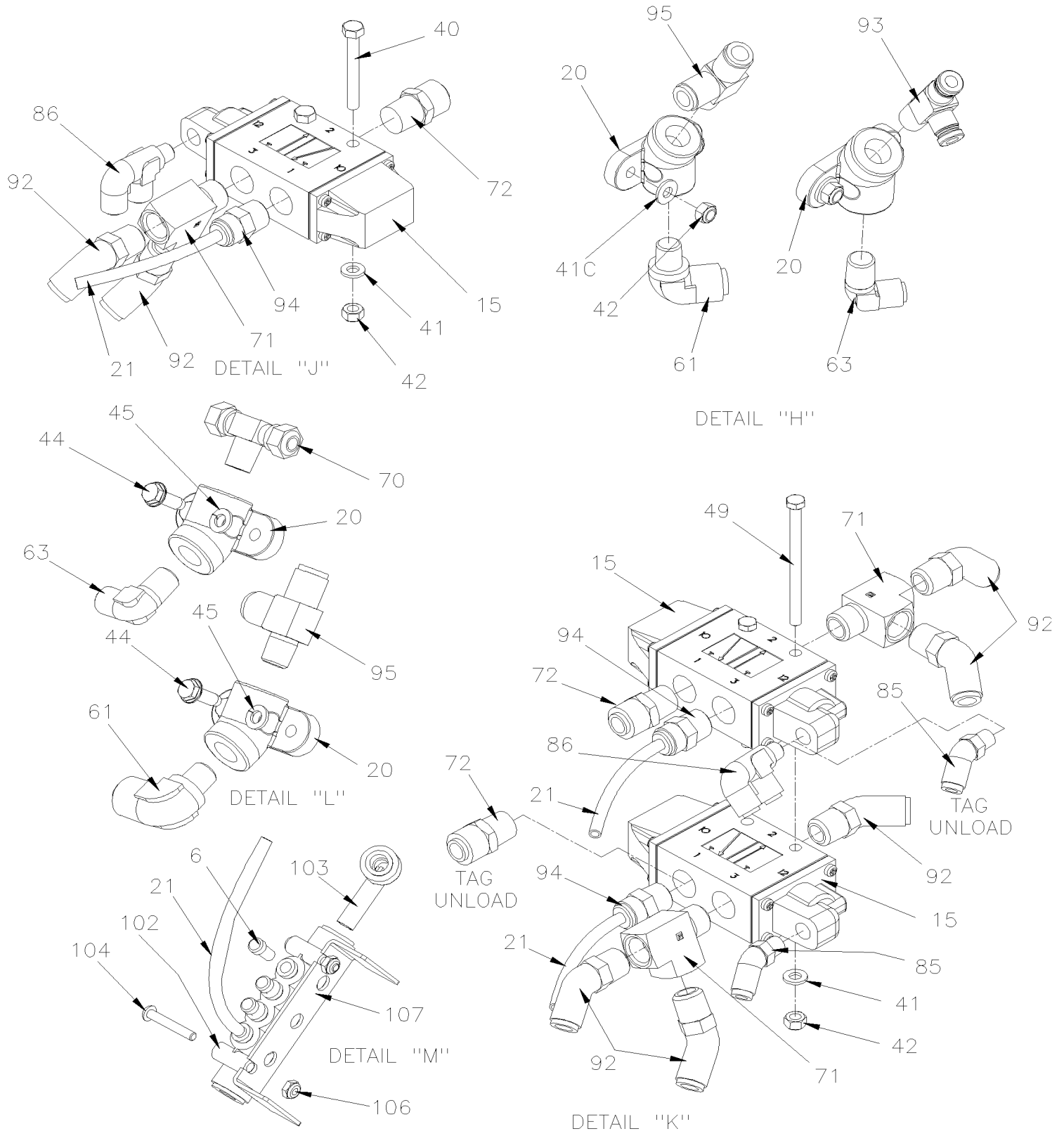


From E-2505 To J-0184

Date:10/2022

PAGE:H7-1620-01

## HEIGHT CONTROL VALVE & FRONT KNEELING



From E-2505 To J-0184	Date:10/2022	PAGE:H7-1620-01
<b>HEIGHT CONTROL VALVE &amp; FRONT KNEELING</b>		

Item#	Part	Description	H 3 4 1	H 3 4 5	V I P 4 5	N O T E S
1	630261	VALVE, HEIGHT CONTROL "BARKSDALE" / FRONT / W/DRAIN	1	1		
2	640135	VALVE, CHECK 1/4 NPT	1	1		
3	500769	NUT HEX 1/4-20 Z050	2	2		
4	502582	WASHER LO SERR 6.1x16.2x0.9 Z050	2	2		
5	630231	LINK ASSY 185MM C/C 7 1/4"	1	1		
. A	N8889244	. GROMMET / LINK	2	2		
. B	630250	. STUD RETAINER 1/4-20 X 1"	2	2		
. C	500247	. NUT HEX 1/4-20 N500	4	4		
. D	500473	. WASHER LO SPT .262x.489x.062 Z050	4	4		
6	641416	PLUG STEM / PUSH-IN FITTING / #4 PLAS	4	4		
7	630237	VALVE, HEIGHT CONTROL "BARKSDALE" / FRONT	1	1		
8	630266	VALVE, HEIGHT CONTROL "BARKSDALE" / FRONT / W/DRAIN	1	1		
9	630247	VALVE, HEIGHT CONTROL "BARKSDALE" / REAR / W/DRAIN	2	2		
10	630232	LINK ASSY 265MM C/C 10 1/2"	1	1		
. A	N8889244	. GROMMET / LINK	2	2		
. B	630250	. STUD RETAINER 1/4-20 X 1"	2	2		
. NS	500479	. WASHER LO INT .448x.789x.040 Z050	4	4		
. NS	500473	. WASHER LO SPT .262x.489x.062 Z050	4	4		
11	630231	LINK ASSY 185MM C/C 7 1/4"	2	2		
. A	N8889244	. GROMMET / LINK	2	2		
. B	630250	. STUD RETAINER 1/4-20 X 1"	2	2		
. C	500247	. NUT HEX 1/4-20 N500	4	4		
. D	500473	. WASHER LO SPT .262x.489x.062 Z050	4	4		
12	131993	SUPPORT VALVE	1	1		
13	173889	SUPPORT VALVE To F-2815	1	1		
13	174090	SUPPORT VALVE From F-2816	1	1		
14	641564	VALVE, DOUBLE CHECK DC-4	1	1		
15	641274	VALVE, 3 WAYS, 2 POSITIONS N.C.	2	2		
16	641531	VALVE, 5 WAYS, 3 POSITIONS	1	1		
. NS	641186	. SPOOL	1	1		
17	641352	AIR PRESSURE REGULATOR 1/2" NPT	1	1		
18	641506	NUT RING / AIR REGULATOR RETAINING	1	1		
19A	641937	VALVE, 3 WAYS, 2 POSITIONS N.C. / W/MAN OVERRIDE	1	1		
. NS	641929	. COIL 24V	1	1		
. NS	641385	. CONNECTOR / SOCKET HOUSING ASSY 3C / PNEUMAC 54934-01	1	1		
NS	561690	CONNECTOR / WEATHER PACK / SH 2C / BLACK / PED 12015792	1	1		
NS	561565	CABLE SEAL / GREEN / PED 15324982	2	2		
NS	561578	SOCKET TERMINAL / 16-14 / PED 12010182	2	2		
19B	131894	SUPPORT / AIR REGULATOR & VALVE PP-7	1	1		
20	640643	ANCHOR ELBOW / PIPE FITTING / 1/4NPT-Fx1/4NPT-F STL	1	1		
21	503402	TUBE, NYLON 1/4 O.D. / BLACK S.L.	AR	AR		
22	503471	TUBE, NYLON 3/8 O.D. / BLUE S.L.	AR	AR		

<b>From E-2505 To J-0184</b>	<b>Date:10/2022</b>	<b>PAGE:H7-1620-01</b>
<b>HEIGHT CONTROL VALVE &amp; FRONT KNEELING</b>		

Item#	Part	Description	H 3 4 1	H 3 4 5	V I P 4 5	N O T E S
23	503517	TUBE, NYLON 1/2 O.D. / BLUE S.L.	AR	AR		
24	503566	TUBE, NYLON 1/4 O.D. / BLUE S.L.	AR	AR		
25	20476992	TRANSDUCER PRESSURE (0-12Bar / 0-174PSI)	1	1		G
26A	21643575	SENSOR / HEIGHT ASSY	1	1		
26B	<b>H7-0640-00</b>	<b>CABLE &amp; HARNESS - FRONT END INSTALLATION</b>				
27A	138620	PIVOT CAPTOR ASSY	1	1		R
27B	132024	PIVOT CAPTOR ASSY	1	1		I
28	504637	CABLE TIE / 3/16" x 13"	AR	AR		
28A	952627	CLAMP / 1/2" I.D.	1	1		
28B	952631	CLAMP / 3/4" I.D. To F-2922	1	1		
28B	952624	CLAMP / 1/4" I.D. From F-2923	1	1		
29	8631155	CABLE TIE / 4.6MM x 200 / CHRISTMAS TREE	1	1		
30	503404	TUBE, NYLON 3/8 O.D. / BLACK S.L.	1	1		
31	131591	SUPPORT VALVE To J-0232	1	1		
31	130027	SUPPORT VALVE From J-0233	1	1		
32A	132023	SUPPORT HEIGHT CONTROL VALVE / W/KNEELING	1	1		
32B	131972	SUPPORT VALVE To G-3114	1	1		
32B	132108	SUPPORT VALVE From G-3115	1	1		
34	131621	SUPPORT HEIGHT CONTROL VALVE / WHITOUT "KNEELING"	1	1		
35	132056	SUPPORT To J-0232	1	1		
35	130028	SUPPORT From J-0233	1	1		
36A	110814	ACTUATOR LEVER	1	1		
37	504635	U-BOLT 1 3/4" I.D. x 2 3/4" x 5/16-18	1	1		
38	500942	WASHER LO SPT 8.1x14.8x2.0 N500	3	3		
39	500778	NUT HEX 5/16-18 N500	3	3		
39A	500685	NUT HEX NYRT 5/16-18 SS	2	2		
40	502656	SCREW CAP HEX M6-1.0x50 SS	6	6		
40A	500836	SCREW CAP HEX 5/16-18x3/4 G5 N500	3	3		
41	502573	WASHER FL 6.4x12.5x1.6 SS	6	6		
41A	502570	WASHER LO SPT 6.1x11.8x1.6 SS	6	6		
41B	5001833	WASHER BEL SPR 6.1x18x1.27 SS	2	2		
41C	500877	WASHER FL .250x.562x.065 N500	4	4		
42	502681	NUT HEX NYRT M6-1.0 N500 G8	AR	AR		
42A	502565	NUT HEX M6-1.0 SS	6	6		
43	500247	NUT HEX 1/4-20 N500	2	2		
44	502848	SCREW TC CAP HEXF 1/4-20x3/4 N500	4	4		
45	5001749	WASHER LO SPT 6.5x11.5x1.6 N500	4	4		
46	502622	SCREW CAP HEX M6-1.0x20 SS BK	4	4		
47	500411	WASHER FL .260x.697x.050 SS	AR	AR		
48	5001182	NUT HEX NYRT M6-1.0 SS	4	4		
49	5001682	SCREW CAP HEX M6-1.0x80 SS	4	4		
50	500473	WASHER LO SPT .262x.489x.062 Z050	AR	AR		

<b>From E-2505 To J-0184</b>	<b>Date:10/2022</b>	<b>PAGE:H7-1620-01</b>
<b>HEIGHT CONTROL VALVE &amp; FRONT KNEELING</b>		

Item#	Part	Description	H 3 4 1	H 3 4 5	V I P 4 5	N O T E S
51	502582	WASHER LO SERR 6.1x16.2x0.9 Z050	4	4		
52	502830	SCREW CAP HEX M6-1.0x20 G8.8 N500	AR	AR		
53	502853	WASHER LO SPT 6.1x11.8x1.6 N500	4	4		
54A	5001705	SCREW CAP HEX 1/4-20x1 3/4 SS	2	2		
54B	5001749	WASHER LO SPT 6.5x11.5x1.6 N500	2	2		
55	501800	PLUG HEXS / PIPE FITTING / 1/4NPT-M STL	2	2		
56A	5001738	SCREW CAP HEX M8-1.25x30 G8.8 N500 To F-2815	2	2		
56A	5001742	SCREW CAP HEXF M8-1.25x30 G8.8 N500 From F-2816	2	2		
56B	502851	NUT HEX M8-1.25 N500	3	3		
56C	500321	WASHER BEL SPR .331x.827x.098 N500	3	3		
57	641380	MALE CONNECTOR / PUSH-IN FITTING / #8x1/4NPT-M BR	AR	AR		
58	501309	ADAPTER / PIPE FITTING / 3/8NPT-Fx3/8NPT-M BR	AR	AR		
59	501814	NIPPLE / PIPE FITTING / 3/8NPT-Mx3/8NPT-Mx3 BR	AR	AR		
60	641332	MALE CONNECTOR / PUSH-IN FITTING / #4x1/4NPT-M BR	AR	AR		
61	641372	MALE ELBOW 90° NON-SWIVEL / PUSH-IN FITTING / #6x1/4NPT-M BR	AR	AR		A
62	641373	MALE ELBOW 90° NON-SWIVEL / PUSH-IN FITTING / #8x1/4NPT-M BR	AR	AR		
63	641371	MALE ELBOW 90° NON-SWIVEL / PUSH-IN FITTING / #4x1/4NPT-M BR	AR	AR		
64	641040	MALE ELBOW 90° / NTA FITTING / #8x3/8NPT-M BR To F-3002	AR	AR		
64	641376	MALE ELBOW 90° NON-SWIVEL / PUSH-IN FITTING / #8x3/8NPT-M BR From F-3003	AR	AR		
65	641002	MALE RUN TEE / NTA FITTING / #4x#4x1/8NPT-M BR	AR	AR		
66	641369	MALE ELBOW 90° NON-SWIVEL / PUSH-IN FITTING / #4x1/8NPT-M BR	AR	AR		
67	501449	PLUG HEXS / PIPE FITTING / 3/8NPT-M STL	AR	AR		
68	640991	MALE CONNECTOR / NTA FITTING / #8x3/8NPT-M BR To F-3002	AR	AR		
68	641381	MALE CONNECTOR / PUSH-IN FITTING / #8x3/8NPT-M BR From F-3003	AR	AR		
69	641173	MALE CONNECTOR / NTA FITTING / #8x1/4NPT-M BR To F-3002	AR	AR		
69	641381	MALE CONNECTOR / PUSH-IN FITTING / #8x3/8NPT-M BR From F-3003	AR	AR		
70	641006	MALE BRANCH TEE / NTA FITTING / #4x#4x1/4NPT-M BR	AR	AR		
71	501699	MALE RUN TEE / PIPE FITTING / 3/8NPT-Mx3/8NPT-Fx3/8NPT-F BR	AR	AR		
72	641330	MALE CONNECTOR / PUSH-IN FITTING / #6x3/8NPT-M BR	AR	AR		
73	641428	MALE ELBOW 90° SWIVEL / PUSH-IN FITTING / #8x3/8NPT-M BR	AR	AR		
74	641368	MALE ELBOW 45° NON-SWIVEL / PUSH-IN FITTING / #8x3/8NPT-M BR	AR	AR		
75	501749	NIPPLE REDUCER HEX / PIPE FITTING / 3/8NPT-Mx1/4NPT-Mx1 13/32 BR	AR	AR		
76	501534	BUSHING REDUCER / PIPE FITTING / 1/2NPT-Mx3/8NPT-F BR	AR	AR		
77	641375	MALE ELBOW 90° NON-SWIVEL / PUSH-IN FITTING / #6x3/8NPT-M BR	AR	AR		
78	501312	BUSHING REDUCER / PIPE FITTING / 1/4NPT-Mx1/8NPT-F BR	AR	AR		
79	640488	VALVE, AIR FILL 1/8" NPT	AR	AR		
. NS	650164	. CAP VALVE / CHROME	1	1		
80	641378	MALE ELBOW 90° / PUSH-IN FITTING / #8x1/2NPT-M BRASS	AR	AR		
81	641381	MALE CONNECTOR / PUSH-IN FITTING / #8x3/8NPT-M BR	AR	AR		
82	641376	MALE ELBOW 90° NON-SWIVEL / PUSH-IN FITTING / #8x3/8NPT-M BR	AR	AR		
83	641242	MALE CONNECTOR / PUSH-IN FITTING / #4x1/8NPT-M BR	AR	AR		
84	641331	MALE CONNECTOR / PUSH-IN FITTING / #6x1/4NPT-M BR	AR	AR		

From E-2505 To J-0184	Date:10/2022	PAGE:H7-1620-01
<b>HEIGHT CONTROL VALVE &amp; FRONT KNEELING</b>		

Item#	Part	Description	H 3 4 1	H 3 4 5	V I P 4 5	N O T E S
85	641365	MALE ELBOW 45° NON-SWIVEL / PUSH-IN FITTING / #4x1/8NPT-M BR	AR	AR		
86	642127	MALE ELBOW 90° SWIVEL DUAL PORT / PUSH-IN / #4x#4x1/8NPT-M BR	AR	AR		
87	501332	STREET ELBOW 90° / PIPE FITTING / 1/4NPT-Mx1/4NPT-F BR	AR	AR		
88	501796	BULKHEAD COUPLING / PIPE FITTING / 1/2NPT-Fx1/2NPT-Fx1 1/2 BR	AR	AR		
89	641366	MALE ELBOW 45° NON-SWIVEL / PUSH-IN FITTING / #6x1/4NPT-M BR	AR	AR		
90	501338	MALE RUN TEE / PIPE FITTING / 1/4NPT-Mx1/4NPT-Fx1/4NPT-F BR	AR	AR		
91	501739	MALE CONNECTOR / JIC 37° FITTING / #8JIC-Mx1/2NPT-M STL	AR	AR		
92	641367	MALE ELBOW 45° NON-SWIVEL / PUSH-IN FITTING / #6x3/8NPT-M BR	AR	AR		
93	641956	MALE RUN TEE SWIVEL / PUSH-IN FITTING / #4x#4x1/4NPT-M BR	AR	AR		
94	641347	MALE CONNECTOR / PUSH-IN FITTING / #4x3/8NPT-M BR	AR	AR		
95	641389	MALE RUN TEE SWIVEL / PUSH-IN FITTING / #6x#6x1/4NPT-M BR	AR	AR		
96	641388	MALE RUN TEE NON-SWIVEL / PUSH-IN FITTING / #6x#6x3/8NPT-M BR	AR	AR		
97	504750	CABLE TIE / 1/2" x 15" / CHRISTMAS TREE	AR	AR		
98	504637	CABLE TIE / 3/16" x 13"	AR	AR		
99	507383	TIE MOUNT HOLE 3/8"	AR	AR		
99	509491	CABLE TIE / 13MM x 383MM	AR	AR		
100	509815	TIE MOUNT / ATTACHMENT W/TREE MOUNT	AR	AR		
101	501337	FEMALE UNION TEE / PIPE FITTING / 1/4NPT-Fx1/4NPT-Fx1/4NPT-F BR To F-3002	1	1		
101	501527	FEMALE UNION TEE / PIPE FITTING / 3/8NPT-Fx3/8NPT-Fx3/8NPT-F BR From F-3003	1	1		
102	641897	MANIFOLD / PUSH-IN FITTING / 2x#6 / 4x#4 PLAS	1	1		
103	20462708	ELBOW 90° STEM / PUSH-IN FITTING / #6x#6STEM PLAS To F-2709	1	1		
103	647894	ELBOW 90° STEM / PUSH-IN FITTING / #6x#6STEM PLAS From F-2710	1	1		
104	5001042	SCREW MA RND PH #10-32x1 1/4 SS	2	2		
105	501587	MALE ELBOW 90° / JIC 37° FITTING / #8JIC-Mx3/8NPT-M STL	AR	AR		
106	500423	NUT HEX NYRT #10-32 SS	2	2		
107	178847	SUPPORT MANIFOLD	1	1		
108	501749	NIPPLE REDUCER HEX / PIPE FITTING / 3/8NPT-Mx1/4NPT-Mx1 13/32 BR To F-3002	1	1		
108	501322	NIPPLE HEX / PIPE FITTING / 3/8NPT-Mx3/8NPT-Mx1 13/32 BR From F-3003	1	1		
110	<b>H7-1650-00</b>	<b>TAG UNLOAD - AIR VALVE INSTALLATION</b>				
111	<b>H7-1630-00</b>	<b>FRONT KNEELING - CONTROL PANEL To E-2565</b>				
111	<b>H7-1630-01</b>	<b>FRONT KNEELING - CONTROL PANEL From E-2566</b>				
112	<b>H7-1601-00</b>	<b>BELLOWS - AIR SUSPENSION</b>				
113	<b>H7-1203-00</b>	<b>AIR TANK - INSTALLATION</b>				
NS	680098	THREAD SEALANT LOCTITE #567 / WHITE / 250ml	AR	AR		
210	<b>132119</b>	<b>KIT SENSOR FOR FRONT BEAM AXLE From E-2506 To F-2815</b>	1	1		
		A) WITH OPTION "ABS-6 ESP ADVENCE				
		G) WITH VEHICULE OPTION WEIGHT CONTROL ON FRONT AXLE "GREYHOUND"				
		I) WITH INDEPENDANTE SUSPENSION				
		R) WITH "I BEAM" SUSPENSION				

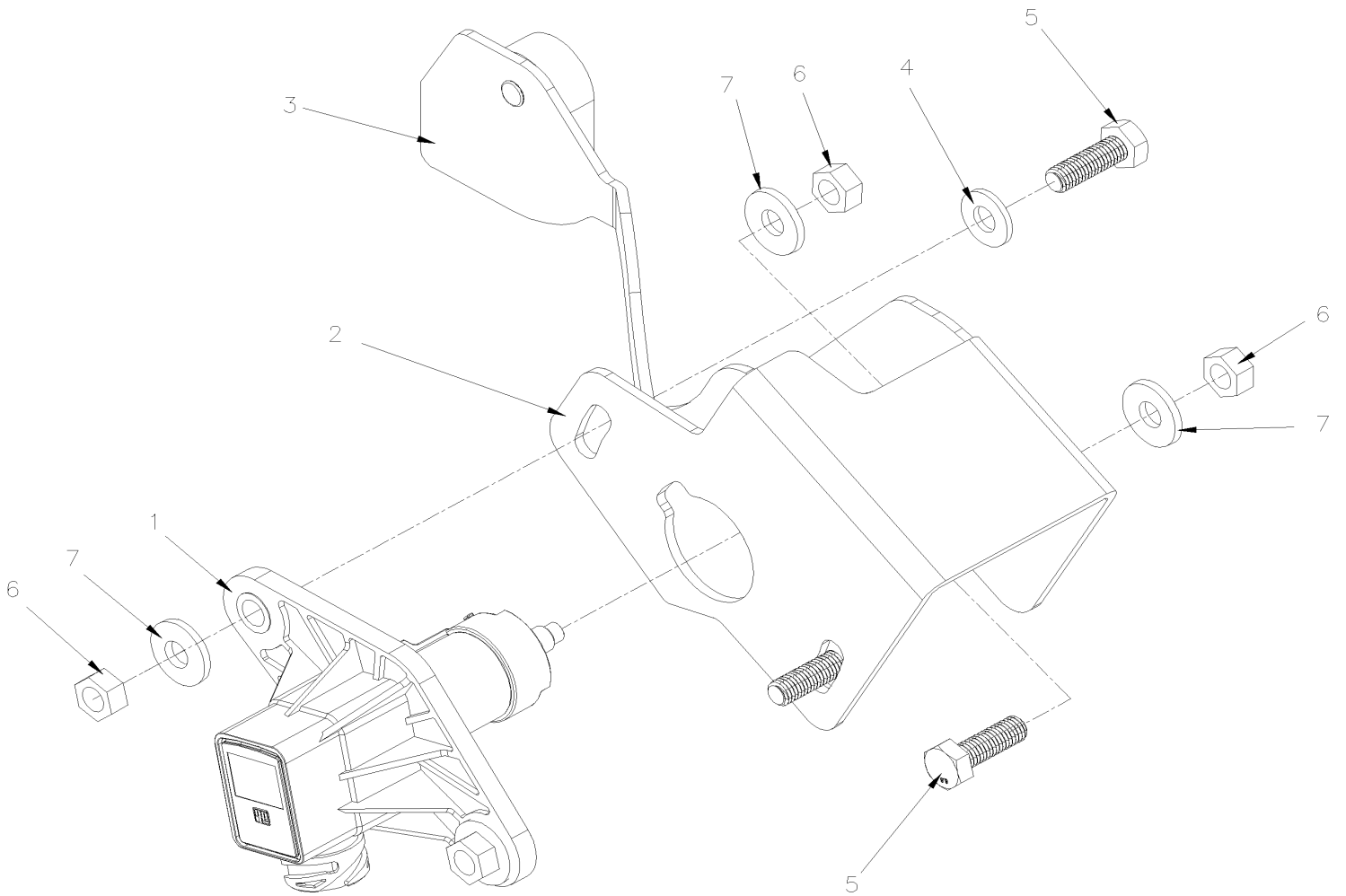
From E-2506 To F-2815

Date:10/2022

PAGE:132119

## KIT SENSOR FOR FRONT BEAM AXLE

SERVICE KIT 132119



From E-2506 To F-2815	Date:10/2022	PAGE:132119
<b>KIT SENSOR FOR FRONT BEAM AXLE</b>		

Item#	Part	Description	H 3 4 1	H 3 4 5	V I P 4 5	N O T E S
1	22194741	SENSOR / HEIGHT ASSY	1	1	1	
2	132126	ADAPTOR CAPTOR ECS X3 FRONT BEAM AXLE	1	1	1	
3	132124	PIVOT CAPTOR X3 FRONT BEAM AXLE ASSY	1	1	1	
4	5001736	WASHER FL 8.4x18.0x2.0 N500	2	2	2	
5	5001745	SCREW CAP HEX M8-1.25x25 G8.8 N500	4	4	4	
6	502851	NUT HEX M8-1.25 N500	5	5	5	
7	500321	WASHER BEL SPR .331x.827x.098 N500	5	5	5	
8	504637	CABLE TIE / 3/16" x 13"	4	4	4	
NS	IS-18025	SEE INSTRUCTION SHEET	1	1	1	

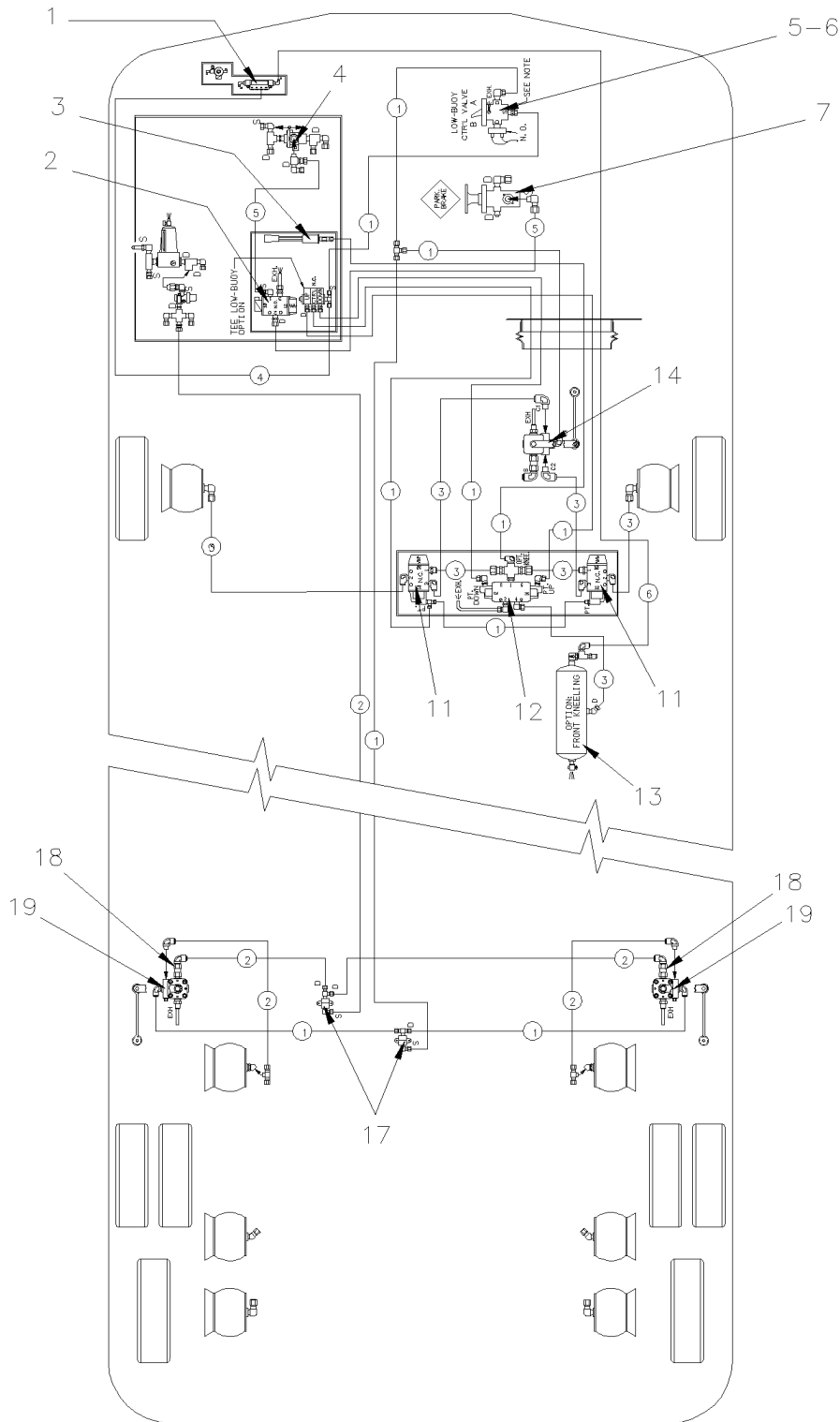


From 7-0671 To F-2922

Date:10/2022

PAGE:H7-1620-10

## HIGH-BUOY, LOW BUOY & "KNEELING" VALVE



BALLOON	PIPE
*1	1/4" O.D. BLUE
*2	3/8" O.D. BLUE
*3	1/2" O.D. BLUE
*4	1/4" O.D. BLACK
*5	3/8" O.D. YELLOW
*6	3/8" O.D. BLACK

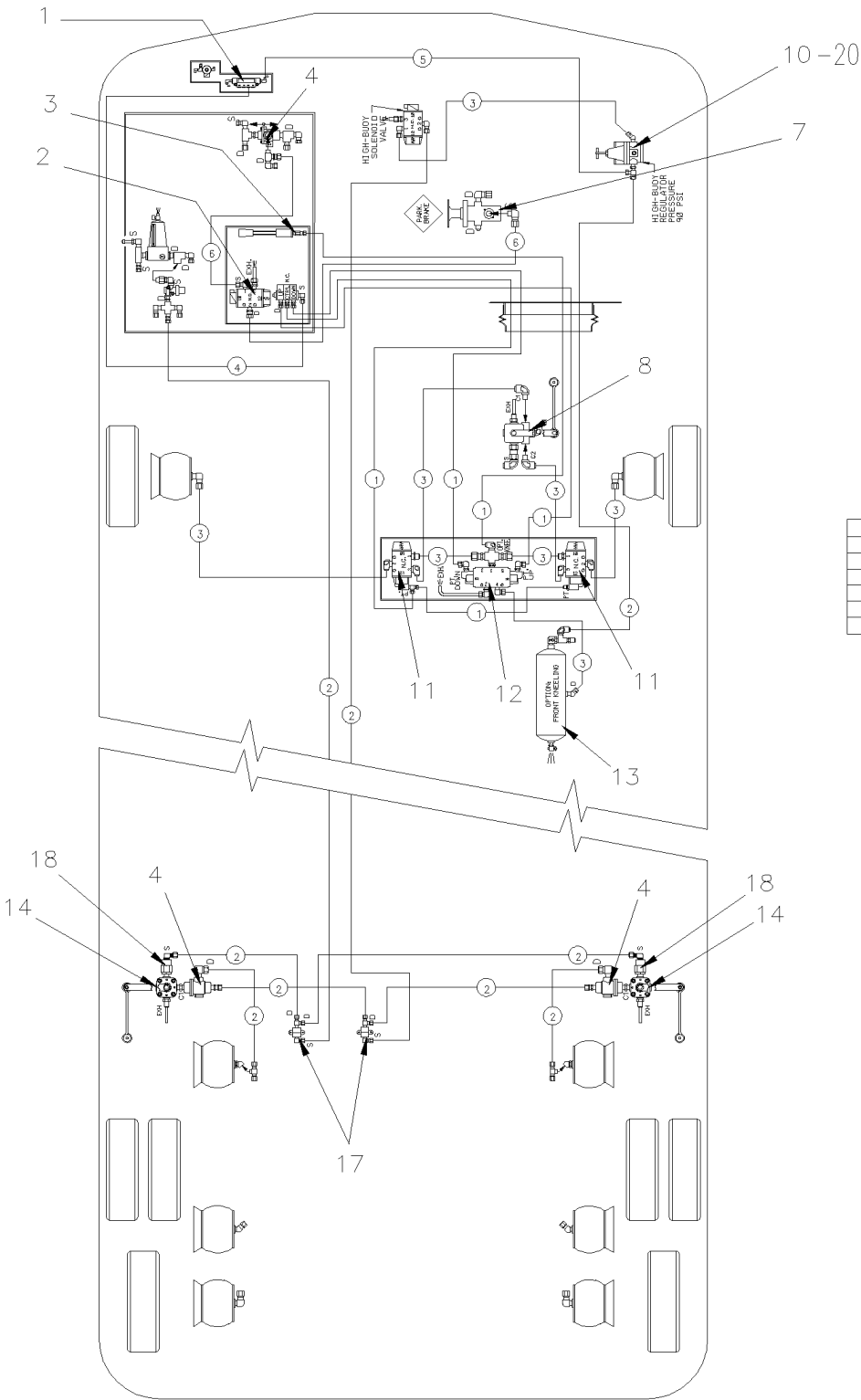
H3-41 & H3-45 COACH WITH  
KNEELING & LOW-BUOY OPTION

From 7-0671 To F-2922

Date:10/2022

PAGE:H7-1620-10

## HIGH-BUOY, LOW BUOY & "KNEELING" VALVE



BALLOON	PIPE
*1	1/4" O.D. BLUE
*2	3/8" O.D. BLUE
*3	1/2" O.D. BLUE
*4	1/4" O.D. BLACK
*5	3/8" O.D. YELLOW
*6	3/8" O.D. BLACK

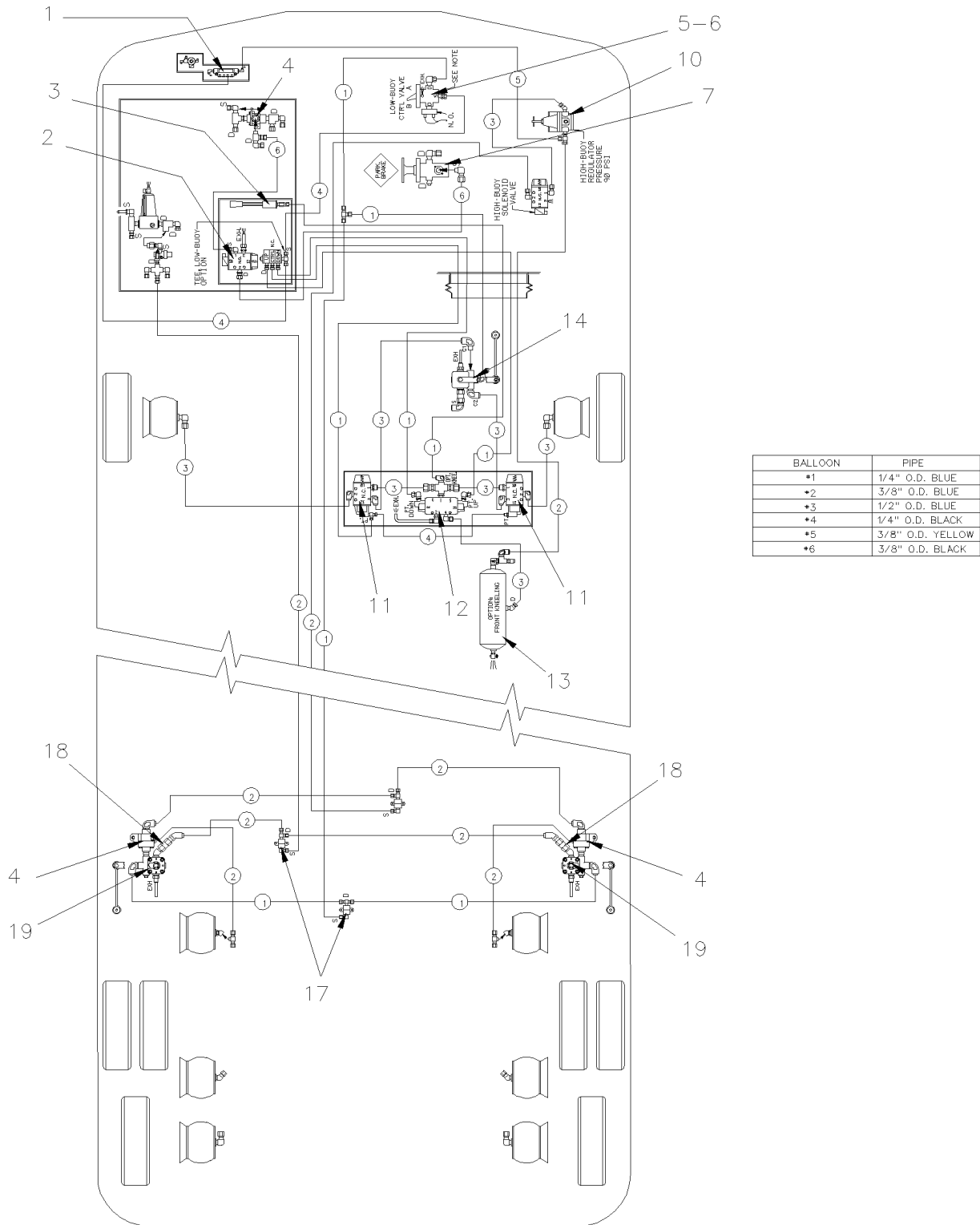
H3-41 & H3-45 COACH WITH FRONT KNEELING & HIGH-BUOY COMBINATION

From 7-0671 To F-2922

Date:10/2022

PAGE:H7-1620-10

## HIGH-BUOY, LOW BUOY & "KNEELING" VALVE



BALLOON	PIPE
+1	1/4" O.D. BLUE
+2	3/8" O.D. BLUE
+3	1/2" O.D. BLUE
+4	1/4" O.D. BLACK
+5	3/8" O.D. YELLOW
+6	3/8" O.D. BLACK

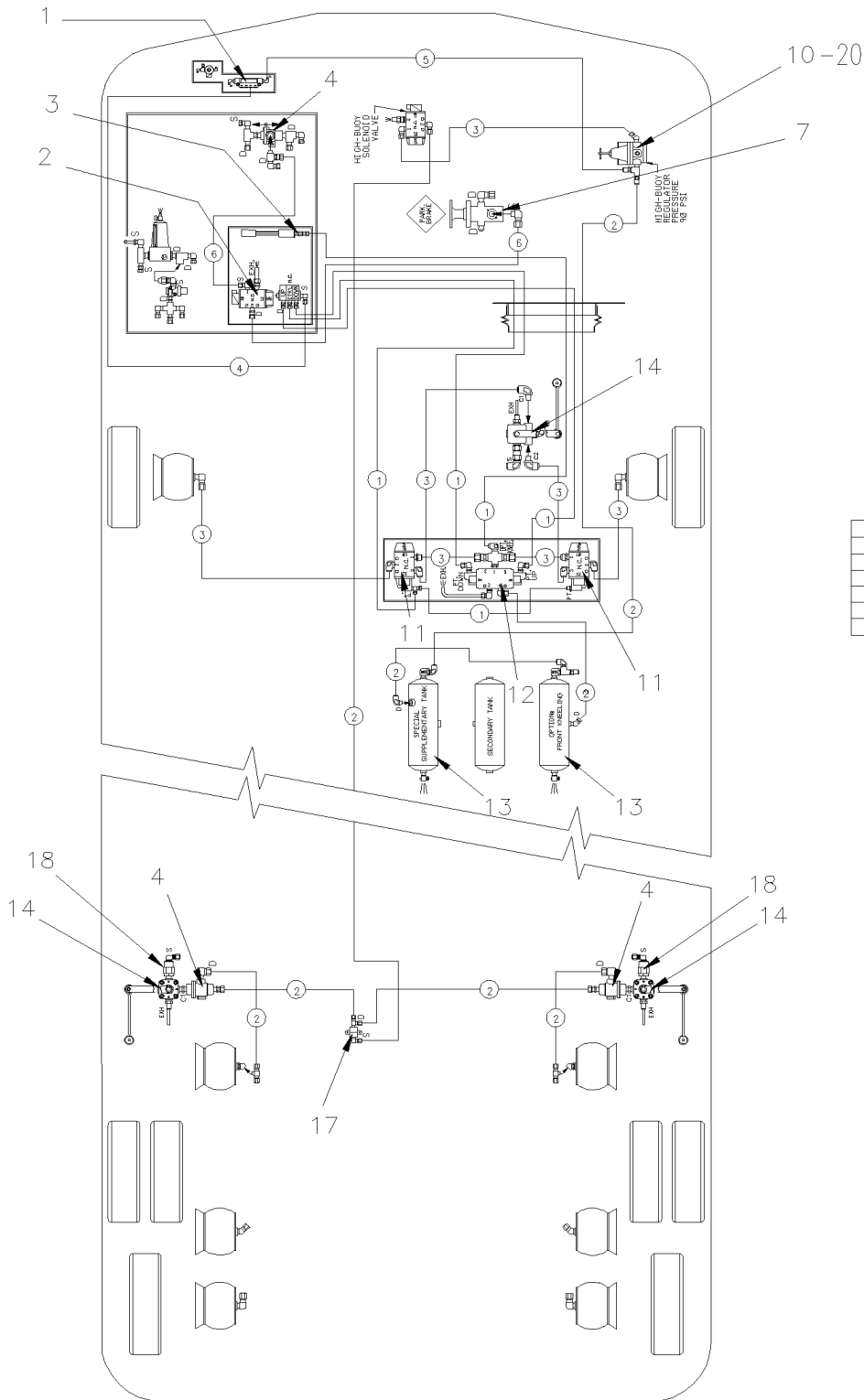
H3-41 & H3-45 COACH WITH  
KNEELING, LOW-BUOY & HIGH-BUOY COMBINATION

From 7-0671 To F-2922

Date:10/2022

PAGE:H7-1620-10

## HIGH-BUOY, LOW BUOY & "KNEELING" VALVE



BALLOON	PIPE
#1	1/4" O.D. BLUE
#2	3/8" O.D. BLUE
#3	1/2" O.D. BLUE
#4	1/4" O.D. BLACK
#5	3/8" O.D. YELLOW
#6	3/8" O.D. BLACK

H3-41 & H3-45 COACH WITH  
FAST FRONT KNEELING & HIGH-BUOY WITH SUPPLEMENTARY AIR TANK COMBINATION

From 7-0671 To F-2922	Date:10/2022	PAGE:H7-1620-10
<b>HIGH-BUOY, LOW BUOY &amp; "KNEELING" VALVE</b>		

Item#	Part	Description	H 3 4 1	H 3 4 5	V I P 4 5	N O T E S
1	641897	MANIFOLD / PUSH-IN FITTING / 2x#6 / 4x#4 PLAS	1	1		
2	<b>H7-1630-00</b>	<b>FRONT KNEELING - CONTROL PANEL To E-2565</b>				
2	<b>H7-1630-01</b>	<b>FRONT KNEELING - CONTROL PANEL From E-2566</b>				
3	452082	PRESSURE SWITCH N.O. 30-15 20SP001AA030C015C	1	1		
4	641564	VALVE, DOUBLE CHECK DC-4	1	1		
5	640136	VALVE, CONTROL TW-1	1	1		
. NS	641156	. REPAIR KIT / TW-1	1	1		
6	452406	PRESSURE SWITCH N.O. 30-15 20SP001MA030C015C	1	1		
7	641185	VALVE, PARKING BRAKE PP-2	1	1		
. NS	641149	. BUTTON, PARKING BRAKE DIAMOND YELLOW / 1"	1	1		
. NS	641158	. REPAIR KIT / PP-2	1	1		
8	630261	VALVE, HEIGHT CONTROL "BARKSDALE" / FRONT / W/DRAIN	1	1		
10	641352	AIR PRESSURE REGULATOR 1/2" NPT	1	1		A
NS	142025	SUPPORT / AIR REGULATOR	1	1		A
11	641274	VALVE, 3 WAYS, 2 POSITIONS N.C.	2	2		
12	641531	VALVE, 5 WAYS, 3 POSITIONS	1	1		
. NS	641186	. SPOOL	1	1		
13	140869	AIR TANK / 1791 IN° / 9 1/2" O.D. X 27"	1	1		
14	630156	VALVE, HEIGHT CONTROL "BARKSDALE"	2	2		
17	640643	ANCHOR ELBOW / PIPE FITTING / 1/4NPT-Fx1/4NPT-F STL	1	1		
18	640135	VALVE, CHECK 1/4 NPT	2	2		
19	630247	VALVE, HEIGHT CONTROL "BARKSDALE" / REAR / W/DRAIN	1	1		
20	<b>H7-1202-05</b>	<b>TUBE AIR FRONT INSTALLATION</b>				
30	642075	TRANSDUCER PRESSURE From 8-1045	1	1		
. NS	563159	. CONNECTOR / METRI-PACK 150 / SH 3C / PED 12065287 From 8-1045	1	1		
		A) INSTALLED IN SPARE COMPARTMENT				



HEIGHT CONTROL VALVE - V.I.P.

REAR AND TAG AXLE

DETAIL "H" 115

DETAIL "G"

DETAIL "G"

DETAIL "L"

DETAIL "F"

DETAIL "K"

DETAIL "L"

DETAIL "F"

112

112

111

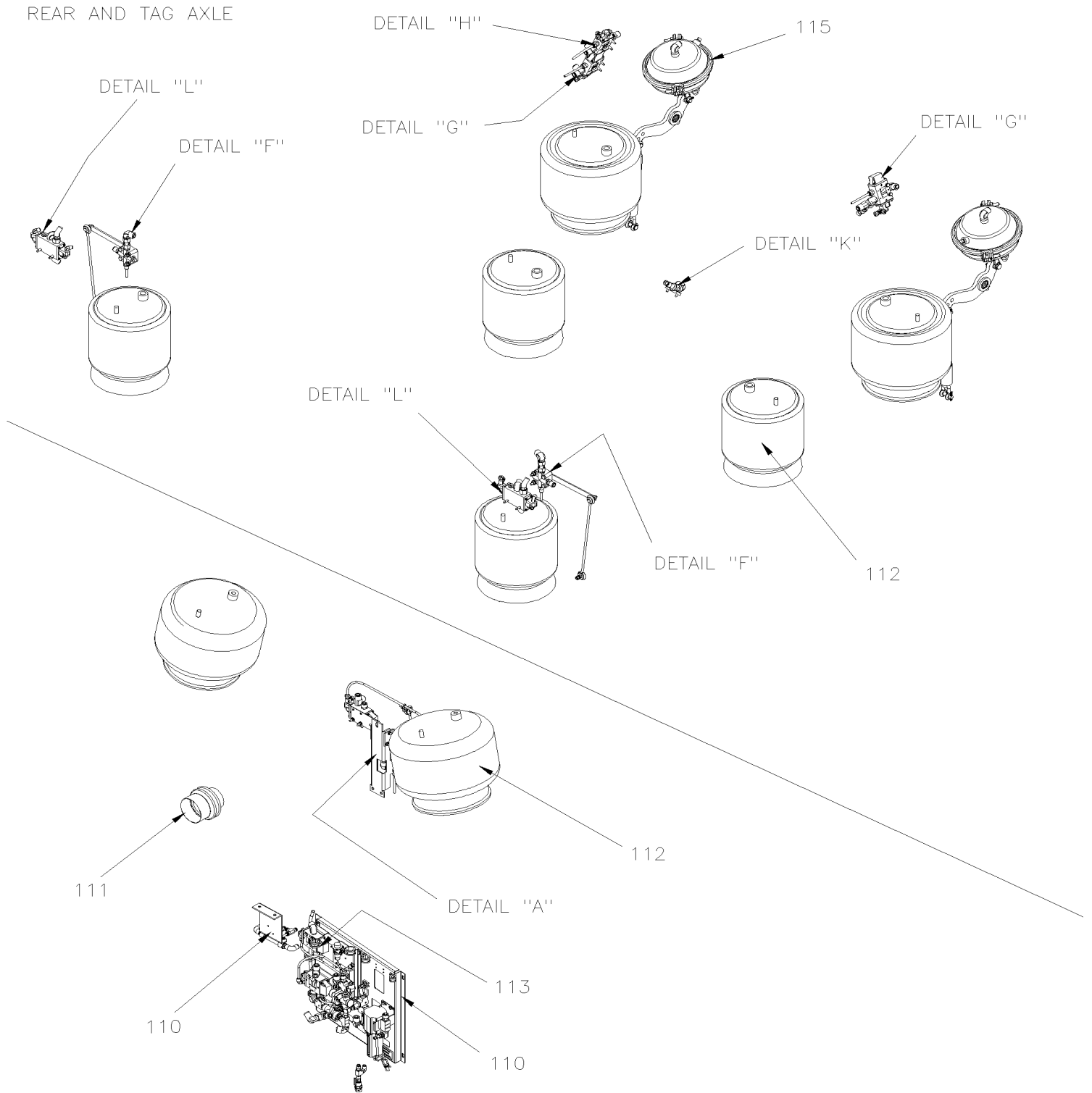
DETAIL "A"

113

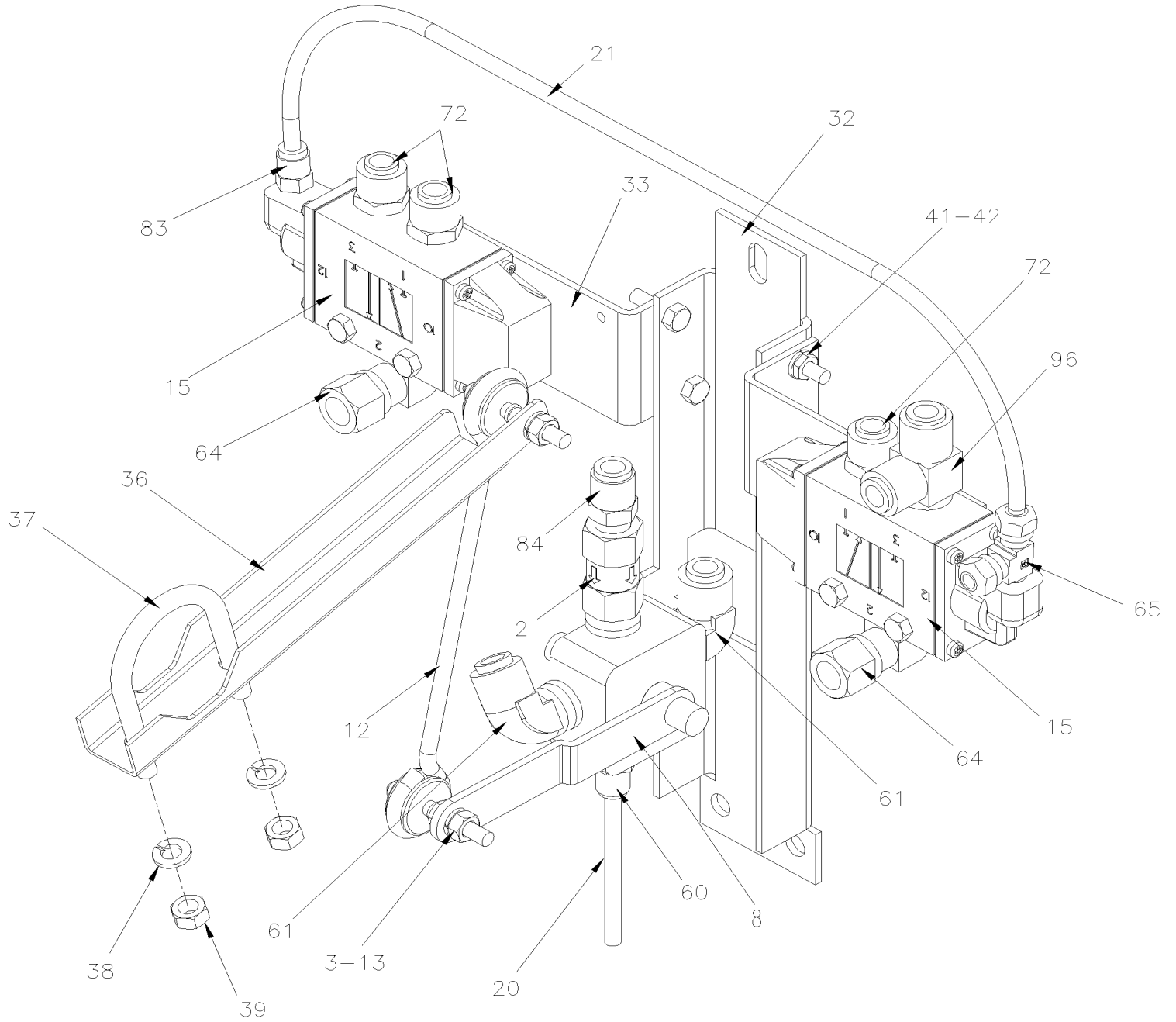
110

110

FRONT INDEPENDENT SUSPENSION



**HEIGHT CONTROL VALVE - V.I.P.**



DETAIL "A"

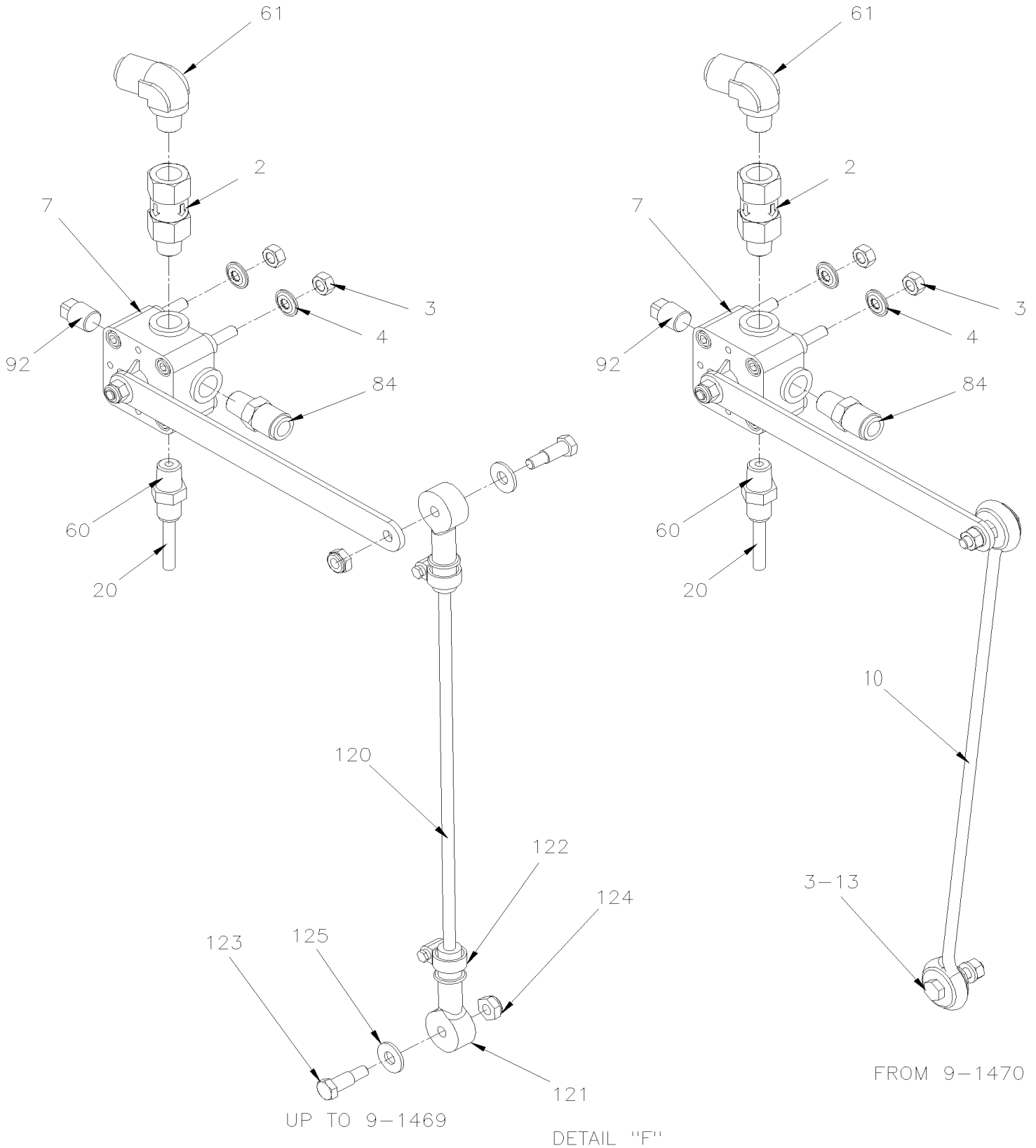


From 7-0671 To E-2504

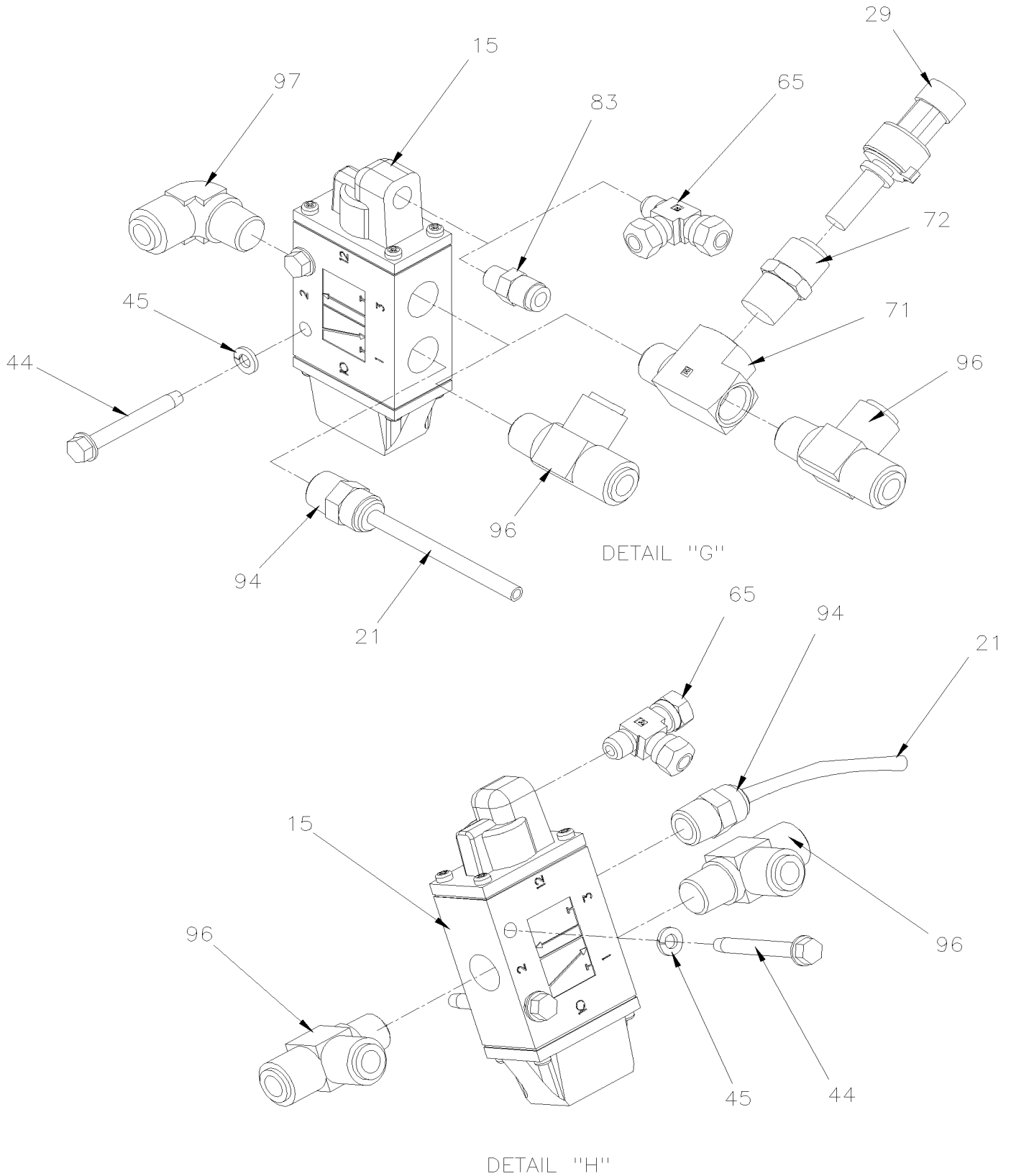
Date:10/2022

PAGE:H7-1620-50

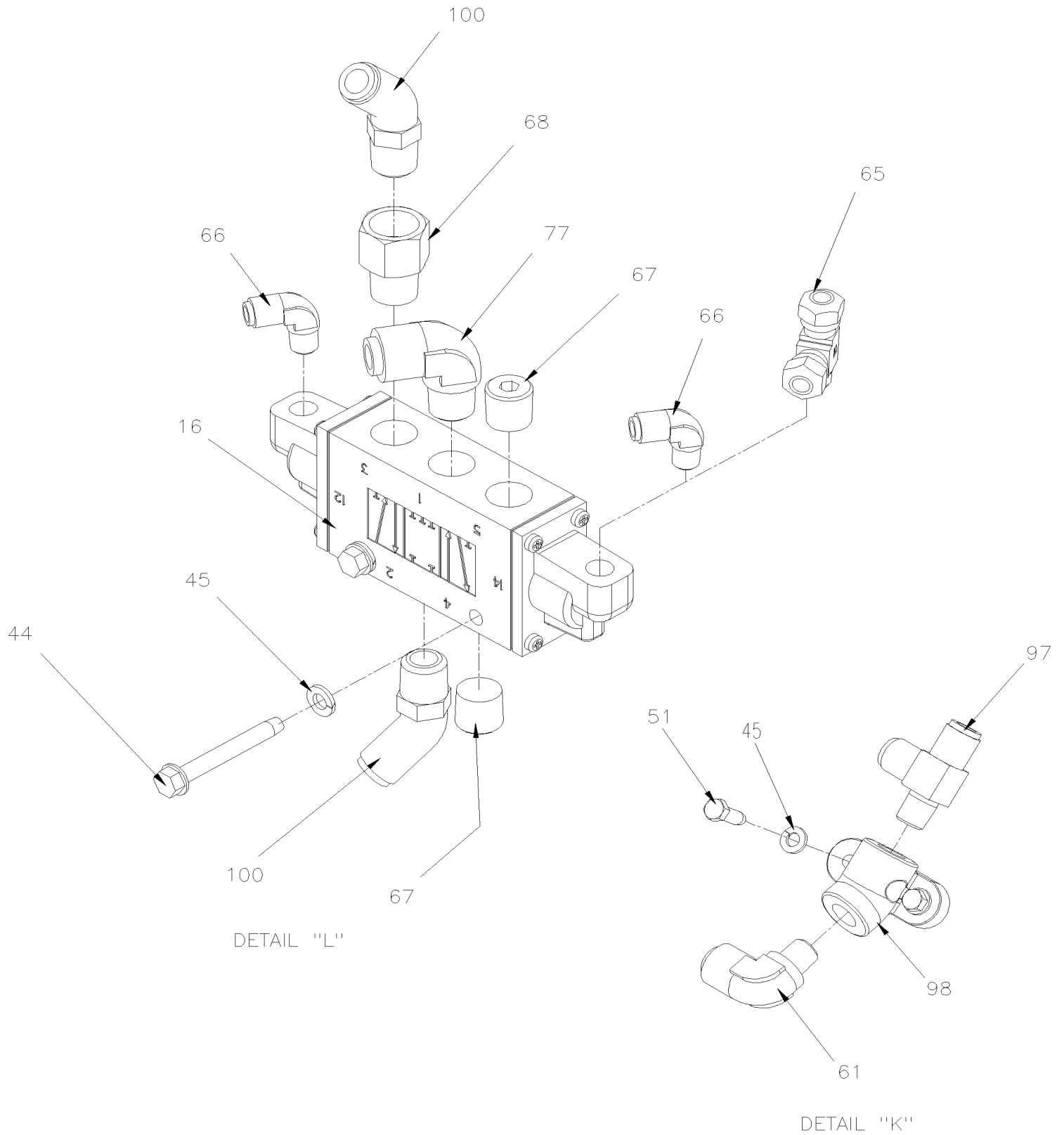
## HEIGHT CONTROL VALVE - V.I.P.



HEIGHT CONTROL VALVE - V.I.P.



HEIGHT CONTROL VALVE - V.I.P.



<b>From 7-0671 To E-2504</b>	<b>Date:10/2022</b>	<b>PAGE:H7-1620-50</b>
<b>HEIGHT CONTROL VALVE - V.I.P.</b>		

Item#	Part	Description	H 3 4 1	H 3 4 5	V I P 4 5	N O T E S
2	640135	VALVE, CHECK 1/4 NPT			1	
3	500769	NUT HEX 1/4-20 Z050			2	
4	502582	WASHER LO SERR 6.1x16.2x0.9 Z050			2	
7	630156	VALVE, HEIGHT CONTROL "BARKSDALE"			2	
8	630237	VALVE, HEIGHT CONTROL "BARKSDALE" / FRONT			1	
10	630229	LINK ASSY 344MM C/C 13 1/2"			2	
. A	N8889244	. GROMMET / LINK			2	
. C	630250	. STUD RETAINER 1/4-20 X 1"			2	
. NS	500769	. NUT HEX 1/4-20 Z050			4	
. NS	500473	. WASHER LO SPT .262x.489x.062 Z050			4	
12	630231	LINK ASSY 185MM C/C 7 1/4"			1	
. A	N8889244	. GROMMET / LINK			2	
. B	630250	. STUD RETAINER 1/4-20 X 1"			2	
. C	500247	. NUT HEX 1/4-20 N500			4	
. D	500473	. WASHER LO SPT .262x.489x.062 Z050			4	
13	630250	STUD RETAINER 1/4-20 X 1"			2	
15	641274	VALVE, 3 WAYS, 2 POSITIONS N.C.			2	
16	641531	VALVE, 5 WAYS, 3 POSITIONS			2	
. NS	641186	. SPOOL			1	
20	503402	TUBE, NYLON 1/4 O.D. / BLACK S.L.			AR	
21	503517	TUBE, NYLON 1/2 O.D. / BLUE S.L.			AR	
29	642075	TRANSDUCER PRESSURE			1	
. NS	563159	. CONNECTOR / METRI-PACK 150 / SH 3C / PED 12065287			1	
32	131468	SUPPORT HEIGHT CONTROL VALVE			1	
33	131319	SUPPORT VALVE			2	
36	110679	ACTUATOR LEVER			1	
37	504635	U-BOLT 1 3/4" I.D. x 2 3/4" x 5/16-18			1	
38	500476	WASHER LO SPT .317x.586x.078 Z050			2	
39	500778	NUT HEX 5/16-18 N500			2	
40	502656	SCREW CAP HEX M6-1.0x50 SS			4	
41	502570	WASHER LO SPT 6.1x11.8x1.6 SS			8	
42	502565	NUT HEX M6-1.0 SS			8	
44	500600	SCREW TC CAP HEXW 1/4-20x2 N500			AR	
45	5001749	WASHER LO SPT 6.5x11.5x1.6 N500			AR	
46	502622	SCREW CAP HEX M6-1.0x20 SS BK			4	
51	500923	SCREW TC CAP HEX 1/4-20x3/4 Z050	2	2	2	
60	641332	MALE CONNECTOR / PUSH-IN FITTING / #4x1/4NPT-M BR			1	
61	641372	MALE ELBOW 90° NON-SWIVEL / PUSH-IN FITTING / #6x1/4NPT-M BR			1	
62	641373	MALE ELBOW 90° NON-SWIVEL / PUSH-IN FITTING / #8x1/4NPT-M BR			2	
64	641040	MALE ELBOW 90° / NTA FITTING / #8x3/8NPT-M BR			2	
65	641002	MALE RUN TEE / NTA FITTING / #4x#4x1/8NPT-M BR			1	

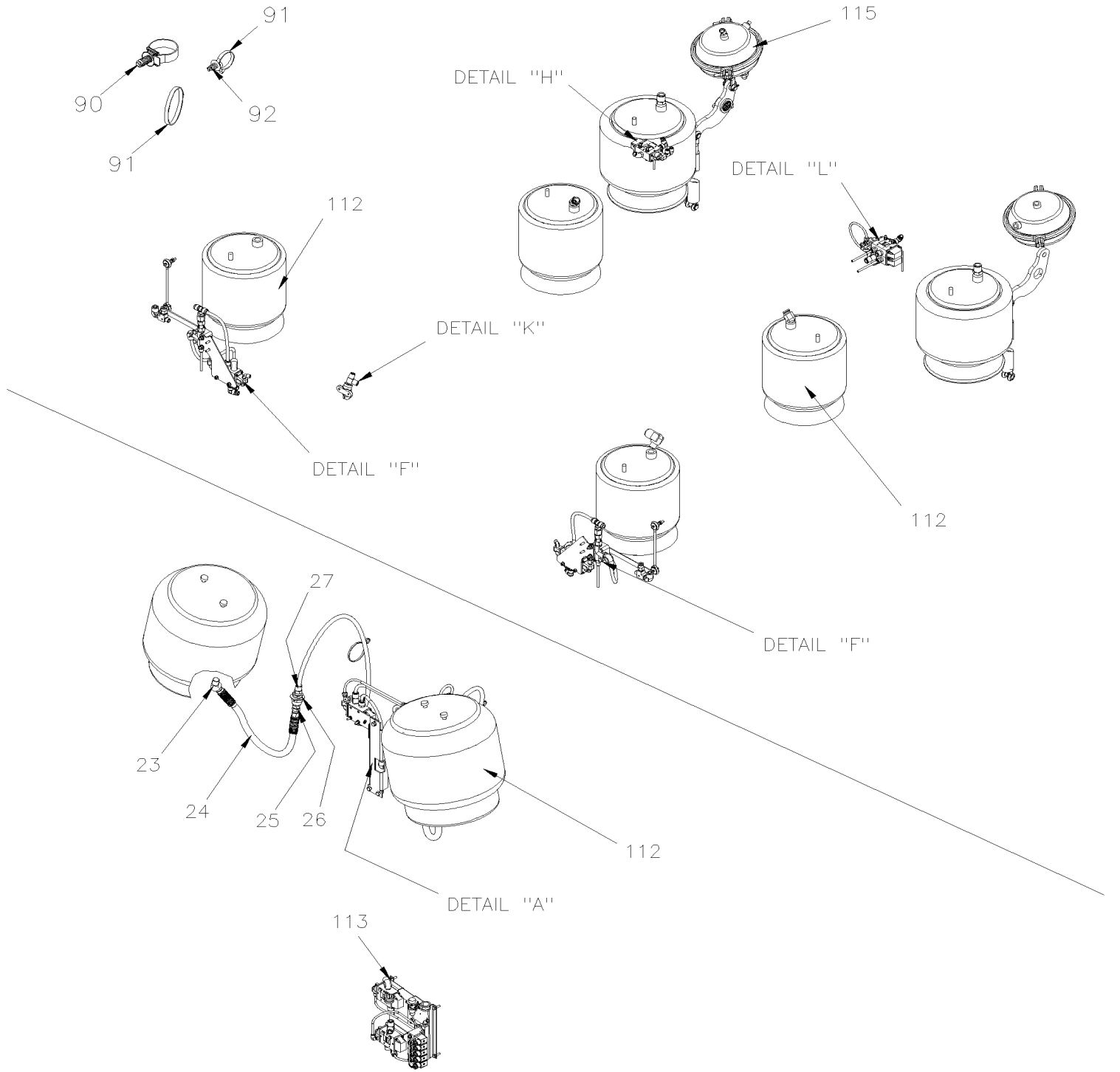
From 7-0671 To E-2504	Date:10/2022	PAGE:H7-1620-50
<b>HEIGHT CONTROL VALVE - V.I.P.</b>		

Item#	Part	Description	H 3 4 1	H 3 4 5	V I P 4 5	N O T E S
66	641369	MALE ELBOW 90° NON-SWIVEL / PUSH-IN FITTING / #4x1/8NPT-M BR			2	
67	501449	PLUG HEXS / PIPE FITTING / 3/8NPT-M STL			2	
68	501309	ADAPTER / PIPE FITTING / 3/8NPT-Fx3/8NPT-M BR			1	
71	501699	MALE RUN TEE / PIPE FITTING / 3/8NPT-Mx3/8NPT-Fx3/8NPT-F BR			1	
72	641330	MALE CONNECTOR / PUSH-IN FITTING / #6x3/8NPT-M BR			3	
77	641375	MALE ELBOW 90° NON-SWIVEL / PUSH-IN FITTING / #6x3/8NPT-M BR			1	
83	641242	MALE CONNECTOR / PUSH-IN FITTING / #4x1/8NPT-M BR			1	
84	641331	MALE CONNECTOR / PUSH-IN FITTING / #6x1/4NPT-M BR			1	
92	501304	PLUG SQUARE HEAD / PIPE FITTING / 1/4NPT-M BR To A-1677			1	
92	501800	PLUG HEXS / PIPE FITTING / 1/4NPT-M STL From A-1678			1	
94	641347	MALE CONNECTOR / PUSH-IN FITTING / #4x3/8NPT-M BR			1	
96	641388	MALE RUN TEE NON-SWIVEL / PUSH-IN FITTING / #6x#6x3/8NPT-M BR			1	
97	641389	MALE RUN TEE SWIVEL / PUSH-IN FITTING / #6x#6x1/4NPT-M BR			1	
98	640643	ANCHOR ELBOW / PIPE FITTING / 1/4NPT-Fx1/4NPT-F STL			1	
100	641367	MALE ELBOW 45° NON-SWIVEL / PUSH-IN FITTING / #6x3/8NPT-M BR			2	
110	<b>H7-1260-00</b>	<b>VALVE SUPPORT ASSY To E-2565</b>				
110	<b>H7-1260-01</b>	<b>VALVE SUPPORT ASSY From E-2566</b>				
111	<b>H7-1202-05</b>	<b>TUBE AIR FRONT INSTALLATION</b>				
112	<b>H7-1601-00</b>	<b>BELLOWS - AIR SUSPENSION</b>				
113	<b>H7-1640-50</b>	<b>LEVEL-LOW - CONTROL PANEL &amp; VALVES</b>				
115	<b>H7-1615-10</b>	<b>TAG AXLE - LIFTING</b>				
116	M107-06	SEE MAINTENANCE INFORMATION				
120	N.S.A.	LINK ASSY 344MM C/C 13 1/2"	2	2	2	3
120	131308	. ROD LINK / 305MM x .250" To 9-1469			1	
121	630117	. ROD END / BLACK RUBBER 5/16" I.D. To 9-1469			2	
122	504014	. HOSE CLAMP / 1/4"-5/8" SS / HM-4 To 9-1469			2	
123	630137	. SCREW SHR CAP HEX 5/16" I.D. x 1/4-20 To 9-1469			2	
124	502716	. NUT HEX NYRT 1/4-20 To 9-1469			2	
125	500441	. WASHER FL .312x.734x.065 Z050 To 9-1469			2	
		3) NOT SOLD ASSEMBLY				



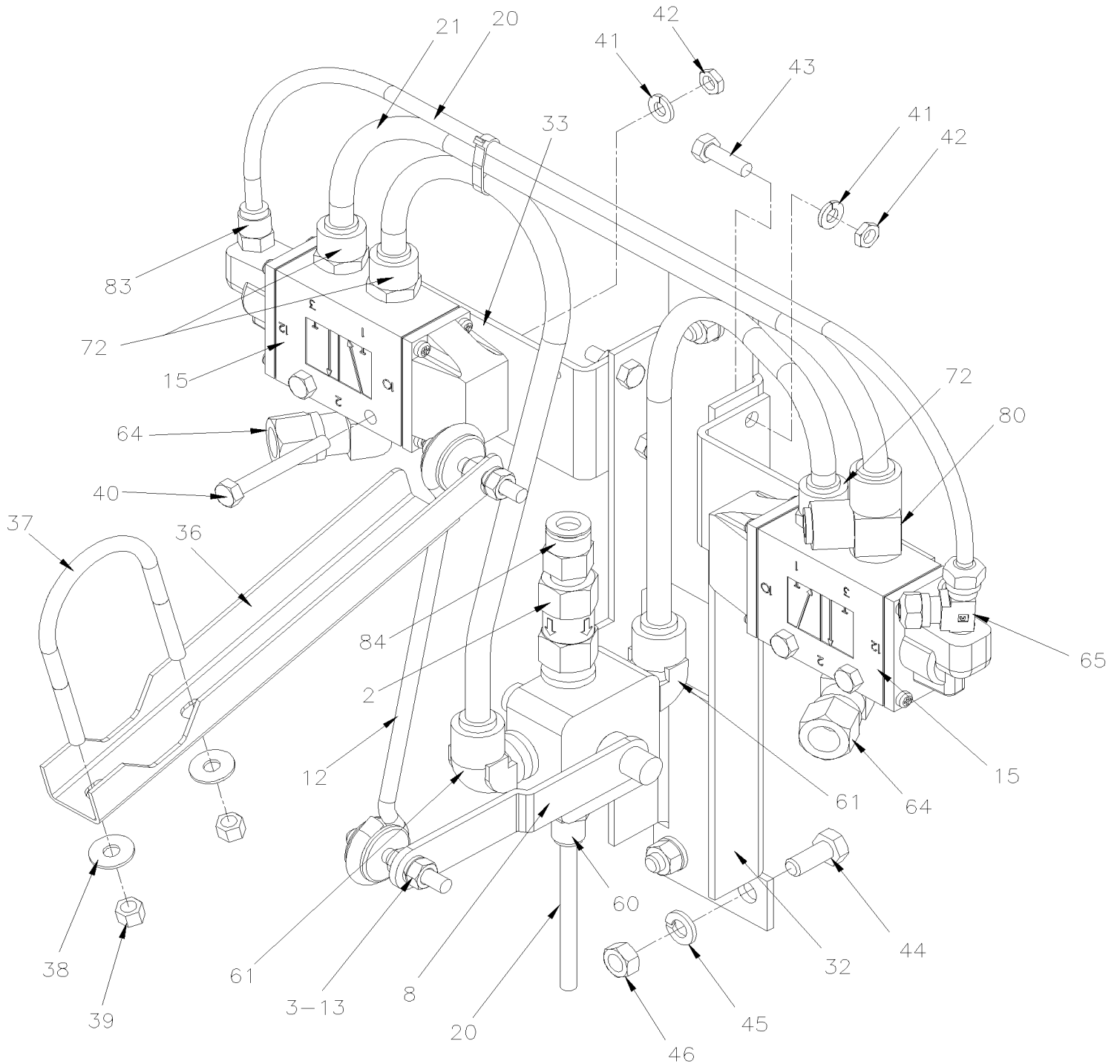
From E-2505 To J-0287	Date:10/2022	PAGE:H7-1620-51
<b>HEIGHT CONTROL VALVE - V.I.P.</b>		

REAR AND TAG AXLE



INDEPENDANT SUSPENSION

HEIGHT CONTROL VALVE - V.I.P.



DETAIL "A"

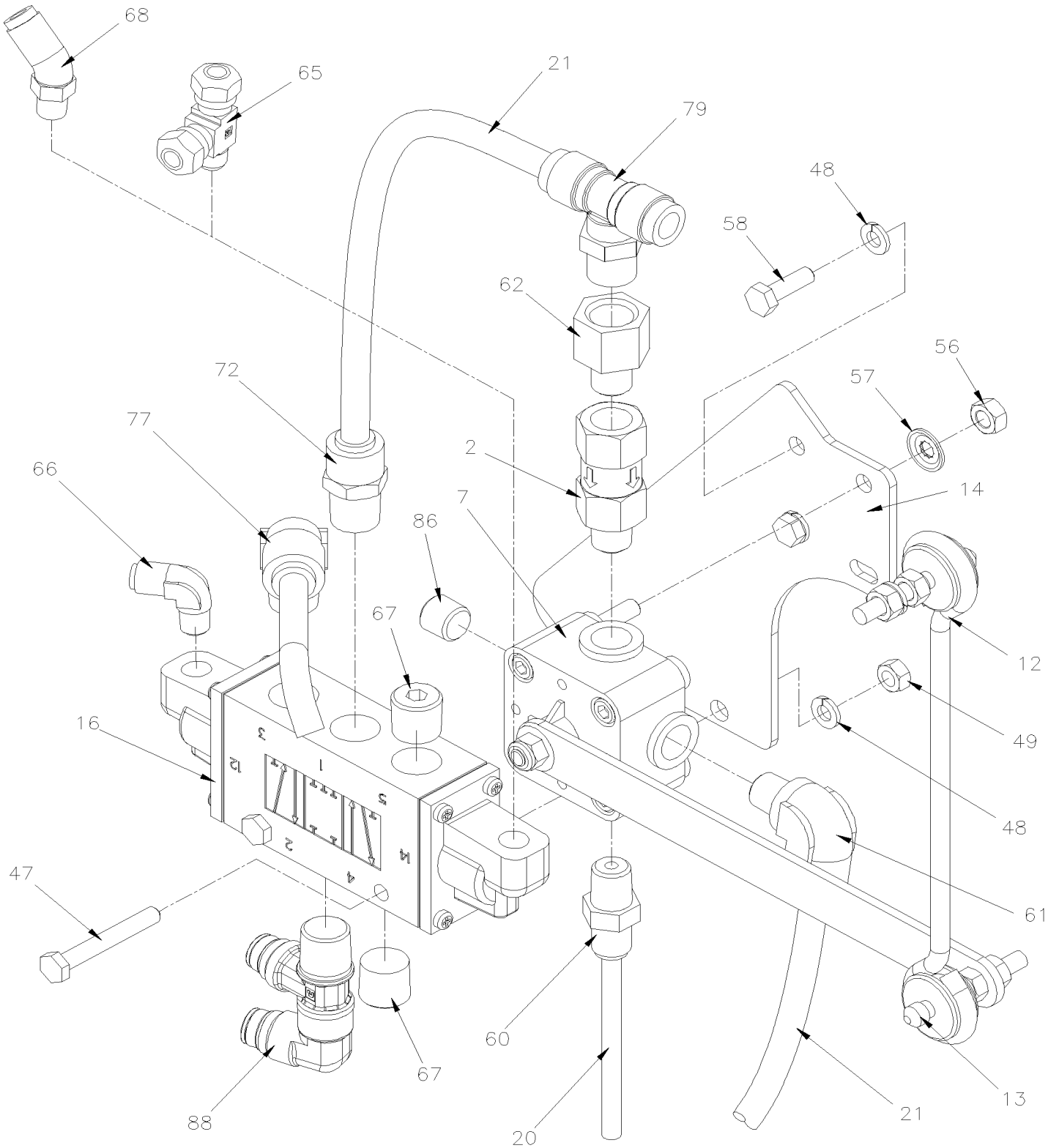


From E-2505 To J-0287

Date:10/2022

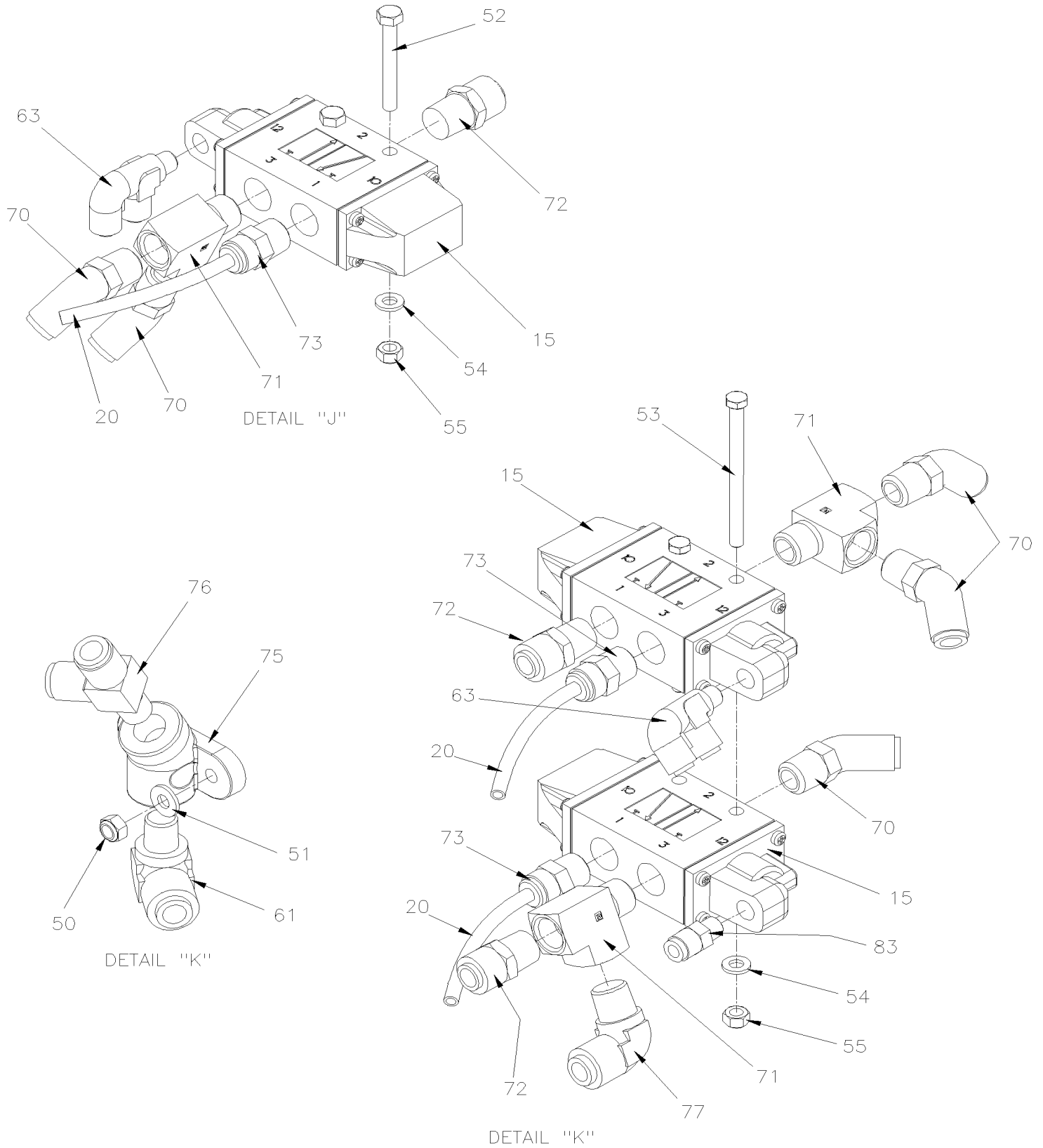
PAGE:H7-1620-51

## HEIGHT CONTROL VALVE - V.I.P.



DETAIL "F"

HEIGHT CONTROL VALVE - V.I.P.



<b>From E-2505 To J-0287</b>	<b>Date:10/2022</b>	<b>PAGE:H7-1620-51</b>
<b>HEIGHT CONTROL VALVE - V.I.P.</b>		

Item#	Part	Description	H 3 4 1	H 3 4 5	V I P 4 5	N O T E S
2	640135	VALVE, CHECK 1/4 NPT			1	
3	500769	NUT HEX 1/4-20 Z050			2	
7	630156	VALVE, HEIGHT CONTROL "BARKSDALE"			2	
8	630237	VALVE, HEIGHT CONTROL "BARKSDALE" / FRONT			1	
8	500247	NUT HEX 1/4-20 N500			2	
8	500473	WASHER LO SPT .262x.489x.062 Z050			2	
10	630229	LINK ASSY 344MM C/C 13 1/2" From A-1470			1	
. A	N8889244	. GROMMET / LINK From A-1470			2	
. C	630250	. STUD RETAINER 1/4-20 X 1" From A-1470			2	
. NS	500769	. NUT HEX 1/4-20 Z050 From A-1470			4	
. NS	500473	. WASHER LO SPT .262x.489x.062 Z050 From A-1470			4	
12	630231	LINK ASSY 185MM C/C 7 1/4"			1	
. A	N8889244	. GROMMET / LINK			2	
. B	630250	. STUD RETAINER 1/4-20 X 1"			2	
. C	500247	. NUT HEX 1/4-20 N500			4	
. D	500473	. WASHER LO SPT .262x.489x.062 Z050			4	
13	630250	STUD RETAINER 1/4-20 X 1"			2	
14	131980	SUPPORT VALVE			1	
15	641274	VALVE, 3 WAYS, 2 POSITIONS N.C.			2	
16	641531	VALVE, 5 WAYS, 3 POSITIONS			2	
. NS	641186	. SPOOL			1	
20	503402	TUBE, NYLON 1/4 O.D. / BLACK S.L.			AR	
21	503471	TUBE, NYLON 3/8 O.D. / BLUE S.L.			AR	
23	501528	STREET ELBOW 45° / PIPE FITTING / 1/2NPT-Mx1/2NPT-F BR			2	
24	642153	HOSE ASSY / #8 22"			2	
25	501616	MALE CONNECTOR / SAE 45° FITTING / #8FL-Mx1/2NPT-M BR			2	
26	501796	BULKHEAD COUPLING / PIPE FITTING / 1/2NPT-Fx1/2NPT-Fx1 1/2 BR			2	
27	641383	MALE CONNECTOR / PUSH-IN FITTING / #8x1/2NPT-M BR			2	
32	131468	SUPPORT HEIGHT CONTROL VALVE			1	
33	131319	SUPPORT VALVE			2	
36	110679	ACTUATOR LEVER			1	
37	503399	U-CLAMP / 2" I.D. X 1/4-20			1	
38	5001833	WASHER BEL SPR 6.1x18x1.27 SS			2	
39	500769	NUT HEX 1/4-20 Z050			2	
40	502656	SCREW CAP HEX M6-1.0x50 SS			4	
41	502570	WASHER LO SPT 6.1x11.8x1.6 SS			8	
42	502565	NUT HEX M6-1.0 SS			8	
43	502622	SCREW CAP HEX M6-1.0x20 SS BK			4	
44	500836	SCREW CAP HEX 5/16-18x3/4 G5 N500			3	
45	500942	WASHER LO SPT 8.1x14.8x2.0 N500			3	
46	500778	NUT HEX 5/16-18 N500			3	
47	502843	SCREW CAP HEX M6-1.0x45 G8.8 N500			4	

<b>From E-2505 To J-0287</b>	<b>Date:10/2022</b>	<b>PAGE:H7-1620-51</b>
<b>HEIGHT CONTROL VALVE - V.I.P.</b>		

Item#	Part	Description	H 3 4 1	H 3 4 5	V I P 4 5	N O T E S
48	502853	WASHER LO SPT 6.1x11.8x1.6 N500			4	
49	502860	NUT HEX STO M6-1.0 N500			4	
50	502681	NUT HEX NYRT M6-1.0 N500 G8			2	
51	500877	WASHER FL .250x.562x.065 N500			2	
52	502656	SCREW CAP HEX M6-1.0x50 SS			2	
53	5001682	SCREW CAP HEX M6-1.0x80 SS			2	
54	502573	WASHER FL 6.4x12.5x1.6 SS			4	
55	502681	NUT HEX NYRT M6-1.0 N500 G8			4	
56	500247	NUT HEX 1/4-20 N500			2	
57	502582	WASHER LO SERR 6.1x16.2x0.9 Z050			2	
58	502830	SCREW CAP HEX M6-1.0x20 G8.8 N500			2	
60	641332	MALE CONNECTOR / PUSH-IN FITTING / #4x1/4NPT-M BR				AR
61	641372	MALE ELBOW 90° NON-SWIVEL / PUSH-IN FITTING / #6x1/4NPT-M BR				AR
62	501311	ADAPTER / PIPE FITTING / 3/8NPT-Fx1/4NPT-M BR				AR
63	642127	MALE ELBOW 90° SWIVEL DUAL PORT / PUSH-IN / #4x#4x1/8NPT-M BR				AR
64	641040	MALE ELBOW 90° / NTA FITTING / #8x3/8NPT-M BR				AR
65	641002	MALE RUN TEE / NTA FITTING / #4x#4x1/8NPT-M BR				AR
66	641369	MALE ELBOW 90° NON-SWIVEL / PUSH-IN FITTING / #4x1/8NPT-M BR				AR
67	501449	PLUG HEXS / PIPE FITTING / 3/8NPT-M STL				AR
68	641365	MALE ELBOW 45° NON-SWIVEL / PUSH-IN FITTING / #4x1/8NPT-M BR				AR
69	641374	MALE ELBOW 90° NON-SWIVEL / PUSH-IN FITTING / #4x3/8NPT-M BR				AR
70	641367	MALE ELBOW 45° NON-SWIVEL / PUSH-IN FITTING / #6x3/8NPT-M BR				AR
71	501699	MALE RUN TEE / PIPE FITTING / 3/8NPT-Mx3/8NPT-Fx3/8NPT-F BR				AR
72	641330	MALE CONNECTOR / PUSH-IN FITTING / #6x3/8NPT-M BR				AR
73	641347	MALE CONNECTOR / PUSH-IN FITTING / #4x3/8NPT-M BR				AR
75	640643	ANCHOR ELBOW / PIPE FITTING / 1/4NPT-Fx1/4NPT-F STL				AR
76	641389	MALE RUN TEE SWIVEL / PUSH-IN FITTING / #6x#6x1/4NPT-M BR				AR
77	641375	MALE ELBOW 90° NON-SWIVEL / PUSH-IN FITTING / #6x3/8NPT-M BR				AR
79	642090	MALE BRANCH TEE / PUSH-IN FITTING / #6x#6x1/4NPT-M COMPOSITE				AR
80	641367	MALE ELBOW 45° NON-SWIVEL / PUSH-IN FITTING / #6x3/8NPT-M BR				AR
83	641242	MALE CONNECTOR / PUSH-IN FITTING / #4x1/8NPT-M BR				AR
84	641331	MALE CONNECTOR / PUSH-IN FITTING / #6x1/4NPT-M BR				AR
86	501800	PLUG HEXS / PIPE FITTING / 1/4NPT-M STL				AR
88	642128	MALE ELBOW 90° SWIVEL DUAL PORT / PUSH-IN / #6x#6x3/8NPT-M BR				AR
90	504750	CABLE TIE / 1/2" x 15" / CHRISTMAS TREE				AR
91	504637	CABLE TIE / 3/16" x 13"				AR
92	509815	TIE MOUNT / ATTACHMENT W/TREE MOUNT				AR
112	<b>H7-1601-00</b>	<b>BELLOWS - AIR SUSPENSION</b>				
113	<b>H7-1640-50</b>	<b>LEVEL-LOW - CONTROL PANEL &amp; VALVES</b>				
115	<b>H7-1615-10</b>	<b>TAG AXLE - LIFTING</b>				

From E-2505 To J-0287	Date:10/2022	PAGE:H7-1620-51
<b>HEIGHT CONTROL VALVE - V.I.P.</b>		

Item#	Part	Description	H 3 4 1	H 3 4 5	V I P 4 5	N O T E S

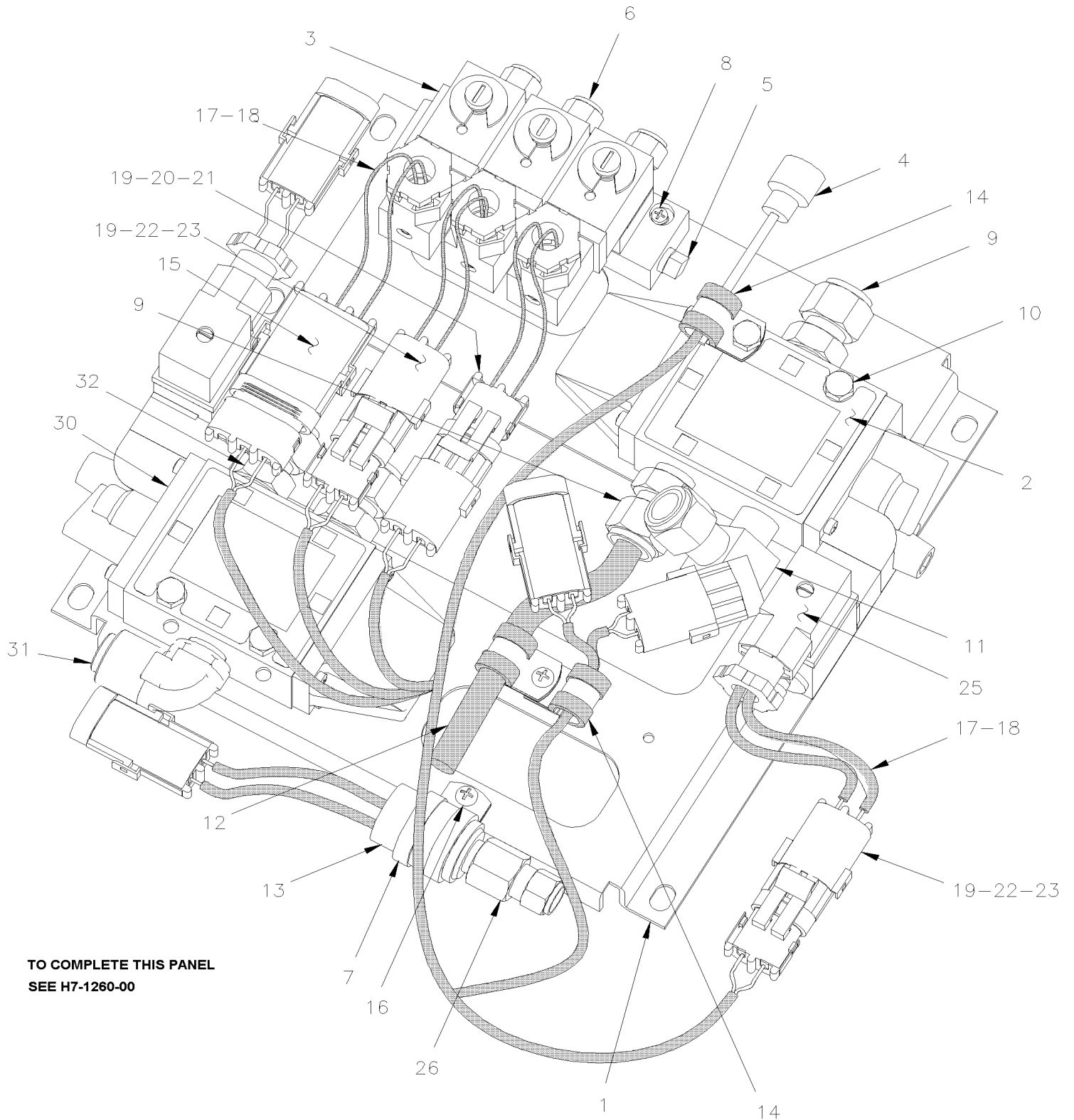


From 7-0671 To E-2565

Date:10/2022

PAGE:H7-1630-00

## FRONT KNEELING - CONTROL PANEL



**TO COMPLETE THIS PANEL  
SEE H7-1260-00**

From 7-0671 To E-2565	Date:10/2022	PAGE:H7-1630-00
<b>FRONT KNEELING - CONTROL PANEL</b>		

Item#	Part	Description	H 3 4 1	H 3 4 5	V I P 4 5	N O T E S
	131704P	KNEELING CONTROL PANEL ASSY "H3"	1	1		
1	131703	. SUPPORT	1	1		
2	641528	. VALVE, 3 WAYS, 2 POSITIONS N.O.	1	1		
. NS	641929	. . COIL 24V	1	1		
. NS	641169	. . SPOOL	1	1		
. NS	641385	. . CONNECTOR / SOCKET HOUSING ASSY 3C / PNEUMAC 54934-01	1	1		
3	641180	. MANIFOLD VALVE / W/3 SOLENOID	1	1		
. NS	641928	. . KIT, MANIFOLD REPAIR / N.C.	3	3		
. NS	641107	. . COIL 24V	1	1		
4	065522	. CABLE ASSY	1	1		
5	501303	. PLUG SQUARE HEAD / PIPE FITTING / 1/8NPT-M BR To A-1677	1	1		
5	501072	. PLUG HEXS / PIPE FITTING / 1/8NPT-M STL From A-1678	1	1		
6	641242	. MALE CONNECTOR / PUSH-IN FITTING / #4x1/8NPT-M BR	3	3		
7	952633	. CLAMP / 7/8" I.D.	1	1		
8	500495	. SCREW TP PAN PH #6x1 Z050	2	2		
9	640990	. MALE CONNECTOR / NTA FITTING / #6x3/8NPT-M BR	2	2		
10	502793	. SCREW CAP HEX M6-1.0x45 G8.8 Z050	2	2		
11	641375	. MALE ELBOW 90° NON-SWIVEL / PUSH-IN FITTING / #6x3/8NPT-M BR	1	1		
12	503470	. TUBE, NYLON 3/8 O.D. / YELLOW S.L.	AR	AR		
13	452082	. PRESSURE SWITCH N.O. 30-15 20SP001AA030C015C	1	1		
14	952625	. CLAMP / 3/8" I.D.	3	3		
15	561783	. SEAL PLUG CAVITY / GREEN / PED 12010300	1	1		
16	5001440	. SCREW TP RND PH WSHR HD #8x1/2	2	2		
17	561258	. WIRE CABLE 18 / RED / GXL	AR	AR		
18	561261	. WIRE CABLE 18 / BLACK / GXL	AR	AR		
19	561565	. CABLE SEAL / GREEN / PED 15324982	8	8		
20	561690	. CONNECTOR / WEATHER PACK / SH 2C / BLACK / PED 12015792	1	1		
21	561578	. SOCKET TERMINAL / 16-14 / PED 12010182	4	4		
22	561566	. CONNECTOR / WEATHER PACK / PH 2C / BLACK / PED 12010973	2	2		
23	561568	. PIN TERMINAL / 16-14 / PED 12089305	4	4		
25	562353	. DIODE / 1AMP	4	4		
26	641028	. FEMALE CONNECTOR / NTA FITTING / #4x1/4NPT-F BR	1	1		
27	952633	. CLAMP / 7/8" I.D.	1	1		
28	561781	. CONNECTOR / WEATHER PACK / PH 3C / BLACK / PED 12010717	1	1		
30	641937	VALVE, 3 WAYS, 2 POSITIONS N.C. / W/MAN OVERRIDE	1	1		A
. NS	641929	. COIL 24V	1	1		A
. NS	641385	. CONNECTOR / SOCKET HOUSING ASSY 3C / PNEUMAC 54934-01	1	1		A
31	641374	MALE ELBOW 90° NON-SWIVEL / PUSH-IN FITTING / #4x3/8NPT-M BR	1	1		A
32	641347	MALE CONNECTOR / PUSH-IN FITTING / #4x3/8NPT-M BR	2	2		A
		NEXT ITEMS ARE RELATED WITH				
		FRONT AIR FILLING				



From 7-0671 To E-2565 Date:10/2022 PAGE:H7-1630-00

**FRONT KNEELING - CONTROL PANEL**

Item#	Part	Description	H 3 4 1	H 3 4 5	V I P 4 5	N O T E S
		FOR TOWING BY FRONT & REAR				
		WITH ELECTRIC CABLE CONNECTOR "OPTION"				
NS	642021	DROP-EAR ELBOW 90° / PIPE FITTING / 1/8NPT-F BR	1	1		
NS	640488	VALVE, AIR FILL 1/8" NPT	1	1		
. NS	650164	. CAP VALVE / CHROME	1	1		
NS	5011129	NEEDLE VALVE 1/4 NPT M x 1/4 NPT F	1	1		
NS	501310	ADAPTER / PIPE FITTING / 1/4NPT-Fx1/8NPT-M BR	1	1		
NS	641242	MALE CONNECTOR / PUSH-IN FITTING / #4x1/8NPT-M BR	1	1		
NS	501305	PLUG SQUARE HEAD / PIPE FITTING / 3/8NPT-M BR To A-1677	1	1		
40	501449	PLUG HEXS / PIPE FITTING / 3/8NPT-M STL From A-1678	1	1		
NS	140381	DECAL / "AIR BRAKE SYSTEM FILL" // ENGLISH & FRANCAIS	1	1		
NS	142369	DECAL / "AIR BRAKE SYSTEM FILL" // ENGLISH & SPANISH	1	1	1	
NS	500163	SCREW CAP HEX 1/4-20x3/4 G5 Z050	2	2		
NS	500473	WASHER LO SPT .262x.489x.062 Z050	1	1		
NS	067494	"TOWING CABLE" / 16715MM	1	1		
40	066939	"TOWING CABLE" "Y" / ADAPTOR 4300MM	1	1		
NS	563224	CONNECTOR MALE 7C / POLLAK 15-720	1	1		
NS	563225	BOOT PROTECTOR / POLLAK 15-740	1	1		
50	<b>H7-1260-00</b>	<b>VALVE SUPPORT ASSY</b>				
		A) USE WITH "LOW BUOY" 5MPH				

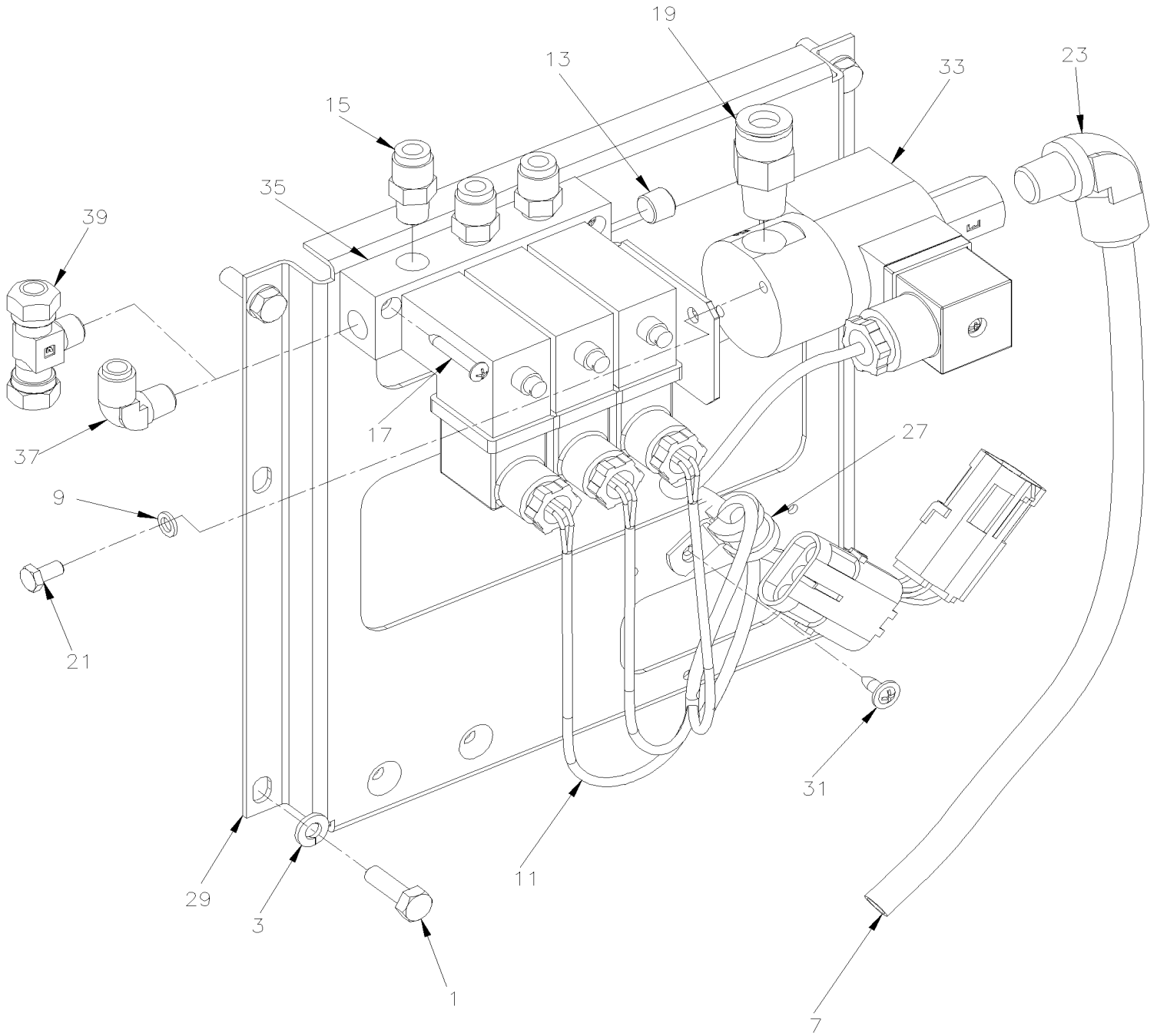


From E-2566 To F-2922

Date:10/2022

PAGE:H7-1630-01

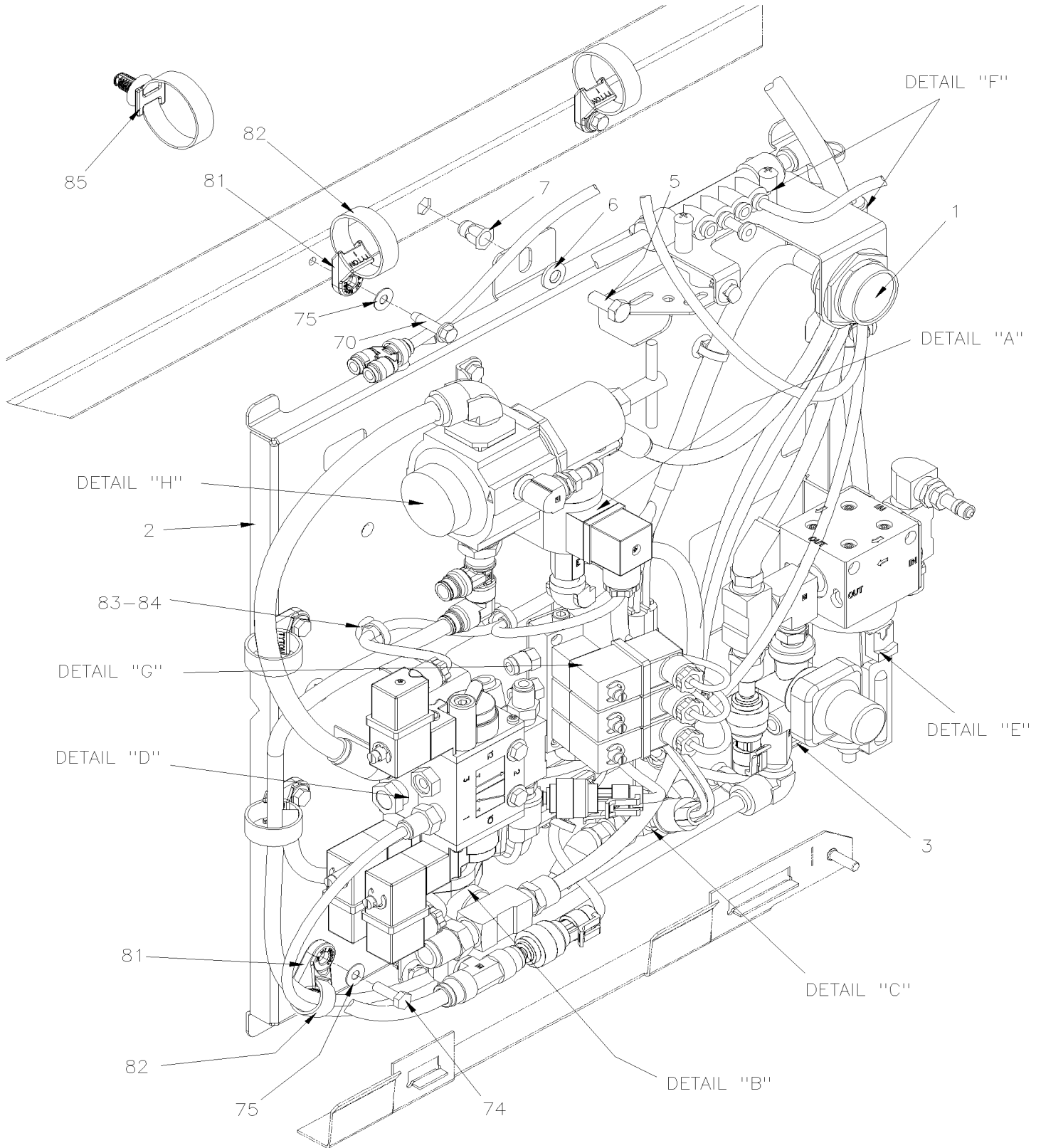
## FRONT KNEELING - CONTROL PANEL



From E-2566 To F-2922	Date:10/2022	PAGE:H7-1630-01
<b>FRONT KNEELING - CONTROL PANEL</b>		

Item#	Part	Description	H 3 4 1	H 3 4 5	V I P 4 5	N O T E S
1	502830	SCREW CAP HEX M6-1.0x20 G8.8 N500	4	4		
3	502564	WASHER LO SPT 6.1x11.8x1.6 Z050	4	4		
5	680098	THREAD SEALANT LOCTITE #567 / WHITE / 250ml	AR	AR		
7	503470	TUBE, NYLON 3/8 O.D. / YELLOW S.L.	AR	AR		
9	500470	WASHER LO SPT .193x.334x.047 Z050	2	2		
11	068835	CABLE ASSY / KNEELING PRESSURE SWITCH	1	1		
13	501072	PLUG HEXS / PIPE FITTING / 1/8NPT-M STL	1	1		
15	641242	MALE CONNECTOR / PUSH-IN FITTING / #4x1/8NPT-M BR	3	3		
17	500495	SCREW TP PAN PH #6x1 Z050	2	2		
19	641331	MALE CONNECTOR / PUSH-IN FITTING / #6x1/4NPT-M BR	1	1		
21	502751	SCREW CAP HEX #10-32x3/8 Z050	2	2		
23	641372	MALE ELBOW 90° NON-SWIVEL / PUSH-IN FITTING / #6x1/4NPT-M BR	1	1		
27	952624	CLAMP / 1/4" I.D.	1	1		
29	131909	VALVE MOUNTING PLATE	1	1		
31	500582	SCREW TP PAN PH #8x3/8 Z050	1	1		
33	642191	VALVE, 3 WAYS, 2 POSITIONS N.C.	1	1		
. NS	195765	. SOLENOIDE 24 VOLTS	1	1		
33	642137	VALVE, 3 WAYS, N.C.	1	1		O
33	195765	SOLENOIDE 24 VOLTS	1	1		
35	641180	MANIFOLD VALVE / W/3 SOLENOID	1	1		
. NS	641928	. KIT, MANIFOLD REPAIR / N.C.	3	3		
. NS	641107	. COIL 24V	1	1		
37	641369	MALE ELBOW 90° NON-SWIVEL / PUSH-IN FITTING / #4x1/8NPT-M BR	1	1		
39	641039	MALE BRANCH TEE / NTA FITTING / #4x#4x1/8NPT-M BR	1	1		T
		O) SPECIAL REQUEST FOR ORELAN EXPRESS				
		T) REQUIRED W/ LOW-BUOY & FRONT KNEELING OPTIONS				

From F-2923 To J-0184	Date:10/2022	PAGE:H7-1630-02
<b>FRONT KNEELING - CONTROL PANEL</b>		

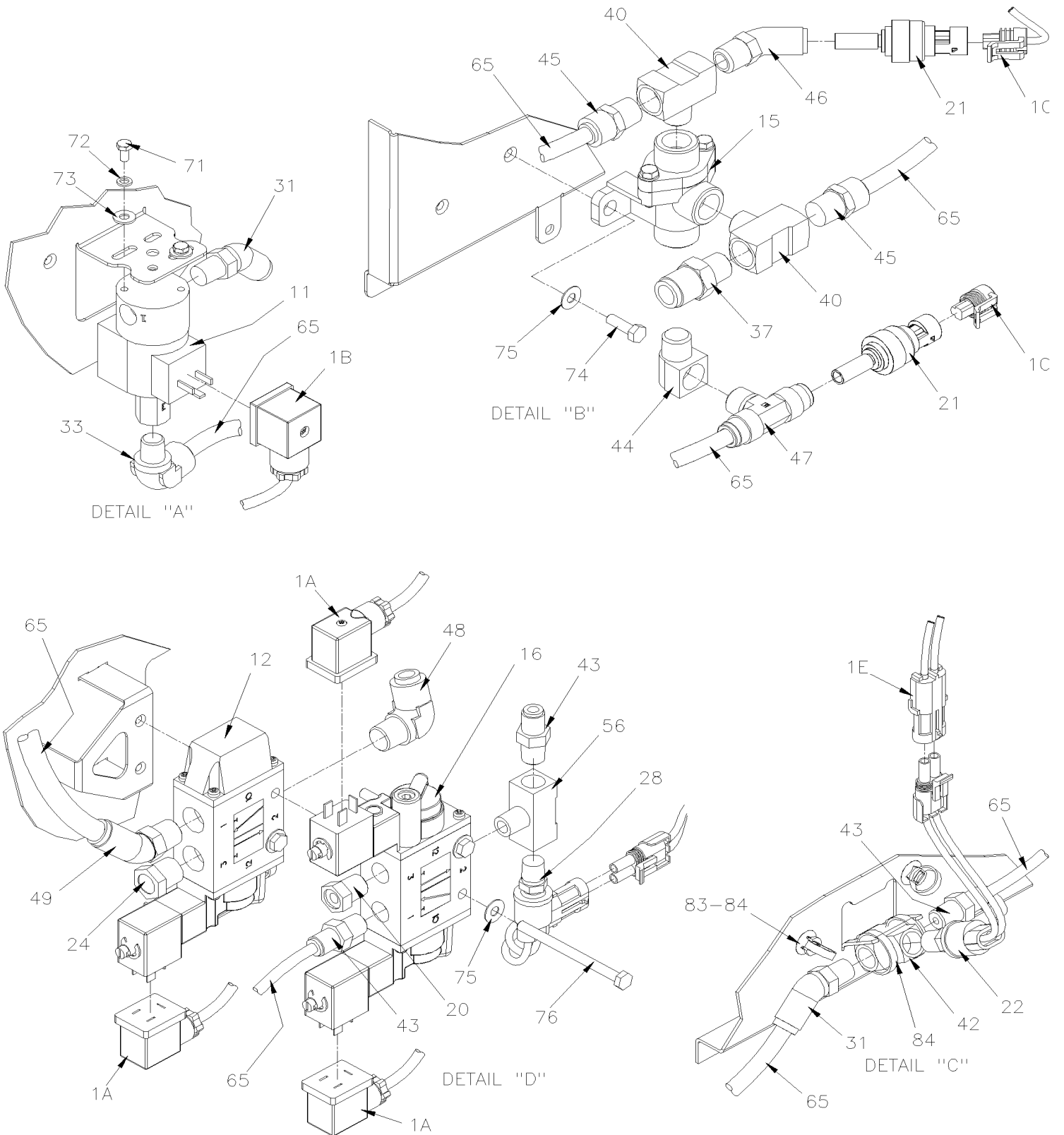


From F-2923 To J-0184

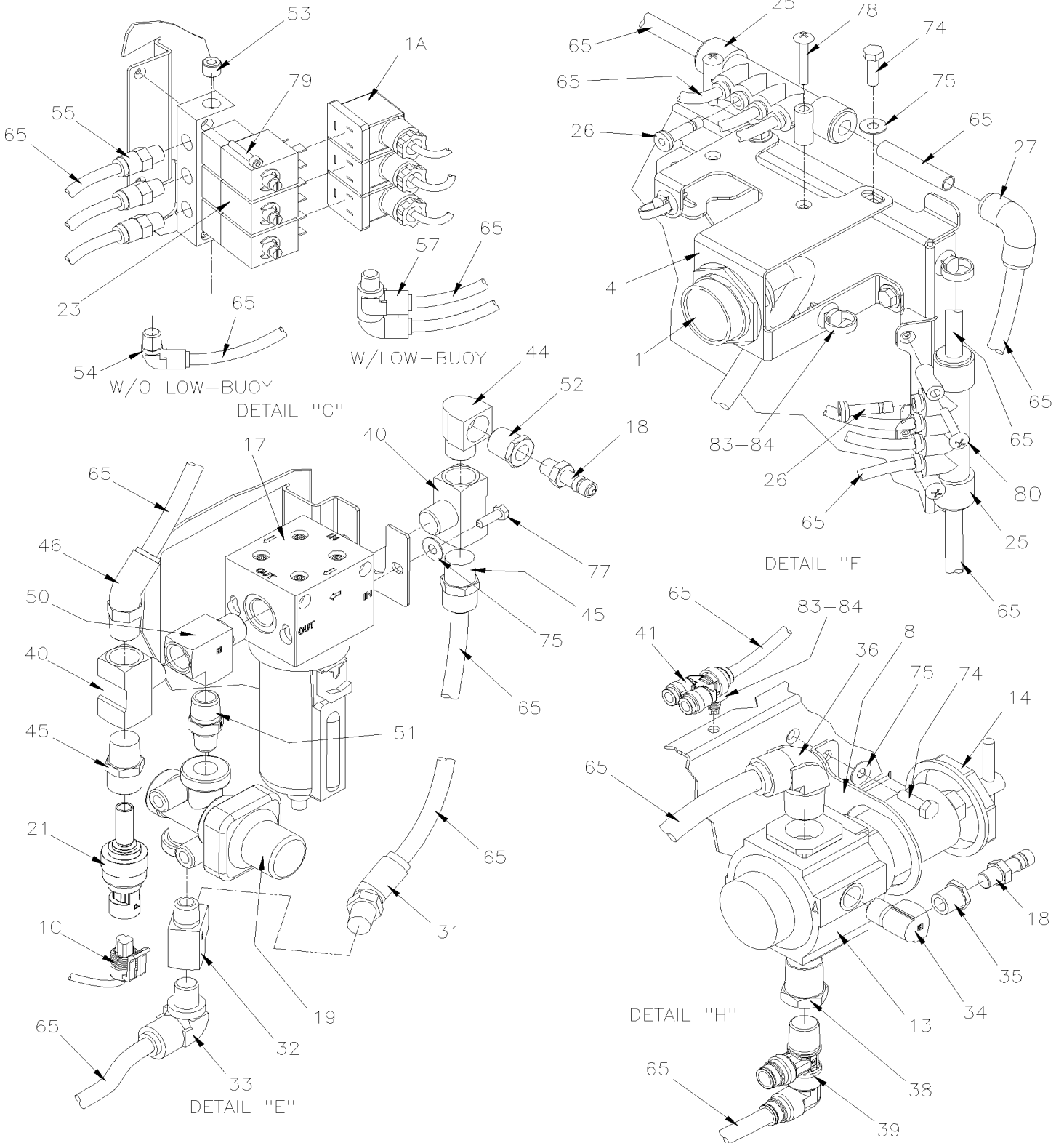
Date:10/2022

PAGE:H7-1630-02

## FRONT KNEELING - CONTROL PANEL



## FRONT KNEELING - CONTROL PANEL



From F-2923 To J-0184	Date:10/2022	PAGE:H7-1630-02
<b>FRONT KNEELING - CONTROL PANEL</b>		

Item#	Part	Description	H 3 4 1	H 3 4 5	V I P 4 5	N O T E S
1	069271	CABLE ASSY KNEELING PANEL To G-3205	1	1		
. A	641385	. CONNECTOR / SOCKET HOUSING ASSY 3C / PNEUMAC 54934-01 To G-3205	6	6		
. B	562848	. CONNECTOR / SOCKET HOUSING ASSY 3C / PNEUMAC 54933-05 To G-3205	1	1		
. C	563159	. CONNECTOR / METRI-PACK 150 / SH 3C / PED 12065287 To G-3205	3	3		
. D	563677	. CONNECTOR / METRI-PACK 150 / SH 4C / PED 12065402 To G-3205	1	1		
. E	561566	. CONNECTOR / WEATHER PACK / PH 2C / BLACK / PED 12010973 To G-3205	1	1		
. F	561690	. CONNECTOR / WEATHER PACK / SH 2C / BLACK / PED 12015792 To G-3205	1	1		
1	069506	CABLE ASSY KNEELING PANEL From G-3206	1	1		
. A	641385	. CONNECTOR / SOCKET HOUSING ASSY 3C / PNEUMAC 54934-01 From G-3206	6	6		
. B	562848	. CONNECTOR / SOCKET HOUSING ASSY 3C / PNEUMAC 54933-05 From G-3206	1	1		
. C	563159	. CONNECTOR / METRI-PACK 150 / SH 3C / PED 12065287 From G-3206	3	3		
. D	563677	. CONNECTOR / METRI-PACK 150 / SH 4C / PED 12065402 From G-3206	1	1		
. E	561566	. CONNECTOR / WEATHER PACK / PH 2C / BLACK / PED 12010973 From G-3206	1	1		
. F	561690	. CONNECTOR / WEATHER PACK / SH 2C / BLACK / PED 12015792 From G-3206	1	1		
2	145286	VALVE SUPPORT ASSY To G-3328	1	1		
2	140038	VALVE SUPPORT ASSY From G-3329	1	1		
3	140227	DECAL / ACC AIR FILTER DRAIN / ENGLISH & FRANCAIS	1	1		
4	145261	CABLE SUPPORT To G-3205	1	1		
4	145626	CABLE SUPPORT From G-3206 To G-3328	1	1		
4	140039	CABLE SUPPORT From G-3329	1	1		
5	502862	SCREW CAP HEX M8-1.25x20 G8.8 N500	1	1		
6	5001868	WASHER BEL SPR 8.4x18x2 SS	1	1		
7	5001692	NUT INS FL HEX M8-1.25 0.5-3.0 SS	1	1		
8	145267	SUPPORT, REGULATOR	1	1		
11	642191	VALVE, 3 WAYS, 2 POSITIONS N.C. To G-3328	1	1		
. NS	195765	. SOLENOIDE 24 VOLTS To G-3328	1	1		
11	642227	VALVE, 3 WAYS, 2 POSITIONS N.C. From G-3329	1	1		
. NS	195765	. SOLENOIDE 24 VOLTS From G-3329	1	1		
12	641937	VALVE, 3 WAYS, 2 POSITIONS N.C. / W/MAN OVERRIDE	1	1		
. NS	641929	. COIL 24V	1	1		
. NS	641385	. CONNECTOR / SOCKET HOUSING ASSY 3C / PNEUMAC 54934-01	1	1		
13	641352	AIR PRESSURE REGULATOR 1/2" NPT	1	1		
14	641506	NUT RING / AIR REGULATOR RETAINING	1	1		
15	641564	VALVE, DOUBLE CHECK DC-4	1	1		
16	641530	VALVE, 3 WAYS, 2 POSITIONS / 2 SOLONOIDS	1	1		
. NS	641929	. COIL 24V	1	1		
. NS	641169	. SPOOL	1	1		
. NS	641385	. CONNECTOR / SOCKET HOUSING ASSY 3C / PNEUMAC 54934-01	1	1		
17	<b>642192</b>	<b>AIR FILTER</b>	1	1		
18	640488	VALVE, AIR FILL 1/8" NPT	2	2		
. NS	650164	. CAP VALVE / CHROME	1	1		



From F-2923 To J-0184	Date:10/2022	PAGE:H7-1630-02
<b>FRONT KNEELING - CONTROL PANEL</b>		

Item#	Part	Description	H 3 4 1	H 3 4 5	V I P 4 5	N O T E S
19	641137	VALVE, PRESSURE PROTECTION TYPE PR-4 70PSI	1	1		
20	641926	SILENCER / MUFFLER / 1/4NPT-M	1	1		
21	560005	TRANSDUCER PRESSURE (0-12 BAR, 0-174 PSI)	3	3		
22	287234	PRESSURE SWITCH N.C. 30-10 20PS001AB030E010E	1	1		
23	641180	MANIFOLD VALVE / W/3 SOLENOID	1	1		
. NS	641928	. KIT, MANIFOLD REPAIR / N.C.	3	3		
. NS	641107	. COIL 24V	1	1		
24	641934	SILENCER / MUFFLER / 3/8NPT-M	1	1		
25	641897	MANIFOLD / PUSH-IN FITTING / 2x#6 / 4x#4 PLAS	2	2		
26	641416	PLUG STEM / PUSH-IN FITTING / #4 PLAS	2	2		
27	641436	UNION ELBOW 90° / PUSH-IN FITTING / #6x#6 BR	1	1		
28	452043	PRESSURE SWITCH N.O. 60-35 20SP001AA060E035E	1	1		
31	641366	MALE ELBOW 45° NON-SWIVEL / PUSH-IN FITTING / #6x1/4NPT-M BR	2	2		
32	501338	MALE RUN TEE / PIPE FITTING / 1/4NPT-Mx1/4NPT-Fx1/4NPT-F BR	1	1		
33	641372	MALE ELBOW 90° NON-SWIVEL / PUSH-IN FITTING / #6x1/4NPT-M BR	2	2		
34	501332	STREET ELBOW 90° / PIPE FITTING / 1/4NPT-Mx1/4NPT-F BR	1	1		
35	501312	BUSHING REDUCER / PIPE FITTING / 1/4NTP-Mx1/8NPT-F BR	1	1		
36	641378	MALE ELBOW 90° / PUSH-IN FITTING / #8x1/2NPT-M BRASS	1	1		
37	641381	MALE CONNECTOR / PUSH-IN FITTING / #8x3/8NPT-M BR	1	1		
38	501534	BUSHING REDUCER / PIPE FITTING / 1/2NPT-Mx3/8NPT-F BR	1	1		
39	642128	MALE ELBOW 90° SWIVEL DUAL PORT / PUSH-IN / #6x#6x3/8NPT-M BR	1	1		
40	501737	MALE BRANCHE TEE / PIPE FITTING / 3/8NPT-Fx3/8NPT-Fx3/8NPT-M BR	4	4		
41	642208	UNION "Y" / PUSH-IN FITTING / #4x#4x#4 PLAS	1	1		
42	501337	FEMALE UNION TEE / PIPE FITTING / 1/4NPT-Fx1/4NPT-Fx1/4NPT-F BR	1	1		
43	641332	MALE CONNECTOR / PUSH-IN FITTING / #4x1/4NPT-M BR	3	3		
44	501333	STREET ELBOW 90° / PIPE FITTING / 3/8NPT-Mx3/8NPT-F BR	2	2		
45	641330	MALE CONNECTOR / PUSH-IN FITTING / #6x3/8NPT-M BR	4	4		
46	641367	MALE ELBOW 45° NON-SWIVEL / PUSH-IN FITTING / #6x3/8NPT-M BR	2	2		
47	649942	MALE BRANCH TEE / PUSH-IN FITTING / #6x#6x3/8NPT-M BR	1	1		
48	641375	MALE ELBOW 90° NON-SWIVEL / PUSH-IN FITTING / #6x3/8NPT-M BR	1	1		
49	641368	MALE ELBOW 45° NON-SWIVEL / PUSH-IN FITTING / #8x3/8NPT-M BR	1	1		
50	501699	MALE RUN TEE / PIPE FITTING / 3/8NPT-Mx3/8NPT-Fx3/8NPT-F BR	1	1		
51	501749	NIPPLE REDUCER HEX / PIPE FITTING / 3/8NPT-Mx1/4NPT-Mx1 13/32 BR	1	1		
52	501313	BUSHING REDUCER / PIPE FITTING / 3/8NTP-Mx1/8NPT-F BR	1	1		
53	501072	PLUG HEXS / PIPE FITTING / 1/8NPT-M STL	1	1		
54	641369	MALE ELBOW 90° NON-SWIVEL / PUSH-IN FITTING / #4x1/8NPT-M BR	1	1		
55	641242	MALE CONNECTOR / PUSH-IN FITTING / #4x1/8NPT-M BR	3	3		
56	501894	MALE BRANCHE TEE / PIPE FITTING / 1/4NPT-Fx1/4NPT-Fx1/4NPT-M BR	1	1		
57	642127	MALE ELBOW 90° SWIVEL DUAL PORT / PUSH-IN / #4x#4x1/8NPT-M BR	1	1		
NS	680098	THREAD SEALANT LOCTITE #567 / WHITE / 250ml	AR	AR		

From F-2923 To J-0184	Date:10/2022	PAGE:H7-1630-02
<b>FRONT KNEELING - CONTROL PANEL</b>		

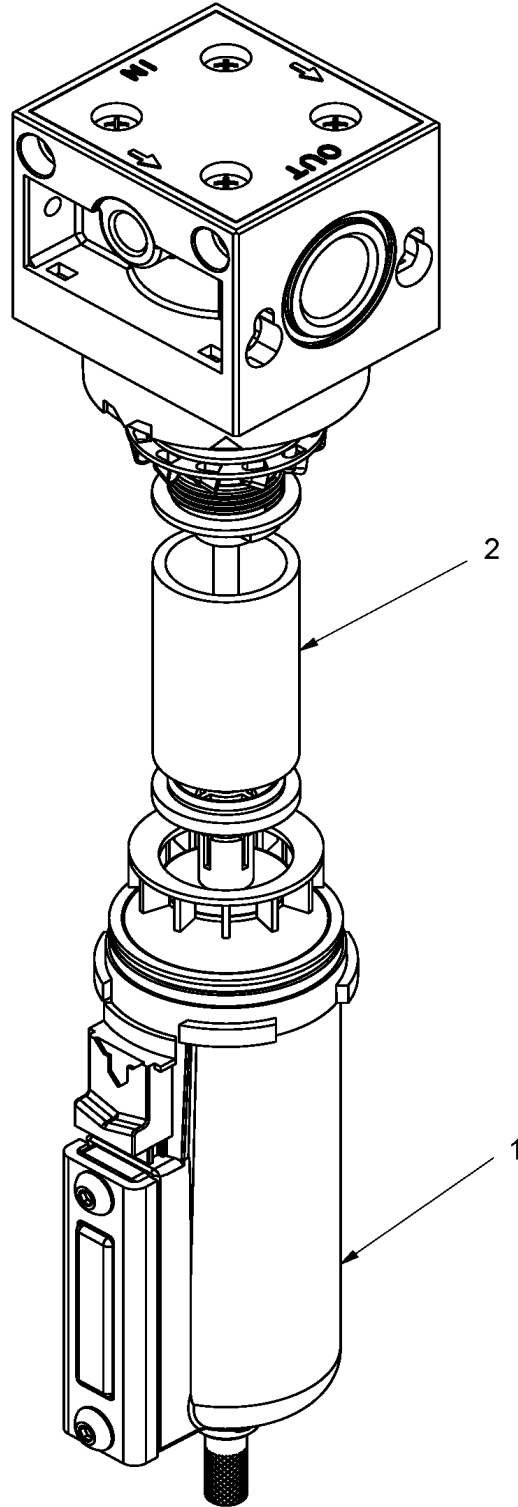
Item#	Part	Description	H 3 4 1	H 3 4 5	V I P 4 5	N O T E S
65	H7-1202-00	TUBES PLASTIC / AIR D.O.T.				
70	500266	SCREW TC CAP HEX 1/4-20x1 N500	2	2		
71	502751	SCREW CAP HEX #10-32x3/8 Z050 To G-3328	2	2		
71	500393	SCREW TC PAN PH #10-24x3/8 Z050 From G-3329	2	2		
72	500470	WASHER LO SPT .193x.334x.047 Z050	2	2		
73	500964	WASHER FL .203x.500x.047 Z050	2	2		
74	502830	SCREW CAP HEX M6-1.0x20 G8.8 N500	AR	AR		
75	5001608	WASHER BEL SPR 6.2x15.0x0.7 G500	AR	AR		
76	502843	SCREW CAP HEX M6-1.0x45 G8.8 N500	2	2		
76	5001826	SCREW CAP HEX M6-1.0x80 FT Z050	2	2		A
77	500032	SCREW CAP HEX M5-0.8x16 BK	2	2		
78	500574	SCREW MA TR PH #10-24x1 1/4 SS To G-3328	2	2		
78	5001991	SCREW MA RND PH M5-0.8x30 SS From G-3329	2	2		
79	500671	SCREW CAP HEXS #8-32x7/8	2	2		
80	500574	SCREW MA TR PH #10-24x1 1/4 SS To G-3328	2	2		
80	5001991	SCREW MA RND PH M5-0.8x30 SS From G-3329	2	2		
81	509894	TIE MOUNT HOLE 7.8MM	5	5		
82	509491	CABLE TIE / 13MM x 383MM	5	5		
83	509815	TIE MOUNT / ATTACHMENT W/TREE MOUNT	AR	AR		
84	504637	CABLE TIE / 3/16" x 13"	AR	AR		
85	504750	CABLE TIE / 1/2" x 15" / CHRISTMAS TREE	AR	AR		
		A) USE WITH HIGH BUOY AND PNEUMATIC BAGGAGE DOOR LOCK				

From F-2923 To J-0184

Date:10/2022

PAGE:642192

**AIR FILTER**



From F-2923 To J-0184	Date:10/2022	PAGE:642192
-----------------------	--------------	-------------

**AIR FILTER**

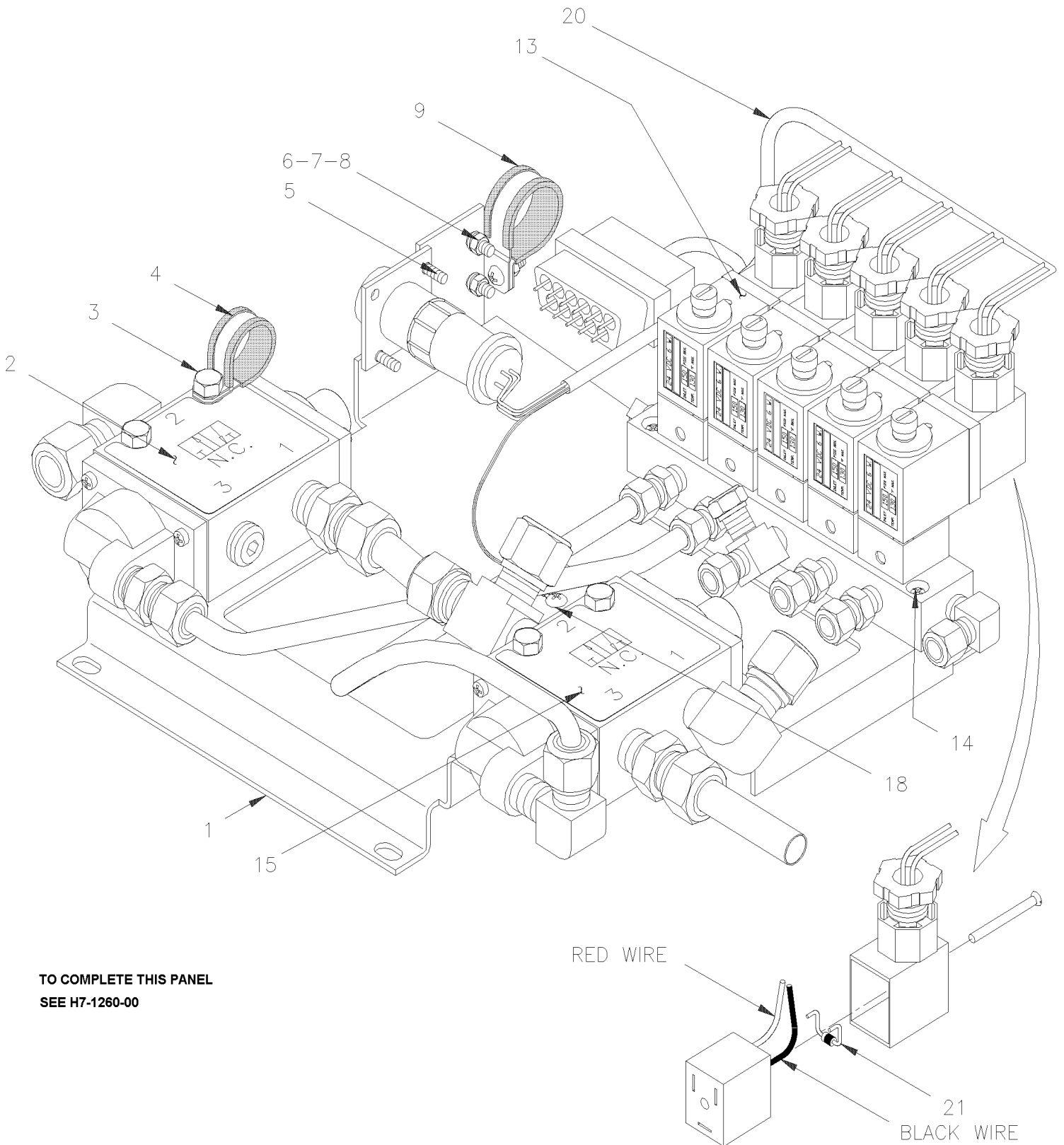
Item#	Part	Description	H 3 4 1	H 3 4 5	V I P 4 5	N O T E S
1	642219	METAL BOWL MANUAL DRAIN	1	1	1	
2	642220	FILTER ELEMENT	1	1	1	
NS	642221	SERVICE KIT AIR FILTER	1	1	1	A
. NS	N.S.S.	. FILTER SIDE PLATE	2	2	2	1 A
. NS	N.S.S.	. SCREW CAP BUT	2	2	2	1 A
. NS	N.S.S.	. PLUG	1	1	1	1 A
. NS	N.S.S.	. O-RING	1	1	1	1 A
. NS	N.S.S.	. GREASE PACKET	1	1	1	1 A
		A) CONTAIN SIDE COVER 2X / SCREW X2 / PLUG 1X / O-RING 1X / GREASE PACKAGE 1X				
		1) NOT SOLD SEPARATELY				

From 7-0671 To F-2928

Date:10/2022

PAGE:H7-1640-50

## LEVEL-LOW - CONTROL PANEL & VALVES



From 7-0671 To F-2928	Date:10/2022	PAGE:H7-1640-50
<b>LEVEL-LOW - CONTROL PANEL &amp; VALVES</b>		

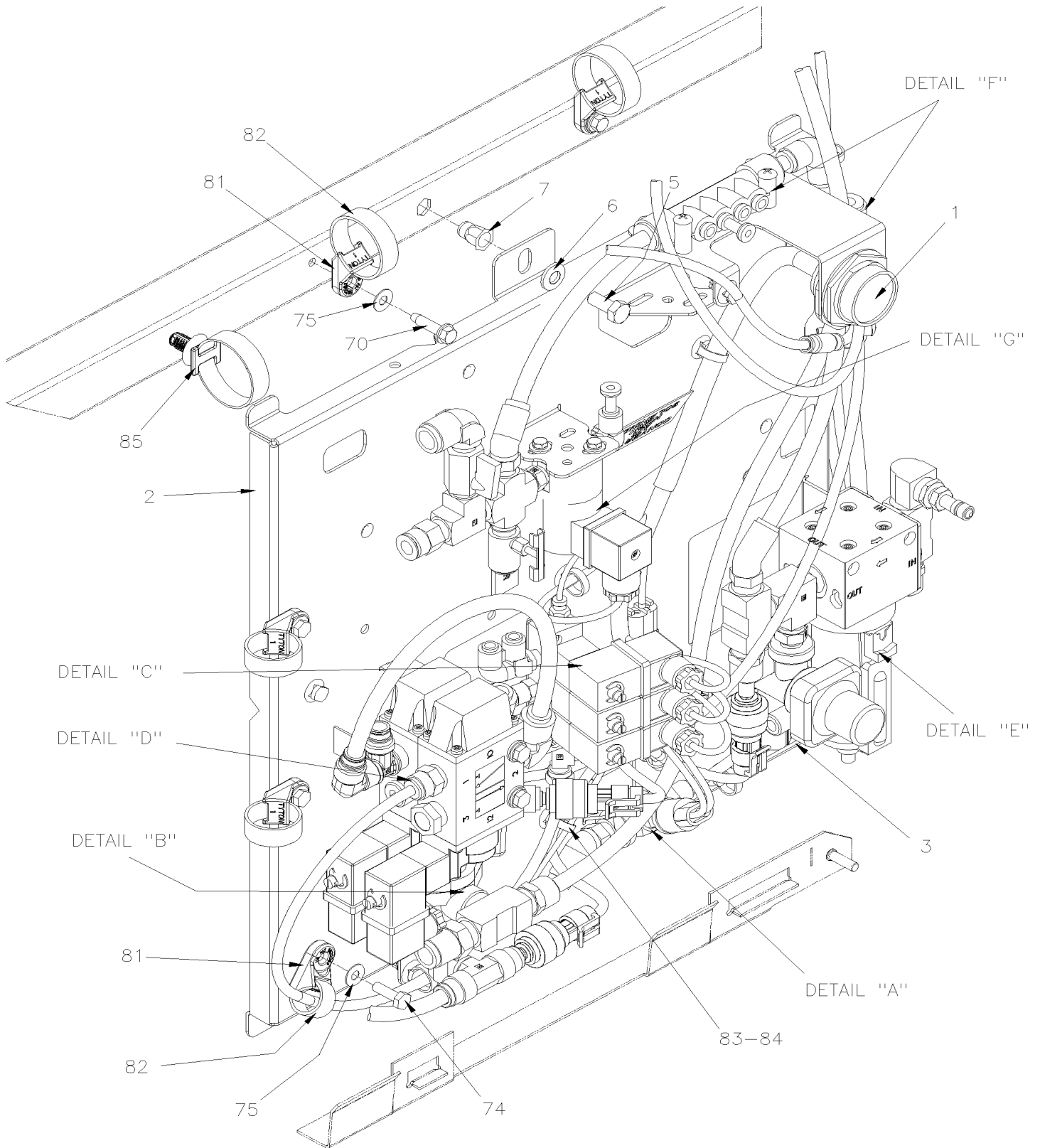
Item#	Part	Description	H 3 4 1	H 3 4 5	V I P 4 5	N O T E S
	131433	PANEL ASSY			1	
1	131329	. SUPPORT			1	
2	641274	. VALVE, 3 WAYS, 2 POSITIONS N.C.			1	
3	502793	. SCREW CAP HEX M6-1.0x45 G8.8 Z050			4	
3	502573	. WASHER FL 6.4x12.5x1.6 SS			4	
3	502511	. NUT HEX NYRT M6-1.0 Z050			4	
4	560482	. CLAMP / 3/4" I.D. / W/HOLE 3/16"			1	
5	500576	. SCREW TC PAN PH #6-32x1/2 Z050			4	
6	500344	. SCREW MA RND PH M4-0.7x12 Z050			3	
7	502636	. WASHER LO SPT 4.1x7.6x0.9 Z050			3	
8	502524	. NUT HEX M4-0.7 Z050			3	
9	562036	. CLAMP / 7/8" I.D. X 90°			1	
10	500641	. SCREW TP PAN PH #8x3/4 Z050			4	
11	504412	. WASHER RETAINER SNAP CAP #8			4	
13	641205	. MANIFOLD VALVE / W/5 SOLENOID			1	
. NS	641928	. . KIT, MANIFOLD REPAIR / N.C.			5	
. NS	641107	. . COIL 24V			5	
14	500495	. SCREW TP PAN PH #6x1 Z050			2	
15	641274	. VALVE, 3 WAYS, 2 POSITIONS N.C.			1	
18	500582	. SCREW TP PAN PH #8x3/8 Z050			1	
20	065429	. CABLE ASSY / VALVE "LEVEL-LOW"			1	
21	562353	. DIODE / 1AMP			5	
NS	<b>H7-1201-00</b>	<b>FITTING - MISCELLANEOUS</b>				
30	<b>H7-1260-00</b>	<b>VALVE SUPPORT ASSY To E-2565</b>				
30	<b>H7-1260-01</b>	<b>VALVE SUPPORT ASSY From E-2566</b>				

From F-2929 To J-0287

Date:10/2022

PAGE:H7-1640-51

LEVEL-LOW - CONTROL PANEL & VALVES

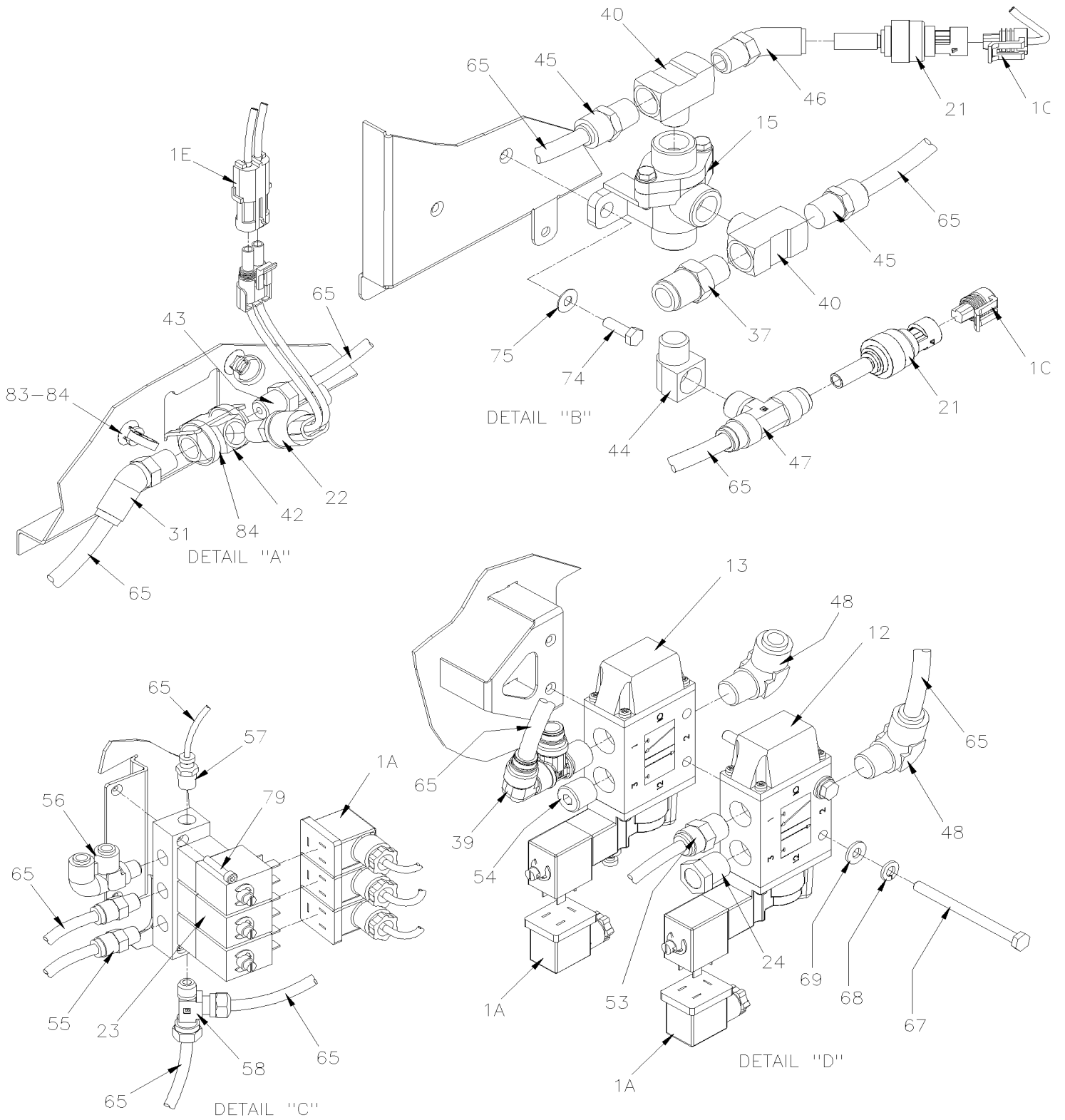


From F-2929 To J-0287

Date:10/2022

PAGE:H7-1640-51

## LEVEL-LOW - CONTROL PANEL & VALVES



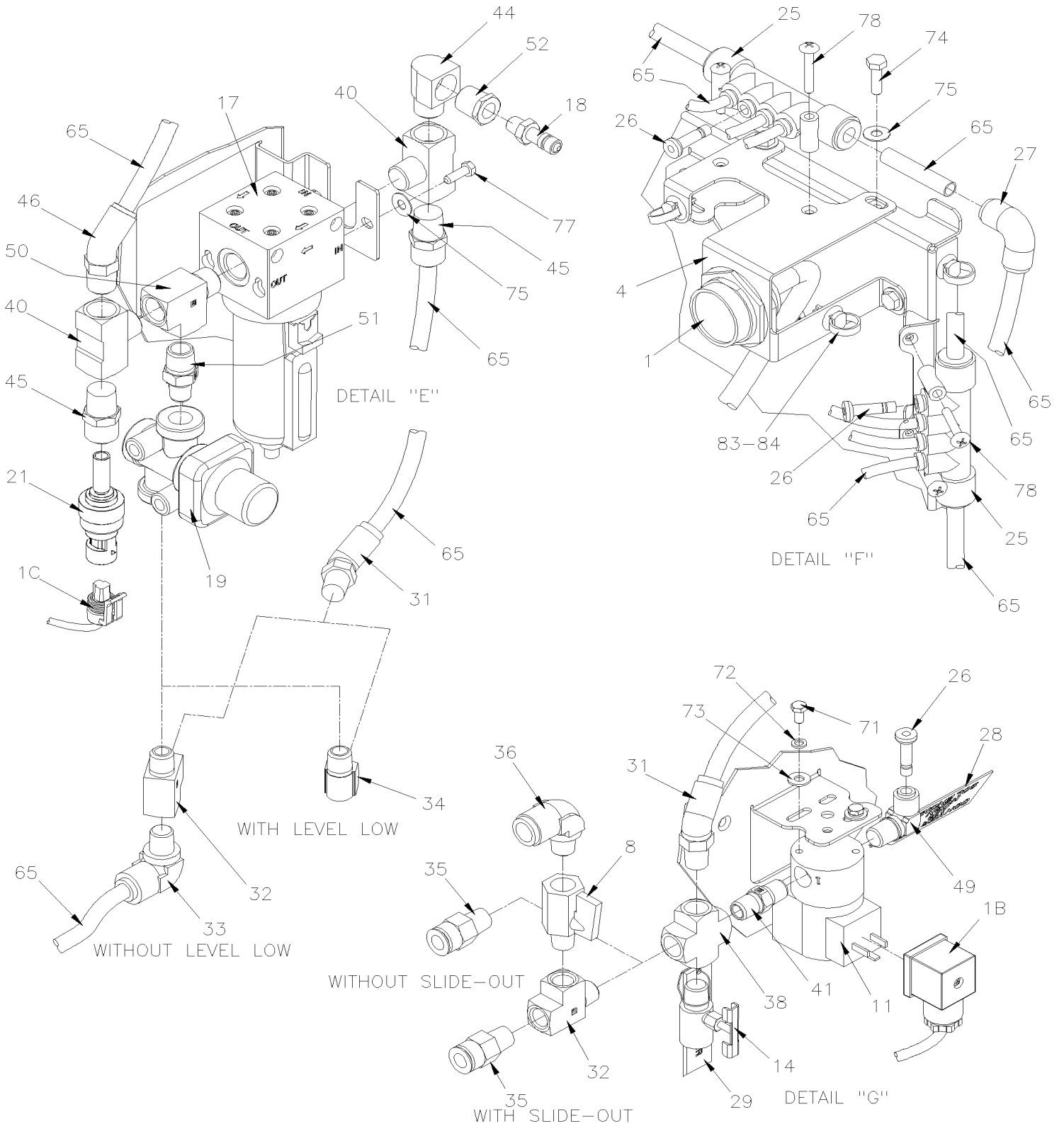


From F-2929 To J-0287

Date:10/2022

PAGE:H7-1640-51

## LEVEL-LOW - CONTROL PANEL & VALVES



From F-2929 To J-0287	Date:10/2022	PAGE:H7-1640-51
<b>LEVEL-LOW - CONTROL PANEL &amp; VALVES</b>		

Item#	Part	Description	H 3 4 1	H 3 4 5	V I P 4 5	N O T E S
1	069272	CABLE ASSY LEVEL-LOW To G-3205			1	
. A	641385	. CONNECTOR / SOCKET HOUSING ASSY 3C / PNEUMAC 54934-01 To G-3205			5	
. B	562848	. CONNECTOR / SOCKET HOUSING ASSY 3C / PNEUMAC 54933-05 To G-3205			1	
. C	563159	. CONNECTOR / METRI-PACK 150 / SH 3C / PED 12065287 To G-3205			3	
. D	563677	. CONNECTOR / METRI-PACK 150 / SH 4C / PED 12065402 To G-3205			1	
. E	561566	. CONNECTOR / WEATHER PACK / PH 2C / BLACK / PED 12010973 To G-3205			1	
1	069533	CABLE ASSY LEVEL-LOW From G-3206			1	
. A	641385	. CONNECTOR / SOCKET HOUSING ASSY 3C / PNEUMAC 54934-01 From G-3206			1	
. B	562848	. CONNECTOR / SOCKET HOUSING ASSY 3C / PNEUMAC 54933-05 From G-3206			1	
. C	563159	. CONNECTOR / METRI-PACK 150 / SH 3C / PED 12065287 From G-3206			1	
. D	568109	. CONNECTOR / HDP20 SERIES / SH 31C / DEUTSCH HDP24-24-31SE-L017 From G-3206			1	
. E	561566	. CONNECTOR / WEATHER PACK / PH 2C / BLACK / PED 12010973 From G-3206			1	
2	145286	VALVE SUPPORT ASSY To G-3328			1	
2	140038	VALVE SUPPORT ASSY From G-3329			1	
3	140227	DECAL / ACC AIR FILTER DRAIN / ENGLISH & FRANCAIS			1	
4	145261	CABLE SUPPORT To G-3205			1	
4	145626	CABLE SUPPORT From G-3206 To G-3328			1	
4	140039	CABLE SUPPORT From G-3329			1	
5	502862	SCREW CAP HEX M8-1.25x20 G8.8 N500			1	
6	5001868	WASHER BEL SPR 8.4x18x2 SS			1	
7	5001692	NUT INS FL HEX M8-1.25 0.5-3.0 SS			1	
8	641936	BALL VALVE 1/4 NPT M x 1/4 NPT F			1	
11	562804	VALVE, 2 WAYS N.C.			1	
. NS	562848	. CONNECTOR / SOCKET HOUSING ASSY 3C / PNEUMAC 54933-05			1	
12	641937	VALVE, 3 WAYS, 2 POSITIONS N.C. / W/MAN OVERRIDE			1	
. NS	641929	. COIL 24V			1	
. NS	641385	. CONNECTOR / SOCKET HOUSING ASSY 3C / PNEUMAC 54934-01			1	
13	642224	VALVE, 3 WAYS, 2 POSITIONS N.C.			1	
. NS	641929	. COIL 24V			1	
. NS	641385	. CONNECTOR / SOCKET HOUSING ASSY 3C / PNEUMAC 54934-01			1	
14	5011129	NEEDLE VALVE 1/4 NPT M x 1/4 NPT F			1	
14	680408	CAP PLUG (ID 0.402, OD 0.471)			1	
15	641564	VALVE, DOUBLE CHECK DC-4			1	
17	<b>642192</b>	<b>AIR FILTER</b>			1	
18	640488	VALVE, AIR FILL 1/8" NPT			1	
. NS	650164	. CAP VALVE / CHROME			1	
19	641137	VALVE, PRESSURE PROTECTION TYPE PR-4 70PSI			1	
21	560005	TRANSDUCER PRESSURE (0-12 BAR, 0-174 PSI)			3	
22	287234	PRESSURE SWITCH N.C. 30-10 20PS001AB030E010E			1	
23	641180	MANIFOLD VALVE / W/3 SOLENOID			1	
. NS	641928	. KIT, MANIFOLD REPAIR / N.C.			3	

<b>From F-2929 To J-0287</b>	<b>Date:10/2022</b>	<b>PAGE:H7-1640-51</b>
<b>LEVEL-LOW - CONTROL PANEL &amp; VALVES</b>		

Item#	Part	Description	H 3 4 1	H 3 4 5	V I P 4 5	N O T E S
. NS	641107	. COIL 24V			1	
24	641934	SILENCER / MUFFLER / 3/8NPT-M			1	
25	641897	MANIFOLD / PUSH-IN FITTING / 2x#6 / 4x#4 PLAS			2	
26	641416	PLUG STEM / PUSH-IN FITTING / #4 PLAS			AR	
27	641436	UNION ELBOW 90° / PUSH-IN FITTING / #6x#6 BR			1	
28	142042	PLATE CONVERTER AIR HORN SOLENOID			1	
29	391812	IDENTIFICATION PLATE (CONVERTER)			1	
29	504273	CABLE TIE / 1/8" X 3"1/2			1	
31	641366	MALE ELBOW 45° NON-SWIVEL / PUSH-IN FITTING / #6x1/4NPT-M BR			3	
32	501338	MALE RUN TEE / PIPE FITTING / 1/4NPT-Mx1/4NPT-Fx1/4NPT-F BR			3	
33	641372	MALE ELBOW 90° NON-SWIVEL / PUSH-IN FITTING / #6x1/4NPT-M BR			1	
34	501332	STREET ELBOW 90° / PIPE FITTING / 1/4NPT-Mx1/4NPT-F BR			1	
35	641331	MALE CONNECTOR / PUSH-IN FITTING / #6x1/4NPT-M BR			2	
36	641373	MALE ELBOW 90° NON-SWIVEL / PUSH-IN FITTING / #8x1/4NPT-M BR			1	
37	641381	MALE CONNECTOR / PUSH-IN FITTING / #8x3/8NPT-M BR			1	
38	501902	CROSS / PIPE FITTING / 1/4NPT-Fx1/4NPT-Fx 1/4NPT-Fx1/4NPT-F BR			1	
39	642128	MALE ELBOW 90° SWIVEL DUAL PORT / PUSH-IN / #6x#6x3/8NPT-M BR			1	
40	501737	MALE BRANCHE TEE / PIPE FITTING / 3/8NPT-Fx3/8NPT-Fx3/8NPT-M BR			4	
41	501321	NIPPLE HEX / PIPE FITTING / 1/4NPT-Mx1/4NPT-Mx1 3/8 BR			1	
42	501337	FEMALE UNION TEE / PIPE FITTING / 1/4NPT-Fx1/4NPT-Fx1/4NPT-F BR			1	
43	641332	MALE CONNECTOR / PUSH-IN FITTING / #4x1/4NPT-M BR			1	
44	501333	STREET ELBOW 90° / PIPE FITTING / 3/8NPT-Mx3/8NPT-F BR			2	
45	641330	MALE CONNECTOR / PUSH-IN FITTING / #6x3/8NPT-M BR			4	
46	641367	MALE ELBOW 45° NON-SWIVEL / PUSH-IN FITTING / #6x3/8NPT-M BR			2	
47	649942	MALE BRANCH TEE / PUSH-IN FITTING / #6x#6x3/8NPT-M BR			1	
48	641375	MALE ELBOW 90° NON-SWIVEL / PUSH-IN FITTING / #6x3/8NPT-M BR			2	
49	641371	MALE ELBOW 90° NON-SWIVEL / PUSH-IN FITTING / #4x1/4NPT-M BR			1	
50	501699	MALE RUN TEE / PIPE FITTING / 3/8NPT-Mx3/8NPT-Fx3/8NPT-F BR			1	
51	501749	NIPPLE REDUCER HEX / PIPE FITTING / 3/8NPT-Mx1/4NPT-Mx1 13/32 BR			1	
52	501313	BUSHING REDUCER / PIPE FITTING / 3/8NPT-Mx1/8NPT-F BR			1	
53	641347	MALE CONNECTOR / PUSH-IN FITTING / #4x3/8NPT-M BR			1	
54	501449	PLUG HEXS / PIPE FITTING / 3/8NPT-M STL			1	
55	641242	MALE CONNECTOR / PUSH-IN FITTING / #4x1/8NPT-M BR			2	
56	642127	MALE ELBOW 90° SWIVEL DUAL PORT / PUSH-IN / #4x#4x1/8NPT-M BR			1	
57	641126	MALE CONNECTOR / PUSH-IN FITTING / #2x1/8NPT-M BR			1	
58	641002	MALE RUN TEE / NTA FITTING / #4x#4x1/8NPT-M BR			1	
NS	680098	THREAD SEALANT LOCTITE #567 / WHITE / 250ml			AR	
65	<b>H7-1202-00</b>	<b>TUBES PLASTIC / AIR D.O.T.</b>				
67	5001826	SCREW CAP HEX M6-1.0x80 FT Z050			2	

From F-2929 To J-0287	Date:10/2022	PAGE:H7-1640-51
<b>LEVEL-LOW - CONTROL PANEL &amp; VALVES</b>		

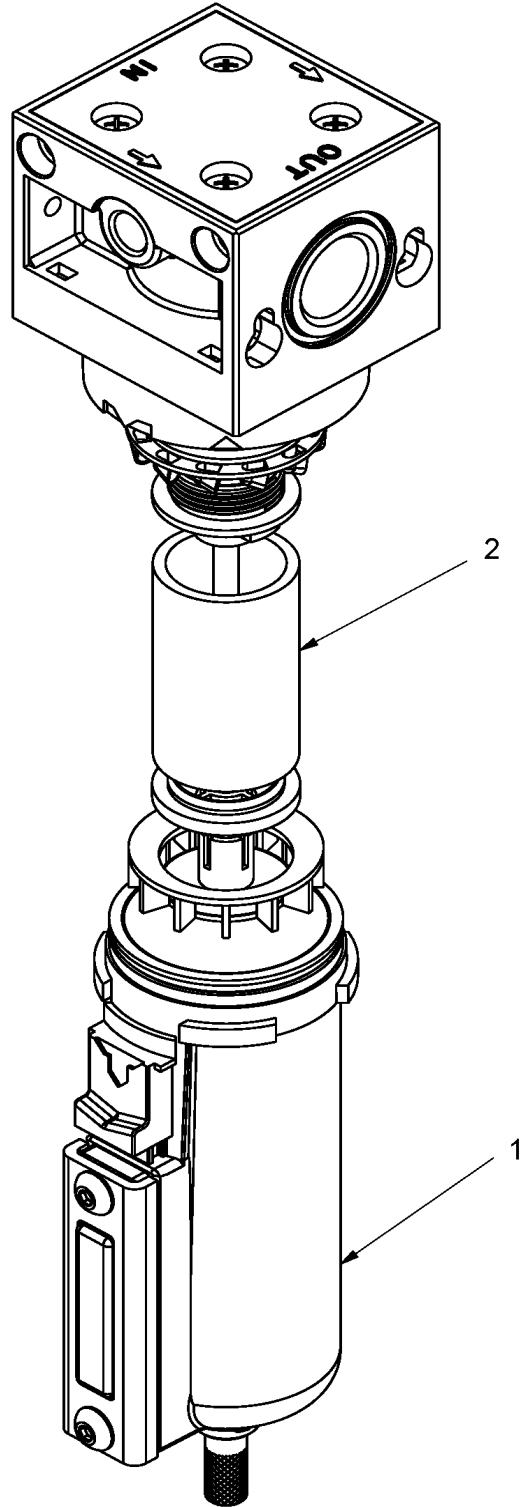
Item#	Part	Description	H 3 4 1	H 3 4 5	V I P 4 5	N O T E S
68	500473	WASHER LO SPT .262x.489x.062 Z050			2	
69	500877	WASHER FL .250x.562x.065 N500			2	
70	500266	SCREW TC CAP HEX 1/4-20x1 N500			2	
71	502751	SCREW CAP HEX #10-32x3/8 Z050			2	
72	500470	WASHER LO SPT .193x.334x.047 Z050			2	
73	500964	WASHER FL .203x.500x.047 Z050			2	
74	502830	SCREW CAP HEX M6-1.0x20 G8.8 N500			AR	
75	5001608	WASHER BEL SPR 6.2x15.0x0.7 G500			AR	
77	500032	SCREW CAP HEX M5-0.8x16 BK			2	
78	500574	SCREW MA TR PH #10-24x1 1/4 SS To G-3328			4	
78	5001991	SCREW MA RND PH M5-0.8x30 SS From G-3329			4	
79	500671	SCREW CAP HEXS #8-32x7/8			2	
81	509894	TIE MOUNT HOLE 7.8MM			5	
82	509491	CABLE TIE / 13MM x 383MM			5	
83	509815	TIE MOUNT / ATTACHMENT W/TREE MOUNT			AR	
84	504637	CABLE TIE / 3/16" x 13"			AR	
85	504750	CABLE TIE / 1/2" x 15" / CHRISTMAS TREE			AR	

From F-2929 To J-0287

Date:10/2022

PAGE:642192

**AIR FILTER**



From F-2929 To J-0287	Date:10/2022	PAGE:642192
-----------------------	--------------	-------------

**AIR FILTER**

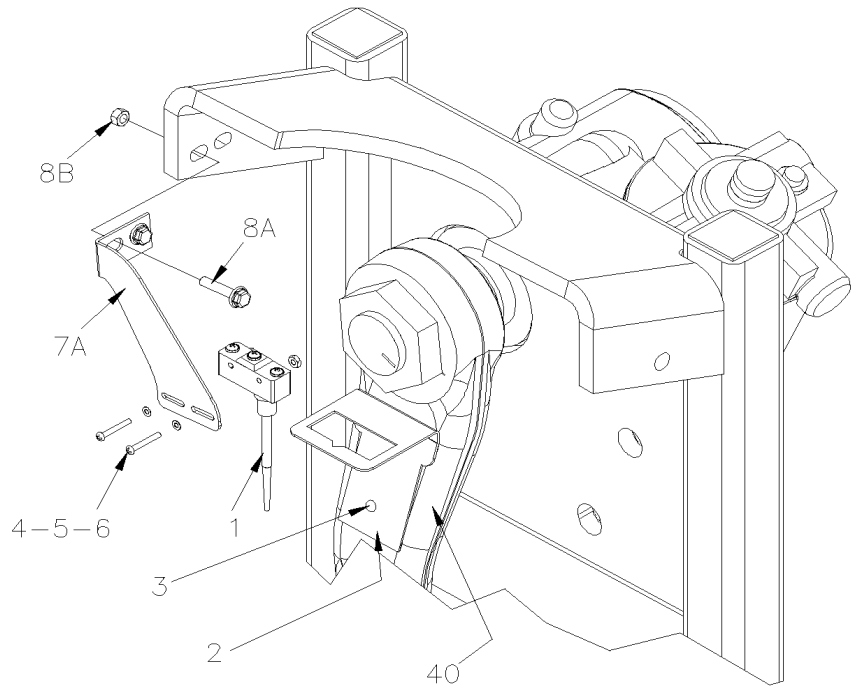
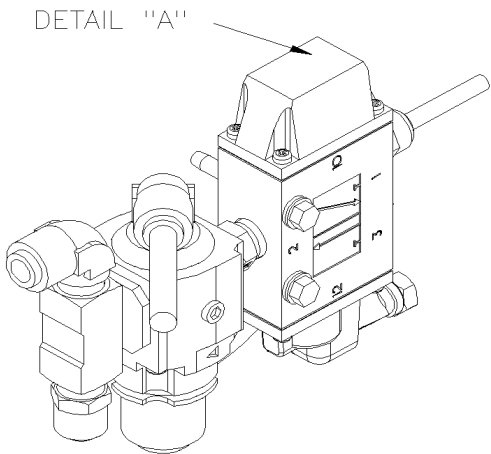
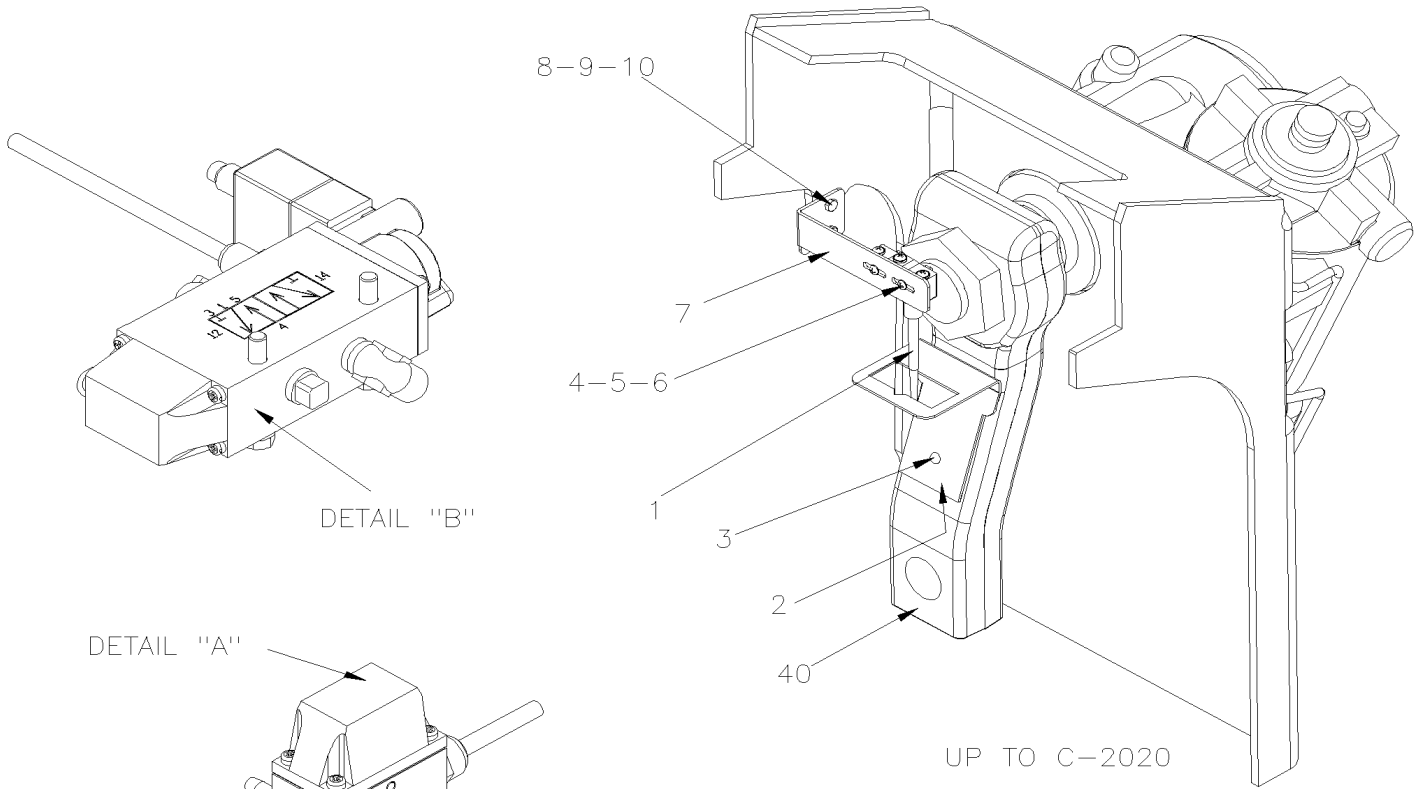
Item#	Part	Description	H 3 4 1	H 3 4 5	V I P 4 5	N O T E S
1	642219	METAL BOWL MANUAL DRAIN	1	1	1	
2	642220	FILTER ELEMENT	1	1	1	
NS	642221	SERVICE KIT AIR FILTER	1	1	1	A
. NS	N.S.S.	. FILTER SIDE PLATE	2	2	2	1 A
. NS	N.S.S.	. SCREW CAP BUT	2	2	2	1 A
. NS	N.S.S.	. PLUG	1	1	1	1 A
. NS	N.S.S.	. O-RING	1	1	1	1 A
. NS	N.S.S.	. GREASE PACKET	1	1	1	1 A
		A) CONTAIN SIDE COVER 2X / SCREW X2 / PLUG 1X / O-RING 1X / GREASE PACKAGE 1X				
		1) NOT SOLD SEPARATELY				

From 7-0671 To E-2504

Date:10/2022

PAGE:H7-1650-00

## TAG UNLOAD - AIR VALVE INSTALLATION



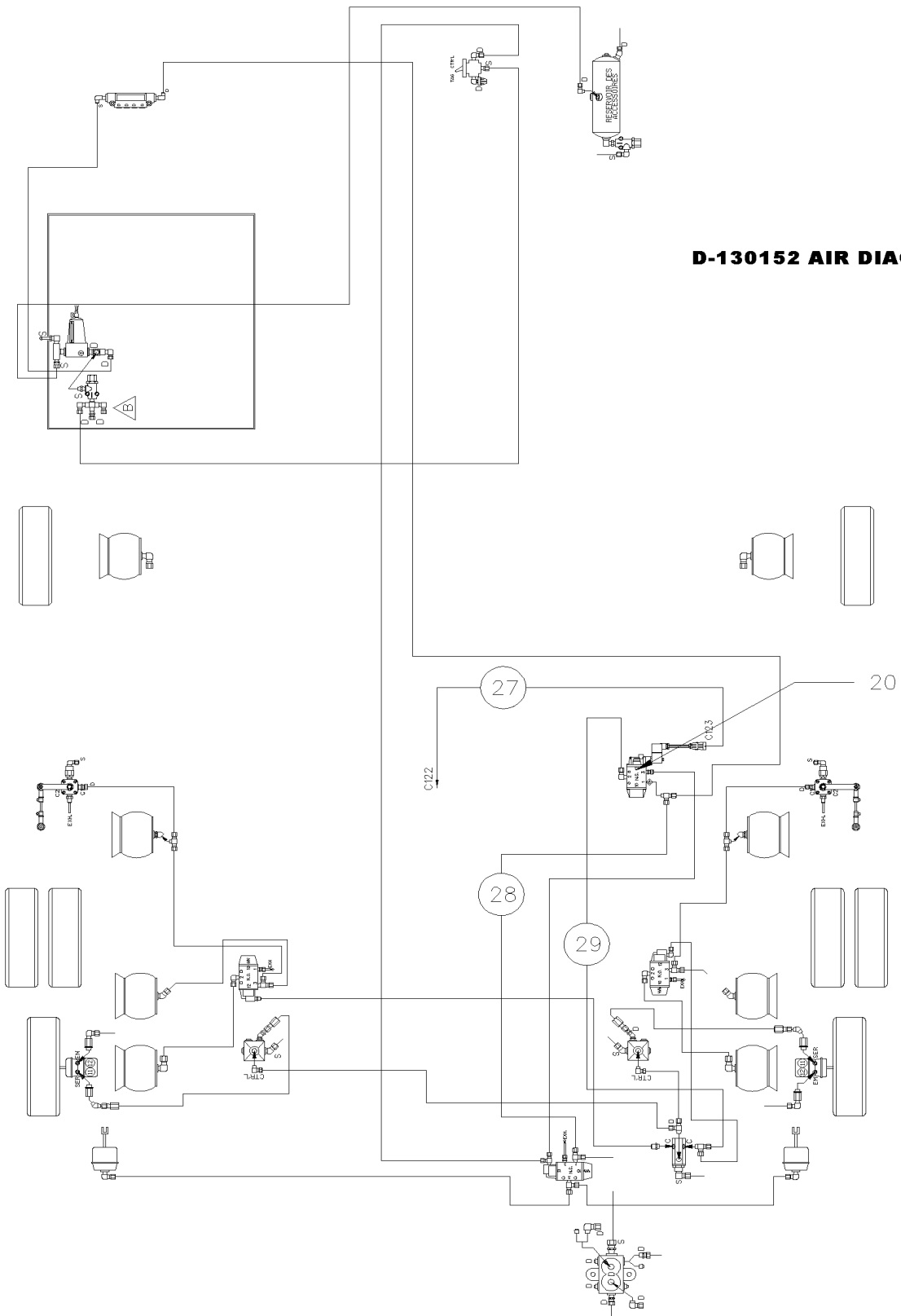
FROM C-2021

From 7-0671 To E-2504

Date:10/2022

PAGE:H7-1650-00

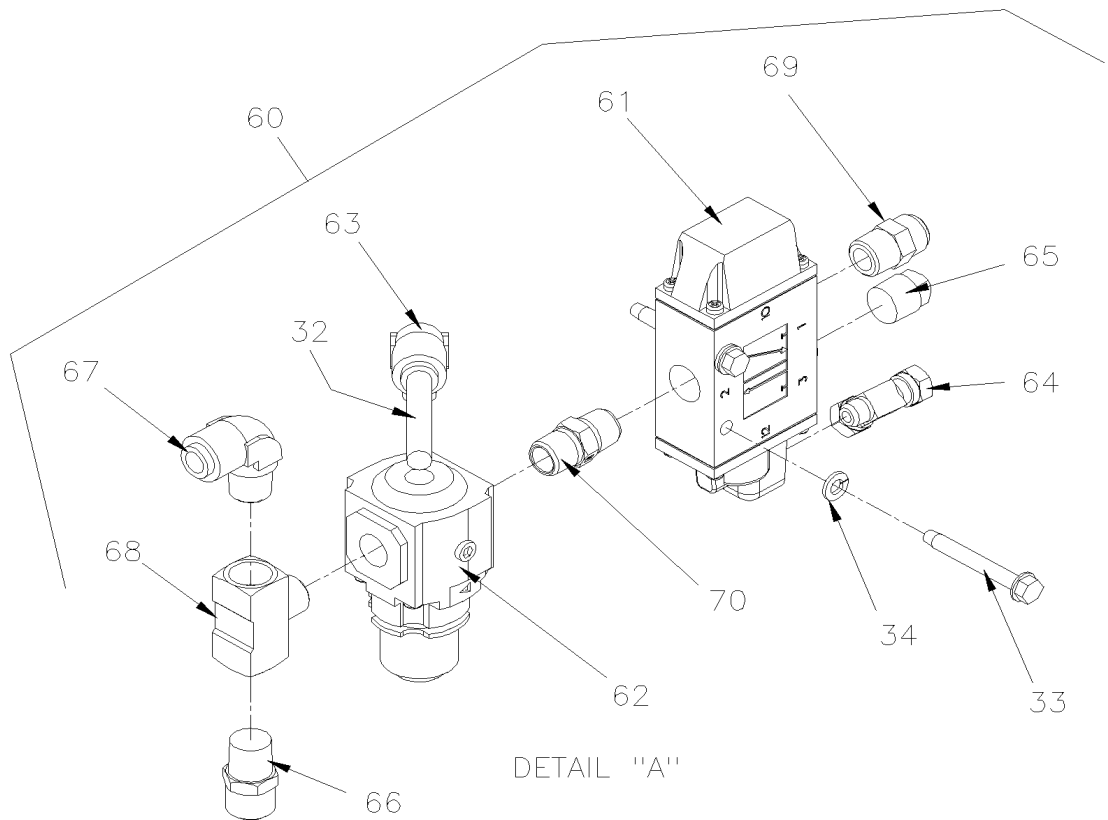
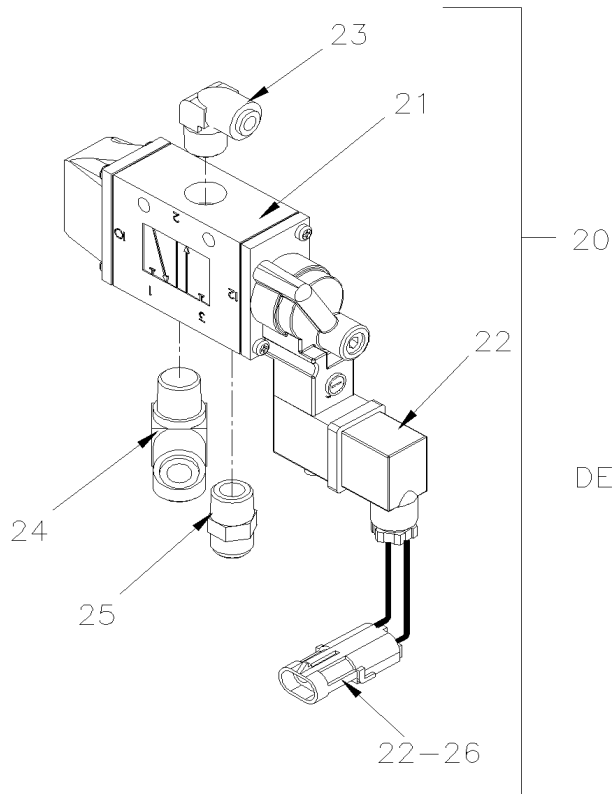
## TAG UNLOAD - AIR VALVE INSTALLATION



**D-130152 AIR DIAGRAM**



TAG UNLOAD - AIR VALVE INSTALLATION



<b>From 7-0671 To E-2504</b>	<b>Date:10/2022</b>	<b>PAGE:H7-1650-00</b>
<b>TAG UNLOAD - AIR VALVE INSTALLATION</b>		

Item#	Part	Description	H 3 4 1	H 3 4 5	V I P 4 5	N O T E S
	D140354	DIAGRAM AIR SHEMATIC PAGE SP4 & SP5	1	1		
	D060888	DIAGRAM SWITCH SHEMATIC - INSTALLATION	1	1		
	D061020	DIAGRAM ELECTRICAL SHEEMATIC PAGE 32.1SP1	1	1		
1	562343	MICRO SWITCH ASSY WITH FLEX	1	1		
2	063488	ACTUATOR TAG UNLOAD / To D-2361	1	1		
2	066608	ACTUATOR TAG UNLOAD / From D-2362	1	1		
3	500500	SCREW DRV RND #8x3/8 Z050 To D-2361	2	2		
3	684517	ADHESIVE SIMSON #ISR 70-03 / GREY / 310ml CARTRIDGE From D-2362	AR	AR		
3	506785	TAPE RUB ADH2 CC POL 1/16" x 1/4" x 200' / BLACK I1C-N-A From D-2362	AR	AR		
4	502612	SCREW MA RND PH #6-32x1 Z050	2	2		
5	500689	NUT HEX #6-32 Z050	2	2		
6	500467	WASHER LO INT .138x.275x.019 Z050	2	2		
7	064392	SUPPORT, SWITCH W/"ZF STEERING BOX "H" SERIES To C-2020	1	1		A
7A	068533	SUPPORT, SWITCH From C-2021 To E-2504	1	1		A
7A	068979	SUPPORT, SWITCH From E-2505	1	1		A
NS	506785	TAPE RUB ADH2 CC POL 1/16" x 1/4" x 200' / BLACK I1C-N-A	AR	AR		
8	500978	SCREW CAP HEX #10-24x3/4 Z050 To C-2020	2	2		
8A	5001815	SCREW CAP HEXF M6-1.0x30 G 8.8 N500 From C-2021	2	2		
8B	5001182	NUT HEX NYRT M6-1.0 SS From C-2021	2	2		
9	500786	NUT HEX #10-24 Z050 To C-2020	2	2		
10	500470	WASHER LO SPT .193x.334x.047 Z050 To C-2020	2	2		
11	060979	CABLE ASSY / SWITCH TAG UNLOAD FRT JCT BOX	1	1		
14	562697	SWITCH / ON-ON / D.P.D.T. / CH-OVER / W/RED & GREEN LED	1	1		
14	562808	CAP / UNLOAD TAG	1	1		
15	641274	VALVE, 3 WAYS, 2 POSITIONS N.C.	1	1		
19	630269	VALVE DISCHARGE V72G W3/8	1	1		
20	131496	AIR VALVE ASSY	1	1		
21	641529	. VALVE, 3 WAYS, 2 POSITIONS N.C.	1	1		
. NS	641929	. . COIL 24V	1	1		
. NS	641169	. . SPOOL	1	1		
. NS	641385	. . CONNECTOR / SOCKET HOUSING ASSY 3C / PNEUMAC 54934-01	1	1		
22	562353	. DIODE / 1AMP	1	1		
23	641374	. MALE ELBOW 90° NON-SWIVEL / PUSH-IN FITTING / #4x3/8NPT-M BR	1	1		
24	641388	. MALE RUN TEE NON-SWIVEL / PUSH-IN FITTING / #6x#6x3/8NPT-M BR	1	1		
25	641347	. MALE CONNECTOR / PUSH-IN FITTING / #4x3/8NPT-M BR	1	1		
26	561566	. CONNECTOR / WEATHER PACK / PH 2C / BLACK / PED 12010973	1	1		
26	561568	. PIN TERMINAL / 16-14 / PED 12089305	2	2		
26	561565	. CABLE SEAL / GREEN / PED 15324982	2	2		
27	064361	CABLE ASSY / VALVE & REAR JCT BOX	1	1		
28	503404	TUBE, NYLON 3/8 O.D. / BLACK S.L.	5	5		

From 7-0671 To E-2504 Date:10/2022 PAGE:H7-1650-00

**TAG UNLOAD - AIR VALVE INSTALLATION**

Item#	Part	Description	H 3 4 1	H 3 4 5	V I P 4 5	N O T E S
29	503402	TUBE, NYLON 1/4 O.D. / BLACK S.L.	4	4		
NS	500625	SCREW TC CAP HEXW 1/4-20x2 Z050	2	2		
32	503402	TUBE, NYLON 1/4 O.D. / BLACK S.L.	1	1	1	
33	500625	. SCREW TC CAP HEXW 1/4-20x2 Z050	2	2		
34	5001749	. WASHER LO SPT 6.5x11.5x1.6 N500	2	2		
40	<b>H7-1410-00</b>	<b>STEERING GEAR BOX &amp; DRAG LINK - INSTALLATION</b>				
40	<b>H7-1410-50</b>	<b>STEERING RODS - INSTALLATION W/INDEPENDENT "NDIFS80P" / 18000LBS</b>				
60	Call order desk	VALVE ASSY	1	1		P
61	641274	. VALVE, 3 WAYS, 2 POSITIONS N.C.	1	1		
62	630269	. VALVE DISCHARGE V72G W/3/8	1	1		
63	641372	. MALE ELBOW 90° NON-SWIVEL / PUSH-IN FITTING / #6x1/4NPT-M BR	1	1		
64	641002	. MALE RUN TEE / NTA FITTING / #4x#4x1/8NPT-M BR	1	1		
65	501449	. PLUG HEXS / PIPE FITTING / 3/8NPT-M STL	1	1		
66	641330	. MALE CONNECTOR / PUSH-IN FITTING / #6x3/8NPT-M BR	1	1		
67	641375	. MALE ELBOW 90° NON-SWIVEL / PUSH-IN FITTING / #6x3/8NPT-M BR	1	1		
68	501737	. MALE BRANCHE TEE / PIPE FITTING / 3/8NPT-Fx3/8NPT-Fx3/8NPT-M BR	1	1		
69	641347	. MALE CONNECTOR / PUSH-IN FITTING / #4x3/8NPT-M BR	1	1		
70	501322	. NIPPLE HEX / PIPE FITTING / 3/8NPT-Mx3/8NPT-Mx1 13/32 BR	1	1		
		A) AS SHOWN				
		P) CALL ORDER DESK FOR SPECIFIC APPLICATION (V.I.N.)				

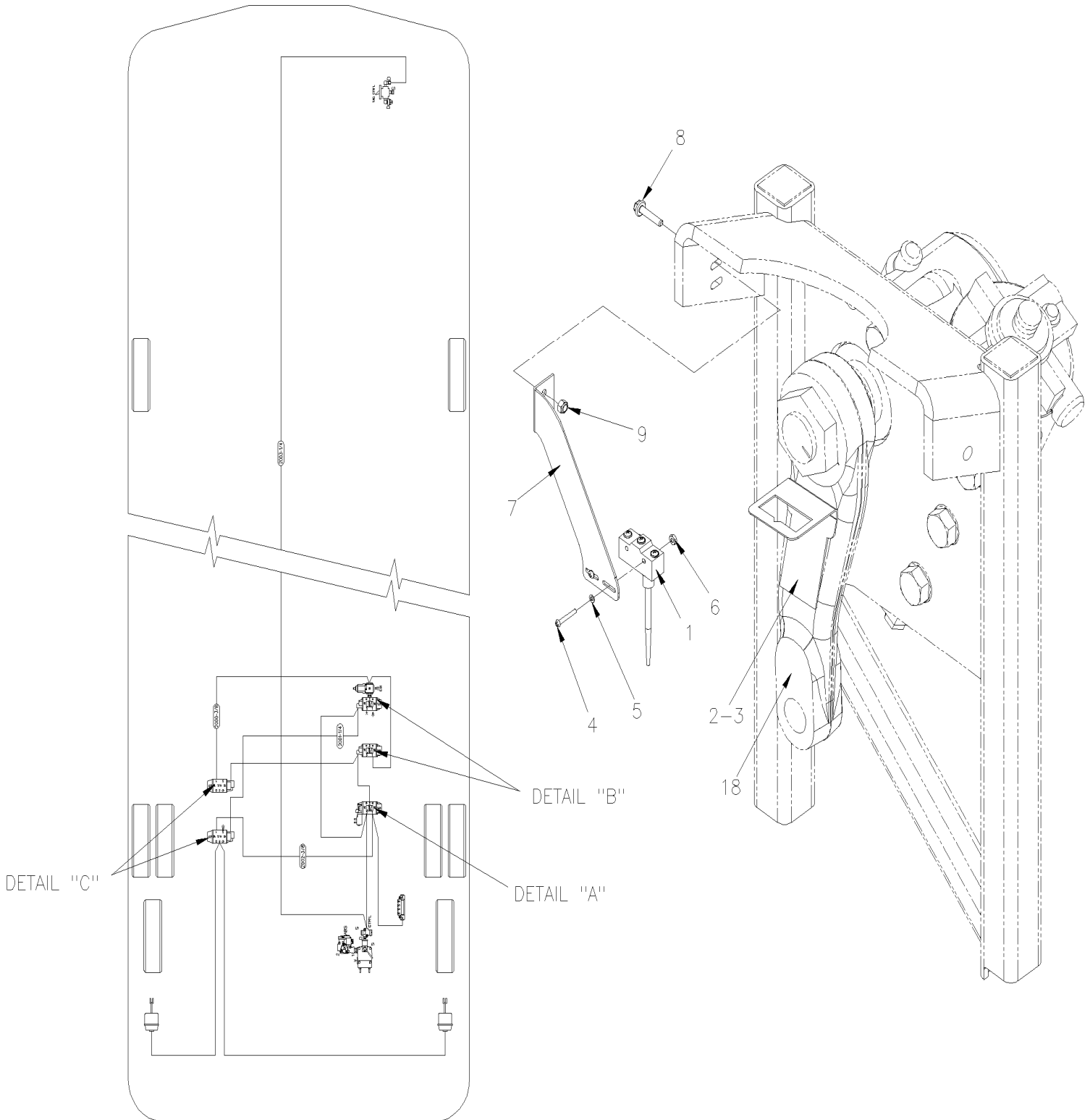


From E-2505 To J-0184

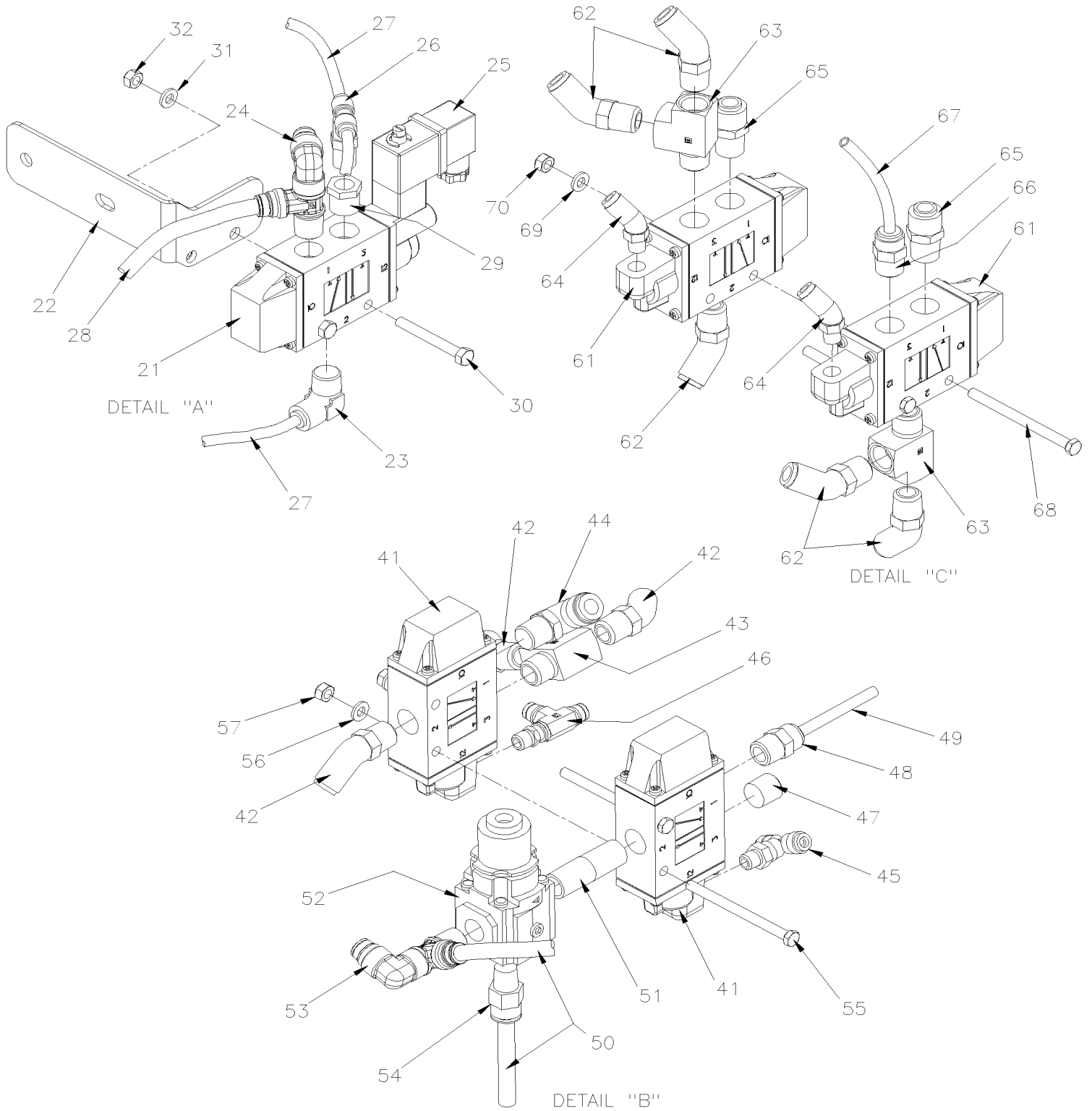
Date:10/2022

PAGE:H7-1650-01

## TAG UNLOAD - AIR VALVE INSTALLATION



TAG UNLOAD - AIR VALVE INSTALLATION



From E-2505 To J-0184	Date:10/2022	PAGE:H7-1650-01
<b>TAG UNLOAD - AIR VALVE INSTALLATION</b>		

Item#	Part	Description	H 3 4 1	H 3 4 5	V I P 4 5	N O T E S
1	562343	MICRO SWITCH ASSY WITH FLEX	1	1		
2	066608	ACTUATOR TAG UNLOAD /	1	1		
3	684517	ADHESIVE SIMSON #ISR 70-03 / GREY / 310ml CARTRIDGE	AR	AR		
3	506785	TAPE RUB ADH2 CC POL 1/16" x 1/4" x 200' / BLACK I1C-N-A	AR	AR		
4	502612	SCREW MA RND PH #6-32x1 Z050	2	2		
5	500467	WASHER LO INT .138x.275x.019 Z050	2	2		
6	500689	NUT HEX #6-32 Z050	2	2		
7	068979	SUPPORT, SWITCH	1	1		A
8	5001815	SCREW CAP HEXF M6-1.0x30 G 8.8 N500	2	2		
9	5001182	NUT HEX NYRT M6-1.0 SS	2	2		
NS	060979	CABLE ASSY / SWITCH TAG UNLOAD FRT JCT BOX	1	1		
NS	562697	SWITCH / ON-ON / D.P.D.T. / CH-OVER / W/RED & GREEN LED	1	1		
NS	562808	CAP / UNLOAD TAG	1	1		
NS	064361	CABLE ASSY / VALVE & REAR JCT BOX	1	1		
18	<b>H7-1410-00</b>	<b>STEERING GEAR BOX &amp; DRAG LINK - INSTALLATION</b>				
18	<b>H7-1410-50</b>	<b>STEERING RODS - INSTALLATION W/INDEPENDENT "NDIFS80P" / 18000LBS</b>				
20	Call order desk	VALVE ASSY	1	1		P
21	641937	. VALVE, 3 WAYS, 2 POSITIONS N.C. / W/MAN OVERRIDE	1	1		
. NS	641929	. . COIL 24V	1	1		
. NS	641385	. . CONNECTOR / SOCKET HOUSING ASSY 3C / PNEUMAC 54934-01	1	1		
22	138627	. SUPPORT / VALVE	1	1		
23	641374	. MALE ELBOW 90° NON-SWIVEL / PUSH-IN FITTING / #4x3/8NPT-M BR	1	1		
24	642128	. MALE ELBOW 90° SWIVEL DUAL PORT / PUSH-IN / #6x#6x3/8NPT-M BR	1	1		
25	562353	. DIODE / 1AMP	1	1		
25	561258	. WIRE CABLE 18 / RED / GXL	AR	AR		
25	561261	. WIRE CABLE 18 / BLACK / GXL	AR	AR		
25	561565	. CABLE SEAL / GREEN / PED 15324982	2	2		
25	561568	. PIN TERMINAL / 16-14 / PED 12089305	2	2		
25	561566	. CONNECTOR / WEATHER PACK / PH 2C / BLACK / PED 12010973	1	1		
25	562387	. CONVOLUTED TUBING / SLIT / BLACK / .250"	AR	AR		
26	642094	. MALE BRANCH TEE / PUSH-IN FITTING / #4x#4x1/4NPT-M COMPOSITE	1	1		
27	503402	. TUBE, NYLON 1/4 O.D. / BLACK S.L.	AR	AR		
28	503404	. TUBE, NYLON 3/8 O.D. / BLACK S.L.	AR	AR		
29	501314	. BUSHING REDUCER / PIPE FITTING / 3/8NTP-Mx1/4NPT-F BR	1	1		
30	502656	. SCREW CAP HEX M6-1.0x50 SS	2	2		
31	502573	. WASHER FL 6.4x12.5x1.6 SS	2	2		
32	502681	. NUT HEX NYRT M6-1.0 N500 G8	2	2		
NS	680098	. THREAD SEALANT LOCTITE #567 / WHITE / 250ml	AR	AR		
40	Call order desk	VALVE ASSY	1	1		P

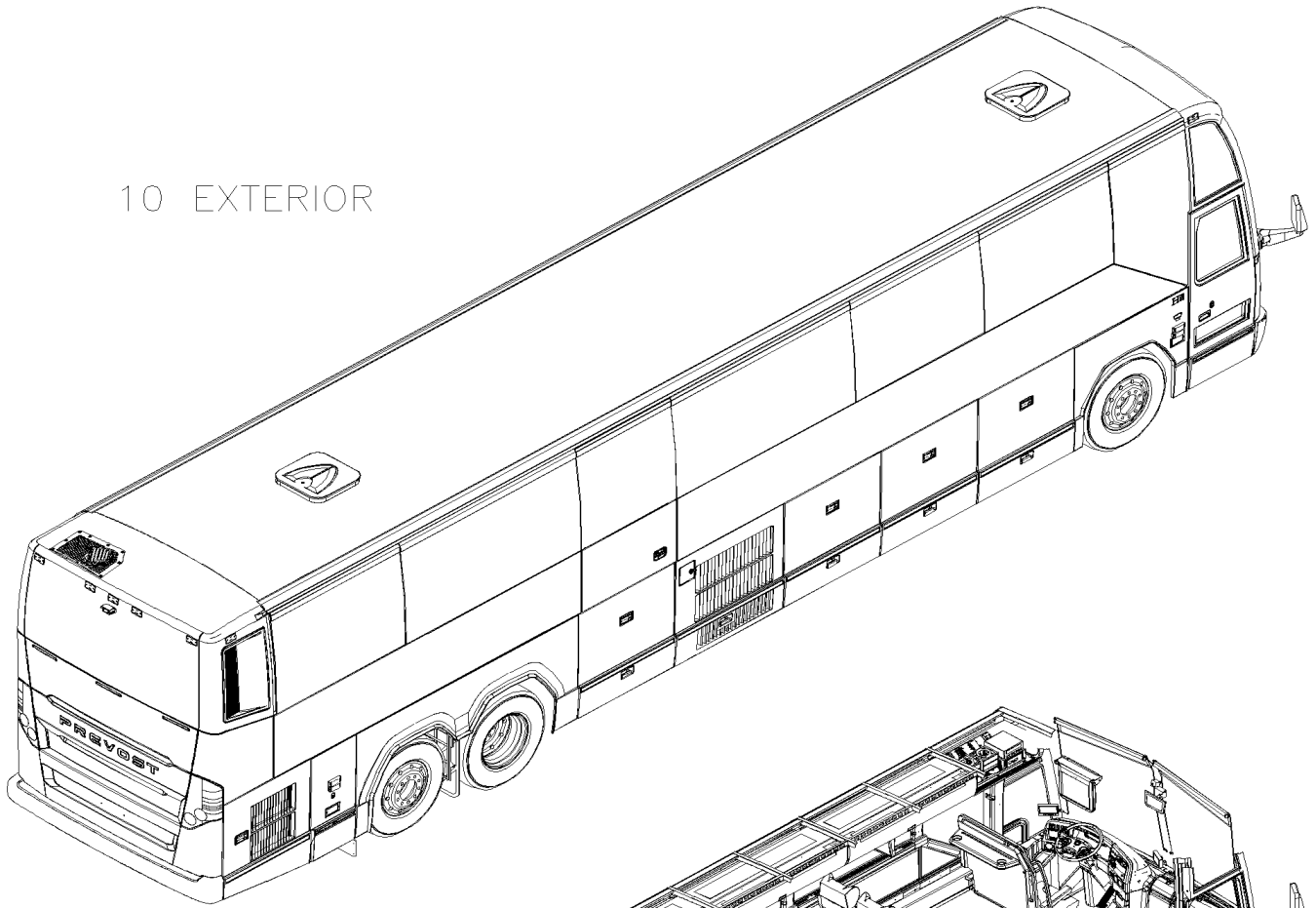
From E-2505 To J-0184	Date:10/2022	PAGE:H7-1650-01
<b>TAG UNLOAD - AIR VALVE INSTALLATION</b>		

Item#	Part	Description	H 3 4 1	H 3 4 5	V I P 4 5	N O T E S
41	641274	. VALVE, 3 WAYS, 2 POSITIONS N.C.	2	2		
42	641367	. MALE ELBOW 45° NON-SWIVEL / PUSH-IN FITTING / #6x3/8NPT-M BR	3	3		
43	501699	. MALE RUN TEE / PIPE FITTING / 3/8NPT-Mx3/8NPT-Fx3/8NPT-F BR	1	1		
44	642130	. MALE ELBOW 90° NON-SWIVEL / PUSH-IN FITTING / #6x3/8NPT-M COMPOSITE	1	1		
45	642142	. MALE BRANCH TEE SWIVEL / PUSH-IN FITTING / #4x#4x1/8NPT-M COMPOSITE	1	1		
46	641909	. MALE RUN TEE SWIVEL / PUSH-IN FITTING / #4x#4x1/8NPT-M BR	1	1		
47	501449	. PLUG HEXS / PIPE FITTING / 3/8NPT-M STL	1	1		
48	641347	. MALE CONNECTOR / PUSH-IN FITTING / #4x3/8NPT-M BR	1	1		
49	503402	. TUBE, NYLON 1/4 O.D. / BLACK S.L.	AR	AR		
50	503471	. TUBE, NYLON 3/8 O.D. / BLUE S.L.	AR	AR		
51	501509	. NIPPLE / PIPE FITTING / 3/8NPT-Mx3/8NPT-Mx2 BR	1	1		
52	630269	. VALVE DISCHARGE V72G W/3/8	1	1		
53	642128	. MALE ELBOW 90° SWIVEL DUAL PORT / PUSH-IN / #6x#6x3/8NPT-M BR	1	1		
54	641331	. MALE CONNECTOR / PUSH-IN FITTING / #6x1/4NPT-M BR	1	1		
55	5001682	. SCREW CAP HEX M6-1.0x80 SS	2	2		
56	502573	. WASHER FL 6.4x12.5x1.6 SS	2	2		
57	502681	. NUT HEX NYRT M6-1.0 N500 G8	2	2		
NS	680098	. THREAD SEALANT LOCTITE #567 / WHITE / 250ml	AR	AR		
60	Call order desk	VALVE ASSY				P
61	641274	. VALVE, 3 WAYS, 2 POSITIONS N.C.	2	2		
62	641367	. MALE ELBOW 45° NON-SWIVEL / PUSH-IN FITTING / #6x3/8NPT-M BR	5	5		
63	501699	. MALE RUN TEE / PIPE FITTING / 3/8NPT-Mx3/8NPT-Fx3/8NPT-F BR	2	2		
64	641365	. MALE ELBOW 45° NON-SWIVEL / PUSH-IN FITTING / #4x1/8NPT-M BR	2	2		
65	641330	. MALE CONNECTOR / PUSH-IN FITTING / #6x3/8NPT-M BR	2	2		
66	641347	. MALE CONNECTOR / PUSH-IN FITTING / #4x3/8NPT-M BR	1	1		
67	503402	. TUBE, NYLON 1/4 O.D. / BLACK S.L.	AR	AR		
68	5001682	. SCREW CAP HEX M6-1.0x80 SS	2	2		
69	502573	. WASHER FL 6.4x12.5x1.6 SS	2	2		
70	502681	. NUT HEX NYRT M6-1.0 N500 G8	2	2		
71	680098	. THREAD SEALANT LOCTITE #567 / WHITE / 250ml	AR	AR		
		A) AS SHOWN				
		P) CALL ORDER DESK FOR SPECIFIC APPLICATION (V.I.N.)				

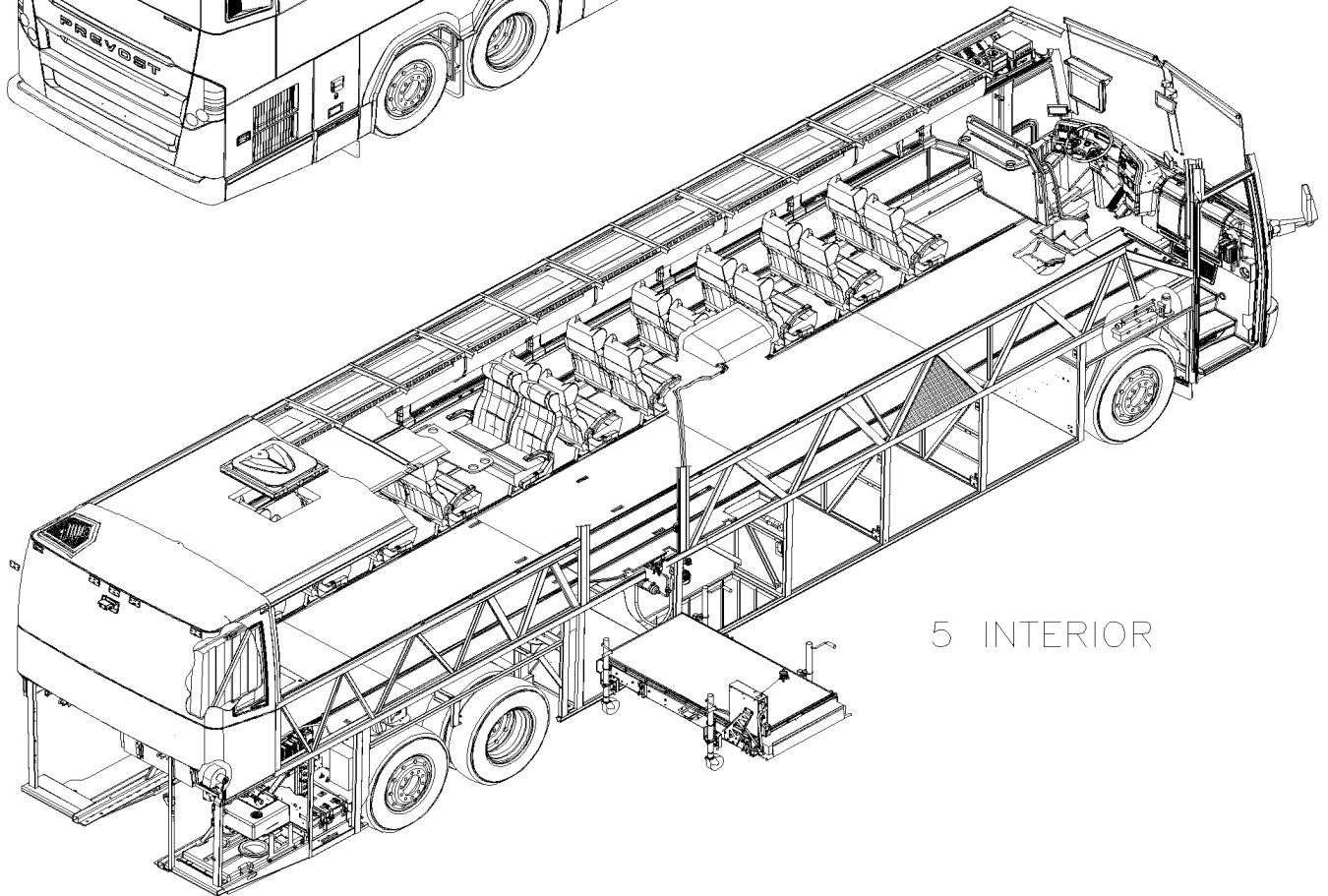


	Date:10/2022	H7-18
BODY		

10 EXTERIOR



5 INTERIOR



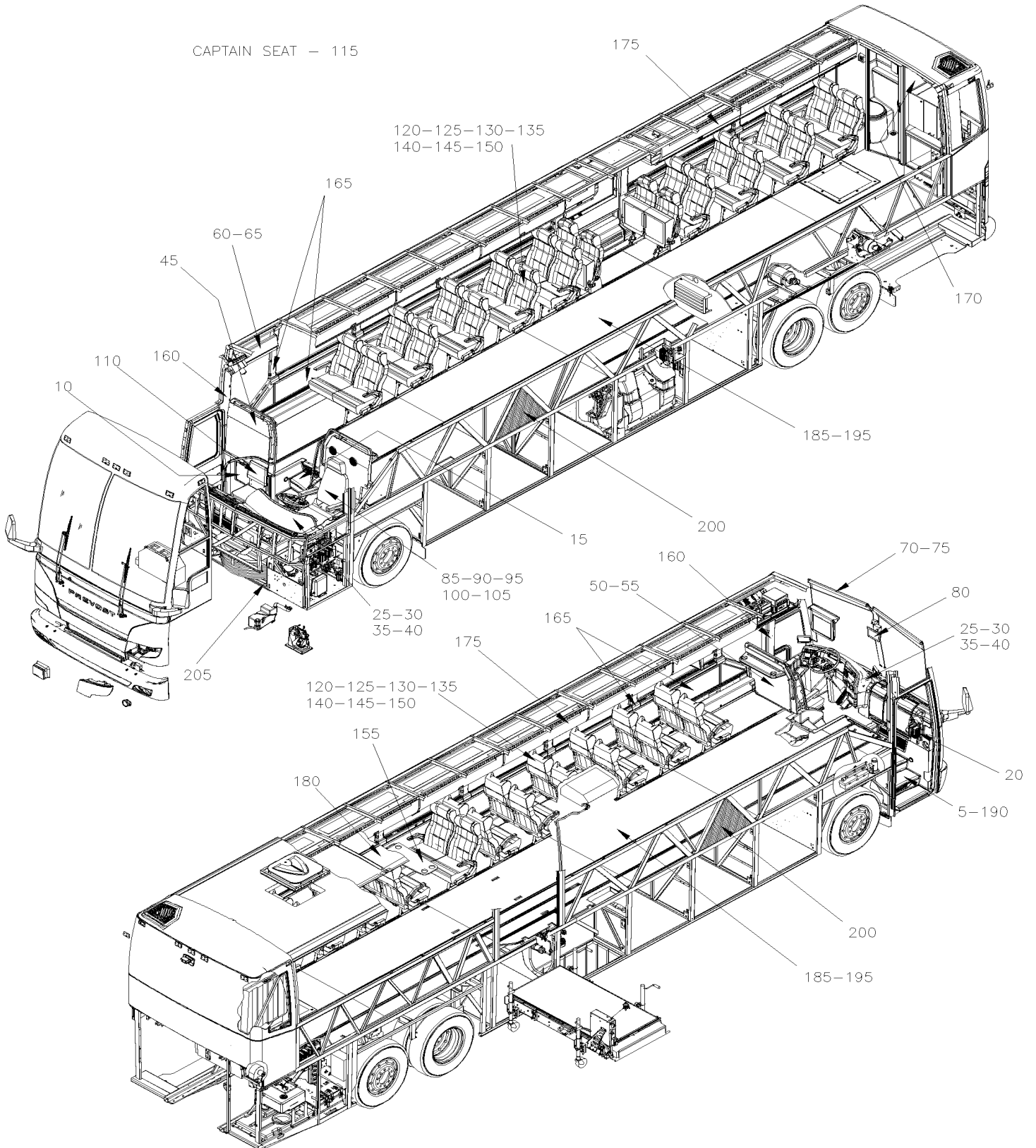
		Date:10/2022	H7-18			
BODY						
Item#	Part	Description	H 3 4 1	H 3 4 5	V I P 4 5	N O T E S
5	H7-18-INT	BODY INTERIOR From 7-0671 To J-0287				
10	H7-18-EXT	BODY EXTERIOR From 7-0671 To J-0287				

From 7-0671 To J-0287

Date:10/2022

PAGE:H7-18-INT

## BODY INTERIOR



From 7-0671 To J-0287	Date:10/2022	PAGE:H7-18-INT
<b>BODY INTERIOR</b>		

Item#	Part	Description	H 3 4 1	H 3 4 5	V I P 4 5	N O T E S
5	H7-1800-00	FRONT STEPWELL - INSTALLATION From 7-0671 To J-0287				
10	H7-1800-10	STEPWELL COMPARTMENT From 7-0671 To J-0184				
15	H7-1800-25	FRONT AISLE STEPWELL - INSTALLATION From 7-0671 To J-0184				
20	H7-1802-00	ENTRANCE DOOR CONTROL From 7-0671 To J-0184				
25	H7-1806-00	CENTRAL DASHBOARD PANEL From 7-0671 To J-0287				
30	H7-1806-10	L.H. CONSOLE - BUS From 7-0671 To J-0184				
35	H7-1806-15	L.H. CONSOLE - V.I.P. From 7-0671 To J-0287				
40	H7-1806-20	DASHBOARD PANEL From 7-0671 To J-0287				
45	H7-1810-00	MODESTY PANEL R.H. From 7-0671 To J-0184				
50	H7-1811-00	MODESTY PLEXIGLASS From 7-0671 To J-0184				
55	H7-1812-00	MODESTY PANEL L.H. From 7-0671 To J-0184				
56	H7-1813-00	DRIVER'S GATE From G-3258 To J-0184				
60	H7-1814-00	DESTINATION SIGN - "POCATEC" From 7-0671 To E-2471				
60	H7-1814-01	DESTINATION SIGN - "BALIOS" From 7-0671 To J-0184				
60	H7-1814-02	DESTINATION SIGN - "AESYS" From 7-0671 To J-0184				
60	H7-1814-03	DESTINATION SIGN - "AXION" From 7-0671 To J-0184				
65	H7-1814-05	DESTINATION SIGN - INSTALLATION From 7-0671 To E-2471				
70	H7-1816-00	ROLLER BLIND - DRIVER' S & WINDSHIELD From 7-0671 To J-0287				
75	H7-1816-10	SUN SHADE - PASSENGER'S WINDOW From 7-0671 To J-0184				
80	H7-1820-00	MIRROR - INTERIOR From 7-0671 To J-0184				
85	H7-1821-00	DRIVER'S SEAT - "NATIONAL SEATING" - MODEL NSIII B From 8-1205 To J-0184				
90	H7-1822-00	DRIVER'S SEAT - "ISRI" - 6800/338 From 7-0671 To C-2002				
90	H7-1822-01	DRIVER'S SEAT - "ISRI" - 6832/872 From C-1912 To J-0287				
95	H7-1822-10	DRIVER'S SEAT - "ISRI" - 6000/515 & 6500/515 From 7-0671 To C-1880				
100	H7-1823-00	DRIVER'S SEAT - "RECARO" - ERGO-COACH From 7-0671 To J-0184				
100	H7-1823-10	BACKREST ASSY - "RECARO" - ERGO-COACH From 7-0671 To J-0184				
100	H7-1823-15	SEAT COVER & FOAM - "RECARO" - ERGO-COACH From 7-0671 To J-0184				
100	H7-1823-20	SUSPENSION & RISER - "RECARO" - ERGO-COACH From 7-0671 To J-0184				
100	H7-1823-25	SEAT CUSHION FRAME - "RECARO" - ERGO-COACH From 7-0671 To J-0184				
100	H7-1823-30	ARMREST - "RECARO" - ERGO-COACH From 7-0671 To J-0184				
105	H7-1823-50	DRIVER'S SEAT - "USSC" - 9100ALX3 From 7-0671 To J-0184				
105	H7-1823-55	DRIVER'S SEAT - "USSC" - 9210 From 7-0671 To J-0184				
105	H7-1823-60	SEAT ASSY - "USSC" - 9100ALX3 From 7-0671 To J-0184				
105	H7-1823-70	SUSPENSION ASSY - "USSC" - 9100ALX3 From 7-0671 To J-0184				
105	H7-1823-80	BASE ASSY - "USSC" - 9100ALX3 From 7-0671 To J-0184				
110	H7-1824-00	HOSTESS SEAT ASSY From 7-0671 To E-2504				
115	H7-1824-10	CAPTAIN SEAT "RAMPARTS" & "WILDCATS" From 8-1072 To 8-1072				
120	H7-1824-30	PASSENGER'S SEAT - "AMAYA" IDENTIFICATION "MODEL" From 7-0671 To J-0184				
125	H7-1825-00	PASSENGER'S SEAT - "AMERICAN" - W6693 & W7693 From 7-0671 To C-1915				
125	H7-1825-01	PASSENGER'S SEAT - "AMERICAN" - W6694 & W7694 From 7-0671 To C-1915				
125	H7-1825-03	PASSENGER'S SEAT - "AMERICAN" - W6696 & W7696 From 7-0671 To C-1915				
130	H7-1825-05	PASSENGER'S SEAT - "AMERICAN" - FRAME From 7-0671 To C-1915				

From 7-0671 To J-0287	Date:10/2022	PAGE:H7-18-INT
<b>BODY INTERIOR</b>		

Item#	Part	Description	H 3 4 1	H 3 4 5	V I P 4 5	N O T E S
130	H7-1825-06	PASSENGER'S SEAT - "AMERICAN" SERIES 2000 & MORE From 7-0671 To C-1915				
130	H7-1825-10	PASSENGER'S SEAT - "AMERICAN" - FRAME ROTATIN From 7-0671 To C-1915				
130	H7-1825-20	PASSENGER'S SEAT - "AMERICAN" - CUSHION From 7-0671 To C-1915				
130	H7-1825-30	PASSENGER'S SEAT - "AMERICAN" - BACKREST WX69 From 7-0671 To C-1915				
130	H7-1825-31	PASSENGER'S SEAT - "AMERICAN" - BACKREST WX69 From 7-0671 To C-1915				
130	H7-1825-40	PASSENGER'S SEAT - "AMERICAN" - FOOTREST From 7-0671 To C-1915				
130	H7-1825-50	PASSENGER'S SEAT - "AMERICAN" - ARMREST From 7-0671 To C-1915				
130	H7-1825-51	PASSENGER'S SEAT - "AMERICAN" - ARMREST SERIES 2000 & MORE From 7-0671 To C-1915				
130	H7-1825-60	PASSENGER'S SEAT - "AMERICAN" - BACK & ACCESS From 7-0671 To C-1915				
135	H7-1826-00	PASSENGER'S SEAT - "NATIONAL" - 4209 & 4210 From 7-0671 To J-0184				
140	H7-1826-05	PASSENGER'S SEAT - "AMAYA" "EUROTECH" From 7-0671 To C-1915				
140	H7-1826-06	PASSENGER'S SEAT - "AMAYA" "BRASIL" From 7-0671 To J-0184				
140	H7-1826-07	PASSENGER'S SEAT - "AMAYA" "SIGLIUM" TORO & TORINO From 7-0671 To J-0184				
140	H7-1826-08	PASSENGER'S SEAT - "AMAYA" "GAUDI" From 7-0671 To J-0184				
140	H7-1826-09	PASSENGER'S SEAT - "AMAYA" "BRASIL" WITH 3 POINTS From A-1500 To J-0184				
140	H7-1826-11	PASSENGER'S SEAT - "AMAYA" "TORINO" WITH 3 POINTS From A-1500 To J-0184				
140	H7-1826-40	PASSENGER'S SEAT - "AMAYA" - FOOTREST & PEDESTAL From 7-0671 To A-1499				
140	H7-1826-41	PASSENGER'S SEAT - "AMAYA" - FOOTREST & PEDESTAL From A-1500 To J-0184				
140	H7-1826-50	ARMREST PASSENGER'S SEAT - "AMAYA" WITH "EUROTECH" From 7-0671 To C-1915				
140	H7-1826-51	ARMREST PASSENGER'S SEAT - "AMAYA" WITH "BRASIL" From 7-0671 To J-0184				
140	H7-1826-52	ARMREST PASSENGER'S SEAT - "AMAYA" WITH "GAUDI" From 7-0671 To J-0184				
140	H7-1826-53	ARMREST PASSENGER'S SEAT - "AMAYA" WITH "SIGLIUM" TORO & TORINO From 7-0671 To J-0184				
140	H7-1826-54	ARMREST PASSENGER'S SEAT - "AMAYA" WITH "TORINO" & "TORINO V.I.P." From A-1500 To J-0184				
140	H7-1826-60	ACCESSORIES PASSENGER'S SEAT - "AMAYA" From 7-0671 To J-0184				
140	H7-1826-70	PASSENGER'S SEAT - "AMAYA" - FLIP-UP "GAUDI" HR & SC - W/ W.C.L. From 7-0671 To J-0184				
140	H7-1826-72	PASSENGER'S SEAT - "AMAYA" - FLIP-UP HANDICAP WITH 3POINTS From A-1500 To J-0184				
145	H7-1827-01	PASSENGER'S SEAT INSTALLATION AMAYA "A-2TEN" From A-1500 To J-0184				
145	H7-1827-02	PASSENGER'S SEAT INSTALLATION AMAYA "A-220" From H-3457 To J-0184				
145	H7-1827-11	PASSENGER'S SEAT / STANDARD AMAYA "A-2TEN" From A-1500 To J-0184				
145	H7-1827-12	PASSENGER'S SEAT / STANDARD AMAYA "A-220" From H-3457 To J-0184				
145	H7-1827-21	PASSENGER'S SEAT / FLIP-UP/FIXE AMAYA "A-2TEN" From A-1500 To J-0184				
145	H7-1827-22	PASSENGER'S SEAT / FLIP-UP / FIXE / AMAYA "A-220" From H-3457 To J-0184				
145	H7-1827-31	PASSENGER'S SEAT / FLIP-UP/SLIDER AMAYA "A-2TEN" From A-1500 To J-0184				
145	H7-1827-32	PASSENGER'S SEAT / FLIP-UP / SLIDER AMAYA "A-220" From H-3457 To J-0184				
145	H7-1827-51	ARMREST AMAYA "A-2TEN" From A-1500 To J-0184				
145	H7-1827-52	ARMREST AMAYA "A-220" From H-3457 To J-0184				
145	H7-1827-61	BACKREST AMAYA "A-2TEN" From A-1500 To J-0184				
145	H7-1827-62	BACKREST AMAYA "A-220" From H-3457 To J-0184				
145	H7-1827-71	SEAT CUSHION AMAYA "A-2TEN" From A-1500 To J-0184				
145	H7-1827-72	SEAT CUSHION AMAYA "A-220" From H-3457 To J-0184				
145	H7-1827-81	PASSENGER'S SEAT / REVERSIBLE AMAYA "A-2TEN" From A-1500 To J-0184				
145	H7-1827-82	PASSENGER'S SEAT / REVERSIBLE AMAYA "A-220" From H-3457 To J-0184				



From 7-0671 To J-0287		Date:10/2022	PAGE:H7-18-INT
<b>BODY INTERIOR</b>			

Item#	Part	Description	H 3 4 1	H 3 4 5	V I P 4 5	N O T E S
150	H7-1828-00	PASSENGER'S SEAT - "KIEL" "AVANCE 1020" From F-2974 To J-0184				
150	H7-1828-05	PASSENGER'S SEAT - "KIEL" "AVANCE 2050" From F-2974 To J-0184				
155	H7-1829-00	ACCESSORIES PASSENGER'S SEAT - "PREVOST" From 7-0671 To J-0184				
155	H7-1830-00	PASSENGER'S SEAT - "AMERICAN" & "IMMI" "PREMIER"&"SAFEGUARD PREMIER" From 7-0671 To J-0184				
160	H7-1832-00	FRONT FINISHING CAP W/GREY FINISHING From 7-0671 To 8-1135				
160	H7-1832-01	FRONT FINISHING CAP W/TAN FINISHING From 8-1136 To J-0287				
165	H7-1833-00	WINDOW FINISHING CAP & WALL W/GREY FINISHING From 7-0671 To 8-1135				
165	H7-1833-01	WINDOW FINISHING CAP & WALL W/TAN FINISHING From 8-1136 To J-0184				
170	H7-1834-00	REAR FINISHING CAP From 7-0671 To J-0184				
170	H7-1834-10	REAR FINISHING CAP BACKWARD INTERIOR FINISHING From 7-0671 To A-1720				
175	H7-1836-00	PARCEL RACK W/GREY FINISHING From 7-0671 To 8-1135				
175	H7-1836-01	PARCEL RACK W/TAN FINISHING From 8-1136 To E-2584				
175	H7-1836-02	PARCEL RACK W/TAN FINISHING From E-2585 To J-0184				
180	H7-1837-00	CEILING PANELS & MOULDING W/GREY FINISHING From 7-0671 To 8-1135				
180	H7-1837-01	CEILING PANELS & MOULDING W/TAN FINISHING From 8-1136 To J-0184				
180	H7-1837-50	CEILING PANELS & MOULDING - V.I.P. From 7-0671 To J-0287				
185	H7-1838-00	FLOOR - BUS From 7-0671 To A-1499				
185	H7-1838-01	FLOOR - BUS From A-1500 To H-3590				
185	H7-1838-02	FLOOR - BUS From H-3591 To J-0184				
185	H7-1838-05	FLOOR COVERING - "R.C.A." From 7-0671 To J-0184				
185	H7-1838-10	FLOOR COVERING - "TARAFLEX" From 7-0671 To J-0184				
185	H7-1838-20	FLOOR COVERING - CARPET From 7-0671 To J-0184				
190	H7-1838-15	STEPWELL - COVERING From 7-0671 To J-0184				
195	H7-1838-50	FLOOR & REAR WALL - V.I.P. From 7-0671 To J-0287				
199	H7-1838-99	RETROFIT ANCHOR SEAT 3/POINTS SAFETY BELT From 7-0671 To A-1499				
200	H7-1839-00	INSULATING SIDE WALL - LOWER PANEL From 7-0671 To E-2575				
200	H7-1839-01	INSULATING SIDE WALL - LOWER PANEL From E-2576 To J-0287				
200	H7-1839-05	INSULATING REAR BATTERIES COMPARTMENT From 7-0671 To J-0287				
200	H7-1839-10	INSULATING FLOOR REAR AXLE From 7-0671 To A-1490				
200	H7-1839-11	INSULATING FLOOR REAR AXLE From A-1491 To H-3590				
200	H7-1839-12	INSULATING FLOOR REAR AXLE From H-3591 To J-0184				
200	H7-1839-15	INSULATING FRONT - SUBFRAME From 7-0671 To 9-1469				
200	H7-1839-16	INSULATING FRONT - SUBFRAME From A-1470 To E-2504				
200	H7-1839-17	INSULATING FRONT - SUBFRAME From E-2505 To J-0287				
200	H7-1839-20	INSULATING REAR ENGINE COMPARTMENT From 7-0671 To A-1720				
200	H7-1839-21	INSULATING REAR ENGINE COMPARTMENT From B-1721 To J-0287				
200	H7-1839-25	INSULATING REAR END From 7-0671 To J-0287				
200	H7-1839-30	INSULATING ROOF PANELS From 7-0671 To E-2584				
200	H7-1839-31	INSULATING ROOF PANELS From E-2585 To J-0287				
200	H7-1839-90	INSULATING - "SLIDE-OUT" From 7-0671 To J-0287				
205	H7-1840-00	CLOSING PANEL SPARE COMPARTMENT From 7-0671 To J-0287				

From 7-0671 To J-0287	Date:10/2022	PAGE:H7-18-INT
-----------------------	--------------	----------------

**BODY INTERIOR**

Item#	Part	Description	H 3 4 1	H 3 4 5	V I P 4 5	N O T E S
		O) SPECIAL OPTION				



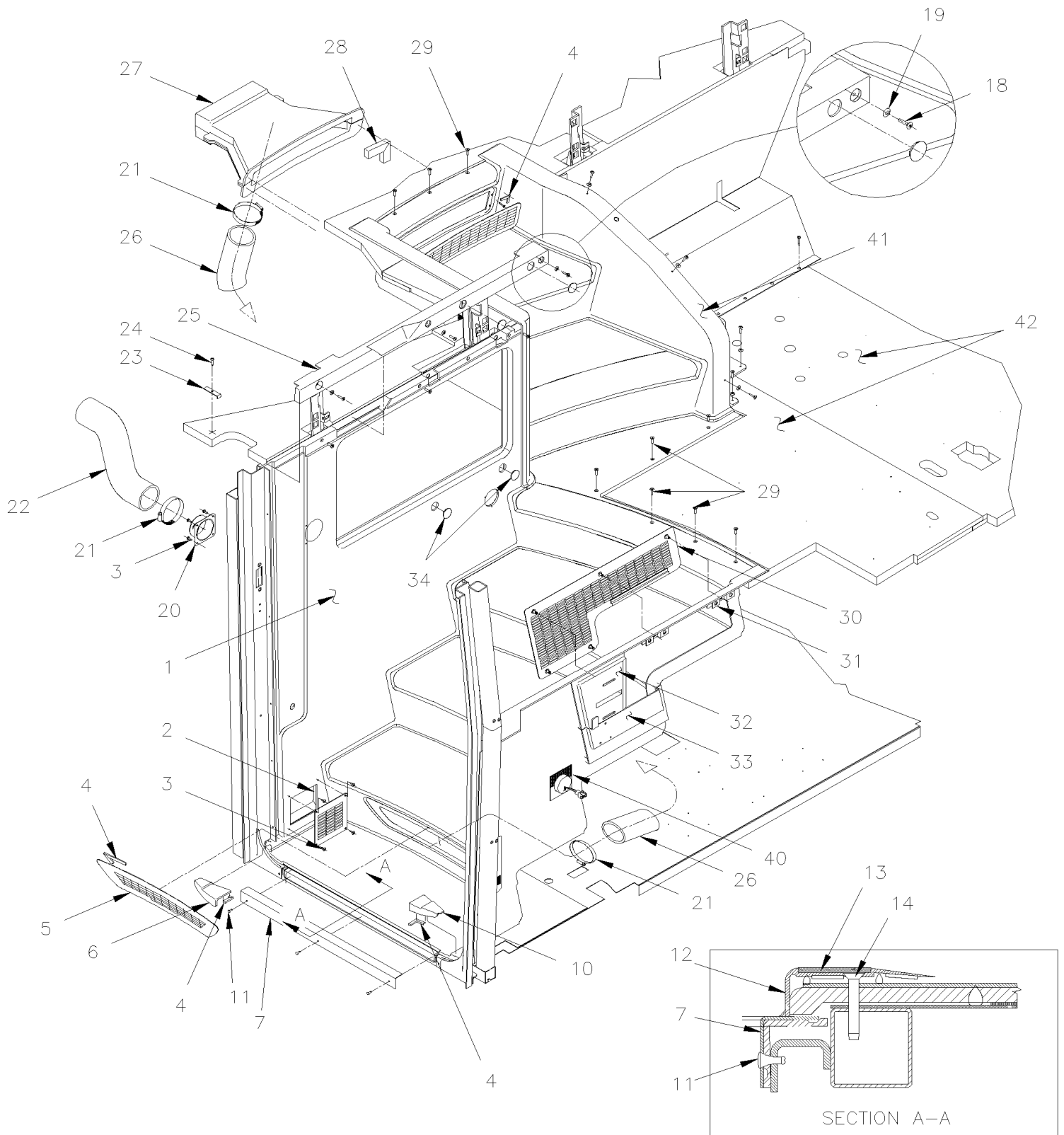


From 7-0671 To J-0287

Date:10/2022

PAGE:H7-1800-00

## FRONT STEPWELL - INSTALLATION

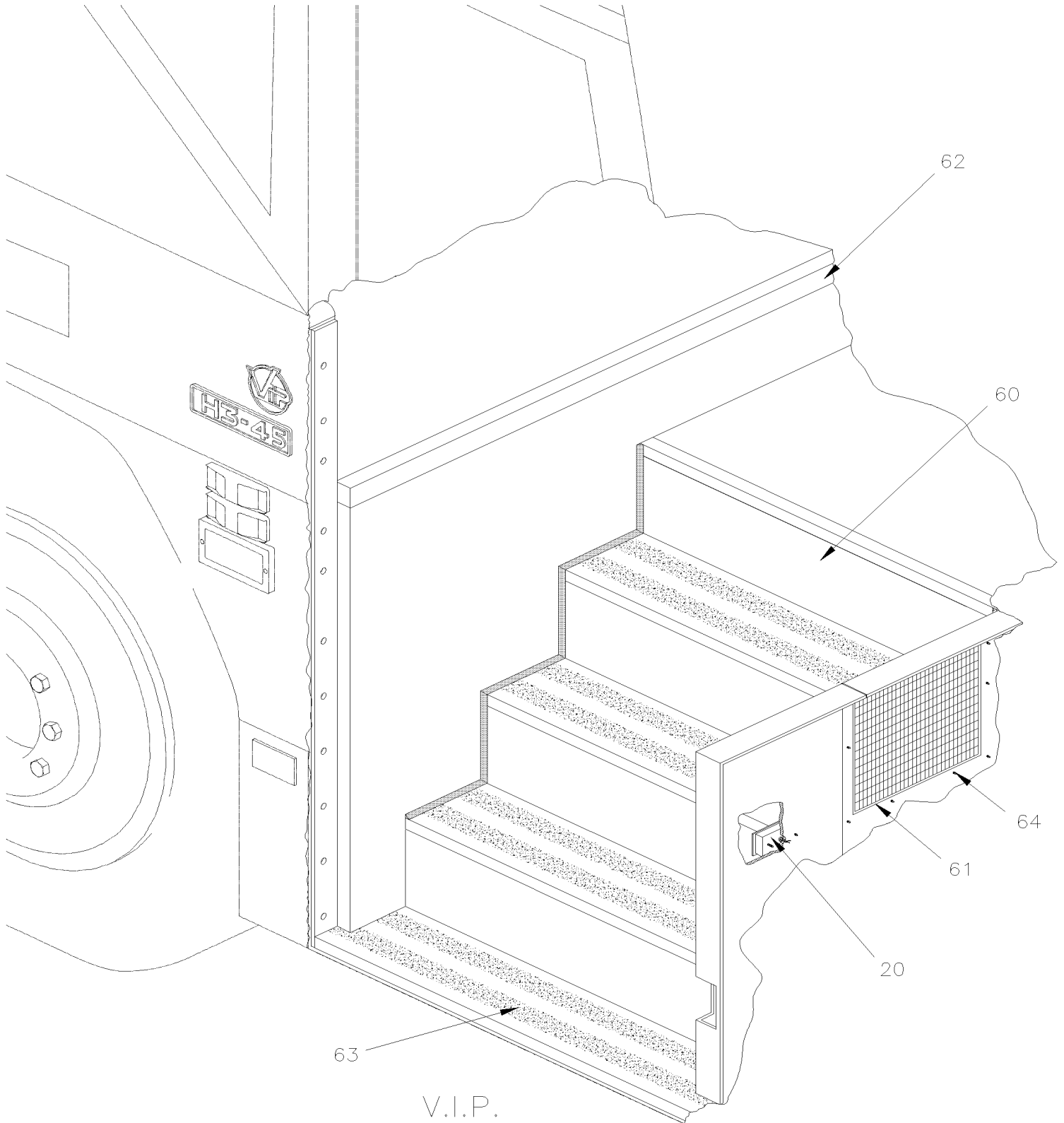


From 7-0671 To J-0287

Date:10/2022

PAGE:H7-1800-00

## FRONT STEPWELL - INSTALLATION



From 7-0671 To J-0287	Date:10/2022	PAGE:H7-1800-00
<b>FRONT STEPWELL - INSTALLATION</b>		

Item#	Part	Description	H 3 4 1	H 3 4 5	V I P 4 5	N O T E S
		"WARNING" - "WARNING" -"WARNING" - "WARNING"				
		VIN 1068, 1078 & 1090 USE NEW COLORATION ask for from 1136				
	320107	STEPWELL FRONT ASSY W/COVERING / S.C.C. To 8-1135	1	1		
	3201441	STEPWELL FRONT ASSY W/COVERING / S.C.C. From 8-1136	1	1		
	Call order desk	STEPWELL FRONT ASSY W/COVERING / S.C.C. From H-3497		1		P A
1	328904	. STEPWELL / FRONT To 8-1135	1	1		
1	329576	. STEPWELL / FRONT TAN From 8-1136 To E-2545	1	1		
1	3201119	. STEPWELL / FRONT TAN From E-2546	1	1		
1	321888	. STEPWELL / FRONT GREY From H-3497		1		A
NS	327770	SHIM ALLUMINUM 14GA	AR	AR		
2	452344	AIR DIFFUSOR To 8-1135	1	1		
2	454569	LOWER STEPWELL / DIFFUSOR TAN From 8-1136	1	1		
2	450122	LOWER STEPWELL / DIFFUSOR GREY From H-3497		1		A
NS	404636	DECAL / "WATCH YOUR STEP"	1	1		
NS	407554	DECAL / "WELCOME"	1	1		
3	500124	SCREW TP TR PH #8x1/2 SS	8	8		
4	506785	TAPE RUB ADH2 CC POL 1/16" x 1/4" x 200' / BLACK I1C-N-A	AR	AR		
5	453127	GRILL AIR / LOWER STEPWELL / RETURN SS To 8-1135	1	1		
5	454570	GRILL AIR / LOWER STEPWELL / RETURN TAN From 8-1136	1	1		
5	450121	GRILL AIR / LOWER STEPWELL / RETURN GREY From H-3497		1		A
6	327765	FINISHING CAP L.H.	1	1		
7	327768	ANGLE FINISHING 27 X 34 X 575MM	1	1		
10	327766	FINISHING CAP R.H.	1	1		
11	504643	RIVET POP DOME OE 1/8x1/2 SS	7	7		
12	509855	EXTRUSION "STEPBUS" 565MM	1	1		
13	506088	WHITE STRIP "STEPBUS" 34MM x 565MM	1	1		
14	502903	SCREW TC FL PH #10-24x1 1/4 N500	1	1		
18	500552	SCREW TP OV PH #6x3/4 Z050	6	6		
19	500463	WASHER FN CKF .187x.500x.090 BR Z050	6	6		
20	329119	HOSE ADAPTOR 2 1/2" O.D.	1	1		
21	504024	HOSE CLAMP / 1"13/16"-2"3/4 SS / HS-36	1	1		
22	373858	HOSE 2 1/2" I.D. X 740MM	1	1		
22	503031	. HOSE FLEXIBLE / AIR DUCT 2 1/2" I.D. X 12' RUBBER	AR	AR		
23	372343	HOSE RETAINER	1	1		
24	500641	SCREW TP PAN PH #8x3/4 Z050	1	1		
25	327648	FINISHING MOULDING To 8-1135	1	1		
25	329537	FINISHING MOULDING TAN From 8-1136 To E-2545	1	1		
25	3201122	FINISHING MOULDING TAN From E-2546	1	1		
25	322054	FINISHING MOULDING GREY From H-3497		1		A
NS	500552	SCREW TP OV PH #6x3/4 Z050	9	9		
NS	500463	WASHER FN CKF .187x.500x.090 BR Z050 To 8-1135	9	9		

<b>From 7-0671 To J-0287</b>	<b>Date:10/2022</b>	<b>PAGE:H7-1800-00</b>
<b>FRONT STEPWELL - INSTALLATION</b>		

Item#	Part	Description	H 3 4 1	H 3 4 5	V I P 4 5	N O T E S
26	453387	HOSE 2 1/2" I.D. X 89"	1	1		
26	503031	. HOSE FLEXIBLE / AIR DUCT 2 1/2" I.D. X 12' RUBBER	AR	AR		
27	454909	DUCT ADAPTOR	1	1		
28	506210	TAPE RUB ADH1 URE 1/2" x 3/4" x 20' / GREY 1820	AR	AR		
29	500620	SCREW TP FL PH #10x1 1/2 Z050	AR	AR		
30	454003	GRILL AIR / FRONT STEPWELL / RETURN To 8-1135	1	1		
. NS	452770	. GRILL AIR / FRONT STEPWELL / RETURN To 8-1135	1	1		
. NS	504604	. FASTENER To 8-1135	5	5		
. NS	504681	. STUD 6MM (DZUS) To 8-1135	5	5		
30	454571	GRILL AIR / FRONT STEPWELL / RETURN TAN From 8-1136 To 9-1431	1	1		
. NS	454572	. GRILL AIR / FRONT STEPWELL / RETURN From 8-1136 To 9-1431	1	1		
. NS	504604	. FASTENER From 8-1136 To 9-1431	5	5		
. NS	504681	. STUD 6MM (DZUS) From 8-1136 To 9-1431	5	5		
30	454003	GRILL AIR / FRONT STEPWELL / RETURN From 9-1432	1	1		
. NS	452770	. GRILL AIR / FRONT STEPWELL / RETURN From 9-1432	1	1		
. NS	504604	. FASTENER From 9-1432	5	5		
. NS	504681	. STUD 6MM (DZUS) From 9-1432	5	5		
31	504605	RECEPTACLE 6 MM	5	5		
32	373851	DEFLECTOR, UPPER / PLASTIC GREY	1	1		
33	373850	DEFLECTOR, LOWER / PLASTIC GREY	1	1		
NS	502761	SCREW TP BDG PH #10x3/4 SS BK	4	4		
NS	502709	WASHER FL .260x.687x.050 XLN BK	4	4		
34	504078	PLUG BUTTON / 1.000 O.D. / NICKEL & BRASS	4	4		
40	<b>H7-0655-00</b>	<b>INTERIOR LIGHTING To D-2264</b>				
40	<b>H7-0655-01</b>	<b>INTERIOR LIGHTING LED From D-2265</b>				
41	<b>H7-1800-25</b>	<b>FRONT AISLE STEPWELL - INSTALLATION</b>				
42	<b>H7-1838-00</b>	<b>FLOOR - BUS To A-1499</b>				
42	<b>H7-1838-01</b>	<b>FLOOR - BUS From A-1500 To H-3590</b>				
42	<b>H7-1838-02</b>	<b>FLOOR - BUS From H-3591</b>				
42	326094P	FLOOR / DRIVER'S / VIP W/IND SUSPENSION To F-2871				1
42	320971	DRIVER'S FLOOR From F-2872 To F-2909				1
42	3201343	DRIVER'S FLOOR From F-2910				1
60	326191	STEPWELL / FRONT To A-1720				1
60	3200090	STEPWELL / FRONT From B-1721				1
61	453105	GRILL AIR / FRONT STEPWELL / RETURN				1
62	326404	MOULDING / FRONT FINISHING FLOOR / "Z" SHAPE / 1614MM SS				1
63	900515	TAPE ANTISKID ADH / GREY / 1" X 60'				AR
64	5001119	SCREW TP BDG PH #8x3/4 SS				4

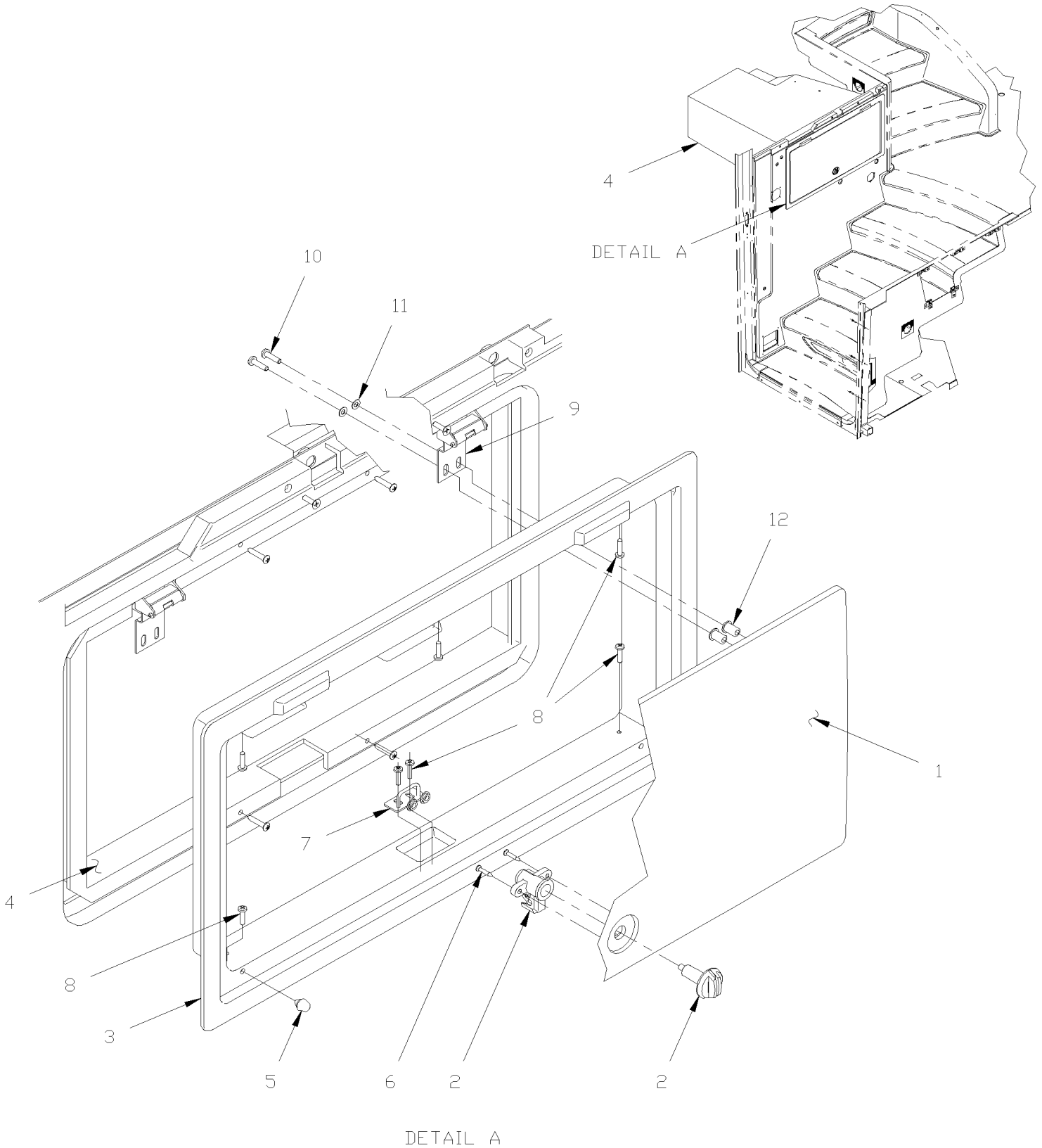
From 7-0671 To J-0287	Date:10/2022	PAGE:H7-1800-00
-----------------------	--------------	-----------------

**FRONT STEPWELL - INSTALLATION**

Item#	Part	Description	H 3 4 1	H 3 4 5	V I P 4 5	N O T E S
		A) "BAUER'S TRANSPORTATION" OPTION				
		P) CALL ORDER DESK FOR SPECIFIC APPLICATION (V.I.N.)				



STEPWELL COMPARTMENT



From 7-0671 To J-0184	Date:10/2022	PAGE:H7-1800-10
<b>STEPWELL COMPARTMENT</b>		

Item#	Part	Description	H 3 4 1	H 3 4 5	V I P 4 5	N O T E S
		"WARNING" - "WARNING" -"WARNING" - "WARNING"				
		VIN 1068, 1078 & 1090 USE NEW COLORATION ask for from 1136				
1	327726	DOOR To 8-1135	1	1		
1	329574	DOOR TAN From 8-1136	1	1		
1	322201	DOOR GREY From H-3497		1		A
2	504392	LATCH	1	1		
3	327725	FINISHING FRAME To 8-1135	1	1		
3	329536	FINISHING FRAME TAN From 8-1136	1	1		
3	322200	FINISHING FRAME GREY From H-3497		1		A
NS	790597	RUBBER BLOCK ADJUSTMENT 20MM x 31.75MM x 4.7 60 DURO	AR	AR		
4	325476	BOX INSIDE	1	1		
NS	325742	SEPARATOR / FOR LOG BOOK	1	1		
NS	325745	CARPET FINISHING	1	1		
5	506499	BUMPER PLUG / .500ODx.312THx.250HOLEx.093	2	2		
6	500333	SCREW TP OV PH #6x3/4 BK	2	2		
7	322490	CATCH	1	1		
8	5001119	SCREW TP BDG PH #8x3/4 SS	7	7		
8	500641	SCREW TP PAN PH #8x3/4 Z050	7	7		
9	322483	HINGE	2	2		
NS	500879	SCREW TP PAN PH #10x1 Z050	4	4		
10	5001299	SCREW MA PAN PH #10-32x3/4 SS	4	4		
11	500240	WASHER LO EXT .195x.410x.025 Z050	4	4		
12	500519	NUT WELL #10-32x.518	4	4		
13	5001204	SCREW TP FL PH #6x1 1/4 Z050	4	4		
25	<b>IS18115</b>	<b>GM GLOVE BOX LOCK INSTALLATION ON H-SERIES VEHICLES</b>	1	1		
		A) "BAUER'S TRANSPORTATION" OPTION				

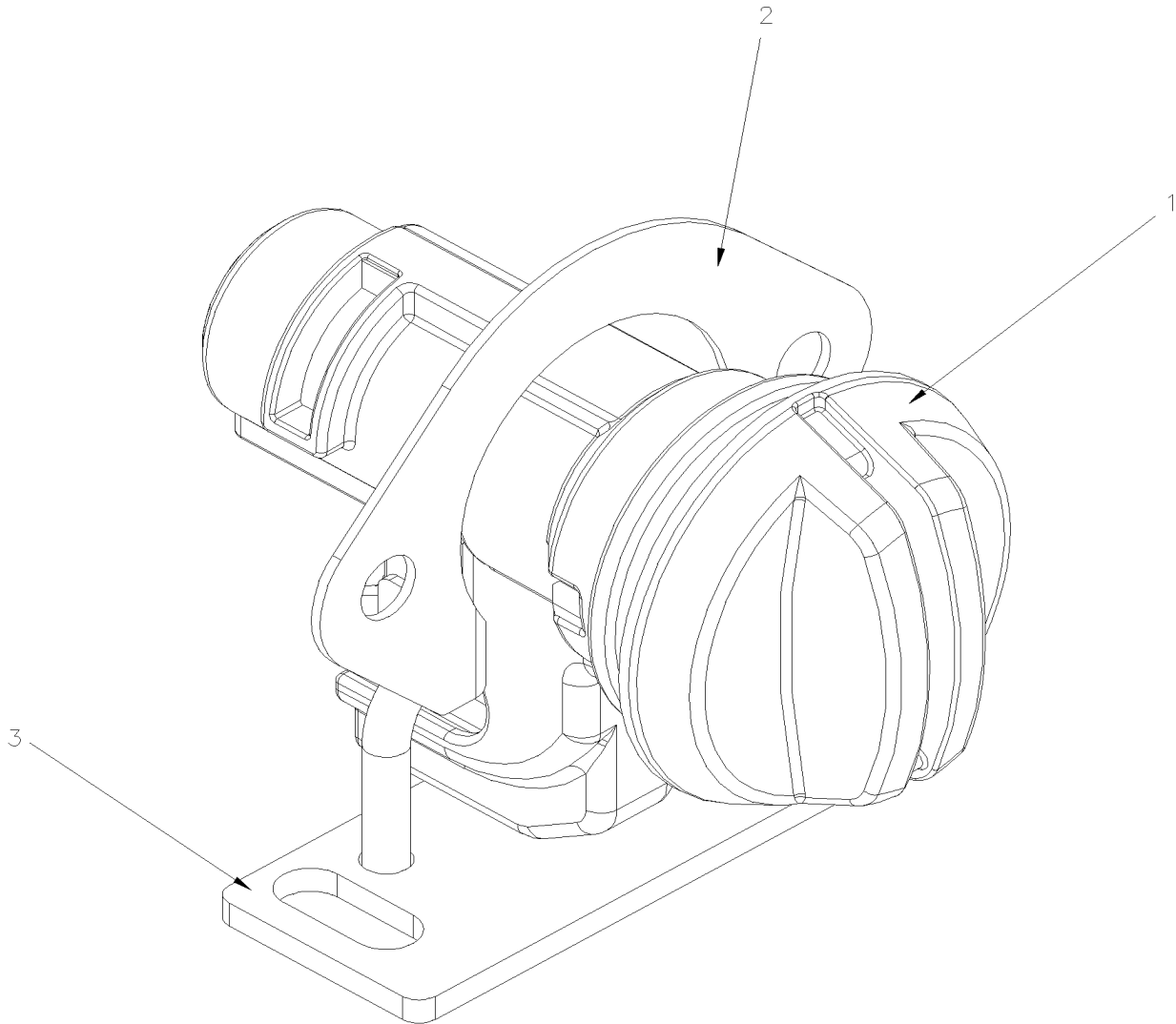


From 7-0671 To J-0184

Date:10/2022

PAGE:IS18115

**GM GLOVE BOX LOCK INSTALLATION ON H-SERIES VEHICLES**



From 7-0671 To J-0184      Date:10/2022      PAGE:IS18115

**GM GLOVE BOX LOCK INSTALLATION ON H-SERIES VEHICLES**

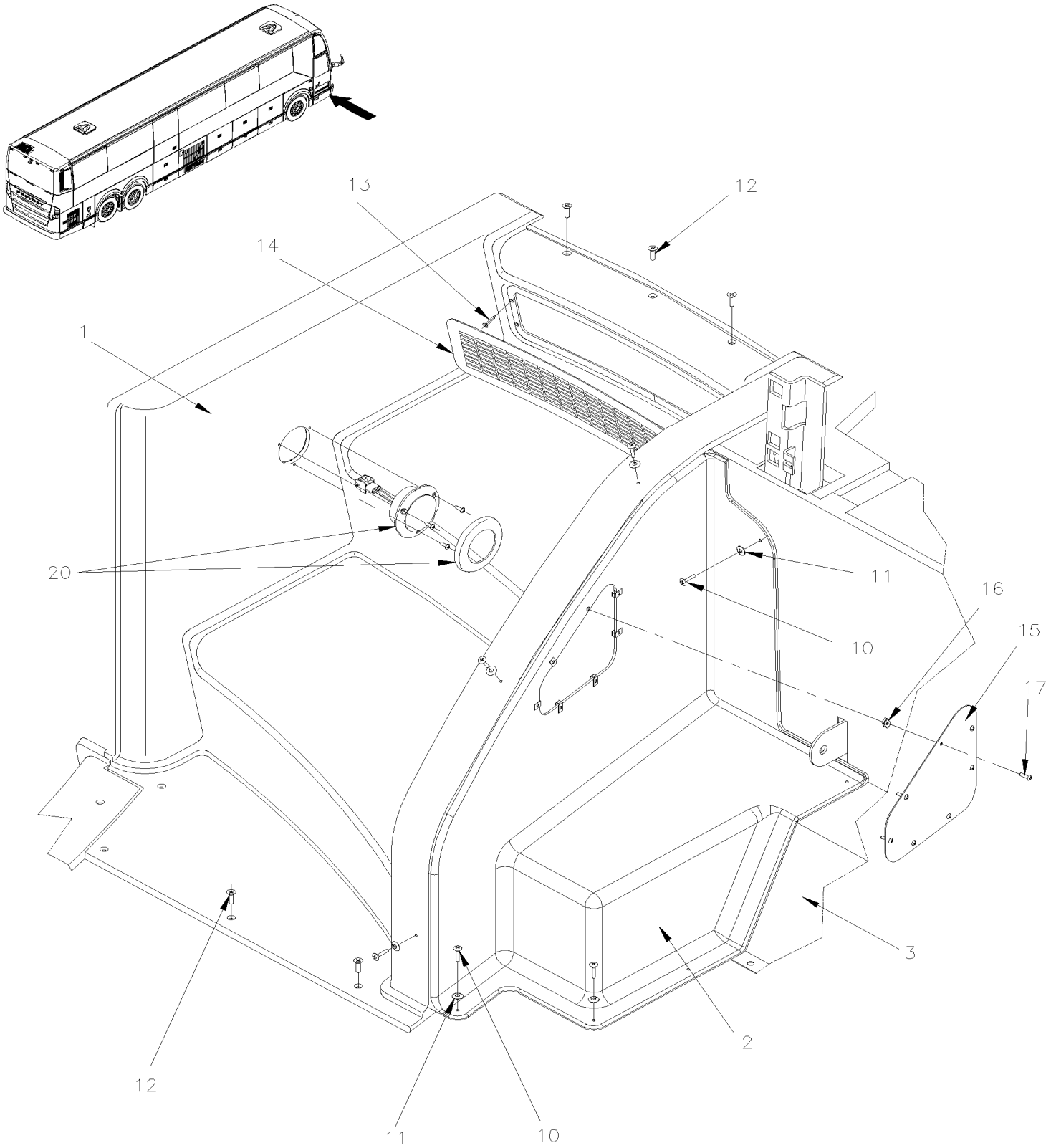
Item#	Part	Description	H 3 4 1	H 3 4 5	V I P 4 5	N O T E S
1	504156	LATCH	1	1	1	
2	3210672	PROTECTION PLATE	1	1	1	
3	3210668	CATCH	1	1	1	
4	IS-18115	SEE INSTRUCTION SHEET	1	1	1	

From 7-0671 To J-0184

Date:10/2022

PAGE:H7-1800-25

## FRONT AISLE STEPWELL - INSTALLATION



<b>From 7-0671 To J-0184</b>	<b>Date:10/2022</b>	<b>PAGE:H7-1800-25</b>
<b>FRONT AISLE STEPWELL - INSTALLATION</b>		

Item#	Part	Description	H 3 4 1	H 3 4 5	V I P 4 5	N O T E S
		"WARNING" - "WARNING" -"WARNING" - "WARNING"				
		VIN 1068, 1078 & 1090 USE NEW COLORATION ask for from 1136				
	320105	STEPWELL AISLE ASSY W/COVERING / S.C.C. To 8-1135	1	1		
	3200462	STEPWELL AISLE ASSY W/COVERING / S.C.C. From 8-1136	1	1		
	Call order desk	STEPWELL AISLE ASSY W/COVERING / S.C.C. From H-3497		1		P A
	Call order desk	STEPWELL AISLE ASSY W/COVERING W/DRIVER GATE / S.C.C. From G-3260	1	1		P D
1	328891	. STEPWELL, AISLE To 8-1135	1	1		
1	329575	. STEPWELL, AISLE TAN From 8-1136	1	1		
1	321903	. STEPWELL, AISLE GREY From H-3497		1		A
1	320949	. STEPWELL, AISLE / W/DRIVER GATE TAN From G-3260	1	1		D
. NS	327633	. . INSERT, ATTACHMENT From G-3260	1	1		D
NS	327769	SHIM ALLUMINUM 14GA To 8-1135	AR	AR		
1	3211031	DECAL "STEP UP"	1	1		
2	327658	FINISHING COVERING R.H. To 8-1135	1	1		
2	329573	FINISHING COVERING R.H. TAN From 8-1136 To 9-1469	1	1		
2	329906	FINISHING COVERING R.H. TAN From A-1470	1	1		
2	321920	FINISHING COVERING R.H. GREY From H-3497		1		A
2	321288	FINISHING COVERING R.H. / W/DRIVER GATE TAN From G-3260	1	1		D
. NS	327679	. INSERT, ATTACHMENT From G-3260	1	1		D
3	327743	FINISHING PANEL / REAR DRIVER'S To 8-1135	1	1		
3	329581	FINISHING PANEL / REAR DRIVER'S TAN From 8-1136 To 9-1469	1	1		
3	329651	FINISHING PANEL / REAR DRIVER'S TAN From A-1470 To F-2848	1	1		
3	3201243	FINISHING PANEL / REAR DRIVER'S TAN From F-2849	1	1		
3	321944	FINISHING PANEL / REAR DRIVER'S GREY From H-3497		1		A
3	506466	TAPE RUB ADH1 CC POL 1/16" x 1 1/2" x 100 / GREY 2520	AR	AR		
10	500552	SCREW TP OV PH #6x3/4 Z050	AR	AR		
11	500463	WASHER FN CKF .187x.500x.090 BR Z050	AR	AR		
12	500620	SCREW TP FL PH #10x1 1/2 Z050	AR	AR		
13	5001204	SCREW TP FL PH #6x1 1/4 Z050	AR	AR		
14	452343	GRILL AIR / AISLE STEPWELL / RETURN To 8-1135	1	1		
14	454568	GRILL AIR / AISLE STEPWELL / RETURN TAN From 8-1136	1	1		
14	450124	GRILL AIR / AISLE STEPWELL / RETURN GREY From H-3497		1		A
15	400188	ACCES PLATE	1	1	1	D
16	500996	NUT SPR U #6-32 .135-.150	7	7	7	D
17	500148	SCREW MA RND PH #6-32x1/2 SS	7	7	7	D
20	<b>H7-0655-00</b>	<b>INTERIOR LIGHTING To D-2264</b>				
20	<b>H7-0655-01</b>	<b>INTERIOR LIGHTING LED From D-2265</b>				
NS	405158	CARD HOLDER SS / 8 3/4" x 11" x 1" TH	1	1		

From 7-0671 To J-0184	Date:10/2022	PAGE:H7-1800-25
-----------------------	--------------	-----------------

**FRONT AISLE STEPWELL - INSTALLATION**

Item#	Part	Description	H 3 4 1	H 3 4 5	V I P 4 5	N O T E S
		A) BAUER'S TRANSPORTATION" OPTION				
		D) WITH DRIVER'S GATE				
		P) CALL ORDER DESK FOR SPECIFIC APPLICATION (V.I.N.)				

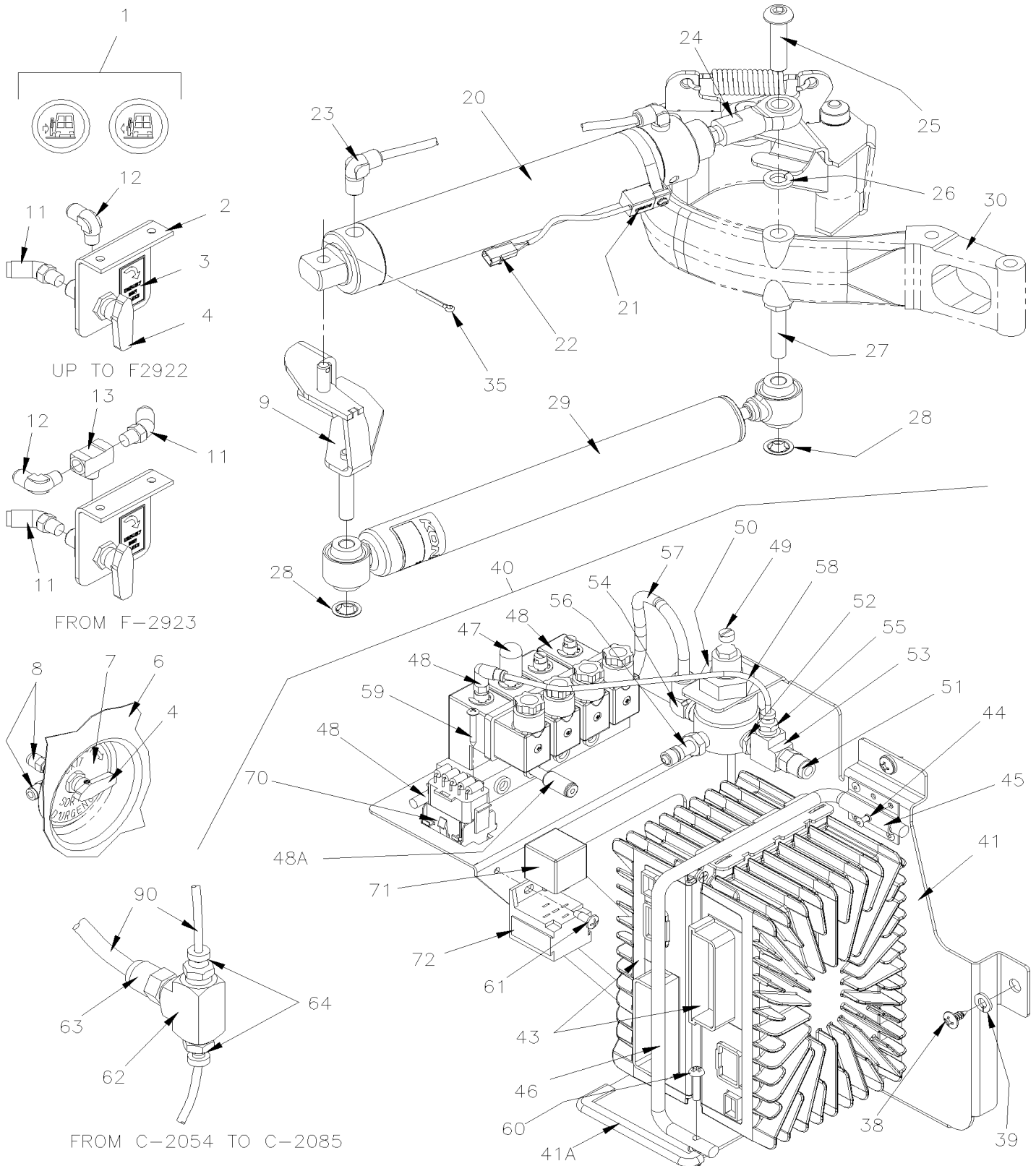


From 7-0671 To J-0184

Date:10/2022

PAGE:H7-1802-00

## ENTRANCE DOOR CONTROL



From 7-0671 To J-0184	Date:10/2022	PAGE:H7-1802-00
<b>ENTRANCE DOOR CONTROL</b>		

Item#	Part	Description	H 3 4 1	H 3 4 5	V I P 4 5	N O T E S
1	<b>H7-0645-30</b>	<b>R.H. DASHBOARD PANEL</b>				
2	285537	SUPPORT	1	1		
3	283989	DECAL "EMERGENCY DOOR VALVE" / IN STEERING COMPARTMENT	1	1		
4	641417	VALVE, 3 WAYS 1/8NPT-Fx1/8NPT-Fx1/8NPT-F BR To C-2005	2	2		
. NS	642014	. HANDLE / RED To C-2005	1	1		
4	642161	VALVE, 3 WAYS 1/8NPT-Fx1/8NPT-Fx1/8NPT-F BR From C-2006	1	1		
. NS	642014	. HANDLE / RED From C-2006	1	1		
6	<b>H7-1806-20</b>	<b>DASHBOARD PANEL</b>				
7	284057	DECAL "EMERGENCY EXIT" / ENGLISH & FRANCAIS	1	1		
7	288197	DECAL "EMERGENCY EXIT" / ENGLISH & SPANISH	1	1		
7	280617	DECAL "EMERGENCY EXIT" / ENGLISH	1	1		
8	641242	MALE CONNECTOR / PUSH-IN FITTING / #4x1/8NPT-M BR	3	3		
9	215370	SUPPORT / CYLINDER To D-2293	1	1		
9	217201	SUPPORT / CYLINDER From D-2294 To H-3544	1	1		
9	210010	SUPPORT / CYLINDER From H-3545	1	1		
11	641365	MALE ELBOW 45° NON-SWIVEL / PUSH-IN FITTING / #4x1/8NPT-M BR To F-2922	1	1		
11	641365	MALE ELBOW 45° NON-SWIVEL / PUSH-IN FITTING / #4x1/8NPT-M BR From F-2923	2	2		
12	641369	MALE ELBOW 90° NON-SWIVEL / PUSH-IN FITTING / #4x1/8NPT-M BR To 9-1469	2	2		
12	641369	MALE ELBOW 90° NON-SWIVEL / PUSH-IN FITTING / #4x1/8NPT-M BR From A-1470	1	1		
13	507589	MALE BRANCHE TEE / PIPE FITTING / 1/8NPT-Fx1/8NPT-Fx1/8NPT-M BR From F-2923	1	1		
20	780595	CYLINDER 2" To A-1607	1	1		
20	780813	CYLINDER 2" From A-1608	1	1		B
. NS	780022	. BEARING, SPHERICAL From A-1608	1	1		
21	780594	LIMITING REED SWITCH ASSY S.P.S.T. N.O. / W/ 2" CYLINDER	1	1		
22	560900	CONNECTOR / COM. MATE-N-LOCK / PH 2C / AMP 1-480319-0	1	1		
22	560853	PIN TERMINAL / 24-18 / AMP 60618-1	2	2		
23	641371	MALE ELBOW 90° NON-SWIVEL / PUSH-IN FITTING / #4x1/4NPT-M BR	2	2		
24	502196	ROD END FEMALE 1/2-20 / 1/2 I.D.	1	1		
25	5001075	SCREW CAP BUT HEXS 1/2-13x2 Z050	1	1		
26	500482	WASHER LO SPT .506x.873x.125 Z050	1	1		
27	285433	PIVOT STUD 7/16-14 X 80MM LG	1	1		
28	502601	NUT SPR PO RND 7/16	2	2		
29	780714	SHOCK DAMPER "KONI" To H-3544	1	1		
29	780896	SHOCK DAMPER "KONI" From H-3545	1	1		
30	<b>H7-1862-60</b>	<b>ENTRANCE DOOR FRAME - INSTALLATION</b>				
35	502102	PIN, COTTER 1/8 x 1	1	1		
38	500657	SCREW TC TR PH #10-24x1/2 Z050	3	3	3	
39	500473	WASHER LO SPT .262x.489x.062 Z050	3	3	3	
40	382079P	SEDAN DOOR MODULE ASSY / MUX	1	1		
NS	502848	SCREW TC CAP HEXF 1/4-20x3/4 N500	3	3	3	
NS	500473	WASHER LO SPT .262x.489x.062 Z050	3	3	3	
41	382170	. SUPPORT MODULE	1	1		



<b>From 7-0671 To J-0184</b>	<b>Date:10/2022</b>	<b>PAGE:H7-1802-00</b>
<b>ENTRANCE DOOR CONTROL</b>		

Item#	Part	Description	H 3 4 1	H 3 4 5	V I P 4 5	N O T E S
41	382164	. SUPPORT MODULE			1	
NS	506339	. TAPE RUB ADH1 NIT 1/4" x 1" x 35' / BLACK 1220	AR	AR	AR	
41A	506338	. RUBBER CHANNEL / 1/16" x 1/4" INT "U" SHAPE / ROUND C.T.L.	AR	AR	AR	
41A	680066	. ADHESIVE / ADBOND #5014 / 23.6ML BOTTLE	AR	AR	AR	
NS	066133	. CABLE ASSY / ENTRANCE DOOR MODULE / MUX	1	1		
43	565865	. I/O B-MODULE VOLVO MULTIPLEX / ALUMINUM To A-1555	2	2	2	
. NS	563132	. . CONNECTOR / SH 2C / YAZAKI 7283-6458-40 To A-1555	1	1	1	
. NS	563133	. . CONNECTOR / JUNIOR POWER TIMER / SH 29C / AMP 1-963449-2 To A-1555	1	1	1	
. NS	562957	. . CONNECTOR / SH 5C / GREEN / JAE IL-AG5-5S-S3C1 To A-1555	1	1	1	
43	564075	. I/O B-MODULE VOLVO MULTIPLEX / ALUMINUM From A-1556 To B-1817	2	2	2	
. NS	563132	. . CONNECTOR / SH 2C / YAZAKI 7283-6458-40 From A-1556 To B-1817	1	1	1	
. NS	563133	. . CONNECTOR / JUNIOR POWER TIMER / SH 29C / AMP 1-963449-2 From A-1556 To B-1817	1	1	1	
. NS	562957	. . CONNECTOR / SH 5C / GREEN / JAE IL-AG5-5S-S3C1 From A-1556 To B-1817	1	1	1	
43	564193	. I/O B-MODULE VOLVO MULTIPLEX / ALUMINUM From B-1818 To G-3374	2	2	2	
. NS	563132	. . CONNECTOR / SH 2C / YAZAKI 7283-6458-40 From B-1818 To G-3374	1	1	1	
. NS	563133	. . CONNECTOR / JUNIOR POWER TIMER / SH 29C / AMP 1-963449-2 From B-1818 To G-3374	1	1	1	
. NS	562957	. . CONNECTOR / SH 5C / GREEN / JAE IL-AG5-5S-S3C1 From B-1818 To G-3374	1	1	1	
43	22722842	. I/O B-MODULE VOLVO MULTIPLEX / ALUMINUM From G-3375	2	2	2	
. NS	563132	. . CONNECTOR / SH 2C / YAZAKI 7283-6458-40 From G-3375	1	1	1	
. NS	563133	. . CONNECTOR / JUNIOR POWER TIMER / SH 29C / AMP 1-963449-2 From G-3375	1	1	1	
. NS	562957	. . CONNECTOR / SH 5C / GREEN / JAE IL-AG5-5S-S3C1 From G-3375	1	1	1	
44	504340	. RIVET POP DOME OE 1/8x3/16 SS	4	4	4	
45	382166	. ROD ATTACHMENT / I/O B MODULE	1	1	1	
46	382169	. HINGE ROD ATTACHMENT	1	1	1	
47	871374	. MUFFLER M5 PLASTIC	1	1		
48	641906	. MANIFOLD VALVE / W/4 SOLENOID	1	1		
. NS	641927	. . KIT, MANIFOLD REPAIR / N.O.	1	1		
. NS	641928	. . KIT, MANIFOLD REPAIR / N.C.	3	3		
. NS	641107	. . COIL 24V	1	1		
. NS	642213	. . MALE ELBOW 90° SWIVEL / PUSH-IN FITTING / #2x10-32 NP	1	1		
. NS	990143	. . MALE CONNECTOR / PUSH-IN FITTING / W/O-RING / #2x#10-32-M BR	1	1		
. NS	641385	. . CONNECTOR / SOCKET HOUSING ASSY 3C / PNEUMAC 54934-01	1	1		
. NS	641455	. . REDUCER STEM / PUSH-IN FITTING / #2x#4 PLAS	1	1		
48A	642063	. REDUCER / PUSH-IN FITTING / #4x#2 PLAS From C-2097	1	1	1	
49	641472	. AIR PRESSURE REGULATOR 1/4" NPT / COPPER	1	1		
NS	501072	. PLUG HEXS / PIPE FITTING / 1/8NPT-M STL	1	1		
49	680098	. THREAD SEALANT LOCTITE #567 / WHITE / 250ml	AR	AR	AR	
50	500734	. NUT HEX JAM 3/4-16 Z050	1	1		
51	641242	. MALE CONNECTOR / PUSH-IN FITTING / #4x1/8NPT-M BR	1	1		
52	501312	. BUSHING REDUCER / PIPE FITTING / 1/4NTP-Mx1/8NPT-F BR	1	1		
53	501653	. MALE RUN TEE / PIPE FITTING / 1/8NPT-Mx1/8NPT-Fx1/8NPT-F BR	1	1		
54	641371	. MALE ELBOW 90° NON-SWIVEL / PUSH-IN FITTING / #4x1/4NPT-M BR	1	1		

From 7-0671 To J-0184	Date:10/2022	PAGE:H7-1802-00
<b>ENTRANCE DOOR CONTROL</b>		

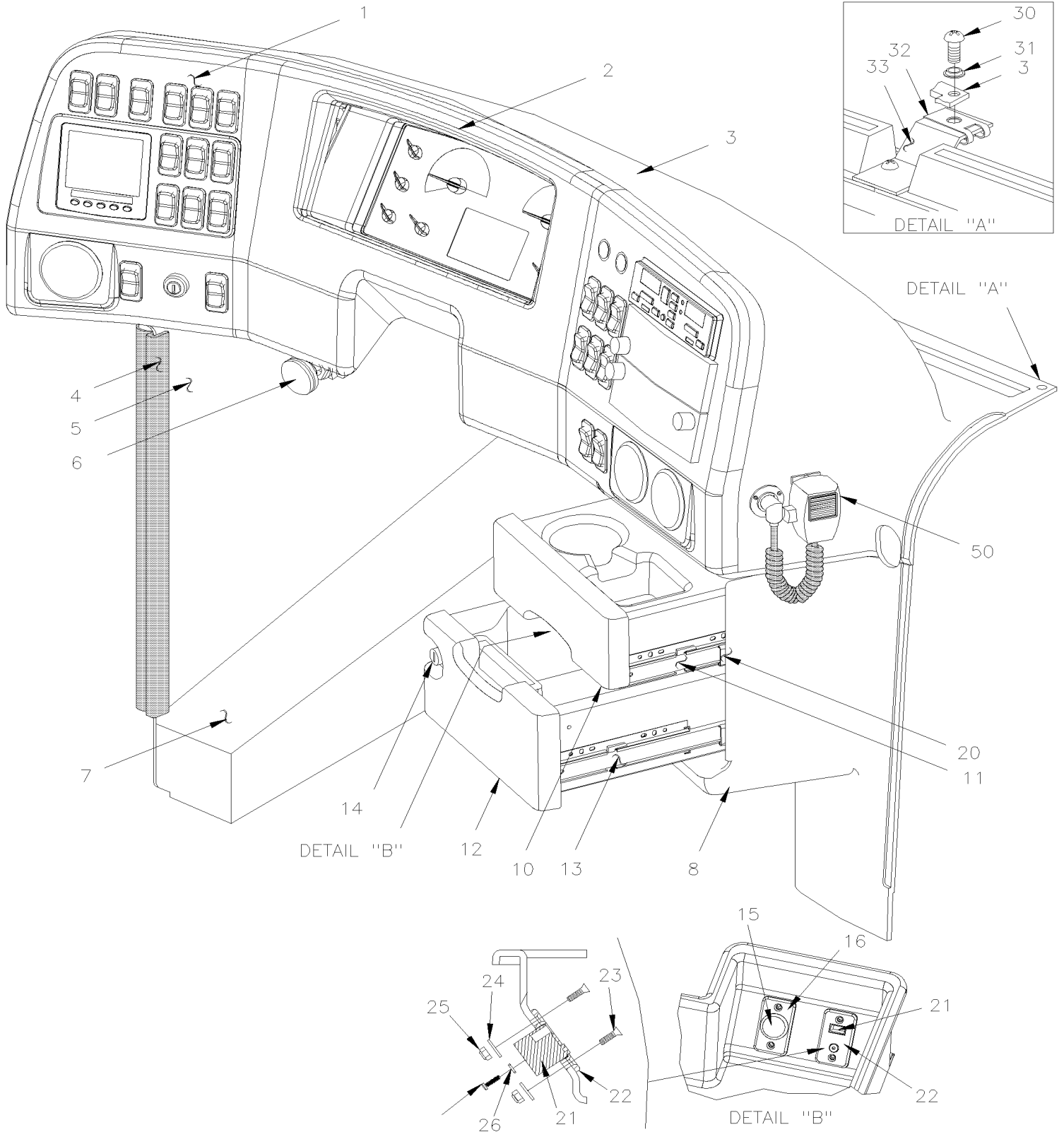
Item#	Part	Description	H 3 4 1	H 3 4 5	V I P 4 5	N O T E S
55	641126	. MALE CONNECTOR / PUSH-IN FITTING / #2x1/8NPT-M BR	1	1		
56	640488	. VALVE, AIR FILL 1/8" NPT	1	1		
NS	650164	. . CAP VALVE / CHROME	1	1		
57	503402	. TUBE, NYLON 1/4 O.D. / BLACK S.L.	AR	AR		
58	503536	. TUBE, NYLON 1/8 O.D. / BLACK S.L.	AR	AR		
59	500495	. SCREW TP PAN PH #6x1 Z050	2	2		
59	5002090	. SCREW MA RND PH #6-32x1.25 Z050	2	2		A
60	509827	. SCREW MA RND PH M4-0.7x20 SS	1	1	1	
61	502868	. SCREW TC TR PH #10-16x1/2 N500	1	1		
NS	066154	DECAL, PNEUMATIC SCHEMA	1	1		
NS	066601	DECAL, PNEUMATIC SCHEMA			1	
62	501336	FEMALE UNION TEE / PIPE FITTING / 1/8NPT-Fx1/8NPT-Fx1/8NPT-F BR From C-2054 To C-2085	1	1		
63	641242	MALE CONNECTOR / PUSH-IN FITTING / #4x1/8NPT-M BR From C-2054 To C-2085	1	1		
64	641126	MALE CONNECTOR / PUSH-IN FITTING / #2x1/8NPT-M BR From C-2054 To C-2085	1	1		
70	381145	DIODE ASSY / W/5 3AMPS	1	1		
71	563332	RELAY 24V S.P.D.T. W/RESISTOR / "VOLVO" (20374662)	1	1		
72	561183	RELAY BASE / TAB TERMINAL / BOSCH 3334485008	1	1		
74	504637	CABLE TIE / 3/16" x 13"	1	1		
NS	509815	TIE MOUNT / ATTACHMENT W/TREE MOUNT	2	2		
90	<b>H7-1202-00</b>	<b>TUBES PLASTIC / AIR D.O.T.</b>				
		A) TO BE USED ONLY WITH NEW PLATE 38217				
		B) THIS CYLINDER MAY BE SUPPERSEDED BY 780418 WITH REMOVED DAMPER SHOCK ITEM # 29				

From 7-0671 To J-0287

Date:10/2022

PAGE:H7-1806-00

## CENTRAL DASHBOARD PANEL



<b>From 7-0671 To J-0287</b>	<b>Date:10/2022</b>	<b>PAGE:H7-1806-00</b>
<b>CENTRAL DASHBOARD PANEL</b>		

Item#	Part	Description	H 3 4 1	H 3 4 5	V I P 4 5	N O T E S
		"WARNING" - "WARNING" -"WARNING" - "WARNING"				
		UP TO 8-1135 COLOR = WE USE / BLACK / BLACK				
		FROM 8-1136 TO 9-1452 = WE USE // MID CHARCOALD				
		AFTER 9-1453 WE USE BOTH COLOR				
		SEE FINAL VEHICULE RECORD TO SELECT GOOD				
		COLOR OF COMPONENTS DASH PANELS				
		VIP USE ONLY BLACK COLOR ONLY FROM 9-1453				
1	392301	PANEL / FRONT INSTRUMENTATION To 8-1169	1	1		
1	392391	PANEL / FRONT INSTRUMENTATION / W/ R.E.I. SYS To 8-1169	1	1		
1	392384	PANEL / FRONT INSTRUMENTATION From 8-1170 To A-1720	1	1		
1	392456	PANEL / FRONT INSTRUMENTATION From B-1721	1	1		
1	392214	PANEL / FRONT INSTRUMENTATION To 8-1169			1	
1	392395	PANEL / FRONT INSTRUMENTATION From 8-1170 To A-1720			1	
1	392482	PANEL / FRONT INSTRUMENTATION From B-1721			1	
1	5001411	SCREW MA FL PH M4-0.7x20 BK	AR	AR	AR	
1	500345	WASHER FN CKF .187x.500x.090 BR BK	AR	AR	AR	
2	<b>H7-0645-10</b>	<b>L.H. DASHBOARD PANEL</b>				
2	<b>H7-0645-20</b>	<b>CENTER DASHBOARD PANEL To A-1720</b>				
2	<b>H7-0645-21</b>	<b>CENTER DASHBOARD PANEL WITH "EPA 2010" From B-1721</b>				
2	<b>H7-0645-30</b>	<b>R.H. DASHBOARD PANEL</b>				
3	392209	COVER, DASHBOARD PANEL / BUS / BLACK To 8-1135	1	1		
3	392356	COVER, DASHBOARD PANEL / BUS / MID CHARCOALD From 8-1136 To 9-1452	1	1		
3	392209	COVER, DASHBOARD PANEL / BUS / BLACK From 9-1453	1	1		
3	392215	COVER, DASHBOARD PANEL / V.I.P. / BLACK To 8-1135			1	H
3	392371	COVER, DASHBOARD PANEL / V.I.P. / MID CHARCOALD From 8-1136 To 9-1452			1	H
3	392215	COVER, DASHBOARD PANEL / V.I.P. / BLACK From 9-1453			1	H
3	392216	COVER, DASHBOARD PANEL / V.I.P. / BLACK To 8-1135			1	A
3	392373	COVER, DASHBOARD PANEL / V.I.P. / MID CHARCOALD From 8-1136 To 9-1452			1	A
3	392216	COVER, DASHBOARD PANEL / V.I.P. / BLACK From 9-1453			1	A
4	504675	RUBBER EXTRUSION TRIM SEAL / GRIP .040/.070 / 5/8" HOLLOW BULB C.T.L.	AR	AR	AR	
5	392300	STRUCTURE / L.H. To 8-1169	1	1		H
5	392385	STRUCTURE / L.H. / W/TPMS From 8-1170 To A-1720	1	1		H
5	392460	STRUCTURE / L.H. / W/TPMS VSS05 From B-1721 To D-2363	1	1		H
5	392503	STRUCTURE / L.H. / W/TPMS From D-2364	1	1		H
5	392284	STRUCTURE / L.H. / W/R.E.I. CONT, HEAD To 8-1169	1	1		H
5	392390	STRUCTURE / L.H. / W/R.E.I. CONT, HEAD &TPMS From 8-1170 To A-1492	1	1		H
5	392315	STRUCTURE / L.H. To 8-1169			1	A
5	392386	STRUCTURE / L.H. / W/TPMS From 8-1170 To A-1720			1	A
5	392481	STRUCTURE / L.H. / W/TPMS From B-1721 To D-2363			1	A

<b>From 7-0671 To J-0287</b>	<b>Date:10/2022</b>	<b>PAGE:H7-1806-00</b>
<b>CENTRAL DASHBOARD PANEL</b>		

Item#	Part	Description	H 3 4 1	H 3 4 5	V I P 4 5	N O T E S
5	392507	STRUCTURE / L.H. / W/TPMS W/O HANDRAIL From D-2364			1	A
NS	392305	ADAPTOR RADIO TO STRUCTURE	1	1		
NS	392074	SUPPORT / WITH MANUAL TRANS ONLY	1	1		
NS	392073	ACCESS PANEL / FOR WIPER REPAIR	1	1	1	
NS	562360	CONNECTOR / HD10 SERIES / PH 6C / BLACK / DEUTSCH HD10-6-12P-BLACK	1	1	1	B
NS	562492	TYPE A COUPLING	1	1	1	B
5	562493	CHAIN / C.T.L.	1	1	1	B
5	562494	RING / ATTACHMENT END	1	1	1	B
6	641445	VALVE, 3 WAYS, 2 POSITIONS MECHANICAL To D-2363	1	1	1	
NS	641992	. KNOB To D-2363	1	1	1	
NS	5001403	SCREW MA CHE PH M5-0.8x40 ZP To D-2363	2	2	2	
NS	500964	WASHER FL .203x.500x.047 Z050 To D-2363	2	2	2	
NS	502782	NUT HEX NYRT M5-0.8 Z050 To D-2363	2	2	2	
6	642173	VALVE, 3 WAYS, 2 POSITIONS MECHANICAL From D-2364	1	1	1	
NS	5001036	SCREW MA PAN PH M4-0.7x10 Z050 From D-2364	2	2	2	
NS	500539	NUT HEX NYRT M4-0.7 N500 From D-2364	2	2	2	
NS	501307	ADAPTER / PIPE FITTING / 1/8NPT-Fx1/8NPT-M BR	1	1	1	
NS	641365	MALE ELBOW 45° NON-SWIVEL / PUSH-IN FITTING / #4x1/8NPT-M BR	2	2	2	
7	392013	FOOT REST / SUPPORT	1	1	1	
NS	5001036	SCREW MA PAN PH M4-0.7x10 Z050	4	4	4	
8	391936	UNDER DASH PANEL / BLACK	1	1	1	H
8	392354	UNDER DASH PANEL / TAN	1	1	1	H
8	392199	UNDER DASH PANEL / BLACK			1	A
8	392372	UNDER DASH PANEL / TAN			1	A
10	391932	DRAWER, UPPER / BLACK	1	1	1	
NS	392237	. SUPPORT MAGNETIC LOCK / UPPER DRAWER	1	1	1	
NS	392241	. CATCH MAGNETIC LOCK LOWER DRAWER	1	1	1	
NS	504733	. KIT SLIDE TRACK / FIXED AT DRAWER	1	1	1	
10	392475	DRAWER, UPPER / BLACK W/DVD INSIDE	1	1	1	
NS	392237	. SUPPORT MAGNETIC LOCK / UPPER DRAWER	1	1	1	
NS	392241	. CATCH MAGNETIC LOCK LOWER DRAWER	1	1	1	
NS	504733	. KIT SLIDE TRACK / FIXED AT DRAWER	1	1	1	
10	392352	DRAWER, UPPER / TAN	1	1	1	
NS	392237	. SUPPORT MAGNETIC LOCK / UPPER DRAWER	1	1	1	
NS	392241	. CATCH MAGNETIC LOCK LOWER DRAWER	1	1	1	
NS	504733	. KIT SLIDE TRACK / FIXED AT DRAWER	1	1	1	
10	392455	DRAWER, UPPER / TAN W/DVD INSIDE From A-1559 To A-1564	1	1		
NS	392237	. SUPPORT MAGNETIC LOCK / UPPER DRAWER From A-1559 To A-1564	1	1		
NS	392241	. CATCH MAGNETIC LOCK LOWER DRAWER From A-1559 To A-1564	1	1		
NS	504733	. KIT SLIDE TRACK / FIXED AT DRAWER From A-1559 To A-1564	1	1		
11	504677	. RAIL ASSY 8" / (SET)	1	1	1	
NS	504673	CATCH MAGNETIC	2	2	2	

<b>From 7-0671 To J-0287</b>	<b>Date:10/2022</b>	<b>PAGE:H7-1806-00</b>
<b>CENTRAL DASHBOARD PANEL</b>		

Item#	Part	Description	H 3 4 1	H 3 4 5	V I P 4 5	N O T E S
12	391933	DRAWER, LOWER / BLACK	1	1	1	
. NS	392238	. SUPPORT MAGNETIC LOCK / LOWER DRAWER	1	1	1	
. NS	392240	. CATCH MAGNETIC LOCK LOWER DRAWER	1	1	1	
. NS	504733	. KIT SLIDE TRACK / FIXED AT DRAWER	1	1	1	
12	392420	DRAWER, LOWER / BLACK W/I-POD CONNETOR To H-3734	1	1	1	
. NS	392238	. SUPPORT MAGNETIC LOCK / LOWER DRAWER To H-3734	1	1	1	
. NS	392240	. CATCH MAGNETIC LOCK LOWER DRAWER To H-3734	1	1	1	
. NS	504733	. KIT SLIDE TRACK / FIXED AT DRAWER To H-3734	1	1	1	
12	390019	DRAWER, LOWER / BLACK W/12VOLTS OUTLET From H-3735	1	1	1	
. NS	392238	. SUPPORT MAGNETIC LOCK / LOWER DRAWER From H-3735	1	1	1	
. NS	392240	. CATCH MAGNETIC LOCK LOWER DRAWER From H-3735	1	1	1	
. NS	504733	. KIT SLIDE TRACK / FIXED AT DRAWER From H-3735	1	1	1	
12	392353	DRAWER, LOWER / TAN	1	1	1	
. NS	392238	. SUPPORT MAGNETIC LOCK / LOWER DRAWER	1	1	1	
. NS	392240	. CATCH MAGNETIC LOCK LOWER DRAWER	1	1	1	
. NS	504733	. KIT SLIDE TRACK / FIXED AT DRAWER	1	1	1	
12	392419	DRAWER, LOWER / TAN W/I-POD CONNETOR To H-3734	1	1	1	
. NS	392238	. SUPPORT MAGNETIC LOCK / LOWER DRAWER To H-3734	1	1	1	
. NS	392240	. CATCH MAGNETIC LOCK LOWER DRAWER To H-3734	1	1	1	
. NS	504733	. KIT SLIDE TRACK / FIXED AT DRAWER To H-3734	1	1	1	
12	390011	DRAWER, LOWER / TAN W/12 VOLTS OUTLET From H-3735	1	1	1	
. NS	392238	. SUPPORT MAGNETIC LOCK / LOWER DRAWER From H-3735	1	1	1	
. NS	392240	. CATCH MAGNETIC LOCK LOWER DRAWER From H-3735	1	1	1	
. NS	504733	. KIT SLIDE TRACK / FIXED AT DRAWER From H-3735	1	1	1	
13	504678	. RAIL ASSY 10" / (SET)	1	1	1	
NS	504673	CATCH MAGNETIC	2	2	2	
14	504672	LATCH ASSY W/2 KEYS	1	1	1	
. NS	810084	. KEY / (CH751)	1	1	1	
14	810084	. KEY / (CH751)	2	2	2	
15	562796	12 VOLTS POWER OUTLET	1	1	1	
16	500343	SCREW MA FL PH M4-0.7x16 ZP	2	2	2	
NS	500590	NUT HEX NYRT M4-0.7 Z050	2	2	2	
20	392012	MOUNTING PLATE / DRAWER	4	4	4	
NS	5001413	SCREW MA FL PH M4-0.7x20 Z050 / BLACK	AR	AR	AR	
21	21280133	CABLE USB / (DRAWER TO RADIO) / I-POD CONECTOR From A-1493 To E-2459	1	1	1	
21	401044	CABLE USB / (DRAWER TO RADIO) / I-POD CONECTOR From E-2460 To H-3734	1	1	1	
22	406413	SUPPORT "USB" CONNECTOR From A-1493 To H-3734	1	1	1	
23	5001429	SCREW MA FL PH M4-0.7x25 BK From A-1493 To H-3734	2	2	2	
24	500855	WASHER FL .188x.438x.049 N500 From A-1493 To H-3734	2	2	2	
25	500539	NUT HEX NYRT M4-0.7 N500 From A-1493 To H-3734	1	1	1	
26	406414	PLATE RETAINER "USB" CONECTOR From A-1493 To H-3734	1	1	1	
27	500798	SCREW TP PAN PH #4-3/8 ZP From A-1493 To H-3734	2	2	2	

From 7-0671 To J-0287	Date:10/2022	PAGE:H7-1806-00
<b>CENTRAL DASHBOARD PANEL</b>		

Item#	Part	Description	H 3 4 1	H 3 4 5	V I P 4 5	N O T E S
30	5001411	SCREW MA FL PH M4-0.7x20 BK / TAN	AR	AR	AR	
30	5001711	SCREW MA FL PH M4-0.7x20 SS	AR	AR	AR	
31	500345	WASHER FN CKF .187x.500x.090 BR BK / BLACK	AR	AR	AR	
31	500463	WASHER FN CKF .187x.500x.090 BR Z050 / TAN	AR	AR	AR	
32	5001406	NUT SPR U M4-0.7 0.8-4.0x13.5	AR	AR	AR	
33	<b>H7-2230-00</b>	<b>DEFROSTER - INSTALLATION</b>				
34	563063	SENSOR THERMISTOR ASSY / TEMPERATURE / ("DELPHI")	1	1	1	
NS	373792	BOX SENSOR PROTECTOR	1	1	1	
50	<b>H7-2315-00</b>	<b>SOUND SYSTEM &amp; ACCESSORIES</b>				
NS	409149	CABLE ASSY / DASH & PARCEL RACK / AUDIO	1	1		
NS	066889	WIRING HARNESS DASHBOARD CENTRAL MODULE / MUX To 8-1044	1	1		
NS	067097	WIRING HARNESS DASHBOARD CENTRAL MODULE / MUX From 8-1045 To 8-1169	1	1		
NS	067209	WIRING HARNESS DASHBOARD CENTRAL MODULE / MUX From 8-1170 To 9-1469	1	1		
NS	067386	WIRING HARNESS DASHBOARD CENTRAL MODULE / MUX From A-1470 To A-1492	1	1		
NS	067713	WIRING HARNESS DASHBOARD CENTRAL MODULE / MUX From A-1493 To A-1523	1	1		
NS	067718	WIRING HARNESS DASHBOARD CENTRAL MODULE / MUX From A-1524 To A-1720	1	1		
NS	067433	WIRING HARNESS DASHBOARD CENTRAL MODULE / MUX From B-1721 To D-2264	1	1		
NS	068289	WIRING HARNESS DASHBOARD CENTRAL MODULE / MUX From D-2265 To D-2363	1	1		
NS	068638	WIRING HARNESS DASHBOARD CENTRAL MODULE From D-2364 To F-2899	1	1		
NS	069248	WIRING HARNESS DASHBOARD CENTRAL MODULE From F-2900 To F-2922	1	1		
NS	069276	WIRING HARNESS DASHBOARD CENTRAL MODULE From F-2923 To G-3128	1	1		
NS	069307	WIRING HARNESS DASHBOARD CENTRAL MODULE From G-3129 To J-0082	1	1		
51	061413	WIRING HARNESS DASHBOARD CENTRAL MODULE From J-0083	1	1		
NS	066825	WIRING HARNESS DASHBOARD CENTRAL MODULE / W/DETROIT ENGINE To 7-0983			1	
NS	067130	WIRING HARNESS DASHBOARD CENTRAL MODULE / MUX From 7-0984 To 8-1171			1	
NS	067195	WIRING HARNESS DASHBOARD CENTRAL MODULE / MUX From 8-1172 To 9-1480			1	
NS	067589	WIRING HARNESS DASHBOARD CENTRAL MODULE / MUX From 9-1481 To A-1523			1	
NS	067778	WIRING HARNESS DASHBOARD CENTRAL MODULE / MUX From A-1524 To A-1720			1	
NS	067435	WIRING HARNESS DASHBOARD CENTRAL MODULE / MUX From B-1721 To D-2363			1	
NS	068511	WIRING HARNESS DASHBOARD CENTRAL MODULE From D-2364 To F-2928			1	
NS	069238	WIRING HARNESS DASHBOARD CENTRAL MODULE From F-2929 To G-3143			1	
51	069415	WIRING HARNESS DASHBOARD CENTRAL MODULE From G-3144			1	
NS	561821	NUT, RING #17 & 20 / 1.500" I.D W/4 4-40 To D-2363	1	1	1	G
NS	5001454	SCREW MA BDG PH #4-40x1/2 SS To D-2363	4	4	4	G
NS	562543	PROTECTIVE CAP / HD10 SERIES / 9C / DEUTSCH HDC16-9 To D-2363	1	1	1	G
NS	562492	TYPE A COUPLING To D-2363	1	1	1	G
51	562493	CHAIN / C.T.L. To D-2363	1	1	1	G
NS	562494	RING / ATTACHMENT END To D-2363	1	1	1	G
NS	390038	DECAL, ELECTRONIC LOGGING DEVICE( ELD) / FR, ENG, SP From J-0083	1	1		
NS	390039	DECAL, ON-BOARD DIAGNOSTIC(OBD) / FR, ENG, SP From J-0083	1	1		

From 7-0671 To J-0287	Date:10/2022	PAGE:H7-1806-00
-----------------------	--------------	-----------------

**CENTRAL DASHBOARD PANEL**

Item#	Part	Description	H 3 4 1	H 3 4 5	V I P 4 5	N O T E S
		A) USE WITHOUT HANDRAIL				
		B) ITEMS ARE RELATED WITH DIAGNOSTIC "DDEC"				
		G) USE WITH DIAGNOSTIC CONNECTIOR				
		H) WITH HANDRAIL				

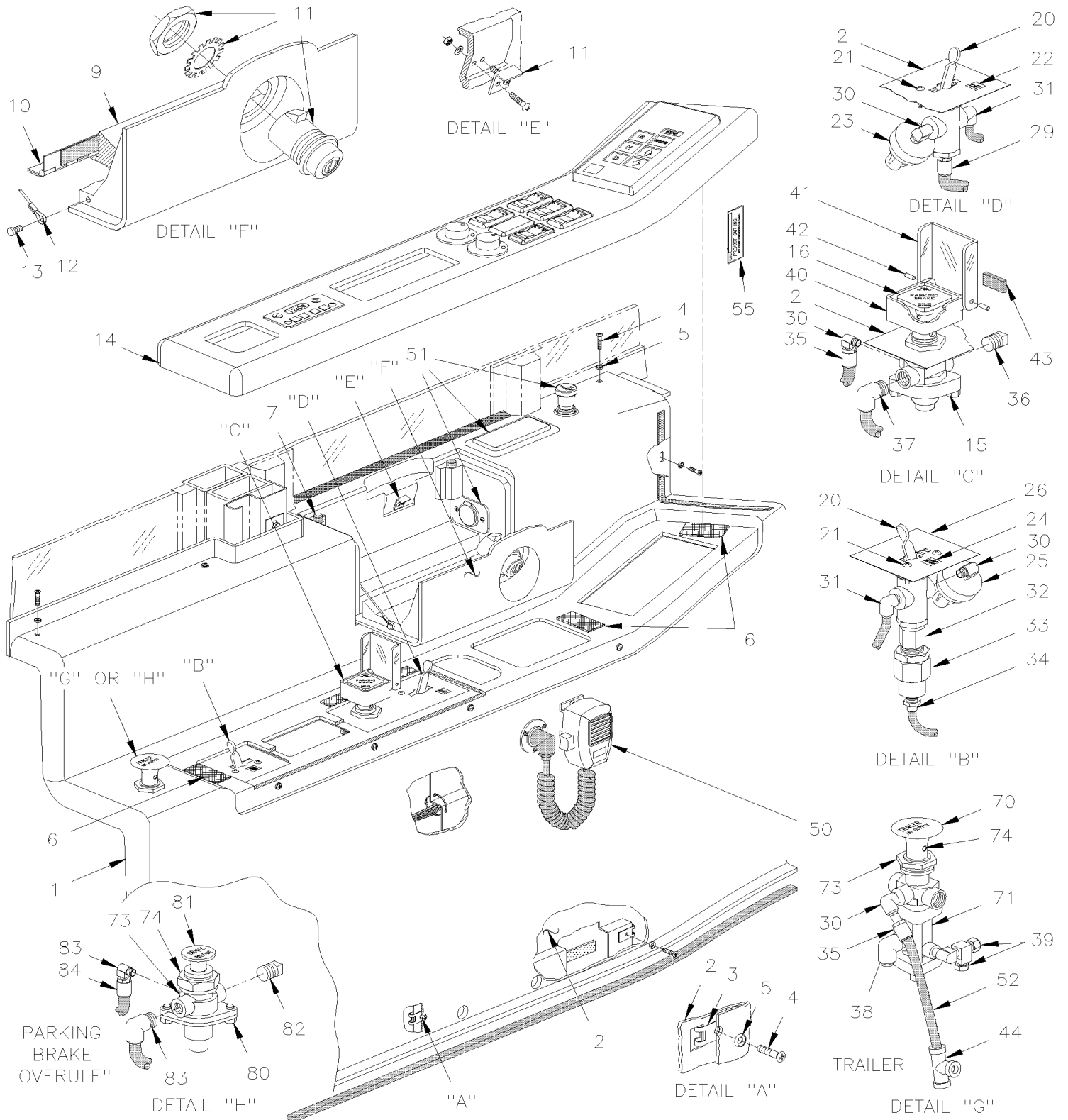


From 7-0671 To J-0287

Date:10/2022

PAGE:H7-1806-10

## L.H. CONSOLE - BUS



From 7-0671 To J-0287	Date:10/2022	PAGE:H7-1806-10
<b>L.H. CONSOLE - BUS</b>		

Item#	Part	Description	H 3 4 1	H 3 4 5	V I P 4 5	N O T E S
		"WARNING" - "WARNING" -"WARNING" - "WARNING"				
		UP TO 8-1135 COLOR = WE USE / BLACK				
		FROM 8-1136 TO 9-1452 = WE USE / MID CHARCOALD				
		AFTER 9-1453 WE USE BOTH COLOR				
		SEE FINAL VEHICULE RECORD TO SELECT GOOD				
		COLOR OF COMPONENTS DASH PANELS				
		FOLLOWING CONSOLE WITH ASHTRAY				
		HAVE ALWAYS 12V LIGHTER				
1	391938	CONSOLE / W/ASHTRAY / BLACK	1	1		
1	392358	CONSOLE / W/ASHTRAY / MID CHARCOALD	1	1		
1	392287	CONSOLE / W/ASHTRAY & FIRE SUPPRESSOR / BLACK	1	1		
1	392361	CONSOLE / W/ASHTRAY & FIRE SUPPRESSOR / MID CHARCOALD From 8-1136 To 8-1169	1	1		
1	392397	CONSOLE / W/ASHTRAY & FIRE SUPPRESSOR / MID CHARCOALD From 8-1170	1	1		
1	392414	CONSOLE / W/ASHTRAY & FIRE SUPPRESSOR / BLACK	1	1		
1	392307	CONSOLE / W/ASHTRAY & TIRE MONITOR / BLACK	1	1		
1	392366	CONSOLE / W/ASHTRAY & TIRE MONITOR / MID CHARCOALD	1	1		
1	392136	CONSOLE / W/LIGHTER / BLACK	1	1		
1	392364	CONSOLE / W/LIGHTER / MID CHARCOALD	1	1		
1	392295	CONSOLE / W/LIGHTER & FIRE SUPPRESSOR / BLACK	1	1		
1	392362	CONSOLE / W/LIGHTER & FIRE SUPPRESSOR / MID CHARCOALD From 8-1136 To 8-1169	1	1		
1	392398	CONSOLE / W/LIGHTER & FIRE SUPPRESSOR / MID CHARCOALD From 8-1170	1	1		
1	392415	CONSOLE / W/LIGHTER & FIRE SUPPRESSOR / BLACK	1	1		
1	392308	CONSOLE / W/LIGHTER & TIRE MONITOR / BLACK	1	1		
1	392367	CONSOLE / W/LIGHTER & TIRE MONITOR / MID CHARCOALD	1	1		
1	392075	CONSOLE / W/O ASHTRAY & W/O LIGHTER / BLACK	1	1		
1	392369	CONSOLE / W/O ASHTRAY & W/O LIGHTER / MID CHARCOALD	1	1		
1	392286	CONSOLE / W/O ASHTRAY & FIRE SUPPRESSOR / BLACK	1	1		
1	392360	CONSOLE / W/O ASHTRAY & FIRE SUPPRESSOR / MID CHARCOALD From 8-1136 To 8-1169	1	1		
1	392396	CONSOLE / W/O ASHTRAY & FIRE SUPPRESSOR / MID CHARCOALD From 8-1170	1	1		
1	392413	CONSOLE / W/O ASHTRAY & FIRE SUPPRESSOR / BLACK	1	1		
1	392306	CONSOLE / W/O ASHTRAY & TIRE MONITOR / BLACK	1	1		
1	392365	CONSOLE / W/O ASHTRAY & TIRE MONITOR / MID CHARCOALD	1	1		
1	392341	CONSOLE / W/O ASHTRAY & GPS / BLACK	1	1		
1	392359	CONSOLE / W/O ASHTRAY & GPS / MID CHARCOALD	1	1		
1	392342	CONSOLE / W/O ASHTRAY & GPS & FIRE SUPPRESSOR / BLACK	1	1		
1	392368	CONSOLE / W/O ASHTRAY & GPS & FIRE SUPPRESSOR / MID CHARCOALD From 8-1136 To 8-1169	1	1		
1	392399	CONSOLE / W/O ASHTRAY & GPS & FIRE SUPPRESSOR / MID CHARCOALD From 8-1170	1	1		

From 7-0671 To J-0287	Date:10/2022	PAGE:H7-1806-10
<b>L.H. CONSOLE - BUS</b>		

Item#	Part	Description	H 3 4 1	H 3 4 5	V I P 4 5	N O T E S
1	392416	CONSOLE / W/O ASHTRAY & GPS & FIRE SUPPRESSOR / BLACK	1	1		
1	392344	CONSOLE / W/O ASHTRAY & GPS & TIRE MONITOR / BLACK	1	1		
1	392363	CONSOLE / W/O ASHTRAY & GPS & TIRE MONITOR / MID CHARCOALD	1	1		
2	391950	STRUCTURE ASSY	1	1		
3	5001405	NUT SPR U M4-0.7 0.8-4.0x9.5	10	10		
4	5001414	SCREW MA FL PH M4-0.7x16 BK	10	10		
4	5001711	SCREW MA FL PH M4-0.7x20 SS	AR	AR		
4	5001220	SCREW MA FL PH M4-0.7x25 ZP	AR	AR		
4	5001712	SCREW MA FL PH M4-0.7x30 SS	AR	AR		
5	500345	WASHER FN CKF .187x.500x.090 BR BK	10	10		
5	500463	WASHER FN CKF .187x.500x.090 BR Z050	AR	AR		
6	506493	TAPE DUAL LOCK 1/2" x 150' / BLACK SJ3541	AR	AR		
7	504674	BUMPER RUBBER / 1/4X13/32X13/32X1/8	2	2		
9	391939	COVER ASSY / BLACK	1	1		
9	392357	COVER ASSY W/HINGE / MID CHARCOALD	1	1		
10	392525	HINGE	1	1		
11	504672	LATCH ASSY W/2 KEYS	1	1		
. NS	810084	. KEY / (CH751)	1	1		
NS	810084	. KEY / (CH751)	1	1		
12	504676	STRAP RETAINER	1	1		
13	504619	CLIP CHRISTMAS TREE / BLACK 7/32"O.D.x1/2" HOLE 3/16	2	2		
14	391948	PANEL / W/AUTOMATIC TRANSMISSION "WORLD"	1	1		
14	392467	PANEL / W/AUTOMATIC TRANSMISSION "WORLD"	1	1		T
14	392462	PANEL / W/MANUAL TRANSMISSION WO/PREAHEAT TIMER "I"-SHIFT	1	1		
14	392454	PANEL / W/MANUAL TRANSMISSION W/PREAHEAT TIMER "I"-SHIFT	1	1		T
15	641128	VALVE, CONTROL VALVE PP-1 / 40PSI To D-2380	1	1		
. NS	641154	. REPAIR KIT / PP-1 & RD-3 To D-2380	1	1		
15	642169	VALVE, CONTROL VALVE PP-1 / 60PSI From D-2381	1	1		
. NS	641154	. REPAIR KIT / PP-1 & RD-3 From D-2381	1	1		
. NS	641149	. BUTTON, PARKING BRAKE DIAMOND YELLOW / 1" From D-2381	1	1		
16	641149	. BUTTON, PARKING BRAKE DIAMOND YELLOW / 1"	1	1		
20	640136	VALVE, CONTROL TW-1	1	1		
. NS	641156	. REPAIR KIT / TW-1	1	1		
21	500572	SCREW MA TR PH #10-24x1/2 SS BK	2	2		
22	391952	DECAL "TAG"	1	1		
23	562518	PRESSURE SWITCH N.O. 4PSI / 1/8NPT W/2 SCREWS / TAG	1	1		
NS	063892	WIRE ASSY / W/LOW BUOY	1	1		
24	391951	DECAL "LOW BUOY"	1	1		
25	560816	PRESSURE SWITCH N.C. 3PSI / 1/8NPT W/2 SCREWS	1	1		
26	391967	DUMMY / W/O LOW BUOY	1	1		
29	641349	MALE CONNECTOR / PUSH-IN FITTING / #6x1/8NPT-M BR To F-2922	1	1		
29	641242	MALE CONNECTOR / PUSH-IN FITTING / #4x1/8NPT-M BR From F-2923	1	1		

From 7-0671 To J-0287	Date:10/2022	PAGE:H7-1806-10
<b>L.H. CONSOLE - BUS</b>		

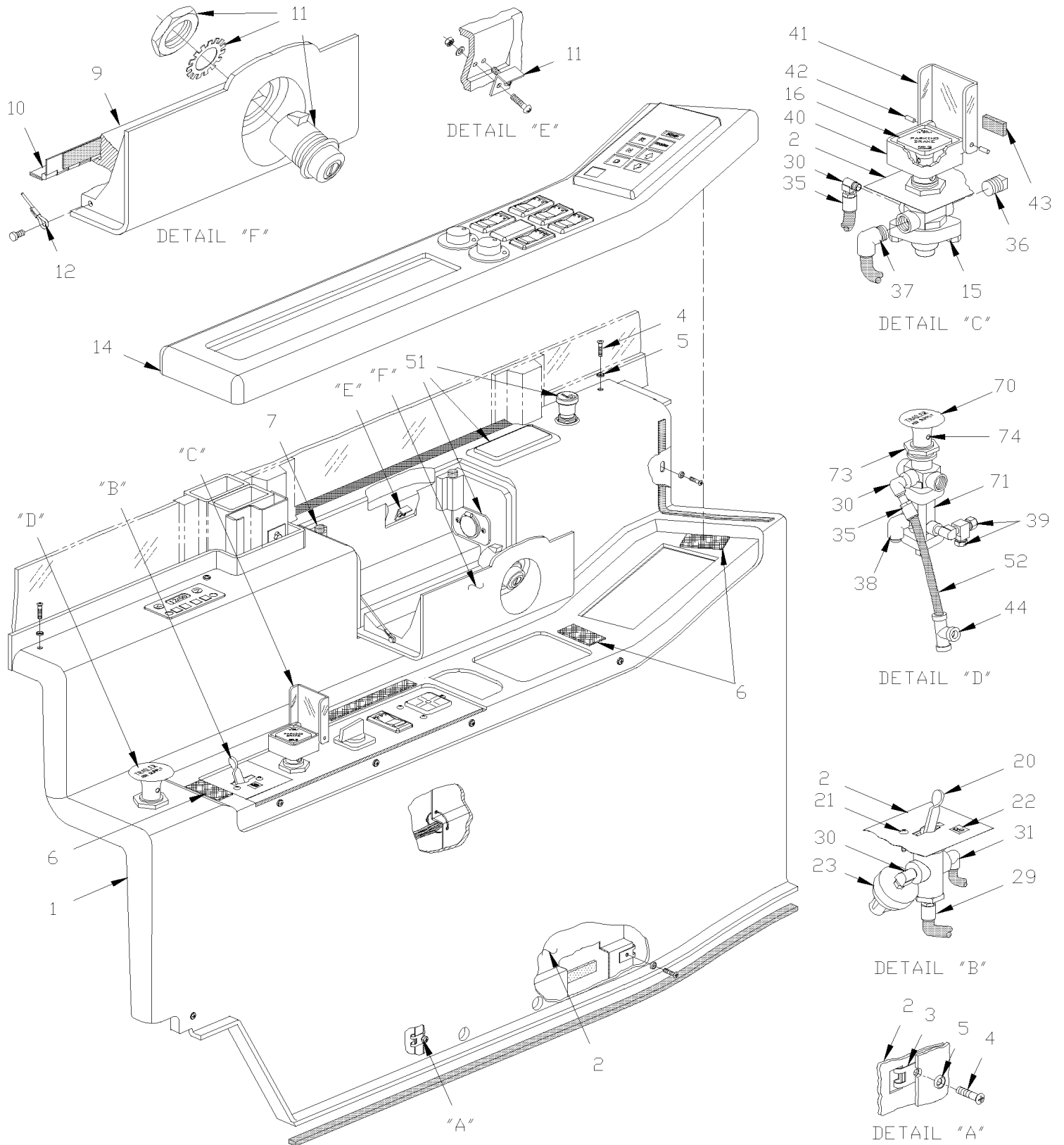
Item#	Part	Description	H 3 4 1	H 3 4 5	V I P 4 5	N O T E S
30	501331	STREET ELBOW 90° / PIPE FITTING / 1/8NPT-Mx1/8NPT-F BR	3	3		
31	641369	MALE ELBOW 90° NON-SWIVEL / PUSH-IN FITTING / #4x1/8NPT-M BR	3	3		
32	501310	ADAPTER / PIPE FITTING / 1/4NPT-Fx1/8NPT-M BR	1	1		
33	640135	VALVE, CHECK 1/4 NPT	1	1		
34	641332	MALE CONNECTOR / PUSH-IN FITTING / #4x1/4NPT-M BR	1	1		
35	641349	MALE CONNECTOR / PUSH-IN FITTING / #6x1/8NPT-M BR	1	1		
36	501304	PLUG SQUARE HEAD / PIPE FITTING / 1/4NPT-M BR To A-1677	1	1		
36	501800	PLUG HEXS / PIPE FITTING / 1/4NPT-M STL From A-1678	1	1		
37	641371	MALE ELBOW 90° NON-SWIVEL / PUSH-IN FITTING / #4x1/4NPT-M BR	1	1		
38	641372	MALE ELBOW 90° NON-SWIVEL / PUSH-IN FITTING / #6x1/4NPT-M BR	1	1		
39	641002	MALE RUN TEE / NTA FITTING / #4x#4x1/8NPT-M BR	1	1		
40	391727	PROTECTOR BOX ASSY / OVER PARKING BRAKE VALVE To F-2712	1	1		
40	391725	. BOX To F-2712	1	1		
40	391725	BOX From F-2713	1	1		
41	391726	. COVER / CLEAR PLASTIC To F-2712	1	1		
42	505221	. SPRING, PIN 1/8 X 3/8 To F-2712	1	1		
43	506035	. TAPE RUB ADH1 NEO 1/2" x 1" x 15' / BLACK 1220X To F-2712	1	1		
44	641922	UNION TEE / PUSH-IN FITTING / #6x#6x#6 BR	1	1		
50	<b>H7-2315-00</b>	<b>SOUND SYSTEM &amp; ACCESSORIES</b>				
51	<b>H7-0645-00</b>	<b>SWITCHES L.H. CONSOLE - BUS</b>				
52	<b>H7-1202-00</b>	<b>TUBES PLASTIC / AIR D.O.T.</b>				
55	Call order desk	PLATE / V.I.N.	1	1		P
70	641935	BUTTON RED / FOR TRAILER VALVE PP-7	1	1		
71	641397	TRAILER SUPPLY VALVE PP-7	1	1		
NS	452043	PRESSURE SWITCH N.O. 60-35 20SP001AA060E035E	1	1		
73	640297	NUT	1	1		
74	640286	PIN ROLLER	1	1		
80	640472	VALVE, CONTROL / RD-3 To 9-1469	1	1		
. NS	641154	. REPAIR KIT / PP-1 & RD-3 To 9-1469	1	1		
81	641155	BUTTON, OVERRULE ROUND BLACK To 9-1469	1	1		
82	501303	PLUG SQUARE HEAD / PIPE FITTING / 1/8NPT-M BR To 9-1469	1	1		
83	641370	MALE ELBOW 90° NON-SWIVEL / PUSH-IN FITTING / #6x1/8NPT-M BR To 9-1469	2	2		
84	641242	MALE CONNECTOR / PUSH-IN FITTING / #4x1/8NPT-M BR To 9-1469	1	1		
		T) USE WITH WEBASTO TIMER				
		P) CALL ORDER DESK FOR SPECIFIC APPLICATION (V.I.N.)				

From 7-0671 To J-0287

Date:10/2022

PAGE:H7-1806-15

L.H. CONSOLE - V.I.P.



From 7-0671 To J-0287	Date:10/2022	PAGE:H7-1806-15
<b>L.H. CONSOLE - V.I.P.</b>		

Item#	Part	Description	H 3 4 1	H 3 4 5	V I P 4 5	N O T E S
		"WARNING" - "WARNING" -"WARNING" - "WARNING"				
		UP TO 8-1135 COLOR = WE USE / BLACK				
		FROM 8-1136 TO 9-1452 = WE USE / MID CHARCOALD				
		VIP USE ONLY BLACK COLOR ONLY FROM 9-1453				
1	391990	CONSOLE / W/ASHTRAY & LIGHTER / BLACK			1	
1	392375	CONSOLE / W/ASHTRAY & LIGHTER / MID CHARCOALD			1	
1	392412	CONSOLE / W/ASHTRAY & LIGHTER FIRE SUPPRESSOR / BLACK			1	
1	392410	CONSOLE / W/ASHTRAY & LIGHTER FIRE SUPPRESSOR / MID CHARCOALD			1	
1	392076	CONSOLE / W/OUT TIMER & W/OUT ASHTRAY / BLACK			1	
1	392374	CONSOLE / W/OUT TIMER & W/OUT ASHTRAY / MID CHARCOALD			1	
2	391993	STRUCTURE ASSY			1	
3	5001405	NUT SPR U M4-0.7 0.8-4.0x9.5			10	
4	5001414	SCREW MA FL PH M4-0.7x16 BK			10	
4	5001413	SCREW MA FL PH M4-0.7x20 Z050			AR	
4	5001711	SCREW MA FL PH M4-0.7x20 SS			AR	
4	5001220	SCREW MA FL PH M4-0.7x25 ZP			AR	
4	5001712	SCREW MA FL PH M4-0.7x30 SS			AR	
5	500345	WASHER FN CKF .187x.500x.090 BR BK			AR	
5	500463	WASHER FN CKF .187x.500x.090 BR Z050			AR	
6	506493	TAPE DUAL LOCK 1/2" x 150' / BLACK SJ3541			AR	
7	504674	BUMPER RUBBER / 1/4X13/32X13/32X1/8			2	
9	391939	COVER ASSY / BLACK			1	
9	392357	COVER ASSY W/HINGE / MID CHARCOALD			1	
10	392525	HINGE			1	
11	504672	LATCH ASSY W/2 KEYS			1	
. NS	810084	. KEY / (CH751)			1	
NS	810084	. KEY / (CH751)			1	
12	504676	STRAP RETAINER			1	
14	391991	PANEL / W/AUTOMATIC TRANSMISSION			1	
15	641128	VALVE, CONTROL VALVE PP-1 / 40PSI To D-2380			1	
. NS	641154	. REPAIR KIT / PP-1 & RD-3 To D-2380			1	
15	642169	VALVE, CONTROL VALVE PP-1 / 60PSI From D-2381			1	
. NS	641154	. REPAIR KIT / PP-1 & RD-3 From D-2381			1	
. NS	641149	. BUTTON, PARKING BRAKE DIAMOND YELLOW / 1" From D-2381			1	
16	641149	. BUTTON, PARKING BRAKE DIAMOND YELLOW / 1"			1	
20	640136	VALVE, CONTROL TW-1			1	
. NS	641156	. REPAIR KIT / TW-1			1	
21	500572	SCREW MA TR PH #10-24x1/2 SS BK			2	
22	391992	DECAL "TAG"			1	
23	562518	PRESSURE SWITCH N.O. 4PSI / 1/8NPT W/2 SCREWS / TAG			1	

From 7-0671 To J-0287	Date:10/2022	PAGE:H7-1806-15
<b>L.H. CONSOLE - V.I.P.</b>		

Item#	Part	Description	H 3 4 1	H 3 4 5	V I P 4 5	N O T E S
NS	064657	CABLE ASSY / W/"LEVEL LOW"			1	
24	391994	DECAL "LEVEL LOW"			1	
29	641349	MALE CONNECTOR / PUSH-IN FITTING / #6x1/8NPT-M BR To F-2928			1	
29	641242	MALE CONNECTOR / PUSH-IN FITTING / #4x1/8NPT-M BR From F-2929			1	
30	501331	STREET ELBOW 90° / PIPE FITTING / 1/8NPT-Mx1/8NPT-F BR			3	
31	641369	MALE ELBOW 90° NON-SWIVEL / PUSH-IN FITTING / #4x1/8NPT-M BR			3	
35	641349	MALE CONNECTOR / PUSH-IN FITTING / #6x1/8NPT-M BR			1	
36	501304	PLUG SQUARE HEAD / PIPE FITTING / 1/4NPT-M BR To A-1677			1	
36	501800	PLUG HEXS / PIPE FITTING / 1/4NPT-M STL From A-1678			1	
37	641371	MALE ELBOW 90° NON-SWIVEL / PUSH-IN FITTING / #4x1/4NPT-M BR			1	
38	641372	MALE ELBOW 90° NON-SWIVEL / PUSH-IN FITTING / #6x1/4NPT-M BR			1	
39	641002	MALE RUN TEE / NTA FITTING / #4x#4x1/8NPT-M BR			1	
40	391727	PROTECTOR BOX ASSY / OVER PARKING BRAKE VALVE			1	
40	391725	. BOX			1	
41	391726	. COVER / CLEAR PLASTIC			1	
42	505221	. SPRING, PIN 1/8 X 3/8			1	
43	506035	. TAPE RUB ADH1 NEO 1/2" x 1" x 15' / BLACK 1220X			1	
44	641922	UNION TEE / PUSH-IN FITTING / #6x#6x#6 BR			1	
50	<b>H7-2315-00</b>	<b>SOUND SYSTEM &amp; ACCESSORIES</b>				
51	<b>H7-0645-05</b>	<b>SWITCHES L.H. CONSOLE - V.I.P.</b>				
52	<b>H7-1202-00</b>	<b>TUBES PLASTIC / AIR D.O.T.</b>				
55	Call order desk	PLATE / V.I.N.			1	P
70	641935	BUTTON RED / FOR TRAILER VALVE PP-7			1	
71	641397	TRAILER SUPPLY VALVE PP-7			1	
NS	452043	PRESSURE SWITCH N.O. 60-35 20SP001AA060E035E			1	
73	640297	NUT			1	
74	640286	PIN ROLLER			1	
NS	Call order desk	PLATE / V.I.N. To C-5235			1	P
NS	Call order desk	PLATE / V.I.N. From C-5326 To E-2535			1	P
NS	Call order desk	PLATE / V.I.N. From E-2536			1	P
90	Call order desk	PLATE / V.I.N. To E-2535			1	P
90	Call order desk	PLATE / V.I.N. From E-2536			1	P
		P) CALL ORDER DESK FOR SPECIFIC APPLICATION (V.I.N.)				



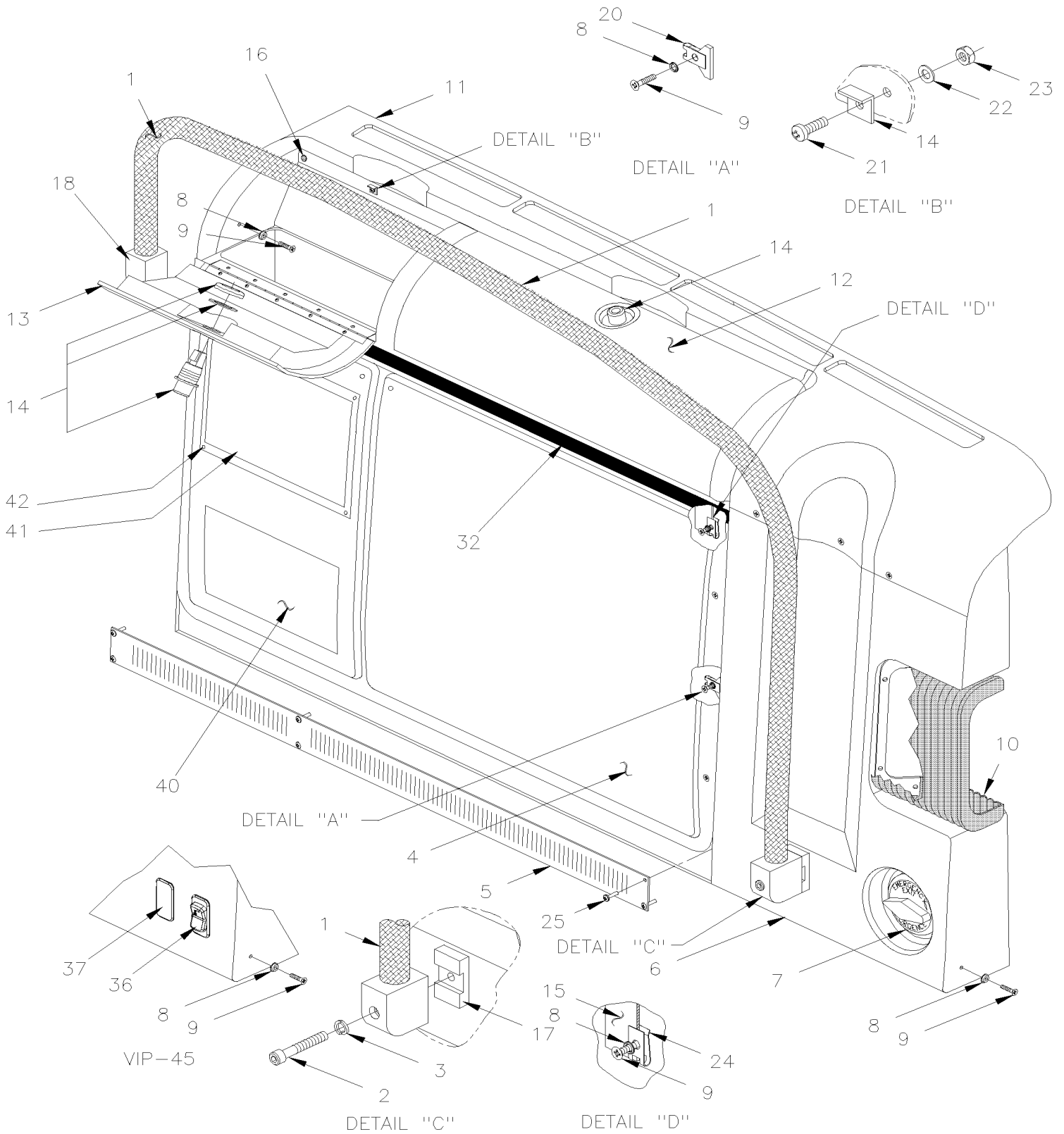


From 7-0671 To J-0287

Date:10/2022

PAGE:H7-1806-20

## DASHBOARD PANEL

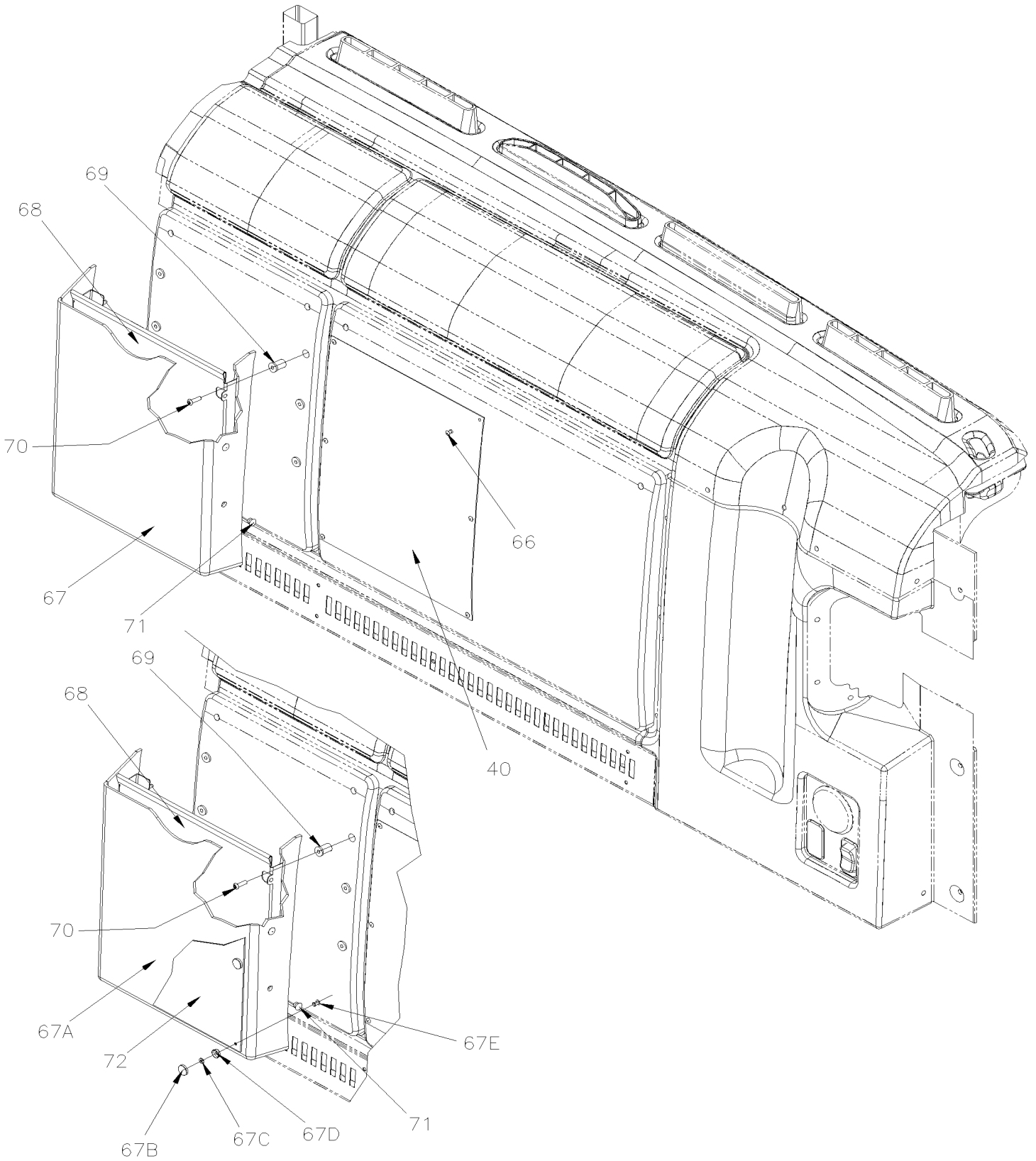


From 7-0671 To J-0287

Date:10/2022

PAGE:H7-1806-20

## DASHBOARD PANEL



From 7-0671 To J-0287	Date:10/2022	PAGE:H7-1806-20
<b>DASHBOARD PANEL</b>		

Item#	Part	Description	H 3 4 1	H 3 4 5	V I P 4 5	N O T E S
		"WARNING" - "WARNING" -"WARNING" - "WARNING"				
		UP TO 8-1135 COLOR = WE USE / BLACK				
		FROM 8-1136 TO 9-1452 = WE USE / MID CHARCOALD				
		AFTER 9-1453 WE USE BOTH COLOR				
		SEE FINAL VEHICULE RECORD TO SELECT GOOD ONE				
		COLOR OF COMPONENTS DASH PANELS				
		VIP USE ONLY BLACK COLOR ONLY FROM 9-1453				
1	392266	HAND RAIL / BLACK	1	1	1	
1	392494	HAND RAIL / YELLOW	1	1		
1	390001	HAND RAIL / WITH WHITE STRIP From H-3513	1	1		
2	5001598	SCREW CAP HEXS M8-1.25x30 SS	1	1	1	
2	5001380	SCREW CAP HEXS M8-1.25x100 SS	1	1	1	
3	500475	WASHER LO INT .320x.610x.034 Z050	2	2	2	
4	392128	PANEL / SERVICING / BLACK	1	1	1	
4	392351	PANEL / SERVICING / TAN	1	1	1	
NS	066154	DECAL, PNEUMATIC SCHEMA	1	1		
NS	066601	DECAL, PNEUMATIC SCHEMA			1	
5	391959	GRILLE / LOWER SS / BLACK	1	1	1	
5	392349	GRILLE / LOWER SS / TAN	1	1	1	
6	392008	COVER / ENTRANCE DOOR MECHANISM / BLACK	1	1		
6	392350	COVER / ENTRANCE DOOR MECHANISM / TAN From 8-1136	1	1		
6	392202	COVER / ENTRANCE DOOR MECHANISM / WITHOUT HANDRAIL / BLACK			1	A
6	392370	COVER / ENTRANCE DOOR MECHANISM / WITHOUT HANDRAIL / TAN			1	A
6	392377	COVER / ENTRANCE DOOR MECHANISM / WITH HANDRAIL / BLACK			1	
6	392376	COVER / ENTRANCE DOOR MECHANISM / WITH HANDRAIL / TAN			1	
7	<b>H7-1802-00</b>	<b>ENTRANCE DOOR CONTROL</b>				
8	500345	WASHER FN CKF .187x.500x.090 BR BK	AR	AR	AR	
8	500463	WASHER FN CKF .187x.500x.090 BR Z050	AR	AR	AR	
9	5001429	SCREW MA FL PH M4-0.7x25 BK	AR	AR	AR	
9	5001413	SCREW MA FL PH M4-0.7x20 Z050	AR	AR	AR	
9	5001711	SCREW MA FL PH M4-0.7x20 SS	AR	AR	AR	
9	5001220	SCREW MA FL PH M4-0.7x25 ZP	AR	AR	AR	
9	5001712	SCREW MA FL PH M4-0.7x30 SS	AR	AR	AR	
10	<b>H7-1862-60</b>	<b>ENTRANCE DOOR FRAME - INSTALLATION</b>				
11	392346	PANEL R.H. / MID CHARCOALD	1	1	1	
11	391995	PANEL R.H. / TOP W/2 BASKETS / BLACK	1	1	1	
12	391954	COVER R.H. / BLACK	1	1	1	
12	392347	COVER R.H. / MID CHARCOALD	1	1	1	
13	391955	COVER L.H. / BLACK	1	1	1	
13	392348	COVER L.H. / MID CHARCOALD	1	1	1	
13	504676	STRAP RETAINER	1	1	1	

From 7-0671 To J-0287	Date:10/2022	PAGE:H7-1806-20
<b>DASHBOARD PANEL</b>		

Item#	Part	Description	H 3 4 1	H 3 4 5	V I P 4 5	N O T E S
14	504672	LATCH ASSY W/2 KEYS	AR	AR	AR	
. NS	810084	. KEY / (CH751)	1	1	1	
NS	810084	. KEY / (CH751)	2	2	2	
15	391956	STRUCTURE / R.H.	1	1		
15	391996	STRUCTURE / R.H.			1	
15	392203	STRUCTURE / R.H. WITHOUT HANDRAIL			1	A
16	504674	BUMPER RUBBER / 1/4X13/32X13/32X1/8	4	4	4	
17	392489	RAMP BLOCK SUPPORT WELD TO DASH STRUCTURE	1	1	1	
18	392116	RAMP SUPPORT WELD TO DASH STRUCTURE	1	1	1	
20	5001406	NUT SPR U M4-0.7 0.8-4.0x13.5	4	4	4	
21	5001398	SCREW MA CHE PH M3-0.5x10 SS	1	1	1	
22		WASHER	4	4	4	
23	5001408	NUT HEX STO M3-0.5 ZP	4	4	4	
24	5001405	NUT SPR U M4-0.7 0.8-4.0x9.5	14	14	14	
25	5001410	SCREW MA CHE PH M4-0.7x16 SS	6	6	6	
32	392383	MOULDING DECORATIVE / ALL. BRUSHING From 8-1136	1	1	1	
36	562697	SWITCH / ON-ON / D.P.D.T. / CH-OVER / W/RED & GREEN LED			1	
36	562716	CAP / DRIVER'S LAMP			1	
36	562697	SWITCH / ON-ON / D.P.D.T. / CH-OVER / W/RED & GREEN LED From E-2630 To F-2928			1	B C
36	566038	CAP NGR, LUGGAGES LIGHT From F-2929			1	B
36	562717	CAP / INTERIOR LIGHT From E-2630			1	C
36	562699	SWITCH / M/ON-OFF-M/ON / D.P.D.T. / W/GREEN LED From E-2630			1	B C
36	562736	CAP / LUGGAGE DOOR LOCK From E-2630			1	B C
36	069118	WIRING HARNESS DASHBOARD RIGHT MODULE From E-2630			1	B C
36	069270	WIRING HARNESS DASHBOARD RIGHT MODULE From E-2630			1	B C
36	563332	RELAY 24V S.P.D.T. W/RESISTOR / "VOLVO" (20374662) From E-2630			1	B C
36	561918	SHRINK TUBING / .125" - .062" / BLACK / ALPHA FIT-221-1/8-4-B From E-2630			AR	B C
36	504637	CABLE TIE / 3/16" x 13" From E-2630			AR	B C
37	562773	SWITCH / "DUMMY" / PLUG	1	1	1	
40	406150	DECAL "FOR PASSENGER SAFETY....WHITE" / ASSY / ENGLISH & SPANISH	1	1		
. NS	405647	. DECAL "FOR PASSENGER SAFETY....WHITE" / ASSY / ENGLISH & SPANISH	1	1		
. NS	406148	. PLATE SUPPORT DECAL 242MM x 290MM	1	1		
40	400099	DECAL "FOR PASSENGER SAFETY....YELLOW" / ASSY / ENGLISH & SPANISH	1	1		
. NS	400098	. DECAL "FOR PASSENGER SAFETY....YELLOW" // ENGLISH & SPANISH	1	1		
. NS	406148	. PLATE SUPPORT DECAL 242MM x 290MM	1	1		
40	400119	DECAL "FOR PASSENGER SAFETY....YELLOW" / ASSY / ENGLISH & SPANISH	1	1		
. NS	400125	. DECAL "FOR PASSENGER SAFETY....YELLOW" // ENGLISH & SPANISH	1	1		
. NS	400132	. PLATE SUPPORT DECAL 242MM x 290MM	1	1		
40	409376	DECAL "FOR PASSENGER SAFETY....YELLOW" / ASSY / ENGLISH & FRANCAIS	1	1		
. NS	409377	. DECAL "FOR PASSENGER SAFETY....YELLOW" / ASSY / ENGLISH & SPANISH	1	1		
. NS	406148	. PLATE SUPPORT DECAL 242MM x 290MM	1	1		
40	407647	DECAL "FOR PASSENGER SAFETY....YELLOW" / ASSY / ENGLISH & FRANCAIS	1	1		

From 7-0671 To J-0287	Date:10/2022	PAGE:H7-1806-20
-----------------------	--------------	-----------------

**DASHBOARD PANEL**

Item#	Part	Description	H 3 4 1	H 3 4 5	V I P 4 5	N O T E S
. NS	400132	. PLATE SUPPORT DECAL 242MM x 290MM	1	1		
. NS	407646	. DECAL "THIS VEHICILE IS NOT DESIGNED TO ACCOMMODATE STANDING PASSENGERS"	1	1		
40	400024	DECAL "FOR PASSENGER SAFETY....YELLOW" / ASSY / ENGLISH & SPANISH & FRANCAIS	1	1		
. NS	400016	. DECAL "FOR PASSENGER SAFETY....YELLOW" // ENGLISH & SPANISH & FRANCAIS	1	1		
. NS	400132	. PLATE SUPPORT DECAL 242MM x 290MM	1	1		
41	404625	DECAL "POUR LA SECURITE... BLANCHE" / ASM FRANÇAIS	1	1		
. NS	404623	. DECAL "POUR LA SECURITE... BLANCHE" FRANÇAIS	1	1		
. NS	404624	. PLATE SUPPORT DECAL 232MM x 119MM	1	1		
41	404626	DECAL "FOR PASSENGER SAFETY....WHITE" / ASSY / ENGLISH	1	1		
. NS	404622	. DECAL "FOR PASSENGER SAFETY....WHITE" / ENGLISH	1	1		
. NS	404624	. PLATE SUPPORT DECAL 232MM x 119MM	1	1		
41	407724	DECAL "THIS VEHICLE IS NOT ....." / ASSY / ENGLISH	1	1		
. NS	407722	. DECAL "THIS VEHICLE IS NOT ....WHITE" / ENGLISH	1	1		
. NS	407726	. PLATE SUPPORT DECAL 247MM x 122MM	1	1		
41	407725	DECAL "CE VEHICULEN'EST PAS...." / ASSY / FRANÇAIS	1	1		
. NS	407723	. DECAL "CE VEHICULEN'EST PAS....BLANCHE"/ FRANCAIS	1	1		
. NS	407726	. PLATE SUPPORT DECAL 247MM x 122MM	1	1		
41	407748	DECAL "THIS VEHICLE IS NOT ....." / ASSY / ENGLISH & FRANCAIS	1	1		
. NS	407745	. DECAL "THIS VEHICLE IS NOT ....." // ENGLISH & FRANCAIS	1	1		
. NS	400132	. PLATE SUPPORT DECAL 242MM x 290MM	1	1		
41	407749	DECAL "THIS VEHICLE IS NOT ....." / ASSY / ENGLISH & SPANISH	1	1		
. NS	400132	. PLATE SUPPORT DECAL 242MM x 290MM	1	1		
. NS	407746	. DECAL "THIS VEHICLE IS NOT ....." / ASSY / ENGLISH & SPANISH	1	1		
41	407750	DECAL "THIS VEHICLE IS NOT ....." / ASSY / ENGLISH & SPANISH & FRANCAIS	1	1		
. NS	400132	. PLATE SUPPORT DECAL 242MM x 290MM	1	1		
. NS	407747	. DECAL "THIS VEHICLE IS NOT ....." / ASSY / ENGLISH & SPANISH & FRANCAIS	1	1		
42	504107	RIVET POP DOME OE 1/8x5/16 AL	4	4		
66	504107	RIVET POP DOME OE 1/8x5/16 AL	6	6		
67	409383	WALL POCKET DOCUMENT INSTALLATION KIT	1	1		
. NS	IS-11900	. SEE INSTRUCTION SHEET	1	1		
67A	409379	WALL POCKET DOCUMENT	1	1		
67B	504403	SNAP CAP #8 FINISHING BLACK	6	6		
67C	502578	WASHER FL 3.2x7.0x0.5 Z050	6	6		
67D	504412	WASHER RETAINER SNAP CAP #8	6	6		
67E	504107	RIVET POP DOME OE 1/8x5/16 AL	6	6		
68	406528	SUPPORT DOCUMENT	1	1		
69	500589	NUT WELL M4-0.7x13.5	6	6		
70	502698	SCREW MA PAN PH M4-0.7x16 SS BK	6	6		
71	504582	RIVET POP DOME OE 3/16x1/4 SS BK	6	6		
72	400119	DECAL "FOR PASSENGER SAFETY....YELLOW" / ASSY / ENGLISH & SPANISH	1	1		
. NS	400125	. DECAL "FOR PASSENGER SAFETY....YELLOW" // ENGLISH & SPANISH	1	1		
. NS	400132	. PLATE SUPPORT DECAL 242MM x 290MM	1	1		

From 7-0671 To J-0287	Date:10/2022	PAGE:H7-1806-20
-----------------------	--------------	-----------------

**DASHBOARD PANEL**

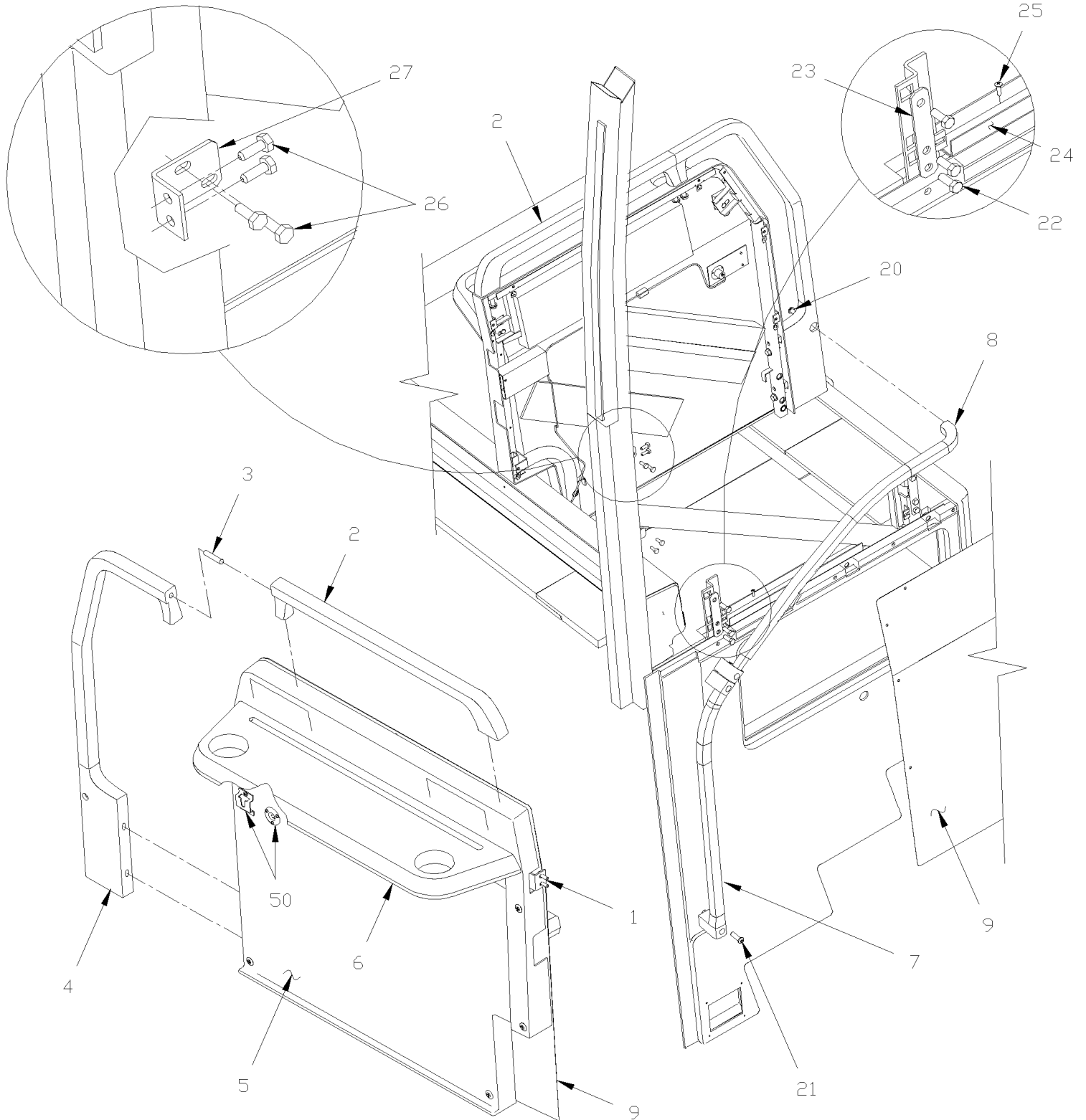
Item#	Part	Description	H 3 4 1	H 3 4 5	V I P 4 5	N O T E S
72	407647	DECAL "FOR PASSENGER SAFETY....YELLOW" / ASSY / ENGLISH & FRANCAIS	1	1		
. NS	400132	. PLATE SUPPORT DECAL 242MM x 290MM	1	1		
. NS	407646	. DECAL "THIS VEHICILE IS NOT DESIGNED TO ACCOMMODATE STANDING PASSENGERS"	1	1		
		A) USE WITHOUT HANDRAIL				
		B) USE WITH SWITCH FOR LUGGAGE LIGHT & LUGGAGE LOCK				
		C) USE WITH SWITCH FOR DRIVER LIGHT & LUGGAGE LOCK				

From 7-0671 To J-0184

Date:10/2022

PAGE:H7-1810-00

## MODESTY PANEL R.H.



From 7-0671 To J-0184	Date:10/2022	PAGE:H7-1810-00
<b>MODESTY PANEL R.H.</b>		

Item#	Part	Description	H 3 4 1	H 3 4 5	V I P 4 5	N O T E S
		"WARNING" - "WARNING" -"WARNING" - "WARNING"				
		VIN 1068, 1078 & 1090 USE NEW COLORATION ask for from 1136				
	327190	MODESTY PANEL R.H. ASSY To 8-1135	1	1		
	329584	MODESTY PANEL R.H. ASSY From 8-1136	1	1		
1	327195	STRUCTURE ASSY R.H. MODESTY	1	1		
2	327196	HANDLE TOP	1	1		
3	N.P.N.	STUDE 3/8-16 X 2"	1	1		4
4	327201	HANDLE R.H.	1	1		
4	320777	HANDLE R.H. / WITH WHITE STRIP From H-3513	1	1		WCL
5	327550	PANEL R.H. To 8-1135	1	1		
5	329582	PANEL R.H. From 8-1136	1	1		
NS	500552	SCREW TP OV PH #6x3/4 Z050	1	1		
NS	500463	WASHER FN CKF .187x.500x.090 BR Z050	1	1		
6	327198	SHELF	1	1		
6	3200802	SHELF / SPECIAL CUP HOLDER "ORLEAN" From D-2259		1		
. NS	3200804	. CUP HOLDER From D-2259		1		
7	328953	HANDRAIL LOWER STEPWELL	1	1		
7	320729	HANDRAIL LOWER STEPWELL / WITH WHITE STRIP From G-3116	1	1		WCL
8	327251	HANDRAIL UPPER STEPWELL	1	1		
8	320728	HANDRAIL UPPER STEPWELL / WITH WHITE STRIP From G-3116	1	1		WCL
9	327753P	PANEL FRONT ASSY W/COVERING S.C.C.	1	1		
NS	328957	. ALUMINUM PANEL	1	1		
NS	326962P	COVERING MODESTY PANEL "TISSUS" W/"LOGO" / EMBROIDERED	AR	AR		
20	507617	SCREW CAP BUT HEXS M10-1.5x35 G10.9 EMN	1	1		
21	507626	SCREW CAP BUT HEXS M10-1.5x80 G10.9 EMN	1	1		
22	500191	SCREW CAP HEX 3/8-16x1 G5 Z050	6	6		
23	327478	PLATE RETAINER	2	2		
24	325894	CHANNEL 410MM To A-1519	1	1		
24	320686	CHANNEL 410MM From A-1520	1	1		
25	500642	SCREW TP PAN PH #10x3/4 Z050	2	2		
26	500923	SCREW TC CAP HEX 1/4-20x3/4 Z050	4	4		
27	324553	ATTACHMENT	1	1		
50	<b>H7-2315-00</b>	<b>SOUND SYSTEM &amp; ACCESSORIES</b>				
NS	320939	CUSHION PAD / 3" X 23" / KNEE GUARD	1	1		C
60	Call order desk	CUSHION PAD / 3" X 23" / KNEE GUARD	1	1		P C
NS	500641	SCREW TP PAN PH #8x3/4 Z050	6	6		C
NS	500989	WASHER FL .219x.875x.062 Z050	6	6		C
		C) WITH "OPTION"				



From 7-0671 To J-0184	Date:10/2022	PAGE:H7-1810-00
<b>MODESTY PANEL R.H.</b>		

Item#	Part	Description	H 3 4 1	H 3 4 5	V I P 4 5	N O T E S
		WCL) WITH WHEEL CHAIR LIFT				
		4) NO PARTS NUMBER				
		P) CALL ORDER DESK FOR SPECIFIC APPLICATION (V.I.N.)				
		U) UNDER CONSTRUCTION				

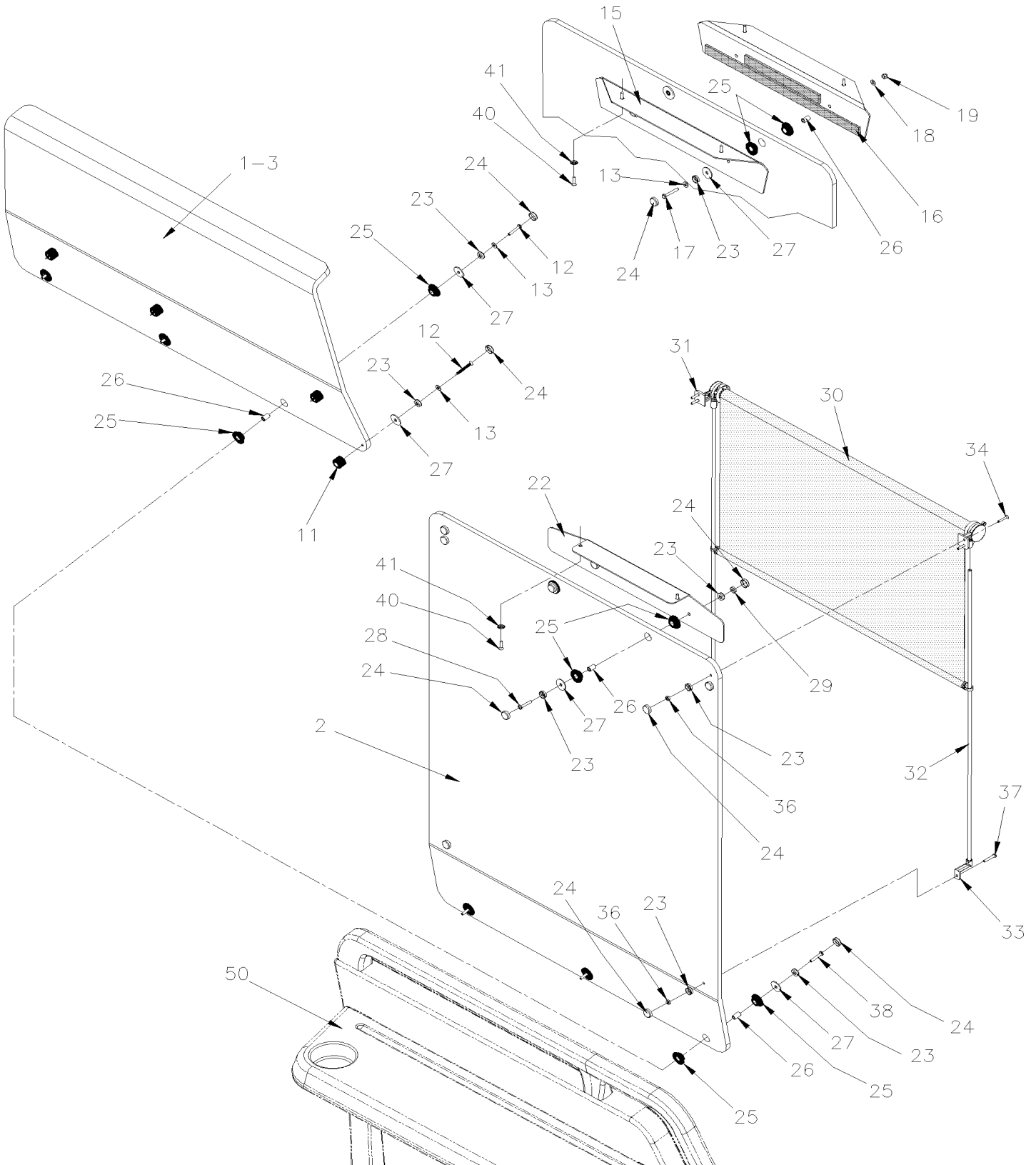


From 7-0671 To J-0184

Date:10/2022

PAGE:H7-1811-00

MODESTY PLEXIGLASS



<b>From 7-0671 To J-0184</b>	<b>Date:10/2022</b>	<b>PAGE:H7-1811-00</b>
<b>MODESTY PLEXIGLASS</b>		

Item#	Part	Description	H 3 4 1	H 3 4 5	V I P 4 5	N O T E S
1	328925	PLEXIGLASS / TINTED STREETSIDE / (233MM APROX)	1	1		
1	326286	PLEXIGLASS / CLEAR STREETSIDE / (233MM APROX)	1	1		
1	328926	PLEXIGLASS / TINTED CURBSIDE / (233MM APROX)	1	1		
1	326289	PLEXIGLASS / CLEAR CURBSIDE / (233MM APROX)	1	1		
2	327618	PLEXIGLASS / CLEAR STREETSIDE / (769MM APROX)	1	1		
2	327619	PLEXIGLASS / TINTED STREETSIDE / (769MM APROX)	1	1		
3	328852	PLEXIGLASS / CLEAR CURBSIDE / (333MM APROX)	1	1		
11	5001168	BUMPER RUBBER / .750 OD x .562 TH x .187 HOLE	4	4		
12	500632	SCREW TP OV PH #8x1 1/2 Z050	7	7		
13	500438	WASHER FL .187x.437x.050 Z050	7	7		
15	320061	BRACKET ANGLE / LIGHT GREY / "OPTION" To 8-1135	2	2		O
15	3200149	BRACKET ANGLE / SAND / "OPTION" From 8-1136	2	2		O
16	506002	TAPE RUB ADH1 CC POL 3/16" x 1/2" x 40' / GREY 2520	AR	AR		O
17	502643	SCREW MA PAN PH #8-32x1 1/4 Z050	2	2		O
18	500240	WASHER LO EXT .195x.410x.025 Z050	2	2		O
19	500501	NUT HEX CAP #8-32 SS	2	2		O
22	326355	BRACKET ANGLE To 8-1135	1	1		
22	329586	BRACKET ANGLE TAN From 8-1136	1	1		
22	321972	BRACKET ANGLE GREY From H-3497		1		A
23	504399	WASHER RETAINER SNAP CAP #10	5	5		
24	504400	SNAP CAP #10 FINISHING BLACK	5	5		
25	900251	BUSHING, RUBBER	6	6		
26	400380	SPACER 5/16 O.D. x 17/32" x 18GA	5	5		
26	505539	SPACER 5/16 O.D. x 17/32" x 18GA	5	5		
27	500805	WASHER FL .218x.875x.062 N500	5	5		
28	5001317	SCREW MA PAN PH #8-32x1 SS	2	2		
29	500764	NUT HEX #8-32 Z050	2	2		
30	901042	BLIND ROLLER / CHARCOAL / 600MM To D-2369	1	1		
30	901374	BLIND ROLLER / CHARCOAL / 593MM From D-2370	1	1		
. NS	5001999	. SCREW SET HEXS CUP M4-0.7x5 From D-2370	2	2		
. NS	901562	. BRACKET W/O SHAFT & RATCHED LEVER From D-2370	1	1		
. NS	901560	. BRACKET W/SHAFT & RATCHED LEVER From D-2370	1	1		
31	900478	BEARING HOLDER / R.H. / BLACK CASTING To D-2369	1	1		
32	404449	ROD 641MM	2	2		
33	900476	ROD HOLDER 90° / BLACK PLASTIC 30MM C/L To F-2781	2	2		
33	407650	ROD HOLDER / BLACK / PLASTIC "S" SHAPE From F-2782	2	2		
34	502666	SCREW MA FL PH #6-32x3/4 SS BK	2	2		
36	500689	NUT HEX #6-32 Z050	6	6		
37	5001303	SCREW MA BDG PH #6-32x1 ZP EMN	2	2		
38	5001317	SCREW MA PAN PH #8-32x1 SS To F-2921	3	3		
38	500637	SCREW TP PAN PH #8x1 1/2 Z050 From F-2922	3	3		
40	500626	SCREW TP OV PH #8x3/4 Z050	2	2		

From 7-0671 To J-0184	Date:10/2022	PAGE:H7-1811-00
<b>MODESTY PLEXIGLASS</b>		

Item#	Part	Description	H 3 4 1	H 3 4 5	V I P 4 5	N O T E S
41	500463	WASHER FN CKF .187x.500x.090 BR Z050	2	2		
50	<b>H7-1810-00</b>	<b>MODESTY PANEL R.H.</b>				
50	<b>H7-1812-00</b>	<b>MODESTY PANEL L.H.</b>				
NS	IS20906	PLEXIGLASS SHIELD BEHIND DRIVER H3	1	1		
. NS	327618	. PLEXIGLASS / CLEAR STREETSIDE / (769MM APROX)	1	1		
. NS	320914	. BRACKET ANGLE GREY	1	1		
. NS	504399	. WASHER RETAINER SNAP CAP #10	5	5		
. NS	504400	. SNAP CAP #10 FINISHING BLACK	5	5		
. NS	900251	. BUSHING, RUBBER	10	10		
. NS	500805	. WASHER FL .218x.875x.062 N500	5	5		
. NS	5001317	. SCREW MA PAN PH #8-32x1 SS	2	2		
. NS	500501	. NUT HEX CAP #8-32 SS	2	2		
. NS	500626	. SCREW TP OV PH #8x3/4 Z050	2	2		
. NS	500464	. WASHER FN CKF .210x.540 SS	2	2		
. NS	500637	. SCREW TP PAN PH #8x1 1/2 Z050	3	3		
. NS	IS-20906	. SEE INSTRUCTION SHEET	1	1		
. NS	FI-20906	. VOIR FEUILLE D'INSTRUCTION	1	1		
. NS	D320271	. DIAGRAM	1	1		
		A) "BAUER'S TRANSPORTATION" OPTION				
		O) LOCATED EACH SIDE OF PLEXIGLASS / "OPTION"				





From 7-0671 To J-0184	Date:10/2022	PAGE:H7-1812-00
<b>MODESTY PANEL L.H.</b>		

Item#	Part	Description	H 3 4 1	H 3 4 5	V I P 4 5	N O T E S
		"WARNING" - "WARNING" -"WARNING" - "WARNING"				
		VIN 1068, 1078 & 1090 USE NEW COLORATION ask for from 1136				
	327249	MODESTY PANEL ASSY To 8-1135	1	1		
	329585	MODESTY PANEL ASSY From 8-1136	1	1		
	323201	MODESTY PANEL ASSY From A-1605	1	1		B
1	328952	PANEL To 8-1135	1	1		
1	329583	PANEL From 8-1136	1	1		
1	323219	PANEL From A-1605	1	1		B
NS	500552	SCREW TP OV PH #6x3/4 Z050	1	1		
NS	500463	WASHER FN CKF .187x.500x.090 BR Z050	1	1		
2	327202	STRUCTURE ASSY L.H. MODESTY	1	1		
3	327196	HANDLE TOP	1	1		
4	N.P.N.	STUD 3/8-16 X 2"	1	1		4
5	327203	HANDLE L.H.	1	1		
5	320007	HANDLE L.H. / WITH WHITE STRIP From H-3513	1	1		WCL
6	327252	HANDRAIL STREETSIDE	1	1		
6	320697	HANDRAIL STREETSIDE / WITH WHITE STRIP From H-3513	1	1		WCL
7	327198	SHELF	1	1		
7	3200802	SHELF / SPECIAL CUP HOLDER "ORLEAN" From D-2259		1		
. NS	3200804	. CUP HOLDER From D-2259		1		
8	327792P	PANEL FRONT ASSY W/COVERING S.C.C.	1	1		
8	328884P	PANEL FRONT ASSY W/COVERING S.C.C. / USE W/SPEAKER To 7-0734	1	1		
8	327927	PANEL FRONT ASSY W/COVERING S.C.C. / USE W/SPEAKER From 7-0735	1	1		
8	Call order desk	PANEL FRONT ASSY W/COVERING S.C.C. USE W/"AESYS" DESTINATION SIGN To 7-0734	1	1		P
NS	327259	. ALUMINUM PANEL / W/OUT SPEAKER	1	1		
8	327225	. ALUMINUM PANEL / USE W/SPEAKER 92MM O.D. / UPPER PANEL	1	1		
8	328397	. ALUMINUM PANEL / USE W/SPEAKER 105MM O.D. / UPPER PANEL	1	1		
8	328574	. ALUMINUM PANEL / USE W/SPEAKER AND W/ "AESYS" DESTINATION SIGN	1	1		
9	364307	STOPPER, USSC DRIVER SEAT	1	1	1	W
9A	500353	SCREW TP FL PH #8x3/4 BK	6	6	6	
10	500438	WASHER FL .187x.437x.050 Z050	AR	AR		
11	504399	WASHER RETAINER SNAP CAP #10	AR	AR		
12	500642	SCREW TP PAN PH #10x3/4 Z050	AR	AR		
13	504400	SNAP CAP #10 FINISHING BLACK	AR	AR		
20	507617	SCREW CAP BUT HEXS M10-1.5x35 G10.9 EMN	2	2		
21	327478	PLATE RETAINER	2	2		
22	500191	SCREW CAP HEX 3/8-16x1 G5 Z050	2	2		
23	324616	ATTACHMENT	1	1		
24	500923	SCREW TC CAP HEX 1/4-20x3/4 Z050	4	4		
25	502655	SCREW CAP HEX M10-1.5x25 SS BK	1	1		
26	502644	WASHER FL 10.5x30.0x2.5 Z050	1	1		



From 7-0671 To J-0184	Date:10/2022	PAGE:H7-1812-00
<b>MODESTY PANEL L.H.</b>		

Item#	Part	Description	H 3 4 1	H 3 4 5	V I P 4 5	N O T E S
27	502585	WASHER LO SERR 10.2x26.3x1.4 ZP	1	1		
28	325955	CHANNEL 520MM To A-1519	1	1		
28	320686	CHANNEL 410MM From A-1520	1	1		
29	500642	SCREW TP PAN PH #10x3/4 Z050	3	3		
50	<b>H7-2315-00</b>	<b>SOUND SYSTEM &amp; ACCESSORIES</b>				
		B) WITH AUDIO & I-POD CONNECTOR AS SHOWN AT PAGE H7-2315-05				
		W) WITH USSC DRIVER'S SEAT				
		WCL) WITH WHEEL CHAIR LIFT				
		4) NO PARTS NUMBER				
		P) CALL ORDER DESK FOR SPECIFIC APPLICATION (V.I.N.)				
		U) UNDER CONSTRUCTION				

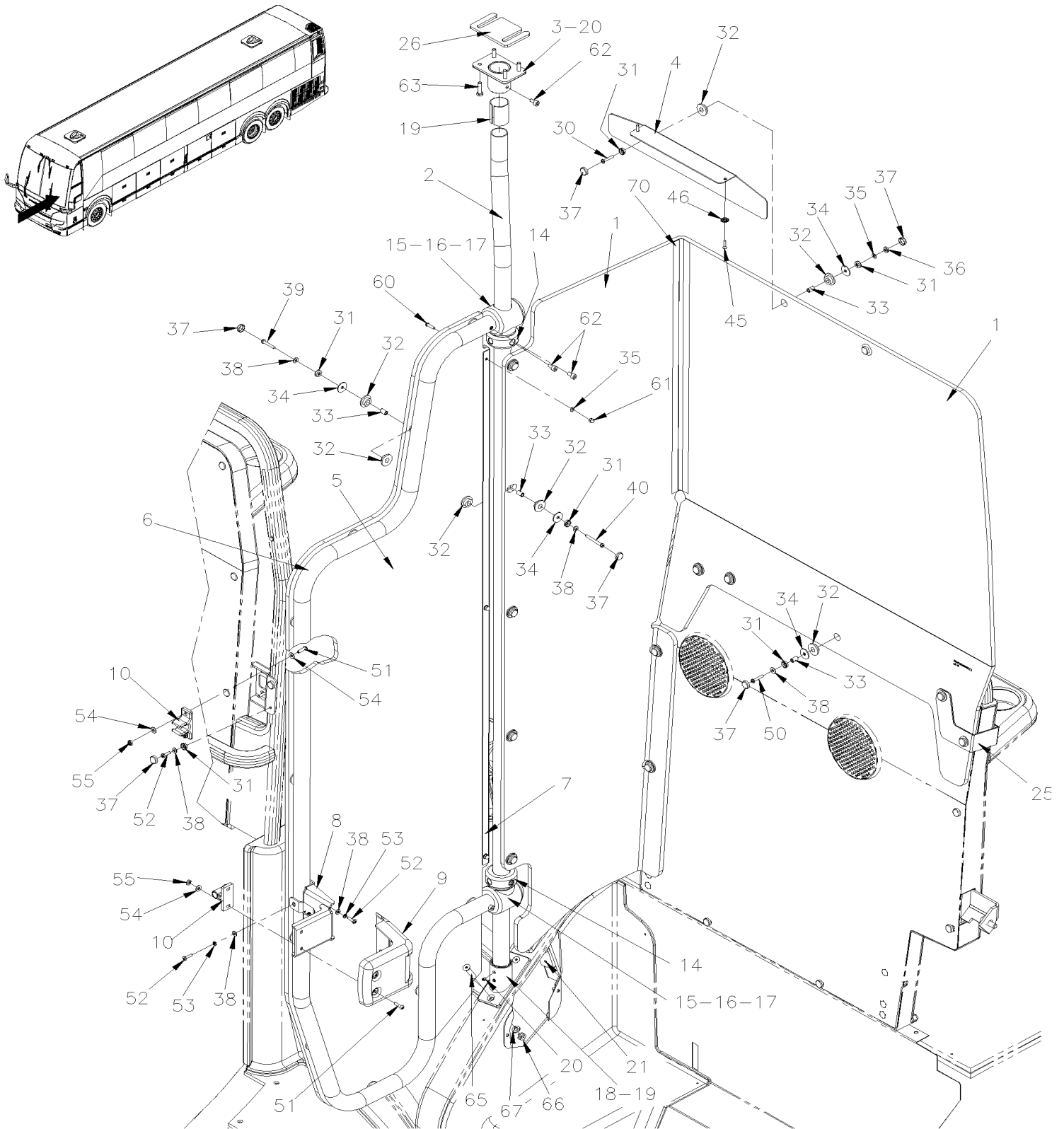


From G-3258 To J-0184

Date:10/2022

PAGE:H7-1813-00

## DRIVER'S GATE



<b>From G-3258 To J-0184</b>	<b>Date:10/2022</b>	<b>PAGE:H7-1813-00</b>
<b>DRIVER'S GATE</b>		

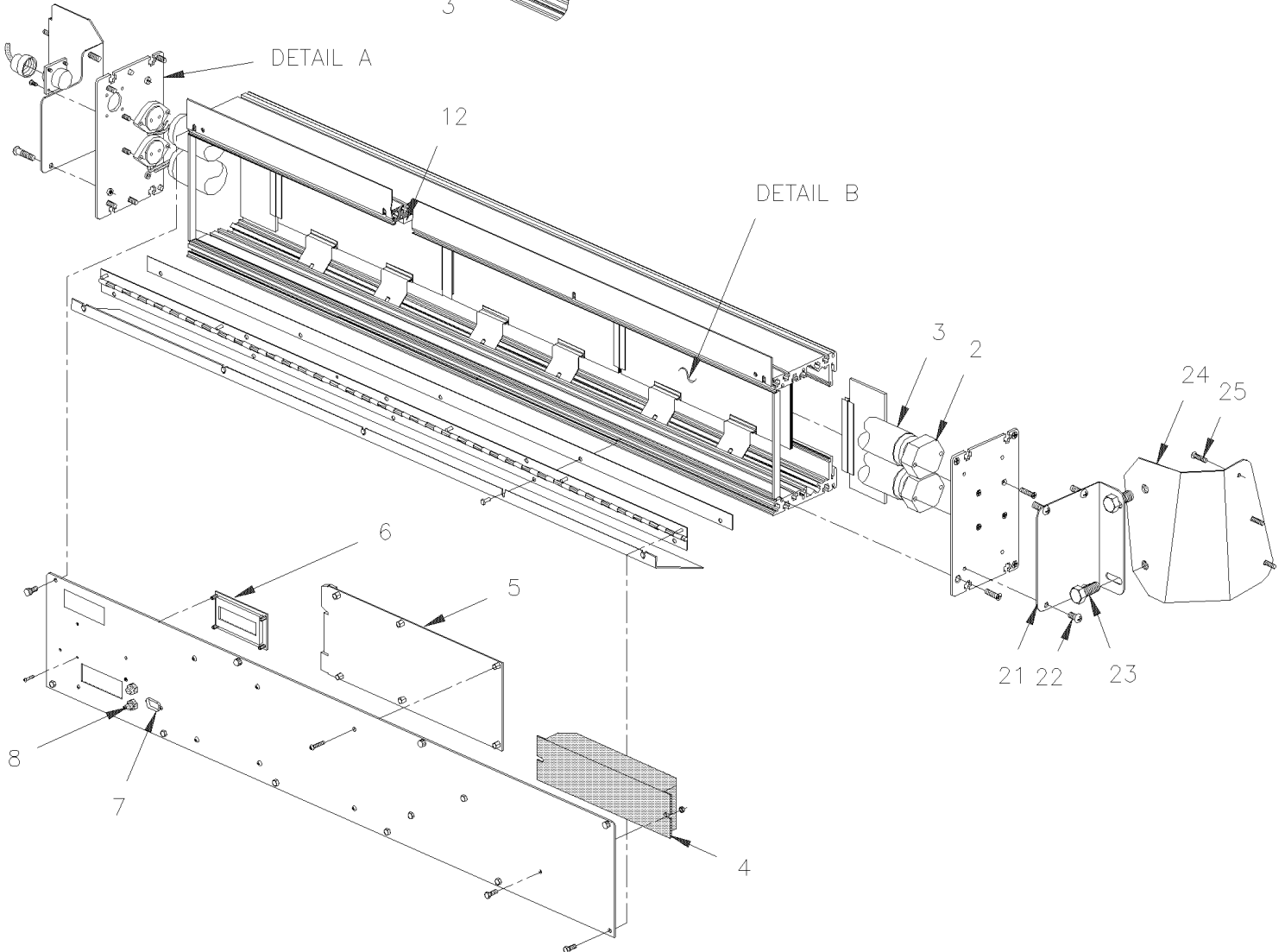
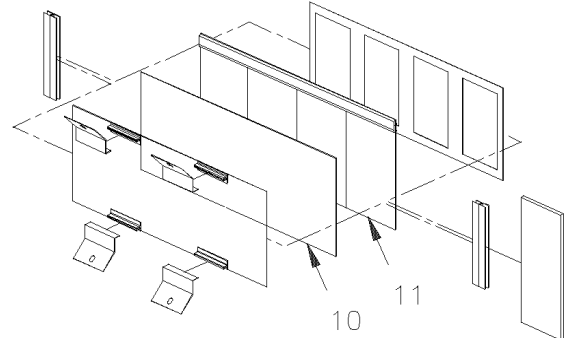
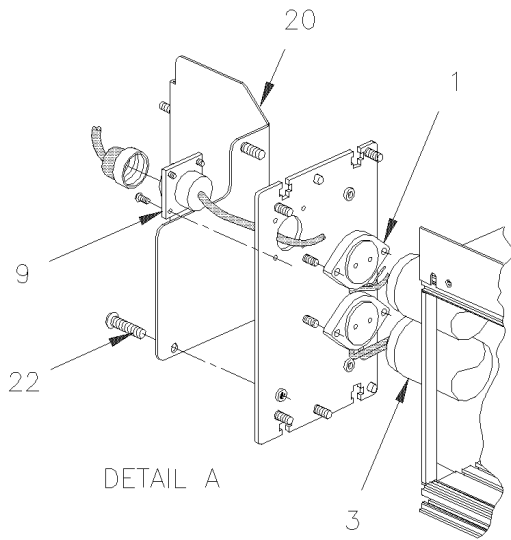
Item#	Part	Description	H 3 4 1	H 3 4 5	V I P 4 5	N O T E S
	400064P	DRIVER PARTITION DOOR ASSY	1	1	1	
1	320948	PANEL PROTECTOR, DRIVERS	1	1	1	
2	320950	TUBE, DRIVERS PARTITION	1	1	1	
3	321273	BRACKET	1	1	1	
4	329586	BRACKET ANGLE TAN	1	1	1	
5	400063	PANEL, DRIVER PARTITION DOOR	1	1	1	
6	400062	FRAME, DRIVER PARTITION DOOR	1	1	1	
7	400257	MOLDING, DRIVER PARTITION DOOR	1	1	1	
8	406189	BRACKET, DOOR LOCK	1	1	1	
9	406198	COVER, FINISHING, BRACKET DOOR LOCK	1	1	1	
10	504753	LATCH ASSY NYLON (2 PARTS) PLASTIC WHITE	1	1	1	
14	406601	STOPPER, DRIVER PARTITION DOOR	2	2	2	
NS	502634	SCREW SET HEXS CUP M6-1.0x6	AR	AR	AR	
NS	680098	THREAD SEALANT LOCTITE #567 / WHITE / 250ml	AR	AR	AR	
15	500431	SCREW MA TR PH #10-32X1/2 ZP	AR	AR	AR	
16	406602	BUSHING, DOOR HINGE	2	2	2	
17	406595	HINGE , DRIVER PARTITION DOOR	2	2	2	
18	321287	PARTITION BRACKET	1	1	1	
NS	321133	TUBE FLANGE PAD	1	1	1	
19	329665	TUBE FLANGE 46.3 MM	2	2	2	
20	502634	SCREW SET HEXS CUP M6-1.0x6	AR	AR	AR	
NS	680098	THREAD SEALANT LOCTITE #567 / WHITE / 250ml	AR	AR	AR	
21	320952	TUBE BRACKET	1	1	1	
NS	5001681	SCREW CAP HEX M6-1.0x60 SS	2	2	2	
NS	502860	NUT HEX STO M6-1.0 N500	2	2	2	
25	320988	BRACKET	1	1	1	
NS	506466	TAPE RUB ADH1 CC POL 1/16" x 1 1/2" x 100 / GREY 2520	AR	AR	AR	
26	321608	SPACER 3.175MM	1	1	1	
NS	321609	SPACER 4.76MM	1	1	1	
NS	340038	TAPE DUAL LOCK 2" x 110MM / BLACK SJ3551	AR	AR	AR	
NS	505537	. TAPE DUAL LOCK 2" X 50 YARD / BLACK SJ3551	AR	AR	AR	
30	5001317	SCREW MA PAN PH #8-32x1 SS	2	2	2	
31	504399	WASHER RETAINER SNAP CAP #10	AR	AR	AR	
32	900251	BUSHING, RUBBER	AR	AR	AR	
33	505539	SPACER 5/16 O.D. x 17/32" x 18GA	AR	AR	AR	
34	500805	WASHER FL .218x.875x.062 N500	AR	AR	AR	
35	500240	WASHER LO EXT .195x.410x.025 Z050	2	2	2	
36	500764	NUT HEX #8-32 Z050	2	2	2	
37	504400	SNAP CAP #10 FINISHING BLACK	AR	AR	AR	
38	500855	WASHER FL .188x.438x.049 N500	AR	AR	AR	
39	500575	SCREW TP PAN PH #8x1 1/4	AR	AR	AR	
40	500436	SCREW TP OV PH #10x2 Z050	5	5	5	

From G-3258 To J-0184	Date:10/2022	PAGE:H7-1813-00
<b>DRIVER'S GATE</b>		

Item#	Part	Description	H 3 4 1	H 3 4 5	V I P 4 5	N O T E S
45	500626	SCREW TP OV PH #8x3/4 Z050	2	2	2	
46	500464	WASHER FN CKF .210x.540 SS	2	2	2	
50	500436	SCREW TP OV PH #10x2 Z050	7	7	7	
51	500387	SCREW MA RND PH #10-24x3/4 Z050	2	2	2	
52	500641	SCREW TP PAN PH #8x3/4 Z050	5	5	5	
53	500470	WASHER LO SPT .193x.334x.047 Z050	5	5	5	
54	500964	WASHER FL .203x.500x.047 Z050	4	4	4	
55	500767	NUT HEX #10-24 Z050	2	2	2	
60	5001305	SCREW MA RND PH #8-32X3/4 SS	3	3	3	
61	500501	NUT HEX CAP #8-32 SS	3	3	3	
62	5001783	SCREW CAP HEXS M6-1.0x12 SS	AR	AR	AR	
NS	680038	THREAD LOCKER LOCTITE #243 / BLUE / 50ml	AR	AR	AR	
63	5001315	SCREW CAP HEX 1/4-20x1 SS	4	4	4	
65	5001461	SCREW MA FL PH M8-1.25x40 SS	2	2	2	
66	5001852	NUT HEX M8-1.25 SS BK	2	2	2	
67	500035	WASHER LO SPT .317x.586x.078 SS	2	2	2	
70	329671	DECAL BLACK	1	1	1	



DESTINATION SIGN - "POCATEC"



From 7-0671 To E-2471	Date:10/2022	PAGE:H7-1814-00
<b>DESTINATION SIGN - "POCATEC"</b>		

Item#	Part	Description	H 3 4 1	H 3 4 5	V I P 4 5	N O T E S
	940050	FRONT DESTINATION SIGN "POCATEC"	1	1		
1	830162	. FLUORESCENT SOCKET NON RETRACTABLE	2	2		
2	830163	. FLUORESCENT SOCKET RETRACTABLE	2	2		
3	830161	. TUBE / 30WATT / F30T12/CW/RS -36"/G13MED BIPIN	2	2		
4	940052	. BALLAST	1	1		
5	940044	. CONTROL BOARD	1	1		
NS	562309	. . FUSE / 2 AMPS / 2A	1	1		
6	940045	. REAR CD DISPLAY	1	1		
7	N.S.P.	. SERIAL LINK CONNECTOR / (205203-1)	1	1		2
7	N.S.P.	. SOCKET, SERIAL LINK CONNECTOR CONTACT / (5-66504-9)	AR	AR		2
8	940046	. ROUTE SELECTOR BUTTON	2	2		
9	N.S.P.	. CONNECTOR / CPC SERIES 1 / PH 9C / AMP 206705-1	1	1		2
9	N.S.P.	. PIN, SIGN CONNECTOR CONTACT / (66361-2)	AR	AR		2
10	940047	. FRONT LEXAN WINDOW	3	3		
11	940048	. 4 CHARACTERS GLASS ASSY	3	3		
12	940053	. INTERFACE BOARD	1	1		
20	440302	SUPPORT STREET SIDE / W/"POCATEC"	1	1		
20	440333	SUPPORT STREET SIDE / W/"POCATEC"	1	1		A
20	446668	SUPPORT STREET SIDE / W/"POCATEC" W/LEDS	1	1		
21	440367	SUPPORT CURBSIDE / W/"POCATEC"	1	1		
21	446667	SUPPORT CURBSIDE / W/"POCATEC" W/LEDS	1	1		
22	500873	SCREW MA RND PH #8-32x3/4 SS BK	6	6		
NS	500163	SCREW CAP HEX 1/4-20x3/4 G5 Z050	2	2		
23	500440	WASHER FL .250x.562x.065 Z050	2	2		
NS	500478	WASHER LO SPT .380x.683x.094 Z050	2	2		
24	440366	SUPPORT CURBSIDE	1	1		
24	440334	SUPPORT CURBSIDE / W/"POCATEC"	1	1		A
25	500333	SCREW TP OV PH #6x3/4 BK	6	6		
NS	500345	WASHER FN CKF .187x.500x.090 BR BK	6	6		
NS	440308	COVER / W/DIGITAL	1	1		
NS	940051	CABLE ADAPTOR / INTERFACE / W/CD PC TO DESTINATION SING	1	1		
		FOLLOWING ITEMS ARE RELATED WITH				
		RH SIDE WINDOW DESTINATION SIGN				
NS	440304	SUPPORT R.H. / W/"POCATEC"	1	1		
NS	440317	SUPPORT FRONT L.H.	1	1		
NS	440318	SUPPORT FRONT R.H.	1	1		
NS	440319	SUPPORT SIDE	1	1		
NS	440320	PLATE SIDE	1	1		
NS	483941	WEATHERSTRIP RUBBER / ADH / RAW MATERIAL To A-1558	AR	AR		
NS	485610	WEATHERSTRIP RUBBER / ADH / RAW MATERIAL From A-1559	AR	AR		



From 7-0671 To E-2471	Date:10/2022	PAGE:H7-1814-00
<b>DESTINATION SIGN - "POCATEC"</b>		

Item#	Part	Description	H 3 4 1	H 3 4 5	V I P 4 5	N O T E S
NS	064358	CABLE ASSY / SIDE DESTINATION SIGN	1	1		
NS	506235	TAPE RUB ADH1 PVC.NITRIL 1/2" x 1" x 15' / BLACK 1210	AR	AR		
		A) WITH DESTINATION SIGN ON STREETSIDE - INSTALLATION				
		2) NOT SOLD BY PREVOST (SEE MANUFACTURING PART NUMBER AT END OF DESCRIPTION LINE)				

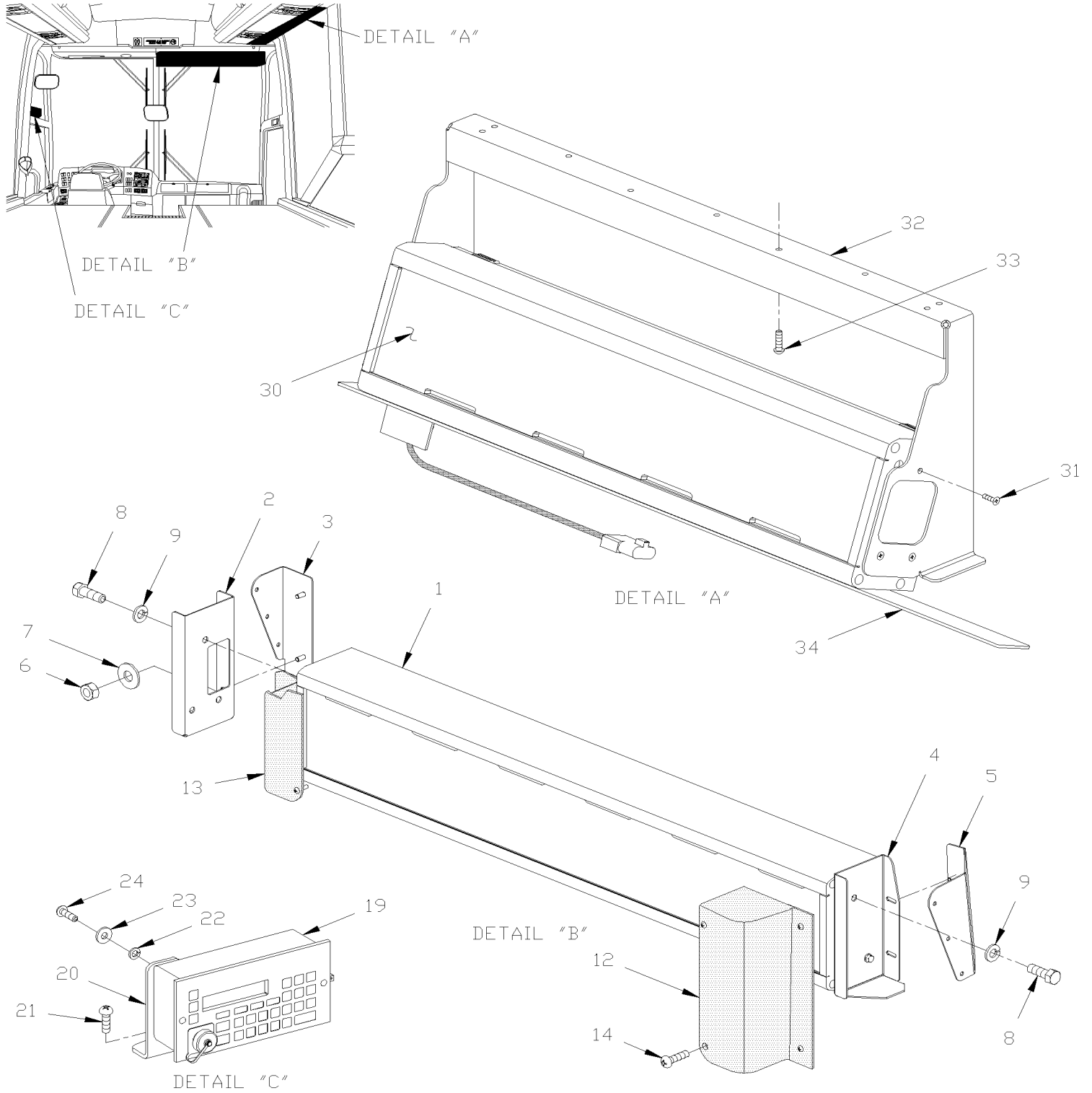


From 7-0671 To J-0184

Date:10/2022

PAGE:H7-1814-01

## DESTINATION SIGN - "BALIOS"



From 7-0671 To J-0184	Date:10/2022	PAGE:H7-1814-01
<b>DESTINATION SIGN - "BALIOS"</b>		

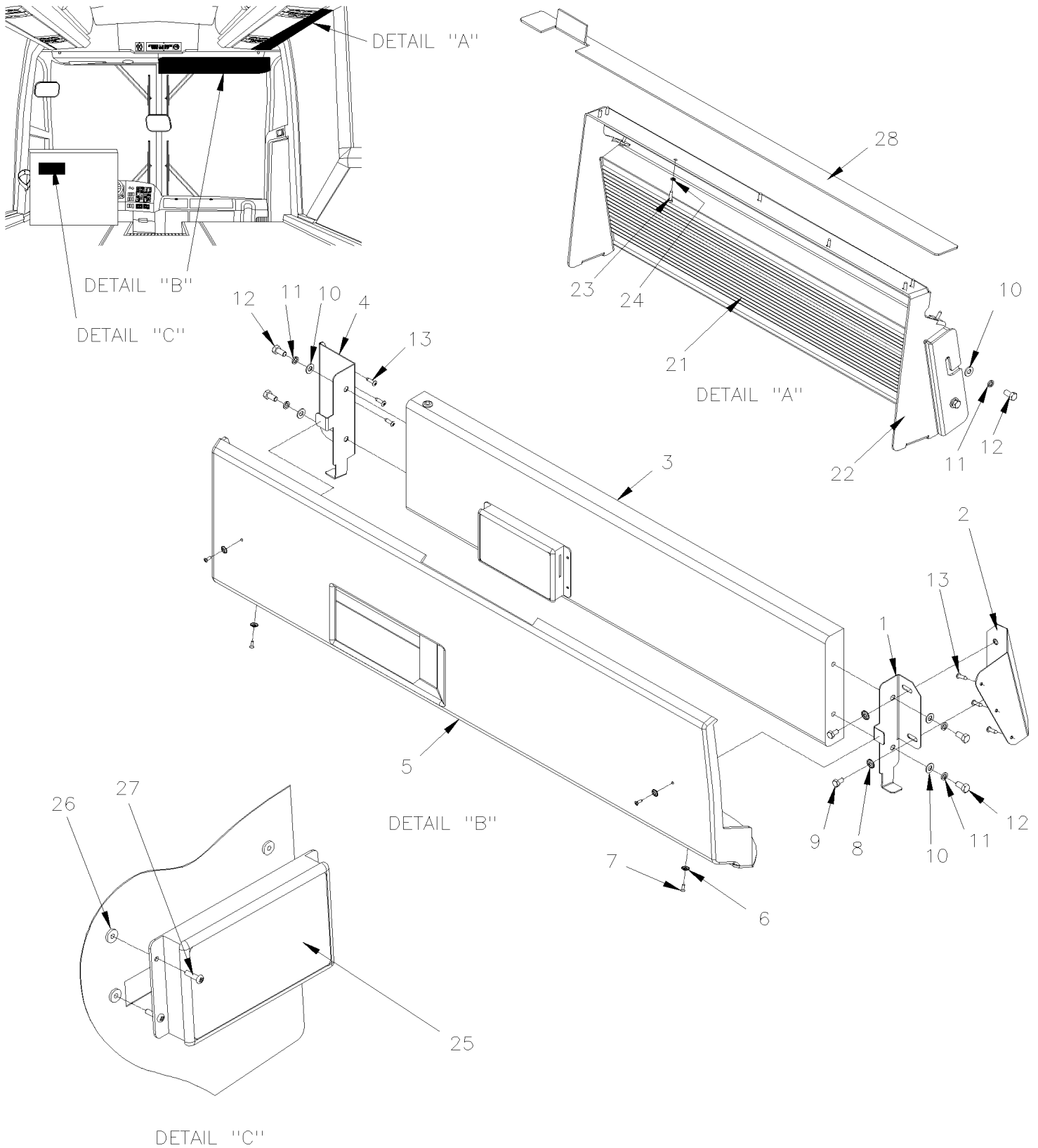
Item#	Part	Description	H 3 4 1	H 3 4 5	V I P 4 5	N O T E S
1	940067	DESTINATION SIGN / FRONT	1	1		
2	447293	SUPPORT FRONT DESTINATION SIGN	1	1		
3	447292	SUPPORT FRONT DESTINATION SIGN	1	1		
4	447295	SUPPORT FRONT DESTINATION SIGN	1	1		
5	447294	SUPPORT FRONT DESTINATION SIGN	1	1		
6	502511	NUT HEX NYRT M6-1.0 Z050	4	4		
7	500411	WASHER FL .260x.697x.050 SS	4	4		
8	500163	SCREW CAP HEX 1/4-20x3/4 G5 Z050	6	6		
9	500473	WASHER LO SPT .262x.489x.062 Z050	6	6		
12	447297	COVER DESTINATION SIGN RH	1	1		
13	447296	COVER DESTINATION SIGN LH	1	1		
14	500283	SCREW TC TR PH #10-24x3/4 SS	6	6		
19	940066	CONSOL CONTROL / DESTINATION SIGN	1	1		
20	447298	SUPPORT / CONSOL CONTROL	1	1		
21	500414	SCREW TP BDG PH #10x3/4 SS	3	3		
22	500148	SCREW MA RND PH #6-32x1/2 SS	4	4		
23	500581	WASHER LO SPT .141x.250x.031 SS	4	4		
24	502556	WASHER FL 4.3x9.0x0.8 SS	4	4		
NS	940069	CABLE / CONSOL CONTROL	1	1		
NS	940070	CABLE / SIDE SIGN	1	1		
30	940068	DESTINATION SIGN / SIDE	1	1		
31	500346	SCREW MA FL PH 1/4-20x1 SS BK	6	6		
32	447291	SUPPORT SIDE DESTINATION SIGN	1	1		
33	500658	SCREW TC PAN PH #10-24x3/4 Z050	9	9		
34	271737	SUPPORT SIDE DESTINATION SIGN	1	1		

From 7-0671 To J-0184

Date:10/2022

PAGE:H7-1814-02

## DESTINATION SIGN - "AESYS"

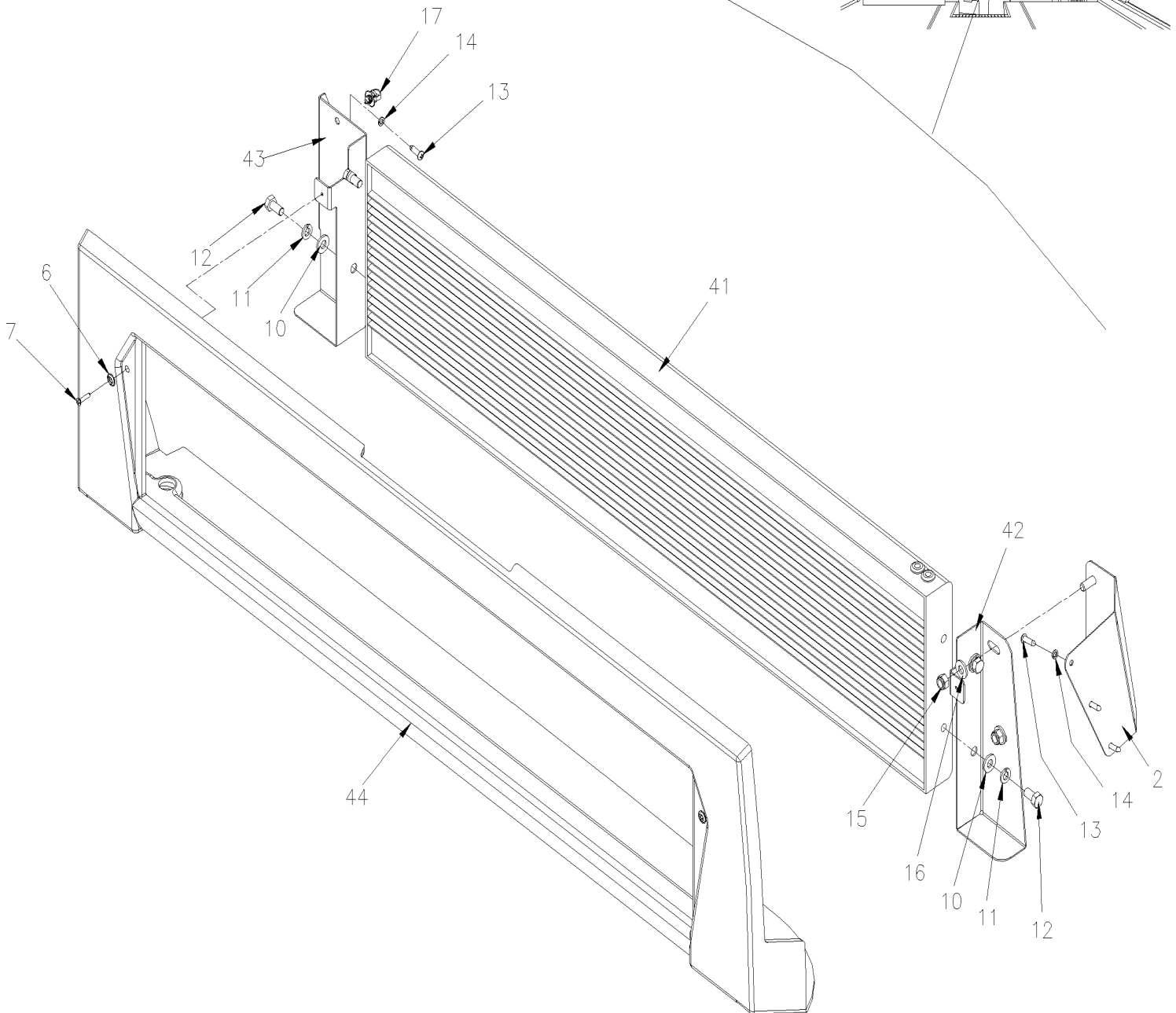
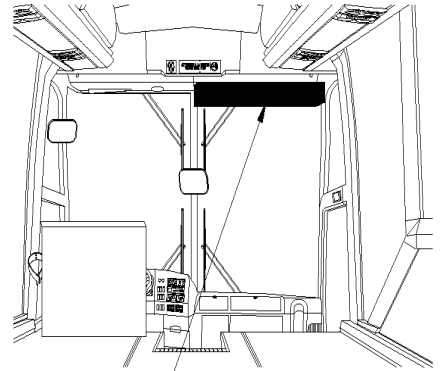


From 7-0671 To J-0184

Date:10/2022

PAGE:H7-1814-02

## DESTINATION SIGN - "AESYS"



From 7-0671 To J-0184	Date:10/2022	PAGE:H7-1814-02
<b>DESTINATION SIGN - "AESYS"</b>		

Item#	Part	Description	H 3 4 1	H 3 4 5	V I P 4 5	N O T E S
1	440377	SUPPORT STREET SIDE	1	1		
2	440366	SUPPORT CURBSIDE	1	1		
3	940076	FRONT DESTINATION SIGN "AESYS" WITH TWO SIGN OR MORE	1	1		
3	940134	FRONT DESTINATION SIGN "AESYS" WHITE LED W/EMERGENCY	1	1		
3	901568	CABLE ASSY, EMERGENCY W/SPLITTER / 25'	1	1		
4	440376	SUPPORT CURBSIDE	1	1		
5	440378	COVER / "AESYS" SIGN To 8-1135	1	1		
5	447301	COVER / "AESYS" SIGN From 8-1136	1	1		
NS	5061020	TAPE RUB ADH1 CC POL 1/32" x 1/2" x 50' / BLACK H1C-N	AR	AR		B
6	500581	WASHER LO SPT .141x.250x.031 SS	4	4		
7	500576	SCREW TC PAN PH #6-32x1/2 Z050	4	4		
8	500356	WASHER LO SERR 6.1x16.0x0.9 N500	2	2		
9	502772	SCREW CAP HEX 1/4-20x1/2 G5 N500	2	2		
10	192288	WASHER FL 8.4x18.0x2.0 ZG603	4	4		
11	502889	WASHER LO SPT 8.1x12.7x2.0 N500	4	4		
12	500820	SCREW CAP HEX M8-1.25x16 G10.9 N500	4	4		
13	500957	SCREW TP BDG PH #10x3/4 N500	6	6		
14	500914	WASHER LO SPT .193x.334x.047 N500	6	6		
15	502847	NUT HEX NYRT M8-1.25 N500	2	2		
16	5001736	WASHER FL 8.4x18.0x2.0 N500	2	2		
17	8631155	CABLE TIE / 4.6MM x 200 / CHRISMAS TREE	2	2		
21	940074	SIDE DESTINATION SIGN "AESYS" To A-1594	1	1		
21	940087	SIDE DESTINATION SIGN "AESYS" From A-1595	1	1		
21	940192	SIDE DESTINATION SIGN "AESYS" / WHITE LED	1	1		
22	440379	SUPPORT SIDE DESTINATION SIGN	1	1		
23	500923	SCREW TC CAP HEX 1/4-20x3/4 Z050	9	9		
NS	440383	DEFLECTOR SIDE DESTINATION SIGN BLACK PAINTED	1	1		
23	500581	WASHER LO SPT .141x.250x.031 SS	4	4		
23	500576	SCREW TC PAN PH #6-32x1/2 Z050	4	4		
24	500914	WASHER LO SPT .193x.334x.047 N500	9	9		
25	<b>940075</b>	<b>CONSOL CONTROL / DESTINATION SIGN To D-2161</b>	1	1		
25	<b>940102</b>	<b>CONSOL CONTROL / DESTINATION SIGN From D-2162</b>	1	1		
26	500589	NUT WELL M4-0.7x13.5	4	4		
27	502698	SCREW MA PAN PH M4-0.7x16 SS BK	1	1		
28	271737	SUPPORT SIDE DESTINATION SIGN	1	1		A
30	067533	CABLE ASSY W/FRONT DESTINATION 9KC640) To A-1594	1	1		
30	068099	CABLE ASSY W/FRONT DESTINATION W/CONTROL ON WALL From A-1595	1	1		
30	067534	CABLE ASSY W/SIDE DESTINATION ONLY To A-1594	1	1		
30	068100	CABLE ASSY W/SIDE DESTINATION ONLY From A-1595	1	1		
NS	940078	KIT PROGRAMMATION "AESYS" DESTINATION SIGN	AR	AR		
. NS	940157	. PORT SMART MEDIA CARD HOLDER KIT	1	1		
41	940101	FRONT DESTINATION SIGN "AESYS" W/O CONTROL	1	1		C

From 7-0671 To J-0184	Date:10/2022	PAGE:H7-1814-02
<b>DESTINATION SIGN - "AESYS"</b>		

Item#	Part	Description	H 3 4 1	H 3 4 5	V I P 4 5	N O T E S
42	440428	SUPPORT STREET SIDE	1	1		C
43	440427	SUPPORT CURBSIDE	1	1		C
44	440429	COVER / "AESYS" SIGN	1	1		C
		A) FIXED UNDER PARCEL RACK				
		B) INSIDE OF PANEL ITEM #5				
		C) USE WITH INSIDE DESTINATION SIGN / OPTION RED ARROW				
		U) UNDER CONSTRUCTION				

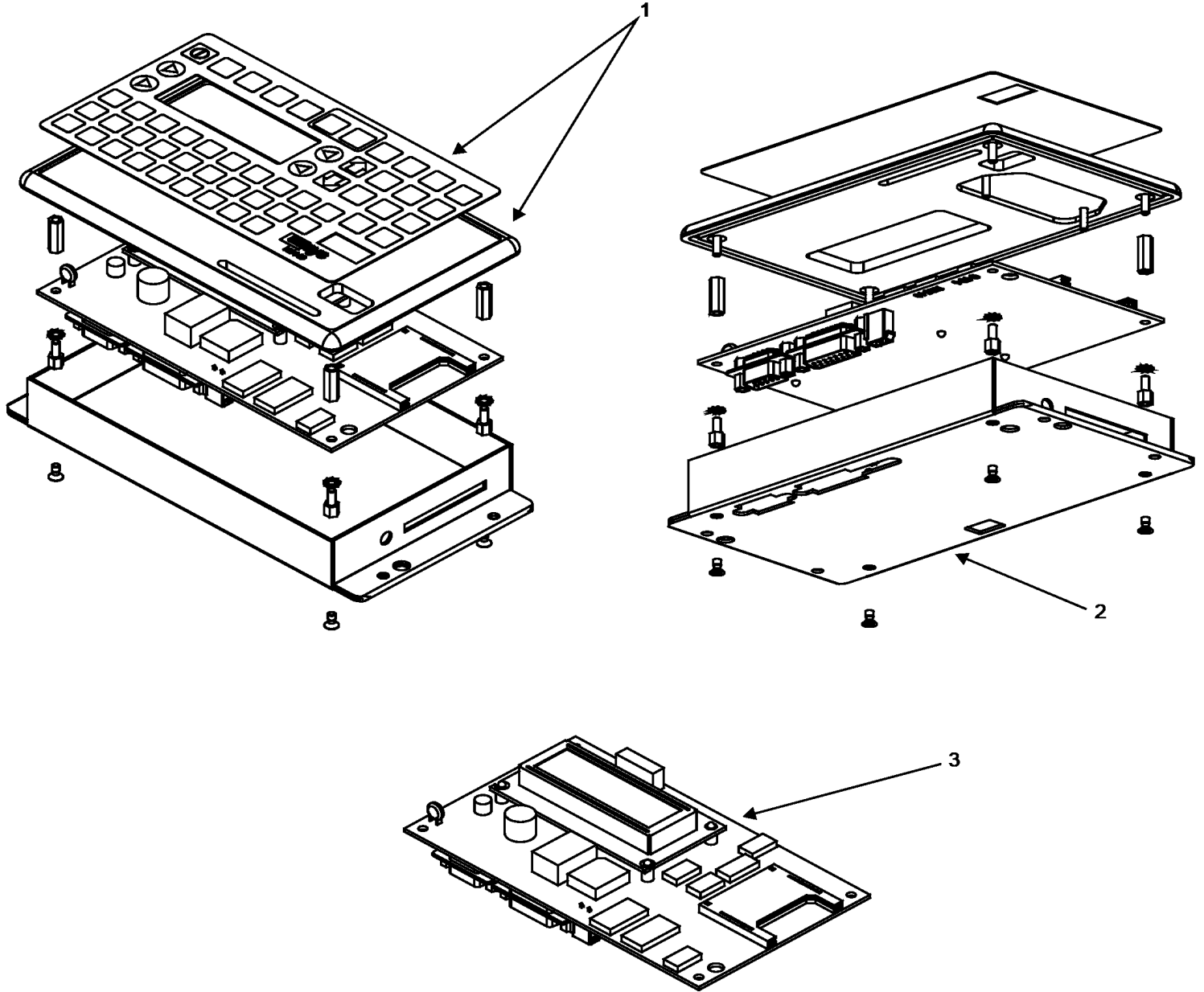


From 7-0671 To J-0184

Date:10/2022

PAGE:940075

## CONSOL CONTROL / DESTINATION SIGN



From 7-0671 To J-0184	Date:10/2022	PAGE:940075
-----------------------	--------------	-------------

**CONSOL CONTROL / DESTINATION SIGN**

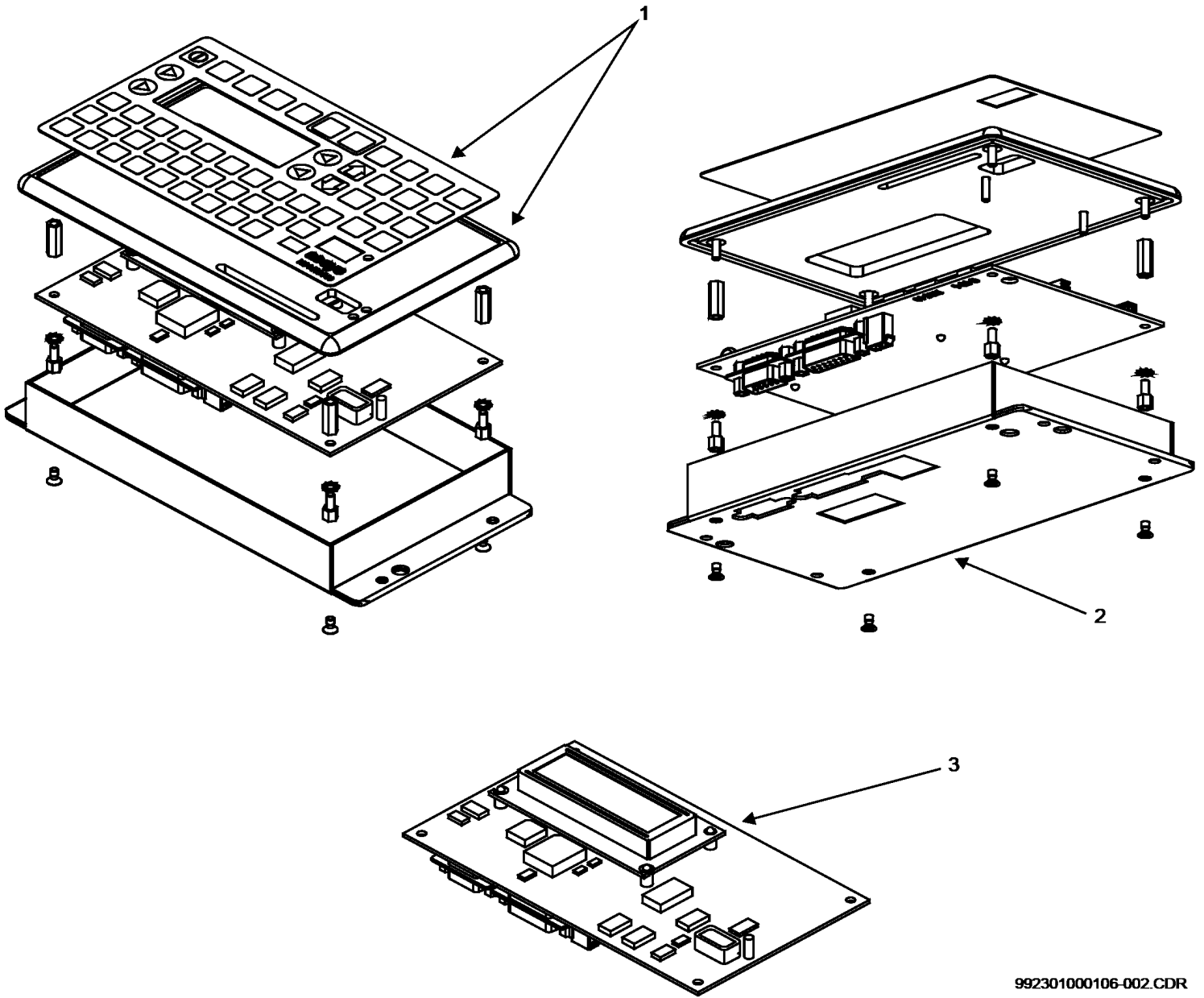
Item#	Part	Description	H 3 4 1	H 3 4 5	V I P 4 5	N O T E S
1	Call order desk	KEYBOARD MEMBRANE KC640	AR	AR	AR	P
1	Call order desk	FRONT PANEL GPS KC640	AR	AR	AR	P
2	Call order desk	MAIN HOUSING KC640	AR	AR	AR	P
3	Call order desk	PRINTED CIRCUIT BOARD FOR KC640/KC640 J1708	AR	AR	AR	P
		P) CALL ORDER DESK FOR SPECIFIC APPLICATION (V.I.N.)				

From 7-0671 To J-0184

Date:10/2022

PAGE:940102

CONSOL CONTROL / DESTINATION SIGN



From 7-0671 To J-0184	Date:10/2022	PAGE:940102
-----------------------	--------------	-------------

**CONSOL CONTROL / DESTINATION SIGN**

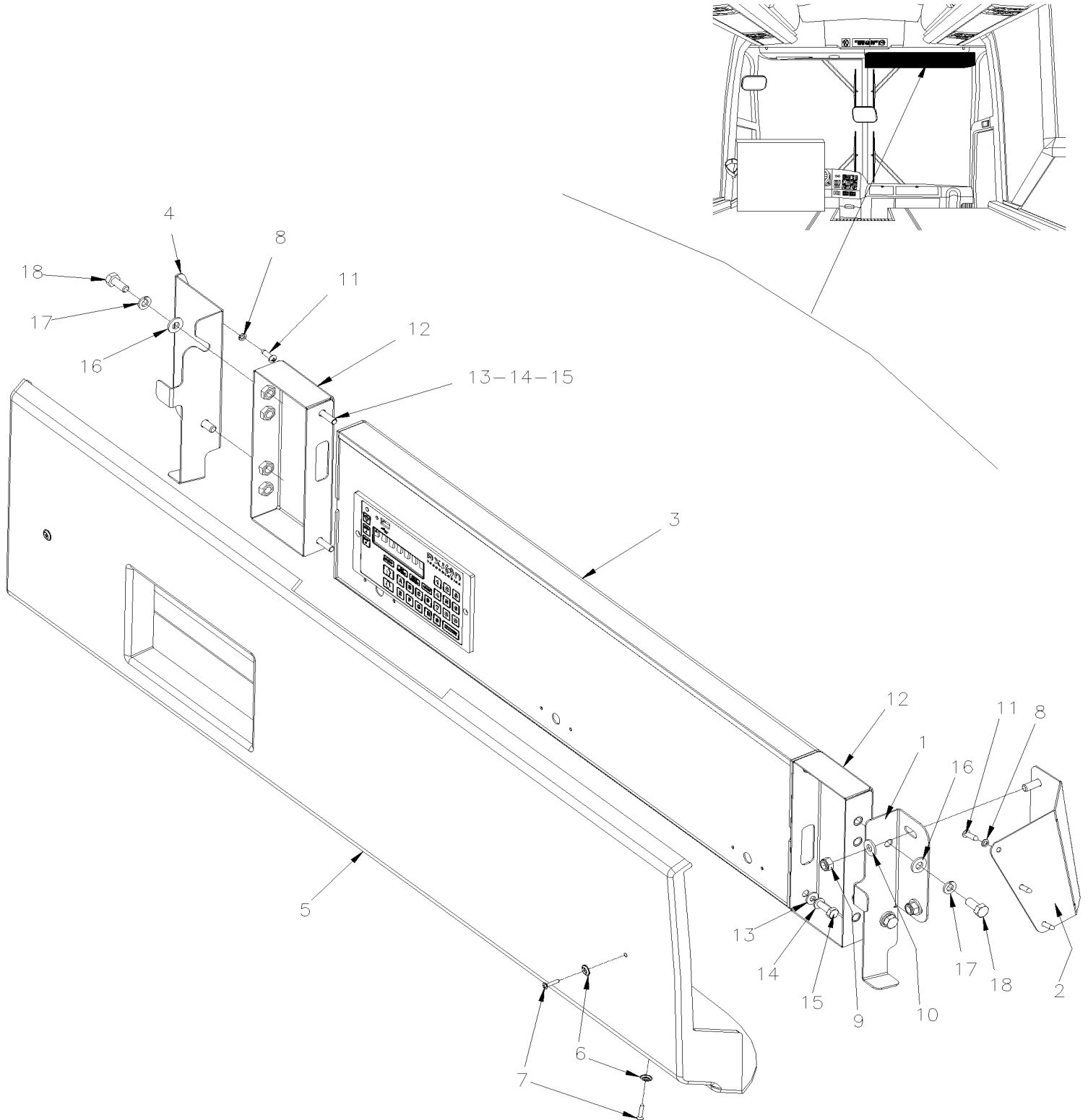
Item#	Part	Description	H 3 4 1	H 3 4 5	V I P 4 5	N O T E S
1	940176	KEYBOARD MEMBRANE KC640 USB	1	1	1	
1	Call order desk	FRONT PANEL GPS KC640 USB	1	1	1	P
2	Call order desk	MAIN HOUSING	1	1	1	P
3	Call order desk	PRINTED CIRCUIT BOARD FOR KC640/KC640 J1708	1	1	1	P
		P) CALL ORDER DESK FOR SPECIFIC APPLICATION (V.I.N.)				

From 7-0671 To J-0184

Date:10/2022

PAGE:H7-1814-03

## DESTINATION SIGN - "AXION"



From 7-0671 To J-0184	Date:10/2022	PAGE:H7-1814-03
<b>DESTINATION SIGN - "AXION"</b>		

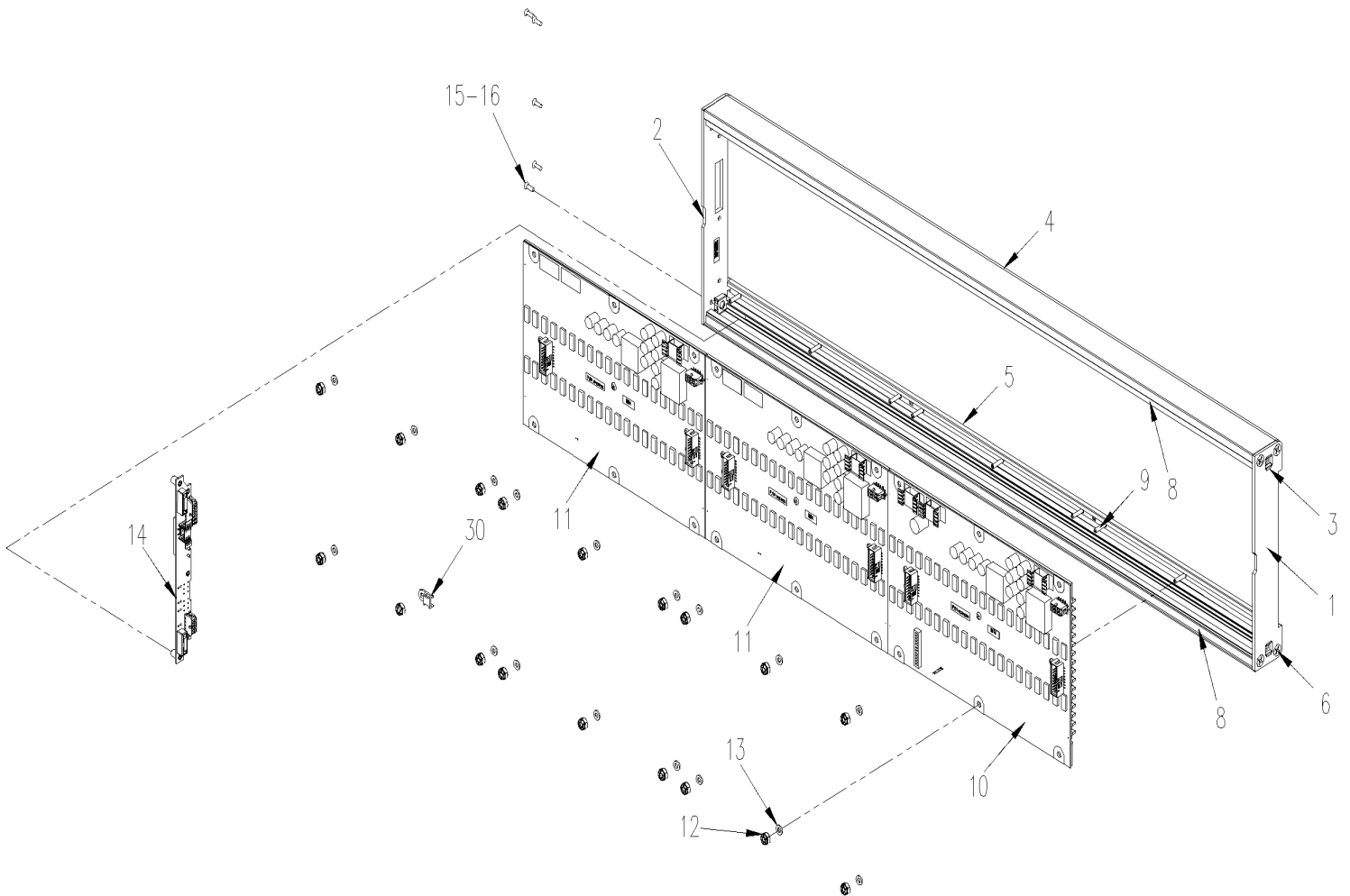
Item#	Part	Description	H 3 4 1	H 3 4 5	V I P 4 5	N O T E S
1	440377	SUPPORT STREET SIDE	1	1	1	
2	440366	SUPPORT CURBSIDE	1	1	1	
3	<b>940103</b>	<b>FRONT DESTINATION SIGN "AXION" 7.66"x30.28"</b>	1	1	1	
4	440376	SUPPORT CURBSIDE	1	1	1	
5	446165	COVER / "AXION" SIGN	1	1	1	
6	500463	WASHER FN CKF .187x.500x.090 BR Z050	4	4	4	
7	500552	SCREW TP OV PH #6x3/4 Z050	4	4	4	
8	500914	WASHER LO SPT .193x.334x.047 N500	6	6	6	
9	502847	NUT HEX NYRT M8-1.25 N500	2	2	2	
10	5001736	WASHER FL 8.4x18.0x2.0 N500	2	2	2	
11	500957	SCREW TP BDG PH #10x3/4 N500	6	6	6	
12	446166	EXTENSION, SIGN "AXION"	2	2	2	
13	500877	WASHER FL .250x.562x.065 N500	4	4	4	
14	5001749	WASHER LO SPT 6.5x11.5x1.6 N500	4	4	4	
15	500171	SCREW CAP HEX 1/4-20x1 G5 N500	4	4	4	
16	5001736	WASHER FL 8.4x18.0x2.0 N500	4	4	4	
17	500942	WASHER LO SPT 8.1x14.8x2.0 N500	4	4	4	
18	502862	SCREW CAP HEX M8-1.25x20 G8.8 N500	4	4	4	

From 7-0671 To J-0184

Date:10/2022

PAGE:940103

FRONT DESTINATION SIGN "AXION" 7.66"x30.28"

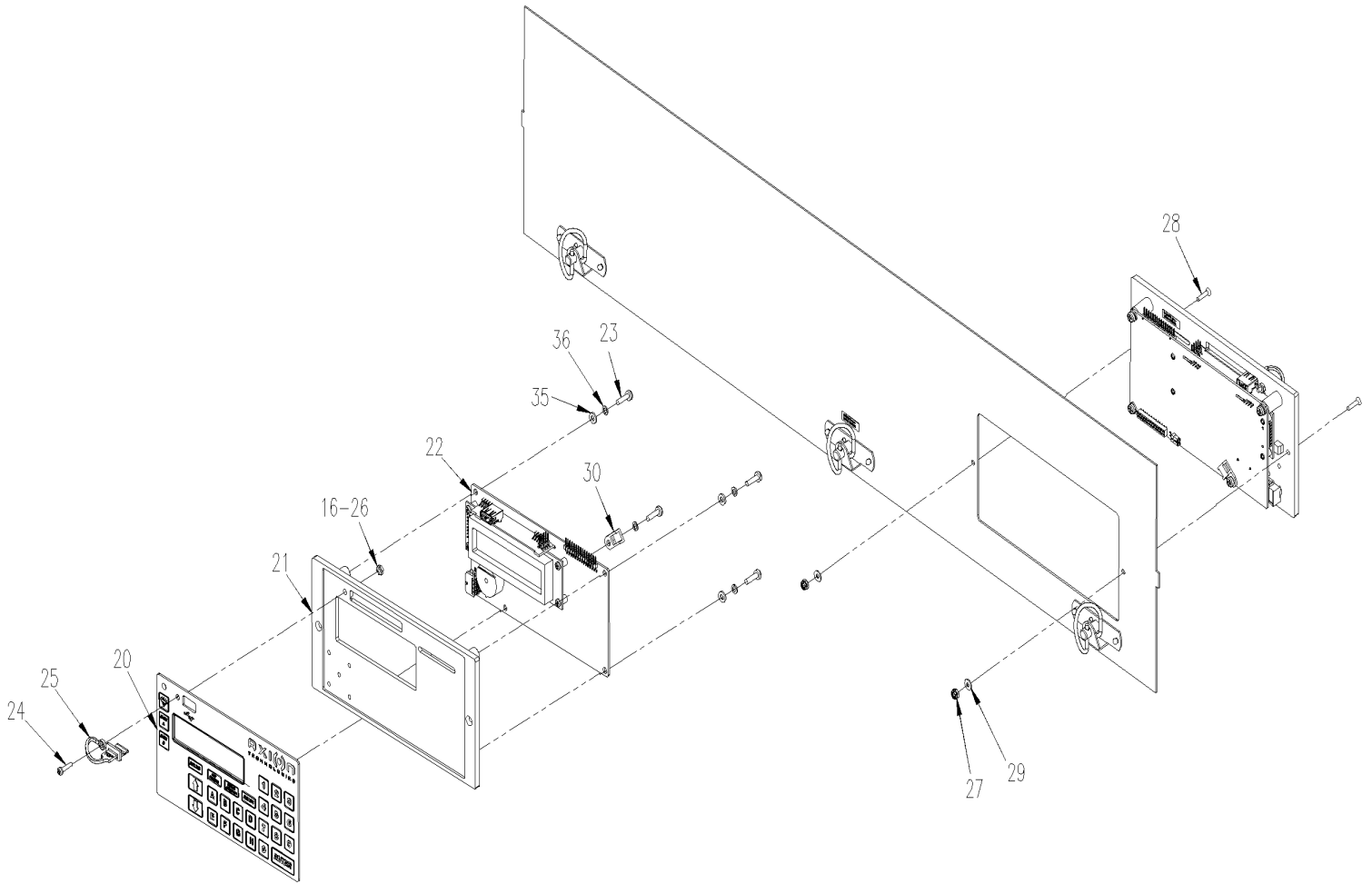


From 7-0671 To J-0184

Date:10/2022

PAGE:940103

## FRONT DESTINATION SIGN "AXION" 7.66"x30.28"



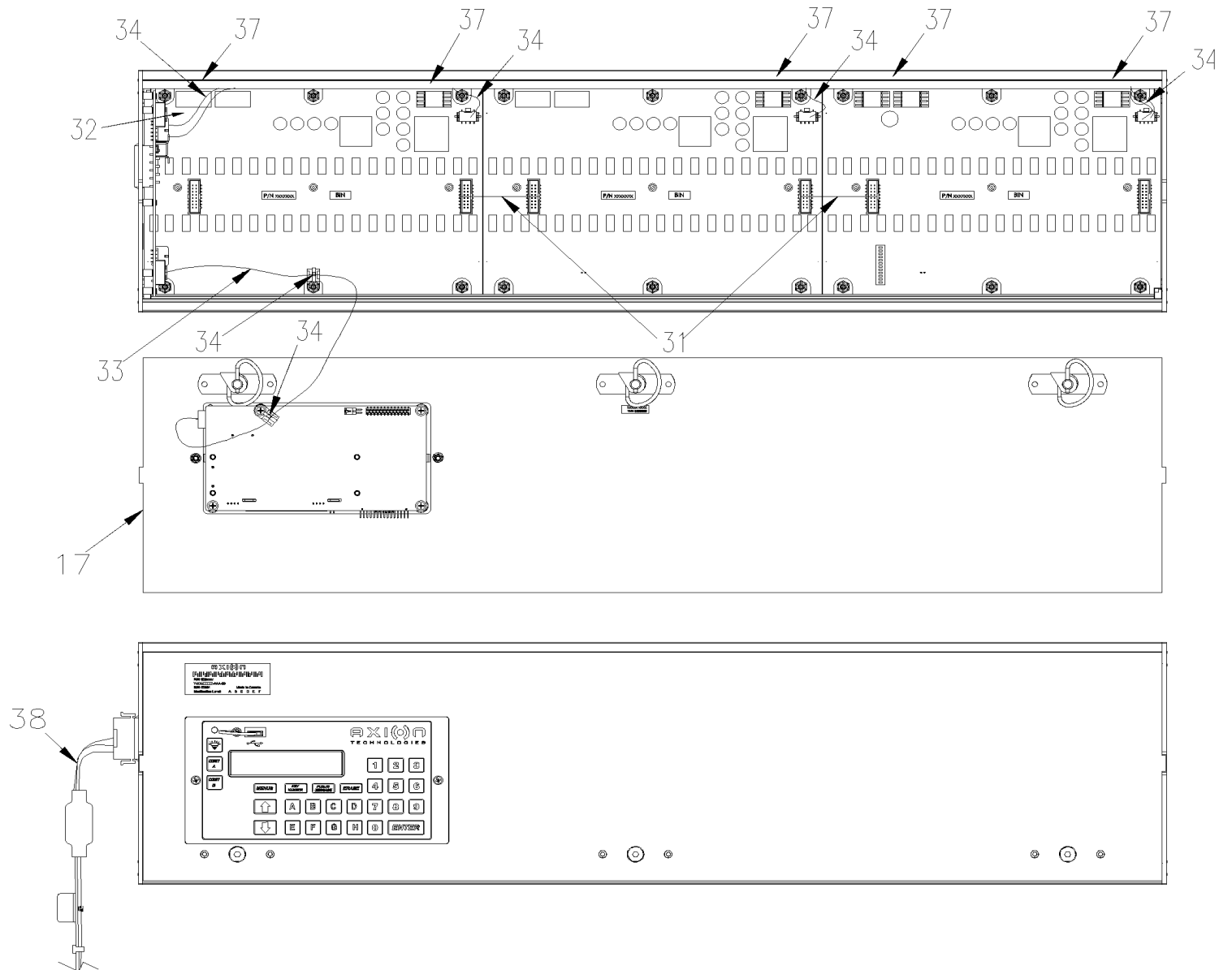


From 7-0671 To J-0184

Date:10/2022

PAGE:940103

FRONT DESTINATION SIGN "AXION" 7.66"x30.28"



From 7-0671 To J-0184	Date:10/2022	PAGE:940103
<b>FRONT DESTINATION SIGN "AXION" 7.66"x30.28"</b>		

Item#	Part	Description	H 3 4 1	H 3 4 5	V I P 4 5	N O T E S
	941083	CASING ASS	1	1	1	A
1	941027	SIDE PLATE LH 5"	1	1	1	
2	941087	SIDE PLATE RH 5"	1	1	1	
3	N.S.S.	NUT RETAINERS 1/4-20 ZP	4	4	4	1
4	941088	FRONT UPPER CASING 16x120	1	1	1	
5	941089	FRONT LOWER CASING 16x120	1	1	1	
6	N.S.S.	SCREW MA FL PH 10 1-1/4 ZP	8	8	8	1
8	N.S.S.	GASKET NEOPRENE 1/4x1/16 EP.	AR	AR	AR	1
9	941067	STUD 16x40	6	6	6	
10	941085	LED-DRIVER-PS-CPU BOARD	1	1	1	
11	941086	LED-DRIVER-PS BOARD	2	2	2	
12	Call order desk	NUT HEX NYRT #6-32 ZP	18	18	18	P
13	Call order desk	WASHER FL #6x5/16x3/64 NYL	17	17	17	P
14	941072	JUNCTION CARD 9-36V	1	1	1	
15	Call order desk	SCREW MA FL PH #4-40x3/8 ZP	5	5	5	P
16	9985283	THREAD LOCKER LOCTITE #242 / BLUE / 250ml	AR	AR	AR	
17	941028	REAR PANEL FRONT DISPLAY 16x120	1	1	1	
18	941053	LATCH SPRING .063-.375	3	3	3	
19	N.S.S.	RIVET POP DOME CLE 1/8x1/16-1/8	6	6	6	1
20	941024	KEYBOARD CONSOLE USB	1	1	1	
21	941041	FRONT PLATE CONSOLE	1	1	1	
22	941071	CARD CONSOLE	1	1	1	
23	Call order desk	SCREW MA FL PH #6-32x1/2 ZP	4	4	4	P
24	Call order desk	SCREW MA FL PH #4-40x1/2 ZP	1	1	1	P
25	941048	DUST CAP TYPE A	1	1	1	
26	Call order desk	NUT HEX #4-40 ZP	1	1	1	P
27	Call order desk	NUT HEX JAM NYRT #4-40 ZP	2	2	2	P
28	Call order desk	SCREW MA PAN PH #4-40x1/2 SS	2	2	2	P
29	Call order desk	WASHER FL #4x.313x.031 ZP	2	2	2	P
30	Call order desk	CABLE HOLD TIE SCR NYL 3/8	2	2	2	P
31	941079	CABLE PLAT DRV-DRV 4"	2	2	2	
32	941077	CABLE FRONT DISPLAY 16x120	1	1	1	
33	941078	CABLE FRONT CONSOLE	1	1	1	
34	941056	TIE MOUNT 3.9 BLACK	6	6	6	
35	Call order desk	WASHER FL #6x5/16x3/64 NYL	3	3	3	P
36	Call order desk	WASHER LO SPT #6	4	4	4	P
37	Call order desk	TIE MOUNT 5/16 NYL WHITE	5	5	5	P
38	941074	CABLE POWER SUPPLY 12"	1	1	1	
		A) INCLUDE 1,2,3,4,5,6,7,8,9,17,18 & 19				

From 7-0671 To J-0184	Date:10/2022	PAGE:940103
-----------------------	--------------	-------------

**FRONT DESTINATION SIGN "AXION" 7.66"x30.28"**

Item#	Part	Description	H 3 4 1	H 3 4 5	V I P 4 5	N O T E S
		1) NOT SOLD SEPARATELY				
		P) CALL ORDER DESK FOR SPECIFIC APPLICATION (V.I.N.)				

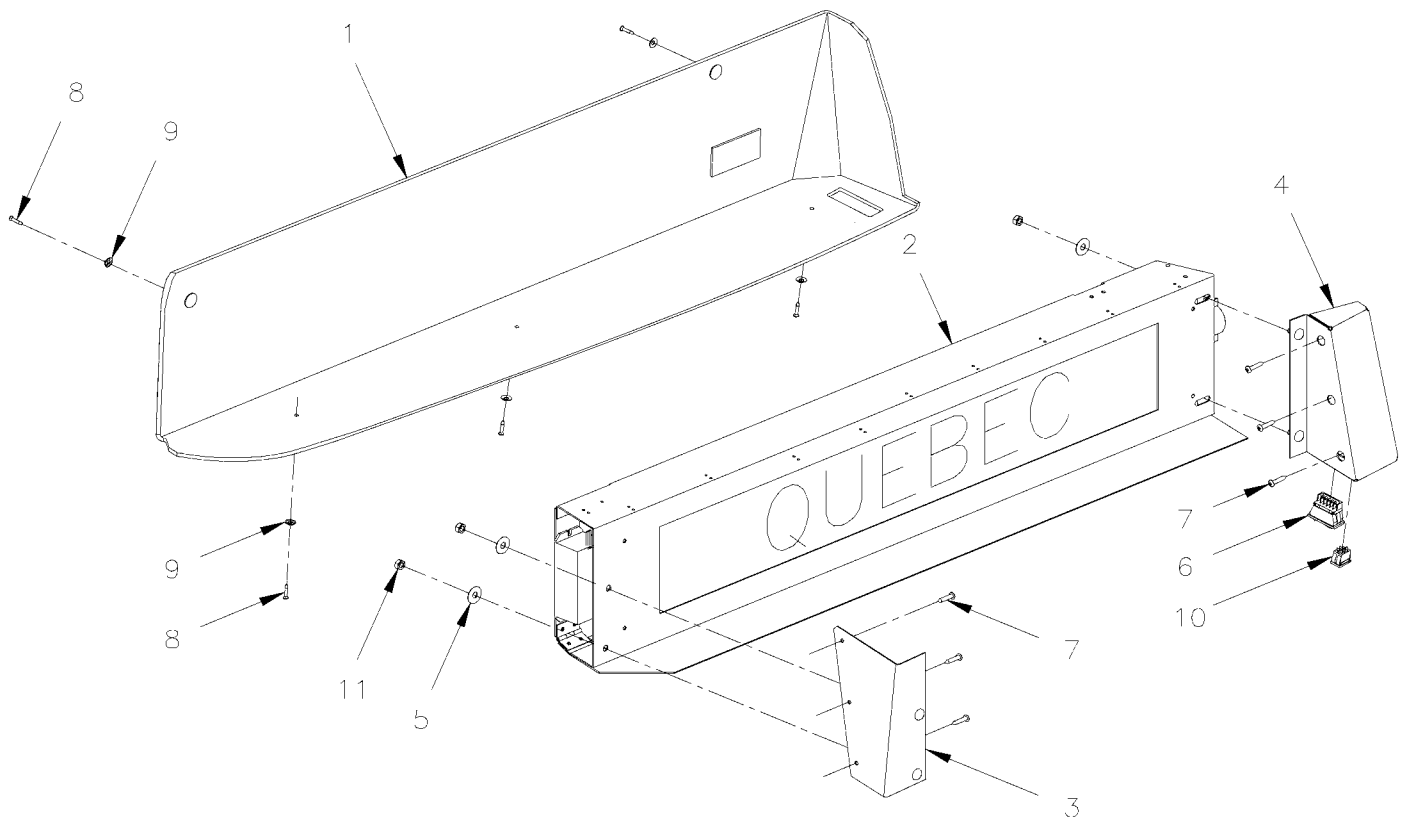
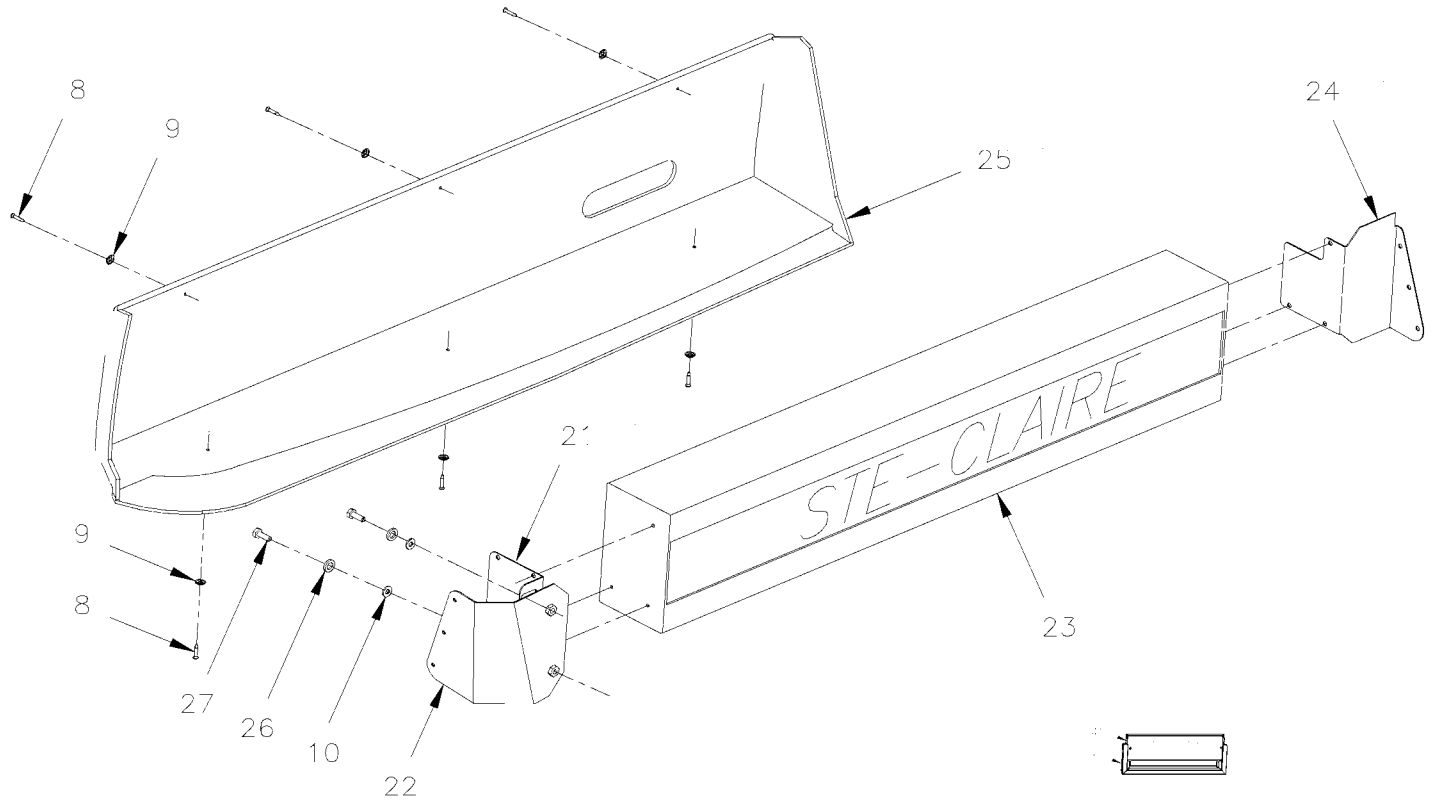


From 7-0671 To E-2471

Date:10/2022

PAGE:H7-1814-05

## DESTINATION SIGN - INSTALLATION



From 7-0671 To E-2471	Date:10/2022	PAGE:H7-1814-05
<b>DESTINATION SIGN - INSTALLATION</b>		

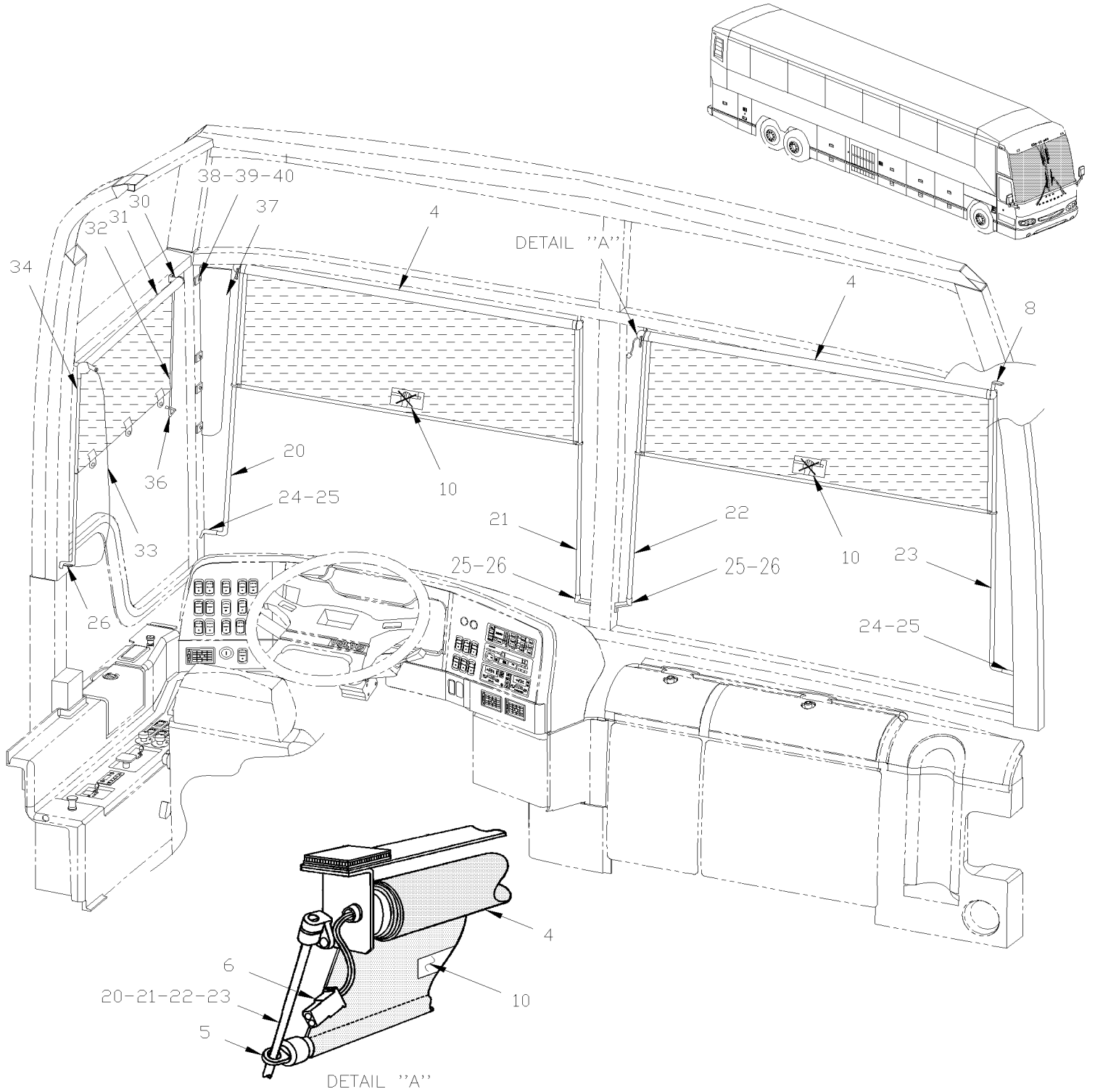
Item#	Part	Description	H 3 4 1	H 3 4 5	V I P 4 5	N O T E S
8	500626	SCREW TP OV PH #8x3/4 Z050	5	5		
9	500463	WASHER FN CKF .187x.500x.090 BR Z050	5	5		
11	500769	NUT HEX 1/4-20 Z050	4	4		
18	504264	GROMMET / .750x1.250x.062x.250x1.625	1	1		
21	440367	SUPPORT CURBSIDE / W/"POCATEC"	1	1		
21	446667	SUPPORT CURBSIDE / W/"POCATEC" W/LEDS	1	1		
22	440366	SUPPORT CURBSIDE	1	1		
23	<b>H7-1814-00</b>	<b>DESTINATION SIGN - "POCATEC"</b>				
24	440302	SUPPORT STREET SIDE / W/"POCATEC"	1	1		
24	446668	SUPPORT STREET SIDE / W/"POCATEC" W/LEDS	1	1		
25	440335	COVER / W/DIGITAL	1	1		B
25	440325	COVER / W/DIGITAL To 8-1135	1	1		
25	447302	COVER / W/DIGITAL From 8-1136	1	1		
25	447299	COVER / W/DIGITAL W/LEDS To 8-1135	1	1		
25	447300	COVER / W/DIGITAL W/LEDS From 8-1136	1	1		
26	502582	WASHER LO SERR 6.1x16.2x0.9 Z050	2	2		
27	500163	SCREW CAP HEX 1/4-20x3/4 G5 Z050	2	2		
31	440377	SUPPORT STREET SIDE	1	1		
33	940073	FRONT DESTINATION SIGN "AESYS" WITH ONE SIGN ONLY	1	1		
34	440376	SUPPORT CURBSIDE	1	1		
35	440378	COVER / "AESYS" SIGN To 8-1135	1	1		
35	447301	COVER / "AESYS" SIGN From 8-1136	1	1		
NS	400638	MOULDING / 11" / "U" SHAPE DRIVER'S NAME HO	1	1		
NS	400636	PLATE / STAMPED "NOM DU CONDUCTEUR"	1	1		
NS	400637	PLATE / STAMPED "DRIVER'S NAME" / REAR	1	1		
NS	400601	. PLATE (BLANK) / FOR DRIVER'S NAME / SPECIFY NAME	1	1		
		B) WITH DESTINATION SIGN ON L.H. INSTALLATION				
		U) UNDER CONSTRUCTION				

From 7-0671 To J-0287

Date:10/2022

PAGE:H7-1816-00

ROLLER BLIND - DRIVER' S & WINDSHIELD



<b>From 7-0671 To J-0287</b>	<b>Date:10/2022</b>	<b>PAGE:H7-1816-00</b>
<b>ROLLER BLIND - DRIVER' S &amp; WINDSHIELD</b>		

Item#	Part	Description	H 3 4 1	H 3 4 5	V I P 4 5	N O T E S
4	901121	ROLLER BLIND ASSY / ELECTRIC To C-1967	2	2	2	
4	408404	ROLLER BLIND / ELECTRIC / PRODUCT IMPROVMENT To C-1967	1	1	1	
. NS	901532	. ROLLER BLIND ASSY / ELECTRIC To C-1967	2	2	2	
4	901375	ROLLER BLIND ASSY / ELECTRIC From C-1968 To F-2781	2	2	2	
4	901532	ROLLER BLIND ASSY / ELECTRIC From F-2782 To G-3266	2	2	2	
4	900043	ROLLER BLIND ASSY / ELECTRIC From G-3267	2	2	2	
5	900597	. GUIDING PLUG / EACH END OF BLIND To C-1967	2	2	2	
5	901048	. KIT BRACKET L.H. & R.H. To C-1967	1	1	1	
NS	900591	BLIND MATERIAL TISSUS / 1000MM WIDE / C.T.L.	AR	AR	AR	
6	560898	CONNECTOR / COM. MATE-N-LOCK / SH 2C / AMP 1-480318-0	1	1	1	
6	560854	SOCKET TERMINAL / 24-18 / AMP 60617-1	2	2	2	
8	500879	SCREW TP PAN PH #10x1 Z050	AR	AR	AR	
8	500964	WASHER FL .203x.500x.047 Z050	AR	AR	AR	
8	500950	WASHER FL .187x.625x.094 RUB	AR	AR	AR	
10	402952	. DECAL	1	1	1	
NS	562169	DIODE / 1AMP	AR	AR	AR	
20	404618	ROD GUIDE / L.H.	1	1		
20	403568	ROD GUIDE / L.H.			1	
NS	404643	ROD FRONT / W/BACK-UP MONITOR / 250MM X 32MM To 8-1142	1	1		
20	406109	ROD FRONT / W/BACK-UP MONITOR / 389MM x 40MM From 8-1143	1	1		
NS	404619	ROD SUPPORT / W/MONITOR BACK-UP To 8-1142	1	1		
21	407510	ROD GUIDE / R.H.	1	1		
21	403567	ROD GUIDE / R.H.			1	
21	404643	ROD FRONT / W/BACK-UP MONITOR / 250MM X 32MM To 8-1142	1	1		
21	406109	ROD FRONT / W/BACK-UP MONITOR / 389MM x 40MM From 8-1143	1	1		
22	407510	ROD GUIDE / L.H.	1	1		
22	406688	ROD GUIDE / L.H. / W/ELECTRONIC	1	1		A
22	403568	ROD GUIDE / L.H.			1	
23	440328	ROD GUIDE / R.H.	1	1		
23	406689	ROD GUIDE / R.H. / W/ELECTRONIC	1	1		A
23	403567	ROD GUIDE / R.H.			1	
24	901263	ROD HOLDER / BLACK / PLASTIC 50MM To E-2566	4	4	4	
24	901445	ROD HOLDER / BLACK / PLASTIC From E-2567 To F-2781	4	4	4	
24	403570	ROD HOLDER / BLACK / STEEL "L" SHAPE From F-2782 To G-3183	4	4	4	
24	401059	ROD HOLDER / BLACK / STEEL "L" SHAPE / 2 HOLES From G-3184	4	4	4	
NS	5001091	SCREW TC PAN PH #4-40x1/4 BK	4	4	4	
25	500409	SCREW TP PAN PH #8x1/2 BK To F-2781	AR	AR	AR	
25	5001155	SCREW TP PAN PH #8X3/4 N050 From F-2782	AR	AR	AR	
26	900476	ROD HOLDER 90° / BLACK PLASTIC 30MM C/L To F-2781	AR	AR	AR	
26	407650	ROD HOLDER / BLACK / PLASTIC "S" SHAPE From F-2782 To G-3183	AR	AR	AR	
26	401060	ROD HOLDER / BLACK / PLASTIC "S" SHAPE / 2 HOLES From G-3184	AR	AR	AR	
30	900478	BEARING HOLDER / R.H. / BLACK CASTING To D-2369	1	1	1	



From 7-0671 To J-0287	Date:10/2022	PAGE:H7-1816-00
<b>ROLLER BLIND - DRIVER' S &amp; WINDSHIELD</b>		

Item#	Part	Description	H 3 4 1	H 3 4 5	V I P 4 5	N O T E S
31	901042	BLIND ROLLER / CHARCOAL / 600MM To D-2369	1	1	1	G
31	901374	BLIND ROLLER / CHARCOAL / 593MM From D-2370	1	1	1	G
. NS	5001999	. SCREW SET HEXS CUP M4-0.7x5 From D-2370	2	2	2	G
. NS	901562	. BRACKET W/O SHAFT & RATCHED LEVER From D-2370	1	1	1	G
. NS	901560	. BRACKET W/SHAFT & RATCHED LEVER From D-2370	1	1	1	G
32	402671	ROD FRONT 695MMM X 96MM	1	1	1	
33	900482	CORD, W/BUTTON / BLACK 1700MM To D-2369	1	1	1	
34	402689	ROD REAR 625MM	1	1	1	
36	5001155	SCREW TP PAN PH #8X3/4 N050	1	1	1	
37	328382	PLEXIGLASS TINTED L.H. STREET SIDE / 1100MM	1	1	1	
37	320635	PLEXIGLASS TINTED L.H. STREET SIDE / 719MM	1	1	1	
NS	3210129	PLEXIGLASS TINTED CENTRAL / 784 MM From H-3904	1	1	1	O
38	500950	WASHER FL .187x.625x.094 RUB	3	3	3	
39	500333	SCREW TP OV PH #6x3/4 BK	3	3	3	
40	500345	WASHER FN CKF .187x.500x.090 BR BK	3	3	3	
		FOLLOWING ITEMS ARE USED ONLY FOR DELIVERY				
NS	405931	ROD R.H. 1268MM			1	
NS	405932	ROD L.H. 1271MM			1	
NS	405937	SUN VISOR 395MM X 1094MM			1	
NS	504273	CABLE TIE / 1/8" X 3"1/2			4	
NS	952622	WIRE CLAMP / 5/32" I.D.			2	
		A) USE WITH INSIDE SIGN WITH RED ARROW OPTION				
		G) DRIVER'S SIDE WINDOW				
		O) SPECIAL OPTION				

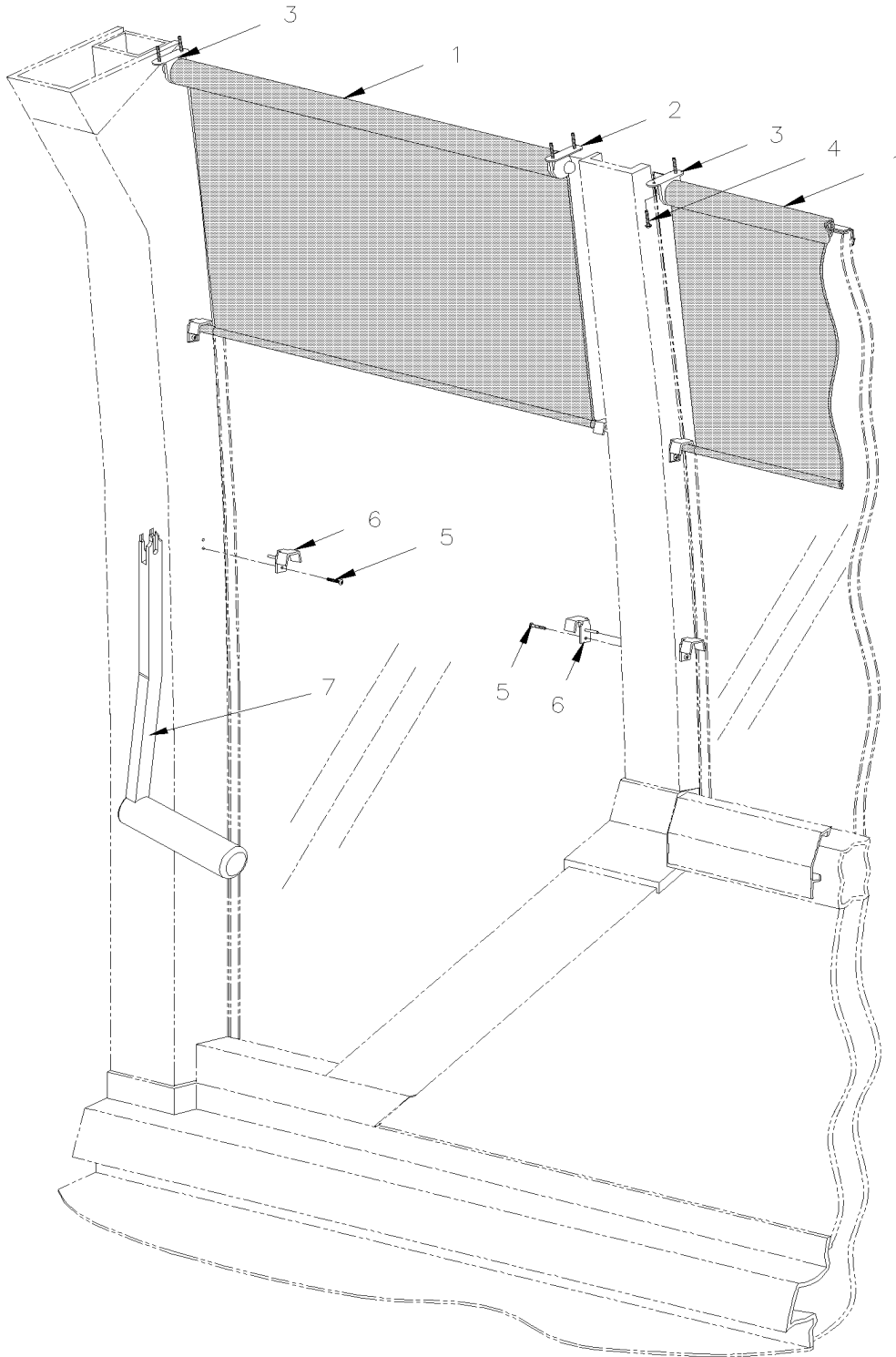


From 7-0671 To J-0184

Date:10/2022

PAGE:H7-1816-10

**SUN SHADE - PASSENGER'S WINDOW**



<b>From 7-0671 To J-0184</b>	<b>Date:10/2022</b>	<b>PAGE:H7-1816-10</b>
<b>SUN SHADE - PASSENGER'S WINDOW</b>		

Item#	Part	Description	H 3 4 1	H 3 4 5	V I P 4 5	N O T E S
1	900878	SUN SHADE / 699MM ROD WIDE To C-1919		2		
1	901355	SUN SHADE / 699MM ROD WIDE From C-1920		2		
. NS	901530	. CLIP SUNVISOR From C-1920		1		
. NS	901531	. CLIP SUNVISOR W/PIN From C-1920		1		
. NS	900055	. RUBBER CAP From C-1920		2		
1	901044	SUN SHADE / 830MM ROD WIDE To C-1919	1	1		
1	900877	SUN SHADE / 835MM ROD WIDE To C-1919	1	1		
1	901354	SUN SHADE / 835MM ROD WIDE From C-1920	2	2		
. NS	901530	. CLIP SUNVISOR From C-1920	1	1		
. NS	901531	. CLIP SUNVISOR W/PIN From C-1920	1	1		
. NS	900979	. ATTACHMENT CLIP-ON From C-1920	2	2		
. NS	900055	. RUBBER CAP From C-1920	2	2		
1	901115	SUN SHADE / W.C.L. DOOR / SLIDING / 981MM WIDE To C-1919		1		
1	901357	SUN SHADE / W.C.L. DOOR / SLIDING / 981MM WIDE From C-1920 To E-2584		1		
. NS	901530	. CLIP SUNVISOR From C-1920 To E-2584		1		
. NS	901531	. CLIP SUNVISOR W/PIN From C-1920 To E-2584		1		
. NS	900979	. ATTACHMENT CLIP-ON From C-1920 To E-2584		2		
. NS	900055	. RUBBER CAP From C-1920 To E-2584		2		
1	901357	SUN SHADE / W.C.L. DOOR / SLIDING / 981MM WIDE From E-2585	1	1		
. NS	901530	. CLIP SUNVISOR From E-2585	1	1		
. NS	901531	. CLIP SUNVISOR W/PIN From E-2585	1	1		
. NS	900979	. ATTACHMENT CLIP-ON From E-2585	2	2		
. NS	900055	. RUBBER CAP From E-2585	2	2		
1	903216	SUN SHADE / 899MM ROD WIDE To C-1919	1			
1	901362	SUN SHADE / 899MM ROD WIDE From C-1920	1			
. NS	901530	. CLIP SUNVISOR From C-1920	1			
. NS	901531	. CLIP SUNVISOR W/PIN From C-1920	1			
. NS	900055	. RUBBER CAP From C-1920	2			
1	900879	SUN SHADE / 1113MM ROD WIDE To C-1919	2			
1	901353	SUN SHADE / 1113MM ROD WIDE From C-1920	2			
. NS	901530	. CLIP SUNVISOR From C-1920	1			
. NS	901531	. CLIP SUNVISOR W/PIN From C-1920	1			
. NS	900979	. ATTACHMENT CLIP-ON From C-1920	2			
. NS	900055	. RUBBER CAP From C-1920	2			
1	900879	SUN SHADE / 1113MM ROD WIDE To C-1919		1		
1	901353	SUN SHADE / 1113MM ROD WIDE From C-1920		1		
. NS	901530	. CLIP SUNVISOR From C-1920		1		
. NS	901531	. CLIP SUNVISOR W/PIN From C-1920		1		
. NS	900979	. ATTACHMENT CLIP-ON From C-1920		2		
. NS	900055	. RUBBER CAP From C-1920		2		
1	900876	SUN SHADE / 1563MM ROD WIDE To C-1919	10			
1	901346	SUN SHADE / 1563MM ROD WIDE From C-1920	10			

<b>From 7-0671 To J-0184</b>	<b>Date:10/2022</b>	<b>PAGE:H7-1816-10</b>
<b>SUN SHADE - PASSENGER'S WINDOW</b>		

Item#	Part	Description	H 3 4 1	H 3 4 5	V I P 4 5	N O T E S
. NS	901530	. CLIP SUNVISOR From C-1920	1			
. NS	901531	. CLIP SUNVISOR W/PIN From C-1920	1			
. NS	900055	. RUBBER CAP From C-1920	2			
1	900876	SUN SHADE / 1563MM ROD WIDE To C-1919		12		
1	901346	SUN SHADE / 1563MM ROD WIDE From C-1920		12		
. NS	901530	. CLIP SUNVISOR From C-1920		1		
. NS	901531	. CLIP SUNVISOR W/PIN From C-1920		1		
. NS	900055	. RUBBER CAP From C-1920		2		
1	900890	SUN SHADE / W.C.L. "RICON" / 2144MM ROD WIDE To C-1919		2		
1	901356	SUN SHADE / W.C.L. "RICON" / 2083MM ROD WIDE From C-1920		2		
. NS	901530	. CLIP SUNVISOR From C-1920		1		
. NS	901531	. CLIP SUNVISOR W/PIN From C-1920		1		
. NS	900055	. RUBBER CAP From C-1920		2		
1	901356	SUN SHADE / W.C.L. "RICON" / 2083MM ROD WIDE From E-2585	2			
. NS	901530	. CLIP SUNVISOR From E-2585	1			
. NS	901531	. CLIP SUNVISOR W/PIN From E-2585	1			
. NS	900055	. RUBBER CAP From E-2585	2			
1	901503	SUN SHADE, 835MM ROD WIDE / W.C.L. "RICON" 835MM ROD WIDE From E-2585	1			
. NS	901530	. CLIP SUNVISOR From E-2585	1			
. NS	901531	. CLIP SUNVISOR W/PIN From E-2585	1			
. NS	900979	. ATTACHMENT CLIP-ON From E-2585	2			
. NS	900055	. RUBBER CAP From E-2585	2			
2	404583	BRACKET, R.H. "O" To C-1919	14			
2	404583	BRACKET, R.H. "O" To C-1919		16		
2	408281	BRACKET ANGLE / ASSY W/ATTACHMENT CLIP-ON From C-1920	AR	AR		
3	404584	BRACKET, L.H. "D" To C-1919	14			
3	404584	BRACKET, L.H. "D" To C-1919		16		
3	900979	ATTACHMENT CLIP-ON From C-1920	AR	AR		
3	408281	BRACKET ANGLE / ASSY W/ATTACHMENT CLIP-ON From C-1920	AR	AR		D
4	5001145	SCREW TP BDG PH #6x1 BK To E-2584	AR	AR		
NS	500235	SCREW TP BDG PH #6x3/4 N500 From E-2585	AR	AR		
5	500640	SCREW TP PAN PH #6x3/4 Z050	AR	AR		
6	404609	HOOK SINGLE W/1 SCREW HOLE LIGHT GREY To 8-1135	AR	AR		
6	408215	HOOK SINGLE W/1 SCREW HOLE SAND BEIGE From 8-1136 To D-2223	AR	AR		
6	903226	HOOK SINGLE W/1 SCREW HOLE SAND BEIGE From D-2224	AR	AR		
6	903227	HOOK SINGLE W/1 SCREW HOLE LIGHT GREY From E-2585	AR	AR		
NS	900544	BRACKET, MALE / BLACK	1	1		D
NS	900545	BRACKET, FEMALE / BLACK	1	1		D
NS	404653	HOOK SINGLE W/2 SCREWS HOLE	4	4		D
NS	500814	SCREW TP BDG PH #6x3/4 BK	12	12		D
NS	900979	ATTACHMENT CLIP-ON	2	2		D
NS	504107	RIVET POP DOME OE 1/8x5/16 AL	4	4		

From 7-0671 To J-0184	Date:10/2022	PAGE:H7-1816-10
<b>SUN SHADE - PASSENGER'S WINDOW</b>		

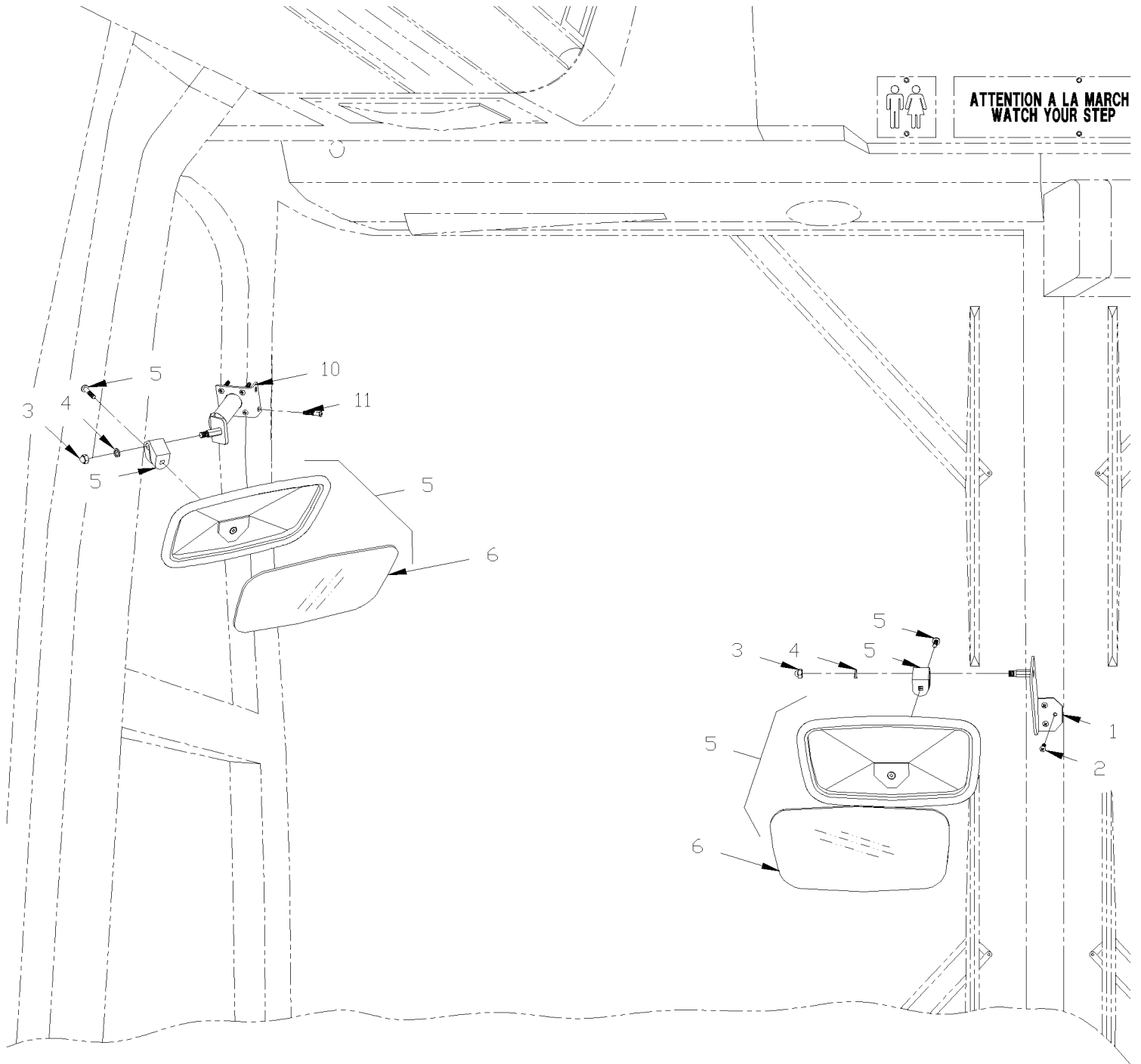
Item#	Part	Description	H 3 4 1	H 3 4 5	V I P 4 5	N O T E S
NS	500437	WASHER FL .125x.375x.040 Z050	4	4		
7	685594	TOOL / SUN SHADE INSTALLATION From C-1920	1	1	1	
10	<b>H7-1832-00</b>	<b>FRONT FINISHING CAP W/GREY FINISHING To 8-1135</b>				
10	<b>H7-1832-01</b>	<b>FRONT FINISHING CAP W/TAN FINISHING From 8-1136</b>				
11	<b>H7-1833-00</b>	<b>WINDOW FINISHING CAP &amp; WALL W/GREY FINISHING To 8-1135</b>				
11	<b>H7-1833-01</b>	<b>WINDOW FINISHING CAP &amp; WALL W/TAN FINISHING From 8-1136</b>				
		D) BAUER'S TRANSPORTATION OPTION				
		U) UNDER CONSTRUCTION				

From 7-0671 To J-0184

Date:10/2022

PAGE:H7-1820-00

## MIRROR - INTERIOR



From 7-0671 To J-0184	Date:10/2022	PAGE:H7-1820-00
<b>MIRROR - INTERIOR</b>		

Item#	Part	Description	H 3 4 1	H 3 4 5	V I P 4 5	N O T E S
1	405261	MIRROR SUPPORT / CENTER WINDSHIELD	1	1		
1	405263	MIRROR SUPPORT W/CAMERA / CENTER WINDSHIELD	1	1		
NS	400177	MIRROR SUPPORT / CENTER UPPER WINDSHIELD 219MM X 88MM	1	1		
2	5001090	SCREW TP PAN PH #10x1 SS BK	3	3		
3	500780	NUT HEX CAP 5/16-18 Z050	1	1		
4	500942	WASHER LO SPT 8.1x14.8x2.0 N500	1	1		
5	900438	MIRROR ASSY SAFETY	2	2		
6	900440	. GLASS / SAFETY	1	1		
10	403679	MIRROR SUPPORT / L.H. DRIVER'S WINDOW	6	6		
11	500353	SCREW TP FL PH #8x3/4 BK To G-3268	6	6		
11	509805	SCREW TP PAN PH #10x1/2 BK From G-3269	6	6		



From 7-0671 To J-0287	Date:10/2022	PAGE:H7-1821-00
DRIVER'S SEAT - "NATIONAL SEATING" - MODEL NSIII B		

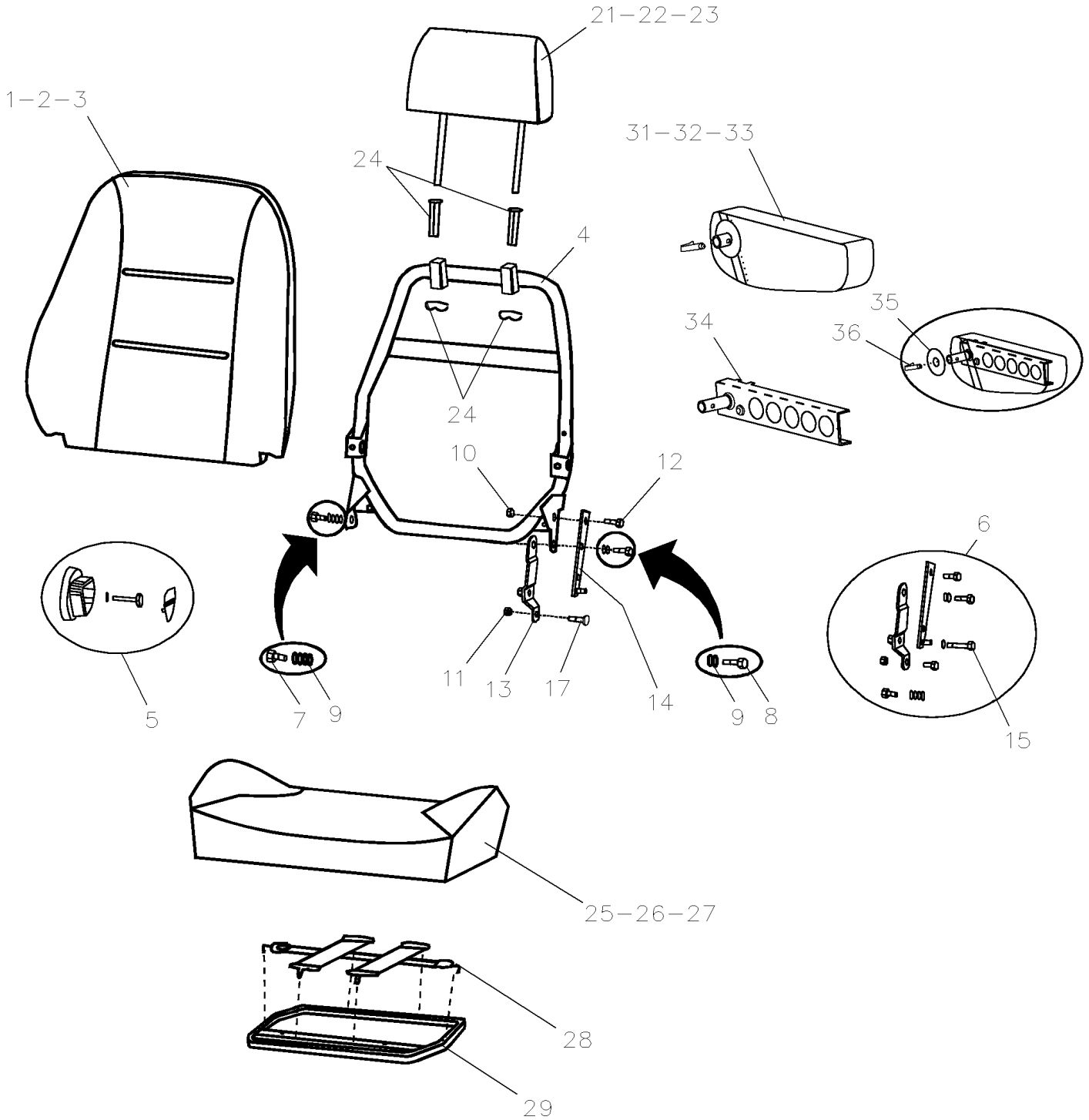


From 7-0671 To J-0287

Date:10/2022

PAGE:H7-1821-00

## DRIVER'S SEAT - "NATIONAL SEATING" - MODEL NSIII B

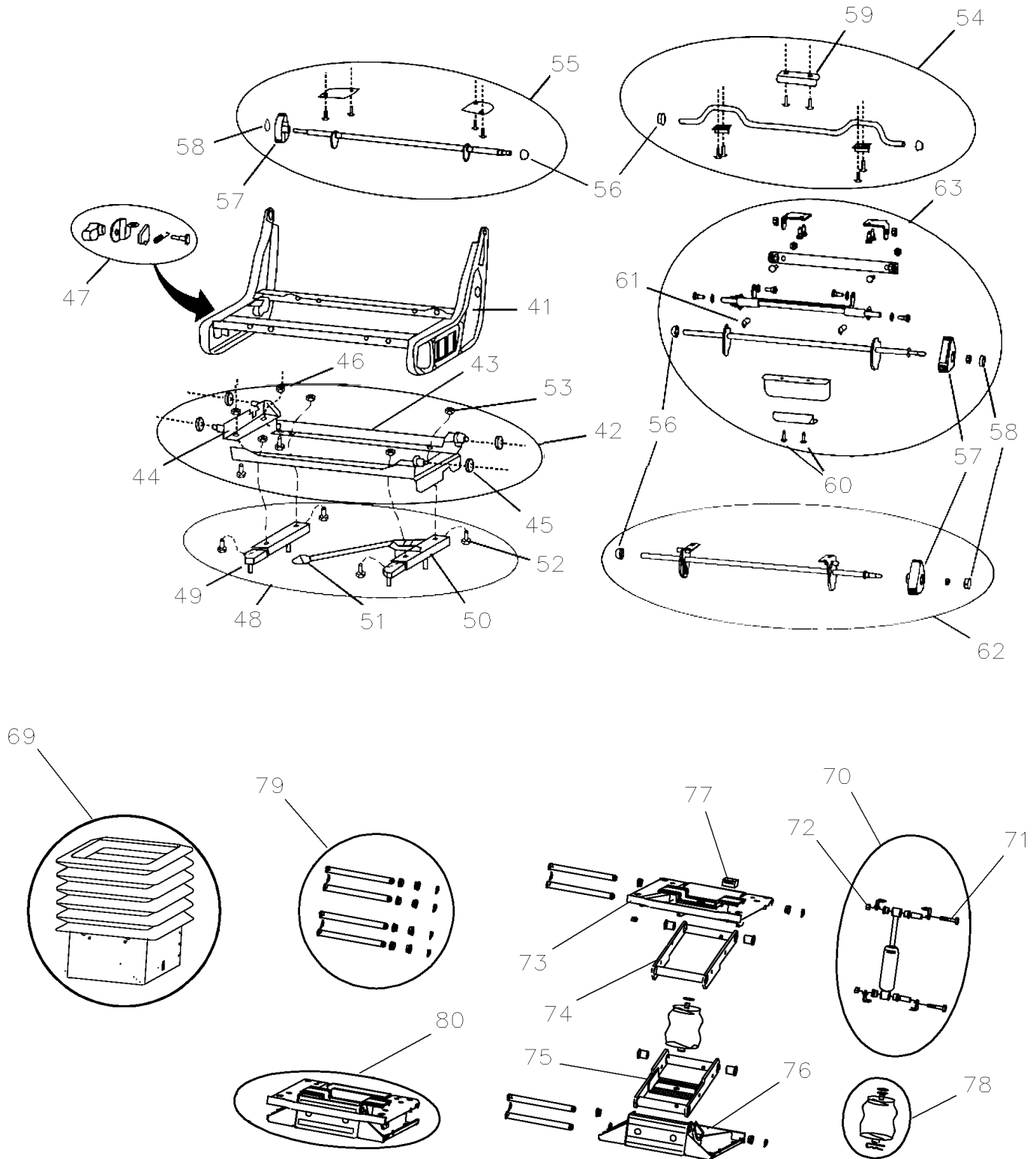


From 7-0671 To J-0287

Date:10/2022

PAGE:H7-1821-00

## DRIVER'S SEAT - "NATIONAL SEATING" - MODEL NSIII B

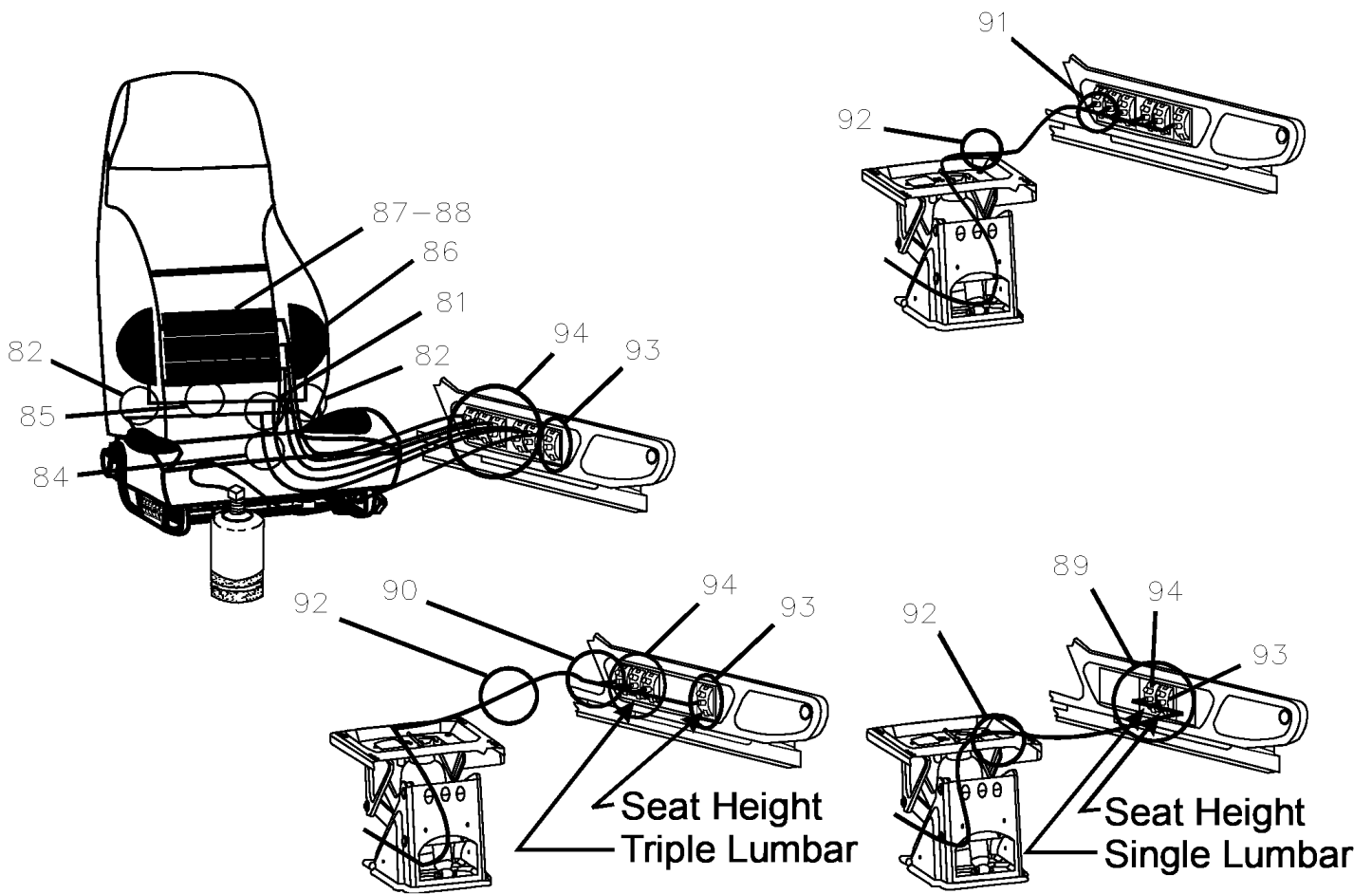


From 7-0671 To J-0287

Date:10/2022

PAGE:H7-1821-00

## DRIVER'S SEAT - "NATIONAL SEATING" - MODEL NSIII B



From 7-0671 To J-0287      Date:10/2022      PAGE:H7-1821-00

**DRIVER'S SEAT - "NATIONAL SEATING" - MODEL NSIII B**

Item#	Part	Description	H 3 4 1	H 3 4 5	V I P 4 5	N O T E S
	863687	DRIVER'S SEAT - "NATIONAL" - MODEL NSIII B From 8-1208 To 8-1233	1	1		B
1	Call order desk	. BACK ASSY	1	1		P C
2	Call order desk	. BACK COVER	1	1		P C
3	Call order desk	. INTERMEDIATE BACK POLY-20"	1	1		P C
4	Call order desk	. INT. BACK FRAME ASSY FOR HEADREST	1	1		P
5	863950	. KNOB KIT -BACK RECLINE	1	1		
6	Call order desk	. INSTALL BACK TO LOWER FRAME	1	1		P
7	Call order desk	. BOLT ,SHOULDER	1	1		P
8	Call order desk	. BOLT ,SHOULDER	1	1		P
9	Call order desk	. WASHER, WAVE	6	6		P
10	Call order desk	. NUT,TRACK ATTACHMENT	1	1		P
11	Call order desk	. LOCK NUT 5/16 -18	1	1		P
12	Call order desk	. BOLT ,SHOULDER 3/8-16X1"	1	1		P
13	Call order desk	. BACK PLATE ASSY	1	1		P
14	Call order desk	. RECLINE LIMITING BRACKET, 6 TO 23DEG	1	1		P
14	Call order desk	. RECLINE LIMITING BRACKET, 2 TO 15DEG	1	1		P
15	Call order desk	. BOLT	1	1		P
16	Call order desk	. LO-MID BACK CRASH PAD	1	1		P
17	Call order desk	. BOLT 5/16-18x11/16	1	1		P
21	Call order desk	. HEADREST ASSY	1	1		P C
22	Call order desk	. COVER, HEADREST	1	1		P C
23	Call order desk	. POLY AND FRAME ASSY	1	1		P
24	Call order desk	. BUSHING KIT	1	1		P
25	Call order desk	. UPHOLSTERED CUSHION ASSY	1	1		P C
26	Call order desk	. CUSHION COVER	1	1		P C
27	Call order desk	. POLY, CUSHION	1	1		P C
28	Call order desk	. WEBBING	3	3		P
29	Call order desk	. CUSHION FRAME	1	1		P
31	Call order desk	. ARMREST ASS	1	1		P C
32	Call order desk	. ARMREST COVER	1	1		P C
33	Call order desk	. POLY, ARMREST, LEFT	1	1		P
33	Call order desk	. POLY, ARMREST, RIGHT	1	1		P
34	Call order desk	. ARMREST MECHANICAL ASSY LH - 20"	1	1		P
34	Call order desk	. ARMREST MECHANICAL ASSY RH - 20"	1	1		P
35	Call order desk	. DISK, NYLON, ARMREST PIVOT	1	1		P
36	Call order desk	. CLIP, SPRING, ARMREST	1	1		P
41	Call order desk	. LOWER FRAME ASSY	1	1		P C
42	Call order desk	. CHUGGER KIT	1	1		P
43	Call order desk	. CHUGGER SUPPORT	1	1		P
44	Call order desk	. CHUGGER SUPPORT FRAME	1	1		P
45	Call order desk	. ROLLER BEARING	4	4		P
46	Call order desk	. NUT & WASHER ASSY 5/16 -18	2	2		P

From 7-0671 To J-0287 Date:10/2022 PAGE:H7-1821-00

**DRIVER'S SEAT - "NATIONAL SEATING" - MODEL NSIII B**

Item#	Part	Description	H 3 4 1	H 3 4 5	V I P 4 5	N O T E S
47	Call order desk	. CHUGGER LOCK OUT KIT	1	1		P
48	Call order desk	. TRACK KIT	1	1		P
49	Call order desk	. TRACK, SLAVE	1	1		P
50	867927	. TRACK, LOCKING	1	1		
51	Call order desk	. KNOB, TRACK	1	1		P
52	Call order desk	. BOLT, SQUARE NECK	4	4		P
53	Call order desk	. NUT, TRACK ATTACHMENT	4	4		P
54	Call order desk	. FRONT CUSHION ADJUSTER KIT, 2 POSITION	1	1		P
55	Call order desk	. REAR CUSHION ADJUSTER	1	1		P
56	Call order desk	. CAP, CUSHION ADJUSTER ROD	AR	AR		P
57	865354	. KNOB, REAR / FRONT CUSHION ADJUSTER	AR	AR		
58	Call order desk	. COVER, KNOB CUSHION ADJUSTER	AR	AR		P
59	Call order desk	. HANDLE, FRONT CUSHION ADJUSTER	AR	AR		P
60	865091	. SCREW #10 X 3/4	AR	AR		
61	Call order desk	. SPRING	AR	AR		P
62	Call order desk	. FRONT CUSHION ADJUSTER KIT, 3 POSITION LH	1	1		P
62	Call order desk	. FRONT CUSHION ADJUSTER KIT, 3 POSITION RH	1	1		P
63	Call order desk	. FRONT CUSHION ADJUSTER KIT, 6 POSITION LH	1	1		P
63	Call order desk	. FRONT CUSHION ADJUSTER KIT, 6 POSITION RH	1	1		P
69	Call order desk	. BELLOWS KIT	1	1		P
70	860289	. SHOCK ABSORBER	1	1		
71	Call order desk	. BOLT 3/8-24x1 3/4	1	1		P
72	Call order desk	. LOCKNUT THIN 3/8-24	1	1		P
73	860099	. UPPER BASE ASSY - 96 BASE MODEL	1	1		
73	Call order desk	. UPPER BASE ASSY - 97 BASE MODEL	1	1		P
74	860103	. UPPER ARM ASSY W/BUSHINGS - 96 BASE MODEL	1	1		
74	Call order desk	. UPPER ARM ASSY W/BUSHINGS - 97 BASE MODEL	1	1		P
75	860104	. LOWER ARM ASSY WITH BUSHINGS	1	1		
76	860105	. LOWER BASE ASSY - 96 MODEL	1	1		
76	Call order desk	. LOWER BASE ASSY - 97 MODEL	1	1		P
77	Call order desk	. BUMPER - DOWN STOP	1	1		P
78	860283	. BELLOW	1	1		
79	860652	. KIT REPAIR, SHAFT & BUSHING / W/AIR SUSPENSION	1	1		
80	Call order desk	. BASE ASSY - 96 BASE MODEL	1	1		P A
80	Call order desk	. BASE ASSY - 97 BASE MODEL	1	1		P B
81	Call order desk	. FITTING 1/8"	2	2		P
82	Call order desk	. ELBOW, PLASTIC FITTING	3	3		P
83	Call order desk	. TIE STRAP	5	5		P
84	Call order desk	. TUBING, CLEAR, 2.83 FEET	1	1		P
85	Call order desk	. TUBING, GREEN, 2.67 FEET	1	1		P
86	Call order desk	. AIR BOLSTER	4	4		P
87	865265	. SINGLE CHAMBER LUMBAR BAG	1	1		

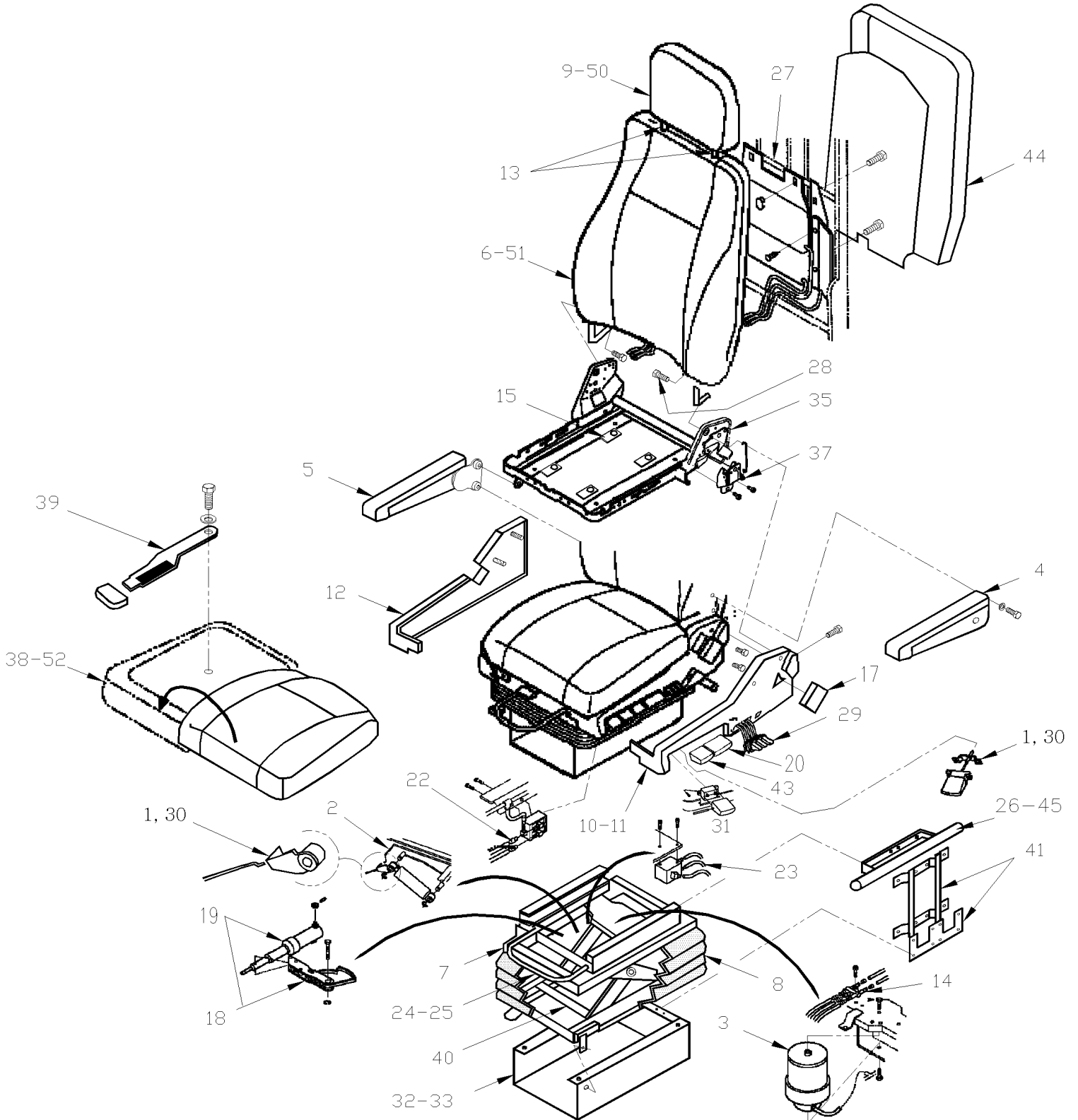
From 7-0671 To J-0287	Date:10/2022	PAGE:H7-1821-00
<b>DRIVER'S SEAT - "NATIONAL SEATING" - MODEL NSIII B</b>		

Item#	Part	Description	H 3 4 1	H 3 4 5	V I P 4 5	N O T E S
88	865266	. TRIPLE CHAMBER LUMBAR BAG	1	1		
89	867921	. MANIFOLD ASSY, 2 BUTTON	1	1		
90	Call order desk	. MANIFOLD ASSY, 4 BUTTON	1	1		P
91	Call order desk	. MANIFOLD ASSY, 6 BUTTON	1	1		P
92	Call order desk	. TUBING, BLACK, 1.5 FEET	1	1		P
93	19518194	. AIR VALVE, HIGH PRESSURE, RED HANDLE	1	1		
94	865355	. AIR VALVE, LOW PRESSURE, GREY HANDLE	5	5		
95	Call order desk	. SINGLE CHAMBER INSTALLATION INCLUDING ITEMS 7 & 12	1	1		P
96	Call order desk	. TRIPLE CHAMBER INSTALLATION INCLUDING ITEMS 8 & 12	1	1		P
97	Call order desk	. TRIPLE CHAMBER INSTALLATION W/BOLSTERS INCLUDING	1	1		P
		A) BASE 96 MODEL				
		B) BASE 97 MODEL				
		C) SEAT SERIAL NUMBER NEED				
		P) CALL ORDER DESK FOR SPECIFIC APPLICATION (V.I.N.)				





From 7-0671 To J-0287	Date:10/2022	PAGE:H7-1822-00
DRIVER'S SEAT - "ISRI" - 6800/338		



From 7-0671 To J-0287	Date:10/2022	PAGE:H7-1822-00
<b>DRIVER'S SEAT - "ISRI" - 6800/338</b>		

Item#	Part	Description	H 3 4 1	H 3 4 5	V I P 4 5	N O T E S
	364108	DRIVER'S SEAT ASSY W/COVERING / SPECYFIED COLOR CODE	1	1		F
	861373	DRIVER'S SEAT - "ISRI" - MODEL 6800/338 / W/R.H. CONTROL	1	1		A
	861374	DRIVER'S SEAT - "ISRI" - MODEL 6800/338 / W/R.H. CONTROL			1	B
	5001862	SCREW CAP HEX M12-1.75x70 G10.9 N500	4	4	4	G
	500747	WASHER LO SPT 12.2x21.1x2.5 N500	4	4	4	G
	500958	WASHER FL .531x1.062x.095 SS	4	4	4	G
	362549	SPACER / STRUCTURE & BASE / 27MM	4	4	4	G
NS	862420	. LEVER RETAINING CLIP	1	1	1	
NS	862421	. NUT PLASTIC WHITE	1	1	1	
NS	862422	. RETAINING CLIP	1	1	1	
NS	862423	. SCREW FOR RETAINING CLIP	1	1	1	
1	861638	. ADJUSTABLE SHOCK ABSORBER CABLE KIT	1	1	1	
2	861639	. ADJUSTABLE SHOCK ABSORBER KIT	1	1	1	
3	861640	. AIR SPRING KIT	1	1	1	
4	861641	. ARMREST KIT - LH / W/OUT COVERING			1	
4	861377	. ARMREST KIT - LH / W/POLYURETHANE PAD	1	1		
5	861642	. ARMREST KIT - RH / W/OUT COVERING			1	
5	861378	. ARMREST KIT - RH POLYURETHANE PAD	1	1		
6	861643	. BACKREST ASSY / NUDE	1	1	1	
. NS	864557	. . FOAM / BACKREST	1	1	1	
7	861644	. BOOT ADAPTER PLATE	1	1	1	
8	861645	. BOOT KIT	1	1	1	
9	861646	. HEADREST ASSEMBLY - NUDE	1	1	1	
10	861648	. COVER KIT CONTROL - LH	1	1	1	
11	861649	. COVER KIT CONTROL - RH	1	1	1	
12	861650	. COVER KIT NON-CONTROL - LH	1	1	1	
13	861647	. HEADREST BOOT (2PCS)	1	1	1	
14	861651	. DISTRIBUTION VALVE KIT	1	1	1	
15	861652	. GLIDE - SEAT PAN	1	1	1	
16	861653	. HANDLE KIT - SEAT FRAME - LH	1	1	1	
17	861654	. HANDLE KIT - SEAT FRAME - RH	1	1	1	D
18	864140	. KIT, CYLINDER & CAM ADJUSTEMENT KIT	1	1	1	
. 18	861655	. . HEIGHT ADJUSTMENT CAM KIT	1	1	1	
. 19	861656	. . HEIGHT ADJUSTMENT CYLINDER KIT	1	1	1	
18	864245	. KIT, CAM ADJUSTEMENT KIT	1	1	1	
NS	863741	. KIT SLIDING TRACK PLASTIC OBLONG	1	1	1	
20	862203	. AIR HEIGHT ADJUST HANDLE KIT RH	1	1	1	
22	861657	. HEIGHT ADJUSTMENT VALVE KIT - RH	1	1	1	
23	861658	. HEIGHT ADJUSTMENT VALVE KIT - SUSPENSION	1	1	1	
24	861659	. HORIZONTAL ADJUSTMENT SLIDE HANDLE	1	1	1	
25	861660	. HORIZONTAL ADJUSTMENT SLIDE SET	1	1	1	
26	862205	. SEAT BELT KIT NOT ILLUSTRATED / PAS ILLUSTRÉ	1	1	1	

From 7-0671 To J-0287	Date:10/2022	PAGE:H7-1822-00
<b>DRIVER'S SEAT - "ISRI" - 6800/338</b>		

Item#	Part	Description	H 3 4 1	H 3 4 5	V I P 4 5	N O T E S
27	864242	. LUMBAR/BOLSTER KIT NEW STYLE	1	1	1	
28	862204	. BACKREST BOLT	2	2	2	
29	861662	. LUMBAR/BOLSTER VALVE RH	1	1	1	
30	862424	. HANDLE FOR ADJUSTMENT SHOCK	1	1	1	
NS	862425	. SHORT PIN ADJUSTMENT HANDLE	1	1	1	
NS	862426	. LONG PIN ADJUSTMENT HANDLE	1	1	1	
NS	862956	. HANDLE SUPPORT / PLASTIC BLACK	1	1	1	
31	861663	. QUICK AIR RELEASE VALVE AND HANDLE KIT - RH	1	1	1	
33	861664	. RISER KIT 76MM	1	1	1	
35	861665	. SEAT FRAME - RH	1	1	1	
37	861666	. SEAT FRAME TOOTH PLATE KIT RH	1	1	1	
38	864243	. SEAT PAN ASSEMBLY - NUDE NEW STYLE	1	1	1	
. NS	864237	. . CUSHHION FOAM NEW PATERN	1	1	1	
39	861668	. SEAT PAN ASSEMBLY LEVER AND HANDLE KIT	1	1	1	
40	861669	. SUSPENSION	1	1	1	
41	861670	. TETHER AND TETHER PLATE KIT	1	1	1	
43	861671	. TILT HANDLE KIT - RH	1	1	1	
44	861672	. BACKREST PANEL	1	1	1	
45	364128	DRIVER'S SAFETY BELT EXTENSION R.H.	1	1	1	E
45	364129	DRIVER'S SAFETY BELT EXTENSION L.H.	1	1	1	E
NS	500071	SCREW CAP HEX 7/16-20x1 1/2 G5 Z050	2	2	2	E
NS	500709	NUT HEX 7/16-20 Z050	2	2	2	E
NS	500747	WASHER LO SPT 12.2x21.1x2.5 N500	4	4	4	E
NS	500860	NUT HEX M12-1.75 Z050	2	2	2	E
NS	502731	SCREW CAP HEX M12-1.75x40 G8.8 Z050	2	2	2	E
50	363740P	COVERING HEADREST ASSY / S.C.C. / DRIVER'S "ISRI" / 6800	1	1		
51	363738P	COVERING BACKREST ASSY / S.C.C. / DRIVER'S "ISRI" / 6800 To 8-1135	1	1		
51	364168P	COVERING BACKREST ASSY / S.C.C. / DRIVER'S "ISRI" / 6800 From 8-1136	1	1		
52	364071P	COVERING SEATREST ASSY / S.C.C. NEW STYLE / DRIVER'S "ISRI" / 6800	1	1		
NS	363705	INTERFACE COPILOTE ISRI 6800			1	C
NS	363937	ANCHORAGE CO-PILOTE SEAT ASSY W/BOLT To E-2504			4	C
. NS	326831	. ANCHORAGE "U" FORM 48MM x 38MM x 112MM To E-2504			1	C
. NS	500958	. WASHER FL .531x1.062x.095 SS To E-2504			1	C
. NS	500482	. WASHER LO SPT .506x.873x.125 Z050 To E-2504			1	C
. NS	500806	. SCREW CAP HEX M12-1.75X35 G10.9 G500 To E-2504			1	C
61	364385	ANCHORAGE CO-PILOTE SEAT ASSY W/BOLT From E-2505			4	C
. NS	364384	. ANCHORAGE "U" FORM 48MM x 38MM x 112MM From E-2505			1	C
. NS	500958	. WASHER FL .531x1.062x.095 SS From E-2505			1	C
. NS	500482	. WASHER LO SPT .506x.873x.125 Z050 From E-2505			1	C
. NS	500806	. SCREW CAP HEX M12-1.75X35 G10.9 G500 From E-2505			1	C
NS	362056	ANCHOR PLATE ASSY USE W/CURBSIDE SEAT 7/16-14x1" / 32MMx89MM			2	C
NS	362521	ANCHOR PLATE ASSY USE W/CURBSIDE SEAT 7/16-14x2" / 32MMx89MM			2	C

From 7-0671 To J-0287	Date:10/2022	PAGE:H7-1822-00
<b>DRIVER'S SEAT - "ISRI" - 6800/338</b>		

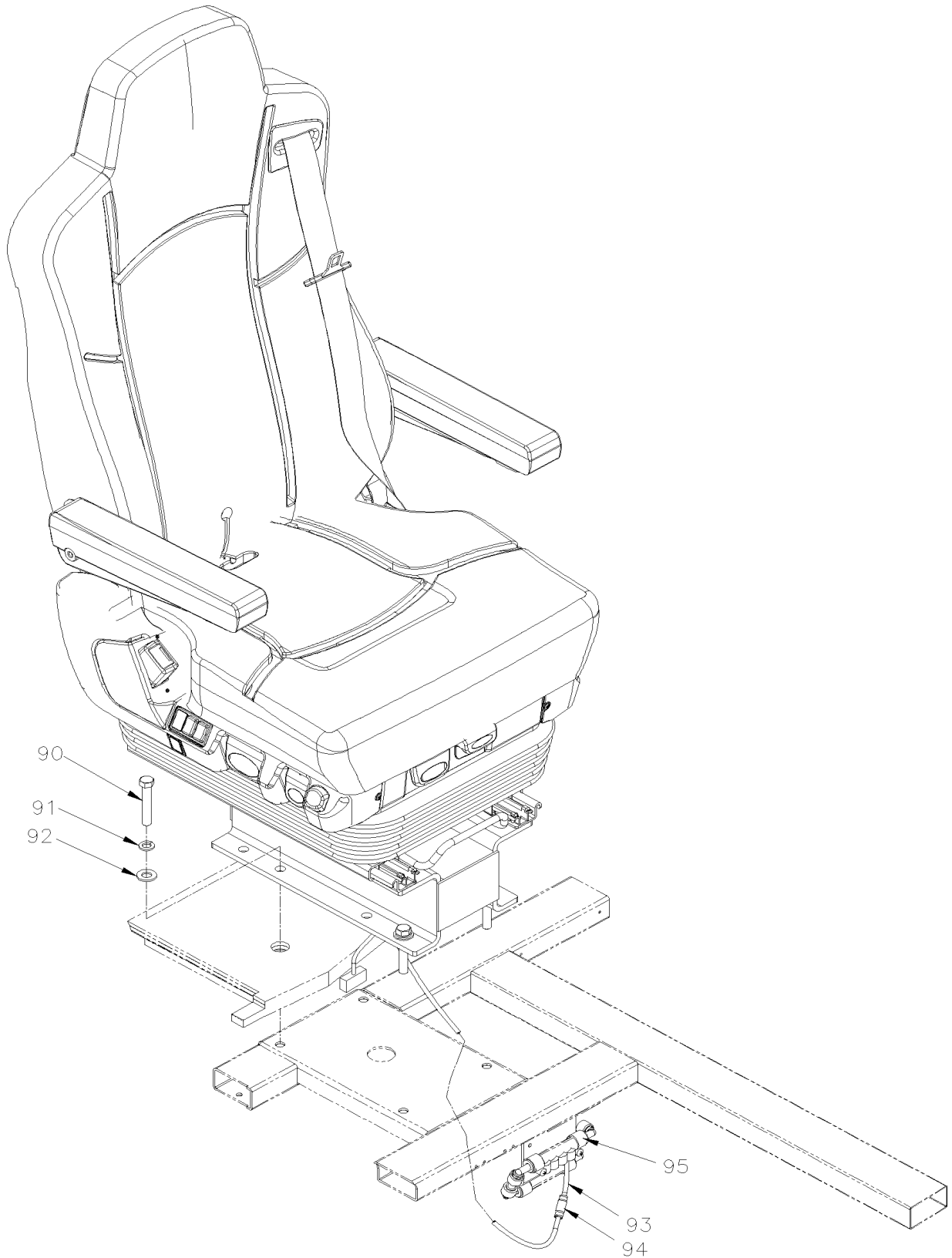
Item#	Part	Description	H 3 4 1	H 3 4 5	V I P 4 5	N O T E S
NS	500709	NUT HEX 7/16-20 Z050			6	C
NS	500480	WASHER LO SPT .443x.779x.109 Z050			6	C
NS	500897	WASHER FL .437x1.000x.083 N500			6	C
NS	864709	TUBE PLASTIC 6MM O.D. CHARCOAL W/RED LINE	AR	AR	AR	
NS	864710	TUBE PLASTIC 6MM O.D. CHARCOAL W/GREY LINE	AR	AR	AR	
NS	864711	TUBE PLASTIC 6MM O.D. CHARCOAL	AR	AR	AR	
NS	641507	UNION / PUSH-IN FITTING / #4 x 6MM NP	1	1	1	
NS	641092	UNION TEE / NTA FITTING / #4x#4x#4 BR	1	1	1	
NS	867958	ADAPTOR	1	1	1	
NS	868125	UNION 4MM/4MM	1	1	1	
NS	868128	UNION 6MM/4MM	1	1	1	
		A) THIS SEAT IS WITHOUT COVERING & ARMREST				
		B) THIS SEAT HAS BLACK COVERING, LARGE ARMREST & HEADREST FOR FACTORY DELIVERY				
		C) USE WITH CO-PILOTE SEAT INSTALLATION				
		D) INCLUDE ALL KNOB FOR ITEM # 17, 20, 29, & 39				
		E) YOU REQUIRE THOSE COMPONENTS TO EXTEND DRIVER'S SAFETY BELT				
		F) INCLUDE ITEMS #50, 51 & 52				
		G) TO FIX SEAT TO THE FLOOR				
		U) UNDER CONSTRUCTION				

From 7-0671 To J-0287

Date:10/2022

PAGE:H7-1822-01

DRIVER'S SEAT - "ISRI" - 6832/872

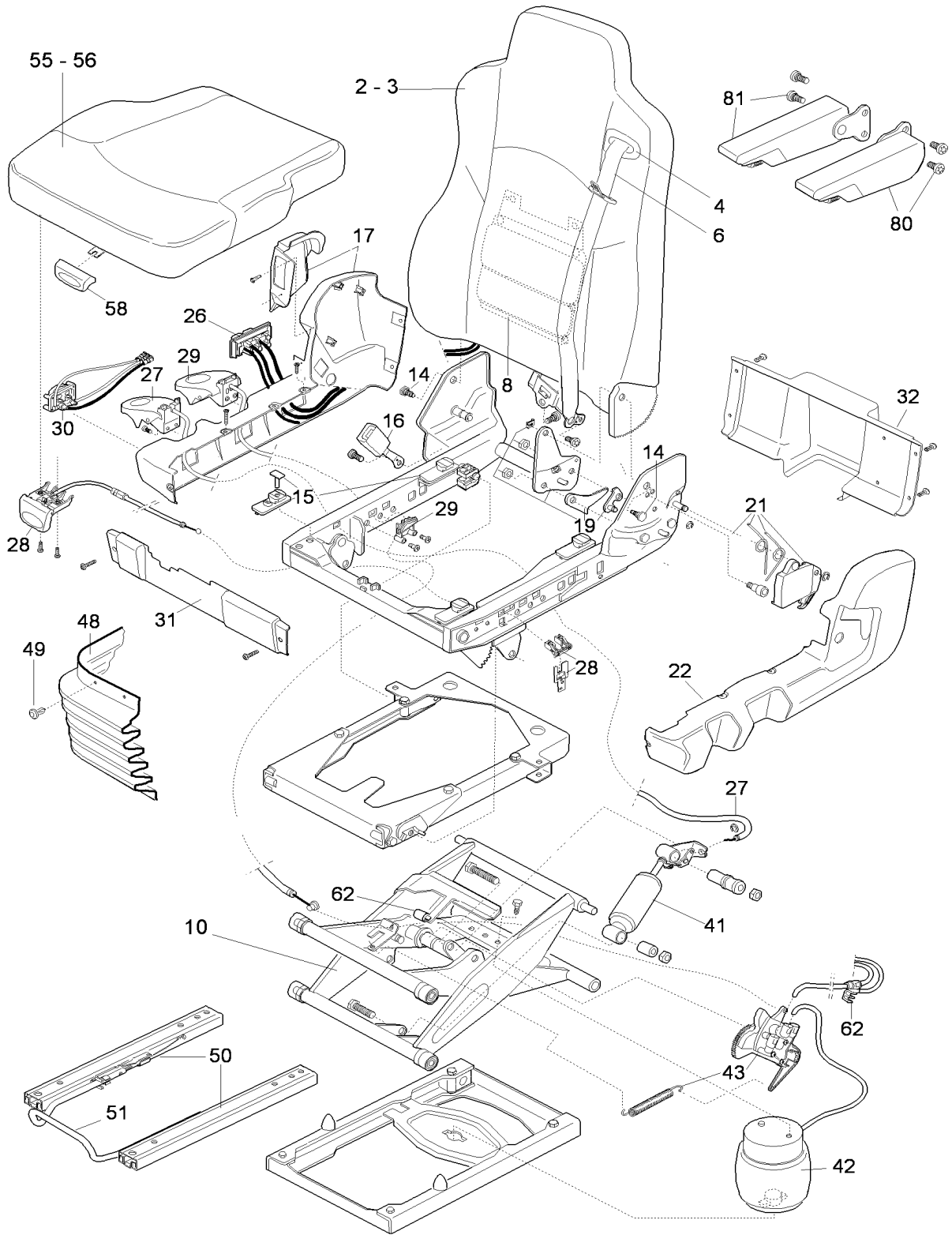


From 7-0671 To J-0287

Date:10/2022

PAGE:H7-1822-01

## DRIVER'S SEAT - "ISRI" - 6832/872



<b>From 7-0671 To J-0287</b>	<b>Date:10/2022</b>	<b>PAGE:H7-1822-01</b>
<b>DRIVER'S SEAT - "ISRI" - 6832/872</b>		

Item#	Part	Description	H 3 4 1	H 3 4 5	V I P 4 5	N O T E S
	864371	DRIVER'S SEAT - "ISRI" - MODEL 6832/872 / W/ACTIVE CLIMATE CONTROL / W/O COVERING	1	1	1	
	864372	DRIVER'S SEAT - "ISRI" - MODEL 6832/872 / W/O ACTIVE CLIMATE CONTROL / W/O COVERING WITH ORANGE SEAT BELT	1	1	1	
	360068	DRIVER'S SEAT - "ISRI" - MODEL 6832/872 / W/O ACTIVE CLIMATE CONTROL / W/COVERING WITH ORANGE SEAT BELT	1	1	1	
	864413	DRIVER'S SEAT - "ISRI" - MODEL 6832/872 / WITH HEATING / W/O COVERING	1	1	1	
	864373	DRIVER'S SEAT - "ISRI" - MODEL 6832/872 / W/ACTIVE CLIMATE CONTROL / W/COVERING BLACK / NOIR	1	1		
	864374	DRIVER'S SEAT - "ISRI" - MODEL 6832/872 / W/O ACTIVE CLIMATE CONTROL / W/COVERING BLACK / NOIR	1	1		
	864414	DRIVER'S SEAT - "ISRI" - MODEL 6832/872 / W/HEATING / W/COVERING BLACK / NOIR	1	1		
1	865236	. RISER	1	1	1	
2	866273	. BACKREST ASSEMBLY LH	1	1	1	
3	364310	. COVERING BACKREST ASSY / S.C.C. / DRIVER'S "ISRI" / 6832/872	1	1	1	C
3	364311	. COVERING BACKREST ASSY / S.C.C. / DRIVER'S "ISRI" / 6832/872	1	1	1	
3	N8903263	. COVERING BACKREST ASSY / BLACK	1	1		
4	864418	. . BELT GUIDE LH/RH	1	1	1	
6	864419	. . 3 POINT SAFETY BELT, LH	1	1	1	
8	864420	. . LUMBAR AIR CHAMBERS	1	1	1	
10	Call order desk	. SUSPENSION / SEAT FRAME ASSEMBLY	1	1	1	P S
14	N8904018	. SCREWS FOR BACKREST PIVOT	1	1	1	
15	861652	. GLIDE - SEAT PAN	1	1	1	
16	864421	. BELT BUCKLE	1	1	1	
17	864845	. RH COVER (CONTROL SIDE)	1	1	1	
19	866274	. BACKREST RECLINE MECH.	1	1	1	
21	N8904020	. BACKREST HANDLE LH	1	1	1	
22	861708	. LH COVER - (NON CONTROL SIDE)	1	1	1	
26	864422	. LUMBAR CONTROL VALVE, RH	1	1	1	
27	864423	. HANDLE/CABLE FOR SHOCK ABSORBER	1	1	1	
28	865718	. TILT GLIDER	1	1	1	
29	864424	. HANDLE/CABLE FOR HEIGHT ADJUSTMENT	1	1	1	
30	864425	. QUICK AIR RELEASE VALVE, RH	1	1	1	
31	Call order desk	. FRONT COVER	1	1	1	P
32	865389	. REAR COVER	1	1	1	
41	864426	. SHOCK ABSORBER	1	1	1	
42	864427	. AIR SPRING	1	1	1	
43	864428	. HEIGHT CONTROL VALVE	1	1	1	
48	Call order desk	. RUBBER BELLOW	1	1	1	P
49	Call order desk	. BELLOW FASTENERS	1	1	1	P
50	866109	. SLIDE SET	1	1	1	
51	866037	. . SLIDE HANDLE	1	1	1	
55	N8903231	. SEAT CUSHION ASSEMBLY / WITHOUT COVERING	1	1	1	
55	Call order desk	. SEAT CUSHION ASSEMBLY / WITH COVERING	1	1	1	P
56	364309	. COVERING SEATREST ASSY / S.C.C. / DRIVER'S "ISRI" / 6832/872	1	1	1	
56	N8903232	. COVERING SEATREST ASSY / BLACK	1	1		
58	864429	. . CUSHION ADJUSTMENT HANDLE	1	1	1	

From 7-0671 To J-0287	Date:10/2022	PAGE:H7-1822-01
<b>DRIVER'S SEAT - "ISRI" - 6832/872</b>		

Item#	Part	Description	H 3 4 1	H 3 4 5	V I P 4 5	N O T E S
62	864430	. PLASTIC VALVE STOP	1	1	1	
80	864411	. ARMREST LH / S.C.C. 13"	1	1	1	
80	866245	. ARMREST LH / LONG 14"	1	1	1	
81	864412	. ARMREST RH / S.C.C. 13"	1	1	1	
81	866246	. ARMREST RH / LONG 14"	1	1	1	
NS	865350	. KIT PNEUMATIC COMPONENTS	1	1	1	
NS	867958	. ADAPTOR	1	1	1	
NS	7771643	. FITTING CONNECTOR "Y"	1	1	1	
NS	868125	. UNION 4MM/4MM	1	1	1	
83	868128	. UNION 6MM/4MM	1	1	1	
NS	868460	. HOSE AIR KIT	1	1	1	
85	069705	HARNESS FASTENED SEAT BELT SENSOR From H-3599	1	1	1	A
87	068369	HARNESS DRIVER SEAT W/HEATING	1	1	1	B
90	5001862	SCREW CAP HEX M12-1.75x70 G10.9 N500	4	4	4	
NS	362549	SPACER / STRUCTURE & BASE / 27MM	4	4	4	
91	500747	WASHER LO SPT 12.2x21.1x2.5 N500	4	4	4	
92	500958	WASHER FL .531x1.062x.095 SS	4	4	4	
93	503402	TUBE, NYLON 1/4 O.D. / BLACK S.L.	AR	AR	AR	
NS	504016	CABLE TIE / 5/16" X 14"1/2	1	1	1	
93	504637	CABLE TIE / 3/16" x 13"	1	1	1	
94	641507	UNION / PUSH-IN FITTING / #4 x 6MM NP	1	1	1	
95	<b>H7-1260-00</b>	<b>VALVE SUPPORT ASSY To E-2565</b>				
95	<b>H7-1260-01</b>	<b>VALVE SUPPORT ASSY From E-2566</b>				
100	IS17039	ISRI SEAT BELT WITH SENSOR INSTALLATION From J-0084	1	1	1	
. NS	860332	. SEAT BELT ASS / W/BUCKLE W/SENSOR From J-0084	1	1	1	
. NS	IS-17039	. SEE INSTRUCTION SHEET From J-0084	1	1	1	
		A) WITH FASTENED SEAT BELT SENSOR				
		B) USE WITH DRIVER SEAT HEATING				
		C) WITH CHOICE BACKREST BACK COLOR				
		O) OPTION				
		S) INCLUDES 15, 19, 21, 27, 28, 41, 42, 43, 48, 49, 50, 62				
		P) CALL ORDER DESK FOR SPECIFIC APPLICATION (V.I.N.)				

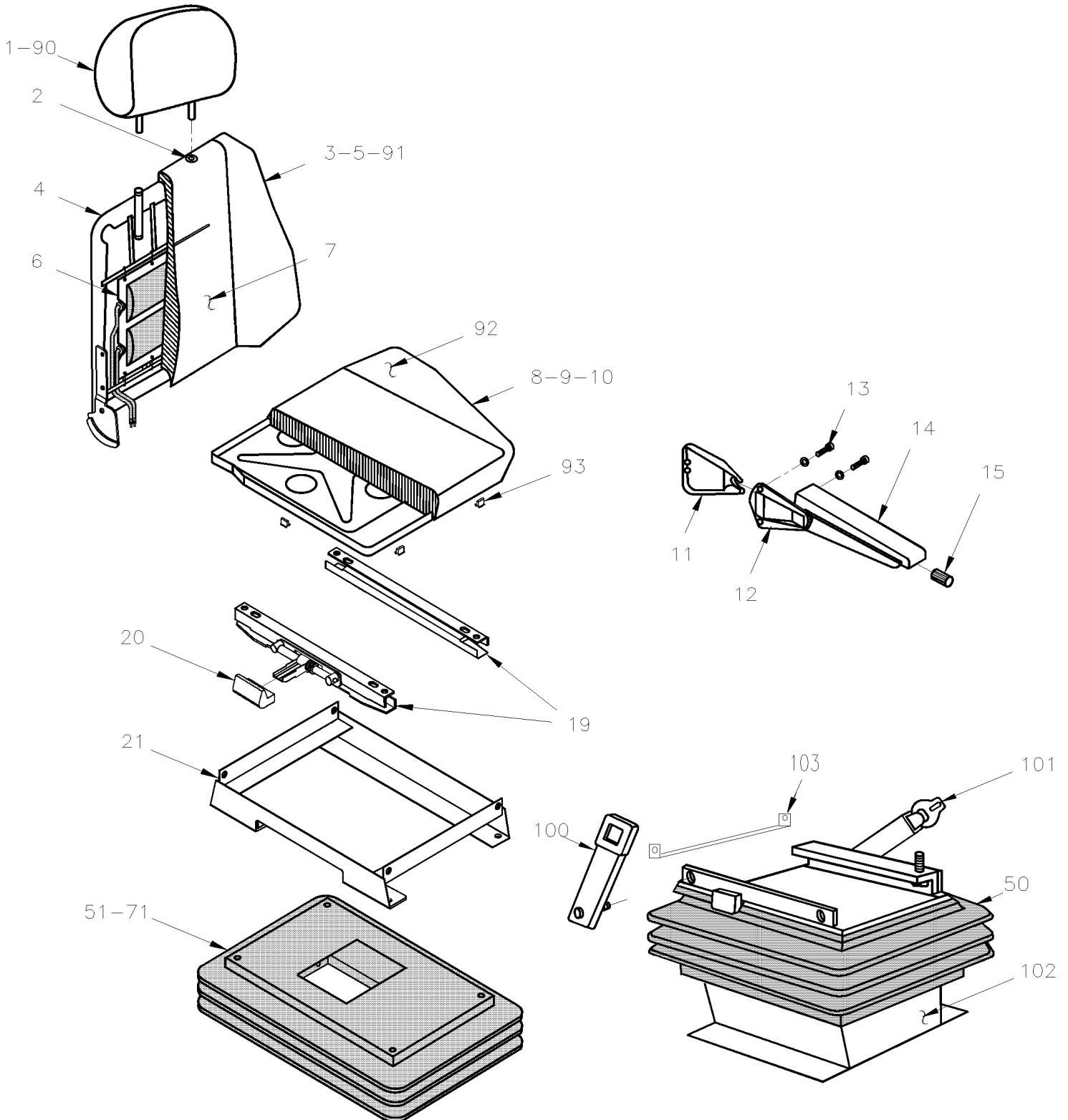


From 7-0671 To J-0287

Date:10/2022

PAGE:H7-1822-10

DRIVER'S SEAT - "ISRI" - 6000/515 & 6500/515

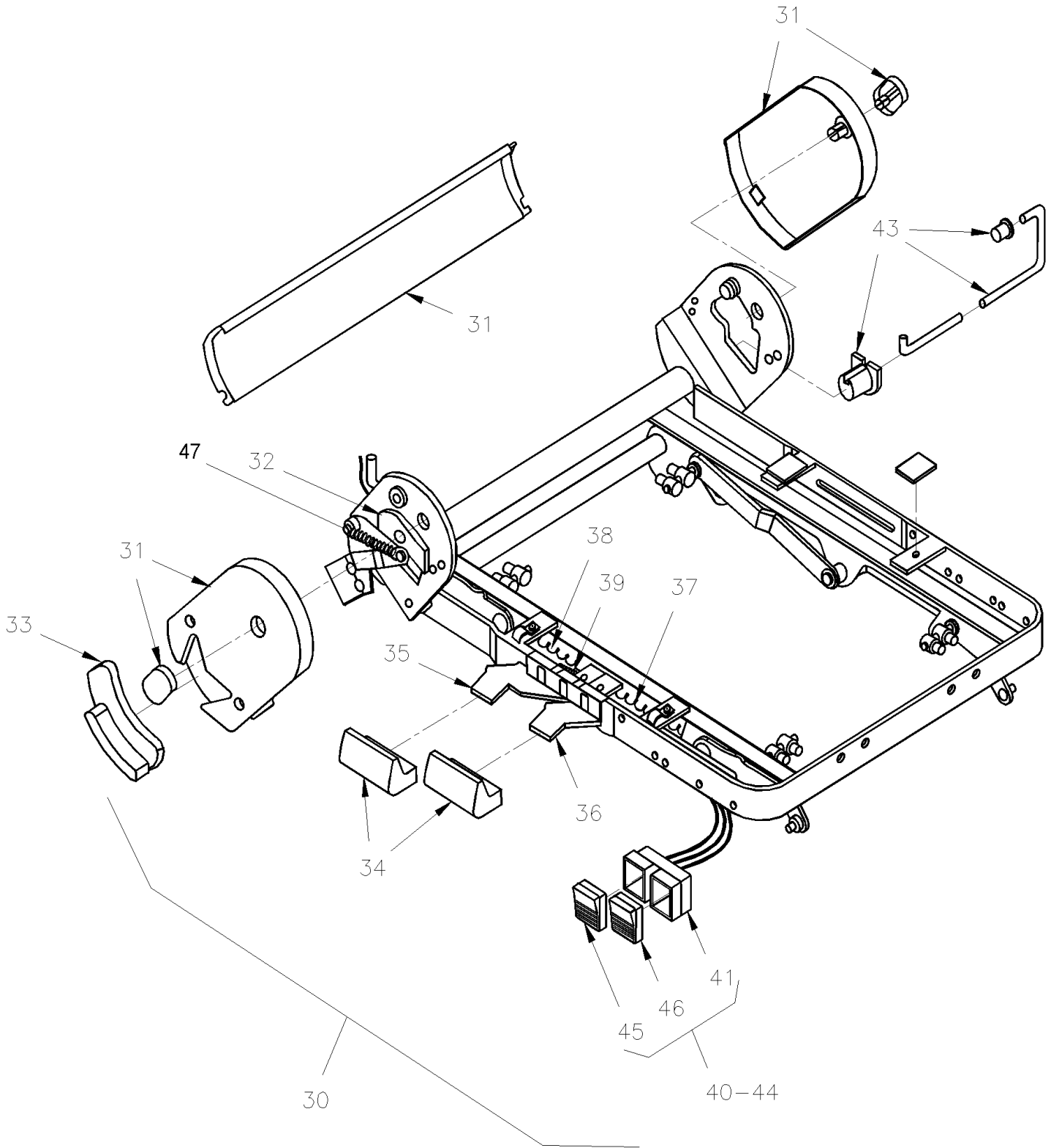


From 7-0671 To J-0287

Date:10/2022

PAGE:H7-1822-10

DRIVER'S SEAT - "ISRI" - 6000/515 & 6500/515

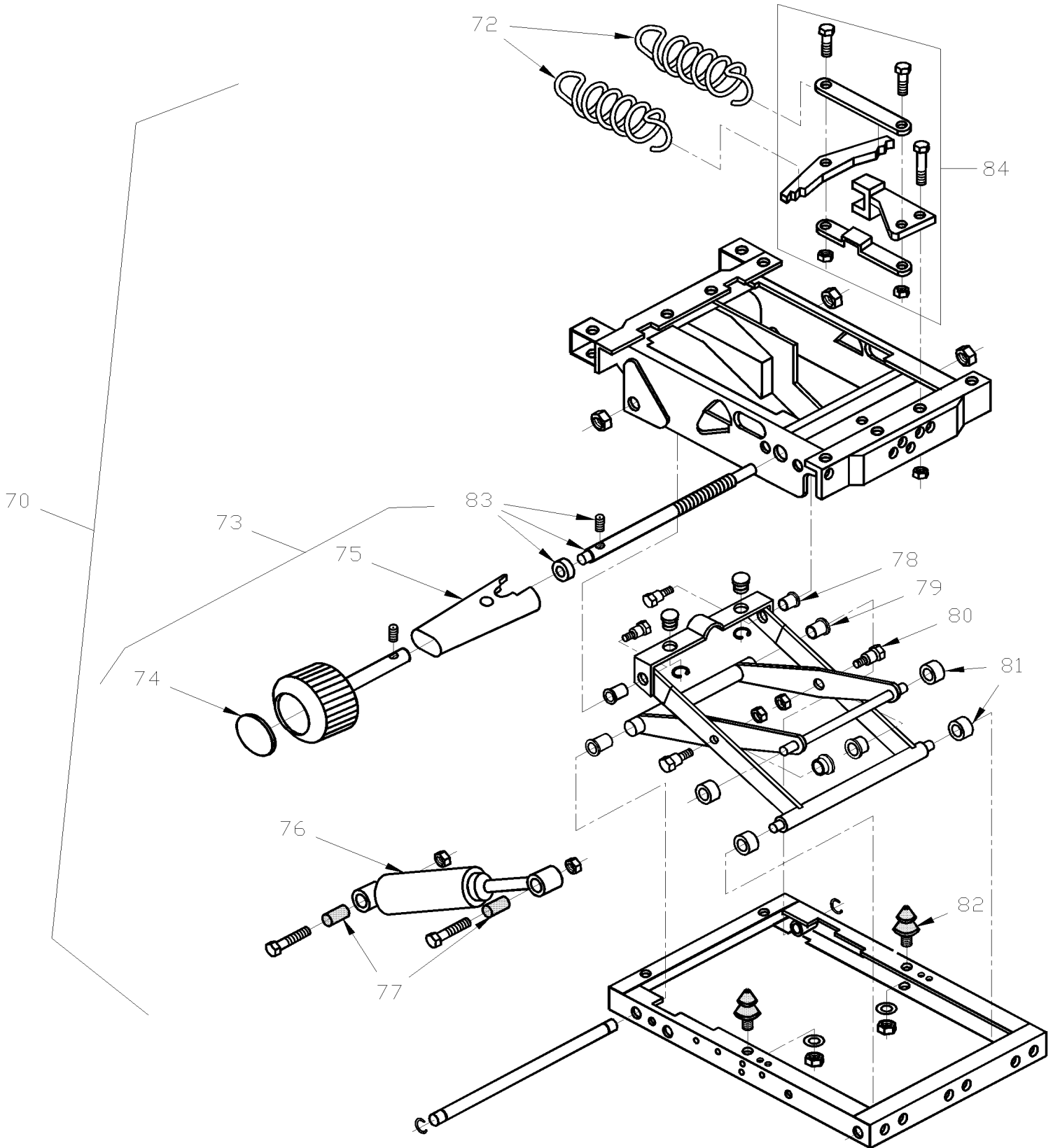


From 7-0671 To J-0287

Date:10/2022

PAGE:H7-1822-10

## DRIVER'S SEAT - "ISRI" - 6000/515 & 6500/515



From 7-0671 To J-0287	Date:10/2022	PAGE:H7-1822-10
<b>DRIVER'S SEAT - "ISRI" - 6000/515 &amp; 6500/515</b>		

Item#	Part	Description	H 3 4 1	H 3 4 5	V I P 4 5	N O T E S
	362833	SEAT ASSY MECHANIC / R.H. CONTROL W/COVERING	1	1		E
	860433	. DRIVER'S SEAT - "ISRI" - MODEL 6000/515 / MECHANIC / R.H. CONTROL	1	1		
	362834	SEAT ASSY MECHANIC / R.H. CONTROL & AIR LUMBAR W/COVERING	1	1		E
	860852	. DRIVER'S SEAT - "ISRI" - MODEL 6000/515 / MECHANIC / R.H. CONTROL & AIR LUMBAR	1	1		
	860855	DRIVER'S SEAT - "ISRI" - MODEL 6000/525 / ELECTRIC / AIR SUSPENSION / R.H.			1	
	860856	DRIVER'S SEAT - "ISRI" - MODEL 6000/525 / ELECTRIC W/MEMORY / AIR SUSPENSION / R.H. CONTROL& LUMBAR SUPPORT			1	
1	860441	HEADREST	1	1	1	
2	860483	GROMMET	2	2	2	
3	860508	BACKREST ASSY / R.H. CONTROL	1	1	1	
4	860509	. FRAME / R.H. CONTROL	1	1	1	
5	860507	. FOAM	1	1	1	
6	860494	AIR BAG / LOMBAR	1	1	1	
7	860548	HEATING PAD / BACK	1	1	1	
8	860510	PAN SEAT SUBASSY	1	1	1	
9	860511	. FOAM / SEAT	1	1	1	
10	860547	HEATING PAD / SEAT	1	1	1	
11	860532	COVER	2	2	2	
12	N.S.S.	BRACKET / ARMREST	1	1	1	1
13	500544	SCREW CAP HEX M8-1.25x30 G8.8 Z050	2	2	2	
14	860440	ARMREST L.H. ADJUSTABLE	1	1		
NS	860442	ARMREST R.H. ADJUSTABLE	1	1		
14	868135	ARMREST L.H. BLACK			1	
. NS	868133	. COVER, ARMREST END, OPEN, BLK			1	
14	868134	ARMREST R.H. BLACK			1	
. NS	868133	. COVER, ARMREST END, OPEN, BLK			1	
15	860725	. KNOB	1	1	1	
19	861085	SLIDE MASTER / HANDLE & SLAVE / R.H. CONTROL	1	1	1	
20	861086	. HANDLE R.H.	1	1	1	
NS	861084	SLIDE SET "C" STYLE / HANDLE & SLAVE / W/SEAT #860852	1	1	1	
21	861100	SPACER STATIC /W/FOLLOWING SEAT NUMBER 860432 433,449,450,543,544,545 & 546	1	1	1	A
30	861083	FRAME ASSY SEAT / R.H. CONTROL (AS SHOWN)	1	1	1	
30	860605	FRAME ASSY SEAT / L.H. CONTROL	1	1	1	
31	861090	. SIDE PLATE ASSY / KIT FOR R.H. CONTROL (AS SHOWN)	1	1	1	
31	860590	. SIDE PLATE ASSY / KIT FOR L.H. CONTROL	1	1	1	
32	861790	. TOOTH LEVER / R.H. SIDE (AS SHOWN)	1	1	1	
32	861789	. TOOTH LEVER / L.H. SIDE	1	1	1	
33	861089	. HANDLE / R.H. CONTROL (AS SHOWN)	1	1	1	
33	860589	. HANDLE / L.H. CONTROL	1	1	1	
34	861087	. HANDLE HEIGHT TILT / FRONT	1	1	1	
NS	861088	. HANDLE HEIGHT TILT / REAR	1	1	1	
35	860587	. LEVER HEIGHT REAR	1	1	1	
36	860588	. LEVER HEIGHT FOWARD	1	1	1	

From 7-0671 To J-0287	Date:10/2022	PAGE:H7-1822-10
<b>DRIVER'S SEAT - "ISRI" - 6000/515 &amp; 6500/515</b>		

Item#	Part	Description	H 3 4 1	H 3 4 5	V I P 4 5	N O T E S
37	860690	. LEVER ADJUSTMENT KEY / R.H. FRONT & L.H. RE	1	1	1	
38	860689	. LEVER ADJUSTMENT KEY / R.H. REAR & L.H. FRO	1	1	1	
39	860513	. KIT SPRING (2 LARGES & 3 SMALL)	1	1	1	
43	861091	. TORSION BAR KIT	1	1	1	
44	861092	. KIT VALVE LOMBAR SUPPORTS	1	1	1	C
NS	860887	. . KIT VALVE LUMBAR SUPPORTS / W/SEAT W/R.H. CONTROL				D
45	861093	. . . BUTTON AIR LOMBAR UPPER SECTION	1	1	1	
46	861094	. . . BUTTON AIR LOMBAR LOWER SECTION	1	1	1	
47	862217	. SPRING	1	1	1	
70	860685	SUSPENSION ASSY MECHANICAL / R.H. CONTROL	1	1	1	A
71	860526	. COVER	1	1	1	
72	862913	. SPRING EXTENSION / KIT OF 2 1.800 O.D. x 6.75 x .340	1	1	1	
73	860658	. HANDWHEEL / R.H. CONTROL (AS SHOWN)	1	1	1	
74	860549	. . CAP PLASTIC	1	1	1	
75	860594	. . CAP SHAFT COVER	1	1	1	
76	860521	. ABSORBER / 99LBS	1	1	1	
NS	860602	. ABSORBER / 120LBS	1	1	1	
77	860586	. . BUSHING / ABSORBER	2	2	2	
NS	860692	. KIT REPAIR / MECHANICAL SUSPENSION	AR	AR	AR	A
78	N.S.S.	. . BUSHING SPLIT FLANGE	2	2	2	1
79	N.S.S.	. . BUSHING FLANGE	2	2	2	1
80	N.S.S.	. . BOLT	2	2	2	1
81	N.S.S.	. . ROLLER	4	4	4	1
82	N.S.S.	. . BUMPER	2	2	2	1
83	860864	SPINDLE KIT	1	1	1	
84	861746	. KIT WEIGHT ADJUSTMENT	1	1	1	
90	362201P	COVERING HEADREST ASSY / S.C.C. / DRIVER'S "ISRI" 6000 & 6500	1	1	1	
90	360082	COVERING HEADREST ASSY / COLLECTION / S.C.C. / DRIVER'S "ISRI" 6000	1	1	1	H
91	362204P	COVERING BACKREST ASSY / S.C.C. / DRIVER'S "ISRI" 6000 & 6500 To 8-1135	1	1	1	
91	364238	COVERING BACKREST ASSY / S.C.C. / DRIVER'S "ISRI" 6000 & 6500 From 8-1136	1	1	1	
91	360080	COVERING BACKREST ASSY / COLLECTION / S.C.C. / DRIVER'S "ISRI" 6000	1	1	1	H
92	362203P	COVERING SEATREST ASSY / S.C.C. / DRIVER'S "ISRI" 6000 & 6500 To 8-1135	1	1	1	
92	364236	COVERING SEATREST ASSY / S.C.C. / DRIVER'S "ISRI" 6000 & 6500 From 8-1136	1	1	1	
92	360081	COVERING SEATREST ASSY / COLLECTION / S.C.C. / DRIVER'S "ISRI" 6000	1	1	1	H
93	860527	CLIP	8	8	8	
NS	860484	SEW STRIP NYLON 10MM	AR	AR	AR	
NS	860485	SEW STRIP NYLON 15MM	AR	AR	AR	
NS	864709	TUBE PLASTIC 6MM O.D. CHARCOAL W/RED LINE	AR	AR	AR	
NS	864710	TUBE PLASTIC 6MM O.D. CHARCOAL W/GREY LINE	AR	AR	AR	
NS	864711	TUBE PLASTIC 6MM O.D. CHARCOAL	AR	AR	AR	
NS	641507	UNION / PUSH-IN FITTING / #4 x 6MM NP	1	1	1	
NS	641092	UNION TEE / NTA FITTING / #4x#4x#4 BR	1	1	1	

From 7-0671 To J-0287	Date:10/2022	PAGE:H7-1822-10
<b>DRIVER'S SEAT - "ISRI" - 6000/515 &amp; 6500/515</b>		

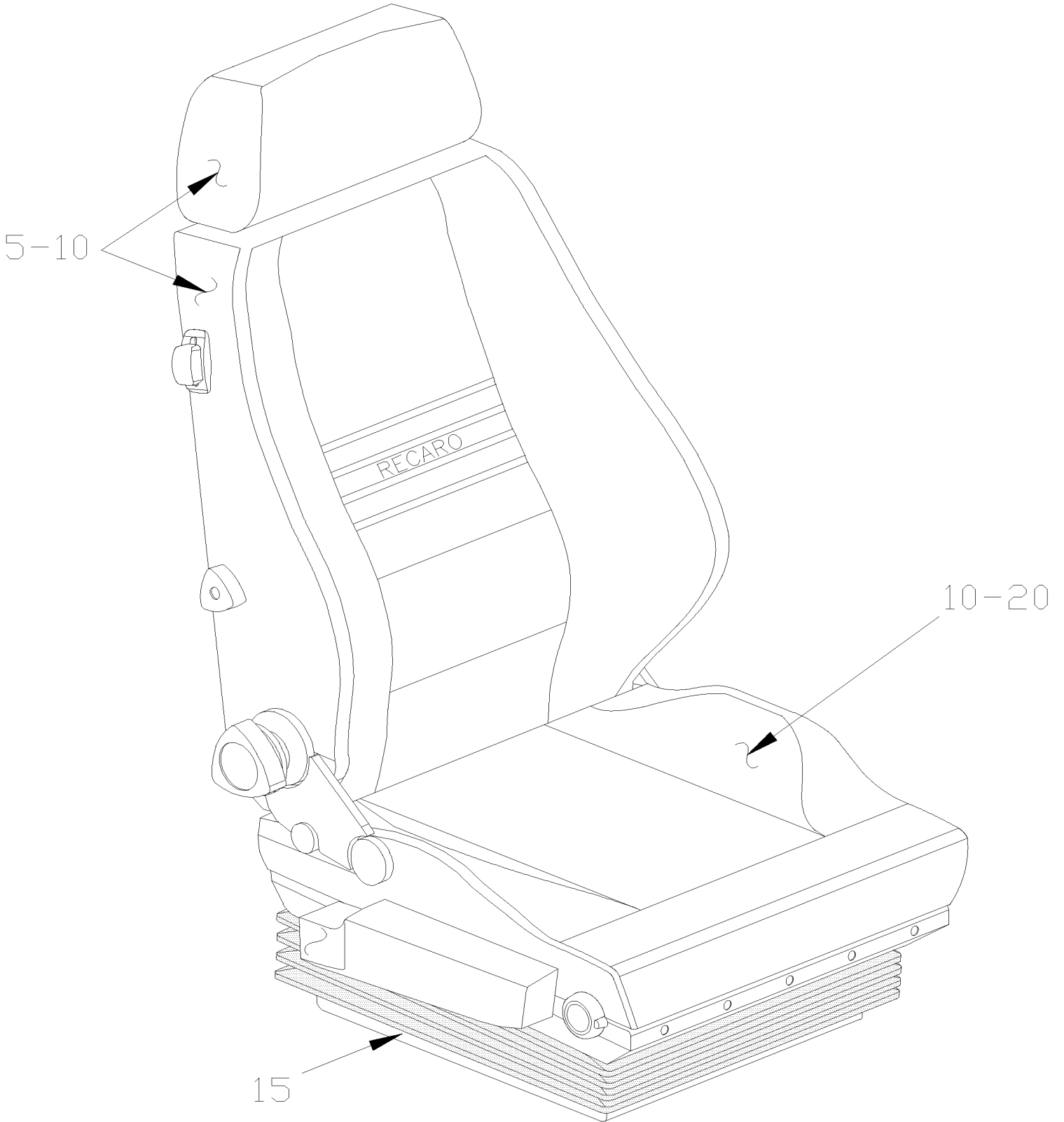
Item#	Part	Description	H 3 4 1	H 3 4 5	V I P 4 5	N O T E S
NS	867958	ADAPTOR	1	1	1	
NS	868125	UNION 4MM/4MM	1	1	1	
NS	868128	UNION 6MM/4MM	1	1	1	
100	362188	KIT BELT	1	1	1	
100	860607	. STIFF BUCKLE IN BOOT	1	1	1	
101	860977	. BELT SEAT	1	1	1	
NS	860553	. BELT TETHER / BODY & SUSPENSION / (SET OF 2)	1	1	1	
102	361800	BASE DRIVER'S SEAT / W "ISRI" / 76.2MM HEIGHT / 3"	1	1	1	
102	5001117	SCREW CAP HEX M12-1.75x70 BK	4	4	4	B
102	500958	WASHER FL .531x1.062x.095 SS	4	4	4	B
102	500747	WASHER LO SPT 12.2x21.1x2.5 N500	4	4	4	B
102	362549	SPACER / STRUCTURE & BASE / 27MM	4	4	4	B
103	363945	BAR ICP / W/SEAT MODEL 6500	1	1	1	G
NS	500179	SCREW CAP HEX 5/16-18x3/4 G5 Z050	2	2	2	G
NS	500777	NUT HEX STO 5/16-18 Z050	2	2	2	G
103	364155	JOINT / W/AIR SUSPENSION / W/2 HOLES .344 O / 4 3/8" x W/3 1/4" C/C	1	1	1	G
NS	500747	WASHER LO SPT 12.2x21.1x2.5 N500	2	2	2	G
NS	500480	WASHER LO SPT .443x.779x.109 Z050	2	2	2	G
NS	500445	WASHER FL .437x1.000x.083 Z050	4	4	4	G
NS	5001365	SCREW CAP HEX M12-1.75x30 G10.9 DP To B-5032	2	2	2	G
103	5001866	SCREW CAP HEX M12-1.75x30 G10.9 N500 From B-5033	2	2	2	G
		A) W/SEAT #860433				
		B) TO FIX BASE TO FLOOR				
		C) W/HOSE & HARDWARE				
		D) W/BUTTON				
		E) THIS SEAT IS COMPLETELY ASSY W/COVERING, ARMREST, HEATING PAD & SAFETY BELT (SPECIFY COLOR)				
		G) TO FIX SAFETY BELT TO SEAT				
		H) USE WITH SEAT OPTION COVERING COLLETION				
		1) NOT SOLD SEPARATELY				
		U) UNDER CONSTRUCTION				

From 7-0671 To J-0287

Date:10/2022

PAGE:H7-1823-00

**DRIVER'S SEAT - "RECARO" - ERGO-COACH**



From 7-0671 To J-0287	Date:10/2022	PAGE:H7-1823-00
<b>DRIVER'S SEAT - "RECARO" - ERGO-COACH</b>		

Item#	Part	Description	H 3 4 1	H 3 4 5	V I P 4 5	N O T E S
	861936	DRIVER'S SEAT - "RECARO" - COACH-ERGO	1	1		
	862488	DRIVER'S SEAT - "RECARO" - MODEL ERGO-C	1	1		
	862699	DRIVER'S SEAT - "RECARO" - MODEL ERGO-C	1	1		
	862874	DRIVER'S SEAT - "RECARO" - MODEL ERGO-C	1	1		
	862488	DRIVER'S SEAT - "RECARO" - MODEL ERGO-C	1	1		
	862699	DRIVER'S SEAT - "RECARO" - MODEL ERGO-C	1	1		
	862874	DRIVER'S SEAT - "RECARO" - MODEL ERGO-C	1	1		
5	<b>H7-1823-10</b>	<b>. BACKREST ASSY - "RECARO" - ERGO-COACH</b>				
10	<b>H7-1823-15</b>	<b>. SEAT COVER &amp; FOAM - "RECARO" - ERGO-COACH</b>				
15	<b>H7-1823-20</b>	<b>. SUSPENSION &amp; RISER - "RECARO" - ERGO-COACH</b>				
20	<b>H7-1823-25</b>	<b>. SEAT CUSHION FRAME - "RECARO" - ERGO-COACH</b>				
25	<b>H7-1823-30</b>	<b>. ARMREST - "RECARO" - ERGO-COACH</b>				
NS	364114	BASE DRIVER'S SEAT / W/"RECARO" "C" / 112MM HEIGHT	1	1		
NS	362549	SPACER / STRUCTURE & BASE / 27MM	4	4		
NS	5001117	SCREW CAP HEX M12-1.75x70 BK	4	4		
NS	500747	WASHER LO SPT 12.2x21.1x2.5 N500	4	4		
NS	500958	WASHER FL .531x1.062x.095 SS	4	4		

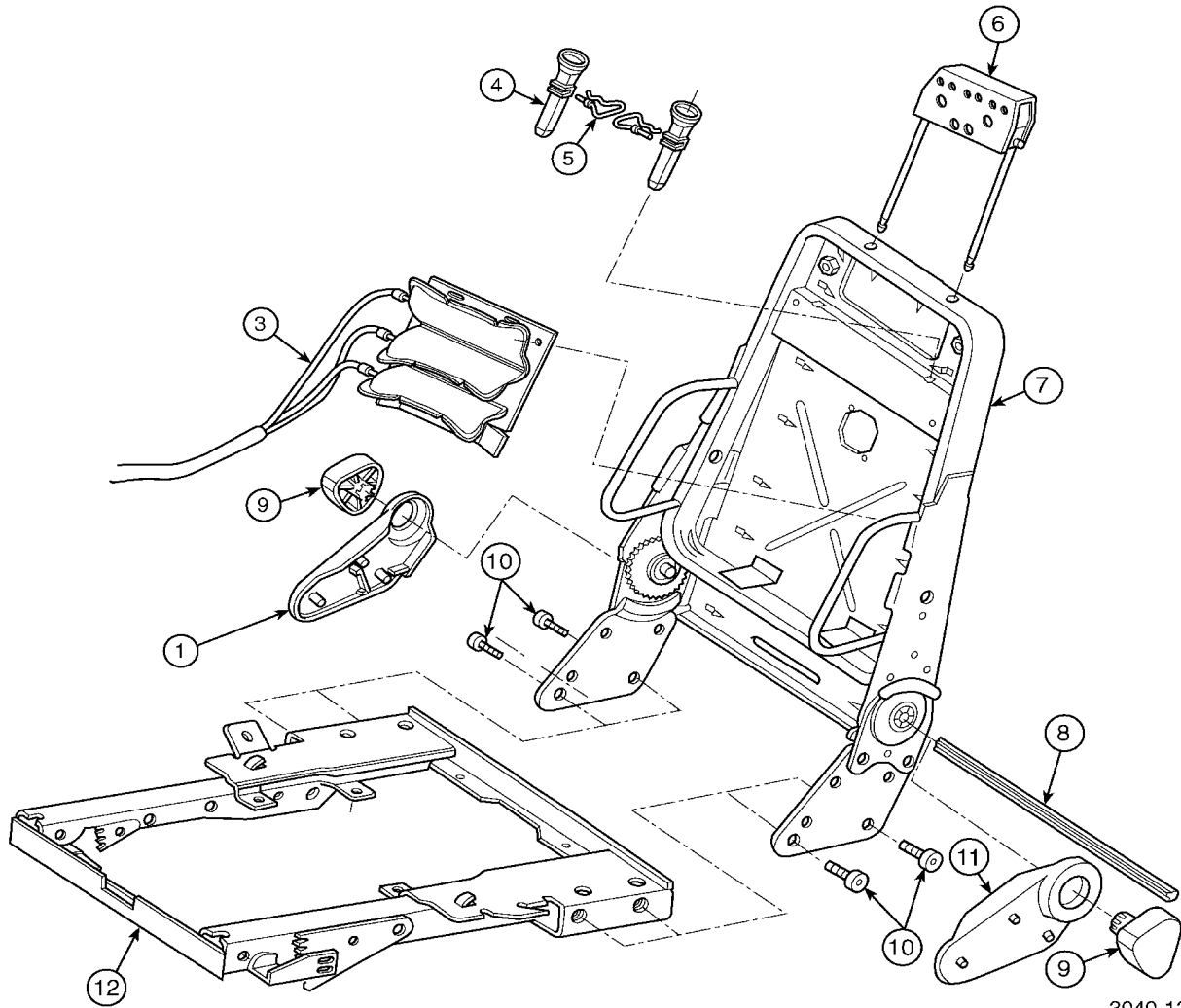


From 7-0671 To J-0287

Date:10/2022

PAGE:H7-1823-10

## BACKREST ASSY - "RECARO" - ERGO-COACH



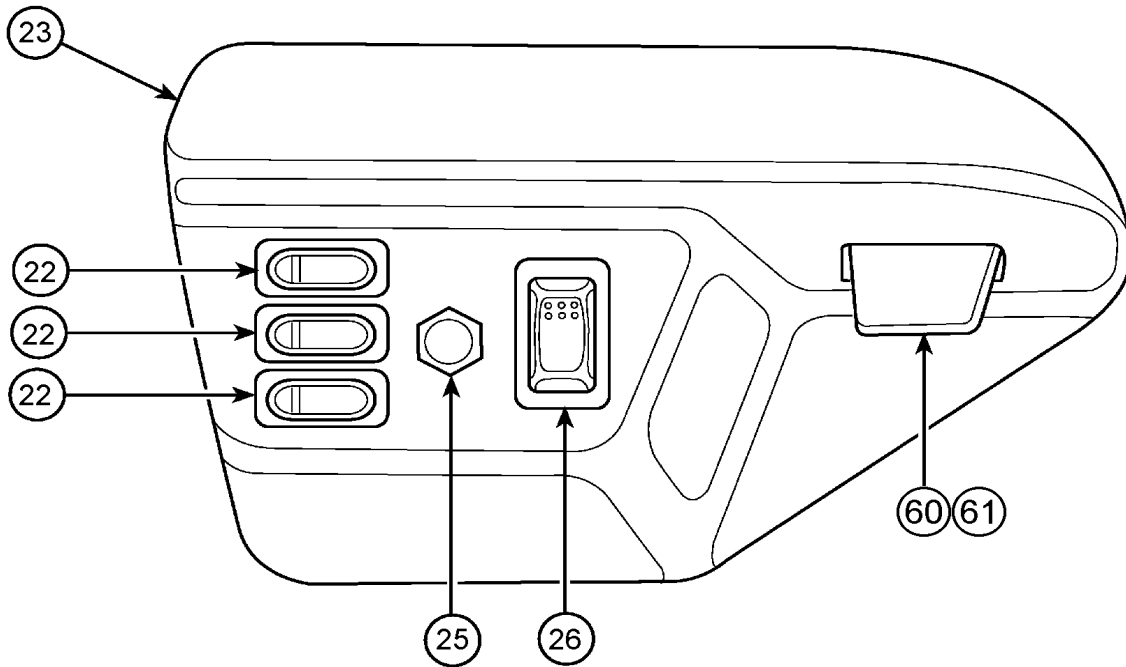
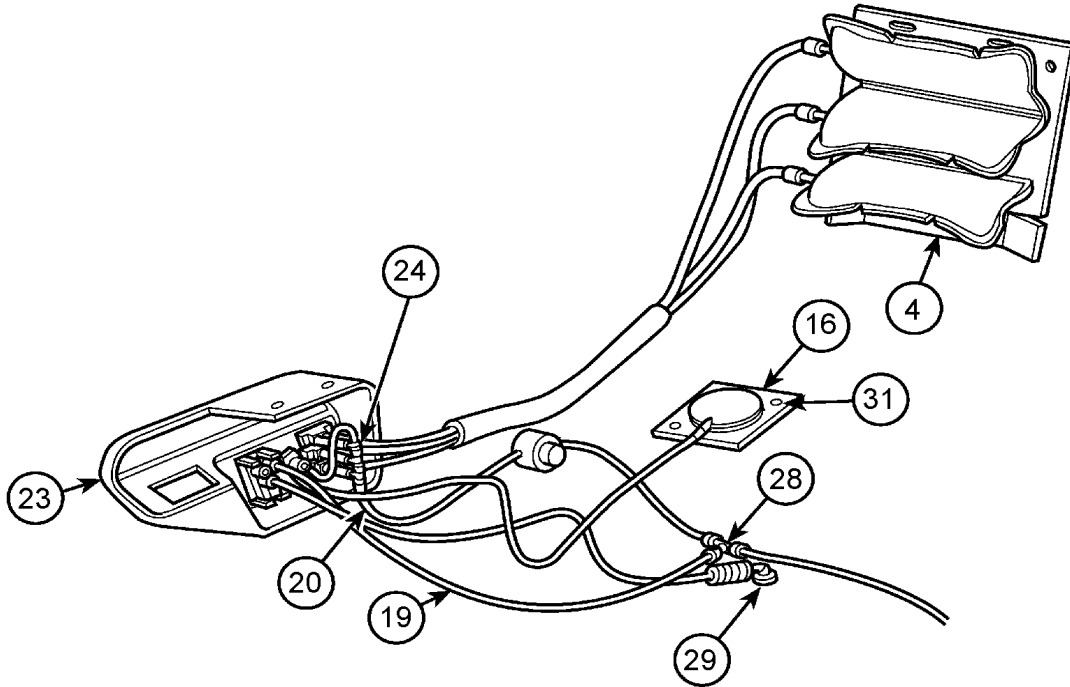
3040-137

From 7-0671 To J-0287

Date:10/2022

PAGE:H7-1823-10

BACKREST ASSY - "RECARO" - ERGO-COACH

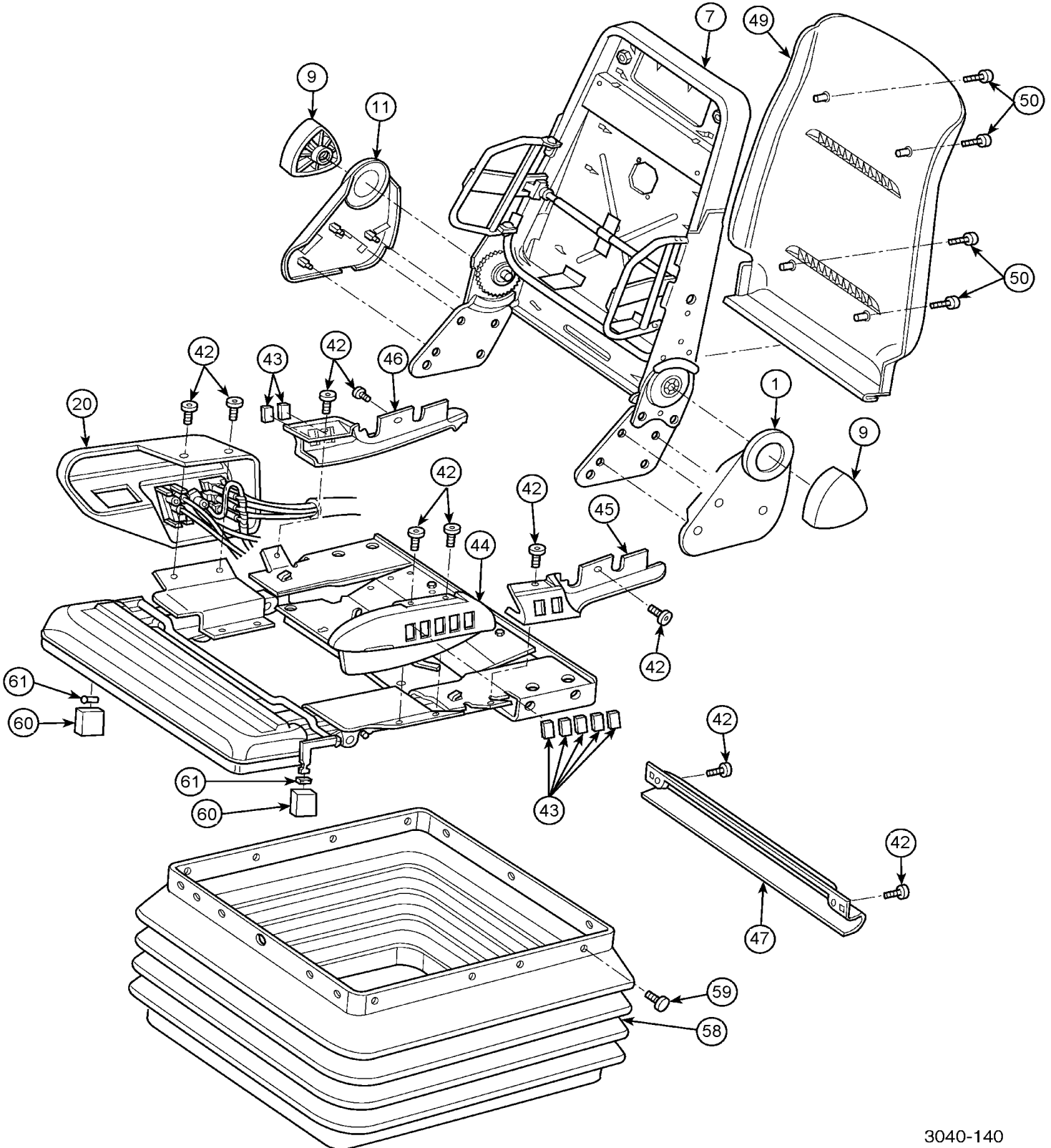


From 7-0671 To J-0287

Date:10/2022

PAGE:H7-1823-10

BACKREST ASSY - "RECARO" - ERGO-COACH



From 7-0671 To J-0287	Date:10/2022	PAGE:H7-1823-10
<b>BACKREST ASSY - "RECARO" - ERGO-COACH</b>		

Item#	Part	Description	H 3 4 1	H 3 4 5	V I P 4 5	N O T E S
1	Call order desk	COVER MANUAL RECLINE L.H.	1	1		P
3	N8890742	3 CELL LUMBAR	1	1		
4	Call order desk	HEADREST ASSY	1	1		P
4	Call order desk	. FRAME HEADREST	1	1		P
NS	Call order desk	. BUSHING HEADREST ROD PLASTIC	4	4		P
NS	Call order desk	. HEADREST ROD 307MM	2	2		P
4	Call order desk	. HEADREST COVER ASSY	1	1		P
NS	N8891971	. RETAINING STRIP	2	2		
NS	Call order desk	. BOLT M8X25	2	2		P
NS	N8882304	. NUT, LOCK	2	2		
5	N8886938	. TORSION SPRING	2	2		
5	N8886939	. SLEEVE	2	2		
6	N8886937	. GUIDE TUBE	2	2		
6	Call order desk	RETAINING CLIP, LOCK WASHER	2	2		P
7	Call order desk	BACK FRAME ASSY	1	1		P
8	Call order desk	ROD CONNECTING RECLINER	1	1		P
NS	Call order desk	BRACKET RECLINER STOP 12/25 DEG	1	1		P
NS	Call order desk	BOLT M8	2	2		P
9	Call order desk	HANDWHEEL	2	2		P
10	N8882373	SCREW M6-1.0x20	4	4		
11	Call order desk	COVER MANUAL RECLINE R.H.	1	1		P
12	Call order desk	RETAINING CLIP, LOCK WASHER	2	2		P
16	N8890756	ACTUATOR: AUTO BLADDER-CONTROL	1	1		
19	N8890744	TUBING 1/4" OD	1	1		
20	N8890720	CONTROL ASSY FRONT RH	1	1		
20	N8893904	. RUBBER TUBING 1/4 " OD	AR	AR		
22	N8891008	. SWITCH PNEUMATIC LUMBAR	3	3		
23	N8890743	. CONTROL PANEL	1	1		
24	Call order desk	. AIR FITTING 1/8"	1	1		P
25	N8891010	. SWITCH HIGH PRESSURE	1	1		
26	N8891009	. SWITCH AUTO ACTUATOR	1	1		
28	Call order desk	AIR FITTING 1/4"	1	1		P
29	N8890745	AIRSPRING FITTING	1	1		
31	N8800444	RETAINER	2	2		
NS	G1090493	FITTING 1/4"X1/4" UNION	1	1		
41	N8890720	CONTROL ASSY FRONT RH	1	1		
42	N8887256	SCREW	8	8		
43	N8887257	COVER PLATE SWITCH	9	9		
44	N8887260	CONTROL PANEL / FRONT L.H.	1	1		
45	N8800437	CONTROL PANEL / REAR L.H.	1	1		
46	N8800438	CONTROL PANEL / REAR R.H.	1	1		
47	N8887262	CABLE HOUSING REAR	1	1		

From 7-0671 To J-0287 Date:10/2022 PAGE:H7-1823-10

**BACKREST ASSY - "RECARO" - ERGO-COACH**

Item#	Part	Description	H 3 4 1	H 3 4 5	V I P 4 5	N O T E S
49	N8890725	BACKREST COVER KIT	1	1		
49	Call order desk	. COVER BACK PANEL	1	1		P
50	Call order desk	. SCREW BACK PANEL	1	1		P
58	G1094197	BOOT ASSY SUSPENSION	1	1		
. NS	N8882340	. PLASTIC RIVET	QR	QR		
59	N8882340	PLASTIC RIVET	23	23		
60	N8890746	KNOB KIT	1	1		
. NS	N8882395	. CLIP	2	2		
. NS	N8887258	. KNOB	2	2		
60	N8882395	. CLIP	2	2		
61	N8887258	. KNOB	2	2		
NS	N8890741	PNEUMATIC ASSY KIT	1	1		
NS	N8887345	. TIE STRAP	2	2		
NS	N8880620	. VINYL EDGE PROTECTOR	AR	AR		
NS	G1090493	. FITTING 1/4"X1/4" UNION	1	1		
NS	N8890744	. TUBING 1/4" OD	1	1		
NS	N8893904	. RUBBER TUBING 1/4 " OD	AR	AR		
NS	Call order desk	. REGULATOR MONNIER 10PSI	1	1		P
NS	Call order desk	. AIR FITTING 1/4"	1	1		P
NS	N8890748	. AIR FITTING 10-32 THREAD	1	1		
NS	Call order desk	. AIR FITTING 10-32 THREAD	1	1		P
NS	N8887306	. SCREW M5-0.8x10	1	1		
NS	Call order desk	. TUBING NYLON 12 BLACK	AR	AR		P
NS	Call order desk	. ERGO AIRLINE ROUTING	1	1		P
NS	Call order desk	. INSTALLATION INSTRUCTION AIR LINE	1	1		P
NS	Call order desk	STICKER RECARO LOGO	1	1		P
NS	N8890749	KIT BACKREST ASSY	1	1		A
NS	N8890750	KIT RECLINING STOP ASM	1	1		
NS	Call order desk	. BRACKET RECLINER STOP 12/25 DEG	1	1		P
NS	Call order desk	. BOLT M8	2	2		P
		A) INCLUDE ITEMS #5, 6, 7, 8 & 10				
		P) CALL ORDER DESK FOR SPECIFIC APPLICATION (V.I.N.)				

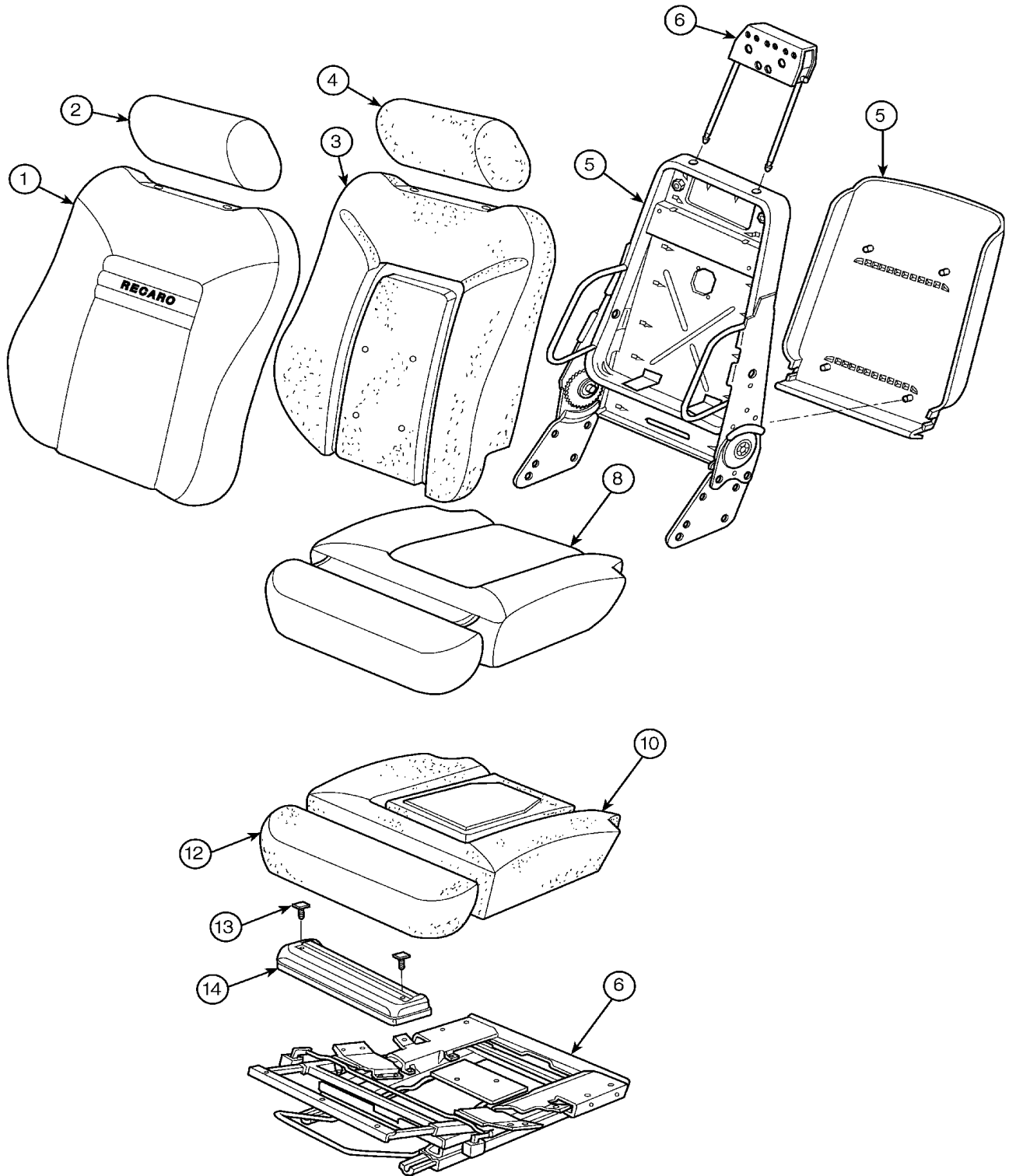


From 7-0671 To J-0287

Date:10/2022

PAGE:H7-1823-15

## SEAT COVER & FOAM - "RECARO" - ERGO-COACH



From 7-0671 To J-0287	Date:10/2022	PAGE:H7-1823-15
<b>SEAT COVER &amp; FOAM - "RECARO" - ERGO-COACH</b>		

Item#	Part	Description	H 3 4 1	H 3 4 5	V I P 4 5	N O T E S
1	Call order desk	SEATBACK COVER ASSY	1	1		P
2	Call order desk	HEADREST COVER ASSY	1	1		P
3	N8891359	FOAM BACKREST	1	1		
4	19503099	FOAM HEADREST	1	1		
5	<b>H7-1823-10</b>	<b>BACKREST ASSY - "RECARO" - ERGO-COACH</b>				
6	<b>H7-1823-25</b>	<b>SEAT CUSHION FRAME - "RECARO" - ERGO-COACH</b>				
8	Call order desk	SEAT CUSHION COVER ASSY	1	1		P
10	N9999062	FOAM SEAT CUSHION	1	1		
12	19503560	THIGH FOAM SUPPORT	1	1		
13	N8887357	FRAME TIGH EXTENSION	1	1		
14	N8887358	WASHER BOLT	2	2		
		P) CALL ORDER DESK FOR SPECIFIC APPLICATION (V.I.N.)				

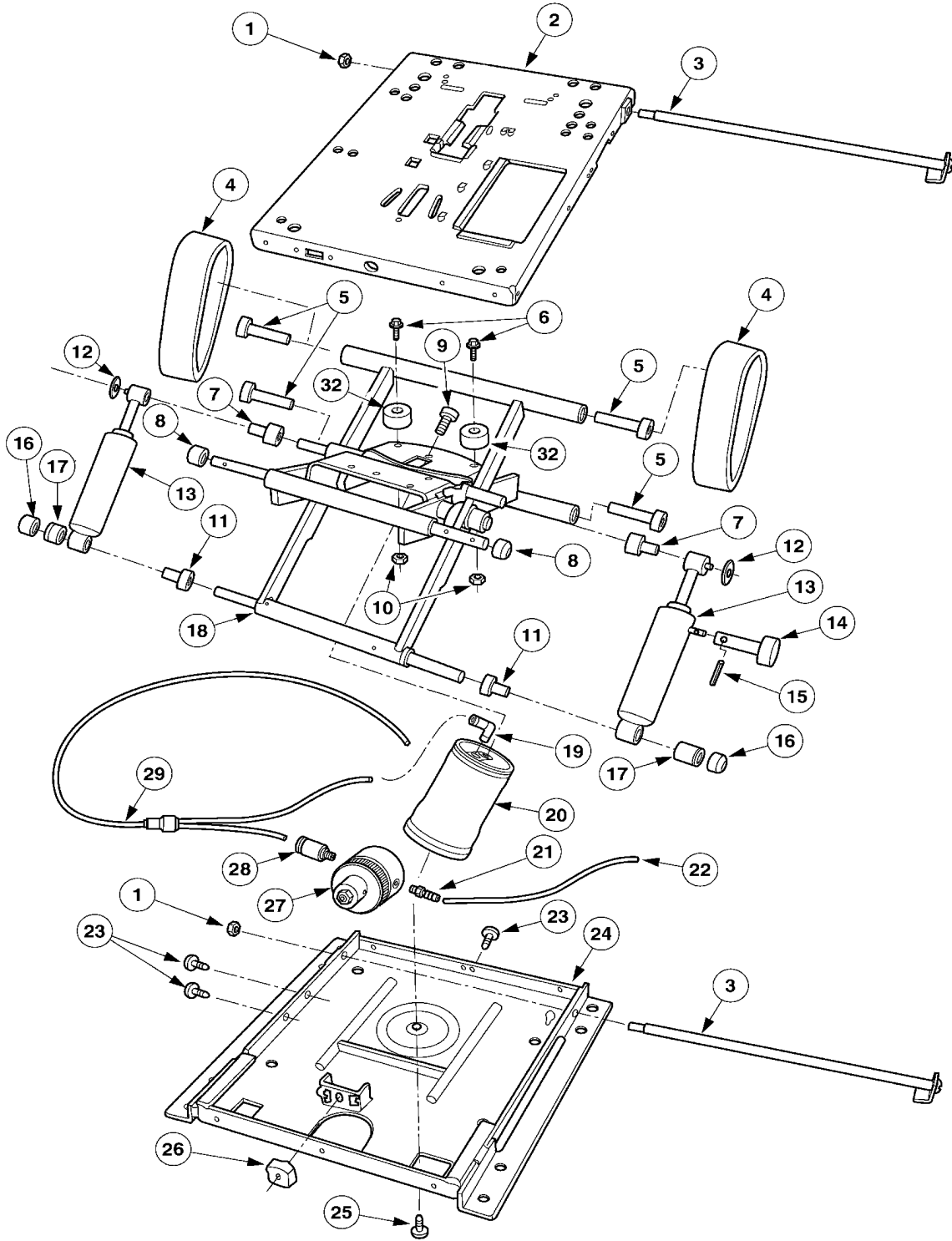


From 7-0671 To J-0287

Date:10/2022

PAGE:H7-1823-20

SUSPENSION & RISER - "RECARO" - ERGO-COACH

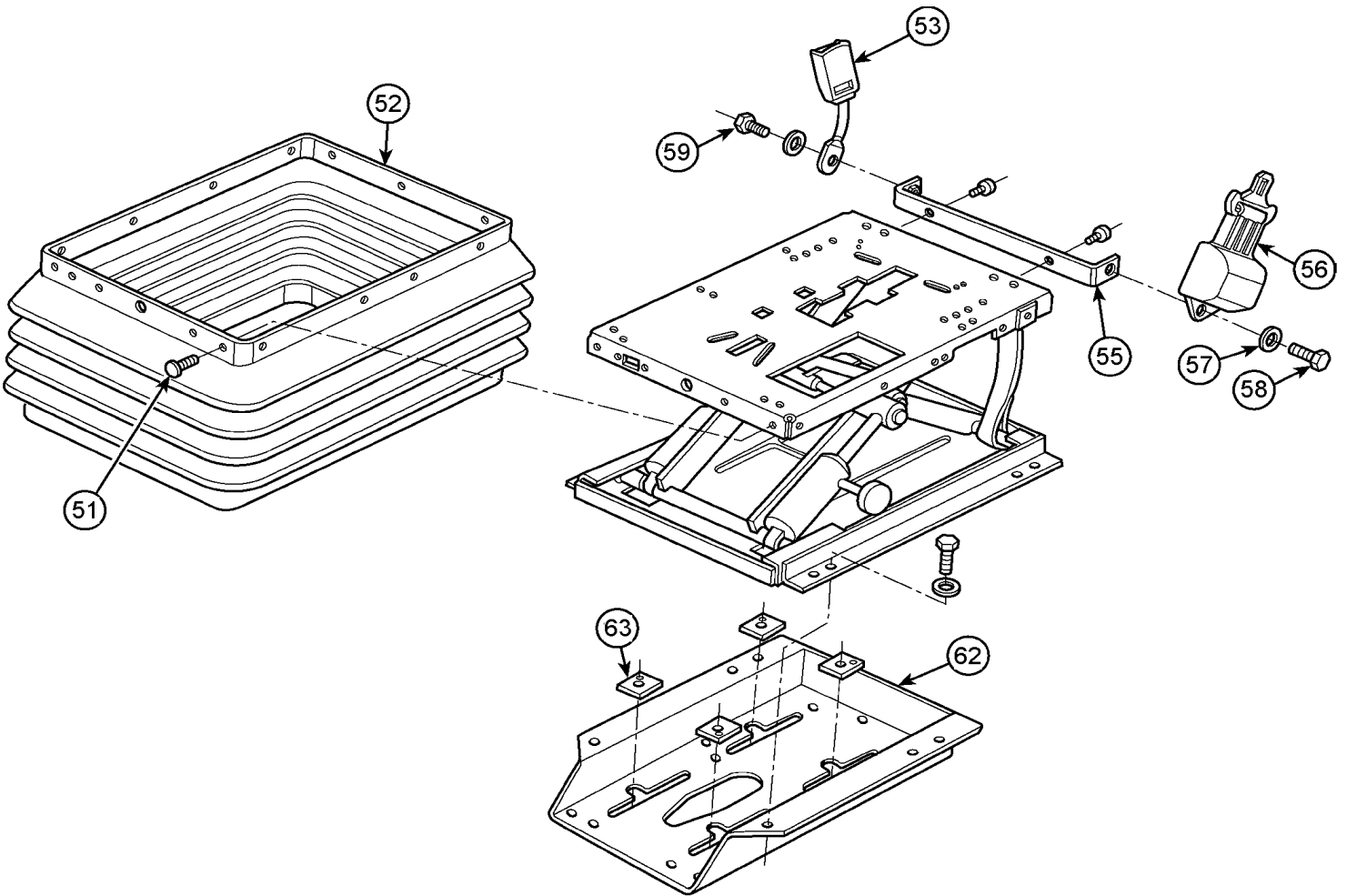


From 7-0671 To J-0287

Date:10/2022

PAGE:H7-1823-20

## SUSPENSION & RISER - "RECARO" - ERGO-COACH



From 7-0671 To J-0287	Date:10/2022	PAGE:H7-1823-20
<b>SUSPENSION &amp; RISER - "RECARO" - ERGO-COACH</b>		

Item#	Part	Description	H 3 4 1	H 3 4 5	V I P 4 5	N O T E S
1	N.P.N.	NUT HEX 3/8-16 CENTER LOCK	2	2		4
2	N8890734	UPPER HOUSING KIT	1	1		
3	N8890738	WELDMENT SHAFT	2	2		
4	N8890736	TETHER	2	2		
5	Call order desk	TUBE BEARING	4	4		P
6	Call order desk	SCREW MA 1/4-20x5/8	1	1		P
7	Call order desk	BEARING UPPER SHOCK	2	2		P
8	Call order desk	ROLLER	2	2		P
9	Call order desk	SCREW CAP HEX 3/8-16x1/2	1	1		P
10	Call order desk	NUT HEX SLO 1/4-20	1	1		P
11	Call order desk	BEARING LOWERR SHOCK	2	2		P
12	Call order desk	PUSHNUT .5 STUD	2	2		P
13	N.P.N.	SHOCK FIXED SUSPENSION	1	1		4
14	Call order desk	KNOB AJUSTEMENT	1	1		P
15	Call order desk	PIN ROLL 1/8x5/8	1	1		P
16	Call order desk	ROLLER	2	2		P
17	Call order desk	SPACER SHORT	1	1		P
17	Call order desk	SPACER LONG	1	1		P
18	Call order desk	SCISSOR	1	1		P
19	N8890745	AIRSPRING FITTING	1	1		
20	Call order desk	AIR SPRING SUSPENSION	1	1		P
21	N8890748	AIR FITTING 10-32 THREAD	1	1		
22	Call order desk	TUBING NYLON 12 BLACK	AR	AR		P
23	N.P.N.	CLIP	1	1		4
24	N8890735	LOWER HOUSING KIT	1	1		
25	Call order desk	SCREW 3/8-16x3/4	1	1		P
26	N8890740	BUMPER KIT	1	1		
27	Call order desk	REGULATOR MONNIER 10PSI	1	1		P
28	Call order desk	AIR FITTING 10-32 THREAD	1	1		P
29	N8890744	TUBING 1/4" OD	AR	AR		
32	Call order desk	BUMPER	1	1		P
51	G1094197	BOOT ASSY SUSPENSION	1	1		
. NS	N8882340	. PLASTIC RIVET	QR	QR		
52	N8882340	. PLASTIC RIVET	23	23		
53	N8891356	2 PT RH SEATBELT ASM	1	1		
53	Call order desk	. BUCKLE ASSY	1	1		P
55	G1094196	. SUPPORT KIT 2PT SEAT BELT ATTACHMENT	1	1		
56	N8893881	. SEAT BELT	1	1		
57	Call order desk	. WASHER FL 23.5x12x1.7	2	2		P
58	Call order desk	. SCREW SHR CAP HEX 7/16-20x1 3/4	1	1		P
59	Call order desk	. SCREW CAP HEX 7/16-20x1 1/2	1	1		P
NS	Call order desk	. BRACKET-SWIVEL	1	1		P

From 7-0671 To J-0287 Date:10/2022 PAGE:H7-1823-20

**SUSPENSION & RISER - "RECARO" - ERGO-COACH**

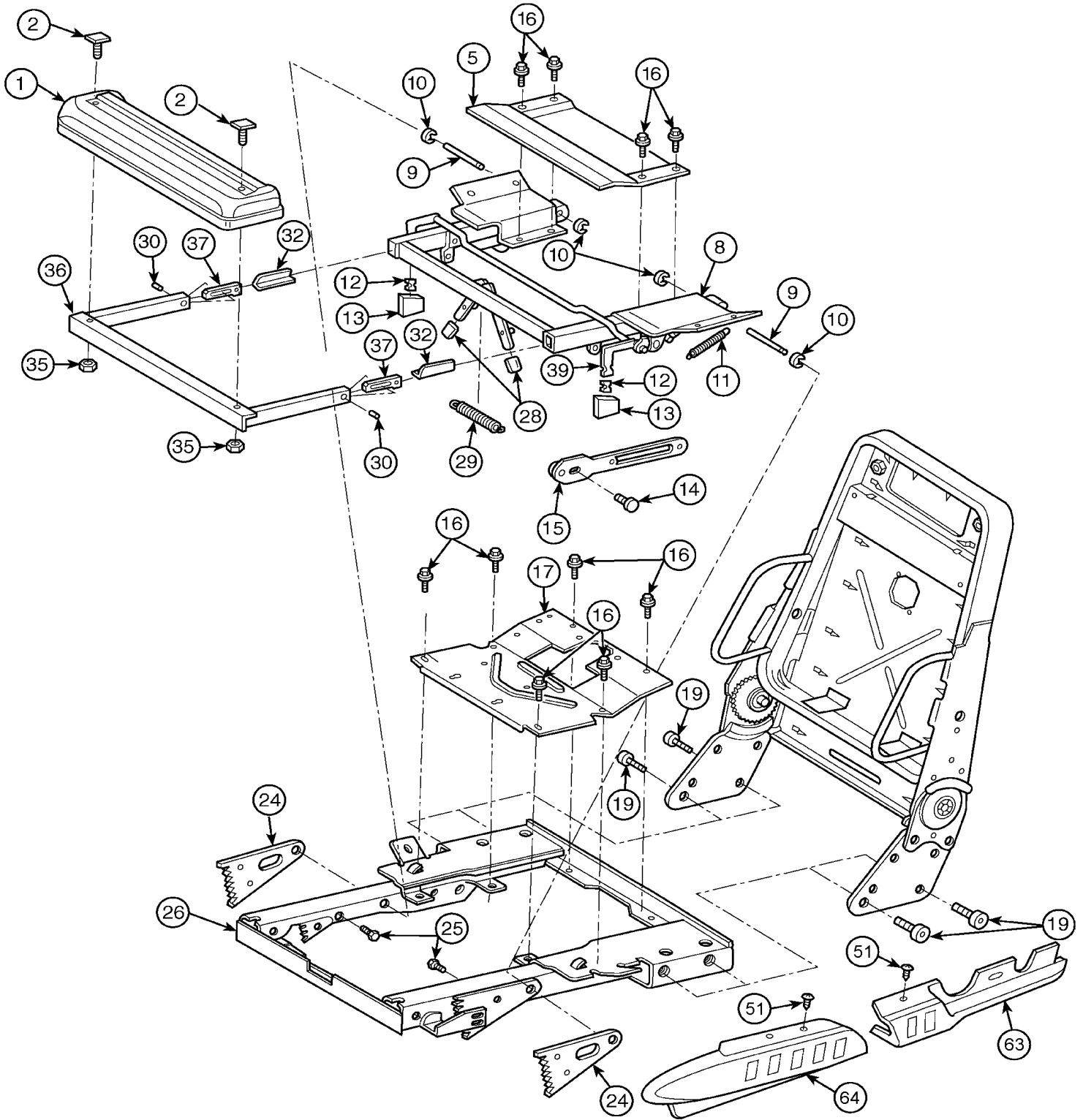
Item#	Part	Description	H 3 4 1	H 3 4 5	V I P 4 5	N O T E S
NS	Call order desk	. WASHER FL 7/16 ID x 1.5 OD .437x1.500	1	1		P
62	Call order desk	RISER 3" CRS KIT	1	1		P
62	Call order desk	. RISER 3" ASSY	1	1		P
NS	Call order desk	. LOOSE PARTS PACKAGE	1	1		P
63	Call order desk	. WASHER FL SQ 3.000	1	1		P
70	N8890730	AIR SPRING KIT	1	1		A
71	N8890732	FIXED SHOCK ASM KIT	1	1		B
72	N8890733	SHAFT SPACER BEARING SUSPENSION	1	1		C
73	N8890737	SCISSORS ASM KIT	1	1		D
74	N8890739	AIR LINE PROTECTION ABRASION KIT	1	1		
		A) INCLUDE ITEMS #9, 19, 20 & 25				
		B) INCLUDE ITEMS #1, 7, 11, 12, 13, 14 & 15				
		C) INCLUDE ITEMS #1, 3, 5, 7, 8, 11, 12, 16 & 17				
		D) INCLUDE ITEMS #1, 3, 5, 6, 7, 8, 10, 11, 12, 16, 17, 18 & 32				
		4) NO PARTS NUMBER				
		P) CALL ORDER DESK FOR SPECIFIC APPLICATION (V.I.N.)				

From 7-0671 To J-0287

Date:10/2022

PAGE:H7-1823-25

## SEAT CUSHION FRAME - "RECARO" - ERGO-COACH

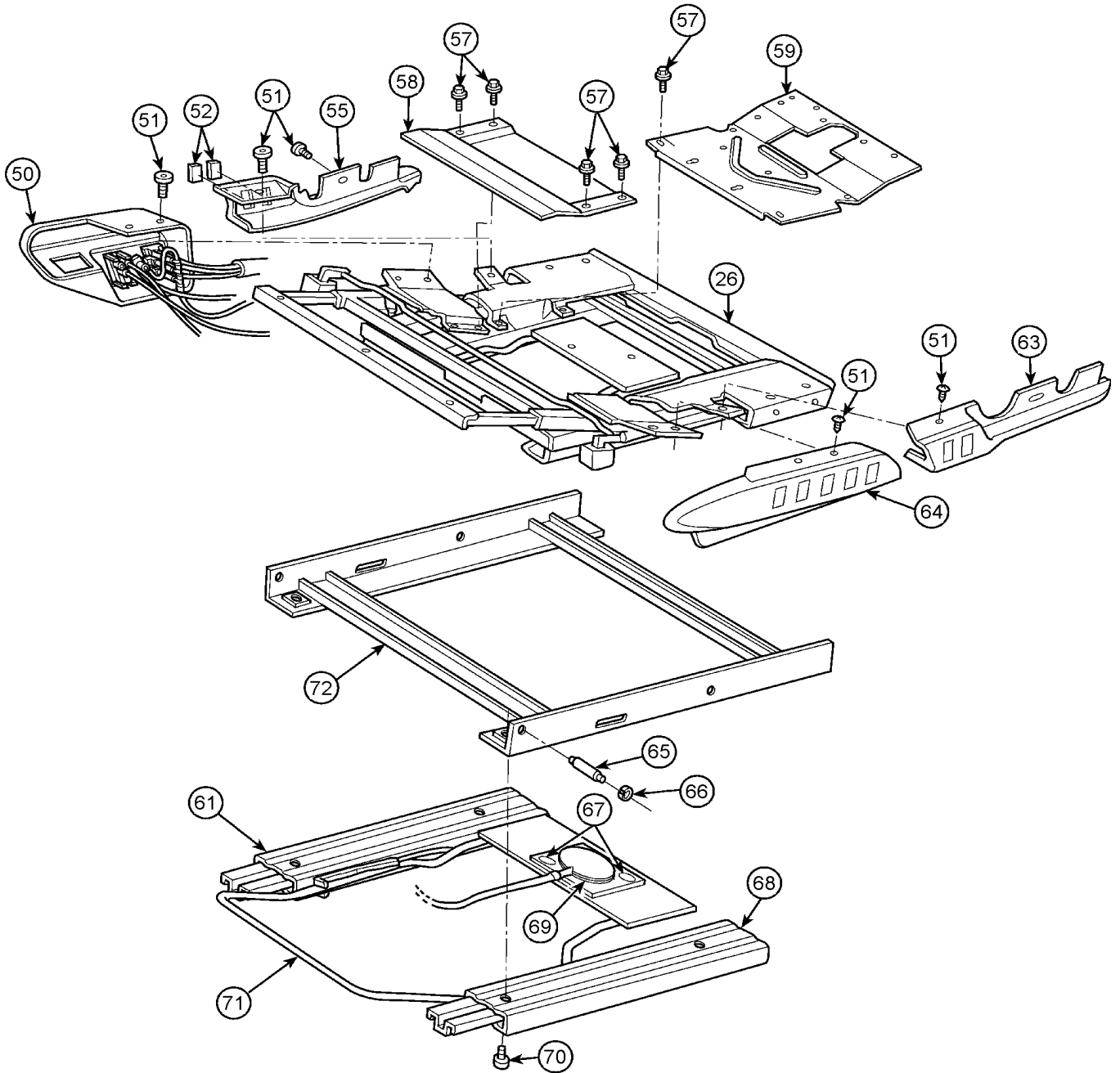


From 7-0671 To J-0287

Date:10/2022

PAGE:H7-1823-25

## SEAT CUSHION FRAME - "RECARO" - ERGO-COACH



From 7-0671 To J-0287	Date:10/2022	PAGE:H7-1823-25
<b>SEAT CUSHION FRAME - "RECARO" - ERGO-COACH</b>		

Item#	Part	Description	H 3 4 1	H 3 4 5	V I P 4 5	N O T E S
	G1094200	FRAME ASM CUSHION	1	1		
1	N8887357	. FRAME TIGH EXTENSION	1	1		
2	N8887358	. WASHER BOLT	2	2		
5	N8800400	. CUSHION PAN FRONT	1	1		
8	N8887365	. PLATE	1	1		
9	N8887375	. BOLT	2	2		
10	N8882381	. CLIP RETAINER	8	8		
11	N8887368	. SPRING	2	2		
12	N8882395	. CLIP	2	2		
13	N8887258	. KNOB	2	2		
14	N8887367	. SCREW	2	2		
15	N8887366	. RELEASE PLATE	2	2		
16	N8887306	. SCREW M5-0.8x10	12	12		
17	N8800399	. SEAT CUSHION PAN REAR	1	1		
19	N8882373	. SCREW M6-1.0x20	4	4		
24	N8887362	. PIVOT PLATE	2	2		
25	N8887363	. SCREW	2	2		
26	Call order desk	. FRAME CUSHION ASSY	1	1		P
28	N8887369	. PLASTIC CAP	2	2		
29	N8887370	. SPRING	1	1		
30	N8887374	. BOLT	2	2		
32	N8887372	. GLIDING PART	2	2		
35	N8887359	. NUT M6	2	2		
36	N8887371	. TIGH EXTENSION	1	1		
37	N8887373	. PLASTIC GUIDE	2	2		
39	Call order desk	. LEVER, RAKE ADJUSTMENT	2	2		P
NS	Call order desk	. VELCRO LOOP	AR	AR		P
NS	Call order desk	. PIN ATTACH 38.6MM	4	4		P
NS	N8887356	REPAIR KIT LENGHT ADJUSTMENT	1	1		A
50	<b>H7-1823-10</b>	<b>BACKREST ASSY - "RECARO" - ERGO-COACH</b>				
51	N8887256	SCREW	8	8		
52	N8887257	COVER PLATE SWITCH	9	9		
55	N8890722	CONTROL PANEL / REAR R.H.	1	1		
57	N8887306	SCREW M5-0.8x10	12	12		
58	N8800400	CUSHION PAN FRONT	1	1		
59	G1094203	CUSHION PAN RR	1	1		
61	N8887269	TRACK RIGHT	1	1		
63	N8890721	CONTROL PANEL / REAR L.H.	1	1		
64	N8887260	CONTROL PANEL / FRONT L.H.	1	1		
65	Call order desk	PIN ATTACH 38.6MM	4	4		P
66	N8882381	CLIP RETAINER	8	8		
67	N8800444	RETAINER	2	2		

From 7-0671 To J-0287	Date:10/2022	PAGE:H7-1823-25
<b>SEAT CUSHION FRAME - "RECARO" - ERGO-COACH</b>		

Item#	Part	Description	H 3 4 1	H 3 4 5	V I P 4 5	N O T E S
68	N8887268	TRACK LEFT	1	1		
69	N8890756	ACTUATOR: AUTO BLADDER-CONTROL	1	1		
70	Call order desk	SCREW CAP HEXS M8-1.25x20 8.8	8	8		P
NS	N8882349	NUT M8	4	4		
NS	N8880629	WASHER 5/16	4	4		
71	N8890726	CENTER TRACK ACTUATOR	1	1		
72	N8890729	COUSHION FRAME ADAPTER KIT	1	1		
72	Call order desk	. BRACKET CUSHION FRONT ADAPTER L.H.	1	1		P
72	Call order desk	. BRACKET CUSHION FRONT ADAPTER R.H.	1	1		P
72	N8882381	. CLIP RETAINER	8	8		
72	Call order desk	. PIN ATTACH 38.6MM	4	4		P
		A) INCLUDE ITEMS #1, 2, 35				
		P) CALL ORDER DESK FOR SPECIFIC APPLICATION (V.I.N.)				

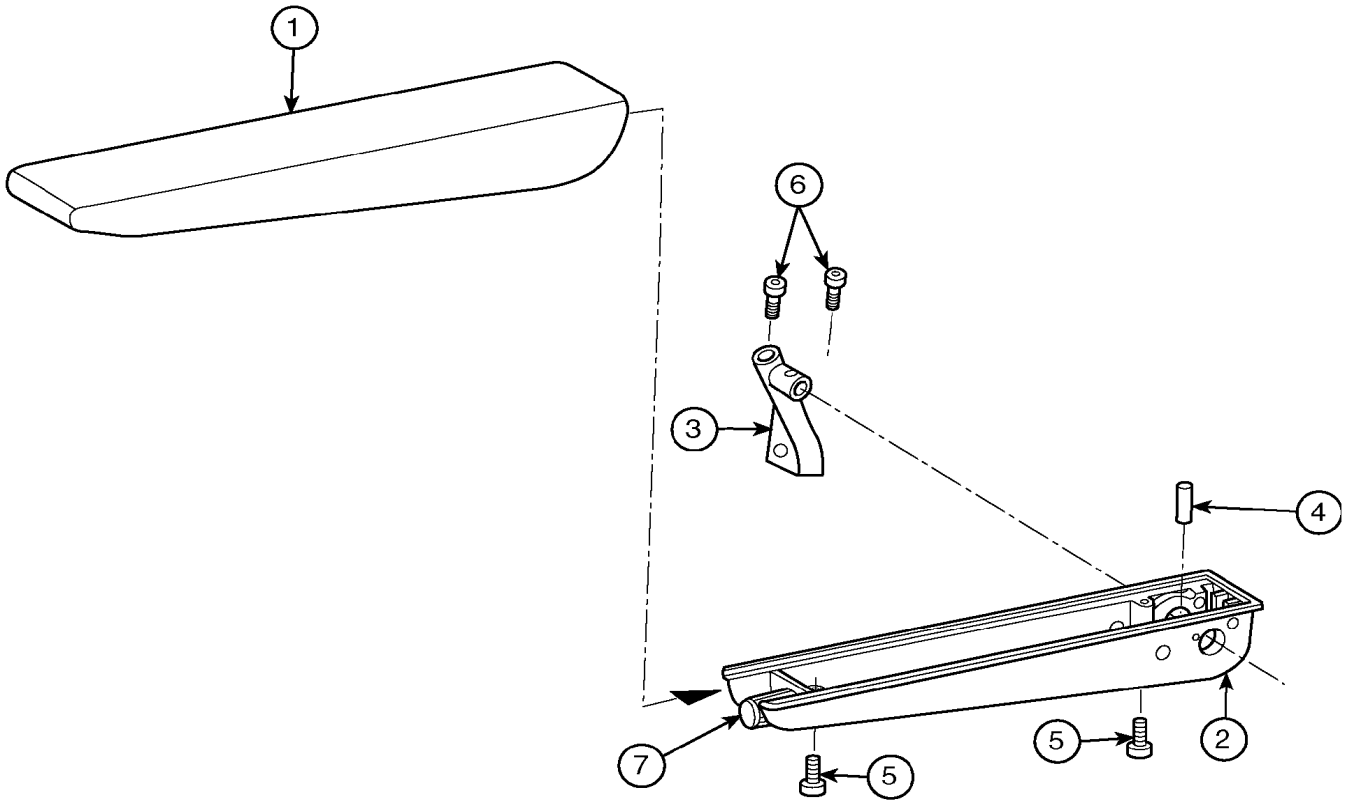


From 7-0671 To J-0287

Date:10/2022

PAGE:H7-1823-30

ARMREST - "RECARO" - ERGO-COACH



3040-046

From 7-0671 To J-0287	Date:10/2022	PAGE:H7-1823-30
<b>ARMREST - "RECARO" - ERGO-COACH</b>		

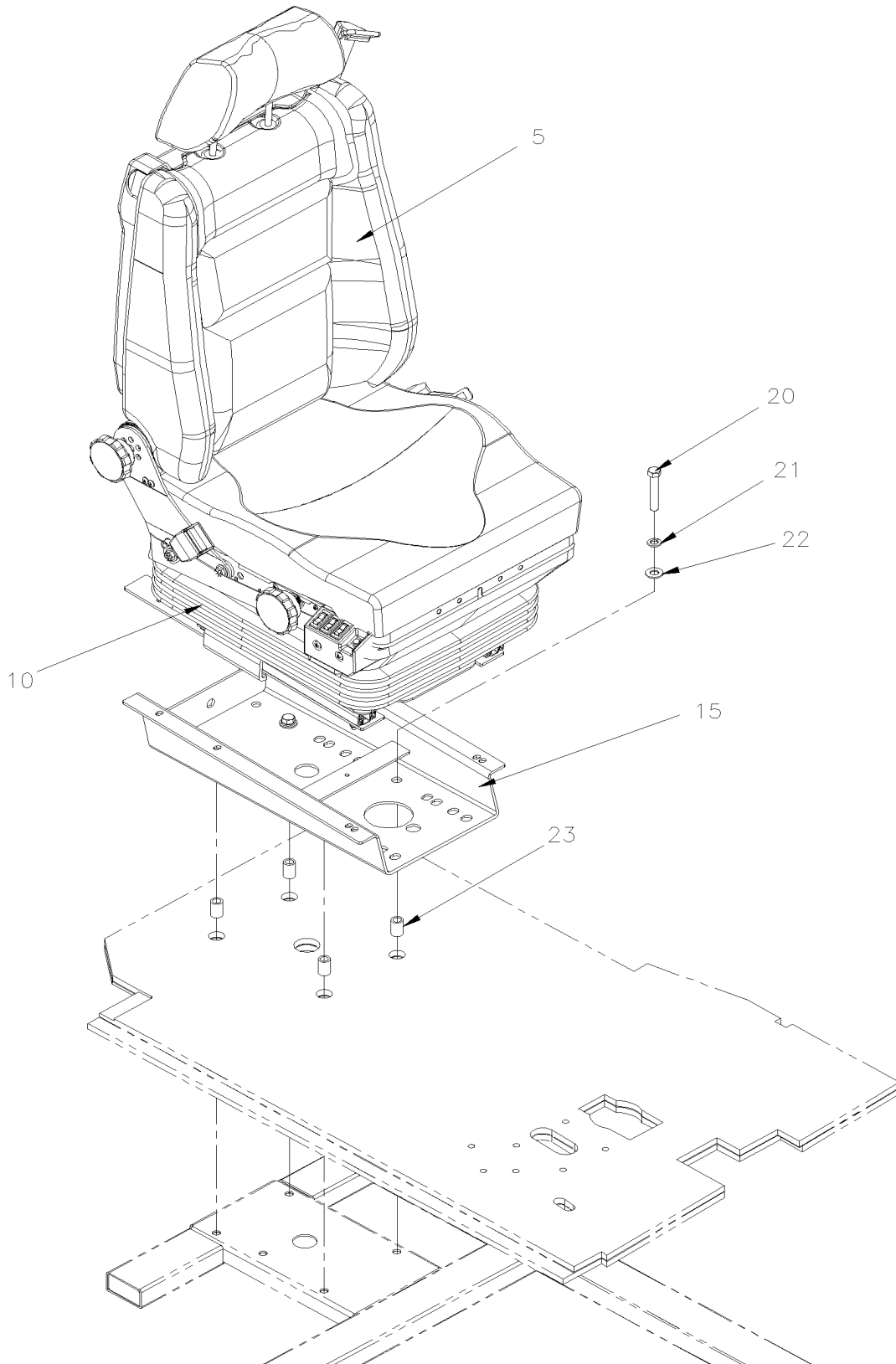
Item#	Part	Description	H 3 4 1	H 3 4 5	V I P 4 5	N O T E S
	N8891363	ARMREST ASSY L.H.	1	1		
	N8891364	ARMREST ASSY R.H.	1	1		
1	N8891365	. FOAM ARMREST	1	1		
2	N8800125	. ARMREST FRAME	1	1		
3	N8891367	. BRACKET L.H.	1	1		
3	N8891368	. BRACKET R.H.	1	1		
4	N8800461	. RETAINING PIN DIN7343 10X40	1	1		
5	N8800462	. SCREW M4X16 DIN7085	2	2		
6	N8891371	. BOLT	2	2		
7	N8800468	. PLASTIC END KNOB	1	1		
8	N8891863	. SPACER	2	2		

From 7-0671 To J-0287

Date:10/2022

PAGE:H7-1823-50

## DRIVER'S SEAT - "USSC" - 9100ALX3



From 7-0671 To J-0287 Date:10/2022 PAGE:H7-1823-50

**DRIVER'S SEAT - "USSC" - 9100ALX3**

Item#	Part	Description	H 3 4 1	H 3 4 5	V I P 4 5	N O T E S
862700		DRIVER'S SEAT - "USSC" - MODEL 9100 ALX3				
863586		DRIVER'S SEAT - "USSC" - MODEL 9100 ALX3				
863603		DRIVER'S SEAT - "USSC" - MODEL 9100 ALX3				
863712		DRIVER'S SEAT - "USSC" - MODEL 9100 ALX3				
863798		DRIVER'S SEAT - "USSC" - MODEL 9100 ALX3				
863811		DRIVER'S SEAT - "USSC" - MODEL 9100 ALX3				
863822		DRIVER'S SEAT - "USSC" - MODEL 9100 ALX3				
863823		DRIVER'S SEAT - "USSC" - MODEL 9100 ALX3				
863840		DRIVER'S SEAT - "USSC" - MODEL 9100 ALX3				
863917		DRIVER'S SEAT - "USSC" - MODEL 9100 ALX3				
863987		DRIVER'S SEAT - "USSC" - MODEL 9100 ALX3				
863989		DRIVER'S SEAT - "USSC" - MODEL 9100 ALX3				
864051		DRIVER'S SEAT - "USSC" - MODEL 9100 ALX3				
864055		DRIVER'S SEAT - "USSC" - MODEL 9100 ALX3				
864063		DRIVER'S SEAT - "USSC" - MODEL 9100 ALX3				
864064		DRIVER'S SEAT - "USSC" - MODEL 9100 ALX3				
864134		DRIVER'S SEAT - "USSC" - MODEL 9100 ALX3				
864199		DRIVER'S SEAT - "USSC" - MODEL 9100 ALX3				
864267		DRIVER'S SEAT - "USSC" - MODEL 9100 ALX3				
864300		DRIVER'S SEAT - "USSC" - MODEL 9100 ALX3				
864301		DRIVER'S SEAT - "USSC" - MODEL 9100 ALX3				
864402		DRIVER'S SEAT - "USSC" - MODEL 9100 ALX3				
864409		DRIVER'S SEAT - "USSC" - MODEL 9100 ALX3				
864410		DRIVER'S SEAT - "USSC" - MODEL 9100 ALX3				
864573		DRIVER'S SEAT - "USSC" - MODEL 9100 ALX3				
864576		DRIVER'S SEAT - "USSC" - MODEL 9100 ALX3				
864616		DRIVER'S SEAT - "USSC" - MODEL 9100 ALX3				
864629		DRIVER'S SEAT - "USSC" - MODEL 9100 ALX3				
864656		DRIVER'S SEAT - "USSC" - MODEL 9100 ALX3				
864679		DRIVER'S SEAT - "USSC" - MODEL 9100 ALX3				
864696		DRIVER'S SEAT - "USSC" - MODEL 9100 ALX3				
864875		DRIVER'S SEAT - "USSC" - MODEL 9100 ALX3				
864928		DRIVER'S SEAT - "USSC" - MODEL 9100 ALX3				
864964		DRIVER'S SEAT - "USSC" - MODEL 9100 ALX3				
864988		DRIVER'S SEAT - "USSC" - MODEL 9100 ALX3				
865010		DRIVER'S SEAT - "USSC" - MODEL 9100 ALX3				
865024		DRIVER'S SEAT - "USSC" - MODEL 9100 ALX3				
865101		DRIVER'S SEAT - "USSC" - MODEL 9100 ALX3				
865144		DRIVER'S SEAT - "USSC" - MODEL 9100 ALX3				
865295		DRIVER'S SEAT - "USSC" - MODEL 9100 ALX3				
865670		DRIVER'S SEAT - "USSC" - MODEL 9100 ALX3				
865683		DRIVER'S SEAT - "USSC" - MODEL 9100 ALX3				

From 7-0671 To J-0287	Date:10/2022	PAGE:H7-1823-50
-----------------------	--------------	-----------------

**DRIVER'S SEAT - "USSC" - 9100ALX3**

Item#	Part	Description	H 3 4 1	H 3 4 5	V I P 4 5	N O T E S
	865994	DRIVER'S SEAT - "USSC" - MODEL 9100 ALX3				
	866281	DRIVER'S SEAT - "USSC" - MODEL 9100 ALX3				
	866332	DRIVER'S SEAT - "USSC" - MODEL 9100 ALX3				
	866344	DRIVER'S SEAT - "USSC" - MODEL 9100 ALX3				
	866354	DRIVER'S SEAT - "USSC" - MODEL 9100 ALX3				
	866395	DRIVER'S SEAT - "USSC" - MODEL 9100 ALX3				
	866476	DRIVER'S SEAT - "USSC" - MODEL 9100 ALX3				
	866523	DRIVER'S SEAT - "USSC" - MODEL 9100 ALX3				
	866535	DRIVER'S SEAT - "USSC" - MODEL 9100 ALX3				
	866537	DRIVER'S SEAT - "USSC" - MODEL 9100 ALX3				
	866538	DRIVER'S SEAT - "USSC" - MODEL 9100 ALX3				
	866539	DRIVER'S SEAT - "USSC" - MODEL 9100 ALX3				
	866655	DRIVER'S SEAT - "USSC" - MODEL 9100 ALX3				
	866666	DRIVER'S SEAT - "USSC" - MODEL 9100 ALX3				
	866722	DRIVER'S SEAT - "USSC" - MODEL 9100 ALX3				
	866770	DRIVER'S SEAT - "USSC" - MODEL 9100 ALX3				
	866788	DRIVER'S SEAT - "USSC" - MODEL 9100 ALX3				
	866798	DRIVER'S SEAT - "USSC" - MODEL 9100 ALX3				
	866823	DRIVER'S SEAT - "USSC" - MODEL 9100 ALX3				
	866835	DRIVER'S SEAT - "USSC" - MODEL 9100 ALX3				
	866874	DRIVER'S SEAT - "USSC" - MODEL 9100 ALX3				
	866924	DRIVER'S SEAT - "USSC" - MODEL 9100 ALX3				
	866950	DRIVER'S SEAT - "USSC" - MODEL 9100 ALX3				
	866972	DRIVER'S SEAT - "USSC" - MODEL 9100 ALX3				
5	<b>H7-1823-60</b>	<b>. SEAT ASSY - "USSC" - 9100ALX3</b>				
10	<b>H7-1823-70</b>	<b>. SUSPENSION ASSY - "USSC" - 9100ALX3</b>				
15	<b>H7-1823-80</b>	<b>. BASE ASSY - "USSC" - 9100ALX3</b>				
20	5001862	SCREW CAP HEX M12-1.75x70 G10.9 N500	4	4		
21	500747	WASHER LO SPT 12.2x21.1x2.5 N500	4	4		
22	500958	WASHER FL .531x1.062x.095 SS	4	4		
23	362549	SPACER / STRUCTURE & BASE / 27MM	4	4		

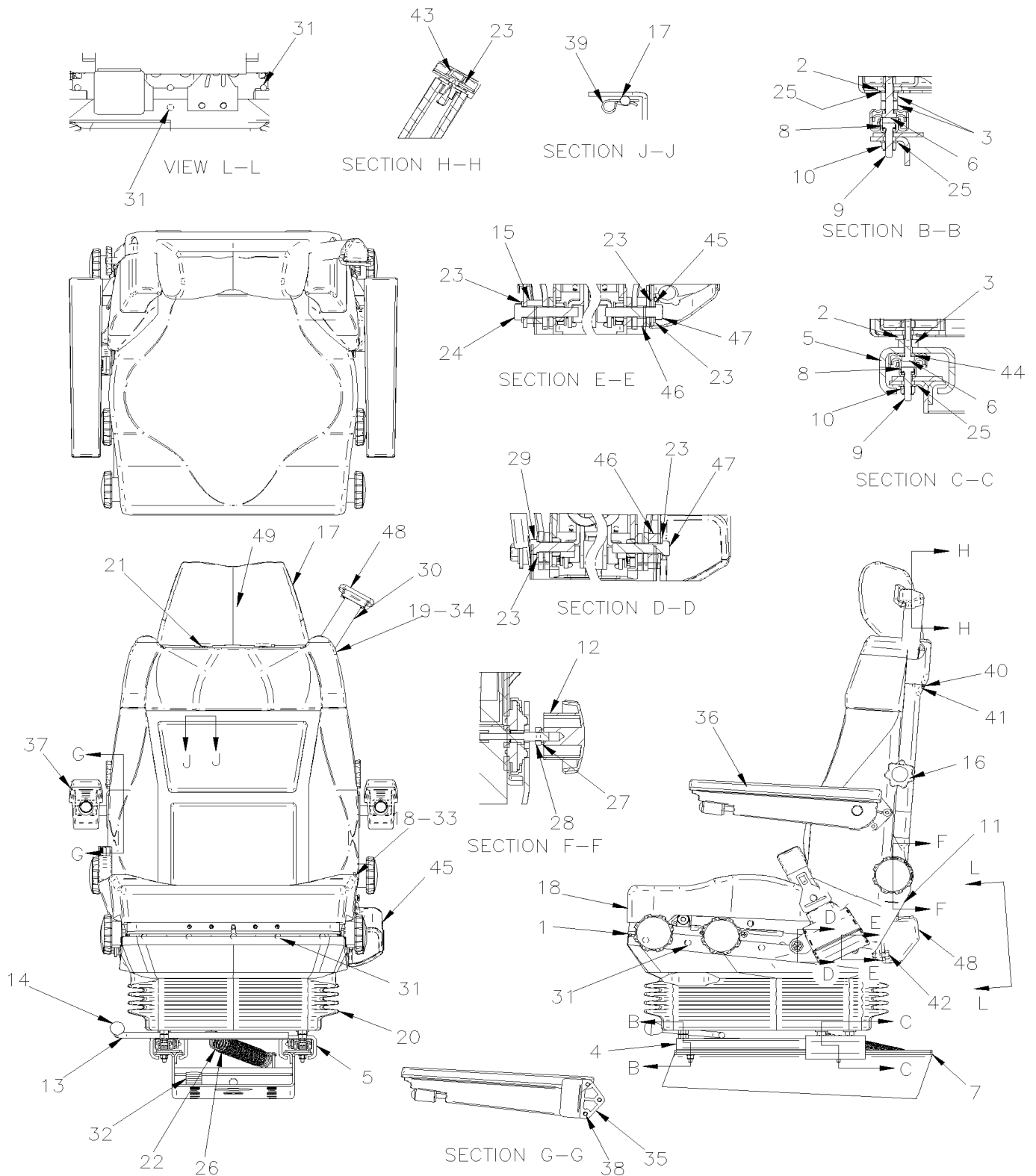


From 7-0671 To J-0287

Date:10/2022

PAGE:H7-1823-55

## DRIVER'S SEAT - "USSC" - 9210



From 7-0671 To J-0287	Date:10/2022	PAGE:H7-1823-55
<b>DRIVER'S SEAT - "USSC" - 9210</b>		

Item#	Part	Description	H 3 4 1	H 3 4 5	V I P 4 5	N O T E S
	864754	DRIVER'S SEAT - "USSC" - MODEL 9210	1	1		
1	Call order desk	. SUSPENSION ASSY	1	1		P
2	Call order desk	. SPACER SLIDE 3/16"	6	6		P
3	N8883004	. SPACER SLIDE	8	8		
4	N8883008	. SLIDE SET 9.45"	1	1		
5	N8891959	. BRACKET SLIDE REINFORCMENT	2	2		
6	Call order desk	. SCREW CAP HEX 5/16-18X1.75 G8 YZ	6	6		P
7	N8891958	. BASE ASSY 4"	1	1		
8	N8883007	. NUT 3/8	4	4		
9	Call order desk	. SCREW CAP HEX 5/16-18X1.25 G8 YZ	4	4		P
10	N8893849	. NUT LOCK 5/16-18 NYLON	4	4		
11	Call order desk	. BACK/3PT MLX/BOLSTERS/FAUR REC	1	1		P
12	N8882989	. KNOB SEAT ADJUSTMENT W/FORMER VALVE	6	6		
13	N8892034	. HANDLE / SLIDE RELEASE/MANUAL/RH	1	1		
14	N8892036	. KNOB 1 1/8" DIA.	1	1		
15	N8887857	. SPACER 1/2x1-1/8x5/8	1	1		
16	19503441	. CONV/KNOB LUMBAR/MECH	2	2		
17	N8892743	. HEADREST ASSY	1	1		
18	N8887209	. CUSHION FOAM	1	1		
19	N8882987	. FOAM BACKREST	1	1		
20	N8883020	. BELLOW	1	1		
21	N8893445	. HEADREST PLUG	1	1		
22	Call order desk	. SPRING / EXTENSION / 10" SLD/SLANT	1	1		P
23	N8882992	. WASHER FLAT 7/16	7	7		
24	N8882962	. SCREW CAP HEX 7/16-20X2.25	1	1		
25	N8882993	. WASHER FLAT 5/16	6	6		
26	Call order desk	. MESH SPRG COVER / 1"-1.5"OD/18"LG	1	1		P
27	N8882967	. WASHER, LOCK M10	6	6		
28	N8882988	. NUT JAM M10X1.5	2	2		
29	N8882960	. SCREW CAP HEX /7/16-20X1.5"	1	1		
30	19515581	. COVER, FOAM 1"" ID X 5"" SMOKESTACK"	1	1		
31	N8883021	. RIVET	18	18		
32	N8887858	. WASHER 7/16	6	6		
33	Call order desk	. COVERING BACKREST	1	1		P
34	Call order desk	. COVERING SEATREST	1	1		P
35	860044	. ARMREST SHIM	2	2		
36	N8892739	. ARMREST LH	1	1		
37	N8892740	. ARMREST RH	1	1		
38	N8893510	. SCREW M8-1.25x35	6	6		
39	N8891948	. PIN HAIR - HEADREST .0725 DIA	1	1		
40	N8895439	. BACKSHELL W/OUT LOGO	1	1		
41	N8887219	. SCREW 1/4-20x3/4	2	2		



From 7-0671 To J-0287	Date:10/2022	PAGE:H7-1823-55
<b>DRIVER'S SEAT - "USSC" - 9210</b>		

Item#	Part	Description	H 3 4 1	H 3 4 5	V I P 4 5	N O T E S
42	N8899242	. SCREW CAP HEX 7/16-20X1 G8	1	1		
43	N8882961	. SCREW 7/16-20x1 1/4	1	1		
44	N8891964	. WASHER FLAT	2	2		
45	N8897723	. SEAT BELT ASSY	1	1		
46	N8897722	. SEAT BELT PLATE /54 DEG	1	1		
47	N8897724	. SCREW CAP HEX 7/16-20X2 GR8 YZ	2	2		
48	864095	. BELT 3PT / SHOULDER RETRACTOR	1	1		
49	Call order desk	. COVERING HEADREST	1	1		P
		P) CALL ORDER DESK FOR SPECIFIC APPLICATION (V.I.N.)				

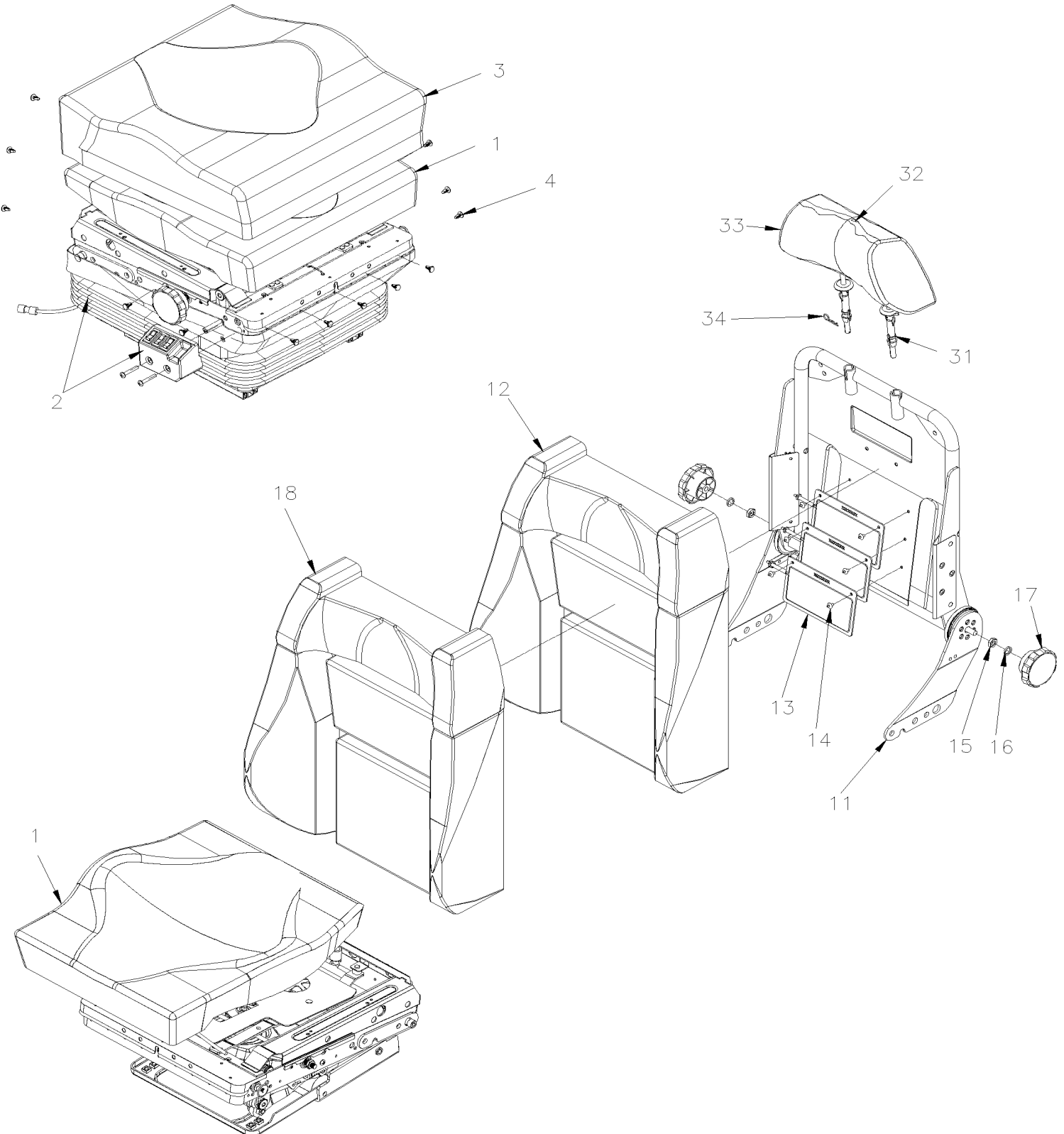


From 7-0671 To J-0287

Date:10/2022

PAGE:H7-1823-60

## SEAT ASSY - "USSC" - 9100ALX3

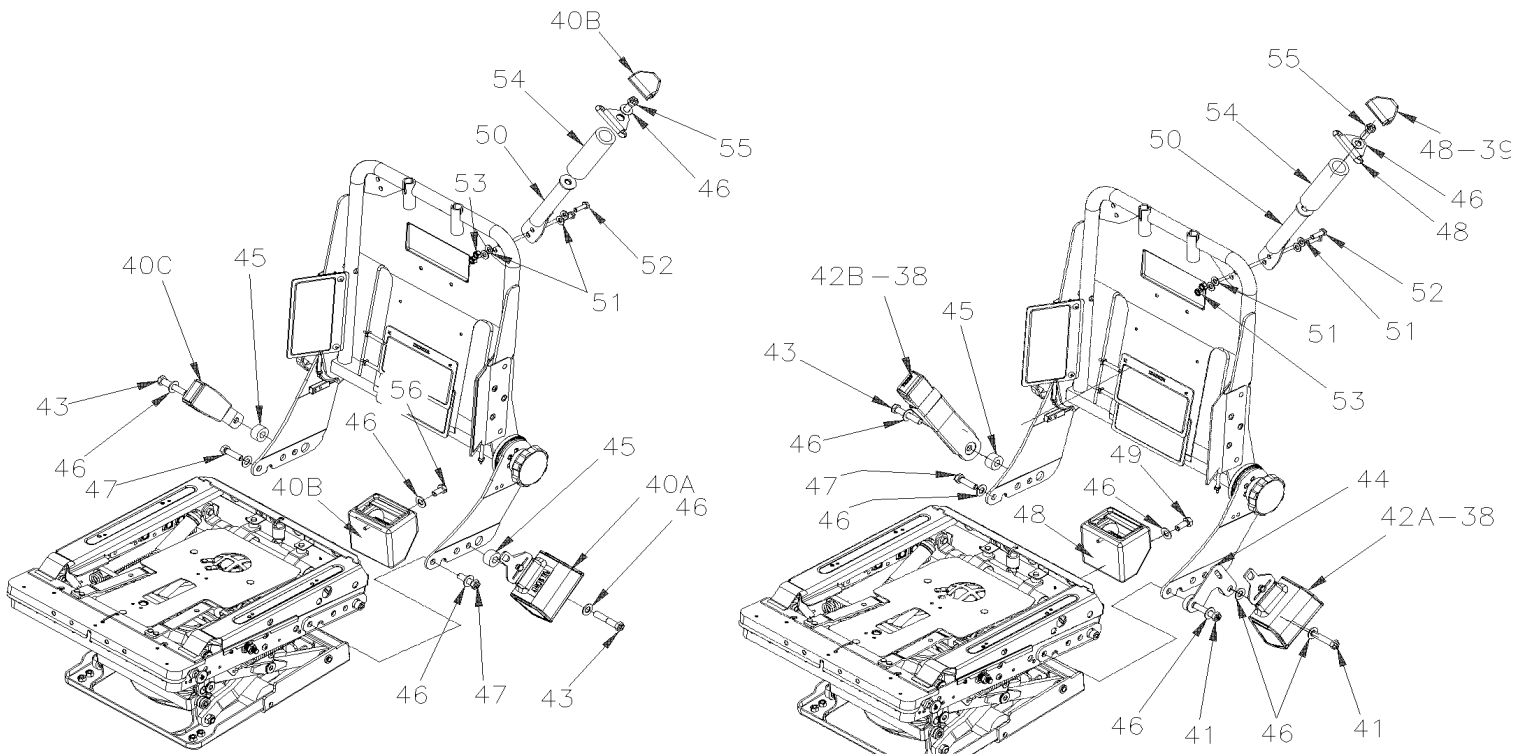


From 7-0671 To J-0287

Date:10/2022

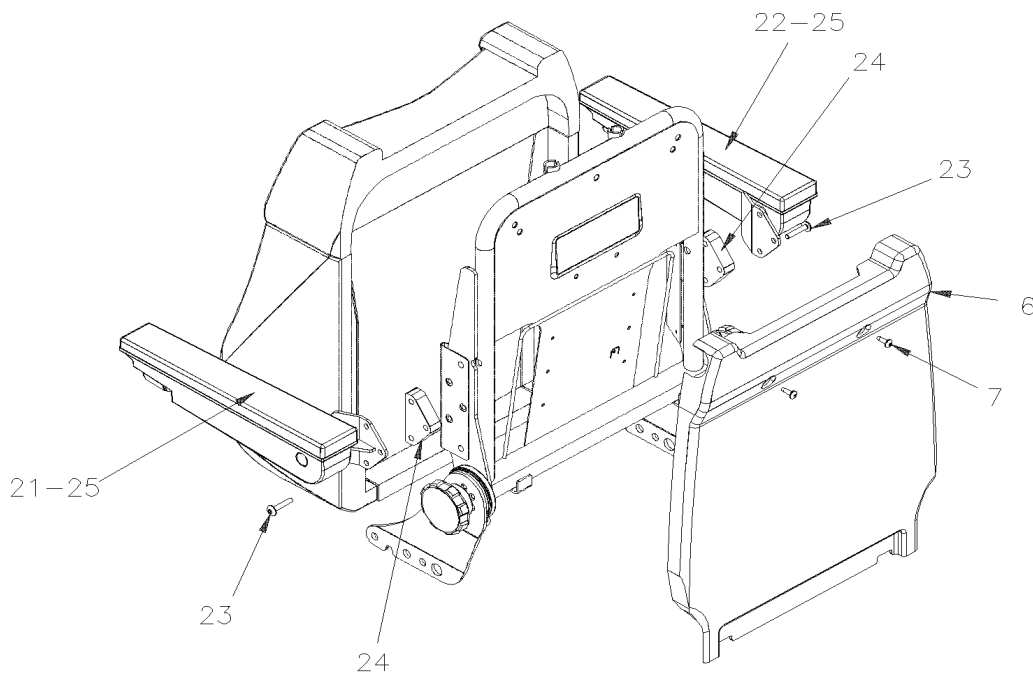
PAGE:H7-1823-60

## SEAT ASSY - "USSC" - 9100ALX3



WITH 4 3/4 BUCKLE

WITH 8 3/4 BUCKLE



From 7-0671 To J-0287	Date:10/2022	PAGE:H7-1823-60
<b>SEAT ASSY - "USSC" - 9100ALX3</b>		

Item#	Part	Description	H 3 4 1	H 3 4 5	V I P 4 5	N O T E S
1	N8887209	CUSHION FOAM	1	1		
2	<b>H7-1823-70</b>	<b>SUSPENSION ASSY - "USSC" - 9100ALX3</b>				
3	Call order desk	COVER CUSHION	1	1		P
4	N8883021	RIVET	13	13		
6	N8887219	SCREW 1/4-20x3/4	2	2		
7	N8895439	BACKSHELL W/OUT LOGO	1	1		
11	N8897721	BACK BOLSTER	1	1		
12	N8882987	FOAM BACKREST	1	1		
13	N8895287	LUMBAR AIR BAG ASSY	3	3		
14	N8891961	RIVET	6	6		
15	N8882988	NUT JAM M10X1.5	2	2		
16	N8882967	WASHER, LOCK M10	2	2		
17	N8882989	KNOB SEAT ADJUSTMENT W/FORMER VALVE	2	2		
18	Call order desk	COVER BACKREST	1	1		P
21	Call order desk	ARMREST WITHOUT COVERING PAD LH	1	1		P
21	N8892788	ARMREST WITH BLACK COVERING PAD LH	1	1		
22	865417	ARMREST ADJUSTABLE WITHOUT COVERING PAD RH	1	1		
22	N8892789	ARMREST ADJUSTABLE WITH BLACK COVERING PAD RH	1	1		
23	N8893510	SCREW M8-1.25x35	6	6		
24	N8893511	ARMREST SHIM	2	2		
25	867787	ARMREST PAD	2	2		
31	N8893445	HEADREST PLUG	2	2		
32	N8892743	HEADREST ASSY	1	1		
33	Call order desk	COVER HEADREST	1	1		P
34	N8891948	PIN HAIR - HEADREST .0725 DIA	2	2		
38	19507825	BELT 3PT / LAP RETRACTOR ORANGE	1	1		
39	N8899238	BELT 3PT / SHOULDER RETRACTOR ORANGE	1	1		
40	N8891957	BELT 3PT ASS	1	1		
. NS	N8904553	. BUSHING	1	1		
40A	864096	. BELT 3PT / LAP RETRACTOR	1	1		
40B	864095	. BELT 3PT / SHOULDER RETRACTOR	1	1		
40C	864097	. BELT 3PT / BUCKLE RECEPTOR 4 3/4	1	1		
41	N8897724	SCREW CAP HEX 7/16-20X2 GR8 YZ	2	2		
42	N8897723	SEAT BELT ASSY	1	1		
42	864590	SEAT BELT ASSY WITH ALARM	1	1		
42A	864700	. BELT / LAP RETRACTOR	1	1		
42B	864701	. BELT / BUCKLE RECEPTOR 8 3/4	1	1		
42B	864702	. BELT / BUCKLE RECEPTOR WITH ALARM 8 3/4	1	1		
43	N8882962	SCREW CAP HEX 7/16-20X2.25	1	1		
44	N8897722	SEAT BELT PLATE /54 DEG	1	1		
45	N8887857	SPACER 1/2x1-1/8x5/8	1	1		
46	N8882992	WASHER FLAT 7/16	7	7		

From 7-0671 To J-0287	Date:10/2022	PAGE:H7-1823-60
<b>SEAT ASSY - "USSC" - 9100ALX3</b>		

Item#	Part	Description	H 3 4 1	H 3 4 5	V I P 4 5	N O T E S
47	N8882960	SCREW CAP HEX 7/16-20X1.5"	1	1		
48	864095	BELT 3PT / SHOULDER RETRACTOR	1	1		
49	N8899242	SCREW CAP HEX 7/16-20X1 G8	1	1		
50	19505644	D-LOOP	1	1		
51	N8882993	WASHER FLAT 5/16	4	4		
52	N8902660	SCREW CAP HEX 5/16-18 X 1.0" GR8 YZ.	2	2		
53	N8893849	NUT LOCK 5/16-18 NYLON	2	2		
54	19515581	COVER, FOAM 1"" ID X 5"" SMOKESTACK"	1	1		
55	N8882961	SCREW 7/16-20x1 1/4	1	1		
56	N8891962	SCREW CAP HEX 7/16-20x.75	1	1		
		P) CALL ORDER DESK FOR SPECIFIC APPLICATION (V.I.N.)				

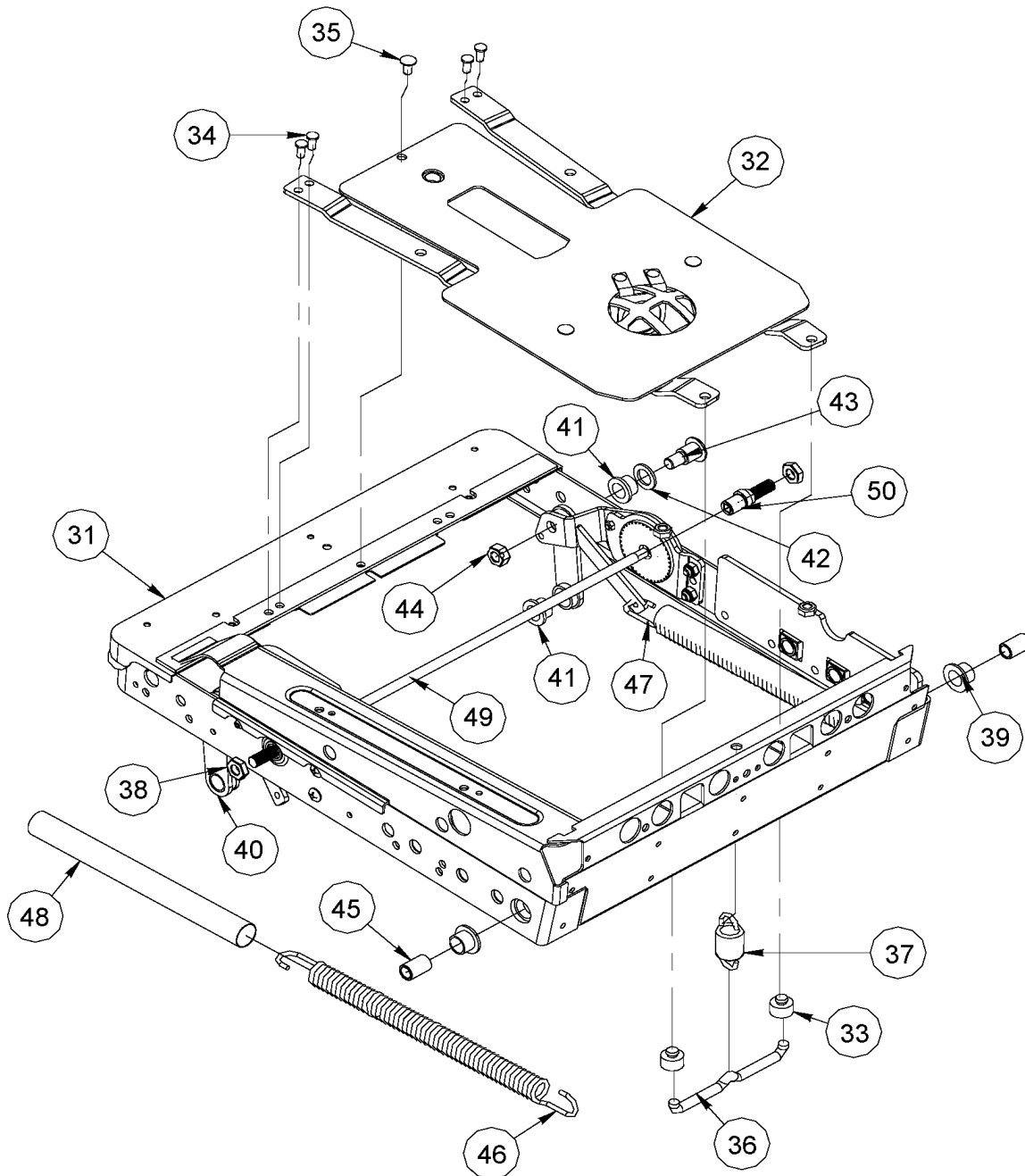


From 7-0671 To J-0287

Date:10/2022

PAGE:H7-1823-70

SUSPENSION ASSY - "USSC" - 9100ALX3



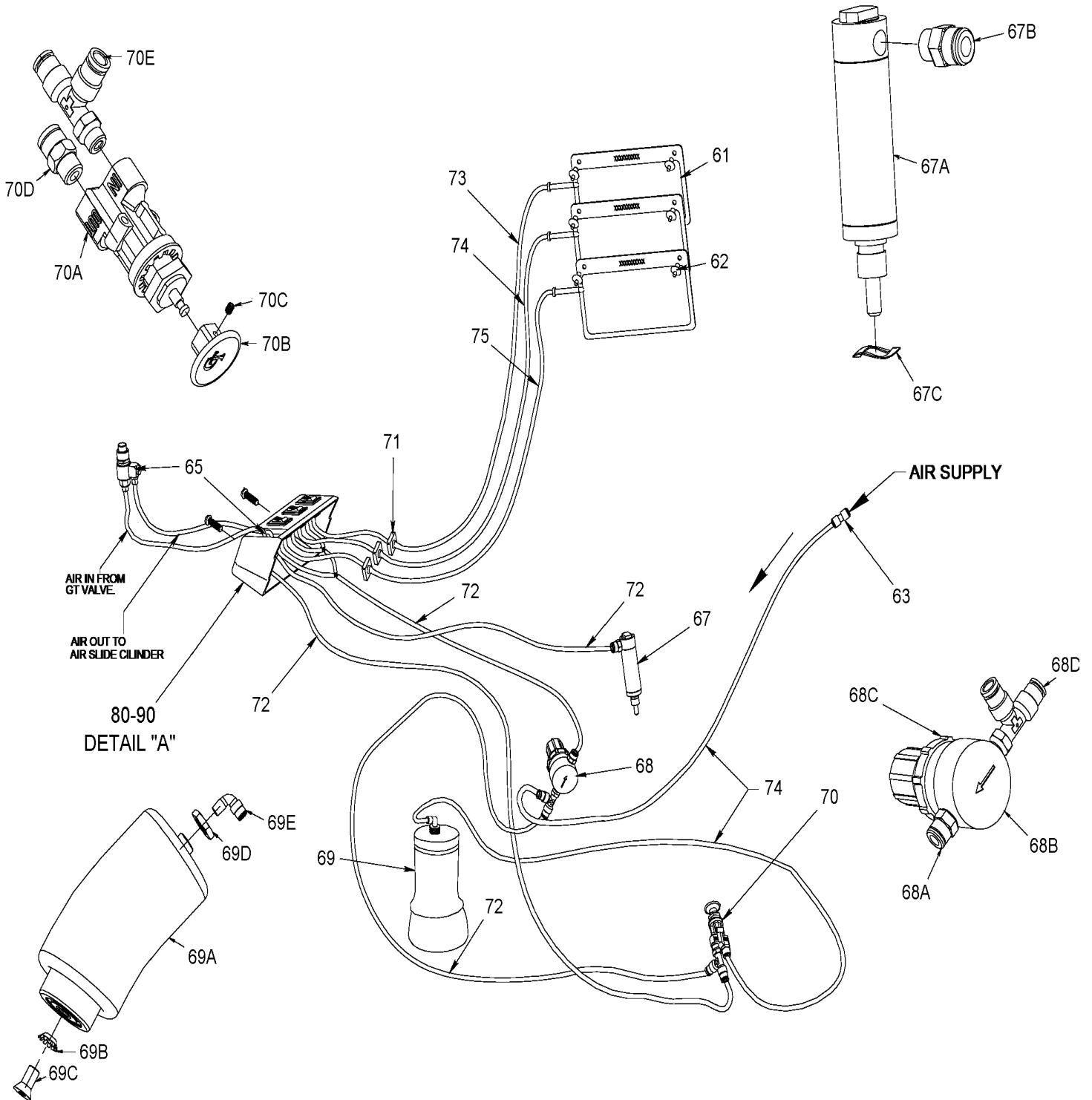


From 7-0671 To J-0287

Date:10/2022

PAGE:H7-1823-70

## SUSPENSION ASSY - "USSC" - 9100ALX3



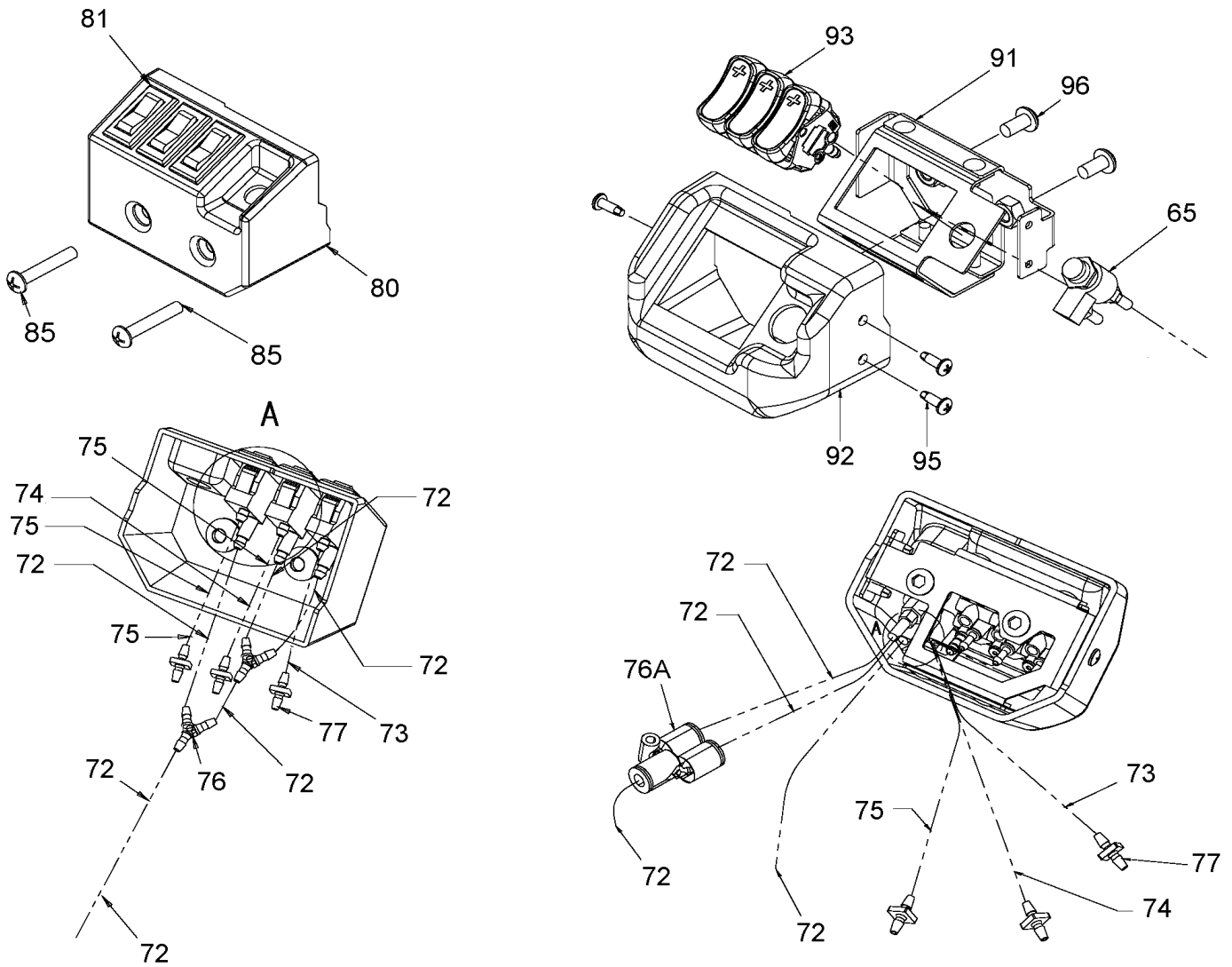
From 7-0671 To J-0287

Date:10/2022

PAGE:H7-1823-70

SUSPENSION ASSY - "USSC" - 9100ALX3

### DETAIL "A"



UP TO A-9962

FROM A-9963

From 7-0671 To J-0287	Date:10/2022	PAGE:H7-1823-70
<b>SUSPENSION ASSY - "USSC" - 9100ALX3</b>		

Item#	Part	Description	H 3 4 1	H 3 4 5	V I P 4 5	N O T E S
	N8894728	SUSPENSION ASSY	1	1		
1	N.S.S.	. SUSPENSION BOTTOM / WELDMENT	1	1		1
2	N.S.S.	. SUSPENSION SCISSOR / UPPER WELDMENT	1	1		1
3	N.S.S.	. SUSPENSION SCISSOR / LOWER WELDMENT	1	1		1
4	N8894295	. BRACKET	2	2		
5	N8895289	. BOLT SCISSOR	4	4		
6	N8899141	. BUSHING 14MM IDx17MM ODx12.6MM LG	6	6		
7	N8883024	. WASHER	10	10		
8	19518102	. NUT LOCK M10X1.5/ZP	6	6		
10	N8893636	. SHOCK ABSORBER, FIRM	2	2		
11	N8883018	. RUBBER BUMPER	2	2		
12	N8894297	. BOLT SCISSOR 2"	2	2		
13	N8894294	. SCREW CAP HEXS M10X1.5/35MMLG	2	2		
14	N8894301	. BOLT SCISSOR .60 LGTH	4	4		
15	N8883013	. BOLT, M8 X 40	2	2		
16	N8883015	. NUT LOCK M8-1.25/GRD10/CZ	4	4		
17	N8883011	. SCREW 8MMX40/UPPER SHOCK	2	2		
18	N8899140	. BUSHING .672x.552x.70	2	2		
19	N8893441	. BUSHING SHOCK ABSORBER	4	4		
22	N8883017	. STRAP 15"	2	2		
23	N8882966	. WASHER, LOCK 7/16	2	2		
24	N8882961	. SCREW 7/16-20x1 1/4	2	2		
25		. SCREW TRUSS HD NO 6 X .75 " LG	4	4		
26	N8893854	. TUBE, NYLON 1/4 O.D. / BLACK S.L.	3 FEET	3 FEET		
27		. CABLE TIE/BLK/4"LG X .095"WIDTH	1	1		
30	N8894298	. TOP PAN ASSEMBLY	1	1		
31	N.S.S.	. . FRAME	1	1		1
32	N.S.S.	. . TOP PAN ASSEMBLY	1	1		1
33	19505642	. . RUBBER BUMPER	2	2		
34	Call order desk	. . RIVET 1/4-3/8 GRIP 1/4" STL/HS	1	1		P
35	Call order desk	. . RIVET 3/8-1/2 GRIP 1/4" SS	1	1		P
36	19505641	. . BAR SUSPENSION PAN	1	1		
37	19505640	. . SPRING TENSION	1	1		
38	N8882988	. . NUT JAM M10X1.5	2	2		
39	N8899144	. . BUSHING .679ODx.556IDx.51	2	2		
40	19505643	. . BRACKET	2	2		
41	N8899141	. . BUSHING 14MM IDx17MM ODx12.6MM LG	4	4		
42	N8883024	. . WASHER	2	2		
43	N8894301	. . BOLT SCISSOR .60 LGTH	2	2		
44	19518102	. . NUT LOCK M10X1.5/ZP	1	1		
45	N8894290	. . BUSHING M10IDXM14ODX22MMLG	2	2		
46	N8894293	. . SPRING LH /51COIL/LH/EX	1	1		

From 7-0671 To J-0287	Date:10/2022	PAGE:H7-1823-70
<b>SUSPENSION ASSY - "USSC" - 9100ALX3</b>		

Item#	Part	Description	H 3 4 1	H 3 4 5	V I P 4 5	N O T E S
47	N8894292	. . SPRING RH /51COIL/RH/EX	1	1		
48	N8894291	. . SPRING COVER 20.5MM ID	2	2		
49	N.S.S.	. . SUSPENSION / GEAR SHAFT	1	1		1
50	N.S.S.	. . SUSPENSION / CAM	2	2		1
61	N8895287	LUMBAR AIR BAG ASSY	3	3		
62	N8891961	RIVET	6	6		
63	N8882997	CONNECTOR	1	1		
64	N8882986	SCREW 1/4-20x1 3/4	2	2		
65	N8887215	SLIDE BUTTON ASSY	1	1		
67	N8887216	SLIDE CYLINDER ASSY	1	1		
67A	19504884	. AIR CYLINDER1/2" STKSIDE MNT	1	1		
67B	N8892738	. CONNECTOR 1/8 NPT	1	1		
67C	Call order desk	. WASHER 1/2" ID X 3/4" OD	1	1		P
68	N8887856	AIR LUMBAR REGULATOR ASSY W/FITTING	1	1		
68A	N8892738	CONNECTOR 1/8 NPT	1	1		
68B	N8883033	AIR REGULATOR	1	1		
68C	N8893452	NUT RETAINER REGULATOR	1	1		
68D	N8893451	MALE RUN TEE 1/8 NPT	1	1		
69	N8897573	AIR BAG ASSY 150 PSI	1	1		
69A	N8897622	. AIR BAG	1	1		
69B	N8897574	. WASHER EXT TOOTH	1	1		
69C	N8897575	. SCREW CAP FL HEXS 1/2-13 X 1	1	1		
69D	N8883031	. NUT	1	1		
69E	N8893449	. MALE ELBOW 90° / PUSH-IN FITTING / #4x1/8NPT-M BR	1	1		
70	N8892962	AIR VALVE ASSY	1	1		
70A	N8893450	AIR VALVE / HEIGHT CONTROL / CURRENT	1	1		
70B	19504019	BRIGHT ZINC PUSH/PULL KNOB	1	1		
70C	19516104	SET SCREW	1	1		
70D	N8892738	CONNECTOR 1/8 NPT	1	1		
70E	N8893451	MALE RUN TEE 1/8 NPT	1	1		
71	N8893454	UNION CONNECTOR 1/8"	3	3		
72	N8893852	TUBE, NYLON 1/4 O.D. / CLEAR S.L.	AR	AR		
73	N8893853	TUBE, NYLON 1/4 O.D. / GREY S.L.	AR	AR		
74	N8893854	TUBE, NYLON 1/4 O.D. / BLACK S.L.	AR	AR		
75	N8893855	TUBE, NYLON 1/4 O.D. / WHITE S.L.	AR	AR		
76	N8893453	Y CONNECTOR 1/8" To A-1613	2	2		
76A	N8897731	Y CONNECTOR 1/4" From A-1614	1	1		
77	N8893454	UNION CONNECTOR 1/8"	3	3		
80	N8892035	AIR BOX ASSY To A-1613	1	1		
81	N8883035	SWITCH BOX To A-1613	1	1		
82	N8892491	AIR SWITCH / LUMBAR To A-1613	3	3		
85	N8882986	SCREW 1/4-20x1 3/4 To A-1613	2	2		

From 7-0671 To J-0287	Date:10/2022	PAGE:H7-1823-70
<b>SUSPENSION ASSY - "USSC" - 9100ALX3</b>		

Item#	Part	Description	H 3 4 1	H 3 4 5	V I P 4 5	N O T E S
90	N8898415	AIR BOX ASSY 1 From A-1614	1	1		
91	N8897726	. BRACKET From A-1614	1	1		
92	N8897727	. SWITCH BOX From A-1614	1	1		
93	N8897732	. AIR SWITCH / LUMBAR From A-1614	1	1		
95	N8897728	. SCREW MA PAN PH 8-32X1/2 From A-1614	3	3		
96	N8897729	. SCREW MA BUT 1/4-20X1/2 From A-1614	2	2		
		1) NOT SOLD SEPARATELY				
		P) CALL ORDER DESK FOR SPECIFIC APPLICATION (V.I.N.)				

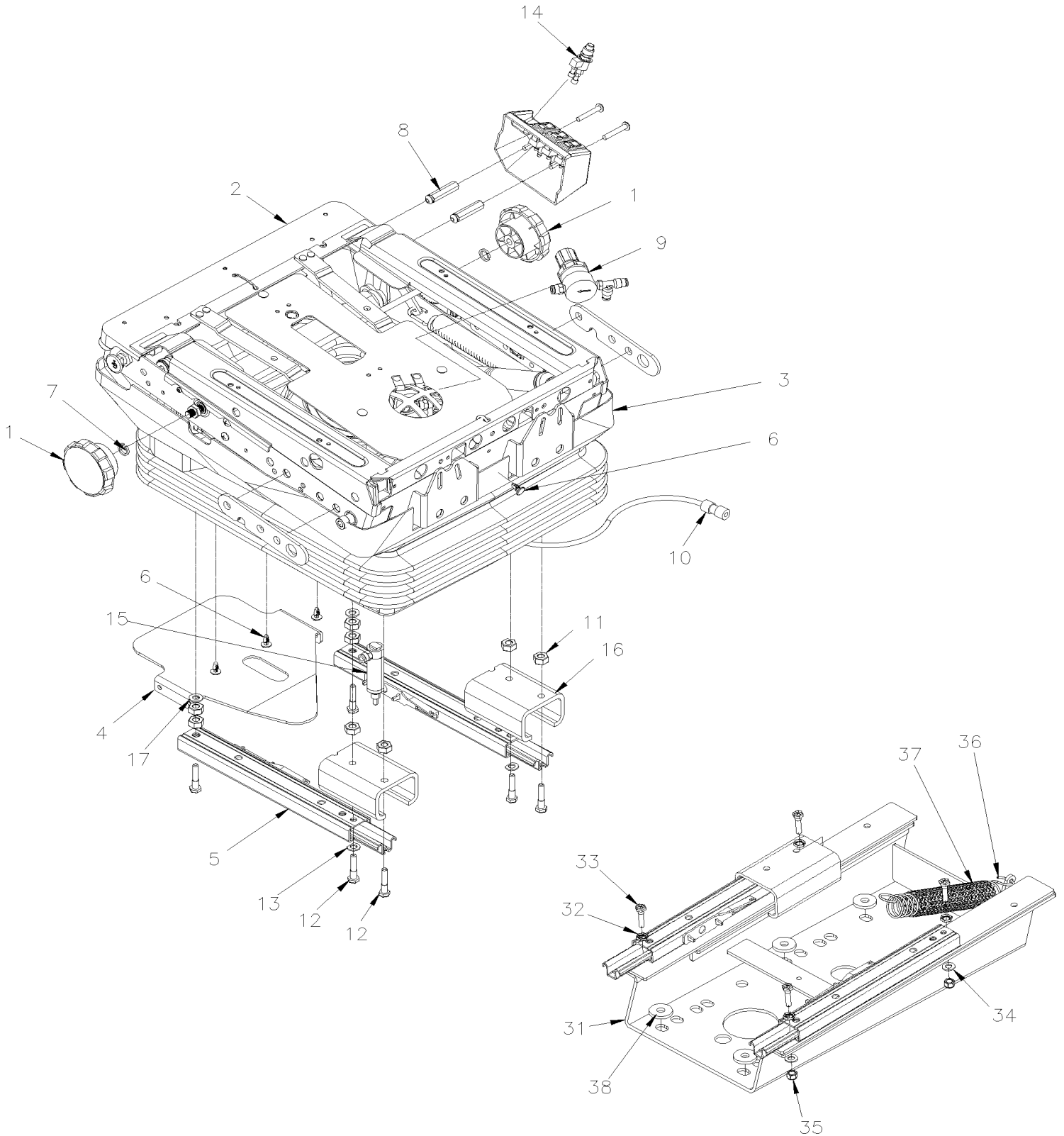


From 7-0671 To J-0287

Date:10/2022

PAGE:H7-1823-80

## BASE ASSY - "USSC" - 9100ALX3

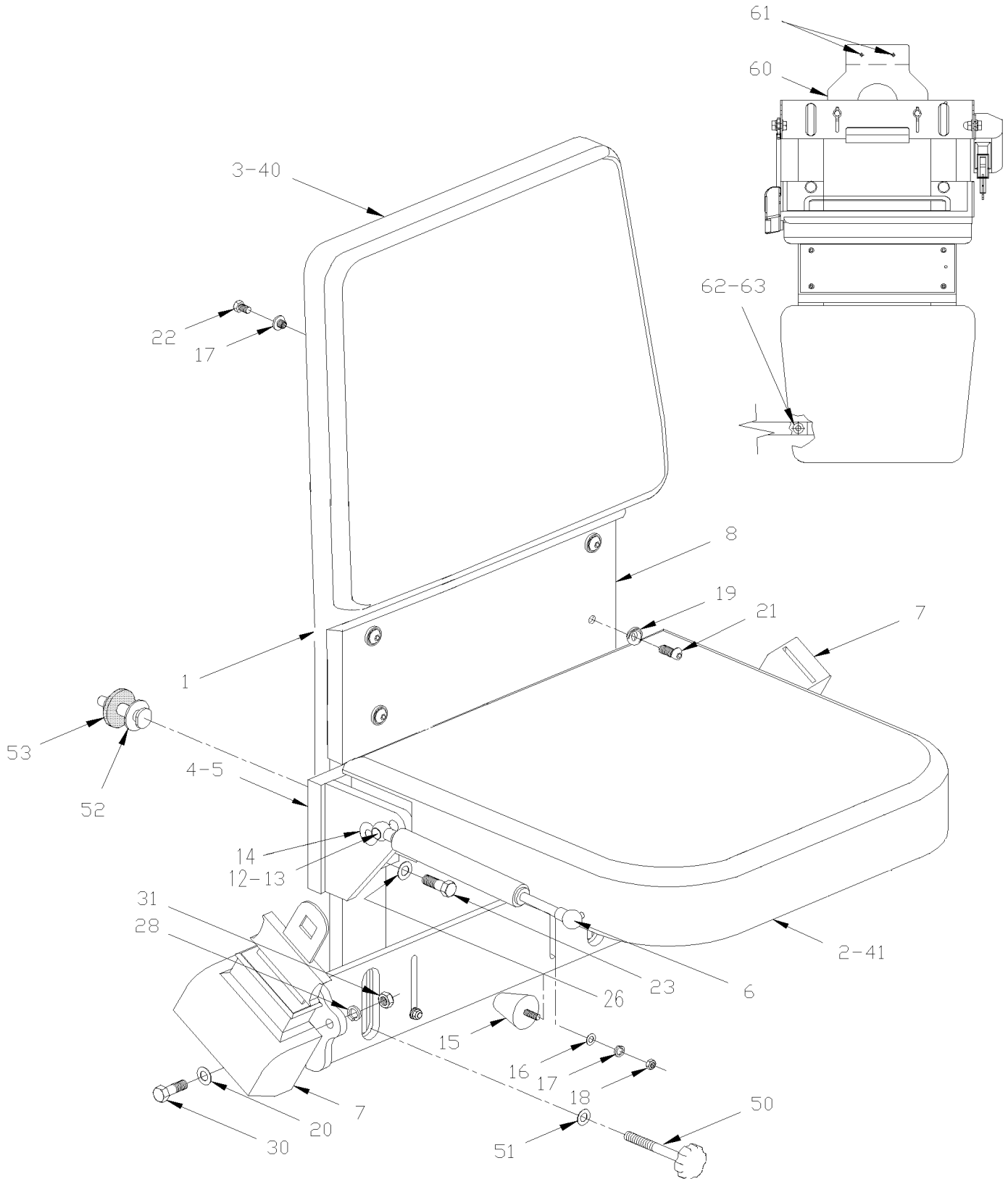


From 7-0671 To J-0287	Date:10/2022	PAGE:H7-1823-80
<b>BASE ASSY - "USSC" - 9100ALX3</b>		

Item#	Part	Description	H 3 4 1	H 3 4 5	V I P 4 5	N O T E S
1	N8882989	KNOB SEAT ADJUSTMENT W/FORMER VALVE	2	2		
2	N8894280	SUSPENSION ASSY / AIR	1	1		
2	<b>H7-1823-70</b>	<b>. SUSPENSION ASSY - "USSC" - 9100ALX3</b>	1	1		
2	N8893705	. SPACER / BACK TO SUSPENSION	2	2		
3	N8883020	BELLOW	1	1		
4	N8891955	RELEASE HANDLE ASM	1	1		
5	N8883008	SLIDE SET 9.45"	1	1		
6	N8883021	RIVET	9	9		
7	N8882967	WASHER, LOCK M10	2	2		
8	N8887855	AIR BOX MOUNT ASM	2	2		
9	N8887856	AIR LUMBAR REGULATOR ASSY W/FITTING	1	1		
10	N8882997	CONNECTOR	1	1		
11	N8883004	SPACER SLIDE	8	8		
12	N8882965	SCREW 5/16-18x1 1/2	2	2		
13	N8891964	WASHER FLAT	2	2		
14	N8887215	SLIDE BUTTON ASSY	1	1		
15	N8887216	SLIDE CYLINDER ASSY	1	1		
16	N8894735	BRACKET SLD REIN/C/1/4"/NF/ASSY	2	2		
17	N8882993	WASHER FLAT 5/16	2	2		
31	N8891958	BASE ASSY 4"	4	4		
32	N8883007	NUT 3/8	4	4		
33	N8882964	SCREW 5/16-18x1 1/4	4	4		
34	N8882993	WASHER FLAT 5/16	4	4		
35	N8893849	NUT LOCK 5/16-18 NYLON	4	4		
36	N8890626	SPRING 10"	1	1		
37	N8894303	MESH SPRING COVER	1	1		
38	N8887858	WASHER 7/16	6	6		



From 7-0671 To E-2504	Date:10/2022	PAGE:H7-1824-00
<b>HOSTESS SEAT ASSY</b>		



From 7-0671 To E-2504	Date:10/2022	PAGE:H7-1824-00
<b>HOSTESS SEAT ASSY</b>		

Item#	Part	Description	H 3 4 1	H 3 4 5	V I P 4 5	N O T E S
	364106P	HOSTESS SEAT ASSY	1	1		
1	364107	. FRAME ASSY	1	1		
2	364008	. SEAT BASE, ASSY	1	1		
NS	363040	. CUSHION FOAM	1	1		
3	Call order desk	. BACKREST PANEL ASSY W/FOAM & COVERING /S.C.	1	1		P
3	Call order desk	. BACKREST PANEL ASSY W/FOAM & COVERING /S.C.	1	1		P
3	363014	. LOWER BACKREST PANEL	1	1		
NS	363041	. BACK REST FOAM	1	1		
NS	500453	. NUT TEE 1/4-20	1	1		
4	364002	. R.H. SUPPORT ASSY	1	1		
5	364004	. L.H. SUPPORT ASSY	1	1		
6	980020	. CYLINDER GAZ / 244/164MM C/C / 35LBS To G-3205	1	1		
6	980465	. CYLINDER GAZ / 225NEWTON (50LBS) From G-3206	1	1		
NS	980015	. BALL STUD / W/10 MM X M8-1.25 / 29.18 MM	1	1		
NS	5001063	. RIVET NUT FL OKS M8-1.25 11.0-1.5	1	1		
7	860695	. SEAT BELT / KIT	1	1		
8	Call order desk	. FINISHING FABRIC	AR	AR		P
12	502744	. NUT HEX STO M8-1.25 Z050	1	1		
13	980015	. BALL STUD / W/10 MM X M8-1.25 / 29.18 MM	1	1		
14	507260	. BUSHING NYLINER W/SHOULDER .375x.437x.375x.594	4	4		
15	504600	. BUMPER RUBBER BOLT / .625 ODx1.0TH x 10-32X.5 STUD	4	4		
NS	502820	. WASHER FL .187x1.000x.125 RUB BK	4	4		
16	500440	. WASHER FL .250x.562x.065 Z050	4	4		
17	500473	. WASHER LO SPT .262x.489x.062 Z050	4	4		
18	500995	. NUT HEX CAP #10-32 Z050	2	2		
19	500345	. WASHER FN CKF .187x.500x.090 BR BK	5	5		
20	500444	. WASHER FL .406x.812x.065 Z050	8	8		
21	500686	. SCREW TP OV PH #6x1/2 BK	5	5		
22	500554	. SCREW MA RND SLT 1/4-20x1/2 SS	6	6		
23	500820	. SCREW CAP HEX M8-1.25x16 G10.9 N500	4	4		
25	500441	. WASHER FL .312x.734x.065 Z050	6	6		
26	500942	. WASHER LO SPT 8.1x14.8x2.0 N500	4	4		
27	500778	. NUT HEX 5/16-18 N500	4	4		
28	500478	. WASHER LO SPT .380x.683x.094 Z050	2	2		
30	500191	. SCREW CAP HEX 3/8-16x1 G5 Z050	2	2		
31	5001060	. NUT HEX CAP 3/8-16 NP	2	2		
40	363345P	. COVERING ASSY, BACKREST / S.C.C.	1	1		
41	363346P	. COVERING ASSY, SEATREST / S.C.C.	1	1		
50	363070	SPECIAL BOLT ASSY / TO FIX HOSTESS SEAT / 126MM	1	1		C
50	504500	SNAP BUSHING / .766x1.125x.453	2	2		C
51	502644	WASHER FL 10.5x30.0x2.5 Z050	2	2		C

From 7-0671 To E-2504	Date:10/2022	PAGE:H7-1824-00
<b>HOSTESS SEAT ASSY</b>		

Item#	Part	Description	H 3 4 1	H 3 4 5	V I P 4 5	N O T E S
52	364103	FASTENER / UPPER / TO FIX HOSTESS SEAT 64MM X M12-1.75	2	2		C
53	363363	WASHER RUBBER 42MM O.D. X 13MM I.D. X 3/16"	2	2		C
60	363546	HOOK	1	1		D
61	504416	RIVET POP DOME OE 3/16x5/8 SS	3	3		D
62	363547	BELT 485MM	1	1		D
63	5001168	BUMPER RUBBER / .750 OD x .562 TH x .187 HOLE To J-0306	2	2		D
		C) THOSE ITEMS ARE USED TO FIX HOSTESS SEAT				
		D) THOSE ITEMS ARE USED TO FIX HOSTESS SEAT IN THE BAGGAGE CASE				
		P) CALL ORDER DESK FOR SPECIFIC APPLICATION (V.I.N.)				

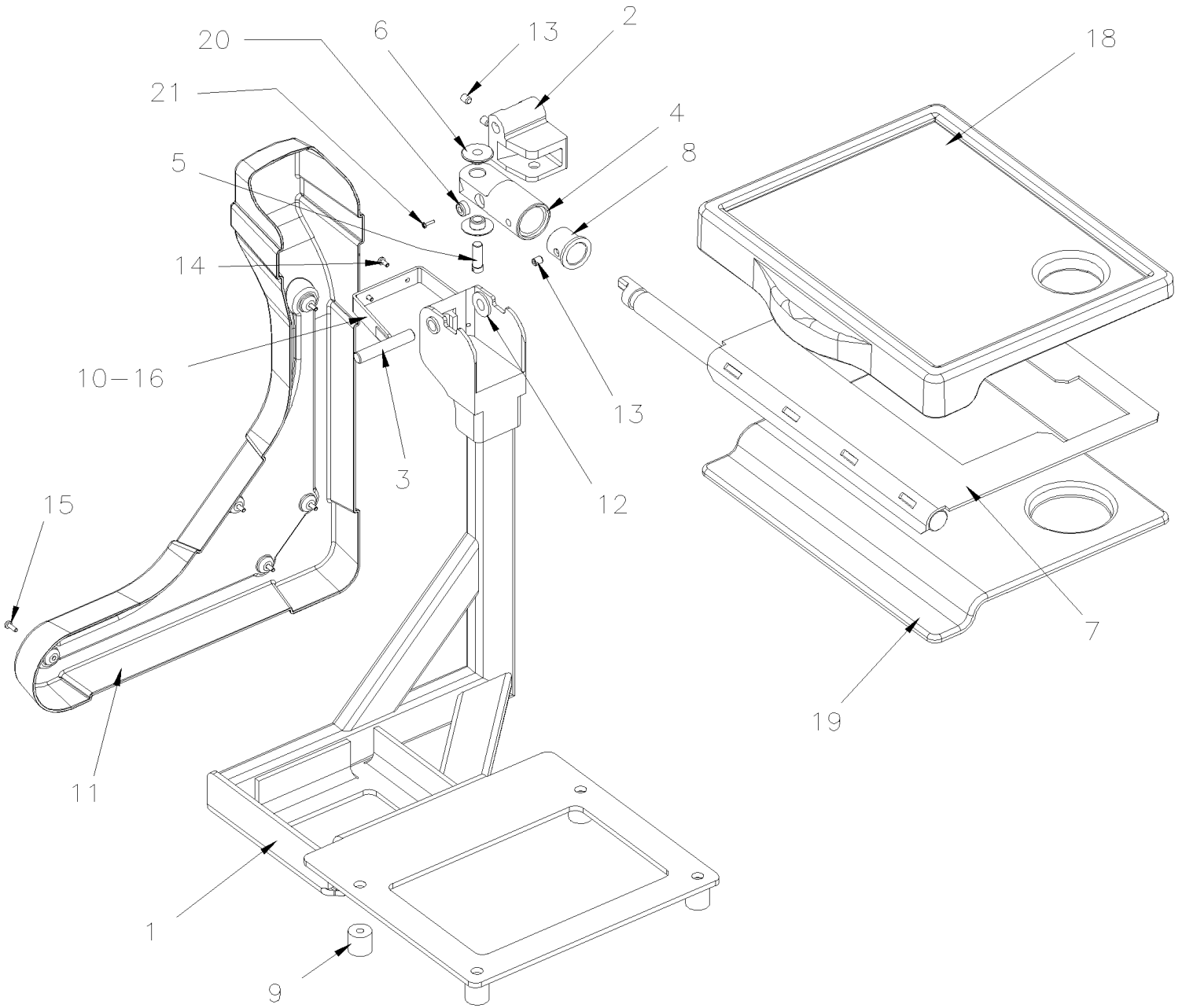


From 8-1072 To 8-1072

Date:10/2022

PAGE:H7-1824-10

## CAPTAIN SEAT "RAMPARTS" & "WILDCATS"



From 8-1072 To 8-1072	Date:10/2022	PAGE:H7-1824-10
<b>CAPTAIN SEAT "RAMPARTS" &amp; "WILDCATS"</b>		

Item#	Part	Description	H 3 4 1	H 3 4 5	V I P 4 5	N O T E S
	Call order desk	TABLE CAPITAIN LIST From 7-1072	1	1	1	P
	Call order desk	TABLE CAPITAIN LIST From 7-1072	1	1	1	P
	364201P	TABLE ASSY L.H. SEAT	1	1	1	
	364200P	TABLE ASSY R.H. SEAT	1	1	1	
1	364204	. TABLE SUPPORT L.H. CAPITAIN SEAT	1	1	1	
1	364191	. TABLE SUPPORT R.H. CAPITAIN SEAT	1	1	1	
2	364205	. PIVOT PRIMARY L.H.	1	1	1	
2	364192	. PIVOT PRIMARY R.H.	1	1	1	
3	364193	. PIN PIVOT SS 12.7 I.D. x 78MM	2	2	2	
4	364206	. PIVOT SECONDARY L.H.	1	1	1	
4	364194	. PIVOT SECONDARY R.H.	1	1	1	
5	364195	. PIN PIVOT THREADED / SECONDARY 10.1MM O.D. x 34MM / M12-1.75	2	2	2	
6	364196	. BUSHING ACETAL FLANGED 10.1 I.D. x 15.9 O.D. W/FL 34M	4	4	4	
7	364202	. PLATE TERTIARY L.H. ASSY	1	1	1	
7	364199	. PLATE TERTIARY R.H. ASSY	1	1	1	
8	364210	. BUSHING ACETAL FLANGED 25.4 I.D. x 32. O.D. W/FL 38MM	2	2	2	
9	364212	. SHIM STEEL 7.9 I.D. x 25.4 O.D. x 25MM	4	4	4	
10	364270	. REINFORCMENT COVER "U" SHAPE 88MM x 92MM	1	1	1	
11	364268	. COVER L.H. SEAT	1	1	1	
11	364267	. COVER R.H. SEAT	1	1	1	
12	507257	. BUSHING NYLINER W/SHOULDER	2	2	2	
13	5001653	. SCREW SET HEXS FLAT M8-1.25x10	4	4	4	
14	500557	. SCREW MA PAN PH #8-32x3/8 SS	2	2	2	
15	500965	. SCREW TC BDG PH #8-32x1/2 N500	5	5	5	
16	506790	. TAPE RUB ADH2 CC POL 1/16" x 1/2" x 200' / BLACK I1C-N-A	AR	AR	AR	
18	364209	. COVER TOP L.H. TABLE	1	1	1	
18	364188	. COVER TOP R.H. TABLE	1	1	1	
19	364208	. COVER UNDER TABLE	1	1	1	
20	5001393	. BUMPER RUBBER / .625 OD x .281 TH x .125 HOLE	1	1	1	
21	500498	. SCREW MA BDG PH #4-40x1/2 N500	1	1	1	
NS	680038	. THREAD LOCKER LOCTITE #243 / BLUE / 50ml	AR	AR	AR	
31	863533	SEAT CAPTAIN W/ELECTRIC FOOT REST / 591XLER PATRICK ROY From 7-1072 To 7-1072	1	1	1	
. NS	860083	. WORM DRIVE FOR FOOTREST RSS From 7-1072 To 7-1072	1	1	1	
. NS	860084	. WORM DRIVE FOR FOOTREST LSS From 7-1072 To 7-1072	1	1	1	
. NS	860085	. MOTOR, FOOTREST "FLEXSTEEL" From 7-1072 To 7-1072	1	1	1	
. NS	860086	. SWIVEL AND SLIDE CABLE, 43" OA RV From 7-1072 To 7-1072	1	1	1	
31	863534	SEAT CAPTAIN / 591 BUSR JACQUES TANGUAY From 7-1072 To 7-1072	1	1	1	
32	863920	SEAT CAPTAIN W/ELECTRIC FOOT REST / 591XLER "MONCTON WILDCATS" From 8-1461 To 8-1461	1	1	1	
32	863839	PEDESTAL / W591 XELR	1	1	1	
33	863921	SEAT CAPTAIN / 591 BUSR "MONCTON WILDCATS" From 8-1461 To 8-1461	1	1	1	
33	863912	PEDESTAL / W591 BUSR	1	1	1	

From 8-1072 To 8-1072	Date:10/2022	PAGE:H7-1824-10
<b>CAPTAIN SEAT "RAMPARTS" &amp; "WILDCATS"</b>		

Item#	Part	Description	H 3 4 1	H 3 4 5	V I P 4 5	N O T E S
		P) CALL ORDER DESK FOR SPECIFIC APPLICATION (V.I.N.)				





From 7-0671 To J-0287

Date:10/2022

PAGE:H7-1824-30

**PASSENGER'S SEAT - "AMAYA" IDENTIFICATION "MODEL"**



GAUDI



BRAZIL



2 + 1



TORINO



TORINO VIP



SIGLIUM



PATRIOT



PATRIOT BRASIL



PATRIOT VIP

From 7-0671 To J-0287	Date:10/2022	PAGE:H7-1824-30
<b>PASSENGER'S SEAT - "AMAYA" IDENTIFICATION "MODEL"</b>		

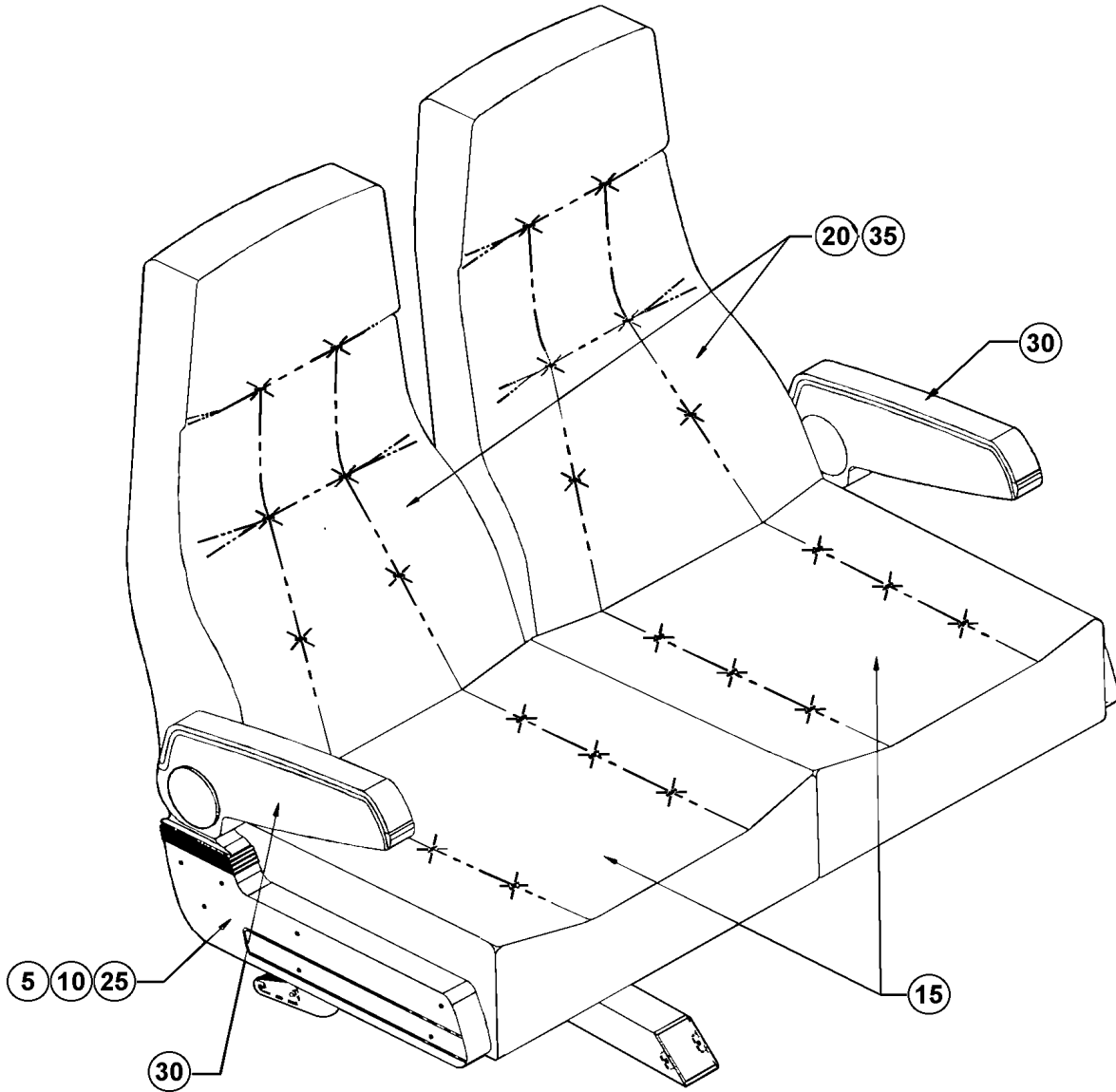
Item#	Part	Description	H 3 4 1	H 3 4 5	V I P 4 5	N O T E S
		PASSENGER'S SEAT - "GAUDI" MODEL				
6	H7-1826-08	<b>PASSENGER'S SEAT - "AMAYA" "GAUDI"</b>				
		PASSENGER'S SEAT - "BRASIL" MODEL				
11	H7-1826-06	<b>PASSENGER'S SEAT - "AMAYA" "BRASIL"</b>				
12	H7-1826-51	<b>ARMREST PASSENGER'S SEAT - "AMAYA" WITH "BRASIL"</b>				
		PASSENGER'S SEAT - "2 + 1" MODEL				
16	H7-1826-05	<b>PASSENGER'S SEAT - "AMAYA" "EUROTECH"</b>				
17	H7-1826-50	<b>ARMREST PASSENGER'S SEAT - "AMAYA" WITH "EUROTECH"</b>				
		PASSENGER'S SEAT - "TORINO" MODEL				
21	H7-1826-07	<b>PASSENGER'S SEAT - "AMAYA" "SIGLIUM" TORO &amp; TORINO</b>				
		PASSENGER'S SEAT - "TORINO" VIP MODEL				
		PASSENGER'S SEAT - "SIGLIUM" MODEL				
		PASSENGER'S SEAT - "PATRIOT" MODEL				
		PASSENGER'S SEAT - "PATRIOT BRASIL" MODEL				
		PASSENGER'S SEAT - "PATRIOT VIP" MODEL				

From 7-0671 To J-0287

Date:10/2022

PAGE:H7-1825-00

PASSENGER'S SEAT - "AMERICAN" - W6693 & W7693

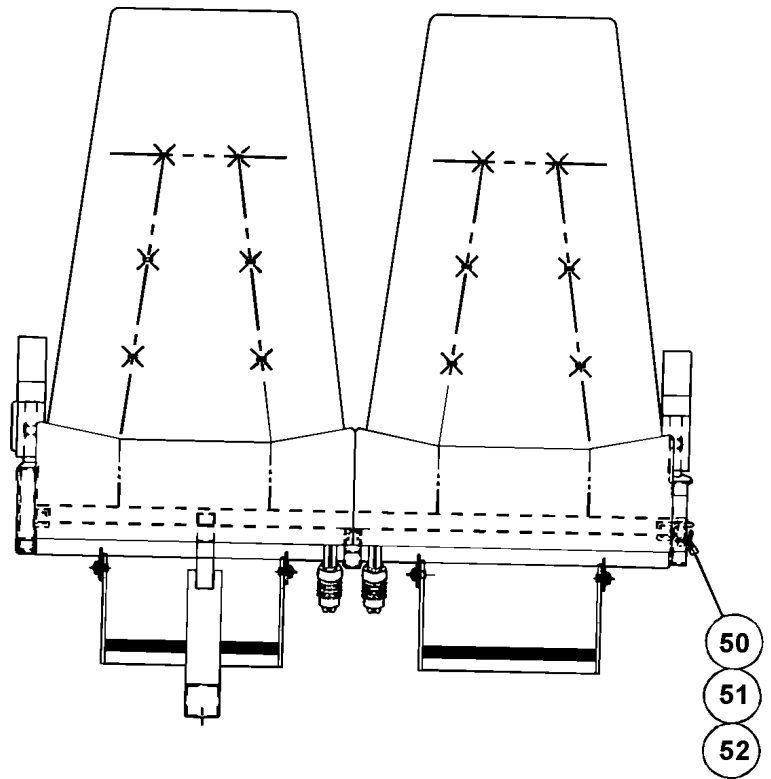
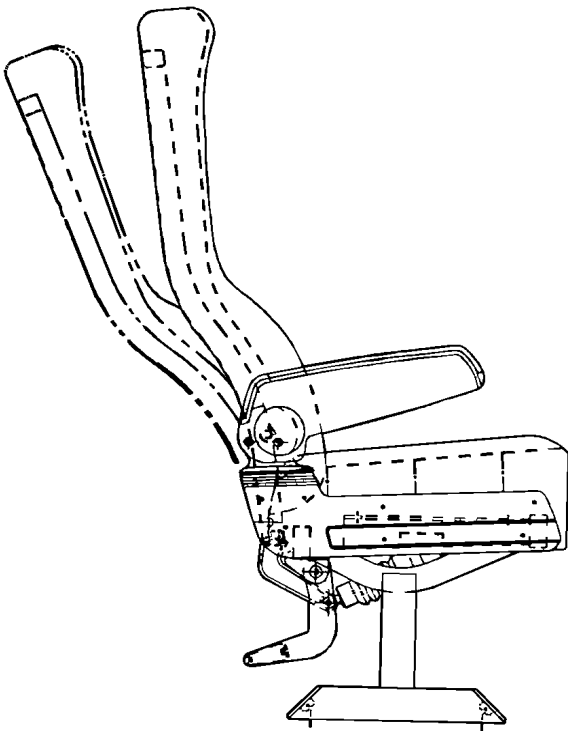


From 7-0671 To J-0287

Date:10/2022

PAGE:H7-1825-00

PASSENGER'S SEAT - "AMERICAN" - W6693 & W7693



From 7-0671 To J-0287	Date:10/2022	PAGE:H7-1825-00
<b>PASSENGER'S SEAT - "AMERICAN" - W6693 &amp; W7693</b>		

Item#	Part	Description	H 3 4 1	H 3 4 5	V I P 4 5	N O T E S
		IMPORTANT NOTE:				
		TO ORDER COMPLETE PASSENGER'S SEAT KIT #,				
		SEE THE FINAL VEHICLE RECORD				
5	H7-1825-05	. PASSENGER'S SEAT - "AMERICAN" - FRAME				
10	H7-1825-10	. PASSENGER'S SEAT - "AMERICAN" - FRAME ROTATIN				
15	H7-1825-20	. PASSENGER'S SEAT - "AMERICAN" - CUSHION				
20	H7-1825-30	. PASSENGER'S SEAT - "AMERICAN" - BACKREST WX69				
25	H7-1825-40	. PASSENGER'S SEAT - "AMERICAN" - FOOTREST				
30	H7-1825-50	. PASSENGER'S SEAT - "AMERICAN" - ARMREST				
35	H7-1825-60	. PASSENGER'S SEAT - "AMERICAN" - BACK & ACCESS				
50	Call order desk	SCREW - WALL ATTACHING	2	2		P
51	860094	CHANNEL WALL ATTACHING	2	2		
52	Call order desk	WASHER	2	2		P
		P) CALL ORDER DESK FOR SPECIFIC APPLICATION (V.I.N.)				

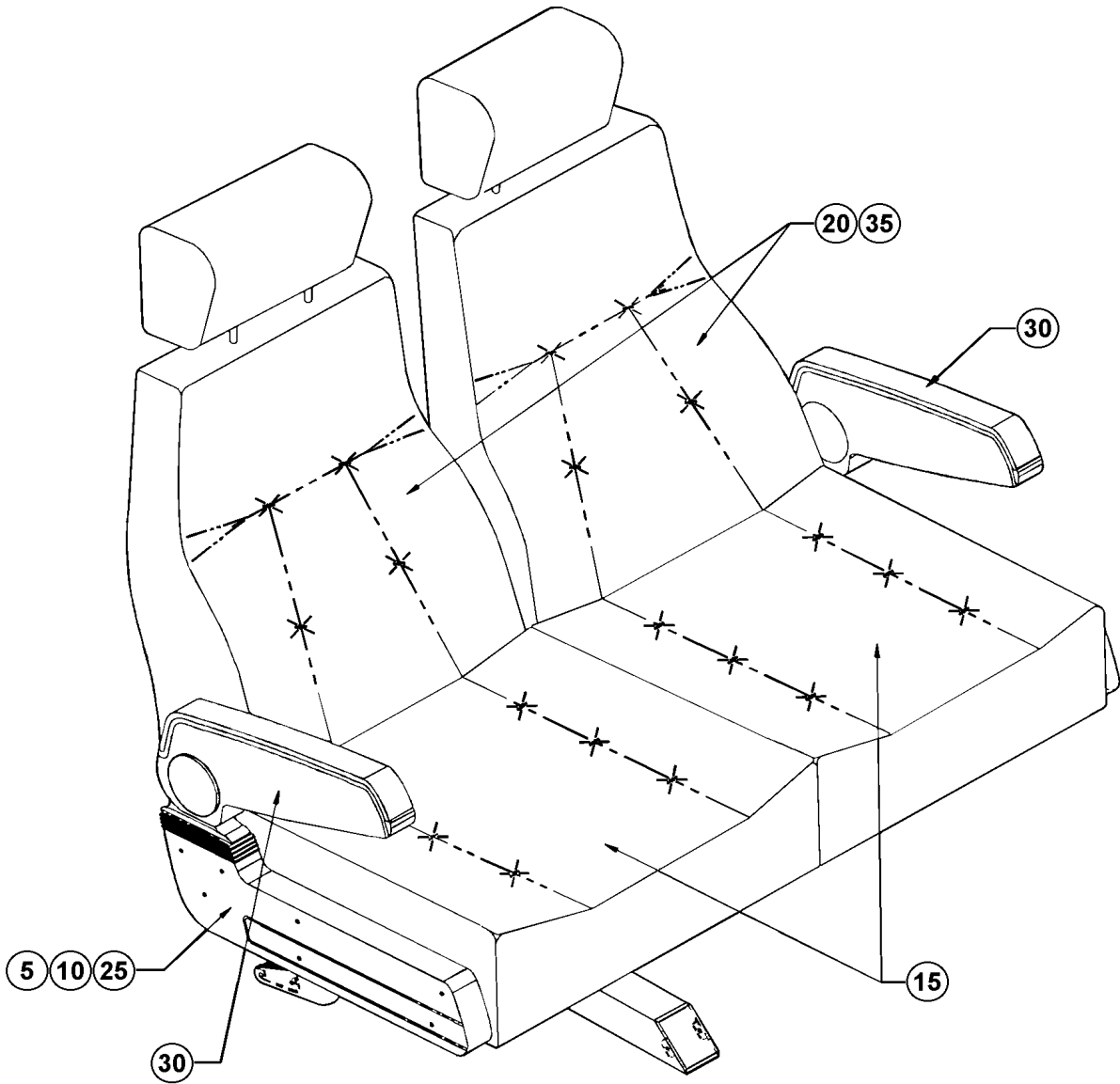


From 7-0671 To J-0287

Date:10/2022

PAGE:H7-1825-01

PASSENGER'S SEAT - "AMERICAN" - W6694 & W7694

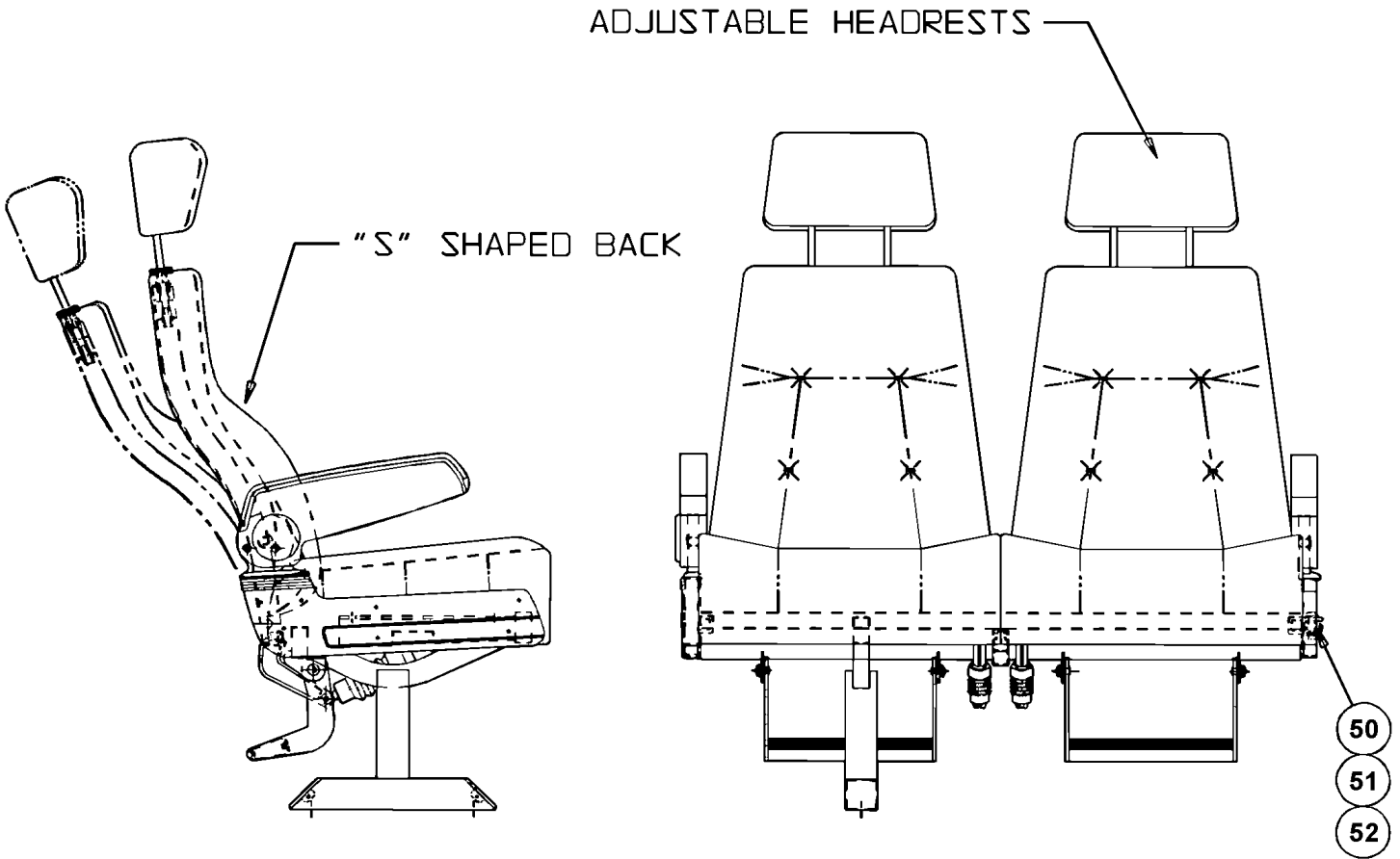


From 7-0671 To J-0287

Date:10/2022

PAGE:H7-1825-01

PASSENGER'S SEAT - "AMERICAN" - W6694 & W7694





From 7-0671 To J-0287	Date:10/2022	PAGE:H7-1825-01
<b>PASSENGER'S SEAT - "AMERICAN" - W6694 &amp; W7694</b>		

Item#	Part	Description	H 3 4 1	H 3 4 5	V I P 4 5	N O T E S
		IMPORTANT NOTE:				
		TO ORDER COMPLETE PASSENGER'S SEAT KIT #,				
		SEE THE FINAL VEHICLE RECORD.				
5	H7-1825-05	. PASSENGER'S SEAT - "AMERICAN" - FRAME				
10	H7-1825-10	. PASSENGER'S SEAT - "AMERICAN" - FRAME ROTATIN				
15	H7-1825-20	. PASSENGER'S SEAT - "AMERICAN" - CUSHION				
20	H7-1825-31	. PASSENGER'S SEAT - "AMERICAN" - BACKREST WX69				
25	H7-1825-40	. PASSENGER'S SEAT - "AMERICAN" - FOOTREST				
30	H7-1825-50	. PASSENGER'S SEAT - "AMERICAN" - ARMREST				
35	H7-1825-60	. PASSENGER'S SEAT - "AMERICAN" - BACK & ACCESS				
50	Call order desk	SCREW - WALL ATTACHING	2	2		P
51	860094	CHANNEL WALL ATTACHING	2	2		
52	Call order desk	WASHER	2	2		P
		P) CALL ORDER DESK FOR SPECIFIC APPLICATION (V.I.N.)				

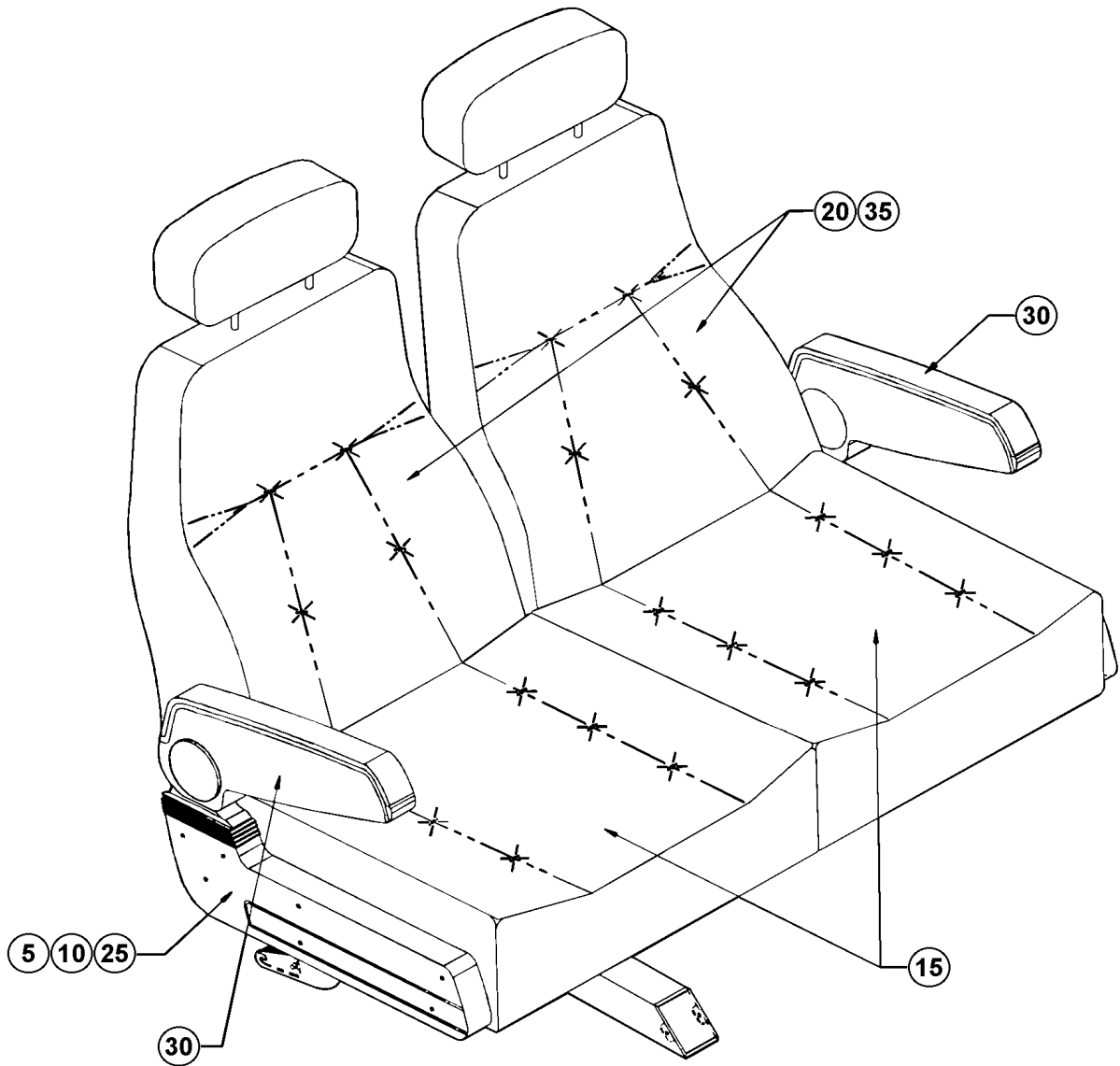


From 7-0671 To J-0287

Date:10/2022

PAGE:H7-1825-03

**PASSENGER'S SEAT - "AMERICAN" - W6696 & W7696**

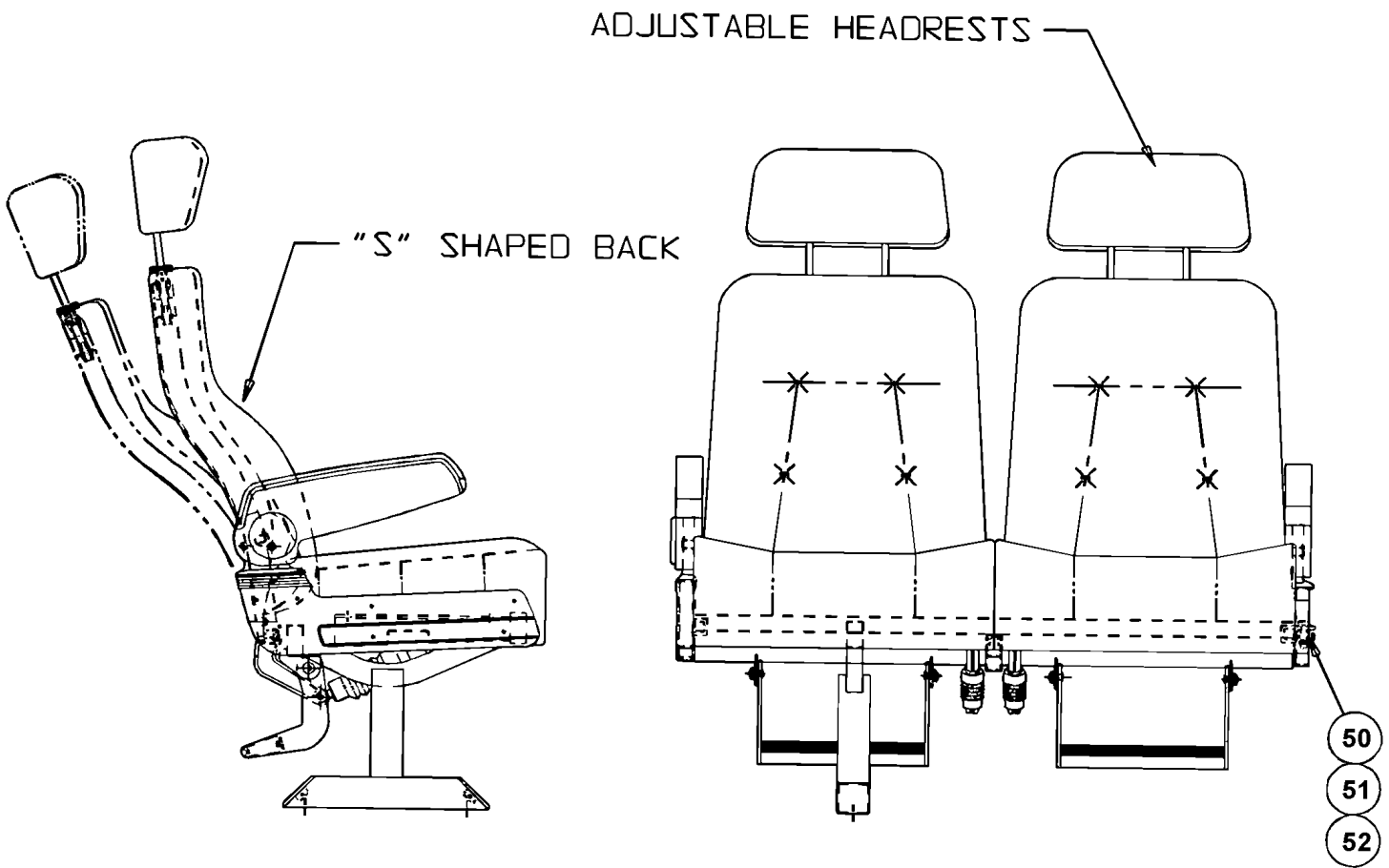


From 7-0671 To J-0287

Date:10/2022

PAGE:H7-1825-03

PASSENGER'S SEAT - "AMERICAN" - W6696 & W7696



From 7-0671 To J-0287	Date:10/2022	PAGE:H7-1825-03
<b>PASSENGER'S SEAT - "AMERICAN" - W6696 &amp; W7696</b>		

Item#	Part	Description	H 3 4 1	H 3 4 5	V I P 4 5	N O T E S
		IMPORTANT NOTE:				
		TO ORDER COMPLETE PASSENGER'S SEAT KIT #,				
		SEE THE FINAL VEHICLE RECORD.				
5	H7-1825-05	. PASSENGER'S SEAT - "AMERICAN" - FRAME				
10	H7-1825-10	. PASSENGER'S SEAT - "AMERICAN" - FRAME ROTATIN				
15	H7-1825-20	. PASSENGER'S SEAT - "AMERICAN" - CUSHION				
20	H7-1825-31	. PASSENGER'S SEAT - "AMERICAN" - BACKREST WX69				
25	H7-1825-40	. PASSENGER'S SEAT - "AMERICAN" - FOOTREST				
30	H7-1825-50	. PASSENGER'S SEAT - "AMERICAN" - ARMREST				
35	H7-1825-60	. PASSENGER'S SEAT - "AMERICAN" - BACK & ACCESS				
50	Call order desk	SCREW - WALL ATTACHING	2	2		P
51	860094	CHANNEL WALL ATTACHING	2	2		
52	Call order desk	WASHER	2	2		P
		P) CALL ORDER DESK FOR SPECIFIC APPLICATION (V.I.N.)				

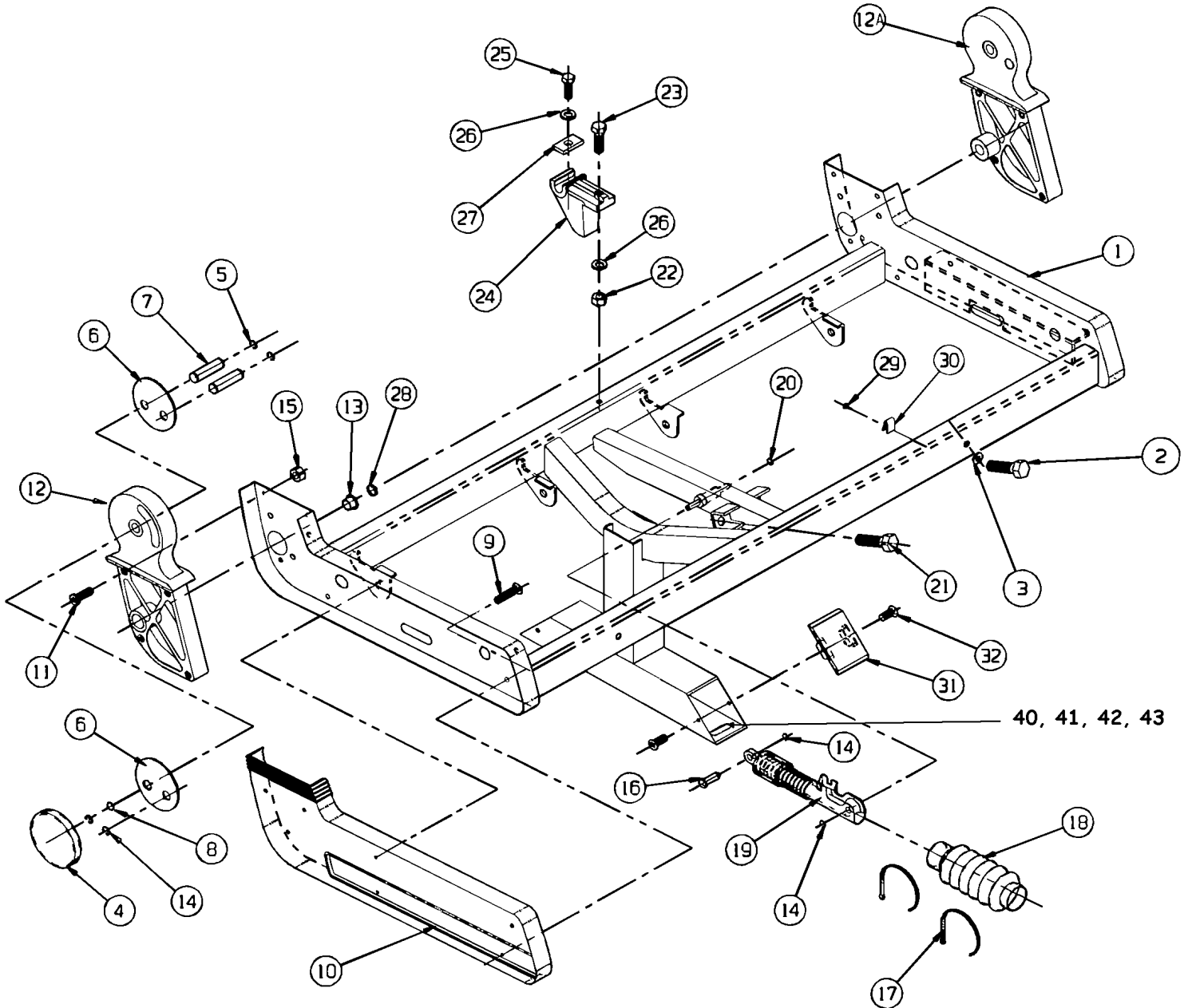


From 7-0671 To J-0287

Date:10/2022

PAGE:H7-1825-05

## PASSENGER'S SEAT - "AMERICAN" - FRAME



LH FRAME ASSEMBLY ( SHOWN )  
RH FRAME ASSEMBLY ( OPPOSITE HAND )

From 7-0671 To J-0287	Date:10/2022	PAGE:H7-1825-05
<b>PASSENGER'S SEAT - "AMERICAN" - FRAME</b>		

Item#	Part	Description	H 3 4 1	H 3 4 5	V I P 4 5	N O T E S
1	Call order desk	FRAME ASSY RH W/FOOTREST	1	1		P
1	Call order desk	FRAME ASSY LH W/FOOTREST	1	1		P
1	Call order desk	FRAME ASSY RH W/O FOOTREST	1	1		P
NS	Call order desk	FRAME ASSY LH W/O FOOTREST	1	1		P
1	Call order desk	FRAME ASSY LH REAR CROSS	1	1		P
2	Call order desk	SCREW CAP HEX 5/16-18x2 3/4	2	2		P
3	500942	WASHER LO SPT 8.1x14.8x2.0 N500	2	2		
4	Call order desk	COVER DECORATIVE ASSY	1	1		P
5	Call order desk	RETAINER RING	8	8		P
6	Call order desk	PLATE REINFORCEMENT	4	4		P
7	Call order desk	PIN ARM PIVOT	4	4		P
8	Call order desk	WASHER SPR WAVE	1	1		P
9	Call order desk	SCREW SIDE TRIM #8 X 5/8"	7	7		P
10	862901	TRIM PANEL SIDE L.H.	1	1		
10	863776	TRIM PANEL SIDE R.H.	1	1		
11	Call order desk	SCREW MA PAN PH #10-32 X 5/8	8	8		P
12	Call order desk	CASTING PIVOT (AISLE SIDE)	1	1		P
NS	Call order desk	CASTING PIVOT (AISLE SIDE)	1	1		P
NS	Call order desk	CASTING PIVOT (WALL SIDE)	1	1		P
12	Call order desk	CASTING PIVOT (WALL SIDE)	1	1		P
13	860042	PIVOT BEARING	2	2		
14	Call order desk	SNAP RING	4	4		P
15	500423	NUT HEX NYRT #10-32 SS	8	8		
16	Call order desk	PIN CONNECTOR LINK	2	2		P
17	504273	CABLE TIE / 1/8" X 3"1/2	2	2		
18	Call order desk	COVER MECHLOK	2	2		P
19	864135	LOCK MECHANISM RH	1	1		
19	864268	LOCK MECHANISM LH	1	1		
NS	861486	CLIP / WIRE RETAINER	2	2		
20	502523	RIVET NUT FL OKS 5/16-18 .059-.119	1	1		
21	500052	SCREW CAP HEX 3/8-24x2 G5 ZP	2	2		
23	502694	SCREW CAP HEX 3/8-16x3 1/4 G5 ZP	1	1		
24	864857	CASTING - CENTER	1	1		
25	500192	SCREW CAP HEX 3/8-16x1 1/4 G5 Z050	1	1		
26	500480	WASHER LO SPT .443x.779x.109 Z050	2	2		
27	Call order desk	PLATE RETAINER	1	1		P
28	Call order desk	WASHER FL NYL	4	4		P
29	Call order desk	RIVET POP 1/8" SS L FLANGE	3	3		P
30	Call order desk	CLAMP	3	3		P
31	N8881678	CAP - END	2	2		
32	500952	SCREW TP BDG PH #8x1/2 SS	4	4		
40	500305	SCREW CAP HEX 3/8-16x7/8 G5 Z050 To A-1499	2	2		



From 7-0671 To J-0287	Date:10/2022	PAGE:H7-1825-05
<b>PASSENGER'S SEAT - "AMERICAN" - FRAME</b>		

Item#	Part	Description	H 3 4 1	H 3 4 5	V I P 4 5	N O T E S
40	5001735	SCREW CAP HEX 7/16-20x1 3/4 G8 G500 From A-1500	3	3		
41	500478	WASHER LO SPT .380x.683x.094 Z050 To A-1499	2	2		
41	500897	WASHER FL .437x1.000x.083 N500 From A-1500	3	3		
42	500270	WASHER FL .406x1.000x.063 SS To A-1499	2	2		
42	5001734	NUT HEX 7/16-20 G8 N500 From A-1500	3	3		
43	362627	PLATE ANCHOR / 3/8-16 BOLT INSIDE TRACK / 1 1/4" X 1 1/4" To A-1499	2	2		
43	364272	BLOCK ANCHOR / 26.8MM INSIDE / 35MM x 50MM x 19MM Height From A-1500	3	3		
		P) CALL ORDER DESK FOR SPECIFIC APPLICATION (V.I.N.)				

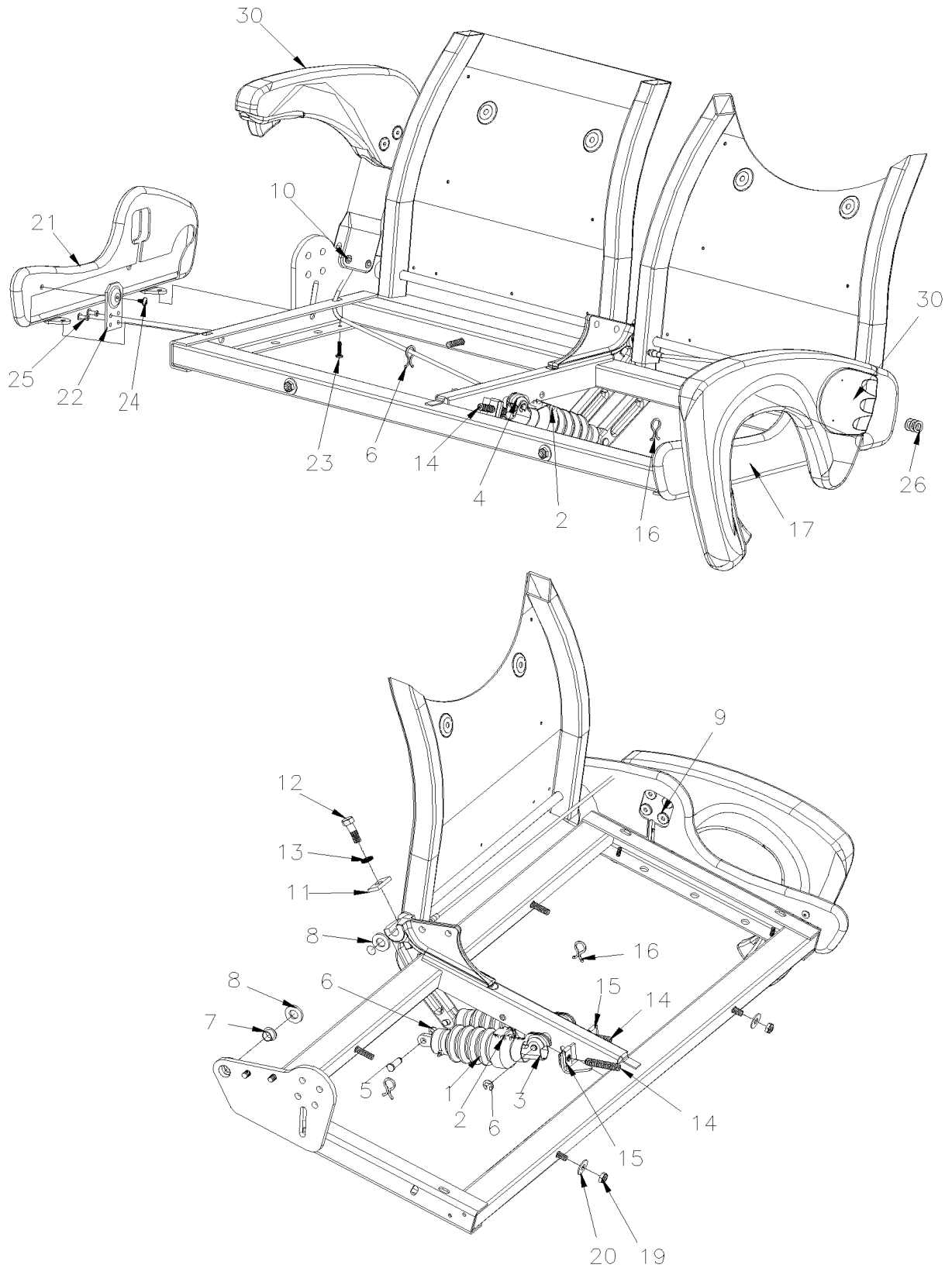


From 7-0671 To J-0287

Date:10/2022

PAGE:H7-1825-06

**PASSENGER'S SEAT - "AMERICAN" SERIES 2000 & MORE**



From 7-0671 To J-0287	Date:10/2022	PAGE:H7-1825-06
<b>PASSENGER'S SEAT - "AMERICAN" SERIES 2000 &amp; MORE</b>		

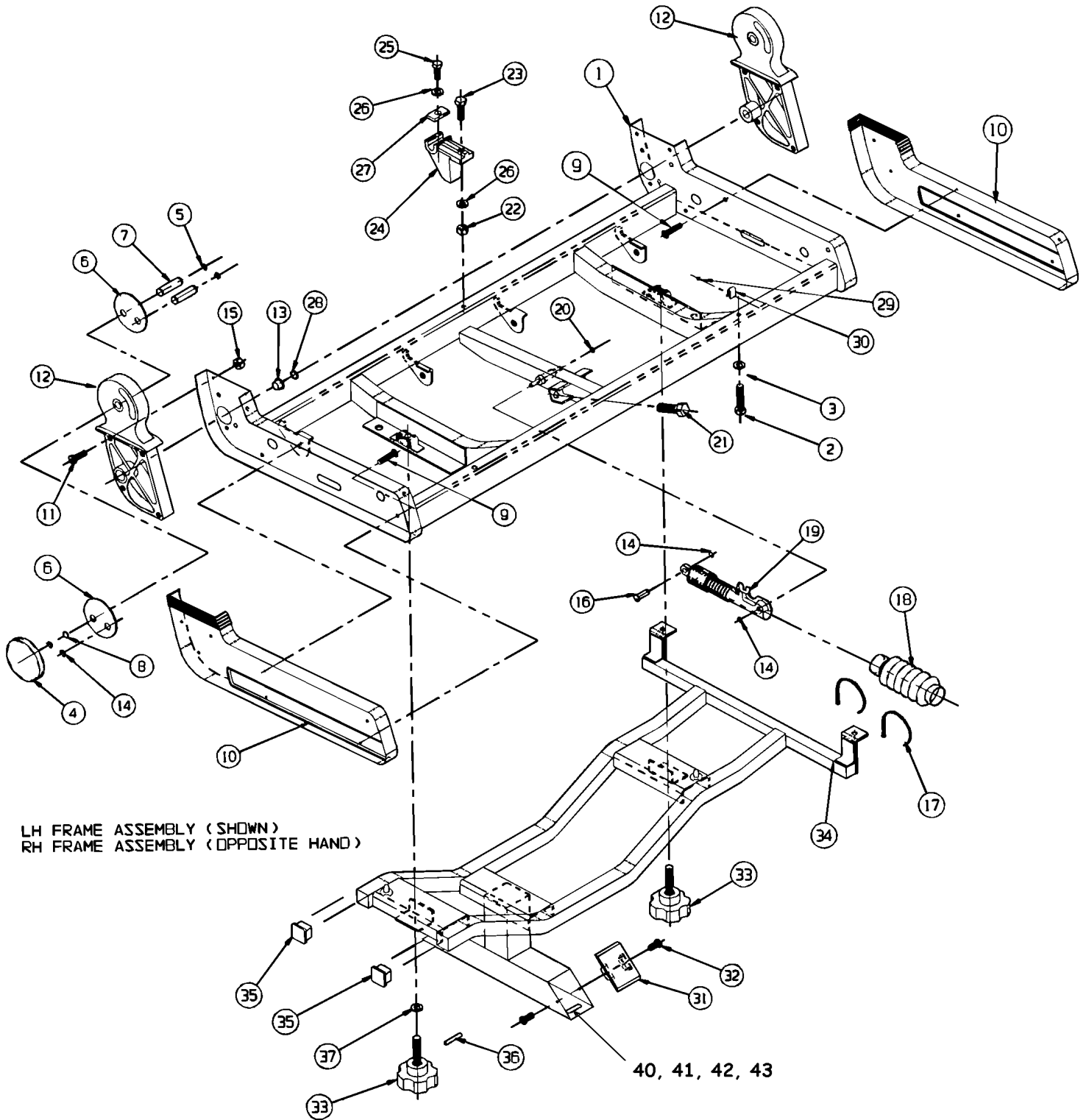
Item#	Part	Description	H 3 4 1	H 3 4 5	V I P 4 5	N O T E S
1	Call order desk	BOOT COVERING CYLINDER	2	2		P
2	Call order desk	ATTACHMENT FITTING	2	2		P
2	504012	CABLE TIE / 3/16" X 6"1/2	2	2		
3	864135	LOCK MECHANISM RH	1	1		
4	864268	LOCK MECHANISM LH	1	1		
NS	861486	CLIP / WIRE RETAINER	2	2		
5	Call order desk	PIN CONNECTOR LINK	2	2		P
6	Call order desk	RETAINING RING	4	4		P
7	Call order desk	BEARING PIVOT	2	2		P
8	Call order desk	WASHER PLAIN NYLON 1/2" x 1" x 1/8"	4	4		P
9	Call order desk	NUT JCN-CAP 1/4-20	4	4		P
10	Call order desk	SCREW CAP HEXS 5/16-18x.672	2	2		P
11	864857	CASTING - CENTER	1	1		
12	Call order desk	SCREW CAP HEX 3/8-16x1 1/8	1	1		P
13	Call order desk	WASHER "NORD-LOCK" 3/8x21/32x.1046 ZN	1	1		P
14	Call order desk	SCREW SET HEXS FLAT	2	2		P
15	Call order desk	U-NUT	2	2		P
16	Call order desk	BALL END PURSE LOCK	2	2		P
17	Call order desk	TRIM PANEL PKG L.H.	1	1		P
19	Call order desk	NUT HEX JAM 1/4-20 ZP	2	2		P
20	Call order desk	WASHER FL 5/16x7/8x16GA SS	2	2		P
21	Call order desk	PANEL AISLE TRIM	1	1		P
22	Call order desk	PANEL TRIM SUPPORT	1	1		P
23	19509680	SCREW SRB 40M #10-24x3/4"	2	2		
24	Call order desk	SCREW TP TR SQ #10-24x3/8	1	1		P
25	Call order desk	RIVET DOME HEAD ST 3/16"x9/16"	2	2		P
26	N8882739	WASHER FL 3/85/8x16GA	3	3		
30	<b>H7-1825-51</b>	<b>PASSENGER'S SEAT - "AMERICAN" - ARMREST SERIES 2000 &amp; MORE</b>				
		P) CALL ORDER DESK FOR SPECIFIC APPLICATION (V.I.N.)				

From 7-0671 To J-0287

Date:10/2022

PAGE:H7-1825-10

## PASSENGER'S SEAT - "AMERICAN" - FRAME ROTATING



From 7-0671 To J-0287	Date:10/2022	PAGE:H7-1825-10
<b>PASSENGER'S SEAT - "AMERICAN" - FRAME ROTATIN</b>		

Item#	Part	Description	H 3 4 1	H 3 4 5	V I P 4 5	N O T E S
1	Call order desk	FRAME ASSY UPPER W/FOOTREST	1	1		P
2	Call order desk	SCREW CAP HEX 5/16-18x2 3/4	2	2		P
3	500942	WASHER LO SPT 8.1x14.8x2.0 N500	2	2		
4	Call order desk	COVER DECORATIVE ASSY	1	1		P
5	Call order desk	RETAINER RING	8	8		P
6	Call order desk	PLATE REINFORCEMENT	4	4		P
7	Call order desk	PIN ARM PIVOT	4	4		P
8	Call order desk	WASHER SPR WAVE	1	1		P
9	Call order desk	SCREW SIDE TRIM #8 X 5/8"	14	14		P
10	862901	TRIM PANEL SIDE L.H.	1	1		
10	863776	TRIM PANEL SIDE R.H.	1	1		
11	Call order desk	SCREW MA PAN PH #10-32 X 5/8	8	8		P
12	Call order desk	CASTING PIVOT (AISLE SIDE)	1	1		P
12	Call order desk	CASTING PIVOT (AISLE SIDE)	1	1		P
13	860042	PIVOT BEARING	2	2		
14	Call order desk	SNAP RING	4	4		P
15	500423	NUT HEX NYRT #10-32 SS	8	8		
16	Call order desk	PIN CONNECTOR LINK	2	2		P
17	504273	CABLE TIE / 1/8" X 3"1/2	2	2		
18	Call order desk	COVER MECHLOK	2	2		P
19	864135	LOCK MECHANISM RH	1	1		
19	864268	LOCK MECHANISM LH	1	1		
NS	861486	CLIP / WIRE RETAINER	2	2		
20	Call order desk	PIN PORTER RETAINER	1	1		P
21	500052	SCREW CAP HEX 3/8-24x2 G5 ZP	2	2		
23	502694	SCREW CAP HEX 3/8-16x3 1/4 G5 ZP	1	1		
24	864857	CASTING - CENTER	1	1		
25	500192	SCREW CAP HEX 3/8-16x1 1/4 G5 Z050	1	1		
26	500480	WASHER LO SPT .443x.779x.109 Z050	2	2		
27	Call order desk	PLATE RETAINER	1	1		P
28	Call order desk	WASHER FL NYL	4	4		P
29	Call order desk	RIVET POP 1/8" SS L FLANGE	3	3		P
30	Call order desk	CLAMP	3	3		P
31	N8881678	CAP - END	1	1		
32	Call order desk	SCREW #8x1/2	4	4		P
33	864807	KNOB RETAINER	2	2		
34	Call order desk	FRAME ASSY - LOWER	1	1		P
35	Call order desk	CAP - PLUG	2	2		P
36	Call order desk	PIN ROLL	2	2		P
37	Call order desk	WASHER LO SPT	1	1		P
40	500305	SCREW CAP HEX 3/8-16x7/8 G5 Z050 To A-1499	2	2		
40	5001735	SCREW CAP HEX 7/16-20x1 3/4 G8 G500 From A-1500	3	3		

From 7-0671 To J-0287	Date:10/2022	PAGE:H7-1825-10
<b>PASSENGER'S SEAT - "AMERICAN" - FRAME ROTATIN</b>		

Item#	Part	Description	H 3 4 1	H 3 4 5	V I P 4 5	N O T E S
41	500478	WASHER LO SPT .380x.683x.094 Z050 To A-1499	2	2		
41	500897	WASHER FL .437x1.000x.083 N500 From A-1500	3	3		
42	500270	WASHER FL .406x1.000x.063 SS To A-1499	2	2		
42	5001734	NUT HEX 7/16-20 G8 N500 From A-1500	3	3		
43	362627	PLATE ANCHOR / 3/8-16 BOLT INSIDE TRACK / 1 1/4" X 1 1/4" To A-1499	2	2		
43	364272	BLOCK ANCHOR / 26.8MM INSIDE / 35MM x 50MM x 19MM Height From A-1500	3	3		
		P) CALL ORDER DESK FOR SPECIFIC APPLICATION (V.I.N.)				



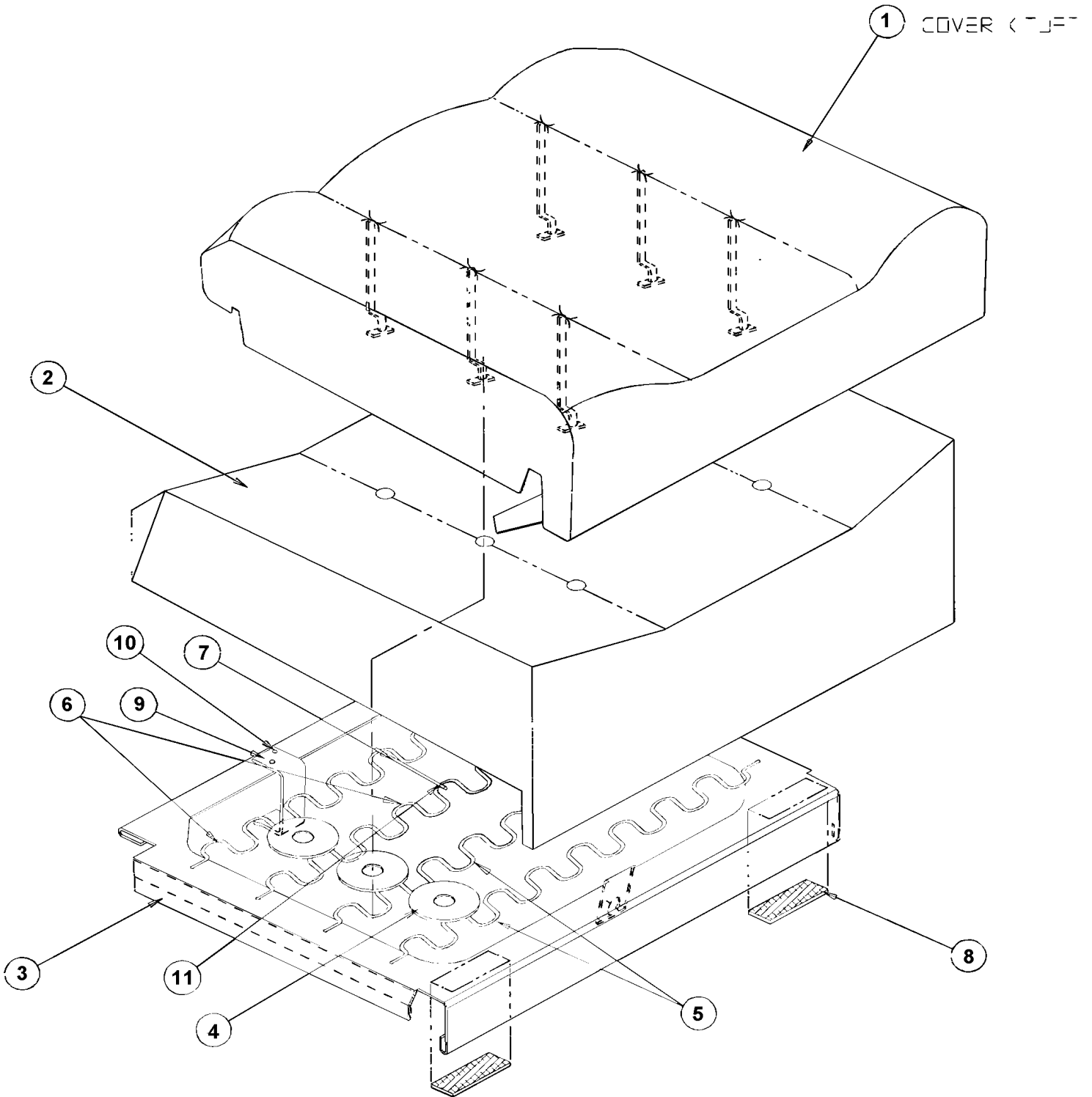


From 7-0671 To J-0287

Date:10/2022

PAGE:H7-1825-20

PASSENGER'S SEAT - "AMERICAN" - CUSHION

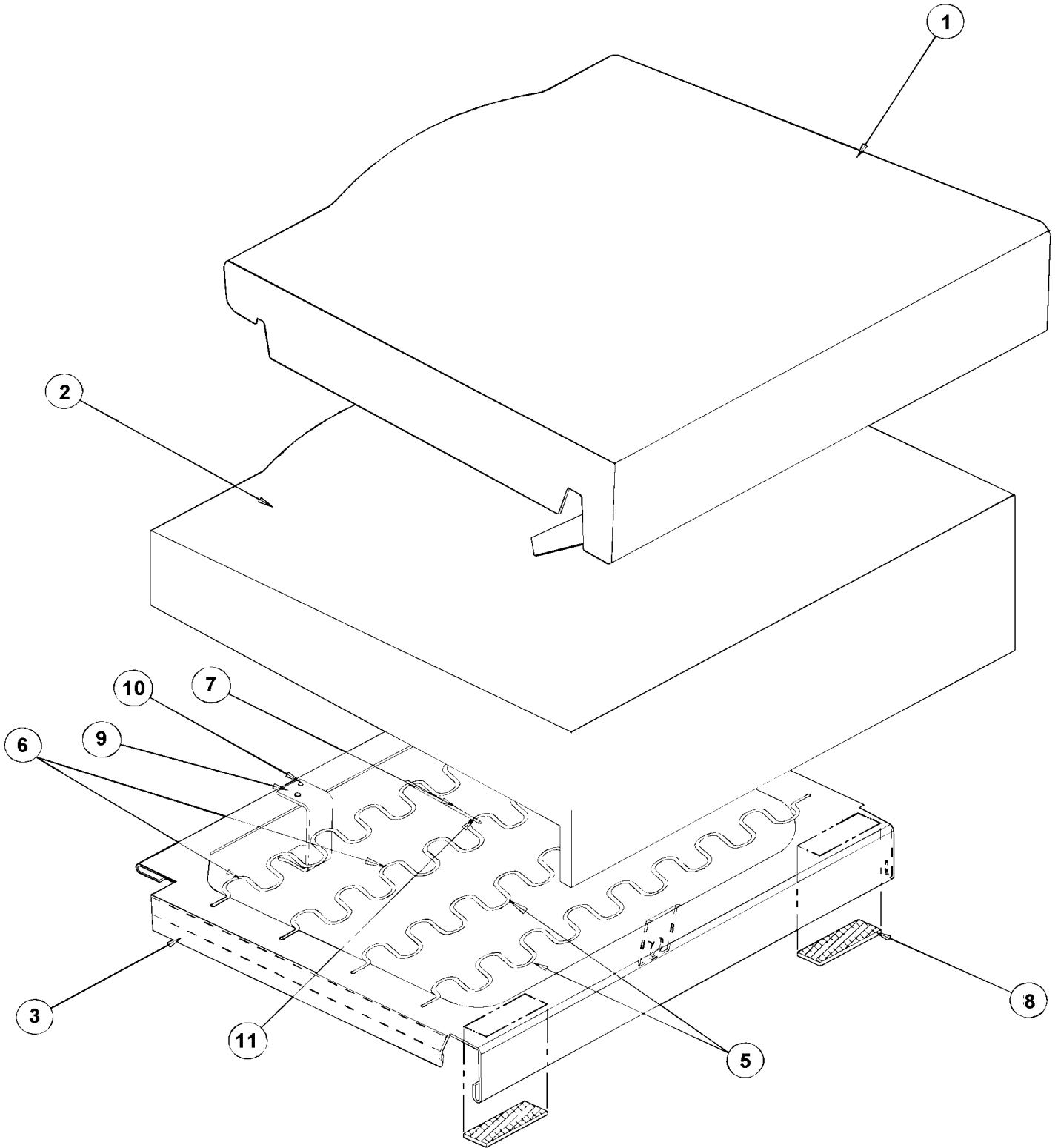


From 7-0671 To J-0287

Date:10/2022

PAGE:H7-1825-20

PASSENGER'S SEAT - "AMERICAN" - CUSHION

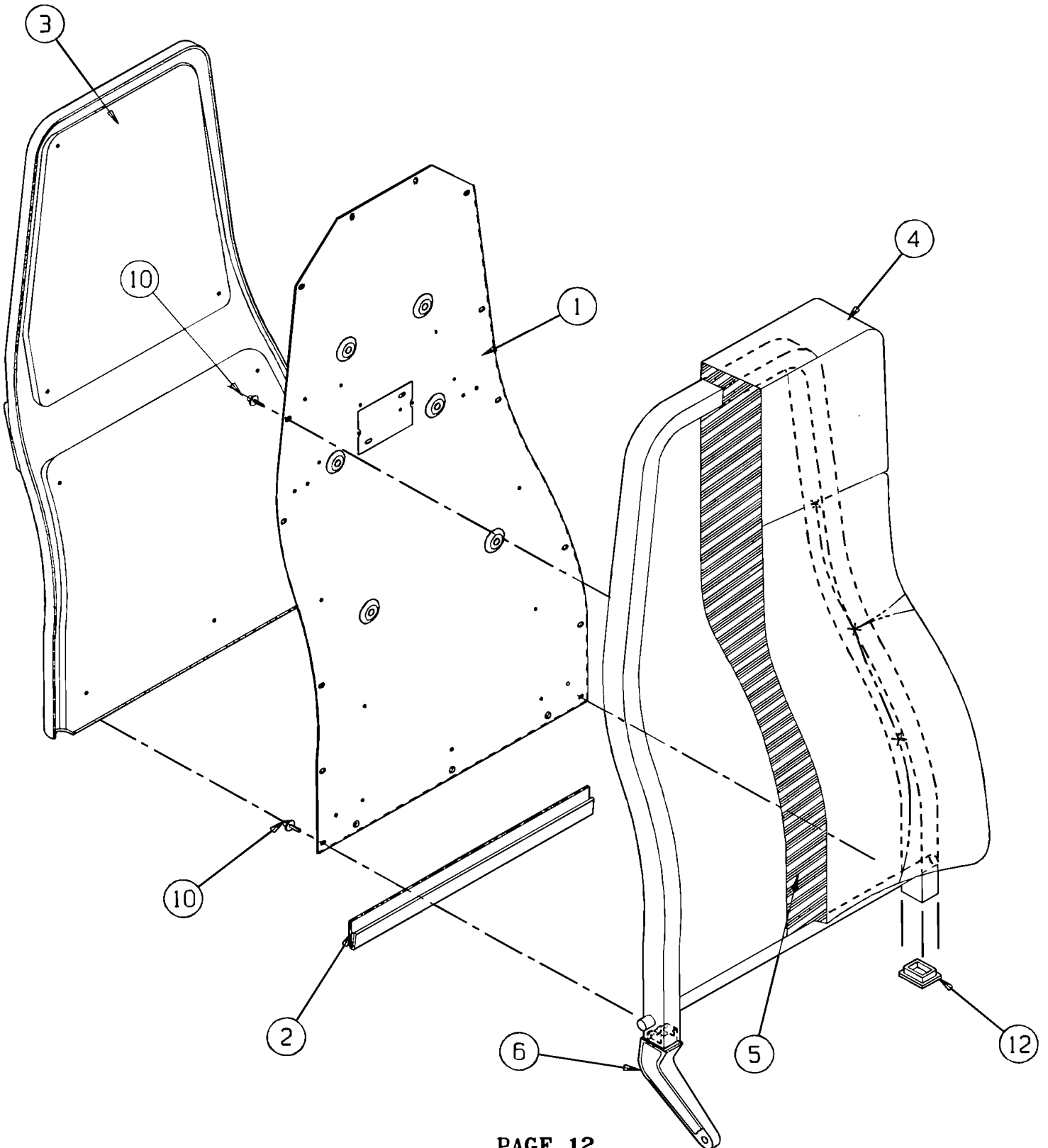


From 7-0671 To J-0287	Date:10/2022	PAGE:H7-1825-20
<b>PASSENGER'S SEAT - "AMERICAN" - CUSHION</b>		

Item#	Part	Description	H 3 4 1	H 3 4 5	V I P 4 5	N O T E S
	N.P.N.	CUSHION ASSY - TUFTED	1	1		4 A
	N.P.N.	CUSHION ASSY - NON-TUFTED	1	1		4 B
1	N.P.N.	. COVER CUSHION	1	1		4
2	865801	. FOAM - CUSHION TUFTED - POLY	1	1		A
2	Call order desk	. FOAM - CUSHION TUFTED - LOW SMOKE FOAM	1	1		P A
2	Call order desk	. FOAM - CUSHION NON-TUFTED - POLY	1	1		P B
2	Call order desk	. FOAM - CUSHION NON-TUFTED - LOW SMOKE FOAM	1	1		P B
3	865802	. FRAME ASSY	1	1		
4	Call order desk	. WASHER (PULL TAB)	6	6		P A
5	Call order desk	. SPRING - NO SAG (FLAT)	2	2		P
6	Call order desk	. SPRING - NO SAG (CROWNED)	2	2		P
7	Call order desk	. WIRE 5"	1	1		P
8	Call order desk	. VELCRO	2	2		P
9	Call order desk	. RETAINER - REAR	1	1		P
10	Call order desk	. RIVET POP 3/16x7/16 ZP	1	1		P
11	Call order desk	. HARTCO-CLIP	1	1		P
		A) TUFTED CUSHION				
		B) NON-TUFTED CUSHION				
		4) NO PARTS NUMBER				
		P) CALL ORDER DESK FOR SPECIFIC APPLICATION (V.I.N.)				



From 7-0671 To J-0287	Date:10/2022	PAGE:H7-1825-30
PASSENGER'S SEAT - "AMERICAN" - BACKREST WX69		

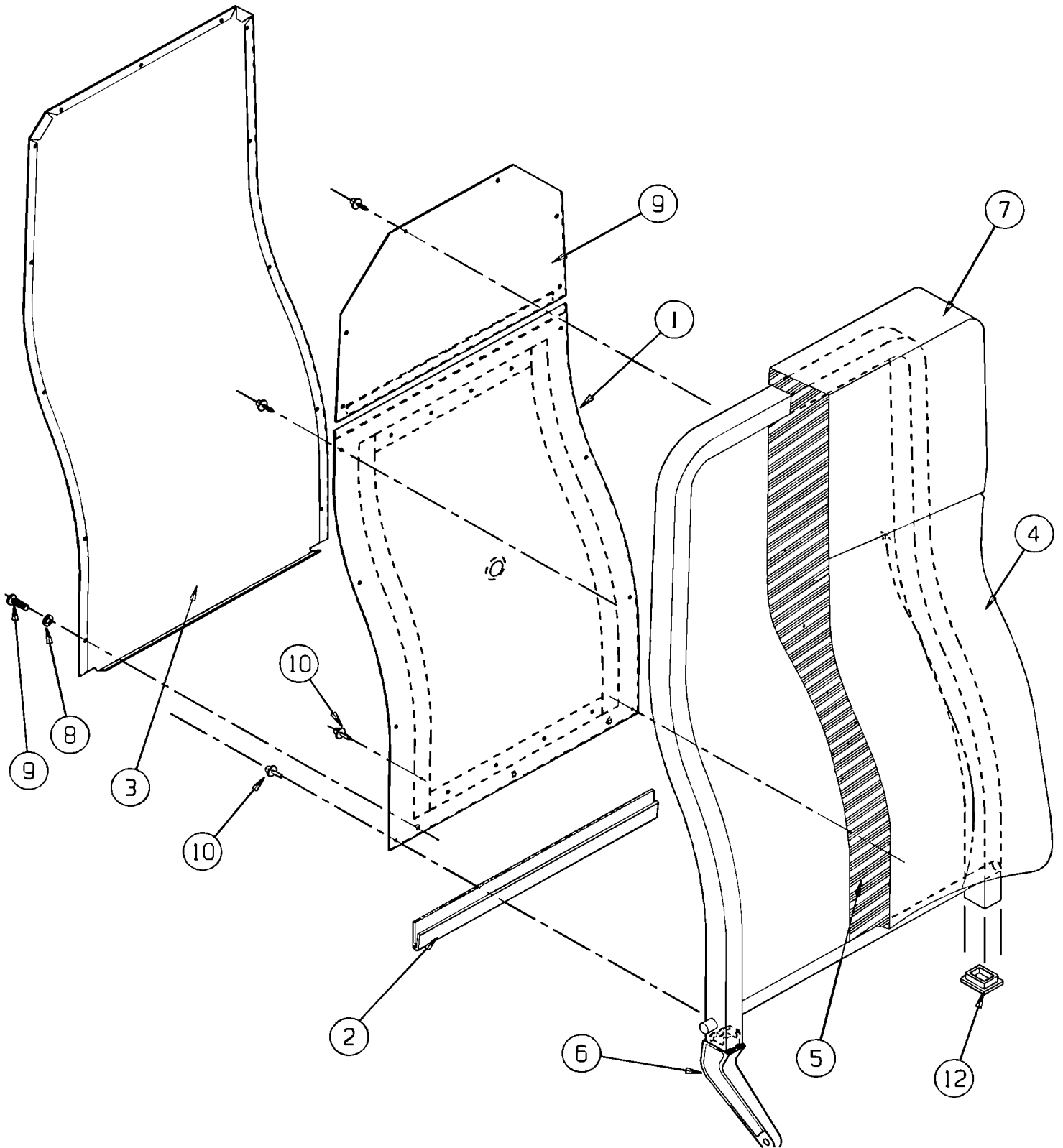


From 7-0671 To J-0287

Date:10/2022

PAGE:H7-1825-30

PASSENGER'S SEAT - "AMERICAN" - BACKREST WX69



From 7-0671 To J-0287	Date:10/2022	PAGE:H7-1825-30
<b>PASSENGER'S SEAT - "AMERICAN" - BACKREST WX69</b>		

Item#	Part	Description	H 3 4 1	H 3 4 5	V I P 4 5	N O T E S
1	Call order desk	PANEL METAL INNER	1	1		P D
1	Call order desk	PANEL METAL INNER	1	1		P C
2	Call order desk	EXTRUSION VINYL	1	1		P
3	<b>H7-1825-60</b>	<b>PASSENGER'S SEAT - "AMERICAN" - BACK &amp; ACCESS</b>				D
4	N.P.N.	COVER BACK UPHOLSTERY	1	1		4 D
4	N.P.N.	COVER BACK UPHOLSTERY	1	1		4 C
5	Call order desk	FOAM BACK	1	1		P A
5	Call order desk	FOAM BACK	1	1		P B
6	Call order desk	BACK FRAME & FOAM RH	1	1		P A
6	Call order desk	BACK FRAME & FOAM RH	1	1		P B
6	Call order desk	BACK FRAME & FOAM RH	1	1		P C
6	Call order desk	BACK FRAME & FOAM LH	1	1		P A
6	Call order desk	BACK FRAME & FOAM LH	1	1		P B
6	Call order desk	BACK FRAME & FOAM LH	1	1		P C
7	Call order desk	FOAM HEADREST	1	1		P C
8	Call order desk	PROTECTIVE TAPE	AR	AR		P D
9	Call order desk	PANEL METAL	1	1		P C
10	Call order desk	RIVET POP	12	12		P
12	Call order desk	PLUG CAP 1x1 1/4 BLK POLY	1	1		P
		A) WITH SEAT MODEL W6693				
		B) WITH SEAT MODEL W6695				
		C) WITH SEAT MODEL W7693				
		D) WITH SEAT MODEL W6693 & W7693				
		4) NO PARTS NUMBER				
		P) CALL ORDER DESK FOR SPECIFIC APPLICATION (V.I.N.)				



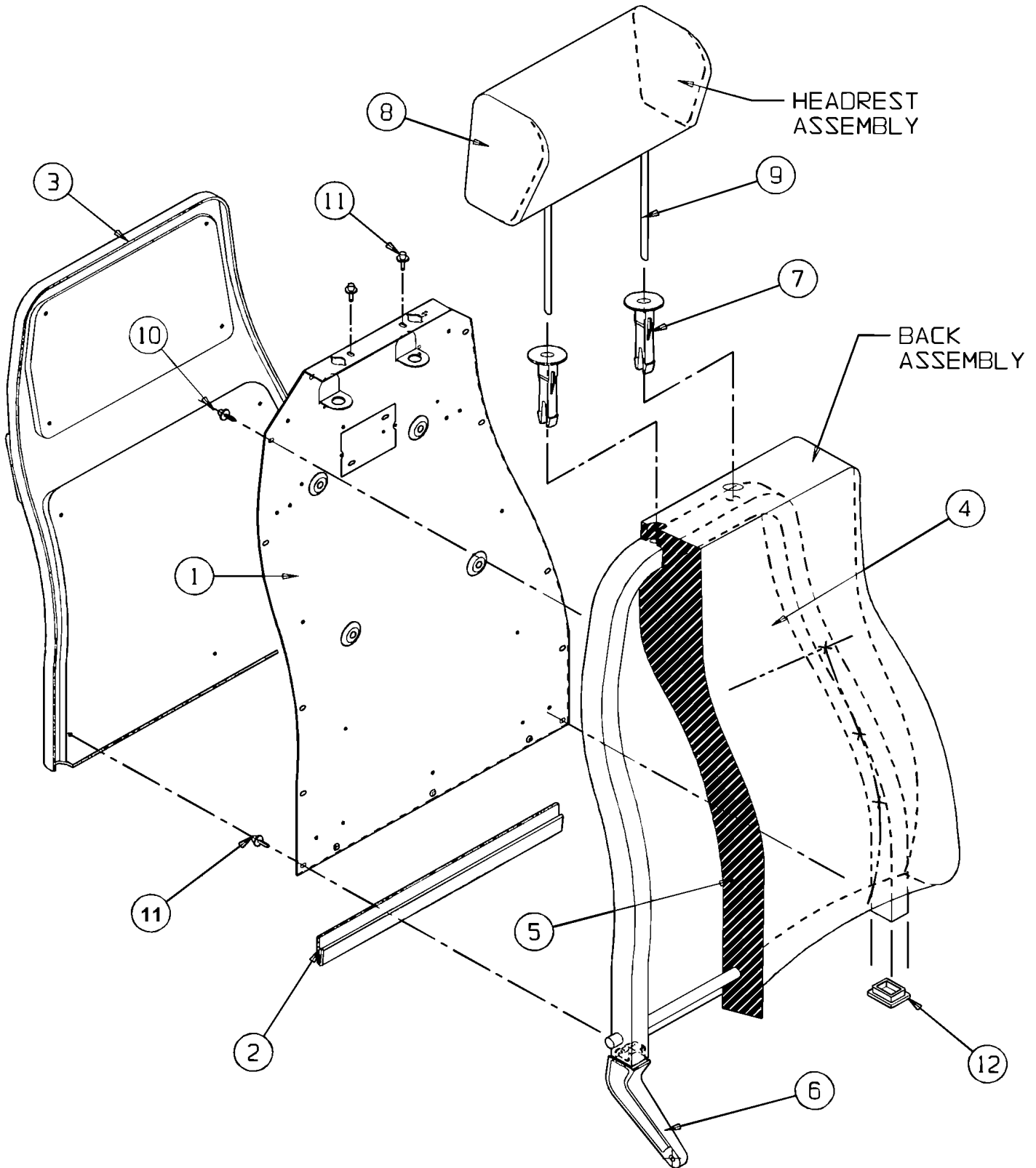


From 7-0671 To J-0287

Date:10/2022

PAGE:H7-1825-31

PASSENGER'S SEAT - "AMERICAN" - BACKREST WX69

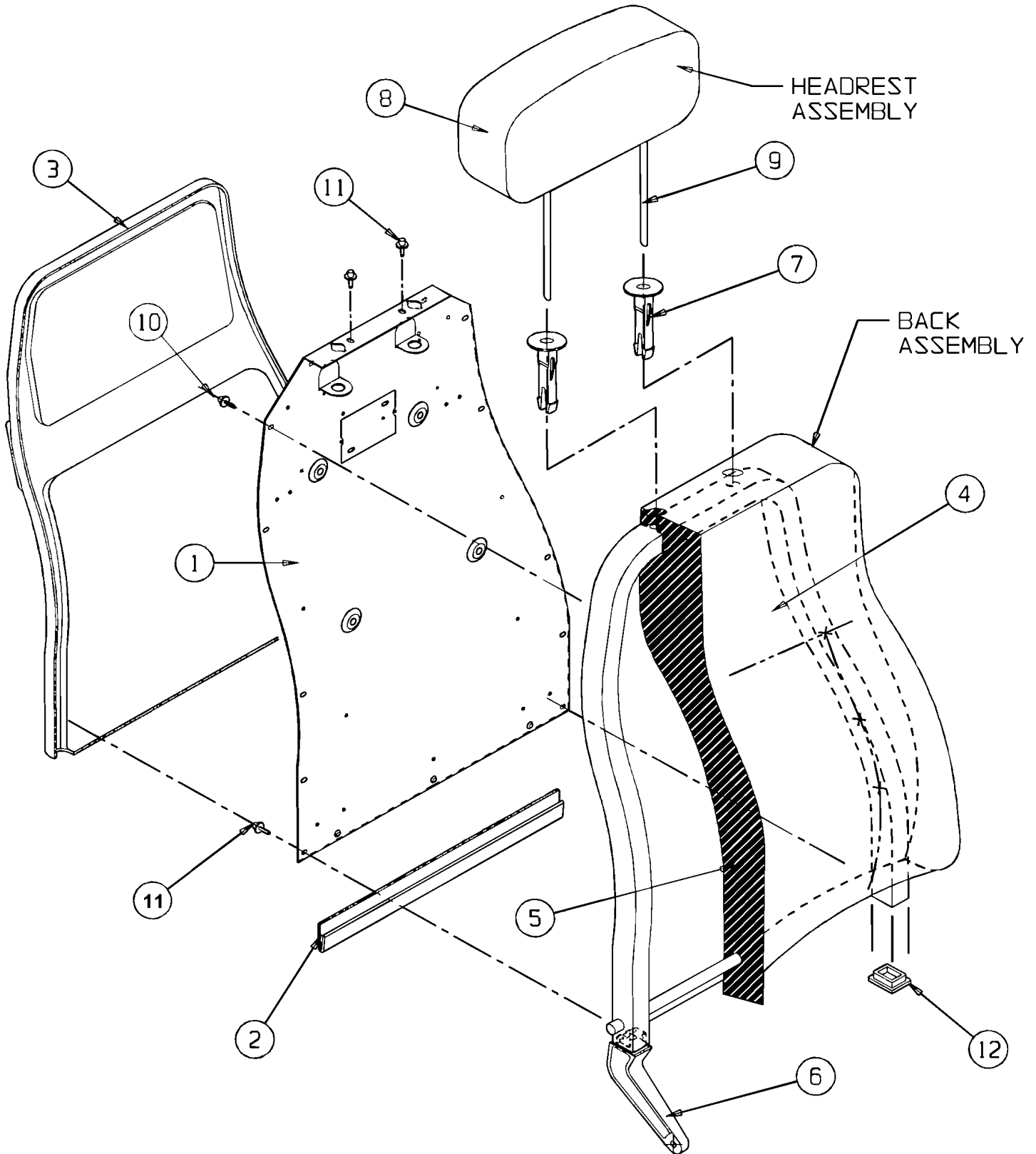


From 7-0671 To J-0287

Date:10/2022

PAGE:H7-1825-31

PASSENGER'S SEAT - "AMERICAN" - BACKREST WX69



From 7-0671 To J-0287	Date:10/2022	PAGE:H7-1825-31
<b>PASSENGER'S SEAT - "AMERICAN" - BACKREST WX69</b>		

Item#	Part	Description	H 3 4 1	H 3 4 5	V I P 4 5	N O T E S
1	Call order desk	PANEL METAL INNER	1	1		P
2	Call order desk	EXTRUSION VINYL	1	1		P
3	<b>H7-1825-60</b>	<b>PASSENGER'S SEAT - "AMERICAN" - BACK &amp; ACCESS</b>				
4	N.P.N.	COVER BACK UPHOLSTERY	1	1		4
5	Call order desk	FOAM BACK - POLY FOAM	1	1		PA
5	Call order desk	FOAM BACK - POLY FOAM	1	1		PB
5	Call order desk	FOAM BACK - LOW SMOKE FOAM	1	1		PB
5	Call order desk	FOAM BACK - POLY FOAM	1	1		PC
5	Call order desk	FOAM BACK - LOW SMOKE FOAM	1	1		PC
5	Call order desk	FOAM BACK - POLY FOAM	1	1		PD
5	Call order desk	FOAM BACK - LOW SMOKE FOAM	1	1		PD
6	Call order desk	BACK FRAME & FOAM RH	1	1		P
6	Call order desk	BACK FRAME & FOAM LH	1	1		P
7	863800	BUSHING GUIDE	2	2		
8	N.P.N.	COVER HEADREST UPHOLSTERY	1	1		4
9	Call order desk	HEADREST ASSY - POLY FOAM	1	1		PE
9	Call order desk	HEADREST ASSY - POLY FOAM	1	1		PF
9	Call order desk	HEADREST ASSY - LOW SMOKE FOAM	1	1		PE
9	Call order desk	HEADREST ASSY - LOW SMOKE FOAM	1	1		PF
10	Call order desk	RIVET POP	12	12		P
11	Call order desk	RIVET POP	2	2		P
12	Call order desk	PLUG CAP 1x1 1/4 BLK POLY	1	1		P
		A) WITH SEAT MODEL W6694				
		B) WITH SEAT MODEL W6696				
		C) WITH SEAT MODEL W7694				
		D) WITH SEAT MODEL W7696				
		E) WITH SEAT MODEL W6694 & W6696				
		F) WITH SEAT MODEL W7694 & W7696				
		4) NO PARTS NUMBER				
		P) CALL ORDER DESK FOR SPECIFIC APPLICATION (V.I.N.)				

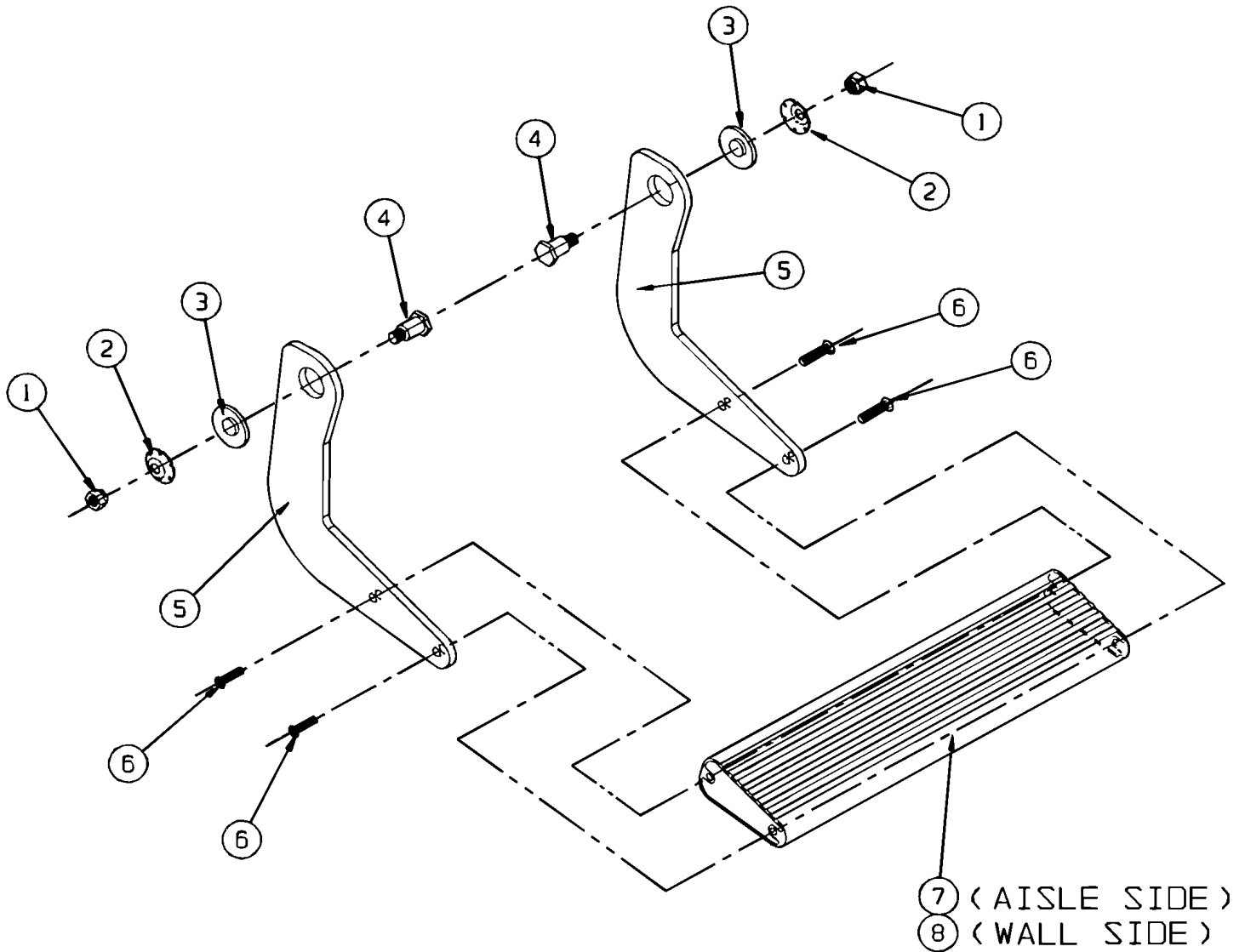


From 7-0671 To J-0287

Date:10/2022

PAGE:H7-1825-40

PASSENGER'S SEAT - "AMERICAN" - FOOTREST

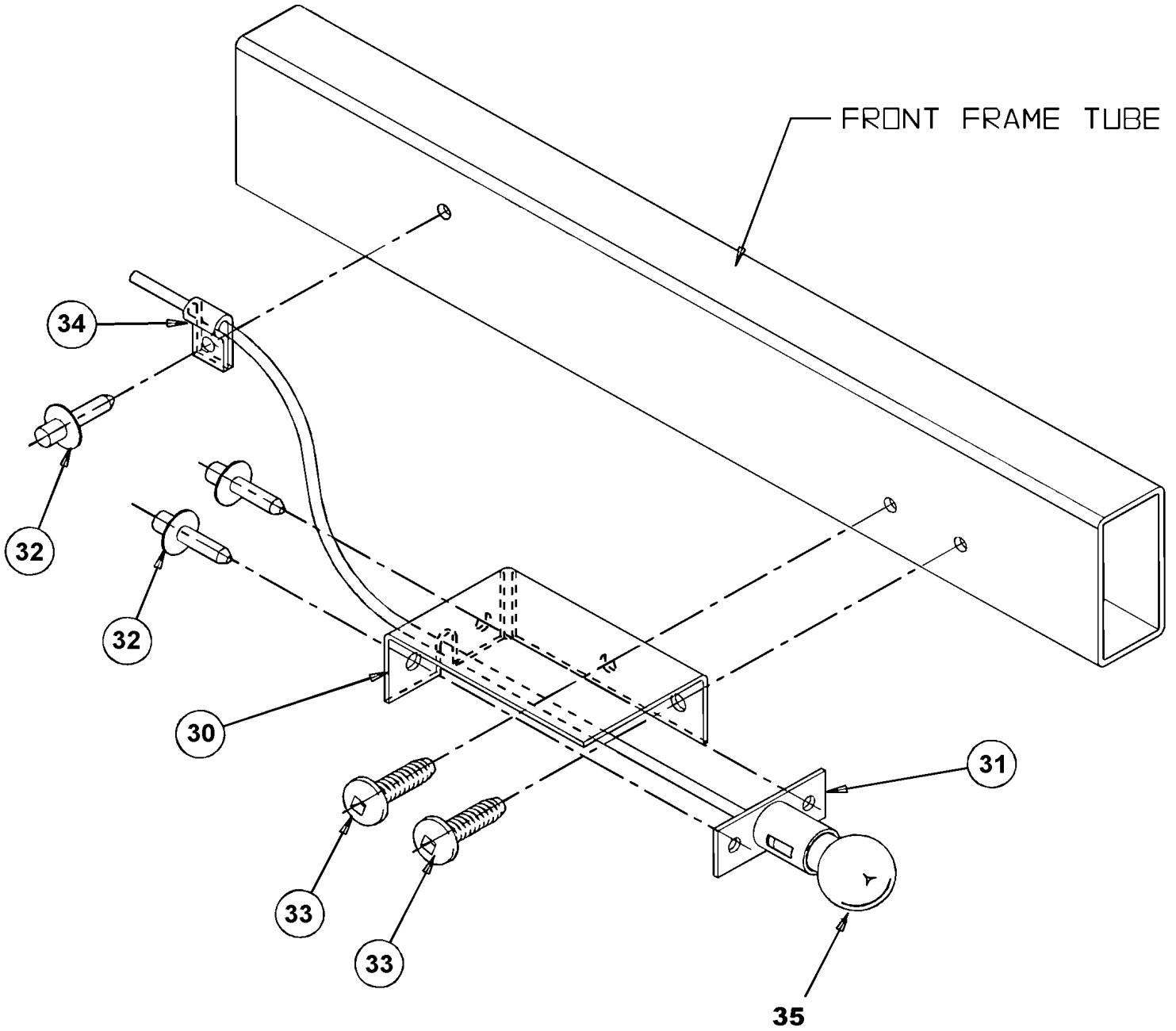


From 7-0671 To J-0287

Date:10/2022

PAGE:H7-1825-40

**PASSENGER'S SEAT - "AMERICAN" - FOOTREST**



From 7-0671 To J-0287	Date:10/2022	PAGE:H7-1825-40
<b>PASSENGER'S SEAT - "AMERICAN" - FOOTREST</b>		

Item#	Part	Description	H 3 4 1	H 3 4 5	V I P 4 5	N O T E S
	864788	FOOTREST ASSY (AISLE SIDE)	1	1		
	Call order desk	FOOTREST ASSY (WALL SIDE)	1	1		P
1	500690	. NUT HEX NYRT 1/4-28 Z050	2	2		
2	862724	. WASHER TENSIONER	2	2		
3	862723	. WASHER FL NYLON	2	2		
4	862722	. PIN PIVOT	2	2		
5	865126	. PLATE HANGER	2	2		
6	19509601	. SCREW MA PAN PH #10-24x3/4	4	4		
7	Call order desk	. EXTRUSION FOOTREST (AISLE SIDE)	1	1		P
8	Call order desk	. EXTRUSION FOOTREST (WALL SIDE)	1	1		P
30	Call order desk	ASILE LITE ASSEMBLY	1	1		P
30	Call order desk	ASILE LITE ASSEMBLY (REVERSIBLE)	1	1		P A
30	Call order desk	. HOUSING ASILE LITE	1	1		P
30	Call order desk	. HOUSING ASILE LITE (REVERSIBLE)	1	1		P A
31	Call order desk	. LAMP SOCKET ASSEMBLY	1	1		P
32	504105	. RIVET POP DOME OE 1/8x3/16 AL	7	7		
33	Call order desk	. SCREW MA BUT SQ #6-32x1/2	2	2		P
34	Call order desk	. CLAMP	5	5		P
35	560141	. BULB / 3WATT-24VOLTS / SAE# 1251	AR	AR		
35	563546	BULB / 7 LEDS BLUE / UNDER SEAT / #B607-2PB-028W To 9-1366	AR	AR		
35	564100	BULB / 7 LEDS BLUE / UNDER SEAT / #270015 From 9-1367	AR	AR		
		A) WITH REVERSIBLE SEAT				
		P) CALL ORDER DESK FOR SPECIFIC APPLICATION (V.I.N.)				





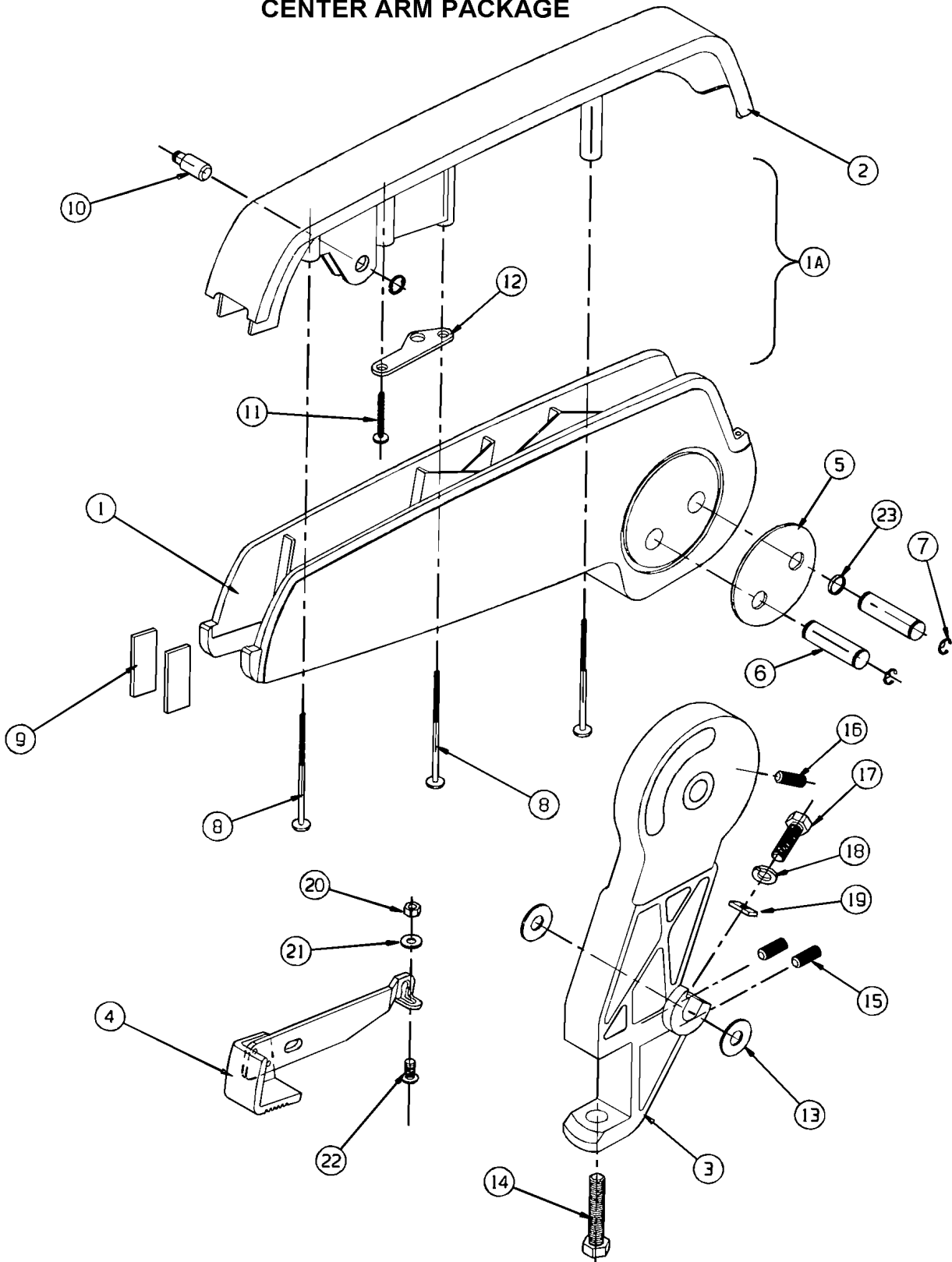
From 7-0671 To J-0287

Date:10/2022

PAGE:H7-1825-50

PASSENGER'S SEAT - "AMERICAN" - ARMREST

CENTER ARM PACKAGE



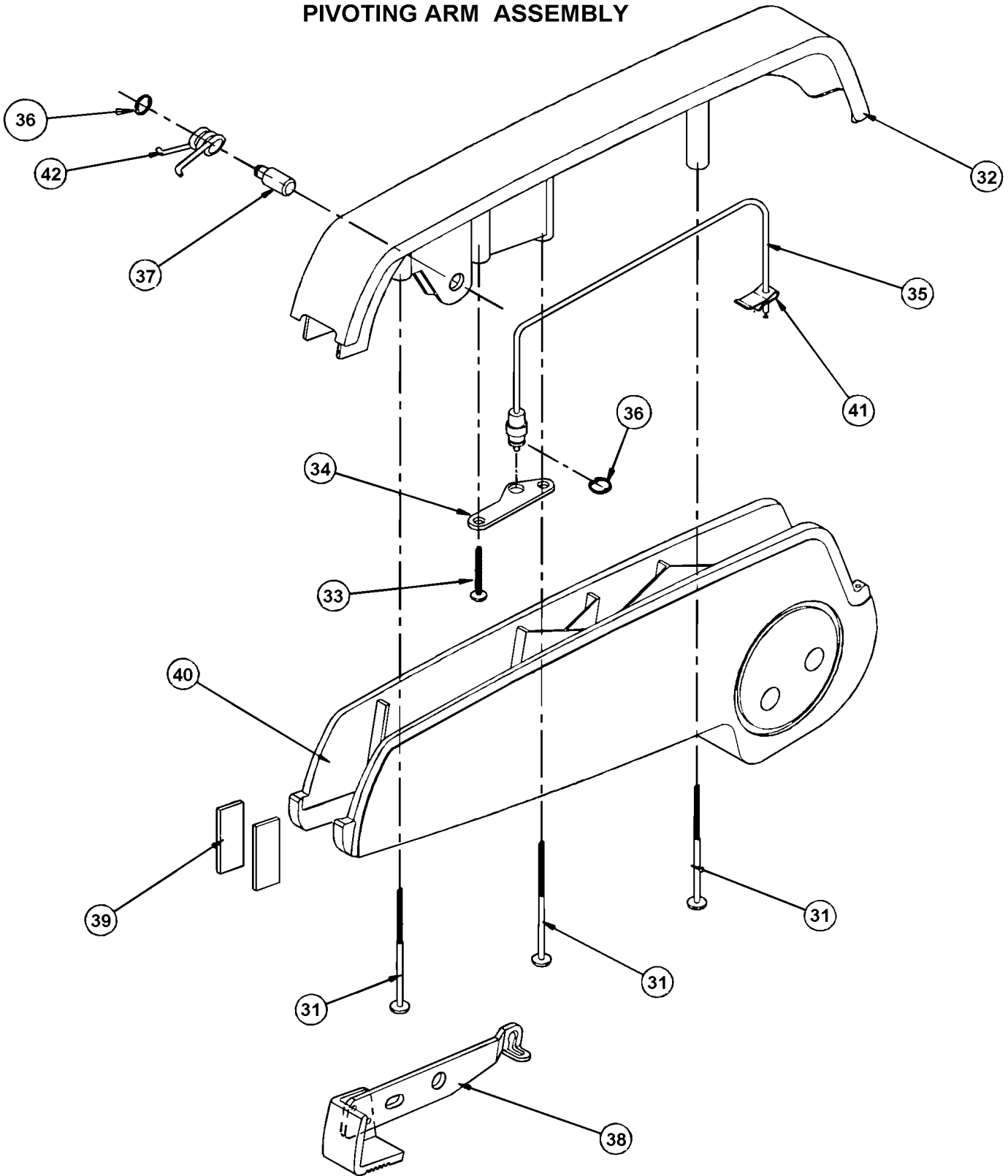
From 7-0671 To J-0287

Date:10/2022

PAGE:H7-1825-50

PASSENGER'S SEAT - "AMERICAN" - ARMREST

PIVOTING ARM ASSEMBLY



From 7-0671 To J-0287 Date:10/2022 PAGE:H7-1825-50

**PASSENGER'S SEAT - "AMERICAN" - ARMREST**

Item#	Part	Description	H 3 4 1	H 3 4 5	V I P 4 5	N O T E S
	Call order desk	CENTER ARM PACKAGE	1	1		P
1	Call order desk	. ARM BASE	1	1		P
2	Call order desk	. CAP - ARM	1	1		P
3	Call order desk	. CASTING SUPPORT	1	1		P
4	Call order desk	. LEVER ASSY RECLINE	1	1		P
5	Call order desk	. PLATE REINFORCEMENT	2	2		P
6	Call order desk	. PIN - PIVOT	2	2		P
7	Call order desk	. RETAINER RING	4	4		P
8	Call order desk	. SCREW #10x2 1/4	3	3		P
9	Call order desk	. SOUND ABSORBER	2	2		P
10	Call order desk	. PIN - PIVOT RECLINE	1	1		P
11	Call order desk	. SCREW MA PAN PH #10-32	1	1		P
12	Call order desk	. PLATE - CABLE RETAINER	1	1		P
13	Call order desk	. WASHER FL NYL	2	2		P
14	Call order desk	. SCREW CAP HEX 3/8-16x2 1/2	1	1		P
15	Call order desk	. SCREW - SET 1/4-20	2	2		P
16	Call order desk	. SCREW - SET	1	1		P
17	Call order desk	. SCREW CAP HEX 3/8-16x1 1/8	1	1		P
18	Call order desk	. WASHER LO SPT	1	1		P
19	Call order desk	. PLATE RETAINER	1	1		P
20	Call order desk	. NUT HEX #6-32	1	1		P
21	Call order desk	. WASHER FL	1	1		P
22	Call order desk	. SCREW CAP HEX #6-32x1/2	1	1		P
23	Call order desk	. WASHER SPR WAVE	1	1		P
NS	Call order desk	ARM ASSY	1	1		PA
30	865803	PIVOTING ARM ASSY	1	1		
31	Call order desk	. SCREW #10x2 1/4	3	3		P
32	Call order desk	. CAP - ARM	1	1		P
33	Call order desk	. SCREW MA PAN PH #10-32	1	1		P
34	Call order desk	. PLATE - CABLE RETAINER	1	1		P
35	864192	. CABLE PORTER RELEASE	1	1		
36	Call order desk	. E-RING - BOWED	2	2		P
37	Call order desk	. PIN - PIVOT RECLINE	1	1		P
38	Call order desk	. LEVER ASSY RECLINE	1	1		P
39	Call order desk	. SOUND ABSORBER	2	2		P
40	Call order desk	. ARM BASE	1	1		P
41	861486	. CLIP / WIRE RETAINER	1	1		
42	Call order desk	. SPRING RETURN	1	1		P

From 7-0671 To J-0287	Date:10/2022	PAGE:H7-1825-50
-----------------------	--------------	-----------------

**PASSENGER'S SEAT - "AMERICAN" - ARMREST**

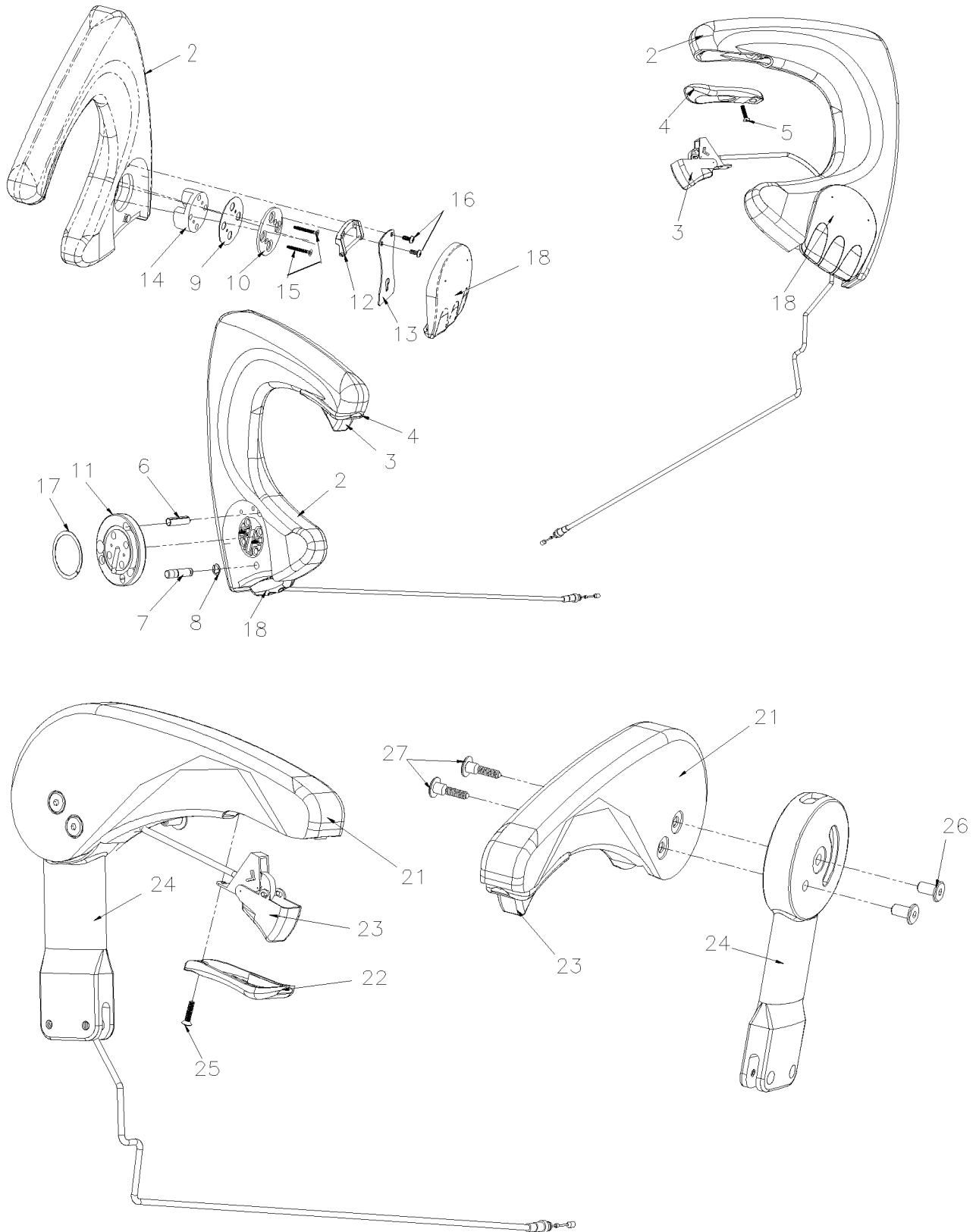
Item#	Part	Description	H 3 4 1	H 3 4 5	V I P 4 5	N O T E S
		A) INCLUDE ITEM 1 & 3				
		P) CALL ORDER DESK FOR SPECIFIC APPLICATION (V.I.N.)				

From 7-0671 To J-0287

Date:10/2022

PAGE:H7-1825-51

## PASSENGER'S SEAT - "AMERICAN" - ARMREST SERIES 2000 & MORE

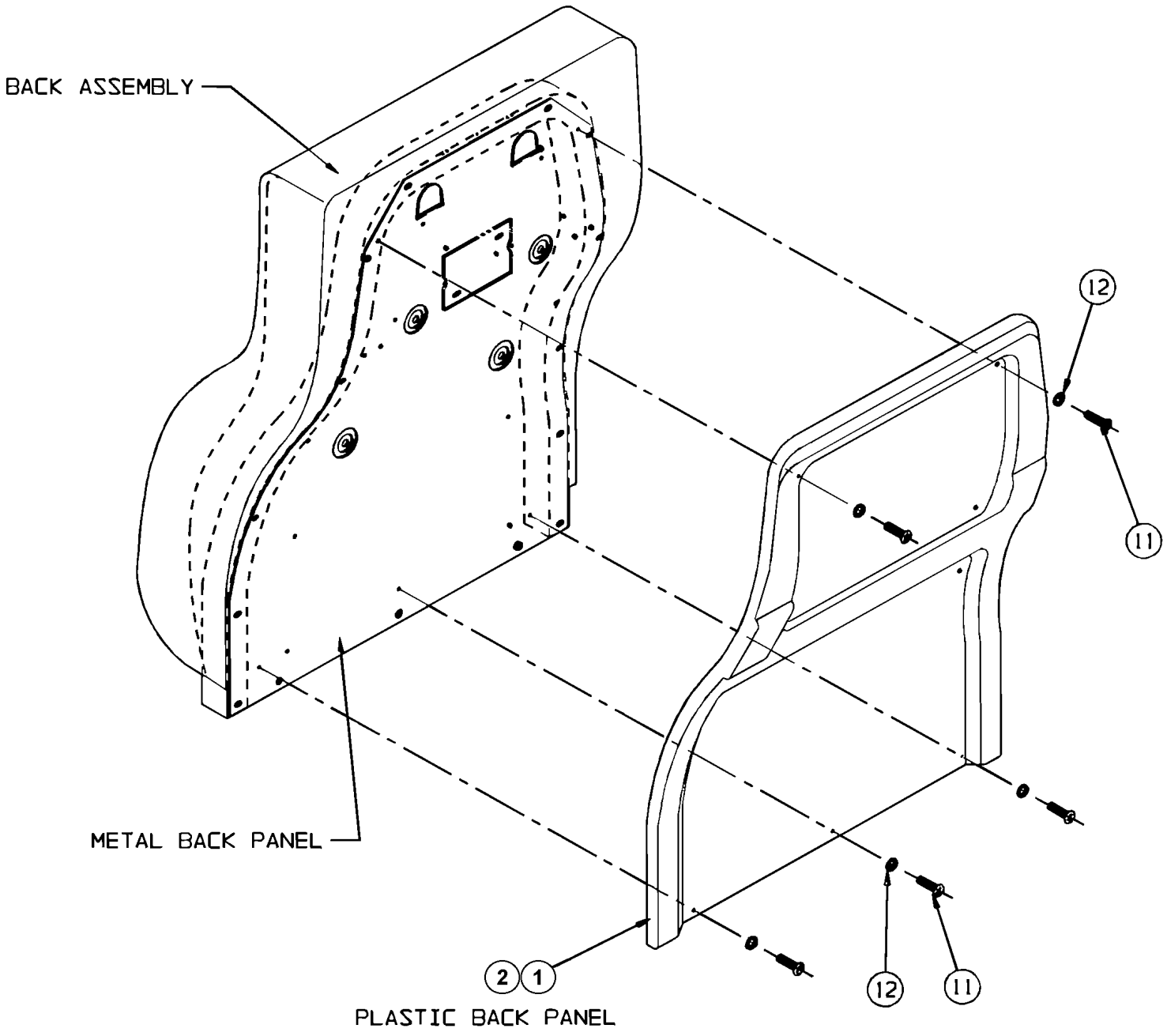


From 7-0671 To J-0287	Date:10/2022	PAGE:H7-1825-51
-----------------------	--------------	-----------------

**PASSENGER'S SEAT - "AMERICAN" - ARMREST SERIES 2000 & MORE**

Item#	Part	Description	H 3 4 1	H 3 4 5	V I P 4 5	N O T E S
1	Call order desk	ARM ASSY L.H. (FOLD-DOWN)	1	1		P
1	Call order desk	. ARM WELDMENT AISLE	1	1		P
2	Call order desk	. ARM AISLE	1	1		P
3	196436	. CABLE ASSY RELEASE	1	1		
4	865349	. BEZEL	1	1		
5	865887	. SCREW MA FL PH #8-18x3/4	1	1		
6	Call order desk	. PIN SLOTTER 5/16"x1 1/4"	1	1		P
7	Call order desk	. LOCK PIN	1	1		P
8	Call order desk	. E-RING	1	1		P
9	Call order desk	. PLATE END WASHER	1	1		P
10	Call order desk	. PLATE END	1	1		P
11	Call order desk	. PLATE INDEX	1	1		P
12	Call order desk	. BRACKET ARMREST PIVOT	1	1		P
13	Call order desk	. SPRING HANDLE	1	1		P
14	Call order desk	. HUB	1	1		P
15	Call order desk	. SCREW #10-24x3/4 SR P	2	2		P
16	Call order desk	. SCREW BUT HEAD #8x7/8" CRO	2	2		P
17	Call order desk	. WASHER, WAVE	1	1		P
18	864092	. HANDLE PIVOT	1	1		
20	Call order desk	ARM ASSY STATIONARY WALL SIDE	1	1		P
21	Call order desk	. ARM AISLE	1	1		P
22	865349	. BEZEL	1	1		
23	196436	. CABLE ASSY RELEASE	1	1		
24	865888	. CASTING ARM EXTENSION RH	1	1		
25	865887	. SCREW MA FL PH #8-18x3/4	1	1		
26	865886	. NUT JCN-CAP 1/4-20	2	2		
27	865885	. BOLT LOW PROFILE 1/4-20	2	2		
		P) CALL ORDER DESK FOR SPECIFIC APPLICATION (V.I.N.)				

From 7-0671 To J-0287	Date:10/2022	PAGE:H7-1825-60
PASSENGER'S SEAT - "AMERICAN" - BACK & ACCESS		

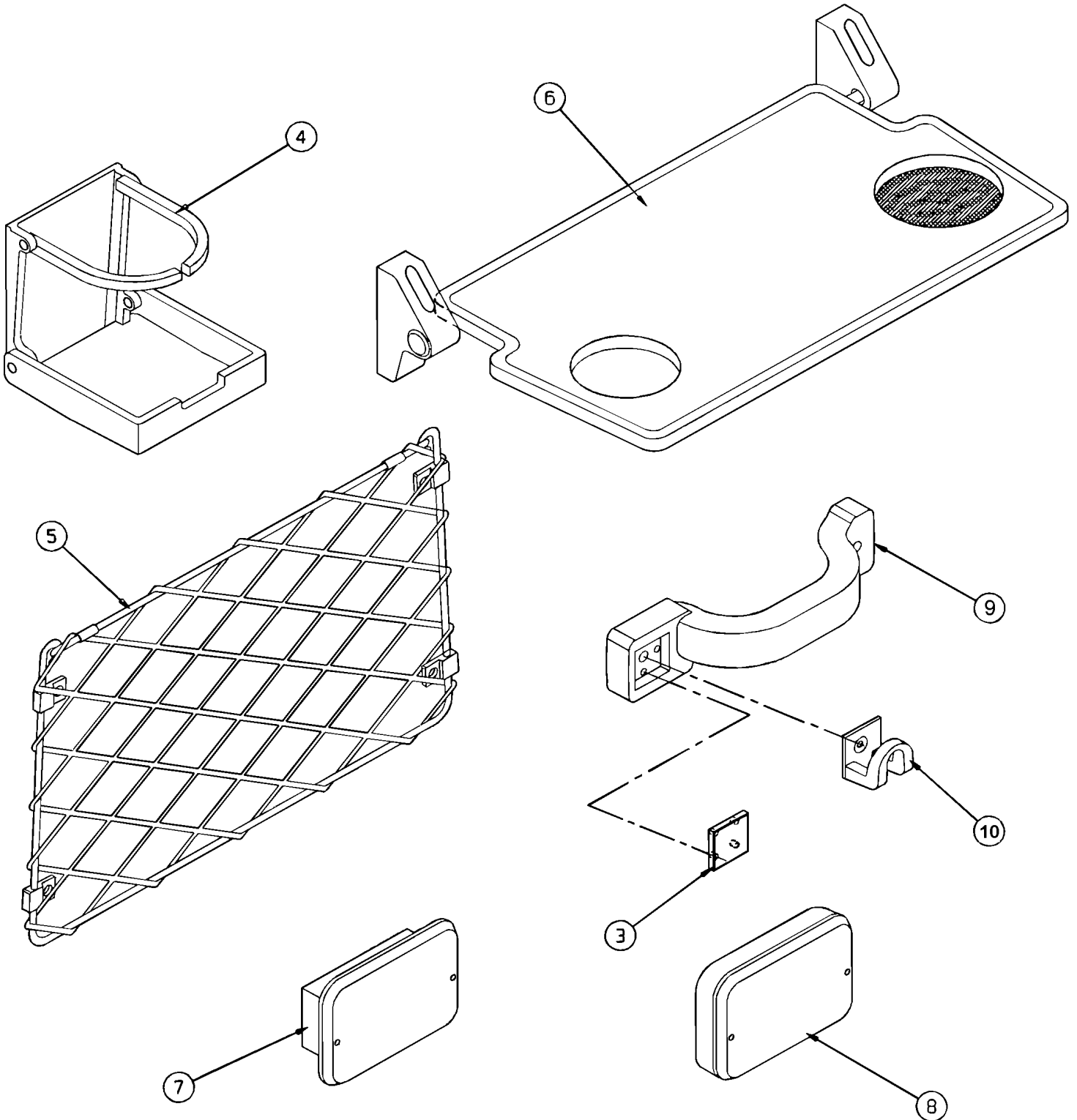


From 7-0671 To J-0287

Date:10/2022

PAGE:H7-1825-60

PASSENGER'S SEAT - "AMERICAN" - BACK & ACCESS





From 7-0671 To J-0287	Date:10/2022	PAGE:H7-1825-60
<b>PASSENGER'S SEAT - "AMERICAN" - BACK &amp; ACCESS</b>		

Item#	Part	Description	H 3 4 1	H 3 4 5	V I P 4 5	N O T E S
1	Call order desk	PANEL W/O OPTIONS - CHARCOAL	1	1		PA
1	Call order desk	PANEL W/O OPTIONS - RED	1	1		PA
1	Call order desk	PANEL W/O OPTIONS - BLUE	1	1		PA
1	Call order desk	PANEL W/O OPTIONS - BROWN	1	1		PA
1	Call order desk	PANEL W/GRABHANDLE & COAT HOOK - CHARCOAL	1	1		PA
1	Call order desk	PANEL W/GRABHANDLE & COAT HOOK - RED	1	1		PA
1	Call order desk	PANEL W/GRABHANDLE & COAT HOOK - BLUE	1	1		PA
1	Call order desk	PANEL W/GRABHANDLE & COAT HOOK - BROWN	1	1		PA
1	Call order desk	PANEL W/MAGAZINE POCKET - CHARCOAL	1	1		PA
1	Call order desk	PANEL W/MAGAZINE POCKET - RED	1	1		PA
1	Call order desk	PANEL W/MAGAZINE POCKET - BLUE	1	1		PA
1	Call order desk	PANEL W/MAGAZINE POCKET - BROWN	1	1		PA
1	Call order desk	PANEL W/MAGAZINE POCKET & CUP HOLDER - CHARCOAL	1	1		PA
1	Call order desk	PANEL W/MAGAZINE POCKET & CUP HOLDER - RED	1	1		PA
1	Call order desk	PANEL W/MAGAZINE POCKET & CUP HOLDER - BLUE	1	1		PA
1	Call order desk	PANEL W/MAGAZINE POCKET & CUP HOLDER - BROWN	1	1		PA
1	Call order desk	PANEL W/MAGAZINE POCKET & GRABHANDLE - CHARCOAL	1	1		PA
1	Call order desk	PANEL W/MAGAZINE POCKET & GRABHANDLE - RED	1	1		PA
1	Call order desk	PANEL W/MAGAZINE POCKET & GRABHANDLE - BLUE	1	1		PA
1	Call order desk	PANEL W/MAGAZINE POCKET & GRABHANDLE - BROWN	1	1		PA
1	Call order desk	PANEL W/MAGAZINE POCKET & RECESSED ASHTRAY - CHARCOAL	1	1		PA
1	Call order desk	PANEL W/MAGAZINE POCKET & RECESSED ASHTRAY - RED	1	1		PA
1	Call order desk	PANEL W/MAGAZINE POCKET & RECESSED ASHTRAY - BLUE	1	1		PA
1	Call order desk	PANEL W/MAGAZINE POCKET & RECESSED ASHTRAY - BROWN	1	1		PA
1	Call order desk	PANEL W/MAGAZINE POCKET & SNACK TRAYS - CHARCOAL	1	1		PA
1	Call order desk	PANEL W/MAGAZINE POCKET & SNACK TRAYS - RED	1	1		PA
1	Call order desk	PANEL W/MAGAZINE POCKET & SNACK TRAYS - BLUE	1	1		PA
1	Call order desk	PANEL W/MAGAZINE POCKET & SNACK TRAYS - BROWN	1	1		PA
1	Call order desk	PANEL W/RECESSED ASHTRAY - CHARCOAL	1	1		PA
1	Call order desk	PANEL W/RECESSED ASHTRAY - RED	1	1		PA
1	Call order desk	PANEL W/RECESSED ASHTRAY - BLUE	1	1		PA
1	Call order desk	PANEL W/RECESSED ASHTRAY - BROWN	1	1		PA
1	Call order desk	PANEL W/SNACK TRAYS - CHARCOAL	1	1		PA
1	Call order desk	PANEL W/SNACK TRAYS - RED	1	1		PA
1	Call order desk	PANEL W/SNACK TRAYS - BLUE	1	1		PA
1	Call order desk	PANEL W/SNACK TRAYS - BROWN	1	1		PA
2	Call order desk	PANEL W/O OPTIONS - CHARCOAL	1	1		PB
2	Call order desk	PANEL W/O OPTIONS - RED	1	1		PB
2	Call order desk	PANEL W/O OPTIONS - BLUE	1	1		PB
2	Call order desk	PANEL W/O OPTIONS - BROWN	1	1		PB
2	Call order desk	PANEL W/COAT HOOK - CHARCOAL	1	1		PB

From 7-0671 To J-0287	Date:10/2022	PAGE:H7-1825-60
<b>PASSENGER'S SEAT - "AMERICAN" - BACK &amp; ACCESS</b>		

Item#	Part	Description	H 3 4 1	H 3 4 5	V I P 4 5	N O T E S
2	Call order desk	PANEL W/COAT HOOK - RED	1	1		P B
2	Call order desk	PANEL W/COAT HOOK - BLUE	1	1		P B
2	Call order desk	PANEL W/COAT HOOK - BROWN	1	1		P B
2	Call order desk	PANEL W/CUP HOLDER - CHARCOAL	1	1		P B
2	Call order desk	PANEL W/CUP HOLDER - RED	1	1		P B
2	Call order desk	PANEL W/CUP HOLDER - BLUE	1	1		P B
2	Call order desk	PANEL W/CUP HOLDER - BROWN	1	1		P B
2	Call order desk	PANEL W/GRABHANDLE & COAT HOOK - CHARCOAL	1	1		P B
2	Call order desk	PANEL W/GRABHANDLE & COAT HOOK - RED	1	1		P B
2	Call order desk	PANEL W/GRABHANDLE & COAT HOOK - BLUE	1	1		P B
2	Call order desk	PANEL W/GRABHANDLE & COAT HOOK - BROWN	1	1		P B
2	Call order desk	PANEL W/GRABHANDLE & RECESSED ASHTRAY - CHARCOAL	1	1		P B
2	Call order desk	PANEL W/GRABHANDLE & RECESSED ASHTRAY - RED	1	1		P B
2	Call order desk	PANEL W/GRABHANDLE & RECESSED ASHTRAY - BLUE	1	1		P B
2	Call order desk	PANEL W/GRABHANDLE & RECESSED ASHTRAY - BROWN	1	1		P B
2	Call order desk	PANEL W/MAGAZINE POCKET - CHARCOAL	1	1		P B
2	Call order desk	PANEL W/MAGAZINE POCKET - RED	1	1		P B
2	Call order desk	PANEL W/MAGAZINE POCKET - BLUE	1	1		P B
2	Call order desk	PANEL W/MAGAZINE POCKET - BROWN	1	1		P B
2	Call order desk	PANEL W/MAGAZINE POCKET & GRABHANDLE - CHARCOAL	1	1		P B
2	Call order desk	PANEL W/MAGAZINE POCKET & GRABHANDLE - RED	1	1		P B
2	Call order desk	PANEL W/MAGAZINE POCKET & GRABHANDLE - BLUE	1	1		P B
2	Call order desk	PANEL W/MAGAZINE POCKET & GRABHANDLE - BROWN	1	1		P B
2	Call order desk	PANEL W/MAGAZINE POCKET & RECESSED ASHTRAY - CHARCOAL	1	1		P B
2	Call order desk	PANEL W/MAGAZINE POCKET & RECESSED ASHTRAY - RED	1	1		P B
2	Call order desk	PANEL W/MAGAZINE POCKET & RECESSED ASHTRAY - BLUE	1	1		P B
2	Call order desk	PANEL W/MAGAZINE POCKET & RECESSED ASHTRAY - BROWN	1	1		P B
2	Call order desk	PANEL W/RECESSED ASHTRAY - CHARCOAL	1	1		P B
2	Call order desk	PANEL W/RECESSED ASHTRAY - RED	1	1		P B
2	Call order desk	PANEL W/RECESSED ASHTRAY - BLUE	1	1		P B
2	Call order desk	PANEL W/RECESSED ASHTRAY - BROWN	1	1		P B
2	Call order desk	PANEL W/SNACK TRAYS - CHARCOAL	1	1		P B
2	Call order desk	PANEL W/SNACK TRAYS - RED	1	1		P B
2	Call order desk	PANEL W/SNACK TRAYS - BLUE	1	1		P B
2	Call order desk	PANEL W/SNACK TRAYS - BROWN	1	1		P B
3	284049	. PLUG / SQUARE / BLACK	1	1		
4	900527	. GLASS HOLDER	1	1		
5	866007	. MAGAZINE POCKET	1	1		
6	860657	. SHELF	1	1		
7	Call order desk	. ASHTRAY - RECESSED	1	1		P
8	Call order desk	. ASHTRAY - SURFACED MTD	1	1		P

From 7-0671 To J-0287	Date:10/2022	PAGE:H7-1825-60
<b>PASSENGER'S SEAT - "AMERICAN" - BACK &amp; ACCESS</b>		

Item#	Part	Description	H 3 4 1	H 3 4 5	V I P 4 5	N O T E S
9	860422	. HANDLE	1	1		
NS	Call order desk	. SCREW #8 1" TYPE AB	AR	AR		P
NS	Call order desk	. SCREW TC #8-32x1	AR	AR		P
10	860421	. HOOK	1	1		
11	Call order desk	SCREW PLASTIC PANEL	9	9		P
12	Call order desk	WASHER NYL	9	9		P
		A) WITH SEAT MODEL W6693 & W7693				
		B) WITH SEAT MODEL W6694, W7694, W6696 & W7696				
		P) CALL ORDER DESK FOR SPECIFIC APPLICATION (V.I.N.)				

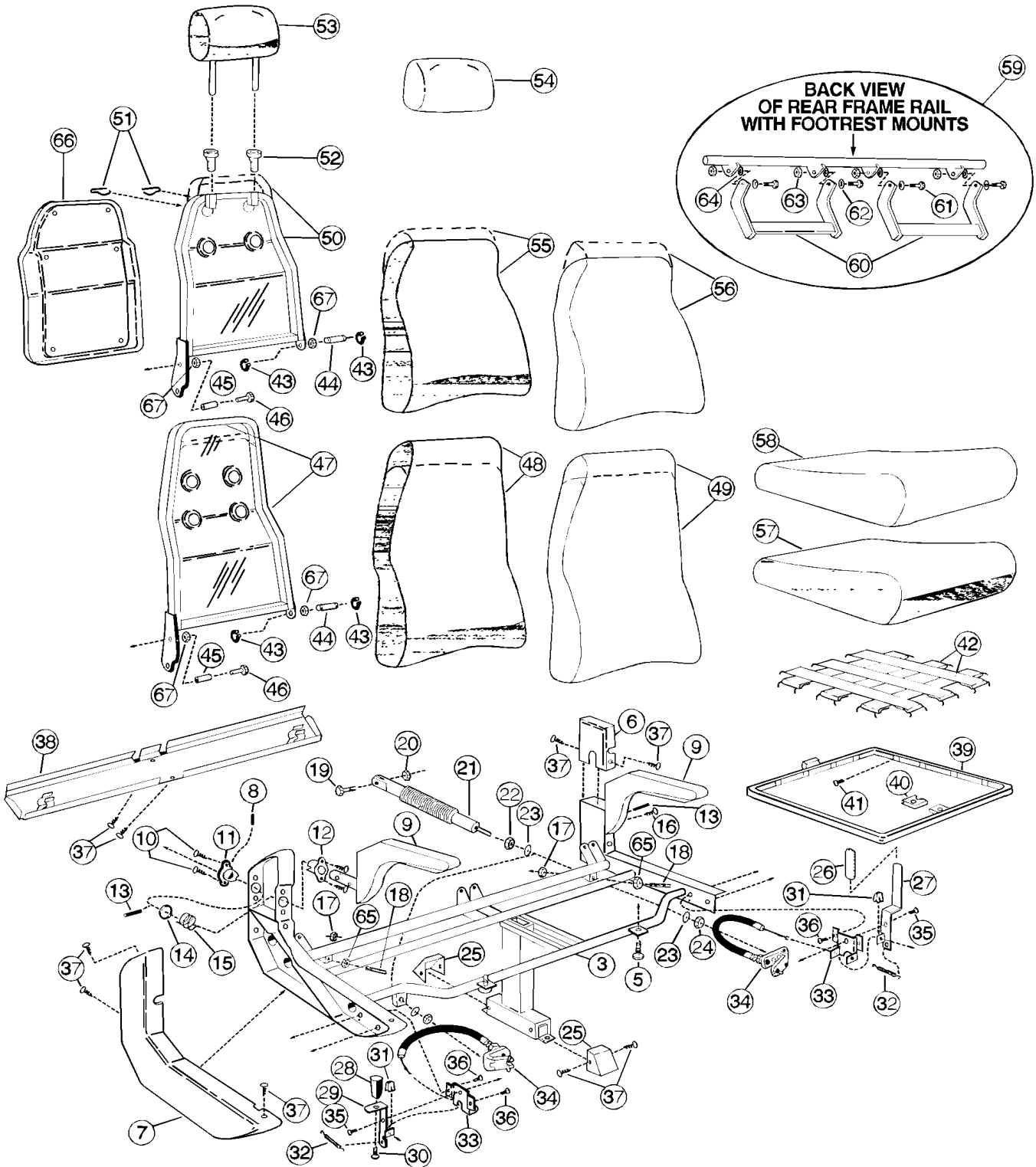


From 7-0671 To J-0287

Date:10/2022

PAGE:H7-1826-00

## PASSENGER'S SEAT - "NATIONAL" - 4209 & 4210

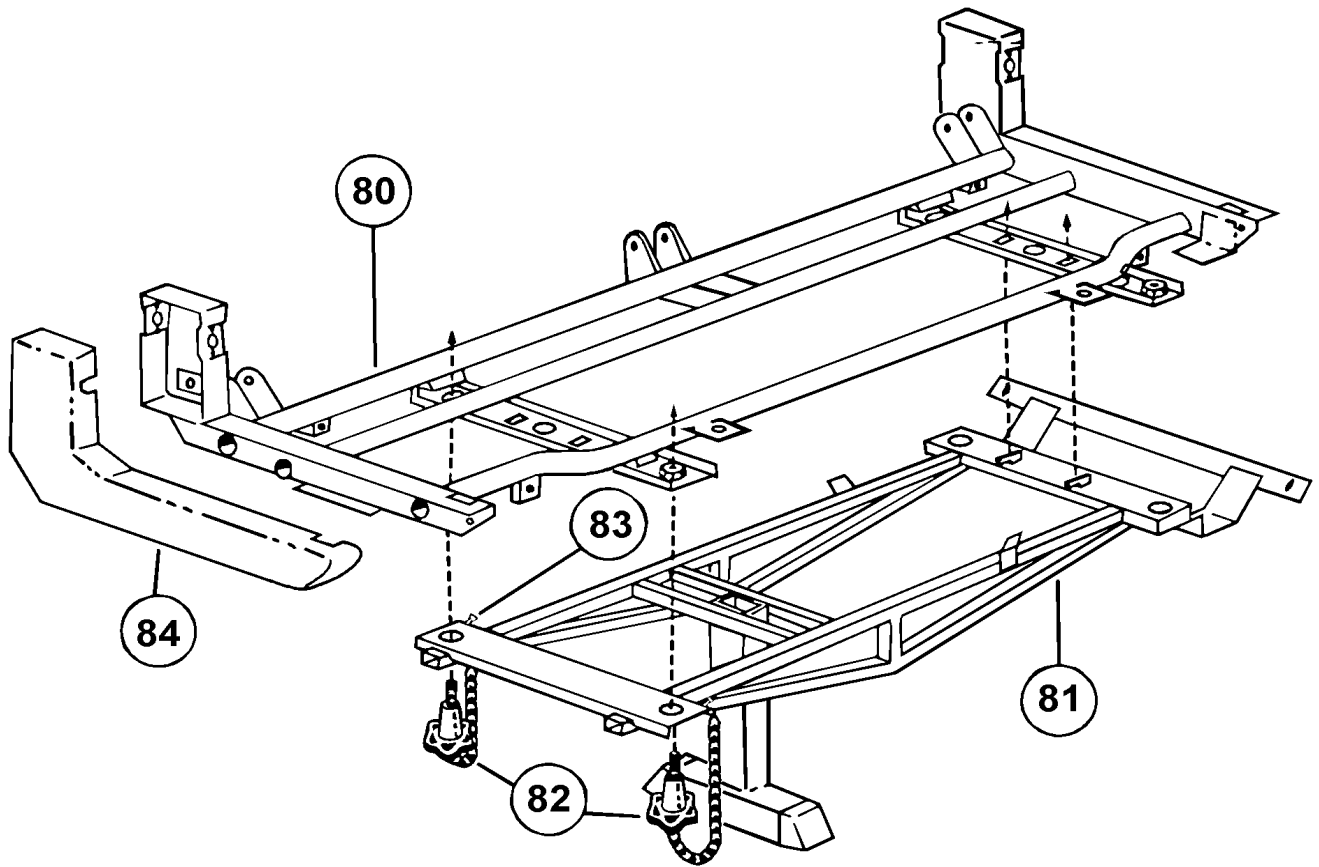


From 7-0671 To J-0287

Date:10/2022

PAGE:H7-1826-00

PASSENGER'S SEAT - "NATIONAL" - 4209 & 4210



From 7-0671 To J-0287	Date:10/2022	PAGE:H7-1826-00
<b>PASSENGER'S SEAT - "NATIONAL" - 4209 &amp; 4210</b>		

Item#	Part	Description	H 3 4 1	H 3 4 5	V I P 4 5	N O T E S
		IMPORTANT NOTE:				
		TO ORDER COMPLETE PASSENGER'S SEAT KIT #, SEE THE FINAL VEHICLE RECORD.				
3	863291	PAINTED FRAME ASSY W/FOOTREST BRACKET - L.H.	1	1		
3	864790	PAINTED FRAME ASSY W/FOOTREST BRACKET - R.H.	1	1		
3	Call order desk	PAINTED FRAME ASSY W/O FOOTREST BRACKET - L.H.	1	1		P
3	Call order desk	PAINTED FRAME ASSY W/O FOOTREST BRACKET - R.H.	1	1		P
3	Call order desk	KIT	1	1		PA
5	865988	SCREW TP TR PH #8-32x1/2	2	2		
6	Call order desk	TRIM PANEL - WALL SIDE	2	2		P B
7	864090	TRIM PANEL - AISLE SIDE - CURBSIDE	1	1		
7	864091	TRIM PANEL - AISLE SIDE - STREET SIDE	1	1		
8	860054	ROLL PIN 3/16" X 1/2"	2	2		
9	865648	FOLD DOWN ARM	2	2		B
10	865988	SCREW TP TR PH #8-32x1/2	8	8		
11	192318	BUSHING - WELDED	1	1		
12	866239	BUSHING ARM - P/M	3	3		
13	860055	ROLL PIN 1/4" X 1 1/8"	2	2		
14	860056	WASHER	2	2		
15	860057	SPRING - ARM	2	2		
16	Call order desk	SCREW TC CAP HEX 1/4-20x3/4	1	1		P
17	502600	NUT HEX NYRT 5/16-18 Z050	2	2		
18	Call order desk	SCREW SET HEXS CUP 5/16-18x1 3/4	2	2		P
19	Call order desk	SCREW CAP HEX 5/16-18x1.00 HD	2	2		P
20	500181	SCREW CAP HEX 5/16-18x1 G5 Z050	2	2		
21	863598	ACTUATOR	2	2		
22	500705	NUT HEX 3/8-24 ZP	2	2		
23	Call order desk	WASHER SPHERICAL 3/8"	4	4		P
24	502592	NUT HEX THN 3/8-24x3/32 Z050	2	2		
25	195894	PEDESTAL CAP	2	2		
NS	500305	SCREW CAP HEX 3/8-16x7/8 G5 Z050	2	2		
NS	500478	WASHER LO SPT .380x.683x.094 Z050	2	2		
NS	500270	WASHER FL .406x1.000x.063 SS	2	2		
NS	362627	PLATE ANCHOR / 3/8-16 BOLT INSIDE TRACK / 1 1/4" X 1 1/4"	2	2		
26	860205	HANDLE BOOT - WALL SIDE	1	1		
27	864618	HANDLE ACTUATOR - WALL SIDE	1	1		
28	195895	KNOB	1	1		
29	864862	HANDLE ACTUATOR - AISLE SIDE	1	1		C
30	Call order desk	SCREW MA TR PH 1/4-20x3/4	1	1		P
31	864394	CABLE ATTACHMENT SPRING CLIP	2	2		
32	Call order desk	SPRING LINK RETURN	2	2		P

From 7-0671 To J-0287	Date:10/2022	PAGE:H7-1826-00
<b>PASSENGER'S SEAT - "NATIONAL" - 4209 &amp; 4210</b>		

Item#	Part	Description	H 3 4 1	H 3 4 5	V I P 4 5	N O T E S
33	864121	ACTUATOR CABLE BRACKET	2	2		
34	863290	OUTPUT & CABLE ASSY 12"	2	2		
34	863803	OUTPUT & CABLE ASSY 26"	2	2		
35	Call order desk	RIVET	2	2		P
36	Call order desk	RIVET	4	4		P
37	862355	SCREW TP TR PH #10x1/2	11	11		
38	Call order desk	TRIM PANEL ASSY	1	1		P B
39	Call order desk	CUSHION FRAME ASSY	2	2		P
39	Call order desk	CUSHION BOARD (3 PASS SEAT)	3	3		P
40	502935	NUT SPR U 5/16-18 .025-.150	1	1		
41	Call order desk	STUD D.O.T.	32	32		P
42	865214	LATEX WEBBING	12	12		
43	866244	TRUARC RETAINING RING	2	2		
44	Call order desk	PIN - CENTER PIVOT - 4209 HIGH BACK / 4210	1	1		P
44	Call order desk	PIN - CENTER PIVOT - 4209/10 W/CTR. FLDG. OR 4209 LOW BACK	1	1		P
44	Call order desk	PIN - CENTER PIVOT - 4209 LOW BACK	1	1		P
45	865989	PIN - PIVOT	2	2		
46	193005	SCREW CAP HEX 1/4-20x2.000	2	2		
47	Call order desk	BACK FRAME ASSY - L.H. - 4209 HIGH BACK	1	1		P
47	Call order desk	BACK FRAME ASSY - R.H. - 4209 HIGH BACK	1	1		P
47	Call order desk	BACK FRAME ASSY - L.H. - 4209 LOW BACK	1	1		P
47	Call order desk	BACK FRAME ASSY - R.H. - 4209 LOW BACK	1	1		P
47	Call order desk	BACK BOARD - INDIVIDUAL (3 PASS SEAT)	3	3		P
48	Call order desk	BACK POLY - 4209A HIGH BACK	2	2		P
48	Call order desk	BACK POLY - 4209A (3 PASS SEAT)	3	3		P
48	Call order desk	BACK POLY - 4209A LOW BACK	2	2		P
49	Call order desk	BACK COVER - 4209A HIGH BACK	2	2		P
49	Call order desk	BACK COVER - 4209A (3 PASS SEAT)	3	3		P
49	Call order desk	BACK COVER - 4209A LOW BACK	2	2		P
50	Call order desk	BACK FRAME ASSY - L.H. 4210 LOW BACK	1	1		P
50	Call order desk	BACK FRAME ASSY - R.H. 4210 LOW BACK	1	1		P
50	Call order desk	BACK FRAME ASSY - L.H. 4210 HIGH BACK	1	1		P
50	862738	BACK FRAME ASSY - R.H. 4210 HIGH BACK	1	1		
50	Call order desk	BACK BOARD - INDIVIDUAL (3 PASS SEAT)	3	3		P
51	860186	SPRING CLIP - HEADREST - 4210	4	4		
NS	860013	GRABHANDLE-BUS HEADREST	1	1		
52	860031	BUSHING - HEADREST - 4210	4	4		
53	863770	HEADREST POLY - FLAT - 4210 LOW BACK	1	1		
53	Call order desk	HEADREST POLY - FLAT - 4210 (3 PASS SEAT)	3	3		P
53	863728	HEADREST BOARD - 4210	3	3		
53	863729	HEADREST POLY ASSY - 4210 HIGH BACK	2	2		
54	Call order desk	HEADREST COVER - FLAT - 4210 LOW BACK	2	2		P



From 7-0671 To J-0287	Date:10/2022	PAGE:H7-1826-00
<b>PASSENGER'S SEAT - "NATIONAL" - 4209 &amp; 4210</b>		

Item#	Part	Description	H 3 4 1	H 3 4 5	V I P 4 5	N O T E S
54	863771	HEADREST COVER - FLAT - 4210 LOW BACK / S.C.C.	1	1		
54	862739	HEADREST COVER - FLAT - 4210 HIGH BACK / S.C.C.	1	1		
54	Call order desk	HEADREST COVER - FLAT - 4210 (3 PASS SEAT)	3	3		P
55	Call order desk	BACK POLY - 4210A LOW BACK	2	2		P
55	Call order desk	BACK POLY - 4210 (3 PASS SEAT)	3	3		P
55	Call order desk	BACK POLY - 4210A HIGH BACK	2	2		P
56	Call order desk	BACK COVER - 4210A LOW BACK	2	2		P
56	Call order desk	BACK COVER - 4210A (3 PASS SEAT)	3	3		P
56	Call order desk	BACK COVER - 4210A HIGH BACK	2	2		P
57	860037	CUSHION POLY - 4209A & 4210A	2	2		
57	Call order desk	CUSHION POLY	3	3		P
58	862740	CUSHION COVER - 4209A & 4210A S.C.C.	2	2		
58	Call order desk	CUSHION COVER	3	3		P
59	Call order desk	FOOTREST INSTALLATION	1	1		P
60	860444	FOOTREST CENTRAL SECTION	1	1		
60	864099	HANGER & TREADLE ASSY (RETROFIT KIT) FROM MARCH 2000	2	2		
. NS	864037	. SPRING	AR	AR		
. NS	865264	. BRACKET	AR	AR		
. NS	865263	. BOLT	AR	AR		
61	863625	FOOTREST PIVOT PIN	4	4		
62	500942	WASHER LO SPT 8.1x14.8x2.0 N500	4	4		
63	863626	NUT HEX 5/16-24	4	4		
64	863627	BEARING - FOOTREST	4	4		
65	500701	NUT HEX 5/16-18 ZP	2	2		
66	Call order desk	PANEL-BACK (OPTIONAL) 4210 BIG	2	2		P B
66	Call order desk	PANEL-BACK (OPTIONAL) 4210 SMALL	2	2		P
67	864147	BUSHING - BACK PIVOT	4	4		
80	N.S.S.	PAINTED FRAME ASSY - UPPER W/FOOTREST BRACKET	1	1		1
80	N.S.S.	PAINTED FRAME ASSY - UPPER W/O FOOTREST BRACKET	1	1		1
81	863757	PAINTED FRAME ASSY - LOWER	1	1		
82	196686	ATTACHMENT KNOB ASSY	2	2		
83	Call order desk	SOUTHCO DRIVE RIVET	2	2		P
84	N.S.S.	TRIM PANEL - L.H. W/O ACCENT	1	1		1
84	N.S.S.	TRIM PANEL - R.H. W/O ACCENT	1	1		1
NS	192360	GLASS HOLDER "NATIONAL	AR	AR		
NS	195960	NET MAGAZINE "NATIONAL"	AR	AR		
NS	860018	CLAMP ASSY / TO FIX SEAT TO THE WALL	AR	AR		
		A) FOR SEAT PRIO MARCH 1997				

From 7-0671 To J-0287	Date:10/2022	PAGE:H7-1826-00
<b>PASSENGER'S SEAT - "NATIONAL" - 4209 &amp; 4210</b>		

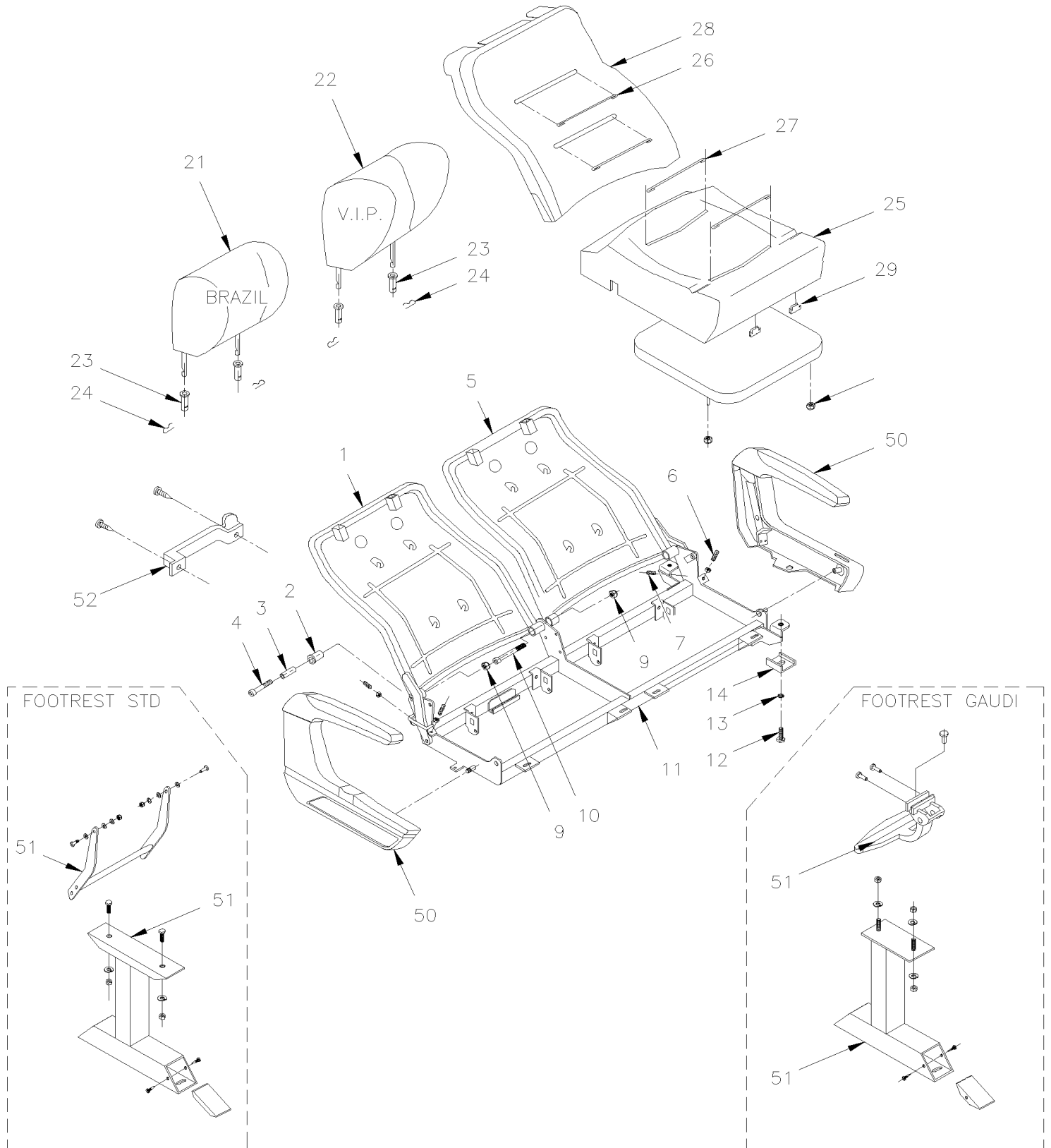
Item#	Part	Description	H 3 4 1	H 3 4 5	V I P 4 5	N O T E S
		B) A.R. = POSITION & COLOR				
		C) RELEASE HANDLE WITH KNOB USED ON AISLE SIDE STANDARD SEAT AND BOTH SIDES OF REVERSIBLE SEAT				
		1) NOT SOLD SEPARATELY				
		P) CALL ORDER DESK FOR SPECIFIC APPLICATION (V.I.N.)				

From 7-0671 To J-0287

Date:10/2022

PAGE:H7-1826-05

## PASSENGER'S SEAT - "AMAYA" "EUROTECH"

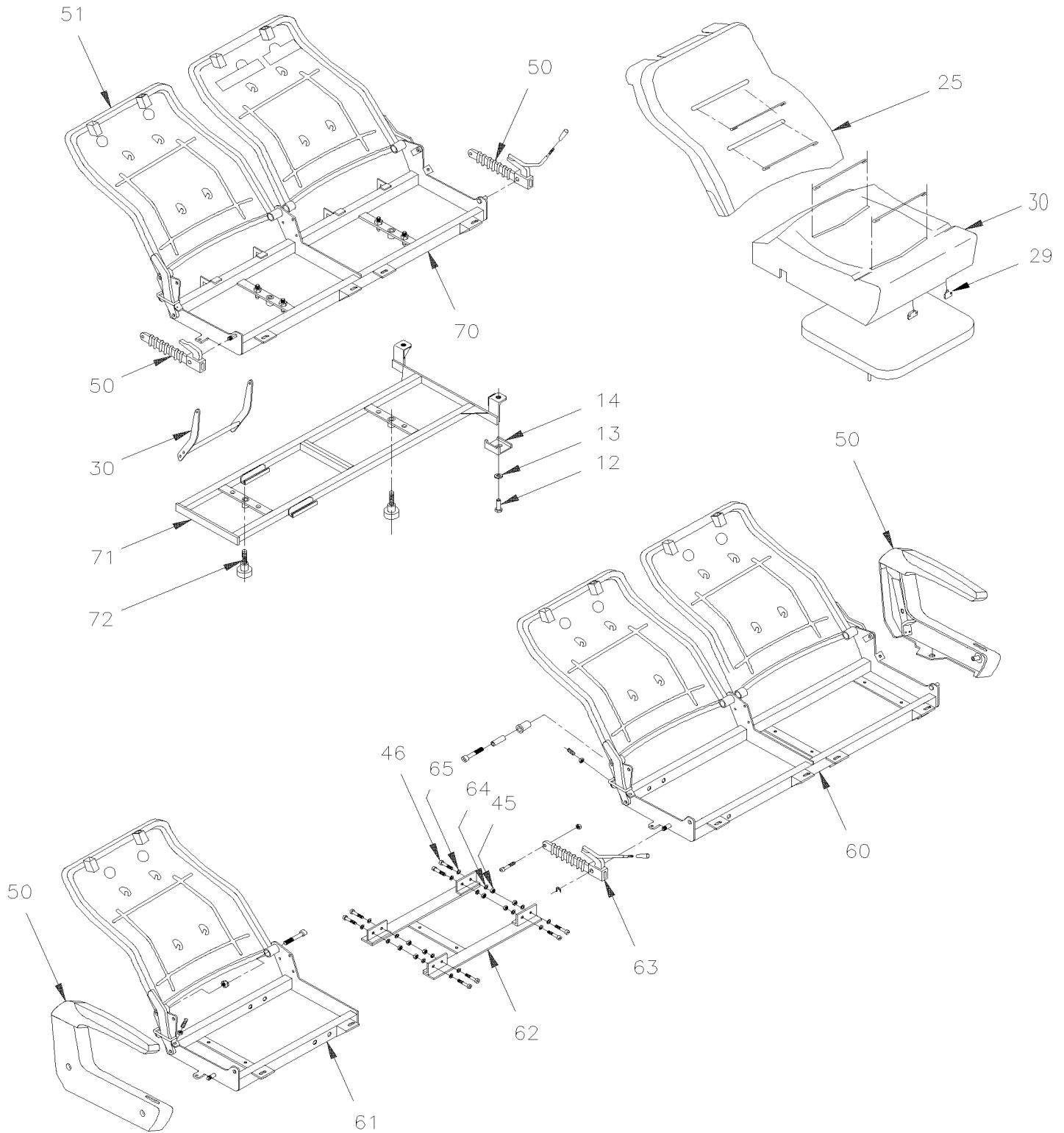


From 7-0671 To J-0287

Date:10/2022

PAGE:H7-1826-05

## PASSENGER'S SEAT - "AMAYA" "EUROTECH"



From 7-0671 To J-0287	Date:10/2022	PAGE:H7-1826-05
-----------------------	--------------	-----------------

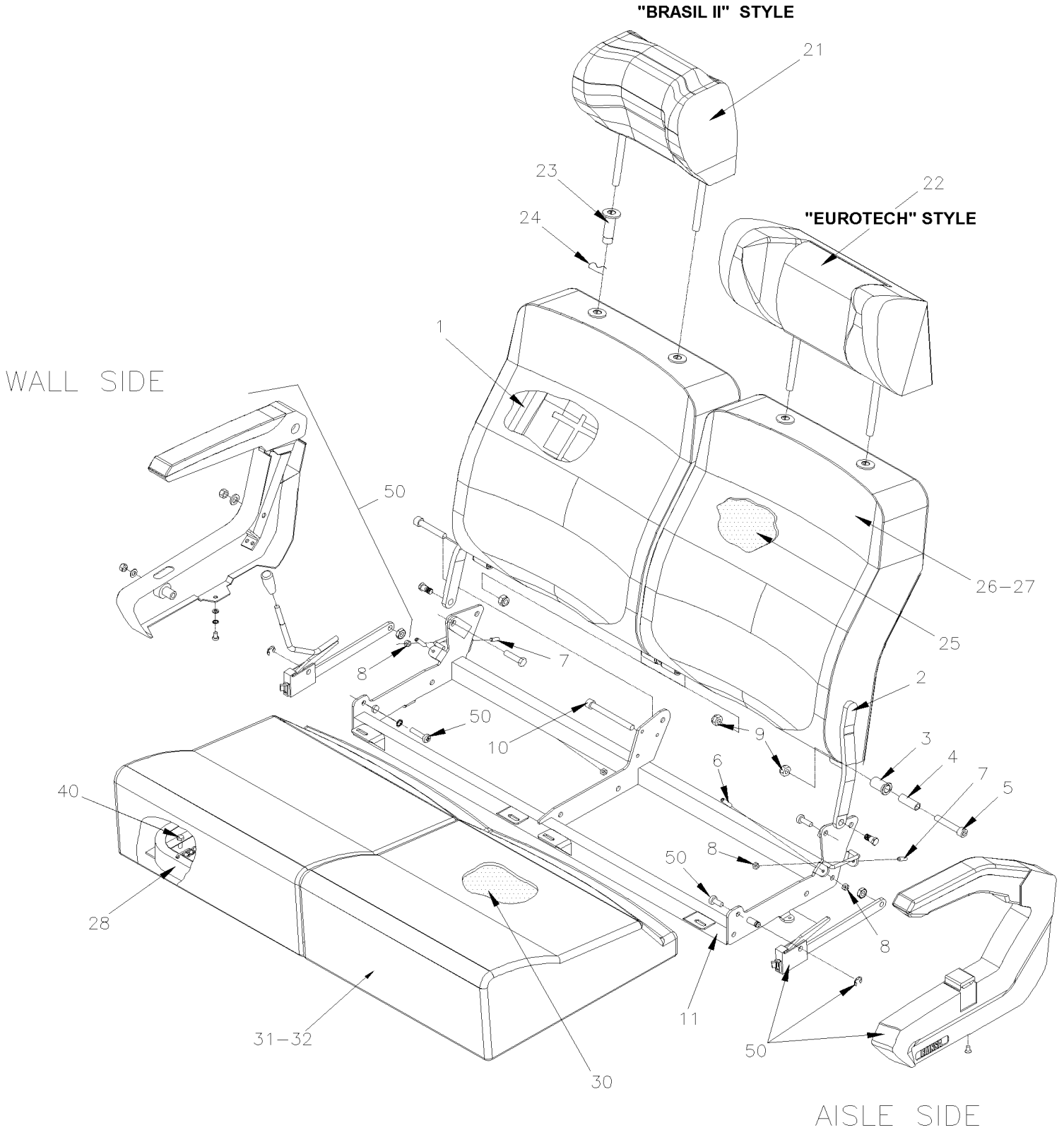
**PASSENGER'S SEAT - "AMAYA" "EUROTECH"**

Item#	Part	Description	H 3 4 1	H 3 4 5	V I P 4 5	N O T E S
		IMPORTANT NOTE:				
		TO ORDER COMPLETE PASSENGER'S SEAT KIT #,				
		SEE THE FINAL VEHICLE RECORD.				
1	Call order desk	BACKREST STRUCTURE R.H.	1	1		P
1	Call order desk	BACKREST STRUCTURE R.H. / W/IND "REI"	1	1		P
2	865560	BUSHING HYTREL	1	1		
3	Call order desk	INSIDE METAL BUSHING	1	1		P
4	70314705	SCREW CAP HEXS M10-1.5x60 G8.8 ZP	1	1		
5	Call order desk	BACKREST STRUCTURE L.H.	1	1		P
5	Call order desk	BACKREST STRUCTURE L.H. / W/IND "REI"	1	1		P
6	Call order desk	LOCK BOLT M6-1x30	1	1		P
7	Call order desk	LOCK BOLT M6-1x20	1	1		P
9	500680	NUT HEX STO M10-1.5 Z050	1	1		
10	502765	SCREW CAP HEXS M10-1.5x100 G8.8 PT ZP	1	1		
11	Call order desk	STRUCTURE R.H. / W/STD FOOTREST	1	1		P
11	Call order desk	STRUCTURE R.H. / W/STD FOOTREST	1	1		P
11	Call order desk	STRUCTURE L.H. / W/STD FOOTREST	1	1		P
11	Call order desk	STRUCTURE L.H. / W/STD FOOTREST	1	1		P
11	Call order desk	STRUCTURE R.H. / W/GAUDI FOOTREST	1	1		P
11	Call order desk	STRUCTURE L.H. / W/GAUDI FOOTREST	1	1		P
11	Call order desk	STRUCTURE R.H. / W/GAUDI FOOTREST & AVION TABLE SEAT	1	1		P
11	Call order desk	STRUCTURE L.H. / W/GAUDI FOOTREST & AVION TABLE SEAT	1	1		P
12	500183	SCREW CAP HEX 5/16-18x1 1/2 G5 PT Z050	1	1		
13	500441	WASHER FL .312x.734x.065 Z050	1	1		
14	863541	BRACKET SUPPORT	1	1		
21	862558	HEADREST FOAM / TYPE "BRAZIL"	1	1		
21	Call order desk	COVERING ASSY S.C.C.	1	1		P
21	863315	HEADREST FOAM / TYPE "BRAZIL" & "EUROTECH"	1	1		
22	862933	HEADREST ASSY / TYPE WINGED "VIP"	1	1		
22	866011	HEADREST FOAM / TYPE WINGED "VIP"	1	1		
22	Call order desk	COVERING ASSY WING TYPE / S.C.C.	1	1		P
23	864810	GUIDE SLIDING	1	1		
24	866204	BACKREST CLIP	1	1		
25	865141	CUSHION FOAM	1	1		
26	Call order desk	BACKREST TUFTING WIRE "EUROTECH" & "BRASIL"	1	1		P
27	Call order desk	COVERING BACKREST ASSY S.C.C. "EUROTECH"	1	1		P
28	Call order desk	BACKREST FOAM	1	1		P
29	864187	FASTENER COVERING	1	1		
31	Call order desk	CUSHION TUFTING WIRE "EUROTECH" & "BRASIL"	1	1		P
33	502716	NUT HEX NYRT 1/4-20	1	1		
49	362627	PLATE ANCHOR / 3/8-16 BOLT INSIDE TRACK / 1 1/4" X 1 1/4"	1	1		

From 7-0671 To J-0287	Date:10/2022	PAGE:H7-1826-05
<b>PASSENGER'S SEAT - "AMAYA" "EUROTECH"</b>		

Item#	Part	Description	H 3 4 1	H 3 4 5	V I P 4 5	N O T E S
50	H7-1826-50	ARMREST PASSENGER'S SEAT - "AMAYA" WITH "EUROTECH"				
50	H7-1826-51	ARMREST PASSENGER'S SEAT - "AMAYA" WITH "BRASIL"				
50	H7-1826-52	ARMREST PASSENGER'S SEAT - "AMAYA" WITH "GAUDI"				
51	H7-1826-40	PASSENGER'S SEAT - "AMAYA" - FOOTREST & PEDESTAL				
52	H7-1826-60	ACCESSORIES PASSENGER'S SEAT - "AMAYA"				
60	Call order desk	STRUCTURE DOUBLE / USED W/3 LOUNGE SEAT	1	1		P
61	Call order desk	STRUCTURE SINGLE / USED W/3 LOUNGE SEAT	1	1		P
62	Call order desk	STRUCTURE UNION SEAT / USED W/3 LOUNGE SEAT	1	1		P
63	866004	CENTER MECHANISM	1	1		
64	500446	WASHER FL .531x1.250x.125 Z050	1	1		
65	Call order desk	FLAT WASHER	1	1		P
66	866243	PRESSURE WASHER 7/16" 10MM	1	1		
70	Call order desk	STRUCTURE FRAME ROTATING SEAT	1	1		P
71	Call order desk	STRUCTURE FRAME INFERIOR R.H. / W/STD FOOTREST	1	1		P
71	Call order desk	STRUCTURE FRAME INFERIOR L.H. / W/STD FOOTREST	1	1		P
71	Call order desk	STRUCTURE FRAME INFERIOR R.H. / W/GAUDI FOOTREST	1	1		P
71	Call order desk	STRUCTURE FRAME INFERIOR L.H. / W/GAUDI FOOTREST	1	1		P
72	862156	KNOB / ROTATING SEAT	2	2		
100	323654	SEAT TRACK COVER 12' / EACH SEAT / W/COVERING FLOOR To A-1499	AR	AR		
100	323963	SEAT TRACK COVER 8' / EACH SEAT / W/COVERING FLOOR To A-1499	AR	AR		
100	329689	SEAT TRACK COVER 12' / EACH SEAT / W/COVERING FLOOR From A-1500	AR	AR		
		P) CALL ORDER DESK FOR SPECIFIC APPLICATION (V.I.N.)				

PASSENGER'S SEAT - "AMAYA" "BRASIL"



From 7-0671 To J-0287	Date:10/2022	PAGE:H7-1826-06
-----------------------	--------------	-----------------

**PASSENGER'S SEAT - "AMAYA" "BRASIL"**

Item#	Part	Description	H 3 4 1	H 3 4 5	V I P 4 5	N O T E S
		IMPORTANT NOTE:				
		TO ORDER COMPLETE PASSENGER'S SEAT KIT #, SEE THE FINAL VEHICLE RECORD.				
1	868532	BACKREST ASSY R.H.	1	1		
1	865680	. BACKREST STRUCTURE R.H.	1	1		
2	864073	BACKREST ASSY L.H.	1	1		
2	865681	. BACKREST STRUCTURE L.H.	1	1		
3	Call order desk	INSIDE METAL BUSHING	1	1		P
4	865560	BUSHING HYTREL	1	1		
5	70314705	SCREW CAP HEXS M10-1.5x60 G8.8 ZP	2	2		
6	Call order desk	LOCK BOLT M6-1x30	1	1		P
7	Call order desk	LOCK BOLT M6-1x20	1	1		P
8	500609	NUT HEX M6-1.0 Z050	4	4		
9	500680	NUT HEX STO M10-1.5 Z050	1	1		
10	502765	SCREW CAP HEXS M10-1.5x100 G8.8 PT ZP	1	1		
11	Call order desk	STRUCTURE R.H.	1	1		P
11	Call order desk	STRUCTURE L.H.	1	1		P
21	Call order desk	HEADREST FOAM / TYPE "BRAZIL-II"	1	1		P
NS	Call order desk	COVERING HEADREST ASSY "BRAZIL-II" S.C.C.	1	1		P
22	863315	HEADREST FOAM / TYPE "BRAZIL" & "EUROTECH"	1	1		
NS	Call order desk	COVERING HEADREST ASSY "BRAZIL" & EURO S.C.C.	1	1		P
23	864810	GUIDE SLIDING	4	4		
24	866204	BACKREST CLIP	4	4		
25	Call order desk	BACKREST FOAM	2	2		P
26	867775	BACKREST TUFTING WIRE	4	4		
27	Call order desk	COVERING BACKREST ASSY S.C.C.	2	2		P
28	8611003	SEAT FRAME	2	2		
30	860039	CUSHION FOAM	2	2		
31	861716	CUSHION TUFTING WIRE	4	4		
32	Call order desk	COVERING CUSHION ASSY S.C.C.	2	2		P
40	502716	NUT HEX NYRT 1/4-20	4	4		
50	<b>H7-1826-51</b>	<b>ARMREST PASSENGER'S SEAT - "AMAYA" WITH "BRASIL"</b>				
51	<b>H7-1826-60</b>	<b>ACCESSORIES PASSENGER'S SEAT - "AMAYA"</b>				
52	864119	KNOB / ROTATING SEAT				B
		B) USE WITH SWIVEL SEAT				
		P) CALL ORDER DESK FOR SPECIFIC APPLICATION (V.I.N.)				

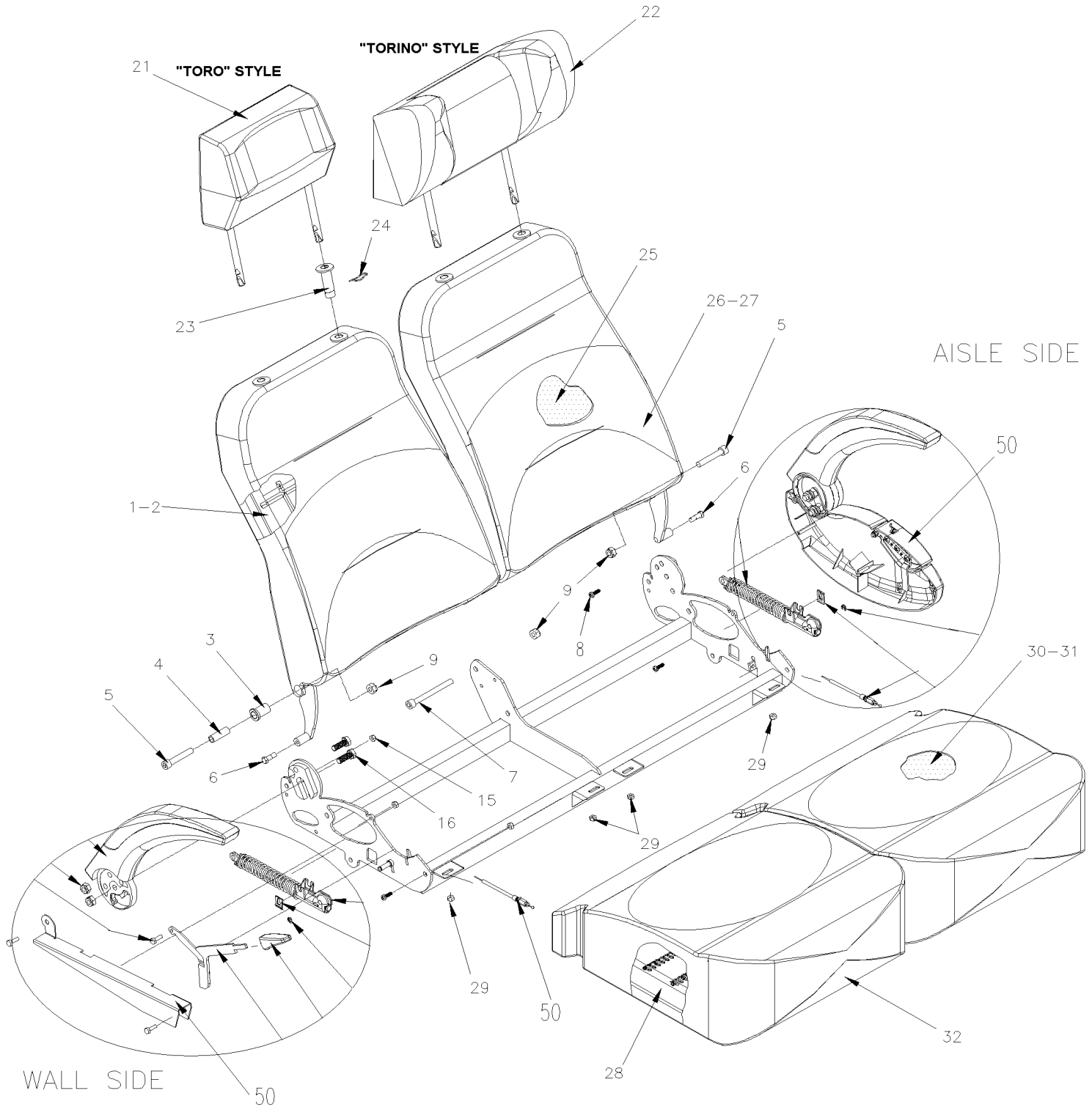


From 7-0671 To J-0287

Date:10/2022

PAGE:H7-1826-07

## PASSENGER'S SEAT - "AMAYA" "SIGLIUM" TORO & TORINO



From 7-0671 To J-0287	Date:10/2022	PAGE:H7-1826-07
-----------------------	--------------	-----------------

**PASSENGER'S SEAT - "AMAYA" "SIGLIUM" TORO & TORINO**

Item#	Part	Description	H 3 4 1	H 3 4 5	V I P 4 5	N O T E S
		IMPORTANT NOTE:				
		TO ORDER COMPLETE PASSENGER'S SEAT KIT #,				
		SEE THE FINAL VEHICLE RECORD.				
1	Call order desk	BACKREST ASSY R.H. / WSIGLUM TORO	1	1		P
1	868500	. BACKREST STRUCTURE R.H. / WSIGLUM TORO	1	1		
1	Call order desk	BACKREST ASSY R.H. / WSIGLUM TORINO	1	1		P
1	Call order desk	. BACKREST STRUCTURE R.H. / WSIGLUM TORINO	1	1		P
2	Call order desk	BACKREST ASSY L.H. / WSIGLUM TORO	1	1		P
2	Call order desk	. BACKREST STRUCTURE L.H. / W/SIGLUM TORO	1	1		P
2	Call order desk	BACKREST ASSY L.H. / WSIGLUM TORINO	1	1		P
2	Call order desk	. BACKREST STRUCTURE L.H. / W/SIGLUM TORINO	1	1		P
3	Call order desk	. . INSIDE METAL BUSHING	1	1		P
4	865560	. . BUSHING HYTREL	1	1		
5	70314705	SCREW CAP HEXS M10-1.5x60 G8.8 ZP	2	2		
6	5001132	SCREW CAP HEX 5/16-18x7/8 G5 Z050	2	2		
7	502765	SCREW CAP HEXS M10-1.5x100 G8.8 PT ZP	1	1		
8	Call order desk	HY-LO BOLT M6-1.0x23	2	2		P
9	5001570	NUT HEX NYRT M10-1.5 Z050	5	5		
10	11500930	SCREW CAP HEX M10-1.5x30 G8.8 PHC	2	2		
11	500163	SCREW CAP HEX 1/4-20x3/4 G5 Z050	3	3		
12	500183	SCREW CAP HEX 5/16-18x1 1/2 G5 PT Z050	1	1		
13	500441	WASHER FL .312x.734x.065 Z050	1	1		
14	9415477	SCREW CAP HEX 1/4-20x3/4 ZP	1	1		
15	500769	NUT HEX 1/4-20 Z050	3	3		
16	11500930	SCREW CAP HEX M10-1.5x30 G8.8 PHC	2	2		
20	Call order desk	STRUCTURE R.H.	1	1		P
20	Call order desk	STRUCTURE L.H.	1	1		P
21	Call order desk	HEADREST FOAM / TYPE "TORO"	1	1		P
NS	Call order desk	COVERING HEADREST ASSY "TORO" S.C.C.	1	1		P
22	864858	HEADREST FOAM / TYPE "TORINO"	1	1		
NS	864861	COVERING HEADREST ASSY "TORINO" S.C.C.	1	1		
23	864810	GUIDE SLIDING	2	2		
24	866204	BACKREST CLIP	2	2		
25	Call order desk	BACKREST FOAM / W/SIGLUM TORO S.C.C.	2	2		P
25	867774	BACKREST FOAM / W/SIGLUM TORINO S.C.C.	2	2		
26	867775	BACKREST TUFTING WIRE	4	4		
27	Call order desk	COVERING BACKREST ASSY "TORO" S.C.C.	2	2		P
27	Call order desk	COVERING BACKREST ASSY "TORINO" S.C.C.	2	2		P
28	860108	SEAT CUSHION FRAME	2	2		
29	502716	NUT HEX NYRT 1/4-20	4	4		
30	865360	CUSHION FOAM	2	2		

From 7-0671 To J-0287 Date:10/2022 PAGE:H7-1826-07

**PASSENGER'S SEAT - "AMAYA" "SIGLIUM" TORO & TORINO**

Item#	Part	Description	H 3 4 1	H 3 4 5	V I P 4 5	N O T E S
31	861716	CUSHION TUFTING WIRE	2	2		
32	Call order desk	COVERING CUSHION ASSY S.C.C.	2	2		P
50	<b>H7-1826-53</b>	<b>ARMREST PASSENGER'S SEAT - "AMAYA" WITH "SIGLIUM" TORO &amp; TORINO</b>				
NS	864072	ARMREST CENTRAL ASSY / LIGHT GREY				
. NS	865995	. BOLT	1	1		
. NS	865996	. BUSHING	1	1		
. NS	866240	. ARMREST COVERING LIGHT GREY	1	1		
		P) CALL ORDER DESK FOR SPECIFIC APPLICATION (V.I.N.)				

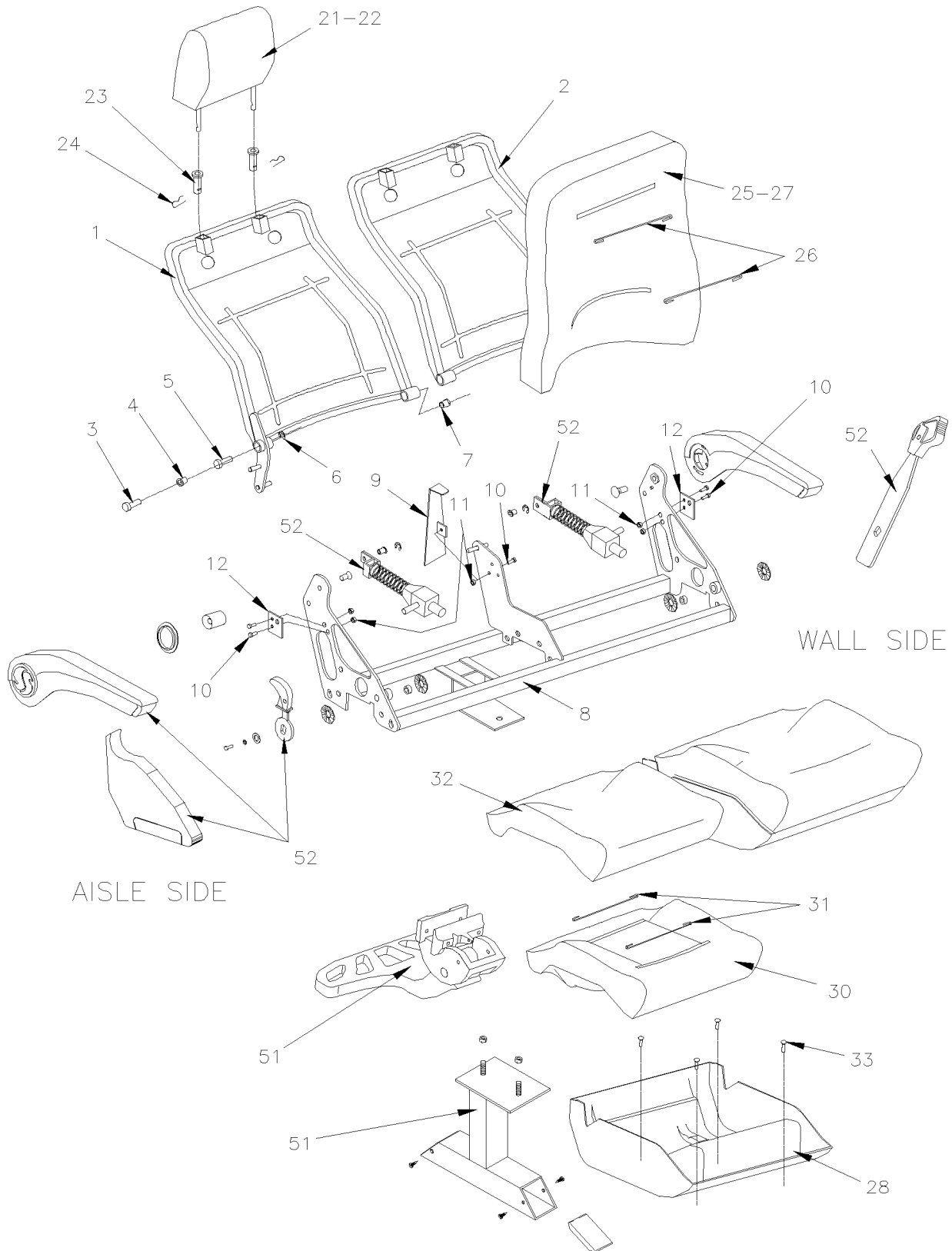


From 7-0671 To J-0287

Date:10/2022

PAGE:H7-1826-08

## PASSENGER'S SEAT - "AMAYA" "GAUDI"

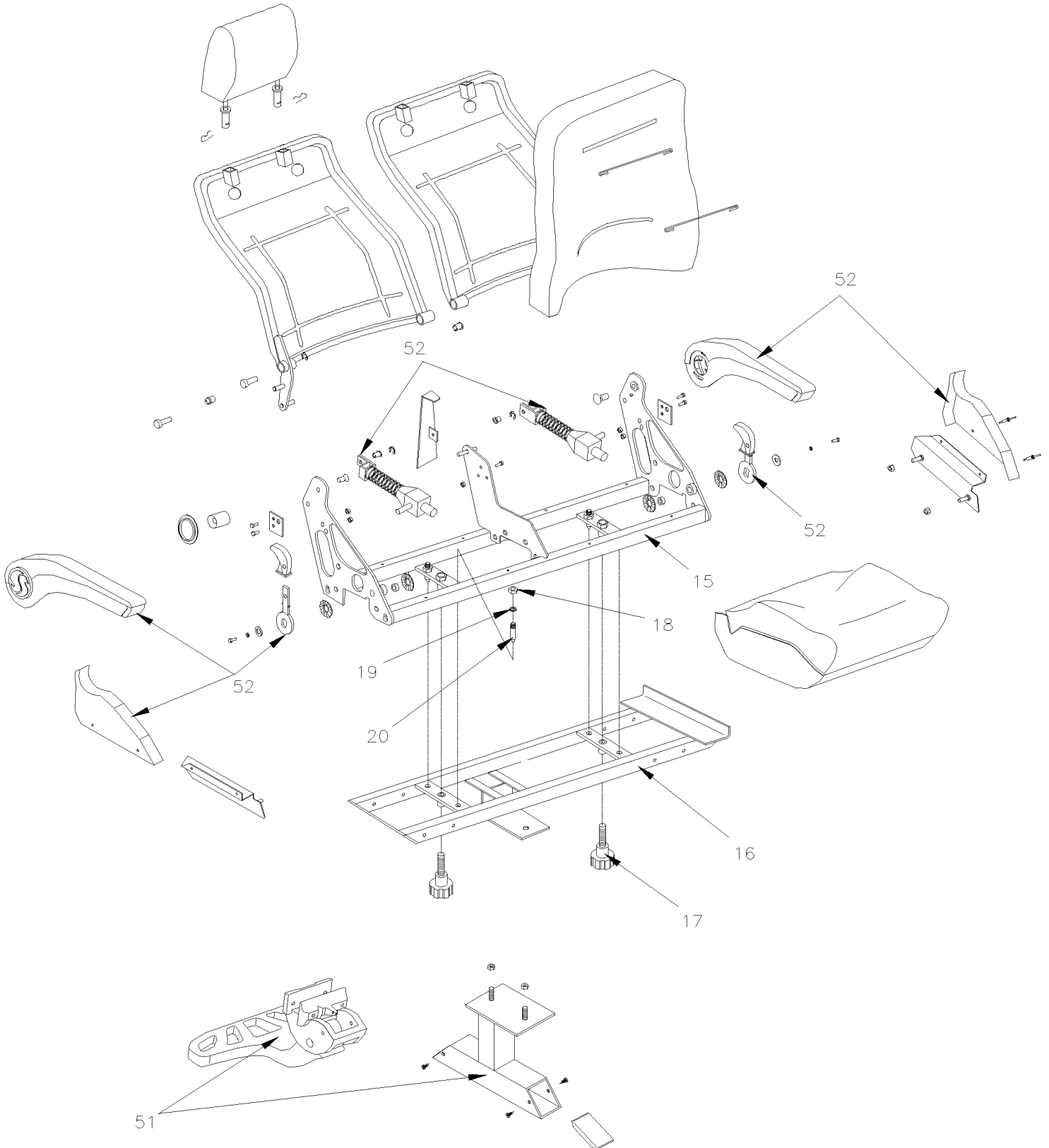


From 7-0671 To J-0287

Date:10/2022

PAGE:H7-1826-08

PASSENGER'S SEAT - "AMAYA" "GAUDI"



From 7-0671 To J-0287	Date:10/2022	PAGE:H7-1826-08
<b>PASSENGER'S SEAT - "AMAYA" "GAUDI"</b>		

Item#	Part	Description	H 3 4 1	H 3 4 5	V I P 4 5	N O T E S
		IMPORTANT NOTE: BEFORE TO				
		ORDER COMPLETE PASSENGER'S SEAT				
		OR COVERING ASSY, HEAD / BACK & CUSHION				
		SEE THE FINAL VEHICLE RECORD				
1	Call order desk	BACKREST R.H.	1	1		P
2	Call order desk	BACKREST L.H.	1	1		P
3	865560	. BUSHING HYTREL	1	1		
4	Call order desk	. INSIDE METAL BUSHING	1	1		P
5	864975	BOLT M10X25MM	2	2		
6	Call order desk	WASHER #9 DIN6799	2	2		P
7	Call order desk	BUSHING CENTER SEPARATOR	2	2		P
8	Call order desk	STRUCTURE L.H. / W/"GAUDI" HR	1	1		P
8	Call order desk	STRUCTURE R.H. / W/"GAUDI" HR	1	1		P
8	Call order desk	STRUCTURE L.H. / W/"GAUDI" SC	1	1		P
9	Call order desk	BACK COVER / W/"GAUDI" HR	1	1		P
9	Call order desk	BACK COVER / W/"GAUDI" SC	1	1		P
10	9415477	SCREW CAP HEX 1/4-20x3/4 ZP	6	6		
11	500769	NUT HEX 1/4-20 Z050	6	6		
12	Call order desk	STOPPER RECLINING 3"	2	2		P
15	Call order desk	STRUCTURE UPPER / REVERSIBLE SEAT / W/"GAUDI" HR	1	1		P
15	Call order desk	STRUCTURE UPPER / REVERSIBLE SEAT / W/"GAUDI" SC	1	1		P
16	Call order desk	STRUCTURE LOWER / REVERSIBLE SEAT	1	1		P
17	862156	KNOB / ROTATING SEAT	2	2		
18	5001570	NUT HEX NYRT M10-1.5 Z050	6	6		
19	866243	PRESSURE WASHER 7/16" 10MM	6	6		
20	Call order desk	GUIDE BOLT	6	6		P
21	Call order desk	HEADREST FOAM / TYPE "GAUDI HR"	1	1		P
22	Call order desk	COVERING HEADREST ASSY "GAUDI" S.C.C.	1	1		P
23	864810	GUIDE SLIDING	2	2		
24	866204	BACKREST CLIP	2	2		
25	Call order desk	BACKREST FOAM / W/"GAUDI"	1	1		P
26	Call order desk	BACKREST TUFTING WIRE / LARGE / W/"GAUDI" & "EUROTECH"	1	1		P
26	Call order desk	BACKREST TUFTING WIRE / SMALL / W/"GAUDI"	1	1		P
27	Call order desk	COVERING BACKREST ASSY / S.C.C. / W/"GAUDI"	1	1		P
28	Call order desk	SEAT SHELL / W/"GAUDI" HR	1	1		P
28	Call order desk	CUSHION FRAME / W/"GAUDI" SC	1	1		P
30	Call order desk	CUSHION FOAM	1	1		P
31	Call order desk	CUSHION TUFTING WIRE	2	2		P
32	Call order desk	COVERING CUSHION ASSY S.C.C.	1	1		P
33	Call order desk	BOLT 6.3x19	4	4		P

From 7-0671 To J-0287	Date:10/2022	PAGE:H7-1826-08
<b>PASSENGER'S SEAT - "AMAYA" "GAUDI"</b>		

Item#	Part	Description	H 3 4 1	H 3 4 5	V I P 4 5	N O T E S
34	Call order desk	SEAT FIXING BRACKET	1	1		P
35	Call order desk	BOLT 3.9X13MM	1	1		P
50	<b>H7-1826-60</b>	<b>ACCESSORIES PASSENGER'S SEAT - "AMAYA"</b>				
51	<b>H7-1826-40</b>	<b>PASSENGER'S SEAT - "AMAYA" - FOOTREST &amp; PEDESTAL</b>				
52	<b>H7-1826-52</b>	<b>ARMREST PASSENGER'S SEAT - "AMAYA" WITH "GAUDI"</b>				
		P) CALL ORDER DESK FOR SPECIFIC APPLICATION (V.I.N.)				

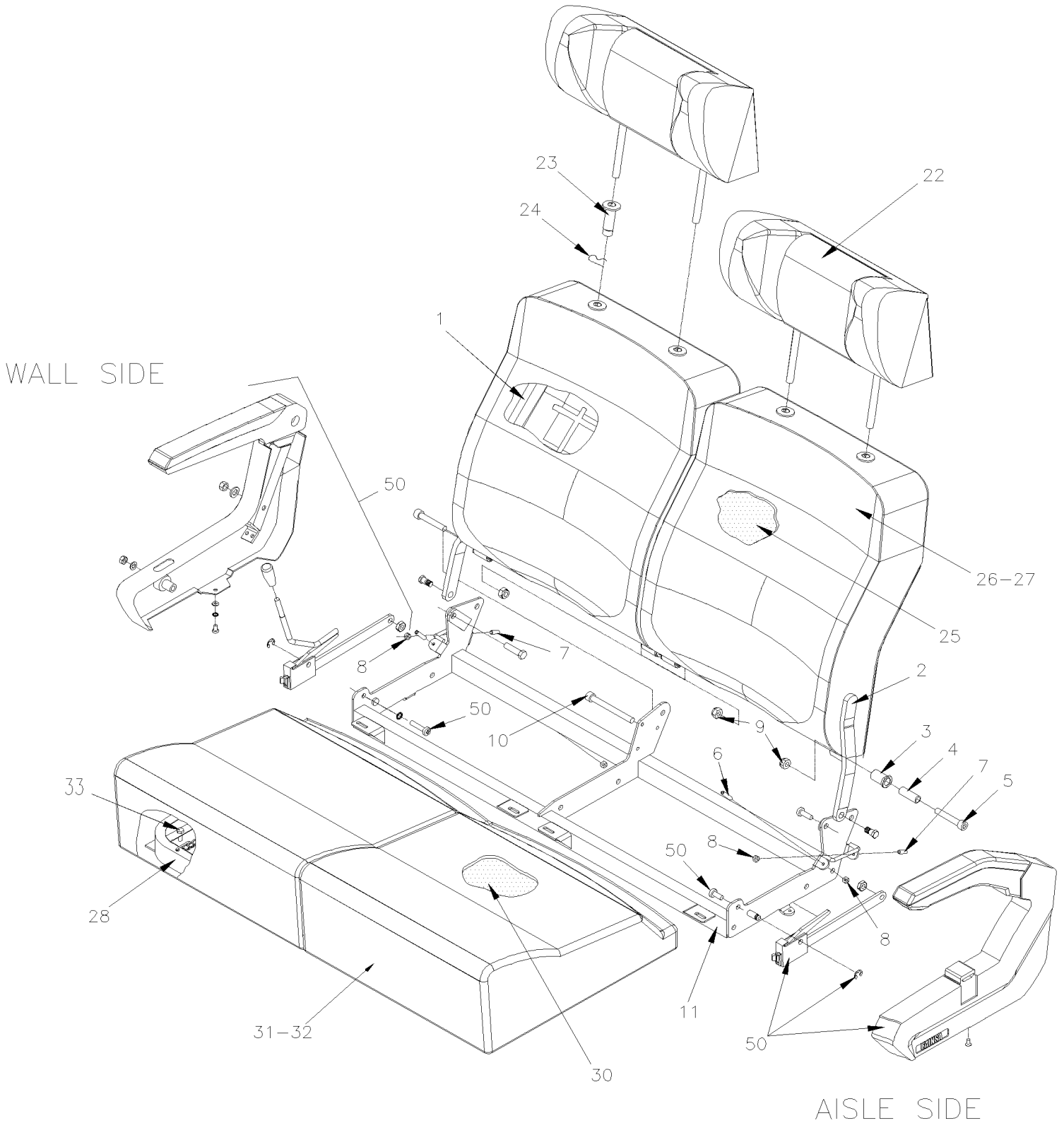


From 7-0671 To J-0287

Date:10/2022

PAGE:H7-1826-09

PASSENGER'S SEAT - "AMAYA" "BRASIL" WITH 3 POINTS

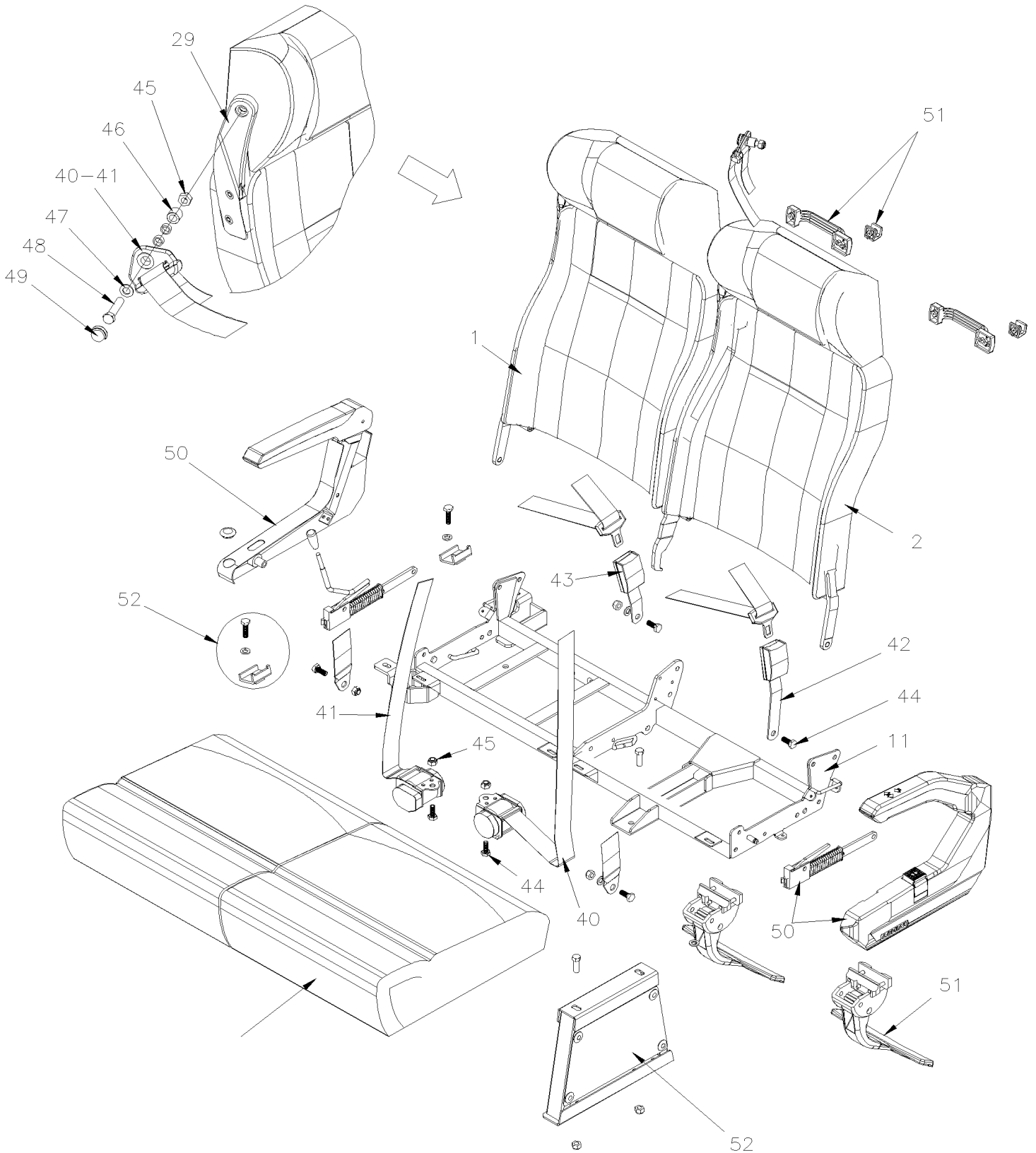


From 7-0671 To J-0287

Date:10/2022

PAGE:H7-1826-09

## PASSENGER'S SEAT - "AMAYA" "BRASIL" WITH 3 POINTS

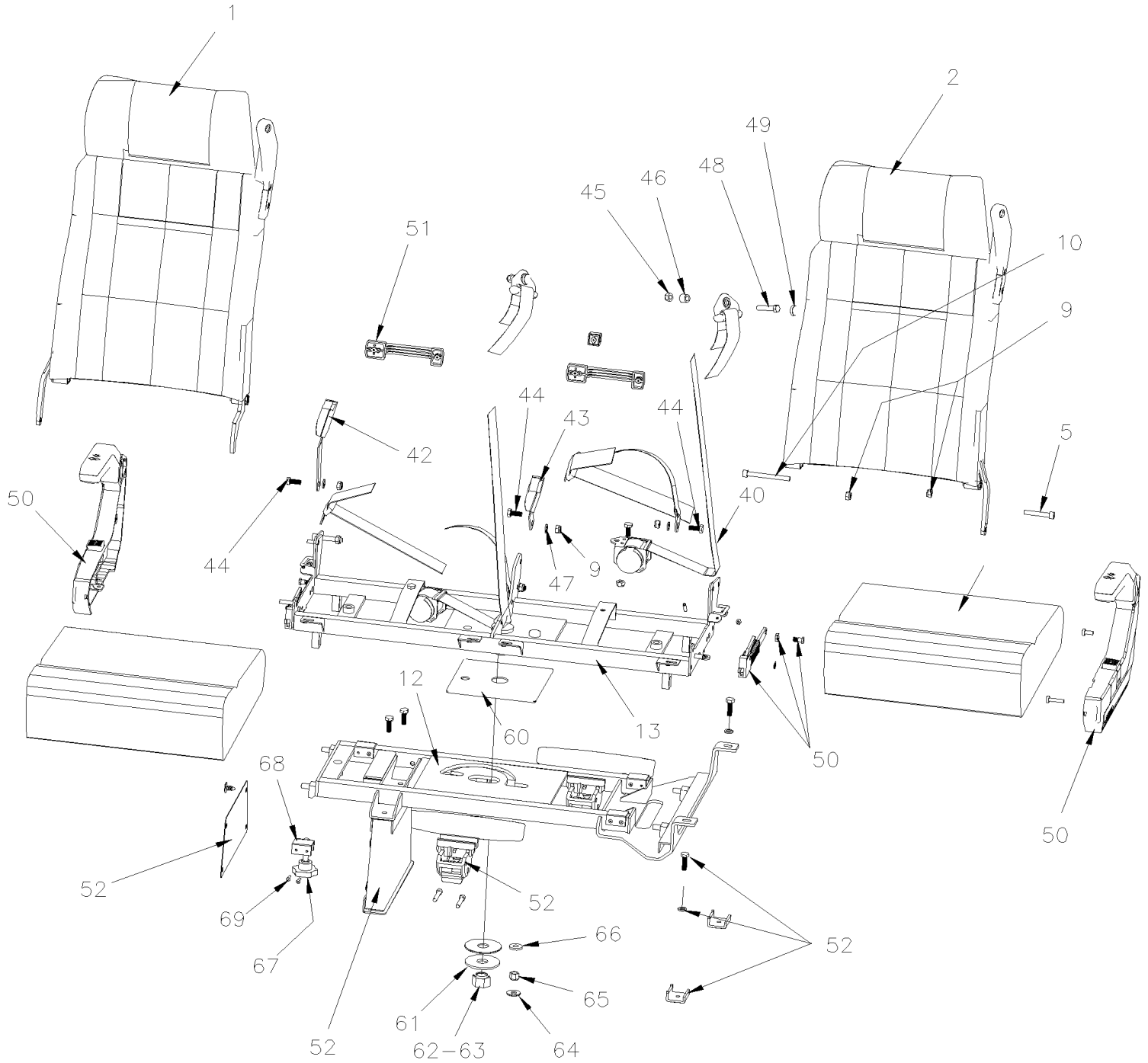


From 7-0671 To J-0287

Date:10/2022

PAGE:H7-1826-09

## PASSENGER'S SEAT - "AMAYA" "BRASIL" WITH 3 POINTS



ROTATING SEAT

From 7-0671 To J-0287 Date:10/2022 PAGE:H7-1826-09

**PASSENGER'S SEAT - "AMAYA" "BRASIL" WITH 3 POINTS**

Item#	Part	Description	H 3 4 1	H 3 4 5	V I P 4 5	N O T E S
		IMPORTANT NOTE:				
		TO ORDER COMPLETE PASSENGER'S SEAT KIT #,				
		SEE THE FINAL VEHICLE RECORD.				
1	Call order desk	BACKREST ASSY R.H.	1	1		P
1	865680	. BACKREST STRUCTURE R.H.	1	1		
1	Call order desk	BACKREST R.H. W/3 PASS REAR LOUNGE SEAT (1 SEAT)	1	1		P
1	Call order desk	BACKREST R.H. "BRASIL" W/REVERSIBLE SEAT	1	1		P
2	864073	BACKREST ASSY L.H. T85030530	1	1		
2	865681	. BACKREST STRUCTURE L.H.	1	1		
2	Call order desk	BACKREST L.H.	1	1		P
2	Call order desk	BACKREST L.H. "BRASIL" W/REVERSIBLE SEAT	1	1		P
2	Call order desk	BACKREST L.H. "BRASIL" W/3 PASS REAR LOUNGE SEAT	1	1		P
3	Call order desk	INSIDE METAL BUSHING	1	1		P
4	865560	BUSHING HYTREL	1	1		
5	70314705	SCREW CAP HEXS M10-1.5x60 G8.8 ZP	2	2		
5	Call order desk	SCREW CAP HEXS M10-1.5x60 G8.8 ZP	2	2		P
6	Call order desk	LOCK BOLT M6-1x30	1	1		P
7	Call order desk	LOCK BOLT M6-1x20	1	1		P
8	500609	NUT HEX M6-1.0 Z050	4	4		
9	500680	NUT HEX STO M10-1.5 Z050	1	1		
9	860005	NUT HEX STO M10-1.5 ZP	1	1		
10	502765	SCREW CAP HEXS M10-1.5x100 G8.8 PT ZP	1	1		
11		STRUCTURE R.H.	1	1		
11		STRUCTURE L.H.	1	1		
11	Call order desk	SEAT STRUCTURE R.H.	1	1		P A
11	Call order desk	SEAT STRUCTURE R.H. W/2 PEDESTAL CURBSIDE NO SLIDING FOWARD WCL	1	1		P
12		SEAT STRUCTURE L.H. W/REVERSIBLE SEAT	1	1		A
13	Call order desk	SEAT STRUCTURE SUPERIOR / "BRASIL W/REVERSIBLE SEAT	1	1		P
21	Call order desk	HEADREST FOAM / TYPE "BRAZIL-II"	1	1		P
NS	Call order desk	COVERING HEADREST ASSY "BRAZIL-II" S.C.C.	1	1		P
22	863315	HEADREST FOAM / TYPE "BRAZIL" & "EUROTECH" 8503550	1	1		
NS	Call order desk	COVERING HEADREST ASSY "BRAZIL" & EURO S.C.C.	1	1		P
23	864810	GUIDE SLIDING	4	4		
24	866204	BACKREST CLIP	4	4		
25	Call order desk	BACKREST FOAM	2	2		P
26	867775	BACKREST TUFTING WIRE	4	4		
27	Call order desk	COVERING BACKREST ASSY S.C.C.	2	2		P
28	8611003	SEAT FRAME	2	2		
28	Call order desk	CUSHION BRASIL & "EUROTECH"	1	1		P
29	860011	SEAT BELT SUPPORT, CURB SIDE	1	1		
29	860012	SEAT BELT SUPPORT, STREET SIDE	1	1		

From 7-0671 To J-0287 Date:10/2022 PAGE:H7-1826-09

**PASSENGER'S SEAT - "AMAYA" "BRASIL" WITH 3 POINTS**

Item#	Part	Description	H 3 4 1	H 3 4 5	V I P 4 5	N O T E S
30	860039	CUSHION FOAM	2	2		
31	861716	CUSHION TUFTING WIRE	4	4		
32	Call order desk	COVERING CUSHION ASSY S.C.C.	2	2		P
33	502716	NUT HEX NYRT 1/4-20	4	4		
40	864114	SEAT BELT AISLE SIDE	1	1		
. NS	867885	. BUSHING 16MM	1	1		
40	865261	SEAT BELT AISLE SIDE WITH 2+1 SEAT	1	1		2+1
41	864115	SEAT BELT WINDOW SIDE	1	1		
41	865262	SEAT BELT WINDOW SIDE WITH 2+1 SEAT	1	1		2+1
NS	864622	EXTENSION SEAT BELT 30cm	1	1		
NS	864623	EXTENSION SEAT BELT 50cm	1	1		
42	864349	BUCKLE FEMALE	1	1		
43	864349	BUCKLE FEMALE	1	1		
44	Call order desk	SCREW CAP HEX 10x25	6	6		P
44	865521	SCREW CAP HEX 7/16-20x1 G8 SCR À VOIR	1	1		
45	865521	SCREW CAP HEX 7/16-20x1 G8	1	1		
46	Call order desk	BUSHING SAFETY BELT	1	1		P
47	860294	WASHER	1	1		
48	860280	SCREW BUT HEXS M10-1.5x50MM	1	1		
49	865220	TORINO 7/16 CAP	1	1		
50	<b>H7-1826-51</b>	<b>ARMREST PASSENGER'S SEAT - "AMAYA" WITH "BRASIL"</b>				
51	<b>H7-1826-60</b>	<b>ACCESSORIES PASSENGER'S SEAT - "AMAYA"</b>				
52	<b>H7-1826-41</b>	<b>PASSENGER'S SEAT - "AMAYA" - FOOTREST &amp; PEDESTAL</b>				
60	Call order desk	BASE NYLON RECTAGULAR	1	1		P
61	Call order desk	WASHER NYLON ROTATING	1	1		P
62	Call order desk	WASHER FLAT ST ROTATING	1	1		P
63	Call order desk	NUT SPECIAL CENTER ROTATING	1	1		P
64	Call order desk	WASHER NYLON INDEX LOCK	1	1		P
65	Call order desk	NUT ½	1	1		P
66	Call order desk	WASHER FLAT ST INDEX LOCK	1	1		P
67	864119	KNOB / ROTATING SEAT	4	4		
68	Call order desk	RETAINER BOLT	4	4		P
69	504127	RIVET POP DOME OE 3/16x3/4 AL	4	4		
		2+1) WITH 2+1 SEAT				
		A) AS SHOWN				
		P) CALL ORDER DESK FOR SPECIFIC APPLICATION (V.I.N.)				

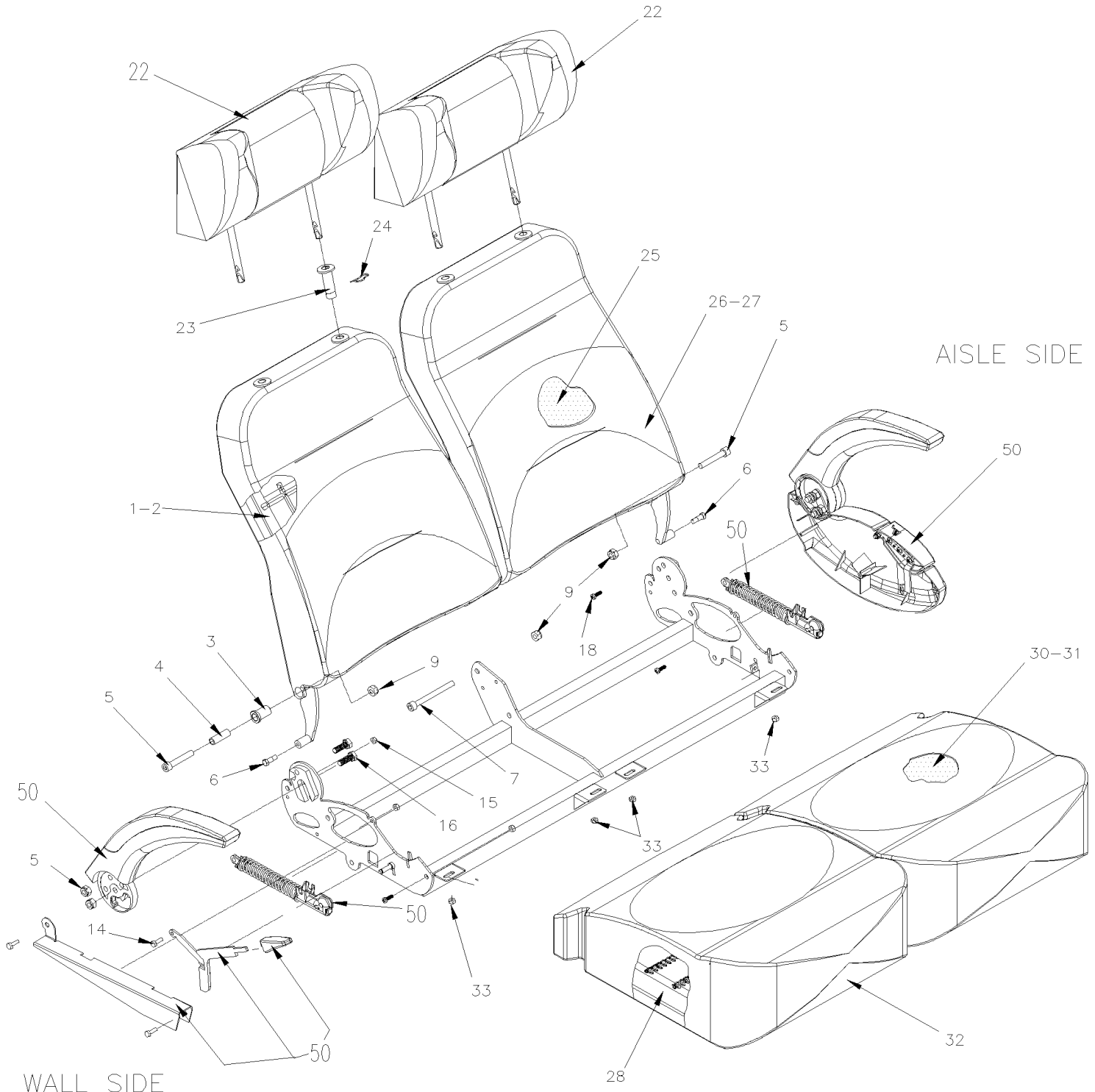


From 7-0671 To J-0287

Date:10/2022

PAGE:H7-1826-11

## PASSENGER'S SEAT - "AMAYA" "TORINO" WITH 3 POINTS

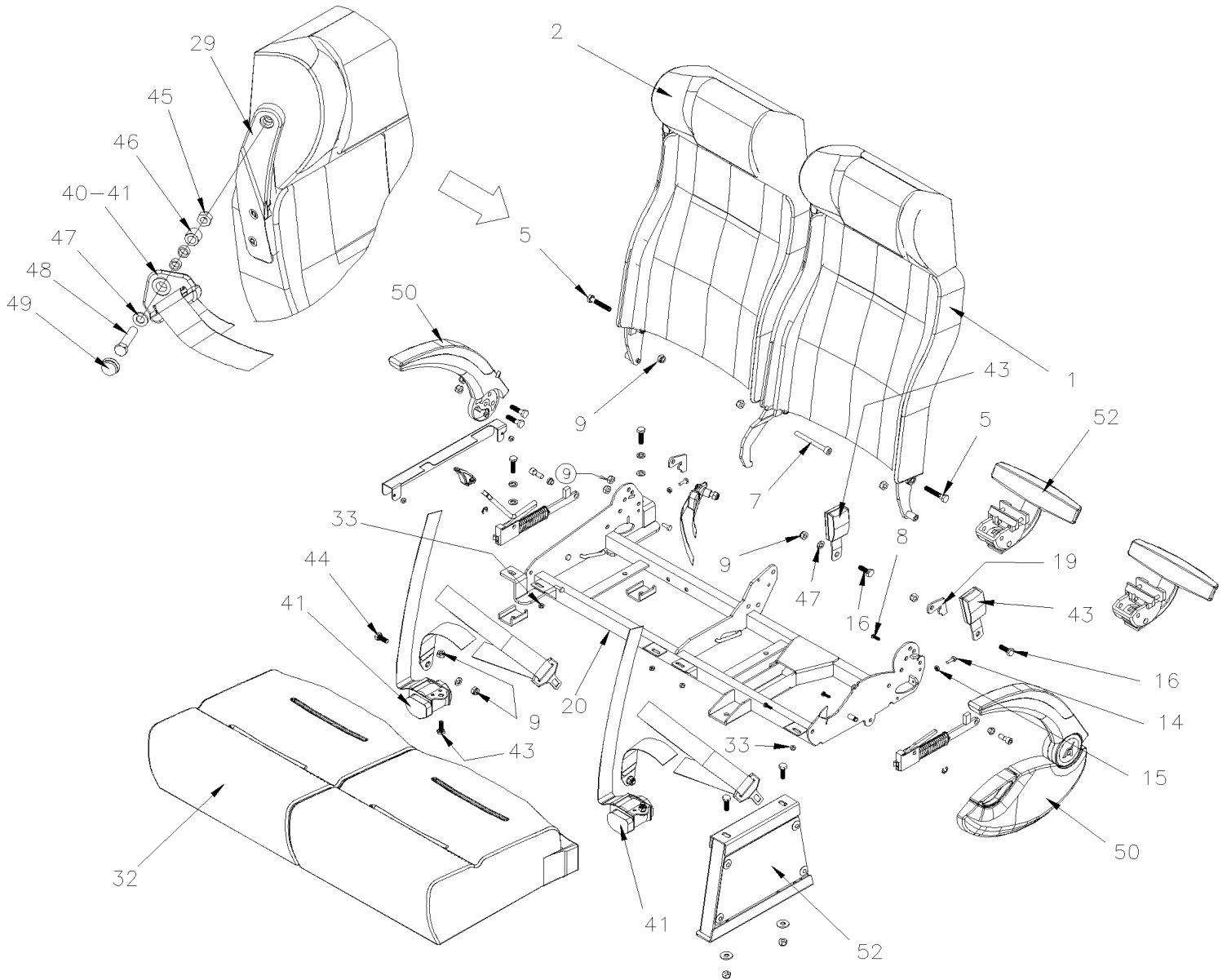


From 7-0671 To J-0287

Date:10/2022

PAGE:H7-1826-11

## PASSENGER'S SEAT - "AMAYA" "TORINO" WITH 3 POINTS



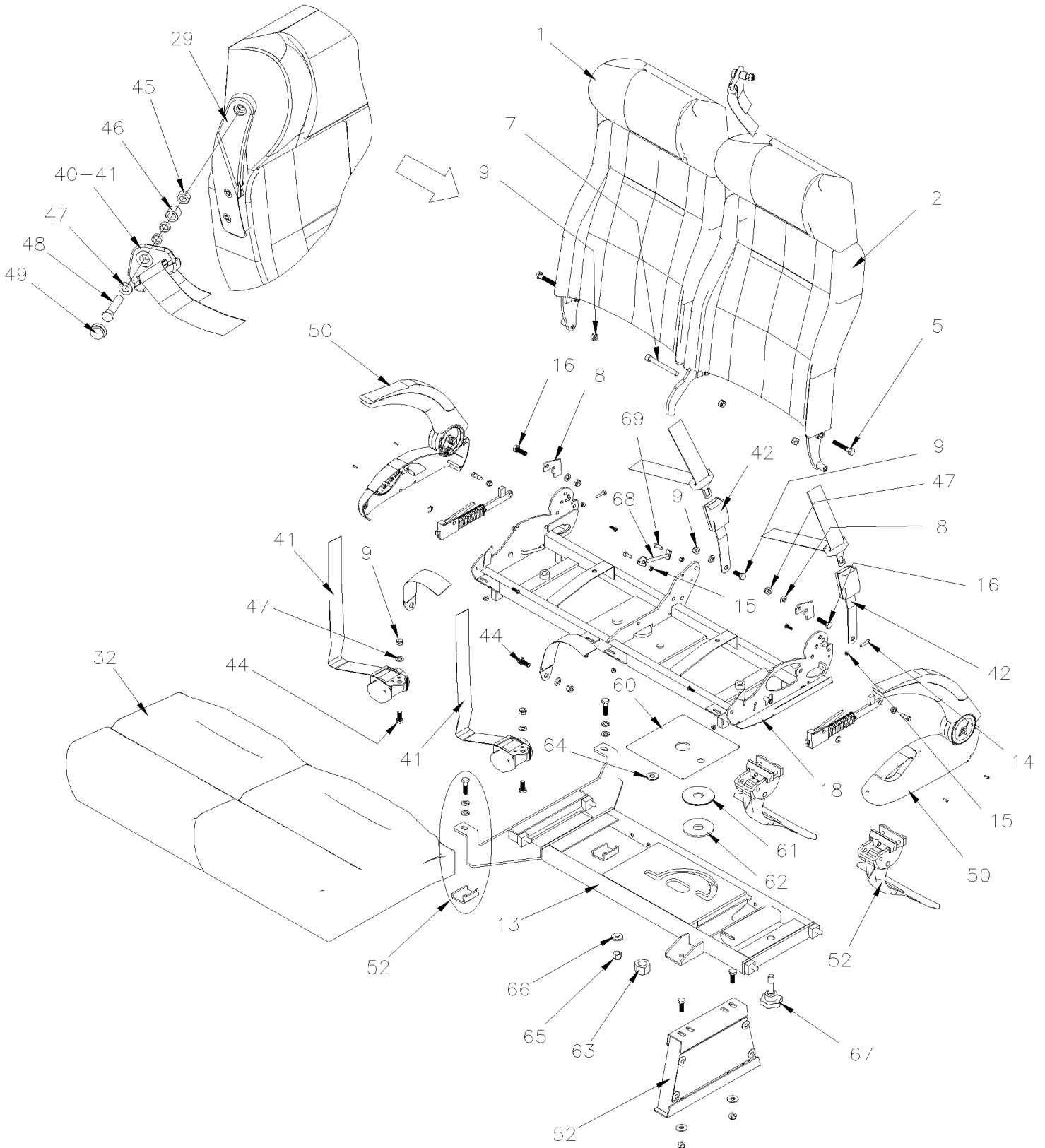


From 7-0671 To J-0287

Date:10/2022

PAGE:H7-1826-11

## PASSENGER'S SEAT - "AMAYA" "TORINO" WITH 3 POINTS



From 7-0671 To J-0287 Date:10/2022 PAGE:H7-1826-11

**PASSENGER'S SEAT - "AMAYA" "TORINO" WITH 3 POINTS**

Item#	Part	Description	H 3 4 1	H 3 4 5	V I P 4 5	N O T E S
		IMPORTANT NOTE:				
		TO ORDER COMPLETE PASSENGER'S SEAT KIT #,				
		SEE THE FINAL VEHICLE RECORD.				
1	Call order desk	BACKREST ASSY R.H. / WSIGLUM TORO	1	1		P
1	Call order desk	. BACKREST STRUCTURE R.H. / WSIGLUM TORO	1	1		P
1	Call order desk	BACKREST ASSY R.H. / WSIGLUM TORINO	1	1		P
1	Call order desk	. BACKREST STRUCTURE R.H. / WSIGLUM TORINO	1	1		P
1	Call order desk	BACKREST L.H. "TORINO VT" STD & rev				P
2	Call order desk	BACKREST ASSY L.H. / WSIGLUM TORO	1	1		P
2	Call order desk	. BACKREST STRUCTURE L.H. / W/SIGLUM TORO	1	1		P
2	Call order desk	BACKREST ASSY L.H. / WSIGLUM TORINO	1	1		P
2	Call order desk	. BACKREST STRUCTURE L.H. / W/SIGLUM TORINO	1	1		P
2	Call order desk	BACKREST R.H. "TORINO VT" STD & rev	1	1		P
3	Call order desk	. . INSIDE METAL BUSHING	1	1		P
4	865560	. . BUSHING HYTREL	1	1		
5	70314705	SCREW CAP HEXS M10-1.5x60 G8.8 ZP	2	2		
6	5001132	SCREW CAP HEX 5/16-18x7/8 G5 Z050	2	2		
7	502765	SCREW CAP HEXS M10-1.5x100 G8.8 PT ZP	1	1		
8	Call order desk	HY-LO BOLT M6-1.0x23	2	2		P
9	5001570	NUT HEX NYRT M10-1.5 Z050	5	5		
10	11500930	SCREW CAP HEX M10-1.5x30 G8.8 PHC	2	2		
11		STRUCTURE L.H.	1	1		
		STRUCTURE R.H.				
12	Call order desk	SEAT FRAME SUPERIOR / "TORINO" W/REVERSIBLE SEAT	1	1		P
13	Call order desk	SEAT FRAME INFERIOR BASE W/REVERSIBLE SEAT	1	1		P
14	9415477	SCREW CAP HEX 1/4-20x3/4 ZP	2	2		
14	500165	SCREW CAP HEX 1/4-20x1 G5 Z050	2	2		
15	500769	NUT HEX 1/4-20 Z050	3	3		
16	11500930	SCREW CAP HEX M10-1.5x30 G8.8 PHC	2	2		
16	502549	SCREW CAP HEX M10-1.5x35 G8.8 Z050	2	2		
17	500256	NUT HEX M10-1.5 Z050	4	4		
18	500829	SCREW CAP HEX M10-1.5x40 G8.8	2	2		
19	7770173	STOPPER 6" RECLINING (3 pos)	2	2		
19	7770172	RECLINING STOP 2 STEP w/reversible seat	2	2		
20	Call order desk	STRUCTURE R.H.	1	1		P
20	Call order desk	STRUCTURE L.H.	1	1		P
21	Call order desk	HEADREST FOAM / TYPE "TORO"	1	1		P
NS	Call order desk	COVERING HEADREST ASSY "TORO" S.C.C.	1	1		P
22	864858	HEADREST FOAM / TYPE "TORINO"	1	1		
NS	864861	COVERING HEADREST ASSY "TORINO" S.C.C.	1	1		
23	864810	GUIDE SLIDING	2	2		

From 7-0671 To J-0287 Date:10/2022 PAGE:H7-1826-11

**PASSENGER'S SEAT - "AMAYA" "TORINO" WITH 3 POINTS**

Item#	Part	Description	H 3 4 1	H 3 4 5	V I P 4 5	N O T E S
24	866204	BACKREST CLIP	2	2		
25	Call order desk	BACKREST FOAM / W/SIGLUM TORO S.C.C.	2	2		P
25	867774	BACKREST FOAM / W/SIGLUM TORINO S.C.C.	2	2		
26	867775	BACKREST TUFTING WIRE	4	4		
27	Call order desk	COVERING BACKREST ASSY "TORO" S.C.C.	2	2		P
27	Call order desk	COVERING BACKREST ASSY "TORINO" S.C.C.	2	2		P
28	860108	SEAT CUSHION FRAME	2	2		
29	860011	SEAT BELT SUPPORT, CURB SIDE	1	1		
29	860012	SEAT BELT SUPPORT, STREET SIDE	1	1		
30	865360	CUSHION FOAM	2	2		
31	861716	CUSHION TUFTING WIRE	2	2		
32	Call order desk	COVERING CUSHION ASSY S.C.C.	2	2		P
33	502716	NUT HEX NYRT 1/4-20	4	4		
NS	864217	GUIDE SEAT BELT FOR RH DOUBLE SEAT / FIX TO SEAT BACKREST	1	1		
NS	864216	GUIDE SEAT BELT FOR LH DOUBLE SEAT / FIX TO SEAT BACKREST	1	1		
40	864114	SEAT BELT AISLE SIDE	1	1		
. NS	867885	. BUSHING 16MM	1	1		
41	864115	SEAT BELT WINDOW SIDE	1	1		
NS	864622	EXTENSION SEAT BELT 30cm	AR	AR		
NS	864623	EXTENSION SEAT BELT 50cm	AR	AR		
42	864349	BUCKLE FEMALE	1	1		
43	864349	BUCKLE FEMALE	1	1		
44	Call order desk	SCREW CAP HEX 10x25	2	2		P
45	865521	SCREW CAP HEX 7/16-20x1 G8	2	2		
46	Call order desk	BUSHING SAFETY BELT	2	2		P
47	860294	WASHER	2	2		
48	860280	SCREW BUT HEXS M10-1.5x50MM	2	2		
49	865220	TORINO 7/16 CAP	2	2		
50	<b>H7-1826-54</b>	<b>ARMREST PASSENGER'S SEAT - "AMAYA" WITH "TORINO" &amp; "TORINO V.I.P."</b>				
51	<b>H7-1826-60</b>	<b>ACCESSORIES PASSENGER'S SEAT - "AMAYA"</b>				
52	<b>H7-1826-41</b>	<b>PASSENGER'S SEAT - "AMAYA" - FOOTREST &amp; PEDESTAL</b>				
60	Call order desk	BASE NYLON RECTAGULAR	1	1		P
61	Call order desk	WASHER NYLON ROTATING	1	1		P
62	Call order desk	WASHER FLAT ST ROTATING	1	1		P
63	Call order desk	NUT SPECIAL CENTER ROTATING	1	1		P
64	Call order desk	WASHER NYLON INDEX LOCK	1	1		P
65	Call order desk	NUT ½	1	1		P
66	Call order desk	WASHER FLAT ST INDEX LOCK	1	1		P
67	864119	KNOB / ROTATING SEAT	1	1		
68	Call order desk	REVERSIBLE MOUNTING RETURN	1	1		P

From 7-0671 To J-0287 Date:10/2022 PAGE:H7-1826-11

**PASSENGER'S SEAT - "AMAYA" "TORINO" WITH 3 POINTS**

Item#	Part	Description	H 3 4 1	H 3 4 5	V I P 4 5	N O T E S
69	5001515	SCREW CAP HEX 1/4-20x3/4 G8 Z050	2	2		
		P) CALL ORDER DESK FOR SPECIFIC APPLICATION (V.I.N.)				

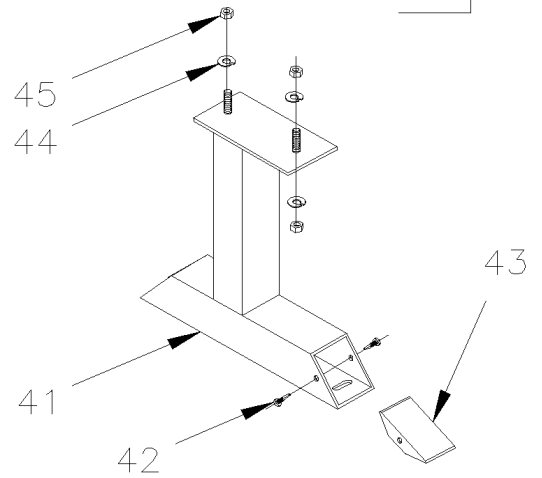
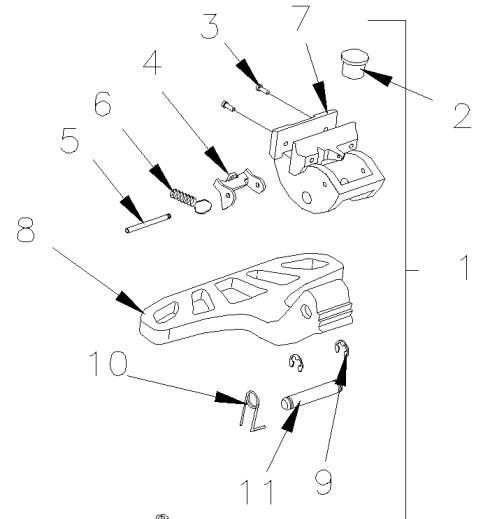
From 7-0671 To J-0287

Date:10/2022

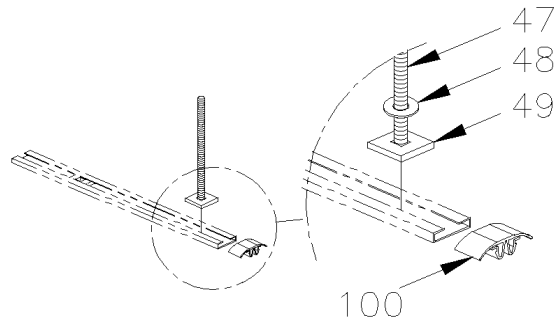
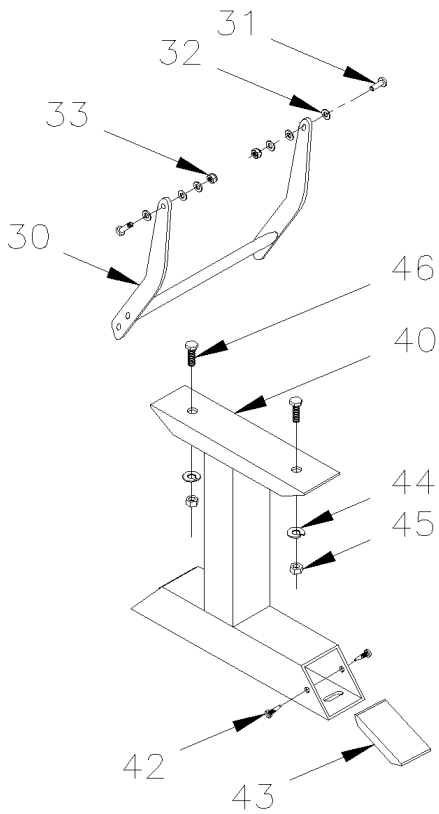
PAGE:H7-1826-40

## PASSENGER'S SEAT - "AMAYA" - FOOTREST & PEDESTAL

### FOOTREST GAUDI



### FOOTREST STD



From 7-0671 To J-0287	Date:10/2022	PAGE:H7-1826-40
-----------------------	--------------	-----------------

**PASSENGER'S SEAT - "AMAYA" - FOOTREST & PEDESTAL**

Item#	Part	Description	H 3 4 1	H 3 4 5	V I P 4 5	N O T E S
1	862224	FOOTREST ASSY W/SPRING / "GAUDI" / ALUMINUM	1	1		
1	867725	FOOTREST ASSY W/AUTOMATIC RETURN / "STELAM" / PLASTIC	1	1		
1	862714	FOOTREST ASSY W/SPRING / "SIGLIUM" / PLASTIC	1	1		B
2	N.S.S.	. RUBBER BUMPER	1	1		1
3	N.S.S.	. SCREW CAP HEXS M8-1.25x50 SS	2	2		1
4	N.S.S.	. STOPPER	1	1		1
5	N.S.S.	. STOPPER AXLE	1	1		1
6	N.S.S.	. SPRING	1	1		1
7	N.S.S.	. FOOTREST SUPPORT	1	1		1
8	N.S.S.	. FOOTREST	1	1		1
9	N.S.S.	. RETAINING RING	2	2		1
10	N.S.S.	. SPRING	1	1		1
11	N.S.S.	. FOOTREST AXLE	1	1		1
30	863814	FOOTREST STANDARD 10" L x 9" U	1	1		
31	Call order desk	BOLT SPECIAL M8-1.25 x10	2	2		P
32	500441	WASHER FL .312x.734x.065 Z050	2	2		
33	500868	NUT HEX NYRT M8-1.25 Z050	2	2		
40	860116	PEDESTAL ASSY / W STD FOOTREST	1	1		
40	866199	PEDESTAL ASSY / W STD FOOTREST W/TORINO	1	1		
41	Call order desk	PEDESTAL ASSY / W GAUDI FOOTREST	1	1		P
41	Call order desk	PEDESTAL ASSY / W GAUDI FOOTREST	1	1		P
41	Call order desk	PEDESTAL ASSY / W GAUDI FOOTREST / W/REVERSIBLE "GAUDI" HR	1	1		P
41	Call order desk	PEDESTAL ASSY / W GAUDI FOOTREST / W/REVERSIBLE "GAUDI" SC	1	1		P
41	Call order desk	PEDESTAL ASSY / W GAUDI FLIP-UP SLIDE	1	1		P
42	864028	CLIP CHRISTMAS TREE / BLACK 11MM O.D. x17MM HOLE 4MM	2	2		
42	864029	CLIP CHRISTMAS TREE / GREY 11MM O.D. x17MM HOLE 4MM	2	2		
43	862585	PEDESTAL CAP / BLACK	1	1		
. NS	864028	. CLIP CHRISTMAS TREE / BLACK 11MM O.D. x17MM HOLE 4MM	2	2		
43	863907	PEDESTAL CAP / GREY	1	1		
. NS	864029	. CLIP CHRISTMAS TREE / GREY 11MM O.D. x17MM HOLE 4MM	2	2		
43	865687	PEDESTAL CAP / TORINO	1	1		
44	866243	PRESSURE WASHER 7/16" 10MM	1	1		
45	500256	NUT HEX M10-1.5 Z050 To A-1499	2	2		
46	5001526	SCREW CAP HEX M16-2.0x45 G10.9 DP To A-1499	2	2		
47	500305	SCREW CAP HEX 3/8-16x7/8 G5 Z050 To A-1499	2	2		
47	5001735	SCREW CAP HEX 7/16-20x1 3/4 G8 G500 From A-1500	3	3		
48	500478	WASHER LO SPT .380x.683x.094 Z050 To A-1499	2	2		
48	500897	WASHER FL .437x1.000x.083 N500 From A-1500	3	3		
NS	5001734	NUT HEX 7/16-20 G8 N500 From A-1500	3	3		
49	362627	PLATE ANCHOR / 3/8-16 BOLT INSIDE TRACK / 1 1/4" X 1 1/4" To A-1499	AR	AR		
49	364272	BLOCK ANCHOR / 26.8MM INSIDE / 35MM x 50MM x 19MM Height From A-1500	3	3		
NS	364271	BLOCK ANCHOR / 29MM INSIDE / 35MM x 50MM x 25MM Height PROTO	AR	AR		

From 7-0671 To J-0287 Date:10/2022 PAGE:H7-1826-40

**PASSENGER'S SEAT - "AMAYA" - FOOTREST & PEDESTAL**

Item#	Part	Description	H 3 4 1	H 3 4 5	V I P 4 5	N O T E S
NS	364274	BLOCK ANCHOR / 26.8MM INSIDE / 35MM x 50MM x 19MM Height PROTO	AR	AR		
NS	323654	SEAT TRACK COVER 12' / EACH SEAT / W/COVERING FLOOR To A-1499	AR	AR		
100	323963	SEAT TRACK COVER 8' / EACH SEAT / W/COVERING FLOOR To A-1499	AR	AR		
100	329689	SEAT TRACK COVER 12' / EACH SEAT / W/COVERING FLOOR From A-1500	AR	AR		
100	329896	SEAT TRACK COVER 12' / EACH SEAT / W/COVERING FLOOR PROTO	AR	AR		
		B) THIS MODEL HAVE FOOTREST SUPPORT DIFFER THAN PICTURE				
		1) NOT SOLD SEPARATELY				
		P) CALL ORDER DESK FOR SPECIFIC APPLICATION (V.I.N.)				





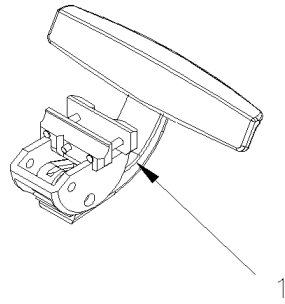
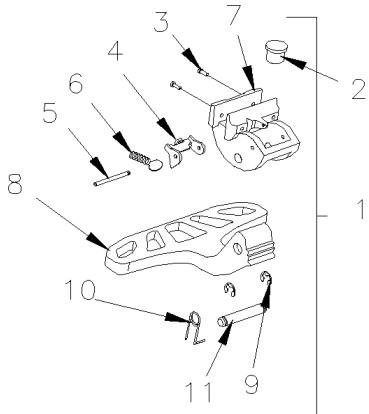
From 7-0671 To J-0287

Date:10/2022

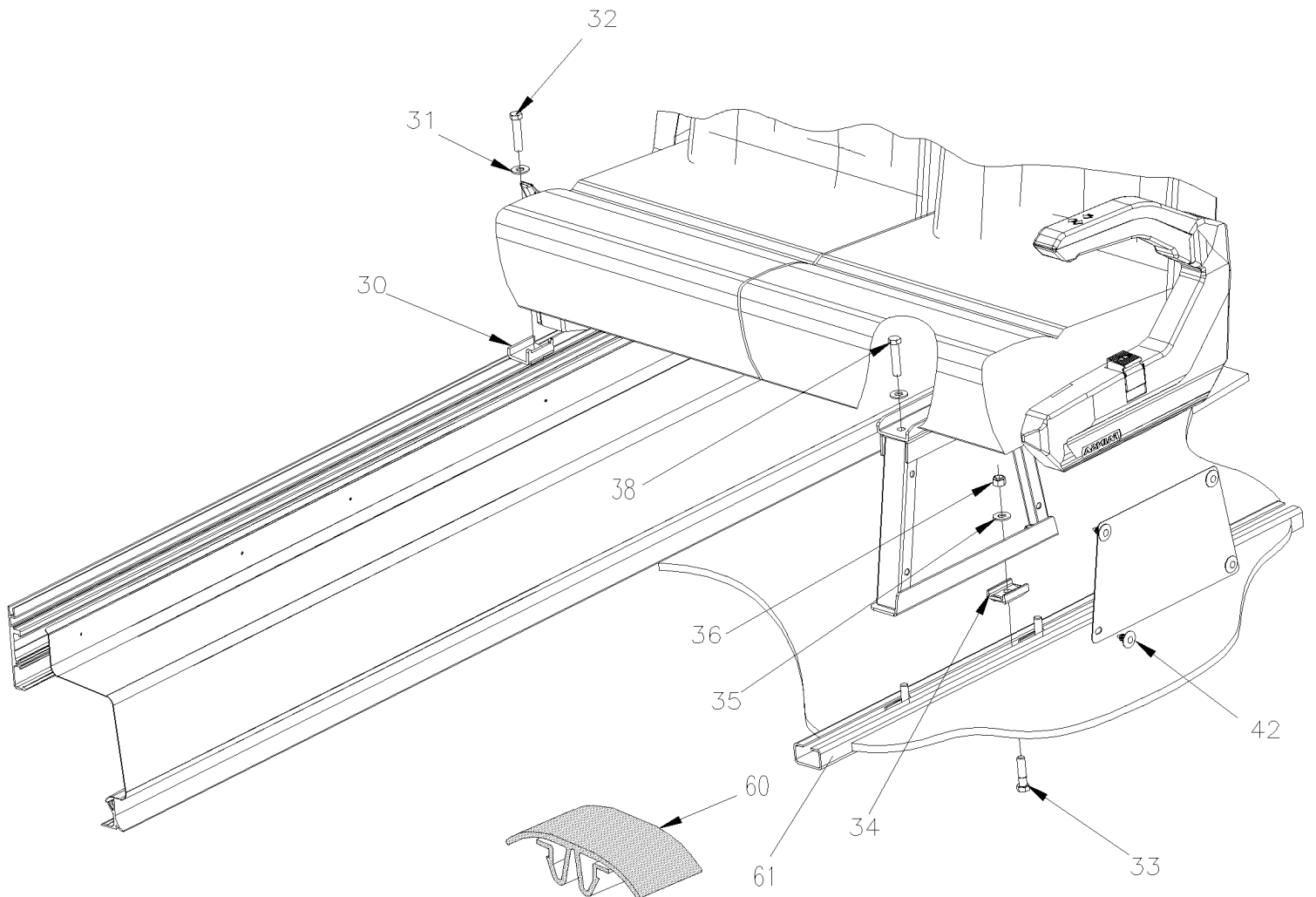
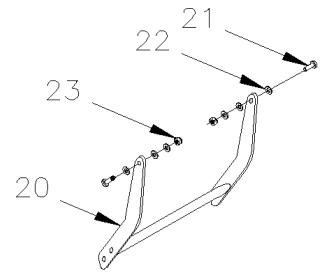
PAGE:H7-1826-41

## PASSENGER'S SEAT - "AMAYA" - FOOTREST & PEDESTAL

### FOOTREST WITH SPRING



### FOOTREST STANDARD

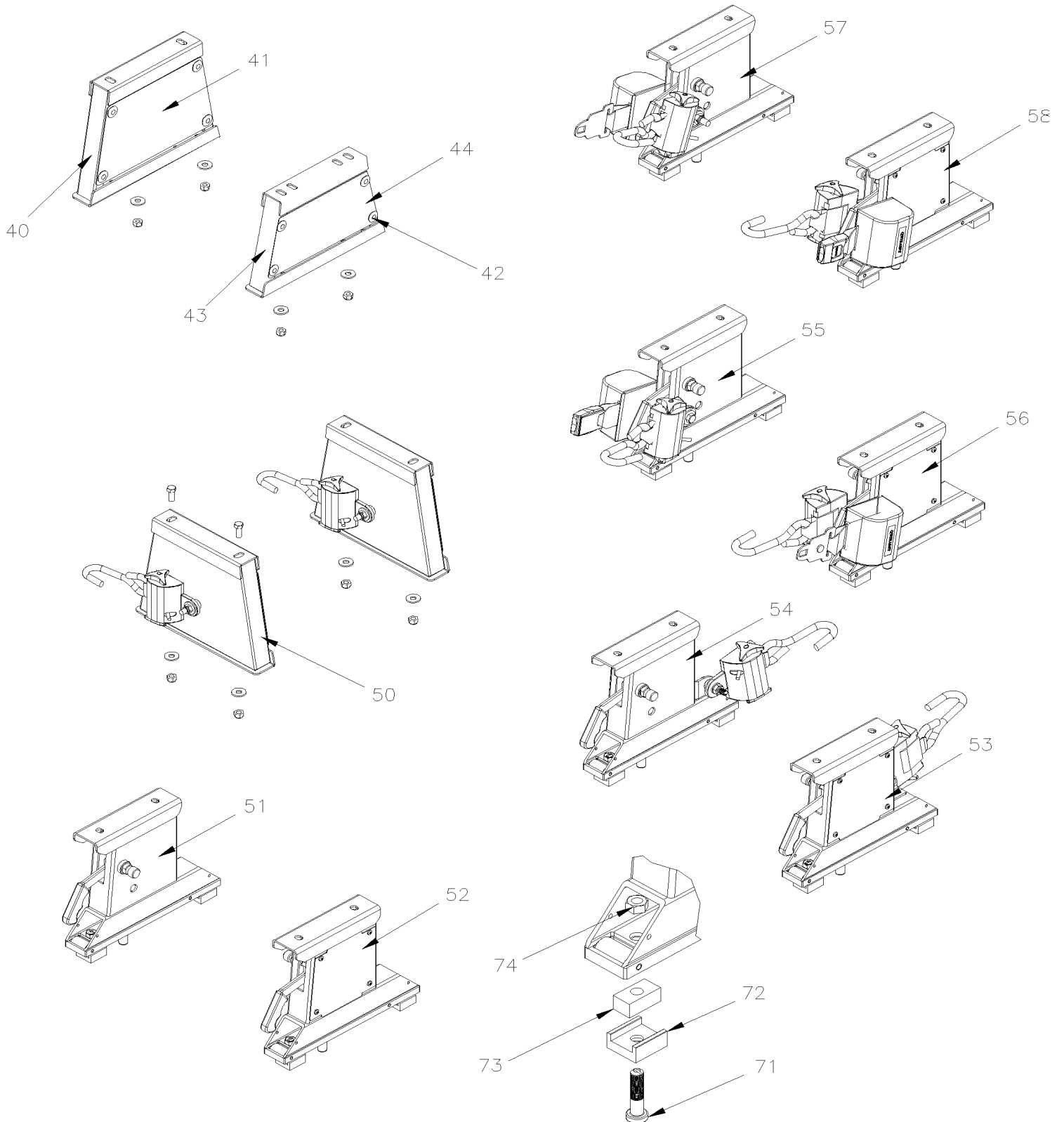


From 7-0671 To J-0287

Date:10/2022

PAGE:H7-1826-41

## PASSENGER'S SEAT - "AMAYA" - FOOTREST & PEDESTAL



From 7-0671 To J-0287 Date:10/2022 PAGE:H7-1826-41

**PASSENGER'S SEAT - "AMAYA" - FOOTREST & PEDESTAL**

Item#	Part	Description	H 3 4 1	H 3 4 5	V I P 4 5	N O T E S
1	862224	FOOTREST ASSY W/SPRING / "GAUDI" / ALUMINUM	1	1		
1	867725	FOOTREST ASSY W/AUTOMATIC RETURN / "STELAM" / PLASTIC	1	1		C
1	863995	FOOTREST ASSY W/SPRING / "GALA" / PLASTIC	1	1		
1	862714	FOOTREST ASSY W/SPRING / "SIGLIUM" / PLASTIC 608-624N	1	1		B
1	860157	FOOTREST W/O AUTOMATIC RETURN / "A-220"	1	1		
. NS	860097	. FOOTREST / "A-220" BOOMER TPYE	1	1		
1	860141	FOOTREST ASSY W/AUTOMATIC RETURN / "STELAM" STELAM TPYE				
2	N.S.S.	. RUBBER BUMPER	1	1		1
3	N.S.S.	. SCREW CAP HEXS M8-1.25x50 SS	2	2		1
4	N.S.S.	. STOPPER	1	1		1
5	N.S.S.	. STOPPER AXLE	1	1		1
6	N.S.S.	. SPRING	1	1		1
7	N.S.S.	. FOOTREST SUPPORT	1	1		1
8	N.S.S.	. FOOTREST	1	1		1
9	N.S.S.	. RETAINING RING	2	2		1
10	N.S.S.	. SPRING	1	1		1
11	N.S.S.	. FOOTREST AXLE	1	1		1
20	863814	FOOTREST STANDARD 10" L x 9" U N-1500	1	1		
20	863982	FOOTREST STANDARD X" L x Y" U H-1500	1	1		
21	Call order desk	BOLT SPECIAL M8-1.25 x10	2	2		P
22	500441	WASHER FL .312x.734x.065 Z050	2	2		
23	500868	NUT HEX NYRT M8-1.25 Z050	2	2		
30	865466	ATTACHMENT NUT / "L" SHAPE TO FIX SEAT TO WALL TRACK BRASIL	2	2		
30	865336	ATTACHMENT NUT / "L" SHAPE TO FIX SEAT TO WALL TRACK TORINO TORINO	2	2		
31	866243	PRESSURE WASHER 7/16" 10MM	2	2		
32	502549	SCREW CAP HEX M10-1.5x35 G8.8 Z050	2	2		
33	5001735	SCREW CAP HEX 7/16-20x1 3/4 G8 G500	3	3		
34	364272	BLOCK ANCHOR / 26.8MM INSIDE / 35MM x 50MM x 19MM Height	3	3		
35	500897	WASHER FL .437x1.000x.083 N500	3	3		
36	5001734	NUT HEX 7/16-20 G8 N500	3	3		
38	868271	SCREW CAP HEX 7/16-20x1 1/4 G8 GREYHOUND	2	2		
38	865465	WASHER FL / 7/16	2	2		
38	865521	SCREW CAP HEX 7/16-20x1 G8	2	2		
38	Call order desk	SCREW CAP HEX M10-1.5 x30MM torino rev	2	2		P
40	Call order desk	PEDESTAL ASSY / W STD SEAT	1	1		P
40	Call order desk	PEDESTAL ASSY / W STD SEAT GREYHOUND	1	1		P
40	Call order desk	PEDESTAL ASSY / W STD SEAT W/ A-2TEN / A-220 / GTT	1	1	1	P
41	865297	COVER PEDESTAL W/"TORINO", A-2TEN, A-220, GTT	1	1		
41	861715	COVER PEDESTAL W/"BRASIL"	1	1		

From 7-0671 To J-0287 Date:10/2022 PAGE:H7-1826-41

**PASSENGER'S SEAT - "AMAYA" - FOOTREST & PEDESTAL**

Item#	Part	Description	H 3 4 1	H 3 4 5	V I P 4 5	N O T E S
42	864368	SCREW 3/8 PLASTIC	4	4		
43	Call order desk	PEDESTAL ASSY / W REVERSIBLE SEAT "TORINO"	1	1		P
43	Call order desk	PEDESTAL ASSY / W REVERSIBLE SEAT "BRASIL"	1	1		P
44	Call order desk	COVER PEDESTAL W/REVERSIBLE SEAT	1	1		P
44	865297	COVER PEDESTAL W/"TORINO", A-2TEN, A-220, GTT	1	1		
44	865297	COVER PEDESTAL W/"TORINO", A-2TEN, A-220, GTT	1	1		
45	864119	KNOB / ROTATING SEAT	1	1		
50	Call order desk	PEDESTAL ASSY / STD W/1 SEAT BELT HOOK BACKWARD	2	2		P
51	865092	PEDESTAL ASSY R.H. TRACK	1	1		
. NS	865992	. COVER HANDLE RED	1	1		
51	865066	PEDESTAL ASSY R.H. TRACK W/BRASIL	1	1		
. NS	865992	. COVER HANDLE RED	1	1		
51	865069	PEDESTAL ASSY R.H. TRACK W/TORINO G & A-2TEN	1	1		
. NS	865992	. COVER HANDLE RED	1	1		
51	860135	PEDESTAL ASSY R.H. TRACK A-220	1	1	1	
52	865121	PEDESTAL ASSY L.H. TRACK	1	1		
. NS	865992	. COVER HANDLE RED	1	1		
52	865068	PEDESTAL ASSY L.H. TRACK W/TORINO G & A-2TEN	1	1		
. NS	865992	. COVER HANDLE RED	1	1		
52	860134	PEDESTAL ASSY L.H. TRACK A-220	1	1	1	
52	865067	PEDESTAL ASSY L.H. TRACK W/BRASIL	1	1		
. NS	865992	. COVER HANDLE RED	1	1		
53	864461	PEDESTAL ASSY L.H. TRACK 1 SEAT BELT HOOK BACKWARD	1	1		
. NS	865992	. COVER HANDLE RED	1	1		
54	864698	PEDESTAL ASSY R.H. TRACK 1 SEAT BELT HOOK BACKWARD	1	1		
. NS	865992	. COVER HANDLE RED	1	1		
55	864960	PEDESTAL ASSY R.H. TRACK 2 SEATS BELT FORWARD 38"	1	1		
. NS	865992	. COVER HANDLE RED	1	1		
56	864621	PEDESTAL ASSY L.H. TRACK 2 SEATS BELT FORWARD 38"	1	1		
. NS	865992	. COVER HANDLE RED	1	1		
57	860154	PEDESTAL ASSY R.H. TRACK 2 SEATS BELT FORWARD 40"	1	1		
. NS	865992	. COVER HANDLE RED	1	1		
58	860155	PEDESTAL ASSY L.H. TRACK 2 SEATS BELT FORWARD 40"	1	1		
. NS	865992	. COVER HANDLE RED	1	1		
NS	322246	SEAT STOPPER BLOCK 100MM x 31.75MM	AR	AR		
NS	319994	SEAT STOPPER BLOCK 50MM x 31.75MM	AR	AR		
NS	329177	SEAT STOPPER BLOCK 275MM x 31.75MM	AR	AR		
60	329689	SEAT TRACK COVER 12' / EACH SEAT / W/COVERING FLOOR	AR	AR		
61	<b>H7-1838-01</b>	<b>FLOOR - BUS To H-3590</b>				
61	<b>H7-1838-02</b>	<b>FLOOR - BUS From H-3591</b>				

From 7-0671 To J-0287	Date:10/2022	PAGE:H7-1826-41
<b>PASSENGER'S SEAT - "AMAYA" - FOOTREST &amp; PEDESTAL</b>		

Item#	Part	Description	H 3 4 1	H 3 4 5	V I P 4 5	N O T E S
63	5001738	SCREW CAP HEX M8-1.25x30 G8.8 N500	2	2		
63	502549	SCREW CAP HEX M10-1.5x35 G8.8 Z050	AR	AR		
64	323809	DECAL/ ARROW > SEAT POSITION 25MM x 35MM	1	1		
66	866243	PRESSURE WASHER 7/16" 10MM	1	1		
71	865064	PIN SUPPORT 7/16x54MM HEAD 19.5MM O.D	1	1		
71	860385	PIN SUPPORT 3/8X44MM HEAD 25.4MM O.D	1	1		
72	865063	INSIDE GUIDE	1	1		
73	865062	INSIDE SLIDE	1	1		
74	500709	NUT HEX 7/16-20 Z050	1	1		
		B) THIS MODEL HAS A DIFFERENT FOOTREST ATTACHMENT FROM THE PICTURE				
		C) ALSO USE WITH A2TEN SEAT				
		1) NOT SOLD SEPARATELY				
		P) CALL ORDER DESK FOR SPECIFIC APPLICATION (V.I.N.)				

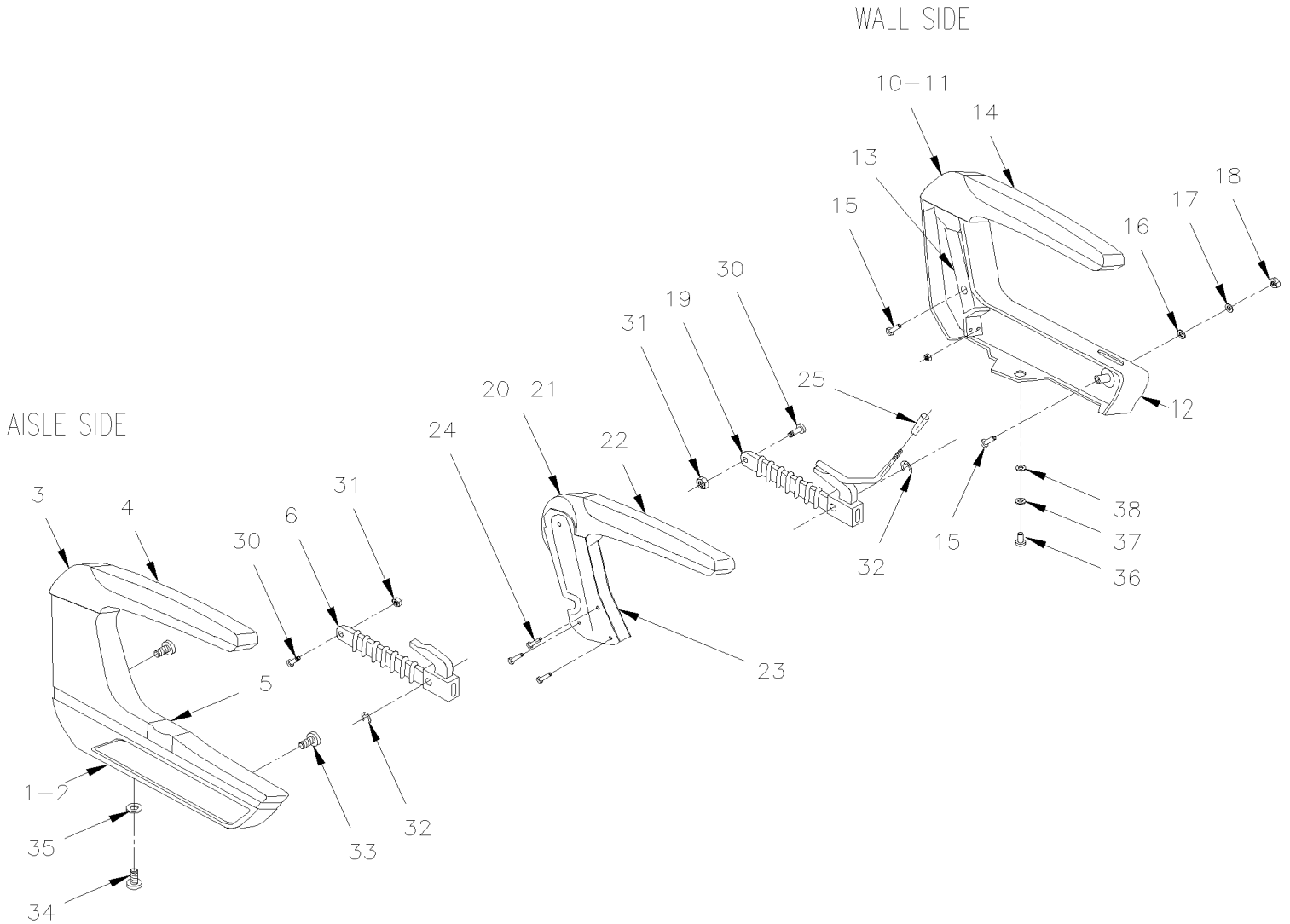


From 7-0671 To J-0287

Date:10/2022

PAGE:H7-1826-50

## ARMREST PASSENGER'S SEAT - "AMAYA" WITH "EUROTECH"



From 7-0671 To J-0287	Date:10/2022	PAGE:H7-1826-50
<b>ARMREST PASSENGER'S SEAT - "AMAYA" WITH "EUROTECH"</b>		

Item#	Part	Description	H 3 4 1	H 3 4 5	V I P 4 5	N O T E S
1	865740	ARMREST ASSY R.H.	1	1		
1	865741	ARMREST ASSY L.H.	1	1		
2	Call order desk	. ARMREST AISLE SUPPORT L.H.	1	1		P
2	867850	. ARMREST AISLE SUPPORT R.H.	1	1		
3	864847	. ARMREST AISLE FRAME L.H.	1	1		
3	864848	. ARMREST AISLE FRAME R.H.	1	1		
NS	865534	. AXLE BOLT (ARM PIVOT)	1	1		
NS	865533	. WASHER CON	1	1		
4	862939	. ARMREST COVER RUBBER	1	1		
NS	Call order desk	. BOLT 2.5X26	1	1		P
5	863361	. PUSH BUTTON	1	1		
5	863474	. TRACK BUTTON	1	1		
NS	863475	. SPRING BUTTON	1	1		
NS	863476	. STOPPER BUTTON	1	1		
6	862545	. RECLINING MECANISM AILSE SIDE	1	1		A
10	863645	ARMREST ASSY L.H. / WALL SIDE	1	1		
10	Call order desk	ARMREST ASSY R.H. / WALL SIDE	1	1		P
11	866006	. ARMREST WALL FRAME R.H.	1	1		
11	863381	. ARMREST WALL FRAME L.H.	1	1		
NS	Call order desk	. WASHER	1	1		P
NS	866005	. SCREW CAP HEXS M12x30	1	1		
12	862937	. ARMREST WALL SUPPORT R.H.	1	1		
12	867851	. ARMREST WALL SUPPORT L.H.	1	1		
13	863425	. ARMREST REINFORCEMENT	1	1		
14	862939	. ARMREST COVER RUBBER	1	1		
NS	Call order desk	. BOLT 2.5X26	1	1		P
15	Call order desk	. BOLT M8 X 50MM	1	1		P
15	Call order desk	. SCREW MA CHE PH M8-1.25x45	1	1		P
16	Call order desk	. WASHER FL 8.4	1	1		P
17	Call order desk	. WASHER LO INT 8.4	1	1		P
18	865483	. NUT HEX M8-1.25	1	1		
19	862218	RECLINING MECANISM WALL SIDE	1	1		B
20	862544	CENTER ARMREST ASSY / PAINTED ALUMINUM	1	1		
21	865357	. ARMREST CENTER	1	1		
NS	865533	. WASHER CON	2	2		
NS	860170	. BOLT MALE	1	1		
NS	Call order desk	. BOLT FEMALE	1	1		P
22	862939	. ARMREST COVER RUBBER	1	1		
23	Call order desk	. ARMREST CENTER SUPPORT	1	1		P
24	Call order desk	SCREW MA CHE PH M6x15	1	1		P
25	862225	KNOB W/ ROUND ROD INSERT MECHANISM (FORMER)	1	1		
30	866248	BOLT SPECIAL FIXING	1	1		



From 7-0671 To J-0287	Date:10/2022	PAGE:H7-1826-50
<b>ARMREST PASSENGER'S SEAT - "AMAYA" WITH "EUROTECH"</b>		

Item#	Part	Description	H 3 4 1	H 3 4 5	V I P 4 5	N O T E S
31	500256	NUT HEX M10-1.5 Z050	1	1		
32	Call order desk	WASHER #9 DIN6799	1	1		P
33	Call order desk	SCREW OVAL HEAD M8-1.25x20	1	1		P
34	Call order desk	SCREW CAP HEXS M8x20	1	1		P
35	865515	WASHER FL 6.4	1	1		
36	Call order desk	SCREW BUT HEXS M6x10	1	1		P
37	Call order desk	PRESSURE WASHER	1	1		P
38	Call order desk	WASHER J6.4 DIN 125	1	1		P
		A) INCLUDE ITEMS # 30,31 & 32				
		B) INCLUDE ITEMS # 25, 30, 31 & 32				
		P) CALL ORDER DESK FOR SPECIFIC APPLICATION (V.I.N.)				

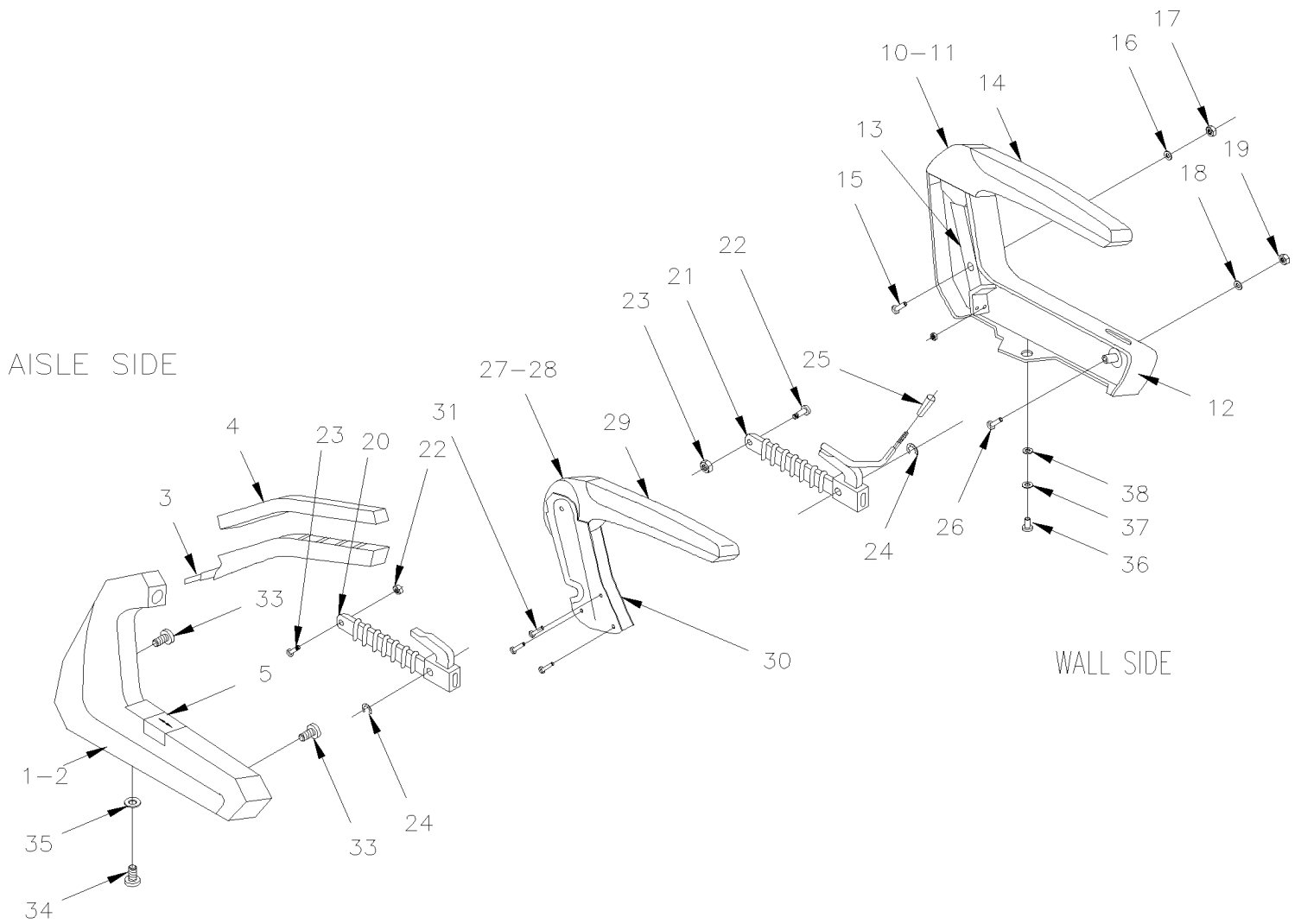


From 7-0671 To J-0287

Date:10/2022

PAGE:H7-1826-51

## ARMREST PASSENGER'S SEAT - "AMAYA" WITH "BRASIL"



From 7-0671 To J-0287	Date:10/2022	PAGE:H7-1826-51
<b>ARMREST PASSENGER'S SEAT - "AMAYA" WITH "BRASIL"</b>		

Item#	Part	Description	H 3 4 1	H 3 4 5	V I P 4 5	N O T E S
1	863843	ARMREST ASSY R.H.	1	1		
1	863844	ARMREST ASSY L.H.	1	1		
1	862934	ARMREST ASSY L.H.	1	1		
2	867849	. ARMREST AISLE SUPPORT L.H.	1	1		
2	Call order desk	. ARMREST AISLE SUPPORT R.H.	1	1		P
3	860128	. ARMREST AISLE FRAME L.H.	1	1		
3	Call order desk	. ARMREST AISLE FRAME R.H.	1	1		P
NS	Call order desk	. ARMREST CLIP	1	1		P
NS	Call order desk	. FIBER ARMREST WASHER	1	1		P
4	863427	. ARMREST COVER AISLE	1	1		
5	863361	. PUSH BUTTON	1	1		
5	863474	. TRACK BUTTON	1	1		
NS	863475	. SPRING BUTTON	1	1		
NS	863476	. STOPPER BUTTON	1	1		
NS	867624	ARMREST AISLE SIDE ASSY / WITH LEATHER CURBSIDE 2 + 1	1	1		
NS	867625	ARMREST AISLE SIDE ASSY / WITH LEATHER STREET SIDE 2 + 1	1	1		
NS	868456	ARMREST PULL-UP AISLE SIDE RH SPECIAL OPTION	1	1		
NS	Call order desk	ARMREST PULL-UP AISLE SIDE LH SPECIAL OPTION	1	1		P
10	863645	ARMREST ASSY L.H. / WALL SIDE	1	1		
10	Call order desk	ARMREST ASSY R.H. / WALL SIDE	1	1		P
11	866006	. ARMREST WALL FRAME R.H.	1	1		
11	863381	. ARMREST WALL FRAME L.H.	1	1		
NS	Call order desk	. WASHER	1	1		P
NS	866005	. SCREW CAP HEXS M12x30	1	1		
12	862937	. ARMREST WALL SUPPORT R.H.	1	1		
12	867851	. ARMREST WALL SUPPORT L.H.	1	1		
13	863425	. ARMREST REINFORCEMENT	1	1		
14	862939	. ARMREST COVER RUBBER	1	1		
NS	Call order desk	. BOLT 2.5X26	1	1		P
15	500193	SCREW CAP HEX 3/8-16x1 1/2 G5 Z050	1	1		
16	500445	WASHER FL .437x1.000x.083 Z050	1	1		
17	500783	NUT HEX 3/8-16 Z050	1	1		
18	502507	WASHER LO SPT 8.1x14.8x2.0 Z050	1	1		
19	502543	NUT HEX M8-1.25 Z050	1	1		
20	862545	RECLINING MECANISM AILSE SIDE	1	1		
21	862218	RECLINING MECANISM WALL SIDE	1	1		
22	866248	. BOLT SPECIAL FIXING	1	1		
23	500256	. NUT HEX M10-1.5 Z050	1	1		
24	Call order desk	. SNAP RING	1	1		P
25	862225	. KNOB W/ ROUND ROD INSERT MECHANISM (FORMER)	1	1		

From 7-0671 To J-0287	Date:10/2022	PAGE:H7-1826-51
<b>ARMREST PASSENGER'S SEAT - "AMAYA" WITH "BRASIL"</b>		

Item#	Part	Description	H 3 4 1	H 3 4 5	V I P 4 5	N O T E S
26	865486	SCREW MA OV PH M8-1.25x35	1	1		
27	863743	CENTER ARMREST ASSY / PAINTED SILVER	1	1		
28	865357	. ARMREST CENTER	1	1		
NS	865533	. WASHER CON	2	2		
NS	860170	. BOLT MALE	1	1		
NS	Call order desk	. BOLT FEMALE	1	1		P
29	863539	. ARMREST COVER CENTER	1	1		
30	Call order desk	. ARMREST CENTER SUPPORT	1	1		P
31	Call order desk	SCREW MA CHE PH M6x15	1	1		P
33	Call order desk	SCREW OVAL HEAD M8-1.25x20	1	1		P
34	N32018	SCREW MA PAN PH M6-1.0x12 BKP	1	1		
35	865485	SCREW MA OV PH M8-1.25x25	1	1		
36	502806	SCREW MA FL PH M6-1.0x10 Z050	1	1		
37	Call order desk	PRESSURE WASHER	1	1		P
38	Call order desk	WASHER J6.4 DIN 125	1	1		P
		P) CALL ORDER DESK FOR SPECIFIC APPLICATION (V.I.N.)				

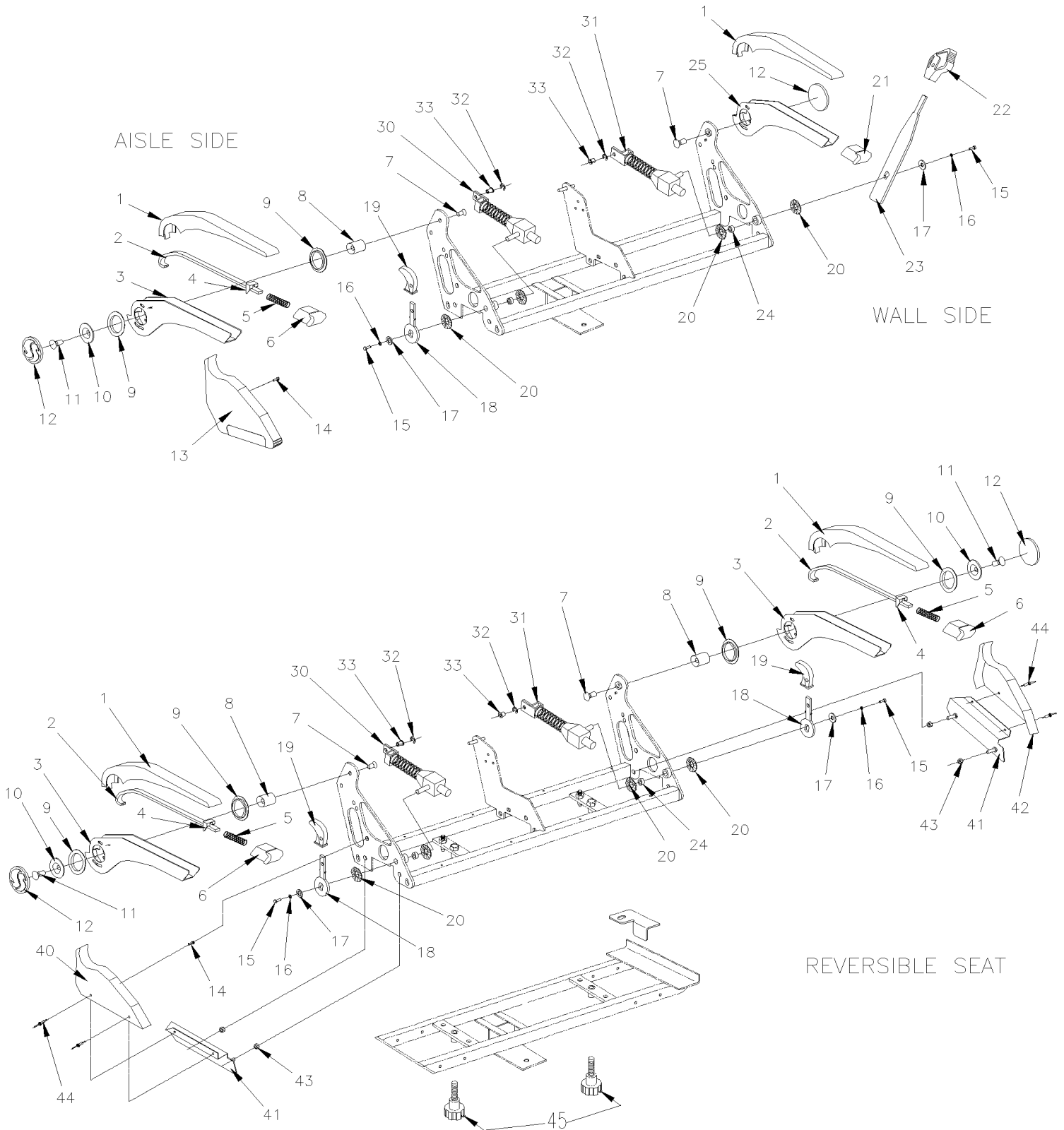


From 7-0671 To J-0287

Date:10/2022

PAGE:H7-1826-52

## ARMREST PASSENGER'S SEAT - "AMAYA" WITH "GAUDI"



From 7-0671 To J-0287	Date:10/2022	PAGE:H7-1826-52
-----------------------	--------------	-----------------

**ARMREST PASSENGER'S SEAT - "AMAYA" WITH "GAUDI"**

Item#	Part	Description	H 3 4 1	H 3 4 5	V I P 4 5	N O T E S
	866091	ARMREST ASSY / AISLE SIDE / GAUDI	1	1		
1	864965	. ARMREST COVER	1	1		
2	N.S.S.	. FOLD DOWN ARMREST LEVER	1	1		1
3	N.S.S.	. AISLE ARMREST FRAME	1	1		1
4	N.S.S.	. FOLD DOWN ARMREST STOPPER	1	1		1
5	N.S.S.	. ARMREST SPRING	1	1		1
6	866078	. PUSH BUTTON	1	1		
7	N.S.S.	. BOLT M10x19MM	1	1		1
8	N.S.S.	. AXLE ARMREST	1	1		1
9	N.S.S.	. PLASTIC BUSHING	2	2		1
10	N.S.S.	. COVER	1	1		1
11	N.S.S.	. BOLT M10X25MM	1	1		1
12	864976	. ARMREST LOGO CAP R-7010	1	1		
13	864789	COVER AISLE SIDE W/L.H. SEAT	1	1		
13	864831	COVER AISLE SIDE W/R.H. SEAT	1	1		
14	Call order desk	BOLT 6.3x19	1	1		P
15	Call order desk	BOLT M6x15MM	1	1		P
16	Call order desk	WASHER B6.1 DIN 127	1	1		P
17	Call order desk	WASHER 6.4 DIN 9021	1	1		P
18	Call order desk	AISLE LEVER RECLINING	1	1		P
19	864093	KNOB RECLINING	1	1		
20	866260	UNSULATED WASHER	2	2		
21	Call order desk	BUTTON FIXED ARMREST	1	1		P
22	864094	KNOB WALL MECHANISM	1	1		
23	Call order desk	LEVER WALL MECHANISM	1	1		P
23	Call order desk	LEVER WALL MECHANISM (RIGHT SEAT ONLY) / W/"GAUDI" SC	1	1		P
24	Call order desk	BUSHING AXLE / W/"GAUDI" HR	1	1		P
24	865647	BUSHING AXLE / W/"GAUDI" SC	1	1		
25	Call order desk	WALL ARMREST FRAME	1	1		P
30	864045	RECLINING MECHANISM AISLE / W/"GAUDI" HR	1	1		
30	863881	RECLINING MECHANISM AISLE / W/"GAUDI" SC	1	1		
31	8611002	RECLINING MECHANISM WALL / W/"GAUDI" HR	1	1		
31	863882	RECLINING MECHANISM WALL / W/"GAUDI" SC	1	1		
32	Call order desk	WASHER #9 DIN6799	1	1		P
33	866260	UNSULATED WASHER	1	1		
40	Call order desk	COVER R.H. LATERAL W/REVERSIBLE SEAT	1	1		P
41	Call order desk	COVER LATERAL COMPLEMENT W/REVERSIBLE SEAT	2	2		P
42	864972	COVER L.H. LATERAL W/REVERSIBLE SEAT	1	1		
43	5001570	NUT HEX NYRT M10-1.5 Z050	4	4		
44	504108	RIVET POP DOME OE 1/8x1/2 AL	4	4		
45	862156	KNOB / ROTATING SEAT	2	2		



From 7-0671 To J-0287	Date:10/2022	PAGE:H7-1826-52
-----------------------	--------------	-----------------

**ARMREST PASSENGER'S SEAT - "AMAYA" WITH "GAUDI"**

Item#	Part	Description	H 3 4 1	H 3 4 5	V I P 4 5	N O T E S
		1) NOT SOLD SEPARATELY				
		P) CALL ORDER DESK FOR SPECIFIC APPLICATION (V.I.N.)				

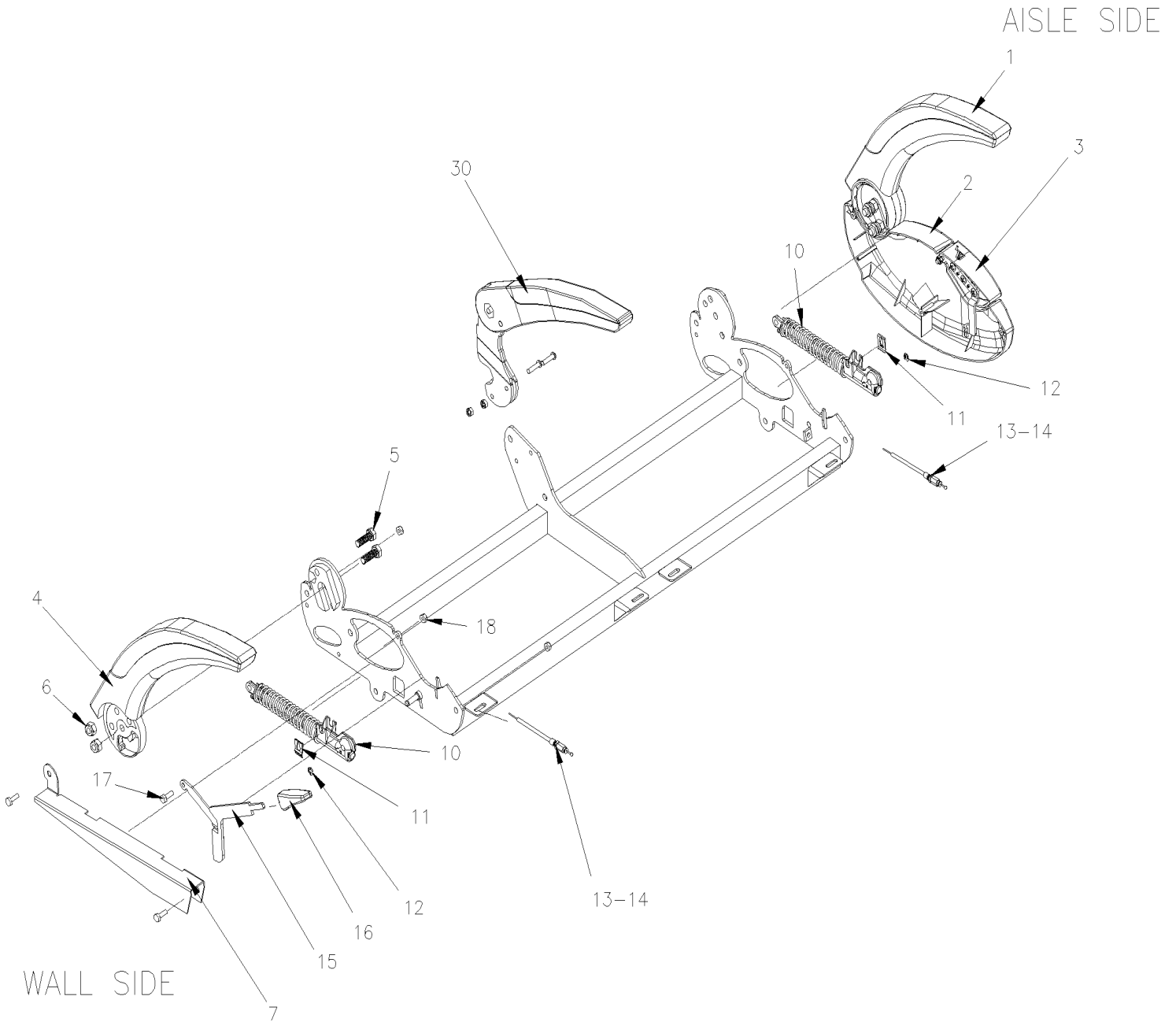


From 7-0671 To J-0287

Date:10/2022

PAGE:H7-1826-53

ARMREST PASSENGER'S SEAT - "AMAYA" WITH "SIGLIUM" TORO & TORINO



From 7-0671 To J-0287 Date:10/2022 PAGE:H7-1826-53

**ARMREST PASSENGER'S SEAT - "AMAYA" WITH "SIGLIUM" TORO & TORINO**

Item#	Part	Description	H 3 4 1	H 3 4 5	V I P 4 5	N O T E S
		IMPORTANT NOTE:				
		TO ORDER COMPLETE PASSENGER'S SEAT KIT #,				
		SEE THE FINAL VEHICLE RECORD.				
	N.S.S.	ARMREST R.H. AISLE ASSY	1	1		1
. NS	863186	. ARMREST R.H.	1	1		
. . NS	Call order desk	. . ARMREST COVERING WOOD FINISHING	1	1		P
. . NS	866077	. . ARMREST COVERING DARK GREY	1	1		
. . NS	865378	. . ARMREST COVERING LIGHT GREY	1	1		
. . NS	860075	. . CAP WITH LOGO AMAYA	1	1		
. NS	864577	. COVER AISLE R.H.	1	1		
. NS	864588	. LEVER AISLE R.H.	1	1		
. NS	860075	. CAP WITH LOGO AMAYA	1	1		
	N.S.S.	ARMREST L.H. AISLE ASSY	1	1		1
. NS	864938	. ARMREST L.H.	1	1		
. . NS	Call order desk	. . ARMREST COVERING WOOD FINISHING	1	1		P
. . NS	866077	. . ARMREST COVERING DARK GREY	1	1		
. . NS	865378	. . ARMREST COVERING LIGHT GREY	1	1		
. . NS	860076	. . CAP WITH LOGO AMAYA	1	1		
. NS	864703	. COVER AISLE SIDE RH SEAT	1	1		
. NS	864589	. LEVER AISLE L.H.	1	1		
1	863186	. ARMREST R.H.	1	1		
. NS	Call order desk	. . ARMREST COVERING WOOD FINISHING	1	1		P
. NS	866077	. . ARMREST COVERING DARK GREY	1	1		
. NS	865378	. . ARMREST COVERING LIGHT GREY	1	1		
. NS	860075	. . CAP WITH LOGO AMAYA	1	1		
1	864938	. ARMREST L.H.	1	1		
. NS	Call order desk	. . ARMREST COVERING WOOD FINISHING	1	1		P
. NS	866077	. . ARMREST COVERING DARK GREY	1	1		
. NS	865378	. . ARMREST COVERING LIGHT GREY	1	1		
. NS	860076	. . CAP WITH LOGO AMAYA	1	1		
2	864577	. COVER AISLE R.H.	1	1		
2	864703	. COVER AISLE SIDE RH SEAT	1	1		
3	864588	. LEVER AISLE R.H.	1	1		
3	864589	. LEVER AISLE L.H.	1	1		
4	865070	ARMREST R.H. WINDOW SIDE	1	1		
5	11500930	SCREW CAP HEX M10-1.5x30 G8.8 PHC	2	2		
6	500256	NUT HEX M10-1.5 Z050	2	2		
7	Call order desk	COVER MECHANISC R.H.	1	1		P
7	Call order desk	COVER MECHANISC L.H.	1	1		P
10	863405	CYLINDER R.H.	1	1		

From 7-0671 To J-0287	Date:10/2022	PAGE:H7-1826-53
-----------------------	--------------	-----------------

**ARMREST PASSENGER'S SEAT - "AMAYA" WITH "SIGLIUM" TORO & TORINO**

Item#	Part	Description	H 3 4 1	H 3 4 5	V I P 4 5	N O T E S
10	863406	CYLINDER L.H.	1	1		
11	861486	CLIP / WIRE RETAINER	2	2		
12	865696	CLIP	1	1		
13	863407	CABLE	2	2		
14	500690	NUT HEX NYRT 1/4-28 Z050	2	2		
15	863413	RECLINING LEVEL L.H. WINDOW	1	1		
15	863414	RECLINING LEVEL R.H. WINDOW	1	1		
16	863356	KNOB LEVER L.H. WINDOW	1	1		
16	863357	KNOB LEVER R.H. WINDOW	1	1		
17	9415477	SCREW CAP HEX 1/4-20x3/4 ZP	1	1		
18	500769	NUT HEX 1/4-20 Z050	1	1		
30	864072	ARMREST CENTRAL ASSY / LIGHT GREY	1	1		
. NS	865995	. BOLT	1	1		
. NS	865996	. BUSHING	1	1		
. NS	866240	. ARMREST COVERING LIGHT GREY	1	1		
30	865104	ARMREST CENTRAL ASSY	1	1		
. NS	866240	. ARMREST COVERING LIGHT GREY	1	1		
40	Call order desk	ARMREST WINDOW	1	1		P
		1) NOT SOLD SEPARATELY				
		P) CALL ORDER DESK FOR SPECIFIC APPLICATION (V.I.N.)				
		P) CALL ORDER DESK FOR SPECIFIC APPLICATION (V.I.N.)				

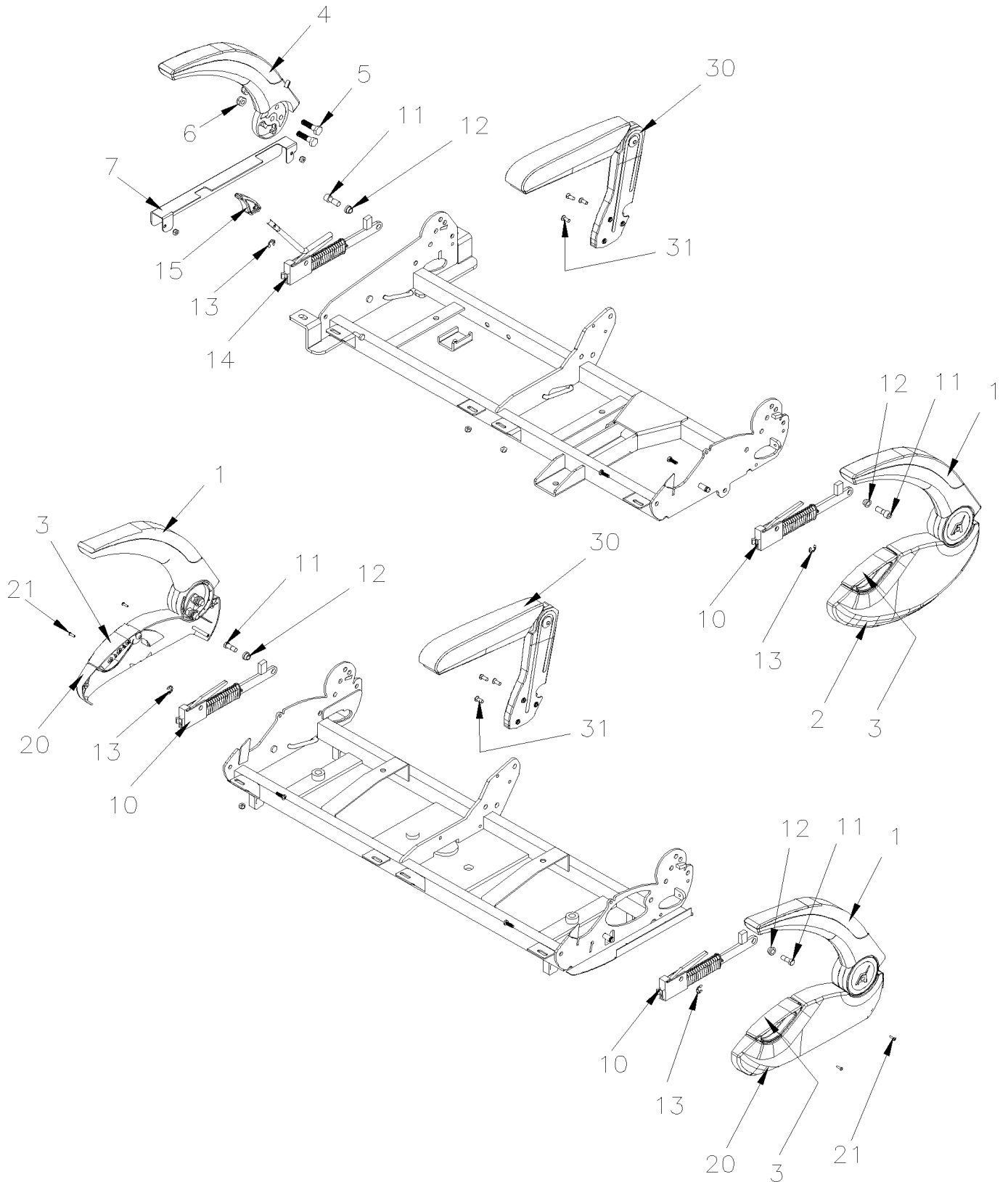


From 7-0671 To J-0287

Date:10/2022

PAGE:H7-1826-54

## ARMREST PASSENGER'S SEAT - "AMAYA" WITH "TORINO" & "TORINO V.I.P."



From 7-0671 To J-0287	Date:10/2022	PAGE:H7-1826-54
<b>ARMREST PASSENGER'S SEAT - "AMAYA" WITH "TORINO" &amp; "TORINO V.I.P."</b>		

Item#	Part	Description	H 3 4 1	H 3 4 5	V I P 4 5	N O T E S
	N.S.A.	ARMREST R.H. AISLE ASSY	1	1		3
	N.S.A.	ARMREST L.H. AISLE ASSY	1	1		3
1	863186	. ARMREST R.H.	1	1		
. NS	Call order desk	. . ARMREST COVERING WOOD FINISHING	1	1		P
. NS	866077	. . ARMREST COVERING DARK GREY	1	1		
. NS	865378	. . ARMREST COVERING LIGHT GREY	1	1		
. NS	860075	. . CAP WITH LOGO AMAYA	1	1		
1	864938	. ARMREST L.H.	1	1		
. NS	Call order desk	. . ARMREST COVERING WOOD FINISHING	1	1		P
. NS	866077	. . ARMREST COVERING DARK GREY	1	1		
. NS	865378	. . ARMREST COVERING LIGHT GREY	1	1		
. NS	860076	. . CAP WITH LOGO AMAYA	1	1		
2	864577	. COVER AISLE R.H.	1	1		
2	864703	. COVER AISLE SIDE RH SEAT	1	1		
3	864815	. LEVER ASSY R.H.	1	1		
3	865298	. LEVER ASSY L.H.	1	1		
4	865070	ARMREST R.H. WINDOW SIDE	1	1		
5	500829	SCREW CAP HEX M10-1.5x40 G8.8	2	2		
6	500256	NUT HEX M10-1.5 Z050	2	2		
7	Call order desk	MECHANISM COVER L.H.	1	1		P
10	865086	RECLINING MECHANISM ASSY / "TORINO" AISLE	1	1		
11	500695	SCREW CAP HEXS 3/8-16x1 ZP	1	1		
NS	500728	NUT HEX JAM 3/8x16 CP	1	1		
12	865215	BUSHING NYLON	1	1		
13	Call order desk	SNAP RING 18.2MM	1	1		P
14	865061	RECLINING MECHANISM ASSY / "TORINO" WINDOW	1	1		
15	864117	KNOB W/SQUARE ROD INSERT MECHANISM (CURRENT)	1	1		
20	Call order desk	ARMREST COVER L.H. / "TORINO VT" W/REVERSIBLE SEAT	1	1		P
20	Call order desk	ARMREST COVER R.H. / "TORINO VT" W/REVERSIBLE SEAT	1	1		P
21	504108	RIVET POP DOME OE 1/8x1/2 AL	4	4		
30	865221	ARMREST CENTRAL ASSY / PAINTED CHARCOAL 2 + 1	1	1		
. NS	865243	. PLASTIC COVER	1	1		
30	864072	ARMREST CENTRAL ASSY / LIGHT GREY	1	1		
. NS	865995	. BOLT	1	1		
. NS	865996	. BUSHING	1	1		
. NS	866240	. ARMREST COVERING LIGHT GREY	1	1		
30	865104	ARMREST CENTRAL ASSY	1	1		
. NS	866240	. ARMREST COVERING LIGHT GREY	1	1		
31	Call order desk	. SCREW MA CHE PH M6x15	3	3		P
33	Call order desk	ARMREST WINDOW	1	1		P



From 7-0671 To J-0287 Date:10/2022 PAGE:H7-1826-54

**ARMREST PASSENGER'S SEAT - "AMAYA" WITH "TORINO" & "TORINO V.I.P."**

Item#	Part	Description	H 3 4 1	H 3 4 5	V I P 4 5	N O T E S
		3) NOT SOLD ASSEMBLY				
		P) CALL ORDER DESK FOR SPECIFIC APPLICATION (V.I.N.)				
		P) CALL ORDER DESK FOR SPECIFIC APPLICATION (V.I.N.)				

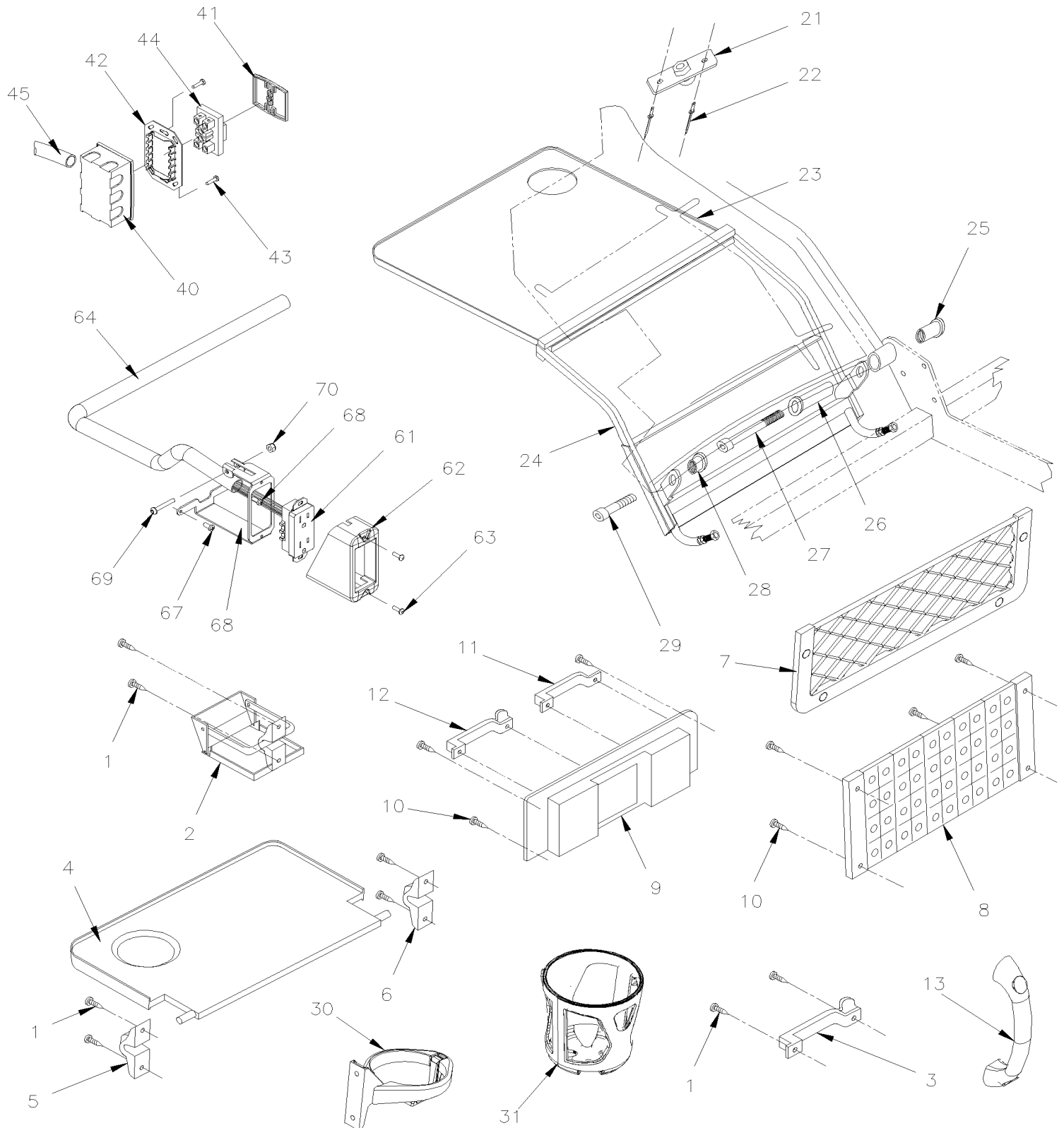


From 7-0671 To J-0287

Date:10/2022

PAGE:H7-1826-60

## ACCESSORIES PASSENGER'S SEAT - "AMAYA"



From 7-0671 To J-0287	Date:10/2022	PAGE:H7-1826-60
<b>ACCESSORIES PASSENGER'S SEAT - "AMAYA"</b>		

Item#	Part	Description	H 3 4 1	H 3 4 5	V I P 4 5	N O T E S
1	500936	SCREW TP OV PH #10x1 1/4 ZP	1	1		
2	861923	GLASS HOLDER / W/"AMAYA" / W/2 HOLES FOR SCREW	1	1		A
NS	862932	GLASS HOLDER / W/"AMAYA" / W/3 HOLES FOR SCREW	1	1		
3	860422	HANDLE	1	1		
NS	860421	HOOK	1	1		
4	863777	TABLE STD	1	1		
5	N.S.S.	. SUPPORT R.H.	1	1		1
6	N.S.S.	. SUPPORT L.H.	1	1		1
NS	860040	SPACER, TABLE	2	2		
7	861922	MAGAZINE NET 16" x 6 3/4"	1	1		
7	865369	SCREW #10 1 1/4	5	5		
7	865278	MAGAZINE NET 14.5" x 5"	1	1		
8	861924	MAGAZINE RACK / PLASTIC 310MM x 145MM = GREY 5 BARS	1	1		
8	863535	MAGAZINE RACK / PLASTIC 350MM x 145MM = GREY 6 BARS	1	1		
8	19505538	MAGAZINE RACK / BANDASTICK	1	1		
10	865369	SCREW #10 1 1/4	AR	AR		
13	865276	HANDLE RED	1	1		
13	865358	HANDLE GREY	1	1		
21	863417	KNOB / BLACK	1	1		
21	<b>863418</b>	<b>KNOB / GREY / FORMER</b>	1	1		
21	<b>866266</b>	<b>KNOB / GREY / CURRENT</b>	1	1		
22	504126	RIVET POP DOME OE 3/16x5/8 AL	1	1		
23	861920	FOOD TRAY / GREY / W/AIRPLANE TYPE	1	1		
23	860156	FOOD TRAY / GREY / W/AIRPLANE TYPE W/A220	1	1		
24	864799	FRAME TABLE AIRPLANE TYPE	1	1		
25	864800	SCREW CENTER BUSHING	1	1		
26	864801	CENTER BUSHING	1	1		
27	502765	SCREW CAP HEXS M10-1.5x100 G8.8 PT ZP	1	1		
28	864802	SHORT BUSHING	1	1		
29	70314705	SCREW CAP HEXS M10-1.5x60 G8.8 ZP	1	1		
NS	405795	SUPPORT TABLE, AIRPLANE TYPE / ON GALLEY WALL	1	1		
30	862844	CUP HOLDER, RUSPA, BLACK	AR	AR		
30	863181	CUP HOLDER, RUSPA, BLACK	AR	AR		
31	864860	CUP HOLDER, FLEX, GREY	AR	AR		
40	Call order desk	WIRE HOSE 1/2" X 900MM	1	1		P
41	863780	COVER PLATE DOUBLE 110V OUTLET "AMAYA" SEAT	1	1		
42	Call order desk	INCREASE	1	1		P
43	Call order desk	SCREW #8 x 3/4"	2	2		P
44	Call order desk	ELECTRICAL OUTLET	1	1		P
45	Call order desk	HOSE 1/2 x 850MM	1	1		P

From 7-0671 To J-0287	Date:10/2022	PAGE:H7-1826-60
<b>ACCESSORIES PASSENGER'S SEAT - "AMAYA"</b>		

Item#	Part	Description	H 3 4 1	H 3 4 5	V I P 4 5	N O T E S
60	865280	KIT OUTLET 110 VAC	1	1		
60	863232	KIT OUTLET 110 VAC / USB	1	1		
61	7770275	. PLUG DOUBLE 110 VAC	1	1		
61	860142	. OUTLET 110 V / USB 110 VAC / USB	1	1		
62	866079	. COVER	1	1		
63	865603	. SCREW MA BUT PH M8x19	2	2		
64	Call order desk	. TUBE 3/4	1	1		P
64	561782	. CONNECTOR / WEATHER PACK / SH 3C / BLACK / PED 12015793	1	1		
64	561781	. CONNECTOR / WEATHER PACK / PH 3C / BLACK / PED 12010717	1	1		
67	Call order desk	. SCREW #10x1/2	2	2		P
68	7775135	. SUPPORT / OUTLET	1	1		
68	860501	. SUPPORT / OUTLET USB	1	1		
69	Call order desk	. SCREW CAP BUT HEXS 3/16x1 1/4	1	1		P
70	Call order desk	. NUT HEX JAM NYRT 3/16	1	1		P
		A) AS SHOWN				
		1) NOT SOLD SEPARATELY				
		P) CALL ORDER DESK FOR SPECIFIC APPLICATION (V.I.N.)				

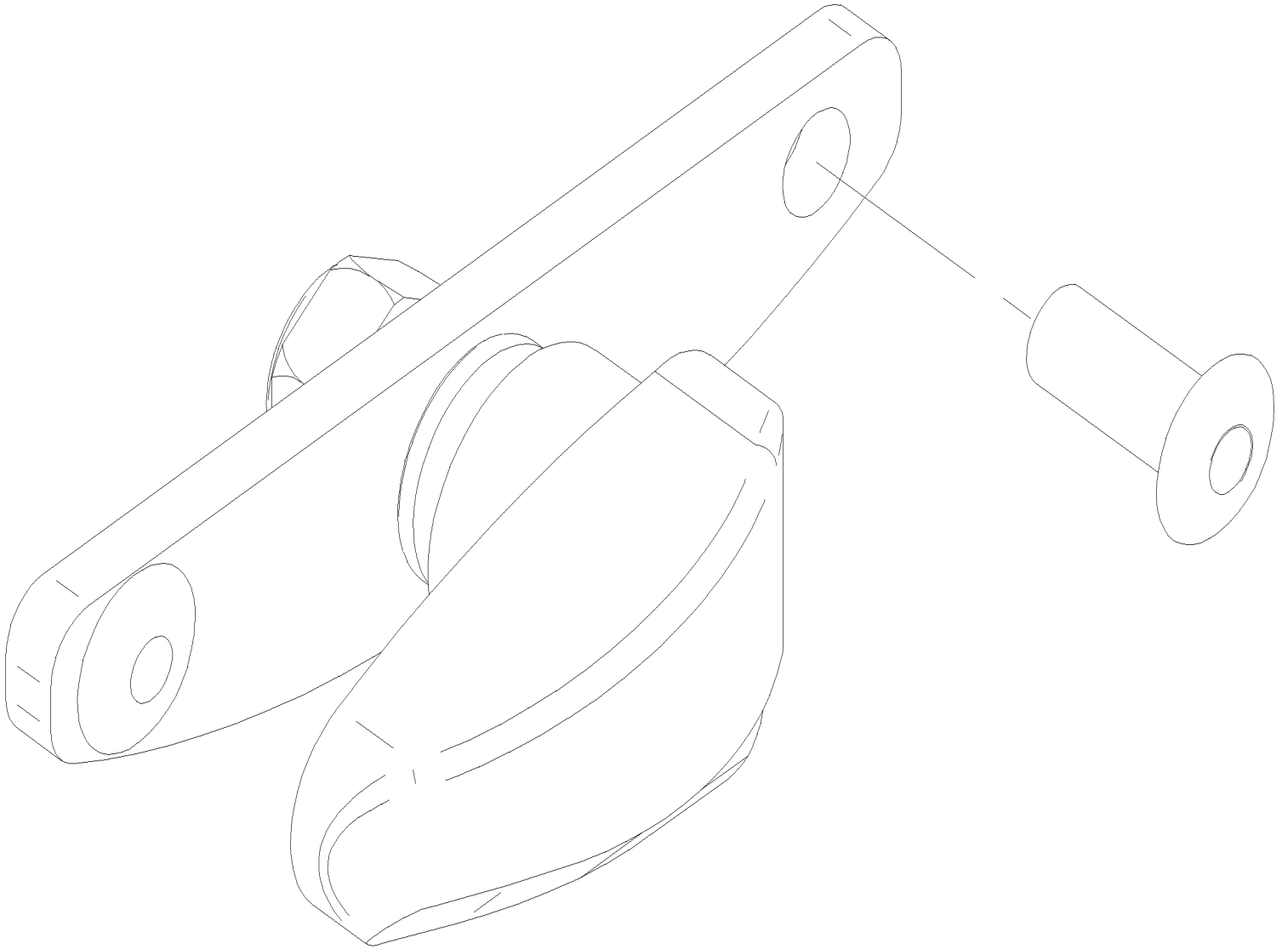


From 7-0671 To J-0184

Date:10/2022

PAGE:863418

**KNOB / GREY / FORMER**



From 7-0671 To J-0184	Date:10/2022	PAGE:863418
<b>KNOB / GREY / FORMER</b>		

Item#	Part	Description	H 3 4 1	H 3 4 5	V I P 4 5	N O T E S

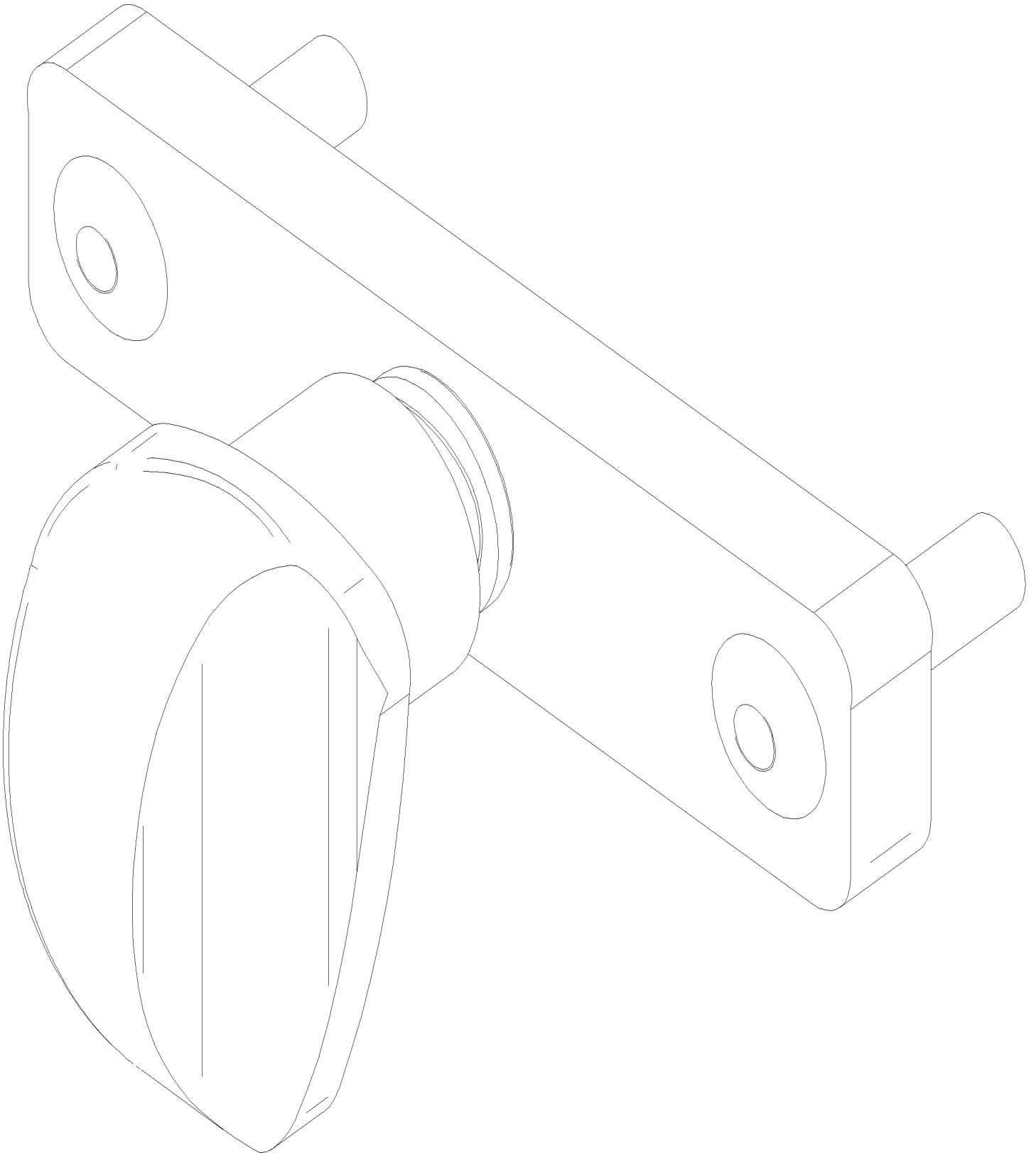


From 7-0671 To J-0184

Date:10/2022

PAGE:866266

**KNOB / GREY / CURRENT**



From 7-0671 To J-0184		Date:10/2022	PAGE:866266
<b>KNOB / GREY / CURRENT</b>			

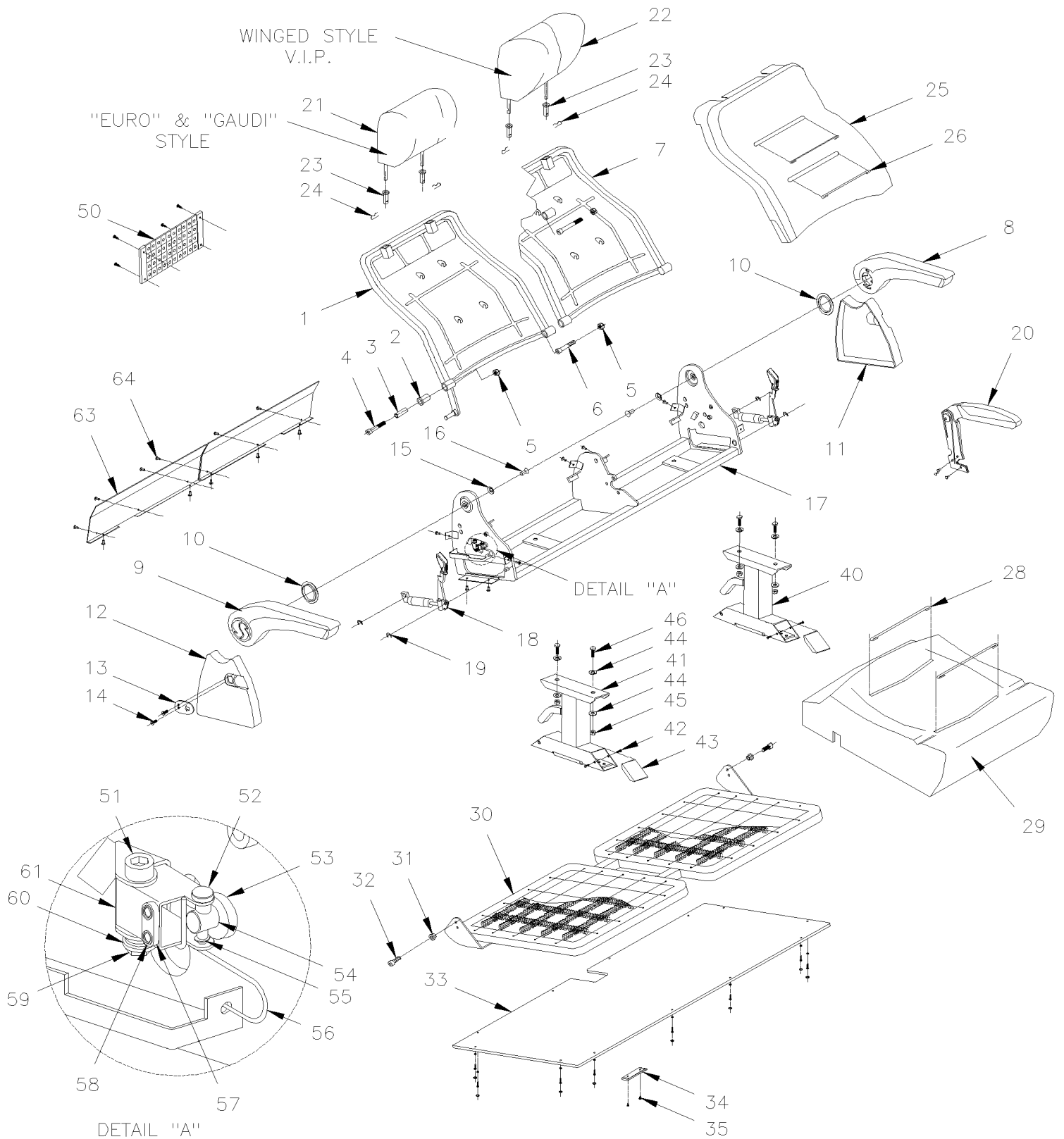
Item#	Part	Description	H 3 4 1	H 3 4 5	V I P 4 5	N O T E S

From 7-0671 To J-0287

Date:10/2022

PAGE:H7-1826-70

## PASSENGER'S SEAT - "AMAYA" - FLIP-UP "GAUDI" HR & SC - W/ W.C.L.



From 7-0671 To J-0287 Date:10/2022 PAGE:H7-1826-70

**PASSENGER'S SEAT - "AMAYA" - FLIP-UP "GAUDI" HR & SC - W/ W.C.L.**

Item#	Part	Description	H 3 4 1	H 3 4 5	V I P 4 5	N O T E S
		IMPORTANT NOTE: BEFORE TO				
		TO ORDER COMPLETE PASSENGER'S SEAT				
		OR COVERING ASSY, HEAD / BACK & CUSHION				
		SEE THE FINAL VEHICLE RECORD.				
1	Call order desk	BACKREST R.H. / W/FLIPPER SEAT & AVION TABLE SEAT	1	1		P
1	Call order desk	BACKREST R.H. / W/FLIPPER SEAT / W/"GAUDI"	1	1		P
1	Call order desk	BACKREST R.H. ASSY / W/FLIPPER SEAT / W/"GAUDI" GI	1	1		P
1	Call order desk	BACKREST SHELL / W/"GAUDI" GI	1	1		P
2	865560	BUSHING HYTREL	1	1		
2	Call order desk	BUSHING PLASTIC / W/"GAUDI" SC	1	1		P
3	Call order desk	INSIDE METAL BUSHING	1	1		P
3	Call order desk	INSIDE METAL BUSHING / W/"GAUDI" SC	1	1		P
4	70314705	SCREW CAP HEXS M10-1.5x60 G8.8 ZP	1	1		
5	500256	NUT HEX M10-1.5 Z050	1	1		
6	502765	SCREW CAP HEXS M10-1.5x100 G8.8 PT ZP	1	1		
7	Call order desk	BACKREST L.H. / W/FLIPPER SEAT & AVION TABLE SEAT	1	1		P
7	Call order desk	BACKREST L.H. / W/FLIPPER SEAT / W/"GAUDI"	1	1		P
7	Call order desk	BACKREST L.H. ASSY / W/FLIPPER SEAT / W/"GAUDI" GI	1	1		P
7	Call order desk	BACKREST SHELL / W/"GAUDI" GI	1	1		P
8	864020	ARMREST ASSY L.H. / W/FLIPPER SEAT	1	1		
9	864019	ARMREST ASSY R.H. / W/FLIPPER SEAT	1	1		
10	N.S.S.	PLASTIC BUSHING	1	1		1
11	865351	CAP PLASTIC L.H. / W/"GAUDI" STATIONARY	1	1		
11	Call order desk	CAP PLASTIC L.H. / W/"GAUDI" SLIDE	1	1		P
12	865352	CAP PLASTIC R.H.	1	1		
13	Call order desk	BLOCK HANDLE	1	1		P
14	Call order desk	SCREW MA CHE PH M6x15	1	1		P
15	865543	WASHER #10.5MM DIN5797	1	1		
16	860111	SCREW CAP FL HEXS M10-1.5x16	1	1		
17	Call order desk	STRUCTURE R.H. / W/FLIPPER SEAT	1	1		P
17	Call order desk	STRUCTURE R.H. / W/FLIPPER SEAT	1	1		P
17	Call order desk	STRUCTURE L.H. / W/FLIPPER SEAT	1	1		P
17	Call order desk	STRUCTURE R.H. / W/FLIPPER SEAT & AVION TABLE SEAT	1	1		P
17	Call order desk	STRUCTURE L.H. / W/FLIPPER SEAT & AVION TABLE SEAT	1	1		P
17	Call order desk	STRUCTURE L.H. / W/FLIPPER SEAT / SLIDE A VOIR	1	1		P
18	863540	RECLINING MECHANISM ASSY AISLE SIDE	1	1		
. NS	IS-136	. INSTRUCTION SHEET	1	1		
18	862546	RECLINING MECHANISM ASSY WALL SIDE	1	1		
. NS	IS-136	. INSTRUCTION SHEET	1	1		
19	Call order desk	WASHER #9 DIN6799	1	1		P
20	863352	CENTER ARMREST ASSY / PAINTED CHARCOAL	1	1		

From 7-0671 To J-0287	Date:10/2022	PAGE:H7-1826-70
-----------------------	--------------	-----------------

**PASSENGER'S SEAT - "AMAYA" - FLIP-UP "GAUDI" HR & SC - W/ W.C.L.**

Item#	Part	Description	H 3 4 1	H 3 4 5	V I P 4 5	N O T E S
20	Call order desk	SCREW MA CHE PH M6x15	1	1		P
21	863315	HEADREST FOAM / TYPE "BRAZIL" & "EUROTECH"	1	1		
21	Call order desk	HEADREST FOAM / TYPE "GAUDI HR"	1	1		P
NS	Call order desk	COVERING HEADREST ASSY "GAUDI" S.C.C.	1	1		P
22	862933	HEADREST ASSY / TYPE WINGED "VIP"	1	1		
23	864810	GUIDE SLIDING	1	1		
24	866204	BACKREST CLIP	1	1		
25	865141	CUSHION FOAM	1	1		
25	Call order desk	BACKREST FOAM / W/"GAUDI"	1	1		P
25	Call order desk	BACKREST FOAM AISLE / W/"GAUDI" GI	1	1		P
25	Call order desk	BACKREST FOAM WALL / W/"GAUDI" GI	1	1		P
26	Call order desk	BACKREST TUFTING WIRE "EUROTECH" & "BRASIL	1	1		P
26	Call order desk	BACKREST TUFTING WIRE / LARGE / W/"GAUDI" & "EUROTECH"	1	1		P
NS	Call order desk	COVERING BACKREST ASSY S.C.C. / W/"GAUDI"	1	1		P
27	Call order desk	COVERING BACKREST ASSY S.C.C. / W/"GAUDI" GI	1	1		P
28	Call order desk	CUSHION TUFTING WIRE "EUROTECH" & "BRASIL	1	1		P
29	Call order desk	CUSHION FOAM	1	1		P
NS	Call order desk	COVERING CUSHION ASSY S.C.C. / W/"GAUDI"	1	1		P
30	865599	CUSHION SET STRUCTURE / STREET SIDE	1	1		
30	Call order desk	SEAT FRAME ASSY /W/FLIPPER SEAT / STATIONARY / W/"GAUDI"	1	1		P
30	Call order desk	SEAT FRAME ASSY /W/FLIPPER SEAT / SLIDE / W/"GAUDI"	1	1		P
31	866191	SWIVEL BUSHING	1	1		
32	Call order desk	SCREW CAP HEXS M10x25	1	1		P
33	Call order desk	CAP CUSHION SEAT / W/FLIPPER SEAT	1	1		P
34	Call order desk	SEAT FIXING BRACKET	1	1		P
35	Call order desk	BOLT 3.9X13MM	1	1		P
40	862917	PEDESTAL ASSY R.H. / WFLIPPER SEAT / SLIDE	1	1		
41	865028	PEDESTAL ASSY L.H. / WFLIPPER SEAT / SLIDE	1	1		
42	504619	CLIP CHRISTMAS TREE / BLACK 7/32"O.D.x1/2" HOLE 3/16	4	4		
43	862585	PEDESTAL CAP / BLACK	2	2		
. NS	864028	. CLIP CHRISTMAS TREE / BLACK 11MM O.D. x17MM HOLE 4MM	2	2		
43	863907	PEDESTAL CAP / GREY	2	2		
. NS	864029	. CLIP CHRISTMAS TREE / GREY 11MM O.D. x17MM HOLE 4MM	2	2		
44	866243	PRESSURE WASHER 7/16" 10MM	1	1		
45	500256	NUT HEX M10-1.5 Z050	1	1		
46	5001526	SCREW CAP HEX M16-2.0x45 G10.9 DP	1	1		
50	<b>H7-1826-60</b>	<b>ACCESSORIES PASSENGER'S SEAT - "AMAYA"</b>	1	1	1	
51	860197	SCREW CAP HEXS M8-1.25x50	1	1		
52	Call order desk	BLOCKING PIN	1	1		P
53	865491	REFERENCE BUSHING FM810120J	1	1		
54	Call order desk	BLOCKING AXLE	1	1		P
55	Call order desk	WASHER DIN-6799 5MM	1	1		P

From 7-0671 To J-0287 Date:10/2022 PAGE:H7-1826-70

**PASSENGER'S SEAT - "AMAYA" - FLIP-UP "GAUDI" HR & SC - W/ W.C.L.**

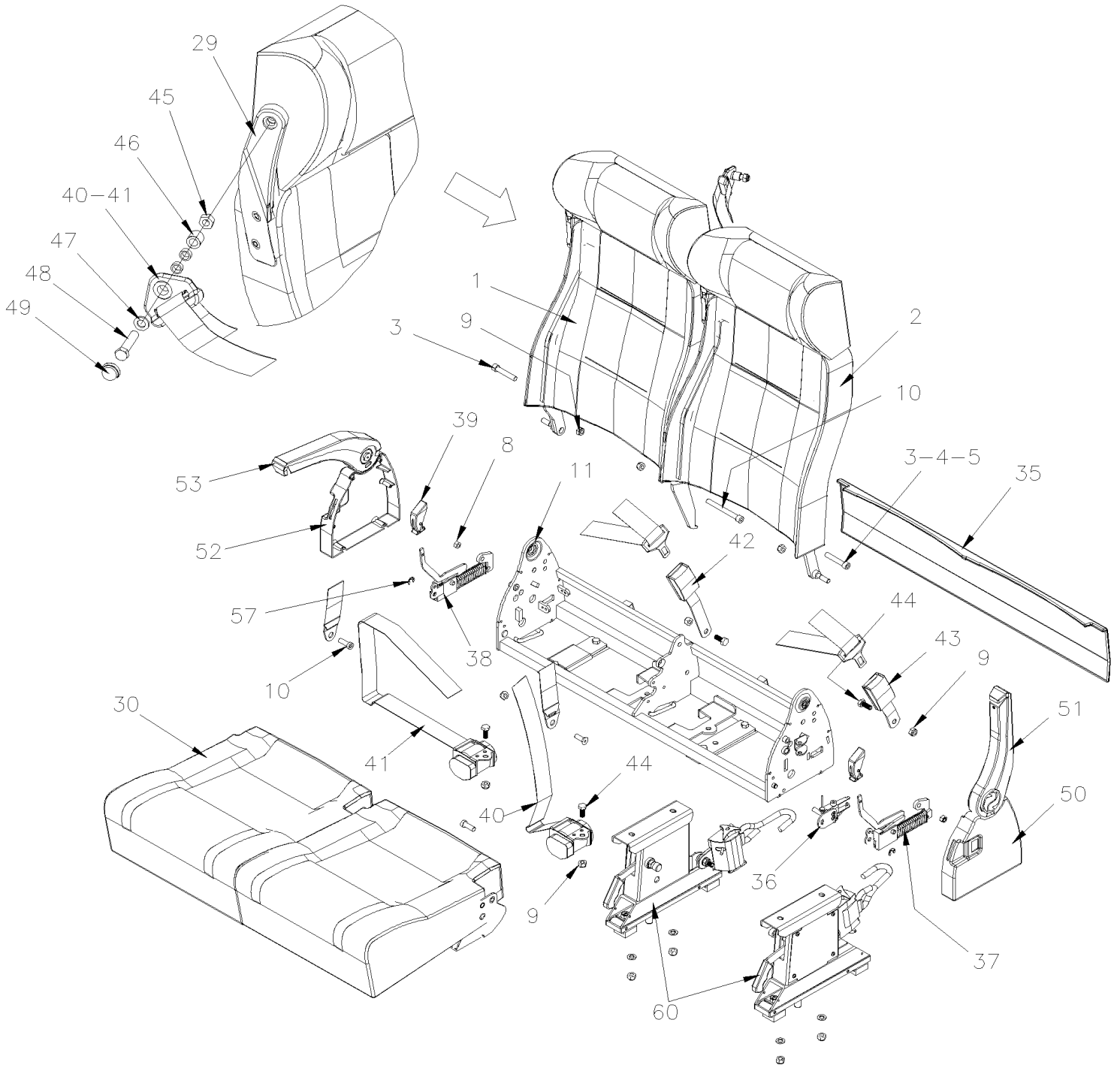
Item#	Part	Description	H 3 4 1	H 3 4 5	V I P 4 5	N O T E S
56	Call order desk	SPRING	1	1		P
57	Call order desk	INSERT	1	1		P
58	Call order desk	RIVET	1	1		P
59	Call order desk	NUT HEX NYRT M8-1.25	1	1		P
60	Call order desk	ACTION SPRING	1	1		P
61	Call order desk	POPPER	1	1		P
63	Call order desk	KICK PLATE BACKREST	1	1		P
64	504118	RIVET POP DOME OE 3/16x3/8 AL	1	1		
70	<b>H7-1826-40</b>	<b>PASSENGER'S SEAT - "AMAYA" - FOOTREST &amp; PEDESTAL</b>				
100	323654	SEAT TRACK COVER 12' / EACH SEAT / W/COVERING FLOOR	AR	AR		
100	323963	SEAT TRACK COVER 8' / EACH SEAT / W/COVERING FLOOR	AR	AR		
		1) NOT SOLD SEPARATELY				
		P) CALL ORDER DESK FOR SPECIFIC APPLICATION (V.I.N.)				

From 7-0671 To J-0287

Date:10/2022

PAGE:H7-1826-72

## PASSENGER'S SEAT - "AMAYA" - FLIP-UP HANDICAP WITH 3POINTS



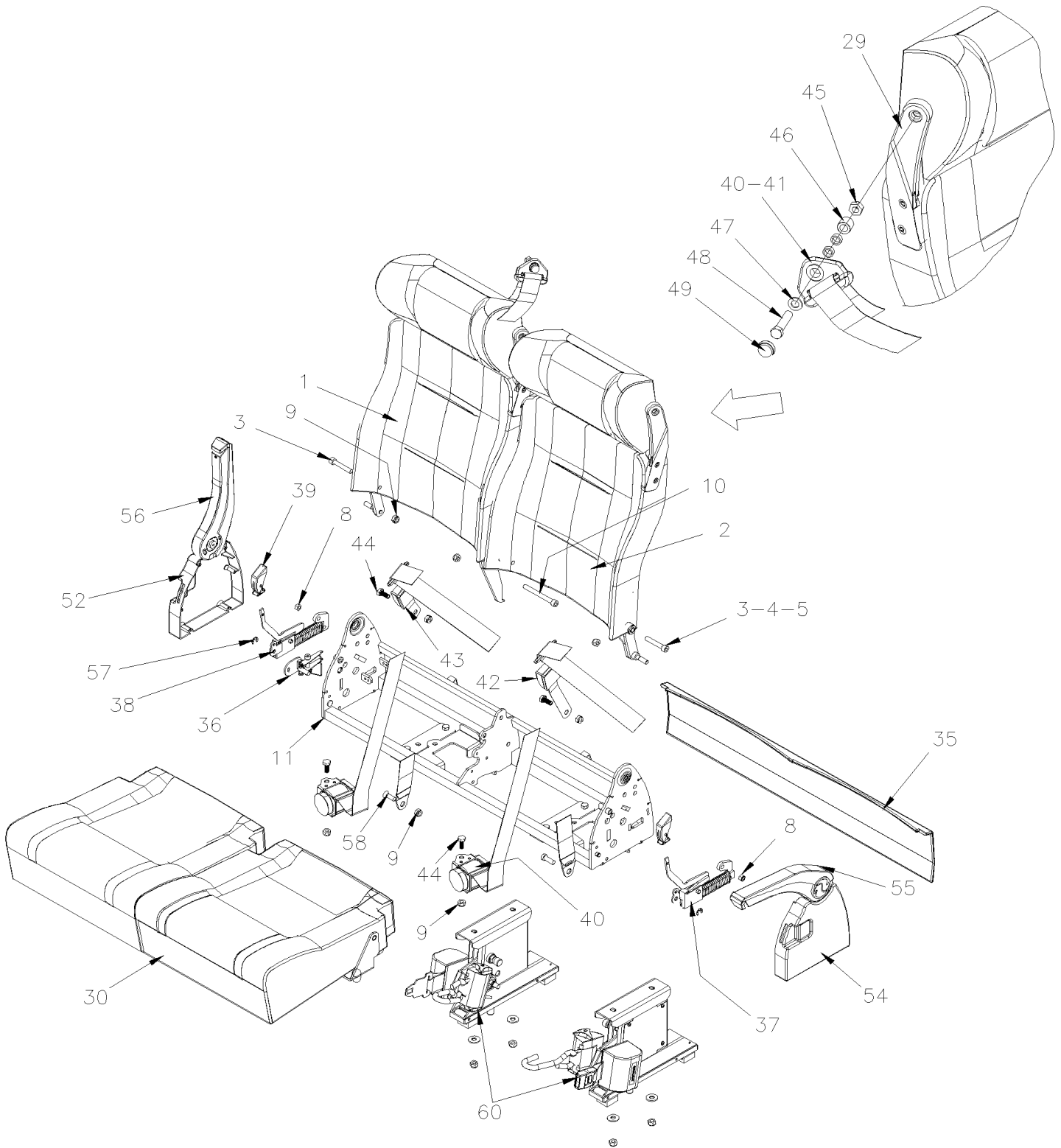
38" CURB SIDE

From 7-0671 To J-0287

Date:10/2022

PAGE:H7-1826-72

PASSENGER'S SEAT - "AMAYA" - FLIP-UP HANDICAP WITH 3POINTS



40" STREET SIDE



From 7-0671 To J-0287 Date:10/2022 PAGE:H7-1826-72

**PASSENGER'S SEAT - "AMAYA" - FLIP-UP HANDICAP WITH 3POINTS**

Item#	Part	Description	H 3 4 1	H 3 4 5	V I P 4 5	N O T E S
1	Call order desk	BACKREST R.H. 38" WCL "BRASIL"	1	1		P
1	Call order desk	BACKREST R.H. 40" WCL "BRASIL"	1	1		P
2	Call order desk	BACKREST L.H. 38" WCL "BRASIL"	1	1		P
2	Call order desk	BACKREST L.H. 40" WCL "BRASIL"	1	1		P
3	Call order desk	INSIDE METAL BUSHING	1	1		P
4	865560	BUSHING HYTREL	1	1		
5	70314705	SCREW CAP HEXS M10-1.5x60 G8.8 ZP	2	2		
8	500901	NUT HEX NYRT 3/8-16 Z050	2	2		
9	500680	NUT HEX STO M10-1.5 Z050	4	4		
10	70314708	SCREW CAP HEXS M10-1.5X30 G8.8 ZP	1	1		
11	860183	SEAT FRAME W.C.L. FLIPPER W.C.L. 38"	1	1		
11	860185	SEAT FRAME W.C.L. FLIPPER W.C.L. 40"	1	1		
30	Call order desk	CUSHION BRASIL FLIPPER 38" / W.C.L. / STREETSIDE SEAT	1	1		P
30	Call order desk	CUSHION BRASIL FLIPPER 40" / W.C.L. / CURBSIDE SEAT	1	1		P
35	Call order desk	BACKREST LOWER COVER 38"	1	1		P
35	Call order desk	BACKREST LOWER COVER 40"	1	1		P
36	865499	MECHANISM HANDLE / LH	1	1		
37	862546	RECLINING MECHANISM ASSY WALL SIDE	1	1		
. NS	IS-136	. INSTRUCTION SHEET	1	1		
38	863540	RECLINING MECHANISM ASSY AISLE SIDE	1	1		
. NS	IS-136	. INSTRUCTION SHEET	1	1		
39	864116	KNOB HANDLE MECHANISM	1	1		
40	864114	SEAT BELT AISLE SIDE	1	1		
. NS	867885	. BUSHING 16MM	1	1		
41	864115	SEAT BELT WINDOW SIDE	1	1		
NS	864622	EXTENSION SEAT BELT 30cm	1	1		
NS	864623	EXTENSION SEAT BELT 50cm	1	1		
42	866019	BUCKLE FEMALE	1	1		
43	866019	BUCKLE FEMALE	1	1		
44	Call order desk	SCREW CAP HEX 10x25	4	4		P
45	865521	SCREW CAP HEX 7/16-20x1 G8	5	5		
46	Call order desk	BUSHING SAFETY BELT	2	2		P
47	860294	WASHER	1	1		
48	860280	SCREW BUT HEXS M10-1.5x50MM	1	1		
49	865220	TORINO 7/16 CAP	2	2		
50	866213	LATERAL COVER / AISLE SIDE / CURB SIDE SEAT	1	1		
51	865154	HINGED ARMREST LH	1	1		
52	860009	LATERAL COVER / WALL SIDE / CURB SIDE SEAT	1	1		
53	865155	ARMREST ASSY R.H. SIDE W.C.L.	1	1		
. NS	864965	. ARMREST COVER	1	1		
54	860010	LATERAL COVER / WALL SIDE / STREET SIDE SEAT	1	1		
55	865156	ARMREST ASSY L.H. SIDE W.C.L.	1	1		

From 7-0671 To J-0287 Date:10/2022 PAGE:H7-1826-72

**PASSENGER'S SEAT - "AMAYA" - FLIP-UP HANDICAP WITH 3POINTS**

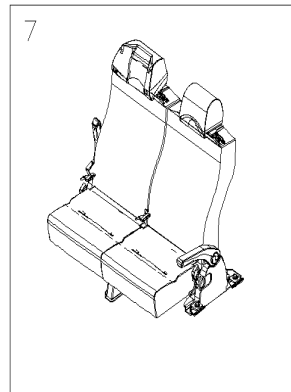
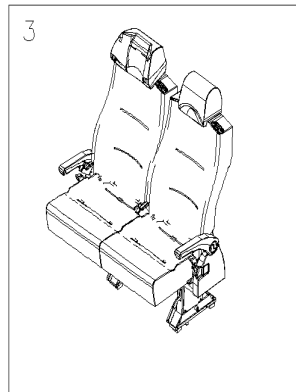
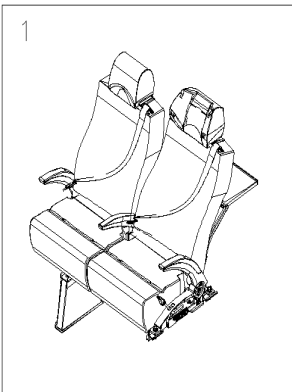
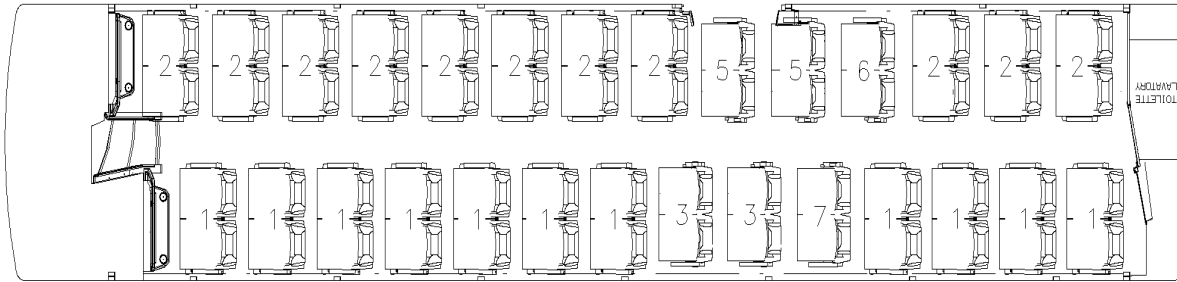
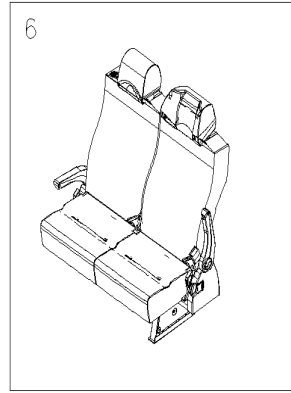
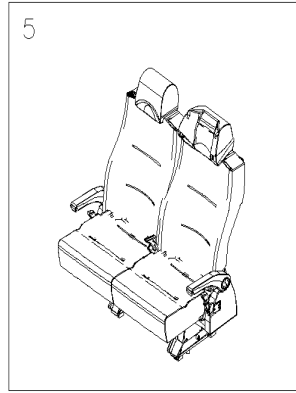
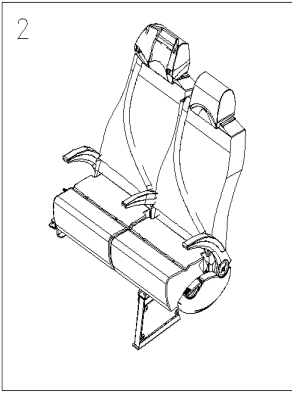
Item#	Part	Description	H 3 4 1	H 3 4 5	V I P 4 5	N O T E S
. NS	864965	. ARMREST COVER	1	1		
56	865157	HINGED ARMREST RH	1	1		
57	Call order desk	SNAP RING	2	2		P
58	Call order desk	SCREW CAP FL HEXS M10-1.5X30 G8.8 ZP	1	1		P
60	<b>H7-1826-41</b>	<b>PASSENGER'S SEAT - "AMAYA" - FOOTREST &amp; PEDESTAL</b>				
		P) CALL ORDER DESK FOR SPECIFIC APPLICATION (V.I.N.)				

From 7-0671 To J-0287

Date:10/2022

PAGE:H7-1827-01

## PASSENGER'S SEAT INSTALLATION AMAYA "A-2TEN"

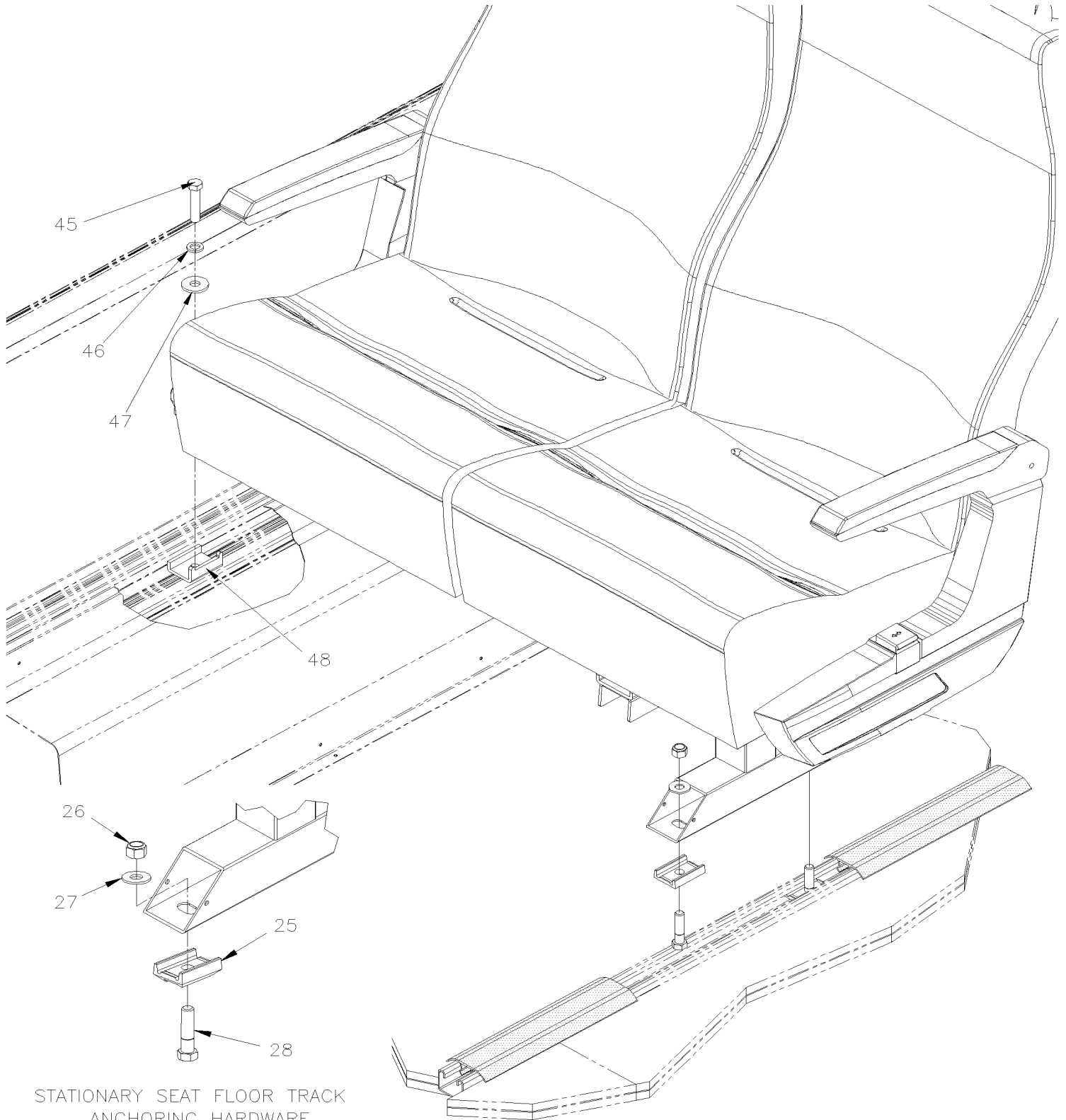


From 7-0671 To J-0287

Date:10/2022

PAGE:H7-1827-01

## PASSENGER'S SEAT INSTALLATION AMAYA "A-2TEN"



STATIONARY SEAT FLOOR TRACK  
ANCHORING HARDWARE

From 7-0671 To J-0287	Date:10/2022	PAGE:H7-1827-01
<b>PASSENGER'S SEAT INSTALLATION AMAYA "A-2TEN"</b>		

Item#	Part	Description	H 3 4 1	H 3 4 5	V I P 4 5	N O T E S
1	<b>H7-1827-11</b>	<b>PASSENGER'S SEAT / STANDARD AMAYA "A-2TEN"</b>				
1	Call order desk	. SEAT ASSEMBLY 2 PASSENGER'S STREET SIDE	1	1		P
1	<b>H7-1827-81</b>	<b>PASSENGER'S SEAT / REVERSIBLE AMAYA "A-2TEN"</b>	1	1		
1	Call order desk	. SEAT ASSEMBLY 2 PASSENGER'S / REVERSIBLE	1	1		P
2	<b>H7-1827-11</b>	<b>PASSENGER'S SEAT / STANDARD AMAYA "A-2TEN"</b>				
2	Call order desk	. SEAT ASSEMBLY 2 PASSENGER'S CURBSIDE	1	1		P
3	<b>H7-1827-31</b>	<b>PASSENGER'S SEAT / FLIP-UP/SLIDER AMAYA "A-2TEN"</b>				
3	Call order desk	. SEAT ASM 2 PASS CURBSIDE / SLIDER	1	1		P
5	<b>H7-1827-31</b>	<b>PASSENGER'S SEAT / FLIP-UP/SLIDER AMAYA "A-2TEN"</b>				
5	Call order desk	. SEAT ASM 2 PASS STREETSIDE / SLIDER	1	1		P
6	<b>H7-1827-21</b>	<b>PASSENGER'S SEAT / FLIP-UP/FIXE AMAYA "A-2TEN"</b>				
6	Call order desk	. SEAT ASM 2 PASS CURBSIDE / FLIP-UP	1	1		P
7	<b>H7-1827-21</b>	<b>PASSENGER'S SEAT / FLIP-UP/FIXE AMAYA "A-2TEN"</b>				
7	Call order desk	. SEAT ASM 2 PASS STREETSIDE / FLIP-UP	1	1		P
25	364272	BLOCK ANCHOR / 26.8MM INSIDE / 35MM x 50MM x 19MM Height	AR	AR		
26	5001734	NUT HEX 7/16-20 G8 N500	AR	AR		
27	500897	WASHER FL .437x1.000x.083 N500	AR	AR		
28	5001735	SCREW CAP HEX 7/16-20x1 3/4 G8 G500	AR	AR		
45	865458	SCREW CAP HEX 7/16-20x2 G8	AR	AR		
46	865460	WASHER LO SPT 7/16	AR	AR		
47	865465	WASHER FL / 7/16	AR	AR		
48	861714	ATTACHMENT NUT / "U" SHAPE TO FIX SEAT TO WALL TRACK	AR	AR		
		P) CALL ORDER DESK FOR SPECIFIC APPLICATION (V.I.N.)				

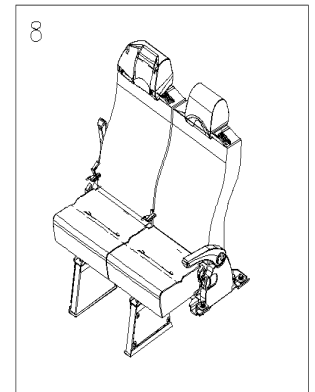
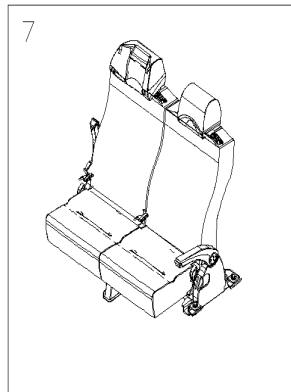
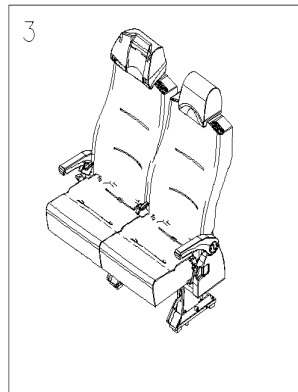
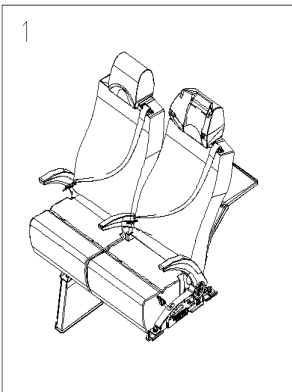
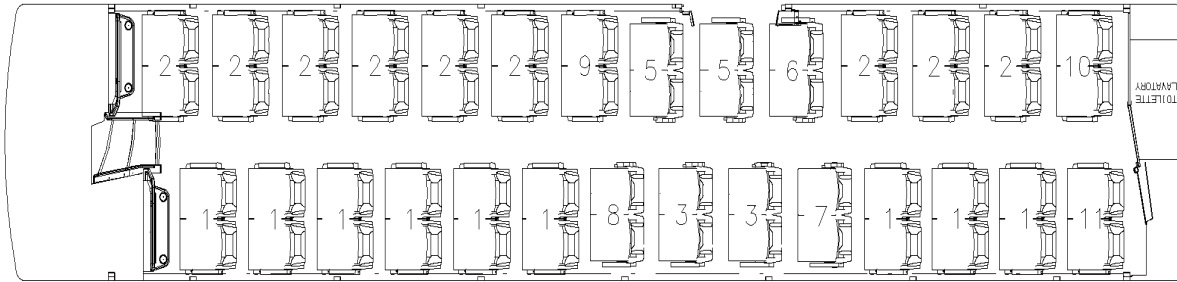
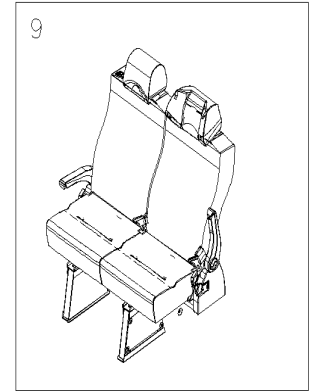
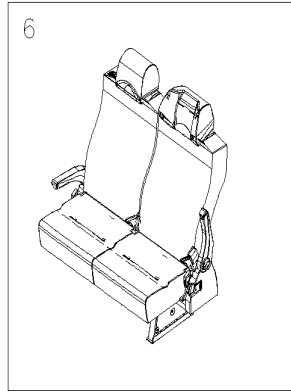
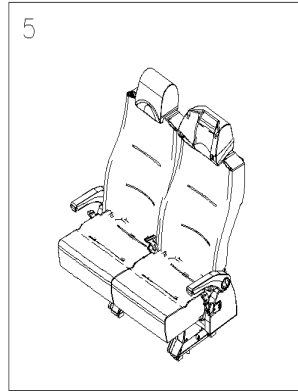
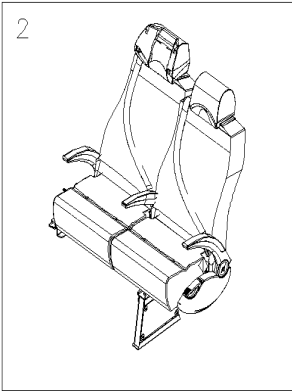


From 7-0671 To J-0287

Date:10/2022

PAGE:H7-1827-02

## PASSENGER'S SEAT INSTALLATION AMAYA "A-220"

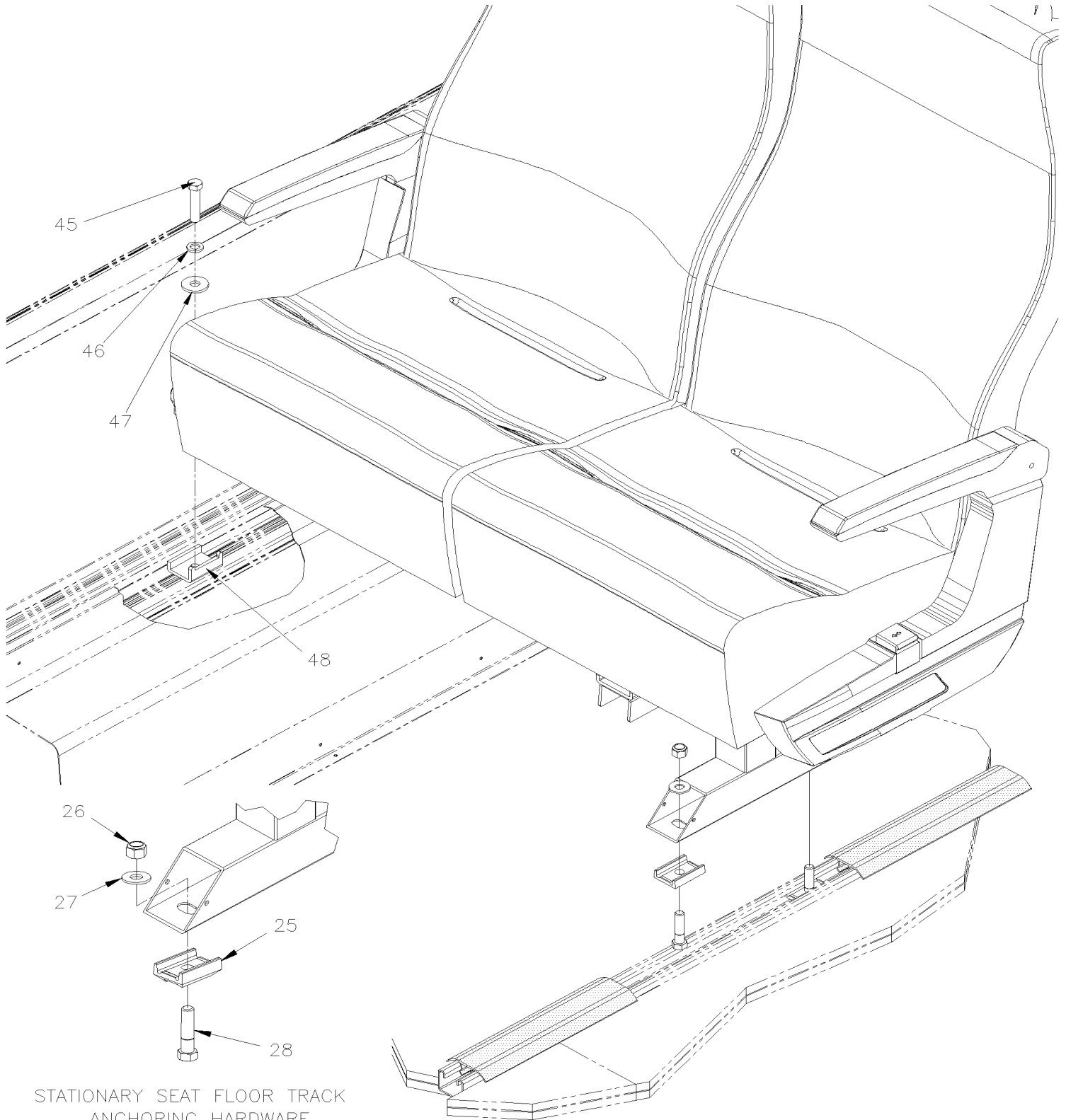


From 7-0671 To J-0287

Date:10/2022

PAGE:H7-1827-02

## PASSENGER'S SEAT INSTALLATION AMAYA "A-220"



STATIONARY SEAT FLOOR TRACK  
ANCHORING HARDWARE



From 7-0671 To J-0287 Date:10/2022 PAGE:H7-1827-02

**PASSENGER'S SEAT INSTALLATION AMAYA "A-220"**

Item#	Part	Description	H 3 4 1	H 3 4 5	V I P 4 5	N O T E S
1	<b>H7-1827-12</b>	<b>PASSENGER'S SEAT / STANDARD AMAYA "A-220"</b>				
1	Call order desk	. SEAT ASSEMBLY 2 PASSENGER'S STREET SIDE	9	9		P
1	<b>H7-1827-82</b>	<b>PASSENGER'S SEAT / REVERSIBLE AMAYA "A-220"</b>				
2	<b>H7-1827-12</b>	<b>PASSENGER'S SEAT / STANDARD AMAYA "A-220"</b>				
2	Call order desk	. SEAT ASSEMBLY 2 PASSENGER'S CURB SIDE	9	9		P
3	<b>H7-1827-32</b>	<b>PASSENGER'S SEAT / FLIP-UP / SLIDER AMAYA "A-220"</b>				
3	Call order desk	. SEAT ASM 2 PASS STREET SIDE / SLIDER	2	2		P
5	<b>H7-1827-32</b>	<b>PASSENGER'S SEAT / FLIP-UP / SLIDER AMAYA "A-220"</b>				
5	Call order desk	. SEAT ASM 2 PASS CURB SIDE / SLIDER	2	2		P
6	<b>Call order desk</b>	<b>PASSENGER'S SEAT / FLIP-UP / FIXE / AMAYA "A-220"</b>				P
6	Call order desk	. SEAT ASM 2 PASS CURB SIDE / FLIP-UP / FIXE / 1 PEDESTAL	1	1		P
7	<b>H7-1827-22</b>	<b>PASSENGER'S SEAT / FLIP-UP / FIXE / AMAYA "A-220"</b>				
7	Call order desk	. SEAT ASM 2 PASS STREET SIDE / FLIP-UP / FIXE / 2 PEDESTAL	1	1		P
8	Call order desk	. SEAT ASM 2 PASS STREET SIDE / FLIP-UP / FIXE / 1 PEDESTAL	1	1	1	P
9	Call order desk	. SEAT ASM 2 PASS CURB SIDE / FLIP-UP / FIXE / 2 PEDESTAL	1	1		P
10	<b>H7-1827-12</b>	<b>PASSENGER'S SEAT / STANDARD AMAYA "A-220"</b>	1	1		
10	Call order desk	SEAT ASSEMBLY 2 PASSENGER'S CURB SIDE W/O ACCESSORIES	1	1		P
11	<b>H7-1827-12</b>	<b>PASSENGER'S SEAT / STANDARD AMAYA "A-220"</b>	1	1		
11	Call order desk	SEAT ASSEMBLY 2 PASSENGER'S STREET SIDE W/O ACCESSORIES	1	1		P
25	364272	BLOCK ANCHOR / 26.8MM INSIDE / 35MM x 50MM x 19MM Height	AR	AR		
26	5001734	NUT HEX 7/16-20 G8 N500	AR	AR		
27	500897	WASHER FL .437x1.000x.083 N500	AR	AR		
28	5001735	SCREW CAP HEX 7/16-20x1 3/4 G8 G500	AR	AR		
45	865458	SCREW CAP HEX 7/16-20x2 G8	AR	AR		
46	865460	WASHER LO SPT 7/16	AR	AR		
47	865465	WASHER FL / 7/16	AR	AR		
48	861714	ATTACHMENT NUT / "U" SHAPE TO FIX SEAT TO WALL TRACK	AR	AR		
		P) CALL ORDER DESK FOR SPECIFIC APPLICATION (V.I.N.)				

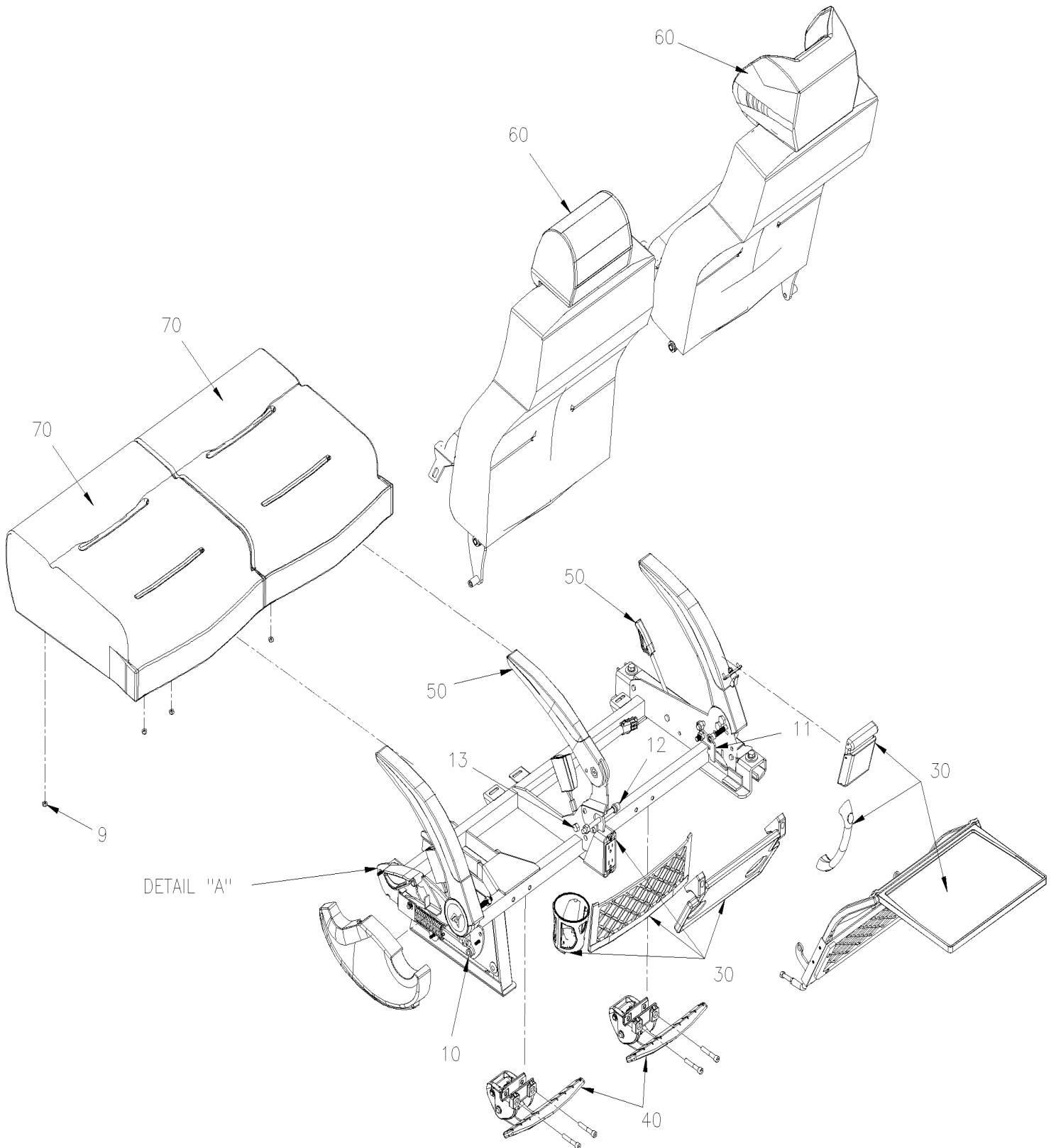


From 7-0671 To J-0287

Date:10/2022

PAGE:H7-1827-11

## PASSENGER'S SEAT / STANDARD AMAYA "A-2TEN"

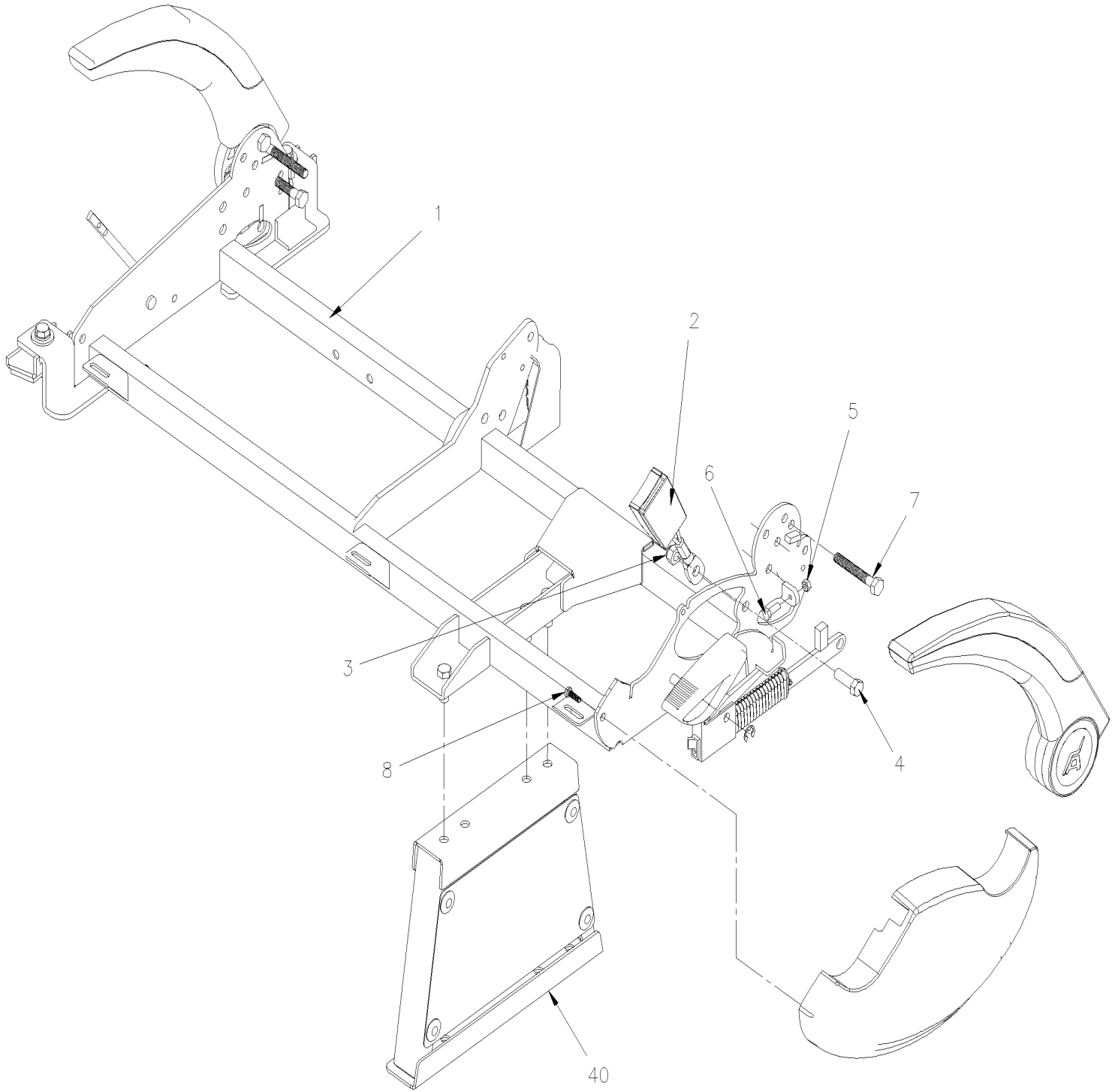


From 7-0671 To J-0287

Date:10/2022

PAGE:H7-1827-11

**PASSENGER'S SEAT / STANDARD AMAYA "A-2TEN"**



DETAIL "A"

From 7-0671 To J-0287	Date:10/2022	PAGE:H7-1827-11
<b>PASSENGER'S SEAT / STANDARD AMAYA "A-2TEN"</b>		

Item#	Part	Description	H 3 4 1	H 3 4 5	V I P 4 5	N O T E S
	Call order desk	SEAT ASSEMBLY 2 PASSENGER'S CURBSIDE	9	9		P
	Call order desk	SEAT ASSEMBLY 2 PASSENGER'S STREET SIDE	9	9		P
1	865442	. SEAT CHASSIS WELDED ASSY CURBSIDE	1	1		
1	865443	. SEAT CHASSIS WELDED ASSY STREET SIDE	1	1		
2	864349	. BUCKLE FEMALE	2	2		
3	865519	. NUT HEX NYRT 7/16-20	5	5		
4	868271	. SCREW CAP HEX 7/16-20x1 1/4 G8	1	1		
5	865497	. NUT HEX 1/4	2	2		
6	865498	. SCREW CAP HEX 1/4-20 x 3/4 LG	2	2		
7	868401	. SCREW CAP HEX M10-1.5x70MM	2	2		
8	Call order desk	. SCREW HI-LO M6x20	3	3		P
9	865490	. NUT HEX JAM NYRT 1/4	4	4		
10	865215	. BUSHING NYLON	2	2		
11	7770173	. STOPPER 6" RECLINING (3 pos)	2	2		
12	Call order desk	. SCREW CAP HEXS M10x120MM	1	1		P
12	Call order desk	. BUSHING	1	1		P
12	860005	. NUT HEX STO M10-1.5 ZP	2	2		
13	865521	. SCREW CAP HEX 7/16-20x1 G8	4	4		
30	<b>H7-1826-60</b>	<b>. ACCESSORIES PASSENGER'S SEAT - "AMAYA"</b>				
40	<b>H7-1826-41</b>	<b>. PASSENGER'S SEAT - "AMAYA" - FOOTREST &amp; PEDESTAL</b>				
50	<b>H7-1827-51</b>	<b>. ARMREST AMAYA "A-2TEN"</b>				
60	<b>H7-1827-61</b>	<b>. BACKREST AMAYA "A-2TEN"</b>				
70	<b>H7-1827-71</b>	<b>. SEAT CUSHION AMAYA "A-2TEN"</b>				
		P) CALL ORDER DESK FOR SPECIFIC APPLICATION (V.I.N.)				

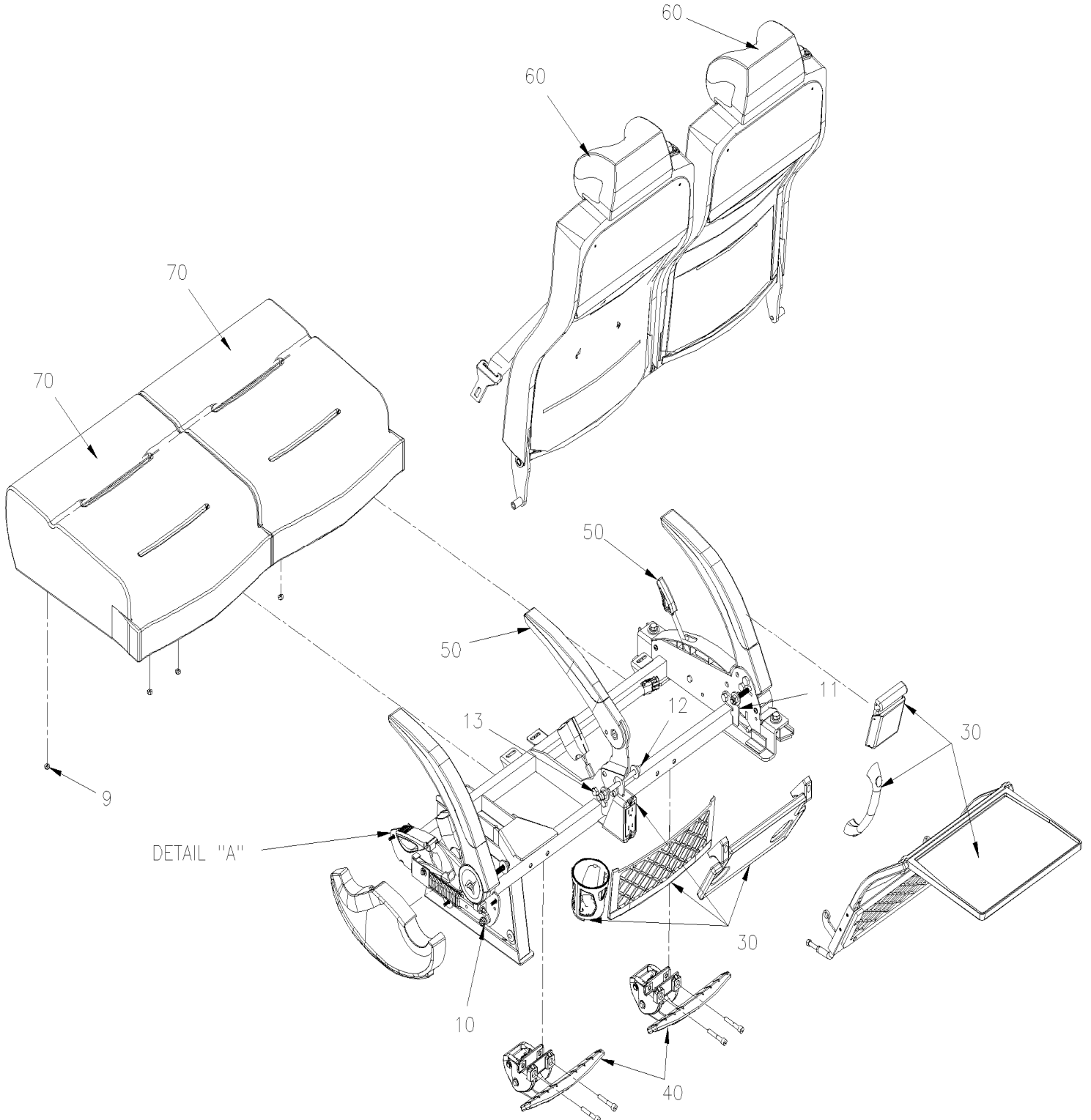


From 7-0671 To J-0287

Date:10/2022

PAGE:H7-1827-12

## PASSENGER'S SEAT / STANDARD AMAYA "A-220"

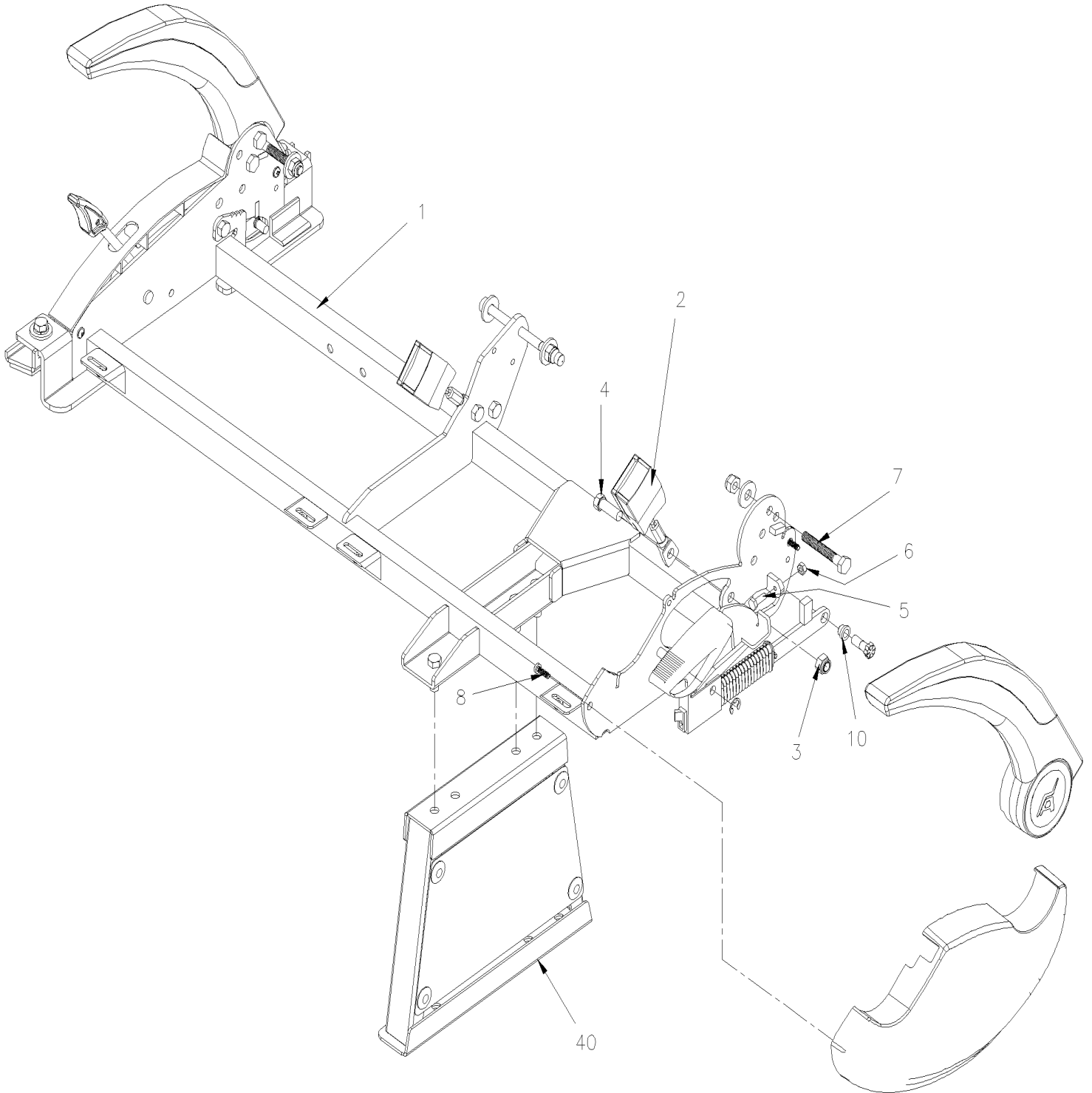


From 7-0671 To J-0287

Date:10/2022

PAGE:H7-1827-12

**PASSENGER'S SEAT / STANDARD AMAYA "A-220"**



DETAIL "A"



From 7-0671 To J-0287	Date:10/2022	PAGE:H7-1827-12
<b>PASSENGER'S SEAT / STANDARD AMAYA "A-220"</b>		

Item#	Part	Description	H 3 4 1	H 3 4 5	V I P 4 5	N O T E S
	Call order desk	SEAT ASSEMBLY 2 PASSENGER'S CURB SIDE	9	9		P
	Call order desk	SEAT ASSEMBLY 2 PASSENGER'S CURB SIDE W/O ACCESSORIES	1	1		P
	Call order desk	SEAT ASSEMBLY 2 PASSENGER'S STREET SIDE	9	9		P
	Call order desk	SEAT ASSEMBLY 2 PASSENGER'S STREET SIDE W/O ACCESSORIES	1	1		P
1	Call order desk	. SEAT CHASSIS WELDED ASSY CURBSIDE	1	1		P
1	Call order desk	. SEAT CHASSIS WELDED ASSY STREET SIDE	1	1		P
1	T970095942	. SEAT CHASSIS WELDED ASSY / 2 PEDESTAL	1	1		
2	866019	. BUCKLE FEMALE	2	2		
3	865519	. NUT HEX NYRT 7/16-20	5	5		
NS	868403	. CAP	1	1		
4	868271	. SCREW CAP HEX 7/16-20x1 1/4 G8	1	1		
5	865498	. SCREW CAP HEX 1/4-20 x 3/4 LG	2	2		
6	865497	. NUT HEX 1/4	2	2		
7	868401	. SCREW CAP HEX M10-1.5x70MM	2	2		
7	860005	. NUT HEX STO M10-1.5 ZP	2	2		
8	Call order desk	. SCREW HI-LO M6x20	3	3		P
9	865490	. NUT HEX JAM NYRT 1/4	4	4		
10	865215	. BUSHING NYLON	2	2		
11	7770173	. STOPPER 6" RECLINING (3 pos)	2	2		
12	868277	. SCREW CAP HEXS M10-1.5x130MM	1	1		
12	868403	. CAP	1	1		
12	860005	. NUT HEX STO M10-1.5 ZP	2	2		
13	865521	. SCREW CAP HEX 7/16-20x1 G8	4	4		
30	<b>H7-1826-60</b>	<b>. ACCESSORIES PASSENGER'S SEAT - "AMAYA"</b>				
40	<b>H7-1826-41</b>	<b>. PASSENGER'S SEAT - "AMAYA" - FOOTREST &amp; PEDESTAL</b>				
50	<b>H7-1827-52</b>	<b>. ARMREST AMAYA "A-220"</b>				
60	<b>H7-1827-62</b>	<b>. BACKREST AMAYA "A-220"</b>				
70	<b>H7-1827-72</b>	<b>. SEAT CUSHION AMAYA "A-220"</b>				
		P) CALL ORDER DESK FOR SPECIFIC APPLICATION (V.I.N.)				

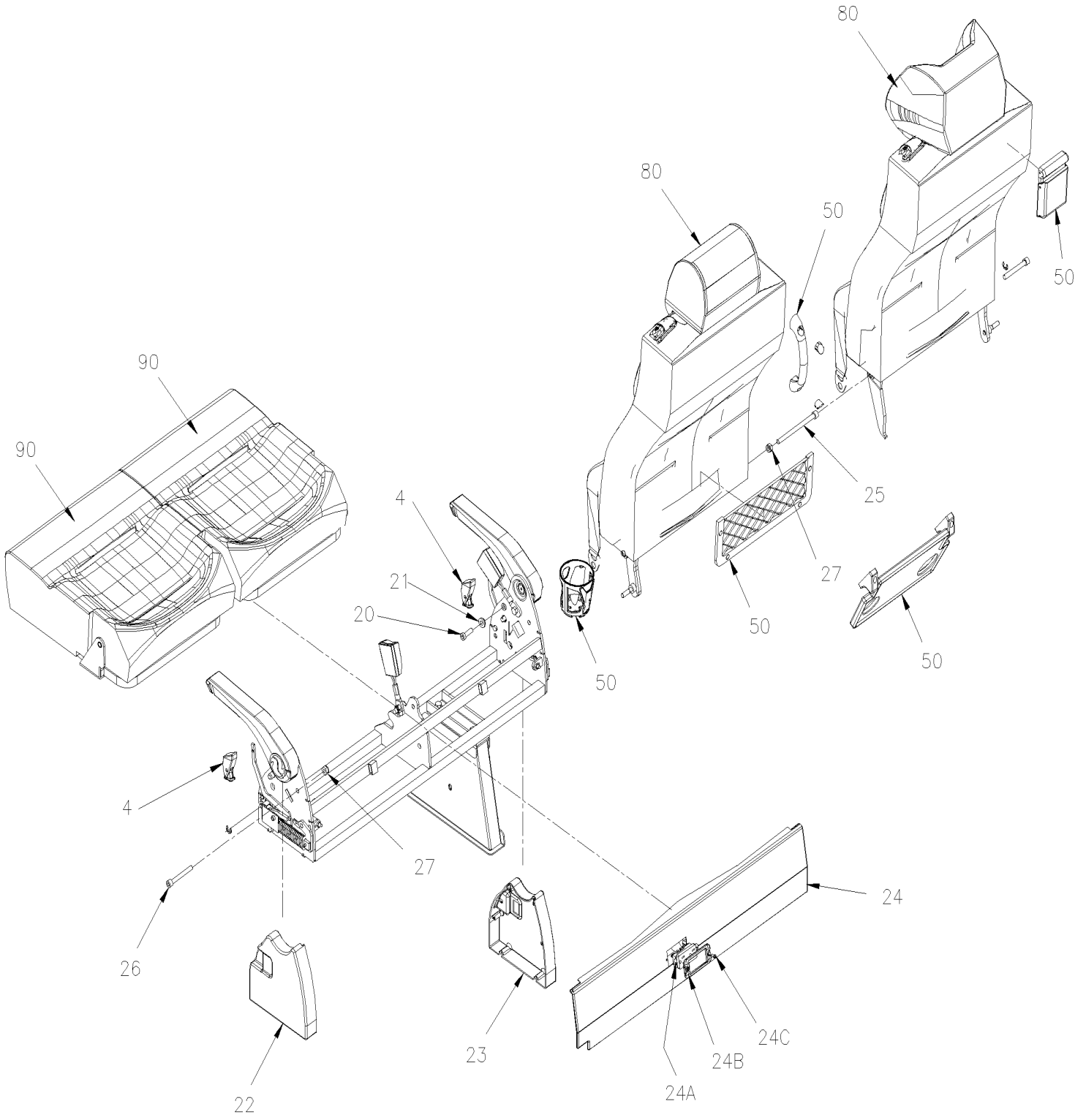


From 7-0671 To J-0287

Date:10/2022

PAGE:H7-1827-21

## PASSENGER'S SEAT / FLIP-UP/FIXE AMAYA "A-2TEN"

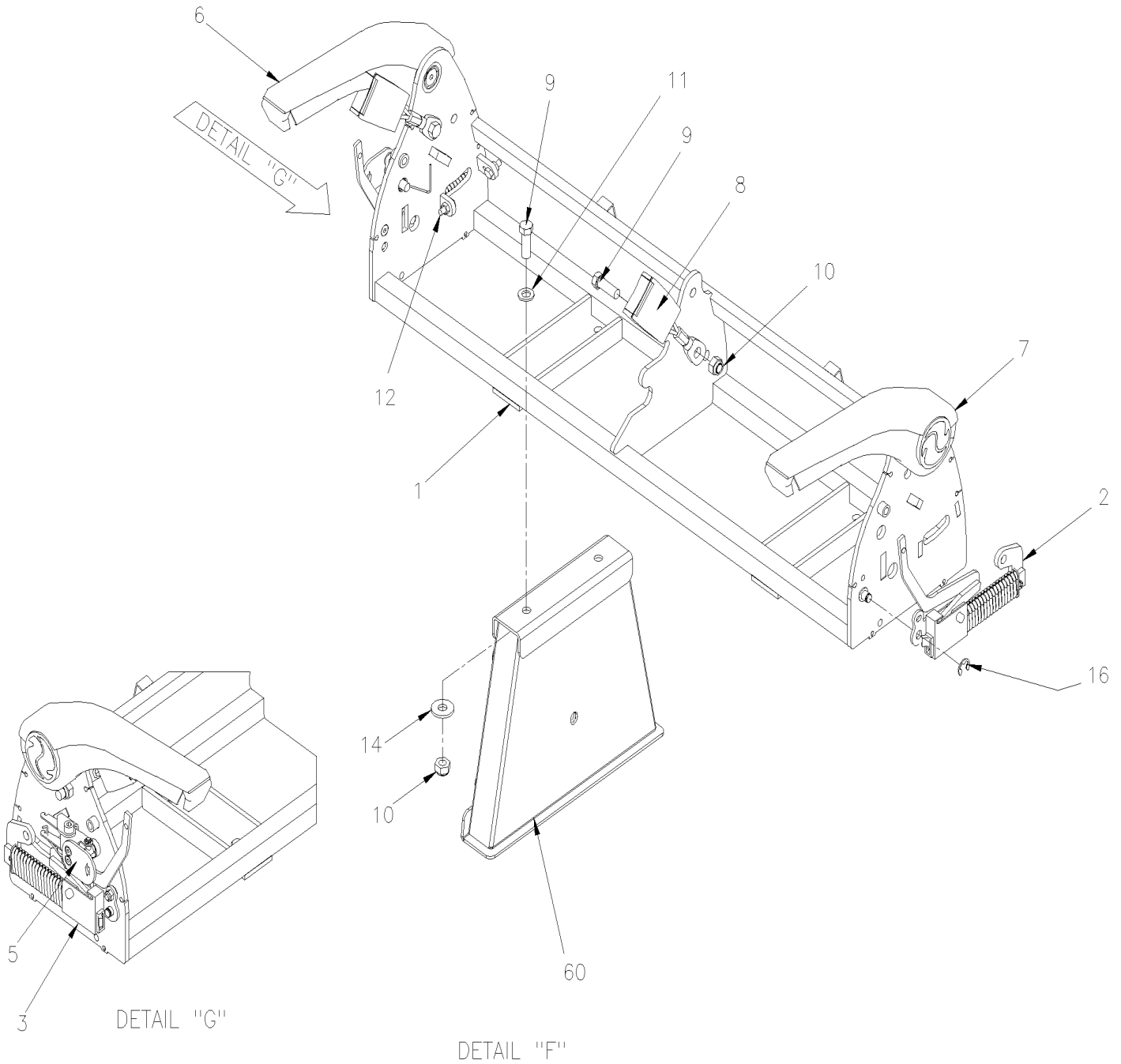


From 7-0671 To J-0287

Date:10/2022

PAGE:H7-1827-21

PASSENGER'S SEAT / FLIP-UP/FIXE AMAYA "A-2TEN"

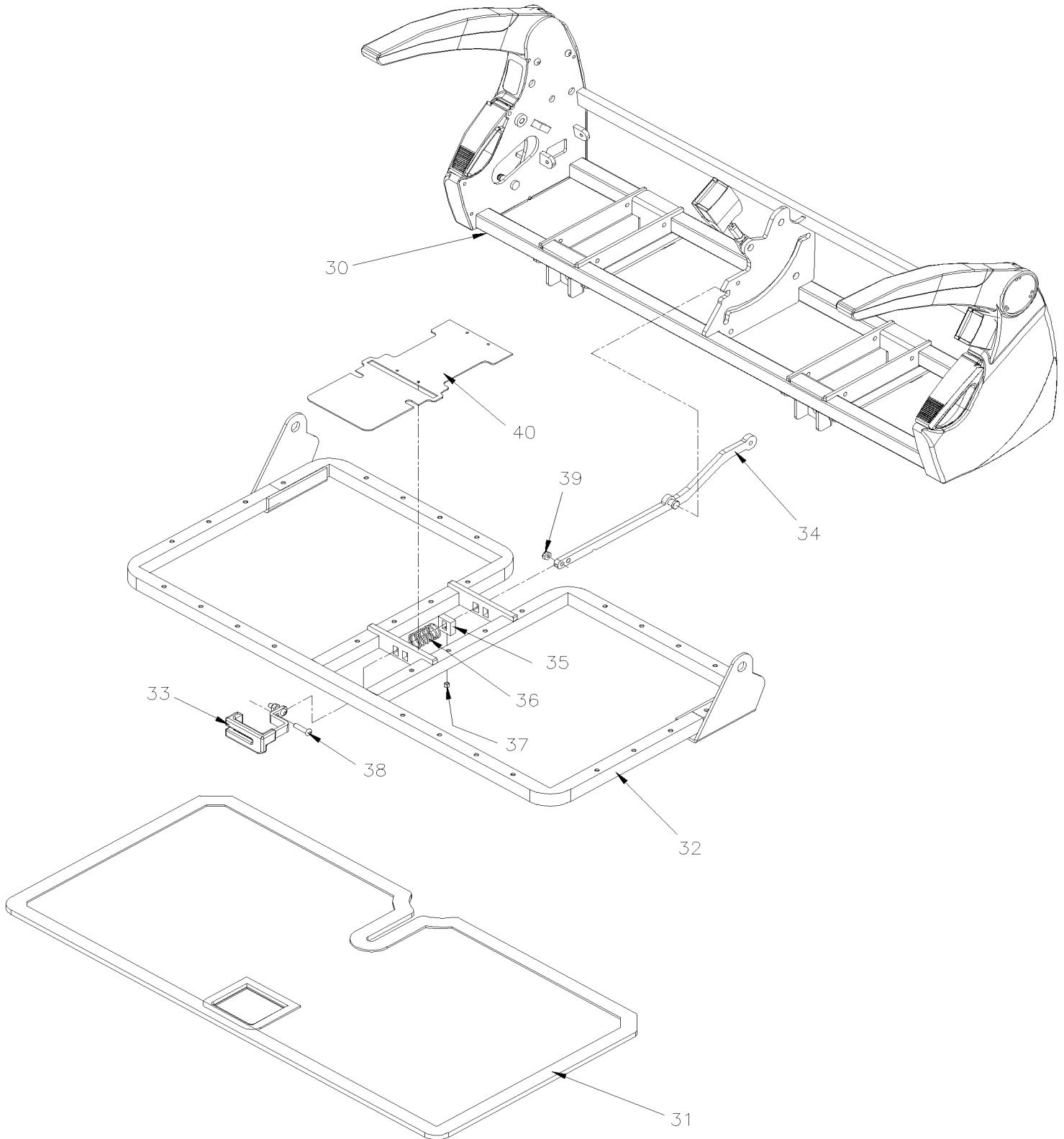


From 7-0671 To J-0287

Date:10/2022

PAGE:H7-1827-21

**PASSENGER'S SEAT / FLIP-UP/FIXE AMAYA "A-2TEN"**



From 7-0671 To J-0287	Date:10/2022	PAGE:H7-1827-21
<b>PASSENGER'S SEAT / FLIP-UP/FIXE AMAYA "A-2TEN"</b>		

Item#	Part	Description	H 3 4 1	H 3 4 5	V I P 4 5	N O T E S
	Call order desk	SEAT ASM 2 PASS STREETSIDE / FLIP-UP	1	1		P
	Call order desk	SEAT ASM 2 PASS CURBSIDE / FLIP-UP	1	1		P
1	868499	. SEAT CHASSIS WELDED / STREET SIDE	1	1		
1	Call order desk	. SEAT CHASSIS WELDED / CURBSIDE	1	1		P
2	862546	. RECLINING MECHANISM ASSY WALL SIDE	1	1		
. NS	IS-136	. . INSTRUCTION SHEET	1	1		
3	19509412	. RECLINING MECHANISM ASSY RH	1	1		
4	864093	. KNOB RECLINING	2	2		
5	865500	. MECHANISM HANDLE / RH	1	1		
6	865157	. HINGED ARMREST RH	1	1		
7	865154	. HINGED ARMREST LH	1	1		
8	864349	. BUCKLE FEMALE	2	2		
9	868271	. SCREW CAP HEX 7/16-20x1 1/4 G8	4	4		
10	865519	. NUT HEX NYRT 7/16-20	4	4		
11	865465	. WASHER FL / 7/16	2	2		
12	865498	. SCREW CAP HEX 1/4-20 x 3/4 LG	1	1		
14	865520	. WASHER FL 7/16	2	2		
16	Call order desk	. RETAINING RING	2	2		P
20	Call order desk	. SCREW CAP HEXS M10x30MM	2	2		P
21	867923	. BUSHING	2	2		
22	860010	. LATERAL COVER / WALL SIDE / STREET SIDE SEAT	1	1		
22	860009	. LATERAL COVER / WALL SIDE / CURB SIDE SEAT	1	1		
23	866279	. LATERAL COVER / AISLE SIDE / STREET SIDE SEAT	1	1		
23	866213	. LATERAL COVER / AISLE SIDE / CURB SIDE SEAT	1	1		
24	Call order desk	. COVER PLATE ASSY	1	1		P
24A	860124	. . OUTLET 110V	1	1		
24A	860142	. . OUTLET 110 V / USB 110 VAC / USB	1	1		
24B	860126	. . FACE PLATE PLUG 110V	1	1		
24C	Call order desk	. . SCREW #10x1/2	1	1		P
25	868265	. SCREW CAP HEXS M10x140MM	2	2		
26	Call order desk	. SCREW CAP HEXS M10x80MM	2	2		P
27	860005	. NUT HEX STO M10-1.5 ZP	3	3		
30	Call order desk	SEAT ASM 2 PASS CURBSIDE/ FLIP-UP / 1 PEDESTAL	1	1		P
30	Call order desk	SEAT ASM 2 PASS STREET SIDE/ FLIP-UP	1	1		P
31	Call order desk	. PANEL COVER SEAT BOTTOM	1	1		P
32	Call order desk	. SEAT CUSHION ASSY / 2 PASSENGER'S / FLIP-UP SEAT CURBSIDE SEAT	1	1		P
32	Call order desk	. SEAT CUSHION ASSY / 2 PASSENGER'S / FLIP-UP SEAT STREET SIDE SEAT	1	1		P
33	860367	PULL HANDLE W/PLASTIC COVER ASSY RH	1	1		
33	860368	PULL HANDLE W/PLASTIC COVER ASSY LH	1	1		
33	860369	. . HANDLE FLIPPING SEAT	1	1		
34	860195	. . MOVING ARM FLIPPING SEAT	1	1		
NS	867945	. . WASHER	1	1		

From 7-0671 To J-0287	Date:10/2022	PAGE:H7-1827-21
<b>PASSENGER'S SEAT / FLIP-UP/FIXE AMAYA "A-2TEN"</b>		

Item#	Part	Description	H 3 4 1	H 3 4 5	V I P 4 5	N O T E S
NS	867944	. . SCREW SHR HEXS 5/16-18	1	1		
NS	867946	. . CAP NUT 5/16-18	1	1		
35	868130	. . SPRING STOPPER	1	1		
36	868131	. . SPRING	1	1		
37	868132	. . SET SCREW 1/4x1/4	1	1		
38	868195	. . CAP SCREW 10-24 x3/4`	2	2		
39	868196	. . NUT HEX NYRT #10-24	2	2		
40	Call order desk	. CLOSING PLATE	1	1		P
50	<b>H7-1826-60</b>	<b>ACCESSORIES PASSENGER'S SEAT - "AMAYA"</b>				
60	<b>H7-1826-41</b>	<b>PASSENGER'S SEAT - "AMAYA" - FOOTREST &amp; PEDESTAL</b>				
80	<b>H7-1827-61</b>	<b>BACKREST AMAYA "A-2TEN"</b>				
90	<b>H7-1827-71</b>	<b>SEAT CUSHION AMAYA "A-2TEN"</b>				
		P) CALL ORDER DESK FOR SPECIFIC APPLICATION (V.I.N.)				



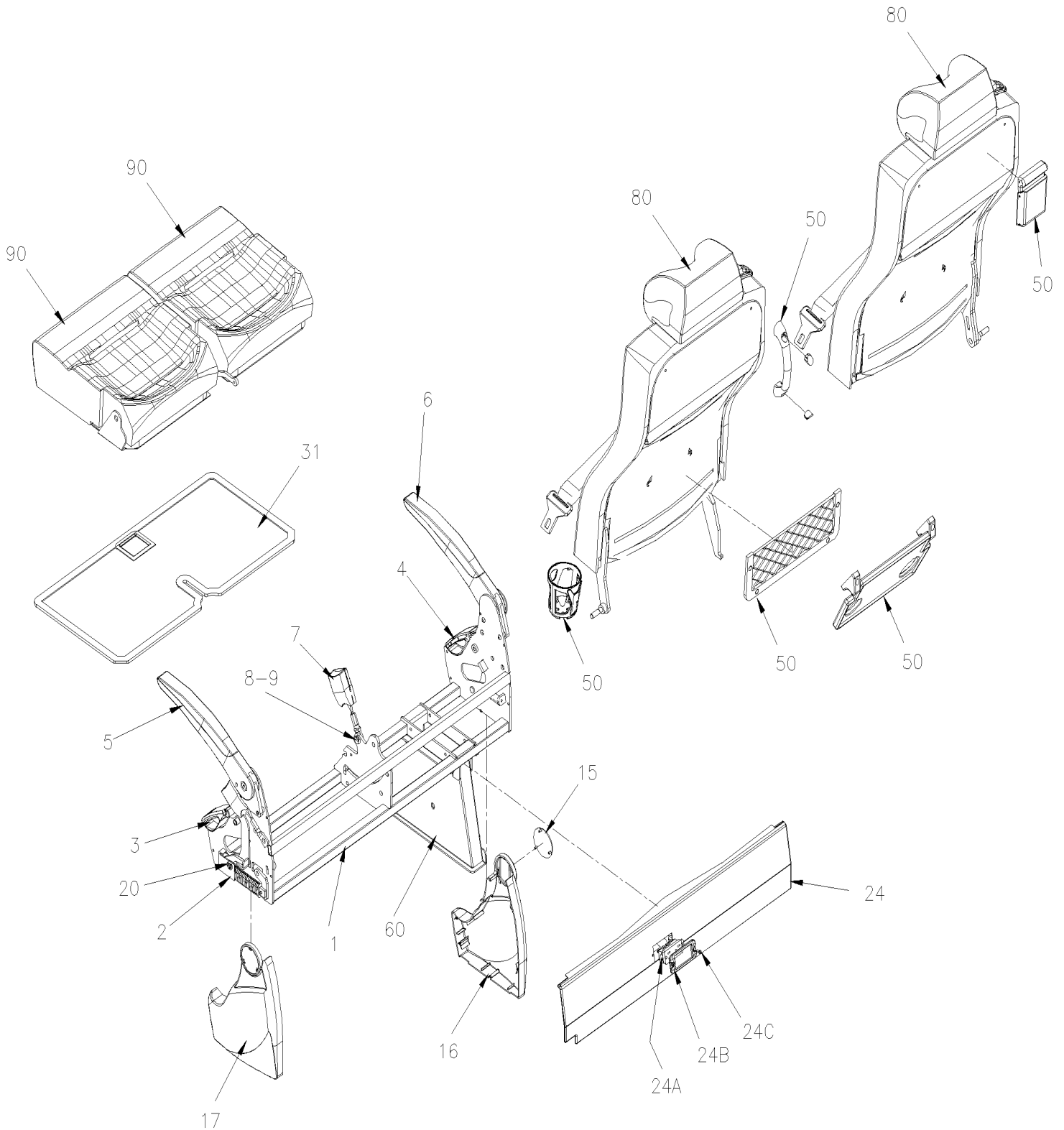


From 7-0671 To J-0287

Date:10/2022

PAGE:H7-1827-22

PASSENGER'S SEAT / FLIP-UP / FIXE / AMAYA "A-220"

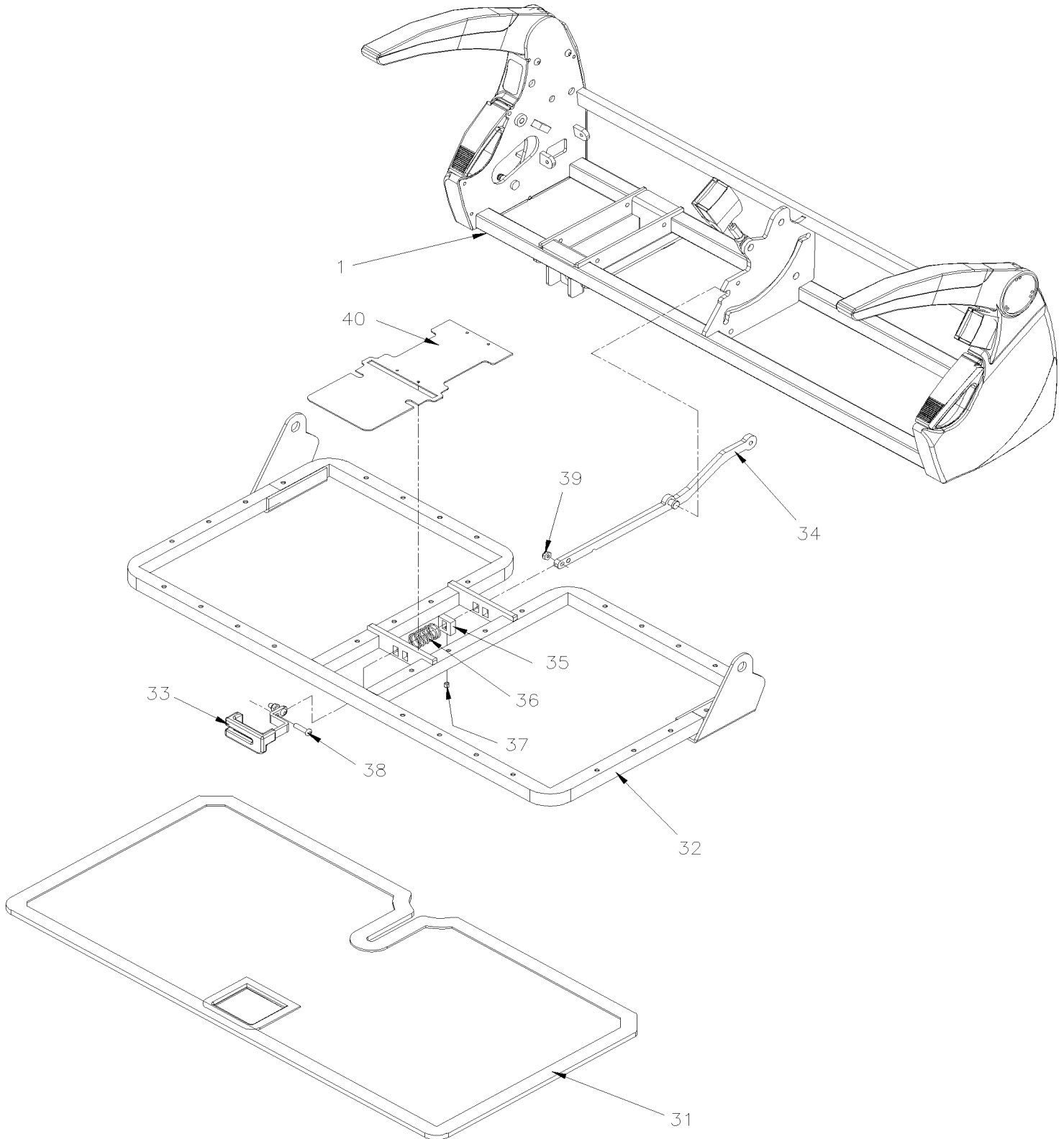


From 7-0671 To J-0287

Date:10/2022

PAGE:H7-1827-22

**PASSENGER'S SEAT / FLIP-UP / FIXE / AMAYA "A-220"**



From 7-0671 To J-0287		Date:10/2022	PAGE:H7-1827-22
<b>PASSENGER'S SEAT / FLIP-UP / FIXE / AMAYA "A-220"</b>			

Item#	Part	Description	H 3 4 1	H 3 4 5	V I P 4 5	N O T E S
	Call order desk	SEAT ASM 2 PASS CURBSIDE/ FLIP-UP / 1 PEDESTAL	1	1		P
	Call order desk	SEAT ASM 2 PASS STREET SIDE/ FLIP-UP	1	1		P
	Call order desk	SEAT ASM 2 PASS CURBSIDE/ FLIP-UP / 2 PEDESTAL	1	1		P
	Call order desk	SEAT ASM 2 PASS STREET SIDE/ FLIP-UP / 2 PEDESTAL	1	1		P
1	Call order desk	. SEAT CHASSIS WELDED CURBSIDE / 1 DEPESTAL	1	1		P
1	Call order desk	. SEAT CHASSIS WELDED STREET SIDE / 1 DEPESTAL	1	1	1	P
1	Call order desk	. SEAT CHASSIS WELDED / CURBSIDE / 2 PEDESTAL	1	1		P
1	Call order desk	. SEAT CHASSIS WELDED / STREET SIDE / 2 PEDESTAL	1	1		P
2	868523	. RECLINING MECHANISM ASSY / WALL SIDE	1	1		
NS	868522	. RECLINING MECHANISM ASSY / AISLE SIDE	1	1		
3	868280	. MECHANISM HANDLE ASSY / RH	1	1		
4	868281	. MECHANISM HANDLE ASSY / LH	1	1		
5	867737	. HINGED ARMREST / RH	1	1		
6	867738	. HINGED ARMREST / LH	1	1		
7	866019	. BUCKLE FEMALE	2	2		
8	868271	. SCREW CAP HEX 7/16-20x1 1/4 G8	4	4		
9	865519	. NUT HEX NYRT 7/16-20	4	4		
15	860075	. CAP WITH LOGO AMAYA	1	1		
16	23210438	. LATERAL COVER / AISLE SIDE // RH	1	1		
16	23210437	. LATERAL COVER / AISLE SIDE // LH	1	1		
17	868283	. LATERAL COVER / WALL SIDE // STREET SIDE SEAT	1	1		
17	868282	. LATERAL COVER / WALL SIDE / CURB SIDE SEAT	1	1		
20	868523	. RECLINING MECHANISM ASSY / WALL SIDE	2	2		
20	868522	. RECLINING MECHANISM ASSY / AISLE SIDE	1	1		
24	Call order desk	. COVER PLATE ASSY	1	1		P
24A	860124	. . OUTLET 110V	1	1		
24A	860142	. . OUTLET 110 V / USB 110 VAC / USB	1	1		
24B	860126	. . FACE PLATE PLUG 110V	1	1		
24C	Call order desk	. . SCREW #10x1/2	1	1		P
31	Call order desk	. PANEL COVER SEAT BOTTOM	1	1		P
32	Call order desk	. SEAT CUSHION ASSY / 2 PASSENGER'S / FLIP-UP SEAT CURBSIDE SEAT	1	1		P
32	Call order desk	. SEAT CUSHION ASSY / 2 PASSENGER'S / FLIP-UP SEAT STREET SIDE SEAT	1	1		P
33	860367	. PULL HANDLE W/PLASTIC COVER ASSY RH	1	1		
33	860368	. PULL HANDLE W/PLASTIC COVER ASSY LH	1	1		
33	860369	. . HANDLE FLIPPING SEAT	1	1		
34	860195	. . MOVING ARM FLIPPING SEAT	1	1		
34	867945	. . WASHER	1	1		
34	867944	. . SCREW SHR HEXS 5/16-18	1	1		
34	867946	. . CAP NUT 5/16-18	1	1		
35	868130	. . SPRING STOPPER	1	1		
36	868131	. . SPRING	1	1		
37	868132	. . SET SCREW 1/4x1/4	1	1		

From 7-0671 To J-0287	Date:10/2022	PAGE:H7-1827-22
<b>PASSENGER'S SEAT / FLIP-UP / FIXE / AMAYA "A-220"</b>		

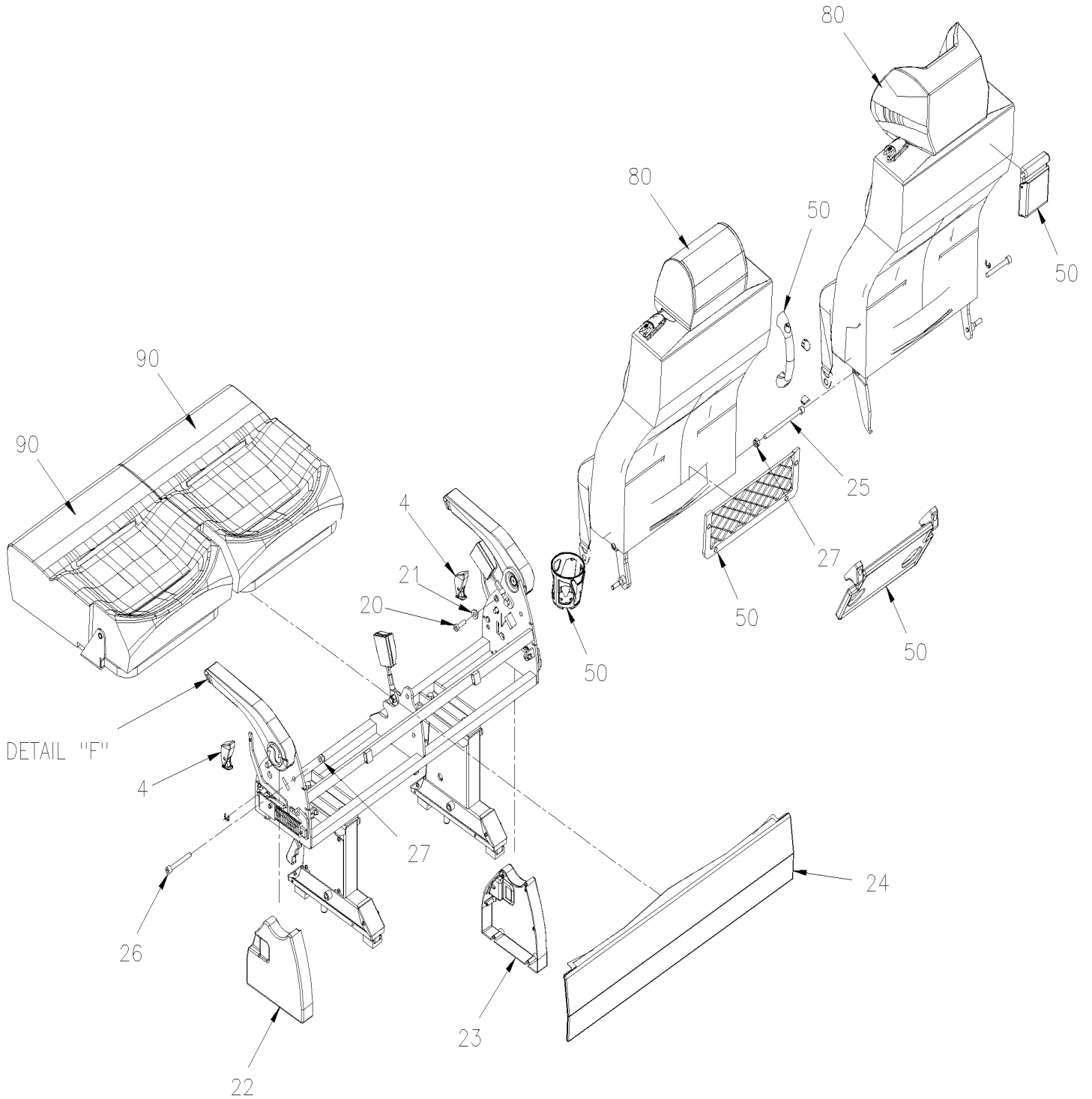
Item#	Part	Description	H 3 4 1	H 3 4 5	V I P 4 5	N O T E S
38	868195	. . CAP SCREW 10-24 x3/4`	1	1		
39	868196	. . NUT HEX NYRT #10-24	1	1		
40	Call order desk	. CLOSING PLATE	1	1		P
50	<b>H7-1826-60</b>	<b>. ACCESSORIES PASSENGER'S SEAT - "AMAYA"</b>				
60	<b>H7-1826-41</b>	<b>. PASSENGER'S SEAT - "AMAYA" - FOOTREST &amp; PEDESTAL</b>				
NS	868271	. . SCREW CAP HEX 7/16-20x1 1/4 G8	AR	AR	AR	
NS	865519	. . NUT HEX NYRT 7/16-20	AR	AR	AR	
NS	865520	. . WASHER FL 7/16	AR	AR	AR	
80	<b>H7-1827-62</b>	<b>. BACKREST AMAYA "A-220"</b>				
90	<b>H7-1827-72</b>	<b>. SEAT CUSHION AMAYA "A-220"</b>				
		P) CALL ORDER DESK FOR SPECIFIC APPLICATION (V.I.N.)				

From 7-0671 To J-0287

Date:10/2022

PAGE:H7-1827-31

## PASSENGER'S SEAT / FLIP-UP/SLIDER AMAYA "A-2TEN"

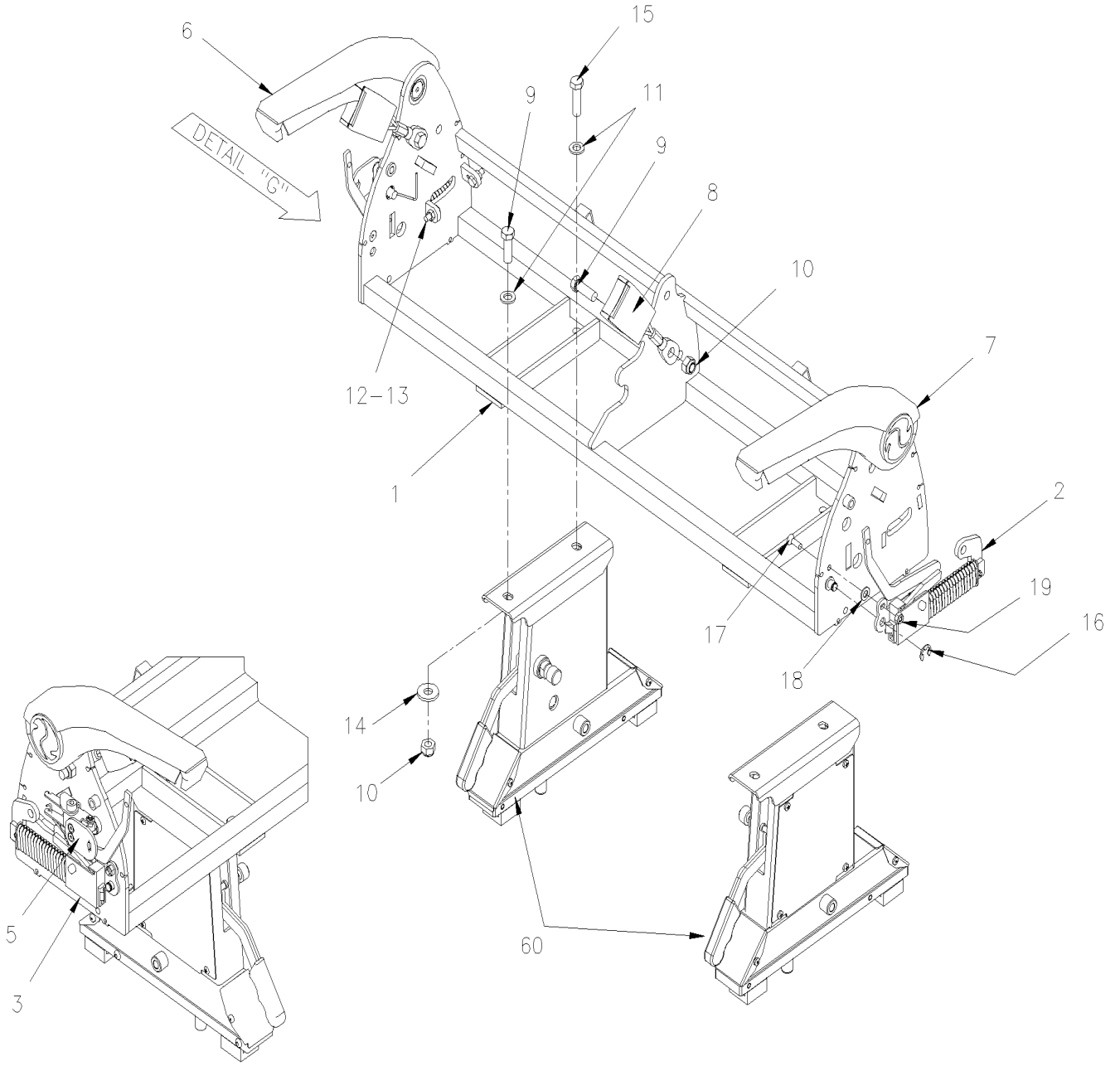


From 7-0671 To J-0287

Date:10/2022

PAGE:H7-1827-31

## PASSENGER'S SEAT / FLIP-UP/SLIDER AMAYA "A-2TEN"



DETAIL "G"

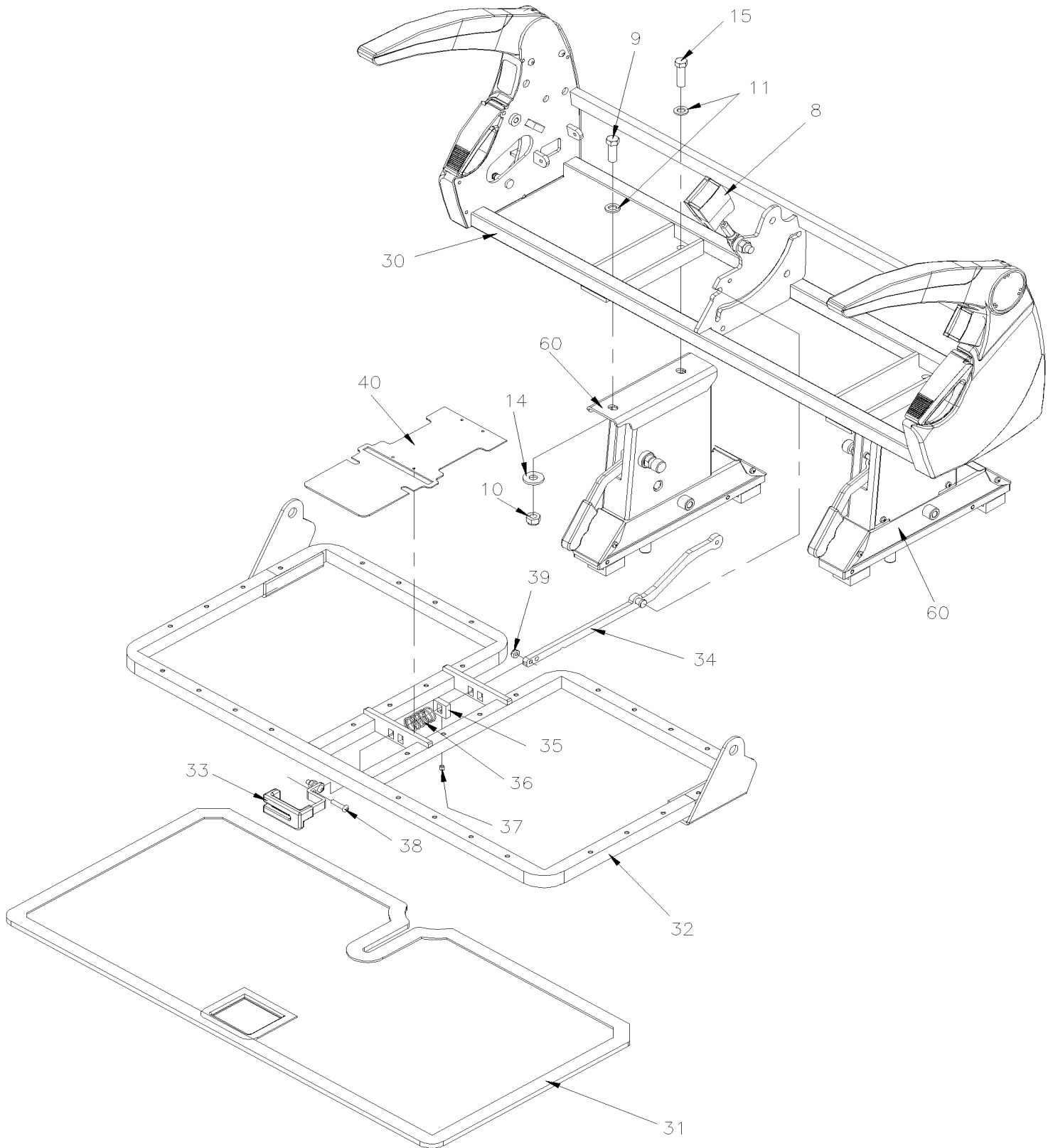
DETAIL "F"

From 7-0671 To J-0287

Date:10/2022

PAGE:H7-1827-31

## PASSENGER'S SEAT / FLIP-UP/SLIDER AMAYA "A-2TEN"



From 7-0671 To J-0287	Date:10/2022	PAGE:H7-1827-31
<b>PASSENGER'S SEAT / FLIP-UP/SLIDER AMAYA "A-2TEN"</b>		

Item#	Part	Description	H 3 4 1	H 3 4 5	V I P 4 5	N O T E S
	Call order desk	SEAT ASM 2 PASS STREETSIDE / SLIDER	1	1		P
	Call order desk	SEAT ASM 2 PASS CURBSIDE / SLIDER	1	1		P
1	Call order desk	. SEAT CHASSIS WELDED / STREET SIDE	1	1		P
1	Call order desk	. SEAT CHASSIS WELDED / CURBSIDE	1	1		P
2	862546	. RECLINING MECHANISM ASSY WALL SIDE	1	1		
. NS	IS-136	. . INSTRUCTION SHEET	1	1		
3	19509412	. RECLINING MECHANISM ASSY RH	1	1		
4	864093	. KNOB RECLINING	2	2		
5	865500	. MECHANISM HANDLE / RH	1	1		
6	865157	. HINGED ARMREST RH	1	1		
7	865154	. HINGED ARMREST LH	1	1		
8	864349	. BUCKLE FEMALE	2	2		
9	868271	. SCREW CAP HEX 7/16-20x1 1/4 G8	4	4		
10	865519	. NUT HEX NYRT 7/16-20	6	6		
11	865465	. WASHER FL / 7/16	4	4		
12	865498	. SCREW CAP HEX 1/4-20 x 3/4 LG	4	4		
13	865497	. NUT HEX 1/4	4	4		
14	865520	. WASHER FL 7/16	4	4		
15	Call order desk	. SCREW CAP HEX 7/16-20x1 1/2 G8	2	2		P
16	Call order desk	. RETAINING RING	2	2		P
17	Call order desk	. WASHER FL 8.4	2	2		P
18	865489	. SCREW CAP FL HEXS 1/4x3/4	2	2		
19	865490	. NUT HEX JAM NYRT 1/4	2	2		
20	Call order desk	. SCREW CAP HEXS M10x30MM	2	2		P
21	867923	. BUSHING	2	2		
22	860010	. LATERAL COVER / WALL SIDE / STREET SIDE SEAT	1	1		
22	860009	. LATERAL COVER / WALL SIDE / CURB SIDE SEAT	1	1		
23	866279	. LATERAL COVER / AISLE SIDE / STREET SIDE SEAT	1	1		
23	866213	. LATERAL COVER / AISLE SIDE / CURB SIDE SEAT	1	1		
24	Call order desk	. UPHOLSTERED COVER 39in	1	1		P
25	868265	. SCREW CAP HEXS M10x140MM	2	2		
26	Call order desk	. SCREW CAP HEXS M10x80MM	2	2		P
27	860005	. NUT HEX STO M10-1.5 ZP	3	3		
30	Call order desk	. SEAT CHASSIS WELDED / CURBSIDE / 2 PEDESTAL	1	1		P
30	Call order desk	. SEAT CHASSIS WELDED / STREET SIDE / 2 PEDESTAL	1	1		P
31	Call order desk	. PANEL COVER SEAT BOTTOM	1	1		P
32	Call order desk	. SEAT CUSHION ASSY / 2 PASSENGER'S / FLIP-UP SEAT CURBSIDE SEAT	1	1		P
32	Call order desk	. SEAT CUSHION ASSY / 2 PASSENGER'S / FLIP-UP SEAT STREET SIDE SEAT	1	1		P
33	860146	. HANDLE FLIP SEAT CUSHION STREET SIDE	1	1		
33	860152	. HANDLE FLIP SEAT CUSHION CURBSIDE	1	1		
34	860195	. MOVING ARM FLIPPING SEAT	1	1		
NS	867945	. . WASHER	1	1		



From 7-0671 To J-0287	Date:10/2022	PAGE:H7-1827-31
<b>PASSENGER'S SEAT / FLIP-UP/SLIDER AMAYA "A-2TEN"</b>		

Item#	Part	Description	H 3 4 1	H 3 4 5	V I P 4 5	N O T E S
NS	867944	. . SCREW SHR HEXS 5/16-18	1	1		
NS	867946	. . CAP NUT 5/16-18	1	1		
35	868130	. SPRING STOPPER	1	1		
36	868131	. SPRING	1	1		
37	868132	. SET SCREW 1/4x1/4	1	1		
38	868195	. CAP SCREW 10-24 x3/4`	1	1		
39	868196	. NUT HEX NYRT #10-24	1	1		
40	Call order desk	. CLOSING PLATE	1	1		P
50	<b>H7-1826-60</b>	. <b>ACCESSORIES PASSENGER'S SEAT - "AMAYA"</b>				
60	<b>H7-1826-41</b>	. <b>PASSENGER'S SEAT - "AMAYA" - FOOTREST &amp; PEDESTAL</b>				
80	<b>H7-1827-61</b>	. <b>BACKREST AMAYA "A-2TEN"</b>				
90	<b>H7-1827-71</b>	. <b>SEAT CUSHION AMAYA "A-2TEN"</b>				
		P) CALL ORDER DESK FOR SPECIFIC APPLICATION (V.I.N.)				

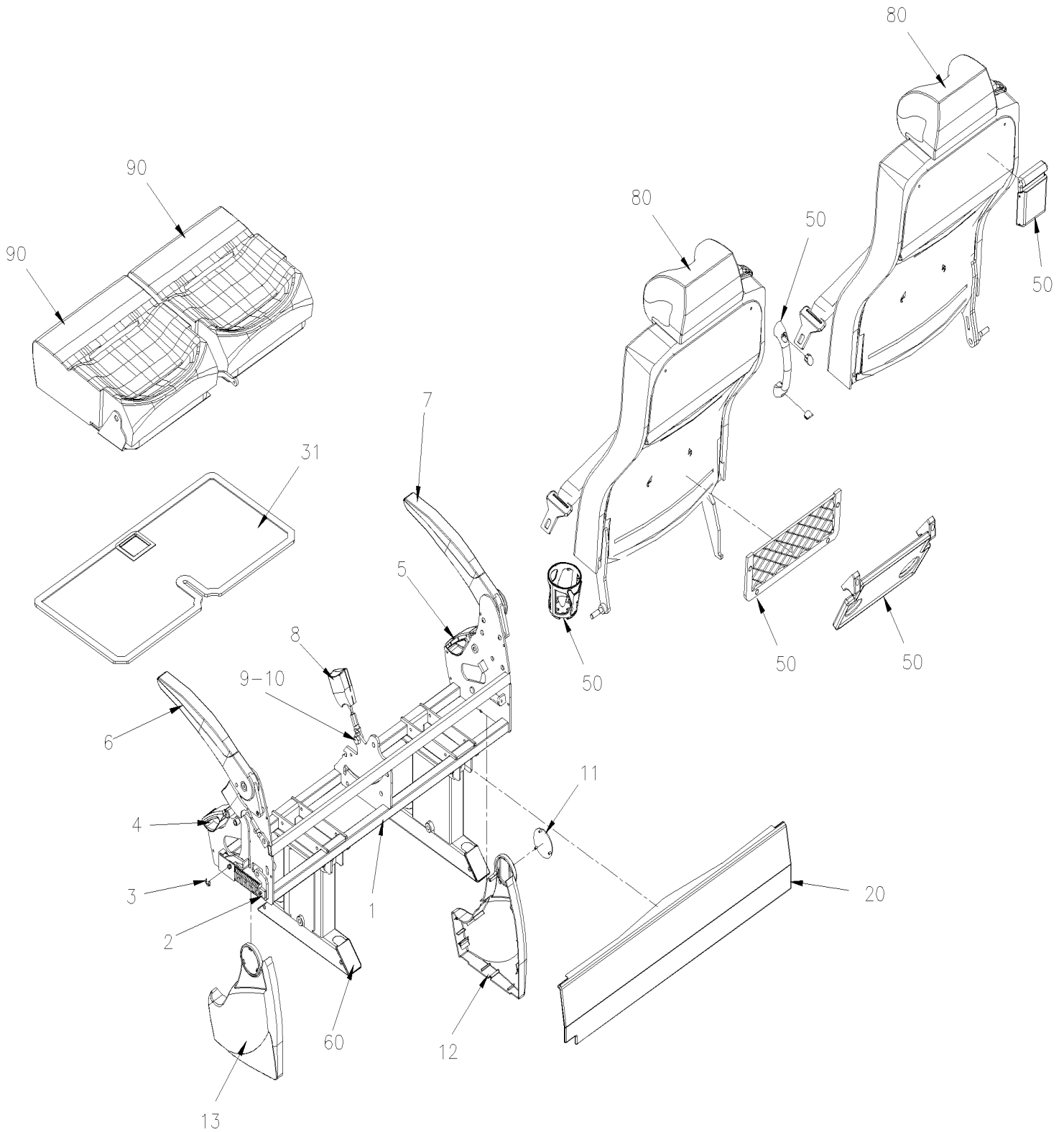


From 7-0671 To J-0287

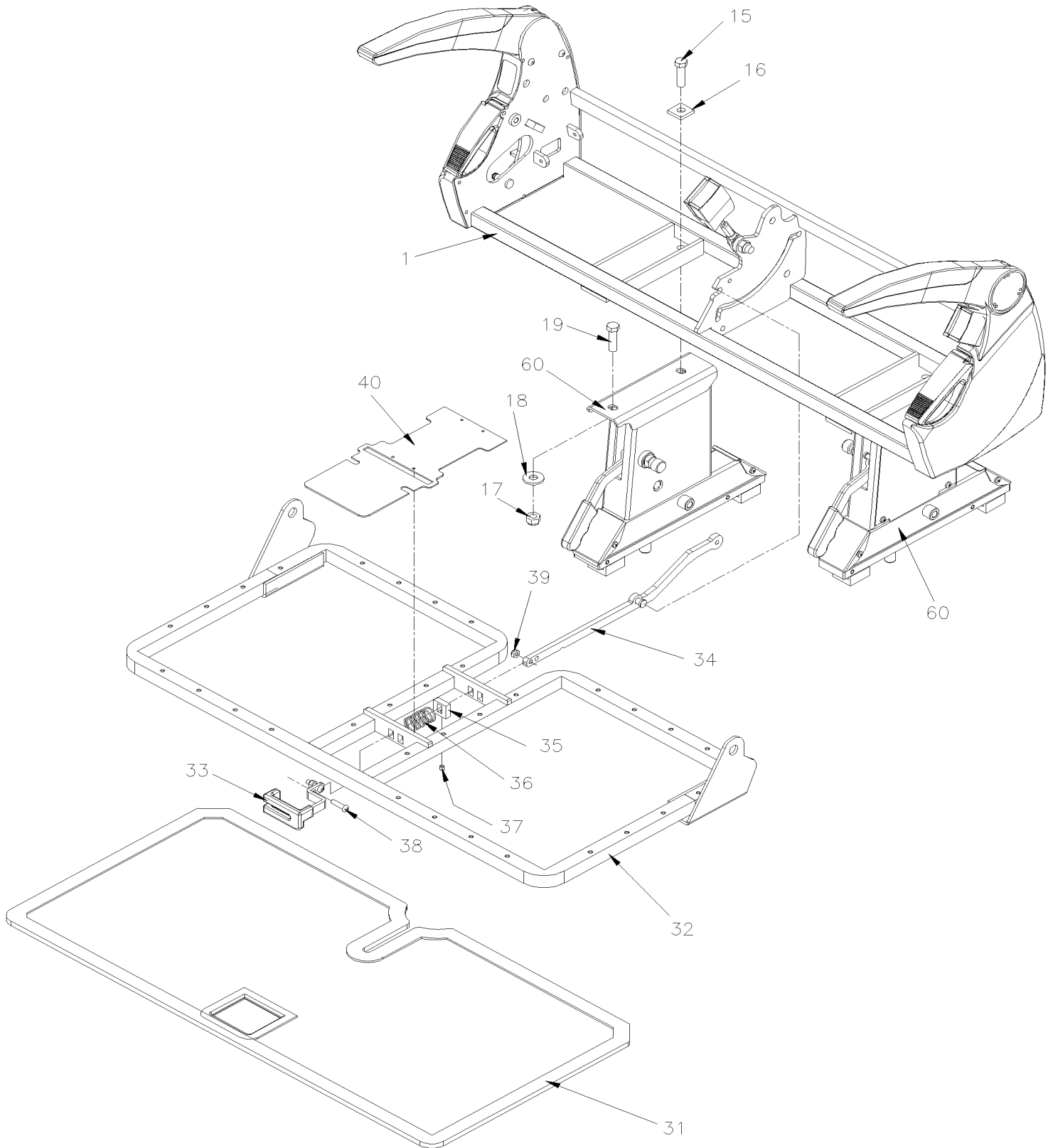
Date:10/2022

PAGE:H7-1827-32

## PASSENGER'S SEAT / FLIP-UP / SLIDER AMAYA "A-220"



From 7-0671 To J-0287	Date:10/2022	PAGE:H7-1827-32
<b>PASSENGER'S SEAT / FLIP-UP / SLIDER AMAYA "A-220"</b>		



From 7-0671 To J-0287	Date:10/2022	PAGE:H7-1827-32
<b>PASSENGER'S SEAT / FLIP-UP / SLIDER AMAYA "A-220"</b>		

Item#	Part	Description	H 3 4 1	H 3 4 5	V I P 4 5	N O T E S
	Call order desk	SEAT ASM 2 PASS STREET SIDE / SLIDER	1	1		P
	860164	SEAT ASM 2 PASS CURBSIDE / SLIDER CURBSIDE SEAT	1	1		
1	Call order desk	. SEAT CHASSIS WELDED / STREET SIDE / 2 PEDESTAL	1	1		P
1	Call order desk	. SEAT CHASSIS WELDED / CURBSIDE / 2 PEDESTAL	1	1		P
2	868522	. RECLINING MECHANISM ASSY / AISLE SIDE	1	1		
2	868523	. RECLINING MECHANISM ASSY / WALL SIDE	1	1		
3	Call order desk	. RETAINING RING	2	2		P
4	868280	. MECHANISM HANDLE ASSY / RH	1	1		
5	868281	. MECHANISM HANDLE ASSY / LH	1	1		
6	867737	. HINGED ARMREST / RH	1	1		
7	867738	. HINGED ARMREST / LH	1	1		
8	866019	. BUCKLE FEMALE	2	2		
9	865519	. NUT HEX NYRT 7/16-20	2	2		
10	865521	. SCREW CAP HEX 7/16-20x1 G8	2	2		
11	860075	. CAP WITH LOGO AMAYA	1	1		
12	23210437	. LATERAL COVER / AISLE SIDE // LH	1	1		
13	868282	. LATERAL COVER / WALL SIDE / CURB SIDE SEAT	1	1		
15	Call order desk	. SCREW CAP HEX 7/16-20x1 1/2 G8	2	2		P
16	Call order desk	. WASHER, SQUARE SHAPE 7/16	4	4		P
17	865519	. NUT HEX NYRT 7/16-20	4	4		
18	865520	. WASHER FL 7/16	4	4		
19	868271	. SCREW CAP HEX 7/16-20x1 1/4 G8	2	2		
20	Call order desk	. DUST COVER 39 IN	1	1		P
31	Call order desk	. SEAT CUSHION ASSY / 2 PASSENGER'S / FLIP-UP SEAT A220	1	1		P
32	Call order desk	. SEAT CUSHION ASSY / 2 PASSENGER'S / FLIP-UP SEAT CURBSIDE SEAT	1	1		P
32	Call order desk	. SEAT CUSHION ASSY / 2 PASSENGER'S / FLIP-UP SEAT STREET SIDE SEAT	1	1		P
33	860367	PULL HANDLE W/PLASTIC COVER ASSY RH	1	1		
33	860368	PULL HANDLE W/PLASTIC COVER ASSY LH	1	1		
33	860369	. . HANDLE FLIPPING SEAT	1	1		
34	860195	. . MOVING ARM FLIPPING SEAT	1	1		
34	867945	. . WASHER	1	1		
34	867944	. . SCREW SHR HEXS 5/16-18	1	1		
34	867946	. . CAP NUT 5/16-18	1	1		
35	868130	. . SPRING STOPPER	1	1		
36	868131	. . SPRING	1	1		
37	868132	. . SET SCREW 1/4x1/4	1	1		
38	868195	. . CAP SCREW 10-24 x3/4`	1	1		
39	868196	. . NUT HEX NYRT #10-24	1	1		
40	Call order desk	. CLOSING PLATE	1	1		P
50	<b>H7-1826-60</b>	<b>. ACCESSORIES PASSENGER'S SEAT - "AMAYA"</b>				
60	<b>H7-1826-41</b>	<b>. PASSENGER'S SEAT - "AMAYA" - FOOTREST &amp; PEDESTAL</b>				
80	<b>H7-1827-62</b>	<b>. BACKREST AMAYA "A-220"</b>				

From 7-0671 To J-0287	Date:10/2022	PAGE:H7-1827-32
<b>PASSENGER'S SEAT / FLIP-UP / SLIDER AMAYA "A-220"</b>		

Item#	Part	Description	H 3 4 1	H 3 4 5	V I P 4 5	N O T E S
90	H7-1827-72	. SEAT CUSHION AMAYA "A-220"				
		P) CALL ORDER DESK FOR SPECIFIC APPLICATION (V.I.N.)				

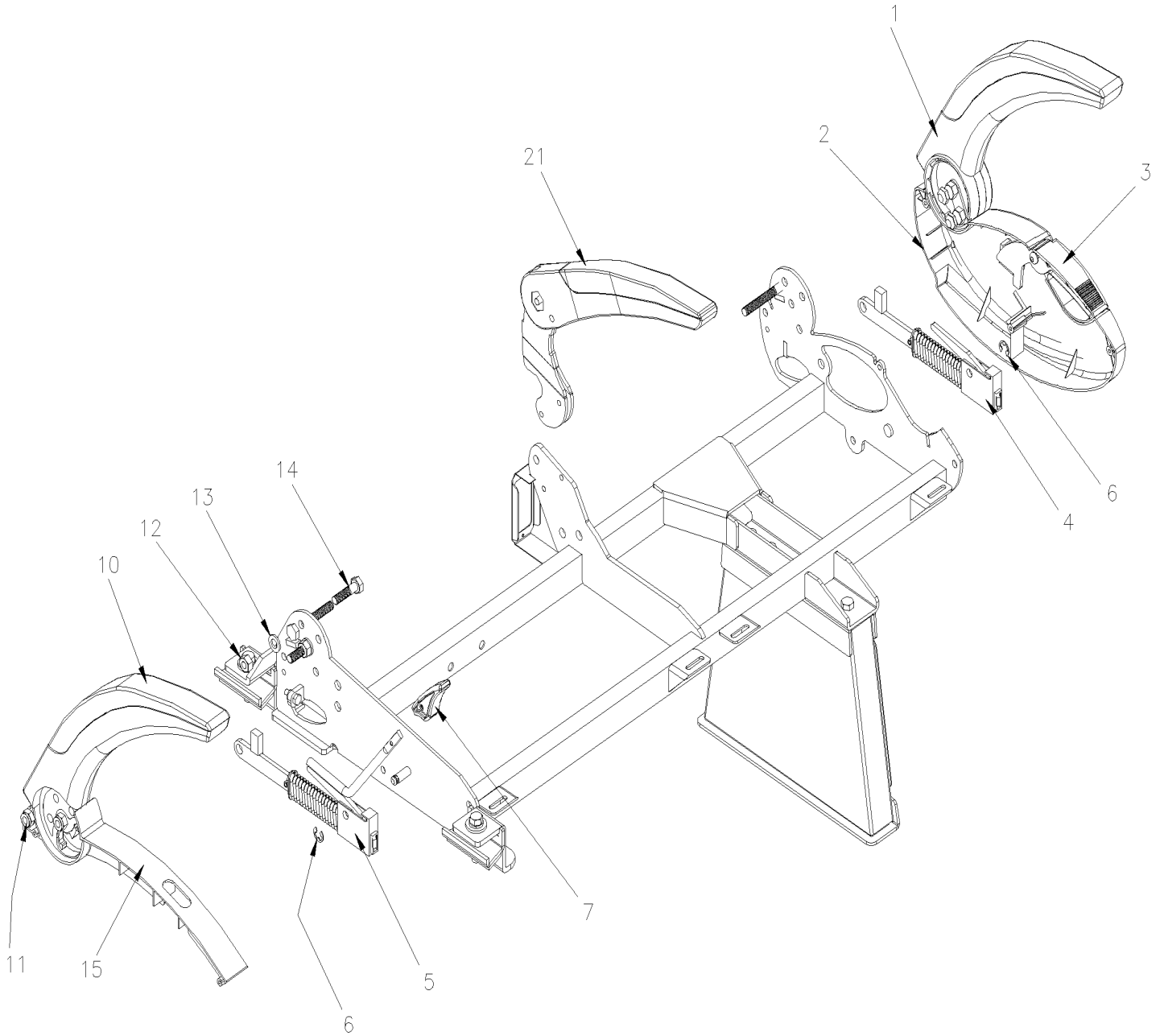
From 7-0671 To J-0287

Date:10/2022

PAGE:H7-1827-51

## ARMREST AMAYA "A-2TEN"

AISLE SIDE



WALL SIDE

From 7-0671 To J-0287	Date:10/2022	PAGE:H7-1827-51
<b>ARMREST AMAYA "A-2TEN"</b>		

Item#	Part	Description	H 3 4 1	H 3 4 5	V I P 4 5	N O T E S
1	864938	ARMREST L.H.	1	1		
. NS	Call order desk	. ARMREST COVERING WOOD FINISHING	1	1		P
. NS	866077	. ARMREST COVERING DARK GREY	1	1		
. NS	865378	. ARMREST COVERING LIGHT GREY	1	1		
. NS	860076	. CAP WITH LOGO AMAYA	1	1		
1	863186	ARMREST R.H.	1	1		
. NS	Call order desk	. ARMREST COVERING WOOD FINISHING	1	1		P
. NS	866077	. ARMREST COVERING DARK GREY	1	1		
. NS	865378	. ARMREST COVERING LIGHT GREY	1	1		
. NS	860075	. CAP WITH LOGO AMAYA	1	1		
2	864577	. COVER AISLE R.H.	1	1		
2	864703	. COVER AISLE SIDE RH SEAT	1	1		
3	860199	LEVER ASSY R.H.	1	1		
4	865086	RECLINING MECHANISM ASSY / "TORINO" AISLE	1	1		
5	865061	RECLINING MECHANISM ASSY / "TORINO" WINDOW	1	1		
6	865488	RETAINING RING	2	2		
7	864117	KNOB W/SQUARE ROD INSERT MECHANISM (CURRENT)	1	1		
10	865070	ARMREST R.H. WINDOW SIDE	1	1		
11	860005	NUT HEX STO M10-1.5 ZP	2	2		
12	868266	NUT HEX M10-1.5	2	2		
13	865465	WASHER FL / 7/16	4	4		
14	868270	SCREW CAP HEX M10-1.5x40MM	2	2		
15	Call order desk	MECHANISM FINISHING COVER WALL SIDE	1	1		P
21	865104	ARMREST CENTRAL ASSY	1	1		
. NS	866240	. ARMREST COVERING LIGHT GREY	1	1		
		P) CALL ORDER DESK FOR SPECIFIC APPLICATION (V.I.N.)				
		P) CALL ORDER DESK FOR SPECIFIC APPLICATION (V.I.N.)				



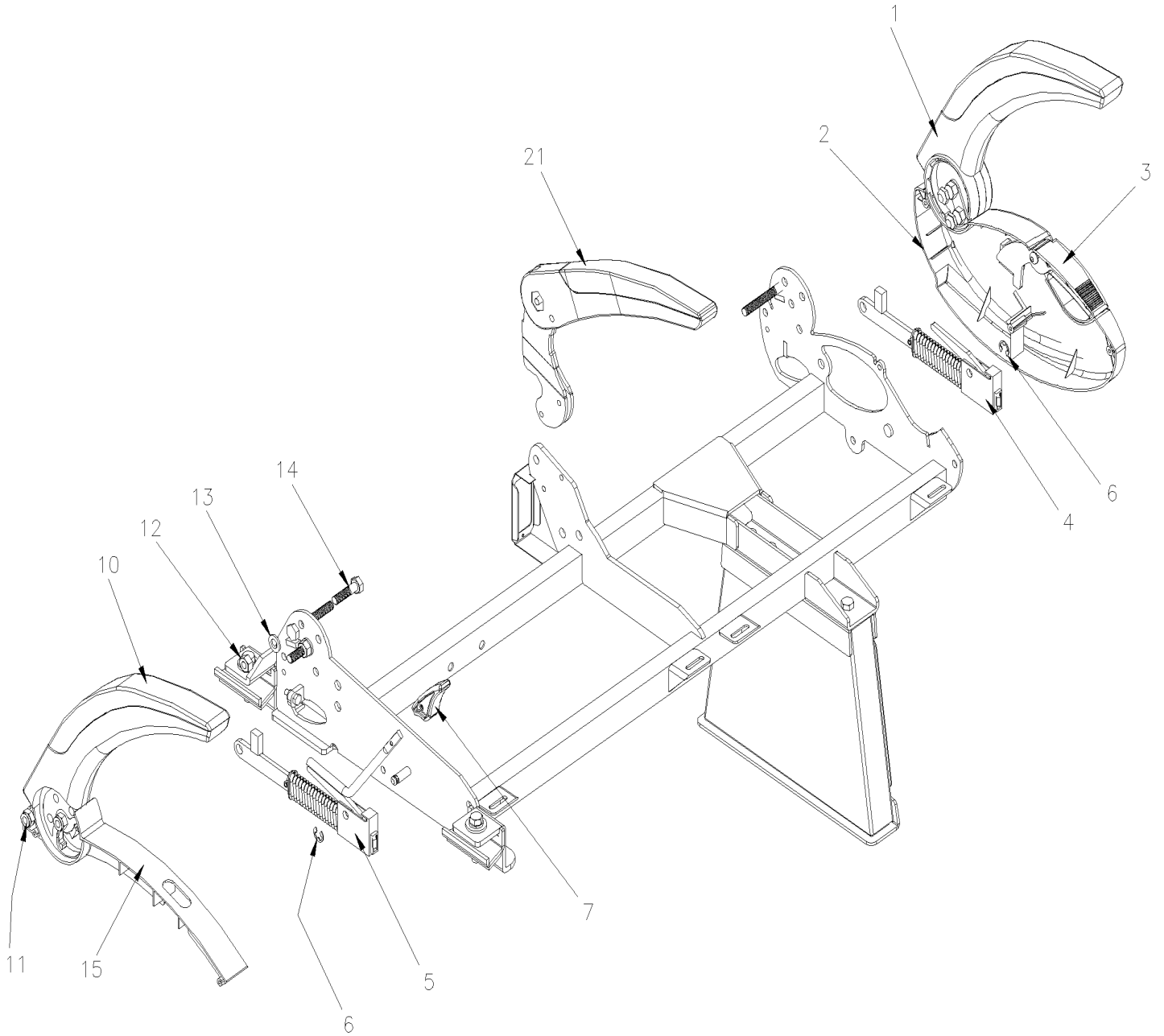
From 7-0671 To J-0287

Date:10/2022

PAGE:H7-1827-52

## ARMREST AMAYA "A-220"

AISLE SIDE

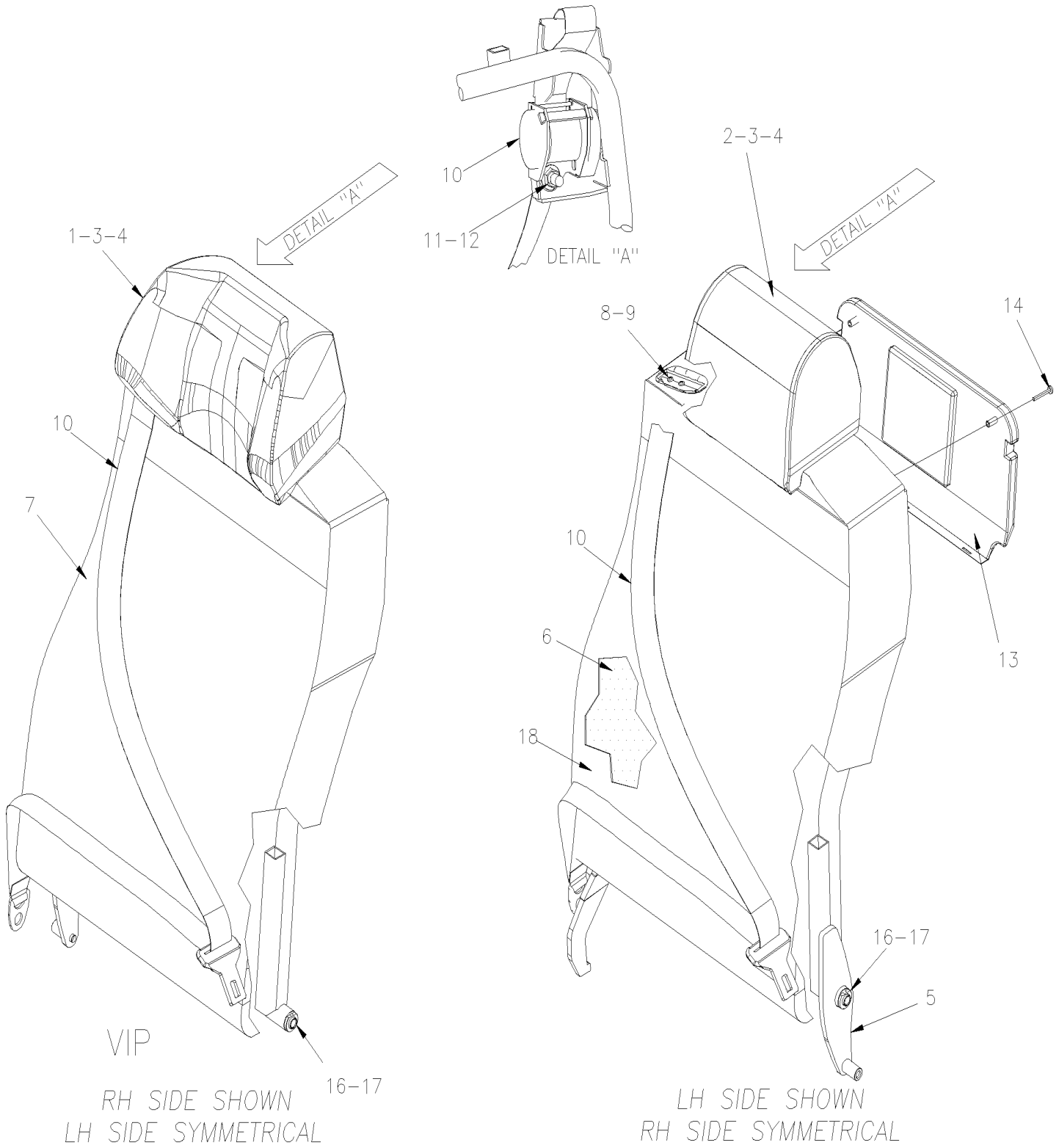


WALL SIDE

From 7-0671 To J-0287	Date:10/2022	PAGE:H7-1827-52
<b>ARMREST AMAYA "A-220"</b>		

Item#	Part	Description	H 3 4 1	H 3 4 5	V I P 4 5	N O T E S
1	864938	ARMREST L.H.	1	1	1	
. NS	Call order desk	. ARMREST COVERING WOOD FINISHING	1	1	1	P
. NS	866077	. ARMREST COVERING DARK GREY	1	1	1	
. NS	865378	. ARMREST COVERING LIGHT GREY	1	1	1	
. NS	860076	. CAP WITH LOGO AMAYA	1	1	1	
1	863186	ARMREST R.H.	1	1	1	
. NS	Call order desk	. ARMREST COVERING WOOD FINISHING	1	1	1	P
. NS	866077	. ARMREST COVERING DARK GREY	1	1	1	
. NS	865378	. ARMREST COVERING LIGHT GREY	1	1	1	
. NS	860075	. CAP WITH LOGO AMAYA	1	1	1	
1A	867737	HINGED ARMREST / RH	1	1		
1A	867738	HINGED ARMREST / LH	1	1		
		. CHAR(255)	1	1		
2	864703	. COVER AISLE SIDE RH SEAT	1	1		
2	860091	. COVER AISLE SIDE LH SEAT	1	1		
3	860199	LEVER ASSY R.H.	1	1		
4	865086	RECLINING MECHANISM ASSY / "TORINO" AILSE	1	1		
5	865061	RECLINING MECHANISM ASSY / "TORINO" WINDOW	1	1		
6	865488	RETAINING RING	2	2		
7	864117	KNOB W/SQUARE ROD INSERT MECHANISM (CURRENT)	1	1		
10	865070	ARMREST R.H. WINDOW SIDE	1	1		
11	860005	NUT HEX STO M10-1.5 ZP	2	2		
12	868266	NUT HEX M10-1.5	2	2		
13	865465	WASHER FL / 7/16	4	4		
14	868270	SCREW CAP HEX M10-1.5x40MM	2	2		
15	T1175060655	MECHANISM FINISHING COVER WALL SIDE	1	1		
		P) CALL ORDER DESK FOR SPECIFIC APPLICATION (V.I.N.)				

From 7-0671 To J-0287	Date:10/2022	PAGE:H7-1827-61
BACKREST AMAYA "A-2TEN"		

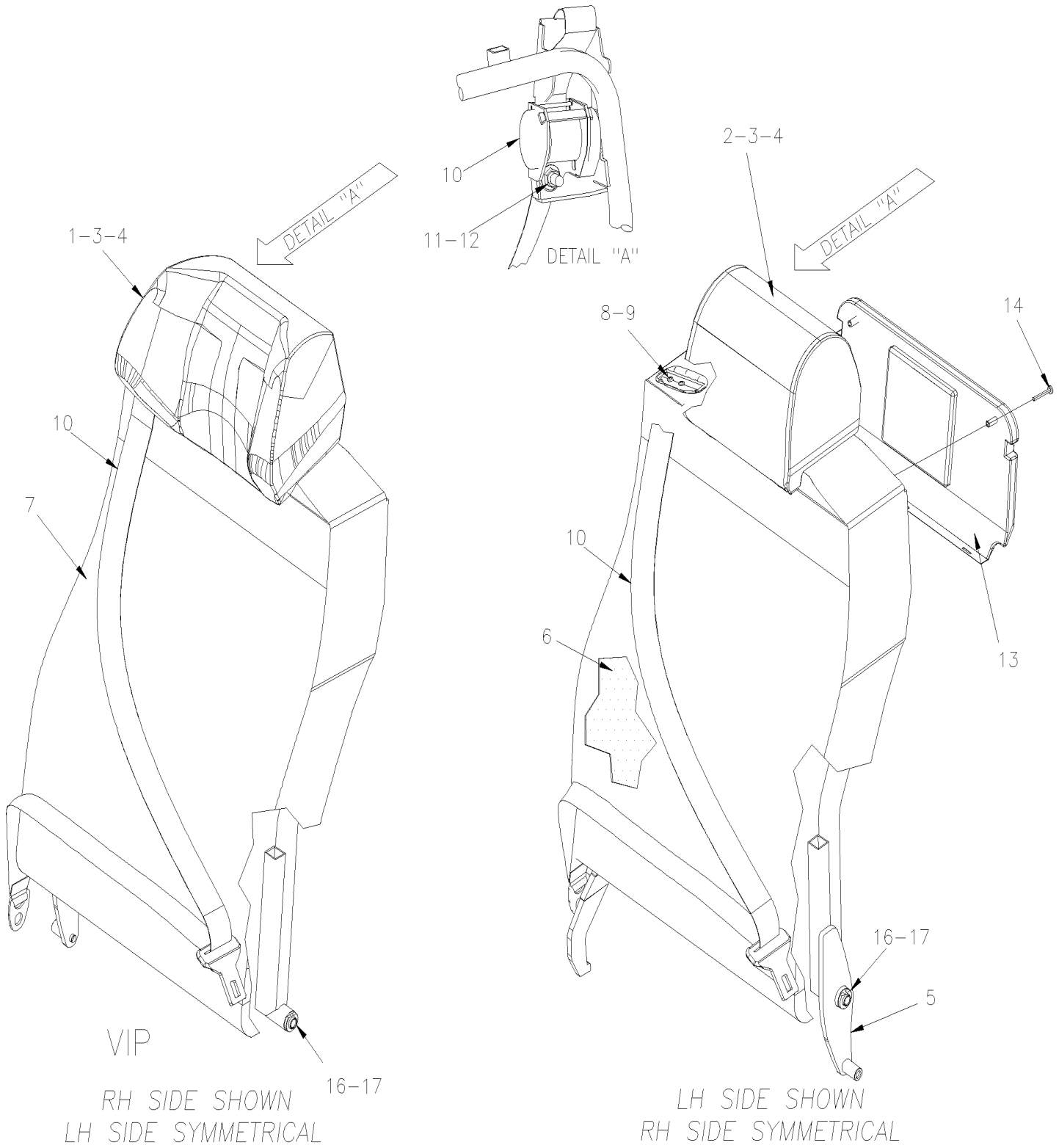


From 7-0671 To J-0287 Date:10/2022 PAGE:H7-1827-61

## BACKREST AMAYA "A-2TEN"

Item#	Part	Description	H 3 4 1	H 3 4 5	V I P 4 5	N O T E S
	Call order desk	BACKREST ASSY	1	1		P
	Call order desk	BACKREST ASSY VIP	1	1		P
	Call order desk	BACKREST ASSY / FLIP-UP SEAT	1	1		P
	Call order desk	BACKREST ASSY VIP / FLIP-UP SEAT	1	1		P
	Call order desk	BACKREST ASSY LH / 2 PASSENGER'S REAR CROSS SEAT	1	1		P
	Call order desk	BACKREST ASSY LH VIP / 2 PASSENGER'S REAR CROSS SEAT	1	1		P
	Call order desk	BACKREST ASSY LH / 1 PASSENGER'S REAR CROSS SEAT	1	1		P
	Call order desk	BACKREST ASSY LH VIP / 1 PASSENGER'S REAR CROSS SEAT	1	1		P
	Call order desk	BACKREST ASSY / ROTATING SEAT	1	1		P
	Call order desk	BACKREST ASSY VIP / ROTATING SEAT	1	1		P
1	7775195	. HEADREST ASSY / VIP	1	1		
2	Call order desk	. HEADREST ASSY	1	1		P
3	866205	. BUSHING	2	2		
4	866204	. BACKREST CLIP	2	2		
5	Call order desk	. BACKREST FRAME ASSY	1	1		P
5	Call order desk	. BACKREST FRAME ASSY VIP	1	1		P
5	Call order desk	. BACKREST FRAME ASSY / FLIP-UP SEAT	1	1		P
5	Call order desk	. BACKREST FRAME ASSY VIP / FLIP-UP SEAT	1	1		P
5	Call order desk	. BACKREST FRAME LH ASSY / 2 PASSENGER'S REAR CROSS SEAT	1	1		P
5	Call order desk	. BACKREST FRAME ASSY LH VIP / 2 PASSENGER'S REAR CROSS SEAT	1	1		P
5	Call order desk	. BACKREST FRAME LH ASSY / 1 PASSENGER'S REAR CROSS SEAT	1	1		P
5	Call order desk	. BACKREST FRAME ASSY LH VIP / 1 PASSENGER'S REAR CROSS SEAT	1	1		P
5	Call order desk	. BACKREST FRAME ASSY / ROTATING SEAT	1	1		P
6	Call order desk	. BACKREST FOAM	1	1		P
6	Call order desk	. BACKREST FOAM / FLIP-UP SEAT	1	1		P
6	Call order desk	. BACKREST FOAM VIP / FLIP-UP SEAT	1	1		P
7	Call order desk	. UPHOLSTERY	1	1		P
8	860420	. BELT GUIDE	1	1		
9	Call order desk	. SCREW MA PAN PH	2	2		P
10	865217	. BELT MULTIPOSITION	1	1		
NS	7775183	. SEAT BELT EXTENSION - PASSENGER SEAT NOT INCLUDE WITH SEAT	1	1		
11	867945	. WASHER	1	1		
12	865519	. NUT HEX NYRT 7/16-20	1	1		
13	Call order desk	. BACKREST COVER ASSY	1	1		P
14	Call order desk	. SCREW MA PAN PH	2	2		P
16	Call order desk	. BUSHING	2	2		P
16	Call order desk	. BUSHING WITH FLIP-UP	2	2		P
17	Call order desk	. CAP	2	2		P
		P) CALL ORDER DESK FOR SPECIFIC APPLICATION (V.I.N.)				

From 7-0671 To J-0287	Date:10/2022	PAGE:H7-1827-62
BACKREST AMAYA "A-220"		

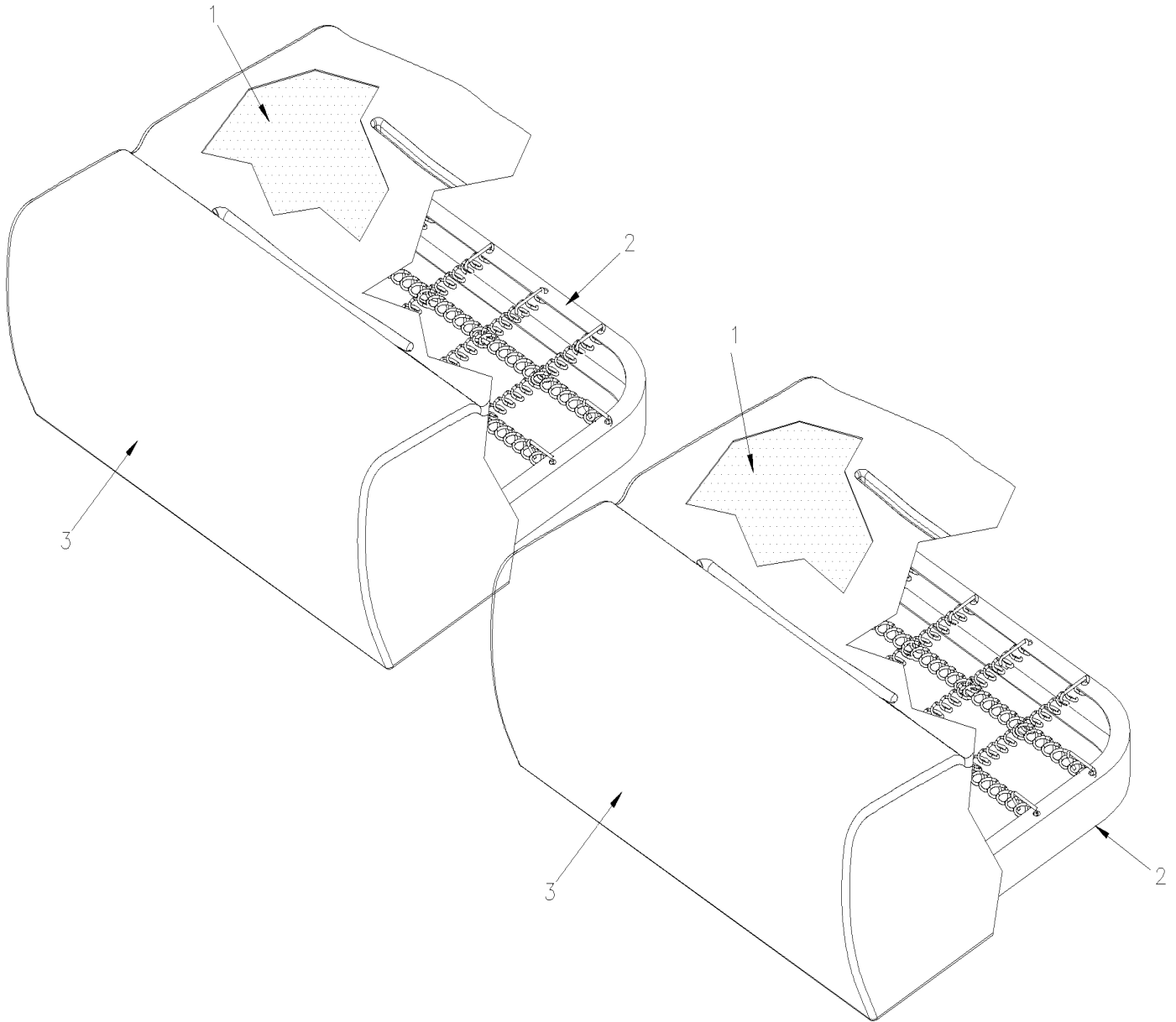


From 7-0671 To J-0287	Date:10/2022	PAGE:H7-1827-62
<b>BACKREST AMAYA "A-220"</b>		

Item#	Part	Description	H 3 4 1	H 3 4 5	V I P 4 5	N O T E S
	Call order desk	BACKREST ASSY / LH A-220 STD	1	1		P
	Call order desk	BACKREST ASSY / RH A-220 STD	1	1	1	P
	Call order desk	BACKREST ASSY / LH A-220 /FLIP/ FIXED	1	1	1	P
	Call order desk	BACKREST ASSY / RH A-220 /FLIP/ FIXED	1	1	1	P
	Call order desk	BACKREST ASSY / LH A-220 SLINDING	1	1	1	P
	Call order desk	BACKREST ASSY / RH A-220 SLINDING	1	1		P
1	7775195	. HEADREST ASSY / VIP	1	1		
2	Call order desk	. HEADREST ASSY	1	1		P
3	866205	. BUSHING	2	2		
4	866204	. BACKREST CLIP	2	2		
5	Call order desk	. FRAME BACKREST	1	1		P
6	Call order desk	. BACKREST FOAM	1	1		P
7	Call order desk	. UPHOLSTERY	1	1		P
8	860420	. BELT GUIDE	1	1		
9	Call order desk	. SCREW MA PAN PH	2	2		P
10	865217	. BELT MULTIPOSITION	1	1		
10	7775183	. SEAT BELT EXTENSION - PASSENGER SEAT NOT INCLUDE WITH SEAT	1	1		
11	867945	. WASHER	1	1		
12	865519	. NUT HEX NYRT 7/16-20	1	1		
13	Call order desk	. BACKREST COVER ASSY	1	1		P
14	Call order desk	. SCREW MA PAN PH	2	2		P
16	868402	. BUSHING 45MM	4	4		
17	Call order desk	. CAP	2	2		P
		P) CALL ORDER DESK FOR SPECIFIC APPLICATION (V.I.N.)				

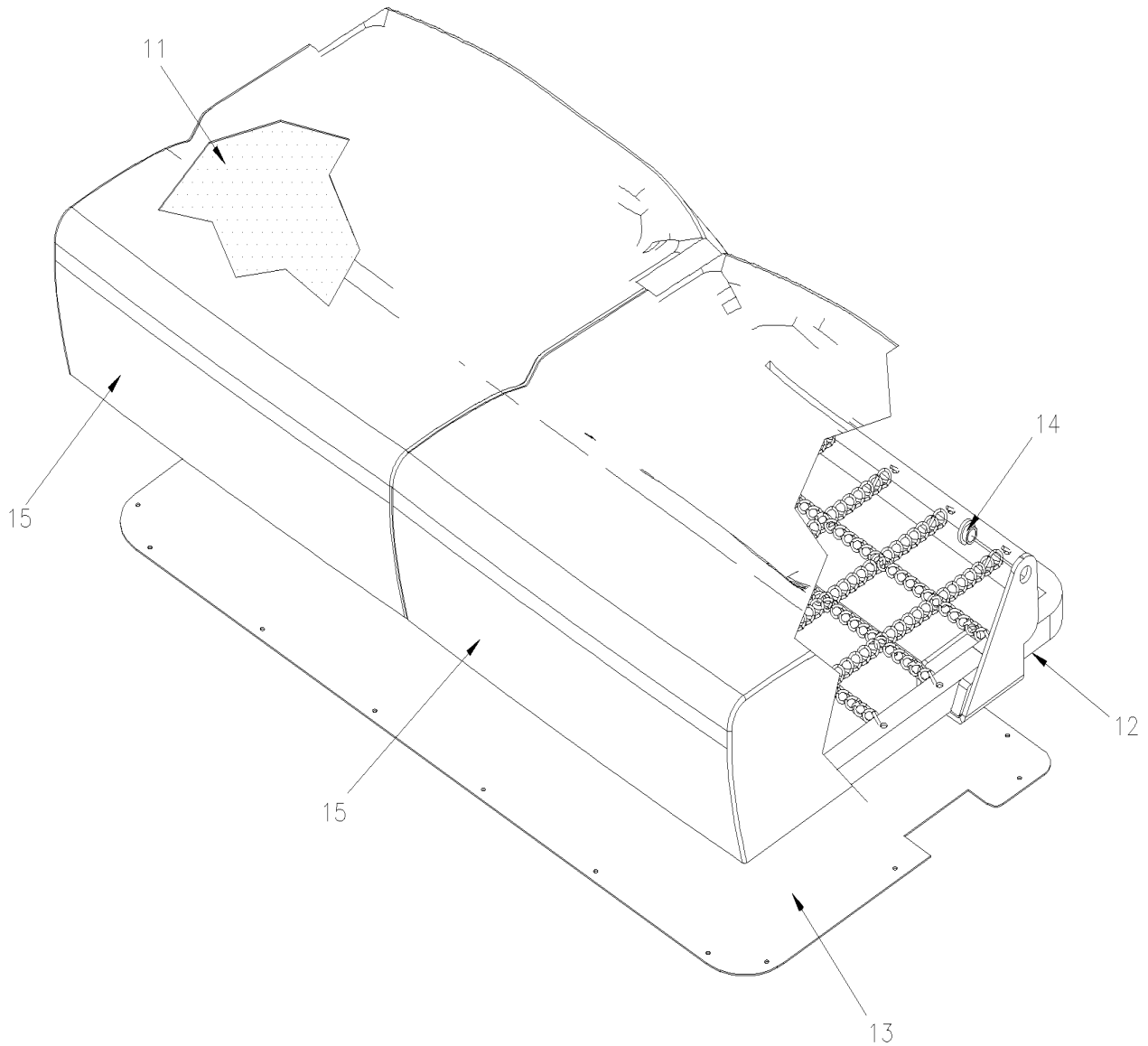
**SEAT CUSHION AMAYA "A-2TEN"**

REGULAR SEAT



**SEAT CUSHION AMAYA "A-2TEN"**

*FLIP-UP/SLIDER SEAT*



*LH SIDE SHOWN  
RH SIDE SYMMETRICAL*



From 7-0671 To J-0287	Date:10/2022	PAGE:H7-1827-71
<b>SEAT CUSHION AMAYA "A-2TEN"</b>		

Item#	Part	Description	H 3 4 1	H 3 4 5	V I P 4 5	N O T E S
	866208	SEAT CUSHION ASSY / 2 PASSENGER'S	1	1		
1	860260	. SEAT CUSHION FOAM	2	2		
2	860108	. SEAT CUSHION FRAME	2	2		
3	Call order desk	. COVER DETAIL	2	2		P
10	Call order desk	SEAT CUSHION ASSY / 2 PASSENGER'S / FLIP-UP SEAT	1	1		P
11	Call order desk	. SEAT CUSHION FOAM	2	2		P
12	Call order desk	. SEAT CUSHION FRAME CURBSIDE	1	1		P
12	Call order desk	. SEAT CUSHION FRAME STREET SIDE	1	1		P
13	860178	. PANEL COVER SEAT BOTTOM	1	1		
14	Call order desk	. BUSHING	2	2		P
15	Call order desk	. UPHOLSTERY	2	2		P
		P) CALL ORDER DESK FOR SPECIFIC APPLICATION (V.I.N.)				



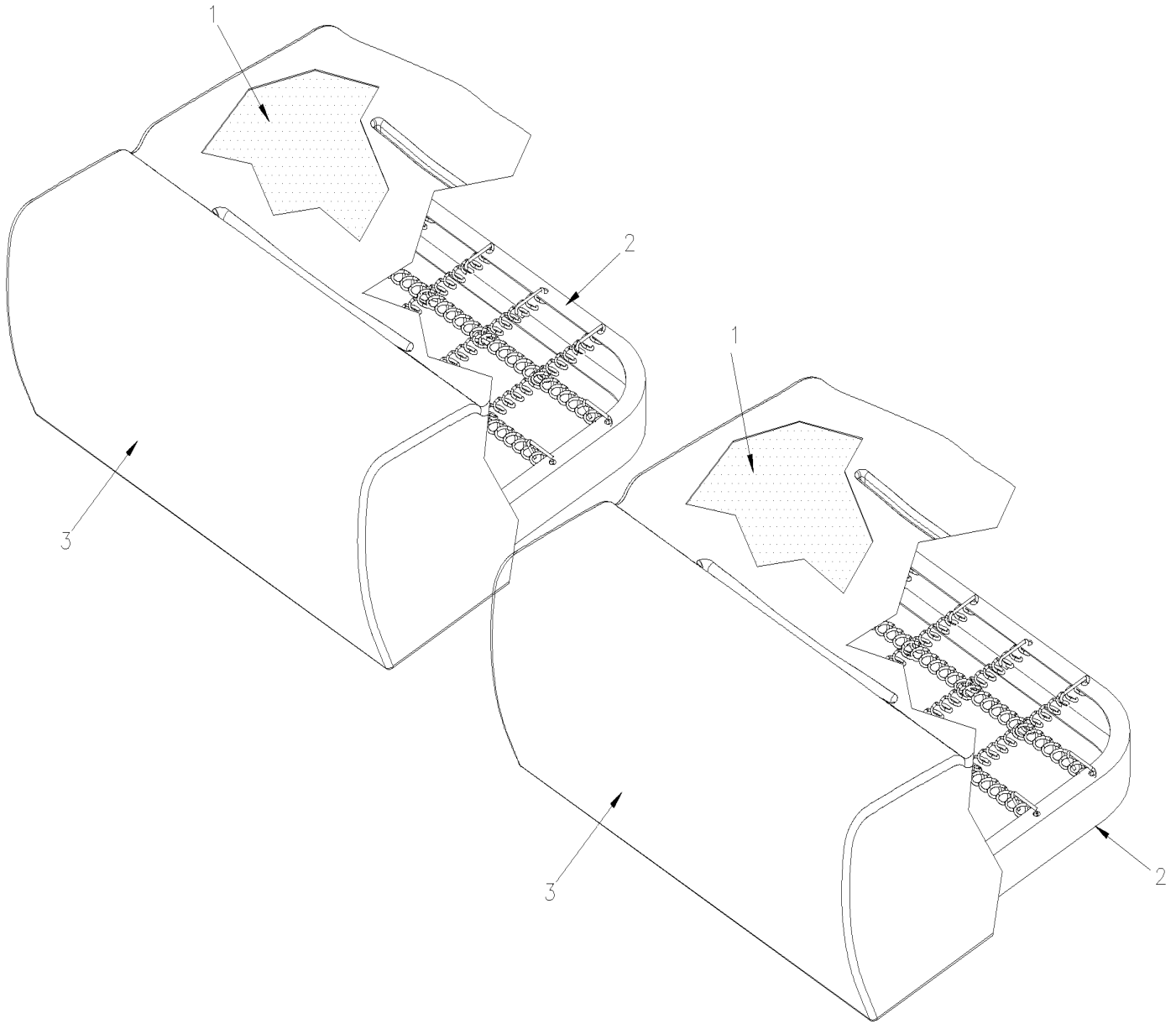
From 7-0671 To J-0287

Date:10/2022

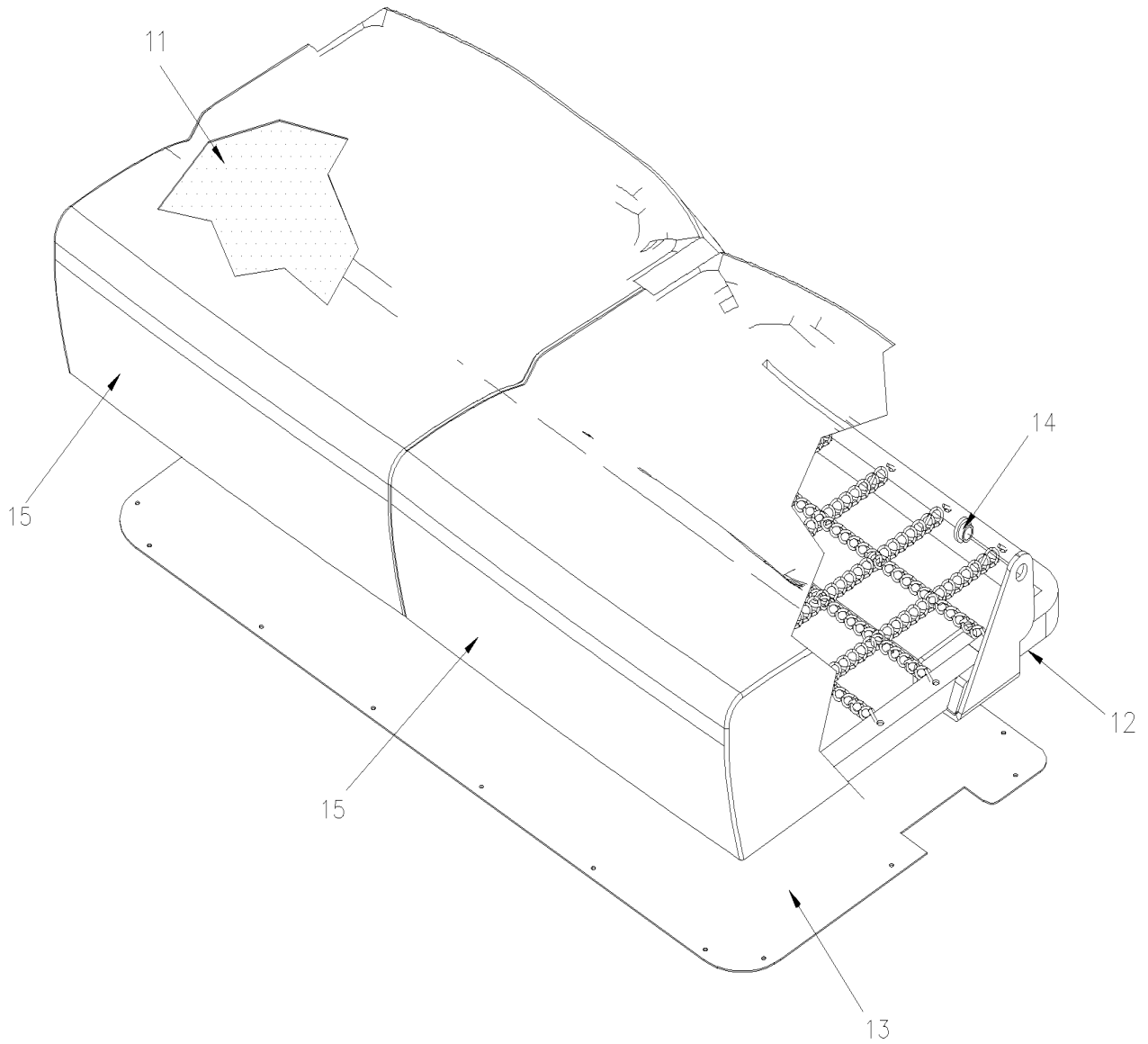
PAGE:H7-1827-72

**SEAT CUSHION AMAYA "A-220"**

REGULAR SEAT



*FLIP-UP/SLIDER SEAT 10*



*LH SIDE SHOWN  
RH SIDE SYMMETRICAL*

From 7-0671 To J-0287	Date:10/2022	PAGE:H7-1827-72
<b>SEAT CUSHION AMAYA "A-220"</b>		

Item#	Part	Description	H 3 4 1	H 3 4 5	V I P 4 5	N O T E S
	866208	SEAT CUSHION ASSY / 2 PASSENGER'S	1	1		
1	860260	. SEAT CUSHION FOAM	2	2		
2	860108	. SEAT CUSHION FRAME	2	2		
3	Call order desk	. COVER DETAIL	2	2		P
10	Call order desk	. SEAT CUSHION ASSY / 2 PASSENGER'S / FLIP-UP SEAT CURBSIDE SEAT	1	1	1	P
11A	Call order desk	. SEAT CUSHION CURBSIDE A-220	1	1	1	P
11B	Call order desk	. SEAT CUSHION STREET SIDE A-220	1	1	1	P
12	Call order desk	. SEAT CUSHION FRAME CURBSIDE A-220	1	1	1	P
13	Call order desk	. PANEL COVER SEAT BOTTOM	1	1	1	P
14	Call order desk	. BUSHING	2	2		P
15	Call order desk	. UPHOLSTERY	2	2		P
		P) CALL ORDER DESK FOR SPECIFIC APPLICATION (V.I.N.)				

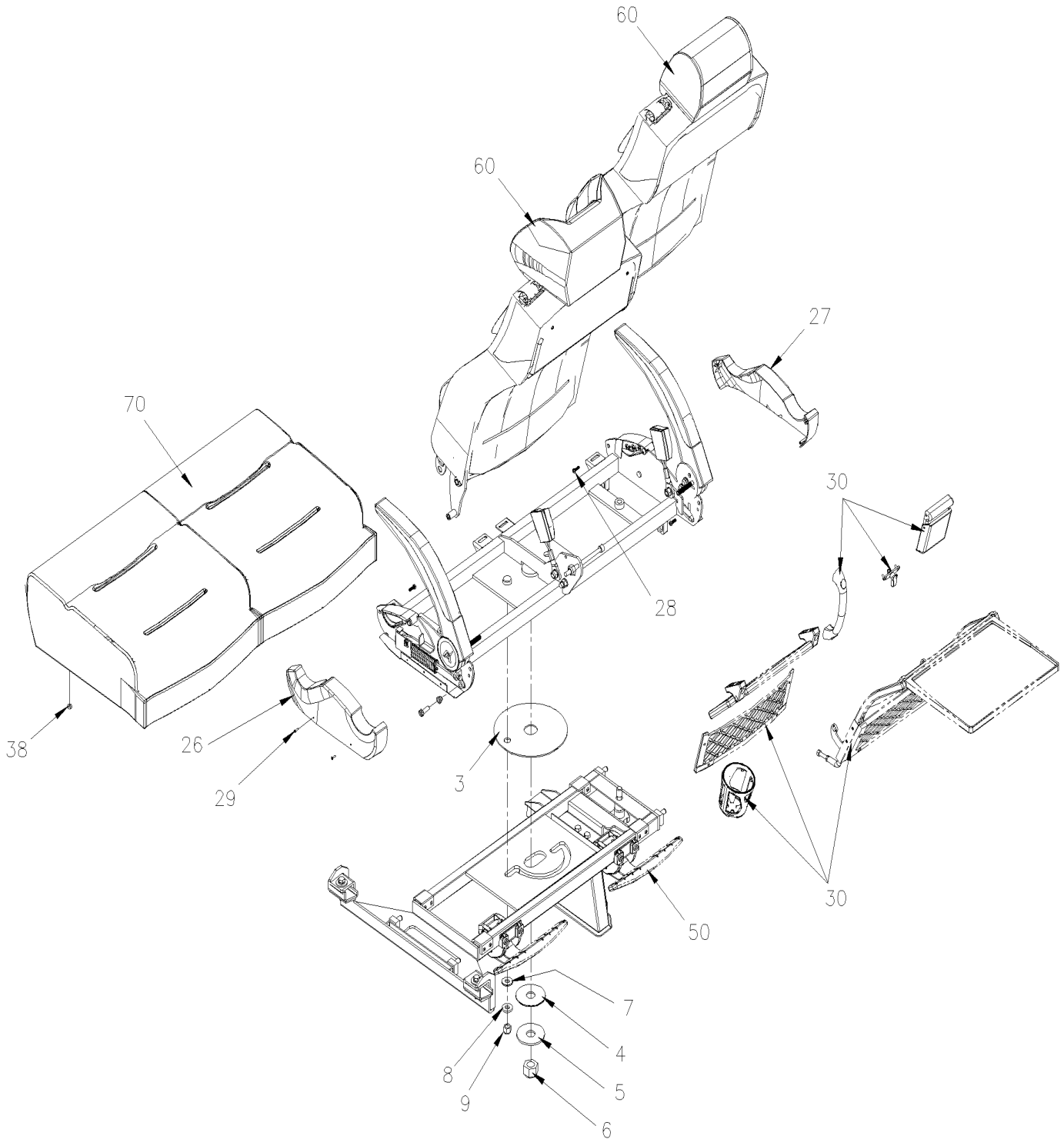


From 7-0671 To J-0287

Date:10/2022

PAGE:H7-1827-81

## PASSENGER'S SEAT / REVERSIBLE AMAYA "A-2TEN"

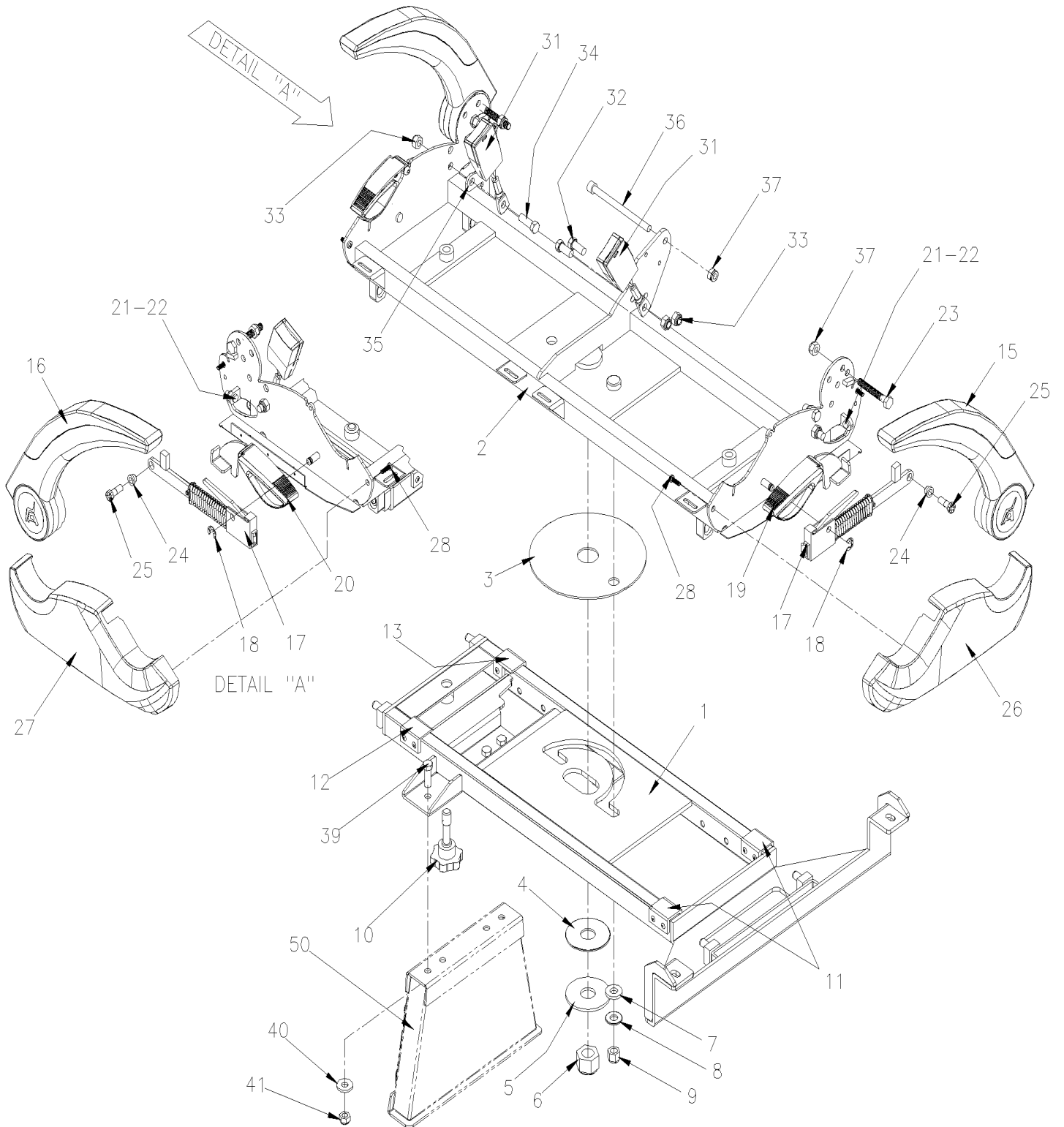


From 7-0671 To J-0287

Date:10/2022

PAGE:H7-1827-81

## PASSENGER'S SEAT / REVERSIBLE AMAYA "A-2TEN"





From 7-0671 To J-0287	Date:10/2022	PAGE:H7-1827-81
<b>PASSENGER'S SEAT / REVERSIBLE AMAYA "A-2TEN"</b>		

Item#	Part	Description	H 3 4 1	H 3 4 5	V I P 4 5	N O T E S
	Call order desk	SEAT ASSEMBLY 2 PASSENGER'S / REVERSIBLE	1	1		P
1	Call order desk	. SEAT CHASSIS WELDED / FIXED	1	1		P
2	Call order desk	. SEAT CHASSIS WELDED / ROTARY	1	1		P
3	Call order desk	. BASE NYLON RECTAGULAR	1	1		P
4	Call order desk	. WASHER NYLON ROTATING	1	1		P
5	Call order desk	. WASHER FLAT ST ROTATING	1	1		P
6	Call order desk	. NUT SPECIAL CENTER ROTATING	1	1		P
7	Call order desk	. WASHER NYLON INDEX LOCK	1	1		P
8	Call order desk	. WASHER FLAT ST INDEX LOCK	1	1		P
9	Call order desk	. NUT HEX 1/2	1	1		P
10	864119	. KNOB / ROTATING SEAT	1	1		
11	Call order desk	. SLIDER W/HARDWARE FRONT	2	2		P
12	Call order desk	. SLIDER W/HARDWARE BACK	1	1		P
13	Call order desk	. SLIDER W/HARDWARE BACK	1	1		P
15	864938	. ARMREST L.H.	1	1		
. NS	Call order desk	. . ARMREST COVERING WOOD FINISHING	1	1		P
. NS	866077	. . ARMREST COVERING DARK GREY	1	1		
. NS	865378	. . ARMREST COVERING LIGHT GREY	1	1		
. NS	860076	. . CAP WITH LOGO AMAYA	1	1		
16	863186	. ARMREST R.H.	1	1		
. NS	Call order desk	. . ARMREST COVERING WOOD FINISHING	1	1		P
. NS	866077	. . ARMREST COVERING DARK GREY	1	1		
. NS	865378	. . ARMREST COVERING LIGHT GREY	1	1		
. NS	860075	. . CAP WITH LOGO AMAYA	1	1		
17	865086	. RECLINING MECHANISM ASSY / "TORINO" AILSE	2	2		
18	865488	. RETAINING RING	2	2		
19	865298	. LEVER ASSY L.H.	1	1		
20	860199	. LEVER ASSY R.H.	1	1		
21	865498	. SCREW CAP HEX 1/4-20 x 3/4 LG	2	2		
22	865497	. NUT HEX 1/4	2	2		
23	Call order desk	. SCREW CAP HEX M10x65	2	2		P
24	865215	. BUSHING NYLON	2	2		
25	860092	. SCREW CAP HEX 3/8" x 1" G8	2	2		
26	Call order desk	. ARMREST COVER L.H. / "TORINO VT" W/REVERSIBLE SEAT	1	1		P
27	Call order desk	. ARMREST COVER R.H. / "TORINO VT" W/REVERSIBLE SEAT	1	1		P
28	Call order desk	. SCREW TC PAN PH M6-20	4	4		P
29	Call order desk	. RIVET 1/8	4	4		P
30	<b>H7-1826-60</b>	<b>. ACCESSORIES PASSENGER'S SEAT - "AMAYA"</b>	1	1		
31	864349	. BUCKLE FEMALE	2	2		
32	865521	. SCREW CAP HEX 7/16-20x1 G8	2	2		
33	865519	. NUT HEX NYRT 7/16-20	3	3		
34	868271	. SCREW CAP HEX 7/16-20x1 1/4 G8	1	1		

From 7-0671 To J-0287	Date:10/2022	PAGE:H7-1827-81
<b>PASSENGER'S SEAT / REVERSIBLE AMAYA "A-2TEN"</b>		

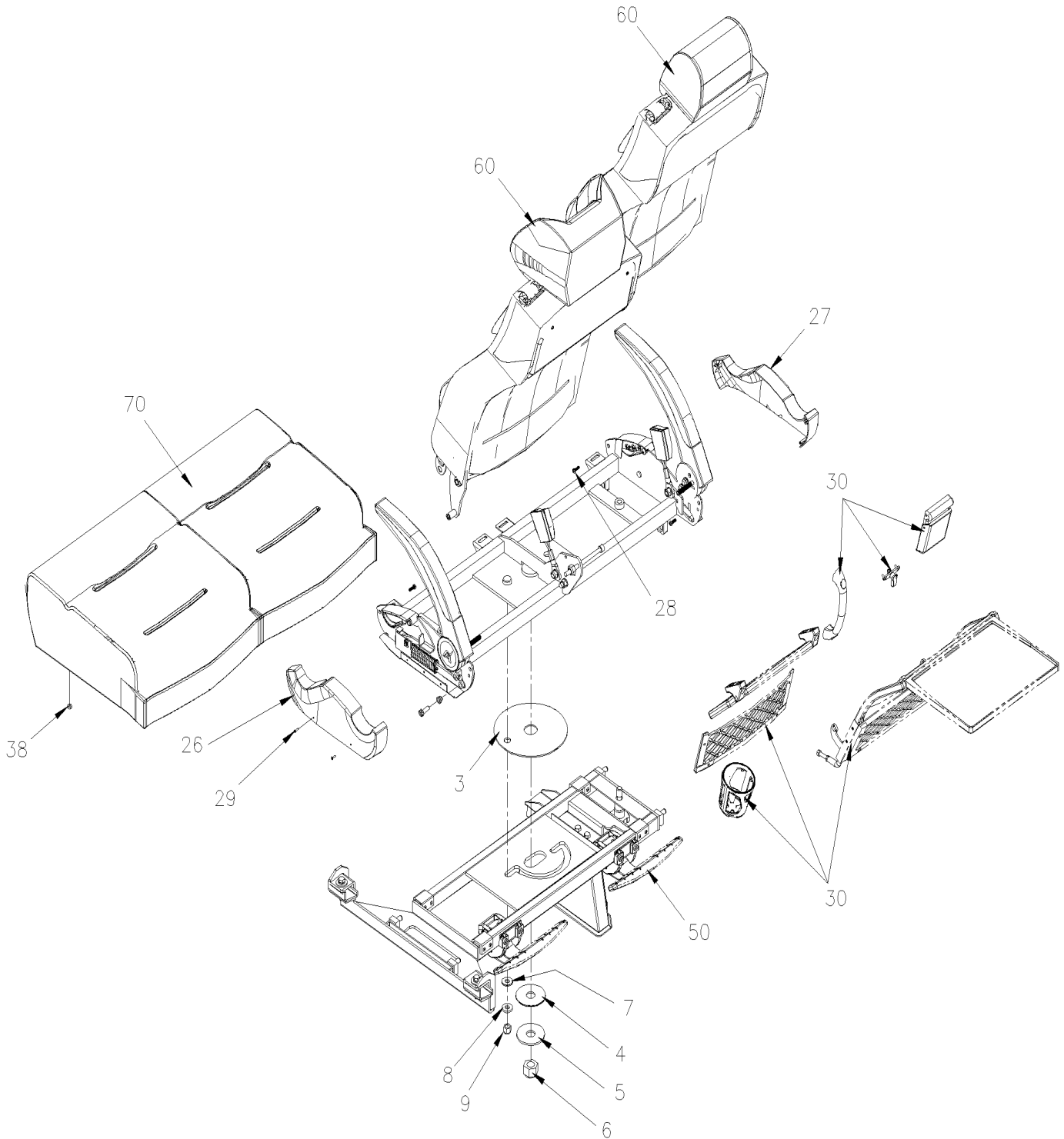
Item#	Part	Description	H 3 4 1	H 3 4 5	V I P 4 5	N O T E S
35	7770173	. STOPPER 6" RECLINING (3 pos)	1	1		
36	868265	. SCREW CAP HEXS M10x140MM	1	1		
37	868269	. NUT HEX / GRIPCO M10-1.5	3	3		
38	Call order desk	. NUT HEX / GRIPCO 1/4	4	4		P
39	865521	. SCREW CAP HEX 7/16-20x1 G8	3	3		
40	Call order desk	. WASHER FL 7/16	5	5		P
41	865519	. NUT HEX NYRT 7/16-20	3	3		
50	<b>H7-1826-41</b>	<b>. PASSENGER'S SEAT - "AMAYA" - FOOTREST &amp; PEDESTAL</b>	1	1		
60	<b>H7-1827-61</b>	<b>. BACKREST AMAYA "A-2TEN"</b>	1	1		
70	<b>H7-1827-71</b>	<b>. SEAT CUSHION AMAYA "A-2TEN"</b>	1	1		
		P) CALL ORDER DESK FOR SPECIFIC APPLICATION (V.I.N.)				
		P) CALL ORDER DESK FOR SPECIFIC APPLICATION (V.I.N.)				

From 7-0671 To J-0287

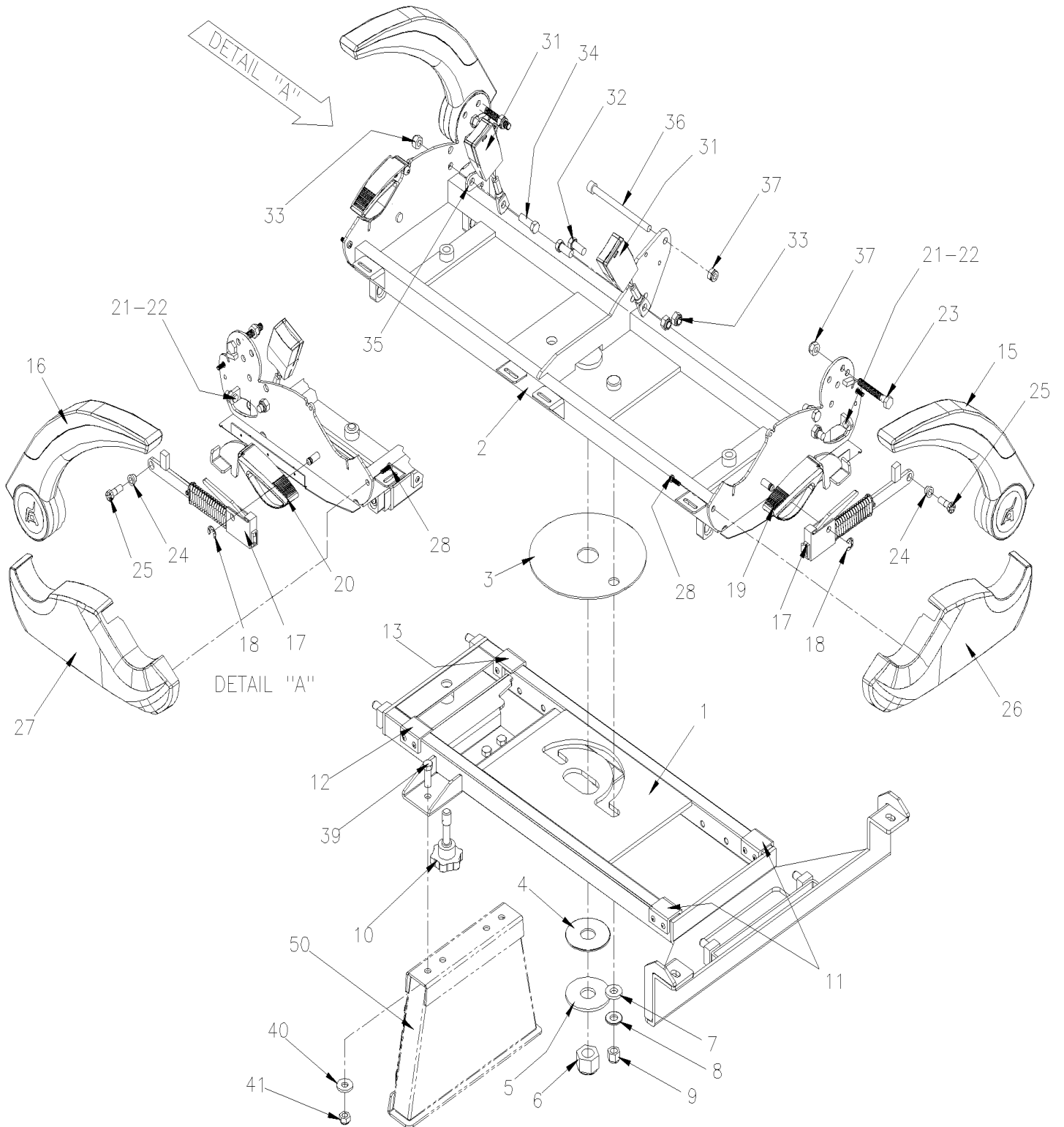
Date:10/2022

PAGE:H7-1827-82

## PASSENGER'S SEAT / REVERSIBLE AMAYA "A-220"



PASSENGER'S SEAT / REVERSIBLE AMAYA "A-220"



From 7-0671 To J-0287	Date:10/2022	PAGE:H7-1827-82
<b>PASSENGER'S SEAT / REVERSIBLE AMAYA "A-220"</b>		

Item#	Part	Description	H 3 4 1	H 3 4 5	V I P 4 5	N O T E S
	Call order desk	SEAT ASSEMBLY 2 PASSENGER'S / REVERSIBLE	1	1		P
1	Call order desk	. SEAT CHASSIS WELDED / FIXED	1	1		P
2	Call order desk	. SEAT CHASSIS WELDED / ROTARY	1	1		P
3	Call order desk	. BASE NYLON RECTAGULAR	1	1		P
4	Call order desk	. WASHER NYLON ROTATING	1	1		P
5	Call order desk	. WASHER FLAT ST ROTATING	1	1		P
6	Call order desk	. NUT SPECIAL CENTER ROTATING	1	1		P
7	Call order desk	. WASHER NYLON INDEX LOCK	1	1		P
8	Call order desk	. WASHER FLAT ST INDEX LOCK	1	1		P
9	Call order desk	. NUT HEX 1/2	1	1		P
10	864119	. KNOB / ROTATING SEAT	1	1		
11	Call order desk	. SLIDER W/HARDWARE FRONT	2	2		P
12	Call order desk	. SLIDER W/HARDWARE BACK	1	1		P
13	Call order desk	. SLIDER W/HARDWARE BACK	1	1		P
15	864938	. ARMREST L.H.	1	1		
. NS	Call order desk	. . ARMREST COVERING WOOD FINISHING	1	1		P
. NS	866077	. . ARMREST COVERING DARK GREY	1	1		
. NS	865378	. . ARMREST COVERING LIGHT GREY	1	1		
. NS	860076	. . CAP WITH LOGO AMAYA	1	1		
16	863186	. ARMREST R.H.	1	1		
. NS	Call order desk	. . ARMREST COVERING WOOD FINISHING	1	1		P
. NS	866077	. . ARMREST COVERING DARK GREY	1	1		
. NS	865378	. . ARMREST COVERING LIGHT GREY	1	1		
. NS	860075	. . CAP WITH LOGO AMAYA	1	1		
17	865086	. RECLINING MECHANISM ASSY / "TORINO" AILSE	2	2		
18	865488	. RETAINING RING	2	2		
19	865298	. LEVER ASSY L.H.	1	1		
20	860199	. LEVER ASSY R.H.	1	1		
21	865498	. SCREW CAP HEX 1/4-20 x 3/4 LG	2	2		
22	865497	. NUT HEX 1/4	2	2		
23	Call order desk	. SCREW CAP HEX M10x65	2	2		P
24	865215	. BUSHING NYLON	2	2		
25	860092	. SCREW CAP HEX 3/8" x 1" G8	2	2		
26	Call order desk	. ARMREST COVER L.H. / "TORINO VT" W/REVERSIBLE SEAT	1	1		P
27	Call order desk	. ARMREST COVER R.H. / "TORINO VT" W/REVERSIBLE SEAT	1	1		P
28	Call order desk	. SCREW TC PAN PH M6-20	4	4		P
29	Call order desk	. RIVET 1/8	4	4		P
30	<b>H7-1826-60</b>	<b>. ACCESSORIES PASSENGER'S SEAT - "AMAYA"</b>	1	1		
31	864349	. BUCKLE FEMALE	2	2		
32	865521	. SCREW CAP HEX 7/16-20x1 G8	2	2		
33	865519	. NUT HEX NYRT 7/16-20	3	3		
34	868271	. SCREW CAP HEX 7/16-20x1 1/4 G8	1	1		

From 7-0671 To J-0287	Date:10/2022	PAGE:H7-1827-82
<b>PASSENGER'S SEAT / REVERSIBLE AMAYA "A-220"</b>		

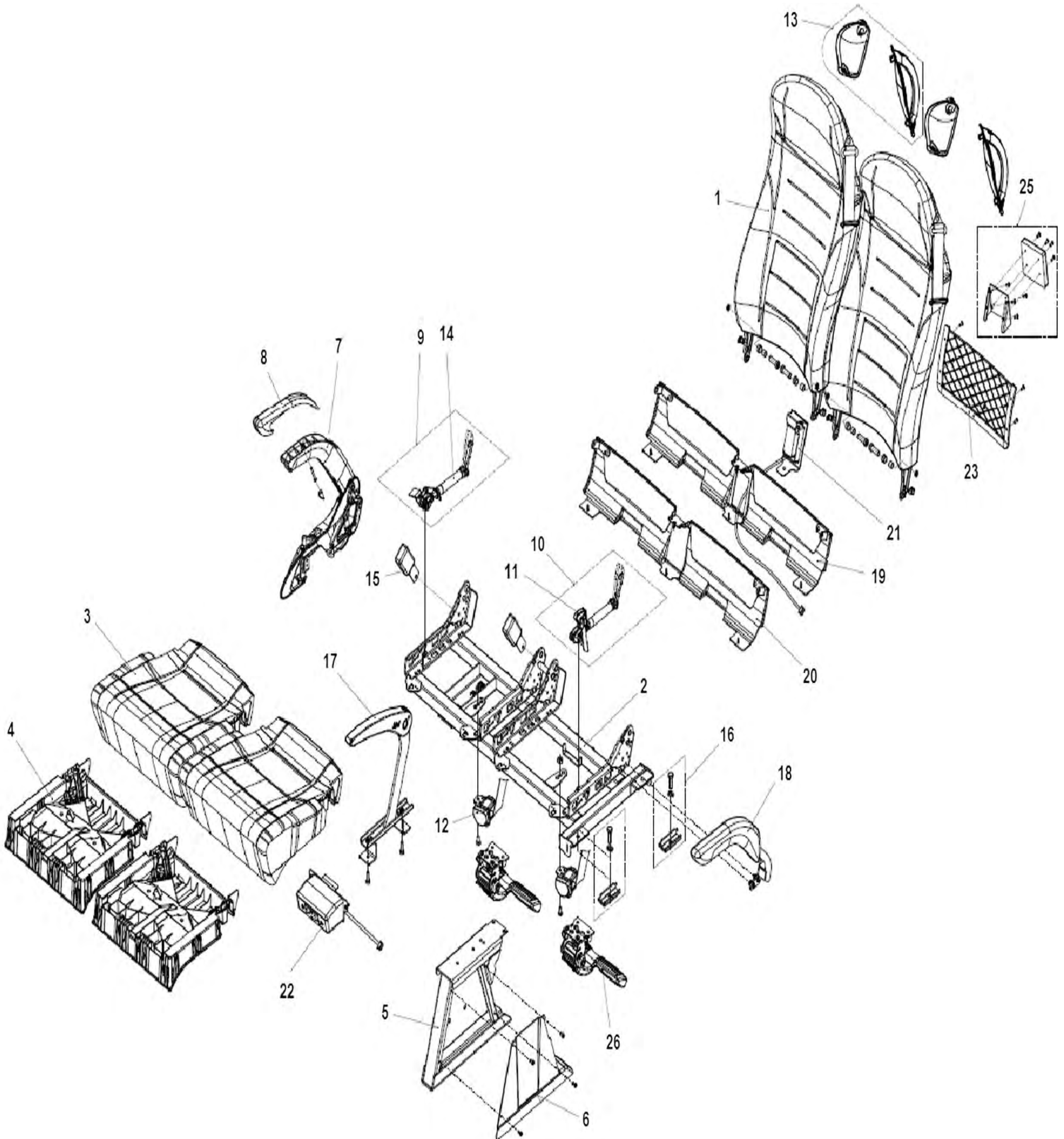
Item#	Part	Description	H 3 4 1	H 3 4 5	V I P 4 5	N O T E S
35	7770173	. STOPPER 6" RECLINING (3 pos)	1	1		
36	868265	. SCREW CAP HEXS M10x140MM	1	1		
37	868269	. NUT HEX / GRIPCO M10-1.5	3	3		
38	Call order desk	. NUT HEX / GRIPCO 1/4	4	4		P
39	865521	. SCREW CAP HEX 7/16-20x1 G8	3	3		
40	Call order desk	. WASHER FL 7/16	5	5		P
41	865519	. NUT HEX NYRT 7/16-20	3	3		
50	<b>H7-1826-41</b>	<b>. PASSENGER'S SEAT - "AMAYA" - FOOTREST &amp; PEDESTAL</b>	1	1		
60	<b>H7-1827-62</b>	<b>. BACKREST AMAYA "A-220"</b>	1	1		
70	<b>H7-1827-72</b>	<b>. SEAT CUSHION AMAYA "A-220"</b>	1	1		
		P) CALL ORDER DESK FOR SPECIFIC APPLICATION (V.I.N.)				
		P) CALL ORDER DESK FOR SPECIFIC APPLICATION (V.I.N.)				

From 7-0671 To J-0287

Date:10/2022

PAGE:H7-1828-00

## PASSENGER'S SEAT - "KIEL" "AVANCE 1020"



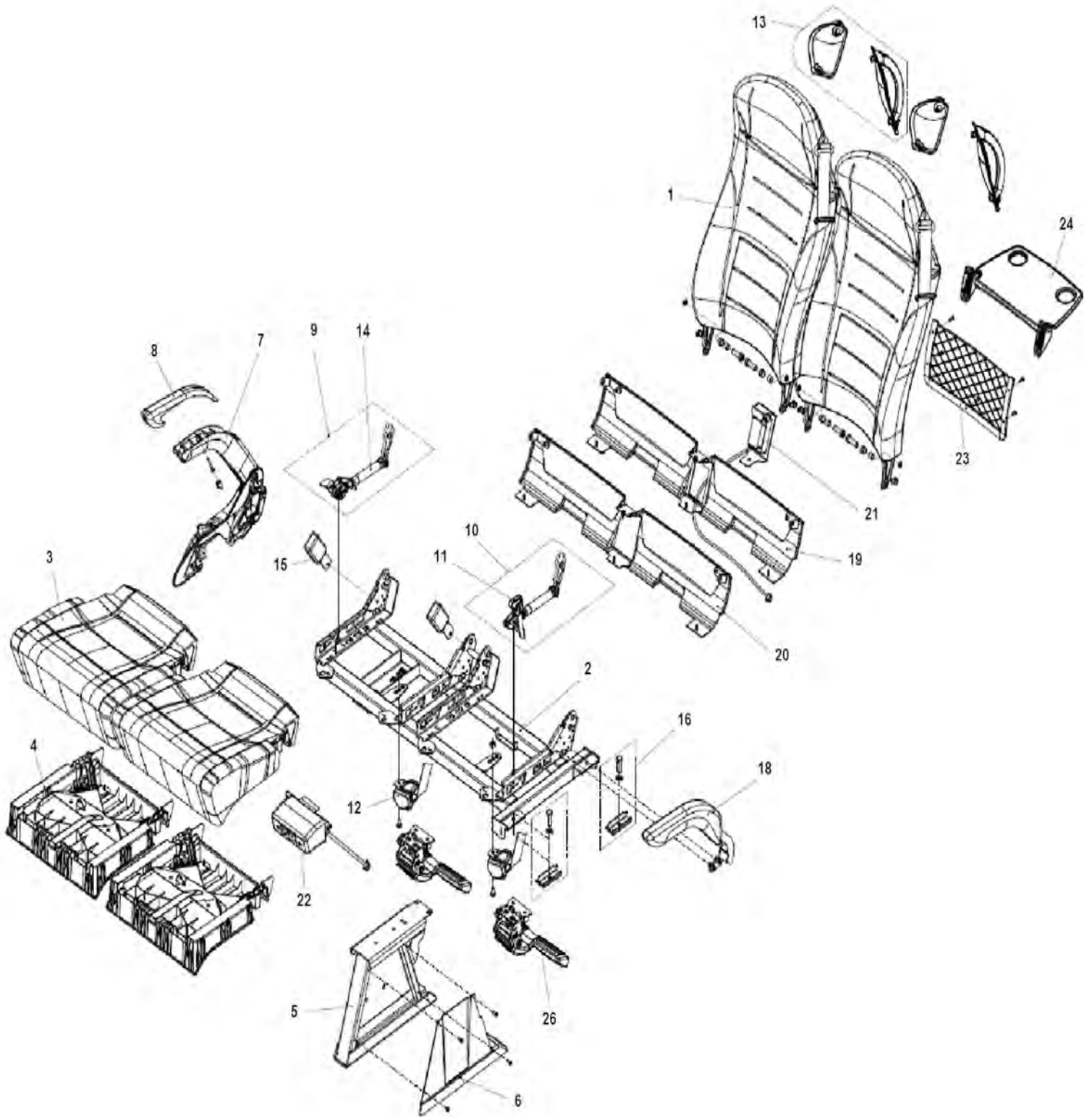


From 7-0671 To J-0287

Date:10/2022

PAGE:H7-1828-00

## PASSENGER'S SEAT - "KIEL" "AVANCE 1020"





From 7-0671 To J-0287	Date:10/2022	PAGE:H7-1828-00
<b>PASSENGER'S SEAT - "KIEL" "AVANCE 1020"</b>		

Item#	Part	Description	H 3 4 1	H 3 4 5	V I P 4 5	N O T E S
1	Call order desk	BACKREST LEFT				P
2	Call order desk	CHASSIS LEG/WALL FIXATION LEFT				P
2	Call order desk	CHASSIS LEG/WALL FIXATION RIGHT				P
3	Call order desk	SEAT FOAM				P
4	Call order desk	SEAT CUSHION SUPPORT				P
5	Call order desk	PEDESTAL LEFT				P
5	Call order desk	PEDESTAL RIGHT				P
6	Call order desk	PEDESTAL COVER LEFT				P
6	Call order desk	PEDESTAL COVER RIGHT				P
7	Call order desk	ARMREST TRIO LEFT				P
7	868538	ARMREST TRIO RIGHT				
8	Call order desk	ARMREST UPPER PART CARBON FIBER				P
8	860315	ARMREST UPPER PART WOOD GRAIN				
9	867872	BACKREST ADJUST LEFT HAND AISLE SIDE				
9	867873	BACKREST ADJUST. RIGHT HAND AISLE SIDE				
10	867874	BACKREST ADJUST. LEFT HAND WALL SIDE				
10	867875	BACKREST ADJUST. RIGHT HAND WALL SIDE				
11	867836	ADJUSTMENT BUTTON BLACK				
12	860366	3P SEAT BELT ALR/ELR				
13	Call order desk	HANDLE LEFT / RIGHT BLACK				P
13	Call order desk	HANDLE RIGHT BLACK				P
14	868415	GAS SPRING				
15	867954	BUCKLE				
16	Call order desk	WALL CONNECTION HOOK				P
17	868419	MIDDLE ARMREST BLACK				
18	Call order desk	WALL SIDE ARMREST LEFT				P
18	Call order desk	WALL SIDE ARMREST RIGHT				P
19	Call order desk	KICKPLATE LEFT WITH USB HOLE BLACK				P
19	Call order desk	KICKPLATE RIGHT WITH USB HOLE BLACK				P
20	Call order desk	KICKPLATE LEFT W/O USB HOLE BLACK				P
20	Call order desk	KICKPLATE RIGHT W/O USB HOLE BLACK				P
21	Call order desk	OUTLET 110V / USB				P
22	Call order desk	FRONT USB COUPLING				P
23	Call order desk	MAGAZINE POCKETS BLACK				P
24	868502	TABLE, STD				
25	Call order desk	CUP HOLDER BLACK				P
26	860304	FOOTREST SELF RETRACTABLE BLACK				
		P) CALL ORDER DESK FOR SPECIFIC APPLICATION (V.I.N.)				

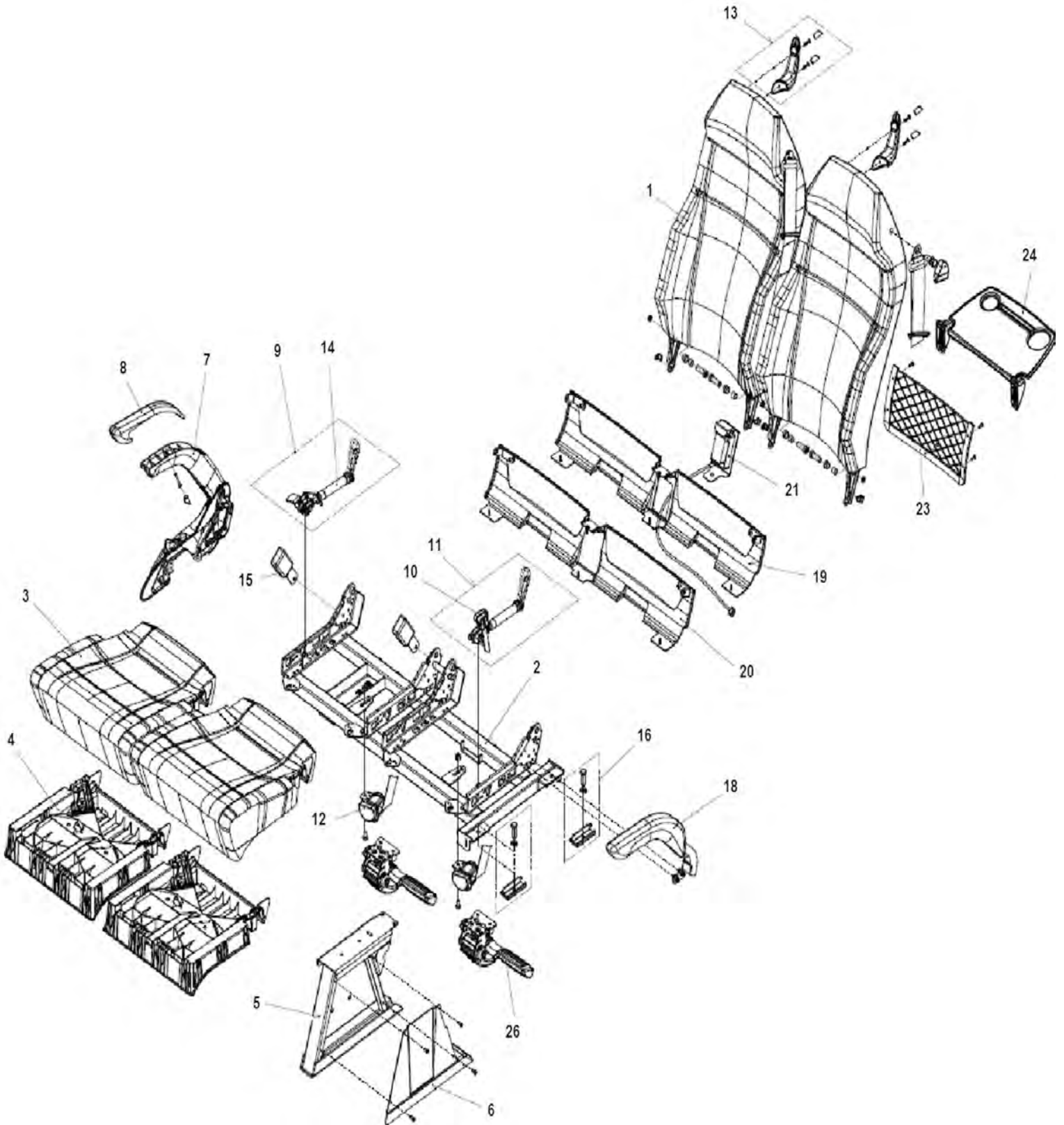


From 7-0671 To J-0287

Date:10/2022

PAGE:H7-1828-05

## PASSENGER'S SEAT - "KIEL" "AVANCE 2050"



From 7-0671 To J-0287	Date:10/2022	PAGE:H7-1828-05
<b>PASSENGER'S SEAT - "KIEL" "AVANCE 2050"</b>		

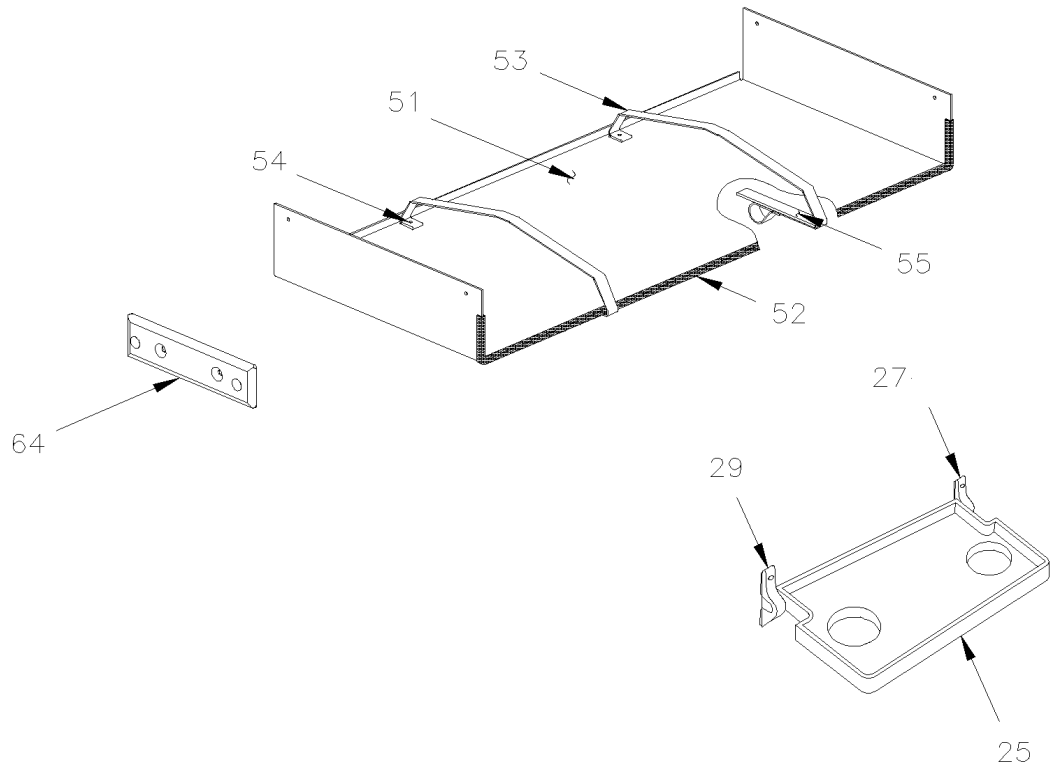
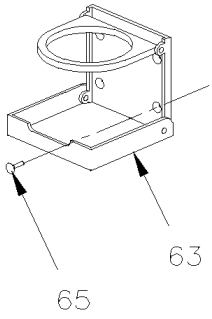
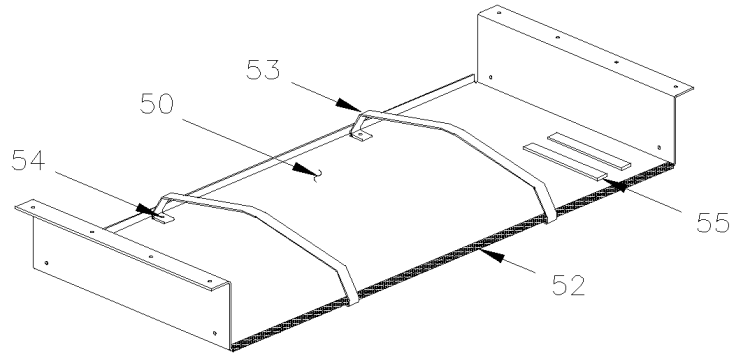
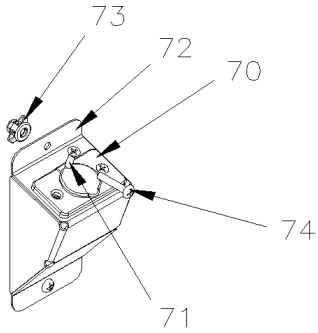
Item#	Part	Description	H 3 4 1	H 3 4 5	V I P 4 5	N O T E S
1	Call order desk	BACKREST LEFT				P
2	Call order desk	CHASSIS LEG/WALL FIXATION LEFT				P
2	Call order desk	CHASSIS LEG/WALL FIXATION RIGHT				P
3	Call order desk	SEAT FOAM				P
4	Call order desk	SEAT CUSHION SUPPORT				P
5	Call order desk	PEDESTAL LEFT				P
5	Call order desk	PEDESTAL RIGHT				P
6	Call order desk	PEDESTAL COVER LEFT				P
6	Call order desk	PEDESTAL COVER RIGHT				P
7	Call order desk	ARMREST TRIO LEFT				P
7	868538	ARMREST TRIO RIGHT				
8	Call order desk	ARMREST UPPER PART CARBON FIBER				P
8	860315	ARMREST UPPER PART WOOD GRAIN				
9	Call order desk	BACKREST ADJUSTMENT AISLE SIDE				P
9	Call order desk	BACKREST ADJUSTMENT AISLE SIDE				P
10	Call order desk	BACKREST ADJUSTMENT WALL SIDE				P
10	Call order desk	BACKREST ADJUSTMENT WALL SIDE				P
11	867836	ADJUSTMENT BUTTON BLACK				
12	860366	3P SEAT BELT ALR/ELR				
13	Call order desk	HANDLE LEFT BLACK				P
13	Call order desk	HANDLE RIGHT BLACK				P
14	Call order desk	GAS SPRING				P
15	867954	BUCKLE				
16	Call order desk	WALL CONNECTION HOOK				P
18	Call order desk	WALL SIDE ARMREST LEFT				P
18	Call order desk	WALL SIDE ARMREST RIGHT				P
19	Call order desk	KICKPLATE LEFT WITH USB HOLE BLACK				P
19	Call order desk	KICKPLATE RIGHT WITH USB HOLE BLACK				P
20	Call order desk	KICKPLATE LEFT W/O USB HOLE BLACK				P
20	Call order desk	KICKPLATE RIGHT W/O USB HOLE BLACK				P
21	Call order desk	OUTLET 110V / USB				P
23	Call order desk	MAGAZINE POCKETS BLACK				P
24	867868	TABLE				
26	860304	FOOTREST SELF RETRACTABLE BLACK				
		P) CALL ORDER DESK FOR SPECIFIC APPLICATION (V.I.N.)				

From 7-0671 To J-0184

Date:10/2022

PAGE:H7-1829-00

## ACCESSORIES PASSENGER'S SEAT - "PREVOST"

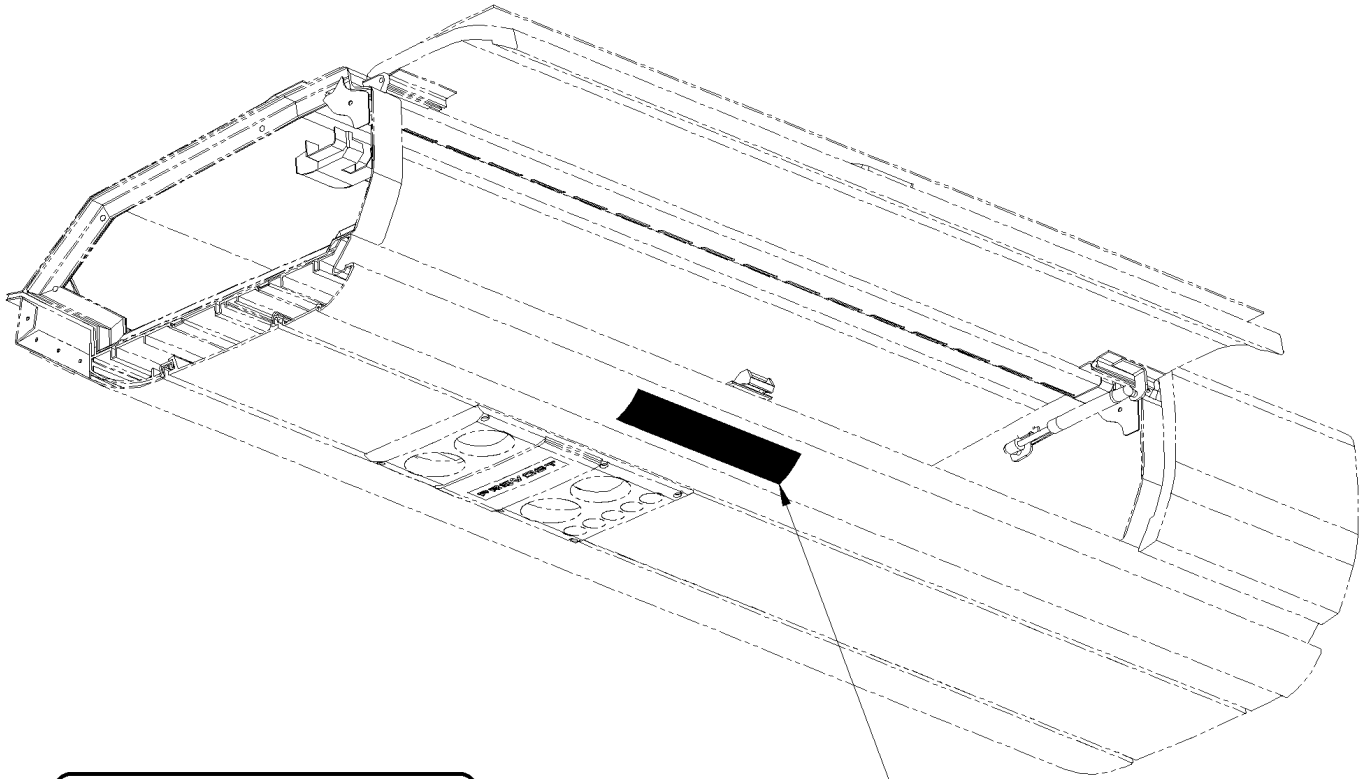


From 7-0671 To J-0184

Date:10/2022

PAGE:H7-1829-00

**ACCESSORIES PASSENGER'S SEAT - "PREVOST"**



**1 ↑ ↓ 2**

90

90-91-92-93-94-95

**1 ↓ ↑ 2**

91



100

**3 ↑ ↓ 4**

92

**3 ↓ ↑ 4**

93

**1 ↑**

**2 ↑ ↓ 3**

94

**ROW 1**

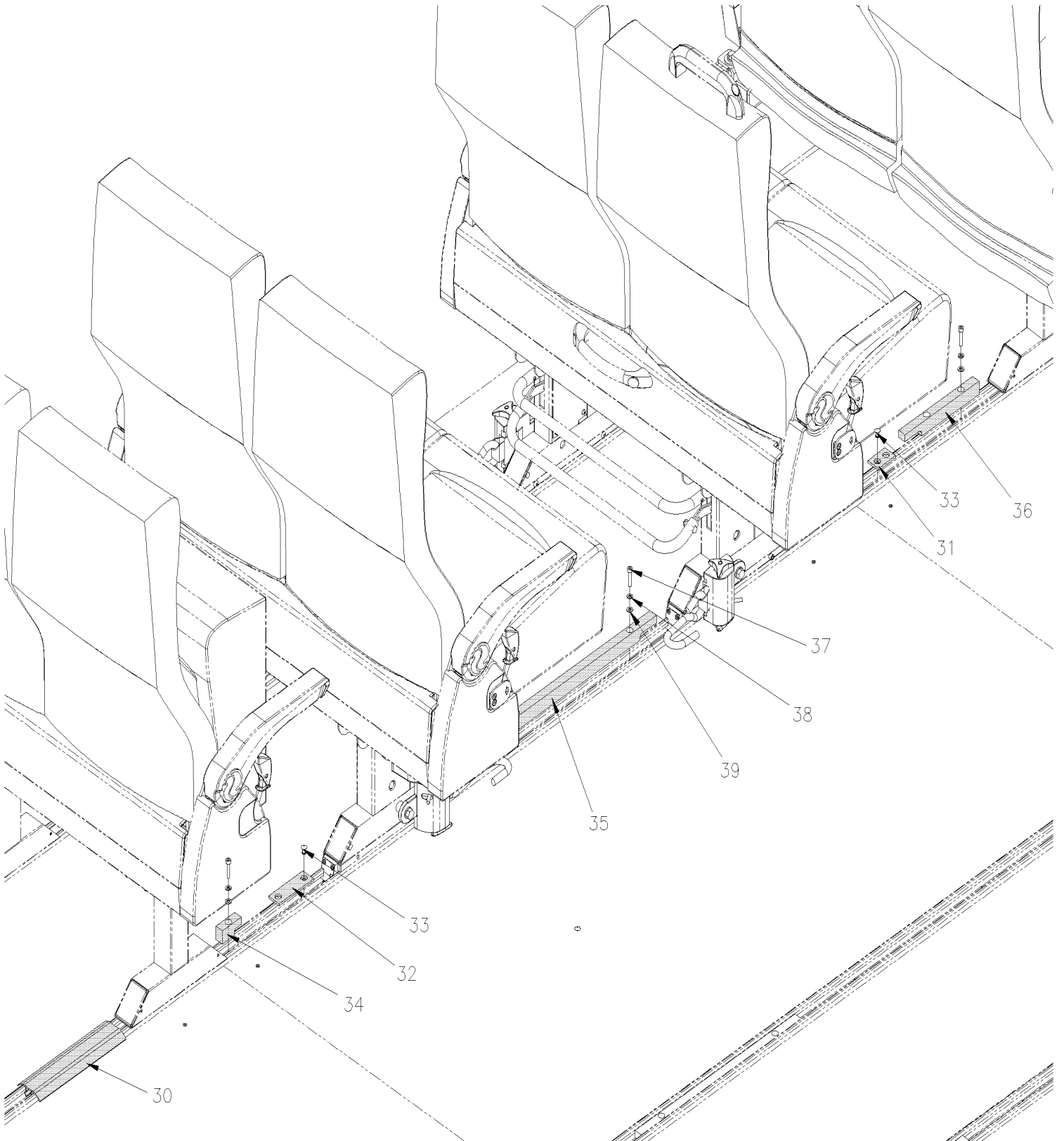
95

From 7-0671 To J-0184

Date:10/2022

PAGE:H7-1829-00

## ACCESSORIES PASSENGER'S SEAT - "PREVOST"

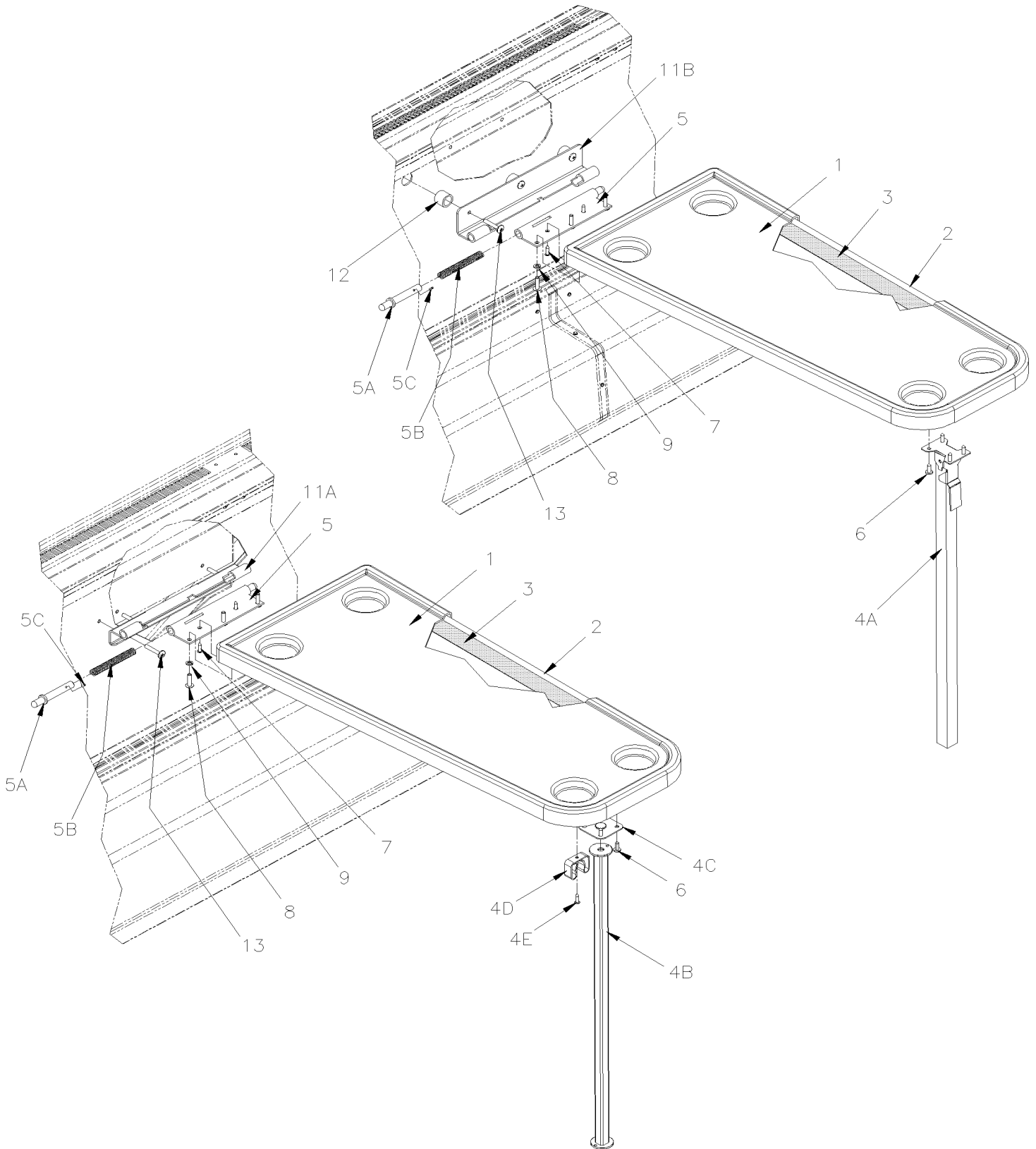


From 7-0671 To J-0184

Date:10/2022

PAGE:H7-1829-00

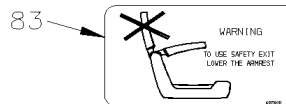
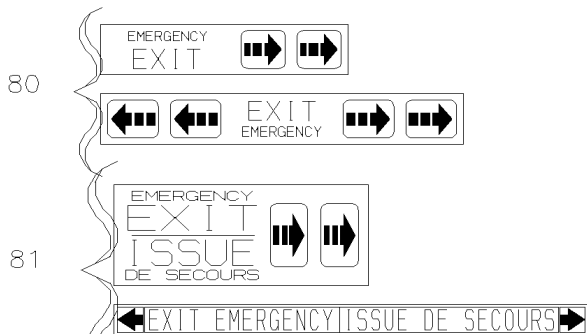
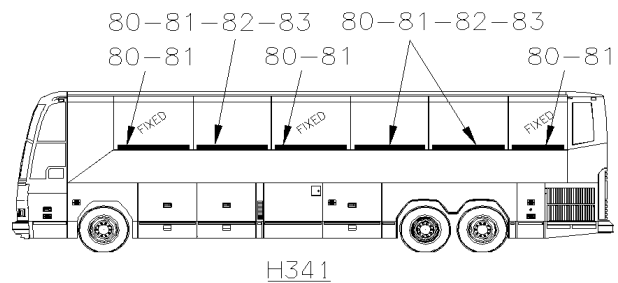
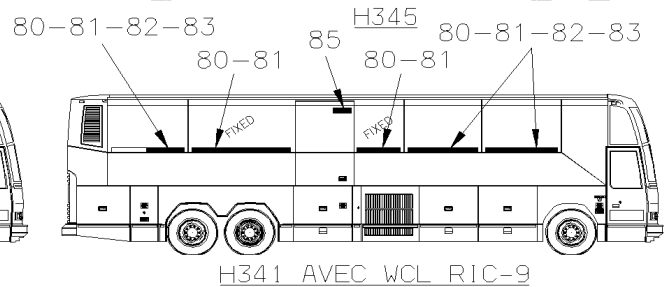
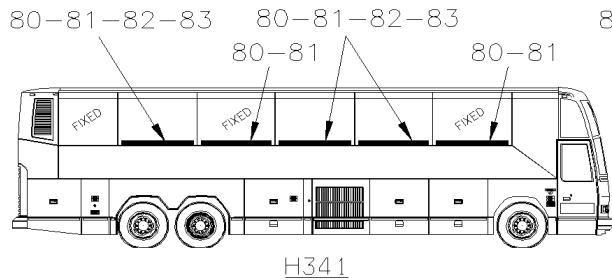
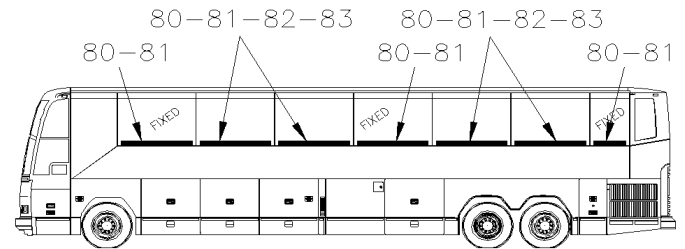
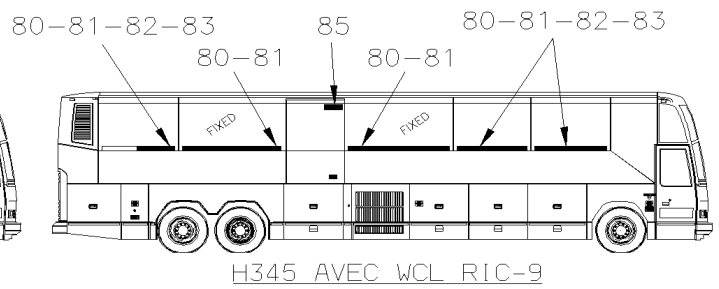
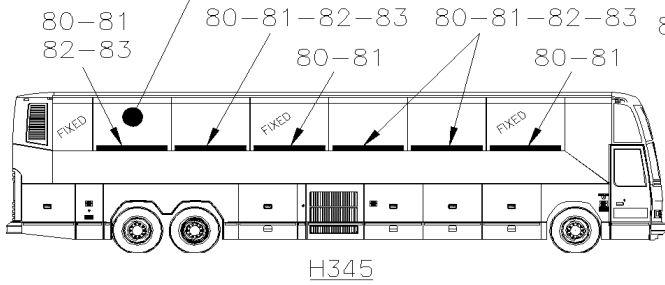
ACCESSORIES PASSENGER'S SEAT - "PREVOST"





From 7-0671 To J-0184	Date:10/2022	PAGE:H7-1829-00
<b>ACCESSORIES PASSENGER'S SEAT - "PREVOST"</b>		

LESS THAN 57 PASS. = FIXED WINDOW  
 MORE THAN 58 PASS. = PUSH OUT WINDOW



82 **WARNING EMERGENCY EXIT ONLY** 1. pull up bar 2. push out window 1. pull up bar 2. push out window **WARNING EMERGENCY EXIT ONLY**

82 **WARNING EMERGENCY EXIT ONLY** 1. pull up bar 2. push out window 1. tirer la barre 2. pousser la fenetre **AVERTISSEMENT EMERGENCY EXIT ONLY**

From 7-0671 To J-0184	Date:10/2022	PAGE:H7-1829-00
<b>ACCESSORIES PASSENGER'S SEAT - "PREVOST"</b>		

Item#	Part	Description	H 3 4 1	H 3 4 5	V I P 4 5	N O T E S
	363796	TABLE ASSY / GREY ABS COVERING W/4 GLASS 857MM To 8-1135	1	1		
. NS	364187	. TABLE TOP ASSY W/OUT HARDWARE To 8-1135	1	1		
	363901	CARDS TABLE, ASSY To 8-1135	1	1		
	364137	TABLE ASSY / GREY ABS COVERING W/4 GLASS 857MM From 8-1136 To A-1634	1	1		
	364305	TABLE ASSY / GREY ABS COVERING W/4 GLASS 857MM From A-1635 To E-2670	1	1		
	364350	TABLE ASSY / GREY ABS COVERING W/4 GLASS 857MM From E-2671	1	1		
	364171	TABLE ASSY / GREY ABS COVERING W/4 GLASS 1070MM To A-1634	1	1		
	364304	TABLE ASSY / GREY ABS COVERING W/4 GLASS 1070MM From A-1635 To E-2670	1	1		
	364306	TABLE ASSY / GREY ABS COVERING W/4 GLASS 1070MM From E-2671	1	1		
1	363795	. COVERING W/4 GLASS HOLDER / MEDIUM GREY 857MM To 8-1135	1	1		
1	364157	. COVERING W/4 GLASS HOLDER / MID CHARCOALD 857MM From 8-1136	1	1		
1	364169	. COVERING W/4 GLASS HOLDER / MEDIUM GREY 1070MM	1	1		
2	N.S.S.	. TABLE BOTTOM 844MM	1	1		1
2	N.S.S.	. TABLE BOTTOM 1056MM	1	1		1
2	360325	. DECAL "INSTALLATION OF CARD TABLE...." "BILINGUAL" To A-1634	1	1		
2	364303	. DECAL "INSTALLATION OF CARD TABLE...." "BILINGUAL" From A-1635 To E-2670	1	1		
2	360325	. DECAL "INSTALLATION OF CARD TABLE...." "BILINGUAL" From E-2671	1	1		
3	682259	. SEALANT TAPE / CLEAR / 1/32"x1 1/2"x65' / 1795	AR	AR		
4A	860333	. LEG 25 1/8" / 639.8MM To 8-1135	1	1		
4A	862955	. LEG 26 1/2" / 673.1MM From 8-1136 To A-1634	1	1		
4A	860718	. . GLIDE SQUARE END 1 X 1 X TUBE 13 GA / P To A-1634	1	1		
4A	364301	. LEG 25 1/8" / 639.8MM To 8-1135	1	1	1	S
4A	364300	. LEG 26 1/2" / 673.1MM From 8-1136 To A-1634	1	1	1	S
4A	364300	. LEG 26 1/2" / 673.1MM From 8-1136 To A-1634	1	1	1	S
4A	364299	. SUPPORT TABLE LEG To A-1634	1	1	1	S
4A	364299	. SUPPORT TABLE LEG To A-1634	1	1	1	S
4A	865342	. LEG & HINGE ASSY, CARD TABLE / 26 1/2" - 673MM From E-2671	1	1	1	S
4A	865343	. LEG & HINGE ASSY, CARD TABLE / 25" - 636MM From E-2671	1	1	1	S
4B	364300	. LEG 26 1/2" / 673.1MM From A-1635 To E-2670	1	1	1	
4B	364300	. LEG 26 1/2" / 673.1MM From A-1635 To E-2670	1	1	1	
4C	364299	. SUPPORT TABLE LEG From A-1635 To E-2670	1	1	1	
4C	364299	. SUPPORT TABLE LEG From A-1635 To E-2670	1	1	1	
4D	504585	. SPRING CLIP 3/4" From A-1635 To E-2670	2	2	2	
4E	500642	. SCREW TP PAN PH #10x3/4 Z050 From A-1635 To E-2670	2	2	2	
5	360255	. HINGE / TABLE SECTION	1	1	1	
. A	360620	. . ROD LOCK	1	1	1	
. B	363604	. . SPRING COMPRESSION / .500 O.D. x 6.25 x .062	1	1	1	
. C	505221	. . SPRING, PIN 1/8 X 3/8	1	1	1	
6	500841	. SCREW TP PAN PH #14x3/4 Z050	4	4	4	
7	500642	. SCREW TP PAN PH #10x3/4 Z050	2	2	2	
8	500558	. SCREW MA TR PH 1/4-20x1 SS To G-3065	3	3	3	
8	500556	. SCREW MA TR PH 1/4-20x3/4 SS From G-3066	3	3	3	

From 7-0671 To J-0184	Date:10/2022	PAGE:H7-1829-00
<b>ACCESSORIES PASSENGER'S SEAT - "PREVOST"</b>		

Item#	Part	Description	H 3 4 1	H 3 4 5	V I P 4 5	N O T E S
9	500473	. WASHER LO SPT .262x.489x.062 Z050	3	3	3	
10	360622	. ENVELOPE ASSY TABLE	1	1	1	
11A	361658	HINGE / WALL SECTION 1 1/8"x1 5/16" ANGLE To 8-1135	1	1	1	
11A	364115	HINGE / WALL SECTION 25x33x10 "J" From 8-1136	1	1		
11B	364140	HINGE / WALL SECTION	1	1	1	
12	363002	SPACER 25.4MM O.D x 20MM	3	3		
13	500559	SCREW MA TR PH 1/4-20x1 1/2 SS EMN	3	3		
		UTILITY TABLE				
27	860659	ATTACHMENT	2	2		
NS	860892	PIVOT ASSY	2	2		
29	500871	SCREW TP OV PH #8x1 BK	4	4		
30	329689	SEAT TRACK COVER 12' / EACH SEAT / W/COVERING FLOOR	AR	AR		
31	329994	SEAT STOPPER 56MM x 31.75MM	AR	AR		WCL
31	3200521	SEAT STOPPER 95MM x 31.75MM	AR	AR		WCL
32	322246	SEAT STOPPER BLOCK 100MM x 31.75MM	AR	AR		WCL
32	329177	SEAT STOPPER BLOCK 275MM x 31.75MM	AR	AR		WCL
33	504459	RIVET MGLP PRDG 1/4x3/8 SS	AR	AR		WCL
33	680532	SEALANT SIKA #221 / GREY / 310ml CARTRIDGE	AR	AR		WCL
34	3200626	STOPPER / SEAT POSITION / 55MM	AR	AR		WCL
35	3200625	STOPPER / SEAT POSITION / 465MM	AR	AR		WCL
36	3200807	STOPPER / SEAT POSITION / 308MM	AR	AR		WCL
36	3200624	STOPPER / SEAT POSITION / 215MM	AR	AR		WCL
37	5001611	SCREW CAP HEXS M6-1.0x30 SS BK	AR	AR		WCL
38	502570	WASHER LO SPT 6.1x11.8x1.6 SS	AR	AR		WCL
39	502573	WASHER FL 6.4x12.5x1.6 SS	AR	AR		WCL
NS	323809	DECAL/ ARROW > SEAT POSITION 25MM x 35MM	AR	AR		
49	363083	KIT FOR RETROFIT TABLE / SPACER WALL AND STRUCTURE To 8-1135	AR	AR		
. NS	IS-91077	. SEE INSTRUCTION SHEET To 8-1135	1	1		
NS	364141	KIT FOR RETROFIT TABLE / SPACER WALL AND STRUCTURE From 8-1136	AR	AR		
. NS	IS-91077	. SEE INSTRUCTION SHEET From 8-1136	1	1		
50	364021	SUPPORT ASSY CARD TABLE UPPER 900MM	1	1		
. NS	364020	. SUPPORT UPPER	1	1		
50	364182	SUPPORT UPPER 1133MM	1	1		
51	364024	SUPPORT ASSY CARD TABLE LOWER 900MM	1	1		
. NS	364023	. SUPPORT LOWER	1	1		
52	506025	. RUBBER CHANNEL / 1/18" x 5/16" INT "U" SHAPE / SQUARE C.T.L.	AR	AR		
53	364022	. STRAP RETAINER	2	2		

From 7-0671 To J-0184	Date:10/2022	PAGE:H7-1829-00
<b>ACCESSORIES PASSENGER'S SEAT - "PREVOST"</b>		

Item#	Part	Description	H 3 4 1	H 3 4 5	V I P 4 5	N O T E S
54	504113	. RIVET POP DOME CLE 3/16x1/4 AL	2	2		
55	506756	. VELCRO / LOOP ADHESIF 1" x 75'	AR	AR		
63	900527	GLASS HOLDER	AR	AR		
63	900788	GLASS HOLDER	AR	AR		
NS	860642	GLASS HOLDER / W/"AMAYA" / W/2 HOLES FOR SCREW	1	1		
64	860875	TRASH BAG, SUPPORT / BLACK FIXED TO WALL	AR	AR		
64	863976	TRASH BAG, SUPPORT / GREY FIXED TO WALL	AR	AR		
NS	861107	TRASH BAG / BOX OF 5000	AR	AR		
65	502664	SCREW TP PAN PH #8x1 SS EMN	4	4		
		12 VOLTS POWER OUTLET				
70	562796	12 VOLTS POWER OUTLET	1	1		
NS	067422	CABLE / 12 VOLTS POWER OUTLET	1	1		
71	500353	SCREW TP FL PH #8x3/4 BK	2	2		
72	406241	SUPPORT / 12 VOLTS POWER OUTLET	1	1		
73	500888	NUT AN JK #10-24	2	2		
74	500388	SCREW MA RND PH #10-24x1 Z050	2	2		
80	403868	DECAL, "EMERGENCY EXIT" >> / CLEAR / ENGLISH To 8-1159	AR	AR		
80	407594	DECAL, "EMERGENCY EXIT" >> / CLEAR / ENGLISH & SPANISH To 8-1159	AR	AR		
80	407547	DECAL / "EMERGENCY EXIT >> / CLEAR / ENGLISH & FRANCAIS To 8-1159	AR	AR		
80	402776	DECAL,	AR	AR		
80	408203	DECAL EMERGENCY >>>> PICTOGRAPM RIGHT>>>> From 8-1060	AR	AR		
80	408204	DECAL EMERGENCY >>>> PICTOGRAPM LEFT>>>> From 8-1060	AR	AR		
80	403694	DECAL / BRAILLE / EMERGENCY EXIT TO YOUR RIGHT	AR	AR		
80	403695	DECAL / BRAILLE / EMERGENCY EXIT TO YOUR LEFT	AR	AR		
81	408206	DECAL / "EMERGENCY EXIT" / ENGLISH From 8-1060	AR	AR		
81	408205	DECAL / "EMERGENCY EXIT" : ISSUE DE SECOURS / ENGLISH & FRANCAIS From 8-1060	AR	AR		
81	408207	DECAL / "EMERGENCY EXIT" : SALIDA DE EMERGENCIA / ENGLISH & SPANISH From 8-1060	AR	AR		
82	403237	DECAL, "EMERGENCY EXIT" / INSTRUCTION / ENGLISH & FRANCAIS To 8-1059	AR	AR		
82	408208	DECAL 1.PULL UP BAR 2. PUSH OUT WINDOW" / ENGLISH & FRANCAIS From 8-1060	AR	AR		
82	403236	DECAL, "EMERGENCY EXIT" / INSTRUCTION / ENGLISH To 8-1059	AR	AR		
82	408209	DECAL 1.PULL UP BAR 2. PUSH OUT WINDOW" / ENGLISH From 8-1060	AR	AR		
82	408210	DECAL, "EMERGENCY EXIT" / INSTRUCTION / ENGLISH & SPANISH From 8-1060	AR	AR		
82	403693	DECAL / BRAILLE / PULL UP BAR PUSH OUT WINDOW / ENGLISH	AR	AR		
82	405775	DECAL / BRAILLE / EMERGENCY EXIT ONLY / ENGLISH & FRANCAIS	AR	AR		
82	403707	DECAL / BRAILLE / TIRER LA BARRE POUSSER LA FENETRE / FRENCH	1	1		
83	407600	DECAL / "WARNING ...LOWER THE ARMREST / ENGLISH From E-2573 To H-3814	AR	AR		
83	400466	DECAL / "WARNING ...LOWER THE ARMREST / ENGLISH From H-3815	AR	AR		
84	408204	DECAL EMERGENCY >>>> PICTOGRAPM LEFT>>>> From 8-1060	1	1		
85	407600	DECAL / "WARNING ...LOWER THE ARMREST / ENGLISH To H-3814	1	1		

From 7-0671 To J-0184 Date:10/2022 PAGE:H7-1829-00

**ACCESSORIES PASSENGER'S SEAT - "PREVOST"**

Item#	Part	Description	H 3 4 1	H 3 4 5	V I P 4 5	N O T E S
85	400466	DECAL / "WARNING ...LOWER THE ARMREST / ENGLISH From H-3815	1	1		
85	405649	DECAL / "WARNING ...LOWER THE ARMREST / ENGLISH & SPANISH To H-3814	1	1		
85	400467	DECAL / "WARNING ...LOWER THE ARMREST / ENGLISH & SPANISH From H-3815	1	1		
85	405211	DECAL / "WARNING ...LOWER THE ARMREST / ENGLISH & FRANCAIS To H-3814	1	1		
85	400464	DECAL / "WARNING ...LOWER THE ARMREST / ENGLISH & FRANCAIS From H-3815	1	1		
86	409371	DECAL, PRIORITY SEATING / ENGLISH & FRANCAIS To G-3386	1	1		
. NS	409372	. DECAL, PRIORITY SEATING / ENGLISH & FRANCAIS To G-3386	1	1		
86	400265	DECAL, PRIORITY SEATING / ENGLISH & FRANCAIS From G-3387	1	1		
86	409409	DECAL, PRIORITY SEATING / ENGLISH & SPANISH To G-3386	1	1		
. NS	409408	. DECAL, PRIORITY SEATING / ENGLISH & SPANISH To G-3386	1	1		
86	400266	DECAL, PRIORITY SEATING / ENGLISH & SPANISH From G-3387	1	1		
86	400006	DECAL, PRIORITY SEATING / ENGLISH & SPANISH & FRANCAIS To G-3386	1	1		
86	400267	DECAL, PRIORITY SEATING / ENGLISH & SPANISH & FRANCAIS From G-3387	1	1		
86	400310	DECAL, PRIORITY SEATING / ENGLISH From G-3387	1	1		
NS	406247	DECAL SEAT NUMBER 1A, 1B-1C UP 13A 13B-13C GREY From A-1716	1	1		
90	405957	DECAL SEAT NUMBER 1-2 UP TO 57-58 GREY To 8-1135	AR	AR		
90	406011	DECAL SEAT NUMBER 1-2 UP TO 57-58 SAND From 8-1136	AR	AR		
91	408211	DECAL SEAT NUMBER 1-2 UP TO 57-58 GREY To 8-1135	AR	AR		
91	406010	DECAL SEAT NUMBER 1-2 UP TO 57-58 SAND From 8-1136	AR	AR		
92	405959	DECAL SEAT NUMBER 3-4 UP TO 59-60 GREY To 8-1135	AR	AR		
92	406013	DECAL SEAT NUMBER 3-4 UP TO 59-60 SAND From 8-1136	AR	AR		
93	405960	DECAL SEAT NUMBER 3-4 UP TO 59-60 GREY To 8-1135	AR	AR		
93	406014	DECAL SEAT NUMBER 3-4 UP TO 59-60 SAND From 8-1136	AR	AR		
94	405958	DECAL V.I.P. SEAT NUMBER GREY To 8-1135	AR	AR		
94	406012	DECAL V.I.P. SEAT NUMBER SAND From 8-1136	AR	AR		
95	405978	DECAL SEAT / W/ROW NUMBER GREY To 8-1135	AR	AR		
95	406021	DECAL SEAT / W/ROW NUMBER SAND From 8-1136	AR	AR		
100	323810	DECAL / "SEAT BELT PICTOGRAMME" BEIGE	AR	AR		
100	323811	DECAL / "SEAT BELT PICTOGRAMME" GREY	AR	AR		
100	323557	DECAL / "SEAT BELT PICTOGRAMME" BLUE	AR	AR		
101	406548	DECAL / QR CODE / PASSENGER SEAT From C-2067	AR	AR	AR	
101	406547	DECAL / QR CODE / DRIVER SEAT From C-2067 To E-2596	AR	AR	AR	
101	408357	DECAL / QR CODE / DRIVER SEAT From E-2597	AR	AR	AR	
		S) SERVICE				
		WCL) WITH WHEEL CHAIR LIFT				
		1) NOT SOLD SEPARATELY				

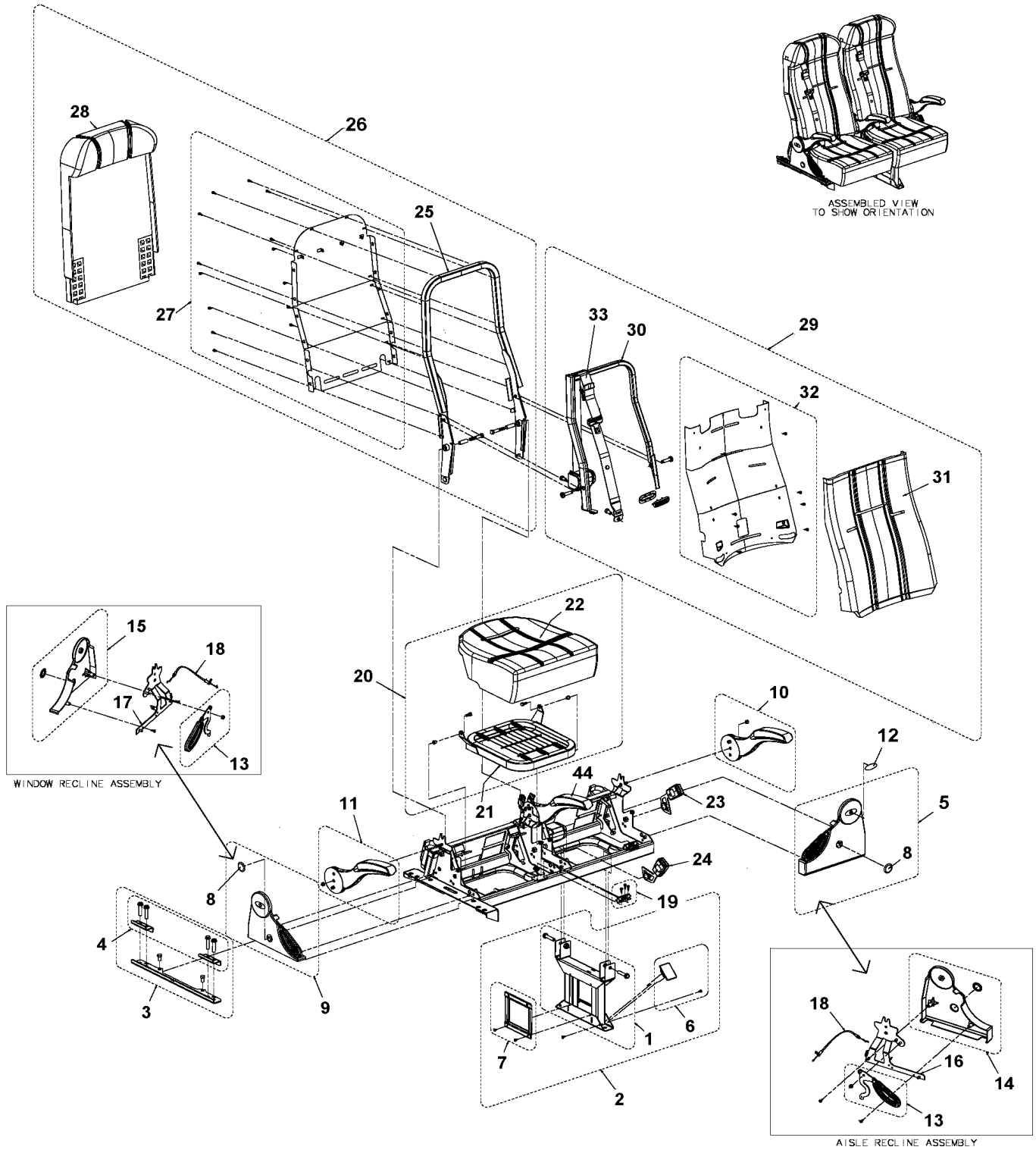


From 7-0671 To J-0287

Date:10/2022

PAGE:H7-1830-00

## PASSENGER'S SEAT - "AMERICAN" & "IMMI" "PREMIER"&"SAFEGUARD PREMIER"

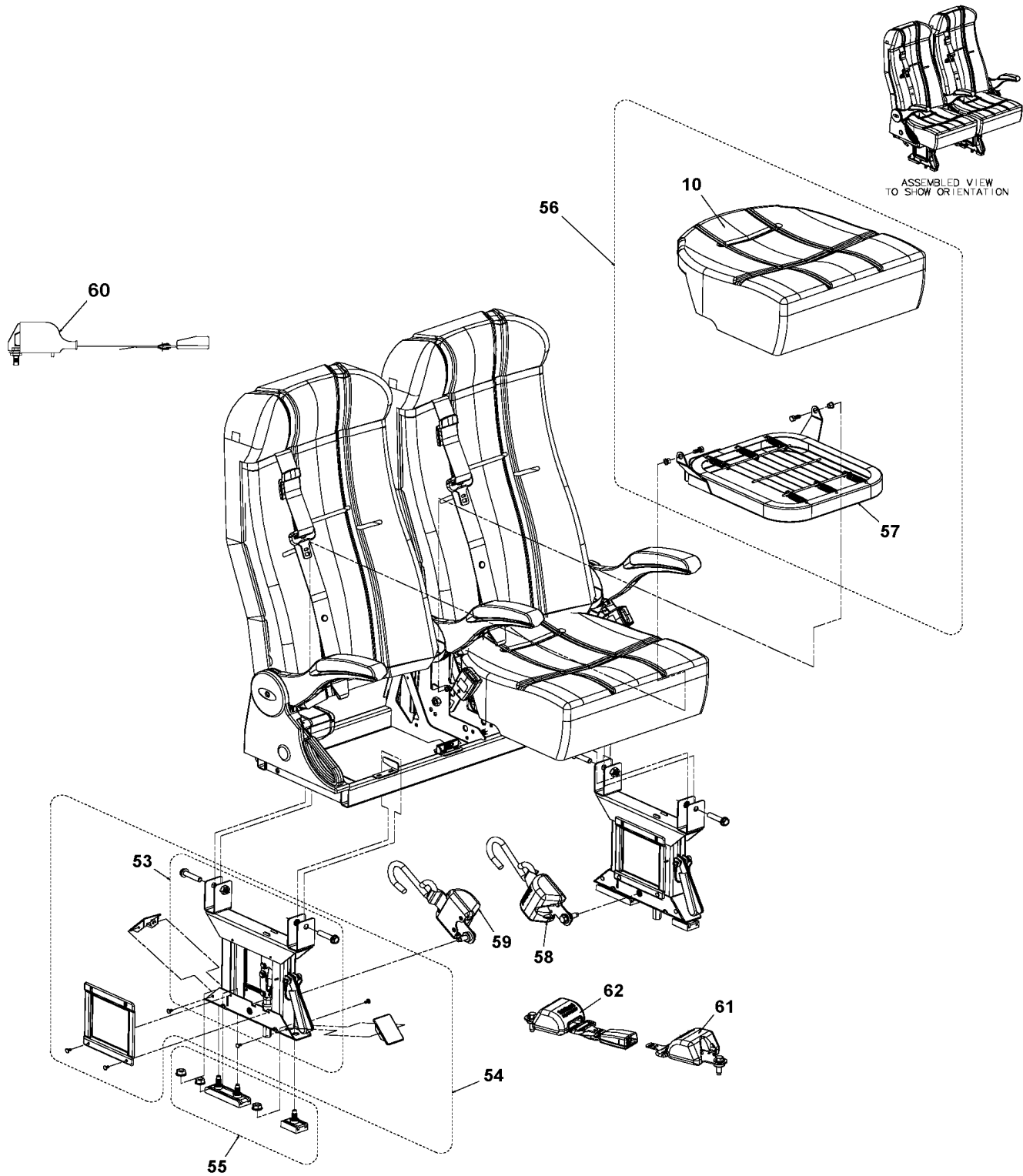


From 7-0671 To J-0287

Date:10/2022

PAGE:H7-1830-00

## PASSENGER'S SEAT - "AMERICAN" & "IMMI" "PREMIER"&"SAFEGUARD PREMIER"



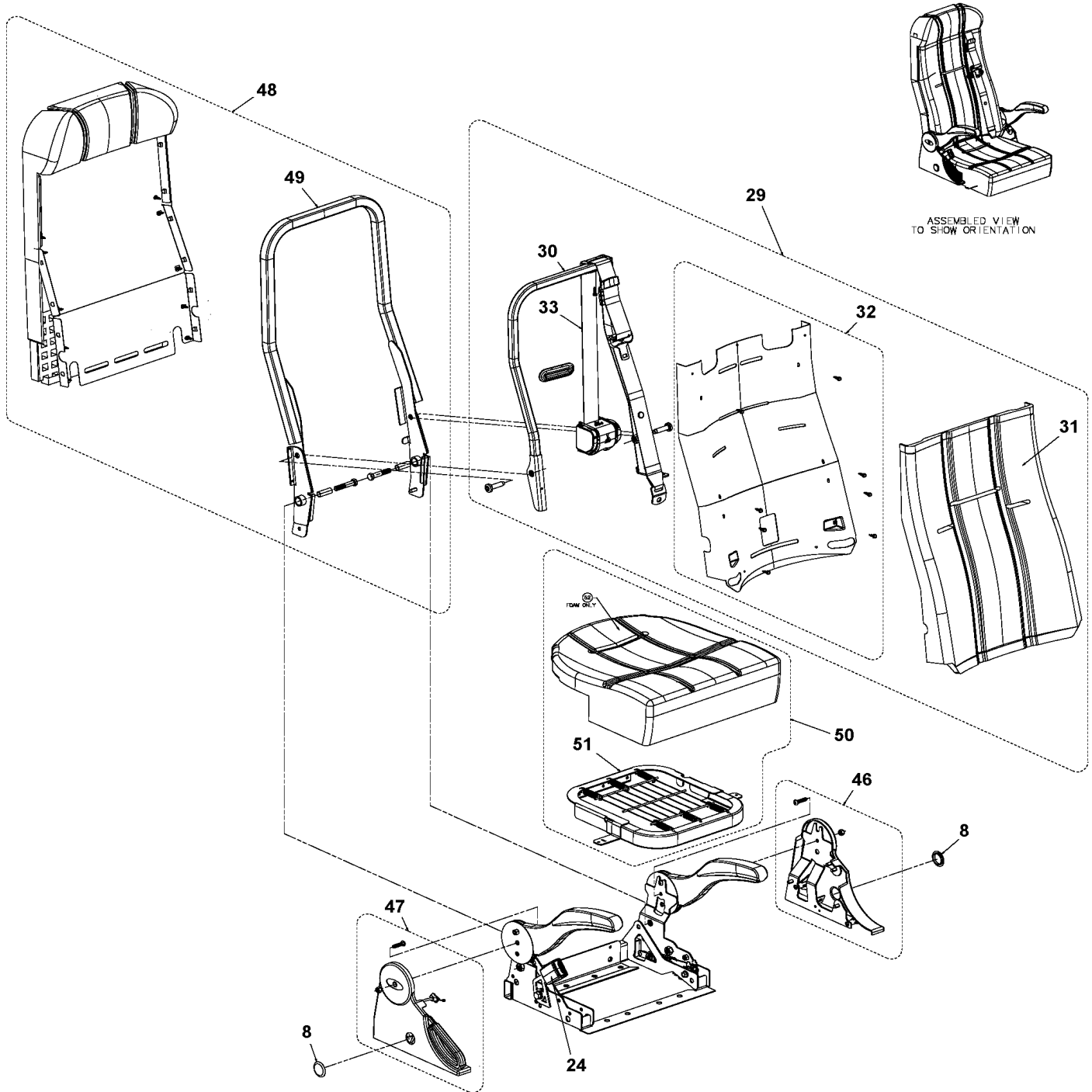


From 7-0671 To J-0287

Date:10/2022

PAGE:H7-1830-00

## PASSENGER'S SEAT - "AMERICAN" & "IMMI" "PREMIER"&"SAFEGUARD PREMIER"

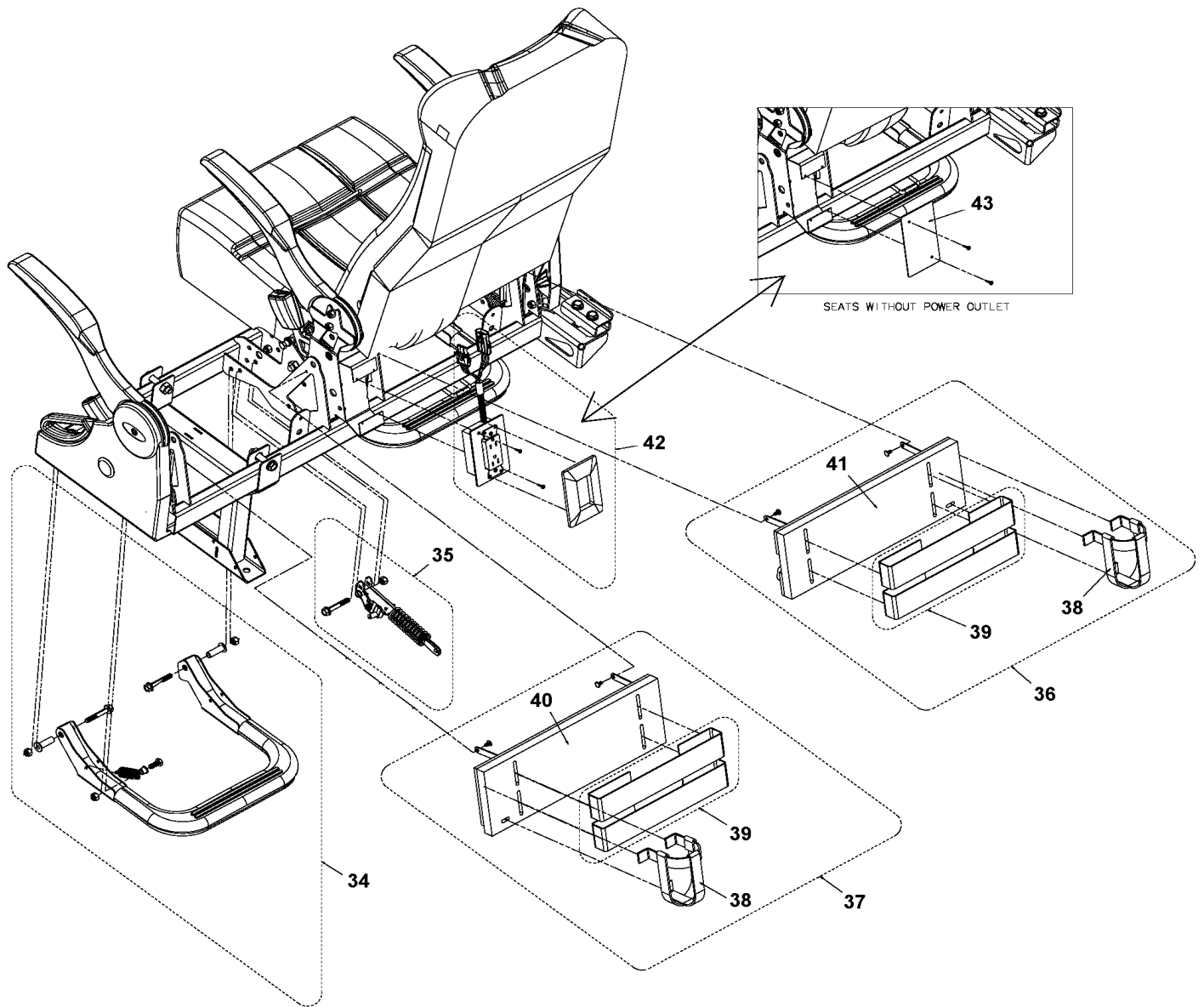
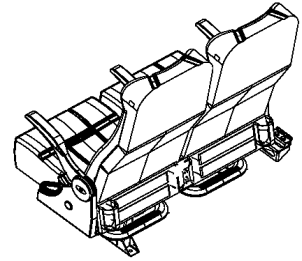


From 7-0671 To J-0287

Date:10/2022

PAGE:H7-1830-00

## PASSENGER'S SEAT - "AMERICAN" & "IMMI" "PREMIER"&"SAFEGUARD PREMIER"



From 7-0671 To J-0287 Date:10/2022 PAGE:H7-1830-00

**PASSENGER'S SEAT - "AMERICAN" & "IMMI" "PREMIER"&"SAFEGUARD PREMIER"**

Item#	Part	Description	H 3 4 1	H 3 4 5	V I P 4 5	N O T E S
	329177	SEAT STOPPER BLOCK 275MM x 31.75MM	AR	AR		
	329994	SEAT STOPPER 56MM x 31.75MM	AR	AR		
	3200521	SEAT STOPPER 95MM x 31.75MM	AR	AR		
	504459	RIVET MGLP PRDG 1/4x3/8 SS	12	12		
	323809	DECAL/ ARROW > SEAT POSITION 25MM x 35MM	6	6		
1	Call order desk	PEDESTAL WELDMENT STANDARD / KIT	1	1		P
2	Call order desk	PEDESTAL, WELDMENT STANDARD / KIT	1	1		P
2	Call order desk	PEDESTAL, WELDMENT STANDARD (WTOR FIX) / KIT	1	1		P
3	Call order desk	CLAMP BRACKET WITH TOOTH / KIT	1	1		P
4	867800	CLAMP BRACKET	2	2		
4	867802	BOLT	4	4		
5	Call order desk	RECLINE ASSY / CURBE SIDE / KIT	1	1		P
5	Call order desk	RECLINE ASSY / STREET SIDE / KIT	1	1		P
6	864431	COVER, TUBE END / KIT	20	20		
7	866092	COVER, PLASTIC PED SIDE / KIT	20	20		
8	864432	PLUG, FLUSH MOUNT	8	8		
9	Call order desk	RECLINE ASSY / CURBE SIDE / KIT	1	1		P
9	Call order desk	RECLINE ASSY / STREET SIDE / KIT	1	1		P
10	864433	ROTATE ARMREST ASSY / CURBE SIDE / KIT	1	1		
10	864434	ROTATE ARMREST ASSY / STREET SIDE / KIT	1	1		
11	867626	STATIONARY ARMREST ASSY / CURBE SIDE / KIT	1	1		
11	867627	STATIONARY ARMREST ASSY / STREET SIDE / KIT	1	1		
12	Call order desk	STICKER, "PREMIER"	10	10		P
13	864435	RECLINE HANDLE / KIT	1	1		
14	864436	COVER, AISLE / CURBE SIDE / KIT	1	1		
14	864437	COVER, AISLE / STREET SIDE / KIT	1	1		
15	Call order desk	COVER, WINDOW / CURBE SIDE / KIT	1	1		P
15	Call order desk	COVER, WINDOW / STREET SIDE / KIT	1	1		P
16	Call order desk	COVER BRACKET ASSY RIGHT / KIT	1	1		P
17	Call order desk	COVER BRACKET ASSY LEFT / KIT	1	1		P
18	864438	CABLE	1	1		
19	861717	SLAM LATCH ASSY / KIT	4	4		
20	Call order desk	SEAT BUN ASSY / KIT	1	1		P
21	Call order desk	BUN WELDMENT W/ FLEX-O-LATOR ASSY	1	1		P
22	Call order desk	BUN FOAM	1	1		P
23	864439	K-12 NARROW BUCKLE #1 / CURBSIDE	1	1		
23	864441	K-12 NARROW BUCKLE #2 / STREET SIDE	1	1		
23	860132	NARROW BUCKLE ASS	1	1		
24	864440	K-12 NARROW BUCKLE #2 / CURBSIDE	1	1		
24	864442	K-12 NARROW BUCKLE #1 / STREET SIDE	1	1		
24	860132	NARROW BUCKLE ASS	1	1		
25	Call order desk	OUTER FRAME WELDMENT	1	1		P

From 7-0671 To J-0287	Date:10/2022	PAGE:H7-1830-00
<b>PASSENGER'S SEAT - "AMERICAN" &amp; "IMMI" "PREMIER"&amp;"SAFEGUARD PREMIER"</b>		

Item#	Part	Description	H 3 4 1	H 3 4 5	V I P 4 5	N O T E S
25	868141	. BUSHING ID 0.45xOD 0.8x0.86	2	2		
26	Call order desk	OUTER FRAME ASSY / KIT	1	1		P
27	Call order desk	SEAT BACK PAN / KIT	1	1		P
28	Call order desk	UPPER REAR SEAT FOAM / KIT	1	1		P
29	Call order desk	INNER MODULE ASSY / CURBE SIDE / KIT	1	1		P
29	Call order desk	INNER MODULE ASSY / STREET SIDE / KIT	1	1		P
30	Call order desk	INNER FRAME WELDMENT / CURBE SIDE	1	1		P
30	Call order desk	INNER FRAME WELDMENT / STREET SIDE	1	1		P
31	Call order desk	INNER FRAME FOAM	1	1		P
32	864443	BACK PLASTIC PANEL / KIT / LH	1	1		
32	864448	BACK PLASTIC PANEL / KIT / RH	1	1		
33	867837	SEAT BELT ASSY / KIT	1	1		
33	867679	BEZAL BACK BLACK	1	1		
33	867680	BEZAL FRONT BLACK	1	1		
34	Call order desk	FOOTREST WELDMENT / KIT	1	1		P
35	864444	CLAMPING LEVER ASSY / CURBE SIDE / KIT	1	1		
35	864445	CLAMPING LEVER ASSY / STREET SIDE / KIT	1	1		
36	N.S.S.	MAGAZINE W/CUP HOLDER ASSY LH / KIT	1	1		1
37	N.S.S.	MAGAZINE W/CUP HOLDER ASSY RH / KIT	1	1		1
38	864890	CUP HOLDER	10	10		
39	864891	ELASTIC STRAP / KIT	20	20		
40	N.S.S.	KICK PANEL ASSY REAR SEAT RH / KIT	1	1		1
42	Call order desk	OUTLET ASSY / KIT	1	1		P
43	864449	BLANK COVER / KIT	10	10		
44	864450	ROTATE ARMREST ASSY / STREET SIDE / KIT	1	1		
44	864451	ROTATE ARMREST ASSY / CURBE SIDE / KIT	1	1		
46	Call order desk	RECLINE ASSY LEFT / KIT	1	1		P
47	Call order desk	RECLINE ASSY RIGHT / KIT	1	1		P
48	Call order desk	OUTER FRAME ASSY / KIT	1	1		P
49	Call order desk	OUTER FRAME WELDMENT	1	1		P
50	Call order desk	SEAT BUN ASSY	1	1		P
51	Call order desk	SEAT BUN WELDMENT	1	1		P
52	Call order desk	BUN FOAM	1	1		P
53	Call order desk	PEDESTAL WELDMENT ASSY - SLIDER / KIT	1	1		P
54	Call order desk	PEDESTAL WELDMENT ASSY - SLIDER / KIT	1	1		P
55	864452	BLOCK MOUNT ASSY / KIT / FOWARD	1	1		
55	864446	BLOCK MOUNT ASSY / KIT / REARWARD	1	1		
56	Call order desk	SEAT BUN ASSY - SLIDER / KIT	1	1		P
57	Call order desk	SEAT BUN FRAME ASSY	1	1		P
58	863736	TIEDOWN RIGHT	1	1		
59	863737	TIEDOWN LEFT	1	1		

From 7-0671 To J-0287	Date:10/2022	PAGE:H7-1830-00
<b>PASSENGER'S SEAT - "AMERICAN" &amp; "IMMI" "PREMIER"&amp;"SAFEGUARD PREMIER"</b>		

Item#	Part	Description	H 3 4 1	H 3 4 5	V I P 4 5	N O T E S
60	864453	SHOULDER BELT RETRACTOR	1	1		
61	864454	PED SHOULDER BELT RETRACTOR	1	1		
62	864455	RETRACTOR, TONGUE, BUCKLE	1	1		
NS	Call order desk	CLIP, PUSH-IN	100	100		P
NS	Call order desk	U-TYPE FASTENER	100	100		P
NS	Call order desk	SCREW, #10 SELF DRILLING	100	100		P
		1) NOT SOLD SEPARATELY				
		P) CALL ORDER DESK FOR SPECIFIC APPLICATION (V.I.N.)				

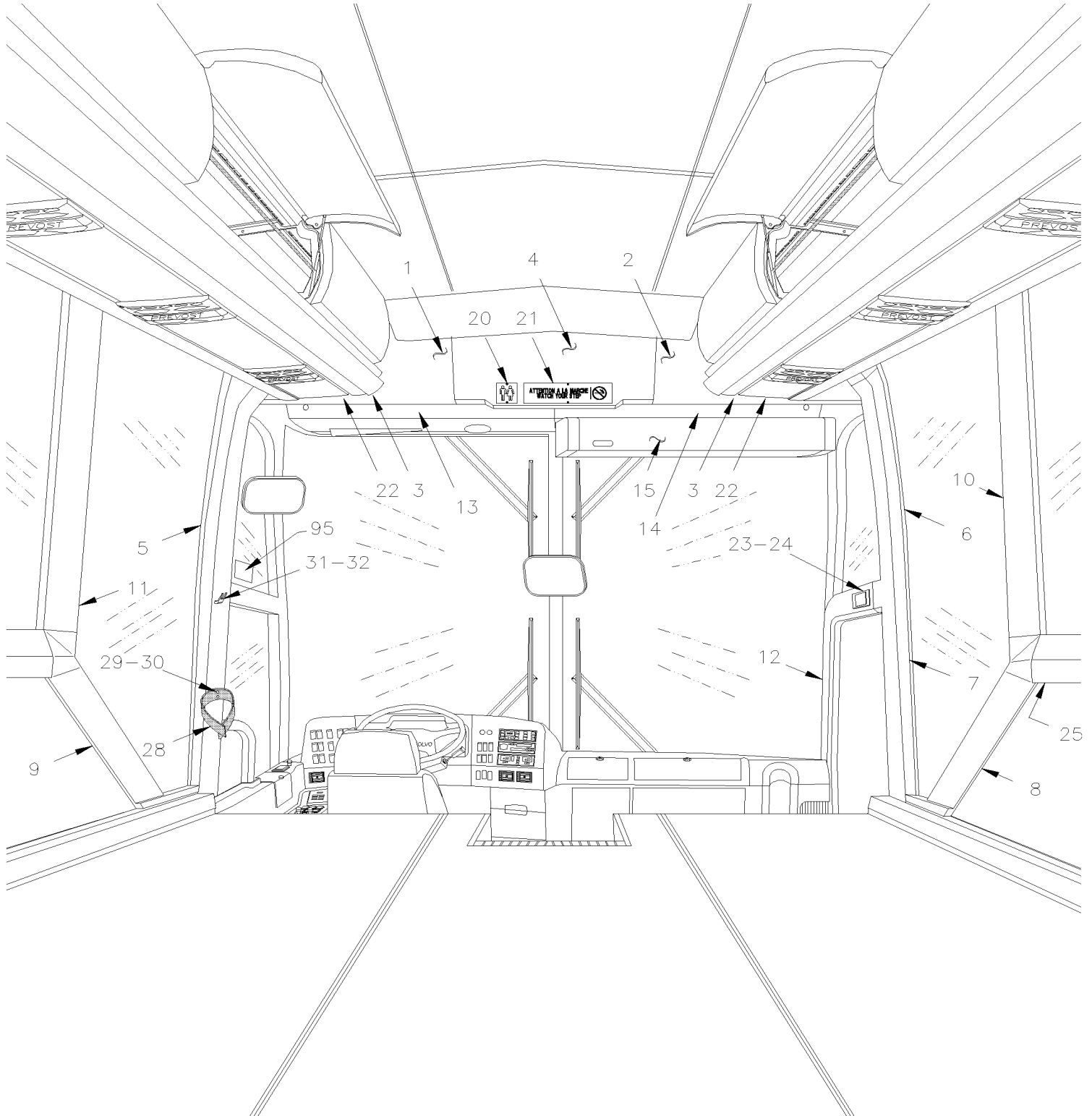


From 7-0671 To 8-1135

Date:10/2022

PAGE:H7-1832-00

## FRONT FINISHING CAP W/GREY FINISHING



From 7-0671 To 8-1135	Date:10/2022	PAGE:H7-1832-00
<b>FRONT FINISHING CAP W/GREY FINISHING</b>		

Item#	Part	Description	H 3 4 1	H 3 4 5	V I P 4 5	N O T E S
		"WARNING" - "WARNING" -"WARNING" - "WARNING"				
		VIN 1068, 1078 & 1090 USE NEW COLORATION SEE NEXT PAGE				
1	341141	PANEL, L.H. / FRONT CAP CEILING	1	1		
2	341089	PANEL, R.H. / FRONT CAP CEILING	1	1		
NS	340952	SUPPORT / TO FIX ITEM #1 & 2 EACH SIDE	2	2		
3	340939	COVER, L.H. & R.H. / FRONT CAP CEILING	2	2		
4	340936	PANEL, FRONT CENTRAL	1	1		
NS	340953	ANGLE / CURBSIDE 140MM	1	1		
NS	340951	ANGLE / CENTER 150MM	1	1		
NS	340965	ANGLE / STREETSIDE 160MM	1	1		
NS	340957	ANGLE, BRIDGE / LOWER	1	1		
NS	340956	SUPPORT PLATE / CEILING PANEL / 95MM x 864MM	1	1		
NS	500181	SCREW CAP HEX 5/16-18x1 G5 Z050	12	12		
NS	500277	RIVET NUT FL KNURLED OKS 5/16-18 .150-.312	12	12		
NS	502584	WASHER LO SERR 8.2x26.3x1.8 Z050	10	10		
NS	500179	SCREW CAP HEX 5/16-18x3/4 G5 Z050	3	3		
NS	502507	WASHER LO SPT 8.1x14.8x2.0 Z050	5	5		
NS	504412	WASHER RETAINER SNAP CAP #8	AR	AR		
NS	504403	SNAP CAP #8 FINISHING BLACK	AR	AR		
NS	3211032	DECAL "STEP DOWN"	1	1		
5	329470	CAP FINISHING / POST / FRONT L.H.	1	1		
6	328921	FINISHING POST CAP / FRONT R.H.	1	1		
NS	506025	RUBBER CHANNEL / 1/18" x 5/16" INT "U" SHAPE / SQUARE C.T.L.	AR	AR		
7	327553	FINISHING POST CAP.	1	1		
8	326197	FINISHING CAP R.H. LOWER WINDOW	1	1		
NS	326317	ANGLE SUPPORT / TO FIX CAP / 350MM	1	1		
9	327663	FINISHING CAP L.H. WINDOW	1	1		
NS	327661	ANGLE SUPPORT / TO FIX CAP / 507MM	1	1		
NS	327466	GRILLE SPACER 650MM	2	2		
NS	327662	ANGLE SUPPORT / TO FIX CAP / 204MM	1	1		
10	326205	CAP FINISHING / POST / W/SINGLE GLASS / #1 R.H.	1	1		
10	326325	CAP FINISHING / POST / W/THERMO GLASS / BLACK / #1 R.H.	1	1		
11	326265	CAP FINISHING / POST / W/SINGLE GLASS / #1 L.H.	1	1		
11	326326	CAP FINISHING / POST / W/THERMO GLASS / BLACK / #1 L.H.	1	1		
NS	680532	SEALANT SIKA #221 / GREY / 310ml CARTRIDGE	AR	AR		
12	327773	FINISHING POST CAP.	1	1		
13	340716	PANEL, UPPER WINDSHIELD L.H.			1	
14	340715	PANEL, UPPER WINDSHIELD R.H.			1	
15	<b>H7-1814-05</b>	<b>DESTINATION SIGN - INSTALLATION</b>				
20	322967	LENS / "RESTROOM OCCUPIED"	1	1		
21	328208	LENS / "WATCH ..." ATTENTION..." & "NO- SMOKING" / ENGLISH & FRANCAIS	1	1		



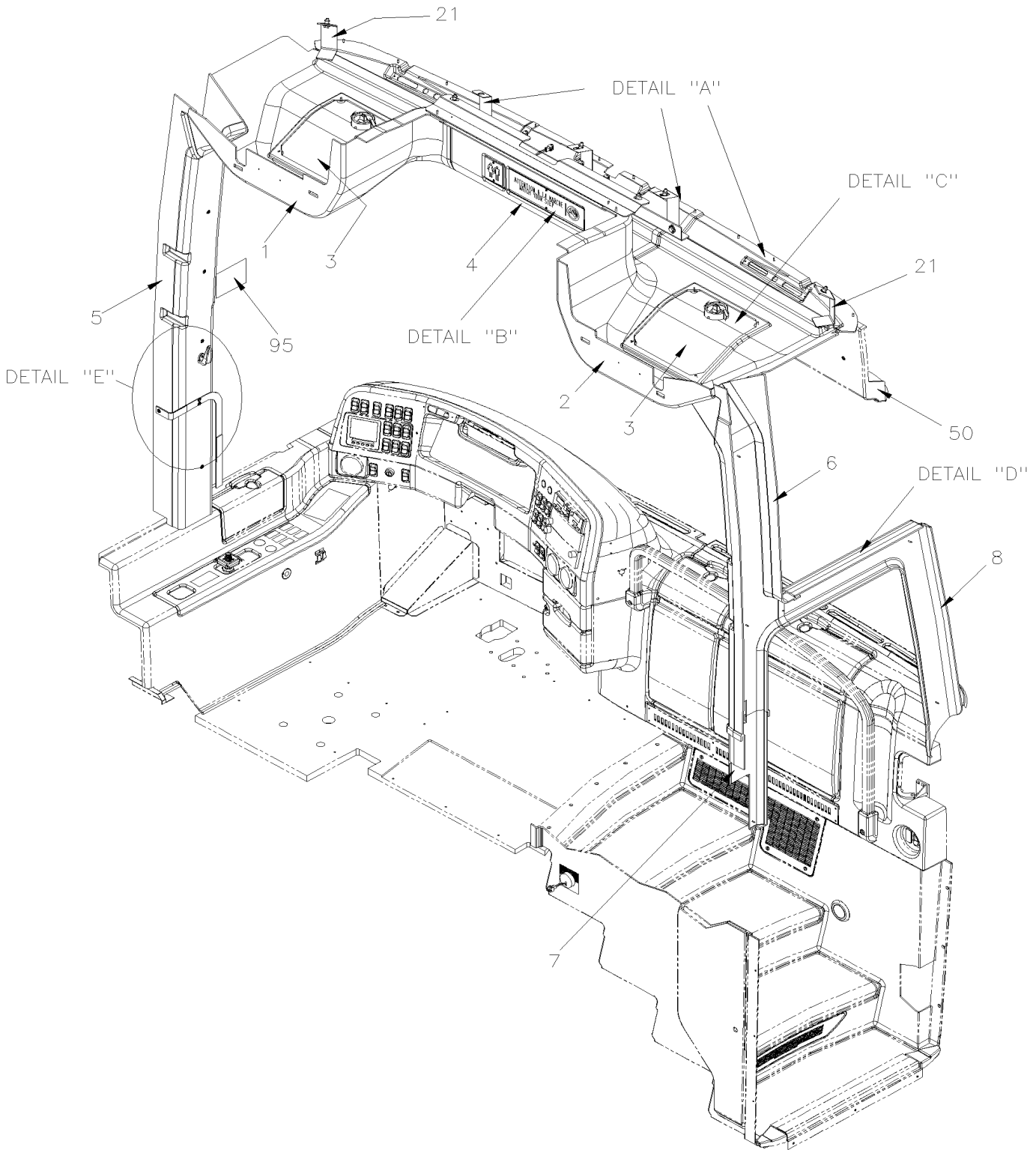
From 7-0671 To 8-1135	Date:10/2022	PAGE:H7-1832-00
<b>FRONT FINISHING CAP W/GREY FINISHING</b>		

Item#	Part	Description	H 3 4 1	H 3 4 5	V I P 4 5	N O T E S
21	328209	LENS/"WATCH YOUR STEP" & "NO-SMOKING" / ENGLISH	1	1		
21	328207	LENS / "WATCH ..." ATTENTION..." & "NO- SMOKING" / ENGLISH & SPANISH	1	1		
NS	330265	SOCKET ASSY W/CONNECTOR / W2.1x9.Dd	3	3		
. NS	562295	. SOCKET BULB / PLASTIC W/WIRE / W2.1x9.5d	1	1		
. NS	561248	. CONNECTOR / UNIVERSAL MATE-N-LOK / PH 2C / AMP 1-480699-0	1	1		
. NS	562122	. PIN TERMINAL / 20-14 / AMP 350547-1	2	2		
NS	561166	BULB / 3WATT-24VOLTS / SAE# 464	3	3		
NS	500504	SCREW TC OV PH #6-32x1/2 BK	4	4		
NS	500422	NUT SPR U #6-32 .110-.120 SS	4	4		
NS	404638	DECAL MOUNTING PLATE / 250MM x 50MM	1	1		
21	405905	DECAL / "WATCH YOUR STEP" 16 x 200	1	1		
NS	405689	DECAL / "ATTENTION À LA MARCHE" / BILINGUAL	1	1		
21	405906	DECAL / "ATTENTION À LA MARCHE" / BILINGUAL 43 x241	1	1	1	
22	<b>H7-0655-00</b>	<b>INTERIOR LIGHTING</b>				
23	400638	MOULDING / 11" / "U" SHAPE DRIVER'S NAME HO	1	1		
24	402352	PLATE FRONT / STAMPED "NAME OF DRIVER & BUS NUMBER" /	1	1		
24	400601	PLATE (BLANK) / FOR DRIVER'S NAME / SPECIFY NAME	1	1		
NS	400637	PLATE / STAMPED "DRIVER'S NAME" / REAR	1	1		
NS	400636	PLATE / STAMPED "NOM DU CONDUCTEUR"	1	1		
25	<b>H7-1884-00</b>	<b>SIDE WINDOW - BUS</b>				
27	327545	CAP FINISHING / POST / W/S. GLASS		1		C
27	328919	CAP FINISHING / POST / W/T. GLASS		1		C
27	328225	FINISHING POST UPPER FRONT/W/W.C.L. DOOR "RIC ON" TRIANGULAR SHAPE		1		C
NS	326281	CAP FINISHING / POST / W/S. GLASS		1		A
NS	326282	CAP FINISHING / POST / W/T. GLASS		1		A
NS	326255	CAP FINISHING / POST / W/S. GLASS	1	1		A
NS	326260	CAP FINISHING / POST / W/T. GLASS	1	1		A
NS	326261	CAP FINISHING / POST / REAR	1	1		A
NS	500463	WASHER FN CKF .187x.500x.090 BR Z050	AR	AR		A
NS	500552	SCREW TP OV PH #6x3/4 Z050	AR	AR		A
NS	680067	SEALANT TAPE BUTYL / BLACK / 1/8"x3/4"x25' / 75211E760	AR	AR		A
NS	326297	CAP FINISHING / POST / LOWER WALL		1		A
NS	326298	CAP FINISHING / POST / LOWER WALL		1		A
NS	326295	CAP FINISHING / POST/ REAR OF REAR DOOR / W/W .C.L / "ST&ST"	1	1		A
NS	326279	CAP FINISHING / POST/ TOP OF REAR DOOR/ W/W.C .L. / "ST&ST"	1	1		A
28	409112	JACKET BAND	1	1		
29	5001429	SCREW MA FL PH M4-0.7x25 BK	2	2		
30	500345	WASHER FN CKF .187x.500x.090 BR BK	2	2		
31	900297	HOOK / COAT	1	1		
32	500333	SCREW TP OV PH #6x3/4 BK	2	2		
NS	IS19921	BELT CUTTER INSTALLATION IN THE DRIVER AREA	1	1		
. NS	860584	. BELT CUTTER	1	1		

From 7-0671 To 8-1135	Date:10/2022	PAGE:H7-1832-00
<b>FRONT FINISHING CAP W/GREY FINISHING</b>		

Item#	Part	Description	H 3 4 1	H 3 4 5	V I P 4 5	N O T E S
. NS	7770495	. 3M DUAL LOCK VELCRO	1	1		
. NS	IS-19921	. SEE INSTRUCTION SHEET	1	1		
. NS	FI-19921	. VOIR FEUILLE D'INSTRUCTION	1	1		
95	0691001	DECAL EMISSION WARNING CALIFORNIA	1	1	1	D
		A) FOLLOWING PARTS ARE USE WITH W.C.L. DOOR				
		C) FOLLOWING PARTS ARE USED WITH W.C.L. DOOR WITH "A/C" IN PARCEL RACK				
		D) REGULATIONS OF CALIFORNIA				

FRONT FINISHING CAP W/TAN FINISHING

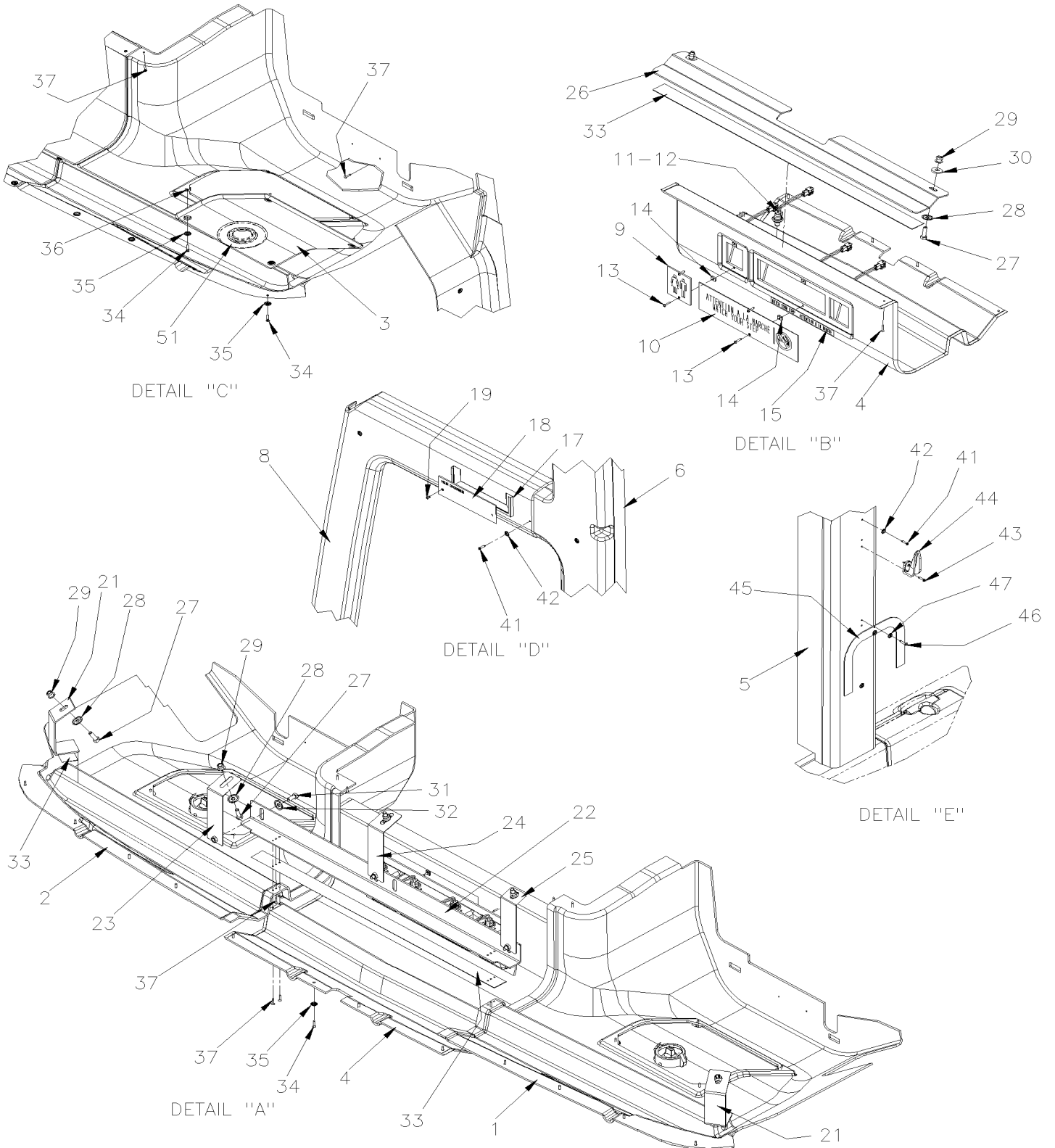


From 8-1136 To J-0287

Date:10/2022

PAGE:H7-1832-01

## FRONT FINISHING CAP W/TAN FINISHING



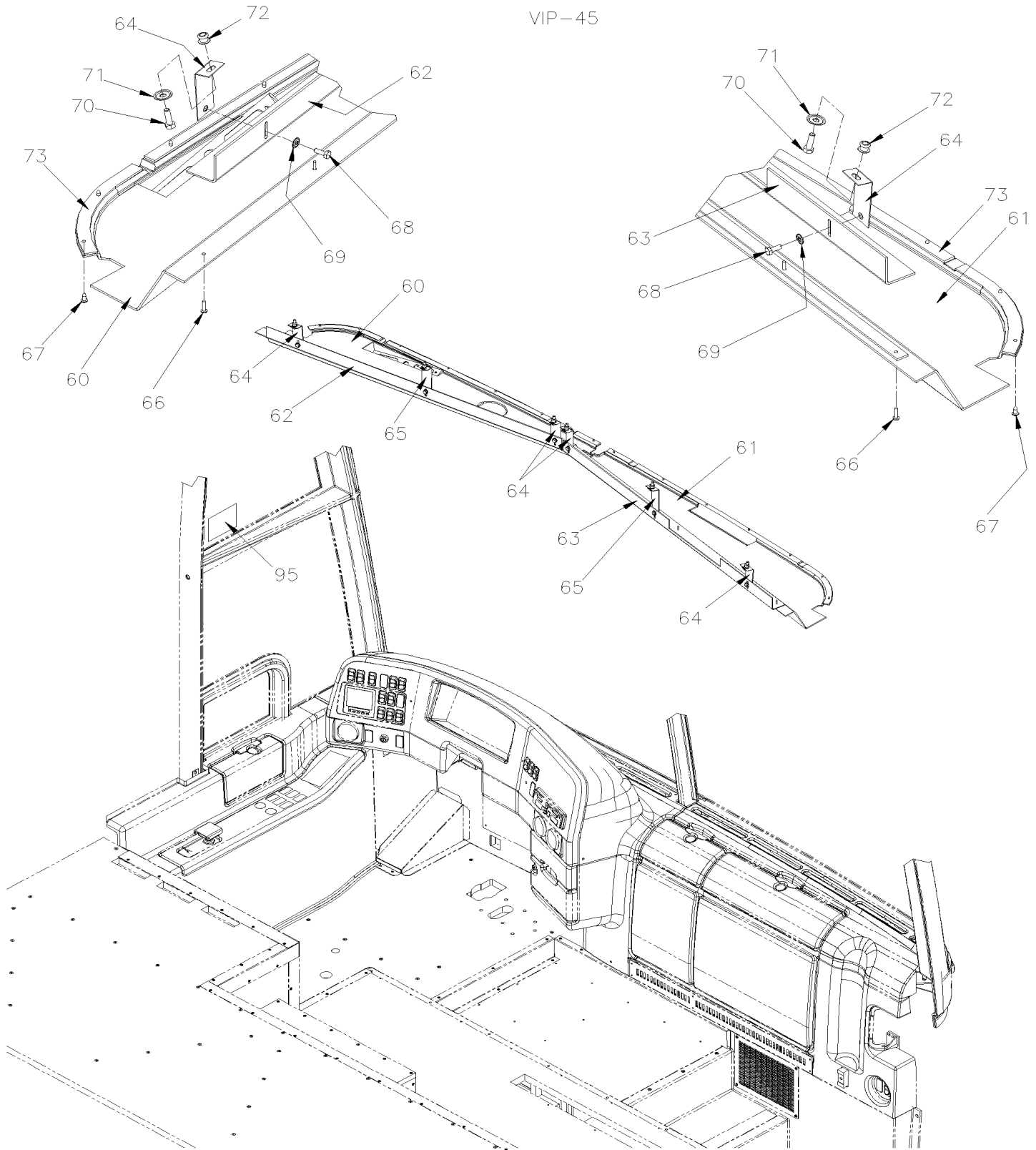
From 8-1136 To J-0287

Date:10/2022

PAGE:H7-1832-01

## FRONT FINISHING CAP W/TAN FINISHING

VIP-45



From 8-1136 To J-0287	Date:10/2022	PAGE:H7-1832-01
<b>FRONT FINISHING CAP W/TAN FINISHING</b>		

Item#	Part	Description	H 3 4 1	H 3 4 5	V I P 4 5	N O T E S
1	341166	PANEL, L.H. / FRONT CAP CEILING TAN To H-3928	1	1		
1	340140	PANEL, L.H. / FRONT CAP CEILING TAN From H-3929	1	1		
1	340105	PANEL, L.H. / FRONT CAP CEILING W/CAMERA TAN To H-3928	1	1		B
1	340141	PANEL, L.H. / FRONT CAP CEILING W/CAMERA TAN From H-3929	1	1		B
1	340083	PANEL, L.H. / FRONT CAP CEILING GREY From H-3497		1		A
2	341169	PANEL, R.H. / FRONT CAP CEILING TAN To H-3928	1	1		
2	340147	PANEL, R.H. / FRONT CAP CEILING TAN From H-3929	1	1		
2	340094	PANEL, R.H. / FRONT CAP CEILING GREY From H-3497		1		A
3	341170	COVER, L.H. & R.H. / FRONT CAP CEILING TAN	2	2		
3	340095	COVER, L.H. & R.H. / FRONT CAP CEILING GREY From H-3497		2		A
4	341167	PANEL, FRONT CENTRAL TAN To H-3928	1	1		
4	340142	PANEL, FRONT CENTRAL TAN From H-3929	1	1		
4	340106	PANEL, FRONT CENTRAL / W/CAMERA TAN To H-3928	1	1		B
4	340143	PANEL, FRONT CENTRAL W/CAMERA TAN From H-3929	1	1		B
4	341235	PANEL, FRONT CENTRAL / W/CLOCK To G-3149	1	1		
4	340174	PANEL, FRONT CENTRAL / W/CLOCK From G-3150 To H-3928	1	1		
4	340145	PANEL, FRONT CENTRAL / W/CLOCK TAN From H-3929	1	1		
4	340096	PANEL, FRONT CENTRAL GREY From H-3497		1		A
NS	3211032	DECAL "STEP DOWN"	1	1		
5	328466	CAP FINISHING / POST / FRONT L.H. / MIDNIGHT CHARCOAL	1	1		
6	329551	CAP FINISHING / POST / FRONT R.H. / MIDNIGHT CHARCOAL	1	1		
7	328469	CAP FINISHING / POST / MIDNIGHT CHARCOAL	1	1		
8	329552	CAP FINISHING / POST / UPPER DOOR SECTION / MIDNIGHT CHARCOAL	1	1		
9	322967	LENS / "RESTROOM OCCUPIED"	1	1		
10	328208	LENS / "WATCH ..." ATTENTION..." & "NO- SMOKING" / ENGLISH & FRANCAIS	1	1		
10	328207	LENS / "WATCH ..." ATTENTION..." & "NO- SMOKING" / ENGLISH & SPANISH	1	1		
10	328209	LENS/"WATCH YOUR STEP" & "NO-SMOKING" / ENGLISH	1	1		
10	5061289	TAPE RUB ADH2 CC POL 1/8" x 3/8" x 100' / BLACK I1C-NGL-1	AR	AR		
11	330265	SOCKET ASSY W/CONNECTOR / W2.1x9.Dd	3	3		
. NS	562295	. SOCKET BULB / PLASTIC W/WIRE / W2.1x9.5d	1	1		
. NS	561248	. CONNECTOR / UNIVERSAL MATE-N-LOK / PH 2C / AMP 1-480699-0	1	1		
. NS	562122	. PIN TERMINAL / 20-14 / AMP 350547-1	2	2		
12	561166	BULB / 3WATT-24VOLTS / SAE# 464	3	3		
13	500504	SCREW TC OV PH #6-32x1/2 BK	4	4		
14	500422	NUT SPR U #6-32 .110-.120 SS	4	4		
15	405905	DECAL / "WATCH YOUR STEP" 16 x 200	1	1		
15	405689	DECAL / "ATTENTION À LA MARCHE" / BILINGUAL	1	1		
15	405906	DECAL / "ATTENTION À LA MARCHE" / BILINGUAL 43 x241	1	1		
17	400638	MOULDING / 11" / "U" SHAPE DRIVER'S NAME HO	1	1		
18	402352	PLATE FRONT / STAMPED "NAME OF DRIVER & BUS NUMBER" /	1	1		
18	400601	PLATE (BLANK) / FOR DRIVER'S NAME / SPECIFY NAME	1	1		
18	400637	PLATE / STAMPED "DRIVER'S NAME" / REAR	1	1		

From 8-1136 To J-0287	Date:10/2022	PAGE:H7-1832-01
<b>FRONT FINISHING CAP W/TAN FINISHING</b>		

Item#	Part	Description	H 3 4 1	H 3 4 5	V I P 4 5	N O T E S
18	400636	PLATE / STAMPED "NOM DU CONDUCTEUR"	1	1		
19	504105	RIVET POP DOME OE 1/8x3/16 AL	2	2		
21	340952	SUPPORT / To H-3734	2	2		
21	340078	SUPPORT From H-3735	2	2		
22	340957	ANGLE, BRIDGE / LOWER To H-3734	1	1		
22	340080	ANGLE, BRIDGE / LOWER From H-3735	1	1		
23	340953	ANGLE / CURBSIDE 140MM To H-3734	1	1		
23	340101	ANGLE 170MM From H-3735	1	1		
24	340951	ANGLE / CENTER 150MM To H-3734	1	1		
24	340101	ANGLE 170MM From H-3735	1	1		
25	340965	ANGLE / STREETSIDE 160MM To H-3734	1	1		
25	340082	ANGLE 160MM From H-3735	1	1		
26	340956	SUPPORT PLATE / CEILING PANEL / 95MM x 864MM To H-3734	1	1		
26	340079	SUPPORT PLATE / CEILING PANEL / 108MM x 860MM From H-3735 To H-3928	1	1		
26	340150	SUPPORT PLATE / CEILING PANEL / 1110MM From H-3929	1	1		
26	340149	BRACKET From H-3929	2	2		
27	5001132	SCREW CAP HEX 5/16-18x7/8 G5 Z050 To H-3734	7	7		
27	5001745	SCREW CAP HEX M8-1.25x25 G8.8 N500 From H-3735	7	7		
28	502584	WASHER LO SERR 8.2x26.3x1.8 Z050	7	7		
29	500277	RIVET NUT FL KNURLED OKS 5/16-18 .150-.312 To H-3734	7	7		
29	5002013	RIVET NUT FL KNURLED OKS M8-1.25 3.8-7.9 ZP From H-3735	1	1		
30	502220	WASHER FL .375x1.000x.125 RUB	2	2		
31	500836	SCREW CAP HEX 5/16-18x3/4 G5 N500 To H-3734	3	3		
31	502862	SCREW CAP HEX M8-1.25x20 G8.8 N500 From H-3735	3	3		
32	502584	WASHER LO SERR 8.2x26.3x1.8 Z050 To H-3734	3	3		
32	502584	WASHER LO SERR 8.2x26.3x1.8 Z050 From H-3735	3	3		
33	506466	TAPE RUB ADH1 CC POL 1/16" x 1 1/2" x 100 / GREY 2520	AR	AR		
34	500626	SCREW TP OV PH #8x3/4 Z050	AR	AR		
35	500464	WASHER FN CKF .210x.540 SS	AR	AR		
36	500996	NUT SPR U #6-32 .135-.150	8	8		
37	500614	SCREW TP FL PH #6x3/4 Z050	AR	AR		
37	500641	SCREW TP PAN PH #8x3/4 Z050 To H-3734	6	6		
40	500437	WASHER FL .125x.375x.040 Z050 To H-3734	8	8		
41	500333	SCREW TP OV PH #6x3/4 BK	AR	AR		
42	500345	WASHER FN CKF .187x.500x.090 BR BK	AR	AR		
43	500333	SCREW TP OV PH #6x3/4 BK To H-3944	2	2		
43	5001155	SCREW TP PAN PH #8X3/4 N050 From H-3945	2	2		
44	900297	HOOK / COAT To H-3944	1	1		
44	900065	HOOK / COAT From H-3945	1	1		
44	900066	CAP, COAT HOOK From H-3945	1	1		
NS	400490	SUPPORT / COAT HOOK From H-3826	1	1		
NS	504339	RIVET POP DOME OE 1/8x3/8 SS From H-3826	2	2		



From 8-1136 To J-0287 Date:10/2022 PAGE:H7-1832-01

**FRONT FINISHING CAP W/TAN FINISHING**

Item#	Part	Description	H 3 4 1	H 3 4 5	V I P 4 5	N O T E S
45	409112	JACKET BAND	1	1		
46	500260	SCREW TC FL PH #8-32x3/4 BK To H-3825	2	2		
46	5001429	SCREW MA FL PH M4-0.7x25 BK From H-3826	1	1		
NS	500589	NUT WELL M4-0.7x13.5 From H-3826	2	2		
47	500345	WASHER FN CKF .187x.500x.090 BR BK	2	2		
NS	IS19921	BELT CUTTER INSTALLATION IN THE DRIVER AREA	1	1		
. NS	860584	. BELT CUTTER	1	1		
. NS	7770495	. 3M DUAL LOCK VELCRO	1	1		
. NS	IS-19921	. SEE INSTRUCTION SHEET	1	1		
. NS	FI-19921	. VOIR FEUILLE D'INSTRUCTION	1	1		
50	<b>H7-1814-05</b>	<b>DESTINATION SIGN - INSTALLATION</b>				
51	<b>H7-0655-00</b>	<b>INTERIOR LIGHTING To D-2264</b>				
51	<b>H7-0655-01</b>	<b>INTERIOR LIGHTING LED From D-2265</b>				
52	<b>H7-1833-01</b>	<b>WINDOW FINISHING CAP &amp; WALL W/TAN FINISHING</b>				
60	341177	PANEL, UPPER WINDSHIELD L.H.			1	
61	341176	PANEL, UPPER WINDSHIELD R.H.			1	
62	340767	BRACKET, L.H./ TO FIX ITEM 5 / 1150MM			1	
63	340766	BRACKET, R.H. / TO FIX ITEM 6 / 1150MM			1	
64	340753	ANGLE ASSY / W/2 WELD NUT 1/4-20 / TO FIX ITEMS 5-6			4	
65	340754	ANGLE ASSY / W/WELD NUT 1/4-20 / TO FIX ITEMS 5-6			2	
66	500641	SCREW TP PAN PH #8x3/4 Z050			14	
67	500613	SCREW TP PAN PH #10x1/2 Z050			14	
68	5001746	SCREW CAP HEX 1/4-20x3/4 G5 N500			6	
69	502582	WASHER LO SERR 6.1x16.2x0.9 Z050			6	
70	5001747	SCREW CAP HEX 5/16-18x1 G5 N500			6	
71	502584	WASHER LO SERR 8.2x26.3x1.8 Z050			6	
72	500277	RIVET NUT FL KNURLED OKS 5/16-18 .150-.312			6	
73	506001	TAPE RUB ADH1 CC POL 1/8" x 3/4" x 50' / GREY 2520X			AR	
95	0691001	DECAL EMISSION WARNING CALIFORNIA	1	1	1	C
		A) BAUER'S TRANSPORTATION" OPTION				
		B) USE WITH CAMERA SYSTEM				
		C) REGULATIONS OF CALIFORNIA				

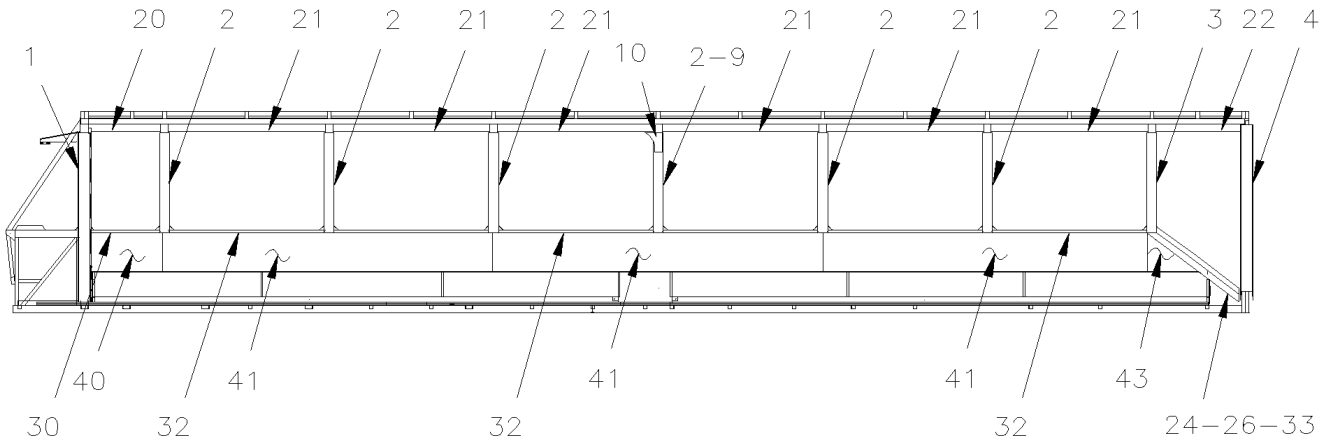


From 7-0671 To 8-1135

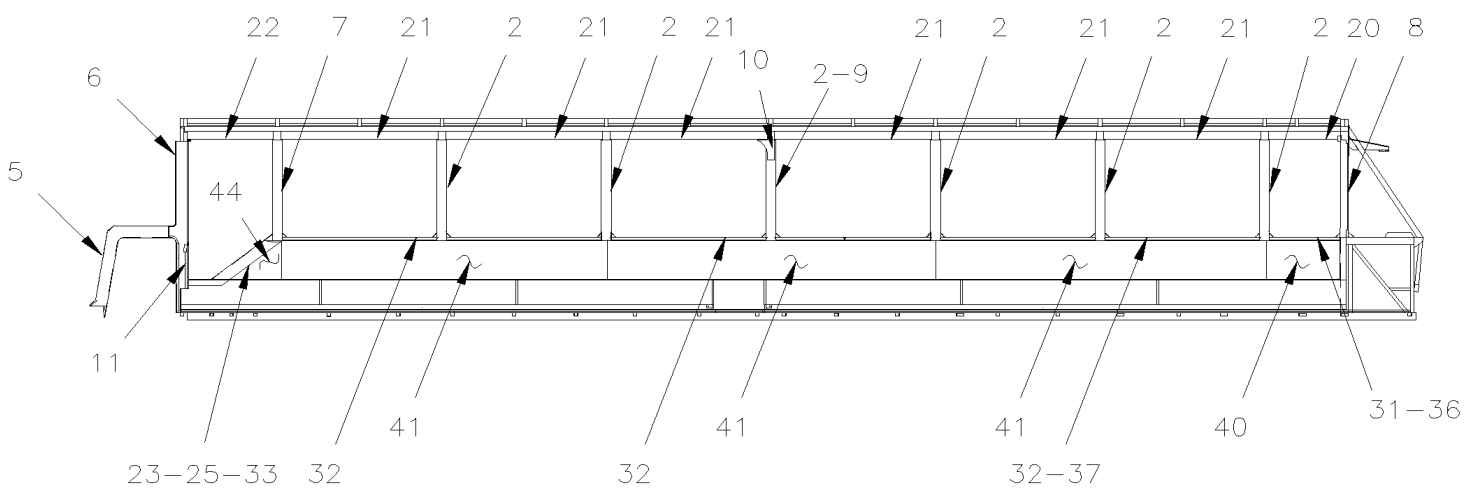
Date:10/2022

PAGE:H7-1833-00

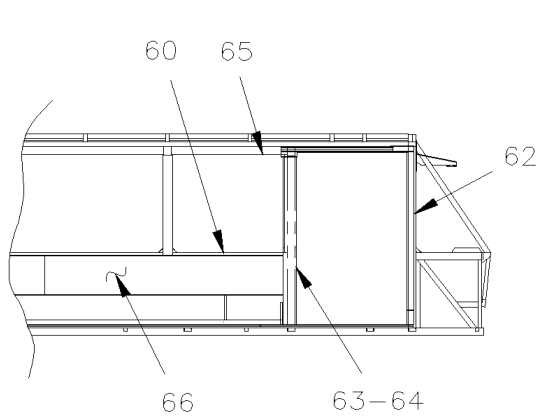
**WINDOW FINISHING CAP & WALL W/GREY FINISHING**



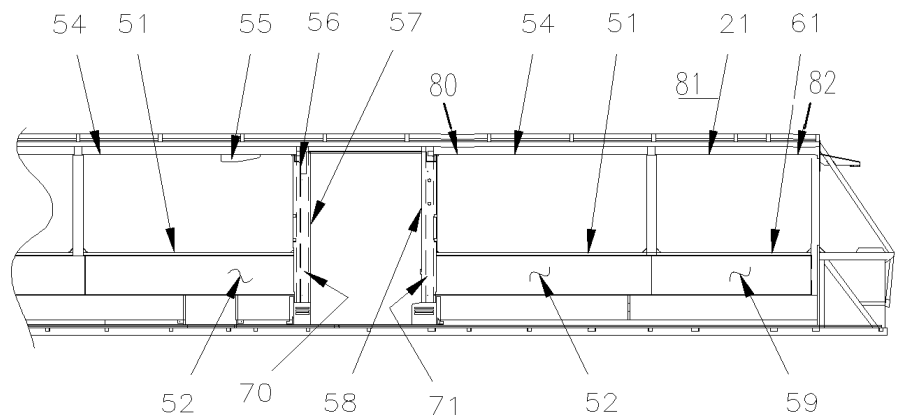
H3-45 LEFT SIDE



H3-45 RIGHT SIDE

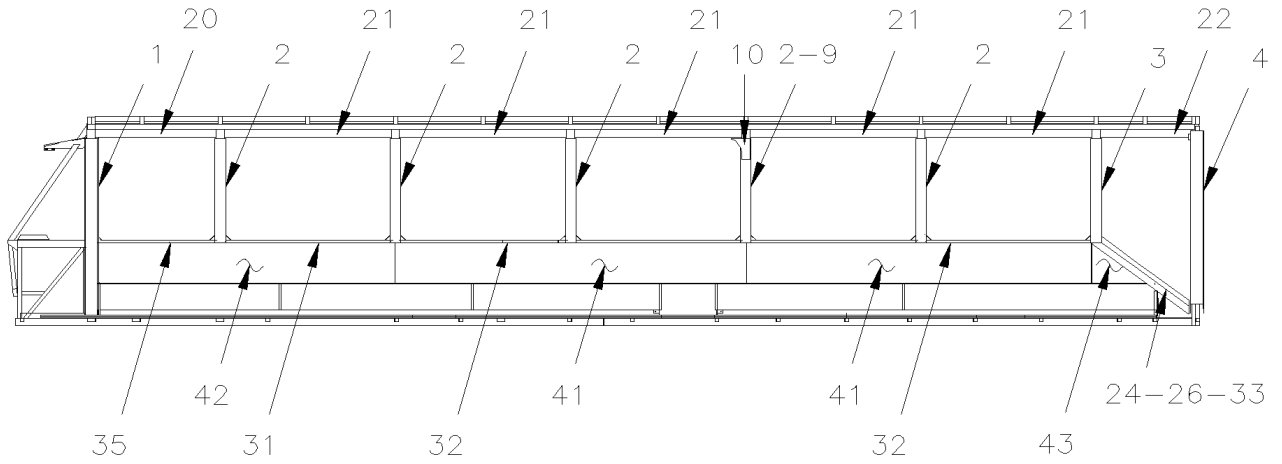


H3-45 W.C.L. ST & ST.

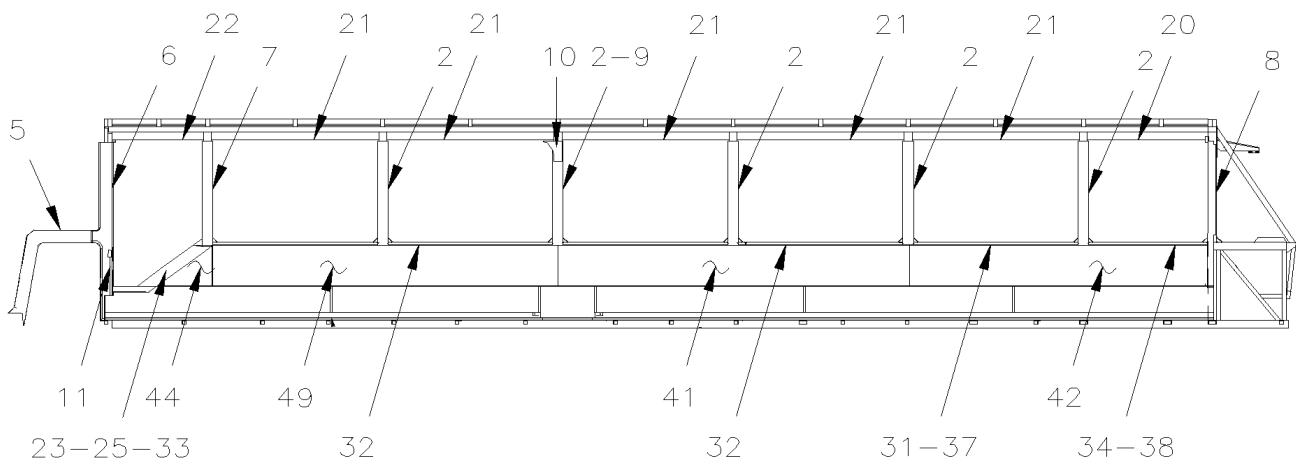


H3-45 W.C.L. RICON 9000

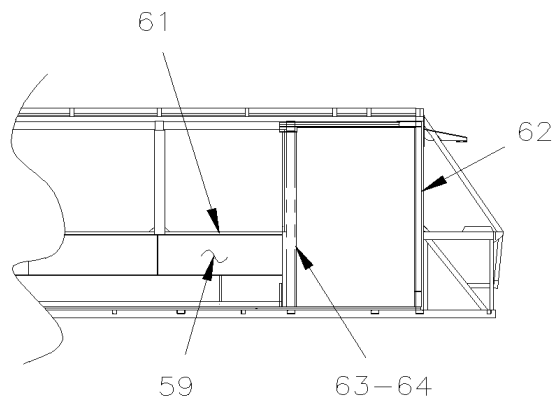
From 7-0671 To 8-1135	Date:10/2022	PAGE:H7-1833-00
<b>WINDOW FINISHING CAP &amp; WALL W/GREY FINISHING</b>		



H3-41 LEFT SIDE



H3-41 RIGHT SIDE



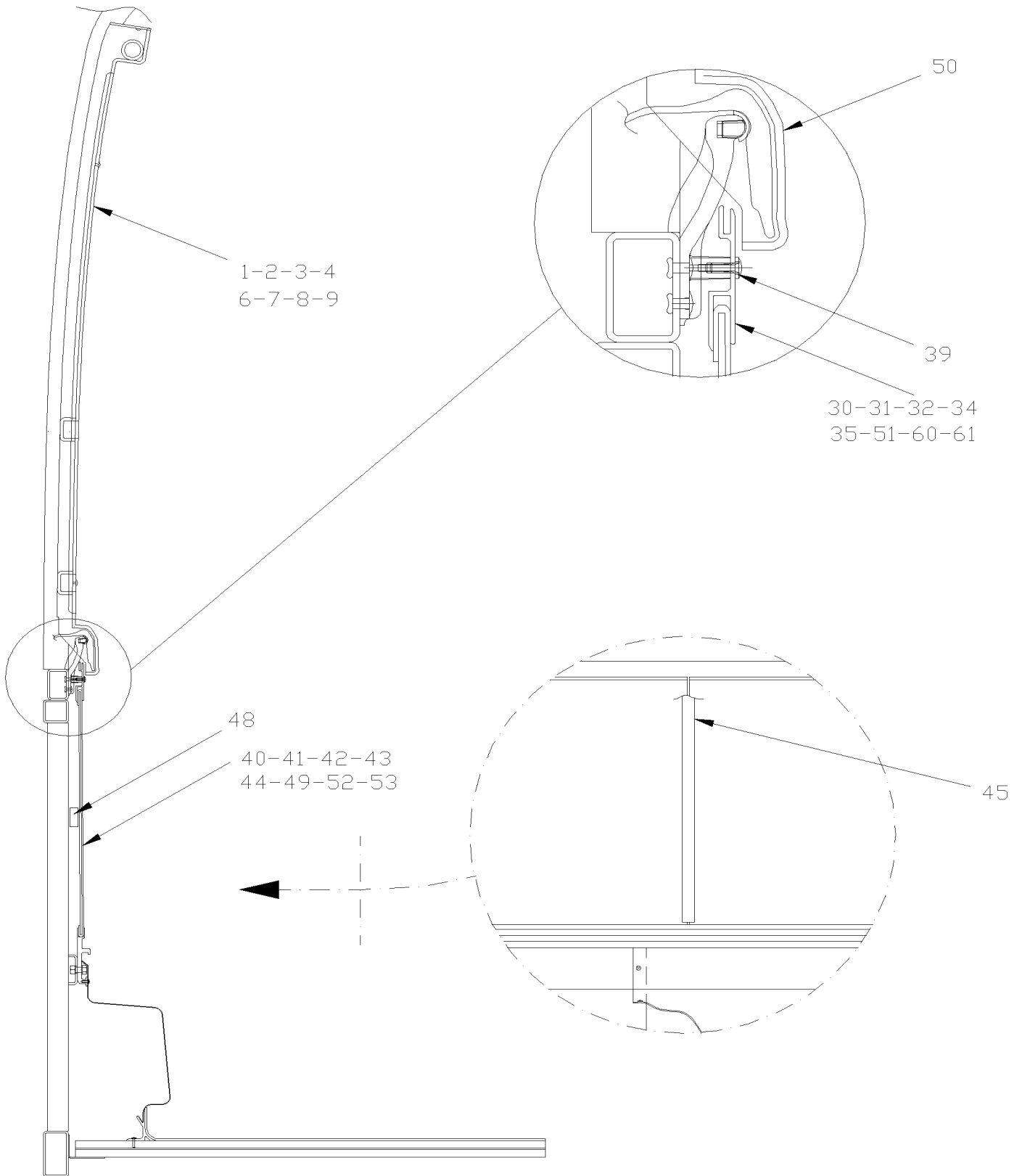
H3-41 W.C.L. ST & ST.

From 7-0671 To 8-1135

Date:10/2022

PAGE:H7-1833-00

**WINDOW FINISHING CAP & WALL W/GREY FINISHING**



<b>From 7-0671 To 8-1135</b>	<b>Date:10/2022</b>	<b>PAGE:H7-1833-00</b>
<b>WINDOW FINISHING CAP &amp; WALL W/GREY FINISHING</b>		

Item#	Part	Description	H 3 4 1	H 3 4 5	V I P 4 5	N O T E S
		"WARNING" - "WARNING" -"WARNING" - "WARNING"				
		VIN 1068, 1078 & 1090 USE NEW COLORATION SEE NEXT PAGE				
1	326196	CAP FINISHING / POST / REAR L.H. / W/SINGLE GLASS	1	1		
1	326258	CAP FINISHING / POST / REAR L.H. / W/THERMO GLASS	1	1		
2	326192	CAP FINISHING / POST / W/SINGLE GLASS	12			
2	326192	CAP FINISHING / POST / W/SINGLE GLASS		14		
2	326254	CAP FINISHING / POST / W/THERMO GLASS / BLACK	12			
2	326254	CAP FINISHING / POST / W/THERMO GLASS / BLACK		14		
2	329322	CAP FINISHING / POST / W/SINGLE GLASS / W/W.C.L. SAFETY BELT HOLE		AR		
2	329323	CAP FINISHING / POST / W/THERMO GLASS / W/W.C.L. SAFETY BELT HOLE		AR		
3	326265	CAP FINISHING / POST / W/SINGLE GLASS / #1 L.H.	1	1		
3	326326	CAP FINISHING / POST / W/THERMO GLASS / BLACK / #1 L.H.	1	1		
4	329470	CAP FINISHING / POST / FRONT L.H.	1	1		
5	327773	FINISHING POST CAP.	1	1		
6	328921	FINISHING POST CAP / FRONT R.H.	1	1		
7	326325	CAP FINISHING / POST / W/THERMO GLASS / BLACK / #1 R.H.	1	1		
7	326205	CAP FINISHING / POST / W/SINGLE GLASS / #1 R.H.	1	1		
8	326256	CAP FINISHING / POST / REAR R.H. / W/THERMO GLASS	1	1		
8	326194	CAP FINISHING / POST / REAR R.H. / W/SINGLE GLASS	1	1		
9	326449	CAP FINISHING / POST W/A/C PARCEL RACK / W/SINGLE GLASS	2	2		A
9	326450	CAP FINISHING / POST W/A/C PARCEL RACK / W/THERMO GLASS / BLACK	2	2		A
10	326446	CAP FINISHING / CLOSING POST W/A/C	2	2		A
11	327553	FINISHING POST CAP.	1	1		
20	326208	FINISHING MOULDING / W/SINGLE GLASS / REAR	1	1		
20	326264	FINISHING MOULDING / W/THERMO GLASS / REAR	1	1		
21	326201	FINISHING MOULDING / W/SINGLE GLASS	10			
21	326201	FINISHING MOULDING / W/SINGLE GLASS		12		
21	326262	FINISHING MOULDING / W/THERMO GLASS	10			
21	326262	FINISHING MOULDING / W/THERMO GLASS		12		
NS	404654	DECAL / BLACK 3" X 63" / BLOCK -OFF UPPER WIN	AR	AR		
22	326198	FINISHING MOULDING / UPPER TRAPEZ WINDOW	2	2		
23	326317	ANGLE SUPPORT / TO FIX CAP / 350MM	1	1		
24	327661	ANGLE SUPPORT / TO FIX CAP / 507MM	1	1		
24	327662	ANGLE SUPPORT / TO FIX CAP / 204MM	1	1		
25	326197	FINISHING CAP R.H. LOWER WINDOW	1	1		
26	327663	FINISHING CAP L.H. WINDOW	1	1		
NS	500923	SCREW TC CAP HEX 1/4-20x3/4 Z050	4	4		
NS	500473	WASHER LO SPT .262x.489x.062 Z050	4	4		
30	293679	EXTRUSION, UPPER WALL 730MM		1		
31	293685	EXTRUSION, UPPER WALL 740MM		1		
32	293635	EXTRUSION, UPPER WALL 3278MM	4			

From 7-0671 To 8-1135	Date:10/2022	PAGE:H7-1833-00
<b>WINDOW FINISHING CAP &amp; WALL W/GREY FINISHING</b>		

Item#	Part	Description	H 3 4 1	H 3 4 5	V I P 4 5	N O T E S
32	293635	EXTRUSION, UPPER WALL 3278MM		6		
33	327953	GRILLE SPACER 600MM	2	2		
34	293687	EXTRUSION, UPPER WALL 2814MM	1			
35	293678	EXTRUSION, UPPER WALL 2804MM	1			
36	453732	AIR DIFFUSOR RESTRICTION 202MM		1		
37	453731	AIR DIFFUSOR RESTRICTION 1048MM	1	1		
38	453733	AIR DIFFUSOR RESTRICTION 616MM	1	1		
39	500611	SCREW TC PAN PH #10-24x1/2 Z050	AR	AR		
40	Call order desk	PANEL ASSY / FABRIC		2		P
40	Call order desk	PANEL ASSY / FABRIC / #4		2		P
40	327926P	PANEL ASSY / CARPET		2		
41	327912P	PANEL ASSY / FABRIC	4			
41	327912P	PANEL ASSY / FABRIC		6		
41	327916P	PANEL ASSY / CARPET	4			
41	327916P	PANEL ASSY / CARPET		6		
42	Call order desk	PANEL ASSY / FABRIC	1			P
42	Call order desk	PANEL ASSY / CARPET	1			P
43	327914P	PANEL ASSY / FABRIC / TRIANGULAR SHAPE	1	1		
43	327918P	PANEL ASSY / CARPET / TRIANGULAR SHAPE	1	1		
44	327913P	PANEL ASSY / FABRIC / TRIANGULAR SHAPE	1	1		
44	327917P	PANEL ASSY / CARPET / TRIANGULAR SHAPE	1	1		
45	329123	EXTRUSION, WALL SEPARATOR 389MM	6			
45	329123	EXTRUSION, WALL SEPARATOR 389MM		8		
47	5001085	SCREW TP PAN PH #6x1 1/4 Z050	AR	AR		
48	322871	WOOD SPACER 1/2" X 32MM X 32MM	AR	AR		
49	327912P	PANEL ASSY / FABRIC	1			
49	327916P	PANEL ASSY / CARPET	1			
50	<b>H7-1884-00</b>	<b>SIDE WINDOW - BUS</b>				
51	293680	EXTRUSION, UPPER WALL 2198.6MM		2		
51	293841	EXTRUSION, UPPER WALL 2181 MM		1		
52	Call order desk	PANEL ASSY / CARPET		2		P
52	Call order desk	PANEL ASSY / CARPET		2		P
52	327939P	PANEL ASSY / FABRIC		2		
53	506264	TAPE RUB ADH1 URE 3/4" x 1" x 12.5' / GREY 1820X	AR	AR		
54	326287	FINISHING MOULDING / W/THERMO GLASS & W/W.C.L. "RICON"		2		
55	326601	FINISHING MOULDING GREY		1		
56	328225	FINISHING POST UPPER FRONT/W/W.C.L. DOOR "RIC ON" TRIANGULAR SHAPE		1		A
57	329082	CAP FINISHING / POST / W/T. GLASS / UPPER SECTION		1		A
57	329085	CAP FINISHING / POST / W/S. GLASS / UPPER SECTION		1		A
57	329081	CAP FINISHING / POST / W/T. GLASS / UPPER SECTION		1		
57	329084	CAP FINISHING / POST / W/S. GLASS / UPPER SECTION		1		
58	329071	CAP FINISHING / POST / W/T. GLASS		1		

From 7-0671 To 8-1135	Date:10/2022	PAGE:H7-1833-00
<b>WINDOW FINISHING CAP &amp; WALL W/GREY FINISHING</b>		

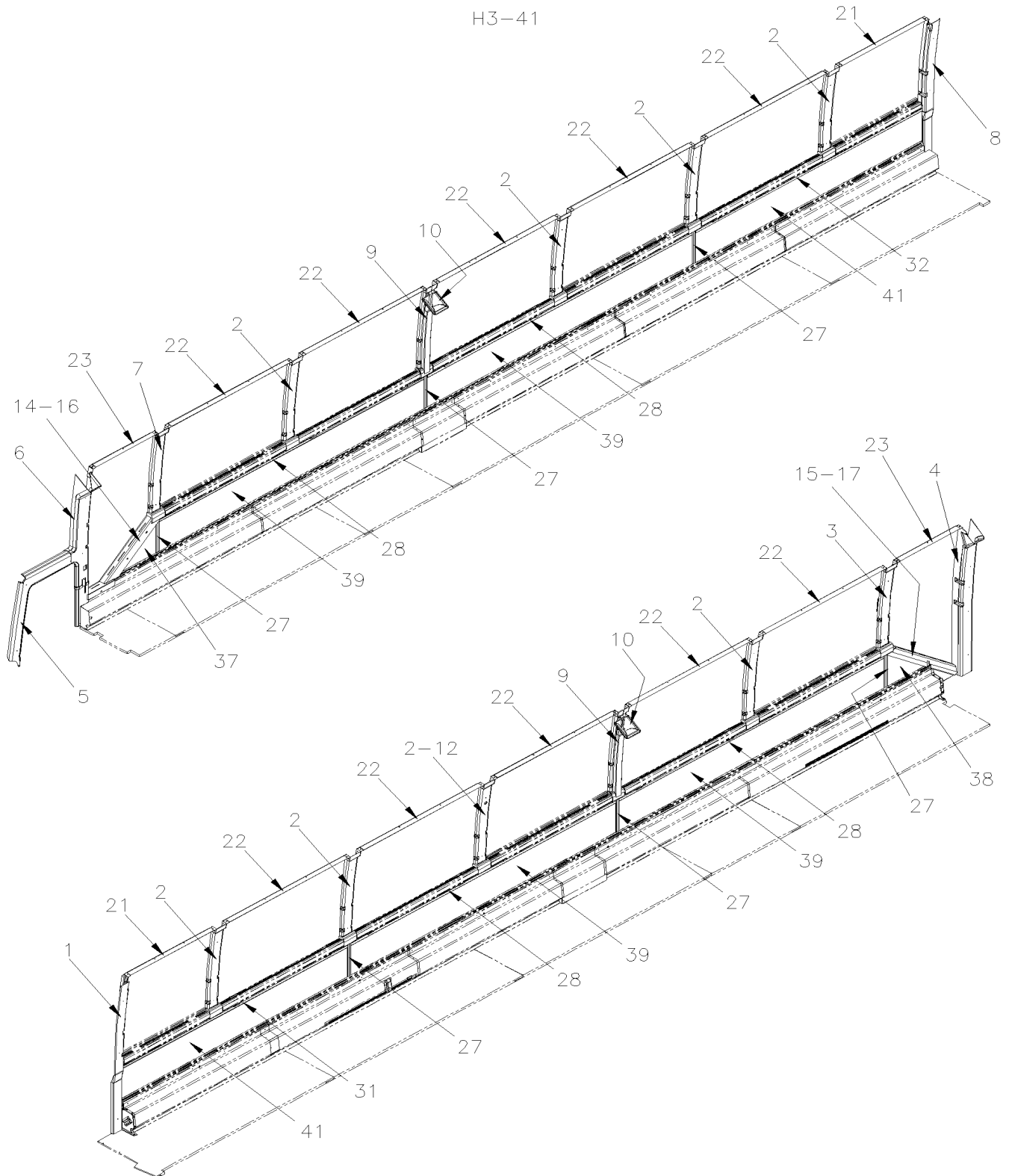
Item#	Part	Description	H 3 4 1	H 3 4 5	V I P 4 5	N O T E S
58	329080	CAP FINISHING / POST / W/T. GLASS / UPPER SECTION		1		
58	329072	CAP FINISHING / POST / W/S. GLASS		1		
58	329083	CAP FINISHING / POST / W/S. GLASS / UPPER SECTION		1		
59	327939P	PANEL ASSY / FABRIC	1			
59	Call order desk	PANEL ASSY / FABRIC	1			P
59	Call order desk	PANEL ASSY / CARPET	1			P
59	Call order desk	PANEL ASSY / CARPET	1			P
60	293744	EXTRUSION, UPPER WALL		1		
61	293686	EXTRUSION, UPPER WALL 1600MM	1			
62	326704	POST CAPPING R.H.	1	1		
63	327809	POST CAPPING L.H. / W/SINGLE GLASS	1			
63	327803	POST CAPPING L.H. / W/THERMO GLASS	1			
64	506007	TAPE RUB ADH1 CC NEO 3/4" x 1" x 10' / BLACK 1220	AR	AR		
65	326250	FINISHING MOULDING / W/SINGLE GLASS / REAR		1		
65	326266	FINISHING MOULDING / W/THERMO GLASS / REAR		1		
66	Call order desk	PANEL ASSY / FABRIC / #3		1		P S
66	Call order desk	PANEL ASSY / FABRIC / #3		1		P S
66	Call order desk	PANEL ASSY / CARPET / #3		1		P S
66	Call order desk	PANEL ASSY / CARPET / #3		1		P S
70	328203	CAP FINISHING / WALL / LOWER SECTION		1		
71	328204	CAP FINISHING / WALL / LOWER SECTION		1		
		A) WITH A/C IN PARCEL RACK				
		S) WITH "ST & ST"				
		P) CALL ORDER DESK FOR SPECIFIC APPLICATION (V.I.N.)				

From 8-1136 To J-0184

Date:10/2022

PAGE:H7-1833-01

WINDOW FINISHING CAP & WALL W/TAN FINISHING



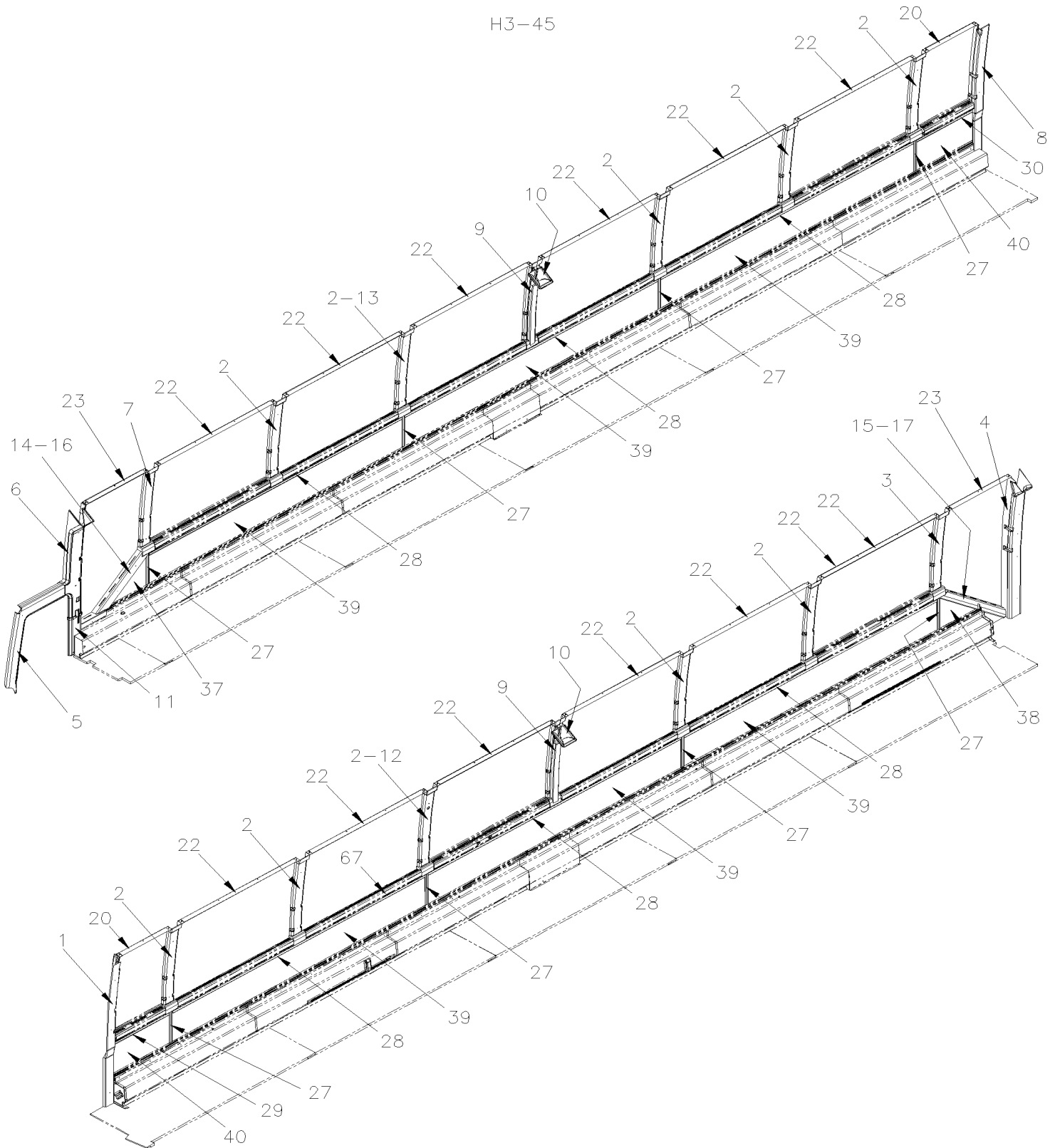
From 8-1136 To J-0184

Date:10/2022

PAGE:H7-1833-01

WINDOW FINISHING CAP & WALL W/TAN FINISHING

H3-45



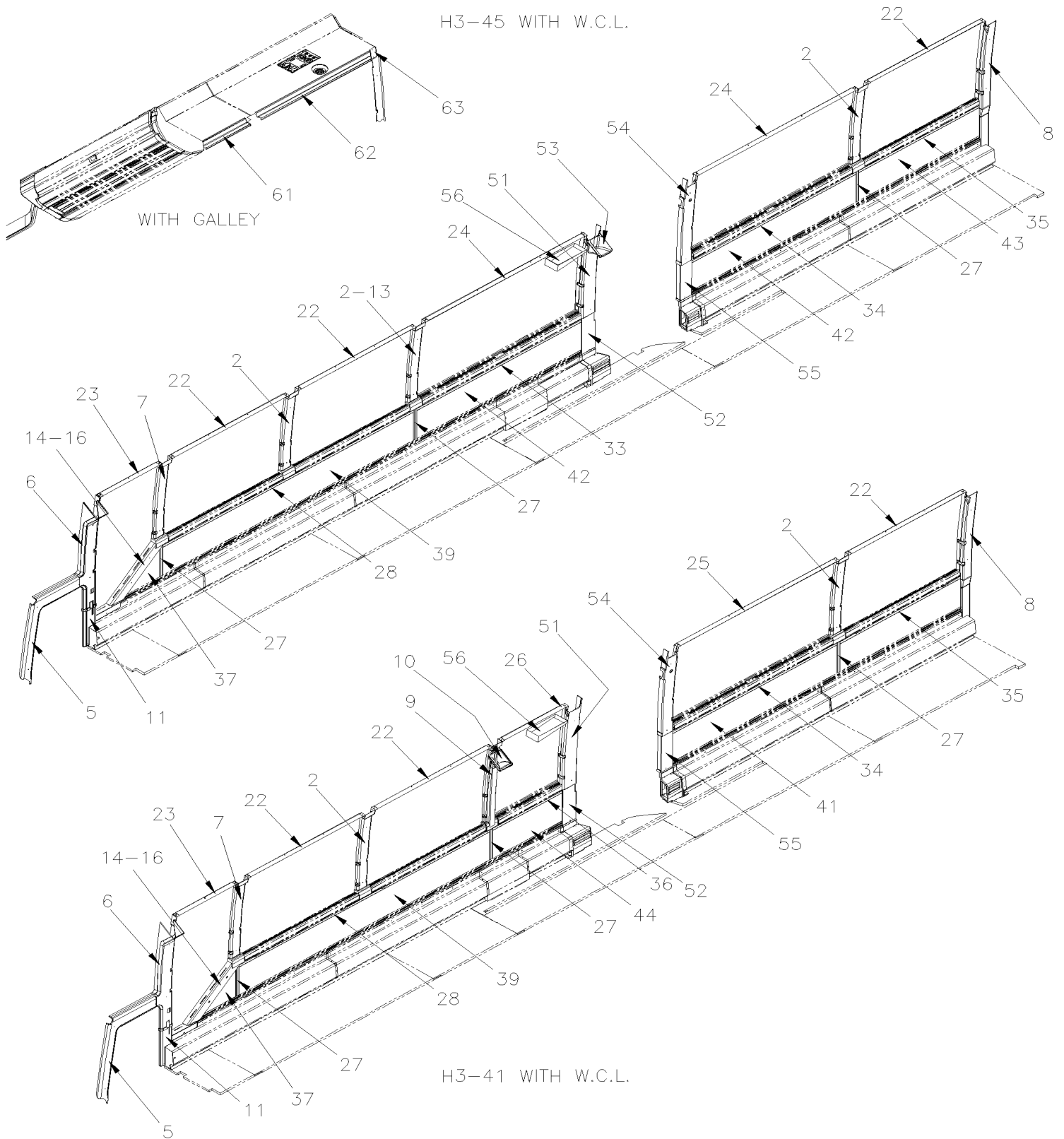


From 8-1136 To J-0184

Date:10/2022

PAGE:H7-1833-01

## WINDOW FINISHING CAP & WALL W/TAN FINISHING

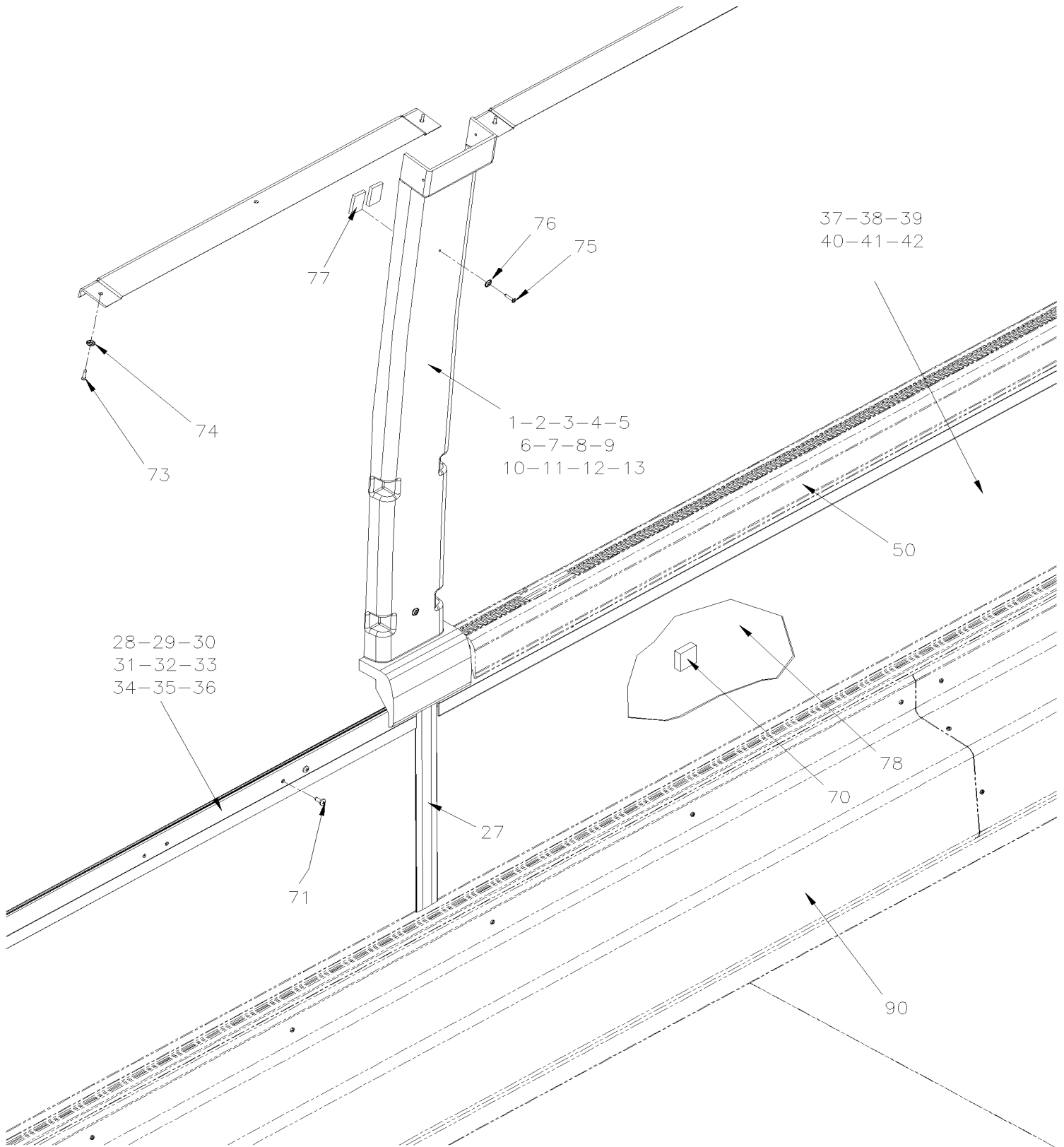


From 8-1136 To J-0184

Date:10/2022

PAGE:H7-1833-01

WINDOW FINISHING CAP & WALL W/TAN FINISHING

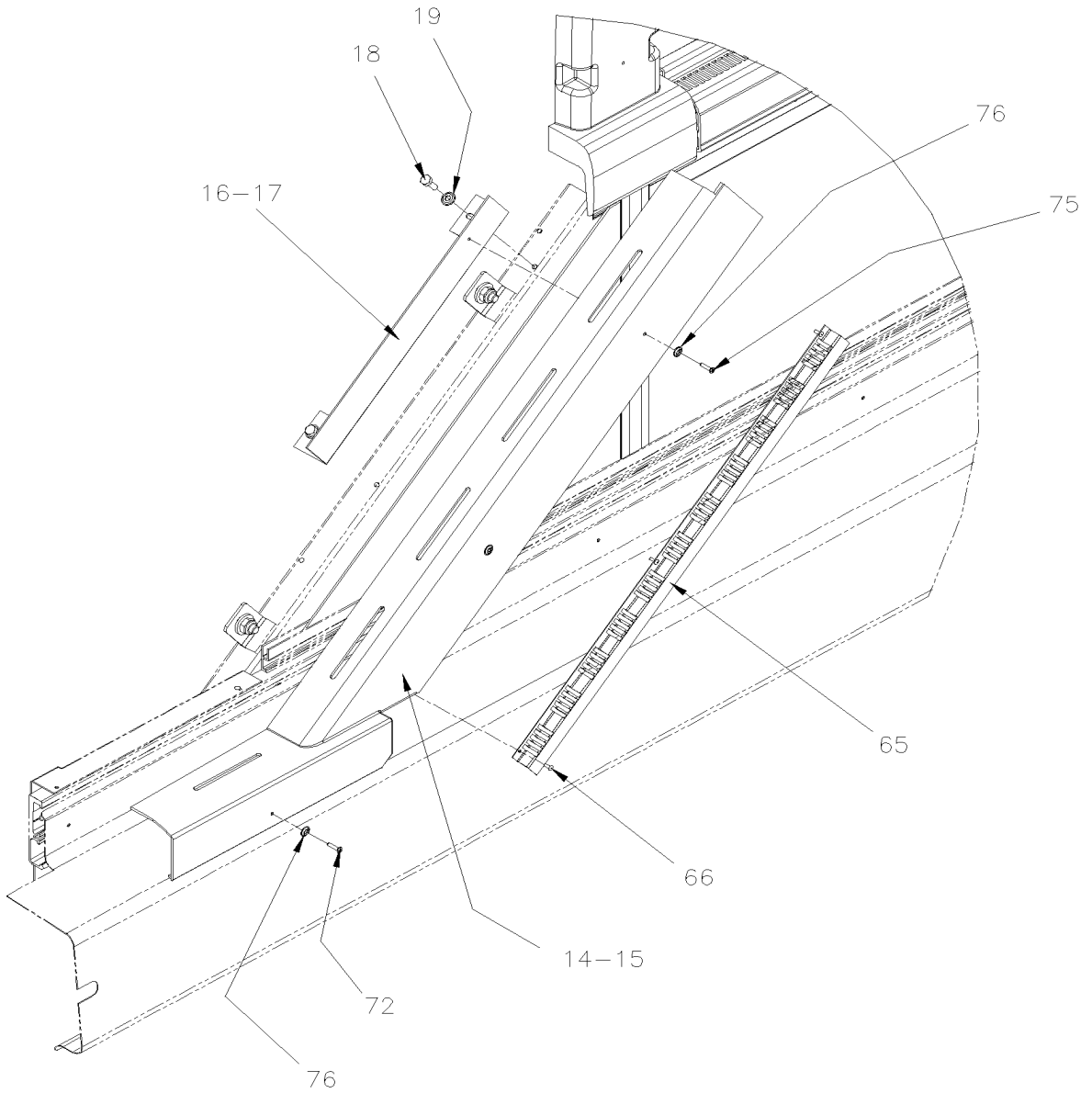


From 8-1136 To J-0184

Date:10/2022

PAGE:H7-1833-01

**WINDOW FINISHING CAP & WALL W/TAN FINISHING**



From 8-1136 To J-0184 Date:10/2022 PAGE:H7-1833-01

**WINDOW FINISHING CAP & WALL W/TAN FINISHING**

Item#	Part	Description	H 3 4 1	H 3 4 5	V I P 4 5	N O T E S
1	329555	CAP FINISHING / POST / W/SINGLE GLASS / TAN / REAR L.H.	1	1		
1	329550	CAP FINISHING / POST / W/THERMO GLASS / TAN / REAR L.H.	1	1		
1	322294	CAP FINISHING / POST / W/THERMO GLASS / GREY / REAR L.H. From H-3497		1		E
NS	506035	TAPE RUB ADH1 NEO 1/2" x 1" x 15' / BLACK 1220X	AR	AR		
2	329547	CAP FINISHING / POST / W/SINGLE GLASS / TAN / #2-4-5-6 L.H. & R.H. To C-1919	8			
2	329547	CAP FINISHING / POST / W/SINGLE GLASS / TAN / #2-3-5-6-7 L.H. & R.H. To C-1919		10		
2	329547	CAP FINISHING / POST / W/SINGLE GLASS / TAN / #2-3-6-7 L.H. & #2-3-6 R.H. To C-1919		7		W
2	329547	CAP FINISHING / POST / W/SINGLE GLASS / TAN / #2-4-5-6 L.H. & R.H. From C-1920	8			X
2	329547	CAP FINISHING / POST / W/SINGLE GLASS / TAN / #2-3-5-6-7 L.H. & R.H. From C-1920		10		X
2	329547	CAP FINISHING / POST / W/SINGLE GLASS / TAN / #2-3-6-7 L.H. & #2-3-6 R.H. From C-1920		7		W X
2	3200038	CAP FINISHING / POST / W/SINGLE GLASS / TAN / #2-4-5-6 L.H. & R.H. From C-1920	8			B
2	3200038	CAP FINISHING / POST / W/SINGLE GLASS / TAN / #2-3-5-6-7 L.H. & R.H. From C-1920		10		B
2	3200038	CAP FINISHING / POST / W/SINGLE GLASS / TAN / #2-3-6-7 L.H. & #2-3-6 R.H. From C-1920		7		B W
2	328472	CAP FINISHING / POST / W/THERMO GLASS / TAN / #2-4-5-6 L.H. & R.H. To C-1919	8			
2	328472	CAP FINISHING / POST / W/THERMO GLASS / TAN / #2-3-5-6-7 L.H. & R.H. To C-1919		10		
2	328472	CAP FINISHING / POST / W/THERMO GLASS / TAN / #2-3-6-7 L.H. & #2-3-6 R.H. To C-1919		7		W
2	328472	CAP FINISHING / POST / W/THERMO GLASS / TAN / #2-4-5-6 L.H. & R.H. From C-1920	8			X
2	328472	CAP FINISHING / POST / W/THERMO GLASS / TAN / #2-5-6 L.H. & #2-6 R.H. From E-2585	5			W X
2	328472	CAP FINISHING / POST / W/THERMO GLASS / TAN / #2-3-5-6-7 L.H. & R.H. From C-1920		10		X
2	328472	CAP FINISHING / POST / W/THERMO GLASS / TAN / #2-3-6-7 L.H. & #2-3-6 R.H. From C-1920		7		W X
2	3200030	CAP FINISHING / POST / W/THERMO GLASS / TAN / #2-4-5-6 L.H. & R.H. From C-1920	8			B
2	3200030	CAP FINISHING / POST / W/THERMO GLASS / TAN / #2-5-6 L.H. & #2-6 R.H. From E-2585	5			B W
2	3200030	CAP FINISHING / POST / W/THERMO GLASS / TAN / #2-3-5-6-7 L.H. & R.H. From C-1920		10		B
2	3200030	CAP FINISHING / POST / W/THERMO GLASS / TAN / #2-3-6-7 L.H. & #2-3-6 R.H. From C-1920		7		B W
2	Call order desk	CAP FINISHING / POST / W/THERMO GLASS / GREY / #2-3-5-6-7 L.H. & R.H. From H-3497		10		P B E
. NS	322766	. CAP FINISHING / POST / W/THERMO GLASS / GREY From H-3497		1		B E
NS	900979	ATTACHMENT CLIP-ON	AR	AR		
NS	500437	WASHER FL .125x.375x.040 Z050	AR	AR		
NS	504107	RIVET POP DOME OE 1/8x5/16 AL	AR	AR		
3	329546	CAP FINISHING / POST / W/SINGLE GLASS / TAN / #1 L.H. To C-1919	1	1		
3	329546	CAP FINISHING / POST / W/SINGLE GLASS / TAN / #1 L.H. From C-1920	1	1		X
3	3200037	CAP FINISHING / POST / W/SINGLE GLASS / TAN / #1 L.H. From C-1920	1	1		B
3	328471	CAP FINISHING / POST / W/THERMO GLASS / TAN / #1 L.H. To C-1919	1	1		
3	328471	CAP FINISHING / POST / W/THERMO GLASS / TAN / #1 L.H. From C-1920	1	1		X
3	3200029	CAP FINISHING / POST / W/THERMO GLASS / TAN / #1 L.H. From C-1920	1	1		B
3	Call order desk	CAP FINISHING / POST / W/THERMO GLASS / GREY / #1 L.H. From H-3497		1		P B E
. NS	322762	. CAP FINISHING / POST / W/THERMO GLASS / GREY From H-3497		1		B E
3	900979	ATTACHMENT CLIP-ON	AR	AR		
3	500437	WASHER FL .125x.375x.040 Z050	AR	AR		
3	504107	RIVET POP DOME OE 1/8x5/16 AL	AR	AR		
4	328466	CAP FINISHING / POST / FRONT L.H. / MIDNIGHT CHARCOAL	1	1		
5	329552	CAP FINISHING / POST / UPPER DOOR SECTION / MIDNIGHT CHARCOAL	1	1		

From 8-1136 To J-0184 Date:10/2022 PAGE:H7-1833-01

**WINDOW FINISHING CAP & WALL W/TAN FINISHING**

Item#	Part	Description	H 3 4 1	H 3 4 5	V I P 4 5	N O T E S
6	329551	CAP FINISHING / POST / FRONT R.H. / MIDNIGHT CHARCOAL	1	1		
7	328468	CAP FINISHING / POST / W/SINGLE GLASS / TAN / #1 R.H. To C-1919	1	1		
7	328468	CAP FINISHING / POST / W/SINGLE GLASS / TAN / #1 R.H. From C-1920	1	1		X
7	3200027	CAP FINISHING / POST / W/SINGLE GLASS / TAN / #1 R.H. From C-1920	1	1		B
7	328476	CAP FINISHING / POST / W/THERMO GLASS / TAN / #1 R.H. To C-1919	1	1		
7	328476	CAP FINISHING / POST / W/THERMO GLASS / TAN / #1 R.H. From C-1920	1	1		X
7	3200031	CAP FINISHING / POST / W/THERMO GLASS / TAN / #1 R.H. From C-1920	1	1		B
7	Call order desk	CAP FINISHING / POST / W/THERMO GLASS / GREY / #1 R.H. From H-3497		1		P E
. NS	322650	. CAP FINISHING / POST / W/THERMO GLASS / GREY From H-3497		1		E
7	900979	ATTACHMENT CLIP-ON	1	1		
NS	500437	WASHER FL .125x.375x.040 Z050	AR	AR		
NS	504107	RIVET POP DOME OE 1/8x5/16 AL	AR	AR		
NS	328470	CAP FINISHING / POST / W/SINGLE GLASS / TAN / REAR R.H.	AR	AR		
8	328477	CAP FINISHING / POST / W/THERMO GLASS / TAN / REAR R.H.	1	1		
8	322767	CAP FINISHING / POST / W/THERMO GLASS / GREY / REAR R.H. From H-3497		1		E
9	328487	CAP FINISHING / POST / W/SINGLE GLASS / TAN / #3 R.H.& #3 L.H. To C-1919	2			
9	328487	CAP FINISHING / POST / W/SINGLE GLASS / TAN / #4 R.H.& #4 L.H. To C-1919		2		
9	328487	CAP FINISHING / POST / W/SINGLE GLASS / TAN / #3 R.H.& #3 L.H. From C-1920	2			X
9	328487	CAP FINISHING / POST / W/SINGLE GLASS / TAN / #4 R.H.& #4 L.H. From C-1920		2		X
9	3200072	CAP FINISHING / POST / W/SINGLE GLASS / TAN / #3 R.H.& #3 L.H. From C-1920	2			B
9	3200072	CAP FINISHING / POST / W/SINGLE GLASS / TAN / #4 R.H.& #4 L.H. From C-1920		2		B
9	328489	CAP FINISHING / POST / W/THERMO GLASS / TAN / #3 R.H.& #3 L.H. To C-1919	2			
9	328489	CAP FINISHING / POST / W/THERMO GLASS / TAN / #4 R.H.& #4 L.H. To C-1919		2		
9	328489	CAP FINISHING / POST / W/THERMO GLASS / TAN / #3 R.H.& #3 L.H. From C-1920	2			X
9	328489	CAP FINISHING / POST / W/THERMO GLASS / TAN / #4 R.H.& #4 L.H. From C-1920		2		X
9	3200073	CAP FINISHING / POST / W/THERMO GLASS / TAN / #3 R.H.& #3 L.H. From C-1920	1			B
9	3200073	CAP FINISHING / POST / W/THERMO GLASS / TAN / #4 R.H.& #4 L.H. From C-1920		1		B
9	Call order desk	CAP FINISHING / POST / W/THERMO GLASS / GREY / #4 R.H.& #4 L.H. From H-3497		1		P E
. NS	322687	. CAP FINISHING / POST / W/THERMO GLASS / GREY From H-3497		1		E
NS	900979	ATTACHMENT CLIP-ON	AR	AR	AR	
NS	500437	WASHER FL .125x.375x.040 Z050	AR	AR	AR	
NS	504107	RIVET POP DOME OE 1/8x5/16 AL	AR	AR	AR	
10	328488	CAP FINISHING / CLOSING POST / TAN	2	2		
10	328488	CAP FINISHING / CLOSING POST / TAN	1	1		W
10	322345	CAP FINISHING / CLOSING POST / GREY / GREY From H-3497		2		E
10	322345	CAP FINISHING / CLOSING POST / GREY / GREY From H-3497		1		E W
11	328469	CAP FINISHING / POST / MIDNIGHT CHARCOAL	1	1		
12	328479	CAP FINISHING / POST / W/SINGLE GLASS / W/W.C.L. SAFETY BELT HOLE / TAN / #5 L.H To C-1919		1		W
12	328479	CAP FINISHING / POST / W/SINGLE GLASS / W/W.C.L. SAFETY BELT HOLE / TAN / #5 L.H From C-1920 To D-2265		1		W X
12	320032	CAP FINISHING / POST / W/SINGLE GLASS / W/W.C.L. SAFETY BELT HOLE / TAN / #5 L.H From D-2266		1		W X
12	3200034	CAP FINISHING / POST / W/SINGLE GLASS / W/W.C.L. SAFETY BELT HOLE / TAN / #5 L.H From C-1920 To D-2265		1		W
12	320009	CAP FINISHING / POST / W/SINGLE GLASS / W/W.C.L. SAFETY BELT HOLE / TAN / #5 L.H From D-2266		1		W

<b>From 8-1136 To J-0184</b>	<b>Date:10/2022</b>	<b>PAGE:H7-1833-01</b>
------------------------------	---------------------	------------------------

**WINDOW FINISHING CAP & WALL W/TAN FINISHING**

Item#	Part	Description	H 3 4 1	H 3 4 5	V I P 4 5	N O T E S
12	328504	CAP FINISHING / POST / W/THERMO GLASS / W/W.C.L. SAFETY BELT HOLE / TAN / #5 L.H To C-1919		1		W
12	328504	CAP FINISHING / POST / W/THERMO GLASS / W/W.C.L. SAFETY BELT HOLE / TAN / #5 L.H From C-1920 To D-2265		1		W X
12	320031	CAP FINISHING / POST / W/THERMO GLASS / W/W.C.L. SAFETY BELT HOLE / TAN / #5 L.H From D-2266		1		W X
12	320031	CAP FINISHING / POST / W/THERMO GLASS / W/W.C.L. SAFETY BELT HOLE / TAN / #5 L.H From E-2585	1			W X
12	3200077	CAP FINISHING / POST / W/THERMO GLASS / W/W.C.L. SAFETY BELT HOLE / TAN / #5 L.H From C-1920 To D-2265		1		W
12	320008	CAP FINISHING / POST / W/THERMO GLASS / W/W.C.L. SAFETY BELT HOLE / TAN / #5 L.H From D-2266		1		W
12	320008	CAP FINISHING / POST / W/THERMO GLASS / W/W.C.L. SAFETY BELT HOLE / TAN / #4 L.H From E-2585	1			W
12	322571	CAP FINISHING / POST / W/THERMO GLASS / W/W.C.L. SAFETY BELT HOLE / GREY / #5 L.H From H-3497		1		W
NS	900979	ATTACHMENT CLIP-ON	AR	AR		
NS	500437	WASHER FL .125x.375x.040 Z050	AR	AR		
NS	504107	RIVET POP DOME OE 1/8x5/16 AL	AR	AR		
13	328478	CAP FINISHING / POST / W/SINGLE GLASS / W/W.C.L. / TAN / #3 R.H. To C-1919		1		W
13	328478	CAP FINISHING / POST / W/SINGLE GLASS / W/W.C.L. / TAN / #3 R.H. From C-1920		1		W X
13	3200033	CAP FINISHING / POST / W/SINGLE GLASS / W/W.C.L. / TAN / #3 R.H. From C-1920		1		B
13	900979	ATTACHMENT CLIP-ON	AR	AR		
13	500437	WASHER FL .125x.375x.040 Z050	AR	AR		
13	504107	RIVET POP DOME OE 1/8x5/16 AL	AR	AR		
14	328467	FINISHING CAP R.H. LOWER WINDOW / MIDNIGHT CHARCOAL	1	1		
NS	506007	TAPE RUB ADH1 CC NEO 3/4" x 1" x 10' / BLACK 1220	AR	AR		B
15	329544	FINISHING CAP L.H. LOWER WINDOW / MIDNIGHT CHARCOAL	1	1		
15	3201347	FINISHING CAP L.H. LOWER WINDOW / MIDNIGHT CHARCOAL WITH 2 INVERTER DISPLAY	1	1		C
15	320926	FINISHING CAP L.H. LOWER WINDOW / MIDNIGHT CHARCOAL WITH 1 INVERTER DISPLAY	1	1		C
NS	506007	TAPE RUB ADH1 CC NEO 3/4" x 1" x 10' / BLACK 1220	AR	AR		
16	326317	ANGLE SUPPORT / TO FIX CAP / 350MM	1	1		
17	327661	ANGLE SUPPORT / TO FIX CAP / 507MM	1	1		
17	327662	ANGLE SUPPORT / TO FIX CAP / 204MM	1	1		
18	500923	SCREW TC CAP HEX 1/4-20x3/4 Z050	6	6		
19	502582	WASHER LO SERR 6.1x16.2x0.9 Z050 From D-2333	6	6		
20	329549	FINISHING MOULDING / W/SINGLE GLASS / REAR		2		
20	328474	FINISHING MOULDING / W/THERMO GLASS / REAR		2		
21	328485	FINISHING MOULDING / W/SINGLE GLASS / REAR	2			
21	328486	FINISHING MOULDING / W/THERMO GLASS / REAR	2			
22	329548	FINISHING MOULDING / W/SINGLE GLASS	10			
22	329548	FINISHING MOULDING / W/SINGLE GLASS		12		
22	329548	FINISHING MOULDING / W/SINGLE GLASS		9		W
22	328473	FINISHING MOULDING / W/THERMO GLASS	10			
22	328473	FINISHING MOULDING / W/THERMO GLASS	8			W
22	328473	FINISHING MOULDING / W/THERMO GLASS		12		
22	328473	FINISHING MOULDING / W/THERMO GLASS	9	9	9	W
23	329545	FINISHING MOULDING / UPPER TRAPEZ WINDOW	2	2		
NS	404654	DECAL / BLACK 3" X 63" / BLOCK -OFF UPPER WIN	AR	AR		
24	328480	FINISHING MOULDING / W/SINGLE GLASS & W/W.C.L		2		W



From 8-1136 To J-0184 Date:10/2022 PAGE:H7-1833-01

**WINDOW FINISHING CAP & WALL W/TAN FINISHING**

Item#	Part	Description	H 3 4 1	H 3 4 5	V I P 4 5	N O T E S
24	328483	FINISHING MOULDING / W/THERMO GLASS & W/W.C.L		2		W
25	328483	FINISHING MOULDING / W/THERMO GLASS & W/W.C.L From E-2585	1			W
26	3201158	FINISHING MOULDING / W/THERMO GLASS & W/W.C.L From E-2585	1			W
27	328531	EXTRUSION, WALL SEPARATOR 389MM To 8-1160	6			
27	329639	EXTRUSION, WALL SEPARATOR 389MM From 8-1161	6			
27	328531	EXTRUSION, WALL SEPARATOR 389MM To 8-1160		8		
27	329639	EXTRUSION, WALL SEPARATOR 389MM From 8-1161		8		
27	328531	EXTRUSION, WALL SEPARATOR 389MM To 8-1160		7		W
27	329639	EXTRUSION, WALL SEPARATOR 389MM From 8-1161		7		W
28	293930	EXTRUSION, UPPER WALL 3278MM To 8-1160	4			
28	293967	EXTRUSION, UPPER WALL 3278MM From 8-1161	4			
28	293930	EXTRUSION, UPPER WALL 3278MM To 8-1160		6		
28	293967	EXTRUSION, UPPER WALL 3278MM From 8-1161		6		
29	293933	EXTRUSION, UPPER WALL 730MM To 8-1160		1		
29	293970	EXTRUSION, UPPER WALL 730MM From 8-1161		1		
30	293934	EXTRUSION, UPPER WALL 740MM To 8-1160		1		
30	293971	EXTRUSION, UPPER WALL 740MM From 8-1161		1		
31	293931	EXTRUSION, UPPER WALL 2804MM To 8-1160	1			
31	293968	EXTRUSION, UPPER WALL 2804MM From 8-1161	1			
32	293932	EXTRUSION, UPPER WALL 2814MM To 8-1160	1			
32	293969	EXTRUSION, UPPER WALL 2814MM From 8-1161	1			
33	293974	EXTRUSION, UPPER WALL SLIDING DOOR 2181MM		1		
34	293935	EXTRUSION, UPPER WALL 2198.6MM To 8-1160		1		
34	293972	EXTRUSION, UPPER WALL 2198.6MM From 8-1161 To E-2584		1		
34	293972	EXTRUSION, UPPER WALL 2198.6MM From E-2585	1	1		
35	293936	EXTRUSION, UPPER WALL 1600MM To 8-1160		1		
35	293973	EXTRUSION, UPPER WALL 1600MM From 8-1161 To E-2584		1		
35	293973	EXTRUSION, UPPER WALL 1600MM From E-2585	1	1		
36	297300	EXTRUSION, UPPER WALL 935MM From E-2585	1			
37	327913P	PANEL ASSY / FABRIC / TRIANGULAR SHAPE / #1 R.H.	1	1		
37	327917P	PANEL ASSY / CARPET / TRIANGULAR SHAPE / #1 R.H.	1	1		
37	Call order desk	PANEL ASSY / THIN CARPET / TRIANGULAR SHAPE / #1 R.H. From H-3763	1	1		P
37	Call order desk	PANEL ASSY / FLOOR COVERING / TRIANGULAR SHAPE / #1 R.H.		1		P
38	327914P	PANEL ASSY / FABRIC / TRIANGULAR SHAPE / #1 L.H.	1	1		
38	327918P	PANEL ASSY / CARPET / TRIANGULAR SHAPE / #1 L.H.	1	1		
38	Call order desk	PANEL ASSY / THIN CARPET / TRIANGULAR SHAPE / #1 L.H. From H-3763	1	1		P
38	Call order desk	PANEL ASSY / FLOOR COVERING / TRIANGULAR SHAPE / #1 L.H.		1		P
39	327912P	PANEL ASSY / FABRIC / #2-3 L.H. & R.H.	4			
39	327912P	PANEL ASSY / FABRIC / #2-3 L.H. & #2R.H. From E-2585	3			W
39	327912P	PANEL ASSY / FABRIC / #2-3-4 L.H. & R.H.		6		
39	327912P	PANEL ASSY / FABRIC / #2-3-4 L.H. & #2 R.H.		4		W
39	327916P	PANEL ASSY / CARPET / #2-3 L.H. & R.H.	4			

<b>From 8-1136 To J-0184</b>	<b>Date:10/2022</b>	<b>PAGE:H7-1833-01</b>
<b>WINDOW FINISHING CAP &amp; WALL W/TAN FINISHING</b>		

Item#	Part	Description	H 3 4 1	H 3 4 5	V I P 4 5	N O T E S
39	327916P	PANEL ASSY / CARPET / #2-3 L.H. & #2R.H. From E-2585	3			W
39	327916P	PANEL ASSY / CARPET / #2-3-4 L.H. & R.H.		6		
39	327916P	PANEL ASSY / CARPET / #2-3-4 L.H. & #2 R.H.		4		W
39	Call order desk	PANEL ASSY / THIN CARPET / #2-3 L.H. & R.H. From H-3763	4			P
39	Call order desk	PANEL ASSY / THIN CARPET / #2-3 L.H. & #2R.H. From H-3763	3			P W
39	Call order desk	PANEL ASSY / THIN CARPET / #2-3-4 L.H. & R.H. From H-3763		6		P
39	Call order desk	PANEL ASSY / THIN CARPET / #2-3-4 L.H. & #2 R.H. From H-3763		4		P W
39	Call order desk	PANEL ASSY / FLOOR COVERING / #2-3-4 L.H. & R.H.		6		P
39	Call order desk	PANEL ASSY / FLOOR COVERING / #2-3-4 L.H. & #2 R.H.		4		P W
40	Call order desk	PANEL ASSY / FABRIC / #5 L.H. & #5 R.H.		2		P
40	Call order desk	PANEL ASSY / FABRIC / #5 L.H.		1		P W
40	327926P	PANEL ASSY / CARPET / #5 L.H. & #5 R.H.		2		
40	327926P	PANEL ASSY / CARPET / #5 L.H.		1		W
40	Call order desk	PANEL ASSY / THIN CARPET / #5 L.H. & #5 R.H. From H-3763		2		P
40	Call order desk	PANEL ASSY / THIN CARPET / #5 L.H.		1		P W
40	Call order desk	PANEL ASSY / FLOOR COVERING / #5 L.H. & #5 R.H.		2		P
40	Call order desk	PANEL ASSY / FLOOR COVERING / #5 L.H.		1		P W
NS	506007	TAPE RUB ADH1 CC NEO 3/4" x 1" x 10' / BLACK 1220		AR		
41	Call order desk	PANEL ASSY / FABRIC / #4 L.H. & #4 R.H.	2			P
41	Call order desk	PANEL ASSY / FABRIC / #4 L.H. From E-2585	1			P W
41	Call order desk	PANEL ASSY / CARPET / #4 L.H. & #4 R.H.	2			P
41	Call order desk	PANEL ASSY / CARPET / #4 L.H. From E-2585	1			P W
41	Call order desk	PANEL ASSY / THIN CARPET / #3 / #4 L.H. & #4 R.H. From H-3763	2			P
41	Call order desk	PANEL ASSY / THIN CARPET / #3 / #4 L.H. From H-3763	1			P W
NS	506007	TAPE RUB ADH1 CC NEO 3/4" x 1" x 10' / BLACK 1220		AR		
42	327939P	PANEL ASSY / FABRIC / #3 R.H. & #4 R.H.		2		W
42	327939P	PANEL ASSY / FABRIC / #4 R.H. From E-2585	1			W
42	Call order desk	PANEL ASSY / CARPET / #3 R.H. & #4 R.H.		2		P W
42	Call order desk	PANEL ASSY / CARPET / #4 R.H. From E-2585	1			P W
42	Call order desk	PANEL ASSY / THIN CARPET / #3 R.H. & #4 R.H. From H-3763		2		P W
42	Call order desk	PANEL ASSY / THIN CARPET / #4 R.H. From E-2585	1			P W
42	Call order desk	PANEL ASSY / FLOOR COVERING / #3 R.H. & #4 R.H.		2		P W
43	Call order desk	PANEL ASSY / FABRIC / #5 R.H.		1		P W
43	Call order desk	PANEL ASSY / FABRIC / #5 R.H. From E-2585	1			P W
43	Call order desk	PANEL ASSY / CARPET / #5 R.H.		1		P W
43	Call order desk	PANEL ASSY / CARPET / #5 R.H. From E-2585	1			P W
43	Call order desk	PANEL ASSY / THIN CARPET / #5 R.H. From H-3763		1		P W
43	Call order desk	PANEL ASSY / THIN CARPET / #5 R.H. From H-3763	1			P W
43	Call order desk	PANEL ASSY / FLOOR COVERING / #5 R.H.		1		P W
44	Call order desk	PANEL ASSY / FABRIC / #3 R.H. From E-2585	1			P W
44	Call order desk	PANEL ASSY / CARPET / #3 R.H. From E-2585	1			P W
44	Call order desk	PANEL ASSY / THIN CARPET / #3 R.H. From H-3763	1			P W



From 8-1136 To J-0184 Date:10/2022 PAGE:H7-1833-01

**WINDOW FINISHING CAP & WALL W/TAN FINISHING**

Item#	Part	Description	H 3 4 1	H 3 4 5	V I P 4 5	N O T E S
NS	506264	TAPE RUB ADH1 URE 3/4" x 1" x 12.5' / GREY 1820X	AR	AR		
50	<b>H7-1884-00</b>	<b>SIDE WINDOW - BUS</b>				
51	328516	CAP FINISHING / POST / W/SINGLE GLASS / TAN / UPPER SECTION / UPPER SECTION To J-0184		1		
51	3210185	CAP FINISHING / POST / W/SINGLE GLASS / TAN / UPPER SECTION / UPPER SECTION From J-0185		1		
51	328519	CAP FINISHING / POST / W/THERMO GLASS / TAN / UPPER SECTION To E-2584		1		
51	328519	CAP FINISHING / POST / W/THERMO GLASS / TAN / UPPER SECTION From E-2585 To J-0184	1	1		
51	3210187	CAP FINISHING / POST / W/THERMO GLASS / TAN / UPPER SECTION From J-0185	1	1		
51	328513	CAP FINISHING / POST / W/SINGLE GLASS / TAN / UPPER SECTION To J-0184		1		A W
51	3210184	CAP FINISHING / POST / W/SINGLE GLASS / TAN / UPPER SECTION From J-0185		1		A W
51	328518	CAP FINISHING / POST / W/THERMO GLASS / TAN / UPPER SECTION To J-0184		1		A W
51	3210186	CAP FINISHING / POST / W/THERMO GLASS / TAN / UPPER SECTION From J-0185		1		A W
51	322659	CAP FINISHING / POST / W/THERMO GLASS / GREY / UPPER SECTION From H-3497		1		A E W
NS	506007	TAPE RUB ADH1 CC NEO 3/4" x 1" x 10' / BLACK 1220	AR	AR		
52	328515	CAP FINISHING / POST / LOWER SECTION To E-2584		1		
52	328515	CAP FINISHING / POST / LOWER SECTION From E-2585	1	1		
53	328512	CAP FINISHING / CLOSING POST / TAN / W/W.C.L. DOOR		1		A
53	322399	CAP FINISHING / CLOSING POST / GREY / W/W.C.L. DOOR From H-3497		1		A E
54	328481	CAP FINISHING / POST / W/SINGLE GLASS / TAN / UPPER SECTION		1		
54	328484	CAP FINISHING / POST / W/THERMO GLASS / TAN / UPPER SECTION To E-2584		1		
54	328484	CAP FINISHING / POST / W/THERMO GLASS / TAN / UPPER SECTION From E-2585	1	1		
54	322283	CAP FINISHING / POST / W/THERMO GLASS / GREY / UPPER SECTION From H-3497		1		E
55	328482	CAP FINISHING / WALL / LOWER SECTION To E-2584		1		
55	328482	CAP FINISHING / WALL / LOWER SECTION From E-2585	1	1		
56	328562	FINISHING MOULDING TAN To E-2584		1		
56	328562	FINISHING MOULDING TAN From E-2585	1	1		
56	326601	FINISHING MOULDING GREY From H-3497		1		E
61	329607	FINISHING MOULDING / W/THERMO GLASS & W/W.C.L / OPTION "RED ARROW"		1		R
62	329608	FINISHING MOULDING / W/THERMO GLASS & W/W.C.L		1		R
63	329609	EXTENSION POST CAP / OPTION "RED ARROW"		1		R
65	327953	GRILLE SPACER 600MM	2	2		
66	504106	RIVET POP DOME OE 1/8x1/4 AL	6	6		
67	294051	DEFLECTOR AIR FOR SENSOR NITRIL 1210MM x 54MM To 9-9062	1	1		D
70	322871	WOOD SPACER 1/2" X 32MM X 32MM To H-3590	AR	AR		
70	3202947	WOOD SPACER 13 MM X 32 MM X 32 MM From H-3591	AR	AR		
71	500611	SCREW TC PAN PH #10-24x1/2 Z050	AR	AR		
72	5001085	SCREW TP PAN PH #6x1 1/4 Z050	AR	AR		
73	500345	WASHER FN CKF .187x.500x.090 BR BK	AR	AR		
74	500333	SCREW TP OV PH #6x3/4 BK	AR	AR		
75	500552	SCREW TP OV PH #6x3/4 Z050	AR	AR		
76	500463	WASHER FN CKF .187x.500x.090 BR Z050	AR	AR		
77	790597	RUBBER BLOCK ADJUSTEMENT 20MM x 31.75MM x 4.7 60 DURO	AR	AR		
78	684196	PRIMER ELASTOCOL # 593	AR	AR		

From 8-1136 To J-0184	Date:10/2022	PAGE:H7-1833-01
-----------------------	--------------	-----------------

**WINDOW FINISHING CAP & WALL W/TAN FINISHING**

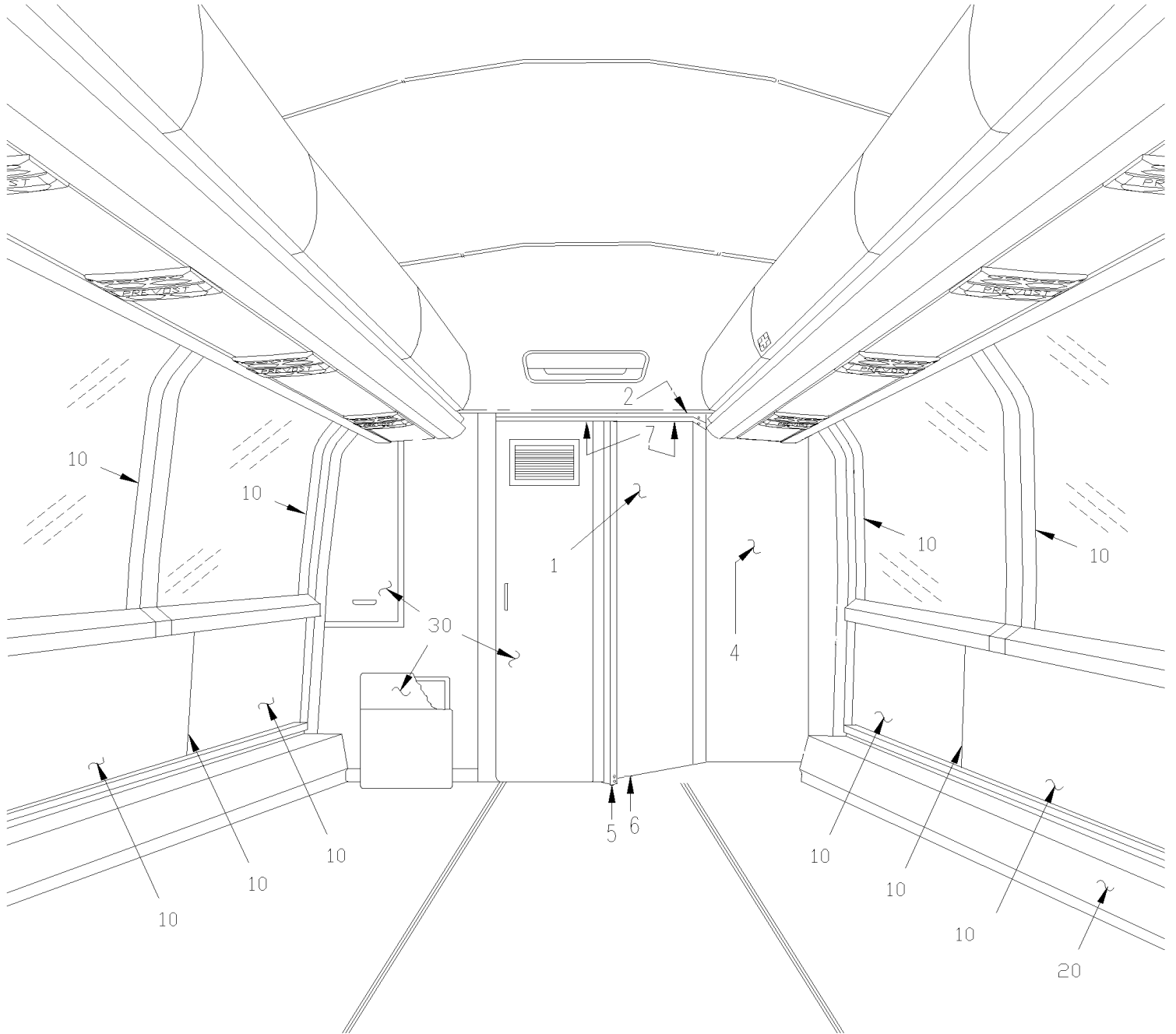
Item#	Part	Description	H 3 4 1	H 3 4 5	V I P 4 5	N O T E S
78	320104	INSULATING PLATE / ALUMINUM 18GA / "E" SHAPE 90MM X 102MM	34	34		
78	850092	WHITE WALL COVERING ADHESIVE / 28 3/8" X 448"	AR	AR		
78	850104	WHITE WALL COVERING ADHESIVE 178 x 178 / 56 x 46	AR	AR		
78	850103	WHITE WALL COVERING ADHESIVE 178 x 178 / 56 x 106	AR	AR		
78	680415	TAPE ADHESIVE 3" WIDE BLUE	AR	AR	AR	
90	<b>H7-2221-10</b>	<b>DUCTING HEATER &amp; A/C</b>				
		A) WITH A/C IN PARCEL RACK				
		B) THIS ASSY INCLUS # 900979 ATTACHMENT FOR NEW ROLLER BLIND AS REQUIRE				
		C) USE WITH INVERTER DISPLAY INSTALL BESIDE DRIVER'S				
		D) FOR PRODUCT IMPROVEMENT TO PREVENT WARM AIR TO SENSOR INSTALL THIS ON WINDOW HANDLE				
		E) BAUER'S TRANSPORTATION OPTION				
		R) WITH "GALLEY				
		W) WITH WCL				
		X) W/O ROLLER BLIND				
		P) CALL ORDER DESK FOR SPECIFIC APPLICATION (V.I.N.)				

From 7-0671 To J-0184

Date:10/2022

PAGE:H7-1834-00

## REAR FINISHING CAP



From 7-0671 To J-0184	Date:10/2022	PAGE:H7-1834-00
<b>REAR FINISHING CAP</b>		

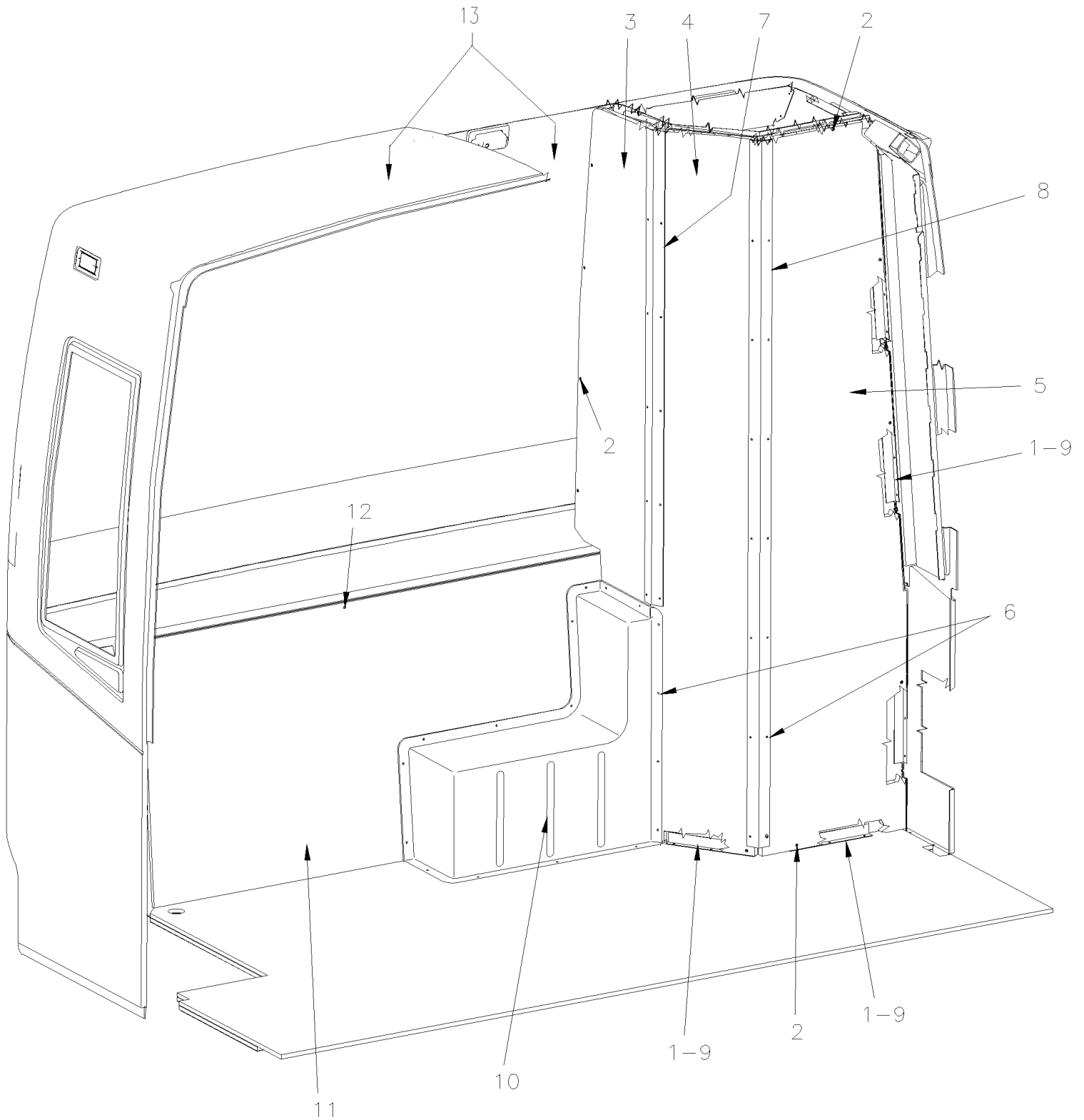
Item#	Part	Description	H 3 4 1	H 3 4 5	V I P 4 5	N O T E S
		"WARNING" - "WARNING" -"WARNING" - "WARNING"				
		VIN 1068, 1078 & 1090 USE NEW COLORATION ask for from 1136				
1	Call order desk	WALL CLOSING DOOR VIEW ASSY To 8-1135				P
1	328320P	WALL CLOSING DOOR VIEW ASSY From 8-1136				
1	328266	. WALL PANEL ALUMINUM	1	1		
NS	408104	. TUBE 1 1/2" X 1 1/2" X 1931MM	1	1		
1	504256	. RIVET POP CK OE 3/16x1/4 AL	6	6		
2	313119	FINISHING MOULDING PLASTIC	1	1		
4	Call order desk	REAR FIBERGLASS WALL ASSY W/TISSUS To 8-1135				P
4	Call order desk	REAR FIBERGLASS WALL ASSY W/TISSUS From 8-1136	1	1		P
4	328251	. REAR FIBERGLASS WALL FRONT OF SLIDING DOOR	1	1		
NS	504106	RIVET POP DOME OE 1/8x1/4 AL	AR	AR		
NS	500642	SCREW TP PAN PH #10x3/4 Z050	20	20		
NS	504400	SNAP CAP #10 FINISHING BLACK	20	20		
NS	504399	WASHER RETAINER SNAP CAP #10	20	20		
5	408179	ANGLE 25MM X 38MM X 250MM	1	1		
5	500641	SCREW TP PAN PH #8x3/4 Z050	6	6		
6	408171	LOWER DOOR ALIGNMENT SUPPORT ASSY To 9-1425	1	1		
. A	408168	. PLATE SUPPORT To 9-1425	1	1		
. B	408169	. BLOCK ALIGNMENT BACKWARD DOOR To 9-1425	1	1		
. C	500353	. SCREW TP FL PH #8x3/4 BK To 9-1425	2	2		
. D	408161	. BLOCK ALIGNMENT FORWARD DOOR To 9-1425	1	1		
. E	500873	. SCREW MA RND PH #8-32x3/4 SS BK To 9-1425	2	2		
. F	500591	. WASHER FL 4.3x9.0x0.8 Z050 To 9-1425	2	2		
6	406269	LOWER DOOR ALIGNMENT SUPPORT ASSY From 9-1426	1	1		
. A	408168	. PLATE SUPPORT From 9-1426	1	1		
. B	408169	. BLOCK ALIGNMENT BACKWARD DOOR From 9-1426	1	1		
. C	500353	. SCREW TP FL PH #8x3/4 BK From 9-1426	2	2		
. D	406268	. BLOCK ALIGNMENT FORWARD DOOR From 9-1426	1	1		
. E	500873	. SCREW MA RND PH #8-32x3/4 SS BK From 9-1426	2	2		
. F	500591	. WASHER FL 4.3x9.0x0.8 Z050 From 9-1426	2	2		
7	408154	CAP PROTECTOR TRACK OUTSIDE LAVATORY GREY PLATINE To 8-1135	1	1		
7	406033	CAP PROTECTOR TRACK OUTSIDE LAVATORY / MIDNIGHT CHARCOAL From 8-1136	1	1		
10	<b>H7-1833-00</b>	<b>WINDOW FINISHING CAP &amp; WALL W/GREY FINISHING To 8-1135</b>				
10	<b>H7-1833-01</b>	<b>WINDOW FINISHING CAP &amp; WALL W/TAN FINISHING From 8-1136</b>				
20	<b>H7-2221-10</b>	<b>DUCTING HEATER &amp; A/C</b>				
30	<b>H7-2328-00</b>	<b>LAVATORY WALL - INSTALLATION WITH SLIDING DOOR</b>				
		P) CALL ORDER DESK FOR SPECIFIC APPLICATION (V.I.N.)				

From 7-0671 To A-1720

Date:10/2022

PAGE:H7-1834-10

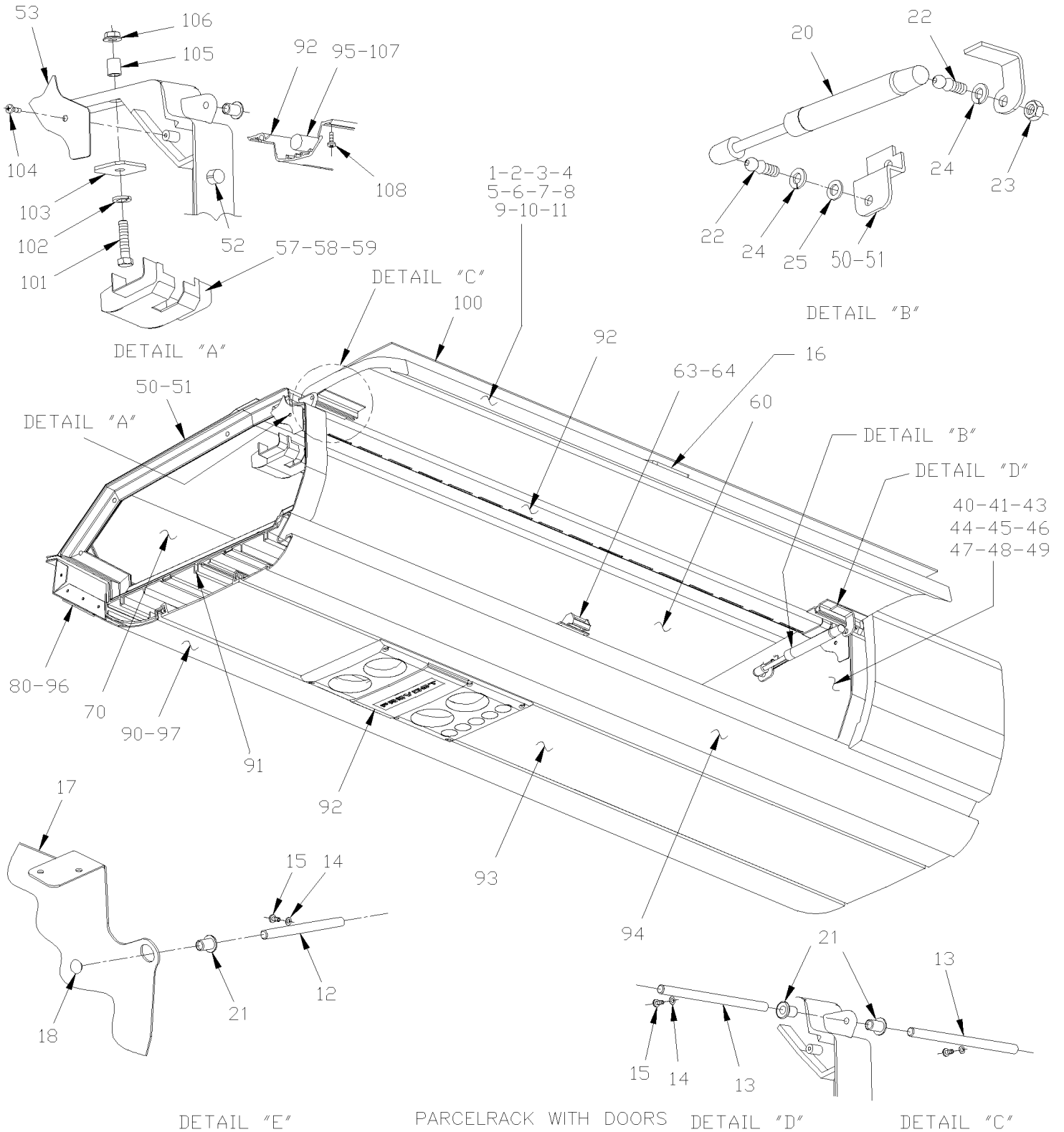
## REAR FINISHING CAP BACKWARD INTERIOR FINISHING



From 7-0671 To A-1720	Date:10/2022	PAGE:H7-1834-10
<b>REAR FINISHING CAP BACKWARD INTERIOR FINISHING</b>		

Item#	Part	Description	H 3 4 1	H 3 4 5	V I P 4 5	N O T E S
		"WARNING" - "WARNING" -"WARNING" - "WARNING"				
		VIN 1068, 1078 & 1090 USE NEW COLORATION ask for from 1136				
1	405809	ANGLE LOWER 260MM	5	5	5	
2	500645	SCREW TP OV PH #8x1 1/4 Z050	AR	AR	AR	
3	Call order desk	PANEL VENEER			1	P
3	Call order desk	PANEL VENEER			1	P
4	Call order desk	PANEL VENEER			1	P
4	Call order desk	PANEL VENEER			1	P
5	Call order desk	PANEL VENEER			1	P
5	Call order desk	PANEL VENEER			1	P
6	500642	SCREW TP PAN PH #10x3/4 Z050	AR	AR	AR	
7	329485	SUPPORT VENEER			1	
8	329486	SUPPORT VENEER			1	
9	500641	SCREW TP PAN PH #8x3/4 Z050	AR	AR	AR	
10	329484	PROTECTOR SURGE TANK	1	1	1	
11	Call order desk	PANEL ASSY / BACK WALL			1	P
11	Call order desk	PANEL ASSY / BACK WALL			1	P
12	500508	SCREW TC PAN PH #10-32x1 1/2 Z050	AR	AR	AR	
13	328265	CAP REAR / FIBERGLASS LAVATORY GREY PLATINE To 9-1452	1	1		
13	329610	CAP REAR / FIBERGLASS LAVATORY SAND BEIGE From 9-1453	1	1		
		P) CALL ORDER DESK FOR SPECIFIC APPLICATION (V.I.N.)				
		U) UNDER CONSTRUCTION				

From 7-0671 To 8-1135	Date:10/2022	PAGE:H7-1836-00
<b>PARCEL RACK W/GREY FINISHING</b>		

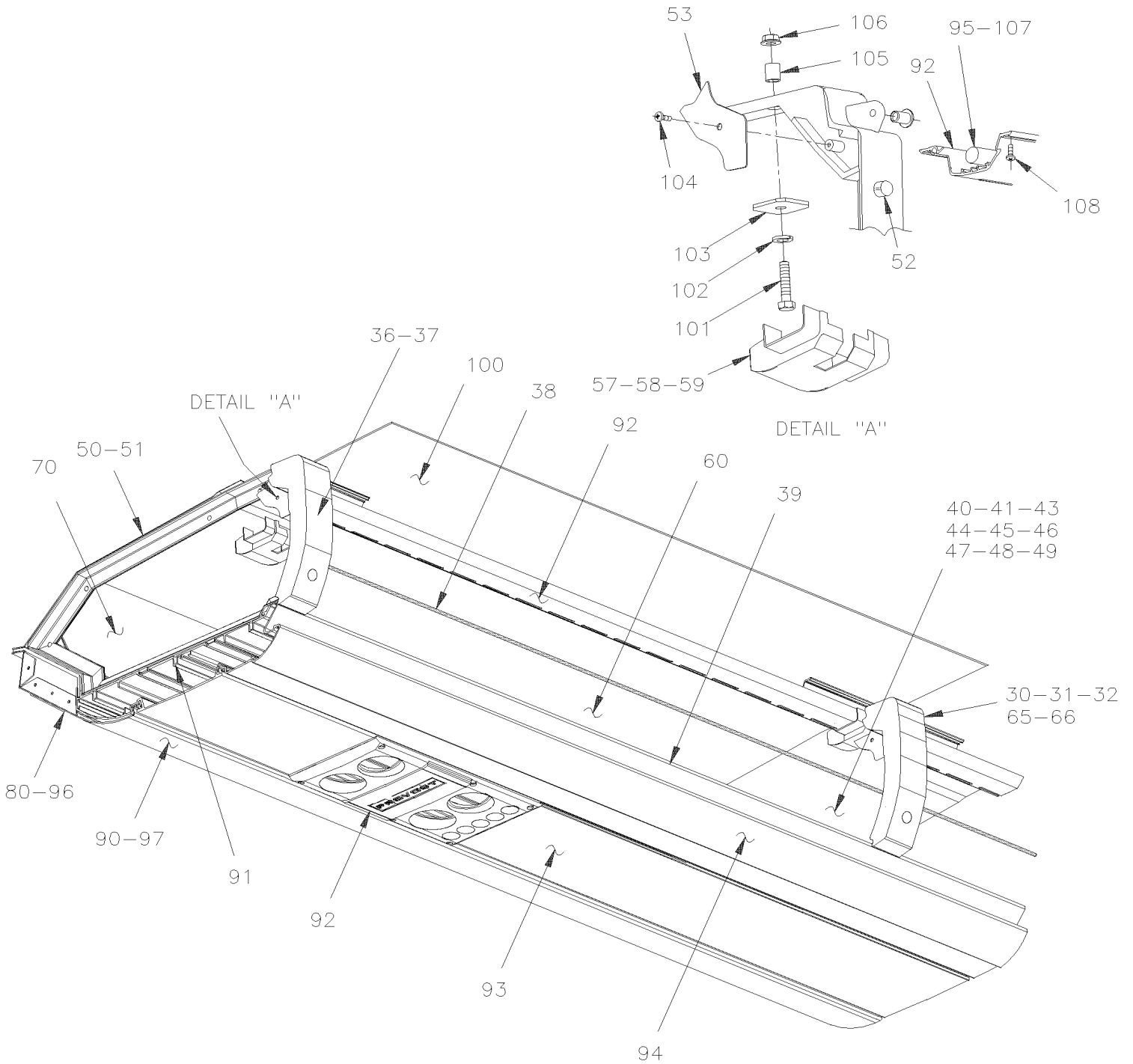


From 7-0671 To 8-1135

Date:10/2022

PAGE:H7-1836-00

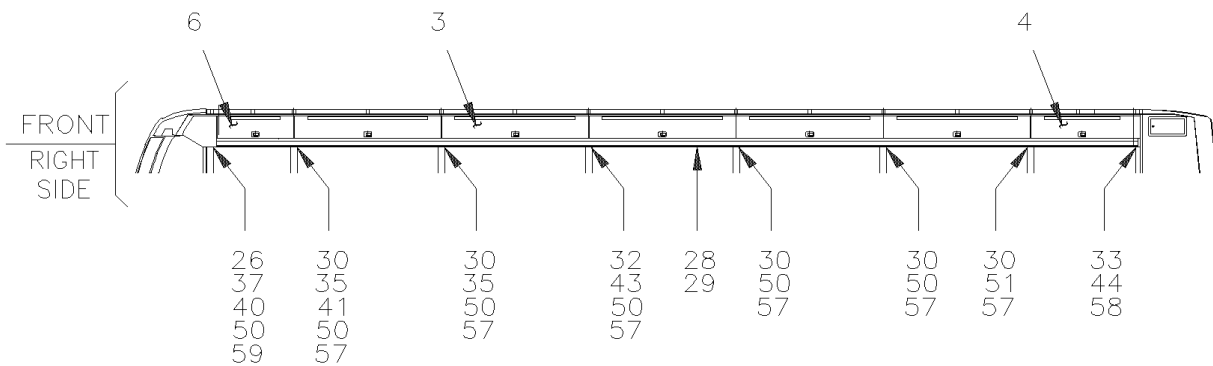
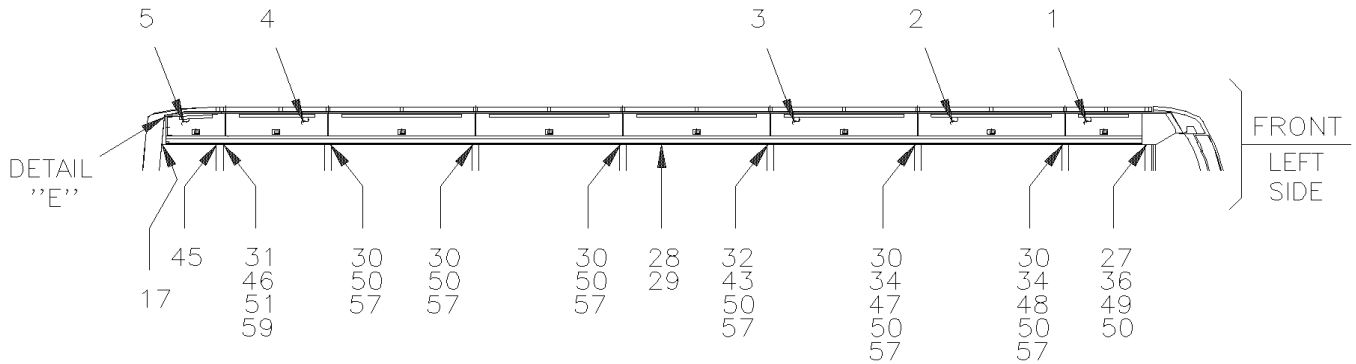
## PARCEL RACK W/GREY FINISHING



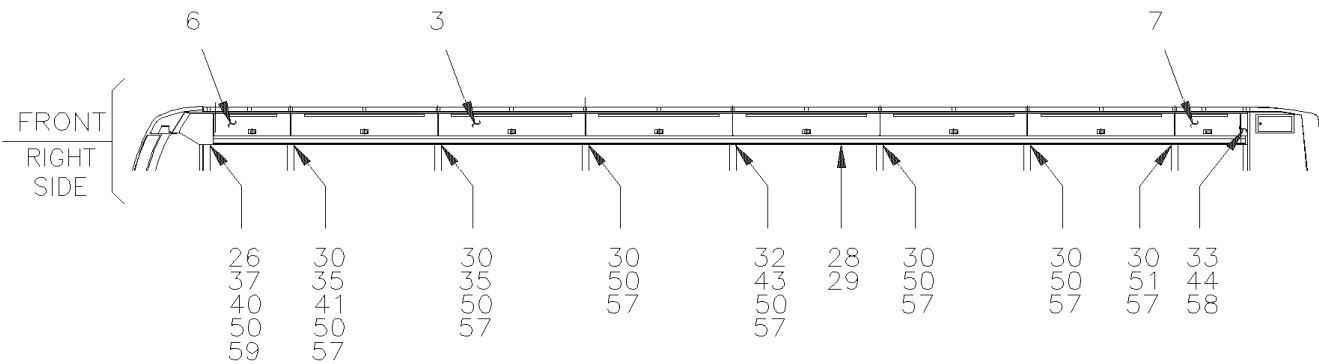
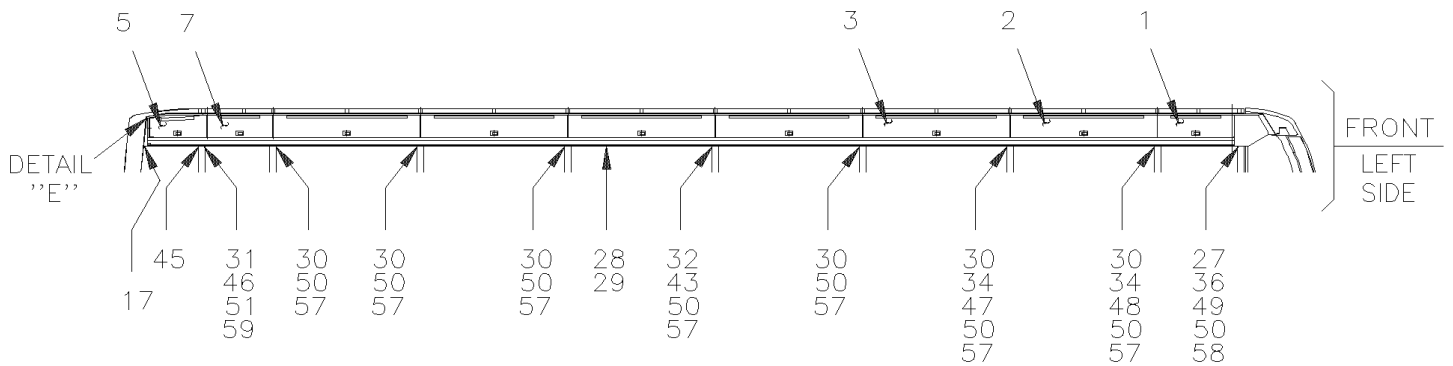
PARCEL RACK WITH CORD



From 7-0671 To 8-1135	Date:10/2022	PAGE:H7-1836-00
<b>PARCEL RACK W/GREY FINISHING</b>		

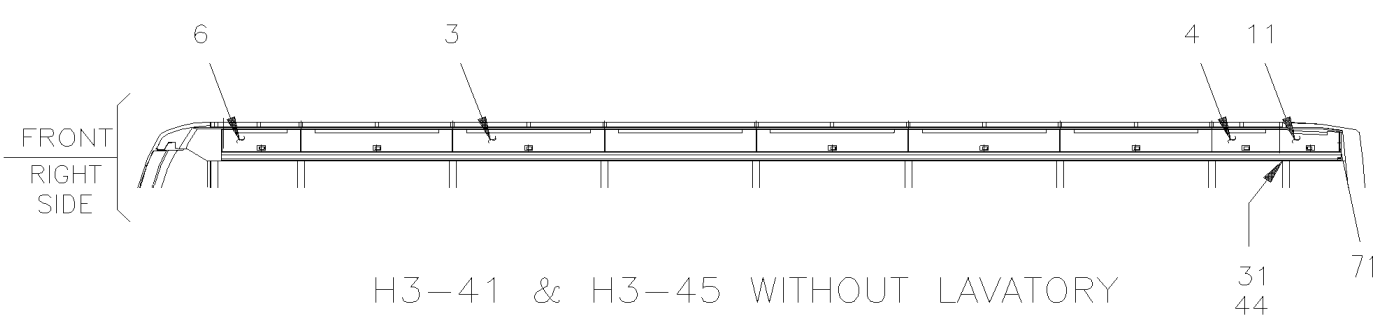
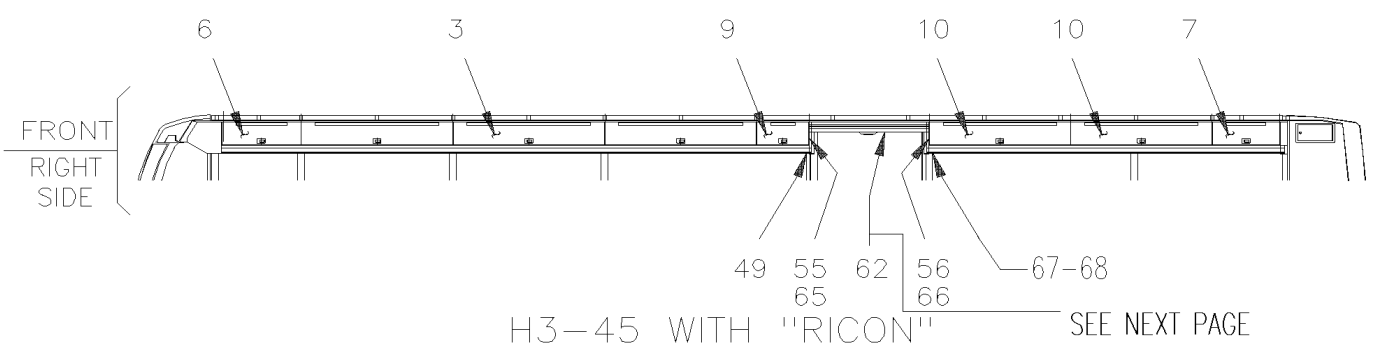
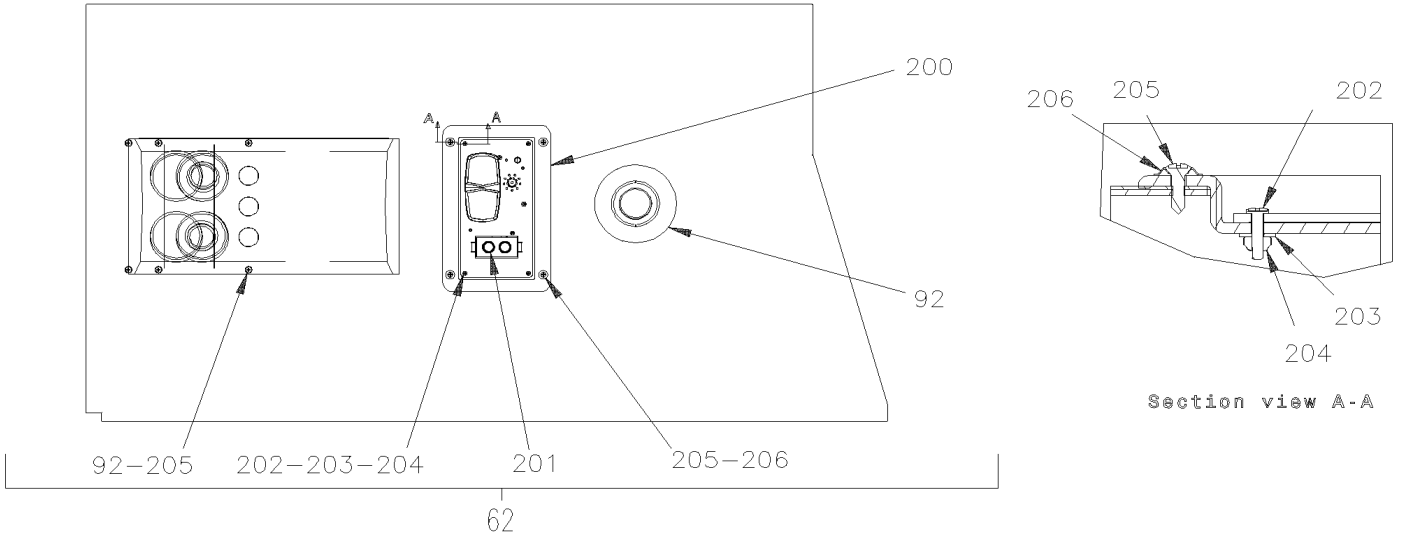


H3-41



H3-45

From 7-0671 To 8-1135	Date:10/2022	PAGE:H7-1836-00
<b>PARCEL RACK W/GREY FINISHING</b>		



From 7-0671 To 8-1135	Date:10/2022	PAGE:H7-1836-00
<b>PARCEL RACK W/GREY FINISHING</b>		

Item#	Part	Description	H 3 4 1	H 3 4 5	V I P 4 5	N O T E S
		"WARNING" - "WARNING" -"WARNING" - "WARNING"				
		VIN 1068, 1078 & 1090 USE NEW COLORATION SEE NEXT PAGE				
1	313508	DOOR, PARCEL RACK / L.H. / W/LOCK / GREY / 860MM	1	1		
1	310469	DOOR, PARCEL RACK / L.H. / W/LOCK / GREY / 860MM	1	1		F
2	313510	DOOR, PARCEL RACK / W/LOCK / GREY / 1654MM	1	1		
2	310471	DOOR, PARCEL RACK / W/LOCK / GREY / 1654MM	1	1		F
3	313506	DOOR, PARCEL RACK / GREY / 1654MM	9			F
3	313506	DOOR, PARCEL RACK / GREY / 1654MM		11		
3	310467	DOOR, PARCEL RACK / GREY / 1654MM		11		F
4	313498	DOOR, PARCEL RACK / GREY / 1151MM	2			
4	310454	DOOR, PARCEL RACK / GREY / 1151MM	2			F
5	313500	DOOR, PARCEL RACK / L.H. / 667MM	1	1		
5	310458	DOOR, PARCEL RACK / L.H. / 667MM	1	1		F
5	313681	DOOR, PARCEL RACK / L.H. W/LOCK / 667MM	1	1		
5	310475	DOOR, PARCEL RACK / L.H. W/LOCK / 667MM	1	1		F
5	313975	DOOR, PARCEL RACK / L.H. W/LOCK / TAN / 667MM		1		
5	310494	DOOR, PARCEL RACK / 667MM L.H. W/LOCK / TAN		1		F
6	313507	DOOR, PARCEL RACK / R.H. / GREY / 860MM	1	1		
6	310468	DOOR, PARCEL RACK / R.H. / GREY / 860MM	1	1		F
6	313505	DOOR, PARCEL RACK / R.H. W/LOCK / GREY / 860MM		1		
6	310466	DOOR, PARCEL RACK / R.H. W/LOCK / GREY / 860MM		1		F
7	313504	DOOR, PARCEL RACK / GREY / 736MM		1		
7	310465	DOOR, PARCEL RACK / GREY / 736MM		1		F
8	313509	DOOR, PARCEL RACK / 1145MM		1		
8	310470	DOOR, PARCEL RACK / 1145MM		1		F
9	313502	DOOR, PARCEL RACK / GREY / 568MM		1		
9	310463	DOOR, PARCEL RACK / GREY / 568MM		1		F
9	323530	DOOR, PARCEL RACK / W/LOCK / 568MM		1		F
10	313499	DOOR, PARCEL RACK / GREY / 1541MM		2		
10	310457	DOOR, PARCEL RACK / GREY / 1541MM		2		F
11	313313	DOOR, PARCEL RACK / R.H. / 667MM		1		F
11	313678	. RUBBER BUMPER		2		
12	313677	. PIVOT ROD 3"	1	1		
13	313676	. PIVOT ROD 6"	1	1		
14	500240	WASHER LO EXT .195x.410x.025 Z050	1	1		
15	5001036	SCREW MA PAN PH M4-0.7x10 Z050	1	1		
16	810092	. HANDLE	1	1		
16	810093	. HANDLE W/LOCK	1	1		
. NS	810104	. . KEY (7216)	1	1		
NS	313532	COVER DOOR HANDLE PARCEL RACK NSS	1	1		
NS	500557	SCREW MA PAN PH #8-32x3/8 SS	2	2		

<b>From 7-0671 To 8-1135</b>	<b>Date:10/2022</b>	<b>PAGE:H7-1836-00</b>
<b>PARCEL RACK W/GREY FINISHING</b>		

Item#	Part	Description	H 3 4 1	H 3 4 5	V I P 4 5	N O T E S
17	312512	SUPPORT, L.H. REAR / W/DOOR	1	1		
NS	500441	WASHER FL .312x.734x.065 Z050	54	54		
NS	500163	SCREW CAP HEX 1/4-20x3/4 G5 Z050	54	54		
17	312951	SUPPORT, L.H. REAR / W/CORD	1	1		
NS	506236	TAPE RUB ADH1 CC POL 1/16" x 1/2" x 100' / GREY 2520	AR	AR		
NS	313094	FINISHING CAP L.H. / UNDER OF P.R.	1	1		
17	328271	CLOSING COVER L.H. BACKWARD PACEL RACK	1	1		
18	504528	HOLE PLUG BUTTON / .437 O.D. BLACK	1	1		
20	980020	CYLINDER GAZ / 244/164MM C/C / 35LBS	AR	AR		
21	5001481	SPACER NYLON .323 I.D. X .750 O.D. X .125	AR	AR	AR	
21	5001490	WASHER SHR .312 ID NYL	AE	AE	AE	
22	980015	BALL STUD / W/10 MM X M8-1.25 / 29.18 MM	1	1		
22	980027	BALL STUD / W/10 MM X M8-1.25 / 36.5MM	1	1		F
23	980016	NUT, CYLINDER RETAINER	1	1		
23	502847	NUT HEX NYRT M8-1.25 N500	1	1		F
24	502509	WASHER LO INT 8.4x15.0x0.8 Z050	1	1		
24	502638	WASHER FL .312x.734x.065 N500	1	1		F
25	500874	WASHER FL 8.4x17.0x1.6 Z050	AR	AR		
26	312904	SUPPORT FRONT R.H. / "C" FORM 390MM	1	1		
27	312902	SUPPORT FRONT R.H. / "C" FORM 390MM	1	1		
28	312930	COVER / L.H. SIDE OF VENTILATOR BOX	2	2		
29	312929	COVER / FRONT OF VENTILATOR BOX	2	2		
30	312648	PILAR COVERING	10			
30	312648	PILAR COVERING		12		
31	312963	PILAR COVERING / W/O BACK RIB	1	1		
32	312964	PILAR COVERING GREY	2	2		
33	312950	FINISHING CAP R.H. / FRONT OF P.R.	1	1		
NS	312922	ANGLE / TO FIX FINISHING CAP	2	2		
NS	313095	FINISHING CAP R.H. / UNDER OF P.R.	1	1		
34	312920	FINISHING CAP L.H. / FRONT OF P.R.	2	2		
35	312938	PILAR COVERING GREY	1	1		
36	312965	PILAR COVERING R.H.	1	1		
37	312966	PILAR COVERING L.H.	1	1		
38	312713	CORD, RUBBER 335"	1			
. NS	506066	. CORD, RUBBER EXTRUSION NEO 7/16" O.D. / C.T.L.	AR			
38	312659	CORD, RUBBER 359"	1			
. NS	506066	. CORD, RUBBER EXTRUSION NEO 7/16" O.D. / C.T.L.	AR			
38	312656	CORD, RUBBER 384"		1		
. NS	506066	. CORD, RUBBER EXTRUSION NEO 7/16" O.D. / C.T.L.		AR		
38	312660	CORD, RUBBER 400"	1			
. NS	506066	. CORD, RUBBER EXTRUSION NEO 7/16" O.D. / C.T.L.	AR			
38	312661	CORD, RUBBER 407"	1	1		

From 7-0671 To 8-1135	Date:10/2022	PAGE:H7-1836-00
<b>PARCEL RACK W/GREY FINISHING</b>		

Item#	Part	Description	H 3 4 1	H 3 4 5	V I P 4 5	N O T E S
. NS	506066	. CORD, RUBBER EXTRUSION NEO 7/16" O.D. / C.T.L.	AR	AR		
38	312658	CORD, RUBBER 434"	1			
. NS	506066	. CORD, RUBBER EXTRUSION NEO 7/16" O.D. / C.T.L.	AR			
38	312655	CORD, RUBBER 449"		1		
. NS	506066	. CORD, RUBBER EXTRUSION NEO 7/16" O.D. / C.T.L.		AR		
38	312654	CORD, RUBBER 456"		1		
. NS	506066	. CORD, RUBBER EXTRUSION NEO 7/16" O.D. / C.T.L.		AR		
38	312653	CORD, RUBBER 483"		1		
. NS	506066	. CORD, RUBBER EXTRUSION NEO 7/16" O.D. / C.T.L.		AR		
38	506066	. CORD, RUBBER EXTRUSION NEO 7/16" O.D. / C.T.L.	AR	AR		
NS	502525	WASHER FL .484x.750x.031 Z050	AR	AR		
NS	504452	CLAMP "E-Z CLIP" / "TUBE-O" / 7/16" / HC9-7	AR	AR		
39	312984	EDGE MOULDING GREY 1600MM	1	1		
39	312985	EDGE MOULDING GREY 785MM	1	1		
39	312986	EDGE MOULDING GREY 682MM	1	1		
39	312987	EDGE MOULDING GREY 641MM	1	1		
39	312988	EDGE MOULDING GREY 1097MM	1	1		
39	312989	EDGE MOULDING GREY 1063MM	1	1		
39	312990	EDGE MOULDING GREY 516MM	1	1		
39	312991	EDGE MOULDING GREY 1487MM	1	1		
40	312937	COVER L.H. / PLAIN / W/CORD	1	1		
40	312595	COVER L.H. ASSY / W/LIGHT	1	1		
. NS	312593	. COVER L.H. / W/LIGHT HOLE	1	1		
41	313584	COVER L.H. / PLAIN	1	1		
41	313586	COVER L.H. / PLAIN / W/CORD	1	1		
43	313586	COVER L.H. / PLAIN / W/CORD	1	1		
43	313584	COVER L.H. / PLAIN	1	1		
44	312514	COVER R.H. / PLAIN OFFSET W/CORD GREY	1	1		
44	316116	COVER R.H. / PLAIN OFFSET W/CORD & FAN VENT, GREY	1	1		V
44	312890	COVER R.H. ASSY / W/LIGHT OFFSET	1	1		
. NS	312892	. COVER R.H. / W/LIGHT HOLE OFFSET	1	1		
44	316112	COVER R.H. ASSY / W/LIGHT OFFSET & FAN VENT GREY	1	1		V
. NS	316113	. COVER R.H. / W/LIGHT HOLE & VENT HOLE	1	1		V
46	312581	COVER L.H. / PLAIN OFFSET W/CORD	1	1		
46	312889	COVER L.H. ASSY / W/LIGHT OFFSET	1	1		
. NS	312891	. COVER L.H. / W/LIGHT HOLE OFFSET	1	1		
46	319034	COVER L.H. ASSY / W/LIGHT & VENT HOLE	1	1		
. NS	313882	. COVER L.H. / W/VENT HOLE	1	1		
47	313587	COVER R.H. / PLAIN / W/CORD	1	1		
47	312596	COVER R.H. / PLAIN	1	1		
48	312906	COVER / PLAIN / W/CORD	1	1		
49	319034	COVER L.H. ASSY / W/LIGHT & VENT HOLE	1	1		

From 7-0671 To 8-1135	Date:10/2022	PAGE:H7-1836-00
<b>PARCEL RACK W/GREY FINISHING</b>		

Item#	Part	Description	H 3 4 1	H 3 4 5	V I P 4 5	N O T E S
. NS	313882	. COVER L.H. / W/VENT HOLE	1	1		
49	313587	COVER R.H. / PLAIN / W/CORD	1	1		
50	315887	SUPPORT, PARCEL RACK GREY	14			
50	315887	SUPPORT, PARCEL RACK GREY		16		
51	315888	SUPPORT, PARCEL RACK	2	2		
52	561563	SWITCH / S.P.S.T. / N.C.	AR	AR		
53	312454	COVER UPPER GRIS	AR	AR		
53	810106	COVER UPPER GRIS PLASTIC		AR		
53	316536	COVER UPPER GRIS		AR		
54	313000	COVER END CLOSING	1			
55	313717	COVER R.H. END CLOSING	1	1		
55	313716	COVER R.H. END CLOSING		1		A
56	313753	COVER L.H. END CLOSING		1		
57	312509	COVER FINISHING PILAR LIGHTING MODULE	12			
57	312509	COVER FINISHING PILAR LIGHTING MODULE		14		
58	312446	COVER FINISHING PILAR L.H. LIGHTING MODULE	2	2		
59	312508	COVER FINISHING PILAR R.H. LIGHTING MODULE	2	2		
60	312477	CEILING PANEL #1 R.H. #1 R.H.	1	1		
60	312479	CEILING PANEL #1 L.H. #1 L.H.	1	1		
60	312460	CEILING PANEL #2,3,4,5 & 6 L.H. & R.H. #2,3,4,5 & 6 L.H. & R.H.	AR	AR		
60	312599	CEILING PANEL #6 R.H. / W/W.C.L. "RICON" #6 R.H.		1		
60	312483	CEILING PANEL #7 R.H. / W/W.C.L. "RICON" #7 R.H.	1			
60	312481	CEILING PANEL #7 L.H. #7 L.H.	1			
60	Call order desk	CEILING PANEL #7 L.H. #7 L.H.	1			P
. NS	312488	. CEILING PANEL	1			
60	312489	CEILING PANEL #8 R.H. #8 R.H.	1			
60	312475	CEILING PANEL #8 L.H. #8 L.H.		1		
60	312473	CEILING PANEL #8 R.H. / W/W.C.L. "RICON" #8 R.H.		1		
NS	312243	INSULATING / TOP PANEL & STRUCTURE 1371.6MM	10			
NS	312243	INSULATING / TOP PANEL & STRUCTURE 1371.6MM		12		
NS	500964	WASHER FL .203x.500x.047 Z050	48	48		
NS	500654	SCREW TC BDG PH #8-32x1/2 Z050	48	48		
NS	5001440	SCREW TP RND PH WSHR HD #8x1/2	AR	AR		
NS	504118	RIVET POP DOME OE 3/16x3/8 AL	AR	AR		
60	506500	TAPE RUB ADH2 NEO .045" x 1" x 100' / BLACK 4965	AR	AR		
62	Call order desk	CEILING PANEL ASSY W/READING LIGHT & SPEAKER		1		P B
62	Call order desk	CEILING PANEL ASSY W/READING LIGHT W/LED & SPEAKER		1		P B
62	341126	. CEILING PANEL ALLUMINUM		1		
62	314338	KIT, RETROFIT NEW LAMP "FRILIGHT" SERIES "H" From 7-0671		1		
63	313667	CATCH GREY	AR	AR		
64	500638	SCREW TP PAN PH #8x1/2 Z050	9	9		
NS	500470	WASHER LO SPT .193x.334x.047 Z050	1	1		

From 7-0671 To 8-1135	Date:10/2022	PAGE:H7-1836-00
<b>PARCEL RACK W/GREY FINISHING</b>		

Item#	Part	Description	H 3 4 1	H 3 4 5	V I P 4 5	N O T E S
65	313625	PILAR COVERING / FRONT W.C.L. DOOR	1	1		
66	313626	PILAR COVERING / BACKWARD W.C.L. DOOR		1		
67	313744	COVER L.H. END CLOSING AILSE SECTION		1		
68	313752	COVER L.H. END CLOSING WINDOW SECTION GREY		1		
70	312456P	PANEL, INSIDE 1657MM #2,3,5,6 LH & #2,4,5,6 RH	8			
70	312456P	PANEL, INSIDE 1657MM #2,3,4,6,7 LH & #2,3,5,6,7 RH		10		
70	Call order desk	PANEL, INSIDE 1657MM #4 LH & #3 RH	2	2		P
70	Call order desk	PANEL, INSIDE 1657MM #5 LH & #4 RH	2	2	2	P
70	312553P	PANEL, INTERIOR ASSY 868 MM #1 RH & LH	2	2		
70	312558P	PANEL, INSIDE / W/W.C.L. "RICON" 597MM #5 R.H		1		
70	Call order desk	PANEL, INSIDE / W/W.C.L. "RICON" 1544MM #6 & #7 RH		1		P
70	Call order desk	PANEL, INSIDE 1205.5MM #7 R.H.	1			P
70	Call order desk	PANEL, INSIDE 791MM #8 R.H.		1		P
70	312641P	PANEL, INSIDE 766MM #8 L.H.		1		
NS	810034	CARPET OZITE / S.L. 12 FT WIDE	AR	AR		
71	313120	SUPPORT REAR R.H. W/OUT LAVATORY W/CORD	1	1		
80	312427P	PANEL ASSY / W/O SPEAKER	1	1		
80	312428P	PANEL ASSY #1 W/SPEAKER HOLE	1	1		
80	Call order desk	PANEL ASSY #2,3,4,5 & 6 L.H. & R.H.	8			P
80	Call order desk	PANEL ASSY #2,3,4,5 & 6 L.H. & R.H.		10		P
80	Call order desk	PANEL ASSY #4 R.H. & #5 L.H.	2	2		P
80	Call order desk	PANEL ASSY #4 L.H. & R.H.	1	1		PA
80	Call order desk	PANEL ASSY #5 R.H. / W/W.C.L. "RICON"		1		P
80	Call order desk	PANEL ASSY #5 R.H. / W/W.C.L. "RICON"		1		PA
80	Call order desk	PANEL ASSY #6 R.H. / W/W.C.L. "RICON"		1		P
80	Call order desk	PANEL ASSY #6 R.H. / W/W.C.L. "RICON"		1		P
80	Call order desk	PANEL ASSY #7 R.H.	1			P
80	Call order desk	PANEL ASSY #7 R.H. / W/W.C.L. "RICON"	1			P
80	Call order desk	PANEL ASSY #7 R.H. / W/W.C.L. "RICON"		1		P
80	313607P	PANEL ASSY #8 L.H.		1		
80	Call order desk	PANEL ASSY #8 L.H.		1		P
90	312532	EXTRUSION, ALUMINIUM 6395 MM		1		
90	312371	EXTRUSION, ALUMINIUM 6395MM / C.T.L.		1		
90	312528	EXTRUSION, REAR, ALUMINIUM 5850MM / S.C.C		1		
90	312534	EXTRUSION, REAR, ALUMINIUM 4448 MM		1		
90	312535	EXTRUSION, REAR, ALUMINIUM 6450MM / S.C.C		1		
90	312530	EXTRUSION, REAR, ALUMINIUM 5773MM / S.C.C		1		
NS	312511	PLATE, JUNCTION / EXTRUSION RETAINER		2		
NS	504114	RIVET POP DOME OE 3/16x1/4 AL	8	8		
NS	504567	GROMMET / .687x1.000x.250x.562x1.312	2	2		
NS	504666	GROMMET / 1.000x1.375x.250x.625x1.750	1	1		
NS	504460	GROMMET / 1.500x1.750x.062x.437x2.125	1	1		

From 7-0671 To 8-1135	Date:10/2022	PAGE:H7-1836-00
<b>PARCEL RACK W/GREY FINISHING</b>		

Item#	Part	Description	H 3 4 1	H 3 4 5	V I P 4 5	N O T E S
91	312527	EXTRUSION, ALUMINIUM 6395MM / S.C.C		1		
91	312372	EXTRUSION, ALUMINIUM 6395MM / C.T.L.		1		
91	312525	EXTRUSION, ALUMINIUM 5850MM / S.C.C		1		
91	312538	EXTRUSION, ALUMINIUM 5148MM / S.C.C		1		
91	312531	EXTRUSION, ALUMINIUM 6450MM		1		
91	312537	EXTRUSION, ALUMINIUM 4527MM / S.C.C		1		
91	312526	EXTRUSION, ALUMINIUM 5773MM / S.C.C		1		
91	312539	EXTRUSION, ALUMINIUM 3256MM	1			
91	312532	EXTRUSION, ALUMINIUM 6395 MM		1		
91	312536	EXTRUSION, REAR, ALUMINIUM 3913MM / S.C.C		1		
NS	810087	CARPET (OZITE) SELF ADHESIVE	AR	AR		
NS	502513	SCREW TP CAP HEX 5/16x1 Z050	AR	AR		
92	<b>H7-0655-00</b>	<b>INTERIOR LIGHTING</b>				
92	<b>H7-2240-20</b>	<b>BLOWER VENTILATION - PARCEL RACK</b>				
93	312971P	PANEL 51MM	1	1		
93	Call order desk	PANEL 73MM	1	1		P
93	Call order desk	PANEL 80MM	1	1		P
93	313682P	PANEL 100MM	1	1		
93	Call order desk	PANEL 114MM	1	1		P
93	Call order desk	PANEL 149MM	1	1		P
93	Call order desk	PANEL 158MM	1	1		P
93	Call order desk	PANEL 166MM	1	1		P
93	Call order desk	PANEL 174MM	1	1		P
93	Call order desk	PANEL 181MM	1	1		P
93	315913P	PANEL 184MM	1	1		
93	313330P	PANEL 193MM	1	1		
93	Call order desk	PANEL 213MM	1	1		P
93	313883P	PANEL 219MM	1	1		
93	315940P	PANEL 226MM	1	1		
93	Call order desk	PANEL 231MM	1	1		P
93	313334P	PANEL 235MM	1	1		
93	Call order desk	PANEL 243MM	1	1		P
93	312736P	PANEL 248MM	1	1		
93	313077P	PANEL 253MM	1	1		
93	Call order desk	PANEL 264MM	1	1		P
93	312760P	PANEL 269MM	1	1		
93	312721P	PANEL 279MM	1	1		
93	315923P	PANEL 289MM	1	1		
93	Call order desk	PANEL 292MM	1	1		P
93	312734P	PANEL 299 MM	1	1		
93	316018P	PANEL 304MM	1	1		
93	312762P	PANEL 310MM	1	1		



From 7-0671 To 8-1135	Date:10/2022	PAGE:H7-1836-00
<b>PARCEL RACK W/GREY FINISHING</b>		

Item#	Part	Description	H 3 4 1	H 3 4 5	V I P 4 5	N O T E S
93	312761P	PANEL 315MM	1	1		
93	312764P	PANEL 325MM	1	1		
93	313075P	PANEL 335MM	1	1		
93	312724P	PANEL 343MM	1	1		
93	Call order desk	PANEL 352MM	1	1		P
93	312729P	PANEL 356MM	1	1		
93	Call order desk	PANEL 366MM	1	1		P
93	Call order desk	PANEL 370MM	1	1		P
93	312839P	PANEL 375MM	1	1		
93	313328P	PANEL 388MM	1	1		
93	Call order desk	PANEL 391MM	1	1		P
93	Call order desk	PANEL 396MM	1	1		P
93	312735P	PANEL 402MM	1	1		
93	312751P	PANEL 408MM	1	1		
93	313333P	PANEL 415MM	1	1		
93	312749P	PANEL 421MM	1	1		
93	312720P	PANEL 427MM	1	1		
93	312774P	PANEL 431MM	1	1		
93	312946P	PANEL 437MM	1	1		
93	310617P	PANEL 440MM	1	1		
93	312733P	PANEL 447MM	1	1		
93	312747P	PANEL 454MM	1	1		
93	312767P	PANEL 457MM	1	1		
93	312975P	PANEL 465MM	1	1		
93	312745P	PANEL 472MM	1	1		
93	312835P	PANEL 475MM	1	1		
93	312730P	PANEL 478MM	1	1		
93	312752P	PANEL 484MM	1	1		
93	313076P	PANEL 490MM	1	1		
93	312771P	PANEL 495MM	1	1		
93	312728P	PANEL 500MM	1	1		
93	312725P	PANEL 510MM	1	1		
93	Call order desk	PANEL 516MM	1	1		P
93	312723P	PANEL 525MM	1	1		
93	Call order desk	PANEL 529MM	1	1		P
93	312741P	PANEL 538MM	1	1		
93	312737P	PANEL 542MM	1	1		
93	312739P	PANEL 550MM	1	1		
93	Call order desk	PANEL 553MM	1	1		P
93	313335P	PANEL 559MM	1	1		
93	Call order desk	PANEL 560MM	1	1		P
93	313125P	PANEL 565MM	1	1		

From 7-0671 To 8-1135	Date:10/2022	PAGE:H7-1836-00
<b>PARCEL RACK W/GREY FINISHING</b>		

Item#	Part	Description	H 3 4 1	H 3 4 5	V I P 4 5	N O T E S
93	315952P	PANEL 570MM	1	1		
93	312756P	PANEL 575MM	1	1		
93	315884P	PANEL 582MM	1	1		
93	312766P	PANEL 590MM	1	1		
93	312757P	PANEL 598MM	1	1		
93	315945P	PANEL 601MM	1	1		
93	312722P	PANEL 605MM	1	1		
93	313414P	PANEL 615MM	1	1		
93	Call order desk	PANEL 625MM	1	1		P
93	Call order desk	PANEL 631MM	1	1		P
93	Call order desk	PANEL 636MM	1	1		P
93	Call order desk	PANEL 646MM	1	1		P
93	315983P	PANEL 655MM	1	1		
93	Call order desk	PANEL 656MM	1	1		P
93	Call order desk	PANEL 660MM	1	1		P
93	Call order desk	PANEL 672MM	1	1		P
93	Call order desk	PANEL 674MM	1	1		P
93	Call order desk	PANEL 682MM	1	1		P
93	Call order desk	PANEL 686MM	1	1		P
93	Call order desk	PANEL 690MM	1	1		P
93	312748P	PANEL 700MM	1	1		
93	312746P	PANEL 705MM To 8-1119	1	1		
93	312759P	PANEL 711MM To 8-1119	1	1		
93	313079P	PANEL 716MM From 8-1120	1	1		
93	Call order desk	PANEL 722MM	1	1		P
93	Call order desk	PANEL 723MM	1	1		P
93	Call order desk	PANEL 725MM	1	1		P
93	312765P	PANEL 731MM	1	1		
93	Call order desk	PANEL 741MM	1	1		P
93	Call order desk	PANEL 747MM	1	1		P
93	312840P	PANEL 753MM	1	1		
93	312770P	PANEL 759MM	1	1		
93	312742P	PANEL 763MM	1	1		
93	312738P	PANEL 773MM	1	1		
93	Call order desk	PANEL 788MM	1	1		P
93	Call order desk	PANEL 802MM	1	1		P
93	Call order desk	PANEL 811MM	1	1		P
93	Call order desk	PANEL 819MM	1	1		P
93	Call order desk	PANEL 836MM	1	1		P
93	Call order desk	PANEL 843MM	1	1		P
93	Call order desk	PANEL 850MM	1	1		P
93	313617P	PANEL 866MM	1	1		

<b>From 7-0671 To 8-1135</b>	<b>Date:10/2022</b>	<b>PAGE:H7-1836-00</b>
<b>PARCEL RACK W/GREY FINISHING</b>		

Item#	Part	Description	H 3 4 1	H 3 4 5	V I P 4 5	N O T E S
93	315929P	PANEL 878MM	1	1		
93	Call order desk	PANEL 885MM	1	1		P
93	Call order desk	PANEL 905MM	1	1		P
93	Call order desk	PANEL 924MM	1	1		P
93	Call order desk	PANEL 936MM	1	1		P
93	315904P	PANEL 940MM	1	1		
93	Call order desk	PANEL 966MM	1	1		P
93	Call order desk	PANEL 990MM	1	1		P
93	316181	PANEL 1096MM	1	1		
93	Call order desk	PANEL 1123MM	1	1		P
93	Call order desk	PANEL 1212MM	1	1		P
93	Call order desk	PANEL 1360MM	1	1		P
93	Call order desk	PANEL 1379MM	1	1		P
93	Call order desk	PANEL 1424MM	1	1		P
93	Call order desk	PANEL 1481MM	1	1		P
93	Call order desk	PANEL 1549MM	1	1		P
93	Call order desk	PANEL 1724MM	1	1		P
93	Call order desk	PANEL 475MM / 108MM POSITION FLAT MONITOR	1	1		P
93	Call order desk	PANEL 475MM / 108MM POSITION FLAT MONITOR	1	1		P
93	310654P	PANEL 655MM / 382MM POSITION SCREEN / R.H. W/ LCD SCREEN	1	1		
93	310653P	PANEL 655MM / 382MM POSITION SCREEN / L.H. W/10" LCD SCREEN	1	1		
93	316123P	PANEL 655MM / 383MM POSITION SCREEN / W/15" LCD SCREEN	1	1		
93	Call order desk	PANEL 760MM / 427MM POSITION SCREEN / L.H. W/10" LCD SCREEN	1	1		P
93	Call order desk	PANEL 800MM / 128MM & 177MM HOLE POSITION / W/12.1" RETRACTABLE SCREEN	1	1		P
93	Call order desk	PANEL 915MM / 465MM POSITION SCREEN / L.H. W/10" LCD SCREEN	1	1		P
93	Call order desk	PANEL 980MM / 465MM POSITION SCREEN	1	1		P
93	Call order desk	PANEL 1015MM / 108MM POSITION SCREEN / L.H. LCD SCREEN	1	1		P
94	312814	HAND RAIL / EXTRUSION W/HOLE 3320 MM		2		
94	312523	HAND RAIL / EXTRUSION W/HOLE 2260 MM		1		
94	312816	HAND RAIL / EXTRUSION W/HOLE 4190 MM	1			
94	312815	HAND RAIL / EXTRUSION W/HOLE 3320 MM	1			
94	312518	HAND RAIL / EXTRUSION 4190 MM		1		
94	312370	HAND RAIL / EXTRUSION 4190 MM		1		
94	312522	HAND RAIL / EXTRUSION 2808 MM		1		
94	312521	HAND RAIL / EXTRUSION 4735 MM		1		
94	312524	HAND RAIL / EXTRUSION 3913 MM		1		
94	312520	HAND RAIL / EXTRUSION 4113 MM		1		
94	312543	HAND RAIL / EXTRUSION 2867 MM		1		
NS	312510	ROD , JUNCTION / EXTRUSION RETAINER		7		
95	064562	CABLE HARNESS / IND LIGHT R.H. / W/DOOR		1		
95	064564	CABLE HARNESS / IND LIGHT L.H. / W/DOOR		1		

<b>From 7-0671 To 8-1135</b>	<b>Date:10/2022</b>	<b>PAGE:H7-1836-00</b>
<b>PARCEL RACK W/GREY FINISHING</b>		

Item#	Part	Description	H 3 4 1	H 3 4 5	V I P 4 5	N O T E S
95	064563	CABLE HARNESS / IND LIGHT R.H. / W/O DOOR		1		
95	064565	CABLE HARNESS / IND LIGHT L.H. / W/O DOOR		1		
95	064570	CABLE HARNESS / IND LIGHT R.H. / W/DOOR	1			
95	064572	CABLE HARNESS / IND LIGHT L.H. / W/DOOR	1			
95	064571	CABLE HARNESS / IND LIGHT R.H. / W/O DOOR	1			
95	064573	CABLE HARNESS / IND LIGHT L.H. / W/O DDOR	1			
95	064712	CABLE ASSY IND LIGHT R.H. / W/DOOR & "RICON"		1		
95	064713	CABLE ASSY IND LIGHT R.H. / W/DOOR & "RICON"		1		
95	064714	CABLE ASSY IND LIGHT R.H. / W/O DOOR & "RICON"		1		
95	064715	CABLE ASSY IND LIGHT R.H. / W/O DOOR & "RICON"		1		
96	065494	CABLE ASSY / DIRECT LIGHT & SPEAKER L.H.		1		
96	065495	CABLE ASSY / DIRECT LIGHT & SPEAKER R.H.		1		
96	064568	CABLE ASSY / DIRECT LIGHT & SPEAKER L.H.	1			
96	064569	CABLE ASSY / DIRECT LIGHT & SPEAKER R.H.	1			
96	065496	CABLE ASSY SIDE LIGHT R.H. / FRONT W/"RICON"		1		
96	065497	CABLE ASSY SIDE LIGHT R.H. / REAR W/"RICON"		1		
96	064705	CABLE ASSY SIDE LIGHT R.H. / W/O LAVATORY		1		
97	064840	CABLE HARNESS / READING LIGHT STREETSIDE		1		
97	064842	CABLE HARNESS / READING LIGHT CURB SIDE		1		
97	064841	CABLE HARNESS / READING LIGHT STREETSIDE	1			
97	064842	CABLE HARNESS / READING LIGHT CURB SIDE	1			
97	064846	CABLE ASSY READING LIGHT R.H. / FRONT W/"RICON"		1		
97	064847	CABLE ASSY READING LIGHT R.H. / REAR W/"RICON"		1		
97	064844	CABLE ASSY READING LIGHT R.H. / W/O LAVATORY		1		
97	064845	CABLE ASSY READING LIGHT R.H. / W/O LAVATORY	1			
100	<b>H7-1837-00</b>	<b>CEILING PANELS &amp; MOULDING W/GREY FINISHING</b>				
101	502927	SCREW CAP HEX M8-1.25x50 G8.8 N500	AR	AR		
102	500942	WASHER LO SPT 8.1x14.8x2.0 N500	AR	AR		
103	312367	FIXING PLATE	AR	AR		
104	500638	SCREW TP PAN PH #8x1/2 Z050	18	18		
105	313003	SPACER	AR	AR		
106	5001337	NUT INS FL HEX M8-1.25 0.5-3.0 Z050	AR	AR		
107	830153	TUBE / 32WATT / F32T8SPX41 - 48"	AR	AR		
108	500583	SCREW TP PAN PH #6x1/2 Z050	AR	AR		
NS	500896	SCREW TC FL PH #8-32x5/8 Z050	AR	AR		
200	341120	SUPPORT DETECTOR MODULE TWU	1	1		
201	563592	MODULE ALARM DETECTOR W.C.L. TWU	1	1		
202	500518	SCREW MA BDG PH #4-40x1/2 Z050	4	4		
203	500157	WASHER FL .125x.375x.032 SS	4	4		
204	500425	NUT HEX NYRT #4-40 SS	4	4		
205	500333	SCREW TP OV PH #6x3/4 BK	4	4		
206	500345	WASHER FN CKF .187x.500x.090 BR BK	4	4		

From 7-0671 To 8-1135	Date:10/2022	PAGE:H7-1836-00
<b>PARCEL RACK W/GREY FINISHING</b>		

Item#	Part	Description	H 3 4 1	H 3 4 5	V I P 4 5	N O T E S
207	563945	LIGHT TWS W.C.L.	1	1		
NS	313946	OVER HEAT AIR DISTRIBUTION IN PARCEL RACK	1	1		
. NS	IS-06900	. SEE INSTRUCTION SHEET	1	1		
		A) WITH A/C IN PARCEL RACK				
		B) INCLUDE ALLS ITEMS 200 TO 207				
		F) FOR DOOR REPALCEMENT USE 1 EACH: 980027 (BALL STUD) ,502638 (FL WASHER) & 502847(NUT)				
		V) THOSE COVERS ARE USE WITH VENTILATION AS SHOWN AT PAGE HF-2240-30				
		P) CALL ORDER DESK FOR SPECIFIC APPLICATION (V.I.N.)				

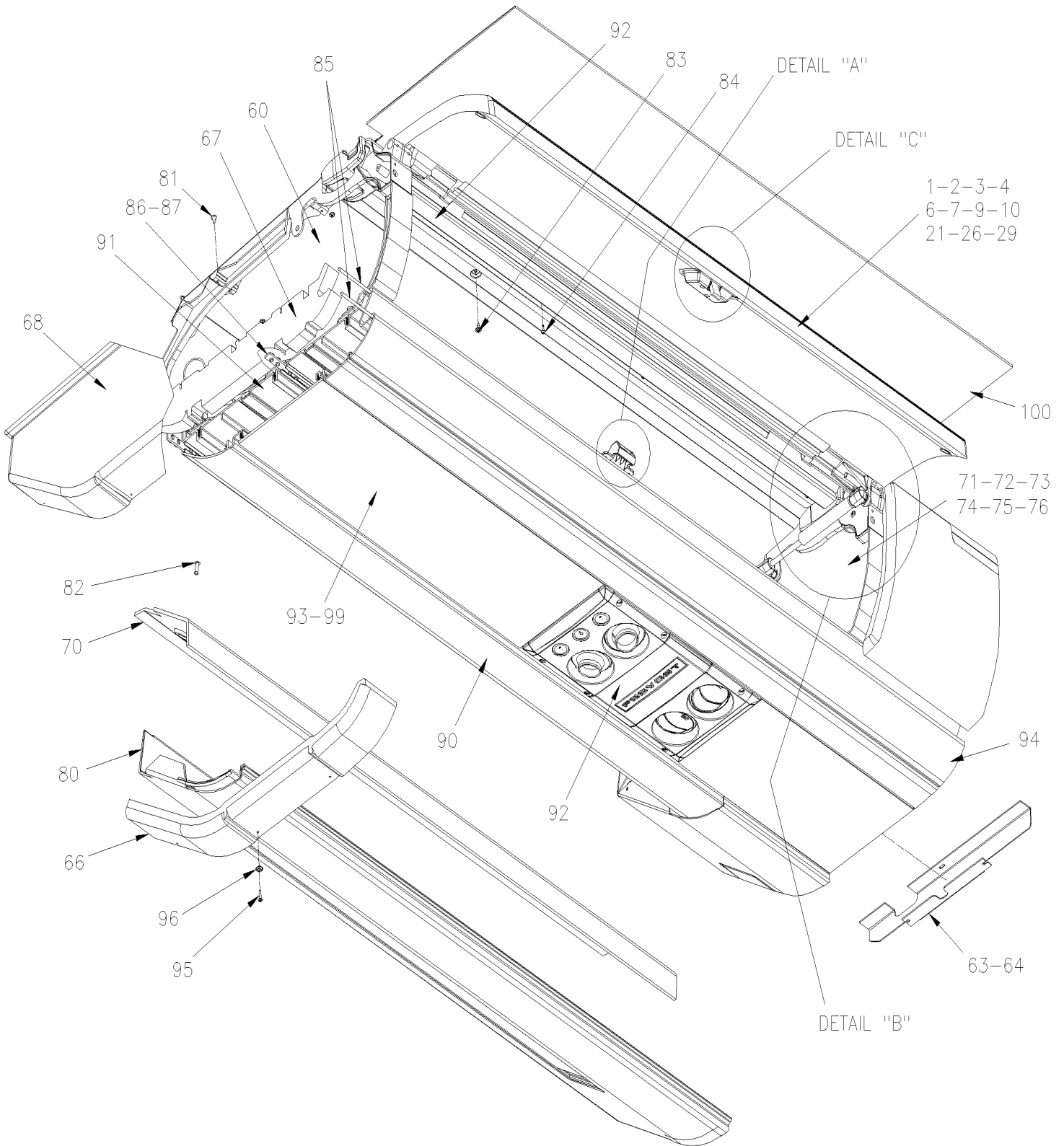


From 8-1136 To E-2584

Date:10/2022

PAGE:H7-1836-01

PARCEL RACK W/TAN FINISHING



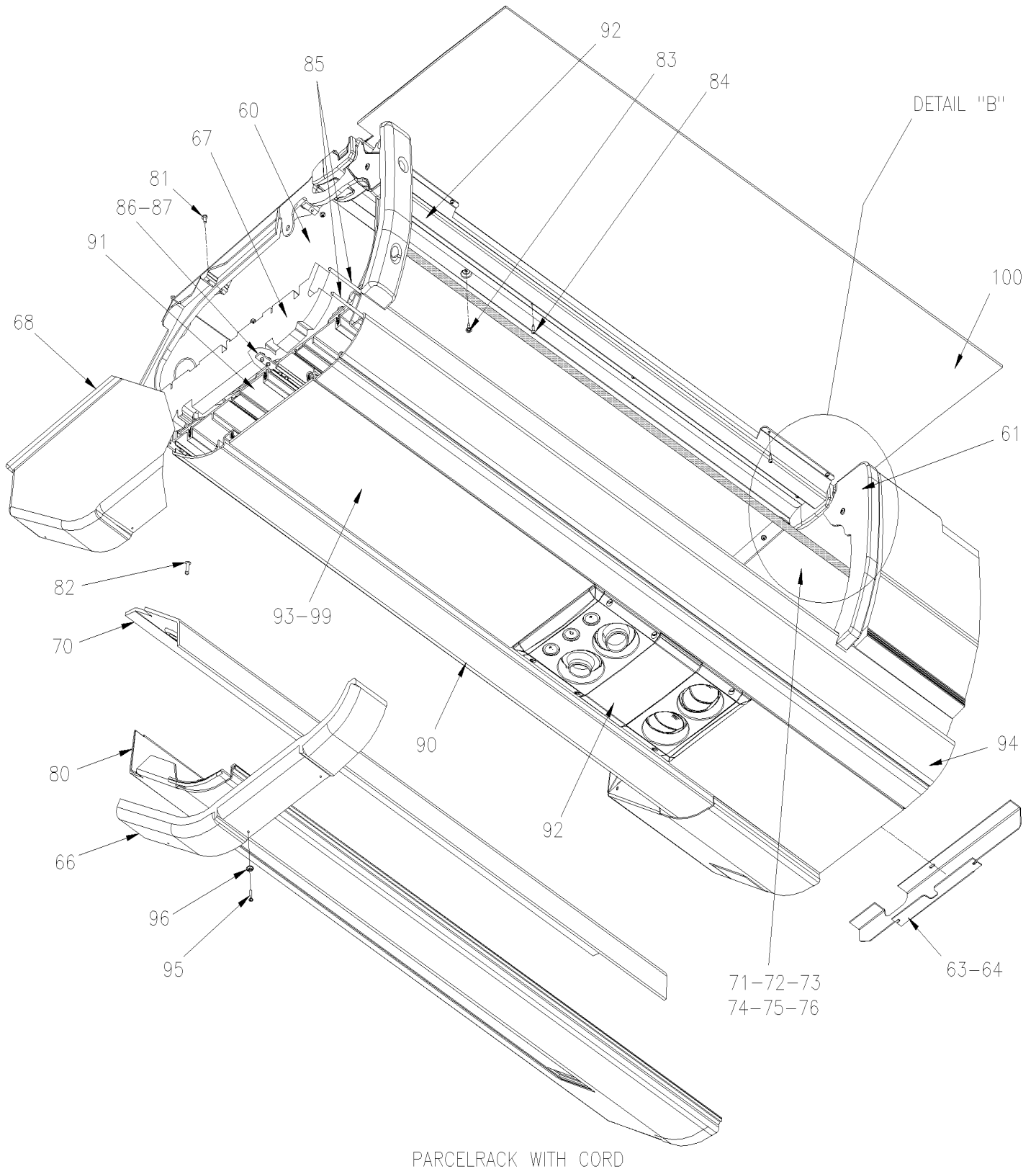
PARCEL RACK WITH DOOR

From 8-1136 To E-2584

Date:10/2022

PAGE:H7-1836-01

PARCEL RACK W/TAN FINISHING



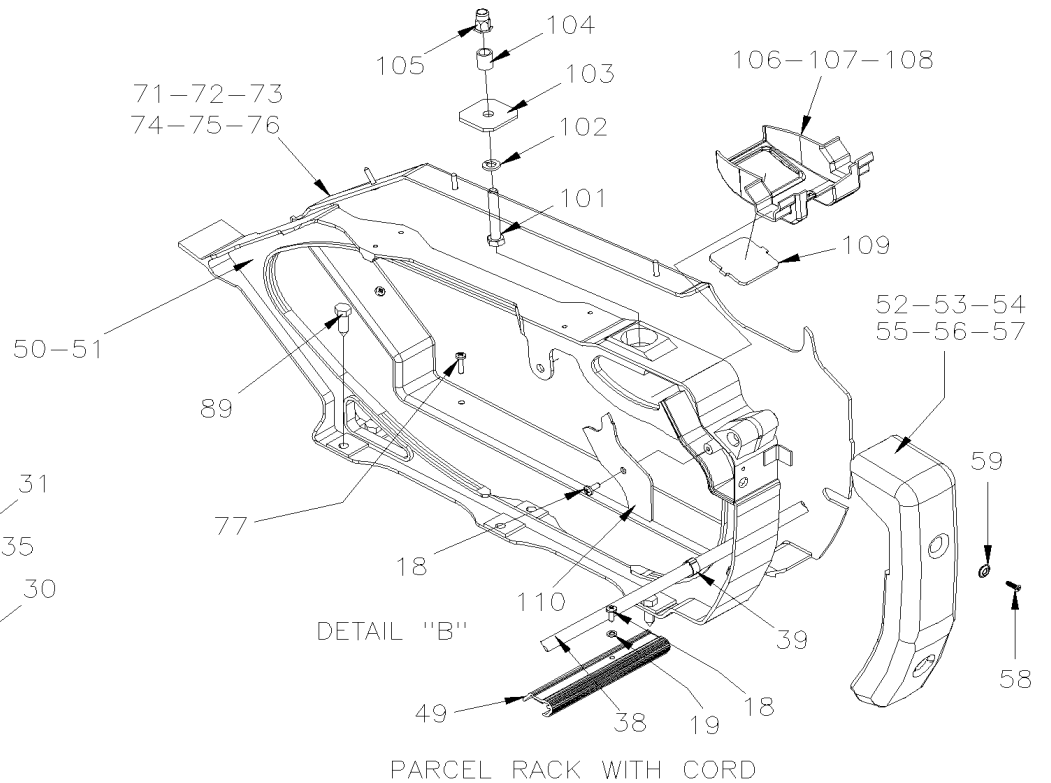
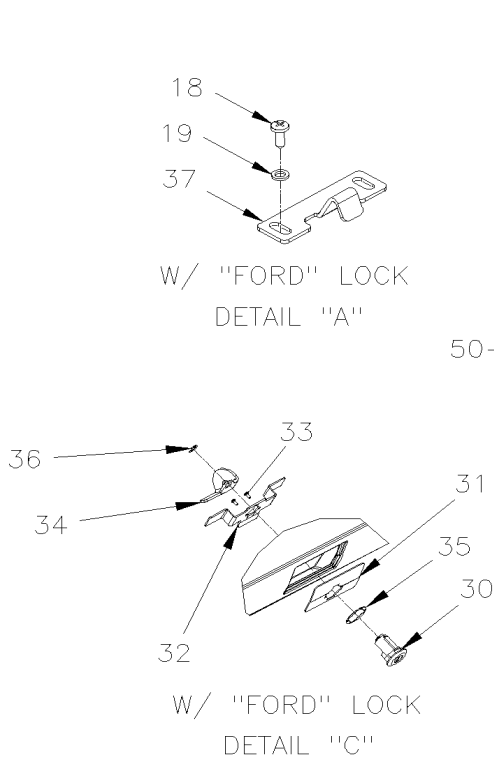
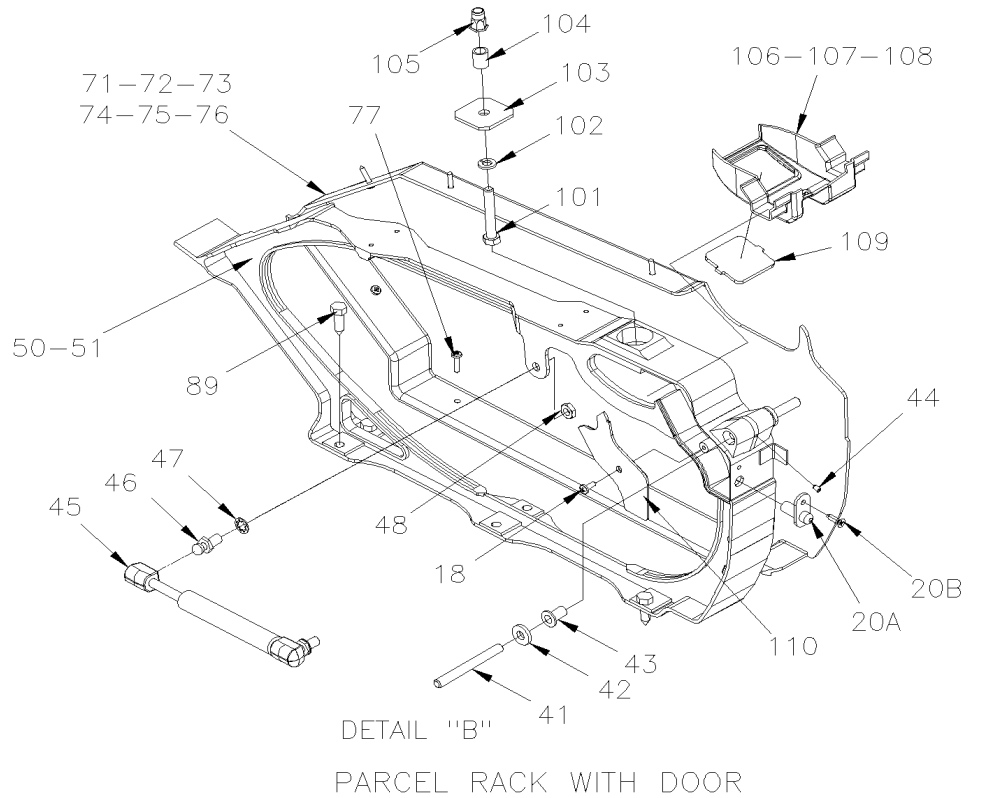
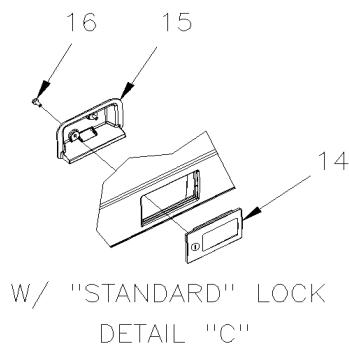
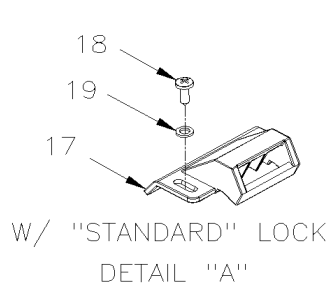


From 8-1136 To E-2584

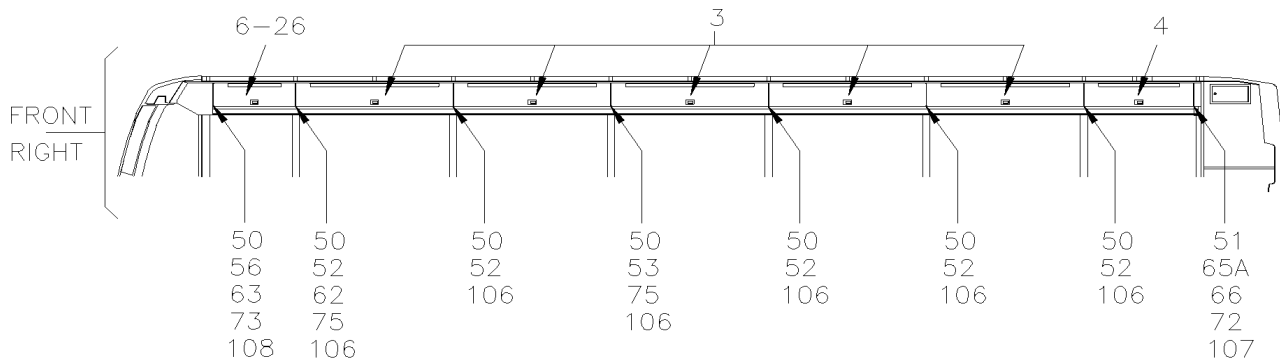
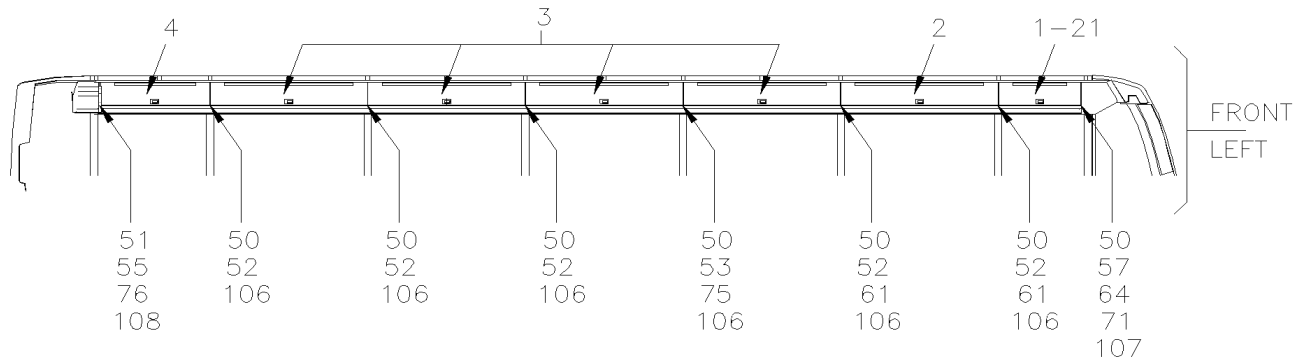
Date:10/2022

PAGE:H7-1836-01

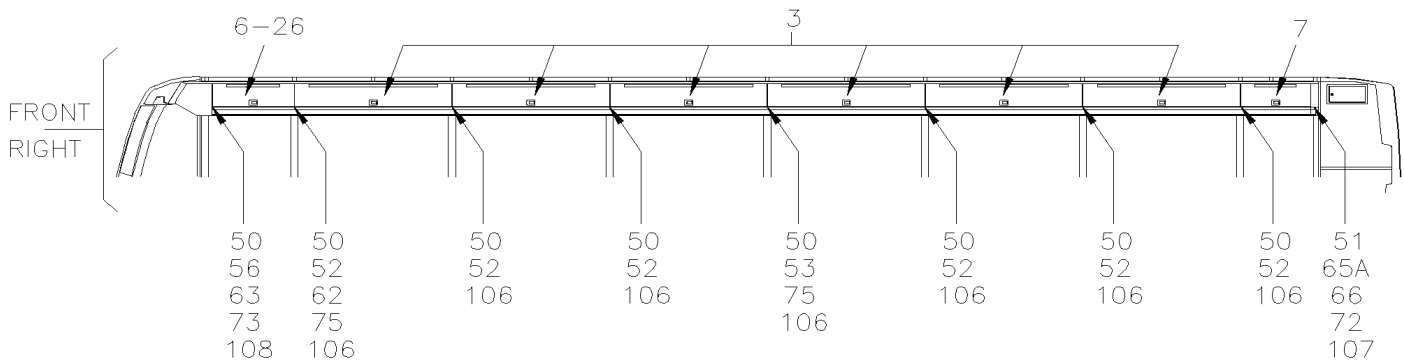
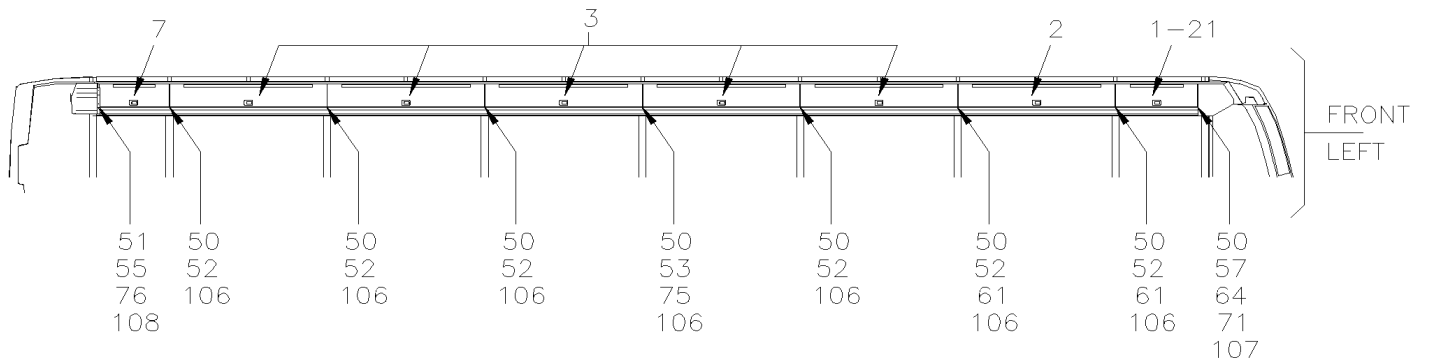
## PARCEL RACK W/TAN FINISHING



From 8-1136 To E-2584	Date:10/2022	PAGE:H7-1836-01
<b>PARCEL RACK W/TAN FINISHING</b>		



H3-41



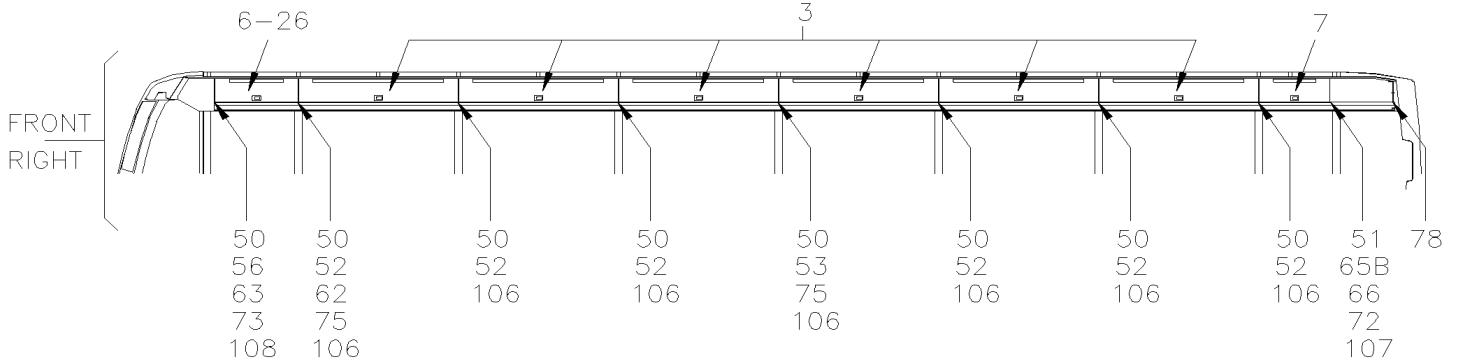
H3-45

From 8-1136 To E-2584

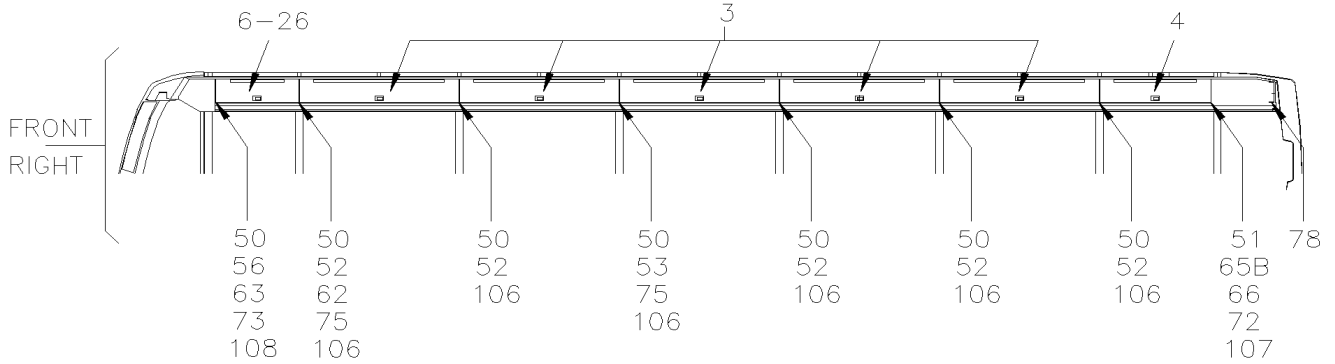
Date:10/2022

PAGE:H7-1836-01

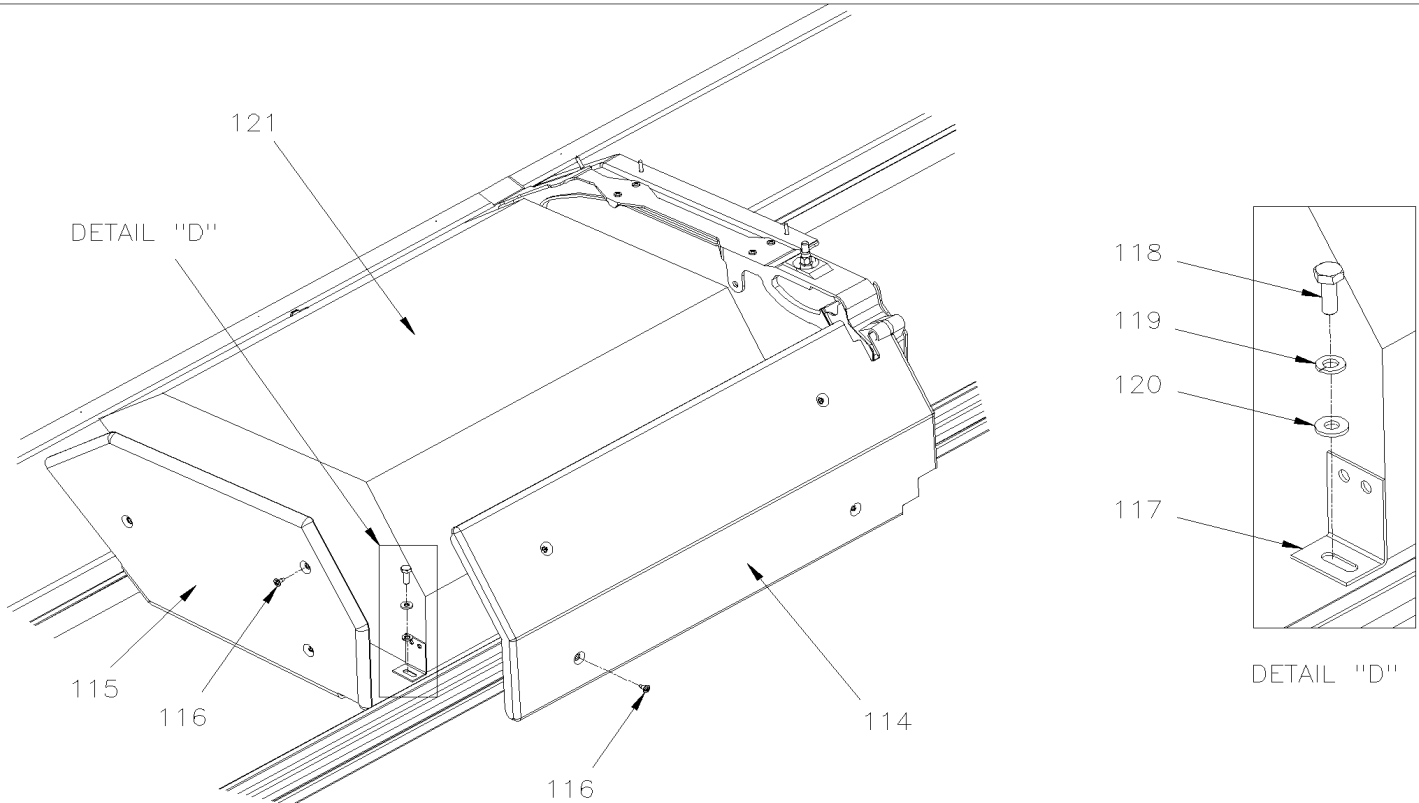
**PARCEL RACK W/TAN FINISHING**



H3-45 WITHOUT LAVATORY



H3-41 WITHOUT LAVATORY

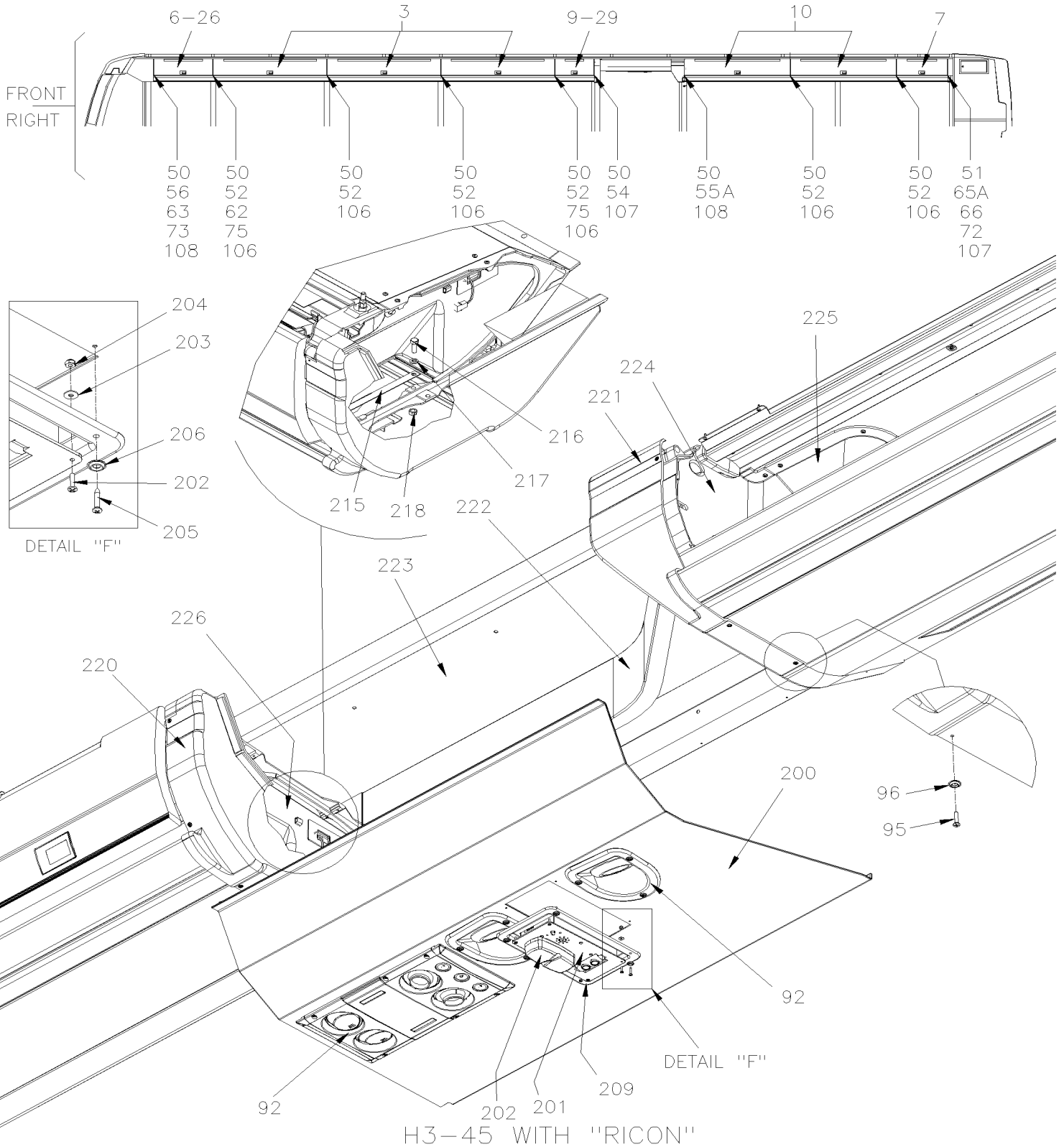


From 8-1136 To E-2584

Date:10/2022

PAGE:H7-1836-01

## PARCEL RACK W/TAN FINISHING

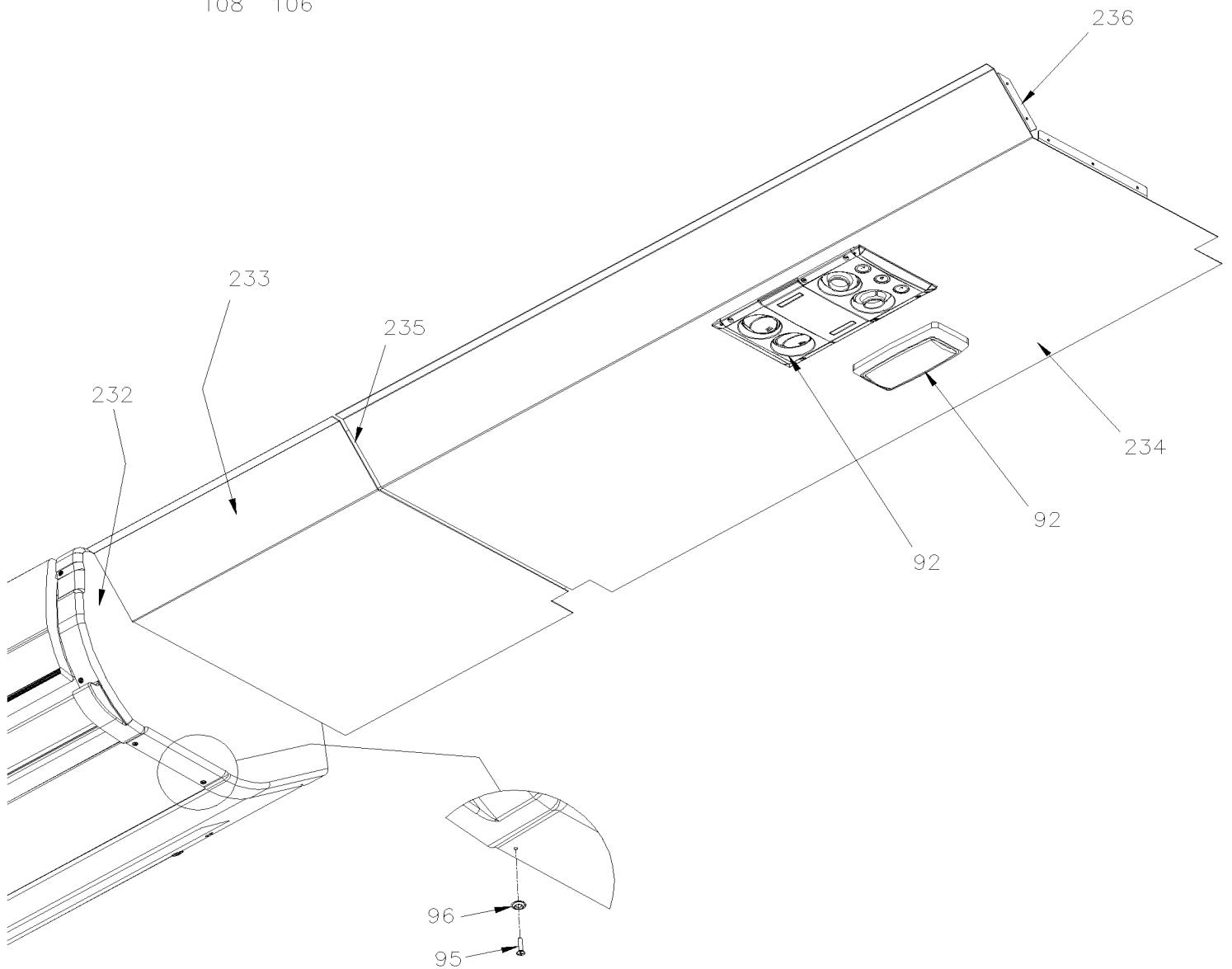
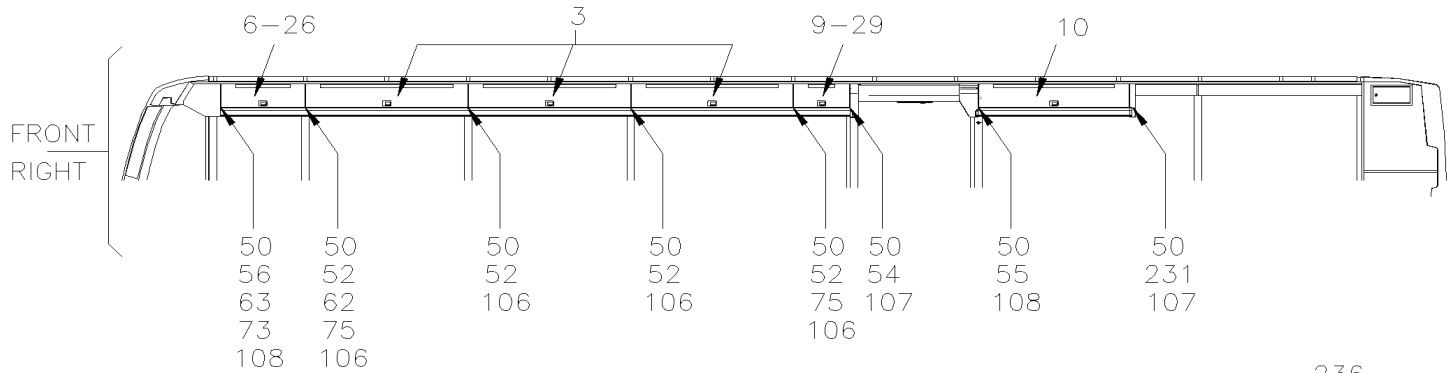


From 8-1136 To E-2584

Date:10/2022

PAGE:H7-1836-01

**PARCEL RACK W/TAN FINISHING**



H3-45 WITH "RICON" & "GALLEY"

<b>From 8-1136 To E-2584</b>	<b>Date:10/2022</b>	<b>PAGE:H7-1836-01</b>
<b>PARCEL RACK W/TAN FINISHING</b>		

Item#	Part	Description	H 3 4 1	H 3 4 5	V I P 4 5	N O T E S
1	313972	DOOR, PARCEL RACK / L.H. / W/LOCK / TAN / 860MM	1	1		
1	310491	DOOR, PARCEL RACK / L.H. / W/LOCK / TAN / 860MM	1	1		S
2	313971	DOOR, PARCEL RACK / W/LOCK / TAN / 1654MM	1	1		
2	310490	DOOR, PARCEL RACK / W/LOCK / TAN / 1654MM	1	1		S
3	313970	DOOR, PARCEL RACK / TAN / 1654MM	9			
3	310489	DOOR, PARCEL RACK / TAN / 1654MM	9			S
3	313970	DOOR, PARCEL RACK / TAN / 1654MM		11		
3	310489	DOOR, PARCEL RACK / TAN / 1654MM		11		S
4	313979	DOOR, PARCEL RACK / TAN / 1151MM	2			
4	310497	DOOR, PARCEL RACK / TAN / 1151MM	2			S
4	317073	DOOR, PARCEL RACK / TAN / 736MM		1		
4	310509	DOOR, PARCEL RACK / TAN / 736MM		1		F S
6	313974	DOOR, PARCEL RACK / R.H. / TAN / 860MM	1			
6	310493	DOOR, PARCEL RACK / R.H. / TAN / 860MM	1			S
6	313973	DOOR, PARCEL RACK / R.H. W/LOCK / TAN / 860MM	1			
6	310492	DOOR, PARCEL RACK / R.H. W/LOCK / TAN / 860MM	1			S
7	313969	DOOR, PARCEL RACK / TAN / 736MM		2		
7	310488	DOOR, PARCEL RACK / TAN / 736MM		2		S
9	313976	DOOR, PARCEL RACK / 568MM To A-1499		1		
9	310495	DOOR, PARCEL RACK / 568MM		1		S
9	314307	DOOR, PARCEL RACK / TAN / 568MM From A-1500		1		
9	310502	DOOR, PARCEL RACK / TAN / 568MM		1		S
9	314004	DOOR, PARCEL RACK / W/LOCK / TAN / 568MM		1		
9	310501	DOOR, PARCEL RACK / W/LOCK / TAN / 568MM		1		S
10	313977	DOOR, PARCEL RACK / TAN / 1541MM		2		
10	310496	DOOR, PARCEL RACK / TAN / 1541MM		2		S
NS	313678	RUBBER BUMPER	1	1	1	
14	810092	. HANDLE	1	1		
14	810093	. HANDLE W/LOCK	1	1		
. NS	810104	. . KEY (7216)	1	1		
15	314048	. COVER DOOR HANDLE PARCEL RACK NSS	1	1		
16	500557	. SCREW MA PAN PH #8-32x3/8 SS	2	2		
17	313997	CATCH TAN	AR	AR		
18	500638	SCREW TP PAN PH #8x1/2 Z050	AR	AR		
19	500470	WASHER LO SPT .193x.334x.047 Z050	AR	AR		
20A	561563	SWITCH / S.P.S.T. / N.C.	AR	AR		
20B	500896	SCREW TC FL PH #8-32x5/8 Z050	AR	AR		
21	316541	DOOR, PARCEL RACK / L.H. TO USE W/"FORD 860MM	1	1		
21	310506	DOOR, PARCEL RACK / L.H. TO USE W/"FORD 860MM	1	1		S
26	316542	DOOR, PARCEL RACK / R.H. TO USE W/"FORD / 860MM	1	1		
26	310507	DOOR, PARCEL RACK / R.H. TO USE W/"FORD / 860MM	1	1		S
29	316564	DOOR, PARCEL RACK / TO USE W/"FORD / 568MM		1		

From 8-1136 To E-2584	Date:10/2022	PAGE:H7-1836-01
<b>PARCEL RACK W/TAN FINISHING</b>		

Item#	Part	Description	H 3 4 1	H 3 4 5	V I P 4 5	N O T E S
29	310508	DOOR, PARCEL RACK / TO USE W/"FORD" / 568MM		1		S
30	<b>H7-1864-31</b>	<b>HANDLE LOCK &amp; KEYS - TYPE "NS" &amp; "FORD"</b>				
31	316170	PLATE FRONT FINISHING 85MM x 61.3MM	1	1		
32	316173	CYLINDER LOCK RETAINER HAT FORM	1	1		
33	5001053	SCREW MA PAN PH #4-40x1/4 ZP	2	2		
34	316174	PIVOT LOCK	1	1		
35	780237	SEAL RUBBER 1/32" TH To B-1808	1	1		
35	2800032	SEAL RUBBER 1/16" TH From B-1809	1	1		
36	504402	RING RETAINER / EXT .250 x .210 x .025"	1	1		
37	316188	CATCH / W/"FORD" CYLINDER KEY	1	1		
38	313863	CORD, RUBBER 308"	1			
. NS	506066	. CORD, RUBBER EXTRUSION NEO 7/16" O.D. / C.T.L.	AR			
38	313864	CORD, RUBBER 373"	1			
. NS	506066	. CORD, RUBBER EXTRUSION NEO 7/16" O.D. / C.T.L.	AR			
38	312660	CORD, RUBBER 400"	1			
. NS	506066	. CORD, RUBBER EXTRUSION NEO 7/16" O.D. / C.T.L.	AR			
38	312661	CORD, RUBBER 407"	1			
. NS	506066	. CORD, RUBBER EXTRUSION NEO 7/16" O.D. / C.T.L.	AR			
38	312659	CORD, RUBBER 359"		1		
. NS	506066	. CORD, RUBBER EXTRUSION NEO 7/16" O.D. / C.T.L.		AR		
38	312658	CORD, RUBBER 434"		1		
. NS	506066	. CORD, RUBBER EXTRUSION NEO 7/16" O.D. / C.T.L.		AR		
38	312654	CORD, RUBBER 456"		1		
. NS	506066	. CORD, RUBBER EXTRUSION NEO 7/16" O.D. / C.T.L.		AR		
38	312653	CORD, RUBBER 483"		1		
. NS	506066	. CORD, RUBBER EXTRUSION NEO 7/16" O.D. / C.T.L.		AR		
38	312423	CORD, RUBBER 230"		1		WCL
. NS	506066	. CORD, RUBBER EXTRUSION NEO 7/16" O.D. / C.T.L.		AR		WCL
38	312754	CORD, RUBBER 152"		1		WCL
. NS	506066	. CORD, RUBBER EXTRUSION NEO 7/16" O.D. / C.T.L.		AR		WCL
38	506066	. CORD, RUBBER EXTRUSION NEO 7/16" O.D. / C.T.L.	AR	AR		
39	504452	CLAMP "E-Z CLIP" / "TUBE-O" / 7/16" / HC9-7	AR	AR		
41	313677	PIVOT ROD 3"	AR	AR		
41	313676	PIVOT ROD 6"	AR	AR		
42	5001481	SPACER NYLON .323 I.D. X .750 O.D. X .125	AR	AR		
43	5001490	WASHER SHR .312 ID NYL	AR	AR		
44	500587	SCREW SET HEXS CUP M4-0.7x6	AR	AR		
45	980020	CYLINDER GAZ / 244/164MM C/C / 35LBS	12	12		
45	980021	CYLINDER GAZ / 244/164MM C/C / 20LBS	AR	AR		
46	980015	BALL STUD / W/10 MM X M8-1.25 / 29.18 MM	AR	AR		
46	980027	BALL STUD / W/10 MM X M8-1.25 / 36.5MM	1	1		
47	502509	WASHER LO INT 8.4x15.0x0.8 Z050	AR	AR		

<b>From 8-1136 To E-2584</b>	<b>Date:10/2022</b>	<b>PAGE:H7-1836-01</b>
<b>PARCEL RACK W/TAN FINISHING</b>		

Item#	Part	Description	H 3 4 1	H 3 4 5	V I P 4 5	N O T E S
47	502638	WASHER FL .312x.734x.065 N500	1	1		
48	980016	NUT, CYLINDER RETAINER	AR	AR		
48	502838	NUT HEX TWAY M8-1.25 N500	1	1		
49	314128	EDGE MOULDING SAND BEIGE 1600MM To A-1625	AR	AR		
49	314129	EDGE MOULDING SAND BEIGE 785MM To A-1625	AR	AR		
49	314200	EDGE MOULDING SAND BEIGE 1097MM To A-1625	AR			
49	314130	EDGE MOULDING SAND BEIGE 682MM To A-1625		AR		
49	314167	EDGE MOULDING SAND BEIGE 641MM To A-1625		AR		
49	314155	EDGE MOULDING SAND BEIGE 1487MM To A-1625		AR		WCL
50	314005	SUPPORT, PARCEL RACK TAN	14			
50	314005	SUPPORT, PARCEL RACK TAN		16		
51	314006	SUPPORT, PARCEL RACK TAN	2	2		
52	314149	PILAR COVERING	9			
52	314149	PILAR COVERING		11		
53	314150	PILAR COVERING	2	2		
54	313625	PILAR COVERING / FRONT W.C.L. DOOR To A-1499	1	1		
54	314306	PILAR COVERING / FRONT W.C.L. DOOR From A-1500	1	1		
55	314152	PILAR COVERING / BACKWARD END SECTION To D-2363		1		
55	314152	PILAR COVERING / BACKWARD END SECTION To D-2363		1		
55	316638	PILAR COVERING / BACKWARD END SECTION From D-2364		1		
55A	314152	PILAR COVERING / BACKWARD END SECTION		1		
55A	314152	PILAR COVERING / BACKWARD END SECTION		1		
56	314118	PILAR COVERING L.H.	1	1		
57	314126	PILAR COVERING R.H. To A-1499	1	1		
58	500661	SCREW TC FL PH #6-32x1/2 Z050	AR	AR		
59	500463	WASHER FN CKF .187x.500x.090 BR Z050	AR	AR		
60	314113	CEILING PANEL 867MM #1 R.H. To D-2264	1			
60	316600	CEILING PANEL 867MM #1 R.H. From D-2265	1			D
60	314108	CEILING PANEL 867MM #1 L.H. To D-2264	1			
60	316599	CEILING PANEL 867MM #1 L.H. From D-2265	1			D
60	314109	CEILING PANEL 1654MM #2,3,4,5 & 6 L.H. & R.H. To D-2264	10			
60	316598	CEILING PANEL 1654MM #2,3,4,5 & 6 L.H. & R.H. From D-2265 To E-2560	10			D
60	317039	CEILING PANEL 1654MM #2,3,4,5 & 6 L.H. & R.H. From E-2561	10			D
60	314127	CEILING PANEL 1179MM #7 L.H. To D-2264	1			
60	316606	CEILING PANEL 1179MM #7 L.H. From D-2265 To E-2560	1			D
60	317040	CEILING PANEL 1179MM #7 L.H. From E-2561	1			D
60	314137	CEILING PANEL 1179MM #7 R.H. To D-2264	1			
60	316607	CEILING PANEL 1179MM #7 R.H. From D-2265 To E-2560	1			D
60	317041	CEILING PANEL 1179MM #7 R.H. From E-2561	1			D
60	314113	CEILING PANEL 867MM #1 R.H. To D-2264		1		
60	316600	CEILING PANEL 867MM #1 R.H. From D-2265		1		D
60	314108	CEILING PANEL 867MM #1 L.H. To D-2264		1		



<b>From 8-1136 To E-2584</b>	<b>Date:10/2022</b>	<b>PAGE:H7-1836-01</b>
<b>PARCEL RACK W/TAN FINISHING</b>		

Item#	Part	Description	H 3 4 1	H 3 4 5	V I P 4 5	N O T E S
60	316599	CEILING PANEL 867MM #1 L.H. From D-2265		1		D
60	314109	CEILING PANEL 1654MM #2,3,4,5, 6 & 7 L.H. & R.H. To D-2264		12		
60	316598	CEILING PANEL 1654MM #2,3,4,5, 6 & 7 L.H. & R.H. From D-2265 To E-2560		12		D
60	317039	CEILING PANEL 1654MM #2,3,4,5, 6 & 7 L.H. & R.H. From E-2561		12		D
60	317079	CEILING PANEL 720MM #7 L.H.		1		D F
60	314147	CEILING PANEL / W/W.C.L. "RICON" 568MM #5 R.H. To D-2264		1		
60	316602	CEILING PANEL / W/W.C.L. "RICON" 568MM #5 R.H. From D-2265		1		D
60	314146	CEILING PANEL / W/W.C.L. "RICON" 1544MM #6 R.H. To C-1990		1		
60	316318	CEILING PANEL / W/W.C.L. "RICON" 1544MM #6 R.H. From C-1991 To D-2264		1		
60	316603	CEILING PANEL / W/W.C.L. "RICON" 1544MM #6 R.H. From D-2265 To E-2500		1		D
60	316608	CEILING PANEL / W/W.C.L. "RICON" 1544MM #6 R.H. From E-2501 To E-2560		1		D
60	317042	CEILING PANEL / W/W.C.L. "RICON" 1544MM #6 R.H. From E-2561		1		D
60	314142	CEILING PANEL / W/W.C.L. "RICON" 1544MM #7 R.H. To D-2264		1		
60	316604	CEILING PANEL / W/W.C.L. "RICON" 1544MM #7 R.H. From D-2265 To E-2560		1		
60	317043	CEILING PANEL / W/W.C.L. "RICON" 1544MM #7 R.H. From E-2561		1		
60	314112	CEILING PANEL 736MM #8 L.H. & R.H. To D-2264		2		
60	316597	CEILING PANEL 736MM #8 L.H. & R.H. From D-2265		2		D
NS	312243	INSULATING / TOP PANEL & STRUCTURE 1371.6MM	10			
60	312243	INSULATING / TOP PANEL & STRUCTURE 1371.6MM		12		
NS	506227	TAPE RUB ADH1 CC POL 1/16" x 3/4" x 100' / GREY 2520	AR	AR		
NS	506268	TAPE RUB ADH1 URE 3/8" x 1/2" x 25' / GREY 1820	AR	AR		
61	314117	FINISHING CAP L.H. / FRONT OF P.R. To E-2567	1	1		
61	316681	FINISHING CAP L.H. / FRONT OF P.R. From E-2568	1	1		
62	314019	FINISHING CAP R.H. / FRONT OF P.R. TAN	1	1		
63	312904	SUPPORT FRONT R.H. / "C" FORM 390MM	1	1		
64	312902	SUPPORT FRONT R.H. / "C" FORM 390MM	1	1		
65A	314116	FINISHING CAP R.H. / FRONT OF P.R. WITHOUT DOOR	1	1		
65A	313978	FINISHING CAP R.H. / FRONT OF P.R. WITH DOOR TAN	1	1		
65B	314019	FINISHING CAP R.H. / FRONT OF P.R. TAN	1	1		L
66	313980	FINISHING CAP R.H. / UNDER OF P.R. TAN	1	1		
67	313000	COVER END CLOSING To D-2363	2	2		
67	319161	COVER END CLOSING From D-2364	2	2		
68	329539	CLOSING COVER L.H. BACKWARD PACEL RACK TAN	1	1		
68	317078	CLOSING COVER L.H. BACKWARD PARCEL RACK		1		F
68	500626	SCREW TP OV PH #8x3/4 Z050	5	5		
68	500464	WASHER FN CKF .210x.540 SS	5	5	5	
NS	312922	ANGLE / TO FIX FINISHING CAP	2	2		
NS	506318	TAPE DUAL LOCK 1" x 150' / BLACK SJ3541	AR	AR		
70	312553P	PANEL, INTERIOR ASSY 868 MM #1 RH & LH	2			
70	312456P	PANEL, INSIDE 1657MM #2,3,5,6 LH & #2,4,5,6 RH To D-2264	8			
70	Call order desk	PANEL, INTERIOR ASSY 1657 MM #2,3,5,6 LH & #2,4,5,6 RH From D-2265	8			P

<b>From 8-1136 To E-2584</b>	<b>Date:10/2022</b>	<b>PAGE:H7-1836-01</b>
<b>PARCEL RACK W/TAN FINISHING</b>		

Item#	Part	Description	H 3 4 1	H 3 4 5	V I P 4 5	N O T E S
70	Call order desk	PANEL, INSIDE 1657MM #4 LH & #3 RH To D-2264	1			P C
70	Call order desk	PANEL, INSIDE 1657MM #4 LH & #3 RH From D-2265	1			P C D
70	Call order desk	PANEL, INSIDE 1657MM #4 LH & #3 RH To D-2264	1			P A
70	Call order desk	PANEL, INSIDE 1657MM #4 LH & #3 RH From D-2265	1			P A D
70	Call order desk	PANEL, INSIDE 1205.5MM #7 RH To D-2264	1			P
70	Call order desk	PANEL, INSIDE 1205.5MM #7 RH From D-2265 To E-2567	1			P D
70	Call order desk	PANEL, INSIDE 1205.5MM #7 RH From E-2568	1			P D
70	Call order desk	PANEL, INSIDE 1181.5MM #7 LH To D-2264	1			P
70	Call order desk	PANEL, INSIDE 1181.5MM #7 LH From D-2265	1			P D
70	Call order desk	PANEL, INSIDE 745MM #7 LH		1		P F
70	312553P	PANEL, INTERIOR ASSY 868 MM #1 RH & LH		1		
70	312456P	PANEL, INSIDE 1657MM #2,3,4,6,7 LH & #2,3,5,6,7 RH To D-2264		10		
70	Call order desk	PANEL, INTERIOR ASSY 1657 MM #2,3,4,6,7 LH & #2,3,5,6,7 RH From D-2265		10		P
70	Call order desk	PANEL, INSIDE 1657MM #5 LH & #4 RH To D-2264		1		P C
70	Call order desk	PANEL, INSIDE 1657MM #5 LH & #4 RH From D-2265		1		P C D
70	Call order desk	PANEL, INSIDE 1657MM #5 LH & #4 RH To D-2264		1		P A
70	Call order desk	PANEL, INSIDE 1657MM #5 LH & #4 RH From D-2265		1		P A D
70	312558P	PANEL, INSIDE / W/W.C.L. "RICON" 597MM #5 RH		1		
70	Call order desk	PANEL, INSIDE / W/W.C.L. "RICON" 1544MM #6 & #7 RH To D-2264		1		P
70	Call order desk	PANEL, INSIDE / W/W.C.L. "RICON" 1544MM #6 & #7 RH From D-2265		1		P D
70	Call order desk	PANEL, INSIDE 791MM #8 RH To E-2567		1		P
70	Call order desk	PANEL, INSIDE 791MM #8 RH From E-2568	1	1	1	P
70	312641P	PANEL, INSIDE 766MM #8 LH To D-2264		1		
70	Call order desk	PANEL, INSIDE 766MM #8 LH From D-2265		1		P D
70	Call order desk	PANEL, INSIDE / W/W.C.L. "ST&ST" OR GALLEY 1594MM #6 RH To D-2264		1		P G
70	Call order desk	PANEL, INSIDE / W/W.C.L. & GALLEY 1594MM #6 RH From D-2265		1		P D G
NS	810034	. CARPET OZITE / S.L. 12 FT WIDE	AR	AR		
71	313986	COVER L.H. ASSY / W/LIGHT & VENT HOLE To D-2264	1	1		
. NS	313985	. COVER L.H. / W/VENT HOLE To D-2264	1	1		
71	317005	COVER L.H. ASSY / W/LIGHT & VENT HOLE From D-2265 To E-2567	1	1		D
. NS	317015	. COVER, PARCEL RACK, VENTILATED From D-2265 To E-2567	1	1		D
. NS	565889	. LAMP LED From D-2265 To E-2567	1	1		D
71	316651	COVER L.H. ASSY / W/LIGHT & VENT HOLE From E-2568	1	1		D
. NS	316650	. COVER, PARCEL RACK, VENTILATED From E-2568	1	1		D
. NS	565889	. LAMP LED From E-2568	1	1		D
. NS	504448	. CABLE CLIP ¼" / ADHESIVE From E-2568	2	2		D
. NS	502752	. SCREW TP RND PH #4x3/4 ZP From E-2568	2	2		D
71	067055	DECAL / POWER VIDEO COMPONENTS To A-1492	1	1		
71	067781	DECAL / POWER VIDEO COMPONENTS From A-1493 To A-1604	1	1		
71	068005	DECAL / POWER VIDEO COMPONENTS From A-1605 To A-1605	1	1		
71	068149	DECAL / POWER VIDEO COMPONENTS From A-1606 To D-2363	1	1		
71	068757	DECAL / POWER VIDEO COMPONENTS From D-2364	1	1		

<b>From 8-1136 To E-2584</b>	<b>Date:10/2022</b>	<b>PAGE:H7-1836-01</b>
<b>PARCEL RACK W/TAN FINISHING</b>		

Item#	Part	Description	H 3 4 1	H 3 4 5	V I P 4 5	N O T E S
72	314239	COVER R.H. ASSY W/CORD To E-2567	1	1		
72	316655	COVER R.H. ASSY W/CORD From E-2568	1	1		
72	314122	COVER R.H. / PLAIN OFFSET W/CORD & FAN VENT, SAND BEIGE To E-2567		1		V
72	316654	COVER R.H. / PLAIN OFFSET W/CORD & FAN VENT, SAND BEIGE From E-2568		1		V
72	314240	COVER R.H. ASSY / W/LIGHT OFFSET To D-2264	1	1		
. NS	314241	. COVER R.H. / W/LIGHT HOLE OFFSET To D-2264	1	1		
72	317010	COVER R.H. ASSY / W/LIGHT OFFSET From D-2265 To E-2567	1	1		D
. NS	317020	. COVER, REAR RIGHT From D-2265 To E-2567	1	1		D
. NS	565889	. LAMP LED From D-2265 To E-2567	1	1		D
72	316640	COVER R.H. ASSY / W/LIGHT OFFSET TAN From E-2568	1	1		D
. NS	316639	. COVER, REAR RIGHT From E-2568	1	1		D
. NS	565889	. LAMP LED From E-2568	1	1		D
72	313993	COVER R.H. ASSY / W/LIGHT OFFSET & FAN VENT SAND BEIGE To D-2264		1		V
. NS	313994	. COVER R.H. To D-2264		1		V
72	317007	COVER R.H. ASSY / W/LIGHT OFFSET & FAN VENT SAND BEIGE From D-2265 To E-2567		1		D V
. NS	317017	. COVER, REAR RIGHT From D-2265 To E-2567		1		D V
. NS	565889	. LAMP LED From D-2265 To E-2567		1		D V
72	316653	COVER R.H. ASSY / W/LIGHT OFFSET & FAN VENT SAND BEIGE From E-2568		1		D V
. NS	316652	. COVER, REAR RIGHT From E-2568		1		D V
. NS	565889	. LAMP LED From E-2568		1		D V
73	313995	COVER R.H. ASSY / W/LIGHT To D-2264	1	1		
. NS	313996	. COVER L.H. To D-2264	1	1		
73	317008	COVER R.H. ASSY / W/LIGHT From D-2265 To E-2567	1	1		D
. NS	317018	. COVER From D-2265 To E-2567	1	1		D
. NS	565889	. LAMP LED From D-2265 To E-2567	1	1		D
. NS	502752	. SCREW TP RND PH #4x3/4 ZP From D-2265 To E-2567	2	2		D
73	316657	COVER R.H. ASSY / W/LIGHT From E-2568	1	1		D
. NS	316656	. COVER From E-2568	1	1		D
. NS	565889	. LAMP LED From E-2568	1	1		D
. NS	502752	. SCREW TP RND PH #4x3/4 ZP From E-2568	2	2		D
73	314120	COVER / PLAIN / W/CORD To E-2567	3	3		
73	316644	COVER / PLAIN / W/CORD From E-2568	3	3		
74	314119	COVER L.H. / PLAIN / W/CORD To E-2567	1	1		
74	313987	COVER R.H. / PLAIN To E-2567	1	1		
74	316643	COVER / PLAIN / W/CORD TAN / NO LIGHT From E-2568	1	1		
74	316442	COVER / PLAIN / PLAIN From B-1788 To B-1788	1	1		
75	313988	COVER / PLAIN To E-2567	1	1		
75	314120	COVER / PLAIN / W/CORD To E-2567	1	1		
75	316644	COVER / PLAIN / W/CORD From E-2568	1	1		
76	314121	COVER L.H. / PLAIN OFFSET W/CORD To D-2363	1	1		
76	316678	COVER L.H. / PLAIN OFFSET W/CORD W/DECAL From D-2364 To E-2567	1	1		
. NS	316632	. COVER L.H. / PLAIN OFFSET W/CORD From D-2364 To E-2567	1	1		

<b>From 8-1136 To E-2584</b>	<b>Date:10/2022</b>	<b>PAGE:H7-1836-01</b>
<b>PARCEL RACK W/TAN FINISHING</b>		

Item#	Part	Description	H 3 4 1	H 3 4 5	V I P 4 5	N O T E S
. NS	068749	. DECAL "IOB" From D-2364 To E-2567	1	1		
76	316686	COVER L.H. / PLAIN OFFSET W/CORD W/DECAL From E-2568	1	1		
. NS	316646	. COVER L.H. / PLAIN OFFSET W/CORD From E-2568	1	1		
. NS	069194	. DECAL "IOB" From E-2568	1	1		
76	313989	COVER L.H. ASSY / W/LIGHT OFFSET To D-2264	1	1		
. NS	313990	. COVER L.H. To D-2264	1	1		
76	317006	COVER L.H. ASSY / W/LIGHT OFFSET From D-2265 To D-2363	1	1		D
. NS	317016	. COVER, REAR LEFT From D-2265 To D-2363	1	1		D
. NS	565889	. LAMP LED From D-2265 To D-2363	1	1		D
76	316635	COVER L.H. ASSY / W/LIGHT OFFSET From D-2364 To E-2568	1	1		D
. NS	317016	. COVER, REAR LEFT From D-2364 To E-2568	1	1		D
. NS	565889	. LAMP LED From D-2364 To E-2568	1	1		D
76	316649	COVER L.H. ASSY / W/LIGHT OFFSET From E-2568	1	1		D
. NS	316648	. COVER, REAR LEFT From E-2568	1	1		D
77	500641	SCREW TP PAN PH #8x3/4 Z050	AR	AR		
78	314161	SUPPORT REAR R.H. W/OUT LAVATORY W/CORD	1	1		
80	314103P	PANEL ASSY 868MM #1 RH & LH	1			
80	Call order desk	PANEL ASSY 1657MM #2,3,5,6 LH & #2,4,5,6 RH To D-2264	8			P
80	Call order desk	PANEL ASSY 1657MM #2,3,5,6 LH & #2,4,5,6 RH From D-2265	8			P D
80	Call order desk	PANEL ASSY 1657MM #4 LH & #3 RH To D-2264	2			P C
80	Call order desk	PANEL ASSY 1657MM #4 LH & #3 RH From D-2265	2			P C D
80	Call order desk	PANEL ASSY 1657MM #4 LH & #3 RH To D-2264	2			P A
80	Call order desk	PANEL ASSY 1657MM #4 LH & #3 RH From D-2265	2			P A D
80	Call order desk	PANEL ASSY 1205.5MM #7 RH To D-2264	1			P
80	Call order desk	PANEL ASSY 1205.5MM #7 RH From D-2265	1			P D
80	Call order desk	PANEL ASSY / W/OUT LAVATORY 1831MM #7 RH	1			P L
80	Call order desk	PANEL ASSY 1205.5MM #7 LH To D-2264	1			P
80	Call order desk	PANEL ASSY 1205.5MM #7 LH From D-2265	1			P D
80	314103P	PANEL ASSY 868MM #1 RH & LH		1		
80	Call order desk	PANEL ASSY 1657MM #2,3,4,6,7 LH & #2,3,5,6,7 RH To D-2264		10		P
80	Call order desk	PANEL ASSY 1657MM #2,3,4,6,7 LH & #2,3,5,6,7 RH From D-2265		10		P D
80	Call order desk	PANEL ASSY 1657MM #5 LH & #4 RH To D-2264		2		P C
80	Call order desk	PANEL ASSY 1657MM #5 LH & #4 RH From D-2265		2		P C D
80	Call order desk	PANEL ASSY 1657MM #5 LH & #4 RH To D-2264		2		P A
80	Call order desk	PANEL ASSY 1657MM #5 LH & #4 RH From D-2265		2		P A D
80	Call order desk	PANEL ASSY / W/W.C.L. "RICON" 603MM #5 RH		1		P C
80	Call order desk	PANEL ASSY / W/W.C.L. "RICON" 603MM #5 RH		1		P A
80	Call order desk	PANEL ASSY / W/W.C.L. "RICON" 1578MM #6 RH To D-2264		1		P
80	Call order desk	PANEL ASSY / W/W.C.L. "RICON" 1578MM #6 RH From D-2265		1		P D
80	Call order desk	PANEL ASSY / WITH GALLEY 1603MM #6 RH To D-2264				P G
80	Call order desk	PANEL ASSY / WITH GALLEY 1603MM #6 RH From D-2265		1		P D G
80	Call order desk	PANEL ASSY / W/W.C.L. "RICON" 2345MM #7 RH To D-2264		1		P

<b>From 8-1136 To E-2584</b>	<b>Date:10/2022</b>	<b>PAGE:H7-1836-01</b>
<b>PARCEL RACK W/TAN FINISHING</b>		

Item#	Part	Description	H 3 4 1	H 3 4 5	V I P 4 5	N O T E S
80	Call order desk	PANEL ASSY / W/W.C.L. "RICON" 2345MM #7 RH From D-2265		1		P D
80	Call order desk	PANEL ASSY 796MM #8 RH		1		P
80	Call order desk	PANEL ASSY 770.5MM #8 LH To D-2264		1		P
80	Call order desk	PANEL ASSY 770.5MM #8 LH From D-2265		1		P D
80	Call order desk	PANEL ASSY / W/OUT LAVATORY 1418MM #9 LH		1		P L
80	Call order desk	PANEL ASSY 747MM #7 LH		1		P F
80	504536	. CABLE CLIP 1/2" / ADHESIVE	AR	AR	AR	
80	683660	. TAPE RUB ADH1 VHB 1/2" x .120" x 107'	AR	AR	AR	
NS	313469	INSULATION	1	1		
81	500582	SCREW TP PAN PH #8x3/8 Z050	AR	AR		
82	504118	RIVET POP DOME OE 3/16x3/8 AL	AR	AR		
82	504108	RIVET POP DOME OE 1/8x1/2 AL	AR	AR		
82	500618	SCREW TP FL PH #10x1 Z050		AR		
83	5001440	SCREW TP RND PH WSHR HD #8x1/2	14	14		
84	500583	SCREW TP PAN PH #6x1/2 Z050	1	1		
84	508423	NUT SPR U #6 .025 - .064	1	1		
85	311250	ROD / TO JOINT HAND RAIL EXTRUSION	AR	AR		
86	312511	PLATE, JUNCTION / EXTRUSION RETAINER	4	4		
87	504114	RIVET POP DOME OE 3/16x1/4 AL	AR	AR		
88	810087	CARPET (OZITE) SELF ADHESIVE	AR	AR		
89	502513	SCREW TP CAP HEX 5/16x1 Z050	AR			
90	312528	EXTRUSION, REAR, ALUMINIUM 5850MM / S.C.C	2			
90	312540	EXTRUSION, REAR, ALUMINIUM 4527MM / S.C.C	1			
90	313902	EXTRUSION, REAR, ALUMINIUM 4503MM / S.C.C	1			
90	313124	EXTRUSION, REAR, ALUMINIUM 5148MM / S.C.C	1			L
90	312528	EXTRUSION, REAR, ALUMINIUM 5850MM / S.C.C		2		
90	312530	EXTRUSION, REAR, ALUMINIUM 5773MM / S.C.C		1		
90	313776	EXTRUSION, REAR, ALUMINIUM 5748MM / S.C.C		1		
90	313121	EXTRUSION, REAR, ALUMINIUM 6395MM / S.C.C		1		L
90	312535	EXTRUSION, REAR, ALUMINIUM 6450MM / S.C.C		1		WCL
90	312536	EXTRUSION, REAR, ALUMINIUM 3913MM / S.C.C		1		WCL
90	316002	EXTRUSION, REAR, ALUMINIUM 1597MM / S.C.C		1		G
90	317070	EXTRUSION, REAR, ALUMINIUM 747MM / S.C.C		1		F
90	317071	EXTRUSION, REAR, ALUMINIUM 4067MM / S.C.C		1		F
90	317072	EXTRUSION, REAR, ALUMINIUM 4067MM / S.C.C		1		F
NS	504453	GROMMET / 1.500x1.750x.250x.625x2.125	2	2		
NS	504666	GROMMET / 1.000x1.375x.250x.625x1.750	1	1		
NS	504460	GROMMET / 1.500x1.750x.062x.437x2.125	2			
NS	504567	GROMMET / .687x1.000x.250x.562x1.312		2		
NS	504622	GROMMET / 1.500x1.750x.062x.437x2.125	1	1	1	
91	312525	EXTRUSION, ALUMINIUM 5850MM / S.C.C	2			
91	312537	EXTRUSION, ALUMINIUM 4527MM / S.C.C	1			

From 8-1136 To E-2584	Date:10/2022	PAGE:H7-1836-01
<b>PARCEL RACK W/TAN FINISHING</b>		

Item#	Part	Description	H 3 4 1	H 3 4 5	V I P 4 5	N O T E S
91	313903	EXTRUSION, ALUMINIUM 4503MM / S.C.C	1			
91	312538	EXTRUSION, ALUMINIUM 5148MM / S.C.C	1			L
91	312525	EXTRUSION, ALUMINIUM 5850MM / S.C.C		2		
91	312526	EXTRUSION, ALUMINIUM 5773MM / S.C.C		1		
91	313777	EXTRUSION, ALUMINIUM 5748MM / S.C.C		1		
91	312527	EXTRUSION, ALUMINIUM 6395MM / S.C.C		1		L
91	313582	EXTRUSION, ALUMINIUM 6450MM / S.C.C		1		WCL
91	316119	EXTRUSION, ALUMINIUM 3600MM / S.C.C		1		WCL
91	316001	EXTRUSION, ALUMINIUM 1597MM / S.C.C		1		G
92	<b>H7-0655-00</b>	<b>INTERIOR LIGHTING To D-2264</b>				
92	<b>H7-0655-01</b>	<b>INTERIOR LIGHTING LED From D-2265</b>				D
93	312971P	PANEL 51MM	1	1		
93	Call order desk	PANEL 73MM	1	1		P
93	Call order desk	PANEL 80MM	1	1		P
93	313682P	PANEL 100MM	1	1		
93	Call order desk	PANEL 114MM	1	1		P
93	Call order desk	PANEL 149MM	1	1		P
93	Call order desk	PANEL 158MM	1	1		P
93	Call order desk	PANEL 166MM	1	1		P
93	Call order desk	PANEL 174MM	1	1		P
93	Call order desk	PANEL 181MM	1	1		P
93	315913P	PANEL 184MM	1	1		
93	313330P	PANEL 193MM	1	1		
93	Call order desk	PANEL 203MM	1	1		P
93	Call order desk	PANEL 213MM	1	1		P
93	313883P	PANEL 219MM	1	1		
93	315940P	PANEL 226MM	1	1		
93	Call order desk	PANEL 231MM	1	1		P
93	313334P	PANEL 235MM	1	1		
93	Call order desk	PANEL 243MM	1	1		P
93	312736P	PANEL 248MM	1	1		
93	313077P	PANEL 253MM	1	1		
93	Call order desk	PANEL 256MM	1	1		P
93	Call order desk	PANEL 264MM	1	1		P
93	312760P	PANEL 269MM	1	1		
93	312721P	PANEL 279MM	1	1		
93	315923P	PANEL 289MM	1	1		
93	Call order desk	PANEL 292MM	1	1		P
93	312734P	PANEL 299 MM	1	1		
93	316018P	PANEL 304MM	1	1		

From 8-1136 To E-2584	Date:10/2022	PAGE:H7-1836-01
<b>PARCEL RACK W/TAN FINISHING</b>		

Item#	Part	Description	H 3 4 1	H 3 4 5	V I P 4 5	N O T E S
93	312762P	PANEL 310MM	1	1		
93	312761P	PANEL 315MM	1	1		
93	312764P	PANEL 325MM	1	1		
93	313075P	PANEL 335MM	1	1		
93	312724P	PANEL 343MM	1	1		
93	Call order desk	PANEL 352MM	1	1		P
93	312729P	PANEL 356MM	1	1		
93	Call order desk	PANEL 361MM	1	1		P
93	Call order desk	PANEL 366MM	1	1		P
93	Call order desk	PANEL 370MM	1	1		P
93	312839P	PANEL 375MM	1	1		
93	313328P	PANEL 388MM	1	1		
93	Call order desk	PANEL 391MM	1	1		P
93	Call order desk	PANEL 396MM	1	1		P
93	312735P	PANEL 402MM	1	1		
93	312751P	PANEL 408MM	1	1		
93	313333P	PANEL 415MM	1	1		
93	312749P	PANEL 421MM	1	1		
93	312720P	PANEL 427MM	1	1		
93	312774P	PANEL 431MM	1	1		
93	312946P	PANEL 437MM	1	1		
93	310617P	PANEL 440MM	1	1		
93	312733P	PANEL 447MM	1	1		
93	312747P	PANEL 454MM	1	1		
93	312767P	PANEL 457MM	1	1		
93	312975P	PANEL 465MM	1	1		
93	312745P	PANEL 472MM	1	1		
93	312835P	PANEL 475MM	1	1		
93	312730P	PANEL 478MM	1	1		
93	312752P	PANEL 484MM	1	1		
93	313076P	PANEL 490MM	1	1		
93	312771P	PANEL 495MM	1	1		
93	312728P	PANEL 500MM	1	1		
93	312725P	PANEL 510MM	1	1		
93	Call order desk	PANEL 516MM	1	1		P
93	312723P	PANEL 525MM	1	1		
93	Call order desk	PANEL 529MM	1	1		P
93	312741P	PANEL 538MM	1	1		
93	312737P	PANEL 542MM	1	1		
93	312739P	PANEL 550MM	1	1		
93	Call order desk	PANEL 553MM	1	1		P
93	313335P	PANEL 559MM	1	1		

From 8-1136 To E-2584	Date:10/2022	PAGE:H7-1836-01
<b>PARCEL RACK W/TAN FINISHING</b>		

Item#	Part	Description	H 3 4 1	H 3 4 5	V I P 4 5	N O T E S
93	Call order desk	PANEL 560MM	1	1		P
93	313125P	PANEL 565MM	1	1		
93	315952P	PANEL 570MM	1	1		
93	312756P	PANEL 575MM	1	1		
93	315884P	PANEL 582MM	1	1		
93	312766P	PANEL 590MM	1	1		
93	312757P	PANEL 598MM	1	1		
93	315945P	PANEL 601MM	1	1		
93	312722P	PANEL 605MM	1	1		
93	313414P	PANEL 615MM	1	1		
93	Call order desk	PANEL 625MM	1	1		P
93	Call order desk	PANEL 631MM	1	1		P
93	Call order desk	PANEL 636MM	1	1		P
93	Call order desk	PANEL 646MM	1	1		P
93	315983P	PANEL 655MM	1	1		
93	Call order desk	PANEL 656MM	1	1		P
93	Call order desk	PANEL 660MM	1	1		P
93	Call order desk	PANEL 672MM	1	1		P
93	Call order desk	PANEL 674MM	1	1		P
93	Call order desk	PANEL 682MM	1	1		P
93	Call order desk	PANEL 686MM	1	1		P
93	Call order desk	PANEL 690MM	1	1		P
93	312748P	PANEL 700MM	1	1		
93	312746P	PANEL 705MM	1	1		
93	312759P	PANEL 711MM	1	1		
93	313079P	PANEL 716MM	1	1		
93	Call order desk	PANEL 722MM	1	1		P
93	312765P	PANEL 731MM	1	1		
93	Call order desk	PANEL 741MM	1	1		P
93	Call order desk	PANEL 747MM	1	1		P
93	312840P	PANEL 753MM	1	1		
93	312770P	PANEL 759MM	1	1		
93	312742P	PANEL 763MM	1	1		
93	312738P	PANEL 773MM	1	1		
93	Call order desk	PANEL 780MM	1	1		P
93	Call order desk	PANEL 788MM	1	1		P
93	Call order desk	PANEL 796MM	1	1		P
93	Call order desk	PANEL 802MM	1	1		P
93	Call order desk	PANEL 811MM	1	1		P
93	Call order desk	PANEL 819MM	1	1		P
93	Call order desk	PANEL 830MM	1	1		P
93	Call order desk	PANEL 836MM	1	1		P



<b>From 8-1136 To E-2584</b>	<b>Date:10/2022</b>	<b>PAGE:H7-1836-01</b>
<b>PARCEL RACK W/TAN FINISHING</b>		

Item#	Part	Description	H 3 4 1	H 3 4 5	V I P 4 5	N O T E S
93	Call order desk	PANEL 843MM	1	1		P
93	Call order desk	PANEL 850MM	1	1		P
93	313617P	PANEL 866MM	1	1		
93	315929P	PANEL 878MM	1	1		
93	Call order desk	PANEL 885MM	1	1		P
93	Call order desk	PANEL 905MM	1	1		P
93	Call order desk	PANEL 924MM	1	1		P
93	Call order desk	PANEL 936MM	1	1		P
93	315904P	PANEL 940MM	1	1		
93	Call order desk	PANEL 966MM	1	1		P
93	Call order desk	PANEL 990MM	1	1		P
93	316181	PANEL 1096MM	1	1		
93	Call order desk	PANEL 1123MM	1	1		P
93	Call order desk	PANEL 1212MM	1	1		P
93	Call order desk	PANEL 1296MM	1	1		P
93	Call order desk	PANEL 1360MM	1	1		P
93	Call order desk	PANEL 1379MM	1	1		P
93	Call order desk	PANEL 1424MM	1	1		P
93	Call order desk	PANEL 1481MM	1	1		P
93	Call order desk	PANEL 1549MM	1	1		P
93	316485P	PANEL 1571MM	1	1		
93	Call order desk	PANEL 1724MM	1	1		P
93	Call order desk	PANEL 475MM / 108MM POSITION FLAT MONITOR	1	1		P
93	Call order desk	PANEL 475MM / 108MM POSITION FLAT MONITOR	1	1		P
93	310654P	PANEL 655MM / 382MM POSITION SCREEN / R.H. W/ LCD SCREEN	1	1		
93	310653P	PANEL 655MM / 382MM POSITION SCREEN / L.H. W/10" LCD SCREEN	1	1		
93	316123P	PANEL 655MM / 383MM POSITION SCREEN / W/15" LCD SCREEN	1	1		
93	Call order desk	PANEL 760MM / 427MM POSITION SCREEN / L.H. W/10" LCD SCREEN	1	1		P
93	Call order desk	PANEL 800MM / 128MM & 177MM HOLE POSITION / W/12.1" RETRACTABLE SCREEN	1	1		P
93	Call order desk	PANEL 915MM / 465MM POSITION SCREEN / L.H. W/10" LCD SCREEN	1	1		P
93	Call order desk	PANEL 980MM / 465MM POSITION SCREEN	1	1		P
93	Call order desk	PANEL 1015MM / 108MM POSITION SCREEN / L.H. LCD SCREEN	1	1		P
93	Call order desk	PANEL 500MM / 108MM POSITION SCREEN / LCD SCREEN	1	1		P
93	Call order desk	PANEL 1015MM / 465MM POSITION SCREEN / LCD SCREEN	1	1		P
93	Call order desk	PANEL 980MM / 310MM POSITION SCREEN / LCD SCREEN	1	1		P
93	314357	PANEL 980MM / 310MM POSITION SCREEN / LCD SCREEN	1	1		
93	Call order desk	WOOD PANEL / LIGHTING MODULE SPECIAL				P
93	314272	DRAWING FOR WOOD PANEL SPECIAL				
93	314271	SPECIAL HOOK RETAINER WOOD PANEL 182MM x 38MM	AR	AR		
93	314273	SPECIAL PLATE RETAINER WOOD PANEL 198MM x 78MM	AR	AR		

<b>From 8-1136 To E-2584</b>	<b>Date:10/2022</b>	<b>PAGE:H7-1836-01</b>
<b>PARCEL RACK W/TAN FINISHING</b>		

Item#	Part	Description	H 3 4 1	H 3 4 5	V I P 4 5	N O T E S
93	316171	SPECIAL PLATE RETAINER WOOD PANEL / MONITOR 198MM x 80MM	AR	AR		
94	314022	HAND RAIL / EXTRUSION W/HOLE 4190MM / S.C.C.	1			
94	314009	HAND RAIL / EXTRUSION 4190MM / S.C.C.	2			
94	314026	HAND RAIL / EXTRUSION W/HOLE 3324MM / S.C.C.	1			
94	314024	HAND RAIL / EXTRUSION 3320MM / S.C.C.	1			
94	314028	HAND RAIL / EXTRUSION 2867MM / S.C.C.	1			
94	314030	HAND RAIL / EXTRUSION 2843MM / S.C.C.	1			
94	314014	HAND RAIL / EXTRUSION 1660MM / S.C.C.	1			L
94	314034	HAND RAIL / EXTRUSION 1829MM / S.C.C.	1			L
94	314009	HAND RAIL / EXTRUSION 4190MM / S.C.C.		2		
94	314012	HAND RAIL / EXTRUSION W/HOLE 3320MM / S.C.C.		2		
94	314014	HAND RAIL / EXTRUSION 1660MM / S.C.C.		2		
94	314016	HAND RAIL / EXTRUSION 2454MM / S.C.C.		1		
94	314018	HAND RAIL / EXTRUSION 2428MM / S.C.C.		1		
94	314032	HAND RAIL / EXTRUSION 3075MM / S.C.C.		1		L
94	314038	HAND RAIL / EXTRUSION W/HOLE 2260MM / S.C.C.		1		WCL
94	314040	HAND RAIL / EXTRUSION 3913MM / S.C.C.		1		WCL
94	314213	HAND RAIL / EXTRUSION 1597MM / S.C.C.		1		G
NS	506466	TAPE RUB ADH1 CC POL 1/16" x 1 1/2" x 100 / GREY 2520		AR		
95	500626	SCREW TP OV PH #8x3/4 Z050		AR		
96	500464	WASHER FN CKF .210x.540 SS		AR		
NS	066705	CABLE HARNESS / READING LIGHT STREETSIDE To D-2363	1	1		
NS	068632	CABLE HARNESS / READING LIGHT STREETSIDE From D-2364	1	1		
NS	066709	CABLE HARNESS / READING LIGHT CURBSIDE FRONT / W/W.C.L. To D-2363	1	1		
NS	068633	CABLE HARNESS / READING LIGHT CURBSIDE FRONT / W/W.C.L. From D-2364	1	1		
NS	066710	CABLE HARNESS / READING LIGHT CURBSIDE REAR / W/W.C.L. To D-2363	1	1		
NS	068634	CABLE HARNESS / READING LIGHT CURB SIDE / W/W.C.L. From D-2364	1	1		
NS	066712	CABLE ASSY / DIRECT LIGHT & SPEAKER L.H. To D-2265	1	1		
NS	066711	CABLE ASSY / DIRECT LIGHT & SPEAKER R.H. To D-2265	1	1		
NS	067441	CABLE / EMERGENCY LIGHT LH From D-2266	1	1		
NS	067442	CABLE / EMERGENCY LIGHT RH From D-2266	1	1		
NS	066701	CABLE, DIRECT LIGHT REAR RH / W/W.C.L. To D-2265	1	1		
NS	066703	CABLE, DIRECT LIGHT FRONT RH / W/W.C.L. To D-2265	1	1		
NS	068308	CABLE, DIRECT LIGHT STD From D-2266	1	1		
NS	068288	EXTENSION HARNESS, DIRECT LIGHT From D-2266	1	1		
NS	068750	EXTENSION HARNESS, DIRECT LIGHT From D-2266	1	1		
NS	068309	CABLE, DIRECT LIGHT STD / W/W.C.L. From D-2266	1	1		
NS	066146	CABLE HARNESS / IND LIGHT L.H. / W/DOOR / MUX To D-2265	1	1		
NS	066318	CABLE HARNESS / IND LIGHT L.H. / W/O DDOR / MUX To D-2265	1	1		
NS	066176	CABLE HARNESS / IND LIGHT R.H. / W/DOOR / MUX To D-2265	1	1		
NS	066342	CABLE HARNESS / IND LIGHT R.H. / W/O DOOR / MUX To D-2265	1	1		
NS	066241	CABLE HARNESS / IND LIGHT R.H. / W/DOOR RR / W/W.C.L. To A-1720	1	1		

<b>From 8-1136 To E-2584</b>	<b>Date:10/2022</b>	<b>PAGE:H7-1836-01</b>
<b>PARCEL RACK W/TAN FINISHING</b>		

Item#	Part	Description	H 3 4 1	H 3 4 5	V I P 4 5	N O T E S
NS	068114	CABLE HARNESS / IND LIGHT R.H. / W/DOOR RR / W/W.C.L. From B-1721 To D-2265	1	1		
NS	066242	CABLE HARNESS / IND LIGHT R.H. / W/DOOR FRT / W/W.C.L. To A-1720	1	1		
NS	068115	CABLE HARNESS / IND LIGHT R.H. / W/DOOR FRT / W/W.C.L. From B-1721 To D-2265	1	1		
NS	067747	CABLE HARNESS / IND, LIGHT FRONT RH & REAR LH From D-2266	1	1		
NS	068547	CABLE HARNESS / IND, LIGHT FRONT LH & REAR RH From D-2266	1	1		
NS	068258	CABLE HARNESS / IND, LIGHT From D-2266	4			
NS	068258	CABLE HARNESS / IND, LIGHT From D-2266		5		
NS	068310	CABLE HARNESS / IND, LIGHT / W/W.C.L.		1		
NS	068416	EXTENSION HARNESS, INDIRECT LIGHT	1	1	1	
NS	504637	CABLE TIE / 3/16" x 13"	AR	AR	AR	
98	680042	GLUE LOCTITE 430 BOTTLE 1OZ	AR	AR	AR	
98	506338	RUBBER CHANNEL / 1/16" x 1/4" INT "U" SHAPE / ROUND C.T.L.	AR	AR	AR	
99	314272-51	WOOD PANEL / COLOR TO BE SPECIFIED 51MM				
99	314272-124	WOOD PANEL / COLOR TO BE SPECIFIED 124MM				
99	314272-126	WOOD PANEL / COLOR TO BE SPECIFIED 126MM				
99	314272-219	WOOD PANEL / COLOR TO BE SPECIFIED 219MM				
99	314272-253	WOOD PANEL / COLOR TO BE SPECIFIED 253MM				
99	314272-264	WOOD PANEL / COLOR TO BE SPECIFIED 264MM				
99	314272-299	WOOD PANEL / COLOR TO BE SPECIFIED 299MM				
99	314272-304	WOOD PANEL / COLOR TO BE SPECIFIED 304MM				
99	314272-315	WOOD PANEL / COLOR TO BE SPECIFIED 315MM				
99	314272-325	WOOD PANEL / COLOR TO BE SPECIFIED 325MM				
99	314272-370	WOOD PANEL / COLOR TO BE SPECIFIED 370MM				
99	314272-375	WOOD PANEL / COLOR TO BE SPECIFIED 375MM				
99	314272-391	WOOD PANEL / COLOR & MONITOR PRESENCE TO BE SPECIFIED 391MM				
99	314272-402	WOOD PANEL / COLOR & MONITOR PRESENCE TO BE SPECIFIED 402MM				
99	314272-408	WOOD PANEL / COLOR TO BE SPECIFIED 408MM				
99	314272-421	WOOD PANEL / COLOR & MONITOR PRESENCE TO BE SPECIFIED 421MM				
99	314272-427	WOOD PANEL / COLOR & MONITOR PRESENCE TO BE SPECIFIED 427MM				
99	314272-431	WOOD PANEL / COLOR & MONITOR PRESENCE TO BE SPECIFIED 431MM				
99	314272-447	WOOD PANEL / COLOR & MONITOR PRESENCE TO BE SPECIFIED 447MM				
99	314272-454	WOOD PANEL / COLOR & MONITOR PRESENCE TO BE SPECIFIED 454MM				
99	314272-457	WOOD PANEL / COLOR & MONITOR PRESENCE TO BE SPECIFIED 457MM				
99	314472-472	WOOD PANEL / COLOR & MONITOR PRESENCE TO BE SPECIFIED 472MM				
99	314272-484	WOOD PANEL / COLOR & MONITOR PRESENCE TO BE SPECIFIED 484MM				
99	314272-490	WOOD PANEL / COLOR & MONITOR PRESENCE TO BE SPECIFIED 490MM				
99	314272-500	WOOD PANEL / COLOR TO BE SPECIFIED 500MM				
99	314272-510	WOOD PANEL / COLOR & MONITOR PRESENCE TO BE SPECIFIED 510MM				
99	314272-646	WOOD PANEL / COLOR TO BE SPECIFIED 646MM				
99	314272-682	WOOD PANEL / COLOR TO BE SPECIFIED 682MM				
99	314272-700	WOOD PANEL / COLOR TO BE SPECIFIED 700MM				

<b>From 8-1136 To E-2584</b>	<b>Date:10/2022</b>	<b>PAGE:H7-1836-01</b>
<b>PARCEL RACK W/TAN FINISHING</b>		

Item#	Part	Description	H 3 4 1	H 3 4 5	V I P 4 5	N O T E S
99	314272-753	WOOD PANEL / COLOR TO BE SPECIFIED 753MM				
99	314272-759	WOOD PANEL / COLOR TO BE SPECIFIED 759MM				
99	314450-51	WOOD PANEL / COLOR : COGNAC 51MM				
99	314450-76	WOOD PANEL / COLOR : COGNAC 76MM				
99	314450-322	WOOD PANEL / COLOR : COGNAC 322MM				
99	314450-377	WOOD PANEL / COLOR : COGNAC / MONITOR PRESENCE TO BE SPECIFIED 377MM				
99	314450-457	WOOD PANEL / COLOR : COGNAC 457MM				
99	314450-486	WOOD PANEL / COLOR : COGNAC / MONITOR PRESENCE TO BE SPECIFIED 486MM				
99	314450-499	WOOD PANEL / COLOR : COGNAC 499MM				
99	314450-509	WOOD PANEL / COLOR : COGNAC / MONITOR PRESENCE TO BE SPECIFIED 509MM				
99	314450-764	WOOD PANEL / COLOR : COGNAC / MONITOR PRESENCE TO BE SPECIFIED 764MM				
100	<b>H7-1837-01</b>	<b>CEILING PANELS &amp; MOULDING W/TAN FINISHING</b>				
101	502927	SCREW CAP HEX M8-1.25x50 G8.8 N500	AR	AR		
102	500942	WASHER LO SPT 8.1x14.8x2.0 N500	AR	AR		
103	312367	FIXING PLATE	AR	AR		
104	313003	SPACER	AR	AR		
105	5001337	NUT INS FL HEX M8-1.25 0.5-3.0 Z050	AR	AR		
106	314061	COVER FINISHING PILAR LIGHTING MODULE To D-2264	12			
106	317023	COVER FINISHING PILAR LIGHTING MODULE From D-2265 To E-2567	12			D
106	316596	COVER FINISHING PILAR LIGHTING MODULE TAN From E-2568	11			D
106	317085	COVER FINISHING PILAR LIGHTING MODULE TAN From E-2568	1			D
106	314061	COVER FINISHING PILAR LIGHTING MODULE To D-2264		14		
106	317023	COVER FINISHING PILAR LIGHTING MODULE From D-2265 To E-2567		14		D
106	316596	COVER FINISHING PILAR LIGHTING MODULE TAN From E-2568		13		D
106	317085	COVER FINISHING PILAR LIGHTING MODULE TAN From E-2568		1		D
107	314063	COVER FINISHING PILAR LIGHTING MODULE To D-2264	2			
107	317025	COVER FINISHING PILAR LIGHTING MODULE From D-2265 To E-2567	2			D
107	316596	COVER FINISHING PILAR LIGHTING MODULE TAN From E-2568	1			
107	314063	COVER FINISHING PILAR LIGHTING MODULE To D-2264		3		
107	317025	COVER FINISHING PILAR LIGHTING MODULE From D-2265 To E-2567		3		D
107	316596	COVER FINISHING PILAR LIGHTING MODULE TAN From E-2568		1		
108	314056	COVER FINISHING PILAR LIGHTING MODULE To D-2264	2	2		
108	317024	COVER FINISHING PILAR LIGHTING MODULE From D-2265 To E-2567	2	2		D
108	317088	RH COVER FINISHING PILAR LIGHTING MODULE TAN From E-2568	2	2		D
109	317026	FINISHING CAP From D-2265 To E-2567	AR	AR		D
110	314046	COVER UPPER TAN To A-1723	AR	AR		
110	810105	COVER UPPER TAN PLASTIC From B-1724 To C-1959	AR	AR		
110	316537	COVER UPPER TAN From C-1960 To E-2567	AR	AR		
114	314123	COVER / FRONT OF VENTILATOR BOX To E-2567	2	2		
114	316676	COVER / FRONT OF VENTILATOR BOX From E-2568	2	2		
115	314124	COVER / L.H. SIDE OF VENTILATOR BOX	2	2		
116	5001440	SCREW TP RND PH WSHR HD #8x1/2	AR	AR		

From 8-1136 To E-2584	Date:10/2022	PAGE:H7-1836-01
<b>PARCEL RACK W/TAN FINISHING</b>		

Item#	Part	Description	H 3 4 1	H 3 4 5	V I P 4 5	N O T E S
117	373555	RETAINER, AIR BLOWER	6	6	6	
118	5001746	SCREW CAP HEX 1/4-20x3/4 G5 N500	6	6	6	
118	500841	SCREW TP PAN PH #14x3/4 Z050	6	6	6	
119	500473	WASHER LO SPT .262x.489x.062 Z050	6	6	6	
120	500877	WASHER FL .250x.562x.065 N500	6	6	6	
121	<b>H7-2240-20</b>	<b>BLOWER VENTILATION - PARCEL RACK H7-2240-20</b>				
200	Call order desk	CEILING PANEL ASSY W/READING LIGHT & SPEAKER		1		P B
200	Call order desk	CEILING PANEL ASSY W/READING LIGHT & SPEAKER SILVER		1		P B
200	Call order desk	CEILING PANEL ASSY W/READING LIGHT W/LED & SPEAKER		1		P B
200	Call order desk	CEILING PANEL ASSY W/READING LIGHT W/LED & SPEAKER SILVER		1		P B
200	310049	. CEILING PANEL W/COVERING		1		
201	563592	. MODULE ALARM DETECTOR W.C.L. TWU		1		
202	563945	. . LIGHT TWS W.C.L.		1		
203	500518	. SCREW MA BDG PH #4-40x1/2 Z050		4		
204	500157	. WASHER FL .125x.375x.032 SS		4		
205	500425	. NUT HEX NYRT #4-40 SS		4		
206	500333	. SCREW TP OV PH #6x3/4 BK		4		
207	500345	. WASHER FN CKF .187x.500x.090 BR BK		4		
209	341120	. SUPPORT DETECTOR MODULE TWU		1		
NS	314338	KIT, RETROFIT NEW LAMP "FRILIGHT" SERIES "H" To A-1512		1		
215	453786	AIR DEFLECTOR		1		
216	5001132	SCREW CAP HEX 5/16-18x7/8 G5 Z050		2		
217	500942	WASHER LO SPT 8.1x14.8x2.0 N500		2		
218	500778	NUT HEX 5/16-18 N500		2		
220	314331	COVER R.H. END CLOSING TAN		1		C
220	314042	COVER R.H. END CLOSING TAN		1		C
220	314043	COVER R.H. END CLOSING TAN		1		A
220	314332	COVER R.H. END CLOSING / W/CORD TAN		1		A
221	314145	COVER L.H. END CLOSING To E-2524		1		
221	319172	COVER L.H. END CLOSING TAN From E-2523		1		
222	314148	DUCT TAN		1		
223	313718	CEILING PANEL / W/W.C.L. "RICON" OVER W.C.L. DOOR 1305MM #5 R.H. To C-1990		1		
223	316319	CEILING PANEL / W/W.C.L. "RICON" OVER W.C.L. DOOR 1305 MM #5 R.H. From C-1991		1		
224	314000	COVER L.H. END CLOSING AILSE SECTION To E-2567		1		WCL
224	314151	COVER L.H. END CLOSING AILSE SECTION / W/CORD To E-2567		1		WCL
224	316658	COVER L.H. END CLOSING AILSE SECTION / W/CORD From E-2568		1		WCL
225	314003	COVER L.H. END CLOSING WINDOW SECTION		1		WCL
226	314001	COVER R.H. ASSY / W/LIGHT To D-2264		1		
. NS	314002	. COVER R.H. / W/LIGHT HOLE To D-2264		1		
226	317009	COVER R.H. ASSY / W/LIGHT From D-2265 To E-2567		1		D

<b>From 8-1136 To E-2584</b>	<b>Date:10/2022</b>	<b>PAGE:H7-1836-01</b>
<b>PARCEL RACK W/TAN FINISHING</b>		

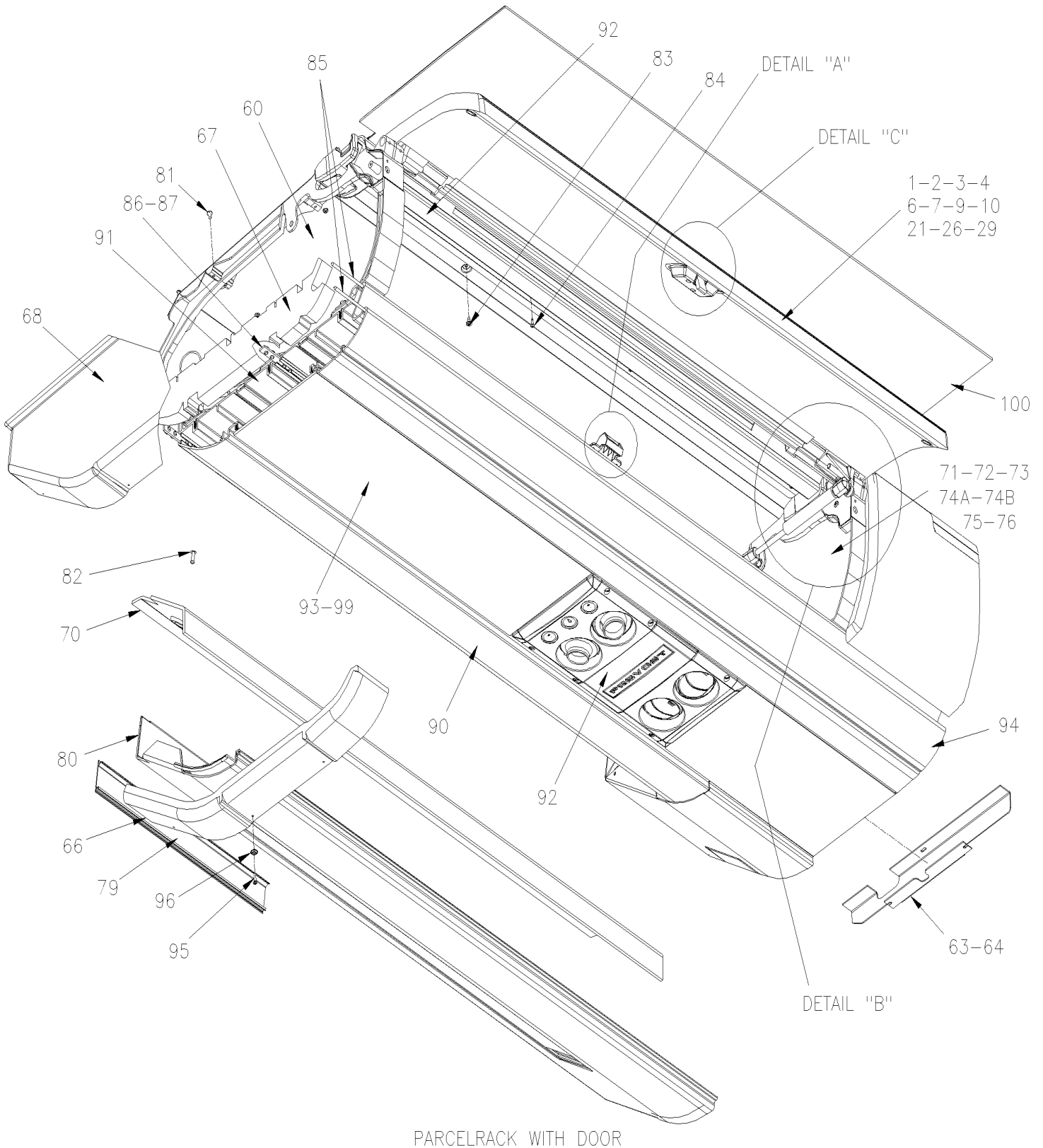
Item#	Part	Description	H 3 4 1	H 3 4 5	V I P 4 5	N O T E S
. NS	317019	. COVER From D-2265 To E-2567		1		D
. NS	565889	. LAMP LED From D-2265 To E-2567		1		D
226	316661	COVER R.H. ASSY / W/LIGHT From E-2568		1		D
. NS	316660	. COVER From E-2568		1		D
. NS	565889	. LAMP LED From E-2568		1		D
226	313587	COVER R.H. / PLAIN / W/CORD To A-1499		1		
226	314305	COVER R.H. / PLAIN / W/CORD From A-1500 To E-2567		1		
226	316659	COVER R.H. / PLAIN / W/CORD From E-2568		1		
231	314206	COVER R.H. / PLAIN / To E-2567		1		G
231	316655	COVER R.H. ASSY W/CORD From E-2568		1		G
232	314208	COVER PARCEL / REAR WITH GALLEY		1		G
233	Call order desk	CEILING PANEL WITH GALLEY 630MM		1		P G
234	Call order desk	CEILING PANEL WITH GALLEY 1670MM		1		P G
235	315895	UNION / CEILING PANEL WITH GALLEY		1		G
236	316015	SUPPORT / CEILING PANEL WITH GALLEY		1		G
		A) WITH A/C IN PARCEL RACK				
		B) INCLUDE ALLS ITEMS 200 TO 207				
		C) WITHOUT A/C IN PARCEL RACK				
		D) WITH LED LIGHTING				
		F) USE WITH STREET SIDE PARCEL RACK 96"				
		G) WITH GALLEY				
		L) WITHOUT LAVATORY				
		S) FOR DOOR REPALCEMENT USE 1 EACH: 980027 (BALL STUD) ,502638 (FL WASHER) & 502847 (NUT) POUR REMPLACEMENT PORTE, UTILISER 1 DE CHAQUE: 980027 (ROTULE VISSÉE) ,502638 (RONDELLE PLATE) & 520838 (ECROU)				
		V) THOSE COVERS ARE USE WITH VENTILATION AS SHOWN AT PAGE HF-2240-30				
		WCL) WITH WHEEL CHAIR LIFT				
		P) CALL ORDER DESK FOR SPECIFIC APPLICATION (V.I.N.)				

From E-2585 To J-0184

Date:10/2022

PAGE:H7-1836-02

## PARCEL RACK W/TAN FINISHING



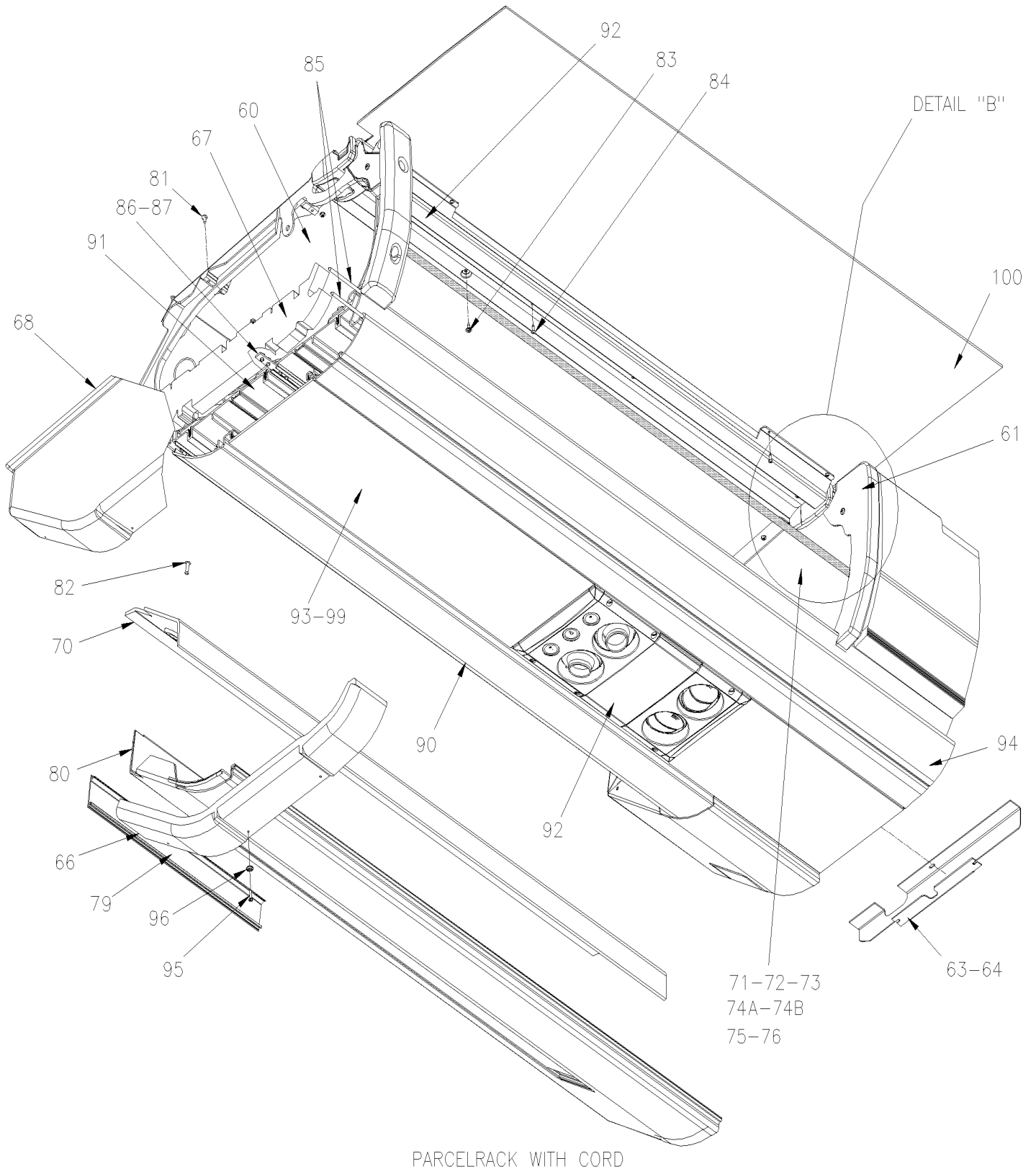


From E-2585 To J-0184

Date:10/2022

PAGE:H7-1836-02

PARCEL RACK W/TAN FINISHING



PARCEL RACK WITH CORD

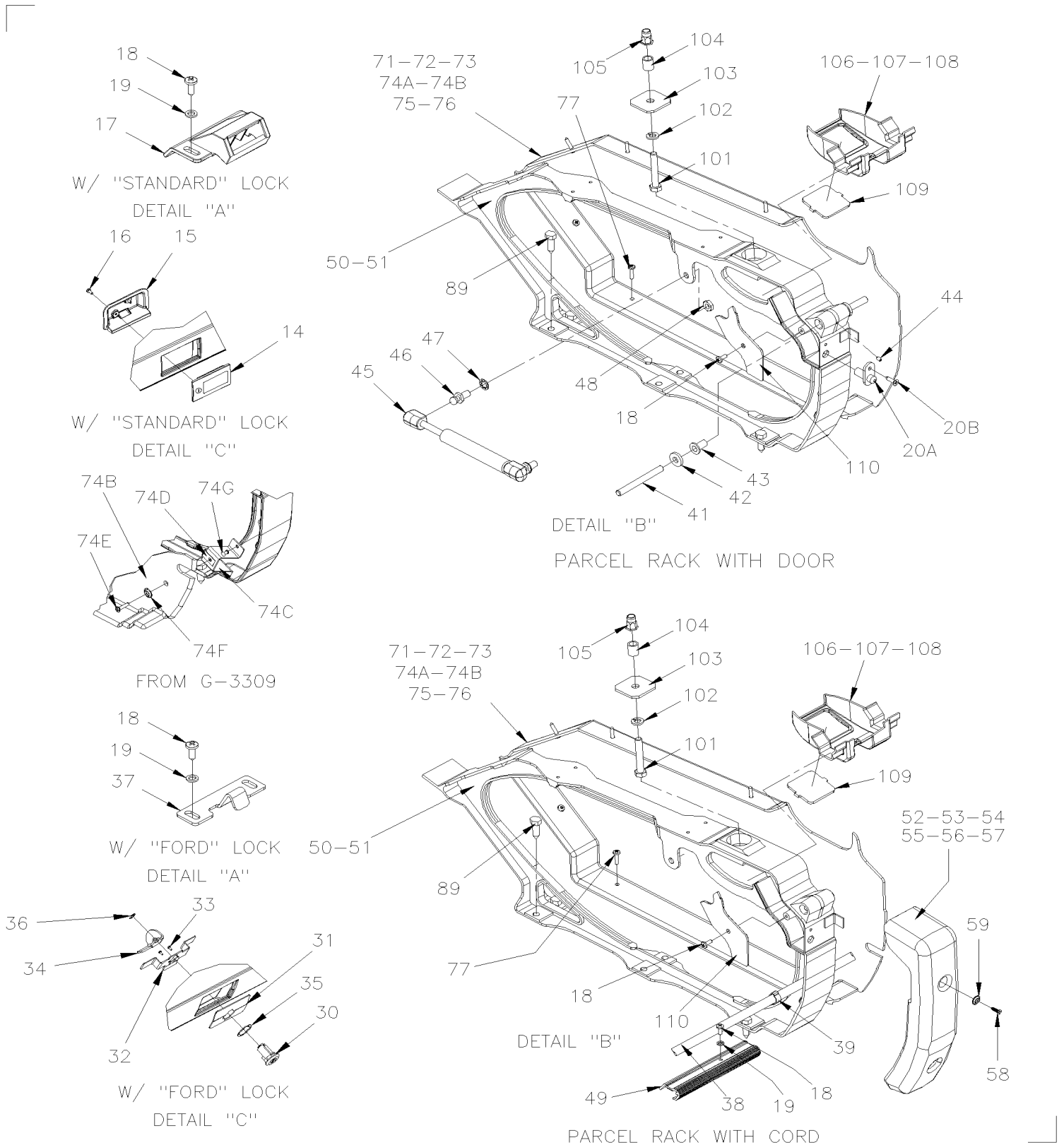


From E-2585 To J-0184

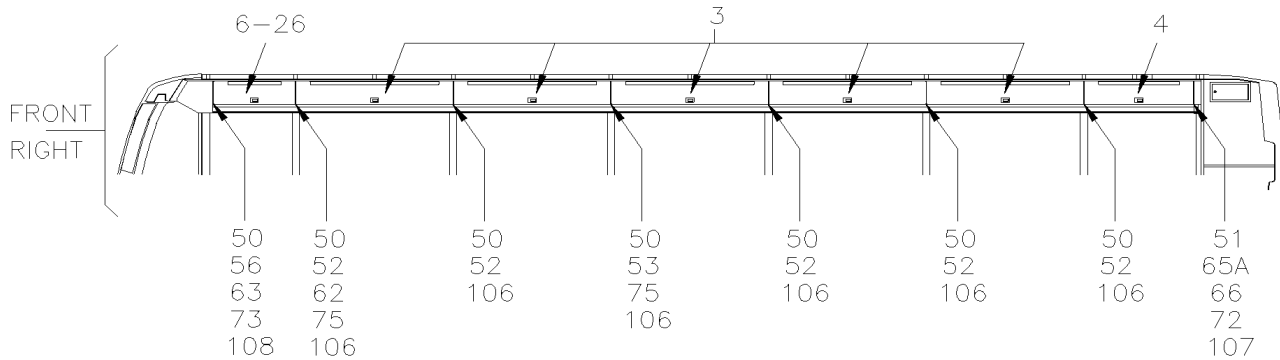
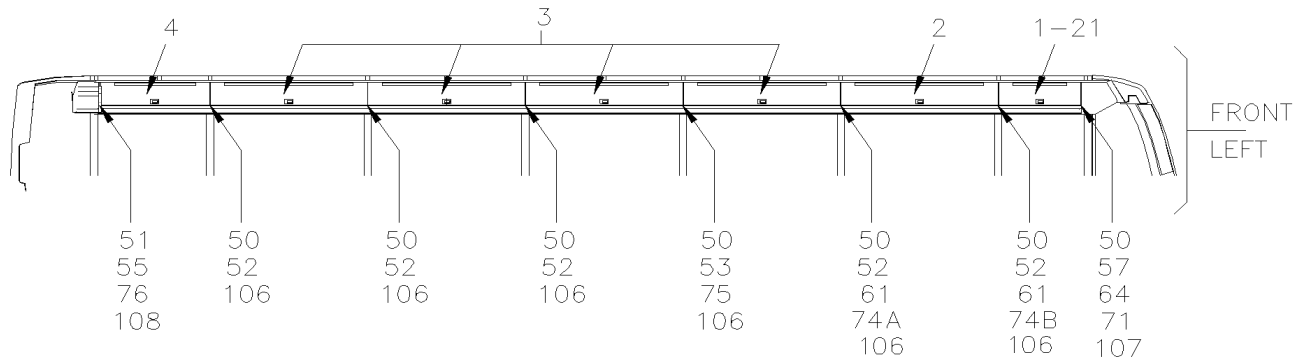
Date:10/2022

PAGE:H7-1836-02

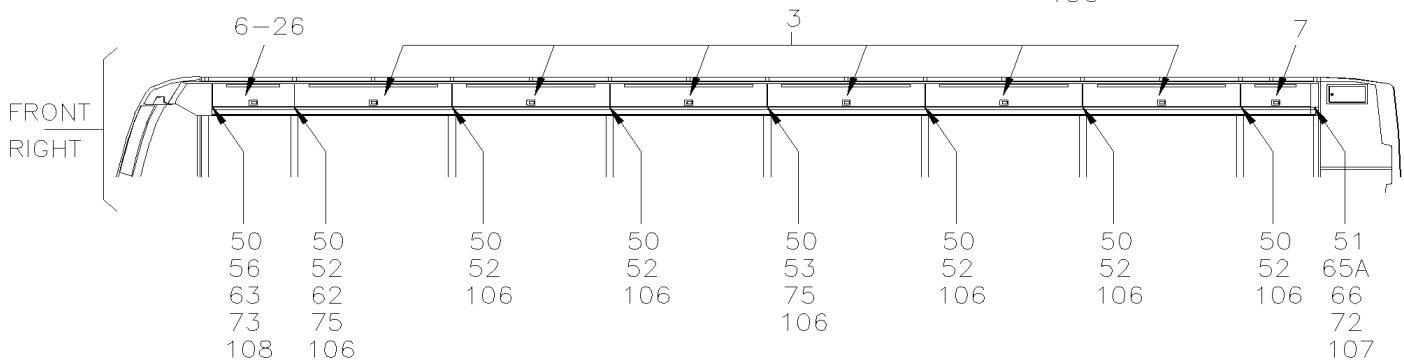
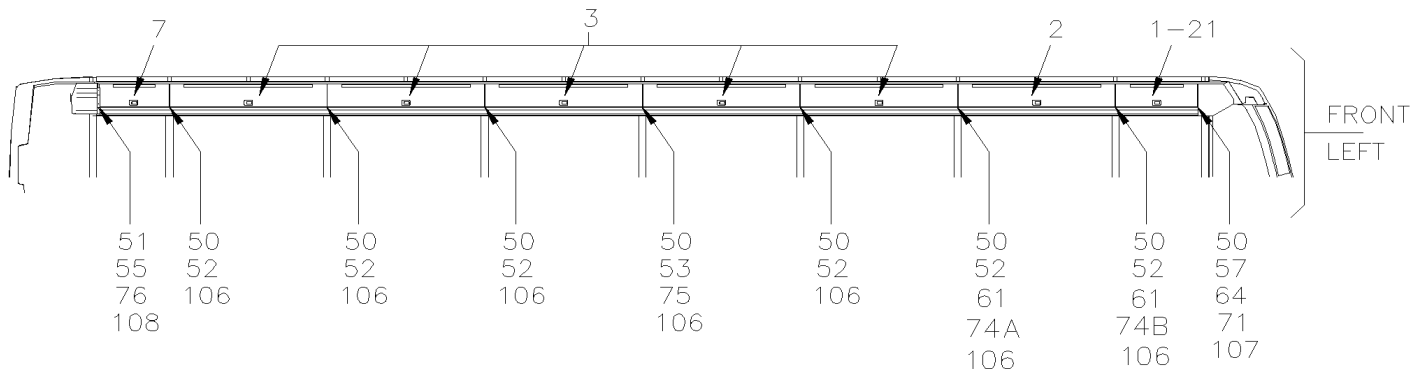
## PARCEL RACK W/TAN FINISHING



From E-2585 To J-0184	Date:10/2022	PAGE:H7-1836-02
<b>PARCEL RACK W/TAN FINISHING</b>		

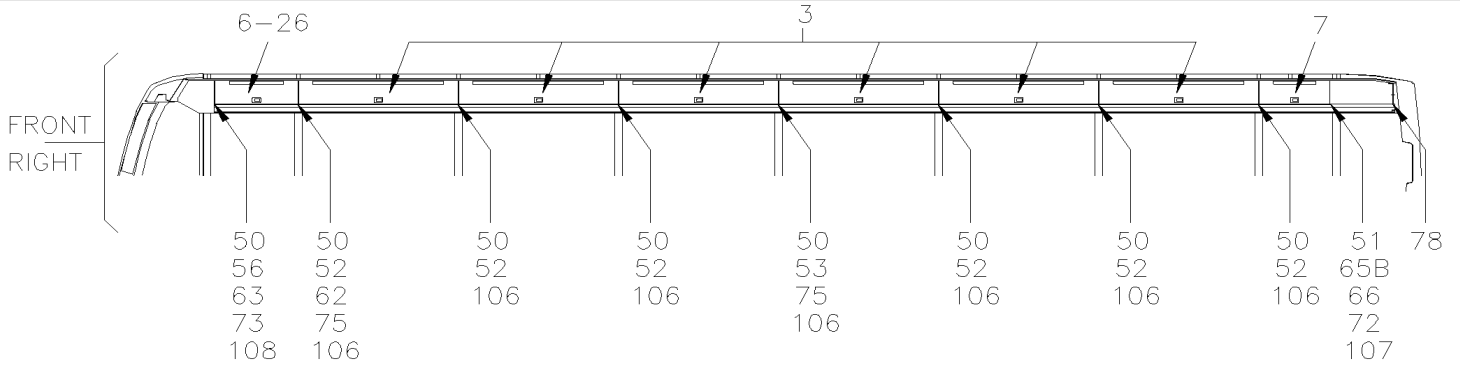


H3-41

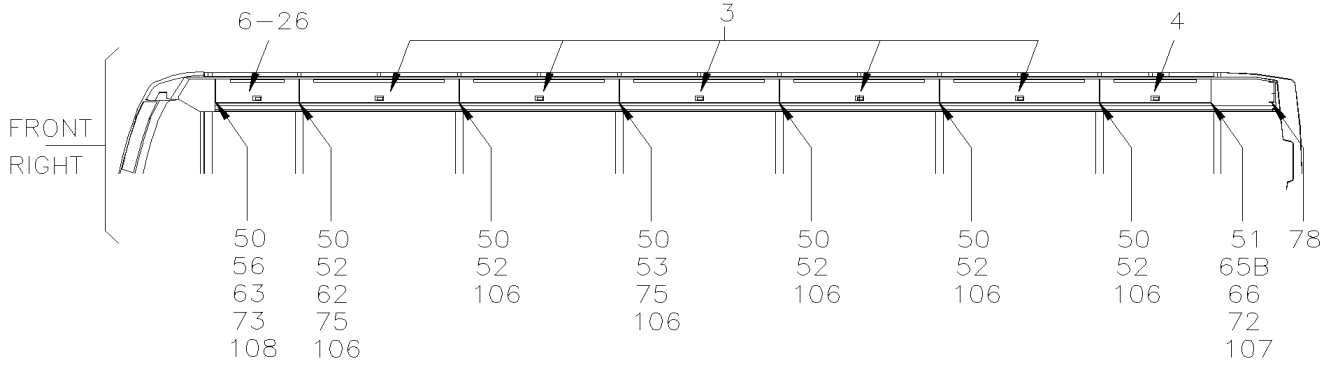


H3-45

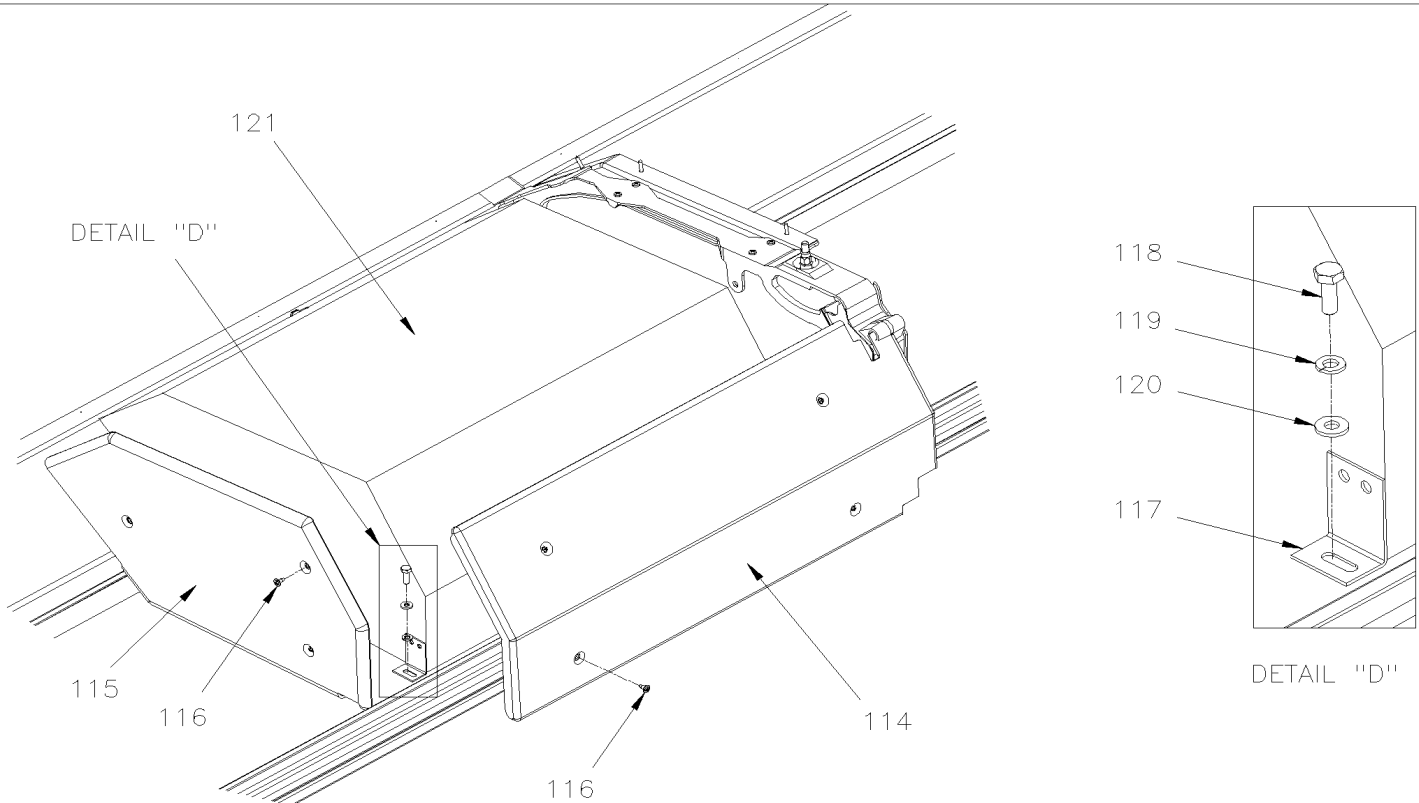
From E-2585 To J-0184	Date:10/2022	PAGE:H7-1836-02
<b>PARCEL RACK W/TAN FINISHING</b>		



H3-45 WITHOUT LAVATORY



H3-41 WITHOUT LAVATORY

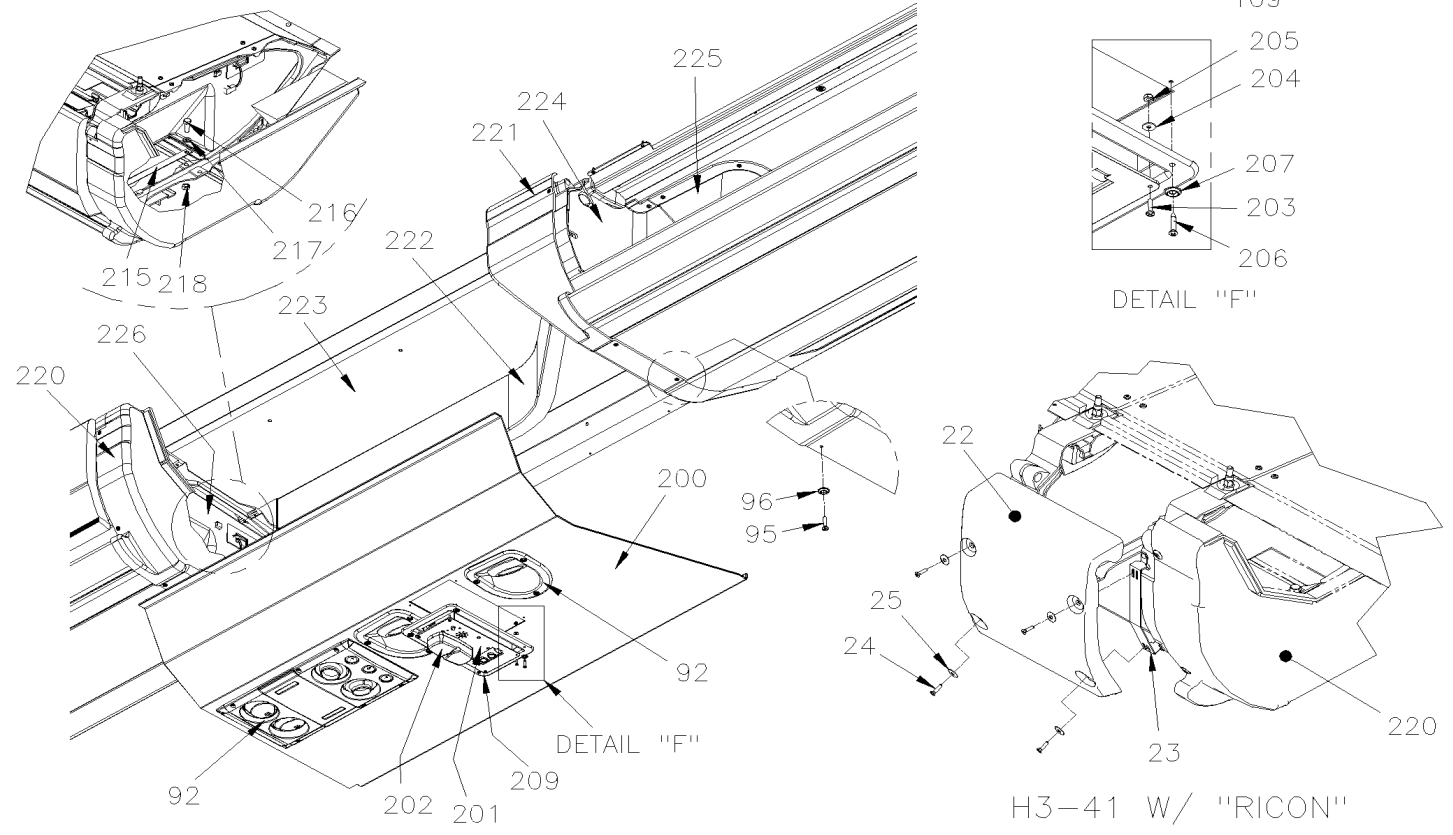
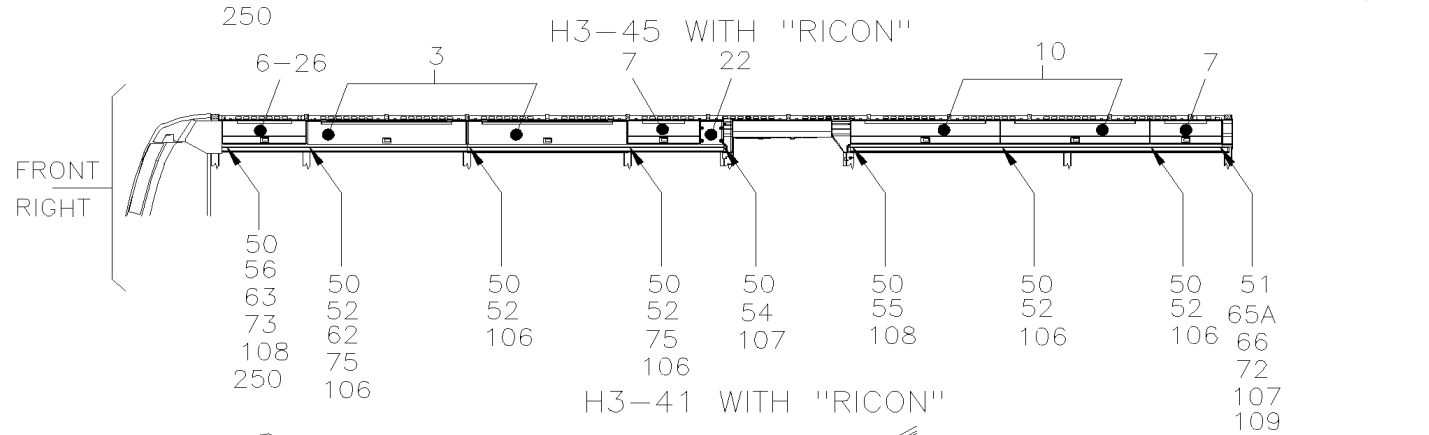
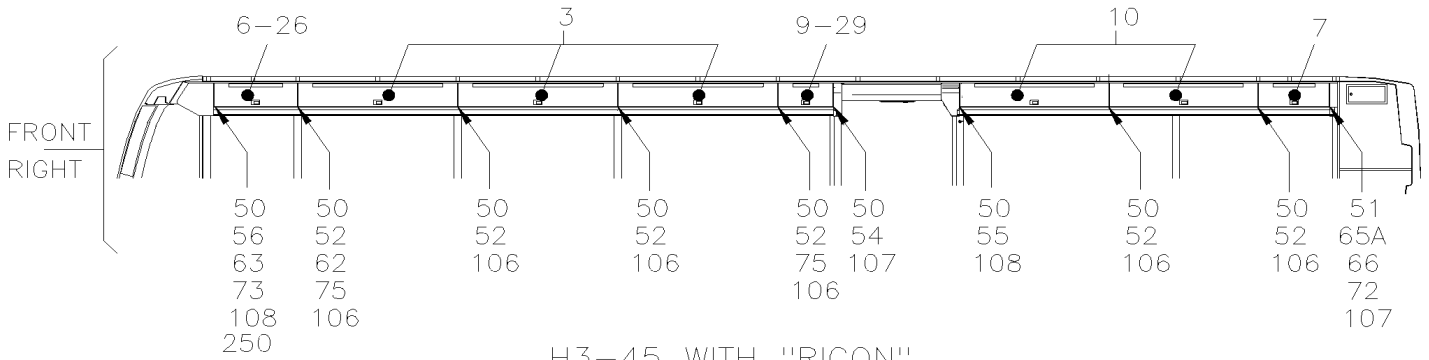


From E-2585 To J-0184

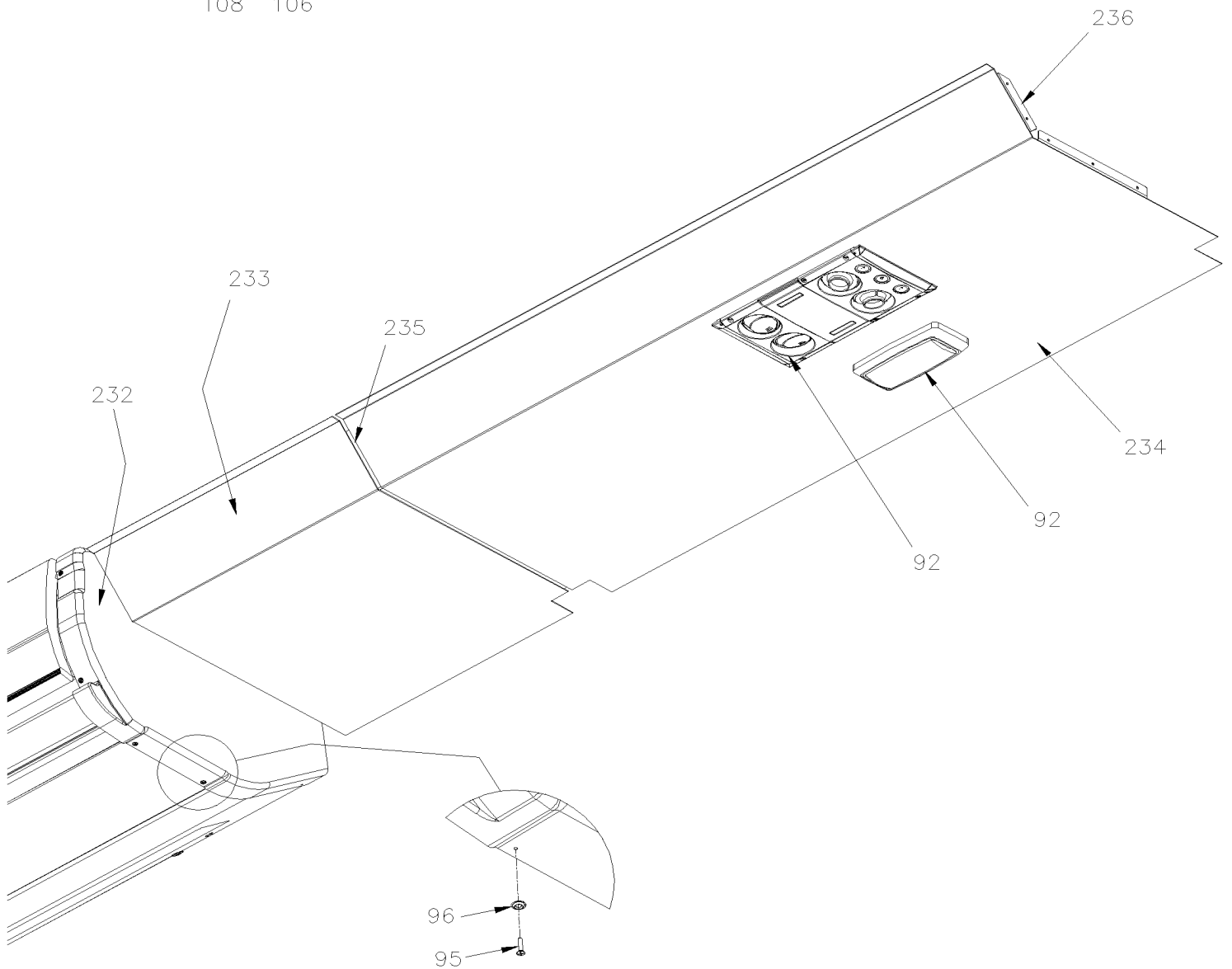
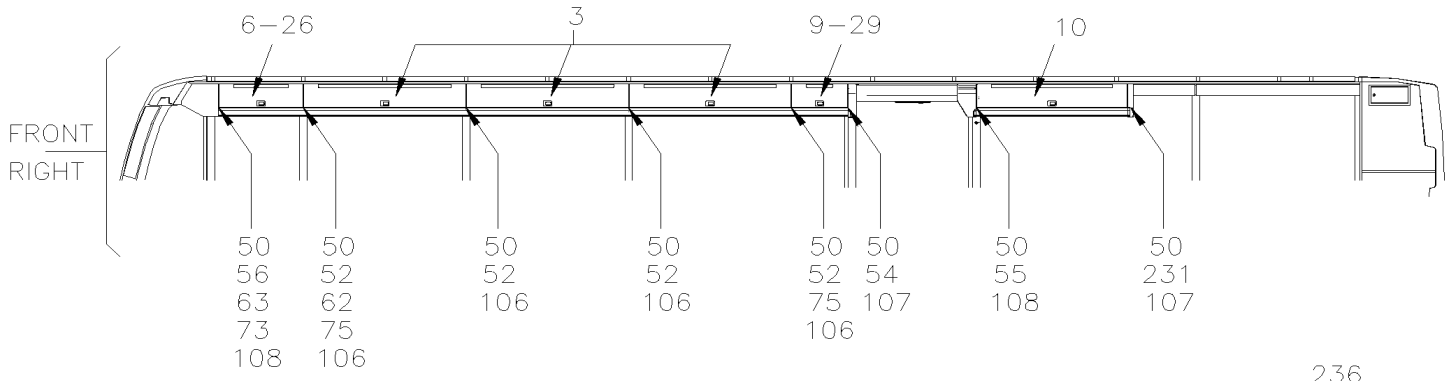
Date:10/2022

PAGE:H7-1836-02

## PARCEL RACK W/TAN FINISHING



From E-2585 To J-0184	Date:10/2022	PAGE:H7-1836-02
<b>PARCEL RACK W/TAN FINISHING</b>		



H3-45 WITH "RICON" & "GALLEY"

<b>From E-2585 To J-0184</b>	<b>Date:10/2022</b>	<b>PAGE:H7-1836-02</b>
<b>PARCEL RACK W/TAN FINISHING</b>		

Item#	Part	Description	H 3 4 1	H 3 4 5	V I P 4 5	N O T E S
1	313972	DOOR, PARCEL RACK / L.H. / W/LOCK / TAN / 860MM To H-3956	1	1		
1	310491	DOOR, PARCEL RACK / L.H. / W/LOCK / TAN / 860MM From H-3957	1	1		M
1	313972-F01	DOOR, PARCEL RACK / L.H. / W/LOCK / WOODGRAIN / 860MM To H-3956	1	1		
1	310491-F01	DOOR, PARCEL RACK / L.H. / W/LOCK / WOODGRAIN / 860MM From H-3957	1	1		M
1	310491-F02	DOOR, PARCEL RACK / L.H. / W/LOCK / PAINT GREY / 860MM From H-3957	1	1		M
1	313508	DOOR, PARCEL RACK / L.H. / W/LOCK / GREY / 860MM To H-3956	1	1		
1	310469	DOOR, PARCEL RACK / L.H. / W/LOCK / GREY / 860MM From H-3957	1	1		H M
2	313971	DOOR, PARCEL RACK / W/LOCK / TAN / 1654MM To H-3956	1	1		
2	310490	DOOR, PARCEL RACK / W/LOCK / TAN / 1654MM From H-3957	1	1		M
2	313971-F01	DOOR, PARCEL RACK / W/LOCK / WOODGRAIN / 1654MM To H-3956	1	1		
2	310490-F01	DOOR, PARCEL RACK / W/LOCK / WOODGRAIN / 1654MM From H-3957	1	1		M
2	310490-F02	DOOR, PARCEL RACK / W/LOCK / PAINT GREY / 1654MM From H-3957	1	1		M
2	313510	DOOR, PARCEL RACK / W/LOCK / GREY / 1654MM To H-3956		1		
2	310471	DOOR, PARCEL RACK / W/LOCK / GREY / 1654MM From H-3957		1		H M
2	310471-F01	DOOR, PARCEL RACK / W/LOCK / WOODGRAIN / 1654MM From H-3957		1		H M
2	310471-F02	DOOR, PARCEL RACK / W/LOCK / PAINT GREY / 1654MM From H-3957		1		H M
3	313970	DOOR, PARCEL RACK / TAN / 1654MM To H-3956	9			
3	310489	DOOR, PARCEL RACK / TAN / 1654MM From H-3957	9			M
3	313970-F01	DOOR, PARCEL RACK / WOODGRAIN / 1654MM To H-3956	9			
3	310489-F01	DOOR, PARCEL RACK / WOODGRAIN / 1654MM From H-3957	1			M
3	310489-F02	DOOR, PARCEL RACK / PAINT GREY / 1654MM From H-3957	1			M
3	313970	DOOR, PARCEL RACK / TAN / 1654MM To H-3956		11		
3	310489	DOOR, PARCEL RACK / TAN / 1654MM From H-3957		11		M
3	313970-F01	DOOR, PARCEL RACK / WOODGRAIN / 1654MM To H-3956		11		
3	310489-F01	DOOR, PARCEL RACK / WOODGRAIN / 1654MM From H-3957		11		M
3	310489-F02	DOOR, PARCEL RACK / PAINT GREY / 1654MM From H-3957		11		M
3	313506	DOOR, PARCEL RACK / GREY / 1654MM To H-3956		11		
3	310467	DOOR, PARCEL RACK / GREY / 1654MM From H-3957		1		H M
3	310467-F01	DOOR, PARCEL RACK / WOODGRAIN / 1654MM From H-3957		1		H M
3	310467-F02	DOOR, PARCEL RACK / PAINT GREY / 1654MM From H-3957		1		H M
4	313979	DOOR, PARCEL RACK / TAN / 1151MM To H-3956	2			
4	310497	DOOR, PARCEL RACK / TAN / 1151MM From H-3957	2			M
4	313979-F01	DOOR, PARCEL RACK / WOODGRAIN / 1151MM To H-3956	2			
4	310497-F01	DOOR, PARCEL RACK / WOODGRAIN / 1151MM From H-3957	2			M
4	310497-F02	DOOR, PARCEL RACK / PAINT GREY / 1151MM From H-3957	2			M
4	317073	DOOR, PARCEL RACK / TAN / 736MM To H-3956		1		
4	310509	DOOR, PARCEL RACK / TAN / 736MM From H-3957		1		F M
4	310509-F01	DOOR, PARCEL RACK / WOODGRAIN / 736MM From H-3957		1		F M
4	310509-F02	DOOR, PARCEL RACK / PAINT GREY / 736MM From H-3957		1		F M
6	313974	DOOR, PARCEL RACK / R.H. / TAN / 860MM To H-3956	1	1		
6	310493	DOOR, PARCEL RACK / R.H. / TAN / 860MM From H-3957	1	1		M
6	313974-F01	DOOR, PARCEL RACK / R.H. / WOODGRAIN / 860MM To H-3956	1	1		

From E-2585 To J-0184 Date:10/2022 PAGE:H7-1836-02

**PARCEL RACK W/TAN FINISHING**

Item#	Part	Description	H 3 4 1	H 3 4 5	V I P 4 5	N O T E S
6	310493-F01	DOOR, PARCEL RACK / R.H. / WOODGRAIN / 860MM From H-3957	1	1		M
6	310493-F02	DOOR, PARCEL RACK / R.H. / PAINT GREY / 860MM From H-3957	1	1		M
6	313507	DOOR, PARCEL RACK / R.H. / GREY / 860MM To H-3956		1		
6	310468	DOOR, PARCEL RACK / R.H. / GREY / 860MM From H-3957		1		H M
6	310468-F01	DOOR, PARCEL RACK / R.H. / WOODGRAIN / 860MM From H-3957		1		H M
6	310468-F02	DOOR, PARCEL RACK / R.H. / PAINT GREY / 860MM From H-3957		1		H M
6	313973	DOOR, PARCEL RACK / R.H. W/LOCK / TAN / 860MM To H-3956	1	1		
6	310492	DOOR, PARCEL RACK / R.H. W/LOCK / TAN / 860MM From H-3957	1	1		M
6	313973-F01	DOOR, PARCEL RACK / R.H. W/LOCK / WOODGRAIN / 860MM To H-3956	1	1		
6	310492-F01	DOOR, PARCEL RACK / R.H. W/LOCK / WOODGRAIN / 860MM From H-3957	1	1		M
6	310492-F02	DOOR, PARCEL RACK / R.H. W/LOCK / PAINT GREY / 860MM From H-3957	1	1		M
7	313969	DOOR, PARCEL RACK / TAN / 736MM To H-3956		2		
7	317094	DOOR, PARCEL RACK / W/LOCK / TAN / 736MM To H-3956		1		
7	310488	DOOR, PARCEL RACK / TAN / 736MM From H-3957		2		M
7	310510	DOOR, PARCEL RACK / W/LOCK / TAN / 736MM From H-3957		1		M O
7	313969-F01	DOOR, PARCEL RACK / WOODGRAIN / 736MM To H-3956		2		
7	310488-F01	DOOR, PARCEL RACK / WOODGRAIN / 736MM From H-3957		2		M
7	310488-F02	DOOR, PARCEL RACK / PAINT GREY / 736MM From H-3957		2		M
7	313504	DOOR, PARCEL RACK / GREY / 736MM To H-3956		2		
7	310465	DOOR, PARCEL RACK / GREY / 736MM From H-3957		2		H M
7	310465-F01	DOOR, PARCEL RACK / WOODGRAIN / 736MM From H-3957		2		H M
7	310465-F02	DOOR, PARCEL RACK / PAINT GREY / 736MM From H-3957		2		H M
7	313969	DOOR, PARCEL RACK / TAN / 736MM To H-3956	3			
7	310488	DOOR, PARCEL RACK / TAN / 736MM From H-3957	3			M
7	313969-F01	DOOR, PARCEL RACK / WOODGRAIN / 736MM	3			
7	310488-F01	DOOR, PARCEL RACK / WOODGRAIN / 736MM From H-3957	3			M
7	310488-F02	DOOR, PARCEL RACK / PAINT GREY / 736MM From H-3957	3			M
9	314307	DOOR, PARCEL RACK / TAN / 568MM To H-3956		1		
9	310502	DOOR, PARCEL RACK / TAN / 568MM From H-3957		1		M
9	314307-F01	DOOR, PARCEL RACK / WOODGRAIN / 568MM To H-3956		1		
9	310502-F01	DOOR, PARCEL RACK / WOODGRAIN / 568MM From H-3957		1		M
9	310502-F02	DOOR, PARCEL RACK / PAINT GREY / 568MM From H-3957		1		M
9	313502	DOOR, PARCEL RACK / GREY / 568MM To H-3956		1		
9	310463	DOOR, PARCEL RACK / GREY / 568MM From H-3957		1		H M
9	310463-F01	DOOR, PARCEL RACK / WOODGRAIN / 568MM From H-3957		1		H M
9	310463-F02	DOOR, PARCEL RACK / PAINT GREY / 568MM From H-3957		1		H M
9	314004	DOOR, PARCEL RACK / W/LOCK / TAN / 568MM To H-3956		1		
9	310501	DOOR, PARCEL RACK / W/LOCK / TAN / 568MM From H-3957		1		M
9	314004-F01	DOOR, PARCEL RACK / W/LOCK / WOODGRAIN / 568MM To H-3956		1		
9	310501-F01	DOOR, PARCEL RACK / W/LOCK / WOODGRAIN / 568MM From H-3957		1		M
9	310501-F02	DOOR, PARCEL RACK / W/LOCK / PAINT GREY / 568MM From H-3957		1		M
10	313977	DOOR, PARCEL RACK / TAN / 1541MM To H-3956	2	2		

From E-2585 To J-0184	Date:10/2022	PAGE:H7-1836-02
<b>PARCEL RACK W/TAN FINISHING</b>		

Item#	Part	Description	H 3 4 1	H 3 4 5	V I P 4 5	N O T E S
10	310496	DOOR, PARCEL RACK / TAN / 1541MM From H-3957	2	2		M
10	313977-F01	DOOR, PARCEL RACK / WOODGRAIN / 1541MM To H-3956	2	2		
10	310496-F01	DOOR, PARCEL RACK / WOODGRAIN / 1541MM From H-3957	2	2		M
10	310496-F02	DOOR, PARCEL RACK / PAINT GREY / 1541MM From H-3957	2	2		M
10	313499	DOOR, PARCEL RACK / GREY / 1541MM To H-3956		2		
10	310457	DOOR, PARCEL RACK / GREY / 1541MM From H-3957		2		HM
NS	313678	. RUBBER BUMPER	2	2		
14	810092	. HANDLE	1	1		
14	810093	. HANDLE W/LOCK	1	1		
. NS	810104	. . KEY (7216)	1	1		
15	314048	. COVER DOOR HANDLE PARCEL RACK NSS	1	1		
16	500557	. SCREW MA PAN PH #8-32x3/8 SS	2	2		
17	313997	CATCH TAN	AR	AR		
17	313667	CATCH GREY	AR	AR	AR	H
18	500638	SCREW TP PAN PH #8x1/2 Z050	AR	AR		
19	500470	WASHER LO SPT .193x.334x.047 Z050	AR	AR		
20A	561563	SWITCH / S.P.S.T. / N.C.	AR	AR		
20B	500896	SCREW TC FL PH #8-32x5/8 Z050	AR	AR		
21	316541	DOOR, PARCEL RACK / L.H. TO USE W/"FORD 860MM To H-3956	1	1		
21	310506	DOOR, PARCEL RACK / L.H. TO USE W/"FORD 860MM From H-3957	1	1		M
22	316707	COVER FINISH, PARCEL RACK TAN	1			
23	316724	SUPPORT, PARCEL RACK FIN. COVER	2			
24	500626	SCREW TP OV PH #8x3/4 Z050	4			
25	500464	WASHER FN CKF .210x.540 SS	4			
26	316542	DOOR, PARCEL RACK / R.H. TO USE W/"FORD / 860MM To H-3956	1	1		
26	310507	DOOR, PARCEL RACK / R.H. TO USE W/"FORD / 860MM From H-3957	1	1		M
29	316564	DOOR, PARCEL RACK / TO USE W/"FORD / 568MM To H-3956		1		
29	310508	DOOR, PARCEL RACK / TO USE W/"FORD / 568MM From H-3957		1		M
30	<b>H7-1864-31</b>	<b>HANDLE LOCK &amp; KEYS - TYPE "NS" &amp; "FORD"</b>				
31	316170	PLATE FRONT FINISHING 85MM x 61.3MM	1	1		
32	316173	CYLINDER LOCK RETAINER HAT FORM	1	1		
33	5001053	SCREW MA PAN PH #4-40x1/4 ZP	2	2		
34	316174	PIVOT LOCK	1	1		
35	2800032	SEAL RUBBER 1/16" TH	1	1		
36	504402	RING RETAINER / EXT .250 x .210 x .025"	1	1		
37	316188	CATCH / W/"FORD" CYLINDER KEY	1	1		
38	313863	CORD, RUBBER 308"	1			
. NS	506066	. CORD, RUBBER EXTRUSION NEO 7/16" O.D. / C.T.L.	AR			
38	313864	CORD, RUBBER 373"	1			
. NS	506066	. CORD, RUBBER EXTRUSION NEO 7/16" O.D. / C.T.L.	AR			
38	312660	CORD, RUBBER 400"	1			
. NS	506066	. CORD, RUBBER EXTRUSION NEO 7/16" O.D. / C.T.L.	AR			



<b>From E-2585 To J-0184</b>	<b>Date:10/2022</b>	<b>PAGE:H7-1836-02</b>
<b>PARCEL RACK W/TAN FINISHING</b>		

Item#	Part	Description	H 3 4 1	H 3 4 5	V I P 4 5	N O T E S
38	312661	CORD, RUBBER 407"	1			
. NS	506066	. CORD, RUBBER EXTRUSION NEO 7/16" O.D. / C.T.L.	AR			
38	312659	CORD, RUBBER 359"		1		
. NS	506066	. CORD, RUBBER EXTRUSION NEO 7/16" O.D. / C.T.L.		AR		
38	312658	CORD, RUBBER 434"		1		
. NS	506066	. CORD, RUBBER EXTRUSION NEO 7/16" O.D. / C.T.L.		AR		
38	312654	CORD, RUBBER 456"		1		
. NS	506066	. CORD, RUBBER EXTRUSION NEO 7/16" O.D. / C.T.L.		AR		
38	312653	CORD, RUBBER 483"		1		
. NS	506066	. CORD, RUBBER EXTRUSION NEO 7/16" O.D. / C.T.L.		AR		
38	312423	CORD, RUBBER 230"		1		WCL
. NS	506066	. CORD, RUBBER EXTRUSION NEO 7/16" O.D. / C.T.L.		AR		WCL
38	312754	CORD, RUBBER 152"		1		WCL
. NS	506066	. CORD, RUBBER EXTRUSION NEO 7/16" O.D. / C.T.L.		AR		WCL
38	506066	. CORD, RUBBER EXTRUSION NEO 7/16" O.D. / C.T.L.	AR	AR		
39	504452	CLAMP "E-Z CLIP" / "TUBE-O" / 7/16" / HC9-7	AR	AR		
41	313677	PIVOT ROD 3"	AR	AR		
41	313676	PIVOT ROD 6"	AR	AR		
42	5001481	SPACER NYLON .323 I.D. X .750 O.D. X .125	AR	AR		
43	5001490	WASHER SHR .312 ID NYL	AR	AR		
44	500587	SCREW SET HEXS CUP M4-0.7x6	AR	AR		
45	980020	CYLINDER GAZ / 244/164MM C/C / 35LBS To G-3205	AR	AR		
45	980021	CYLINDER GAZ / 244/164MM C/C / 20LBS To G-3205	AR	AR		
45	980465	CYLINDER GAZ / 225NEWTON (50LBS) From G-3206	AR	AR		
45	310056	BRACE From F-2922 To H-3956	AR	AR		WB
45	310058	BRACE From F-2922 To H-3956	AR	AR		WB
46	980015	BALL STUD / W/10 MM X M8-1.25 / 29.18 MM	AR	AR		
46	980027	BALL STUD / W/10 MM X M8-1.25 / 36.5MM From H-3957	AR	AR		M J
47	502509	WASHER LO INT 8.4x15.0x0.8 Z050	AR	AR		
47	502638	WASHER FL .312x.734x.065 N500 From H-3957	AR	AR		M
48	980016	NUT, CYLINDER RETAINER	AR	AR		
48	502847	NUT HEX NYRT M8-1.25 N500 From H-3957	AR	AR		M J
50	314005	SUPPORT, PARCEL RACK TAN	14			
50	314005	SUPPORT, PARCEL RACK TAN		16		
50	315887	SUPPORT, PARCEL RACK GREY From H-3497		16		H
51	314006	SUPPORT, PARCEL RACK TAN	2	2		
51	310221	SUPPORT, PARCEL RACK GREY From H-3497		2		H
52	314149	PILAR COVERING	AR			
52	314149	PILAR COVERING		11		
53	314150	PILAR COVERING	2	2		
54	314306	PILAR COVERING / FRONT W.C.L. DOOR	1	1		
55	316638	PILAR COVERING / BACKWARD END SECTION	1	1		

<b>From E-2585 To J-0184</b>	<b>Date:10/2022</b>	<b>PAGE:H7-1836-02</b>
<b>PARCEL RACK W/TAN FINISHING</b>		

Item#	Part	Description	H 3 4 1	H 3 4 5	V I P 4 5	N O T E S
55	317078	CLOSING COVER L.H. BACKWARD PARCEL RACK		1		F
55A	314152	PILAR COVERING / BACKWARD END SECTION	1	1		
56	314118	PILAR COVERING L.H.	1	1		
58	500661	SCREW TC FL PH #6-32x1/2 Z050	AR	AR		
59	500463	WASHER FN CKF .187x.500x.090 BR Z050	AR	AR		
60	316600	CEILING PANEL 867MM #1 R.H.	1			
60	316599	CEILING PANEL 867MM #1 L.H.	1			
60	317039	CEILING PANEL 1654MM #2,3,4,5 & 6 L.H. & R.H.	10			
60	317040	CEILING PANEL 1179MM #7 L.H.	1			
60	317041	CEILING PANEL 1179MM #7 R.H.	1			
60	316600	CEILING PANEL 867MM #1 R.H.		1		
60	310351	CEILING PANEL 867MM / GREY #1 R.H. From H-3497		1		H
60	316599	CEILING PANEL 867MM #1 L.H.		1		
60	310350	CEILING PANEL 867MM / GREY #1 L.H. From H-3497		1		H
60	317039	CEILING PANEL 1654MM #2,3,4,5, 6 & 7 L.H. & R.H.		12		
60	310342	CEILING, PARCEL RACK 1654MM / GREY #2,3,4,5, 6 & 7 L.H. & R.H. From H-3497		12		H
60	317039	CEILING PANEL 1654MM #2,3,4,5,6 & 7 LH & #2,3,4 RH		9		WCL
60	310342	CEILING, PARCEL RACK 1654MM / GREY #2,3,4,5,6 & 7 LH & #2,3,4 RH From H-3497		9		H WCL
60	317079	CEILING PANEL 720MM #7 L.H.		1		F
60	316602	CEILING PANEL / W/W.C.L. "RICON" 568MM #5 R.H.		1		
60	310345	CEILING PANEL / W/W.C.L. "RICON" 568MM / GREY #5 R.H. From H-3497		1		H
60	317043	CEILING PANEL / W/W.C.L. "RICON" 1544MM #7 R.H.		1		
60	310352	CEILING PANEL / W/W.C.L. "RICON" 1544MM / GREY #7 R.H. From H-3497		1		H
60	Call order desk	CEILING PANEL / W/W.C.L. "RICON" 739MM #4 R.H.	1			P
60	316714	CEILING PANEL / W/W.C.L. "RICON" 1544MM #5 RH	1			
60	316714	CEILING PANEL / W/W.C.L. "RICON" 1544MM #6 RH		1		
60	310348	CEILING PANEL / W/W.C.L. "RICON" 1544MM / GREY #6 RH From H-3497		1		H
60	316708	CEILING PANEL / W/W.C.L. "RICON" 241MM #5 RH	1			
60	316597	CEILING PANEL 736MM #8 L.H. & R.H.		2		
60	310349	CEILING PANEL 736MM / GREY #8 L.H. & R.H. From H-3497		2		H
NS	312243	INSULATING / TOP PANEL & STRUCTURE 1371.6MM	10			
60	312243	INSULATING / TOP PANEL & STRUCTURE 1371.6MM		12		
NS	506227	TAPE RUB ADH1 CC POL 1/16" x 3/4" x 100' / GREY 2520	AR	AR		
NS	506268	TAPE RUB ADH1 URE 3/8" x 1/2" x 25' / GREY 1820	AR	AR		
61	316681	FINISHING CAP L.H. / FRONT OF P.R.	1	1		
62	314019	FINISHING CAP R.H. / FRONT OF P.R. TAN	1	1		
63	312904	SUPPORT FRONT R.H. / "C" FORM 390MM	1	1		
64	312902	SUPPORT FRONT R.H. / "C" FORM 390MM	1	1		
NS	500582	SCREW TP PAN PH #8x3/8 Z050	1	1		
65A	314116	FINISHING CAP R.H. / FRONT OF P.R. WITHOUT DOOR To G-3218	1	1		
65A	314459	FINISHING CAP R.H. / FRONT OF P.R. WITHOUT DOOR From G-3219	1	1		
65A	313978	FINISHING CAP R.H. / FRONT OF P.R. WITH DOOR TAN	1	1		

<b>From E-2585 To J-0184</b>	<b>Date:10/2022</b>	<b>PAGE:H7-1836-02</b>
<b>PARCEL RACK W/TAN FINISHING</b>		

Item#	Part	Description	H 3 4 1	H 3 4 5	V I P 4 5	N O T E S
65A	310232	FINISHING CAP R.H. / FRONT OF P.R. WITH DOOR GREY From H-3497		1		H
65B	314019	FINISHING CAP R.H. / FRONT OF P.R. TAN	1	1		L
66	313980	FINISHING CAP R.H. / UNDER OF P.R. TAN	1	1		
66	310231	FINISHING CAP R.H. / UNDER OF P.R. GREY From H-3497		1		H
67	319161	COVER END CLOSING	2	2		
68	329539	CLOSING COVER L.H. BACKWARD PACEL RACK TAN	1	1		
68	322562	CLOSING COVER L.H. BACKWARD PACEL RACK GREY From H-3497		1		H
68	500626	SCREW TP OV PH #8x3/4 Z050	5	5		
68	500464	WASHER FN CKF .210x.540 SS	5	5		
NS	312922	ANGLE / TO FIX FINISHING CAP	2	2		
NS	506318	TAPE DUAL LOCK 1" x 150' / BLACK SJ3541	AR	AR		
68	316748	COVER FINISHING, PARCEL RACK END	1			S
70	312553P	PANEL, INTERIOR ASSY 868 MM #1 RH & LH	2			
70	Call order desk	PANEL, INTERIOR ASSY 1657 MM #2,3,5,6 LH & #2,4,5,6 RH	8			P
70	Call order desk	PANEL, INSIDE 1657MM #4 LH & #3 RH	1			P C
70	Call order desk	PANEL, INSIDE 1657MM #4 LH & #3 RH	1			P A
70	Call order desk	PANEL, INSIDE 1205.5MM #7 RH	1			P
70	Call order desk	PANEL, INSIDE 1181.5MM #7 LH	1			P
70	312553P	PANEL, INTERIOR ASSY 868 MM #1 RH & LH		1		
70	Call order desk	PANEL, INSIDE 745MM		1		P F
70	Call order desk	PANEL, INTERIOR ASSY 1657 MM #2,3,4,6,7 LH & #2,3,5,6,7 RH		10		P
70	Call order desk	PANEL, INSIDE 1657MM #5 LH & #4 RH	1	1		P C
70	Call order desk	PANEL, INSIDE 1657MM #5 LH & #4 RH	1	1		P A
70	312558P	PANEL, INSIDE / W/W.C.L. "RICON" 597MM #5 RH		1		
70	Call order desk	PANEL, INSIDE / W/W.C.L. "RICON" 1544MM #6 & #7 RH		1		P
70	Call order desk	PANEL, INSIDE / W/W.C.L. "RICON" 1544MM #5 & #6 RH	1			P
70	Call order desk	PANEL, INSIDE 791MM #8 RH		1		P
70	Call order desk	PANEL, INSIDE 766MM #8 LH		1		P
70	Call order desk	PANEL, INSIDE / W/W.C.L. & GALLEY 1594MM #6 RH		1		P G
70	Call order desk	PANEL, INSIDE / W/W.C.L. "RICON" 271MM #5 RH	1			P
NS	810034	. CARPET OZITE / S.L. 12 FT WIDE	AR	AR		
71	316651	COVER L.H. ASSY / W/LIGHT & VENT HOLE To G-3308	1	1		
. NS	316650	. COVER, PARCEL RACK, VENTILATED To G-3308	1	1		
. NS	565889	. LAMP LED To G-3308	1	1		
. NS	504448	. CABLE CLIP 1/4" / ADHESIVE To G-3308	2	2		
. NS	502752	. SCREW TP RND PH #4x3/4 ZP To G-3308	2	2		
71	310151	COVER L.H. ASSY / W/LIGHT & VENT HOLE From G-3309	1	1		
. NS	316650	. COVER, PARCEL RACK, VENTILATED From G-3309	1	1		
. NS	565889	. LAMP LED From G-3309	1	1		
. NS	504448	. CABLE CLIP 1/4" / ADHESIVE From G-3309	2	2		
. NS	502752	. SCREW TP RND PH #4x3/4 ZP From G-3309	2	2		
. NS	506755	. VELCRO / HOOK ADHESIF 1" x 75' From G-3309	AR	AR		

From E-2585 To J-0184	Date:10/2022	PAGE:H7-1836-02
<b>PARCEL RACK W/TAN FINISHING</b>		

Item#	Part	Description	H 3 4 1	H 3 4 5	V I P 4 5	N O T E S
. NS	506756	. VELCRO / LOOP ADHESIF 1" x 75' From G-3309	AR	AR		
71	310367	COVER L.H. ASSY / W/LIGHT & VENT HOLE GREY From H-3497		1		H
. NS	310370	. COVER, PARCEL RACK, VENTILATED From H-3497		1		H
. NS	565889	. LAMP LED From H-3497		1		H
. NS	504448	. CABLE CLIP ¼" / ADHESIVE From H-3497		2		H
. NS	502752	. SCREW TP RND PH #4x3/4 ZP From H-3497		2		H
. NS	506755	. VELCRO / HOOK ADHESIF 1" x 75' From H-3497		AR		H
. NS	506756	. VELCRO / LOOP ADHESIF 1" x 75' From H-3497		AR		H
71	316611	COVER L.H. ASSY / W/LIGHT & FAN HOLE From G-3099		1		
. NS	316610	. COVER L.H. W/LIGHT & FAN HOLE From G-3099		1		
71	<b>H7-0690-00</b>	<b>FAN PARCEL RACK From G-3099</b>	1	1	1	
71	068757	DECAL / POWER VIDEO COMPONENTS To H-3734	1	1		
71	060936	DECAL / POWER VIDEO COMPONENTS From H-3735	1	1		
72	316655	COVER R.H. ASSY W/CORD	1	1		
72	316654	COVER R.H. / PLAIN OFFSET W/CORD & FAN VENT, SAND BEIGE	1	1		
72	316640	COVER R.H. ASSY / W/LIGHT OFFSET TAN	1	1		
. NS	316639	. COVER, REAR RIGHT	1	1		
. NS	565889	. LAMP LED	1	1		
72	316653	COVER R.H. ASSY / W/LIGHT OFFSET & FAN VENT SAND BEIGE	1	1		
. NS	316652	. COVER, REAR RIGHT	1	1		
. NS	565889	. LAMP LED	1	1		
72	310361	COVER R.H. ASSY / W/LIGHT OFFSET & FAN VENT GREY From H-3497		1		H
. NS	310369	. COVER, REAR RIGHT From H-3497		1		H
. NS	565889	. LAMP LED From H-3497		1		H
73	316657	COVER R.H. ASSY / W/LIGHT To G-3308	1	1		
. NS	316656	. COVER To G-3308	1	1		
. NS	565889	. LAMP LED To G-3308	1	1		
. NS	502752	. SCREW TP RND PH #4x3/4 ZP To G-3308	2	2		
73	310133	COVER R.H. ASSY / W/LIGHT From G-3309	1	1		
. NS	310132	. COVER From G-3309	1	1		
. NS	565889	. LAMP LED From G-3309	1	1		
. NS	502752	. SCREW TP RND PH #4x3/4 ZP From G-3309	2	2		
. NS	504448	. CABLE CLIP ¼" / ADHESIVE From G-3309	2	2		
73	316644	COVER / PLAIN / W/CORD To G-3308	1	1		
73	310131	COVER / PLAIN / W/CORD From G-3309	1	1		
73	310161	COVER ASSY / W/LIGHT / PLAIN / W/HOLE FOR CABLE GREY From H-3497		1		H
. NS	310160	. COVER, PARCEL RACK From H-3497		1		H
. NS	565889	. LAMP LED From H-3497		1		H
. NS	504448	. CABLE CLIP ¼" / ADHESIVE From H-3497		2		H
. NS	502752	. SCREW TP RND PH #4x3/4 ZP From H-3497		2		H
73	310657	COVER ASSY / W/OUT LIGHT / PLAIN GREY From J-0168		1		K
74A	316643	COVER / PLAIN / W/CORD TAN / NO LIGHT	1	1		

<b>From E-2585 To J-0184</b>	<b>Date:10/2022</b>	<b>PAGE:H7-1836-02</b>
<b>PARCEL RACK W/TAN FINISHING</b>		

Item#	Part	Description	H 3 4 1	H 3 4 5	V I P 4 5	N O T E S
74A	316643	COVER / PLAIN / W/CORD TAN / NO LIGHT	1	1		
74A	310374	COVER / PLAIN / W/CORD GREY From H-3497		1		H
74A	316442	COVER / PLAIN / PLAIN	1	1		
74B	316643	COVER / PLAIN / W/CORD TAN / NO LIGHT To G-3308	1	1		
74B	316643	COVER / PLAIN / W/CORD TAN / NO LIGHT To G-3308	1	1		
74B	310121	COVER / PLAIN / W/CORD From G-3309	1	1		
. NS	310122	. COVER From G-3309	1	1		
. NS	316627	. SUPPORT From G-3309	1	1		
74B	310373	COVER / PLAIN / W/CORD GREY From H-3497		1		H
74B	060158	DECAL, O2 EL SOUND/VIDEO SYS P-RACK E From G-3309	1	1		
74B	060157	DECAL, O2 EL MONITOR LAYOUT P-RACK E From G-3309	1	1		
74C	310123	BRACKET From G-3309	1	1		
74D	508423	NUT SPR U #6 .025 - .064 From G-3309	1	1		
74E	500552	SCREW TP OV PH #6x3/4 Z050 From G-3309	1	1		
74F	500463	WASHER FN CKF .187x.500x.090 BR Z050 From G-3309	1	1		
74G	504108	RIVET POP DOME OE 1/8x1/2 AL From G-3309	1	1		
75	316644	COVER / PLAIN / W/CORD	1	1		
75	310376	COVER / PLAIN GREY From H-3497		1		H
76	316686	COVER L.H. / PLAIN OFFSET W/CORD W/DECAL	1	1		
. NS	316646	. COVER L.H. / PLAIN OFFSET W/CORD	1	1		
. NS	069194	. DECAL "IOB"	1	1		
76	316649	COVER L.H. ASSY / W/LIGHT OFFSET	1	1		
. NS	316648	. COVER, REAR LEFT	1	1		
76	316673	COVER ASSY / W/LIGHT / PLAIN From H-3497		1		H
. NS	316674	. COVER, PARCEL RACK From H-3497		1		H
. NS	565889	. LAMP LED From H-3497		1		H
. NS	504448	. CABLE CLIP 1/4" / ADHESIVE From H-3497		2		H
. NS	502752	. SCREW TP RND PH #4x3/4 ZP From H-3497		2		H
77	500641	SCREW TP PAN PH #8x3/4 Z050	AR	AR		
78	314161	SUPPORT REAR R.H. W/OUT LAVATORY W/CORD	1	1		
79	317130	SIDE ACCESS PANEL From G-3129	1	1		
79	317129	SIDE ACCESS PANEL GREY From H-3497		1		H
80	314103P	PANEL ASSY 868MM #1 RH & LH	2			
80	Call order desk	PANEL ASSY 1657MM #2,3,5,6 LH & #2,4,5,6 RH To G-3128	8			P
80	Call order desk	PANEL ASSY 1657MM #2,3,5,6 LH & #2,4,5,6 RH From G-3129	8			P
80	Call order desk	PANEL ASSY 1657MM #4 LH & #3 RH To F-2834	2			P C
80	Call order desk	PANEL ASSY 1657MM #4 LH & #3 RH To F-2834	2			P A
80	Call order desk	PANEL ASSY 1657MM #4 LH & #3 RH From F-2835 To G-3128	2			P
80	Call order desk	PANEL ASSY 1657MM #4 LH & #3 RH From G-3129	2			P
80	Call order desk	PANEL ASSY 1205.5MM #7 RH To G-3128	1			P
80	Call order desk	PANEL ASSY 1205.5MM #7 RH From G-3129	1			P
80	Call order desk	PANEL ASSY 1205.5MM #7 LH To G-3128	1			P

<b>From E-2585 To J-0184</b>	<b>Date:10/2022</b>	<b>PAGE:H7-1836-02</b>
<b>PARCEL RACK W/TAN FINISHING</b>		

Item#	Part	Description	H 3 4 1	H 3 4 5	V I P 4 5	N O T E S
80	Call order desk	PANEL ASSY 1205.5MM #7 LH From G-3129	1			P
80	314103P	PANEL ASSY 868MM #1 RH & LH		2		
80	Call order desk	PANEL ASSY 1657MM #2,3,4,6,7 LH & #2,3,5,6,7 RH To G-3128		10		P
80	Call order desk	PANEL ASSY 1657MM #2,3,4,6,7 LH & #2,3,5,6,7 RH From G-3129		10		P
80	Call order desk	PANEL ASSY 1657MM #5 LH & #4 RH To F-2834		2		P C
80	Call order desk	PANEL ASSY 1657MM #5 LH & #4 RH To F-2834		2		P A
80	Call order desk	PANEL ASSY 1657MM #5 LH & #4 RH From F-2835 To G-3128		2		P
80	Call order desk	PANEL ASSY 1657MM #5 LH & #4 RH From G-3129		2		P
80	Call order desk	PANEL ASSY / W/W.C.L. "RICON" 1012MM #4 RH	1			P
80	Call order desk	PANEL ASSY / W/W.C.L. "RICON" 603MM #5 RH To F-2834		1		P C
80	Call order desk	PANEL ASSY / W/W.C.L. "RICON" 603MM #5 RH To F-2834		1		P A
80	Call order desk	PANEL ASSY / W/W.C.L. "RICON" 603MM #5 RH From F-2835		1		P
80	Call order desk	PANEL ASSY / W/W.C.L. "RICON" 1578MM #6 RH To G-3128		1		P
80	Call order desk	PANEL ASSY / W/W.C.L. "RICON" 1578MM #6 RH From G-3129		1		P
80	Call order desk	PANEL ASSY / W/W.C.L. "RICON" 1578MM #5 RH To G-3128	1			P
80	Call order desk	PANEL ASSY / W/W.C.L. "RICON" 1578MM #5 RH From G-3129	1			P
80	Call order desk	PANEL ASSY / WITH GALLEY 1603MM #6 RH To G-3128		1		P G
80	Call order desk	PANEL ASSY / WITH GALLEY 1603MM #6 RH From G-3129		1		P G
80	Call order desk	PANEL ASSY / W/W.C.L. "RICON" 2345MM #7 RH To G-3128		1		P
80	Call order desk	PANEL ASSY / W/W.C.L. "RICON" 2345MM #7 RH From G-3129		1		P
80	Call order desk	PANEL ASSY / W/W.C.L. "RICON" 2345MM #6 RH To G-3128	1			P
80	Call order desk	PANEL ASSY / W/W.C.L. "RICON" 2345MM #6 RH From G-3129	1			P
80	Call order desk	PANEL ASSY 796MM #8 RH To G-3128		1		P
80	Call order desk	PANEL ASSY 796MM #8 RH From G-3129		1		P
80	Call order desk	PANEL ASSY 770.5MM #8 LH To G-3128		1		P
80	Call order desk	PANEL ASSY 770.5MM #8 LH From G-3129		1		P
80	Call order desk	PANEL ASSY 747MM #7 LH To G-3128		1		P F
80	Call order desk	PANEL ASSY 747MM #7 LH From G-3129		1		P F
80	Call order desk	PANEL, PARCEL RACK ASSY SPECIAL 1685MM #6 L.H.	1			P S
80	Call order desk	PANEL, PARCEL RACK ASSY SPECIAL 1685MM #4 R.H.	1			P S
80	504536	. CABLE CLIP 1/2" / ADHESIVE	AR	AR	AR	
80	683660	. TAPE RUB ADH1 VHB 1/2" x .120" x 107'	AR	AR	AR	
NS	313469	INSULATION	1	1		
80	506264	TAPE RUB ADH1 URE 3/4" x 1" x 12.5' / GREY 1820X	AR	AR		
81	500582	SCREW TP PAN PH #8x3/8 Z050	AR	AR		
82	504118	RIVET POP DOME OE 3/16x3/8 AL	AR	AR		
82	504108	RIVET POP DOME OE 1/8x1/2 AL	AR	AR		
82	504107	RIVET POP DOME OE 1/8x5/16 AL	AR	AR		
82	500618	SCREW TP FL PH #10x1 Z050	AR	AR		
83	5001440	SCREW TP RND PH WSHR HD #8x1/2	14	14		
84	500583	SCREW TP PAN PH #6x1/2 Z050	1	1		
84	508423	NUT SPR U #6 .025 - .064	1	1		

<b>From E-2585 To J-0184</b>	<b>Date:10/2022</b>	<b>PAGE:H7-1836-02</b>
<b>PARCEL RACK W/TAN FINISHING</b>		

Item#	Part	Description	H 3 4 1	H 3 4 5	V I P 4 5	N O T E S
85	311250	ROD / TO JOINT HAND RAIL EXTRUSION	AR	AR		
86	312511	PLATE, JUNCTION / EXTRUSION RETAINER	4	4		
87	504114	RIVET POP DOME OE 3/16x1/4 AL	AR	AR		
88	810087	CARPET (OZITE) SELF ADHESIVE	AR	AR		
89	502513	SCREW TP CAP HEX 5/16x1 Z050	AR			
90	Call order desk	EXTRUSION, REAR, ALUMINIUM 5850MM / S.C.C	2			P
90	Call order desk	EXTRUSION, REAR, ALUMINIUM 4527MM / S.C.C	1			P
90	Call order desk	EXTRUSION, REAR, ALUMINIUM 4503MM / S.C.C	1			P
90	Call order desk	EXTRUSION, REAR, ALUMINIUM 5148MM / S.C.C	1			PL
90	Call order desk	EXTRUSION, REAR, ALUMINIUM 5850MM / S.C.C		2		P
90	Call order desk	EXTRUSION, REAR, ALUMINIUM 5773MM / S.C.C		1		P
90	Call order desk	EXTRUSION, REAR, ALUMINIUM 5748MM / S.C.C		1		P
90	Call order desk	EXTRUSION, REAR, ALUMINIUM 6395MM / S.C.C		1		PL
90	Call order desk	EXTRUSION, REAR, ALUMINIUM 6450MM / S.C.C		1		P WCL
90	Call order desk	EXTRUSION, REAR, ALUMINIUM 5204MM / S.C.C	1			P WCL
90	Call order desk	EXTRUSION, REAR, ALUMINIUM 3913MM / S.C.C	1	1		P WCL
90	Call order desk	EXTRUSION, REAR, ALUMINIUM 1597MM / S.C.C		1		P G
90	Call order desk	EXTRUSION, REAR, ALUMINIUM 747MM / S.C.C		1		P F
90	Call order desk	EXTRUSION, REAR, ALUMINIUM 4067MM / S.C.C		1		P F
90	Call order desk	EXTRUSION, REAR, ALUMINIUM 4067MM / S.C.C		1		P F
90	Call order desk	EXTRUSION, REAR, ALUMINIUM 5850MM / S.C.C	1			P S
NS	504453	GROMMET / 1.500x1.750x.250x.625x2.125	2	2		
NS	504666	GROMMET / 1.000x1.375x.250x.625x1.750	1	1		
90	504622	GROMMET / 1.500x1.750x.062x.437x2.125	1			
NS	504567	GROMMET / .687x1.000x.250x.562x1.312		2		
90	504567	GROMMET / .687x1.000x.250x.562x1.312	1			
91	Call order desk	EXTRUSION, ALUMINIUM 5850MM / S.C.C	2			P
91	Call order desk	EXTRUSION, ALUMINIUM 4527MM / S.C.C	1			P
91	Call order desk	EXTRUSION, ALUMINIUM 4503MM / S.C.C	1			P
91	Call order desk	EXTRUSION, ALUMINIUM 5148MM / S.C.C	1			PL
91	Call order desk	EXTRUSION, ALUMINIUM 5850MM / S.C.C		2		P
91	Call order desk	EXTRUSION, ALUMINIUM 5773MM / S.C.C		1		P
91	Call order desk	EXTRUSION, ALUMINIUM 5748MM / S.C.C		1		P
91	Call order desk	EXTRUSION, ALUMINIUM 6395MM / S.C.C		1		PL
91	Call order desk	EXTRUSION, ALUMINIUM 6450MM / S.C.C		1		P WCL
91	Call order desk	EXTRUSION, ALUMINIUM 3600MM / S.C.C	1	1		P WCL
91	Call order desk	EXTRUSION, ALUMINIUM 5054MM / S.C.C	1			P WCL
91	Call order desk	EXTRUSION, ALUMINIUM 141MM / S.C.C	1			P WCL
91	Call order desk	EXTRUSION, ALUMINIUM 1597MM / S.C.C		1		P G
91	Call order desk	EXTRUSION, ALUMINIUM 5850MM / S.C.C	1			P S
91	Call order desk	EXTRUSION, ALUMINIUM 3346MM / S.C.C	1			P S
91	Call order desk	EXTRUSION, ALUMINIUM 3346MM / S.C.C	1			P S



<b>From E-2585 To J-0184</b>	<b>Date:10/2022</b>	<b>PAGE:H7-1836-02</b>
<b>PARCEL RACK W/TAN FINISHING</b>		

Item#	Part	Description	H 3 4 1	H 3 4 5	V I P 4 5	N O T E S
91	Call order desk	EXTRUSION, ALUMINIUM 1686MM / S.C.C	2			P S
91	Call order desk	EXTRUSION, ALUMINIUM 5876MM / S.C.C	1			P S
91	Call order desk	EXTRUSION, ALUMINIUM 5876MM / S.C.C	1			P S
92	<b>H7-0655-01</b>	<b>INTERIOR LIGHTING LED</b>				D
93	312971P	PANEL 51MM	1	1		
93	Call order desk	PANEL 73MM	1	1		P
93	Call order desk	PANEL 80MM	1	1		P
93	Call order desk	PANEL 92MM	1	1		P
93	313682P	PANEL 100MM	1	1		
93	Call order desk	PANEL 114MM	1	1		P
93	Call order desk	PANEL 124MM	1	1		P
93	Call order desk	PANEL 126MM	1	1		P
93	Call order desk	PANEL 132MM	1	1		P
93	Call order desk	PANEL 149MM	1	1		P
93	Call order desk	PANEL 158MM	1	1		P
93	Call order desk	PANEL 166MM	1	1		P
93	Call order desk	PANEL 174MM	1	1		P
93	Call order desk	PANEL 181MM	1	1		P
93	315913P	PANEL 184MM	1	1		
93	313330P	PANEL 193MM	1	1		
93	Call order desk	PANEL 203MM	1	1		P
93	Call order desk	PANEL 213MM	1	1		P
93	313883P	PANEL 219MM	1	1		
93	315940P	PANEL 226MM	1	1		
93	Call order desk	PANEL 231MM	1	1		P
93	313334P	PANEL 235MM	1	1		
93	Call order desk	PANEL 243MM	1	1		P
93	312736P	PANEL 248MM	1	1		
93	313077P	PANEL 253MM	1	1		
93	Call order desk	PANEL 256MM	1	1		P
93	Call order desk	PANEL 264MM	1	1		P
93	Call order desk	PANEL 267MM	1	1		P
93	312760P	PANEL 269MM	1	1		
93	312721P	PANEL 279MM	1	1		
93	315923P	PANEL 289MM	1	1		
93	Call order desk	PANEL 292MM	1	1		P
93	312734P	PANEL 299 MM	1	1		
93	316018P	PANEL 304MM	1	1		
93	312762P	PANEL 310MM	1	1		
93	312761P	PANEL 315MM	1	1		



From E-2585 To J-0184	Date:10/2022	PAGE:H7-1836-02
<b>PARCEL RACK W/TAN FINISHING</b>		

Item#	Part	Description	H 3 4 1	H 3 4 5	V I P 4 5	N O T E S
93	312764P	PANEL 325MM	1	1		
93	313075P	PANEL 335MM	1	1		
93	312724P	PANEL 343MM	1	1		
93	Call order desk	PANEL 352MM	1	1		P
93	312729P	PANEL 356MM	1	1		
93	Call order desk	PANEL 361MM	1	1		P
93	Call order desk	PANEL 366MM	1	1		P
93	Call order desk	PANEL 370MM	1	1		P
93	312839P	PANEL 375MM	1	1		
93	313328P	PANEL 388MM	1	1		
93	Call order desk	PANEL 391MM	1	1		P
93	Call order desk	PANEL 396MM	1	1		P
93	312735P	PANEL 402MM	1	1		
93	312751P	PANEL 408MM	1	1		
93	313333P	PANEL 415MM	1	1		
93	312749P	PANEL 421MM	1	1		
93	Call order desk	PANEL 426MM	1	1		P
93	312720P	PANEL 427MM	AR	AR		
93	312774P	PANEL 431MM	1	1		
93	312946P	PANEL 437MM	1	1		
93	310617P	PANEL 440MM	1	1		
93	312733P	PANEL 447MM	1	1		
93	Call order desk	PANEL 448MM	1	1		P
93	312747P	PANEL 454MM	1	1		
93	312767P	PANEL 457MM	1	1		
93	Call order desk	PANEL 462MM	1	1		P
93	312975P	PANEL 465MM	1	1		
93	312745P	PANEL 472MM	1	1		
93	312835P	PANEL 475MM	1	1		
93	312730P	PANEL 478MM	1	1		
93	312752P	PANEL 484MM	1	1		
93	313076P	PANEL 490MM	1	1		
93	312771P	PANEL 495MM	1	1		
93	312728P	PANEL 500MM	1	1		
93	Call order desk	PANEL 505MM	1	1		P
93	312725P	PANEL 510MM	1	1		
93	Call order desk	PANEL 516MM	1	1		P
93	312723P	PANEL 525MM	1	1		
93	Call order desk	PANEL 529MM	1	1		P
93	312741P	PANEL 538MM	1	1		
93	312737P	PANEL 542MM	1	1		
93	312739P	PANEL 550MM	1	1		

From E-2585 To J-0184	Date:10/2022	PAGE:H7-1836-02
<b>PARCEL RACK W/TAN FINISHING</b>		

Item#	Part	Description	H 3 4 1	H 3 4 5	V I P 4 5	N O T E S
93	Call order desk	PANEL 553MM	1	1		P
93	313335P	PANEL 559MM	1	1		
93	Call order desk	PANEL 560MM	1	1		P
93	313125P	PANEL 565MM	1	1		
93	315952P	PANEL 570MM	1	1		
93	312756P	PANEL 575MM	1	1		
93	Call order desk	PANEL 580MM	1	1		P
93	315884P	PANEL 582MM	1	1		
93	Call order desk	PANEL 586MM	1	1		P
93	312766P	PANEL 590MM	1	1		
93	312757P	PANEL 598MM	1	1		
93	315945P	PANEL 601MM	1	1		
93	312722P	PANEL 605MM	1	1		
93	Call order desk	PANEL 612MM	1	1		P
93	313414P	PANEL 615MM	1	1		
93	Call order desk	PANEL 625MM	1	1		P
93	Call order desk	PANEL 631MM	1	1		P
93	Call order desk	PANEL 636MM	1	1		P
93	Call order desk	PANEL 640MM	1	1		P
93	Call order desk	PANEL 646MM	1	1		P
93	315983P	PANEL 655MM	1	1		
93	Call order desk	PANEL 656MM	1	1		P
93	Call order desk	PANEL 660MM	1	1		P
93	Call order desk	PANEL 665MM	1	1		P
93	Call order desk	PANEL 672MM	1	1		P
93	Call order desk	PANEL 674MM	1	1		P
93	Call order desk	PANEL 682MM	1	1		P
93	Call order desk	PANEL 686MM	1	1		P
93	Call order desk	PANEL 690MM	1	1		P
93	312748P	PANEL 700MM	1	1		
93	312746P	PANEL 705MM	1	1		
93	312759P	PANEL 711MM	1	1		
93	313079P	PANEL 716MM	1	1		
93	Call order desk	PANEL 722MM	1	1		P
93	312765P	PANEL 731MM	1	1		
93	Call order desk	PANEL 741MM	1	1		P
93	Call order desk	PANEL 747MM	1	1		P
93	312840P	PANEL 753MM	1	1		
93	312770P	PANEL 759MM	1	1		
93	312742P	PANEL 763MM	1	1		
93	312738P	PANEL 773MM	1	1		
93	Call order desk	PANEL 780MM	1	1		P

From E-2585 To J-0184	Date:10/2022	PAGE:H7-1836-02
<b>PARCEL RACK W/TAN FINISHING</b>		

Item#	Part	Description	H 3 4 1	H 3 4 5	V I P 4 5	N O T E S
93	Call order desk	PANEL 788MM	1	1		P
93	Call order desk	PANEL 791MM	1	1		P
93	Call order desk	PANEL 796MM	1	1		P
93	Call order desk	PANEL 802MM	1	1		P
93	Call order desk	PANEL 811MM	1	1		P
93	Call order desk	PANEL 819MM	1	1		P
93	Call order desk	PANEL 830MM	1	1		P
93	Call order desk	PANEL 836MM	1	1		P
93	Call order desk	PANEL 843MM	1	1		P
93	Call order desk	PANEL 850MM	1	1		P
93	313617P	PANEL 866MM	1	1		
93	315929P	PANEL 878MM	1	1		
93	Call order desk	PANEL 885MM	1	1		P
93	Call order desk	PANEL 905MM	1	1		P
93	Call order desk	PANEL 913MM	1	1		P
93	Call order desk	PANEL 924MM	1	1		P
93	Call order desk	PANEL 936MM	1	1		P
93	315904P	PANEL 940MM	1	1		
93	Call order desk	PANEL 966MM	1	1		P
93	Call order desk	PANEL 990MM	1	1		P
93	316181	PANEL 1096MM	1	1		
93	Call order desk	PANEL 1123MM	1	1		P
93	Call order desk	PANEL 1212MM	1	1		P
93	Call order desk	PANEL 1296MM	1	1		P
93	Call order desk	PANEL 1316MM	1	1		P
93	Call order desk	PANEL 1360MM	1	1		P
93	Call order desk	PANEL 1379MM	1	1		P
93	Call order desk	PANEL 1424MM	1	1		P
93	Call order desk	PANEL 1481MM	1	1		P
93	Call order desk	PANEL 1549MM	1	1		P
93	316485P	PANEL 1571MM	1	1		
93	Call order desk	PANEL 1605MM	1	1		P
93	Call order desk	PANEL 1724MM	1	1		P
93	Call order desk	PANEL 310MM / 112MM POSITION SCREEN	1	1		P
93	Call order desk	PANEL 376MM / 112MM POSITION SCREEN	1	1		P
93	Call order desk	PANEL 427MM / 315MM POSITION SCREEN	1	1		P
93	Call order desk	PANEL 475MM / 108MM POSITION FLAT MONITOR	1	1		P
93	Call order desk	PANEL 475MM / 108MM POSITION FLAT MONITOR	1	1		P
93	Call order desk	PANEL 475MM / 310MM POSITION SCREEN	1	1		P
93	Call order desk	PANEL 495MM / 310MM POSITION SCREEN	1	1		P
93	Call order desk	PANEL 510MM / 310MM POSITION SCREEN	1	1		P
93	Call order desk	PANEL 570MM / 405MM POSITION SCREEN		1		P O

<b>From E-2585 To J-0184</b>	<b>Date:10/2022</b>	<b>PAGE:H7-1836-02</b>
<b>PARCEL RACK W/TAN FINISHING</b>		

Item#	Part	Description	H 3 4 1	H 3 4 5	V I P 4 5	N O T E S
93	Call order desk	PANEL 598MM / 433MM POSITION SCREEN		1		P O
93	310654P	PANEL 655MM / 382MM POSITION SCREEN / R.H. W/ LCD SCREEN	1	1		
93	310653P	PANEL 655MM / 382MM POSITION SCREEN / L.H. W/10" LCD SCREEN	1	1		
93	316123P	PANEL 655MM / 383MM POSITION SCREEN / W/15" LCD SCREEN	1	1		
93	Call order desk	PANEL 655MM / 544MM POSITION SCREEN	1	1		P
93	Call order desk	PANEL 705MM / 544MM POSITION SCREEN	1	1		P
93	Call order desk	PANEL 760MM / 427MM POSITION SCREEN / L.H. W/10" LCD SCREEN	1	1		P
93	Call order desk	PANEL 800MM / 128MM & 177MM HOLE POSITION / W/12.1" RETRACTABLE SCREEN	1	1		P
93	Call order desk	PANEL 915MM / 465MM POSITION SCREEN / L.H. W/10" LCD SCREEN	1	1		P
93	Call order desk	PANEL 980MM / 465MM POSITION SCREEN	1	1		P
93	Call order desk	PANEL 1015MM / 108MM POSITION SCREEN / L.H. LCD SCREEN	1	1		P
93	Call order desk	PANEL 500MM / 108MM POSITION SCREEN / LCD SCREEN	1	1		P
93	Call order desk	PANEL 1015MM / 465MM POSITION SCREEN / LCD SCREEN	1	1		P
93	Call order desk	PANEL 1015MM / 440MM POSITION SCREEN / LCD SCREEN	1	1	1	P
93	Call order desk	PANEL 980MM / 310MM POSITION SCREEN / LCD SCREEN	1	1		P
93	314357	PANEL 980MM / 310MM POSITION SCREEN / LCD SCREEN	1	1		
93	Call order desk	PANEL 763MM / 440MM POSITION SCREEN WITH DIFFUSER	1	1	1	P
. NS	870901	. LOUVER, ADJUSTABLE / ROUND 3" O.D.	2	2	2	
93	500672	SCREW TP OV PH #6x1/2 N500 To F-2820	AR	AR		
93	5001368	SCREW TC OV PH #8-32X1/2 BK From F-2821	AR	AR		
93	500345	WASHER FN CKF .187x.500x.090 BR BK To F-2820	AR	AR		
93	5001949	WASHER FN CKF .220x.615 BK From F-2821	AR	AR		
93	Call order desk	WOOD PANEL / LIGHTING MODULE SPECIAL				P
93	314272	DRAWING FOR WOOD PANEL SPECIAL				
93	314271	SPECIAL HOOK RETAINER WOOD PANEL 182MM x 38MM	AR	AR		
93	314273	SPECIAL PLATE RETAINER WOOD PANEL 198MM x 78MM	AR	AR		
93	316171	SPECIAL PLATE RETAINER WOOD PANEL / MONITOR 198MM x 80MM	AR	AR		
94	Call order desk	HAND RAIL / EXTRUSION W/HOLE 4190MM / S.C.C.	1			P
94	Call order desk	HAND RAIL / EXTRUSION 4190MM / S.C.C.	2			P
94	Call order desk	HAND RAIL / EXTRUSION W/HOLE 3324MM / S.C.C.	1			P
94	Call order desk	HAND RAIL / EXTRUSION 3320MM / S.C.C.	1			P
94	Call order desk	HAND RAIL / EXTRUSION 2867MM / S.C.C.	1			P
94	Call order desk	HAND RAIL / EXTRUSION 2843MM / S.C.C.	1			P
94	Call order desk	HAND RAIL / EXTRUSION 1660MM / S.C.C.	1			P L
94	Call order desk	HAND RAIL / EXTRUSION 1829MM / S.C.C.	1			P L
94	Call order desk	HAND RAIL / EXTRUSION 4190MM / S.C.C.		2		P
94	Call order desk	HAND RAIL / EXTRUSION W/HOLE 3320MM / S.C.C.		2		P
94	Call order desk	HAND RAIL / EXTRUSION 1660MM / S.C.C.		2		P
94	Call order desk	HAND RAIL / EXTRUSION 2454MM / S.C.C.		1		P
94	Call order desk	HAND RAIL / EXTRUSION 2428MM / S.C.C.		1		P

<b>From E-2585 To J-0184</b>	<b>Date:10/2022</b>	<b>PAGE:H7-1836-02</b>
<b>PARCEL RACK W/TAN FINISHING</b>		

Item#	Part	Description	H 3 4 1	H 3 4 5	V I P 4 5	N O T E S
94	Call order desk	HAND RAIL / EXTRUSION 3075MM / S.C.C.		1		P L
94	Call order desk	HAND RAIL / EXTRUSION W/HOLE 2260MM / S.C.C.		1		P WCL
94	Call order desk	HAND RAIL / EXTRUSION W/HOLE 2674.7MM / S.C.C.	1			P WCL
94	Call order desk	HAND RAIL / EXTRUSION 3913MM / S.C.C.	1	1		P WCL
94	Call order desk	HAND RAIL / EXTRUSION 2530MM / S.C.C.	1			P WCL
94	Call order desk	HAND RAIL / EXTRUSION 1597MM / S.C.C.		1		P G
94	Call order desk	HAND RAIL / EXTRUSION 4190MM / S.C.C.	1	1	1	P S
94	Call order desk	HAND RAIL / EXTRUSION W/HOLE 4190MM / S.C.C.	1			P S
94	Call order desk	HAND RAIL / EXTRUSION W/HOLE 3324MM / S.C.C.	1			P S
NS	506466	TAPE RUB ADH1 CC POL 1/16" x 1 1/2" x 100 / GREY 2520		AR		
95	500626	SCREW TP OV PH #8x3/4 Z050	AR	AR		
96	500464	WASHER FN CKF .210x.540 SS	AR	AR		
NS	068632	CABLE HARNESS / READING LIGHT STREETSIDE To G-3128	1	1		
NS	069310	CABLE HARNESS / READING LIGHT STREETSIDE From G-3129	1	1		
NS	068633	CABLE HARNESS / READING LIGHT CURBSIDE FRONT / W/W.C.L. To G-3128	1	1		
NS	068634	CABLE HARNESS / READING LIGHT CURB SIDE / W/W.C.L. To G-3128	1	1		
NS	069308	CABLE HARNESS / READING LIGHT CURB SIDE From G-3129	1	1		
NS	067441	CABLE / EMERGENCY LIGHT LH	1	1		
NS	067442	CABLE / EMERGENCY LIGHT RH	1	1		
NS	068308	CABLE, DIRECT LIGHT STD To G-3128	1	1		
NS	068288	EXTENSION HARNESS, DIRECT LIGHT To G-3128	1	1		
NS	068889	EXTENSION HARNESS, DIRECT LIGHT To G-3128	1	1		
NS	068309	CABLE, DIRECT LIGHT STD / W/W.C.L. To G-3128	1	1		
NS	067747	CABLE HARNESS / IND, LIGHT FRONT RH & REAR LH	1	1		
NS	068547	CABLE HARNESS / IND, LIGHT FRONT LH & REAR RH	1	1		
NS	068258	CABLE HARNESS / IND, LIGHT	4			
NS	068258	CABLE HARNESS / IND, LIGHT		5		
NS	068310	CABLE HARNESS / IND, LIGHT / W/W.C.L.		1		
NS	068416	EXTENSION HARNESS, INDIRECT LIGHT	1	1	1	
NS	068750	EXTENSION HARNESS, DIRECT LIGHT To G-3128	1			
NS	069789	CABLE HARNESS / SPECIAL From H-3945	1	1	1	O
NS	504637	CABLE TIE / 3/16" x 13"	AR	AR	AR	
NS	565187	CLAMP / "C" SHAPE CHRISTMAS TREE	AR	AR	AR	
NS	680042	GLUE LOCTITE 430 BOTTLE 1OZ	AR	AR	AR	
NS	506338	RUBBER CHANNEL / 1/16" x 1/4" INT "U" SHAPE / ROUND C.T.L.	AR	AR	AR	
99	314272-51	WOOD PANEL / COLOR TO BE SPECIFIED 51MM				
99	314272-124	WOOD PANEL / COLOR TO BE SPECIFIED 124MM				
99	314272-126	WOOD PANEL / COLOR TO BE SPECIFIED 126MM				
99	314272-219	WOOD PANEL / COLOR TO BE SPECIFIED 219MM				
99	314272-253	WOOD PANEL / COLOR TO BE SPECIFIED 253MM				
99	314272-264	WOOD PANEL / COLOR TO BE SPECIFIED 264MM				

From E-2585 To J-0184	Date:10/2022	PAGE:H7-1836-02
<b>PARCEL RACK W/TAN FINISHING</b>		

Item#	Part	Description	H 3 4 1	H 3 4 5	V I P 4 5	N O T E S
99	314272-299	WOOD PANEL / COLOR TO BE SPECIFIED 299MM				
99	314272-304	WOOD PANEL / COLOR TO BE SPECIFIED 304MM				
99	314272-315	WOOD PANEL / COLOR TO BE SPECIFIED 315MM				
99	314272-325	WOOD PANEL / COLOR TO BE SPECIFIED 325MM				
99	314272-370	WOOD PANEL / COLOR TO BE SPECIFIED 370MM				
99	314272-375	WOOD PANEL / COLOR TO BE SPECIFIED 375MM				
99	314272-391	WOOD PANEL / COLOR & MONITOR PRESENCE TO BE SPECIFIED 391MM				
99	314272-402	WOOD PANEL / COLOR & MONITOR PRESENCE TO BE SPECIFIED 402MM				
99	314272-408	WOOD PANEL / COLOR TO BE SPECIFIED 408MM				
99	314272-421	WOOD PANEL / COLOR & MONITOR PRESENCE TO BE SPECIFIED 421MM				
99	314272-427	WOOD PANEL / COLOR & MONITOR PRESENCE TO BE SPECIFIED 427MM				
99	314272-431	WOOD PANEL / COLOR & MONITOR PRESENCE TO BE SPECIFIED 431MM				
99	314272-447	WOOD PANEL / COLOR & MONITOR PRESENCE TO BE SPECIFIED 447MM				
99	314272-454	WOOD PANEL / COLOR & MONITOR PRESENCE TO BE SPECIFIED 454MM				
99	314272-457	WOOD PANEL / COLOR & MONITOR PRESENCE TO BE SPECIFIED 457MM				
99	314472-472	WOOD PANEL / COLOR & MONITOR PRESENCE TO BE SPECIFIED 472MM				
99	314272-484	WOOD PANEL / COLOR & MONITOR PRESENCE TO BE SPECIFIED 484MM				
99	314272-490	WOOD PANEL / COLOR & MONITOR PRESENCE TO BE SPECIFIED 490MM				
99	314272-500	WOOD PANEL / COLOR TO BE SPECIFIED 500MM				
99	314272-510	WOOD PANEL / COLOR & MONITOR PRESENCE TO BE SPECIFIED 510MM				
99	314272-646	WOOD PANEL / COLOR TO BE SPECIFIED 646MM				
99	314272-682	WOOD PANEL / COLOR TO BE SPECIFIED 682MM				
99	314272-700	WOOD PANEL / COLOR TO BE SPECIFIED 700MM				
99	314272-753	WOOD PANEL / COLOR TO BE SPECIFIED 753MM				
99	314272-759	WOOD PANEL / COLOR TO BE SPECIFIED 759MM				
99	314450-51	WOOD PANEL / COLOR : COGNAC 51MM				
99	314450-76	WOOD PANEL / COLOR : COGNAC 76MM				
99	314450-322	WOOD PANEL / COLOR : COGNAC 322MM				
99	314450-377	WOOD PANEL / COLOR : COGNAC / MONITOR PRESENCE TO BE SPECIFIED 377MM				
99	314450-457	WOOD PANEL / COLOR : COGNAC 457MM				
99	314450-486	WOOD PANEL / COLOR : COGNAC / MONITOR PRESENCE TO BE SPECIFIED 486MM				
99	314450-499	WOOD PANEL / COLOR : COGNAC 499MM				
99	314450-509	WOOD PANEL / COLOR : COGNAC / MONITOR PRESENCE TO BE SPECIFIED 509MM				
99	314450-764	WOOD PANEL / COLOR : COGNAC / MONITOR PRESENCE TO BE SPECIFIED 764MM				
99	310338-256	WOOD PANEL / COLOR : COGNAC 256MM				
99	310338-402	WOOD PANEL / COLOR : COGNAC 402MM				
99	310338-402M	WOOD PANEL / COLOR : COGNAC / MONITOR PRESENCE TO BE SPECIFIED 402MM				
99	310338-421	WOOD PANEL / COLOR : COGNAC 421MM				
99	310338-421M	WOOD PANEL / COLOR : COGNAC / MONITOR PRESENCE TO BE SPECIFIED 421MM				
99	310338-458	WOOD PANEL / COLOR : COGNAC 458MM				
99	310338-489M	WOOD PANEL / COLOR : COGNAC / MONITOR PRESENCE TO BE SPECIFIED 489MM				
99	310338-591	WOOD PANEL / COLOR : COGNAC 591MM				

<b>From E-2585 To J-0184</b>	<b>Date:10/2022</b>	<b>PAGE:H7-1836-02</b>
<b>PARCEL RACK W/TAN FINISHING</b>		

Item#	Part	Description	H 3 4 1	H 3 4 5	V I P 4 5	N O T E S
99	310338-993	WOOD PANEL / COLOR : COGNAC 993MM				
100	<b>H7-1837-01</b>	<b>CEILING PANELS &amp; MOULDING W/TAN FINISHING</b>				
101	502927	SCREW CAP HEX M8-1.25x50 G8.8 N500	AR	AR		
102	500942	WASHER LO SPT 8.1x14.8x2.0 N500	AR	AR		
103	312367	FIXING PLATE	AR	AR		
104	313003	SPACER	AR	AR		
105	5001337	NUT INS FL HEX M8-1.25 0.5-3.0 Z050	AR	AR		
106	316596	COVER FINISHING PILAR LIGHTING MODULE TAN	11			
106	317085	COVER FINISHING PILAR LIGHTING MODULE TAN	1			
106	316596	COVER FINISHING PILAR LIGHTING MODULE TAN		13		
106	316595	COVER FINISHING PILAR LIGHTING MODULE GREY From H-3497		13		H
106	317085	COVER FINISHING PILAR LIGHTING MODULE TAN		1		
106	317083	COVER FINISHING PILAR L.H. LIGHTING MODULE GREY From H-3497		1		H
107	317088	RH COVER FINISHING PILAR LIGHTING MODULE TAN	2	2		
107	317086	COVER FINISHING PILAR R.H. LIGHTING MODULE GREY From H-3497		2		H
108	317088	RH COVER FINISHING PILAR LIGHTING MODULE TAN	2	2		
108	317086	COVER FINISHING PILAR R.H. LIGHTING MODULE GREY From H-3497		2		H
109	314239	COVER R.H. ASSY W/CORD	1			
114	316676	COVER / FRONT OF VENTILATOR BOX	2	2		
115	314124	COVER / L.H. SIDE OF VENTILATOR BOX	2	2		
116	5001440	SCREW TP RND PH WSHR HD #8x1/2	AR	AR		
117	373555	RETAINER, AIR BLOWER	6	6	6	
118	5001746	SCREW CAP HEX 1/4-20x3/4 G5 N500	6	6	6	
118	500841	SCREW TP PAN PH #14x3/4 Z050	6	6	6	
119	500473	WASHER LO SPT .262x.489x.062 Z050	6	6	6	
120	500877	WASHER FL .250x.562x.065 N500	6	6	6	
121	<b>H7-2240-20</b>	<b>BLOWER VENTILATION - PARCEL RACK</b>				
200	Call order desk	CEILING PANEL ASSY W/READING LIGHT & SPEAKER	1	1		P B
200	Call order desk	CEILING PANEL ASSY W/READING LIGHT & SPEAKER SILVER	1	1		P B
200	Call order desk	CEILING PANEL ASSY W/READING LIGHT W/LED & SPEAKER	1	1		P B
200	Call order desk	CEILING PANEL ASSY W/READING LIGHT W/LED & SPEAKER SILVER	1	1		P B
200	310049	. CEILING PANEL W/COVERING	1	1		
201	563592	. MODULE ALARM DETECTOR W.C.L. TWU	1	1		
202	563945	. . LIGHT TWS W.C.L.	1	1		
203	500518	. SCREW MA BDG PH #4-40x1/2 Z050	4	4		
204	500157	. WASHER FL .125x.375x.032 SS	4	4		
205	500425	. NUT HEX NYRT #4-40 SS	4	4		
206	500333	. SCREW TP OV PH #6x3/4 BK	4	4		
207	500345	. WASHER FN CKF .187x.500x.090 BR BK	4	4		
209	341120	. SUPPORT DETECTOR MODULE TWU	1	1		
215	453786	AIR DEFLECTOR	1	1		

<b>From E-2585 To J-0184</b>	<b>Date:10/2022</b>	<b>PAGE:H7-1836-02</b>
<b>PARCEL RACK W/TAN FINISHING</b>		

Item#	Part	Description	H 3 4 1	H 3 4 5	V I P 4 5	N O T E S
216	5001132	SCREW CAP HEX 5/16-18x7/8 G5 Z050		2		
216	5001132	SCREW CAP HEX 5/16-18x7/8 G5 Z050	1	1		
217	500942	WASHER LO SPT 8.1x14.8x2.0 N500		2		
217	500942	WASHER LO SPT 8.1x14.8x2.0 N500	1	1		
218	500778	NUT HEX 5/16-18 N500		2		
218	500778	NUT HEX 5/16-18 N500	1	1		
220	314331	COVER R.H. END CLOSING TAN		1		C
220	314042	COVER R.H. END CLOSING TAN	1	1		C
220	314043	COVER R.H. END CLOSING TAN		1		A
220	310234	COVER R.H. END CLOSING GREY From H-3497		1		A H
220	314332	COVER R.H. END CLOSING / W/CORD TAN		1		A
221	319172	COVER L.H. END CLOSING TAN	1	1		
221	310222	COVER L.H. END CLOSING GREY From H-3497		1		H
222	314148	DUCT TAN	1	1		
222	313915	DUCT GREY From H-3497		1		H
223	316319	CEILING PANEL / W/W.C.L. "RICON" OVER W.C.L. DOOR 1305 MM #5 R.H. To J-0184	1	1		
223	310433	CEILING PANEL / W/W.C.L. "RICON" OVER W.C.L. DOOR 1305 MM From J-0185	1	1		
224	316658	COVER L.H. END CLOSING AILSE SECTION / W/CORD	1	1		WCL
224	310363	COVER L.H. END CLOSING AILSE SECTION / W/CORD GREY From H-3497		1		H WCL
225	314003	COVER L.H. END CLOSING WINDOW SECTION	1	1		WCL
225	313752	COVER L.H. END CLOSING WINDOW SECTION GREY From H-3497		1		H WCL
226	316661	COVER R.H. ASSY / W/LIGHT		1		WCL
. NS	316660	. COVER		1		WCL
. NS	565889	. LAMP LED		1		WCL
226	310362	COVER R.H. ASSY / W/LIGHT GREY From H-3497		1		H WCL
. NS	310393	. COVER From H-3497		1		H WCL
. NS	565889	. LAMP LED From H-3497		1		H WCL
226	316659	COVER R.H. / PLAIN / W/CORD		1		
226	316729	COVER R.H. / PLAIN / W/CORD From E-2585	1			
231	314206	COVER R.H. / PLAIN /		1		G
232	314208	COVER PARCEL / REAR WITH GALLEY		1		G
233	Call order desk	CEILING PANEL WITH GALLEY 630MM		1		P G
234	Call order desk	CEILING PANEL WITH GALLEY 1670MM		1		P G
235	315895	UNION / CEILING PANEL WITH GALLEY		1		G
236	316015	SUPPORT / CEILING PANEL WITH GALLEY		1		G
250	316625	BRACKET FOR DIVIDER	1	1		
		A) WITH A/C IN PARCEL RACK				



From E-2585 To J-0184	Date:10/2022	PAGE:H7-1836-02
<b>PARCEL RACK W/TAN FINISHING</b>		

Item#	Part	Description	H 3 4 1	H 3 4 5	V I P 4 5	N O T E S
		B) INCLUDE ALLS ITEMS 200 TO 207				
		C) WITHOUT A/C IN PARCEL RACK				
		D) WITH LED LIGHTING				
		F) USE WITH STREET SIDE PARCEL RACK 96"				
		G) WITH GALLEY				
		H) "BAUER'S TRANSPORTATION" OPTION				
		J) USE ON THE CYLINDER GAZ DOOR SIDE SUPPORT CYLINDER				
		K) WITH BMH1 OPTION				
		L) WITHOUT LAVATORY				
		M) FOR DOOR REPALCEMENT USE 1 EACH: 980027 (BALL STUD) ,502638 (FL WASHER) & 502847 (NUT)				
		O) SPECIAL OPTION				
		S) SPECIAL OPTION SHORT PARCEL W/GALLEY AND BED				
		WB) WARRANTY BULLETIN WB18-01□				
		WCL) WITH WHEEL CHAIR LIFT				
		P) CALL ORDER DESK FOR SPECIFIC APPLICATION (V.I.N.)				





From 7-0671 To 8-1135	Date:10/2022	PAGE:H7-1837-00
<b>CEILING PANELS &amp; MOULDING W/GREY FINISHING</b>		

Item#	Part	Description	H 3 4 1	H 3 4 5	V I P 4 5	N O T E S
		"WARNING" - "WARNING" -"WARNING" - "WARNING"				
		VIN 1068, 1078 & 1090 USE NEW COLORATION SEE NEXT PAGE				
1	313042P	CEILING PANEL ASSY #1 R.H.	1	1		
. NS	313057	. CEILING PANEL 922MM x 374MM	1	1		
2	313043P	CEILING PANEL ASSY #1 L.H.	1	1		
. NS	313058	. CEILING PANEL 922MM x 374MM	1	1		
3	313046P	CEILING PANEL ASSY / W/EMERGENCY EXIT	AR	AR		
. NS	313063	. CEILING PANEL 1657MM x 374MM	1	1		
4	313045P	CEILING PANEL ASSY / W/EMERGENCY EXIT	AR	AR		
. NS	313062	. CEILING PANEL 1657MM x 374MM	1	1		
5	313040P	CEILING PANEL ASSY #2-3-4-5-6 & 7	AR	AR		
. NS	313054	. CEILING PANEL 1657MM x 374MM	1	1		
6	313044P	CEILING PANEL ASSY #8 R.H.		1		
. NS	313059	. CEILING PANEL 780MM x 374MM		1		
7	Call order desk	CEILING PANEL ASSY #7 R.H.	1			P
. NS	313060	. CEILING PANEL 1195MM x 374MM	1			
8	313041P	CEILING PANEL ASSY #8 L.H.		1		
. NS	313056	. CEILING PANEL 780MM x 374MM		1		
9	Call order desk	CEILING PANEL ASSY #7 L.H.	1			P
. NS	313067	. CEILING PANEL 1195MM x 374MM	1			
10	Call order desk	CEILING PANEL ASSY FRONT CENTER 321MM x 623MM	1	1		P
. NS	341131	. CEILING PANEL TRANSITION 324MM x 623MM	1	1		
NS	341134	CEILING PANEL ALU. TRANSITION 319MM x 906MM	1	1		
10	506003	TAPE RUB ADH1 CC POL 3/16" x 3/4" x 40' / GREY 2520X	AR	AR		
10	680453	SEALANT TAPE / CLEAR / 1/32"x1/2"x65' / 1795	AR	AR		
10	500333	SCREW TP OV PH #6x3/4 BK	AR	AR		
11	340981P	CEILING PANEL ASSY #1 922MM x 640MM	1	1		
. NS	313016	. CEILING PANEL 922MM x 640MM	1	1		
11	Call order desk	CEILING PANEL ASSY #1 / W/17" MONITOR 922MM x 640MM From 7-0818	1	1		P
. NS	341153	. CEILING PANEL W/17" MONITOR 922MM x 640MM From 7-0818	1	1		
12	340982P	CEILING PANEL ASSY / W/EMERGENCY EXIT	AR	AR		
. NS	313017	. CEILING PANEL 1051MM x 640MM	1	1		
13	Call order desk	CEILING PANEL ASSY #2-3-4-5-6 & 7	4			P
. NS	311014	. CEILING PANEL 1656MM x 640MM	1			
13	Call order desk	CEILING PANEL ASSY #2-3-4-5-6 & 7		5		P
. NS	311014	. CEILING PANEL 1656MM x 640MM		1		
14	Call order desk	CEILING PANEL ASSY #8		1		P
. NS	313015	. CEILING PANEL 780MM x 640MM		1		
14	340984P	CEILING PANEL ASSY #7	1			
. NS	313019	. CEILING PANEL 1195MM x 640MM	1			
15	Call order desk	CEILING PANEL ASSY #5 R.H. / W/W.C.L. "RICON"		1		P

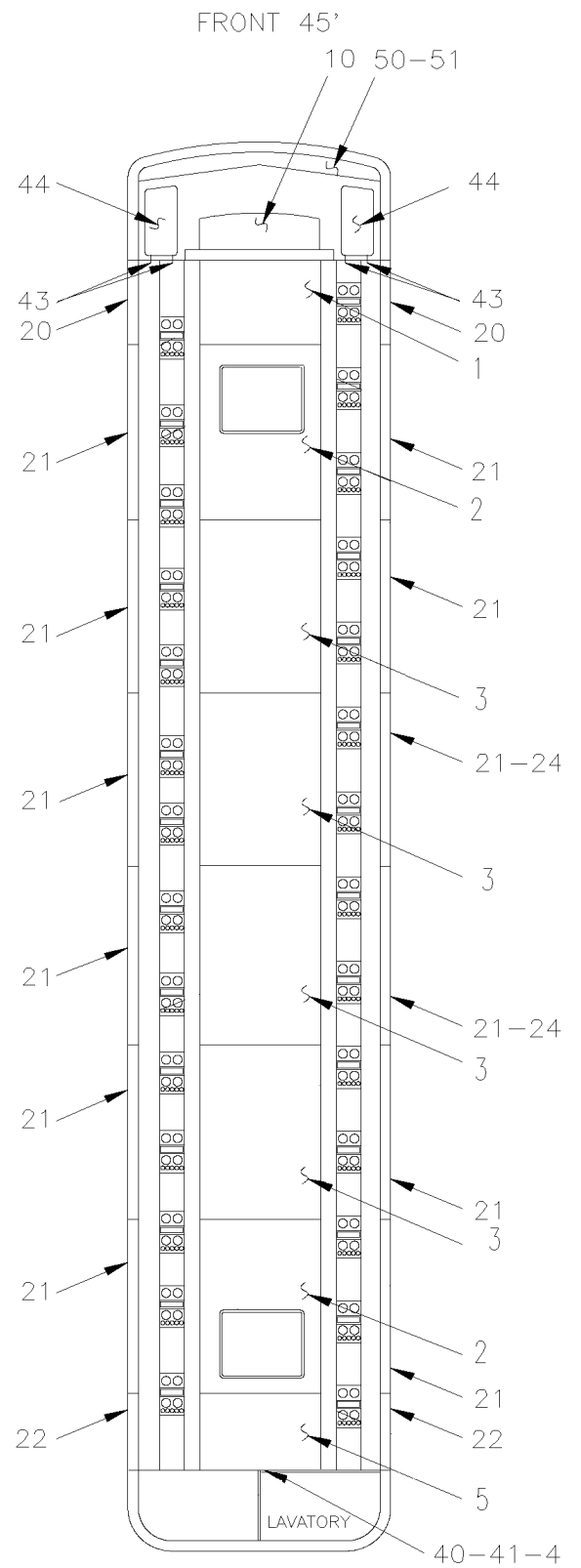
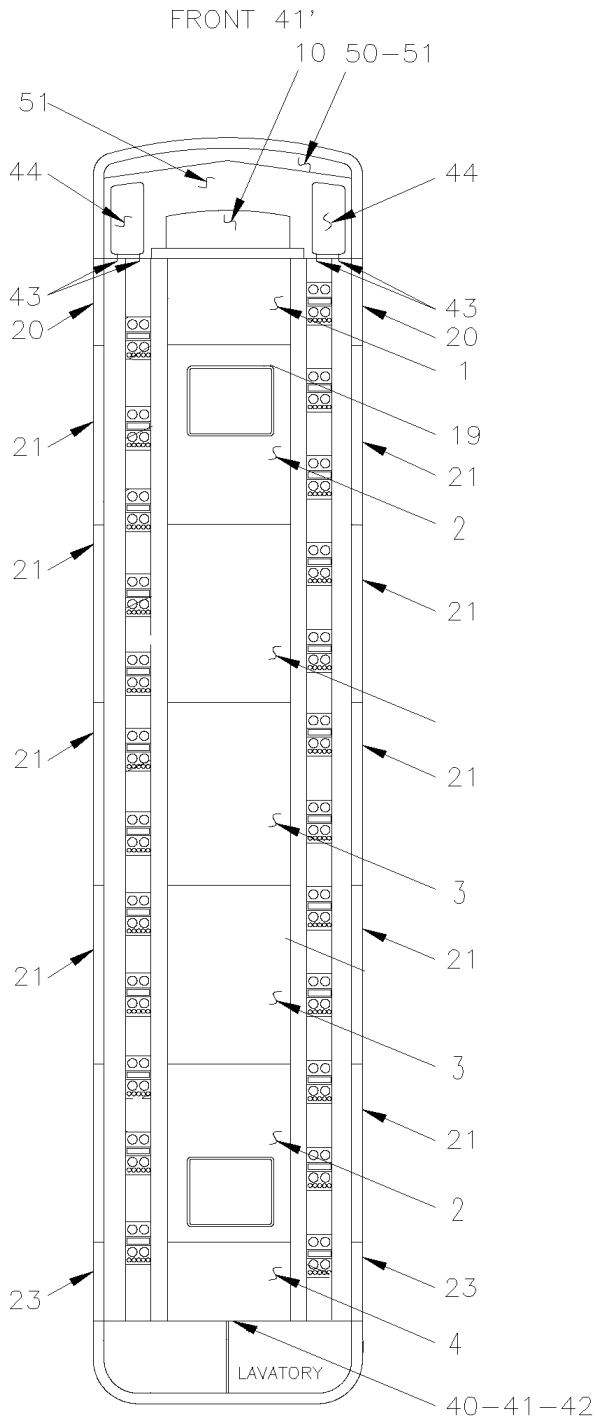
From 7-0671 To 8-1135	Date:10/2022	PAGE:H7-1837-00
<b>CEILING PANELS &amp; MOULDING W/GREY FINISHING</b>		

Item#	Part	Description	H 3 4 1	H 3 4 5	V I P 4 5	N O T E S
. NS	313061	. CEILING PANEL 1657MM x 374MM		1		
16	Call order desk	CEILING PANEL ASSY #6 R.H. / W/W.C.L. "RICON"		1		P
. NS	313055	. CEILING PANEL 1657MM x 374MM		1		
17	Call order desk	CEILING PANEL ASSY #7 R.H. / W/W.C.L. "ST & S T"		1		P
. NS	313066	. CEILING PANEL 1657MM x 374MM		1		
17	Call order desk	CEILING PANEL ASSY #7 R.H. / W/W.C.L. "RICON"		1		P
. NS	313064	. CEILING PANEL 1657MM x 374MM		1		
18	Call order desk	CEILING PANEL ASSY #6 R.H. / W/W.C.L. "ST & S T"	1			P
. NS	313065	. CEILING PANEL	1			
19	340983P	CEILING PANEL ASSY / SMALL W/EMERGENCY EXIT / (USED W/ITEM # 34 ONLY)	1	1		
. NS	313018	. CEILING PANEL 222MM x 640MM	1	1		
20	326198	FINISHING MOULDING / UPPER TRAPEZ WINDOW	2	2		A
21	326201	FINISHING MOULDING / W/SINGLE GLASS	10			A
21	326201	FINISHING MOULDING / W/SINGLE GLASS		12		A
21	326262	FINISHING MOULDING / W/THERMO GLASS	10			A
21	326262	FINISHING MOULDING / W/THERMO GLASS		12		A
22	326208	FINISHING MOULDING / W/SINGLE GLASS / REAR		2		A
22	326264	FINISHING MOULDING / W/THERMO GLASS / REAR		2		A
23	326250	FINISHING MOULDING / W/SINGLE GLASS / REAR	2			A
23	326266	FINISHING MOULDING / W/THERMO GLASS / REAR	2			A
24	326280	FINISHING MOULDING / W/SINGLE GLASS & W/W.C.L. "RICON"		1		
24	326287	FINISHING MOULDING / W/THERMO GLASS & W/W.C.L. "RICON"		1		
31	313658	FINISHING MOULDING SS "J" W/EMERGENCY 1660MM SS	AR	AR		
32	313642	FINISHING MOULDING SS "J" 1660MM SS	8			
32	313642	FINISHING MOULDING SS "J" 1660MM SS		10		
33	313639	FINISHING MOULDING SS "J" W/EMERGENCY 1660MM SS	AR	AR		
34	313641	FINISHING MOULDING "J" 924MM SS	2	2		
35	313644	FINISHING MOULDING "J" 1197MM SS	2			
36	313643	FINISHING MOULDING "J" 785MM SS		2		
39	504339	RIVET POP DOME OE 1/8x3/8 SS	AR	AR		
40	313119	FINISHING MOULDING PLASTIC	1	1		
41	500552	SCREW TP OV PH #6x3/4 Z050	5	5		
42	500463	WASHER FN CKF .187x.500x.090 BR Z050	5	5		
43	502249	SPRING PIN 3/16" x 1 1/2	4	4		
44	340939	COVER, L.H. & R.H. / FRONT CAP CEILING	2	2		
45	341021	TAPE DUAL LOCK 2" x 530MM / BLACK SJ3541	AR	AR		
45	340017	TAPE DUAL LOCK 2" x 900MM / BLACK SJ3551	AR	AR		
. NS	505537	. TAPE DUAL LOCK 2" X 50 YARD / BLACK SJ3551	AR	AR		
45	340055	TAPE DUAL LOCK 2" x 800MM / BLACK SJ3551	AR	AR		
45	340060	TAPE DUAL LOCK 2" x 530MM / BLACK SJ3551	AR	AR		
45	340059	TAPE DUAL LOCK 2" x 178MM / BLACK SJ3551	AR	AR		
45	340038	TAPE DUAL LOCK 2" x 110MM / BLACK SJ3551	AR	AR		

From 7-0671 To 8-1135	Date:10/2022	PAGE:H7-1837-00
<b>CEILING PANELS &amp; MOULDING W/GREY FINISHING</b>		

Item#	Part	Description	H 3 4 1	H 3 4 5	V I P 4 5	N O T E S
. NS	505537	. TAPE DUAL LOCK 2" X 50 YARD / BLACK SJ3551	AR	AR		
45	505537	. TAPE DUAL LOCK 2" X 50 YARD / BLACK SJ3551	AR	AR		
50	<b>H7-0655-00</b>	<b>INTERIOR LIGHTING</b>				
51	<b>H7-1832-00</b>	<b>FRONT FINISHING CAP W/GREY FINISHING</b>				
		A) THIS IS LOCATED UPPER SIDE WINDOWS				
		P) CALL ORDER DESK FOR SPECIFIC APPLICATION (V.I.N.)				

From 8-1136 To J-0184	Date:10/2022	PAGE:H7-1837-01
<b>CEILING PANELS &amp; MOULDING W/TAN FINISHING</b>		



From 8-1136 To J-0184	Date:10/2022	PAGE:H7-1837-01
<b>CEILING PANELS &amp; MOULDING W/TAN FINISHING</b>		

Item#	Part	Description	H 3 4 1	H 3 4 5	V I P 4 5	N O T E S
1	Call order desk	CEILING PANEL ASSY #1 FRONT 922MM x 1140MM To A-1605	1	1		P
1	340008P	CEILING PANEL ASSY #1 FRONT / W/SCREEN 17" OR WITHOUT SCREEN 922MM x 1140MM	1	1		
1	Call order desk	CEILING PANEL ASSY #1 FRONT / W/SCREEN 19" 922MM x 1140MM From A-1606	1	1		P
1	341182	CEILING PANEL ALUM. #1 FRONT / W/SCREEN 19" 922MM x 1140MM From A-1606	1	1		
2	340012P	CEILING PANEL ASSY W/ EMERGENCY EXIT 1658MM x 1140MM	2	2		
3	340011P	CEILING PANEL ASSY STD 1656MM x 1140MM	3			
3	340011P	CEILING PANEL ASSY STD 1656MM x 1140MM		4		
4	Call order desk	CEILING PANEL ASSY #7 1203MM x 1140MM	1			P
5	340013P	CEILING PANEL ASSY #8 788MM x 1140MM		1		
10	340010P	CEILING PANEL ASSY TRANSITION 906MM x 320MM	1	1		
10	340009P	CEILING PANEL ASSY TRANSITION / W/FLAT 10" 906MM x 320MM	1	1		
10	340133P	CEILING PANEL ASSY TRANSITION / W/FLAT 15.4" 906MM x 320MM	1	1		
10	340017	TAPE DUAL LOCK 2" x 900MM / BLACK SJ3551	8	8		
. NS	505537	. TAPE DUAL LOCK 2" X 50 YARD / BLACK SJ3551	AR	AR		
10	340038	TAPE DUAL LOCK 2" x 110MM / BLACK SJ3551	8	8		
. NS	505537	. TAPE DUAL LOCK 2" X 50 YARD / BLACK SJ3551	AR	AR		
10	340055	TAPE DUAL LOCK 2" x 800MM / BLACK SJ3551	1	1		
NS	505537	. TAPE DUAL LOCK 2" X 50 YARD / BLACK SJ3551	AR	AR		
NS	680453	SEALANT TAPE / CLEAR / 1/32"x1/2"x65' / 1795	AR	AR		
NS	500333	SCREW TP OV PH #6x3/4 BK	AR	AR		
20	329545	FINISHING MOULDING / UPPER TRAPEZ WINDOW	2	2		A
21	329548	FINISHING MOULDING / W/SINGLE GLASS	10			A
21	329548	FINISHING MOULDING / W/SINGLE GLASS		12		A
21	328473	FINISHING MOULDING / W/THERMO GLASS	10			A
21	328473	FINISHING MOULDING / W/THERMO GLASS		12		A
22	329549	FINISHING MOULDING / W/SINGLE GLASS / REAR		2		A
22	328474	FINISHING MOULDING / W/THERMO GLASS / REAR		2		A
23	328485	FINISHING MOULDING / W/SINGLE GLASS / REAR	2			A
23	328486	FINISHING MOULDING / W/THERMO GLASS / REAR	2			A
24	328480	FINISHING MOULDING / W/SINGLE GLASS & W/W.C.L		1		
24	328483	FINISHING MOULDING / W/THERMO GLASS & W/W.C.L		1		
40	313119	FINISHING MOULDING PLASTIC	1	1		
41	500552	SCREW TP OV PH #6x3/4 Z050	5	5		
42	500463	WASHER FN CKF .187x.500x.090 BR Z050	5	5		
43	502249	SPRING PIN 3/16" x 1 1/2	4	4		
44	341170	COVER, L.H. & R.H. / FRONT CAP CEILING TAN	2	2		
44	340095	COVER, L.H. & R.H. / FRONT CAP CEILING GREY From H-3497		2		B
45	340017	TAPE DUAL LOCK 2" x 900MM / BLACK SJ3551	AR	AR		
. NS	505537	. TAPE DUAL LOCK 2" X 50 YARD / BLACK SJ3551	AR	AR		
45	340055	TAPE DUAL LOCK 2" x 800MM / BLACK SJ3551	AR	AR		



From 8-1136 To J-0184	Date:10/2022	PAGE:H7-1837-01
<b>CEILING PANELS &amp; MOULDING W/TAN FINISHING</b>		

Item#	Part	Description	H 3 4 1	H 3 4 5	V I P 4 5	N O T E S
45	340060	TAPE DUAL LOCK 2" x 530MM / BLACK SJ3551	AR	AR		
45	340059	TAPE DUAL LOCK 2" x 178MM / BLACK SJ3551	AR	AR		
45	340038	TAPE DUAL LOCK 2" x 110MM / BLACK SJ3551	AR	AR		
. NS	505537	. TAPE DUAL LOCK 2" X 50 YARD / BLACK SJ3551	AR	AR		
45	505537	. TAPE DUAL LOCK 2" X 50 YARD / BLACK SJ3551	AR	AR		
50	<b>H7-0655-00</b>	<b>INTERIOR LIGHTING To D-2264</b>				
50	<b>H7-0655-01</b>	<b>INTERIOR LIGHTING LED From D-2265</b>				
51	<b>H7-1832-00</b>	<b>FRONT FINISHING CAP W/GREY FINISHING</b>				
		A) THIS IS LOCATED UPPER SIDE WINDOWS				
		B) "BAUER'S TRANSPORTATION" OPTION				
		P) CALL ORDER DESK FOR SPECIFIC APPLICATION (V.I.N.)				



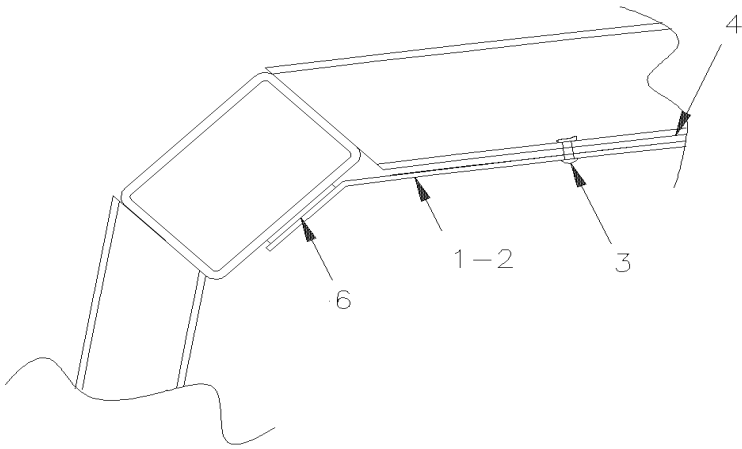
From 7-0671 To J-0287

Date:10/2022

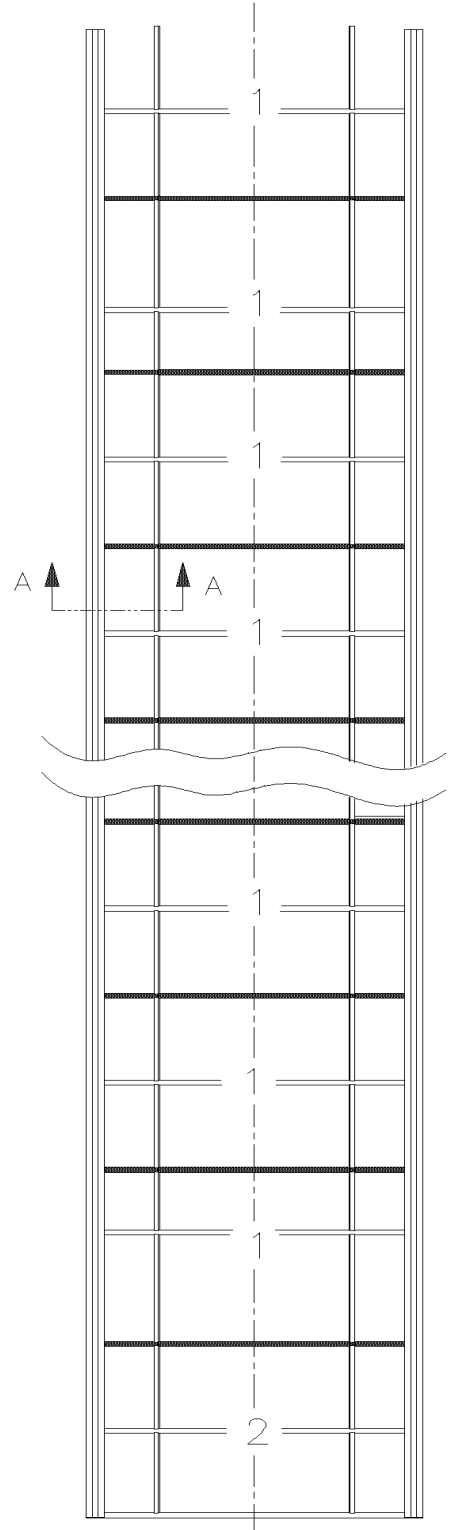
PAGE:H7-1837-50

CEILING PANELS & MOULDING - V.I.P.

FRONT



SECTION A-A



From 7-0671 To J-0287	Date:10/2022	PAGE:H7-1837-50
<b>CEILING PANELS &amp; MOULDING - V.I.P.</b>		

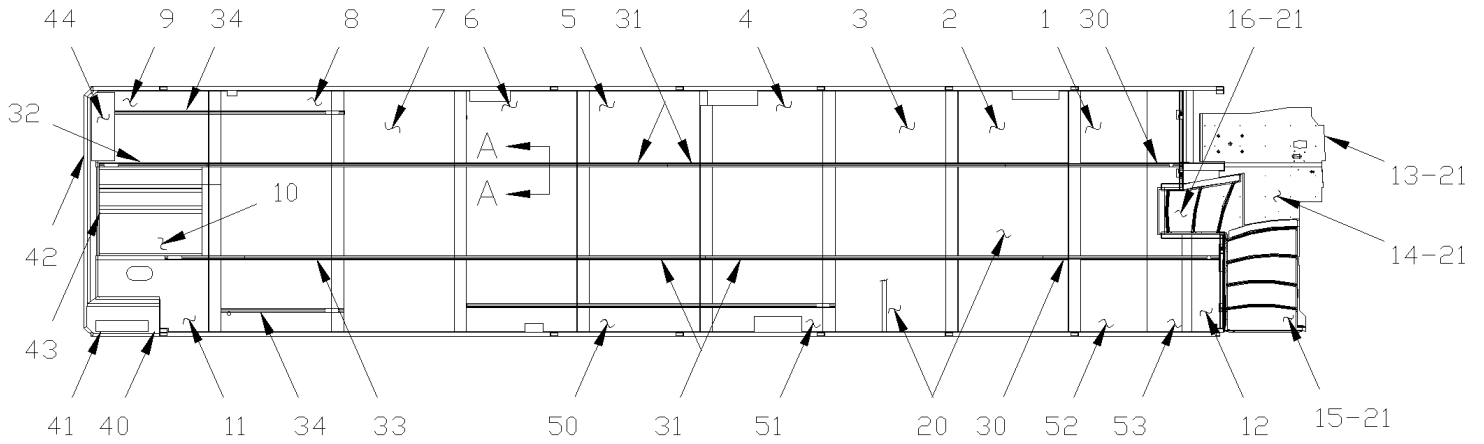
Item#	Part	Description	H 3 4 1	H 3 4 5	V I P 4 5	N O T E S
1	340966	ALUMINUM CEILING PANEL			12	
2	340967	ALUMINUM CEILING PANEL			1	
3	504339	RIVET POP DOME OE 1/8x3/8 SS			AR	
4	506466	TAPE RUB ADH1 CC POL 1/16" x 1 1/2" x 100 / GREY 2520			AR	
6	680532	SEALANT SIKA #221 / GREY / 310ml CARTRIDGE			5	

From 7-0671 To A-1499

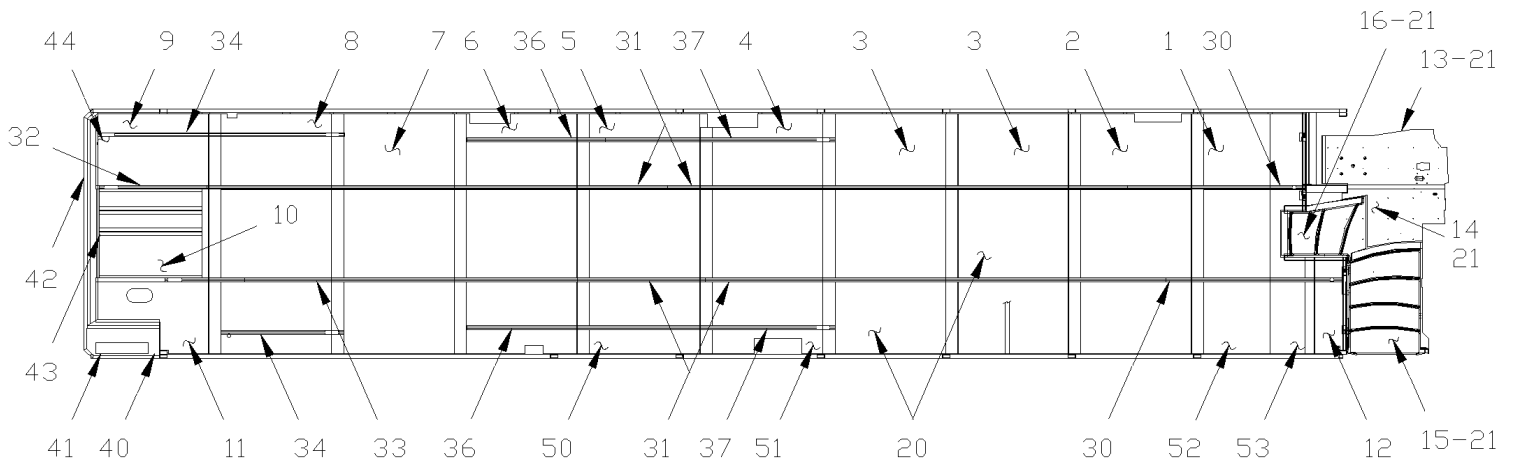
Date:10/2022

PAGE:H7-1838-00

**FLOOR - BUS**

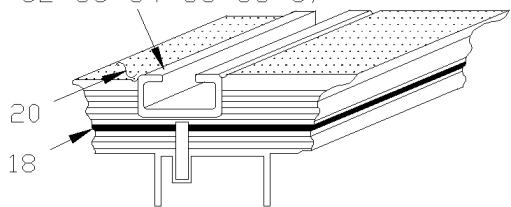


H3-41

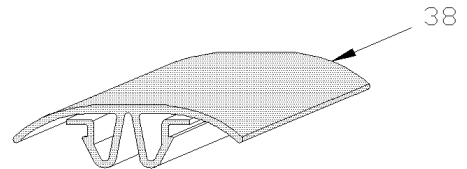


H3-45

30-31-32-33-34-35-36-37



A-A



<b>From 7-0671 To A-1499</b>	<b>Date:10/2022</b>	<b>PAGE:H7-1838-00</b>
<b>FLOOR - BUS</b>		

Item#	Part	Description	H 3 4 1	H 3 4 5	V I P 4 5	N O T E S
NS	323276	PANEL ASSY	1	1		
1	328967P	FLOOR / W/STD SEAT	1	1		
1	Call order desk	FLOOR / W/1 V.I.P. PASSENGER STREETSIDE	1	1		P
1	Call order desk	FLOOR / W/1 V.I.P. PASSENGER STREETSIDE	1	1		P
1	Call order desk	FLOOR / W/1 V.I.P. PASSENGER CURBSIDE	1	1		P
1	Call order desk	FLOOR / W/1 V.I.P. PASSENGER CURBSIDE	1	1		P
2	328808P	FLOOR / W/1 V.I.P. PASSENGER CURBSIDE	1	1		
2	Call order desk	FLOOR / W/1 V.I.P. PASSENGER STREETSIDE	1	1		P
2	Call order desk	FLOOR / W/1 V.I.P. PASSENGER STREETSIDE	1	1		P
2	Call order desk	FLOOR / W/1 V.I.P. PASSENGER CURBSIDE		1		P
2	Call order desk	FLOOR / W/1 V.I.P. PASSENGER CURBSIDE		1		P
3	Call order desk	FLOOR / W/STD SEAT	1			P
3	Call order desk	FLOOR / W/STD SEAT	1			P
3	Call order desk	FLOOR / W/1 V.I.P. PASSENGER STREETSIDE	1			P
3	Call order desk	FLOOR / W/1 V.I.P. PASSENGER STREETSIDE	1			P
3	Call order desk	FLOOR / W/1 V.I.P. PASSENGER STREETSIDE		2		P
3	Call order desk	FLOOR / W/1 V.I.P. PASSENGER STREETSIDE		2		P
3	Call order desk	FLOOR / W/1 V.I.P. PASSENGER CURBSIDE		2		P
3	Call order desk	FLOOR / W/1 V.I.P. PASSENGER CURBSIDE		2		P
3	Call order desk	FLOOR / W/1 V.I.P. PASSENGER CURBSIDE	1			P
3	Call order desk	FLOOR / W/1 V.I.P. PASSENGER CURBSIDE	1			P
4	328810P	FLOOR / W/STD SEAT	1	1		
4	Call order desk	FLOOR / W/1 V.I.P. PASSENGER STREETSIDE	1	1		P
4	Call order desk	FLOOR / W/1 V.I.P. PASSENGER STREETSIDE	1	1		P
4	Call order desk	FLOOR / W/1 V.I.P. PASSENGER CURBSIDE		1		P
4	Call order desk	FLOOR / W/1 V.I.P. PASSENGER CURBSIDE		1		P
4	Call order desk	FLOOR / W/STD SEAT & "RICON"		1		P
4	Call order desk	FLOOR / W/STD SEAT & "RICON"		1		P
5	328811P	FLOOR / W/STD SEAT	1	1		
5	Call order desk	FLOOR / W/1 V.I.P. PASSENGER STREETSIDE	1	1		P
5	Call order desk	FLOOR / W/1 V.I.P. PASSENGER STREETSIDE	1	1		P
5	Call order desk	FLOOR / W/1 V.I.P. PASSENGER CURBSIDE		1		P
5	Call order desk	FLOOR / W/1 V.I.P. PASSENGER CURBSIDE		1		P
5	Call order desk	FLOOR / W/STD SEAT		1		P
6	Call order desk	FLOOR / W/STD SEAT	1	1		P
6	Call order desk	FLOOR / W/STD SEAT	1	1		P
6	Call order desk	FLOOR / W/1 V.I.P. PASSENGER STREETSIDE	1	1		P
6	Call order desk	FLOOR / W/1 V.I.P. PASSENGER STREETSIDE	1	1		P
6	Call order desk	FLOOR / W/1 V.I.P. PASSENGER CURBSIDE		1		P
6	Call order desk	FLOOR / W/1 V.I.P. PASSENGER CURBSIDE		1		P
6	Call order desk	FLOOR / W/STD SEAT & "RICON"		1		P
6	Call order desk	FLOOR / W/STD SEAT & "RICON"		1		P

<b>From 7-0671 To A-1499</b>	<b>Date:10/2022</b>	<b>PAGE:H7-1838-00</b>
<b>FLOOR - BUS</b>		

Item#	Part	Description	H 3 4 1	H 3 4 5	V I P 4 5	N O T E S
7	328817P	FLOOR / W/STD SEAT	1	1		
7	Call order desk	FLOOR / W/1 V.I.P. PASSENGER STREETSIDE	1	1		P
7	Call order desk	FLOOR / W/1 V.I.P. PASSENGER STREETSIDE	1	1		P
7	Call order desk	FLOOR / W/1 V.I.P. PASSENGER CURBSIDE		1		P
7	Call order desk	FLOOR / W/1 V.I.P. PASSENGER CURBSIDE		1		P
8	Call order desk	FLOOR / W/STD SEAT	1	1		P
8	Call order desk	FLOOR / W/STD SEAT	1	1		P
8	Call order desk	FLOOR / W/1 V.I.P. PASSENGER STREETSIDE	1	1		P
8	Call order desk	FLOOR / W/1 V.I.P. PASSENGER STREETSIDE	1	1		P
8	Call order desk	FLOOR / W/1 V.I.P. PASSENGER CURBSIDE		1		P
8	Call order desk	FLOOR / W/1 V.I.P. PASSENGER CURBSIDE		1		P
9	Call order desk	FLOOR / W/STD SEAT		1		P
9	Call order desk	FLOOR / W/STD SEAT		1		P
9	Call order desk	FLOOR / W/1 V.I.P. PASSENGER STREETSIDE		1		P
9	Call order desk	FLOOR / W/1 V.I.P. PASSENGER STREETSIDE		1		P
10	328813P	FLOOR / W/STD SEAT		1		
10	Call order desk	FLOOR / W/STD SEAT & "ST & ST"	1	1		P
10	Call order desk	FLOOR / W/STD SEAT & "ST & ST"	1	1		P
11	504564	PLUG BUTTON / 1.500 ODx1.315-1.385 ID/NICKEL	1	1		
12	328965P	FLOOR / R.H. / W/STD SEAT	1	1		
12	Call order desk	FLOOR / R.H. / W/V.I.P.SEAT	1	1		P
12	Call order desk	FLOOR / R.H. / W/V.I.P.SEAT	1	1		P
13	327007	FLOOR / DRIVER'S	1	1		
13	326094P	FLOOR / DRIVER'S / VIP W/IND SUSPENSION			1	
14	327006	FLOOR / UPPER STEPWELL	1	1		
NS	508064	VENEER PLYWOOD / 1/4" THICK 4' X 8'	AR	AR		
NS	508392	VENEER PLYWOOD / 7/16" THICK 4' X 8'	AR	AR		
NS	5001143	SCREW DR WF TORX #12x2 CP	AR	AR		
NS	5001535	SCREW DR WF RO #14x1 3/4 Z050	AR	AR		
NS	507333	PROTECTOR CAP / BLACK / .172 I.D. x .500	AR	AR		
NS	850027	INSULATING PAD NOISE ADH2 1/16" x 39" x 48"	AR	AR		
15	<b>H7-1800-00</b>	<b>FRONT STEPWELL - INSTALLATION</b>				
16	<b>H7-1800-25</b>	<b>FRONT AISLE STEPWELL - INSTALLATION</b>				
18	850027	INSULATING PAD NOISE ADH2 1/16" x 39" x 48"	AR	AR		
20	<b>H7-1838-05</b>	<b>FLOOR COVERING - "R.C.A."</b>				
20	<b>H7-1838-10</b>	<b>FLOOR COVERING - "TARAFLEX"</b>				
21	<b>H7-1838-15</b>	<b>STEPWELL - COVERING</b>				
30	329148	SEAT TRACK 10477MM	2			
30	329147	SEAT TRACK 11696MM		2		
36	329150	SEAT TRACK 3651MM		2		
38	323654	SEAT TRACK COVER 12' / EACH SEAT / W/COVERING FLOOR	AR	AR		
38	323963	. SEAT TRACK COVER 8' / EACH SEAT / W/COVERING FLOOR	AR	AR		

From 7-0671 To A-1499	Date:10/2022	PAGE:H7-1838-00
<b>FLOOR - BUS</b>		

Item#	Part	Description	H 3 4 1	H 3 4 5	V I P 4 5	N O T E S
NS	820027	HANDLE	AR	AR		W
NS	5001119	SCREW TP BDG PH #8x3/4 SS	AR	AR		W
NS	502630	WASHER FL .156x.375x.049 Z050	AR	AR		W
NS	324791	MOULDING CARPET PROTECTOR / W/CARPET ON FLOOR / 29MM X 2438MM SS	AR	AR		
39	500310	SCREW TC FL PH #10-24x1 1/4 SS410	AR	AR		
40	481665	PANEL FRONT OF AIR INTAKE	1	1		
NS	Call order desk	REAR UPPER AIR INLET ASSY	1	1		P
40	Call order desk	REAR UPPER AIR INLET ASSY	1	1		P
NS	Call order desk	REAR LOWER AIR INLET ASSY	1	1		P
40	Call order desk	REAR LOWER AIR INLET ASSY	1	1		P
41	270980	PANEL R.H. OUTSIDE	1	1		
42	481670	PANEL OUTSIDE /	1	1		
43	Call order desk	PANEL INSIDE /	1	1		P
43	Call order desk	PANEL INSIDE /	1	1		P
44	481667	PANEL / FRONT & TOP SURGE TANK	1	1		
NS	323384P	REAR PANEL ASSY / (2090MM X 762MM)	1	1		
NS	323289	REAR CONER ASSY / (515MM X 125MM)	1	1		
NS	323275	PANEL ASSY	1	1		
NS	323277	PANEL ASSY	1	1		
50	323285	STEEL NOISE PANEL	1	1		
51	326458	STEEL NOISE PANEL	1	1		
52	323365	STEEL NOISE PANEL	1	1		
53	327576	STEEL NOISE PANEL	1	1		
		W) USE WITH W.C.L. SEAT TRACK				
		P) CALL ORDER DESK FOR SPECIFIC APPLICATION (V.I.N.)				

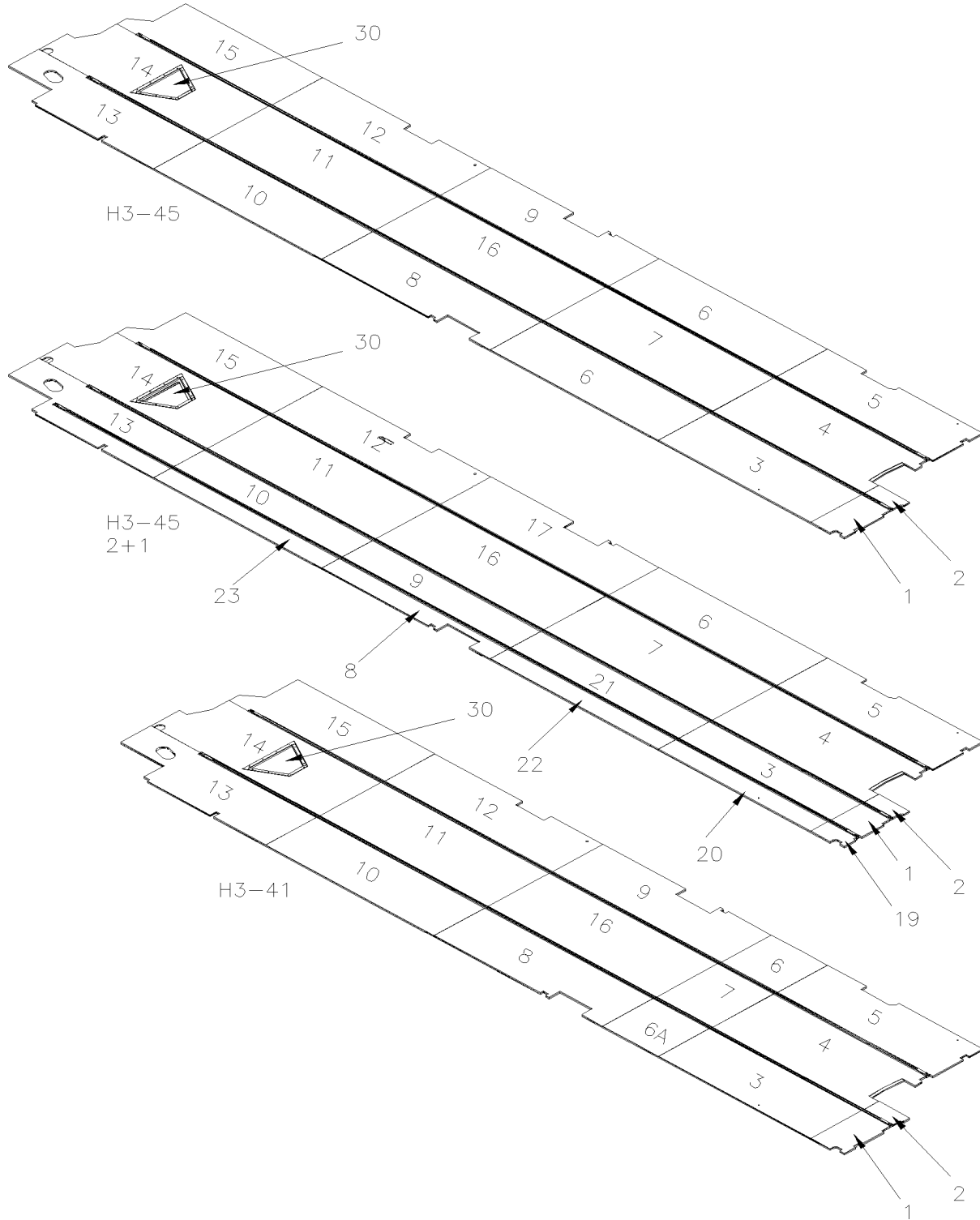


From A-1500 To H-3590

Date:10/2022

PAGE:H7-1838-01

FLOOR - BUS

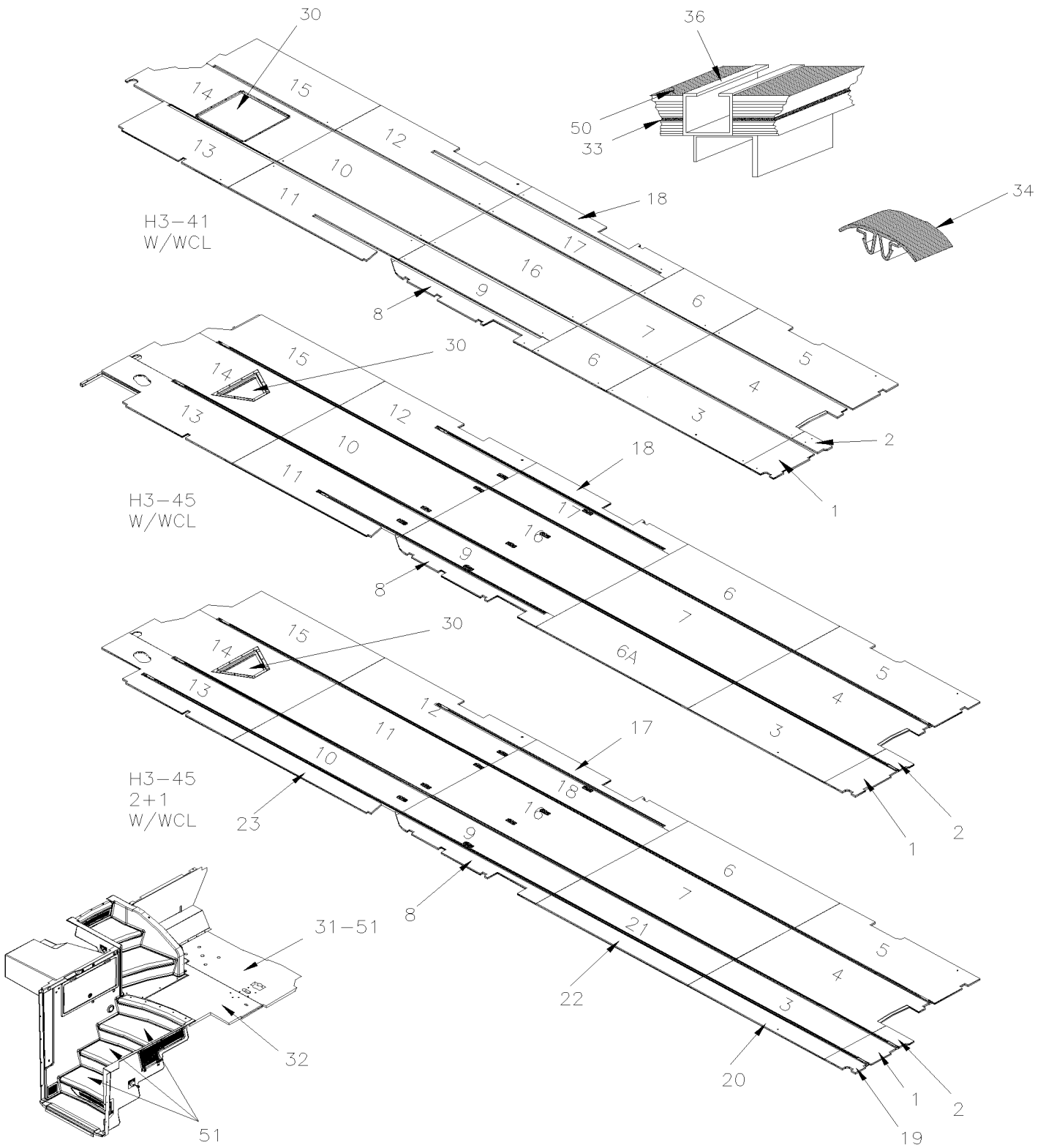


From A-1500 To H-3590

Date:10/2022

PAGE:H7-1838-01

FLOOR - BUS

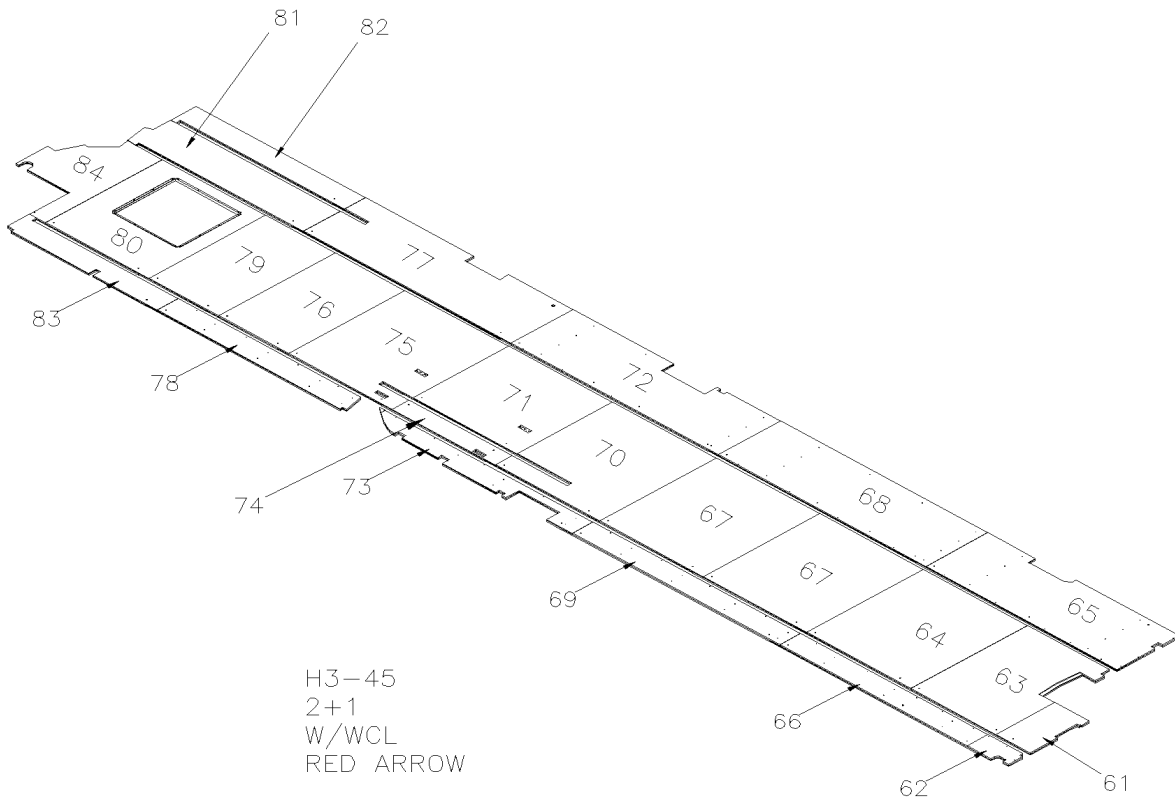


From A-1500 To H-3590

Date:10/2022

PAGE:H7-1838-01

FLOOR - BUS



<b>From A-1500 To H-3590</b>	<b>Date:10/2022</b>	<b>PAGE:H7-1838-01</b>
<b>FLOOR - BUS</b>		

Item#	Part	Description	H 3 4 1	H 3 4 5	V I P 4 5	N O T E S
1	329851	FLOOR / W/STD SEAT	1	1		
1	329916	FLOOR / W/2+1 SEAT		1		
1	3200628	FLOOR / W/2+1 SEAT		1		RED
2	329852	FLOOR / W/STD SEAT	1	1		
3	329853	FLOOR / W/STD SEAT	1	1		
3	329977	FLOOR / W/2+1 SEAT		1		
4	329854	FLOOR / W/STD SEAT	1	1		
5	329855	FLOOR / W/STD SEAT	1	1		
5	3200987	FLOOR / W/2+1 SEAT		1		
6	329909	FLOOR / W/STD SEAT	AR			
6	329856	FLOOR / W/STD SEAT		AR		
6	329908	FLOOR / W/STD SEAT	AR			
6A	3201264	FLOOR / W/STD SEAT From E-2619		1		A
6A	3201265	FLOOR / W/STD SEAT From E-2619	1			
7	329908	FLOOR / W/STD SEAT	1			
7	329857	FLOOR / W/STD SEAT		1		
7	329909	FLOOR / W/STD SEAT	1			
8	329858	FLOOR / W/STD SEAT	1	1		
8	329894	FLOOR / W/STD SEAT & ANCHOR WCL HOLES To E-2584		1		
8	329894	FLOOR / W/STD SEAT & ANCHOR WCL HOLES From E-2585	1	1		
8	329981	FLOOR / W/2+1 SEAT		1		
8	329985	FLOOR / W/2+1 SEAT & ANCHOR WCL HOLES		1		
NS	329849	STEEL NOISE PANEL	1	1		
NS	329866	STEEL NOISE PANEL	1	1		
9	329859	FLOOR / W/STD SEAT To G-3326	1	1		
9	320916	FLOOR / W/STD SEAT From G-3327	1	1		
9	329883	FLOOR / W/STD SEAT & ANCHOR WCL HOLES		1		
9	329901	FLOOR / W/STD SEAT & WCL To E-2584		1		W
9	329901	FLOOR / W/STD SEAT & WCL From E-2585	1	1		W
9	329986	FLOOR / W/2+1 SEAT		1		
9	329883	FLOOR / W/STD SEAT & ANCHOR WCL HOLES		1		
10	329902	FLOOR / W/STD SEAT	1	1		
10	329886	FLOOR / W/STD SEAT & ANCHOR WCL HOLES		1		
10	329861	FLOOR / W/STD SEAT To E-2584		1		
10	329861	FLOOR / W/STD SEAT From E-2585	1	1		
10	329982	FLOOR / W/2+1 SEAT		1		
10	329988	FLOOR / W/2+1 SEAT & ANCHOR WCL HOLES		1		
11	329861	FLOOR / W/STD SEAT	1	1		
11	329887	FLOOR / W/STD SEAT & ANCHOR WCL HOLES		1		
11	329904	FLOOR / W/STD SEAT & WCL To E-2584		1		W
11	329904	FLOOR / W/STD SEAT & WCL From E-2585	1	1		W
12	329862	FLOOR / W/STD SEAT	1	1		

<b>From A-1500 To H-3590</b>	<b>Date:10/2022</b>	<b>PAGE:H7-1838-01</b>
<b>FLOOR - BUS</b>		

Item#	Part	Description	H 3 4 1	H 3 4 5	V I P 4 5	N O T E S
12	329888	FLOOR / W/STD SEAT & ANCHOR WCL HOLES		1		
12	329905	FLOOR / W/STD SEAT & WCL To E-2584		1		W
12	329905	FLOOR / W/STD SEAT & WCL From E-2585	1	1		W
12	3200002	FLOOR / W/STD SEAT	1	1	1	B
13	Call order desk	FLOOR / W/STD SEAT To A-1720	1	1		P
13	Call order desk	FLOOR / W/2+1 SEAT To A-1720		1		P
13	3200001	FLOOR / W/2+1 SEAT From B-1721 To E-2584		1		
13	3200001	FLOOR / W/2+1 SEAT From E-2585	1	1		
14	329864	FLOOR / W/STD SEAT To A-1720	1	1		
14	Call order desk	FLOOR / W/STD SEAT From B-1721	1	1		P
14	320606	FLOOR / W/STD SEAT	1	1		
14	320532	. SEAT, TRAPDOOR /SQUARE	2	2		
14	5001351	. SCREW TP FL PH #8x7/8 Z050	AR	AR		
15	Call order desk	FLOOR / W/STD SEAT To A-1720	1	1		P
15	3200002	FLOOR / W/STD SEAT From B-1721	1	1		
15	3200986	FLOOR / W/2+1 SEAT		1		
16	329930	FLOOR / W/STD SEAT	1	1		
16	329884	FLOOR / W/STD SEAT & ANCHOR WCL HOLES		1		
17	329885	FLOOR / W/STD SEAT & ANCHOR WCL HOLES		1		
17	329903	FLOOR / W/STD SEAT & WCL To E-2584		1		W
17	329903	FLOOR / W/STD SEAT & WCL From E-2585	1	1		W
17	329859	FLOOR / W/STD SEAT To G-3326		1		
17	320916	FLOOR / W/STD SEAT From G-3327		1		
18	329895	FLOOR / W/STD SEAT & ANCHOR WCL HOLES To E-2584		1		
18	329895	FLOOR / W/STD SEAT & ANCHOR WCL HOLES From E-2585 To G-3326	1	1		
18	320917	FLOOR / W/STD SEAT & ANCHOR WCL HOLES From G-3327	1	1		
19	329976	FLOOR / W/2+1 SEAT		1		
20	329978	FLOOR / W/2+1 SEAT		1		
21	329979	FLOOR / W/2+1 SEAT		1		
22	329980	FLOOR / W/2+1 SEAT		1		
23	329983	FLOOR / W/2+1 SEAT		1		
23	329987	FLOOR / W/2+1 SEAT & ANCHOR WCL HOLES		1		
23	508064	VENEER PLYWOOD / 1/4" THICK 4' X 8'	AR	AR		
23	508392	VENEER PLYWOOD / 7/16" THICK 4' X 8'	AR	AR		
23	5001143	SCREW DR WF TORX #12x2 CP	AR	AR		
23	5001535	SCREW DR WF RO #14x1 3/4 Z050	AR	AR		
23	507333	PROTECTOR CAP / BLACK / .172 I.D. x .500	AR	AR		
30	320670P	DOOR ASSY, ENGINE ACCESS W/O COVERING / TRIANGULAR To A-1720	1	1		
. NS	320677	. PANEL SS / TOP To A-1720	1	1		
. NS	320684	. WEATHERSTRIP RUBBER SEAL ASSY To A-1720	1	1		
. NS	485610	. WEATHERSTRIP RUBBER / ADH / RAW MATERIAL To A-1720	AR	AR		
. NS	320693	. INSULATING RETAINER To A-1720	1	1		

<b>From A-1500 To H-3590</b>	<b>Date:10/2022</b>	<b>PAGE:H7-1838-01</b>
<b>FLOOR - BUS</b>		

Item#	Part	Description	H 3 4 1	H 3 4 5	V I P 4 5	N O T E S
. NS	5001015	. SCREW TP BDG PH #6x1/2 SS BK To A-1720	7	7		
. NS	357406	. INSULATION To A-1720	1	1		
30	320530P	DOOR ASSY, ENGINE ACCESS W/O COVERING /SQUARE From B-1721	1	1		
30	500168	SCREW TC FL PH #10-24x1 Z050 SS410	AR	AR		
31	327007	FLOOR / DRIVER'S To D-2363	1	1		
32	327006	FLOOR / UPPER STEPWELL To D-2363	1	1		
32	3200812	FLOOR / DRIVER'S & UPPER STEPWELL From D-2364 To F-2871	1	1		
32	320970	FLOOR / DRIVER'S & UPPER STEPWELL From F-2872 To F-2909	1	1		
32	320979	FLOOR / DRIVER'S & UPPER STEPWELL From F-2910	1	1		
33	850027	INSULATING PAD NOISE ADH2 1/16" x 39" x 48"	AR	AR		
34	329689	SEAT TRACK COVER 12' / EACH SEAT / WCOVERING FLOOR	AR	AR		
36	Call order desk	SEAT TRACK R.H. ASSY W/REINFORCMENT 6697MM	1	1		P
36	Call order desk	SEAT TRACK L.H. ASSY W/REINFORCMENT 6697MM	1	1		P
36	Call order desk	. SEAT TRACK 6697MM	1	1		P
36	Call order desk	SEAT TRACK L.H. ASSY W/REINFORCMENT 2325MM	1	1		P
36	Call order desk	SEAT TRACK R.H. ASSY W/REINFORCMENT 2325MM	1	1		P
36	Call order desk	SEAT TRACK 1559MM	1	1		P
36	Call order desk	SEAT TRACK 1351MM	1	1		P
36	Call order desk	SEAT TRACK 871MM	1	1		P
36	Call order desk	SEAT TRACK 1277MM	1	1		P
NS	329994	SEAT STOPPER 56MM x 31.75MM	AR	AR	AR	A
NS	3200521	SEAT STOPPER 95MM x 31.75MM	AR	AR	AR	A
50	<b>H7-1838-05</b>	<b>FLOOR COVERING - "R.C.A."</b>				
50	<b>H7-1838-10</b>	<b>FLOOR COVERING - "TARAFLEX"</b>				
51	<b>H7-1838-15</b>	<b>STEPWELL - COVERING</b>				
61	3200628	FLOOR / W/2+1 SEAT		1		R
62	329976	FLOOR / W/2+1 SEAT		1		R
63	3200629	FLOOR / W/2+1 SEAT		1		R
64	3200630	FLOOR / W/2+1 SEAT		1		R
65	329855	FLOOR / W/STD SEAT		1		R
66	329978	FLOOR / W/2+1 SEAT		1		R
67	3200630	FLOOR / W/2+1 SEAT		2		R
68	329856	FLOOR / W/STD SEAT		1		R
69	329980	FLOOR / W/2+1 SEAT		1		R
70	3200631	FLOOR / W/2+1 SEAT		1		R
71	3200632	FLOOR / W/2+1 SEAT		1		R
72	329859	FLOOR / W/STD SEAT		1		R
73	329985	FLOOR / W/2+1 SEAT & ANCHOR WCL HOLES		1		R
74	3200633	FLOOR / W/2+1 SEAT		1		R
75	3200634	FLOOR / W/2+1 SEAT		1		R
76	3200635	FLOOR / W/2+1 SEAT		1		R
77	3200409	FLOOR / W/2+1 SEAT		1		R

From A-1500 To H-3590	Date:10/2022	PAGE:H7-1838-01
<b>FLOOR - BUS</b>		

Item#	Part	Description	H 3 4 1	H 3 4 5	V I P 4 5	N O T E S
78	329987	FLOOR / W/2+1 SEAT & ANCHOR WCL HOLES		1		R
79	3200635	FLOOR / W/2+1 SEAT		1		R
80	3200636	FLOOR / W/2+1 SEAT		1		R
81	3200639	FLOOR / W/2+1 SEAT		1		R
82	3200413	FLOOR / W/2+1 SEAT		1		R
83	3200638	FLOOR / W/2+1 SEAT		1		R
84	3200637	FLOOR / W/2+1 SEAT		1		R
		A) WITH WCL				
		B) WITHOUT WCL FIXATION & WITH A GALLEY				
		R) RED ARROW OPTION				
		RED) ARROW OPTION				
		W) THOSE FLOOR ARE RELATED WITH SEATS MODEL WHO HAVE PEDESTAL WITH WCL RETAINER STRAP				
		P) CALL ORDER DESK FOR SPECIFIC APPLICATION (V.I.N.)				



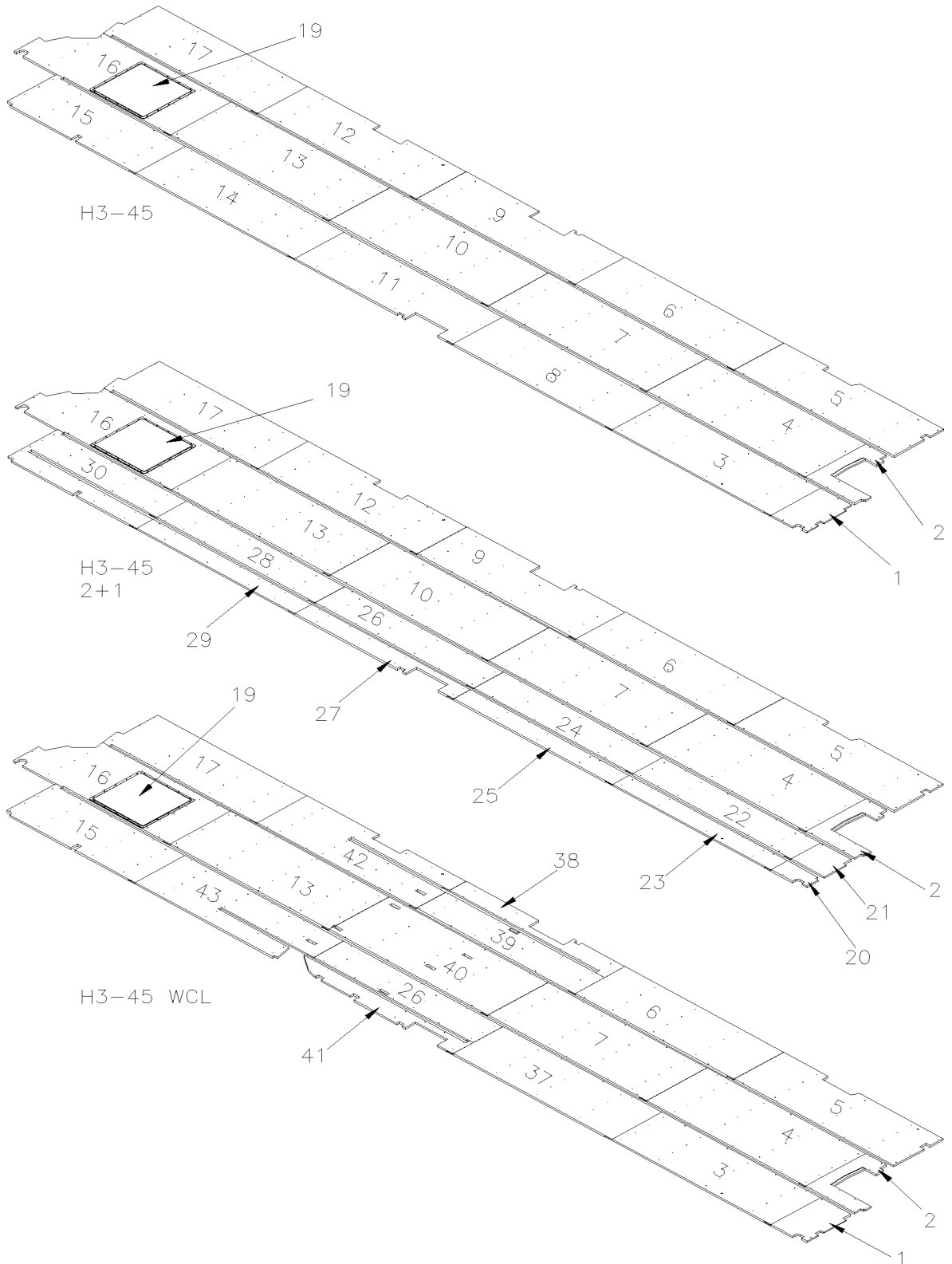


From H-3591 To J-0184

Date:10/2022

PAGE:H7-1838-02

FLOOR - BUS

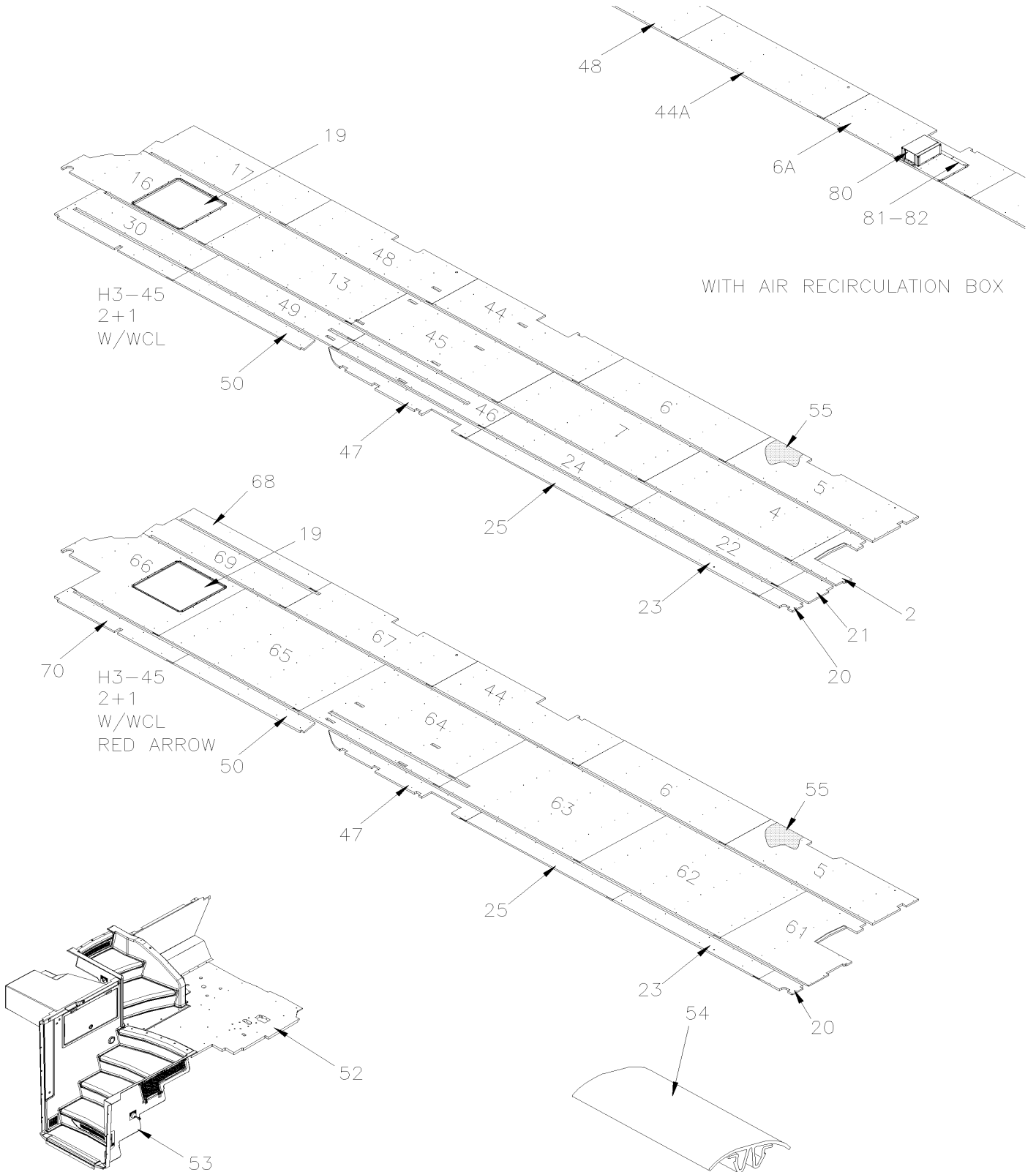


From H-3591 To J-0184

Date:10/2022

PAGE:H7-1838-02

## FLOOR - BUS

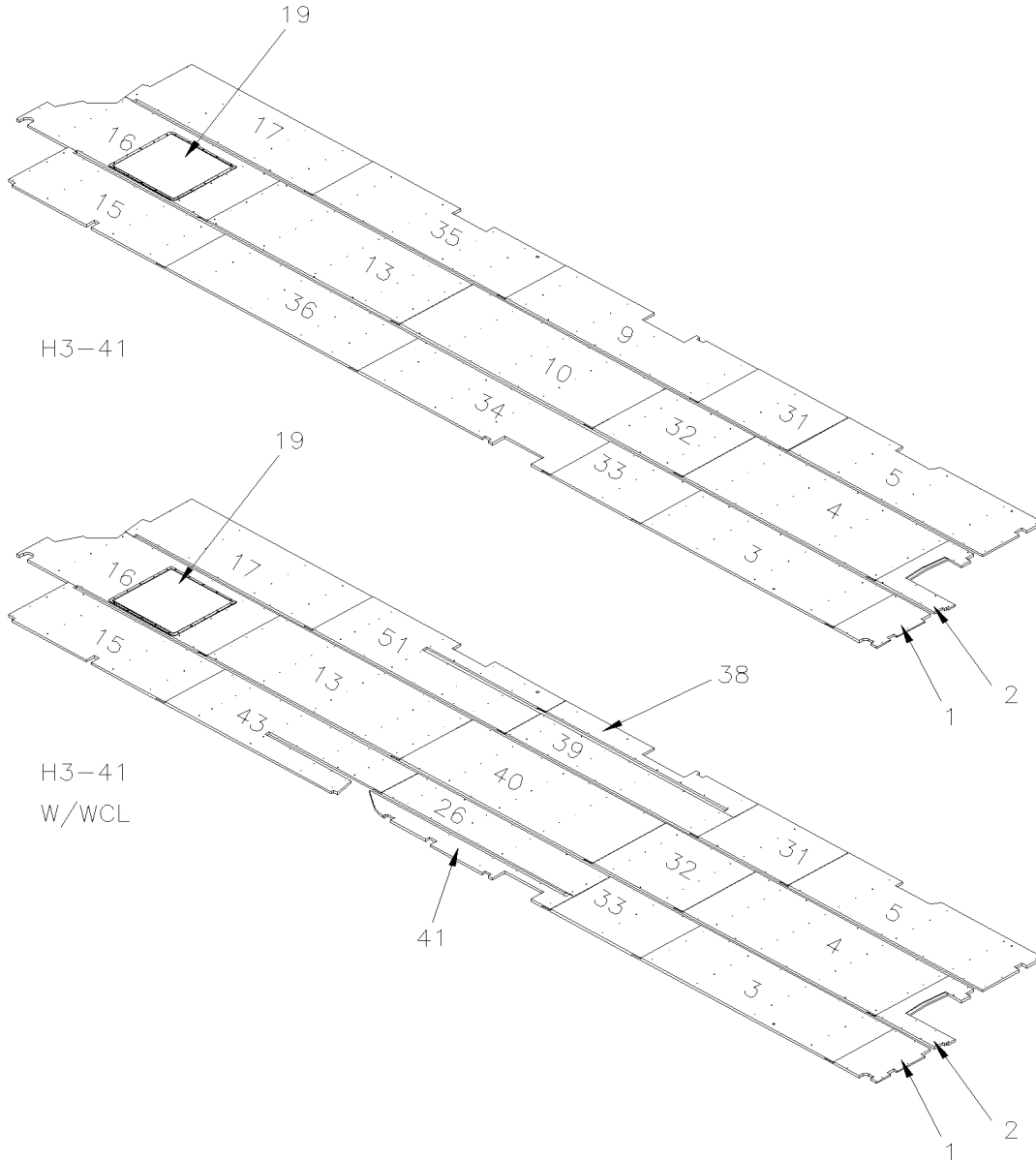


From H-3591 To J-0184

Date:10/2022

PAGE:H7-1838-02

FLOOR - BUS



<b>From H-3591 To J-0184</b>	<b>Date:10/2022</b>	<b>PAGE:H7-1838-02</b>
<b>FLOOR - BUS</b>		

Item#	Part	Description	H 3 4 1	H 3 4 5	V I P 4 5	N O T E S
1	3201357	FLOOR W/STD SEAT	1	1		
1	3202737	FLOOR W/STD SEAT / W/EXTINGUISHER	1	1		
2	3201358	FLOOR W/STD SEAT	1	1		
3	3201359	FLOOR W/STD SEAT	1	1		
3	3202736	FLOOR W/STD SEAT / W/EXTINGUISHER	1	1		
3	3200742	FLOOR W/STD SEAT / W/EXTINGUISHER	1	1		
4	3201360	FLOOR W/STD SEAT	1	1		
5	3201361	FLOOR W/STD SEAT	1	1		
5	3202735	FLOOR W/STD SEAT / W/EXTINGUISHER	1	1		
5	3200744	FLOOR W/STD SEAT / W/EXTINGUISHER	1	1		
6	3201362	FLOOR W/STD SEAT		1		
6A	3210589	FLOOR W/RECIRCULATION BOX From F-2878		1		SP
7	3201363	FLOOR W/STD SEAT		1		
8	3202631	FLOOR W/STD SEAT		1		
9	3202624	FLOOR W/STD SEAT	1	1		
10	3201372	FLOOR W/STD SEAT	1	1		
11	3202629	FLOOR W/STD SEAT		1		
12	3202625	FLOOR W/STD SEAT		1		
13	3201367	FLOOR W/STD SEAT	1	1		
13	3202640	FLOOR W/STD SEAT & ANCHOR WCL HOLES		1		
14	3202627	FLOOR W/STD SEAT		1		
15	3201369	FLOOR W/STD SEAT	1	1		
16	3201370	FLOOR W/STD SEAT To H-3590	1	1		
16	321342	FLOOR W/STD SEAT From H-3591	1	1		
17	3201371	FLOOR W/STD SEAT	1	1		
NS	5001535	SCREW DR WF RO #14x1 3/4 Z050	AR	AR		
NS	507333	PROTECTOR CAP / BLACK / .172 I.D. x .500	AR	AR		
NS	683838	PUTTY	AR	AR		
NS	685097	STRIP ETHAFOAM 3/8	AR	AR		
NS	680128	PLASTIC WOOD	AR	AR		
19	320530P	DOOR ASSY, ENGINE ACCESS W/O COVERING /SQUARE To H-3590	1	1		
19	320532	SEAT, TRAPDOOR /SQUARE To H-3590	2	2		
19	5001351	SCREW TP FL PH #8x7/8 Z050 To H-3590	AR	AR		
NS	500168	SCREW TC FL PH #10-24x1 Z050 SS410 To H-3590	AR	AR		
19	321321P	DOOR ASSY, ENGINE ACCESS W/O COVERING From H-3591	1	1		
19	5001546	SCREW WO FL PH #8x7/8 Z050 From H-3591	AR	AR		
19	5000324	SCREW MA FL PH #10-24x7/8 SS From H-3591	AR	AR		
19	500043	NUT AN INS THREADED #10-24x25/32 ZP From H-3591	AR	AR		
20	3202641	FLOOR W/2+1 SEAT		1		
21	3202642	FLOOR W/2+1 SEAT		1		
22	3202644	FLOOR W/2+1 SEAT		1		
23	3202643	FLOOR W/2+1 SEAT		1		

<b>From H-3591 To J-0184</b>	<b>Date:10/2022</b>	<b>PAGE:H7-1838-02</b>
<b>FLOOR - BUS</b>		

Item#	Part	Description	H 3 4 1	H 3 4 5	V I P 4 5	N O T E S
24	3202647	FLOOR W/2+1 SEAT		1		
25	3202645	FLOOR W/2+1 SEAT		1		
26	3201365	FLOOR W/2+1 SEAT & WCL		1		
26	3202664	FLOOR W/STD SEAT & ANCHOR WCL HOLES		1		
27	3202684	FLOOR W/2+1 SEAT		1		
28	3202671	FLOOR W/2+1 SEAT		1		
29	3202680	FLOOR W/2+1 SEAT		1		
30	3202656	FLOOR W/2+1 SEAT		1		
31	3202714	FLOOR W/STD SEAT & WCL	1			
32	3202715	FLOOR W/STD SEAT & WCL	1			
33	3202746	FLOOR W/STD SEAT & WCL	1			
34	3202745	FLOOR W/STD SEAT & WCL	1			
35	3202625	FLOOR W/STD SEAT	1			
36	3202744	FLOOR W/STD SEAT & WCL	1			
37	3201375	FLOOR W/STD SEAT & WCL		1		
38	3201374	FLOOR W/STD SEAT & WCL		1		
39	3201373	FLOOR W/STD SEAT & WCL		1		
39	3202660	FLOOR W/STD SEAT & ANCHOR WCL HOLES		1		
40	3201372	FLOOR W/STD SEAT		1		
40	3202661	FLOOR W/STD SEAT & ANCHOR WCL HOLES		1		
41	3201364	FLOOR W/STD SEAT & ANCHOR WCL HOLES		1		
42	3201368	FLOOR W/STD SEAT & WCL		1		
42	3202666	FLOOR W/STD SEAT & ANCHOR WCL HOLES		1		
43	3201366	FLOOR W/STD SEAT & WCL		1		
43	3202668	FLOOR W/STD SEAT & ANCHOR WCL HOLES		1		
44	3202634	FLOOR W/2+1 SEAT & WCL		1		
44A	3210590	FLOOR W/RECIRCULATION BOX From F-2878		1		SP
45	3202637	FLOOR W/2+1 SEAT & WCL		1		
46	3202650	FLOOR W/2+1 SEAT & WCL		1		
47	3202649	FLOOR W/2+1 SEAT & WCL		1		
48	3202635	FLOOR W/2+1 SEAT & WCL		1		
49	3202654	FLOOR W/2+1 SEAT & WCL		1		
50	3202652	FLOOR W/2+1 SEAT & WCL		1		
51	3201368	FLOOR W/STD SEAT & WCL	1			
52	3202719	DRIVER'S FLOOR	1	1		
53	<b>H7-1838-15</b>	<b>STEPWELL - COVERING</b>	1	1		
54	329689	SEAT TRACK COVER 12' / EACH SEAT / W/COVERING FLOOR	AR	AR		
55	<b>H7-1838-05</b>	<b>FLOOR COVERING - "R.C.A."</b>	1	1		
55	<b>H7-1838-10</b>	<b>FLOOR COVERING - "TARAFLEX"</b>	1	1		
61	3202732	FLOOR W/2+1 SEAT		1		R
62	3202730	FLOOR W/2+1 SEAT		1		R
63	3202726	FLOOR W/2+1 SEAT		1		R

From H-3591 To J-0184	Date:10/2022	PAGE:H7-1838-02
<b>FLOOR - BUS</b>		

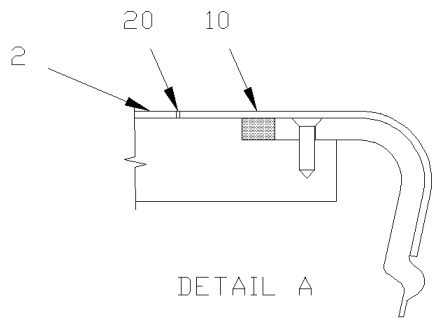
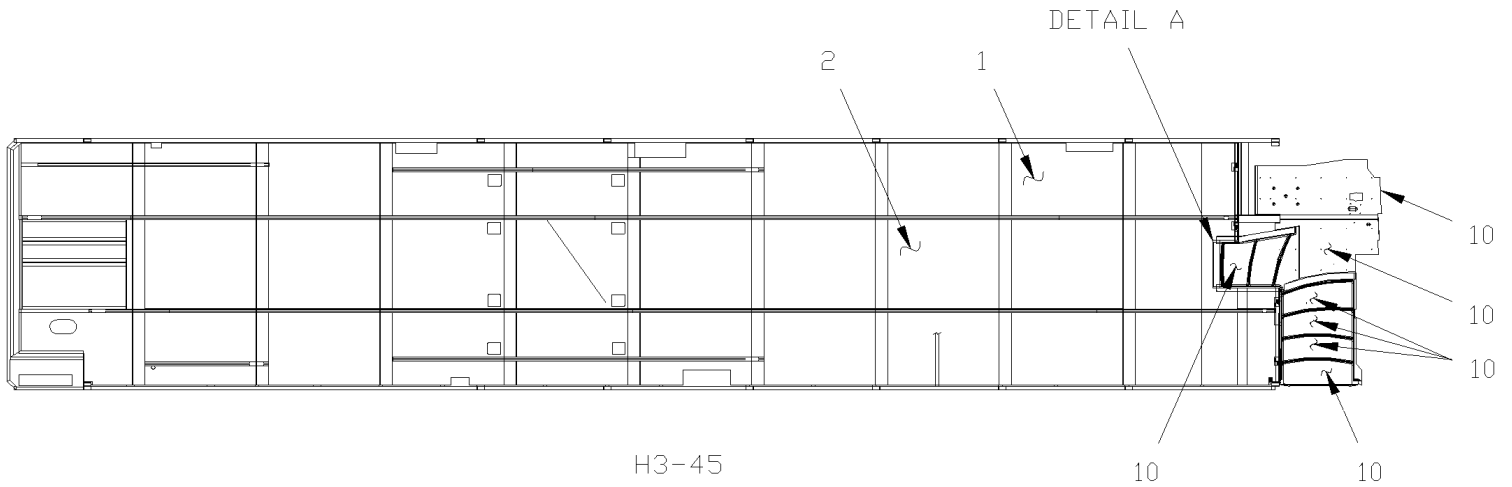
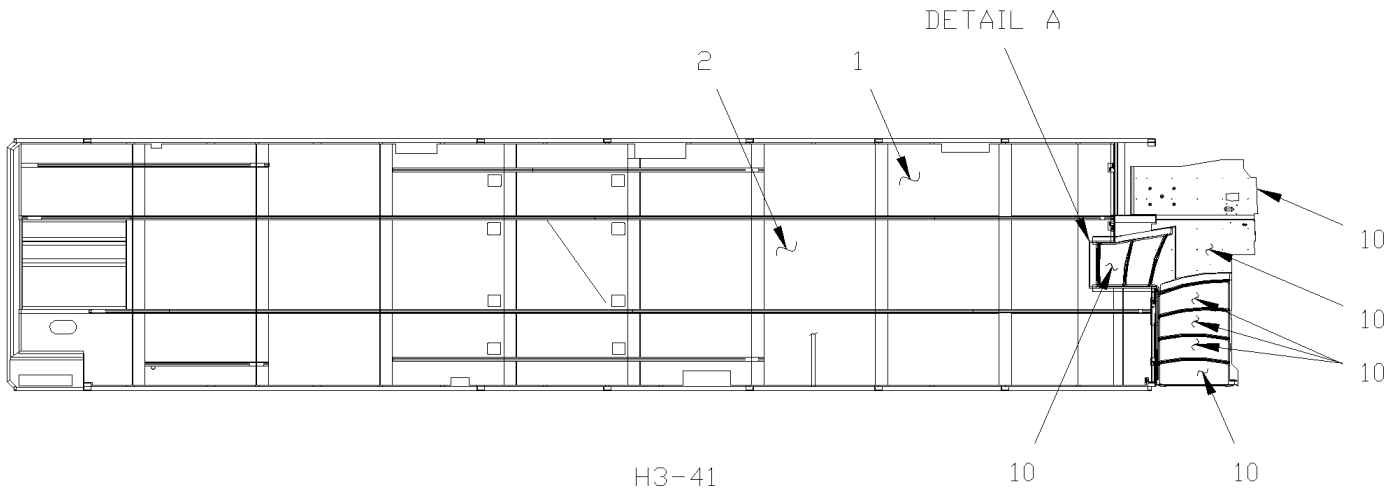
Item#	Part	Description	H 3 4 1	H 3 4 5	V I P 4 5	N O T E S
64	3202700	FLOOR W/2+1 SEAT		1		R
65	3202697	FLOOR W/2+1 SEAT		1		R
66	3202694	FLOOR W/2+1 SEAT To H-3590		1		R
66	3201542	FLOOR W/2+1 SEAT From H-3591		1		R
67	3202687	FLOOR W/2+1 SEAT		1		R
68	3202689	FLOOR W/2+1 SEAT		1		R
69	3202691	FLOOR W/2+1 SEAT		1		R
70	3202693	FLOOR W/2+1 SEAT		1		R
80	3201425	BOX ASSY / AIR RETURN From F-2878		1		SP
81	3200402	MOLDING, AIR RETURN From F-2878		1		SP
82	5001119	SCREW TP BDG PH #8x3/4 SS From F-2878		AR		SP
		R) WITH RED ARROW OPTION				
		SP) SPECIAL WITH BOX, AIR RECIRCULATION				

From 7-0671 To J-0184

Date:10/2022

PAGE:H7-1838-05

FLOOR COVERING - "R.C.A."



From 7-0671 To J-0184	Date:10/2022	PAGE:H7-1838-05
<b>FLOOR COVERING - "R.C.A."</b>		

Item#	Part	Description	H 3 4 1	H 3 4 5	V I P 4 5	N O T E S
		FLOOR COVERING WINDOW SIDE SECTION / 26 /8" X 35' 1"	1			
		FLOOR COVERING WINDOW SIDE SECTION / 26 /8" X 39' 2"		1		
1	5061183	COVERING / CODE "A" = 702	1			
1	5061125	COVERING / CODE "A" = 702 To A-1499		1		
1	820258	COVERING / CODE "A" = 702 From A-1500		1		
1	5061184	COVERING / CODE "B" = 777	1			
1	5061131	COVERING / CODE "B" = 777 To A-1499		1		
1	820260	COVERING / CODE "B" = 777 From A-1500		1		
1	5061186	COVERING / CODE "C" = 653	1			
1	5061137	COVERING / CODE "C" = 653 To A-1499		1		
1	820262	COVERING / CODE "C" = 653 From A-1500		1		
1	5061188	COVERING / CODE "E" = 766	1			
1	5061123	COVERING / CODE "E" = 766 To A-1499		1		
1	820264	COVERING / CODE "E" = 766 From A-1500		1		
1	5061190	COVERING / CODE "F" = 604	2			
1	5061134	COVERING / CODE "F" = 604 To A-1499		1		
1	820266	COVERING / CODE "F" = 604 From A-1500		1		
1	5061192	COVERING / CODE "H" = 630	1			
1	5061136	COVERING / CODE "H" = 630 To A-1499		1		
1	820268	COVERING / CODE "H" = 630 From A-1500		1		
1	5061194	COVERING / CODE "I" = 895	1			
1	5061129	COVERING / CODE "I" = 895 To A-1499		1		
1	820270	COVERING / CODE "I" = 895 From A-1500		1		
1	5061196	COVERING / CODE "J" = 466	1			
1	5061166	COVERING / CODE "J" = 466 To A-1499		1		
1	820272	COVERING / CODE "J" = 466 From A-1500		1		
1	5061200	COVERING / CODE "M" = TR455	1			
1	5061169	COVERING / CODE "M" = TR455 To A-1499		1		
1	820276	COVERING / CODE "X" = TR455 From A-1500		1		
1	5061202	COVERING / CODE "Q" = 788	1			
1	5061127	COVERING / CODE "Q" = 788 To A-1499		1		
1	820280	COVERING / CODE "Q" = 788 From A-1500		1		
1	5061198	COVERING / CODE "K" = 852	1			
1	5061158	COVERING / CODE "K" = 852 To A-1499		1		
1	820274	COVERING / CODE "Y" = 852 From A-1500		1		
1	5061204	COVERING / CODE "R" = 411	1			
1	5061164	COVERING / CODE "R" = 411 To A-1499		1		
1	820282	COVERING / CODE "Z" = 411 From A-1500		1		
1	5061257	COVERING / CODE "N" = TR627	1			
1	5061255	COVERING / CODE "N" = TR627 To A-1499		1		



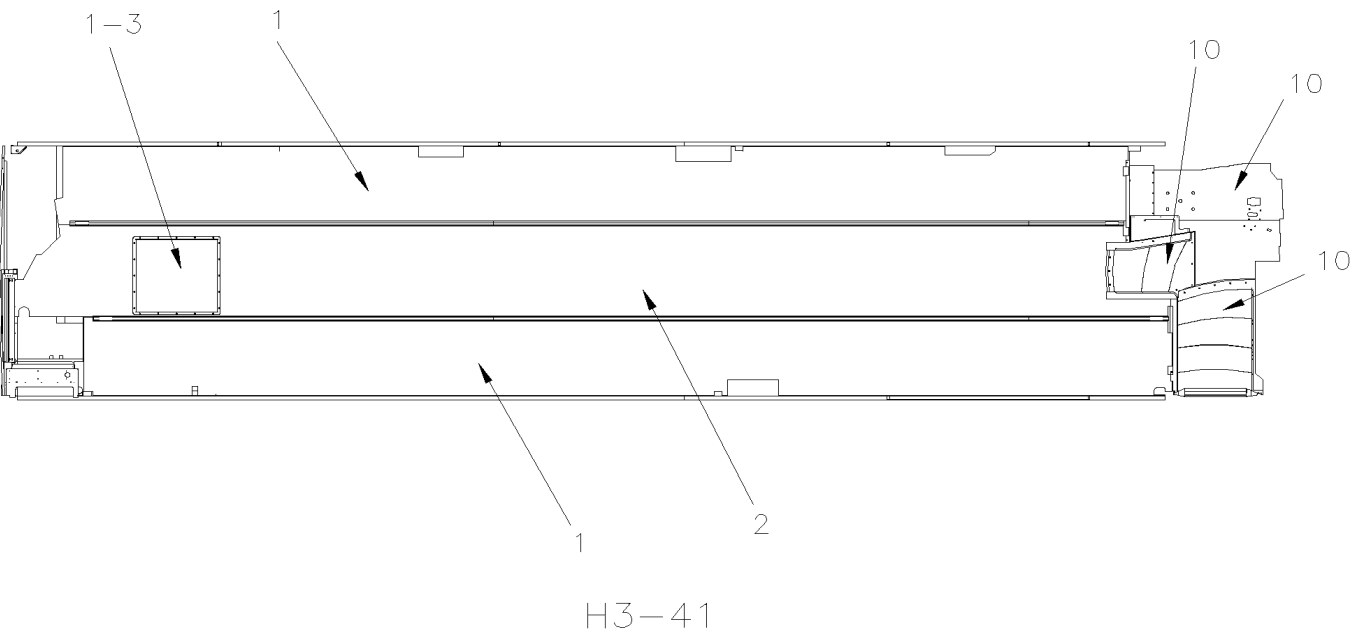
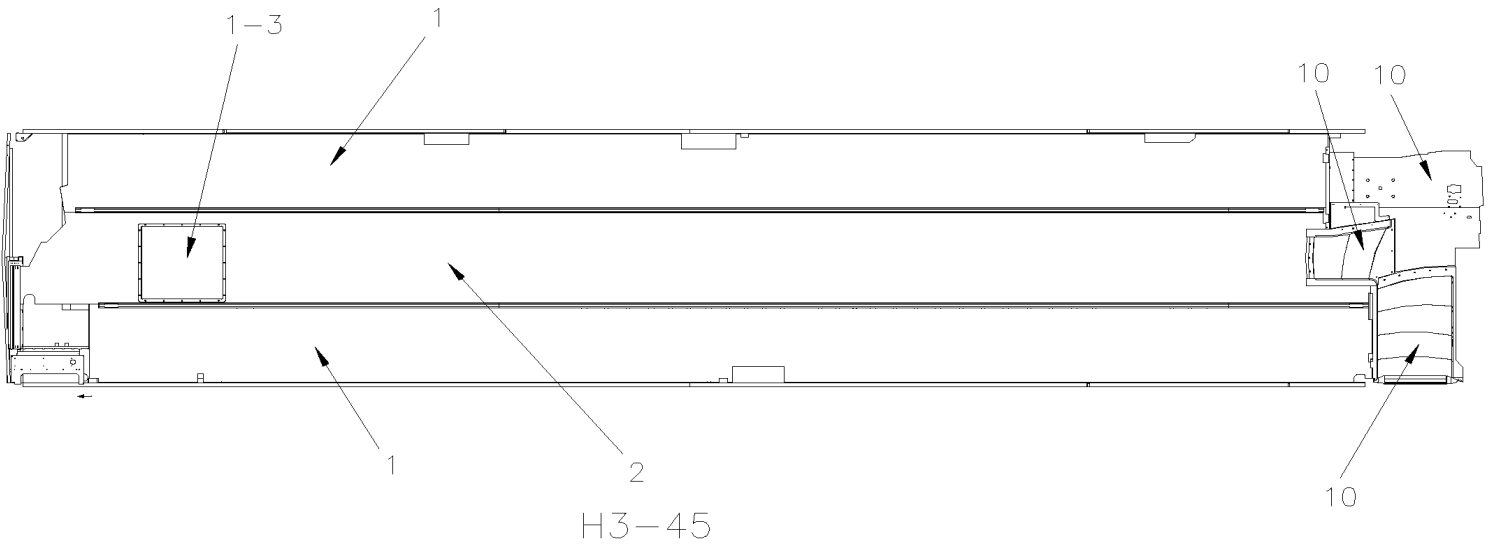
From 7-0671 To J-0184	Date:10/2022	PAGE:H7-1838-05
<b>FLOOR COVERING - "R.C.A."</b>		

Item#	Part	Description	H 3 4 1	H 3 4 5	V I P 4 5	N O T E S
1	820278	COVERING / CODE "X" = TR627 From A-1500		1		
		FLOOR COVERING CENTRAL AILES / 35 3/8" X 35' 1"				
		FLOOR COVERING CENTRAL AILES / 35 3/8" X 39' 1"				
2	5061182	COVERING / CODE "A" = 702	1			
2	5061126	COVERING / CODE "A" = 702 To A-1499		1		
2	820259	COVERING / CODE "A" = 702 From A-1500		1		
2	5061185	COVERING / CODE "B" = 777	1			
2	5061132	COVERING / CODE "B" = 777 To A-1499		1		
2	820261	COVERING / CODE "B" = 777 From A-1500		1		
2	5061187	COVERING / CODE "C" = 653	1			
2	5061138	COVERING / CODE "C" = 653 To A-1499		1		
2	820263	COVERING / CODE "C" = 653 From A-1500		1		
2	5061189	COVERING / CODE "E" = 766	1			
2	5061124	COVERING / CODE "E" = 766 To A-1499		1		
2	820265	COVERING / CODE "E" = 766 From A-1500		1		
2	5061191	COVERING / CODE "F" = 604	1			
2	5061135	COVERING / CODE "F" = 604 To A-1499		1		
2	820267	COVERING / CODE "F" = 604 From A-1500		1		
2	5061193	COVERING / CODE "H" = 630	1			
2	5061133	COVERING / CODE "H" = 630 To A-1499		1		
2	820269	COVERING / CODE "H" = 630 From A-1500		1		
2	5061195	COVERING / CODE "I" = 895	1			
2	5061130	COVERING / CODE "I" = 895 To A-1499		1		
2	820271	COVERING / CODE "C" = 653 From A-1500		1		
2	5061197	COVERING / CODE "J" = 466	1			
2	5061167	COVERING / CODE "J" = 466 To A-1499		1		
2	820273	COVERING / CODE "J" = 466 From A-1500		1		
2	5061201	COVERING / CODE "M" = TR455	1			
2	5061170	COVERING / CODE "M" = TR455 To A-1499		1		
2	820277	COVERING / CODE "M" = TR455 From A-1500		1		
2	5061203	COVERING / CODE "Q" = 788	1			
2	5061128	COVERING / CODE "Q" = 788 To A-1499		1		
2	820281	COVERING / CODE "Q" = 788 From A-1500		1		
2	5061199	COVERING / CODE "K" = 852	1			
2	5061159	COVERING / CODE "K" = 852 To A-1499		1		
2	820275	COVERING / CODE "K" = 852 From A-1500		1		
2	5061205	COVERING / CODE "R" = 411	1			
2	5051165	COVERING / CODE "R" = 411 To A-1499		1		
2	820283	COVERING / CODE "R" = 411 From A-1500		1		
2	5061258	COVERING / CODE "N" = TR627	1			

From 7-0671 To J-0184	Date:10/2022	PAGE:H7-1838-05
<b>FLOOR COVERING - "R.C.A."</b>		

Item#	Part	Description	H 3 4 1	H 3 4 5	V I P 4 5	N O T E S
2	5061256	COVERING / CODE "N" = TR627 To A-1499		1		
2	820279	COVERING / CODE "N" = TR627 From A-1500		1		
		FLOOR COVERING ACCESS ENGINE W/VOLVO 610MM x 400MM				
3	Call order desk	COVERING / CODE "R" = TR627 From 8-1202	1	1		P
3	820140N	. COVERING / CODE "R" = TR627 From 8-1202	1	1		
3	Call order desk	COVERING / CODE "E" = 766 From 8-1202	1	1		P
3	820171	. COVERING / CODE "E" = 766 From 8-1202	1	1		
NS	680028	GLUE / 15LITERS To D-2167	AR	AR		
NS	688019	GLUE / MAPEI ECO-360 15LITERS From D-2168	AR	AR		
5	CODE A	#702 R.C.A. LIGHT BLUE				
5	CODE B	#777 R.C.A. LIGHT CREAM				
5	CODE C	#653 R.C.A. LIGHT GREEN				
5	CODE E	#766 R.C.A. DARK GREY				
5	CODE F	#604 R.C.A. BLACK				
5	CODE H	#630 R.C.A. BROWN				
5	CODE I	#895 R.C.A. RED				
5	CODE J	#602 R.C.A. ORANGE				
5	CODE M	#793 R.C.A. GREEN				
5	CODE Q	#788 R.C.A. LIGHT GREY				
5	CODE R	#411 R.C.A. LIGHT GREY				
		#852 R.C.A. BLUE				
		#TR627 R.C.A. WALNUT BROWN				
		#TR455 R.C.A. RED				
10	<b>H7-1838-15</b>	<b>STEPWELL - COVERING</b>				
20	682176	SEALANT SIKA #221 / BLACK / 310ml CARTRIDGE	AR	AR	AR	
20	680532	SEALANT SIKA #221 / GREY / 310ml CARTRIDGE	AR	AR	AR	
		P) CALL ORDER DESK FOR SPECIFIC APPLICATION (V.I.N.)				

From 7-0671 To J-0287	Date:10/2022	PAGE:H7-1838-10
FLOOR COVERING - "TARAFLEX"		



From 7-0671 To J-0287	Date:10/2022	PAGE:H7-1838-10
<b>FLOOR COVERING - "TARAFLEX"</b>		

Item#	Part	Description	H 3 4 1	H 3 4 5	V I P 4 5	N O T E S
		FLOOR COVERING WINDOW SIDE SECTION / 664MM X 10693MM				
		FLOOR COVERING WINDOW SIDE SECTION / 664MM X 11938MM				
1	5061206	COVERING BLUE #8423 AQUILIA A	2			
1	5061148	COVERING BLUE #8423 AQUILIA A To A-1499		2		
1	820284	COVERING BLUE #8423 AQUILIA A From A-1500		2		
1	5061208	COVERING DARK GREY TARABUS #8750 TUCUNA B	2			
1	5061152	COVERING DARK GREY #8758 TUCUNA C To A-1499		2		
1	820288	COVERING DARK GREY #8758 TUCUNA C From A-1500		2		
1	5061210	COVERING LIGHT GREY #6768 GRIFFON D	2			
1	5061154	COVERING LIGHT GREY #6768 GRIFFON D To A-1499		2		
1	820292	COVERING LIGHT GREY #6768 GRIFFON D From A-1500		2		
1	5061212	COVERING GRAPHITE #6801	2			
1	5061160	COVERING GRAPHITE #6801 To A-1499		2		
1	820296	COVERING GRAPHITE #6801 From A-1500		2		
1	5061216	COVERING DARK GREY #6782 URANUS F	2			
1	5061156	COVERING DARK GREY #6782 URANUS F To A-1499		2		
1	820304	COVERING DARK GREY #6782 URANUS F From A-1500		2		
1	820133	COVERING GREY HELIOS #8333 SCANDIUM EE	2			
1	5061220	COVERING RED #6132 RUBIS I	2			
1	5061144	COVERING RED #6132 RUBIS I To A-1499		2		
1	820314	COVERING RED #6132 RUBIS I From A-1500		2		
1	5061242	COVERING DARK GREY #8816 SYCAMORE K	2			
1	5061239	COVERING DARK GREY #8816 SYCAMORE K To A-1499		2		
1	820320	COVERING DARK GREY #8816 SYCAMORE K From A-1500		2		
1	5061222	COVERING RED & GREY #8778 ARIES L	2			
1	5061146	COVERING RED & GREY #8778 ARIES L To A-1499		2		
1	820324	COVERING RED & GREY #8778 ARIES L From A-1500		2		
1	5061224	COVERING GREEN #8544 ORION M	2			
1	5061150	COVERING GREEN #8544 ORION M To A-1499		2		
1	820328	COVERING GREEN #8544 ORION M From A-1500		2		
1	5061228	COVERING BROWN #8311 SWEDEN R	2			
1	5061168	COVERING BROWN #8311 SWEDEN R To A-1499		2		
1	820333	COVERING BROWN #8311 SWEDEN R From A-1500		2		
1	5061230	COVERING GREY #8731 POLAND S	2			
1	5061172	COVERING GREY #8731 POLAND S		2		
1	820334	COVERING GREY #8731 POLAND S	2	2	2	
1	5061232	COVERING GREEN #8525 CHINA T	2			
1	5061174	COVERING GREEN #8525 CHINA T		2		
1	5061234	COVERING BLUE #8414 EGYPT U	2			
1	5061176	COVERING BLUE #8414 EGYPT U To A-1499		2		
1	820336	COVERING BLUE #8414 EGYPT U From A-1500		2		

From 7-0671 To J-0287	Date:10/2022	PAGE:H7-1838-10
<b>FLOOR COVERING - "TARAFLEX"</b>		

Item#	Part	Description	H 3 4 1	H 3 4 5	V I P 4 5	N O T E S
1	5061236	COVERING BLUE #8414 EGYPT U	2			
1	5061178	COVERING POUPRE #8720 RUSSIA W To A-1499		2		
1	5061238	COVERING GREY #8729 NORWAY X	2			
1	5061180	COVERING GREY #8729 NORWAY X To A-1499		2		
1	820338	COVERING GREY #8729 NORWAY X From A-1500		2		
1	5061226	COVERING LIGHT GREY #8779 CYGNUS Q	2			
1	5061142	COVERING LIGHT GREY #8779 CYGNUS Q To A-1499		2		
1	820330	COVERING LIGHT GREY #8779 CYGNUS Q From A-1500		2		
1	5061214	COVERING DARK GREY #8780 PEGASUS E	2			
1	5061139	COVERING DARK GREY #8780 PEGASUS E To A-1499		2		
1	820300	COVERING DARK GREY #8780 PEGASUS E From A-1500		2		
1	5061218	COVERING SIRIUS DUNE #6782 G	2			
1	5061162	COVERING SIRIUS DUNE #6782 G To A-1499		2		
1	820308	COVERING SIRIUS DUNE #6782 G From A-1500		2		
1	5061251	COVERING MED BLUE #9418 OLYMPE AA	2			
1	5061247	COVERING MED BLUE #9418 OLYMPE AA To A-1499		2		
1	820286	COVERING MED BLUE #9418 OLYMPE AA From A-1500		2		
1	5061245	COVERING DARK GREY URANUS #6727 ANTHRACITE CC	2			
1	5061243	COVERING DARK GREY URANUS #6727 ANTHRACITE CC To A-1499		2		
1	820294	COVERING DARK GREY URANUS #6727 ANTHRACITE CC From A-1500		2		
1	820131	COVERING DARK GREY SIRIUS #6727 ANTHRACITE DD	2			
1	820125	COVERING DARK GREY SIRIUS #6727 ANTHRACITE DD To A-1499		2		
1	820298	COVERING DARK GREY SIRIUS #6727 ANTHRACITE DD From A-1500		2		
1	820133	COVERING GREY HELIOS #8333 SCANDIUM EE	2			
1	820127	COVERING GREY HELIOS #8333 SCANDIUM EE To A-1499		2		
1	820302	COVERING GREY HELIOS #8333 SCANDIUM EE From A-1500		2		
1	820135	COVERING BLACK JUPITER #8764 ELARA ROT FF	2			
1	820129	COVERING BLACK JUPITER #8764 ELARA ROT FF To A-1499		2		
1	820306	COVERING BLACK JUPITER #8764 ELARA ROT FF From A-1500		2		
1	820538	COVERING DARK GREY LUNA #8816 SINGAPORE NT BA		2		
1	5061253	COVERING DARK GREY #9727 ZEPHIR	2			
1	5061249	COVERING DARK GREY #9727 ZEPHIR To A-1499		2		
1	820290	COVERING DARK GREY #9727 ZEPHIR From A-1500		2		
1	820188	COVERING DARK GREY #8820 KOREA HH	2			
1	820186	COVERING DARK GREY #8820 KOREA HH To A-1499		2		
1	820312	COVERING DARK GREY #8820 KOREA HH From A-1500		2		
1	820142	COVERING BROWN HELIOS #8126 IRIDIUM GG To A-1499		2		
1	820310	COVERING BROWN HELIOS #8126 IRIDIUM GG From A-1500		2		
1	820147	COVERING GALAXY #8360 LYRA II To A-1499		2		
1	820316	COVERING GALAXY #8360 LYRA II From A-1500		2		
1	820152	COVERING NATURA CEDAR #8813 JJ To A-1499		2		
1	820318	COVERING NATURA CEDAR #8813 JJ From A-1500		2		

<b>From 7-0671 To J-0287</b>	<b>Date:10/2022</b>	<b>PAGE:H7-1838-10</b>
<b>FLOOR COVERING - "TARAFLEX"</b>		

Item#	Part	Description	H 3 4 1	H 3 4 5	V I P 4 5	N O T E S
1	820157	COVERING NATURA SEQUOIA #8005 KK To A-1499		2		
1	820322	COVERING NATURA SEQUOIA #8005 KK From A-1500		2		
1	820162	COVERING RED & GREY #8778 ARIES ICI L To A-1499		2		
1	820326	COVERING NATURA CYPRESS #8359 LL From A-1500		2		
1	820399	COVERING LIGHT GREY #1136 CEMENT NN From A-1500 To H-3526	2			
1	820387	COVERING LIGHT GREY #1136 CEMENT NN From A-1500 To H-3526		2		
1	820400	COVERING BLUE #0321 CEMENT PP From A-1500 To H-3526	2			
1	820388	COVERING BLUE #0321 CEMENT PP From A-1500 To H-3526		2		
1	820401	COVERING ANTICWOOD #0782 MARRON QQ From A-1500	2			
1	820389	COVERING ANTICWOOD #0782 MARRON QQ From A-1500		2		
1	820402	COVERING ANTICWOOD #0658 SOFT BROWN RR From A-1500	2			
1	820390	COVERING ANTICWOOD #0658 SOFT BROWN RR From A-1500		2		
1	820403	COVERING SHIP #0764 NATURE SS From A-1500	2			
1	820391	COVERING SHIP #0764 NATURE SS From A-1500		2		
1	820404	COVERING SHIP #0765 EXOTIC TT From A-1500	2			
1	820392	COVERING SHIP #0765 EXOTIC TT From A-1500		2		
1	820509	COVERING HARMONIA #1455 TULIPWOOD From B-1796		2		
1	820511	COVERING HARMONIA #1455 TULIPWOOD From B-1796	2			
1	820518	COVERING HARMONIA #1456 ROSEWOOD From B-1796		2		
1	820520	COVERING HARMONIA #1456 ROSEWOOD ` From B-1796	2			
1	820542	COVERING TARABUS LUNA #8729 NORWAY NT	2	2		
1	820544	COVERING TARABUS SIRIUS #6451 CORSAIRE NT	2	2		
1	820544BA	COVERING TARABUS LUNA #8816 SINGAPORE From E-2602	2	2		
1	820544BD	COVERING TARABUS LUNA #8729 NORWAY NT / 664MM X 11938MM From E-2602	2	2		
1	820544BF	COVERING GAYA MOSAIC #4482 BABEL NT From E-2602	2	2		
1	820544BG	COVERING HELIOS #8805 PALLADIUM From E-2602	2	2		
1	820544BH	COVERING APOLLO #4479 KILIMANJARO From E-2602	2	2		
1	820544BI	COVERING TARABUS APOLLO #4517 FUJI From E-2602	2	2		
1	820544BJ	COVERING TARABUS GAYA MOSAIC #4519 GALATA From E-2602	2	2		
1	820544BK	COVERING TARABUS GAYA WOOD #4521 YELLOWSTONE From E-2602	2	2		
1	820544BL	COVERING TARABUS SIRIUS #6451 CORSAIRE From E-2602	2	2		
1	820544BM	COVERING TARABUS GAYA WOOD #3724 KRUGER LT From E-2602	2	2		
1	820544BP	COVERING TARABUS GAYA WOOD 6057 EVERGLADES From E-2602	2	2		
1	820544BQ	COVERING TARABUS GAYA WOOD 9297 YOSEMITE NT From E-2602	2	2		
1	820544QQ	COVERING ANTICWOOD #0782 MARRON From E-2602	2	2		
1	820544SS	COVERING SHIP #0764 NATURE From E-2602	2	2		
1	820544TT	COVERING SHIP #0765 EXOTIC From E-2602	2	2		
		FLOOR COVERING CENTRAL AILSE SECTION / 898MMX10973MM				
		FLOOR COVERING CENTRAL AILSE SECTION / 898MMX12192MM				

From 7-0671 To J-0287	Date:10/2022	PAGE:H7-1838-10
<b>FLOOR COVERING - "TARAFLEX"</b>		

Item#	Part	Description	H 3 4 1	H 3 4 5	V I P 4 5	N O T E S
2	5061207	COVERING BLUE #8423 AQUILIA A	1			
2	5061149	COVERING BLUE #8423 AQUILIA A To A-1499		1		
2	820285	COVERING BLUE #8423 AQUILIA A From A-1500		1		
2	5061209	COVERING DARK GREY TARABUS #8750 TUCUNA B	1			
2	5061153	COVERING DARK GREY #8758 TUCUNA To A-1499		1		
2	820289	COVERING DARK GREY #8758 TUCUNA From A-1500		1		
2	5061211	COVERING LIGHT GREY #6768 GRIFFON	1			
2	5061155	COVERING LIGHT GREY #6768 GRIFFON To A-1499		1		
2	820293	COVERING LIGHT GREY #6768 GRIFFON From A-1500		1		
2	5061213	COVERING GRAPHITE #6801	1			
2	5061161	COVERING GRAPHITE #6801 To A-1499		1		
2	820297	COVERING GRAPHITE #6801 From A-1500		1		
2	5061217	COVERING DARK GREY #6782 URANUS F	1			
2	5061157	COVERING DARK GREY #6782 URANUS F To A-1499		1		
2	820305	COVERING DARK GREY #6782 URANUS F From A-1500		1		
2	5061221	COVERING RED #6132 RUBIS I	1			
2	5061145	COVERING RED #6132 RUBIS I To A-1499		1		
2	820315	COVERING RED #6132 RUBIS I From A-1500		1		
2	5061241	COVERING DARK GREY #8816 SYCAMORE	1			
2	5061240	COVERING DARK GREY #8816 SYCAMORE To A-1499		1		
2	820321	COVERING DARK GREY #8816 SYCAMORE From A-1500		1		
2	5061223	COVERING RED & GREY #8778 ARIES	1			
2	5061147	COVERING RED & GREY #8778 ARIES To A-1499		1		
2	820325	COVERING RED & GREY #8778 ARIES From A-1500		1		
2	5061225	COVERING GREEN #8544 ORION	1			
2	5061151	COVERING GREEN #8544 ORION To A-1499		1		
2	820329	COVERING GREEN #8544 ORION From A-1500		1		
2	5061229	COVERING BROWN #8311 SWEDEN R	1			
2	5061171	COVERING BROWN #8311 SWEDEN R To A-1499		1		
2	820333	COVERING BROWN #8311 SWEDEN R From A-1500		1		
2	5061231	COVERING GREY #8731 POLAND S	1			
2	5061173	COVERING GREY #8731 POLAND S To A-1499		1		
2	820335	COVERING GREY #8731 POLAND S From A-1500		1		
2	5061233	COVERING GREEN #8525 CHINA T	1			
2	5061175	COVERING GREEN #8525 CHINA T To A-1499		1		
2	5061235	COVERING BLUE #8414 EGYPT U	1			
2	5061177	COVERING BLUE #8414 EGYPT U To A-1499		1		
2	820337	COVERING BLUE #8414 EGYPT U From A-1500		1		
2	5061237	COVERING POUPRE #8720 RUSSIA W	1			
2	5061179	COVERING POUPRE #8720 RUSSIA W To A-1499		1		
2	5061141	COVERING GREY #8729 NORWAY X	1			
2	5061181	COVERING GREY #8729 NORWAY X To A-1499		1		

<b>From 7-0671 To J-0287</b>	<b>Date:10/2022</b>	<b>PAGE:H7-1838-10</b>
<b>FLOOR COVERING - "TARAFLEX"</b>		

Item#	Part	Description	H 3 4 1	H 3 4 5	V I P 4 5	N O T E S
2	820339	COVERING GREY #8729 NORWAY X From A-1500		1		
2	5061227	COVERING LIGHT GREY #8779 CYGNUS Q	1			
2	5061143	COVERING LIGHT GREY #8779 CYGNUS Q To A-1499		1		
2	820331	COVERING LIGHT GREY #8779 CYGNUS Q From A-1500		1		
2	5061215	COVERING DARK GREY #8780 PEGASUS E	1			
2	5061140	COVERING DARK GREY #8780 PEGASUS E To A-1499		1		
2	820301	COVERING DARK GREY #8780 PEGASUS E From A-1500		1		
2	5061219	COVERING SIRIUS DUNE #6782	1			
2	5061163	COVERING SIRIUS DUNE #6782 To A-1499		1		
2	820309	COVERING SIRIUS DUNE #6782 From A-1500		1		
2	5061252	COVERING MED BLUE #9418 OLYMPE AA	1			
2	5061248	COVERING MED BLUE #9418 OLYMPE AA To A-1499		1		
2	820287	COVERING MED BLUE #9418 OLYMPE AA From A-1500		1		
2	5061246	COVERING DARK GREY URANUS #6727 ANTHRACITE CC	1			
2	5061244	COVERING DARK GREY URANUS #6727 ANTHRACITE CC To A-1499		1		
2	820295	COVERING DARK GREY URANUS #6727 ANTHRACITE CC From A-1500		1		
2	820132	COVERING DARK GREY SIRIUS #6727 ANTHRACITE DD	1			
2	820126	COVERING DARK GREY SIRIUS #6727 ANTHRACITE DD To A-1499		1		
2	820299	COVERING DARK GREY SIRIUS #6727 ANTHRACITE DD From A-1500		1		
2	820134	COVERING GREY HELIOS #8333 SCANDIUM EE	1			
2	820128	COVERING GREY HELIOS #8333 SCANDIUM EE To A-1499		1		
2	820303	COVERING GREY HELIOS #8333 SCANDIUM EE From A-1500		1		
2	820136	COVERING BLACK JUPITER #8764 ELARA ROT FF	1			
2	820130	COVERING BLACK JUPITER #8764 ELARA ROT FF To A-1499		1		
2	820307	COVERING BLACK JUPITER #8764 ELARA ROT FF From A-1500		1		
2	820539	COVERING DARK GREY LUNA #8816 SINGAPORE NT BA		1		
2	5061254	COVERING DARK GREY #9727 ZEPHIR BB	1			
2	5061250	COVERING DARK GREY #9727 ZEPHIR BB To A-1499		1		
2	820291	COVERING DARK GREY #9727 ZEPHIR BB From A-1500		1		
2	820189	COVERING DARK GREY #8820 KOREA HH	1			
2	820187	COVERING DARK GREY #8820 KOREA HH To A-1499		1		
2	820313	COVERING DARK GREY #8820 KOREA HH From A-1500		1		
2	820143	COVERING BROWN HELIOS #8126 IRIDIUM To A-1499		1		
2	820311	COVERING BROWN HELIOS #8126 IRIDIUM From A-1500		1		
2	820148	COVERING GALAXY #8360 LYRA To A-1499		1		
2	820317	COVERING GALAXY #8360 LYRA From A-1500		1		
2	820153	COVERING NATURA CEDAR #8813 To A-1499		1		
2	820319	COVERING NATURA CEDAR #8813 From A-1500		1		
2	820158	COVERING NATURA SEQUOIA #8005 To A-1499		1		
2	820323	COVERING NATURA SEQUOIA #8005 From A-1500		1		
2	820163	COVERING NATURA CYPRESS #8359 To A-1499		1		
2	820327	COVERING NATURA CYPRESS #8359 From A-1500		1		



<b>From 7-0671 To J-0287</b>	<b>Date:10/2022</b>	<b>PAGE:H7-1838-10</b>
<b>FLOOR COVERING - "TARAFLEX"</b>		

Item#	Part	Description	H 3 4 1	H 3 4 5	V I P 4 5	N O T E S
2	820405	COVERING LIGHT GREY #1136 CEMENT NN From A-1500 To H-3526	1			
2	820393	COVERING LIGHT GREY #1136 CEMENT NN From A-1500 To H-3526		1		
2	820406	COVERING BLUE #0321 CEMENT PP From A-1500 To H-3526	1			
2	820394	COVERING BLUE #0321 CEMENT PP From A-1500 To H-3526		1		
2	820407	COVERING ANTICWOOD #0782 MARRON QQ From A-1500 To A-1565	1			
2	820495	COVERING ANTICWOOD #0782 MARRON QQ From A-1566	1			
2	820395	COVERING ANTICWOOD #0782 MARRON QQ From A-1500 To A-1565		1		
2	820491	COVERING ANTICWOOD #0782 MARRON QQ From A-1566		1		
2	820408	COVERING ANTICWOOD #0658 SOFT BROWN RR From A-1500 To A-1565	1			
2	820496	COVERING ANTICWOOD #0658 SOFT BROWN RR From A-1566	1			
2	820396	COVERING ANTICWOOD #0658 SOFT BROWN RR From A-1500 To A-1565		1		
2	820492	COVERING ANTICWOOD #0658 SOFT BROWN RR From A-1566		1		
2	820409	COVERING SHIP #0764 NATURE SS From A-1500 To A-1565	1			
2	820497	COVERING SHIP #0764 NATURE SS From A-1566	1			
2	820397	COVERING SHIP #0764 NATURE SS From A-1500 To A-1565		1		
2	820493	COVERING SHIP #0764 NATURE SS From A-1566		1		
2	820410	COVERING SHIP #0765 EXOTIC TT From A-1500 To A-1565	1			
2	820498	COVERING SHIP #0765 EXOTIC TT From A-1566	1			
2	820398	COVERING SHIP #0765 EXOTIC TT From A-1500 To A-1565		1		
2	820494	COVERING SHIP #0765 EXOTIC TT From A-1566		1		
2	820510	COVERING HARMONIA #1455 TULIPWOOD From B-1796		1		
2	820512	COVERING HARMONIA #1455 TULIPWOOD From B-1796	1			
2	820519	COVERING HARMONIA #1456 ROSEWOOD From B-1796		1		
2	820521	COVERING HARMONIA #1456 ROSEWOOD From B-1796	1			
2	820543	COVERING LUNA #8729 NORWAY NT	1	1		
2	820545	COVERING SIRIUS #6451 CORSAIRE NT	1	1		
2	820545BA	COVERING LUNA #8816 SINGAPORE From E-2602	1	1		
2	820545BD	COVERING TARABUS LUNA #8729 NORWAY NT From E-2602	1	1		
2	820545BF	COVERING TARABUS GAYA MOSAIC #4482 BABEL From E-2602	1	1		
2	820545BG	COVERING HELIOS #8805 PALLADIUM From E-2602	1	1		
2	820545BH	COVERING APOLLO #4479 KILIMANJARO From E-2602	1	1		
2	820545BI	COVERING APOLLO #4517 FUJI From E-2602	1	1		
2	820545BJ	COVERING TARABUS GAYA MOSAIC #4519 GALATA From E-2602	1	1		
2	820545BK	COVERING TARABUS GAYA WOOD #4521 YELLOWSTONE From E-2602	1	1		
2	820545BL	COVERING TARABUS SIRIUS #6451 CORSAIRE From E-2602	1	1		
2	820545BM	COVERING TARABUS GAYA WOOD #3724 KRUGER LT From E-2602	1	1		
2	820545BP	COVERING TARABUS GAYA WOOD 6057 EVERGLADES From E-2602	1	1		
2	820545BQ	COVERING TARABUS GAYA WOOD 9297 YOSEMITE NT From E-2602	1	1		
2	820545QQ	COVERING TARABUS ANTICWOOD #0782 BROWN From E-2602	1	1		
2	820545SS	COVERING TARABUS SHIP #0764 NATURE From E-2602	1	1		
2	820545TT	COVERING TARABUS SHIP #0765 EXOTIC From E-2602	1	1		

<b>From 7-0671 To J-0287</b>	<b>Date:10/2022</b>	<b>PAGE:H7-1838-10</b>
<b>FLOOR COVERING - "TARAFLEX"</b>		

Item#	Part	Description	H 3 4 1	H 3 4 5	V I P 4 5	N O T E S
		COVERING MOTOR ACCESS TRAP / 400MMX610MM				
3	820141A	COVERING BLUE #8423 AQUILIA To A-1720	1	1		
3	820141B	COVERING DARK GREY TARABUS #8750 TUCUNA To A-1720	1	1		
3	820141C	COVERING LIGHT GREY #6768 GRIFFON To A-1720	1	1		
3	820141D	COVERING GRAPHITE #6801 To A-1720	1	1		
3	820141E	COVERING DARK GREY #8780 PEGASUS To A-1720	1	1		
3	820141F	COVERING DARK GREY #6782 URANUS To A-1720	1	1		
3	820141G	COVERING DARK GREY #6782 URANUS To A-1720	1	1		
3	820141I	COVERING RED #6132 RUBIS To A-1720	1	1		
3	820141K	COVERING DARK GREY #8816 SYCAMORE To A-1720	1	1		
3	820141L	COVERING RED & GREY #8778 ARIES To A-1720	1	1		
3	820141M	COVERING NATURA CYPRESS #8359 To A-1720	1	1		
3	820141Q	COVERING LIGHT GREY #8779 CYGNUS To A-1720	1	1		
3	820141R	COVERING BROWN #8311 SWEDEN To A-1720	1	1		
3	820141S	COVERING GREY #8731 POLAND To A-1720	1	1		
3	820141U	COVERING BLUE #8414 EGYPT To A-1720	1	1		
3	820141X	COVERING GREY #8729 NORWAY To A-1720	1	1		
3	820141NN	COVERING LIGHT GREY #1136 CEMENT From A-1500 To A-1720	1	1		
3	820141PP	COVERING BLUE #0321 CEMENT From A-1500 To A-1720	1	1		
3	820141QQ	COVERING ANTICWOOD #0782 MARRON From A-1500 To A-1720	1	1		
3	820141RR	COVERING ANTICWOOD #0658 SOFT BROWN From A-1500 To A-1720	1	1		
3	820141SS	COVERING SHIP #0764 NATURE From A-1500 To A-1720	1	1		
3	820141TT	COVERING SHIP #0765 EXOTIC From A-1500 To A-1720	1	1		
3	Call order desk	CUT OUT COVERING MOTOR ACCESS TRAP From E-2602	1	1		P
NS	680028	GLUE / 15LITERS To D-2167	AR	AR		
NS	688019	GLUE / MAPEI ECO-360 15LITERS From D-2168	AR	AR		
10	<b>H7-1838-15</b>	<b>STEPWELL - COVERING</b>				
20	820028	WELDING CORD / SIRIUS #6768 GRIFFON	AR	AR		
20	820029	WELDING CORD / GRAPHITE #6801 SIRIUS	AR	AR		
20	820030	WELDING CORD / GALAXY #8423 AQUILIA	AR	AR		
20	820031	WELDING CORD / GALAXY #8750 TUCANA	AR	AR		
20	820032	WELDING CORD / GALAXY #8778 ARIES	AR	AR		
20	820034	WELDING CORD / GALAXY #8780 PEGASUS	AR	AR		
20	820035	WELDING CORD / GALAXY #8544 ORION	AR	AR		
20	820046	WELDING CORD / SIRIUS #6132 RUBIS	AR	AR		
20	820036	WELDING CORD / LUNA #8311 SWEDEN	AR	AR		
20	820037	WELDING CORD / LUNA #8525 CHINA	AR	AR		
20	820038	WELDING CORD / LUNA #8731 POLAND	AR	AR		
20	820072	WELDING CORD / NATURA #8816 SYCAMORE	AR	AR		

From 7-0671 To J-0287	Date:10/2022	PAGE:H7-1838-10
<b>FLOOR COVERING - "TARAFLEX"</b>		

Item#	Part	Description	H 3 4 1	H 3 4 5	V I P 4 5	N O T E S
20	820080	WELDING CORD / ODYSSEY #9418 OLYMPE	AR	AR		
20	820083	WELDING CORD / ODYSSEY #9727 SEPHIR	AR	AR		
20	820101	WELDING CORD / SIRIUS #6727 ANTHRACITE	AR	AR		
20	820111	WELDING CORD / HELIOS #8333 SCANDIUM	AR	AR		
20	820119	WELDING CORD / JUPITER #8764 ELARA ROT	AR	AR		
20	684517	ADHESIVE SIMSON #ISR 70-03 / GREY / 310ml CARTRIDGE	AR	AR		
20	684685	ADHESIVE SIMSON #ISR 70-03 / 310ml CARTRIDGE	AR	AR		
20	684655	GLUE CONTACT "SCOTCH-GRIP" / 3M #1357-NEUTRAL 3.8 LITERS	AR	AR		
		P) CALL ORDER DESK FOR SPECIFIC APPLICATION (V.I.N.)				

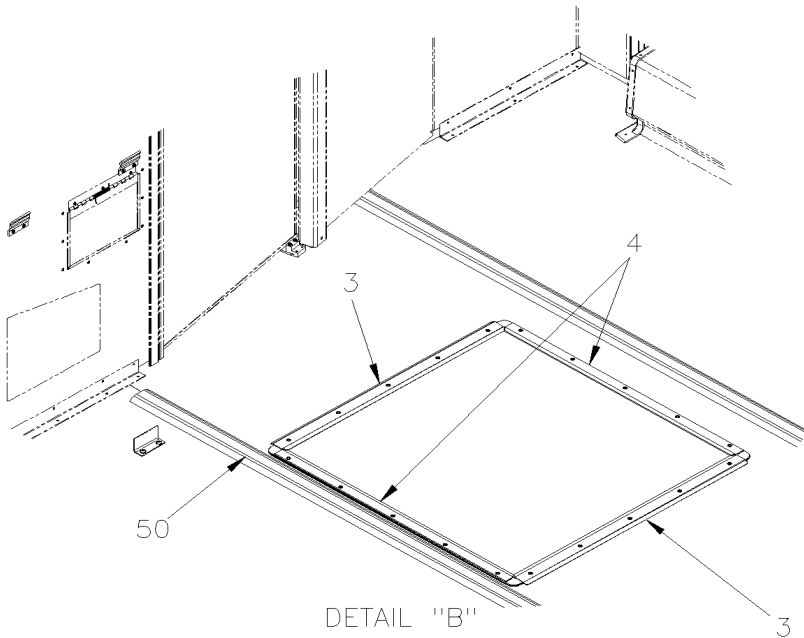
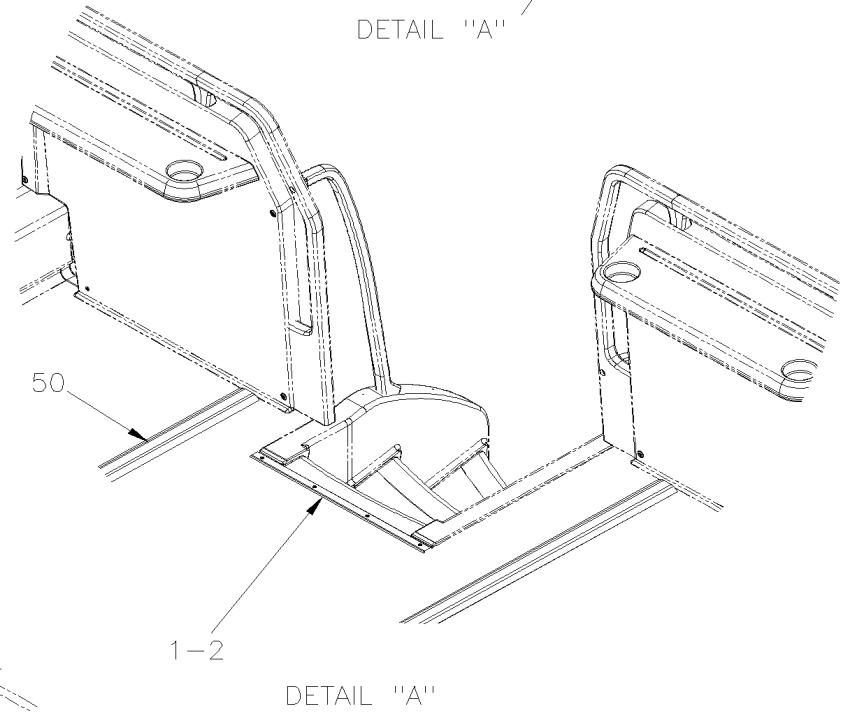
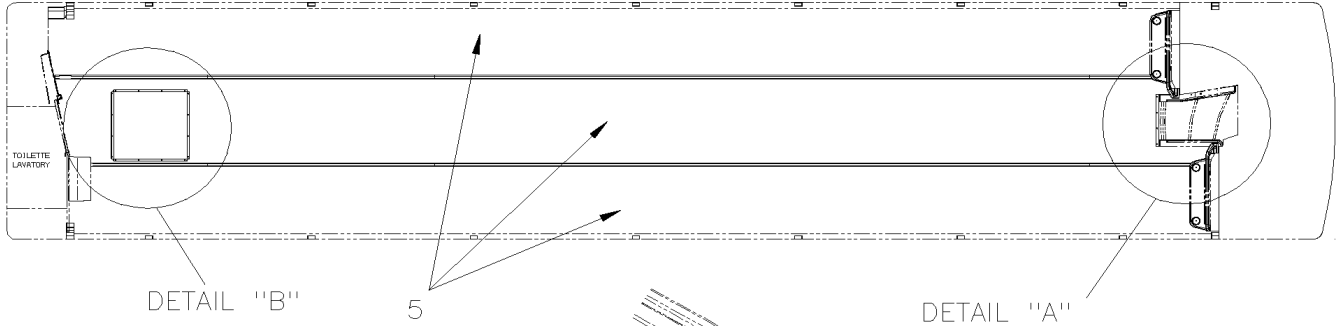


From 7-0671 To J-0184

Date:10/2022

PAGE:H7-1838-20

FLOOR COVERING - CARPET



From 7-0671 To J-0184 Date:10/2022 PAGE:H7-1838-20

**FLOOR COVERING - CARPET**

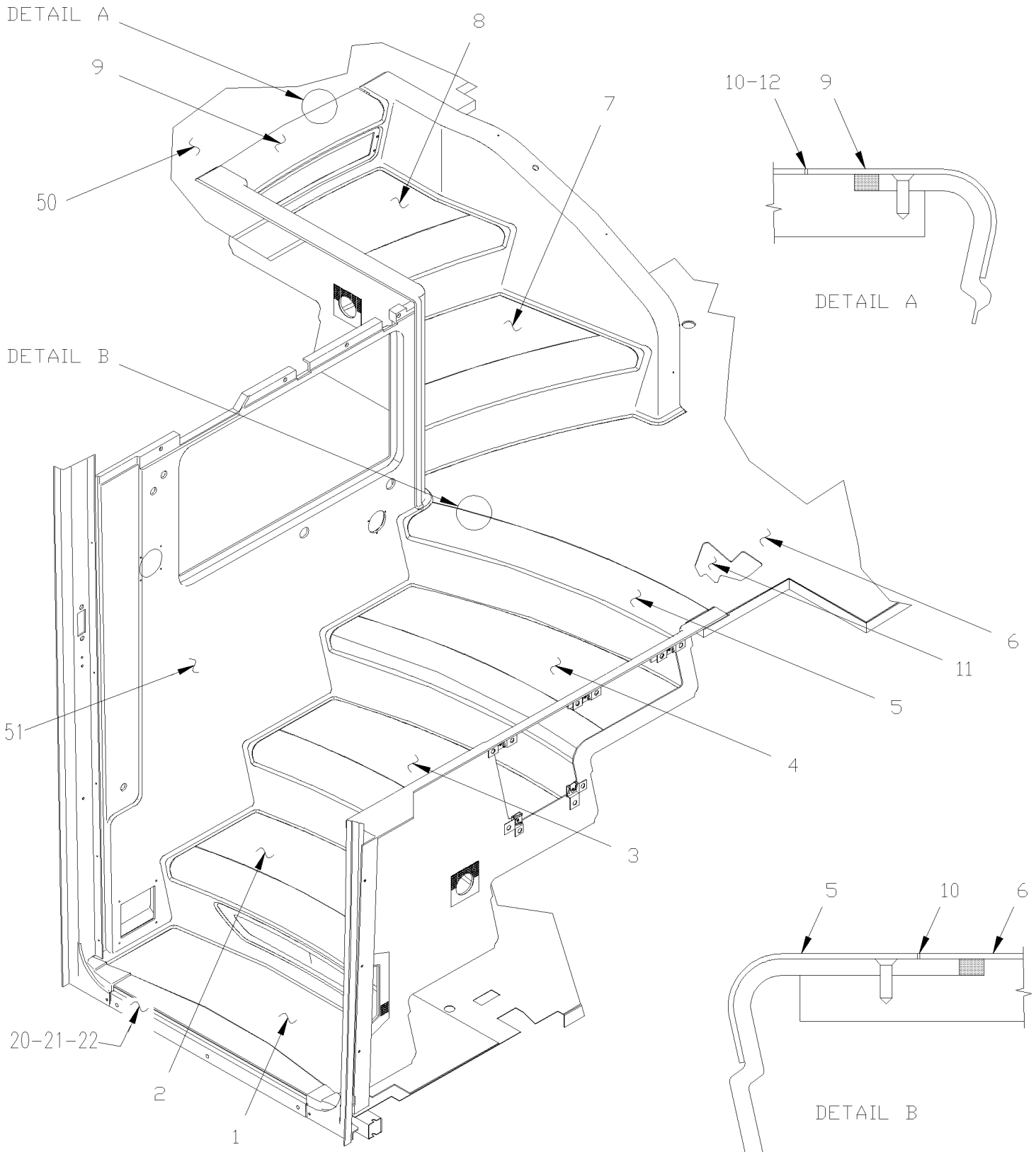
Item#	Part	Description	H 3 4 1	H 3 4 5	V I P 4 5	N O T E S
1	328388	MOULDING, FINISHING,AISLE STEPWELL 558MM	1	1		
2	5001118	SCREW TP FL PH #8x1 SS410	AR	AR		
3	3200967	TRIM FINISH, TRAP DOOR W/CARPET 713MM From D-2404	2	2		
4	3200968	TRIM FINISH, TRAP DOOR W/CARPET 744MM From D-2404	2	2		
5	Call order desk	CARPET	AR	AR		P
50	<b>H7-1838-00</b>	<b>FLOOR - BUS From 7-0671 To A-1499</b>				
50	<b>H7-1838-01</b>	<b>FLOOR - BUS From A-1500 To H-3590</b>				
50	<b>H7-1838-02</b>	<b>FLOOR - BUS From H-3591</b>				
		P) CALL ORDER DESK FOR SPECIFIC APPLICATION (V.I.N.)				

From 7-0671 To J-0184

Date:10/2022

PAGE:H7-1838-15

## STEPWELL - COVERING



From 7-0671 To J-0184	Date:10/2022	PAGE:H7-1838-15
<b>STEPWELL - COVERING</b>		

Item#	Part	Description	H 3 4 1	H 3 4 5	V I P 4 5	N O T E S
1	328164	1ST STEP COVERING				
1	328164A	COVERING / GALAXY #8423 AQUILIA				
1	328164B	COVERING / GALAXY #8750 TUCANA				
1	328164C	COVERING / SIRIUS #6768 GRIFFON				
1	328164D	COVERING / GRAPHITE #6801 SIRIUS				
1	328164E	COVERING / GALAXY #8780 PEGASUS				
1	328164F	COVERING / URANUS #6782 DUNE				
1	328164G	COVERING / SIRIUS #6782 DUNE				
1	328164I	COVERING / SIRIUS #6132 RUBIS				
1	328164J	COVERING / GALAXY #8817 CERO				
1	328164K	COVERING / NATURA #8816 SYCAMORE				
1	328164L	COVERING / GALAXY #8778 ARIES				
1	328164M	COVERING / GALAXY #8544 ORION				
1	328164Q	COVERING / GALAXY #8779 CYGNUS				
1	328164R	COVERING / LUNA #8311 SWEDEN				
1	328164S	COVERING / LUNA #8731 POLAND				
1	328164T	COVERING / LUNA #8525 CHINA				
1	328164U	COVERING / LUNA #8414 EGYPT				
1	328164W	COVERING / VEGA #8720 RUSSIA				
1	328164X	COVERING / VEGA #8720 NORWAY				
1	328164AA	COVERING / ODYSSEY #9418 OLYMPE				
1	328164AB	COVERING / URANUS #6727 ANTHRACITE				
1	328164AD	COVERING / HARMONIA #0765 SHIP EXOTIC				
1	328164AG	COVERING / HARMONIA #1456 ROSEWOOD				
1	328164BA	COVERING / LUNA #8816 SINGAPORE				
1	328164BB	COVERING / ODYSSEY #9727 SEPHIR				
1	328164BC	COVERING / GAYA WOOD #4521 YELLOWSTONE				
1	328164BD	COVERING / LUNA #8729 NORWAY				
1	328164BE	COVERING / SIRIUS #6451 CORSAIRE				
1	328164BF	COVERING / GAYA MOSAIC #4482 BABEL				
1	328164BG	COVERING / HELIOS #8805 PALLADIUM				
1	328164BH	COVERING / APOLLO #4479 KILIMANJARO				
1	328164BI	COVERING / APOLLO #4517 FUJI				
1	328164BJ	COVERING / GAYA MOSAIC #4519 GALATA				
1	328164BK	COVERING / GAYA WOOD #4521 YELLOWSTONE				
1	328164BL	COVERING / SIRIUS #6451 CORSAIRE				
1	328164BM	COVERING / GAYA WOOD #3724 KRUGER LT				
1	328164BP	COVERING / GAYA WOOD #6057 EVERGLADES				
1	328164BQ	COVERING / GAYA WOOD #8297 YOSEMITE NT				
1	328164CC	COVERING / URANUS #6727 ANTHRACITE				
1	328164DD	COVERING / SIRIUS #6727 ANTHRACITE				



<b>From 7-0671 To J-0184</b>	<b>Date:10/2022</b>	<b>PAGE:H7-1838-15</b>
<b>STEPWELL - COVERING</b>		

Item#	Part	Description	H 3 4 1	H 3 4 5	V I P 4 5	N O T E S
1	328164EE	COVERING / HELIOS #8333 SCANDIUM				
1	328164FF	COVERING / JUPITER #8764 ELARA ROT				
1	328164GG	COVERING / HELIOS #8126 IRIIDIUM				
1	328164HH	COVERING / LUNA #8820 KOREA				
1	328164II	COVERING / GALAXY #8360 LYRA				
1	328164JJ	COVERING / NATURA #8813 CEDAR				
1	328164KK	COVERING / NATURA #8005 SEQUIOIA				
1	328164LL	COVERING / NATURA #8359 CYPRESS				
1	328164NN	COVERING / HARMONIA #1136 CEMENT To H-3526				
1	328164PP	COVERING / HARMONIA #0321 CEMENT To H-3526				
1	328164QQ	COVERING / HARMONIA #0782 ANTICWOOD				
1	328164RR	COVERING / HARMONIA #0658 ANTICWOOD				
1	328164SS	COVERING / HARMONIA #0764 SHIP NATURE				
1	328164TT	COVERING / HARMONIA #0658 SHIP EXOTIC				
2	328970	2ND STEP COVERING WITH WHITE NOZZING To 8-1103				
2	329559	2ND STEP COVERING WITH GREY NOZZING From 8-1104				
2	328970A	COVERING / GALAXY #8423 AQUILIA & SAFE BUS #6602 CALEDONIA To 8-1103				
2	329559A	COVERING / GALAXY #8423 AQUILIA & SIRIUS #6768 GRIFFON From 8-1104				
2	328970B	COVERING / GALAXY #8750 TUCANA & SAFE BUS #6602 CALEDONIA To 8-1103				
2	329559B	COVERING / GALAXY #8750 TUCANA & SIRIUS #6768 GRIFFON From 8-1104				
2	328970C	COVERING / SIRIUS #6768 GRIFFON & SAFE BUS #6602 CALEDONIA To 8-1103				
2	329559C	COVERING / SIRIUS #6768 GRIFFON & SIRIUS #6727 ANTHRACITE From 8-1104				
2	328970D	COVERING / GRAPHITE #6801 SIRIUS & SAFE BUS #6602 CALEDONIA To 8-1103				
2	329559D	COVERING / GRAPHITE #6801 SIRIUS & SIRIUS #6768 GRIFFON From 8-1104				
2	328970E	COVERING / GALAXY #8780 PEGASUS & SAFE BUS #6602 CALEDONIA To 8-1103				
2	329559E	COVERING / GALAXY #8780 PEGASUS & SIRIUS #6768 GRIFFON From 8-1104				
2	328970F	COVERING / URANUS #6782 DUNE & SAFE BUS #6602 CALEDONIA To 8-1103				
2	329559F	COVERING / URANUS #6782 DUNE & URANUS #6727 ANTHRACITE From 8-1104				
2	328970G	COVERING / SIRIUS #6782 DUNE & SAFE BUS #6602 CALEDONIA To 8-1103				
2	329559G	COVERING / SIRIUS #6782 DUNE & SIRIUS #6727 ANTHRACITE From 8-1104				
2	328970H	COVERING / SIRIUS #6017 HAVANE & SAFE BUS #6602 CALEDONIA To 8-1103				
2	328970I	COVERING / SIRIUS #6132 RUBIS & SAFE BUS #6602 CALEDONIA To 8-1103				
2	329559I	COVERING / SIRIUS #6132 RUBIS & SIRIUS #6727 ANTHRACITE From 8-1104				
2	328970J	COVERING / GALAXY #8817 CERO & SAFE BUS #6602 CALEDONIA To 8-1103				
2	329559J	COVERING / GALAXY #8817 CERO & SIRIUS #6768 GRIFFON From 8-1104				
2	328970K	COVERING / NATURA #8816 SYCAMORE & SAFE BUS #6602 CALEDONIA To 8-1103				
2	329559K	COVERING / NATURA #8816 SYCAMORE & SIRIUS #6768 GRIFFON From 8-1104				
2	328970L	COVERING / GALAXY #8778 ARIES & SAFE BUS #6602 CALEDONIA To 8-1103				
2	329559L	COVERING / GALAXY #8778 ARIES & SIRIUS #6727 ANTHRACITE From 8-1104				
2	328970M	COVERING / GALAXY #8544 ORION & SAFE BUS #6602 CALEDONIA To 8-1103				

<b>From 7-0671 To J-0184</b>	<b>Date:10/2022</b>	<b>PAGE:H7-1838-15</b>
<b>STEPWELL - COVERING</b>		

Item#	Part	Description	H 3 4 1	H 3 4 5	V I P 4 5	N O T E S
2	329559M	COVERING / GALAXY #8544 ORION & SIRIUS #6768 GRIFFON From 8-1104				
2	328970Q	COVERING / GALAXY #8779 CYGNUS & SAFE BUS #6602 CALEDONIA To 8-1103				
2	329559Q	COVERING / GALAXY #8779 CYGNUS & SIRIUS #6727 ANTHRACITE From 8-1104				
2	328970R	COVERING / LUNA #8311 SWEDEN & SAFE BUS #6602 CALEDONIA To 8-1103				
2	329559R	COVERING / LUNA #8311 SWEDEN & SIRIUS #6768 GRIFFON From 8-1104				
2	328970S	COVERING / LUNA #8731 POLAND & SAFE BUS #6602 CALEDONIA To 8-1103				
2	329559S	COVERING / LUNA #8731 POLAND & SIRIUS #6727 ANTHRACITE From 8-1104				
2	328970T	COVERING / LUNA #8525 CHINA & SAFE BUS #6602 CALEDONIA To 8-1103				
2	328970U	COVERING / LUNA #8414 EGYPT & SAFE BUS #6602 CALEDONIA To 8-1103				
2	329559U	COVERING / LUNA #8414 EGYPT & SIRIUS #6768 GRIFFON From 8-1104				
2	328970W	COVERING / VEGA #8720 RUSSIA & SAFE BUS #6602 CALEDONIA To 8-1103				
2	328970X	COVERING / LUNA #8729 NORWAY & SAFE BUS #6602 CALEDONIA To 8-1103				
2	329559X	COVERING / LUNA #8729 NORWAY & SIRIUS #6768 GRIFFON From 8-1104				
2	328970AA	COVERING / ODYSSEY #9418 OLYMPE & SAFE BUS #6602 CALEDONIA To 8-1103				
2	329559AA	COVERING / ODYSSEY #9418 OLYMPE & SIRIUS #6768 GRIFFON From 8-1104				
2	329559AB	COVERING / URANUS #6727 ANTHRACITE & GALAXY #8360 LYRA From 8-1104				
2	329559AC	COVERING / URANUS #6782 DUNE & GALAXY #8360 LYRA From 8-1104				
2	329559AE	COVERING / LUNA #8311 SWEDEN & SIRIUS #6727 ANTHRACITE From 8-1104				
2	329559AD	COVERING / HARMONIA #0765 SHIP EXOTIC & SAFE BUS #6602 CALEDONIA From 8-1104				
2	329559AG-HH	COVERING / HARMONIA #1456 ROSEWOOD & SIRIUS #6768 GRIFFON From 8-1104				
2	329559AH	COVERING / NATURA #8816 SYCAMORE & GALAXY #8360 LYRA From 8-1104				
2	329559AK	COVERING / HARMONIA #0765 SHIP EXOTIC & GALAXY #8360 LYRA From 8-1104				
2	329559AL	COVERING / HARMONIA #0765 SHIP EXOTIC & SIRIUS #6768 GRIFFON From 8-1104				
2	329559B-AJ	COVERING / GALAXY #8750 TUCANA & SAFE BUS #6602 CALEDONIA From 8-1104				
2	329559BA-AJ	COVERING / LUNA #8816 SINGAPORE & SAFE BUS #6602 CALEDONIA From 8-1104				
2	329559BA-C	COVERING / LUNA #8816 SINGAPORE & SIRIUS #6768 GRIFFON From 8-1104				
2	329559BA-D	COVERING / LUNA #8816 SINGAPORE & GRAPHITE #6801 SIRIUS From 8-1104				
2	329559BA-HH	COVERING / LUNA #8816 SINGAPORE & HELIOS #8332 THALLIUM From 8-1104				
2	328970BB	COVERING / ODYSSEY #9727 SEPHIR & SAFE BUS #6602 CALEDONIA To 8-1103				
2	329559BB	COVERING / ODYSSEY #9727 SEPHIR & SIRIUS #6768 GRIFFON From 8-1104				
2	329559BC-DD	COVERING / GAYA WOOD #4521 YELLOWSTONE & SIRIUS #6727 ANTHRACITE From 8-1104				
2	329559BD-AJ	COVERING / LUNA #8729 NORWAY & SAFE BUS #6602 CALEDONIA From 8-1104				
2	329559BD-C	COVERING / LUNA #8729 NORWAY & SIRIUS #6768 GRIFFON From 8-1104				
2	329559BD-D	COVERING / LUNA #8729 NORWAY & GRAPHITE #6801 SIRIUS From 8-1104				
2	329559BD-HH	COVERING / LUNA #8729 NORWAY & HELIOS #8332 THALLIUM From 8-1104				
2	329559BE-C	COVERING / SIRIUS #6451 CORSAIRE & SIRIUS #6768 GRIFFON From 8-1104				
2	329559BF-D	COVERING / GAYA MOSAIC #4482 BABEL & GRAPHITE #6801 SIRIUS From 8-1104				
2	329559BG-AJ	COVERING / HELIOS #8805 PALLADIUM & SAFE BUS #6602 CALEDONIA From 8-1104				
2	329559BG-D	COVERING / HELIOS #8805 PALLADIUM & GRAPHITE #6801 SIRIUS From 8-1104				
2	329559BH-AJ	COVERING / APOLLO #4479 KILIMANJARO & SAFE BUS #6602 CALEDONIA From 8-1104				
2	329559BH-D	COVERING / APOLLO #4479 KILIMANJARO & GRAPHITE #6801 SIRIUS From 8-1104				
2	329559BI-AJ	COVERING / APOLLO #4517 FUJI & SAFE BUS #6602 CALEDONIA From 8-1104				

From 7-0671 To J-0184	Date:10/2022	PAGE:H7-1838-15
<b>STEPWELL - COVERING</b>		

Item#	Part	Description	H 3 4 1	H 3 4 5	V I P 4 5	N O T E S
2	329559BI-D	COVERING / APOLLO #4517 FUJI & GRAPHITE #6801 SIRIUS From 8-1104				
2	329559BJ-AJ	COVERING / GAYA MOSAIC #4519 GALATA & SAFE BUS #6602 CALEDONIA From 8-1104				
2	329559BJ-D	COVERING / GAYA MOSAIC #4519 GALATA & GRAPHITE #6801 SIRIUS From 8-1104				
2	329559BK-AJ	COVERING / GAYA WOOD #4521 YELLOWSTONE & SAFE BUS #6602 CALEDONIA From 8-1104				
2	329559BK-D	COVERING / GAYA WOOD #4521 YELLOWSTONE & GRAPHITE #6801 SIRIUS From 8-1104				
2	329559BL-AJ	COVERING / SIRIUS #6451 CORSAIRE & SAFE BUS #6602 CALEDONIA From 8-1104				
2	329559BL-HH	COVERING / SIRIUS #6451 CORSAIRE & SIRIUS #6768 GRIFFON From 8-1104				
2	329559BM-AJ	COVERING / GAYA WOOD #3724 KRUGER LT & SAFE BUS #6602 CALEDONIA From 8-1104				
2	329559BM-HH	COVERING / GAYA WOOD #3724 KRUGER LT & SIRIUS #6768 GRIFFON From 8-1104				
2	329559BP-AJ	COVERING / GAYA WOOD #6057 EVERGLADES & SAFE BUS #6602 CALEDONIA From 8-1104				
2	329559BP-HH	COVERING / GAYA WOOD #6057 EVERGLADES & SIRIUS #6768 GRIFFON From 8-1104				
2	329559BQ-AJ	COVERING / GAYA WOOD #8297 YOSEMITE NT & SAFE BUS #6602 CALEDONIA From 8-1104				
2	329559BQ-HH	COVERING / GAYA WOOD #8297 YOSEMITE NT & SIRIUS #6768 GRIFFON From 8-1104				
2	328970CC	COVERING / URANUS #6727 ANTHRACITE & SAFE BUS #6602 CALEDONIA To 8-1103				
2	329559CC	COVERING / URANUS #6727 ANTHRACITE & SIRIUS #6768 GRIFFON From 8-1104				
2	329559CC-EE	COVERING / URANUS #6727 ANTHRACITE & HELIOS #8333 SCANDIUM From 8-1104				
2	328970DD	COVERING / SIRIUS #6727 ANTHRACITE & SAFE BUS #6602 CALEDONIA To 8-1103				
2	329559DD	COVERING / SIRIUS #6727 ANTHRACITE & SIRIUS #6768 GRIFFON From 8-1104				
2	329559DD-AJ	COVERING / SIRIUS #6727 ANTHRACITE & SAFE BUS #6602 CALEDONIA From 8-1104				
2	328970EE	COVERING / HELIOS #8333 SCANDIUM & SAFE BUS #6602 CALEDONIA To 8-1103				
2	329559EE	COVERING / HELIOS #8333 SCANDIUM & SIRIUS #6727 ANTHRACITE From 8-1104				
2	329559E-AJ	COVERING / GALAXY #8780 PEGASUS & SAFE BUS #6602 CALEDONIA From 8-1104				
2	328970FF	COVERING / JUPITER #8764 ELARA ROT & SAFE BUS #6602 CALEDONIA To 8-1103				
2	329559FF	COVERING / JUPITER #8764 ELARA ROT & SIRIUS #6768 GRIFFON From 8-1104				
2	329559GG	COVERING / HELIOS #8126 IRIDIUM & HELIOS #8332 THALLIUM From 8-1104				
2	329559HH	COVERING / LUNA #8820 KOREA & SIRIUS #6768 GRIFFON From 8-1104				
2	329559II	COVERING / GALAXY #8360 LYRA & SIRIUS #6727 ANTHRACITE From 8-1104				
2	329559JJ	COVERING / NATURA #8813 CEDAR & SIRIUS #6727 ANTHRACITE From 8-1104				
2	329559JJ-D	COVERING / NATURA #8813 CEDAR & GRAPHITE #6801 SIRIUS From 8-1104				
2	329559KK	COVERING / NATURA #8005 SEQUIOA & HELIOS #8332 THALLIUM From 8-1104				
2	329559LL	COVERING / NATURA #8359 CYPRESS & SIRIUS #6727 ANTHRACITE From 8-1104				
2	329559MM	COVERING / SIRIUS #6727 ANTHRACITE & JUPITER #8760 LABRADOR From 8-1104				
2	329559NN	COVERING / HARMONIA #1136 CEMENT & SIRIUS #6727 ANTHRACITE From 8-1104 To H-3526				
2	329559PP	COVERING / HARMONIA #0321 CEMENT & SIRIUS #6727 ANTHRACITE From 8-1104 To H-3526				
2	329559QQ	COVERING / HARMONIA #0782 ANTICWOOD & SIRIUS #6727 ANTHRACITE From 8-1104				
2	329559QQ-AJ	COVERING / HARMONIA #0782 ANTICWOOD & SAFE BUS #6602 CALEDONIA From 8-1104				
2	329559QQ-D	COVERING / HARMONIA #0782 ANTICWOOD & GRAPHITE #6801 SIRIUS From 8-1104				
2	329559RR	COVERING / HARMONIA #0658 ANTICWOOD & SIRIUS #6727 ANTHRACITE From 8-1104				
2	329559RR-AJ	COVERING / HARMONIA #0658 ANTICWOOD & SAFE BUS #6602 CALEDONIA From 8-1104				
2	329559RR-D	COVERING / HARMONIA #0658 ANTICWOOD & GRAPHITE #6801 SIRIUS From 8-1104				
2	329559SS	COVERING / HARMONIA #0764 SHIP NATURE & SIRIUS #6727 ANTHRACITE From 8-1104				
2	329559SS-AJ	COVERING / HARMONIA #0764 SHIP NATURE & SAFE BUS #6602 CALEDONIA From 8-1104				

<b>From 7-0671 To J-0184</b>	<b>Date:10/2022</b>	<b>PAGE:H7-1838-15</b>
<b>STEPWELL - COVERING</b>		

Item#	Part	Description	H 3 4 1	H 3 4 5	V I P 4 5	N O T E S
2	329559SS-D	COVERING / HARMONIA #0764 SHIP NATURE & GRAPHITE #6801 SIRIUS From 8-1104				
2	329559SS-HH	COVERING / HARMONIA #0764 SHIP NATURE & SIRIUS #6768 GRIFFON From 8-1104				
2	329559TT	COVERING / HARMONIA #0765 SHIP EXOTIC & SIRIUS #6727 ANTHRACITE From 8-1104				
2	329559TT-AJ	COVERING / HARMONIA #0765 SHIP EXOTIC & SAFE BUS #6602 CALEDONIA From 8-1104				
2	329559TT-HH	COVERING / HARMONIA #0765 SHIP EXOTIC & SIRIUS #6768 GRIFFON From 8-1104				
2	329559UB	COVERING / SIRIUS #6727 ANTHRACITE & HELIOS #8332 THALLIUM From 8-1104				
2	329559UD	COVERING / URANUS #6727 ANTHRACITE & HELIOS #8332 THALLIUM From 8-1104				
2	329559I-AJ	COVERING / SIRIUS #6132 & SAFE BUS CALEDONIA #6602 From H-3879				
3	328971	3RD STEP COVERING WITH WHITE NOZZING To 8-1103				
3	329558	3RD STEP COVERING WITH GREY NOZZING From 8-1104				
3	328971A	COVERING / GALAXY #8423 AQUILIA & SAFE BUS #6602 CALEDONIA To 8-1103				
3	329558A	COVERING / GALAXY #8423 AQUILIA & SIRIUS #6768 GRIFFON From 8-1104				
3	328971B	COVERING / GALAXY #8750 TUCANA & SAFE BUS #6602 CALEDONIA To 8-1103				
3	329558B	COVERING / GALAXY #8750 TUCANA & SIRIUS #6768 GRIFFON From 8-1104				
3	328971C	COVERING / SIRIUS #6768 GRIFFON & SAFE BUS #6602 CALEDONIA To 8-1103				
3	329558C	COVERING / SIRIUS #6768 GRIFFON & SIRIUS #6727 ANTHRACITE From 8-1104				
3	328971D	COVERING / GRAPHITE #6801 SIRIUS & SAFE BUS #6602 CALEDONIA To 8-1103				
3	329558D	COVERING / GRAPHITE #6801 SIRIUS & SIRIUS #6768 GRIFFON From 8-1104				
3	328971E	COVERING / GALAXY #8780 PEGASUS & SAFE BUS #6602 CALEDONIA To 8-1103				
3	329558E	COVERING / GALAXY #8780 PEGASUS & SIRIUS #6768 GRIFFON From 8-1104				
3	328971F	COVERING / URANUS #6782 DUNE & SAFE BUS #6602 CALEDONIA To 8-1103				
3	329558F	COVERING / URANUS #6782 DUNE & SIRIUS #6727 ANTHRACITE From 8-1104				
3	328971G	COVERING / SIRIUS #6782 DUNE & SAFE BUS #6602 CALEDONIA To 8-1103				
3	329558G	COVERING / SIRIUS #6782 DUNE & SIRIUS #6727 ANTHRACITE From 8-1104				
3	328971H	COVERING / SIRIUS #6017 HAVANE & SAFE BUS #6602 CALEDONIA To 8-1103				
3	328971I	COVERING / SIRIUS #6132 RUBIS & SAFE BUS #6602 CALEDONIA To 8-1103				
3	329558I	COVERING / SIRIUS #6132 RUBIS & SIRIUS #6727 ANTHRACITE From 8-1104				
3	328971J	COVERING / GALAXY #8817 CERO & SAFE BUS #6602 CALEDONIA To 8-1103				
3	329558J	COVERING / GALAXY #8817 CERO & SIRIUS #6768 GRIFFON From 8-1104				
3	328971K	COVERING / NATURA #8816 SYCAMORE & SAFE BUS #6602 CALEDONIA To 8-1103				
3	329558K	COVERING / NATURA #8816 SYCAMORE & SIRIUS #6768 GRIFFON From 8-1104				
3	328971L	COVERING / GALAXY #8778 ARIES & SAFE BUS #6602 CALEDONIA To 8-1103				
3	329558L	COVERING / GALAXY #8778 ARIES & SIRIUS #6727 ANTHRACITE From 8-1104				
3	328971M	COVERING / GALAXY #8544 ORION & SAFE BUS #6602 CALEDONIA To 8-1103				
3	329558M	COVERING / GALAXY #8544 ORION & SIRIUS #6768 GRIFFON From 8-1104				
3	328971Q	COVERING / GALAXY #8779 CYGNUS & SAFE BUS #6602 CALEDONIA To 8-1103				
3	329558Q	COVERING / GALAXY #8779 CYGNUS & SIRIUS #6727 ANTHRACITE From 8-1104				
3	328971R	COVERING / LUNA #8311 SWEDEN & SAFE BUS #6602 CALEDONIA To 8-1103				
3	329558R	COVERING / LUNA #8311 SWEDEN & SIRIUS #6768 GRIFFON From 8-1104				
3	328971S	COVERING / LUNA #8731 POLAND & SAFE BUS #6602 CALEDONIA To 8-1103				

<b>From 7-0671 To J-0184</b>	<b>Date:10/2022</b>	<b>PAGE:H7-1838-15</b>
<b>STEPWELL - COVERING</b>		

Item#	Part	Description	H 3 4 1	H 3 4 5	V I P 4 5	N O T E S
3	329558S	COVERING / LUNA #8731 POLAND & SIRIUS #6727 ANTHRACITE From 8-1104				
3	328971T	COVERING / LUNA #8525 CHINA & SAFE BUS #6602 CALEDONIA To 8-1103				
3	328971U	COVERING / LUNA #8414 EGYPT & SAFE BUS #6602 CALEDONIA To 8-1103				
3	329558U	COVERING / LUNA #8414 EGYPT & SIRIUS #6768 GRIFFON From 8-1104				
3	328971W	COVERING / VEGA #8720 RUSSIA & SAFE BUS #6602 CALEDONIA To 8-1103				
3	328971X	COVERING / LUNA #8729 NORWAY & SAFE BUS #6602 CALEDONIA To 8-1103				
3	329558X	COVERING / LUNA #8729 NORWAY & SIRIUS #6768 GRIFFON From 8-1104				
3	328971AA	COVERING / ODYSSEY #9418 OLYMPE & SAFE BUS #6602 CALEDONIA To 8-1103				
3	329558AA	COVERING / ODYSSEY #9418 OLYMPE & SIRIUS #6768 GRIFFON From 8-1104				
3	329558AB	COVERING / URANUS #6727 ANTHRACITE & GALAXY #8360 LYRA From 8-1104				
3	329558AC	COVERING / URANUS #6782 DUNE & GALAXY #8360 LYRA From 8-1104				
3	329558AD	COVERING / HARMONIA #0765 SHIP EXOTIC & SAFE BUS #6602 CALEDONIA From 8-1104				
3	329558AE	COVERING / LUNA #8311 SWEDEN & SIRIUS #6727 ANTHRACITE From 8-1104				
3	329558AG-HH	COVERING / HARMONIA #1456 ROSEWOOD & SIRIUS #6768 GRIFFON From 8-1104				
3	329558AH	COVERING / NATURA #8816 SYCAMORE & GALAXY #8360 LYRA From 8-1104				
3	329558AK	COVERING / HARMONIA #0765 SHIP EXOTIC & GALAXY #8360 LYRA From 8-1104				
3	329558AL	COVERING / HARMONIA #0765 SHIP EXOTIC & SIRIUS #6768 GRIFFON From 8-1104				
3	329558B-AJ	COVERING / GALAXY #8750 TUCANA & SAFE BUS #6602 CALEDONIA From 8-1104				
3	328971BB	COVERING / ODYSSEY #9727 SEPHIR & SAFE BUS #6602 CALEDONIA To 8-1103				
3	329558BB	COVERING / ODYSSEY #9727 SEPHIR & SIRIUS #6768 GRIFFON From 8-1104				
3	329558BA-AJ	COVERING / LUNA #8816 SINGAPORE & SAFE BUS #6602 CALEDONIA From 8-1104				
3	329558BA-C	COVERING / LUNA #8816 SINGAPORE & SIRIUS #6768 GRIFFON From 8-1104				
3	329558BA-D	COVERING / LUNA #8816 SINGAPORE & GRAPHITE #6801 SIRIUS From 8-1104				
3	329558BA-HH	COVERING / LUNA #8816 SINGAPORE & HELIOS #8332 THALLIUM From 8-1104				
3	329558BC-DD	COVERING / GAYA WOOD #4521 YELLOWSTONE & SIRIUS #6727 ANTHRACITE From 8-1104				
3	329558BD-AJ	COVERING / LUNA #8729 NORWAY & SAFE BUS #6602 CALEDONIA From 8-1104				
3	329558BD-C	COVERING / LUNA #8729 NORWAY & SIRIUS #6768 GRIFFON From 8-1104				
3	329558BD-D	COVERING / LUNA #8729 NORWAY & GRAPHITE #6801 SIRIUS From 8-1104				
3	329558BD-HH	COVERING / LUNA #8729 NORWAY & HELIOS #8332 THALLIUM From 8-1104				
3	329558BE-C	COVERING / SIRIUS #6451 CORSAIRE & SIRIUS #6768 GRIFFON From 8-1104				
3	329558BF-D	COVERING / GAYA MOSAIC #4482 BABEL & GRAPHITE #6801 SIRIUS From 8-1104				
3	329558BG-AJ	COVERING / HELIOS #8805 PALLADIUM & SAFE BUS #6602 CALEDONIA From 8-1104				
3	329558BG-D	COVERING / HELIOS #8805 PALLADIUM & GRAPHITE #6801 SIRIUS From 8-1104				
3	329558BH-AJ	COVERING / APOLLO #4479 KILIMANJARO & SAFE BUS #6602 CALEDONIA From 8-1104				
3	329558BH-D	COVERING / APOLLO #4479 KILIMANJARO & GRAPHITE #6801 SIRIUS From 8-1104				
3	329558BI-AJ	COVERING / APOLLO #4517 FUJI & SAFE BUS #6602 CALEDONIA From 8-1104				
3	329558BI-D	COVERING / APOLLO #4517 FUJI & GRAPHITE #6801 SIRIUS From 8-1104				
3	329558BJ-AJ	COVERING / GAYA MOSAIC #4519 GALATA & SAFE BUS #6602 CALEDONIA From 8-1104				
3	329558BJ-D	COVERING / GAYA MOSAIC #4519 GALATA & GRAPHITE #6801 SIRIUS From 8-1104				
3	329558BK-AJ	COVERING / GAYA WOOD #4521 YELLOWSTONE & SAFE BUS #6602 CALEDONIA From 8-1104				
3	329558BK-D	COVERING / GAYA WOOD #4521 YELLOWSTONE & GRAPHITE #6801 SIRIUS From 8-1104				
3	329558BL-AJ	COVERING / SIRIUS #6451 CORSAIRE & SAFE BUS #6602 CALEDONIA From 8-1104				



From 7-0671 To J-0184	Date:10/2022	PAGE:H7-1838-15
<b>STEPWELL - COVERING</b>		

Item#	Part	Description	H 3 4 1	H 3 4 5	V I P 4 5	N O T E S
3	329558BL-HH	COVERING / SIRIUS #6451 CORSAIRE & SIRIUS #6768 GRIFFON From 8-1104				
3	329558BM-AJ	COVERING / GAYA WOOD #3724 KRUGER LT & SAFE BUS #6602 CALEDONIA From 8-1104				
3	329558BM-HH	COVERING / GAYA WOOD #3724 KRUGER LT & SIRIUS #6768 GRIFFON From 8-1104				
3	329558BP-AJ	COVERING / GAYA WOOD #6057 EVERGLADES & SAFE BUS #6602 CALEDONIA From 8-1104				
3	329558BP-HH	COVERING / GAYA WOOD #6057 EVERGLADES & SIRIUS #6768 GRIFFON From 8-1104				
3	329558BQ-AJ	COVERING / GAYA WOOD #8297 YOSEMITE NT & SAFE BUS #6602 CALEDONIA From 8-1104				
3	329558BQ-HH	COVERING / GAYA WOOD #8297 YOSEMITE NT & SIRIUS #6768 GRIFFON From 8-1104				
3	328971CC	COVERING / URANUS #6727 ANTHRACITE & SAFE BUS #6602 CALEDONIA To 8-1103				
3	329558CC	COVERING / URANUS #6727 ANTHRACITE & SIRIUS #6768 GRIFFON From 8-1104				
3	329558CC-EE	COVERING / URANUS #6727 ANTHRACITE & HELIOS #8333 SCANDIUM From 8-1104				
3	328971DD	COVERING / SIRIUS #6727 ANTHRACITE & SAFE BUS #6602 CALEDONIA To 8-1103				
3	329558DD	COVERING / SIRIUS #6727 ANTHRACITE & SIRIUS #6768 GRIFFON From 8-1104				
3	329558DD-AJ	COVERING / SIRIUS #6727 ANTHRACITE & SAFE BUS #6602 CALEDONIA From 8-1104				
3	328971EE	COVERING / HELIOS #8333 SCANDIUM & SAFE BUS #6602 CALEDONIA To 8-1103				
3	329558EE	COVERING / HELIOS #8333 SCANDIUM & SIRIUS #6727 ANTHRACITE From 8-1104				
3	329558E-AJ	COVERING / GALAXY #8780 PEGASUS & SAFE BUS #6602 CALEDONIA From 8-1104				
3	328971FF	COVERING / JUPITER #8764 ELARA ROT & SAFE BUS #6602 CALEDONIA To 8-1103				
3	329558FF	COVERING / JUPITER #8764 ELARA ROT & SIRIUS #6768 GRIFFON From 8-1104				
3	329558GG	COVERING / HELIOS #8126 IRIDIUM & HELIOS #8332 THALLIUM From 8-1104				
3	329558HH	COVERING / LUNA #8820 KOREA & SIRIUS #6768 GRIFFON From 8-1104				
3	329558II	COVERING / GALAXY #8360 LYRA & SIRIUS #6727 ANTHRACITE From 8-1104				
3	329558JJ	COVERING / NATURA #8813 CEDAR & SIRIUS #6727 ANTHRACITE From 8-1104				
3	329558JJ-D	COVERING / NATURA #8813 CEDAR & GRAPHITE #6801 SIRIUS From 8-1104				
3	329558KK	COVERING / NATURA #8005 SEQUIOA & HELIOS #8332 THALLIUM From 8-1104				
3	329558LL	COVERING / NATURA #8359 CYPRESS & SIRIUS #6727 ANTHRACITE From 8-1104				
3	329558MM	COVERING / SIRIUS #6727 ANTHRACITE & JUPITER #8760 LABRADOR From 8-1104				
3	329558NN	COVERING / HARMONIA #1136 CEMENT & SIRIUS #6727 ANTHRACITE From 8-1104 To H-3526				
3	329558PP	COVERING / HARMONIA #0321 CEMENT & SIRIUS #6727 ANTHRACITE From 8-1104 To H-3526				
3	329558QQ	COVERING / HARMONIA #0782 ANTICWOOD & SIRIUS #6727 ANTHRACITE From 8-1104				
3	329558QQ-AJ	COVERING / HARMONIA #0782 ANTICWOOD & SAFE BUS #6602 CALEDONIA From 8-1104				
3	329558QQ-D	COVERING / HARMONIA #0782 ANTICWOOD & GRAPHITE #6801 SIRIUS From 8-1104				
3	329558RR	COVERING / HARMONIA #0658 ANTICWOOD & SIRIUS #6727 ANTHRACITE From 8-1104				
3	329558RR-AJ	COVERING / HARMONIA #0658 ANTICWOOD & SAFE BUS #6602 CALEDONIA From 8-1104				
3	329558RR-D	COVERING / HARMONIA #0658 SHIP EXOTIC & GRAPHITE #6801 SIRIUS From 8-1104				
3	329558SS	COVERING / HARMONIA #0764 SHIP NATURE & SIRIUS #6727 ANTHRACITE From 8-1104				
3	329558SS-AJ	COVERING / HARMONIA #0764 SHIP NATURE & SAFE BUS #6602 CALEDONIA From 8-1104				
3	329558SS-D	COVERING / HARMONIA #0764 SHIP NATURE & GRAPHITE #6801 SIRIUS From 8-1104				
3	329558SS-HH	COVERING / HARMONIA #0764 SHIP NATURE & SIRIUS #6768 GRIFFON From 8-1104				
3	329558TT	COVERING / HARMONIA #0765 SHIP EXOTIC & SIRIUS #6727 ANTHRACITE From 8-1104				
3	329558TT-AJ	COVERING / HARMONIA #0765 SHIP EXOTIC & SAFE BUS #6602 CALEDONIA From 8-1104				
3	329558TT-HH	COVERING / HARMONIA #0765 SHIP EXOTIC & SIRIUS #6768 GRIFFON From 8-1104				
3	329558UB	COVERING / SIRIUS #6727 ANTHRACITE & HELIOS #8332 THALLIUM From 8-1104				

From 7-0671 To J-0184	Date:10/2022	PAGE:H7-1838-15
<b>STEPWELL - COVERING</b>		

Item#	Part	Description	H 3 4 1	H 3 4 5	V I P 4 5	N O T E S
3	329558UD	COVERING / URANUS #6727 ANTHRACITE & HELIOS #8332 THALLIUM From 8-1104				
3	329558I-AJ	COVERING / SIRIUS #6132 & SAFE BUS CALEDONIA #6602 From H-3879				
4	328972	4TH STEP COVERING WITH WHITE NOZZING To 8-1103				
4	329557	4TH STEP COVERING WITH GREY NOZZING From 8-1104				
4	328972A	COVERING / GALAXY #8423 AQUILIA & SAFE BUS #6602 CALEDONIA To 8-1103				
4	329557A	COVERING / GALAXY #8423 AQUILIA & SIRIUS #6768 GRIFFON From 8-1104				
4	328972B	COVERING / GALAXY #8750 TUCANA & SAFE BUS #6602 CALEDONIA To 8-1103				
4	329557B	COVERING / GALAXY #8750 TUCANA & SIRIUS #6768 GRIFFON From 8-1104				
4	328972C	COVERING / SIRIUS #6768 GRIFFON & SAFE BUS #6602 CALEDONIA To 8-1103				
4	329557C	COVERING / SIRIUS #6768 GRIFFON & SIRIUS #6727 ANTHRACITE From 8-1104				
4	328972D	COVERING / GRAPHITE #6801 SIRIUS & SAFE BUS #6602 CALEDONIA To 8-1103				
4	329557D	COVERING / GRAPHITE #6801 SIRIUS & SIRIUS #6768 GRIFFON From 8-1104				
4	328972E	COVERING / GALAXY #8780 PEGASUS & SAFE BUS #6602 CALEDONIA To 8-1103				
4	329557E	COVERING / GALAXY #8780 PEGASUS & SIRIUS #6768 GRIFFON From 8-1104				
4	328972F	COVERING / URANUS #6782 DUNE & SAFE BUS #6602 CALEDONIA To 8-1103				
4	329557F	COVERING / URANUS #6782 DUNE & SIRIUS #6727 ANTHRACITE From 8-1104				
4	328972G	COVERING / SIRIUS #6782 DUNE & SAFE BUS #6602 CALEDONIA To 8-1103				
4	329557G	COVERING / SIRIUS #6782 DUNE & SIRIUS #6727 ANTHRACITE From 8-1104				
4	328972H	COVERING / SIRIUS #6017 HAVANE & SAFE BUS #6602 CALEDONIA To 8-1103				
4	328972I	COVERING / SIRIUS #6132 RUBIS & SAFE BUS #6602 CALEDONIA To 8-1103				
4	329557I	COVERING / SIRIUS #6132 RUBIS & SIRIUS #6727 ANTHRACITE From 8-1104				
4	328972J	COVERING / GALAXY #8817 CERO & SAFE BUS #6602 CALEDONIA To 8-1103				
4	329557J	COVERING / GALAXY #8817 CERO & SIRIUS #6768 GRIFFON From 8-1104				
4	328972K	COVERING / NATURA #8816 SYCAMORE & SAFE BUS #6602 CALEDONIA To 8-1103				
4	329557K	COVERING / NATURA #8816 SYCAMORE & SIRIUS #6768 GRIFFON From 8-1104				
4	328972L	COVERING / GALAXY #8778 ARIES & SAFE BUS #6602 CALEDONIA To 8-1103				
4	329557L	COVERING / GALAXY #8778 ARIES & SIRIUS #6727 ANTHRACITE From 8-1104				
4	328972M	COVERING / GALAXY #8544 ORION & SAFE BUS #6602 CALEDONIA To 8-1103				
4	329557M	COVERING / GALAXY #8544 ORION & SIRIUS #6768 GRIFFON From 8-1104				
4	328972Q	COVERING / GALAXY #8779 CYGNUS & SAFE BUS #6602 CALEDONIA To 8-1103				
4	329557Q	COVERING / GALAXY #8779 CYGNUS & SIRIUS #6727 ANTHRACITE From 8-1104				
4	328972R	COVERING / LUNA #8311 SWEDEN & SAFE BUS #6602 CALEDONIA To 8-1103				
4	329557R	COVERING / LUNA #8311 SWEDEN & SIRIUS #6768 GRIFFON From 8-1104				
4	328972S	COVERING / LUNA #8731 POLAND & SAFE BUS #6602 CALEDONIA To 8-1103				
4	329557S	COVERING / LUNA #8731 POLAND & SIRIUS #6727 ANTHRACITE From 8-1104				
4	328972T	COVERING / LUNA #8525 CHINA & SAFE BUS #6602 CALEDONIA To 8-1103				
4	328972U	COVERING / LUNA #8414 EGYPT & SAFE BUS #6602 CALEDONIA To 8-1103				
4	329557U	COVERING / LUNA #8414 EGYPT & SIRIUS #6768 GRIFFON From 8-1104				
4	328972W	COVERING / VEGA #8720 RUSSIA & SAFE BUS #6602 CALEDONIA To 8-1103				
4	328972X	COVERING / LUNA #8729 NORWAY & SAFE BUS #6602 CALEDONIA To 8-1103				

From 7-0671 To J-0184	Date:10/2022	PAGE:H7-1838-15
<b>STEPWELL - COVERING</b>		

Item#	Part	Description	H 3 4 1	H 3 4 5	V I P 4 5	N O T E S
4	329557X	COVERING / LUNA #8729 NORWAY & SIRIUS #6768 GRIFFON From 8-1104				
4	328972AA	COVERING / ODYSSEY #9418 OLYMPE & SAFE BUS #6602 CALEDONIA To 8-1103				
4	329557AA	COVERING / ODYSSEY #9418 OLYMPE & SIRIUS #6768 GRIFFON From 8-1104				
4	329557AB	COVERING / URANUS #6727 ANTHRACITE & GALAXY #8360 LYRA From 8-1104				
4	329557AC	COVERING / URANUS #6782 DUNE & GALAXY #8360 LYRA From 8-1104				
4	329557AD	COVERING / HARMONIA #0765 SHIP EXOTIC & SAFE BUS #6602 CALEDONIA From 8-1104				
4	329557AE	COVERING / LUNA #8311 SWEDEN & SIRIUS #6727 ANTHRACITE From 8-1104				
4	329557AG-HH	COVERING / HARMONIA #1456 ROSEWOOD & SIRIUS #6768 GRIFFON From 8-1104				
4	329557AH	COVERING / NATURA #8816 SYCAMORE & GALAXY #8360 LYRA From 8-1104				
4	329557AK	COVERING / HARMONIA #0765 SHIP EXOTIC & GALAXY #8360 LYRA From 8-1104				
4	329558AL	COVERING / HARMONIA #0765 SHIP EXOTIC & SIRIUS #6768 GRIFFON From 8-1104				
4	329557BA-AJ	COVERING / GALAXY #8750 TUCANA & SAFE BUS #6602 CALEDONIA From 8-1104				
4	328972BB	COVERING / ODYSSEY #9727 SEPHIR & SAFE BUS #6602 CALEDONIA To 8-1103				
4	329557BB	COVERING / ODYSSEY #9727 SEPHIR & SIRIUS #6768 GRIFFON From 8-1104				
4	329557BA-AJ	COVERING / LUNA #8816 SINGAPORE & SAFE BUS #6602 CALEDONIA From 8-1104				
4	329557BA-C	COVERING / LUNA #8816 SINGAPORE & SIRIUS #6768 GRIFFON From 8-1104				
4	329557BA-D	COVERING / LUNA #8816 SINGAPORE & GRAPHITE #6801 SIRIUS From 8-1104				
4	329557BA-HH	COVERING / LUNA #8816 SINGAPORE & HELIOS #8332 THALLIUM From 8-1104				
4	329557BC-DD	COVERING / GAYA WOOD #4521 YELLOWSTONE & SIRIUS #6727 ANTHRACITE From 8-1104				
4	329557BD-AJ	COVERING / LUNA #8729 NORWAY & SAFE BUS #6602 CALEDONIA From 8-1104				
4	329557BD-C	COVERING / LUNA #8729 NORWAY & SIRIUS #6768 GRIFFON From 8-1104				
4	329557BD-D	COVERING / LUNA #8729 NORWAY & GRAPHITE #6801 SIRIUS From 8-1104				
4	329557BD-HH	COVERING / LUNA #8729 NORWAY & HELIOS #8332 THALLIUM From 8-1104				
4	329557BE-C	COVERING / SIRIUS #6451 CORSAIRE & SIRIUS #6768 GRIFFON From 8-1104				
4	329557BF-D	COVERING / GAYA MOSAIC #4482 BABEL & GRAPHITE #6801 SIRIUS From 8-1104				
4	329557BG-AJ	COVERING / HELIOS #8805 PALLADIUM & SAFE BUS #6602 CALEDONIA From 8-1104				
4	329557BG-D	COVERING / HELIOS #8805 PALLADIUM & GRAPHITE #6801 SIRIUS From 8-1104				
4	329557BH-AJ	COVERING / APOLLO #4479 KILIMANJARO & SAFE BUS #6602 CALEDONIA From 8-1104				
4	329557BH-D	COVERING / APOLLO #4479 KILIMANJARO & GRAPHITE #6801 SIRIUS From 8-1104				
4	329557BI-AJ	COVERING / APOLLO #4517 FUJI & SAFE BUS #6602 CALEDONIA From 8-1104				
4	329557BI-D	COVERING / APOLLO #4517 FUJI & GRAPHITE #6801 SIRIUS From 8-1104				
4	329557BJ-AJ	COVERING / GAYA MOSAIC #4519 GALATA & SAFE BUS #6602 CALEDONIA From 8-1104				
4	329557BJ-D	COVERING / GAYA MOSAIC #4519 GALATA & GRAPHITE #6801 SIRIUS From 8-1104				
4	329557BK-AJ	COVERING / GAYA WOOD #4521 YELLOWSTONE & SAFE BUS #6602 CALEDONIA From 8-1104				
4	329557BK-D	COVERING / GAYA WOOD #4521 YELLOWSTONE & GRAPHITE #6801 SIRIUS From 8-1104				
4	329557BL-AJ	COVERING / SIRIUS #6451 CORSAIRE & SAFE BUS #6602 CALEDONIA From 8-1104				
4	329557BL-HH	COVERING / SIRIUS #6451 CORSAIRE & SIRIUS #6768 GRIFFON From 8-1104				
4	329557BM-AJ	COVERING / GAYA WOOD #3724 KRUGER LT & SAFE BUS #6602 CALEDONIA From 8-1104				
4	329557BM-HH	COVERING / GAYA WOOD #3724 KRUGER LT & SIRIUS #6768 GRIFFON From 8-1104				
4	329557BP-AJ	COVERING / GAYA WOOD #6057 EVERGLADES & SAFE BUS #6602 CALEDONIA From 8-1104				
4	329557BP-HH	COVERING / GAYA WOOD #6057 EVERGLADES & SIRIUS #6768 GRIFFON From 8-1104				
4	329557BQ-AJ	COVERING / GAYA WOOD #8297 YOSEMITE NT & SAFE BUS #6602 CALEDONIA From 8-1104				



<b>From 7-0671 To J-0184</b>	<b>Date:10/2022</b>	<b>PAGE:H7-1838-15</b>
<b>STEPWELL - COVERING</b>		

Item#	Part	Description	H 3 4 1	H 3 4 5	V I P 4 5	N O T E S
4	329557BQ-HH	COVERING / GAYA WOOD #8297 YOSEMITE NT & SIRIUS #6768 GRIFFON From 8-1104				
4	328972CC	COVERING / URANUS #6727 ANTHRACITE & SAFE BUS #6602 CALEDONIA To 8-1103				
4	329557CC	COVERING / URANUS #6727 ANTHRACITE & SIRIUS #6768 GRIFFON From 8-1104				
4	329557CC-EE	COVERING / URANUS #6727 ANTHRACITE & HELIOS #8333 SCANDIUM From 8-1104				
4	328972DD	COVERING / SIRIUS #6727 ANTHRACITE & SAFE BUS #6602 CALEDONIA To 8-1103				
4	329557DD	COVERING / SIRIUS #6727 ANTHRACITE & SIRIUS #6768 GRIFFON From 8-1104				
4	329557DD-AJ	COVERING / SIRIUS #6727 ANTHRACITE & SAFE BUS #6602 CALEDONIA From 8-1104				
4	328972EE	COVERING / HELIOS #8333 SCANDIUM & SAFE BUS #6602 CALEDONIA To 8-1103				
4	329557EE	COVERING / HELIOS #8333 SCANDIUM & SIRIUS #6727 ANTHRACITE From 8-1104				
4	329557E-AJ	COVERING / GALAXY #8780 PEGASUS & SAFE BUS #6602 CALEDONIA From 8-1104				
4	328972FF	COVERING / JUPITER #8764 ELARA ROT & SAFE BUS #6602 CALEDONIA To 8-1103				
4	329557FF	COVERING / JUPITER #8764 ELARA ROT & SIRIUS #6768 GRIFFON From 8-1104				
4	329557GG	COVERING / HELIOS #8126 IRIDIUM & HELIOS #8332 THALLIUM From 8-1104				
4	329557HH	COVERING / LUNA #8820 KOREA & SIRIUS #6768 GRIFFON From 8-1104				
4	329557II	COVERING / GALAXY #8360 LYRA & SIRIUS #6727 ANTHRACITE From 8-1104				
4	329557JJ	COVERING / NATURA #8813 CEDAR & SIRIUS #6727 ANTHRACITE From 8-1104				
4	329557JJ-D	COVERING / NATURA #8813 CEDAR & GRAPHITE #6801 SIRIUS From 8-1104				
4	329557KK	COVERING / NATURA #8005 SEQUIOA & HELIOS #8332 THALLIUM From 8-1104				
4	329557LL	COVERING / NATURA #8359 CYPRESS & SIRIUS #6727 ANTHRACITE From 8-1104				
4	329557MM	COVERING / SIRIUS #6727 ANTHRACITE & JUPITER #8760 LABRADOR From 8-1104				
4	329557NN	COVERING / HARMONIA #1136 CEMENT & SIRIUS #6727 ANTHRACITE From 8-1104 To H-3526				
4	329557PP	COVERING / HARMONIA #0321 CEMENT & SIRIUS #6727 ANTHRACITE From 8-1104 To H-3526				
4	329557QQ	COVERING / HARMONIA #0782 ANTICWOOD & SIRIUS #6727 ANTHRACITE From 8-1104				
4	329557QQ-AJ	COVERING / HARMONIA #0782 ANTICWOOD & SAFE BUS #6602 CALEDONIA From 8-1104				
4	329557QQ-D	COVERING / HARMONIA #0782 ANTICWOOD & GRAPHITE #6801 SIRIUS From 8-1104				
4	329557RR	COVERING / HARMONIA #0658 ANTICWOOD & SIRIUS #6727 ANTHRACITE From 8-1104				
4	329557RR-AJ	COVERING / HARMONIA #0658 ANTICWOOD & SAFE BUS #6602 CALEDONIA From 8-1104				
4	329557RR-D	COVERING / HARMONIA #0764 SHIP EXOTIC & GRAPHITE #6801 SIRIUS From 8-1104				
4	329557SS	COVERING / HARMONIA #0764 SHIP NATURE & SIRIUS #6727 ANTHRACITE From 8-1104				
4	329557SS-AJ	COVERING / HARMONIA #0764 SHIP NATURE & SAFE BUS #6602 CALEDONIA From 8-1104				
4	329557SS-D	COVERING / HARMONIA #0764 SHIP NATURE & GRAPHITE #6801 SIRIUS From 8-1104				
4	329557SS-HH	COVERING / HARMONIA #0764 SHIP NATURE & SIRIUS #6768 GRIFFON From 8-1104				
4	329557TT	COVERING / HARMONIA #0765 SHIP EXOTIC & SIRIUS #6727 ANTHRACITE From 8-1104				
4	329557TT-AJ	COVERING / HARMONIA #0765 SHIP EXOTIC & SAFE BUS #6602 CALEDONIA From 8-1104				
4	329557TT-HH	COVERING / HARMONIA #0765 SHIP EXOTIC & SIRIUS #6768 GRIFFON From 8-1104				
4	329557UB	COVERING / SIRIUS #6727 ANTHRACITE & HELIOS #8332 THALLIUM From 8-1104				
4	329557UD	COVERING / URANUS #6727 ANTHRACITE & HELIOS #8332 THALLIUM From 8-1104				
4	329557I-AJ	COVERING / SIRIUS #6132 RUBIS & SAFE BUS #6602 CALEDONIA From H-3879				
5	328936	COVERING EDGE / SAFE BUS #6602 CALEDONIA To 8-1103				
5	329556C	COVERING EDGE / SIRIUS #6768 GRIFFON From 8-1104				
5	329556D	COVERING EDGE / GRAPHITE #6801 SIRIUS From 8-1104				

From 7-0671 To J-0184	Date:10/2022	PAGE:H7-1838-15
<b>STEPWELL - COVERING</b>		

Item#	Part	Description	H 3 4 1	H 3 4 5	V I P 4 5	N O T E S
5	329556AB	COVERING EDGE / GALAXY #8360 LYRA From 8-1104				
5	329556AJ	COVERING EDGE / SAFE BUS #6602 CALEDONIA From 8-1104				
5	329556DD	COVERING EDGE / SIRIUS #6727 ANTHRACITE From 8-1104				
5	329556EE	COVERING EDGE / HELIOS #8333 SCANDIUM From 8-1104				
5	329556HH	COVERING EDGE / HELIOS #8332 THALLIUM From 8-1104				
5	329556II	COVERING EDGE / GALAXY #8360 LYRA From 8-1104				
5	329556NN	COVERING EDGE / JUPITER #8760 LABRADOR From 8-1104				
6	328945A	COVERING / GALAXY #8423 AQUILIA				
6	328945B	COVERING / GALAXY #8750 TUCANA				
6	328945C	COVERING / SIRIUS #6768 GRIFFON				
6	328945D	COVERING / GRAPHITE #6801 SIRIUS				
6	328945E	COVERING / GALAXY #8780 PEGASUS				
6	328945G	COVERING / SIRIUS #6782 DUNE				
6	328945F	COVERING / URANUS #6782 DUNE				
6	328945H	COVERING / SIRIUS #6017 HAVANE To 8-1103				
6	328945I	COVERING / SIRIUS #6132 RUBIS				
6	328945J	COVERING / GALAXY #8817 CERO To 8-1103				
6	328945K	COVERING / NATURA #8816 SYCAMORE				
6	328945L	COVERING / GALAXY #8778 ARIES				
6	328945M	COVERING / GALAXY #8544 ORION				
6	328945Q	COVERING / GALAXY #8779 CYGNUS				
6	328945R	COVERING / LUNA #8311 SWEDEN				
6	328945S	COVERING / LUNA #8731 POLAND				
6	328945T	COVERING / LUNA #8525 CHINA To 8-1103				
6	328945U	COVERING / LUNA #8414 EGYPT				
6	328945W	COVERING / VEGA #8720 RUSSIA To 8-1103				
6	328945X	COVERING / LUNA #8729 NORWAY				
6	328945AA	COVERING / ODYSSEY #9418 OLYMPE				
6	328945AG	COVERING / HARMONIA #1456 ROSEWOOD				
6	328945BA	COVERING / LUNA #8816 SINGAPORE				
6	328945BB	COVERING / ODYSSEY #9727 SEPHIR				
6	328945BC	COVERING / GAYA WOOD #4521 YELLOWSTONE				
6	328945BD	COVERING / LUNA #8729 NORWAY				
6	328945BE	COVERING / SIRIUS #6451 CORSAIRE				
6	328945BF	COVERING / GAYA MOSAIC #4482 BABEL				
6	328945BG	COVERING / HELIOS #8805 PALLADIUM				
6	328945BH	COVERING / APOLLO #4479 KILIMANJARO				
6	328945BI	COVERING / APOLLO #4517 FUJI				
6	328945BJ	COVERING / GAYA MOSAIC #4519 GALATA				
6	328945BK	COVERING / GAYA WOOD #4521 YELLOWSTONE				
6	328945BL	COVERING / SIRIUS #6451 CORSAIRE				

<b>From 7-0671 To J-0184</b>	<b>Date:10/2022</b>	<b>PAGE:H7-1838-15</b>
<b>STEPWELL - COVERING</b>		

Item#	Part	Description	H 3 4 1	H 3 4 5	V I P 4 5	N O T E S
6	328945BM	COVERING / GAYA WOOD #3724 KRUGER LT				
6	328945BP	COVERING / GAYA WOOD #6057 EVERGLADES				
6	328945BQ	COVERING / GAYA WOOD #8297 YOSEMITE NT				
6	328945CC	COVERING / URANUS #6727 ANTHRACITE				
6	328945DD	COVERING / SIRIUS #6727 ANTHRACITE				
6	328945EE	COVERING / HELIOS #8333 SCANDIUM				
6	328945FF	COVERING / JUPITER #8764 ELARA ROT				
6	328945GG	COVERING / HELIOS #8126 IRIIDIUM				
6	328945HH	COVERING / LUNA #8820 KOREA				
6	328945II	COVERING / GALAXY #8360 LYRA				
6	328945JJ	COVERING / NATURA #8813 CEDAR				
6	328945KK	COVERING / NATURA #8005 SEQUIOIA				
6	328945LL	COVERING / NATURA #8359 CYPRESS				
6	328945NN	COVERING / HARMONIA #1136 CEMENT To H-3526				
6	328945PP	COVERING / HARMONIA #0321 CEMENT To H-3526				
6	328945QQ	COVERING / HARMONIA #0782 ANTICWOOD				
6	328945RR	COVERING / HARMONIA #0658 ANTICWOOD				
6	328945SS	COVERING / HARMONIA #0764 SHIP NATURE				
6	328945TT	COVERING / HARMONIA #0765 SHIP EXOTIC				
7	328974	1ST STEP COVERING / AISLE To 8-1103				
7	329579	1ST STEP COVERING / AISLE From 8-1104				
7	328974A	COVERING / GALAXY #8423 AQUILIA & SAFE BUS #6602 CALEDONIA To 8-1103				
7	329579A	COVERING / GALAXY #8423 AQUILIA & SIRIUS #6768 GRIFFON From 8-1104				
7	328974B	COVERING / GALAXY #8750 TUCANA & SAFE BUS #6602 CALEDONIA To 8-1103				
7	329579B	COVERING / GALAXY #8750 TUCANA & SIRIUS #6768 GRIFFON From 8-1104				
7	328974C	COVERING / SIRIUS #6768 GRIFFON & SAFE BUS #6602 CALEDONIA To 8-1103				
7	329579C	COVERING / SIRIUS #6768 GRIFFON & SIRIUS #6727 ANTHRACITE From 8-1104				
7	328974D	COVERING / GRAPHITE #6801 SIRIUS & SAFE BUS #6602 CALEDONIA To 8-1103				
7	329579D	COVERING / GRAPHITE #6801 SIRIUS & SIRIUS #6768 GRIFFON From 8-1104				
7	328974E	COVERING / GALAXY #8780 PEGASUS & SAFE BUS #6602 CALEDONIA To 8-1103				
7	329579E	COVERING / GALAXY #8780 PEGASUS & SIRIUS #6768 GRIFFON From 8-1104				
7	328974F	COVERING / URANUS #6782 DUNE & SAFE BUS #6602 CALEDONIA To 8-1103				
7	329579F	COVERING / URANUS #6782 DUNE & SIRIUS #6727 ANTHRACITE From 8-1104				
7	328974G	COVERING / SIRIUS #6782 DUNE & SAFE BUS #6602 CALEDONIA To 8-1103				
7	329579G	COVERING / SIRIUS #6782 DUNE & SIRIUS #6727 ANTHRACITE From 8-1104				
7	328974H	COVERING / SIRIUS #6017 HAVANE & SAFE BUS #6602 CALEDONIA To 8-1103				
7	328974I	COVERING / SIRIUS #6132 RUBIS & SAFE BUS #6602 CALEDONIA To 8-1103				
7	329579I	COVERING / SIRIUS #6132 RUBIS & SIRIUS #6727 ANTHRACITE From 8-1104				
7	328974J	COVERING / GALAXY #8817 CERO & SAFE BUS #6602 CALEDONIA To 8-1103				
7	329579J	COVERING / GALAXY #8817 CERO & SIRIUS #6768 GRIFFON From 8-1104				

From 7-0671 To J-0184	Date:10/2022	PAGE:H7-1838-15
<b>STEPWELL - COVERING</b>		

Item#	Part	Description	H 3 4 1	H 3 4 5	V I P 4 5	N O T E S
7	328974K	COVERING / NATURA #8816 SYCAMORE & SAFE BUS #6602 CALEDONIA To 8-1103				
7	329579K	COVERING / NATURA #8816 SYCAMORE & SIRIUS #6768 GRIFFON From 8-1104				
7	328974L	COVERING / GALAXY #8778 ARIES & SAFE BUS #6602 CALEDONIA To 8-1103				
7	329579L	COVERING / GALAXY #8778 ARIES & SIRIUS #6727 ANTHRACITE From 8-1104				
7	328974M	COVERING / GALAXY #8544 ORION & SAFE BUS #6602 CALEDONIA To 8-1103				
7	329579M	COVERING / GALAXY #8544 ORION & SIRIUS #6768 GRIFFON From 8-1104				
7	328974Q	COVERING / GALAXY #8779 CYGNUS & SAFE BUS #6602 CALEDONIA To 8-1103				
7	329579Q	COVERING / GALAXY #8779 CYGNUS & SIRIUS #6727 ANTHRACITE From 8-1104				
7	328974R	COVERING / LUNA #8311 SWEDEN & SAFE BUS #6602 CALEDONIA To 8-1103				
7	329579R	COVERING / LUNA #8311 SWEDEN & SIRIUS #6768 GRIFFON From 8-1104				
7	328974S	COVERING / LUNA #8731 POLAND & SAFE BUS #6602 CALEDONIA To 8-1103				
7	329579S	COVERING / LUNA #8731 POLAND & SIRIUS #6727 ANTHRACITE From 8-1104				
7	328974T	COVERING / LUNA #8525 CHINA & SAFE BUS #6602 CALEDONIA To 8-1103				
7	328974U	COVERING / LUNA #8414 EGYPT & SAFE BUS #6602 CALEDONIA To 8-1103				
7	329579U	COVERING / LUNA #8414 EGYPT & SIRIUS #6768 GRIFFON From 8-1104				
7	328974W	COVERING / VEGA #8720 RUSSIA & SAFE BUS #6602 CALEDONIA To 8-1103				
7	328974X	COVERING / LUNA #8729 NORWAY & SAFE BUS #6602 CALEDONIA To 8-1103				
7	329579X	COVERING / LUNA #8729 NORWAY & SIRIUS #6768 GRIFFON From 8-1104				
7	328974AA	COVERING / ODYSSEY #9418 OLYMPE & SAFE BUS #6602 CALEDONIA To 8-1103				
7	329579AA	COVERING / ODYSSEY #9418 OLYMPE & SIRIUS #6768 GRIFFON From 8-1104				
7	329579AB	COVERING / URANUS #6727 ANTHRACITE & GALAXY #8360 LYRA From 8-1104				
7	329579AC	COVERING / URANUS #6782 DUNE & GALAXY #8360 LYRA From 8-1104				
7	329579AD	COVERING / HARMONIA #0765 SHIP EXOTIC & SAFE BUS #6602 CALEDONIA From 8-1104				
7	329579AE	COVERING / LUNA #8311 SWEDEN & SIRIUS #6727 ANTHRACITE From 8-1104				
7	329579AG-HH	COVERING / HARMONIA #1456 ROSEWOOD & SIRIUS #6768 GRIFFON From 8-1104				
7	329579AH	COVERING / NATURA #8816 SYCAMORE & GALAXY #8360 LYRA From 8-1104				
7	329579AK	COVERING / HARMONIA #0765 SHIP EXOTIC & GALAXY #8360 LYRA From 8-1104				
7	329579AL	COVERING / HARMONIA #0765 SHIP EXOTIC & SIRIUS #6768 GRIFFON From 8-1104				
7	329579B-AJ	COVERING / GALAXY #8750 TUCANA & SAFE BUS #6602 CALEDONIA From 8-1104				
7	328974BB	COVERING / ODYSSEY #9727 SEPHIR & SAFE BUS #6602 CALEDONIA To 8-1103				
7	329579BB	COVERING / ODYSSEY #9727 SEPHIR & SIRIUS #6768 GRIFFON From 8-1104				
7	329579BA-AJ	COVERING / LUNA #8816 SINGAPORE & SAFE BUS #6602 CALEDONIA From 8-1104				
7	329579BA-C	COVERING / LUNA #8816 SINGAPORE & SIRIUS #6768 GRIFFON From 8-1104				
7	329579BA-D	COVERING / LUNA #8816 SINGAPORE & GRAPHITE #6801 SIRIUS From 8-1104				
7	329579BA-HH	COVERING / LUNA #8816 SINGAPORE & HELIOS #8332 THALLIUM From 8-1104				
7	329579BC-DD	COVERING / GAYA WOOD #4521 YELLOWSTONE & SIRIUS #6727 ANTHRACITE From 8-1104				
7	329579BD-AJ	COVERING / LUNA #8729 NORWAY & SAFE BUS #6602 CALEDONIA From 8-1104				
7	329579BD-C	COVERING / LUNA #8729 NORWAY & SIRIUS #6768 GRIFFON From 8-1104				
7	329579BD-D	COVERING / LUNA #8729 NORWAY & GRAPHITE #6801 SIRIUS From 8-1104				
7	329579BD-HH	COVERING / LUNA #8729 NORWAY & HELIOS #8332 THALLIUM From 8-1104				
7	329579BE-C	COVERING / SIRIUS #6451 CORSAIRE & SIRIUS #6768 GRIFFON From 8-1104				
7	329579BF-D	COVERING / GAYA MOSAIC #4482 BABEL & GRAPHITE #6801 SIRIUS From 8-1104				

<b>From 7-0671 To J-0184</b>	<b>Date:10/2022</b>	<b>PAGE:H7-1838-15</b>
<b>STEPWELL - COVERING</b>		

Item#	Part	Description	H 3 4 1	H 3 4 5	V I P 4 5	N O T E S
7	329579BG-AJ	COVERING / HELIOS #8805 PALLADIUM & SAFE BUS #6602 CALEDONIA From 8-1104				
7	329579BG-D	COVERING / HELIOS #8805 PALLADIUM & GRAPHITE #6801 SIRIUS From 8-1104				
7	329579BH-AJ	COVERING / APOLLO #4479 KILIMANJARO & SAFE BUS #6602 CALEDONIA From 8-1104				
7	329579BH-D	COVERING / APOLLO #4479 KILIMANJARO & GRAPHITE #6801 SIRIUS From 8-1104				
7	329579BI-AJ	COVERING / APOLLO #4517 FUJI & SAFE BUS #6602 CALEDONIA From 8-1104				
7	329579BI-D	COVERING / APOLLO #4517 FUJI & GRAPHITE #6801 SIRIUS From 8-1104				
7	329579BJ-AJ	COVERING / GAYA MOSAIC #4519 GALATA & SAFE BUS #6602 CALEDONIA From 8-1104				
7	329579BJ-D	COVERING / GAYA MOSAIC #4519 GALATA & GRAPHITE #6801 SIRIUS From 8-1104				
7	329579BK-AJ	COVERING / GAYA WOOD #4521 YELLOWSTONE & SAFE BUS #6602 CALEDONIA From 8-1104				
7	329579BK-D	COVERING / GAYA WOOD #4521 YELLOWSTONE & GRAPHITE #6801 SIRIUS From 8-1104				
7	329579BL-AJ	COVERING / SIRIUS #6451 CORSAIRE & SAFE BUS #6602 CALEDONIA From 8-1104				
7	329579BL-HH	COVERING / SIRIUS #6451 CORSAIRE & SIRIUS #6768 GRIFFON From 8-1104				
7	329579BM-AJ	COVERING / GAYA WOOD #3724 KRUGER LT & SAFE BUS #6602 CALEDONIA From 8-1104				
7	329579BM-HH	COVERING / GAYA WOOD #3724 KRUGER LT & SIRIUS #6768 GRIFFON From 8-1104				
7	329579BP-AJ	COVERING / GAYA WOOD #6057 EVERGLADES & SAFE BUS #6602 CALEDONIA From 8-1104				
7	329579BP-HH	COVERING / GAYA WOOD #6057 EVERGLADES & SIRIUS #6768 GRIFFON From 8-1104				
7	329579BQ-AJ	COVERING / GAYA WOOD #8297 YOSEMITE NT & SAFE BUS #6602 CALEDONIA From 8-1104				
7	329579BQ-HH	COVERING / GAYA WOOD #8297 YOSEMITE NT & SIRIUS #6768 GRIFFON From 8-1104				
7	328974CC	COVERING / URANUS #6727 ANTHRACITE & SAFE BUS #6602 CALEDONIA To 8-1103				
7	329579CC	COVERING / URANUS #6727 ANTHRACITE & SIRIUS #6768 GRIFFON From 8-1104				
7	329579CC-EE	COVERING / URANUS #6727 ANTHRACITE & HELIOS #8333 SCANDIUM From 8-1104				
7	328974DD	COVERING / SIRIUS #6727 ANTHRACITE & SAFE BUS #6602 CALEDONIA To 8-1103				
7	329579DD	COVERING / SIRIUS #6727 ANTHRACITE & SIRIUS #6768 GRIFFON From 8-1104				
7	329579DD-AJ	COVERING / SIRIUS #6727 ANTHRACITE & SAFE BUS #6602 CALEDONIA From 8-1104				
7	328974EE	COVERING / HELIOS #8333 SCANDIUM & SAFE BUS #6602 CALEDONIA To 8-1103				
7	329579EE	COVERING / HELIOS #8333 SCANDIUM & SIRIUS #6727 ANTHRACITE From 8-1104				
7	329579E-AJ	COVERING / GALAXY #8780 PEGASUS & SAFE BUS #6602 CALEDONIA From 8-1104				
7	328974FF	COVERING / JUPITER #8764 ELARA ROT & SAFE BUS #6602 CALEDONIA To 8-1103				
7	329579FF	COVERING / JUPITER #8764 ELARA ROT & SIRIUS #6768 GRIFFON From 8-1104				
7	329579GG	COVERING / HELIOS #8126 IRIDIUM & HELIOS #8332 THALLIUM From 8-1104				
7	329579HH	COVERING / LUNA #8820 KOREA & SIRIUS #6768 GRIFFON From 8-1104				
7	329579II	COVERING / GALAXY #8360 LYRA & SIRIUS #6727 ANTHRACITE From 8-1104				
7	329579JJ	COVERING / NATURA #8813 CEDAR & SIRIUS #6727 ANTHRACITE From 8-1104				
7	329579JJ-D	COVERING / NATURA #8813 CEDAR & GRAPHITE #6801 SIRIUS From 8-1104				
7	329579KK	COVERING / NATURA #8005 SEQUIOA & HELIOS #8332 THALLIUM From 8-1104				
7	329579LL	COVERING / NATURA #8359 CYPRESS & SIRIUS #6727 ANTHRACITE From 8-1104				
7	329579MM	COVERING / SIRIUS #6727 ANTHRACITE & JUPITER #8760 LABRADOR From 8-1104				
7	329579NN	COVERING / HARMONIA #1136 CEMENT & SIRIUS #6727 ANTHRACITE From 8-1104 To H-3526				
7	329579PP	COVERING / HARMONIA #0321 CEMENT & SIRIUS #6727 ANTHRACITE From 8-1104 To H-3526				
7	329579QQ	COVERING / HARMONIA #0782 ANTICWOOD & SIRIUS #6727 ANTHRACITE From 8-1104				
7	329579QQ-AJ	COVERING / HARMONIA #0782 ANTICWOOD & SAFE BUS #6602 CALEDONIA From 8-1104				
7	329579QQ-D	COVERING / HARMONIA #0782 ANTICWOOD & GRAPHITE #6801 SIRIUS From 8-1104				



<b>From 7-0671 To J-0184</b>	<b>Date:10/2022</b>	<b>PAGE:H7-1838-15</b>
<b>STEPWELL - COVERING</b>		

Item#	Part	Description	H 3 4 1	H 3 4 5	V I P 4 5	N O T E S
7	329579RR	COVERING / HARMONIA #0658 ANTIWOOD & SIRIUS #6727 ANTHRACITE From 8-1104				
7	329579RR-AJ	COVERING / HARMONIA #0658 ANTIWOOD & SAFE BUS #6602 CALEDONIA From 8-1104				
7	329579RR-D	COVERING / HARMONIA #0658 SHIP EXOTIC & GRAPHITE #6801 SIRIUS From 8-1104				
7	329579SS	COVERING / HARMONIA #0764 SHIP NATURE & SIRIUS #6727 ANTHRACITE From 8-1104				
7	329579SS-AJ	COVERING / HARMONIA #0764 SHIP NATURE & SAFE BUS #6602 CALEDONIA From 8-1104				
7	329579SS-D	COVERING / HARMONIA #0764 SHIP NATURE & GRAPHITE #6801 SIRIUS From 8-1104				
7	329579SS-HH	COVERING / HARMONIA #0764 SHIP NATURE & SIRIUS #6768 GRIFFON From 8-1104				
7	329579TT	COVERING / HARMONIA #0765 SHIP EXOTIC & SIRIUS #6727 ANTHRACITE From 8-1104				
7	329579TT-AJ	COVERING / HARMONIA #0765 SHIP EXOTIC & SAFE BUS #6602 CALEDONIA From 8-1104				
7	329579TT-HH	COVERING / HARMONIA #0765 SHIP EXOTIC & SIRIUS #6768 GRIFFON From 8-1104				
7	329579UB	COVERING / SIRIUS #6727 ANTHRACITE & HELIOS #8332 THALLIUM From 8-1104				
7	329579UD	COVERING / URANUS #6727 ANTHRACITE & HELIOS #8332 THALLIUM From 8-1104				
7	329579I-AJ	COVERING / SIRIUS #6132 RUBIS & SAFE BUS #6602 CALEDONIA From H-3879				
8	328975	2ND STEP COVERING / AISLE To 8-1103				
8	329554	2ND STEP COVERING / AISLE From 8-1104				
8	328975A	COVERING / GALAXY #8423 AQUILIA & SAFE BUS #6602 CALEDONIA To 8-1103				
8	329554A	COVERING / GALAXY #8423 AQUILIA & SIRIUS #6768 GRIFFON From 8-1104				
8	328975B	COVERING / GALAXY #8750 TUCANA & SAFE BUS #6602 CALEDONIA To 8-1103				
8	329554B	COVERING / GALAXY #8750 TUCANA & SIRIUS #6768 GRIFFON From 8-1104				
8	328975C	COVERING / SIRIUS #6768 GRIFFON & SAFE BUS #6602 CALEDONIA To 8-1103				
8	329554C	COVERING / SIRIUS #6768 GRIFFON & SIRIUS #6727 ANTHRACITE From 8-1104				
8	328975D	COVERING / GRAPHITE #6801 SIRIUS & SAFE BUS #6602 CALEDONIA To 8-1103				
8	329554D	COVERING / GRAPHITE #6801 SIRIUS & SIRIUS #6768 GRIFFON From 8-1104				
8	328975E	COVERING / GALAXY #8780 PEGASUS & SAFE BUS #6602 CALEDONIA To 8-1103				
8	329554E	COVERING / GALAXY #8780 PEGASUS & SIRIUS #6768 GRIFFON From 8-1104				
8	328975F	COVERING / URANUS #6782 DUNE & SAFE BUS #6602 CALEDONIA To 8-1103				
8	329554F	COVERING / URANUS #6782 DUNE & SIRIUS #6727 ANTHRACITE From 8-1104				
8	328975G	COVERING / SIRIUS #6782 DUNE & SAFE BUS #6602 CALEDONIA To 8-1103				
8	329554G	COVERING / SIRIUS #6782 DUNE & SIRIUS #6727 ANTHRACITE From 8-1104				
8	328975H	COVERING / SIRIUS #6017 HAVANE & SAFE BUS #6602 CALEDONIA To 8-1103				
8	328975I	COVERING / SIRIUS #6132 RUBIS & SAFE BUS #6602 CALEDONIA To 8-1103				
8	329554I	COVERING / SIRIUS #6132 RUBIS & SIRIUS #6727 ANTHRACITE From 8-1104				
8	328975J	COVERING / GALAXY #8817 CERO & SAFE BUS #6602 CALEDONIA To 8-1103				
8	329554J	COVERING / GALAXY #8817 CERO & SIRIUS #6768 GRIFFON From 8-1104				
8	328975K	COVERING / NATURA #8816 SYCAMORE & SAFE BUS #6602 CALEDONIA To 8-1103				
8	329554K	COVERING / NATURA #8816 SYCAMORE & SIRIUS #6768 GRIFFON From 8-1104				
8	328975L	COVERING / GALAXY #8778 ARIES & SAFE BUS #6602 CALEDONIA To 8-1103				
8	329554L	COVERING / GALAXY #8778 ARIES & SIRIUS #6727 ANTHRACITE From 8-1104				
8	328975M	COVERING / GALAXY #8544 ORION & SAFE BUS #6602 CALEDONIA To 8-1103				
8	329554M	COVERING / GALAXY #8544 ORION & SIRIUS #6768 GRIFFON From 8-1104				

From 7-0671 To J-0184	Date:10/2022	PAGE:H7-1838-15
<b>STEPWELL - COVERING</b>		

Item#	Part	Description	H 3 4 1	H 3 4 5	V I P 4 5	N O T E S
8	328975Q	COVERING / GALAXY #8779 CYGNUS & SAFE BUS #6602 CALEDONIA To 8-1103				
8	329554Q	COVERING / GALAXY #8779 CYGNUS & SIRIUS #6727 ANTHRACITE From 8-1104				
8	328975R	COVERING / LUNA #8311 SWEDEN & SAFE BUS #6602 CALEDONIA To 8-1103				
8	329554R	COVERING / LUNA #8311 SWEDEN & SIRIUS #6768 GRIFFON From 8-1104				
8	328975S	COVERING / LUNA #8731 POLAND & SAFE BUS #6602 CALEDONIA To 8-1103				
8	329554S	COVERING / LUNA #8731 POLAND & SIRIUS #6727 ANTHRACITE From 8-1104				
8	328975T	COVERING / LUNA #8525 CHINA & SAFE BUS #6602 CALEDONIA To 8-1103				
8	328975U	COVERING / LUNA #8414 EGYPT & SAFE BUS #6602 CALEDONIA To 8-1103				
8	329554U	COVERING / LUNA #8414 EGYPT & SIRIUS #6768 GRIFFON From 8-1104				
8	328975W	COVERING / VEGA #8720 RUSSIA & SAFE BUS #6602 CALEDONIA To 8-1103				
8	328975X	COVERING / LUNA #8729 NORWAY & SAFE BUS #6602 CALEDONIA To 8-1103				
8	329554X	COVERING / LUNA #8729 NORWAY & SIRIUS #6768 GRIFFON From 8-1104				
8	328975AA	COVERING / ODYSSEY #9418 OLYMPE & SAFE BUS #6602 CALEDONIA To 8-1103				
8	329554AA	COVERING / ODYSSEY #9418 OLYMPE & SIRIUS #6768 GRIFFON From 8-1104				
8	329554AB	COVERING / URANUS #6727 ANTHRACITE & GALAXY #8360 LYRA From 8-1104				
8	329554AC	COVERING / URANUS #6782 DUNE & GALAXY #8360 LYRA From 8-1104				
8	329554AD	COVERING / HARMONIA #0765 SHIP EXOTIC & SAFE BUS #6602 CALEDONIA From 8-1104				
8	329554AE	COVERING / LUNA #8311 SWEDEN & SIRIUS #6727 ANTHRACITE From 8-1104				
8	329554AG-HH	COVERING / HARMONIA #1456 ROSEWOOD & SIRIUS #6768 GRIFFON From 8-1104				
8	329554AH	COVERING / NATURA #8816 SYCAMORE & GALAXY #8360 LYRA From 8-1104				
8	329554AK	COVERING / HARMONIA #0765 SHIP EXOTIC & GALAXY #8360 LYRA From 8-1104				
8	329554AL	COVERING / HARMONIA #0765 SHIP EXOTIC & SIRIUS #6768 GRIFFON From 8-1104				
8	329554BA-AJ	COVERING / GALAXY #8750 TUCANA & SAFE BUS #6602 CALEDONIA From 8-1104				
8	328975BB	COVERING / ODYSSEY #9727 SEPHIR & SAFE BUS #6602 CALEDONIA To 8-1103				
8	329554BB	COVERING / ODYSSEY #9727 SEPHIR & SIRIUS #6768 GRIFFON From 8-1104				
8	329554BA-AJ	COVERING / LUNA #8816 SINGAPORE & SAFE BUS #6602 CALEDONIA From 8-1104				
8	329554BA-C	COVERING / LUNA #8816 SINGAPORE & SIRIUS #6768 GRIFFON From 8-1104				
8	329554BA-D	COVERING / LUNA #8816 SINGAPORE & GRAPHITE #6801 SIRIUS From 8-1104				
8	329554BA-HH	COVERING / LUNA #8816 SINGAPORE & HELIOS #8332 THALLIUM From 8-1104				
8	329554BC-DD	COVERING / GAYA WOOD #4521 YELLOWSTONE & SIRIUS #6727 ANTHRACITE From 8-1104				
8	329554BD-AJ	COVERING / LUNA #8729 NORWAY & SAFE BUS #6602 CALEDONIA From 8-1104				
8	329554BD-C	COVERING / LUNA #8729 NORWAY & SIRIUS #6768 GRIFFON From 8-1104				
8	329554BD-D	COVERING / LUNA #8729 NORWAY & GRAPHITE #6801 SIRIUS From 8-1104				
8	329554BD-HH	COVERING / LUNA #8729 NORWAY & HELIOS #8332 THALLIUM From 8-1104				
8	329554BE-C	COVERING / SIRIUS #6451 CORSAIRE & SIRIUS #6768 GRIFFON From 8-1104				
8	329554BF-D	COVERING / GAYA MOSAIC #4482 BABEL & GRAPHITE #6801 SIRIUS From 8-1104				
8	329554BG-AJ	COVERING / HELIOS #8805 PALLADIUM & SAFE BUS #6602 CALEDONIA From 8-1104				
8	329554BG-D	COVERING / HELIOS #8805 PALLADIUM & GRAPHITE #6801 SIRIUS From 8-1104				
8	329554BH-AJ	COVERING / APOLLO #4479 KILIMANJARO & SAFE BUS #6602 CALEDONIA From 8-1104				
8	329554BH-D	COVERING / APOLLO #4479 KILIMANJARO & GRAPHITE #6801 SIRIUS From 8-1104				
8	329554BI-AJ	COVERING / APOLLO #4517 FUJI & SAFE BUS #6602 CALEDONIA From 8-1104				
8	329554BI-D	COVERING / APOLLO #4517 FUJI & GRAPHITE #6801 SIRIUS From 8-1104				

<b>From 7-0671 To J-0184</b>	<b>Date:10/2022</b>	<b>PAGE:H7-1838-15</b>
<b>STEPWELL - COVERING</b>		

Item#	Part	Description	H 3 4 1	H 3 4 5	V I P 4 5	N O T E S
8	329554BJ-AJ	COVERING / GAYA MOSAIC #4519 GALATA & SAFE BUS #6602 CALEDONIA From 8-1104				
8	329554BJ-D	COVERING / GAYA MOSAIC #4519 GALATA & GRAPHITE #6801 SIRIUS From 8-1104				
8	329554BK-AJ	COVERING / GAYA WOOD #4521 YELLOWSTONE & SAFE BUS #6602 CALEDONIA From 8-1104				
8	329554BK-D	COVERING / GAYA WOOD #4521 YELLOWSTONE & GRAPHITE #6801 SIRIUS From 8-1104				
8	329554BL-AJ	COVERING / SIRIUS #6451 CORSAIRE & SAFE BUS #6602 CALEDONIA From 8-1104				
8	329554BL-HH	COVERING / SIRIUS #6451 CORSAIRE & SIRIUS #6768 GRIFFON From 8-1104				
8	329554BM-AJ	COVERING / GAYA WOOD #3724 KRUGER LT & SAFE BUS #6602 CALEDONIA From 8-1104				
8	329554BM-HH	COVERING / GAYA WOOD #3724 KRUGER LT & SIRIUS #6768 GRIFFON From 8-1104				
8	329554BP-AJ	COVERING / GAYA WOOD #6057 EVERGLADES & SAFE BUS #6602 CALEDONIA From 8-1104				
8	329554BP-HH	COVERING / GAYA WOOD #6057 EVERGLADES & SIRIUS #6768 GRIFFON From 8-1104				
8	329554BQ-AJ	COVERING / GAYA WOOD #8297 YOSEMITE NT & SAFE BUS #6602 CALEDONIA From 8-1104				
8	329554BQ-HH	COVERING / GAYA WOOD #8297 YOSEMITE NT & SIRIUS #6768 GRIFFON From 8-1104				
8	328975CC	COVERING / URANUS #6727 ANTHRACITE & SAFE BUS #6602 CALEDONIA To 8-1103				
8	329554CC	COVERING / URANUS #6727 ANTHRACITE & SIRIUS #6768 GRIFFON From 8-1104				
8	329554CC-EE	COVERING / URANUS #6727 ANTHRACITE & HELIOS #8333 SCANDIUM From 8-1104				
8	328975DD	COVERING / SIRIUS #6727 ANTHRACITE & SAFE BUS #6602 CALEDONIA To 8-1103				
8	329554DD	COVERING / SIRIUS #6727 ANTHRACITE & SIRIUS #6768 GRIFFON From 8-1104				
8	329554DD-AJ	COVERING / SIRIUS #6727 ANTHRACITE & SAFE BUS #6602 CALEDONIA From 8-1104				
8	328975EE	COVERING / HELIOS #8333 SCANDIUM & SAFE BUS #6602 CALEDONIA To 8-1103				
8	329554EE	COVERING / HELIOS #8333 SCANDIUM & SIRIUS #6727 ANTHRACITE From 8-1104				
8	329554E-AJ	COVERING / GALAXY #8780 PEGASUS & SAFE BUS #6602 CALEDONIA From 8-1104				
8	328975FF	COVERING / JUPITER #8764 ELARA ROT & SAFE BUS #6602 CALEDONIA To 8-1103				
8	329554FF	COVERING / JUPITER #8764 ELARA ROT & SIRIUS #6768 GRIFFON From 8-1104				
8	329554GG	COVERING / HELIOS #8126 IRIDIUM & HELIOS #8332 THALLIUM From 8-1104				
8	329554HH	COVERING / LUNA #8820 KOREA & SIRIUS #6768 GRIFFON From 8-1104				
8	329554II	COVERING / GALAXY #8360 LYRA & SIRIUS #6727 ANTHRACITE From 8-1104				
8	329554JJ	COVERING / NATURA #8813 CEDAR & SIRIUS #6727 ANTHRACITE From 8-1104				
8	329554JJ-D	COVERING / NATURA #8813 CEDAR & GRAPHITE #6801 SIRIUS From 8-1104				
8	329554KK	COVERING / NATURA #8005 SEQUIOA & HELIOS #8332 THALLIUM From 8-1104				
8	329554LL	COVERING / NATURA #8359 CYPRESS & SIRIUS #6727 ANTHRACITE From 8-1104				
8	329554MM	COVERING / SIRIUS #6727 ANTHRACITE & JUPITER #8760 LABRADOR From 8-1104				
8	329554NN	COVERING / HARMONIA #1136 CEMENT & SIRIUS #6727 ANTHRACITE From 8-1104 To H-3526				
8	329554PP	COVERING / HARMONIA #0321 CEMENT & SIRIUS #6727 ANTHRACITE From 8-1104 To H-3526				
8	329554QQ	COVERING / HARMONIA #0782 ANTICWOOD & SIRIUS #6727 ANTHRACITE From 8-1104				
8	329554QQ-AJ	COVERING / HARMONIA #0782 ANTICWOOD & SAFE BUS #6602 CALEDONIA From 8-1104				
8	329554QQ-D	COVERING / HARMONIA #0782 ANTICWOOD & GRAPHITE #6801 SIRIUS From 8-1104				
8	329554RR	COVERING / HARMONIA #0658 ANTICWOOD & SIRIUS #6727 ANTHRACITE From 8-1104				
8	329554RR-AJ	COVERING / HARMONIA #0658 ANTICWOOD & SAFE BUS #6602 CALEDONIA From 8-1104				
8	329554RR-D	COVERING / HARMONIA #0658 SHIP EXOTIC & GRAPHITE #6801 SIRIUS From 8-1104				
8	329554SS	COVERING / HARMONIA #0764 SHIP NATURE & SIRIUS #6727 ANTHRACITE From 8-1104				
8	329554SS-AJ	COVERING / HARMONIA #0764 SHIP NATURE & SAFE BUS #6602 CALEDONIA From 8-1104				
8	329554SS-D	COVERING / HARMONIA #0764 SHIP NATURE & GRAPHITE #6801 SIRIUS From 8-1104				

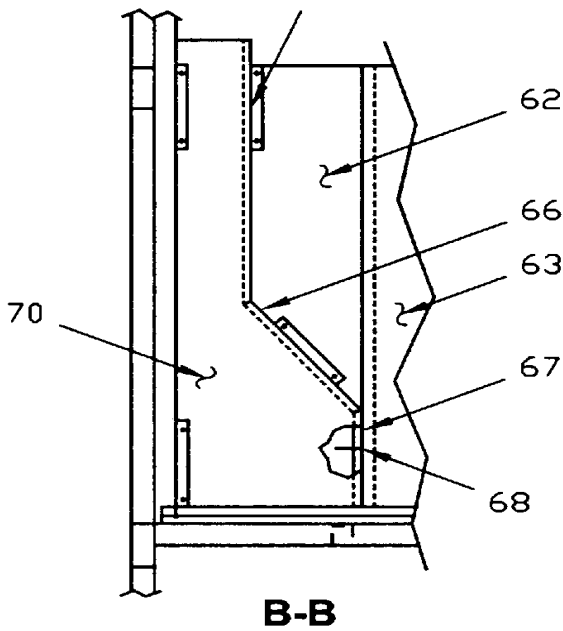
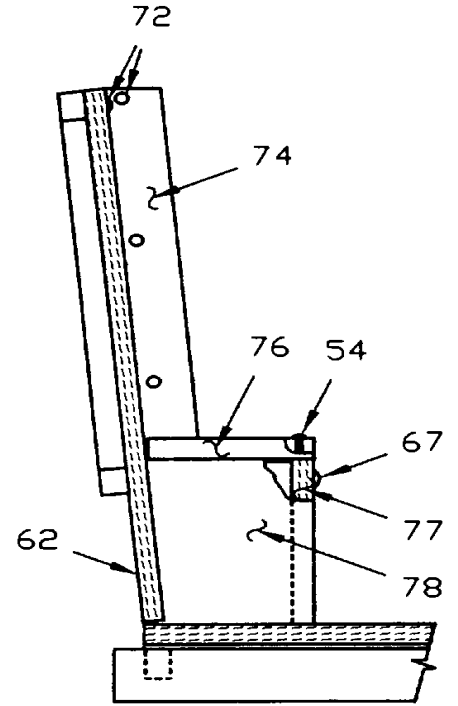
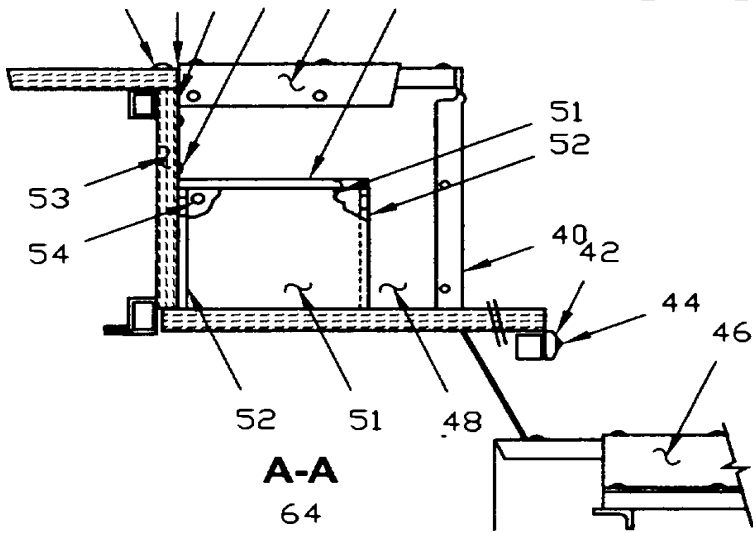
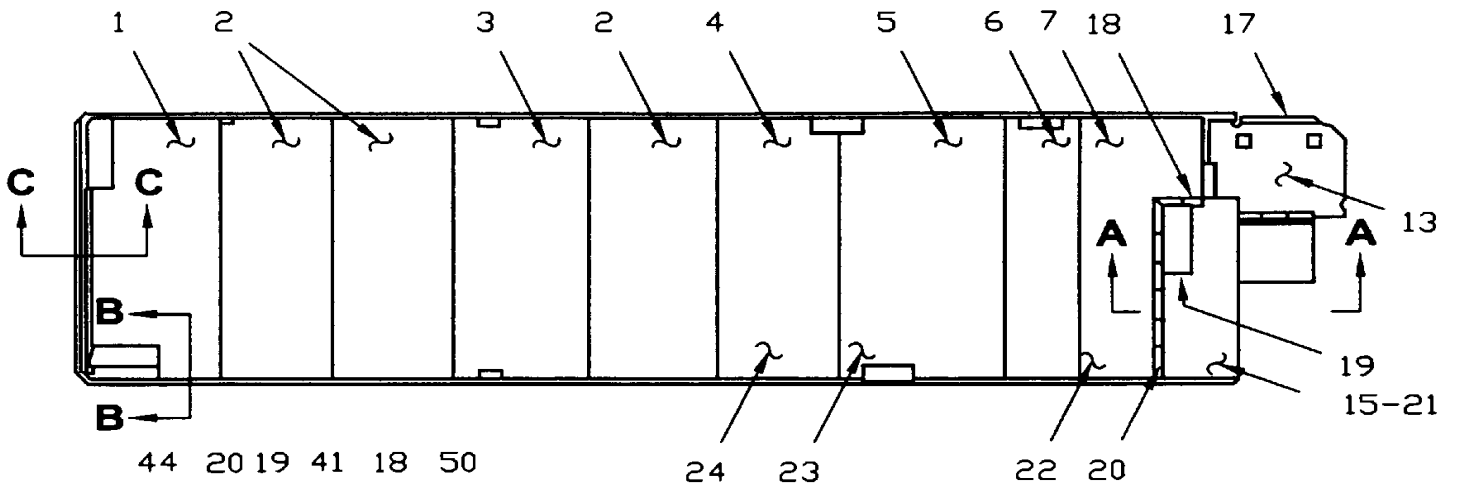


<b>From 7-0671 To J-0184</b>	<b>Date:10/2022</b>	<b>PAGE:H7-1838-15</b>
<b>STEPWELL - COVERING</b>		

Item#	Part	Description	H 3 4 1	H 3 4 5	V I P 4 5	N O T E S
8	329554SS-HH	COVERING / HARMONIA #0764 SHIP NATURE & SIRIUS #6768 GRIFFON From 8-1104				
8	329554TT	COVERING / HARMONIA #0765 SHIP EXOTIC & SIRIUS #6727 ANTHRACITE From 8-1104				
8	329554TT-AJ	COVERING / HARMONIA #0765 SHIP EXOTIC & SAFE BUS #6602 CALEDONIA From 8-1104				
8	329554TT-HH	COVERING / HARMONIA #0765 SHIP EXOTIC & SIRIUS #6768 GRIFFON From 8-1104				
8	329554UB	COVERING / SIRIUS #6727 ANTHRACITE & HELIOS #8332 THALLIUM From 8-1104				
8	329554UD	COVERING / URANUS #6727 ANTHRACITE & HELIOS #8332 THALLIUM From 8-1104				
8	329554I-AJ	COVERING / SIRIUS #6132 & SAFE BUS CALEDONIA #6602 From H-3879				
9	328976	COVERING EDGE / SAFE BUS #6602 CALEDONIA To 8-1103				
9	329553C	COVERING EDGE / SIRIUS #6768 GRIFFON From 8-1104				
9	329553DD	COVERING EDGE / SIRIUS #6727 ANTHRACITE From 8-1104				
9	329553EE	COVERING EDGE / HELIOS #8333 SCANDIUM From 8-1104	1	1		
9	329553NN	COVERING EDGE / JUPITER #8760 LABRADOR From 8-1104				
9	329553II	COVERING EDGE / GALAXY #8360 LYRA From 8-1104				
9	329553HH	COVERING EDGE / HELIOS #8332 THALLIUM From 8-1104				
9	329553D	COVERING EDGE / GRAPHITE #6801 SIRIUS From 8-1104				
10	820013	WELDING CORD / GAYA WOOD #6057 EVERGLADES				
10	820028	WELDING CORD / SIRIUS #6768 GRIFFON				
10	820029	WELDING CORD / GRAPHITE #6801 SIRIUS				
10	820030	WELDING CORD / GALAXY #8423 AQUILIA				
10	820031	WELDING CORD / GALAXY #8750 TUCANA				
10	820032	WELDING CORD / GALAXY #8778 ARIES				
10	820033	WELDING CORD / GALAXY #8779 CYGNUS				
10	820034	WELDING CORD / GALAXY #8780 PEGASUS				
10	820035	WELDING CORD / GALAXY #8544 ORION				
10	820036	WELDING CORD / LUNA #8311 SWEDEN				
10	820037	WELDING CORD / LUNA #8525 CHINA				
10	820038	WELDING CORD / LUNA #8731 POLAND				
10	820039	WELDING CORD / LUNA #8414 EGYPT				
10	820040	WELDING CORD / LUNA #8729 NORWAY				
10	820046	WELDING CORD / SIRIUS #6132 RUBIS				
10	820072	WELDING CORD / NATURA #8816 SYCAMORE				
10	820080	WELDING CORD / ODYSSEY #9418 OLYMPE				
10	820083	WELDING CORD / ODYSSEY #9727 SEPHIR				
10	820101	WELDING CORD / SIRIUS #6727 ANTHRACITE				
10	820111	WELDING CORD / HELIOS #8333 SCANDIUM				
10	820119	WELDING CORD / JUPITER #8764 ELARA ROT				
10	820146	WELDING CORD / HELIOS #8126 IRIIDIUM				
10	820151	WELDING CORD / HARMONIA #0765 SHIP EXOTIC				
10	820156	WELDING CORD / NATURA #8813 CEDAR				
10	820161	WELDING CORD / NATURA #8005 SEQUIOIA				



From 7-0671 To J-0287	Date:10/2022	PAGE:H7-1838-50
FLOOR & REAR WALL - V.I.P.		



From 7-0671 To J-0287	Date:10/2022	PAGE:H7-1838-50
<b>FLOOR &amp; REAR WALL - V.I.P.</b>		

Item#	Part	Description	H 3 4 1	H 3 4 5	V I P 4 5	N O T E S
1	Call order desk	FLOOR ASSY			1	P
1	Call order desk	FLOOR ASSY			1	P
NS	Call order desk	STEEL NOISELESS PANEL			1	P
1	Call order desk	STEEL NOISELESS PANEL			1	P
2	324529	FLOOR ASSY			2	
2	Call order desk	FLOOR ASSY			2	P
3	324528	FLOOR ASSY			1	
3	Call order desk	FLOOR ASSY			1	P
3	Call order desk	FLOOR ASSY			1	P
3	Call order desk	FLOOR ASSY			1	P
3	Call order desk	FLOOR ASSY			1	P
3	Call order desk	FLOOR ASSY			1	P
4	Call order desk	FLOOR ASSY			1	P
4	Call order desk	FLOOR ASSY			1	P
5	323904	FLOOR ASSY			2	
5	Call order desk	FLOOR ASSY			2	P
6	Call order desk	FLOOR ASSY			1	P
6	Call order desk	FLOOR ASSY			1	P
7	Call order desk	FLOOR ASSY			1	P
7	Call order desk	FLOOR ASSY			1	P
13	Call order desk	FLOOR ASSY			1	P
13	Call order desk	FLOOR ASSY			1	P
14	Call order desk	FLOOR ASSY			1	P
14	Call order desk	FLOOR ASSY			1	P
15	Call order desk	FLOOR ASSY			1	P
15	Call order desk	FLOOR ASSY			1	P
NS	5001143	SCREW DR WF TORX #12x2 CP			AR	
NS	850027	INSULATING PAD NOISE ADH2 1/16" x 39" x 48"			AR	
NS	508068	VENEER PLYWOOD / 1/2" THICK 4' X 8'			AR	
17	323175	MOULDING SS / TO FIX CONSOLE			1	
NS	500638	SCREW TP PAN PH #8x1/2 Z050			AR	A
18	324557	MOULDING / FRONT L.H. FLOOR			1	
NS	324537	MOULDING / SIDE L.H. FLOOR			1	
19	322598	GRILL AIR / AISLE STEPWELL / RETURN			1	
20	323370	MOULDING / STEPS			1	
21	324539	STEEL NOISELESS PANEL			1	
22	324531	STEEL NOISELESS PANEL			1	
23	323320	STEEL NOISE PANEL			1	
24	323285	STEEL NOISE PANEL			1	
40	324558	MOULDING / SIDE FLOOR			1	
41	500583	SCREW TP PAN PH #6x1/2 Z050			6	
42	323526	SPACER			1	

From 7-0671 To J-0287	Date:10/2022	PAGE:H7-1838-50
<b>FLOOR &amp; REAR WALL - V.I.P.</b>		

Item#	Part	Description	H 3 4 1	H 3 4 5	V I P 4 5	N O T E S
44	500434	SCREW TP FL PH #8x3/4 Z050			AR	
46	323367	MOULDING			1	
48	324535	PANEL / SIDE FLOOR			1	
50	323353	PANEL / STEPS FLOOR			1	
51	323352	STEPS SIDE / SPLIT LEVEL			2	
52	323351	PANEL / FRONT & REAR			2	
53	Call order desk	PANEL ASSY / FRONT FLOOR			1	P
53	Call order desk	PANEL ASSY / FRONT FLOOR			1	P
54	500637	SCREW TP PAN PH #8x1 1/2 Z050			6	
62	Call order desk	PANEL ASSY / BACK WALL			1	P
62	Call order desk	PANEL ASSY / BACK WALL			1	P
NS	500508	SCREW TC PAN PH #10-32x1 1/2 Z050			AR	
63	325270	PANEL / BACK WALL			1	
64	323350	PANEL / AIR OUTLET			1	
66	323349	PANEL / AIR OUTLET			1	
67	500632	SCREW TP OV PH #8x1 1/2 Z050			AR	
68	323474	PANEL / AIR OUTLET			1	
NS	323588	BRACKET / TO FIX ITEM 68			3	
70	323473	PANEL / AIR OUTLET			1	
74	323289	REAR CONER ASSY / (515MM X 125MM)			1	
76	323275	PANEL ASSY			1	
77	323276	PANEL ASSY			1	
78	323277	PANEL ASSY			1	
NS	970260	STEEL NOISELESS PANEL / 3' X 8' / S.Q.			AR	
NS	850042	STEEL NOISELESS PANEL / 4' X 8' / S.Q.			AR	
		A) TO FIX CONSOLE				
		P) CALL ORDER DESK FOR SPECIFIC APPLICATION (V.I.N.)				

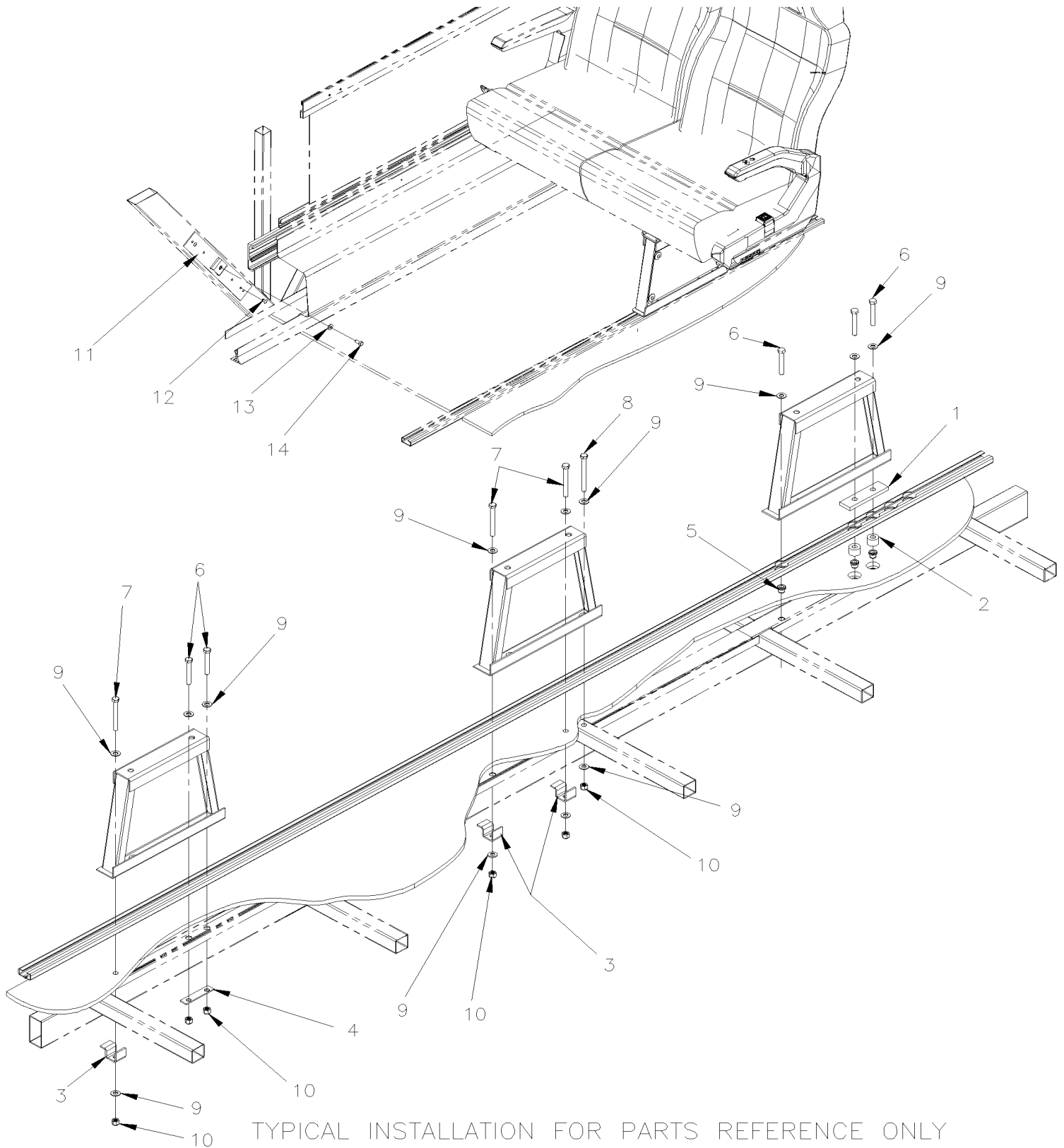


From 7-0671 To A-1499

Date:10/2022

PAGE:H7-1838-99

## RETROFIT ANCHOR SEAT 3/POINTS SAFETY BELT



<b>From 7-0671 To A-1499</b>	<b>Date:10/2022</b>	<b>PAGE:H7-1838-99</b>
<b>RETROFIT ANCHOR SEAT 3/POINTS SAFETY BELT</b>		

Item#	Part	Description	H 3 4 1	H 3 4 5	V I P 4 5	N O T E S
		. . . . . "WARNING" - "WARNING" - "WARNING"				
		BEFORE TO DO THIS YOU REQUIRE TO CHANGE				
		ALLS PASSENGER'S SEAT WITH 3/POINTS BELT				
		AND THEY ARE NOT INCLUD IN KIT				
		PLEASE CALL SERVICE				
	364287	KIT, RETROFIT 3/POINTS SAFETY BELT H3-41				
	364288	KIT, RETROFIT 3/POINTS SAFETY BELT H3-45				
	364289	KIT, RETROFIT 3/POINTS SAFETY BELT H3-45 / W/ W.C.L.				
1	323157	. RETAINING PLATE / W2 HOLES ST 150MMx31.8MMx3/8"	12	12		
2	323193	. SPACER RAIL / 17.5MM x 25.4 ODx 11.1MM ID	24	24		
3	323192	. SUPPORT SEAT FRAME "P" SHAPE	36	36		
4	323196	. RETAINING PLATE / W2 HOLES GA11 SS 86MMx19.1MM	12	12		
5	5001819	. RIVET NUT FL OKS 3/8-16 .047-.150 ZP	36	36		
6	5001821	. SCREW CAP HEX 3/8-16x2 1/2 G8 N500	72	72		
7	5001822	. SCREW CAP HEX 3/8-16x3 1/4 G8 N500	36	36		
8	5001831	. SCREW CAP HEX 3/8-16x3 3/4 G8 N500	10	10		
9	500832	. WASHER FL .406x.812x.065 N500	144	144		
10	5001823	. NUT HEX NYRT 3/8-16 G8 Z050	36	36		
11	232092	. SUPPORT SINGLE ASSY 400MM x57MM	14	14		
12	504459	. RIVET MGLP PRDG 1/4x3/8 SS	28	28		
13	500441	. WASHER FL .312x.734x.065 Z050	14	14		
14	5001473	. SCREW CAP HEXS 5/16-18x3/4 NYRT	14	14		
15	680532	. SEALANT SIKA #221 / GREY / 310ml CARTRIDGE	2	2		
15	684517	. ADHESIVE SIMSON #ISR 70-03 / GREY / 310ml CARTRIDGE	2	2		
16	D210229	. DIAGRAM INSTALLATION	1	1		
16	D210230	. DIAGRAM INSTALLATION W/W.C.L. SEAT	1	1		
NS	218477	ANGLE FLOOR REINFORCMENT		2		
NS	218478	ANGLE FLOOR REINFORCMENT		1		
NS	218490	ANGLE FLOOR REINFORCMENT		1		
NS	218488	ANGLE FLOOR REINFORCMENT		1		
NS	218491	ANGLE FLOOR REINFORCMENT		1		
NS	323389	ANGLE FLOOR REINFORCMENT		1		
NS	216442	SEAT TRACK 3640MM		1		
NS	322246	SEAT STOPPER BLOCK 100MM x 31.75MM		1		
NS	329177	SEAT STOPPER BLOCK 275MM x 31.75MM		1		
NS	329689	SEAT TRACK COVER 12' / EACH SEAT / W/COVERING FLOOR		1		
NS	329994	SEAT STOPPER 56MM x 31.75MM		1		
NS	3200521	SEAT STOPPER 95MM x 31.75MM	1	1	1	
NS	323809	DECAL/ ARROW > SEAT POSITION 25MM x 35MM		1		

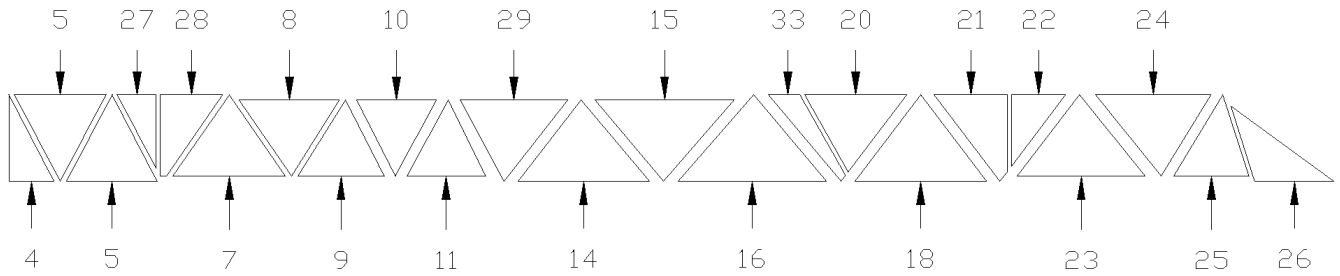


From 7-0671 To A-1499	Date:10/2022	PAGE:H7-1838-99
<b>RETROFIT ANCHOR SEAT 3/POINTS SAFETY BELT</b>		

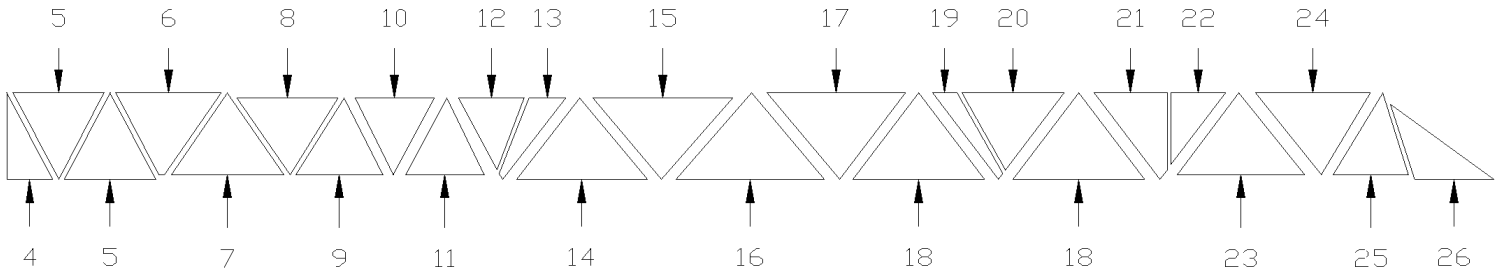
Item#	Part	Description	H 3 4 1	H 3 4 5	V I P 4 5	N O T E S
NS	218471	SCREW CAP HEX / WITH THIN HEAD 3/8-16x1 3/4 G8 N500		8		
. NS	5001824	. SCREW CAP HEX 3/8-16x1 3/4 G8 N500		1		
NS	218472	SCREW CAP HEX / WITH THIN HEAD 3/8-16x1 G8 N500		36		
. NS	5001825	. SCREW CAP HEX 3/8-16x1 G8 N500		1		
NS	218492	SCREW CAP HEX / WITH THIN HEAD 3/8-16x2 1/2 G8 N500		15		
. NS	5001821	. SCREW CAP HEX 3/8-16x2 1/2 G8 N500		1		
NS	5001820	RIVET NUT FL OKS 3/8-16 .043-.312 ZP		20		



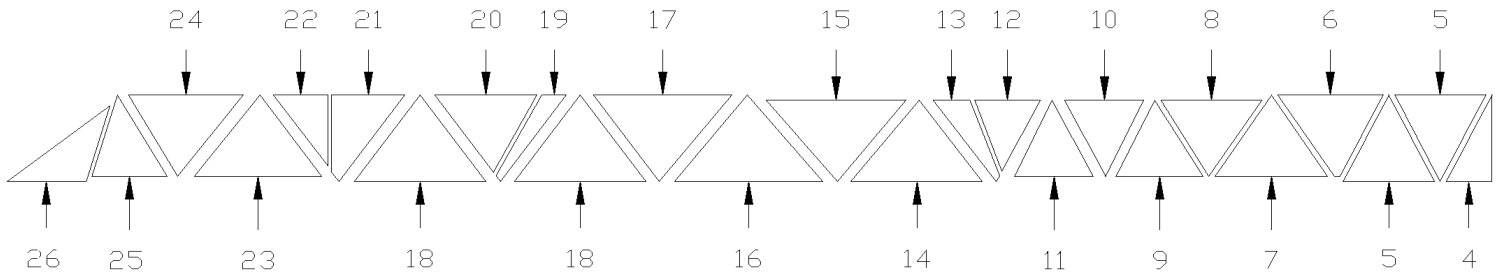
From 7-0671 To E-2575	Date:10/2022	PAGE:H7-1839-00
INSULATING SIDE WALL - LOWER PANEL		



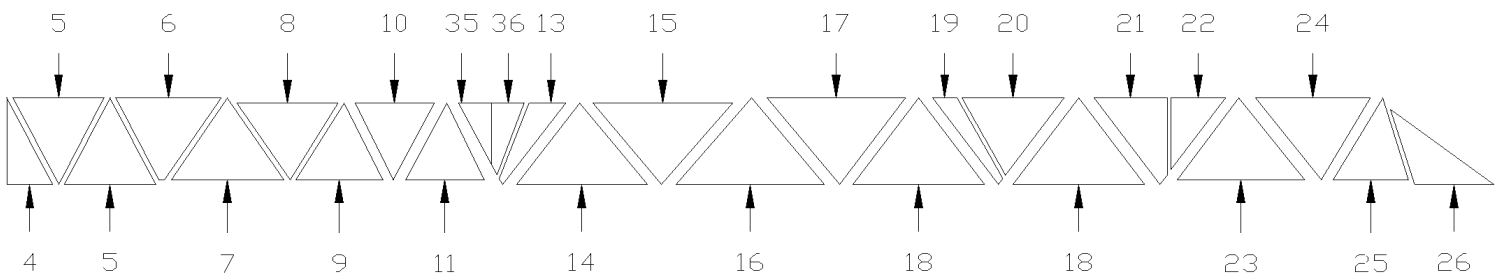
BUS H3-41 LH & RH



BUS H3-45 LH & RH

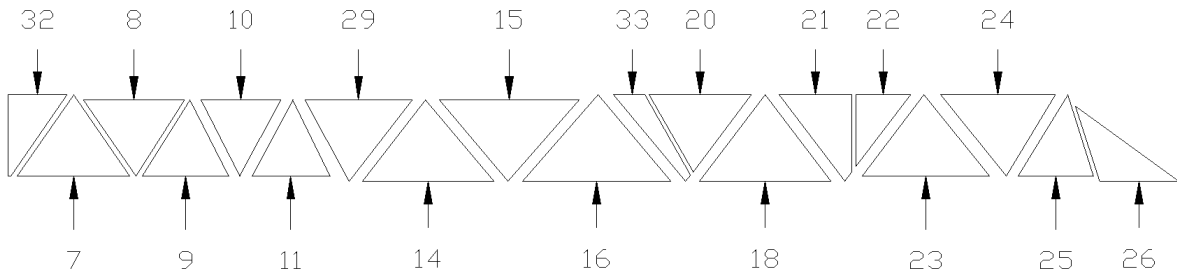


V.I.P. H3-45 LH

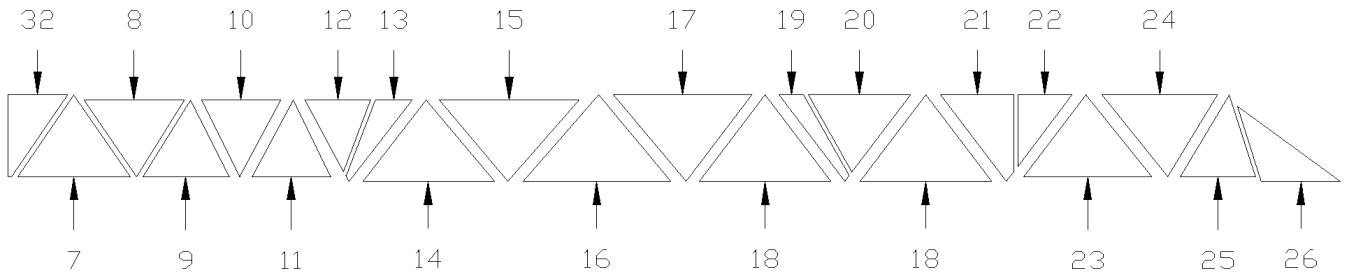


V.I.P. H3-45 RH

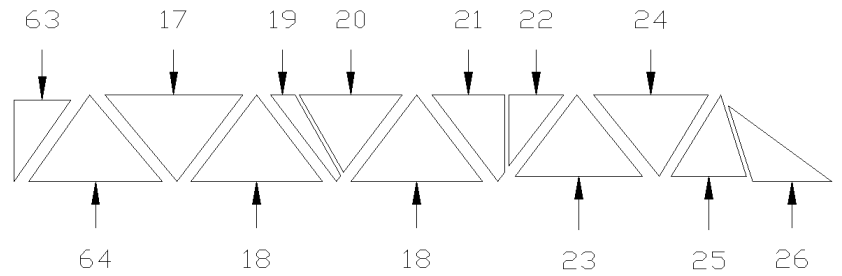
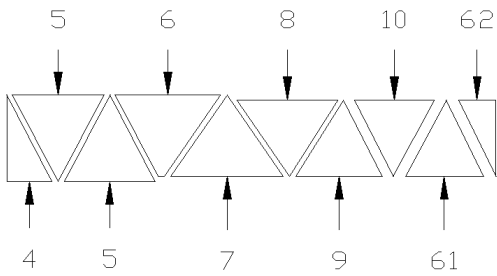
From 7-0671 To E-2575	Date:10/2022	PAGE:H7-1839-00
<b>INSULATING SIDE WALL - LOWER PANEL</b>		



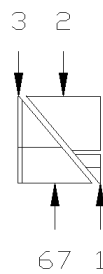
BUS H3-41 (W.C.L. ST. & ST.) RH



BUS H3-45 (W.C.L. ST. & ST.) RH



BUS H3-45 (W.C.L. RIC.-9) RH



BUS & V.I.P., LH SIDE ONLY

From 7-0671 To E-2575 Date:10/2022 PAGE:H7-1839-00

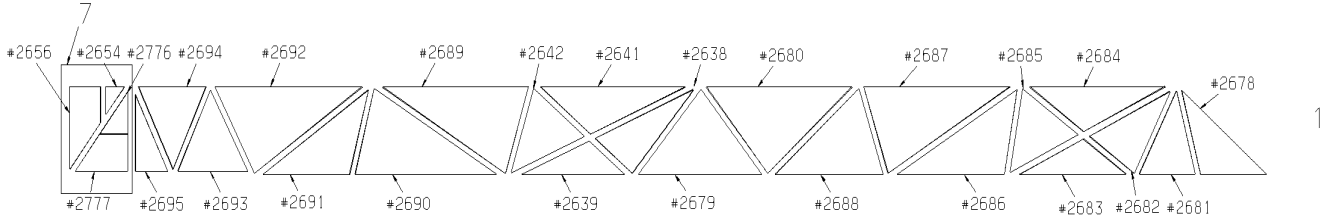
**INSULATING SIDE WALL - LOWER PANEL**

Item#	Part	Description	H 3 4 1	H 3 4 5	V I P 4 5	N O T E S
	350434	KIT INSULATING LOWER SIDE WALL RH		2		
	350437	KIT INSULATING LOWER SIDE WALL RH	2			
	350440	KIT INSULATING LOWER SIDE WALL LH		1		
	350442	KIT INSULATING LOWER SIDE WALL LH (1-2-3-67)			1	
	350443	KIT INSULATING LOWER SIDE WALL RH (35)	1	1	1	
	351346	KIT INSULATING LOWER SIDE WALL LH		1		
	351348	KIT INSULATING LOWER SIDE WALL LH	1	1		
	352333	KIT INSULATING LOWER SIDE WALL LH	1	1	1	
	351272	KIT INSULATING LOWER SIDE WALL RH			1	
1	Call order desk	SIDE INSULATION PANEL	1	1	1	P
2	Call order desk	SIDE INSULATION PANEL	1	1	1	P
3	350494	SIDE INSULATION PANEL	1	1	1	
4	351350	SIDE INSULATION PANEL	1	1	1	
5	351349	SIDE INSULATION PANEL	4	4	4	
6	350497	SIDE INSULATION PANEL		2	2	
7	350498	SIDE INSULATION PANEL	2	2	2	
8	350499	SIDE INSULATION PANEL	2	2	2	
9	350500	SIDE INSULATION PANEL	2	2	2	
10	350501	SIDE INSULATION PANEL	2	2	2	
11	350502	SIDE INSULATION PANEL	2	2	2	
12	350503	SIDE INSULATION PANEL		2		
13	350504	SIDE INSULATION PANEL		2	2	
14	350505	SIDE INSULATION PANEL	2	2	2	
15	350506	SIDE INSULATION PANEL	2	2	2	
16	350507	SIDE INSULATION PANEL	2	2	2	
17	350508	SIDE INSULATION PANEL	2	2	2	
18	350509	SIDE INSULATION PANEL	2		2	
18	350509	SIDE INSULATION PANEL		4		
19	350510	SIDE INSULATION PANEL		2	2	
20	350511	SIDE INSULATION PANEL	2	2	2	
21	350512	SIDE INSULATION PANEL	2	2	2	
22	350513	SIDE INSULATION PANEL	2	2	2	
23	350514	SIDE INSULATION PANEL	2	2	2	
24	350515	SIDE INSULATION PANEL	2	2	2	
25	350516	SIDE INSULATION PANEL	2	2		
26	350517	SIDE INSULATION PANEL	2	2		
27	Call order desk	SIDE INSULATION PANEL	2			P
27	Call order desk	SIDE INSULATION PANEL	2			P
28	Call order desk	SIDE INSULATION PANEL	2			P
28	Call order desk	SIDE INSULATION PANEL	2			P
29	Call order desk	SIDE INSULATION PANEL	2			P
29	Call order desk	SIDE INSULATION PANEL	2			P

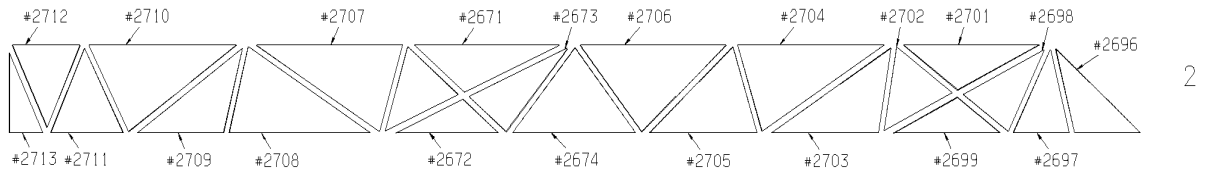
From 7-0671 To E-2575	Date:10/2022	PAGE:H7-1839-00
<b>INSULATING SIDE WALL - LOWER PANEL</b>		

Item#	Part	Description	H 3 4 1	H 3 4 5	V I P 4 5	N O T E S
32	350523	SIDE INSULATION PANEL	1	1		
33	Call order desk	SIDE INSULATION PANEL	2			P
33	Call order desk	SIDE INSULATION PANEL	2			P
35	Call order desk	SIDE INSULATION PANEL			1	P
35	Call order desk	SIDE INSULATION PANEL			1	P
36	Call order desk	SIDE INSULATION PANEL			1	P
36	Call order desk	SIDE INSULATION PANEL			1	P
61	350552	SIDE INSULATION PANEL		1		
62	350553	SIDE INSULATION PANEL		1		
63	350554	SIDE INSULATION PANEL		1		
64	350555	SIDE INSULATION PANEL		1		
67	Call order desk	SIDE INSULATION PANEL	1	1	1	P
NS	850067	ALUMINUM WALL COVERING ADHESIVE / 29" X 409" To 8-1318	2			
68	850091	WHITE WALL COVERING ADHESIVE / 28 3/8" X 409" From 8-1319	2			
NS	850068	ALUMINUM WALL COVERING ADHESIVE / 29" X 458" To 9-1336		2		
68	850092	WHITE WALL COVERING ADHESIVE / 28 3/8" X 448" From 9-1337		2		
68	850083	ALUMINUM WALL COVERING ADHESIVE / 29" X 300" To 9-1327			2	
68	850097	WHITE WALL COVERING ADHESIVE / 29" X 300" From 9-1328			2	
NS	684196	PRIMER ELASTOCOL # 593	AR	AR	AR	
		P) CALL ORDER DESK FOR SPECIFIC APPLICATION (V.I.N.)				

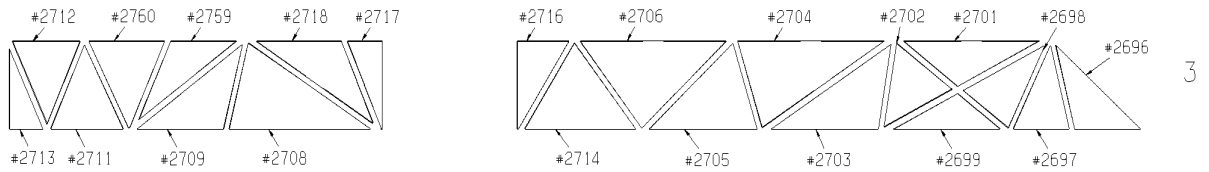
From E-2576 To J-0287	Date:10/2022	PAGE:H7-1839-01
INSULATING SIDE WALL - LOWER PANEL		



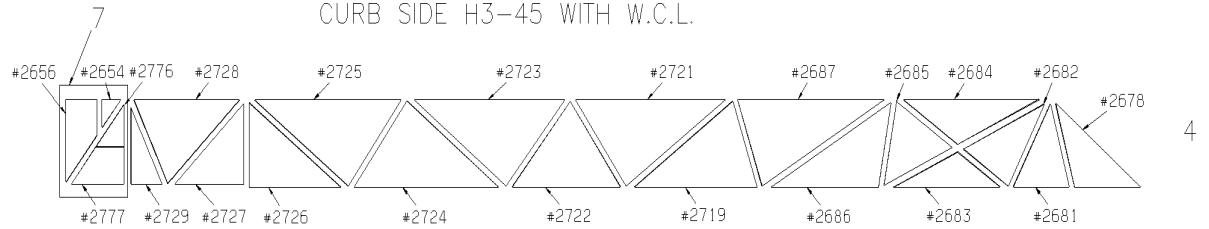
STREET SIDE H3-45 AND VIP-45 WITHOUT SLIDE-OUT



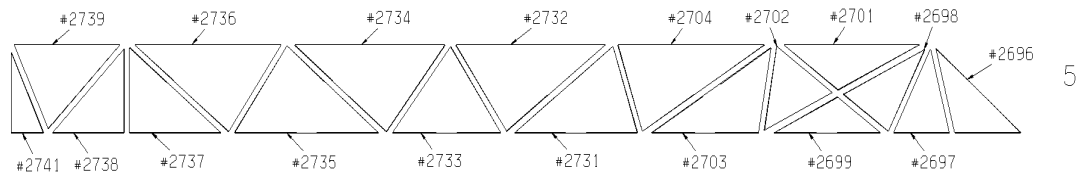
CURB SIDE H3-45 WITHOUT W.C.L. AND VIP-45 WITHOUT SLIDE-OUT



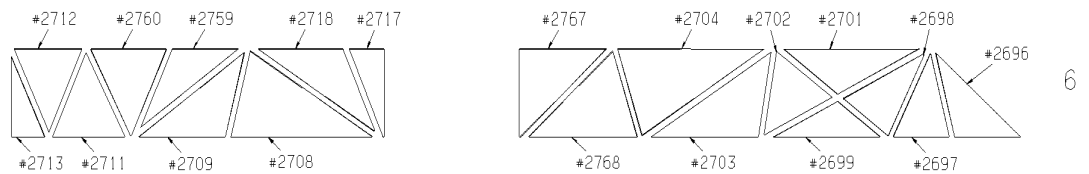
CURB SIDE H3-45 WITH W.C.L.



STREET SIDE H3-41

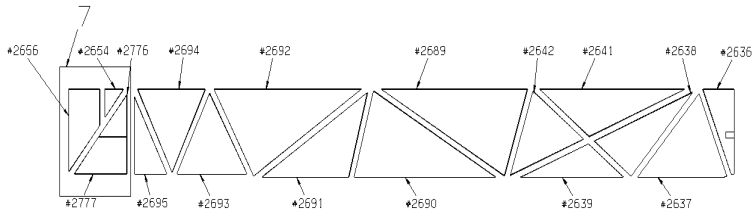


CURB SIDE H3-41 WITHOUT W.C.L.



CURB SIDE H3-41 WITH W.C.L.

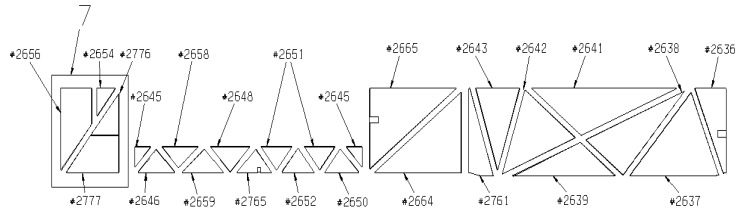
From E-2576 To J-0287	Date:10/2022	PAGE:H7-1839-01
<b>INSULATING SIDE WALL - LOWER PANEL</b>		



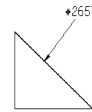
STREET SIDE VIP-45 WITH FRONT SLIDE-OUT



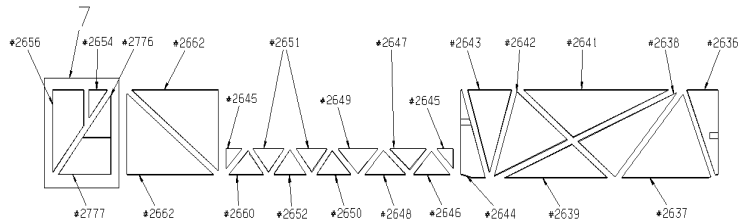
8



STREET SIDE VIP-45 WITH FRONT SLIDE-OUT AND REAR SLIDE-OUT BACKWARD



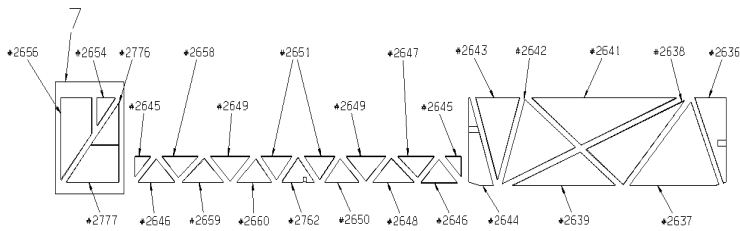
9



STREET SIDE VIP-45 WITH FRONT SLIDE-OUT AND REAR SLIDE-OUT FORWARD



10



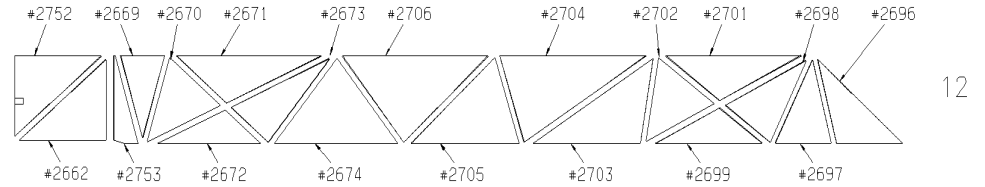
STREET SIDE VIP-45 WITH FRONT SLIDE-OUT AND REAR LARGE SLIDE-OUT



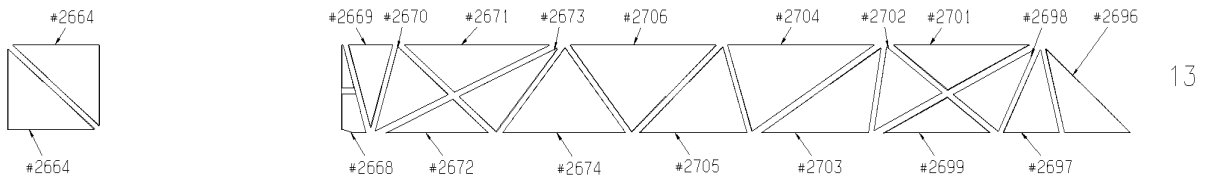
11



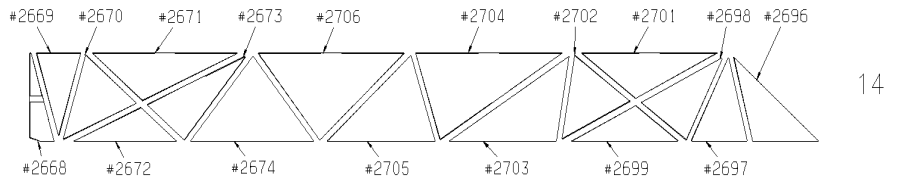
From E-2576 To J-0287	Date:10/2022	PAGE:H7-1839-01
<b>INSULATING SIDE WALL - LOWER PANEL</b>		



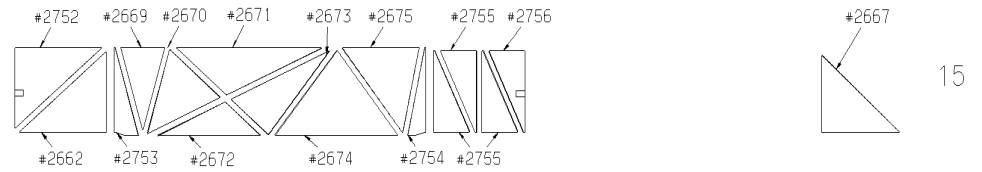
CURB SIDE VIP-45 WITH REAR SLIDE-OUT BACKWARD



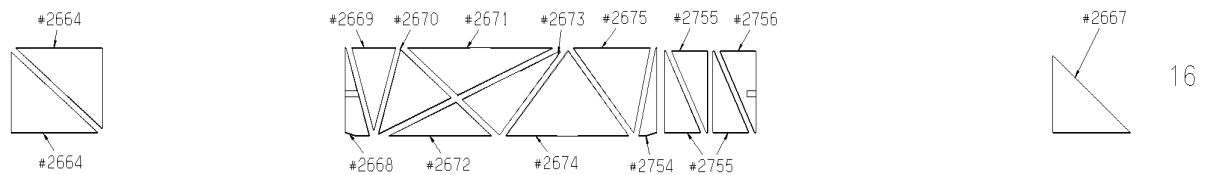
CURB SIDE VIP-45 WITH REAR SLIDE-OUT FORWARD



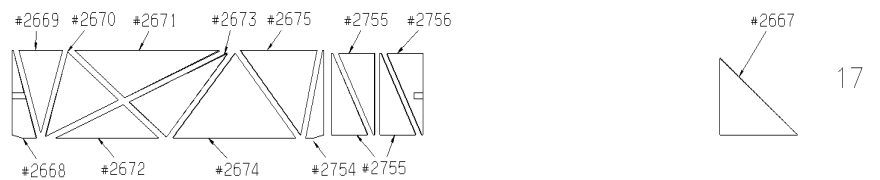
CURB SIDE VIP-45 WITH REAR SLIDE-OUT LARGE



CURB SIDE VIP-45 WITH FRONT SLIDE-OUT & REAR SLIDE-OUT BACKWARD

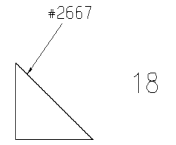
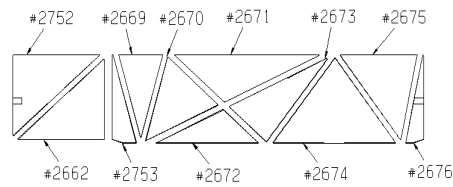


CURB SIDE VIP-45 WITH FRONT SLIDE-OUT & REAR SLIDE-OUT BACKWARD

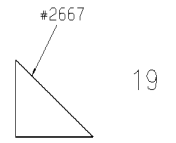
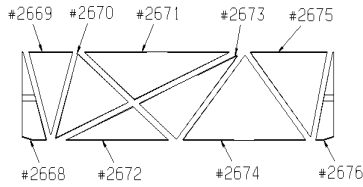
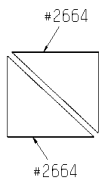


CURB SIDE VIP-45 WITH FRONT SLIDE-OUT & REAR SLIDE-OUT LARGE

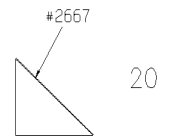
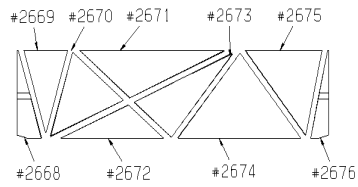
From E-2576 To J-0287	Date:10/2022	PAGE:H7-1839-01
<b>INSULATING SIDE WALL - LOWER PANEL</b>		



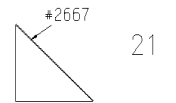
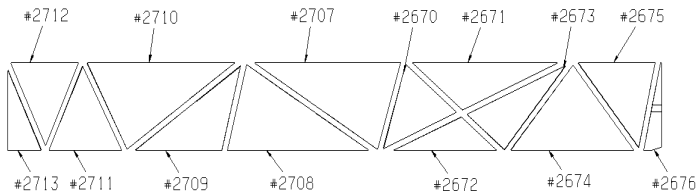
CURB SIDE VIP-45 WITH FRONT LARGE SLIDE-OUT & REAR SLIDE-OUT BACKWARD



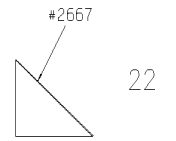
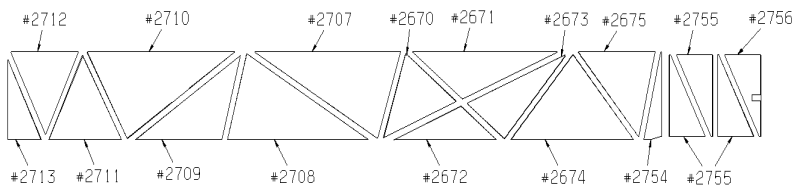
CURB SIDE VIP-45 WITH FRONT LARGE SLIDE-OUT & REAR SLIDE-OUT FORWARD



CURB SIDE VIP-45 WITH FRONT LARGE SLIDE-OUT & REAR LARGE SLIDE-OUT



CURB SIDE VIP-45 WITH FRONT LARGE SLIDE-OUT



CURB SIDE VIP-45 WITH FRONT SLIDE-OUT

From E-2576 To J-0287	Date:10/2022	PAGE:H7-1839-01
-----------------------	--------------	-----------------

**INSULATING SIDE WALL - LOWER PANEL**

Item#	Part	Description	H 3 4 1	H 3 4 5	V I P 4 5	N O T E S
1	352677	KIT INSULATING LOWER SIDE WALL STREET SIDE		1		
1	352677	KIT INSULATING LOWER SIDE WALL STREET SIDE W/OUT SLIDE OUT			1	
2	352700	KIT INSULATING LOWER SIDE WALL CURB SIDE		1		
2	352700	KIT INSULATING LOWER SIDE WALL CURB SIDE W/OUT SLIDE OUT			1	
3	352715	KIT INSULATING LOWER SIDE WALL CURB SIDE W/ WCL		1		W
4	352720	KIT INSULATING LOWER SIDE WALL STREET SIDE	1			
5	352730	KIT INSULATING LOWER SIDE WALL CURB SIDE	1			
6	352766	KIT INSULATING LOWER SIDE WALL CURB SIDE W/ WCL	1			W
7	352655	KIT INSULATING LOWER SIDE WALL STREET SIDE To H-3530	1	1	1	
7	352899	KIT INSULATING LOWER SIDE WALL STREET SIDE From H-3531	1	1	1	
8	352740	KIT INSULATING LOWER SIDE WALL STREET SIDE W/ 1 SLIDE-OUT			1	
9	352663	KIT INSULATING LOWER SIDE WALL STREET SIDE W/ 2 SLIDE-OUT BACKWARD			1	
10	352661	KIT INSULATING LOWER SIDE WALL STREET SIDE W/ 2 SLIDE-OUT FOWARD			1	
11	352640	KIT INSULATING LOWER SIDE WALL STREET SIDE W/ 2 SLIDE-OUT LARGE REAR			1	
12	352742	KIT INSULATING LOWER SIDE WALL CURB SIDE W/ 1 REAR SLIDE-OUT BACKWARD			1	
13	352743	KIT INSULATING LOWER SIDE WALL CURB SIDE W/ 1 REAR SLIDE-OUT FOWARD			1	
14	352744	KIT INSULATING LOWER SIDE WALL CURB SIDE W/ 1 REAR LARGE SLIDE-OUT			1	
15	352745	KIT INSULATING LOWER SIDE WALL CURB SIDE W/ 2 SLIDE-OUT BACKWARD			1	
16	352746	KIT INSULATING LOWER SIDE WALL CURB SIDE W/ 2 SLIDE-OUT FOWARD			1	
17	352747	KIT INSULATING LOWER SIDE WALL CURB SIDE W/ 2 SLIDE-OUT LARGE REAR			1	
18	352748	KIT INSULATING LOWER SIDE WALL CURB SIDE W/ 2 SLIDE-OUT LARGE FRONT			1	
19	352666	KIT INSULATING LOWER SIDE WALL CURB SIDE W/ 1 FRONT LARGE SLIDE-OUT				
20	352749	KIT INSULATING LOWER SIDE WALL CURB SIDE W/ 2 SLIDE-OUT LARGE			1	
21	352750	KIT INSULATING LOWER SIDE WALL CURB SIDE W/ 1 FRONT LARGE SLIDE-OUT			1	
22	352751	KIT INSULATING LOWER SIDE WALL CURB SIDE W/ 1 FRONT SMALL SLIDE-OUT			1	
NS	683084	SEALANT SIKA #221 / GREY / 600 ml SAUSAGE	AR			
NS	850092	WHITE WALL COVERING ADHESIVE / 28 3/8" X 448"		2		
NS	850097	WHITE WALL COVERING ADHESIVE / 29" X 300"			2	
NS	684196	PRIMER ELASTOCOL # 593	AR	AR	AR	
		W) W/ WCL				

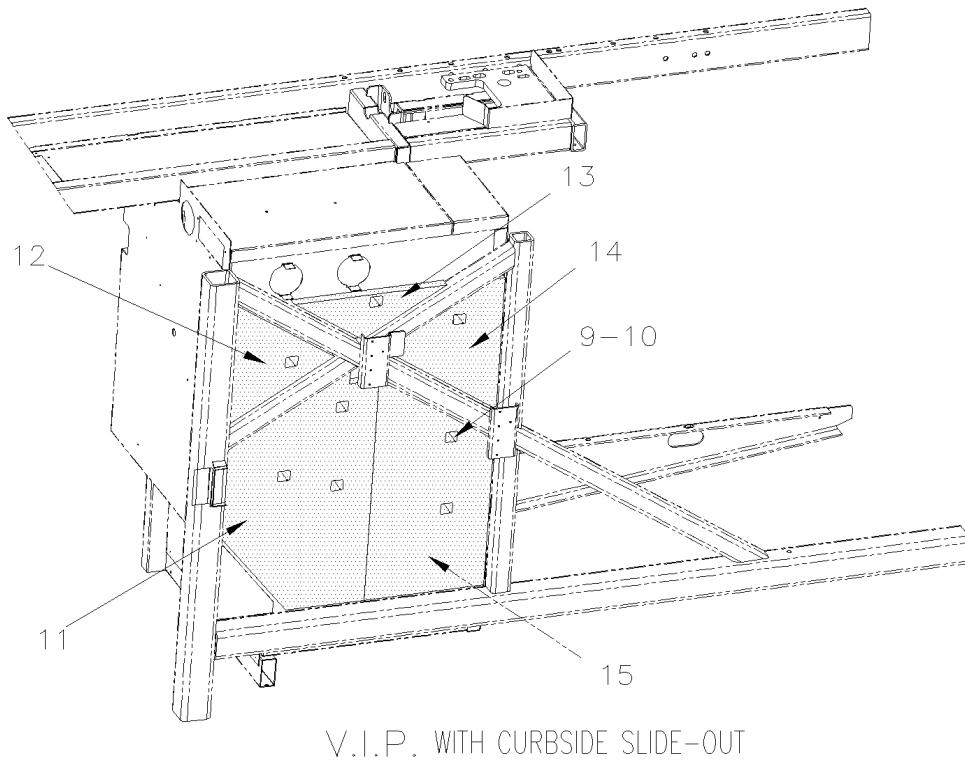
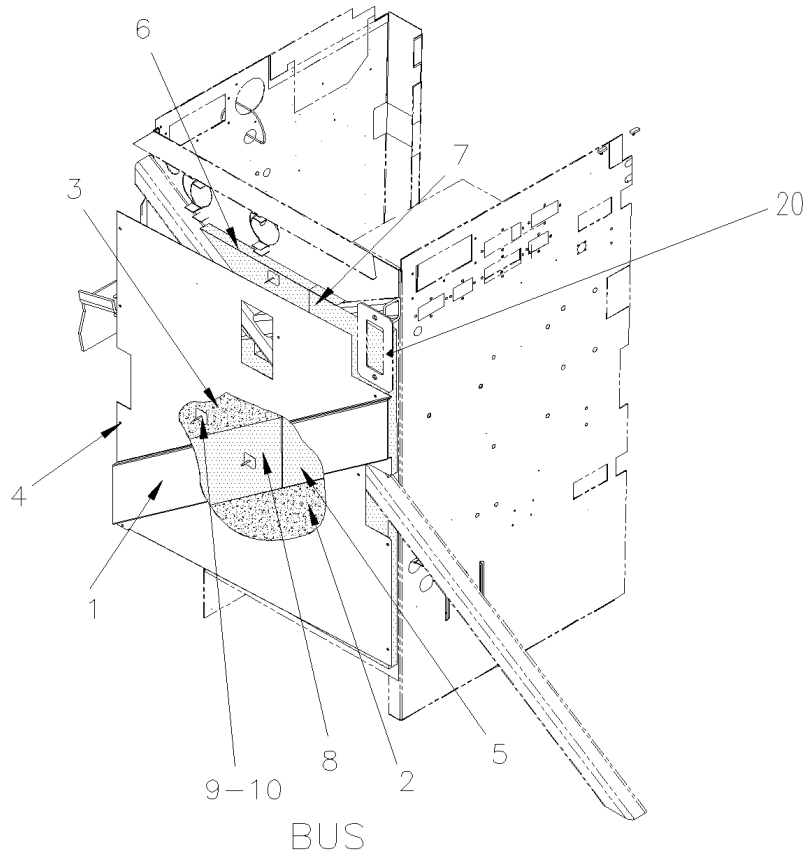


From 7-0671 To J-0287

Date:10/2022

PAGE:H7-1839-05

## INSULATING REAR BATTERIES COMPARTMENT



From 7-0671 To J-0287	Date:10/2022	PAGE:H7-1839-05
<b>INSULATING REAR BATTERIES COMPARTMENT</b>		

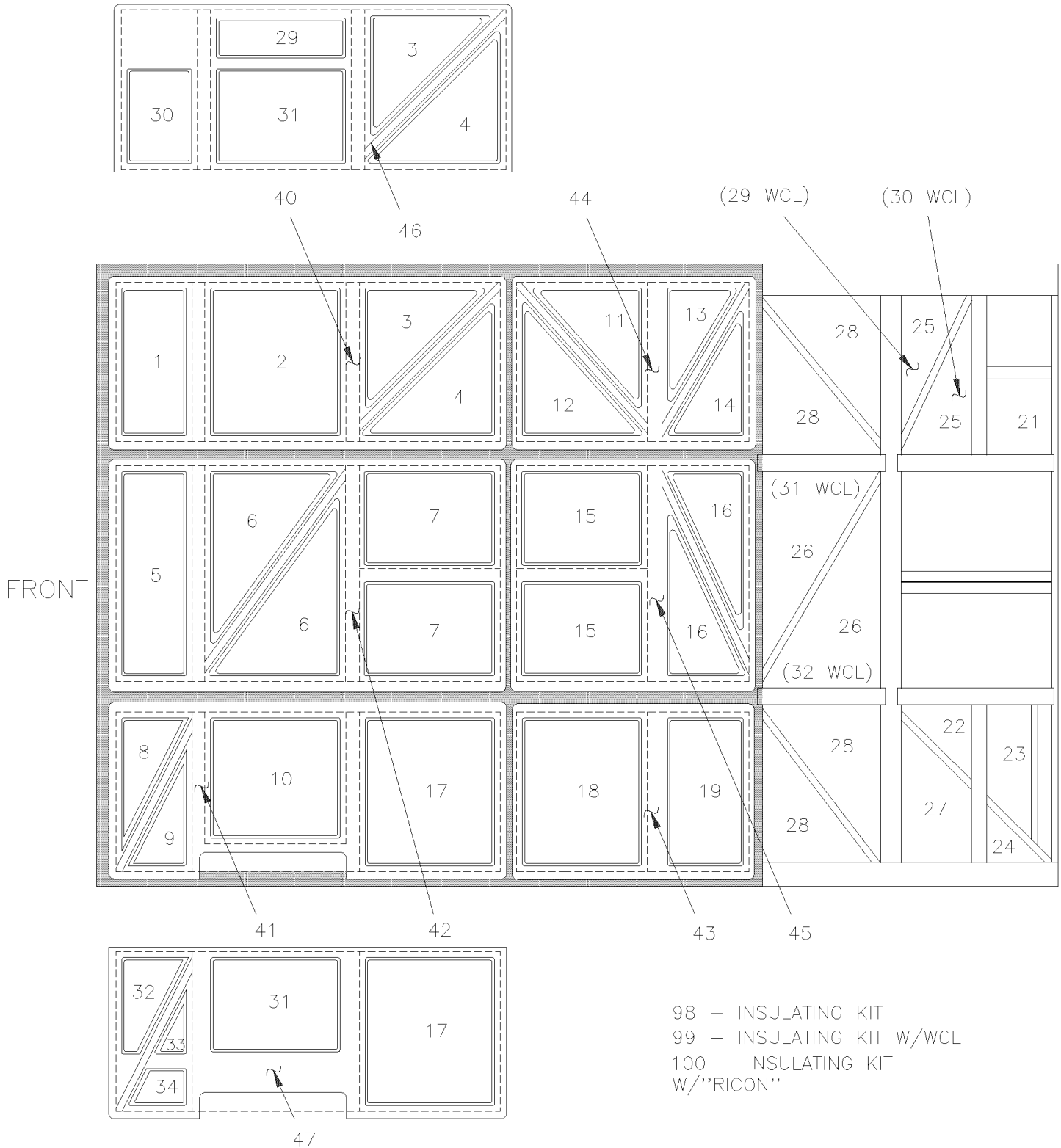
Item#	Part	Description	H 3 4 1	H 3 4 5	V I P 4 5	N O T E S
1	215134	PROTECTOR PANEL R.H.ELECTRICAL BOX To 7-1016	1	1	1	
1	216066	PROTECTOR PANEL R.H.ELECTRICAL BOX From 7-1017 To 8-1201	1	1	1	
1	216264	PROTECTOR PANEL R.H.ELECTRICAL BOX From 8-1202 To A-1720	1	1	1	
1	216813	PROTECTOR PANEL R.H.ELECTRICAL BOX From B-1721 To E-2504	1	1	1	
1	217234	PROTECTOR PANEL R.H.ELECTRICAL BOX From E-2505	1	1	1	
2	351424	PANEL INSULATION PANEL LOWER 1/16" To A-1720	1	1	1	
2	352154	PANEL INSULATION PANEL LOWER From B-1721 To E-2504	1	1	1	
2	356267	PANEL INSULATION PANEL LOWER From E-2505	1	1	1	
3	351425	PANEL INSULATION PANEL UPPER 1/16"	1	1	1	
4	504488	RIVET MGLP PRDG 3/16x17/64 SS	AR	AR	AR	
NS	351516	KIT INSULATING PANEL To E-2504	1	1	1	A
4	356269	KIT INSULATING PANEL From E-2505	1	1	1	A
5	351517	. INSULATION PANEL LOWER BACKWARD	1	1	1	
6	351515	. INSULATION PANEL UPPER FORWARD	1	1	1	
7	351518	. INSULATION PANEL UPPER BACKWARD	1	1	1	
8	351514	. INSULATION PANEL LOWER FORWARD To E-2504	1	1	1	
8	356268	. INSULATION PANEL LOWER FORWARD From E-2505	1	1	1	
9	500748	WASHER INSU G.10x1.125x1.250 Z050	AR	AR	AR	
10	503550	ANCHOR SELF-STICK 2" SS	AR	AR	AR	
NS	351888	KIT INSULATING PANEL VIP W/CURBSIDE SLIDE OUT			1	
11	351889	. INSULATION PANEL LOWER FORWARD			1	SC
12	351890	. INSULATION PANEL UPPER FORWARD			1	SC
13	351891	. INSULATION PANEL UPPER TOP CENTER			1	SC
14	351892	. INSULATION PANEL UPPER BACKWARD			1	SC
15	351893	. INSULATION PANEL LOWER BACKWARD			1	SC
20	142151	SUPPORT PING AIR TANK	1	1	1	
20	149000	SUPPORT PING AIR TANK From 7-1017	1	1	1	
		A) INCLUDE ITEMS # 5,6,7 & 10				
		SC) WITH V.I.P. WITH CURBSIDE SLIDE-OUT ONLY				

From 7-0671 To A-1490

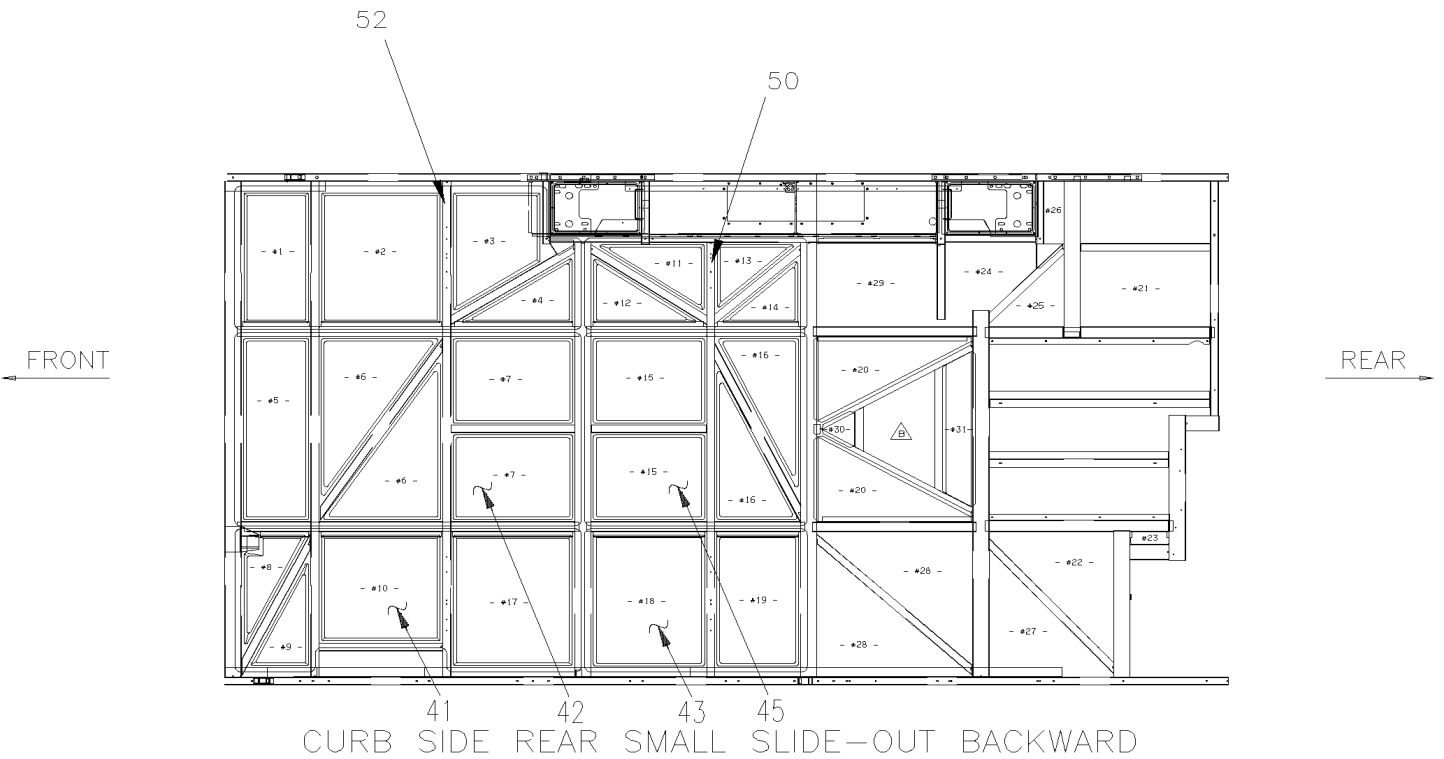
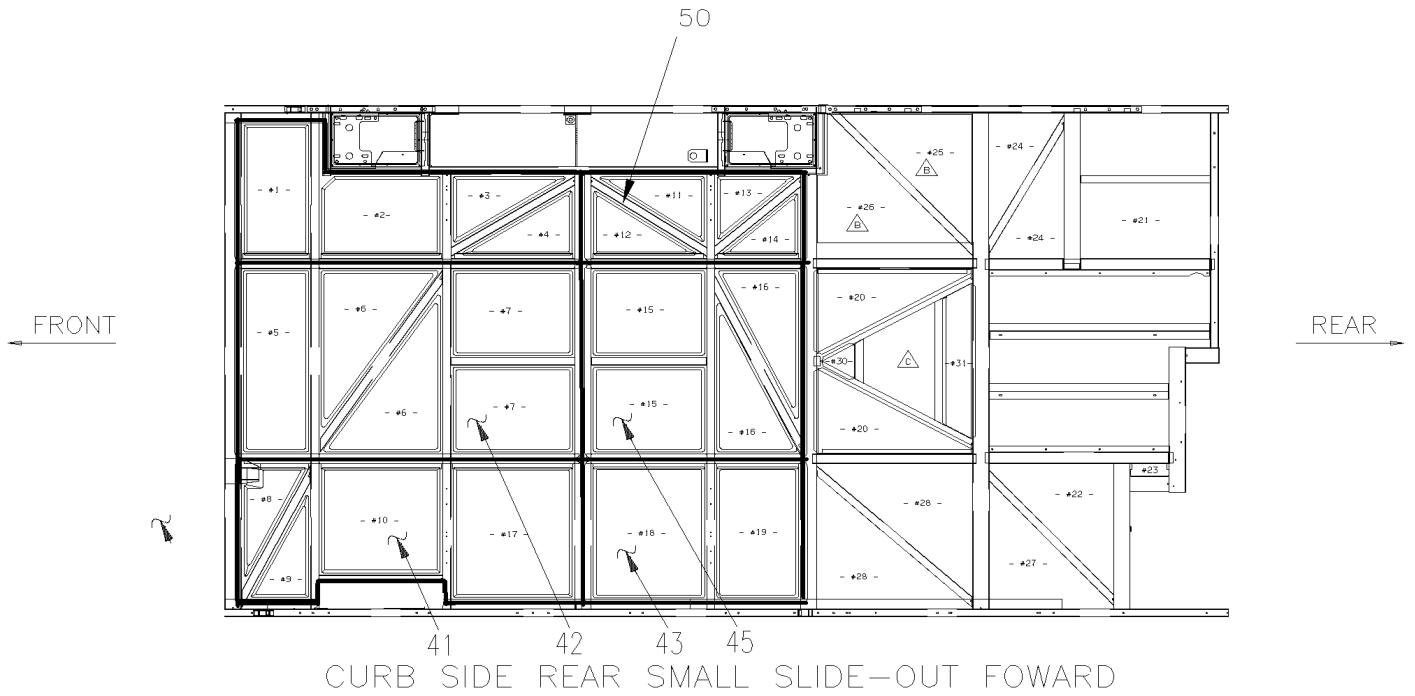
Date:10/2022

PAGE:H7-1839-10

## INSULATING FLOOR REAR AXLE



INSULATING FLOOR REAR AXLE



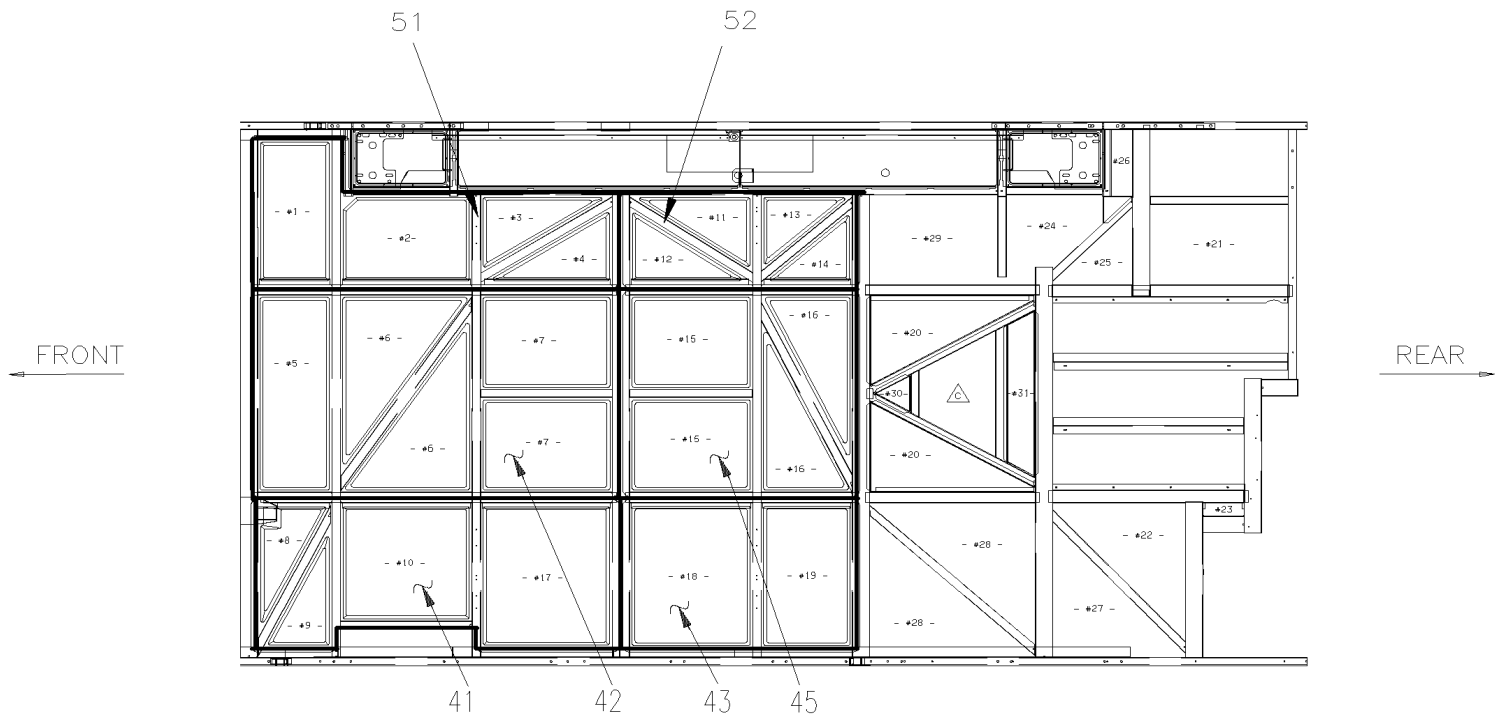


From 7-0671 To A-1490

Date:10/2022

PAGE:H7-1839-10

INSULATING FLOOR REAR AXLE



CURB SIDE REAR LARGE SLIDE-OUT

<b>From 7-0671 To A-1490</b>	<b>Date:10/2022</b>	<b>PAGE:H7-1839-10</b>
<b>INSULATING FLOOR REAR AXLE</b>		

Item#	Part	Description	H 3 4 1	H 3 4 5	V I P 4 5	N O T E S
		IN SERVICE FOR REPLACEMNT OF INSULATING PAD				
		WE DO NOT HAVE A SEPARATE PARTS NUMBER				
		FOR ITEM 1 TO 39 PLEASE ASK # 329069				
NS	329069	INSULATING PAD 48" X 48" / CUT TO FIT	AR	AR	AR	
40	324565	INSULATING HOLDER To A-1490	1	1	1	
40	324565	INSULATING HOLDER			1	
41	324566	INSULATING HOLDER To A-1490	1	1	1	
41	324566	INSULATING HOLDER			1	
42	324567	INSULATING HOLDER To A-1490	1	1	1	
42	324567	INSULATING HOLDER To E-2504			1	
42	3201030	INSULATING HOLDER From E-2505			1	
43	324568	INSULATING HOLDER To A-1490	1	1	1	
43	324568	INSULATING HOLDER			1	
44	324569	INSULATING HOLDER To A-1490	1	1	1	
44	324569	INSULATING HOLDER			1	
45	324570	INSULATING HOLDER To A-1490	1	1	1	
45	324570	INSULATING HOLDER To E-2504			1	
45	3201029	INSULATING HOLDER From E-2505			1	
46	327541	INSULATING HOLDER To A-1490	1	1	1	
46	327541	INSULATING HOLDER			1	
47	327542	INSULATING HOLDER To A-1490	1	1	1	
47	327542	INSULATING HOLDER			1	
50	328461	INSULATING HOLDER From 8-0771			1	
51	328460	INSULATING HOLDER From 8-0771			1	
52	320250	INSULATING HOLDER From 8-0771			1	
98	324321	INSULATING KIT INCLUDE ITEMS 1# TO 28#	AR	AR		
100	327544	INSULATING KIT WCL "RICON"		1		
102	320252	INSULATING KIT W/BACKWARD S-O To A-1720			1	
102	356148	INSULATING KIT W/BACKWARD S-O From B-1721 To H-3734			1	
102	352960	INSULATING KIT W/BACKWARD S-O From H-3735			1	
103	320253	INSULATING KIT W/FORWARD S-O From 8-0771 To A-1720			1	
103	356147	INSULATING KIT W/FORWARD S-O From B-1721 To H-3734			1	
103	352961	INSULATING KIT W/FORWARD S-O From H-3735			1	
104	328459	INSULATING KIT W/CURBSIDE S-O To A-1720			1	
104	356149	INSULATING KIT W/CURBSIDE S-O From B-1721 To H-3734			1	
104	352933	INSULATING KIT W/CURBSIDE S-O From H-3735			1	
105	328375	INSULATING KIT W/O S-O To A-1720			1	
105	356135	INSULATING KIT W/O S-O From B-1721 To H-3734			1	
105	352972	INSULATING KIT W/O S-O From H-3735			1	

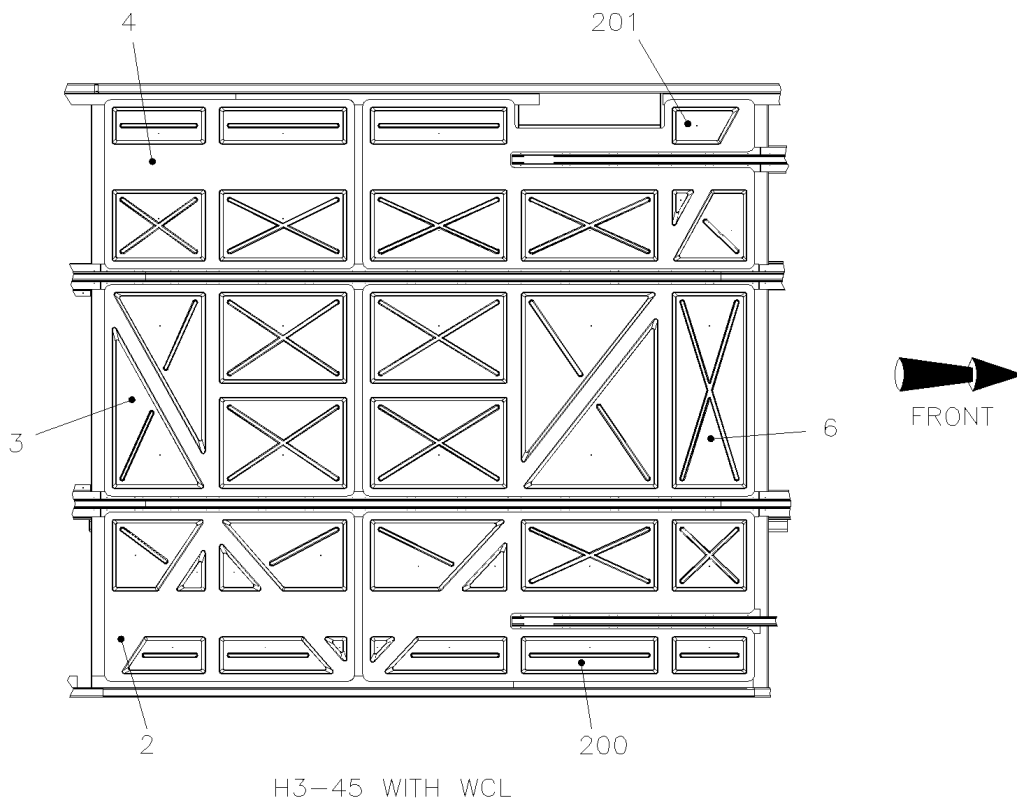
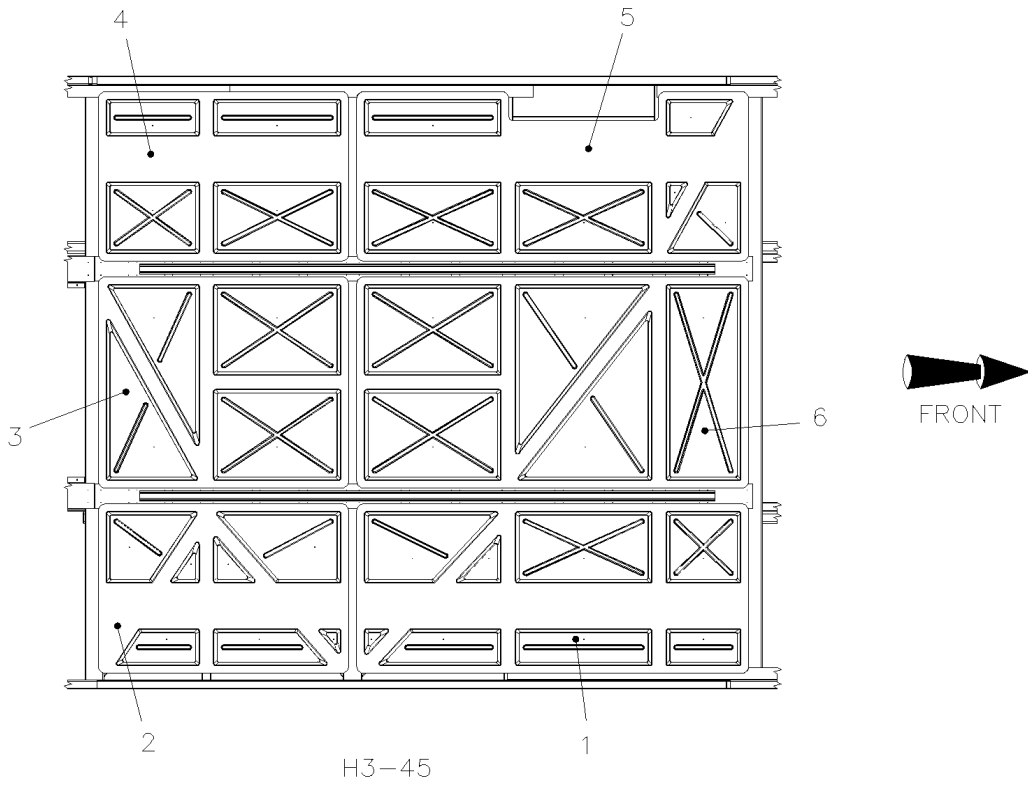
From 7-0671 To A-1490	Date:10/2022	PAGE:H7-1839-10
-----------------------	--------------	-----------------

**INSULATING FLOOR REAR AXLE**

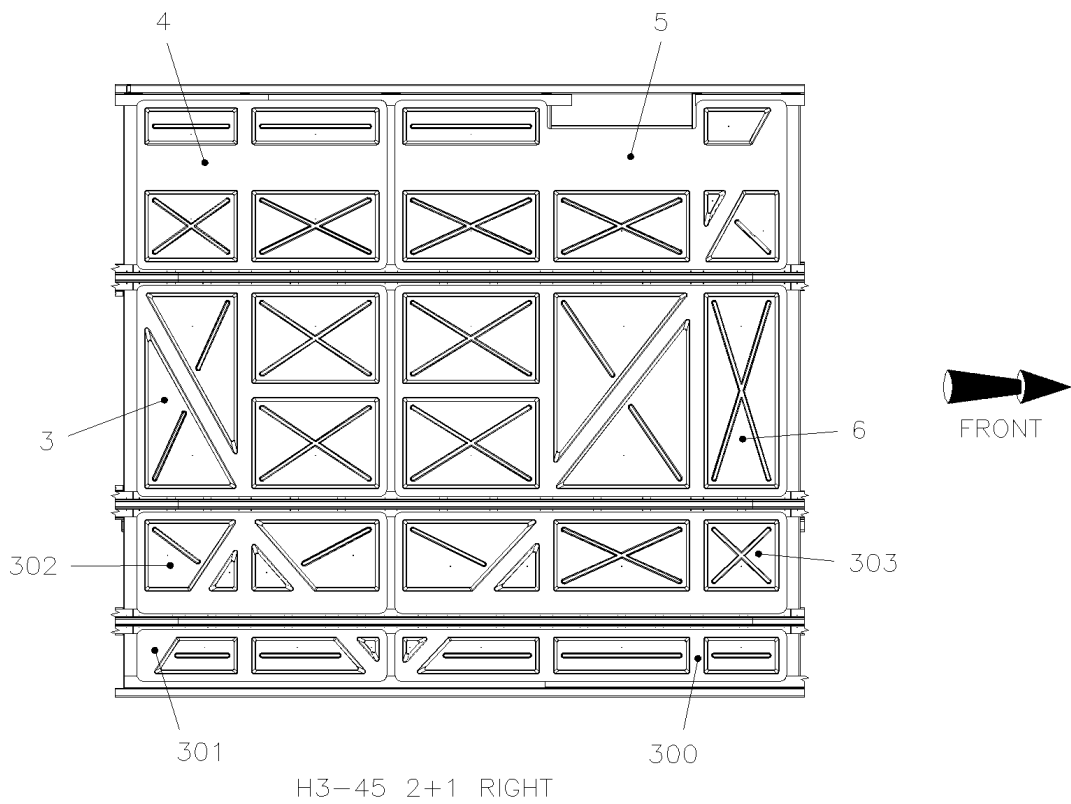
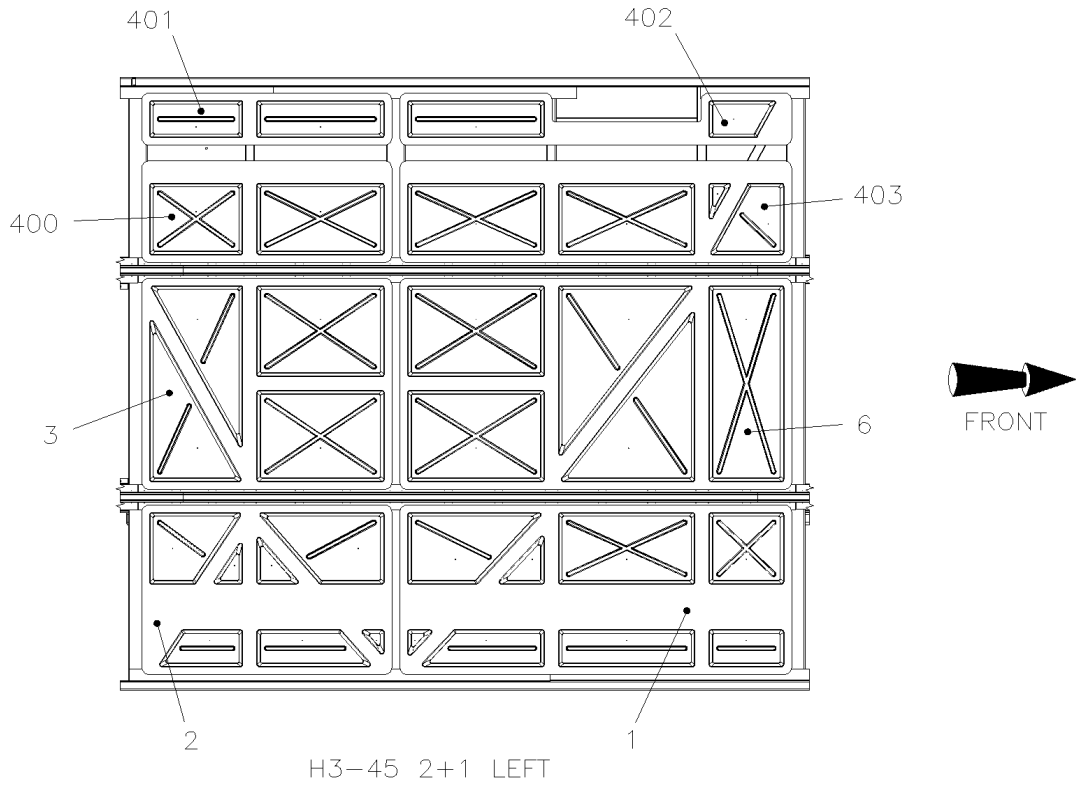
Item#	Part	Description	H 3 4 1	H 3 4 5	V I P 4 5	N O T E S



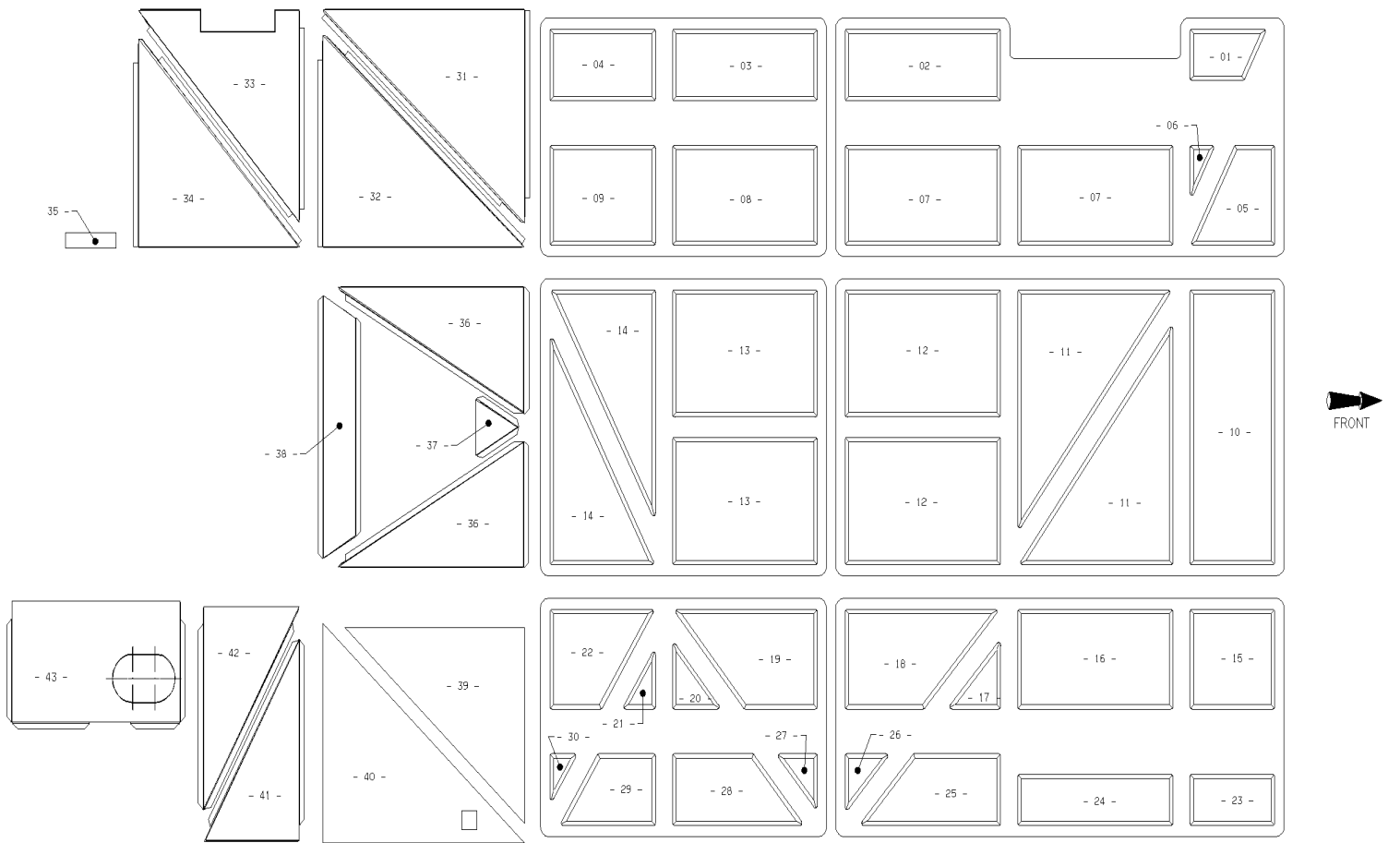
INSULATING FLOOR REAR AXLE



INSULATING FLOOR REAR AXLE



From A-1491 To H-3590	Date:10/2022	PAGE:H7-1839-11
<b>INSULATING FLOOR REAR AXLE</b>		



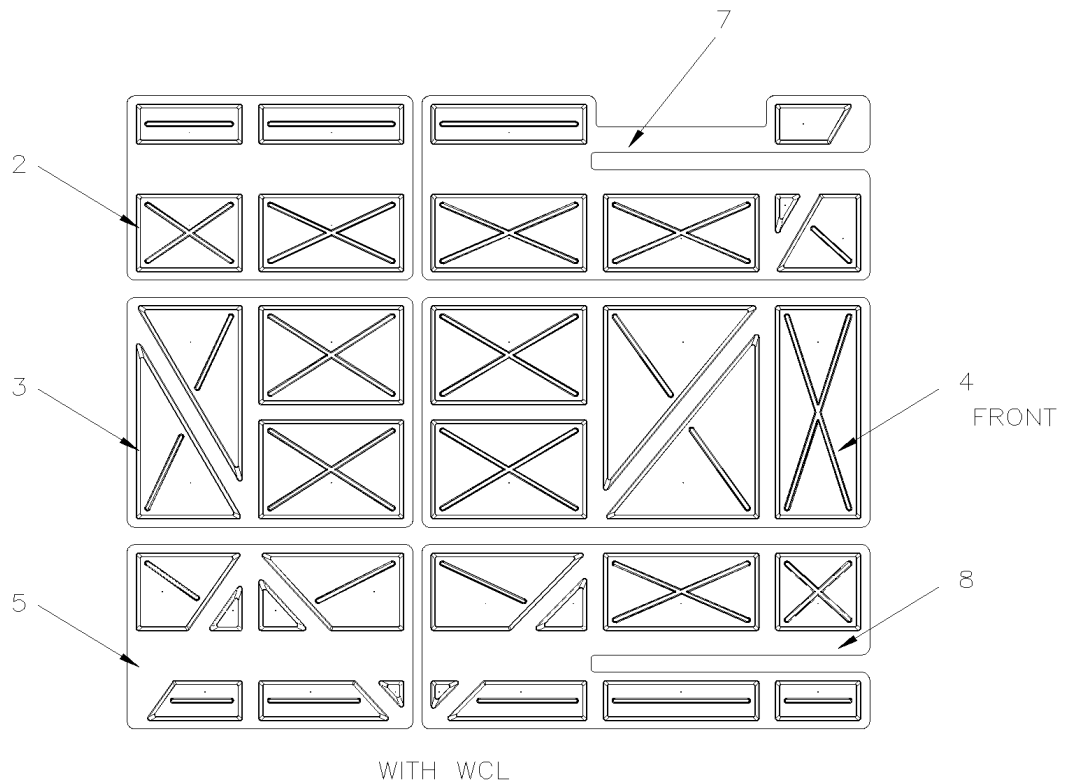
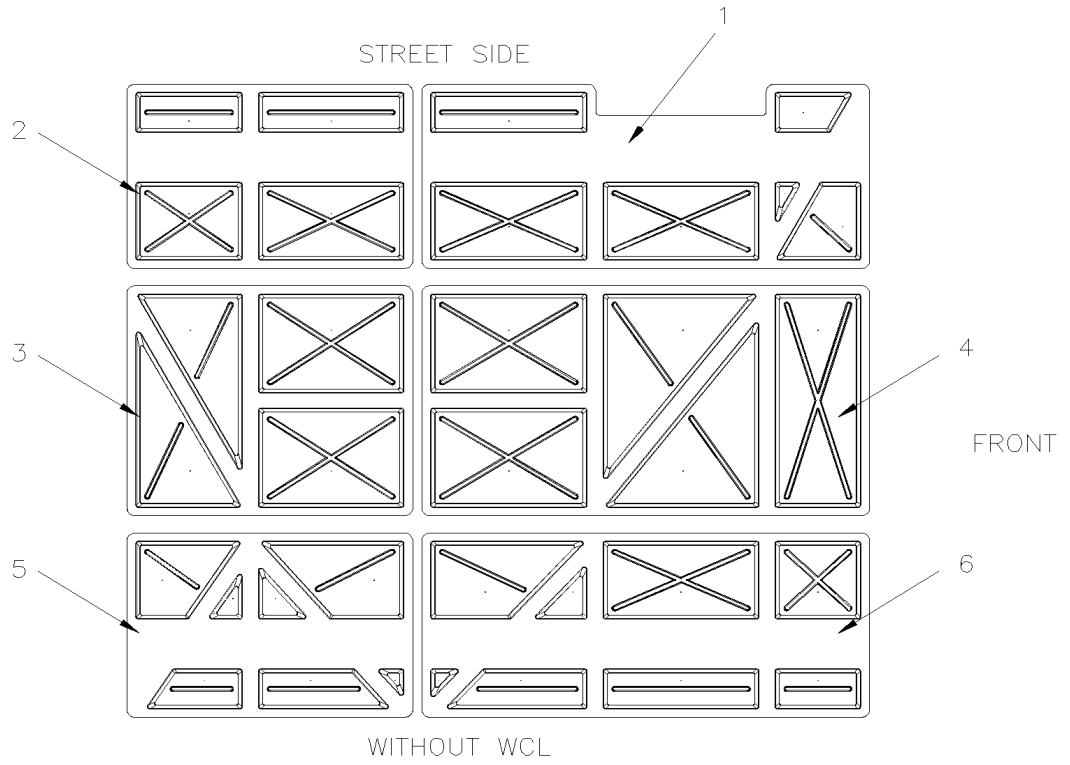
**SERVICE NOTE THAN NOT SOLD SEPARATELY ASK # 329069 CUT TO FIT**

From A-1491 To H-3590	Date:10/2022	PAGE:H7-1839-11
<b>INSULATING FLOOR REAR AXLE</b>		

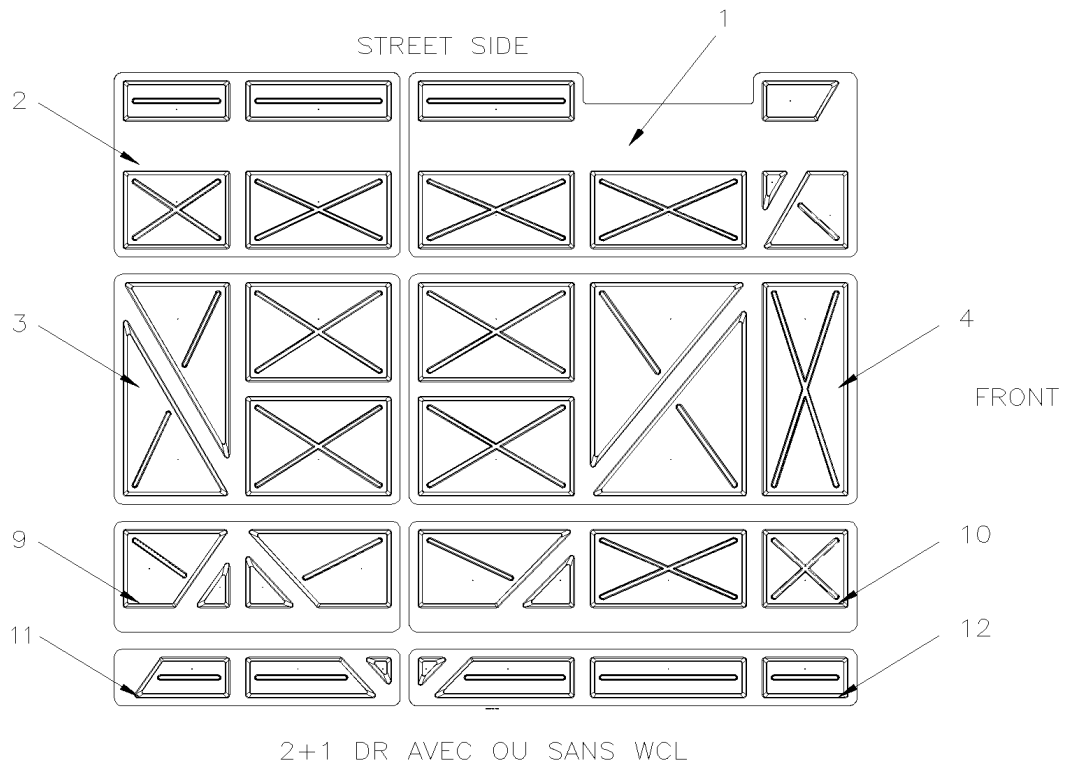
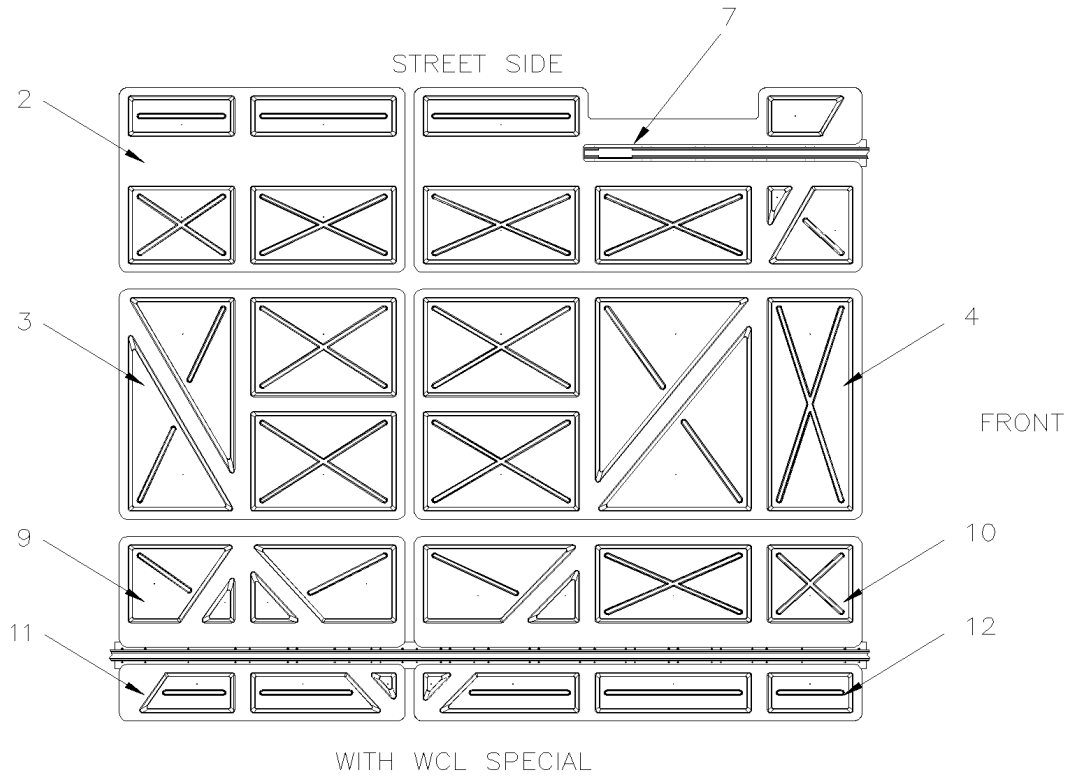
Item#	Part	Description	H 3 4 1	H 3 4 5	V I P 4 5	N O T E S
		IN SERVICE FOR REPLACEMNT OF INSULATING PAD				
		WE DO NOT HAVE A SEPARATE PARTS NUMBER				
		FOR ITEM 1 TO 39 PLEASE ASK # 329069				
	351707	INSULATING KIT INCLUDE ITEMS 1# TO #43 To A-1720	AR	AR		
	356101	INSULATING KIT INCLUDE ITEMS 1# TO #43 From B-1721	AR	AR		
NS	329069	INSULATING PAD 48" X 48" / CUT TO FIT	AR	AR		
1	Call order desk	INSULATING HOLDER	1	1		P
2	Call order desk	INSULATING HOLDER	1	1		P
3	Call order desk	INSULATING HOLDER	1	1		P
4	Call order desk	INSULATING HOLDER	1	1		P
5	Call order desk	INSULATING HOLDER	1	1		P
6	Call order desk	INSULATING HOLDER	1	1		P
200	Call order desk	INSULATING HOLDER	1	1		P
201	Call order desk	INSULATING HOLDER	1	1		P
300	Call order desk	INSULATING HOLDER	1	1		P
301	Call order desk	INSULATING HOLDER	1	1		P
302	Call order desk	INSULATING HOLDER	1	1		P
303	Call order desk	INSULATING HOLDER	1	1		P
400	320341	INSULATING HOLDER	1	1		
401	320340	INSULATING HOLDER	1	1		
402	320342	INSULATING HOLDER	1	1		
403	320343	INSULATING HOLDER	1	1		
		P) CALL ORDER DESK FOR SPECIFIC APPLICATION (V.I.N.)				



INSULATING FLOOR REAR AXLE

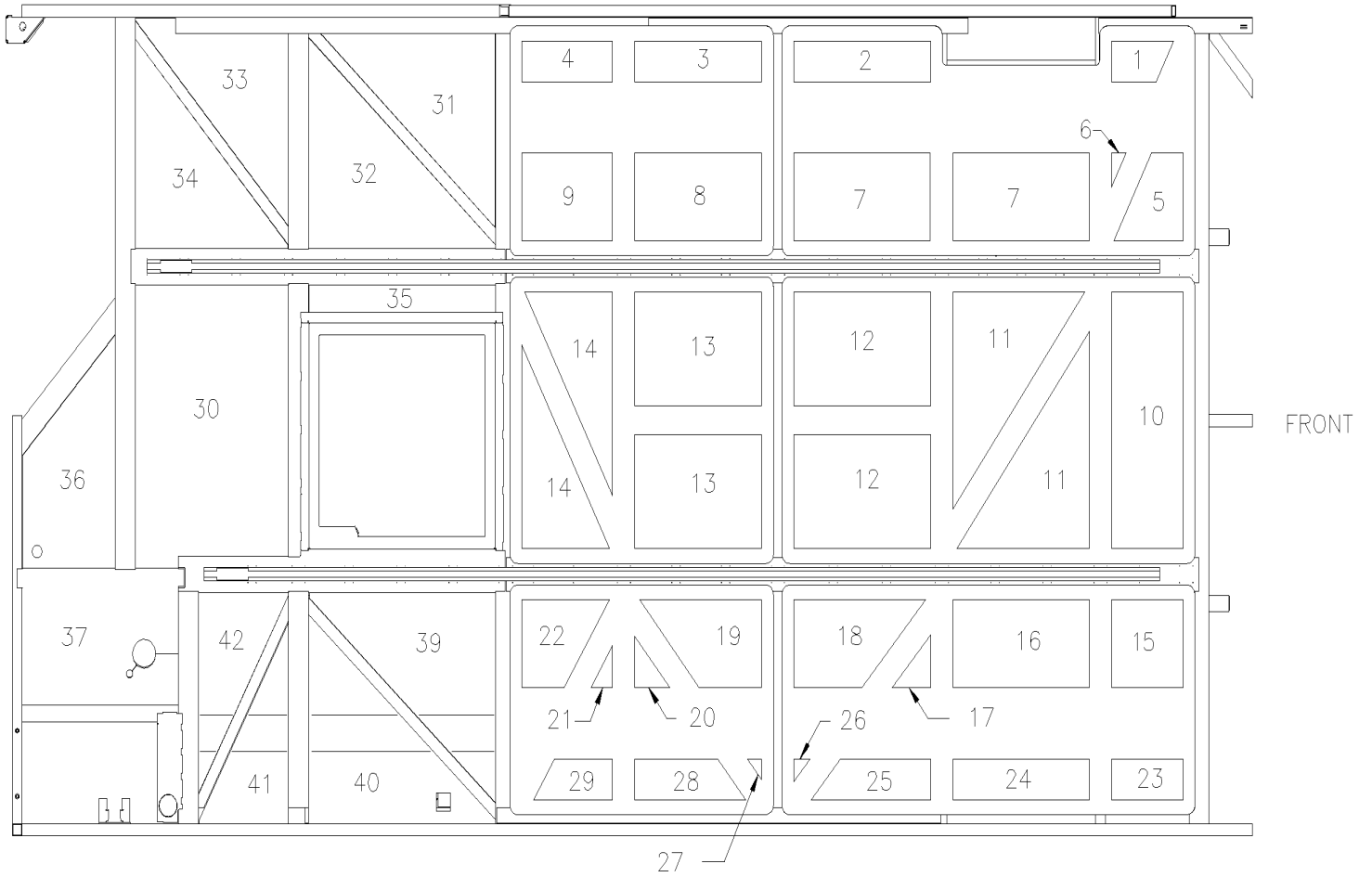


INSULATING FLOOR REAR AXLE



**INSULATING FLOOR REAR AXLE**

STREET SIDE



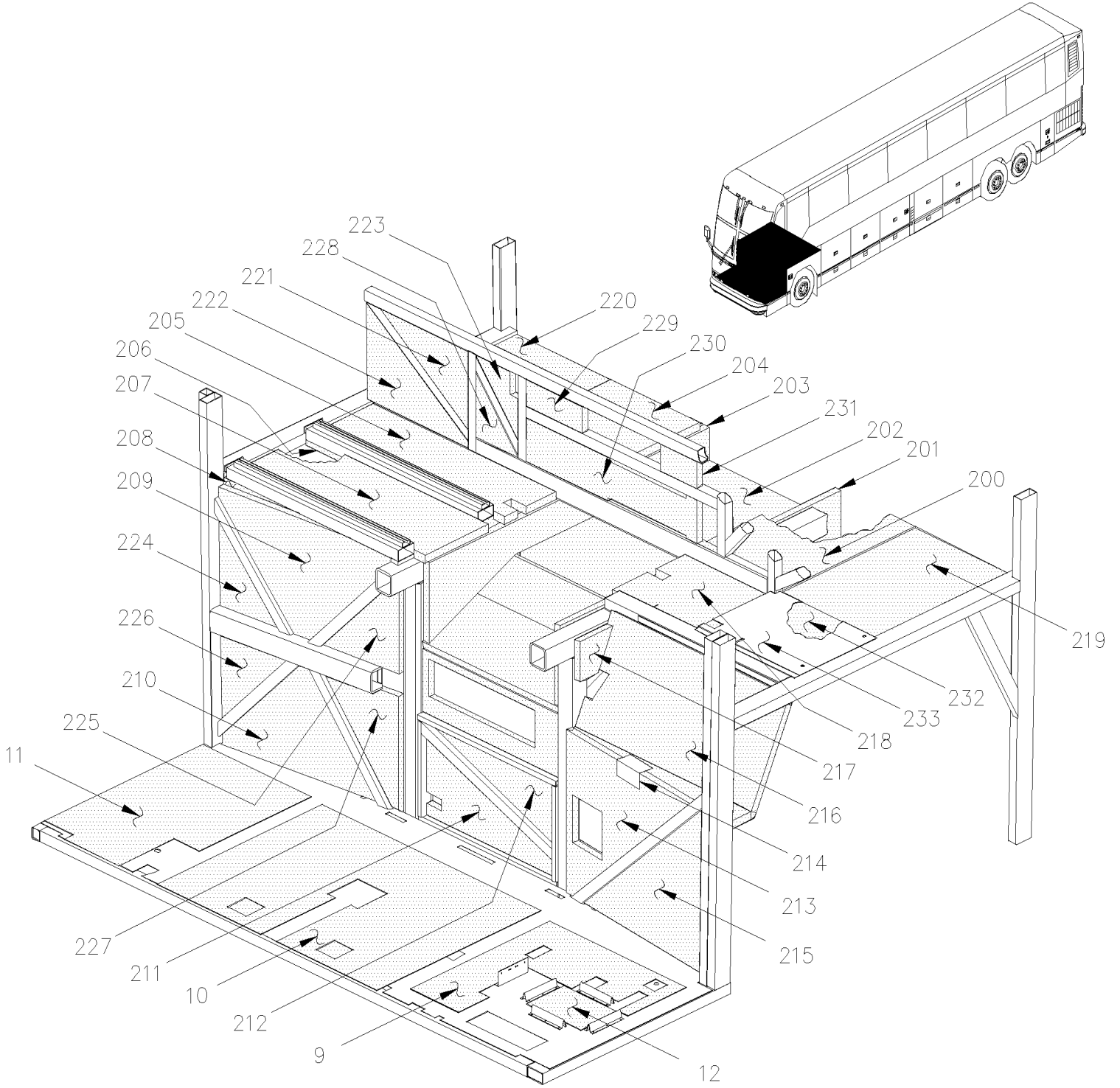
FOR SERVICE: NOT SOLD SEPARATELY, ASK PART NUMBER 352974 FOR CUT TO FIT ISOLATION KIT

From H-3591 To J-0184 Date:10/2022 PAGE:H7-1839-12

**INSULATING FLOOR REAR AXLE**

Item#	Part	Description	H 3 4 1	H 3 4 5	V I P 4 5	N O T E S
		FOR REMPLACEMENT INSULATING PAD KIT PLEASE ASK FOR PART NUMBER 352974	1	1	1	
	352974	INSULATING KIT INCLUDE ITEMS 1 TO 42	1	1		
1	Call order desk	INSULATING HOLDER	1	1		P
2	Call order desk	INSULATING HOLDER	1	1		P
3	Call order desk	INSULATING HOLDER	1	1		P
4	Call order desk	INSULATING HOLDER	1	1		P
5	Call order desk	INSULATING HOLDER	1	1		P
6	Call order desk	INSULATING HOLDER	1	1		P
7	Call order desk	INSULATING HOLDER	1	1		P
8	Call order desk	INSULATING HOLDER	1	1		P
9	Call order desk	INSULATING HOLDER	1	1		P
10	Call order desk	INSULATING HOLDER	1	1		P
11	Call order desk	INSULATING HOLDER	1	1		P
12	Call order desk	INSULATING HOLDER	1	1		P
		P) CALL ORDER DESK FOR SPECIFIC APPLICATION (V.I.N.)				

INSULATING FRONT - SUBFRAME



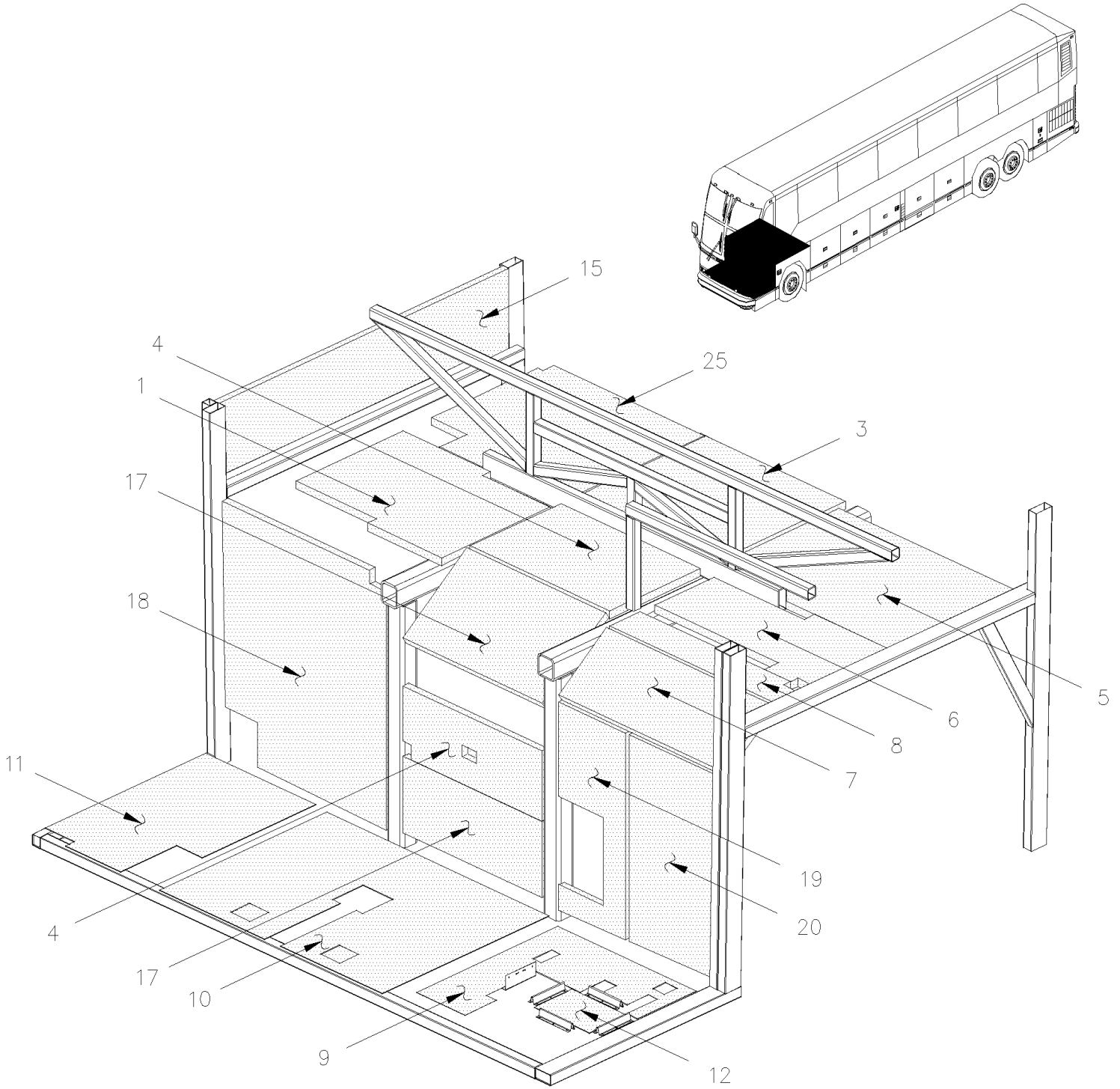
V.I.P. WITH INDEPENDANT SUSPENSION

From 7-0671 To 9-1469

Date:10/2022

PAGE:H7-1839-15

## INSULATING FRONT - SUBFRAME



BUS

From 7-0671 To 9-1469	Date:10/2022	PAGE:H7-1839-15
<b>INSULATING FRONT - SUBFRAME</b>		

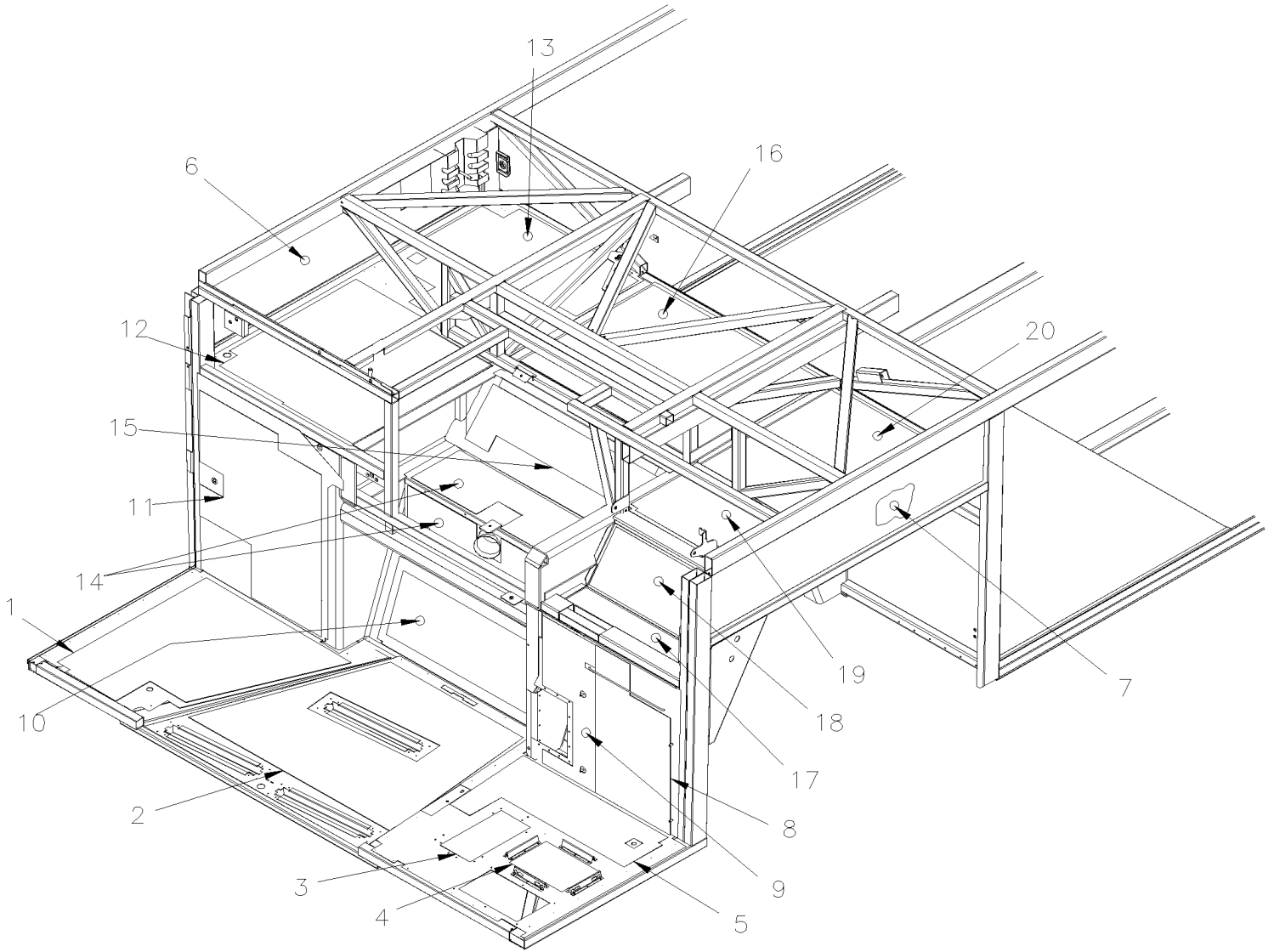
Item#	Part	Description	H 3 4 1	H 3 4 5	V I P 4 5	N O T E S
	850024	INSULATING PAD NOISE ADH1 1/16" x 40" x 54"	AR	AR	AR	A
1	350185	SOUND INSULATOR PANEL	1	1		
NS	350477	SOUND INSULATOR PANEL / FORWARD			1	
NS	350261	SOUND INSULATOR PANEL / BACKWARD			1	
NS	350479	SOUND INSULATOR PANEL			1	
3	350476	SOUND INSULATOR PANEL	1	1		
NS	350483	SOUND INSULATOR PANEL			1	
NS	350484	SOUND INSULATOR PANEL			2	
4	350793	SOUND INSULATOR PANEL / W/SMALL A/C	2	2	2	
5	350558	SIDE INSULATION PANEL	1	1	1	
6	350345	SOUND INSULATOR PANEL	1	1	1	
NS	350793	SOUND INSULATOR PANEL / W/SMALL A/C			1	
7	350371	SOUND INSULATOR PANEL To 8-1126	1	1	1	
7	351926	SOUND INSULATOR PANEL From 8-1127	1	1	1	
8	350346	SOUND INSULATOR PANEL	1	1	1	
9	350193	SOUND INSULATOR PANEL	1	1	1	
10	350194	SOUND INSULATOR PANEL	1	1	1	
10	350685	SOUND INSULATOR PANEL			1	
11	350668	SOUND INSULATOR PANEL / (UNDER FLOOR)	1	1	1	
11	326206	SOUND INSULATOR PANEL / (UNDER FLOOR)	1	1	1	
12	350219	SOUND INSULATOR PANEL	1	1	1	
15	350196	SOUND INSULATOR PANEL	1	1	1	
17	350198	SOUND INSULATOR PANEL	2	2	2	
18	350475	SOUND INSULATOR PANEL	1	1	1	
18	351333	INSULATING PAD 1" 1/2 WHITE (850018)	1	1	1	W
19	350200	SOUND INSULATOR PANEL	1	1	1	
20	350637	SOUND INSULATOR PANEL	1	1	1	
25	350260	SOUND INSULATOR PANEL	1	1	1	
25	350347	SOUND INSULATOR PANEL	1	1	1	
25	350720	SOUND INSULATOR PANEL	2	2	2	
NS	350348	SOUND INSULATOR PANEL	1	1	1	
200	326054	INSULATING PAD 1" 1/16	1	1	1	
201	325360	INSULATING PAD 1"	1	1	1	
202	326329	INSULATING PAD 1" 1/16				
203	325357	INSULATING PAD NOISE 1"	1	1	1	
204	326047	INSULATING PAD 1" 1/16	1	1	1	
205	326048	INSULATING PAD 1" 1/16	1	1	1	
206	326049	INSULATING PAD 13/16"	1	1	1	
207	326050	INSULATING PAD 1" 1/16	1	1	1	
208	326052	INSULATING PAD 13/16"	1	1	1	
209	326051	INSULATING PAD 1" 1/16	1	1	1	
210	326053	INSULATING PAD 1" 1/16	1	1	1	

From 7-0671 To 9-1469	Date:10/2022	PAGE:H7-1839-15
<b>INSULATING FRONT - SUBFRAME</b>		

Item#	Part	Description	H 3 4 1	H 3 4 5	V I P 4 5	N O T E S
211	325353	INSULATING PAD 1"	1	1	1	
212	325352	INSULATING PAD 1"	1	1	1	
213	326056	INSULATING PAD 1" 1/16	1	1	1	
215	326081	INSULATING PAD 1" 1/16	1	1	1	
216	326055	INSULATING PAD 1" 1/16	1	1	1	
217	326082	INSULATING PAD 1" 1/16	1	1	1	
218	326084	INSULATING PAD 1" 1/16	1	1	1	
219	326253	INSULATING PAD 1" 1/16	1	1	1	
220	326124	INSULATING PAD 1" 1/16	1	1	1	
222	326400	INSULATING PAD 1" 1/16	1	1	1	
223	326397	INSULATING PAD 1" 1/16	1	1	1	
224	326334	INSULATING PAD 1" 1/16	1	1	1	
225	326331	INSULATING PAD 1" 1/16	1	1	1	
226	326333	INSULATING PAD 1" 1/16	1	1	1	
227	326332	INSULATING PAD 1" 1/16	1	1	1	
228	326398	INSULATING PAD 1" 1/16	1	1	1	
229	326414	INSULATING PAD 1" 1/16	1	1	1	
230	326416	INSULATING PAD 1" 1/16	1	1	1	
231	326415	INSULATING PAD 1" 1/16	1	1	1	
232	326684	INSULATING PAD 1" 1/16	1	1	1	
232	850032	INSULATION PAD NOISE 1" x 48" x 35' / ARMAFLEX POLYURETHANE FOAM	AR	AR	AR	
NS	850058	INSULATING PAD 13/16" X 40" X 54"	AR	AR	AR	B
NS	850061	SOUND INSULATION 1"1/16X36X54	AR	AR	AR	B
NS	850030	INSULATING PAD NOISE ADH1 1" x 54" x 72"	AR	AR	AR	B
		A) RAW MATERIAL TO MAKE ITEM 1 TO 25				
		B) RAW MATERIAL TO MAKE ITEM 200 AND MORE				
		W) AS REQUIRE BY WB-92-21				

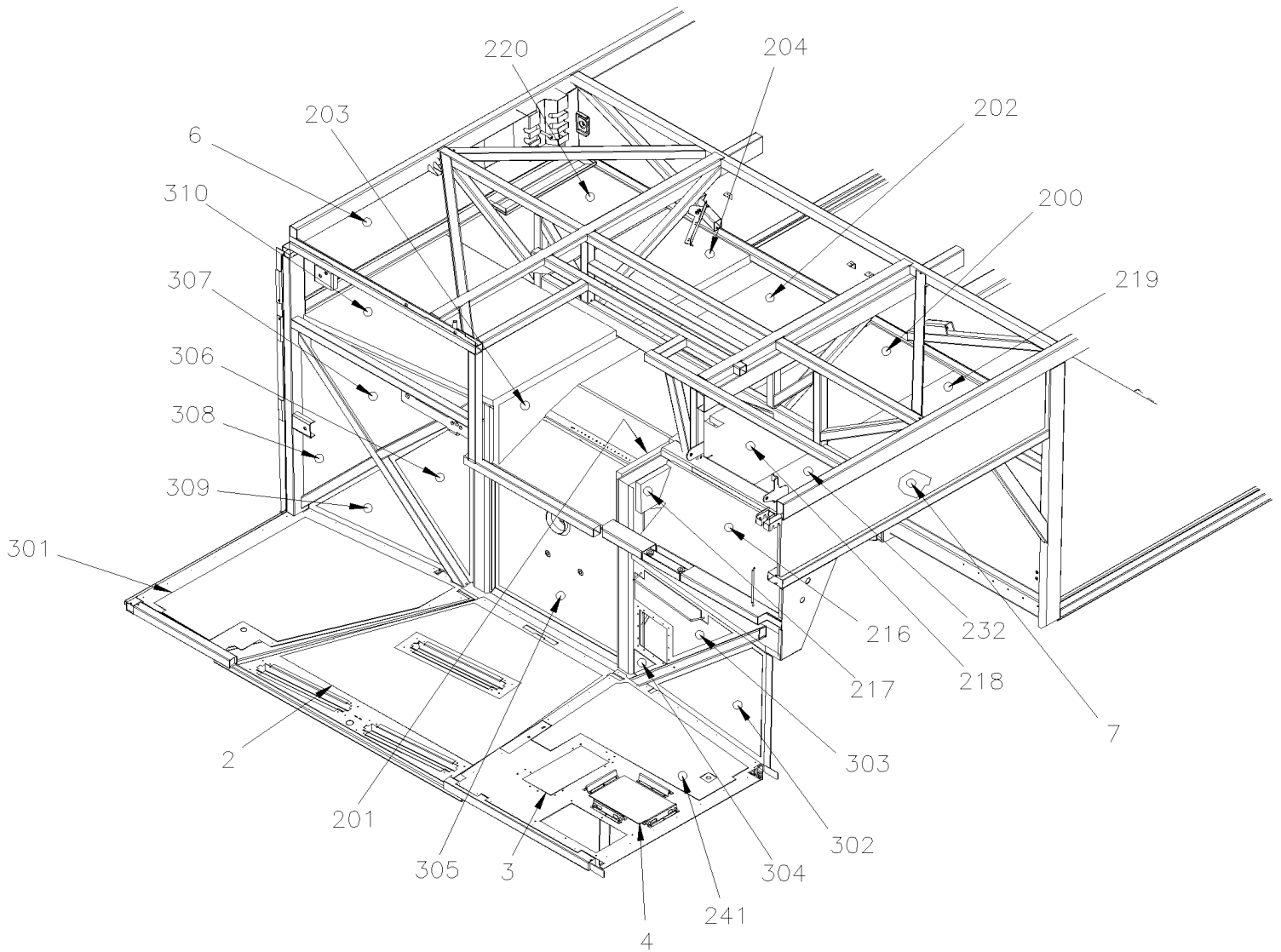


**INSULATING FRONT - SUBFRAME**



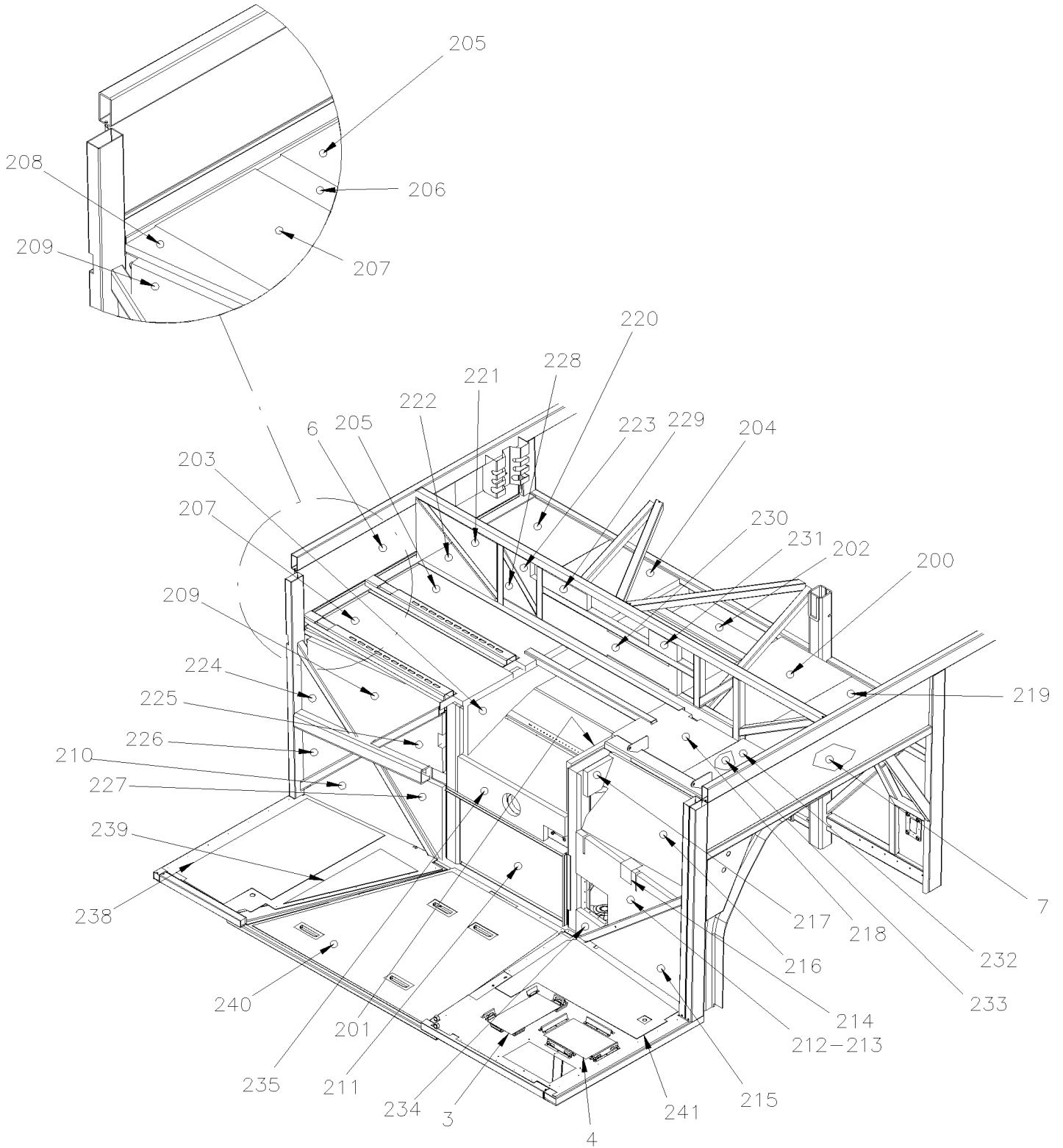
BUS WITH I-BEAM SUSPENSION

INSULATING FRONT - SUBFRAME



BUS WITH INDEPENDANT SUSPENSION

INSULATING FRONT - SUBFRAME



VIP WITH INDEPENDANT SUSPENSION

<b>From A-1470 To E-2504</b>	<b>Date:10/2022</b>	<b>PAGE:H7-1839-16</b>
------------------------------	---------------------	------------------------

**INSULATING FRONT - SUBFRAME**

Item#	Part	Description	H 3 4 1	H 3 4 5	V I P 4 5	N O T E S
	850024	INSULATING PAD NOISE ADH1 1/16" x 40" x 54"	AR	AR	AR	
1	352001	SOUND INSULATOR PANEL	1	1		
2	351973	SOUND INSULATOR PANEL	1	1	1	
3	351776	SOUND INSULATOR PANEL	1	1	1	
4	350219	SOUND INSULATOR PANEL	1	1	1	
5	352000	SOUND INSULATOR PANEL	1	1	1	
6	350196	SOUND INSULATOR PANEL	1	1	1	
6	350347	SOUND INSULATOR PANEL	1	1	1	
7	350720	SOUND INSULATOR PANEL	1	1	1	
7	351779	SOUND INSULATOR PANEL 44	1	1	1	
7	351776	SOUND INSULATOR PANEL 45	1	1	1	
8	350637	SOUND INSULATOR PANEL	1	1	1	
9	350193	SOUND INSULATOR PANEL	1	1	1	
9	350200	SOUND INSULATOR PANEL	1	1	1	
10	350685	SOUND INSULATOR PANEL	1	1	1	
11	350195	SOUND INSULATOR PANEL	1	1	1	
11	351332	SOUND INSULATOR PANEL	1	1	1	
12	350219	SOUND INSULATOR PANEL	1	1	1	
12	350185	SOUND INSULATOR PANEL	1	1	1	
12	350219	SOUND INSULATOR PANEL	1	1	1	
13	350260	SOUND INSULATOR PANEL	1	1	1	
14	350793	SOUND INSULATOR PANEL / W/SMALL A/C	1	1	1	
15	350196	SOUND INSULATOR PANEL	1	1	1	
15	351452	SOUND INSULATOR PANEL To E-2504	1	1	1	
15	356520	SOUND INSULATOR PANEL From E-2505	1	1	1	
16	351855	SOUND INSULATOR PANEL To E-2504	1	1	1	
16	3200655	INSULATING PAD 1"1/16 From E-2505	1	1	1	
17	351926	SOUND INSULATOR PANEL	1	1	1	
NS	414654	DRAIN BOOT 1" I.D. W/GROOVE 1.5 x 35MM I.D. x 85MM	1	1	1	
18	351984	SOUND INSULATOR PANEL	1	1	1	
19	351997	SOUND INSULATOR PANEL	1	1	1	
20	350358	SOUND INSULATOR PANEL	1	1	1	
22	350347	SOUND INSULATOR PANEL	1	1	1	
22	350720	SOUND INSULATOR PANEL	1	1	1	
22	350559	SOUND INSULATOR PANEL	1	1	1	
31	350401	SOUND INSULATOR PANEL REAR	1	1	1	
32	350402	SOUND INSULATOR PANEL REAR	1	1	1	
199	850058	INSULATING PAD 13/16" X 40" X 54"	AR	AR	AR	
199	850030	INSULATING PAD NOISE ADH1 1" x 54" x 72"	AR	AR	AR	
199	850061	SOUND INSULATION 1"1/16X36X54	AR	AR	AR	

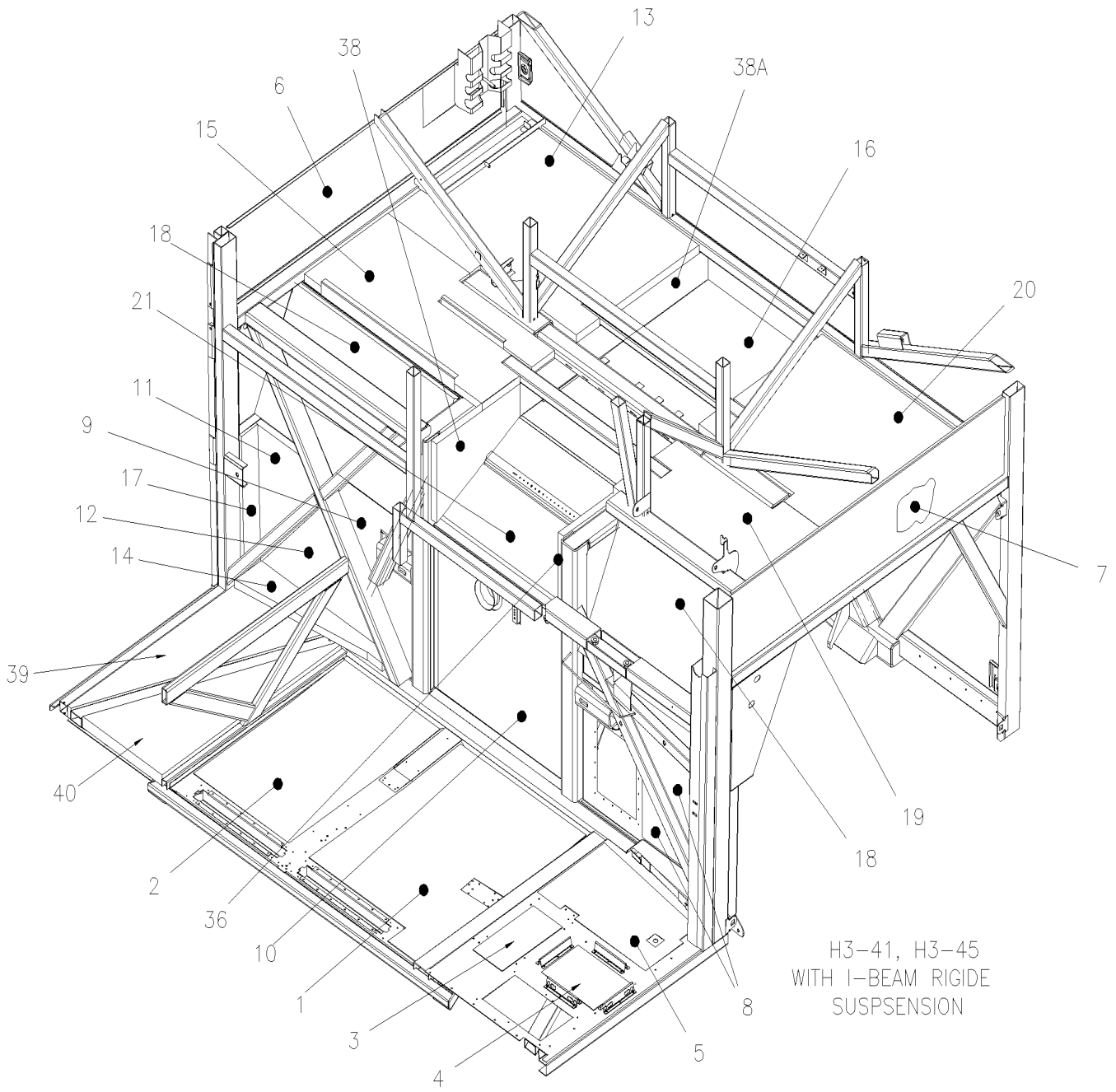
From A-1470 To E-2504	Date:10/2022	PAGE:H7-1839-16
<b>INSULATING FRONT - SUBFRAME</b>		

Item#	Part	Description	H 3 4 1	H 3 4 5	V I P 4 5	N O T E S
200	351494	INSULATING PAD 1" 1/16	1	1	1	
200	351768	INSULATING PAD 1" 1/16 W/SLIDE-OUT			1	
201	325360	INSULATING PAD 1"	1	1	1	
202	326329	INSULATING PAD 1" 1/16	1	1	1	
203	325357	INSULATING PAD NOISE 1"	1	1	1	
204	351493	INSULATING PAD 1" 1/16	1	1	1	
204	351769	INSULATING PAD 1" 1/16 W/SLIDE-OUT			1	
204	351927	INSULATING PAD 1" 1/16 W/SLIDE-OUT			1	
205	326048	INSULATING PAD 1" 1/16	1	1	1	
206	326049	INSULATING PAD 13/16"			1	
207	326050	INSULATING PAD 1" 1/16	1	1	1	
208	326052	INSULATING PAD 13/16"	1	1	1	
209	326051	INSULATING PAD 1" 1/16			1	
210	326053	INSULATING PAD 1" 1/16			1	
211	351488	INSULATING PAD 1"			1	
212	352583	INSULATING PAD 1" 1/16 From C-1910			1	
213	352091	INSULATING PAD 1" 1/16 To C-1909			1	
213	352584	INSULATING PAD 1" 1/16 From C-1910			1	
214	682484	TAPE ALUMINUM ADH1 .005" x 3" x 300' ALUMINUM FSK3"			AR	
215	326081	INSULATING PAD 1" 1/16			1	
216	351492	INSULATING PAD 1" 1/16	1	1	1	
217	326082	INSULATING PAD 1" 1/16	1	1	1	
218	326084	INSULATING PAD 1" 1/16	1	1	1	
219	326253	INSULATING PAD 1" 1/16	1	1	1	
220	326124	INSULATING PAD 1" 1/16	1	1	1	
221	326399	INSULATING PAD 1" 1/16	1	1	1	
222	326400	INSULATING PAD 1" 1/16	1	1	1	
223	326397	INSULATING PAD 1" 1/16	1	1	1	
224	326334	INSULATING PAD 1" 1/16			1	
225	326331	INSULATING PAD 1" 1/16			1	
226	326333	INSULATING PAD 1" 1/16			1	
227	326332	INSULATING PAD 1" 1/16	1	1	1	
228	326398	INSULATING PAD 1" 1/16	1	1	1	
229	326414	INSULATING PAD 1" 1/16	1	1	1	
230	326416	INSULATING PAD 1" 1/16	1	1	1	
231	326415	INSULATING PAD 1" 1/16	1	1	1	
232	326684	INSULATING PAD 1" 1/16	1	1	1	
233	326683	INSULATING PAD 1" 1/16	1	1	1	
234	351495	INSULATING PAD 1" 1/16			1	
235	351496	INSULATING PAD 1" 1/16	1	1	1	
238	352004	INSULATING PAD 1" 1/16			1	
239	352002	INSULATING PAD 1" 1/16			1	

From A-1470 To E-2504	Date:10/2022	PAGE:H7-1839-16
<b>INSULATING FRONT - SUBFRAME</b>		

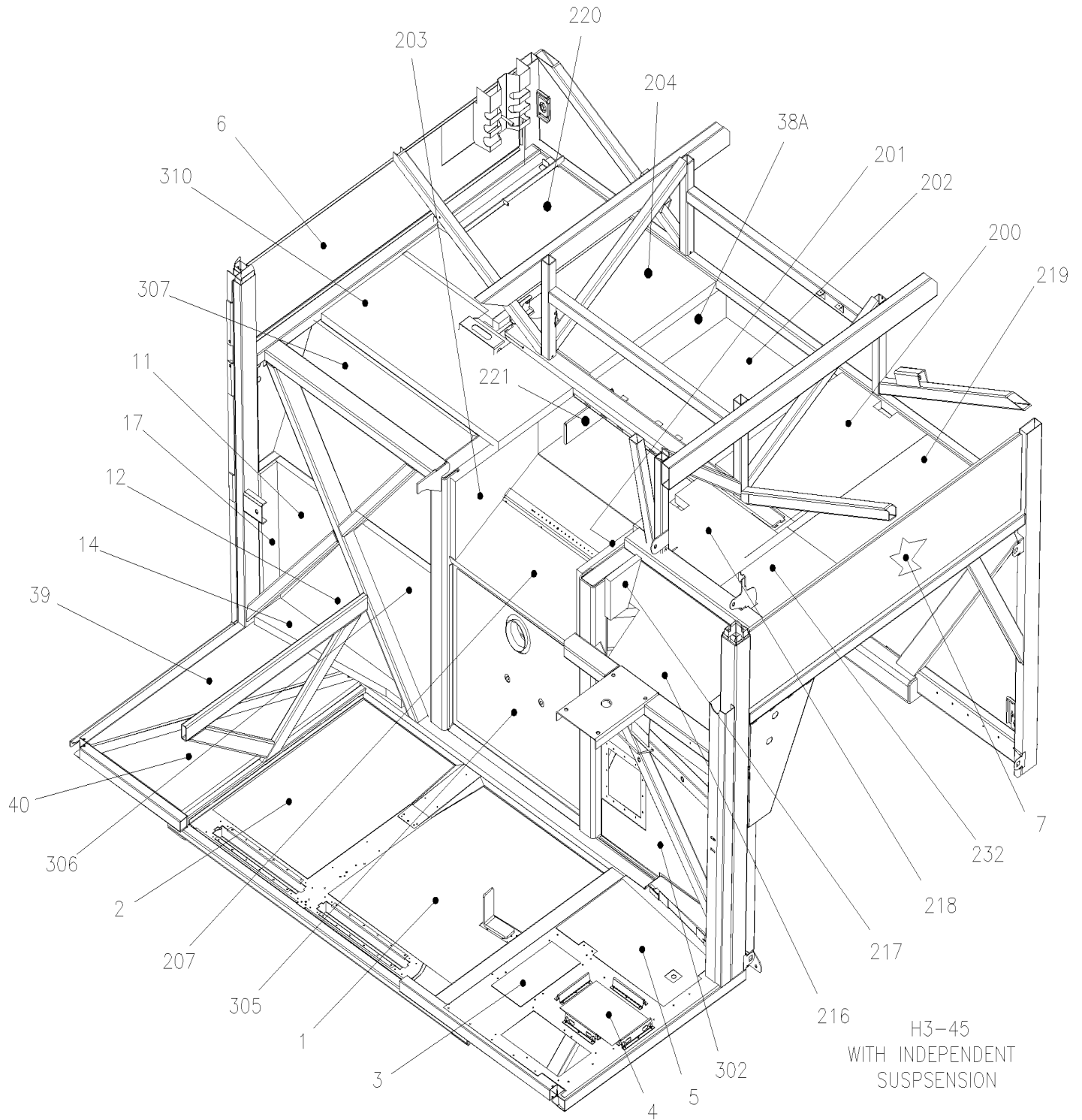
Item#	Part	Description	H 3 4 1	H 3 4 5	V I P 4 5	N O T E S
240	351974	INSULATING PAD 1" 1/16			1	
241	351970	INSULATING PAD 1" 1/16	1	1	1	
301	351972	INSULATING PAD 1" 1/16		1		
302	351996	INSULATING PAD 1" 1/16		1		
303	351995	INSULATING PAD 1" 1/16		1		
304	352003	INSULATING PAD 1" 1/16		1		
305	351994	INSULATING PAD 1" 1/16		1		
306	351992	INSULATING PAD 1" 1/16		1		
307	351990	INSULATING PAD 1" 1/16		1		
308	351991	INSULATING PAD 1" 1/16		1		
309	351993	INSULATING PAD 1" 1/16		1		
310	351989	INSULATING PAD 1" 1/16		1		
311	850032	INSULATION PAD NOISE 1" x 48" x 35' / ARMAFLEX POLYURETHANE FOAM	AR	AR	AR	
311	323847	INSULATING PAD 1"	1	1	1	
312	323849	INSULATING PAD 1"	1	1	1	

INSULATING FRONT - SUBFRAME



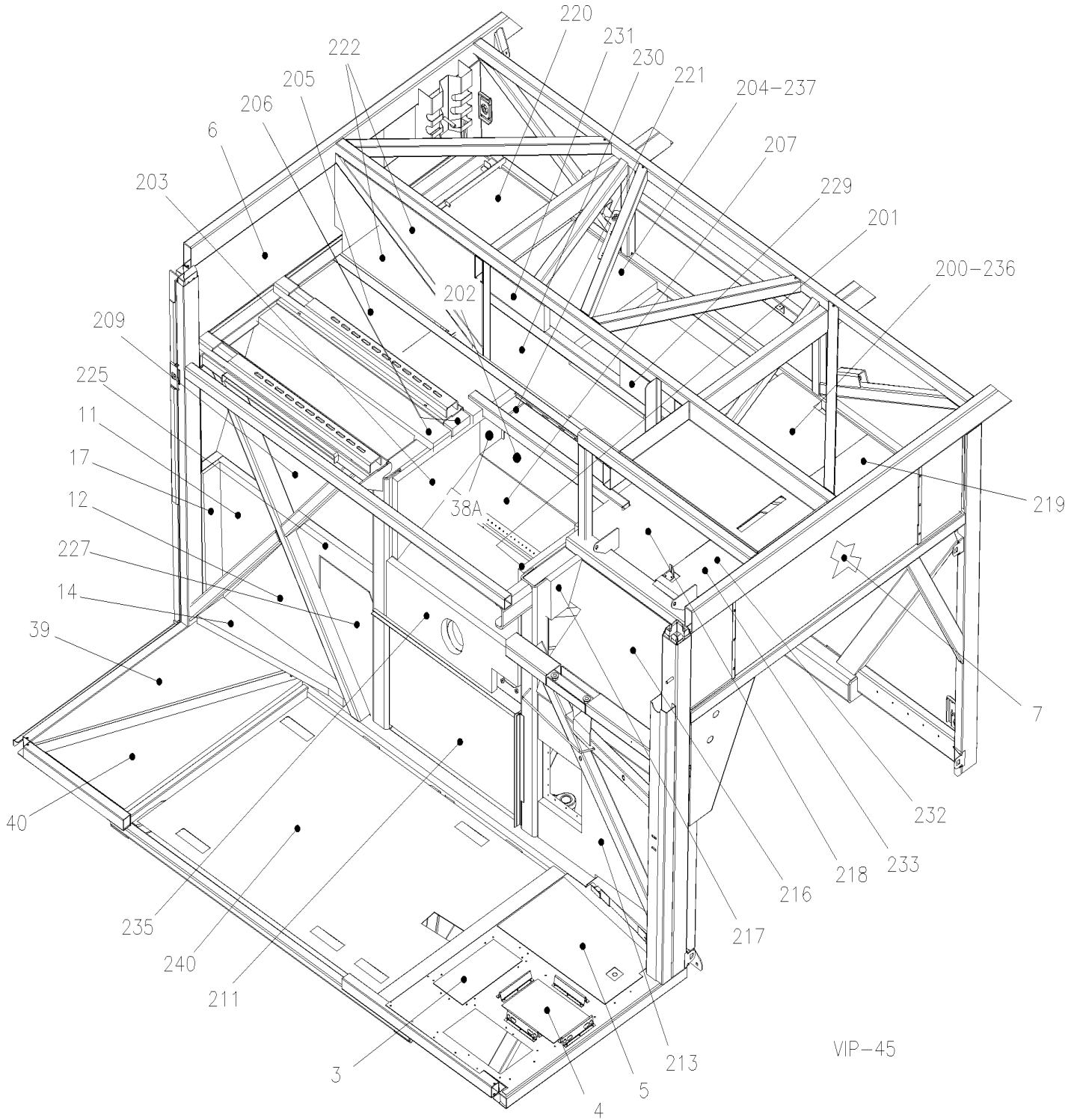


From E-2505 To J-0287	Date:10/2022	PAGE:H7-1839-17
INSULATING FRONT - SUBFRAME		





INSULATING FRONT - SUBFRAME



From E-2505 To J-0287	Date:10/2022	PAGE:H7-1839-17
<b>INSULATING FRONT - SUBFRAME</b>		

Item#	Part	Description	H 3 4 1	H 3 4 5	V I P 4 5	N O T E S
1	357389	SOUND INSULATOR PANEL	1	1		
2	357388	SOUND INSULATOR PANEL	1	1		
3	351776	SOUND INSULATOR PANEL	1	1	1	
4	350219	SOUND INSULATOR PANEL	1	1	1	
5	357376	SOUND INSULATOR PANEL	1	1	1	
6	350196	SOUND INSULATOR PANEL	1	1	1	
6	357387	SOUND INSULATION / 1" 1/16 From E-2608	1			
6	351779	SOUND INSULATOR PANEL			1	S
7	350347	SOUND INSULATOR PANEL	1	1	1	
7	350720	SOUND INSULATOR PANEL			2	A
7	351779	SOUND INSULATOR PANEL			1	S
7	351776	SOUND INSULATOR PANEL			1	B
8	357384	SOUND INSULATOR PANEL	1	1		
9	357390	SOUND INSULATOR PANEL	1	1		
10	357385	SOUND INSULATOR PANEL	1	1		
11	357378	INSULATING PAD 1" 1/16	1	1	1	
12	357379	INSULATING PAD 1" 1/16	1	1	1	
13	357381	INSULATING PAD 1" 1/16	1	1		
14	357386	INSULATING PAD 1" 1/16	1	1	1	
15	357380	INSULATING PAD 1" 1/16	1	1		
16	3200655	INSULATING PAD 1"1/16 To E-2641	1	1		
16	326521	INSULATING PAD 1"1/16 From E-2642 To F-2711	1	1		
16	3201195	INSULATING PAD 1"1/16 From F-2712	1	1		
17	357387	SOUND INSULATION / 1" 1/16	1	1		
17	353083	SOUND INSULATION	1	1		C
17	353081	SOUND INSULATION	2	2		C
17	353082	SOUND INSULATION	2	2		C
17	357397	INSULATING PAD 1" 1/16 To H-3502			1	
17	353089	INSULATING PAD From H-3503			1	
18	357377	INSULATING PAD 1" 1/16	2	2		
19	357382	INSULATING PAD 1" 1/16	1	1		
20	357383	INSULATING PAD 1" 1/16	1	1		
21	326520	INSULATING PAD 1"1/16	1	1		
22	350559	SOUND INSULATOR PANEL	2	2		
36	325360	INSULATING PAD 1" To F-2711	1	1		
36	3201198	INSULATING PAD NOISE 1" From F-2712	1	1		
38	325357	INSULATING PAD NOISE 1" To F-2711	1	1		
38	3201199	INSULATING PAD NOISE 1" From F-2712	1	1		
38A	3201196	INSULATING PAD From F-2712	2	2	2	
39	352628	INSULATING PAD	1	1	1	
40	352629	INSULATING PAD	1	1	1	
44	351779	SOUND INSULATOR PANEL			1	

From E-2505 To J-0287	Date:10/2022	PAGE:H7-1839-17
<b>INSULATING FRONT - SUBFRAME</b>		

Item#	Part	Description	H 3 4 1	H 3 4 5	V I P 4 5	N O T E S
200	352531	INSULATING PAD 1" 1/16		1	1	
201	352520	INSULATING PAD 1" To F-2711		1	1	
201	3201198	INSULATING PAD NOISE 1" From F-2712		1	1	
202	352526	INSULATING PAD 1" To F-2711		1	1	
202	3201195	INSULATING PAD 1"1/16 From F-2712		1	1	
203	352521	INSULATING PAD 1" To F-2711		1	1	
203	3201199	INSULATING PAD NOISE 1" From F-2712		1	1	
204	352530	INSULATING PAD 1" 1/16		1	1	
205	357396	INSULATING PAD 1" 1/16			1	
206	357395	INSULATING PAD 1" 1/16			2	
207	356520	SOUND INSULATOR PANEL	1	1	1	
209	357391	INSULATING PAD 1" 1/16			1	
211	351488	INSULATING PAD 1"			1	
213	353089	INSULATING PAD			1	
216	357398	INSULATING PAD 1" 1/16		1	1	
217	326082	INSULATING PAD 1" 1/16		1	1	
218	352527	INSULATING PAD 1" 1/16		1	1	
219	326253	INSULATING PAD 1" 1/16		1	1	
220	326124	INSULATING PAD 1" 1/16		1	1	
221	3200661	INSULATING PAD 5/16" To F-2711		2	2	
222	357402	INSULATING PAD 1" 1/16 To E-2504			2	
222	357402	INSULATING PAD 1" 1/16 From E-2505			1	
222	357403	INSULATING PAD 1" 1/16 From E-2505			1	R
222	356303	INSULATING PAD 1" 1/16 From E-2505			1	L
225	357401	INSULATING PAD 1" 1/16			1	
227	357400	INSULATING PAD 1" 1/16			1	
229	326414	INSULATING PAD 1" 1/16			1	
230	352525	INSULATING PAD 1" 1/16			1	
231	326415	INSULATING PAD 1" 1/16			1	
232	326684	INSULATING PAD 1" 1/16		1	1	
233	326683	INSULATING PAD 1" 1/16			1	
235	351496	INSULATING PAD 1" 1/16			1	
236	352529	INSULATING PAD 1" 1/16 W/SLIDE-OUT			1	L
236	351768	INSULATING PAD 1" 1/16 W/SLIDE-OUT To E-2607			1	R
237	352528	INSULATING PAD 1" 1/16 W/SLIDE-OUT			1	L
237	351927	INSULATING PAD 1" 1/16 W/SLIDE-OUT			1	R
240	357399	SOUND INSULATOR PANEL			1	
241	357376	SOUND INSULATOR PANEL		1		
302	357394	SOUND INSULATOR PANEL To H-3502		1		
302	353092	SOUND INSULATOR PANEL From H-3503		1		
305	351994	INSULATING PAD 1" 1/16		1		
306	357393	INSULATING PAD 1" 1/16		1		

From E-2505 To J-0287	Date:10/2022	PAGE:H7-1839-17
<b>INSULATING FRONT - SUBFRAME</b>		

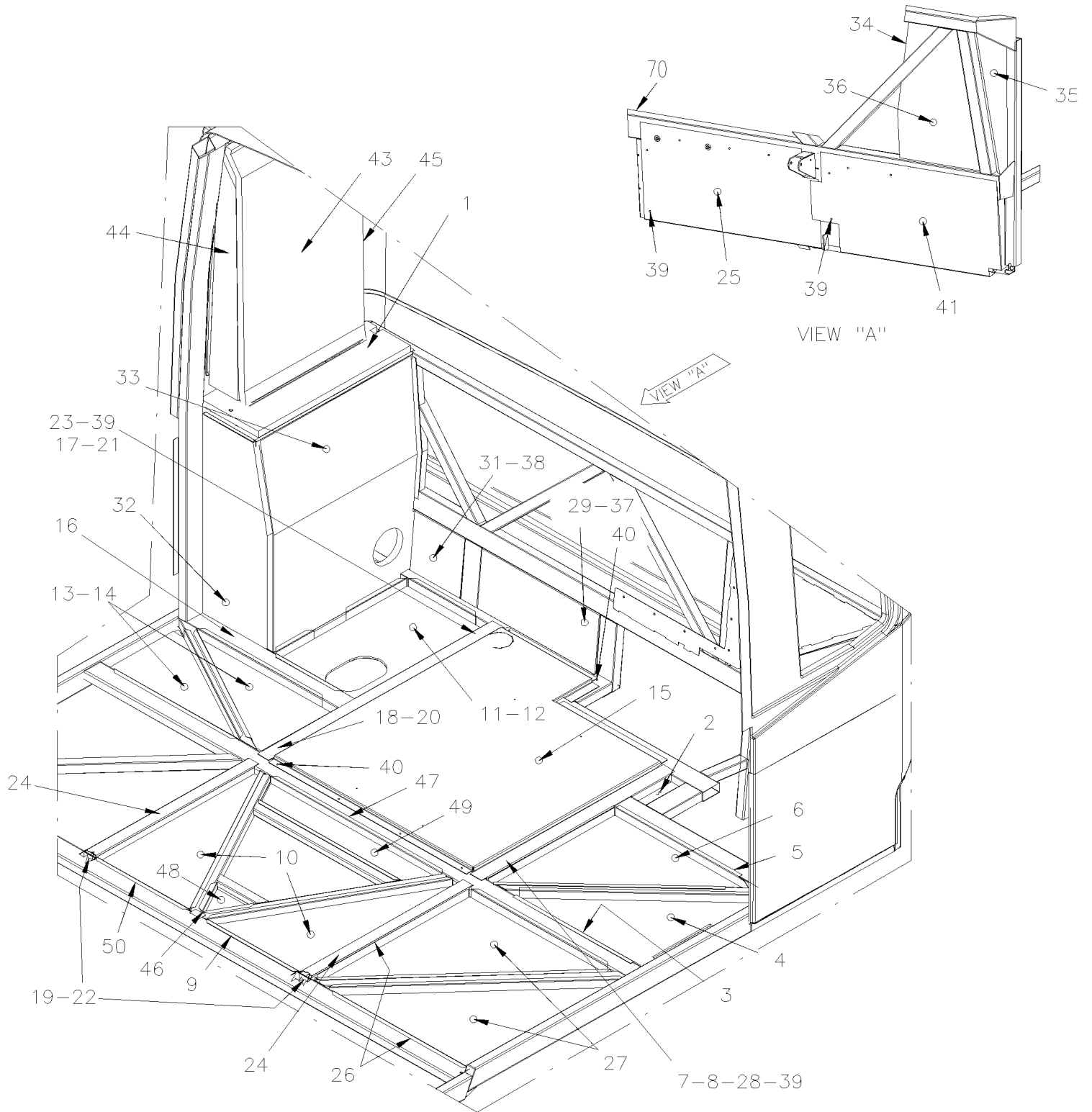
Item#	Part	Description	H 3 4 1	H 3 4 5	V I P 4 5	N O T E S
307	357391	INSULATING PAD 1" 1/16		1		
310	357392	INSULATING PAD 1" 1/16		1		
NS	850024	INSULATING PAD NOISE ADH1 1/16" x 40" x 54"			AR	
NS	850061	SOUND INSULATION 1"1/16X36X54 To E-2607			AR	
NS	850030	INSULATING PAD NOISE ADH1 1" x 54" x 72"			AR	
NS	850059	INSULATING PAD NOISE ADH1 5/16" X 40" X 54"			AR	
		A) WITH SMALL A/C SYSTEM				
		B) WITH LARGE A/C SYSTEM				
		C) SPECIAL OPTION HARD INSULATION				
		L) WITH STREET SIDE SLIDE OUT				
		R) WITH BOTH FRONT SIDE SLIDE OUT				
		S) WITH SLIDE OUT				

From 7-0671 To A-1720

Date:10/2022

PAGE:H7-1839-20

INSULATING REAR ENGINE COMPARTMENT



From 7-0671 To A-1720	Date:10/2022	PAGE:H7-1839-20
<b>INSULATING REAR ENGINE COMPARTMENT</b>		

Item#	Part	Description	H 3 4 1	H 3 4 5	V I P 4 5	N O T E S
1	350300	INSULATING PAD 235MM X 654MM	1	1	1	
2	351681	INSULATING PAD ASSY 176MM X 59MM	1	1	1	
3	351682	INSULATING HOLDER PERFORATED ALUMINUM	1	1	1	
4	351683	INSULATING PAD 668MM X 617MM	1	1	1	
5	351684	INSULATING HOLDER PERFORATED ALUMINUM	1	1	1	
6	351685	INSULATING PAD 570MM X 625MM	1	1	1	
7	351688	INSULATING PAD 52MM X 831MM	1	1	1	
8	351687	INSULATING PAD 52MM X 831MM	1	1	1	
9	351219	INSULATING HOLDER PERFORATED ALUMINUM	1	1	1	
9	351856	INSULATING HOLDER PERFORATED ALUMINUM	1	1	1	
10	351234	INSULATING PAD 704MM X 831MM	1	1	1	
10	351859	INSULATING HOLDER PERFORATED ALUMINUM	1	1	1	
11	351275	INSULATING HOLDER PERFORATED ALUMINUM	1	1	1	
11	351221	INSULATING HOLDER PERFORATED ALUMINUM	1	1	1	
12	351229	INSULATING PAD 594MM X 353MM	1	1	1	
12	351236	INSULATING PAD 594MM X 353MM	1	1	1	
13	351217	INSULATING HOLDER PERFORATED ALUMINUM	1	1	1	
14	351232	INSULATING PAD 607MM X 310MM	1	1	1	
15	Call order desk	PANEL CENTER ASSY W/INSULATING PAD	1	1		P
15	Call order desk	PANEL CENTER ASSY W/INSULATING PAD	1	1		P
15	Call order desk	PANEL CENTER ASSY W/INSULATING PAD			1	P
15	Call order desk	PANEL CENTER ASSY W/INSULATING PAD			1	P
15	351673	. PANEL CENTER HOLDER	1	1	1	
15	351677	. INSULATING PAD 1018MM 294MM	1	1	1	
15	351674	. INSULATING HOLDER PERFORATED ALUMINUM	1	1	1	
15	351678	. INSULATING PAD 826MM 294MM	1	1	1	
15	351679	. INSULATING PAD 1020MM X 294MM	1	1		
15	351711	. INSULATING PAD 1020MM X 294MM			1	
15	351224	. INSULATING PAD 1018MM X 294MM	1	1		
15	351223	. INSULATING PAD 1018MM X 294MM			1	
16	350324	INSULATING PAD 70MM X 35MM	1	1	1	
17	350386	INSULATING PAD 57MM X 605MM	1	1	1	
18	350387	INSULATING PAD 57MM X 305MM	1	1	1	
19	350388	INSULATING PAD 48MM X 720MM	1	1	1	
20	351246	INSULATING PAD 55MM X 345MM	1	1	1	
21	351247	INSULATING PAD 55MM X 600MM	1	1	1	
22	351248	INSULATING PAD 48MM X 715MM	1	1	1	
23	351238	GRILLE 1025MM X 85MM	1	1	1	
24	351249	INSULATING HOLDER PERFORATED ALUMINUM	1	1	1	
25	351729	INSULATING HOLDER PERFORATED ALUMINUM	1	1	1	
26	351376	INSULATING HOLDER PERFORATED ALUMINUM	1	1	1	
27	351380	INSULATING HOLDER PERFORATED ALUMINUM	1	1	1	

<b>From 7-0671 To A-1720</b>	<b>Date:10/2022</b>	<b>PAGE:H7-1839-20</b>
<b>INSULATING REAR ENGINE COMPARTMENT</b>		

Item#	Part	Description	H 3 4 1	H 3 4 5	V I P 4 5	N O T E S
28	351686	INSULATING HOLDER PERFORATED ALUMINUM	1	1	1	
29	351730	INSULATING PAD	1	1	1	
30	351239	INSULATING HOLDER PERFORATED ALUMINUM 318MM X 335MM	1	1	1	
31	350351	INSULATING PAD / CURBSIDE VERTICAL 290MM X 305MM	1	1	1	
31	355973	INSULATING PAD 542MM X 252MM	1	1	1	
32	350157	INSULATING PAD 368MM 830MM	1	1	1	
33	350155	INSULATING PAD 681MM X 830MM	1	1	1	
34	350624	INSULATING PAD 105MM X 162MM	1	1	1	
35	350625	INSULATING PAD 88MM X 466MM	1	1	1	
36	350626	INSULATING PAD 282MM X 459MM	1	1	1	
37	351739	INSULATING PAD	1	1	1	
38	350293	INSULATING PAD	1	1	1	
38	350309	INSULATING PAD	1	1	1	
39	504340	RIVET POP DOME OE 1/8x3/16 SS	AR	AR	AR	
40	504488	RIVET MGLP PRDG 3/16x17/64 SS	AR	AR	AR	
41	355972	INSULATING HOLDER PERFORATED ALUMINUM	1	1	1	
42	682484	TAPE ALUMINUM ADH1 .005" x 3" x 300' ALUMINUM FSK3"	AR	AR	AR	
42	680257	TAPE ALUMINUM ADH1 .005" x 2" x 300' TRM425-2	AR	AR	AR	
43	350335	PAD INSULATING	1	1	1	
43	351857	INSULATING HOLDER PERFORATED ALUMINUM	1	1	1	
44	323562	INSULATING PAD 156MM X 965MM	1	1	1	
44	351858	INSULATING HOLDER PERFORATED ALUMINUM	1	1	1	
45	323761	INSULATING PAD 156MM X 965MM	1	1	1	
45	351860	INSULATING PAD 165MM	1	1	1	
46	351857	INSULATING HOLDER PERFORATED ALUMINUM	1	1	1	
46	351861	INSULATING PAD 769MM X 116MM	1	1	1	
47	351858	INSULATING HOLDER PERFORATED ALUMINUM	1	1	1	
48	351860	INSULATING PAD 165MM	1	1	1	
49	351861	INSULATING PAD 769MM X 116MM	1	1	1	
50	351862	INSULATING HOLDER PERFORATED ALUMINUM	1	1	1	
51	355993	INSULATING HOLDER PERFORATED ALUMINUM	1	1	1	
52	355994	INSULATING HOLDER PERFORATED ALUMINUM	1	1	1	
53	355998	INSULATING PAD	1	1	1	
54	355995	INSULATING HOLDER PERFORATED ALUMINUM	1	1	1	
55	355999	INSULATING PAD	1	1	1	
56	355997	INSULATING PAD	1	1	1	
NS	970251	ALUMINUM SHEET 48" X 96" W/5MM HOLES PERFORATED	AR	AR	AR	
NS	850036	INSULATING PAD NOISE 1/4" x 48" x 48"	AR	AR	AR	
NS	850063	INSULATING PAD 1 1/2" x 41" x 54"	AR	AR	AR	
70	<b>H7-1894-00</b>	<b>REAR STRUCTURE</b>				

From 7-0671 To A-1720		Date:10/2022	PAGE:H7-1839-20
-----------------------	--	--------------	-----------------

**INSULATING REAR ENGINE COMPARTMENT**

Item#	Part	Description	H 3 4 1	H 3 4 5	V I P 4 5	N O T E S
		P) CALL ORDER DESK FOR SPECIFIC APPLICATION (V.I.N.)				

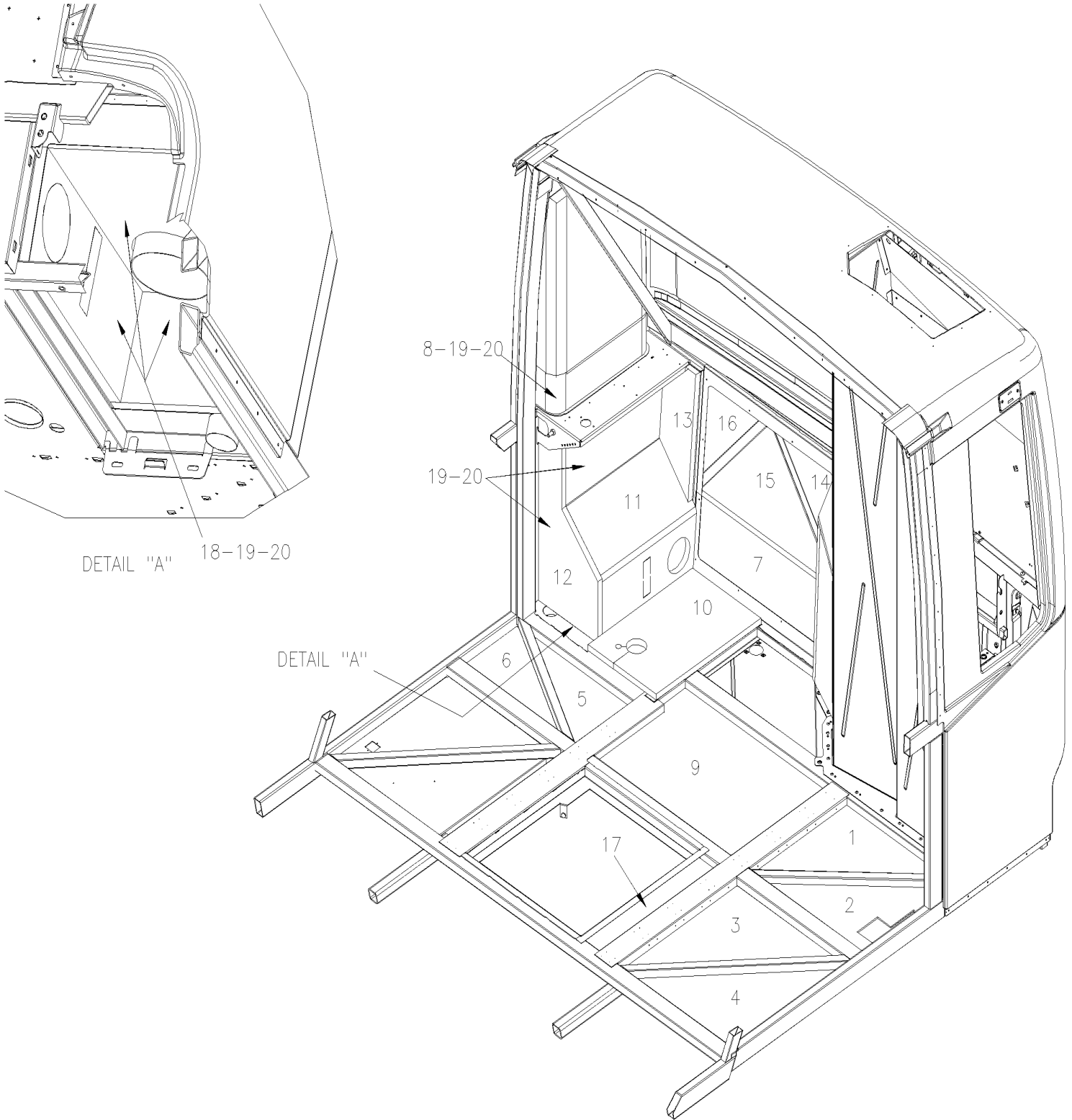


From B-1721 To J-0287

Date:10/2022

PAGE:H7-1839-21

**INSULATING REAR ENGINE COMPARTMENT**



<b>From B-1721 To J-0287</b>	<b>Date:10/2022</b>	<b>PAGE:H7-1839-21</b>
<b>INSULATING REAR ENGINE COMPARTMENT</b>		

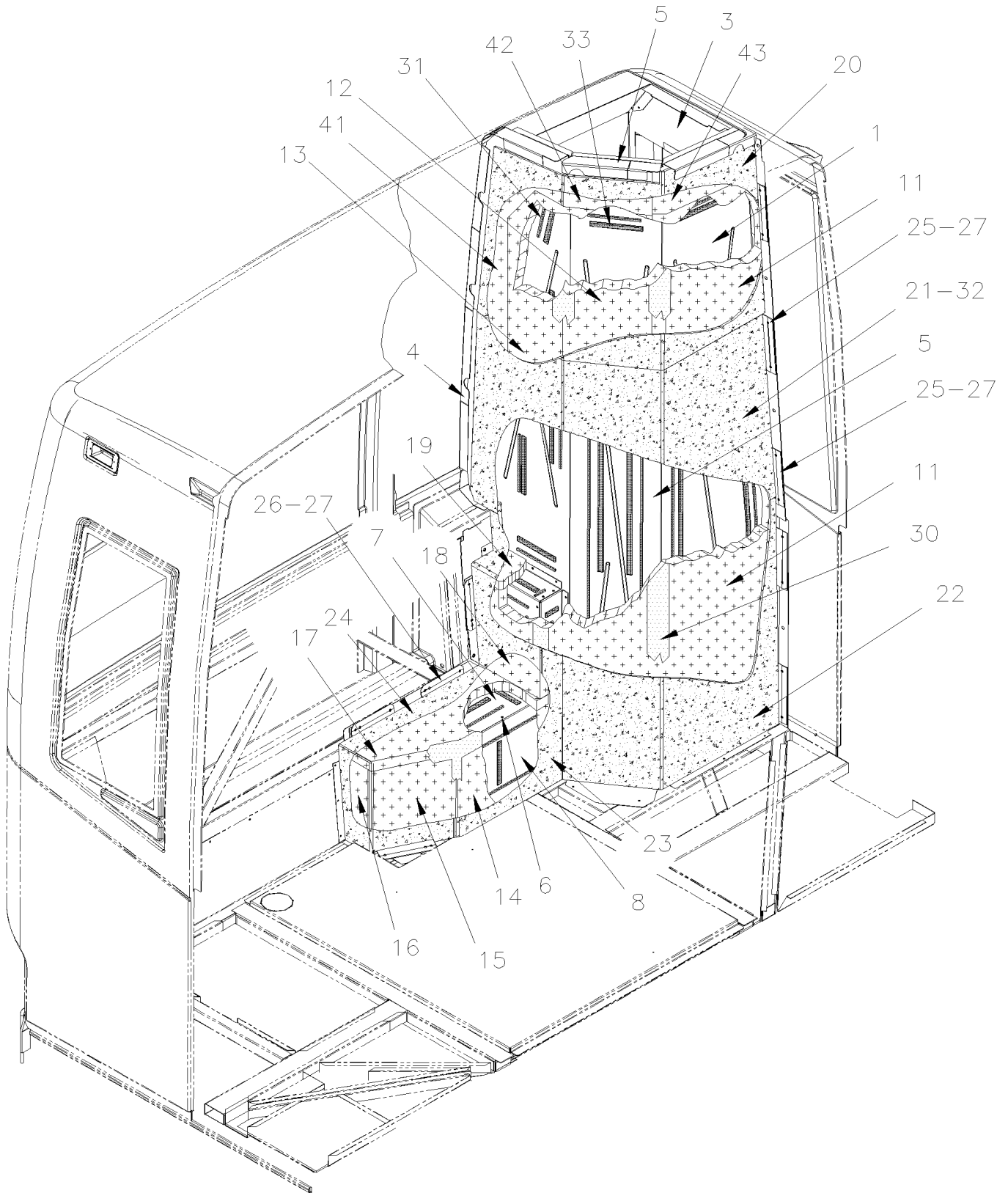
Item#	Part	Description	H 3 4 1	H 3 4 5	V I P 4 5	N O T E S
1	352155	INSULATION	1	1		
2	352156	INSULATION	1	1		
3	352157	INSULATION	1	1		
4	352158	INSULATION	1	1		
5	352159	INSULATION	1	1		
6	352160	INSULATION	1	1		
7	356093	INSULATION	1	1		
8	356094	INSULATION	1	1		
9	356095	INSULATION	1	1		
10	352612	INSULATION	1	1		
11	356106	INSULATION	1	1		
12	356107	INSULATION	1	1		
13	356108	INSULATION	1	1		
14	356111	INSULATION	1	1		
15	356112	INSULATION	1	1		
16	356113	INSULATION	1	1		
17	356121	INSULATION To H-3590	1	1		
17	352975	INSULATION From H-3591	1	1		
18	356145	INSULATION KIT To H-3734			1	
18	352911	INSULATION KIT From H-3735			1	
19	680397	CONTACT GLUE / AEROSOL 17oz	AR	AR	AR	
20	682484	TAPE ALUMINUM ADH1 .005" x 3" x 300' ALUMINUM FSK3"	AR	AR	AR	
21	356145	INSULATION KIT To H-3734	1	1		
21	356323	INSULATION KIT From H-3735	1	1		
NS	356158	INSULATION KIT To H-3734			1	
21	352910	INSULATION KIT From H-3735			1	
21	356157	INSULATION KIT To H-3734			1	
21	356325	INSULATION KIT From H-3735			1	

From 7-0671 To J-0287

Date:10/2022

PAGE:H7-1839-25

INSULATING REAR END

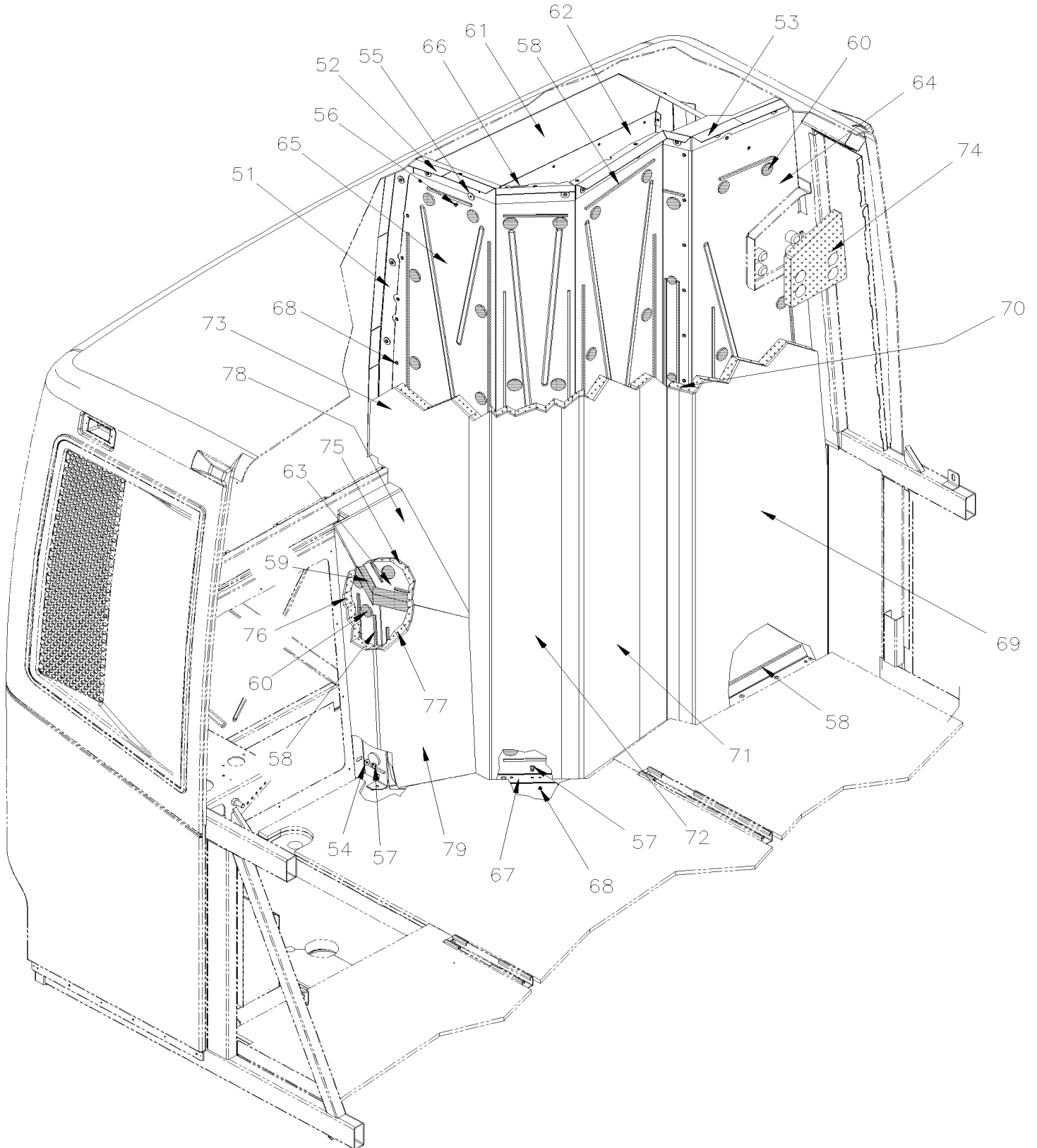


From 7-0671 To J-0287

Date:10/2022

PAGE:H7-1839-25

INSULATING REAR END



<b>From 7-0671 To J-0287</b>	<b>Date:10/2022</b>	<b>PAGE:H7-1839-25</b>
<b>INSULATING REAR END</b>		

Item#	Part	Description	H 3 4 1	H 3 4 5	V I P 4 5	N O T E S
1	355921	WALL SHEET PANEL To A-1720	1	1		
1	351712	WALL SHEET PANEL To A-1720			1	
2	355923	PANEL FIRE WALL To A-1720	1	1		
2	351713	PANEL FIRE WALL To A-1720			1	
4	476601	ANGLE RETAINER To A-1720	1	1		
4	476603	ANGLE RETAINER To A-1720			1	
5	476600	ANGLE RETAINER To A-1720	1	1		
5	476602	ANGLE RETAINER To A-1720			1	
6	504488	RIVET MGLP PRDG 3/16x17/64 SS To A-1720	20	20	20	
7	351751	PANEL COVER SURGE TANK To A-1720	1	1	1	
8	355919	PANEL WALL SURGE TANK To A-1720	1	1	1	
10	351725	KIT INSULATING PANEL To A-1720	1	1		
10	351714	KIT INSULATING PANEL To A-1720			1	
11	351716	. INSULATING PANEL INTERIOR STREETSIDE To A-1720	1	1		
11	351763	. INSULATING PANEL INTERIOR STREETSIDE To A-1720			1	
12	351717	. INSULATING PANEL INTERIOR CENTER To A-1720	1	1		
12	351764	. INSULATING PANEL INTERIOR CENTER To A-1720			1	
13	351718	. INSULATING PANEL INTERIOR CURBSIDE To A-1720	1	1		
13	351765	. INSULATING PANEL INTERIOR CURBSIDE To A-1720			1	
14	351719	. INSULATING PANEL To A-1720	1	1	1	
15	351720	. INSULATING PANEL To A-1720	1	1	1	
16	351721	. INSULATING PANEL To A-1720	1	1	1	
17	351722	. INSULATING PANEL To A-1720	1	1	1	
18	351723	. INSULATING PANEL To A-1720	1	1	1	
19	351724	. INSULATING PANEL To A-1720	1	1	1	
20	351766	INSULATING PANEL EXTERIOR UPPER To A-1720	1	1		
20	351767	INSULATING PANEL EXTERIOR UPPER To A-1720			1	
21	355938	INSULATING PANEL EXTERIOR CENTER To A-1720	1	1	1	
22	355939	INSULATING PANEL EXTERIOR LOWER To A-1720	1	1	1	
23	355941	INSULATING PANEL EXTERIOR WALL SURGE TANK To A-1720	1	1	1	
24	355940	INSULATING PANEL EXTERIOR COVER SURGE TANK To A-1720	1	1	1	
25	351780	REINFORCEMENT STRIP 200MM X 63MM To A-1720	5	5	5	
26	351805	REINFORCEMENT STRIP 167MM X 63MM To A-1720	4	4	4	
27	504735	RIVET HKL PRDG 1/4x3/8 STL To A-1720	AR	AR	AR	
30	682484	TAPE ALUMINUM ADH1 .005" x 3" x 300' ALUMINUM FSK3" To A-1720	AR	AR	AR	
31	507000	TAPE RUB ADH2 POL 3/16" x 1/4" x 50' / BLACK V2206 To A-1720	AR	AR	AR	
32	680052	GLUE, CONTACT ADBOND 8399 4 LITER To A-1720	AR	AR	AR	
33	684517	ADHESIVE SIMSON #ISR 70-03 / GREY / 310ml CARTRIDGE To A-1720	AR	AR	AR	
40	351797	KIT INSULATING PANEL UPPER / BUS To A-1720	1	1		
40	351798	KIT INSULATING PANEL UPPER / VIP To A-1720			1	
41	351785	. INSULATING PAD To A-1720	1	1		
41	351796	. INSULATING PAD To A-1720			1	

<b>From 7-0671 To J-0287</b>	<b>Date:10/2022</b>	<b>PAGE:H7-1839-25</b>
<b>INSULATING REAR END</b>		

Item#	Part	Description	H 3 4 1	H 3 4 5	V I P 4 5	N O T E S
42	351786	. INSULATING PAD 276MM X 150MM To A-1720	1	1	1	
43	351787	. INSULATING PAD 187MM X 394MM To A-1720	1	1	1	
NS	355971	. INSULATING PAD 164MM X 663MM To A-1720			1	
NS	355970	. INSULATING PAD 59MM X 182MM To A-1720			1	
51	352126	ANGLE SEALING / REAR CAP From B-1721	1	1		
51	352164	ANGLE SEALING / REAR CAP From B-1721			1	
52	352127	ANGLE SEALING / REAR CAP From B-1721 To C-1997	1	1		
52	352377	ANGLE SEALING / REAR CAP From C-1998	1	1		
52	352169	ANGLE SEALING / REAR CAP From B-1721 To C-1997			1	
52	352393	ANGLE SEALING / REAR CAP From C-1998			1	
53	352128	ANGLE SEALING / REAR CAP From B-1721 To C-1997	1	1		
53	352378	ANGLE SEALING / REAR CAP From C-1998	1	1		
53	352165	ANGLE SEALING / REAR CAP From B-1721 To C-1997			1	
53	352394	ANGLE SEALING / REAR CAP From C-1998			1	
54	5001654	WASHER FL 6.4x17.0x3.0 SS From B-1721 To F-2937	AR	AR	AR	
54	5001976	WASHER FL .266x.718x.060 SS From F-2938	AR	AR	AR	
55	500805	WASHER FL .218x.875x.062 N500 From B-1721	12	12	12	
56	504488	RIVET MGLP PRDG 3/16x17/64 SS From B-1721	12	12	12	
57	504735	RIVET HKL PRDG 1/4x3/8 STL From B-1721	AR	AR	AR	
58	507000	TAPE RUB ADH2 POL 3/16" x 1/4" x 50' / BLACK V2206 From B-1721	AR	AR	AR	
59	680257	TAPE ALUMINUM ADH1 .005" x 2" x 300' TRM425-2 From B-1721	AR	AR	AR	
60	684517	ADHESIVE SIMSON #ISR 70-03 / GREY / 310ml CARTRIDGE From B-1721	AR	AR	AR	
60	685126	ADHESIVE SIMSON #ISR 70-03 / GREY / 600ml SAUSAGE From B-1721	AR	AR	AR	
61	352022	PANEL FIRE WALL From B-1721	1	1		
61	352170	PANEL FIRE WALL From B-1721			1	
62	352023	PANEL FIRE WALL From B-1721	1	1		
62	352163	PANEL FIRE WALL From B-1721			1	
63	352129	BOX / SWIRL PIPE From B-1721 To C-1997	1	1	1	
63	352371	BOX / SWIRL PIPE From C-1998 To F-2874	1	1	1	
63	352834	BOX / SWIRL PIPE From F-2875 To G-3080	1	1	1	
63	352842	BOX / SWIRL PIPE From G-3081	1	1	1	
63	352835	SUPPORT / COOLANT HOSE From F-2875 To G-3080	1	1	1	
63	352841	SUPPORT / COOLANT HOSE From G-3081	1	1	1	
63	504488	RIVET MGLP PRDG 3/16x17/64 SS From F-2875	AR	AR	AR	
64	351762	WALL SHEET PANEL / SCR From B-1721 To C-1997	1	1		
64	352372	WALL SHEET PANEL / SCR From C-1998	1	1		
64	352167	WALL SHEET PANEL / SCR From B-1721 To C-1997			1	
64	352391	WALL SHEET PANEL / SCR From C-1998			1	
NS	477213	SUPPORT ATTACHMENT ROD From B-1721	1	1	1	
NS	504734	ATTACHMENT ROD From B-1721	1	1	1	

<b>From 7-0671 To J-0287</b>	<b>Date:10/2022</b>	<b>PAGE:H7-1839-25</b>
------------------------------	---------------------	------------------------

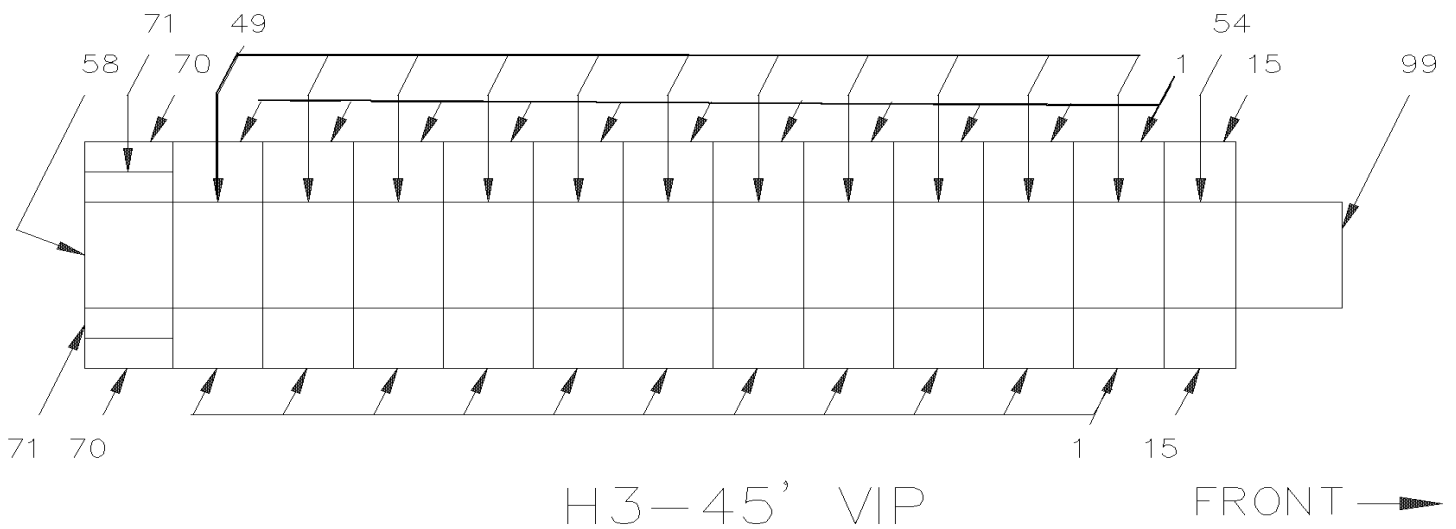
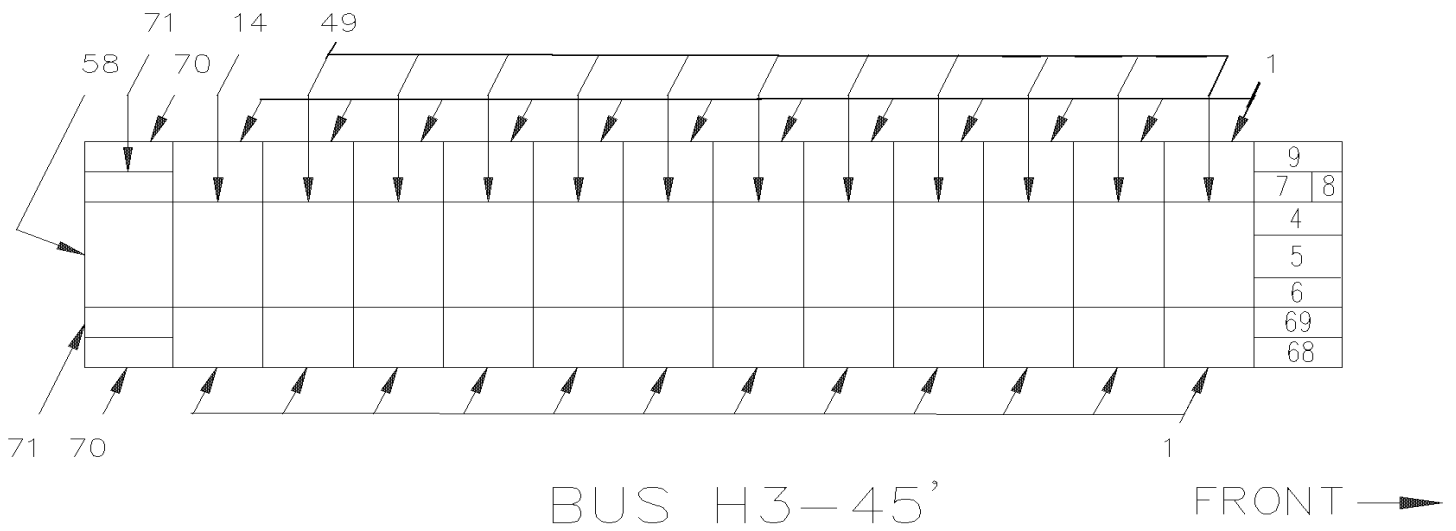
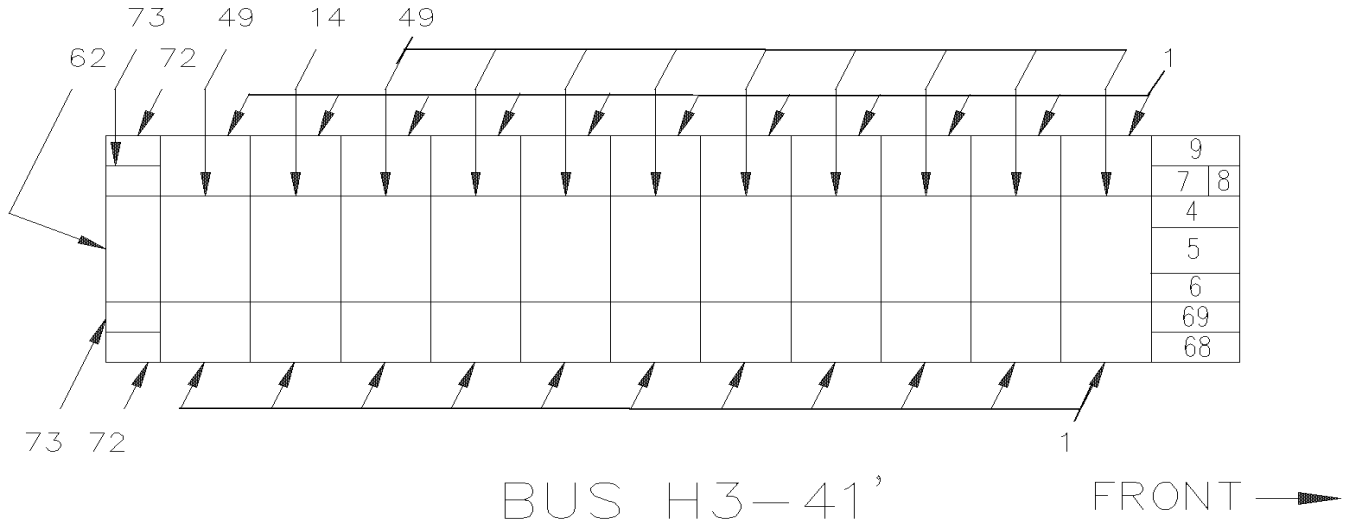
**INSULATING REAR END**

Item#	Part	Description	H 3 4 1	H 3 4 5	V I P 4 5	N O T E S
65	352021	WALL SHEET PANEL / SCR From B-1721 To C-1997	1	1		
65	352373	WALL SHEET PANEL / SCR From C-1998	1	1		
65	352168	WALL SHEET PANEL / SCR From B-1721 To C-1997			1	
65	352392	WALL SHEET PANEL / SCR From C-1998			1	
NS	506191	TAPE RUB ADH1 CC POL 1/8" x 1/4" x 50' / GREY 2520X From B-1721	AR	AR	AR	
66	352374	CONFORMATOR / PANEL SCR From B-1721	1	1		
66	352395	CONFORMATOR / PANEL SCR From B-1721			1	
67	352375	CONFORMATOR / PANEL SCR From B-1721	1	1		
67	352396	CONFORMATOR / PANEL SCR From B-1721			1	
68	504488	RIVET MGLP PRDG 3/16x17/64 SS From B-1721	AR	AR	AR	
69	352177	INSULATING KIT From B-1721 To C-1997	1	1		
69	352379	INSULATING PANEL ASSY From C-1998	1	1		
69	352166	INSULATING KIT From B-1721			1	
70	352380	INSULATING PANEL From C-1998	1	1		
71	352381	INSULATING PANEL ASSY From C-1998	1	1		
72	352382	INSULATING PANEL ASSY From C-1998	1	1		
73	352383	INSULATING PANEL ASSY From C-1998	1	1		
74	352384	INSULATING PANEL From C-1998	1	1		
75	352385	INSULATING PANEL From C-1998	1	1		
76	352386	INSULATING PANEL From C-1998	1	1		
77	352387	INSULATING PANEL From C-1998	1	1		
78	352388	INSULATING PANEL From C-1998	1	1		
79	352389	INSULATING PANEL From C-1998	1	1		

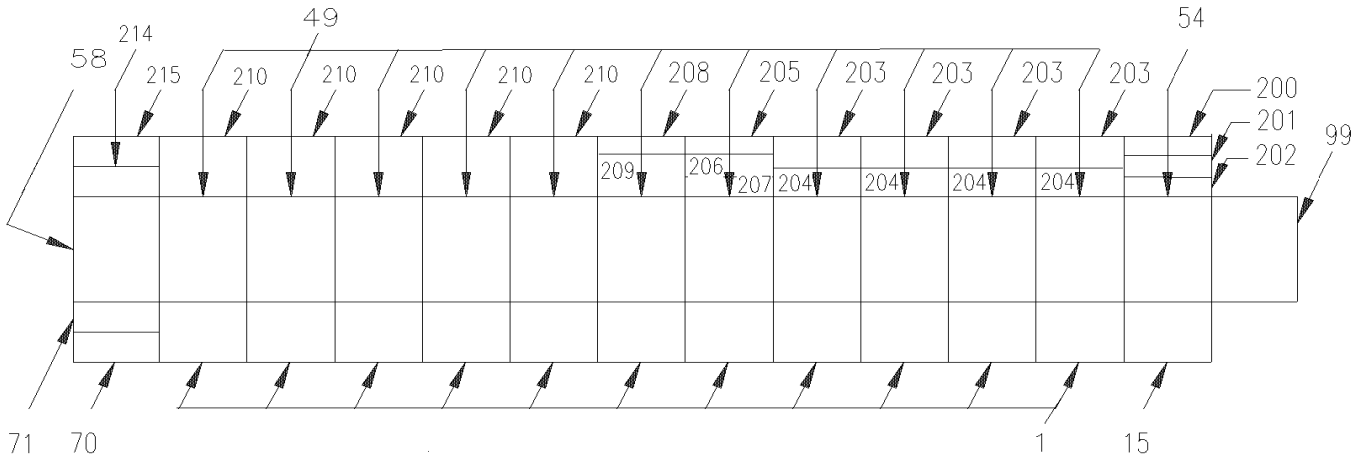




From 7-0671 To E-2584	Date:10/2022	PAGE:H7-1839-30
<b>INSULATING ROOF PANELS</b>		

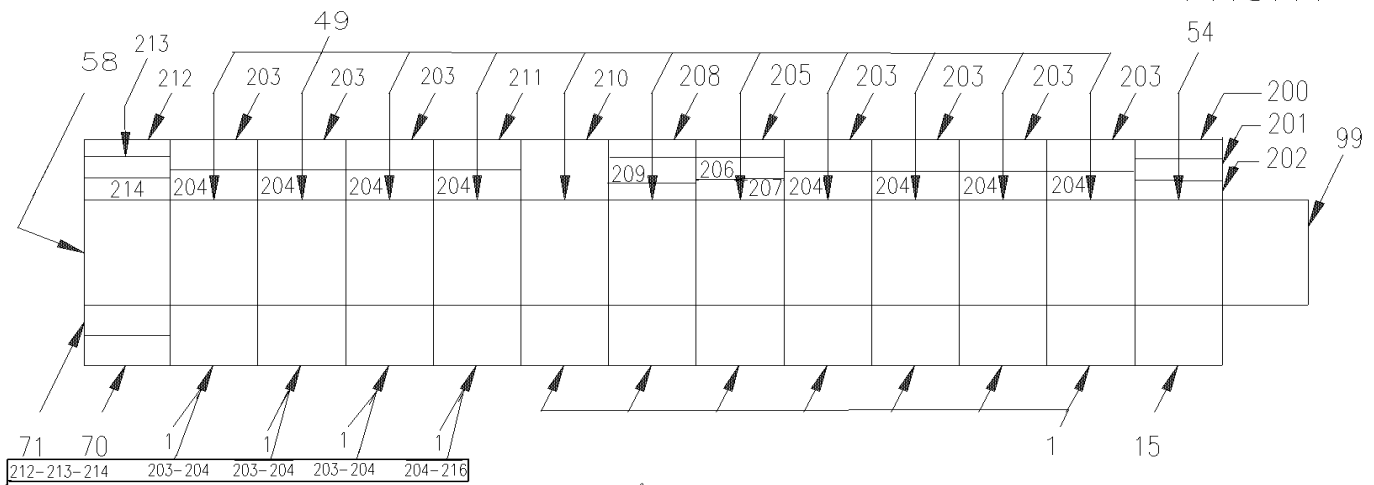


From 7-0671 To E-2584	Date:10/2022	PAGE:H7-1839-30
<b>INSULATING ROOF PANELS</b>		



H3-45' VIP

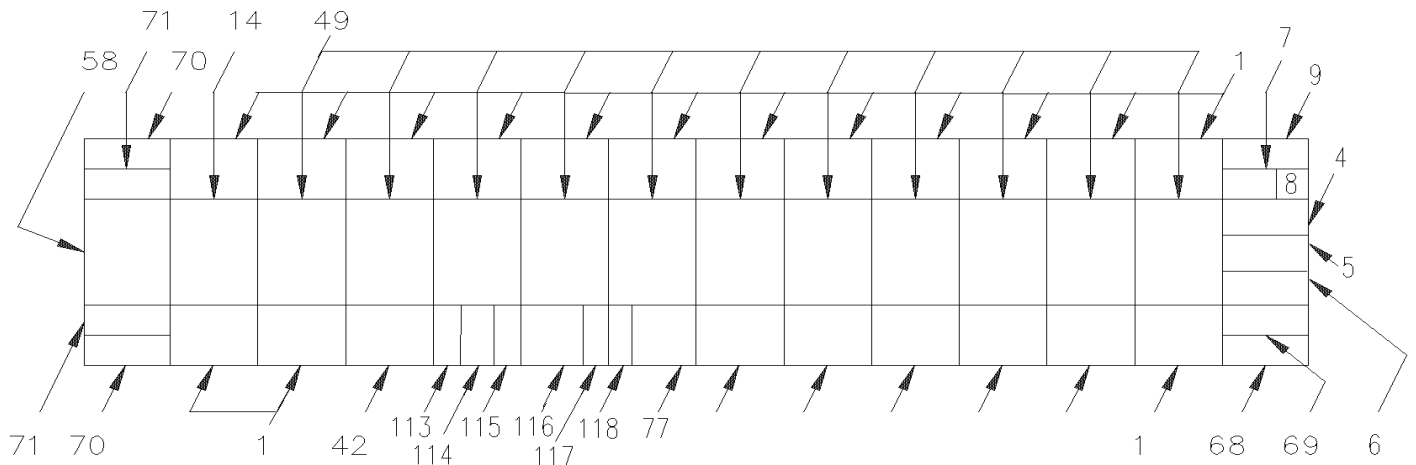
FRONT →



H3-45' VIP

→ USE WITH CURBSIDE SLIDE-OUT ONLY

FRONT →



H3-45' W.C.L.

FRONT →

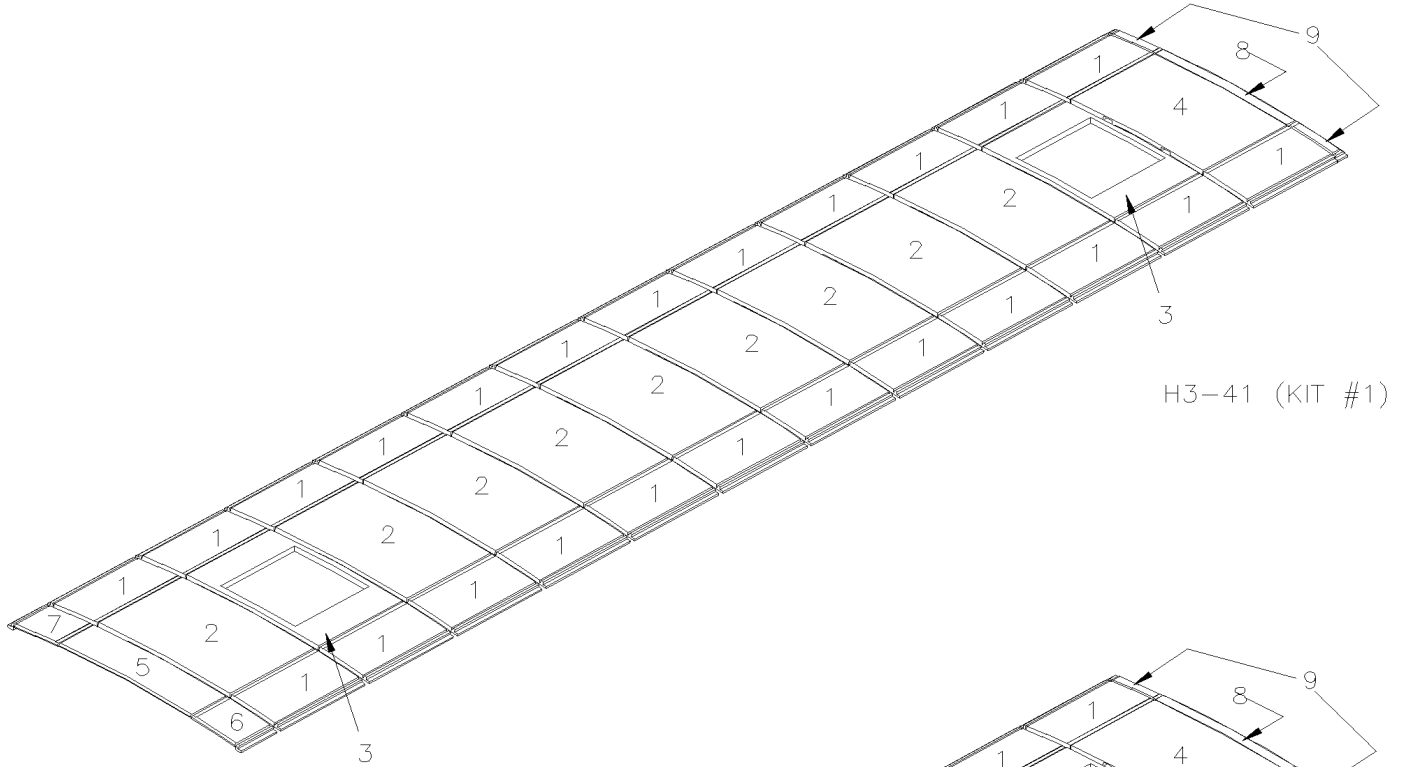
From 7-0671 To E-2584	Date:10/2022	PAGE:H7-1839-30
<b>INSULATING ROOF PANELS</b>		

Item#	Part	Description	H 3 4 1	H 3 4 5	V I P 4 5	N O T E S
	351917	KIT INSULATING ROOF PANEL / REAR SECTION	1			
	351916	KIT INSULATING ROOF PANEL / REAR SECTION		1		
NS	351865	KIT INSULATING ROOF PANEL / FRONT SECTION	1	1		
	351918	KIT INSULATING ROOF PANEL / W/"RICON" To C-1990		1		
	352578	KIT INSULATING ROOF PANEL / W/"RICON" From C-1991		1		
	351276	KIT INSULATING ROOF PANEL V.I.P.			1	
	351913	KIT INSULATING ROOF PANEL V.I.P. / W/SINGLE SLIDE OUT			1	
	351912	KIT INSULATING ROOF PANEL V.I.P. / W/DOUBLE SLIDE OUT			1	
	356010	KIT INSULATING ROOF PANEL V.I.P. / W/TRIPLE SLIDE OUT			1	
	351954	KIT INSULATING ROOF PANEL V.I.P. / W/FRT SMALL CURB To 8-1414			1	
	351964	KIT INSULATING ROOF PANEL V.I.P. / W/FRT LARGE DURB To 8-1414			1	
	352010	KIT INSULATING ROOF PANEL V.I.P. / W/QUAD SLIDE OUT LC From 8-1415			1	
	352014	KIT INSULATING ROOF PANEL V.I.P. / W/QUAD SLIDE OUT SC From 8-1415			1	
1	350746	ROOF INSULATION PANEL	22		22	
1	350746	ROOF INSULATION PANEL		24		
4	351822	ROOF INSULATION PANEL	1	1		
5	351824	ROOF INSULATION PANEL	1	1		
6	351825	ROOF INSULATION PANEL	1	1		
7	351826	ROOF INSULATION PANEL	1	1		
8	351827	ROOF INSULATION PANEL	1	1		
9	351837	ROOF INSULATION PANEL	1	1		
14	350747	ROOF INSULATION PANEL	1	1		
15	350748	ROOF INSULATION PANEL			2	
42	350751	ROOF INSULATION PANEL		1		
49	350752	ROOF INSULATION PANEL	10			
49	350752	ROOF INSULATION PANEL		11	11	
54	350754	ROOF INSULATION PANEL			1	
58	350756	ROOF INSULATION PANEL		1	1	
68	350766	ROOF INSULATION PANEL	2	2		
69	350771	ROOF INSULATION PANEL	2	2		
70	350772	ROOF INSULATION PANEL		2	2	
71	350773	ROOF INSULATION PANEL		2	2	
72	350777	ROOF INSULATION PANEL	2			
73	350778	ROOF INSULATION PANEL	2			
77	350782	ROOF INSULATION PANEL		1		
99	350825	ROOF INSULATION PANEL			1	
100	350826	ROOF INSULATION PANEL			2	
113	351513	ROOF INSULATION PANEL		1		
114	351539	ROOF INSULATION PANEL		1		

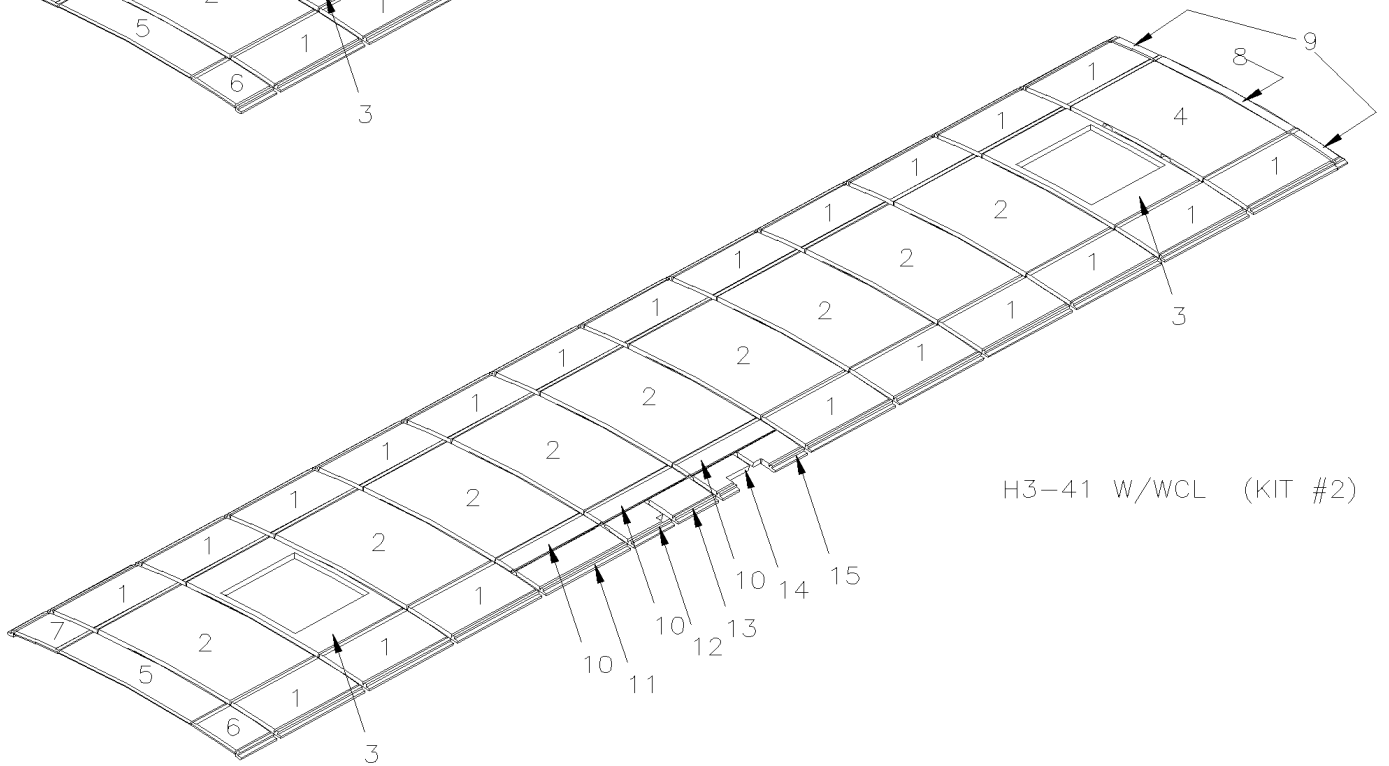
From 7-0671 To E-2584	Date:10/2022	PAGE:H7-1839-30
<b>INSULATING ROOF PANELS</b>		

Item#	Part	Description	H 3 4 1	H 3 4 5	V I P 4 5	N O T E S
115	351535	ROOF INSULATION PANEL		1		
116	351536	ROOF INSULATION PANEL		1		
117	351537	ROOF INSULATION PANEL		1		
118	351538	ROOF INSULATION PANEL		1		
200	350000	ROOF INSULATION PANEL			1	
201	350001	ROOF INSULATION PANEL			1	
202	350002	ROOF INSULATION PANEL			1	
203	350003	ROOF INSULATION PANEL			AR	
204	350004	ROOF INSULATION PANEL			AR	
205	350006	ROOF INSULATION PANEL			1	
206	350007	ROOF INSULATION PANEL			1	
207	350008	ROOF INSULATION PANEL			1	
208	350009	ROOF INSULATION PANEL			1	
209	350010	ROOF INSULATION PANEL			1	
210	350011	ROOF INSULATION PANEL			5	
211	351252	ROOF INSULATION PANEL			1	
212	351253	ROOF INSULATION PANEL			1	
213	351254	ROOF INSULATION PANEL			1	
214	351255	ROOF INSULATION PANEL			1	
215	355953	ROOF INSULATION PANEL			1	
216	351908	ROOF INSULATION PANEL			1	
217	351909	ROOF INSULATION PANEL			1	
218	351910	ROOF INSULATION PANEL			1	
219	351911	ROOF INSULATION PANEL			1	
220	351907	ROOF INSULATION PANEL			1	

**INSULATING ROOF PANELS**



H3-41 (KIT #1)



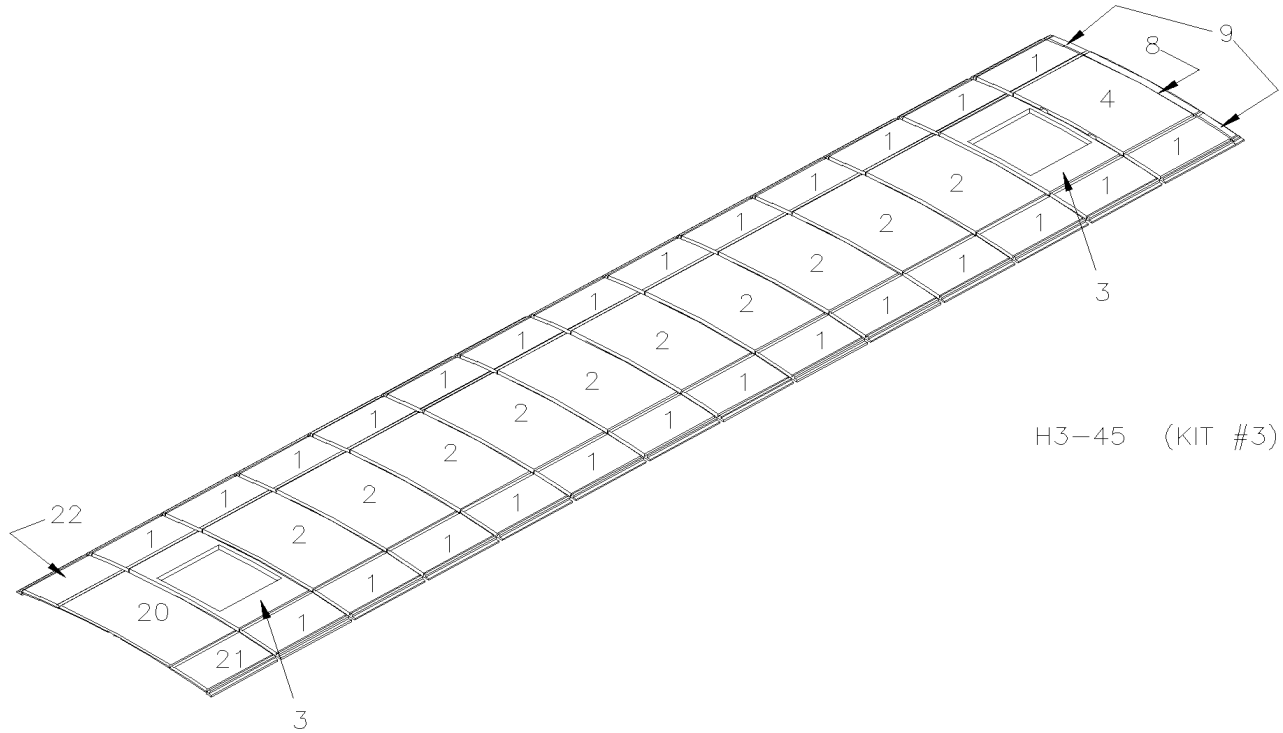
H3-41 W/WCL (KIT #2)

From E-2585 To J-0287

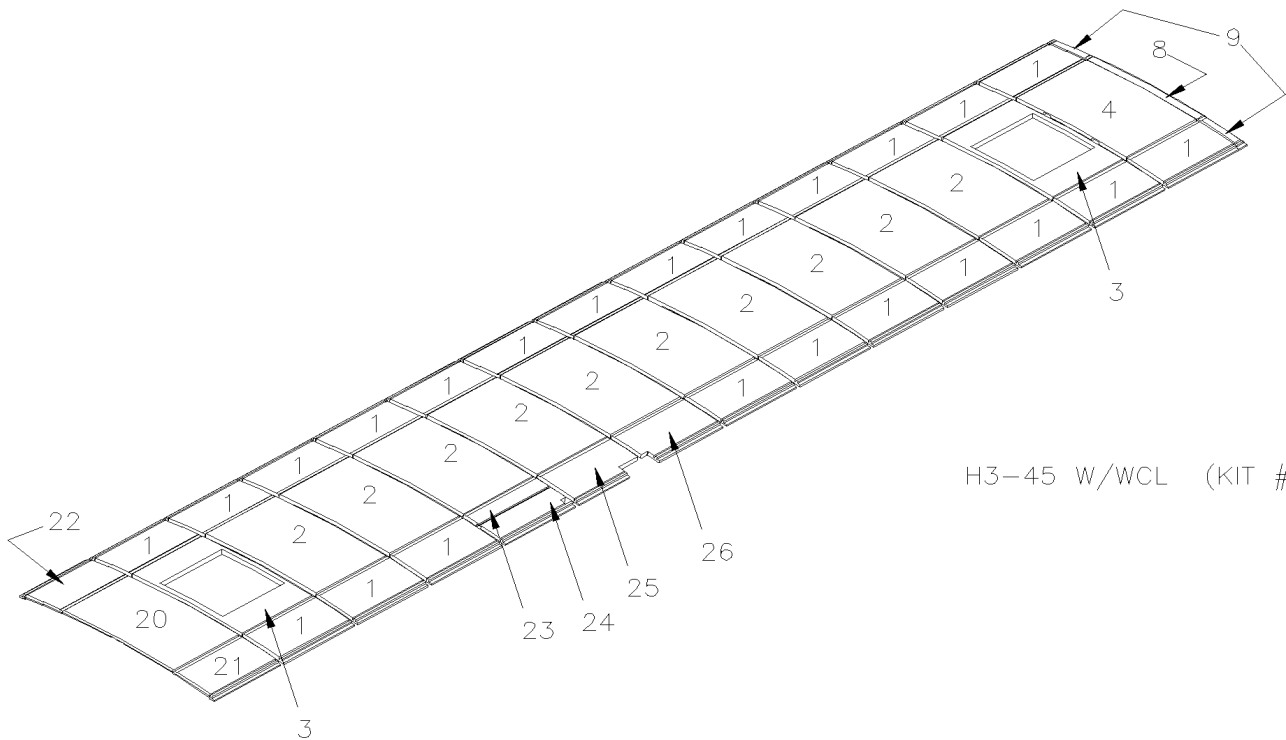
Date:10/2022

PAGE:H7-1839-31

**INSULATING ROOF PANELS**



H3-45 (KIT #3)



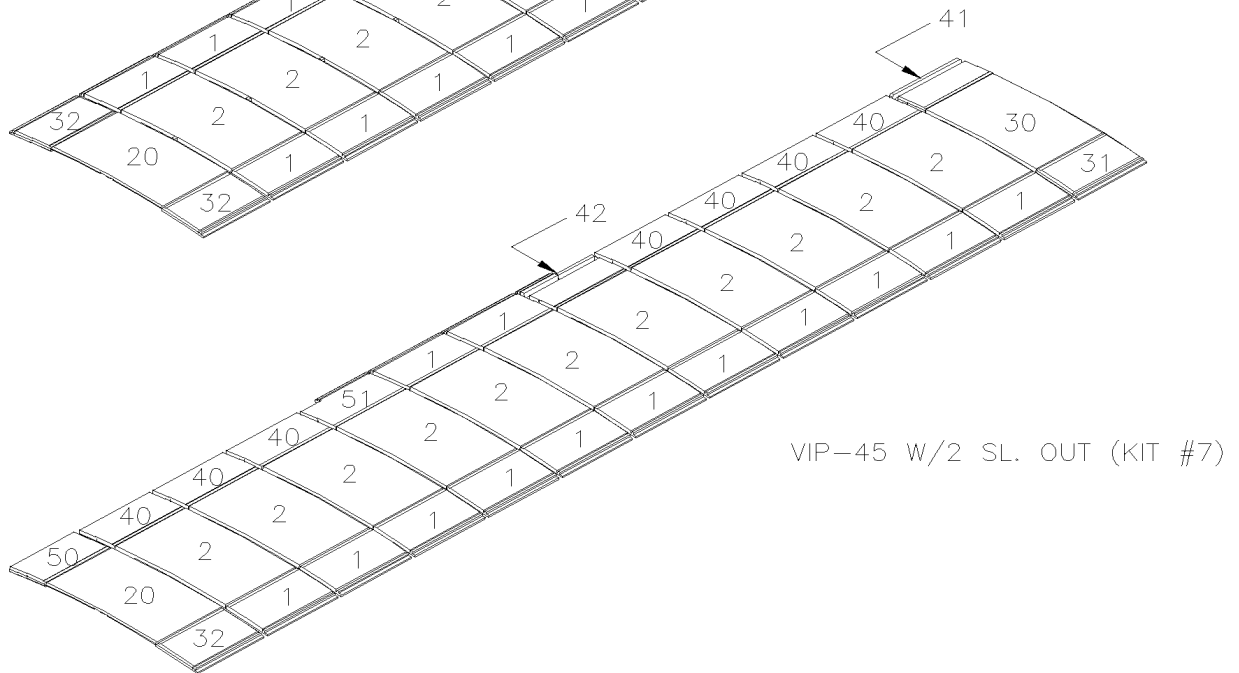
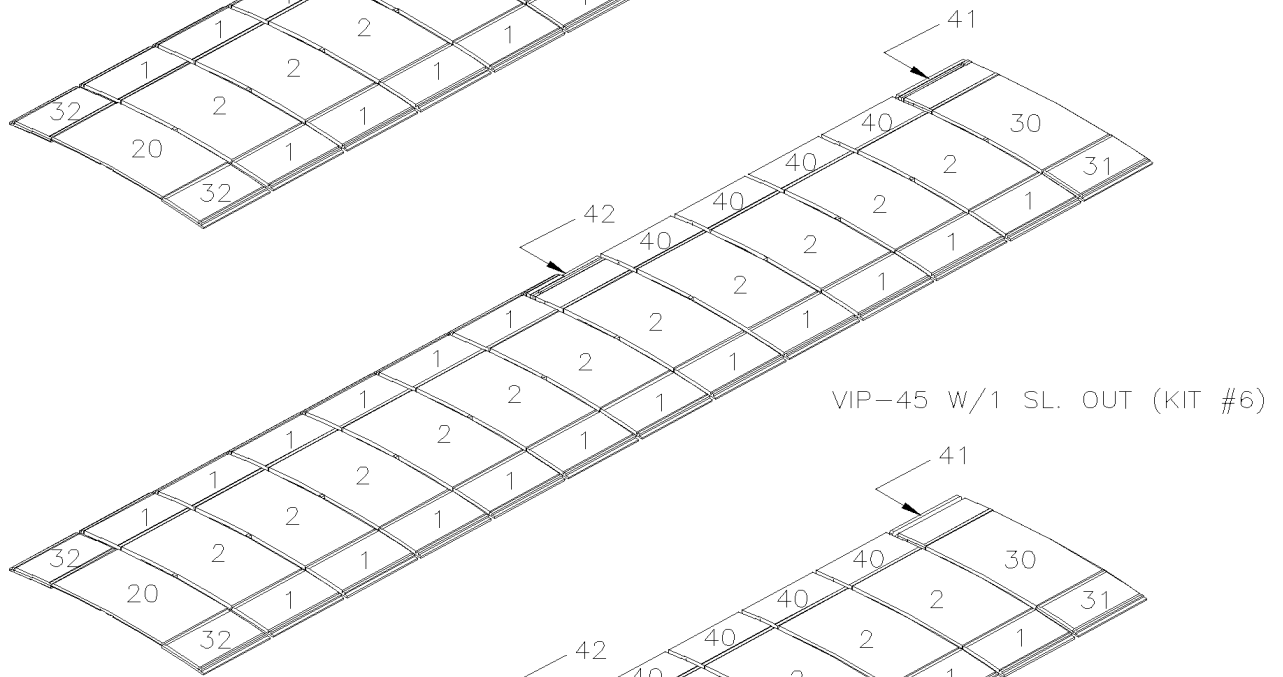
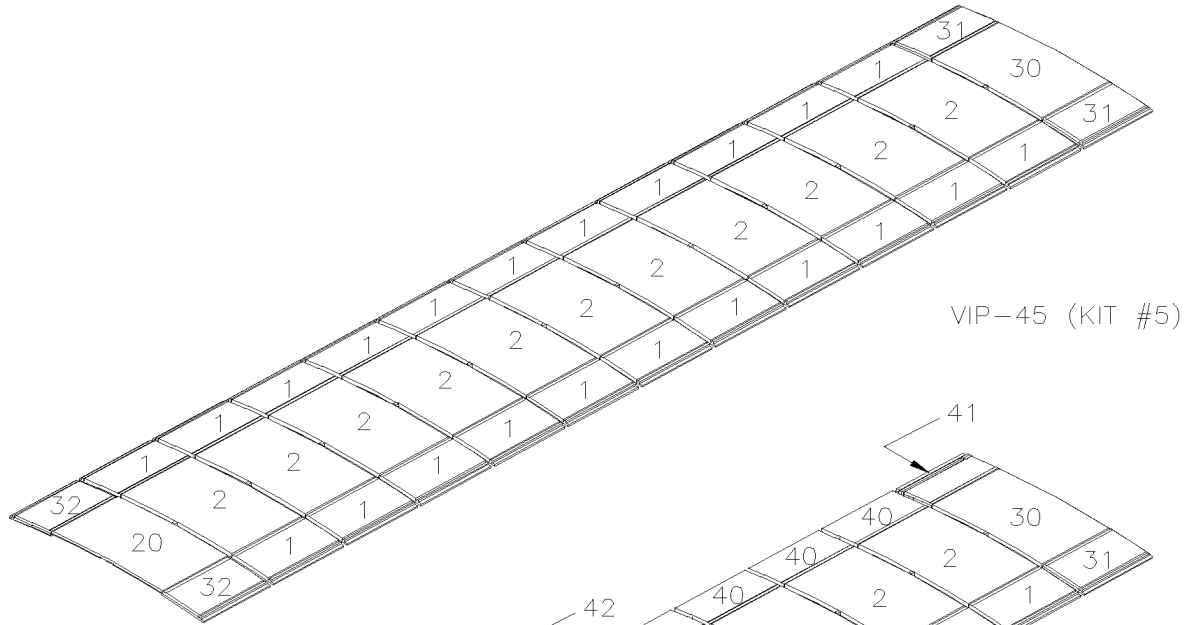
H3-45 W/WCL (KIT #4)

From E-2585 To J-0287

Date:10/2022

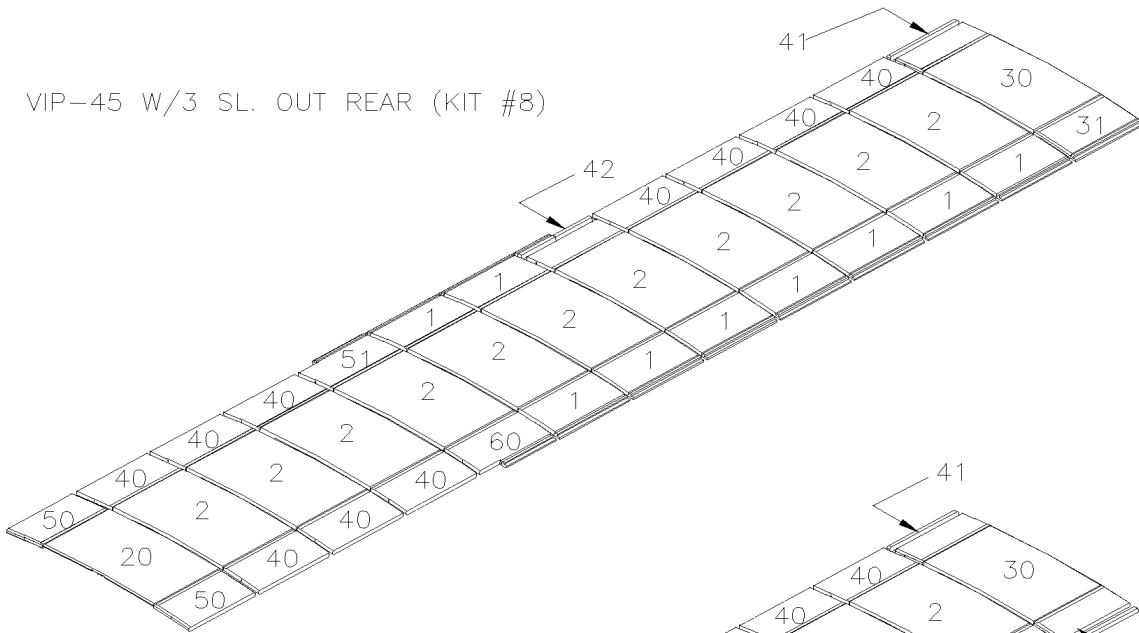
PAGE:H7-1839-31

## INSULATING ROOF PANELS

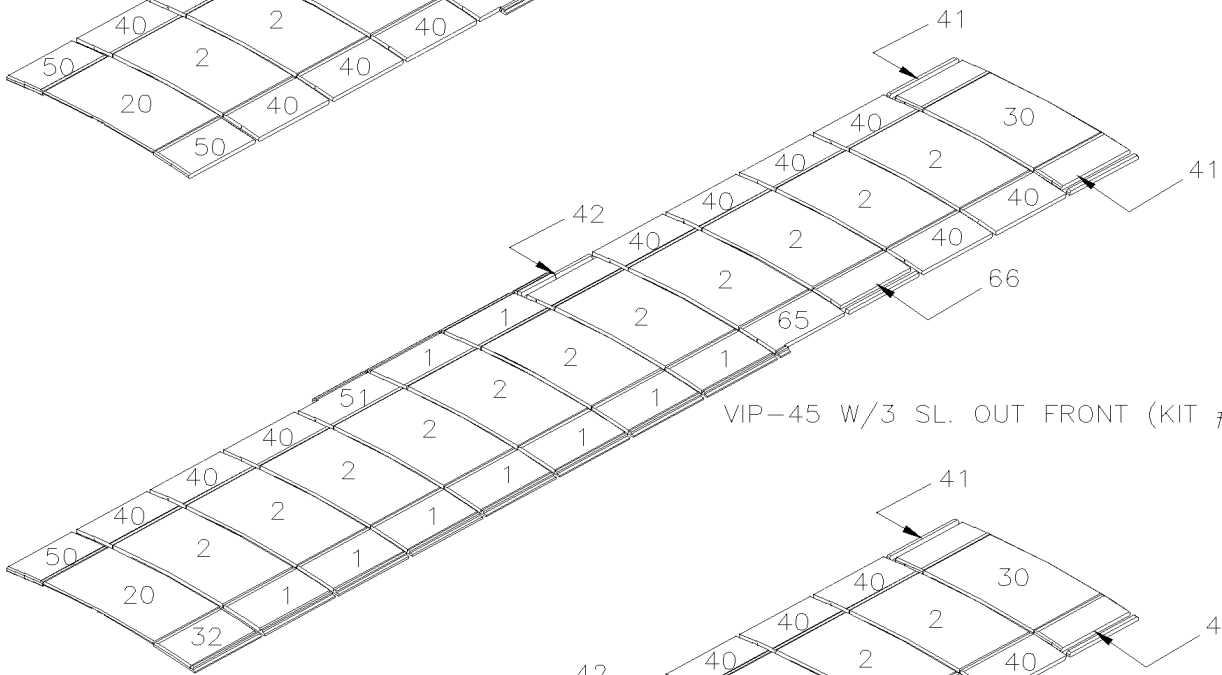


## INSULATING ROOF PANELS

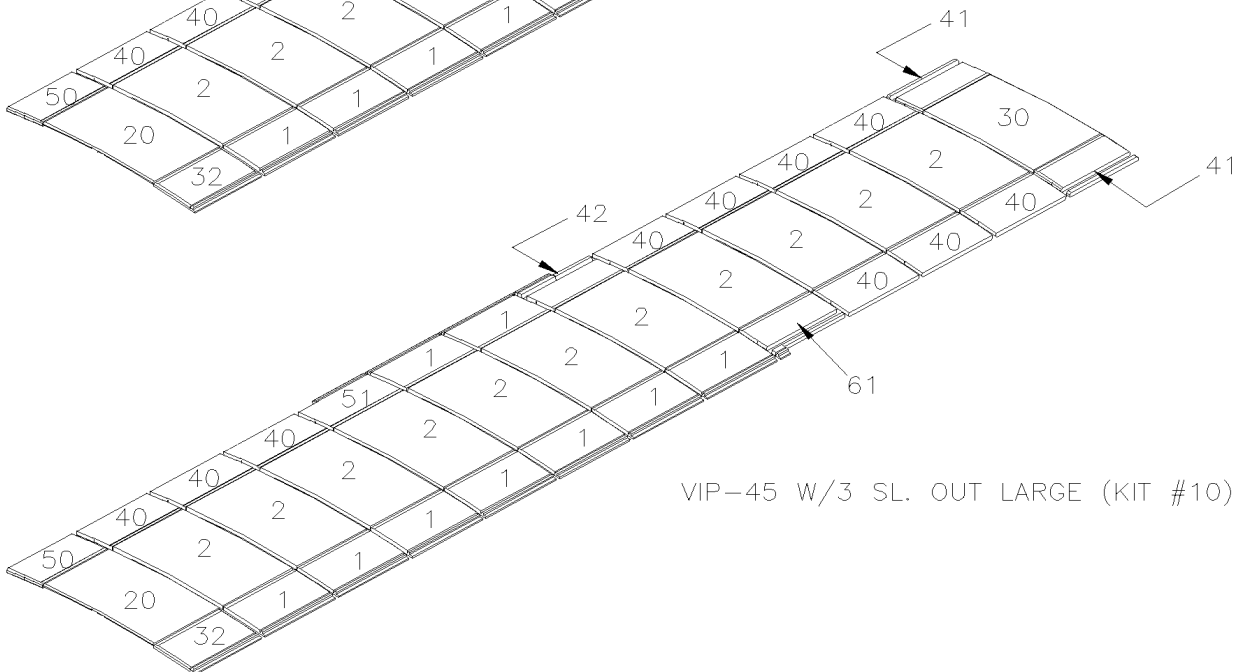
VIP-45 W/3 SL. OUT REAR (KIT #8)



VIP-45 W/3 SL. OUT FRONT (KIT #9)

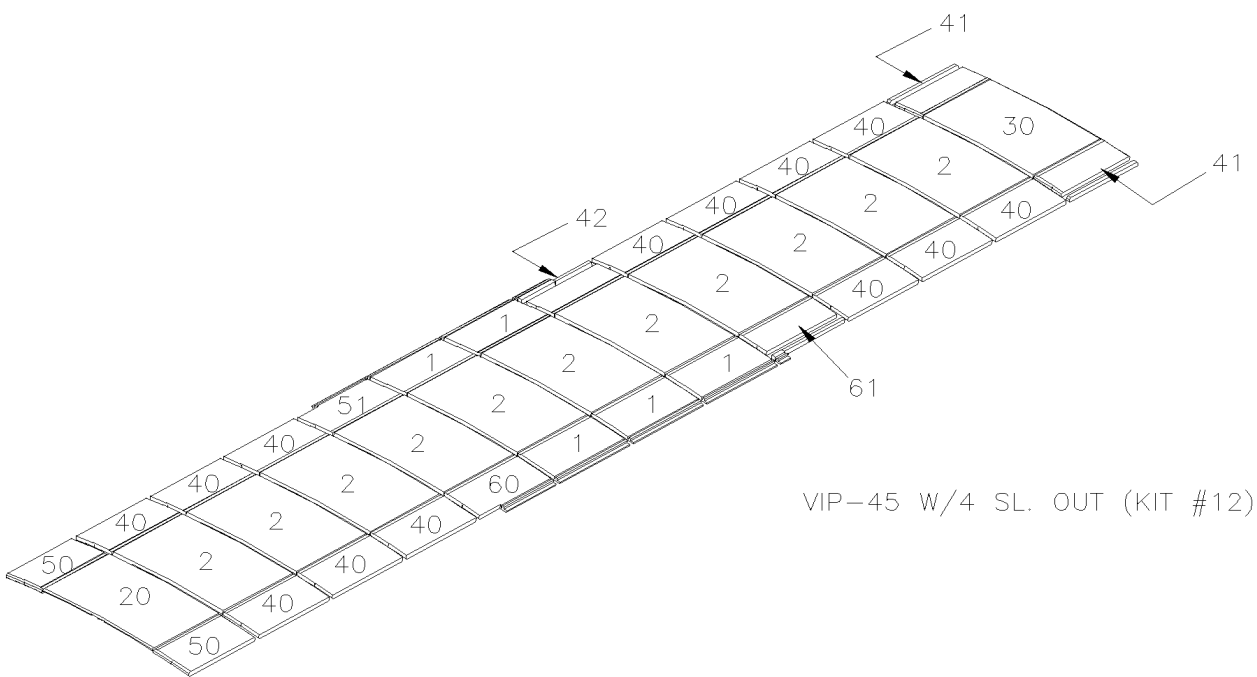
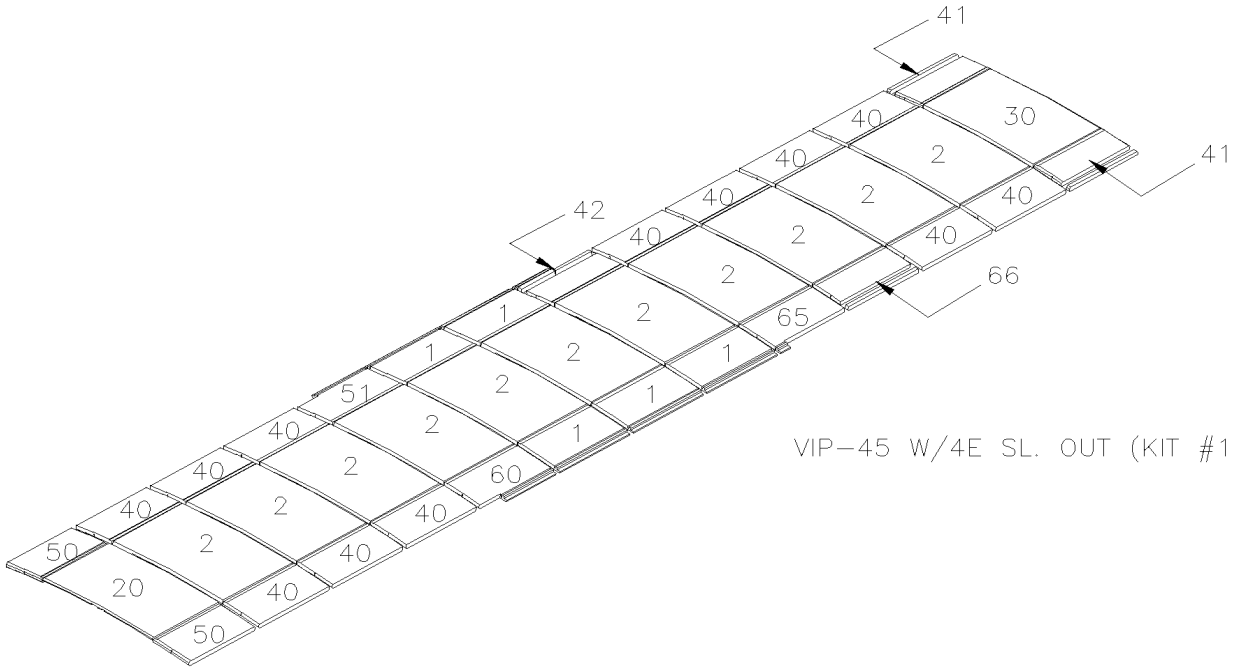


VIP-45 W/3 SL. OUT LARGE (KIT #10)





From E-2585 To J-0287	Date:10/2022	PAGE:H7-1839-31
<b>INSULATING ROOF PANELS</b>		



From E-2585 To J-0287	Date:10/2022	PAGE:H7-1839-31
<b>INSULATING ROOF PANELS</b>		

Item#	Part	Description	H 3 4 1	H 3 4 5	V I P 4 5	N O T E S
1	356257	KIT INSULATING ROOF PANEL				
.01	356220	. ROOF INSULATION PANEL	24			
.02	356219	. ROOF INSULATION PANEL	9			
.03	356223	. ROOF INSULATION PANEL	2			
.04	356270	. ROOF INSULATION PANEL	1			
.05	356266	. ROOF INSULATION PANEL	1			
.06	356264	. ROOF INSULATION PANEL	1			
.07	356265	. ROOF INSULATION PANEL	1			
.08	356273	. ROOF INSULATION PANEL	1			
.09	356217	. ROOF INSULATION PANEL	2			
2	356290	KIT INSULATING ROOF PANEL / W/"RICON"				
.01	356220	. ROOF INSULATION PANEL	21			
.02	356219	. ROOF INSULATION PANEL	9			
.03	356223	. ROOF INSULATION PANEL	2			
.04	356270	. ROOF INSULATION PANEL	1			
.05	356266	. ROOF INSULATION PANEL	1			
.06	356264	. ROOF INSULATION PANEL	1			
.07	356265	. ROOF INSULATION PANEL	1			
.08	356273	. ROOF INSULATION PANEL	1			
.09	356217	. ROOF INSULATION PANEL	2			
.10	356246	. ROOF INSULATION PANEL	3			
.11	356291	. ROOF INSULATION PANEL	1			
.12	356292	. ROOF INSULATION PANEL	1			
.13	356293	. ROOF INSULATION PANEL	1			
.14	356294	. ROOF INSULATION PANEL	1			
.15	356295	. ROOF INSULATION PANEL	1			
3	352610	KIT INSULATING ROOF PANEL				
.01	356220	. ROOF INSULATION PANEL		26		
.02	356219	. ROOF INSULATION PANEL		10		
.03	356223	. ROOF INSULATION PANEL		2		
.04	356270	. ROOF INSULATION PANEL		1		
.08	356273	. ROOF INSULATION PANEL		1		
.09	356217	. ROOF INSULATION PANEL		2		
.20	356224	. ROOF INSULATION PANEL		1		
.21	356225	. ROOF INSULATION PANEL		1		
.22	356226	. ROOF INSULATION PANEL		1		
4	356238	KIT INSULATING ROOF PANEL / W/"RICON"				
.01	356220	. ROOF INSULATION PANEL		23		
.02	356219	. ROOF INSULATION PANEL		10		
.03	356223	. ROOF INSULATION PANEL		2		
.04	356270	. ROOF INSULATION PANEL		1		
.08	356273	. ROOF INSULATION PANEL		1		

From E-2585 To J-0287	Date:10/2022	PAGE:H7-1839-31
<b>INSULATING ROOF PANELS</b>		

Item#	Part	Description	H 3 4 1	H 3 4 5	V I P 4 5	N O T E S
.09	356217	. ROOF INSULATION PANEL		2		
.20	356224	. ROOF INSULATION PANEL		1		
.21	356225	. ROOF INSULATION PANEL		1		
.22	356226	. ROOF INSULATION PANEL		1		
.23	356246	. ROOF INSULATION PANEL		1		
.24	356245	. ROOF INSULATING PANEL		1		
.25	356242	. ROOF INSULATING PANEL		1		
.26	356243	. ROOF INSULATION PANEL		1		
5	356222	KIT INSULATING ROOF PANEL				
.01	356220	. ROOF INSULATION PANEL			22	
.02	356219	. ROOF INSULATION PANEL			11	
.20	356224	. ROOF INSULATION PANEL			1	
.30	356235	. ROOF INSULATION PANEL			1	
.41	356234	. ROOF INSULATION PANEL			2	
.50	356236	. ROOF INSULATION PANEL			2	
6	356250	KIT INSULATING ROOF PANEL / W/1 SL. OUT To H-3644				
.01	356220	. ROOF INSULATION PANEL To H-3644			17	
.02	356219	. ROOF INSULATION PANEL To H-3644			11	
.20	356224	. ROOF INSULATION PANEL To H-3644			1	
.30	356235	. ROOF INSULATION PANEL To H-3644			1	
.31	356234	. ROOF INSULATION PANEL To H-3644			1	
.32	356236	. ROOF INSULATION PANEL To H-3644			2	
.40	356240	. ROOF INSULATING PANEL To H-3644			4	
.41	356248	. ROOF INSULATION PANEL To H-3644			1	
.42	356249	. ROOF INSULATION PANEL To H-3644			1	
6	356222	KIT INSULATING ROOF PANEL From H-3645				
.01	356220	. ROOF INSULATION PANEL From H-3645			22	
.02	356219	. ROOF INSULATION PANEL From H-3645			11	
.20	356224	. ROOF INSULATION PANEL From H-3645			1	
.30	356235	. ROOF INSULATION PANEL From H-3645			1	
.41	356234	. ROOF INSULATION PANEL From H-3645			2	
.50	356236	. ROOF INSULATION PANEL From H-3645			2	
7	356251	KIT INSULATING ROOF PANEL / W/2 SL. OUT To H-3644				
.01	356220	. ROOF INSULATION PANEL To H-3644			13	
.02	356219	. ROOF INSULATION PANEL To H-3644			11	
.20	356224	. ROOF INSULATION PANEL To H-3644			1	
.30	356235	. ROOF INSULATION PANEL To H-3644			1	
.31	356234	. ROOF INSULATION PANEL To H-3644			1	
.32	356236	. ROOF INSULATION PANEL To H-3644			1	
.40	356240	. ROOF INSULATING PANEL To H-3644			7	
.41	356248	. ROOF INSULATION PANEL To H-3644			1	
.42	356249	. ROOF INSULATION PANEL To H-3644			1	

From E-2585 To J-0287	Date:10/2022	PAGE:H7-1839-31
<b>INSULATING ROOF PANELS</b>		

Item#	Part	Description	H 3 4 1	H 3 4 5	V I P 4 5	N O T E S
. 50	356258	. ROOF INSULATION PANEL To H-3644			1	
. 51	356259	. ROOF INSULATION PANEL To H-3644			1	
7	356222	KIT INSULATING ROOF PANEL From H-3645				
. 01	356220	. ROOF INSULATION PANEL From H-3645			22	
. 02	356219	. ROOF INSULATION PANEL From H-3645			11	
. 20	356224	. ROOF INSULATION PANEL From H-3645			1	
. 30	356235	. ROOF INSULATION PANEL From H-3645			1	
. 41	356234	. ROOF INSULATION PANEL From H-3645			2	
. 50	356236	. ROOF INSULATION PANEL From H-3645			2	
8	356252	KIT INSULATING ROOF PANEL / W/3 SL. OUT REAR To H-3644				
. 01	356220	. ROOF INSULATION PANEL To H-3644			9	
. 02	356219	. ROOF INSULATION PANEL To H-3644			11	
. 20	356224	. ROOF INSULATION PANEL To H-3644			1	
. 30	356235	. ROOF INSULATION PANEL To H-3644			1	
. 31	356234	. ROOF INSULATION PANEL To H-3644			1	
. 40	356240	. ROOF INSULATING PANEL To H-3644			10	
. 41	356248	. ROOF INSULATION PANEL To H-3644			1	
. 42	356249	. ROOF INSULATION PANEL To H-3644			1	
. 50	356258	. ROOF INSULATION PANEL To H-3644			1	
. 51	356259	. ROOF INSULATION PANEL To H-3644			1	
. 60	356239	. ROOF INSULATION PANEL To H-3644			1	
8	356222	KIT INSULATING ROOF PANEL From H-3645				
. 01	356220	. ROOF INSULATION PANEL From H-3645			22	
. 02	356219	. ROOF INSULATION PANEL From H-3645			11	
. 20	356224	. ROOF INSULATION PANEL From H-3645			1	
. 30	356235	. ROOF INSULATION PANEL From H-3645			1	
. 41	356234	. ROOF INSULATION PANEL From H-3645			2	
. 50	356236	. ROOF INSULATION PANEL From H-3645			2	
9	356256	KIT INSULATING ROOF PANEL / W/3 SL. OUT FRONT To H-3644				
. 01	356220	. ROOF INSULATION PANEL To H-3644			9	
. 02	356219	. ROOF INSULATION PANEL To H-3644			11	
. 20	356224	. ROOF INSULATION PANEL To H-3644			1	
. 30	356234	. ROOF INSULATION PANEL To H-3644			1	
. 32	356236	. ROOF INSULATION PANEL To H-3644			1	
. 40	356240	. ROOF INSULATING PANEL To H-3644			9	
. 41	356248	. ROOF INSULATION PANEL To H-3644			1	
. 42	356249	. ROOF INSULATION PANEL To H-3644			1	
. 50	356258	. ROOF INSULATION PANEL To H-3644			1	
. 51	356259	. ROOF INSULATION PANEL To H-3644			1	
. 65	356241	. ROOF INSULATION PANEL To H-3644			1	
. 66	356244	. ROOF INSULATING PANEL To H-3644			1	
9	356222	KIT INSULATING ROOF PANEL From H-3645			1	

From E-2585 To J-0287	Date:10/2022	PAGE:H7-1839-31
<b>INSULATING ROOF PANELS</b>		

Item#	Part	Description	H 3 4 1	H 3 4 5	V I P 4 5	N O T E S
. 01	356220	. ROOF INSULATION PANEL From H-3645			22	
. 02	356219	. ROOF INSULATION PANEL From H-3645			11	
. 20	356224	. ROOF INSULATION PANEL From H-3645			1	
. 30	356235	. ROOF INSULATION PANEL From H-3645			1	
. 41	356234	. ROOF INSULATION PANEL From H-3645			2	
. 50	356236	. ROOF INSULATION PANEL From H-3645			2	
10	356255	KIT INSULATING ROOF PANEL / W/3 L. SL. OUT To H-3644				
. 01	356220	. ROOF INSULATION PANEL To H-3644			9	
. 02	356219	. ROOF INSULATION PANEL To H-3644			11	
. 20	356224	. ROOF INSULATION PANEL To H-3644			1	
. 30	356235	. ROOF INSULATION PANEL To H-3644			1	
. 32	356236	. ROOF INSULATION PANEL To H-3644			1	
. 40	356240	. ROOF INSULATING PANEL To H-3644			10	
. 41	356248	. ROOF INSULATION PANEL To H-3644			2	
. 42	356249	. ROOF INSULATION PANEL To H-3644			1	
. 50	356259	. ROOF INSULATION PANEL To H-3644			1	
. 51	356259	. ROOF INSULATION PANEL To H-3644			1	
. 61	356263	. ROOF INSULATION PANEL To H-3644			1	
10	356222	KIT INSULATING ROOF PANEL From H-3645				
. 01	356220	. ROOF INSULATION PANEL From H-3645			22	
. 02	356219	. ROOF INSULATION PANEL From H-3645			11	
. 20	356224	. ROOF INSULATION PANEL From H-3645			1	
. 30	356235	. ROOF INSULATION PANEL From H-3645			1	
. 41	356234	. ROOF INSULATION PANEL From H-3645			2	
. 50	356236	. ROOF INSULATION PANEL From H-3645			2	
11	356254	KIT INSULATING ROOF PANEL / W/4E SL. OUT				
. 01	356220	. ROOF INSULATION PANEL			5	
. 02	356219	. ROOF INSULATION PANEL			11	
. 20	356224	. ROOF INSULATION PANEL			1	
. 30	356235	. ROOF INSULATION PANEL			1	
. 40	356240	. ROOF INSULATING PANEL			12	
. 41	356248	. ROOF INSULATION PANEL			2	
. 42	356249	. ROOF INSULATION PANEL			1	
. 50	356258	. ROOF INSULATION PANEL			2	
. 51	356259	. ROOF INSULATION PANEL			1	
. 60	356239	. ROOF INSULATION PANEL			1	
. 65	356241	. ROOF INSULATION PANEL			1	
. 66	356244	. ROOF INSULATING PANEL			1	
12	356253	KIT INSULATING ROOF PANEL / W/4 SL. OUT To H-3644				
. 01	356220	. ROOF INSULATION PANEL To H-3644			5	
. 02	356219	. ROOF INSULATION PANEL To H-3644			11	

From E-2585 To J-0287	Date:10/2022	PAGE:H7-1839-31
<b>INSULATING ROOF PANELS</b>		

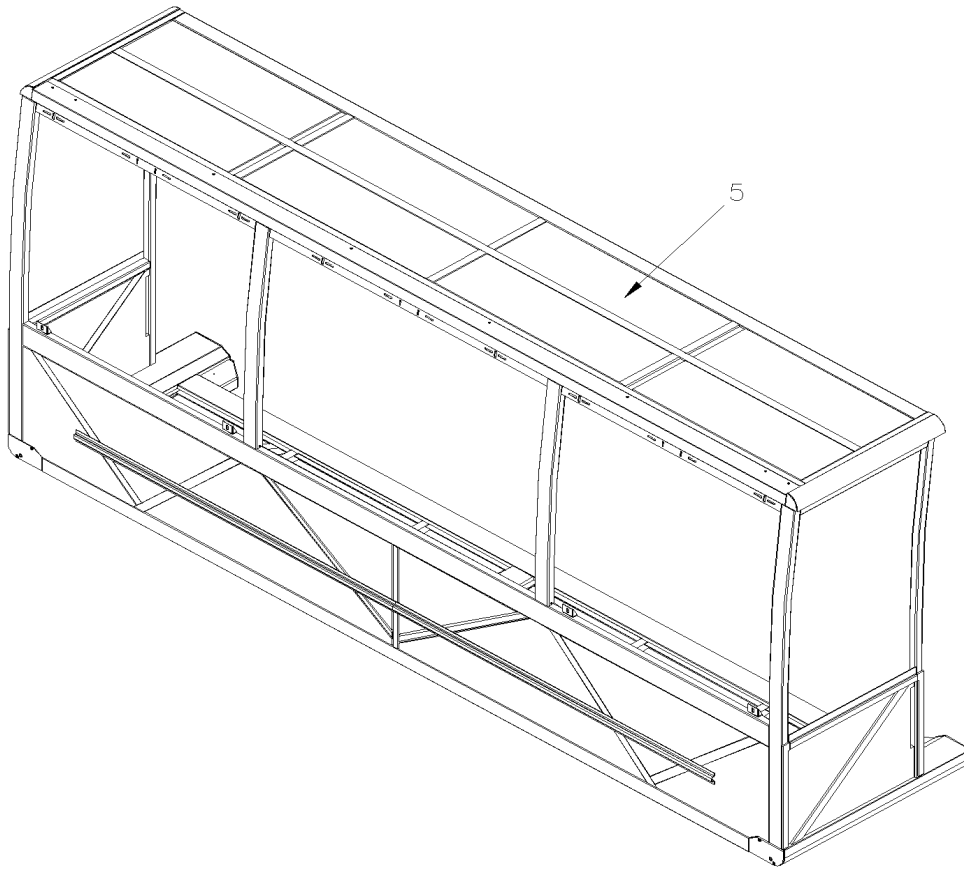
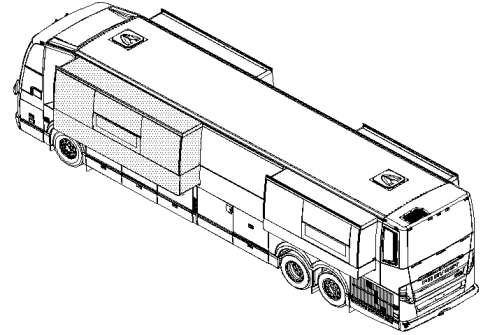
Item#	Part	Description	H 3 4 1	H 3 4 5	V I P 4 5	N O T E S
. 20	356224	. ROOF INSULATION PANEL To H-3644			1	
. 30	356235	. ROOF INSULATION PANEL To H-3644			1	
. 40	356240	. ROOF INSULATING PANEL To H-3644			13	
. 41	356248	. ROOF INSULATION PANEL To H-3644			2	
. 42	356249	. ROOF INSULATION PANEL To H-3644			1	
. 50	356258	. ROOF INSULATION PANEL To H-3644			2	
. 51	356259	. ROOF INSULATION PANEL To H-3644			1	
. 60	356239	. ROOF INSULATION PANEL To H-3644			1	
. 61	356263	. ROOF INSULATION PANEL To H-3644			1	
12	356222	KIT INSULATING ROOF PANEL From H-3645				
. 01	356220	. ROOF INSULATION PANEL From H-3645			22	
. 02	356219	. ROOF INSULATION PANEL From H-3645			11	
. 20	356224	. ROOF INSULATION PANEL From H-3645			1	
. 30	356235	. ROOF INSULATION PANEL From H-3645			1	
. 41	356234	. ROOF INSULATION PANEL From H-3645			2	
. 50	356236	. ROOF INSULATION PANEL From H-3645			2	
NS	352769	INSULATOR SUPPORT			AR	
NS	683084	SEALANT SIKA #221 / GREY / 600 ml SAUSAGE			AR	
NS	683083	ADHESIVE SIKA #252 / BLACK / 600 ml SAUSAGE			AR	

From 7-0671 To J-0287

Date:10/2022

PAGE:H7-1839-90

## INSULATING - "SLIDE-OUT"

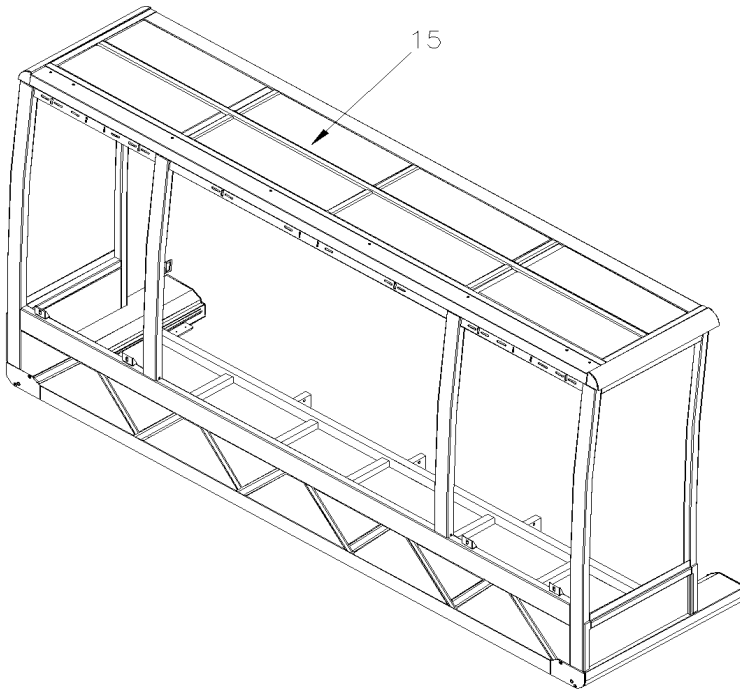
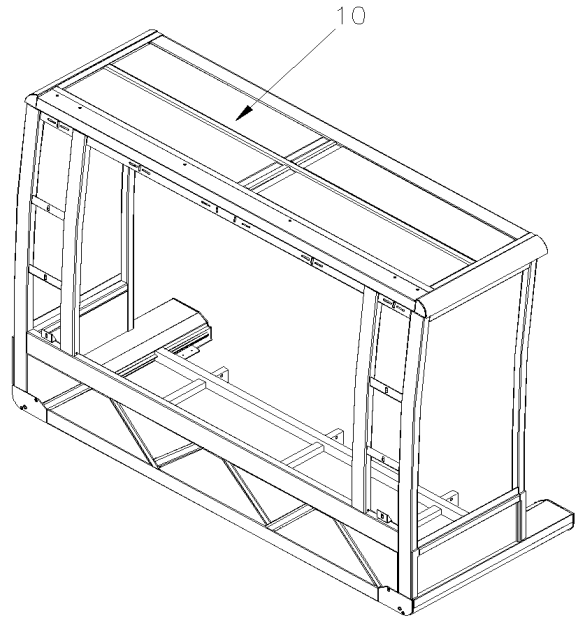
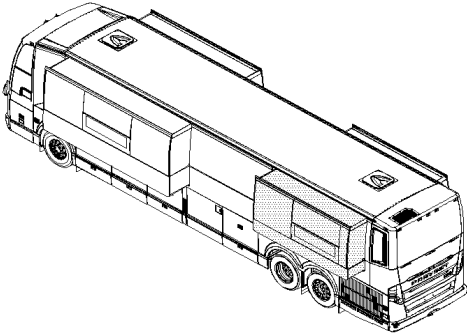


From 7-0671 To J-0287

Date:10/2022

PAGE:H7-1839-90

## INSULATING - "SLIDE-OUT"



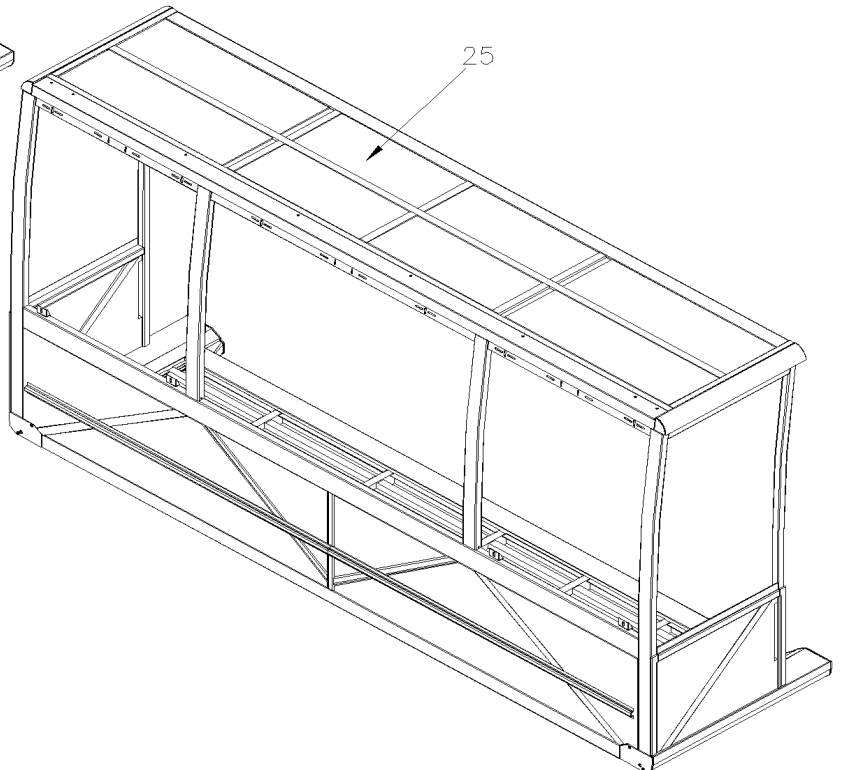
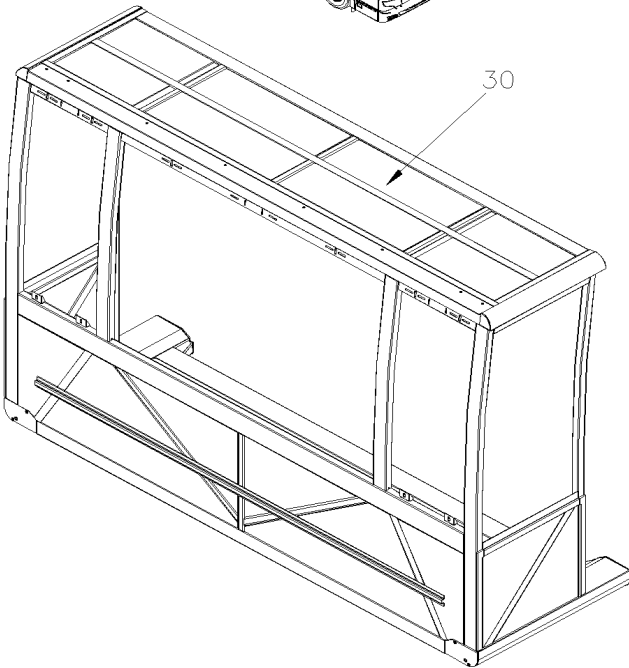
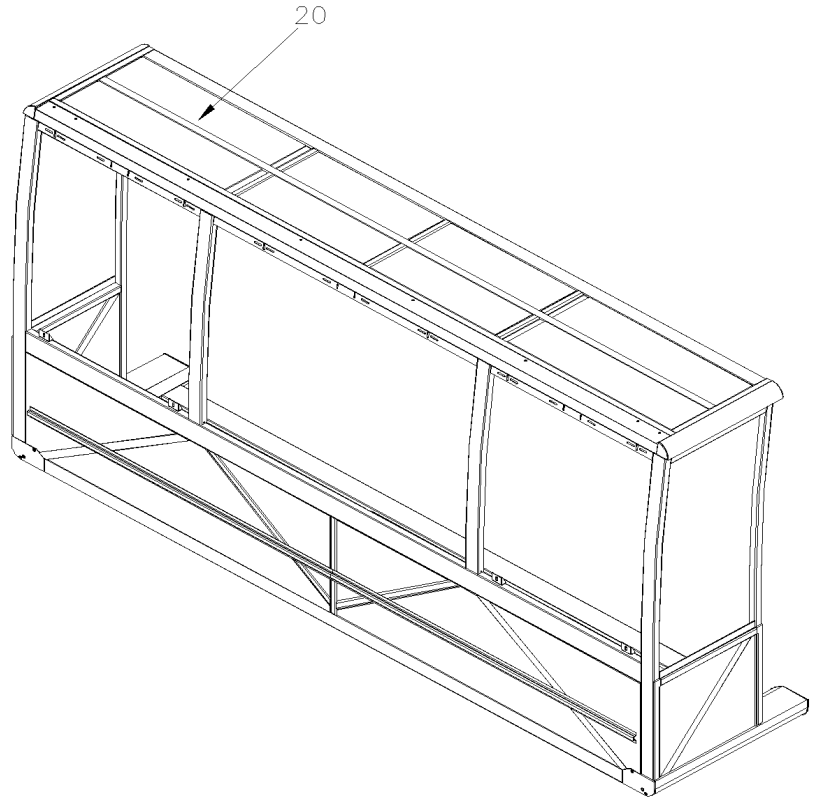
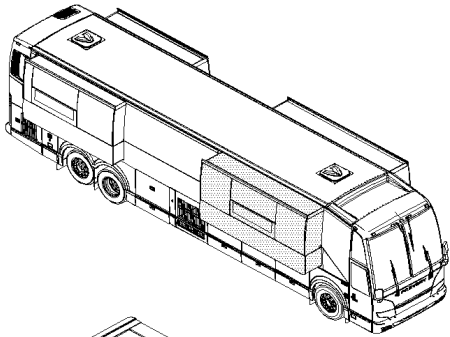


From 7-0671 To J-0287

Date:10/2022

PAGE:H7-1839-90

## INSULATING - "SLIDE-OUT"

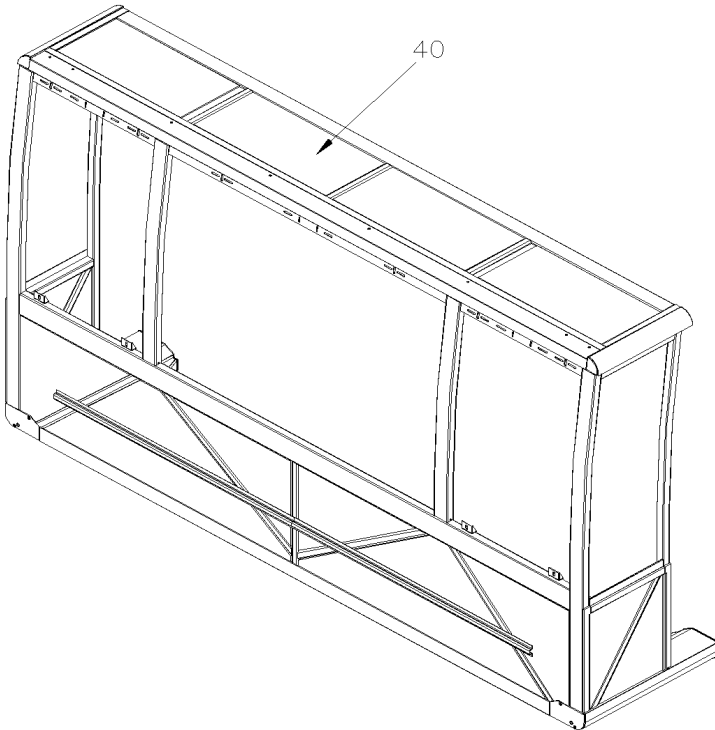
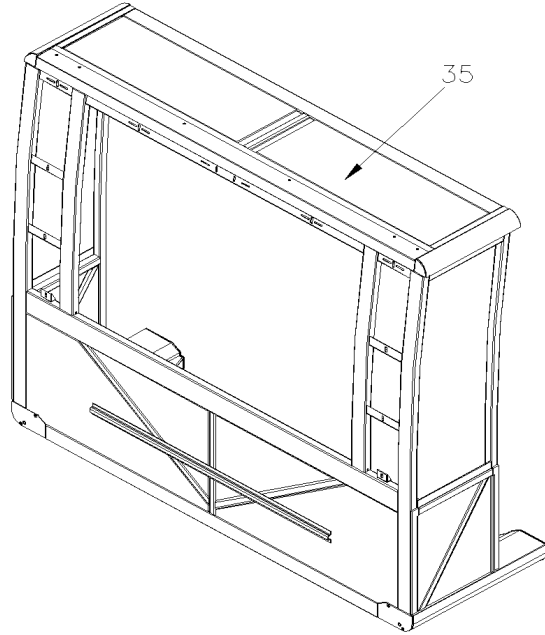
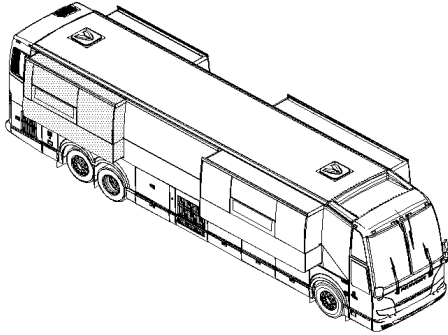


From 7-0671 To J-0287

Date:10/2022

PAGE:H7-1839-90

## INSULATING - "SLIDE-OUT"



From 7-0671 To J-0287 Date:10/2022 PAGE:H7-1839-90

**INSULATING - "SLIDE-OUT"**

Item#	Part	Description	H 3 4 1	H 3 4 5	V I P 4 5	N O T E S
5	351655	KIT INSULATION / FRONT STREET SIDE SLIDE OUT			1	
10	351645	KIT INSULATION / REAR STREET SIDE SLIDE OUT			1	7.5
15	351704	KIT INSULATION / REAR STREET SIDE SLIDE OUT			1	10.5
20	351933	KIT INSULATION / FRONT CURBSIDE SLIDE OUT From 9-1404 To H-3644			1	12 C
20	352903	KIT INSULATION / FRONT CURBSIDE SLIDE OUT From H-3645			1	
25	352079	KIT INSULATION / FRONT CURBSIDE SLIDE OUT From 9-1404 To H-3644			1	12 D
30	351932	KIT INSULATION / FRONT CURBSIDE SLIDE OUT From 9-1404 To H-3644			1	9
35	351879	KIT INSULATION / REAR CURBSIDE SLIDE OUT From 9-1404			1	7.5
40	351877	KIT INSULATION / REAR CURBSIDE SLIDE OUT From 9-1404			1	10.5
NS	680415	TAPE ADHESIVE 3" WIDE BLUE			AR	
NS	680532	SEALANT SIKA #221 / GREY / 310ml CARTRIDGE			AR	
NS	684196	PRIMER ELASTOCOL # 593			AR	
NS	685124	ADHESIVE SIMSON #ISR 70-03 / BLACK / 600ml SAUSAGE			AR	
NS	850092	WHITE WALL COVERING ADHESIVE / 28 3/8" X 448"			AR	
		10.5) WITH 10.5 FEET SLIDE-OUT ONLY				
		12) WITH 12 FEET SLIDE-OUT ONLY				
		7.5) WITH 7.5 FEET SLIDE-OUT ONLY				
		9) WITH 9 FEET SLIDE-OUT ONLY				
		C) WITH 2 FEET DEPTH SLIDE OUT				
		D) WITH 2.5 FEET DEPTH SLIDE OUT				

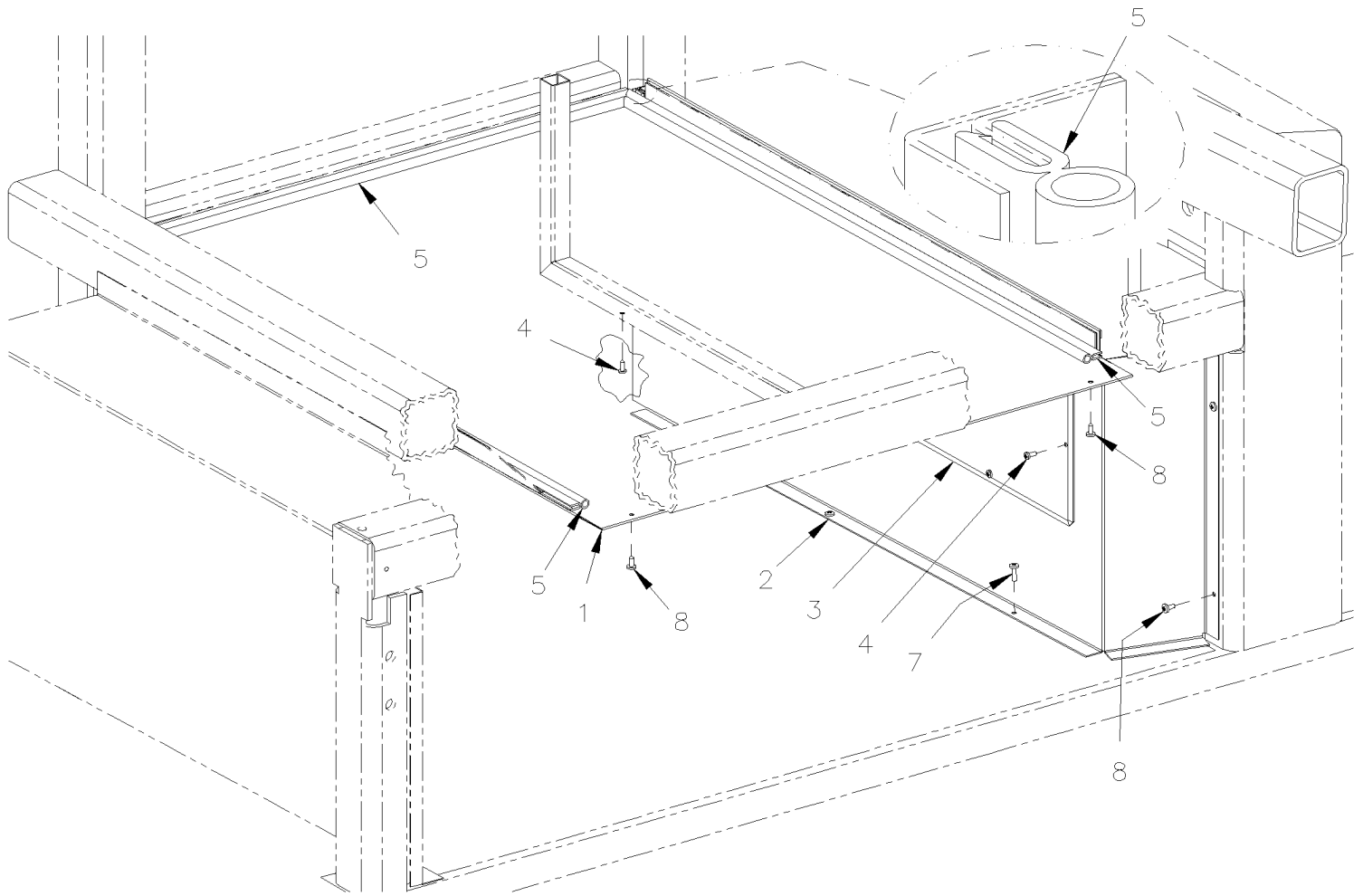


From 7-0671 To J-0287

Date:10/2022

PAGE:H7-1840-00

**CLOSING PANEL SPARE COMPARTMENT**



From 7-0671 To J-0287 Date:10/2022 PAGE:H7-1840-00

**CLOSING PANEL SPARE COMPARTMENT**

Item#	Part	Description	H 3 4 1	H 3 4 5	V I P 4 5	N O T E S
1	350654	PANEL CLOSING / W/IND SUSPENTION / 955MM X 728MM			1	
2	350665	PANEL ASSY SIDE / W/IND SUSPENTION To 9-1469			1	
2	356079	PANEL ASSY SIDE / W/IND SUSPENTION From A-1470 To E-2504			1	
2	357373	PANEL ASSY SIDE / W/IND SUSPENTION From E-2505			1	
3	350225	PANEL ACCESS / STEERING BOX			1	
4	500638	SCREW TP PAN PH #8x1/2 Z050			5	
5	506302	RUBBER EXTRUSION TRIM SEAL / GRIP .024 / 7/16" HOLLOW BULB C.T.L.			AR	
6	680096	SEALANT BUTYL ALUM / GREY / 310ml CARTRIDGE			AR	
7	500642	SCREW TP PAN PH #10x3/4 Z050			2	
8	500657	SCREW TC TR PH #10-24x1/2 Z050			5	

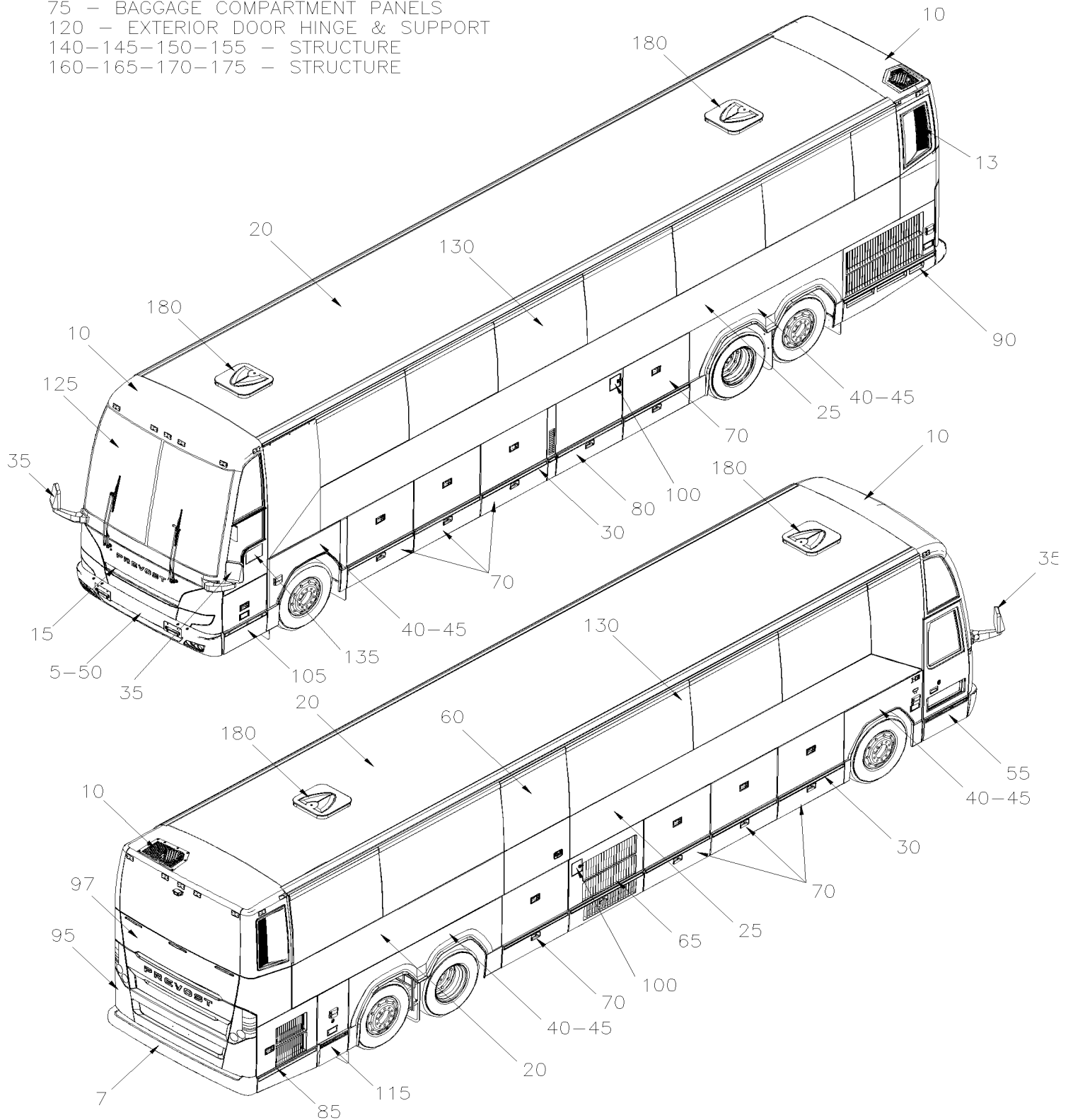
From 7-0671 To J-0287

Date:10/2022

PAGE:H7-18-EXT

## BODY EXTERIOR

- 75 - BAGGAGE COMPARTMENT PANELS
- 120 - EXTERIOR DOOR HINGE & SUPPORT
- 140-145-150-155 - STRUCTURE
- 160-165-170-175 - STRUCTURE



From 7-0671 To J-0287	Date:10/2022	PAGE:H7-18-EXT
<b>BODY EXTERIOR</b>		

Item#	Part	Description	H 3 4 1	H 3 4 5	V I P 4 5	N O T E S
5	H7-1850-00	BUMPER FRONT From 7-0671 To 9-1469				
5	H7-1850-01	BUMPER FRONT From A-1470 To J-0287				
7	H7-1850-10	BUMPER REAR From 7-0671 To J-0287				
7	H7-1850-15	BUMPER REAR - BUS "OPTION" / "ROMEO RIM" From 7-0671 To J-0184				
10	H7-1851-00	CAP - FRONT & REAR - INSTALLATION From 7-0671 To 9-1469				
10	H7-1851-01	CAP - FRONT & REAR - INSTALLATION From A-1470 To A-1720				
10	H7-1851-02	CAP - FRONT & REAR - INSTALLATION From B-1721 To J-0287				
13	H7-1851-05	REAR CAP - DOOR DPF & SCR From 7-0671 To J-0287				
15	H7-1851-10	FRONT PANEL - INSTALLATION From 7-0671 To 9-1469				
15	H7-1851-11	FRONT PANEL - INSTALLATION From A-1470 To J-0287				
20	H7-1852-00	ROOF PANELS From 7-0671 To J-0287				
25	H7-1854-00	SIDE PANELS - BUS From 7-0671 To J-0184				
25	H7-1854-50	SIDE PANELS - V.I.P. From 7-0671 To J-0287				
25	H7-1854-55	SIDE PANELS - WITH "SLIDE-OUT" / BY "CONVERTER" From 7-0671 To J-0287				
25	H7-1854-60	SIDE PANELS - WITH "SLIDE-OUT" "PREVOST" From 7-0671 To J-0287				
25	H7-1854-80	SIDE PANELS - FRONT STREET SIDE - "SLIDE-OUT" From 7-0671 To J-0287				
25	H7-1854-85	SIDE PANELS - REAR STREET SIDE - "SLIDE-OUT" From 7-0671 To J-0287				
25	H7-1854-90	SIDE PANELS - FRONT CURBSIDE - "SLIDE-OUT" From 9-1404 To H-3644				
25	H7-1854-91	SIDE PANELS - FRONT CURBSIDE - "SLIDE-OUT" From H-3645 To J-0287				
25	H7-1854-95	SIDE PANELS - REAR CURBSIDE - "SLIDE-OUT" From 9-1404 To J-0287				
30	H7-1855-00	EXTERIOR TRIMS & CREST From 7-0671 To J-0287				
35	H7-1856-25	MIRROR "RAMCO" FLAT GLASS / BLACK PAINTED From 7-0671 To J-0184				
35	H7-1856-26	MIRROR "RAMCO" FLAT GLASS / BLACK PAINTED WITH DIRECTIONAL From 8-1124 To J-0184				
35	H7-1856-35	MIRROR "RAMCO" 2 GLASSES / BLACK PAINTED From 7-0671 To F-2882				
35	H7-1856-50	MIRROR "RAMCO" FLAT GLASS / CHROME From 7-0671 To J-0287				
35	H7-1856-51	MIRROR "RAMCO" FLAT GLASS / CHROME WITH DIRECTIONAL From 8-1124 To J-0287				
35	H7-1856-60	MIRROR "RAMCO" 2 GLASSES / CHROME From 7-0671 To J-0287				
40	H7-1857-00	FENDERS From 7-0671 To A-1720				
40	H7-1857-01	FENDERS From B-1721 To J-0112				
40	H7-1857-02	FENDERS From J-0113 To J-0287				
45	H7-1859-00	SPLASH GUARD - FRONT & REAR From 7-0671 To E-2504				
45	H7-1859-01	SPLASH GUARD - FRONT & REAR From E-2505 To J-0287				
50	H7-1860-10	SPARE WHEEL DOOR MECHANISM FRONT BUMPER From 7-0671 To 9-1469				
50	H7-1860-11	SPARE WHEEL DOOR MECHANISM FRONT BUMPER From A-1470 To J-0287				
50	H7-1860-50	BUMPER DOOR FRONT - V.I.P. From 7-0671 To J-0287				
55	H7-1862-10	ENTRANCE DOOR ASSY - SEDAN From 7-0671 To J-0184				
55	H7-1862-50	ENTRANCE DOOR ASSY - V.I.P. From 7-0671 To F-2928				
55	H7-1862-51	ENTRANCE DOOR ASSY - V.I.P. From F-2929 To J-0287				
55	H7-1862-60	ENTRANCE DOOR FRAME - INSTALLATION From 7-0671 To J-0287				
60	H7-1862-80	ENTRANCE DOOR SLIDING - WCL From 7-0671 To E-2584				
60	H7-1862-81	ENTRANCE DOOR SLIDING - WCL From E-2585 To J-0184				
60	H7-1862-85	SLIDING DOOR - INSTALLATION From 7-0671 To E-2584				



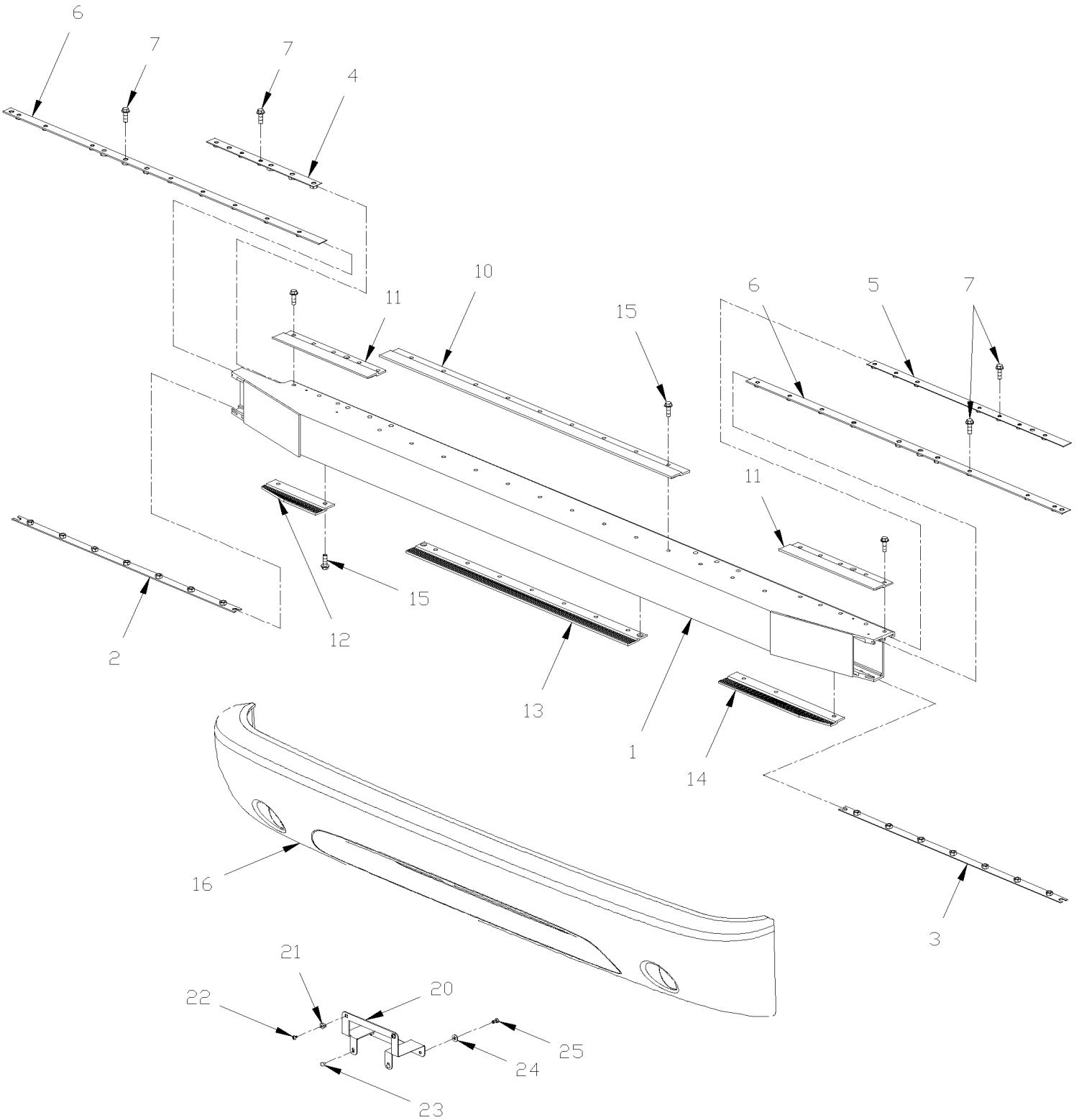
From 7-0671 To J-0287	Date:10/2022	PAGE:H7-18-EXT
<b>BODY EXTERIOR</b>		

Item#	Part	Description	H 3 4 1	H 3 4 5	V I P 4 5	N O T E S
60	H7-1862-86	SLIDING DOOR - INSTALLATION From E-2585 To J-0184				
65	H7-1863-00	CONDENSOR DOOR ASSY From 7-0671 To A-1720				
65	H7-1863-01	CONDENSOR DOOR ASSY "EPA 2010" From B-1721 To J-0287				
70	H7-1864-00	BAGGAGE COMPARTMENT DOOR From 7-0671 To J-0287				
70	H7-1864-30	PNEUMATIC DOOR LOCK CONTROL VALVE From 7-0671 To J-0287				
70	H7-1864-31	HANDLE LOCK & KEYS - TYPE "NS" & "FORD" From 7-0671 To J-0287				
70	H7-1864-35	BAGGAGE COMPARTMENT ELECTRICAL LOCK - V.I.P From 7-0671 To J-0287				
70	H7-1864-55	BAGGAGE DOOR ASSY - V.I.P. - "GRILL" STYLE From 7-0671 To J-0287				
70	H7-1864-80	BAGGAGE DOOR - W.C.L. "RICON" From 7-0671 To E-2584				
70	H7-1864-81	BAGGAGE DOOR - W.C.L. "RICON" From E-2585 To J-0184				
70	H7-1864-90	BAGGAGE DOOR - W/"SLIDE-OUT" INSTALLTION From 7-0671 To 8-1285				
70	H7-1864-91	BAGGAGE DOOR - W/"SLIDE-OUT" INSTALLTION From 8-1286 To J-0287				
70	H7-1864-95	BAGGAGE DOOR - W/"SLIDE-OUT" PANTOGRAPH INSTALLTION From E-2455 To J-0287				
75	H7-1865-00	BAGGAGE COMPARTMENT PANELS From 7-0761 To J-0287				
76	H7-1865-20	EVAPORATOR & CONDENSOR WALL INSTALLATION From 7-0671 To 9-1469				
76	H7-1865-21	EVAPORATOR & CONDENSOR WALL INSTALLATION From A-1470 To A-1720				
76	H7-1865-22	EVAPORATOR & CONDENSOR WALL INSTALLATION From B-1721 To J-0287				
76	H7-1865-50	PANEL WALL BAGGAGE INSTALLATION WITH SMALL A/C SYSTEM From 7-0761 To 7-0771				
76	H7-1865-51	PANEL WALL BAGGAGE INSTALLATION WITH SMALL A/C SYSTEM / 2007 From 7-0772 To A-1720				
76	H7-1865-52	PANEL WALL BAGGAGE INSTALLATION WITH SMALL A/C SYSTEM / 2010 From B-1721 To J-0287				
80	H7-1866-00	EVAPORATOR DOOR ASSY From 7-0671 To J-0287				
85	H7-1868-00	A/C COMPRESSOR DOOR ASSY From 7-0671 To F-2694				
85	H7-1868-01	A/C COMPRESSOR DOOR ASSY From F-2695 To J-0287				
90	H7-1869-00	RADIATOR DOOR ASSY From 7-0671 To J-0287				
95	H7-1870-00	ENGINE DOOR ASSY From 7-0671 To A-1720				
95	H7-1870-01	ENGINE DOOR ASSY From B-1721 To J-0287				
95	H7-1870-10	REAR ENGINE DOOR - INSTALLATION From 7-0671 To A-1720				
95	H7-1870-11	REAR ENGINE DOOR - INSTALLATION WITH "EPA 2010" From B-1721 To J-0287				
97	H7-1870-21	REAR ENGINE UPPER DOOR WITH "EPA 2010" From B-1721 To J-0287				
100	H7-1875-00	FUEL TANK FILLING DOOR From 7-0671 To A-1720				
100	H7-1875-01	FUEL TANK & UREA FILLING DOOR From B-1721 To J-0287				
100	H7-1875-50	FUEL TANK FILLING DOOR - V.I.P. WITH SMALL A/C From 7-0671 To J-0287				
105	H7-1879-00	FRONT SERVICE DOOR ASSY From 7-0671 To J-0287				
105	H7-1879-10	FRONT SERVICE DOOR - INSTALLATION From 7-0671 To J-0287				
115	H7-1879-60	REAR SIDE SERVICE DOOR ASSY R.H. From 7-0671 To J-0287				
120	H7-1879-90	EXTERIOR DOOR HINGE AND SUPPORT From 7-0671 To J-0287				
125	H7-1880-00	WINDSHIELD & CHANNEL From 7-0671 To H-3734				
125	H7-1880-01	WINDSHIELD & CHANNEL From H-3735 To J-0287				
130	H7-1884-00	SIDE WINDOW - BUS From 7-0671 To J-0184				
130	H7-1884-50	SIDE WINDOWS - V.I.P. From 7-0671 To J-0287				
130	H7-1884-55	SIDE WINDOWS - V.I.P. "COUNTS MEDIA INC" / LDV From 8-1381 To J-0287				
130	H7-1884-65	ELECTRICAL AWNING WINDOW ASSY From 7-0671 To J-0287				

From 7-0671 To J-0287	Date:10/2022	PAGE:H7-18-EXT
<b>BODY EXTERIOR</b>		

Item#	Part	Description	H 3 4 1	H 3 4 5	V I P 4 5	N O T E S
130	H7-1884-70	SLIDING WINDOW L.H. - V.I.P. From 7-0671 To 7-0771				
130	H7-1884-75	SLIDING WINDOW R.H. - V.I.P. From 7-0671 To 7-0771				
130	H7-1884-80	ELECTRICAL SLIDING WINDOW ASSY From 7-0772 To J-0287				
130	H7-1884-90	SIDE WINDOW - "SLIDE-OUT" From 7-0671 To J-0287				
135	H7-1886-00	POWER WINDOW - ELECTRICAL INSTALLATION From 7-0671 To J-0287				
140	H7-1890-00	ROOF STRUCTURE From 7-0671 To D-2363				
140	H7-189X-XX	STRUCTURE / CALL ORDER DESK From D-2364 To J-0287				
145	H7-1890-10	STRUCTURE WALL - UPPER From 7-0671 To D-2363				
150	H7-1891-00	WALL STRUCTURE - LOWER BUS From 7-0671 To D-2363				
150	H7-1891-50	WALL STRUCTURE - LOWER V.I.P. From 7-0671 To D-2363				
155	H7-1893-00	BAGGAGE COMPARTMENT STRUCTRE From 7-0671 To D-2363				
160	H7-1894-00	REAR STRUCTURE From 7-0671 To A-1720				
160	H7-1894-01	REAR STRUCTURE WITH "EPA 2010" From B-1721 To D-2363				
160	H7-1894-05	REAR - L.H. BACKWARD FENDER - STRUCTURE From 7-0671 To A-1720				
160	H7-1894-06	REAR - L.H. BACKWARD FENDER - STRUCTURE WITH "EPA 2010" From B-1721 To D-2363				
160	H7-1894-10	REAR - R.H. - STRUCTURE From 7-0671 To A-1720				
160	H7-1894-11	REAR - R.H. - STRUCTURE WITH "EPA 2010" From B-1721 To D-2363				
160	H7-1894-15	REAR - R.H. SERVICE COMPARTMENT STRUCTURE From 7-0671 To D-2363				
160	H7-1894-20	REAR UPPER SHEATING From 7-0671 To A-1720				
165	H7-1895-00	FRONT STRUCTURE From 7-0671 To D-2363				
165	H7-1895-10	FRONT FLOOR STRUCTURE - BUS W/ "I" BEAM SUSPENSION From 7-0671 To 9-1469				
165	H7-1895-11	FRONT FLOOR STRUCTURE - BUS W/ "I" BEAM SUSPENSION From A-1470 To D-2363				
165	H7-1895-20	ENTRANCE DOOR STRUCTURE From 7-0671 To D-2363				
165	H7-1895-30	FRONT UPPER STRUCTURE From 7-0671 To D-2363				
165	H7-1895-40	FRONT END STRUCTURE - BUS W/ "I" BEAM SUSPENSION From 7-0671 To D-2363				
165	H7-1895-50	FRONT FLOOR STRUCTURE - V.I.P. W/ IND SUSPENSION From 7-0671 To 9-1469				
165	H7-1895-51	FRONT FLOOR STRUCTURE W/ IND SUSPENSION From A-1470 To D-2363				
165	H7-1895-60	FRONT END STRUCTURE - V.I.P. W/ IND SUSPENSION From 7-0671 To D-2363				
165	H7-1895-61	FRONT END STRUCTURE - BUS W/ IND SUSPENSION From A-1470 To D-2363				
170	H7-1896-00	FRONT SHEATING - BUS W/ "I" BEAM SUSPENSION From 7-0671 To D-2363				
170	H7-1896-50	FRONT SHEATING - V.I.P. W/ IND SUSPENSION From 7-0671 To D-2363				
170	H7-1896-51	FRONT SHEATING - BUS W/ IND SUSPENSION From 7-0671 To D-2363				
175	H7-1897-00	FRONT SUB-FRAME / W/RIGID SUSPENSION From 7-0671 To D-2363				
175	H7-1897-10	REAR SUB-FRAME From 7-0671 To D-2363				
175	H7-1897-50	FRONT SUB-FRAME / W/INDEPENDENT SUSPENSION - 18000 LBS From 7-0671 To D-2363				
180	H7-1898-00	ESCAPE HATCH - INSTALLATION From 7-0671 To J-0287				
180	H7-1898-10	ESCAPE HATCH - INSTALLATION - VENTILATION "OPTION" From 8-1101 To J-0287				

From 7-0671 To 9-1469	Date:10/2022	PAGE:H7-1850-00
<b>BUMPER FRONT</b>		



<b>From 7-0671 To 9-1469</b>	<b>Date:10/2022</b>	<b>PAGE:H7-1850-00</b>
<b>BUMPER FRONT</b>		

Item#	Part	Description	H 3 4 1	H 3 4 5	V I P 4 5	N O T E S
	410992	BUMPER FRONT ASSY / BUS	1	1		A
	410993	BUMPER FRONT ASSY / V.I.P.			1	B
1	411068	. BEAM ASSY / FRONT	1	1	1	
2	411066	. ATTACHMENT 1182MM	1	1	1	
3	411067	. ATTACHMENT 1182MM	1	1	1	
4	411064	. ATTACHMENT 735MM	1	1	1	
5	411065	. ATTACHMENT 400MM	1	1	1	
6	411086	. ATTACHMENT 400MM	2	2	2	
7	500283	. SCREW TC TR PH #10-24x3/4 SS	6	6	6	
10	410866	. EXTRUSION ALLUMINUM 831MM	2	2	2	
11	411069	. EXTRUSION ALLUMINUM 355MM	2	2	2	
12	411070	. EXTRUSION ALLUMINUM 402MM	1	1	1	
13	411080	. EXTRUSION ALUMINUM 1090MM	1	1	1	
13	5001533	. SCREW TC FL PH #10-24x1 1/4 Z050 SS410	4	4	4	
14	411071	. EXTRUSION ALUMINUM 220MM	1	1	1	
15	946472	. SCREW CAP HEXF M10-1.5x30 G8.8 ZG603	12	12	12	
16	410838	. BUMPER SKIN, FRONT BUS & VIP	1	1	1	
NS	410995	. SUPPORT LOWER BUMPER / CLIP ON LOWER DOOR STRUCTURE	1	1	1	
NS	411001	. PLATE	2	2	2	
NS	504339	. RIVET POP DOME OE 1/8x3/8 SS	4	4	4	
20	410972	LICENSE PLATE HOLDER / LOWER (AS SHOWN)	AR	AR	AR	
. NS	410967	. PLATE HOLDER	1	1	1	
. NS	506499	. BUMPER PLUG / .500ODx.312THx.250HOLEx.093	2	2	2	
. NS	5001009	. NUT AN 1/4 NYL	2	2	2	
. NS	5001184	. SCREW TP PAN PH #12x1/2 SS	2	2	2	
. NS	502622	. SCREW CAP HEX M6-1.0x20 SS BK	2	2	2	
. NS	502570	. WASHER LO SPT 6.1x11.8x1.6 SS	2	2	2	
20	411207	LICENSE PLATE HOLDER / UPPER BUMPER "OPTION"	AR	AR	AR	
. NS	411208	. PLATE HOLDER	1	1	1	
. NS	506499	. BUMPER PLUG / .500ODx.312THx.250HOLEx.093	2	2	2	
. NS	5001009	. NUT AN 1/4 NYL	2	2	2	
. NS	5001184	. SCREW TP PAN PH #12x1/2 SS	2	2	2	
. NS	500421	. SCREW TC PAN PH #10-32x1 1/2 N500	3	3	3	
. NS	500331	. NUT WELL #10-32x1.0	3	3	3	
21	5001009	. NUT AN 1/4 NYL	2	2	2	
22	5001184	. SCREW TP PAN PH #12x1/2 SS	2	2	2	
23	506499	. BUMPER PLUG / .500ODx.312THx.250HOLEx.093	2	2	2	
24	5001181	. SCREW CAP HEX M6-1.0x12 SS	2	2	2	
25	502570	. WASHER LO SPT 6.1x11.8x1.6 SS	2	2	2	
NS	5001182	NUT HEX NYRT M6-1.0 SS	3	3	3	
27	504335	RIVET POP DOME CLE 3/16x1/4 AL	3	3	3	
NS	410982	DECAL "IN ORDER TO REMOVE..."	1	1	1	

From 7-0671 To 9-1469	Date:10/2022	PAGE:H7-1850-00
<b>BUMPER FRONT</b>		

Item#	Part	Description	H 3 4 1	H 3 4 5	V I P 4 5	N O T E S
28	411052	DECAL "WARNING / ADVERTENCIA" IN ORDER...	1	1	1	
		A) THIS ASSY INCLUDES ITEM #1-2-3-4-13-14-15-16-17-18-20-21-37-47 OF PAGE HF-1860-10				
		B) THIS ASSY INCLUDES ITEMS #1-2-4-13-14-15-16-17-18-20-21-37-47 OF PAGE HF-1860-10 & ITEM 2 OF PAGE HF-1860-50				

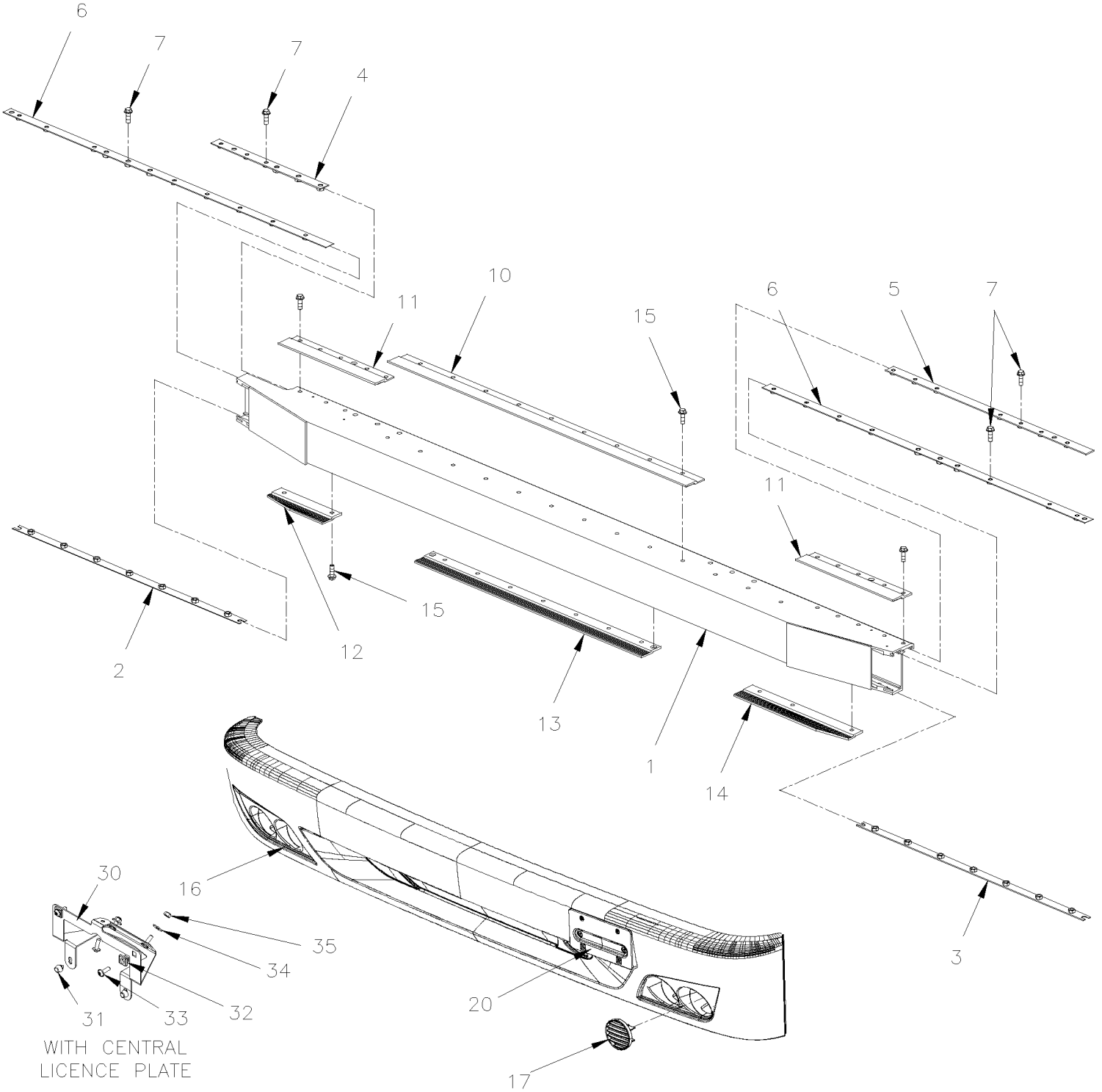


From A-1470 To J-0287

Date:10/2022

PAGE:H7-1850-01

## BUMPER FRONT



<b>From A-1470 To J-0287</b>	<b>Date:10/2022</b>	<b>PAGE:H7-1850-01</b>
<b>BUMPER FRONT</b>		

Item#	Part	Description	H 3 4 1	H 3 4 5	V I P 4 5	N O T E S
	411184	BUMPER FRONT ASSY / BUS W/OUT WASHER W/OUT ACB WITH SPARE WHEEL DOOR To B-1785	1	1		
	411182	. BUMPER FRONT ASSY / BUS W/OUT WASHER W/OUT ACB To B-1785	1	1		
	411424	BUMPER FRONT ASSY / BUS W/OUT WASHER W/OUT ACB From B-1786 To E-2659	1	1		
	411435	BUMPER FRONT ASSY / BUS W/OUT WASHER W/OUT ACB From E-2660	1	1		
	411183	BUMPER FRONT ASSY / BUS W/HEADLAMP WASHER W/OUT ACB To B-1785	1	1		
	411436	BUMPER FRONT ASSY / BUS W/HEADLAMP WASHER W/OUT ACB From B-1786 To E-2659	1	1		
	411437	BUMPER FRONT ASSY / BUS W/HEADLAMP WASHER W/OUT ACB From E-2660	1	1		
	411423	BUMPER FRONT ASSY / BUS W/OUT WASHER W/ACB From B-1786 To E-2659	1	1		
	410037	BUMPER FRONT ASSY / BUS W/OUT WASHER W/ACB From E-2660	1	1		
	Call order desk	BUMPER FRONT ASSY / BUS W/HEADLAMP WASHER W/ACB From B-1786 To E-2659	1	1		P
	Call order desk	BUMPER FRONT ASSY / BUS W/HEADLAMP WASHER W/ACB From E-2660	1	1		P
	411186	BUMPER FRONT ASSY / V.I.P. W/HEADLAMP WASHER & W/OUT ACB To B-1785			1	
	411200	BUMPER FRONT ASSY / V.I.P. W/HEADLAMP WASHER & W/OUT ACB From B-1786 To E-2659			1	
	411201	BUMPER FRONT ASSY / V.I.P. W/HEADLAMP WASHER & W/OUT ACB From E-2660			1	
	411187	BUMPER FRONT ASSY / V.I.P. / W/OUT WASHER & W/OUT ACB To B-1785			1	
	411202	BUMPER FRONT ASSY / V.I.P. / W/OUT WASHER & W/OUT ACB From B-1786 To E-2659			1	
	411203	BUMPER FRONT ASSY / V.I.P. / W/OUT WASHER & W/OUT ACB From E-2660			1	
	411236	BUMPER FRONT ASSY / V.I.P. W/HEADLAMP WASHER & W/ACB To E-2659			1	
	410029	BUMPER FRONT ASSY / V.I.P. W/HEADLAMP WASHER & W/ACB From E-2660			1	
1	411133	. BEAM ASSY / FRONT	1	1	1	
2	411164	. ATTACHMENT 1139MM	1	1	1	
3	411165	. ATTACHMENT 1201MM	1	1	1	
4	411065	. ATTACHMENT 400MM	1	1	1	
5	411064	. ATTACHMENT 735MM	1	1	1	
6	411086	. ATTACHMENT 400MM	2	2	2	
7	5001742	. SCREW CAP HEXF M8-1.25x30 G8.8 N500	4	4	4	
10	411087	. EXTRUSION ALLUMINUM 831MM	2	2	2	
11	411069	. EXTRUSION ALLUMINUM 355MM	2	2	2	
12	411071	. EXTRUSION ALUMINUM 220MM	1	1	1	
13	411080	. EXTRUSION ALUMINUM 1090MM	1	1	1	
13	5001533	. SCREW TC FL PH #10-24x1 1/4 Z050 SS410	4	4	4	
14	411070	. EXTRUSION ALLUMINUM 402MM	1	1	1	
15	946472	. SCREW CAP HEXF M10-1.5x30 G8.8 ZG603	12	12	12	
16	411121	. BUMPER SKIN, FRONT BUS To E-2659	1	1		
16	411368	. BUMPER SKIN, FRONT BUS From E-2660	1	1		
16	411243	. BUMPER SKIN, FRONT BUS WITH ACB SYSTEM From B-1786 To E-2659	1	1		
16	411348	. BUMPER SKIN, FRONT BUS WITH ACB SYSTEM From E-2660	1	1		
16	411157	. BUMPER SKIN, FRONT VIP To E-2659			1	
16	411370	. BUMPER SKIN, FRONT VIP WITHOUT ACB SYSTEM From E-2660			1	
16	411188	. BUMPER SKIN, FRONT VIP W/OUT HEAD-LAMP WASHER To E-2659			1	
16	411371	. BUMPER SKIN, FRONT VIP W/OUT HEAD-LAMP WASHER From E-2660			1	
16	411244	. BUMPER SKIN, FRONT VIP WITH ACB SYSTEM From B-1786 To E-2659			1	



From A-1470 To J-0287	Date:10/2022	PAGE:H7-1850-01
<b>BUMPER FRONT</b>		

Item#	Part	Description	H 3 4 1	H 3 4 5	V I P 4 5	N O T E S
16	411369	. BUMPER SKIN, FRONT VIP WITH ACB SYSTEM From E-2660			1	
NS	411168	. SUPPORT BOTTOM BUMPER SKIN	1	1	1	
NS	411001	. PLATE	2	2	2	
NS	504339	. RIVET POP DOME OE 1/8x3/8 SS	4	4	4	
17	430645	PLUG BUMPER / W/O FOG LAMP	4	4	4	
17	5001547	SCREW PTR TR PH M4x20 G500	8	8	8	
20	411162	LICENSE PLATE HOLDER	1	1	1	
NS	5001009	NUT AN 1/4 NYL	2	2	2	
NS	5001630	SCREW TP BUTF TORX M6x20 SS	6	6	6	
30	411198	LICENSE PLATE HOLDER To E-2659	1	1	1	
30	411381	LICENSE PLATE HOLDER From E-2660	1	1	1	
31	506499	BUMPER PLUG / .500ODx.312THx.250HOLEx.093	2	2	2	
32	5001009	NUT AN 1/4 NYL	2	2	2	
33	5001630	SCREW TP BUTF TORX M6x20 SS	3	3	3	
34	500411	WASHER FL .260x.697x.050 SS	2	2	2	
35	502681	NUT HEX NYRT M6-1.0 N500 G8	2	2	2	
35	5061020	TAPE RUB ADH1 CC POL 1/32" x 1/2" x 50' / BLACK H1C-N	AR	AR	AR	
		P) CALL ORDER DESK FOR SPECIFIC APPLICATION (V.I.N.)				

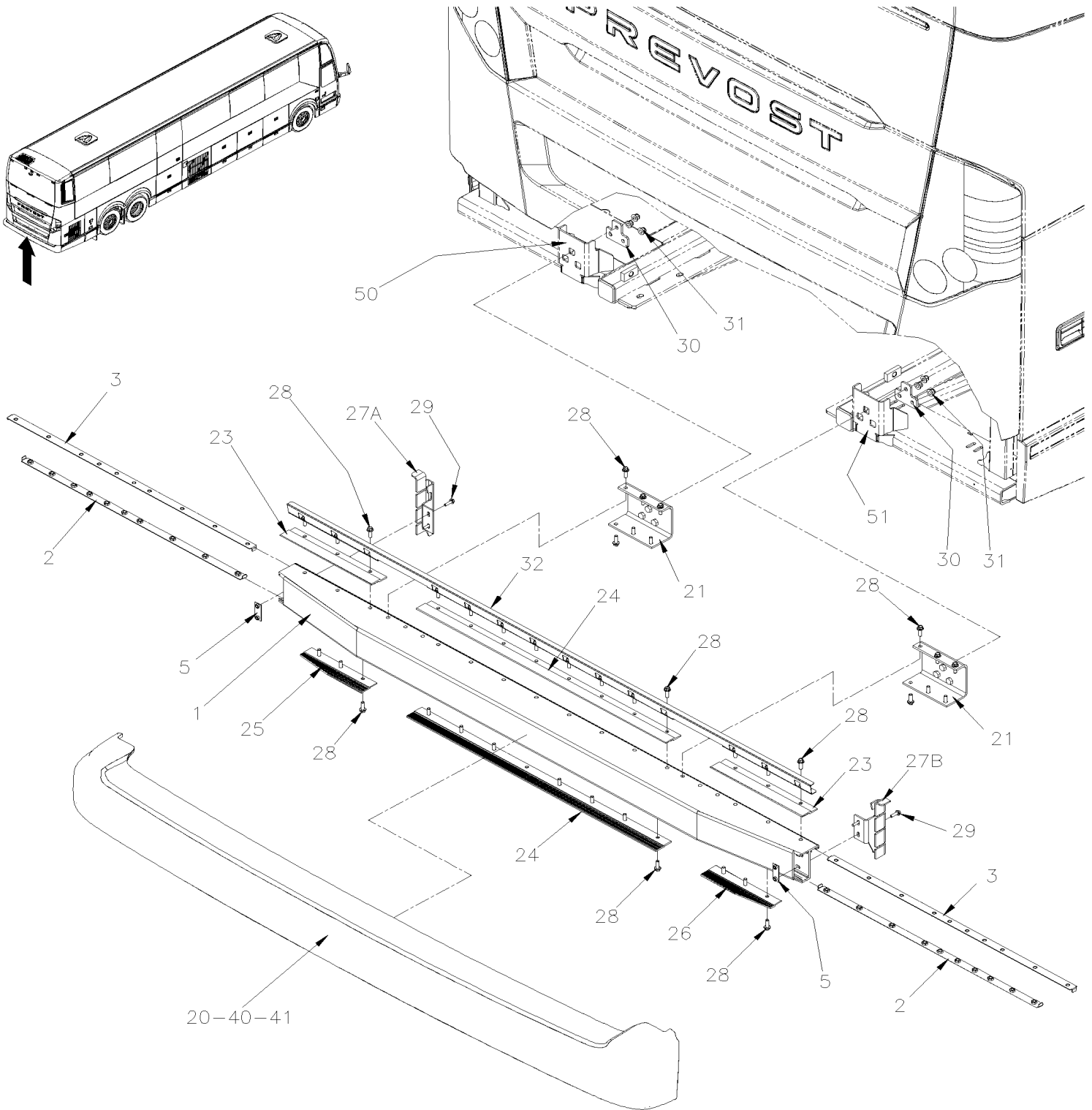


From 7-0671 To J-0287

Date:10/2022

PAGE:H7-1850-10

## BUMPER REAR



From 7-0671 To J-0287	Date:10/2022	PAGE:H7-1850-10
<b>BUMPER REAR</b>		

Item#	Part	Description	H 3 4 1	H 3 4 5	V I P 4 5	N O T E S
	410994	BUMPER REAR ASSY / BUS	1	1		
	411119	BUMPER REAR ASSY / VIP			1	
	411119	BUMPER REAR ASSY / VIP	1	1		C
1	411074	. BEAM ASSY REAR	1	1	1	
2	411072	. ATTACHMENT 1033MM	2	2	2	
3	411073	. ATTACHMENT 1143MM	2	2	2	
5	410939	. ATTACHMENT 69MM	2	2	2	
20	410881	. BUMPER SKIN, REAR BUS	1	1		
20	410988	. BUMPER SKIN, REAR VIP			1	
20	410988	. BUMPER SKIN, REAR VIP	1	1		C
21	410865	. SUPPORT REAR	2	2	2	
23	411076	. EXTRUSION ALUMINUM 420MM	2	2	2	
24	411075	. EXTRUSION ALUMINUM 1144MM	2	2	2	
25	411078	. EXTRUSION ALUMINUM 300MM	1	1	1	
26	411077	. EXTRUSION ALUMINUM 300MM	1	1	1	
27A	410922	. REINFORCEMENT To C-2033	1	1	1	
27A	410922	. REINFORCEMENT To C-2033	1	1	1	
27A	411265	. REINFORCEMENT / STREET SIDE From C-2034	1	1	1	
27B	410922	. REINFORCEMENT To C-2033	1	1	1	
27B	410922	. REINFORCEMENT To C-2033	1	1	1	
27B	411264	. REINFORCEMENT / CURBSIDE From C-2034	1	1	1	
28	5001741	. SCREW CAP HEXF M10-1.5x30 G8.8 N500	40	40	40	
29	5001742	. SCREW CAP HEXF M8-1.25x30 G8.8 N500	4	4	4	
30	410923	. PLATE ATTACHMENT	2	2	2	
31	5001761	. NUT HEXF NYRT M12-1.75 G8 N500	6	6	6	
32	411079	. REINFORCEMENT	1	1	1	
		FOLLOWING ITEMS ARE RELATED WITH				
39		BACK-UP PROXIMITY SENSORS				A
40	382144	KIT SENSOR DOUBLE, BACK-UP PROXIMITY DEVICES / W/CONTROL BOX	1	1	1	
NS	409197	. DISPLAY SENSOR / ASSY W/CONNECTORS	1	1	1	
. NS	382380	. . DISPLAY SENSOR	1	1	1	
. NS	562581	. . CONNECTOR / DT SERIES / SH 6C / GRAY / DEUTSCH DT06-6S	1	1	1	
NS	409198	. DUAL SENSORS JCT BOX ASSY / W/CONNECTORS	2	2	2	
. NS	382381	. . DUAL SENSORS JCT BOX	1	1	1	
. NS	562583	. . CONNECTOR / DT SERIES / PH 6C / GRAY / DEUTSCH DT04-6P	1	1	1	
. NS	561240	. . SOCKET TERMINAL / 18-16 / SIGNAL CONTACT / AMP 66101-2	8	8	8	
. NS	561637	. . CONNECTOR / CPC SERIES 1 / SH 9C / AMP 206708-1	1	1	1	
. NS	562481	. . PIN TERMINAL / 16-14 / DEUTSCH 0460-215-16141	6	6	6	
NS	409199	. SENSOR UNIT ASSY / W/CONNECTORS	1	1	1	
. NS	382382	. . SENSOR UNIT	1	1	1	

From 7-0671 To J-0287	Date:10/2022	PAGE:H7-1850-10
<b>BUMPER REAR</b>		

Item#	Part	Description	H 3 4 1	H 3 4 5	V I P 4 5	N O T E S
. NS	562479	. . CONNECTOR / DT SERIES / PH 4C / GRAY / DEUTSCH DT04-4P-C015	1	1	1	
41	491079	SUPPORT SENSOR PROXIMITY DEVICE	2	2	2	B
NS	502834	WASHER LO SPT 4.1x7.6x0.9 N500	2	2	2	B
NS	502880	NUT HEX #6-32 N500	2	2	2	B
NS	506071	TAPE RUB ADH1 CC POL 1/8" x 1/2" x 50' / GREY 2520X	AR	AR	AR	B
NS	562208	SPECIAL WIRE CABLE 22/3 / 3 WIRES, 100%SHIELD	AR	AR	AR	
NS	562471	CONNECTOR / WEATHER PACK / SH 2C / BLACK / PED 12103784	5	5	5	
NS	561608	SOCKET TERMINAL / 18-16 / DEUTSCH 0462-201-16141	20	20	20	
NS	562478	SECONDARY LOCK / DT SERIES / SH 4C / DEUTSCH W4S	5	5	5	
NS	562479	CONNECTOR / DT SERIES / PH 4C / GRAY / DEUTSCH DT04-4P-C015	5	5	5	
NS	562286	PIN TERMINAL / 18-16 / DEUTSCH 0460-202-16141	20	20	20	
NS	562480	SECONDARY LOCK / DT SERIES / PH 4C / DEUTSCH W4P	5	5	5	
NS	560851	CONNECTOR / COM. MATE-N-LOCK / PH 4C / AMP 1-480426-0	1	1	1	
NS	560853	PIN TERMINAL / 24-18 / AMP 60618-1	2	2	2	
50	216044	BRACKET BUMPER L.H. & R.H. / WELDED TO STRUCTURE To A-1720	1	1	1	
50	216819	BRACKET BUMPER L.H. & R.H. / WELDED TO STRUCTURE From B-1721	1	1	1	
51	216044	BRACKET BUMPER L.H. & R.H. / WELDED TO STRUCTURE To A-1720	1	1	1	
51	216819	BRACKET BUMPER L.H. & R.H. / WELDED TO STRUCTURE From B-1721	1	1	1	
		A) SEE WIRING DIAGRAM D061065				
		B) TO FIX REAR SENSOR TO REAR ENGINE DOOR				
		C) BUS WITH TRAILER HITCH				
		D) CHARTER BUS LINES OF BRITISH COLUMBIA OPTION				

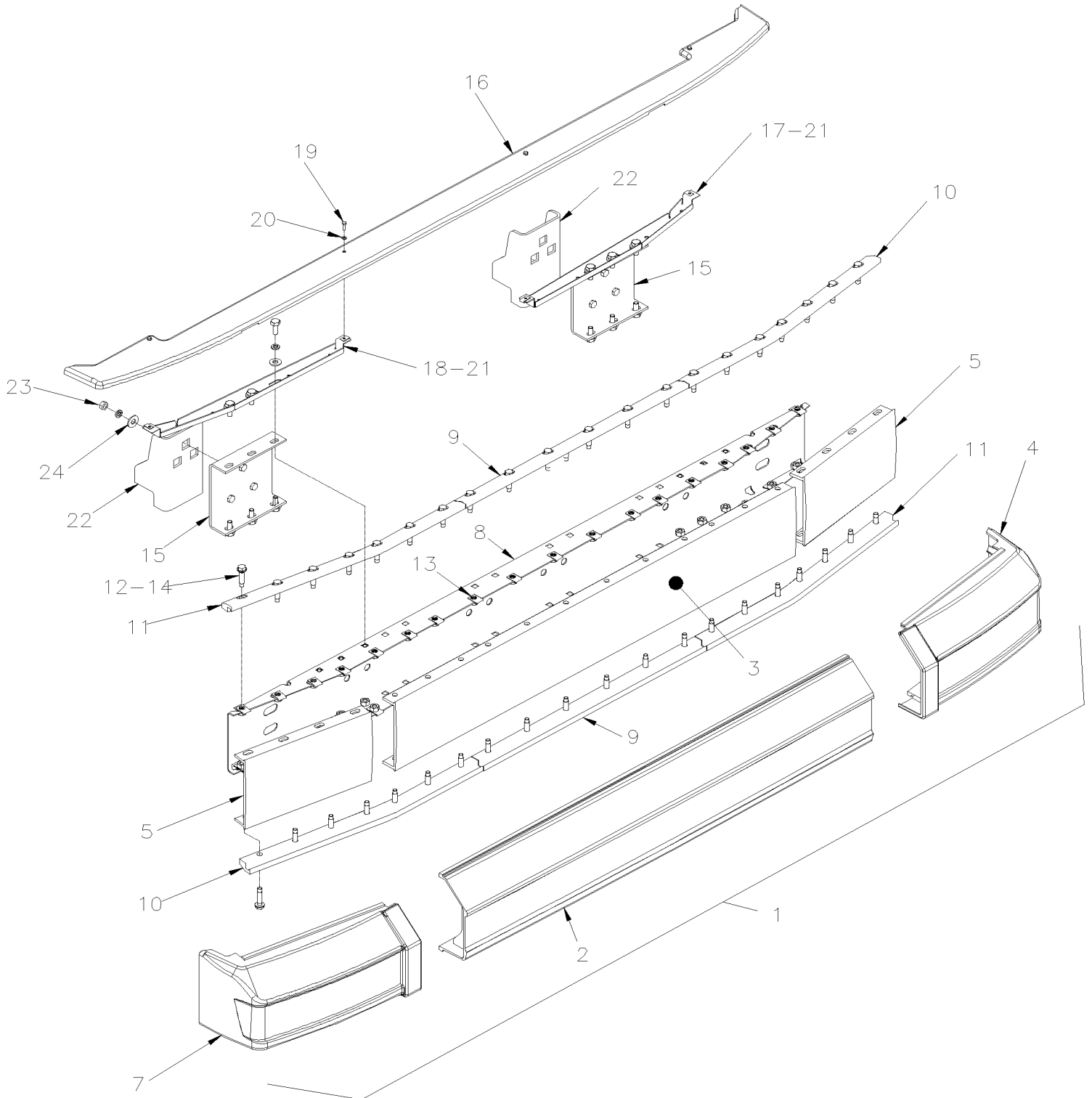


From 7-0671 To J-0184

Date:10/2022

PAGE:H7-1850-15

BUMPER REAR - BUS "OPTION" / "ROMEO RIM"



From 7-0671 To J-0184	Date:10/2022	PAGE:H7-1850-15
<b>BUMPER REAR - BUS "OPTION" / "ROMEO RIM"</b>		

Item#	Part	Description	H 3 4 1	H 3 4 5	V I P 4 5	N O T E S
1	410624	BUMPER ASSY	1	1		
2	910010	. MODULE CENTER	1	1		
3	910013	. PLATE BACK / CENTER	1	1		
4	410592	. MODULE END / R.H.	1	1		
5	910016	. PLATE BACK / L.H. & R.H.	2	2		
6	910015	. SPACER PLASTIC	1	1		
7	410591	. MODULE END / L.H.	1	1		
8	910007	. STRUCTURE BACK-UP	1	1		
9	910014	. CLAMP CENTER	2	2		
10	910029	. CLAMP END / L.H. TOP & R.H. BOTTOM	2	2		
11	910028	. CLAMP END / R.H. TOP & L.H. BOTTOM	2	2		
12	910023	. SCREW CAP HEXF 1/2-13x2 1/4 BKC	38	38		
13	910024	. NUT RETAINER SPRING	34	34		
13	910025	. NUT HEXF 1/2-13 BK / 2 EACH CORNER	4	4		
14	500547	. WASHER FL .484x.750x.031 ZP	42	42		
15	910031	. SUPPORT W/3 BOLTS	2	2		
16	410523	PANEL / BLACK PAINTED	1	1		
16	410475	. PANEL / UNPAINT	1	1		
17	410473	ATTACHMENT R.H. MOUNTING / REAR BUMPER	1	1		
18	410472	ATTACHMENT L.H. MOUNTING / REAR BUMPER	1	1		
19	502531	SCREW CAP HEX M6-1.0x16 G8.8 Z050	4	4		
20	502573	WASHER FL 6.4x12.5x1.6 SS	4	4		
21	502738	NUT SPR U M6-1.0 0.6-4.0 To G-3047	4	4		
21	5001965	NUT SPR U M6-1.0 0.6-4.0 N500 From G-3048	4	4		
22	219761	BRACKET BUMPER L.H. & R.H. / WELDED TO STRUCTURE To A-1720	2	2		
22	216926	BRACKET BUMPER L.H. & R.H. / WELDED TO STRUCTURE From B-1721	2	2		
23	500789	NUT HEX 1/2-13 Z050	6	6		
24	500446	WASHER FL .531x1.250x.125 Z050	6	6		
NS	500482	WASHER LO SPT .506x.873x.125 Z050	6	6		

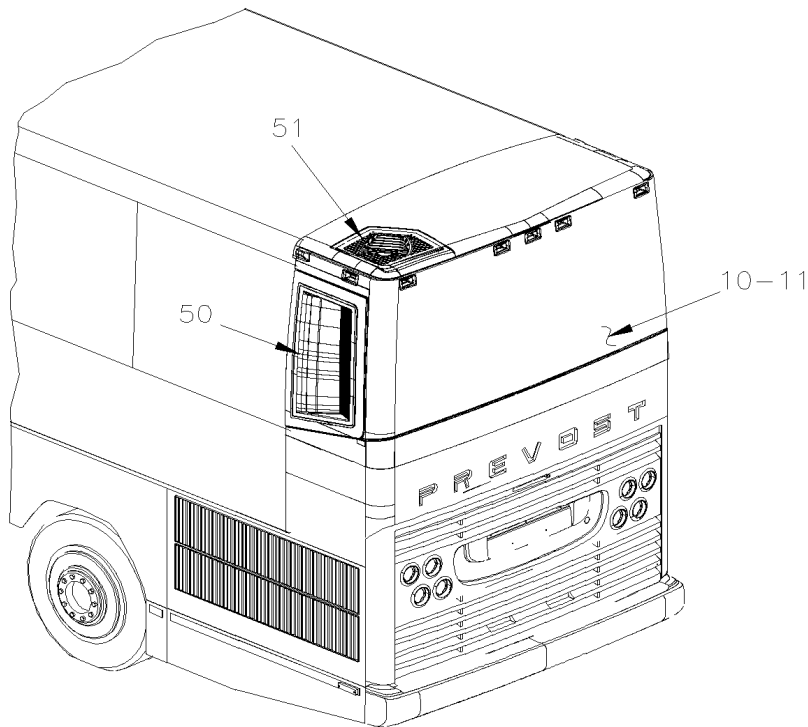
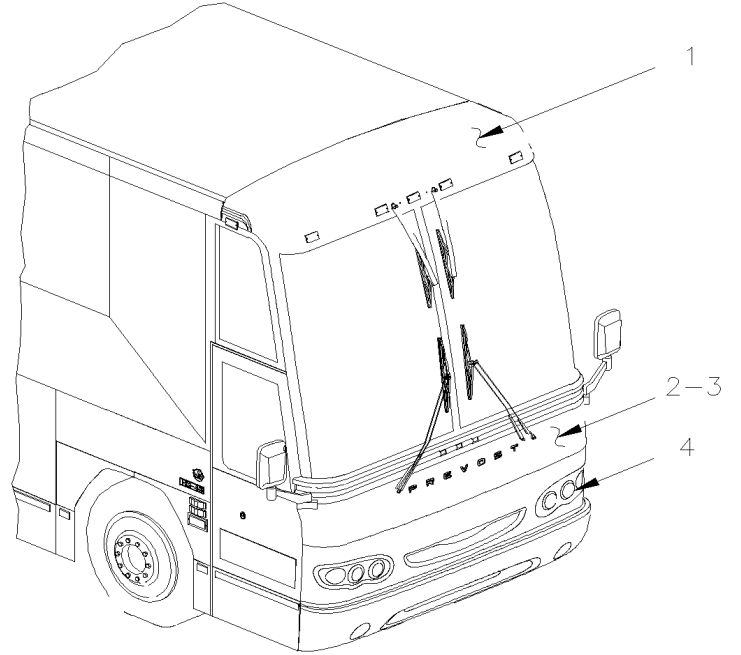
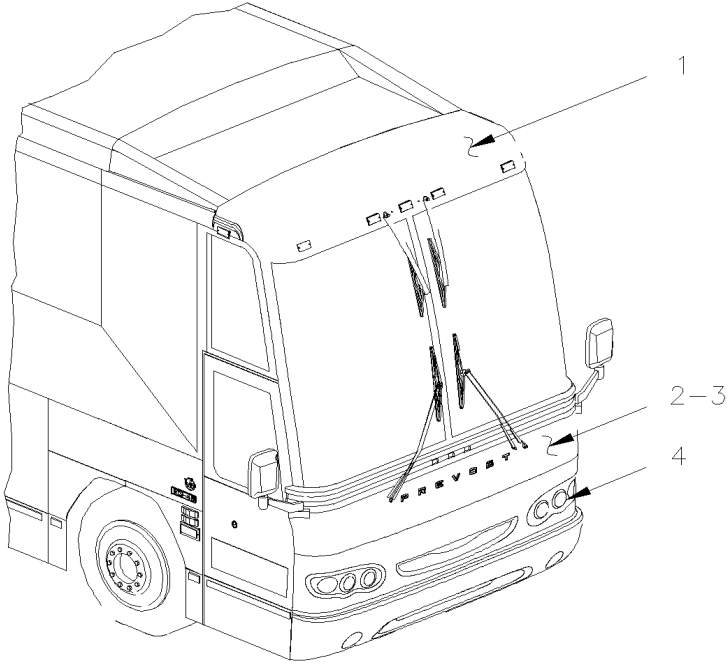


From 7-0671 To 9-1469

Date:10/2022

PAGE:H7-1851-00

## CAP - FRONT & REAR - INSTALLATION

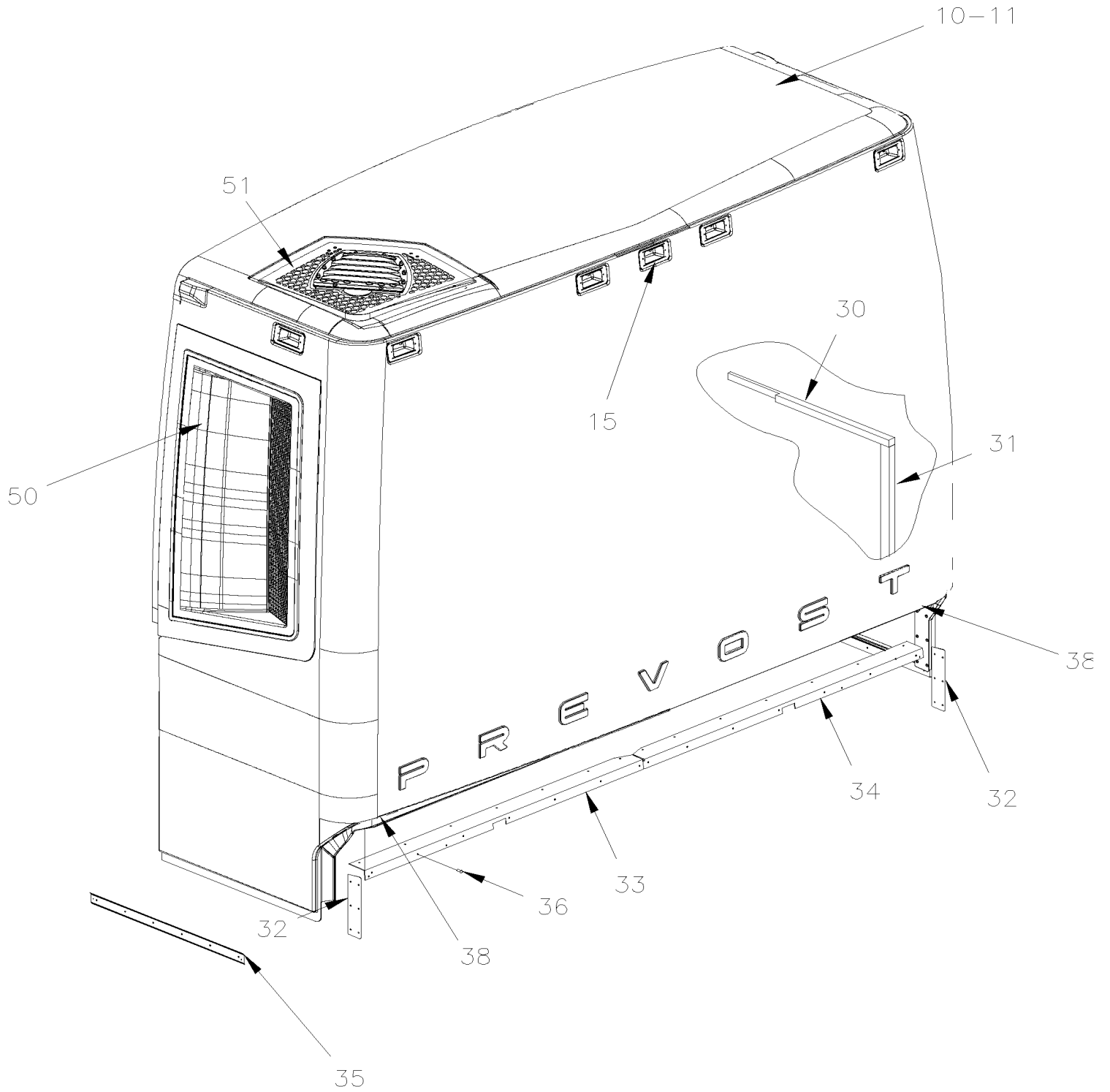


From 7-0671 To 9-1469

Date:10/2022

PAGE:H7-1851-00

## CAP - FRONT & REAR - INSTALLATION



From 7-0671 To 9-1469	Date:10/2022	PAGE:H7-1851-00
<b>CAP - FRONT &amp; REAR - INSTALLATION</b>		

Item#	Part	Description	H 3 4 1	H 3 4 5	V I P 4 5	N O T E S
1	475982	FRONT CAP ASSY / BUS W/THERMO GLASS To 8-1135	1	1		B
1	475280P	. CAP, FRONT / PAINTED MEDIUM GREY & BLACK To 8-1135	1	1		
1	475989	FRONT CAP ASSY / BUS W/SINGLE GLASS To 8-1135	1	1		B
1	475280P	. CAP, FRONT / PAINTED MEDIUM GREY & BLACK To 8-1135	1	1		
1	478818	FRONT CAP ASSY / BUS W/THERMO GLASS From 8-1136	1	1		B
1	476998P	. CAP, FRONT / PAINTED MIDNIGHT CHARCOALD / W/UPPER WIPER HOLES From 8-1136	1	1		
1	478819	FRONT CAP ASSY / BUS W/SINGLE GLASS From 8-1136	1	1		B
1	476998P	. CAP, FRONT / PAINTED MIDNIGHT CHARCOALD / W/UPPER WIPER HOLES From 8-1136	1	1		
1	475980	FRONT CAP ASSY / V.I.P. W/ UPPER WIPER HOLES To 8-1135			1	B
1	475279P	. CAP, FRONT / PAINTED BLACK / W/UPPER WIPER HOLES To 8-1135			1	
1	475981	FRONT CAP ASSY / V.I.P. W/O WIPER HOLES To 8-1135			1	B
1	475278P	. CAP, FRONT / PAINTED BLACK / W/O UPPER WIPER HOLES To 8-1135			1	
1	Call order desk	CAP, FRONT / PAINTED MIDNIGHT CHARCOALD / W/O UPPER WIPER HOLES From 8-1136			1	P
2	476269	FRONT LOWER PANEL ASSY / W/LIGHTS & CONNECTOR / W/HALOGENE LIGHT	1	1	1	A
2	476270	FRONT LOWER PANEL ASSY / W/LIGHTS & CONNECTOR / W/XENON LIGHT	1	1	1	C
NS	5001040	SCREW TC PAN PH #6-32x3/4 SS	2	2	2	
2	476255	. PANEL LOWER FACE / FIBERGLASS / W/HALOGENE & XENON	1	1	1	
2	476706	. PANEL LOWER FACE / FIBERGLASS / W/HALOGENE & XENON	1	1	1	W
NS	475707	KIT STONE PROTECTOR / VINYL FILM / "H3 FACE LIFT	1	1	1	
4	<b>H7-0660-00</b>	<b>HEADLAMP "HALOGENE" &amp; FRONT DIRECTIONAL LAMPS</b>				
4	<b>H7-0660-01</b>	<b>HEADLAMP "XENON" &amp; FRONT DIRECTIONAL LAMPS</b>				
10	479137	CAP, REAR / W/P.D.F. DOOR	1	1		
11	478172	CAP, REAR / V.I.P.			1	
NS	475113	. HOUSING, LIGHT			7	
15	<b>H7-0662-00</b>	<b>CLEARANCE &amp; MARKER LIGHT</b>				
30	472849	INSULATED PAD R.H. SIDE OF REAR CAP 720MM x 38MM	1	1	1	
31	472850	INSULATED PAD R.H. SIDE OF REAR CAP 695MM x 38MM	1	1	1	
32	479096	PLATE 199MM X 58MM	2	2	2	
33	472808	SUPPORT / LOWER REAR CAP L.H.SIDE / ANGLE 1221MM X 35MM 45MM	1	1	1	
34	472809	SUPPORT / LOWER REAR CAP R.H. SIDE	1	1	1	
35	473364	SUPPORT / LOWER REAR CAP EACH SIDE / 633 MM	2	2	2	
36	504248	RIVET CHY Q PRDG 3/16x1/4 SS	AR	AR	AR	
38	504656	BUMPER PLUG / 3/8X41/64X1/4	2	2	2	
50	<b>H7-1851-05</b>	<b>REAR CAP - DOOR DPF &amp; SCR</b>				
51	<b>H7-0405-00</b>	<b>MUFFLER - INSTALLATION WITH DPF FILTER WITH DETROIT S-60</b>				
52	<b>H7-1854-00</b>	<b>SIDE PANELS - BUS</b>				

From 7-0671 To 9-1469	Date:10/2022	PAGE:H7-1851-00
<b>CAP - FRONT &amp; REAR - INSTALLATION</b>		

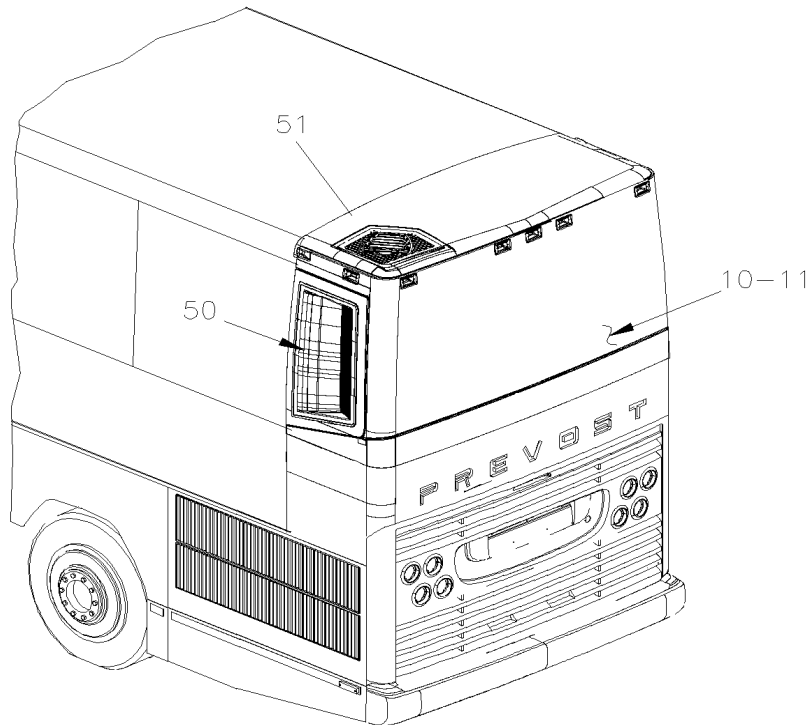
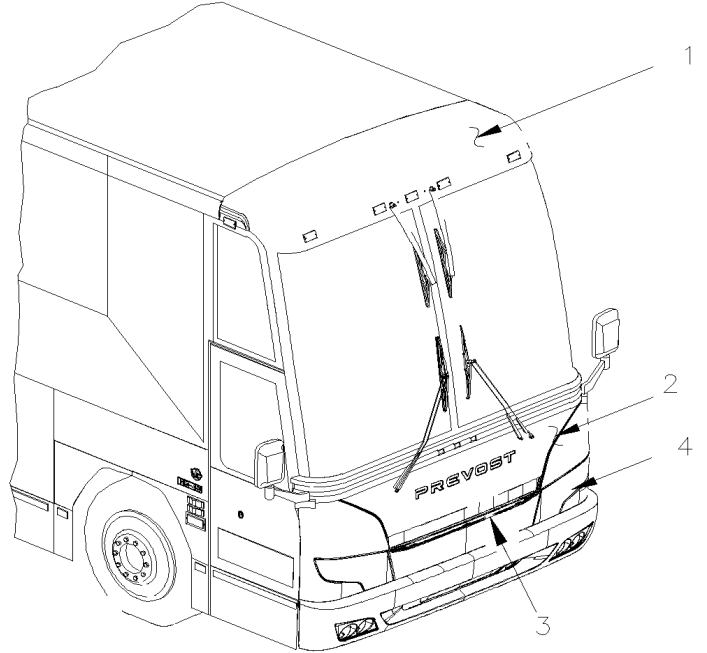
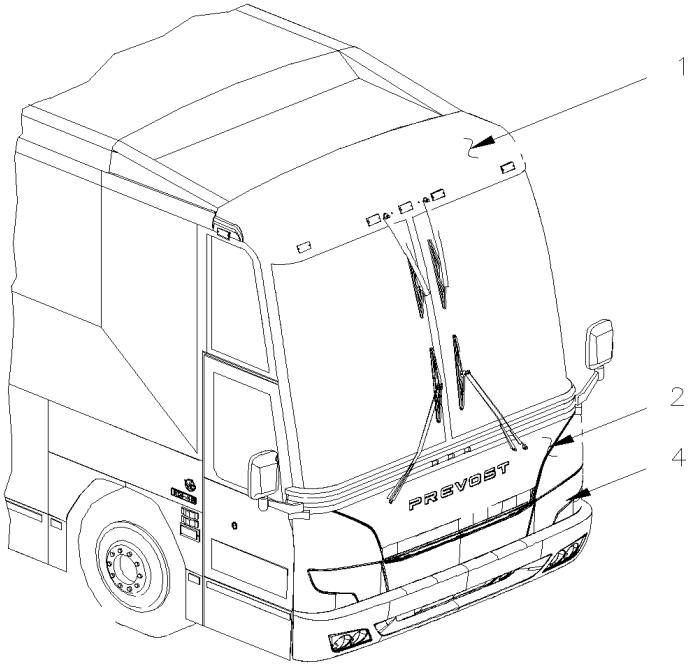
Item#	Part	Description	H 3 4 1	H 3 4 5	V I P 4 5	N O T E S
52	H7-1854-50	SIDE PANELS - V.I.P.				
NS	430601	KIT RETROFIT "XENON" FROM HALOGENE "H" SERIE	1	1	1	
103	531420	NUT WING 1/2-13 NY	1	1	1	
		A) THIS PANEL INCLUDE ALLS ITEMS LISTED AT PAGE H7-0660-00 AND MORE				
		B) THOSE FRONT CAP ASSY INCLUDE 2 UPPER SIDE WINDOW & DRIVER'S WINDOW				
		C) THIS PANEL INCLUDE ALLS ITEMS LISTED AT PAGE H7-0660-01 AND MORE				
		W) WITH HEADLAMP WASHER				
		P) CALL ORDER DESK FOR SPECIFIC APPLICATION (V.I.N.)				

From A-1470 To A-1720

Date:10/2022

PAGE:H7-1851-01

## CAP - FRONT & REAR - INSTALLATION

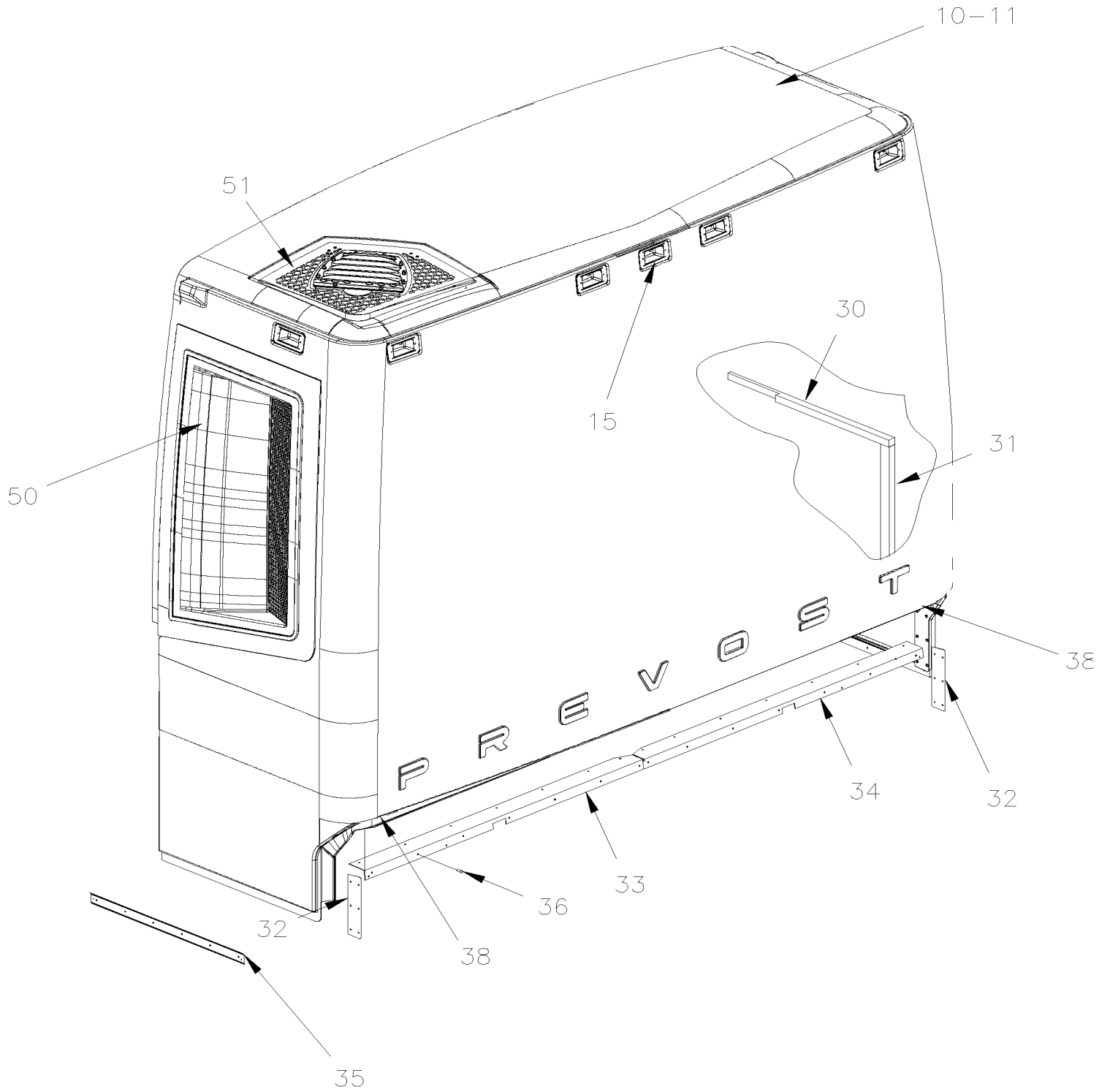


From A-1470 To A-1720

Date:10/2022

PAGE:H7-1851-01

## CAP - FRONT & REAR - INSTALLATION



From A-1470 To A-1720	Date:10/2022	PAGE:H7-1851-01
<b>CAP - FRONT &amp; REAR - INSTALLATION</b>		

Item#	Part	Description	H 3 4 1	H 3 4 5	V I P 4 5	N O T E S
1	478476	FRONT CAP ASSY / BUS W/SINGLE GLASS	1	1		B
1	476998P	. CAP, FRONT / PAINTED MIDNIGHT CHARCOALD / W/UPPER WIPER HOLES	1	1		
1	478387	. . CAP, FRONT / PAINTED MIDNIGHT CHARCOALD / W/UPPER WIPER HOLES	1	1		
1	479457	FRONT CAP ASSY / BUS W/THERMO GLASS	1	1		B
1	476998P	. CAP, FRONT / PAINTED MIDNIGHT CHARCOALD / W/UPPER WIPER HOLES	1	1		
1	478387	. . CAP, FRONT / PAINTED MIDNIGHT CHARCOALD / W/UPPER WIPER HOLES	1	1		
1	477400	FRONT CAP ASSY / VIP W/THERMO GLASS / W/O UPPER WIPER HOLES			1	
1	Call order desk	. CAP, FRONT / PAINTED MIDNIGHT CHARCOALD / W/O UPPER WIPER HOLES			1	P
2	478441	FRONT LOWER PANEL ASSY / W/LIGHTS & CONNECTOR / W/HALOGENE LIGHT	1	1		D
2	478442	FRONT LOWER PANEL ASSY / W/LIGHTS & CONNECTOR / W/XENON LIGHT	1	1		D
2	4705135	FRONT LOWER PANEL ASSY / W/O LIGHTS	1	1		A
2	478444	FRONT LOWER PANEL ASSY / W/LIGHTS & CONNECTOR / W/HALOGENE LIGHT			1	D
2	478445	FRONT LOWER PANEL ASSY / W/LIGHTS & CONNECTOR / W/XENON LIGHT			1	D
2	4705136	FRONT LOWER PANEL ASSY / W/O LIGHTS			1	A
NS	5001040	SCREW TC PAN PH #6-32x3/4 SS	2	2	2	
2	478400P	. PANEL LOWER FACE / FIBERGLASS / painted	1	1		
2	478354	. . PANEL LOWER FACE / FIBERGLASS /	1	1		
2	478401P	. PANEL LOWER FACE / FIBERGLASS / painted			1	
2	478399	. . PANEL LOWER FACE / FIBERGLASS /			1	
2	478401P	. PANEL LOWER FACE / FIBERGLASS / painted	1	1		R
2	478399	. . PANEL LOWER FACE / FIBERGLASS /	1	1		R
3	478747	. MOULDING "U" SS CHOME FINISH / HEADLAMP 1332MM	1	1	1	
NS	684685	. ADHESIVE SIMSON #ISR 70-03 / 310ml CARTRIDGE	AR	AR	AR	
NS	475707	KIT STONE PROTECTOR / VINYL FILM / "H3 FACE LIFT	1	1	1	
4	<b>H7-0660-02</b>	<b>HEADLAMP &amp; FRONT DIRECTIONAL LAMPS</b>				
10	479137	CAP, REAR / W/P.D.F. DOOR	1	1		
11	478172	CAP, REAR / V.I.P.			1	
. NS	475113	. HOUSING, LIGHT			7	
15	<b>H7-0662-00</b>	<b>CLEARANCE &amp; MARKER LIGHT</b>				
30	472849	INSULATED PAD R.H. SIDE OF REAR CAP 720MM x 38MM	1	1	1	
31	472850	INSULATED PAD R.H. SIDE OF REAR CAP 695MM x 38MM	1	1	1	
32	479096	PLATE 199MM X 58MM	1	1	1	
33	472808	SUPPORT / LOWER REAR CAP L.H.SIDE / ANGLE 1221MM X 35MM 45MM	1	1	1	
34	472809	SUPPORT / LOWER REAR CAP R.H. SIDE	1	1	1	
35	473364	SUPPORT / LOWER REAR CAP EACH SIDE / 633 MM	2	2	2	
36	504248	RIVET CHY Q PRDG 3/16x1/4 SS	AR	AR	AR	
38	504656	BUMPER PLUG / 3/8X41/64X1/4	2	2	2	
NS	504487	RIVET MGLP PRDG 3/16x7/16 SS	50	50	50	

From A-1470 To A-1720	Date:10/2022	PAGE:H7-1851-01
<b>CAP - FRONT &amp; REAR - INSTALLATION</b>		

Item#	Part	Description	H 3 4 1	H 3 4 5	V I P 4 5	N O T E S
50	H7-1851-05	REAR CAP - DOOR DPF & SCR				
51	H7-0405-00	MUFFLER - INSTALLATION WITH DPF FILTER WITH DETROIT S-60				
51	H7-0405-01	MUFFLER - INSTALLATION WITH DPF FILTER WITH VOLVO D13				
52	H7-1854-00	SIDE PANELS - BUS				
52	H7-1854-50	SIDE PANELS - V.I.P.				
		A) ORDER LOWER ASSEMBLY PANEL WITHOUT LIGHTS AND ORDER LIGHT NEEDED: HALLOGENE: 930010 L.H. & 930011 R.H. / XENON: 930013 L.H. & 930014 R.H.				
		B) THOSE FRONT CAP ASSY INCLUDE 2 UPPER SIDE WINDOW & DRIVER'S WINDOW				
		D) THIS PANEL INCLUDE ALLS ITEMS LISTED AT PAGE H7-0660-02 AND MORE				
		R) USE ALSO IN RETROFIT FOR BUS WITHOUT CHANGING CLOSING SPARE DOOR AND BUMPER.				
		P) CALL ORDER DESK FOR SPECIFIC APPLICATION (V.I.N.)				

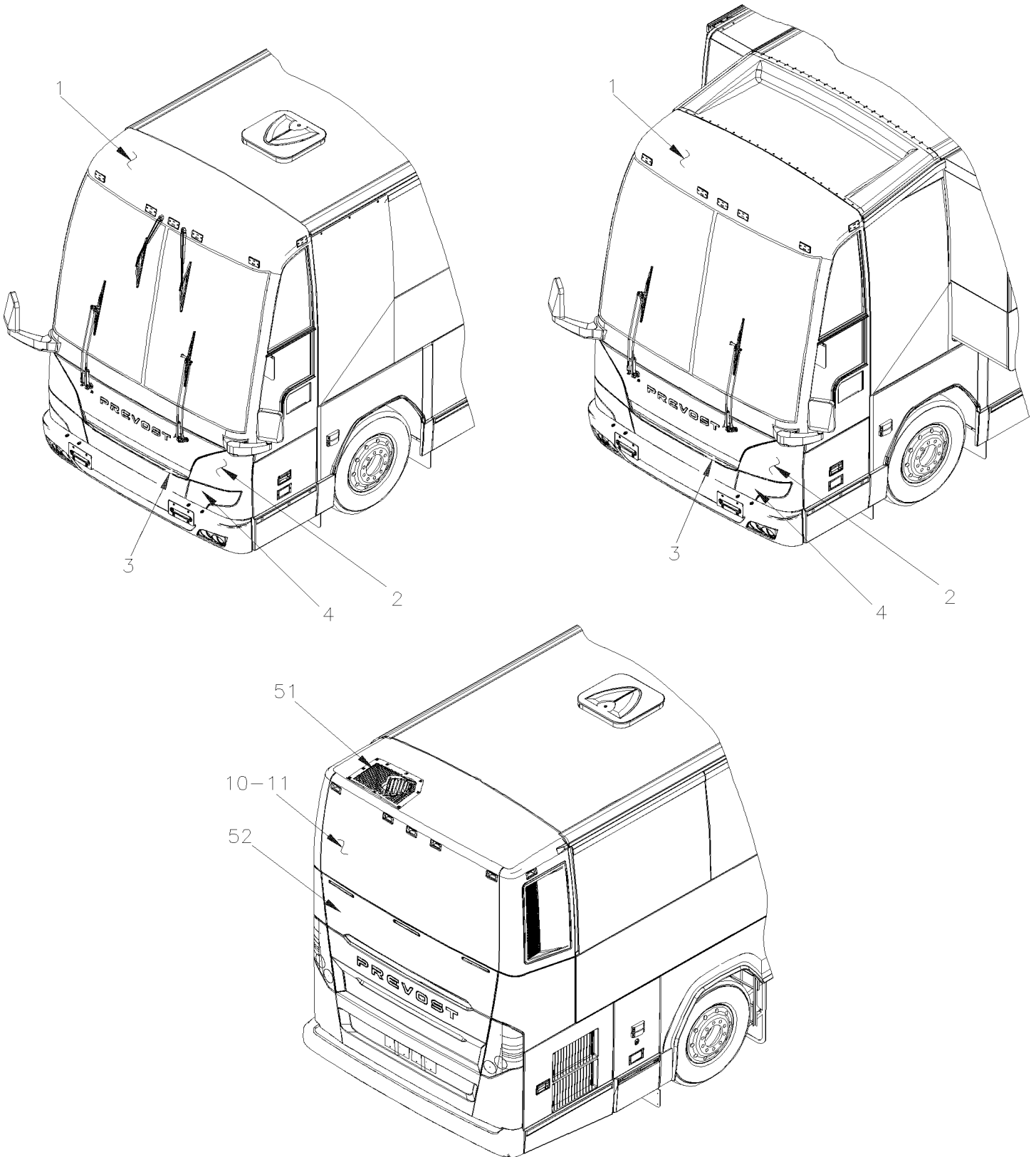


From B-1721 To J-0287

Date:10/2022

PAGE:H7-1851-02

## CAP - FRONT & REAR - INSTALLATION

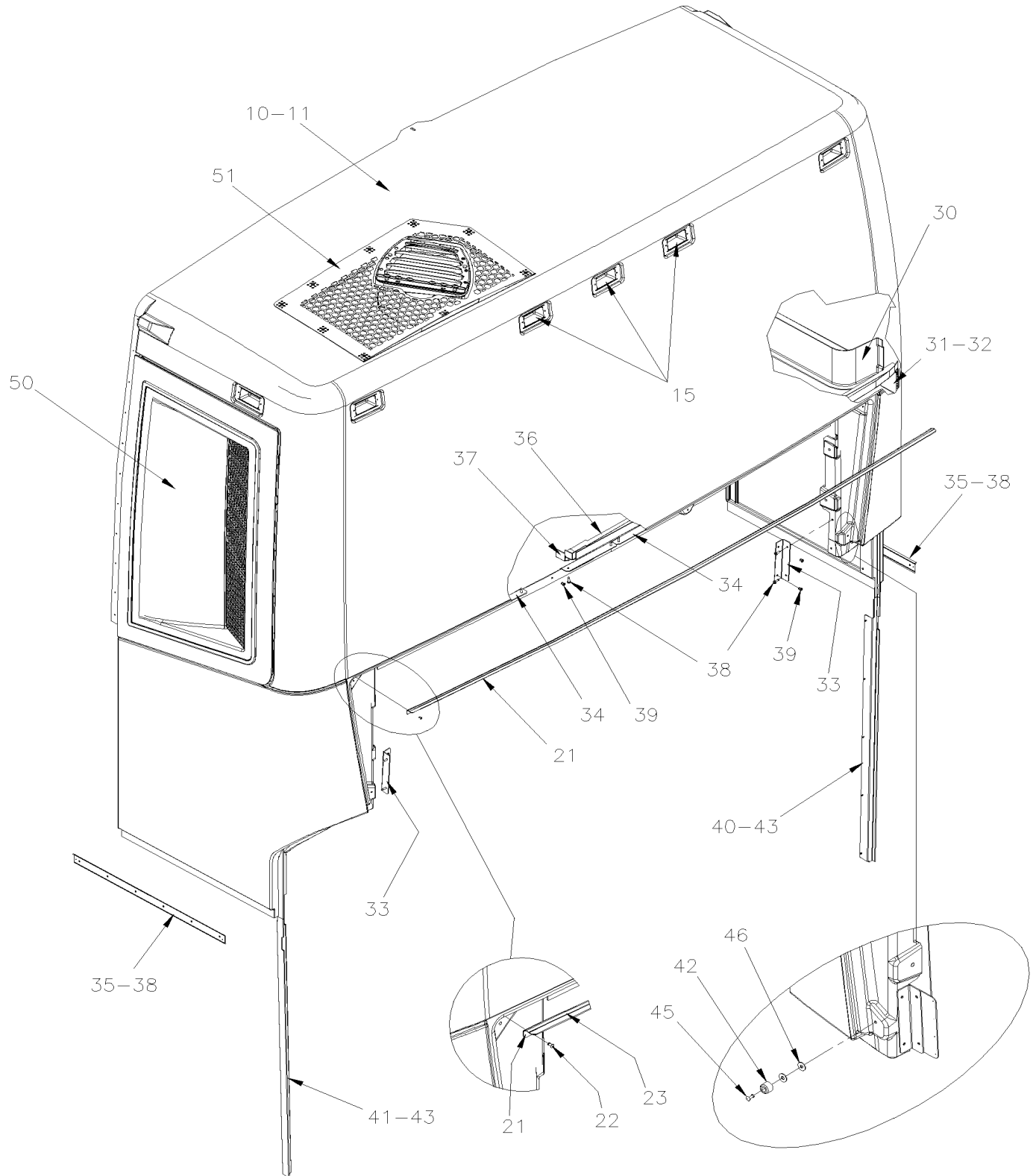


From B-1721 To J-0287

Date:10/2022

PAGE:H7-1851-02

## CAP - FRONT & REAR - INSTALLATION



From B-1721 To J-0287	Date:10/2022	PAGE:H7-1851-02
<b>CAP - FRONT &amp; REAR - INSTALLATION</b>		

Item#	Part	Description	H 3 4 1	H 3 4 5	V I P 4 5	N O T E S
1	478476	FRONT CAP ASSY / BUS W/SINGLE GLASS To H-3734	1	1		B
1	476998P	. CAP, FRONT / PAINTED MIDNIGHT CHARCOALD / W/UPPER WIPER HOLES To H-3734	1	1		
1	478387	. . CAP, FRONT / PAINTED MIDNIGHT CHARCOALD / W/UPPER WIPER HOLES To H-3734	1	1		
1	470915	FRONT CAP ASSY / BUS W/SINGLE GLASS From H-3735	1	1		B
1	470451P	. CAP, FRONT / PAINTED MIDNIGHT CHARCOALD / W/UPPER WIPER HOLES From H-3735	1	1		
1	479457	FRONT CAP ASSY / BUS W/THERMO GLASS To H-3734	1	1		B
1	476998P	. CAP, FRONT / PAINTED MIDNIGHT CHARCOALD / W/UPPER WIPER HOLES To H-3734	1	1		
1	478387	. . CAP, FRONT / PAINTED MIDNIGHT CHARCOALD / W/UPPER WIPER HOLES To H-3734	1	1		
1	470904	FRONT CAP ASSY / BUS W/THERMO GLASS From H-3735	1	1		B
1	470451P	. CAP, FRONT / PAINTED MIDNIGHT CHARCOALD / W/UPPER WIPER HOLES From H-3735	1	1		
1	477400	FRONT CAP ASSY / VIP W/THERMO GLASS / W/O UPPER WIPER HOLES To H-3734			1	B
1	471220	FRONT CAP ASSY / VIP W/THERMO GLASS / W/O UPPER WIPER HOLES From H-3735			1	B
1	Call order desk	. CAP, FRONT / PAINTED MIDNIGHT CHARCOALD / W/O UPPER WIPER HOLES To H-3734			1	P
1	470501P	. CAP, FRONT / PAINTED MIDNIGHT CHARCOALD / W/O UPPER WIPER HOLES From H-3735			1	
2	478441	FRONT LOWER PANEL ASSY / W/LIGHTS & CONNECTOR / W/HALOGENE LIGHT	1	1		
2	478442	FRONT LOWER PANEL ASSY / W/LIGHTS & CONNECTOR / W/XENON LIGHT	1	1		
2	4705135	FRONT LOWER PANEL ASSY / W/O LIGHTS	1	1		A
2	478444	FRONT LOWER PANEL ASSY / W/LIGHTS & CONNECTOR / W/HALOGENE LIGHT			1	
2	478445	FRONT LOWER PANEL ASSY / W/LIGHTS & CONNECTOR / W/XENON LIGHT			1	
2	4705136	FRONT LOWER PANEL ASSY / W/O LIGHTS			1	A
2	478400P	. PANEL LOWER FACE / FIBERGLASS / painted	1	1		
2	478354	. . PANEL LOWER FACE / FIBERGLASS / To D-2296	1	1		
2	478564	. . PANEL LOWER FACE / FIBERGLASS / From D-2297 To G-3130	1	1		
2	478630	. . PANEL LOWER FACE / FIBERGLASS / From G-3131	1	1		
2	478401P	. PANEL LOWER FACE / FIBERGLASS / painted			1	
2	478399	. . PANEL LOWER FACE / FIBERGLASS / To D-2296			1	
2	478565	. . PANEL LOWER FACE / FIBERGLASS / From D-2297 To G-3130			1	
2	478631	. . PANEL LOWER FACE / FIBERGLASS / From G-3131			1	
3	478747	. MOULDING "U" SS CHOME FINISH / HEADLAMP 1332MM	1	1	1	
NS	684685	. ADHESIVE SIMSON #ISR 70-03 / 310ml CARTRIDGE	AR	AR	AR	
3	681283	. TAPE RUB ADH2 ACRYLIC .045" x 1/2" x 108' / WHITE 4945	AR	AR	AR	
NS	475707	KIT STONE PROTECTOR / VINYL FILM / "H3 FACE LIFT	1	1	1	
4	<b>H7-0660-02</b>	<b>HEADLAMP &amp; FRONT DIRECTIONAL LAMPS</b>				
10	479284	CAP, REAR / COACH To H-3422	1	1		
10	470323	CAP, REAR / COACH From H-3423 To H-3734	1	1		
10	470461	CAP, REAR / COACH From H-3735	1	1		
11	478420	CAP, REAR / V.I.P. To H-3734			1	
11	470518	CAP, REAR / V.I.P. From H-3735			1	

<b>From B-1721 To J-0287</b>	<b>Date:10/2022</b>	<b>PAGE:H7-1851-02</b>
<b>CAP - FRONT &amp; REAR - INSTALLATION</b>		

Item#	Part	Description	H 3 4 1	H 3 4 5	V I P 4 5	N O T E S
15	<b>H7-0662-00</b>	<b>CLEARANCE &amp; MARKER LIGHT</b>				
21	470218	DRIP EDGE UPPER 2220MM From H-3423	1	1		
22	504339	RIVET POP DOME OE 1/8x3/8 SS From H-3423	AR	AR		
23	506869	TAPE RUB ADH2 POL .031" x 1/4" x 300' / BLACK From H-3423	AR	AR		
24	7770177	DRIP EDGE KIT From F-2695 To G-3324	1	1		E
. NS	470218	. DRIP EDGE UPPER 2220MM From F-2695 To G-3324	1	1		E
. NS	470219	. DRIP EDGE LOWER 1454MM From F-2695 To G-3324	1	1		E
. NS	504339	. RIVET POP DOME OE 1/8x3/8 SS From F-2695 To G-3324	35	35		E
30	478449	ANGLE FIBERGLASS SEALING LOWER AIR INLET	1	1	1	
31	478462	ANGLE SEALING LOWER AIR INLET 737MM	1	1	1	
32	478463	ANGULAR DOUBLE CLOSING FRT AIR INLET 28MM WIDE	1	1	1	
33	479296	SUPPORT ANGLE 154MM X 30MM X 30MM	2	2	2	
34	479297	SUPPORT / LOWER REAR CAP SIDE / ANGLE 950MM X 38MM 30MM	2	2	2	
35	473364	SUPPORT / LOWER REAR CAP EACH SIDE / 633 MM	2	2	2	
36	478464	ANGULAR DOUBLE CLOSING CENTER CAP 1424MM	1	1	1	
37	478467	ANGULAR DOUBLE CLOSING CENTER CAP 58MM WIDE	1	1	1	
NS	504487	RIVET MGLP PRDG 3/16x7/16 SS	AR	AR	AR	
38	504248	RIVET CHY Q PRDG 3/16x1/4 SS	AR	AR	AR	
39	500414	SCREW TP BDG PH #10x3/4 SS	AR	AR	AR	
40	478482	MOULDING REAR R.H. 1280MM SS To D-2264	1	1	1	
40	478589	MOULDING REAR R.H. 1259MM SS From D-2265	1	1	1	
41	478465	MOULDING REAR L.H. 1288MM SS To D-2264	1	1	1	
41	478588	MOULDING REAR L.H. 1259MM SS From D-2265	1	1	1	
42	5001168	BUMPER RUBBER / .750 OD x .562 TH x .187 HOLE	2	2	2	
43	504340	RIVET POP DOME OE 1/8x3/16 SS	AR	AR	AR	
45	504416	RIVET POP DOME OE 3/16x5/8 SS	2	2	2	
46	500411	WASHER FL .260x.697x.050 SS	2	2	2	
50	<b>H7-1851-05</b>	<b>REAR CAP - DOOR DPF &amp; SCR</b>				
51	<b>H7-0405-02</b>	<b>MUFFLER - INSTALLATION WITH DPF &amp; SCR WITH VOLVO D13 WITH "EPA 2010"</b>				
52	<b>H7-1870-21</b>	<b>REAR ENGINE UPPER DOOR WITH "EPA 2010"</b>				
53	<b>H7-1854-00</b>	<b>SIDE PANELS - BUS</b>				
53	<b>H7-1854-50</b>	<b>SIDE PANELS - V.I.P.</b>				
		A) ORDER LOWER ASSEMBLY PANEL WITHOUT LIGHTS AND ORDER LIGHT NEEDED: HALLOGENE: 930010 L.H. & 930011 R.H. / XENON: 930013 L.H. & 930014 R.H.				
		B) THOSE FRONT CAP ASSY INCLUDE 2 UPPER SIDE WINDOW & DRIVER'S WINDOW				
		E) SEE WARRANTY BULLETIN WB16-02				

From B-1721 To J-0287		Date:10/2022	PAGE:H7-1851-02
-----------------------	--	--------------	-----------------

**CAP - FRONT & REAR - INSTALLATION**

Item#	Part	Description	H 3 4 1	H 3 4 5	V I P 4 5	N O T E S
		P) CALL ORDER DESK FOR SPECIFIC APPLICATION (V.I.N.)				

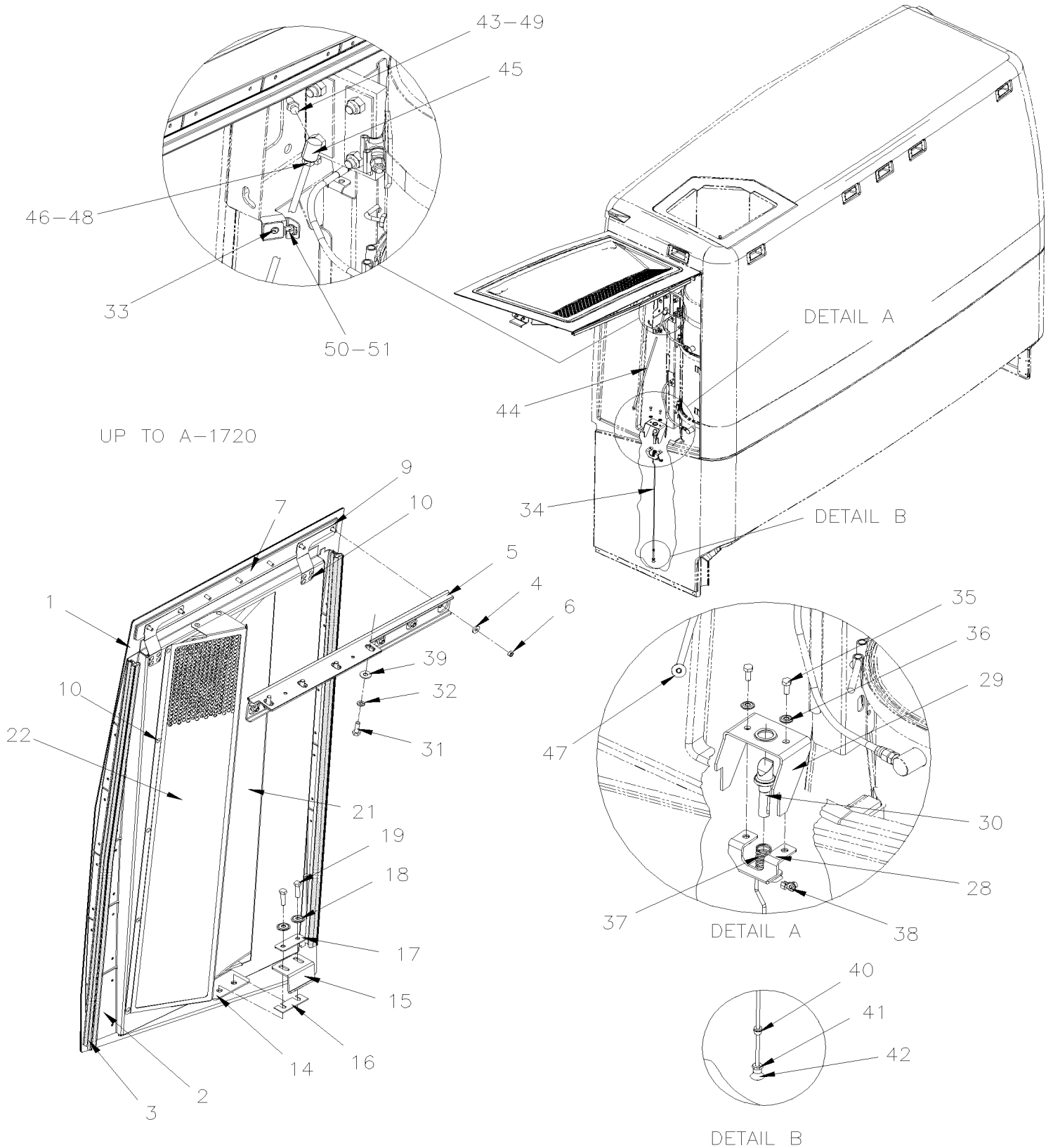


From 7-0671 To J-0287

Date:10/2022

PAGE:H7-1851-05

## REAR CAP - DOOR DPF & SCR

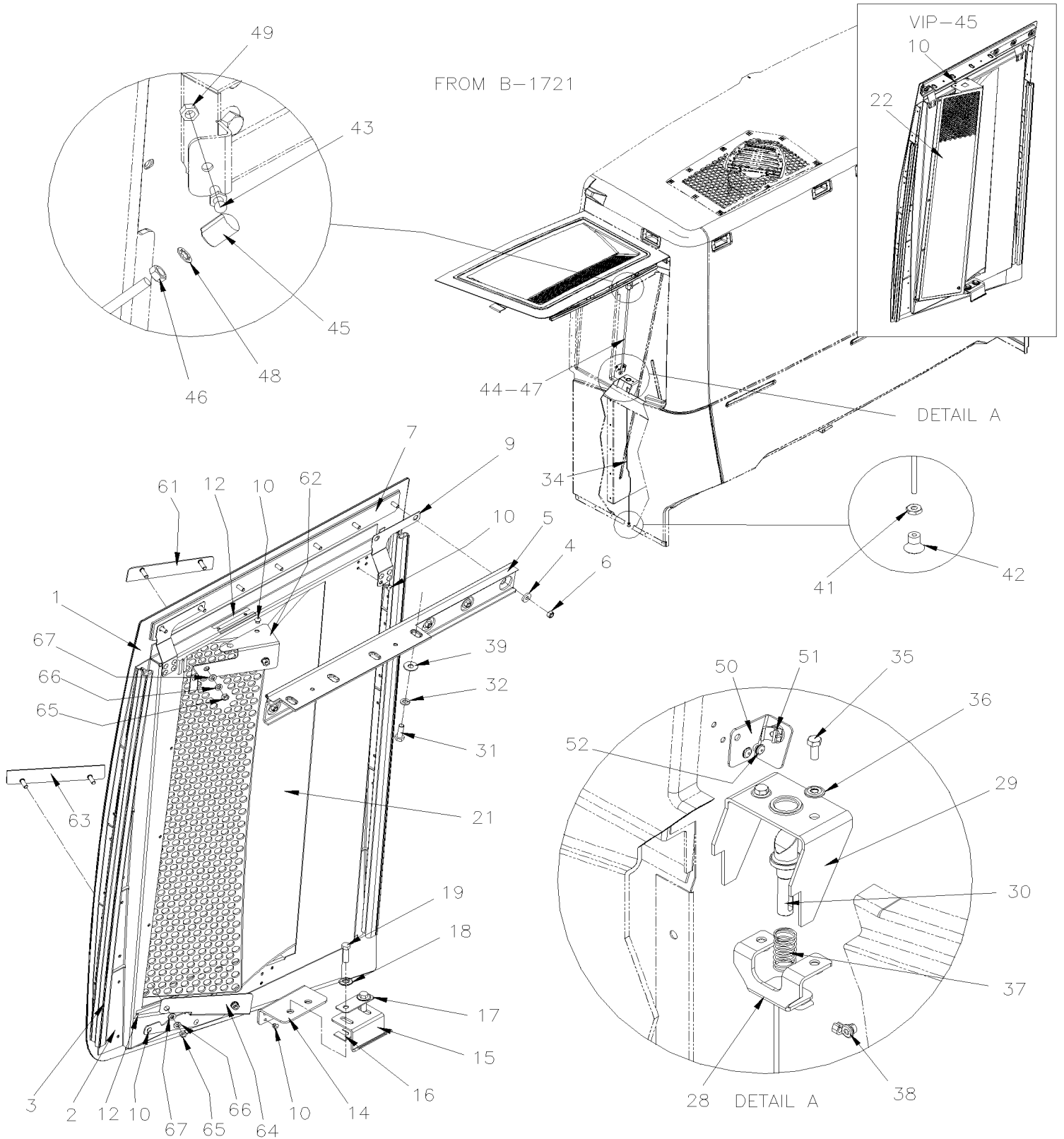


From 7-0671 To J-0287

Date:10/2022

PAGE:H7-1851-05

## REAR CAP - DOOR DPF & SCR





From 7-0671 To J-0287	Date:10/2022	PAGE:H7-1851-05
<b>REAR CAP - DOOR DPF &amp; SCR</b>		

Item#	Part	Description	H 3 4 1	H 3 4 5	V I P 4 5	N O T E S
	477175	DOOR ASSY / D.P.F. To A-1720	1	1		
	478178P	DOOR ASSY / D.P.F. From B-1721	1	1		
	477176	DOOR ASSY / D.P.F.			1	
1	478257	. PANEL DOOR / PRIIMER To A-1720	1	1		
. NS	478173	. . PANEL DOOR / UNPAINT To A-1720	1	1		
1	479287	. PANEL DOOR / PRIIMER From B-1721	1	1		
. NS	479286	. . PANEL DOOR / UNPAINT From B-1721	1	1		
1	479194	. PANEL DOOR / PRIIMER			1	
. NS	479182	. . PANEL DOOR / UNPAINT			1	
1	478288	. GRILLE FIBERGLASS / AIR INLET BUS	1	1		
. NS	478277	. . GRILLE FIBERGLASS / AIR INLET BUS / UNPAINT	1	1		
1	478287	. GRILLE FIBERGLASS / AIR INLET VIP			1	
. NS	478273	. . GRILLE FIBERGLASS / AIR INLET VIP / UNPAINT			1	
2	478174	. FRAME DOOR To F-2811	1	1		
2	479544	. FRAME DOOR From F-2812	1	1		
2	479185	. FRAME DOOR To F-2839			1	
2	479543	. FRAME DOOR From F-2840			1	
3	506303	. RUBBER SEAL EXTRUSION	AR	AR	AR	
4	5001654	. WASHER FL 6.4x17.0x3.0 SS	7	7	7	
5	478177	. HINGE 549MM	1	1	1	
6	502681	. NUT HEX NYRT M6-1.0 N500 G8	AR	AR	AR	
7	478175	. ATTACHMENT PLATE ASSY W/STUD 7	1	1	1	
9	479243	. ATTACHMENT PLATE "L" SHAPE	1	1	1	
10	504379	. RIVET POP DOME OE 3/16x1/4 SS	AR	AR	AR	
12	506191	. TAPE RUB ADH1 CC POL 1/8" x 1/4" x 50' / GREY 2520X	AR	AR	AR	
NS	680066	. ADHESIVE / ADBOND #5014 / 23.6ML BOTTLE	AR	AR	AR	
14	471147	. ANGLE ATTACMENT CATCH RETAINER	1	1	1	
15	289463	. CATCH PIN / RETAINER 49.8MMx43MM 90°	1	1	1	
16	287452	. SHIM SPACER 70MM X 25 X 14GA	AR	AR	AR	
17	288088	. PLATE RETAINER 66MM X 25.4MM	1	1	1	
18	502857	. WASHER LO SERR 8.2x26.3x1.8 N500	2	2	2	
19	940142	. SCREW CAP HEX M8-1.25x30 G8.8 ZG603	2	2	2	
NS	684743	. GLUE METHACRYLATE PLEXUS MA832GB 380 ml	AR	AR	AR	
21	478288	. GRILLE FIBERGLASS / AIR INLET BUS	1	1		
. NS	478277	. . GRILLE FIBERGLASS / AIR INLET BUS / UNPAINT	1	1		
21	478287	. GRILLE FIBERGLASS / AIR INLET VIP			1	
. NS	478273	. . GRILLE FIBERGLASS / AIR INLET VIP / UNPAINT			1	
22	478290	. GRILLE ASSY ALL / AIR INLET BUS / PAINTED To F-2811	1	1		
. NS	478291	. . GRILLE ALL To F-2811	1	1		
22	478284	. GRILLE ASSY ALL / AIR INLET VIP / PAINTED To F-2839			1	
. NS	478286	. . GRILLE ALL To F-2839			1	
NS	506769	. TAPE RUB ADH2 CC POL 1/8" x 1/4" x 60' / BLACK H1CC-N-#14	AR	AR	AR	

<b>From 7-0671 To J-0287</b>	<b>Date:10/2022</b>	<b>PAGE:H7-1851-05</b>
<b>REAR CAP - DOOR DPF &amp; SCR</b>		

Item#	Part	Description	H 3 4 1	H 3 4 5	V I P 4 5	N O T E S
28	288061	SUPPORT CATCH PIN	1	1	1	
29	478193	STOPPER CATCH PIN 90MM HEIGHT	1	1	1	
30	288118	CATCH PIN ACETAL / 82MM To F-2771	1	1	1	
30	2800888	CATCH PIN BLACK ACETAL From F-2772 To G-3139	1	1	1	
30	2801056	CATCH PIN BLACK ACETAL From G-3140	1	1	1	
31	502780	SCREW CAP HEX M8-1.25x25 SS BK	4	4	4	
32	5001161	WASHER LO SPT 8.1x14.8x2.0 SS-304	4	4	4	
33	504488	RIVET MGLP PRDG 3/16x17/64 SS	1	1	1	
34	479175	ROD OPENING P.D.F. DOOR 656MM To A-1720	1	1	1	
34	479305	ROD OPENING P.D.F. DOOR 894MM From B-1721 To F-2980	1	1	1	
34	479607	ROD OPENING P.D.F. DOOR 884MM From F-2981	1	1	1	
35	955271	SCREW CAP HEX M6-1.0x16 G8.8 ZG603	2	2	2	
36	500356	WASHER LO SERR 6.1x16.0x0.9 N500	2	2	2	
37	502910	SPRING COMPRESSION / .720 O.D. 1.75 x .055	1	1	1	
38	780340	CLIP, RETAINER ROD	1	1	1	
39	5001448	WASHER FL .343x.875x.062 SS18-8	4	4	4	
40	504462	SNAP BUSHING / .187x.375x.312 To A-1720	1	1	1	
41	500986	NUT HEX #8-32 N500	1	1	1	
42	505504	KNOB, PULL / 8-32	1	1	1	
43	980015	BALL STUD / W/10 MM X M8-1.25 / 29.18 MM	1	1	1	
44	478292	ROD DOOR SUPPORT ASS	1	1	1	
44	478293	. ROD DOOR SUPPORT	1	1	1	
45	502937	. BALL SOCKET FITTING 10MM X M8-1.25	1	1	1	
46	5001188	. NUT HEX M8-1.25 SS	1	1	1	
47	5001654	. WASHER FL 6.4x17.0x3.0 SS	1	1	1	
48	500475	. WASHER LO INT .320x.610x.034 Z050	1	1	1	
49	502838	NUT HEX TWAY M8-1.25 N500	1	1	1	
50	479219	SUPPORT ATTACHMENT ROD To C-2046			1	
50	477213	SUPPORT ATTACHMENT ROD From C-2047			1	
50	479218	SUPPORT ATTACHMENT ROD To C-1997	1	1		
50	477213	SUPPORT ATTACHMENT ROD From C-1998	1	1		
51	504734	ATTACHMENT ROD	1	1	1	
52	504488	RIVET MGLP PRDG 3/16x17/64 SS	2	2	2	
61	478963	UPPER PLATE From E-2462	1	1		
61	478972	UPPER PLATE From E-2462			1	
62	478961	SUPPORT UPPER, GRILLE From E-2462 To F-2811	1	1		
62	478970	SUPPORT UPPER, GRILLE From E-2462 To F-2811			1	
63	478964	LOWER PLATE From E-2462	1	1		
63	478973	LOWER PLATE From E-2462			1	
64	478962	SUPPORT LOWER, GRILLE From E-2462 To F-2811	1	1		
64	478971	SUPPORT LOWER, GRILLE From E-2462 To F-2811			1	
65	5001851	NUT HEX M6-1.0 SS BK From E-2462	4	4	4	

From 7-0671 To J-0287	Date:10/2022	PAGE:H7-1851-05
<b>REAR CAP - DOOR DPF &amp; SCR</b>		

Item#	Part	Description	H 3 4 1	H 3 4 5	V I P 4 5	N O T E S
66	502570	WASHER LO SPT 6.1x11.8x1.6 SS From E-2462 To F-2811	4	4	4	
67	502573	WASHER FL 6.4x12.5x1.6 SS From E-2462 To F-2811	4	4	4	
67	500877	WASHER FL .250x.562x.065 N500 From F-2812	4	4	4	

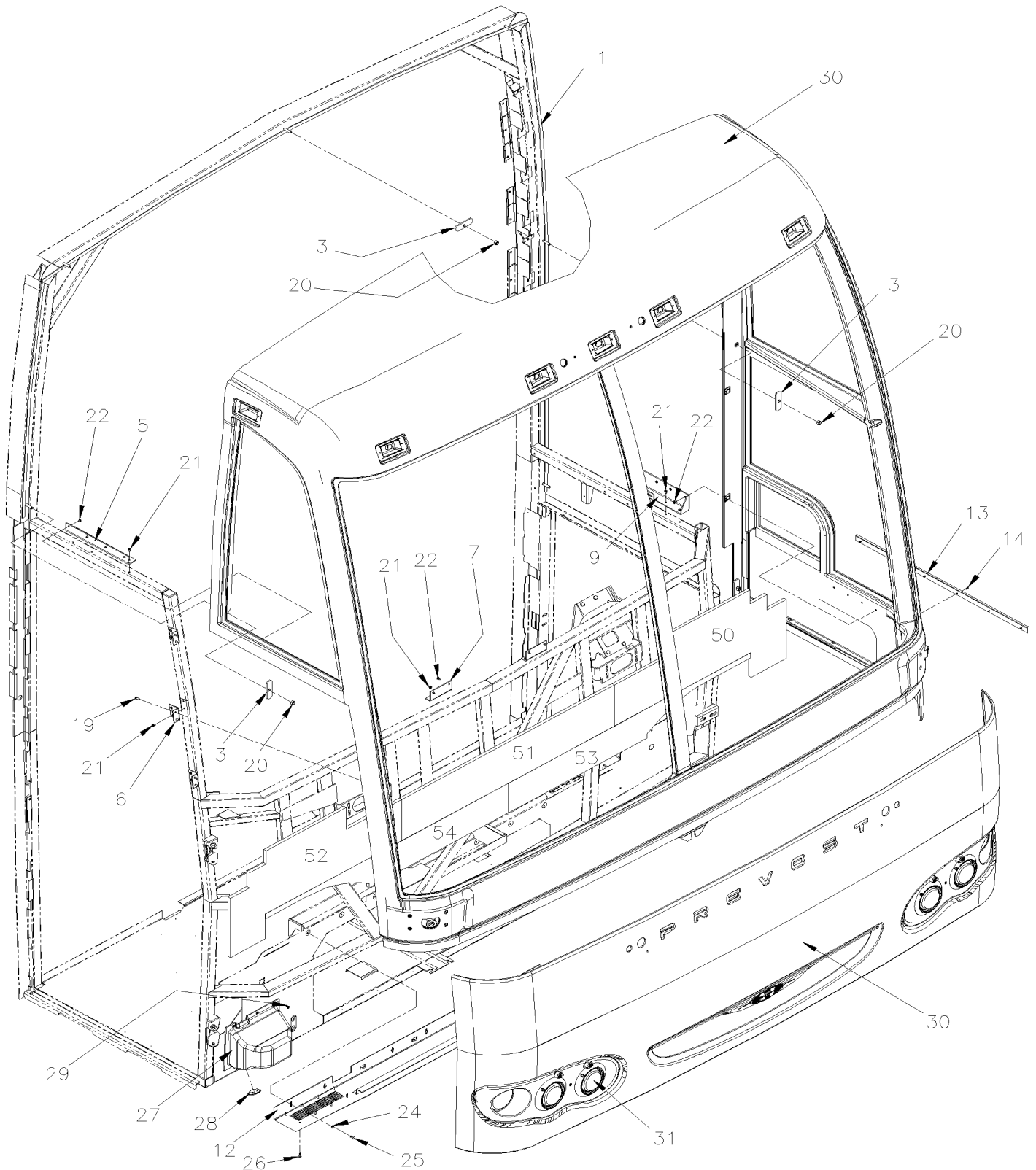


From 7-0671 To 9-1469

Date:10/2022

PAGE:H7-1851-10

## FRONT PANEL - INSTALLATION



From 7-0671 To 9-1469	Date:10/2022	PAGE:H7-1851-10
<b>FRONT PANEL - INSTALLATION</b>		

Item#	Part	Description	H 3 4 1	H 3 4 5	V I P 4 5	N O T E S
1	475140	RUBBER SEAL EXTRUSION 13.0x5.5	AR	AR	AR	A
3	476595	PLATE REINFORCEMENT	6	6	6	
5	472141	ANGLE RETAINER / ABOVE FRONT DOOR	1	1	1	
6	283917	ANGLE RETAINER & SUPPORT	3	3	3	
7	472142	ANGLE RETAINER / BOTTOM OF LOWER WINDSHIELD	2	2	2	
9	473716	ANGLE RETAINER / BOTTOM OF DRIVER'S WINDOW	6	6	6	
NS	500310	SCREW TC FL PH #10-24x1 1/4 SS410	4	4	4	
NS	502582	WASHER LO SERR 6.1x16.2x0.9 Z050	4	4	4	
NS	506644	TAPE RUB ADH1 CC NEO 1/8" x 21" x 25" / BLACK 1220SC	AR	AR	AR	
12	473609	PANEL AIR INTAKE W/GRILL	1	1	1	
13	285334	ANGLE / TO FIX FRONT CAP	1	1	1	
20	5001083	NUT HEXF NYRT 5/16-18 Z050	40	40	40	
21	504488	RIVET MGLP PRDG 3/16x17/64 SS	28	28	28	
22	500638	SCREW TP PAN PH #8x1/2 Z050	20	20	20	
NS	685124	ADHESIVE SIMSON #ISR 70-03 / BLACK / 600ml SAUSAGE	AR	AR	AR	
23	684685	ADHESIVE SIMSON #ISR 70-03 / 310ml CARTRIDGE	AR	AR	AR	
NS	685126	ADHESIVE SIMSON #ISR 70-03 / GREY / 600ml SAUSAGE	AR	AR	AR	
23	687961	GLUE MS POLYMER TEROSON MS 9399 / "A" 21 Liters	AR	AR	AR	
23	687962	GLUE MS POLYMER TEROSON MS 9399 / "B" 21 Liters	AR	AR	AR	
23	687957	GLUE MS POLYMER TEROSON MS 9399 / 400ml CARTRIDGE	AR	AR	AR	
24	502637	WASHER FL .200x.437x.037 SS	18	18	18	
25	504416	RIVET POP DOME OE 3/16x5/8 SS	3	3	3	
26	504379	RIVET POP DOME OE 3/16x1/4 SS	6	6	6	
NS	680067	SEALANT TAPE BUTYL / BLACK / 1/8"x3/4"x25' / 75211E760	8	8	8	
NS	683084	SEALANT SIKA #221 / GREY / 600 ml SAUSAGE	3	3	3	
27	287245	COVER LOWER HINGE / REAR OF BUMPER	1	1	1	
28	504443	SNAP-IN PLUG / 1.500 O.D.	1	1	1	
29	504473	RIVET POP DOME OE 1/8x1/4 SS	10	10	10	
29	504464	RIVET POP CK OE 1/8x3/8 SS	4	4	4	
NS	5001067	WASHER FL .128x.312x.032 SS	4	4	4	
30	<b>H7-1851-00</b>	<b>CAP - FRONT &amp; REAR - INSTALLATION</b>				
31	<b>H7-0660-00</b>	<b>HEADLAMP "HALOGENE" &amp; FRONT DIRECTIONAL LAMPS</b>				
31	<b>H7-0660-01</b>	<b>HEADLAMP "XENON" &amp; FRONT DIRECTIONAL LAMPS</b>				
50	351264	INSULATING PAD	1	1	1	
51	351265	INSULATING PAD	1	1	1	
52	351266	INSULATING PAD	1	1	1	
53	351267	INSULATING PAD	1	1	1	
54	351268	INSULATING PAD	1	1	1	
55	682525	GLUE, CONTACT ADBOND 8399 (205 LI) 205 LITER	AR	AR	AR	

From 7-0671 To 9-1469	Date:10/2022	PAGE:H7-1851-10
-----------------------	--------------	-----------------

## FRONT PANEL - INSTALLATION

Item#	Part	Description	H 3 4 1	H 3 4 5	V I P 4 5	N O T E S
		A) QUANTITY REQUIED 5 METERS				



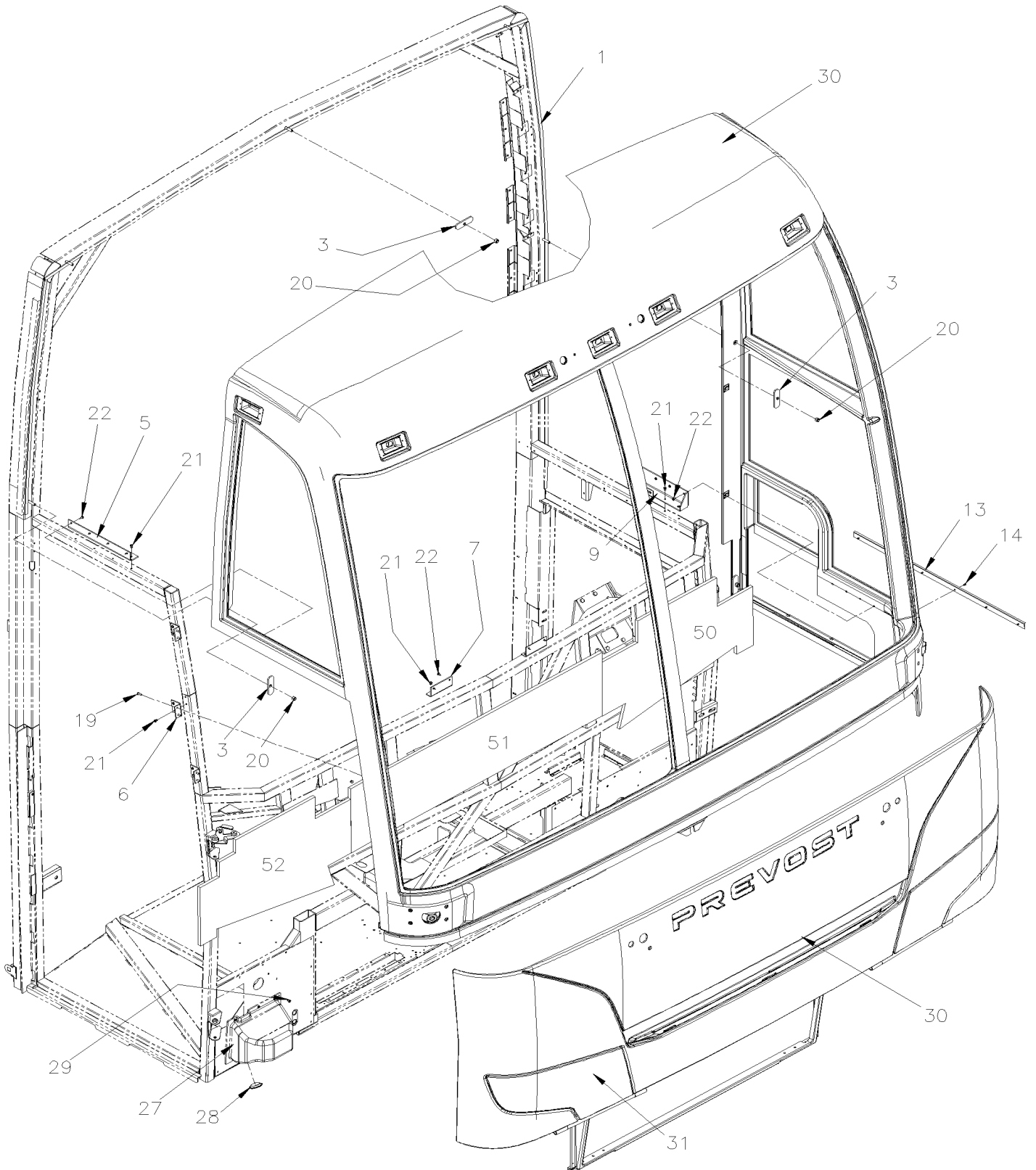


From A-1470 To J-0287

Date:10/2022

PAGE:H7-1851-11

## FRONT PANEL - INSTALLATION



<b>From A-1470 To J-0287</b>	<b>Date:10/2022</b>	<b>PAGE:H7-1851-11</b>
<b>FRONT PANEL - INSTALLATION</b>		

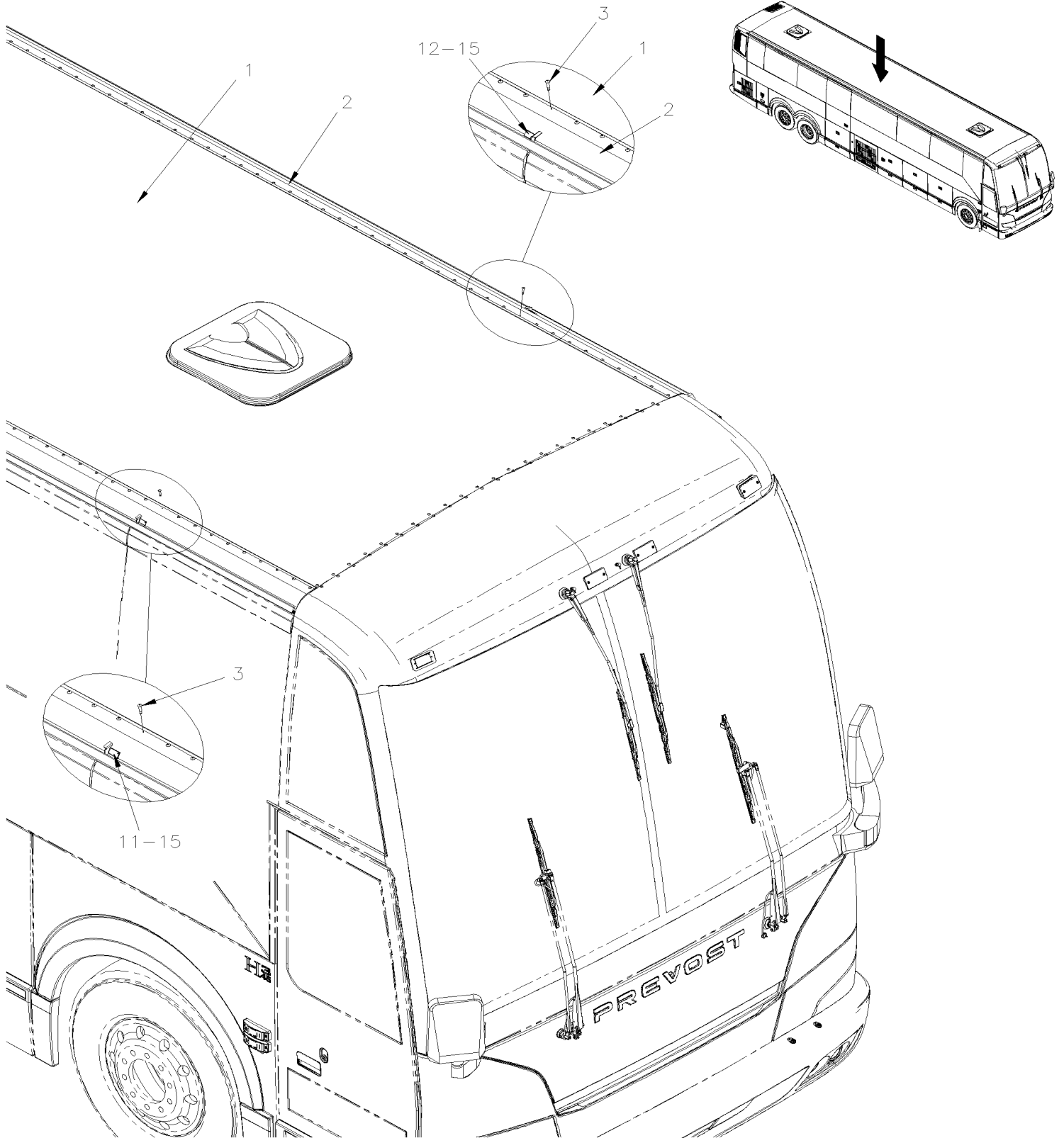
Item#	Part	Description	H 3 4 1	H 3 4 5	V I P 4 5	N O T E S
1	475140	RUBBER SEAL EXTRUSION 13.0x5.5	AR	AR	AR	A
3	476595	PLATE REINFORCEMENT	6	6	6	
5	472141	ANGLE RETAINER / ABOVE FRONT DOOR	1	1	1	
6	283917	ANGLE RETAINER & SUPPORT	3	3	3	
7	472142	ANGLE RETAINER / BOTTOM OF LOWER WINDSHIELD	2	2	2	
9	473716	ANGLE RETAINER / BOTTOM OF DRIVER'S WINDOW	6	6	6	
NS	500310	SCREW TC FL PH #10-24x1 1/4 SS410	4	4	4	
NS	502582	WASHER LO SERR 6.1x16.2x0.9 Z050	4	4	4	
NS	506644	TAPE RUB ADH1 CC NEO 1/8" x 21" x 25" / BLACK 1220SC	AR	AR	AR	
13	285334	ANGLE / TO FIX FRONT CAP	1	1	1	
14	504339	RIVET POP DOME OE 1/8x3/8 SS	AR	AR	AR	
19	500642	SCREW TP PAN PH #10x3/4 Z050	6	6	6	
20	502600	NUT HEX NYRT 5/16-18 Z050	6	6	6	
21	504488	RIVET MGLP PRDG 3/16x17/64 SS	18	18	18	
22	500638	SCREW TP PAN PH #8x1/2 Z050	12	12	12	
NS	685124	ADHESIVE SIMSON #ISR 70-03 / BLACK / 600ml SAUSAGE	AR	AR	AR	
23	684685	ADHESIVE SIMSON #ISR 70-03 / 310ml CARTRIDGE	AR	AR	AR	
NS	685126	ADHESIVE SIMSON #ISR 70-03 / GREY / 600ml SAUSAGE	AR	AR	AR	
23	687961	GLUE MS POLYMER TEROSON MS 9399 / "A" 21 Liters	AR	AR	AR	
23	687962	GLUE MS POLYMER TEROSON MS 9399 / "B" 21 Liters	AR	AR	AR	
23	687957	GLUE MS POLYMER TEROSON MS 9399 / 400ml CARTRIDGE	AR	AR	AR	
NS	680067	SEALANT TAPE BUTYL / BLACK / 1/8"x3/4"x25' / 75211E760	8	8	8	
NS	683084	SEALANT SIKA #221 / GREY / 600 ml SAUSAGE	3	3	3	
27	287245	COVER LOWER HINGE / REAR OF BUMPER	1	1	1	
28	504443	SNAP-IN PLUG / 1.500 O.D.	1	1	1	
29	504581	RIVET MGLP PRDG 3/16x7/16 SS BK	AR	AR	AR	
30	<b>H7-1851-01</b>	<b>CAP - FRONT &amp; REAR - INSTALLATION From A-1470 To A-1720</b>				
30	<b>H7-1851-02</b>	<b>CAP - FRONT &amp; REAR - INSTALLATION From B-1721</b>	1	1	1	
31	<b>H7-0660-02</b>	<b>HEADLAMP &amp; FRONT DIRECTIONAL LAMPS</b>				
50	356076	INSULATING PAD	1	1	1	
51	356075	INSULATING PAD	1	1	1	
52	356074	INSULATING PAD	1	1	1	
NS	682525	GLUE, CONTACT ADBOND 8399 (205 LI) 205 LITER	AR	AR	AR	
		A) QUANTITY REQUIED 5 METERS				

From 7-0671 To J-0287

Date:10/2022

PAGE:H7-1852-00

## ROOF PANELS

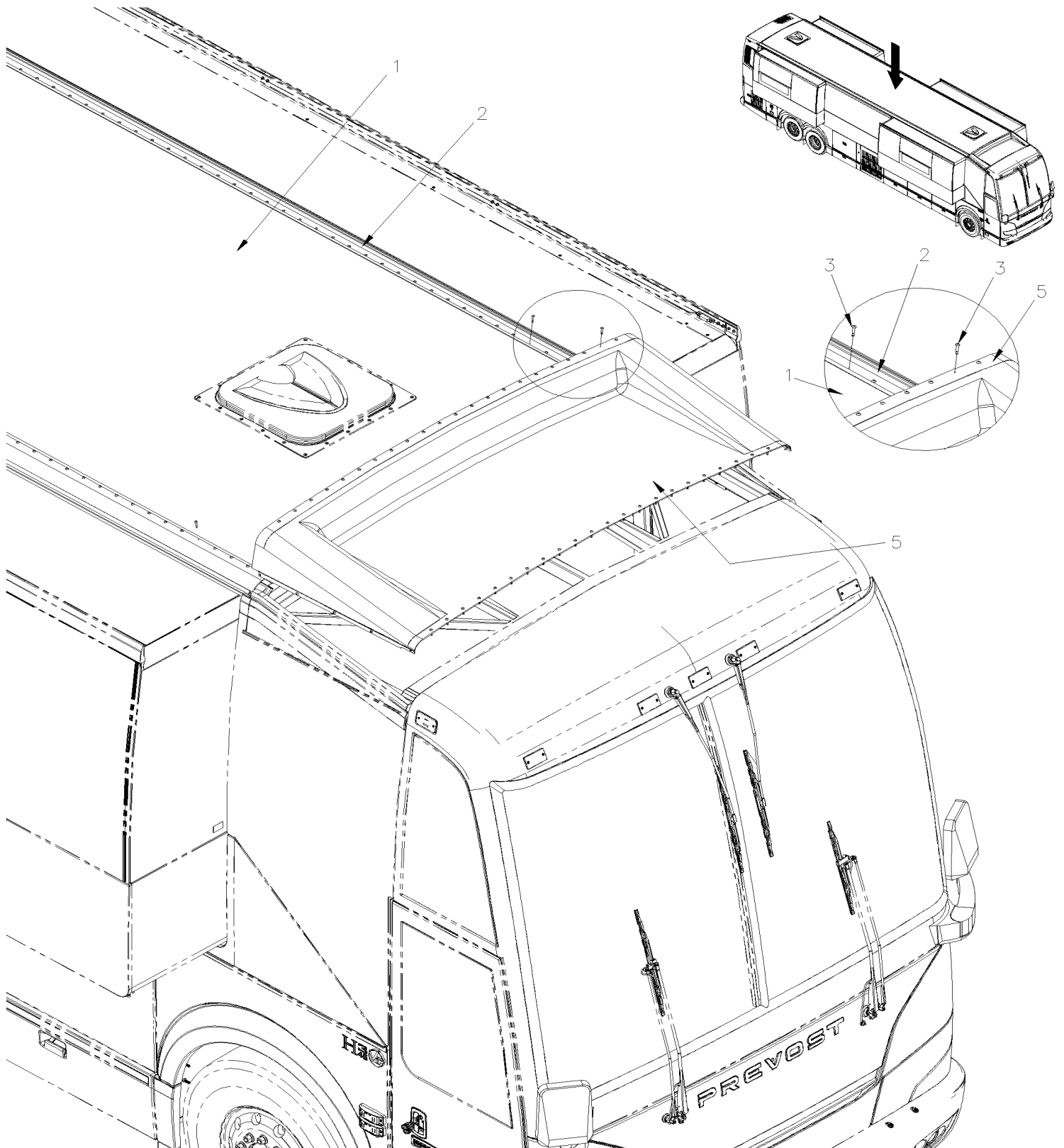


From 7-0671 To J-0287

Date:10/2022

PAGE:H7-1852-00

## ROOF PANELS



From 7-0671 To J-0287	Date:10/2022	PAGE:H7-1852-00
<b>ROOF PANELS</b>		

Item#	Part	Description	H 3 4 1	H 3 4 5	V I P 4 5	N O T E S
1	472937P	SHEET, ALUMINUM / ROOF	1			
1	472805P	SHEET, ALUMINUM / ROOF		1		
1	472940P	SHEET, ALUMINUM / ROOF			1	
NS	683084	SEALANT SIKA #221 / GREY / 600 ml SAUSAGE	AR	AR	AR	
NS	685124	ADHESIVE SIMSON #ISR 70-03 / BLACK / 600ml SAUSAGE			AR	
2	292900	EXTRUSION, ALUMINUM 10540MM	2			
2	292899	EXTRUSION ALUMINUM 11786MM		2		
2	297148	EXTRUSION ALUMINUM W/AWNING RETAINER 10802MM From 7-0772 To 8-1193			2	
2	297198	EXTRUSION ALUMINUM 10802MM From 8-1194			2	
3	504545	RIVET CHY MONOLOK PRDG 1/4x3/8 ZP To E-2423	AR	AR	AR	
3	504787	RIVET CHY MONOLOK PRDG 1/4x5/8 ZP From E-2424	AR	AR	AR	
3	500353	SCREW TP FL PH #8x3/4 BK			4	
5	475206	ROOF TRANSITION / FIBERGLASS			1	
5	683084	SEALANT SIKA #221 / GREY / 600 ml SAUSAGE			AR	
11	421398	DEFLECTOR CURBSIDE From G-3228	1	1		
12	421399	DEFLECTOR STREET SIDE From G-3228	1	1		
15	506785	TAPE RUB ADH2 CC POL 1/16" x 1/4" x 200' / BLACK I1C-N-A From G-3228	AR	AR		
15	684685	ADHESIVE SIMSON #ISR 70-03 / 310ml CARTRIDGE From G-3228	AR	AR		

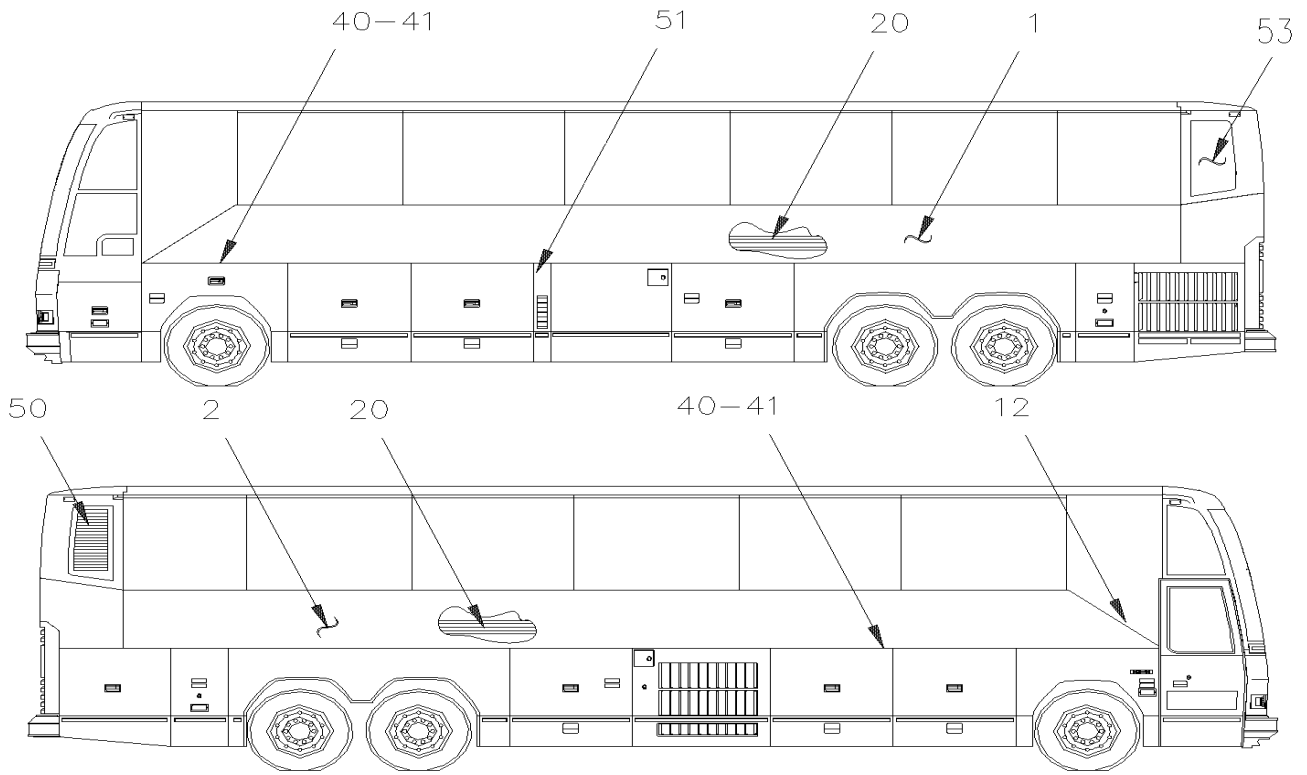


From 7-0671 To J-0184

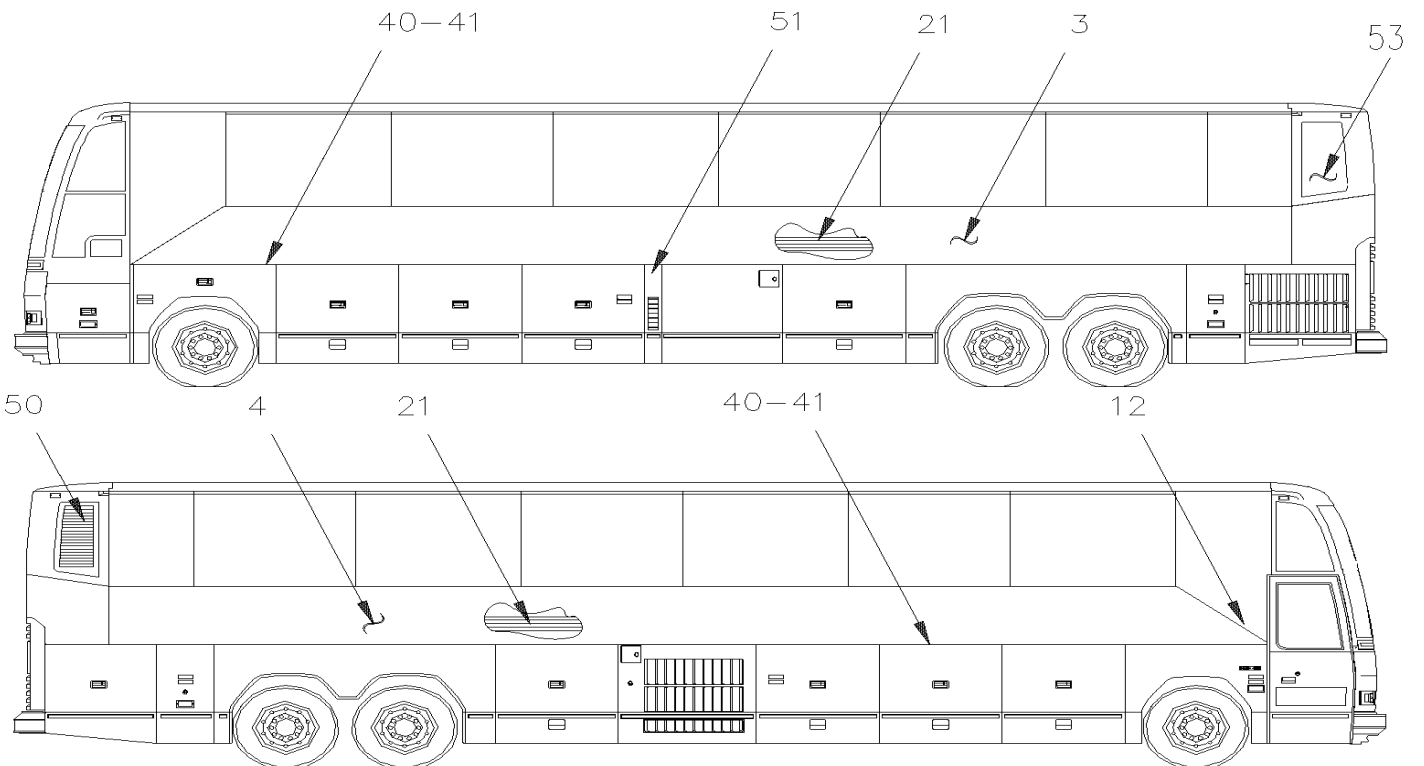
Date:10/2022

PAGE:H7-1854-00

SIDE PANELS - BUS



H3-41



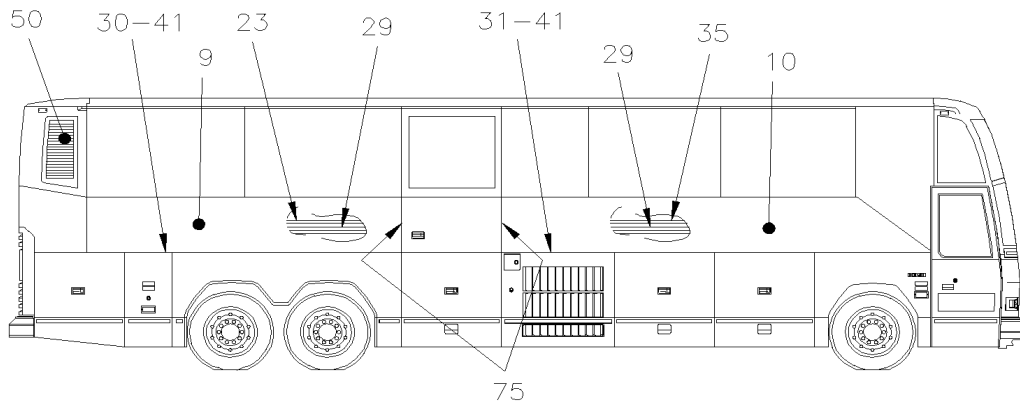
H3-45

From 7-0671 To J-0184

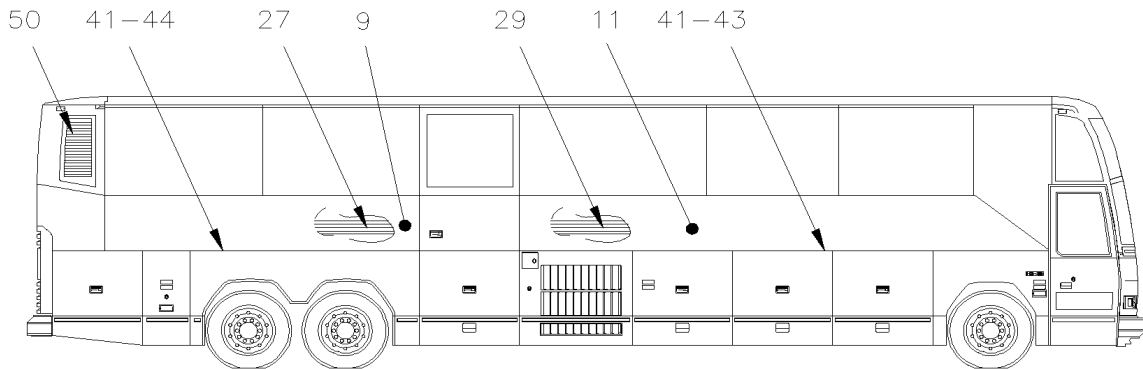
Date:10/2022

PAGE:H7-1854-00

SIDE PANELS - BUS



H3-41 WITH W.C.L. RICON



H3-45 WITH W.C.L. RICON



<b>From 7-0671 To J-0184</b>	<b>Date:10/2022</b>	<b>PAGE:H7-1854-00</b>
<b>SIDE PANELS - BUS</b>		

Item#	Part	Description	H 3 4 1	H 3 4 5	V I P 4 5	N O T E S
1	473620	SIDE PANEL L.H. To H-3730	1			
1	470290	SIDE PANEL L.H. From H-3731	1			
2	473619	SIDE PANEL R.H. To H-3730	1			
2	470289	SIDE PANEL R.H. From H-3731	1			
3	473618	SIDE PANEL L.H. To H-3730		1		
3	470288	SIDE PANEL L.H. From H-3731		1		
4	473617	SIDE PANEL R.H. To H-3730		1		
4	470287	SIDE PANEL R.H. From H-3731		1		
9	476379	REAR SIDE PANEL R.H. 3952MM To E-2584		1		W
9	476379	REAR SIDE PANEL R.H. 3952MM From E-2585 To H-3730	1	1		W
9	470292	REAR SIDE PANEL R.H. 3952MM From H-3731	1	1		W
10	470838	FRONT SIDE PANEL R.H. 5307MM From E-2585 To H-3730	1			W
10	470293	FRONT SIDE PANEL R.H. 5307MM From H-3731	1			W
11	476378	FRONT SIDE PANEL R.H. 6553MM To H-3730		1		W
11	470291	FRONT SIDE PANEL R.H. 6553MM From H-3731		1		W
20	473170	SUPPORT / 9008MM	2			
21	473165	SUPPORT / 9754MM		2		
23	473312	SUPPORT / 2900MM From E-2585	1			
27	473310	REINFORCEMENT PANEL 1482 MM		1		
29	473313	SUPPORT / 4854MM		1		
NS	506738	TAPE RUB ADH1 CC POL 1/8" x 1" x 50' / GREY 2520 To E-2581	AR	AR		
29	5060038	TAPE RUB ADH1 CC POL 1/4" x 1" x 35' / BLACK H1C From E-2582	AR	AR		
NS	504340	RIVET POP DOME OE 1/8x3/16 SS	AR	AR		
30	479368	DRIP MOULDING ASSY From E-2585 To G-3221	1			W
. NS	683478	. TAPE VHB ADH2 1.1MMx18MMx32.9M From E-2585 To G-3221	AR			W
30	479694	DRIP MOULDING From G-3222	1			W
31	478710	DRIP MOULDING ASSY From E-2585 To G-3221	1			W
. NS	683478	. TAPE VHB ADH2 1.1MMx18MMx32.9M From E-2585 To G-3221	AR			W
31	479693	DRIP MOULDING From G-3222	1			W
35	470839	SUPPORT / 3608MM From E-2585	1			W
40	473629	DRIP MOLDING / FRONT L.H. & R.H. / 727MM SS To G-3221	2			
40	479687	SUPPORT LOWER / FRONT L.H. & R.H. / 727MM SS From G-3222		2		
40	473632	DRIP MOLDING / FRONT L.H. & R.H. / 1973MM SS ADH To G-3221		2		
40	479684	SUPPORT LOWER / FRONT L.H. & R.H. / 1973MM SS ADH From G-3222		2		
40	683621	TAPE RUB ADH2 ACRYLIC .045" x 1" x 108' / WHITE 4945	AR	AR		
41	473627	DRIP MOULDING / L.H. & R.H. / 2438MM SS ADH	6			
. NS	683621	. TAPE RUB ADH2 ACRYLIC .045" x 1" x 108' / WHITE 4945	AR			
41	473627	DRIP MOULDING / L.H. & R.H. / 2438MM SS ADH From E-2585	3			W
. NS	683621	. TAPE RUB ADH2 ACRYLIC .045" x 1" x 108' / WHITE 4945 From E-2585	AR			W
41	473627	DRIP MOULDING / L.H. & R.H. / 2438MM SS ADH To G-3221		8		
. NS	683621	. TAPE RUB ADH2 ACRYLIC .045" x 1" x 108' / WHITE 4945 To G-3221		AR		
41	479691	DRIP MOULDING 2438MM SS ADH From G-3222		8		

From 7-0671 To J-0184	Date:10/2022	PAGE:H7-1854-00
<b>SIDE PANELS - BUS</b>		

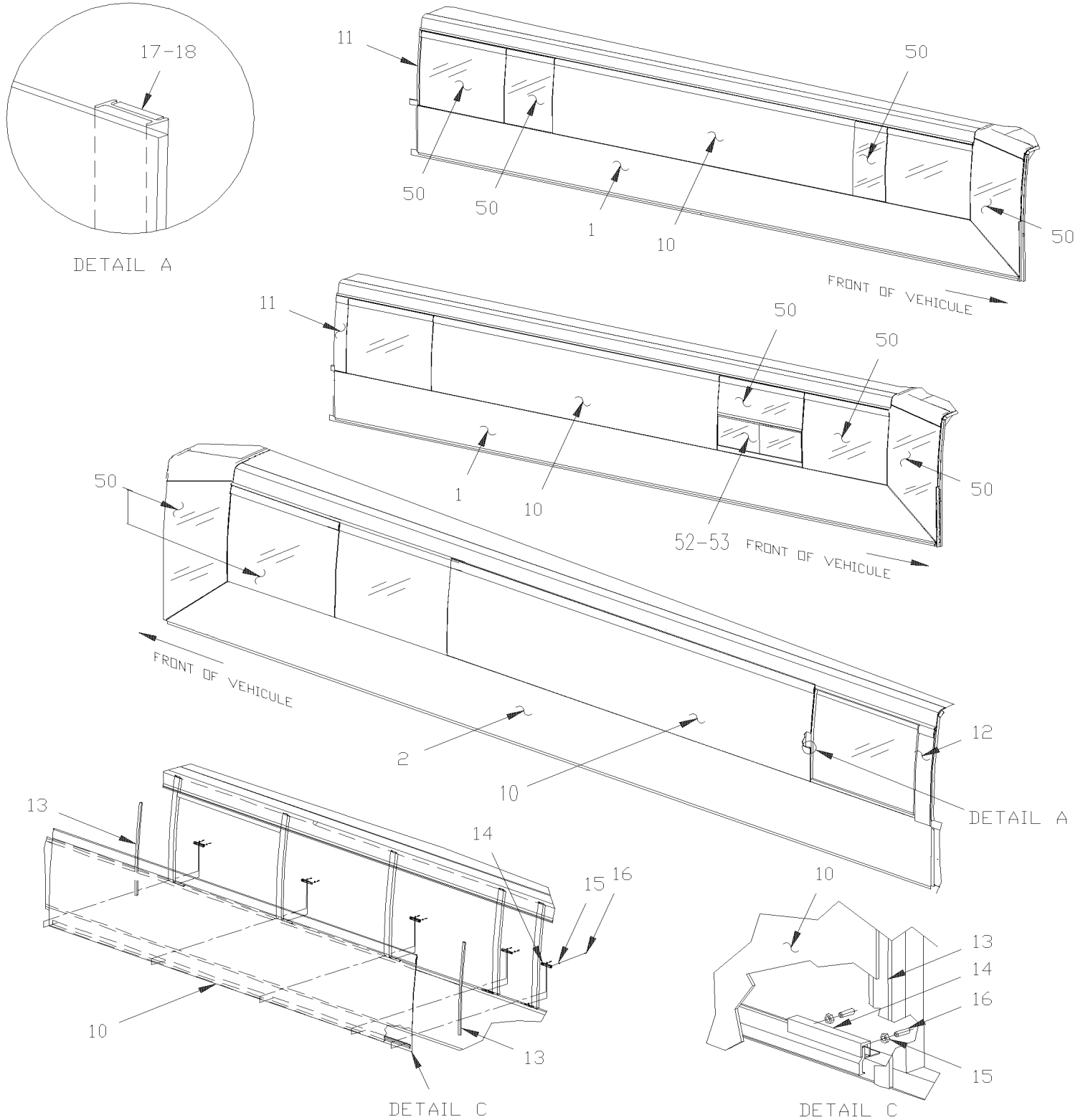
Item#	Part	Description	H 3 4 1	H 3 4 5	V I P 4 5	N O T E S
. NS	680108	. TAPE RUB ADH2 VHB 1" x .045" x 108' From G-3222		AR		
42	473628	DRIP MOULDING 1919.5MM SS ADH		1		
. NS	683621	. TAPE RUB ADH2 ACRYLIC .045" x 1" x 108' / WHITE 4945		AR		
43	473631	DRIP MOULDING 1665.5MM SS ADH To G-3221		1		
43	683621	TAPE RUB ADH2 ACRYLIC .045" x 1" x 108' / WHITE 4945		AR		
43	479685	SUPPORT LOWER 1665.5MM SS ADH From G-3222		1		
44	477731	SUPPORT LOWER / W/W.C.L. "RICON" 1502MM SS ADH To G-3221		1		
NS	683478	TAPE VHB ADH2 1.1MMx18MMx32.9M	AR	AR		
NS	682462	ADHESIVE SIKA #252 / BLACK / 310ml CARTRIDGE	AR	AR		
50	472228	GRILLE / AIR INLET To A-1720	1	1		
. NS	506769	. TAPE RUB ADH2 CC POL 1/8" x 1/4" x 60' / BLACK H1CC-N-#14 To A-1720	ar	ar		
50	478448	GRILLE FIBERGLASS / AIR INLET From B-1721	1	1		
. NS	478447	. GRILLE FIBERGLASS / AIR INLET From B-1721	1	1		
NS	685124	ADHESIVE SIMSON #ISR 70-03 / BLACK / 600ml SAUSAGE	AR	AR		
51	473639	PANEL AIR INTAKE EVAPORATOR / W/SCREEN	1	1		
NS	5001639	NUT SPR U M6-1.0 0.34-4 MAG565	AR	AR		
NS	500468	WASHER FL .281x1.250x.065 Z050	AR	AR		
53	<b>H7-1851-05</b>	<b>REAR CAP - DOOR DPF &amp; SCR</b>	1	1	1	
75	687961	GLUE MS POLYMER TEROSON MS 9399 / "A" 21 Liters	AR	AR		
75	687962	GLUE MS POLYMER TEROSON MS 9399 / "B" 21 Liters	AR	AR		
75	685124	ADHESIVE SIMSON #ISR 70-03 / BLACK / 600ml SAUSAGE	AR	AR		
		W) WITH WCL				

From 7-0671 To J-0287

Date:10/2022

PAGE:H7-1854-50

## SIDE PANELS - V.I.P.

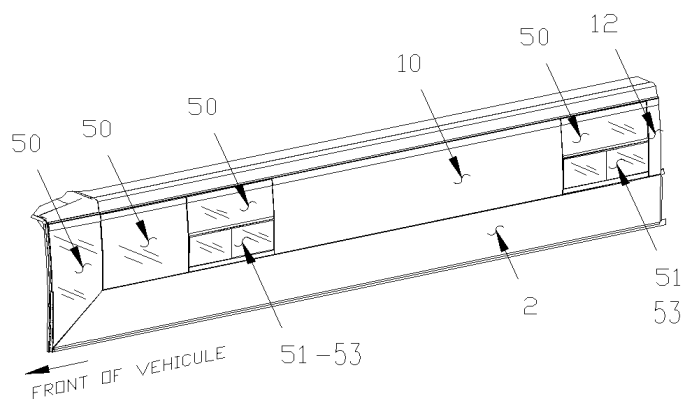
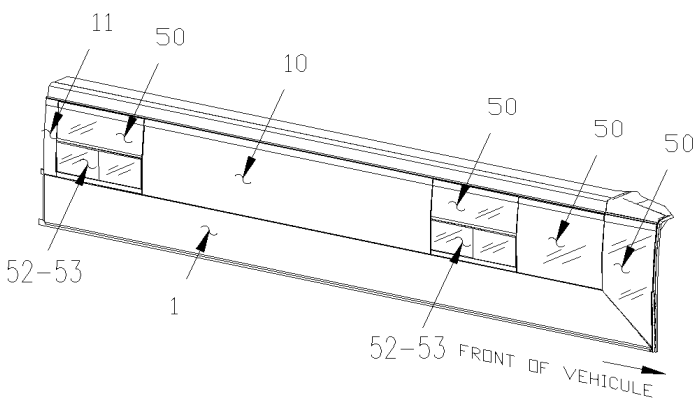
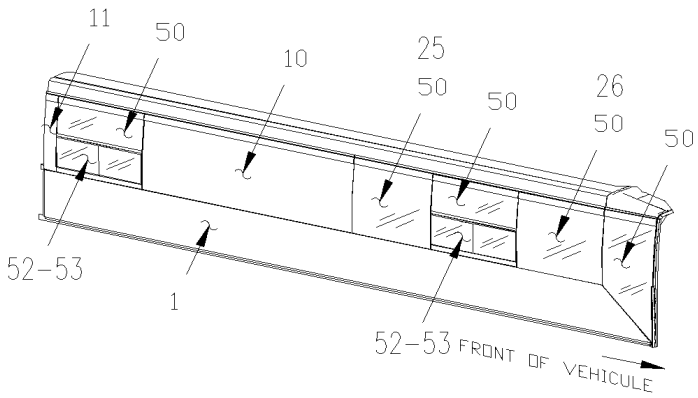
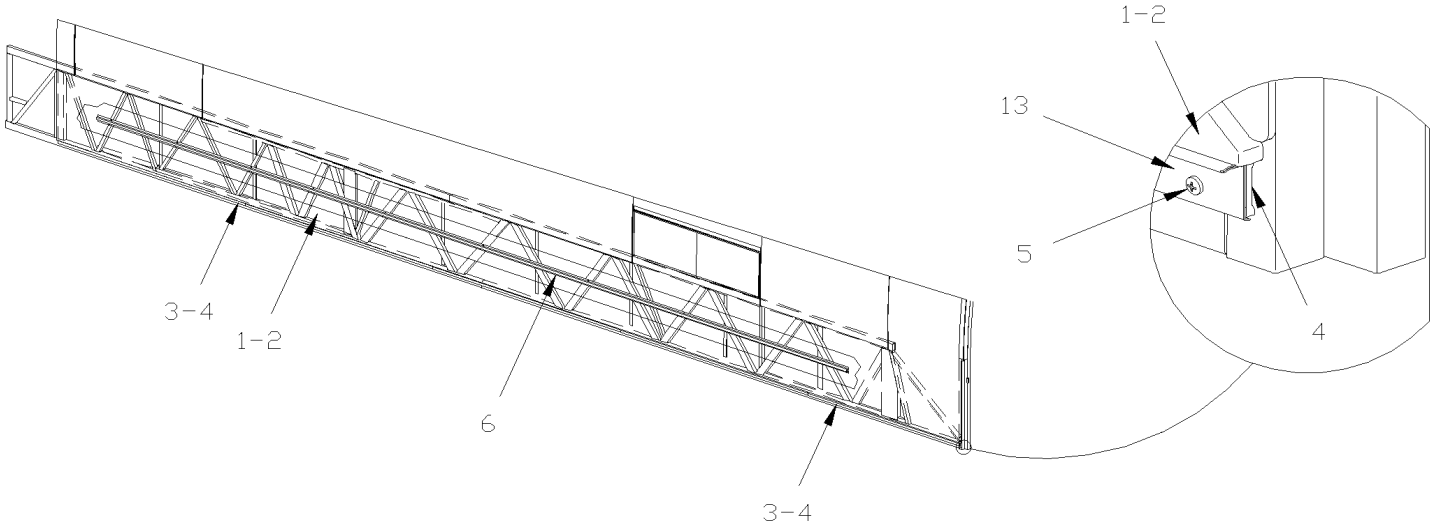


From 7-0671 To J-0287

Date:10/2022

PAGE:H7-1854-50

## SIDE PANELS - V.I.P.

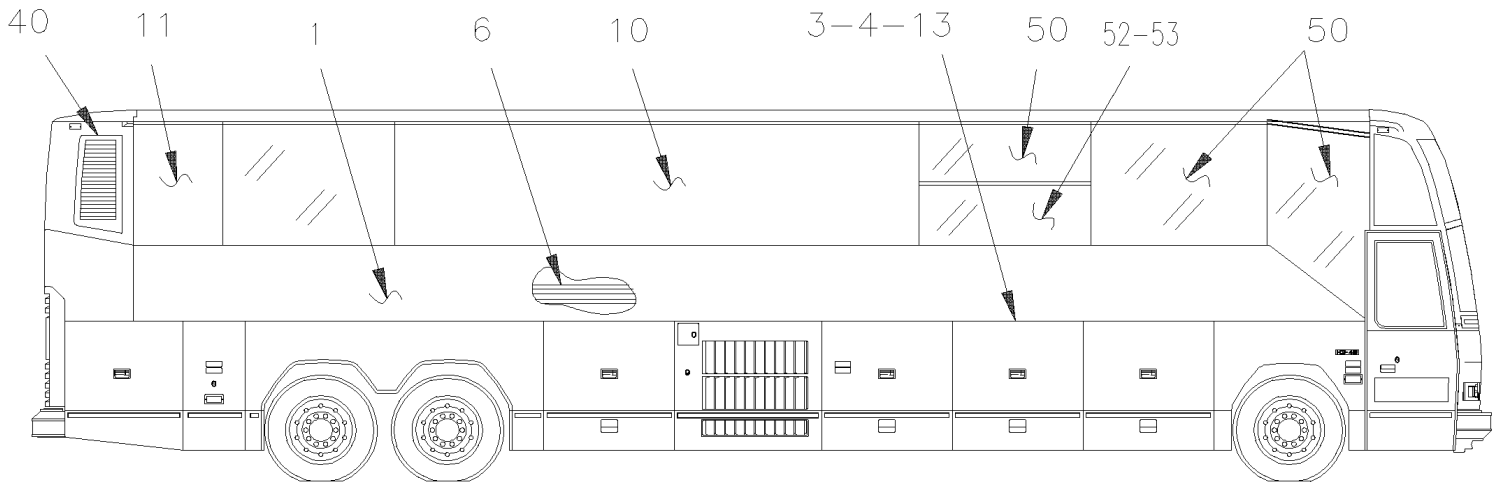
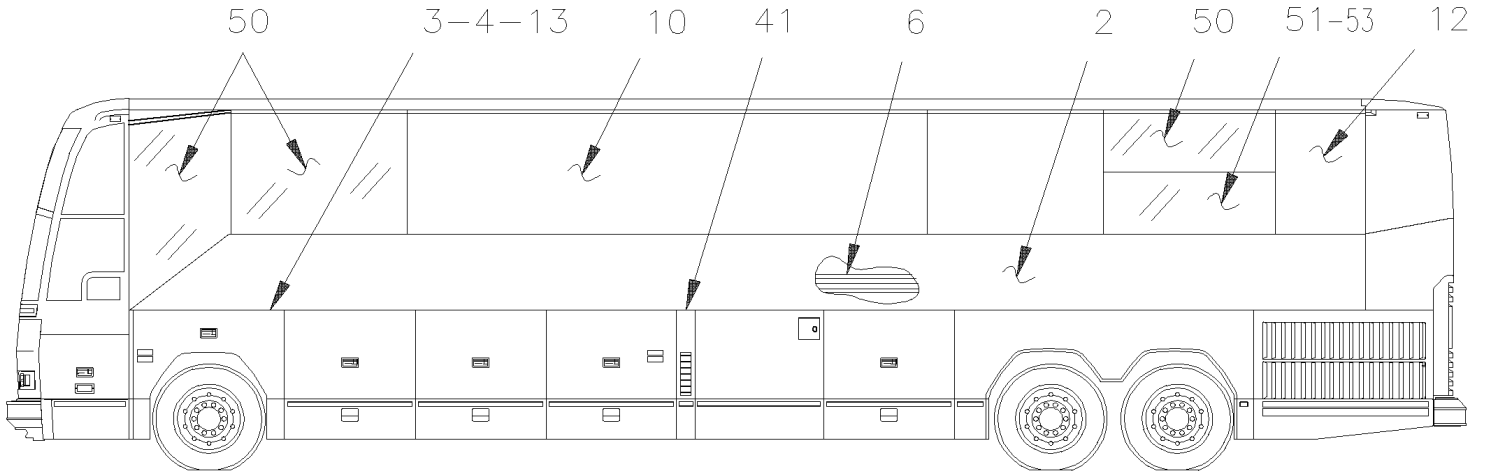


From 7-0671 To J-0287

Date:10/2022

PAGE:H7-1854-50

SIDE PANELS - V.I.P.



VIP-45

From 7-0671 To J-0287	Date:10/2022	PAGE:H7-1854-50
<b>SIDE PANELS - V.I.P.</b>		

Item#	Part	Description	H 3 4 1	H 3 4 5	V I P 4 5	N O T E S
		"WARNING" "WARNING" "WARNING"				
		NEXT FOLLOWING PANELS ARE RELATED WITH				
		SIDE PANELING WITHOUT ANY SLIDE OUT INSTALL				
		FOR SIDE PANELING WITH SLIDE-OUT				
		SEE RESPECTIVE PAGES				
	H7-1854-80	SIDE PANELS - FRONT STREET SIDE - "SLIDE-OUT"				
	H7-1854-85	SIDE PANELS - REAR STREET SIDE - "SLIDE-OUT"				
	H7-1854-90	SIDE PANELS - FRONT CURBSIDE - "SLIDE-OUT" To H-3644				
	H7-1854-91	SIDE PANELS - FRONT CURBSIDE - "SLIDE-OUT" From H-3645				
	H7-1854-95	SIDE PANELS - REAR CURBSIDE - "SLIDE-OUT"				
	H7-1854-55	SIDE PANELS - WITH "SLIDE-OUT" / BY "CONVERTER"				
	H7-1854-60	SIDE PANELS - WITH "SLIDE-OUT" "PREVOST"				
1	475156	PANEL R.H.			1	
2	476643	PANEL L.H.			1	
3	473627	DRIP MOULDING / L.H. & R.H. / 2438MM SS ADH To G-3221			4	
. NS	683621	. TAPE RUB ADH2 ACRYLIC .045" x 1" x 108' / WHITE 4945 To G-3221			AR	
3	479691	DRIP MOULDING 2438MM SS ADH From G-3222			4	
. NS	680108	. TAPE RUB ADH2 VHB 1" x .045" x 108' From G-3222			AR	
3	473632	DRIP MOLDING / FRONT L.H. & R.H. / 1973MM SS ADH To G-3221			1	
3	479684	SUPPORT LOWER / FRONT L.H. & R.H. / 1973MM SS ADH From G-3222			1	
3	479150	DRIP MOLDING / L.H. & R.H. / W17 HOLES / 2438MM SS To G-3221			AR	T
3	479697	SUPPORT LOWER / L.H. & R.H. / 2438MM SS From G-3222			AR	T
3	479145	SUPPORT LOWER / W14 HOLES / 1973.5MM SS To G-3221			AR	T
3	479689	SUPPORT LOWER 1973.5MM SS From G-3222			AR	T
4	473715	FORMICA STRIP 20MM X 2438MM			AR	T
5	502903	SCREW TC FL PH #10-24x1 1/4 N500			AR	T
6	473165	SUPPORT / 9754MM			2	
NS	504340	RIVET POP DOME OE 1/8x3/16 SS			AR	
NS	506738	TAPE RUB ADH1 CC POL 1/8" x 1" x 50' / GREY 2520 To E-2575			AR	
NS	506282	TAPE RUB ADH1 CC POL 3/8" x 1" x 20' / GREY 2520 From E-2576			AR	
		FOLLOWING PANELS ARE LOCATED BETWEEN				
		ANY TWO SIDE WINDOWS ANY LAYOUT MODELS				
10	470173	PANEL UPPER 2459MM			1	
10	477389	PANEL UPPER 2866.5MM			1	
10	478199	PANEL UPPER 2947.5MM			1	C
10	476765	PANEL UPPER 3151MM			1	

From 7-0671 To J-0287	Date:10/2022	PAGE:H7-1854-50
<b>SIDE PANELS - V.I.P.</b>		

Item#	Part	Description	H 3 4 1	H 3 4 5	V I P 4 5	N O T E S
10	477225	PANEL UPPER 3207.5MM			1	
10	477003	PANEL UPPER 3218MM			1	
10	478611	PANEL UPPER 3312MM			1	
10	476731	PANEL UPPER 3361MM			1	
10	478203	PANEL UPPER 3457MM			1	
10	478406	PANEL UPPER 3643MM	1	1	1	
10	476726	PANEL UPPER 3659MM			1	
10	478613	PANEL UPPER 3956MM			1	
10	476891	PANEL UPPER 4119MM			1	
10	478610	PANEL UPPER 4162MM			1	
10	478201	PANEL UPPER 4200MM			1	C
10	479266	PANEL UPPER 4302MM			1	
10	477197	PANEL UPPER 4611MM			1	
10	477184	PANEL UPPER 4710MM			1	
10	476789	PANEL UPPER 4811MM			1	
10	478781	PANEL UPPER 4998MM			1	
10	478196	PANEL UPPER 5319MM			1	
10	477217	PANEL UPPER 5779MM			1	
10	477136	PANEL UPPER 9140MM			1	
10	476812	PANEL UPPER STREETSIDE 10748MM			1	W
10	478198	PANEL UPPER CURBSIDE 10800MM			1	W
10	478779	PANEL UPPER CURBSIDE 10748MM			1	W
10	476981	PANEL UPPER 2322MM			1	F
10	477280	PANEL UPPER 2342MM			1	F
10	477223	PANEL UPPER 3595MM			1	F
10	477297	PANEL UPPER 3694MM From B-1691			1	F
11	478249	PANEL UPPER R.H. BACKWARD / 16MM			1	
11	478197	PANEL UPPER R.H. BACKWARD / 492MM			1	
11	478202	PANEL UPPER R.H. BACKWARD / 670MM			1	C
11	478204	PANEL UPPER R.H. BACKWARD / 695MM			1	
11	476975	PANEL UPPER R.H. BACKWARD / 840MM			1	
11	477002	PANEL UPPER R.H. BACKWARD / 934MM			1	
11	476790	PANEL UPPER R.H. BACKWARD / 1001MM			1	
11	476732	PANEL UPPER R.H. BACKWARD / 1509MM			1	
11	478200	PANEL UPPER R.H. BACKWARD / 1922.5MM			1	C
11	476980	PANEL UPPER R.H. BACKWARD / 5820MM			1	
11	478321	PANEL UPPER R.H. BACKWARD / 7481MM			1	
11	477024	PANEL UPPER R.H. BACKWARD / 9140MM			1	
12	478225	PANEL UPPER L.H. BACKWARD / 16MM			1	
12	477021	PANEL UPPER L.H. BACKWARD / 203MM			1	

From 7-0671 To J-0287	Date:10/2022	PAGE:H7-1854-50
<b>SIDE PANELS - V.I.P.</b>		

Item#	Part	Description	H 3 4 1	H 3 4 5	V I P 4 5	N O T E S
12	477224	PANEL UPPER L.H. BACKWARD / 294MM			1	
12	477001	PANEL UPPER L.H. BACKWARD / 934MM			1	
12	478407	PANEL UPPER L.H. BACKWARD / 1001MM			1	
12	478657	PANEL UPPER L.H. BACKWARD / 1509MM			1	
12	477281	PANEL UPPER L.H. BACKWARD / 1546.5MM			1	
12	476974	PANEL UPPER L.H. BACKWARD / 2500MM			1	
12	477388	PANEL UPPER L.H. BACKWARD / 2263MM			1	
12	477180	PANEL UPPER L.H. BACKWARD / 5820MM			1	
12	477385	PANEL UPPER L.H. BACKWARD / 5822MM			1	
12	476979	PANEL UPPER L.H. BACKWARD / 6312MM			1	
12	478320	PANEL UPPER L.H. BACKWARD / 7481MM			1	
13	297186	SEAL RUBBER 1244MM				AR
14	475506	ATTACHMENT 36MM				AR
14	475382	ATTACHMENT 150MM				AR
15	500982	NUT HEX JAM 5/16-18 Z050				AR
16	502777	SCREW SET HEXS CUP 5/16-18x1				AR
17	683447	ADHESIVE SIKATAK PLUS / BLACK / 23 Liters To A-1529				AR
18	683448	ACCELERATOR SIKA / 600ml SAUSAGE To A-1529				AR
18	687961	GLUE MS POLYMER TEROSON MS 9399 / "A" 21 Liters From A-1530				AR
18	687962	GLUE MS POLYMER TEROSON MS 9399 / "B" 21 Liters From A-1530				AR
18	687957	GLUE MS POLYMER TEROSON MS 9399 / 400ml CARTRIDGE From A-1530				AR
25	476779	PANEL UPPER 383MM			1	
26	476964	PANEL UPPER 283MM			1	
40	472228	GRILLE / AIR INLET To A-1720			1	
. NS	506769	. TAPE RUB ADH2 CC POL 1/8" x 1/4" x 60' / BLACK H1CC-N-#14 To A-1720				ar
40	478448	GRILLE FIBERGLASS / AIR INLET From B-1721			1	
. NS	478447	. GRILLE FIBERGLASS / AIR INLET From B-1721			1	
41	502764	NUT SPR J #14A .035-.046				AR
41	500903	NUT SPR J # 14 .035-.046 DP320				AR
41	500535	SCREW TP CAP HEX #14x3/4 Z050				AR
41	5001639	NUT SPR U M6-1.0 0.34-4 MAG565				AR
41	500468	WASHER FL .281x1.250x.065 Z050				AR
50	H7-1884-50	SIDE WINDOWS - V.I.P.				
51	H7-1884-70	SLIDING WINDOW L.H. - V.I.P.				
52	H7-1884-75	SLIDING WINDOW R.H. - V.I.P.				
53	H7-1884-65	ELECTRICAL AWNING WINDOW ASSY				
53	H7-1884-80	ELECTRICAL SLIDING WINDOW ASSY				
C) USED BY CONVERTER'S AS HER SPECIFICATION						



From 7-0671 To J-0287	Date:10/2022	PAGE:H7-1854-50
<b>SIDE PANELS - V.I.P.</b>		

Item#	Part	Description	H 3 4 1	H 3 4 5	V I P 4 5	N O T E S
		F) THIS PANEL USED FOWARD CURBSIDE SLIDE OUT AND GLASS WINDOW				
		T) USED WITH TEMPORALY INSTALLATION ONLY				
		W) THIS PANEL ARE USE WITHOUT SIDE WINDOW LAYOUT				



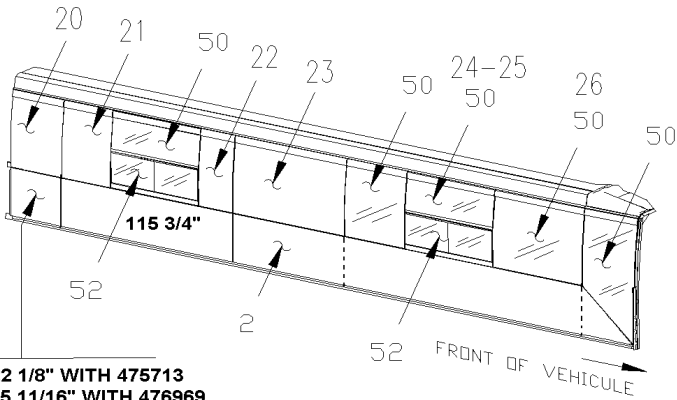
From 7-0671 To J-0287

Date:10/2022

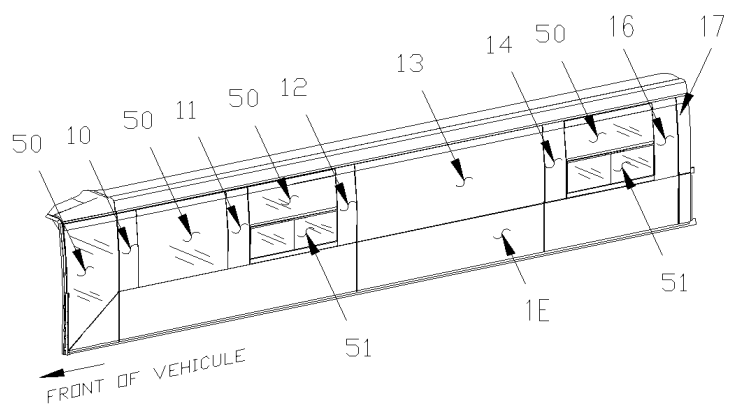
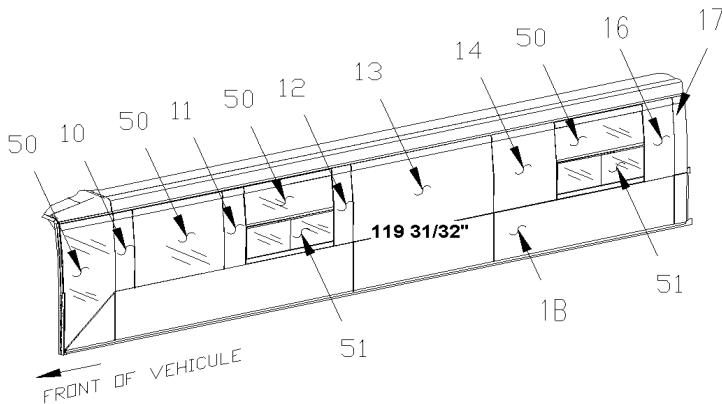
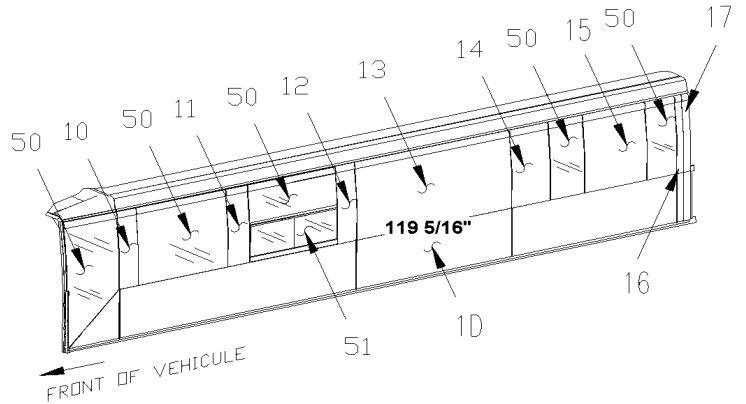
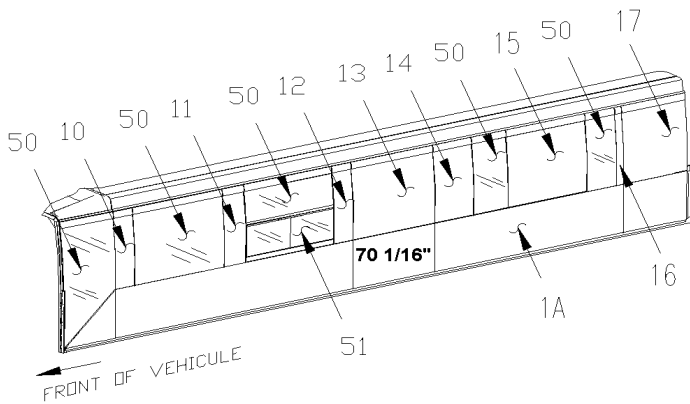
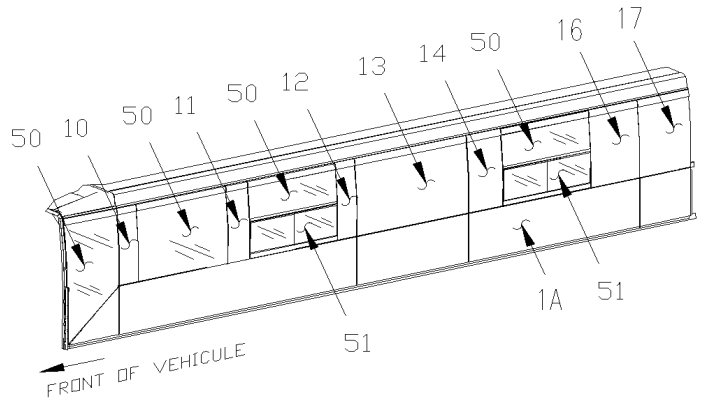
PAGE:H7-1854-55

**SIDE PANELS - WITH "SLIDE-OUT" / BY "CONVERTER"**

**FOR SIDE PANELING WHITOUT SLIDE-OUT SEE PAGE H7-1854-50**



22 1/8" WITH 475713  
55 11/16" WITH 476969  
58 3/8" WITH 476908



**NOTE.: REAR SLIDE-OUT WINDOW LAYOUT MAY BE MIXED FROM DRAWING**

From 7-0671 To J-0287	Date:10/2022	PAGE:H7-1854-55
<b>SIDE PANELS - WITH "SLIDE-OUT" / BY "CONVERTER"</b>		

Item#	Part	Description	H 3 4 1	H 3 4 5	V I P 4 5	N O T E S
		"WARNING" "WARNING" "WARNING"				
		NEXT FOLLOWING PANELS ARE RELATED WITH				
		SIDE PANELING WITH "SLIDE OUT" BY CONVERTER INSTALLATION				
		FOR SIDE PANELING WITHOUT SLIDE-OUT				
		SEE RESPECTIVE PAGES				
	<b>H7-1854-50</b>	<b>SIDE PANELS - V.I.P.</b>				
2	475713	KIT LOWER PANEL R.H. W/1SLIDE OUT AT 22 1/8" FROM REAR			1	
. NS	475712	. PANEL LOWER BACKWARD 562MM			1	
. NS	475711	. PANEL LOWER REAR SLIDE-OUT 2940.1MM			1	
. NS	475714	. PANEL LOWER FRONT SECTION 8223.5MM			1	
2	476908	KIT LOWER PANEL R.H. W/1SLIDE OUT AT 58 3/8" FROM REAR			1	
. NS	476909	. PANEL LOWER BACKWARD 1483MM			1	
. NS	476910	. PANEL LOWER REAR SLIDE-OUT 2940.1MM			1	
. NS	476911	. PANEL LOWER FRONT SECTION 7302.5MM			1	
2	477138	KIT LOWER PANEL R.H. W/1SLIDE OUT FRONT / 4235MM FRT SO			1	
. NS	476970	. PANEL LOWER TRIANGULAR CURBSIDE			1	
. NS	475501	. PANEL LOWER FRONT SLIDE-OUT 4235MM			1	
. NS	477139	. PANEL LOWER REAR SLIDE-OUT 6561MM			1	
2	476969	KIT LOWER PANEL R.H. W/2 SLIDE OUT / 70 1/16" BETWEEN			1	
. NS	476970	. PANEL LOWER TRIANGULAR CURBSIDE			1	
. NS	475501	. PANEL LOWER FRONT SLIDE-OUT 4235MM			1	
. NS	475515	. PANEL LOWER SLIDE OUT 1780MM			1	
. NS	475516	. PANEL LOWER REAR SLIDE-OUT 3355MM			1	
. NS	476971	. PANEL LOWER BACKWARD 1414MM			1	
2	477147	KIT LOWER PANEL R.H. W/2 SLIDE OUT / 119 15/16" BETWEEN From 7-1192			1	
. NS	476970	. PANEL LOWER TRIANGULAR CURBSIDE From 7-1192			1	
. NS	475501	. PANEL LOWER FRONT SLIDE-OUT 4235MM From 7-1192			1	
. NS	475710	. PANEL LOWER SLIDE OUT 3047MM From 7-1192			1	
. NS	475516	. PANEL LOWER REAR SLIDE-OUT 3355MM From 7-1192			1	
. NS	477148	. PANEL LOWER BACKWARD 146.4MM From 7-1192			1	
10	476778	PANEL UPPER 283MM			1	
10	478593	PANEL UPPER 504MM			1	
10	477266	PANEL UPPER 842.5MM			1	
11	476779	PANEL UPPER 383MM			1	
12	476780	PANEL UPPER 231MM			1	
12	477266	PANEL UPPER 842.5MM			1	
13	478592	PANEL UPPER 1183MM			1	
13	476781	PANEL UPPER 1780MM			1	
13	477261	PANEL UPPER 1780MM			1	
13	476874	PANEL UPPER 3030MM			1	

From 7-0671 To J-0287	Date:10/2022	PAGE:H7-1854-55
<b>SIDE PANELS - WITH "SLIDE-OUT" / BY "CONVERTER"</b>		

Item#	Part	Description	H 3 4 1	H 3 4 5	V I P 4 5	N O T E S
13	476851	PANEL UPPER 3047MM			1	
13	478594	PANEL UPPER 3355MM			1	
14	476852	PANEL UPPER L.H. / 266MM			1	
14	476782	PANEL UPPER L.H. / 805.5MM			1	
14	476875	PANEL UPPER L.H. / 808MM			1	
14	477262	PANEL UPPER L.H. / 843.5MM			1	
14	478600	PANEL UPPER L.H. / 466MM			1	
15	476783	PANEL UPPER 1133MM			1	
15	477263	PANEL UPPER 843.5MM			1	
16	476784	PANEL UPPER R.H. / 125MM			1	
16	476853	PANEL UPPER R.H. / 252MM			1	
16	477264	PANEL UPPER R.H. / 842.5MM			1	
16	478601	PANEL UPPER R.H. / 466MM			1	
17	477143	PANEL UPPER L.H. BACKWARD / 146MM From 7-1204			1	S2
17	476876	PANEL UPPER L.H. BACKWARD / 163MM			1	
17	476854	PANEL UPPER L.H. BACKWARD / 562MM			1	
17	476785	PANEL UPPER L.H. BACKWARD / 1415MM			1	
17	477265	PANEL UPPER L.H. BACKWARD / 2328.5MM			1	
20	477141	PANEL UPPER R.H. BACKWARD / 654.2MM From 7-1192			1	SA
20	476858	PANEL UPPER R.H. BACKWARD / 562MM From 7-1192			1	
20	477141	PANEL UPPER R.H. BACKWARD / 654.2MM From 7-1204			1	
NS	478202	PANEL UPPER R.H. BACKWARD / 670MM			1	S
20	476914	PANEL UPPER R.H. BACKWARD / 1482.5MM			1	
20	476968	PANEL UPPER 1415MM			1	
21	476857	PANEL UPPER L.H. / 636MM			1	
21	476915	PANEL UPPER L.H. / 438.5MM			1	
21	476967	PANEL UPPER 502.5MM			1	S1
22	476856	PANEL UPPER R.H. / 636MM			1	
22	476917	PANEL UPPER R.H. / 833.5MM			1	
22	476965	PANEL UPPER 1184.5MM			1	S1
23	476855	PANEL UPPER 3024MM			1	
23	476916	PANEL UPPER 2113MM			1	
23	477140	PANEL UPPER 4237MM From 7-1204			1	
23	476781	PANEL UPPER 1780MM			1	S1
23	477261	PANEL UPPER 1780MM			1	
24	476966	PANEL UPPER 231MM			1	S1
25	476779	PANEL UPPER 383MM			1	S1
26	476964	PANEL UPPER 283MM			1	S1
50	<b>H7-1884-50</b>	<b>SIDE WINDOWS - V.I.P.</b>				
51	<b>H7-1884-70</b>	<b>SLIDING WINDOW L.H. - V.I.P.</b>				

<b>From 7-0671 To J-0287</b>	<b>Date:10/2022</b>	<b>PAGE:H7-1854-55</b>
<b>SIDE PANELS - WITH "SLIDE-OUT" / BY "CONVERTER"</b>		

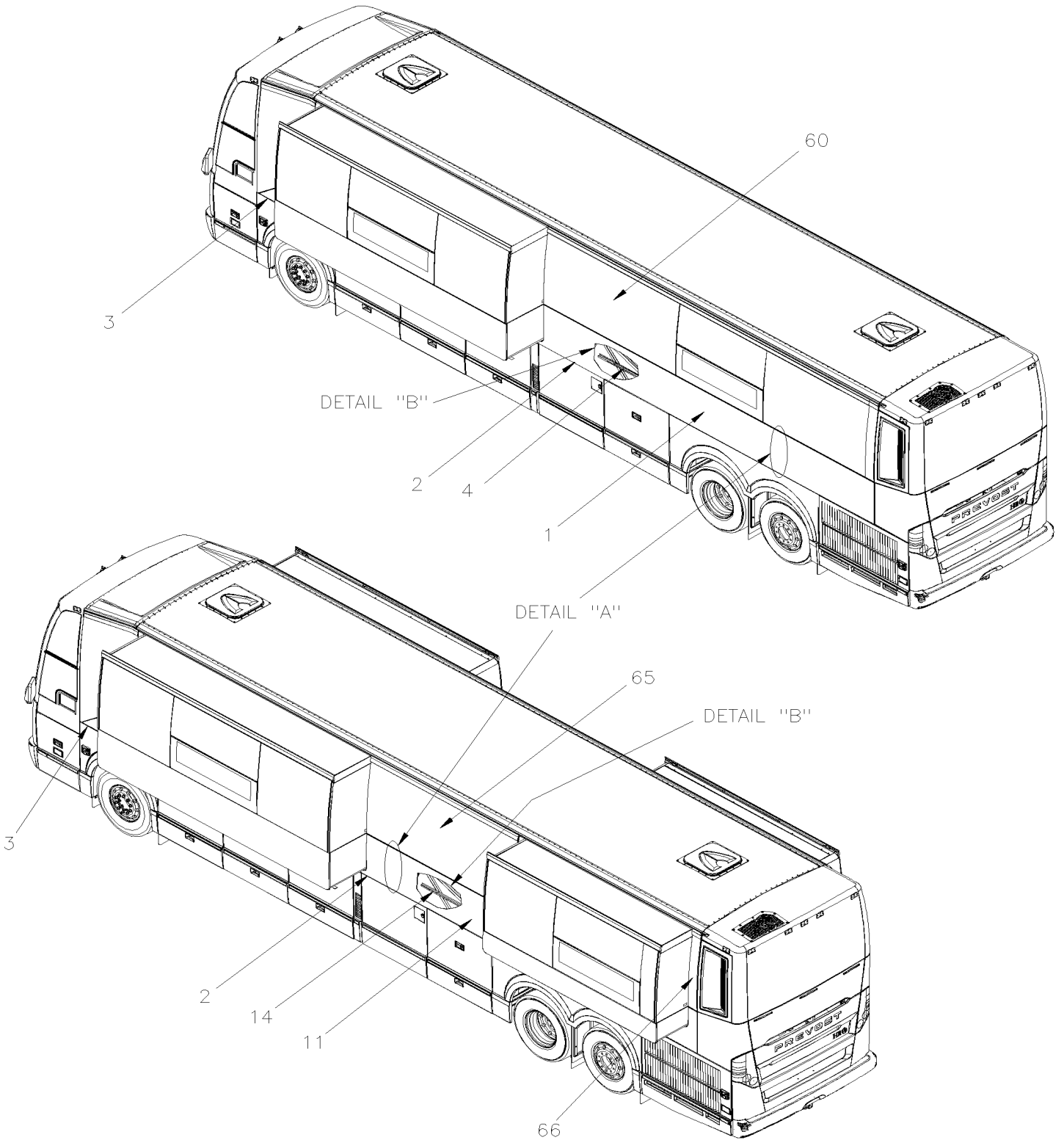
Item#	Part	Description	H 3 4 1	H 3 4 5	V I P 4 5	N O T E S
51	H7-1884-80	ELECTRICAL SLIDING WINDOW ASSY				
52	H7-1884-75	SLIDING WINDOW R.H. - V.I.P.				
52	H7-1884-80	ELECTRICAL SLIDING WINDOW ASSY				
53	H7-1854-50	SIDE PANELS - V.I.P.				
1A	475514	KIT LOWER PANEL L.H. W/SLIDE OUT / 70 1/16" BETWEEN			1	
. NS	475488	. PANEL LOWER TRIANGULAR STREETSIDE			1	
. NS	475501	. PANEL LOWER FRONT SLIDE-OUT 4235MM			1	
. NS	475515	. PANEL LOWER SLIDE OUT 1780MM			1	
. NS	475516	. PANEL LOWER REAR SLIDE-OUT 3355MM			1	
. NS	475517	. PANEL LOWER BACKWARD 1414MM			1	
1B	475709	KIT LOWER PANEL L.H. W/SLIDE OUT / 119 31/32" BETWEEN To 7-0938			1	
. NS	475488	. PANEL LOWER TRIANGULAR STREETSIDE To 7-0938			1	
. NS	475501	. PANEL LOWER FRONT SLIDE-OUT 4235MM To 7-0938			1	
. NS	475710	. PANEL LOWER SLIDE OUT 3047MM To 7-0938			1	
. NS	475711	. PANEL LOWER REAR SLIDE-OUT 2940.1MM To 7-0938			1	
. NS	475712	. PANEL LOWER BACKWARD 562MM To 7-0938			1	
1D	477144	KIT LOWER PANEL L.H. WSLIDE OUT / 119 15/16" BETWEEN From 7-1204			1	
. NS	475488	. PANEL LOWER TRIANGULAR STREETSIDE From 7-1204			1	
. NS	475501	. PANEL LOWER FRONT SLIDE-OUT 4235MM From 7-1204			1	
. NS	475710	. PANEL LOWER SLIDE OUT 3047MM From 7-1204			1	
. NS	475516	. PANEL LOWER REAR SLIDE-OUT 3355MM From 7-1204			1	
. NS	477145	. PANEL LOWER BACKWARD 146MM From 7-1204			1	
		S) WITHOUT CURBSIDE SLIDE OUT				
		S1) WITH 2 SLIDE-OUT KIT PANEL # 476969				
		S2) FIXED WITH 2 SLIDE-OUT KIT PANEL # 477144				
		SA) FIXED WITH 2 SLIDE-OUT KIT PANEL # 477147				

From 7-0671 To J-0287

Date:10/2022

PAGE:H7-1854-60

## SIDE PANELS - WITH "SLIDE-OUT" "PREVOST"

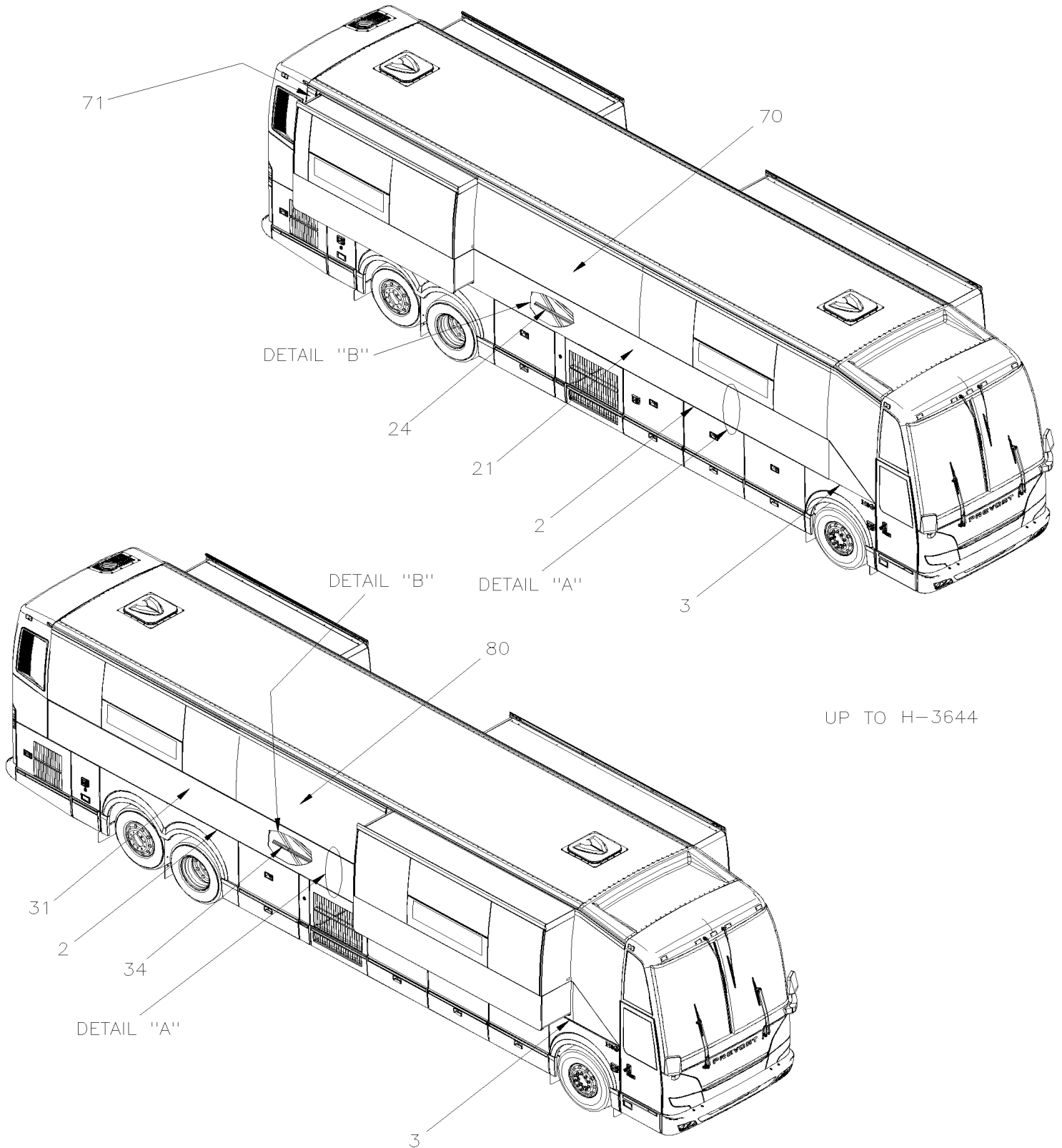


From 7-0671 To J-0287

Date:10/2022

PAGE:H7-1854-60

## SIDE PANELS - WITH "SLIDE-OUT" "PREVOST"



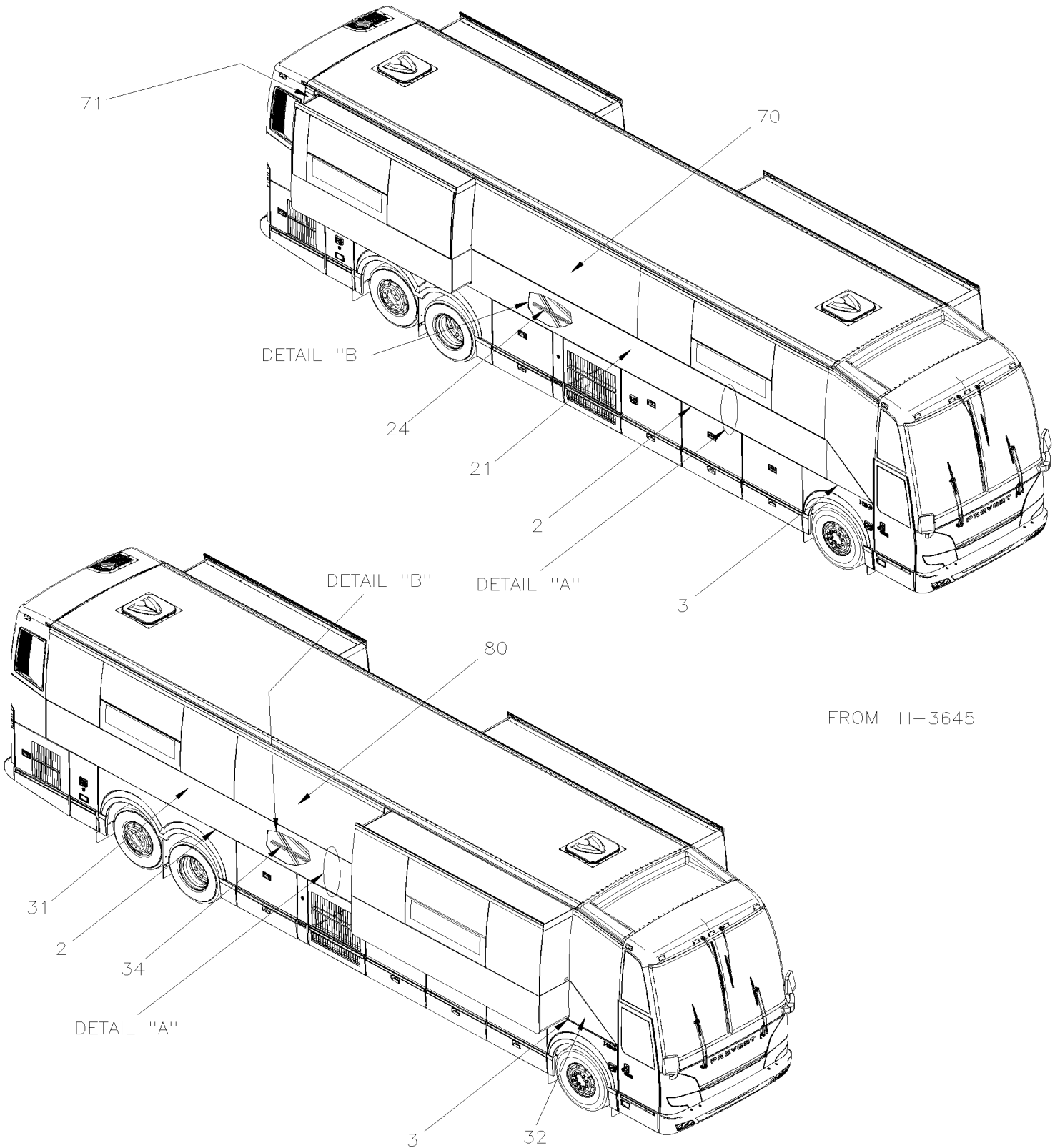


From 7-0671 To J-0287

Date:10/2022

PAGE:H7-1854-60

## SIDE PANELS - WITH "SLIDE-OUT" "PREVOST"



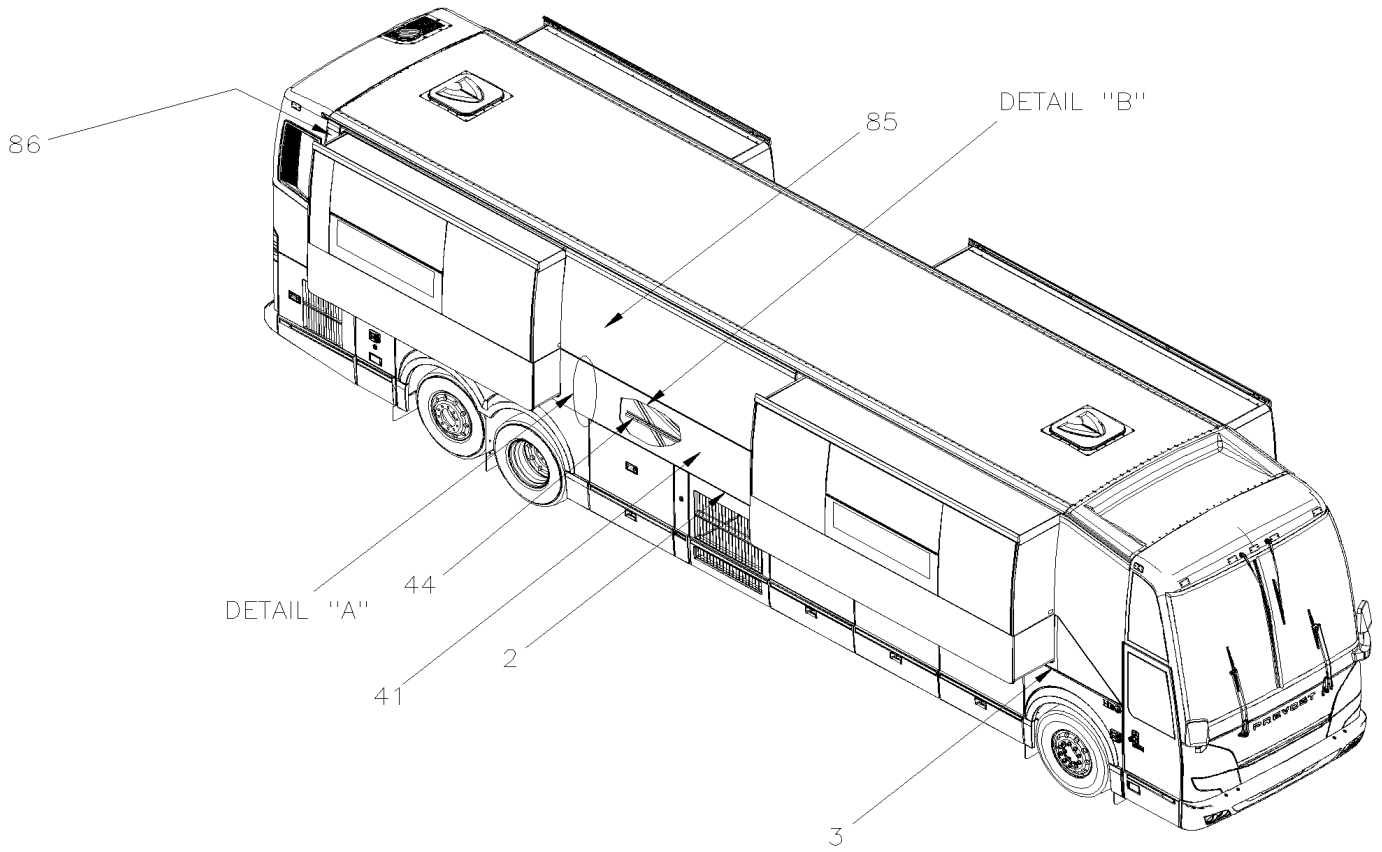
FROM H-3645

From 7-0671 To J-0287

Date:10/2022

PAGE:H7-1854-60

SIDE PANELS - WITH "SLIDE-OUT" "PREVOST"



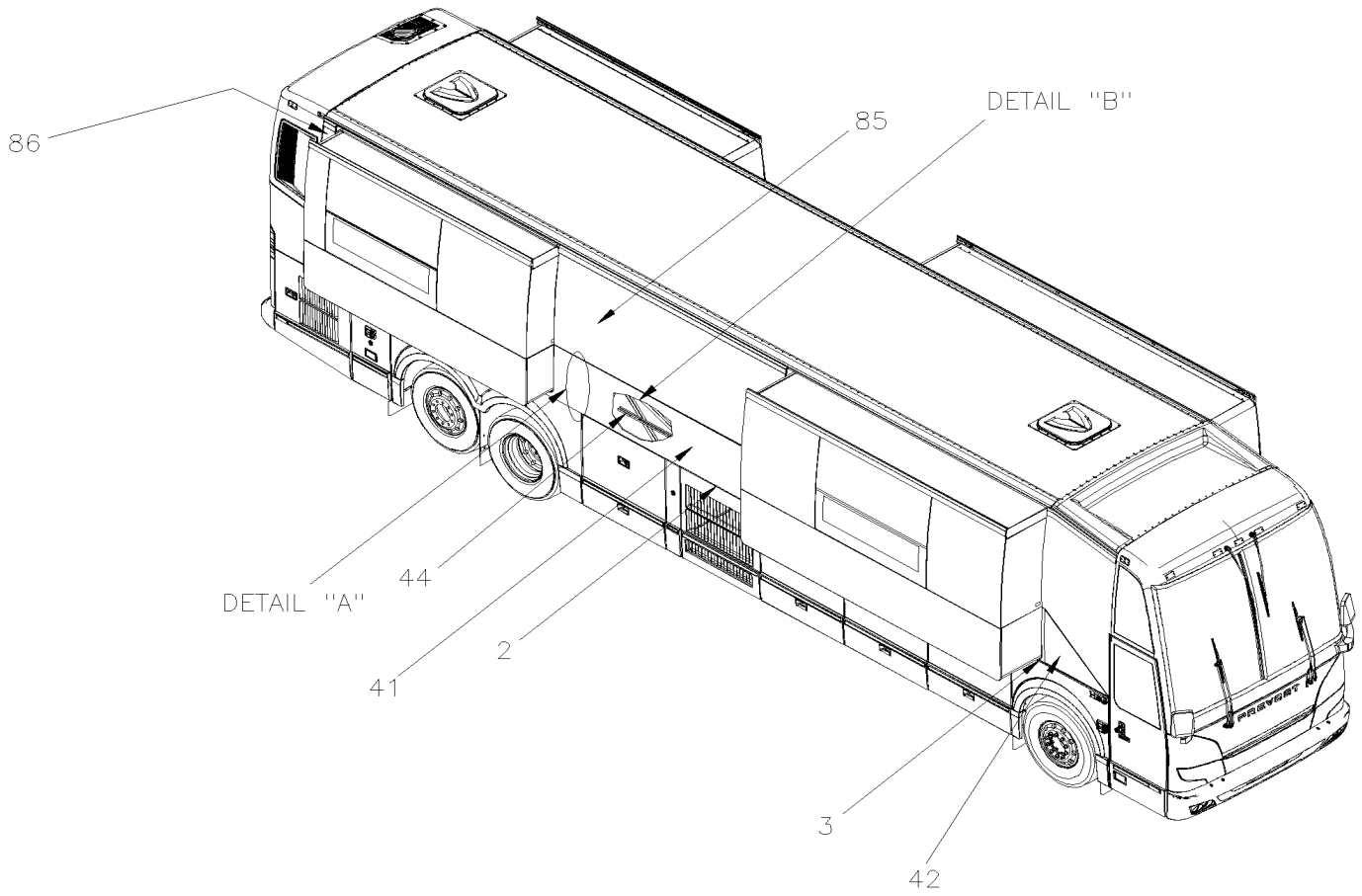
UP TO H-3644

From 7-0671 To J-0287

Date:10/2022

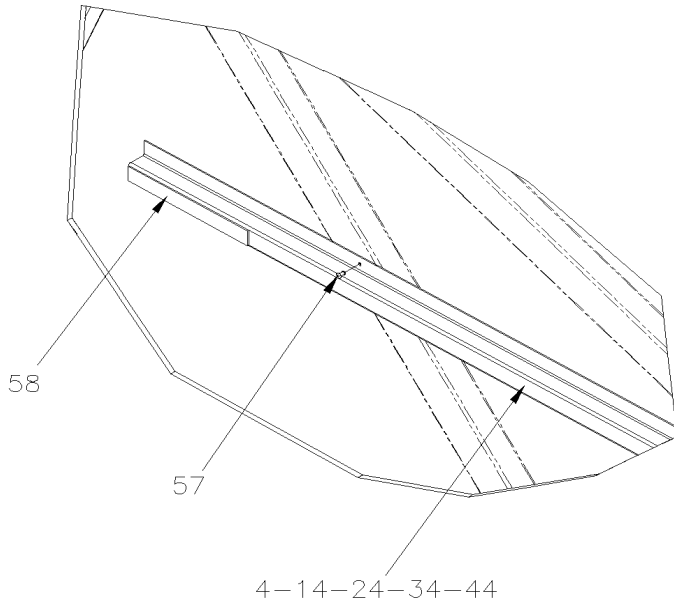
PAGE:H7-1854-60

SIDE PANELS - WITH "SLIDE-OUT" "PREVOST"

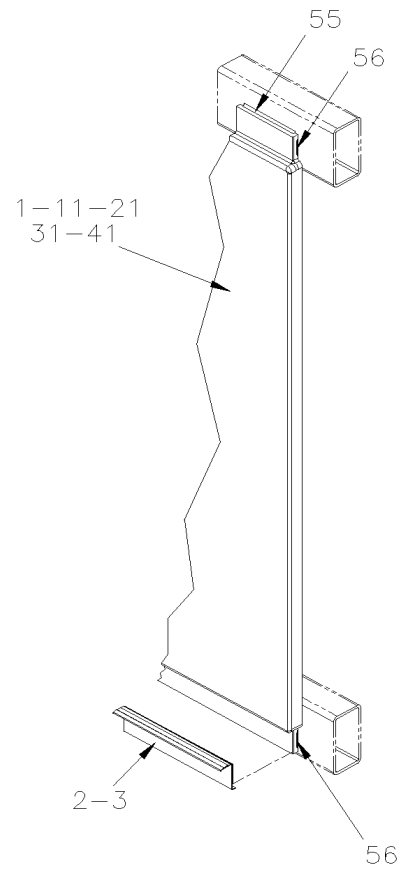


FROM H-3645

From 7-0671 To J-0287	Date:10/2022	PAGE:H7-1854-60
<b>SIDE PANELS - WITH "SLIDE-OUT" "PREVOST"</b>		



DETAIL "B"



DETAIL "A"

From 7-0671 To J-0287	Date:10/2022	PAGE:H7-1854-60
<b>SIDE PANELS - WITH "SLIDE-OUT" "PREVOST"</b>		

Item#	Part	Description	H 3 4 1	H 3 4 5	V I P 4 5	N O T E S
1	476265	PANEL 11738MM / W/1 FRONT SLIDE-OUT			1	
2	473627	DRIP MOULDING / L.H. & R.H. / 2438MM SS ADH To G-3221			4	
. NS	683621	. TAPE RUB ADH2 ACRYLIC .045" x 1" x 108' / WHITE 4945 To G-3221			AR	
2	479691	DRIP MOULDING 2438MM SS ADH From G-3222			4	
. NS	680108	. TAPE RUB ADH2 VHB 1" x .045" x 108' From G-3222			AR	
2	683621	. TAPE RUB ADH2 ACRYLIC .045" x 1" x 108' / WHITE 4945			1	
3	473632	DRIP MOLDING / FRONT L.H. & R.H. / 1973MM SS ADH To G-3221			1	
3	479695	SUPPORT LOWER / FRONT L.H. & R.H. / 1973MM SS ADH From G-3222			1	
3	683621	. TAPE RUB ADH2 ACRYLIC .045" x 1" x 108' / WHITE 4945			AR	
4	470052	SUPPORT 2944.6MM To E-2575			1	
4	479548	SUPPORT 2948MM From E-2576			1	
4	470056	SUPPORT 2458MM To E-2575			1	
4	479551	SUPPORT 2354MM From E-2576			1	
11	476666	PANEL 11738MM / W/2 SLIDE-OUT / W/2814MM SLIDE-OUT			1	L
11	476088	PANEL 11738MM / W/2 SLIDE-OUT / W/3830MM SLIDE-OUT			1	B
11	476671	PANEL 11738MM / W/2 SLIDE-OUT / W/2814MM SLIDE-OUT			1	F
11	470688	PANEL 11738MM / W/2 SLIDE-OUT / W/2408MM SLIDE-OUT	1	1	1	
14	470053	SUPPORT 1800MM To E-2575			1	10.5
14	479538	SUPPORT 1875MM From E-2576			1	10.5
14	470054	SUPPORT 2909MM To E-2575			1	B
14	479542	SUPPORT 2909MM From E-2576			1	B
14	470053	SUPPORT 1800MM To E-2575			1	F
14	479538	SUPPORT 1875MM From E-2576			1	F
21	476806	PANEL 11738MM / W/1 10 3/4 FEET SLIDE-OUT From 9-1404			1	10.5
21	476804	PANEL 11738MM / W/1 7.5 FEET BACKWARD From 9-1404			1	B
21	476802	PANEL 11738MM / W/1 7.5 FEET FORWARD From 9-1404			1	F
24	476896	REINFORCEMENT / PANEL 1800MM From 9-1404 To E-2575			1	L
24	479547	REINFORCEMENT / PANEL 1875MM From E-2576			1	L
24	476893	REINFORCEMENT / PANEL 2567MM From 9-1404 To E-2575			1	L
24	479549	REINFORCEMENT / PANEL 2648MM From E-2576			1	L
24	476894	REINFORCEMENT / PANEL 2268MM From 9-1404 To E-2575			1	L
24	479550	REINFORCEMENT / PANEL 2188MM From E-2576			1	L
24	476895	REINFORCEMENT / PANEL 2909MM From 9-1404 To E-2575			1	B
24	479546	REINFORCEMENT / PANEL 2909MM From E-2576			1	B
24	476893	REINFORCEMENT / PANEL 2567MM From 9-1404 To E-2575			1	B
24	479549	REINFORCEMENT / PANEL 2648MM From E-2576			1	B
24	476894	REINFORCEMENT / PANEL 2268MM From 9-1404 To E-2575			1	B
24	479550	REINFORCEMENT / PANEL 2188MM From E-2576			1	B
24	476896	REINFORCEMENT / PANEL 1800MM From 9-1404 To E-2575			1	F
24	479547	REINFORCEMENT / PANEL 1875MM From E-2576			1	F

From 7-0671 To J-0287	Date:10/2022	PAGE:H7-1854-60
<b>SIDE PANELS - WITH "SLIDE-OUT" "PREVOST"</b>		

Item#	Part	Description	H 3 4 1	H 3 4 5	V I P 4 5	N O T E S
24	476893	REINFORCEMENT / PANEL 2567MM From 9-1404 To E-2575			1	F
24	479549	REINFORCEMENT / PANEL 2648MM From E-2576			1	F
24	476894	REINFORCEMENT / PANEL 2268MM From 9-1404 To E-2575			1	F
24	479550	REINFORCEMENT / PANEL 2188MM From E-2576			1	F
31	477852	PANEL 11738MM / W/1 3884.6MM SLIDE-OUT From 9-1404 To H-3644			1	12
31	470317	PANEL 6900MM / W/1 3884.6MM SLIDE-OUT From H-3645			1	12
31	477855	PANEL 11738MM / W/1 2868.8MM SLIDE-OUT From 9-1404 To H-3644			1	9
32	470316	PANEL FOWARD OF FRONT CURBSIDE SLIDE-OUT From H-3645			1	
34	477857	REINFORCEMENT / PANEL 2910MM From 9-1404 To E-2575			1	12
34	479540	REINFORCEMENT / PANEL 2789MM From E-2576			1	12
34	477856	REINFORCEMENT / PANEL 3048MM From 9-1404 To E-2575			1	12
34	479541	REINFORCEMENT / PANEL 3169MM From E-2576			1	12
34	477857	REINFORCEMENT / PANEL 2910MM From 9-1404 To E-2575			1	9
34	479540	REINFORCEMENT / PANEL 2789MM From E-2576			1	9
34	477856	REINFORCEMENT / PANEL 3048MM From 9-1404 To E-2575			1	9
34	479541	REINFORCEMENT / PANEL 3169MM From E-2576			1	9
34	477151	REINFORCEMENT / PANEL 1109MM From 9-1404 To E-2575			1	9
34	479539	REINFORCEMENT / PANEL 1020MM From E-2576			1	9
41	476919	PANEL 11738MM / W/2 SLIDE-OUT / W/5404.7MM SLIDE-OUT From 9-1404 To H-3644			1	E
41	476918	PANEL 11738MM / W/2 SLIDE-OUT / W/4388.7MM SLIDE-OUT From 9-1404 To H-3644			1	G
41	477067	PANEL 11738MM / W/2 SLIDE-OUT / W/4388.7MM SLIDE-OUT From 9-1404 To H-3644			1	M
41	477065	PANEL 11738MM / W/2 SLIDE-OUT / W/4388.7MM SLIDE-OUT From 9-1404 To H-3644			1	H
41	470312	PANEL 6900MM / W/2 SLIDE-OUT / W/4388.7MM SLIDE-OUT From H-3645			1	H
41	477066	PANEL 11738MM / W/2 SLIDE-OUT / W/3372.7MM SLIDE-OUT From 9-1404 To H-3644			1	J
41	470313	PANEL 6900MM / W/2 SLIDE-OUT / W/3373MM SLIDE-OUT From H-3645			1	J
41	476859	PANEL 11738MM / W/2 SLIDE-OUT / W/3372.7MM SLIDE-OUT From 9-1404 To H-3644			1	K
41	470315	PANEL 6900MM / W/2 SLIDE-OUT / W/3373MM SLIDE-OUT From H-3645			1	K
42	470316	PANEL FOWARD OF FRONT CURBSIDE SLIDE-OUT From H-3645			1	
44	477146	REINFORCEMENT / PANEL 2355MM From 9-1404 To E-2575			1	E
44	479537	REINFORCEMENT / PANEL 2430MM From E-2576			1	E
44	477151	REINFORCEMENT / PANEL 1109MM From 9-1404 To E-2575			1	E
44	479539	REINFORCEMENT / PANEL 1020MM From E-2576			1	E
44	477150	REINFORCEMENT / PANEL 1020MM From 9-1404 To E-2575			1	E
44	479545	REINFORCEMENT / PANEL 1034MM From E-2576			1	E
44	477146	REINFORCEMENT / PANEL 2355MM From 9-1404 To E-2575			1	G
44	479537	REINFORCEMENT / PANEL 2430MM From E-2576			1	G
44	477151	REINFORCEMENT / PANEL 1109MM From 9-1404 To E-2575			1	G
44	479539	REINFORCEMENT / PANEL 1020MM From E-2576			1	G
44	477146	REINFORCEMENT / PANEL 2355MM From 9-1404 To E-2575			1	M
44	479537	REINFORCEMENT / PANEL 2430MM From E-2576			1	M

From 7-0671 To J-0287	Date:10/2022	PAGE:H7-1854-60
<b>SIDE PANELS - WITH "SLIDE-OUT" "PREVOST"</b>		

Item#	Part	Description	H 3 4 1	H 3 4 5	V I P 4 5	N O T E S
44	477151	REINFORCEMENT / PANEL 1109MM From 9-1404 To E-2575			1	M
44	479539	REINFORCEMENT / PANEL 1020MM From E-2576			1	M
44	477146	REINFORCEMENT / PANEL 2355MM From 9-1404 To E-2575			1	H
44	479537	REINFORCEMENT / PANEL 2430MM From E-2576			1	H
44	477150	REINFORCEMENT / PANEL 1020MM From 9-1404 To E-2575			1	H
44	479545	REINFORCEMENT / PANEL 1034MM From E-2576			1	H
44	477146	REINFORCEMENT / PANEL 2355MM From 9-1404 To E-2575			1	J
44	479537	REINFORCEMENT / PANEL 2430MM From E-2576			1	J
44	477146	REINFORCEMENT / PANEL 2355MM From 9-1404 To E-2575			1	K
44	479537	REINFORCEMENT / PANEL 2430MM From E-2576			1	K
55	685124	ADHESIVE SIMSON #ISR 70-03 / BLACK / 600ml SAUSAGE			AR	
56	687957	GLUE MS POLYMER TEROSON MS 9399 / 400ml CARTRIDGE			AR	
57	504340	RIVET POP DOME OE 1/8x3/16 SS			AR	
58	506738	TAPE RUB ADH1 CC POL 1/8" x 1" x 50' / GREY 2520			AR	
58	506207	TAPE RUB ADH1 CC POL 3/16" x 1" x 50' / GREY 2520X			AR	
60	478658	PANEL UPPER 3135MM			1	
60	477223	PANEL UPPER 3595MM			1	
60	477280	PANEL UPPER 2342MM			1	
60	477197	PANEL UPPER 4611MM			1	
60	478406	PANEL UPPER 3643MM			1	
60	476979	PANEL UPPER L.H. BACKWARD / 6312MM			1	
65	478192	PANEL UPPER / SLIDE-OUT 2814MM			1	10.5
65	478190	PANEL UPPER / SLIDE-OUT 3830MM			1	B
65	478192	PANEL UPPER / SLIDE-OUT 2814MM			1	F
66	478189	PANEL UPPER L.H. BACKWARD / 172MM			1	10.5
66	478189	PANEL UPPER L.H. BACKWARD / 172MM			1	B
66	478191	PANEL UPPER L.H. BACKWARD / 1189MM			1	F
70	477374	PANEL UPPER 3337MM From 9-1404			1	
70	478781	PANEL UPPER 4998MM From 9-1404			1	
70	476934	PANEL UPPER 3982MM From 9-1404			1	
70	476981	PANEL UPPER 2322MM From 9-1404			1	
70	477161	PANEL UPPER 3040MM From 9-1404			1	
71	476882	PANEL UPPER R.H. BACKWARD / 172MM From 9-1404			1	10.5
71	476882	PANEL UPPER R.H. BACKWARD / 172MM From 9-1404			1	B
71	476883	PANEL UPPER R.H. BACKWARD / 1188MM From 9-1404			1	F
80	477297	PANEL UPPER 3694MM From 9-1404			1	
80	477184	PANEL UPPER 4710MM From 9-1404			1	

From 7-0671 To J-0287 Date:10/2022 PAGE:H7-1854-60

**SIDE PANELS - WITH "SLIDE-OUT" "PREVOST"**

Item#	Part	Description	H 3 4 1	H 3 4 5	V I P 4 5	N O T E S
85	477130	PANEL UPPER / SLIDE-OUT 5405.2MM From 9-1404			1	E
85	477127	PANEL UPPER / SLIDE-OUT 4389.2MM From 9-1404			1	G
85	477127	PANEL UPPER / SLIDE-OUT 4389.2MM From 9-1404			1	M
85	477127	PANEL UPPER / SLIDE-OUT 4389.2MM From 9-1404			1	H
85	477134	PANEL UPPER / SLIDE-OUT 3377MM From 9-1404			1	J
85	477134	PANEL UPPER / SLIDE-OUT 3377MM From 9-1404			1	K
86	476882	PANEL UPPER R.H. BACKWARD / 172MM From 9-1404			1	E
86	476883	PANEL UPPER R.H. BACKWARD / 1188MM From 9-1404			1	G
86	476882	PANEL UPPER R.H. BACKWARD / 172MM From 9-1404			1	M
86	476882	PANEL UPPER R.H. BACKWARD / 172MM From 9-1404			1	H
86	476883	PANEL UPPER R.H. BACKWARD / 1188MM From 9-1404			1	J
86	476882	PANEL UPPER R.H. BACKWARD / 172MM From 9-1404			1	K
		10.5) USE WITH 10.5 FEET SLIDE-OUT ONLY				
		12) USE WITH 12 FEET SLIDE-OUT ONLY				
		9) USE WITH 9 FEET SLIDE-OUT ONLY				
		B) USE WITH SLIDE-OUT 7.5 FEET BACKWARD POSITION 172MM FROM REAR END AS SHOWN				
		E) USE WITH SLIDE-OUT 7.5 FEET BACKWARD POSITION 172MM FROM REAR END WITH 9 FEET FRONT SLIDE OUT				
		F) USE WITH SLIDE-OUT 7.5 FEET FORWARD POSITION 1188MM FROM REAR END				
		G) USE WITH SLIDE-OUT 7.5 FEET BACKWARD POSITION 1188MM FROM REAR END WITH 9 FEET FRONT SLIDE OUT				
		H) USE WITH SLIDE-OUT 7.5 FEET BACKWARD POSITION 172MM FROM REAR END WITH 12 FEET FRONT SLIDE OUT				
		J) USE WITH SLIDE-OUT 7.5 FEET BACKWARD POSITION 1188MM FROM REAR END WITH 12 FEET FRONT SLIDE OUT				
		K) USE WITH 10.5 FEET REAR SLIDE-OUT AND WITH 12 FEET FRONT SLIDE OUT				
		L) USE WITH 10.5 FEET SLIDE-OUT ONLY				
		M) USE WITH 10.5 FEET REAR SLIDE-OUT AND WITH 9 FEET FRONT SLIDE OUT				

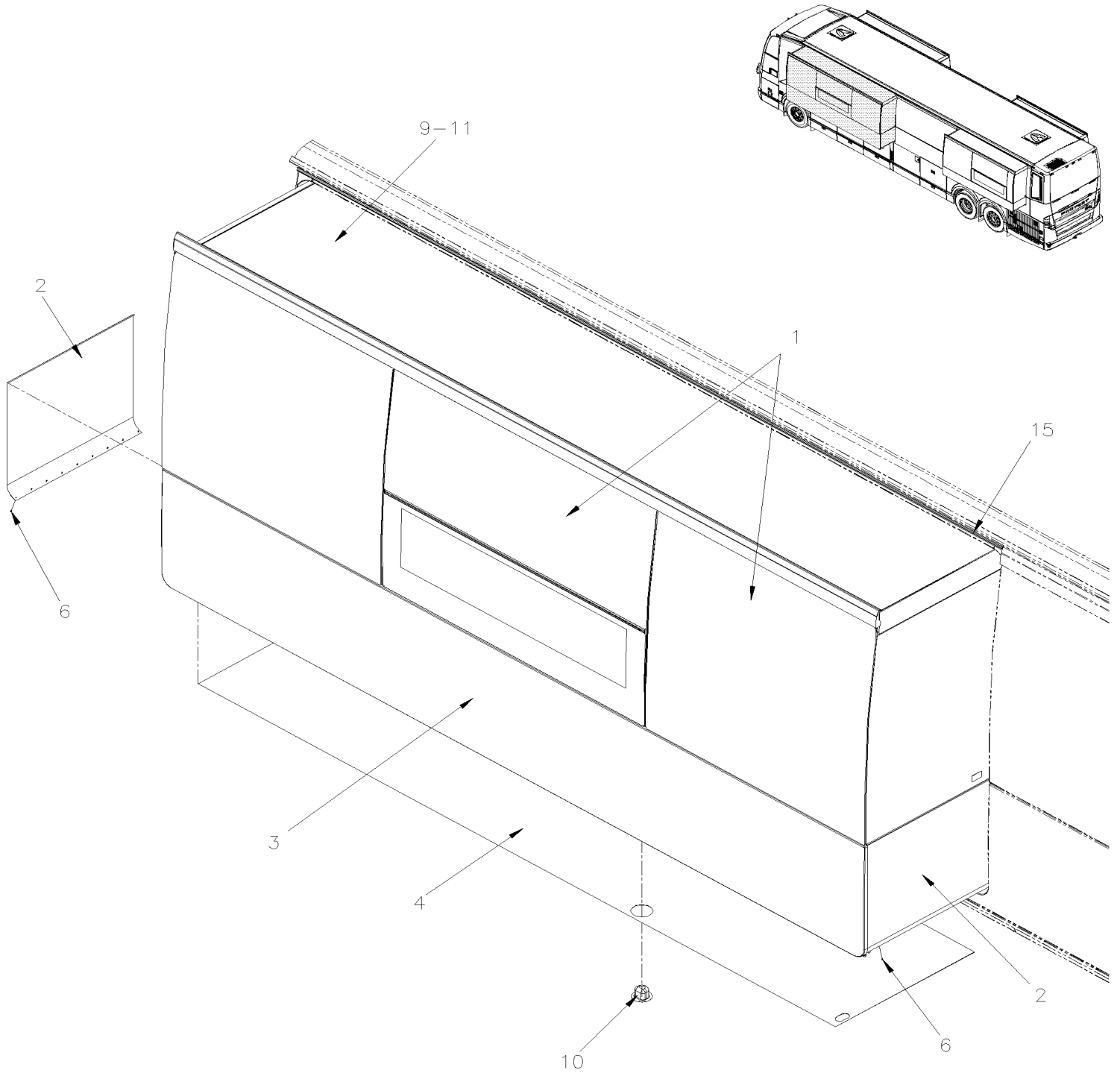


From 7-0671 To J-0287

Date:10/2022

PAGE:H7-1854-80

## SIDE PANELS - FRONT STREET SIDE - "SLIDE-OUT"



From 7-0671 To J-0287	Date:10/2022	PAGE:H7-1854-80
<b>SIDE PANELS - FRONT STREET SIDE - "SLIDE-OUT"</b>		

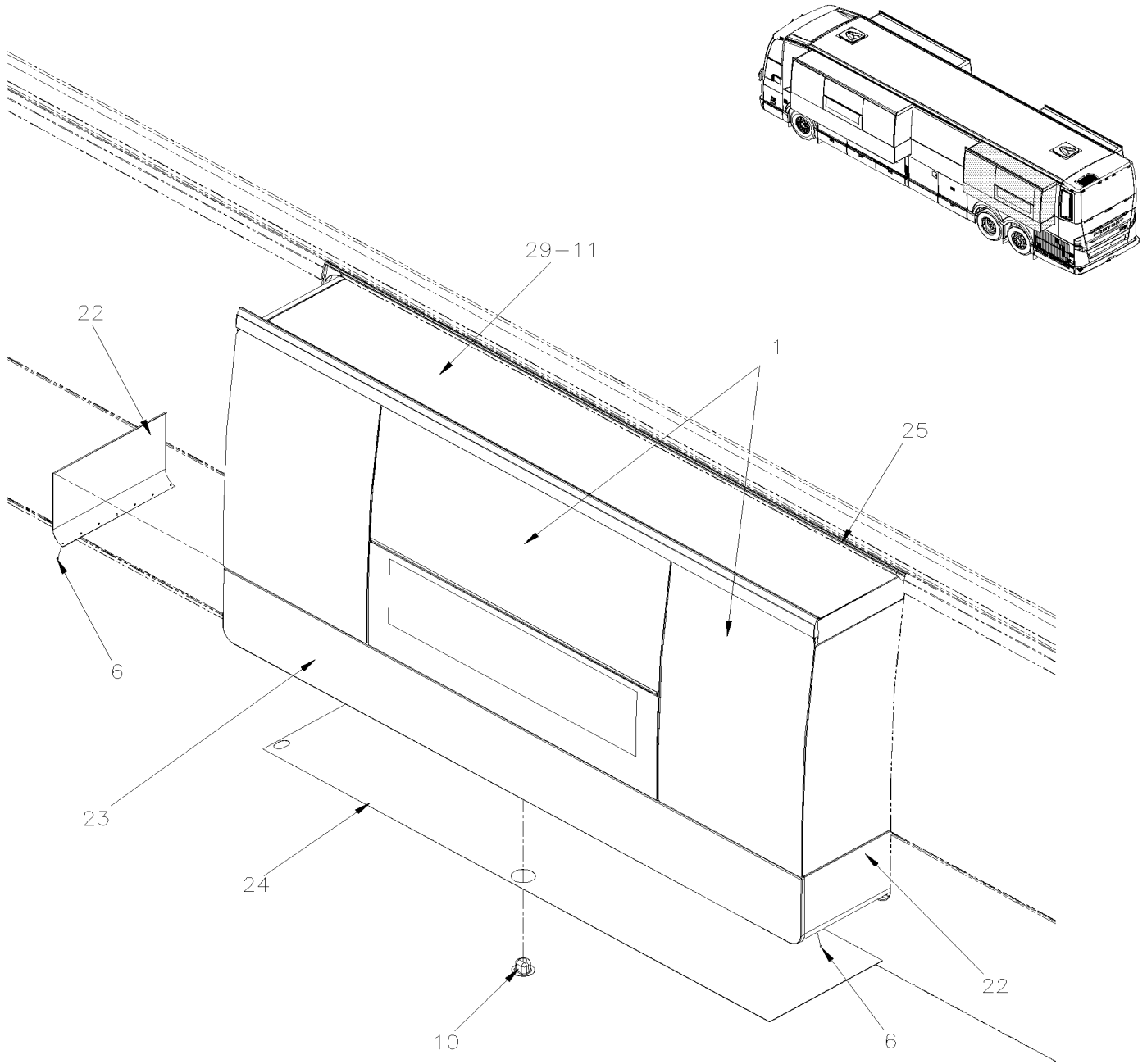
Item#	Part	Description	H 3 4 1	H 3 4 5	V I P 4 5	N O T E S
1	<b>H7-1884-90</b>	<b>SIDE WINDOW - "SLIDE-OUT"</b>				
2	478058	END PANEL SS			2	
3	478205	SIDE PANEL FRONT / 4426MM FIBERGLASS			1	
NS	687957	GLUE MS POLYMER TEROSON MS 9399 / 400ml CARTRIDGE			AR	
NS	685124	ADHESIVE SIMSON #ISR 70-03 / BLACK / 600ml SAUSAGE			AR	
NS	506738	TAPE RUB ADH1 CC POL 1/8" x 1" x 50' / GREY 2520			AR	
4	478059	UNDER FLOOR PANEL AL.			1	
6	502872	RIVET POP CK OE 1/8x3/16 SS			AR	
9	478064	ROOF PANEL AL.			1	
10	477902	CAP PLASTIC BLACK / ROD LOOK			1	
NS	685124	ADHESIVE SIMSON #ISR 70-03 / BLACK / 600ml SAUSAGE			AR	
11	687957	GLUE MS POLYMER TEROSON MS 9399 / 400ml CARTRIDGE			AR	
11	506785	TAPE RUB ADH2 CC POL 1/16" x 1/4" x 200' / BLACK I1C-N-A			AR	
11	5060038	TAPE RUB ADH1 CC POL 1/4" x 1" x 35' / BLACK H1C			AR	
11	506207	TAPE RUB ADH1 CC POL 3/16" x 1" x 50' / GREY 2520X			AR	
15	288828	RUBBER SEAL EXTRUSION / UPPER SLIDE-OUT / 4440MM To A-1578			1	
15	280134	RUBBER SEAL EXTRUSION / UPPER SLIDE-OUT / 4440MM From A-1579 To C-2017			1	
15	2800114	RUBBER SEAL EXTRUSION / UPPER SLIDE-OUT / 4440MM From C-2018 To H-3644			1	
15	5060103	RUBBER SEAL 6.56FT LONG From H-3645			AR	
15	287505	. RUBBER SEAL EXTRUSION / ADHESIVE / RAW MATERIAL / DOOR SEAL To A-1578			AR	
15	289944	. RUBBER SEAL EXTRUSION / ADHESIVE / RAW MATERIAL From A-1579 To C-2017			AR	
15	2800134	. RUBBER SEAL EXTRUSION / ADHESIVE / RAW MATERIAL / DOOR SEAL From C-2018 To H-3644			AR	
50	<b>H7-1854-60</b>	<b>SIDE PANELS - WITH "SLIDE-OUT" "PREVOST"</b>				

From 7-0671 To J-0287

Date:10/2022

PAGE:H7-1854-85

SIDE PANELS - REAR STREET SIDE - "SLIDE-OUT"



From 7-0671 To J-0287 Date:10/2022 PAGE:H7-1854-85

**SIDE PANELS - REAR STREET SIDE - "SLIDE-OUT"**

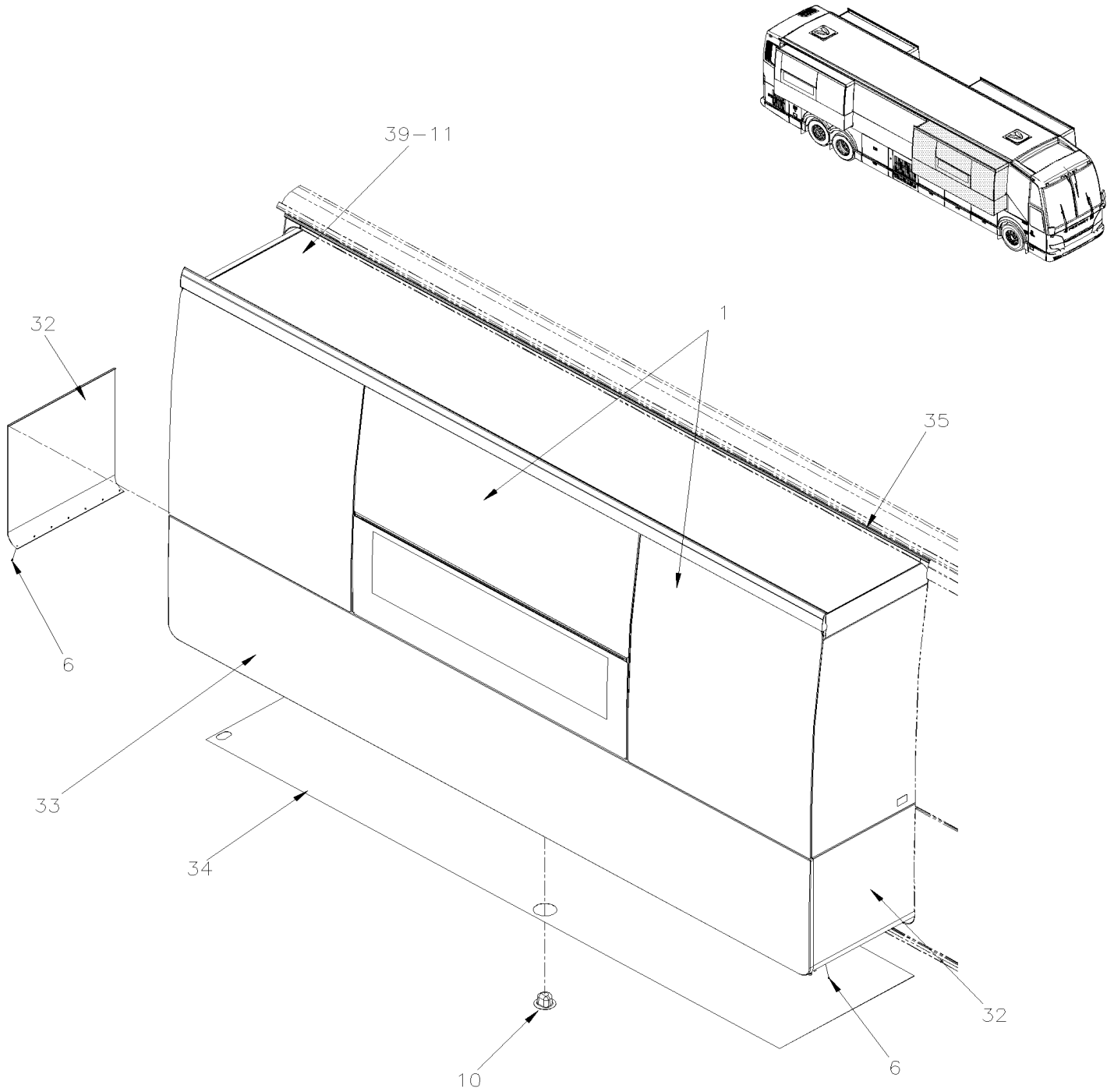
Item#	Part	Description	H 3 4 1	H 3 4 5	V I P 4 5	N O T E S
1	<b>H7-1884-90</b>	<b>SIDE WINDOW - "SLIDE-OUT"</b>				
6	502872	RIVET POP CK OE 1/8x3/16 SS			AR	
10	477902	CAP PLASTIC BLACK / ROD LOOK			1	
NS	685124	ADHESIVE SIMSON #ISR 70-03 / BLACK / 600ml SAUSAGE			AR	
11	687957	GLUE MS POLYMER TEROSON MS 9399 / 400ml CARTRIDGE			AR	
11	506785	TAPE RUB ADH2 CC POL 1/16" x 1/4" x 200' / BLACK I1C-N-A			AR	
11	5060038	TAPE RUB ADH1 CC POL 1/4" x 1" x 35' / BLACK H1C			AR	
11	506207	TAPE RUB ADH1 CC POL 3/16" x 1" x 50' / GREY 2520X			AR	
22	478015	END PANEL SS			2	
23	478209	SIDE PANEL REAR SLIDE OUT 3309MM FIBERGLASS			1	10.5
23	478210	SIDE PANEL REAR SLIDE OUT 2293MM FIBERGLASS			1	B
23	478211	SIDE PANEL REAR SLIDE OUT 2293MM FIBERGLASS			1	F
NS	687957	GLUE MS POLYMER TEROSON MS 9399 / 400ml CARTRIDGE			AR	
NS	685124	ADHESIVE SIMSON #ISR 70-03 / BLACK / 600ml SAUSAGE			AR	
NS	506738	TAPE RUB ADH1 CC POL 1/8" x 1" x 50' / GREY 2520			AR	
NS	478121	UNDER FLOOR PANEL AL.			1	10.5
24	477772	UNDER FLOOR PANEL AL.			1	7.5
25	288829	RUBBER SEAL EXTRUSION / UPPER SLIDE-OUT / 3323MM To A-1578			1	10.5
25	280133	RUBBER SEAL EXTRUSION / UPPER SLIDE-OUT / 3323MM From A-1579 To C-2017			1	10.5
25	2800113	RUBBER SEAL EXTRUSION / UPPER SLIDE-OUT / 3323MM From C-2018 To H-3644			1	10.5
25	5060103	RUBBER SEAL 6.56FT LONG From H-3645			AR	10.5
25	288830	RUBBER SEAL EXTRUSION / UPPER SLIDE-OUT / 2307MM To A-1578			1	7.5
25	280132	RUBBER SEAL EXTRUSION / UPPER SLIDE-OUT / 2307MM From A-1579 To C-2017			1	7.5
25	2800112	RUBBER SEAL EXTRUSION / UPPER SLIDE-OUT / 2307MM From C-2018 To H-3644			1	7.5
25	5060103	RUBBER SEAL 6.56FT LONG From H-3645			AR	7.5
25	287505	. RUBBER SEAL EXTRUSION / ADHESIVE / RAW MATERIAL / DOOR SEAL To A-1578			AR	
25	289944	. RUBBER SEAL EXTRUSION / ADHESIVE / RAW MATERIAL From A-1579 To C-2017			AR	
25	2800134	. RUBBER SEAL EXTRUSION / ADHESIVE / RAW MATERIAL / DOOR SEAL From C-2018 To H-3644			AR	
29	478120	ROOF PANEL AL.			1	10.5
29	478018	ROOF PANEL AL.			1	7.5
50	<b>H7-1854-60</b>	<b>SIDE PANELS - WITH "SLIDE-OUT" "PREVOST"</b>				
		10.5) USE WITH 10.5 FEET SLIDE-OUT ONLY				
		7.5) USE WITH 7.5 FEET SLIDE-OUT ONLY				
		B) USE WITH SLIDE-OUT 7.5 FEET BACKWARD POSITION 172MM FROM REAR END AS SHOWN				
		F) USE WITH SLIDE-OUT 7.5 FEET FORWARD POSITION 1188MM FROM REAR END				

From 7-0671 To J-0287

Date:10/2022

PAGE:H7-1854-90

## SIDE PANELS - FRONT CURBSIDE - "SLIDE-OUT"



From 7-0671 To J-0287	Date:10/2022	PAGE:H7-1854-90
<b>SIDE PANELS - FRONT CURBSIDE - "SLIDE-OUT"</b>		

Item#	Part	Description	H 3 4 1	H 3 4 5	V I P 4 5	N O T E S
1	<b>H7-1884-90</b>	<b>SIDE WINDOW - "SLIDE-OUT"</b>				
6	502872	RIVET POP CK OE 1/8x3/16 SS			AR	
10	477902	CAP PLASTIC BLACK / ROD LOOK			1	
NS	685124	ADHESIVE SIMSON #ISR 70-03 / BLACK / 600ml SAUSAGE			AR	
11	687957	GLUE MS POLYMER TEROSON MS 9399 / 400ml CARTRIDGE			AR	
11	506785	TAPE RUB ADH2 CC POL 1/16" x 1/4" x 200' / BLACK I1C-N-A			AR	
11	5060038	TAPE RUB ADH1 CC POL 1/4" x 1" x 35' / BLACK H1C			AR	
11	506207	TAPE RUB ADH1 CC POL 3/16" x 1" x 50' / GREY 2520X			AR	
11	506738	TAPE RUB ADH1 CC POL 1/8" x 1" x 50' / GREY 2520			AR	
32	477116	END PANEL SS From 9-1404			2	C
32	478058	END PANEL SS From 9-1404			2	D
33	477068	SIDE PANEL FRONT 3866.8MM From 9-1404			1	12
33	476920	SIDE PANEL FRONT 2850.8MM From 9-1404			1	9
NS	687957	GLUE MS POLYMER TEROSON MS 9399 / 400ml CARTRIDGE			AR	
NS	685124	ADHESIVE SIMSON #ISR 70-03 / BLACK / 600ml SAUSAGE			AR	
NS	506738	TAPE RUB ADH1 CC POL 1/8" x 1" x 50' / GREY 2520			AR	
34	477119	UNDER FLOOR PANEL AL. 812MM x 3457MM From 9-1404			1	12 C
34	470269	UNDER FLOOR PANEL AL. 964MM x 3457MM From 9-1404			1	12 D
34	477117	UNDER FLOOR PANEL AL. 812MM x 2441MM From 9-1404			1	9
35	288876	RUBBER SEAL EXTRUSION / UPPER SLIDE-OUT / 3881MM From 9-1404 To A-1578			1	12
35	280131	RUBBER SEAL EXTRUSION / UPPER SLIDE-OUT / 3881MM From A-1579 To C-2017			1	12
35	2800111	RUBBER SEAL EXTRUSION / UPPER SLIDE-OUT / 3881MM From C-2018 To H-3921			1	12
35	5060103	RUBBER SEAL 6.56FT LONG From H-3922			AR	12
35	288877	RUBBER SEAL EXTRUSION / UPPER SLIDE-OUT / 2865MM From 9-1404 To A-1578			1	9
35	280130	RUBBER SEAL EXTRUSION / UPPER SLIDE-OUT / 2865MM From A-1579 To C-2017			1	9
35	2800110	RUBBER SEAL EXTRUSION / UPPER SLIDE-OUT / 2865MM From C-2018 To H-3921			1	9
35	5060103	RUBBER SEAL 6.56FT LONG From H-3922			AR	9
35	287505	. RUBBER SEAL EXTRUSION / ADHESIVE / RAW MATERIAL / DOOR SEAL From 9-1404 To A-1578			AR	
35	289944	. RUBBER SEAL EXTRUSION / ADHESIVE / RAW MATERIAL From A-1579 To C-2017			AR	
35	2800134	. RUBBER SEAL EXTRUSION / ADHESIVE / RAW MATERIAL / DOOR SEAL From C-2018			AR	
39	477120	ROOF PANEL AL. 598MM x 3722MM From 9-1404			1	12 C
39	470268	ROOF PANEL AL. 750MM x 3722MM From 9-1404			1	12 D
39	477118	ROOF PANEL AL. 598MM x 2705MM From 9-1404			1	9
50	<b>H7-1854-60</b>	<b>SIDE PANELS - WITH "SLIDE-OUT" "PREVOST"</b>				
		12) USE WITH 12 FEET SLIDE-OUT ONLY				
		9) USE WITH 9 FEET SLIDE-OUT ONLY				

From 7-0671 To J-0287	Date:10/2022	PAGE:H7-1854-90
-----------------------	--------------	-----------------

**SIDE PANELS - FRONT CURBSIDE - "SLIDE-OUT"**

Item#	Part	Description	H 3 4 1	H 3 4 5	V I P 4 5	N O T E S
		C) WITH 2 FEET DEPTH SLIDE OUT				
		D) WITH 2.5 FEET DEPTH SLIDE OUT				



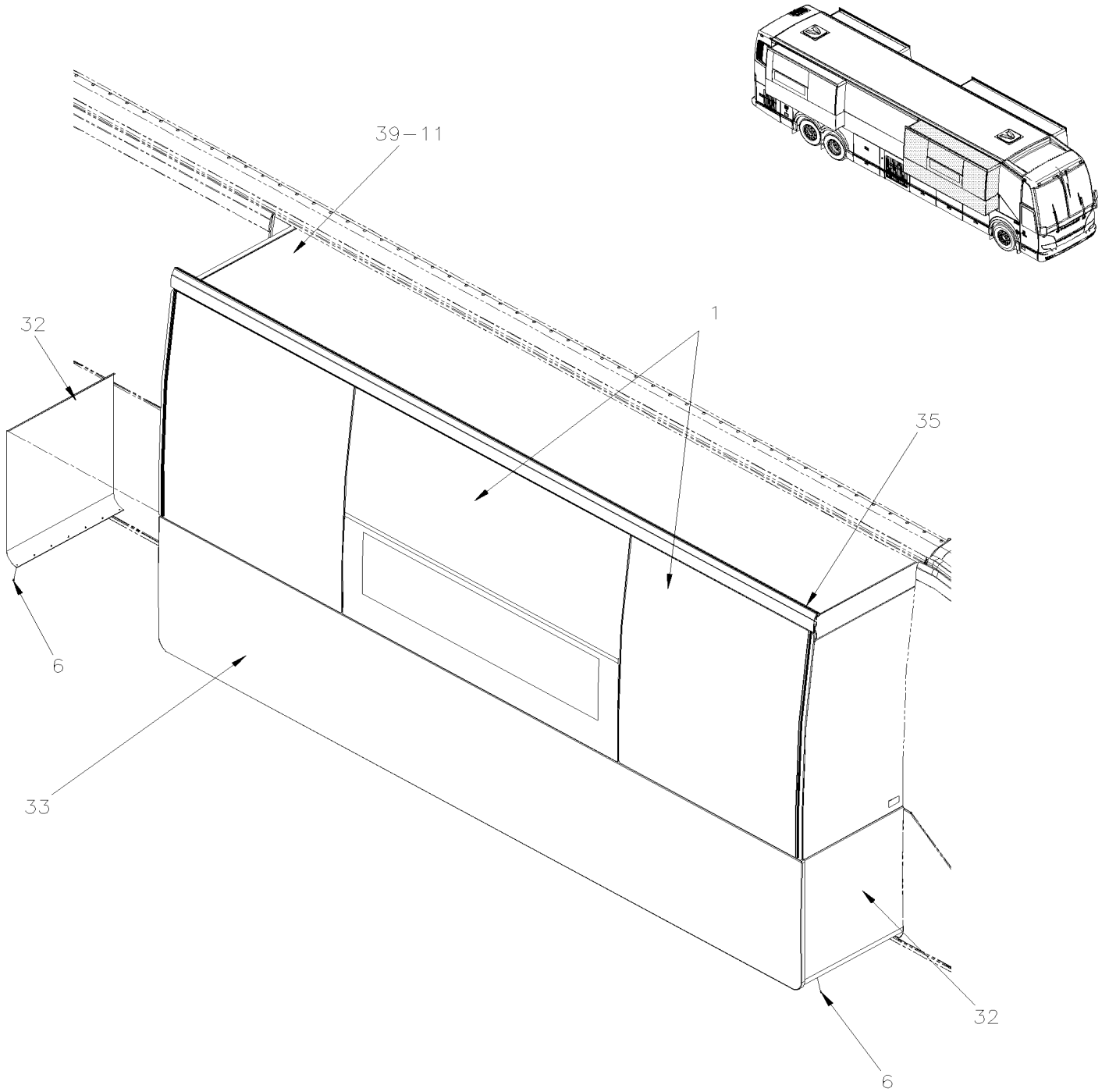


From H-3645 To J-0287

Date:10/2022

PAGE:H7-1854-91

**SIDE PANELS - FRONT CURBSIDE - "SLIDE-OUT"**



From H-3645 To J-0287	Date:10/2022	PAGE:H7-1854-91
<b>SIDE PANELS - FRONT CURBSIDE - "SLIDE-OUT"</b>		

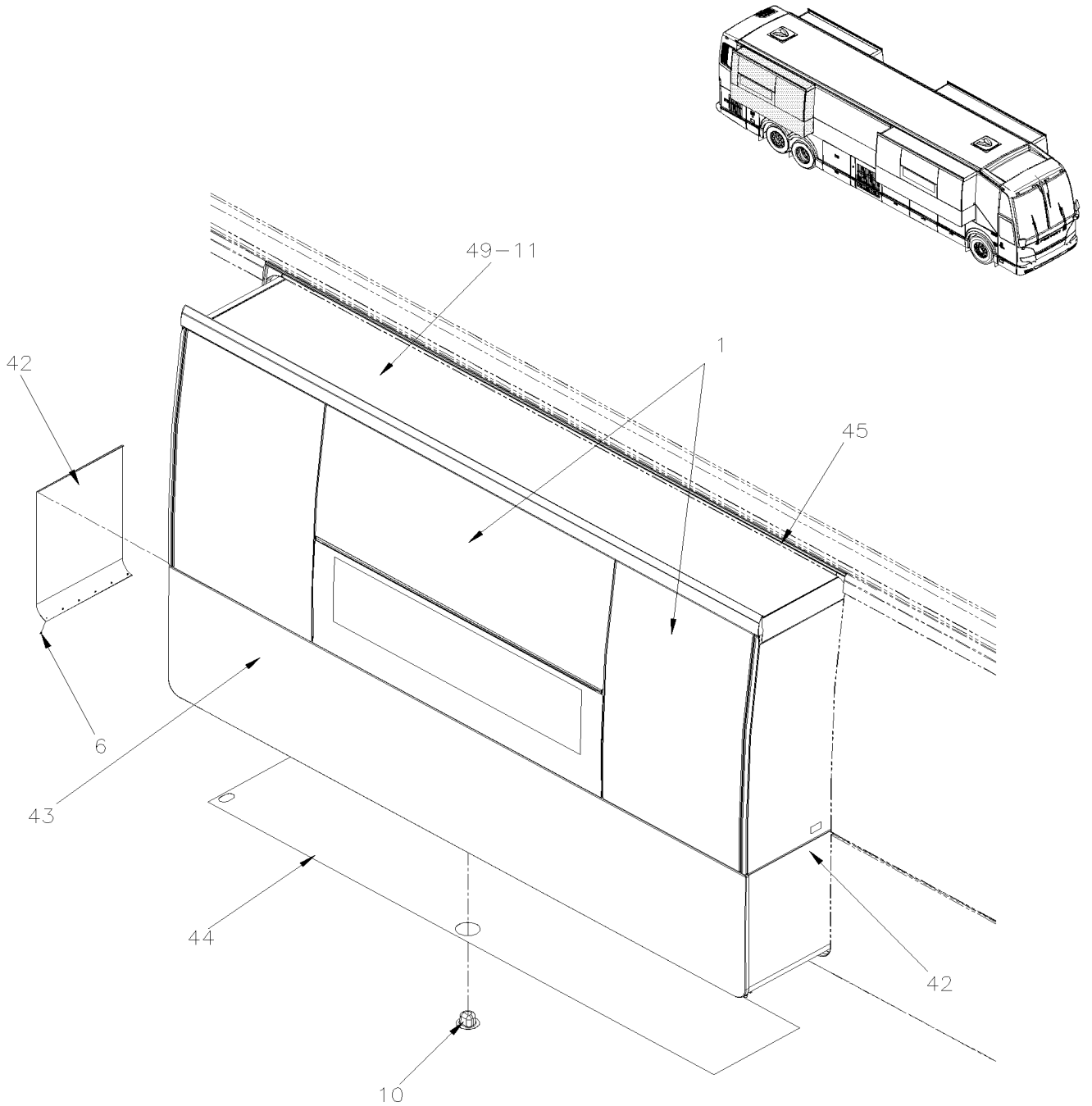
Item#	Part	Description	H 3 4 1	H 3 4 5	V I P 4 5	N O T E S
1	<b>H7-1884-90</b>	<b>SIDE WINDOW - "SLIDE-OUT"</b>				
6	502872	RIVET POP CK OE 1/8x3/16 SS			AR	
11	687957	GLUE MS POLYMER TEROSON MS 9399 / 400ml CARTRIDGE			AR	
11	506785	TAPE RUB ADH2 CC POL 1/16" x 1/4" x 200' / BLACK I1C-N-A			AR	
11	5060038	TAPE RUB ADH1 CC POL 1/4" x 1" x 35' / BLACK H1C			AR	
11	506207	TAPE RUB ADH1 CC POL 3/16" x 1" x 50' / GREY 2520X			AR	
32	470374	END PANEL SS			2	
NS	506207	TAPE RUB ADH1 CC POL 3/16" x 1" x 50' / GREY 2520X			AR	
33	470318	SIDE PANEL FRONT 3867MM			1	
NS	687957	GLUE MS POLYMER TEROSON MS 9399 / 400ml CARTRIDGE			AR	
NS	685124	ADHESIVE SIMSON #ISR 70-03 / BLACK / 600ml SAUSAGE			AR	
33	506738	TAPE RUB ADH1 CC POL 1/8" x 1" x 50' / GREY 2520			AR	
35	509044	RUBBER SEAL 175"-+0.6			AR	
39	477120	ROOF PANEL AL. 598MM x 3722MM			1	
50	<b>H7-1854-60</b>	<b>SIDE PANELS - WITH "SLIDE-OUT" "PREVOST"</b>				

From 7-0671 To J-0287

Date:10/2022

PAGE:H7-1854-95

SIDE PANELS - REAR CURBSIDE - "SLIDE-OUT"



From 7-0671 To J-0287	Date:10/2022	PAGE:H7-1854-95
<b>SIDE PANELS - REAR CURBSIDE - "SLIDE-OUT"</b>		

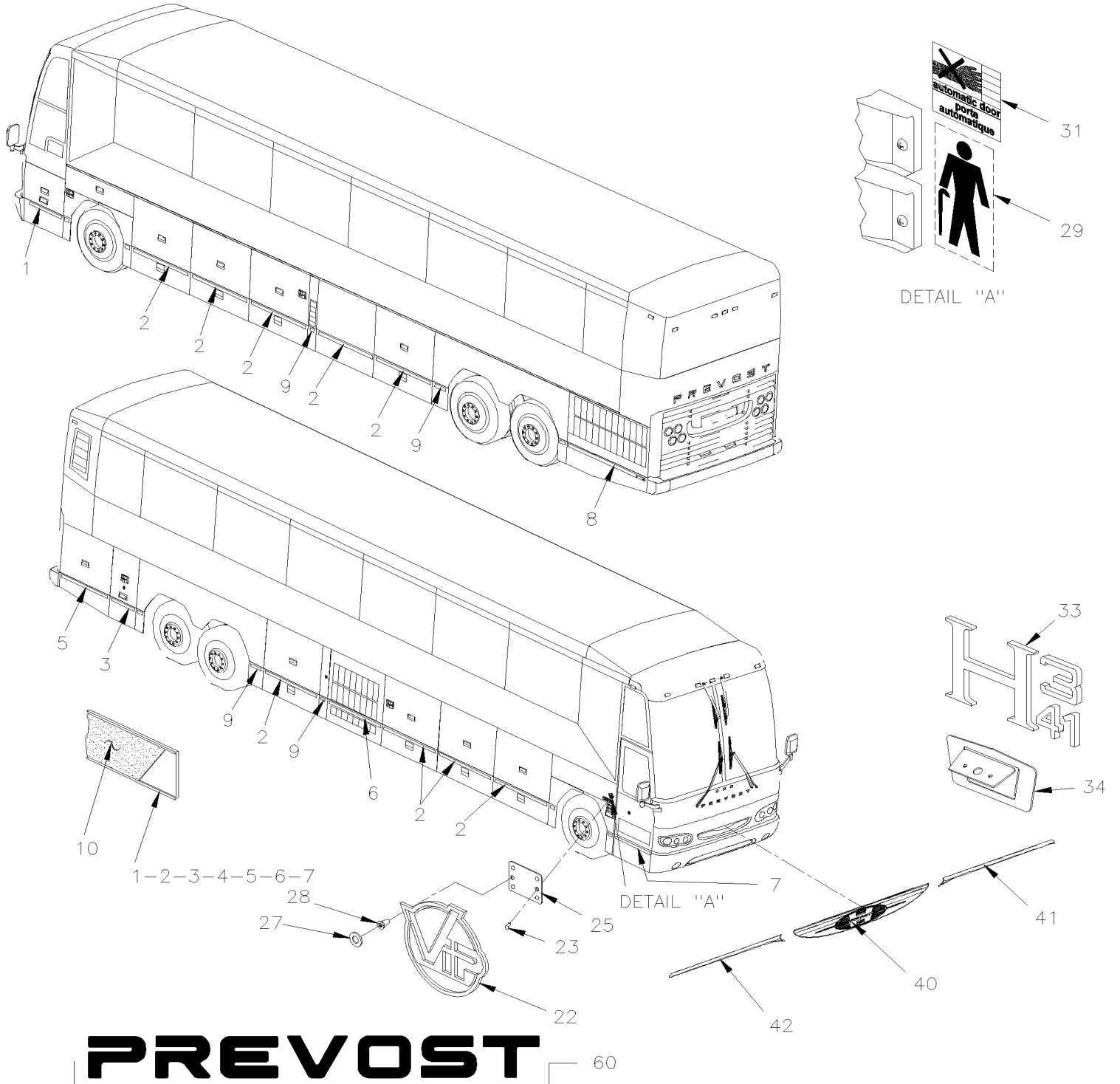
Item#	Part	Description	H 3 4 1	H 3 4 5	V I P 4 5	N O T E S
1	<b>H7-1884-90</b>	<b>SIDE WINDOW - "SLIDE-OUT"</b>				
6	502872	RIVET POP CK OE 1/8x3/16 SS			AR	
10	477902	CAP PLASTIC BLACK / ROD LOOK			1	
NS	685124	ADHESIVE SIMSON #ISR 70-03 / BLACK / 600ml SAUSAGE			AR	
NS	687957	GLUE MS POLYMER TEROSON MS 9399 / 400ml CARTRIDGE			AR	
NS	506785	TAPE RUB ADH2 CC POL 1/16" x 1/4" x 200' / BLACK I1C-N-A			AR	
NS	5060038	TAPE RUB ADH1 CC POL 1/4" x 1" x 35' / BLACK H1C			AR	
NS	506207	TAPE RUB ADH1 CC POL 3/16" x 1" x 50' / GREY 2520X			AR	
11	506738	TAPE RUB ADH1 CC POL 1/8" x 1" x 50' / GREY 2520			AR	
42	476887	END PANEL SS From 9-1404			2	
43	476807	SIDE PANEL REAR / 3309MM FIBERGLASS From 9-1404			1	10.5
43	476803	SIDE PANEL REAR / 2293MM FIBERGLASS From 9-1404			1	F
43	476805	SIDE PANEL REAR / 2293MM FIBERGLASS From 9-1404			1	B
NS	687957	GLUE MS POLYMER TEROSON MS 9399 / 400ml CARTRIDGE			AR	
NS	685124	ADHESIVE SIMSON #ISR 70-03 / BLACK / 600ml SAUSAGE			AR	
NS	506738	TAPE RUB ADH1 CC POL 1/8" x 1" x 50' / GREY 2520			AR	
44	476886	UNDER FLOOR PANEL AL. From 9-1404			1	10.5
44	476889	UNDER FLOOR PANEL AL. From 9-1404			1	7.5
45	288829	RUBBER SEAL EXTRUSION / UPPER SLIDE-OUT / 3323MM From 9-1404 To A-1578			1	10.5
45	280133	RUBBER SEAL EXTRUSION / UPPER SLIDE-OUT / 3323MM From A-1579 To C-2017			1	10.5
45	2800113	RUBBER SEAL EXTRUSION / UPPER SLIDE-OUT / 3323MM From C-2018 To H-3644			1	10.5
45	5060103	RUBBER SEAL 6.56FT LONG From H-3645			AR	10.5
45	288830	RUBBER SEAL EXTRUSION / UPPER SLIDE-OUT / 2307MM From 9-1404 To A-1578			1	7.5
45	280132	RUBBER SEAL EXTRUSION / UPPER SLIDE-OUT / 2307MM From A-1579 To C-2017			1	7.5
45	2800112	RUBBER SEAL EXTRUSION / UPPER SLIDE-OUT / 2307MM From C-2018 To H-3644			1	7.5
45	5060103	RUBBER SEAL 6.56FT LONG From H-3645			AR	7.5
45	287505	. RUBBER SEAL EXTRUSION / ADHESIVE / RAW MATERIAL / DOOR SEAL From 9-1404 To A-1578			1	
45	289944	. RUBBER SEAL EXTRUSION / ADHESIVE / RAW MATERIAL From A-1579 To C-2017			1	
45	2800134	. RUBBER SEAL EXTRUSION / ADHESIVE / RAW MATERIAL / DOOR SEAL From C-2018 To H-3644			1	
49	476885	ROOF PANEL AL. From 9-1404			1	10.5
49	476888	ROOF PANEL AL. From 9-1404			1	7.5
50	<b>H7-1854-60</b>	<b>SIDE PANELS - WITH "SLIDE-OUT" "PREVOST"</b>				
		10.5) USE WITH 10.5 FEET SLIDE-OUT ONLY				
		7.5) USE WITH 7.5 FEET SLIDE-OUT ONLY				
		B) USE WITH SLIDE-OUT 7.5 FEET BACKWARD POSITION 172MM FROM REAR END AS SHOWN				
		F) USE WITH SLIDE-OUT 7.5 FEET FORWARD POSITION 1188MM FROM REAR END				

From 7-0671 To J-0287

Date:10/2022

PAGE:H7-1855-00

## EXTERIOR TRIMS & CREST



<b>From 7-0671 To J-0287</b>	<b>Date:10/2022</b>	<b>PAGE:H7-1855-00</b>
<b>EXTERIOR TRIMS &amp; CREST</b>		

Item#	Part	Description	H 3 4 1	H 3 4 5	V I P 4 5	N O T E S
1	285475	EXTRUSION BACKING ASSY W/REFLECTOR 760MM / THIN EXTRUSION .090" To E-2688	1	1	1	
. NS	286205	. EXTRUSION BACKING 760MM To E-2688	1	1	1	
1	280230	EXTRUSION BACKING ASSY W/REFLECTOR 759MM / THIN EXTRUSION .090" From E-2689	1	1	1	
. NS	280120	. EXTRUSION 759MM From E-2689	1	1	1	
1	280120	EXTRUSION 759MM	1	1	1	D
1	491508	STRIPE, REFLECTIVE BLACK / 5FT	1	1	1	D
2	285709	EXTRUSION BACKING ASSY W/REFLECTOR 1189MM To E-2688	6			
. NS	285542	. EXTRUSION BACKING 1189MM To E-2688	1			
2	280237	EXTRUSION BACKING ASSY W/REFLECTOR 1185MM From E-2689	6			
. NS	280116	. EXTRUSION 1185MM From E-2689	1			
2	285709	EXTRUSION BACKING ASSY W/REFLECTOR 1189MM To E-2688		8	8	
. NS	285542	. EXTRUSION BACKING 1189MM To E-2688		1	1	
2	280237	EXTRUSION BACKING ASSY W/REFLECTOR 1185MM From E-2689		8	8	
. NS	280116	. EXTRUSION 1185MM From E-2689		1	1	
2	280116	EXTRUSION 1185MM		8		D
2	491508	STRIPE, REFLECTIVE BLACK / 5FT		8		D
3	288036	EXTRUSION BACKING ASSY W/REFLECTOR 511MM To E-2688	1	1	1	
. NS	288035	. EXTRUSION BACKING 511MM To E-2688	1	1	1	
3	280229	EXTRUSION BACKING ASSY W/REFLECTOR 511MM From E-2689	1	1	1	
. NS	280121	. EXTRUSION 511MM From E-2689	1	1	1	
3	280121	EXTRUSION 511MM	1	1	1	D
3	491508	STRIPE, REFLECTIVE BLACK / 5FT	1	1	1	D
4	288091	EXTRUSION BACKING ASSY W/REFLECTOR 1664MM To E-2688	1	1	1	
. NS	288090	. EXTRUSION BACKING 1664MM To E-2688	1	1	1	
4	280228	EXTRUSION BACKING ASSY W/REFLECTOR 1664MM From E-2689	1	1	1	
. NS	280122	. EXTRUSION 1664MM From E-2689	1	1	1	
4	280122	EXTRUSION 1664MM	1	1	1	D
4	491508	STRIPE, REFLECTIVE BLACK / 5FT	1	1	1	D
5	285956	EXTRUSION BACKING ASSY W/REFLECTOR 1074MM To E-2688	1	1	1	
. NS	285864	. EXTRUSION BACKING 1074MM To E-2688	1	1	1	
5	280234	EXTRUSION BACKING ASSY W/REFLECTOR 1070MM From E-2689	1	1	1	
. NS	280119	. EXTRUSION 1070MM From E-2689	1	1	1	
5	280119	EXTRUSION 1070MM	1	1	1	D
5	491508	STRIPE, REFLECTIVE BLACK / 5FT	1	1	1	D
6	285699	EXTRUSION BACKING ASSY W/REFLECTOR 1345MM To A-1720	1	1	1	
. NS	285653	. EXTRUSION BACKING 1345MM To A-1720	1	1	1	
6	280236	EXTRUSION BACKING ASSY W/REFLECTOR 1342MM To A-1720	1	1	1	
. NS	280117	. EXTRUSION 1342MM To A-1720	1	1	1	
6	289647	EXTRUSION BACKING ASSY W/REFLECTOR 1114MM From B-1721 To E-2688	1	1	1	
. NS	289648	. EXTRUSION BACKING 1114MM From B-1721 To E-2688	1	1	1	
6	280222	EXTRUSION BACKING ASSY W/REFLECTOR 1114MM From E-2689	1	1	1	
. NS	280123	. EXTRUSION 1114MM From E-2689	1	1	1	

From 7-0671 To J-0287	Date:10/2022	PAGE:H7-1855-00
<b>EXTERIOR TRIMS &amp; CREST</b>		

Item#	Part	Description	H 3 4 1	H 3 4 5	V I P 4 5	N O T E S
6	280123	EXTRUSION 1114MM	1	1	1	D
6	491508	STRIPE, REFLECTIVE BLACK / 5FT	1	1	1	D
7	285683	EXTRUSION BACKING ASSY W/REFLECTOR 771MM To E-2688	1	1	1	
. NS	285659	. EXTRUSION BACKING 771MM To E-2688	1	1	1	
7	280235	EXTRUSION BACKING ASSY W/REFLECTOR 768MM From E-2689	1	1	1	
. NS	280118	. EXTRUSION 768MM From E-2689	1	1	1	
7	280118	EXTRUSION 768MM	1	1	1	D
7	491508	STRIPE, REFLECTIVE BLACK / 5FT	1	1	1	D
9	289650	EXTRUSION BACKING ASSY W/REFLECTOR 154MM From B-1721 To E-2688	1	1	1	
. NS	289651	. EXTRUSION BACKING 154MM From B-1721 To E-2688	1	1	1	
9	280221	EXTRUSION BACKING ASSY W/REFLECTOR 154MM From E-2689	1	1	1	
. NS	280124	. EXTRUSION 154MM From E-2689	1	1	1	
9	280124	EXTRUSION 154MM	1	1	1	D
9	491508	STRIPE, REFLECTIVE BLACK / 5FT	1	1	1	D
10	283100	STRIPE, REFLECTIVE WHITE / 38MM X 15' ROLL	AR	AR	AR	
. NS	780277	. STRIPE, REFLECTIVE WHITE / 38MM X 150' ROLL	AR	AR	AR	
NS	283100	. STRIPE, REFLECTIVE WHITE / 38MM X 15' ROLL	AR	AR	AR	
. NS	780277	. . STRIPE, REFLECTIVE WHITE / 38MM X 150' ROLL	AR	AR	AR	
10	491508	STRIPE, REFLECTIVE BLACK / 5FT	AR	AR	AR	D
NS	684685	ADHESIVE SIMSON #ISR 70-03 / 310ml CARTRIDGE From E-2689	AR	AR	AR	
22	490553	CREST "V.I.P." To A-1720			1	
22	491471	CREST "V.I.P." / SELF ADHESIVE From B-1721			1	
23	500952	SCREW TP BDG PH #8x1/2 SS			AR	B
25	490594	PLATE MOUNTING			1	
27	490601	GASKET			AR	
28	502814	NUT SPR PO TUB .184-.190			AR	
29	131490	DECAL "FRONT KNEELING" / BLACK ON ALUMINIUM To A-1720	1	1		
29	Call order desk	DECAL "FRONT KNEELING" / BLACK ON ALUMINIUM To A-1720	1	1		P
29	138588	DECAL "THIS BUS KNEELS" / BLACK ON ALUMINIUM / ENGLISH & FRANCAIS From B-1721	1	1		
29	138589	DECAL "THIS BUS KNEELS" / BLACK ON ALUMINIUM / ENGLISH From B-1721	1	1		
29	138590	DECAL "THIS BUS KNEELS" / BLACK ON ALUMINIUM / ENGLISH & SPANISH From B-1721	1	1		
31	285813	DECAL / "AUTOMATIC DOOR" / HAND OFF / ALU / ENGLISH & FRANCAIS To A-1720	1	1		
31	287681	DECAL / "AUTOMATIC DOOR" / HAND OFF / ALU / ENGLISH & FRANCAIS From B-1721	1	1		
31	287682	DECAL / "AUTOMATIC DOOR" / HAND OFF / ALU / ENGLISH From B-1721	1	1		
31	287683	DECAL / "AUTOMATIC DOOR" / HAND OFF / ALU / ENGLISH & SPANISH From B-1721	1	1		
NS	491068	DECAL "NO STANDEES" / W/"NEW-JERSEY" To A-1720	1	1		
31	491468	DECAL "NO STANDEES" / W/"NEW-JERSEY" From B-1721	1	1		
33	491073	CREST "H3-41" / SELF ADHESIVE	1			
33	491072	CREST "H3-45" / SELF ADHESIVE		1		
34	478168	SWITCH SUPPORT & COVER To A-1720	1	1	1	
34	479325	SWITCH SUPPORT & COVER From B-1721 To J-0112	1	1		
34	479710	SWITCH SUPPORT & COVER From J-0113	1	1		

From 7-0671 To J-0287	Date:10/2022	PAGE:H7-1855-00
<b>EXTERIOR TRIMS &amp; CREST</b>		

Item#	Part	Description	H 3 4 1	H 3 4 5	V I P 4 5	N O T E S
34	479326	SWITCH COVER From B-1721 To J-0112			1	
34	479716	SWITCH COVER From J-0113			1	
34	500952	SCREW TP BDG PH #8x1/2 SS From B-1721 To J-0112	2	2	2	
34	5000342	SCREW TC PAN PH #6-32x3/8 SS From J-0113	2	2	2	
40	490954	CREST "H" / CENTER PART FRONT To 9-1469	1	1	1	
41	490961	CREST "H" / STREETSIDE WING PART FRONT To 9-1469	1	1	1	
42	490960	CREST "H" / CURBSIDE WING PART FRONT To 9-1469	1	1	1	
60	491167	CREST "PREVOST" CHROME FRONT From A-1470	1	1	1	
60	491236	CREST "PREVOST" BLACK REAR From B-1721	1	1	1	
60	491247	CREST "PREVOST" SILVER REAR From B-1721	1	1	1	
NS	684685	ADHESIVE SIMSON #ISR 70-03 / 310ml CARTRIDGE	AR	AR	AR	
		B) TO FIX MOUNTING PLATE				
		D) BAUER'S TRANSPORTATION OPTION				
		P) CALL ORDER DESK FOR SPECIFIC APPLICATION (V.I.N.)				

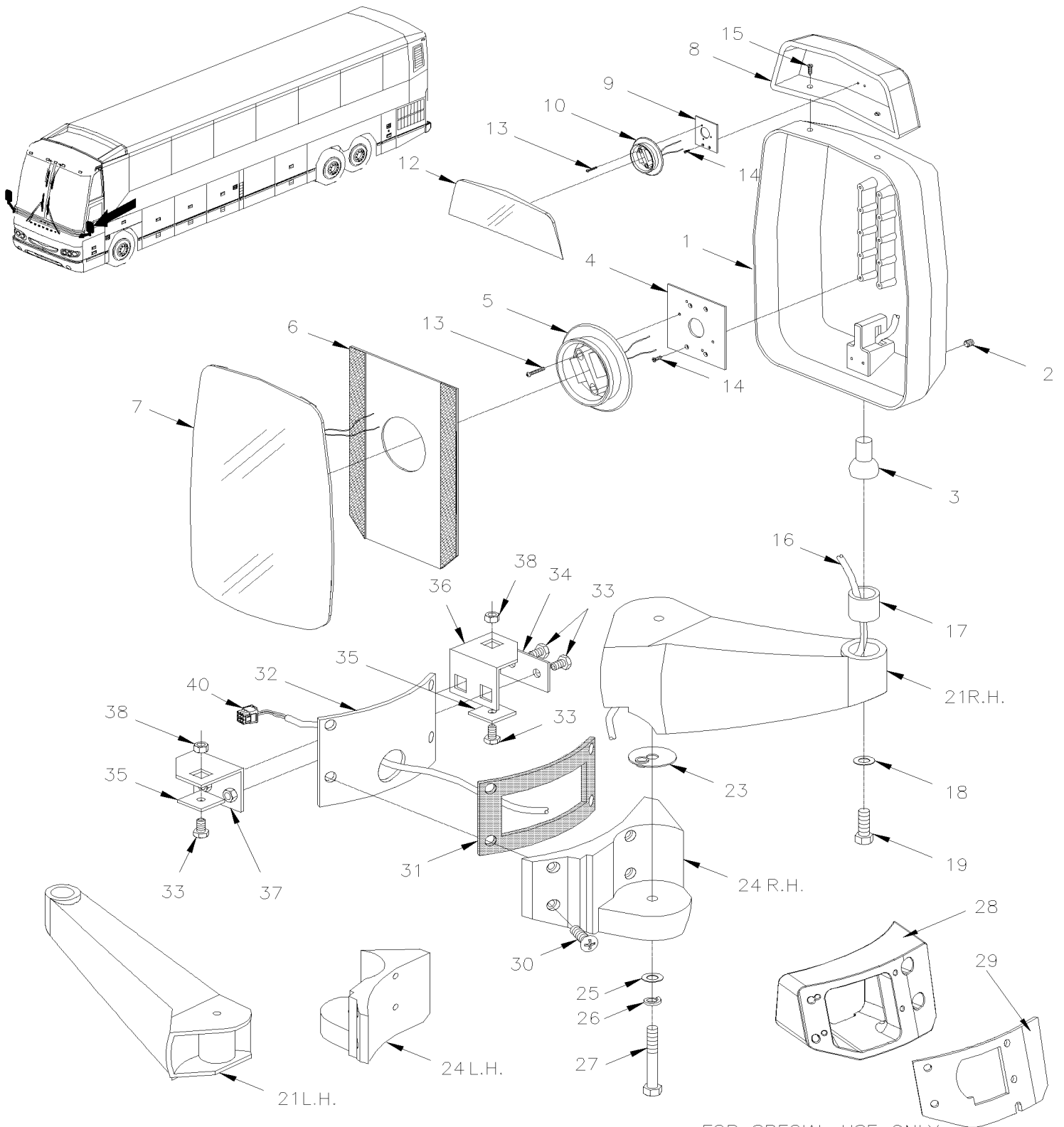


From 7-0671 To J-0184

Date:10/2022

PAGE:H7-1856-25

## MIRROR "RAMCO" FLAT GLASS / BLACK PAINTED



FOR SPECIAL USE ONLY

From 7-0671 To J-0184	Date:10/2022	PAGE:H7-1856-25
<b>MIRROR "RAMCO" FLAT GLASS / BLACK PAINTED</b>		

Item#	Part	Description	H 3 4 1	H 3 4 5	V I P 4 5	N O T E S
	990363	MIRROR ASSY, R.H. / W/CONVEX ELECTRIC / W/8 PINS CONNECTOR To A-1523	1	1		
	990431	MIRROR ASSY, R.H. / W/CONVEX ELECTRIC / W/9 PINS CONNECTOR From A-1524 To H-3978	1	1		
	990021	MIRROR ASSY, R.H. / W/CONVEX ELECTRIC / W/9 PINS CONNECTOR From H-3979	1	1		
	990361	MIRROR ASSY, R.H. / W/CONVEX MANUAL / W/5 PINS CONNECTOR To F-2882	1	1		
	990413	MIRROR ASSY, L.H. / W/CONVEX ELECTRIC / W/8 PINS CONNECTOR To A-1523	1	1		
	990432	MIRROR ASSY, L.H. / W/CONVEX ELECTRIC / W/9 PINS CONNECTOR From A-1524 To H-3978	1	1		
	990137	MIRROR ASSY, L.H. / W/CONVEX ELECTRIC / W/9 PINS CONNECTOR From H-3979	1	1		
	990406	MIRROR ASSY, L.H. / W/CONVEX MANUAL / W/5 PINS CONNECTOR To F-2882	1	1		
1	990374	. HEAD ASSY / W/CONVEX ELECTRIC / W/8 PINS CONNECTOR To A-1523	1	1		
1	990443	. HEAD ASSY / W/CONVEX ELECTRIC / W/9 PINS CONNECTOR From A-1524 To H-3978	1	1		
1	990515	. HEAD ASSY / W/CONVEX ELECTRIC / W/9 PINS CONNECTOR From H-3979	1	1		
. NS	060776	. . CABLE ASSY / W/CONNECTOR 9PIN 54" From H-3979	1	1		
1	990373	. HEAD ASSY / W/CONVEX MANUAL / W/5 PINS CONNECTOR To F-2882	1	1		
2	502812	. . SCREW SET HEXS CUP 3/8-16X3/8 SS	1	1		
3	990186	. . STUD, BALL To A-1523	1	1		
3	990478	. . STUD, BALL From A-1524	1	1		
4	990272	. . NOTCHED BACK MOUNTING PLATE (2" X 3")	1	1		
5	990349	. . MOTOR 12V / MEDIUM / BLACK / 108MM / 4 1/4" O.D.	1	1		
. NS	564494	. . . TAB TERMINAL / 20-16 / AMP 63138-1	4	4		
6	990268	. . VELCRO PLATE / 8" X 8"	1	1		
7	990199	. . GLASS ASSY W/HEATER 12V	1	1		
8	990297	. MIRROR ASSY / CONVEX ELECTRIC	1	1		
9	990295	. . PLATE, TOP MOTOR MOUNTING	1	1		
10	990300	. . MOTOR 12V / SMALL / BLACK / 85MM / 3 5/16" O.D.	1	1		
. NS	564494	. . . TAB TERMINAL / 20-16 / AMP 63138-1	4	4		
12	990339	. . GLASS CONVEX ASSY W/HEATER 12V	1	1		
13	N.P.N.	. . SCREW TC FL PH ZP 6-32 X 1 1/8"	3	3		4
14	500660	. . SCREW TC FL PH #6-32x3/8 Z050	2	2		
15	990530	. . SCREW CAP HEX #10-24x1" SS	2	2		
NS	500787	. . NUT HEX #10-24 SS	2	2		
16	N.P.N.	. . CABLE ASSY / W/CONNECTOR / SEE ITEM # 40	1	1		4
17	990379	. . CUP, BALL STUD RETAINER / ONE PIECE	1	1		
18	500270	. . WASHER FL .406x1.000x.063 SS	1	1		
19	N.P.N.	. . SCREW CAP HEX SS 3/8-24 X 1.250	1	1		4
21	990308	. ARM, R.H.	1	1		
21	990399	. ARM, L.H. / DIRTY FREE	1	1		
23	990265	. WASHER ALUMINUM / 2 " O.D.	1	1		
NS	504082	. . SNAP BUSHING / .125x.312x.312	1	1		
24	990305	. BRACKET, MOUNTING R.H.	1	1		
24	990306	. BRACKET, MOUNTING L.H.	1	1		
25	500958	. WASHER FL .531x1.062x.095 SS	1	1		
26	500035	. WASHER LO SPT .317x.586x.078 SS	1	1		

From 7-0671 To J-0184	Date:10/2022	PAGE:H7-1856-25
<b>MIRROR "RAMCO" FLAT GLASS / BLACK PAINTED</b>		

Item#	Part	Description	H 3 4 1	H 3 4 5	V I P 4 5	N O T E S
27	990500	. SCREW 1/2-13x2 HHCS SS	1	1		
28	491498	MIRROR SPACER	1	1		D
28	501000	SCREW CAP BUT HEXS M8-1.25x45 SS	4	4		D
29	490012	GASKET, RH	1	1		D
30	5001581	SCREW CAP BUT HEXS M8-1.25x40 SS	4	4		
NS	5001341	WASHER FL 8.4x17.0x1.6 SS	4	4		
30	5001461	SCREW MA FL PH M8-1.25x40 SS	4	4		
NS	680098	THREAD SEALANT LOCTITE #567 / WHITE / 250ml	AR	AR		
31	490873	GASKET, RH	1	1		
31	490894	GASKET, LH	1	1		
32	490212	ANCHOR PLATE R.H. To H-3734	1	1		A
32	490102	ANCHOR PLATE R.H. From H-3735	1	1		A
32	490213	ANCHOR PLATE L.H. To H-3734	1	1		A
32	490103	ANCHOR PLATE L.H. From H-3735	1	1		A
33	502589	SCREW CAP HEX M8-1.25x25 G8.8 Z050	8	8		
34	490940	PLATE	2	2		
35	490951	PLATE	4	4		
36	490906	ANGLE	2	2		
37	490907	ANGLE W/NUT	2	2		
38	5001337	NUT INS FL HEX M8-1.25 0.5-3.0 Z050	2	2		B
40	563163	CONNECTOR / W 45" CABLE ASSY / PH 8C / CONXALL 3280-8PG-324 To A-1523	2	2		
40	563802	CONNECTOR / W 45" CABLE ASSY / PH 9C From A-1524	2	2		
NS	563090	CONNECTOR / MULTI CON X / SH 5C / CONXALL 4280-5SG-300 To A-1523	2	2		C
NS	563088	CONNECTOR / MULTI CON X / SH 8C / CONXALL 4280-8SG-300 To A-1523	2	2		C
NS	563801	CONNECTOR / MULTI CON X / SH 9C / CONXALL 4280-9SG-300 From A-1524	2	2		C
NS	<b>MI16-28</b>	<b>DRIP EDGE ADDITION ON FRONT MIRRORS / PRODUCT IMPROVMENT</b>	1	1		
		A) PART OF FRONT LOWER CAP □PIECDE LA LUNETTE AVANT BAS				
		B) FIXED INSIDE OF TUBE POUR FIXER				
		C) THIS CONNECTOR IT USED ON CABLE HARNESS FROM INSIDE OF VEHICULE				
		D) SPECIAL				
		4) NO PARTS NUMBER				

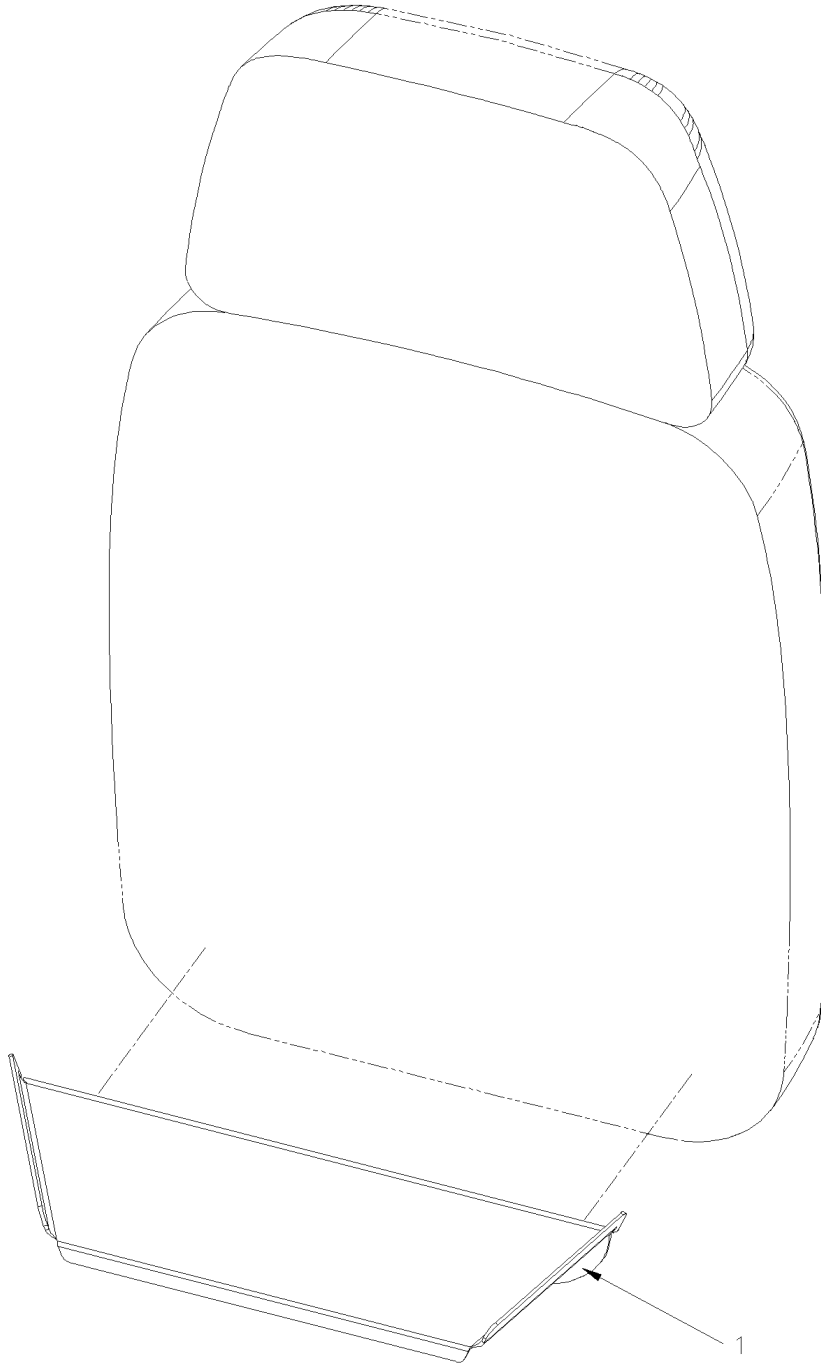


From 7-0671 To J-0184

Date:10/2022

PAGE:MI16-28

DRIP EDGE ADDITION ON FRONT MIRRORS / PRODUCT IMPROVMENT



From 7-0671 To J-0184      Date:10/2022      PAGE:MI16-28

**DRIP EDGE ADDITION ON FRONT MIRRORS / PRODUCT IMPROVMENT**

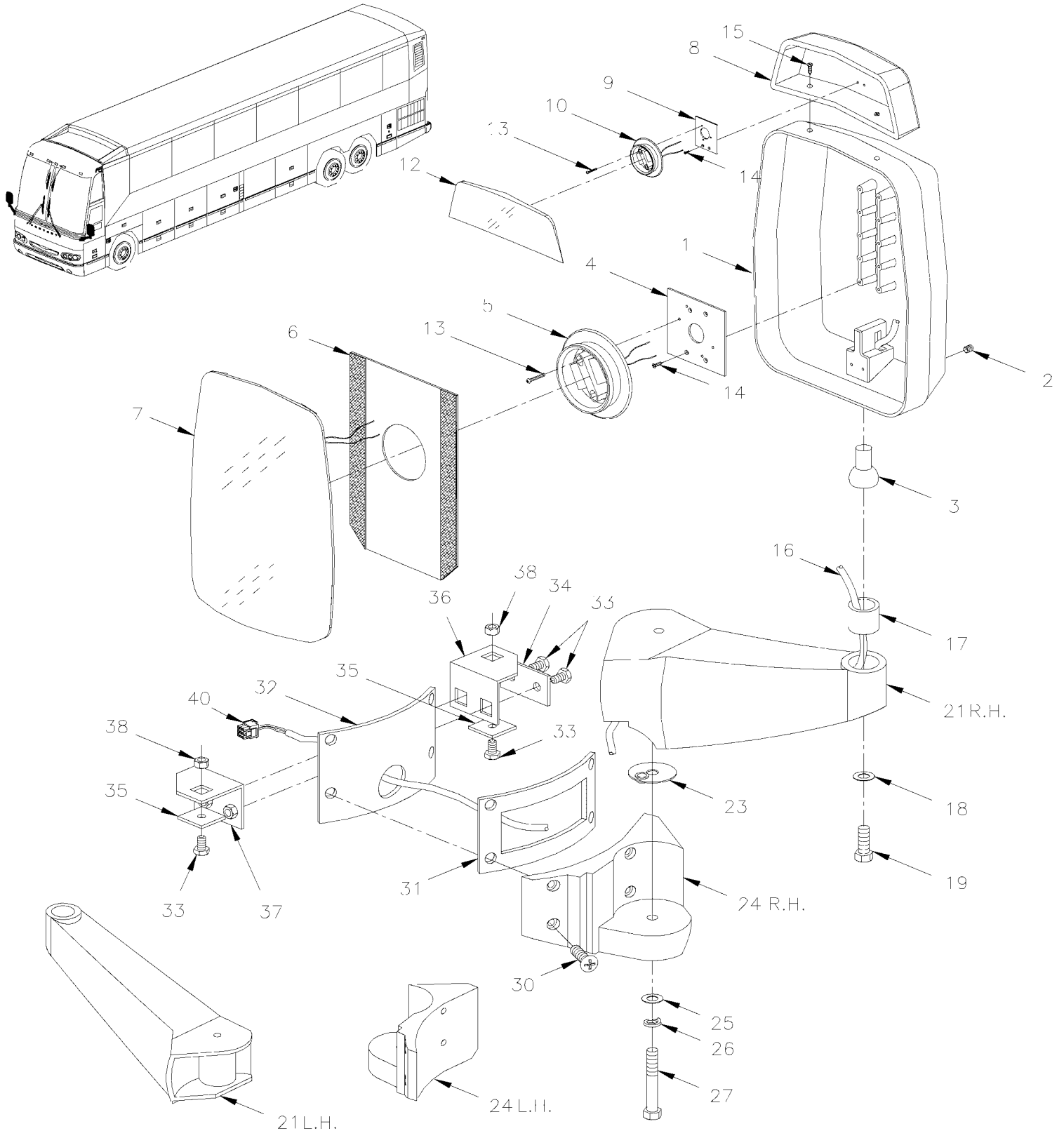
Item#	Part	Description	H 3 4 1	H 3 4 5	V I P 4 5	N O T E S
1	491507	MIRROR EXT. DRIP MOLDING ASSY	2	2	2	
2		MAINTENANCE INFORMATION	1	1	1	

From 8-1124 To J-0184

Date:10/2022

PAGE:H7-1856-26

MIRROR "RAMCO" FLAT GLASS / BLACK PAINTED WITH DIRECTIONAL



<b>From 8-1124 To J-0184</b>	<b>Date:10/2022</b>	<b>PAGE:H7-1856-26</b>
------------------------------	---------------------	------------------------

**MIRROR "RAMCO" FLAT GLASS / BLACK PAINTED WITH DIRECTIONAL**

Item#	Part	Description	H 3 4 1	H 3 4 5	V I P 4 5	N O T E S
	990424	MIRROR ASSY, R.H. / DIRECTIONAL / W/CONVEX / W/8 PINS CONNECTOR To A-1523	1	1		
	990438	MIRROR ASSY, R.H. / DIRECTIONAL / W/CONVEX / W/9 PINS CONNECTOR From A-1524 To H-3978	1	1		
	990469	MIRROR ASSY, R.H. / DIRECTIONAL / W/CONVEX / W/9 PINS CONNECTOR From H-3979	1	1		
	990423	MIRROR ASSY, L.H. / DIRECTIONAL / W/CONVEX / W/8 PINS CONNECTOR To A-1523	1	1		
	990437	MIRROR ASSY, L.H. / DIRECTIONAL / W/CONVEX / W/9 PINS CONNECTOR From A-1524 To H-3978	1	1		
	990471	MIRROR ASSY, L.H. / DIRECTIONAL / W/CONVEX / W/9 PINS CONNECTOR From H-3979	1	1		
1	990441	. HEAD ASSY / ELECTRIC L.H. / W/8 PINS CONNECTOR To A-1523	1	1		
1	990717	. HEAD ASSY / ELECTRIC L.H. / W/9 PINS CONNECTOR From A-1524 To H-3978	1	1		
1	990521	. HEAD ASSY / ELECTRIC L.H. / W/9 PINS CONNECTOR From H-3979	1	1		
. NS	060776	. . CABLE ASSY / W/CONNECTOR 9PIN 54" From H-3979	1	1		
1	990442	. HEAD ASSY / ELECTRIC R.H. / W/8 PINS CONNECTOR To A-1523	1	1		
1	990718	. HEAD ASSY / ELECTRIC R.H. / W/9 PINS CONNECTOR From A-1524 To H-3978	1	1		
1	990519	. HEAD ASSY / ELECTRIC R.H. / W/9 PINS CONNECTOR From H-3979	1	1		
. NS	060776	. . CABLE ASSY / W/CONNECTOR 9PIN 54" From H-3979	1	1		
2	502812	. . SCREW SET HEXS CUP 3/8-16X3/8 SS	1	1		
3	990186	. . STUD, BALL To A-1523	1	1		
3	990478	. . STUD, BALL From A-1524	1	1		
4	990272	. . NOTCHED BACK MOUNTING PLATE (2" X 3")	1	1		
5	990349	. . MOTOR 12V / MEDIUM / BLACK / 108MM / 4 1/4" O.D.	1	1		
. NS	564494	. . . TAB TERMINAL / 20-16 / AMP 63138-1	4	4		
6	990474	. . VELCRO PLATE / 8" X 8" / W/RECESS FOR FLASHER	1	1		
7	990427	. . GLASS ASSY W/DIRECTIONAL ARROW L.H.	1	1		
7	990428	. . GLASS ASSY W/DIRECTIONAL ARROW R.H. >	1	1		
8	990297	. MIRROR ASSY / CONVEX ELECTRIC	1	1		
9	990295	. . PLATE, TOP MOTOR MOUNTING	1	1		
10	990300	. . MOTOR 12V / SMALL / BLACK / 85MM / 3 5/16" O.D.	1	1		
. NS	564494	. . . TAB TERMINAL / 20-16 / AMP 63138-1	4	4		
12	990339	. . GLASS CONVEX ASSY W/HEATER 12V	1	1		
13	N.P.N.	. . SCREW TC FL PH ZP 6-32 X 1 1/8"	3	3		4
14	500660	. . SCREW TC FL PH #6-32x3/8 Z050	2	2		
15	990530	. . SCREW CAP HEX #10-24x1" SS	2	2		
NS	500787	. . NUT HEX #10-24 SS	2	2		
16	N.P.N.	. . CABLE ASSY / W/CONNECTOR / SEE ITEM # 40	1	1		4
17	990379	. . CUP, BALL STUD RETAINER / ONE PIECE	1	1		
18	500270	. . WASHER FL .406x1.000x.063 SS	1	1		
19	N.P.N.	. . SCREW CAP HEX SS 3/8-24 X 1.250	1	1		4
21	990308	. ARM, R.H.	1	1		
21	990399	. ARM, L.H. / DIRTY FREE	1	1		
23	990265	. WASHER ALUMINUM / 2 " O.D.	1	1		
NS	504082	. . SNAP BUSHING / .125x.312x.312	1	1		
24	990305	. BRACKET, MOUNTING R.H.	1	1		
24	990306	. BRACKET, MOUNTING L.H.	1	1		



From 8-1124 To J-0184	Date:10/2022	PAGE:H7-1856-26
-----------------------	--------------	-----------------

**MIRROR "RAMCO" FLAT GLASS / BLACK PAINTED WITH DIRECTIONAL**

Item#	Part	Description	H 3 4 1	H 3 4 5	V I P 4 5	N O T E S
25	500958	. WASHER FL .531x1.062x.095 SS	1	1		
26	500035	. WASHER LO SPT .317x.586x.078 SS	1	1		
27	990500	. SCREW 1/2-13x2 HHCS SS	1	1		
30	5001581	SCREW CAP BUT HEXS M8-1.25x40 SS	4	4		
NS	5001341	WASHER FL 8.4x17.0x1.6 SS	4	4		
30	5001461	SCREW MA FL PH M8-1.25x40 SS	4	4		
31	490873	GASKET, RH	1	1		
31	490894	GASKET, LH	1	1		
32	490212	ANCHOR PLATE R.H. To H-3734	1	1		A
32	490102	ANCHOR PLATE R.H. From H-3735	1	1		A
32	490213	ANCHOR PLATE L.H. To H-3734	1	1		A
32	490103	ANCHOR PLATE L.H. From H-3735	1	1		A
33	502589	SCREW CAP HEX M8-1.25x25 G8.8 Z050	8	8		
34	490940	PLATE	2	2		
35	490951	PLATE	4	4		
36	490906	ANGLE	2	2		
37	490907	ANGLE W/NUT	2	2		
38	5001337	NUT INS FL HEX M8-1.25 0.5-3.0 Z050	2	2		B
40	563163	CONNECTOR / W 45" CABLE ASSY / PH 8C / CONXALL 3280-8PG-324 To A-1523	2	2		
40	563802	CONNECTOR / W 45" CABLE ASSY / PH 9C From A-1524	2	2		
NS	563088	CONNECTOR / MULTI CON X / SH 8C / CONXALL 4280-8SG-300 To A-1523	2	2		C
NS	563801	CONNECTOR / MULTI CON X / SH 9C / CONXALL 4280-9SG-300 From A-1524	2	2		C
NS	<b>MI16-28</b>	<b>DRIP EDGE ADDITION ON FRONT MIRRORS / PRODUCT IMPROVMENT</b>	1	1		
		A) PART OF FRONT LOWER CAP □ PIECE DE LA LUNETTE AVANT BAS				
		B) FIXED INSIDE OF TUBE POUR FIXER				
		C) THIS CONNECTOR IT USED ON CABLE HARNESS FROM INSIDE OF VEHICULE				
		4) NO PARTS NUMBER				

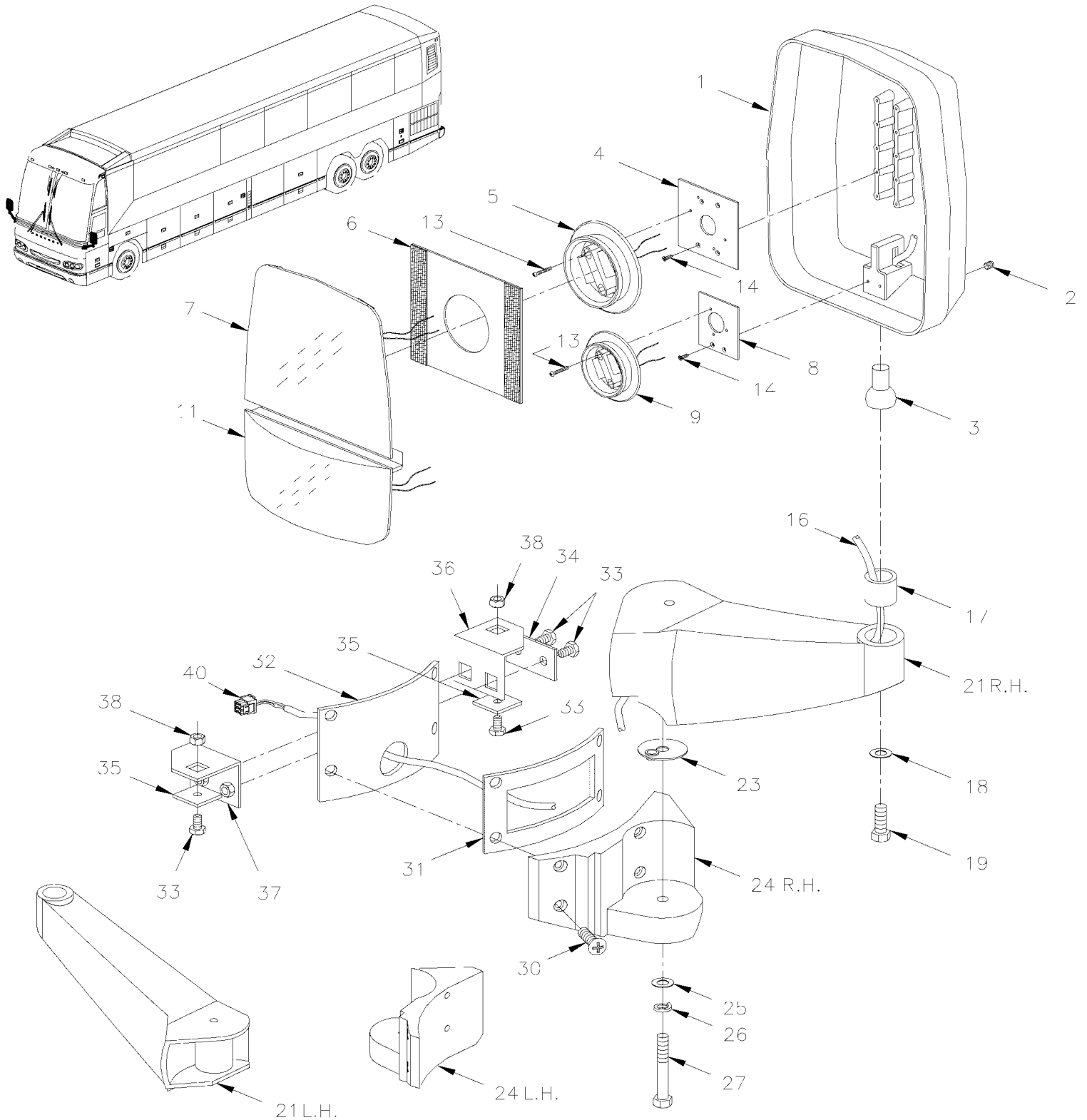


From 7-0671 To F-2882

Date:10/2022

PAGE:H7-1856-35

## MIRROR "RAMCO" 2 GLASSES / BLACK PAINTED



From 7-0671 To F-2882	Date:10/2022	PAGE:H7-1856-35
<b>MIRROR "RAMCO" 2 GLASSES / BLACK PAINTED</b>		

Item#	Part	Description	H 3 4 1	H 3 4 5	V I P 4 5	N O T E S
	990355	MIRROR ASSY, R.H. / ELECTRIC / W/8 PINS CONNECTOR To A-1523	1	1		
	990429	MIRROR ASSY, R.H. / ELECTRIC / W/9 PINS CONNECTOR From A-1524	1	1		
	990508	MIRROR ASSY, R.H. / ELECTRIC / W/9 PINS CONNECTOR From A-1524	1	1		
	990351	MIRROR ASSY, R.H. / MANUAL / W/5 PINS CONNECTOR	1	1		
	990411	MIRROR ASSY, L.H. / ELECTRIC / W/8 PINS CONNECTOR To A-1523	1	1		
	990430	MIRROR ASSY, L.H. / ELECTRIC / W/9 PINS CONNECTOR From A-1524	1	1		
	990511	MIRROR ASSY, L.H. / ELECTRIC / W/9 PINS CONNECTOR From A-1524	1	1		
	990350	MIRROR ASSY, L.H. / MANUAL / W/5 PINS CONNECTOR	1	1		
1	990370	. HEAD ASSY / ELECTRIC / W/8 PINS CONNECTOR To A-1523	1	1		
1	990493	. HEAD ASSY / ELECTRIC / W/9 PINS CONNECTOR From A-1524	1	1		
1	990522	. HEAD ASSY / ELECTRIC / W/9 PINS CONNECTOR From A-1524	1	1		
. NS	060776	. . CABLE ASSY / W/CONNECTOR 9PIN 54" From A-1524	1	1		
1	990368	. HEAD ASSY / MANUAL / W/5 PINS CONNECTOR	1	1		
2	502812	. . SCREW SET HEXS CUP 3/8-16X3/8 SS	1	1		
3	990186	. . STUD, BALL To A-1523	1	1		
3	990478	. . STUD, BALL From A-1524	1	1		
4	990272	. . NOTCHED BACK MOUNTING PLATE (2" X 3")	1	1		
5	990349	. . MOTOR 12V / MEDIUM / BLACK / 108MM / 4 1/4" O.D.	1	1		
. NS	564494	. . . TAB TERMINAL / 20-16 / AMP 63138-1	4	4		
6	990266	. . . VELCRO PLATE / 6" X 7"	1	1		
7	990182	. . FLAT GLASS ASSY W/HEATER 12V	1	1		
8	990273	. . POWER CONVEX MOTOR BASE PLATE	1	1		
9	990219	. . MOTOR 12V / SMALL / BLACK / 85MM / 3 5/16" O.D.	1	1		
. NS	564494	. . . TAB TERMINAL / 20-16 / AMP 63138-1	4	4		
9	990402	. . MECHANISM MANUAL ASSY, SMALL / 85MM / 3 5/16" O.D. / W/SNAP	1	1		
11	990338	. . CONVEX GLASS ASSY W/HEATER 12V	1	1		
12	990282	. . CABLE ASSY W/2 WIRES HEATER ELEMENT	1	1		
13	N.P.N.	. . SCREW TC FL PAN PH #6-32 X 1 1/8" ZP	7	7		4
14	500660	. . SCREW TC FL PH #6-32x3/8 Z050	2	2		
16	N.P.N.	. . CABLE ASSY / W/CONNECTOR 8PIN / SEE ITEM # 40	1	1		4
16	N.P.N.	. . CABLE ASSY / W/CONNECTOR 5PIN	1	1		4
17	990379	. . CUP, BALL STUD RETAINER / ONE PIECE	1	1		
18	500270	. . WASHER FL .406x1.000x.063 SS	1	1		
19	N.P.N.	. . SCREW CAP HEX 3/8-24 X 1.250 SS	1	1		4
NS	990308	. ARM, R.H.	1	1		
21	990399	. ARM, L.H. / DIRTY FREE	1	1		
23	990265	. WASHER ALUMINUM / 2 " O.D.	1	1		
NS	504082	. . SNAP BUSHING / .125x.312x.312	1	1		
24	990305	. BRACKET, MOUNTING R.H.	1	1		
24	990306	. BRACKET, MOUNTING L.H.	1	1		
25	500958	. WASHER FL .531x1.062x.095 SS	1	1		
26	500035	. WASHER LO SPT .317x.586x.078 SS	1	1		

From 7-0671 To F-2882	Date:10/2022	PAGE:H7-1856-35
<b>MIRROR "RAMCO" 2 GLASSES / BLACK PAINTED</b>		

Item#	Part	Description	H 3 4 1	H 3 4 5	V I P 4 5	N O T E S
27	990500	. SCREW 1/2-13x2 HHCS SS	1	1		
30	5001581	SCREW CAP BUT HEXS M8-1.25x40 SS	4	4		
NS	5001341	WASHER FL 8.4x17.0x1.6 SS	4	4		
30	5001461	SCREW MA FL PH M8-1.25x40 SS	4	4		
31	490873	GASKET, RH	1	1		
31	490894	GASKET, LH	1	1		
32	490212	ANCHOR PLATE R.H. To H-3734	1	1		A
32	490102	ANCHOR PLATE R.H. From H-3735	1	1		A
32	490213	ANCHOR PLATE L.H. To H-3734	1	1		A
32	490103	ANCHOR PLATE L.H. From H-3735	1	1		A
33	502589	SCREW CAP HEX M8-1.25x25 G8.8 Z050	8	8		
34	490940	PLATE	2	2		
35	490951	PLATE	4	4		
36	490906	ANGLE	2	2		
37	490907	ANGLE W/NUT	2	2		
38	5001337	NUT INS FL HEX M8-1.25 0.5-3.0 Z050	2	2		B
40	563163	CONNECTOR / W 45" CABLE ASSY / PH 8C / CONXALL 3280-8PG-324 To A-1524	2	2		
40	563802	CONNECTOR / W 45" CABLE ASSY / PH 9C From A-1524	2	2		
NS	563088	CONNECTOR / MULTI CON X / SH 8C / CONXALL 4280-8SG-300 To A-1523	2	2		C
NS	563090	CONNECTOR / MULTI CON X / SH 5C / CONXALL 4280-5SG-300 To A-1523	2	2		C
NS	563801	CONNECTOR / MULTI CON X / SH 9C / CONXALL 4280-9SG-300 From A-1524	2	2		C
		A) PART OF FRONT LOWER CAP □ PIECE DE LA LUNETTE AVANT BAS				
		B) FIXED INSIDE OF TUBE POUR FIXER				
		C) THIS CONNECTOR IT USED ON CABLE HARNESS FROM INSIDE OF VEHICULE				
		4) NO PARTS NUMBER				

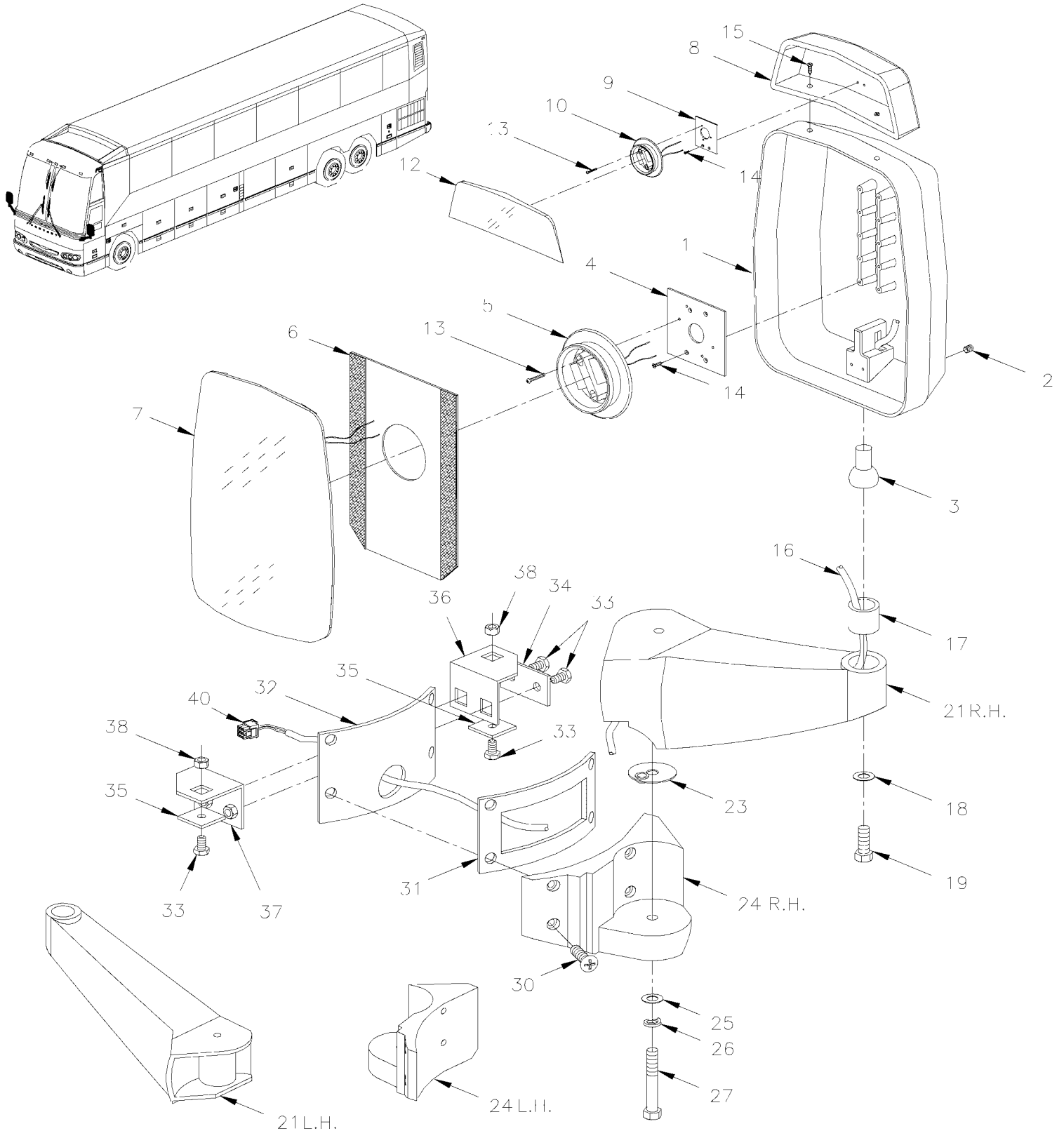


From 7-0671 To J-0287

Date:10/2022

PAGE:H7-1856-50

## MIRROR "RAMCO" FLAT GLASS / CHROME



<b>From 7-0671 To J-0287</b>	<b>Date:10/2022</b>	<b>PAGE:H7-1856-50</b>
<b>MIRROR "RAMCO" FLAT GLASS / CHROME</b>		

Item#	Part	Description	H 3 4 1	H 3 4 5	V I P 4 5	N O T E S
	990367	MIRROR ASSY, R.H. / W/CONVEX ELECTRIC / W/8 PINS CONNECTOR To A-1523	1	1	1	
	990433	MIRROR ASSY, R.H. / W/CONVEX ELECTRIC / W/9 PINS CONNECTOR From A-1524 To H-3978	1	1	1	
	990022	MIRROR ASSY, R.H. / W/CONVEX ELECTRIC / W/9 PINS CONNECTOR From H-3979	1	1	1	
	990414	MIRROR ASSY, L.H. / W/CONVEX ELECTRIC / W/8 PINS CONNECTOR To A-1523	1	1	1	
	990434	MIRROR ASSY, L.H. / W/CONVEX ELECTRIC / W/9 PINS CONNECTOR From A-1524 To H-3978	1	1	1	
	990458	MIRROR ASSY, L.H. / W/CONVEX ELECTRIC / W/9 PINS CONNECTOR From H-3979	1	1	1	
1	990376	. HEAD ASSY / W/CONVEX ELECTRIC / W/8 PINS CONNECTOR To A-1523	1	1	1	
1	990444	. HEAD ASSY / W/CONVEX ELECTRIC / W/9 PINS CONNECTOR From A-1524 To H-3978	1	1	1	
1	990516	. HEAD ASSY / W/CONVEX ELECTRIC / W/9 PINS CONNECTOR From H-3979	1	1	1	
. NS	060776	. . CABLE ASSY / W/CONNECTOR 9PIN 54" From H-3979	1	1	1	
2	502812	. . SCREW SET HEXS CUP 3/8-16X3/8 SS	1	1	1	
3	990186	. . STUD, BALL To A-1523	1	1	1	
3	990478	. . STUD, BALL From A-1524	1	1	1	
4	990272	. . NOTCHED BACK MOUNTING PLATE (2" X 3")	1	1	1	
5	990349	. . MOTOR 12V / MEDIUM / BLACK / 108MM / 4 1/4" O.D.	1	1	1	
. NS	564494	. . . TAB TERMINAL / 20-16 / AMP 63138-1	4	4	4	
6	990268	. . VELCRO PLATE / 8" X 8"	1	1	1	
7	990199	. . GLASS ASSY W/HEATER 12V	1	1	1	
8	990302	. MIRROR ASSY / CONVEX ELECTRIC	1	1	1	
9	990295	. . PLATE, TOP MOTOR MOUNTING	1	1	1	
10	990219	. . MOTOR 12V / SMALL / BLACK / 85MM / 3 5/16" O.D.	1	1	1	
. NS	564494	. . . TAB TERMINAL / 20-16 / AMP 63138-1	4	4	4	
12	990339	. . GLASS CONVEX ASSY W/HEATER 12V	1	1	1	
13	N.P.N.	. . SCREW TC FL PH ZP 6-32 X 1 1/8"	3	3	3	4
14	500660	. . SCREW TC FL PH #6-32x3/8 Z050	2	2	2	
15	990530	. . SCREW CAP HEX #10-24x1" SS	2	2	2	
NS	500787	. . NUT HEX #10-24 SS	2	2	2	
16	N.P.N.	. . CABLE ASSY / W/CONNECTOR / SEE ITEM # 40	1	1	1	4
17	990379	. . CUP, BALL STUD RETAINER / ONE PIECE	1	1	1	
18	500270	. . WASHER FL .406x1.000x.063 SS	1	1	1	
19	N.P.N.	. . SCREW CAP HEX SS 3/8-24 X 1.250	1	1	1	4
21	990316	. ARM, R.H.	1	1	1	
21	990401	. ARM, L.H. / DIRTY FREE	1	1	1	
23	990265	. WASHER ALUMINUM / 2 " O.D.	1	1	1	
NS	504082	. . SNAP BUSHING / .125x.312x.312	1	1	1	
24	990310	. BRACKET, MOUNTING R.H.	1	1	1	
24	990312	. BRACKET, MOUNTING L.H.	1	1	1	
25	500958	. WASHER FL .531x1.062x.095 SS	1	1	1	
26	500035	. WASHER LO SPT .317x.586x.078 SS	1	1	1	
27	990500	. SCREW 1/2-13x2 HHCS SS	1	1	1	
30	5001581	SCREW CAP BUT HEXS M8-1.25x40 SS	4	4	4	
NS	5001341	WASHER FL 8.4x17.0x1.6 SS	4	4	4	



From 7-0671 To J-0287	Date:10/2022	PAGE:H7-1856-50
<b>MIRROR "RAMCO" FLAT GLASS / CHROME</b>		

Item#	Part	Description	H 3 4 1	H 3 4 5	V I P 4 5	N O T E S
30	5001461	SCREW MA FL PH M8-1.25x40 SS	4	4	4	
31	490873	GASKET, RH	1	1	1	
31	490894	GASKET, LH	1	1	1	
32	490212	ANCHOR PLATE R.H. To H-3734	1	1	1	A
32	490102	ANCHOR PLATE R.H. From H-3735	1	1	1	A
32	490213	ANCHOR PLATE L.H. To H-3734	1	1	1	A
32	490103	ANCHOR PLATE L.H. From H-3735	1	1	1	A
33	502589	SCREW CAP HEX M8-1.25x25 G8.8 Z050	8	8	8	
34	490940	PLATE	2	2	2	
35	490951	PLATE	4	4	4	
36	490906	ANGLE	2	2	2	
37	490907	ANGLE W/NUT	2	2	2	
38	5001337	NUT INS FL HEX M8-1.25 0.5-3.0 Z050	2	2	2	B
40	563163	CONNECTOR / W 45" CABLE ASSY / PH 8C / CONXALL 3280-8PG-324 To A-1523	2	2	2	
40	563802	CONNECTOR / W 45" CABLE ASSY / PH 9C From A-1524	2	2	2	
NS	563088	CONNECTOR / MULTI CON X / SH 8C / CONXALL 4280-8SG-300 To A-1523	2	2	2	C
NS	563801	CONNECTOR / MULTI CON X / SH 9C / CONXALL 4280-9SG-300 From A-1524	2	2	2	C
NS	<b>MI16-28</b>	<b>DRIP EDGE ADDITION ON FRONT MIRRORS / PRODUCT IMPROVMENT</b>	1	1	1	
		A) PART OF FRONT LOWER CAP □ PIECE LA LUNETTE AVANT BAS				
		B) FIXED INSIDE OF TUBE POUR FIXER				
		C) THIS CONNECTOR IT USED ON CABLE HARNESS FROM INSIDE OF VEHICULE				
		4) NO PARTS NUMBER				

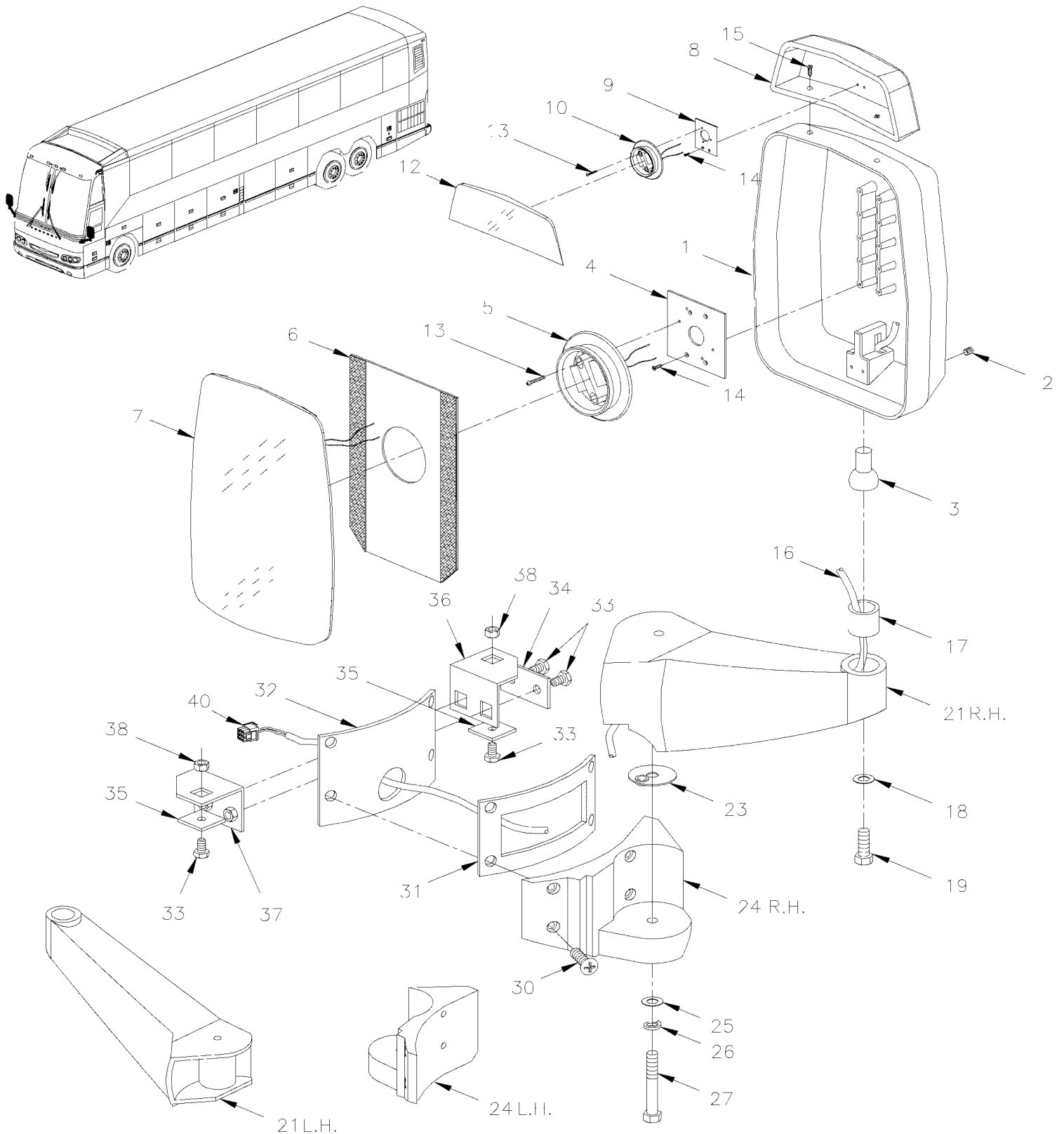


From 8-1124 To J-0287

Date:10/2022

PAGE:H7-1856-51

## MIRROR "RAMCO" FLAT GLASS / CHROME WITH DIRECTIONAL



From 8-1124 To J-0287 Date:10/2022 PAGE:H7-1856-51

**MIRROR "RAMCO" FLAT GLASS / CHROME WITH DIRECTIONAL**

Item#	Part	Description	H 3 4 1	H 3 4 5	V I P 4 5	N O T E S
	990422	MIRROR ASSY, R.H. / DIRECTIONAL / W/CONVEX / W/8 PINS CONNECTOR To A-1523	1	1	1	
	990436	MIRROR ASSY, R.H. / DIRECTIONAL / W/CONVEX / W/9 PINS CONNECTOR From A-1524 To H-3978	1	1	1	
	990467	MIRROR ASSY, R.H. / DIRECTIONAL / W/CONVEX / W/9 PINS CONNECTOR From H-3979	1	1	1	
	990421	MIRROR ASSY, L.H. / DIRECTIONAL / W/CONVEX / W/8 PINS CONNECTOR To A-1523	1	1	1	
	990435	MIRROR ASSY, L.H. / DIRECTIONAL / W/CONVEX / W/9 PINS CONNECTOR From A-1524 To H-3978	1	1	1	
	990470	MIRROR ASSY, L.H. / DIRECTIONAL / W/CONVEX / W/9 PINS CONNECTOR From H-3979	1	1	1	
1	990440	. HEAD ASSY / ELECTRIC L.H. / W/8 PINS CONNECTOR To A-1523	1	1	1	
1	990495	. HEAD ASSY / ELECTRIC L.H. / W/9 PINS CONNECTOR From A-1524 To H-3978	1	1	1	
1	990520	. HEAD ASSY / ELECTRIC L.H. / W/9 PINS CONNECTOR From H-3979	1	1	1	
. NS	060776	. . CABLE ASSY / W/CONNECTOR 9PIN 54" From H-3979	1	1	1	
1	990439	. HEAD ASSY / ELECTRIC R.H. / W/8 PINS CONNECTOR To A-1523	1	1	1	
1	990494	. HEAD ASSY / ELECTRIC R.H. / W/9 PINS CONNECTOR From A-1524 To H-3978	1	1	1	
1	990518	. HEAD ASSY / ELECTRIC R.H. / W/9 PINS CONNECTOR From H-3979	1	1	1	
. NS	060776	. . CABLE ASSY / W/CONNECTOR 9PIN 54" From H-3979	1	1	1	
2	502812	. . SCREW SET HEXS CUP 3/8-16X3/8 SS	1	1	1	
3	990186	. . STUD, BALL To A-1523	1	1	1	
3	990478	. . STUD, BALL From A-1524	1	1	1	
4	990272	. . NOTCHED BACK MOUNTING PLATE (2" X 3")	1	1	1	
5	990349	. . MOTOR 12V / MEDIUM / BLACK / 108MM / 4 1/4" O.D.	1	1	1	
. NS	564494	. . . TAB TERMINAL / 20-16 / AMP 63138-1	4	4	4	
6	990474	. . VELCRO PLATE / 8" X 8" / W/RECESS FOR FLASHER	1	1	1	
7	990427	. . GLASS ASSY W/DIRECTIONAL ARROW L.H.	1	1	1	
7	990428	. . GLASS ASSY W/DIRECTIONAL ARROW R.H. >	1	1	1	
8	990302	. MIRROR ASSY / CONVEX ELECTRIC	1	1	1	
9	990295	. . PLATE, TOP MOTOR MOUNTING	1	1	1	
10	990219	. . MOTOR 12V / SMALL / BLACK / 85MM / 3 5/16" O.D.	1	1	1	
. NS	564494	. . . TAB TERMINAL / 20-16 / AMP 63138-1	4	4	4	
12	990339	. . GLASS CONVEX ASSY W/HEATER 12V	1	1	1	
13	N.P.N.	. . SCREW TC FL PH #6-32x1 1/8" ZP	3	3	3	4
14	500660	. . SCREW TC FL PH #6-32x3/8 Z050	2	2	2	
15	990530	. . SCREW CAP HEX #10-24x1" SS	2	2	2	
NS	500787	. . NUT HEX #10-24 SS	2	2	2	
16	N.P.N.	. . CABLE ASSY / W/CONNECTOR / SEE ITEM # 40	1	1	1	4
17	990379	. . CUP, BALL STUD RETAINER / ONE PIECE	1	1	1	
18	500270	. . WASHER FL .406x1.000x.063 SS	1	1	1	
19	N.P.N.	. . SCREW CAP HEX 3/8-24 X 1.250 SS	1	1	1	4
21	990316	. ARM, R.H.	1	1	1	
21	990401	. ARM, L.H. / DIRTY FREE	1	1	1	
23	990265	. WASHER ALUMINUM / 2 " O.D.	1	1	1	
NS	504082	. . SNAP BUSHING / .125x.312x.312	1	1	1	
24	990310	. BRACKET, MOUNTING R.H.	1	1	1	
24	990312	. BRACKET, MOUNTING L.H.	1	1	1	

From 8-1124 To J-0287 Date:10/2022 PAGE:H7-1856-51

**MIRROR "RAMCO" FLAT GLASS / CHROME WITH DIRECTIONAL**

Item#	Part	Description	H 3 4 1	H 3 4 5	V I P 4 5	N O T E S
25	500958	. WASHER FL .531x1.062x.095 SS	1	1	1	
26	500035	. WASHER LO SPT .317x.586x.078 SS	1	1	1	
27	990500	. SCREW 1/2-13x2 HHCS SS	1	1	1	
30	5001581	SCREW CAP BUT HEXS M8-1.25x40 SS	4	4	4	
NS	5001341	WASHER FL 8.4x17.0x1.6 SS	4	4	4	
30	5001461	SCREW MA FL PH M8-1.25x40 SS	4	4	4	
31	490873	GASKET, RH	1	1	1	
31	490894	GASKET, LH	1	1	1	
32	490212	ANCHOR PLATE R.H. To H-3734	1	1	1	A
32	490102	ANCHOR PLATE R.H. From H-3735	1	1	1	A
32	490213	ANCHOR PLATE L.H. To H-3734	1	1	1	A
32	490103	ANCHOR PLATE L.H. From H-3735	1	1	1	A
33	502589	SCREW CAP HEX M8-1.25x25 G8.8 Z050	8	8	8	
34	490940	PLATE	2	2	2	
35	490951	PLATE	4	4	4	
36	490906	ANGLE	2	2	2	
37	490907	ANGLE W/NUT	2	2	2	
38	5001337	NUT INS FL HEX M8-1.25 0.5-3.0 Z050	2	2	2	B
40	563163	CONNECTOR / W 45" CABLE ASSY / PH 8C / CONXALL 3280-8PG-324 To A-1523	2	2	2	
40	563802	CONNECTOR / W 45" CABLE ASSY / PH 9C From A-1524	2	2	2	
NS	563088	CONNECTOR / MULTI CON X / SH 8C / CONXALL 4280-8SG-300 To A-1523	2	2	2	C
NS	563801	CONNECTOR / MULTI CON X / SH 9C / CONXALL 4280-9SG-300 From A-1524	2	2	2	C
NS	<b>MI16-28</b>	<b>DRIP EDGE ADDITION ON FRONT MIRRORS / PRODUCT IMPROVMENT</b>	1	1	1	
		A) PART OF FRONT LOWER CAP □ PIECE DE LA LUNETTE AVANT BAS				
		B) FIXED INSIDE OF TUBE POUR FIXER				
		C) THIS CONNECTOR IT USED ON CABLE HARNESS FROM INSIDE OF VEHICULE				
		4) NO PARTS NUMBER				

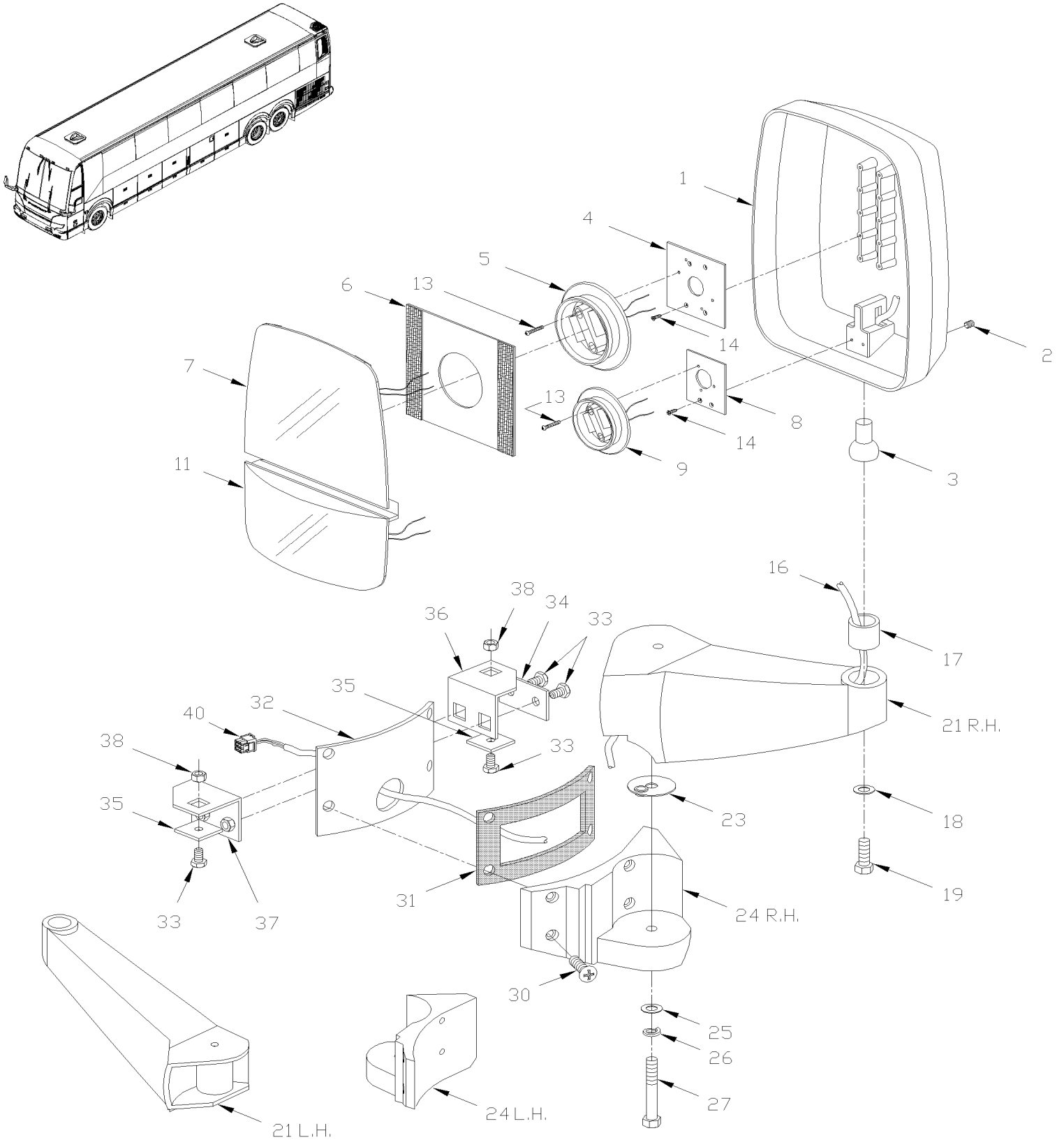


From 7-0671 To J-0287

Date:10/2022

PAGE:H7-1856-60

## MIRROR "RAMCO" 2 GLASSES / CHROME

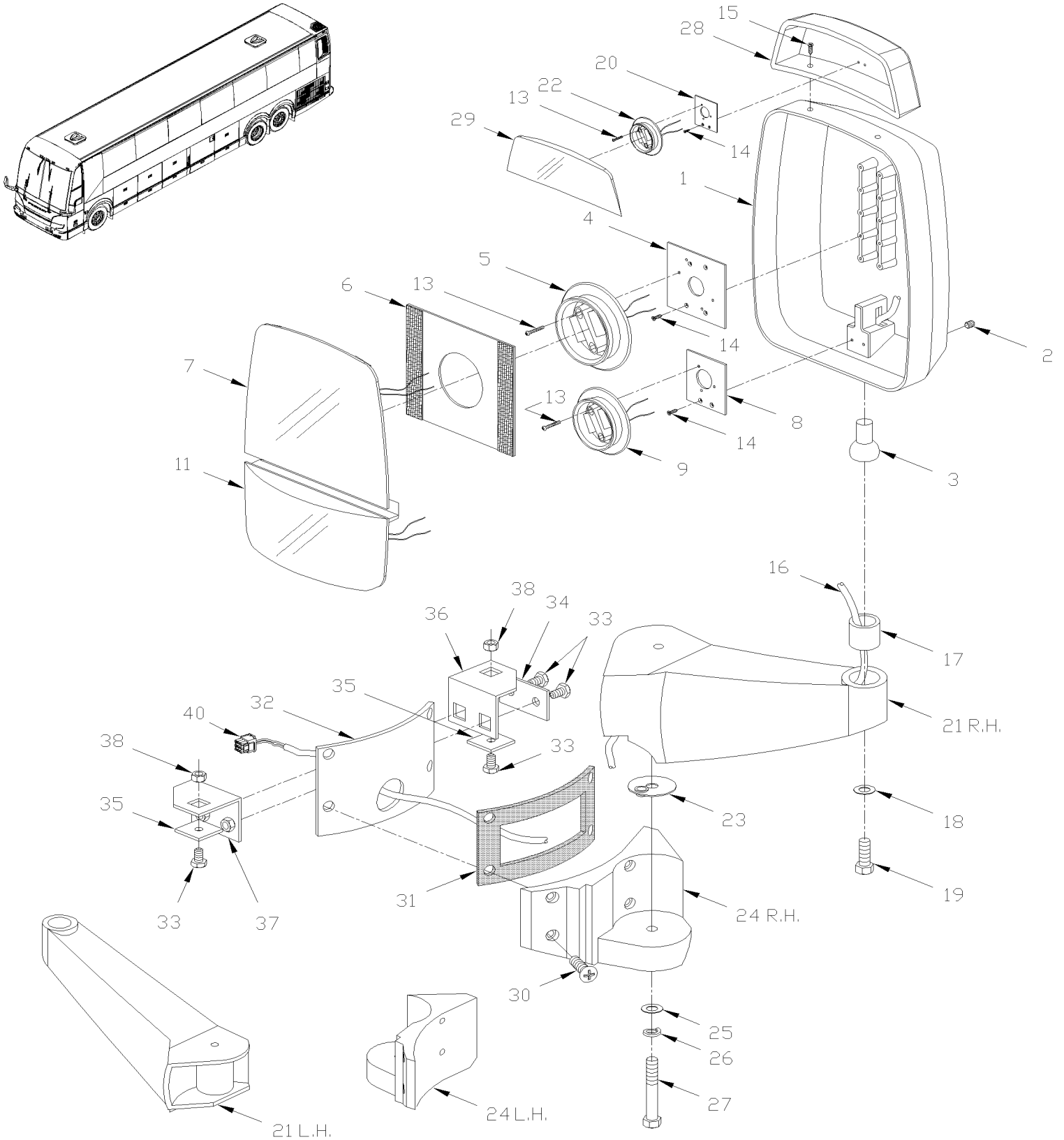


From 7-0671 To J-0287

Date:10/2022

PAGE:H7-1856-60

## MIRROR "RAMCO" 2 GLASSES / CHROME





<b>From 7-0671 To J-0287</b>	<b>Date:10/2022</b>	<b>PAGE:H7-1856-60</b>
<b>MIRROR "RAMCO" 2 GLASSES / CHROME</b>		

Item#	Part	Description	H 3 4 1	H 3 4 5	V I P 4 5	N O T E S
	990359	MIRROR ASSY, R.H. / ELECTRIC / W/8 PINS CONNECTOR To A-1523			1	
	990445	MIRROR ASSY, R.H. / ELECTRIC / W/9 PINS CONNECTOR From A-1524 To H-3978			1	
	990510	MIRROR ASSY, R.H. / ELECTRIC / W/9 PINS CONNECTOR From H-3979			1	
	990412	MIRROR ASSY, L.H. / ELECTRIC / W/8 PINS CONNECTOR To A-1523			1	
	990446	MIRROR ASSY, L.H. / ELECTRIC / W/9 PINS CONNECTOR From A-1524 To H-3978			1	
	990512	MIRROR ASSY, L.H. / ELECTRIC / W/9 PINS CONNECTOR From H-3979			1	
	990390	MIRROR ASSY, R.H. / ELECTRIC W/AUXILIARY CONVEX OVER / W/8 PINS CONNECTOR To A-1523			1	C
	990410	MIRROR ASSY, L.H. / ELECTRIC W/AUXILIARY CONVEX OVER / W/8 PINS CONNECTOR To A-1523			1	C
1	990372	. HEAD ASSY / ELECTRIC / W/8 PINS CONNECTOR To A-1523			1	
1	990492	. HEAD ASSY / ELECTRIC / W/9 PINS CONNECTOR From A-1524 To H-3978			1	
1	990524	. HEAD ASSY / ELECTRIC / W/9 PINS CONNECTOR From H-3979			1	
. NS	060776	. . CABLE ASSY / W/CONNECTOR 9PIN 54" From H-3979			1	
1	990391	. HEAD ASSY / W/AUXILIARY CONVEX OVER / W/8 PINS CONNECTOR To A-1523			1	C
2	502812	. . SCREW SET HEXS CUP 3/8-16X3/8 SS			1	
3	990186	. . STUD, BALL To A-1523			1	
3	990478	. . STUD, BALL From A-1524			1	
4	990272	. . NOTCHED BACK MOUNTING PLATE (2" X 3")			1	
5	990349	. . MOTOR 12V / MEDIUM / BLACK / 108MM / 4 1/4" O.D.			1	
. NS	564494	. . . TAB TERMINAL / 20-16 / AMP 63138-1			4	
6	990266	. . VELCRO PLATE / 6" X 7"			1	
7	990182	. . FLAT GLASS ASSY W/HEATER 12V			1	
8	990273	. . POWER CONVEX MOTOR BASE PLATE			1	
9	990219	. . MOTOR 12V / SMALL / BLACK / 85MM / 3 5/16" O.D.			1	
. NS	564494	. . . TAB TERMINAL / 20-16 / AMP 63138-1			4	
11	990338	. . CONVEX GLASS ASSY W/HEATER 12V			1	
13	N.P.N.	. . SCREW TC FL PH #6-32 X 1 1/8" ZP			3	4
14	500660	. . SCREW TC FL PH #6-32x3/8 Z050			2	
15	990530	. . SCREW CAP HEX #10-24x1" SS To A-1523			2	C
16	N.P.N.	. . CABLE ASSY / W/CONNECTOR / SEE ITEM # 40			1	4
17	990379	. . CUP, BALL STUD RETAINER / ONE PIECE			1	
18	500270	. . WASHER FL .406x1.000x.063 SS			1	
19	N.P.N.	. . SCREW CAP HEX 3/8-24 X 1 1/4 SS			1	4
20	990295	. PLATE, TOP MOTOR MOUNTING To A-1523			1	C
21	990316	. ARM, R.H.			1	
21	990401	. ARM, L.H. / DIRTY FREE			1	
22	990219	. MOTOR 12V / SMALL / BLACK / 85MM / 3 5/16" O.D. To A-1523			1	C
. NS	564494	. . . TAB TERMINAL / 20-16 / AMP 63138-1 To A-1523			4	C
23	990265	. WASHER ALUMINUM / 2 " O.D.			1	
NS	504082	. . SNAP BUSHING / .125x.312x.312			1	
24	990310	. BRACKET, MOUNTING R.H.			1	
24	990312	. BRACKET, MOUNTING L.H.			1	
25	500958	. WASHER FL .531x1.062x.095 SS			1	

From 7-0671 To J-0287	Date:10/2022	PAGE:H7-1856-60
<b>MIRROR "RAMCO" 2 GLASSES / CHROME</b>		

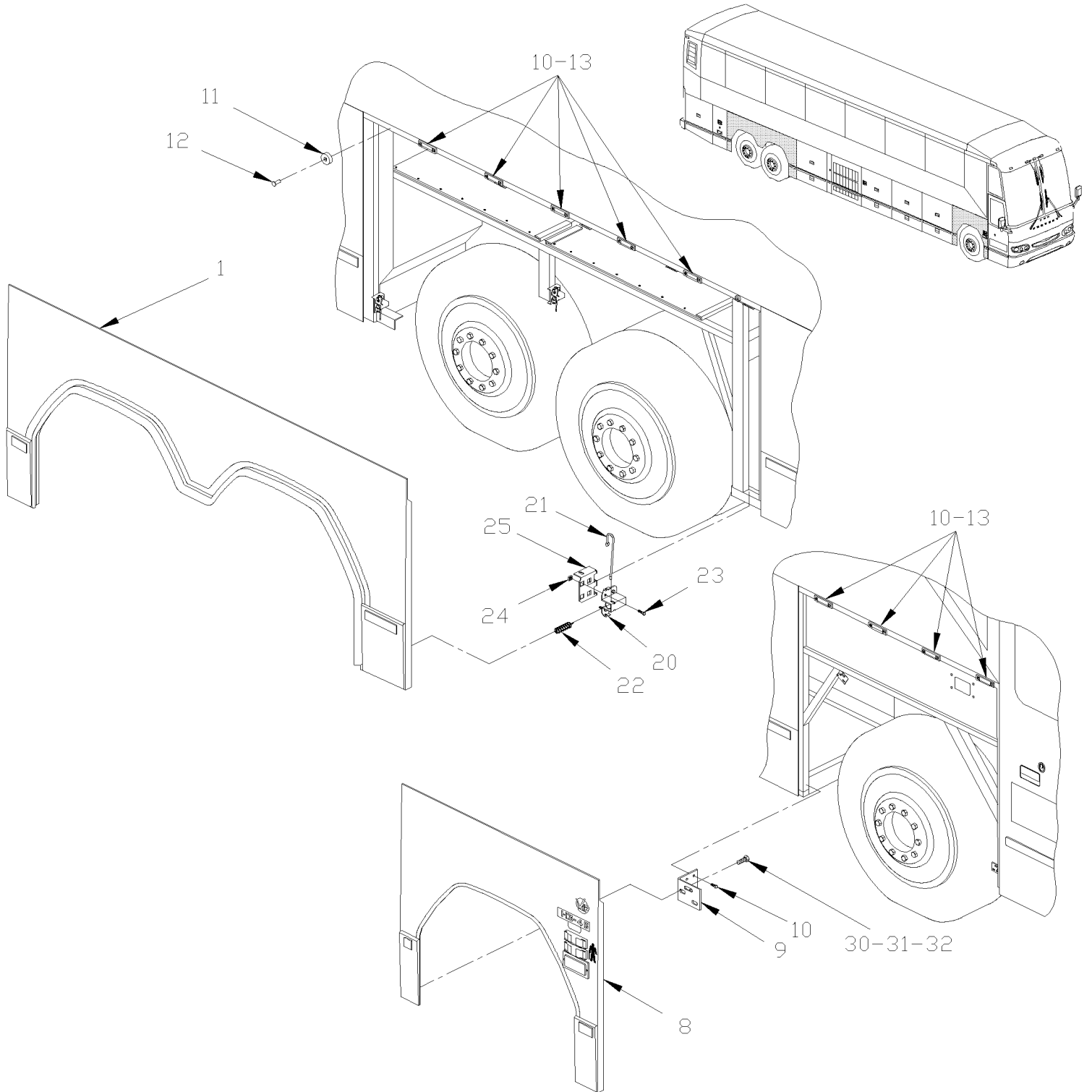
Item#	Part	Description	H 3 4 1	H 3 4 5	V I P 4 5	N O T E S
26	500035	. WASHER LO SPT .317x.586x.078 SS			1	
27	990500	. SCREW 1/2-13x2 HHCS SS			1	
28	990302	. MIRROR ASSY / CONVEX ELECTRIC To A-1523			1	C
29	990339	. GLASS CONVEX ASSY W/HEATER 12V To A-1523			1	C
30	5001581	SCREW CAP BUT HEXS M8-1.25x40 SS			4	
NS	5001341	WASHER FL 8.4x17.0x1.6 SS			4	
30	5001461	SCREW MA FL PH M8-1.25x40 SS			4	
31	490873	GASKET, RH			1	
31	490894	GASKET, LH			1	
32	490212	ANCHOR PLATE R.H. To H-3734			1	A
32	490102	ANCHOR PLATE R.H. From H-3735			1	A
32	490213	ANCHOR PLATE L.H. To H-3734			1	A
32	490103	ANCHOR PLATE L.H. From H-3735			1	A
33	502589	SCREW CAP HEX M8-1.25x25 G8.8 Z050			8	
34	490940	PLATE			2	
35	490951	PLATE			4	
36	490906	ANGLE			2	
37	490907	ANGLE W/NUT			2	
38	5001337	NUT INS FL HEX M8-1.25 0.5-3.0 Z050			2	B
40	563163	CONNECTOR / W 45" CABLE ASSY / PH 8C / CONXALL 3280-8PG-324 To A-1523			2	
40	563802	CONNECTOR / W 45" CABLE ASSY / PH 9C From A-1524			2	
NS	563088	CONNECTOR / MULTI CON X / SH 8C / CONXALL 4280-8SG-300 To A-1523			2	D
41	563801	CONNECTOR / MULTI CON X / SH 9C / CONXALL 4280-9SG-300 From A-1524			2	D
		A) PART OF FRONT LOWER CAP				
		B) FIXED INSIDE OF TUBE				
		C) WITH ELECTRICAL CONVEX OVER HEAD				
		D) SPECIAL				
		4) NO PARTS NUMBER				

From 7-0671 To A-1720

Date:10/2022

PAGE:H7-1857-00

## FENDERS



<b>From 7-0671 To A-1720</b>	<b>Date:10/2022</b>	<b>PAGE:H7-1857-00</b>
<b>FENDERS</b>		

Item#	Part	Description	H 3 4 1	H 3 4 5	V I P 4 5	N O T E S
1	473499	FENDER FIBERGLASS R.H. REAR	1	1		
. NS	473423	. GUIDE / FIXED ON TOP CENTER	3	3		
. NS	473534	. GUIDE / FIXED ON TOP EACH SIDE	2	2		
. NS	473525	. GUIDE PIN / FIXED ON CENTER	1	1		
. NS	473501	. GUIDE PIN / FIXED LOWER FRONT & REAR	2	2		
1	476636	FENDER FIBERGLASS R.H. REAR To 7-0943			1	
. NS	473423	. GUIDE / FIXED ON TOP CENTER To 7-0943			3	
. NS	473534	. GUIDE / FIXED ON TOP EACH SIDE To 7-0943			2	
. NS	473525	. GUIDE PIN / FIXED ON CENTER To 7-0943			1	
. NS	473501	. GUIDE PIN / FIXED LOWER FRONT & REAR To 7-0943			1	
1	478327	FENDER FIBERGLASS R.H. REAR From 7-0944			1	
. NS	473423	. GUIDE / FIXED ON TOP CENTER From 7-0944			3	
. NS	473534	. GUIDE / FIXED ON TOP EACH SIDE From 7-0944			2	
. NS	473525	. GUIDE PIN / FIXED ON CENTER From 7-0944			1	
. NS	473501	. GUIDE PIN / FIXED LOWER FRONT & REAR From 7-0944			1	
1	473500	FENDER FIBERGLASS L.H. REAR	1	1		
. NS	473423	. GUIDE / FIXED ON TOP CENTER	3	3		
. NS	473534	. GUIDE / FIXED ON TOP EACH SIDE	2	2		
. NS	473525	. GUIDE PIN / FIXED ON CENTER	1	1		
. NS	473523	. GUIDE PIN / FIXED LOWER FRONT & REAR	2	2		
. NS	680537	. GLUE, PLEXUS MA830 380 ML	1	1		
1	476637	FENDER FIBERGLASS L.H. REAR			1	
. NS	473423	. GUIDE / FIXED ON TOP CENTER			3	
. NS	473534	. GUIDE / FIXED ON TOP EACH SIDE			2	
. NS	473525	. GUIDE PIN / FIXED ON CENTER			1	
. NS	473523	. GUIDE PIN / FIXED LOWER FRONT & REAR			2	
7	478168	SWITCH SUPPORT & COVER	1	1	1	
8	473431	FENDER FIBERGLASS R.H. FRONT	1	1		
. NS	282961	. LOWER SUPPORT RETAINER / "HAT" SHAPED	3	3		
8	476634	FENDER FIBERGLASS R.H. FRONT			1	
. NS	282961	. LOWER SUPPORT RETAINER / "HAT" SHAPED			3	
8	473409	FENDER FIBERGLASS L.H. FRONT	1	1		
. NS	282961	. LOWER SUPPORT RETAINER / "HAT" SHAPED	3	3		
8	476635	FENDER FIBERGLASS L.H. FRONT			1	
. NS	282961	. LOWER SUPPORT RETAINER / "HAT" SHAPED			3	
9	472379	ANGLE SUPPORT / TO FIX FENDER TO FRAME	10	10	10	
10	504248	RIVET CHY Q PRDG 3/16x1/4 SS	24	24	24	
11	504334	BUMPER RUBBER / .625 OD x .406 TH x .156 HOLE	4	4	4	
12	504339	RIVET POP DOME OE 1/8x3/8 SS	4	4	4	
13	473414	RETAINER PLASTIC	8	8	8	
20	472836	GUIDE	6	6	6	
NS	473541	PLATE W/4 SCREW HOLES 69MMx54MM	3	3	3	

From 7-0671 To A-1720	Date:10/2022	PAGE:H7-1857-00
<b>FENDERS</b>		

Item#	Part	Description	H 3 4 1	H 3 4 5	V I P 4 5	N O T E S
21	472830	SPRING GUIDE HOLDER	6	6	6	
22	472829	SPRING COMPRESSION / .610 O.D. x 2.18 x .072	6	6	6	
23	502622	SCREW CAP HEX M6-1.0x20 SS BK	24	24	24	
24	500270	WASHER FL .406x1.000x.063 SS	24	24	24	
25	285668	ADJUSTMENT PLATE R.H.	2	2	2	
25	285674	ADJUSTMENT PLATE L.H.	2	2	2	
NS	285452	SHIM SPACER W/2 SLOTS 74MM x 56MM	AR	AR	AR	
30	502830	SCREW CAP HEX M6-1.0x20 G8.8 N500	16	16	16	
31	5001639	NUT SPR U M6-1.0 0.34-4 MAG565	12	12	12	
32	500468	WASHER FL .281x1.250x.065 Z050	16	16	16	
40	478333	ANGLE MOULDING			1	B
NS	7770321	FENDER PROTECTOR KIT	1	1	1	A
. NS	470933	. FENDER PROTECTOR	8	8	8	A
. NS	506869	. TAPE RUB ADH2 POL .031" x 1/4" x 300' / BLACK	1	1	1	A
. NS	684517	. ADHESIVE SIMSON #ISR 70-03 / GREY / 310ml CARTRIDGE	1	1	1	A
. NS	504643	. RIVET POP DOME OE 1/8x1/2 SS	40	40	40	A
. NS	5001067	. WASHER FL .128x.312x.032 SS	40	40	40	A
. NS	IS-17900	. SEE INSTRUCTION SHEET	1	1	1	A
		A) USE WITH FENDER PROTECTOR OPTION				
		B) FIXED FRONT FENDER STREET SIDE, WITH VIP DELIVRERY W/OUT FENDERS "OPTIONAL"				

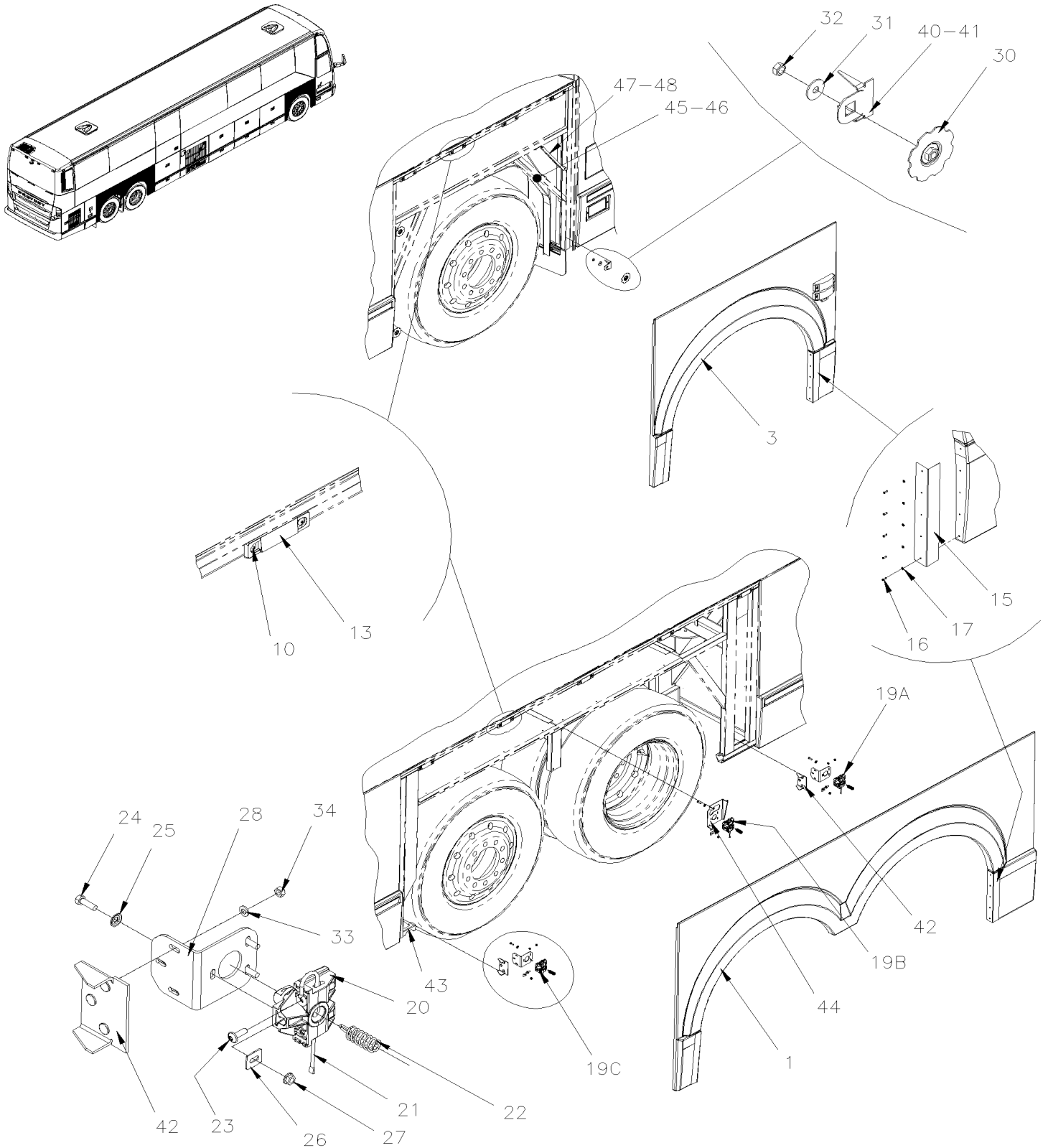


From B-1721 To J-0112

Date:10/2022

PAGE:H7-1857-01

## FENDERS

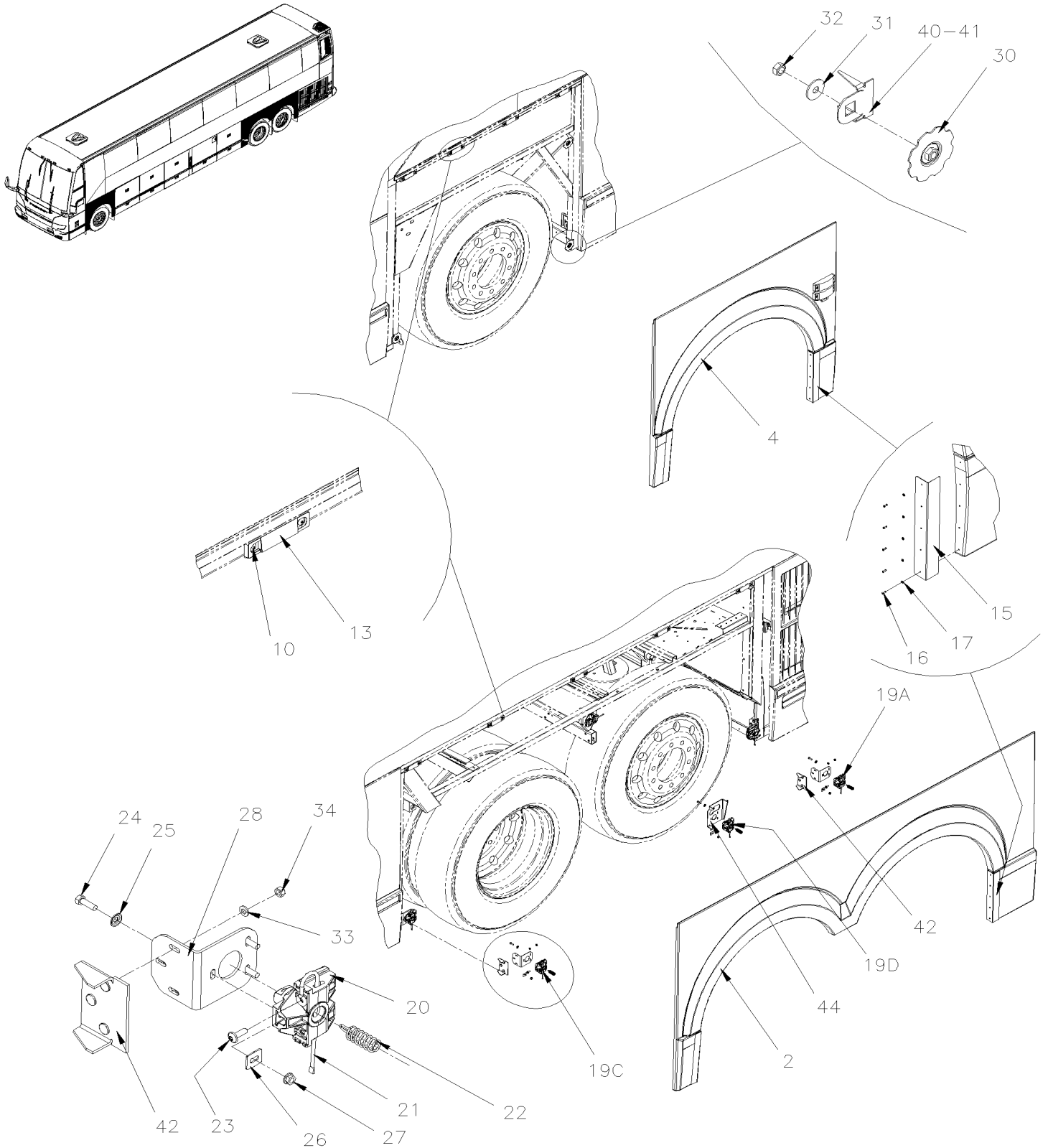


From B-1721 To J-0112

Date:10/2022

PAGE:H7-1857-01

## FENDERS





<b>From B-1721 To J-0112</b>	<b>Date:10/2022</b>	<b>PAGE:H7-1857-01</b>
<b>FENDERS</b>		

Item#	Part	Description	H 3 4 1	H 3 4 5	V I P 4 5	N O T E S
1	470356	FENDER FIBERGLASS R.H. REAR To C-2061	1	1	1	
. NS	471100	. GUIDE / FIXED ON TOP To C-2061	5	5	5	
. NS	479315	. GUIDE PIN / FIXED ON CENTER To C-2061	1	1	1	
. NS	479316	. GUIDE PIN / FIXED LOWER FRONT & REAR To C-2061	2	2	2	
1	478803	FENDER FIBERGLASS R.H. REAR From C-2062				
. NS	478805	. GUIDE / FIXED ON TOP From C-2062	5	5	5	
. NS	478810	. GUIDE PIN / FIXED ON CENTER From C-2062	1	1	1	
. NS	478807	. GUIDE PIN / FIXED LOWER FRONT & REAR From C-2062	2	2	2	
2	470354	FENDER FIBERGLASS L.H. REAR To C-2061	1	1	1	
. NS	471100	. GUIDE / FIXED ON TOP To C-2061	5	5	5	
. NS	479315	. GUIDE PIN / FIXED ON CENTER To C-2061	1	1	1	
. NS	479316	. GUIDE PIN / FIXED LOWER FRONT & REAR To C-2061	2	2	2	
2	478804	FENDER FIBERGLASS L.H. REAR From C-2062	1	1	1	
. NS	478805	. GUIDE / FIXED ON TOP From C-2062	5	5	5	
. NS	478810	. GUIDE PIN / FIXED ON CENTER From C-2062	1	1	1	
. NS	478807	. GUIDE PIN / FIXED LOWER FRONT & REAR From C-2062	2	2	2	
3	470358	FENDER FIBERGLASS R.H. FRONT To C-2061	1	1	1	
. NS	479319	. GUIDE PIN ASSY To C-2061	3	3	3	
. NS	471100	. GUIDE / FIXED ON TOP To C-2061	4	4	4	
3	478801	FENDER FIBERGLASS R.H. FRONT From C-2062	1	1	1	
. NS	478806	. GUIDE PIN ASSY / BOTTOM SECTION From C-2062	2	2	2	
. NS	478805	. GUIDE / FIXED ON TOP From C-2062	4	4	4	
. NS	478812	. GUIDE PIN ASSY / MIDDLE SECTION From C-2062	1	1	1	
NS	479325	SWITCH SUPPORT & COVER	1	1		
NS	479326	SWITCH COVER			1	
NS	500952	SCREW TP BDG PH #8x1/2 SS	2	2	2	
4	470352	FENDER FIBERGLASS L.H. FRONT To C-2061	1	1	1	
. NS	479319	. GUIDE PIN ASSY To C-2061	3	3	3	
. NS	471100	. GUIDE / FIXED ON TOP To C-2061	4	4	4	
4	478802	FENDER FIBERGLASS L.H. FRONT From C-2062	1	1	1	
. NS	478806	. GUIDE PIN ASSY / BOTTOM SECTION From C-2062	2	2	2	
. NS	478805	. GUIDE / FIXED ON TOP From C-2062	4	4	4	
. NS	478812	. GUIDE PIN ASSY / MIDDLE SECTION From C-2062	1	1	1	
10	504746	RIVET HKL MMS 3/16x1/4 SS To E-2580	AR	AR	AR	
10	504793	RIVET MNB OE LARGE HEAD 3/16x7/16 SS From E-2581	AR	AR	AR	
11	504334	BUMPER RUBBER / .625 OD x .406 TH x .156 HOLE	4	4	4	
12	504339	RIVET POP DOME OE 1/8x3/8 SS	4	4	4	
13	473414	RETAINER PLASTIC	8	8	8	
15	470933	. FENDER PROTECTOR	8	8	8	A
15	506869	. TAPE RUB ADH2 POL .031" x 1/4" x 300' / BLACK	AR	AR	AR	A

<b>From B-1721 To J-0112</b>	<b>Date:10/2022</b>	<b>PAGE:H7-1857-01</b>
<b>FENDERS</b>		

Item#	Part	Description	H 3 4 1	H 3 4 5	V I P 4 5	N O T E S
15	684517	. ADHESIVE SIMSON #ISR 70-03 / GREY / 310ml CARTRIDGE	AR	AR	AR	A
16	504643	. RIVET POP DOME OE 1/8x1/2 SS	40	40	40	A
17	5001067	. WASHER FL .128x.312x.032 SS	40	40	40	A
NS	7770321	FENDER PROTECTOR KIT	1	1	1	A
. NS	470933	. FENDER PROTECTOR	8	8	8	A
. NS	506869	. TAPE RUB ADH2 POL .031" x 1/4" x 300' / BLACK	1	1	1	A
. NS	684517	. ADHESIVE SIMSON #ISR 70-03 / GREY / 310ml CARTRIDGE	1	1	1	A
. NS	504643	. RIVET POP DOME OE 1/8x1/2 SS	40	40	40	A
. NS	5001067	. WASHER FL .128x.312x.032 SS	40	40	40	A
. NS	IS-17900	. SEE INSTRUCTION SHEET	1	1	1	A
19A	478474P	RECEPTACLE ASSY W/ANGLE SUPPORT	2	2	2	
19B	478481P	RECEPTACLE ASSY W/O SUPPORT / CENTRAL CURBSIDE	1	1	1	
19C	478472P	RECEPTACLE ASSY W/ANGLE SUPPORT	2	2	2	
19D	478473P	RECEPTACLE ASSY W/O SUPPORT / CENTRAL STREET SIDE	1	1	1	
20	479311	. GUIDE PIN RECEPTACLE / PLASTIC	1	1	1	
21	472830	. SPRING GUIDE HOLDER	1	1	1	
22	472829	. SPRING COMPRESSION / .610 O.D. x 2.18 x .072	1	1	1	
23	5001630	. SCREW TP BUTF TORX M6x20 SS	1	1	1	
24	502622	. SCREW CAP HEX M6-1.0x20 SS BK	3	3	3	
25	5001833	. WASHER BEL SPR 6.1x18x1.27 SS	3	3	3	
26	479321	. REINFORCMENT PLATE 20.2MMx22MM SS	3	3	3	
27	5001835	. NUT HEXF M6-1.0 SS	3	3	3	
28	479320	. ANGLE SUPPORT / TO FIX FENDER TO FRAME	1	1	1	
NS	289816	SHIM	AR	AR	AR	
30	478432	NUT "SPECIAL" ADJUSTEMENT M8-1.25 SS	6	6	6	
31	5001836	WASHER FL .250x1.250x.062	6	6	6	
32	5001852	NUT HEX M8-1.25 SS BK	6	6	6	
33	5001833	WASHER BEL SPR 6.1x18x1.27 SS	12	12	12	
34	5001851	NUT HEX M6-1.0 SS BK	12	12	12	
40	218495	ATTACHMENT UPPER (WELDED AT STRUCTURE)	2	2	2	
41	218433	ATTACHMENT LOWER (WELDED AT STRUCTURE)	4	4	4	
42	218467	SUPPORT RECEPTACLE ASSY (WELDED AT STRUCTURE)	4	4	4	
43	218484	ANGLE SUPPORT (WELDED AT STRUCTURE)	2	2	2	
44	218468	CENTER SUPPORT (WELDED AT STRUCTURE)	2	2	2	
45	506302	RUBBER EXTRUSION TRIM SEAL / GRIP .024 / 7/16" HOLLOW BULB C.T.L. From E-2505	AR	AR	AR	
46	506035	TAPE RUB ADH1 NEO 1/2" x 1" x 15' / BLACK 1220X From E-2505	AR	AR	AR	
47	506302	RUBBER EXTRUSION TRIM SEAL / GRIP .024 / 7/16" HOLLOW BULB C.T.L. From E-2505	AR	AR	AR	
48	479422	PROTECTOR From E-2505	1	1	1	
48	500623	SCREW TC PAN PH #10-24x3/4 N500 From E-2505	2	2	2	

From B-1721 To J-0112	Date:10/2022	PAGE:H7-1857-01
<b>FENDERS</b>		

Item#	Part	Description	H 3 4 1	H 3 4 5	V I P 4 5	N O T E S
50	IS15075-1	REPLACEMENT KIT FENDER FIBER TO ALUMINUM FRONT SRTEET SIDE	1	1	1	
52	IS15075-2	REPLACEMENT KIT FENDER FIBER TO ALUMINUM FRONT CURBSIDE	1	1	1	
54	IS15075-3	REPLACEMENT KIT FENDER FIBER TO ALUMINUM REAR STREET SIDE	1	1	1	
57	IS15075-4	REPLACEMENT KIT FENDER FIBER TO ALUMINUM REAR CURBSIDE	1	1	1	
		A) USE WITH FENDER PROTECTOR OPTION				

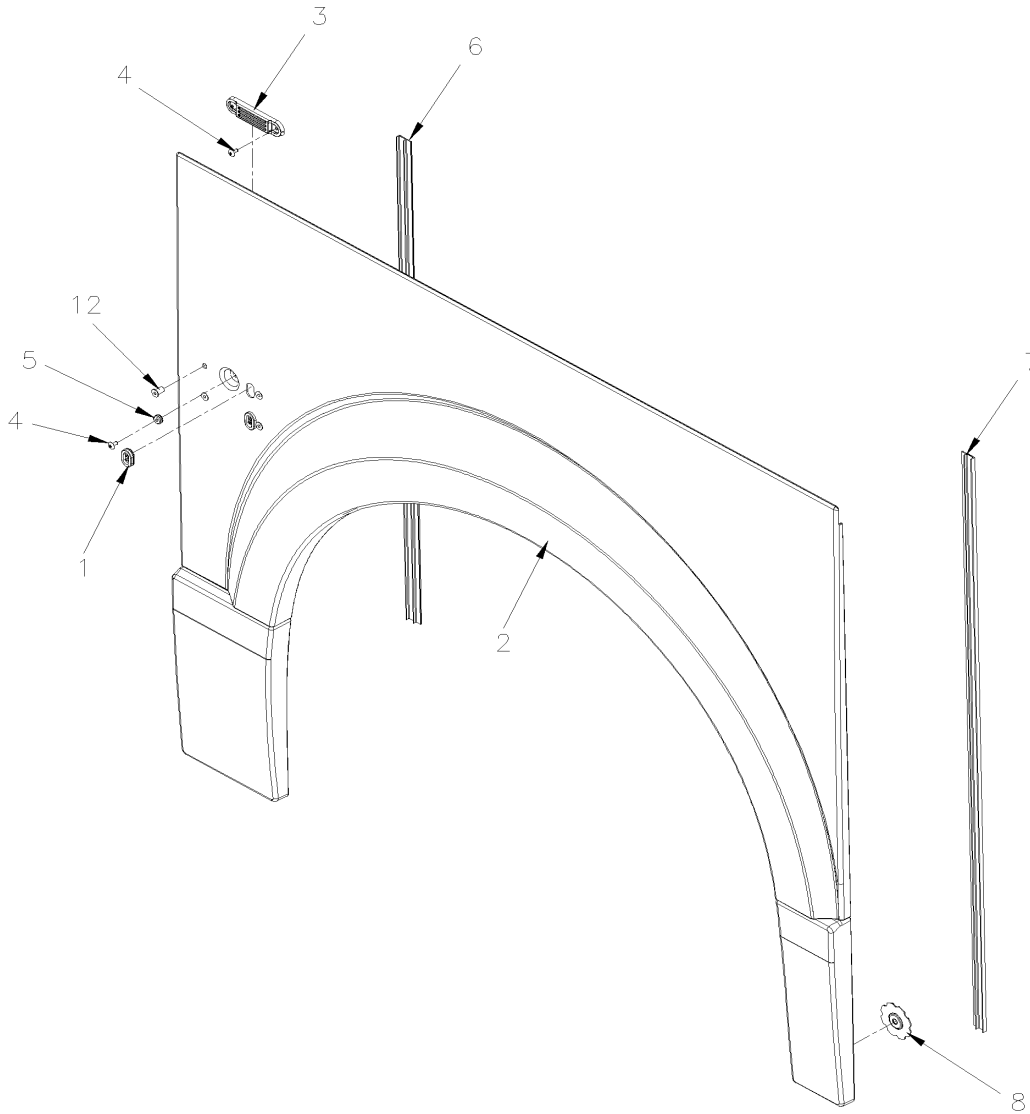
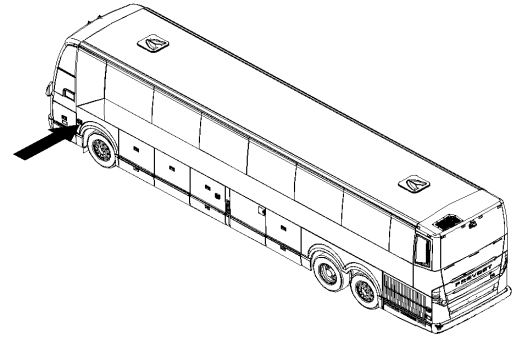


From B-1721 To J-0112

Date:10/2022

PAGE:IS15075-1

## REPLACEMENT KIT FENDER FIBER TO ALUMINUM FRONT STREET SIDE



From B-1721 To J-0112	Date:10/2022	PAGE:IS15075-1
<b>REPLACEMENT KIT FENDER FIBER TO ALUMINUM FRONT SRTEET SIDE</b>		

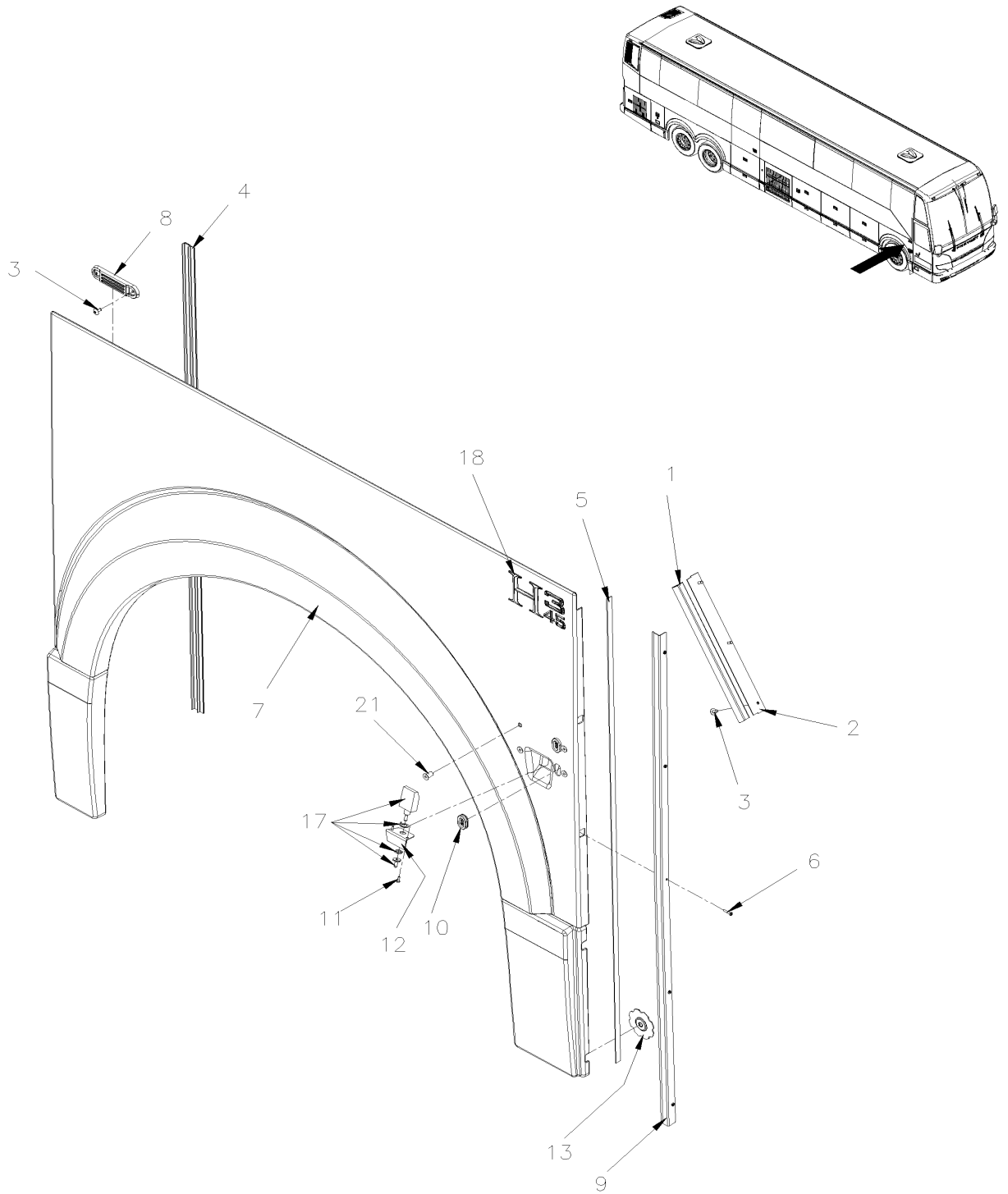
Item#	Part	Description	H 3 4 1	H 3 4 5	V I P 4 5	N O T E S
1	478900	GROMMET, MARKER LIGHT	2	2	2	
2	479658	FENDER ALUMINUM L.H. FRONT	1	1	1	
. NS	479660	. PIN ASSEMBLY / UPPER	1	1	1	
. NS	479661	. PIN ASSEMBLY / LOWER	1	1	1	
. NS	479662	. BRACKET UPPER FENDER	1	1	1	
. NS	506225	. TAPE RUB ADH1 CC POL 1/16" x 1/4" x 100' / GREY 2520	AR	AR	AR	
. NS	685126	. ADHESIVE SIMSON #ISR 70-03 / GREY / 600ml SAUSAGE	AR	AR	AR	
. NS	687957	. GLUE MS POLYMER TEROSON MS 9399 / 400ml CARTRIDGE	AR	AR	AR	
3	470880	RETAINER PLASTIC	4	4	4	
4	504793	RIVET MNB OE LARGE HEAD 3/16x7/16 SS	9	9	9	
5	504529	GROMMET / .250x.375x.062x.281x.625	1	1	1	
6	280421	LATERAL EXTRUSION	1	1	1	
7	280419	LATERAL EXTRUSION	1	1	1	
8	478432	NUT "SPECIAL" ADJUSTEMENT M8-1.25 SS	3	3	3	
NS	5001852	NUT HEX M8-1.25 SS BK	3	3	3	
NS	5001868	WASHER BEL SPR 8.4x18x2 SS	3	3	3	
NS	5001467	WASHER FL .343x1.250x.062 SS18-8	3	3	3	
12	502774	NUT WELL #10-32x.625	4	4	4	
NS	IS-15075	INSTRUCTION SHEET	1	1	1	

From B-1721 To J-0112

Date:10/2022

PAGE:IS15075-2

## REPLACEMENT KIT FENDER FIBER TO ALUMINUM FRONT CURBSIDE



From B-1721 To J-0112 Date:10/2022 PAGE:IS15075-2

**REPLACEMENT KIT FENDER FIBER TO ALUMINUM FRONT CURBSIDE**

Item#	Part	Description	H 3 4 1	H 3 4 5	V I P 4 5	N O T E S
1	479423	CAOUTCHOUC 315 MM	1	1	1	
2	470175	PROTECTEUR	1	1	1	
3	504793	RIVET MNB OE LARGE HEAD 3/16x7/16 SS	11	11	11	
4	280419	LATERAL EXTRUSION	1	1	1	
5	506236	TAPE RUB ADH1 CC POL 1/16" x 1/2" x 100' / GREY 2520	1	1	1	
6	5001040	SCREW TC PAN PH #6-32x3/4 SS	5	5	5	
7	479659	FENDER ALUMINUM R.H. FRONT	1	1	1	
. NS	479660	. PIN ASSEMBLY / UPPER	1	1	1	
. NS	479661	. PIN ASSEMBLY / LOWER	2	2	2	
. NS	479663	. BRACKET UPPER FENDER	1	1	1	
. NS	506225	. TAPE RUB ADH1 CC POL 1/16" x 1/4" x 100' / GREY 2520	AR	AR	AR	
. NS	685126	. ADHESIVE SIMSON #ISR 70-03 / GREY / 600ml SAUSAGE	AR	AR	AR	
. NS	687957	. GLUE MS POLYMER TEROSON MS 9399 / 400ml CARTRIDGE	1	1	1	
8	470880	RETAINER PLASTIC	4	4	4	
9	280446	FINISHING MOULDING REAR / LOWER SECTION	1	1	1	
10	478900	GROMMET, MARKER LIGHT	2	2	2	
11	5000342	SCREW TC PAN PH #6-32x3/8 SS	2	2	2	
12	479899	SWITCH SUPPORT & COVER	1	1	1	
13	478432	NUT "SPECIAL" ADJUSTEMENT M8-1.25 SS	3	3	3	
NS	5001852	NUT HEX M8-1.25 SS BK	3	3	3	
NS	5001868	WASHER BEL SPR 8.4x18x2 SS	3	3	3	
NS	5001467	WASHER FL .343x1.250x.062 SS18-8	3	3	3	
17	563047	SWITCH ASSY / WATERPROOF	1	1	1	
18	491072	CREST "H3-45" / SELF ADHESIVE	1	1	1	
NS	287681	DECAL / "AUTOMATIC DOOR" / HAND OFF / ALU / ENGLISH & FRANCAIS	1	1	1	
NS	138588	DECAL "THIS BUS KNEELS" / BLACK ON ALUMINIUM / ENGLISH & FRANCAIS	1	1	1	
21	502774	NUT WELL #10-32x.625				
NS	IS-15075	INSTRUCTION SHEET	1	1	1	

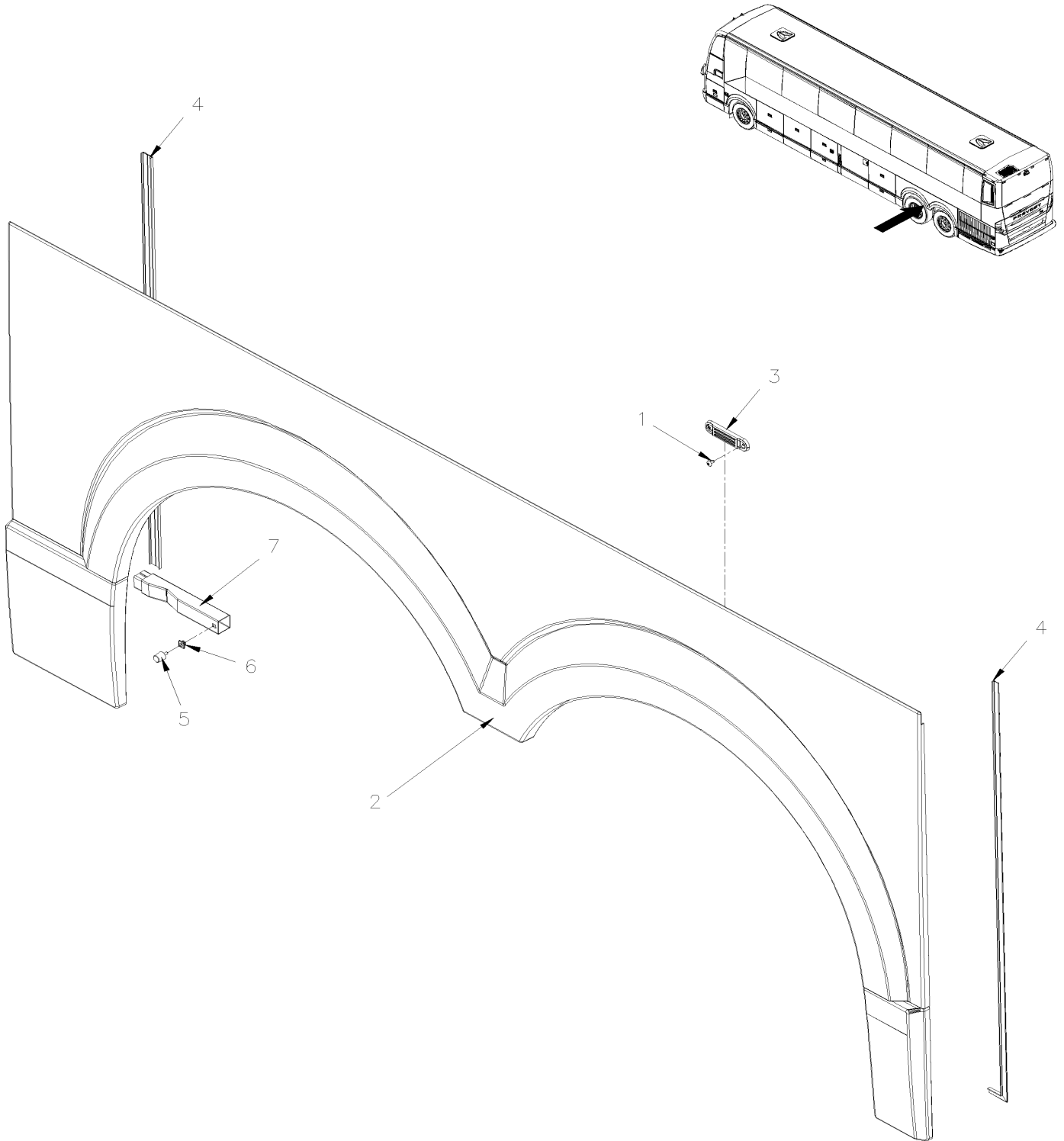


From B-1721 To J-0112

Date:10/2022

PAGE:IS15075-3

## REPLACEMENT KIT FENDER FIBER TO ALUMINUM REAR STREET SIDE



From B-1721 To J-0112	Date:10/2022	PAGE:IS15075-3
<b>REPLACEMENT KIT FENDER FIBER TO ALUMINUM REAR STREET SIDE</b>		

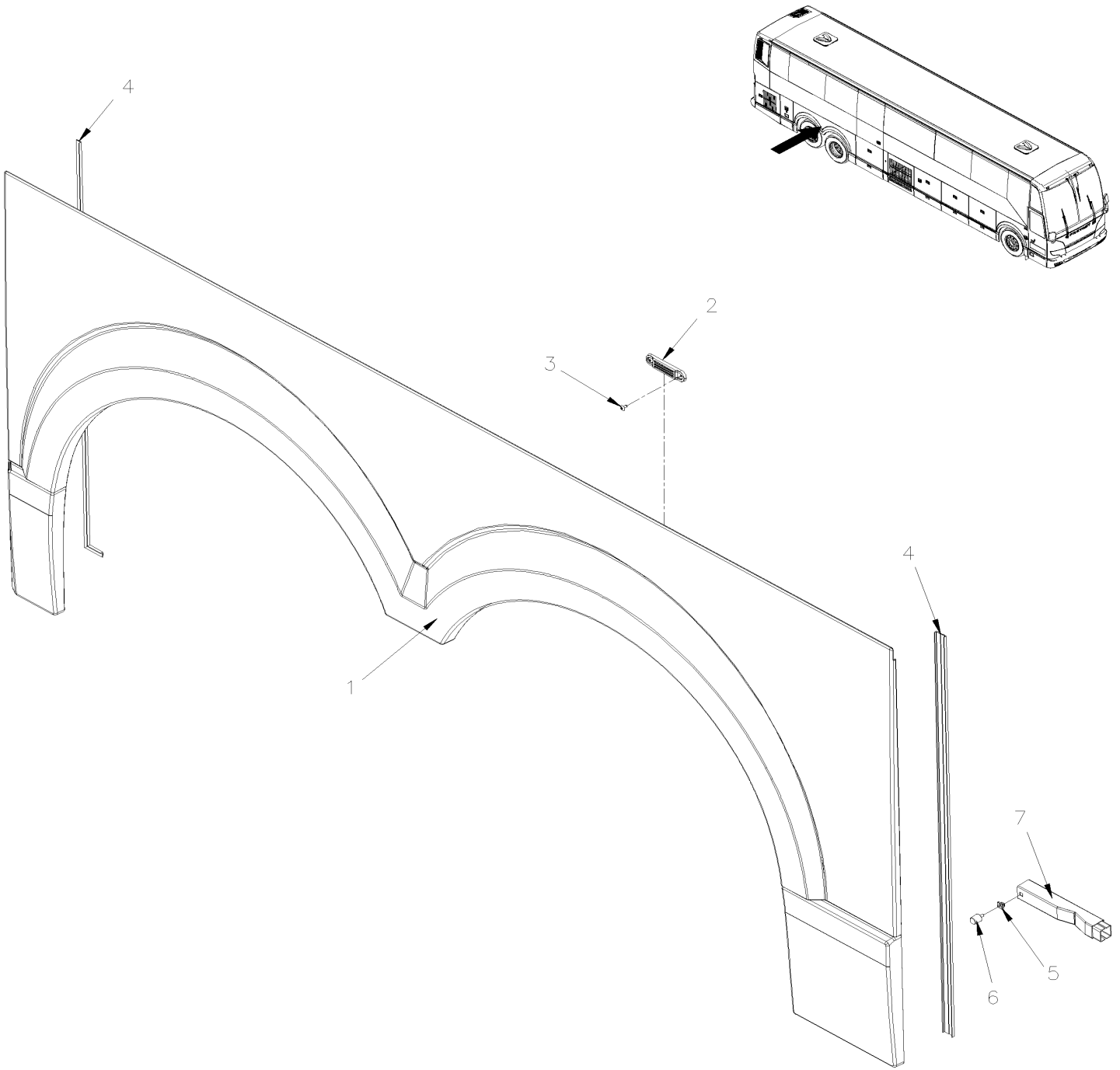
Item#	Part	Description	H 3 4 1	H 3 4 5	V I P 4 5	N O T E S
1	504793	RIVET MNB OE LARGE HEAD 3/16x7/16 SS	10	10	10	
2	479656	FENDER ALUMINUM L.H. REAR	1	1	1	
. NS	479666	. PIN ASSEMBLY / UPPER	1	1	1	
. NS	479669	. PIN ASSEMBLY / LOWER	2	2	2	
. NS	479664	. BRACKET UPPER FENDER	1	1	1	
. NS	506225	. TAPE RUB ADH1 CC POL 1/16" x 1/4" x 100' / GREY 2520	AR	AR	AR	
. NS	685126	. ADHESIVE SIMSON #ISR 70-03 / GREY / 600ml SAUSAGE	AR	AR	AR	
. NS	687957	. GLUE MS POLYMER TEROSON MS 9399 / 400ml CARTRIDGE	AR	AR	AR	
3	470880	RETAINER PLASTIC	5	5	5	
4	289558	LATERAL EXTRUSION 31MM x 1203MM	2	2	2	
5	504454	BUMPER RUBBER BOLT / 20MM ODx20MM TH X M6X15MM STUD	1	1	1	
6	5001009	NUT AN 1/4 NYL	1	1	1	
7	220130	TUBING REAR FENDER ASSY	1	1	1	
NS	IS-15075	INSTRUCTION SHEET	1	1	1	

From B-1721 To J-0112

Date:10/2022

PAGE:IS15075-4

## REPLACEMENT KIT FENDER FIBER TO ALUMINUM REAR CURBSIDE



From B-1721 To J-0112 Date:10/2022 PAGE:IS15075-4

**REPLACEMENT KIT FENDER FIBER TO ALUMINUM REAR CURBSIDE**

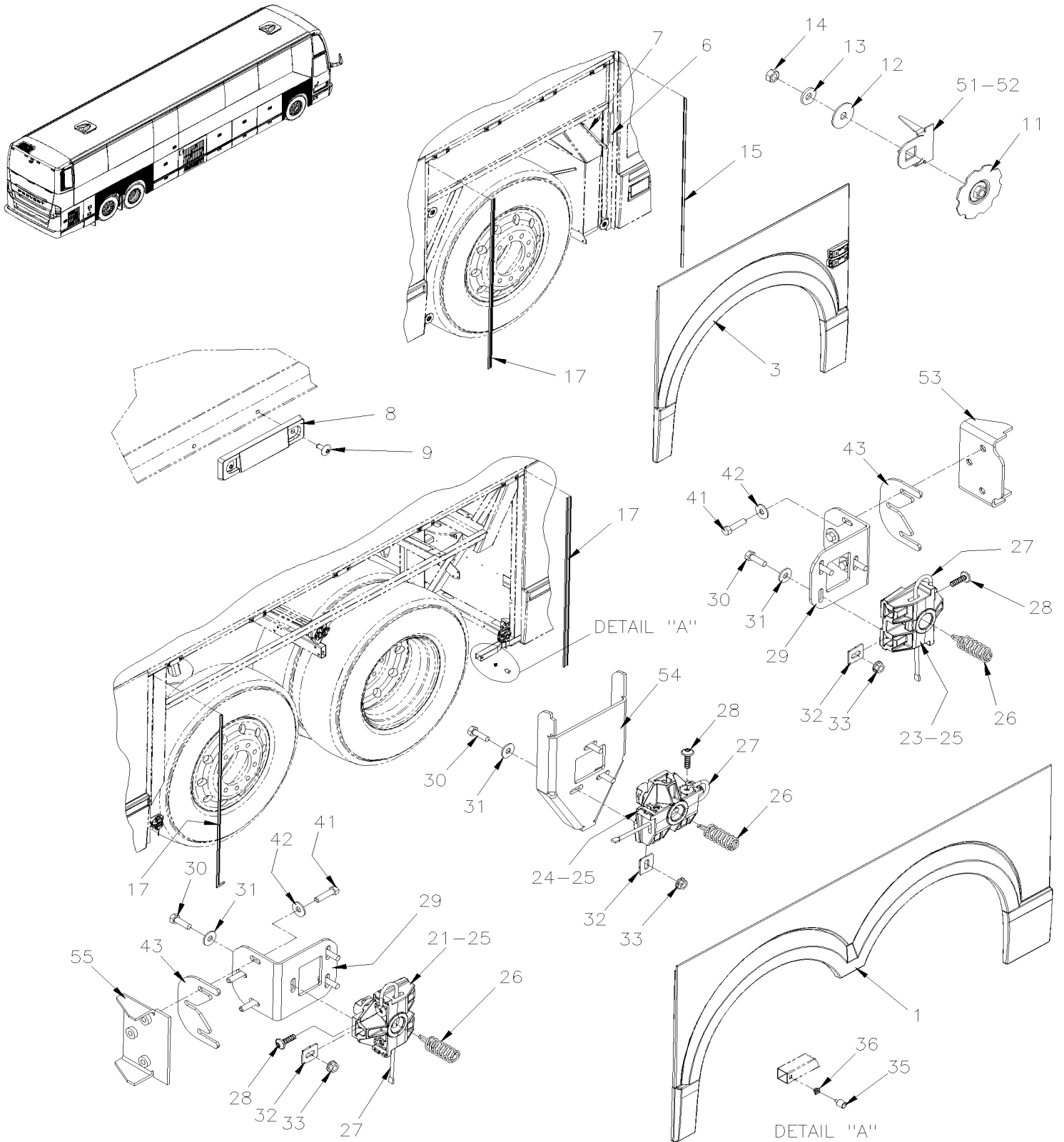
Item#	Part	Description	H 3 4 1	H 3 4 5	V I P 4 5	N O T E S
1	479657	FENDER ALUMINUM R.H. REAR	1	1	1	
. NS	479666	. PIN ASSEMBLY / UPPER	1	1	1	
. NS	479669	. PIN ASSEMBLY / LOWER	2	2	2	
. NS	479664	. BRACKET UPPER FENDER	1	1	1	
2	470880	RETAINER PLASTIC	5	5	5	
3	504793	RIVET MNB OE LARGE HEAD 3/16x7/16 SS	10	10	10	
4	289558	LATERAL EXTRUSION 31MM x 1203MM	2	2	2	
5	5001009	NUT AN 1/4 NYL	1	1	1	
6	504454	BUMPER RUBBER BOLT / 20MM ODx20MM TH X M6X15MM STUD	1	1	1	
7	220130	TUBING REAR FENDER ASSY	1	1	1	
NS	IS-15075	INSTRUCTION SHEET	1	1	1	

From J-0113 To J-0287

Date:10/2022

PAGE:H7-1857-02

## FENDERS

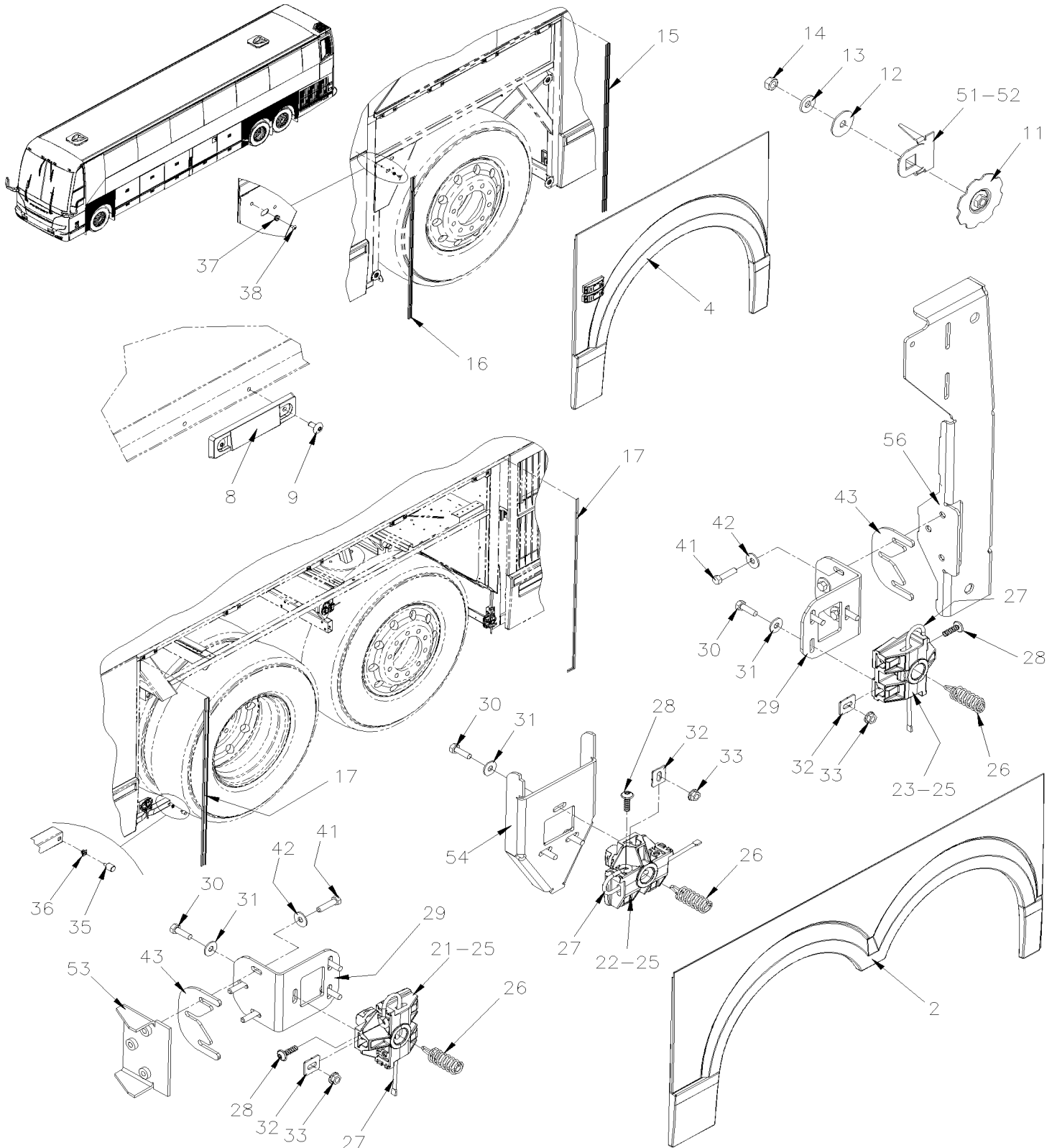


From J-0113 To J-0287

Date:10/2022

PAGE:H7-1857-02

## FENDERS



<b>From J-0113 To J-0287</b>	<b>Date:10/2022</b>	<b>PAGE:H7-1857-02</b>
<b>FENDERS</b>		

Item#	Part	Description	H 3 4 1	H 3 4 5	V I P 4 5	N O T E S
1	479657	FENDER ALUMINUM R.H. REAR	1	1	1	
. NS	479666	. PIN ASSEMBLY / UPPER	1	1	1	
. NS	479669	. PIN ASSEMBLY / LOWER	2	2	2	
. NS	479664	. BRACKET UPPER FENDER	1	1	1	
2	479656	FENDER ALUMINUM L.H. REAR	1	1	1	
. NS	479666	. PIN ASSEMBLY / UPPER	1	1	1	
. NS	479669	. PIN ASSEMBLY / LOWER	2	2	2	
. NS	479664	. BRACKET UPPER FENDER	1	1	1	
. NS	506225	. TAPE RUB ADH1 CC POL 1/16" x 1/4" x 100' / GREY 2520	AR	AR	AR	
. NS	685126	. ADHESIVE SIMSON #ISR 70-03 / GREY / 600ml SAUSAGE	AR	AR	AR	
. NS	687957	. GLUE MS POLYMER TEROSON MS 9399 / 400ml CARTRIDGE	AR	AR	AR	
3	479659	FENDER ALUMINUM R.H. FRONT	1	1	1	
. NS	479660	. PIN ASSEMBLY / UPPER	1	1	1	
. NS	479661	. PIN ASSEMBLY / LOWER	2	2	2	
. NS	479663	. BRACKET UPPER FENDER	1	1	1	
. NS	506225	. TAPE RUB ADH1 CC POL 1/16" x 1/4" x 100' / GREY 2520	AR	AR	AR	
. NS	685126	. ADHESIVE SIMSON #ISR 70-03 / GREY / 600ml SAUSAGE	AR	AR	AR	
. NS	687957	. GLUE MS POLYMER TEROSON MS 9399 / 400ml CARTRIDGE	1	1	1	
NS	479710	SWITCH SUPPORT & COVER	1	1		
NS	479716	SWITCH COVER			1	
NS	5000342	SCREW TC PAN PH #6-32x3/8 SS	2	2	2	
4	479658	FENDER ALUMINUM L.H. FRONT	1	1	1	
. NS	479660	. PIN ASSEMBLY / UPPER	1	1	1	
. NS	479661	. PIN ASSEMBLY / LOWER	1	1	1	
. NS	479662	. BRACKET UPPER FENDER	1	1	1	
. NS	506225	. TAPE RUB ADH1 CC POL 1/16" x 1/4" x 100' / GREY 2520	AR	AR	AR	
. NS	685126	. ADHESIVE SIMSON #ISR 70-03 / GREY / 600ml SAUSAGE	AR	AR	AR	
. NS	687957	. GLUE MS POLYMER TEROSON MS 9399 / 400ml CARTRIDGE	AR	AR	AR	
6	506007	TAPE RUB ADH1 CC NEO 3/4" x 1" x 10' / BLACK 1220	AR	AR	AR	
7	470237	PROTECTOR	1	1	1	
7	506302	RUBBER EXTRUSION TRIM SEAL / GRIP .024 / 7/16" HOLLOW BULB C.T.L.	AR	AR	AR	
8	470880	RETAINER PLASTIC	18	18	18	
9	504793	RIVET MNB OE LARGE HEAD 3/16x7/16 SS	36	36	36	
11	478432	NUT "SPECIAL" ADJUSTMENT M8-1.25 SS	6	6	6	
12	5001467	WASHER FL .343x1.250x.062 SS18-8	6	6	6	
13	5001848	WASHER BEL SPR .827 x .331 x .098 th SS	6	6	6	
14	5001852	NUT HEX M8-1.25 SS BK	6	6	6	
15	280419	LATERAL EXTRUSION	2	2	2	
16	280421	LATERAL EXTRUSION	1	1	1	
17	289558	LATERAL EXTRUSION 31MM x 1203MM	5	5	5	

<b>From J-0113 To J-0287</b>	<b>Date:10/2022</b>	<b>PAGE:H7-1857-02</b>
------------------------------	---------------------	------------------------

**FENDERS**

Item#	Part	Description	H 3 4 1	H 3 4 5	V I P 4 5	N O T E S
21	478472P	RECEPTACLE ASSY W/ANGLE SUPPORT	2	2	2	
22	478473P	RECEPTACLE ASSY W/O SUPPORT / CENTRAL STREET SIDE	1	1	1	
23	478474P	RECEPTACLE ASSY W/ANGLE SUPPORT	2	2	2	
24	478481P	RECEPTACLE ASSY W/O SUPPORT / CENTRAL CURBSIDE	1	1	1	
25	479311	. GUIDE PIN RECEPTACLE / PLASTIC	1	1	1	
26	472829	. SPRING COMPRESSION / .610 O.D. x 2.18 x .072	1	1	1	
27	472830	. SPRING GUIDE HOLDER	1	1	1	
28	5001630	. SCREW TP BUTF TORX M6x20 SS	1	1	1	
29	479320	. ANGLE SUPPORT / TO FIX FENDER TO FRAME	1	1	1	
30	502622	. SCREW CAP HEX M6-1.0x20 SS BK	3	3	3	
31	5001833	. WASHER BEL SPR 6.1x18x1.27 SS	3	3	3	
32	479321	. REINFORCMENT PLATE 20.2MMx22MM SS	3	3	3	
33	5001835	. NUT HEXF M6-1.0 SS	3	3	3	
35	504454	BUMPER RUBBER BOLT / 20MM ODx20MM TH X M6X15MM STUD	2	2	2	
36	5001009	NUT AN 1/4 NYL	2	2	2	
37	504529	GROMMET / .250x.375x.062x.281x.625	1	1	1	
38	504793	RIVET MNB OE LARGE HEAD 3/16x7/16 SS	1	1	1	
41	502622	SCREW CAP HEX M6-1.0x20 SS BK	12	12	12	
42	5001833	WASHER BEL SPR 6.1x18x1.27 SS	12	12	12	
43	289816	SHIM	AR	AR	AR	
51	218495	ATTACHMENT UPPER (WELDED AT STRUCTURE)	2	2	2	
52	218433	ATTACHMENT LOWER (WELDED AT STRUCTURE)	4	4	4	
53	218539	SUPPORT RECEPTACLE ASSY (WELDED AT STRUCTURE)	2	2	2	
54	170009	SUPPORT RECEPTACLE ASSY / CENTER (WELDED AT STRUCTURE)	2	2	2	
55	218467	SUPPORT RECEPTACLE ASSY (WELDED AT STRUCTURE)	1	1	1	
56	218483	SUPPORT RECEPTACLE ASSY (WELDED AT STRUCTURE)	1	1	1	

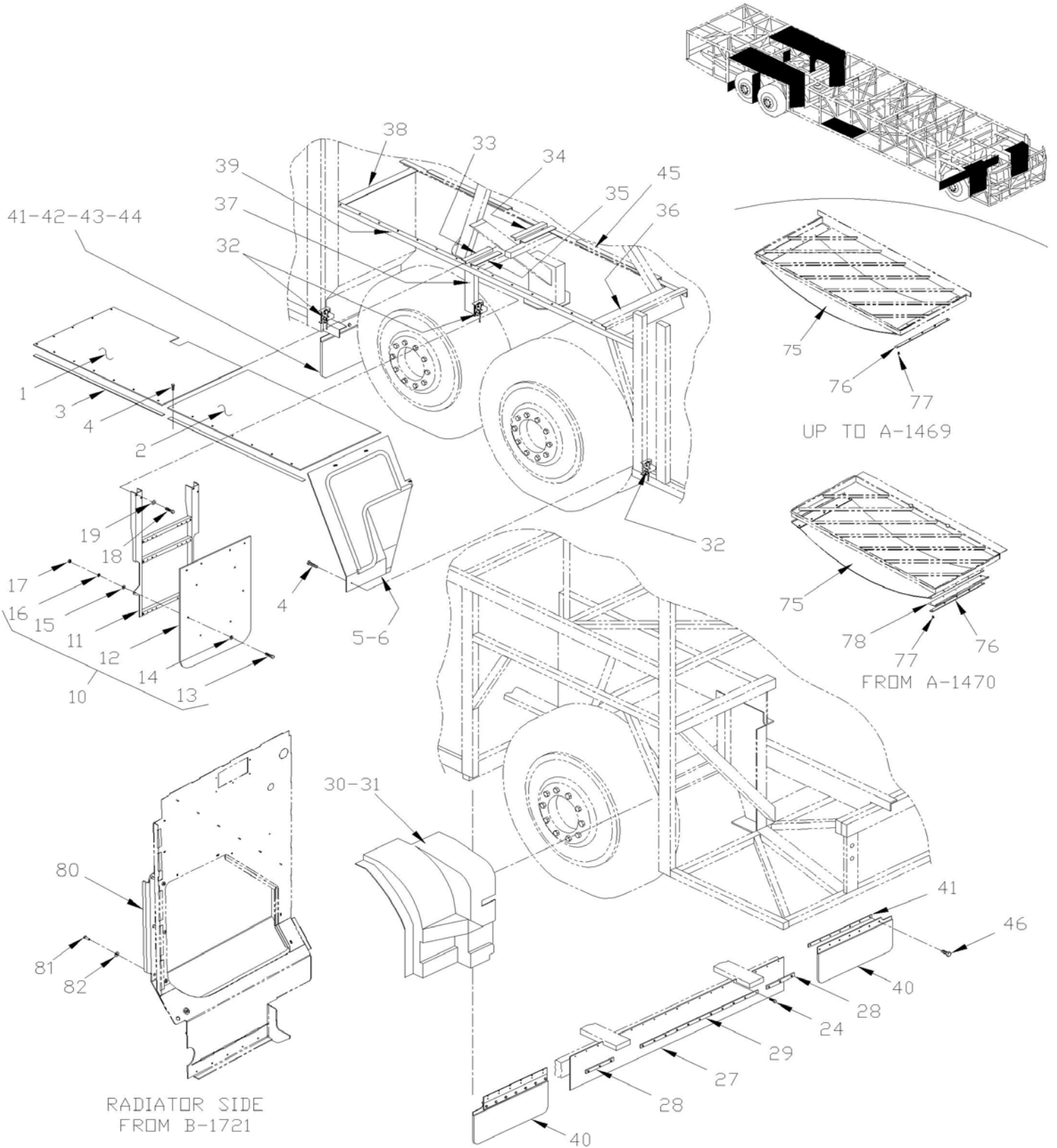


From 7-0671 To E-2504

Date:10/2022

PAGE:H7-1859-00

## SPLASH GUARD - FRONT & REAR

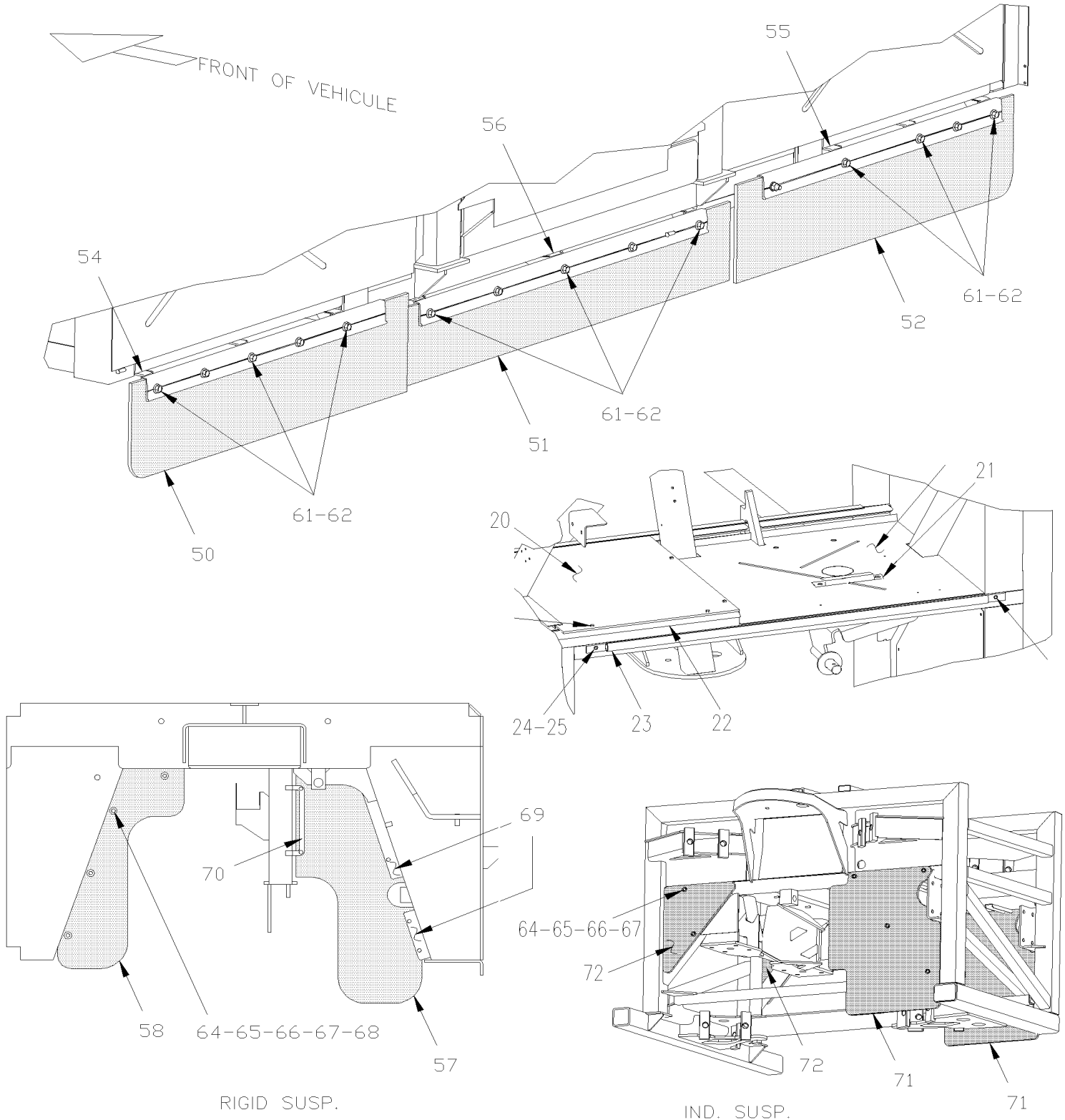


From 7-0671 To E-2504

Date:10/2022

PAGE:H7-1859-00

## SPLASH GUARD - FRONT & REAR

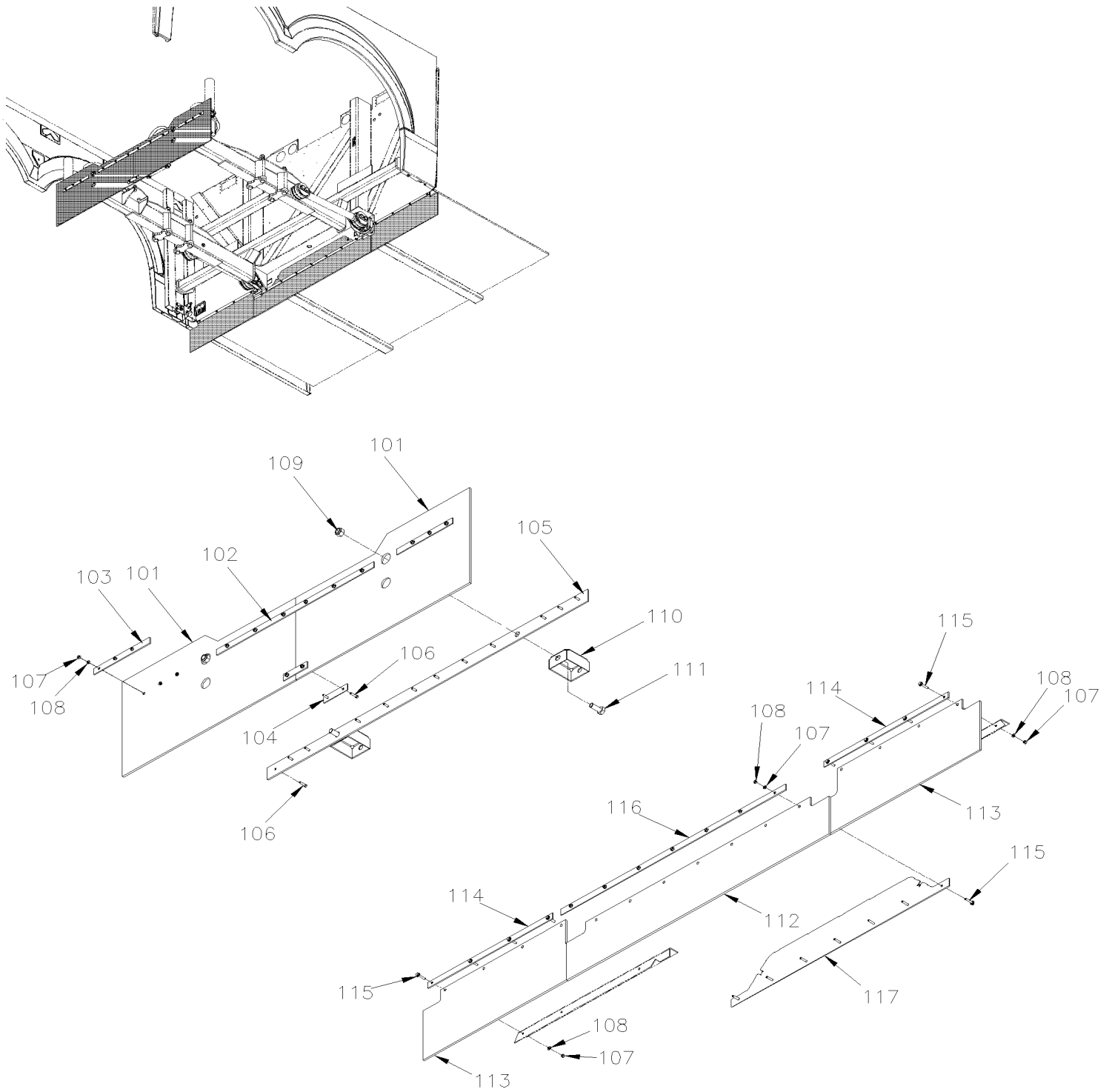


From 7-0671 To E-2504

Date:10/2022

PAGE:H7-1859-00

## SPLASH GUARD - FRONT & REAR



<b>From 7-0671 To E-2504</b>	<b>Date:10/2022</b>	<b>PAGE:H7-1859-00</b>
<b>SPLASH GUARD - FRONT &amp; REAR</b>		

Item#	Part	Description	H 3 4 1	H 3 4 5	V I P 4 5	N O T E S
1	460339	SPLASH GUARD PANEL 675MM X 1092MM To A-1655	1	1		
1	464697	SPLASH GUARD PANEL 675MM X 1092MM From A-1656	1	1		
1	460369	SPLASH GUARD PANEL 675MM X 1092MM To A-1655			2	
1	464690	SPLASH GUARD PANEL 675MM X 1092MM From A-1656			2	
1	460659	SPLASH GUARD PANEL 630MM X 1016MM To A-1655			1	SF
1	464696	SPLASH GUARD PANEL 630MM X 1016MM From A-1656			1	SF
1	460656	SPLASH GUARD PANEL 630MM X 1016MM To A-1655			1	SB
1	464691	SPLASH GUARD PANEL 630MM X 1016MM From A-1656			1	SB
1	460653	SPLASH GUARD PANEL 630MM X 1016MM To A-1655			1	S10
1	464695	SPLASH GUARD PANEL 630MM X 1016MM From A-1656			1	S10
2	460338	SPLASH GUARD PANEL 675MM X 996MM	2	2		
2	460368	SPLASH GUARD PANEL 675MM X 1018MM			2	
2	460655	SPLASH GUARD PANEL 630MM X 958MM			1	SF
2	460652	SPLASH GUARD PANEL 630MM X 958MM			1	S10 SB
3	460336	SEAL RUBBER EXTRUSION EPDM 2100MM To A-1578	1	1	1	
3	460090	SEAL RUBBER EXTRUSION EPDM 2100MM From A-1579	1	1	1	
3	460654	RUBBER SEAL EXTRUSION / REAR FENDER W/SLIDE-OUT CURB			1	
3	460674	RUBBER SEAL EXTRUSION / REAR FENDER W/SLIDE-OUT CURB			1	
3	460687	RUBBER SEAL EXTRUSION / REAR FENDER W/SLIDE-OUT CURB			1	
NS	502868	SCREW TC TR PH #10-16x1/2 N500	AR	AR	AR	
NS	500805	WASHER FL .218x.875x.062 N500	AR	AR	AR	
4	5001169	SCREW TP CAP HEXW #12x3/4 SS410	30	30	30	
5	460360	SPLASH GUARD / R.H. DRIVE	1	1		
5	460328	SPLASH GUARD / R.H. DRIVE			1	
6	460361	SPLASH GUARD / L.H. DRIVE	1	1		
6	460366	SPLASH GUARD / L.H. DRIVE			1	
10	460392	SPLASH GUARD / R.H. / DRIVE & TAG	1	1	1	
10	460391	SPLASH GUARD / L.H. / DRIVE & TAG	1	1	1	
11	460389	. SUPPORT R.H.	1	1	1	
11	460390	. SUPPORT L.H.	1	1	1	
12	460351	. RUBBER PAD	1	1	1	
. NS	960015	. . RUBBER PAD	1	1	1	
13	502737	. SCREW CAP HEX M6-1.0x25 SS BK	10	10	10	
14	500411	. WASHER FL .260x.697x.050 SS	10	10	10	
15	502573	. WASHER FL 6.4x12.5x1.6 SS	10	10	10	
16	502570	. WASHER LO SPT 6.1x11.8x1.6 SS	10	10	10	
17	502565	. NUT HEX M6-1.0 SS	10	10	10	
18	5001178	SCREW CAP HEX M8-1.25x60 SS BK	4	4	4	
18	5001160	SCREW CAP HEX M8-1.25x100 SS EMN	4	4	4	
19	500270	WASHER FL .406x1.000x.063 SS	16	16	16	
19	5001161	WASHER LO SPT 8.1x14.8x2.0 SS-304	8	8	8	
NS	5001188	NUT HEX M8-1.25 SS	4	4	4	

<b>From 7-0671 To E-2504</b>	<b>Date:10/2022</b>	<b>PAGE:H7-1859-00</b>
<b>SPLASH GUARD - FRONT &amp; REAR</b>		

Item#	Part	Description	H 3 4 1	H 3 4 5	V I P 4 5	N O T E S
20	460457	SPLASH GUARD PANEL 675MM X 458MM	2	2		
21	374322	SPACER ASSY 1" / "WATER HEATER & FENDER	2	2		
NS	500069	SCREW CAP HEX M8-1.25x16 G10.9 DP	4	4		
NS	5001341	WASHER FL 8.4x17.0x1.6 SS	4	4		
NS	5001161	WASHER LO SPT 8.1x14.8x2.0 SS-304	4	4		
NS	5001188	NUT HEX M8-1.25 SS	4	4		
22	460447	SEAL RUBBER EXTRUSION EPDM 1470MM To A-1541	1	1		
22	460076	SEAL RUBBER EXTRUSION EPDM 1470MM From A-1542	1	1		
23	460493	SEAL 1090MM To A-1579	1	1		
23	460670	SEAL 1090MM From A-1579 To C-2017	1	1		
23	460686	SEAL 1090MM From C-2018	1	1		
24	500157	WASHER FL .125x.375x.032 SS	AR	AR		
25	504339	RIVET POP DOME OE 1/8x3/8 SS	AR	AR		
26	500526	SCREW TP CAP HEXW #12x3/4 N500	AR	AR		
27	460312	SPLASH GUARD / CENTER FRONT SPLASH / 1466MM X 247MM	1	1		
28	460313	STRAP / TO FIX CENTER SPLASH GUARD / 220MM X 20MM	2	2		
29	460314	STRAP / TO FIX CENTER SPLASH GUARD / 806MM X 20MM	1	1		
30	460346	SPLASH GUARD / R.H. FRONT	1	1		
30	460394	SPLASH GUARD / R.H. FRONT To 9-1469		1	1	A
30	460614	SPLASH GUARD / R.H. FRONT From A-1470 To C-1909			1	A
30	460219	SPLASH GUARD / R.H. FRONT From C-1910			1	A
31	460270	SPLASH GUARD / L.H. FRONT	1	1		
31	460393	SPLASH GUARD / L.H. FRONT To 9-1469		1	1	A
31	460615	SPLASH GUARD / L.H. FRONT From A-1470 To C-1909			1	A
31	460220	SPLASH GUARD / L.H. FRONT From C-1910			1	A
NS	460613	SUPPORT ANGLE LOWER / FRONT	2	2	2	
NS	504250	RIVET CHY Q PRDG 3/16x1/2 SS	18	18	18	
NS	502571	WASHER FL SEAL .281x.625x20GA SS	18	18	18	
32	285667	BRACKET / "U" SHAPE / (WELDED) To A-1720	3	3	3	
33	212531	SUPPORT / "T" SHAPE (WELDED) / 245MM SS	1	1	1	
34	213012	SUPPORT / "W" SHAPE (WELDED) / 170MM SS			1	
34	212553	SUPPORT / "W" SHAPE (WELDED) / 206MM SS	1	1		
35	171954	SUPPORT R.H.	1	1	1	
35	171957	SUPPORT L.H.	1	1	1	
36	212521	SUPPORT ANGLE 45° / SLOTTED TO HOLD PANEL (WELDED) 648MM	1	1		
36	212998	SUPPORT ANGLE 45° / SLOTTED TO HOLD PANEL (WELDED) 648MM			1	
37	212997	TUBE 286MM	1	1		
37	212029	TUBE 248MM			1	

<b>From 7-0671 To E-2504</b>	<b>Date:10/2022</b>	<b>PAGE:H7-1859-00</b>
<b>SPLASH GUARD - FRONT &amp; REAR</b>		

Item#	Part	Description	H 3 4 1	H 3 4 5	V I P 4 5	N O T E S
37	213389	REINFORCEMENT ANGLE 30MM X 64MM	1	1	1	
38	212522	ANGLE 25MM x 65MM x 628MM / (WELDED)	1	1		
38	212999	ANGLE R.H. / 25MM x 65MM x 628MM / (WELDED)			1	
38	213031	ANGLE L.H. / 25MM x 65MM x 628MM / (WELDED)			1	
39	212541	TUBE 2462MM SS	2	2	2	
39	460674	RUBBER SEAL EXTRUSION / REAR FENDER W/SLIDE-OUT CURB To C-2017	1	1	1	S
39	460687	RUBBER SEAL EXTRUSION / REAR FENDER W/SLIDE-OUT CURB From C-2018	1	1	1	S
40	460599	SPLASH GUARD FRONT	2	2	2	
41	460601	PLATE REINFORCEMENT 418MM	4	4	4	
42	460600	SPLASH GUARD TAG To A-1655	2	2	2	
42	464688	SPLASH GUARD TAG From A-1656	2	2	2	
43	071509	PLATE ASSY W/DECAL "EDGE" From 8-1106 To C-1931	2	2	2	
. NS	071507	. PLATE SS 200MM x 133MM From 8-1106 To C-1931	1	1	1	
. NS	071508	. DECAL / "EDGE" - TRANS ALLISON From 8-1106 To C-1931	1	1	1	
44	504339	RIVET POP DOME OE 1/8x3/8 SS From 8-1106 To C-1931	4	4	4	
NS	5001067	WASHER FL .128x.312x.032 SS From 8-1106 To C-1931	4	4	4	
45	172060	RETAINER PLASTIC FENDER "F" SHAPE 2105MM SS To A-1720	2	2	2	
45	174931	RETAINER PLASTIC FENDER "F" SHAPE 1995MM SS From B-1721	2	2	2	
46	504416	RIVET POP DOME OE 3/16x5/8 SS	AR	AR	AR	
50	460598	AIR SHIELD DEFLECTOR ASSY / STREETSIDE To 9-1469	1	1		
. NS	460591	. AIR SHIELD DEFLECTOR / STREETSIDE To 9-1469	1	1		
. NS	460595	. EXTRUSION ALUMINUM / STREETSIDE To 9-1469	1	1		
50	460605	AIR SHIELD DEFLECTOR ASSY / STREETSIDE From A-1470 To D-2136	1	1		
. NS	460608	. AIR SHIELD DEFLECTOR From A-1470 To D-2136	1	1		
. NS	460609	. EXTRUSION ALUMINUM / STREETSIDE From A-1470 To D-2136	1	1		
50	460605	AIR SHIELD DEFLECTOR ASSY / STREETSIDE To D-2136			1	
. NS	460608	. AIR SHIELD DEFLECTOR To D-2136			1	
. NS	460609	. EXTRUSION ALUMINUM / STREETSIDE To D-2136			1	
50	460608	AIR SHIELD DEFLECTOR From D-2137	1	1	1	
50	464729	STRIP DEFELECTOR 582MM From D-2137	1	1	1	
51	460590	AIR SHIELD DEFLECTOR / CENTER To 9-1469	1	1		
51	460450	AIR SHIELD DEFLECTOR ASSY / CENTER From A-1470 To D-2136	1	1		
. NS	460444	. AIR SHIELD DEFLECTOR / CENTER From A-1470 To D-2136	1	1		
. NS	460434	. EXTRUSION ALUMINUM / CENTER From A-1470 To D-2136	1	1		
51	460450	AIR SHIELD DEFLECTOR ASSY / CENTER To D-2136			1	
. NS	460444	. AIR SHIELD DEFLECTOR / CENTER To D-2136			1	
. NS	460434	. EXTRUSION ALUMINUM / CENTER To D-2136			1	
51	460444	AIR SHIELD DEFLECTOR / CENTER From D-2137	1	1	1	
51	464732	STRIP DEFELECTOR 804MM	1	1	1	
52	460597	AIR SHIELD DEFLECTOR ASSY / CURBSIDE To 9-1469	1	1		
. NS	460592	. AIR SHIELD DEFLECTOR / CURBSIDE To 9-1469	1	1		
. NS	460596	. EXTRUSION ALUMINUM / CURBSIDE To 9-1469	1	1		



<b>From 7-0671 To E-2504</b>	<b>Date:10/2022</b>	<b>PAGE:H7-1859-00</b>
<b>SPLASH GUARD - FRONT &amp; REAR</b>		

Item#	Part	Description	H 3 4 1	H 3 4 5	V I P 4 5	N O T E S
52	460604	AIR SHIELD DEFLECTOR ASSY / CURBSIDE From A-1470 To D-2136	1	1		
. NS	460606	. AIR SHIELD DEFLECTOR / CURBSIDE From A-1470 To D-2136	1	1		
. NS	460607	. EXTRUSION ALUMINUM / CURBSIDE From A-1470 To D-2136	1	1		
52	460604	AIR SHIELD DEFLECTOR ASSY / CURBSIDE To D-2136			1	
. NS	460606	. AIR SHIELD DEFLECTOR / CURBSIDE To D-2136			1	
. NS	460607	. EXTRUSION ALUMINUM / CURBSIDE To D-2136			1	
52	460608	AIR SHIELD DEFLECTOR From D-2137	1	1	1	
52	464729	STRIP DEFELECTOR 582MM From D-2137	1	1	1	
54	460610	SUPPORT / AIR SHIELD / CURBSIDE	1	1		
55	460611	SUPPORT / AIR SHIELD / STREETSIDE	1	1		
56	460589	STRIP, FIXATION / 31,7MM x 810MM SS To 9-1469	1	1		
56	460441	SUPPORT / AIR SHIELD / CENTER From A-1470 To D-2136	1	1		
56	460681	SUPPORT / AIR SHIELD / CENTER From D-2137	1	1		
57	464666	AIR DEFLECTOR FORWARD / W/RIGID SUSPENSION	1	1		
58	464667	AIR DEFLECTOR BACKWARD / W/RIGID SUSPENSION	1	1		
60	<b>H7-1893-00</b>	<b>BAGGAGE COMPARTMENT STRUCTRE</b>				
61	502912	SCREW CAP HEXF M8-1.25x25 SS BK	AR	AR	AR	
62	502911	NUT HEXF M8-1.25 SS	AR	AR	AR	
63	502737	SCREW CAP HEX M6-1.0x25 SS BK	AR	AR	AR	
64	502570	WASHER LO SPT 6.1x11.8x1.6 SS	AR	AR	AR	
65	5001467	WASHER FL .343x1.250x.062 SS18-8	AR	AR	AR	
66	502565	NUT HEX M6-1.0 SS	AR	AR	AR	
67	502810	SCREW TP CAP HEXW FL M6.3-1.81x30 PHC	AR	AR	AR	
68	464671	SUPPORT / AIR SHIELD "L" SHAPE / CURBSIDE REAR	1	1		
69	464670	SUPPORT / AIR SHIELD / CURBSIDE FRONT / 670MM	1	1		
70	464669	SUPPORT / AIR SHIELD / CURBSIDE CENTER / 670MM	1	1		
71	460456	AIR SHIELD DEFLECTOR / BACKWARD / W/IND SUSPENSION	2	2	2	
72	460492	AIR SHIELD DEFLECTOR / FORWARD / W/IND SUSPENSION To C-2021	2	2		
72	460492	AIR SHIELD DEFLECTOR / FORWARD / W/IND SUSPENSION To C-1909			2	
72	460679	AIR SHIELD DEFLECTOR / FORWARD / W/IND SUSPENSION From C-2021	2	2		
72	460679	AIR SHIELD DEFLECTOR / FORWARD / W/IND SUSPENSION From C-1910			2	
75	460660	SPLASH GUARD / CONDENSOR GRILL	1	1		
76	460661	PLATE RETAINER DEFLECTOR EVAPORATOR H3	2	2		
77	504747	RIVET HKL MMS 3/16x3/8 SS	AR	AR		
78	217075	SUPPORT / SPLASH GUARD From A-1470	2	2		
80	053558	FENDER ACCESS PANEL PLASTIC BLACK From B-1721	1	1	1	
81	502830	SCREW CAP HEX M6-1.0x20 G8.8 N500 From B-1721	4	4	4	
82	5001833	WASHER BEL SPR 6.1x18x1.27 SS From B-1721	4	4	4	
101	464737	SPLASH GUARD / BETWEEN DRIVE AXLE & TAG AXLE	2	2		
102	464734	STRIP, FIXATION / SS 711MM W/6 HOLES	1	1		

From 7-0671 To E-2504	Date:10/2022	PAGE:H7-1859-00
<b>SPLASH GUARD - FRONT &amp; REAR</b>		

Item#	Part	Description	H 3 4 1	H 3 4 5	V I P 4 5	N O T E S
103	464735	STRIP, FIXATION / SS 254MM W/3 HOLES	2	2		
104	464736	STRIP, FIXATION / SS 108MM W/2 HOLES	2	2		
105	464733	STRIP, FIXATION / SS 1448MM W/12 HOLES	1	1		
106	502737	SCREW CAP HEX M6-1.0x25 SS BK	14	14		
107	5001182	NUT HEX NYRT M6-1.0 SS	14	14		
108	502573	WASHER FL 6.4x12.5x1.6 SS	14	14		
109	5001662	NUT HEX NYRT M16-2.0 G10 Z050	2	2		
110	464750	SPACER	2	2		
111	5001590	SCREW CAP HEX M16-2.0x40 G10.9 N500	2	2		
112	464740	SPLASH GUARD / UNDER FUEL TANK	1	1		
113	464741	SPLASH GUARD	1	1		
114	464743	STRIP, FIXATION / SS 564MM W/4 HOLES	2	2		
115	5001815	SCREW CAP HEXF M6-1.0x30 G 8.8 N500	15	15		
116	464745	STRIP, FIXATION / SS 1015MM W/7 HOLES	1	1		
117	464751	ATTACH, CENTER PROTECTOR	1	1		
		A) WITH INDEPENDANT SUSPENSION				
		S) WITH CURBSIDE SLIDE-OUT				
		S10) WITH CURBSIDE SLIDE-OUT10'				
		SB) WITH CURBSIDE SLIDE-OUT 7.5 BACKWARD				
		SF) WITH CURBSIDE SLIDE-OUT 7.5 FORWARD				

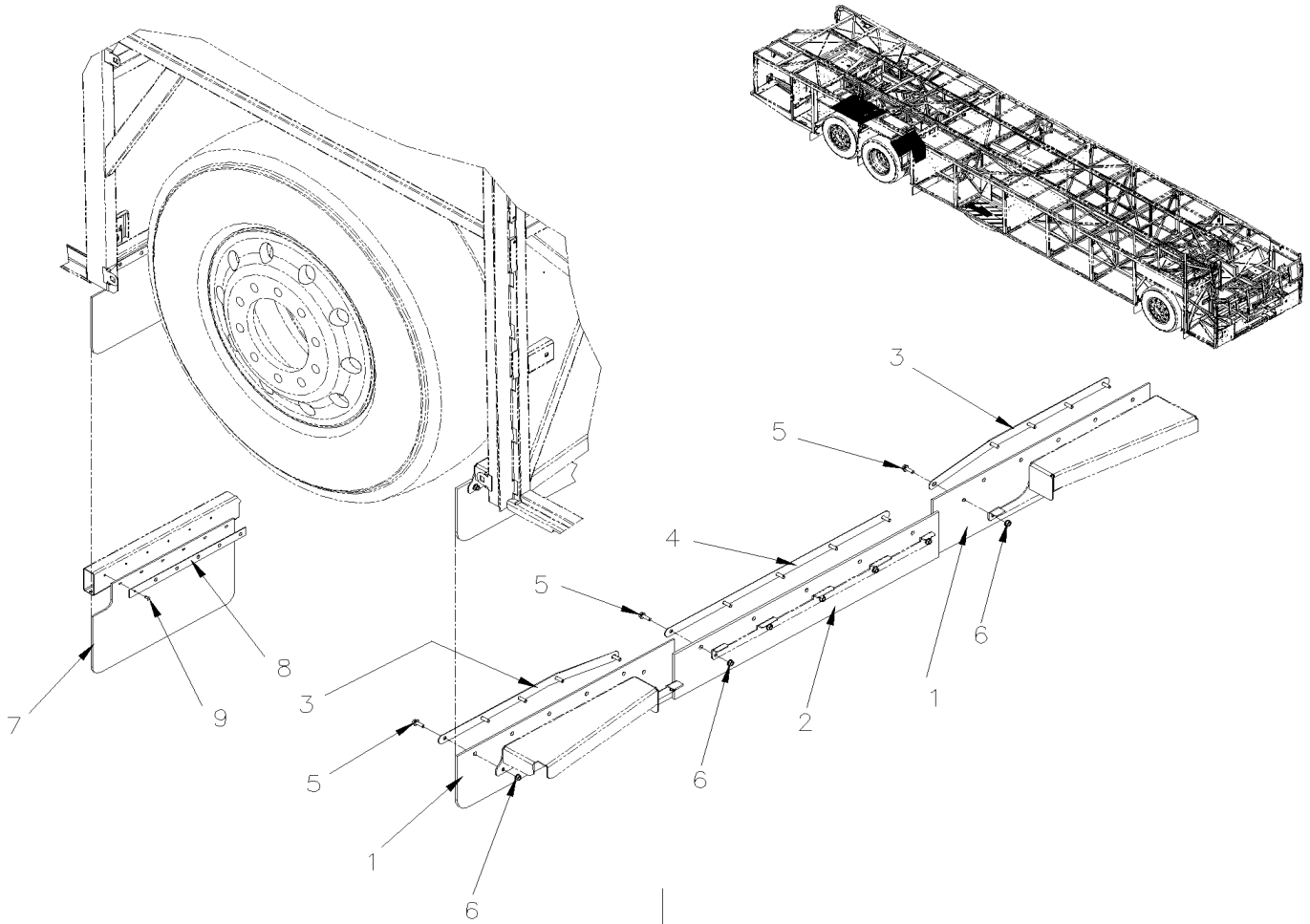


From E-2505 To J-0287

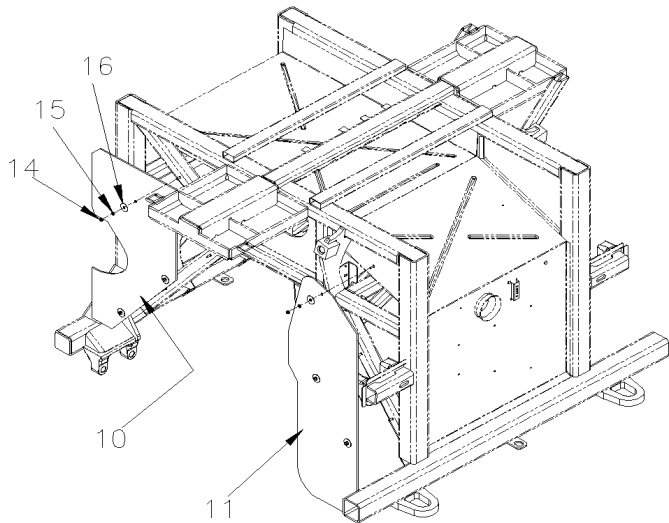
Date:10/2022

PAGE:H7-1859-01

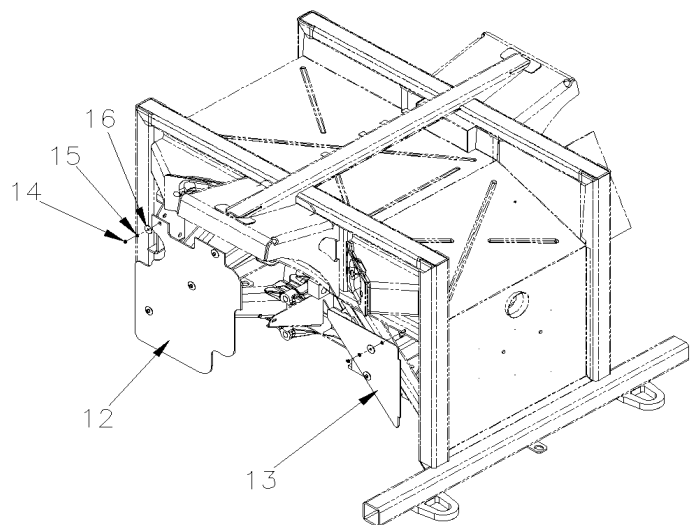
## SPLASH GUARD - FRONT & REAR



I-BEAM SUSPENSION



INDEPENDANTE SUSPENSION

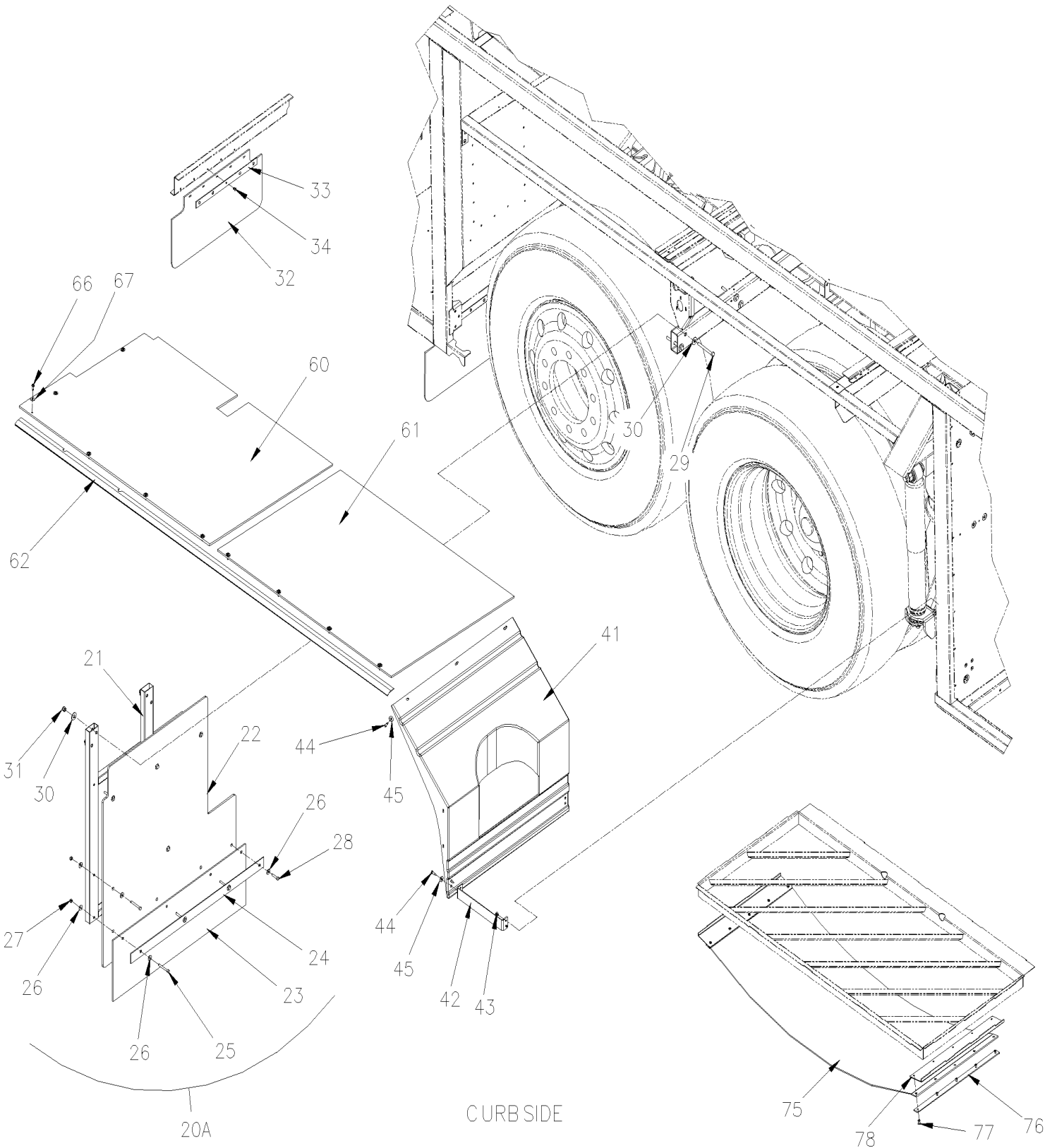


From E-2505 To J-0287

Date:10/2022

PAGE:H7-1859-01

## SPLASH GUARD - FRONT & REAR

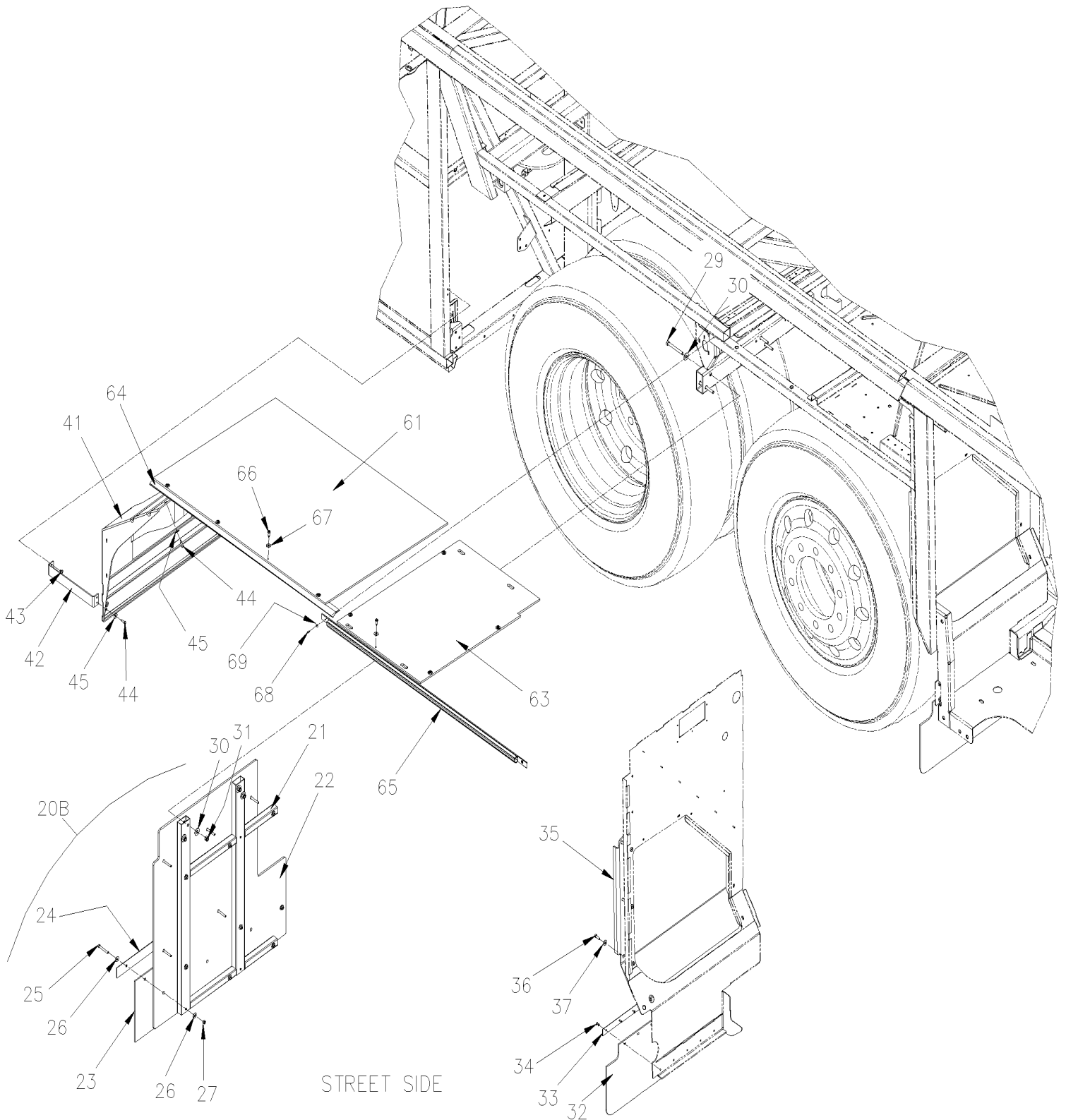


From E-2505 To J-0287

Date:10/2022

PAGE:H7-1859-01

## SPLASH GUARD - FRONT & REAR

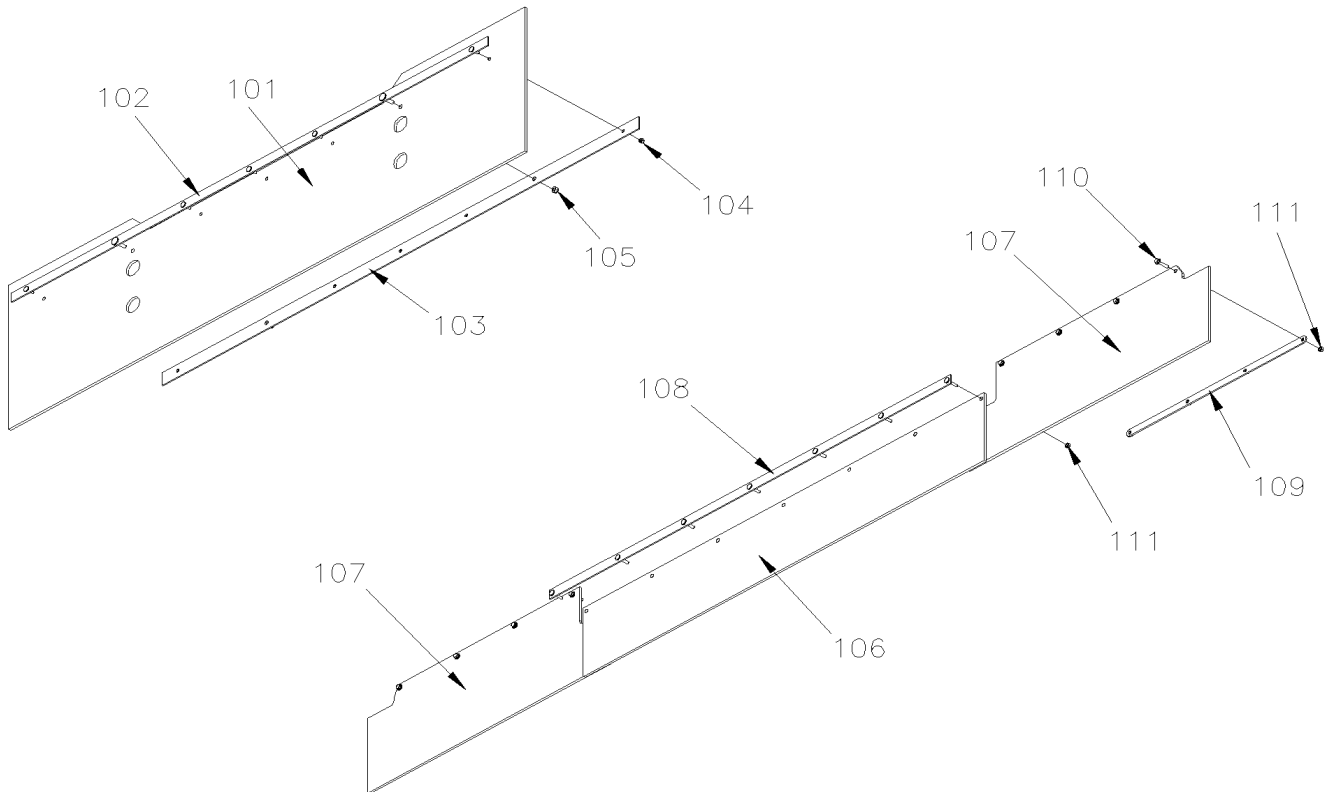
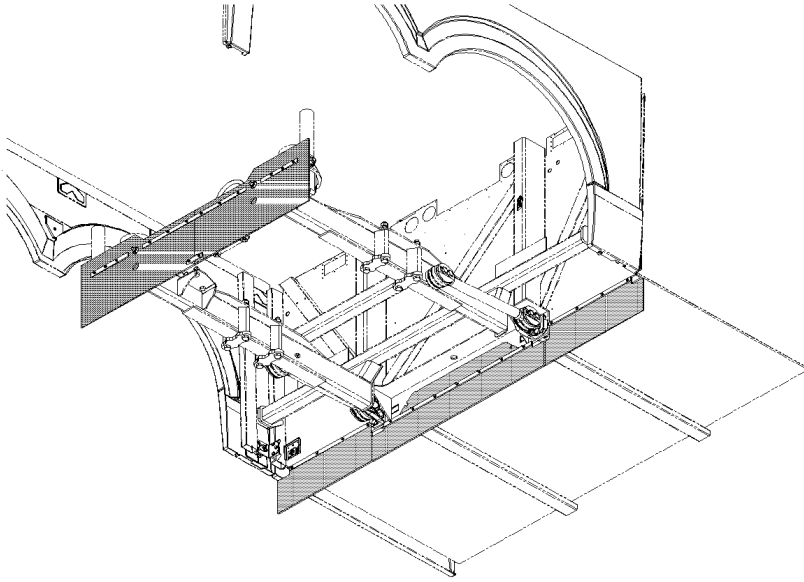


From E-2505 To J-0287

Date:10/2022

PAGE:H7-1859-01

## SPLASH GUARD - FRONT & REAR



<b>From E-2505 To J-0287</b>	<b>Date:10/2022</b>	<b>PAGE:H7-1859-01</b>
<b>SPLASH GUARD - FRONT &amp; REAR</b>		

Item#	Part	Description	H 3 4 1	H 3 4 5	V I P 4 5	N O T E S
1	460443	AIR SHIELD DEFLECTOR	2	2	2	
2	460444	AIR SHIELD DEFLECTOR / CENTER	1	1	1	
3	464731	STRIP DEFELECTOR 645MM	2	2	2	
4	464732	STRIP DEFELECTOR 804MM	1	1	1	
5	502911	NUT HEXF M8-1.25 SS	AR	AR	AR	
6	502912	SCREW CAP HEXF M8-1.25x25 SS BK	AR	AR	AR	
7	460599	SPLASH GUARD FRONT	2	2	2	
8	460601	PLATE REINFORCEMENT 418MM	2	2	2	
9	504416	RIVET POP DOME OE 3/16x5/8 SS	AR	AR	AR	
10	464766	AIR SHIELD DEFLECTOR / BACKWARD	2	2		
11	464767	AIR SHIELD DEFLECTOR / FORWARD	2	2		
12	460679	AIR SHIELD DEFLECTOR / FORWARD / W/IND SUSPENSION To G-3235	2	2	2	
12	460001	AIR SHIELD DEFLECTOR / FORWARD / W/IND SUSPENSION From G-3236	2	2	2	
13	460456	AIR SHIELD DEFLECTOR / BACKWARD / W/IND SUSPENSION	2	2	2	
14	502565	NUT HEX M6-1.0 SS	AR	AR	AR	
15	502570	WASHER LO SPT 6.1x11.8x1.6 SS	AR	AR	AR	
16	500913	WASHER FL .281x1.250x.065 N500	AR	AR	AR	
20A	460566P	SPLASH GUARD / R.H. DRIVE & TAG	1	1	1	
20B	460565P	SPLASH GUARD / L.H. DRIVE & TAG	1	1	1	
21	460561	. SUPPORT L.H. & R.H.	1	1	1	
22	460562	. PAD L.H. & R.H. 749MM x 762MM	1	1	1	
23	460563	. PAD LOWER 749MM x 237MM	1	1	1	
24	460564	. REINFORCMENT STRIP SS 749MM x 38MM	1	1	1	
25	5001636	. SCREW CAP HEX M6-1.0x50 SS BK	8	8	8	
26	500411	. WASHER FL .260x.697x.050 SS	18	18	18	
27	5001182	. NUT HEX NYRT M6-1.0 SS	9	9	9	
28	502686	. SCREW CAP HEX M6-1.0x30 SS BK	1	1	1	
29	5001185	SCREW CAP HEX M8-1.25x80 SS BK	8	8	8	
30	500270	WASHER FL .406x1.000x.063 SS	16	16	16	
31	5001787	NUT HEX NYRT M8-1.25 SS	8	8	8	
32	464688	SPLASH GUARD TAG	2	2	2	
33	464689	PLATE REINFORCEMENT 342MM	2	2	2	
34	504416	RIVET POP DOME OE 3/16x5/8 SS	AR	AR	AR	
35	053558	FENDER ACCESS PANEL PLASTIC BLACK	1	1	1	
36	502830	SCREW CAP HEX M6-1.0x20 G8.8 N500	4	4	4	
37	5001833	WASHER BEL SPR 6.1x18x1.27 SS	4	4	4	
41	464755	SPLASH GUARD / DRIVE	1	1	1	
42	460711	SUPPORT	1	1	1	
43	504746	RIVET HKL MMS 3/16x1/4 SS To E-2580	4	4	4	
43	504793	RIVET MNB OE LARGE HEAD 3/16x7/16 SS From E-2581	4	4	4	
44	5001169	SCREW TP CAP HEXW #12x3/4 SS410	14	14	14	
45	500411	WASHER FL .260x.697x.050 SS	14	14	14	

<b>From E-2505 To J-0287</b>	<b>Date:10/2022</b>	<b>PAGE:H7-1859-01</b>
<b>SPLASH GUARD - FRONT &amp; REAR</b>		

Item#	Part	Description	H 3 4 1	H 3 4 5	V I P 4 5	N O T E S
60	460717	SPLASH GUARD PANEL 1072MM X 694MM To E-2622	1	1	1	
60	460728	SPLASH GUARD PANEL 1072MM X 694MM From E-2623	1	1	1	
60	460721	SPLASH GUARD PANEL 1029MM X 655MM To E-2622			1	S10
60	460731	SPLASH GUARD PANEL 1029MM X 655MM From E-2623			1	S10
60	460719	SPLASH GUARD PANEL 1029MM X 655MM To E-2622			1	SB
60	460730	SPLASH GUARD PANEL 1029MM X 655MM From E-2623			1	SB
60	460723	SPLASH GUARD PANEL 1029MM X 655MM To E-2622			1	SF
60	460732	SPLASH GUARD PANEL 1029MM X 655MM From E-2623			1	SF
NS	504568	GROMMET / .437x.687x.250x.500x1.000 From E-2623	AR	AR	AR	
61	460712	SPLASH GUARD PANEL 978MM X 694MM	1	1	1	
61	460720	SPLASH GUARD PANEL 948MM X 655MM			1	S10
61	460720	SPLASH GUARD PANEL 948MM X 655MM			1	SB
61	460722	SPLASH GUARD PANEL 948MM X 656MM			1	SF
62	460090	SEAL RUBBER EXTRUSION EPDM 2100MM To F-2965	1	1	1	
62	460724	SEAL RUBBER EXTRUSION EPDM 2400MM From F-2966	1	1	1	
62	460724	SEAL RUBBER EXTRUSION EPDM 2400MM			1	SR
63	460713	SPLASH GUARD PANEL 474MM X 695MM To E-2622	1	1		
63	460727	SPLASH GUARD PANEL 474MM X 695MM From E-2623 To F-2965	1	1		
63	460738	SPLASH GUARD PANEL 494MM X 695MM From F-2966	1	1		
63	460718	SPLASH GUARD PANEL 1054MM X 694MM To E-2622			1	
63	460729	SPLASH GUARD PANEL 1054MM X 694MM From E-2623 To F-2965			1	
63	460739	SPLASH GUARD PANEL 1074MM X 694MM From F-2966			1	
63	504568	GROMMET / .437x.687x.250x.500x1.000 From E-2623	AR	AR	AR	
64	460714	SEAL RUBBER EXTRUSION EPDM 1039MM To F-2965	1	1	1	
65	460715	SEAL RUBBER EXTRUSION EPDM 1163MM To F-2965	1	1	1	
65	460724	SEAL RUBBER EXTRUSION EPDM 2400MM From F-2966	1	1	1	
66	500526	SCREW TP CAP HEXW #12x3/4 N500	AR	AR	AR	
67	500411	WASHER FL .260x.697x.050 SS	AR	AR	AR	
68	504339	RIVET POP DOME OE 1/8x3/8 SS	AR	AR	AR	
69	500157	WASHER FL .125x.375x.032 SS	AR	AR	AR	
75	460660	SPLASH GUARD / CONDENSOR GRILL	1	1		
76	460661	PLATE RETAINER DEFLECTOR EVAPORATOR H3	2	2		
77	504747	RIVET HKL MMS 3/16x3/8 SS To E-2580	AR	AR		
77	504793	RIVET MNB OE LARGE HEAD 3/16x7/16 SS From E-2581	AR	AR		
78	217075	SUPPORT / SPLASH GUARD	2	2		
101	460228	SPLASH GUARD / BETWEEN DRIVE AXLE & TAG AXLE		1		
102	460227	STRIP, FIXATION / SS		1		
103	460226	STRIP, FIXATION / SS		1		
104	502681	NUT HEX NYRT M6-1.0 N500 G8		5		
105	502847	NUT HEX NYRT M8-1.25 N500		2		
106	460222	SPLASH GUARD / UNDER FUEL TANK		1		
107	464741	SPLASH GUARD		2		

From E-2505 To J-0287	Date:10/2022	PAGE:H7-1859-01
<b>SPLASH GUARD - FRONT &amp; REAR</b>		

Item#	Part	Description	H 3 4 1	H 3 4 5	V I P 4 5	N O T E S
108	460223	STRIP, FIXATION / SS		1		
109	460726	STRIP, FIXATION / SS		2		
110	5001815	SCREW CAP HEXF M6-1.0x30 G 8.8 N500		8		
111	502681	NUT HEX NYRT M6-1.0 N500 G8		AR		
		S10) WITH CURBSIDE SLIDE-OUT10'				
		SB) WITH CURBSIDE SLIDE-OUT 7.5 BACKWARD				
		SF) WITH CURBSIDE SLIDE-OUT 7.5 FORWARD				
		SR) WITH CURBSIDE SLIDE-OUT				



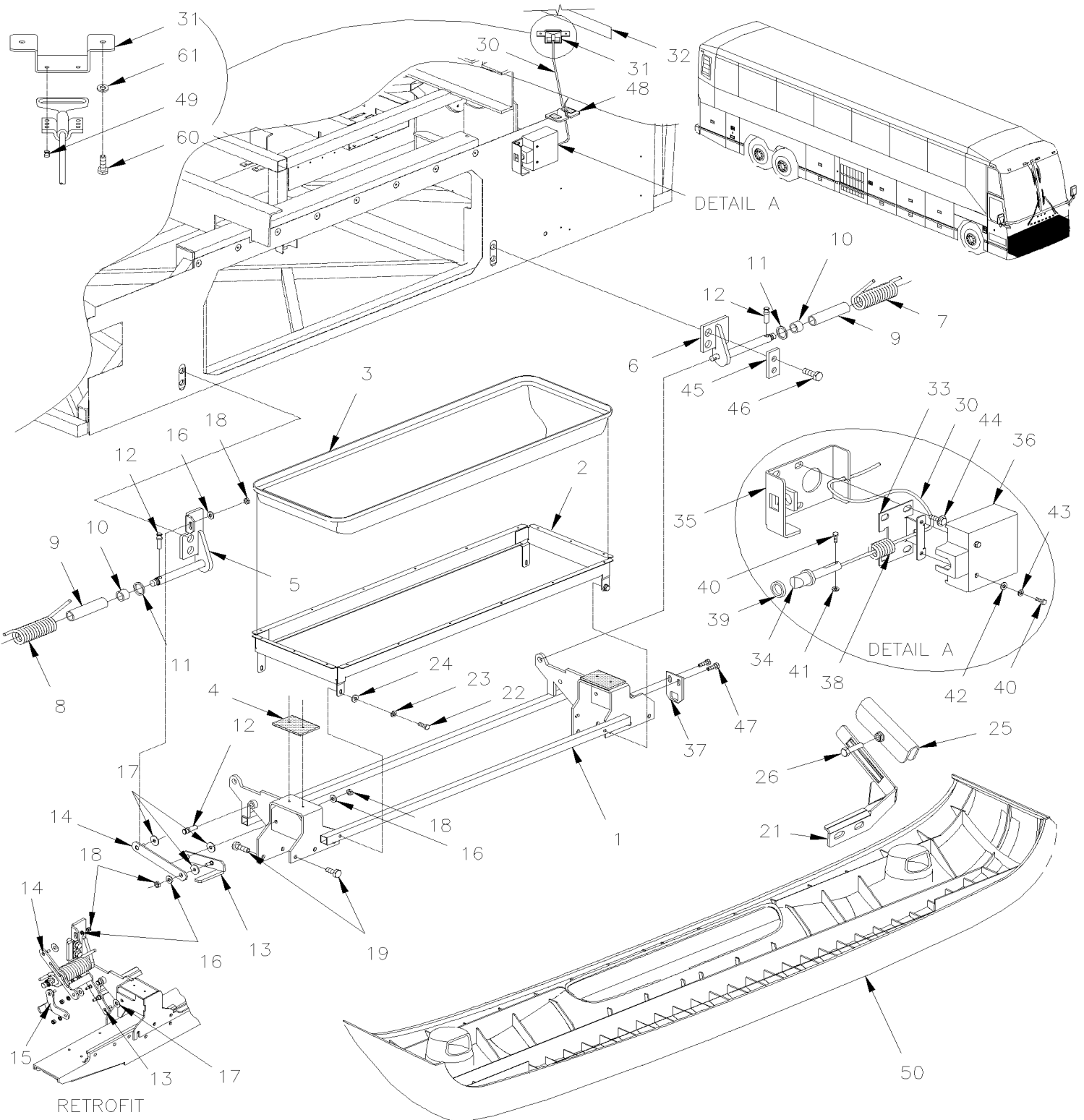


From 7-0671 To 9-1469

Date:10/2022

PAGE:H7-1860-10

## SPARE WHEEL DOOR MECHANISM FRONT BUMPER



<b>From 7-0671 To 9-1469</b>	<b>Date:10/2022</b>	<b>PAGE:H7-1860-10</b>
<b>SPARE WHEEL DOOR MECHANISM FRONT BUMPER</b>		

Item#	Part	Description	H 3 4 1	H 3 4 5	V I P 4 5	N O T E S
1	410941	SUPPORT ASSY	1	1		
2	410852	FRAME ASSY	1	1		
3	410870	PANEL CLOSING / SPARE COMPARTMENT / PLASTIC	1	1		
NS	410395	RUBBER EXTRUSION SEAL / GRIP .062 X 3140MM	1	1		
NS	410971	REINFORCEMENT / CLOSING PANEL / "C" FORM	1	1		
4	410901	RUBBER PAD 75MM X 106MM	2	2	2	
NS	504416	RIVET POP DOME OE 3/16x5/8 SS	4	4	4	
5	410851	BRACKET ASSY / R.H.	1	1	1	
6	410850	BRACKET ASSY / L.H.	1	1	1	
7	410984	SPRING / L.H.	1	1	1	A
8	410983	SPRING / R.H.	1	1	1	A
9	507363	BUSHING TEFLON 1" I.D. X 1 1/2" O.D. X 5"	2	2	2	
10	507362	BUSHING TEFLON 1" I.D. X 1 1/2" O.D. X 3/4"	2	2	2	
11	410648	SPACER WASHER	2	2	2	
12	410640	STOPPER	4	4	4	
13	410944	SUPPORT MOBILE "L" SHAPE	1	1	1	
13	411173	SUPPORT MOBILE "L" SHAPE SERVICE	1	1	1	
14	410953	SUPPORT MOBILE	1	1	1	
14	411174	SUPPORT MOBILE SERVICE	1	1	1	
15	411176	LEVER LOCK W/PIN SERVICE	1	1	1	
16	500975	WASHER FL .378x.620x.094 NYL	3	3	3	
17	5001233	WASHER FL .500x1.250x.062 NYL	3	3	3	
18	966171	NUT HEX NYRT M8x1.25 SS	3	3	3	
19	946472	SCREW CAP HEX M10-1.5x30 G8.8 ZG603	12	12	12	
21	411081	SUPPORT R.H	1	1	1	
21	411082	SUPPORT L.H	1	1	1	
22	502622	SCREW CAP HEX M6-1.0x20 SS BK	4	4	4	
23	502570	WASHER LO SPT 6.1x11.8x1.6 SS	4	4	4	
24	500411	WASHER FL .260x.697x.050 SS	4	4	4	
25	411083	ATTACHMENT "U" SHAPE	2	2	2	
26	502780	SCREW CAP HEX M8-1.25x25 SS BK	2	2	2	
30	411120	CABLE HANDLE ASSY	1	1	1	
NS	504777	. CLAMP	1	1	1	
31	289981	SUPPORT / HANDLE	1	1	1	
32	287290	DECAL / "UNLATCH FRONT BUMPER" / ENGLISH & FRANCAIS	1	1	1	
32	288199	DECAL / "UNLATCH FRONT BUMPER" / ENGLISH & SPANISH	1	1	1	
33	411005	GUIDE PIN PLATE	1	1	1	
34	287391	CATCH PIN SS / 90.5MM	1	1	1	
35	411007	GUIDE PIN WELDED	1	1	1	
NS	974683	GROMMET / 19.7x15x12.7x2.2x11	1	1	1	
36	410895	COVER GUIDE PIN / PLASTIC	1	1	1	
37	410921	CATCH PIN LOCK PLATE	1	1	1	

From 7-0671 To 9-1469	Date:10/2022	PAGE:H7-1860-10
<b>SPARE WHEEL DOOR MECHANISM FRONT BUMPER</b>		

Item#	Part	Description	H 3 4 1	H 3 4 5	V I P 4 5	N O T E S
38	502910	SPRING COMPRESSION / .720 O.D. 1.75 x .055	3	3	3	
39	507212	O-RING	3	3	3	
40	502685	SCREW CAP HEX M4-0.7x20 SS EMN	2	2	2	
41	502557	NUT HEX NYRT M4-0.7 SS	2	2	2	
42	502556	WASHER FL 4.3x9.0x0.8 SS	4	4	4	
43	955917	WASHER LO SPT 4.1x7.1x0.9 ZP	2	2	2	
44	5001742	SCREW CAP HEXF M8-1.25x30 G8.8 N500	4	4	4	
45	410460	PLATE 76MM X 30MM	2	2	2	
46	968435	SCREW CAP HEXF M16-2.0x40 G8.8 BKC	4	4	4	
47	946472	SCREW CAP HEXF M10-1.5x30 G8.8 ZG603	2	2	2	
48	410968	CLOSING CAP / PLASTIC	1	1	1	
49	504379	RIVET POP DOME OE 3/16x1/4 SS	4	4	4	
50	<b>H7-1850-00</b>	<b>BUMPER FRONT</b>				
60	502500	SCREW TC BDG PH #8-32x1/2 CJ	2	2	2	
61	5001378	WASHER LO EXT 5.3x10x0.6 Z050	2	2	2	
63	410671	KIT TOOL BUMPER SPRING INSTALLATION	1	1	1	
. NS	IS-97064	. SEE INSTRUCTION SHEET	1	1	1	
		A) FOR SPRING INSTALLATION USE KIT #410671				

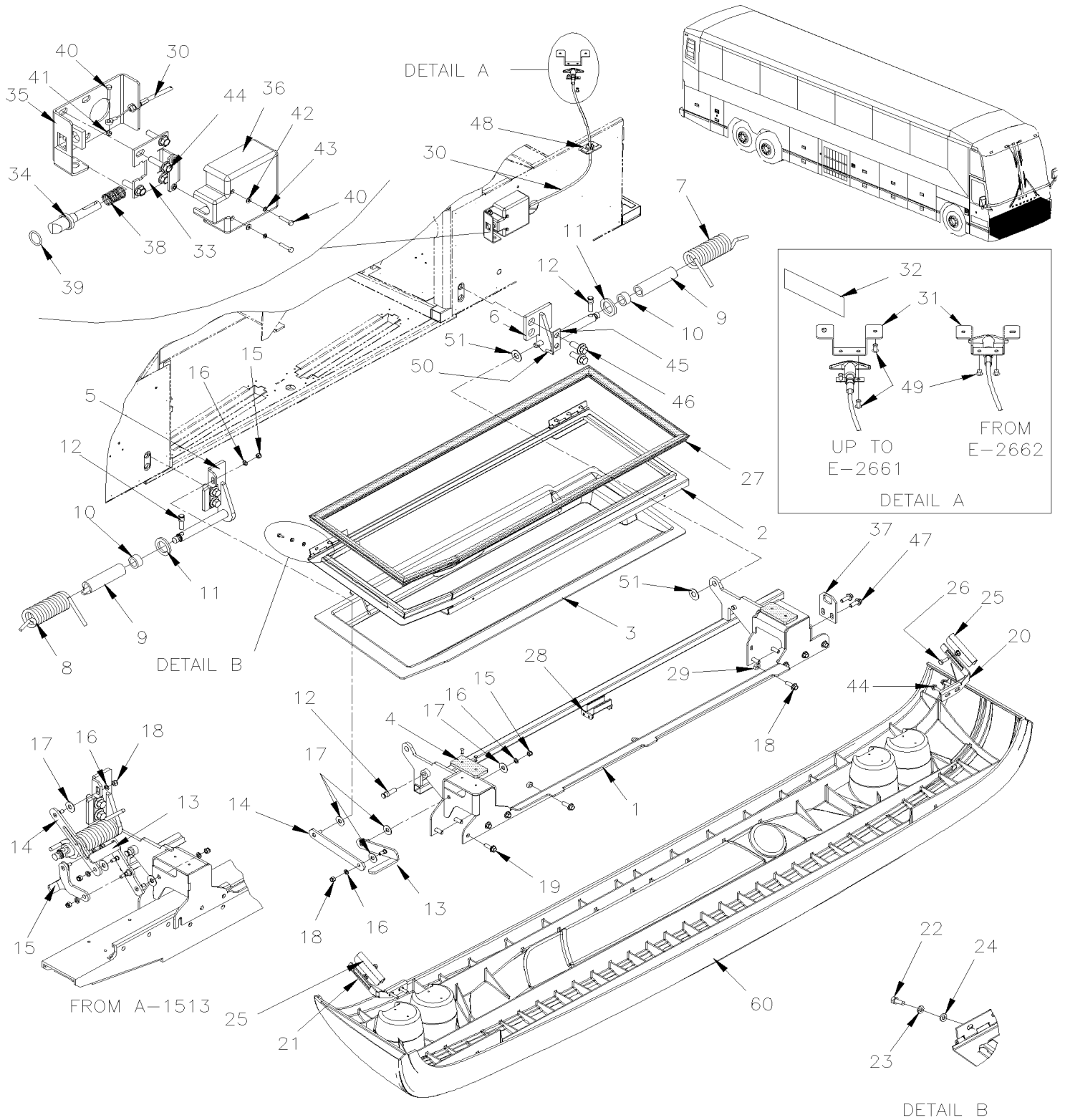


From A-1470 To J-0287

Date:10/2022

PAGE:H7-1860-11

## SPARE WHEEL DOOR MECHANISM FRONT BUMPER



<b>From A-1470 To J-0287</b>	<b>Date:10/2022</b>	<b>PAGE:H7-1860-11</b>
<b>SPARE WHEEL DOOR MECHANISM FRONT BUMPER</b>		

Item#	Part	Description	H 3 4 1	H 3 4 5	V I P 4 5	N O T E S
1	411124	SUPPORT ASSY To B-1785	1	1	1	
1	411216	SUPPORT ASSY From B-1786 To E-2659	1	1	1	
1	411349	SUPPORT ASSY From E-2660	1	1	1	
2	411128P	SPARE WHEEL DOOR ASSEMBLY WITH HARDWARE	1	1	1	C
2	411181	SPARE WHEEL DOOR ASSEMBLY WITHOUT HARDWARE	1	1	1	B
2	411129	. FRAME ASSY	1	1	1	
3	411122	. PANEL CLOSING / SPARE COMPARTMENT / PLASTIC To A-1698	1	1	1	
3	411215	. PANEL CLOSING / SPARE COMPARTMENT / PLASTIC From A-1699	1	1	1	
NS	502939	. NUT AN 1/4 NYL	3	3	3	
4	410901	RUBBER PAD 75MM X 106MM	2	2	2	
NS	504416	RIVET POP DOME OE 3/16x5/8 SS	4	4	4	
5	410851	BRACKET ASSY / R.H. To E-2656	1	1	1	
5	411341	BRACKET ASSY / R.H. From E-2657	1	1	1	
6	410850	BRACKET ASSY / L.H. To E-2656	1	1	1	
6	411340	BRACKET ASSY / L.H. From E-2657	1	1	1	
7	410984	SPRING / L.H.	1	1	1	A
8	410983	SPRING / R.H.	1	1	1	A
9	410975	BUSHING TEFLON 1" I.D. X 1 1/2" O.D. X 5"	2	2	2	
10	507362	BUSHING TEFLON 1" I.D. X 1 1/2" O.D. X 3/4"	2	2	2	
11	410648	SPACER WASHER	2	2	2	
12	410640	STOPPER	4	4	4	
13	410944	SUPPORT MOBILE "L" SHAPE To A-1550	1	1	1	
13	411171	SUPPORT MOBILE "L" SHAPE From A-1551	1	1	1	
14	410953	SUPPORT MOBILE To A-1550	1	1	1	
14	411174	SUPPORT MOBILE From A-1551	1	1	1	
15	411176	LEVER LOCK W/PIN From A-1551	1	1	1	
16	500975	WASHER FL .378x.620x.094 NYL	5	5	5	
17	5001233	WASHER FL .500x1.250x.062 NYL	4	4	4	
18	5001787	NUT HEX NYRT M8-1.25 SS	5	5	5	
19	946472	SCREW CAP HEXF M10-1.5x30 G8.8 ZG603	15	15	15	
20	411167	SUPPORT STREET SIDE	1	1	1	
21	411166	SUPPORT CURBSIDE	1	1	1	
22	5001697	SCREW CAP HEX M6-1.0x16 SS BK	6	6	6	
23	502570	WASHER LO SPT 6.1x11.8x1.6 SS	6	6	6	
24	502573	WASHER FL 6.4x12.5x1.6 SS	6	6	6	
25	411083	ATTACHMENT "U" SHAPE	2	2	2	
26	502780	SCREW CAP HEX M8-1.25x25 SS BK	2	2	2	
27	411132	RUBBER SEAL EXTRUSION / SPARE WHEEL DOOR To A-1578	1	1	1	
27	410132	RUBBER SEAL EXTRUSION / SPARE WHEEL DOOR From A-1579 To C-2017	1	1	1	
27	411271	RUBBER SEAL EXTRUSION // SPARE WHEEL DOOR From C-2018	1	1	1	
28	411168	SUPPORT BOTTOM BUMPER SKIN	1	1	1	
28	411001	PLATE	2	2	2	

From A-1470 To J-0287	Date:10/2022	PAGE:H7-1860-11
<b>SPARE WHEEL DOOR MECHANISM FRONT BUMPER</b>		

Item#	Part	Description	H 3 4 1	H 3 4 5	V I P 4 5	N O T E S
28	504339	RIVET POP DOME OE 1/8x3/8 SS	4	4	4	
29	502567	NUT HEX M10-1.5 SS	3	3	3	
30	411120	CABLE HANDLE ASSY	1	1	1	
. NS	504777	. CLAMP	1	1	1	
31	289981	SUPPORT / HANDLE To E-2660	1	1	1	
31	411347	SUPPORT / HANDLE / WELDED From E-2661	1	1	1	
32	287290	DECAL / "UNLATCH FRONT BUMPER" / ENGLISH & FRANCAIS	1	1	1	
32	288199	DECAL / "UNLATCH FRONT BUMPER" / ENGLISH & SPANISH	1	1	1	
33	411005	GUIDE PIN PLATE	1	1	1	
34	287391	CATCH PIN SS / 90.5MM	1	1	1	
35	411007	GUIDE PIN WELDED	1	1	1	
36	410895	COVER GUIDE PIN / PLASTIC	1	1	1	
37	410921	CATCH PIN LOCK PLATE	1	1	1	
38	502910	SPRING COMPRESSION / .720 O.D. 1.75 x .055	3	3	3	
39	507212	O-RING	3	3	3	
40	502685	SCREW CAP HEX M4-0.7x20 SS EMN	3	3	3	
41	502557	NUT HEX NYRT M4-0.7 SS	1	1	1	
42	502556	WASHER FL 4.3x9.0x0.8 SS	4	4	4	
43	955917	WASHER LO SPT 4.1x7.1x0.9 ZP	2	2	2	
44	5001742	SCREW CAP HEXF M8-1.25x30 G8.8 N500	8	8	8	
45	410460	PLATE 76MM X 30MM	2	2	2	
46	968435	SCREW CAP HEXF M16-2.0x40 G8.8 BKC	4	4	4	
47	946472	SCREW CAP HEXF M10-1.5x30 G8.8 ZG603	2	2	2	
48	410968	CLOSING CAP / PLASTIC	1	1	1	
49	504379	RIVET POP DOME OE 3/16x1/4 SS To E-2660	4	4	4	
49	504379	RIVET POP DOME OE 3/16x1/4 SS From E-2661	2	2	2	
50	509843	SPRING, PIN 1/4 x 1 1/8 SS	2	2	2	
51	500449	WASHER FL .625x1.500 SS	4	4	4	
60	<b>H7-1850-01</b>	<b>BUMPER FRONT</b>				
100	410671	KIT TOOL BUMPER SPRING INSTALLATION	1	1	1	
. NS	IS-97064	. SEE INSTRUCTION SHEET	1	1	1	
		A) FOR SPRING INSTALLATION USE KIT #410671				
		B) INCLUDE ITEMS 2,3 & 27				
		C) INCLDE ITEMS 2,3, 22,23,24 & 27				



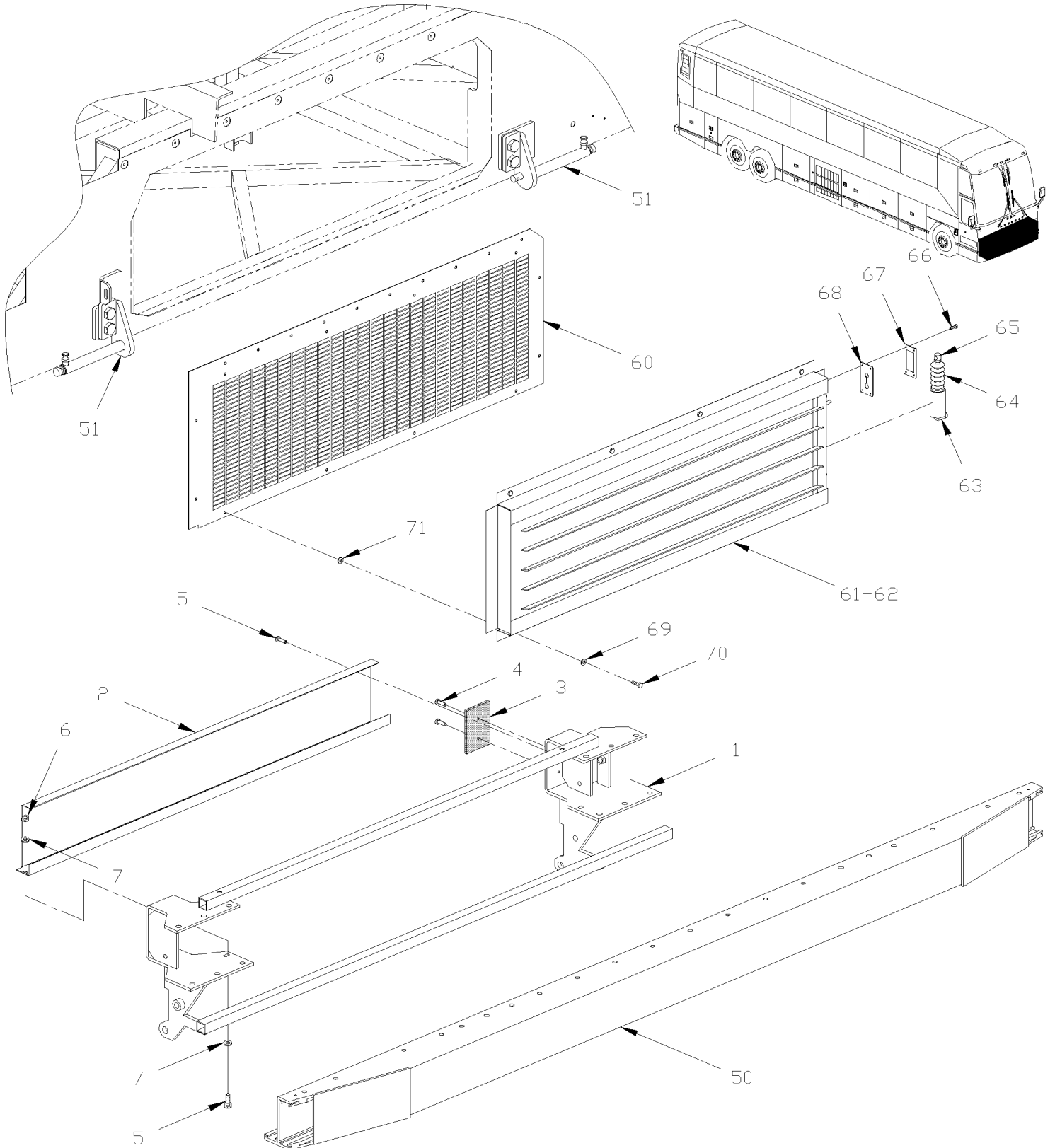


From 7-0671 To J-0287

Date:10/2022

PAGE:H7-1860-50

## BUMPER DOOR FRONT - V.I.P.



From 7-0671 To J-0287	Date:10/2022	PAGE:H7-1860-50
<b>BUMPER DOOR FRONT - V.I.P.</b>		

Item#	Part	Description	H 3 4 1	H 3 4 5	V I P 4 5	N O T E S
1	410941	SUPPORT ASSY			1	
1	411124	SUPPORT ASSY From A-1470 To B-1785			1	
1	411216	SUPPORT ASSY From B-1786 To E-2659			1	
1	411349	SUPPORT ASSY From E-2660			1	
2	410945	PLATE ANTI SKID			1	
3	410901	RUBBER PAD 75MM X 106MM			2	
4	504416	RIVET POP DOME OE 3/16x5/8 SS			4	
5	502622	SCREW CAP HEX M6-1.0x20 SS BK			2	
6	5001182	NUT HEX NYRT M6-1.0 SS			2	
7	500411	WASHER FL .260x.697x.050 SS			2	
50	<b>H7-1850-00</b>	<b>BUMPER FRONT To 9-1469</b>				
50	<b>H7-1850-01</b>	<b>BUMPER FRONT From A-1470</b>				
51	<b>H7-1860-10</b>	<b>SPARE WHEEL DOOR MECHANISM FRONT BUMPER To 9-1469</b>				
51	<b>H7-1860-11</b>	<b>SPARE WHEEL DOOR MECHANISM FRONT BUMPER From A-1470</b>				
60	410847	PANEL / W/HOLES To 9-1469			1	
60	411135	PANEL / W/HOLES From A-1470 To C-1950			1	
60	411246	PANEL / W/HOLES From C-1951 To D-2398			1	
60	411135	PANEL / W/HOLES From D-2399 To E-2625			1	
60	411343	PANEL / W/HOLES From E-2626			1	
60	411137	PANEL / PLAIN From A-1470 To E-2625			1	
60	411344	PANEL / PLAIN From E-2626			1	
61	051570	SHUTTER ASSY To C-1950			1	
. NS	550568	. CYLINDER AIR / SHUTTER / W/4" MOUNT To C-1950			1	
. NS	550569	. BOOT RUBBER To C-1950			1	
. NS	550577	. SPRING EXTENSION / .350 O.D. x 6.875 x .069 To C-1950			1	
. NS	550179	. BUSHING 5/16" I.D. / NYLON To C-1950			AR	
61	053011	SHUTTER ASSY From C-1951 To D-2398			1	
61	051570	SHUTTER ASSY From D-2399			1	
. NS	550568	. CYLINDER AIR / SHUTTER / W/4" MOUNT From D-2399			1	
. NS	550569	. BOOT RUBBER From D-2399			1	
. NS	550577	. SPRING EXTENSION / .350 O.D. x 6.875 x .069 From D-2399			1	
. NS	550179	. BUSHING 5/16" I.D. / NYLON From D-2399			AR	
62	550577	. SPRING EXTENSION / .350 O.D. x 6.875 x .069			1	
63	550568	. CYLINDER AIR / SHUTTER / W/4" MOUNT			1	
64	550569	. . BOOT RUBBER			1	
65	550179	. . BUSHING 5/16" I.D. / NYLON			2	
66	504340	RIVET POP DOME OE 1/8x3/16 SS			4	
67	282953	PLATE, CLOSING			1	
68	282954	GASKET			1	
69	5001341	WASHER FL 8.4x17.0x1.6 SS			8	
70	5001542	SCREW TC CAP HEX 5/16-18X3/4 EMN			8	
71	502761	SCREW TP BDG PH #10x3/4 SS BK			13	

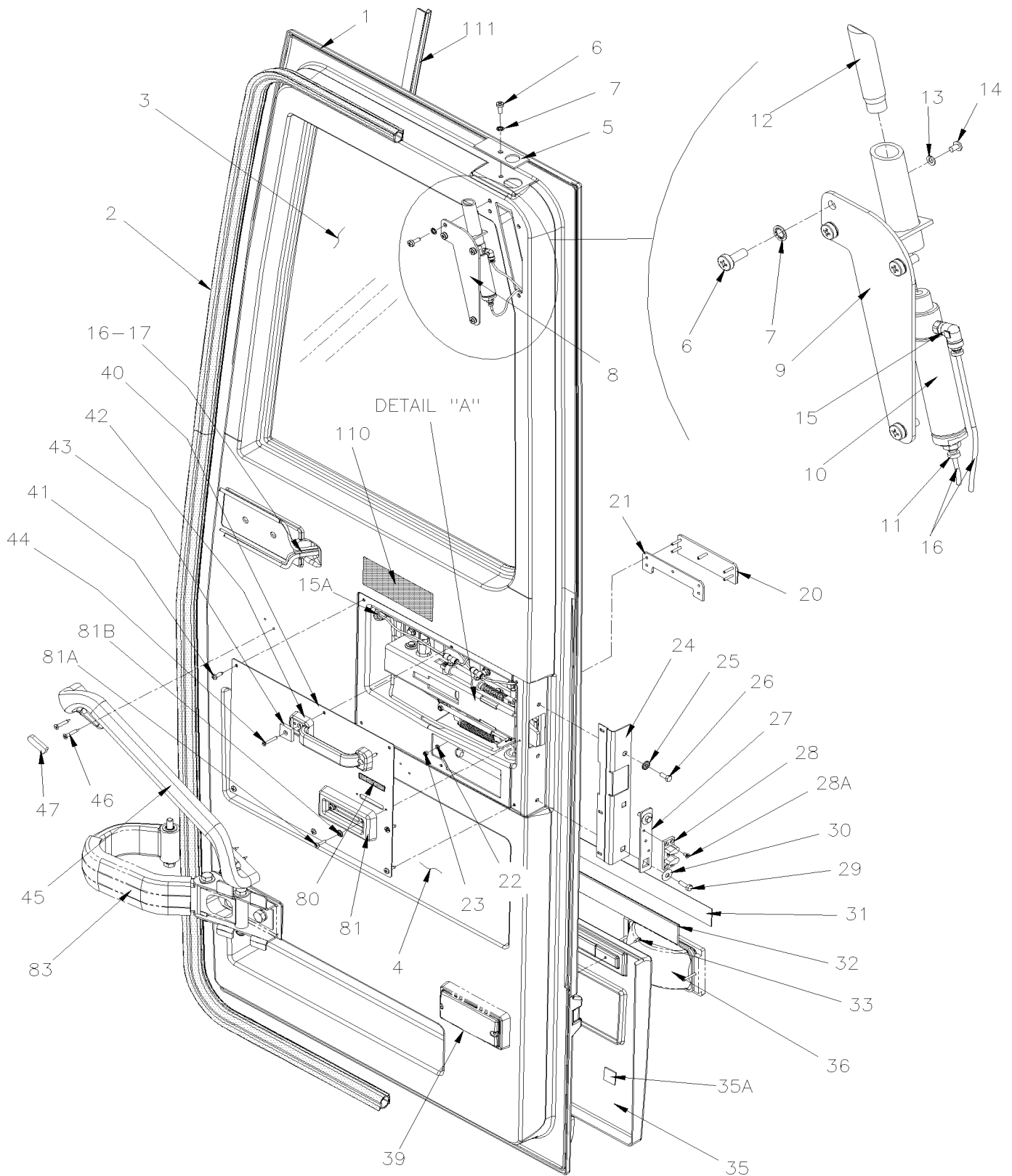
From 7-0671 To J-0287	Date:10/2022	PAGE:H7-1860-50
-----------------------	--------------	-----------------

**BUMPER DOOR FRONT - V.I.P.**

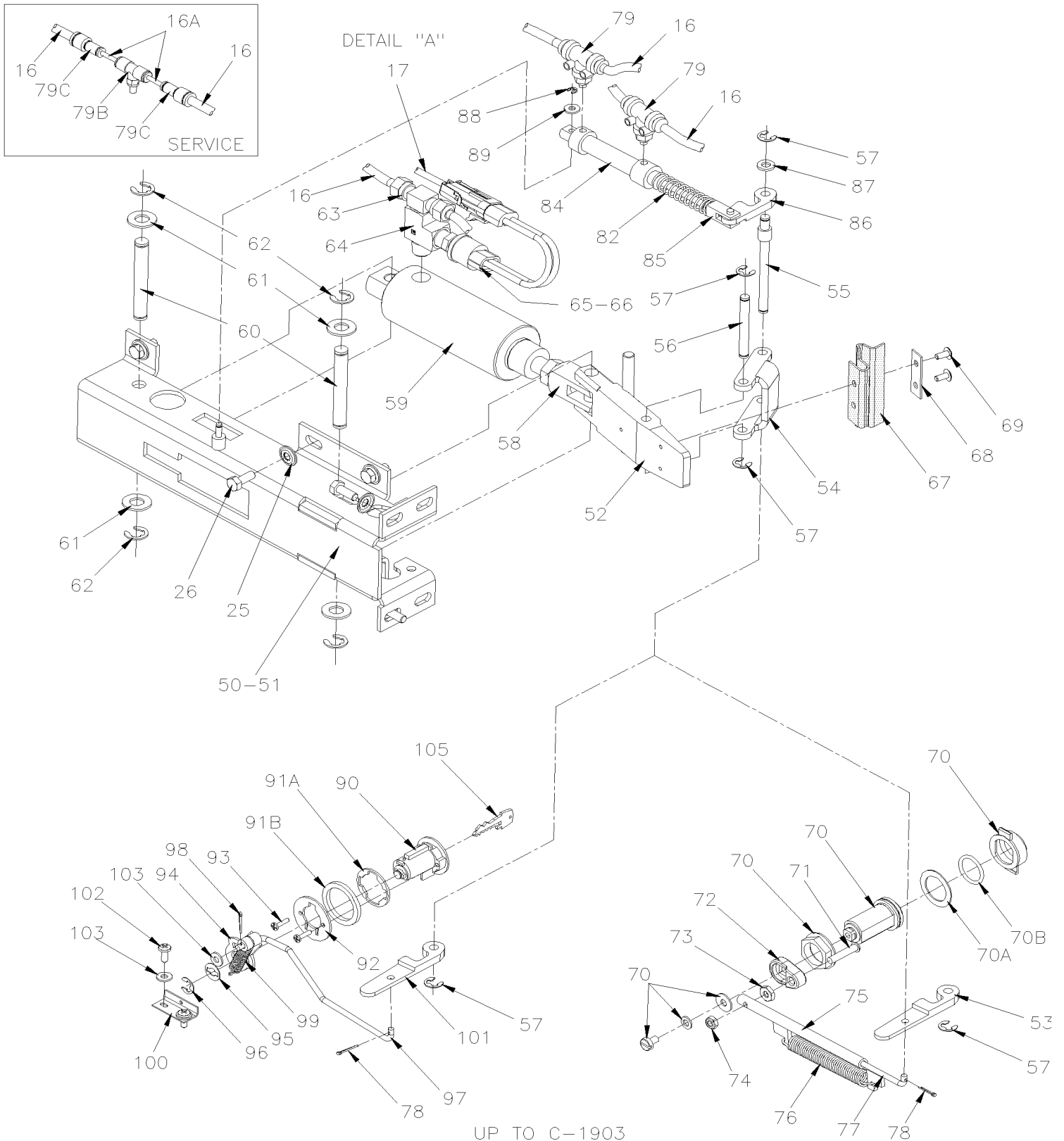
Item#	Part	Description	H 3 4 1	H 3 4 5	V I P 4 5	N O T E S



ENTRANCE DOOR ASSY - SEDAN



## ENTRANCE DOOR ASSY - SEDAN

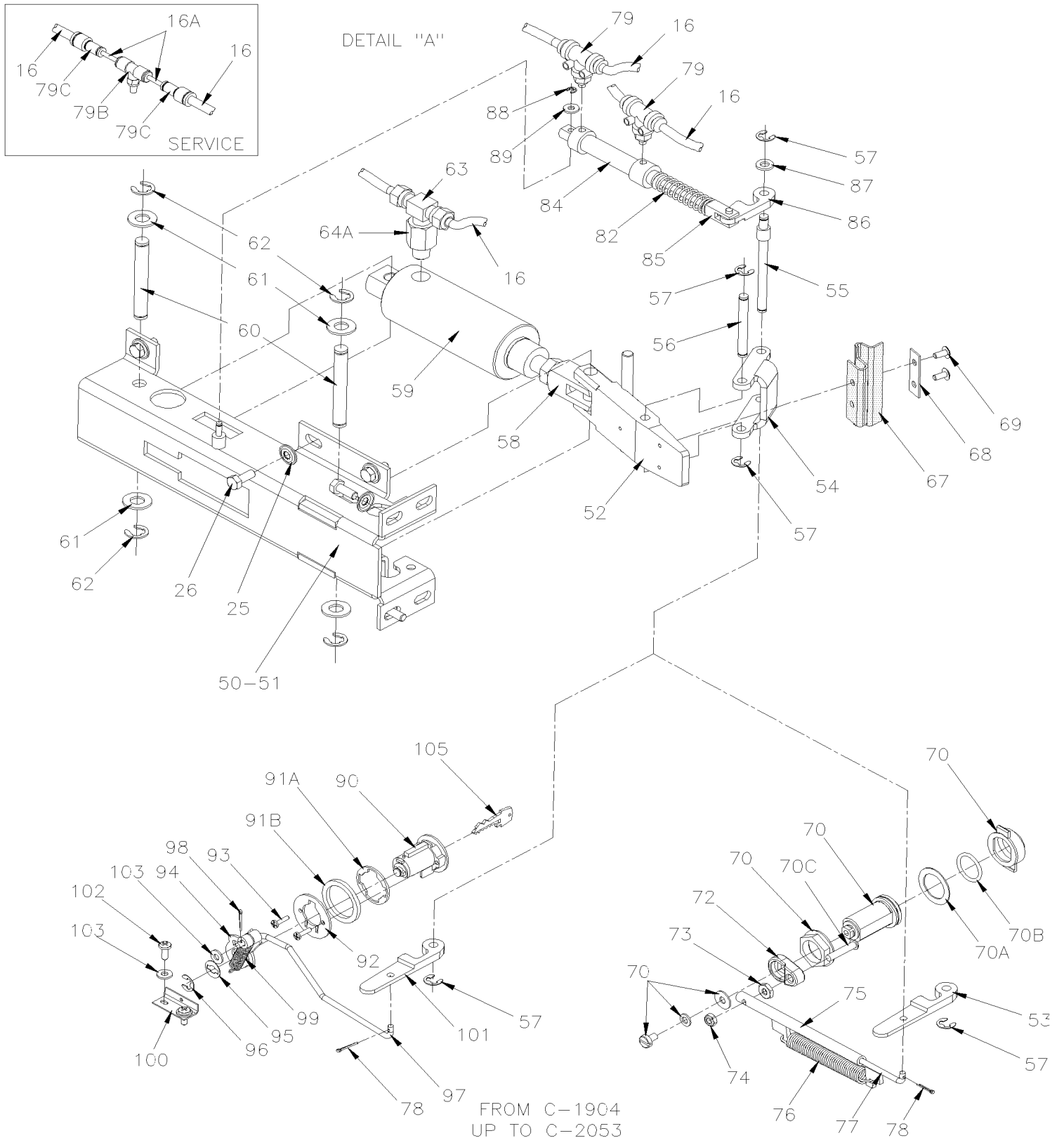


From 7-0671 To J-0184

Date:10/2022

PAGE:H7-1862-10

## ENTRANCE DOOR ASSY - SEDAN

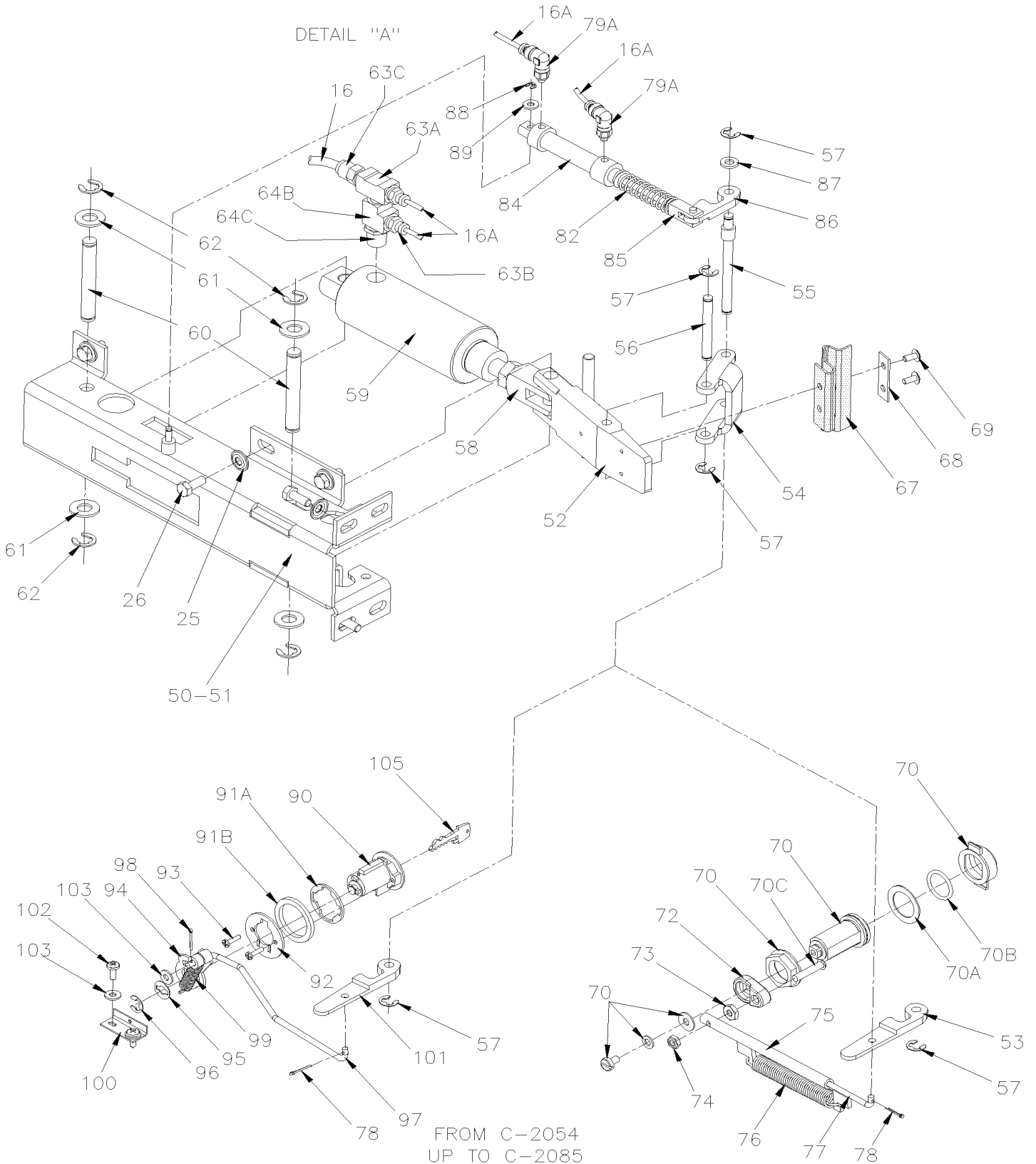


From 7-0671 To J-0184

Date:10/2022

PAGE:H7-1862-10

## ENTRANCE DOOR ASSY - SEDAN



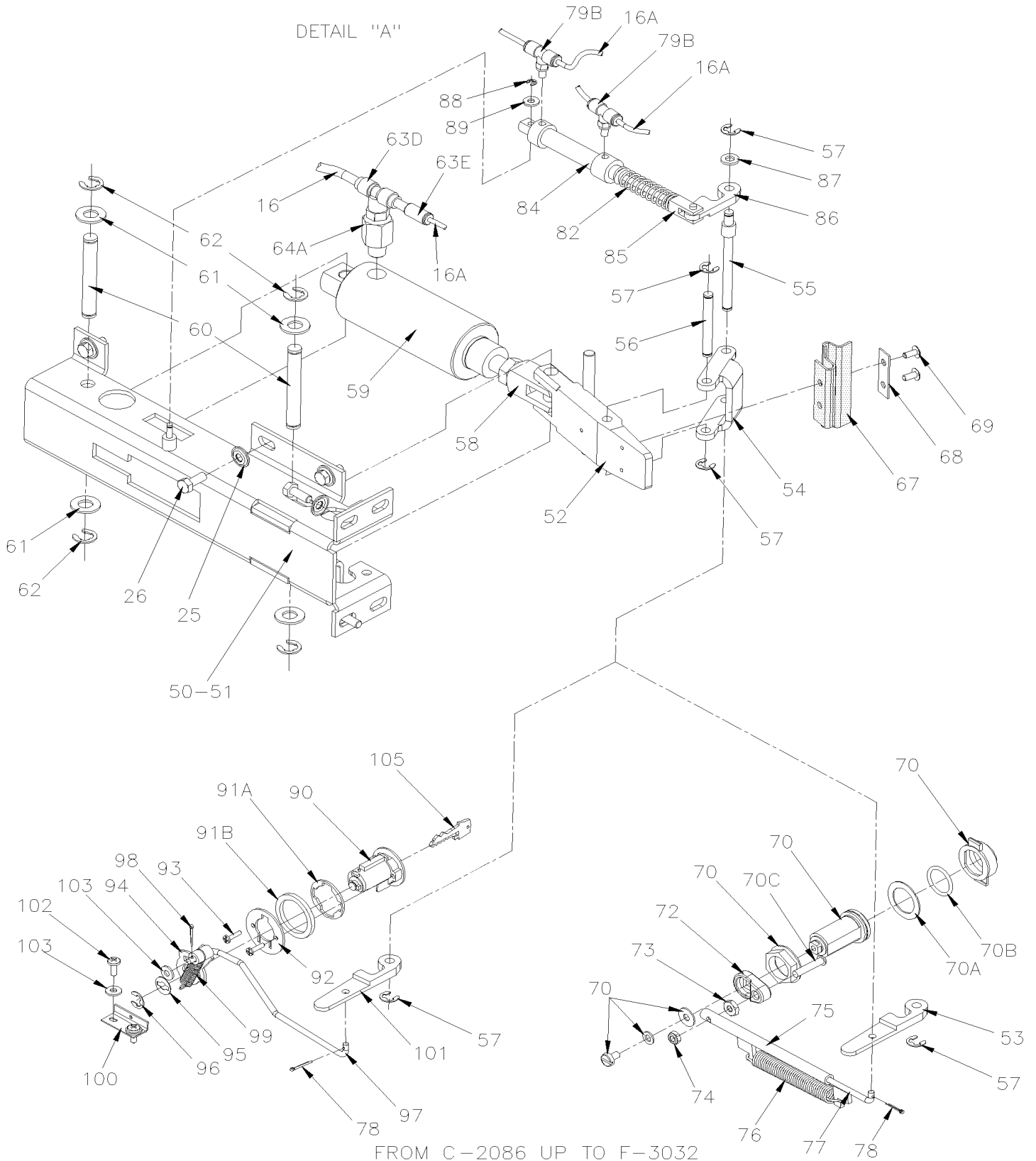


From 7-0671 To J-0184

Date:10/2022

PAGE:H7-1862-10

## ENTRANCE DOOR ASSY - SEDAN

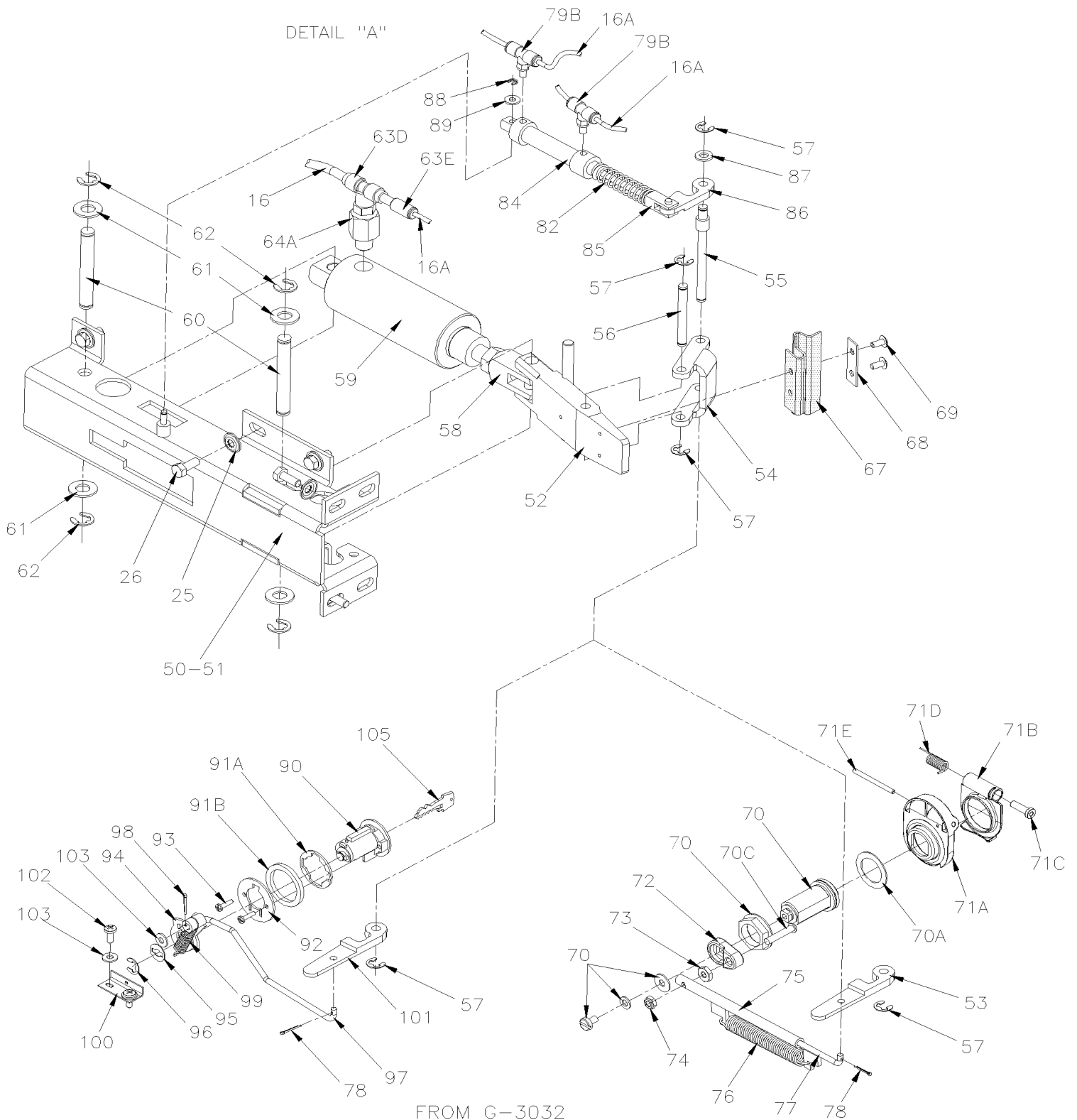


From 7-0671 To J-0184

Date:10/2022

PAGE:H7-1862-10

## ENTRANCE DOOR ASSY - SEDAN



<b>From 7-0671 To J-0184</b>	<b>Date:10/2022</b>	<b>PAGE:H7-1862-10</b>
<b>ENTRANCE DOOR ASSY - SEDAN</b>		

Item#	Part	Description	H 3 4 1	H 3 4 5	V I P 4 5	N O T E S
	288826	ENTRANCE DOOR ASSY / SEDAN / WITH LOCK "NS" GRAY / BLACK To 9-1452	1	1		
	287804	ENTRANCE DOOR ASSY / SEDAN / WITH LOCK "NS" CHARCOAL From 9-1453 To A-1720	1	1		
	287330	ENTRANCE DOOR ASSY / SEDAN / WITH LOCK "NS" & DOCKING LIGHT CHARCOAL From B-1721 To F-3065	1	1		
	2800995	ENTRANCE DOOR ASSY / SEDAN / WITH LOCK "NS" & DOCKING LIGHT CHARCOAL From G-3066	1	1		
	287328	ENTRANCE DOOR ASSY / SEDAN / WITH LOCK "FORD" GRAY / BLACK To 8-1135	1	1		
	287805	ENTRANCE DOOR ASSY / SEDAN / WITH LOCK "FORD" CHARCOAL From 8-1136 To A-1720	1	1		
	287329	ENTRANCE DOOR ASSY / SEDAN / WITH LOCK "FORD" & DOCKING LIGHT CHARCOAL From B-1721	1	1		
1	285636	. DOOR MOULDED / FIBERGLASS To A-1558	1	1		
1	289007	. DOOR MOULDED / FIBERGLASS From A-1559 To A-1720	1	1		
1	289691	. DOOR MOULDED / FIBERGLASS W/O WIRE HOLE FOR DOCKING LAMP From A-1559 To A-1720	1	1		
1	289188	. DOOR MOULDED / FIBERGLASS W/O WIRE HOLE FOR DOCKING LAMP From A-1559 To A-1720	1	1		
1	288738	. DOOR MOULDED / FIBERGLASS From B-1721 To J-0186	1	1		
1	280606	. DOOR MOULDED / FIBERGLASS From J-0187	1	1		
1	285644	. DOOR MOULDED / FIBERGLASS / W/"FORD" KEY To A-1558	1	1		
1	289009	. DOOR MOULDED / FIBERGLASS / W/"FORD" KEY From A-1559 To A-1720	1	1		
1	289692	. DOOR MOULDED / FIBERGLASS / W/"FORD" KEY W/O WIRE HOLE FOR DOCKING LAMP From A-1559 To A-1720	1	1		
1	289215	. DOOR MOULDED / FIBERGLASS / W/"FORD" KEY W/O WIRE HOLE FOR DOCKING LAMP From A-1559 To A-1720	1	1		
1	288739	. DOOR MOULDED / FIBERGLASS / W/"FORD" KEY From B-1721	1	1		
2	285464	. RUBBER SEAL EXTRUSION 5800MM To A-1578	1	1		
2	280136	. RUBBER SEAL EXTRUSION 5800MM From A-1579 To C-2017	1	1		
2	2800115	. RUBBER SEAL EXTRUSION 5800MM From C-2018	1	1		
3	293204	. GLASS, THERMOS To H-3734	1	1		
3	290094	. GLASS, THERMOS From H-3735	1	1		
4	293205	. GLASS, THERMOS	1	1		
NS	681089	. SEALANT TAPE BUTYL / BLACK / 1/8"x5/16"x15' / 753152760	AR	AR		
NS	681091	. PRIMER SIKA #206 / BLACK / 250ml	AR	AR		
NS	681092	. ADHESIVE SIKA #255FC / BLACK / 310ml CARTRIDGE	AR	AR		
5	285876	. PLATE FINISHING	1	1		
6	502569	. SCREW MA PAN PH M6-1.0x16 BK	1	1		
7	500472	. WASHER LO INT .256x.478x.028 Z050	1	1		
8	285877	. LOCK ASSY, UPPER To 8-1135	1	1		
8	288899	. LOCK ASSY, UPPER From 8-1136 To C-2053	1	1		
8	289950	. LOCK ASSY, UPPER From C-2054	1	1		
8	683276	. . GREASE LOW TEMPERATURE 450GR To G-3091	AR	AR		
8	685371	. . GREASE / GREY BLACK MOBIL XHP 222 SPECIAL 400 g From G-3092	AR	AR		
9	285878	. . PLATE, LOCK To 8-1135	1	1		
9	288901	. . PLATE, LOCK From 8-1136	1	1		
10	641983	. . CYLINDER 7/8" X 1" STROKE / DOUBLE ACTION	1	1		
NS	680038	. . THREAD LOCKER LOCTITE #243 / BLUE / 50ml	AR	AR		
11	641242	. . MALE CONNECTOR / PUSH-IN FITTING / #4x1/8NPT-M BR To C-2053	2	2		
11	641126	. . MALE CONNECTOR / PUSH-IN FITTING / #2x1/8NPT-M BR From C-2054	2	2		
12	285271	. . CATCH To C-2053	1	1		

<b>From 7-0671 To J-0184</b>	<b>Date:10/2022</b>	<b>PAGE:H7-1862-10</b>
<b>ENTRANCE DOOR ASSY - SEDAN</b>		

Item#	Part	Description	H 3 4 1	H 3 4 5	V I P 4 5	N O T E S
12	282383	. . CATCH From C-2054	1	1		
13	502636	. . WASHER LO SPT 4.1x7.6x0.9 Z050	1	1		
14	500560	. . SCREW MA PAN PH M4-0.7x6 Z050	1	1		
15	641369	. . MALE ELBOW 90° NON-SWIVEL / PUSH-IN FITTING / #4x1/8NPT-M BR To C-2053	1	1		
15	642062	. . MALE ELBOW 90° / PUSH-IN FITTING / #2x1/8NPT-M PLAS From C-2054	1	1		
15A	504567	. GROMMET / .687x1.000x.250x.562x1.312	3	3		
16	503402	. TUBE, NYLON 1/4 O.D. / BLACK S.L. To C-2053	AR	AR		
16A	503536	. TUBE, NYLON 1/8 O.D. / BLACK S.L. From C-2054	AR	AR		
17	066647	. CABLE ASSY / DOOR ACCESSORIES / MUX To A-1720	1	1		
17	067862	. CABLE ASSY / DOOR ACCESSORIES From B-1721	1	1		
17	562679	4 WAY ADH. BACKED MOUNTS 1.000 x 1.000 x .160 From B-1721	1	1		
17	504637	CABLE TIE / 3/16" x 13" From B-1721	AR	AR		
17	504273	CABLE TIE / 1/8" X 3"1/2 From B-1721	AR	AR		
20	283956	. HANDLE ASSY / W/5 STUDS	1	1		
21	283954	. GASKET / HANDLE & BODY	1	1		
22	502556	. WASHER FL 4.3x9.0x0.8 SS	5	5		Q
23	502557	. NUT HEX NYRT M4-0.7 SS	5	5		Q
24	285880	. PLATE, FINISHING To 8-1135	1	1		
24	288898	. PLATE, FINISHING From 8-1136 To A-1558	1	1		
24	288944	. PLATE, FINISHING From A-1559	1	1		
25	500356	. WASHER LO SERR 6.1x16.0x0.9 N500	11	11		
26	5001744	. SCREW CAP HEX M6-1.0x16 G8.8 N500	11	11		
27	283929	. PLATE / TO FIX DOVETAIL	1	1		
28	780496	. DOVETAIL, MALE	1	1		
28	2800587	. SPACER From F-2824	AR	AR		
28A	5001058	. SCREW MA FL PH M4-0.7x8 Z050	3	3		
29	502622	. SCREW CAP HEX M6-1.0x20 SS BK	2	2		
30	5001699	. WASHER BEL SPR 8.2x22x1.4 N500	2	2		
31	283100	. STRIPE, REFLECTIVE WHITE / 38MM X 15' ROLL	AR	AR		
. NS	780277	. . STRIPE, REFLECTIVE WHITE / 38MM X 150' ROLL	AR	AR		
32	285683	. EXTRUSION BACKING ASSY W/REFLECTOR 771MM To A-1720	1	1		
. NS	285659	. . EXTRUSION BACKING 771MM To A-1720	1	1		
32	280191	. EXTRUSION BACKING ASSY W/REFLECTOR 698MM From B-1721 To E-2688	1	1		
. NS	280192	. . EXTRUSION BACKING 771MM From B-1721 To E-2688	1	1		
32	280238	. EXTRUSION BACKING ASSY W/REFLECTOR 698MM From E-2689	1	1		
. NS	280115	. . EXTRUSION BACKING 698MM From E-2689	1	1		
NS	683083	. ADHESIVE SIKA #252 / BLACK / 600 ml SAUSAGE To E-2688	AR	AR		
32	685126	. ADHESIVE SIMSON #ISR 70-03 / GREY / 600ml SAUSAGE From E-2689	AR	AR		
NS	682348	. TAPE, DOUBLE COATED ACRYLIC	AR	AR		
33	500120	. SCREW TP BDG PH #6x1/2 SS To F-2963	4	4		
33	500952	. SCREW TP BDG PH #8x1/2 SS From F-2964	4	4		
35	285654	. PROTECTOR PANEL / SH To A-1720	1	1		

From 7-0671 To J-0184	Date:10/2022	PAGE:H7-1862-10
<b>ENTRANCE DOOR ASSY - SEDAN</b>		

Item#	Part	Description	H 3 4 1	H 3 4 5	V I P 4 5	N O T E S
35	285898	. PROTECTOR PANEL / WITH GRAVEL GUARD / SH To A-1720	1	1		H
35	289597	. PROTECTOR PANEL / SH W/DUCT LAMP From B-1721	1	1		
35	685124	. ADHESIVE SIMSON #ISR 70-03 / BLACK / 600ml SAUSAGE	AR	AR		
35A	681348	. TAPE RUB ADH2 ACRYLIC .045" x 1" x 108' / VHB4952	AR	AR		
36	<b>H7-0663-00</b>	<b>. DOCK &amp; CORNERING LIGHT</b>				
NS	502530	. SCREW MA OV PH M4-0.7x40 SS	2	2		
NS	500589	. NUT WELL M4-0.7x13.5	2	2		
39	<b>H7-0655-00</b>	<b>. INTERIOR LIGHTING To D-2264</b>				
39	<b>H7-0655-01</b>	<b>. INTERIOR LIGHTING LED From D-2265</b>				
NS	500862	. SCREW TC PAN PH #6-32x3/4 Z050 To A-1720	2	2		
NS	500422	. NUT SPR U #6-32 .110-.120 SS To A-1720	2	2		S
NS	500503	. SCREW WO FL PH #8x1 1/4 Z050 From B-1721	2	2		S
40	285879	. PLATE, CLOSING To 8-1135	1	1		
40	288896	. PLATE, CLOSING From 8-1136	1	1		
41	502761	. SCREW TP BDG PH #10x3/4 SS BK	7	7		
42	860422	. HANDLE	1	1		
43	284049	. PLUG / SQUARE / BLACK	1	1		
44	500360	. SCREW TP FL PH #8x1 1/4 BK	2	2		
45	900489	. HANDLE	1	1		
46	500619	. SCREW TP FL PH #10x1 1/4 Z050 To F-2912	4	4		
46	500618	. SCREW TP FL PH #10x1 Z050 From F-2913	4	4		
47	900490	. CAP / W/HANDLE	2	2		
50	287606	. CATCH ASSY To C-1902	1	1		
50	287232	. CATCH ASSY From C-1903 To C-2053	1	1		
50	2800200	. CATCH ASSY From C-2054	1	1		
51	287609	. . BASE	1	1		
52	287607	. . CATCH	1	1		
53	283968	. . HOOK	1	1		
54	283945	. . LEVER	1	1		
55	287604	. . AXE LONG W/SHOULDER / 86.5MM	1	1		
56	283946	. . AXE SHORT / 54.4MM	1	1		
56	683652	. . GREASE SYNTHETIC / RED BOX 50 TUBE	AR	AR		
57	504402	. . RING RETAINER / EXT .250 x .210 x .025"	6	6		
58	641216	. . YOKE	1	1		
NS	642225	. . . CLIP	2	2		
59	641984	. . CYLINDER 1 3/4" X 3/4" STROKE	1	1		
60	283948	. . AXE	2	2		
61	500832	. . WASHER FL .406x.812x.065 N500	2	2		
62	504477	. . RING RETAINER / EXT 14.0 X 13.4 X 1.0MM	2	2		
63	641006	. . MALE BRANCH TEE / NTA FITTING / #4x#4x1/4NPT-M BR	1	1		
63A	507589	. . MALE BRANCHE TEE / PIPE FITTING / 1/8NPT-Fx1/8NPT-Fx1/8NPT-M BR From C-2054 To C-2085	1	1		
63B	641126	. . MALE CONNECTOR / PUSH-IN FITTING / #2x1/8NPT-M BR From C-2054 To C-2085	2	2		

<b>From 7-0671 To J-0184</b>	<b>Date:10/2022</b>	<b>PAGE:H7-1862-10</b>
<b>ENTRANCE DOOR ASSY - SEDAN</b>		

Item#	Part	Description	H 3 4 1	H 3 4 5	V I P 4 5	N O T E S
63C	641242	. . MALE CONNECTOR / PUSH-IN FITTING / #4x1/8NPT-M BR From C-2054 To C-2085	1	1		
63D	642094	. . MALE BRANCH TEE / PUSH-IN FITTING / #4x#4x1/4NPT-M COMPOSITE From C-2086	1	1		
63E	642063	. . REDUCER / PUSH-IN FITTING / #4x#2 PLAS From C-2086	1	1		
64	501338	. . MALE RUN TEE / PIPE FITTING / 1/4NPT-Mx1/4NPT-Fx1/4NPT-F BR To C-1902	1	1		
64A	501308	. . ADAPTER / PIPE FITTING / 1/4NPT-Fx1/4NPT-M BR From C-1903 To C-2053	1	1		
64A	501308	. . ADAPTER / PIPE FITTING / 1/4NPT-Fx1/4NPT-M BR From C-2086	1	1		
64B	501653	. . MALE RUN TEE / PIPE FITTING / 1/8NPT-Mx1/8NPT-Fx1/8NPT-F BR From C-2054 To C-2085	1	1		
64C	501312	. . BUSHING REDUCER / PIPE FITTING / 1/4NPT-Mx1/8NPT-F BR From C-2054 To C-2085	1	1		
65	285218	. . PRESSURE SWITCH N.C. 30-10 20PS001AB030E010E To C-1902	1	1		
66	950249	. . SCHRADER VALVE 1/4NPT-M To C-1902	1	1		
67	284051	. RUBBER, CLOSING	1	1		
67	680066	. ADHESIVE / ADBOND #5014 / 23.6ML BOTTLE	AR	AR		
68	284052	. PLATE / TO FIX CLOSING RUBBER	1	1		
69	500028	. SCREW TC TR PH #8-32x3/8 SS	1	1		
70	<b>H7-1864-31</b>	<b>. HANDLE LOCK &amp; KEYS - TYPE "NS" &amp; "FORD"</b>				
70A	5001138	. WASHER FL .812x1.187x.031 ZP	1	1		
70A	680025	. CAULKING STRIP 3/16" O.D. X 14'	AR	AR		
70B	507212	. O-RING To G-3065	1	1		
70C	500418	. SCREW MA RND SLT #8-32x1 ZP	1	1		
71	280011	. LOCK COVER ASSEMBLY From G-3066	1	1		
. A	N.S.S.	. . RECEIVER From G-3066	1	1		1
. B	N.S.S.	. . COVER From G-3066	1	1		1
. C	N.S.S.	. . GUIDE, SPRING From G-3066	1	1		1
. D	N.S.S.	. . SPRING From G-3066	1	1		1
. E	N.S.S.	. . AXLE From G-3066	1	1		1
NS	680067	. SEALANT TAPE BUTYL / BLACK / 1/8"x3/4"x25' / 75211E760 From G-3066	AR	AR		
72	288324	. LEVER, LOCK / CYLINDER / PLASTIC BLACK / 8MM SQ HOLE	1	1		
NS	500804	. WASHER FL .203x.500x.047 N500	1	1		
73	500764	. NUT HEX #8-32 Z050	1	1		
74	500670	. NUT HEX NYRT #8-32 Z050	1	1		
75	283962	. ROD / LOCK CYLINDER SIDE / 136 MM	1	1		
76	502147	. SPRING EXTENSION / .500 O.D. 3.5 x .054	1	1		
77	283960	. ROD "L" SHAPE 173MM	1	1		
78	502094	. PIN, COTTER 1/16 x 1/2 SS	1	1		
79	642008	MALE BRANCH TEE SWIVEL / PUSH-IN FITTING / #4x#4x10-32 BR To C-2053	1	1		
79A	642167	MALE ELBOW 90° SWIVEL / PUSH-IN FITTING / #2x10-32 BR From C-2054 To C-2085	2	2		
79B	642061	MALE BRANCH TEE SWIVEL / PUSH-IN FITTING / #2x#2x10-32 BR From C-2086	1	1		
79C	642064	REDUCER / PUSH-IN FITTING / #2x#4 PLAS To C-2053	2	2		
80	284055	. DECAL / CLOSE - OPEN / ENGLISH To 8-1135	1	1		
80	408253	. DECAL / CLOSE - OPEN / ENGLISH From 8-1136	1	1		
80	288196	. DECAL / CLOSE - OPEN / ENGLISH & SPANISH To 8-1135	1	1		
80	408266	. DECAL / CLOSE - OPEN / ENGLISH & SPANISH From 8-1136	1	1		

<b>From 7-0671 To J-0184</b>	<b>Date:10/2022</b>	<b>PAGE:H7-1862-10</b>
<b>ENTRANCE DOOR ASSY - SEDAN</b>		

Item#	Part	Description	H 3 4 1	H 3 4 5	V I P 4 5	N O T E S
80	400463	. DECAL / CLOSE - OPEN / ENGLISH & FRENCH From 8-1136	1	1		
81	285862	CAP, FINISHING To 8-1135	1	1		
81	289464	CAP, FINISHING From 8-1136	1	1		
81A	500672	SCREW TP OV PH #6x1/2 N500	2	2		
81B	500345	WASHER FN CKF .187x.500x.090 BR BK	2	2		
82	291978	SPRING, COMP. / .511 O.D. x 52MM x .055	1	1		
83	<b>H7-1862-60</b>	<b>ENTRANCE DOOR FRAME - INSTALLATION</b>				
84	642030	CYLINDER 7/16" X 1" STROKE	1	1		
85	950202	YOKE	1	1		
86	287603	HOOK SAFETY LOCK	1	1		
87	502573	WASHER FL 6.4x12.5x1.6 SS	1	1		
88	504714	RING RETAINER / EXT .156 x .114 x .025"	1	1		
89	504357	WASHER FL .187x.437x.050 SS	1	1		
		FOLLOWING PARTS ARE RELATED TO "FORD"				
		ENTRANCE DOOR CYLINDER LOCK "OPTION"				
90	<b>H7-1864-31</b>	<b>HANDLE LOCK &amp; KEYS - TYPE "NS" &amp; "FORD"</b>				
91A	780237	SEAL RUBBER 1/32" TH To B-1808	1	1		
91A	2800032	SEAL RUBBER 1/16" TH From B-1809	1	1		
91B	289961	SHIM FOR "FORD" CYLINDER 27 I.D.x35 O.D.3.17	1	1		
92	285811	WASHER / CYLINDER LOCK RETAINER	1	1		
93	500518	SCREW MA BDG PH #4-40x1/2 Z050	2	2		
94	284358	LEVER ASSY	1	1		
95	283853	SPACER / WASHER 9/16" O.D. X 1/4" I.D.	1	1		
96	504402	RING RETAINER / EXT .250 x .210 x .025"	1	1		
97	284363	ROD / 178MM	1	1		
98	502094	PIN, COTTER 1/16 x 1/2 SS	1	1		
99	502184	SPRING EXTENSION / .360 O.D. x 1.25 x .031	1	1		
100	285639	SUPPORT	1	1		
101	284852	HOOK	1	1		
102	500638	SCREW TP PAN PH #8x1/2 Z050	2	2		
103	500855	WASHER FL .188x.438x.049 N500	3	3		
105	<b>H7-1864-31</b>	<b>HANDLE LOCK &amp; KEYS - TYPE "NS" &amp; "FORD"</b>				
110	406050	DECAL / "C.W.A." & "T.C.A."	1	1		
110	157729	DECAL / WALL TO WALL TURNING DIAM 90' 3" WITH VIN #	1	1		
. NS	157730	. DECAL / WALL TO WALL TURNING DIAM 90' 3" W/OUT VIN RAW MATERIAL	1	1		
110	400095	DECAL / "WATCH YOUR STEP" / ENGLISH & FRANCAIS	1	1		
110	406151	DECAL / "WATCH YOUR STEP" / "CUINDADO CON EL / ENGLISH & SPANISH	1	1		
110	408278	DECAL / "WATCH YOUR STEP" / ENGLISH & FRANCAIS	1	1		
110	408279	DECAL / "WATCH YOUR STEP" / "CUINDADO CON EL / ENGLISH & SPANISH	1	1		

From 7-0671 To J-0184	Date:10/2022	PAGE:H7-1862-10
<b>ENTRANCE DOOR ASSY - SEDAN</b>		

Item#	Part	Description	H 3 4 1	H 3 4 5	V I P 4 5	N O T E S
110	400297	DECAL / "WATCH YOUR STEP" / ENGLISH	1	1		
111	290082	GUTTER VERTICAL	1	1	1	
111	680796	TAPE RUB ADH2 ACRYLIQUE 3/4x.045x36YARD	AR	AR	AR	
		H) THIS PROTECTOR IS COATED WITH GRAVEL GUARD AND IS BLACK PAINTED, READY TO INSTALL.				
		Q) TO FIX HANDLE				
		S) TO FIX LAMP				
		1) NOT SOLD SEPARATELY				
		U) UNDER CONSTRUCTION				

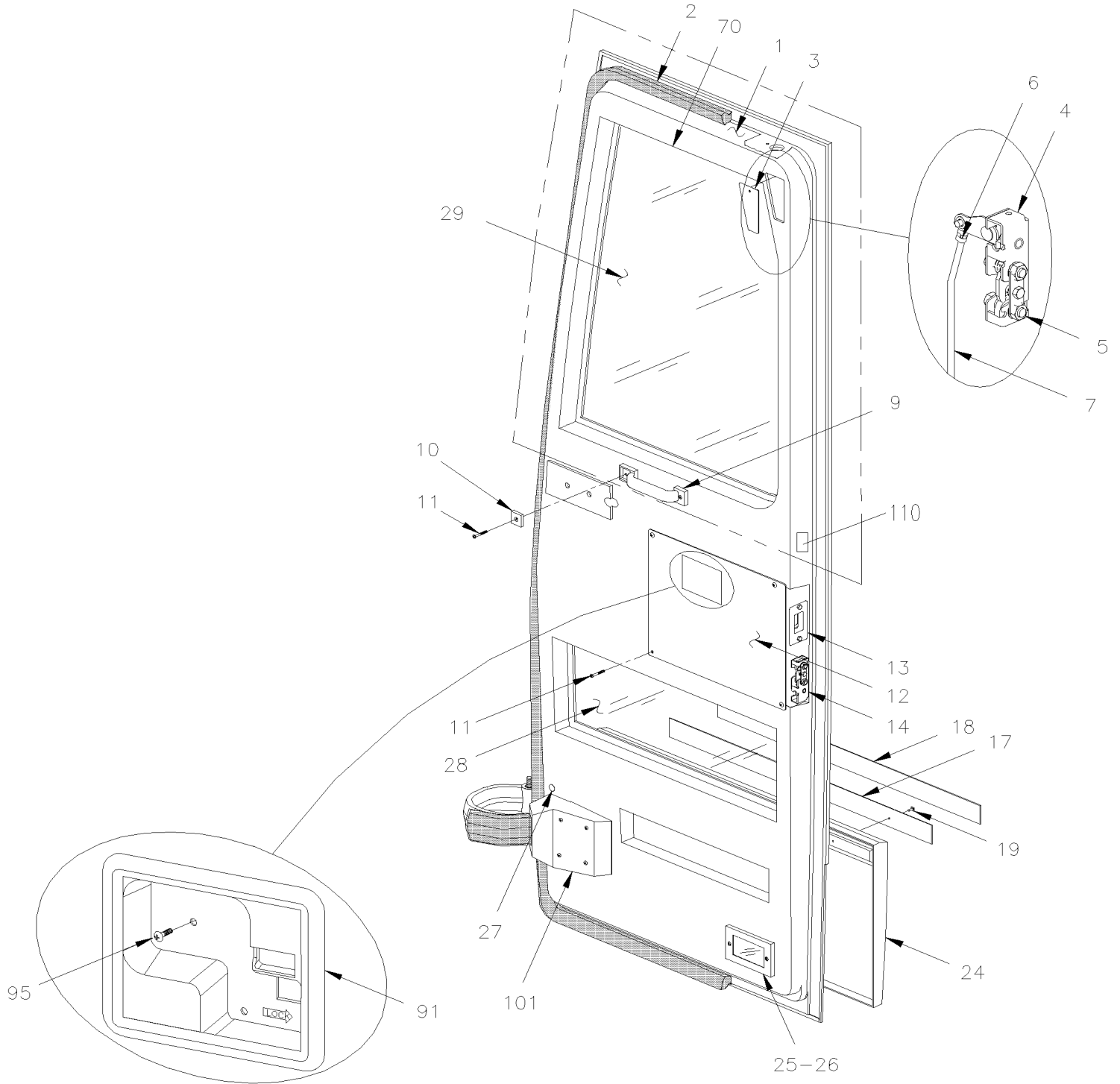


From 7-0671 To F-2928

Date:10/2022

PAGE:H7-1862-50

## ENTRANCE DOOR ASSY - V.I.P.

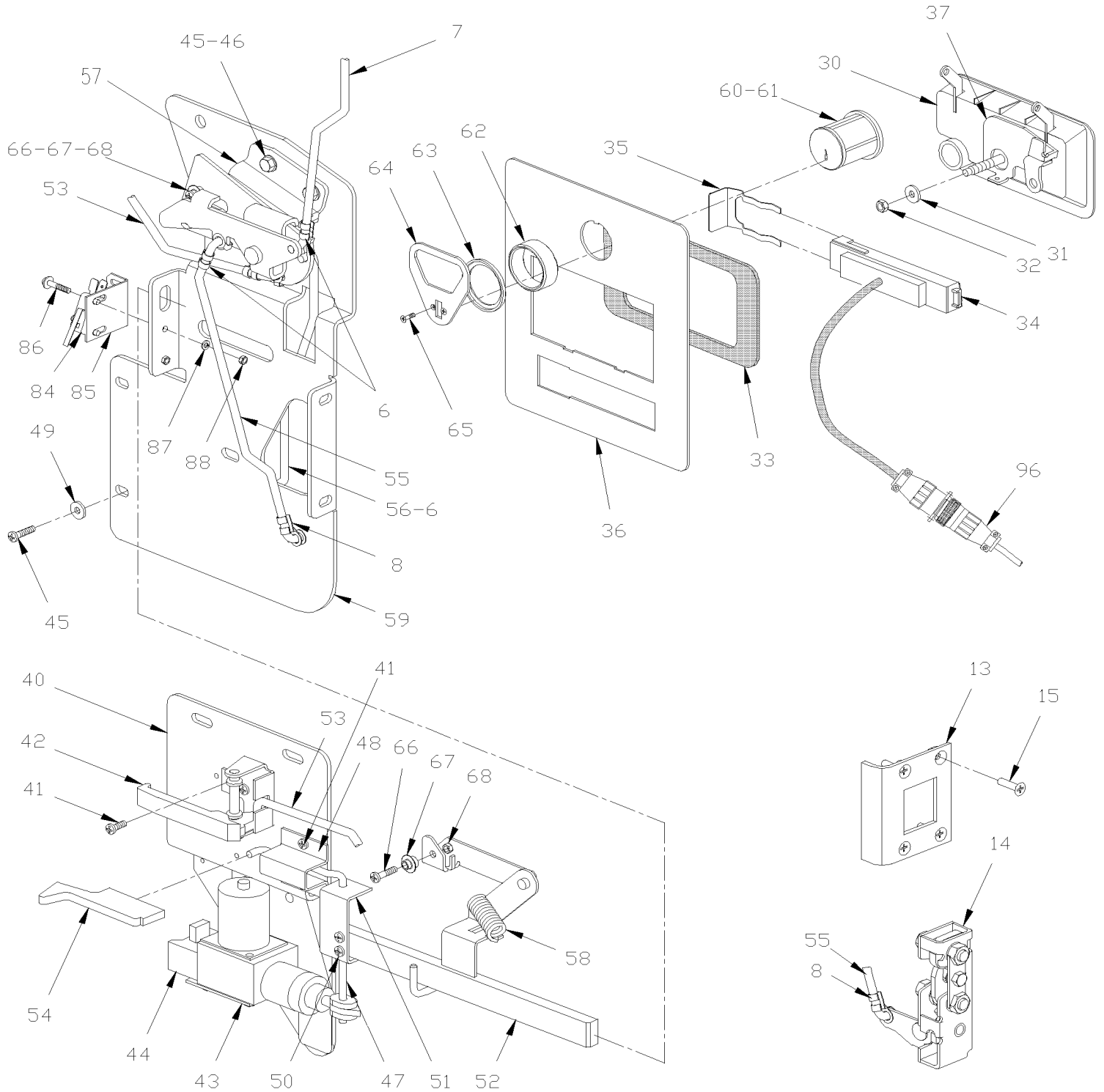


From 7-0671 To F-2928

Date:10/2022

PAGE:H7-1862-50

## ENTRANCE DOOR ASSY - V.I.P.



From 7-0671 To F-2928 Date:10/2022 PAGE:H7-1862-50

**ENTRANCE DOOR ASSY - V.I.P.**

Item#	Part	Description	H 3 4 1	H 3 4 5	V I P 4 5	N O T E S
	2810633	ENTRANCE DOOR ASSY / V.I.P. DARK GRAY To 8-1135			1	
	2800646	ENTRANCE DOOR ASSY / V.I.P. GRAY From 8-1136			1	A B
	069141	KEYBOARD REPLACEMENT KIT To A-1720			1	A
. NS	069071	. HARNESS ENTRANCE DOOR KEYLESS SKIM To A-1720			1	A
. NS	069164	. SUPPORT SKIM MODULE To A-1720			1	A
. NS	069166	. HARNESS KEYLESS KEYPAD - CPC To A-1720			1	A
. NS	502868	. SCREW TC TR PH #10-16x1/2 N500 To A-1720			2	A
. NS	502903	. SCREW TC FL PH #10-24x1 1/4 N500 To A-1720			3	A
. NS	504013	. TIE MOUNT / 1/4" X 1/4" I.D. To A-1720			3	A
. NS	504637	. CABLE TIE / 3/16" x 13" To A-1720			6	A
. NS	565914	. KEYPAD, DOOR LOCK W/CONNECTOR To A-1720			1	A
. NS	565916	. MODULE INTERFACE KEYLESS SYSTEM To A-1720			1	A
. NS	IS-13158	. SEE INSTRUCTION SHEET To A-1720			1	A
. NS	FI-13158	. VOIR FEUILLE D'INSTRUCTION To A-1720			1	A
	069140	KEYBOARD REPLACEMENT KIT From B-1721			1	B
. NS	069072	. HARNESS ENTRANCE DOOR KEYLESS SKIM From B-1721			1	B
. NS	069164	. SUPPORT SKIM MODULE From B-1721			1	B
. NS	069167	. HARNESS KEYLESS KEYPAD - DEUTSCH From B-1721			1	B
. NS	502868	. SCREW TC TR PH #10-16x1/2 N500 From B-1721			2	B
. NS	502903	. SCREW TC FL PH #10-24x1 1/4 N500 From B-1721			3	B
. NS	504013	. TIE MOUNT / 1/4" X 1/4" I.D. From B-1721			3	B
. NS	504637	. CABLE TIE / 3/16" x 13" From B-1721			6	B
. NS	565914	. KEYPAD, DOOR LOCK W/CONNECTOR From B-1721			1	B
. NS	565916	. MODULE INTERFACE KEYLESS SYSTEM From B-1721			1	B
. NS	IS-13158	. SEE INSTRUCTION SHEET From B-1721			1	B
. NS	FI-13158	. VOIR FEUILLE D'INSTRUCTION From B-1721			1	B
1	286430	. DOOR MOULDED / FIBERGLASS To A-1720			1	
1	289690	. DOOR MOULDED / FIBERGLASS From B-1721			1	
2	285464	. RUBBER SEAL EXTRUSION 5800MM To A-1578			1	
2	280136	. RUBBER SEAL EXTRUSION 5800MM From A-1579 To C-2017			1	
2	2800115	. RUBBER SEAL EXTRUSION 5800MM From C-2018			1	
3	285939	. PLATE, CLOSING UPPER LOCK To 8-1135			1	
3	288900	. PLATE, CLOSING UPPER LOCK From 8-1136			1	
NS	500385	. NUT SPR U #6-32 .135-.150 N500			1	
4	289302	. LATCH / R.H.			1	
5	502888	. SCREW CAP HEX M6-1.0x35 G8.8 N500			6	
NS	502564	. WASHER LO SPT 6.1x11.8x1.6 Z050			6	
6	504541	. CLIP ROD 1/4" R.H.			6	
7	283392	. ROD 7/32" O.D. To E-2611			1	
7	280001	. ROD 7/32" O.D. From E-2612			1	
NS	500950	. WASHER FL .187x.625x.094 RUB			3	
NS	682175	. UNDERCOATING BLACK PROTECTOR (GRAVELGUARD) 567gr			AR	

From 7-0671 To F-2928	Date:10/2022	PAGE:H7-1862-50
<b>ENTRANCE DOOR ASSY - V.I.P.</b>		

Item#	Part	Description	H 3 4 1	H 3 4 5	V I P 4 5	N O T E S
8	504243	. CLIP ROD 1/4" L.H.			1	
9	860422	. HANDLE			1	
10	284049	. PLUG / SQUARE / BLACK			1	
11	502761	. SCREW TP BDG PH #10x3/4 SS BK			4	
12	285940	. PLATE, CLOSING To 8-1135			1	
12	288897	. PLATE, CLOSING From 8-1136 To E-2571			1	
12	2800468	. PLATE, CLOSING From E-2572			1	
NS	506225	. TAPE RUB ADH1 CC POL 1/16" x 1/4" x 100' / GREY 2520			AR	
13	283397	. GUIDE ASSY			1	
14	283491	. LATCH / L.H.			1	
15	500654	. SCREW TC BDG PH #8-32x1/2 Z050			4	
17	285683	. EXTRUSION BACKING ASSY W/REFLECTOR 771MM			1	
. NS	285659	. . EXTRUSION BACKING 771MM			1	
18	283100	. . STRIPE, REFLECTIVE WHITE / 38MM X 15' ROLL			AR	
. NS	780277	. . . STRIPE, REFLECTIVE WHITE / 38MM X 150' ROLL			AR	
19	500120	. SCREW TP BDG PH #6x1/2 SS			4	
24	285654	. PROTECTOR PANEL / SH To A-1720			1	
24	289597	. PROTECTOR PANEL / SH W/DUCT LAMP From B-1721			1	
NS	681348	. TAPE RUB ADH2 ACRYLIC .045" x 1" x 108' / VHB4952			AR	
NS	682462	. ADHESIVE SIKA #252 / BLACK / 310ml CARTRIDGE			AR	
NS	682348	. TAPE, DOUBLE COATED ACRYLIC			AR	
25	<b>H7-0655-00</b>	<b>. INTERIOR LIGHTING To D-2264</b>				
25	<b>H7-0655-01</b>	<b>. INTERIOR LIGHTING LED From D-2265</b>				
26	500862	. SCREW TC PAN PH #6-32x3/4 Z050			3	
NS	500422	. NUT SPR U #6-32 .110-.120 SS			3	
27	504433	. SNAP-IN PLUG / 1.090 O.D.			1	
28	293205	. GLASS, THERMOS			1	
29	293204	. GLASS, THERMOS			1	
NS	681091	. PRIMER SIKA #206 / BLACK / 250ml			AR	
29	506769	. TAPE RUB ADH2 CC POL 1/8" x 1/4" x 60' / BLACK H1CC-N-#14			AR	
30	IS18903	. ENTRANCE DOOR HANDLE			1	
. NS	780432	. . HANDLE ASSY			1	
. NS	284058	. . LEVER			1	
. NS	IS-18903	. . SEE INSTRUCTION SHEET			1	
31	500441	. WASHER FL .312x.734x.065 Z050			1	
32	502819	. NUT HEX JAM 1/4-20 Z050			1	
33	680307	. SEALER TREMTHANE / UPPER & CENTER PANELS			AR	
34	065303	. KEYBOARD ASSY To A-1720			1	
34	067913	. KEYBOARD ASSY From B-1721 To E-2665			1	
34	069128P	. KEYBOARD ASSY From E-2666			1	
34	066657	. . DOOR KEYLESS ENTRY HARNESS VIP From E-2666			1	
34	565914	. . KEYPAD, DOOR LOCK W/CONNECTOR From E-2666			1	

From 7-0671 To F-2928 Date:10/2022 PAGE:H7-1862-50

**ENTRANCE DOOR ASSY - V.I.P.**

Item#	Part	Description	H 3 4 1	H 3 4 5	V I P 4 5	N O T E S
NS	504465	. GROMMET / .375x.500x.250x.500x.750 To A-1720			1	
NS	504501	. GROMMET / .375x.625x.250x.500x.875 From B-1721			1	
34	069141	. KEYBOARD REPLACEMENT KIT To A-1720			1	SAV
. NS	069071	. . HARNESS ENTRANCE DOOR KEYLESS SKIM To A-1720			1	SAV
. NS	069164	. . SUPPORT SKIM MODULE To A-1720			1	SAV
. NS	069166	. . HARNESS KEYLESS KEYPAD - CPC To A-1720			1	SAV
. NS	502868	. . SCREW TC TR PH #10-16x1/2 N500 To A-1720			2	SAV
. NS	502903	. . SCREW TC FL PH #10-24x1 1/4 N500 To A-1720			3	SAV
. NS	504013	. . TIE MOUNT / 1/4" X 1/4" I.D. To A-1720			3	SAV
. NS	504637	. . CABLE TIE / 3/16" x 13" To A-1720			6	SAV
. NS	565914	. . KEYPAD, DOOR LOCK W/CONNECTOR To A-1720			1	SAV
. NS	565916	. . MODULE INTERFACE KEYLESS SYSTEM To A-1720			1	SAV
. NS	IS-13158	. . SEE INSTRUCTION SHEET To A-1720			1	SAV
. NS	FI-13158	. . VOIR FEUILLE D'INSTRUCTION To A-1720			1	SAV
NS	069140	. KEYBOARD REPLACEMENT KIT From B-1721 To E-2665			1	SAV
. NS	069072	. . HARNESS ENTRANCE DOOR KEYLESS SKIM From B-1721 To E-2665			1	SAV
. NS	069164	. . SUPPORT SKIM MODULE From B-1721 To E-2665			1	SAV
. NS	069167	. . HARNESS KEYLESS KEYPAD - DEUTSCH From B-1721 To E-2665			1	SAV
. NS	502868	. . SCREW TC TR PH #10-16x1/2 N500 From B-1721 To E-2665			2	SAV
. NS	502903	. . SCREW TC FL PH #10-24x1 1/4 N500 From B-1721 To E-2665			3	SAV
. NS	504013	. . TIE MOUNT / 1/4" X 1/4" I.D. From B-1721 To E-2665			3	SAV
. NS	504637	. . CABLE TIE / 3/16" x 13" From B-1721 To E-2665			6	SAV
. NS	565914	. . KEYPAD, DOOR LOCK W/CONNECTOR From B-1721 To E-2665			1	SAV
. NS	565916	. . MODULE INTERFACE KEYLESS SYSTEM From B-1721 To E-2665			1	SAV
. NS	IS-13158	. . SEE INSTRUCTION SHEET From B-1721 To E-2665			1	SAV
. NS	FI-13158	. . VOIR FEUILLE D'INSTRUCTION From B-1721 To E-2665			1	SAV
35	780637	. CLIP RETAINER			1	
36	286980	. PLATE / HANDLE To F-2791			1	
36	2800897	. PLATE / HANDLE From F-2792			1	
NS	681092	. ADHESIVE SIKA #255FC / BLACK / 310ml CARTRIDGE			AR	
37	284058	. LEVER			1	
40	283394	. PLATE, MOUNTING To E-2571			1	
40	2800467	. PLATE, MOUNTING From E-2572			1	
41	500654	. SCREW TC BDG PH #8-32x1/2 Z050			4	
42	780484	. LEVER, RELEASE To E-2571			1	
42	780891	. LEVER, RELEASE From E-2572			1	
43	284834	. SUPPORT ACTUATOR To A-1672			1	
43	289960	. SUPPORT ACTUATOR From A-1673			1	
44	780428	. LOCK ACTUATOR / 12V To A-1672			1	
. NS	562076	. . CONNECTOR / PACK-CON I / FEMALE HOUSING / 2C / PED 8911772 To A-1672			1	
44	<b>2810382</b>	. <b>ACTUATOR SERVICE KIT To A-1672</b>			1	
44	780814	. LOCK ACTUATOR / 12V From A-1673 To C-1956			1	

From 7-0671 To F-2928	Date:10/2022	PAGE:H7-1862-50
<b>ENTRANCE DOOR ASSY - V.I.P.</b>		

Item#	Part	Description	H 3 4 1	H 3 4 5	V I P 4 5	N O T E S
. NS	562076	. . CONNECTOR / PACK-CON I / FEMALE HOUSING / 2C / PED 8911772 From A-1673 To C-1956			1	
44	2800049	. LOCK ACTUATOR / 12V From C-1957			1	
45	955271	. SCREW CAP HEX M6-1.0x16 G8.8 ZG603			15	
46	500454	. WASHER LO INT .256x.478x.028 N500			12	
47	284836	. ROD			1	
48	780483	. CLAMP			1	
49	502582	. WASHER LO SERR 6.1x16.2x0.9 Z050			9	
49	500472	. WASHER LO INT .256x.478x.028 Z050			12	
50	500393	. SCREW TC PAN PH #10-24x3/8 Z050			2	
51	283364	. TIE			1	
52	284079	. ROD 259MM C/C			1	
53	283387	. ROD			1	
54	284127	. BUTTON			1	
55	284076	. ROD 259MM C/C			1	
56	283371	. ROD 171MM C/C			1	
57	285748	. SHUTTER, RELEASE ASSY			1	
58	502156	. SPRING EXTENSION / .437 O.D. x 2 x .041			1	
59	283393	. PLATE, MOUNTING			1	
60	780430	. CYLINDER LOCK ASSY W/2 KEYS / "CORBIN" To 8-1203			1	SS
. NS	780562	. . KEY / "CORBIN" BLANK To 8-1203			2	SS
60	780803	. CYLINDER LOCK ASSY W/2 KEYS / "SCHLAGE" From 8-1204			1	
. NS	780902	. . KEY / "SCHLAGE" BLANK From 8-1204			1	
61	780562	. KEY / "CORBIN" BLANK To 8-1203			AR	
62	283380	. SPACER / LOCK & NUT			1	
63	780427	. NUT			1	
64	284074	. LEVER, TRIANGULAR SHAPE / W/"CORBIN" To 8-1203			1	
64	289030	. LEVER, TRIANGULAR SHAPE / W/"SCHLAGE" From 8-1204			1	
65	N.S.S.	. SCREW			2	1
66	502746	. SCREW MA PAN PH M5-0.8x20 SS BK			1	
67	285546	. STOPPER			1	
68	502782	. NUT HEX NYRT M5-0.8 Z050			2	
84	561677	. MICRO SWITCH			1	
85	064763	. SUPPORT			1	
86	502577	. SCREW MA PAN PH M3-0.5x16 ZP			2	
87	500467	. WASHER LO INT .138x.275x.019 Z050			2	
88	502579	. NUT HEX M3-0.5 NP			2	
91	780482	. BEZEL To E-2571			1	
91	780890	. BEZEL From E-2572			1	
95	500443	. SCREW TP PAN PH #8x1/2 N500			2	
96	066459	. CABLE HARNESS / ENTRANCE DOOR To A-1672			1	
96	068079	. CABLE HARNESS / ENTRANCE DOOR From A-1673			1	
NS	563542	KEYLESS / TRANSMITTER KEY RING / W/PICTOGRA			1	

From 7-0671 To F-2928	Date:10/2022	PAGE:H7-1862-50
-----------------------	--------------	-----------------

**ENTRANCE DOOR ASSY - V.I.P.**

Item#	Part	Description	H 3 4 1	H 3 4 5	V I P 4 5	N O T E S
100	H7-0650-50	ENTRANCE DOOR MODULE - V.I.P.				
101	H7-1862-60	ENTRANCE DOOR FRAME - INSTALLATION				
NS	565916	MODULE INTERFACE KEYLESS SYSTEM			1	D
NS	065610	HARNES INTERFACE MODULE SKIM			1	D
NS	500508	SCREW TC PAN PH #10-32x1 1/2 Z050			2	D
NS	504637	CABLE TIE / 3/16" x 13"			1	D
NS	504013	TIE MOUNT / 1/4" X 1/4" I.D.			2	D
110	406050	DECAL / "C.W.A." & "T.C.A."			1	
110	157729	DECAL / WALL TO WALL TURNING DIAM 90' 3" WITH VIN #			1	
. NS	157730	. DECAL / WALL TO WALL TURNING DIAM 90' 3" W/OUT VIN RAW MATERIAL			1	
		A) WHEN YOU ORDER 286108 YOU HAVE TO ORDER 069141				
		B) WHEN YOU ORDER 286108 YOU HAVE TO ORDER 069140				
		D) INSTALL INSIDE DEFROSTER COMPARTMENT				
		SAV) REPLACEMENT SUPPLEMENT KIT, OLD KEYBOARD.SUPPLEMENT KIT DE REMPLACEMENT, ANCIEN CLAVIERSSATHIS MODEL IT OBSOLETED REPLACE BY 780803 WITH NEW LEVER # 289031				
		SS) THIS MODEL IT OBSOLETED REPLACE BY 780803 WITH NEW LEVER # 289031				
		1) NOT SOLD SEPARATELY				



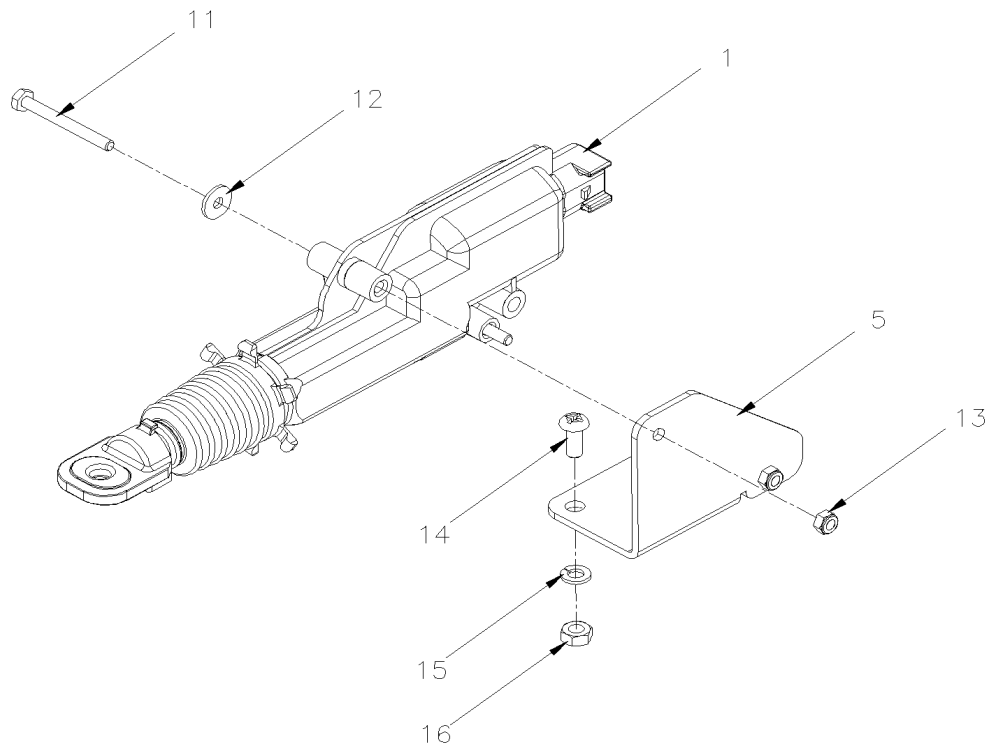


From 7-0671 To F-2928

Date:10/2022

PAGE:2810382

**ACTUATOR SERVICE KIT**



From 7-0671 To F-2928	Date:10/2022	PAGE:2810382
<b>ACTUATOR SERVICE KIT</b>		

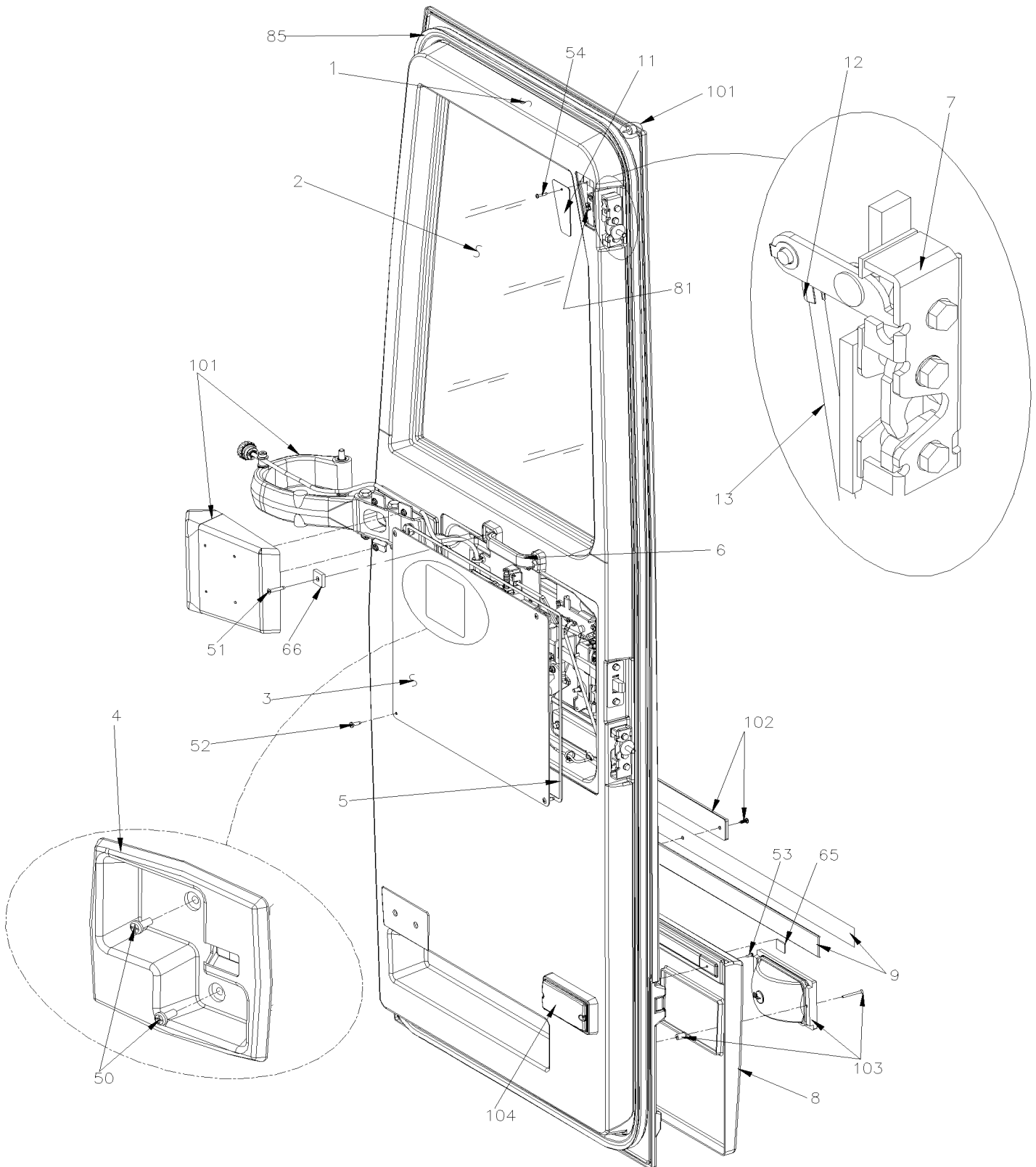
Item#	Part	Description	H 3 4 1	H 3 4 5	V I P 4 5	N O T E S
1	2800049	LOCK ACTUATOR / 12V	1	1	1	
1	068011	CABLE INTERFACE DOOR LOCK ACTUATOR (780428 vs 2800049)	1	1	1	
5	2810380	SUPPORT	1	1	1	
11	5001100	SCREW CAP HEX M3-0.5x30 G8.8 ZP	2	2	2	
12	500437	WASHER FL .125x.375x.040 Z050	2	2	2	
13	5001408	NUT HEX STO M3-0.5 ZP	2	2	2	
14	5001036	SCREW MA PAN PH M4-0.7x10 Z050	2	2	2	
15	502524	NUT HEX M4-0.7 Z050	2	2	2	
16	502636	WASHER LO SPT 4.1x7.6x0.9 Z050	2	2	2	
NS	IS-19092	SEE INSTRUCTION SHEET	1	1	1	
NS	FI-19092	VOIR FEUILLE D'INSTRUCTION	1	1	1	

From F-2929 To J-0287

Date:10/2022

PAGE:H7-1862-51

## ENTRANCE DOOR ASSY - V.I.P.

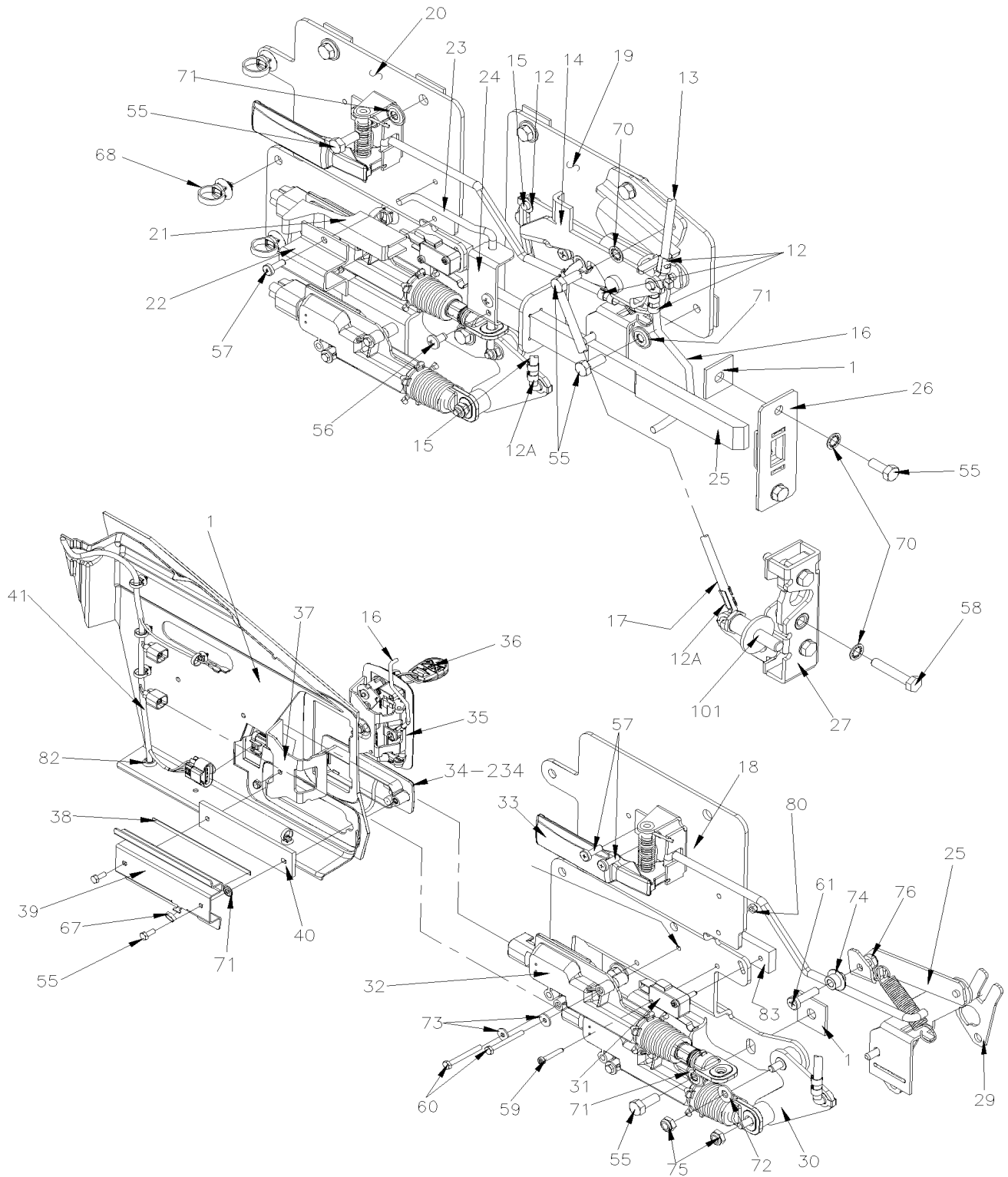


From F-2929 To J-0287

Date:10/2022

PAGE:H7-1862-51

## ENTRANCE DOOR ASSY - V.I.P.



From F-2929 To J-0287	Date:10/2022	PAGE:H7-1862-51
<b>ENTRANCE DOOR ASSY - V.I.P.</b>		

Item#	Part	Description	H 3 4 1	H 3 4 5	V I P 4 5	N O T E S
	2800662	ENTRANCE DOOR ASSY / V.I.P. To G-3143			1	
	280615	ENTRANCE DOOR ASSY / V.I.P. From G-3144			1	
1	Call order desk	. DOOR MOULDED / FIBERGLASS PAINTED			1	P
2	293204	. GLASS, THERMOS To H-3734			1	
2	290094	. GLASS, THERMOS From H-3735			1	
NS	681092	. ADHESIVE SIKA #255FC / BLACK / 310ml CARTRIDGE			AR	
NS	506962	. RUB POL 1/4 X 7/16 X 1 LG			AR	
NS	681091	. PRIMER SIKA #206 / BLACK / 250ml			AR	
NS	506769	. TAPE RUB ADH2 CC POL 1/8" x 1/4" x 60' / BLACK H1CC-N-#14			AR	
NS	684685	. ADHESIVE SIMSON #ISR 70-03 / 310ml CARTRIDGE			AR	
3	2800468	. PLATE, CLOSING			1	
4	780890	. BEZEL			1	
NS	283769	. DECAL / "LOCK"			1	
5	506225	. TAPE RUB ADH1 CC POL 1/16" x 1/4" x 100' / GREY 2520			AR	
6	860422	. HANDLE			1	
7	289302	. LATCH / R.H.			1	
8	289597	. PROTECTOR PANEL / SH W/DUCT LAMP			1	
NS	681348	. TAPE RUB ADH2 ACRYLIC .045" x 1" x 108' / VHB4952			AR	
NS	685124	. ADHESIVE SIMSON #ISR 70-03 / BLACK / 600ml SAUSAGE			AR	
9	280238	. EXTRUSION BACKING ASSY W/REFLECTOR 698MM			1	
. NS	280115	. . EXTRUSION BACKING 698MM			1	
NS	685126	. ADHESIVE SIMSON #ISR 70-03 / GREY / 600ml SAUSAGE			AR	
11	288900	. PLATE, CLOSING UPPER LOCK			1	
12	504541	. CLIP ROD 1/4" R.H.			7	
NS	504243	. CLIP ROD 1/4" L.H.			2	
13	280001	. ROD 7/32" O.D.			1	
14	2800632	. RELEASE MECHAN. ASSY To G-3139			1	
14	2801053	. RELEASE MECHAN. ASSY From G-3140			1	
15	2800637	. ROD 7/32" O.D. To G-3139			1	
15	2801051	. ROD 7/32" O.D. From G-3140			1	
16	2800636	. CONNECTING ROD			1	
17	284076	. ROD 259MM C/C			1	
18	283387	. ROD			1	
19	2800623	. MOUNTING PLATE			1	
20	2800626	. MOUNTING PLATE ASSY			1	
21	284127	. BUTTON			1	
22	780483	. CLAMP			1	
23	2800628	. ROD LINK			1	
24	2800627	. CLIP			1	
25	2800631	. BAR, RIVETED ASSY			1	
. NS	2800621	. . LATCH BOLT ASSY			1	
. NS	504542	. . RIVET SHR FL 9/32x3/32 STL			1	

From F-2929 To J-0287	Date:10/2022	PAGE:H7-1862-51
<b>ENTRANCE DOOR ASSY - V.I.P.</b>		

Item#	Part	Description	H 3 4 1	H 3 4 5	V I P 4 5	N O T E S
NS	502156	. SPRING EXTENSION / .437 O.D. x 2 x .041			1	
NS	680739	. GREASE SYNTHETIC / RED 20KG			AR	
26	283397	. GUIDE ASSY			1	
27	283491	. LATCH / L.H.			1	
29	2800634	. LEVER			1	
30	2800633	. PIVOT ASSY			1	
31	562096	. MICRO SWITCH			1	
32	2800049	. LOCK ACTUATOR / 12V			2	
33	780891	. LEVER, RELEASE			1	
34	565986	. KEYLESS, KEYPAD KIT To H-3806			1	
34	560455	. KEYLESS, KEYPAD KIT From H-3807			1	
35	780903	. HANDLE WITH KEY CYLINDER To H-3718			1	
. NS	19518570	. . KEY / "TRIMARK" BLANK To H-3718			1	
35	780906	. HANDLE WITH KEY CYLINDER From H-3719			1	
. NS	19518570	. . KEY / "TRIMARK" BLANK From H-3719			1	
36	565987	. KEYLESS, FOBS WITH MEDALLIONS			2	
NS	504273	. CABLE TIE / 1/8" X 3"1/2			1	
37	2800661	. PLATE			1	
38	506191	. TAPE RUB ADH1 CC POL 1/8" x 1/4" x 50' / GREY 2520X			AR	
39	2800618	. PLATE HOLDER KEYBOARD			1	
40	2800635	. SEAL			1	
41	069083	. DOOR HARNESS To G-3143			1	
41	069408	. DOOR HARNESS From G-3144			1	
NS	430500	. CLOSING PLATE / USE W/LIGHT FIXED ON PANEL			1	
NS	684685	. ADHESIVE SIMSON #ISR 70-03 / 310ml CARTRIDGE			AR	
NS	683083	. ADHESIVE SIKA #252 / BLACK / 600 ml SAUSAGE			1	
50	500443	. SCREW TP PAN PH #8x1/2 N500			2	
51	502903	. SCREW TC FL PH #10-24x1 1/4 N500			2	
52	502761	. SCREW TP BDG PH #10x3/4 SS BK			4	
53	500952	. SCREW TP BDG PH #8x1/2 SS			4	
54	500862	. SCREW TC PAN PH #6-32x3/4 Z050			1	
NS	682175	. UNDERCOATING BLACK PROTECTOR (GRAVELGUARD) 567gr			1	
55	5001744	. SCREW CAP HEX M6-1.0x16 G8.8 N500			13	
56	500393	. SCREW TC PAN PH #10-24x3/8 Z050			2	
57	500654	. SCREW TC BDG PH #8-32x1/2 Z050			4	
NS	680038	. THREAD LOCKER LOCTITE #243 / BLUE / 50ml			AR	
58	502888	. SCREW CAP HEX M6-1.0x35 G8.8 N500			6	
59	5001888	. SCREW TP CAP TORX M3X18 SS			2	
60	5001100	. SCREW CAP HEX M3-0.5x30 G8.8 ZP			4	
61	502746	. SCREW MA PAN PH M5-0.8x20 SS BK			1	
65	682348	. TAPE, DOUBLE COATED ACRYLIC			AR	
66	284049	. PLUG / SQUARE / BLACK			1	

From F-2929 To J-0287	Date:10/2022	PAGE:H7-1862-51
<b>ENTRANCE DOOR ASSY - V.I.P.</b>		

Item#	Part	Description	H 3 4 1	H 3 4 5	V I P 4 5	N O T E S
67	504637	. CABLE TIE / 3/16" x 13"			3	
68	8631155	. CABLE TIE / 4.6MM x 200 / CHRISTMAS TREE			7	
70	500454	. WASHER LO INT .256x.478x.028 N500			10	
71	5001833	. WASHER BEL SPR 6.1x18x1.27 SS			9	
72	500804	. WASHER FL .203x.500x.047 N500			1	
73	500437	. WASHER FL .125x.375x.040 Z050			4	
74	285546	. STOPPER			1	
75	5001587	. NUT HEX NYRT M5-0.8 SS			2	
76	502841	. NUT HEX NYRT M5-0.8 N500			1	
80	5001408	. NUT HEX STO M3-0.5 ZP			4	
81	500385	. NUT SPR U #6-32 .135-.150 N500			1	
82	504465	. GROMMET / .375x.500x.250x.500x.750			1	
83	2800615	. BLOCK RETAINING			1	
85	2800115	. RUBBER SEAL EXTRUSION 5800MM			1	
NS	680066	. ADHESIVE / ADBOND #5014 / 23.6ML BOTTLE			AR	
101	<b>H7-1862-60</b>	<b>ENTRANCE DOOR FRAME - INSTALLATION</b>			1	
102	<b>H7-0662-00</b>	<b>CLEARANCE &amp; MARKER LIGHT</b>			1	
103	<b>H7-0663-00</b>	<b>DOCK &amp; CORNERING LIGHT</b>			1	
104	<b>H7-0655-01</b>	<b>INTERIOR LIGHTING LED</b>			1	
234	565985	KEYLESS MODULE To H-3806			1	
234	560454	KEYLESS MODULE From H-3807	1	1	1	
		P) CALL ORDER DESK FOR SPECIFIC APPLICATION (V.I.N.)				



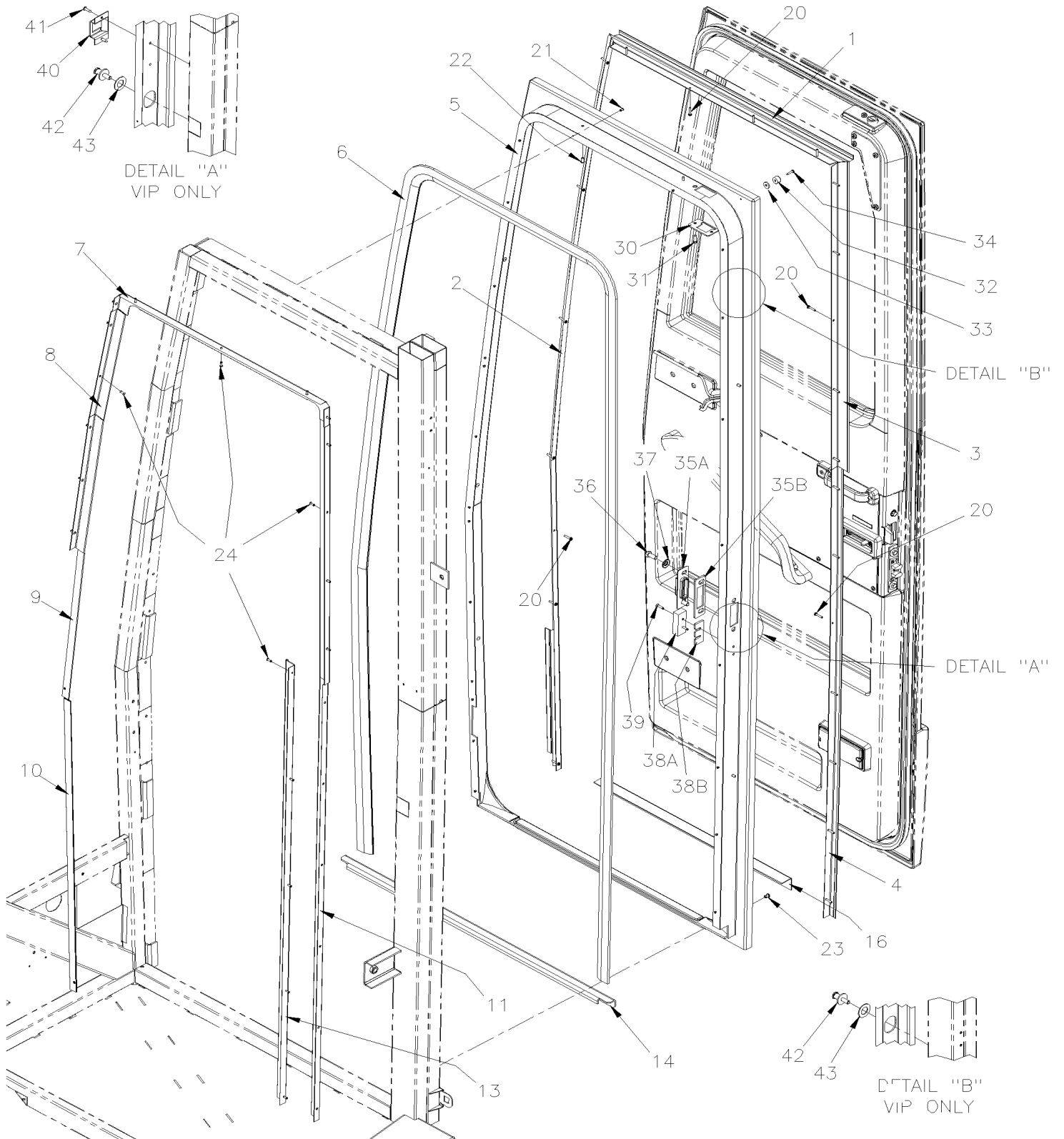


From 7-0671 To J-0287

Date: 10/2022

PAGE: H7-1862-60

## ENTRANCE DOOR FRAME - INSTALLATION

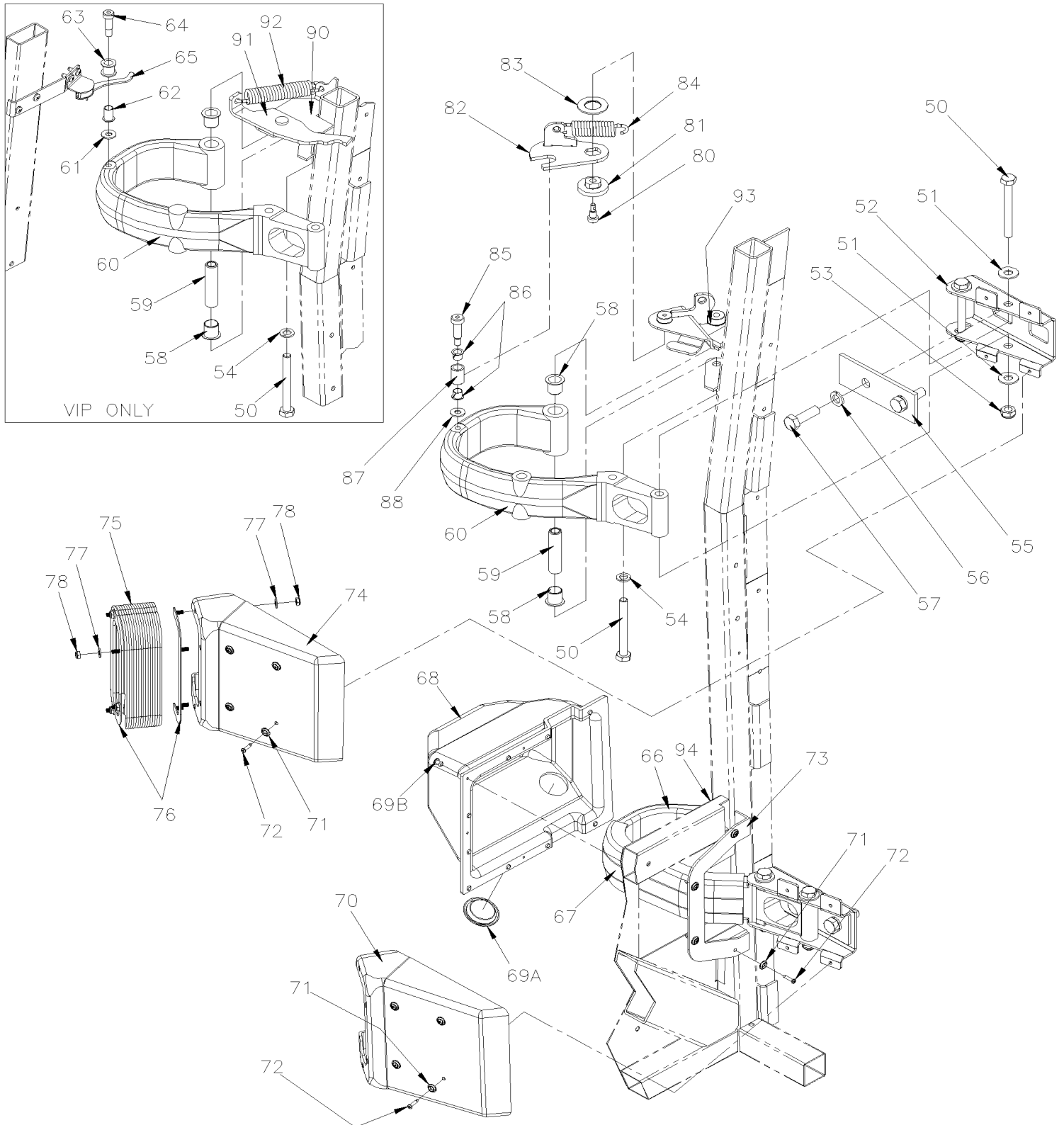


From 7-0671 To J-0287

Date:10/2022

PAGE:H7-1862-60

## ENTRANCE DOOR FRAME - INSTALLATION



<b>From 7-0671 To J-0287</b>	<b>Date:10/2022</b>	<b>PAGE:H7-1862-60</b>
<b>ENTRANCE DOOR FRAME - INSTALLATION</b>		

Item#	Part	Description	H 3 4 1	H 3 4 5	V I P 4 5	N O T E S
1	285893	DRIP MOULDING	1	1	1	
2	287215	FINISHING MOULDING FRONT To 9-1469	1	1	1	
2	288724	FINISHING MOULDING FRONT From A-1470	1	1	1	
3	285894	FINISHING MOULDING REAR / UPPER SECTION	1	1	1	
4	285895	FINISHING MOULDING REAR / LOWER SECTION To J-0112	1	1	1	
4	280446	FINISHING MOULDING REAR / LOWER SECTION From J-0113	1	1	1	
5	285661	FRAME, MOULDED	1	1		
5	285660	FRAME, MOULDED			1	
5	680437	TAPE TRANSFER ADH2 CLEAR 12.7MM x 55M / TRM950-0500	AR	AR	AR	
5	680066	ADHESIVE / ADBOND #5014 / 23.6ML BOTTLE	AR	AR	AR	
6	283229	SEAL, INTERIOR To A-1541	1	1	1	
6	280151	SEAL, INTERIOR From A-1542	1	1	1	
7	283507	SEAL RETAINER / TOP / 662MM	1	1	1	
8	283510	SEAL RETAINER / FRONT UPPER / 758MM	1	1	1	
9	283779	SEAL RETAINER / FRONT CENTER / 439MM	1	1	1	
10	283781	SEAL RETAINER / FRONT LOWER / 808MM	1	1	1	
11	285910	SEAL RETAINER / REAR / 1977MM	1	1		
11	283509	SEAL RETAINER / REAR / 1993MM			1	
13	327762	FINISHING MOULDING REAR GREY / 1237MM To 8-1135	1	1		
13	329632	FINISHING MOULDING REAR TAN / 1237MM From 8-1136	1	1		
13	327762	FINISHING MOULDING REAR GREY / 1237MM From H-3497		1		A
14	214075	FRAME SUPPORT	1	1	1	
16	285666	ANGLE S/S			1	
20	5001040	SCREW TC PAN PH #6-32x3/4 SS To J-0112	22	22	22	
20	5001040	SCREW TC PAN PH #6-32x3/4 SS From J-0113	15	15	15	
20	5000342	SCREW TC PAN PH #6-32x3/8 SS From J-0113	5	5	5	
21	504263	RIVET POP DOME OE 1/8x3/8 AL	23	23	23	
22	504582	RIVET POP DOME OE 3/16x1/4 SS BK	8	8	8	
23	504581	RIVET MGLP PRDG 3/16x7/16 SS BK	2	2	2	
24	504339	RIVET POP DOME OE 1/8x3/8 SS	AR	AR	AR	
30	284808	FINITION PLATE	1	1		
31	500623	SCREW TC PAN PH #10-24x3/4 N500	1	1		
32	504334	BUMPER RUBBER / .625 OD x .406 TH x .156 HOLE	1	1	1	
33	500950	WASHER FL .187x.625x.094 RUB	AR	AR	AR	
34	500235	SCREW TP BDG PH #6x3/4 N500	1	1	1	
35A	283969	STRIKING PLATE	1	1		
35B	287794	STRIKING PLATE SHIM	1	1		
36	502862	SCREW CAP HEX M8-1.25x20 G8.8 N500	2	2		
37	5001699	WASHER BEL SPR 8.2x22x1.4 N500	2	2		
38A	780497	DOVETAIL, FEMALE / FIXED ON STRUCTURE	1	1		
38B	2800587	SPACER From F-2824	AR	AR		
39	500329	SCREW TC FL PH #8-32x3/4 N500	2	2		

From 7-0671 To J-0287	Date:10/2022	PAGE:H7-1862-60
<b>ENTRANCE DOOR FRAME - INSTALLATION</b>		

Item#	Part	Description	H 3 4 1	H 3 4 5	V I P 4 5	N O T E S
40	283368	STRIKING PLATE			1	
41	500642	SCREW TP PAN PH #10x3/4 Z050			2	
42	780415	BOLT STRIKER			2	
43	283355	SPACER			4	
50	502890	SCREW CAP HEX M10-1.5x90 G8.8 N500	6	6	6	
51	500897	WASHER FL .437x1.000x.083 N500	8	8	8	
52	284040	ATTACHMENT	2	2	2	
53	502859	NUT HEX NYRT M10-1.5 N500	4	4	4	
54	5001737	WASHER LO SPT 10.2x18.1x2.2 N500	2	2	2	
55	283402	SUPPORT PLATE To E-2611	2	2	2	
55	286998	SUPPORT PLATE 134MM X 48MM From E-2612	2	2	2	
56	500747	WASHER LO SPT 12.2x21.1x2.5 N500	4	4	4	
57	502875	SCREW CAP HEX M12-1.75x40 G8.8 N50 To F-2835	4	4	4	
57	5001885	SCREW CAP HEX M12-1.75X40 G10.9 N500 From F-2836	4	4	4	
58	507326	BEARING FLANGE	2	2	2	
NS	680739	GREASE SYNTHETIC / RED 20KG	AR	AR	AR	
59	287337	SPACER / BEARING FLANGE	2	2	2	
60	287471	HINGE UPPER To H-3544	1	1		
60	2800608	HINGE UPPER From H-3545	1	1		
60	287472	HINGE UPPER			1	
61	502638	WASHER FL .312x.734x.065 N500			1	
62	507628	BUSHING NYLINER			1	
62	680739	GREASE SYNTHETIC / RED 20KG			AR	
63	287405	ROLLER SS 11MM I.D.x14.5 O.D. 19F1x17Th			1	
64	500876	SCREW SHR HEXS 3/8x3/4 {5/16-18			1	
65	060338	SWITCH DOOR LIGHT			1	
65	<b>H7-0640-00</b>	<b>CABLE &amp; HARNESS - FRONT END INSTALLATION</b>			1	
66	287341	HINGE	1	1	1	
67	326228	COVER HINGE LOWER / PLASTIC To 8-1135	1	1	1	
67	329602	COVER HINGE LOWER / PLASTIC From 8-1136	1	1	1	
NS	680437	TAPE TRANFER ADH2 CLEAR 12.7MM x 55M / TRM950-0500	AR	AR	AR	
68	287245	COVER LOWER HINGE / REAR OF BUMPER	1	1	1	
69A	504443	SNAP-IN PLUG / 1.500 O.D.	1	1	1	
69B	504581	RIVET MGLP PRDG 3/16x7/16 SS BK	10	10	10	
70	326226	CAP COVER LOWER To 8-1135	1	1	1	
70	329601	CAP COVER LOWER From 8-1136	1	1	1	
71	500950	WASHER FL .187x.625x.094 RUB	12	12	12	
72	500409	SCREW TP PAN PH #8x1/2 BK	12	12	12	
73	326227	PANEL FINISHING LOWER To 8-1135	1	1	1	
73	329603	PANEL FINISHING LOWER From 8-1136	1	1	1	
74	391498	CAP COVER UPPER To 8-1135			1	
74	326229	CAP COVER UPPER To 8-1135	1	1		

From 7-0671 To J-0287 Date:10/2022 PAGE:H7-1862-60

**ENTRANCE DOOR FRAME - INSTALLATION**

Item#	Part	Description	H 3 4 1	H 3 4 5	V I P 4 5	N O T E S
74	329604	CAP COVER UPPER From 8-1136	1	1	1	
75	285492	BELLOWS / RUBBER	1	1	1	
76	285491	PLATE BELLOW RETAINER	2	2	2	
77	500964	WASHER FL .203x.500x.047 Z050	8	8	8	
78	502841	NUT HEX NYRT M5-0.8 N500	8	8	8	
80	5002010	SCREW SHR HEXS 8x10 (M6-1.0 STL From H-3545	1	1		
81	281304	PIVOT SLEEVE From H-3545	1	1		
82	280022	PIVOT ASSY From H-3545 To J-0146	1	1		
82	282509	PIVOT ASSY From J-0147	1	1		
83	281303	SPACER From H-3545	1	1		
84	502255	SPRING EXTENSION / .814 O.D. x 3.14 x .148 From H-3545	1	1		
85	5002009	SCREW SHR HEXS 10x25 (M8-1.25 SS From H-3545	1	1		
86	507693	BUSHING 10x11.6x10x15 NYL From H-3545	2	2		
87	280303	SLEEVE From H-3545	1	1		
88	502638	WASHER FL .312x.734x.065 N500 From H-3545	1	1		
90	215328	LEVER AND SUPPORT ASSY SS (WELDED TO FRAME)			1	
NS	504543	. RIVET SHR FL 3/8x3/16 STL			1	
91	214664	. DOOR STOPPER			1	
92	502191	SPRING EXTENSION / .814 O.D. x 3.975 x .148			1	
93	211984	HINGE SUPPORT / (WELDED TO STRUCTURE) To H-3544	1	1		
93	251705	HINGE SUPPORT / (WELDED TO STRUCTURE) From H-3545	1	1		
93	211987	PLATE / "V" SHAPE 48MM X 57MM 45°	1	1		
93	211992	PLATE	2	2		
93	211984	HINGE SUPPORT / (WELDED TO STRUCTURE)			1	
93	211992	PLATE			1	
NS	212099	GUSSET / 50 X 45			1	
94	211983	HINGE SUPPORT / (WELDED TO STRUCTURE)	1	1	1	
94	211992	PLATE	2	2	2	
94	211987	PLATE / "V" SHAPE 48MM X 57MM 45°	1	1	1	
		A) "BAUER'S TRANSPORTATION" OPTION				
		U) UNDER CONSTRUCTION				

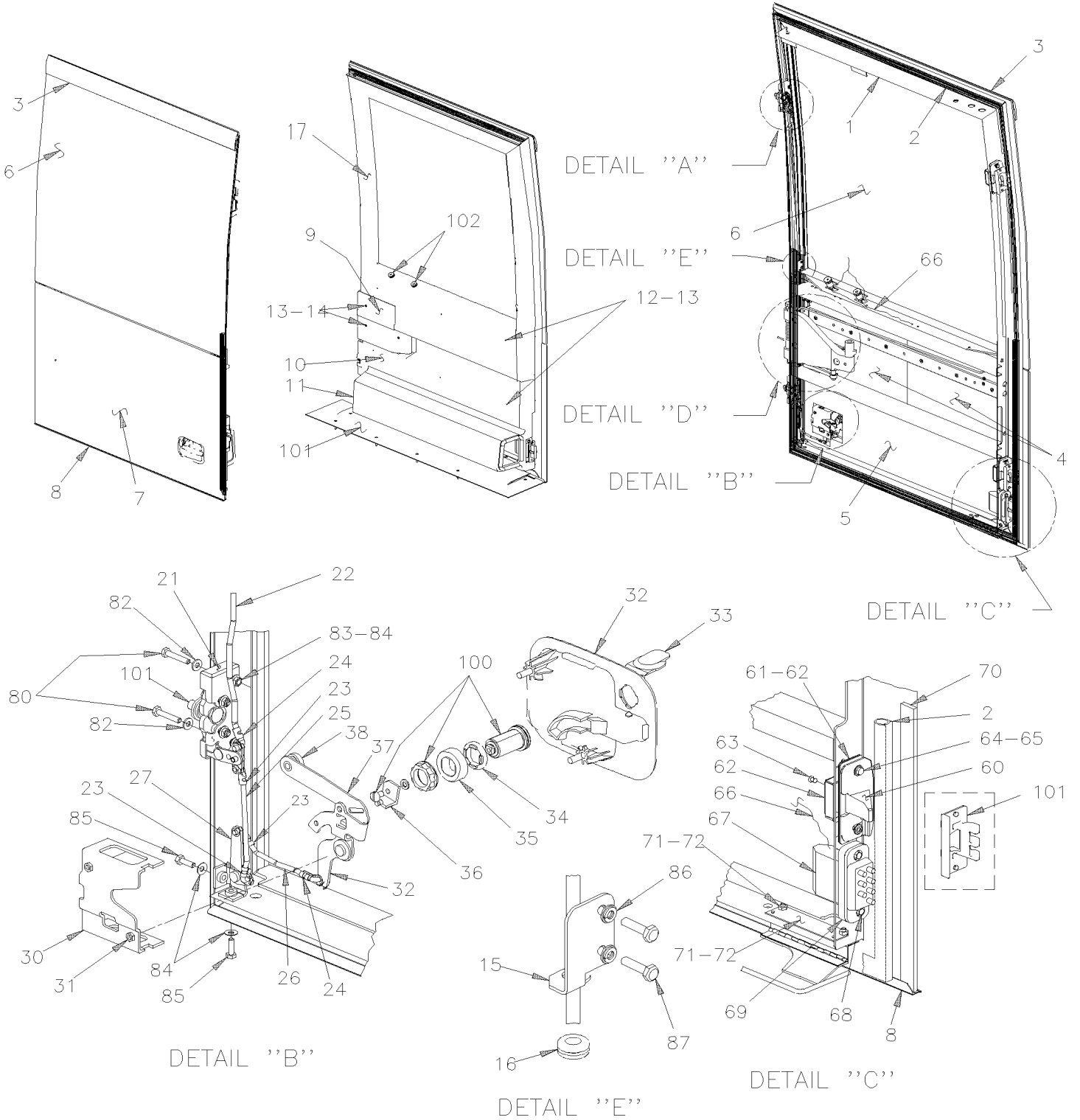


From 7-0671 To E-2584

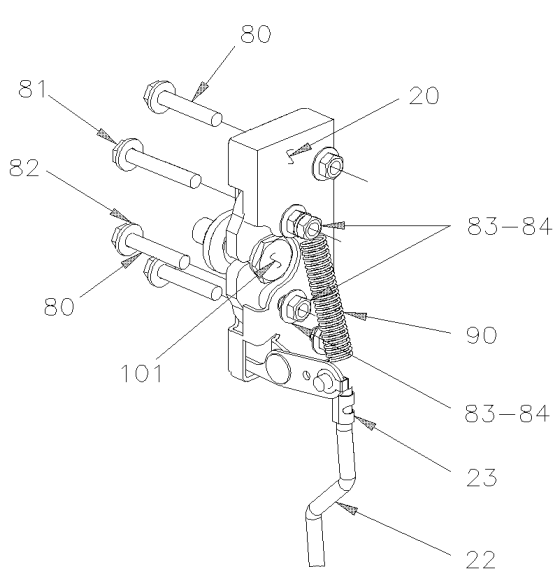
Date:10/2022

PAGE:H7-1862-80

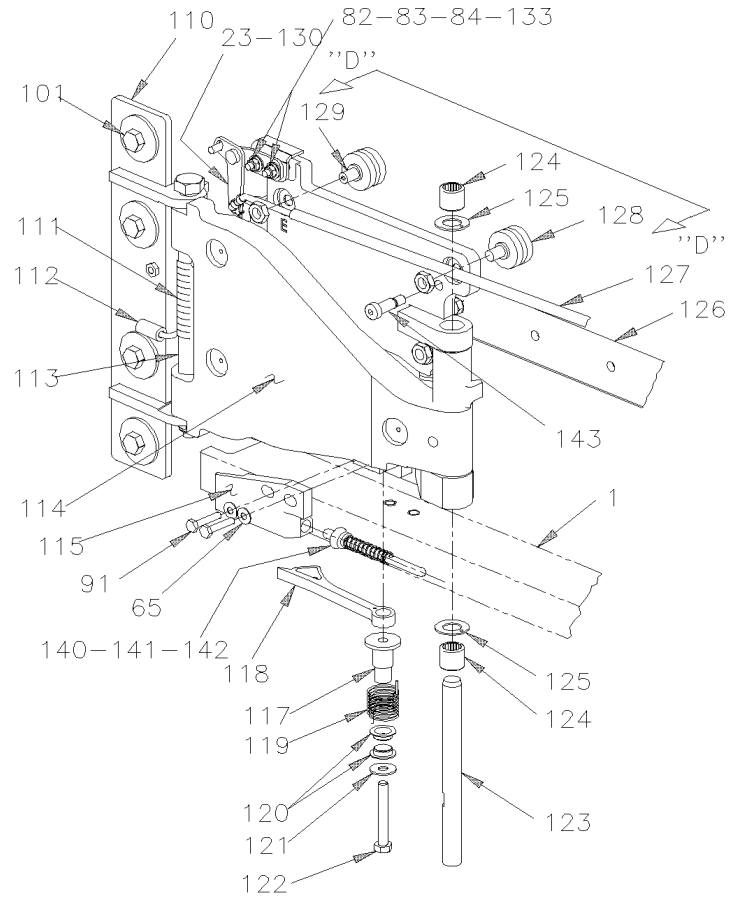
## ENTRANCE DOOR SLIDING - WCL



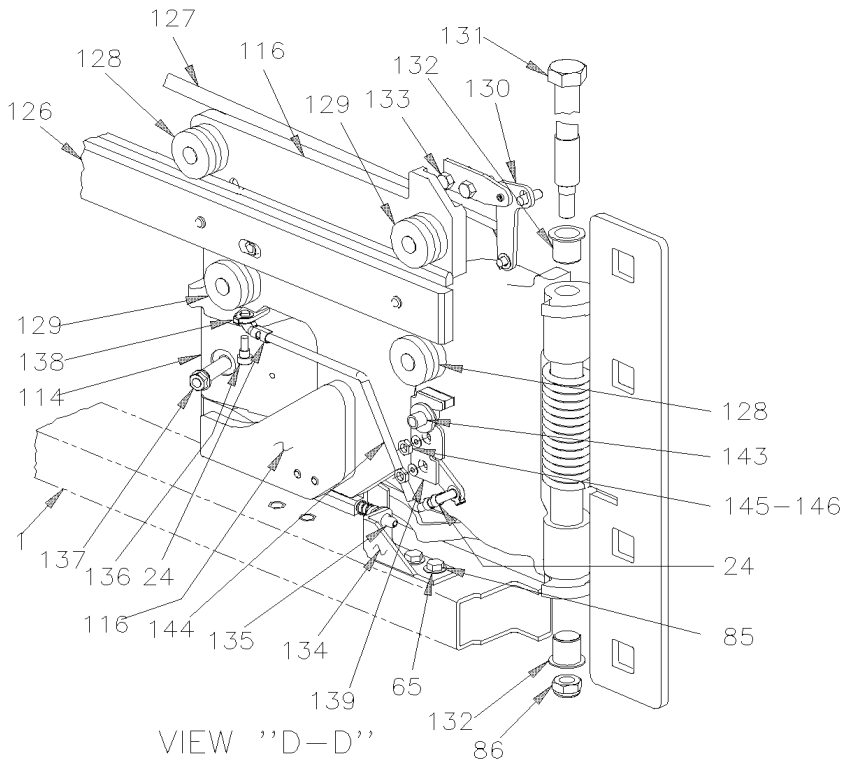
ENTRANCE DOOR SLIDING - WCL



DETAIL "A"



DETAIL "D"



VIEW "D-D"



<b>From 7-0671 To E-2584</b>	<b>Date:10/2022</b>	<b>PAGE:H7-1862-80</b>
<b>ENTRANCE DOOR SLIDING - WCL</b>		

Item#	Part	Description	H 3 4 1	H 3 4 5	V I P 4 5	N O T E S
	288210P	DOOR S ASSY W.C.L. DOOR SLIDING		1		
	N.P.N.	DOOR S ASSY W.C.L. DOOR SLIDING From 8-1399 To 8-1399			1	4
		"WARNING" - "WARNING" - "WARNING"	1	1	1	
		WITH "SPECIAL" DOOR 6" HIGHNESS From 8-1399 To 8-1399			1	
1	288205	STRUCTURE DOOR		1		
1	N.P.N.	STRUCTURE DOOR From 8-1399 To 8-1399			1	4
NS	288688	PLATE 50MM x 25MM To A-1720		1		
NS	068192	PLATE ANGLE 50MM x 25MM From B-1721		1		
2	287509	RUBBER SEAL EXTRUSION / 1821MM X 1111MM To A-1578		1		
2	288903	RUBBER SEAL EXTRUSION / 1821MM X 1111MM From A-1579 To C-2017		1		
2	2800141	RUBBER SEAL EXTRUSION / 1821MM X 1111MM From C-2018		1		
2	288748	RUBBER SEAL EXTRUSION 1974MM X 1111MM From 8-1399 To 8-1399			1	
2	2800145	RUBBER SEAL EXTRUSION / 1974MM X 1111MM From C-1955			1	
NS	288648	ANGLE 18MM x 18MM x 76MM		3		
NS	289926	ATTACHMENT		1		
NS	192288	WASHER FL 8.4x18.0x2.0 ZG603		2		
NS	502889	WASHER LO SPT 8.1x12.7x2.0 N500		2		
3	287501	UPPER EXTRUSION, SLIDING DOOR		1		
4	289906	INSULATING UPPER		2		
5	289907	INSULATING LOWER		2		
NS	680397	CONTACT GLUE / AEROSOL 17oz		AR		
6	293797	GLASS, THERMOS 13% W.C.L. DOOR SLIDING		1		
NS	506769	TAPE RUB ADH2 CC POL 1/8" x 1/4" x 60' / BLACK H1CC-N-#14		AR		
NS	683288	ADHESIVE SIKA #255FC / BLACK / 600ml SAUSAGE		AR		
7	288609	PANEL LOWER 1215.5MM x 738.6MM		1		
7	288749	PANEL LOWER 1215.5MM x 891.6MM From 8-1399			1	
NS	506869	TAPE RUB ADH2 POL .031" x 1/4" x 300' / BLACK		AR		
NS	683083	ADHESIVE SIKA #252 / BLACK / 600 ml SAUSAGE		AR		
8	288211	DRIP MOULDIND 1213MM SS		1		
NS	500332	WASHER FL .328x.875x.062 N500		2		
NS	506785	TAPE RUB ADH2 CC POL 1/16" x 1/4" x 200' / BLACK I1C-N-A		AR		
9	288590	CAP FINISHING To 8-1135		1		
9	289429	CAP FINISHING From 8-1136 To C-1954		1		
9	2800028	CAP FINISHING WITH ONE PIECE CASTING From C-1955 To D-2253		1		
9	3200791	CAP FINISHING WITH ONE PIECE CASTING From D-2254		1		
10	328173	DUCT DOOR / PLASTIC To 8-1135		1		
10	329611	DUCT DOOR / PLASTIC SERVICE To 8-1135		1		A
10	328556	DUCT DOOR / PLASTIC From 8-1136 To 8-1195		1		
10	329618	DUCT DOOR / PLASTIC From 8-1196 To D-2158		1		
10	3200790	DUCT DOOR / PLASTIC From D-2159		1		

<b>From 7-0671 To E-2584</b>	<b>Date:10/2022</b>	<b>PAGE:H7-1862-80</b>
<b>ENTRANCE DOOR SLIDING - WCL</b>		

Item#	Part	Description	H 3 4 1	H 3 4 5	V I P 4 5	N O T E S
NS	506282	TAPE RUB ADH1 CC POL 3/8" x 1" x 20' / GREY 2520		AR		
11	328201	SEAL DUCT To 8-1135		2		
11	329615	SEAL DUCT 600MM From 8-1136		2		
. NS	5061011	. RUBBER EXTRUSION TRIM SEAL / GRIP .090/.120 / 5/8" HOLLOW BULB C.T.L. From 8-1136		AR		
12	500552	SCREW TP OV PH #6x3/4 Z050		11		
13	500463	WASHER FN CKF .187x.500x.090 BR Z050		14		
14	500624	SCREW TP OV PH #6x1/2 Z050		3		
15	289316	GUIDE To C-1948		1		
15	2800056	GUIDE From C-1949		1		
15	500539	NUT HEX NYRT M4-0.7 N500 From C-1949		2		
16	504069	GROMMET / .281x.375x.062x.250x.562		1		
17	288478	CAP FINISHING To 8-1135		1		
17	289428	CAP FINISHING From 8-1136 To A-1485		1		
17	288727	CAP FINISHING From A-1486 To D-2325		1		
. NS	288728	. REINFORCEMENT FOR SCREW PROTECTOR CAP From A-1486 To D-2325		2		
17	2800221	CAP FINISHING From D-2326		1		
20	780776	LOCK UPPER / FORWARD		1		
21	289916	LOCK LOWER / FORWARD		1		
22	289919	ROD UPPER 1229MM		1		
23	504243	CLIP ROD 1/4" L.H.		6		
24	504541	CLIP ROD 1/4" R.H.		2		
25	289922	ROD LOWER 152MM		1		
26	289314	ROD LOWER 123MM		1		
27	289910	PIVOT ASSY		1		
30	780787	SUPPORT HANDLE		1		
31	502565	NUT HEX M6-1.0 SS		2		
32	288652	HANDLE ASSY W"HAPPITCH" NS SERIES KEY		1		
32	780785	. HANDLE BODY W"HAPPITCH" NS SERIES KEY		1		
32	780788	. HANDLE To C-1954		1		
32	780823	. HANDLE W.C.L. DOOR PLASTIC From C-1955		1		
32	288653	. PLATE REINFORCEMENT 19MM x 6.35MM x 11GA		1		
NS	2800060	PLATE, SEALING HANDLE		1		
33	780802	CAP PROTECTOR CLOSED / BLACK SERIES NS		1		
34	289320	ADAPTOR CYLINDER KEY		1		
35	289321	SPACER CYLINDER KEY		1		
36	289319	ACTUATOR ROD		1		
37	289317	ACTUATOR LEVER		1		
38	289322	SPACER W/SHOULDER FOR BE		1		
60	288586	CATCH SLIDING DOOR To D-2225		2		
60	289825	CATCH SLIDING DOOR From D-2226		2		
61	288588	SPACER 44MM x 132MM x 18GA To D-2324		AR		
61	2800296	SPACER 44MM x 132MM x 24GA From D-2325		AR		

<b>From 7-0671 To E-2584</b>	<b>Date:10/2022</b>	<b>PAGE:H7-1862-80</b>
<b>ENTRANCE DOOR SLIDING - WCL</b>		

Item#	Part	Description	H 3 4 1	H 3 4 5	V I P 4 5	N O T E S
62	477732	REINFORCMENT		2		
63	504581	RIVET MGLP PRDG 3/16x7/16 SS BK		2		
64	502686	SCREW CAP HEX M6-1.0x30 SS BK		4		
65	500356	WASHER LO SERR 6.1x16.0x0.9 N500		2		
66	066306	CABLE ASSY / W/WCL		1		
NS	504637	CABLE TIE / 3/16" x 13"		AR		
NS	509815	TIE MOUNT / ATTACHMENT W/TREE MOUNT		AR		
67	563433	DOOR PLUNGER SWITCH 8C / PED 15409888		1		
68	500266	SCREW TC CAP HEX 1/4-20x1 N500		2		
69	288610	SPACER ALUMINUM		1		
70	289928	REAR PANEL STRIP 26MM x 745MM		1		
71	288470	PLATE ATTACHMENT 136MM x 35MM		1		
72	504339	RIVET POP DOME OE 1/8x3/8 SS		8		
80	502888	SCREW CAP HEX M6-1.0x35 G8.8 N500		7		
81	502843	SCREW CAP HEX M6-1.0x45 G8.8 N500		1		
82	500877	WASHER FL .250x.562x.065 N500		10		
83	502854	NUT HEX M6-1.0 N500		11		
84	5001608	WASHER BEL SPR 6.2x15.0x0.7 G500		12		
85	502830	SCREW CAP HEX M6-1.0x20 G8.8 N500		7		
86	502656	SCREW CAP HEX M6-1.0x50 SS		1		
NS	502834	WASHER LO SPT 4.1x7.6x0.9 N500		2		
87	502799	SCREW CAP HEX M4-0.7X16 G8.8 N500		2		
90	502156	SPRING EXTENSION / .437 O.D. x 2 x .041		1		
91	502758	SCREW CAP HEX M6-1.0x30 G8.8 N500		2		
100	<b>H7-1864-31</b>	<b>HANDLE LOCK &amp; KEYS - TYPE "NS" &amp; "FORD"</b>				
101	<b>H7-1862-85</b>	<b>SLIDING DOOR - INSTALLATION</b>				
102	<b>H7-0655-00</b>	<b>INTERIOR LIGHTING To D-2264</b>				
102	<b>H7-0655-01</b>	<b>INTERIOR LIGHTING LED From D-2265</b>				
103	409259	PROTECTOR SWITCH / CAP From A-1486		2		
NS	288728	REINFORCMENT FOR SCREW PROTECTOR CAP From A-1486		1		
110	288557	HINGE / POST SECTION / WELDED To 8-1113		1		
110	289982	HINGE / POST SECTION / MACHINED From 8-1114 To C-1954		1		
110	289997	HINGE / POST SECTION / MACHINED ONE PIECE CASTING From C-1955 To D-2253		1		
110	2800194	HINGE / POST SECTION / MACHINED ONE PIECE CASTING From D-2254		1		
111	285970	SPRING, TORSION / 1" I.D. x 3.23 x .187 To E-2473		1		
111	2800348	SPRING, TORSION / 1.061" I.D. x 3.23 x .162 From E-2474		1		
112	285576	BUSHING 12.7 O.D. x 6.6 I.D. x 24MM		1		
113	287520	BUSHING 16MM I.D. x 21MM O.D. x 122MM		1		
114	286056	HINGE / MOVABLE SECTION To C-1954		1		
114	289995	HINGE / MOVABLE SECTION ONE PIECE CASTING From C-1955 To D-2253		1		
114	2800193	HINGE / MOVABLE SECTION ONE PIECE CASTING From D-2254		1		
115	289323	PLATE SLIDING DOOR		1		

From 7-0671 To E-2584	Date:10/2022	PAGE:H7-1862-80
<b>ENTRANCE DOOR SLIDING - WCL</b>		

Item#	Part	Description	H 3 4 1	H 3 4 5	V I P 4 5	N O T E S
116	288702	HINGE / RAIL SECTION To C-1954		1		
116	289996	HINGE / RAIL SECTION ONE PIECE CASTING From C-1955		1		
117	288498	BUSHING 8MM ID x 14MM OD x 20MM OD		1		
118	288499	STOPPER BUMPER		1		
119	286237	SPRING, TORSION / 25MM I.D. x 25.2 x .068		1		
120	507379	BUSHING FLANGE 14MM I.D. x 16MM O.D. x 6MM L x SHOULDER 22MM O.D.		2		
121	500332	WASHER FL .328x.875x.062 N500		1		
122	5001178	SCREW CAP HEX M8-1.25x60 SS BK		1		
123	286524	AXE 178MM		1		
124	507374	NEEDLES BEARING 5/8 I.D. x 13/16 O.D. x 3/4		2		
125	507377	WASHER 5/8x1 1/8x.0585		2		
126	285614	RAIL TRACK		1		
NS	289901	BUMPER PIN		1		
NS	502181	SPRING COMPRESSION / .720 O.D. x 3 x .067		1		
NS	505513	SPRING, PIN M3 x 24 SS		1		
NS	504719	SPRING, PIN M10 X 20		2		
NS	288558	SUPPORT RAIL SLIDING / FIXED AT DOOR FRAME To C-1935		1		
126	280213	SUPPORT RAIL SLIDING / FIXED AT DOOR FRAME From C-1936		1		
NS	5001573	SCREW CAP HEXS M8-1.25x18 G8.8		6		
NS	502862	SCREW CAP HEX M8-1.25x20 G8.8 N500		6		
NS	5001161	WASHER LO SPT 8.1x14.8x2.0 SS-304		6		
NS	502799	SCREW CAP HEX M4-0.7X16 G8.8 N500		2		
NS	192288	WASHER FL 8.4x18.0x2.0 ZG603		4		
127	289920	ROD UPPER 937MM		1		
128	780782	WHEEL "V"		2		
129	780783	WHEEL "V" W/ECCENTRIC		2		
130	289913	PIVOT ASSY		1		
131	286151	AXE BOLT SPECIAL 250MM		1		
132	507376	BUSHING FLANGE		2		
133	289924	ATTACHMENT PLATE		1		
134	289325	BUMPER ANGLE		1		
135	504718	RIVET DRV BDG 1/4X1/2 NYL		1		
136	5001606	SCREW SHR HEXS 1/4x3/16 {#10-24 SS		1		
137	286065	KEY DRAW W/NUT		1		
138	289923	PIVOT		1		
139	780778	LOCK L.H.		1		
140	289324	PLUNGER		1		
141	289326	SPRING , COMPRESSION		1		
142	505221	SPRING, PIN 1/8 X 3/8		AR		
143	780779	BOLT, STRIKER ASSY.		1		
144	289917	ROD CARRIER 188MM		1		
145	955513	SCREW CAP HEX 1/4-20x3/4 G5 ZG603		2		

From 7-0671 To E-2584	Date:10/2022	PAGE:H7-1862-80
<b>ENTRANCE DOOR SLIDING - WCL</b>		

Item#	Part	Description	H 3 4 1	H 3 4 5	V I P 4 5	N O T E S
146	955920	WASHER LO SPT 6.5x11.5x1.6 ZP		2		
		A) FOR PRODUCT IMPROVMENT AIR CIRCULATION ASK PARTS MARKED "SERVICE" AND SEE PAGE H7-2221-10				
		4) NO PARTS NUMBER				

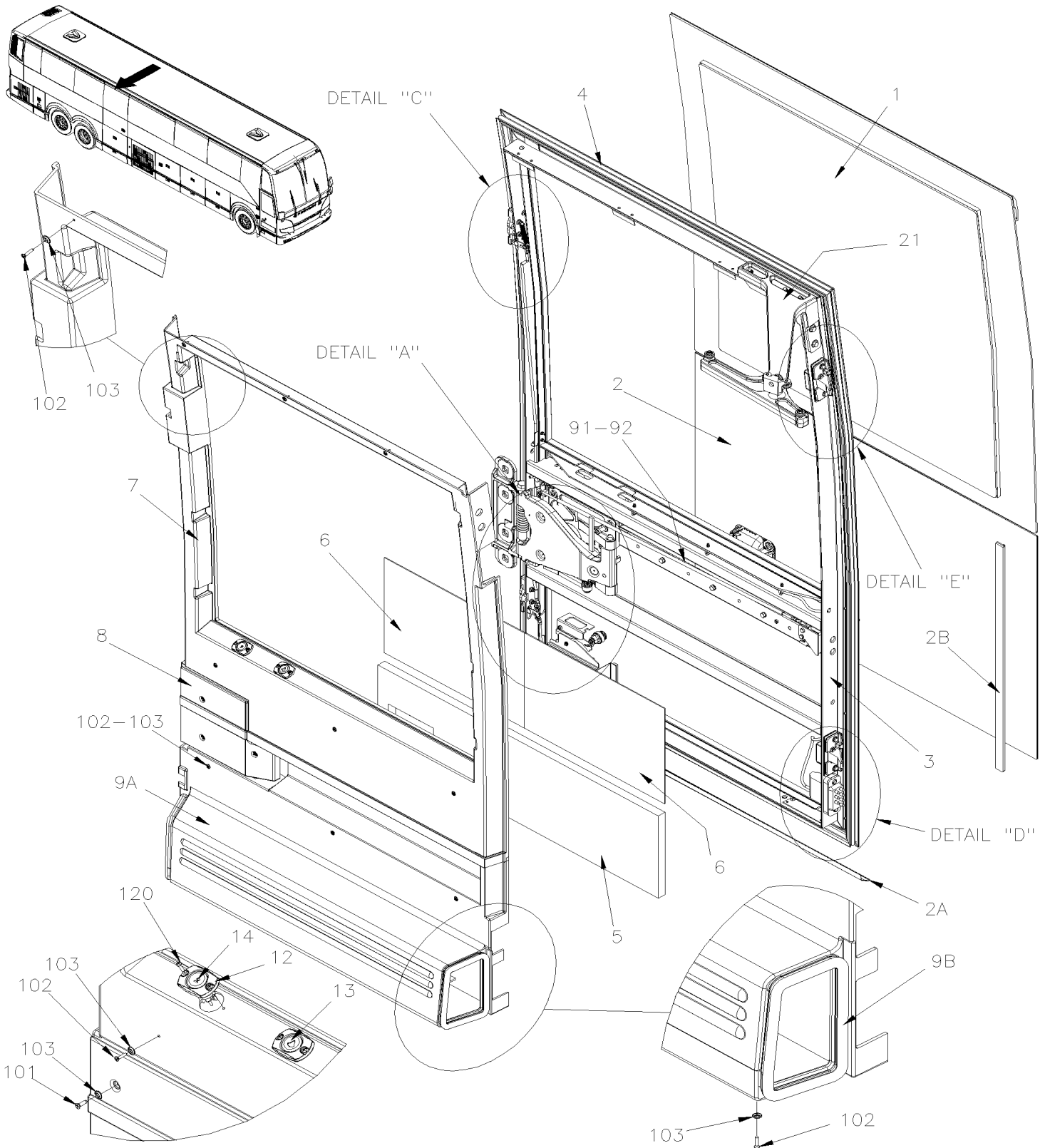


From E-2585 To J-0184

Date:10/2022

PAGE:H7-1862-81

## ENTRANCE DOOR SLIDING - WCL

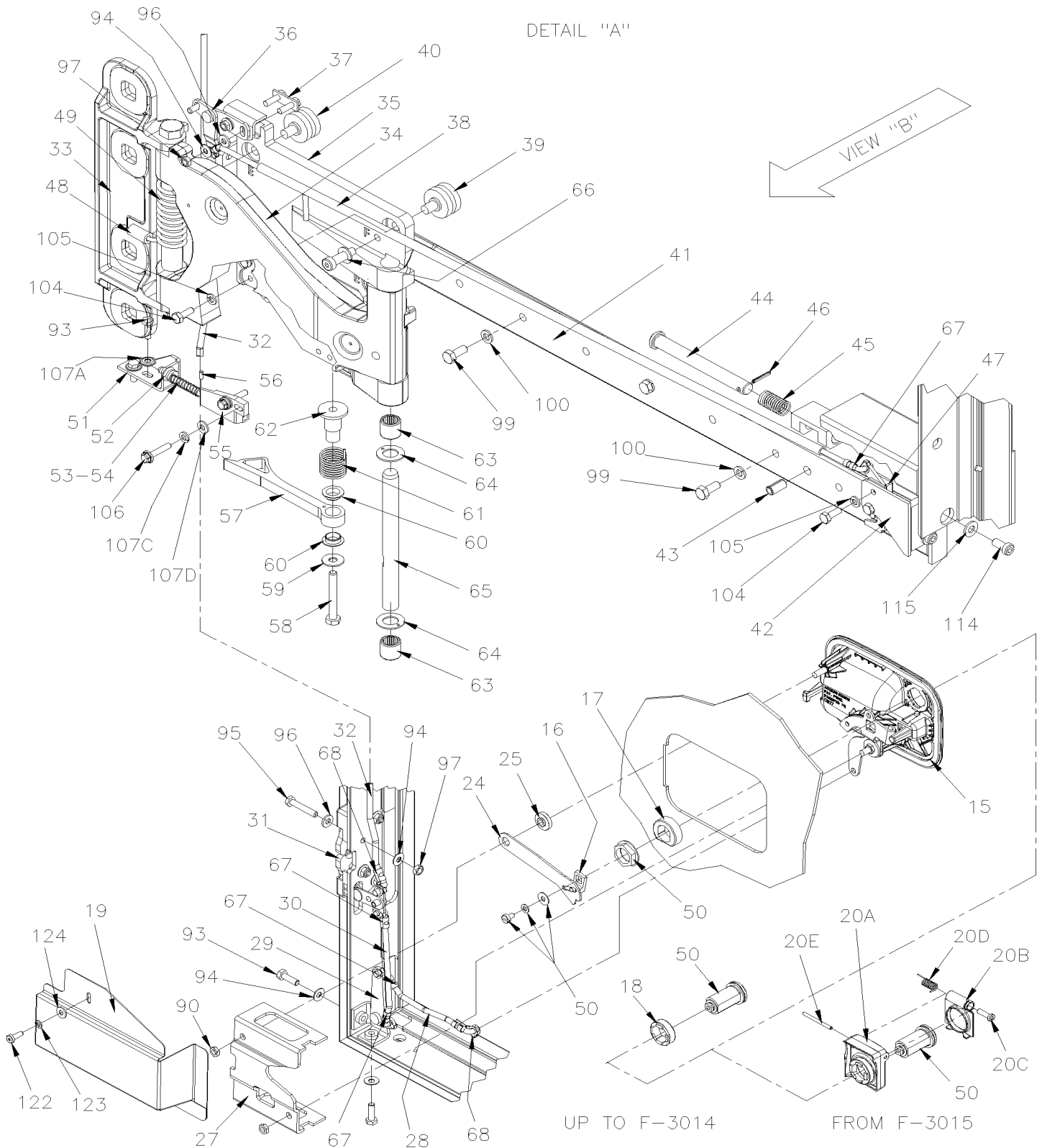


From E-2585 To J-0184

Date:10/2022

PAGE:H7-1862-81

## ENTRANCE DOOR SLIDING - WCL



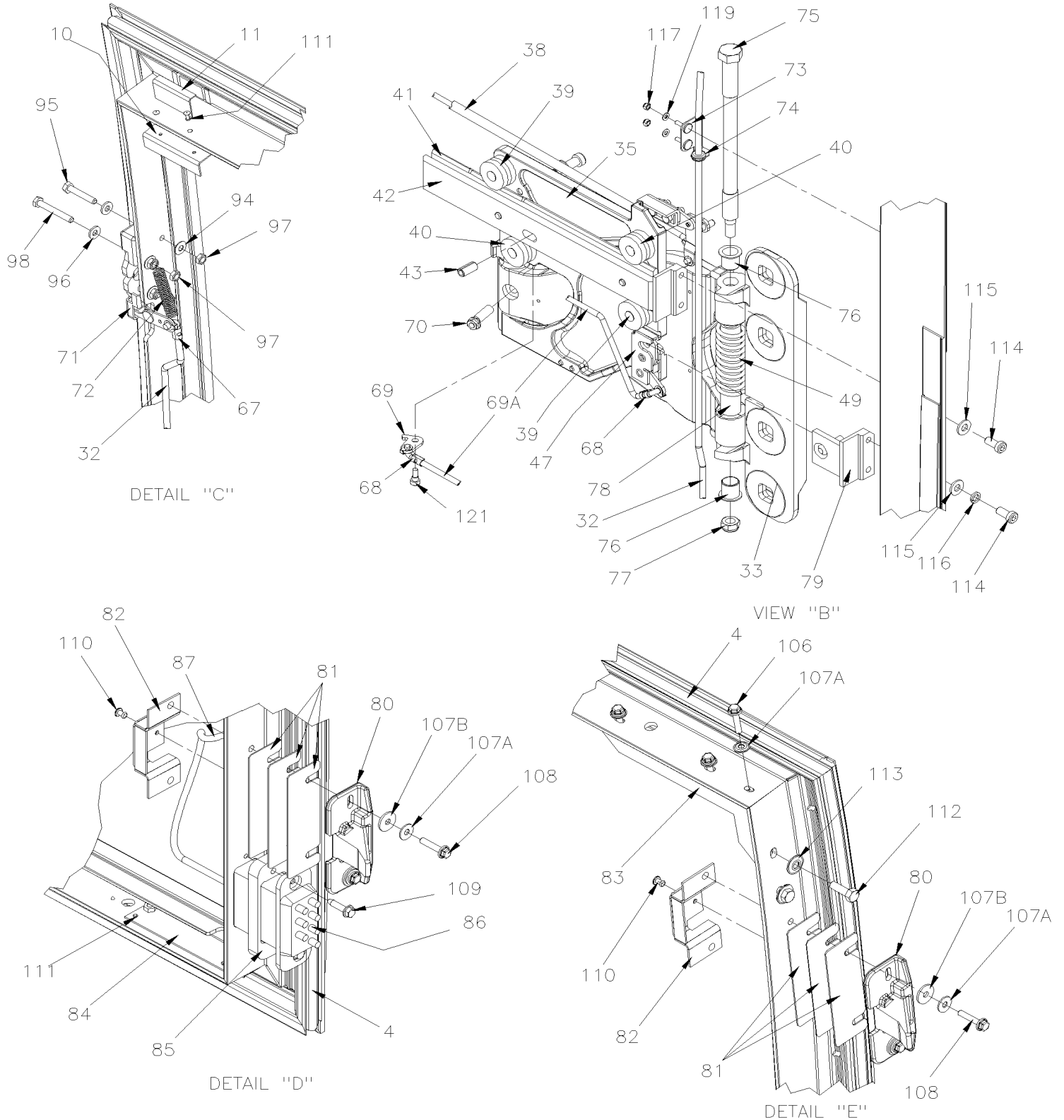


From E-2585 To J-0184

Date:10/2022

PAGE:H7-1862-81

## ENTRANCE DOOR SLIDING - WCL



From E-2585 To J-0184	Date:10/2022	PAGE:H7-1862-81
<b>ENTRANCE DOOR SLIDING - WCL</b>		

Item#	Part	Description	H 3 4 1	H 3 4 5	V I P 4 5	N O T E S
	288210P	DOOR S ASSY W.C.L. DOOR SLIDING To G-3065	1	1		
	Call order desk	DOOR S ASSY W.C.L. DOOR SLIDING From G-3066	1	1		P
1	293797	GLASS, THERMOS 13% W.C.L. DOOR SLIDING	1	1		
1	287501	UPPER EXTRUSION, SLIDING DOOR	1	1		
NS	506769	TAPE RUB ADH2 CC POL 1/8" x 1/4" x 60' / BLACK H1CC-N-#14	AR	AR		
NS	506785	TAPE RUB ADH2 CC POL 1/16" x 1/4" x 200' / BLACK I1C-N-A	AR	AR		
NS	687957	GLUE MS POLYMER TEROSON MS 9399 / 400ml CARTRIDGE	AR	AR		
NS	684685	ADHESIVE SIMSON #ISR 70-03 / 310ml CARTRIDGE	AR	AR		
2	288609	PANEL LOWER 1215.5MM x 738.6MM	1	1		
2	288749	PANEL LOWER 1215.5MM x 891.6MM			1	
2	506769	TAPE RUB ADH2 CC POL 1/8" x 1/4" x 60' / BLACK H1CC-N-#14	1	1		
2	7770343	PANEL COMPLETE DOOR 1215.5MM x 2045MM			1	
2	687957	GLUE MS POLYMER TEROSON MS 9399 / 400ml CARTRIDGE	AR	AR		
2	506282	TAPE RUB ADH1 CC POL 3/8" x 1" x 20' / GREY 2520	AR	AR		
2A	288211	DRIP MOULDIND 1213MM SS	1	1		
2B	289928	REAR PANEL STRIP 26MM x 745MM	1	1		
2B	506785	TAPE RUB ADH2 CC POL 1/16" x 1/4" x 200' / BLACK I1C-N-A	AR	AR		
3	288205	STRUCTURE DOOR	1	1		
3	N.P.N.	STRUCTURE DOOR			1	4
4	2800141	RUBBER SEAL EXTRUSION / 1821MM X 1111MM	1	1		
4	2800145	RUBBER SEAL EXTRUSION / 1974MM X 1111MM			1	
5	289907	INSULATING LOWER	1	1		
5	289494	INSULATING, AIR DUCT	1	1		
5	680397	CONTACT GLUE / AEROSOL 17oz	AR	AR		
6	289906	INSULATING UPPER	2	2		
6	680397	CONTACT GLUE / AEROSOL 17oz	AR	AR		
7	2800221	CAP FINISHING	1	1		
NS	506466	TAPE RUB ADH1 CC POL 1/16" x 1 1/2" x 100' / GREY 2520 From H-3737	AR	AR		
8	3200791	CAP FINISHING WITH ONE PIECE CASTING	1	1		
9	<b>H7-2221-80</b>	<b>AIR DUCT W.C.L. DOOR "RICON"</b>				
9A	3200790	DUCT DOOR / PLASTIC	1	1		
9B	329615	SEAL DUCT 600MM	1	1		
. NS	5061011	. RUBBER EXTRUSION TRIM SEAL / GRIP .090/.120 / 5/8" HOLLOW BULB C.T.L.	AR	AR		
NS	680066	ADHESIVE / ADBOND #5014 / 23.6ML BOTTLE	AR	AR		
10	288648	ANGLE 18MM x 18MM x 76MM	3	3		
11	068192	PLATE ANGLE 50MM x 25MM	1	1		
11	506785	TAPE RUB ADH2 CC POL 1/16" x 1/4" x 200' / BLACK I1C-N-A	AR	AR		
11	684685	ADHESIVE SIMSON #ISR 70-03 / 310ml CARTRIDGE	AR	AR		
12	409259	PROTECTOR SWITCH / CAP	2	2		
. NS	288728	. REINFORCMENT FOR SCREW PROTECTOR CAP	1	1		
13	830159	SWITCH / OFF-M/ON / S.P.S.T. / CHIME	1	1		
14	830158	SWITCH / OFF-ON / S.P.S.T. / READING LIGHT	1	1		

<b>From E-2585 To J-0184</b>	<b>Date:10/2022</b>	<b>PAGE:H7-1862-81</b>
<b>ENTRANCE DOOR SLIDING - WCL</b>		

Item#	Part	Description	H 3 4 1	H 3 4 5	V I P 4 5	N O T E S
15	288652	HANDLE ASSY W"HAPPITCH" NS SERIES KEY	1	1		
15	780785	. HANDLE BODY W"HAPPITCH" NS SERIES KEY	1	1		
15	780823	. HANDLE W.C.L. DOOR PLASTIC	1	1		
15	288653	. PLATE REINFORCMENT 19MM x 6.35MM x 11GA	1	1		
15	680038	. THREAD LOCKER LOCTITE #243 / BLUE / 50ml	AR	AR		
16	289319	ACTUATOR ROD To G-3065	1	1		
16	280014	ACTUATOR ROD From G-3066	1	1		
17	289321	SPACER CYLINDER KEY	1	1		
18	289320	ADAPTOR CYLINDER KEY To G-3065	1	1		
19	2800060	PLATE, SEALING HANDLE	1	1		
20	280020	LOCK COVER ASSEMBLY	1	1		
. A	N.S.S.	. RECEIVER	1	1		1
. B	N.S.S.	. COVER	1	1		1
. C	N.S.S.	. GUIDE, SPRING	1	1		1
. D	N.S.S.	. SPRING	1	1		1
. E	N.S.S.	. AXLE	1	1		1
21	<b>H7-1862-86</b>	<b>SLIDING DOOR - INSTALLATION</b>	1	1	1	
24	289317	ACTUATOR LEVER	1	1		
25	289322	SPACER W/SHOULDER FOR BE	1	1		
27	780787	SUPPORT HANDLE	1	1		
28	289314	ROD LOWER 123MM	1	1		
29	289910	PIVOT ASSY	1	1		
30	289922	ROD LOWER 152MM	1	1		
31	289916	LOCK LOWER / FORWARD	1	1		
32	289919	ROD UPPER 1229MM	1	1		
33	2800194	HINGE / POST SECTION / MACHINED ONE PIECE CASTING	1	1		
34	2800193	HINGE / MOVABLE SECTION ONE PIECE CASTING	1	1		
35	289996	HINGE / RAIL SECTION ONE PIECE CASTING	1	1		
36	289913	PIVOT ASSY	1	1		
37	289924	ATTACHMENT PLATE	1	1		
38	289920	ROD UPPER 937MM	1	1		
NS	560785	SHRINK TUBING / .375" - .187" / BLACK / ALPHA FIT-300-3/8-4B From H-3737	AR	AR		
39	780782	WHEEL "V"	2	2		
40	780783	WHEEL "V" W/ECCENTRIC	2	2		
41	285614	RAIL TRACK	1	1		
42	280213	SUPPORT RAIL SLIDING / FIXED AT DOOR FRAME	1	1		
43	504719	SPRING, PIN M10 X 20	2	2		
44	289901	BUMPER PIN	1	1		
45	502181	SPRING COMPRESSION / .720 O.D. x 3 x .067	1	1		
46	505513	SPRING, PIN M3 x 24 SS	1	1		
47	780778	LOCK L.H.	2	2		
48	285576	BUSHING 12.7 O.D. x 6.6 I.D. x 24MM	1	1		

<b>From E-2585 To J-0184</b>	<b>Date:10/2022</b>	<b>PAGE:H7-1862-81</b>
<b>ENTRANCE DOOR SLIDING - WCL</b>		

Item#	Part	Description	H 3 4 1	H 3 4 5	V I P 4 5	N O T E S
49	2800348	SPRING, TORSION / 1.061" I.D. x 3.23 x .162	1	1		
50	<b>H7-1864-31</b>	<b>HANDLE LOCK &amp; KEYS - TYPE "NS" &amp; "FORD"</b>				
51	289325	BUMPER ANGLE	1	1		
52	504718	RIVET DRV BDG 1/4X1/2 NYL	1	1		
53	289324	PLUNGER	1	1		
54	289326	SPRING , COMPRESSION	1	1		
55	289323	PLATE SLIDING DOOR	1	1		
56	505221	SPRING, PIN 1/8 X 3/8	1	1		
57	288499	STOPPER BUMPER	1	1		
58	5001178	SCREW CAP HEX M8-1.25x60 SS BK	1	1		
59	500332	WASHER FL .328x.875x.062 N500	1	1		
60	507379	BUSHING FLANGE 14MM I.D. x 16MM O.D. x 6MM L x SHOULDER 22MM O.D.	2	2		
61	286237	SPRING, TORSION / 25MM I.D. x 25.2 x .068	1	1		
62	288498	BUSHING 8MM ID x 14MM OD x 20MM OD	1	1		
63	507374	NEEDLES BEARING 5/8 I.D. x 13/16 O.D. x 3/4	2	2		
64	507377	WASHER 5/8x1 1/8x.0585	2	2		
65	286524	AXE 178MM	1	1		
66	780779	BOLT, STRIKER ASSY.	1	1		
67	504243	CLIP ROD 1/4" L.H.	6	6		
68	504541	CLIP ROD 1/4" R.H.	4	4		
69	289923	PIVOT	1	1		
69A	289917	ROD CARRIER 188MM	1	1		
70	286065	KEY DRAW W/NUT To G-3237	1	1		
70	280028	KEY DRAW From G-3238	1	1		
70	5001835	NUT HEXF M6-1.0 SS From G-3238	1	1		
71	780776	LOCK UPPER / FORWARD	1	1		
72	502156	SPRING EXTENSION / .437 O.D. x 2 x .041	1	1		
73	2800056	GUIDE	1	1		
74	504069	GROMMET / .281x.375x.062x.250x.562	1	1		
75	286151	AXE BOLT SPECIAL 250MM	1	1		
76	507376	BUSHING FLANGE	2	2		
77	502859	NUT HEX NYRT M10-1.5 N500	1	1		
78	287520	BUSHING 16MM I.D. x 21MM O.D. x 122MM	1	1		
79	289926	ATTACHMENT	1	1		
80	289825	CATCH SLIDING DOOR	2	2		
81	2800296	SPACER 44MM x 132MM x 24GA	AR	AR		
82	477732	REINFORCMENT	2	2		
83	2800215	PLATE UPPER SLIDING DOOR	1	1		
84	288470	PLATE ATTACHMENT 136MM x 35MM	1	1		
85	288610	SPACER ALUMINUM	1	1		
86	563433	DOOR PLUNGER SWITCH 8C / PED 15409888	1	1		
87	066306	CABLE ASSY / W/WCL To G-3128	1	1		

<b>From E-2585 To J-0184</b>	<b>Date:10/2022</b>	<b>PAGE:H7-1862-81</b>
<b>ENTRANCE DOOR SLIDING - WCL</b>		

Item#	Part	Description	H 3 4 1	H 3 4 5	V I P 4 5	N O T E S
87	069305	CABLE ASSY / W/WCL From G-3129	1	1		
90	502565	NUT HEX M6-1.0 SS	2	2		
91	509815	TIE MOUNT / ATTACHMENT W/TREE MOUNT	3	3		
92	504637	CABLE TIE / 3/16" x 13"	3	3		
93	502830	SCREW CAP HEX M6-1.0x20 G8.8 N500	4	4		
94	5001608	WASHER BEL SPR 6.2x15.0x0.7 G500 To G-3237	12	12		
94	5001833	WASHER BEL SPR 6.1x18x1.27 SS From G-3238	12	12		
95	502888	SCREW CAP HEX M6-1.0x35 G8.8 N500	7	7		
96	500877	WASHER FL .250x.562x.065 N500	2	2		
97	502854	NUT HEX M6-1.0 N500	11	11		
98	502843	SCREW CAP HEX M6-1.0x45 G8.8 N500	1	1		
99	502862	SCREW CAP HEX M8-1.25x20 G8.8 N500	6	6		
100	5001161	WASHER LO SPT 8.1x14.8x2.0 SS-304 To G-3237	6	6		
100	5001848	WASHER BEL SPR .827 x .331 x .098 th SS From G-3238 To G-3378	6	6		
100	5001161	WASHER LO SPT 8.1x14.8x2.0 SS-304 From G-3379	6	6		
102	500333	SCREW TP OV PH #6x3/4 BK	15	15		
103	500345	WASHER FN CKF .187x.500x.090 BR BK	15	15		
104	5001746	SCREW CAP HEX 1/4-20x3/4 G5 N500	4	4		
105	5001749	WASHER LO SPT 6.5x11.5x1.6 N500	4	4		
106	5001815	SCREW CAP HEXF M6-1.0x30 G 8.8 N500	5	5		
107A	500356	WASHER LO SERR 6.1x16.0x0.9 N500 To G-3237	9	9		
107A	500356	WASHER LO SERR 6.1x16.0x0.9 N500 To G-3237	9	9		
107A	5001833	WASHER BEL SPR 6.1x18x1.27 SS From G-3238	9	9		
107B	500142	WASHER FL 6.6x22.0x2.0 SS From G-3238	4	4		
107C	500356	WASHER LO SERR 6.1x16.0x0.9 N500 To G-3237	2	2		
107C	500356	WASHER LO SERR 6.1x16.0x0.9 N500 To G-3237	2	2		
107C	5001749	WASHER LO SPT 6.5x11.5x1.6 N500 From G-3238	2	2		
107D	500877	WASHER FL .250x.562x.065 N500 From G-3238	2	2		
108	502686	SCREW CAP HEX M6-1.0x30 SS BK To G-3237	4	4		
108	5001815	SCREW CAP HEXF M6-1.0x30 G 8.8 N500 From G-3238	4	4		
109	500266	SCREW TC CAP HEX 1/4-20x1 N500	2	2		
110	504581	RIVET MGLP PRDG 3/16x7/16 SS BK	2	2		
111	504339	RIVET POP DOME OE 1/8x3/8 SS	8	8		
112	5001745	SCREW CAP HEX M8-1.25x25 G8.8 N500	2	2		
113	5001699	WASHER BEL SPR 8.2x22x1.4 N500 To G-3237	2	2		
113	5001848	WASHER BEL SPR .827 x .331 x .098 th SS From G-3238	2	2		
114	5001573	SCREW CAP HEXS M8-1.25x18 G8.8	6	6		
115	5001736	WASHER FL 8.4x18.0x2.0 N500	6	6		
116	500942	WASHER LO SPT 8.1x14.8x2.0 N500	2	2		
117	500539	NUT HEX NYRT M4-0.7 N500	2	2		
119	502556	WASHER FL 4.3x9.0x0.8 SS	2	2		

From E-2585 To J-0184	Date:10/2022	PAGE:H7-1862-81
<b>ENTRANCE DOOR SLIDING - WCL</b>		

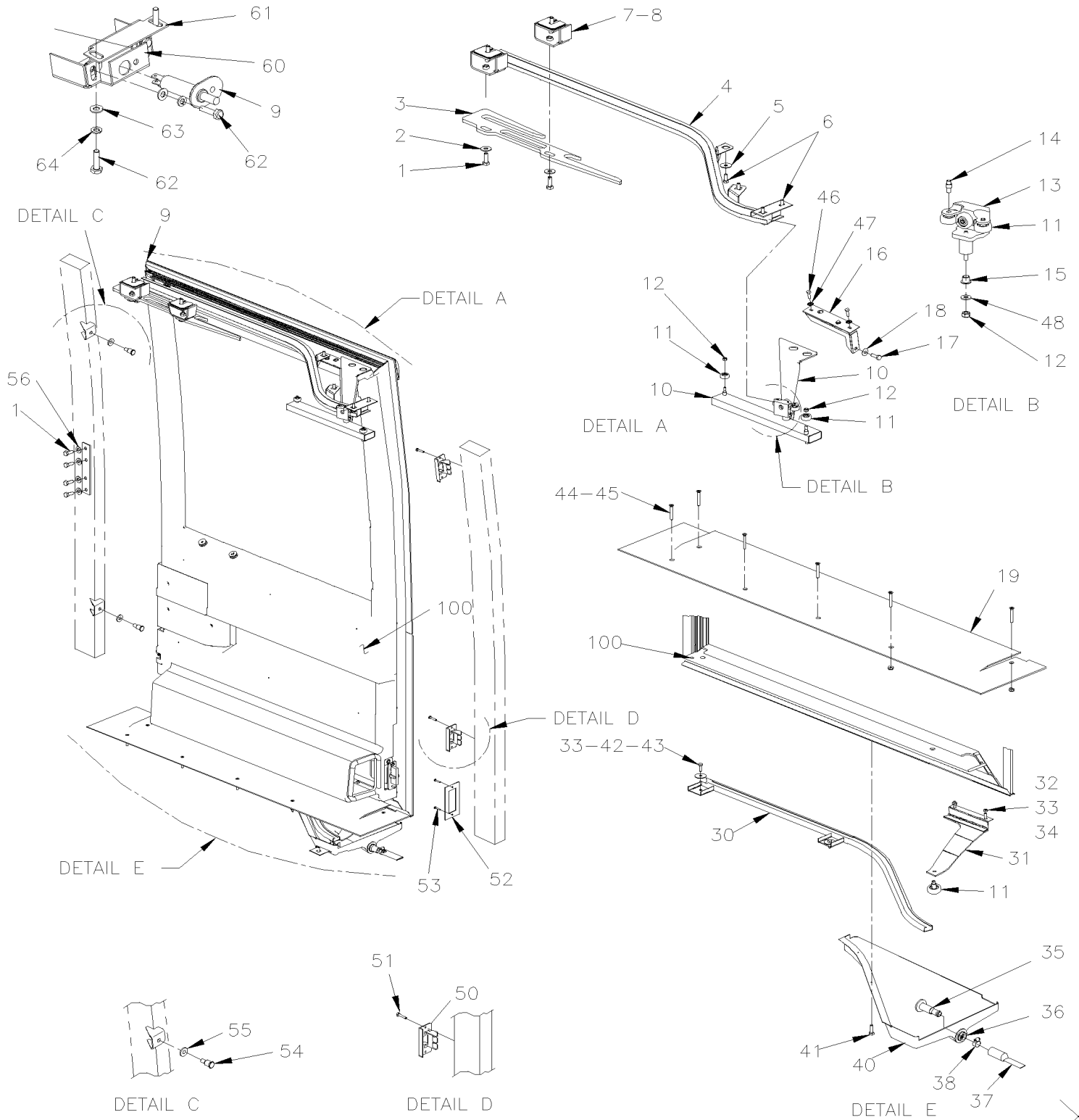
Item#	Part	Description	H 3 4 1	H 3 4 5	V I P 4 5	N O T E S
120	500814	SCREW TP BDG PH #6x3/4 BK	4	4		
121	5001606	SCREW SHR HEXS 1/4x3/16 (#10-24 SS	1	1		
122	500965	SCREW TC BDG PH #8-32x1/2 N500	1	1		
123	502834	WASHER LO SPT 4.1x7.6x0.9 N500	1	1		
124	504357	WASHER FL .187x.437x.050 SS	1	1		
NS	680038	THREAD LOCKER LOCTITE #243 / BLUE / 50ml	AR	AR		
NS	680122	TUBE, LUBRIPLATE 10 OZ.	AR	AR		
NS	680397	CONTACT GLUE / AEROSOL 17oz	AR	AR		
NS	680739	GREASE SYNTHETIC / RED 20KG	AR	AR		
130	506001	TAPE RUB ADH1 CC POL 1/8" x 3/4" x 50' / GREY 2520X	AR	AR		
		4) NO PARTS NUMBER				
		P) CALL ORDER DESK FOR SPECIFIC APPLICATION (V.I.N.)				
		1) NOT SOLD SEPARATELY				

From 7-0671 To E-2584

Date:10/2022

PAGE:H7-1862-85

## SLIDING DOOR - INSTALLATION



From 7-0671 To E-2584	Date:10/2022	PAGE:H7-1862-85
<b>SLIDING DOOR - INSTALLATION</b>		

Item#	Part	Description	H 3 4 1	H 3 4 5	V I P 4 5	N O T E S
1	500065	SCREW CAP HEX M10-1.5x30 G10.9 DP		8		
2	502644	WASHER FL 10.5x30.0x2.5 Z050		4		
3	288496	DOOR SUPPORT To C-1990		1		
3	2800088	DOOR SUPPORT From C-1991		1		
4	288480	TRACK UPPER ASSY To D-2253		1		
4	2800235	TRACK UPPER ASSY From D-2254		1		
4	2800242	REINFORCEMENT PLATE From D-2254		1		
5	5001467	WASHER FL .343x1.250x.062 SS18-8 To D-2253		3		
5	5001868	WASHER BEL SPR 8.4x18x2 SS From D-2254		3		
6	502862	SCREW CAP HEX M8-1.25x20 G8.8 N500 To D-2253		3		
6	5001738	SCREW CAP HEX M8-1.25x30 G8.8 N500 From D-2254		3		
7	288489	SUPPORT		1		
8	286421	SPACER "U" 54MM X 66MM X 14GA		AR		
9	563464	SWITCH / S.P.S.T. / N.C. / W/RUBBER BOOT		1		A
NS	066563	SUPPORT SWITCH To 9-1467		1		AB
10	288463	ARM ASSY WELDED To C-1954		1		
10	2800027	ARM ASSY (CASTING) From C-1955 To C-2099		1		
10	2800210	ARM ASSY (CASTING) From C-2100 To D-2325		1		
10	2800202	ARM ASSY (CASTING) From D-2326		1		
10	2800018	. ARM ONE PIECE CASTING From C-1955 To D-2325		1		
10	2800201	. ARM ONE PIECE CASTING From D-2326		1		C
NS	2800025	. AXLE PIN RIVET W/SHOULDER 55.6MM x 7.4 O.D. & M6-1.0 From C-1955		1		
10	2800211	. REINFORCEMENT / UPPER From C-2100 To D-2325		1		
10	2800212	. REINFORCEMENT / LOWER From C-2100 To D-2325		1		
11	288460	WHEEL ASSY W/BEARING		5		
12	502681	NUT HEX NYRT M6-1.0 N500 G8		1		
13	287053	CARRIER ASSY W/3 BEARINGS		1		
. NS	288460	. WHEEL ASSY W/BEARING		3		
. NS	281410	. CARRIER ASSY		1		
. NS	288469	. RIVET W/DOUBLE SHOULDER		3		
. NS	500877	. WASHER FL .250x.562x.065 N500		1		
. NS	507378	. BUSHING W/SHOULDER		2		
. NS	502681	. NUT HEX NYRT M6-1.0 N500 G8		1		
13	288479	. CARRIER ASSY		1		
14	288469	. RIVET W/DOUBLE SHOULDER		3		
15	507378	. BUSHING W/SHOULDER		2		
16	288467	PLATE UPPER SLIDING DOOR To D-2325		1		
16	2800215	PLATE UPPER SLIDING DOOR From D-2326		1		
17	502780	SCREW CAP HEX M8-1.25x25 SS BK		1		
18	502856	WASHER LO SERR 8.15x22.3x1.0 DP320		1		
19	288488	STEP PROTECTOR 1340 x 255 MM		1		
20	5001613	SCREW TP FL PH #14x1 1/2 SS		1		



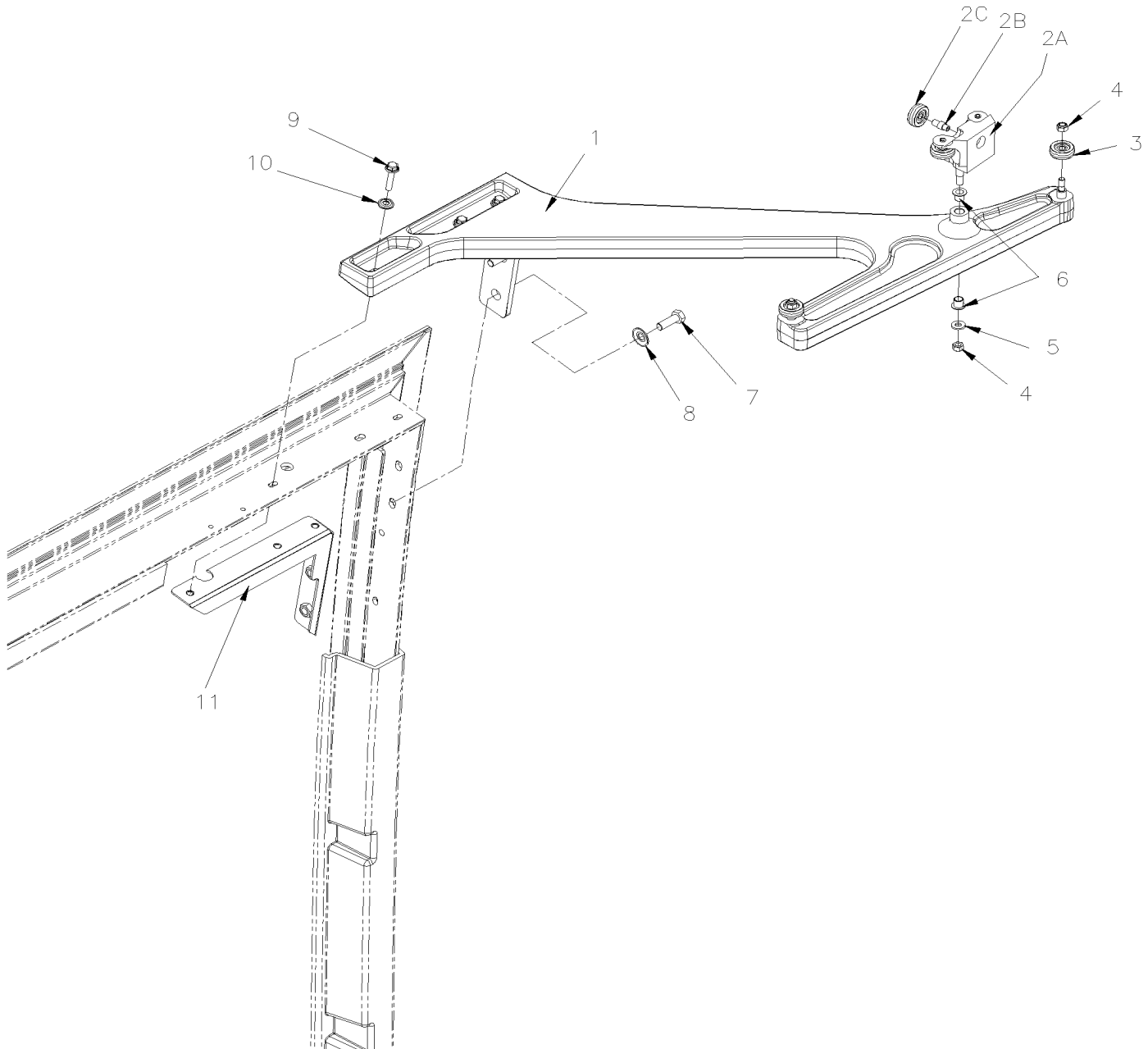
<b>From 7-0671 To E-2584</b>	<b>Date:10/2022</b>	<b>PAGE:H7-1862-85</b>
<b>SLIDING DOOR - INSTALLATION</b>		

Item#	Part	Description	H 3 4 1	H 3 4 5	V I P 4 5	N O T E S
30	288482	TRACK LOWER ASSY		1		
31	Call order desk	LOWER ARM ASSY / W/BEARING / W/BEARING		1		P
. A	288460	. WHEEL ASSY W/BEARING		1		
. B	288472	. LOWER ARM ASSY		1		
. C	288468	. RIVET		1		
31A	288472	. LOWER ARM ASSY		1		
31B	288460	. WHEEL ASSY W/BEARING		1		
31C	288468	. RIVET		1		
32	288471	SPACER 22MM x 146MM x 16GA		2		
33	502830	SCREW CAP HEX M6-1.0x20 G8.8 N500		5		
34	5001608	WASHER BEL SPR 6.2x15.0x0.7 G500		2		
35	900280	THRU HULL, CONNECTOR / PLASTIC		1		
36	500909	WASHER FL .805x1.780x.112 SS		1		
NS	409038	GASKET		1		
37	590286	DRAIN BOOT 1 1/4" I.D. X 4" / FLAT		1		
38	504018	HOSE CLAMP / 7/16"-1" SS / HS-8		1		
40	288462	DRIP PAN		1		
41	5001155	SCREW TP PAN PH #8X3/4 N050		2		
42	500468	WASHER FL .281x1.250x.065 Z050		3		
43	502853	WASHER LO SPT 6.1x11.8x1.6 N500		1		
44	5001626	SCREW MA FL PH 1/4-20x1 3/4 SS		6		
45	5001251	NUT HEX NYRT 1/4-20 SS		6		
46	500356	WASHER LO SERR 6.1x16.0x0.9 N500		6		
47	502580	NUT HEX CAP M5-0.8 ZP		6		
48	500877	WASHER FL .250x.562x.065 N500		60		
50	288585	CATCH To B-1833		2		
50	280080	CATCH From B-1834		2		
51	504581	RIVET MGLP PRDG 3/16x7/16 SS BK		4		
52	563432	DOOR PLATE SWITCH 8C / PED 15355305		1		
53	502896	SCREW TC BDG PH #12-24x3/4 N500		2		
54	780777	STRIKER PIN .675 O.D. x 1.715 -7/16-14		2		
. NS	500494	. WASHER BEL SPR .470x1.680x.125 N500		1		
55	285235	WASHER SPACER SS .875" x 438" x .125"		2		
56	284447	WASHERS BELLEVILLE		4		
60	067591	SUPPORT SWITCH / SWITCH SECTION		1		
61	067590	SUPPORT SWITCH / STRUCTURE SECTION		1		B
62	502799	SCREW CAP HEX M4-0.7X16 G8.8 N500		4		B
63	502834	WASHER LO SPT 4.1x7.6x0.9 N500		4		B
64	502556	WASHER FL 4.3x9.0x0.8 SS		4		B
67	<b>2800281</b>	<b>ARM REPLACEMENT KIT To D-2325</b>				

From 7-0671 To E-2584	Date:10/2022	PAGE:H7-1862-85
<b>SLIDING DOOR - INSTALLATION</b>		

Item#	Part	Description	H 3 4 1	H 3 4 5	V I P 4 5	N O T E S
. NS	D280303	. DIAGRAM RETROFIT ARM UP DOOR To D-2325	1	1	1	
100	<b>H7-1862-80</b>	<b>ENTRANCE DOOR SLIDING - WCL</b>				
		A) FIXED AT UPPER STRUCTURE DOOR TUBE				
		B) FOR PRODUCT IMPROVEMENT IT SUPPERSEDED BY 2 PIECES 067590 + 067591				
		C) FOR PRODUCT IMPROVEMENT ASK FOR KIT #2800281				
		P) CALL ORDER DESK FOR SPECIFIC APPLICATION (V.I.N.)				

From 7-0671 To E-2584	Date:10/2022	PAGE:2800281
ARM REPLACEMENT KIT		



From 7-0671 To E-2584	Date:10/2022	PAGE:2800281
<b>ARM REPLACEMENT KIT</b>		

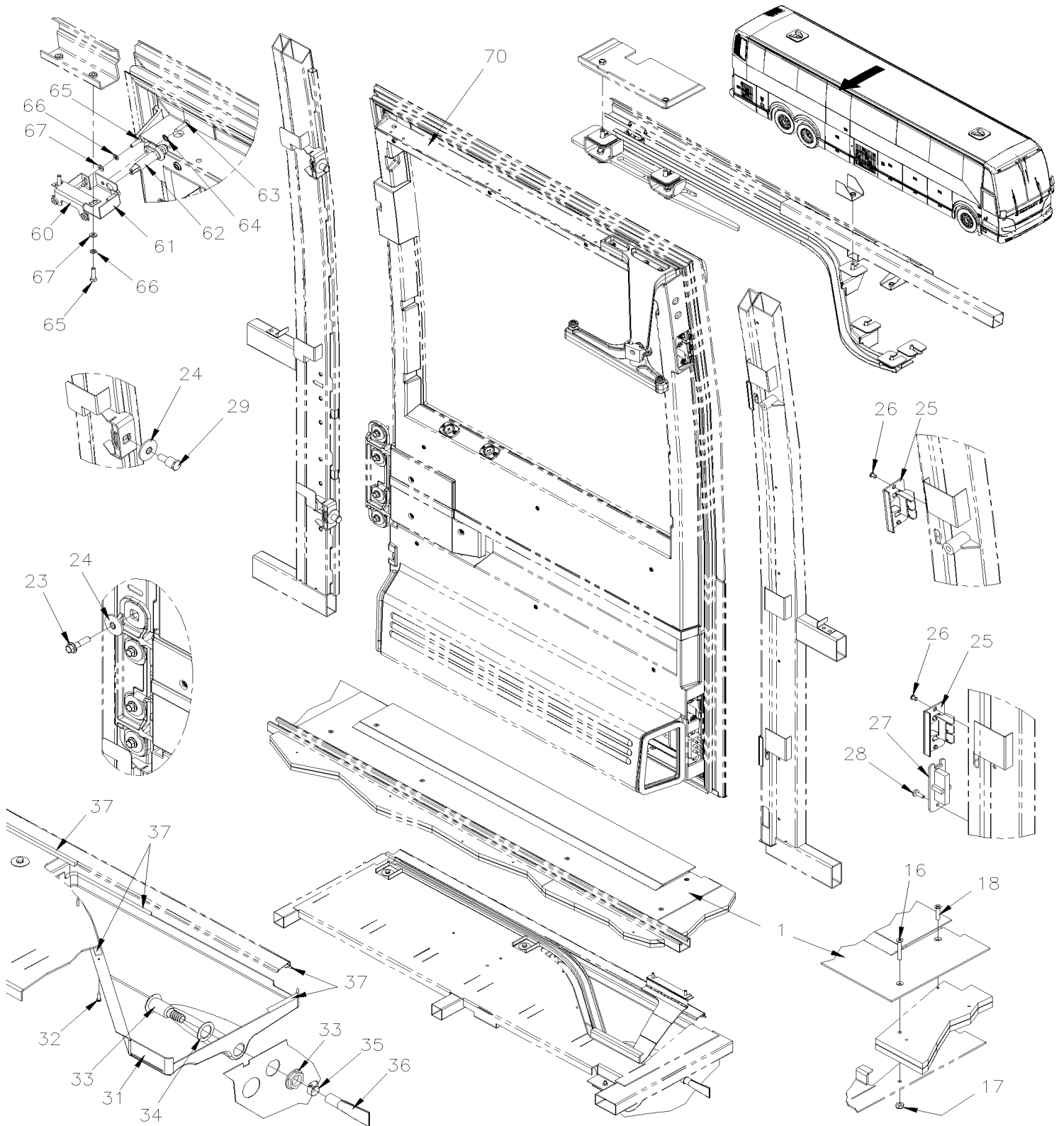
Item#	Part	Description	H 3 4 1	H 3 4 5	V I P 4 5	N O T E S
1	2800202	ARM ASSY (CASTING)	1	1	1	
2	2800282	UP CARRIAGE DOOR ASSY To J-6827	1	1	1	
. A	288479	. CARRIER ASSY To J-6827	1	1	1	
. B	288469	. RIVET W/DOUBLE SHOULDER To J-6827	3	3	3	
. C	288460	. WHEEL ASSY W/BEARING To J-6827	3	3	3	
2	281454	UP CARRIAGE DOOR ASSY From J-6828	1	1	1	
. A	281410	. CARRIER ASSY From J-6828	1	1	1	
. B	288469	. RIVET W/DOUBLE SHOULDER From J-6828	3	3	3	
. C	288460	. WHEEL ASSY W/BEARING From J-6828	3	3	3	
3	288460	WHEEL ASSY W/BEARING	2	2	2	
4	502681	NUT HEX NYRT M6-1.0 N500 G8	3	3	3	
5	500877	WASHER FL .250x.562x.065 N500	1	1	1	
6	507378	BUSHING W/SHOULDER	2	2	2	
7	502780	SCREW CAP HEX M8-1.25x25 SS BK	2	2	2	
8	5001699	WASHER BEL SPR 8.2x22x1.4 N500	2	2	2	
9	5001815	SCREW CAP HEXF M6-1.0x30 G 8.8 N500	3	3	3	
10	500356	WASHER LO SERR 6.1x16.0x0.9 N500	3	3	3	
11	2800215	PLATE UPPER SLIDING DOOR	1	1	1	

From E-2585 To J-0184

Date:10/2022

PAGE:H7-1862-86

## SLIDING DOOR - INSTALLATION

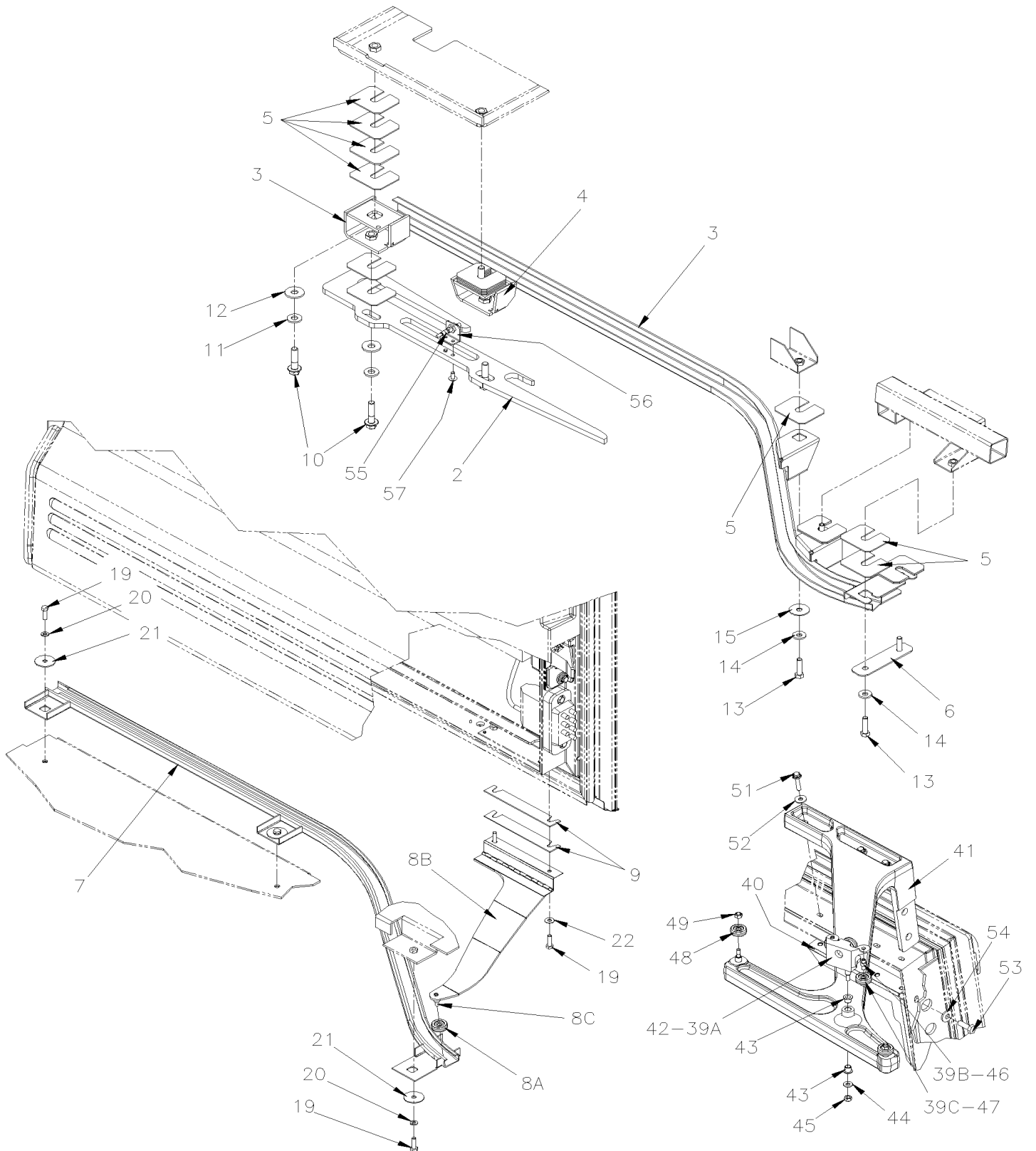


From E-2585 To J-0184

Date:10/2022

PAGE:H7-1862-86

## SLIDING DOOR - INSTALLATION



From E-2585 To J-0184	Date:10/2022	PAGE:H7-1862-86
<b>SLIDING DOOR - INSTALLATION</b>		

Item#	Part	Description	H 3 4 1	H 3 4 5	V I P 4 5	N O T E S
1	288488	STEP PROTECTOR 1340 x 255 MM	1	1		
2	2800088	DOOR SUPPORT	1	1		
3	2800235	TRACK UPPER ASSY	1	1		
4	288489	SUPPORT	1	1		
5	286421	SPACER "U" 54MM X 66MM X 14GA	AR	AR		
6	2800242	REINFORCEMENT PLATE	1	1		
7	288482	TRACK LOWER ASSY	1	1		
8	Call order desk	LOWER ARM ASSY / W/BEARING / W/BEARING	1	1		P
. A	288460	. WHEEL ASSY W/BEARING	1	1		
. B	288472	. LOWER ARM ASSY	1	1		
. C	288468	. RIVET	1	1		
9	288471	SPACER 22MM x 146MM x 16GA	2	2		
10	500065	SCREW CAP HEX M10-1.5x30 G10.9 DP To F-2711	4	4		
10	5001741	SCREW CAP HEXF M10-1.5x30 G8.8 N500 From F-2712 To G-3237	4	4		
10	5001308	SCREW CAP HEXF M10-1.5x40 G10.9 N500 From G-3238	4	4		
11	5001834	WASHER BEL SPR 10.5X23X2.5 N500 From G-3238	4	4		
12	502644	WASHER FL 10.5x30.0x2.5 Z050	4	4		
13	5001738	SCREW CAP HEX M8-1.25x30 G8.8 N500	4	4		
14	5001868	WASHER BEL SPR 8.4x18x2 SS To G-3237	4	4		
14	5001848	WASHER BEL SPR .827 x .331 x .098 th SS From G-3238	4	4		
15	5001467	WASHER FL .343x1.250x.062 SS18-8	2	2		
16	5001626	SCREW MA FL PH 1/4-20x1 3/4 SS	6	6		
17	5001251	NUT HEX NYRT 1/4-20 SS	6	6		
18	502748	SCREW TP FL PH #14x1 1/4 EMN	1	1		
19	502830	SCREW CAP HEX M6-1.0x20 G8.8 N500	5	5		
20	502853	WASHER LO SPT 6.1x11.8x1.6 N500	3	3		
21	500913	WASHER FL .281x1.250x.065 N500	3	3		
22	5001608	WASHER BEL SPR 6.2x15.0x0.7 G500	2	2		
23	500065	SCREW CAP HEX M10-1.5x30 G10.9 DP To F-2711	4	4		
23	5001741	SCREW CAP HEXF M10-1.5x30 G8.8 N500 From F-2712 To G-3237	4	4		
23	5001308	SCREW CAP HEXF M10-1.5x40 G10.9 N500 From G-3238	4	4		
24	500494	WASHER BEL SPR .470x1.680x.125 N500	6	6		
25	280080	CATCH	2	2		
26	504581	RIVET MGLP PRDG 3/16x7/16 SS BK	4	4		
27	563432	DOOR PLATE SWITCH 8C / PED 15355305	1	1		
28	502896	SCREW TC BDG PH #12-24x3/4 N500	2	2		
29	780809	STRIKER PIN .675 O.D. x 1.715 -7/16-14	2	2		
31	288462	DRIP PAN	1	1		
32	5001155	SCREW TP PAN PH #8X3/4 N050	2	2		
33	900280	THRU HULL, CONNECTOR / PLASTIC	1	1		
34	409038	GASKET	1	1		
35	504018	HOSE CLAMP / 7/16"-1" SS / HS-8	1	1		

<b>From E-2585 To J-0184</b>	<b>Date:10/2022</b>	<b>PAGE:H7-1862-86</b>
<b>SLIDING DOOR - INSTALLATION</b>		

Item#	Part	Description	H 3 4 1	H 3 4 5	V I P 4 5	N O T E S
36	590286	DRAIN BOOT 1 1/4" I.D. X 4" / FLAT	1	1		
37	684685	ADHESIVE SIMSON #ISR 70-03 / 310ml CARTRIDGE	AR	AR		
39	2800282	UP CARRIAGE DOOR ASSY To J-0084	1	1		
. A	288479	. CARRIER ASSY To J-0084	1	1		
. B	288469	. RIVET W/DOUBLE SHOULDER To J-0084	3	3		
. C	288460	. WHEEL ASSY W/BEARING To J-0084	3	3		
39	281454	UP CARRIAGE DOOR ASSY From J-0085	1	1		
. A	281410	. CARRIER ASSY From J-0085	1	1		
. B	288469	. RIVET W/DOUBLE SHOULDER From J-0085	3	3		
. C	288460	. WHEEL ASSY W/BEARING From J-0085	3	3		
40	2800215	PLATE UPPER SLIDING DOOR	1	1		
41	2800202	ARM ASSY (CASTING)	1	1		
41	2800201	. ARM ONE PIECE CASTING	1	1		C
NS	2800025	. AXLE PIN RIVET W/SHOULDER 55.6MM x 7.4 O.D. & M6-1.0	1	1		
42	287053	CARRIER ASSY W/3 BEARINGS	1	1		
. NS	288460	. WHEEL ASSY W/BEARING	3	3		
. NS	281410	. CARRIER ASSY	1	1		
. NS	288469	. RIVET W/DOUBLE SHOULDER	3	3		
. NS	500877	. WASHER FL .250x.562x.065 N500	1	1		
. NS	507378	. BUSHING W/SHOULDER	2	2		
. NS	502681	. NUT HEX NYRT M6-1.0 N500 G8	1	1		
42	288479	. CARRIER ASSY	1	1		
43	507378	. BUSHING W/SHOULDER	2	2		
44	500877	. WASHER FL .250x.562x.065 N500	1	1		
45	502681	. NUT HEX NYRT M6-1.0 N500 G8	1	1		
46	288469	. RIVET W/DOUBLE SHOULDER	3	3		
47	288460	. WHEEL ASSY W/BEARING	3	3		
48	288460	WHEEL ASSY W/BEARING	2	2		
49	502681	NUT HEX NYRT M6-1.0 N500 G8	2	2		
51	5001815	SCREW CAP HEXF M6-1.0x30 G 8.8 N500	3	3		
52	5001833	WASHER BEL SPR 6.1x18x1.27 SS	3	3		
53	5001745	SCREW CAP HEX M8-1.25x25 G8.8 N500				
54	5001699	WASHER BEL SPR 8.2x22x1.4 N500 To G-3237	2	2		
54	5001848	WASHER BEL SPR .827 x .331 x .098 th SS From G-3238	2	2		
55	068358	PROXIMITY SENSOR, NO ENTRANCE DOOR ASS. From H-3599		1		
. NS	564163	. SWITCH PROXIMITY / S.P.D.T. / W/3 WIRES From H-3599		1		
. NS	564099	. TAPE ADHESIF ELECTRICAL TISSUS / BLACK 838MM From H-3599		1		
. NS	562387	. CONVOLUTED TUBING / SLIT / BLACK / .250" From H-3599		1		
. NS	562477	. CONNECTOR / DT SERIES / SH 4C / GRAY / DEUTSCH DT06-4S From H-3599		1		
. NS	562478	. SECONDARY LOCK / DT SERIES / SH 4C / DEUTSCH W4S From H-3599		1		
. NS	561608	. SOCKET TERMINAL / 18-16 / DEUTSCH 0462-201-16141 From H-3599		3		
. NS	563606	. SEALING PLUG TYPE 20 / DEUTSCH 0413-204-2005 From H-3599		1		



From E-2585 To J-0184	Date:10/2022	PAGE:H7-1862-86
<b>SLIDING DOOR - INSTALLATION</b>		

Item#	Part	Description	H 3 4 1	H 3 4 5	V I P 4 5	N O T E S
56	068417	BRACKET, PROXIMITY SENSOR From H-3599		1		
57	504793	RIVET MNB OE LARGE HEAD 3/16x7/16 SS From H-3599		2		
60	067590	SUPPORT SWITCH / STRUCTURE SECTION	1	1		
61	067591	SUPPORT SWITCH / SWITCH SECTION	1	1		
62	563464	SWITCH / S.P.S.T. / N.C. / W/RUBBER BOOT	1	1		
63	500658	SCREW TC PAN PH #10-24x3/4 Z050	1	1		
64	500240	WASHER LO EXT .195x.410x.025 Z050	1	1		
65	502799	SCREW CAP HEX M4-0.7X16 G8.8 N500	4	4		
66	502834	WASHER LO SPT 4.1x7.6x0.9 N500	4	4		
67	502556	WASHER FL 4.3x9.0x0.8 SS	4	4		
70	<b>H7-1862-81</b>	<b>ENTRANCE DOOR SLIDING - WCL</b>				
		C) FOR PRODUCT IMPROVEMENT ASK FOR KIT #2800281				
		P) CALL ORDER DESK FOR SPECIFIC APPLICATION (V.I.N.)				

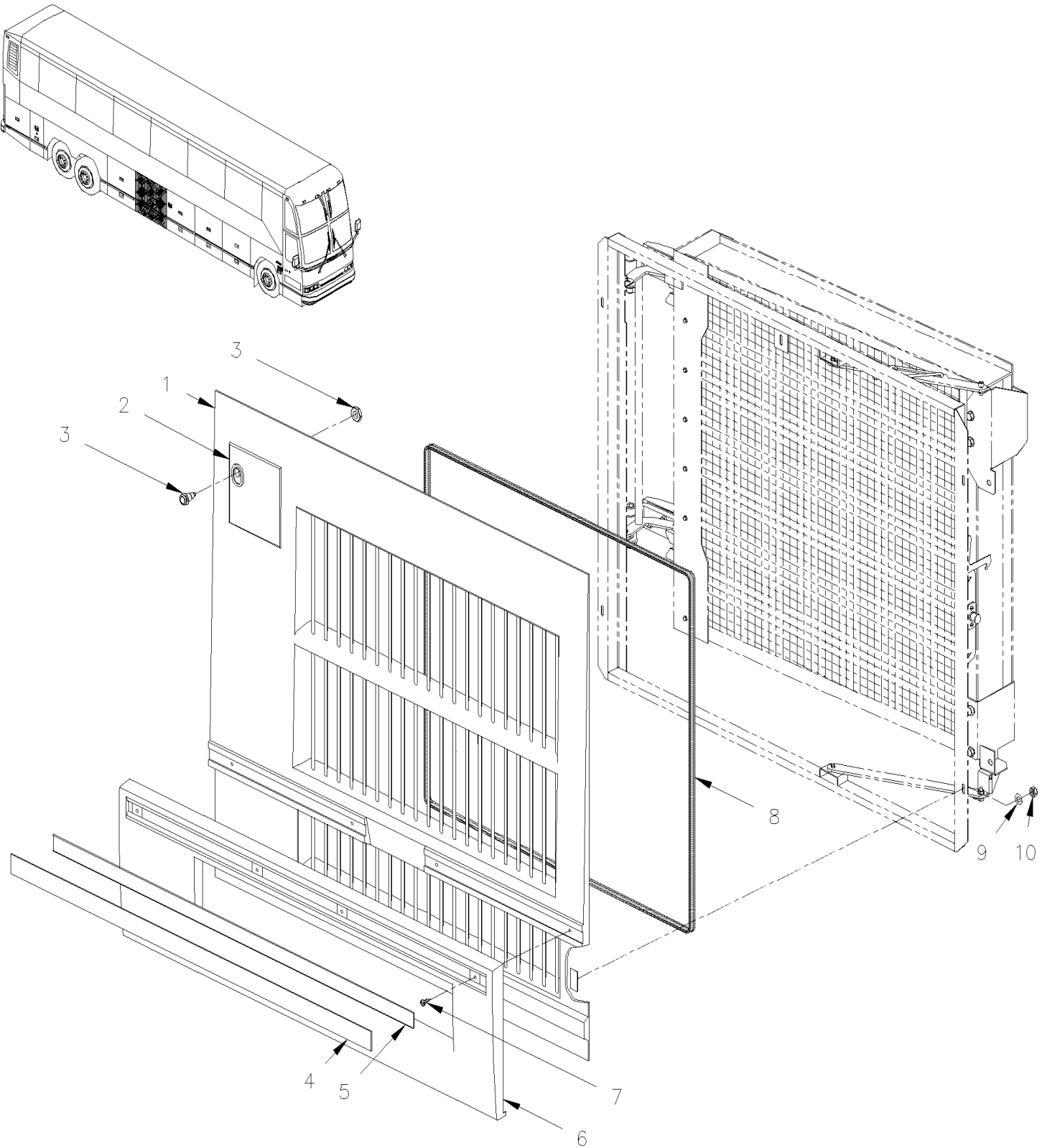


From 7-0671 To A-1720

Date:10/2022

PAGE:H7-1863-00

## CONDENSOR DOOR ASSY



From 7-0671 To A-1720	Date:10/2022	PAGE:H7-1863-00
<b>CONDENSOR DOOR ASSY</b>		

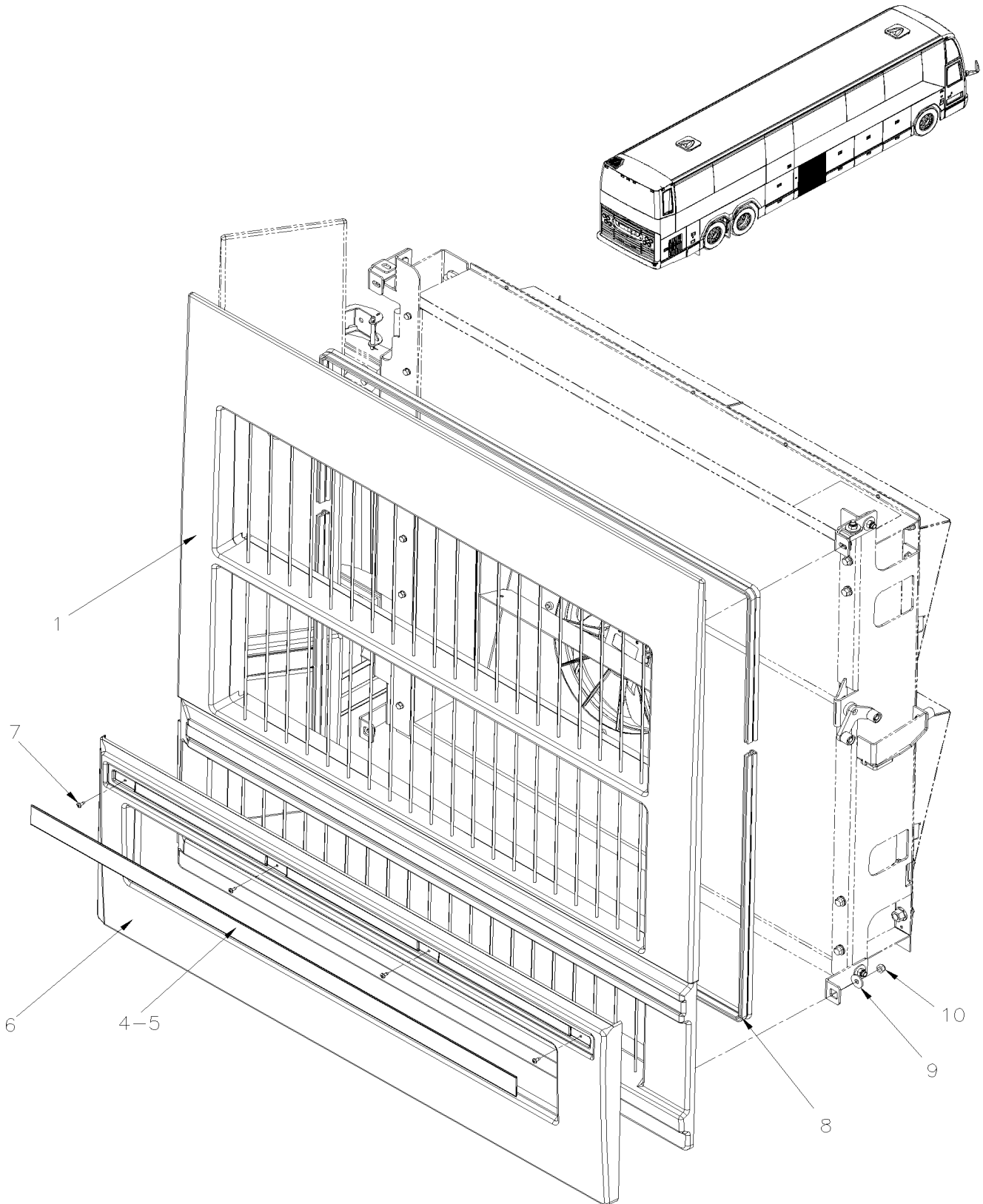
Item#	Part	Description	H 3 4 1	H 3 4 5	V I P 4 5	N O T E S
1	288671	CONDENSOR DOOR ASSY 1257MM	1	1	1	
. NS	288096	. LOUVER ROD 37 1/4"	1	1	1	
2	285637	FUEL DOOR / RH FIXED AT CONDENSOR DOOR	1	1	1	
3	<b>H7-1864-31</b>	<b>HANDLE LOCK &amp; KEYS - TYPE "NS" &amp; "FORD"</b>				
4	283100	STRIPE, REFLECTIVE WHITE / 38MM X 15' ROLL	AR	AR	AR	
. NS	780277	. STRIPE, REFLECTIVE WHITE / 38MM X 150' ROLL	AR	AR	AR	
5	285699	EXTRUSION BACKING ASSY W/REFLECTOR 1345MM To E-2688	1	1	1	
. NS	285653	. EXTRUSION BACKING 1345MM To E-2688	1	1	1	
5	280236	EXTRUSION BACKING ASSY W/REFLECTOR 1342MM From E-2689	1	1	1	
. NS	280117	. EXTRUSION 1342MM From E-2689	1	1	1	
NS	685126	ADHESIVE SIMSON #ISR 70-03 / GREY / 600ml SAUSAGE From E-2689	AR	AR	AR	
6	285635	PROTECTOR PANEL / SH 1257MM	1	1	1	
6	285904	PROTECTOR PANEL / WITH GRAVEL GUARD / SH 1257MM	1	1	1	A
NS	682462	ADHESIVE SIKA #252 / BLACK / 310ml CARTRIDGE	AR	AR	AR	B
7	500120	SCREW TP BDG PH #6x1/2 SS	4	4	4	
8	506302	RUBBER EXTRUSION TRIM SEAL / GRIP .024 / 7/16" HOLLOW BULB C.T.L.	16	16	16	
9	500441	WASHER FL .312x.734x.065 Z050	5	5	5	
10	5001353	NUT HEX NYRT M6-1.0 SS	5	5	5	
		A) THIS PROTECTOR IS COATED WITH GRAVEL GUARD AND IS BLACK PAINTED READY TO INSTALL				
		B) TO FIX PANELS				

From B-1721 To J-0287

Date:10/2022

PAGE:H7-1863-01

## CONDENSOR DOOR ASSY "EPA 2010"



From B-1721 To J-0287	Date:10/2022	PAGE:H7-1863-01
<b>CONDENSOR DOOR ASSY "EPA 2010"</b>		

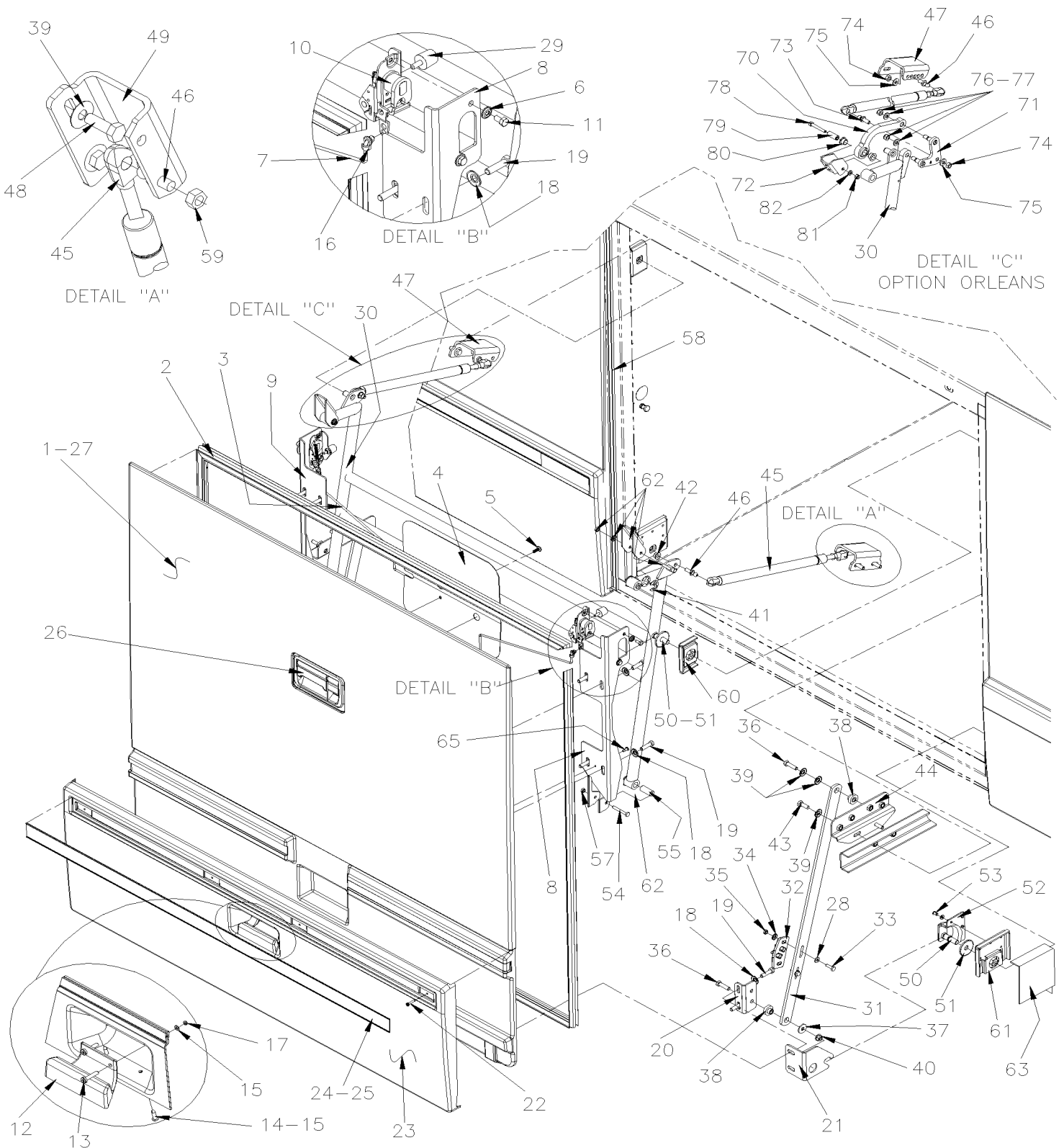
Item#	Part	Description	H 3 4 1	H 3 4 5	V I P 4 5	N O T E S
1	289576	CONDENSOR DOOR ASSY 1118MM	1	1	1	
. NS	288096	. LOUVER ROD 37 1/4"	AR	AR	AR	
4	289647	EXTRUSION BACKING ASSY W/REFLECTOR 1114MM To E-2688	1	1	1	
. NS	289648	. EXTRUSION BACKING 1114MM To E-2688	1	1	1	
4	280222	EXTRUSION BACKING ASSY W/REFLECTOR 1114MM From E-2689	1	1	1	
. NS	280123	. EXTRUSION 1114MM From E-2689	1	1	1	
5	283100	. STRIPE, REFLECTIVE WHITE / 38MM X 15' ROLL	AR	AR	AR	
. NS	780277	. . STRIPE, REFLECTIVE WHITE / 38MM X 150' ROLL	AR	AR	AR	
NS	684685	ADHESIVE SIMSON #ISR 70-03 / 310ml CARTRIDGE From E-2689	AR	AR	AR	
6	289580	PROTECTOR PANEL / SH 1180.7MM	1	1	1	
NS	682462	ADHESIVE SIKA #252 / BLACK / 310ml CARTRIDGE	AR	AR	AR	B
7	500952	SCREW TP BDG PH #8x1/2 SS	4	4	4	
8	506302	RUBBER EXTRUSION TRIM SEAL / GRIP .024 / 7/16" HOLLOW BULB C.T.L.	16	16	16	
9	500381	WASHER FL 8.4x25.0x2.0 N500	4	4	4	
10	502847	NUT HEX NYRT M8-1.25 N500	4	4	4	
NS	780884	DECAL "BE SURE TO CLOSE..." / ENGLISH & FRANCAIS	1	1	1	
NS	780885	DECAL "BE SURE TO CLOSE..." / ENGLISH	1	1	1	
50	<b>H7-1875-01</b>	<b>FUEL TANK &amp; UREA FILLING DOOR</b>				
		B) TO FIX PANELS				

From 7-0671 To J-0287

Date:10/2022

PAGE:H7-1864-00

## BAGGAGE COMPARTMENT DOOR



From 7-0671 To J-0287	Date:10/2022	PAGE:H7-1864-00
<b>BAGGAGE COMPARTMENT DOOR</b>		

Item#	Part	Description	H 3 4 1	H 3 4 5	V I P 4 5	N O T E S
	285632	BAGGAGE DOOR ASSY 48"	1	1		
	285633	BAGGAGE DOOR ASSY 48" W/ELEC			1	
	286036P	DOOR ASSY 48" W/1.78 SQF PERFORATED AREA			1	
1	286973	. DOOR MOULDED / FIBERGLASS "SMC"	1	1	1	
1	286972	. DOOR MOULDED / FIBERGLASS "SMC"			1	
1	286971	. DOOR 48" W/1.78 SQF PERFORATED AREA / FIBERGLASS "SMC"			2	
1	286976	. DOOR MOULDED / FIBERGLASS "SMC"	1	1		G
1	286977	. DOOR MOULDED / FIBERGLASS "SMC"	1	1		H
1	286975	. DOOR MOULDED / FIBERGLASS "SMC"			1	G
1	286974	. DOOR MOULDED / FIBERGLASS "SMC"			1	H
2	287490	. RUBBER SEAL EXTRUSION / 1152MM X 1121MM To A-1578	1	1	1	
2	288902	. RUBBER SEAL EXTRUSION / 1152MM X 1121MM From A-1579 To C-2017	1	1	1	
2	2800122	. RUBBER SEAL EXTRUSION / 1152MM X 1121MM From C-2018	1	1	1	
2	684685	. ADHESIVE SIMSON #ISR 70-03 / 310ml CARTRIDGE	1	1	1	
3	289333	. ROD L.H. 529.8MM	1	1	1	
4	287114	. PLATE CLOSING / 289MM X 314MM To B-1720	1	1		
4	282416	. PLATE CLOSING / 289MM X 314MM From B-1721 To F-3011	1	1		
4	287114	. PLATE CLOSING / 289MM X 314MM From F-3012 To G-3205	1	1		
4	287848	. PLATE CLOSING / 289MM X 314MM From G-3206	1	1		
4	289341	. PLATE CLOSING / 289MM X 314MM To A-1720			1	
4	289733	. PLATE CLOSING / 289MM X 314MM From B-1721 To G-3205			1	
4	287833	. PLATE CLOSING / 289MM X 314MM From G-3206			1	
4	506236	. TAPE RUB ADH1 CC POL 1/16" x 1/2" x 100' / GREY 2520 From F-3011	AR	AR	AR	
5	5001743	. SCREW CAP HEX M6-1.0x12 G8.8 N500 To F-3028	4	4	4	
5	5001982	. SCREW CAP HEX M6-1.0x12 SS BK From F-3029	4	4	4	
6	5001833	. WASHER BEL SPR 6.1x18x1.27 SS To H-3892	4	4	4	
6	5002015	. WASHER BEL SPR 6.65x17.4x0.9 SS From H-3893	4	4	4	
7	289337	. ROD R.H. 497MM	1	1	1	
8	287453	. FIXTURE L.H. To C-1922	1	1	1	
8	287725	. FIXTURE L.H. From C-1923 To H-3450	1	1	1	
8	280081	. FIXTURE R.H. From H-3451	1	1	1	
9	287454	. FIXTURE R.H. To C-1922	1	1	1	
9	287726	. FIXTURE R.H. From C-1923 To G-3205	1	1	1	
9	287836	. FIXTURE R.H. From G-3206 To H-3450	1	1	1	
9	280073	. FIXTURE L.H. From H-3451	1	1	1	
10	780282	. LOCK SPAGNOLET L.H. To E-2572	1	1	1	
10	780839	. LOCK SPAGNOLET L.H. From E-2573	1	1	1	
10	780283	. LOCK SPAGNOLET R.H. To E-2572	1	1	1	
. NS	780340	. . CLIP, RETAINER ROD To E-2572	1	1	1	
10	780840	. LOCK SPAGNOLET R.H. From E-2573 To G-3205	1	1	1	
10	564272	. LOCK SPAGNOLET R.H. / WITH SWITCH From G-3206	1	1	1	
. NS	565205	. . MICRO SWITCH From G-3206	1	1	1	



From 7-0671 To J-0287	Date:10/2022	PAGE:H7-1864-00
<b>BAGGAGE COMPARTMENT DOOR</b>		

Item#	Part	Description	H 3 4 1	H 3 4 5	V I P 4 5	N O T E S
. NS	563864	. . HARDWARES FOR SWITCH From G-3206	1	1	1	
10	509815	. TIE MOUNT / ATTACHMENT W/TREE MOUNT From G-3206	5	5	5	B
10	504637	. CABLE TIE / 3/16" x 13" From G-3206	2	2	2	B
10	564108	. SELF MOUNTING STUD // DEUTSCH 1011-310-0205 From G-3206	1	1	1	B
10	504013	. TIE MOUNT / 1/4" X 1/4" I.D. From G-3206	2	2	2	B
10	504488	. RIVET MGLP PRDG 3/16x17/64 SS From G-3206	2	2	2	B
10	5001137	. WASHER FL .203x.438x.050 SS From G-3206	2	2	2	B
11	5001743	. SCREW CAP HEX M6-1.0x12 G8.8 N500 To F-3028	4	4	4	
11	5001982	. SCREW CAP HEX M6-1.0x12 SS BK From F-3029 To H-3892	4	4	4	
11	5001697	. SCREW CAP HEX M6-1.0x16 SS BK From H-3893	4	4	4	
12	282562	. HANDLE / DOOR	1	1	1	
12	680025	. CAULKING STRIP 3/16" O.D. X 14'	AR	AR	AR	
13	502532	. SCREW MA PAN PH M5-0.8x25 SS EMN	2	2	2	
14	500957	. SCREW TP BDG PH #10x3/4 N500	2	2	2	
15	500804	. WASHER FL .203x.500x.047 N500	4	4	4	
16	780340	. CLIP, RETAINER ROD	3	3	3	
17	502841	. NUT HEX NYRT M5-0.8 N500	2	2	2	
18	5001848	. WASHER BEL SPR .827 x .331 x .098 th SS	AR	AR	AR	
19	5001912	. SCREW CAP HEX M8-1.25x30 SS BK	12	12	12	
20	285543	. FASTNER	2	2	2	
21	285493	. LOWER HOOK R.H. To J-0276	1	1	1	
21	289114	. LOWER HOOK R.H. From J-0277	1	1	1	
21	285501	. LOWER HOOK L.H. To J-0276	1	1	1	
21	289122	. LOWER HOOK L.H. From J-0277	1	1	1	
22	500952	. SCREW TP BDG PH #8x1/2 SS	4	4	4	
23	285504	. PROTECTOR PANEL / SH	1	1	1	
23	285800	. PROTECTOR PANEL / WITH GRAVEL GUARD / SH	1	1	1	A
23	682462	. ADHESIVE SIKA #252 / BLACK / 310ml CARTRIDGE	AR	AR	AR	E
23	681348	. TAPE RUB ADH2 ACRYLIC .045" x 1" x 108' / VHB4952	AR	AR	AR	
23	682348	. TAPE, DOUBLE COATED ACRYLIC	AR	AR	AR	
24	285709	. EXTRUSION BACKING ASSY W/REFLECTOR 1189MM To E-2688	1	1	1	
. NS	285542	. . EXTRUSION BACKING 1189MM To E-2688	1	1	1	
24	280237	. EXTRUSION BACKING ASSY W/REFLECTOR 1185MM From E-2689	1	1	1	
. NS	280116	. . EXTRUSION 1185MM From E-2689	1	1	1	
25	283100	. . STRIPE, REFLECTIVE WHITE / 38MM X 15' ROLL	AR	AR	AR	
. NS	780277	. . . STRIPE, REFLECTIVE WHITE / 38MM X 150' ROLL	AR	AR	AR	
NS	684685	. ADHESIVE SIMSON #ISR 70-03 / 310ml CARTRIDGE From E-2689	AR	AR	AR	
NS	683083	. ADHESIVE SIKA #252 / BLACK / 600 ml SAUSAGE	AR	AR	AR	
26	<b>H7-1864-31</b>	<b>HANDLE LOCK &amp; KEYS - TYPE "NS" &amp; "FORD"</b>				
26	<b>H7-1864-35</b>	<b>BAGGAGE COMPARTMENT ELECTRICAL LOCK - V.I.P</b>				
27	<b>Call order desk</b>	<b>BAGGAGE DOOR 48" W/1.78 SQF PERFORATED AREA</b>				P
28	500411	WASHER FL .260x.697x.050 SS	4	4	4	

<b>From 7-0671 To J-0287</b>	<b>Date:10/2022</b>	<b>PAGE:H7-1864-00</b>
<b>BAGGAGE COMPARTMENT DOOR</b>		

Item#	Part	Description	H 3 4 1	H 3 4 5	V I P 4 5	N O T E S
29	504454	BUMPER RUBBER BOLT / 20MM ODx20MM TH X M6X15MM STUD	2	2	2	O
30	286749	ARM PANTOGRAPH To G-3205	1	1	1	
30	287839	ARM PANTOGRAPH From G-3206	1	1	1	
30	281560	ARM PANTOGRAPH	1	1	1	SP
30	281563	ARM PANTOGRAPH	1	1	1	SP
30	5001017	SCREW TC CAP HEXW #10-24x1/2 Z050 To G-3053	2	2	2	
30	502868	SCREW TC TR PH #10-16x1/2 N500 From G-3054	2	2	2	
30	680343	GREASE CLEAR SPRAY BOTTLE 283GR	AR	AR	AR	
31	283236	ARM AUXILIARY 638MM C/C	2	2	2	
32	288012	DOOR STOPPER L.H.	1	1	1	
32	288011	DOOR STOPPER R.H.	1	1	1	
32	288794	SPACER SS DOOR STOPER	1	1	1	
33	502830	SCREW CAP HEX M6-1.0x20 G8.8 N500 To F-3028	4	4	4	
33	502622	SCREW CAP HEX M6-1.0x20 SS BK From F-3029 To G-3053	4	4	4	
33	502737	SCREW CAP HEX M6-1.0x25 SS BK From G-3054	4	4	4	
34	5001833	WASHER BEL SPR 6.1x18x1.27 SS	4	4	4	
35	502581	NUT HEX M6-1.0 Z050	4	4	4	
35	5001851	NUT HEX M6-1.0 SS BK	4	4	4	
36	5001912	SCREW CAP HEX M8-1.25x30 SS BK	4	4	4	
37	5001849	WASHER FL 8.4x24.0x2.0 SS	AR	AR	AR	
38	286716	SPACER BUSHING FLANGE / AUX. ARM & SUPPORT ACETAL 8.3MM I.D.	4	4	4	
39	5001848	WASHER BEL SPR .827 x .331 x .098 th SS	AR	AR	AR	
40	5001787	NUT HEX NYRT M8-1.25 SS	AR	AR	AR	
41	504660	RING RETAINER / EXT .750 x 0575 x .050"	AR	AR	AR	
42	502686	SCREW CAP HEX M6-1.0x30 SS BK	2	2	2	
43	5001745	SCREW CAP HEX M8-1.25x25 G8.8 N500 To F-3028	8	8	8	
43	502780	SCREW CAP HEX M8-1.25x25 SS BK From F-3029	8	8	8	
44	285522	SUPPORT / 24MM OFFSET To A-1660	6			
44	281066	SUPPORT / 24MM OFFSET From A-1661	6			
44	285522	SUPPORT / 24MM OFFSET To A-1660		8		
44	281066	SUPPORT / 24MM OFFSET From A-1661		8		
44	289299	SUPPORT / 24MM OFFSET To A-1660			8	W
44	288882	SUPPORT / 24MM OFFSET From A-1661			8	W
44	289301	SUPPORT / 42MM OFFSET To A-1660			2	W
44	2800013	SUPPORT / 42MM OFFSET From A-1661			2	W
44	285523	SUPPORT / 62MM OFFSET To A-1660	4			
44	2800009	SUPPORT / 62MM OFFSET From A-1661	4			
44	285523	SUPPORT / 62MM OFFSET To A-1660		6		
44	2800009	SUPPORT / 62MM OFFSET From A-1661		6		
44	289300	SUPPORT / 62MM OFFSET To A-1660			6	W
44	2800011	SUPPORT / 62MM OFFSET From A-1661			6	W
45	980024	CYLINDER GAZ / 669/409MM C/C / 200LBS To B-1775	2	2	2	

From 7-0671 To J-0287	Date:10/2022	PAGE:H7-1864-00
-----------------------	--------------	-----------------

**BAGGAGE COMPARTMENT DOOR**

Item#	Part	Description	H 3 4 1	H 3 4 5	V I P 4 5	N O T E S
45	980030	CYLINDER GAZ / 669/409MM C/C / 210LBS From B-1776	2	2	2	
45	192226	CYLINDER GAZ / 669/409MM C/C / 200LBS HD			AR	
NS	980017	. CLIP BALL STUD 10MM RETAINER			2	
45	7770081	CYLINDER GAZ / 669/409MM C/C / 300LBS			AR	J
46	980015	BALL STUD / W/10 MM X M8-1.25 / 29.18 MM	4	4	4	
47	288152	FASTENER CYLINDER / LUGGAGE DOOR INST. To A-1660	1	1	1	K
47	287070	SUPPORT / LUGGAGE DOOR CYLINDER W/WCL From A-1661	1	1	1	K
47	281480	CYLINDER FIXATION	2	2	2	SP
48	502780	SCREW CAP HEX M8-1.25x25 SS BK	AR	AR	AR	
49	286758	CYLINDER FIXATION To A-1660	2	2	2	
49	289687	CYLINDER FIXATION From A-1661 To C-2038	2	2	2	
49	289826	CYLINDER FIXATION From C-2039	2	2	2	
50	284438	PIN STRIKER	4	4	4	
50	680025	CAULKING STRIP 3/16" O.D. X 14'	AR	AR	AR	
51	284447	WASHERS BELLEVILLE	4	4	4	D
52	288009	PROTECTOR L.H.	1	1	1	
52	288010	PROTECTOR R.H.	1	1	1	
53	504416	RIVET POP DOME OE 3/16x5/8 SS	6	6	6	
53	502637	WASHER FL .200x.437x.037 SS To E-2550	6	6	6	
53	5001137	WASHER FL .203x.438x.050 SS From E-2551	6	6	6	
54	5001923	SCREW CAP HEX M6-1.0x45 SS BK	4	4	4	
55	285710	BUSHING SPACER ACETAL 6.5MM I.D. x 14.15MM O.D. x 31	2	2	2	
57	5001182	NUT HEX NYRT M6-1.0 SS	4	4	4	
58	285488	LATERAL EXTRUSION To B-1730	8	8	8	
58	289558	LATERAL EXTRUSION 31MM x 1203MM From B-1731	8	8	8	
59	502838	NUT HEX TWAY M8-1.25 N500	2	2	2	
60	287943	FLOATING NUT ASSY WITH CASE	AR	AR	AR	
61	287903	SUPPORT LOWER / (WELDED TO STRUCTURE)	1	1	1	
62	<b>H7-1879-90</b>	<b>EXTERIOR DOOR HINGE AND SUPPORT</b>				
63	482777	SPLASH PROTECTOR PLASTIC / REAR LOWER / 123MM X 192MM X 30MM	2	2	2	
63	482778	SPLASH PROTECTOR PLASTIC / REAR UPPER / 66MM X 184MM X 30MM	2	2	2	
63	482779	SPLASH PROTECTOR PLASTIC / FRONT LOWER / 142MM X 142MM X 36MM	2	2	2	
65	502868	SCREW TC TR PH #10-16x1/2 N500	2	2	2	
70	281493	ARM LINK	1	1	1	SP
71	281528	PLATE PIVOT	1	1	1	SP
71	281490	PLATE PIVOT	1	1	1	SP
72	281481	SUPPORT / LUGGAGE DOOR CYLINDER	1	1	1	SP
73	980027	BALL STUD / W/10 MM X M8-1.25 / 36.5MM	1	1	1	SP
NS	680098	THREAD SEALANT LOCTITE #567 / WHITE / 250ml	AR	AR	AR	SP
74	502838	NUT HEX TWAY M8-1.25 N500	AR	AR	AR	SP
75	502638	WASHER FL .312x.734x.065 N500	AR	AR	AR	SP
76	502847	NUT HEX NYRT M8-1.25 N500	AR	AR	AR	SP

<b>From 7-0671 To J-0287</b>	<b>Date:10/2022</b>	<b>PAGE:H7-1864-00</b>
------------------------------	---------------------	------------------------

**BAGGAGE COMPARTMENT DOOR**

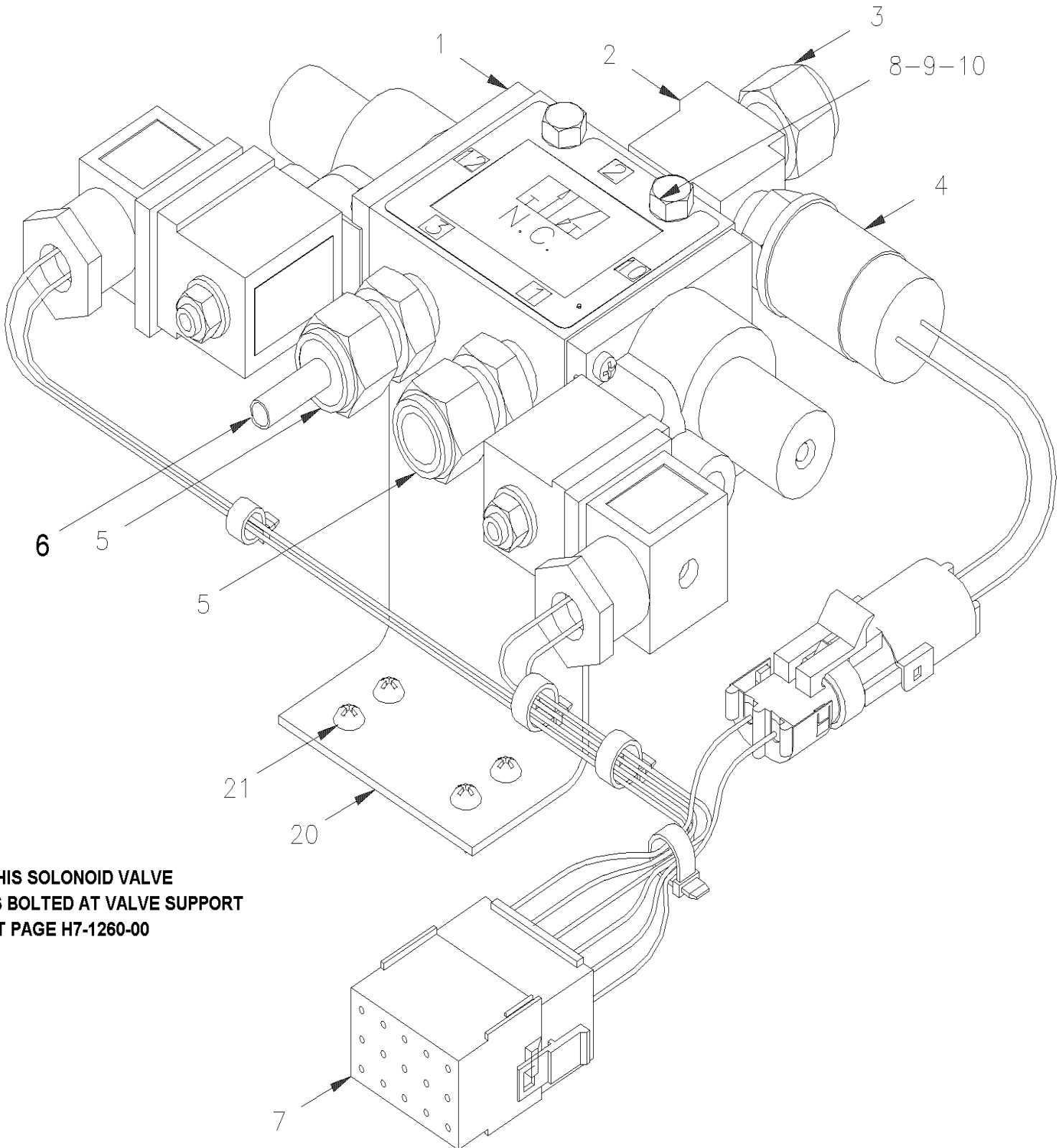
Item#	Part	Description	H 3 4 1	H 3 4 5	V I P 4 5	N O T E S
77	5001341	WASHER FL 8.4x17.0x1.6 SS	AR	AR	AR	SP
78	5001923	SCREW CAP HEX M6-1.0x45 SS BK	AR	AR	AR	SP
79	2800446	BUSHING 12.4MM O.D.x29MM	1	1	1	SP
80	507217	FLANGE BEARING 12MM I.D. 20MM O.D. X 10MM	2	2	2	SP
81	5001182	NUT HEX NYRT M6-1.0 SS	AR	AR	AR	SP
82	502573	WASHER FL 6.4x12.5x1.6 SS	AR	AR	AR	SP
NS	226692	PROFILE LOWER BAGGAGE DOOR 3199MM / SERVICE	1	1	1	
90	220134	SHAPE LOW LUGG. ASSY CUT REAR SECTION FENDER STREET SIDE From J-0113	1	1	1	
90	Call order desk	SHAPE LOW LUGG. ASSY CUT REAR SECTION FENDER CURBSIDE From J-0113	1	1	1	P
		A) THIS PROTECTOR ASSY WITH HANDLE IS COATED WITH GRAVEL GUARD AND IS BLACK PAINTED, READY TO INSTALL				
		B) TO FIX CABLE OF THE SWITCH				
		D) STRIKER & BODY				
		E) TO FIX PANELS				
		G) THOSE DOORS HAVE HOLES FOR MARKER LIGHT LH SIDE OF HANDLE				
		H) THOSE DOORS HAVE HOLES FOR MARKER LIGHT RH SIDE OF HANDLE				
		J) USE WITH DOOR WITH ACCESSORIES				
		K) USE WITH WHEEL CHAIR LIFT MODULE				
		O) USE TO PREVENT CONTACT WITH GLASS WINDOW "OPTION"				
		SP) SPECIAL OPTION "ORLEANS"				
		W) USE WITH "ELECTRICAL AWNING WINDOW"				
		P) CALL ORDER DESK FOR SPECIFIC APPLICATION (V.I.N.)				

From 7-0671 To E-2565

Date:10/2022

PAGE:H7-1864-30

## PNEUMATIC DOOR LOCK CONTROL VALVE



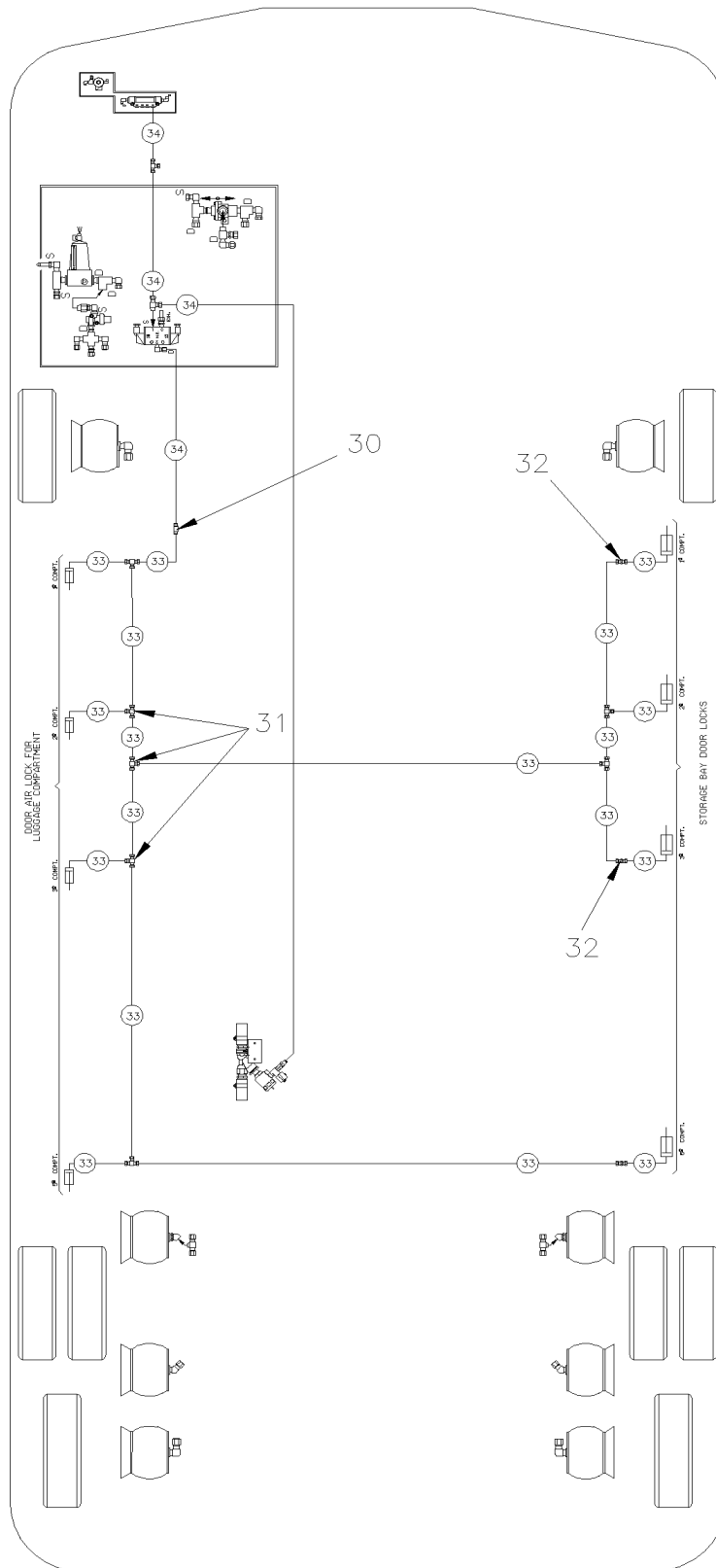
**THIS SOLONOID VALVE  
IS BOLTED AT VALVE SUPPORT  
AT PAGE H7-1260-00**

From 7-0671 To E-2565

Date:10/2022

PAGE:H7-1864-30

## PNEUMATIC DOOR LOCK CONTROL VALVE



From 7-0671 To E-2565 Date:10/2022 PAGE:H7-1864-30

**PNEUMATIC DOOR LOCK CONTROL VALVE**

Item#	Part	Description	H 3 4 1	H 3 4 5	V I P 4 5	N O T E S
	285573	VALVE DOOR LOCK ASSY W/FITTING & CABLE To E-2565	1	1		
1	641530	. VALVE, 3 WAYS, 2 POSITIONS / 2 SOLENOIDS To E-2565	1	1		
. NS	641929	. . COIL 24V To E-2565	1	1		
. NS	641169	. . SPOOL To E-2565	1	1		
. NS	641385	. . CONNECTOR / SOCKET HOUSING ASSY 3C / PNEUMAC 54934-01 To E-2565	1	1		
1	562353	. DIODE / 1AMP To E-2565	1	1		
2	501338	. MALE RUN TEE / PIPE FITTING / 1/4NPT-Mx1/4NPT-Fx1/4NPT-F BR To E-2565	1	1		
3	640997	. MALE ELBOW 90° / NTA FITTING / #4x1/4NPT-M BR To E-2565	1	1		
4	452043	. PRESSURE SWITCH N.O. 60-35 20SP001AA060E035E To E-2565	1	1		
5	641332	. MALE CONNECTOR / PUSH-IN FITTING / #4x1/4NPT-M BR To E-2565	2	2		
6	503402	. TUBE, NYLON 1/4 O.D. / BLACK S.L. To E-2565	AR	AR		
7	062416	. CABLE ASSY To E-2565	1	1		
8	502793	SCREW CAP HEX M6-1.0x45 G8.8 Z050 To E-2565	2	2		
9	502511	NUT HEX NYRT M6-1.0 Z050 To E-2565	2	2		
10	502573	WASHER FL 6.4x12.5x1.6 SS To E-2565	2	2		
20	283505	SUPPORT "Z" SHAPE / TO FIX CONTROL VALVE To E-2565	1	1		A
21	500952	SCREW TP BDG PH #8x1/2 SS To E-2565	4	4		A
NS	504062	GROMMET / .4375x.687x.125x.375x.937 To E-2565	1	1		
30	641507	UNION / PUSH-IN FITTING / #4 x 6MM NP	AR	AR		
31	641188	UNION TEE / PUSH-IN FITTING / 6MM x 6MM x 6MM PLAS	AR	AR		
32	641203	UNION / PUSH-IN FITTING / 6MM x 6MM PLAS	AR	AR		
33	503747	TUBE, NYLON 6MM O.D. / BLACK S.L.	AR	AR		
34	503402	TUBE, NYLON 1/4 O.D. / BLACK S.L.	AR	AR		
40	<b>H7-1260-00</b>	<b>VALVE SUPPORT ASSY To E-2565</b>				
40	<b>H7-1260-01</b>	<b>VALVE SUPPORT ASSY From E-2566</b>				
40	<b>H7-1630-00</b>	<b>FRONT KNEELING - CONTROL PANEL To E-2565</b>				
40	<b>H7-1630-01</b>	<b>FRONT KNEELING - CONTROL PANEL From E-2566 To F-2922</b>				
40	<b>H7-1630-02</b>	<b>FRONT KNEELING - CONTROL PANEL From F-2923</b>				
		A) TO FIX Z SHAPPED SUPPORT				



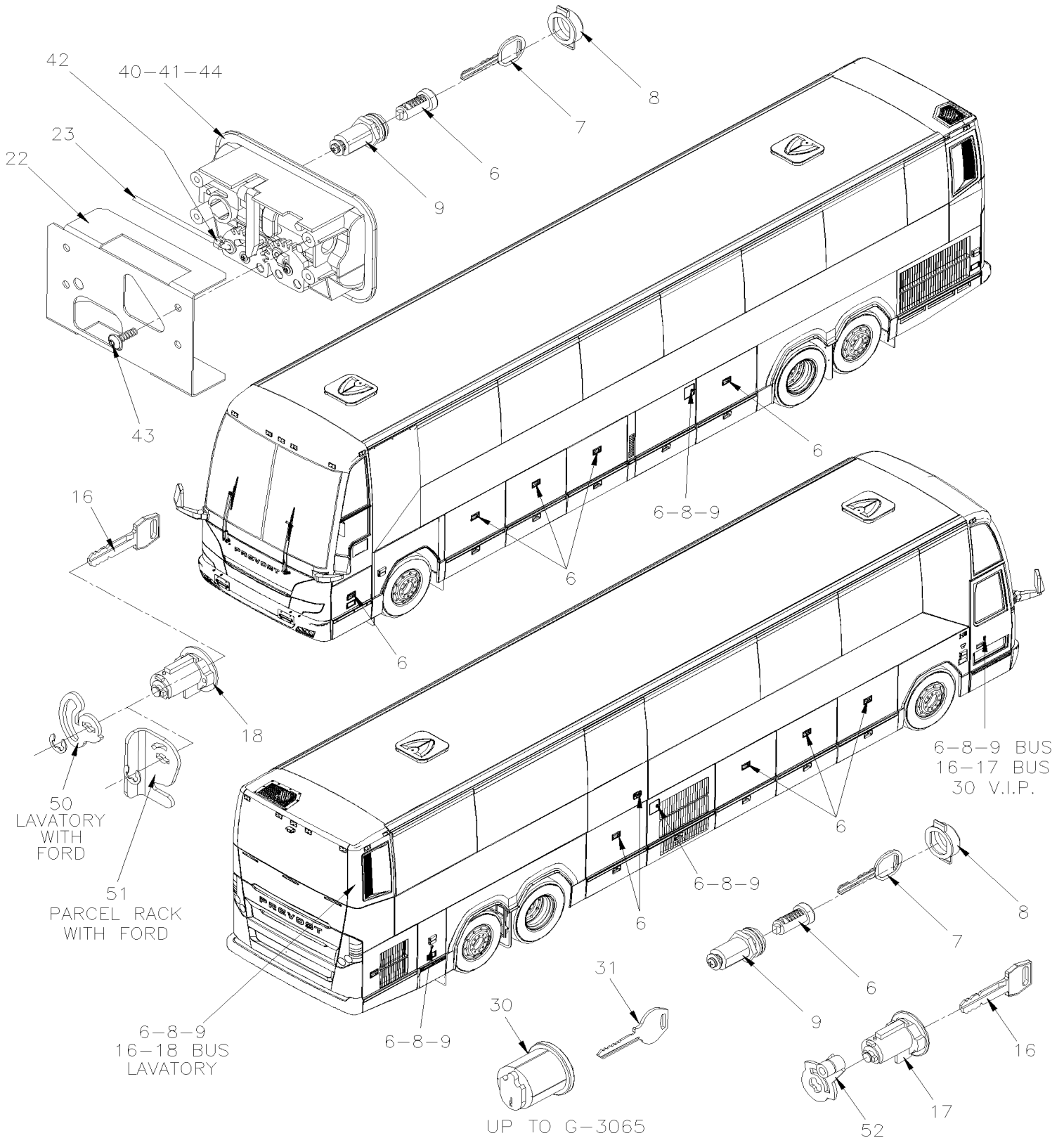


From 7-0671 To J-0287

Date:10/2022

PAGE:H7-1864-31

## HANDLE LOCK & KEYS - TYPE "NS" & "FORD"

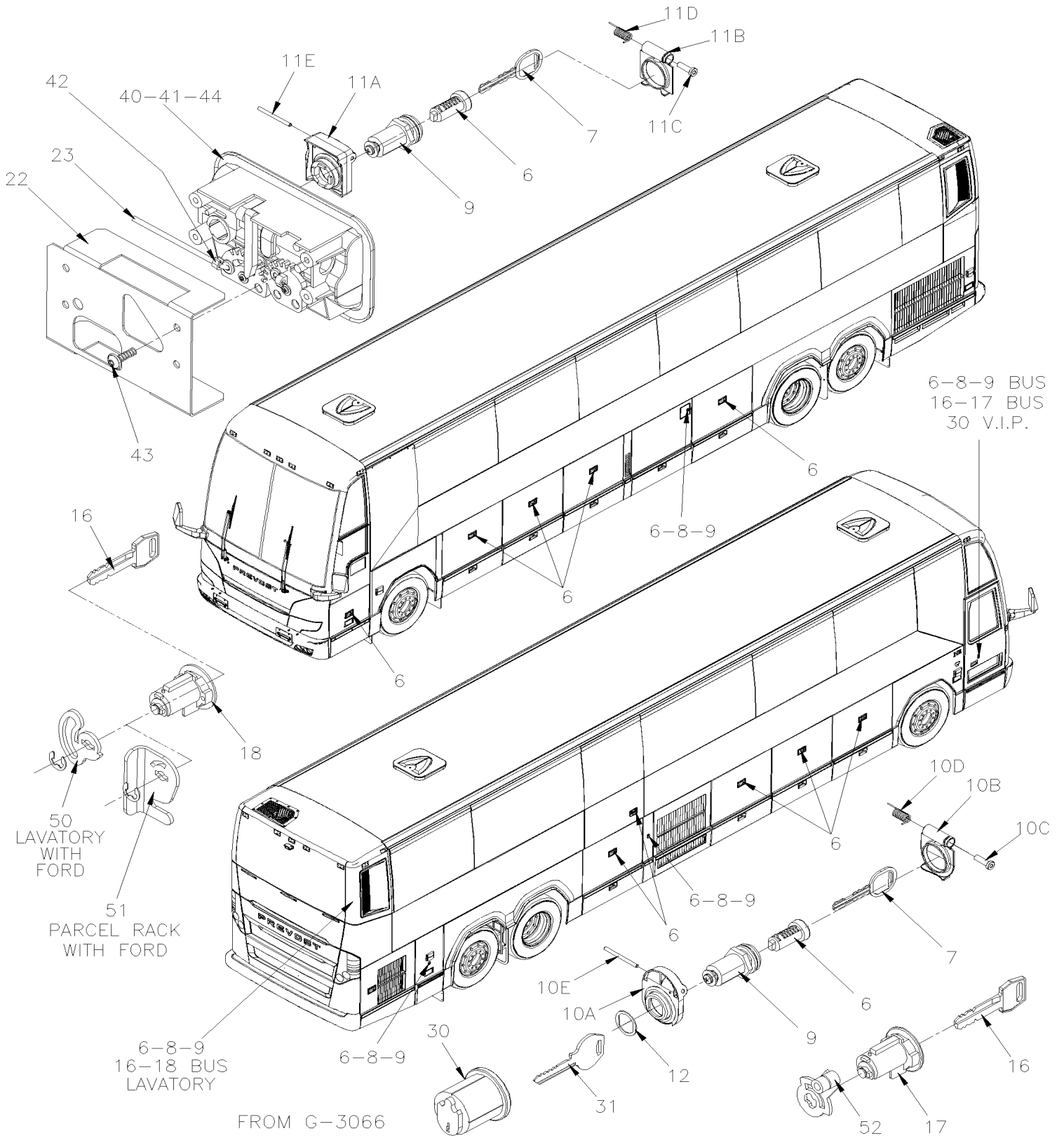


From 7-0671 To J-0287

Date:10/2022

PAGE:H7-1864-31

## HANDLE LOCK & KEYS - TYPE "NS" & "FORD"



From 7-0671 To J-0287	Date:10/2022	PAGE:H7-1864-31
<b>HANDLE LOCK &amp; KEYS - TYPE "NS" &amp; "FORD"</b>		

Item#	Part	Description	H 3 4 1	H 3 4 5	V I P 4 5	N O T E S
6	780691	CYLINDER LOCK / NS 8888	AR	AR	AR	
. NS	780660	. KEY / NS 8888	1	1	1	
6	780692	CYLINDER LOCK / NS 8701	AR	AR	AR	
. NS	780661	. KEY / NS 8701	1	1	1	
6	780693	CYLINDER LOCK / NS 8702	AR	AR	AR	
. NS	780662	. KEY / NS 8702	1	1	1	
6	780694	CYLINDER LOCK / NS 8703	AR	AR	AR	
. NS	780662	. KEY / NS 8702	1	1	1	
6	780695	CYLINDER LOCK / NS 8704	AR	AR	AR	
. NS	780664	. KEY / NS 8704	1	1	1	
6	780696	CYLINDER LOCK / NS 8705	AR	AR	AR	
. NS	780665	. KEY / NS 8705	1	1	1	
6	780697	CYLINDER LOCK / NS 8707	AR	AR	AR	
. NS	780667	. KEY / NS 8707	1	1	1	
6	780698	CYLINDER LOCK / NS 8708	AR	AR	AR	
. NS	780668	. KEY / NS 8708	1	1	1	
6	780699	CYLINDER LOCK / NS 8709	AR	AR	AR	
. NS	780669	. KEY / NS 8709	1	1	1	
6	780700	CYLINDER LOCK / NS 8710	AR	AR	AR	
. NS	780670	. KEY / NS 8710	1	1	1	
6	780701	CYLINDER LOCK / NS 8711	AR	AR	AR	
. NS	780671	. KEY / NS 8711	1	1	1	
6	780702	CYLINDER LOCK / NS 8712	AR	AR	AR	
. NS	780672	. KEY / NS 8712	1	1	1	
6	780703	CYLINDER LOCK / NS 8713	AR	AR	AR	
. NS	780673	. KEY / NS 8713	1	1	1	
6	780704	CYLINDER LOCK / NS 8714	AR	AR	AR	
. NS	780674	. KEY / NS 8714	1	1	1	
6	780705	CYLINDER LOCK / NS 8715	AR	AR	AR	
. NS	780675	. KEY / NS 8715	1	1	1	
6	780706	CYLINDER LOCK / NS 8716	AR	AR	AR	
. NS	780676	. KEY / NS 8716	1	1	1	
6	780707	CYLINDER LOCK / NS 8717	AR	AR	AR	
. NS	780677	. KEY / NS 8717	1	1	1	
6	780708	CYLINDER LOCK / NS 8718	AR	AR	AR	
. NS	780678	. KEY / NS 8718	1	1	1	
6	780709	CYLINDER LOCK / NS 8719	AR	AR	AR	
. NS	780679	. KEY / NS 8719	1	1	1	
6	780710	CYLINDER LOCK / NS 8720	AR	AR	AR	
. NS	780680	. KEY / NS 8720	1	1	1	
6	780666	CYLINDER LOCK / NS 8721	AR	AR	AR	
. NS	780681	. KEY / NS 8721	1	1	1	

From 7-0671 To J-0287	Date:10/2022	PAGE:H7-1864-31
<b>HANDLE LOCK &amp; KEYS - TYPE "NS" &amp; "FORD"</b>		

Item#	Part	Description	H 3 4 1	H 3 4 5	V I P 4 5	N O T E S
6	780726	CYLINDER LOCK / NS 8722	AR	AR	AR	
. NS	780682	. KEY / NS 8722	1	1	1	
6	780727	CYLINDER LOCK / NS 8723	AR	AR	AR	
. NS	780683	. KEY / NS 8723	1	1	1	
6	780728	CYLINDER LOCK / NS 8724	AR	AR	AR	
. NS	780684	. KEY / NS 8724	1	1	1	
6	780729	CYLINDER LOCK / NS 8725	AR	AR	AR	
. NS	780685	. KEY / NS 8725	1	1	1	
6	780730	CYLINDER LOCK / NS 8726	AR	AR	AR	
. NS	780686	. KEY / NS 8726	1	1	1	
6	780731	CYLINDER LOCK / NS 8727	AR	AR	AR	
. NS	780687	. KEY / NS 8727	1	1	1	
6	780732	CYLINDER LOCK / NS 8728	AR	AR	AR	
. NS	780688	. KEY / NS 8728	1	1	1	
6	780733	CYLINDER LOCK / NS 8729	AR	AR	AR	
. NS	780689	. KEY / NS 8729	1	1	1	
6	780734	CYLINDER LOCK / NS 8730	AR	AR	AR	
. NS	780690	. KEY / NS 8730	1	1	1	
6	780735	CYLINDER LOCK / NS 8731	AR	AR	AR	
. NS	780716	. KEY / NS 8731	1	1	1	
6	780736	CYLINDER LOCK / NS 8732	AR	AR	AR	
. NS	780717	. KEY / NS 8732	1	1	1	
6	780737	CYLINDER LOCK / NS 8733	AR	AR	AR	
. NS	780718	. KEY / NS 8733	1	1	1	
6	780738	CYLINDER LOCK / NS 8734	AR	AR	AR	
. NS	780719	. KEY / NS 8734	1	1	1	
6	780739	CYLINDER LOCK / NS 8735	AR	AR	AR	
. NS	780720	. KEY / NS 8735	1	1	1	
6	780740	CYLINDER LOCK / NS 8736	AR	AR	AR	
. NS	780721	. KEY / NS 8736	1	1	1	
6	780741	CYLINDER LOCK / NS 8737	AR	AR	AR	
. NS	780722	. KEY / NS 8737	1	1	1	
6	780742	CYLINDER LOCK / NS 8738	AR	AR	AR	
. NS	780723	. KEY / NS 8738	1	1	1	
6	780743	CYLINDER LOCK / NS 8739	AR	AR	AR	
. NS	780724	. KEY / NS 8739	1	1	1	
6	780744	CYLINDER LOCK / NS 8740	AR	AR	AR	
. NS	780725	. KEY / NS 8740	1	1	1	
7	780780	KEY, UNCUT / NS SERIE NS SERIES	AR	AR	AR	
7	780660	KEY / NS 8888	AR	AR	AR	
7	780661	KEY / NS 8701	AR	AR	AR	
7	780662	KEY / NS 8702	AR	AR	AR	

From 7-0671 To J-0287	Date:10/2022	PAGE:H7-1864-31
<b>HANDLE LOCK &amp; KEYS - TYPE "NS" &amp; "FORD"</b>		

Item#	Part	Description	H 3 4 1	H 3 4 5	V I P 4 5	N O T E S
7	780663	KEY / NS 8703	AR	AR	AR	
7	780664	KEY / NS 8704	AR	AR	AR	
7	780665	KEY / NS 8705	AR	AR	AR	
7	780667	KEY / NS 8707	AR	AR	AR	
7	780668	KEY / NS 8708	AR	AR	AR	
7	780669	KEY / NS 8709	AR	AR	AR	
7	780670	KEY / NS 8710	AR	AR	AR	
7	780671	KEY / NS 8711	AR	AR	AR	
7	780672	KEY / NS 8712	AR	AR	AR	
7	780673	KEY / NS 8713	AR	AR	AR	
7	780674	KEY / NS 8714	AR	AR	AR	
7	780675	KEY / NS 8715	AR	AR	AR	
7	780676	KEY / NS 8716	AR	AR	AR	
7	780677	KEY / NS 8717	AR	AR	AR	
7	780678	KEY / NS 8718	AR	AR	AR	
7	780679	KEY / NS 8719	AR	AR	AR	
7	780680	KEY / NS 8720	AR	AR	AR	
7	780681	KEY / NS 8721	AR	AR	AR	
7	780682	KEY / NS 8722	AR	AR	AR	
7	780683	KEY / NS 8723	AR	AR	AR	
7	780684	KEY / NS 8724	AR	AR	AR	
7	780685	KEY / NS 8725	AR	AR	AR	
7	780686	KEY / NS 8726	AR	AR	AR	
7	780687	KEY / NS 8727	AR	AR	AR	
7	780688	KEY / NS 8728	AR	AR	AR	
7	780689	KEY / NS 8729	AR	AR	AR	
7	780690	KEY / NS 8730	AR	AR	AR	
7	780716	KEY / NS 8731	AR	AR	AR	
7	780717	KEY / NS 8732	AR	AR	AR	
7	780718	KEY / NS 8733	AR	AR	AR	
7	780719	KEY / NS 8734	AR	AR	AR	
7	780720	KEY / NS 8735	AR	AR	AR	
7	780721	KEY / NS 8736	AR	AR	AR	
7	780722	KEY / NS 8737	AR	AR	AR	
7	780723	KEY / NS 8738	AR	AR	AR	
7	780724	KEY / NS 8739	AR	AR	AR	
7	780725	KEY / NS 8740	AR	AR	AR	
8	780802	CAP PROTECTOR CLOSED / BLACK SERIES NS To G-3065	AR	AR	AR	
9	780745	CYLINDER LOCK BODY	AR	AR	AR	
10	280011	LOCK COVER ASSEMBLY From G-3066	1	1	1	
. A	N.S.S.	. RECEIVER From G-3066	1	1	1	1
. B	N.S.S.	. COVER From G-3066	1	1	1	1

From 7-0671 To J-0287	Date:10/2022	PAGE:H7-1864-31
<b>HANDLE LOCK &amp; KEYS - TYPE "NS" &amp; "FORD"</b>		

Item#	Part	Description	H 3 4 1	H 3 4 5	V I P 4 5	N O T E S
. C	N.S.S.	. GUIDE, SPRING From G-3066	1	1	1	1
. D	N.S.S.	. SPRING From G-3066	1	1	1	1
. E	N.S.S.	. AXLE From G-3066	1	1	1	1
11	280020	LOCK COVER ASSEMBLY From G-3066	1	1	1	WCL
. A	N.S.S.	. RECEIVER From G-3066	1	1	1	1 WCL
. B	N.S.S.	. COVER From G-3066	1	1	1	1 WCL
. C	N.S.S.	. GUIDE, SPRING From G-3066	1	1	1	1 WCL
. D	N.S.S.	. SPRING From G-3066	1	1	1	1 WCL
. E	N.S.S.	. AXLE From G-3066	1	1	1	1 WCL
12	280015	SPACER / LOCK COVER From G-3066	1	1	1	E
12	280013	SPACER / LOCK COVER From G-3066			1	B
NS	507212	O-RING To G-3065			1	
16	780238	KEY BLANK UNCUT	1	1	1	
16	282295	KEY CODE / CODE A / FA 0000	1	1	1	
16	282296	KEY CODE / CODE B / FA 0050	1	1	1	
16	282297	KEY CODE / CODE C / FA 0100	1	1	1	
16	282298	KEY CODE / CODE D / FA 0221	1	1	1	
16	282299	KEY CODE / CODE E / FA 0225	1	1	1	
16	282300	KEY CODE / CODE F / FA 0300	1	1	1	
16	282301	KEY CODE / CODE G / FA 0400	1	1	1	
16	282302	KEY CODE / CODE H / FA 0500	1	1	1	
16	282303	KEY CODE / CODE I / FA 0600	1	1	1	
16	282304	KEY CODE / CODE J / FA 0800	1	1	1	
16	287663	KEY CODE / CODE K / FA 1212	1	1	1	
16	287630	KEY CODE / CODE L / FA 0329	1	1	1	
16	287402	KEY CODE / CODE M / FA 0013	1	1	1	
16	2800164	KEY CODE / CODE N / FA 0020	1	1	1	
16	287319	KEY CODE / CODE O / FA 0028	1	1	1	
16	287336	KEY CODE / CODE P / FA 0055	1	1	1	
16	2800165	KEY CODE / CODE Q / FA 0107	1	1	1	
16	287461	KEY CODE / CODE R / FA 0109	1	1	1	
16	287101	KEY CODE / CODE S / FA 0113	1	1	1	
16	285726	KEY CODE / CODE T / FA 0261	1	1	1	
16	285022	KEY CODE / CODE U / FA 0169	1	1	1	
16	285947	KEY CODE / CODE V / FA 0190	1	1	1	
16	284514	KEY CODE / CODE W / FA 0199	1	1	1	
16	2800166	KEY CODE / CODE X / FA 0206	1	1	1	
16	288155	KEY CODE / CODE Y / FA 0208	1	1	1	
16	287206	KEY CODE / CODE Z / FA 0268	1	1	1	
16	285585	KEY CODE / CODE AA / FA 0368	1	1	1	
16	2800167	KEY CODE / CODE AB / FA 0443	1	1	1	
16	286461	KEY CODE / CODE AC / FA 0506	1	1	1	

From 7-0671 To J-0287	Date:10/2022	PAGE:H7-1864-31
<b>HANDLE LOCK &amp; KEYS - TYPE "NS" &amp; "FORD"</b>		

Item#	Part	Description	H 3 4 1	H 3 4 5	V I P 4 5	N O T E S
16	286984	KEY CODE / CODE AD / FA 0528	1	1	1	
16	285671	KEY CODE / CODE AE / FA 0532	1	1	1	
16	2800168	KEY CODE / CODE AF / FA 0563	1	1	1	
16	2800169	KEY CODE / CODE AG / FA 0625	1	1	1	
16	2800170	KEY CODE / CODE AH / FA 0648	1	1	1	
16	2800171	KEY CODE / CODE AI / FA 0668	1	1	1	
16	287921	KEY CODE / CODE AJ / FA 0692	1	1	1	
16	287248	KEY CODE / CODE AK / FA 0704	1	1	1	
16	287343	KEY CODE / CODE AL / FA 0714	1	1	1	
16	2800172	KEY CODE / CODE AM / FA 0721	1	1	1	
16	289393	KEY CODE / CODE AN / FA 0726	1	1	1	
16	2800173	KEY CODE / CODE AO / FA 1116	1	1	1	
16	286050	KEY CODE / CODE AP / FA 1252	1	1	1	
16	2800174	KEY CODE / CODE AQ / FA 1316	1	1	1	
16	287658	KEY CODE / CODE AR / FA 1320	1	1	1	
16	287251	KEY CODE / CODE AS / FA 1343	1	1	1	
16	2800175	KEY CODE / CODE AT / FA 1486	1	1	1	
16	287660	KEY CODE / CODE AU / FA 1549	1	1	1	
16	287642	KEY CODE / CODE AV / FA 0890	1	1	1	
16	287650	KEY CODE / CODE AW / FA 1465	1	1	1	
16	287700	KEY CODE / CODE AX / FA 0899	1	1	1	
16	287737	KEY CODE / CODE AY / FA 0150	1	1	1	
16	287745	KEY CODE / CODE AZ / FA 1509	1	1	1	
16	2800163	KEY CODE / CODE BA / FA 0001	1	1	1	
16	287797	KEY CODE / CODE BB / FA 0144	1	1	1	
16	2800273	KEY CODE / CODE BC / FA 1513	1	1	1	
16	2800503	KEY CODE / CODE BD / FA 1363	1	1	1	
16	287820	KEY CODE / CODE BE / FA 1093	1	1	1	
16	280448	KEY CODE / CODE BF / FA 1864	1	1	1	
16	280823	KEY CODE / CODE BG / FA 0231	1	1	1	
17	282285	CYLINDER LOCK / CODE A / FA 0000	1	1	1	
17	282286	CYLINDER LOCK / CODE B / FA 0050	1	1	1	
17	282287	CYLINDER LOCK / CODE C / FA 0100	1	1	1	
17	282288	CYLINDER LOCK / CODE D / FA 0221	1	1	1	
17	282289	CYLINDER LOCK / CODE E / FA 0225	1	1	1	
17	282290	CYLINDER LOCK / CODE F / FA 0300	1	1	1	
17	282291	CYLINDER LOCK / CODE G / FA 0400	1	1	1	
17	282292	CYLINDER LOCK / CODE H / FA 0500	1	1	1	
17	282293	CYLINDER LOCK / CODE I / FA 0600	1	1	1	
17	282294	CYLINDER LOCK / CODE J / FA 0800	1	1	1	
17	287662	CYLINDER LOCK / CODE K / FA 1212	1	1	1	
17	287629	CYLINDER LOCK / CODE L & CODE BH CODE FA 0329 FA 0325	1	1	1	



From 7-0671 To J-0287	Date:10/2022	PAGE:H7-1864-31
<b>HANDLE LOCK &amp; KEYS - TYPE "NS" &amp; "FORD"</b>		

Item#	Part	Description	H 3 4 1	H 3 4 5	V I P 4 5	N O T E S
17	286156	CYLINDER LOCK / CODE M / FA 0013	1	1	1	
17	287125	CYLINDER LOCK / CODE N / FA 0020	1	1	1	
17	287079	CYLINDER LOCK / CODE O / FA 0028	1	1	1	
17	287335	CYLINDER LOCK / CODE P / FA 0055	1	1	1	
17	287926	CYLINDER LOCK / CODE Q / FA 0107	1	1	1	
17	287460	CYLINDER LOCK / CODE R / FA 0109	1	1	1	
17	287100	CYLINDER LOCK / CODE S / FA 0113	1	1	1	
17	285604	CYLINDER LOCK / CODE T / FA 0261	1	1	1	
17	285021	CYLINDER LOCK / CODE U / FA 0169	1	1	1	
17	285946	CYLINDER LOCK / CODE V / FA 0190	1	1	1	
17	284513	CYLINDER LOCK / CODE W / FA 0199	1	1	1	
17	287138	CYLINDER LOCK / CODE X / FA 0206	1	1	1	
17	288154	CYLINDER LOCK / CODE Y / FA 0208	1	1	1	
17	285496	CYLINDER LOCK / CODE Z / FA 0268	1	1	1	
17	285584	CYLINDER LOCK / CODE AA / FA 0368	1	1	1	
17	285264	CYLINDER LOCK / CODE AB / FA 0443	1	1	1	
17	286459	CYLINDER LOCK / CODE AC / FA 0506	1	1	1	
17	286983	CYLINDER LOCK / CODE AD / FA 0528	1	1	1	
17	285670	CYLINDER LOCK / CODE AE / FA 0532	1	1	1	
17	288640	CYLINDER LOCK / CODE AF / FA 0563	1	1	1	
17	285545	CYLINDER LOCK / CODE AG / FA 0625	1	1	1	
17	284373	CYLINDER LOCK / CODE AH / FA 0648	1	1	1	
17	285276	CYLINDER LOCK / CODE AI / FA 0668	1	1	1	
17	287920	CYLINDER LOCK / CODE AJ / FA 0692	1	1	1	
17	287247	CYLINDER LOCK / CODE AK / FA 0704	1	1	1	
17	286418	CYLINDER LOCK / CODE AL / FA 0714	1	1	1	
17	285861	CYLINDER LOCK / CODE AM / FA 0721	1	1	1	
17	289392	CYLINDER LOCK / CODE AN / FA 0726	1	1	1	
17	284935	CYLINDER LOCK / CODE AO / FA 1116	1	1	1	
17	286049	CYLINDER LOCK / CODE AP / FA 1252	1	1	1	
17	285572	CYLINDER LOCK / CODE AQ / FA 1316	1	1	1	
17	287657	CYLINDER LOCK / CODE AR / FA 1320	1	1	1	
17	287250	CYLINDER LOCK / CODE AS / FA 1343	1	1	1	
17	285066	CYLINDER LOCK / CODE AT / FA 1486	1	1	1	
17	287659	CYLINDER LOCK / CODE AU / FA 1549	1	1	1	
17	287641	CYLINDER LOCK / CODE AV / FA 0890	1	1	1	
17	287649	CYLINDER LOCK / CODE AW / FA 1465	1	1	1	
17	287699	CYLINDER LOCK / CODE AX / FA 0899	1	1	1	
17	287736	CYLINDER LOCK / CODE AY / FA 0150	1	1	1	
17	287744	CYLINDER LOCK / CODE AZ / FA 1509	1	1	1	
17	287379	CYLINDER LOCK / CODE BA / FA 0001	1	1	1	
17	287795	CYLINDER LOCK / CODE BB / FA 0144	1	1	1	



From 7-0671 To J-0287	Date:10/2022	PAGE:H7-1864-31
<b>HANDLE LOCK &amp; KEYS - TYPE "NS" &amp; "FORD"</b>		

Item#	Part	Description	H 3 4 1	H 3 4 5	V I P 4 5	N O T E S
17	2800272	CYLINDER LOCK / CODE BC / FA 1513	1	1	1	
17	2800502	CYLINDER LOCK / CODE BD / FA 1363	1	1	1	
17	287819	CYLINDER LOCK / CODE BE / FA 1093	1	1	1	
17	280445	CYLINDER LOCK / CODE BF / FA 1864	1	1	1	
17	280822	CYLINDER LOCK / CODE BG / FA 0231	1	1	1	
18	289467	CYLINDER LOCK MODIFIED / WITH 2 HOLES #4-40 / CODE A / FA 0000	1	1	1	
18	289468	CYLINDER LOCK MODIFIED / WITH 2 HOLES #4-40 / CODE B / FA 0050	1	1	1	
18	289469	CYLINDER LOCK MODIFIED / WITH 2 HOLES #4-40 / CODE C / FA 0100	1	1	1	
18	289470	CYLINDER LOCK MODIFIED / WITH 2 HOLES #4-40 / CODE D / FA 0221	1	1	1	
18	289471	CYLINDER LOCK MODIFIED / WITH 2 HOLES #4-40 / CODE E / FA 0225	1	1	1	
18	289472	CYLINDER LOCK MODIFIED / WITH 2 HOLES #4-40 / CODE F / FA 0300	1	1	1	
18	289473	CYLINDER LOCK MODIFIED / WITH 2 HOLES #4-40 / CODE G / FA 0400	1	1	1	
18	289474	CYLINDER LOCK MODIFIED / WITH 2 HOLES #4-40 / CODE H / FA 0500	1	1	1	
18	289475	CYLINDER LOCK MODIFIED / WITH 2 HOLES #4-40 / CODE I / FA 0600	1	1	1	
18	289476	CYLINDER LOCK MODIFIED / WITH 2 HOLES #4-40 / CODE J / FA 0800	1	1	1	
18	289477	CYLINDER LOCK MODIFIED / WITH 2 HOLES #4-40 / CODE K / FA 1212	1	1	1	
18	287633	CYLINDER LOCK MODIFIED / WITH 2 HOLES #4-40 / CODE L / FA 0329	1	1	1	
18	2800006	CYLINDER LOCK MODIFIED / WITH 2 HOLES #4-40 / CODE M / FA 0013	1	1	1	
18	2800004	CYLINDER LOCK MODIFIED / WITH 2 HOLES #4-40 / CODE O / FA 0028	1	1	1	
18	289492	CYLINDER LOCK MODIFIED / WITH 2 HOLES #4-40 / CODE P / FA 0055	1	1	1	
18	2800007	CYLINDER LOCK MODIFIED / WITH 2 HOLES #4-40 / CODE R / FA 0109	1	1	1	
18	289489	CYLINDER LOCK MODIFIED / WITH 2 HOLES #4-40 / CODE S / FA 0113	1	1	1	
18	289466	CYLINDER LOCK MODIFIED / WITH 2 HOLES #4-40 / CODE T / FA 0261	1	1	1	
18	289478	CYLINDER LOCK MODIFIED / WITH 2 HOLES #4-40 / CODE U / FA 0169	1	1	1	
18	289485	CYLINDER LOCK MODIFIED / WITH 2 HOLES #4-40 / CODE V / FA 0190	1	1	1	
18	289479	CYLINDER LOCK MODIFIED / WITH 2 HOLES #4-40 / CODE W / FA 0199	1	1	1	
18	2800008	CYLINDER LOCK MODIFIED / WITH 2 HOLES #4-40 / CODE Y / FA 0208	1	1	1	
18	2800002	CYLINDER LOCK MODIFIED / WITH 2 HOLES #4-40 / CODE Z / FA 0268	1	1	1	
18	289482	CYLINDER LOCK MODIFIED / WITH 2 HOLES #4-40 / CODE AA / FA 0368	1	1	1	
18	289487	CYLINDER LOCK MODIFIED / WITH 2 HOLES #4-40 / CODE AC / FA 0506	1	1	1	
18	289488	CYLINDER LOCK MODIFIED / WITH 2 HOLES #4-40 / CODE AD / FA 0528	1	1	1	
18	289483	CYLINDER LOCK MODIFIED / WITH 2 HOLES #4-40 / CODE AE / FA 0532	1	1	1	
18	289493	CYLINDER LOCK MODIFIED / WITH 2 HOLES #4-40 / CODE AJ / FA 0692	1	1	1	
18	289490	CYLINDER LOCK MODIFIED / WITH 2 HOLES #4-40 / CODE AK / FA 0704	1	1	1	
18	2800005	CYLINDER LOCK MODIFIED / WITH 2 HOLES #4-40 / CODE AL / FA 0714	1	1	1	
18	287654	CYLINDER LOCK MODIFIED / WITH 2 HOLES #4-40 / CODE AN / FA 0726	1	1	1	
18	2800003	CYLINDER LOCK MODIFIED / WITH 2 HOLES #4-40 / CODE AO / FA 1116	1	1	1	
18	289486	CYLINDER LOCK MODIFIED / WITH 2 HOLES #4-40 / CODE AP / FA 1252	1	1	1	
18	289481	CYLINDER LOCK MODIFIED / WITH 2 HOLES #4-40 / CODE AR / FA 1320	1	1	1	
18	289491	CYLINDER LOCK MODIFIED / WITH 2 HOLES #4-40 / CODE AS / FA 1343	1	1	1	
18	289480	CYLINDER LOCK MODIFIED / WITH 2 HOLES #4-40 / CODE AU / FA 1549	1	1	1	
18	287653	CYLINDER LOCK MODIFIED / WITH 2 HOLES #4-40 / CODE AW / FA 1465	1	1	1	

From 7-0671 To J-0287	Date:10/2022	PAGE:H7-1864-31
<b>HANDLE LOCK &amp; KEYS - TYPE "NS" &amp; "FORD"</b>		

Item#	Part	Description	H 3 4 1	H 3 4 5	V I P 4 5	N O T E S
18	287701	CYLINDER LOCK MODIFIED / WITH 2 HOLES #4-40 / CODE AX / FA 0899	1	1	1	
18	287738	CYLINDER LOCK MODIFIED / WITH 2 HOLES #4-40 / CODE AY / FA 0150	1	1	1	
18	287746	CYLINDER LOCK MODIFIED / WITH 2 HOLES #4-40 / CODE AZ / FA 1509	1	1	1	
18	287796	CYLINDER LOCK MODIFIED / WITH 2 HOLES #4-40 / CODE BB / FA 0144	1	1	1	
18	2800274	CYLINDER LOCK MODIFIED / WITH 2 HOLES #4-40 / CODE BC / FA 1513	1	1	1	
18	2800506	CYLINDER LOCK MODIFIED / WITH 2 HOLES #4-40 / CODE BD / FA 1363	1	1	1	
18	287821	CYLINDER LOCK MODIFIED / WITH 2 HOLES #4-40 / CODE BE / FA 1093	1	1	1	
18	280444	CYLINDER LOCK MODIFIED / WITH 2 HOLES #4-40 / CODE BF / FA 1864	1	1	1	
18	280824	CYLINDER LOCK MODIFIED / WITH 2 HOLES #4-40 / CODE BG / FA 0231	1	1	1	
22	289340	SUPPORT, HANDLE	AR	AR	AR	
23		FOR RODS SEE RESPECTIVE PAGES FOR APPLICATION	1	1	1	
30	780430	CYLINDER LOCK ASSY W/2 KEYS / "CORBIN" To 8-1203			1	SS
. NS	780562	. KEY / "CORBIN" BLANK To 8-1203			2	SS
30	780803	CYLINDER LOCK ASSY W/2 KEYS / "SCHLAGE" From 8-1204			1	
. NS	780902	. KEY / "SCHLAGE" BLANK From 8-1204			1	
31	780562	KEY / "CORBIN" BLANK			1	
40	780795	HANDLE ASSY / W/AIR CYLINDER TYPE "NS"	AR	AR		
. NS	780800	. CYLINDER AIR	1	1		
. NS	780340	. CLIP, RETAINER ROD	2	2		
40	780794	HANDLE ASSY / MANUAL TYPE "NS"	AR	AR	AR	A
. NS	780340	. CLIP, RETAINER ROD	2	2	2	A
41	780303	. GASKET	1	1	1	
42	780340	. CLIP, RETAINER ROD	1	1	1	
43	5001630	SCREW TP BUTF TORX M6x20 SS To J-0216	4	4	4	
43	5002054	SCREW TP BUTF TORX M6x20 SS From J-0217	4	4	4	
44	288652	HANDLE ASSY W"HAPPITCH" NS SERIES KEY	1	1	1	WCL
44	780785	. HANDLE BODY W"HAPPITCH" NS SERIES KEY	1	1	1	WCL
44	780823	. HANDLE W.C.L. DOOR PLASTIC	1	1	1	WCL
44	288653	. PLATE REINFORCMENT 19MM x 6.35MM x 11GA	1	1	1	WCL
44	680038	. THREAD LOCKER LOCTITE #243 / BLUE / 50ml	AR	AR	AR	WCL
50	<b>H7-2328-00</b>	<b>LAVATORY WALL - INSTALLATION WITH SLIDING DOOR</b>				
51	<b>H7-1836-01</b>	<b>PARCEL RACK W/TAN FINISHING To E-2584</b>				
51	<b>H7-1836-02</b>	<b>PARCEL RACK W/TAN FINISHING From E-2585</b>				
52	<b>H7-1862-10</b>	<b>ENTRANCE DOOR ASSY - SEDAN</b>				
		A) MANUAL OR ELECTRIC				
		B) USE ONLY WITH FUEL DOOR STREET SIDE WITH SMALL A/C SYSTEM				
		E) USE ONLY WITH FUEL DOOR STREET SIDE WITH BUS & LARGE A/C SYSTEM				
		SS) THIS MODEL IT OBSOLETED REPLACE BY 780803 WITH NEW LEVER # 289030				
		WCL) USE WITH WHEEL CHAIR ENTRANCE DOOR ONLY				

From 7-0671 To J-0287	Date:10/2022	PAGE:H7-1864-31
-----------------------	--------------	-----------------

**HANDLE LOCK & KEYS - TYPE "NS" & "FORD"**

Item#	Part	Description	H 3 4 1	H 3 4 5	V I P 4 5	N O T E S
		1) NOT SOLD SEPARATELY				

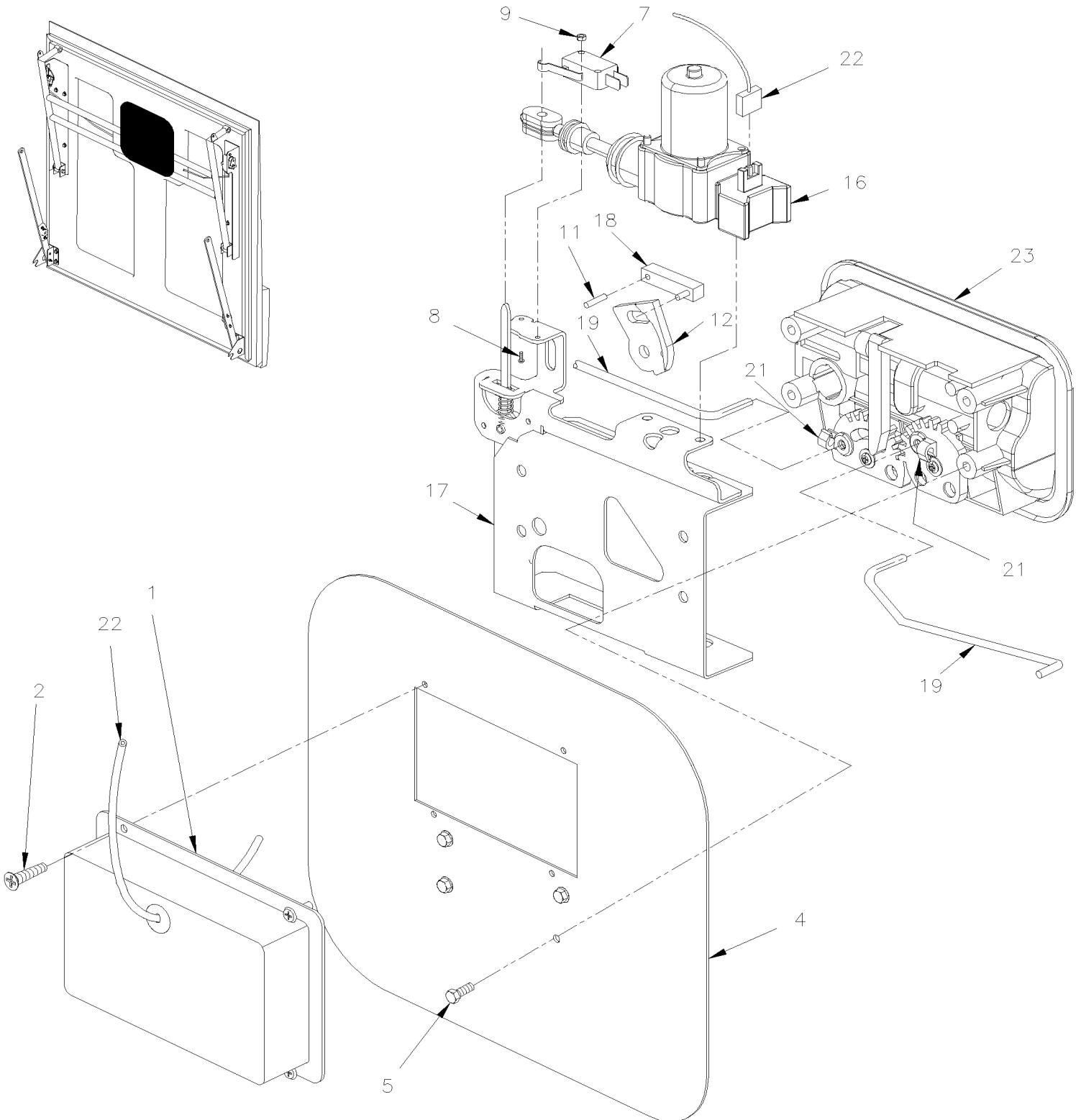


From 7-0671 To J-0287

Date:10/2022

PAGE:H7-1864-35

BAGGAGE COMPARTMENT ELECTRICAL LOCK - V.I.P

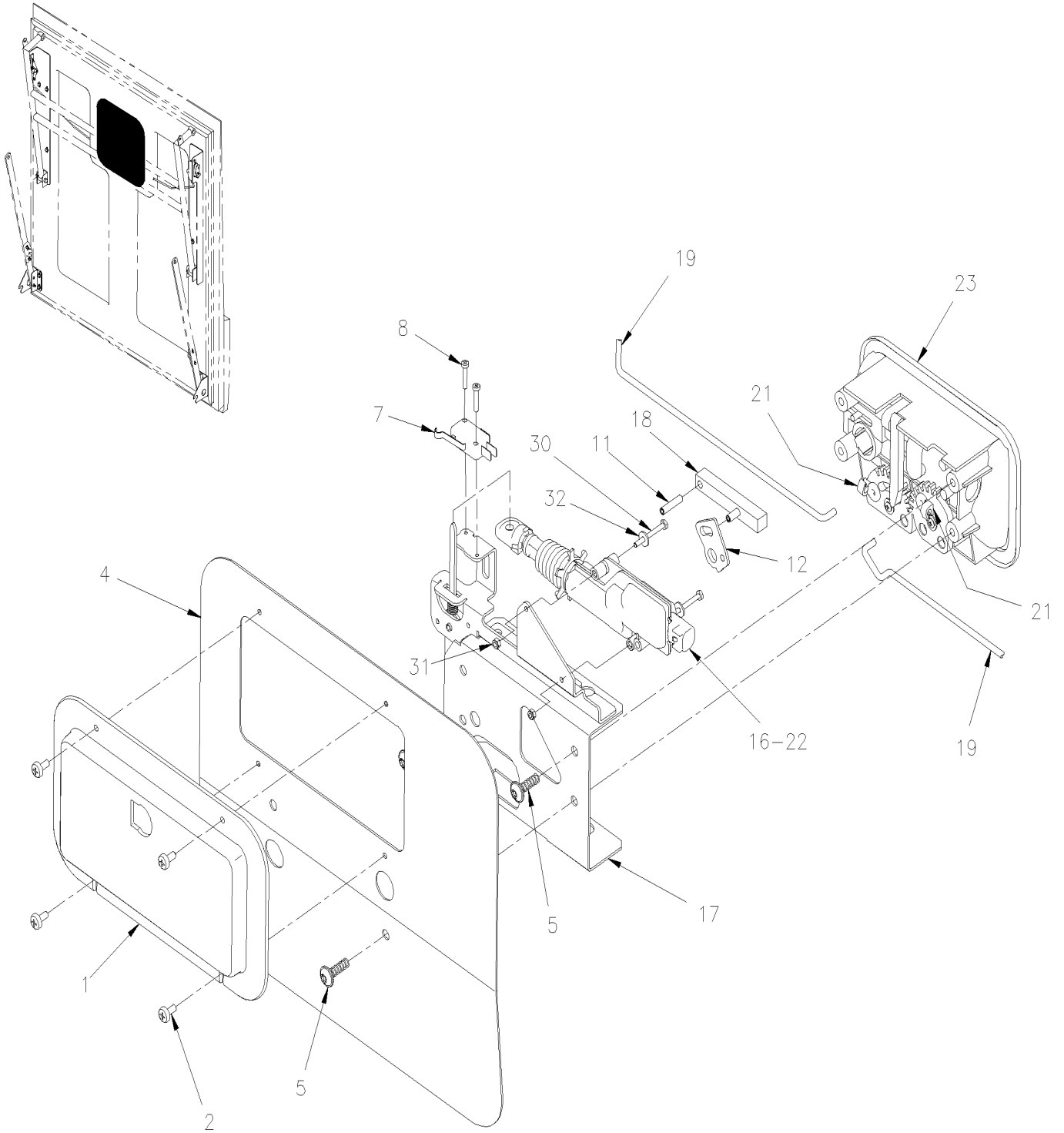


From 7-0671 To J-0287

Date:10/2022

PAGE:H7-1864-35

## BAGGAGE COMPARTMENT ELECTRICAL LOCK - V.I.P



From 7-0671 To J-0287	Date:10/2022	PAGE:H7-1864-35
<b>BAGGAGE COMPARTMENT ELECTRICAL LOCK - V.I.P</b>		

Item#	Part	Description	H 3 4 1	H 3 4 5	V I P 4 5	N O T E S
1	283516	COVER			1	
2	500799	SCREW TC PAN PH #8-32x3/8 N500			4	
4	289341	PLATE CLOSING / 289MM X 314MM To A-1720			1	
4	289733	PLATE CLOSING / 289MM X 314MM From B-1721 To G-3205			1	
4	287833	PLATE CLOSING / 289MM X 314MM From G-3206			1	
NS	506071	TAPE RUB ADH1 CC POL 1/8" x 1/2" x 50' / GREY 2520X			AR	
5	5001630	SCREW TP BUTF TORX M6x20 SS To J-0216			4	
5	5002054	SCREW TP BUTF TORX M6x20 SS From J-0217			4	
7	562096	MICRO SWITCH			1	
8	502577	SCREW MA PAN PH M3-0.5x16 ZP To B-1771			2	
8	502825	SCREW MA PAN PH M3-0.5x16 N500 From B-1772			2	
9	502579	NUT HEX M3-0.5 NP To B-1771			2	
11	505420	SPRING, PIN M4.5 x 20			2	
12	288539	LEVER / W/MANUAL OPERATION & ELECTRIC			1	
16	780428	LOCK ACTUATOR / 12V To A-1672			1	
. NS	562076	. CONNECTOR / PACK-CON I / FEMALE HOUSING / 2C / PED 8911772 To A-1672			1	
16	<b>2810382</b>	<b>ACTUATOR SERVICE KIT To A-1672</b>			1	
16	780814	LOCK ACTUATOR / 12V From A-1673 To C-1956			1	
. NS	562076	. CONNECTOR / PACK-CON I / FEMALE HOUSING / 2C / PED 8911772 From A-1673 To C-1956			1	
16	2800049	LOCK ACTUATOR / 12V From C-1957			1	
17	289339	SUPPORT HANDLE ASSY W/LEVER / W/ELECTRICAL LOCK To A-1672			1	
17	2800021P	SUPPORT HANDLE ASSY W/LEVER / W/ELECTRICAL LOCK From A-1673			1	
18	283513	GUIDE			1	
19		FOR RODS SEE RESPECTIVE PAGES FOR APPLICATION			1	
21	780340	CLIP, RETAINER ROD			2	
22	066509	CABLE HARNESS ASSY / LUG. LOCK / W/MUX To A-1672			1	
22	068078	CABLE HARNESS ASSY / LUG. LOCK / W/MUX From A-1673 To G-3205			1	
22	069437	CABLE HARNESS ASSY PANTOGRAPH DOOR / LUG. LOCK From G-3206			1	
22	069435	CABLE HARNESS ASSY HINGE DOOR / LUG. LOCK From G-3206			1	
22	069441	CABLE HARNESS ASSY SPECIAL DOOR From G-3206			1	
23	<b>H7-1864-31</b>	<b>HANDLE LOCK &amp; KEYS - TYPE "NS" &amp; "FORD"</b>				
30	5001100	SCREW CAP HEX M3-0.5x30 G8.8 ZP From A-1673	2	2	2	
31	5001408	NUT HEX STO M3-0.5 ZP From A-1673	2	2	2	
32	500437	WASHER FL .125x.375x.040 Z050 From A-1673	2	2	2	



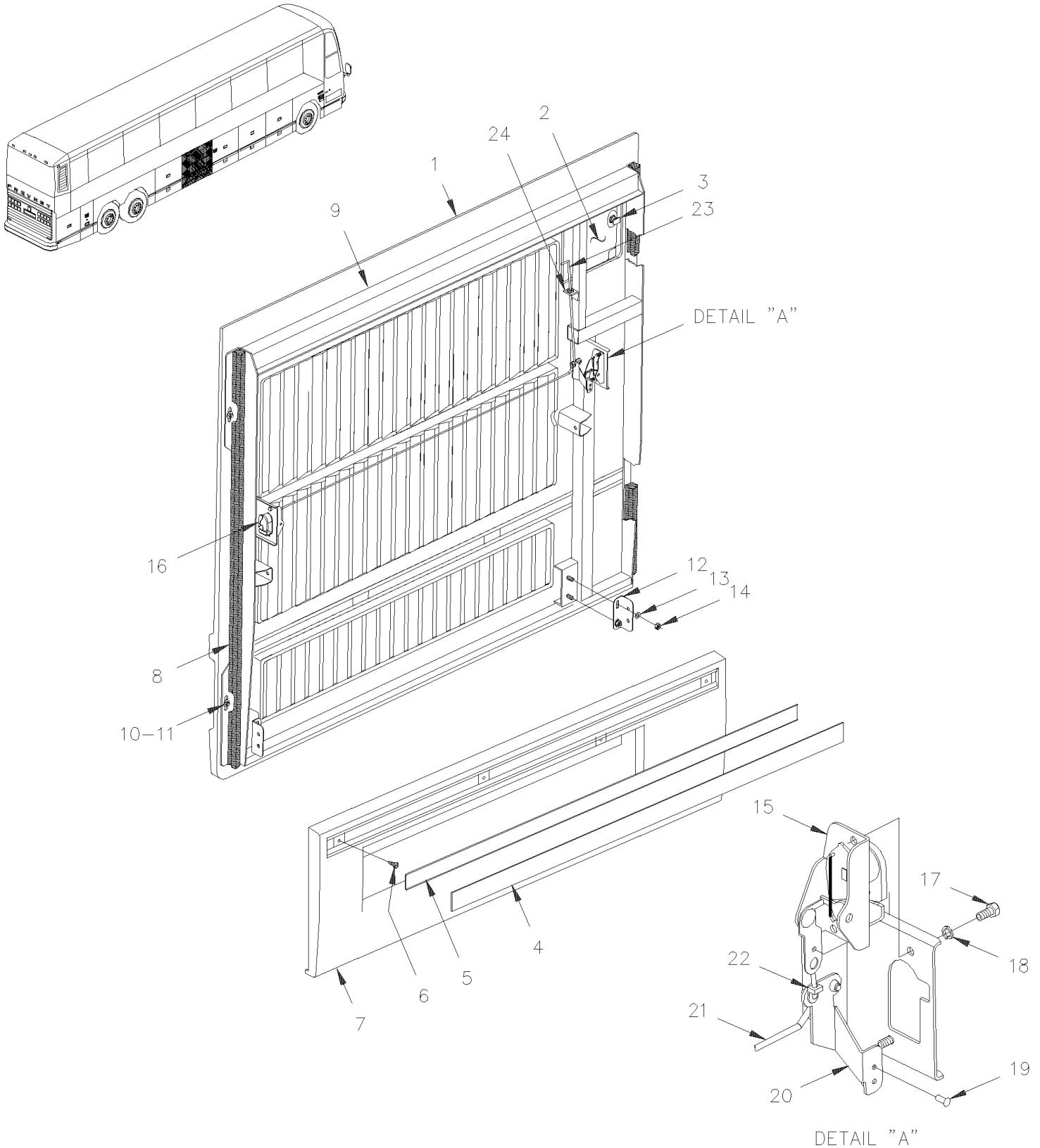


From 7-0671 To J-0287

Date:10/2022

PAGE:H7-1864-55

## BAGGAGE DOOR ASSY - V.I.P. - "GRILL" STYLE



From 7-0671 To J-0287	Date:10/2022	PAGE:H7-1864-55
<b>BAGGAGE DOOR ASSY - V.I.P. - "GRILL" STYLE</b>		

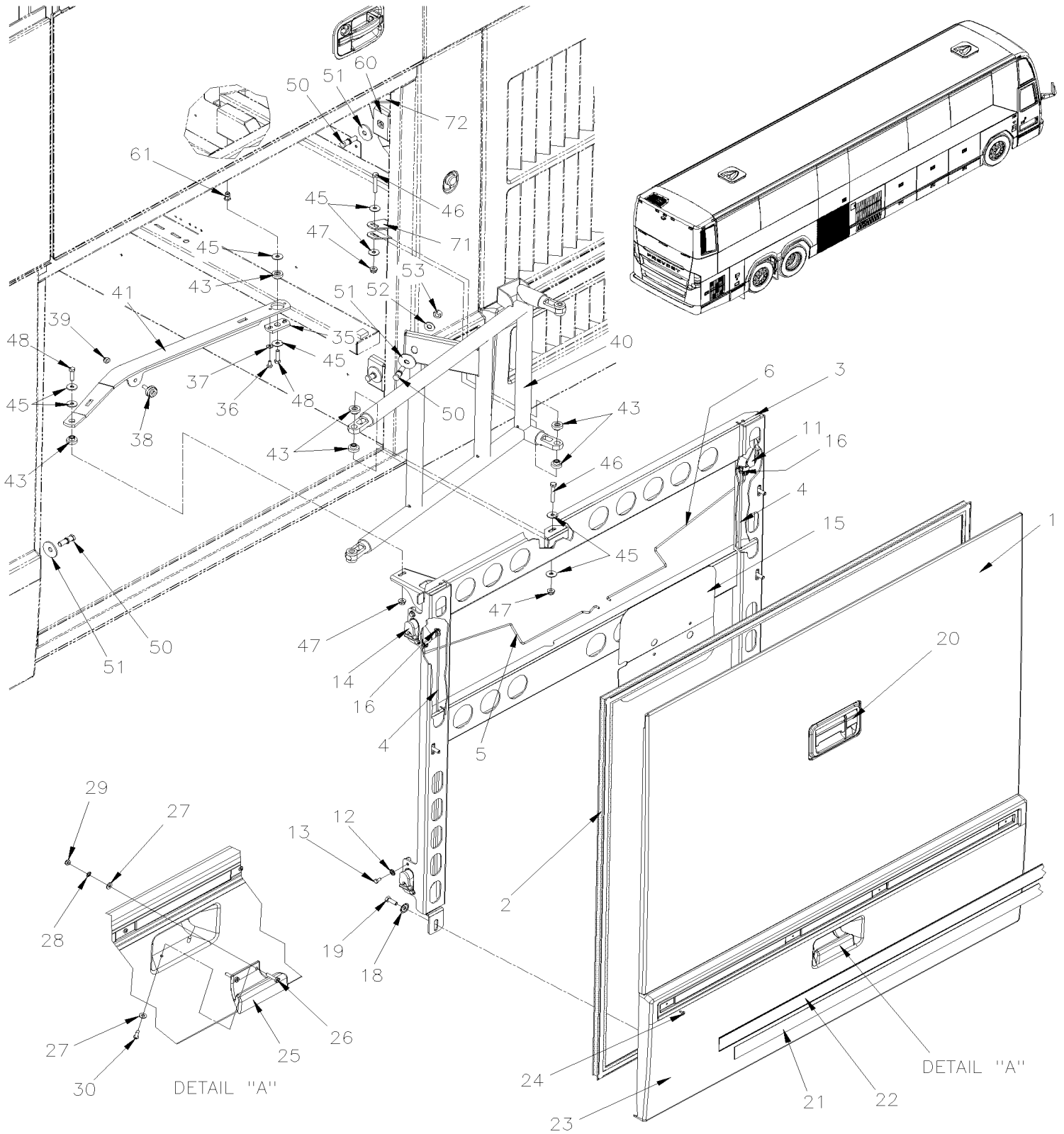
Item#	Part	Description	H 3 4 1	H 3 4 5	V I P 4 5	N O T E S
	286447	DOOR ASSY W/GRILL			1	
. NS	288096	. LOUVER ROD 37 1/4"			AR	
1	288671	. CONDENSOR DOOR ASSY 1257MM			1	
. NS	288096	. . LOUVER ROD 37 1/4"			1	
2	285637	. FUEL DOOR / RH FIXED AT CONDENSOR DOOR			1	
3	<b>H7-1864-31</b>	<b>. HANDLE LOCK &amp; KEYS - TYPE "NS" &amp; "FORD"</b>				
4	283100	. STRIPE, REFLECTIVE WHITE / 38MM X 15' ROLL			AR	
. NS	780277	. . STRIPE, REFLECTIVE WHITE / 38MM X 150' ROLL			AR	
5	285699	. EXTRUSION BACKING ASSY W/REFLECTOR 1345MM To E-2688			1	
. NS	285653	. . EXTRUSION BACKING 1345MM To E-2688			1	
5	280236	. EXTRUSION BACKING ASSY W/REFLECTOR 1342MM From E-2689			1	
. NS	280117	. . EXTRUSION 1342MM From E-2689			1	
5	685126	. ADHESIVE SIMSON #ISR 70-03 / GREY / 600ml SAUSAGE From E-2689			AR	
6	500120	. SCREW TP BDG PH #6x1/2 SS			4	
7	285635	. PROTECTOR PANEL / SH 1257MM			1	
NS	682462	. ADHESIVE SIKA #252 / BLACK / 310ml CARTRIDGE			AR	
8	285465	. RUBBER SEAL EXTRUSION 2900MM To A-1578			1	
8	280150	. RUBBER SEAL EXTRUSION 2900MM From A-1579 To C-2017			1	
8	2800143	. RUBBER SEAL EXTRUSION 2900MM From C-2018			1	
NS	506302	. RUBBER EXTRUSION TRIM SEAL / GRIP .024 / 7/16" HOLLOW BULB C.T.L.			AR	
9	287973	. FRAME ASSY			1	
10	500441	. WASHER FL .312x.734x.065 Z050			5	
11	502511	. NUT HEX NYRT M6-1.0 Z050			5	
12	289237	. FASTNER			2	
13	502584	. WASHER LO SERR 8.2x26.3x1.8 Z050			4	
14	502543	. NUT HEX M8-1.25 Z050			4	
15	285708	. LOCK SPAGNOLET L.H. (MODIFIED)			1	
16	780653	. LOCK SPAGNOLET R.H. / W/G-FITTING			1	
. NS	780340	. . CLIP, RETAINER ROD			1	
. NS	507607	. . GREASE FITTING / M6-1.00			1	
17	502531	. SCREW CAP HEX M6-1.0x16 G8.8 Z050			4	
18	502582	. WASHER LO SERR 6.1x16.2x0.9 Z050			4	
19	504379	. RIVET POP DOME OE 3/16x1/4 SS			1	
20	287971	. PIVOT			1	
21	286032	. ROD, TRANSFER			1	
22	504456	. CLIP / RETAINER ROD / WHITE OR RED			1	
23	287979	. ROD, OPENING			1	
24	504083	. SNAP BUSHING / .250x.468.406			1	

From 7-0671 To E-2584

Date:10/2022

PAGE:H7-1864-80

## BAGGAGE DOOR - W.C.L. "RICON"



From 7-0671 To E-2584	Date:10/2022	PAGE:H7-1864-80
<b>BAGGAGE DOOR - W.C.L. "RICON"</b>		

Item#	Part	Description	H 3 4 1	H 3 4 5	V I P 4 5	N O T E S
	288188	BAGGAGE DOOR W.C.L. ASSY		1		
1	286973	. DOOR MOULDED / FIBERGLASS "SMC"		1		
2	288170	. RUBBER SEAL EXTRUSION 1154MM X 1125MM		1		
3	288150	. DOOR FRAME		1		
4	288173	. DOOR ROD L.H. TRANFERT LEVER		2		
5	289345	. ROD L.H. 534.8MM		1		
6	289332	. ROD R.H. 496.8MM		1		
11	289257	. LOCK SPAGNOLET To E-2572		1		
. NS	780340	. . CLIP, RETAINER ROD To E-2572		1		
11	289836	. LOCK SPAGNOLET From E-2573		1		
. NS	780839	. . LOCK SPAGNOLET L.H. From E-2573		1		
12	500356	. WASHER LO SERR 6.1x16.0x0.9 N500		8		
13	5001743	. SCREW CAP HEX M6-1.0x12 G8.8 N500		8		
14	287465	. LOCK SPAGNOLET To E-2572		2		
. NS	780340	. . CLIP, RETAINER ROD To E-2572		1		
14	289835	. LOCK SPAGNOLET From E-2573		2		
. NS	780840	. . LOCK SPAGNOLET R.H. From E-2573		1		
15	287114	. PLATE CLOSING / 289MM X 314MM To A-1720		1		
15	282416	. PLATE CLOSING / 289MM X 314MM From B-1721		1		
15	506071	. TAPE RUB ADH1 CC POL 1/8" x 1/2" x 50' / GREY 2520X		AR		
16	780340	. CLIP, RETAINER ROD		6		
18	5001699	. WASHER BEL SPR 8.2x22x1.4 N500		6		
19	5001745	. SCREW CAP HEX M8-1.25x25 G8.8 N500		6		
20	<b>H7-1864-31</b>	<b>. HANDLE LOCK &amp; KEYS - TYPE "NS" &amp; "FORD"</b>				
21	283100	. STRIPE, REFLECTIVE WHITE / 38MM X 15' ROLL		AR		
. NS	780277	. . STRIPE, REFLECTIVE WHITE / 38MM X 150' ROLL		AR		
22	285709	. EXTRUSION BACKING ASSY W/REFLECTOR 1189MM		1		
. NS	285542	. . EXTRUSION BACKING 1189MM		1		
22	682348	. TAPE, DOUBLE COATED ACRYLIC		AR		
23	285504	. PROTECTOR PANEL / SH		1		
23	285800	. PROTECTOR PANEL / WITH GRAVEL GUARD / SH		1		A
23	683083	. ADHESIVE SIKA #252 / BLACK / 600 ml SAUSAGE		AR		
24	500952	. SCREW TP BDG PH #8x1/2 SS		4		
25	282562	. HANDLE / DOOR		1		
25	680025	. CAULKING STRIP 3/16" O.D. X 14'		AR		
26	502746	. SCREW MA PAN PH M5-0.8x20 SS BK		2		
27	500804	. WASHER FL .203x.500x.047 N500		4		
28	500840	. WASHER LO EXT .195x.410x.025 N500		2		
29	502827	. NUT HEX CAP M5-0.8 N500		2		
30	500957	. SCREW TP BDG PH #10x3/4 N500		2		
35	288162	SUPPORT, FRAME ASSY.		1		
36	502772	SCREW CAP HEX 1/4-20x1/2 G5 N500		2		

From 7-0671 To E-2584	Date:10/2022	PAGE:H7-1864-80
<b>BAGGAGE DOOR - W.C.L. "RICON"</b>		

Item#	Part	Description	H 3 4 1	H 3 4 5	V I P 4 5	N O T E S
36	680038	THREAD LOCKER LOCTITE #243 / BLUE / 50ml		AR		
37	500877	WASHER FL .250x.562x.065 N500		2		
38	780789	ADJUSTMENT DEVICE 5/16-18		1		
39	500685	NUT HEX NYRT 5/16-18 SS		1		
40	288176	PANTOGRAPH ARM To D-2164		1		
40	2800213	PANTOGRAPH ARM From D-2165		1		
41	288637	ARM AUXILIARY		1		
43	286716	SPACER BUSHING FLANGE / AUX. ARM & SUPPORT ACETAL 8.3MM I.D.		10		
45	500381	WASHER FL 8.4x25.0x2.0 N500		12		
46	502927	SCREW CAP HEX M8-1.25x50 G8.8 N500		4		
47	502837	NUT HEXF STO M8-1.25 N500		5		
48	5001738	SCREW CAP HEX M8-1.25x30 G8.8 N500		2		
50	780415	BOLT STRIKER to dec 2008		1		
50	284438	PIN STRIKER from jan 2009		5		
51	284447	WASHERS BELLEVILLE		5		
52	500897	WASHER FL .437x1.000x.083 N500		1		
53	502883	NUT HEX 7/16-14 N500		1		
60	287943	FLOATING NUT ASSY WITH CASE		4		
60	287942	. FLOATING NUT		1		
61	5001337	NUT INS FL HEX M8-1.25 0.5-3.0 Z050		1		
71	215214	LOWER HINGE, PANTO DOOR		1		
72	215215	HIGHER HINGE, PANTO DOOR		1		
		A) THIS PROTECTOR IS COATED WITH GRAVEL GUARD AND BLACK PAINTED READY TO INSTALL				

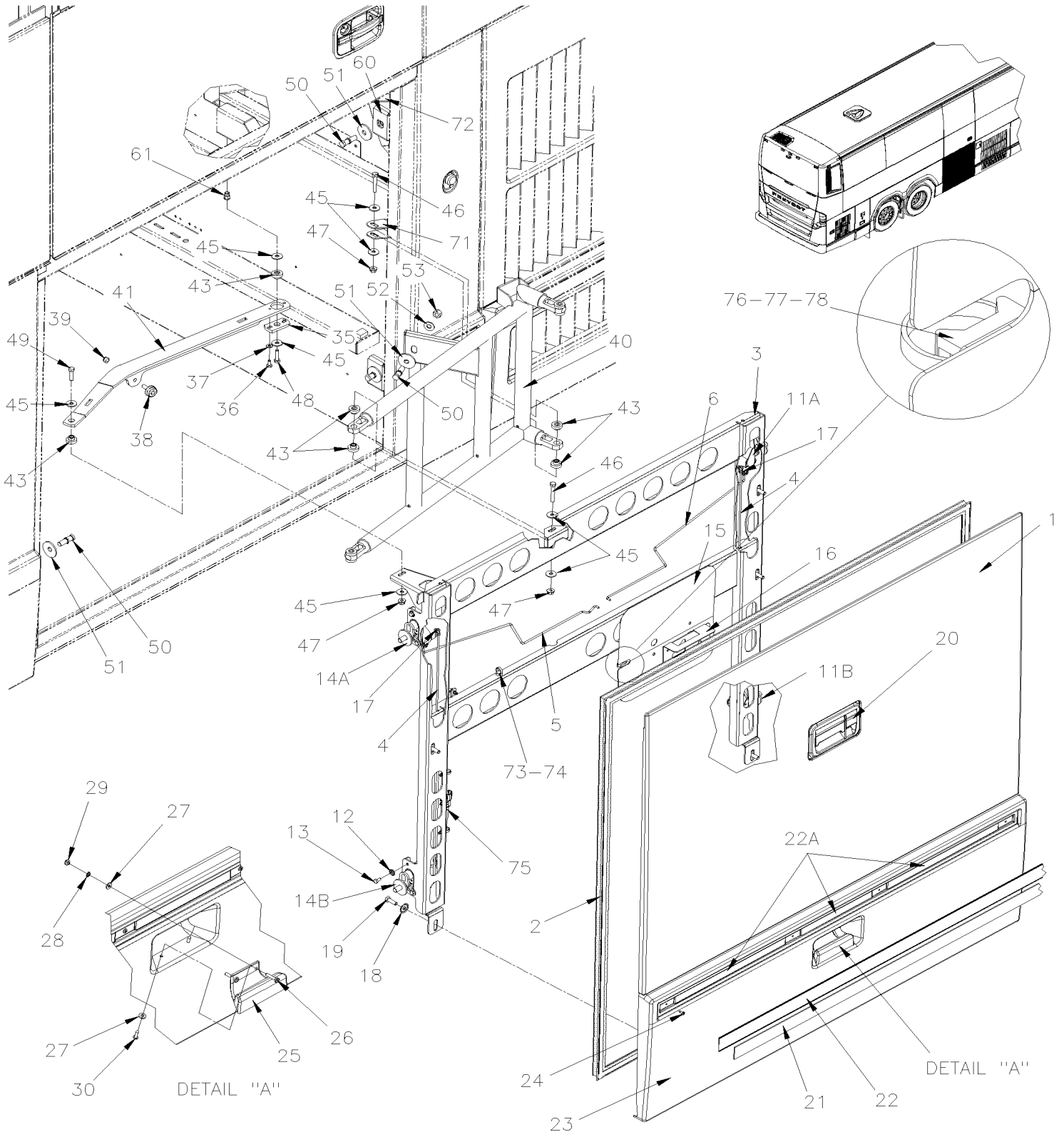


From E-2585 To J-0184

Date:10/2022

PAGE:H7-1864-81

## BAGGAGE DOOR - W.C.L. "RICON"



From E-2585 To J-0184		Date:10/2022	PAGE:H7-1864-81
<b>BAGGAGE DOOR - W.C.L. "RICON"</b>			

Item#	Part	Description	H 3 4 1	H 3 4 5	V I P 4 5	N O T E S
	288188	BAGGAGE DOOR W.C.L. ASSY To G-3205	1	1		
	288186P	BAGGAGE DOOR W.C.L. ASSY From G-3206	1	1		
1	286973	. DOOR MOULDED / FIBERGLASS "SMC"	1	1		
2	2800122	. RUBBER SEAL EXTRUSION / 1152MM X 1121MM	1	1		
2	684685	. ADHESIVE SIMSON #ISR 70-03 / 310ml CARTRIDGE	AR	AR		
3	288150	. DOOR FRAME To F-3007	1	1		
3	280016	. DOOR FRAME From F-3008 To G-3205	1	1		
3	287845	. DOOR FRAME From G-3206	1	1		
4	288173	. DOOR ROD L.H. TRANFERT LEVER	2	2		
5	289345	. ROD L.H. 534.8MM	1	1		
6	289332	. ROD R.H. 496.8MM	1	1		
11A	289836	. LOCK SPAGNOLET	1	1		
11A	289836	. LOCK SPAGNOLET	1	1		
. NS	780839	. . LOCK SPAGNOLET L.H.	1	1		
11B	289836	. LOCK SPAGNOLET	1	1		
11B	289836	. LOCK SPAGNOLET	1	1		
. NS	780839	. . LOCK SPAGNOLET L.H.	1	1		
12	500356	. WASHER LO SERR 6.1x16.0x0.9 N500 To F-3028	8	8		
12	5001833	. WASHER BEL SPR 6.1x18x1.27 SS From F-3029 To H-3892	8	8		
12	5002015	. WASHER BEL SPR 6.65x17.4x0.9 SS From H-3893	8	8		
13	5001743	. SCREW CAP HEX M6-1.0x12 G8.8 N500 To F-3028	8	8		
13	5001982	. SCREW CAP HEX M6-1.0x12 SS BK From F-3029 To H-3892	8	8		
13	5001697	. SCREW CAP HEX M6-1.0x16 SS BK From H-3893	8	8		
14A	289835	. LOCK SPAGNOLET	1	1		
14A	289835	. LOCK SPAGNOLET	1	1		
. NS	780840	. . LOCK SPAGNOLET R.H.	1	1		
14B	289835	. LOCK SPAGNOLET To G-3205	1	1		
14B	289835	. LOCK SPAGNOLET To G-3205	1	1		
. NS	780840	. . LOCK SPAGNOLET R.H. To G-3205	1	1		
14B	287846	. LOCK SPAGNOLET R.H. WITH SWITCH From G-3206	1	1		
. NS	565205	. . MICRO SWITCH From G-3206	1	1		
. NS	563864	. . HARDWARES FOR SWITCH From G-3206	1	1		
15	282416	. PLATE CLOSING / 289MM X 314MM To F-3010	1	1		
15	287114	. PLATE CLOSING / 289MM X 314MM From F-3011 To G-3205	1	1		
15	287848	. PLATE CLOSING / 289MM X 314MM From G-3206	1	1		
15	506071	. TAPE RUB ADH1 CC POL 1/8" x 1/2" x 50' / GREY 2520X	AR	AR		
16	289340	. SUPPORT, HANDLE	1	1		
16	5001630	. SCREW TP BUTF TORX M6x20 SS	4	4		
17	780340	. CLIP, RETAINER ROD	4	4		
18	5001699	. WASHER BEL SPR 8.2x22x1.4 N500 To F-3028	6	6		
18	5001848	. WASHER BEL SPR .827 x .331 x .098 th SS From F-3029	6	6		
19	5001745	. SCREW CAP HEX M8-1.25x25 G8.8 N500 To F-3028	6	6		



<b>From E-2585 To J-0184</b>	<b>Date:10/2022</b>	<b>PAGE:H7-1864-81</b>
<b>BAGGAGE DOOR - W.C.L. "RICON"</b>		

Item#	Part	Description	H 3 4 1	H 3 4 5	V I P 4 5	N O T E S
19	502780	. SCREW CAP HEX M8-1.25x25 SS BK From F-3029	6	6		
20	<b>H7-1864-31</b>	<b>. HANDLE LOCK &amp; KEYS - TYPE "NS" &amp; "FORD"</b>				
20	503747	. TUBE, NYLON 6MM O.D. / BLACK S.L.	AR	AR		P
20	504637	. CABLE TIE / 3/16" x 13"	5	5		P
21	283100	. STRIPE, REFLECTIVE WHITE / 38MM X 15' ROLL	AR	AR		
. NS	780277	. . STRIPE, REFLECTIVE WHITE / 38MM X 150' ROLL	AR	AR		
22	285709	. EXTRUSION BACKING ASSY W/REFLECTOR 1189MM To E-2688	1	1		
. NS	285542	. . EXTRUSION BACKING 1189MM To E-2688	1	1		
22	280237	. EXTRUSION BACKING ASSY W/REFLECTOR 1185MM From E-2689	1	1		
. NS	280116	. . EXTRUSION 1185MM From E-2689	1	1		
NS	683083	. ADHESIVE SIKA #252 / BLACK / 600 ml SAUSAGE To E-2688	AR	AR		
NS	684685	. ADHESIVE SIMSON #ISR 70-03 / 310ml CARTRIDGE From E-2689	AR	AR		
NS	682348	. TAPE, DOUBLE COATED ACRYLIC	AR	AR		
23	285504	. PROTECTOR PANEL / SH	1	1		
23	285800	. PROTECTOR PANEL / WITH GRAVEL GUARD / SH	1	1		A
23	683083	. ADHESIVE SIKA #252 / BLACK / 600 ml SAUSAGE	AR	AR		
23	681348	. TAPE RUB ADH2 ACRYLIC .045" x 1" x 108' / VHB4952	AR	AR		
24	500952	. SCREW TP BDG PH #8x1/2 SS	4	4		
25	282562	. HANDLE / DOOR	1	1		
25	680025	. CAULKING STRIP 3/16" O.D. X 14'	AR	AR		
26	502746	. SCREW MA PAN PH M5-0.8x20 SS BK	2	2		
27	500804	. WASHER FL .203x.500x.047 N500	4	4		
28	500840	. WASHER LO EXT .195x.410x.025 N500	2	2		
29	502827	. NUT HEX CAP M5-0.8 N500	2	2		
30	500957	. SCREW TP BDG PH #10x3/4 N500	2	2		
35	288162	SUPPORT, FRAME ASSY.	1	1		
36	502772	SCREW CAP HEX 1/4-20x1/2 G5 N500	2	2		
36	680038	THREAD LOCKER LOCTITE #243 / BLUE / 50ml	AR	AR		
37	500877	WASHER FL .250x.562x.065 N500 To F-3028	2	2		
37	502573	WASHER FL 6.4x12.5x1.6 SS From F-3029	2	2		
38	780789	ADJUSTMENT DEVICE 5/16-18	1	1		
39	500685	NUT HEX NYRT 5/16-18 SS	1	1		
40	2800213	PANTOGRAPH ARM To G-3205	1	1		
40	287841	PANTOGRAPH ARM From G-3206	1	1		
NS	504637	CABLE TIE / 3/16" x 13" From G-3206	AR	AR		
NS	504013	TIE MOUNT / 1/4" X 1/4" I.D. From G-3206	4	4		
NS	504488	RIVET MGLP PRDG 3/16x17/64 SS From G-3206	4	4		
NS	504357	WASHER FL .187x.437x.050 SS From G-3206	4	4		
41	288637	ARM AUXILIARY	1	1		
43	286716	SPACER BUSHING FLANGE / AUX. ARM & SUPPORT ACETAL 8.3MM I.D.	10	10		
45	500381	WASHER FL 8.4x25.0x2.0 N500 To F-3028	12	12		
45	5001849	WASHER FL 8.4x24.0x2.0 SS From F-3029	12	12		

From E-2585 To J-0184	Date:10/2022	PAGE:H7-1864-81
<b>BAGGAGE DOOR - W.C.L. "RICON"</b>		

Item#	Part	Description	H 3 4 1	H 3 4 5	V I P 4 5	N O T E S
46	502927	SCREW CAP HEX M8-1.25x50 G8.8 N500 To F-3028	4	4		
46	5001981	SCREW CAP HEX M8-1.25x50 SS BK From F-3029	4	4		
47	502837	NUT HEXF STO M8-1.25 N500 To F-3028	5	5		
47	5001983	NUT HEX NYRT M8-1.25 SS SS BK From F-3029	5	5		
48	5001738	SCREW CAP HEX M8-1.25x30 G8.8 N500 To F-3028	1	1		
48	5001912	SCREW CAP HEX M8-1.25x30 SS BK From F-3029	1	1		
49	5001738	SCREW CAP HEX M8-1.25x30 G8.8 N500 To F-3028	1	1		
49	5001319	SCREW CAP HEX M8-1.25x40 SS From F-3029	1	1		
50	284438	PIN STRIKER	5	5		
51	284447	WASHERS BELLEVILLE	5	5		
51	680025	CAULKING STRIP 3/16" O.D. X 14'	AR	AR		
52	500897	WASHER FL .437x1.000x.083 N500	2	2		
53	502883	NUT HEX 7/16-14 N500	1	1		
60	287943	FLOATING NUT ASSY WITH CASE	4	4		
60	287942	. FLOATING NUT	1	1		
61	5001337	NUT INS FL HEX M8-1.25 0.5-3.0 Z050	1	1		
71	215214	LOWER HINGE, PANTO DOOR	1	1	1	
72	215215	HIGHER HINGE, PANTO DOOR	1	1	1	
73	504637	. CABLE TIE / 3/16" x 13" From G-3206	AR	AR		B
74	509815	. TIE MOUNT / ATTACHMENT W/TREE MOUNT From G-3206	AR	AR		B
75	564108	. SELF MOUNTING STUD // DEUTSCH 1011-310-0205 From G-3206	AR	AR		B
76	504013	. TIE MOUNT / 1/4" X 1/4" I.D. From G-3206	AR	AR		B
77	504488	. RIVET MGLP PRDG 3/16x17/64 SS From G-3206	AR	AR		B
78	5001137	. WASHER FL .203x.438x.050 SS From G-3206	AR	AR		B
NS	562679	4 WAY ADH. BACKED MOUNTS 1.000 x 1.000 x .160 From G-3206	AR	AR		
		A) THIS PROTECTOR IS COATED WITH GRAVEL GUARD AND BLACK PAINTED READY TO INSTALL				
		B) USE TO FIX CABLE ON DOOR				
		P) W/ AIR ACTIVATED HANDLE				

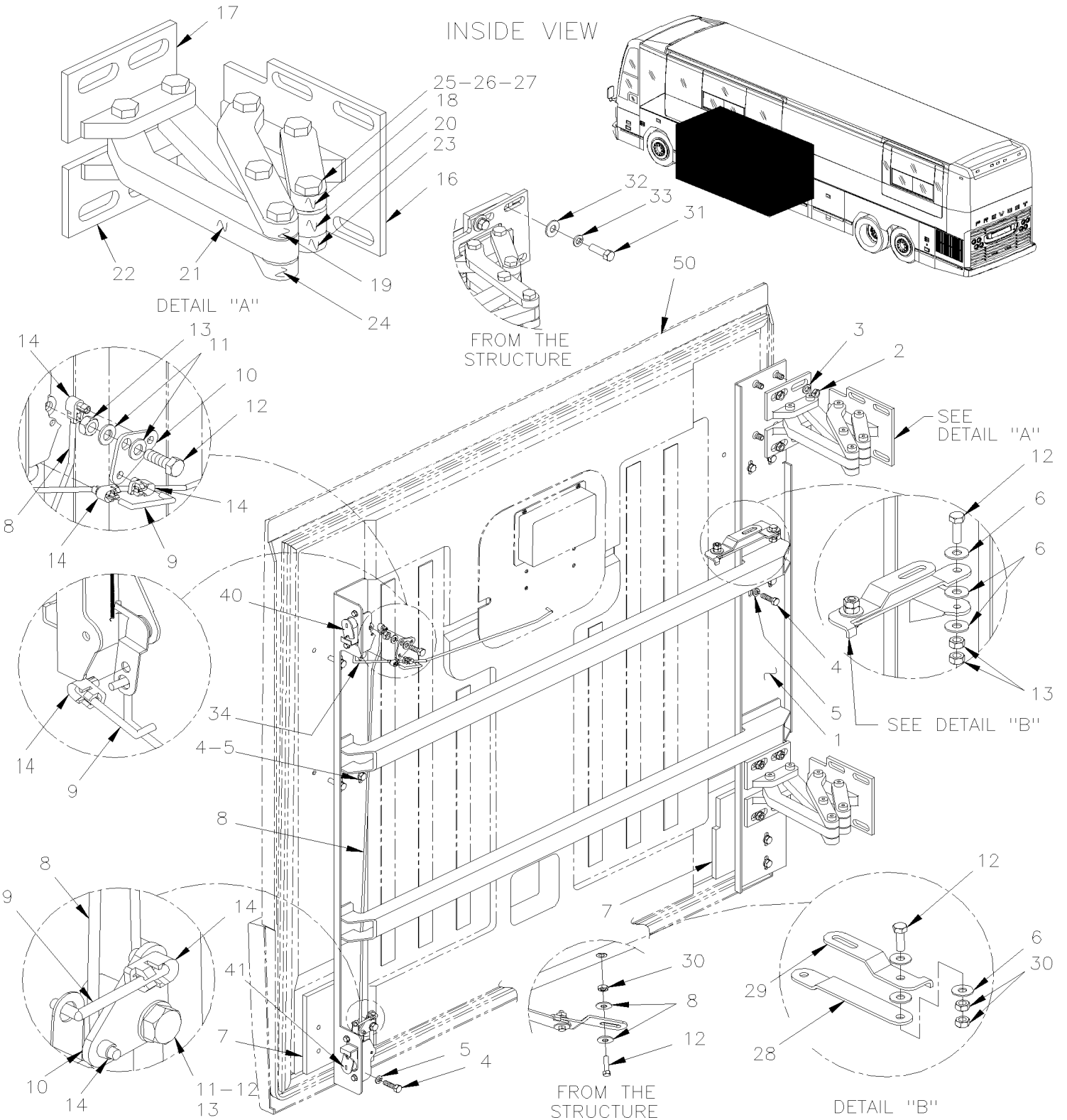
From 7-0671 To J-0287

Date:10/2022

PAGE:H7-1864-90

## BAGGAGE DOOR - W/"SLIDE-OUT" INSTALLTION

INSIDE VIEW

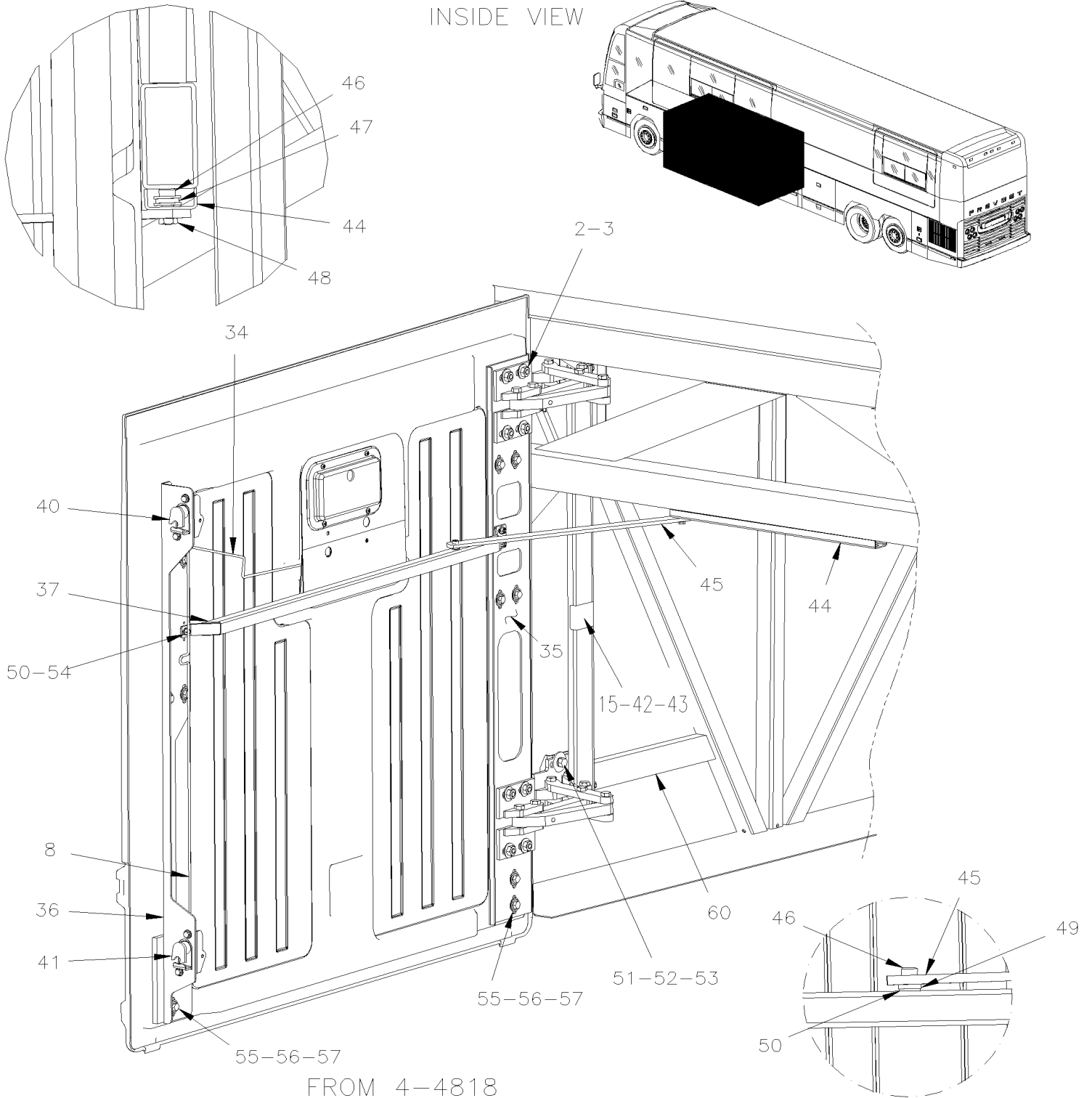


From 7-0671 To J-0287

Date:10/2022

PAGE:H7-1864-90

## BAGGAGE DOOR - W/"SLIDE-OUT" INSTALLTION



From 7-0671 To J-0287	Date:10/2022	PAGE:H7-1864-90
<b>BAGGAGE DOOR - W/"SLIDE-OUT" INSTALLTION</b>		

Item#	Part	Description	H 3 4 1	H 3 4 5	V I P 4 5	N O T E S
	288126	BAGGAGE DOOR ASSY 48" / W/LH HINGE STREET SIDE	1	1	1	
2	500102	NUT HEX 3/8-16 SS			8	
3	5001214	WASHER BEL SPR 10.2x28.0x1.3			8	
4	500544	SCREW CAP HEX M8-1.25x30 G8.8 Z050			12	
5	5001003	WASHER LO SPT 8.1x12.7x2.0 Z050			12	
6	5001210	WASHER FL .317x.500x.062 NYL			13	
8	289248	ROD 844MM			1	
11	500874	WASHER FL 8.4x17.0x1.6 Z050			4	
12	502589	SCREW CAP HEX M8-1.25x25 G8.8 Z050			8	
13	502543	NUT HEX M8-1.25 Z050			8	
14	504456	CLIP / RETAINER ROD / WHITE OR RED			4	
14	780340	CLIP, RETAINER ROD			1	
15	289255	HINGE ASSY W/ TRANSFERT TUBE			1	B R
15	289269	. HINGE ASSY / "SLIDE-OUT" BAGGAGE DOOR			2	
16	287433	. . HINGE SUPPORT ASSY / FRAME SECTION			1	
17	287434	. . HINGE SUPPORT ASSY / UPPER SECTION			1	
18	287435	. . ARM UPPER SECTION / PLAIN SHORT			1	
19	287436	. . ARM UPPER SECTION / PLAIN LONG			1	
20	287437	. . ARM CENTER SECTION / INTERIOR			1	
NS	502570	. . WASHER LO SPT 6.1x11.8x1.6 SS			8	
NS	5001433	. . SCREW CAP HEX M6-1.0x25 SS			1	
21	287438	. . ARM CENTER SECTION / EXTERIOR			1	
22	287439	. . HINGE SUPPORT ASSY / LOWER SECTION			1	
23	287440	. . ARM LOWER SECTION / THREADED SHORT			1	
24	287441	. . ARM LOWER SECTION / THREADED LONG			1	
25	287449	. . SHOULDER SCREW M8-1,25			7	
26	289251	. . FLANGE BEARING 10MM I.D. 13MM O.D. X 8MM			14	
27	N25539	. . THREAD LOCKER LOCTITE #262 / RED / 250ml			AR	
30	502543	NUT HEX M8-1.25 Z050			2	
31	5001231	SCREW CAP HEX M10-1.5x25 SS			32	
32	502644	WASHER FL 10.5x30.0x2.5 Z050			32	
33	500257	WASHER LO SPT 10.2x18.1x2.2 Z050			32	
35	289246	SUPPORT HINGE & DOOR ASSY			1	
36	289245	SUPPORT LATCH			1	
37	287575	SUPPORT TUBE TRANFERT 998.5MM From 7-0772 To 7-1055			1	
40	289257	LOCK SPAGNOLET			1	
. NS	780340	. CLIP, RETAINER ROD			1	
41	289257	LOCK SPAGNOLET			1	
. NS	780340	. CLIP, RETAINER ROD			1	
NS	284438	PIN STRIKER			2	
42	289256	SUPPORT TUBE TRANFERT 852MM			1	
43	144622	DECAL / "DO NOT READJUST..."			1	

From 7-0671 To J-0287	Date:10/2022	PAGE:H7-1864-90
<b>BAGGAGE DOOR - W/"SLIDE-OUT" INSTALLTION</b>		

Item#	Part	Description	H 3 4 1	H 3 4 5	V I P 4 5	N O T E S
44	289271	SLIDING TRACK ARM SUPPORT (WELDED TO STRUCTURE)			1	
NS	285224	LH SUPPORT, BELT			1	V
NS	284439	PLATE, STRAP RETAINING / OBLONG 16.5MM x 25.4MM W/2 HOLES			1	V
NS	505507	STRAP NYLON 1" WIDE / S.L.			AR	V
NS	504379	RIVET POP DOME OE 3/16x1/4 SS			4	V
45	289259	ARM DOOR RETAINER			1	
46	502861	SCREW SHR HEXS 5/16x3/8 {1/4-20 N500			2	
47	502638	WASHER FL .312x.734x.065 N500			2	
48	500384	NUT HEX JAM 1/4-20 G500			1	
49	502768	WASHER FL RUB .312x.625x.125 NEO			2	
NS	500877	WASHER FL .250x.562x.065 N500			4	
50	<b>H7-1864-00</b>	<b>BAGGAGE COMPARTMENT DOOR</b>				
51	502655	SCREW CAP HEX M10-1.5x25 SS BK			8	
52	502616	WASHER LO SPT 10.2x18.1x2.2 SS			8	
53	5001443	WASHER FL 10.3x38.0x3.0 SS To 7-1055			8	
53	288939	SHIM 21MM X 85MM / W2 HOLES 11MM OD 61MM C/C From 8-1286			4	
54	502681	NUT HEX NYRT M6-1.0 N500 G8			3	
55	502857	WASHER LO SERR 8.2x26.3x1.8 N500			4	
56	502836	SCREW CAP HEX M8-1.25x35 G8.8 N500			4	
57	289260	SPACER PLASTIC 103MM X 165MM X 10MM			2	
60	<b>H7-1893-00</b>	<b>BAGGAGE COMPARTMENT STRUCTRE</b>				
		FOR NEW HINGE DOOR INSTALLATION SEE PAGE H7-1864-91				
70	288875P	HINGE ASSY W/ TRANSFERT TUBE From 7-1056			1	
70	288991	HINGE ASSY W/ TRANSFERT TUBE			1	
NS	288934	. PLATE HOLDER STRUCTURE SIDE			2	
NS	288928	. HINGE ARM "H" SHAPE SMALL			2	
NS	288926	. HINGE ARM "H" SHAPE LARGE			2	
NS	288930	. ARM CENTER SECTION / EXTERIOR			2	
NS	288932	. ARM CENTER SECTION / INTERIOR			2	
NS	288924	. PLATE HOLDER DOOR SIDE			1	
NS	5001923	. SCREW CAP HEX M6-1.0x45 SS BK			4	
NS	5001182	. NUT HEX NYRT M6-1.0 SS			18	
NS	502573	. WASHER FL 6.4x12.5x1.6 SS			18	
80	5002055	. SCREW CAP HEX M6-1.0x80 SS NSS PT			2	
NS	5001698	. SCREW CAP HEXS M6-1.0x60 SS XYLAN			12	
NS	288935	. SUPPORT TUBE TRANFERT 744MM			1	
NS	507217	. FLANGE BEARING 12MM I.D. 20MM O.D. X 10MM			28	
NS	288937	. PIN DOWEL 12MM O.D. X 41MM			12	
NS	288936	. PIN DOWEL 12MM O.D. X 64MM			2	

From 7-0671 To J-0287	Date:10/2022	PAGE:H7-1864-90
-----------------------	--------------	-----------------

**BAGGAGE DOOR - W/"SLIDE-OUT" INSTALLTION**

Item#	Part	Description	H 3 4 1	H 3 4 5	V I P 4 5	N O T E S
		B) INCLUDES ITEMS #42				
		R) THIS HINGE ASSY MAY BE SUPPERSEDED BY NEW MODEL # 288991 ASSY WITH 4 SPACERS 288939				
		V) SPECIAL APPLICATION FOR SOME CONVERTER'S				



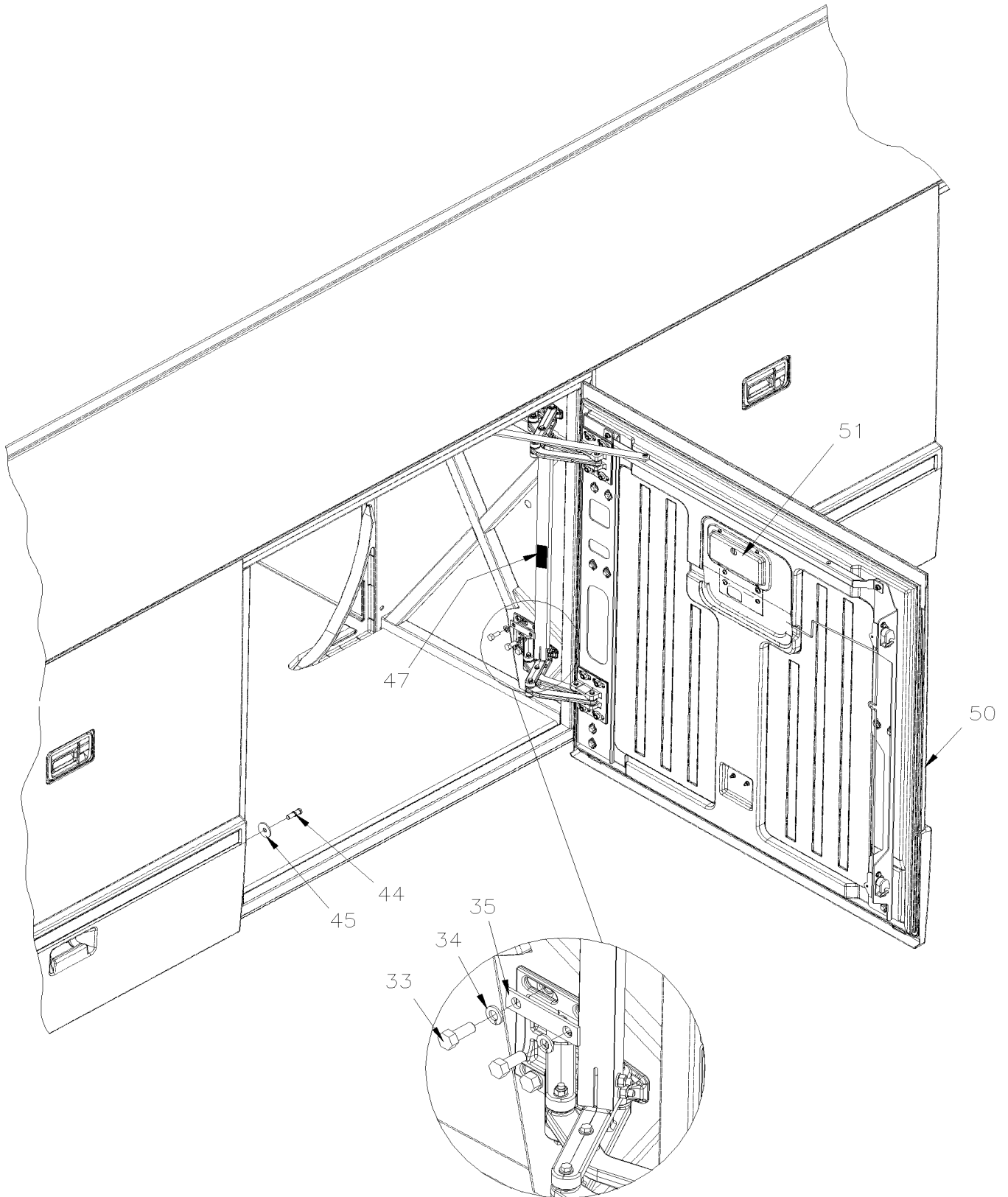


From 7-0671 To J-0287

Date:10/2022

PAGE:H7-1864-91

**BAGGAGE DOOR - W/"SLIDE-OUT" INSTALLTION**

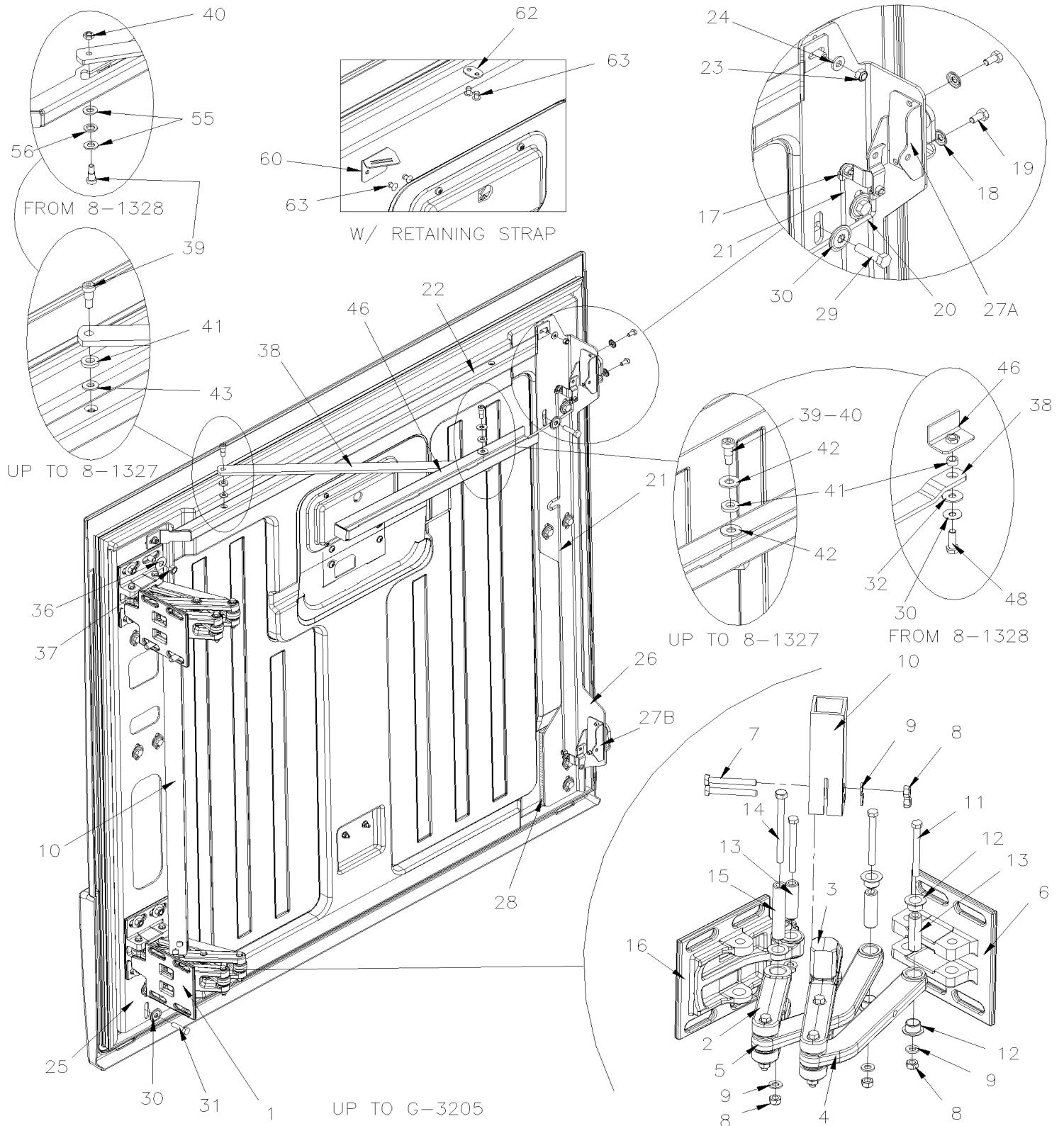


From 7-0671 To J-0287

Date:10/2022

PAGE:H7-1864-91

## BAGGAGE DOOR - W/"SLIDE-OUT" INSTALLTION

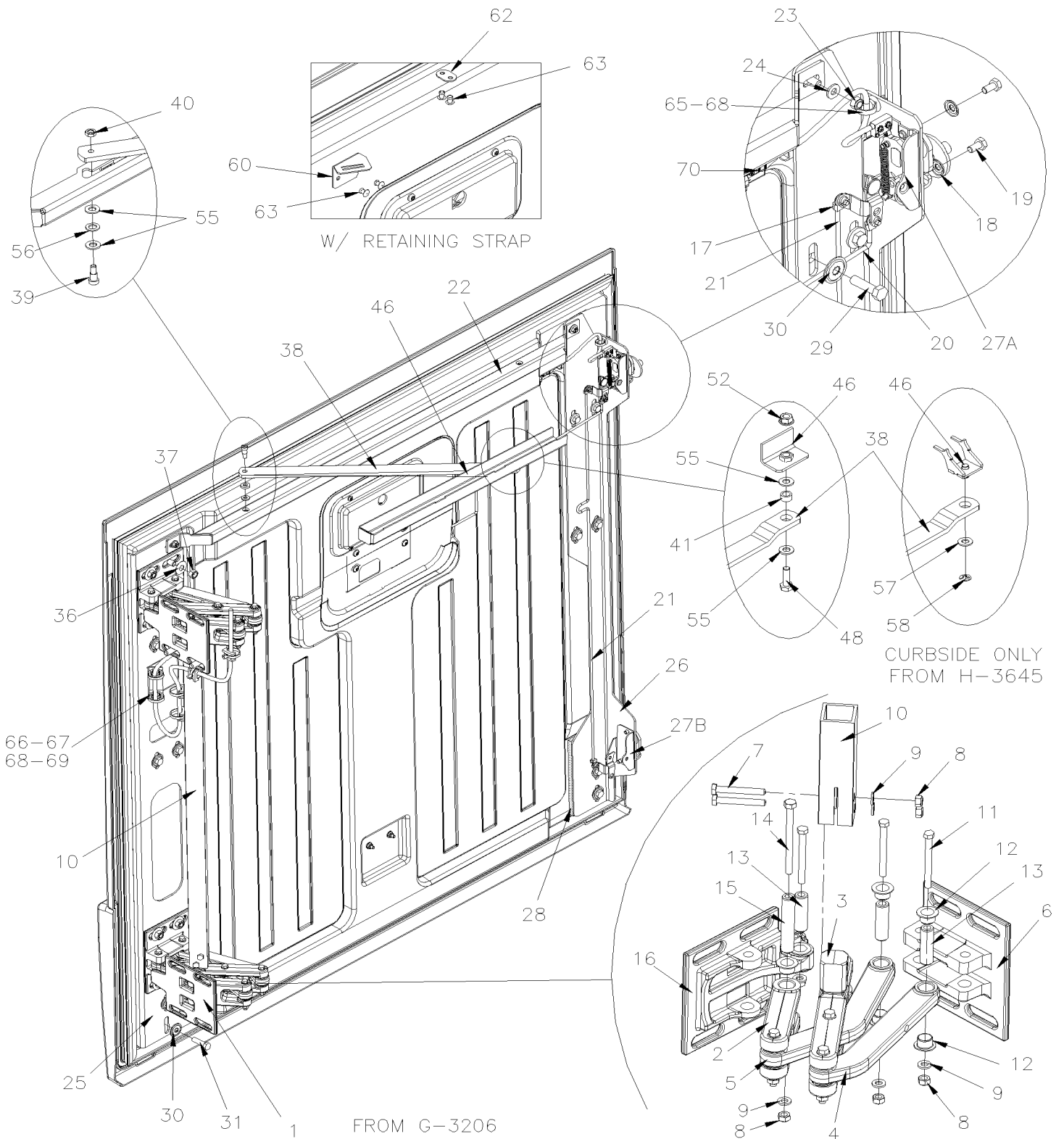


From 7-0671 To J-0287

Date:10/2022

PAGE:H7-1864-91

## BAGGAGE DOOR - W/"SLIDE-OUT" INSTALLTION



From 7-0671 To J-0287	Date:10/2022	PAGE:H7-1864-91
<b>BAGGAGE DOOR - W/"SLIDE-OUT" INSTALLTION</b>		

Item#	Part	Description	H 3 4 1	H 3 4 5	V I P 4 5	N O T E S
	287823	BAGGAGE DOOR ASSY 48" / W/RH HINGE CURBSIDE	1	1	1	
	2810205	BAGGAGE DOOR ASSY 48" / W/LH HINGE STREET SIDE	1	1	1	
1	282413P	HINGE ASSY W/ TRANSFERT TUBE			1	C
1	288875P	HINGE ASSY W/ TRANSFERT TUBE			1	S
2	288928	. HINGE ARM "H" SHAPE SMALL			2	
3	288926	. HINGE ARM "H" SHAPE LARGE			2	
4	288930	. ARM CENTER SECTION / EXTERIOR			2	
5	288932	. ARM CENTER SECTION / INTERIOR			2	
6	288924	. PLATE HOLDER DOOR SIDE			2	
7	502843	. SCREW CAP HEX M6-1.0x45 G8.8 N500 To F-3028			4	
7	5001923	. SCREW CAP HEX M6-1.0x45 SS BK From F-3029			4	
8	5001182	. NUT HEX NYRT M6-1.0 SS			18	
9	502573	. WASHER FL 6.4x12.5x1.6 SS			18	
10	288935	. SUPPORT TUBE TRANFERT 744MM To G-3205			1	
10	287831	. SUPPORT TUBE TRANFERT 744MM From G-3206			1	
11	5001681	. SCREW CAP HEX M6-1.0x60 SS			12	
12	507217	. FLANGE BEARING 12MM I.D. 20MM O.D. X 10MM			28	
13	288937	. PIN DOWEL 12MM O.D. X 41MM			12	
14	5001682	. SCREW CAP HEX M6-1.0x80 SS			2	
15	288936	. PIN DOWEL 12MM O.D. X 64MM			2	
16	288934	. PLATE HOLDER STRUCTURE SIDE			2	
17	780340	CLIP, RETAINER ROD			2	
17A	504357	WASHER FL .187x.437x.050 SS			1	
18	500356	WASHER LO SERR 6.1x16.0x0.9 N500 To F-3028			4	
18	5001833	WASHER BEL SPR 6.1x18x1.27 SS From F-3029 To H-3892			4	
18	5002015	WASHER BEL SPR 6.65x17.4x0.9 SS From H-3893			4	
19	5001743	SCREW CAP HEX M6-1.0x12 G8.8 N500 To F-3028			4	
19	5001982	SCREW CAP HEX M6-1.0x12 SS BK From F-3029 To H-3892			4	
19	5001697	SCREW CAP HEX M6-1.0x16 SS BK From H-3893			4	
20	289333	ROD L.H. 529.8MM			1	C
20	289337	ROD R.H. 497MM			1	S
21	289248	ROD 844MM			1	
22	288664	SUPPORT DOOR To 8-1327			1	
22	287046	SUPPORT DOOR WITH SLIDING TRACK From 8-1328 To G-3205			1	
22	287832	SUPPORT DOOR WITH SLIDING TRACK From G-3206 To H-3644			1	
22	280087	SUPPORT DOOR WITH SLIDING TRACK From H-3645			1	C
22	287832	SUPPORT DOOR WITH SLIDING TRACK From H-3645			1	S
23	502681	NUT HEX NYRT M6-1.0 N500 G8 To F-3028			2	
23	5001182	NUT HEX NYRT M6-1.0 SS From F-3029			2	
24	500877	WASHER FL .250x.562x.065 N500 To F-3028			2	
24	500142	WASHER FL 6.6x22.0x2.0 SS From F-3029			2	
25	282415	SUPPORT HINGE & DOOR ASSY To G-3205			1	C

<b>From 7-0671 To J-0287</b>	<b>Date:10/2022</b>	<b>PAGE:H7-1864-91</b>
<b>BAGGAGE DOOR - W/"SLIDE-OUT" INSTALLTION</b>		

Item#	Part	Description	H 3 4 1	H 3 4 5	V I P 4 5	N O T E S
25	287829	SUPPORT HINGE & DOOR ASSY From G-3206			1	C
25	289246	SUPPORT HINGE & DOOR ASSY To G-3205			1	S
25	287830	SUPPORT HINGE & DOOR ASSY From G-3206			1	S
26	282414	SUPPORT LATCH To G-3205			1	C
26	287834	SUPPORT LATCH From G-3206			1	C
26	289245	SUPPORT LATCH To G-3205			1	S
26	287835	SUPPORT LATCH From G-3206			1	S
27A	287465	LOCK SPAGNOLET To E-2572			1	C
27A	287465	LOCK SPAGNOLET To E-2572			1	C
. NS	780340	. CLIP, RETAINER ROD To E-2572			1	C
27A	289835	LOCK SPAGNOLET From E-2573 To G-3205			1	C
27A	289835	LOCK SPAGNOLET From E-2573 To G-3205			1	C
. NS	780840	. LOCK SPAGNOLET R.H. From E-2573 To G-3205			1	C
27A	287846	LOCK SPAGNOLET R.H. WITH SWITCH From G-3206			1	C
. NS	565205	. MICRO SWITCH From G-3206			1	C
. NS	563864	. HARDWARES FOR SWITCH From G-3206			1	C
27A	289257	LOCK SPAGNOLET To E-2572			1	S
. NS	780340	. CLIP, RETAINER ROD To E-2572			1	S
27A	289836	LOCK SPAGNOLET From E-2573 To G-3205			1	S
27A	289836	LOCK SPAGNOLET From E-2573 To G-3205			1	S
. NS	780839	. LOCK SPAGNOLET L.H. From E-2573 To G-3205			1	S
27A	287847	LOCK SPAGNOLET L.H. WITH SWITCH From G-3206			1	S
. NS	565205	. MICRO SWITCH From G-3206			1	S
. NS	563864	. HARDWARES FOR SWITCH From G-3206			1	S
27B	287465	LOCK SPAGNOLET To E-2572			1	C
27B	287465	LOCK SPAGNOLET To E-2572			1	C
. NS	780340	. CLIP, RETAINER ROD To E-2572			1	C
27B	289835	LOCK SPAGNOLET From E-2573			1	C
27B	289835	LOCK SPAGNOLET From E-2573			1	C
. NS	780840	. LOCK SPAGNOLET R.H. From E-2573			1	C
27B	289836	LOCK SPAGNOLET From E-2573			1	S
27B	289836	LOCK SPAGNOLET From E-2573			1	S
. NS	780839	. LOCK SPAGNOLET L.H. From E-2573			1	S
28	289260	SPACER PLASTIC 103MM X 165MM X 10MM			2	
29	5001738	SCREW CAP HEX M8-1.25x30 G8.8 N500 To F-3028			12	
29	5001912	SCREW CAP HEX M8-1.25x30 SS BK From F-3029			8	
30	5001699	WASHER BEL SPR 8.2x22x1.4 N500 To F-3028			12	
30	5001848	WASHER BEL SPR .827 x .331 x .098 th SS From F-3029			AR	
31	502836	SCREW CAP HEX M8-1.25x35 G8.8 N500 To F-3028			4	
31	5001319	SCREW CAP HEX M8-1.25x40 SS From F-3029			4	
32	500381	WASHER FL 8.4x25.0x2.0 N500 To F-3028			1	
32	5001849	WASHER FL 8.4x24.0x2.0 SS From F-3029			1	

From 7-0671 To J-0287	Date:10/2022	PAGE:H7-1864-91
<b>BAGGAGE DOOR - W/"SLIDE-OUT" INSTALLTION</b>		

Item#	Part	Description	H 3 4 1	H 3 4 5	V I P 4 5	N O T E S
33	509856	SCREW CAP HEX M10-1.5x30 SS XLN BK			8	
34	5001834	WASHER BEL SPR 10.5X23X2.5 N500			AR	
35	288939	SHIM 21MM X 85MM / W2 HOLES 11MM OD 61MM C/C			4	
36	502871	WASHER LO SERR 10.2x26.3x1.4 N500 To F-3028			8	
36	2800978	WASHER, HINGE 7 PIVOTS From F-3029			4	
37	500102	NUT HEX 3/8-16 SS			8	
38	289259	ARM DOOR RETAINER To 8-1327			1	
38	287045	ARM DOOR RETAINER From 8-1328 To F-3028			1	
38	2800977	ARM DOOR RETAINER From F-3029			1	
39	502861	SCREW SHR HEXS 5/16x3/8 {1/4-20 N500 To F-3028			2	
39	5001560	SCREW SHR HEXS 5/16x3/8 {1/4-20 SS From F-3029			2	
40	500384	NUT HEX JAM 1/4-20 G500 To F-3028			1	
40	5001980	NUT HEX JAM 1/4-20 SS BK From F-3029			1	
41	502768	WASHER FL RUB .312x.625x.125 NEO To 8-1327			2	
41	283770	SPACER / TO FIX RETAINING ARM From 8-1328 To H-3644			1	
41	283770	SPACER / TO FIX RETAINING ARM From H-3645			1	S
42	502638	WASHER FL .312x.734x.065 N500			2	
43	500877	WASHER FL .250x.562x.065 N500			1	
44	284438	PIN STRIKER			2	
45	500494	WASHER BEL SPR .470x1.680x.125 N500 To F-3028			2	
45	284447	WASHERS BELLEVILLE From F-3029			2	
46	289271	SLIDING TRACK ARM SUPPORT (WELDED TO STRUCTURE) To 8-1327			1	
46	212148	ANGLE WM8-1.25 (FIXED AT STRUCTURE) From 8-1328 To H-3644			1	
46	212148	ANGLE WM8-1.25 (FIXED AT STRUCTURE) From H-3645			1	S
46	210088	PIN From H-3645			1	C
47	144622	DECAL / "DO NOT READJUST..."			1	
48	502780	SCREW CAP HEX M8-1.25x25 SS BK From 8-1328 To H-3644			1	
48	502780	SCREW CAP HEX M8-1.25x25 SS BK From H-3645	1	1	1	S
50	<b>H7-1864-00</b>	<b>BAGGAGE COMPARTMENT DOOR</b>				
51	<b>H7-1864-35</b>	<b>BAGGAGE COMPARTMENT ELECTRICAL LOCK - V.I.P</b>				
52	502911	NUT HEXF M8-1.25 SS From G-3206 To H-3644			1	
52	502911	NUT HEXF M8-1.25 SS From H-3645			1	S
55	5001341	WASHER FL 8.4x17.0x1.6 SS			AR	
56	500374	WASHER FL .375x.625x.062 RUB			1	
57	5001341	WASHER FL 8.4x17.0x1.6 SS From H-3645			1	C
58	504699	RING RETAINER / EXT .250 x .207 x .025" / SS From H-3645			1	C
60	287826	RH SUPPORT, BELT			1	
NS	285224	LH SUPPORT, BELT			1	
NS	505507	STRAP NYLON 1" WIDE / S.L.			AR	
62	284439	PLATE, STRAP RETAINING / OBLONG 16.5MM x 25.4MM W/2 HOLES			1	
63	504379	RIVET POP DOME OE 3/16x1/4 SS			4	
65	509815	TIE MOUNT / ATTACHMENT W/TREE MOUNT From G-3206			AR	

From 7-0671 To J-0287	Date:10/2022	PAGE:H7-1864-91
<b>BAGGAGE DOOR - W/"SLIDE-OUT" INSTALLTION</b>		

Item#	Part	Description	H 3 4 1	H 3 4 5	V I P 4 5	N O T E S
66	504488	RIVET MGLP PRDG 3/16x17/64 SS From G-3206			AR	
67	5001137	WASHER FL .203x.438x.050 SS From G-3206			AR	
68	504637	CABLE TIE / 3/16" x 13" From G-3206			AR	
69	504013	TIE MOUNT / 1/4" X 1/4" I.D. From G-3206			AR	
70	564108	SELF MOUNTING STUD // DEUTSCH 1011-310-0205 From G-3206			AR	
NS	562679	4 WAY ADH. BACKED MOUNTS 1.000 x 1.000 x .160 From G-3206			AR	
		C) CURBSIDE DOOR				
		S) STREETSIDE				



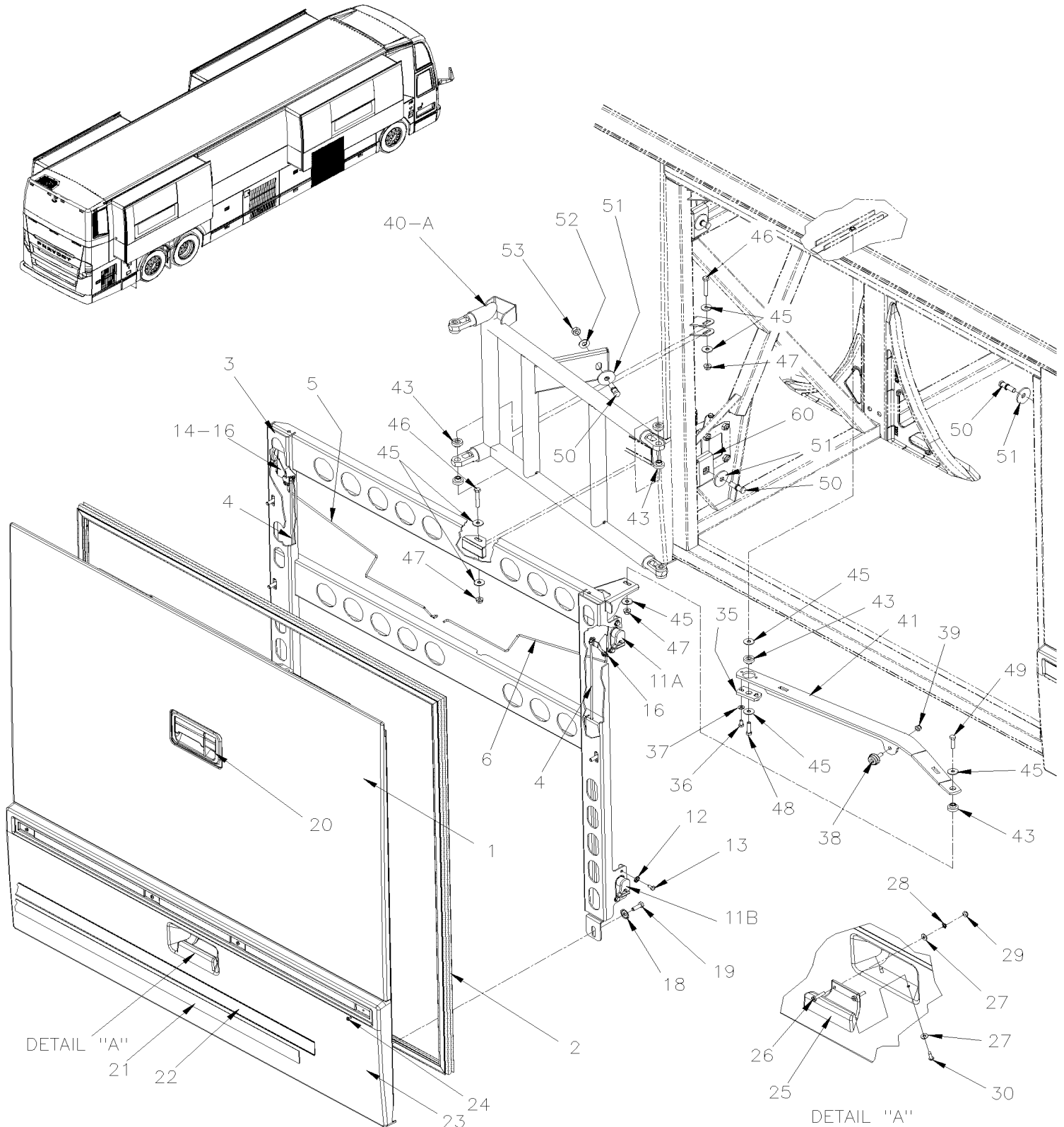


From 7-0671 To J-0287

Date:10/2022

PAGE:H7-1864-95

## BAGGAGE DOOR - W/"SLIDE-OUT" PANTOGRAPH INSTALLTION

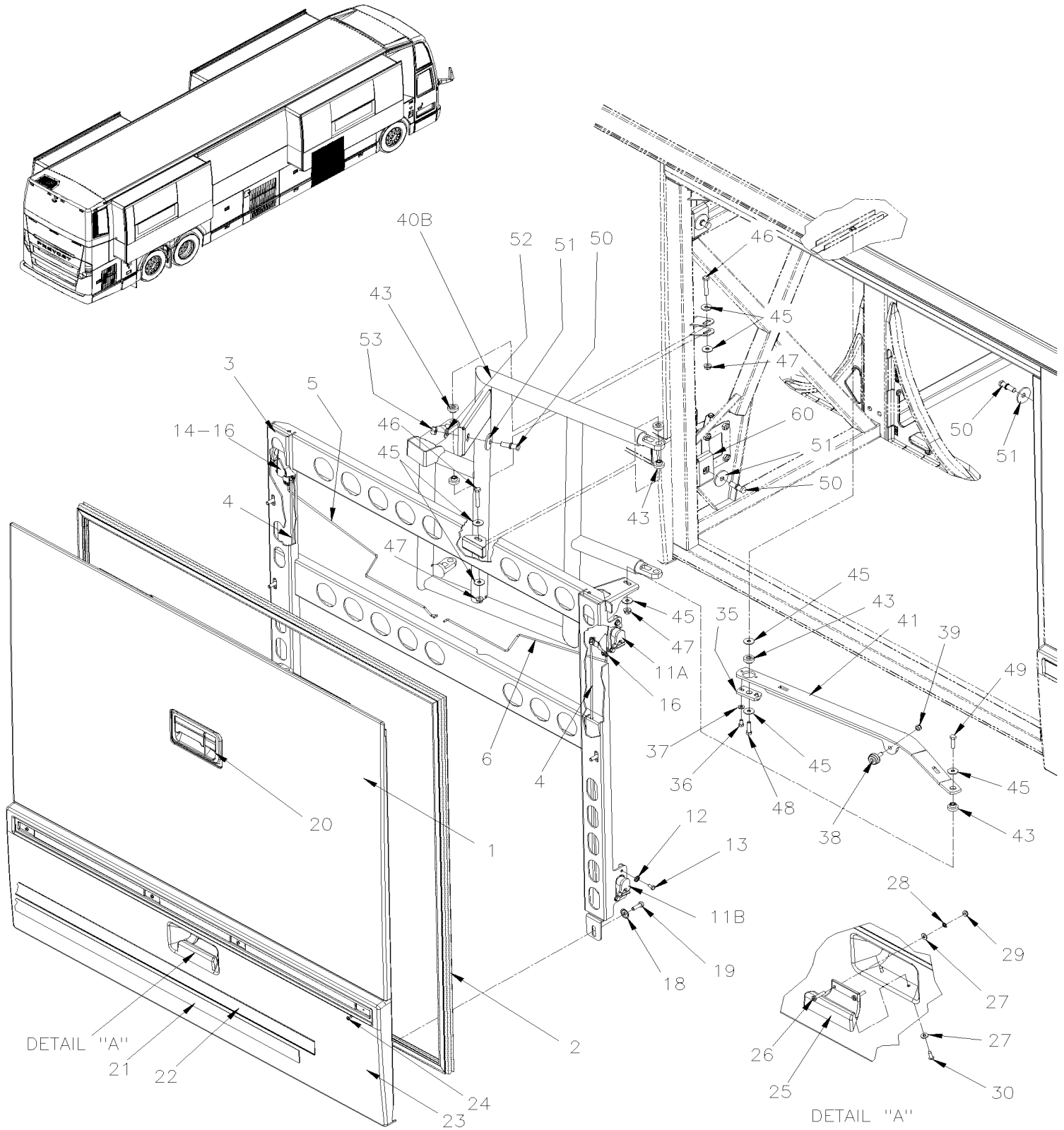


From 7-0671 To J-0287

Date:10/2022

PAGE:H7-1864-95

## BAGGAGE DOOR - W/"SLIDE-OUT" PANTOGRAPH INSTALLTION



From 7-0671 To J-0287 Date:10/2022 PAGE:H7-1864-95

**BAGGAGE DOOR - W/"SLIDE-OUT" PANTOGRAPH INSTALLTION**

Item#	Part	Description	H 3 4 1	H 3 4 5	V I P 4 5	N O T E S
	Call order desk	BAGGAGE DOOR ASSY To G-3205			1	PJ
	Call order desk	BAGGAGE DOOR ASSY To G-3205			1	PH
	Call order desk	BAGGAGE DOOR ASSY From G-3206			1	P
1	286972	. DOOR MOULDED / FIBERGLASS "SMC"			1	
2	2800122	. RUBBER SEAL EXTRUSION / 1152MM X 1121MM			1	
2	684685	. ADHESIVE SIMSON #ISR 70-03 / 310ml CARTRIDGE			AR	
3	289016	. DOOR FRAME To G-3205			1	FJ
3	287852	. DOOR FRAME From G-3206 To H-3644			1	FJ
3	287852	. DOOR FRAME From H-3645			1	F
3	280280	. DOOR FRAME From H-3645			1	J
3	288150	. DOOR FRAME To F-3007			1	GH
3	280016	. DOOR FRAME From F-3008 To G-3205			1	GH
3	287845	. DOOR FRAME From G-3206 To H-3644			1	GH
3	287845	. DOOR FRAME From H-3645			1	G
3	280281	. DOOR FRAME From H-3645			1	H
4	288173	. DOOR ROD L.H. TRANFERT LEVER			2	
5	289345	. ROD L.H. 534.8MM			1	
6	289332	. ROD R.H. 496.8MM			1	
11A	289257	. LOCK SPAGNOLET To E-2572			1	FJ
11A	289257	. LOCK SPAGNOLET To E-2572			1	FJ
. NS	780340	. . CLIP, RETAINER ROD To E-2572			1	FJ
11A	289836	. LOCK SPAGNOLET From E-2573			1	FJ
11A	289836	. LOCK SPAGNOLET From E-2573			1	FJ
. NS	780839	. . LOCK SPAGNOLET L.H. From E-2573			1	FJ
11A	287465	. LOCK SPAGNOLET To E-2572			1	GH
11A	287465	. LOCK SPAGNOLET To E-2572			1	GH
. NS	780340	. . CLIP, RETAINER ROD To E-2572			1	GH
11A	289835	. LOCK SPAGNOLET From E-2573			1	GH
11A	289835	. LOCK SPAGNOLET From E-2573			1	GH
. NS	780840	. . LOCK SPAGNOLET R.H. From E-2573			1	GH
11B	289257	. LOCK SPAGNOLET To E-2572			1	FJ
11B	289257	. LOCK SPAGNOLET To E-2572			1	FJ
. NS	780340	. . CLIP, RETAINER ROD To E-2572			1	FJ
11B	289836	. LOCK SPAGNOLET From E-2573 To G-3205			1	FJ
11B	289836	. LOCK SPAGNOLET From E-2573 To G-3205			1	FJ
. NS	780839	. . LOCK SPAGNOLET L.H. From E-2573 To G-3205			1	FJ
11B	287847	. LOCK SPAGNOLET L.H. WITH SWITCH From G-3206			1	FJ
. NS	565205	. . MICRO SWITCH From G-3206			1	FJ
. NS	563864	. . HARDWARES FOR SWITCH From G-3206			1	FJ
11B	287465	. LOCK SPAGNOLET To E-2572			1	GH
11B	287465	. LOCK SPAGNOLET To E-2572			1	GH
. NS	780340	. . CLIP, RETAINER ROD To E-2572			1	GH

From 7-0671 To J-0287 Date:10/2022 PAGE:H7-1864-95

BAGGAGE DOOR - W/"SLIDE-OUT" PANTOGRAPH INSTALLTION

Item#	Part	Description	H 3 4 1	H 3 4 5	V I P 4 5	N O T E S
11B	289835	. LOCK SPAGNOLET From E-2573			1	GH
11B	289835	. LOCK SPAGNOLET From E-2573			1	GH
. NS	780840	. . LOCK SPAGNOLET R.H. From E-2573			1	GH
11B	287846	. LOCK SPAGNOLET R.H. WITH SWITCH From G-3206			1	GH
. NS	565205	. . MICRO SWITCH From G-3206			1	GH
. NS	563864	. . HARDWARES FOR SWITCH From G-3206			1	GH
NS	509815	. TIE MOUNT / ATTACHMENT W/TREE MOUNT From G-3206			AR	
NS	504637	. CABLE TIE / 3/16" x 13" From G-3206			AR	
NS	504013	. TIE MOUNT / 1/4" X 1/4" I.D. From G-3206			AR	
NS	504488	. RIVET MGLP PRDG 3/16x17/64 SS From G-3206			AR	
NS	5001137	. WASHER FL .203x.438x.050 SS From G-3206			AR	
NS	564108	. SELF MOUNTING STUD // DEUTSCH 1011-310-0205 From G-3206			AR	
12	500356	. WASHER LO SERR 6.1x16.0x0.9 N500 To F-3028			8	
12	5001833	. WASHER BEL SPR 6.1x18x1.27 SS From F-3029 To H-3892			8	
12	5002015	. WASHER BEL SPR 6.65x17.4x0.9 SS From H-3893			8	
13	5001743	. SCREW CAP HEX M6-1.0x12 G8.8 N500 To F-3028			8	
13	5001982	. SCREW CAP HEX M6-1.0x12 SS BK From F-3029 To H-3892			8	
13	5001697	. SCREW CAP HEX M6-1.0x16 SS BK From H-3893			8	
14	287465	. LOCK SPAGNOLET To E-2572			2	FJ
. NS	780340	. . CLIP, RETAINER ROD To E-2572			1	FJ
14	289835	. LOCK SPAGNOLET From E-2573			2	FJ
. NS	780840	. . LOCK SPAGNOLET R.H. From E-2573			1	FJ
14	289257	. LOCK SPAGNOLET To E-2572			2	GH
. NS	780340	. . CLIP, RETAINER ROD To E-2572			1	GH
14	289836	. LOCK SPAGNOLET From E-2573			2	GH
. NS	780839	. . LOCK SPAGNOLET L.H. From E-2573			1	GH
16	780340	. CLIP, RETAINER ROD			6	
18	5001699	. WASHER BEL SPR 8.2x22x1.4 N500 To F-3028			6	
18	5001848	. WASHER BEL SPR .827 x .331 x .098 th SS From F-3029			6	
19	5001745	. SCREW CAP HEX M8-1.25x25 G8.8 N500 To F-3028			6	
19	502780	. SCREW CAP HEX M8-1.25x25 SS BK From F-3029			6	
20	<b>H7-1864-31</b>	<b>. HANDLE LOCK &amp; KEYS - TYPE "NS" &amp; "FORD"</b>				
21	283100	. STRIPE, REFLECTIVE WHITE / 38MM X 15' ROLL			AR	
. NS	780277	. . STRIPE, REFLECTIVE WHITE / 38MM X 150' ROLL			AR	
22	285542	. EXTRUSION BACKING 1189MM			1	
22	682348	. TAPE, DOUBLE COATED ACRYLIC			AR	
23	285504	. PROTECTOR PANEL / SH			1	
23	683083	. ADHESIVE SIKA #252 / BLACK / 600 ml SAUSAGE			AR	
24	500952	. SCREW TP BDG PH #8x1/2 SS			4	
25	282562	. HANDLE / DOOR			1	
25	680025	. CAULKING STRIP 3/16" O.D. X 14'			AR	
26	502746	. SCREW MA PAN PH M5-0.8x20 SS BK			2	

From 7-0671 To J-0287 Date:10/2022 PAGE:H7-1864-95

**BAGGAGE DOOR - W/"SLIDE-OUT" PANTOGRAPH INSTALLTION**

Item#	Part	Description	H 3 4 1	H 3 4 5	V I P 4 5	N O T E S
27	500804	. WASHER FL .203x.500x.047 N500			4	
28	500840	. WASHER LO EXT .195x.410x.025 N500			2	
29	502827	. NUT HEX CAP M5-0.8 N500			2	
30	500957	. SCREW TP BDG PH #10x3/4 N500			2	
35	288162	SUPPORT, FRAME ASSY.			1	
36	502772	SCREW CAP HEX 1/4-20x1/2 G5 N500			2	
36	680038	THREAD LOCKER LOCTITE #243 / BLUE / 50ml			AR	
37	500877	WASHER FL .250x.562x.065 N500 To F-3028			2	
37	502573	WASHER FL 6.4x12.5x1.6 SS From F-3029			2	
38	780789	ADJUSTMENT DEVICE 5/16-18			1	
39	500685	NUT HEX NYRT 5/16-18 SS			1	
40A	289023	PANTOGRAPH ARM To G-3205			1	F J
40A	287855	PANTOGRAPH ARM From G-3206 To H-3644			1	F J
40A	287855	PANTOGRAPH ARM From H-3645			1	F
40A	280308	PANTOGRAPH ARM From H-3645			1	J
40A	2800213	PANTOGRAPH ARM To G-3205			1	H
40A	287841	PANTOGRAPH ARM From G-3206 To H-3644			1	H
40A	280291	PANTOGRAPH ARM From H-3645			1	H
40B	2800917	PANTOGRAPH ARM / W/OFFSET From E-2683 To G-3205			1	G C
40B	287849	PANTOGRAPH ARM / W/OFFSET From G-3206			1	G C
41	289024	ARM AUXILIARY To H-3644			1	F J
41	289024	ARM AUXILIARY From H-3645			1	F
41	280326	ARM AUXILIARY From H-3645			1	J
41	288637	ARM AUXILIARY To H-3644			1	G H
41	288637	ARM AUXILIARY From H-3645			1	G
41	280325	ARM AUXILIARY From H-3645			1	H
43	286716	SPACER BUSHING FLANGE / AUX. ARM & SUPPORT ACETAL 8.3MM I.D.			10	
45	500381	WASHER FL 8.4x25.0x2.0 N500 To F-3028			12	
45	5001849	WASHER FL 8.4x24.0x2.0 SS From F-3029			12	
46	502927	SCREW CAP HEX M8-1.25x50 G8.8 N500 To F-3028			4	
46	5001981	SCREW CAP HEX M8-1.25x50 SS BK From F-3029			4	
47	502837	NUT HEXF STO M8-1.25 N500 To F-3028			5	
47	5001983	NUT HEX NYRT M8-1.25 SS SS BK From F-3029			5	
48	5001738	SCREW CAP HEX M8-1.25x30 G8.8 N500 To F-3028			1	
48	5001912	SCREW CAP HEX M8-1.25x30 SS BK From F-3029			1	
49	5001738	SCREW CAP HEX M8-1.25x30 G8.8 N500 To F-3028			1	
49	5001319	SCREW CAP HEX M8-1.25x40 SS From F-3029			1	
50	284438	PIN STRIKER			5	
51	284447	WASHERS BELLEVILLE			5	
52	500897	WASHER FL .437x1.000x.083 N500			1	
53	502883	NUT HEX 7/16-14 N500			1	
60	287943	FLOATING NUT ASSY WITH CASE			4	

From 7-0671 To J-0287      Date:10/2022      PAGE:H7-1864-95

**BAGGAGE DOOR - W/"SLIDE-OUT" PANTOGRAPH INSTALLTION**

Item#	Part	Description	H 3 4 1	H 3 4 5	V I P 4 5	N O T E S
60	287942	. FLOATING NUT			1	
		C) OPTION - UNITED COACHWORKS				
		F) FIRST BAGGAGE DOOR STREET SIDE				
		G) SECOND BAGGAGE DOOR STREET SIDE				
		H) FIRST BAGGAGE DOOR CURBSIDE				
		J) SECOND BAGGAGE DOOR CURBSIDE				
		P) CALL ORDER DESK FOR SPECIFIC APPLICATION (V.I.N.)				

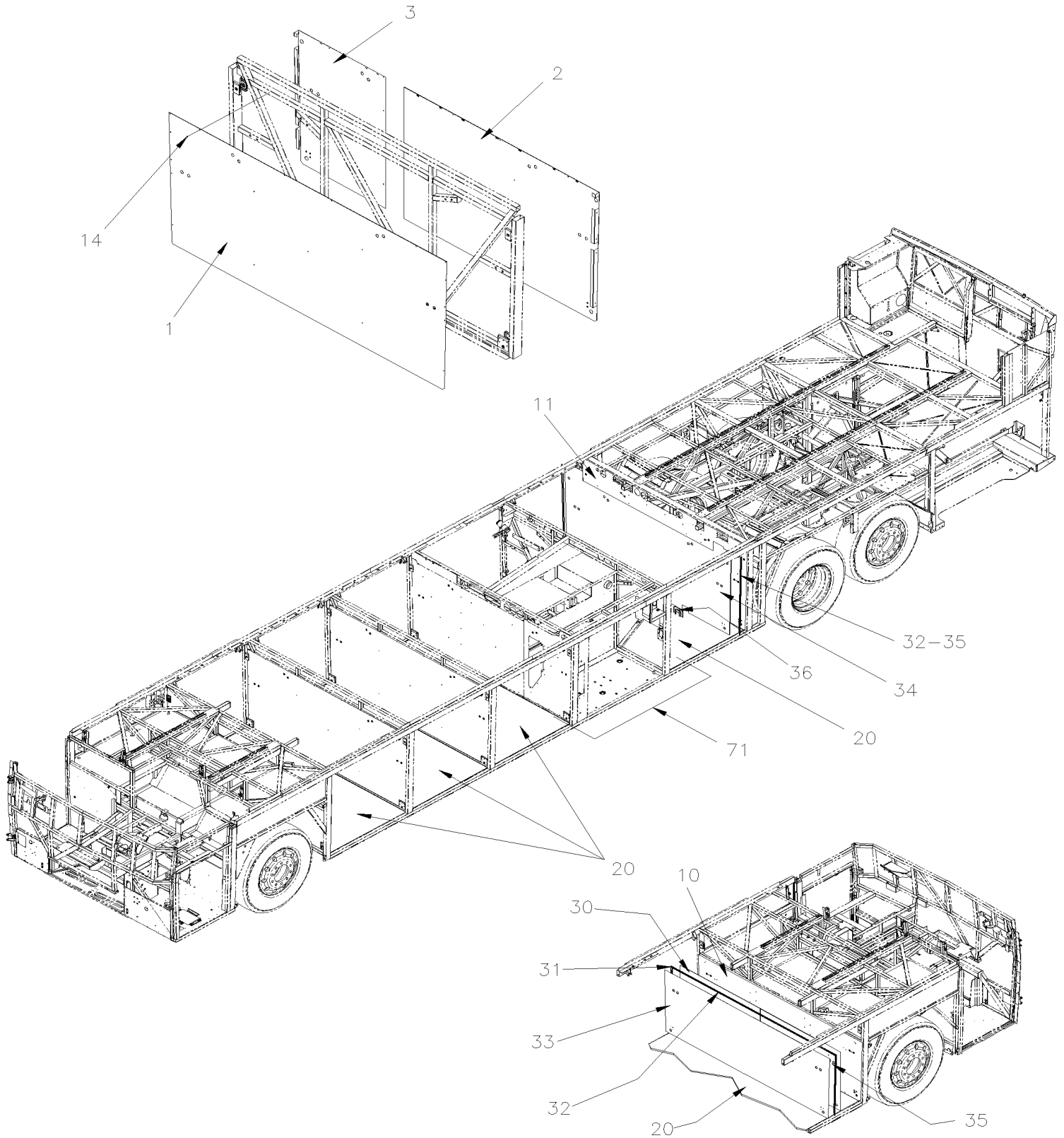


From 7-0761 To J-0287

Date:10/2022

PAGE:H7-1865-00

## BAGGAGE COMPARTMENT PANELS

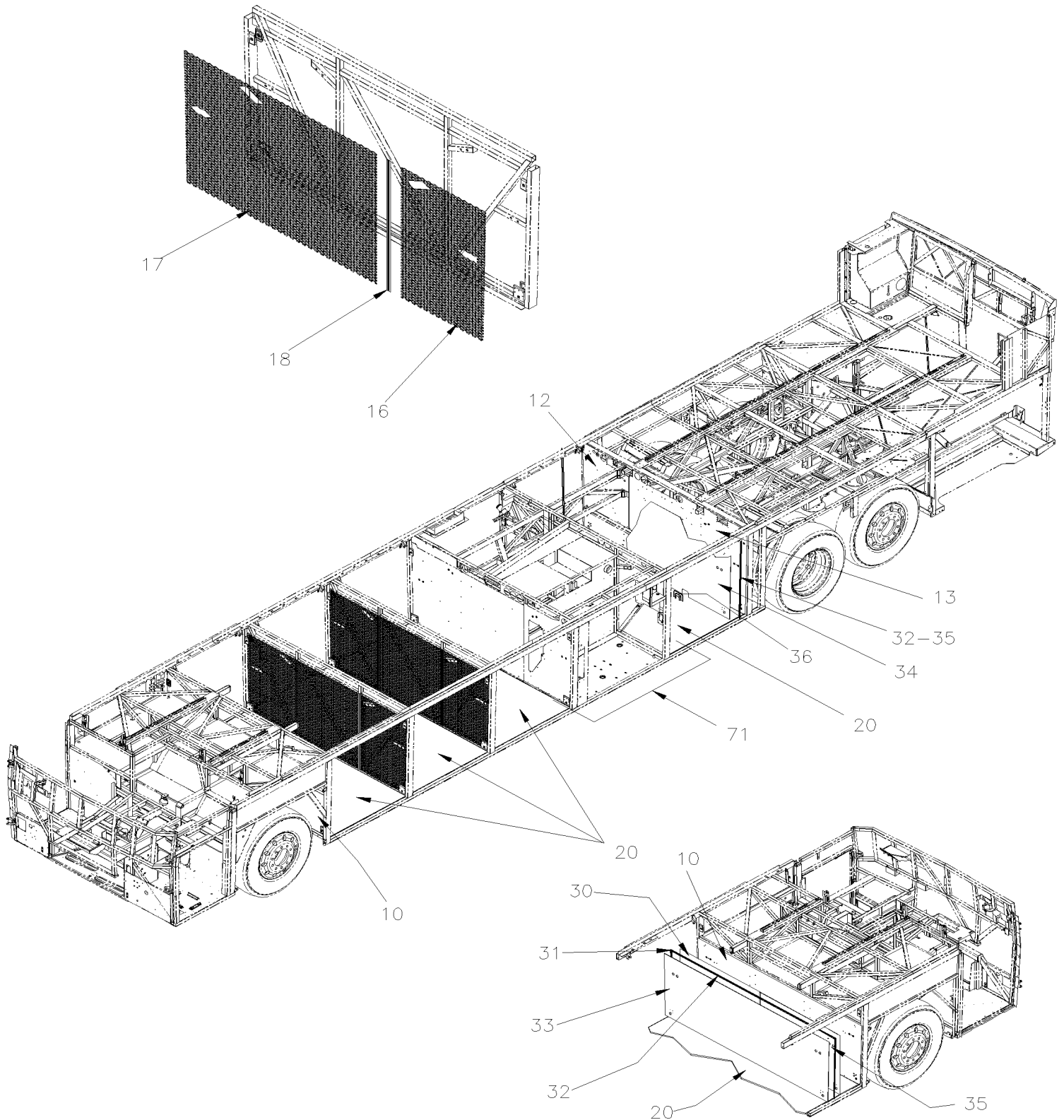


From 7-0761 To J-0287

Date:10/2022

PAGE:H7-1865-00

## BAGGAGE COMPARTMENT PANELS



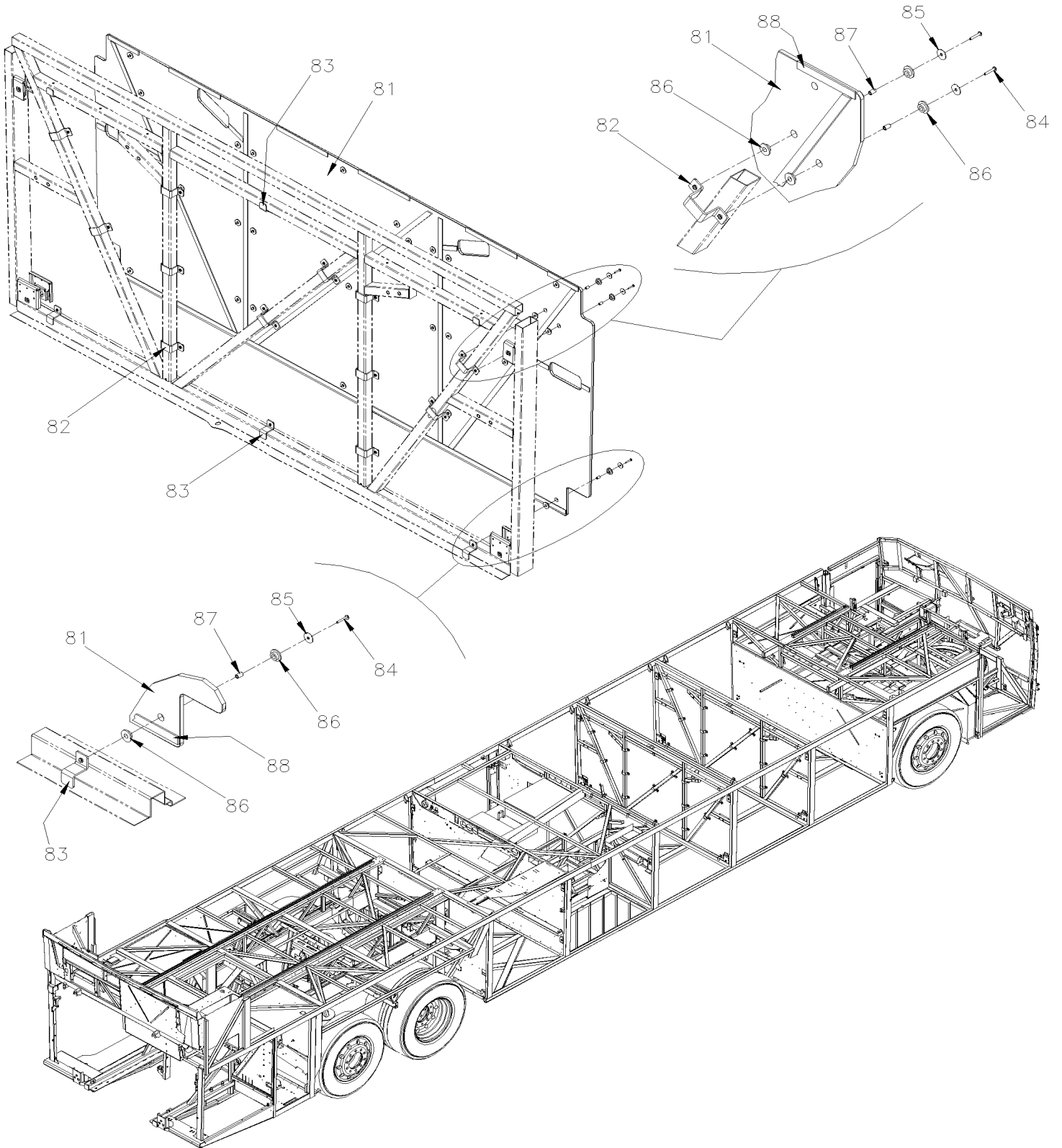


From 7-0761 To J-0287

Date:10/2022

PAGE:H7-1865-00

## BAGGAGE COMPARTMENT PANELS

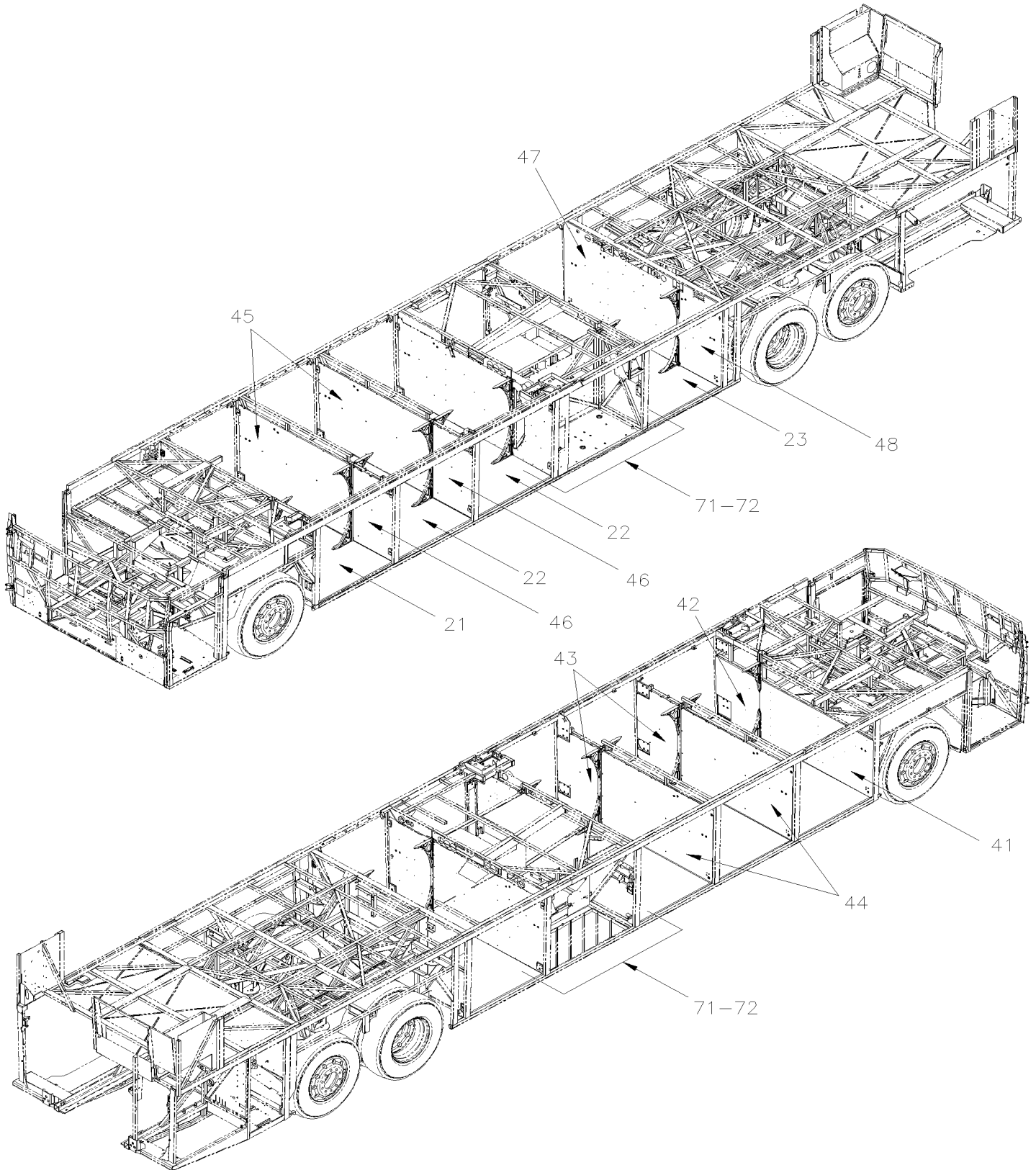


From 7-0761 To J-0287

Date:10/2022

PAGE:H7-1865-00

## BAGGAGE COMPARTMENT PANELS

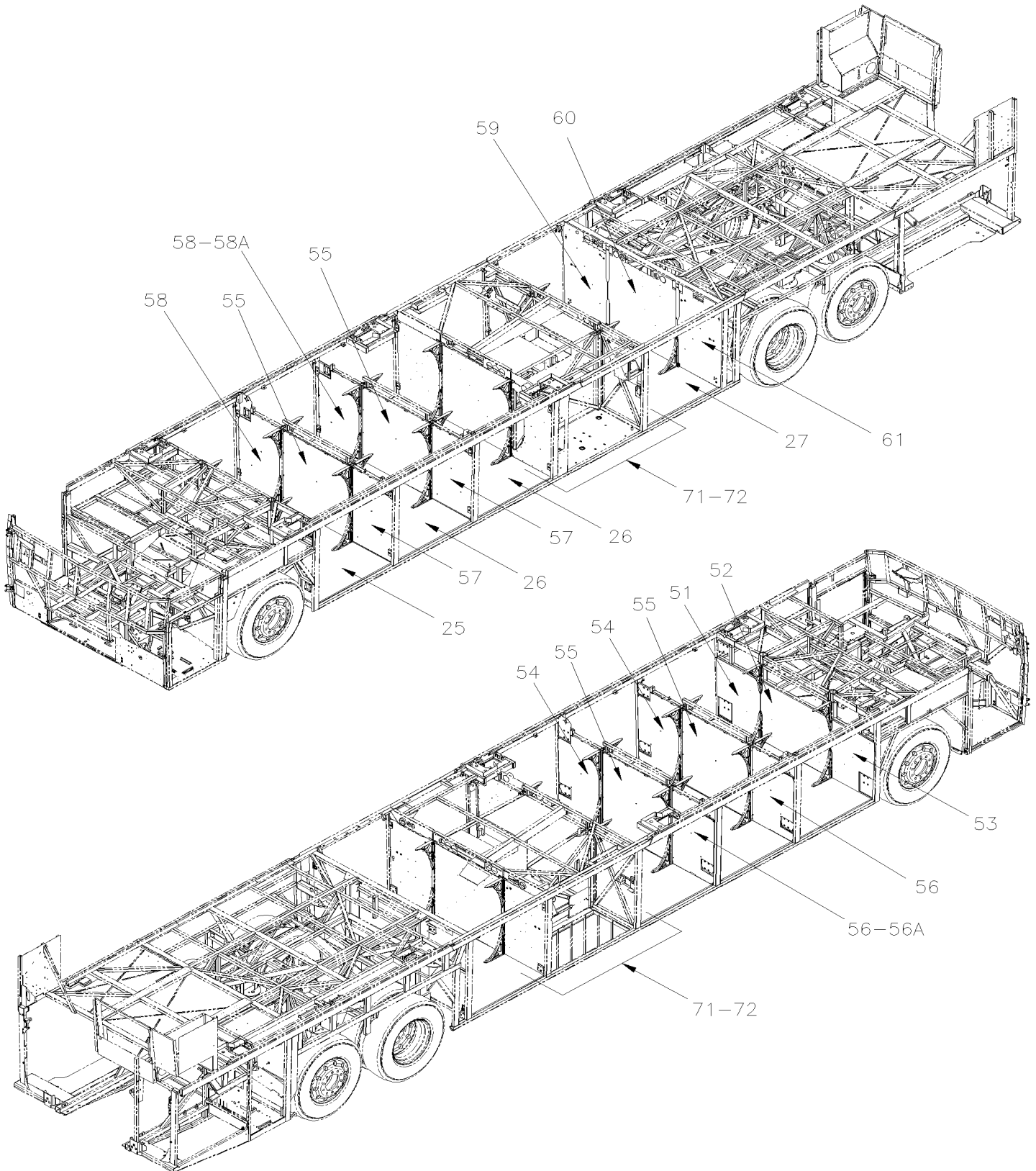


From 7-0761 To J-0287

Date:10/2022

PAGE:H7-1865-00

## BAGGAGE COMPARTMENT PANELS



From 7-0761 To J-0287	Date:10/2022	PAGE:H7-1865-00
<b>BAGGAGE COMPARTMENT PANELS</b>		

Item#	Part	Description	H 3 4 1	H 3 4 5	V I P 4 5	N O T E S
1	482638	PANEL 2450MM / FRONT OF WALL	1			
1	482638	PANEL 2450MM / FRONT OF WALL		2		
1	482638	PANEL 2450MM / FRONT OF WALL W/O SLIDE-OUT			2	
2	482636	PANEL / REAR OF WALL / 1724MM	1			
2	482636	PANEL / REAR OF WALL / 1724MM		2		
2	482636	PANEL / REAR OF WALL / 1724MM W/O SLIDE-OUT			2	
3	482637	PANEL 770MM / REAR OF WALL	1			
3	482637	PANEL 770MM / REAR OF WALL		2		
3	482637	PANEL 770MM / REAR OF WALL W/O SLIDE-OUT			2	
10	213417	PANEL / FRONT BAGGAGE COMPARTMENT	1	1		
10	213417	PANEL / FRONT BAGGAGE COMPARTMENT			1	
11	214886	PANEL / REAR W/O W.C.L. To E-2504	1	1		
11	217666	PANEL / REAR W/O W.C.L. From E-2505	1	1		
11	216443	PANEL / REAR / W/AIR DRYER W/O W.C.L. To E-2504	1	1		
11	217685	PANEL / REAR / W/AIR DRYER W/O W.C.L. From E-2505	1	1		
11	217639	PANEL / REAR W/W.C.L. From E-2505	1	1		
11	216188	PANEL / REAR W/O SLIDE-OUT			1	
12	215504	PANEL / REAR / CURBSIDE W/W.C.L. To E-2504		1		
13	483762	PANEL / REAR / STREET SIDE W/W.C.L. To E-2504		1		
13	484139	PANEL / REAR / STREET SIDE / W/AIR DRYER W/W.C.L. To E-2504		1		
14	504488	RIVET MGLP PRDG 3/16x17/64 SS	AR	AR	AR	
NS	680532	SEALANT SIKA #221 / GREY / 310ml CARTRIDGE	AR	AR	AR	
		NEXT FOLLOWING ITEMS ARE RELATED				
		GRILL, LUGGAGE SEPARATOR				
16	484347	GRILL, LUGGAGE SEPARATOR 1070MM X 742MM To E-2470		2		C
16	484357	GRILL, LUGGAGE SEPARATOR 1069MM X 742MM From E-2471		2		C
17	484348	GRILL, LUGGAGE SEPARATOR 1070MM X 1696MM To E-2470		2		C
17	484358	GRILL, LUGGAGE SEPARATOR 1069MM X 1696MM From E-2471		2		C
18	484349	JOINT COVER, GRILL LUGGAGE SEPARATOR To E-2470		2		C
18	484359	JOINT COVER, GRILL LUGGAGE SEPARATOR From E-2471		2		C
20	482533	PANEL / FLOOR 1181MM WIDE / FIBERGLASS	3			
. NS	IS-96037	. SEE INSTRUCTION SHEET	1			
20	482533	PANEL / FLOOR 1181MM WIDE / FIBERGLASS		4		
. NS	IS-96037	. SEE INSTRUCTION SHEET		1		
20	483689	PANEL / FLOOR 1181MM WIDE / WOOD W/O SLIDE-OUT			4	
. NS	IS-96037	. SEE INSTRUCTION SHEET			1	
20	483291	PANEL / FLOOR / W/O PAINT 1181MM WIDE / WOOD W/O SLIDE-OUT			4	



<b>From 7-0761 To J-0287</b>	<b>Date:10/2022</b>	<b>PAGE:H7-1865-00</b>
------------------------------	---------------------	------------------------

**BAGGAGE COMPARTMENT PANELS**

Item#	Part	Description	H 3 4 1	H 3 4 5	V I P 4 5	N O T E S
NS	485449	PANEL / FLOOR 1181MM WIDE W/O SLIDE-OUT			4	A
20	483741	PANEL ALUMINUM / FLOOR BAGGAGE W/O SLIDE-OUT			3	A
20	482418	PANEL ALUMINUM / FLOOR BAGGAGE / 2 KNOCK 45MM X 90MM W/O SLIDE-OUT			1	A
21	484057	PANEL / FLOOR BAGGAGE # 1 From 7-0772			1	S1
21	480074	PANEL / FLOOR BAGGAGE # 1 / W/O PAINT From 7-0772			1	S1
21	484096	PANEL / FLOOR BAGGAGE # 1 From 7-0772			1	A S1
21	484099	PANEL ALUMINUM / FLOOR BAGGAGE # 1 From 7-0772			1	A S1
22	484059	PANEL / FLOOR BAGGAGE # 2 & 3 From 7-0772			2	S1
22	480075	PANEL / FLOOR BAGGAGE # 2 & 3 / W/O PAINT From 7-0772			2	S1
22	484097	PANEL / FLOOR BAGGAGE # 2 & 3 From 7-0772			2	A S1
22	484100	PANEL ALUMINUM / FLOOR BAGGAGE # 2 & 3 From 7-0772			2	A S1
23	484058	PANEL / FLOOR BAGGAGE # 4 From 7-0772 To E-2504			1	S1
23	484352	PANEL / FLOOR BAGGAGE # 4 From E-2505			1	S1
23	480071	PANEL / FLOOR BAGGAGE # 4 / W/O PAINT From E-2505			1	S1
23	484098	PANEL / FLOOR BAGGAGE # 4 From 7-0772 To E-2504			1	A S1
23	485710	PANEL / FLOOR BAGGAGE # 4 From E-2505			1	A S1
23	484101	PANEL ALUMINUM / FLOOR BAGGAGE # 4 From 7-0772 To E-2504			1	A S1
23	485711	PANEL ALUMINUM / FLOOR BAGGAGE # 4 From E-2505			1	A S1
25	484113	PANEL / FLOOR BAGGAGE # 1 From 9-1404			1	S2
25	484119	PANEL / FLOOR BAGGAGE # 1 From 9-1404			1	A S2
25	484120	PANEL ALUMINUM / FLOOR BAGGAGE # 1 From 9-1404			1	A S2
26	484114	PANEL / FLOOR BAGGAGE # 2 & 3 From 9-1404			2	S2
26	484121	PANEL / FLOOR BAGGAGE # 2 & 3 From 9-1404			2	A S2
26	484122	PANEL ALUMINUM / FLOOR BAGGAGE # 2 & 3 From 9-1404			2	A S2
27	484115	PANEL / FLOOR BAGGAGE # 4 From 9-1404 To E-2504			1	S2
27	484353	PANEL / FLOOR BAGGAGE # 4 From E-2505			1	S2
27	484123	PANEL / FLOOR BAGGAGE # 4 From 9-1404 To E-2504			1	A S2
27	485708	PANEL / FLOOR BAGGAGE # 4 From E-2505			1	A S2
27	484124	PANEL ALUMINUM / FLOOR BAGGAGE # 4 From 9-1404 To E-2504			1	A S2
27	485709	PANEL ALUMINUM / FLOOR BAGGAGE # 4 From E-2505			1	A S2
NS	790392	RUBBER BLOCK ADJUSTEMENT 1" x 5/16" x 1/8" 80DURO	AR	AR	AR	
NS	685126	ADHESIVE SIMSON #ISR 70-03 / GREY / 600ml SAUSAGE	AR	AR	AR	
NS	683084	SEALANT SIKA #221 / GREY / 600 ml SAUSAGE	AR	AR	AR	
		BAGGAGE FINISHING WITH CARPET ON WALLS FOR ANY POSITIONS				
30	850027	INSULATING PAD NOISE ADH2 1/16" x 39" x 48"	AR	AR		
31	481776	MOULDING "J" FORM / 2510MM (98 13/16") / A/A	2	2		
32	482209	MOULDING "J" FORM / 902MM (35 1/2") / A/A To E-2504	4	4		
32	482213	MOULDING "J" FORM / 1120MM (44 1/8") / A/A From E-2505	2	2		
33	482210	CARPET (OZITE) FRONT To A-1703	1	1		

<b>From 7-0761 To J-0287</b>	<b>Date:10/2022</b>	<b>PAGE:H7-1865-00</b>
<b>BAGGAGE COMPARTMENT PANELS</b>		

Item#	Part	Description	H 3 4 1	H 3 4 5	V I P 4 5	N O T E S
33	810034	. CARPET OZITE / S.L. 12 FT WIDE To A-1703	AR	AR		
33	984977	CARPET (OZITE) FRONT / SELF ADHESIVE From A-1704	1	1		
34	482214	CARPET (OZITE) REAR To A-1703	1	1		
34	810034	. CARPET OZITE / S.L. 12 FT WIDE To A-1703	AR	AR		
34	984976	CARPET (OZITE) REAR / SELF ADHESIVE From A-1704	1	1		
35	504103	RIVET POP DOME OE 1/8x1/8 AL	AR	AR		
NS	684654	GLUE CONTACT "SCOTCH-GRIP" / 3M #1357-NEUTRAL 18.9 LITERS To A-1703	AR	AR		
36	483403	BOLT PROTECTOR PLASTIC / 140MM X 92MM X 15MM	2	2		
36	684517	ADHESIVE SIMSON #ISR 70-03 / GREY / 310ml CARTRIDGE	AR	AR		
40		NEXT FOLLOWING ITEMS ARE RELATED WITH VEHICULE EQUIPPED W/SLIDE-OUT "PRÉVOST"	1	1	1	
41	216124	PANEL / FRONT STREETSIDE To G-3205			1	S1
41	218842	PANEL / FRONT STREETSIDE From G-3206			1	S1
42	216125	PANEL / FRONT CENTER & CURBSIDE			1	S1
43	485573	PANEL / REAR OF WALL / W/HINGED DOOR STREET SIDE / 657MM To G-3205			2	S1
43	489219	PANEL / REAR OF WALL / W/HINGED DOOR STREET SIDE / 656MM From G-3206			1	S1
44	485572	PANEL / REAR OF WALL / 1753MM			2	S1
45	485571	PANEL / FRONT OF WALL / 1753MM			1	S1
46	485570	PANEL / FRONT OF WALL / W/HINGED DOOR STREET SIDE / 658MM To G-3205			1	S1
46	489218	PANEL / FRONT OF WALL / W/HINGED DOOR STREET SIDE / 656MM From G-3206			2	S1
47	216189	PANEL / REAR CENTER & STREETSIDE			1	S1
48	216126	PANEL / REAR STREETSIDE			1	S1
NS	504347	RIVET POP DOME OE 3/16x1/4 AL			AR	
NS	680532	SEALANT SIKA #221 / GREY / 310ml CARTRIDGE			AR	
51	216124	PANEL / FRONT STREETSIDE From 9-1404 To G-3205			1	S2
51	218842	PANEL / FRONT STREETSIDE From G-3206			1	S2
52	216042	PANEL / FRONT CENTER From 9-1404			1	S2
53	216244	PANEL / FRONT CURBSIDE From 9-1404 To G-3205			1	S2
53	218833	PANEL / FRONT CURBSIDE From G-3206			1	S2
54	485573	PANEL / REAR OF WALL / W/HINGED DOOR STREET SIDE / 657MM From 9-1404 To G-3205			2	S2
54	489219	PANEL / REAR OF WALL / W/HINGED DOOR STREET SIDE / 656MM From G-3206			2	S2
55	481884	PANEL 1050MM / CENTER OF WALL From 9-1404			4	S2
56	481886	PANEL / REAR OF WALL / W/HINGED DOOR CURBSIDE / 657MM From 9-1404 To G-3205			2	S2
56	488534	PANEL / REAR OF WALL / W/HINGED DOOR CURBSIDE / 656MM From G-3206 To H-3644			1	S2
56	480065	PANEL / REAR OF WALL / 652MM From H-3645			1	S2
56	480063	PANEL / REAR OF WALL / 652MM From H-3645			1	S2
56A	481885	PANEL / REAR OF WALL / 657MM From 9-1404 To H-3644			1	S2 B
56A	484350	PANEL / REAR OF WALL / 657MM From 9-1404 To H-3644			1	S2 D

From 7-0761 To J-0287	Date:10/2022	PAGE:H7-1865-00
<b>BAGGAGE COMPARTMENT PANELS</b>		

Item#	Part	Description	H 3 4 1	H 3 4 5	V I P 4 5	N O T E S
56A	480043	PANEL / REAR OF WALL / 655MM From H-3645			1	S2 D
57	485570	PANEL / FRONT OF WALL / W/HINGED DOOR STREET SIDE / 658MM From 9-1404 To G-3205			2	S2
57	489218	PANEL / FRONT OF WALL / W/HINGED DOOR STREET SIDE / 656MM From G-3206			2	S2
58	481883	PANEL / FRONT OF WALL / W/HINGED DOOR CURBSIDE / 657MM From 9-1404 To G-3205			2	S2
58	489220	PANEL / FRONT OF WALL / 657MM From G-3206 To H-3644			2	S2
58	489220	PANEL / FRONT OF WALL / 657MM From H-3645			1	S2
58	480066	PANEL / FRONT OF WALL / 657MM From H-3645			1	S2
58A	481887	PANEL / FRONT OF WALL / 657MM From 9-1404			1	S2 B
59	216245	PANEL / REAR CURBSIDE From 9-1404			1	S2
60	215923	PANEL / REAR CENTER From 9-1404			1	S2
61	216126	PANEL / REAR STREETSIDE From 9-1404			1	S2
NS	504347	RIVET POP DOME OE 3/16x1/4 AL From 9-1404			AR	
NS	680532	SEALANT SIKA #221 / GREY / 310ml CARTRIDGE From 9-1404			AR	
71	<b>H7-1865-20</b>	<b>EVAPORATOR &amp; CONDENSOR WALL INSTALLATION</b>				
71	<b>H7-1865-21</b>	<b>EVAPORATOR &amp; CONDENSOR WALL INSTALLATION</b>				
71	<b>H7-1865-22</b>	<b>EVAPORATOR &amp; CONDENSOR WALL INSTALLATION</b>				
72	<b>H7-1865-50</b>	<b>PANEL WALL BAGGAGE INSTALLATION WITH SMALL A/C SYSTEM</b>				
72	<b>H7-1865-51</b>	<b>PANEL WALL BAGGAGE INSTALLATION WITH SMALL A/C SYSTEM / 2007</b>				
72	<b>H7-1865-52</b>	<b>PANEL WALL BAGGAGE INSTALLATION WITH SMALL A/C SYSTEM / 2010</b>				
		NEXT FOLLOWING ITEMS ARE RELATED				
		PLEXIGLASS, LUGGAGE SEPARATOR				
81	480048	PLEXIGLASS, LUGGAGE SEPARATOR From H-3599		2		C
82	480049	BRACKET From H-3599		24		C
83	480050	BRACKET From H-3599		12		C
84	502677	SCREW MA RND PH M4-0.7x25 SS From H-3599		60		C
85	508401	WASHER FL .218x.875x.062 SS XL BK From H-3599		60		C
86	900251	BUSHING, RUBBER From H-3599		120		C
87	505539	SPACER 5/16 O.D. x 17/32" x 18GA From H-3599		60		C
88	506001	TAPE RUB ADH1 CC POL 1/8" x 3/4" x 50' / GREY 2520X From H-3599		AR		C
		A) USE ONLY WITH ALUMINUM FLOOR COVERING PANEL ITEM #22				
		B) WITH 9 FEET SLIDE OUT				
		C) OPTION ORLEAN				
		D) WITH 12 FEET SLIDE OUT				
		S1) USE ONLY WITH ONE STREETSIDE STRUCTURAL "PRÉVOST" BEAM UNDER BAGGAGE FLOOR				
		S2) USE WITH BOTH SIDE STRUCTURAL "PRÉVOST" BEAM UNDER BAGGAGE FLOOR				



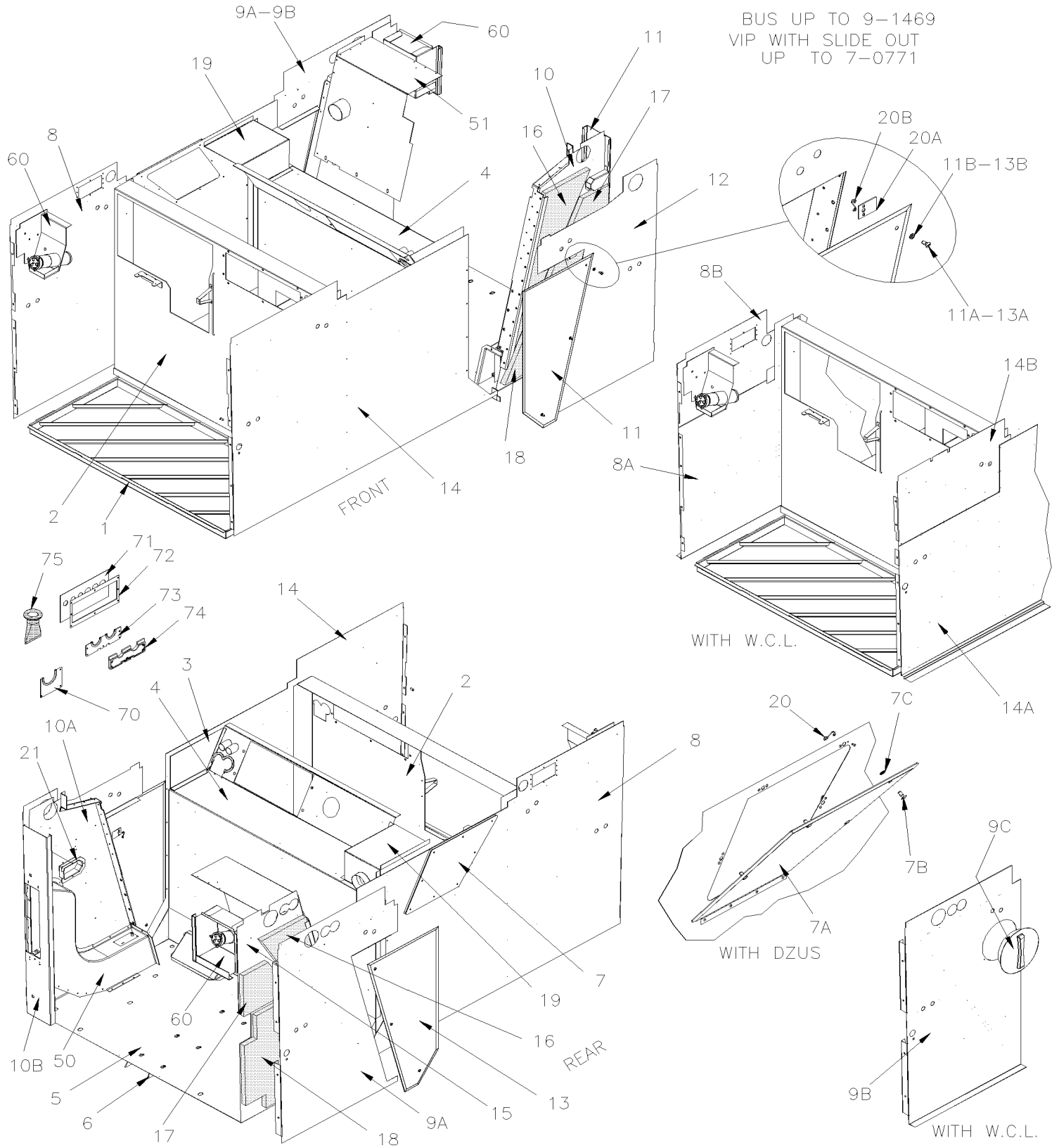


From 7-0671 To 9-1469

Date:10/2022

PAGE:H7-1865-20

## EVAPORATOR & CONDENSOR WALL INSTALLATION

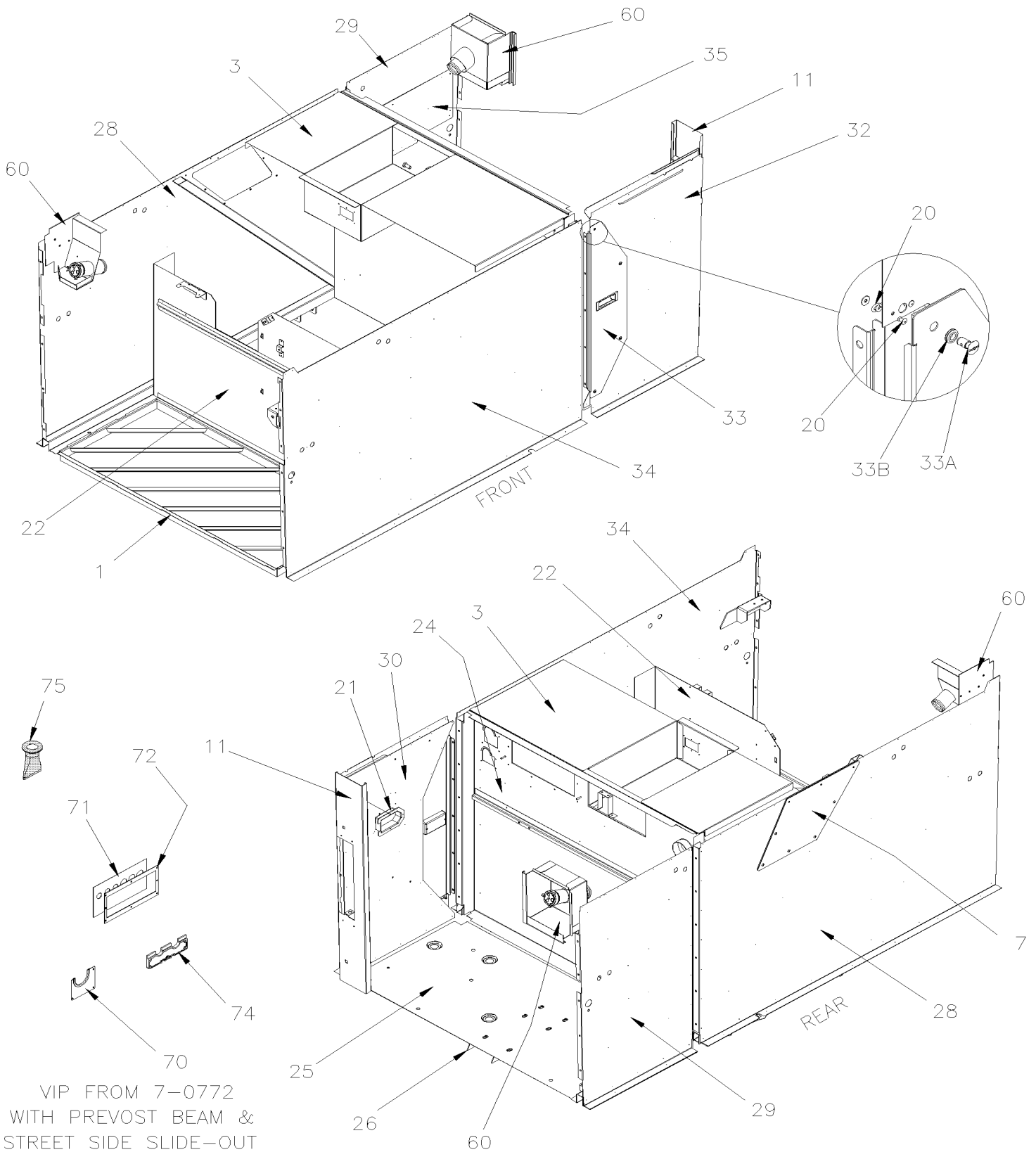


From 7-0671 To 9-1469

Date:10/2022

PAGE:H7-1865-20

## EVAPORATOR & CONDENSOR WALL INSTALLATION



VIP FROM 7-0772  
WITH PREVOST BEAM &  
STREET SIDE SLIDE-OUT

<b>From 7-0671 To 9-1469</b>	<b>Date:10/2022</b>	<b>PAGE:H7-1865-20</b>
<b>EVAPORATOR &amp; CONDENSOR WALL INSTALLATION</b>		

Item#	Part	Description	H 3 4 1	H 3 4 5	V I P 4 5	N O T E S
1	213354P	DEFLECTOR FLOOR LOUVER ASSY / WELDED 1265MM x 582MM	1	1	1	
1	Call order desk	DEFLECTOR FLOOR LOUVER ASSY / WELDED	1	1		P C
1	Call order desk	DEFLECTOR FLOOR LOUVER ASSY / WELDED	1	1		P C
2	453224	WALL PANEL / COND & FUEL COMPARTMENT	1	1	1	
3	453117	CLOSING PANEL / FRONT SIDE To 9-1469	1	1		
3	453117	CLOSING PANEL / FRONT SIDE To 9-1403			1	
3	215527	CLOSING TOP / EVAPORATOR PANEL From A-1404			1	S
4	453968	WALL PANEL / EVAP, & FUEL COMPARTMENT	1	1		
4	453974	WALL PANEL / EVAP, & FUEL COMPARTMENT			1	S
5	454023	FLOOR PANEL / EVAPORATOR	1	1	1	
6	213363	ANGLE SUPPORT 702MM	2	2	2	
7	482355	ACCESS PANEL	1	1	1	
NS	031163	DECAL / "FUEL TANK ACCESS" / ENGLISH	1	1	1	
NS	032561	DECAL / "FUEL TANK ACCESS" / ENGLISH & SPANISH	1	1	1	
7A	484271	ACCESS PANEL / W/"DZUS" FASTENER	1	1		
. A	483663	. ACCESS PANEL / W/"DZUS" FASTENER	1	1		
. B	504363	. STUD 5/16 O.D. X 7/16 (DZUS)	4	4		
. C	504353	. RETAINER, 5/16"DIA. (DZUS) STUD	4	4		
. NS	506268	. TAPE RUB ADH1 URE 3/8" x 1/2" x 25' / GREY 1820	AR	AR		
8	483345	PANEL / FUEL & COND BACKWARD To 7-0931	1	1		
8	485586	PANEL / FUEL & COND BACKWARD From 7-0932	1	1		
8	214789	PANEL / FUEL & COND BACKWARD / W/"DZUS" FASTENER To 7-0931	1	1		
8	485605	PANEL / FUEL & COND BACKWARD / W/"DZUS" FASTENER From 7-0932	1	1		
8A	483764	PANEL / FUEL & COND BACKWARD W/W.C.L.		1		
8A	484102	PANEL / FUEL & COND BACKWARD W/W.C.L. & W/"DZUS" FASTENER		1		
8B	483765	PANEL / CONDENSOR SIDE UPPER W/W.C.L.		1		
9A	482642	PANEL / EVAPORATOR BACKWARD To 7-0931	1	1		
9A	485587	PANEL / EVAPORATOR BACKWARD From 7-0932	1	1		
9A	482642	PANEL / EVAPORATOR BACKWARD To 7-0771			1	
9A	485587	PANEL / EVAPORATOR BACKWARD From 7-0772		1		
9B	483763	PANEL / EVAPORATOR BACKWARD W/W.C.L. RICON		1		
9C	900825	8" CLOSED LID C/W RIM		1		
9C	504717	RIVET POP DOME OE 1/8x1/4 SS		6		
9C	680096	SEALANT BUTYL ALUM / GREY / 310ml CARTRIDGE		AR		
10A	454417	PANEL / INTERIOR / FRONT EVAPORATOR	1	1	1	
10B	215697	EXTERIOR PANEL ASSY / W/HINGE SUPPORT	1	1	1	
11	482646	DOOR ASSY FORWARD	1	1	1	
. A	504363	. STUD 5/16 O.D. X 7/16 (DZUS)	3	3	3	
. B	504353	. RETAINER, 5/16"DIA. (DZUS) STUD	3	3	3	
12	482640	PANEL / EVAPORATOR FORWARD To 7-0931	1	1		
12	485588	PANEL / EVAPORATOR FORWARD From 7-0932	1	1		

<b>From 7-0671 To 9-1469</b>	<b>Date:10/2022</b>	<b>PAGE:H7-1865-20</b>
<b>EVAPORATOR &amp; CONDENSOR WALL INSTALLATION</b>		

Item#	Part	Description	H 3 4 1	H 3 4 5	V I P 4 5	N O T E S
12	482640	PANEL / EVAPORATOR FORWARD To 7-0935			1	
12	485603	PANEL / EVAPORATOR FORWARD From 7-0936			1	
12	484112	PANEL / EVAPORATOR FORWARD "OPTION 200946/SPECIAL" To 7-0931			1	H
13	482645	DOOR ASSY BACKWARD	1	1	1	
. A	504363	. STUD 5/16 O.D. X 7/16 (DZUS)	3	3	3	
. B	504353	. RETAINER, 5/16"DIA. (DZUS) STUD	3	3	3	
14	482701	PANEL / FUEL & COND FORWARD To 7-0931	1	1	1	
14	485591	PANEL / FUEL & COND FORWARD From 7-0932	1	1	1	
NS	485601	PANEL / TOP CLOSING / ITEM 14 & CEILLING 135MM x 752MM From 7-0932	1	1	1	
14A	483766	PANEL / FUEL & COND FORWARD W/W.C.L. To 7-0931		1		
14A	485589	PANEL / FUEL & COND FORWARD W/W.C.L. From 7-0932		1		
14B	485602	PANEL / CONDENSOR UPPER FORWARD W/W.C.L. From 7-0932		1		
15	454221	PANEL / INTERIOR / REAR EVAPORATOR	1	1	1	
16	329650	INSULATING	2	2	2	
17	453070	INSULATING / CENTER SECTION	2	2	2	
18	453069	INSULATING / LOWER SECTION	2	2	2	
19	453967	CLOSING PLATE ASSY	1	1	1	
20	481717	PLATE ASSY / TO CLOSE DOOR W/"DZUS"	1	1	1	
. A	481718	. PLATE	1	1	1	
. B	504365	. SPRING HOOK / DZUS 5/16	1	1	1	
21	452041	BOX PLASTIC / HINGE CLEARANCE	2	2	2	
21	504339	RIVET POP DOME OE 1/8x3/8 SS	6	6	6	
		..... PANEL WITH STREETSIDE SLIDE-OUT AND WITH ONE "PREVOST" BEAM				
22	215948	PANEL ASSY / CONDENSER COMPARTMENT W/SLIDE-OUT From 7-0772 To 9-1403			1	
22	216255	PANEL ASSY / CONDENSER COMPARTMENT W/SLIDE-OUT From 9-1404			1	
24	215943	WALL PANEL / EVAPORATOR W/SLIDE-OUT From 7-0772 To 9-1403			1	
24	215528	WALL PANEL / EVAPORATOR W/SLIDE-OUT From 9-1404			1	
25	215955	FLOOR PANEL / EVAPORATOR From 7-0772			1	
26	215954	ANGLE SUPPORT 589MM From 7-0772			2	
28	485548	PANEL / FUEL & COND BACKWARD W/SLIDE-OUT From 7-0772 To 7-0931			1	
28	485598	PANEL / FUEL & COND BACKWARD W/SLIDE-OUT From 7-0932			1	
NS	485561	PANEL / TOP CLOSING / ITEM 28 & CEILLING W/SLIDE-OUT 158MM x 752MM From 7-0932			1	
29	485550	PANEL / EVAPORATOR BACKWARD W/SLIDE-OUT From 7-0772			1	
29	485599	PANEL / EVAPORATOR BACKWARD W/SLIDE-OUT From 7-0932			1	
30	485554	PANEL / INTERIOR / FRONT EVAPORATOR W/SLIDE-OUT From 7-0772			1	
32	485544	PANEL / EVAPORATOR FORWARD W/SLIDE-OUT From 7-0772			1	
32	485597	PANEL / EVAPORATOR FORWARD W/SLIDE-OUT From 7-0932			1	
33	Call order desk	DOOR ASSY W/SLIDE-OUT From 7-0772			1	P
. A	504363	. STUD 5/16 O.D. X 7/16 (DZUS) From 7-0772			4	
. B	504353	. RETAINER, 5/16"DIA. (DZUS) STUD From 7-0772			4	

From 7-0671 To 9-1469	Date:10/2022	PAGE:H7-1865-20
<b>EVAPORATOR &amp; CONDENSOR WALL INSTALLATION</b>		

Item#	Part	Description	H 3 4 1	H 3 4 5	V I P 4 5	N O T E S
. C	505536	. HANDLE PLASTIC From 7-0772			1	
. NS	370354	. DECAL / AIR FILTER / ENGLISH & FRANCAIS From 7-0772			1	
NS	370354	DECAL / AIR FILTER / ENGLISH & FRANCAIS From 7-0772			1	
NS	374207	DECAL / AIR FILTER / ENGLISH & SPANISH From 7-0772			1	
34	485547	PANEL / FUEL & COND FORWARD W/SLIDE-OUT From 7-0772 To 7-0931			1	
34	485596	PANEL / FUEL & COND FORWARD W/SLIDE-OUT From 7-0932			1	
NS	485556	PANEL / TOP CLOSING / ITEM 14 & CEILLING 133MM x 866MM From 7-0932			1	
35	240844	PLATE SUPPORT MUX BOX From 7-0772			1	
50	<b>H7-2215-00</b>	<b>EVAPORATOR &amp; DAMPER CONTROL COMPONENTS</b>				
51	<b>H7-2220-00</b>	<b>UNDER FLOOR AIR DUCTING</b>				
60	<b>H7-0310-10</b>	<b>FUEL FILLING CAP</b>				
70	454325	CLOSING / PIPE TUNNEL SS 110MM X 95MM	1	1	1	
70	Call order desk	CLOSING / PIPE TUNNEL SS 110MM X 95MM	1	1	1	P
70	454326	CLOSING / PIPE TUNNEL SS 100MM X 75MM	1	1	1	
70	Call order desk	CLOSING / PIPE TUNNEL SS 100MM X 75MM	1	1	1	P
71	481714	RUBBER CLOSING AROUND 6 TUBES 130MM x 250MM	1	1	1	
72	481764	PLATE HOLDING RUBBER 130MM x 250MM	1	1	1	
74	454248	CLOSING / PIPE TUNNEL PLASTIC / RH 57.2MM x 181MM To 7-0786	1	1	1	
74	457424	CLOSING / PIPE TUNNEL PLASTIC / RH 57.2MM x 181MM From 7-0787	1	1	1	
74	454249	CLOSING / PIPE TUNNEL PLASTIC / LH 57.2MM x 181MM To 7-0786	1	1	1	
74	457425	CLOSING / PIPE TUNNEL PLASTIC / LH 57.2MM x 181MM From 7-0787	1	1	1	
75	590284	DRAIN BOOT 1" I.D. X 5" / FLAT To 7-0771	3	3	3	
NS	504021	HOSE CLAMP / 11/16"-1"1/2 SS / HS-16 To 7-0771	3	3	3	
75	414654	DRAIN BOOT 1" I.D. W/GROOVE 1.5 x 35MM I.D. x 85MM From 7-0772	3	3	3	
		C) WITH MUD FLAP / CONDENSOR GRIL				
		H) USE ONLY WITH " OPTION" BAGGAGE DOOR WITH HINGE "SLIDEOUT"				
		S) WITH SLIDE-OUT				
		P) CALL ORDER DESK FOR SPECIFIC APPLICATION (V.I.N.)				

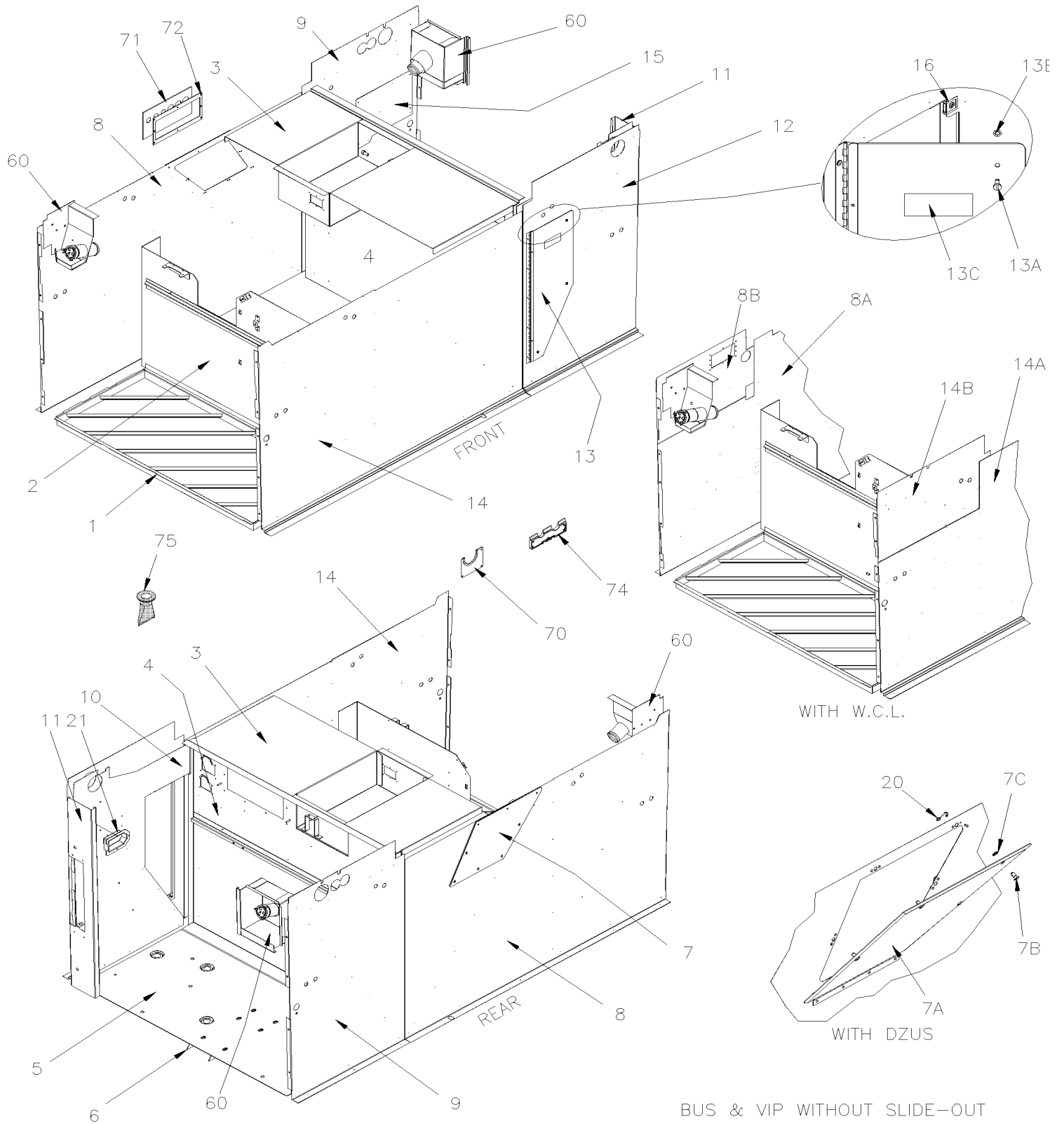


From A-1470 To A-1720

Date:10/2022

PAGE:H7-1865-21

## EVAPORATOR & CONDENSOR WALL INSTALLATION

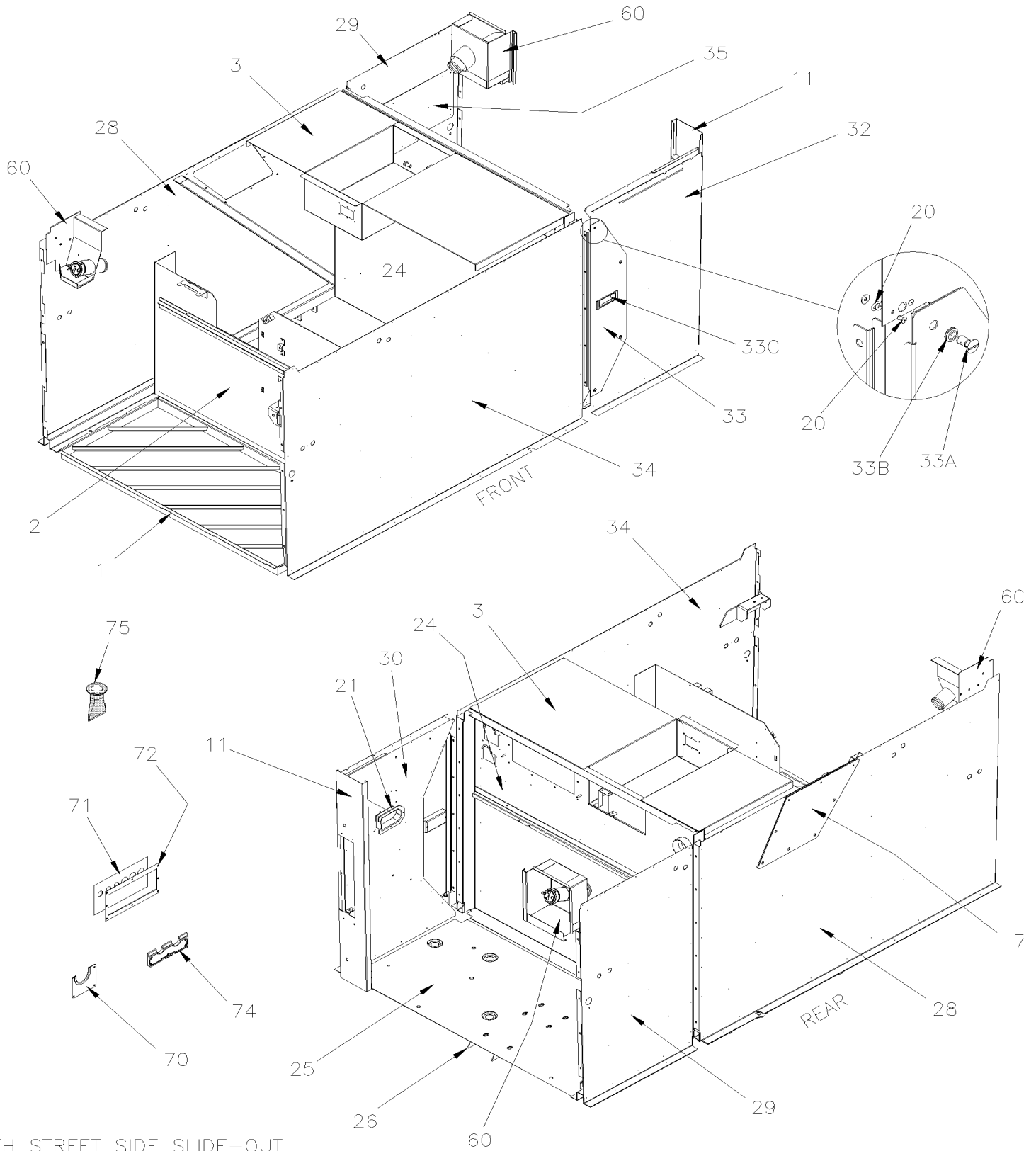


From A-1470 To A-1720

Date:10/2022

PAGE:H7-1865-21

## EVAPORATOR & CONDENSOR WALL INSTALLATION



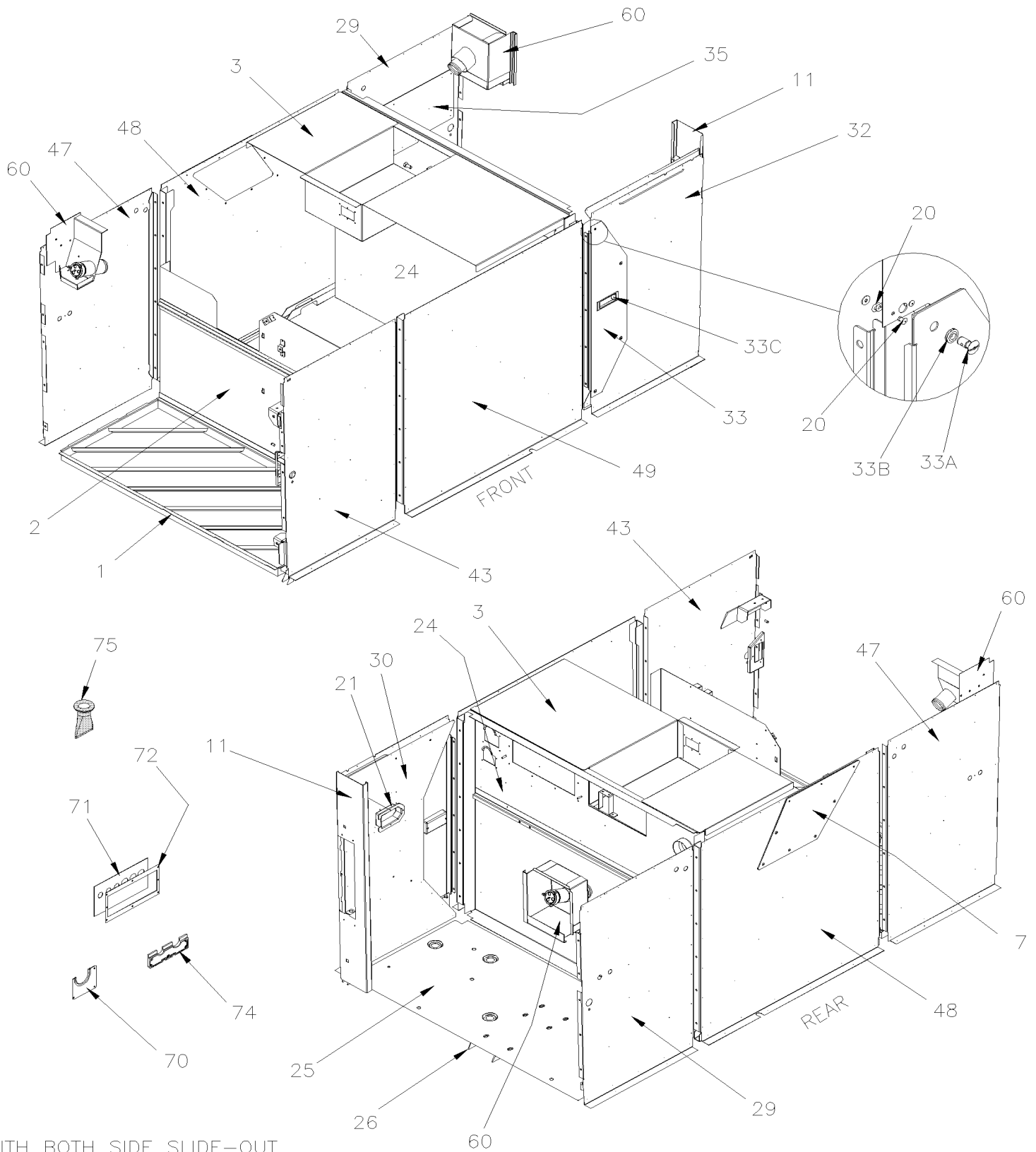


From A-1470 To A-1720

Date:10/2022

PAGE:H7-1865-21

## EVAPORATOR & CONDENSOR WALL INSTALLATION



WITH BOTH SIDE SLIDE-OUT

From A-1470 To A-1720	Date:10/2022	PAGE:H7-1865-21
<b>EVAPORATOR &amp; CONDENSOR WALL INSTALLATION</b>		

Item#	Part	Description	H 3 4 1	H 3 4 5	V I P 4 5	N O T E S
1	216246P	DEFLECTOR FLOOR LOUVER ASSY / WELDED 1265MM x 565MM	1	1	1	
2	216394	PANEL ASSY / CONDENSER COMPARTMENT	1	1	1	
3	215527	CLOSING TOP / EVAPORATOR PANEL	1	1	1	
4	216360	WALL PANEL / EVAP, & FUEL COMPARTMENT	1	1	1	
NS	850043	INSULATING RIGID / 5/8" x 24" x 48" / YELLOW & BLACK	AR	AR	AR	
NS	503550	ANCHOR SELF-STICK 2" SS	AR	AR	AR	
NS	500748	WASHER INSU G.10x1.125x1.250 Z050	AR	AR	AR	
5	216362	FLOOR PANEL / EVAPORATOR	1	1	1	
6	216363	ANGLE SUPPORT 625MM	2	2	2	
7	482355	ACCESS PANEL	1	1	1	
NS	031163	DECAL / "FUEL TANK ACCESS" / ENGLISH	1	1	1	
NS	032561	DECAL / "FUEL TANK ACCESS" / ENGLISH & SPANISH	1	1	1	
7A	484271	ACCESS PANEL / W/"DZUS" FASTENER	1	1		
. A	483663	. ACCESS PANEL / W/"DZUS" FASTENER	1	1		
. B	504363	. STUD 5/16 O.D. X 7/16 (DZUS)	4	4		
. C	504353	. RETAINER, 5/16"DIA. (DZUS) STUD	4	4		
. NS	506268	. TAPE RUB ADH1 URE 3/8" x 1/2" x 25' / GREY 1820	AR	AR		
8	216366	PANEL / FUEL & COND BACKWARD	1	1	1	
8	485620	PANEL / FUEL & COND BACKWARD / W/"DZUS" FASTENER	1	1		
8A	483764	PANEL / FUEL & COND BACKWARD W/W.C.L.		1		
8B	215503	PANEL / CONDENSOR SIDE UPPER W/W.C.L.		1		
9	216367	PANEL / EVAPORATOR BACKWARD	1	1	1	
10	216369	PANEL / INTERIOR / FRONT EVAPORATOR	1	1	1	
11	215697	EXTERIOR PANEL ASSY / W/HINGE SUPPORT	1	1	1	
12	216416	PANEL / EVAPORATOR FORWARD	1	1		
12	216365	PANEL / EVAPORATOR FORWARD			1	
NS	453070	INSULATING / CENTER SECTION	1	1	1	
NS	453069	INSULATING / LOWER SECTION	1	1	1	
NS	329650	INSULATING	1	1	1	
13	374371	DOOR ASSY FORWARD	1	1	1	
. A	504603	. STUD 6 MM (DZUS)	3	3	3	
. B	504604	. FASTENER	3	3	3	
. C	370354	. DECAL / AIR FILTER / ENGLISH & FRANCAIS	1	1	1	
. C	370354	. DECAL / AIR FILTER / ENGLISH & FRANCAIS	1	1	1	
NS	370354	DECAL / AIR FILTER / ENGLISH & FRANCAIS	1	1	1	
NS	374207	DECAL / AIR FILTER / ENGLISH & SPANISH	1	1	1	
14	216364	PANEL / FUEL & COND FORWARD	1	1	1	
14A	240905	PANEL / FUEL & COND FORWARD W/W.C.L.		1		
14B	485602	PANEL / CONDENSOR UPPER FORWARD W/W.C.L.		1		
15	216368	PLATE SUPPORT MUX BOX	1	1	1	
16	504605	RECEPTACLE 6 MM	AR	AR	AR	
21	452041	BOX PLASTIC / HINGE CLEARANCE	2	2	2	

<b>From A-1470 To A-1720</b>	<b>Date:10/2022</b>	<b>PAGE:H7-1865-21</b>
<b>EVAPORATOR &amp; CONDENSOR WALL INSTALLATION</b>		

Item#	Part	Description	H 3 4 1	H 3 4 5	V I P 4 5	N O T E S
21	504339	RIVET POP DOME OE 1/8x3/8 SS	6	6	6	
		..... PANEL WITH STREETSIDE SLIDE-OUT				
22	216255	PANEL ASSY / CONDENSER COMPARTMENT W/SLIDE-OUT			1	
24	215528	WALL PANEL / EVAPORATOR W/SLIDE-OUT			1	
NS	850043	INSULATING RIGID / 5/8" x 24" x 48" / YELLOW & BLACK			AR	
NS	503550	ANCHOR SELF-STICK 2" SS			AR	
NS	500748	WASHER INSU G.10x1.125x1.250 Z050			AR	
25	215955	FLOOR PANEL / EVAPORATOR			1	
26	215954	ANGLE SUPPORT 589MM			2	
28	485598	PANEL / FUEL & COND BACKWARD W/SLIDE-OUT			1	
29	485599	PANEL / EVAPORATOR BACKWARD W/SLIDE-OUT			1	
30	485554	PANEL / INTERIOR / FRONT EVAPORATOR W/SLIDE-OUT			1	
32	485597	PANEL / EVAPORATOR FORWARD W/SLIDE-OUT			1	
33	Call order desk	DOOR ASSY W/SLIDE-OUT			1	P
	. A 504363	. STUD 5/16 O.D. X 7/16 (DZUS)			4	
	. B 504353	. RETAINER, 5/16"DIA. (DZUS) STUD			4	
	. C 505536	. HANDLE PLASTIC			1	
	. NS 370354	. DECAL / AIR FILTER / ENGLISH & FRANCAIS			1	
NS	370354	DECAL / AIR FILTER / ENGLISH & FRANCAIS			1	
NS	374207	DECAL / AIR FILTER / ENGLISH & SPANISH			1	
34	485596	PANEL / FUEL & COND FORWARD W/SLIDE-OUT			1	
35	240844	PLATE SUPPORT MUX BOX			1	
		..... PANEL WITH BOTHSIDE SLIDE-OUT				
43	485543	PANEL / FRONT CONDENSOR			1	
47	240877	PANEL / REAR CONDENSOR			1	
48	240878	PANEL / REAR FUEL TANK			1	
49	485545	PANEL / FRONT FUEL TANK			1	
60	<b>H7-0310-10</b>	<b>FUEL FILLING CAP</b>				
70	454325	CLOSING / PIPE TUNNEL SS 110MM X 95MM	1	1	1	
70	454326	CLOSING / PIPE TUNNEL SS 100MM X 75MM	1	1	1	
70	506338	RUBBER CHANNEL / 1/16" x 1/4" INT "U" SHAPE / ROUND C.T.L.	AR	AR	AR	
71	481714	RUBBER CLOSING AROUND 6 TUBES 130MM x 250MM	1	1	1	
72	481764	PLATE HOLDING RUBBER 130MM x 250MM	1	1	1	
74	457424	CLOSING / PIPE TUNNEL PLASTIC / RH 57.2MM x 181MM	1	1	1	
74	457425	CLOSING / PIPE TUNNEL PLASTIC / LH 57.2MM x 181MM	1	1	1	
75	414654	DRAIN BOOT 1" I.D. W/GROOVE 1.5 x 35MM I.D. x 85MM	3	3	3	

From A-1470 To A-1720	Date:10/2022	PAGE:H7-1865-21
-----------------------	--------------	-----------------

**EVAPORATOR & CONDENSOR WALL INSTALLATION**

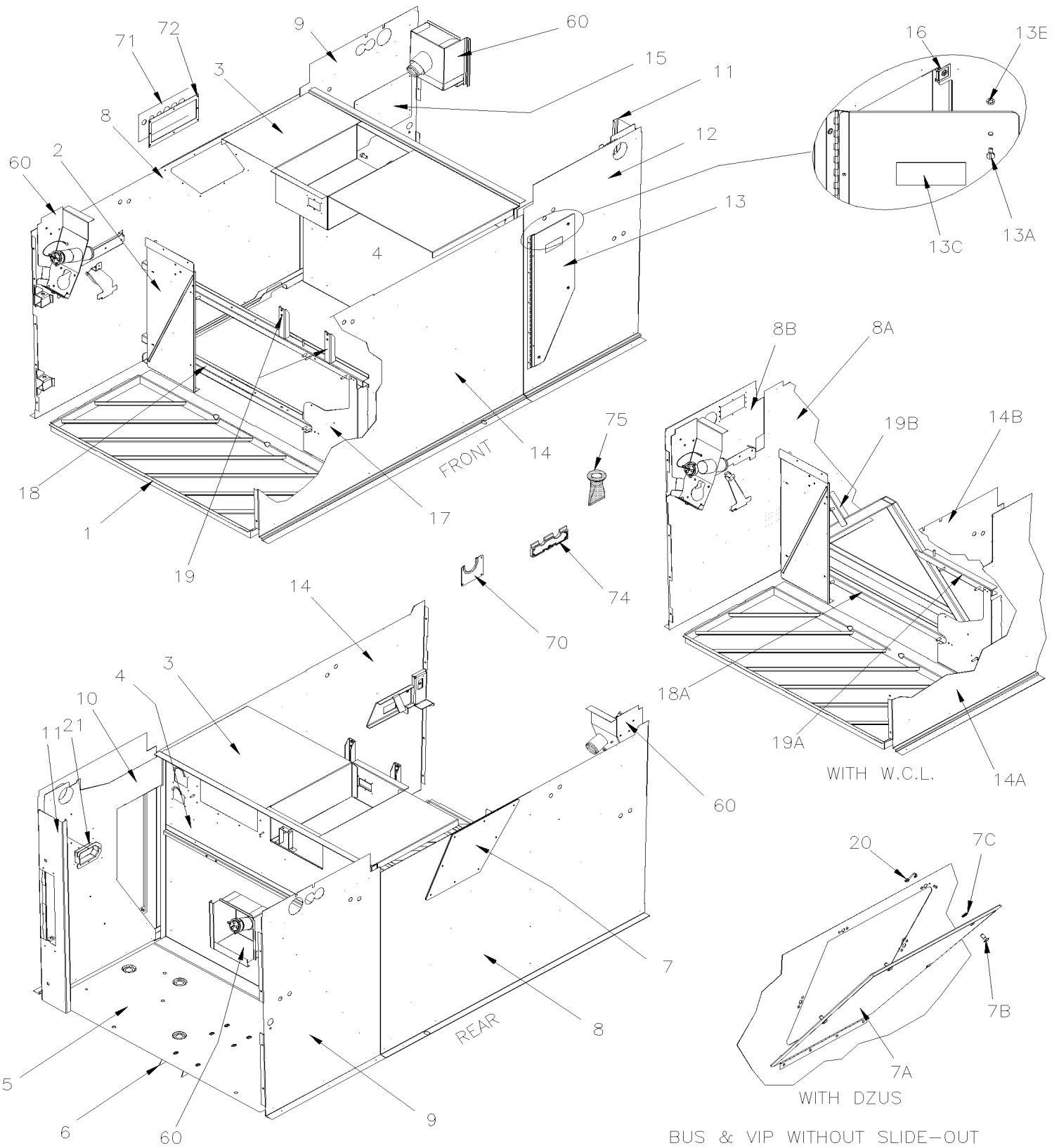
Item#	Part	Description	H 3 4 1	H 3 4 5	V I P 4 5	N O T E S
		P) CALL ORDER DESK FOR SPECIFIC APPLICATION (V.I.N.)				

From B-1721 To J-0287

Date:10/2022

PAGE:H7-1865-22

## EVAPORATOR & CONDENSOR WALL INSTALLATION

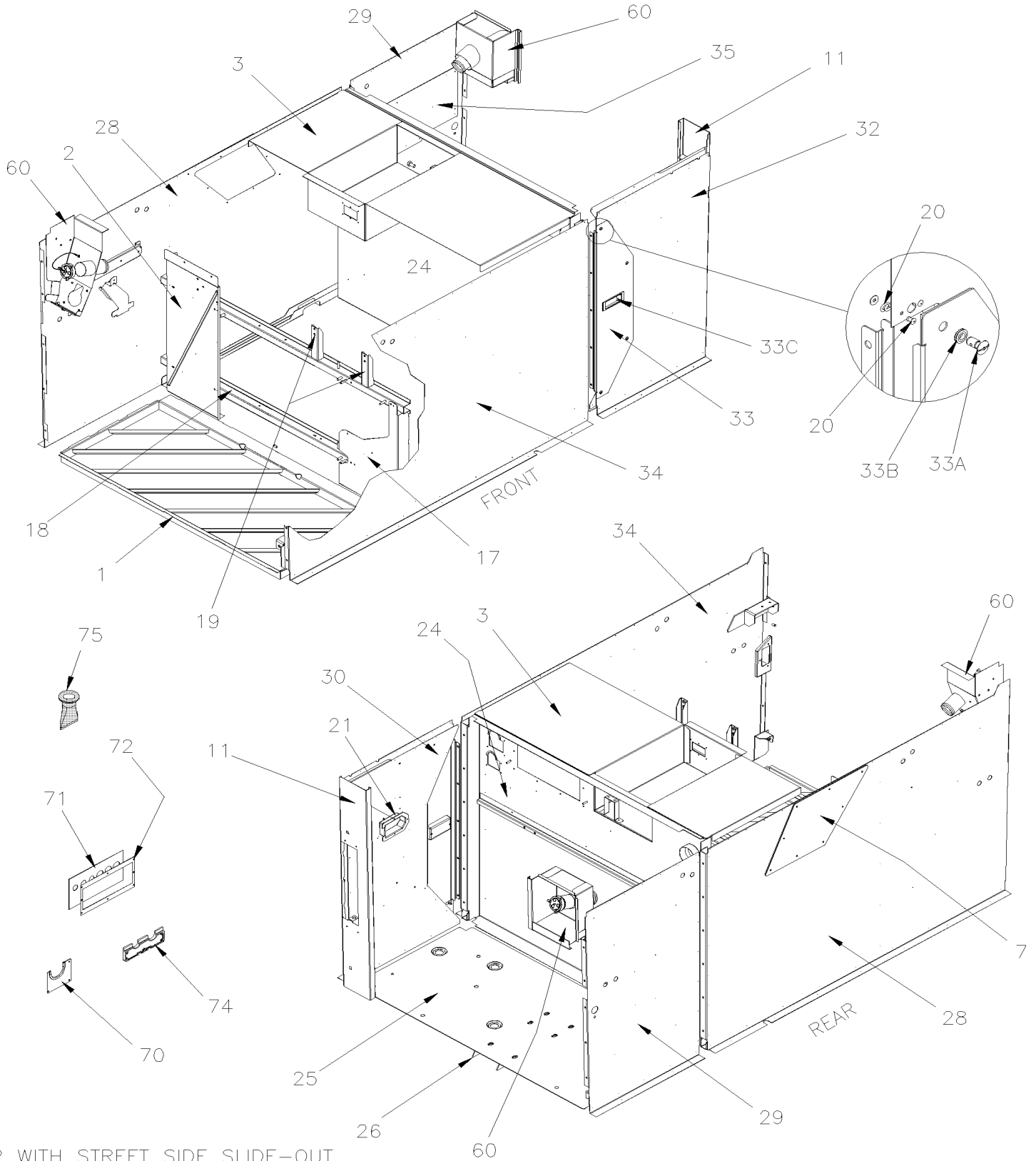


From B-1721 To J-0287

Date:10/2022

PAGE:H7-1865-22

## EVAPORATOR & CONDENSOR WALL INSTALLATION



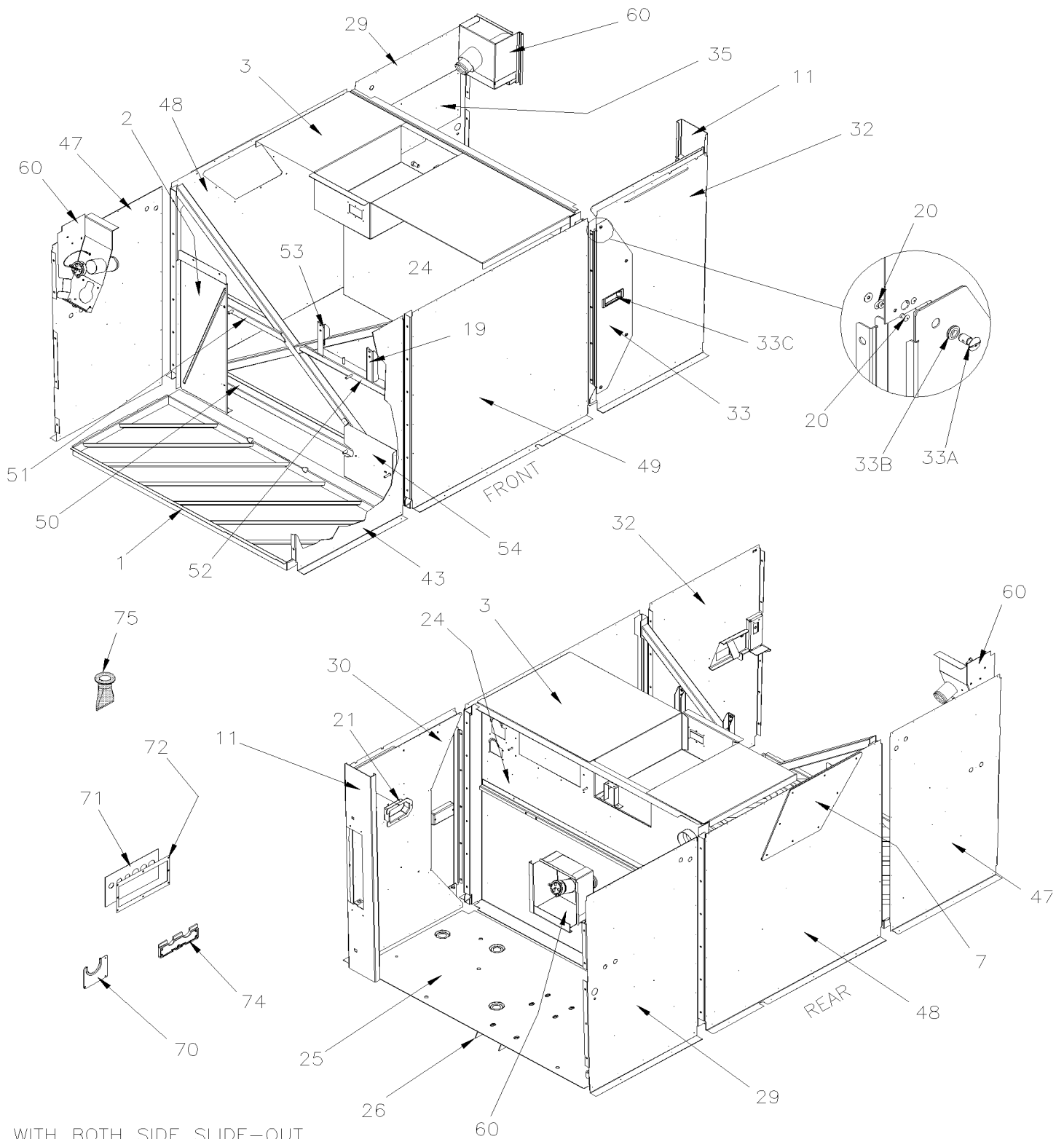
VIP WITH STREET SIDE SLIDE-OUT

From B-1721 To J-0287

Date:10/2022

PAGE:H7-1865-22

## EVAPORATOR & CONDENSOR WALL INSTALLATION



VIP WITH BOTH SIDE SLIDE-OUT

<b>From B-1721 To J-0287</b>	<b>Date:10/2022</b>	<b>PAGE:H7-1865-22</b>
<b>EVAPORATOR &amp; CONDENSOR WALL INSTALLATION</b>		

Item#	Part	Description	H 3 4 1	H 3 4 5	V I P 4 5	N O T E S
1	218402P	DEFLECTOR FLOOR LOUVER ASSY / WELDED 1265MM x 565MM	1	1	1	
2	216572	PANEL REAR WALL CONDENSOR FORWARD	1	1	1	
3	215527	CLOSING TOP / EVAPORATOR PANEL	1	1	1	
4	216360	WALL PANEL / EVAP, & FUEL COMPARTMENT	1	1		
4	216360	WALL PANEL / EVAP, & FUEL COMPARTMENT To D-2451			1	
4	218640	WALL PANEL / EVAP, & FUEL COMPARTMENT From D-2452			1	
NS	850043	INSULATING RIGID / 5/8" x 24" x 48" / YELLOW & BLACK	AR	AR	AR	
NS	503550	ANCHOR SELF-STICK 2" SS	AR	AR	AR	
NS	500748	WASHER INSU G.10x1.125x1.250 Z050	AR	AR	AR	
5	216362	FLOOR PANEL / EVAPORATOR To D-2319	1	1	1	
5	218627	FLOOR PANEL / EVAPORATOR From D-2320 To G-3169	1	1	1	
5	210022	FLOOR PANEL / EVAPORATOR From G-3170 To H-3860	1	1	1	
5	210390	FLOOR PANEL / EVAPORATOR From H-3861	1	1	1	
6	216363	ANGLE SUPPORT 625MM	2	2	2	
7	484224	ACCESS PANEL	1	1	1	
NS	031163	DECAL / "FUEL TANK ACCESS" / ENGLISH	1	1	1	
NS	032561	DECAL / "FUEL TANK ACCESS" / ENGLISH & SPANISH	1	1	1	
NS	506338	RUBBER CHANNEL / 1/16" x 1/4" INT "U" SHAPE / ROUND C.T.L. To C-2033	AR	AR	AR	
NS	5060120	GROMMET EDGING ADHESIVE .036-.062 From C-2034	AR	AR	AR	
7A	484271	ACCESS PANEL / W/"DZUS" FASTENER	1	1		
. A	483663	. ACCESS PANEL / W/"DZUS" FASTENER	1	1		
. B	504363	. STUD 5/16 O.D. X 7/16 (DZUS)	4	4		
. C	504353	. RETAINER, 5/16"DIA. (DZUS) STUD	4	4		
. NS	506268	. TAPE RUB ADH1 URE 3/8" x 1/2" x 25' / GREY 1820	AR	AR		
8	218456	PANEL / FUEL & COND BACKWARD	1	1	1	
8	218457	PANEL / FUEL & COND BACKWARD / W/"DZUS" FASTENER	1	1		
8A	218455	PANEL / FUEL & COND BACKWARD W/W.C.L.		1		
8B	216827	PANEL / CONDENSOR SIDE UPPER W/W.C.L.		1		
9	216367	PANEL / EVAPORATOR BACKWARD	1	1	1	
10	216369	PANEL / INTERIOR / FRONT EVAPORATOR	1	1	1	
11	215697	EXTERIOR PANEL ASSY / W/HINGE SUPPORT	1	1	1	
12	216416	PANEL / EVAPORATOR FORWARD	1	1		
12	216365	PANEL / EVAPORATOR FORWARD			1	
NS	453070	INSULATING / CENTER SECTION	1	1	1	
NS	453069	INSULATING / LOWER SECTION	1	1	1	
NS	329650	INSULATING	1	1	1	
13	374371	DOOR ASSY FORWARD	1	1	1	
. A	504603	. STUD 6 MM (DZUS)	3	3	3	
. B	504604	. FASTENER	3	3	3	
. C	370354	. DECAL / AIR FILTER / ENGLISH & FRANCAIS	1	1	1	
. C	370354	. DECAL / AIR FILTER / ENGLISH & FRANCAIS	1	1	1	
NS	370354	DECAL / AIR FILTER / ENGLISH & FRANCAIS	1	1	1	



<b>From B-1721 To J-0287</b>	<b>Date:10/2022</b>	<b>PAGE:H7-1865-22</b>
------------------------------	---------------------	------------------------

**EVAPORATOR & CONDENSOR WALL INSTALLATION**

Item#	Part	Description	H 3 4 1	H 3 4 5	V I P 4 5	N O T E S
NS	374207	DECAL / AIR FILTER / ENGLISH & SPANISH	1	1	1	
NS	5060120	GROMMET EDGING ADHESIVE .036-.062 APPLY ON SHARP EDGES From F-3003	AR	AR	AR	
14	216364	PANEL / FUEL & COND FORWARD FIINIR	1	1	1	
14A	216606	PANEL / FUEL & COND FORWARD W/W.C.L.		1		
14B	485602	PANEL / CONDENSOR UPPER FORWARD W/W.C.L.		1		
15	216368	PLATE SUPPORT MUX BOX	1	1	1	
16	504605	RECEPTACLE 6 MM	AR	AR	AR	
17	216573	PANEL REAR WALL CONDENSOR BACKWARD	1	1	1	
18	218435	SUPPORT ASSY / "HAT" SHAPE 1402MM	2	2	2	
18A	218436	SUPPORT ASSY / "HAT" SHAPE 1297MM		1		
19	216604	SUPPORT ASSY / "C" SHAPE 174MM	2	2	2	
19A	218437	SUPPORT ASSY / "C" SHAPE 486MM		1		
19B	218438	SUPPORT ASSY / "C" SHAPE 178MM		1		
20	504365	SPRING HOOK / DZUS 5/16	AR	AR	AR	
NS	504717	RIVET POP DOME OE 1/8x1/4 SS	AR	AR	AR	
NS	500157	WASHER FL .125x.375x.032 SS	AR	AR	AR	
21	452041	BOX PLASTIC / HINGE CLEARANCE	2	2	2	
21	504339	RIVET POP DOME OE 1/8x3/8 SS	6	6	6	
		. . . . . PANEL WITH STREETSIDE SLIDE-OUT				
24	215528	WALL PANEL / EVAPORATOR W/SLIDE-OUT To D-2451			1	
24	218637	WALL PANEL / EVAPORATOR W/SLIDE-OUT From D-2452			1	
NS	850043	INSULATING RIGID / 5/8" x 24" x 48" / YELLOW & BLACK			AR	
NS	503550	ANCHOR SELF-STICK 2" SS			AR	
NS	500748	WASHER INSU G.10x1.125x1.250 Z050			AR	
25	215955	FLOOR PANEL / EVAPORATOR To D-2319			1	
25	218626	FLOOR PANEL / EVAPORATOR From D-2320 To G-3169			1	
25	210021	FLOOR PANEL / EVAPORATOR From G-3170 To H-3860			1	
25	210389	FLOOR PANEL / EVAPORATOR From H-3861			1	
26	215954	ANGLE SUPPORT 589MM			2	
28	218513	PANEL / FUEL & COND BACKWARD W/SLIDE-OUT			1	
29	485599	PANEL / EVAPORATOR BACKWARD W/SLIDE-OUT			1	
30	485554	PANEL / INTERIOR / FRONT EVAPORATOR W/SLIDE-OUT			1	
32	485597	PANEL / EVAPORATOR FORWARD W/SLIDE-OUT			1	
33	Call order desk	DOOR ASSY W/SLIDE-OUT			1	P
. A	504363	. STUD 5/16 O.D. X 7/16 (DZUS)			4	
. B	504353	. RETAINER, 5/16"DIA. (DZUS) STUD			4	
. C	505536	. HANDLE PLASTIC			1	
. NS	370354	. DECAL / AIR FILTER / ENGLISH & FRANCAIS			1	
NS	370354	DECAL / AIR FILTER / ENGLISH & FRANCAIS			1	
NS	374207	DECAL / AIR FILTER / ENGLISH & SPANISH			1	

From B-1721 To J-0287 Date:10/2022 PAGE:H7-1865-22

**EVAPORATOR & CONDENSOR WALL INSTALLATION**

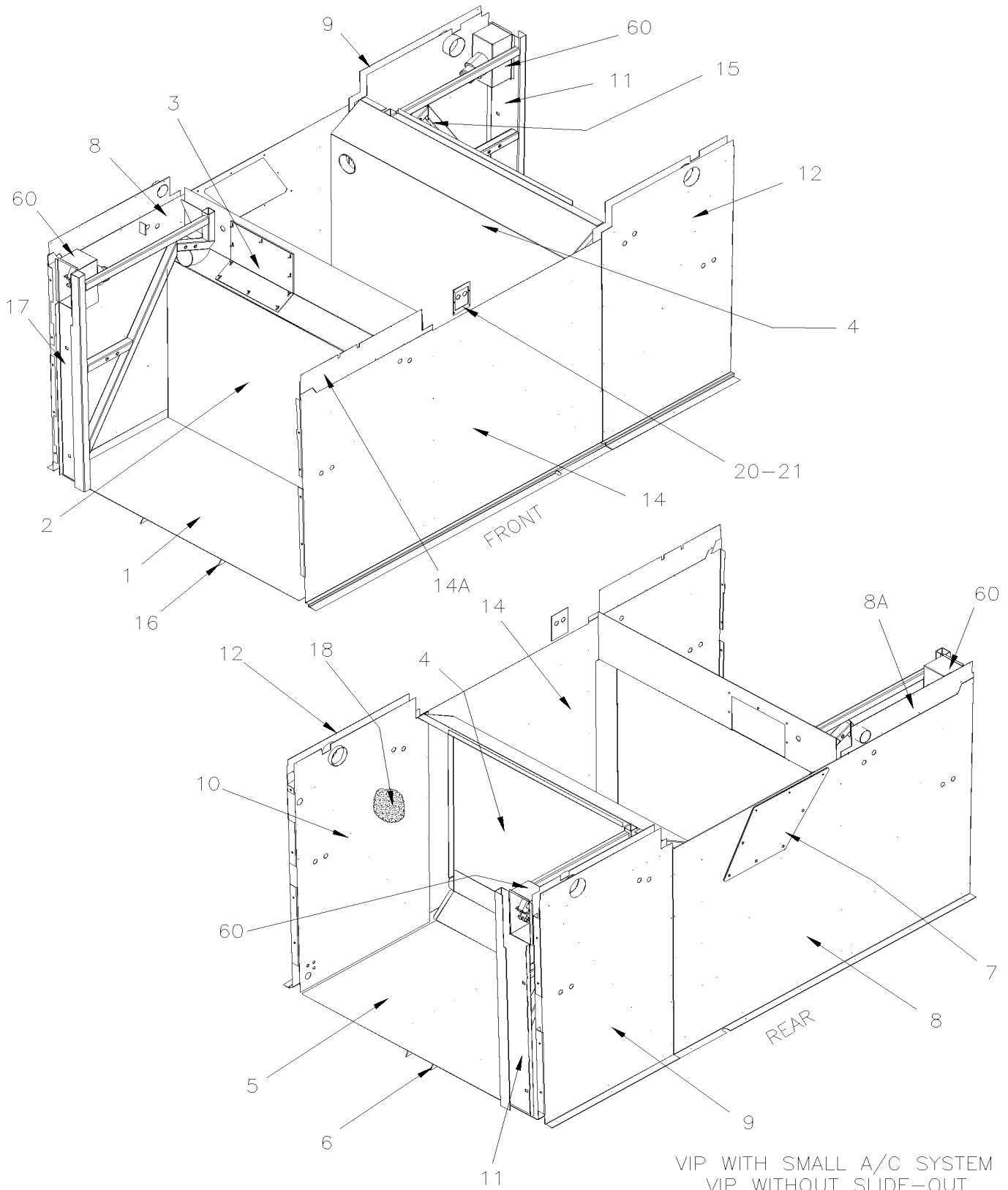
Item#	Part	Description	H 3 4 1	H 3 4 5	V I P 4 5	N O T E S
34	485654	PANEL / FUEL & COND FORWARD W/SLIDE-OUT			1	
35	240844	PLATE SUPPORT MUX BOX To E-2261			1	
		..... PANEL WITH BOTHSIDE SLIDE-OUT				
43	485656	PANEL / FRONT CONDENSOR			1	
47	218514	PANEL / REAR CONDENSOR			1	
48	240878	PANEL / REAR FUEL TANK			1	
49	485545	PANEL / FRONT FUEL TANK			1	
50	218442	SUPPORT ASSY / "HAT" SHAPE 1150MM			1	
51	218445	SUPPORT ASSY / "HAT" SHAPE 648MM			1	
52	218443	SUPPORT ASSY / "HAT" SHAPE 605MM			1	
53	218451	SUPPORT ASSY / "C" SHAPE 171MM			1	
54	218447	PANEL REAR WALL CONDENSOR BACKWARD			1	
60	<b>H7-0310-10</b>	<b>FUEL FILLING CAP</b>				
70	454325	CLOSING / PIPE TUNNEL SS 110MM X 95MM To C-2033	1	1	1	
70	Call order desk	CLOSING / PIPE TUNNEL SS 110MM X 95MM From C-2034	1	1	1	P
70	454326	CLOSING / PIPE TUNNEL SS 100MM X 75MM To C-2033	1	1	1	
70	Call order desk	CLOSING / PIPE TUNNEL SS 100MM X 75MM From C-2034	1	1	1	P
70	506338	RUBBER CHANNEL / 1/16" x 1/4" INT "U" SHAPE / ROUND C.T.L. To C-2033	AR	AR	AR	
70	5060120	GROMMET EDGING ADHESIVE .036-.062 From C-2034	1	1	1	
71	481899	RUBBER CLOSING AROUND 6 TUBES 81MM x 244MM	1	1		
71	485670	RUBBER CLOSING AROUND 6 TUBES 130MM x 250MM			1	
72	481889	PLATE HOLDING RUBBER 81MM x 244MM	1	1		
72	481764	PLATE HOLDING RUBBER 130MM x 250MM			1	
72	500209	SCREW TC BDG PH #10-24x3/8 N500 To G-3047	8	8	8	
72	5001975	SCREW TC BDG PH #10-24x3/8 SS410 ZINC From G-3048	8	8	8	
74	457424	CLOSING / PIPE TUNNEL PLASTIC / RH 57.2MM x 181MM	1	1	1	
74	457425	CLOSING / PIPE TUNNEL PLASTIC / LH 57.2MM x 181MM	1	1	1	
75	414654	DRAIN BOOT 1" I.D. W/GROOVE 1.5 x 35MM I.D. x 85MM	3	3	3	
		P) CALL ORDER DESK FOR SPECIFIC APPLICATION (V.I.N.)				

From 7-0761 To 7-0771

Date:10/2022

PAGE:H7-1865-50

## PANEL WALL BAGGAGE INSTALLATION WITH SMALL A/C SYSTEM

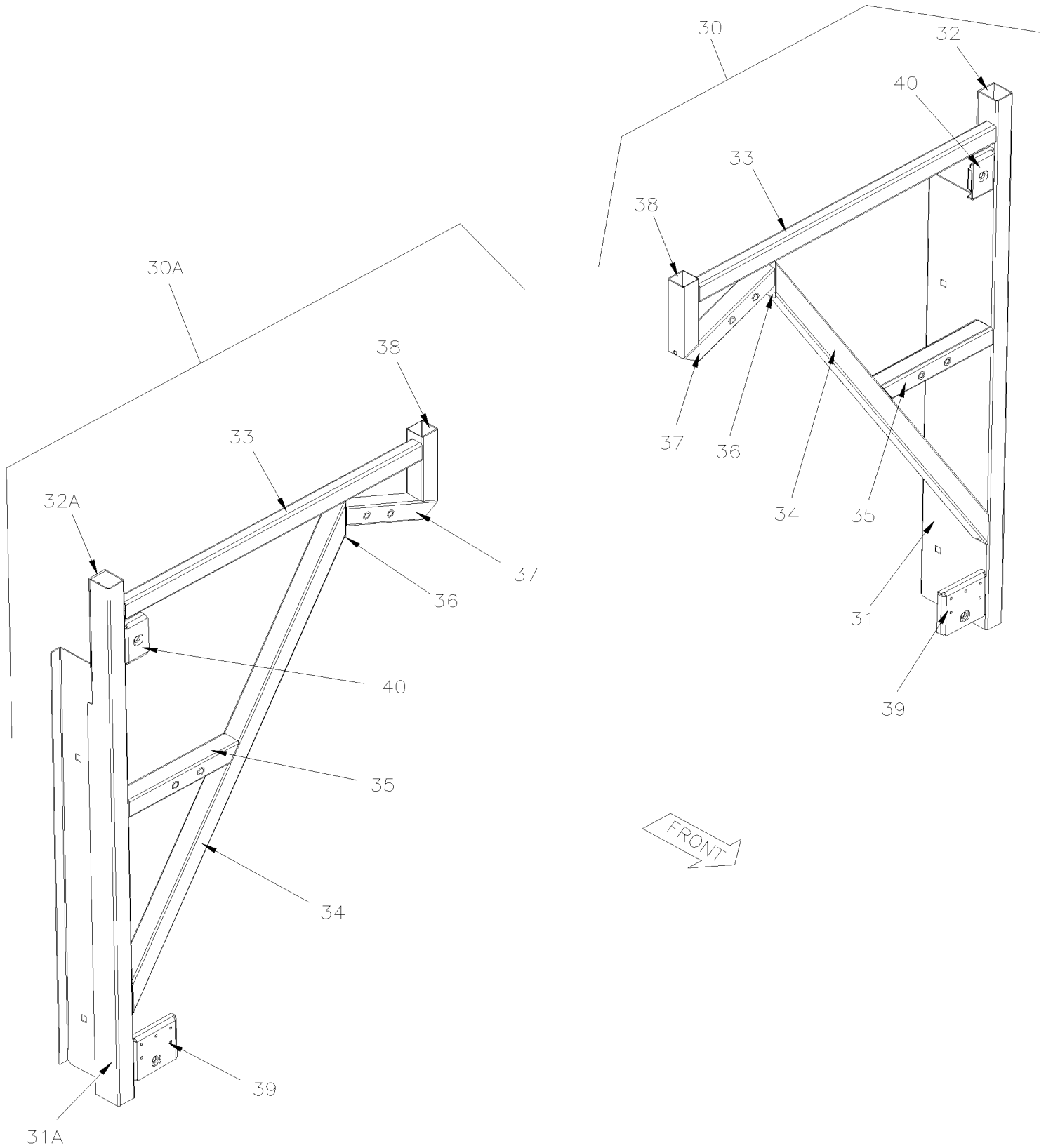


From 7-0761 To 7-0771

Date:10/2022

PAGE:H7-1865-50

PANEL WALL BAGGAGE INSTALLATION WITH SMALL A/C SYSTEM



<b>From 7-0761 To 7-0771</b>	<b>Date:10/2022</b>	<b>PAGE:H7-1865-50</b>
------------------------------	---------------------	------------------------

**PANEL WALL BAGGAGE INSTALLATION WITH SMALL A/C SYSTEM**

Item#	Part	Description	H 3 4 1	H 3 4 5	V I P 4 5	N O T E S
1	213979	PANEL / BOTTOM / W/SMALL A/C SYSTEM To 8-1403			1	
1	216053	PANEL / BOTTOM / W/SMALL A/C SYSTEM W/SLIDE-OUT WITH SLIDE OUT			1	
2	215242	PANEL / CENTER / R.H. W/SMALL A/C SYSTEM To 8-1403			1	
3	454119	ACCESS PANEL FUEL TANK W/SMALL A/C SYSTEM			1	
NS	453877	INSULATING ACCESS PANEL			1	
4	213801	PANEL / CENTER / L.H. W/SMALL A/C SYSTEM To 9-1469			1	
5	213998	PANEL / BOTTOM / W/SMALL A/C SYSTEM To 9-1469			1	
5	216053	PANEL / BOTTOM / W/SMALL A/C SYSTEM W/SLIDE-OUT			1	
6	213363	ANGLE SUPPORT 702MM			2	
7	482355	ACCESS PANEL			1	
8	213771	PANEL / W/SMALL A/C SYSTEM To 7-0931			1	
8	485594	PANEL / W/SMALL A/C SYSTEM From 7-0932			1	
8A	485567	PANEL / CLOSING // W/SMALL A/C From 7-0932			1	
9	213770	PANEL / W/SMALL A/C SYSTEM To 7-0931			1	
9	485595	PANEL / W/SMALL A/C SYSTEM From 7-0932			1	
10	213799	PANEL / W/SMALL A/C SYSTEM To 7-0931			1	
11	213971	PANEL / FRONT OF POST STREETSIDE			1	
12	213778	PANEL / W/SMALL A/C SYSTEM To 7-0931			1	
12	485593	PANEL / W/SMALL A/C SYSTEM From 7-0932			1	
12	485560	PANEL / W/SMALL A/C SYSTEM W/SLIDE-OUT			1	
12	485600	PANEL / W/SMALL A/C SYSTEM W/SLIDE-OUT			1	
14	213768	PANEL / W/SMALL A/C SYSTEM To 7-0931			1	
14	485592	PANEL / W/SMALL A/C SYSTEM From 7-0932			1	
NS	485601	PANEL / TOP CLOSING / ITEM 14 & CEILLING 135MM x 752MM From 7-0932			1	
15	240907	PANEL / INTERIOR FRONT			1	
16	213978	ANGLE SUPPORT			1	
17	213972	PANEL / FRONT OF POST CURBSIDE			1	
18	213818	INSULATING / UPPER SMALL SECTION / W/SMALL A/C SYSTEM			1	
18	213821	INSULATING / UPPER LARGE SECTION / W/SMALL A/C SYSTEM			1	
18	213823	INSULATING / UPPER TOP SECTION / W/SMALL A/C SYSTEM			1	
18	213820	INSULATING / UPPER SMALL SECTION / W/SMALL A/C SYSTEM			1	
18	213817	INSULATING / LOWER SECTION / W/SMALL A/C SYSTEM			1	
20	482801	PLATE HOLDING RUBBER 130MM x 94MM W/S/A/C			1	
21	482802	RUBBER CLOSING AROUND 2 TUBES 130MM x 94MM W/S/A/C				
30	214022P	WALL SEPARATOR ASSY L.H. STREETSIDE			1	
30A	214023P	WALL SEPARATOR ASSY R.H. CURBSIDE			1	
31	213971	. PANEL / FRONT OF POST STREETSIDE			1	
31A	213972	. PANEL / FRONT OF POST CURBSIDE			1	
32	214074	. PLATE ASSY W/3 WELD NUT / STREETSIDE 38MM x 224MM			1	
32A	213973	. PLATE ASSY W/3 WELD NUT / CURBSIDE 38MM x 224MM			1	
33	213974	. TUBE 693MM			1	

From 7-0761 To 7-0771      Date:10/2022      PAGE:H7-1865-50

**PANEL WALL BAGGAGE INSTALLATION WITH SMALL A/C SYSTEM**

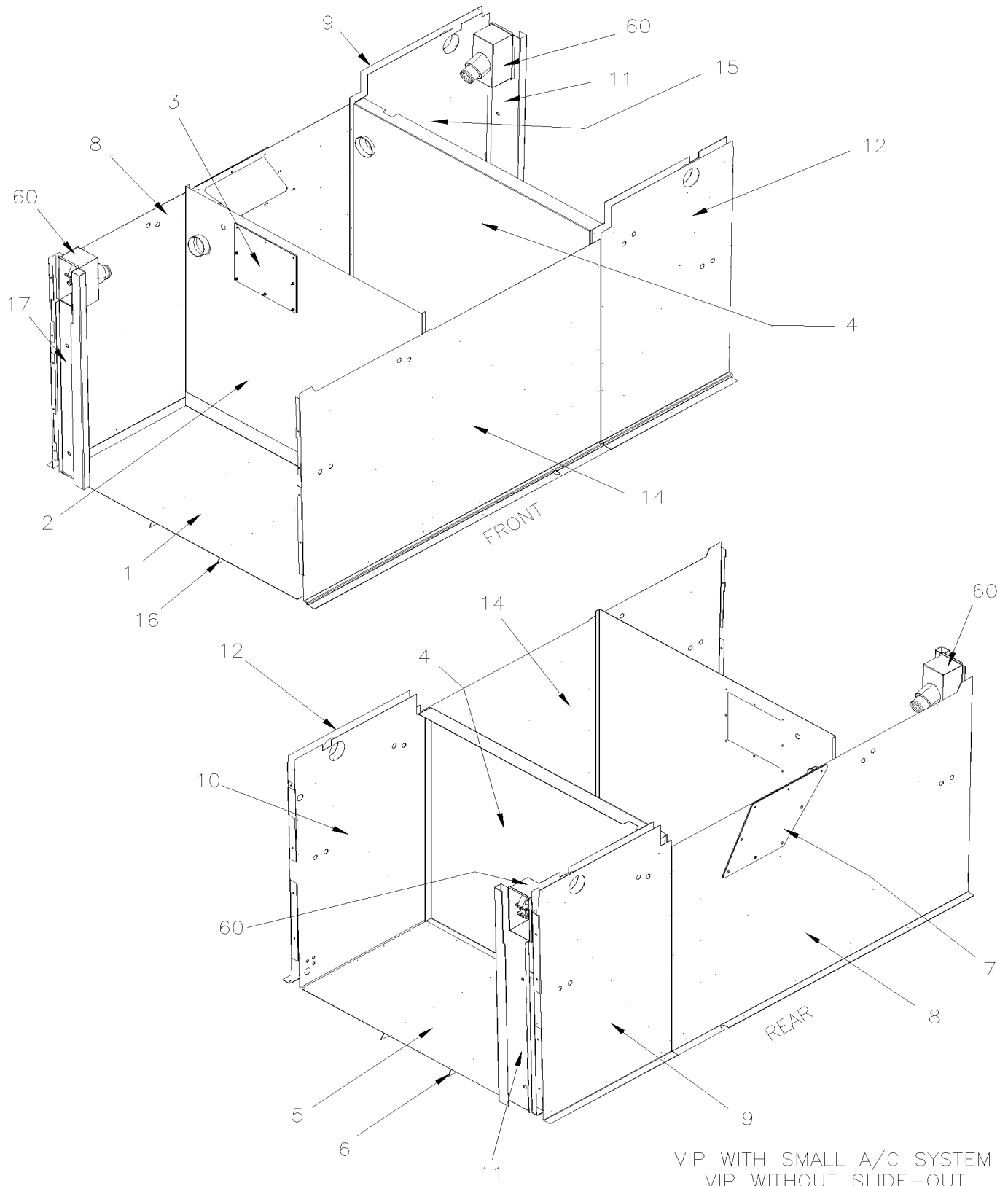
Item#	Part	Description	H 3 4 1	H 3 4 5	V I P 4 5	N O T E S
34	213975	. TUBE REINFORCMENT 995MM			1	
35	213976	. TUBE ASSY W/INSERT 257MM			1	
36	213977	. PLATE 34MM x 78MM			1	
37	214079	. TUBE ASSY W/INSERT 232MM			1	
38	213776	. TUBE 155MM			1	
39	287903	. SUPPORT LOWER / (WELDED TO STRUCTURE)			1	
40	287943	. FLOATING NUT ASSY WITH CASE			1	
60	<b>H7-0310-10</b>	<b>FUEL FILLING CAP</b>				

From 7-0772 To A-1720

Date:10/2022

PAGE:H7-1865-51

PANEL WALL BAGGAGE INSTALLATION WITH SMALL A/C SYSTEM / 2007

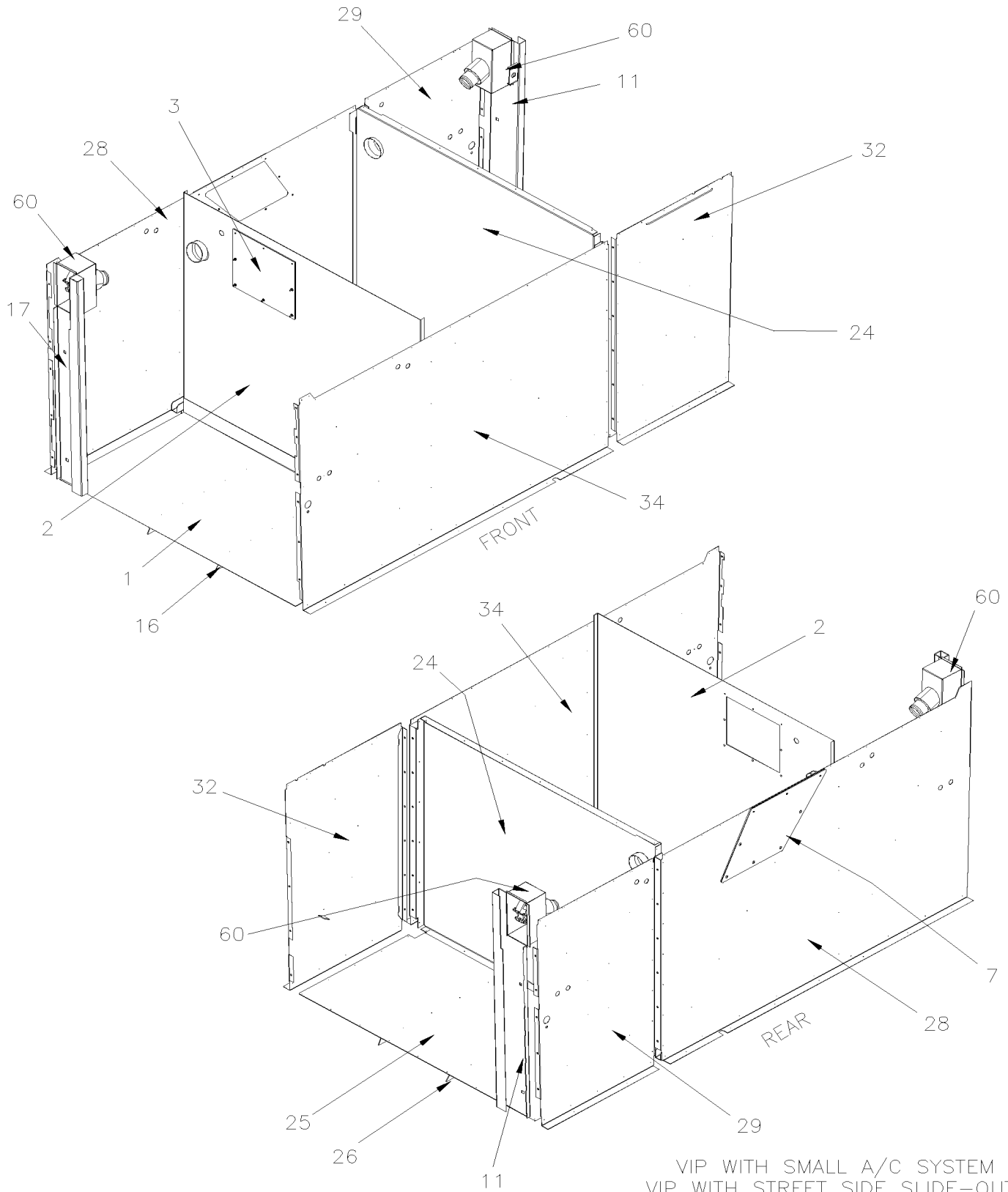


From 7-0772 To A-1720

Date:10/2022

PAGE:H7-1865-51

## PANEL WALL BAGGAGE INSTALLATION WITH SMALL A/C SYSTEM / 2007



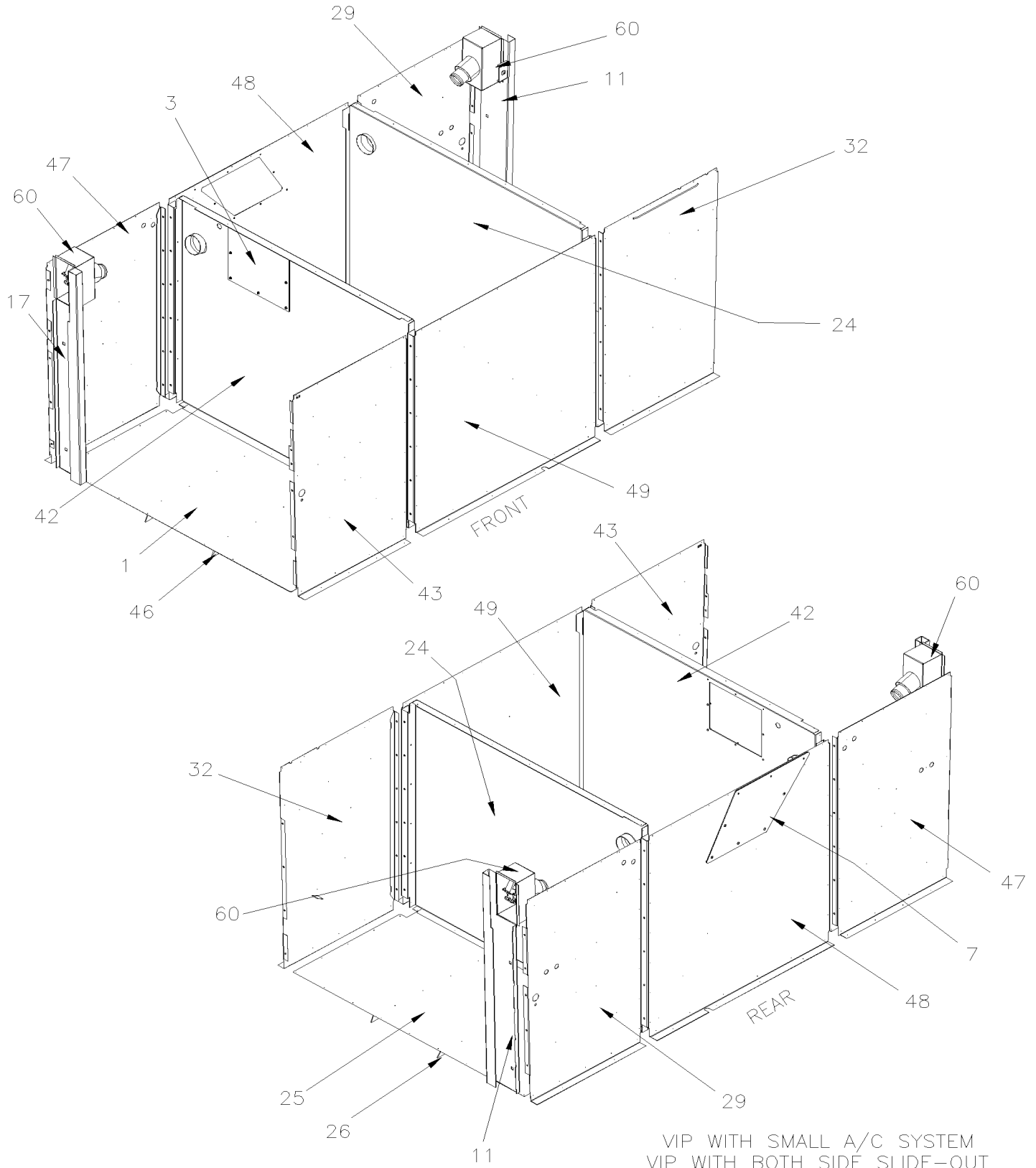


From 7-0772 To A-1720

Date:10/2022

PAGE:H7-1865-51

PANEL WALL BAGGAGE INSTALLATION WITH SMALL A/C SYSTEM / 2007



VIP WITH SMALL A/C SYSTEM  
VIP WITH BOTH SIDE SLIDE-OUT

From 7-0772 To A-1720	Date:10/2022	PAGE:H7-1865-51
<b>PANEL WALL BAGGAGE INSTALLATION WITH SMALL A/C SYSTEM / 2007</b>		

Item#	Part	Description	H 3 4 1	H 3 4 5	V I P 4 5	N O T E S
1	216275	PANEL / BOTTOM / W/SMALL A/C SYSTEM W/SLIDE-OUT			1	
2	216277	PANEL / CENTER / R.H. W/SMALL A/C SYSTEM			1	
3	030945	ACCESS PANEL FUEL TANK W/SMALL A/C SYSTEM			1	
NS	030946	INSULATING ACCESS PANEL			1	
4	216476	PANEL / CENTER / L.H. W/SMALL A/C SYSTEM			1	
5	216477	PANEL / BOTTOM / W/SMALL A/C SYSTEM			1	
6	216363	ANGLE SUPPORT 625MM			2	
7	482355	ACCESS PANEL			1	
7	484224	ACCESS PANEL			1	
8	485594	PANEL / W/SMALL A/C SYSTEM			1	
9	485595	PANEL / W/SMALL A/C SYSTEM			1	
10	240906	PANEL / INTERIOR REAR			1	
11	213971	PANEL / FRONT OF POST STREETSIDE			1	
12	485593	PANEL / W/SMALL A/C SYSTEM			1	
14	485592	PANEL / W/SMALL A/C SYSTEM			1	
15	240907	PANEL / INTERIOR FRONT			1	
16	216276	ANGLE SUPPORT 626MM			2	
17	213972	PANEL / FRONT OF POST CURBSIDE			1	
		..... PANEL WITH STREETSIDE SLIDE-OUT				
24	216054	PANEL / CENTER / L.H. W/SMALL A/C SYSTEM W/SLIDE-OUT			1	
25	216053	PANEL / BOTTOM / W/SMALL A/C SYSTEM W/SLIDE-OUT			1	
26	215954	ANGLE SUPPORT 589MM			1	
28	485598	PANEL / FUEL & COND BACKWARD W/SLIDE-OUT			1	
29	485599	PANEL / EVAPORATOR BACKWARD W/SLIDE-OUT			1	
32	485600	PANEL / W/SMALL A/C SYSTEM W/SLIDE-OUT			1	
34	485596	PANEL / FUEL & COND FORWARD W/SLIDE-OUT			1	
		..... PANEL WITH BOTHSIDE SLIDE-OUT				
42	211032	PANEL / CENTER / R.H. W/SMALL A/C SYSTEM			1	
43	485543	PANEL / FRONT CONDENSOR			1	
46	211035	ANGLE SUPPORT 589MM			1	
47	240877	PANEL / REAR CONDENSOR			1	
48	240878	PANEL / REAR FUEL TANK			1	
49	485545	PANEL / FRONT FUEL TANK			1	
60	<b>H7-0310-10</b>	<b>FUEL FILLING CAP</b>				

From 7-0772 To A-1720      Date:10/2022      PAGE:H7-1865-51

**PANEL WALL BAGGAGE INSTALLATION WITH SMALL A/C SYSTEM / 2007**

Item#	Part	Description	H 3 4 1	H 3 4 5	V I P 4 5	N O T E S

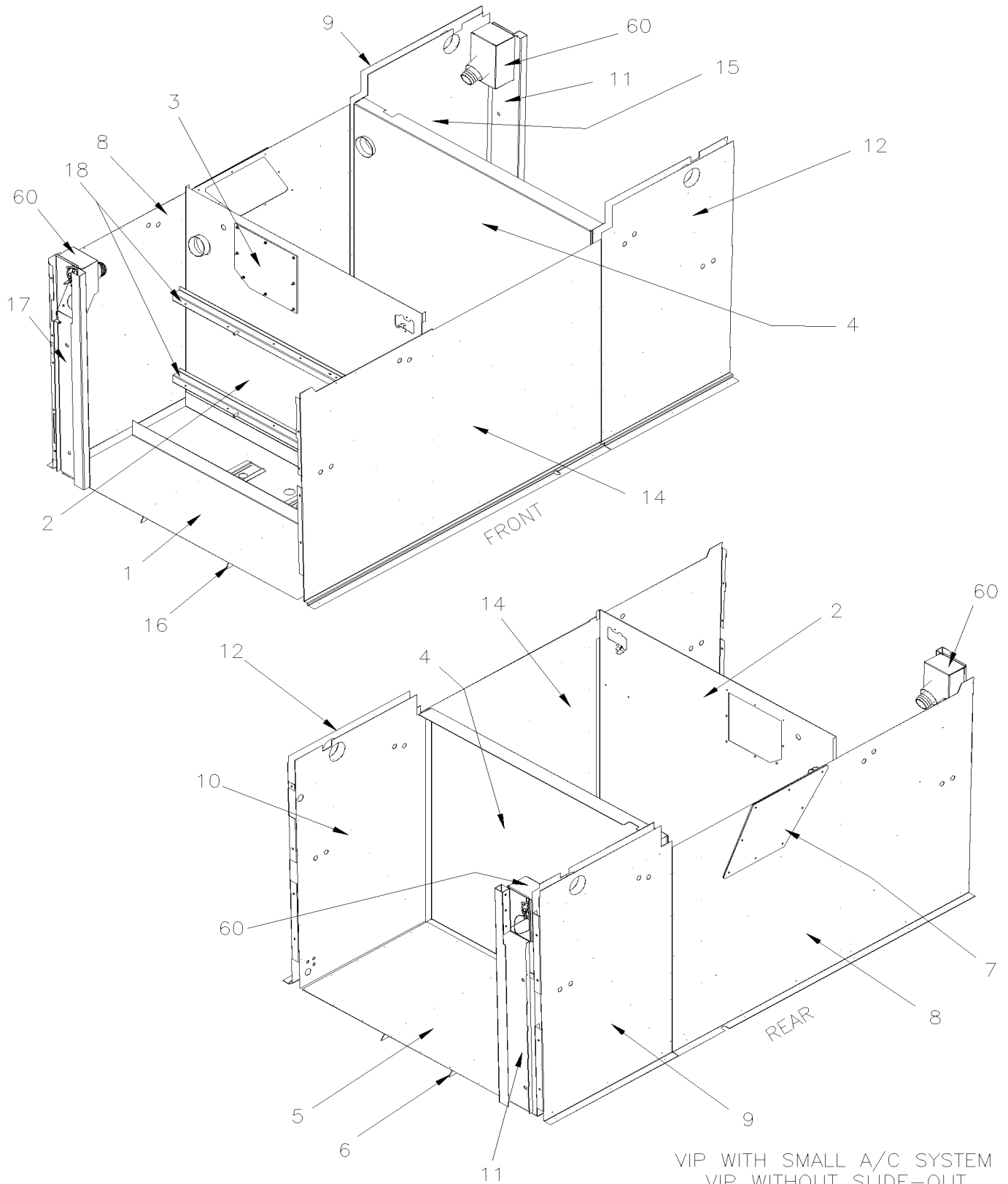


From B-1721 To J-0287

Date:10/2022

PAGE:H7-1865-52

PANEL WALL BAGGAGE INSTALLATION WITH SMALL A/C SYSTEM / 2010



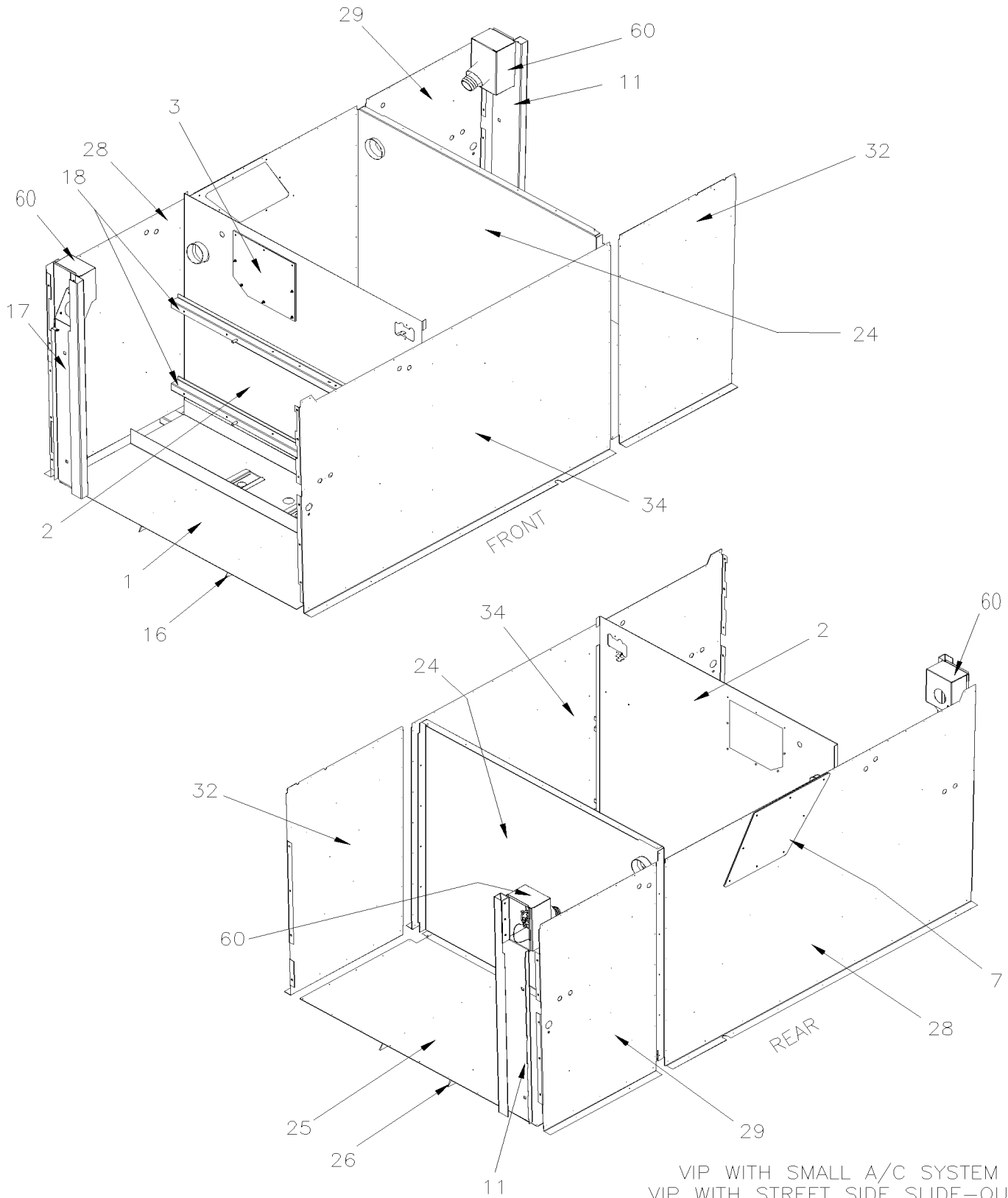
VIP WITH SMALL A/C SYSTEM  
VIP WITHOUT SLIDE-OUT

From B-1721 To J-0287

Date:10/2022

PAGE:H7-1865-52

## PANEL WALL BAGGAGE INSTALLATION WITH SMALL A/C SYSTEM / 2010



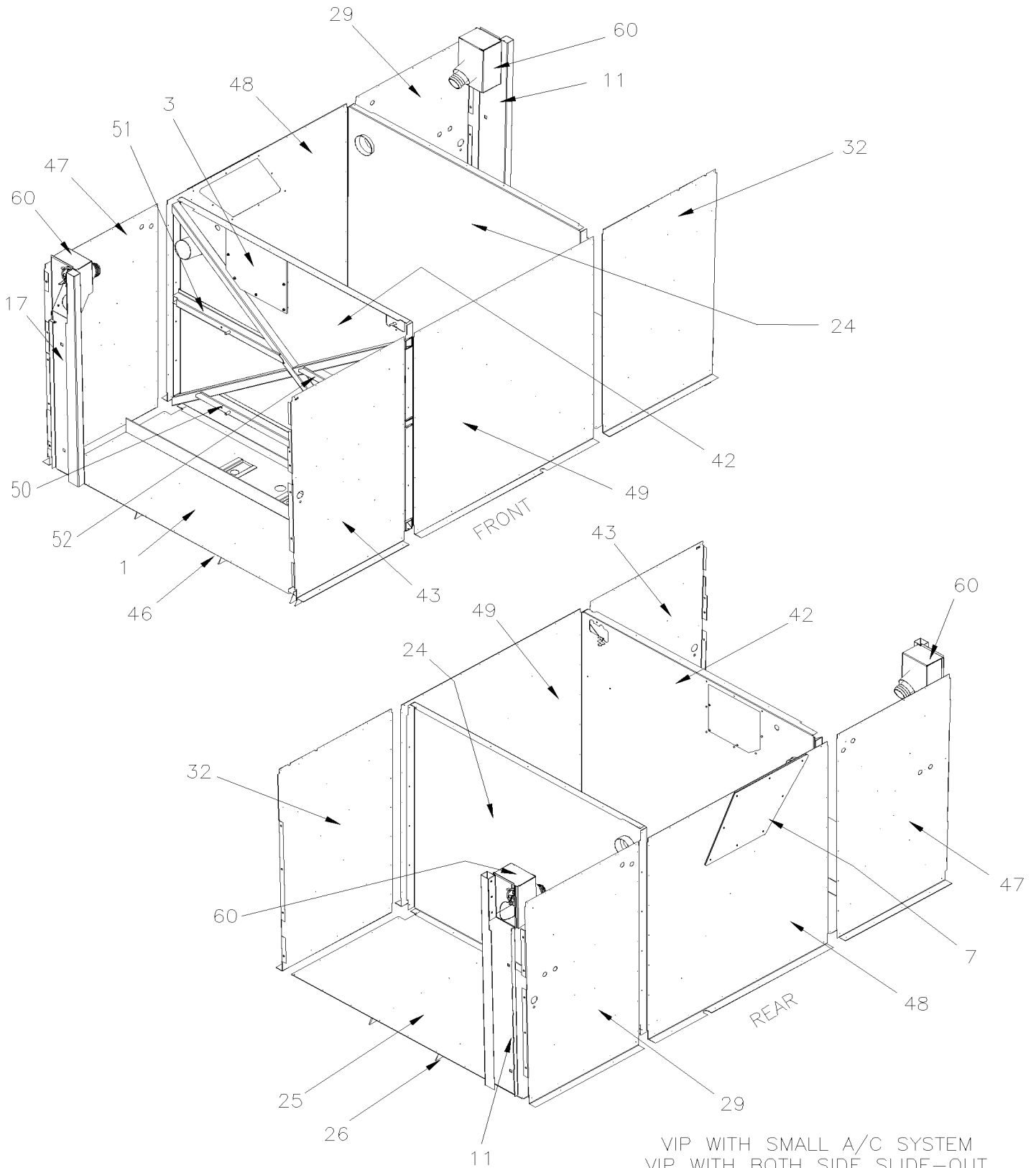
VIP WITH SMALL A/C SYSTEM  
VIP WITH STREET SIDE SLIDE-OUT

From B-1721 To J-0287

Date:10/2022

PAGE:H7-1865-52

## PANEL WALL BAGGAGE INSTALLATION WITH SMALL A/C SYSTEM / 2010



From B-1721 To J-0287      Date:10/2022      PAGE:H7-1865-52

**PANEL WALL BAGGAGE INSTALLATION WITH SMALL A/C SYSTEM / 2010**

Item#	Part	Description	H 3 4 1	H 3 4 5	V I P 4 5	N O T E S
1	216856	PANEL / BOTTOM / W/SMALL A/C SYSTEM W/SLIDE-OUT			1	
2	216855	PANEL / CENTER / R.H. W/SMALL A/C SYSTEM To D-2451			1	
2	218648	PANEL / CENTER / R.H. W/SMALL A/C SYSTEM From D-2452			1	
3	031016	ACCESS PANEL FUEL TANK W/SMALL A/C SYSTEM			1	
NS	030999	INSULATING ACCESS PANEL			1	
4	216476	PANEL / CENTER / L.H. W/SMALL A/C SYSTEM To D-2451			1	
4	218642	PANEL / CENTER / L.H. W/SMALL A/C SYSTEM From D-2452			1	
5	216477	PANEL / BOTTOM / W/SMALL A/C SYSTEM			1	
6	216363	ANGLE SUPPORT 625MM			2	
7	484224	ACCESS PANEL			1	
8	485594	PANEL / W/SMALL A/C SYSTEM			1	
9	485595	PANEL / W/SMALL A/C SYSTEM			1	
10	240906	PANEL / INTERIOR REAR			1	
11	213971	PANEL / FRONT OF POST STREETSIDE			1	
12	485593	PANEL / W/SMALL A/C SYSTEM			1	
14	485592	PANEL / W/SMALL A/C SYSTEM			1	
15	240907	PANEL / INTERIOR FRONT			1	
16	216276	ANGLE SUPPORT 626MM			2	
17	216862	PANEL / FRONT OF POST CURBSIDE			1	
18	218435	SUPPORT ASSY / "HAT" SHAPE 1402MM			2	
		..... PANEL WITH STREETSIDE SLIDE-OUT				
24	216054	PANEL / CENTER / L.H. W/SMALL A/C SYSTEM W/SLIDE-OUT To D-2451			1	
24	218650	PANEL / CENTER / L.H. W/SMALL A/C SYSTEM W/SLIDE-OUT From D-2452			1	
25	216053	PANEL / BOTTOM / W/SMALL A/C SYSTEM W/SLIDE-OUT			1	
26	215954	ANGLE SUPPORT 589MM			1	
28	485598	PANEL / FUEL & COND BACKWARD W/SLIDE-OUT			1	
29	485599	PANEL / EVAPORATOR BACKWARD W/SLIDE-OUT			1	
32	485600	PANEL / W/SMALL A/C SYSTEM W/SLIDE-OUT			1	
34	485596	PANEL / FUEL & COND FORWARD W/SLIDE-OUT			1	
		..... PANEL WITH BOTHSIDE SLIDE-OUT				
42	216857	PANEL / CENTER / R.H. W/SMALL A/C SYSTEM To D-2451			1	
42	218652	PANEL / CENTER / R.H. W/SMALL A/C SYSTEM From D-2452			1	
43	485543	PANEL / FRONT CONDENSOR			1	
46	211035	ANGLE SUPPORT 589MM			1	
47	240877	PANEL / REAR CONDENSOR			1	
48	240878	PANEL / REAR FUEL TANK			1	
49	485545	PANEL / FRONT FUEL TANK			1	



From B-1721 To J-0287	Date:10/2022	PAGE:H7-1865-52
<b>PANEL WALL BAGGAGE INSTALLATION WITH SMALL A/C SYSTEM / 2010</b>		

Item#	Part	Description	H 3 4 1	H 3 4 5	V I P 4 5	N O T E S
50	218442	SUPPORT ASSY / "HAT" SHAPE 1150MM			1	
51	218445	SUPPORT ASSY / "HAT" SHAPE 648MM			1	
52	218443	SUPPORT ASSY / "HAT" SHAPE 605MM			1	
60	<b>H7-0310-10</b>	<b>FUEL FILLING CAP</b>				

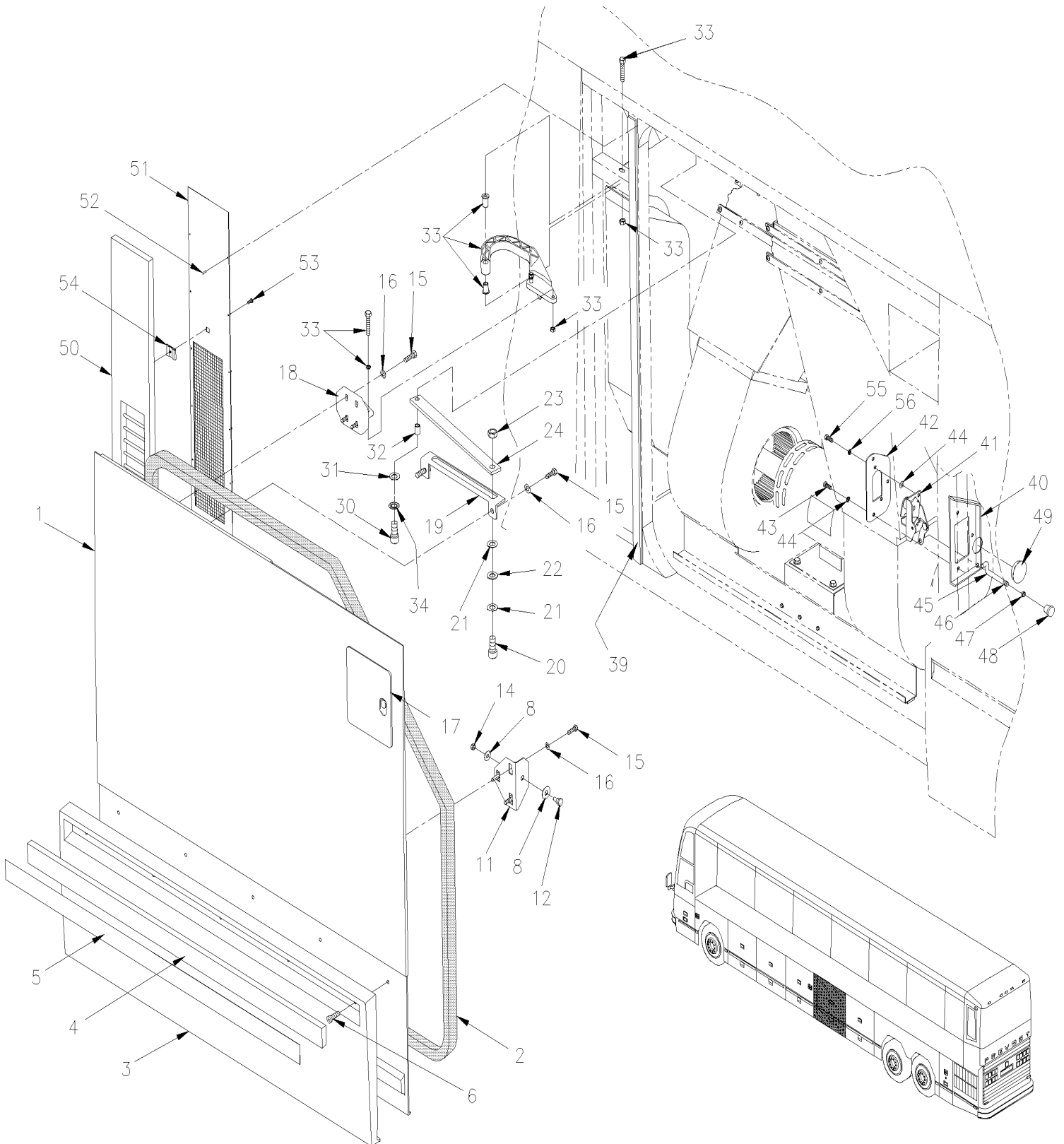


From 7-0671 To J-0287

Date:10/2022

PAGE:H7-1866-00

## EVAPORATOR DOOR ASSY



From 7-0671 To J-0287	Date:10/2022	PAGE:H7-1866-00
<b>EVAPORATOR DOOR ASSY</b>		

Item#	Part	Description	H 3 4 1	H 3 4 5	V I P 4 5	N O T E S
	287618	EVAPORATOR DOOR ASSY	1	1		
	287619	EVAPORATOR DOOR ASSY			1	
1	285772	DOOR MOULDED / FIBERGLASS	1	1		
1	288670	DOOR MOULDED / FIBERGLASS			1	
2	289934	. RUBBER SEAL EXTRUSION / EVAPORATOR DOOR / 1146MM X 1115MM To A-1578	1	1	1	
2	288906	. RUBBER SEAL EXTRUSION / EVAPORATOR DOOR / 1146MM X 1115MM From A-1579 To C-2017	1	1	1	
2	2800123	. RUBBER SEAL EXTRUSION / EVAPORATOR DOOR / 1146MM X 1115MM From C-2018	1	1	1	
NS	680066	. ADHESIVE / ADBOND #5014 / 23.6ML BOTTLE	AR	AR	AR	
3	285771	. PROTECTOR PANEL / SH	1	1	1	
3	285905	. PROTECTOR PANEL / WITH GRAVEL GUARD / SH	1	1		
NS	681348	. TAPE RUB ADH2 ACRYLIC .045" x 1" x 108' / VHB4952	AR	AR	AR	
NS	682462	. ADHESIVE SIKA #252 / BLACK / 310ml CARTRIDGE	AR	AR	AR	
4	285709	. EXTRUSION BACKING ASSY W/REFLECTOR 1189MM To E-2688	1	1	1	
. NS	285542	. . EXTRUSION BACKING 1189MM To E-2688	1	1	1	
4	280237	. EXTRUSION BACKING ASSY W/REFLECTOR 1185MM From E-2689	1	1	1	
. NS	280116	. . EXTRUSION 1185MM From E-2689	1	1	1	
NS	684685	. ADHESIVE SIMSON #ISR 70-03 / 310ml CARTRIDGE From E-2689	AR	AR	AR	
5	283100	. . STRIPE, REFLECTIVE WHITE / 38MM X 15' ROLL	AR	AR	AR	
. NS	780277	. . . STRIPE, REFLECTIVE WHITE / 38MM X 150' ROLL	AR	AR	AR	
NS	680025	. CAULKING STRIP 3/16" O.D. X 14'	AR	AR	AR	
6	500120	. SCREW TP BDG PH #6x1/2 SS	5	5	5	
8	500494	. WASHER BEL SPR .470x1.680x.125 N500 To F-3028	2	2	2	
8	284447	. WASHERS BELLEVILLE From F-3029	2	2	2	
11	285773	. ANGLE / STRIKER PIN SUPPORT	1	1	1	
12	284438	. PIN STRIKER	1	1	1	
14	502883	. NUT HEX 7/16-14 N500	1	1	1	
15	502862	. SCREW CAP HEX M8-1.25x20 G8.8 N500 To E-2500	AR	AR	AR	
15	502780	. SCREW CAP HEX M8-1.25x25 SS BK From E-2501 To F-3028	AR	AR	AR	
15	5001912	. SCREW CAP HEX M8-1.25x30 SS BK From F-3029	AR	AR	AR	
16	5001699	. WASHER BEL SPR 8.2x22x1.4 N500 To F-3028	AR	AR	AR	
16	5001848	. WASHER BEL SPR .827 x .331 x .098 th SS From F-3029	13	13	13	
17	<b>H7-1875-00</b>	<b>FUEL TANK FILLING DOOR To A-1720</b>				
17	<b>H7-1875-01</b>	<b>FUEL TANK &amp; UREA FILLING DOOR From B-1721</b>				
18	<b>H7-1879-90</b>	<b>EXTERIOR DOOR HINGE AND SUPPORT</b>				
19	287577	. GUIDE RETAINING ARM To F-2723	1	1	1	
19	2800914	. GUIDE RETAINING ARM From F-2724	1	1	1	
20	502625	. SCREW SHR HEXS 5/16x3/8 {1/4-20	1	1	1	
21	500270	. WASHER FL .406x1.000x.063 SS To F-3028	2	2	2	
21	5001341	. WASHER FL 8.4x17.0x1.6 SS From F-3029	2	2	2	
22	502768	. WASHER FL RUB .312x.625x.125 NEO	1	1	1	
23	500384	. NUT HEX JAM 1/4-20 G500 To F-3028	1	1	1	
23	5001980	. NUT HEX JAM 1/4-20 SS BK From F-3029	1	1	1	

From 7-0671 To J-0287	Date:10/2022	PAGE:H7-1866-00
<b>EVAPORATOR DOOR ASSY</b>		

Item#	Part	Description	H 3 4 1	H 3 4 5	V I P 4 5	N O T E S
24	283774	. ARM RETAINING	1	1	1	
30	502780	SCREW CAP HEX M8-1.25x25 SS BK	1	1	1	
NS	5001337	NUT INS FL HEX M8-1.25 0.5-3.0 Z050	1	1	1	
31	5001699	WASHER BEL SPR 8.2x22x1.4 N500 To F-3028	1	1	1	
31	5001848	WASHER BEL SPR .827 x .331 x .098 th SS From F-3029	1	1	1	
32	283770	SPACER / TO FIX RETAINING ARM	1	1	1	
33	<b>H7-1879-90</b>	<b>EXTERIOR DOOR HINGE AND SUPPORT</b>				
34	5001848	WASHER BEL SPR .827 x .331 x .098 th SS	1	1	1	
39	285488	LATERAL EXTRUSION	1	1	1	
39	289558	LATERAL EXTRUSION 31MM x 1203MM To B-1730	1	1	1	
40	282988	PLATE HOLDER / WELDED TO STRUCTURE From B-1731	1	1	1	
41	780587	LOCK SPAGNOLET L.H. / W/G-FITTING	1	1	1	
. NS	507607	. GREASE FITTING / M6-1.00	1	1	1	
42	285765	PLATE ADAPTOR	1	1	1	
43	5001743	SCREW CAP HEX M6-1.0x12 G8.8 N500 To F-3028	AR	AR	AR	
43	5001982	SCREW CAP HEX M6-1.0x12 SS BK From F-3029	AR	AR	AR	
44	5001833	WASHER BEL SPR 6.1x18x1.27 SS	AR	AR	AR	
45	282984	ROD OPENING 52MM	1	1	1	
46	504083	SNAP BUSHING / .250x.468.406	1	1	1	
47	500764	NUT HEX #8-32 Z050	1	1	1	
48	505504	KNOB, PULL / 8-32	1	1	1	
49	504393	SNAP-IN PLUG / 1.200 O.D.	1	1	1	
50	473639	PANEL AIR INTAKE EVAPORATOR / W/SCREEN	1	1		
50	476632	PANEL AIR INTAKE EVAPORATOR			1	
NS	287332	SUPPORT " L" SHAPE			1	S
51	213544	EXTERIOR PANEL SS	1	1	1	
51	215730	PANEL			1	S
52	504248	RIVET CHY Q PRDG 3/16x1/4 SS	AR	AR	AR	
53	502830	SCREW CAP HEX M6-1.0x20 G8.8 N500 To F-3028	AR	AR	AR	
53	502622	SCREW CAP HEX M6-1.0x20 SS BK From F-3029	AR	AR	AR	
NS	502820	WASHER FL .187x1.000x.125 RUB BK From E-2565	AR	AR	AR	
54	5001639	NUT SPR U M6-1.0 0.34-4 MAG565	AR	AR	AR	
55	5001743	SCREW CAP HEX M6-1.0x12 G8.8 N500 To F-3028	2	2	2	
55	5001982	SCREW CAP HEX M6-1.0x12 SS BK From F-3029	2	2	2	
56	5001833	WASHER BEL SPR 6.1x18x1.27 SS To H-3892	2	2	2	
56	5002015	WASHER BEL SPR 6.65x17.4x0.9 SS From H-3893	2	2	2	
		S) WITH "SLIDE-OUT"				

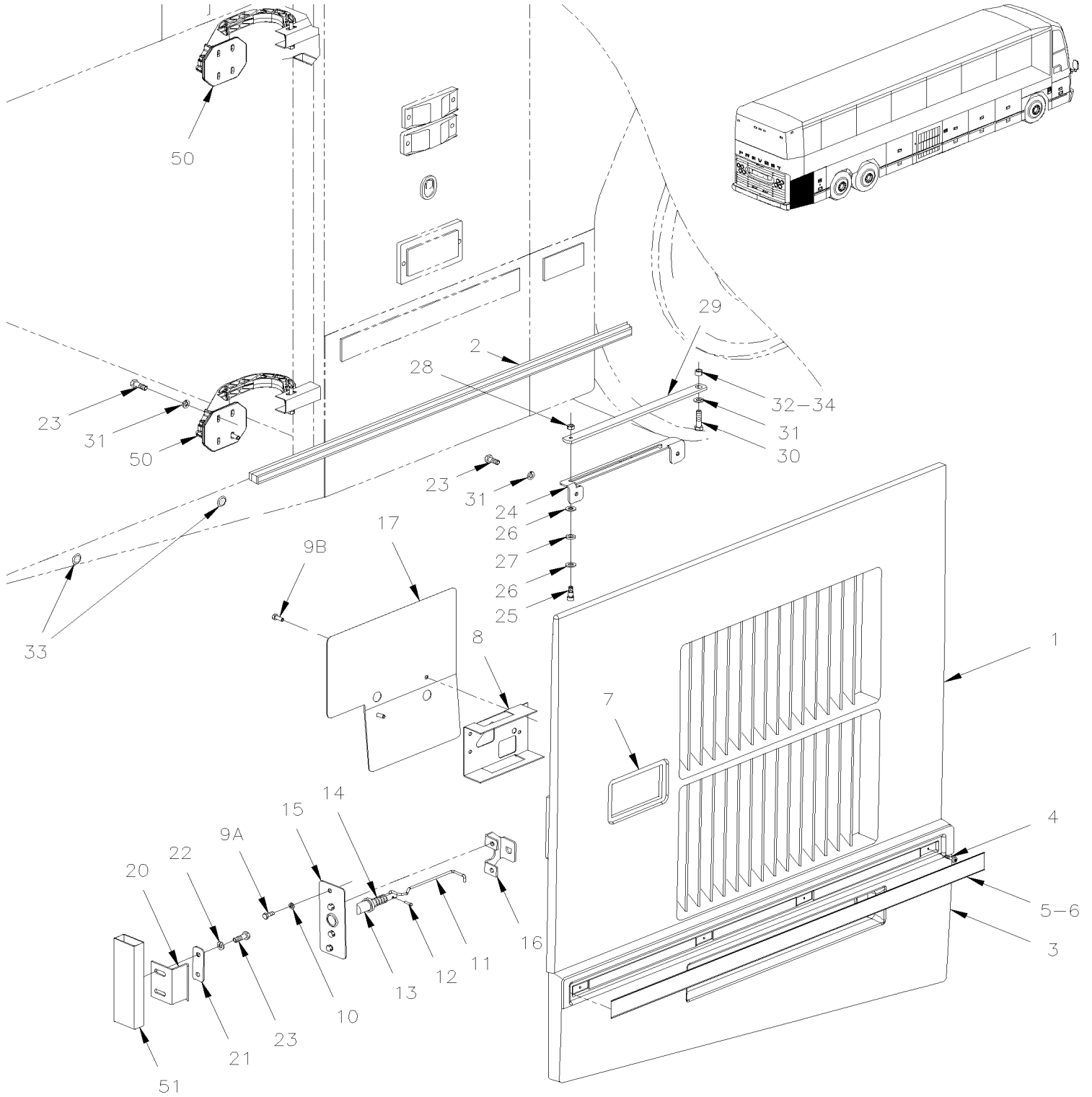


From 7-0671 To F-2694

Date:10/2022

PAGE:H7-1868-00

## A/C COMPRESSOR DOOR ASSY



From 7-0671 To F-2694	Date:10/2022	PAGE:H7-1868-00
<b>A/C COMPRESSOR DOOR ASSY</b>		

Item#	Part	Description	H 3 4 1	H 3 4 5	V I P 4 5	N O T E S
	288560	COMPRESSOR DOOR ASSY To A-1720	1	1		
	286654	COMPRESSOR DOOR ASSY			1	
	288886	COMPRESSOR DOOR ASSY From B-1721				
1	287998	. COMPRESSOR DOOR / FIBERGLASS / VENTED To A-1720	1	1		
1	289676	. COMPRESSOR DOOR / FIBERGLASS / VENTED From B-1721	1	1		
1	287998	. COMPRESSOR DOOR / FIBERGLASS / VENTED From B-1721	1	1		C
1	288681	. COMPRESSOR DOOR / FIBERGLASS / VENTED			1	
NS	288097	. GRILL PERFORATED SS / INSIDE OF DOOR	1	1	1	
NS	509805	. SCREW TP PAN PH #10x1/2 BK	8	8	8	
1	504709	. BUMPER PLUG / 9/32X1 1/16 X 5/8 X 1/16	2	2	2	
2	293281	. RUBBER SEAL EXTRUSION / ADHESIVE / LOWER WINDOW	1	1	1	
3	285863	. PROTECTOR PANEL / SH	1	1	1	
3	286213	. PROTECTOR PANEL / WITH GRAVEL GUARD / SH	1	1	1	A
NS	683083	. ADHESIVE SIKA #252 / BLACK / 600 ml SAUSAGE	AR	AR	AR	
NS	681348	. TAPE RUB ADH2 ACRYLIC .045" x 1" x 108' / VHB4952	AR	AR	AR	
NS	683885	. ADHESIVE SIKA TACK ULTRA FAST 2 / BLACK / 325ml	AR	AR	AR	
4	500120	. SCREW TP BDG PH #6x1/2 SS	4	4	4	
5	285956	. EXTRUSION BACKING ASSY W/REFLECTOR 1074MM To E-2688	1	1	1	
. NS	285864	. . EXTRUSION BACKING 1074MM To E-2688	1	1	1	
5	280234	. EXTRUSION BACKING ASSY W/REFLECTOR 1070MM From E-2689	1	1	1	
. NS	280119	. . EXTRUSION 1070MM From E-2689	1	1	1	
NS	685126	. ADHESIVE SIMSON #ISR 70-03 / GREY / 600ml SAUSAGE From E-2689	AR	AR	AR	
6	283100	. STRIPE, REFLECTIVE WHITE / 38MM X 15' ROLL	AR	AR	AR	
. NS	780277	. . STRIPE, REFLECTIVE WHITE / 38MM X 150' ROLL	AR	AR	AR	
7	<b>H7-1864-31</b>	<b>. HANDLE LOCK &amp; KEYS - TYPE "NS" &amp; "FORD"</b>				
8	289340	. SUPPORT, HANDLE	1	1	1	
9A	5001738	. SCREW CAP HEX M8-1.25x30 G8.8 N500	4	4	4	
9B	5001630	. SCREW TP BUTF TORX M6x20 SS	4	4	4	
10	500356	. WASHER LO SERR 6.1x16.0x0.9 N500	4	4	4	
11	289334	. ROD / HANDLE & CATCH PIN / 135.1MM	1	1	1	
12	780340	. CLIP, RETAINER ROD	1	1	1	
13	288118	. CATCH PIN ACETAL / 82MM To F-2771	1	1	1	
13	2800888	. CATCH PIN BLACK ACETAL From F-2772	1	1	1	
14	502910	. SPRING COMPRESSION / .720 O.D. 1.75 x .055	1	1	1	
15	288062	. GUIDE PIN PLATE / 60MM X 140MM To A-1720	1	1	1	
15	289706	. GUIDE PIN PLATE / SIDE SENSOR / 60MM X 140MM To A-1720	1	1	1	
15	289806	. GUIDE PIN PLATE / TOP SENSOR / 60MM X 140MM From B-1721 To F-2694	1	1	1	
15	2800535	. GUIDE PIN PLATE / 60MM X 140MM From F-2695	1	1	1	
16	288061	. SUPPORT CATCH PIN	1	1	1	
17	288065	. PLATE CLOSING / 309MM X 298MM	1	1	1	
20	288087	CATCH PIN / RETAINER 49.8MMx36.5MM 90° To A-1720	1	1	1	
20	289439	CATCH PIN / RETAINER W/HOLE FOR AJAR SENSOR From B-1721 To F-2694	1	1	1	



From 7-0671 To F-2694	Date:10/2022	PAGE:H7-1868-00
<b>A/C COMPRESSOR DOOR ASSY</b>		

Item#	Part	Description	H 3 4 1	H 3 4 5	V I P 4 5	N O T E S
20	289589	CATCH PIN / RETAINER From F-2695	1	1	1	
NS	287452	SHIM SPACER 70MM X 25 X 14GA	AR	AR	AR	
21	288088	PLATE RETAINER 66MM X 25.4MM To A-1720	1	1	1	
21	289705	PLATE RETAINER / W/SWITCH SUPPORT / 66MM X 25.4MM To A-1720	1	1	1	B
22	502857	WASHER LO SERR 8.2x26.3x1.8 N500	2	2	2	
23	5001912	SCREW CAP HEX M8-1.25x30 SS BK	4	4	4	
24	283771	GUIDE RETAINING ARM To 7-1030	1	1	1	
24	287043	GUIDE RETAINING ARM From 7-1031	1	1	1	
25	5001560	SCREW SHR HEXS 5/16x3/8 {1/4-20 SS	1	1	1	
26	5001341	WASHER FL 8.4x17.0x1.6 SS	2	2	2	
27	502768	WASHER FL RUB .312x.625x.125 NEO	1	1	1	
28	500384	NUT HEX JAM 1/4-20 G500	1	1	1	
29	283772	ARM RETAINING To 7-1030	1	1	1	
29	287044	ARM RETAINING From 7-1031	1	1	1	
30	502836	SCREW CAP HEX M8-1.25x35 G8.8 N500	4	4	4	
31	502857	WASHER LO SERR 8.2x26.3x1.8 N500	1	1	1	
32	283770	SPACER / TO FIX RETAINING ARM	1	1	1	
33	5001168	BUMPER RUBBER / .750 OD x .562 TH x .187 HOLE	2	2	2	
NS	504416	RIVET POP DOME OE 3/16x5/8 SS	2	2	2	
34	5001063	RIVET NUT FL OKS M8-1.25 11.0-1.5	1	1	1	
50	<b>H7-1879-90</b>	<b>EXTERIOR DOOR HINGE AND SUPPORT</b>				
51	<b>H7-1894-00</b>	<b>REAR STRUCTURE To A-1720</b>				
51	<b>H7-1894-01</b>	<b>REAR STRUCTURE WITH "EPA 2010" From B-1721 To D-2363</b>				
51	H7-189X-XX	STRUCTURE / CALL ORDER DESK From D-2364				
53	289961	SHIM FOR "FORD" CYLINDER 27 I.D.x35 O.D.3.17	1	1	1	
NS	453066	DECAL R134A / NOMINAL CHARGE 24 LBS // ENGLISH & FRANCAIS	1	1		
NS	453244	DECAL R134A / NOMINAL CHARGE 26 LBS // ENGLISH & FRANCAIS	1	1		
NS	454118	DECAL R134A / NOMINAL CHARGE 6.LBS / PAG OIL			1	
		A) THIS PROTECTOR IS COATED WITH GRAVEL GUARD AND IS BLACK PAINTED, READY TO INSTALL				
		B) INCLUDE WITH KIT 068145				
		C) USE WITHOUT BLOCK HEATER HOLE PLUG				

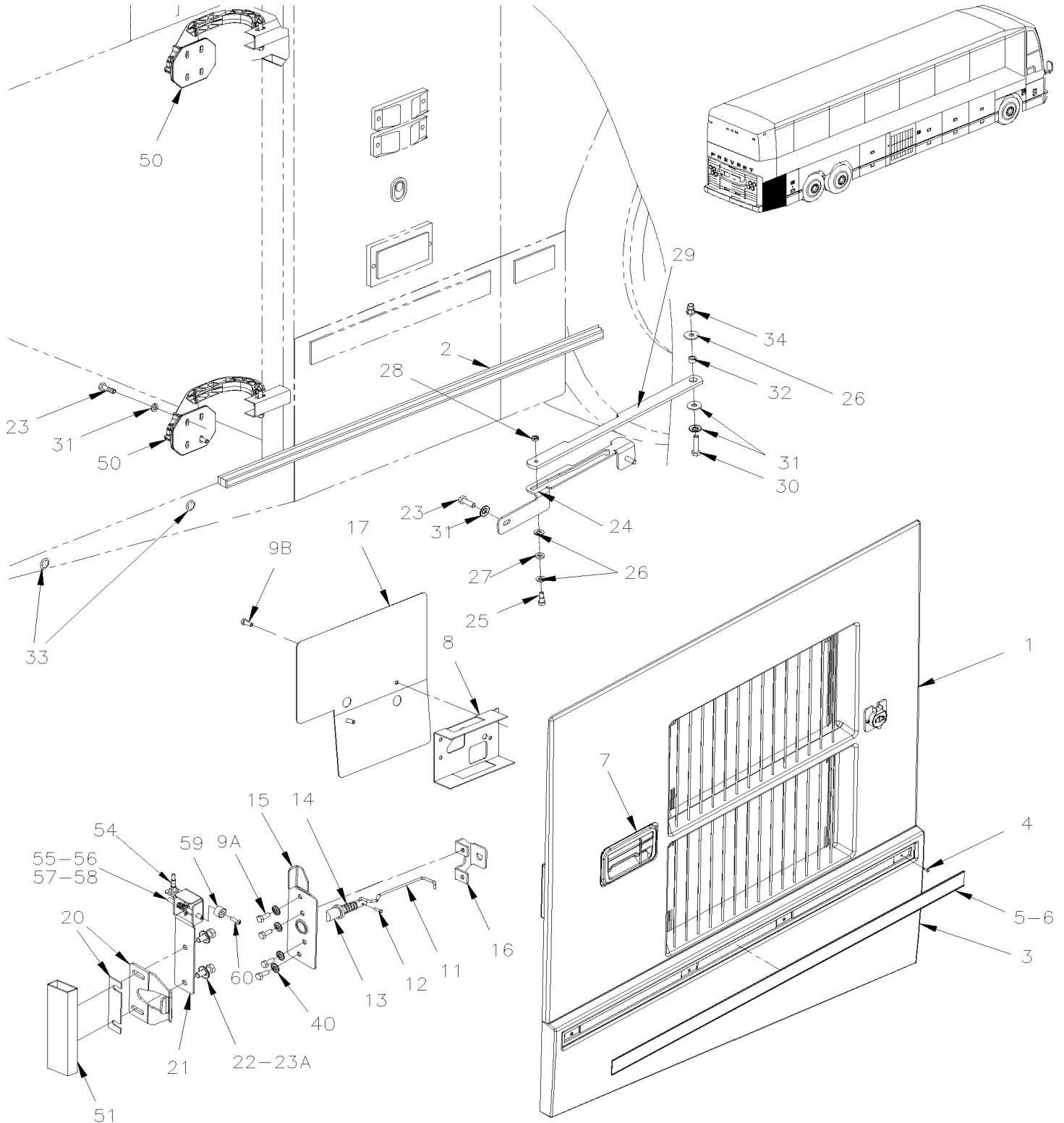


From F-2695 To J-0287

Date:10/2022

PAGE:H7-1868-01

## A/C COMPRESSOR DOOR ASSY



From F-2695 To J-0287	Date:10/2022	PAGE:H7-1868-01
<b>A/C COMPRESSOR DOOR ASSY</b>		

Item#	Part	Description	H 3 4 1	H 3 4 5	V I P 4 5	N O T E S
	286654	COMPRESSOR DOOR ASSY			1	
	288886	COMPRESSOR DOOR ASSY				
1	289676	. COMPRESSOR DOOR / FIBERGLASS / VENTED To H-3734	1	1		
1	280083	. COMPRESSOR DOOR / FIBERGLASS / VENTED From H-3735	1	1		
1	287998	. COMPRESSOR DOOR / FIBERGLASS / VENTED	1	1		C
1	288681	. COMPRESSOR DOOR / FIBERGLASS / VENTED			1	
NS	288097	. GRILL PERFORATED SS / INSIDE OF DOOR	1	1	1	
NS	509805	. SCREW TP PAN PH #10x1/2 BK	8	8	8	
1	504709	. BUMPER PLUG / 9/32X1 1/16 X 5/8 X 1/16	2	2	2	
2	293281	. RUBBER SEAL EXTRUSION / ADHESIVE / LOWER WINDOW	1	1	1	
3	285863	. PROTECTOR PANEL / SH	1	1	1	
3	286213	. PROTECTOR PANEL / WITH GRAVEL GUARD / SH	1	1	1	A
NS	683083	. ADHESIVE SIKA #252 / BLACK / 600 ml SAUSAGE	AR	AR	AR	
NS	681348	. TAPE RUB ADH2 ACRYLIC .045" x 1" x 108' / VHB4952	AR	AR	AR	
NS	683885	. ADHESIVE SIKA TACK ULTRA FAST 2 / BLACK / 325ml	AR	AR	AR	
4	500120	. SCREW TP BDG PH #6x1/2 SS	4	4	4	
5	280234	. EXTRUSION BACKING ASSY W/REFLECTOR 1070MM	1	1	1	
. NS	280119	. . EXTRUSION 1070MM	1	1	1	
NS	684685	. ADHESIVE SIMSON #ISR 70-03 / 310ml CARTRIDGE	AR	AR	AR	
6	283100	. STRIPE, REFLECTIVE WHITE / 38MM X 15' ROLL	AR	AR	AR	
. NS	780277	. . STRIPE, REFLECTIVE WHITE / 38MM X 150' ROLL	AR	AR	AR	
7	<b>H7-1864-31</b>	<b>. HANDLE LOCK &amp; KEYS - TYPE "NS" &amp; "FORD"</b>				
8	289340	. SUPPORT, HANDLE	1	1	1	
9A	5001744	. SCREW CAP HEX M6-1.0x16 G8.8 N500 To F-3028	4	4	4	
9A	5001697	. SCREW CAP HEX M6-1.0x16 SS BK From F-3029	4	4	4	
9B	5001630	. SCREW TP BUTF TORX M6x20 SS To J-0216	4	4	4	
9B	5002054	. SCREW TP BUTF TORX M6x20 SS From J-0217	4	4	4	
10	500356	. WASHER LO SERR 6.1x16.0x0.9 N500	4	4	4	
11	289334	. ROD / HANDLE & CATCH PIN / 135.1MM	1	1	1	
12	780340	. CLIP, RETAINER ROD	1	1	1	
13	2800888	. CATCH PIN BLACK ACETAL To G-3139	1	1	1	
13	2801056	. CATCH PIN BLACK ACETAL From G-3140	1	1	1	
14	502910	. SPRING COMPRESSION / .720 O.D. 1.75 x .055	1	1	1	
15	2800535	. GUIDE PIN PLATE / 60MM X 140MM	1	1	1	
16	288061	. SUPPORT CATCH PIN	1	1	1	
17	288065	. PLATE CLOSING / 309MM X 298MM	1	1	1	
18	405194	. DECAL "OPENING & CLOSING SUMP TANK PICTOGRA	1	1	1	
19	500381	. WASHER FL 8.4x25.0x2.0 N500 To F-3028	AR	AR	AR	
19	5001849	. WASHER FL 8.4x24.0x2.0 SS From F-3029	5	5	5	
20	289589	CATCH PIN / RETAINER	1	1	1	
NS	287452	SHIM SPACER 70MM X 25 X 14GA	AR	AR	AR	
21	2800534	PLATE RETAINER / W/SWITCH SUPPORT / 66MM X 25.4MM	1	1	1	

From F-2695 To J-0287	Date:10/2022	PAGE:H7-1868-01
<b>A/C COMPRESSOR DOOR ASSY</b>		

Item#	Part	Description	H 3 4 1	H 3 4 5	V I P 4 5	N O T E S
22	502857	WASHER LO SERR 8.2x26.3x1.8 N500	2	2	2	
23	502780	SCREW CAP HEX M8-1.25x25 SS BK To F-3028	4	4	4	
23	502780	SCREW CAP HEX M8-1.25x25 SS BK To F-3028	4	4	4	
23	5001912	SCREW CAP HEX M8-1.25x30 SS BK From F-3029	AR	AR	AR	
23	5001912	SCREW CAP HEX M8-1.25x30 SS BK From F-3029	AR	AR	AR	
23A	5001912	SCREW CAP HEX M8-1.25x30 SS BK To J-0022	2	2	2	
23A	5001912	SCREW CAP HEX M8-1.25x30 SS BK To J-0022	2	2	2	
23A	502780	SCREW CAP HEX M8-1.25x25 SS BK From J-0023	2	2	2	
23A	502780	SCREW CAP HEX M8-1.25x25 SS BK From J-0023	2	2	2	
24	287043	GUIDE RETAINING ARM	1	1	1	
25	5001560	SCREW SHR HEXS 5/16x3/8 {1/4-20 SS	1	1	1	
26	5001341	WASHER FL 8.4x17.0x1.6 SS	2	2	2	
27	502768	WASHER FL RUB .312x.625x.125 NEO	1	1	1	
28	500384	NUT HEX JAM 1/4-20 G500 To F-3028	1	1	1	
28	5001980	NUT HEX JAM 1/4-20 SS BK From F-3029	1	1	1	
29	287044	ARM RETAINING To F-3028	1	1	1	
29	2800976	ARM RETAINING From F-3029	1	1	1	
30	502836	SCREW CAP HEX M8-1.25x35 G8.8 N500 To F-3028	4	4	4	
30	502780	SCREW CAP HEX M8-1.25x25 SS BK From F-3029	1	1	1	
31	5001699	WASHER BEL SPR 8.2x22x1.4 N500	6	6	6	
31	5001848	WASHER BEL SPR .827 x .331 x .098 th SS	11	11	11	
32	283770	SPACER / TO FIX RETAINING ARM	1	1	1	
33	5001168	BUMPER RUBBER / .750 OD x .562 TH x .187 HOLE	2	2	2	
NS	504416	RIVET POP DOME OE 3/16x5/8 SS	2	2	2	
34	5001337	NUT INS FL HEX M8-1.25 0.5-3.0 Z050 To F-3028	1	1	1	
34	5001692	NUT INS FL HEX M8-1.25 0.5-3.0 SS From F-3029	1	1	1	
40	500356	. WASHER LO SERR 6.1x16.0x0.9 N500 To F-3028	4	4	4	
40	5001833	. WASHER BEL SPR 6.1x18x1.27 SS From F-3029 To H-3892	4	4	4	
40	5002015	. WASHER BEL SPR 6.65x17.4x0.9 SS From H-3893	4	4	4	
50	<b>H7-1879-90</b>	<b>EXTERIOR DOOR HINGE AND SUPPORT</b>				
51	H7-189X-XX	STRUCTURE / CALL ORDER DESK				
53	289961	SHIM FOR "FORD" CYLINDER 27 I.D.x35 O.D.3.17	1	1	1	
54	<b>H7-0665-10</b>	<b>SWITCHES, LIGHTS, AJAR - UNDER FLOOR &amp; ENGINE COMPARTMENT</b>				
55	2800875	ROD / SWITCH	1	1	1	
56	5021001	SPRING COMPRESSION / .360 O.D. x 1.5 x .038	1	1	1	
57	502573	WASHER FL 6.4x12.5x1.6 SS	1	1	1	
58	5001860	PIN HITCH CLIP .054 x 3/4 SS	1	1	1	
59	504334	BUMPER RUBBER / .625 OD x .406 TH x .156 HOLE	1	1	1	
60	502698	SCREW MA PAN PH M4-0.7x16 SS BK	1	1	1	
61	453066	DECAL R134A / NOMINAL CHARGE 24 LBS // ENGLISH & FRANCAIS	1	1	1	
61	453244	DECAL R134A / NOMINAL CHARGE 26 LBS // ENGLISH & FRANCAIS	1	1		
61	454118	DECAL R134A / NOMINAL CHARGE 6.LBS / PAG OIL			1	

From F-2695 To J-0287	Date:10/2022	PAGE:H7-1868-01
<b>A/C COMPRESSOR DOOR ASSY</b>		

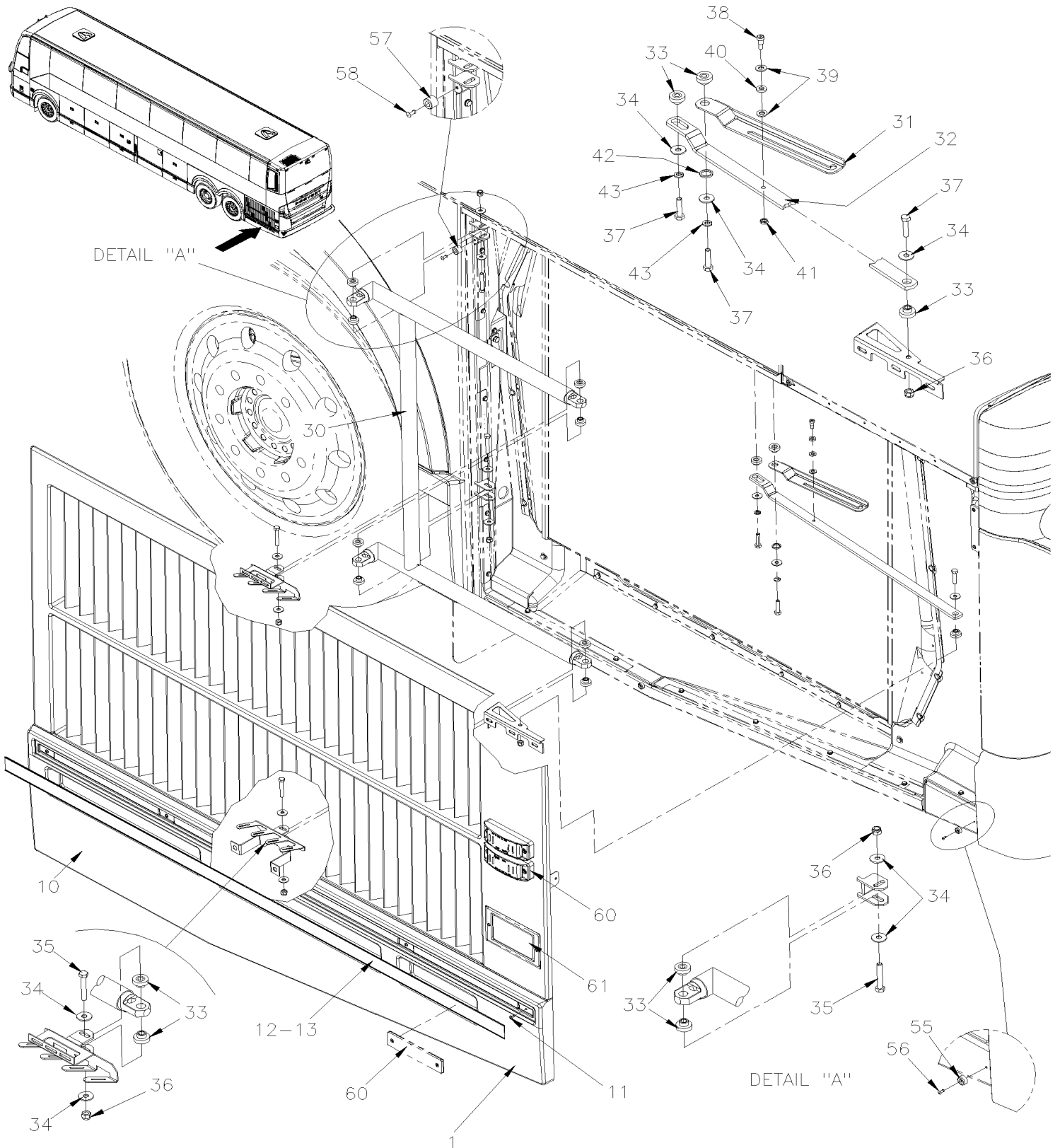
Item#	Part	Description	H 3 4 1	H 3 4 5	V I P 4 5	N O T E S
		A) THIS PROTECTOR IS COATED WITH GRAVEL GUARD AND IS BLACK PAINTED, READY TO INSTALL				
		C) USE WITHOUT BLOCK HEATER HOLE PLUG				

From 7-0671 To J-0287

Date:10/2022

PAGE:H7-1869-00

## RADIATOR DOOR ASSY

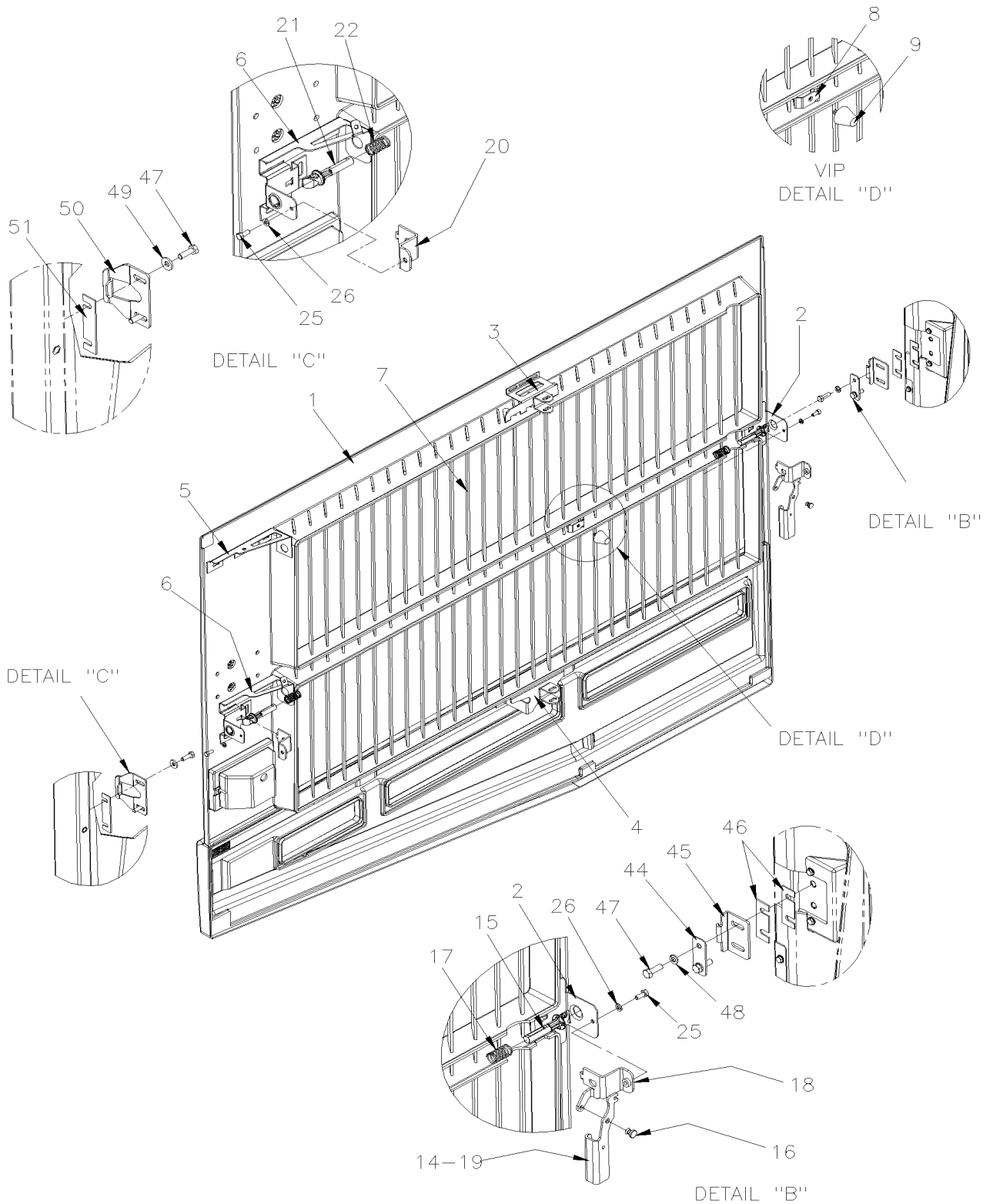


From 7-0671 To J-0287

Date:10/2022

PAGE:H7-1869-00

RADIATOR DOOR ASSY





From 7-0671 To J-0287	Date:10/2022	PAGE:H7-1869-00
<b>RADIATOR DOOR ASSY</b>		

Item#	Part	Description	H 3 4 1	H 3 4 5	V I P 4 5	N O T E S
1	289967	DOOR MOULDED / FIBERGLASS	1	1		
. NS	288096	. LOUVER ROD 37 1/4"	29	29		
1	289968	DOOR MOULDED / FIBERGLASS			1	
. NS	288096	. LOUVER ROD 37 1/4"			29	
NS	285578	. REINFORCEMENT PLATE	5	5	5	
2	288021	. SUPPORT FORWARD CATCH	1	1	1	
3	288052	. ATTACHMENT UPPER ARM	1	1	1	
4	288053	. ATTACHMENT LOWER ARM	1	1	1	
5	288057	. ATTACHMENT STABILIZATOR ARM	1	1	1	
6	288038	. SUPPORT BACKWARD CATCH	1	1	1	
7	288096	. LOUVER ROD 37 1/4"	29	29	29	
8	289423	. SUPPORT, ABSORBER			1	
9	504600	BUMPER RUBBER BOLT / .625 ODx1.0TH x 10-32X.5 STUD			1	
10	289969	PROTECTOR PANEL / SH	1	1	1	
10	N.P.N.	PROTECTOR PANEL / WITH GRAVEL GUARD SH	1	1	1	4
NS	683083	ADHESIVE SIKA #252 / BLACK / 600 ml SAUSAGE	AR	AR	AR	
11	500952	SCREW TP BDG PH #8x1/2 SS	5	5	5	
12	288091	EXTRUSION BACKING ASSY W/REFLECTOR 1664MM To E-2688	1	1	1	
. NS	288090	. EXTRUSION BACKING 1664MM To E-2688	1	1	1	
12	280228	EXTRUSION BACKING ASSY W/REFLECTOR 1664MM From E-2689	1	1	1	
. NS	280122	. EXTRUSION 1664MM From E-2689	1	1	1	
NS	684685	ADHESIVE SIMSON #ISR 70-03 / 310ml CARTRIDGE From E-2689	AR	AR	AR	
13	283100	. STRIPE, REFLECTIVE WHITE / 38MM X 15' ROLL	AR	AR	AR	
. NS	780277	. . STRIPE, REFLECTIVE WHITE / 38MM X 150' ROLL	AR	AR	AR	
14	289681	CATCH W/LEVER ASSY include 15 to 19 From B-1721	1	1	1	
15	287391	CATCH PIN SS / 90.5MM To A-1720	1	1	1	
15	289636	. CATCH PIN ACETAL / 90.5MM From B-1721 To F-2771	1	1	1	
15	2800884	. CATCH PIN BLACK ACETAL From F-2772 To G-3139	1	1	1	
15	2801055	. CATCH PIN BLACK ACETAL From G-3140	1	1	1	
16	287271	RIVET SHR FL 9.95x3.6(4.8x4.8 SS To A-1720	1	1	1	
16	287271	. RIVET SHR FL 9.95x3.6(4.8x4.8 SS From B-1721	1	1	1	
17	502910	SPRING COMPRESSION / .720 O.D. 1.75 x .055 To A-1720	1	1	1	
17	502910	. SPRING COMPRESSION / .720 O.D. 1.75 x .055 From B-1721	1	1	1	
18	288019	GUIDE PIN HOLDER To A-1720	1	1	1	
18	289682	. GUIDE PIN HOLDER From B-1721	1	1	1	
19	288060	ACTUATOR DOOR LATCH To A-1720	1	1	1	
19	289658	. ACTUATOR DOOR LATCH From B-1721	1	1	1	
20	288080	REAR LATCH SUPPORT	1	1	1	
21	287391	CATCH PIN SS / 90.5MM To A-1720	1	1	1	
21	289636	CATCH PIN ACETAL / 90.5MM From B-1721 To F-2771	1	1	1	
21	2800884	CATCH PIN BLACK ACETAL From F-2772 To G-3139	1	1	1	
21	2801055	CATCH PIN BLACK ACETAL From G-3140	1	1	1	

<b>From 7-0671 To J-0287</b>	<b>Date:10/2022</b>	<b>PAGE:H7-1869-00</b>
<b>RADIATOR DOOR ASSY</b>		

Item#	Part	Description	H 3 4 1	H 3 4 5	V I P 4 5	N O T E S
22	502910	SPRING COMPRESSION / .720 O.D. 1.75 x .055	1	1	1	
25	955271	SCREW CAP HEX M6-1.0x16 G8.8 ZG603 To A-1504	2	2	2	
25	5001744	SCREW CAP HEX M6-1.0x16 G8.8 N500 From A-1505 To F-3028	2	2	2	
25	5001697	SCREW CAP HEX M6-1.0x16 SS BK From F-3029	2	2	2	
26	502570	WASHER LO SPT 6.1x11.8x1.6 SS	2	2	2	
30	288190	ARM PANTOGRAPH	1	1	1	
31	288051	GUIDE RETAINING ARM	1	1	1	
32	288054	ARM AUXILIARY	1	1	1	
33	286716	SPACER BUSHING FLANGE / AUX. ARM & SUPPORT ACETAL 8.3MM I.D.	11	11	11	
34	500381	WASHER FL 8.4x25.0x2.0 N500 To F-3028	AR	AR	AR	
34	5001849	WASHER FL 8.4x24.0x2.0 SS From F-3029	AR	AR	AR	
35	502927	SCREW CAP HEX M8-1.25x50 G8.8 N500 To F-3028	4	4	4	
35	5001981	SCREW CAP HEX M8-1.25x50 SS BK From F-3029	4	4	4	
36	5001787	NUT HEX NYRT M8-1.25 SS	5	5	5	
37	5001559	SCREW CAP HEX M8-1.25x35 SS BK	3	3	3	
38	5001560	SCREW SHR HEXS 5/16x3/8 {1/4-20 SS	1	1	1	
39	5001341	WASHER FL 8.4x17.0x1.6 SS	2	2	2	
40	502768	WASHER FL RUB .312x.625x.125 NEO	1	1	1	
41	500384	NUT HEX JAM 1/4-20 G500 To F-3028	1	1	1	
41	5001980	NUT HEX JAM 1/4-20 SS BK From F-3029	1	1	1	
42	5001524	WASHER FL .625x.812x.100 NYL	1	1	1	
43	500035	WASHER LO SPT .317x.586x.078 SS	2	2	2	
44	288088	PLATE RETAINER 66MM X 25.4MM	2	2	2	
45	287286	CATCH PIN / RETAINER 45MMx21MM 90°	1	1	1	
46	287452	SHIM SPACER 70MM X 25 X 14GA	AR	AR	AR	
47	502780	SCREW CAP HEX M8-1.25x25 SS BK	4	4	4	
48	500035	WASHER LO SPT .317x.586x.078 SS	2	2	2	
49	5001699	WASHER BEL SPR 8.2x22x1.4 N500 To F-3028	2	2	2	
49	5001848	WASHER BEL SPR .827 x .331 x .098 th SS From F-3029	2	2	2	
50	289588	PLATE FOR LATCH - RAD. DOOR	1	1	1	
51	289591	SPACER	1	1	1	
55	5001393	BUMPER RUBBER / .625 OD x .281 TH x .125 HOLE	5	5	5	
56	504339	RIVET POP DOME OE 1/8x3/8 SS	5	5	5	
57	5001168	BUMPER RUBBER / .750 OD x .562 TH x .187 HOLE	1	1	1	
58	504416	RIVET POP DOME OE 3/16x5/8 SS	1	1	1	
60	<b>H7-0662-00</b>	<b>CLEARANCE &amp; MARKER LIGHT</b>				
61	<b>H7-0663-00</b>	<b>DOCK &amp; CORNERING LIGHT</b>	1	1	1	
NS	504637	CABLE TIE / 3/16" x 13"	AR	AR	AR	
		4) NO PARTS NUMBER				

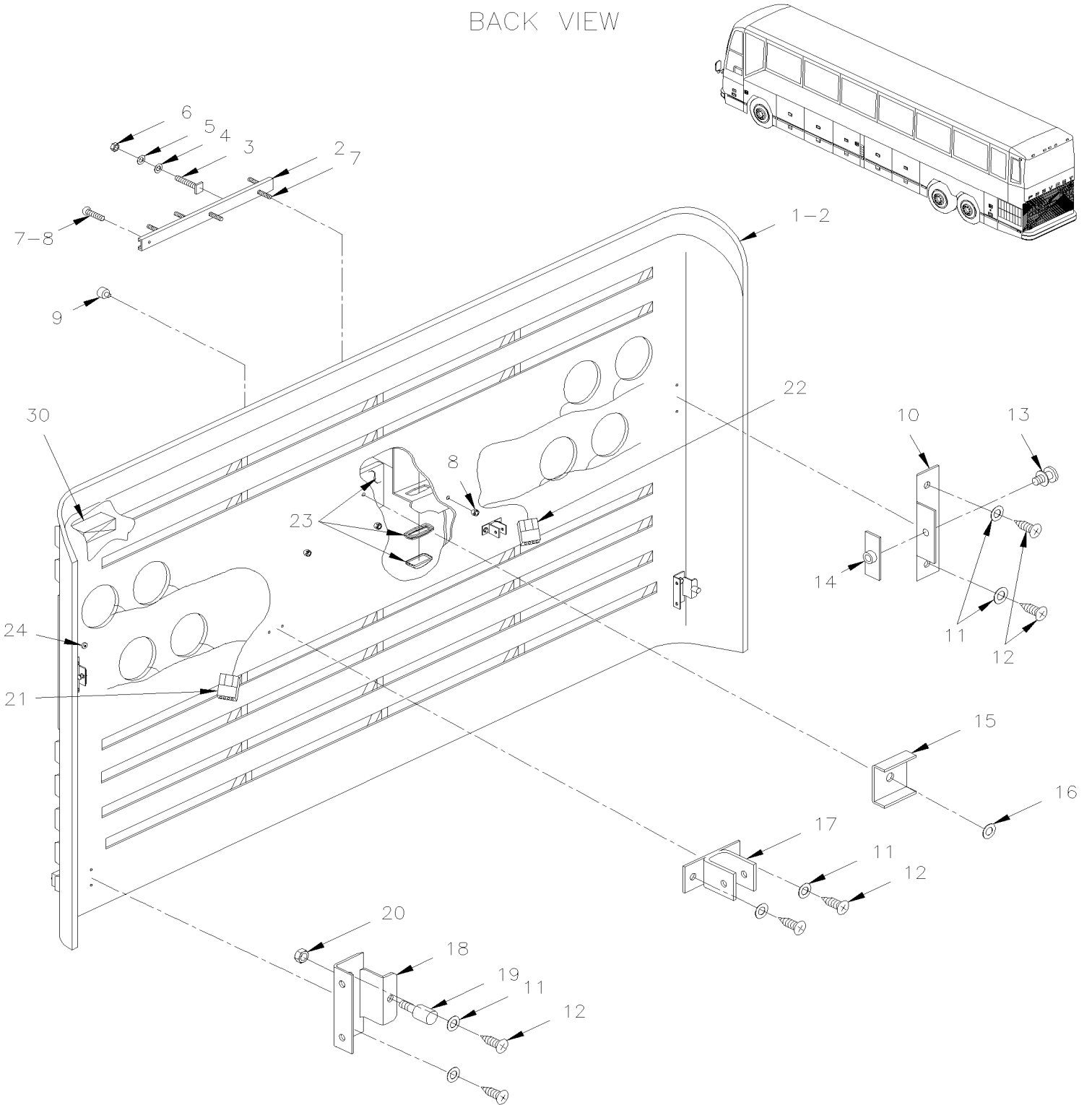
From 7-0671 To A-1720

Date:10/2022

PAGE:H7-1870-00

## ENGINE DOOR ASSY

BACK VIEW



From 7-0671 To A-1720	Date:10/2022	PAGE:H7-1870-00
<b>ENGINE DOOR ASSY</b>		

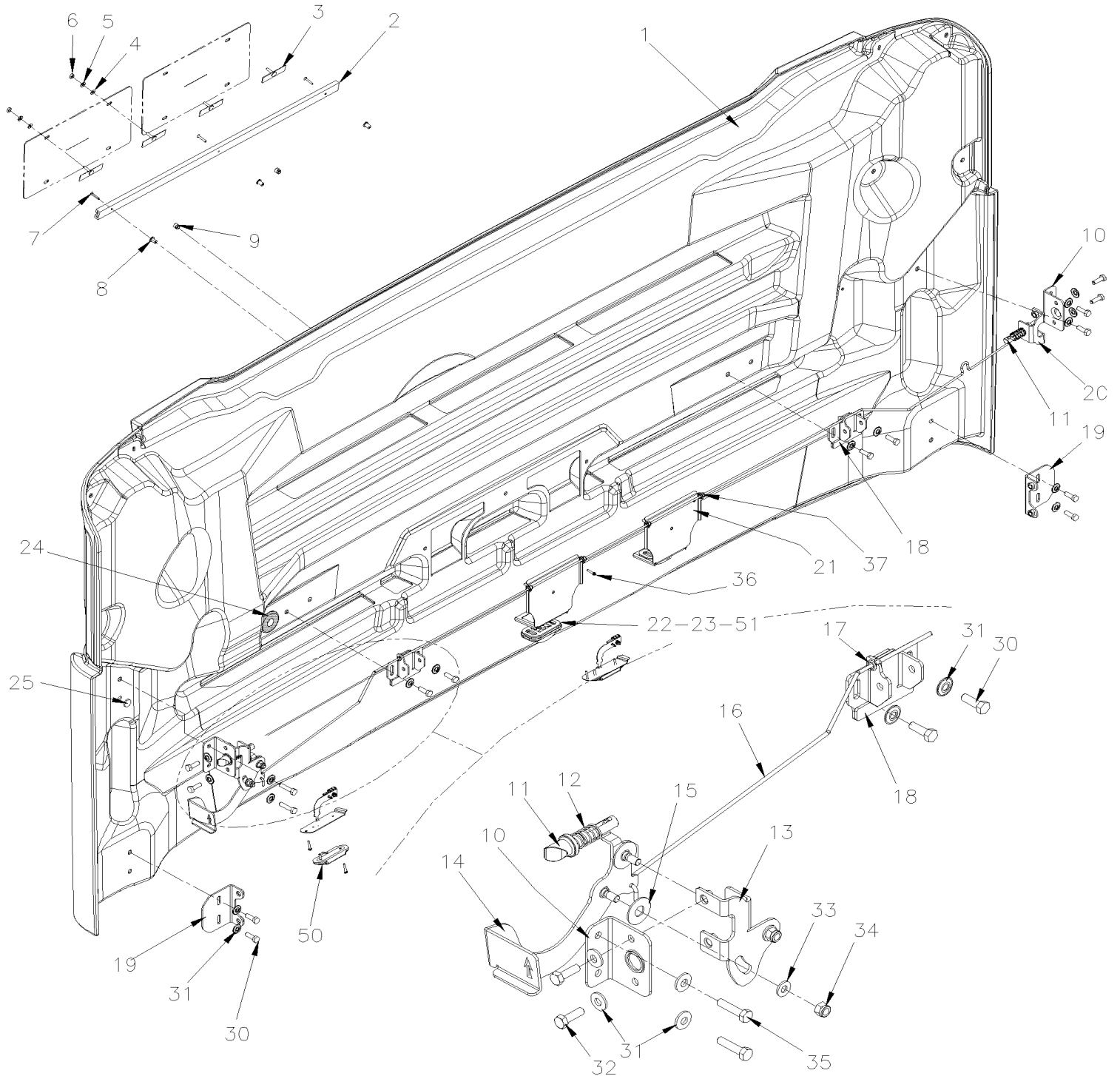
Item#	Part	Description	H 3 4 1	H 3 4 5	V I P 4 5	N O T E S
	288813	REAR ENGINE DOOR ASSY W/LIGHTS	1	1		A
1	287964	. DOOR MOULDED / FIBERGLASS To 8-1186	1	1		B
1	289434	. DOOR MOULDED / FIBERGLASS From 8-1187	1	1		B
1	287970	. DOOR MOULDED / FIBERGLASS To 8-1186			1	C
1	289435	. DOOR MOULDED / FIBERGLASS From 8-1187			1	C
2	283030	. TRACK / LICENCE PLATE HOLDER 680MM	1	1	1	
2	281343	. TRACK / LICENCE PLATE HOLDER 680 MM	1	1	1	
3	504286	. T SCREW 10-24 X 3/4" / SS / PLATE HOLDER	4	4	4	
4	502637	. WASHER FL .200x.437x.037 SS	4	4	4	
5	502570	. WASHER LO SPT 6.1x11.8x1.6 SS	4	4	4	
6	500787	. NUT HEX #10-24 SS	4	4	4	
7	502666	. SCREW MA FL PH #6-32x3/4 SS BK	3	3	3	
8	500286	. NUT WELL #6-32	3	3	3	
9	504498	. BUMPER PLUG / .406ODx.218THx.250HOLEx.125	2	2	2	
10	285466	. BRACKET ASSY	2	2	2	
11	502584	. WASHER LO SERR 8.2x26.3x1.8 Z050	12	12	12	
12	502790	. SCREW CAP HEX M8-1.25x20 G8.8 Z050	12	12	12	
13	780415	. BOLT STRIKER	2	2	2	
14	283330	. NUT SPECIAL / TO FIX STRIKER	2	2	2	
16	502582	. WASHER LO SERR 6.1x16.2x0.9 Z050	34	34	34	
17	283024	. BRACKET / TO FIX PANTHOGRAPH	2	2	2	
18	285274	. BRACKET / STOPPER	2	2	2	
19	504454	. BUMPER RUBBER BOLT / 20MM ODx20MM TH X M6X15MM STUD	2	2	2	
20	502565	. NUT HEX M6-1.0 SS	2	2	2	
21	065781	. CABLE ASSY R.H. LAMP / REAR ENGINE DOOR / MUX	1	1	1	
22	065782	. CABLE ASSY L.H. LAMP / REAR ENGINE DOOR / MUX	1	1	1	
NS	506277	. TAPE RUB ADH1 CC POL 1/2" x 3/4" x 15' / GREY 2520X	AR	AR	AR	
NS	509815	. TIE MOUNT / ATTACHMENT W/TREE MOUNT	10	10	10	
NS	680415	. TAPE ADHESIVE 3" WIDE BLUE	AR	AR	AR	
23	<b>H7-0664-00</b>	<b>. REAR EXTERIOR LIGHTS &amp; PLATE HOLDER</b>				
24	562949	. MAGNET ROUND .200x.700 DIA	1	1	1	
		A) THIS PANEL ASSY INCLUDE ALL ITEMS AT PAGE H7 -0664-00 WITHOUT HOLE FOR 110V OUTLET				
		B) THIS PANEL HAVE HOLE FOR 110 VOLTS RIGHT SIDE OF PLATE				
		C) THIS PANEL DO NOT HAVE HOLE FOR 110 VOLTS				

From B-1721 To J-0287

Date:10/2022

PAGE:H7-1870-01

## ENGINE DOOR ASSY



<b>From B-1721 To J-0287</b>	<b>Date:10/2022</b>	<b>PAGE:H7-1870-01</b>
<b>ENGINE DOOR ASSY</b>		

Item#	Part	Description	H 3 4 1	H 3 4 5	V I P 4 5	N O T E S
	287721	REAR ENGINE DOOR ASSY W/LIGHTS	1	1	1	
1	280137	. DOOR MOULDED / FIBERGLASS	1	1	1	
2	289655	. TRACK / LICENCE PLATE HOLDER 678.1 MM To J-0028	1	1	1	A
2	491388	. TRACK / LICENCE PLATE HOLDER 678.1 MM From J-0029	1	1	1	A
3	504286	. T SCREW 10-24 X 3/4" / SS / PLATE HOLDER	4	4	4	
3	507333	. PROTECTOR CAP / BLACK / .172 I.D. x .500	4	4	4	
4	5001137	. WASHER FL .203x.438x.050 SS	4	4	4	
5	502570	. WASHER LO SPT 6.1x11.8x1.6 SS	4	4	4	
6	500787	. NUT HEX #10-24 SS	4	4	4	
7	502666	. SCREW MA FL PH #6-32x3/4 SS BK	3	3	3	
8	500286	. NUT WELL #6-32	3	3	3	
9	504498	. BUMPER PLUG / .406ODx.218THx.250HOLEx.125	2	2	2	
10	289644	. ANGLE SUPPORT CATCH PIN	2	2	2	
11	289636	. CATCH PIN ACETAL / 90.5MM To F-2771	2	2	2	
11	2800884	. CATCH PIN BLACK ACETAL From F-2772 To G-3139	2	2	2	
11	2801055	. CATCH PIN BLACK ACETAL From G-3140	2	2	2	
12	502910	. SPRING COMPRESSION / .720 O.D. 1.75 x .055	2	2	2	
13	289727	. SUPPORT CATCH PIN W/PIVOT	1	1	1	
14	289730	. ACTUATOR DOOR LATCH	1	1	1	
NS	287271	. RIVET SHR FL 9.95x3.6{4.8x4.8 SS	1	1	1	
15	479302	. RIVET SHR FL	1	1	1	
16	289637	. ROD OPENING 2088MM	1	1	1	
17	504462	. SNAP BUSHING / .187x.375x.312	2	2	2	
18	289725	. BRACKET / TO FIX PANTHOGRAPH 116MM WIDE	2	2	2	
19	289638	. BRACKET ASSY	2	2	2	
20	289674	. SUPPORT CATCH PIN W/OUT PIVOT	1	1	1	
21	289654	. LICENSE PLATE LAMP HOLDER To E-2582	2	2	2	
21	2800462	. LICENSE PLATE LAMP HOLDER From E-2583	2	2	2	
22	930208	. GROMMET RUBBER RETAINER / LICENCE LAMP TL 15700	2	2	2	
22	930408	. GROMMET RUBBER RETAINER / LICENCE LAMP TL 150702	2	2	2	
23	930368	. SEAL LEDS / W/CONNECTOR LEDS - 12VOLTS	2	2	2	
. NS	12015378	. . CONNECTOR / WEATHER PACK / SH 2C / GRAY / PED 12015378	1	1	1	
. NS	N.P.N.	. . SEAL LEDS / W/CONNECTOR				4
. NS	562348	. . CONNECTOR / WEATHER PACK / PH 2C / GRAY / PED 12034074	1	1	1	
. NS	561786	. . CABLE SEAL / GRAY / PED 15324980	2	2	2	
. NS	561568	. . PIN TERMINAL / 16-14 / PED 12089305	2	2	2	
24	504579	. GROMMET / .750x1.625x.125x.437x2.000	2	2	2	
25	562949	. MAGNET ROUND .200x.700 DIA	1	1	1	
30	502780	. SCREW CAP HEX M8-1.25x25 SS BK	16	16	16	
31	5001868	. WASHER BEL SPR 8.4x18x2 SS	16	16	16	
32	502780	. SCREW CAP HEX M8-1.25x25 SS BK	2	2	2	
33	5001850	. WASHER FL 8.4 x 18 x 2 NYL	2	2	2	

From B-1721 To J-0287	Date:10/2022	PAGE:H7-1870-01
<b>ENGINE DOOR ASSY</b>		

Item#	Part	Description	H 3 4 1	H 3 4 5	V I P 4 5	N O T E S
34	5001787	. NUT HEX NYRT M8-1.25 SS	1	1	1	
35	502780	. SCREW CAP HEX M8-1.25x25 SS BK	2	2	2	
36	5001040	. SCREW TC PAN PH #6-32x3/4 SS	4	4	4	
37	504083	. SNAP BUSHING / .250x.468.406	4	4	4	
NS	280722	KIT LICENSE HOLDER - IMPROVMENT	1	1	1	
. NS	280616	. LICENCE SUPPORT ALUMINIUM	1	1	1	
. NS	5001955	. SCREW MA RND PH #6-32x1/2 SS	3	3	3	
. NS	502556	. WASHER FL 4.3x9.0x0.8 SS	3	3	3	
50	<b>H7-0665-10</b>	<b>SWITCHES, LIGHTS, AJAR - UNDER FLOOR &amp; ENGINE COMPARTMENT</b>				
51	<b>H7-0664-01</b>	<b>REAR EXTERIOR LIGHTS &amp; PLATE HOLDER</b>				
		A) FOR PRODUCT IMPROVMENT ASK KIT#280722				
		4) NO PARTS NUMBER				



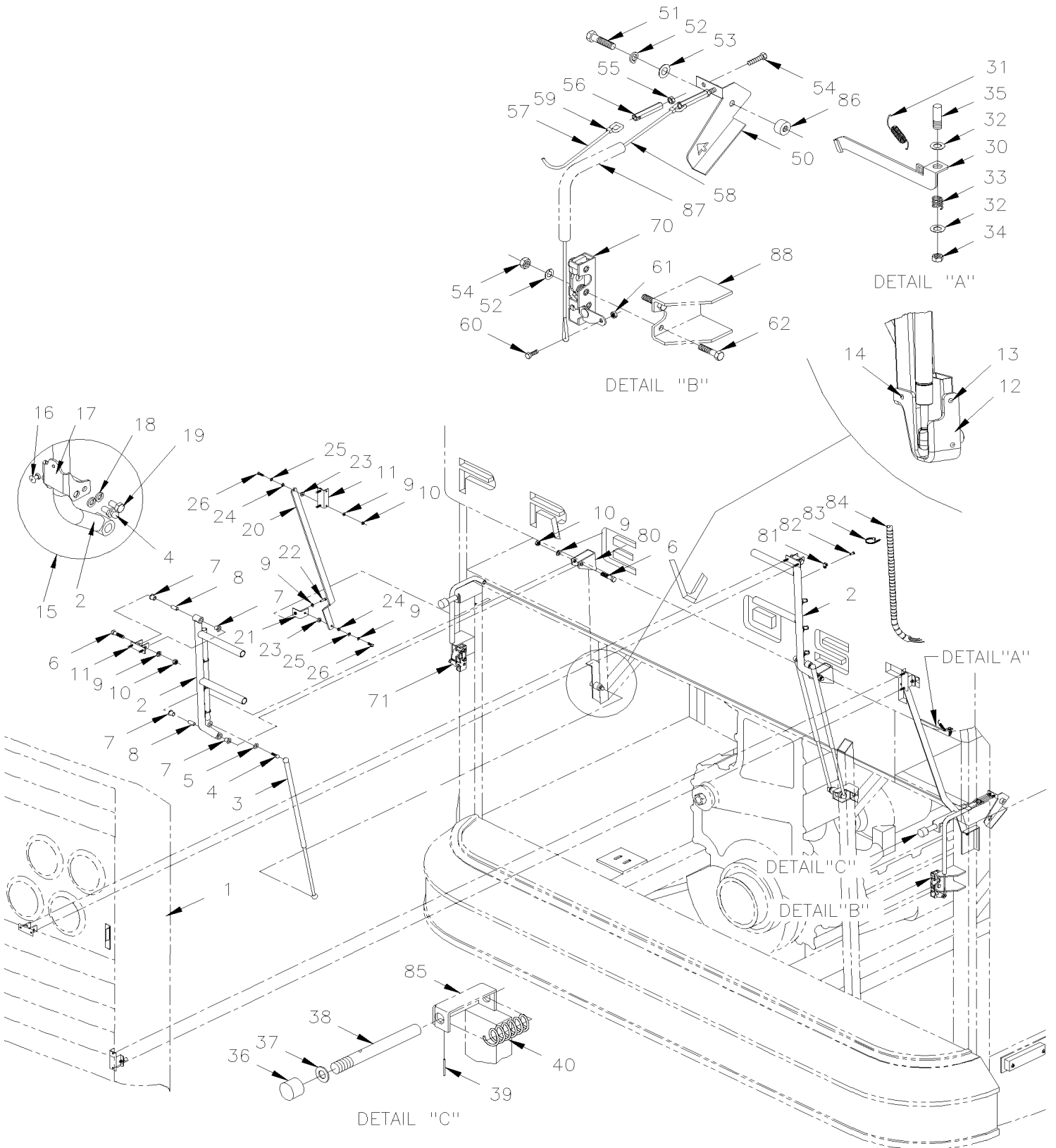


From 7-0671 To A-1720

Date:10/2022

PAGE:H7-1870-10

## REAR ENGINE DOOR - INSTALLATION



<b>From 7-0671 To A-1720</b>	<b>Date:10/2022</b>	<b>PAGE:H7-1870-10</b>
<b>REAR ENGINE DOOR - INSTALLATION</b>		

Item#	Part	Description	H 3 4 1	H 3 4 5	V I P 4 5	N O T E S
1	<b>H7-1870-00</b>	<b>ENGINE DOOR ASSY</b>				
2	283035	PANTOGRAPH LEVER	1	1	1	
3	980024	CYLINDER GAZ / 669/409MM C/C / 200LBS	3	3	3	
3	980030	CYLINDER GAZ / 669/409MM C/C / 210LBS	3	3	3	
3	192226	CYLINDER GAZ / 669/409MM C/C / 200LBS HD			AR	
. NS	980017	. CLIP BALL STUD 10MM RETAINER			2	
NS	491130	CYLINDER PROTECTOR / PLASTIC	AR	AR	AR	E
NS	504339	RIVET POP DOME OE 1/8x3/8 SS	3	3	3	E
4	980015	BALL STUD / W/10 MM X M8-1.25 / 29.18 MM	6	6	6	
5	980016	NUT, CYLINDER RETAINER	2	2	2	
5	502760	NUT HEX TWAY M8-1.25 Z050	2	2	2	
6	5001178	SCREW CAP HEX M8-1.25x60 SS BK	4	4	4	
7	507142	BUSHING, NYLINER W/SHOULDER (8-L-8-F)	8	8	8	
8	282541	SPACER TUBE 31MM x 12.7MM x 8.5MM	4	4	4	
9	502583	WASHER LO SERR 8.15x22.3x1.0 Z050	AR	AR	AR	
10	502543	NUT HEX M8-1.25 Z050	AR	AR	AR	
10	5001188	NUT HEX M8-1.25 SS	AR	AR	AR	
11	<b>H7-1870-00</b>	<b>ENGINE DOOR ASSY</b>				
12	491130	CYLINDER PROTECTOR / PLASTIC	1	1	1	
13	504717	RIVET POP DOME OE 1/8x1/4 SS	2	2	2	
14	504339	RIVET POP DOME OE 1/8x3/8 SS	1	1	1	
15	289949	KIT RETROFIT ENGINE DOOR CYLINDER PRESSURE INCREASE ADAPTOR	AR	AR	AR	KS
16	504747	. RIVET HKL MMS 3/16x3/8 SS	1	1	1	
17	289951	. CYLINDER ADAPTOR ENGINE DOOR SERIE "H" / "U" SHAPE	1	1	1	
18	5001161	. WASHER LO SPT 8.1x14.8x2.0 SS-304	2	2	2	
19	5001527	. SCREW CAP HEX M8-1.25x16 SS BK	2	2	2	
20	288092	ARM STABILIZER 627MM C/C / PROTO	2	2	2	
22	502790	SCREW CAP HEX M8-1.25x20 G8.8 Z050	2	2	2	A
23	282540	SPACER BUSHING FLANGE / AUX. ARM & SUPPORT	4	4	4	
24	507289	BUSHING NYLINER / AUXILIARY ARM & ATTACHMENT	4	4	4	
25	500444	WASHER FL .406x.812x.065 Z050	4	4	4	
26	502651	SCREW CAP HEX M8-1.25x35 G8.8 Z050	4	4	4	
30	283328	HOOK SAFETY LOCK	1	1	1	
31	502184	SPRING EXTENSION / .360 O.D. x 1.25 x .031	1	1	1	
32	500441	WASHER FL .312x.734x.065 Z050	2	2	2	B
33	480705	SPRING COMPRESSION / .600 O.D. x 1 x .055 CROMAT	1	1	1	
34	5001189	NUT HEX 5/16-18 SS	1	1	1	
35	481496	SPACER	1	1	1	
36	504454	BUMPER RUBBER BOLT / 20MM ODx20MM TH X M6X15MM STUD	2	2	2	
37	500411	WASHER FL .260x.697x.050 SS	4	4	4	
38	283014	STOPPER 120MM	2	2	2	
39	505513	SPRING, PIN M3 x 24 SS	2	2	2	

<b>From 7-0671 To A-1720</b>	<b>Date:10/2022</b>	<b>PAGE:H7-1870-10</b>
<b>REAR ENGINE DOOR - INSTALLATION</b>		

Item#	Part	Description	H 3 4 1	H 3 4 5	V I P 4 5	N O T E S
40	502181	SPRING COMPRESSION / .720 O.D. x 3 x .067	2	2	2	
50	283037	LEVER	1	1	1	
51	502563	SCREW CAP HEX M6-1.0x12 G8.8 Z050	1	1	1	
52	502582	WASHER LO SERR 6.1x16.2x0.9 Z050	AR	AR	AR	C
53	500468	WASHER FL .281x1.250x.065 Z050	1	1	1	
54	502686	SCREW CAP HEX M6-1.0x30 SS BK	2	2	2	
55	502581	NUT HEX M6-1.0 Z050	2	2	2	
56	283015	TENSIONER	2	2	2	
57	289396	CABLE 1/16 DIA. / 3425MM LG	1	1	1	
58	283069	CABLE 1/16 DIA. / 565MM LG	1	1	1	
59	780341	SLEEVE / TO HOLDING CABLE 1/16OD SS	2	2	2	
60	502550	SCREW CAP HEX M4-0.7x16 G8.8 Z050	2	2	2	D
61	502557	NUT HEX NYRT M4-0.7 SS	2	2	2	
62	502533	SCREW CAP HEX M6-1.0x30 G8.8 Z050	2	2	2	
63	502581	NUT HEX M6-1.0 Z050	2	2	2	
70	289302	LATCH / R.H.	1	1	1	
71	283491	LATCH / L.H.	1	1	1	
80	284746	ANCHOR BRACKET PANTHOGRAPH LEVER / WELDED TO STRUCTURE	2	2	2	
81	504531	TIE MOUNT / 3/16" #10 SCREW / TA1S8-C	AR	AR	AR	
82	504106	RIVET POP DOME OE 1/8x1/4 AL	AR	AR	AR	
83	504637	CABLE TIE / 3/16" x 13"	AR	AR	AR	
84	066499	CABLE HARNESS / ENGINE ACCESSORIES / W/MUX	1	1		
84	067133	CABLE HARNESS / ENGINE ACCESSORIES / W/MUX To 8-1150			1	
84	067301	CABLE HARNESS / ENGINE ACCESSORIES / W/MUX From 8-1151 To 9-1403			1	
84	067575	CABLE HARNESS / ENGINE ACCESSORIES / W/MUX From 9-1404			1	
85	212246	GUIDE PIN R.H. / WELDED TO STRUCTURE	1	1	1	
85	212245	GUIDE PIN L.H. / WELDED TO STRUCTURE	1	1	1	
86	283017	PIVOT LEVER / WELDED TO STRUCTURE	1	1	1	
87	218150	GUIDE TUBE L.H. / WELDED TO STRUCTURE	1	1	1	
NS	211594	SUPPORT GUIDE TUBE WELDED TO STRUCTURE / 36MMX 50MM	2	2	2	
88	211863	SUPPORT LATCH / WELDED TO STRUCTURE	2	2	2	
		A) TO FIX ANGLE SUPPORT TO POST				
		B) W/ITEM #30				
		C) TO FIX LATCH				
		D) TO FIX CABLE TO LATCH				
		E) LOCATED ON STRCUTURAL POST AT LOWER CYLINDER				
		KS) THIS KIT IT USE TO MOVE CYLINDER FOR INCREASE THE POWER AT DOOR CYLINDER FOR DOOR WHO HAVE MORE WEIGHT WITH ADD ACCESSORIES BY CONVERTERS				

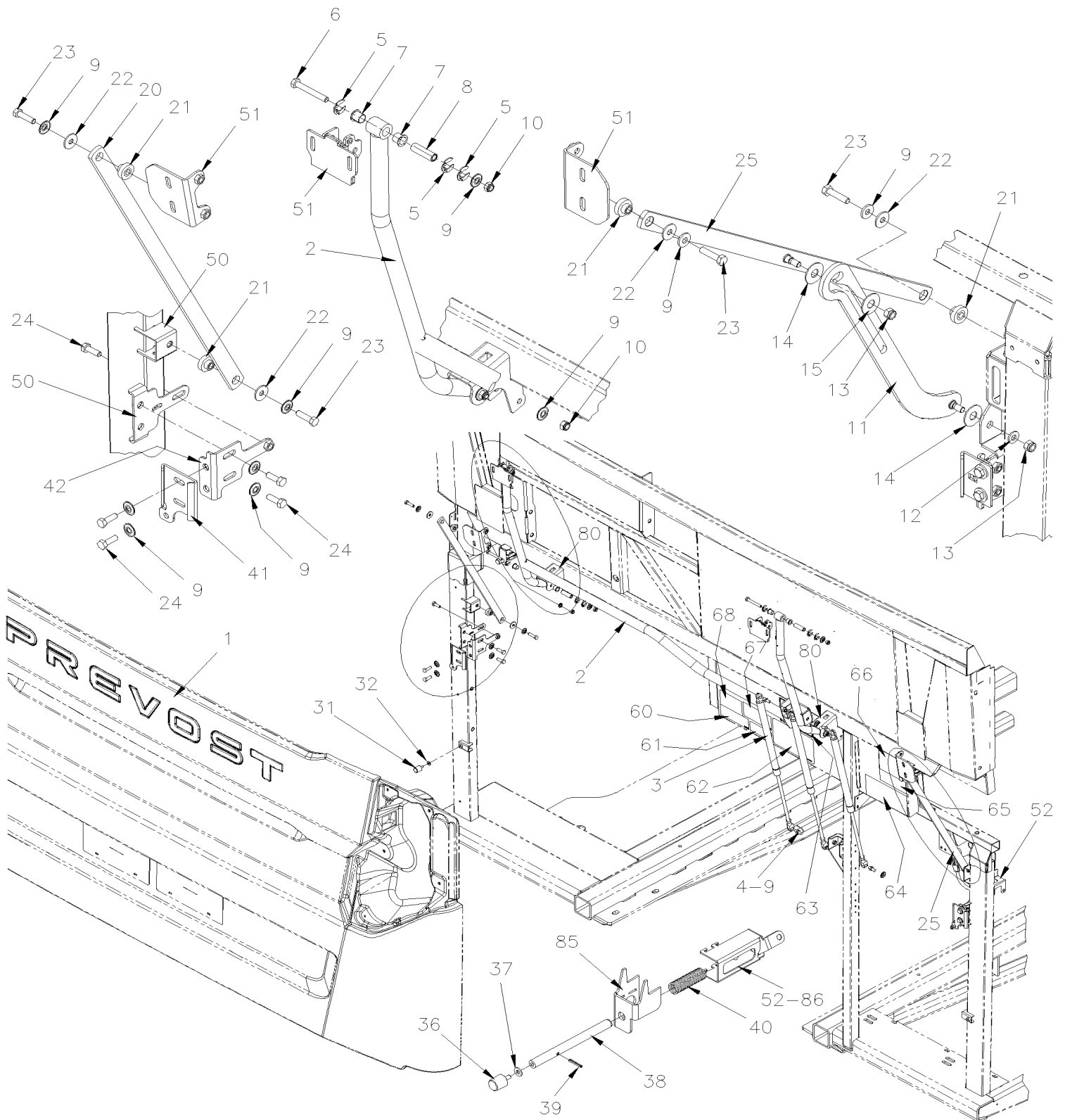


From B-1721 To J-0287

Date:10/2022

PAGE:H7-1870-11

## REAR ENGINE DOOR - INSTALLATION WITH "EPA 2010"



<b>From B-1721 To J-0287</b>	<b>Date:10/2022</b>	<b>PAGE:H7-1870-11</b>
<b>REAR ENGINE DOOR - INSTALLATION WITH "EPA 2010"</b>		

Item#	Part	Description	H 3 4 1	H 3 4 5	V I P 4 5	N O T E S
1	H7-1870-01	ENGINE DOOR ASSY From B-1721				
2	289717	PANTOGRAPH LEVER To F-2997	1	1	1	
2	2800982	PANTOGRAPH LEVER From F-2998	1	1	1	
3	980024	CYLINDER GAZ / 669/409MM C/C / 200LBS To B-1775	3	3	3	
3	980030	CYLINDER GAZ / 669/409MM C/C / 210LBS From B-1776	3	3	3	
3	192226	CYLINDER GAZ / 669/409MM C/C / 200LBS HD				AR
NS	980017	. CLIP BALL STUD 10MM RETAINER				2
4	980015	BALL STUD / W/10 MM X M8-1.25 / 29.18 MM	6	6	6	
4	680038	THREAD LOCKER LOCTITE #243 / BLUE / 50ml	AR	AR	AR	
5	508398	RING RETAINER / EXT .625 x .500 x .050" / SS	AR	AR	AR	
6	5001847	SCREW CAP HEX M8-1.25x65 SS From B-1721	4	4	4	
7	507142	BUSHING, NYLINER W/SHOULDER (8-L-8-F)	8	8	8	
8	289664	SPACER TUBE 41.4MM x 12.7MM x 8.5MM From B-1721	4	4	4	
9	5001868	WASHER BEL SPR 8.4x18x2 SS From B-1721	AR	AR	AR	
10	5001852	NUT HEX M8-1.25 SS BK	4	4	4	
11	289720	ARM SAFETY LOCK	1	1	1	
12	5001850	WASHER FL 8.4 x 18 x 2 NYL From B-1721	2	2	2	
13	5001787	NUT HEX NYRT M8-1.25 SS From B-1721	2	2	2	
14	5001233	WASHER FL .500x1.250x.062 NYL	2	2	2	
15	5001467	WASHER FL .343x1.250x.062 SS18-8	1	1	1	
20	288092	ARM STABILIZER 627MM C/C / PROTO From B-1721	1	1	1	
21	286716	SPACER BUSHING FLANGE / AUX. ARM & SUPPORT ACETAL 8.3MM I.D.	4	4	4	
22	5001869	WASHER FL .343x.750x.12 SS	4	4	4	
23	5001559	SCREW CAP HEX M8-1.25x35 SS BK	4	4	4	
24	502780	SCREW CAP HEX M8-1.25x25 SS BK	10	10	10	
24	5001745	SCREW CAP HEX M8-1.25x25 G8.8 N500	10	10	10	
25	289722	ARM STABILIZER 627MM C/C / PROTO	1	1	1	
31	504454	BUMPER RUBBER BOLT / 20MM ODx20MM TH X M6X15MM STUD To F-2942	4	4	4	
31	504790	BUMPER RUBBER BOLT / 25.5MM ODx20MM TH M6X18MM STUD From F-2943	4	4	4	
32	502939	NUT AN 1/4 NYL To D-2264	4	4	4	
32	502567	NUT HEX M10-1.5 SS From D-2265	4	4	4	
32	287803	ROD, ADJUSTMENT ENGINE DOOR STOPPER From D-2265	4	4	4	
36	504454	BUMPER RUBBER BOLT / 20MM ODx20MM TH X M6X15MM STUD	2	2	2	
37	500877	WASHER FL .250x.562x.065 N500	2	2	2	
38	289662	STOPPER 155MM	2	2	2	
NS	502180	PIN HITCH CLIP 3/32 x 1/2 Z050	2	2	2	
39	505513	SPRING, PIN M3 x 24 SS	2	2	2	
40	502940	SPRING COMPRESSION / .720 O.D. x 6 x .067 SS	2	2	2	
41	287051	CATCH PIN / RETAINER 52MM x 70MM	2	2	2	
42	287052	DOOR LATCH ADJUSTABLE	2	2	2	

<b>From B-1721 To J-0287</b>	<b>Date:10/2022</b>	<b>PAGE:H7-1870-11</b>
<b>REAR ENGINE DOOR - INSTALLATION WITH "EPA 2010"</b>		

Item#	Part	Description	H 3 4 1	H 3 4 5	V I P 4 5	N O T E S
50	H7-1894-01	REAR STRUCTURE WITH "EPA 2010" From B-1721 To D-2363				
50	H7-189X-XX	STRUCTURE / CALL ORDER DESK From D-2364				
51	H7-1870-01	ENGINE DOOR ASSY				
52	H7-0665-10	SWITCHES, LIGHTS, AJAR - UNDER FLOOR & ENGINE COMPARTMENT				
60	012818	DECAL "VEHICLE EMISSION..." CANADA From E-2406 To E-2581	1	1	1	
60	012820P	DECAL "VEHICLE EMISSION..." CANADA From E-2582 To F-5846	1	1	1	
60	011229P	DECAL "VEHICLE EMISSION INFORMATION" / CANADA / ENGLISH From F-5847	1	1	1	
61	040011	DECAL "CLEAN IDLE EXEMPTION" From G-3433	1	1	1	
62	012699	DECAL / "BELT ROUTING" To D-2363	1	1	1	
62	012812	DECAL / "BELT ROUTING" From D-2364 To E-2576	1	1	1	
62	012866	DECAL / "BELT ROUTING" From E-2577 To E-2687	1	1	1	
62	012881	DECAL / "BELT ROUTING" From E-2688	1	1		
62	012881	DECAL / "BELT ROUTING" From E-2688			1	B
62	012699	DECAL / "BELT ROUTING"			1	A
63	143039	DECAL / TRAILER FRENCH	1	1	1	
64	071249	DECAL "TranSynd OIL ONLY" / ENGLISH & FRANCAIS	1	1	1	
65	405730	DECAL THIS VEHICULE EQUIPED ... FIRE SUPPRES / ENGLISH & FRANCAIS	1	1	1	
66	405729	DECAL THIS VEHICULE EQUIPED ... FIRE SUPPRES / ENGLISH	1	1	1	
67	012824P	DECAL, S3 ENGINE CERTIFICATION FR / ENG	1	1	1	
68	012702	DECAL "OIL SPEC" 10W/40 / ENGLISH & FRANCAIS / SPANISH	1	1	1	
80	272518	ANCHOR BRACKET PANTHOGRAPH LEVER / (WEDED TO STRUCTURE)	2	2	2	
NS	067858	CABLE ASSY LAMP / REAR ENGINE DOOR From B-1721	1	1	1	
NS	504531	TIE MOUNT / 3/16" #10 SCREW / TA1S8-C	3	3	3	
NS	504104	RIVET POP DOME OE 1/8x1/8 SS	3	3	3	
NS	504637	CABLE TIE / 3/16" x 13"	4	4	4	
NS	509815	TIE MOUNT / ATTACHMENT W/TREE MOUNT	5	5	5	
NS	289679	PLATE CONNECTOR RETAINER TYPE 16 70MMx70MM W/SLOT SS From B-1721	4	4	4	
NS	5001040	SCREW TC PAN PH #6-32x3/4 SS	14	14	14	
85	272521	GUIDE PIN (WEDED TO STRUCTURE) From B-1721 To D-2266	2	2	2	
85	272624	GUIDE PIN (WEDED TO STRUCTURE) From D-2267	2	2	2	
86	287709	GUIDE PIN REMOVABLE	2	2	2	
		A) WITH SMALL A/C SYSTEM				
		B) WITH LARGE A/C SYSTEM				



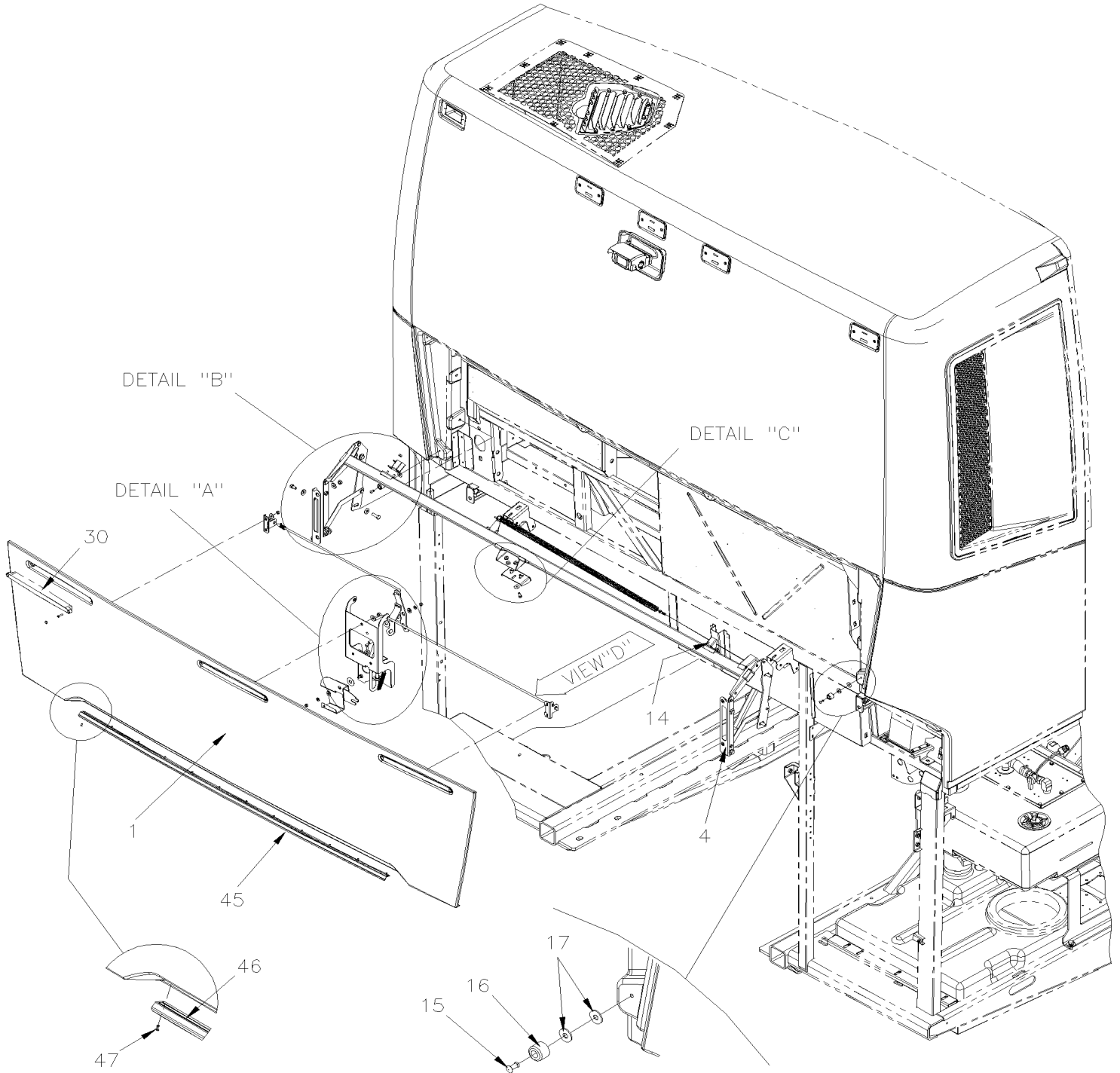


From B-1721 To J-0287

Date:10/2022

PAGE:H7-1870-21

## REAR ENGINE UPPER DOOR WITH "EPA 2010"

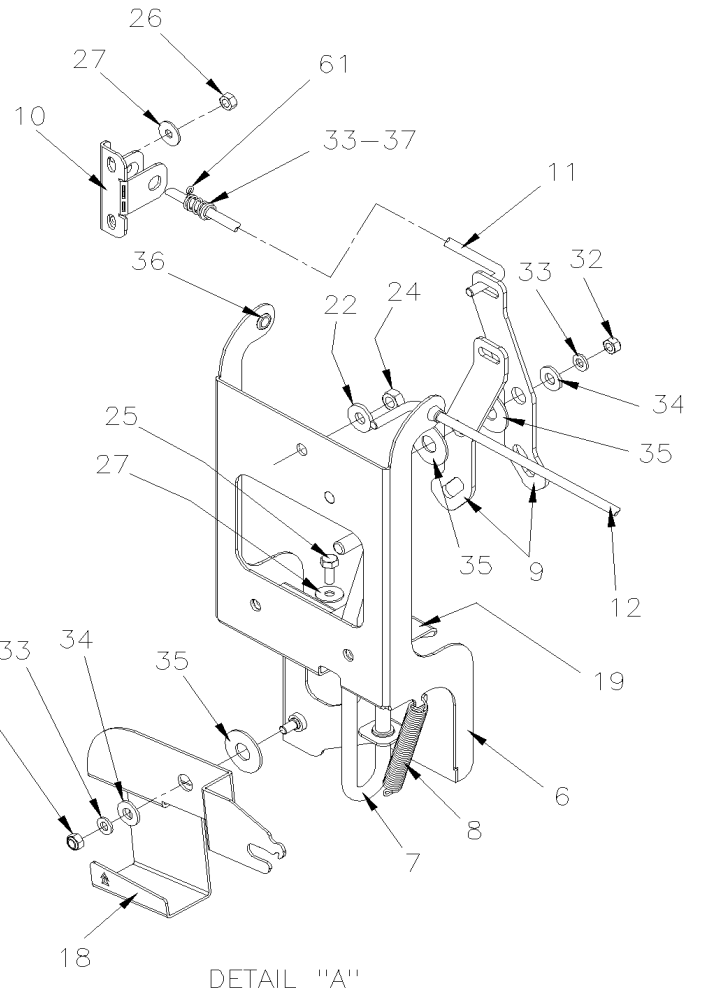
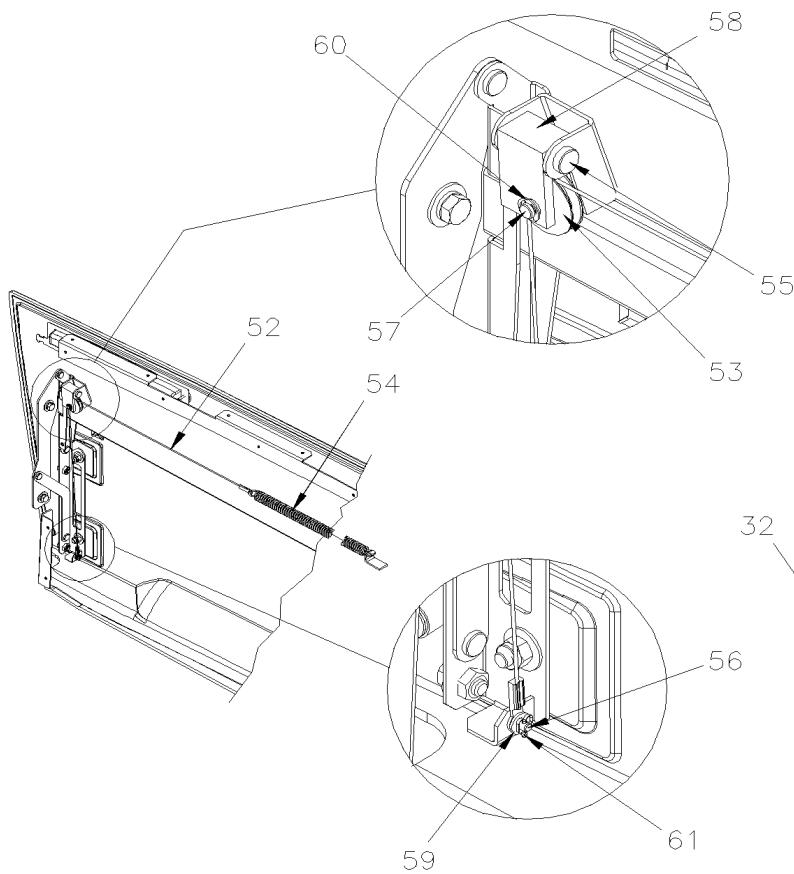
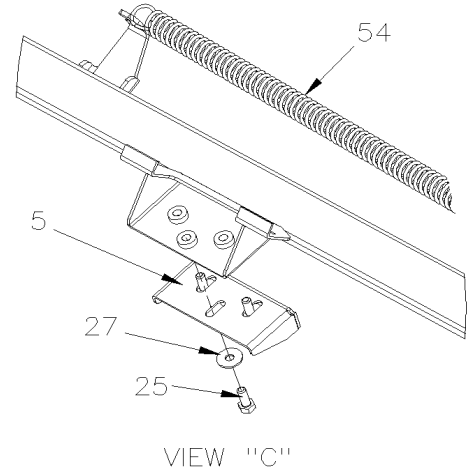
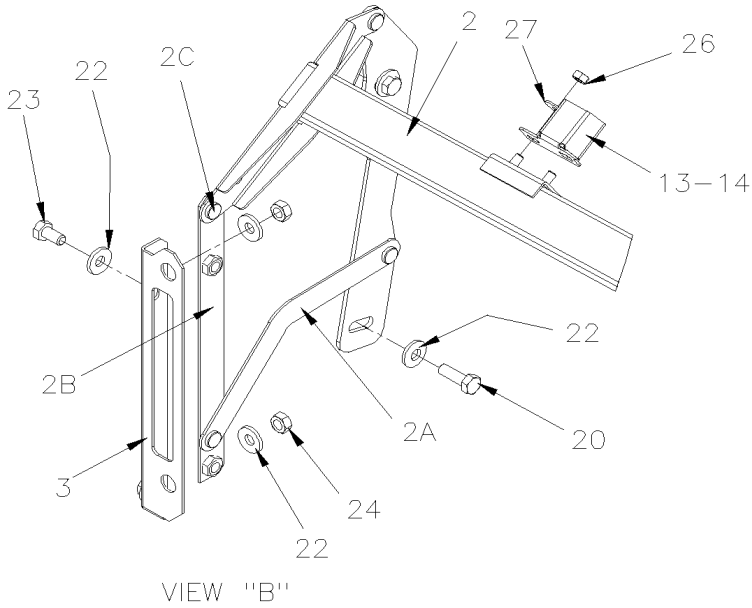


From B-1721 To J-0287

Date:10/2022

PAGE:H7-1870-21

## REAR ENGINE UPPER DOOR WITH "EPA 2010"



From B-1721 To J-0287	Date:10/2022	PAGE:H7-1870-21
<b>REAR ENGINE UPPER DOOR WITH "EPA 2010"</b>		

Item#	Part	Description	H 3 4 1	H 3 4 5	V I P 4 5	N O T E S
1	478421	ENGINE UPPER DOOR To C-2091	1	1	1	
1	478479	ENGINE UPPER DOOR From C-2092 To H-3422	1	1	1	
1	470324	ENGINE UPPER DOOR From H-3423	1	1		
1	478479	ENGINE UPPER DOOR From H-3423			1	
2	289805	PANTOGRAPH LEVER	1	1	1	
. A	289563	. ARM STABILIZER	3	3	3	
. B	281151	. UNION ARM L.H.	1	1	1	
. C	289343	. RIVET SHR FL 7.08x2.2{6.2x6 SS	4	4	4	
. D	287047	. UNION ARM R.H.	1	1	1	
3	281152	ATTACH STREET SIDE	1	1	1	
4	289573	ATTACH CURBSIDE	1	1	1	
5	289572	PIN STRIKER , ADJUSTABLE	1	1	1	
6	289755	SUPPORT CENTRAL ASS.	1	1	1	
7	289753	ROD OPENING "Z" SHAPE 226MM	1	1	1	
8	502147	SPRING EXTENSION / .500 O.D. 3.5 x .054	1	1	1	
9	289751	ARM RELEASE	2	2	2	
10	289754	GUIDE ROD "U" SHAPE To C-2091	2	2	2	
10	478480	GUIDE ROD "U" SHAPE From C-2092	2	2	2	
11	289798	ROD "L" SHAPE 835MM x 41MM	1	1	1	
12	289799	ROD "L" SHAPE 520MM x 36MM	1	1	1	
13	289747	STRIKER PLATE L.H.	1	1	1	
14	289748	STRIKER PLATE R.H.	1	1	1	
15	504416	RIVET POP DOME OE 3/16x5/8 SS	6	6	6	
16	5001168	BUMPER RUBBER / .750 OD x .562 TH x .187 HOLE	6	6	6	
17	500411	WASHER FL .260x.697x.050 SS	12	12	12	
18	289804	LEVER CONTROL ROD	1	1	1	
19	289756	GUIDE ROD ANGLE PLATE W/2 HOLES	1	1	1	
20	502780	SCREW CAP HEX M8-1.25x25 SS BK	4	4	4	
22	5001848	WASHER BEL SPR .827 x .331 x .098 th SS To £-13073	15	15	15	
22	5001868	WASHER BEL SPR 8.4x18x2 SS From £-13073	15	15	15	
23	5001527	SCREW CAP HEX M8-1.25x16 SS BK	4	4	4	
24	5001852	NUT HEX M8-1.25 SS BK	7	7	7	
25	5001697	SCREW CAP HEX M6-1.0x16 SS BK	6	6	6	
26	5001851	NUT HEX M6-1.0 SS BK To C-2091	8	8	8	
26	5001851	NUT HEX M6-1.0 SS BK From C-2092	4	4	4	
27	5001654	WASHER FL 6.4x17.0x3.0 SS To C-2091	14	14	14	
27	5001654	WASHER FL 6.4x17.0x3.0 SS From C-2092	10	10	10	
30	<b>H7-0664-01</b>	<b>REAR EXTERIOR LIGHTS &amp; PLATE HOLDER</b>				
32	502681	NUT HEX NYRT M6-1.0 N500 G8	2	2	2	
33	502573	WASHER FL 6.4x12.5x1.6 SS	4	4	4	
34	5001850	WASHER FL 8.4 x 18 x 2 NYL	2	2	2	
35	5001233	WASHER FL .500x1.250x.062 NYL	3	3	3	

From B-1721 To J-0287	Date:10/2022	PAGE:H7-1870-21
<b>REAR ENGINE UPPER DOOR WITH "EPA 2010"</b>		

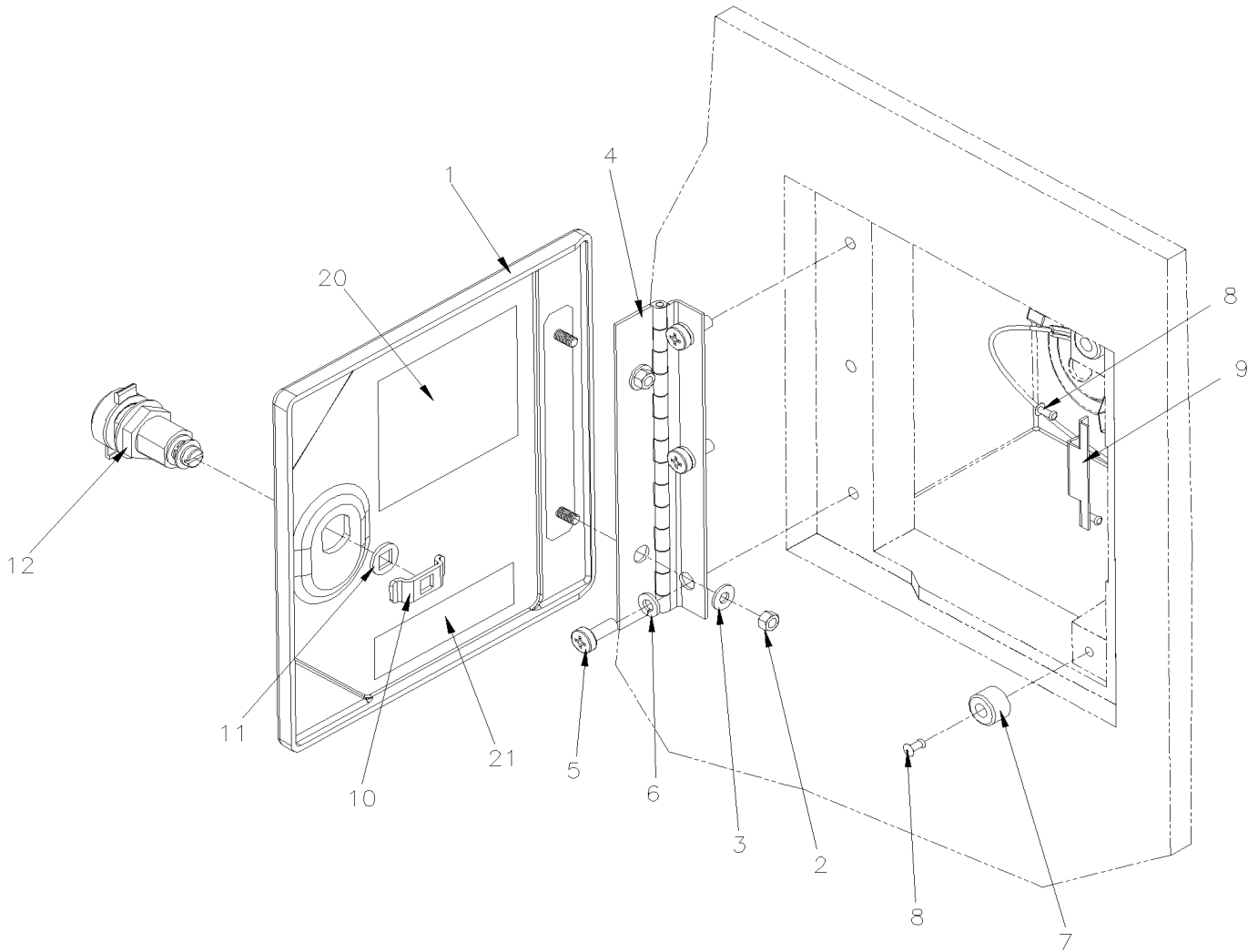
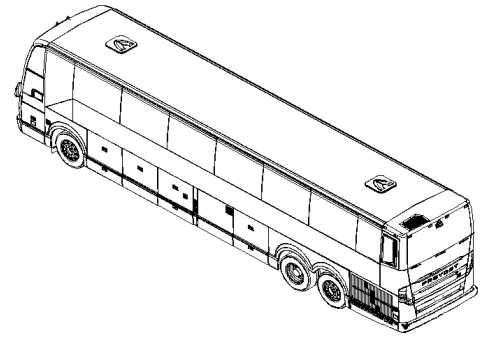
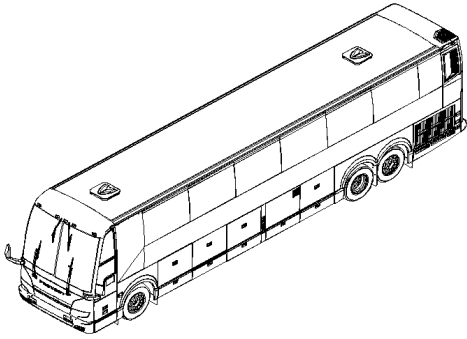
Item#	Part	Description	H 3 4 1	H 3 4 5	V I P 4 5	N O T E S
36	504083	SNAP BUSHING / .250x.468.406	2	2	2	
37	474008	SPRING COMPRESSION / .360 O.D. x .625 x .035	1	1	1	
40	780816	DECAL / "CAUTION" MANUPULATE BOTH HAND / ENGLISH & FRANCAIS	1	1	1	
41	780817	DECAL / "CAUTION" MANUPULATE BOTH HAND / ENGLISH & SPANISH	1	1	1	
42	780818	DECAL / "CAUTION" MANUPULATE BOTH HAND / ENGLISH	1	1	1	
45	470219	DRIP EDGE LOWER 1454MM From H-3423	1	1		
46	506869	TAPE RUB ADH2 POL .031" x 1/4" x 300' / BLACK From H-3423	AR	AR		
47	504339	RIVET POP DOME OE 1/8x3/8 SS From H-3423	12	12		
49	7770177	DRIP EDGE KIT From F-2695 To G-3324	1	1		B
. NS	470218	. DRIP EDGE UPPER 2220MM From F-2695 To G-3324	1	1		B
. NS	470219	. DRIP EDGE LOWER 1454MM From F-2695 To G-3324	1	1		B
. NS	504339	. RIVET POP DOME OE 1/8x3/8 SS From F-2695 To G-3324	35	35		B
52	287539	CABLE ASSY W/END STAINLESS 825MM	1	1	1	
53	287540	PULLEY CABLE 36MM O.D.	1	1	1	
54	287541	SPRING, EXT. / .75 O.D x 15.25 X .0915	1	1	1	
55	288743	AXE PIVOT 7.8MM O.D. x 38MM	1	1	1	
56	287698	AXE PIVOT 4.5MM O.D. x 10MM	1	1	1	
57	288744	AXE PIVOT 7.8MM O.D. x 24MM	1	1	1	
58	288745	BLOCK / YOKE 28MM x 45MM x 19MM	1	1	1	
NS	507301	BUSHING NYLINER	1	1	1	
59	504357	WASHER FL .187x.437x.050 SS	1	1	1	
60	504689	RING RETAINER / EXT .312 x .243 x .025 / SS	1	1	1	
61	5001860	PIN HITCH CLIP .054 x 3/4 SS	3	3	3	
		B) SEE WARRANTY BULLETIN WB16-02				

From 7-0671 To A-1720

Date:10/2022

PAGE:H7-1875-00

## FUEL TANK FILLING DOOR



From 7-0671 To A-1720	Date:10/2022	PAGE:H7-1875-00
<b>FUEL TANK FILLING DOOR</b>		

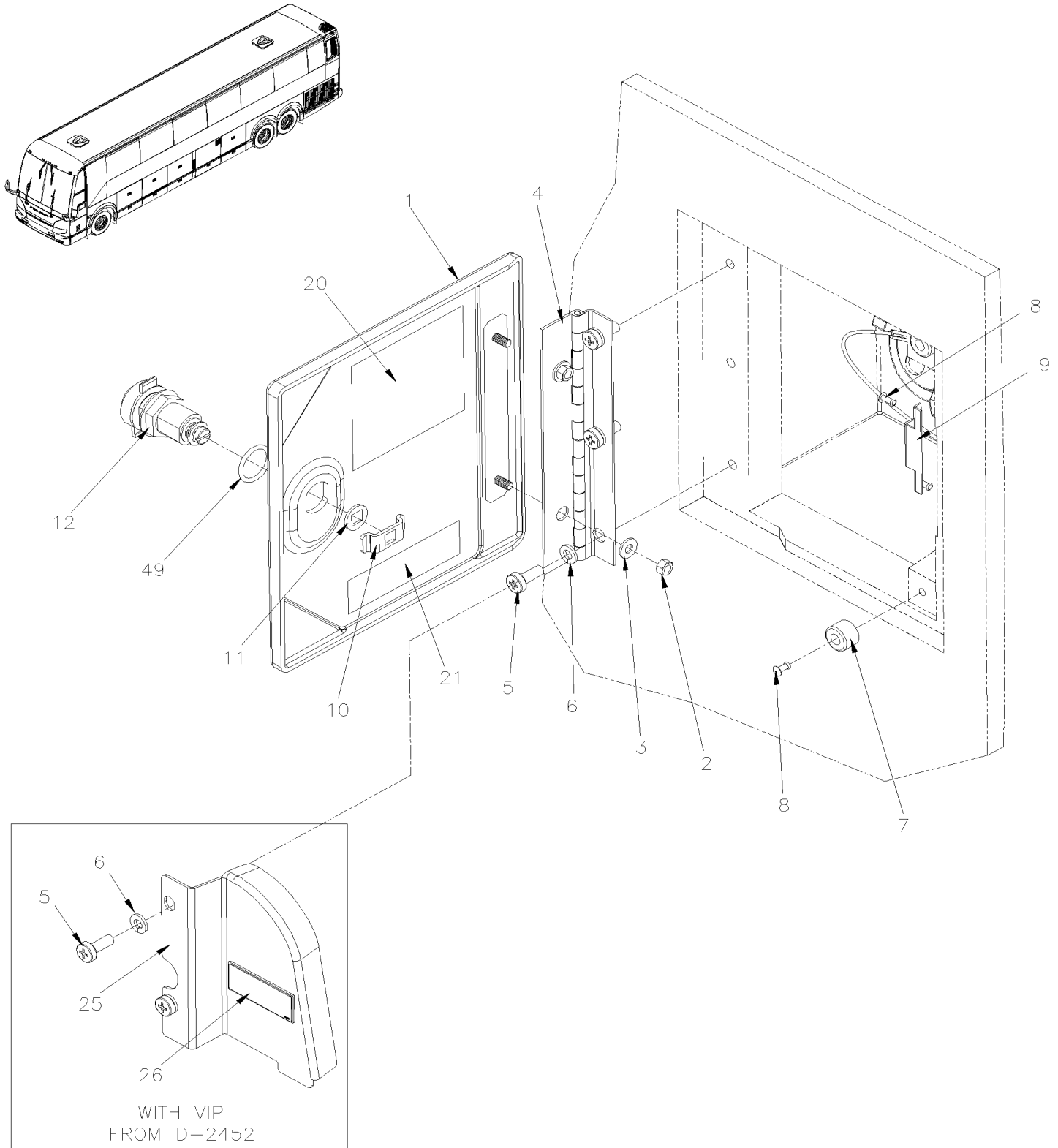
Item#	Part	Description	H 3 4 1	H 3 4 5	V I P 4 5	N O T E S
1	283214	FUEL DOOR / LH FIXED AT EVAPORATOR DOOR	1	1	1	
1	285637	FUEL DOOR / RH FIXED AT CONDENSOR DOOR	1	1	1	
1	<b>H7-1875-50</b>	<b>FUEL TANK FILLING DOOR - V.I.P. WITH SMALL A/C</b>				
2	502873	NUT HEX STO M5-0.8 N500	2	2	2	
3	500964	WASHER FL .203x.500x.047 Z050	2	2	2	
4	282610	HINGE / FUEL DOOR	1	1	1	
5	502817	SCREW MA PAN PH M6-1.0x16 N500	3	3	3	
6	502582	WASHER LO SERR 6.1x16.2x0.9 Z050	3	3	3	
7	504334	BUMPER RUBBER / .625 OD x .406 TH x .156 HOLE	2	2	2	
8	504339	RIVET POP DOME OE 1/8x3/8 SS	4	4	4	
9	790279	SPRING, CATCH	1	1	1	
10	288807	PLATE, LOCK / 8MM SQ HOLE	1	1	1	J
11	288806	SPACER / 8MM SQ X 17MM O.D X 16GA	1	1	1	
12	<b>H7-1864-31</b>	<b>HANDLE LOCK &amp; KEYS - TYPE "NS" &amp; "FORD"</b>				
20	403315	DECAL / "TANK CAPACITY" ENGLISH 235 U.S. GALLONS	AR	AR	AR	
20	407544	DECAL / "TANK CAPACITY" ENGLISH / FRENCH 235 U.S. GALLONS	AR	AR	AR	
20	405639	DECAL / "TANK CAPACITY" ENGLISH / SPANISH 235 U.S. GALLONS	AR	AR	AR	
21	402789	DECAL / "CARBURANT" DIESEL #1	AR	AR	AR	
21	032824	DECAL / ULTRA LOW SULFURE DIESEL / ENGLISH	1	1	1	
21	032823	DECAL / ULTRA LOW SULFURE DIESEL (ULSD) / ENGLISH & SPANISH	1	1	1	
21	032822	DECAL / ULTRA LOW SULFURE DIESEL / ENGLISH & FRANCAIS	1	1	1	
		J) SEE KIT AT END OF PAGE HF-1864-32				

From B-1721 To J-0287

Date:10/2022

PAGE:H7-1875-01

## FUEL TANK & UREA FILLING DOOR

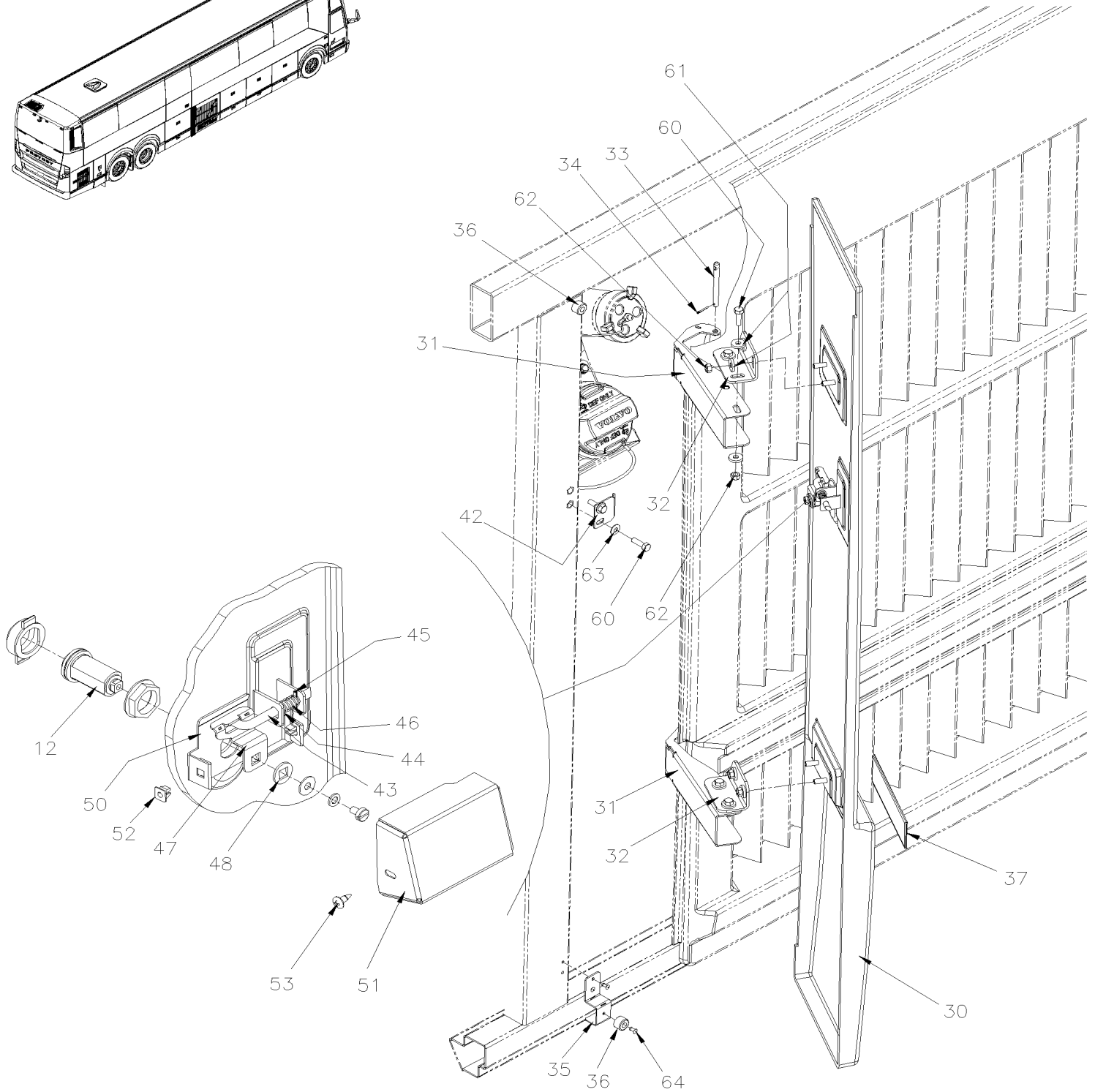
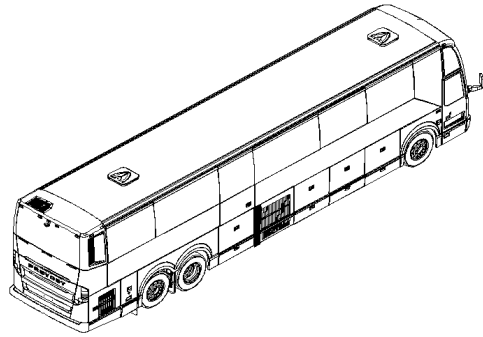


From B-1721 To J-0287

Date:10/2022

PAGE:H7-1875-01

## FUEL TANK & UREA FILLING DOOR





From B-1721 To J-0287	Date:10/2022	PAGE:H7-1875-01
<b>FUEL TANK &amp; UREA FILLING DOOR</b>		

Item#	Part	Description	H 3 4 1	H 3 4 5	V I P 4 5	N O T E S
1	283214	FUEL DOOR / LH FIXED AT EVAPORATOR DOOR	1	1	1	
1	<b>H7-1875-50</b>	<b>FUEL TANK FILLING DOOR - V.I.P. WITH SMALL A/C</b>				
2	502873	NUT HEX STO M5-0.8 N500 To E-2550	2	2	2	
2	502841	NUT HEX NYRT M5-0.8 N500 From E-2551	2	2	2	
3	500964	WASHER FL .203x.500x.047 Z050	2	2	2	
4	282610	HINGE / FUEL DOOR	1	1	1	
5	502817	SCREW MA PAN PH M6-1.0x16 N500	3	3	3	
6	502582	WASHER LO SERR 6.1x16.2x0.9 Z050	3	3	3	
7	504334	BUMPER RUBBER / .625 OD x .406 TH x .156 HOLE	2	2	2	
8	504339	RIVET POP DOME OE 1/8x3/8 SS	4	4	4	
9	790279	SPRING, CATCH To E-2550	1	1	1	
9	289099	SPRING, CATCH From E-2551	1	1	1	
10	288807	PLATE, LOCK / 8MM SQ HOLE	1	1	1	J
11	288806	SPACER / 8MM SQ X 17MM O.D X 16GA	1	1	1	
12	<b>H7-1864-31</b>	<b>HANDLE LOCK &amp; KEYS - TYPE "NS" &amp; "FORD"</b>				
20	403315	DECAL / "TANK CAPACITY" ENGLISH 235 U.S. GALLONS To F-3000	AR	AR	AR	
20	400052	DECAL / "TANK CAPACITY" ENGLISH 222 U.S. GALLONS From F-3001	AR	AR	AR	
20	407544	DECAL / "TANK CAPACITY" ENGLISH / FRENCH 235 U.S. GALLONS To F-3000	AR	AR	AR	
20	400053	DECAL / "TANK CAPACITY" ENGLISH / FRENCH 222 U.S. GALLONS From F-3001	AR	AR	AR	
20	405639	DECAL / "TANK CAPACITY" ENGLISH / SPANISH 235 U.S. GALLONS To F-3000	AR	AR	AR	
20	400054	DECAL / "TANK CAPACITY" ENGLISH / SPANISH 222 U.S. GALLONS From F-3001	AR	AR	AR	
21	402789	DECAL / "CARBURANT" DIESEL #1	AR	AR	AR	
21	032824	DECAL / ULTRA LOW SULFURE DIESEL / ENGLISH	1	1	1	
21	21298228	DECAL / ULTRA LOW SULFURE DIESEL (ULSD) / ENGLISH & SPANISH	1	1	1	
21	21298562	DECAL / ULTRA LOW SULFURE DIESEL / ENGLISH & FRANCAIS	1	1	1	
25	040997	SHIELD ASSY From D-2452	1	1	1	
26	040996	DECAL "CHECK DEF LEVEL" From D-2452	1	1	1	
30	289577	FUEL DOOR / RH 211MM x 1257MM From B-1721	1	1	1	
NS	780884	DECAL "BE SURE TO CLOSE..." / ENGLISH & FRANCAIS From B-1721	1	1	1	
30	780885	DECAL "BE SURE TO CLOSE..." / ENGLISH From B-1721	1	1	1	
31	289574	HINGE, FUEL DOOR From B-1721	2	2	2	
32	289609	SUPPORT, FUEL DOOR From B-1721	2	2	2	
33	289646	PIN, HINGE 1/4" x 70MM From B-1721	2	2	2	
34	502094	PIN, COTTER 1/16 x 1/2 SS From B-1721	2	2	2	
35	289653	BRACKET, STOPPER From B-1721	1	1	1	
36	509828	BUMPER RUBBER / .750 OD x .312 TH x .125 HOLE From B-1721	2	2	2	
37	289650	EXTRUSION BACKING ASSY W/REFLECTOR 154MM To E-2688	1	1	1	
. NS	289651	. EXTRUSION BACKING 154MM To E-2688	1	1	1	
37	280221	EXTRUSION BACKING ASSY W/REFLECTOR 154MM From E-2689	1	1	1	

From B-1721 To J-0287	Date:10/2022	PAGE:H7-1875-01
<b>FUEL TANK &amp; UREA FILLING DOOR</b>		

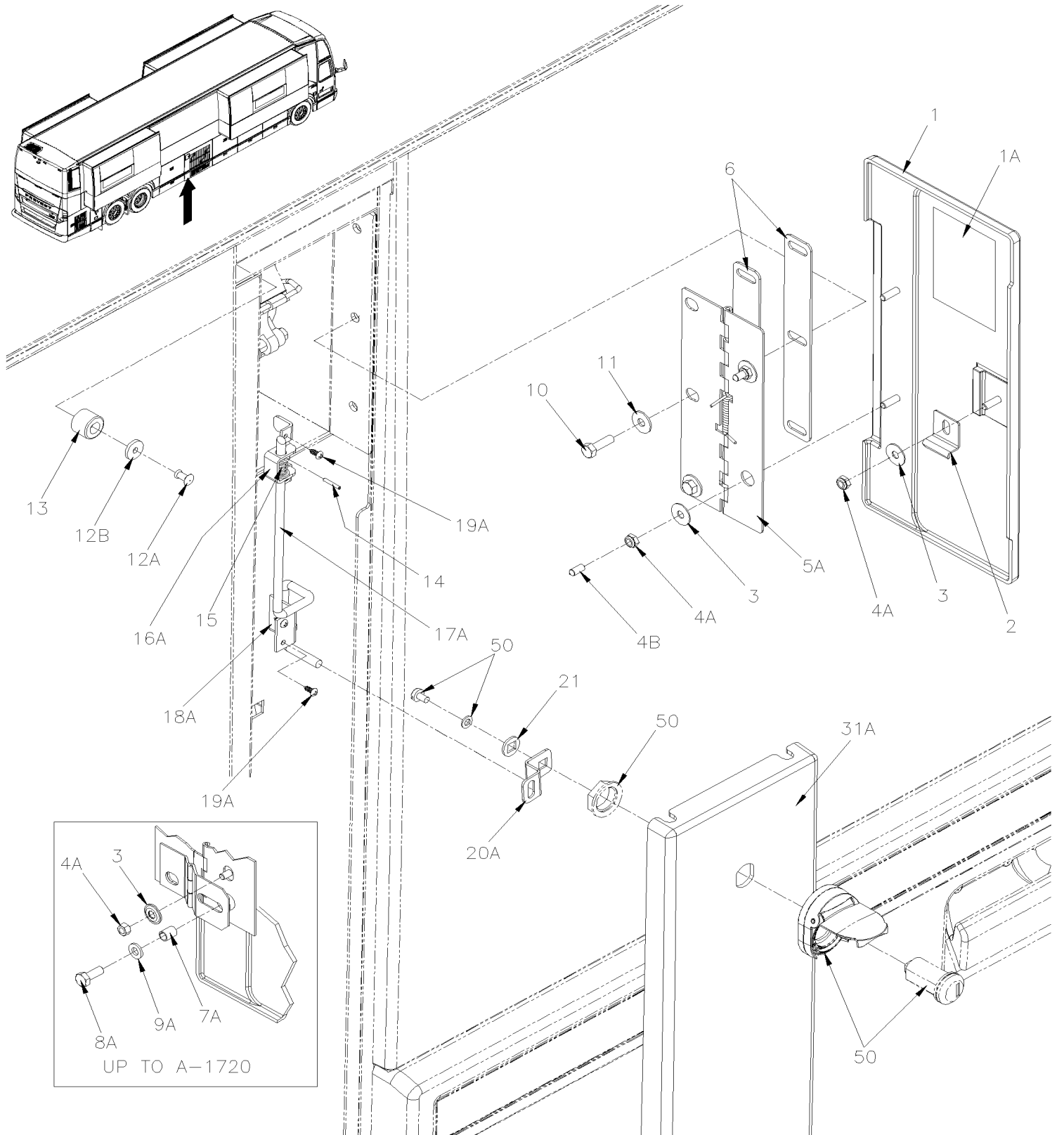
Item#	Part	Description	H 3 4 1	H 3 4 5	V I P 4 5	N O T E S
. NS	280124	. EXTRUSION 154MM From E-2689	1	1	1	
37	685126	ADHESIVE SIMSON #ISR 70-03 / GREY / 600ml SAUSAGE From E-2689	AR	AR	AR	
42	289632	STRIKER, PLATE From B-1721	1	1	1	
43	289800	ROD From B-1721	1	1	1	
44	502573	WASHER FL 6.4x12.5x1.6 SS From B-1721	1	1	1	
45	505532	SPRING, PIN 3/32 x 5/8 SS From B-1721	1	1	1	
46	474008	SPRING COMPRESSION / .360 O.D. x .625 x .035 From B-1721	1	1	1	
47	289634	PLATE, LOCK From B-1721	1	1	1	
48	288806	SPACER / 8MM SQ X 17MM O.D X 16GA From B-1721	1	1	1	
49	507212	O-RING From B-1721	1	1	1	
50	289698	SUPPORT HOLDER / BOX PROTECTOR DOOR LOCK From B-1721	1	1	1	
51	289697	BOX PROTECTOR DOOR LOCK 92MM x 56MM From B-1721	1	1	1	
52	502741	NUT AN #8 NYL From B-1721	2	2	2	
53	500124	SCREW TP TR PH #8x1/2 SS From B-1721	2	2	2	
60	502622	SCREW CAP HEX M6-1.0x20 SS BK From B-1721	6	6	6	
61	5001833	WASHER BEL SPR 6.1x18x1.27 SS To H-3892	10	10	10	
61	5002015	WASHER BEL SPR 6.65x17.4x0.9 SS From H-3893	10	10	10	
62	502681	NUT HEX NYRT M6-1.0 N500 G8 From B-1721	8	8	8	
63	5001608	WASHER BEL SPR 6.2x15.0x0.7 G500 From B-1721	2	2	2	
64	504339	RIVET POP DOME OE 1/8x3/8 SS From B-1721	4	4	4	
		J) SEE KIT AT END OF PAGE HF-1864-32				

From 7-0671 To J-0287

Date:10/2022

PAGE:H7-1875-50

## FUEL TANK FILLING DOOR - V.I.P. WITH SMALL A/C

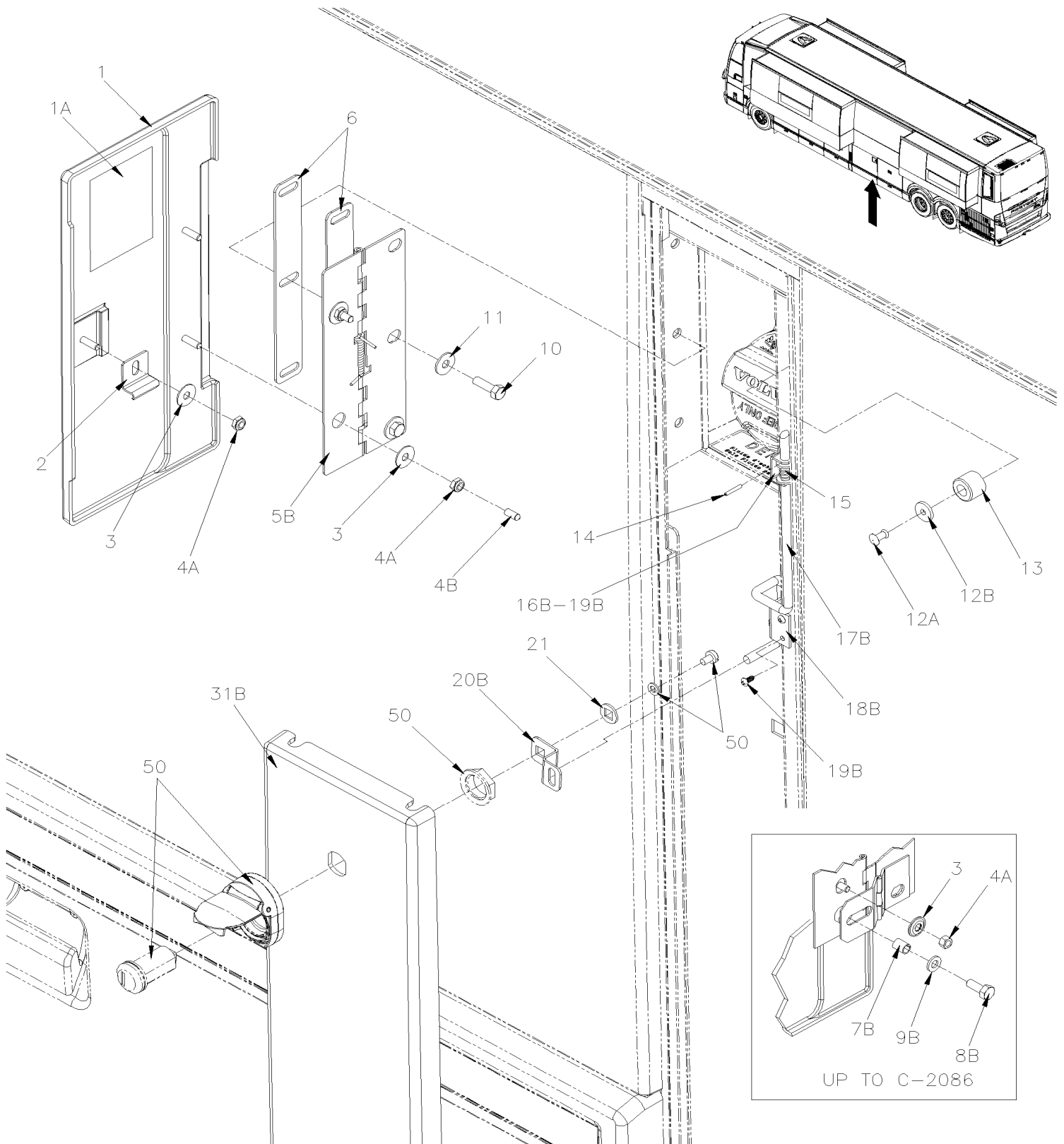


From 7-0671 To J-0287

Date:10/2022

PAGE:H7-1875-50

## FUEL TANK FILLING DOOR - V.I.P. WITH SMALL A/C

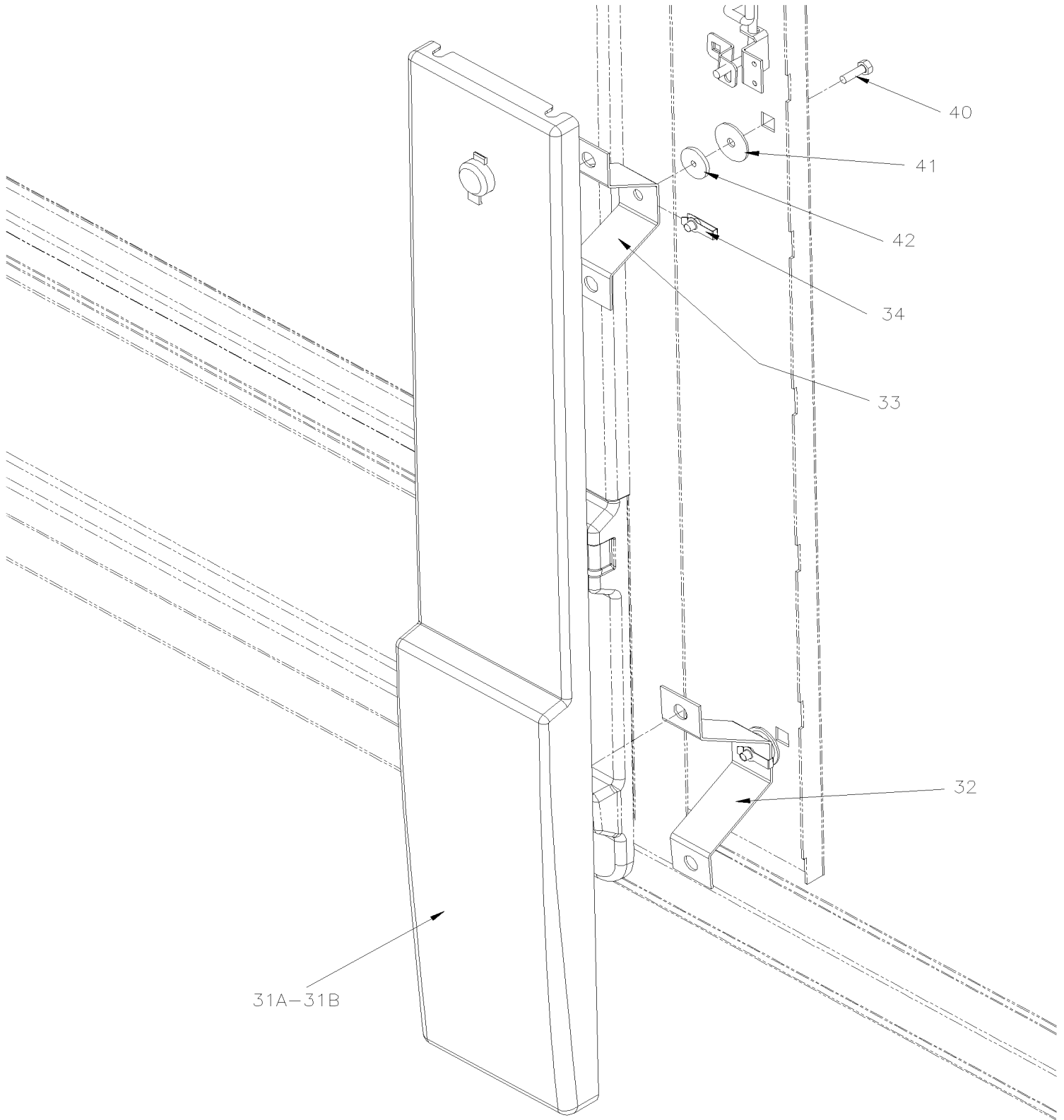


From 7-0671 To J-0287

Date:10/2022

PAGE:H7-1875-50

**FUEL TANK FILLING DOOR - V.I.P. WITH SMALL A/C**



From 7-0671 To J-0287		Date:10/2022	PAGE:H7-1875-50
<b>FUEL TANK FILLING DOOR - V.I.P. WITH SMALL A/C</b>			

Item#	Part	Description	H 3 4 1	H 3 4 5	V I P 4 5	N O T E S
1	286172	FUEL DOOR / W/SMALL A/C SYSTEM To H-3434			2	
1	280027	FUEL DOOR / W/SMALL A/C SYSTEM From H-3435			2	
1A	21467930	DECAL, UREA FILLING			1	
1A	403315	DECAL / "TANK CAPACITY" ENGLISH 235 U.S. GALLONS To F-3000			1	
1A	400052	DECAL / "TANK CAPACITY" ENGLISH 222 U.S. GALLONS From F-3001			1	
1A	032824	DECAL / ULTRA LOW SULFURE DIESEL / ENGLISH			1	
2	473935	HOOK			1	
3	5001833	WASHER BEL SPR 6.1x18x1.27 SS To H-3892			3	
3	5002015	WASHER BEL SPR 6.65x17.4x0.9 SS From H-3893			3	
4A	502873	NUT HEX STO M5-0.8 N500 To E-2550			3	
4A	5001587	NUT HEX NYRT M5-0.8 SS From E-2551			3	
4B	507331	PROTECTOR CAP / BLACK / .137 I.D. x .500 From H-3435			2	
5A	473936	HINGE R.H. / CURBSIDE To A-1720			1	
. NS	473934	. SPRING, TORSION / 3.19 I.D. x 38.1 x 29GA To A-1720			1	
5A	478484	HINGE / CURBSIDE From B-1721 To H-3434			1	
. NS	473934	. SPRING, TORSION / 3.19 I.D. x 38.1 x 29GA From B-1721 To H-3434			1	
5A	478556	HINGE / CURBSIDE From H-3435			1	
5A	478556	HINGE / CURBSIDE From H-3435			1	
. NS	473934	. SPRING, TORSION / 3.19 I.D. x 38.1 x 29GA From H-3435			1	
5B	473933	HINGE L.H. / STREET SIDE To C-2086			1	
. NS	473934	. SPRING, TORSION / 3.19 I.D. x 38.1 x 29GA To C-2086			1	
5B	478556	HINGE / STREET SIDE From C-2087			1	
5B	478556	HINGE / STREET SIDE From C-2087			1	
. NS	473934	. SPRING, TORSION / 3.19 I.D. x 38.1 x 29GA From C-2087			1	
6	478557	SPACER 38MMx200MM To H-3434			1	
6	280042	SPACER 38MMx200MM From H-3435			1	
7A	5001451	SPACERS ROLLER To A-1720			1	
7A	5001451	SPACERS ROLLER To A-1720			1	
7B	5001451	SPACERS ROLLER To C-2086			1	
7B	5001451	SPACERS ROLLER To C-2086			1	
8A	502531	SCREW CAP HEX M6-1.0x16 G8.8 Z050 To A-1720			1	
8A	502531	SCREW CAP HEX M6-1.0x16 G8.8 Z050 To A-1720			1	
8B	502531	SCREW CAP HEX M6-1.0x16 G8.8 Z050 To C-2086			1	
8B	502531	SCREW CAP HEX M6-1.0x16 G8.8 Z050 To C-2086			1	
9A	502573	WASHER FL 6.4x12.5x1.6 SS To A-1720			1	
9A	502573	WASHER FL 6.4x12.5x1.6 SS To A-1720			1	
9B	502573	WASHER FL 6.4x12.5x1.6 SS To C-2086			1	
9B	502573	WASHER FL 6.4x12.5x1.6 SS To C-2086			1	
10	502531	SCREW CAP HEX M6-1.0x16 G8.8 Z050 To C-2111			3	
10	5001744	SCREW CAP HEX M6-1.0x16 G8.8 N500 From C-2112 To E-2587			3	
10	5001697	SCREW CAP HEX M6-1.0x16 SS BK From E-2588 To H-3434			3	
10	502622	SCREW CAP HEX M6-1.0x20 SS BK From H-3435			3	

From 7-0671 To J-0287	Date:10/2022	PAGE:H7-1875-50
<b>FUEL TANK FILLING DOOR - V.I.P. WITH SMALL A/C</b>		

Item#	Part	Description	H 3 4 1	H 3 4 5	V I P 4 5	N O T E S
11	500964	WASHER FL .203x.500x.047 Z050 To E-2587			3	
11	5001833	WASHER BEL SPR 6.1x18x1.27 SS From E-2588 To H-3892			3	
11	5002015	WASHER BEL SPR 6.65x17.4x0.9 SS From H-3893			3	
12A	504416	RIVET POP DOME OE 3/16x5/8 SS			1	
12B	500950	WASHER FL .187x.625x.094 RUB			1	
13	5001168	BUMPER RUBBER / .750 OD x .562 TH x .187 HOLE			1	
14	505532	SPRING, PIN 3/32 x 5/8 SS			1	
15	474008	SPRING COMPRESSION / .360 O.D. x .625 x .035			1	
15	502573	WASHER FL 6.4x12.5x1.6 SS			2	
16A	473931	ROD GUIDE To A-1720			1	
16A	473931	ROD GUIDE To A-1720			1	
16A	478502	ROD GUIDE From B-1721			1	
16A	478502	ROD GUIDE From B-1721			1	
16B	473931	ROD GUIDE To D-2451			1	
16B	473931	ROD GUIDE To D-2451			1	
16B	478502	ROD GUIDE From D-2452			1	
16B	478502	ROD GUIDE From D-2452			1	
17A	473929	ROD R.H. To A-1720			1	
17A	478498	ROD R.H. From B-1721			1	
17B	473930	ROD L.H. To H-3434			1	
17B	470519	ROD L.H. From H-3435			1	
18A	473927	ROD GUIDE LOWER RH To A-1720			1	
18B	473928	ROD GUIDE LOWER LH To H-3434			1	
19A	500133	SCREW TP RND PH #6x3/8 ZP To A-1720			4	
19A	500133	SCREW TP RND PH #6x3/8 ZP To A-1720			4	
19B	500133	SCREW TP RND PH #6x3/8 ZP To D-2451			4	
19B	500133	SCREW TP RND PH #6x3/8 ZP To D-2451			4	
19B	500133	SCREW TP RND PH #6x3/8 ZP From D-2452 To H-3434			2	
19B	500133	SCREW TP RND PH #6x3/8 ZP From D-2452 To H-3434			2	
20A	477472	SHUTTER R.H. / B.A.			1	
20B	477471	SHUTTER L.H. / B.A.			1	
21	288806	SPACER / 8MM SQ X 17MM O.D X 16GA			1	
31A	473983	PANEL LOWER FUEL DOOR L.H. / W/SMALL A/C CURB SIDE To A-1720			1	
31A	473983	PANEL LOWER FUEL DOOR L.H. / W/SMALL A/C CURB SIDE To A-1720			1	
31A	478500	PANEL LOWER FUEL DOOR R.H. / W/SMALL A/C CURB SIDE From B-1721 To H-3434			1	
31A	280024	PANEL LOWER FUEL DOOR / W/SMALL A/C CURB SIDE From H-3435			1	
31A	280024	PANEL LOWER FUEL DOOR / W/SMALL A/C CURB SIDE From H-3435			1	
31B	473983	PANEL LOWER FUEL DOOR L.H. / W/SMALL A/C STREET SIDE From B-1721 To H-3434			1	
31B	473983	PANEL LOWER FUEL DOOR L.H. / W/SMALL A/C STREET SIDE From B-1721 To H-3434			1	
31B	280024	PANEL LOWER FUEL DOOR / W/SMALL A/C STREET SIDE From H-3435			1	
31B	280024	PANEL LOWER FUEL DOOR / W/SMALL A/C STREET SIDE From H-3435			1	
32	286197	. LOWER FASTENER			1	

From 7-0671 To J-0287	Date:10/2022	PAGE:H7-1875-50
<b>FUEL TANK FILLING DOOR - V.I.P. WITH SMALL A/C</b>		

Item#	Part	Description	H 3 4 1	H 3 4 5	V I P 4 5	N O T E S
33	286198	. HIGHER FASTENER			1	
34	5001639	NUT SPR U M6-1.0 0.34-4 MAG565			2	
40	502830	SCREW CAP HEX M6-1.0x20 G8.8 N500 To F-3028			2	
40	502622	SCREW CAP HEX M6-1.0x20 SS BK From F-3029			2	
41	500913	WASHER FL .281x1.250x.065 N500			2	A
42	502820	WASHER FL .187x1.000x.125 RUB BK			2	
50	<b>H7-1864-31</b>	<b>HANDLE LOCK &amp; KEYS - TYPE "NS" &amp; "FORD"</b>				
NS	507212	O-RING			1	
		A) TO FIX LOWER PANEL FUEL DOOR				

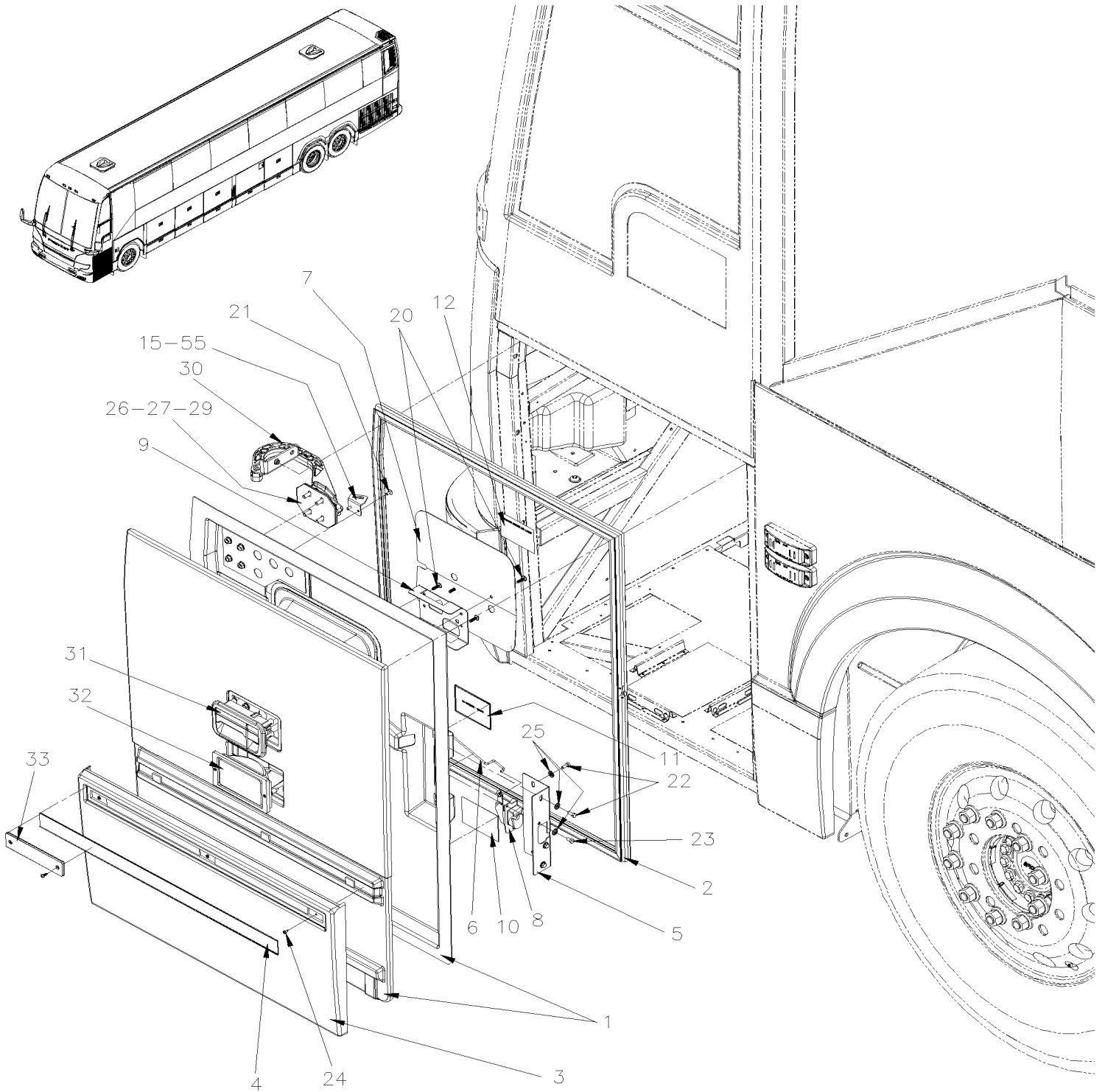


From 7-0671 To J-0287

Date:10/2022

PAGE:H7-1879-00

## FRONT SERVICE DOOR ASSY



From 7-0671 To J-0287	Date:10/2022	PAGE:H7-1879-00
<b>FRONT SERVICE DOOR ASSY</b>		

Item#	Part	Description	H 3 4 1	H 3 4 5	V I P 4 5	N O T E S
	285461	FRONT SERVICE DOOR ASSY	1	1	1	
1	287368	. DOOR MOULDED / FIBERGLASS	1	1		
1	288678	. DOOR MOULDED / FIBERGLASS			1	
2	285335	. RUBBER SEAL EXTRUSION / FRONT SERVICE DOOR To A-1578	1	1	1	
2	280149	. RUBBER SEAL EXTRUSION / FRONT SERVICE DOOR From A-1579 To C-2017	1	1	1	
2	2800116	. RUBBER SEAL EXTRUSION / FRONT SERVICE DOOR From C-2018	1	1	1	
NS	684685	. ADHESIVE SIMSON #ISR 70-03 / 310ml CARTRIDGE	AR	AR	AR	
NS	506005	. TAPE RUB ADH1 CC POL 3/8" x 5/8" x 25' / GREY 2520X	AR	AR	AR	
3	287316	. PROTECTOR PANEL / SH THIN EXTRUSION .090"	1	1	1	
4	285475	. EXTRUSION BACKING ASSY W/REFLECTOR 760MM / THIN EXTRUSION .090" To E-2688	1	1	1	
. NS	286205	. . EXTRUSION BACKING 760MM To E-2688	1	1	1	
NS	280230	. EXTRUSION BACKING ASSY W/REFLECTOR 759MM / THIN EXTRUSION .090" From E-2689	1	1	1	
. NS	280120	. . EXTRUSION 759MM From E-2689	1	1	1	
NS	682348	. TAPE, DOUBLE COATED ACRYLIC	AR	AR	AR	
NS	684685	. ADHESIVE SIMSON #ISR 70-03 / 310ml CARTRIDGE From E-2689	AR	AR	AR	
5	285766	. PLATE / LOCK HOLDER / R.H. DOOR	1	1	1	
6	289331	. ROD / HANDLE & LATCH / 296.8MM	1	1	1	
7	287114	. PLATE CLOSING / 289MM X 314MM To B-1720	1	1	1	
7	282416	. PLATE CLOSING / 289MM X 314MM From B-1721 To F-3010	1	1	1	
7	287114	. PLATE CLOSING / 289MM X 314MM From F-3011 To G-3205	1	1	1	
7	287848	. PLATE CLOSING / 289MM X 314MM From G-3206	1	1	1	
7	506071	. . TAPE RUB ADH1 CC POL 1/8" x 1/2" x 50' / GREY 2520X	AR	AR	AR	
8	780653	. LOCK SPAGNOLET R.H. / W/G-FITTING	1	1	1	
. NS	780340	. . CLIP, RETAINER ROD	1	1	1	
. NS	507607	. . GREASE FITTING / M6-1.00	1	1	1	
NS	780340	. CLIP, RETAINER ROD	1	1	1	
NS	680739	. GREASE SYNTHETIC / RED 20KG	AR	AR	AR	
9	289340	. SUPPORT, HANDLE	1	1	1	
10	141064	. DECAL / COLOR CODE / PNEUMATIC SYSTEM / ENGLISH & FRANCAIS To F-2922	1	1	1	
10	145209	. DECAL / COLOR CODE / PNEUMATIC SYSTEM / ENGLISH & FRANCAIS From F-2923 To J-0040	1	1	1	
10	140095	. DECAL / COLOR CODE / PNEUMATIC SYSTEM / ENGLISH & FRANCAIS From J-0041	1	1	1	
10	145268	. DECAL / COLOR CODE / PNEUMATIC SYSTEM / ENGLISH & SPANISH From F-2923 To J-0040	1	1	1	
10	140096	. DECAL / COLOR CODE / PNEUMATIC SYSTEM / ENGLISH & SPANISH From J-0041	1	1	1	
11	160295	. DECAL / "IT FORBIDDEN TO STOCK ANYTING IN TH. / ENGLISH & FRANCAIS	1	1	1	
11	161191	. DECAL / "IT FORBIDDEN TO STOCK ANYTING IN TH. / ENGLISH & SPANISH	1	1	1	
12	180246	. DECAL / VEHICULE WHEELHOUSING....TREATED / ENGLISH & FRANCAIS	1	1	1	
15	285224	. LH SUPPORT, BELT	1	1	1	
20	5001630	. SCREW TP BUTF TORX M6x20 SS To J-0216	4	4	4	
20	5002054	. SCREW TP BUTF TORX M6x20 SS From J-0217	4	4	4	
21	504793	. RIVET MNB OE LARGE HEAD 3/16x7/16 SS	2	2	2	
22	5001697	. SCREW CAP HEX M6-1.0x16 SS BK	4	4	4	
23	5001982	. SCREW CAP HEX M6-1.0x12 SS BK	2	2	2	

From 7-0671 To J-0287	Date:10/2022	PAGE:H7-1879-00
<b>FRONT SERVICE DOOR ASSY</b>		

Item#	Part	Description	H 3 4 1	H 3 4 5	V I P 4 5	N O T E S
24	500952	. SCREW TP BDG PH #8x1/2 SS	3	3	3	
25	5001833	. WASHER BEL SPR 6.1x18x1.27 SS To H-3892	6	6	6	
25	5002015	. WASHER BEL SPR 6.65x17.4x0.9 SS From H-3893	6	6	6	
26	5001912	. SCREW CAP HEX M8-1.25x30 SS BK	8	8	8	
27	5001848	. WASHER BEL SPR .827 x .331 x .098 th SS	8	8	8	
29	285814	. SUPPORT	2	2	2	
30	<b>H7-1879-90</b>	<b>. EXTERIOR DOOR HINGE AND SUPPORT</b>	2	2	2	
31	<b>H7-1864-31</b>	<b>. HANDLE LOCK &amp; KEYS - TYPE "NS" &amp; "FORD"</b>	1	1	1	
32	<b>H7-0663-00</b>	<b>. DOCK &amp; CORNERING LIGHT</b>	1	1	1	
33	<b>H7-0662-00</b>	<b>. CLEARANCE &amp; MARKER LIGHT</b>	1	1	1	
NS	066436	. DECAL / "CAUTION" BEFORE WELDING...." // ENGLISH	1	1	1	
NS	062403	. DECAL / "CAUTION" BEFORE WELDING...." // ENGLISH & FRANCAIS	1	1	1	
NS	509815	. TIE MOUNT / ATTACHMENT W/TREE MOUNT	1	1	1	
NS	180246	. DECAL / VEHICULE WHEELHOUSING....TREATED / ENGLISH & FRANCAIS	1	1	1	
NS	180252	. DECAL / VEHICULE WHEELHOUSING....TREATED / ENGLISH & SPANISH	1	1	1	
NS	063711	. DECAL / "WELDING..." / W/SERIES 60 & "WORLD TRANSMISSION / ENGLISH	1	1	1	
NS	066046	. DECAL / "WELDING..." / W/SERIES 60 & "WORLD TRANSMISSION / ENGLISH & SPANISH	1	1	1	
NS	142370	. DECAL / COLOR CODE / PNEUMATIC SYSTEM / ENGLISH & SPANISH To F-2922	1	1	1	
NS	145268	. DECAL / COLOR CODE / PNEUMATIC SYSTEM / ENGLISH & SPANISH From F-2923	1	1	1	
55	505507	STRAP NYLON 1" WIDE / S.L.	AR	AR	AR	

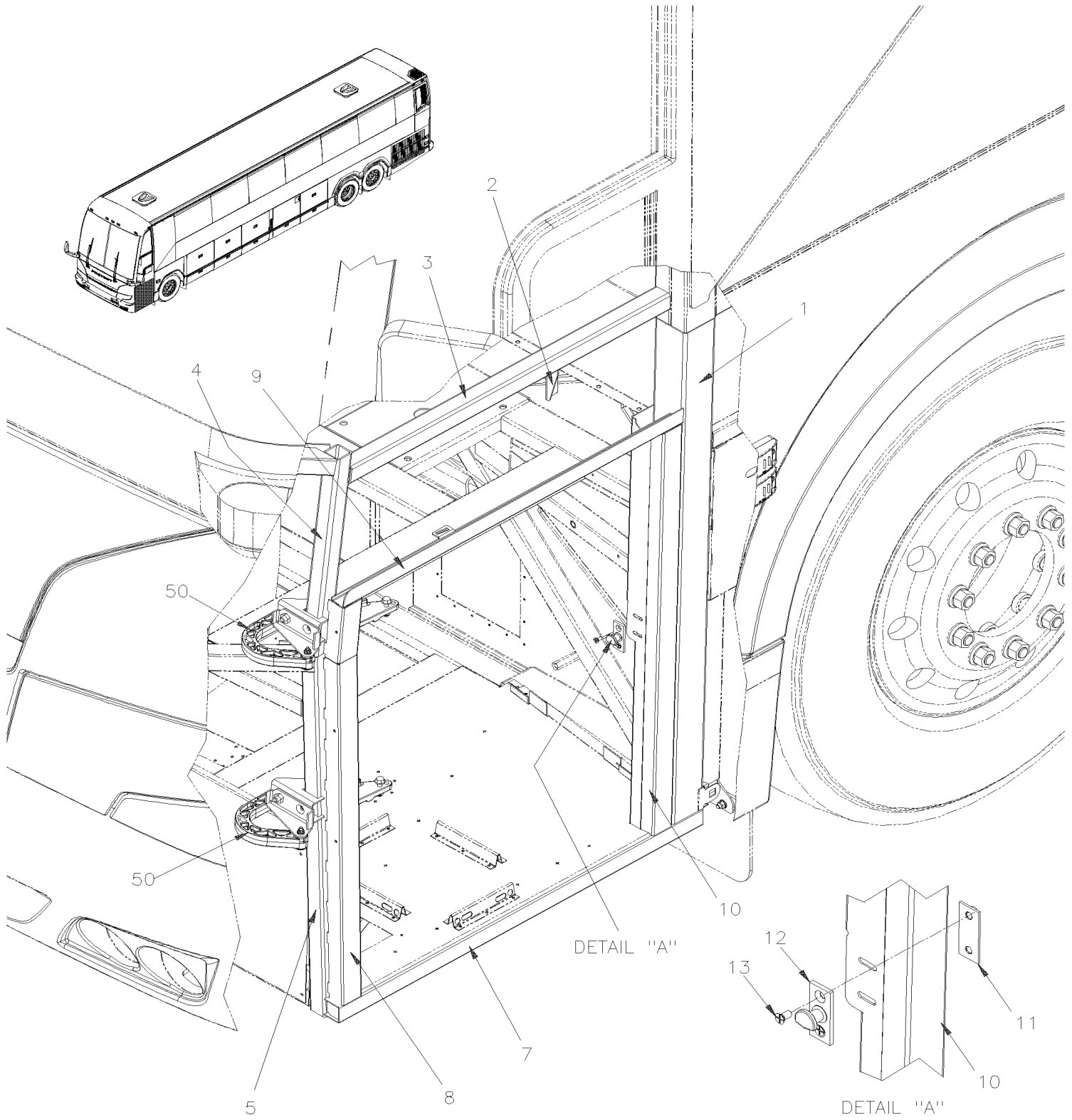


From 7-0671 To J-0287

Date:10/2022

PAGE:H7-1879-10

## FRONT SERVICE DOOR - INSTALLATION



From 7-0671 To J-0287	Date:10/2022	PAGE:H7-1879-10
<b>FRONT SERVICE DOOR - INSTALLATION</b>		

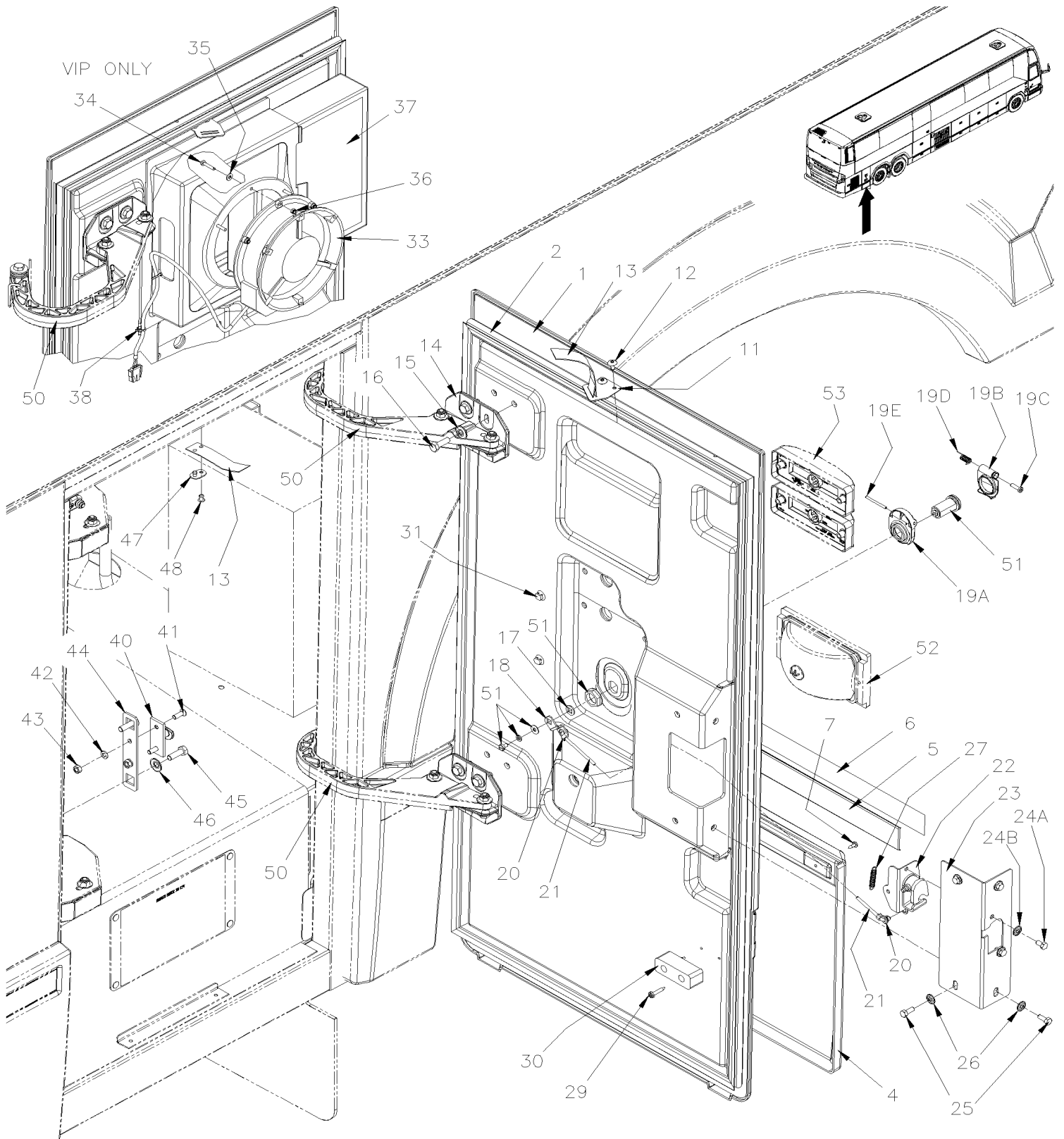
Item#	Part	Description	H 3 4 1	H 3 4 5	V I P 4 5	N O T E S
1	214552P	TUBE ASSY To A-1720	1	1	1	
1	Call order desk	TUBE ASSY From B-1721 To E-2504	1	1	1	P
1	217258	TUBE ASSY From E-2505	1	1	1	
2	211976	ANGLE / TO FIX DRIVER'S WINDOW MOTOR	1	1	1	
3	215854	TUBE	1	1	1	
4	250874	TUBE	1	1	1	
5	250875	TUBE To E-2504	1	1	1	
5	251658	TUBE ASSY From E-2505	1	1	1	
NS	250870	ANGLE SUPPORT To 9-1469	1	1	1	
7	171767	TUBE 900MM To E-2504	1	1	1	
7	173947	TUBE ASSY 900MM From E-2505	1	1	1	
8	285325	ANGLE SUPPORT	1	1	1	
9	287504	ANGLE "J" FORM TOP	1	1	1	
10	287502	ANGLE POST REAR To E-2504	1	1		
10	215882	ANGLE POST REAR / W/IND SUSPENSION ONLY To E-2504			1	
10	218693	ANGLE POST REAR From E-2505 To E-2660	1	1	1	
10	218744	ANGLE POST REAR From E-2661 To F-2922	1	1	1	
10	218799	ANGLE POST REAR From F-2923	1	1	1	
11	284217	PLATE TIE	1	1	1	
12	780278	PIN, STRIKER STUD	1	1	1	
13	500541	SCREW MA FL PH 1/4-20x1/2 SS BK	2	2	2	
NS	680038	THREAD LOCKER LOCTITE #243 / BLUE / 50ml	AR	AR	AR	
50	<b>H7-1879-90</b>	<b>EXTERIOR DOOR HINGE AND SUPPORT</b>				
		P) CALL ORDER DESK FOR SPECIFIC APPLICATION (V.I.N.)				

From 7-0671 To J-0287

Date:10/2022

PAGE:H7-1879-60

## REAR SIDE SERVICE DOOR ASSY R.H.



From 7-0671 To J-0287	Date:10/2022	PAGE:H7-1879-60
<b>REAR SIDE SERVICE DOOR ASSY R.H.</b>		

Item#	Part	Description	H 3 4 1	H 3 4 5	V I P 4 5	N O T E S
	288138	REAR SERVICE DOOR ASSY R.H To G-3065	1	1		
	2800997	REAR SERVICE DOOR ASSY R.H From G-3066	1	1		
	2800998	REAR SERVICE DOOR ASSY R.H To G-3065			1	
	2800994	REAR SERVICE DOOR ASSY R.H From G-3066			1	
1	287928	. DOOR MOULDED R.H. / FIBERGLASS SMC	1	1		
1	287483	. DOOR MOULDED R.H. / FIBERGLASS SMC / W/VENT / W/MUX			1	
NS	684685	. ADHESIVE SIMSON #ISR 70-03 / 310ml CARTRIDGE	AR	AR	AR	
NS	682348	. TAPE, DOUBLE COATED ACRYLIC	AR	AR	AR	
2	287507	. RUBBER SEAL EXTRUSION / REAR SERVICE DOOR / 1095MM X 515MM To A-1578	1	1	1	
2	288912	. RUBBER SEAL EXTRUSION / REAR SERVICE DOOR / 1095MM X 515MM From A-1579 To C-2017	1	1	1	
2	2800127	. RUBBER SEAL EXTRUSION / REAR SERVICE DOOR / 1095MM X 515MM From C-2018	1	1	1	
4	287929	. PROTECTOR PANEL / SH To G-3271	1	1	1	
4	2801057	. PROTECTOR PANEL / SH From G-3272	1	1	1	
4	289899	. PROTECTOR PANEL / WITH GRAVEL GUARD / SH	1	1		B
NS	683083	. ADHESIVE SIKA #252 / BLACK / 600 ml SAUSAGE	AR	AR	AR	
NS	681348	. TAPE RUB ADH2 ACRYLIC .045" x 1" x 108' / VHB4952	AR	AR	AR	
5	288036	. EXTRUSION BACKING ASSY W/REFLECTOR 511MM To E-2688	1	1	1	
. NS	288035	. . EXTRUSION BACKING 511MM To E-2688	1	1	1	
5	280229	. EXTRUSION BACKING ASSY W/REFLECTOR 511MM From E-2689 To G-3271	1	1	1	
. NS	280121	. . EXTRUSION 511MM From E-2689 To G-3271	1	1	1	
5	2811036	. EXTRUSION BACKING ASSY W/REFLECTOR 511MM From G-3272	1	1	1	
5	684685	. ADHESIVE SIMSON #ISR 70-03 / 310ml CARTRIDGE From E-2689	AR	AR	AR	
6	283100	. STRIPE, REFLECTIVE WHITE / 38MM X 15' ROLL	AR	AR	AR	
. NS	780277	. . STRIPE, REFLECTIVE WHITE / 38MM X 150' ROLL	AR	AR	AR	
7	500952	. SCREW TP BDG PH #8x1/2 SS	3	3	3	
11	284440	. SUPPORT	1	1	1	
12	504793	. RIVET MNB OE LARGE HEAD 3/16x7/16 SS	2	2	2	
13	505507	. STRAP NYLON 1" WIDE / S.L.	AR	AR	AR	
14	285273	. SUPPORT	2	2	2	
15	5001699	. WASHER BEL SPR 8.2x22x1.4 N500 To F-3028	4	4	4	
15	5001848	. WASHER BEL SPR .827 x .331 x .098 th SS From F-3029	4	4	4	
16	502780	. SCREW CAP HEX M8-1.25x25 SS BK To D-2186	4	4	4	
16	5001738	. SCREW CAP HEX M8-1.25x30 G8.8 N500 From D-2187 To F-3028	4	4	4	
16	5001912	. SCREW CAP HEX M8-1.25x30 SS BK From F-3029	4	4	4	
17	288806	. SPACER / 8MM SQ X 17MM O.D X 16GA	1	1	1	
18	288538	. LEVER / 8MM SQ HOLE	1	1	1	
19	280011	. LOCK COVER ASSEMBLY From G-3066	1	1	1	
. A	N.S.S.	. . RECEIVER From G-3066	1	1	1	1
. B	N.S.S.	. . COVER From G-3066	1	1	1	1
. C	N.S.S.	. . GUIDE, SPRING From G-3066	1	1	1	1
. D	N.S.S.	. . SPRING From G-3066	1	1	1	1
. E	N.S.S.	. . AXLE From G-3066	1	1	1	1



From 7-0671 To J-0287	Date:10/2022	PAGE:H7-1879-60
<b>REAR SIDE SERVICE DOOR ASSY R.H.</b>		

Item#	Part	Description	H 3 4 1	H 3 4 5	V I P 4 5	N O T E S
20	780340	. CLIP, RETAINER ROD	2	2	2	
21	288015	. ROD LOCK 208MM	1	1	1	
22	780653	. LOCK SPAGNOLET R.H. / W/G-FITTING	1	1	1	
. NS	780340	. . CLIP, RETAINER ROD	1	1	1	
. NS	507607	. . GREASE FITTING / M6-1.00	1	1	1	
22	680739	. GREASE SYNTHETIC / RED 20KG	AR	AR	AR	
23	285766	. PLATE / LOCK HOLDER / R.H. DOOR	1	1	1	
24A	5001743	. SCREW CAP HEX M6-1.0x12 G8.8 N500 To F-3028	2	2	2	
24A	5001982	. SCREW CAP HEX M6-1.0x12 SS BK From F-3029	2	2	2	
24B	502582	. WASHER LO SERR 6.1x16.2x0.9 Z050 To E-2514	2	2	2	
24B	5001833	. WASHER BEL SPR 6.1x18x1.27 SS From E-2515 To F-2737	2	2	2	
24B	500356	. WASHER LO SERR 6.1x16.0x0.9 N500 From F-2738 To F-3028	2	2	2	
24B	5001833	. WASHER BEL SPR 6.1x18x1.27 SS From F-3029 To H-3892	2	2	2	
24B	5002015	. WASHER BEL SPR 6.65x17.4x0.9 SS From H-3893	2	2	2	
25	502737	. SCREW CAP HEX M6-1.0x25 SS BK To D-2184	4	4	4	
25	5001744	. SCREW CAP HEX M6-1.0x16 G8.8 N500 From D-2185 To F-3028	4	4	4	
25	5001697	. SCREW CAP HEX M6-1.0x16 SS BK From F-3029	4	4	4	
26	502582	. WASHER LO SERR 6.1x16.2x0.9 Z050 To E-2514	4	4	4	
26	5001833	. WASHER BEL SPR 6.1x18x1.27 SS From E-2515 To F-2737	4	4	4	
26	500356	. WASHER LO SERR 6.1x16.0x0.9 N500 From F-2738 To F-3028	4	4	4	
26	5001833	. WASHER BEL SPR 6.1x18x1.27 SS From F-3029	4	4	4	
27	285063	. SPRING EXTENSION / .287 O.D. x 1.562 x .051	1	1	1	
29	500293	. SCREW TP PAN PH #10x1 SS	2	2	2	
30	506250	. RUBBER BUMPER	1	1	1	
31	509815	. TIE MOUNT / ATTACHMENT W/TREE MOUNT	2	2	2	
33	454419	. AXIAL FAN ASSY / W/CONNECTOR			1	
. NS	871361	. . AXIAL FAN ASSY 12/28V / 230CFM			1	
. NS	561247	. . CONNECTOR / UNIVERSAL MATE-N-LOK / SH 2C / AMP 1-480698-0			1	
. NS	561673	. . SOCKET TERMINAL / 24-18 / AMP 350689-1			2	
. NS	562387	. . CONVOLUTED TUBING / SLIT / BLACK / .250"			AR	
. NS	680319	. . TAPE ADHESIF ELECTRIC / BLACK 3/4"			AR	
34	502685	. SCREW CAP HEX M4-0.7x20 SS EMN			4	
35	500855	. WASHER FL .188x.438x.049 N500			4	
36	500539	. NUT HEX NYRT M4-0.7 N500			4	
37	950399	. AIR FILTER			1	
38	504273	. CABLE TIE / 1/8" X 3"1/2	AR	AR	AR	
40	780278	PIN, STRIKER STUD	1	1	1	
41	500316	SCREW MA FL PH 1/4-28x3/4 SS	2	2	2	
42	5001749	WASHER LO SPT 6.5x11.5x1.6 N500	2	2	2	
43	500970	NUT HEX 1/4-28 N500	2	2	2	
44	284770	PLATE SUPPORT / STRIKER PIN	1	1	1	

From 7-0671 To J-0287	Date:10/2022	PAGE:H7-1879-60
<b>REAR SIDE SERVICE DOOR ASSY R.H.</b>		

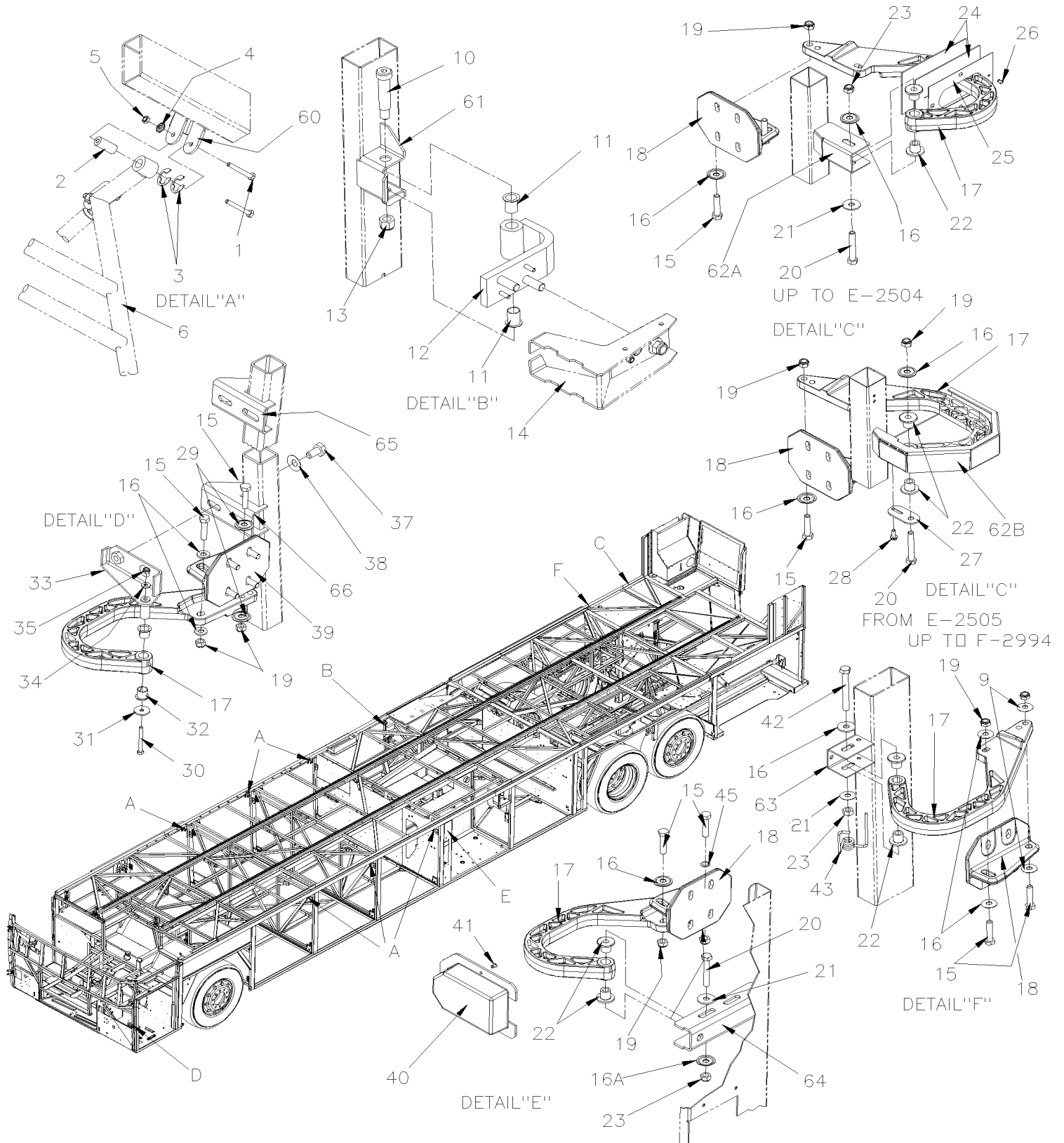
Item#	Part	Description	H 3 4 1	H 3 4 5	V I P 4 5	N O T E S
45	502862	SCREW CAP HEX M8-1.25x20 G8.8 N500 To F-3028	AR	AR	AR	
45	502780	SCREW CAP HEX M8-1.25x25 SS BK From F-3029	2	2	2	
46	5001699	WASHER BEL SPR 8.2x22x1.4 N500 To F-3028	2	2	2	
46	5001848	WASHER BEL SPR .827 x .331 x .098 th SS From F-3029	2	2	2	
47	284439	PLATE, STRAP RETAINING / OBLONG 16.5MM x 25.4MM W/2 HOLES	1	1	1	
48	504379	RIVET POP DOME OE 3/16x1/4 SS	2	2	2	
50	<b>H7-1879-90</b>	<b>EXTERIOR DOOR HINGE AND SUPPORT</b>				
51	<b>H7-1864-31</b>	<b>HANDLE LOCK &amp; KEYS - TYPE "NS" &amp; "FORD"</b>				
52	<b>H7-0663-00</b>	<b>DOCK &amp; CORNERING LIGHT</b>				
53	<b>H7-0662-00</b>	<b>CLEARANCE &amp; MARKER LIGHT</b>				
		B) THIS PROTECTOR IS COATED WITH GRAVEL GUARD AND BLACK PAINTED, READY TO INSTALL				
		1) NOT SOLD SEPARATELY				

From 7-0671 To J-0287

Date:10/2022

PAGE:H7-1879-90

## EXTERIOR DOOR HINGE AND SUPPORT

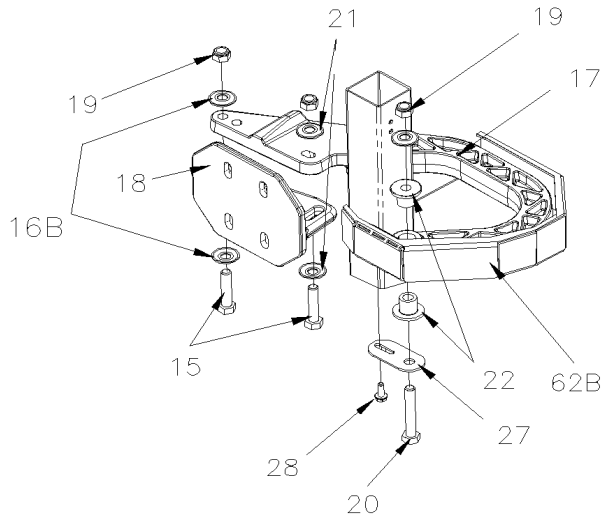


From 7-0671 To J-0287

Date:10/2022

PAGE:H7-1879-90

## EXTERIOR DOOR HINGE AND SUPPORT



DETAIL C  
FROM F-2994

From 7-0671 To J-0287	Date:10/2022	PAGE:H7-1879-90
<b>EXTERIOR DOOR HINGE AND SUPPORT</b>		

Item#	Part	Description	H 3 4 1	H 3 4 5	V I P 4 5	N O T E S
1	502843	SCREW CAP HEX M6-1.0x45 G8.8 N500	1	1	1	
2	285710	BUSHING SPACER ACETAL 6.5MM I.D. x 14.15MM O.D. x 31	2	2	2	
3	504660	RING RETAINER / EXT .750 x 0575 x .050"	AR	AR	AR	
4	500356	WASHER LO SERR 6.1x16.0x0.9 N500 To E-2548	1	1	1	
5	502854	NUT HEX M6-1.0 N500 To E-2548	1	1	1	
5	502681	NUT HEX NYRT M6-1.0 N500 G8 From E-2549	1	1	1	
6	<b>H7-1864-00</b>	<b>BAGGAGE COMPARTMENT DOOR</b>				
9	5001341	WASHER FL 8.4x17.0x1.6 SS From F-3029	4	4	4	
10	502596	SCREW SHR HEXS 5/8x2 1/4 {1/2-13 Z050 To H-3464	2	2	2	
10	5000323	SCREW SHR HEXS 5/8x2 1/4 {1/2-13 SS From H-3465	2	2	2	
11	507299	BUSHING NYLINER	2	2	2	
12	283001	HINGE / CONDENSER DOOR To A-1720	2	2	2	
12	287646	HINGE / CONDENSER DOOR From B-1721	2	2	2	
13	502595	NUT HEX NYRT 1/2-13 Z050	1	1	1	
14	<b>H7-2255-00</b>	<b>CONDENSOR - INSTALLATION</b>				
15	502836	SCREW CAP HEX M8-1.25x35 G8.8 N500 To F-3028	AR	AR	AR	
15	5001319	SCREW CAP HEX M8-1.25x40 SS From F-3029	AR	AR	AR	
16	5001699	WASHER BEL SPR 8.2x22x1.4 N500 To F-3028	AR	AR	AR	
16	5001699	WASHER BEL SPR 8.2x22x1.4 N500 To F-3028	AR	AR	AR	
16	5001849	WASHER FL 8.4x24.0x2.0 SS From F-3029	AR	AR	AR	
16	5001849	WASHER FL 8.4x24.0x2.0 SS From F-3029	AR	AR	AR	
16A	5001699	WASHER BEL SPR 8.2x22x1.4 N500 To F-3028	AR	AR	AR	
16A	5001699	WASHER BEL SPR 8.2x22x1.4 N500 To F-3028	AR	AR	AR	
16A	5001848	WASHER BEL SPR .827 x .331 x .098 th SS From F-3029	2	2	2	
16B	5001849	WASHER FL 8.4x24.0x2.0 SS From F-3029	3	3	3	
16B	5001849	WASHER FL 8.4x24.0x2.0 SS From F-3029	3	3	3	
17	285272	HINGE DOOR	AR	AR	AR	
18	285273	SUPPORT	AR	AR	AR	
19	502847	NUT HEX NYRT M8-1.25 N500 To F-3028	AR	AR	AR	
19	5001983	NUT HEX NYRT M8-1.25 SS SS BK From F-3029	AR	AR	AR	
20	502927	SCREW CAP HEX M8-1.25x50 G8.8 N500 To F-3028	AR	AR	AR	
20	5001981	SCREW CAP HEX M8-1.25x50 SS BK From F-3029	AR	AR	AR	
21	500381	WASHER FL 8.4x25.0x2.0 N500 To F-3028	1	1	1	
21	5001849	WASHER FL 8.4x24.0x2.0 SS From F-3029	1	1	1	
22	285478	FLANGE BUSHING	AR	AR	AR	
23	502851	NUT HEX M8-1.25 N500 To F-3028	1	1	1	
23	5001852	NUT HEX M8-1.25 SS BK From F-3029	1	1	1	
24	285462	RUBBER SEAL To E-2504	4	4	4	
NS	680042	GLUE LOCTITE 430 BOTTLE 1OZ To E-2504	AR	AR	AR	
25	284932	PLATE To E-2504	2	2	2	
26	504717	RIVET POP DOME OE 1/8x1/4 SS To E-2504	8	8	8	
27	2800381	BLOCKER, HINGE From E-2505	2	2	2	

<b>From 7-0671 To J-0287</b>	<b>Date:10/2022</b>	<b>PAGE:H7-1879-90</b>
<b>EXTERIOR DOOR HINGE AND SUPPORT</b>		

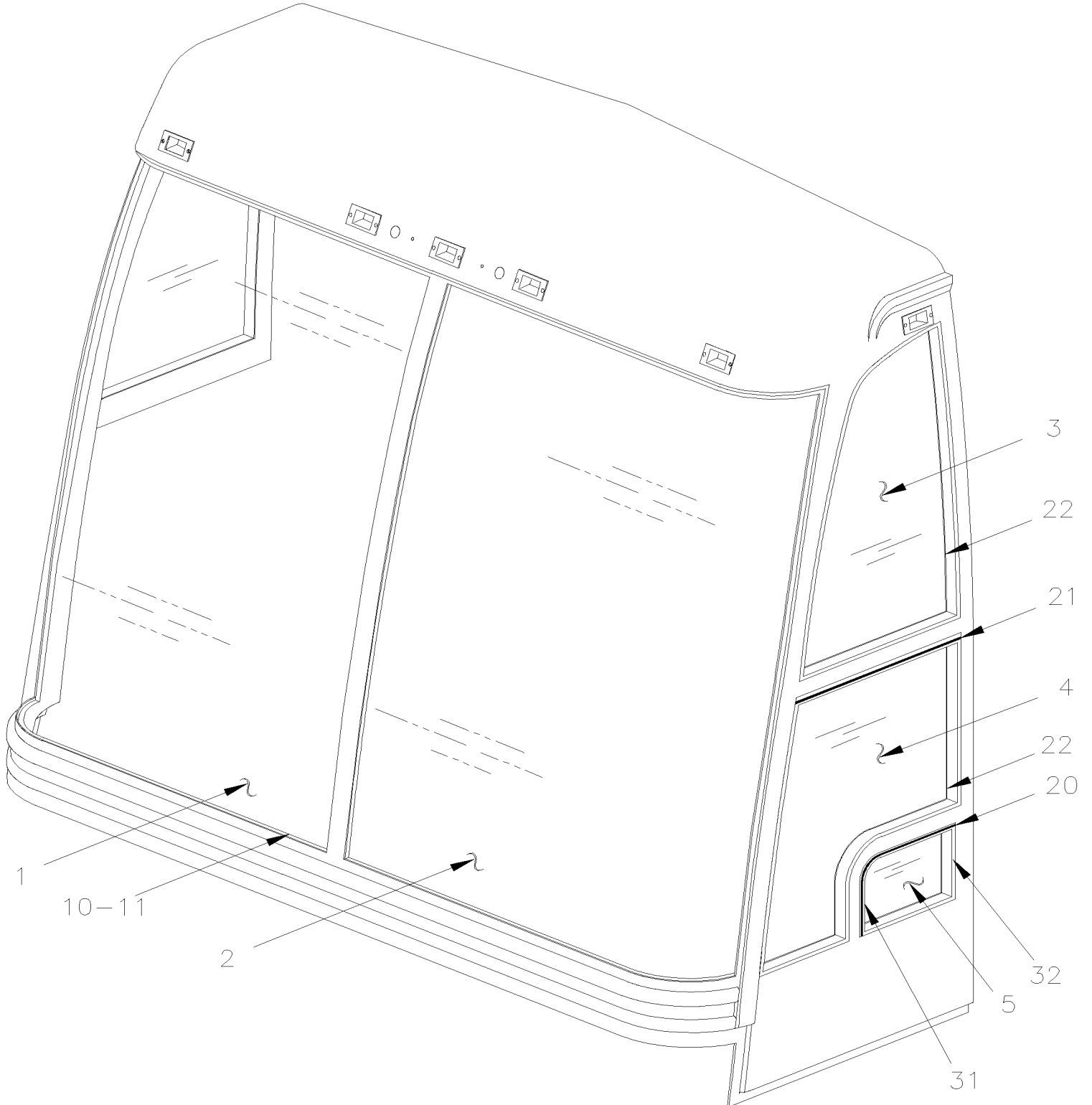
Item#	Part	Description	H 3 4 1	H 3 4 5	V I P 4 5	N O T E S
28	5001017	SCREW TC CAP HEXW #10-24x1/2 Z050 From E-2505	2	2	2	
29	5001736	WASHER FL 8.4x18.0x2.0 N500	2	2	2	
29	5001849	WASHER FL 8.4x24.0x2.0 SS	4	4	4	
30	502870	SCREW CAP HEX M5-0.8x45 G8.8 N500	2	2	2	
31	500805	WASHER FL .218x.875x.062 N500	2	2	2	
32	507142	BUSHING, NYLINER W/SHOULDER (8-L-8-F)	4	4	4	
33	285333	SUPPORT UPPER & LOWER	2	2	2	
34	500804	WASHER FL .203x.500x.047 N500	2	2	2	
35	502841	NUT HEX NYRT M5-0.8 N500	2	2	2	
37	502719	SCREW CAP HEX M10-1.5x20 SS EMN	2	2	2	
38	502871	WASHER LO SERR 10.2x26.3x1.4 N500	2	2	2	
39	285814	SUPPORT	2	2	2	
40	452041	BOX PLASTIC / HINGE CLEARANCE	2	2	2	
41	504717	RIVET POP DOME OE 1/8x1/4 SS	6	6	6	
42	5001347	SCREW CAP HEX M8-1.25x70 SS	2	2	2	
43	285502	SPRING, TORSION / .625 O.D. x .629 x .125	1	1	1	C
45	5001341	WASHER FL 8.4x17.0x1.6 SS From F-3029	AR	AR	AR	
60	285711	SUPPORT / (WELDED)	14			
60	285711	SUPPORT / (WELDED)		16	16	
61	282491	SUPPORT (WELDED) To A-1720	2	2	2	
61	218486	SUPPORT UPPER W/O W.C.L. From B-1721	1	1	1	
61	218487	SUPPORT UPPER W/W.C.L. From B-1721	1	1	1	
61	289683	SUPPORT LOWER From B-1721	1	1	1	
62A	213193	SUPPORT / (WELDED) To E-2504	2	2	2	
62B	217678	SUPPORT / (WELDED) From E-2505	2	2	2	
62B	210463	HINGE COVER From F-2997			1	A
62B	502868	SCREW TC TR PH #10-16x1/2 N500 From F-2997			4	A
63	285399	SUPPORT / (WELDED)	4	4	4	
64	285768	SUPPORT / (WELDED)	2	2	2	
65	285332	SUPPORT UPPER	1	1	1	
66	285323	SUPPORT LOWER	1	1	1	
		A) WITH SLIDE-OUT BACKWARD				
		C) UPPER				

From 7-0671 To H-3734

Date:10/2022

PAGE:H7-1880-00

**WINDSHIELD & CHANNEL**



From 7-0671 To H-3734	Date:10/2022	PAGE:H7-1880-00
<b>WINDSHIELD &amp; CHANNEL</b>		

Item#	Part	Description	H 3 4 1	H 3 4 5	V I P 4 5	N O T E S
1	300450	WINDSHIELD R.H.	1	1	1	
2	300449	WINDSHIELD L.H.	1	1	1	
3	293092	GLASS UPPER L.H. THERMOS	1	1	1	
3	293094	GLASS UPPER L.H. SINGLE	1	1		
3	506962	RUB POL 1/4 X 7/16 X 1 LG	AR	AR	AR	
3	293093	GLASS UPPER R.H. THERMOS	1	1	1	
3	293095	GLASS UPPER R.H. SINGLE	1	1		
4	293203	GLASS DRIVER'S WINDOW	1	1	1	
NS	5060013	TAPE RUB ADH2 CC POL 1/8" x 1/8" x 100' / BLACK I1C-N-A	AR	AR	AR	
5	<b>H7-1886-00</b>	<b>POWER WINDOW - ELECTRICAL INSTALLATION</b>				
10	300451	CHANNEL / WINDSHIELD RUBBER	1	1	1	
11	293059	STRIP, LOCKING / S.L.	80FT	80FT	80FT	
20	293401	DRIP MOULDING DRIVER'S WINDOW	1	1	1	
21	293402	DRIP MOULDING ENTRANCE DOOR WINDOW	1	1	1	
22	683885	ADHESIVE SIKA TACK ULTRA FAST 2 / BLACK / 325ml To F-2709	AR	AR	AR	
22	681092	ADHESIVE SIKA #255FC / BLACK / 310ml CARTRIDGE From F-2710	AR	AR	AR	
NS	5060013	TAPE RUB ADH2 CC POL 1/8" x 1/8" x 100' / BLACK I1C-N-A	AR	AR	AR	
NS	506962	RUB POL 1/4 X 7/16 X 1 LG	AR	AR	AR	
NS	800355	LUBRICANT CLEAR LUBE 32A / 20 LITER	AR	AR	AR	
NS	689819	LUBRICANT CLEAR LUBE 32A / 2 LBS	AR	AR	AR	
NS	800356	LUBRICANT CLEAR LUBE 32A / 430 Gr	AR	AR	AR	
NS	293842	HANDLE ASSY (TO FIX FRONT GLASS CHANNEL)	1	1	1	
NS	293843	. END TIP "PRÉVOST"	AR	AR	AR	
31	299064	MOULDING, FRAME MASK From C-2019			1	
32	299065	MOULDING, FRAME MASK From C-2019			1	
NS	507677	TAPE RUB ADH2 CC POL 1/32" x 3/16" x 300' From C-2019			AR	

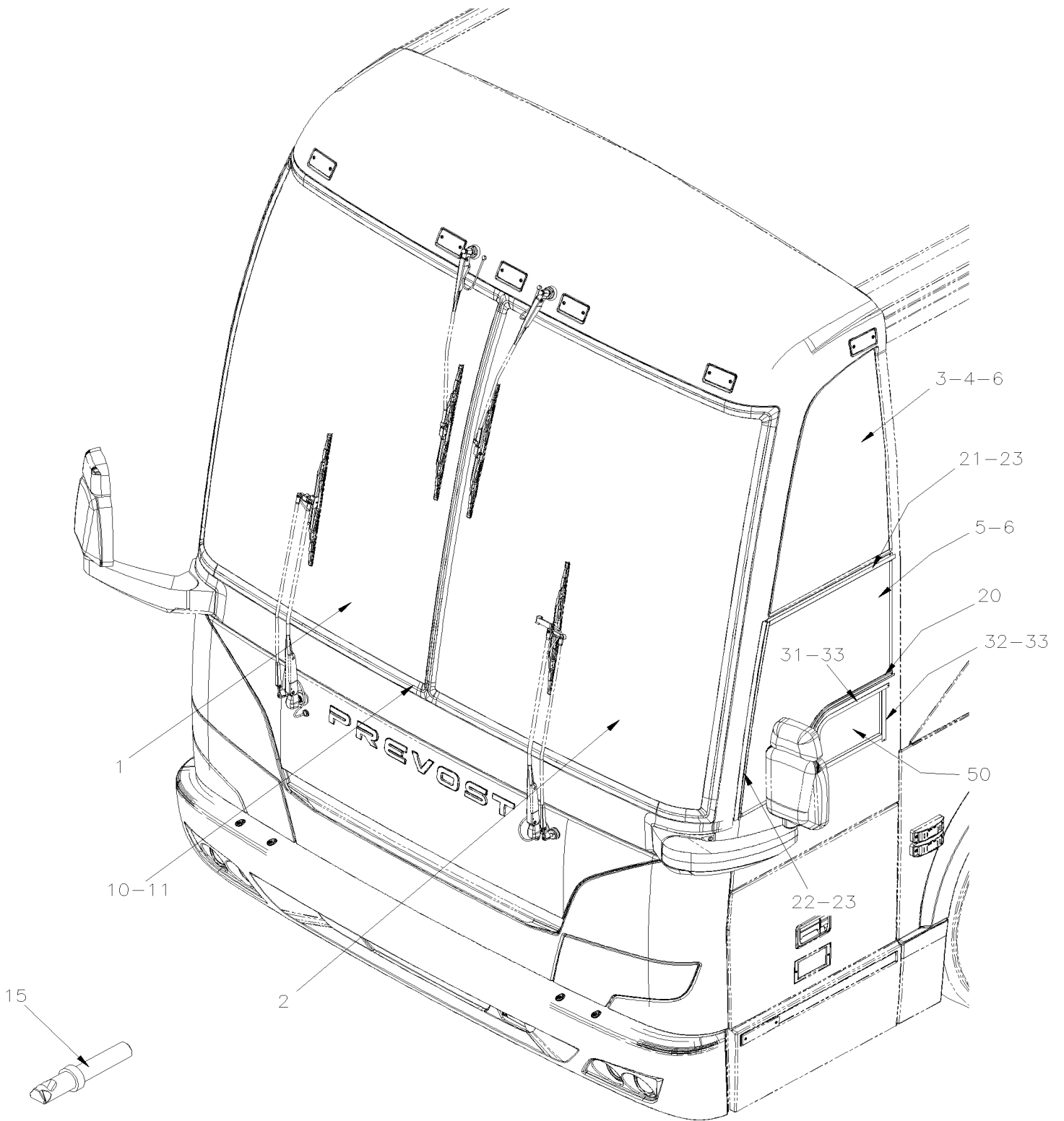


From H-3735 To J-0287

Date:10/2022

PAGE:H7-1880-01

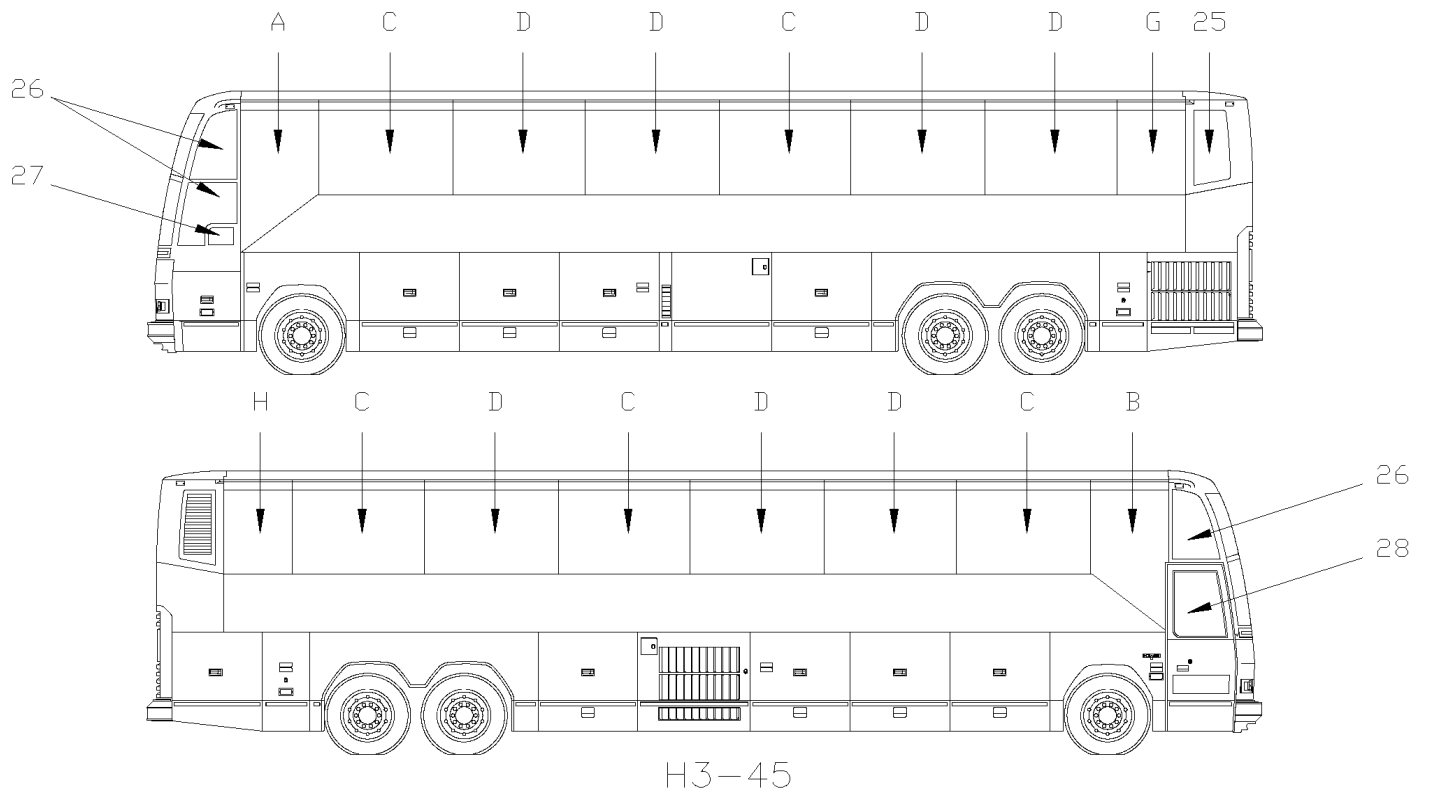
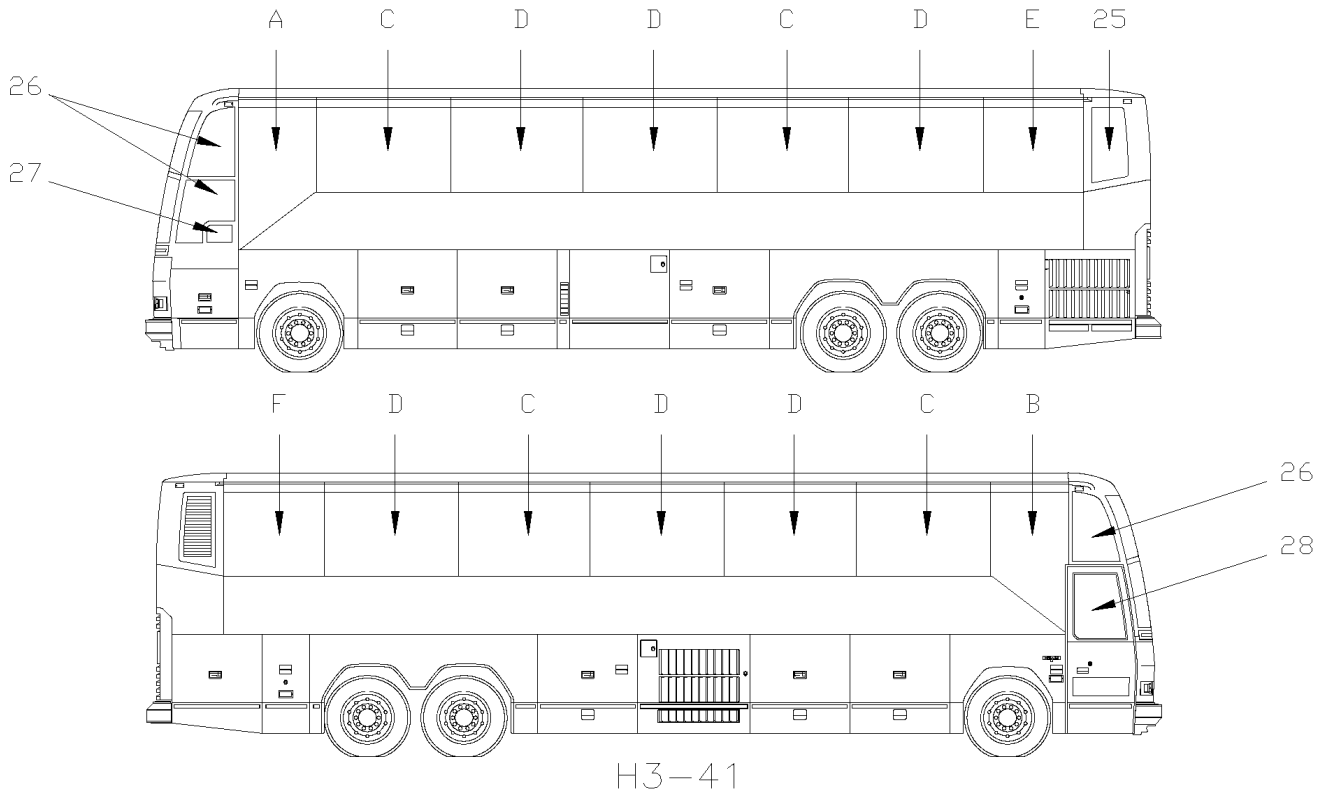
## WINDSHIELD & CHANNEL



From H-3735 To J-0287	Date:10/2022	PAGE:H7-1880-01
<b>WINDSHIELD &amp; CHANNEL</b>		

Item#	Part	Description	H 3 4 1	H 3 4 5	V I P 4 5	N O T E S
1	300010	WINDSHIELD R.H.	1	1	1	
2	300009	WINDSHIELD L.H.	1	1	1	
3	293092	GLASS UPPER L.H. THERMOS	1	1	1	
3	293094	GLASS UPPER L.H. SINGLE	1	1		
3	293093	GLASS UPPER R.H. THERMOS	1	1	1	
3	293095	GLASS UPPER R.H. SINGLE	1	1		
4	506962	RUB POL 1/4 X 7/16 X 1 LG	AR	AR	AR	
5	290075	GLASS DRIVER'S WINDOW	1	1	1	
6	681092	ADHESIVE SIKA #255FC / BLACK / 310ml CARTRIDGE	AR	AR	AR	
6	5060013	TAPE RUB ADH2 CC POL 1/8" x 1/8" x 100' / BLACK I1C-N-A	AR	AR	AR	
10	300657	CHANNEL / WINDSHIELD RUBBER	1	1	1	
NS	800355	LUBRICANT CLEAR LUBE 32A / 20 LITER	AR	AR	AR	
NS	689819	LUBRICANT CLEAR LUBE 32A / 2 LBS	AR	AR	AR	
NS	800356	LUBRICANT CLEAR LUBE 32A / 430 Gr	AR	AR	AR	
10	685124	ADHESIVE SIMSON #ISR 70-03 / BLACK / 600ml SAUSAGE	AR	AR	AR	
11	296264	STRIP, LOCKING / S.L.	40FT	40FT	40FT	
15	680755	HANDLE ASSY (TO FIX FRONT GLASS CHANNEL)	1	1	1	
20	293401	DRIP MOULDING DRIVER'S WINDOW	1	1	1	
20	680066	ADHESIVE / ADBOND #5014 / 23.6ML BOTTLE	AR	AR	AR	
21	290083	DRIP MOULDING DRIVER'S WINDOW	1	1	1	
22	290084	DRIP MOULDING DRIVER'S WINDOW	1	1		
23	680796	TAPE RUB ADH2 ACRYLIQUE 3/4x.045x36YARD	AR	AR	AR	
31	299064	MOULDING, FRAME MASK			1	
32	299065	MOULDING, FRAME MASK			1	
33	507677	TAPE RUB ADH2 CC POL 1/32" x 3/16" x 300'			AR	
50	<b>H7-1886-00</b>	<b>POWER WINDOW - ELECTRICAL INSTALLATION</b>				

From 7-0671 To J-0184	Date:10/2022	PAGE:H7-1884-00
SIDE WINDOW - BUS		

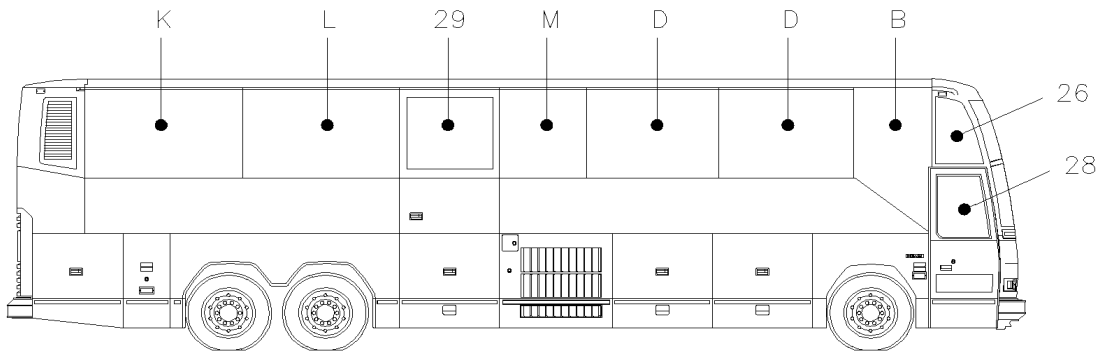


From 7-0671 To J-0184

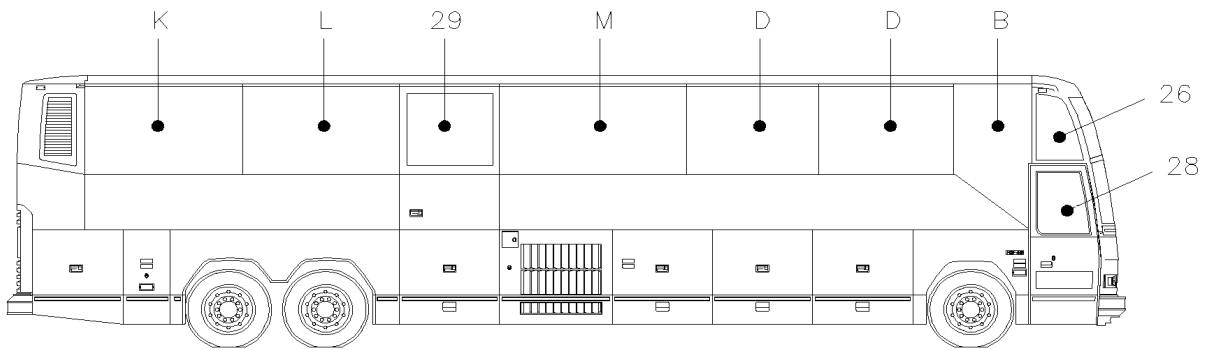
Date:10/2022

PAGE:H7-1884-00

**SIDE WINDOW - BUS**



H3-41 WITH W.C.L. RICON



H3-45 WITH W.C.L. RICON

From 7-0671 To J-0184	Date:10/2022	PAGE:H7-1884-00
<b>SIDE WINDOW - BUS</b>		

Item#	Part	Description	H 3 4 1	H 3 4 5	V I P 4 5	N O T E S
25	H7-1851-05	REAR CAP - DOOR DPF & SCR				
26	H7-1880-00	WINDSHIELD & CHANNEL To H-3734				
26	H7-1880-01	WINDSHIELD & CHANNEL From H-3735				
27	H7-1886-00	POWER WINDOW - ELECTRICAL INSTALLATION				
28	H7-1862-10	ENTRANCE DOOR ASSY - SEDAN				
29	H7-1862-80	ENTRANCE DOOR SLIDING - WCL To E-2584				
29	H7-1862-81	ENTRANCE DOOR SLIDING - WCL From E-2585				
NS	293084	EMERGENCY KIT / PLASTIC WINDOW	1	1		A
. NS	293087	. EMERGENCY PLEXIGLASS WINDOW 1652MM	1	1		A
. NS	293189	. SUPPORT	2	2		A
. NS	293216	. DECAL	1	1		A
. NS	504114	. RIVET POP DOME OE 3/16x1/4 AL	4	4		A
. NS	5001381	. SCREW TC CAP HEX 1/4-20x1/2 Z050	2	2		A
. NS	506004	. TAPE RUB ADH1 CC POL 3/8" x 1/2" x 20' / GREY 2520X	AR	AR		A
. NS	IS-98076	. SEE INSTRUCTION SHEET	1	1		A
NS	066344	CABLE HARNESS / STREETSIDE WINDOW AJAR / MUX	1	1		
NS	066343	CABLE HARNESS / CURBSIDE WINDOW AJAR / MUX	1	1		
NS	680415	TAPE ADHESIVE 3" WIDE BLUE	AR	AR		
A	H7-1884-00A	POSITION "A" From 7-0671 To J-0184				
B	H7-1884-00B	POSITION "B" From 7-0671 To J-0184				
C	H7-1884-00C	POSITION "C" (FIX TYPE) From 7-0671 To J-0184				
D	H7-1884-00D	POSITION "D" (OPENING TYPE) From 7-0671 To J-0184				
E	H7-1884-00E	POSITION "E" From 7-0671 To J-0184				
F	H7-1884-00F	POSITION "F" From 7-0671 To J-0184				
G	H7-1884-00G	POSITION "G" From 7-0671 To J-0184				
H	H7-1884-00H	POSITION "H" From 7-0671 To J-0184				
K	H7-1884-00K	POSITION "K" From 7-0671 To E-2584				
K	H7-1884-00K	POSITION "K" From E-2585 To J-0184				
L	H7-1884-00L	POSITION "L" From 7-0671 To E-2584				
L	H7-1884-00L	POSITION "L" From E-2585 To J-0184				
M	H7-1884-00M	POSITION "M" From 7-0671 To E-2584				
M	H7-1884-00M	POSITION "M" From E-2585 To J-0184				
		A) THIS ITEM IS LOCATED IN BAGGAGE COMPARTMENT				

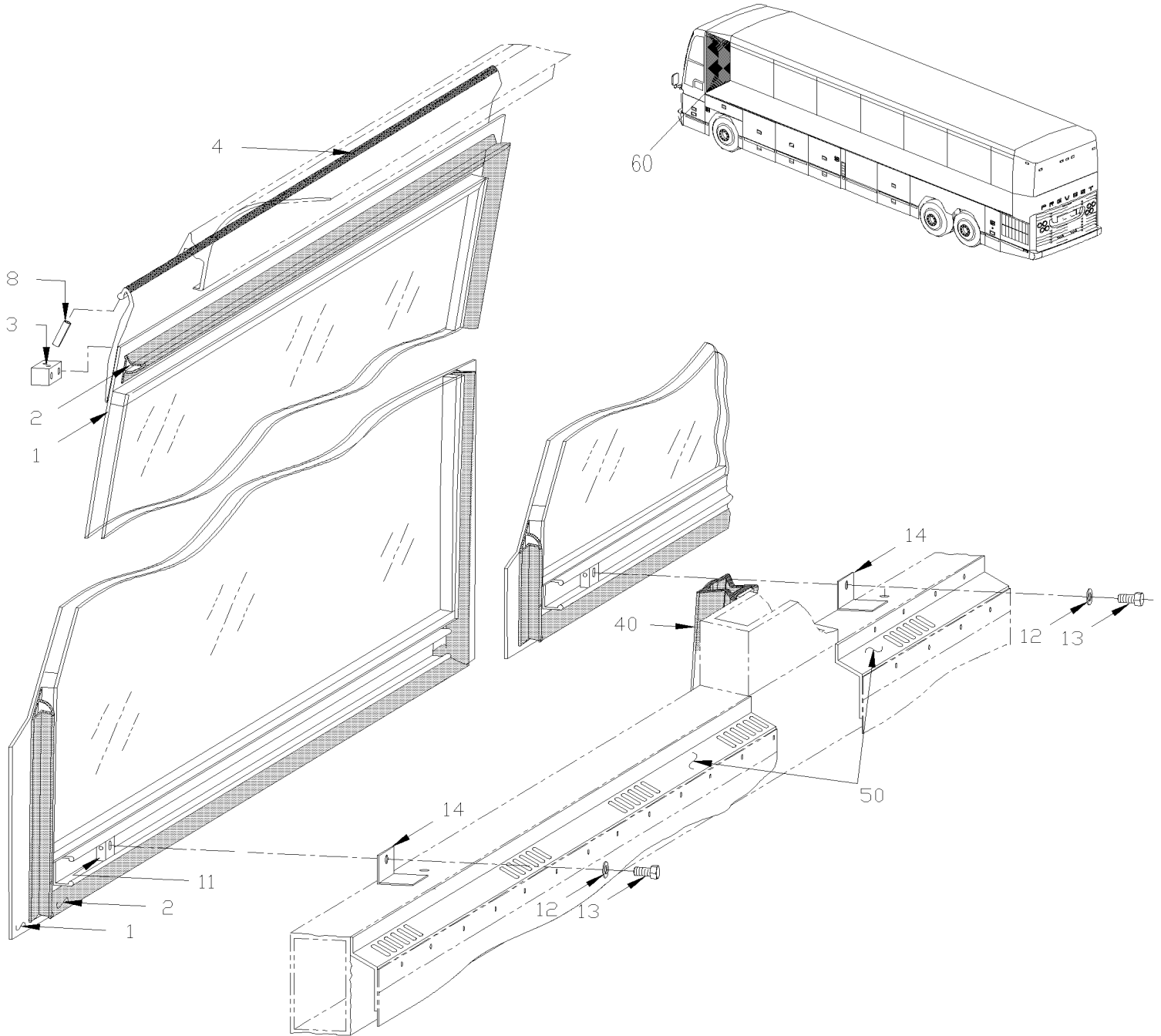


From 7-0671 To J-0184

Date:10/2022

PAGE:H7-1884-00A

POSITION "A"



<b>From 7-0671 To J-0184</b>	<b>Date:10/2022</b>	<b>PAGE:H7-1884-00A</b>
<b>POSITION "A"</b>		

Item#	Part	Description	H 3 4 1	H 3 4 5	V I P 4 5	N O T E S
1	292937	GLASS ASSY, THERMO 13% / TRAPEZOIDAL / LH BUS	1	1		
2	292958	. WINDOW SEAL / TRAPEZOIDAL LH 1822MM X 896MM To B-1784	1	1		
2	297264	. WINDOW SEAL / TRAPEZOIDAL LH 1822MM X 896MM From B-1785	1	1		
3	293020	. STOPPER BLOCK W/EDGE	1	1		
3	293021	. STOPPER BLOCK	1	1		
NS	500260	. SCREW TC FL PH #8-32x3/4 BK	2	2		
4	682481	. LOW FRICTION TAPE (HOCKEY) To F-2921	AR	AR		
4	564099	. TAPE ADHESIF ELECTRICAL TISSUS / BLACK 838MM From F-2922	AR	AR		
8	505421	. SPRING, PIN M3 x 18	AR	AR		
11	292810	ANCHOR BLOCK W/THREAD M10-1.5 To 9-1394	2	2		
11	290302	ANCHOR BLOCK W/SCREW M10-1.5 x 30 From 9-1395	2	2		
12	502585	WASHER LO SERR 10.2x26.3x1.4 ZP	2	2		
12	502644	WASHER FL 10.5x30.0x2.5 Z050 To 9-1394	2	2		
12	5001443	WASHER FL 10.3x38.0x3.0 SS From 9-1395	2	2		
NS	505213	SHIM 1/16" THICK	AR	AR		
13	502719	SCREW CAP HEX M10-1.5x20 SS EMN To 9-1394	2	2		
13	5001628	NUT HEX NYRT M10-1.5 SS From 9-1395	2	2		
14	292931	ANGLE / (WELDED)	2	2		
40	298923	SEAL RUBBER 1125MM	AR	AR		
50	<b>H7-1833-00</b>	<b>WINDOW FINISHING CAP &amp; WALL W/GREY FINISHING To 8-1135</b>				
50	<b>H7-1833-01</b>	<b>WINDOW FINISHING CAP &amp; WALL W/TAN FINISHING From 8-1136</b>				
60	5001168	BUMPER RUBBER / .750 OD x .562 TH x .187 HOLE	1	1		
NS	680066	ADHESIVE / ADBOND #5014 / 23.6ML BOTTLE	AR	AR		

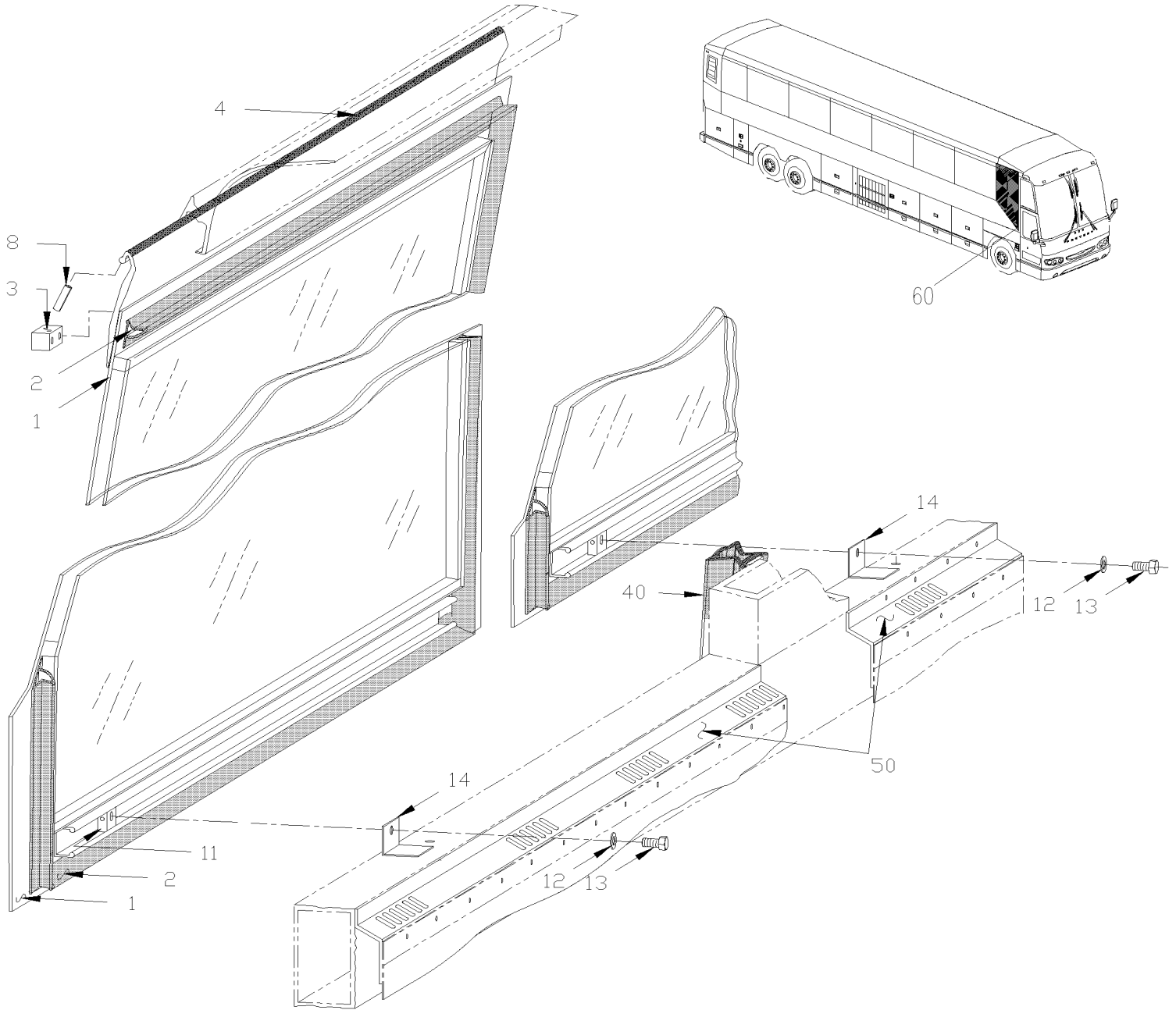


From 7-0671 To J-0184

Date:10/2022

PAGE:H7-1884-00B

POSITION "B"



<b>From 7-0671 To J-0184</b>	<b>Date:10/2022</b>	<b>PAGE:H7-1884-00B</b>
<b>POSITION "B"</b>		

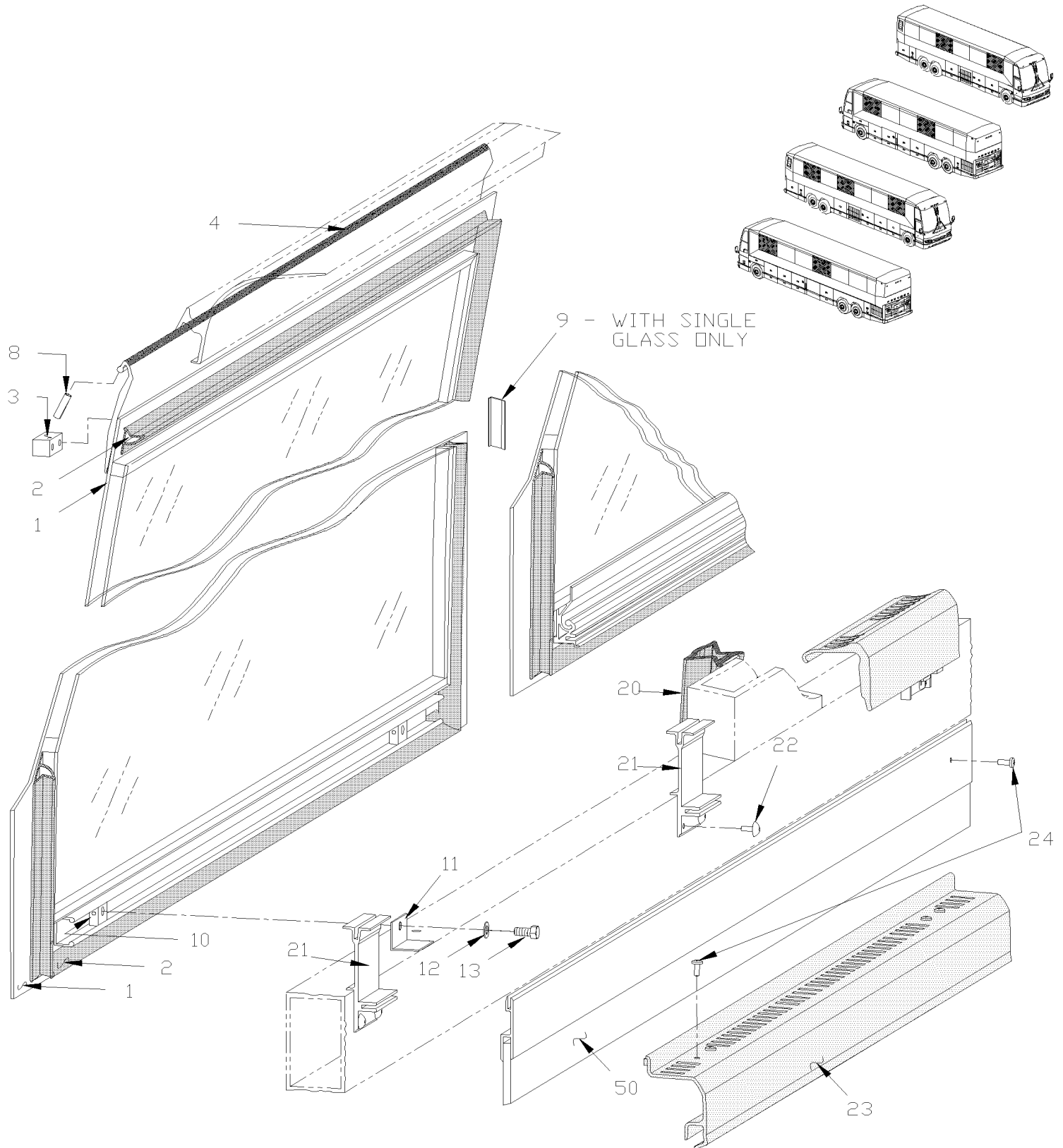
Item#	Part	Description	H 3 4 1	H 3 4 5	V I P 4 5	N O T E S
1	292881	GLASS ASSY, THERMO 13% / TRAPEZOIDAL / RH BUS	1	1		
2	292919	. WINDOW SEAL / TRAPEZOIDAL RH 1822MM X 896MM To B-1784	1	1		
2	297271	. WINDOW SEAL / TRAPEZOIDAL RH 1822MM X 896MM From B-1785	1	1		
3	293020	. STOPPER BLOCK W/EDGE	1	1		
3	293021	. STOPPER BLOCK	1	1		
NS	500260	. SCREW TC FL PH #8-32x3/4 BK	2	2		
4	682481	. LOW FRICTION TAPE (HOCKEY) To F-2921	AR	AR		
4	564099	. TAPE ADHESIF ELECTRICAL TISSUS / BLACK 838MM From F-2922	AR	AR		
8	505421	. SPRING, PIN M3 x 18	AR	AR		
11	292810	ANCHOR BLOCK W/THREAD M10-1.5 To 9-1394	2	2		
11	290302	ANCHOR BLOCK W/SCREW M10-1.5 x 30 From 9-1395	2	2		
12	502585	WASHER LO SERR 10.2x26.3x1.4 ZP	2	2		
NS	502644	WASHER FL 10.5x30.0x2.5 Z050 To 9-1394	2	2		
NS	5001443	WASHER FL 10.3x38.0x3.0 SS From 9-1395	2	2		
NS	505213	SHIM 1/16" THICK	AR	AR		
13	502719	SCREW CAP HEX M10-1.5x20 SS EMN To 9-1394	2	2		
13	5001628	NUT HEX NYRT M10-1.5 SS From 9-1395	2	2		
14	292931	ANGLE / (WELDED)	2	2		
40	298923	SEAL RUBBER 1125MM	AR	AR		
50	<b>H7-1833-00</b>	<b>WINDOW FINISHING CAP &amp; WALL W/GREY FINISHING To 8-1135</b>				
50	<b>H7-1833-01</b>	<b>WINDOW FINISHING CAP &amp; WALL W/TAN FINISHING From 8-1136</b>				
60	5001168	BUMPER RUBBER / .750 OD x .562 TH x .187 HOLE	1	1		
60	680066	ADHESIVE / ADBOND #5014 / 23.6ML BOTTLE	AR	AR		

From 7-0671 To J-0184

Date:10/2022

PAGE:H7-1884-00C

## POSITION "C" (FIX TYPE)



<b>From 7-0671 To J-0184</b>	<b>Date:10/2022</b>	<b>PAGE:H7-1884-00C</b>
<b>POSITION "C" (FIX TYPE)</b>		

Item#	Part	Description	H 3 4 1	H 3 4 5	V I P 4 5	N O T E S
1	292934	GLASS ASSY, THERMOS 13% / FIX TYPE / 1652MM	4			
1	292934	GLASS ASSY, THERMOS 13% / FIX TYPE / 1652MM From E-2585	2			W
1	292934	GLASS ASSY, THERMOS 13% / FIX TYPE / 1652MM		5		
1	292935	GLASS ASSY, SINGLE 13% / FIX TYPE / 1652MM	4			
1	292935	GLASS ASSY, SINGLE 13% / FIX TYPE / 1652MM From E-2585	2			W
1	292935	GLASS ASSY, SINGLE 13% / FIX TYPE / 1652MM		5		
2	292918	. WINDOW SEAL / 1083MM X 1613MM To B-1784	1	1		
2	297269	. WINDOW SEAL / 1083MM X 1613MM From B-1785	1	1		
3	293020	. STOPPER BLOCK W/EDGE	1	1		
3	293021	. STOPPER BLOCK	1	1		
NS	500260	. SCREW TC FL PH #8-32x3/4 BK	2	2		
4	682481	. LOW FRICTION TAPE (HOCKEY) To F-2921	AR	AR		
NS	292869	. EXTRUSION PLASTIC / WINDOW / 5MM I.D. 1650MM To F-2921	1	1		
4	564099	. TAPE ADHESIF ELECTRICAL TISSUS / BLACK 838MM From F-2922	AR	AR		
8	505421	. SPRING, PIN M3 x 18	AR	AR		
9	293068	REINFORCEMENT ANGLE / W/SINGLE FIXED GLASS	8			
9	293068	REINFORCEMENT ANGLE / W/SINGLE FIXED GLASS		10		
10	292810	ANCHOR BLOCK W/THREAD M10-1.5 To 9-1394	2	2		
10	290302	ANCHOR BLOCK W/SCREW M10-1.5 x 30 From 9-1395	2	2		
11	292931	ANGLE / (WELDED)	3	3		
12	502585	WASHER LO SERR 10.2x26.3x1.4 ZP	2	2		
NS	502644	WASHER FL 10.5x30.0x2.5 Z050 To 9-1394	2	2		
NS	5001443	WASHER FL 10.3x38.0x3.0 SS From 9-1395	2	2		
NS	505213	SHIM 1/16" THICK	AR	AR		
13	502719	SCREW CAP HEX M10-1.5x20 SS EMN To 9-1394	2	2		
13	5001628	NUT HEX NYRT M10-1.5 SS From 9-1395	2	2		
20	298923	SEAL RUBBER 1125MM	AR	AR		
21	293585	SUPPORT MOULDING	2	2		
22	504249	RIVET CHY Q PRDG 3/16x3/8 SS	8	8		
23	293596	FINISHING MOULDING / 1496MM To 8-1135	8			
23	293951	FINISHING MOULDING W/THERMOS GLASS / 1496MM From 8-1136	8			
23	297097	FINISHING MOULDING W/THERMOS GLASS W/W.C.L. STREETSIDE / 1496MM To A-1485	1			
23	299084	FINISHING MOULDING W/THERMOS GLASS W/W.C.L. STREETSIDE / 1496MM From A-1486	1			
23	293596	FINISHING MOULDING / 1496MM		10		
23	293951	FINISHING MOULDING W/THERMOS GLASS / 1496MM	10	10		
23	293818	FINISHING MOULDING 1360MM W/THERMOS GLASS W/W.C.L. STREETSIDE To 8-1135		1		
23	299087	FINISHING MOULDING 1360MM W/THERMOS GLASS W/W.C.L. STREETSIDE To 8-1135		1		
23	293954	FINISHING MOULDING 1360MM W/THERMOS GLASS W/W.C.L. STREETSIDE From 8-1136 To A-1485		1		
23	299083	FINISHING MOULDING 1360MM W/THERMOS GLASS W/W.C.L. STREETSIDE From A-1486 To E-2584		1		
23	299083	FINISHING MOULDING 1360MM W/THERMOS GLASS W/W.C.L. STREETSIDE From E-2585	1	1		
24	500611	SCREW TC PAN PH #10-24x1/2 Z050	AR	AR		
NS	404654	DECAL / BLACK 3" X 63" / BLOCK -OFF UPPER WIN	AR	AR		

From 7-0671 To J-0184	Date:10/2022	PAGE:H7-1884-00C
<b>POSITION "C" (FIX TYPE)</b>		

Item#	Part	Description	H 3 4 1	H 3 4 5	V I P 4 5	N O T E S
50	H7-1833-00	WINDOW FINISHING CAP & WALL W/GREY FINISHING To 8-1135				
50	H7-1833-01	WINDOW FINISHING CAP & WALL W/TAN FINISHING From 8-1136				
		W) WITH WCL				
		U) UNDER CONSTRUCTION				

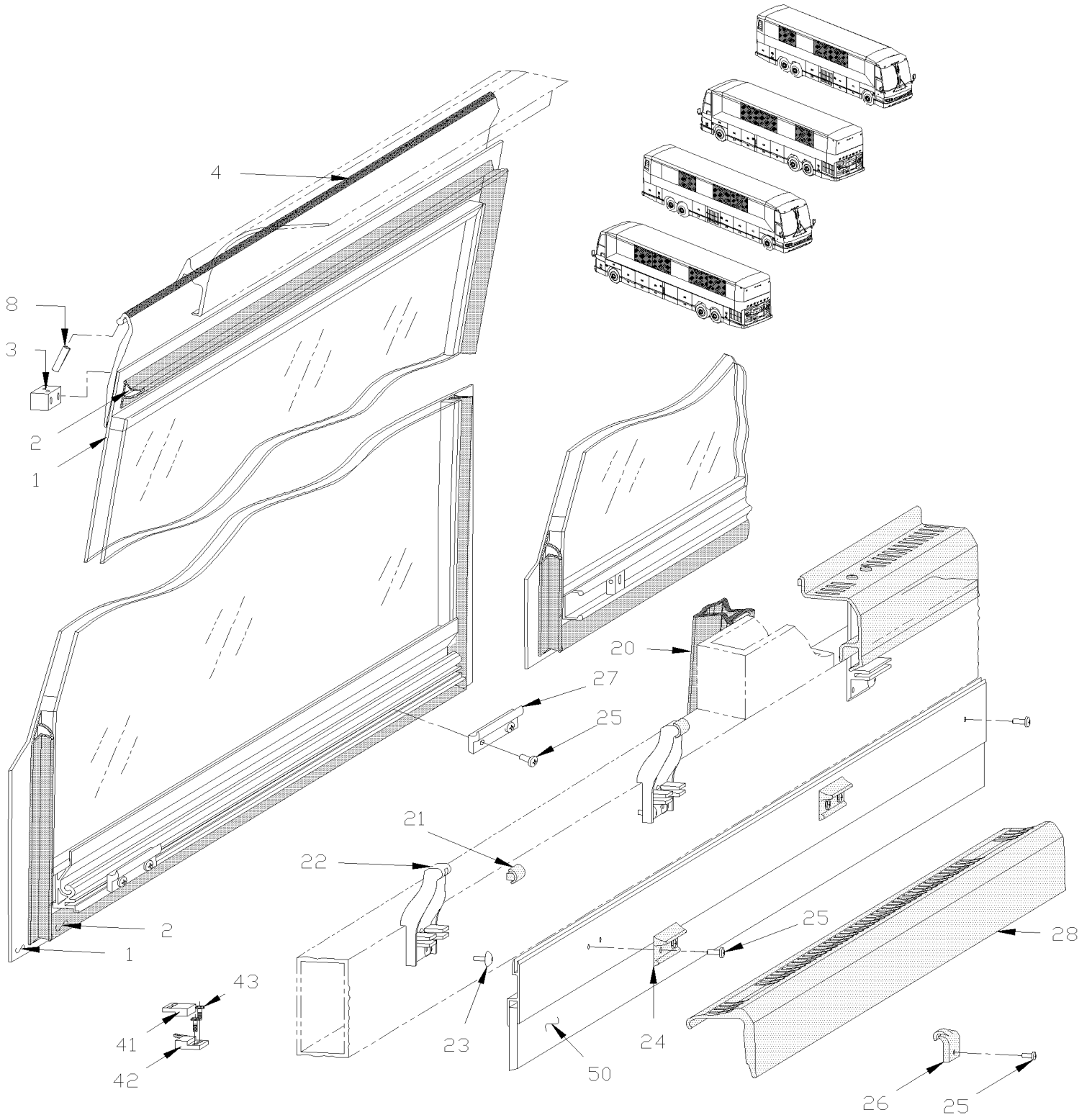


From 7-0671 To J-0184

Date:10/2022

PAGE:H7-1884-00D

## POSITION "D" (OPENING TYPE)



From 7-0671 To J-0184	Date:10/2022	PAGE:H7-1884-00D
<b>POSITION "D" (OPENING TYPE)</b>		

Item#	Part	Description	H 3 4 1	H 3 4 5	V I P 4 5	N O T E S
1	293606	GLASS ASSY, THERMOS 13% / OPEN TYPE / 1652MM	6			
1	293606	GLASS ASSY, THERMOS 13% / OPEN TYPE / 1652MM From E-2585	5			W
1	293606	GLASS ASSY, THERMOS 13% / OPEN TYPE / 1652MM		7		
1	293605	GLASS ASSY, SINGLE 13% / OPEN TYPE / 1652MM	6			
1	293605	GLASS ASSY, SINGLE 13% / OPEN TYPE / 1652MM From E-2585	5			W
1	293605	GLASS ASSY, SINGLE 13% / OPEN TYPE / 1652MM		7		
2	292918	. WINDOW SEAL / 1083MM X 1613MM To B-1784	1	1		
2	297269	. WINDOW SEAL / 1083MM X 1613MM From B-1785	1	1		
3	293020	. STOPPER BLOCK W/EDGE	1	1		
3	293021	. STOPPER BLOCK	1	1		
NS	500260	. SCREW TC FL PH #8-32x3/4 BK	2	2		
4	682481	. LOW FRICTION TAPE (HOCKEY) To F-2921	AR	AR		
NS	292869	. EXTRUSION PLASTIC / WINDOW / 5MM I.D. 1650MM To F-2921	1	1		
4	564099	. TAPE ADHESIF ELECTRICAL TISSUS / BLACK 838MM From F-2922	AR	AR		
8	505421	. SPRING, PIN M3 x 18	AR	AR		
20	298923	SEAL RUBBER 1125MM	AR	AR		
21	292837	CUSHION 2.0MM TH / BLACK PLASTIC	2	2		S
21	298215	CUSHION / BLACK PLASTIC / 1.5MM TH	2	2		AL
21	298225	CUSHION / BLACK PLASTIC / 2.5MM TH	2	2		AM
NS	680066	ADHESIVE / ADBOND #5014 / 23.6ML BOTTLE	AR	AR		
22	293584	SUPPORT	2	2		
23	504249	RIVET CHY Q PRDG 3/16x3/8 SS	4	4		
24	293299	PROTECTOR To 8-1135	2	2		
24	293975	PROTECTOR From 8-1136	2	2		
25	500611	SCREW TC PAN PH #10-24x1/2 Z050	AR	AR		
26	293353	SUPPORT "J" FORM / ALLUMINUM To 8-1135	2	2		
26	293949	SUPPORT "J" FORM / ALLUMINUM From 8-1136 To 9-1382	2	2		
26	791007	SUPPORT W/STOPPER (ONE PIECE) From 9-1383	2	2		
27	293124	STOPPER BLOCK To 9-1383	2	2		
28	293603	HANDLE WINDOW OPENING 1496MM To 8-1135	1	1		
28	293952	HANDLE WINDOW OPENING 1496MM From 8-1136	1	1		
28	<b>H7-1829-00</b>	<b>ACCESSORIES PASSENGER'S SEAT - "PREVOST"</b>				
29	294051	DEFLECTOR AIR FOR SENSOR NITRIL 1210MM x 54MM #6 L.H. From A-1601	1	1		D
41	562641	MAGNET	6			
41	562641	MAGNET		7		
42	064360	SWITCH MAGNETIC ASSY	6			
42	064360	SWITCH MAGNETIC ASSY		7		
42	064678	SWITCH MAGNETIC ASSY W/TAPE DUAL LOCK	AR	AR		
43	500862	SCREW TC PAN PH #6-32x3/4 Z050	12	12		
NS	404654	DECAL / BLACK 3" X 63" / BLOCK -OFF UPPER WIN	AR	AR		
50	<b>H7-1833-00</b>	<b>WINDOW FINISHING CAP &amp; WALL W/GREY FINISHING To 8-1135</b>				
50	<b>H7-1833-01</b>	<b>WINDOW FINISHING CAP &amp; WALL W/TAN FINISHING From 8-1136</b>				



From 7-0671 To J-0184	Date:10/2022	PAGE:H7-1884-00D
<b>POSITION "D" (OPENING TYPE)</b>		

Item#	Part	Description	H 3 4 1	H 3 4 5	V I P 4 5	N O T E S
		A) USED IN PRODUCTION SINCE JANUARY 2007				
		D) FOR PRODUCT IMPROVEMENT TO PREVENT WARM AIR TO SENSOR INSTALL THIS ON WINDOW HANDLE				
		L) LESS TENSION				
		M) MORE TENSION				
		S) STANDARD TENSION				
		W) WITH WCL				
		U) UNDER CONSTRUCTION				

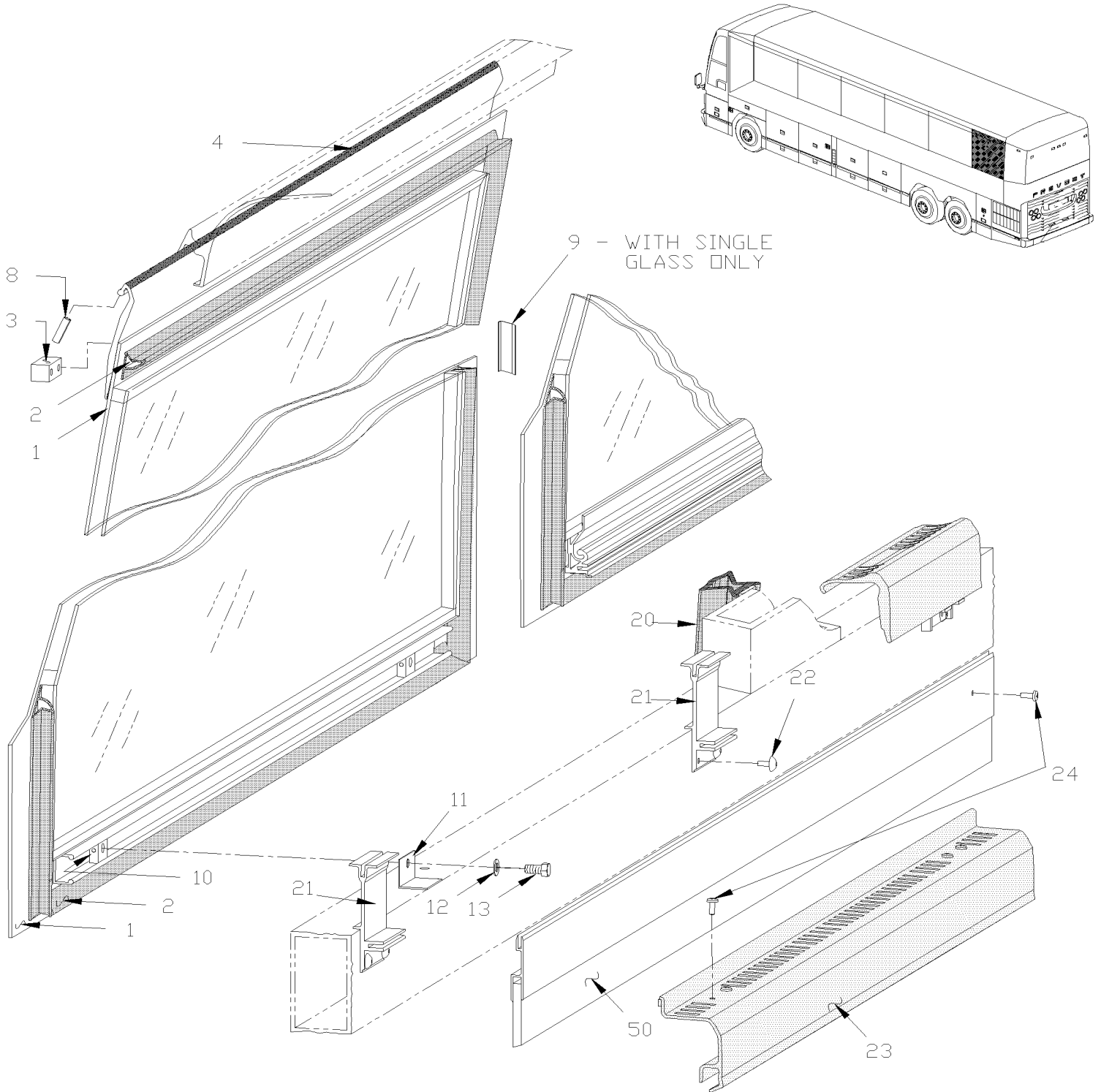


From 7-0671 To J-0184

Date:10/2022

PAGE:H7-1884-00E

POSITION "E"



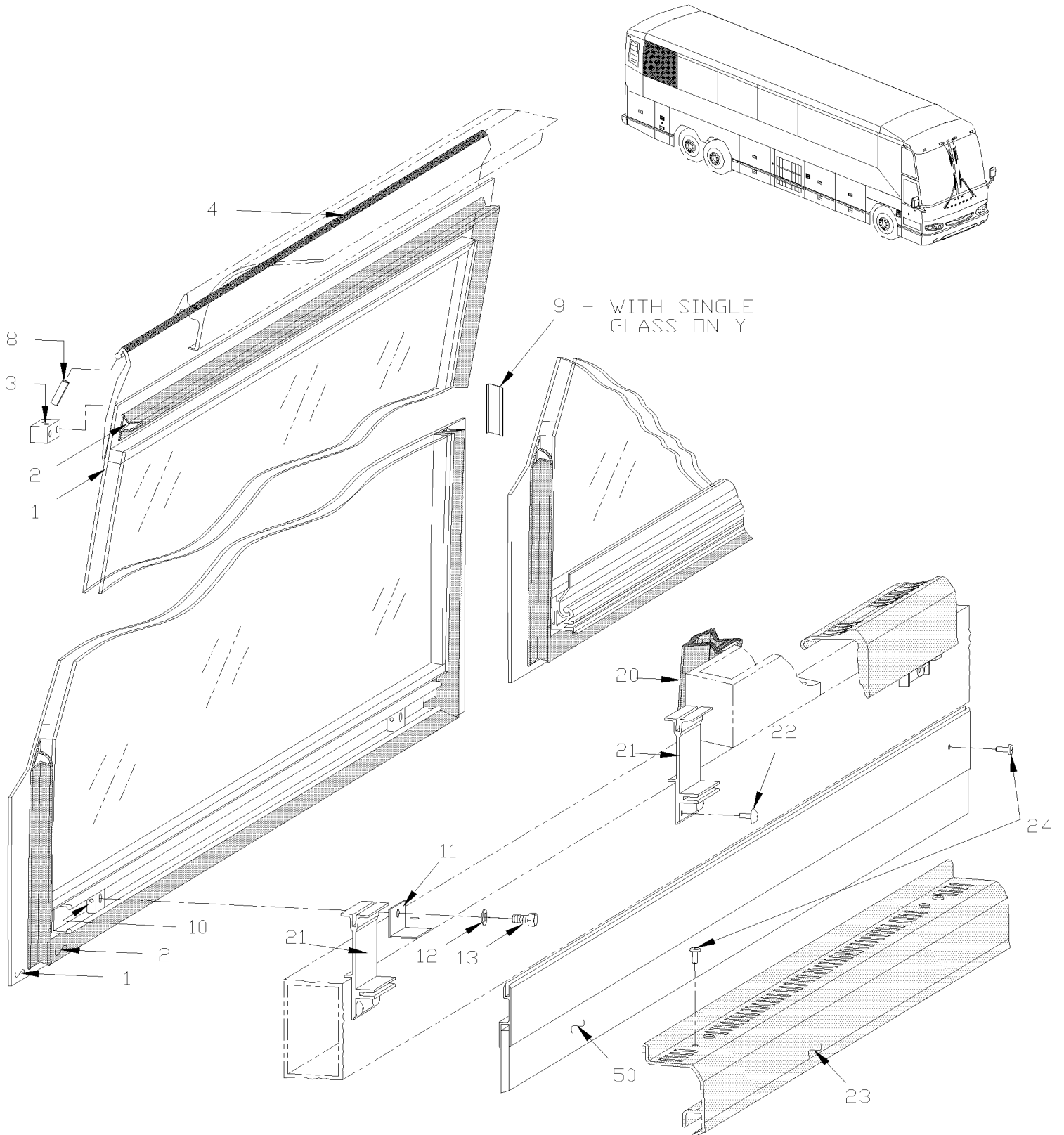
From 7-0671 To J-0184		Date:10/2022	PAGE:H7-1884-00E			
POSITION "E"						
Item#	Part	Description	H 3 4 1	H 3 4 5	V I P 4 5	N O T E S
1	292938	GLASS ASSY, THERMOS 13% / 1254MM	1			
1	292950	GLASS ASSY, SINGLE 13% / 1254MM	1			
2	292957	. WINDOW SEAL / 1083MM X 1174MM To B-1784	1			
2	297268	. WINDOW SEAL / 1083MM X 1174MM From B-1785	1			
3	293020	. STOPPER BLOCK W/WEDGE	1			
3	293021	. STOPPER BLOCK	1			
NS	500260	. SCREW TC FL PH #8-32x3/4 BK	2			
4	682481	. LOW FRICTION TAPE (HOCKEY) To F-2921	AR			
4	564099	. TAPE ADHESIF ELECTRICAL TISSUS / BLACK 838MM From F-2922	AR			
8	505421	. SPRING, PIN M3 x 18	AR			
9	293068	REINFORCEMENT ANGLE / W/SINGLE FIXED GLASS	1			
10	292810	ANCHOR BLOCK W/THREAD M10-1.5 To 9-1394	2			
10	290302	ANCHOR BLOCK W/SCREW M10-1.5 x 30 From 9-1395	2			
11	292931	ANGLE / (WELDED)	3			
12	502585	WASHER LO SERR 10.2x26.3x1.4 ZP	2			
NS	502644	WASHER FL 10.5x30.0x2.5 Z050 To 9-1394	2			
NS	5001443	WASHER FL 10.3x38.0x3.0 SS From 9-1395	2			
NS	505213	SHIM 1/16" THICK	AR			
13	502719	SCREW CAP HEX M10-1.5x20 SS EMN To 9-1394	2			
13	5001628	NUT HEX NYRT M10-1.5 SS From 9-1395	2			
20	298923	SEAL RUBBER 1125MM	AR			
21	293585	SUPPORT MOULDING	2			
22	504249	RIVET CHY Q PRDG 3/16x3/8 SS	8			
23	293598	FINISHING MOULDING W/THERMOS GLASS / 1057MM To 8-1135	1			
23	293955	FINISHING MOULDING W/THERMOS GLASS / 1057MM From 8-1136	1			
24	500611	SCREW TC PAN PH #10-24x1/2 Z050	AR			
50	H7-1833-00	WINDOW FINISHING CAP & WALL W/GREY FINISHING To 8-1135				
50	H7-1833-01	WINDOW FINISHING CAP & WALL W/TAN FINISHING From 8-1136				
		U) UNDER CONSTRUCTION				

From 7-0671 To J-0184

Date:10/2022

PAGE:H7-1884-00F

POSITION "F"



From 7-0671 To J-0184	Date:10/2022	PAGE:H7-1884-00F
<b>POSITION "F"</b>		

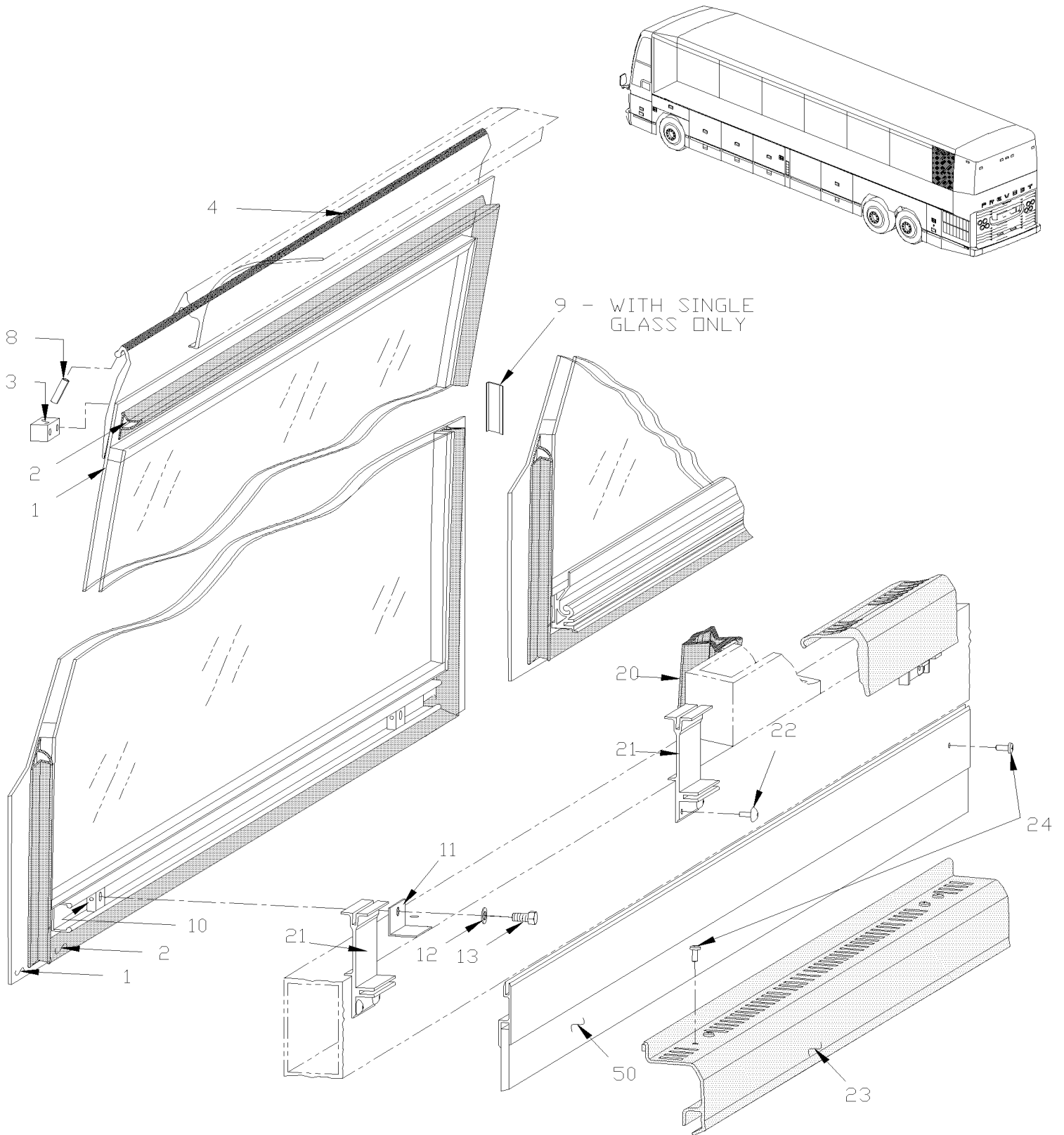
Item#	Part	Description	H 3 4 1	H 3 4 5	V I P 4 5	N O T E S
1	292933	GLASS ASSY, THERMOS 13% / 1254MM	1			
1	292945	GLASS ASSY, SINGLE 13% / 1254MM	1			
2	292957	. WINDOW SEAL / 1083MM X 1174MM To B-1784	1			
2	297234	. WINDOW SEAL / 1083MM X 1174MM From B-1785	1			
3	293020	. STOPPER BLOCK W/WEDGE	1			
3	293021	. STOPPER BLOCK	1			
NS	500260	. SCREW TC FL PH #8-32x3/4 BK	2			
4	682481	. LOW FRICTION TAPE (HOCKEY) To F-2921	AR			
4	564099	. TAPE ADHESIF ELECTRICAL TISSUS / BLACK 838MM From F-2922	AR			
8	505421	. SPRING, PIN M3 x 18	AR			
9	293068	REINFORCEMENT ANGLE / W/SINGLE FIXED GLASS	2			
10	292810	ANCHOR BLOCK W/THREAD M10-1.5 To 9-1394	2			
10	290302	ANCHOR BLOCK W/SCREW M10-1.5 x 30 From 9-1395	2			
11	292931	ANGLE / (WELDED)	3			
12	502585	WASHER LO SERR 10.2x26.3x1.4 ZP	2			
NS	502644	WASHER FL 10.5x30.0x2.5 Z050 To 9-1394	2			
NS	5001443	WASHER FL 10.3x38.0x3.0 SS From 9-1395	2			
NS	505213	SHIM 1/16" THICK	AR			
13	502719	SCREW CAP HEX M10-1.5x20 SS EMN To 9-1394	2			
13	5001628	NUT HEX NYRT M10-1.5 SS From 9-1395	2			
20	298923	SEAL RUBBER 1125MM	AR			
21	293585	SUPPORT MOULDING	2			
22	504249	RIVET CHY Q PRDG 3/16x3/8 SS	8			
23	293598	FINISHING MOULDING W/THERMOS GLASS / 1057MM To 8-1135	1			
23	293955	FINISHING MOULDING W/THERMOS GLASS / 1057MM From 8-1136	1			
24	500611	SCREW TC PAN PH #10-24x1/2 Z050	AR			
50	<b>H7-1833-00</b>	<b>WINDOW FINISHING CAP &amp; WALL W/GREY FINISHING To 8-1135</b>				
50	<b>H7-1833-01</b>	<b>WINDOW FINISHING CAP &amp; WALL W/TAN FINISHING From 8-1136</b>				
		U) UNDER CONSTRUCTION				

From 7-0671 To J-0184

Date:10/2022

PAGE:H7-1884-00G

POSITION "G"





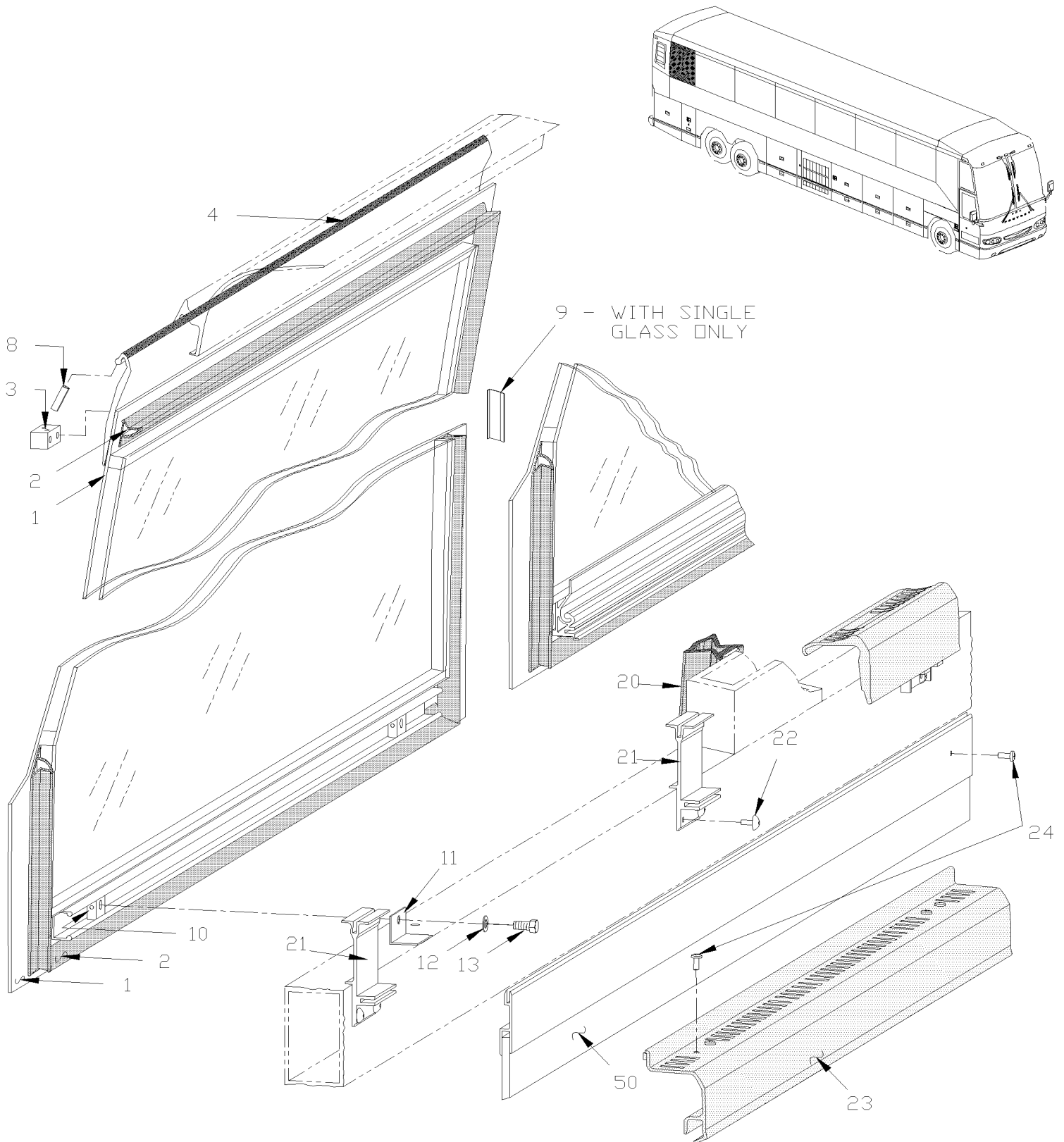


From 7-0671 To J-0184

Date:10/2022

PAGE:H7-1884-00H

POSITION "H"



From 7-0671 To J-0184	Date:10/2022	PAGE:H7-1884-00H
<b>POSITION "H"</b>		

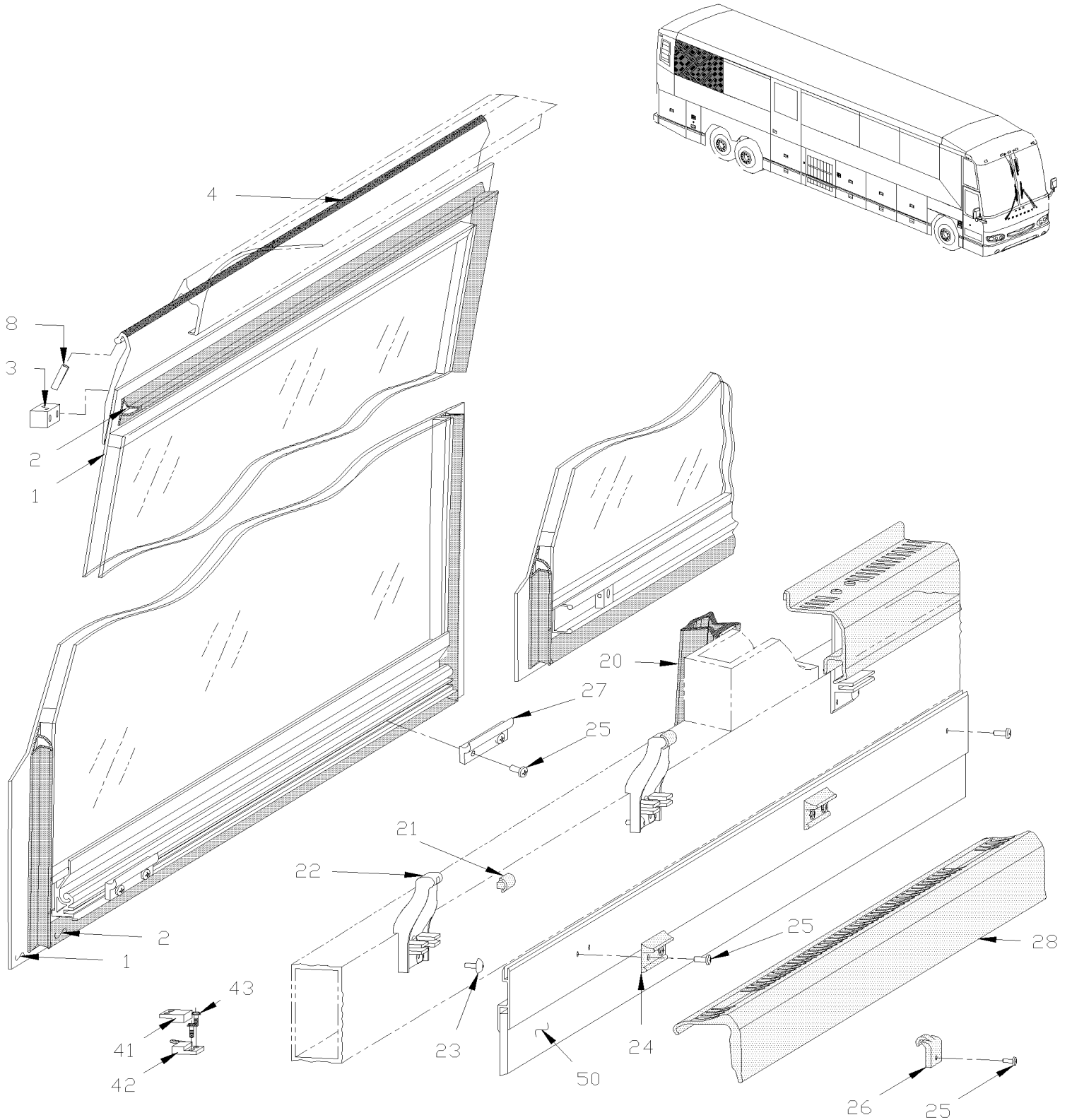
Item#	Part	Description	H 3 4 1	H 3 4 5	V I P 4 5	N O T E S
1	292932	GLASS ASSY, THERMOS 13% / 840MM		1		
1	292944	GLASS ASSY, SINGLE 13% / 840MM		1		
2	292956	. WINDOW SEAL / 1083MM X 760MM To B-1784		1		
2	297236	. WINDOW SEAL / 1083MM X 760MM From B-1785		1		
3	293020	. STOPPER BLOCK W/WEDGE		1		
3	293021	. STOPPER BLOCK		1		
NS	500260	. SCREW TC FL PH #8-32x3/4 BK		2		
4	682481	. LOW FRICTION TAPE (HOCKEY) To F-2921		AR		
4	564099	. TAPE ADHESIF ELECTRICAL TISSUS / BLACK 838MM From F-2922		AR		
8	505421	. SPRING, PIN M3 x 18		AR		
9	293068	REINFORCEMENT ANGLE / W/SINGLE FIXED GLASS		2		
10	292810	ANCHOR BLOCK W/THREAD M10-1.5 To 9-1394		2		
10	290302	ANCHOR BLOCK W/SCREW M10-1.5 x 30 From 9-1395		2		
11	292931	ANGLE / (WELDED)		3		
12	502585	WASHER LO SERR 10.2x26.3x1.4 ZP		2		
NS	502644	WASHER FL 10.5x30.0x2.5 Z050 To 9-1394		2		
NS	5001443	WASHER FL 10.3x38.0x3.0 SS From 9-1395		2		
NS	505213	SHIM 1/16" THICK		AR		
13	502719	SCREW CAP HEX M10-1.5x20 SS EMN To 9-1394		2		
13	5001628	NUT HEX NYRT M10-1.5 SS From 9-1395		2		
20	298923	SEAL RUBBER 1125MM		AR		
21	293585	SUPPORT MOULDING		2		
22	504249	RIVET CHY Q PRDG 3/16x3/8 SS		8		
23	293599	FINISHING MOULDING W/THERMOS GLASS / 643MM To 8-1135		1		
23	293950	FINISHING MOULDING W/THERMOS GLASS / 643MM From 8-1136		1		
24	500611	SCREW TC PAN PH #10-24x1/2 Z050		AR		
50	<b>H7-1833-00</b>	<b>WINDOW FINISHING CAP &amp; WALL W/GREY FINISHING To 8-1135</b>				
50	<b>H7-1833-01</b>	<b>WINDOW FINISHING CAP &amp; WALL W/TAN FINISHING From 8-1136</b>				
		U) UNDER CONSTRUCTION				

From 7-0671 To J-0184

Date:10/2022

PAGE:H7-1884-00K

POSITION "K"



From 7-0671 To J-0184	Date:10/2022	PAGE:H7-1884-00K
<b>POSITION "K"</b>		

Item#	Part	Description	H 3 4 1	H 3 4 5	V I P 4 5	N O T E S
1	293616	GLASS ASSY, THERMOS 13% / OPEN TYPE / 1693.1MM	1	1		
1	293615	GLASS ASSY, SINGLE 13% / OPEN TYPE / 1693.1MM	1	1		
2	292918	. WINDOW SEAL / 1083MM X 1613MM To B-1784		1		
2	297269	. WINDOW SEAL / 1083MM X 1613MM From B-1785	1	1		
3	293020	. STOPPER BLOCK W/EDGE	1	1		
3	293021	. STOPPER BLOCK	1	1		
NS	500260	. SCREW TC FL PH #8-32x3/4 BK	2	2		
4	682481	. LOW FRICTION TAPE (HOCKEY) To F-2921	AR	AR		
NS	292869	. EXTRUSION PLASTIC / WINDOW / 5MM I.D. 1650MM To F-2921	1	1		
4	564099	. TAPE ADHESIF ELECTRICAL TISSUS / BLACK 838MM From F-2922	AR	AR	AR	
8	505421	. SPRING, PIN M3 x 18	AR	AR		
20	298923	SEAL RUBBER 1125MM	AR	AR		
21	292837	CUSHION 2.0MM TH / BLACK PLASTIC	2	2		S
21	298215	CUSHION / BLACK PLASTIC / 1.5MM TH	2	2		AL
21	298225	CUSHION / BLACK PLASTIC / 2.5MM TH	2	2		AM
NS	680066	ADHESIVE / ADBOND #5014 / 23.6ML BOTTLE	AR	AR		
22	293584	SUPPORT	2	2		
23	504249	RIVET CHY Q PRDG 3/16x3/8 SS	4	4		
24	293299	PROTECTOR To 8-1135		2		
24	293975	PROTECTOR From 8-1136	2	2		
25	500611	SCREW TC PAN PH #10-24x1/2 Z050	AR	AR		
26	293353	SUPPORT "J" FORM / ALLUMINUM To 8-1135		2		
26	293949	SUPPORT "J" FORM / ALLUMINUM From 8-1136 To 9-1382		2		
26	791007	SUPPORT W/STOPPER (ONE PIECE) From 9-1383	2	2		
27	293124	STOPPER BLOCK To 9-1382		2		
28	293603	HANDLE WINDOW OPENING 1496MM To 8-1135		1		
28	293952	HANDLE WINDOW OPENING 1496MM From 8-1136	1	1		
28	<b>H7-1829-00</b>	<b>ACCESSORIES PASSENGER'S SEAT - "PREVOST"</b>				
41	562641	MAGNET	1	1		
42	064360	SWITCH MAGNETIC ASSY	1	1		
42	064678	SWITCH MAGNETIC ASSY W/TAPE DUAL LOCK	1	1		
43	500862	SCREW TC PAN PH #6-32x3/4 Z050	12	12		
50	<b>H7-1833-00</b>	<b>WINDOW FINISHING CAP &amp; WALL W/GREY FINISHING To 8-1135</b>				
50	<b>H7-1833-01</b>	<b>WINDOW FINISHING CAP &amp; WALL W/TAN FINISHING From 8-1136</b>				
		A) USED IN PRODUCTION SINCE JANUARY 2007				
		L) LESS TENSION				
		M) MORE TENSION				
		S) STANDARD TENSION				

From 7-0671 To J-0184	Date:10/2022	PAGE:H7-1884-00K
-----------------------	--------------	------------------

POSITION "K"

Item#	Part	Description	H 3 4 1	H 3 4 5	V I P 4 5	N O T E S
		U) UNDER CONSTRUCTION				

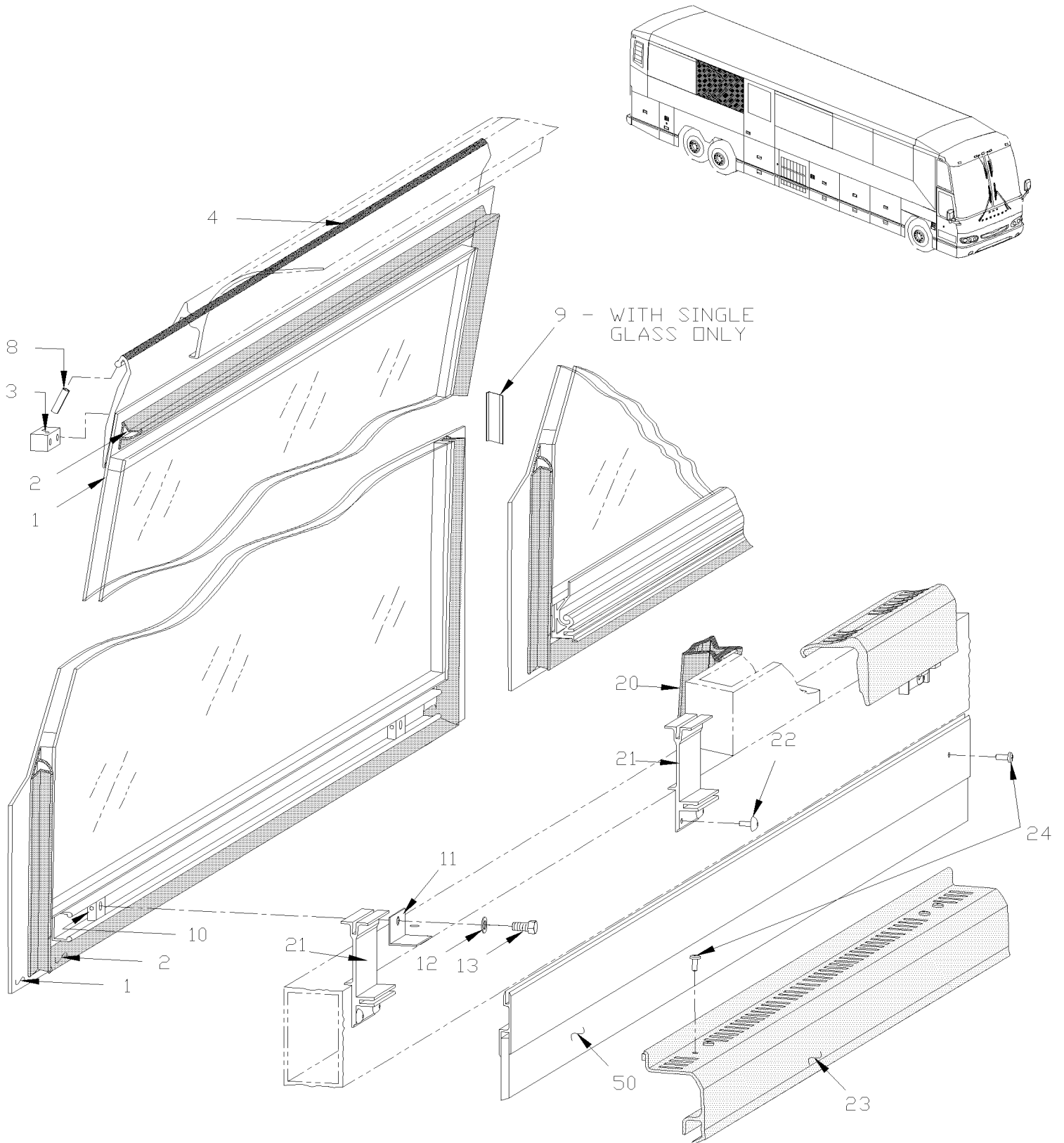


From 7-0671 To J-0184

Date:10/2022

PAGE:H7-1884-00L

POSITION "L"



From 7-0671 To J-0184	Date:10/2022	PAGE:H7-1884-00L
<b>POSITION "L"</b>		

Item#	Part	Description	H 3 4 1	H 3 4 5	V I P 4 5	N O T E S
1	293803	GLASS ASSY, THERMOS 13% / 2251.5MM	1	1		
1	293803	GLASS ASSY, THERMOS 13% / 2251.5MM From E-2585	2			W
1	293802	GLASS ASSY, SINGLE 13% / 2251.5MM	1	1		
1	293802	GLASS ASSY, SINGLE 13% / 2251.5MM From E-2585	2			W
2	292959	. WINDOW SEAL / 1083MM X 2194MM To B-1784		1		
2	297263	. WINDOW SEAL / 1083MM X 2194MM From B-1785	1	1		
3	293020	. STOPPER BLOCK W/EDGE	1	1		
3	293021	. STOPPER BLOCK	1	1		
NS	500260	. SCREW TC FL PH #8-32x3/4 BK	2	2		
4	682481	. LOW FRICTION TAPE (HOCKEY) To F-2921	AR	AR		
NS	292963	. EXTRUSION PLASTIC / WINDOW / 5MM I.D. 2221MM To F-2921	1	1		
4	564099	. TAPE ADHESIF ELECTRICAL TISSUS / BLACK 838MM From F-2922	AR	AR	AR	
8	505421	. SPRING, PIN M3 x 18	AR	AR		
9	293068	REINFORCEMENT ANGLE / W/SINGLE FIXED GLASS	2	2		
10	292810	ANCHOR BLOCK W/THREAD M10-1.5 To 9-1394		2		
10	290302	ANCHOR BLOCK W/SCREW M10-1.5 x 30 From 9-1395	2	2		
NS	294044	FRONT SUPPORT ANGLE 44MM x 19MM From A-1528	1	1		A
NS	294045	REAR SUPPORT ANGLE 44MM x 19MM From A-1528	1	1		A
11	292931	ANGLE / (WELDED)	3	3		
12	502585	WASHER LO SERR 10.2x26.3x1.4 ZP	2	2		
NS	502644	WASHER FL 10.5x30.0x2.5 Z050 To 9-1394		2		
NS	5001443	WASHER FL 10.3x38.0x3.0 SS From 9-1395	2	2		
NS	505213	SHIM 1/16" THICK	AR	AR		
13	502719	SCREW CAP HEX M10-1.5x20 SS EMN To 9-1394		2		
13	5001628	NUT HEX NYRT M10-1.5 SS From 9-1395	2	2		
20	298923	SEAL RUBBER 1125MM	AR	AR		
21	293585	SUPPORT MOULDING	2	2		
22	504249	RIVET CHY Q PRDG 3/16x3/8 SS	8	8		
23	293604	FINISHING MOULDING W/THERMOS GLASS / 2076MM To 8-1135	1	1		
23	293953	FINISHING MOULDING W/THERMOS GLASS / 2076.6MM From 8-1136	1	1		
24	500611	SCREW TC PAN PH #10-24x1/2 Z050	AR	AR		
50	<b>H7-1833-00</b>	<b>WINDOW FINISHING CAP &amp; WALL W/GREY FINISHING To 8-1135</b>				
50	<b>H7-1833-01</b>	<b>WINDOW FINISHING CAP &amp; WALL W/TAN FINISHING From 8-1136</b>				
		A) FOR GLASS WINDOW STABILITY FIX THIS COMPONENT				
		W) WITH WCL				

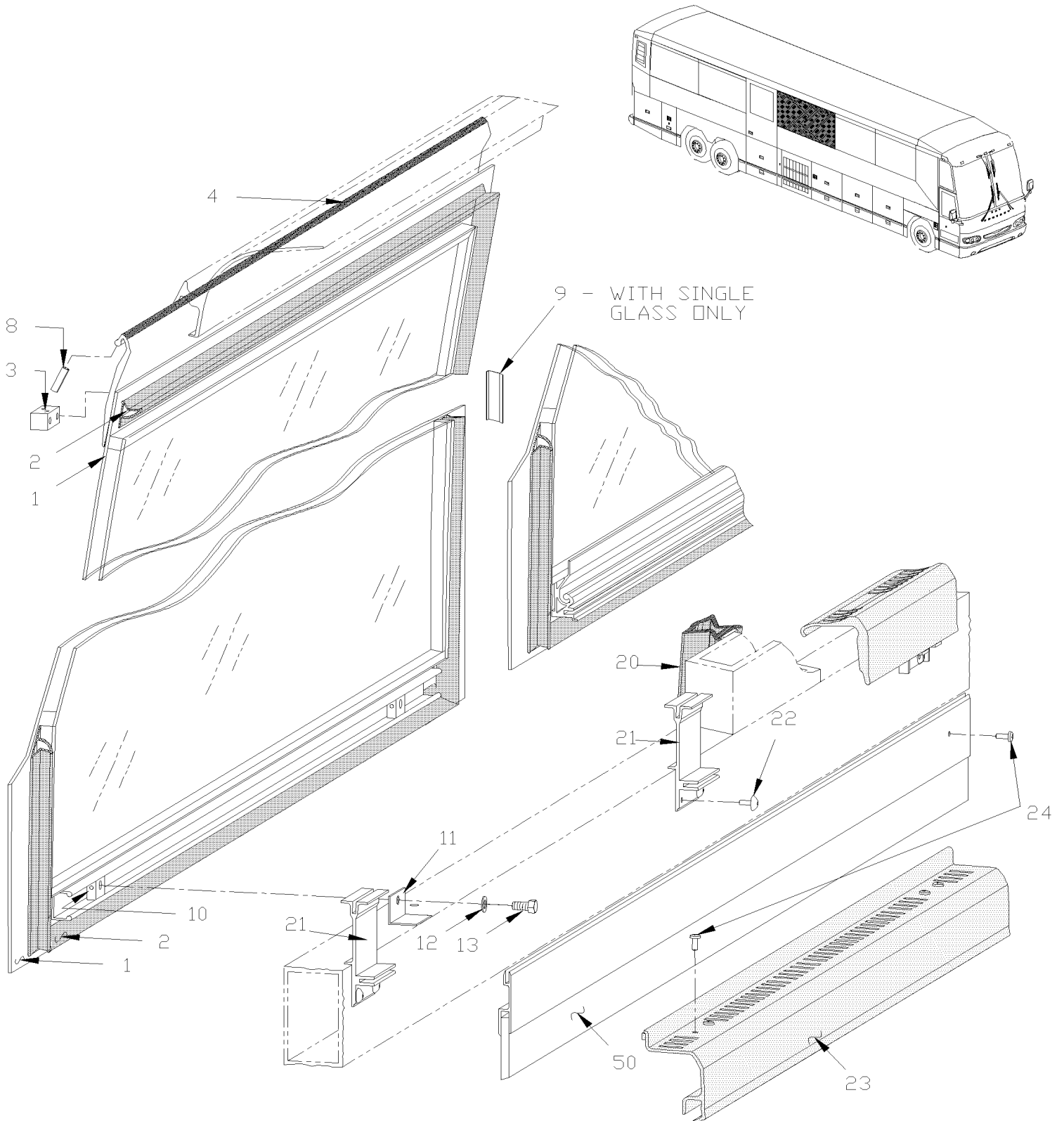


From 7-0671 To J-0184

Date:10/2022

PAGE:H7-1884-00M

POSITION "M"



From 7-0671 To J-0184	Date:10/2022	PAGE:H7-1884-00M
<b>POSITION "M"</b>		

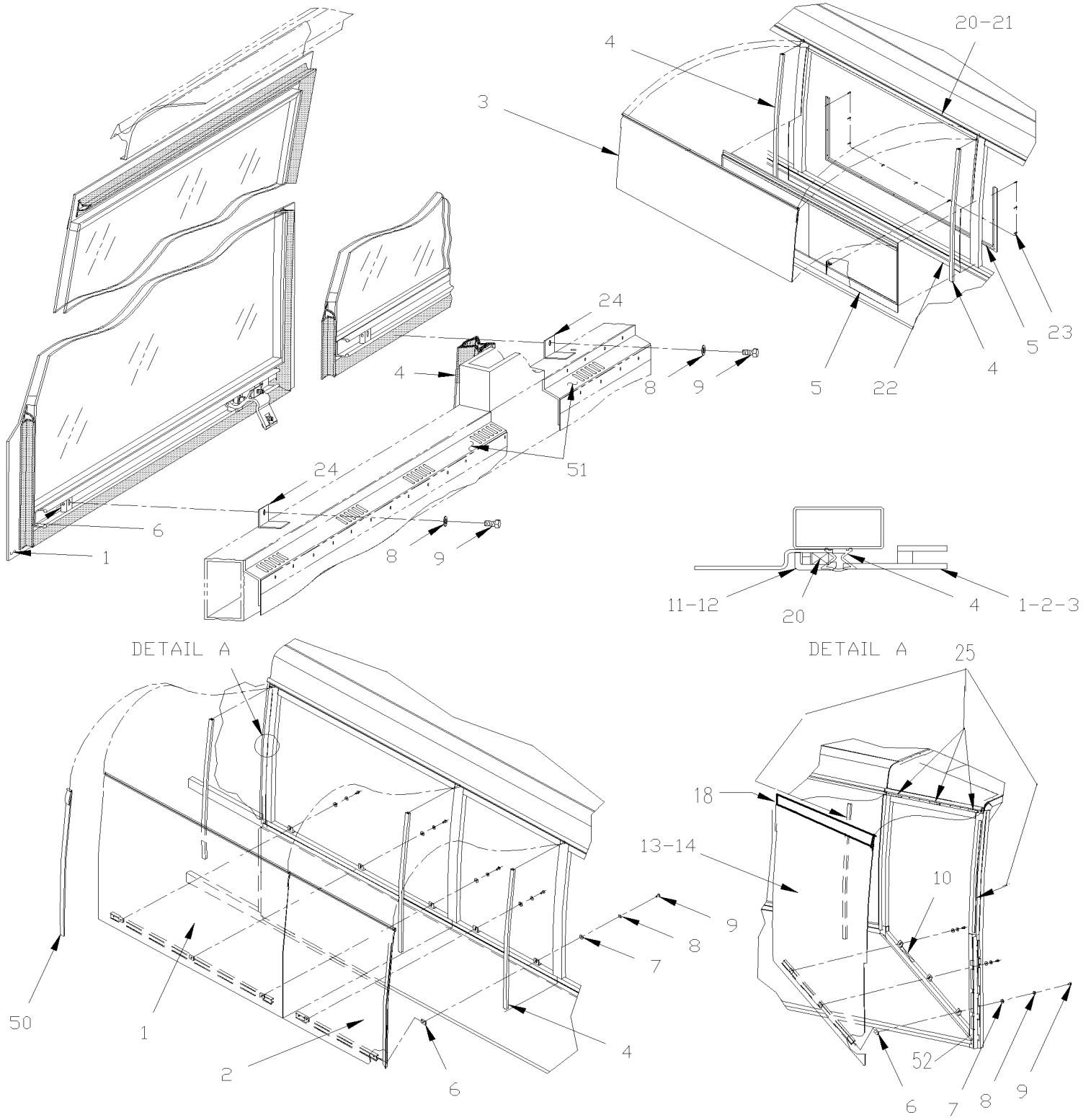
Item#	Part	Description	H 3 4 1	H 3 4 5	V I P 4 5	N O T E S
1	293798	GLASS ASSY, THERMOS 13% / 2296MM		1		
1	299070	GLASS ASSY, THERMOS 13% / 1050MM From E-2585	2			
1	293799	GLASS ASSY, SINGLE 13% / 2296MM		1		
2	292959	. WINDOW SEAL / 1083MM X 2194MM To B-1784		1		
2	290041	. WINDOW SEAL / 1083MM X 2194MM From B-1785		1		
2	297303	. WINDOW SEAL / 921MM X 1041MM From E-2585	1			
3	293020	. STOPPER BLOCK W/EDGE	1	1		
3	293021	. STOPPER BLOCK	1	1		
NS	500260	. SCREW TC FL PH #8-32x3/4 BK	2	2		
4	682481	. LOW FRICTION TAPE (HOCKEY) To F-2921	AR	AR		
NS	292964	. EXTRUSION PLASTIC / WINDOW / 5MM I.D. 2286MM To F-2921	1	1		
4	564099	. TAPE ADHESIF ELECTRICAL TISSUS / BLACK 838MM From F-2922	AR	AR		
8	505421	. SPRING, PIN M3 x 18	AR	AR		
9	293068	REINFORCEMENT ANGLE / W/SINGLE FIXED GLASS	2	2		
10	292810	ANCHOR BLOCK W/THREAD M10-1.5 To 9-1394		2		
10	290302	ANCHOR BLOCK W/SCREW M10-1.5 x 30 From 9-1395	2	2		
10	294044	FRONT SUPPORT ANGLE 44MM x 19MM From A-1528	1	1		A
10	294045	REAR SUPPORT ANGLE 44MM x 19MM From A-1528	1	1		A
11	292931	ANGLE / (WELDED)	2	2		
12	502585	WASHER LO SERR 10.2x26.3x1.4 ZP	2	2		
NS	502644	WASHER FL 10.5x30.0x2.5 Z050 To 9-1394		2		
NS	5001443	WASHER FL 10.3x38.0x3.0 SS From 9-1395	2	2		
NS	505213	SHIM 1/16" THICK	AR	AR		
13	502719	SCREW CAP HEX M10-1.5x20 SS EMN To 9-1394		2		
20	298923	SEAL RUBBER 1125MM From 9-1395	AR	AR		
21	293585	SUPPORT MOULDING	2	2		
22	504249	RIVET CHY Q PRDG 3/16x3/8 SS	8	8		
23	293604	FINISHING MOULDING W/THERMOS GLASS / 2076MM To 8-1135	1	1		
23	297298	FINISHING MOULDING W/THERMOS GLASS / 830.6MM From 8-1136	1	1		
24	500611	SCREW TC PAN PH #10-24x1/2 Z050	AR	AR		
50	<b>H7-1833-00</b>	<b>WINDOW FINISHING CAP &amp; WALL W/GREY FINISHING To 8-1135</b>				
50	<b>H7-1833-01</b>	<b>WINDOW FINISHING CAP &amp; WALL W/TAN FINISHING From 8-1136</b>				
		A) FOR GLASS WINDOW STABILITY FIX THIS COMPONENT				

From 7-0671 To J-0287

Date:10/2022

PAGE:H7-1884-50

## SIDE WINDOWS - V.I.P.



From 7-0671 To J-0287	Date:10/2022	PAGE:H7-1884-50
<b>SIDE WINDOWS - V.I.P.</b>		

Item#	Part	Description	H 3 4 1	H 3 4 5	V I P 4 5	N O T E S
1	297111	GLASS ASSY, THERMOS 13% / FIX TYPE / 1652MM			AR	
. NS	297113	. WINDOW SEAL / 1258MM X 1619MM			1	
. NS	290021	. WINDOW SEAL / 1258MM X 1619MM			1	
. NS	297278	. WINDOW SEAL / 1258MM X 1619MM			1	
1	297129	GLASS ASSY, SINGLE 13% / FIX TYPE / 1652MM			1	
. NS	297113	. WINDOW SEAL / 1258MM X 1619MM			1	
. NS	290021	. WINDOW SEAL / 1258MM X 1619MM			1	
. NS	297278	. WINDOW SEAL / 1258MM X 1619MM			1	
1	297131	GLASS ASSY, THERMOS 13% / OPEN TYPE / 1652MM			1	
. NS	297113	. WINDOW SEAL / 1258MM X 1619MM			1	
. NS	290021	. WINDOW SEAL / 1258MM X 1619MM			1	
. NS	297278	. WINDOW SEAL / 1258MM X 1619MM			1	
2	297135	GLASS ASSY, THERMOS 13% / 934MM			1	
. NS	297137	. WINDOW SEAL / 1252MM X 895MM			1	
. NS	290025	. WINDOW SEAL / 1252MM X 895MM			1	
. NS	297282	. WINDOW SEAL / 1252MM X 895MM			1	
2	297132	GLASS ASSY, THERMOS 13% / FIX TYPE / 29MM			1	
. NS	297134	. WINDOW SEAL / 1252MM X 591MM			1	
. NS	290024	. WINDOW SEAL / 1252MM X 591MM			1	
. NS	297281	. WINDOW SEAL / 1252MM X 591MM			1	
3	297190	GLASS ASSY, THERMO 13% / UPPER 1652MM x 784.2MM			1	
4	297162	SEAL RUBBER 1286MM			AR	
5	<b>H7-1884-70</b>	<b>SLIDING WINDOW L.H. - V.I.P.</b>				
5	<b>H7-1884-75</b>	<b>SLIDING WINDOW R.H. - V.I.P.</b>				
5	<b>H7-1884-65</b>	<b>ELECTRICAL AWNING WINDOW ASSY</b>				
5	<b>H7-1884-80</b>	<b>ELECTRICAL SLIDING WINDOW ASSY</b>				
6	292810	ANCHOR BLOCK W/THREAD M10-1.5 To 9-1394			AR	
6	290302	ANCHOR BLOCK W/SCREW M10-1.5 x 30 From 9-1395			AR	
7	502644	WASHER FL 10.5x30.0x2.5 Z050			AR	
8	502585	WASHER LO SERR 10.2x26.3x1.4 ZP			AR	
8	505213	SHIM 1/16" THICK			AR	
9	502719	SCREW CAP HEX M10-1.5x20 SS EMN To 9-1394			AR	
9	502655	SCREW CAP HEX M10-1.5x25 SS BK To 9-1394			AR	
9	5001628	NUT HEX NYRT M10-1.5 SS From 9-1395				
10	292949	DECAL "CAUTION" NOT HINGED WINDOW / ENGLISH & FRANCAIS			AR	
10	293795	DECAL "CAUTION" NOT HINGED WINDOW / ENGLISH & SPANISH			AR	
11	478197	PANEL UPPER R.H. BACKWARD / 492MM			1	
11	478202	PANEL UPPER R.H. BACKWARD / 670MM			1	
110	478200	PANEL UPPER R.H. BACKWARD / 1922.5MM			1	
12	478204	PANEL UPPER R.H. BACKWARD / 695MM			1	
12	478195	PANEL UPPER / 1652MM			1	
12	478199	PANEL UPPER 2947.5MM			1	

<b>From 7-0671 To J-0287</b>	<b>Date:10/2022</b>	<b>PAGE:H7-1884-50</b>
<b>SIDE WINDOWS - V.I.P.</b>		

Item#	Part	Description	H 3 4 1	H 3 4 5	V I P 4 5	N O T E S
12	476726	PANEL UPPER 3659MM			1	
12	478201	PANEL UPPER 4200MM			1	
12	476789	PANEL UPPER 4811MM			1	
12	478196	PANEL UPPER 5319MM			1	
13	297125	GLASS ASSY, THERMO 13% / TRAPEZOIDAL / RH VIP			1	
. NS	297127	. WINDOW SEAL / TRAPEZOIDAL RH 1826MM X 900MM			1	
. NS	290023	. WINDOW SEAL / TRAPEZOIDAL RH / 1826MM X 900MM /			1	
13	297213	GLASS ASSY, THERMO 13% / TRAPEZOIDAL / RH VIP / W/SLIDE-OUT "PRÉVOST"			1	A
. NS	297215	. WINDOW SEAL / TRAPEZOIDAL LH / W/SLIDE-OUT 1159MM X 965MM			1	A
. NS	290035	. WINDOW SEAL / TRAPEZOIDAL LH / W/SLIDE-OUT 1159MM X 965MM			1	A
14	297138	GLASS ASSY, THERMO 13% / TRAPEZOIDAL / LH VIP			1	
. NS	297105	. WINDOW SEAL / TRAPEZOIDAL LH 1826MM X 900MM			1	
. NS	290020	. WINDOW SEAL / TRAPEZOIDAL LH 1826MM X 900MM			1	
. NS	297277	. WINDOW SEAL / TRAPEZOIDAL LH 1826MM X 900MM			1	
14	297108	GLASS ASSY, THERMO 13% / TRAPEZOIDAL / LH VIP / W/SLIDE-OUT "PRÉVOST"			1	A
. NS	297105	. WINDOW SEAL / TRAPEZOIDAL LH 1826MM X 900MM			1	A
. NS	290020	. WINDOW SEAL / TRAPEZOIDAL LH 1826MM X 900MM			1	A
. NS	297277	. WINDOW SEAL / TRAPEZOIDAL LH 1826MM X 900MM			1	A
NS	297149	SAFETY ANCHOR W/2 HOLE M6-1.0 / 203MM To 8-1078			1	
14	790645	SAFETY ANCHOR W/2 HOLE M6-1.0 / 203MM From 8-1079			1	
NS	5001648	SCREW CAP HEXS M6-1.0x18 SS BK			1	
NS	502570	WASHER LO SPT 6.1x11.8x1.6 SS			1	
NS	502573	WASHER FL 6.4x12.5x1.6 SS			1	
18	293913	UPPER MOULDING R.H. / W/OUT SLIDE-OUT / 977.8MM			1	
18	293910	UPPER MOULDING R.H. / W/SLIDE-OUT / 1027.6MM			1	
18	297128	UPPER MOULDING L.H. / W/OUT SLIDE-OUT / 977.8MM			1	
18	297110	UPPER MOULDING L.H. / W/SLIDE-OUT / 1027.6MM			1	
19	290002	REINFORCEMENT "Z" 76MM			2	
NS	502848	SCREW TC CAP HEXF 1/4-20x3/4 N500			2	
20	683447	ADHESIVE SIKATACK PLUS / BLACK / 23 Liters			AR	
21	683448	ACCELERATOR SIKA / 600ml SAUSAGE			AR	
22	683288	ADHESIVE SIKA #255FC / BLACK / 600ml SAUSAGE			AR	
23	5001545	SCREW TP PAN PH #10x7/8 Z050			10	
24	292931	ANGLE / (WELDED)			AR	
25	297192	SEAL RUBBER L.H. ONE PIECE W/SLIDE OUT To B-1784			1	
25	290030	SEAL RUBBER L.H. ONE PIECE W/SLIDE OUT From B-1785			1	
25	297193	SEAL RUBBER L.H. ONE PIECE W/OUT SLIDE OUT To B-1784			1	
25	290028	SEAL RUBBER L.H. ONE PIECE W/OUT SLIDE OUT From B-1785			1	
25	297194	SEAL RUBBER R.H. ONE PIECE W/OUT SLIDE OUT To B-1784			1	C
25	290031	SEAL RUBBER R.H. ONE PIECE W/OUT SLIDE OUT From B-1785			1	C
50	<b>H7-1854-50</b>	<b>SIDE PANELS - V.I.P.</b>				
51	320186	AIR GRILL & SPACER 48"LG / BELOW WINDOW			AR	

From 7-0671 To J-0287	Date:10/2022	PAGE:H7-1884-50
<b>SIDE WINDOWS - V.I.P.</b>		

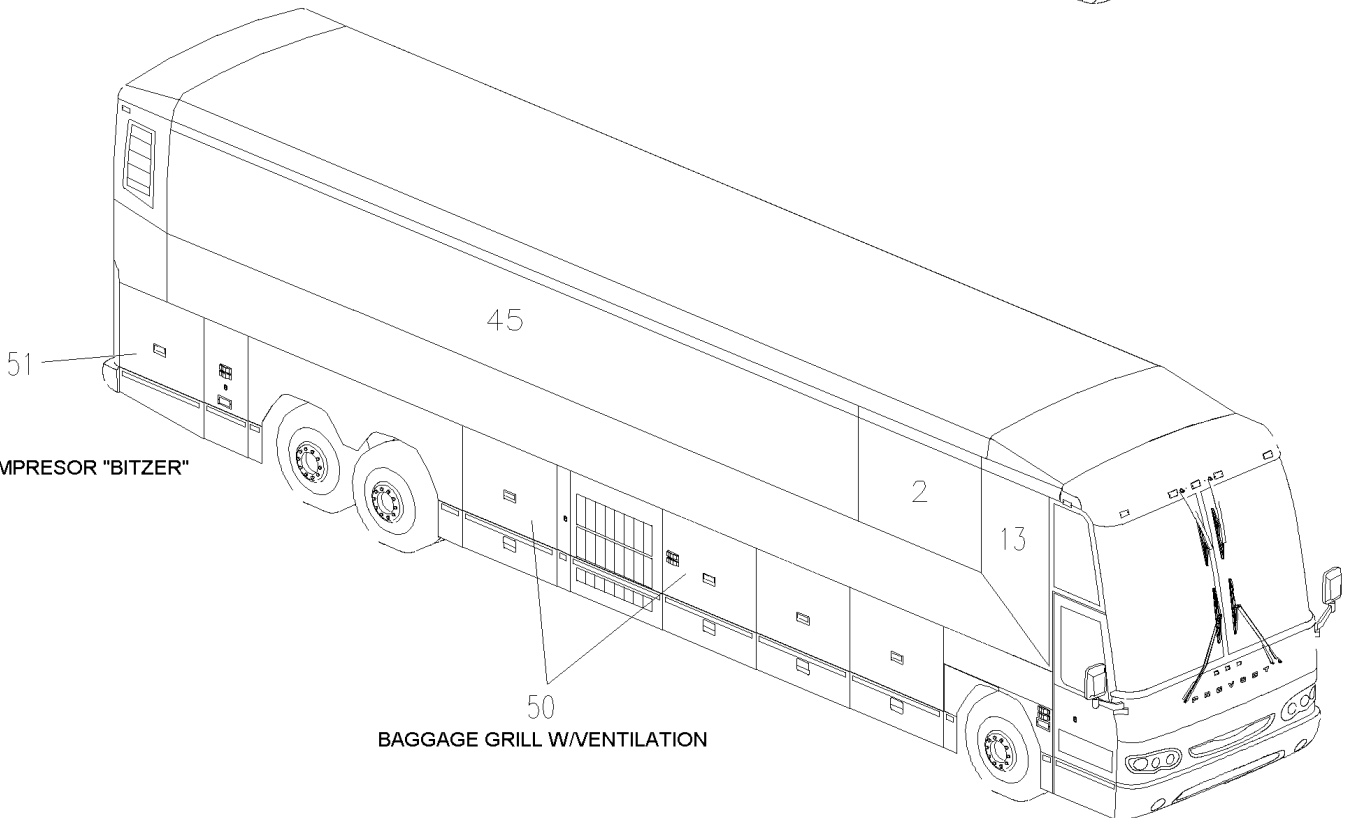
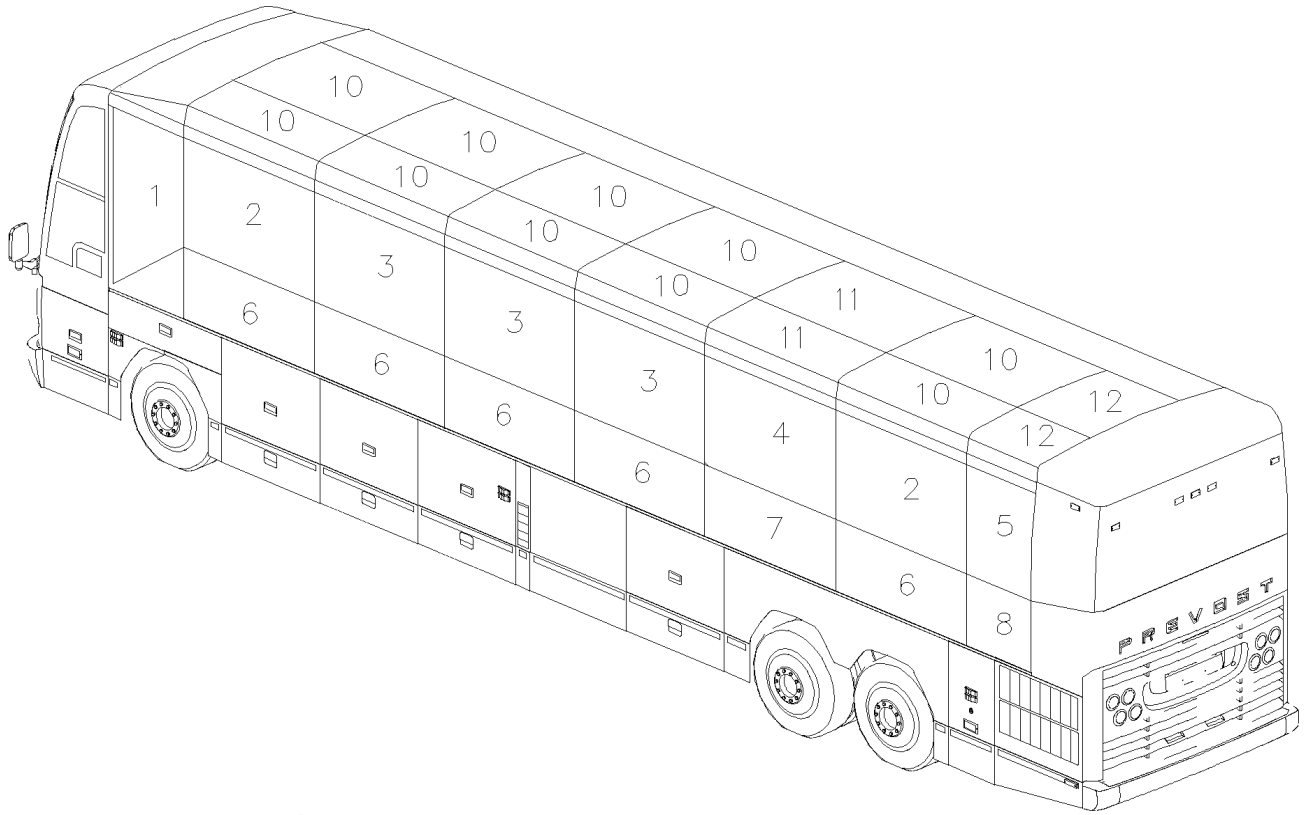
Item#	Part	Description	H 3 4 1	H 3 4 5	V I P 4 5	N O T E S
52	5001168	BUMPER RUBBER / .750 OD x .562 TH x .187 HOLE			1	
52	680066	ADHESIVE / ADBOND #5014 / 23.6ML BOTTLE			AR	
		A) USE WITH "SLIDE-OUT" PREVOST				
		C) CURBSIDE				

From 8-1381 To J-0287

Date:10/2022

PAGE:H7-1884-55

**SIDE WINDOWS - V.I.P. "COUNTS MEDIA INC" / LDV**



A/C COMPRESOR "BITZER"

BAGGAGE GRILL W/VENTILATION

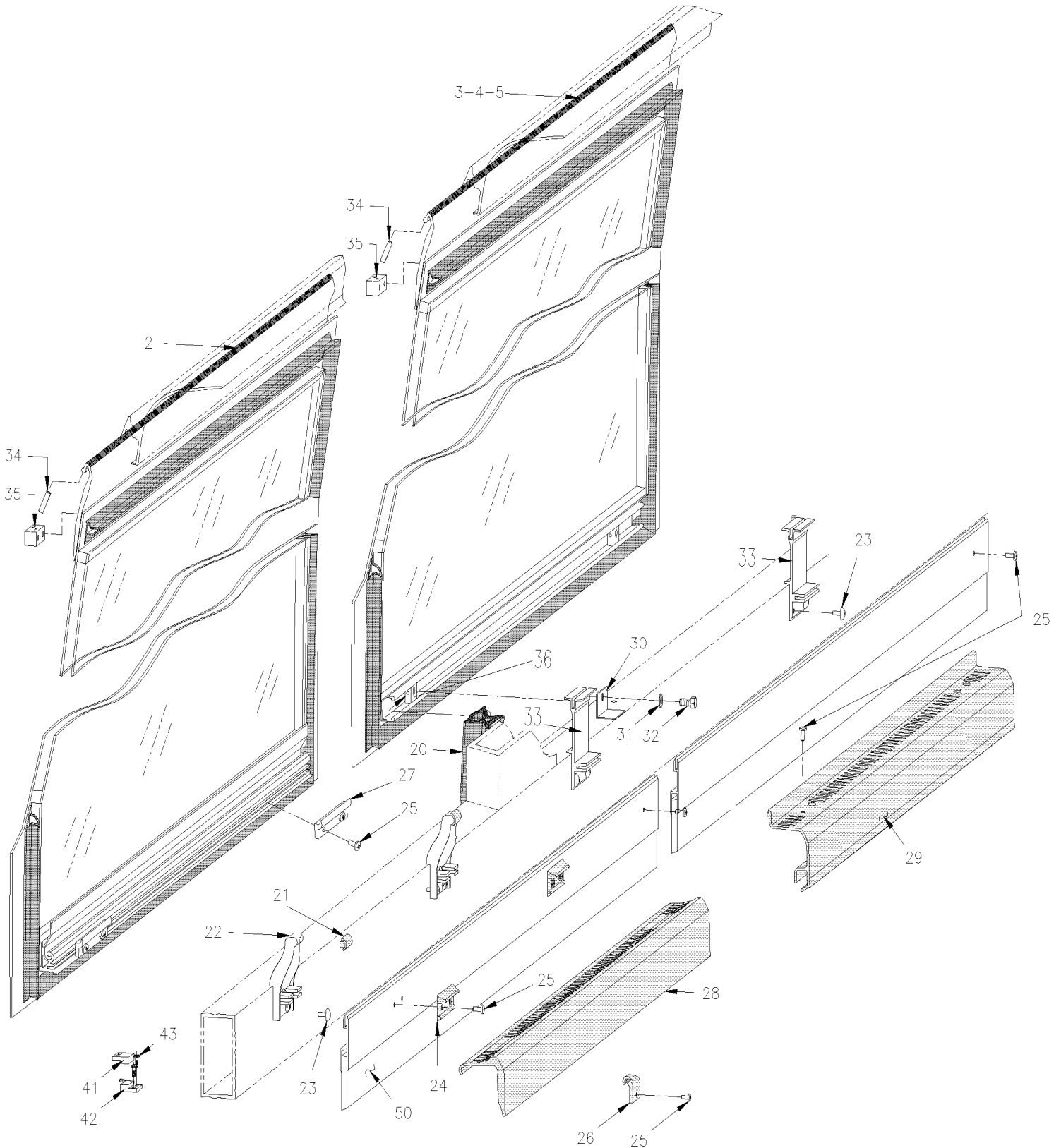


From 8-1381 To J-0287

Date:10/2022

PAGE:H7-1884-55

SIDE WINDOWS - V.I.P. "COUNTS MEDIA INC" / LDV





From 8-1381 To J-0287	Date:10/2022	PAGE:H7-1884-55
<b>SIDE WINDOWS - V.I.P. "COUNTS MEDIA INC" / LDV</b>		

Item#	Part	Description	H 3 4 1	H 3 4 5	V I P 4 5	N O T E S
		THOSES WINDOWS ARE RELATED ONLY WITH				
		VIP-45 / VIN 8-1083, 8-1094, 8-1362 & 8-1371				
1	293997	GLASS ASSY, THERMO / TRAPEZOIDAL / LH VIP			1	
. NS	297105	. WINDOW SEAL / TRAPEZOIDAL LH 1826MM X 900MM			1	
. NS	293996	. GLASS			1	
2	293981	GLASS ASSY, THERMO / OPEN TYPE / 1652MM x 1623MM			3	
. NS	293979	. WINDOW SEAL / 1531MM X 1619MM			1	
. NS	290044	. WINDOW SEAL / 1531MM X 1619MM			1	
3	293982	GLASS ASSY, THERMO / FIX TYPE / 1652MM x 1623MM			3	
. NS	293979	. WINDOW SEAL / 1531MM X 1619MM			1	
. NS	290044	. WINDOW SEAL / 1531MM X 1619MM			1	
4	293989	GLASS ASSY, THERMO / FIX TYPE / 1560MM x 1623MM			1	
. NS	293987	. WINDOW SEAL / 1531MM X 1528MM			1	
. NS	290053	. WINDOW SEAL / 1531MM X 1528MM			1	
5	293992	GLASS ASSY, THERMO / FIX TYPE / 890MM x 1623MM			1	
. NS	293991	. WINDOW SEAL / 1531MM X 858.4MM			1	
. NS	290048	. WINDOW SEAL / 1531MM X 858.4MM			1	
6	294023	GLASS ASSY, THERMO FLAT / 1652MM x 724MM			5	
7	294024	GLASS ASSY, THERMO FLAT / 1560MM x 724MM			1	
8	294025	GLASS ASSY, THERMO FLAT / 890MM x 724MM			1	
10	294020	GLASS ASSY, THERMO FLAT / 1652MM x 687.3MM			10	
11	294021	GLASS ASSY, THERMO FLAT / 1560MM x 687.3MM			2	
12	294022	GLASS ASSY, THERMO FLAT / 890MM x 687.3MM			1	
15	19504499	GLASS ASSY, THERMO FLAT 14.5" x 37.5"			1	
16	19504500	GLASS ASSY, THERMO FLAT 14.5" x 34"			1	
17	19504501	GLASS ASSY, THERMO FLAT 14.5" x 35.06"			1	
18	19504502	GLASS ASSY, THERMO FLAT 14.5" x 65.3"			4	
20	298923	SEAL RUBBER 1125MM			AR	
20	297162	SEAL RUBBER 1286MM			AR	
20	296172	SEAL RUBBER / raw material			AR	
21	298215	CUSHION / BLACK PLASTIC / 1.5MM TH			2	L
21	292837	CUSHION 2.0MM TH / BLACK PLASTIC			2	S
21	298225	CUSHION / BLACK PLASTIC / 2.5MM TH			2	M
22	293584	SUPPORT			2	
23	504249	RIVET CHY Q PRDG 3/16x3/8 SS			AR	
24	293975	PROTECTOR			6	
25	500611	SCREW TC PAN PH #10-24x1/2 Z050			AR	
26	791007	SUPPORT W/STOPPER (ONE PIECE)			1	
27	293124	STOPPER BLOCK			1	

From 8-1381 To J-0287	Date:10/2022	PAGE:H7-1884-55
<b>SIDE WINDOWS - V.I.P. "COUNTS MEDIA INC" / LDV</b>		

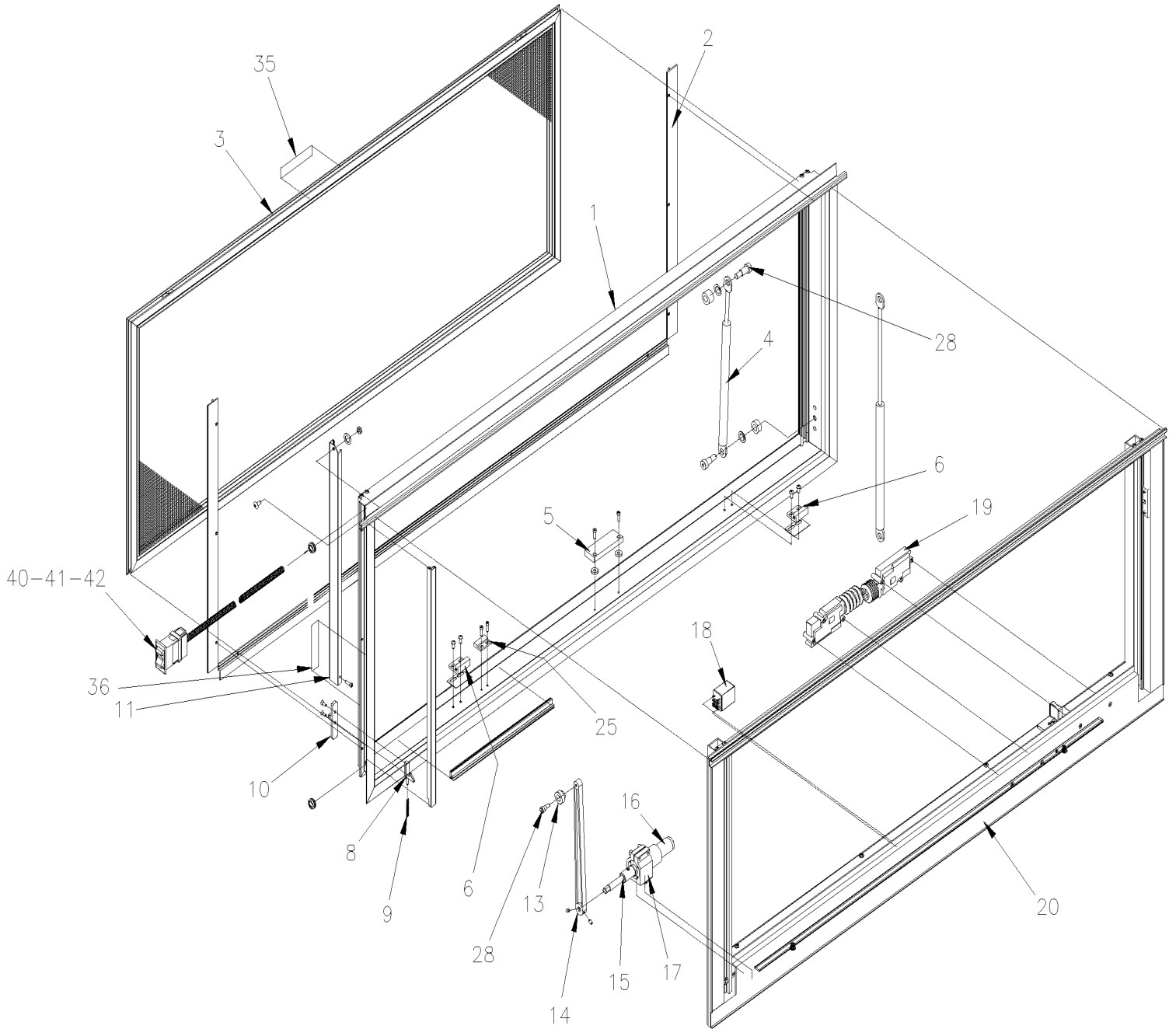
Item#	Part	Description	H 3 4 1	H 3 4 5	V I P 4 5	N O T E S
28	293952	HANDLE WINDOW OPENING 1496MM CUT TO FIT			1	
29	293604	FINISHING MOULDING W/THERMOS GLASS / 2076MM			AR	
30	292931	ANGLE / (WELDED)			AR	
31	502585	WASHER LO SERR 10.2x26.3x1.4 ZP			AR	
32	502719	SCREW CAP HEX M10-1.5x20 SS EMN To 9-1399			AR	
32	5001628	NUT HEX NYRT M10-1.5 SS From 9-1400			AR	
33	293585	SUPPORT MOULDING			AR	
34	505421	SPRING, PIN M3 x 18			AR	
35	293020	STOPPER BLOCK W/EDGE			AR	
35	293021	STOPPER BLOCK			AR	
NS	500329	SCREW TC FL PH #8-32x3/4 N500			AR	
36	292810	ANCHOR BLOCK W/THREAD M10-1.5 To 9-1399			AR	
36	290302	ANCHOR BLOCK W/SCREW M10-1.5 x 30 From 9-1400			AR	
41	562641	MAGNET			3	
42	064360	SWITCH MAGNETIC ASSY			3	
43	500862	SCREW TC PAN PH #6-32x3/4 Z050			2	
45	477136	PANEL UPPER 9140MM			1	
50	Call order desk	<b>BAGGAGE DOOR 48" W/1.78 SQF PERFORATED AREA</b>				P
50	Call order desk	<b>BAGGAGE DOOR 48" W/0.963 SQF PERFORATED AREA</b>				P
50	Call order desk	<b>BAGGAGE DOOR 48" W/0.963 SQF PERFORATED AREA</b>				P
51	H7-2250-20	<b>A/C COMPRESSOR "BITZER" 6NFCY / "SPECIAL"</b>				
		L) LESS TENSION				
		M) MORE TENSION				
		S) STANDARD TENSION				
		P) CALL ORDER DESK FOR SPECIFIC APPLICATION (V.I.N.)				

From 7-0671 To J-0287

Date:10/2022

PAGE:H7-1884-65

ELECTRICAL AWNING WINDOW ASSY

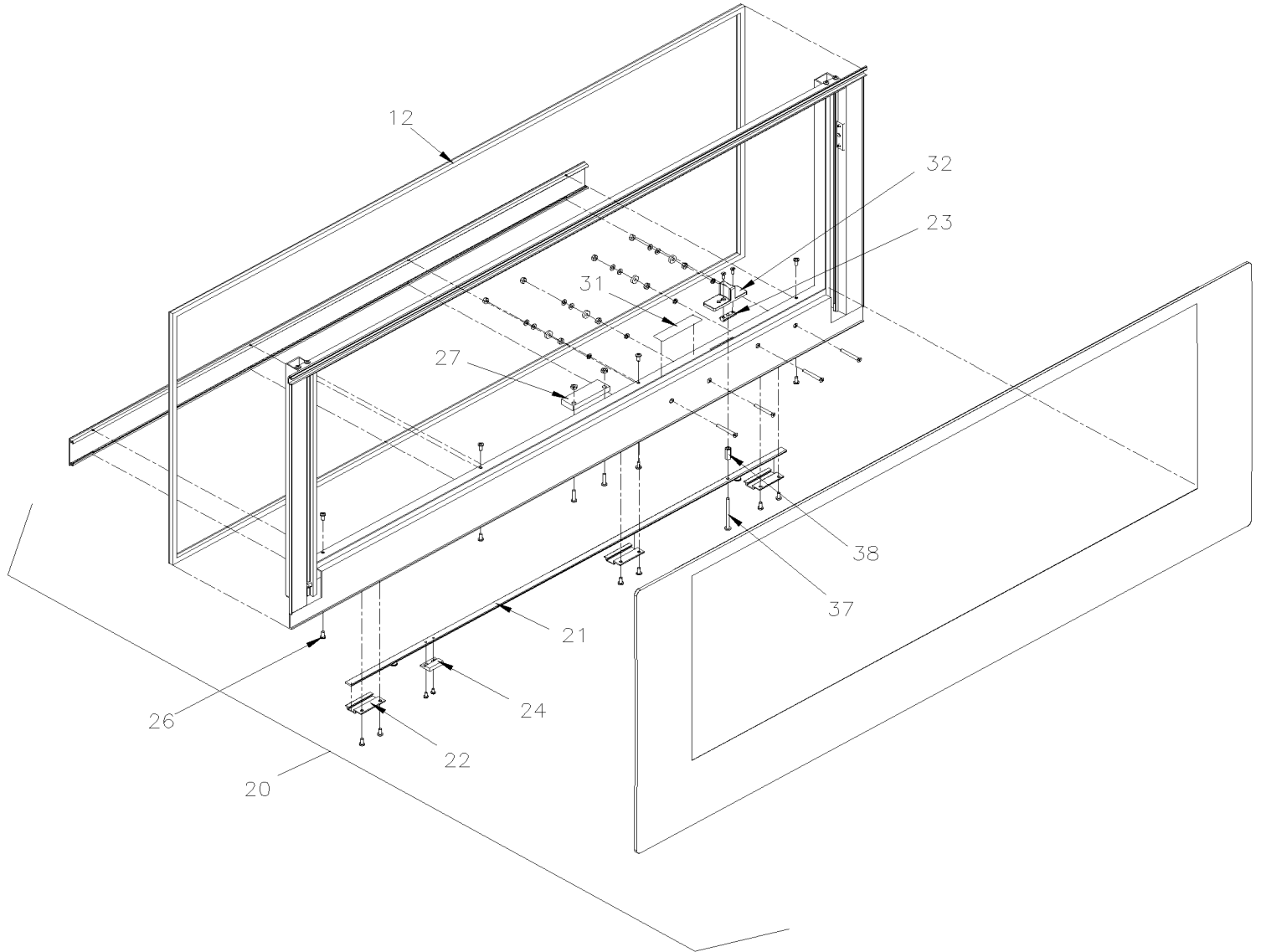


From 7-0671 To J-0287

Date:10/2022

PAGE:H7-1884-65

ELECTRICAL AWNING WINDOW ASSY



From 7-0671 To J-0287	Date:10/2022	PAGE:H7-1884-65
<b>ELECTRICAL AWNING WINDOW ASSY</b>		

Item#	Part	Description	H 3 4 1	H 3 4 5	V I P 4 5	N O T E S
	790612	AWNING WINDOW ASSY / W/REMOTE SWITCH OPERATING			1	
1	790617	. FRAME ASSY			1	
NS	790602	RUBBER BLOCK ADJUSTEMENT 1/2" x 1/2" x 1/8" 80DURO			AR	
2	790570	. RETAINING RING			1	
3	790573	. SCREEN / V.I.P. 59 1/2" x 18 1/2"			1	
4	790578	. CYLINDER			1	
5	563442	. PROXIMITY SWITCH MAGNET			1	
6	790609	. TIE BAR KEEPER			1	
NS	790611	. SHIM KEEPER			1	
8	790574	. TRACK LATCH			1	
9	790575	. SPRING			1	
10	790582	. RELEASE LATCH HANDLE / RED / SASH			1	
11	790581	. TRACK ROLLER			1	
12	790579	. SEAL			14FT	
13	790586	. ROLLER			1	
14	790585	. ARM			1	
NS	790045	. SET SCREW 10-32X1/4 S/S			2	
15	790587	. MOTOR COUPLER			1	
16	790619	. MOTOR ASSY W/MOTOR MOUNT / SMALL O.D.			1	D
16	N.P.N.	. . MOTOR / SMALL O.D.			1	4
17	N.P.N.	. . MOTOR MOUNT / SMALL O.D.			1	4
18	563444	. RELAY 24V			1	
19	790592	. ACTUATOR To FORMER			2	
19	790623	. ACTUATOR W/WHITE DECAL From CURRENT			2	
20	790616	. GLASS ASSY W/AWNING FRAME			1	
21	790590	. TIE BAR - H			1	
22	790584	. GUIDE			2	
23	790580	. RELEASE LATCH GUIDE			1	
24	562641	. MAGNET			1	
25	562640	. SWITCH MAGNETIC			1	
25	563441	. . SWITCH / M/ON-OFF-M/ON / S.P.D.T / BLACK			2	
26	N8888119	. SCREW #8-32 X 0.38			AR	
27	563443	. PROXIMITY SWITCH SENSOR			1	
28	790996	. SHOULER BOLT			3	
30	790598	. DECAL / OPEN-CLOSE			1	
31	790601	. DECAL / "EMERGENCY EXIT" # 3 To E-2500			1	
31	299098	. DECAL / "EMERGENCY EXIT" # 3 From E-2501			1	
32	790620	. RELEASE LATCH HANDLE / RED / FRAME			1	
35	790599	. DECAL / "EMERGENCY EXIT" # 1 / PULL SCREEN			1	
36	790600	. DECAL / "EMERGENCY EXIT" # 2			1	
37	790012	. SCREW MA PAN PH #10-32x2 1/4 SS			1	
38	790013	. COUPLING #10-32x5/16 OD x3/4 ZP			1	

From 7-0671 To J-0287      Date:10/2022      PAGE:H7-1884-65

**ELECTRICAL AWNING WINDOW ASSY**

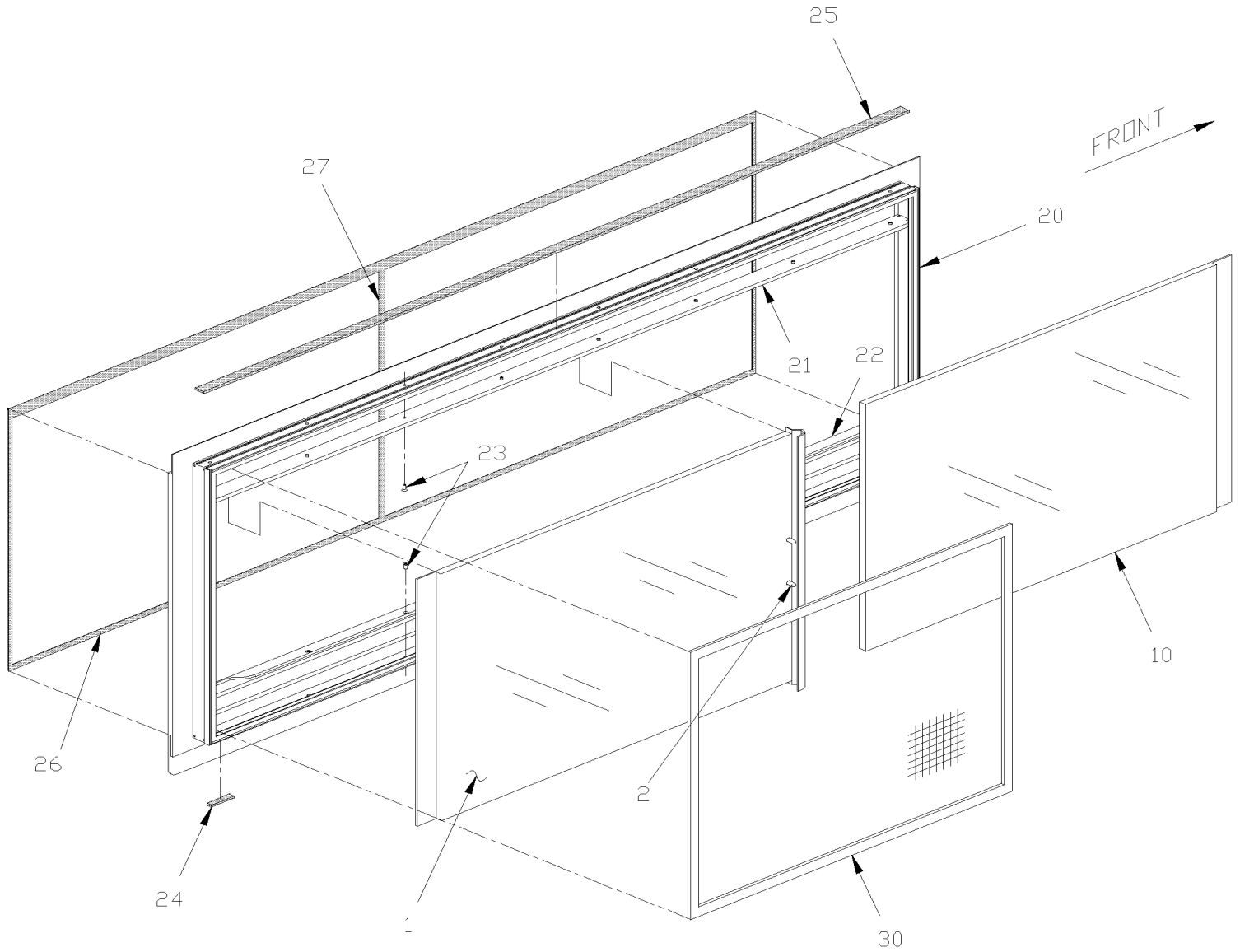
Item#	Part	Description	H 3 4 1	H 3 4 5	V I P 4 5	N O T E S
40	563570	. CABLE ASSY WITH ROCKER SWITCH AND HARNESS / W/XL2 & H3			1	A
NS	293854	. SUPPORT SWITCH / REMOTE OPERATIONAL MODEL			1	
41	563571	. . SWITCH / M/ON-OFF-M/ON S.P.D.T.			1	
42	563572	. . CAP / "OPEN - CLOSE"			1	
NS	066029	CABLE ASSY / POWER AWNING EXTENTION 3M			1	
51	7770423	MASK FOR WINDOW MTH			1	
		A) THIS SWITCH ASSY COULD BE USE FROM 5-0162				
		D) INCLUDE ITEM # 15, 16 & 17 WITH ELECTRICAL CONNECTOR				
		4) NO PARTS NUMBER				

From 7-0671 To 7-0771

Date:10/2022

PAGE:H7-1884-70

**SLIDING WINDOW L.H. - V.I.P.**



From 7-0671 To 7-0771	Date:10/2022	PAGE:H7-1884-70
<b>SLIDING WINDOW L.H. - V.I.P.</b>		

Item#	Part	Description	H 3 4 1	H 3 4 5	V I P 4 5	N O T E S
	790530	WINDOW ASSY, SLIDING LEFT			1	
	790550	WINDOW ASSY, SLIDING LEFT LAST BACKWARD WINDOW			1	S
1	790558	. GLASS SLIDING L.H			1	
2	790464	. . KNOB			2	
NS	790596	. . ROD LONG UPPER & LOWER / TO OPEN WINDOW CENTER HANDLE			2	
NS	790520	. . SPRING, COMPRESSION			1	
NS	790661	. . ROD SHORT UPPER & LOWER / TO RETAIN WINDOW BACKWARD			2	
10	790557	. GLASS ASSY FIX L.H.			1	
20	N.P.N.	. FRAME			1	4
21	790555	. SLIDING TRACK			1	
22	790554	. SLIDING TRACK			1	
23	N.P.N.	. SCREW MA FL PH SS 10-32X1/2			AR	4
24	N.P.N.	. RUBBER			1	4
25	790561	. SEAL UPPER / BETWEEN			6	
26	790556	. SEAL LOWER & SIDE			1	
27	790562	. SEAL CENTER WINDOW			3	
30	790553	. SCREEN			1	
NS	790552	. RETAINING RING			1	
30	N.P.N.	. RETAINING RING L.H. LAST BACKWARD WINDOW			1	4
		S) FOR SERVICE USED 790530				
		4) NO PARTS NUMBER				

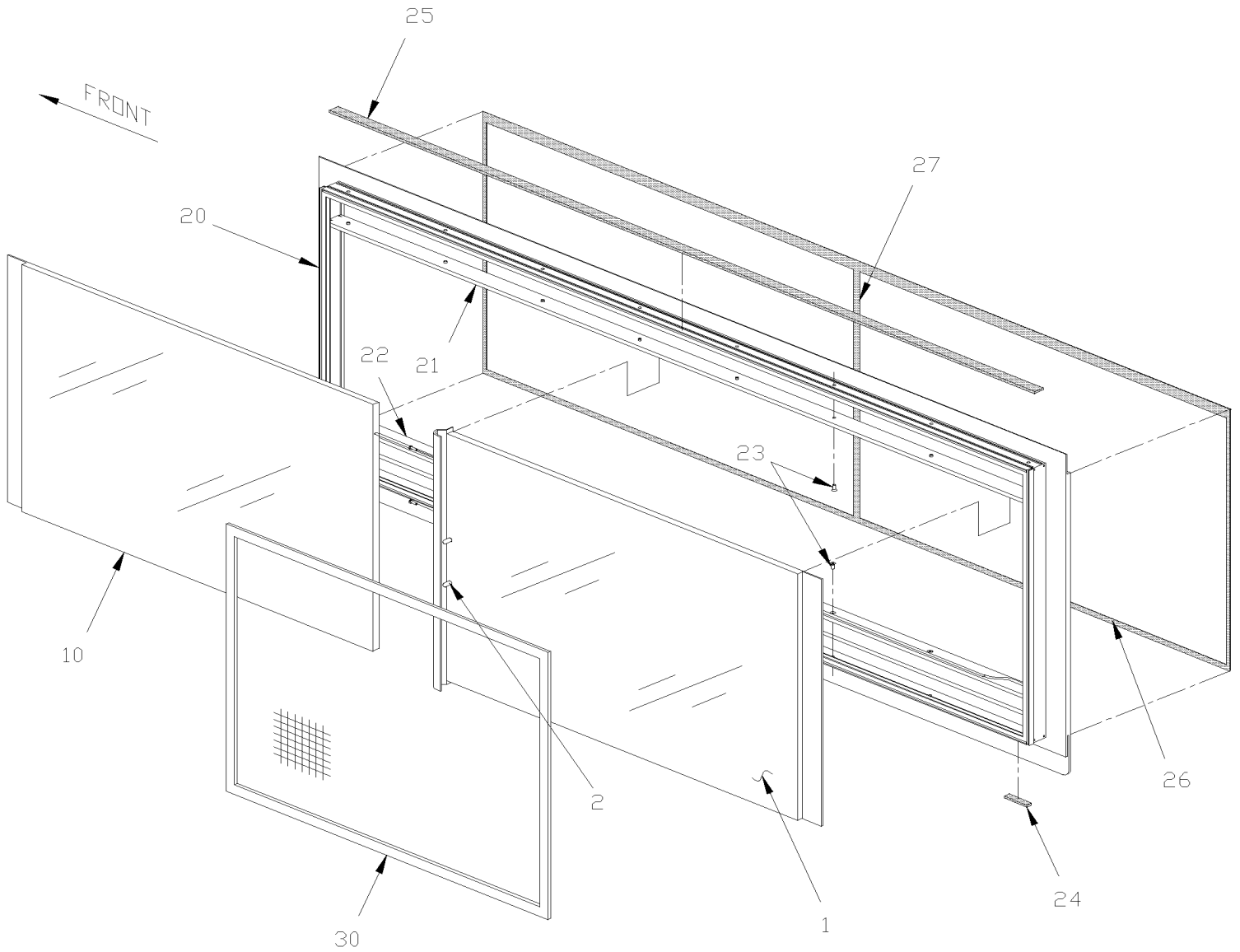


From 7-0671 To 7-0771

Date:10/2022

PAGE:H7-1884-75

## SLIDING WINDOW R.H. - V.I.P.



From 7-0671 To 7-0771	Date:10/2022	PAGE:H7-1884-75
<b>SLIDING WINDOW R.H. - V.I.P.</b>		

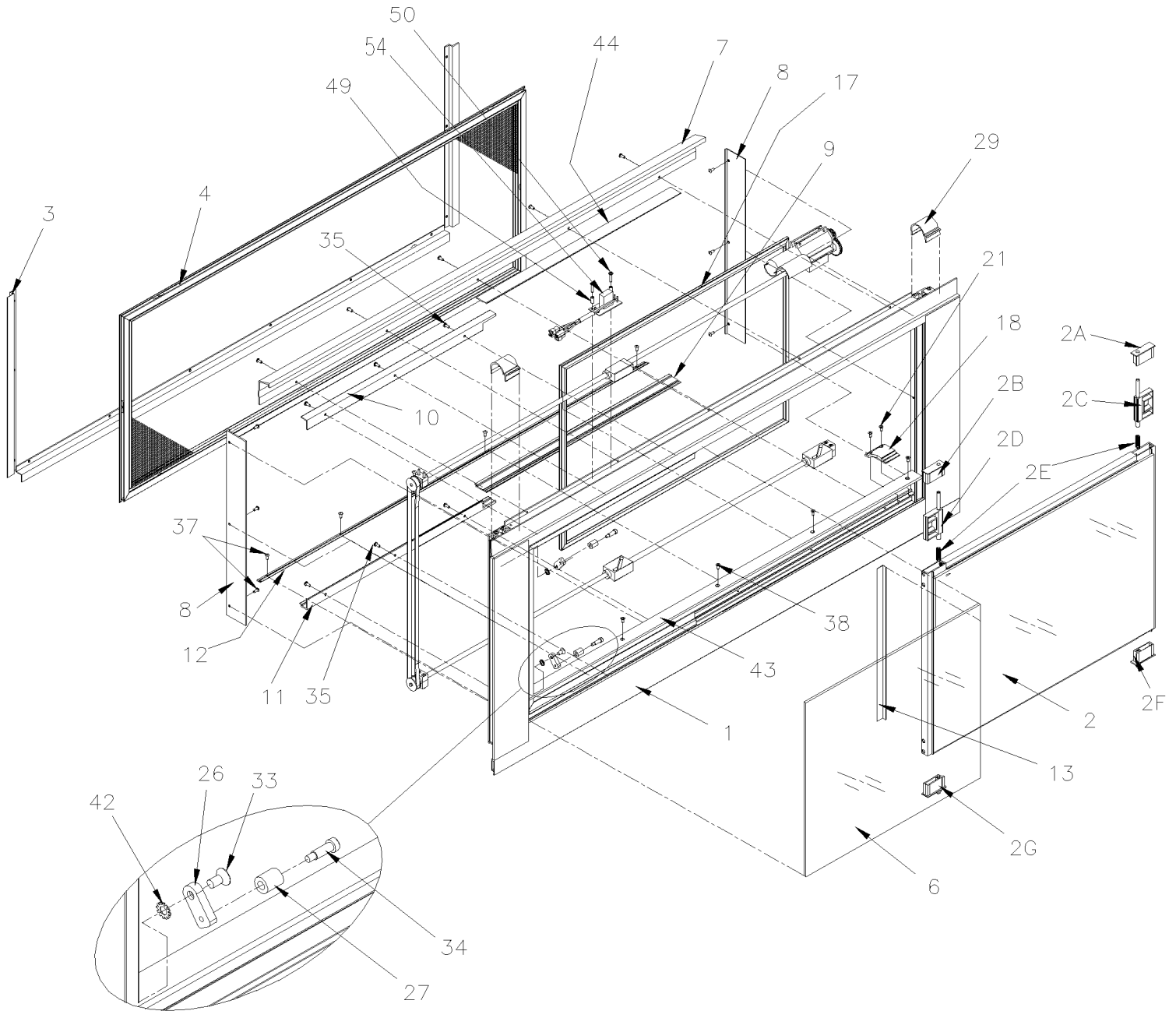
Item#	Part	Description	H 3 4 1	H 3 4 5	V I P 4 5	N O T E S
	790531	WINDOW ASSY, SLIDING RIGHT			1	
	790549	WINDOW ASSY, SLIDING RIGHT LAST BACKWARD WINDOW			1	S
1	790560	. GLASS SLIDING R.H.			1	
2	790464	. . KNOB			2	
NS	790596	. . ROD LONG UPPER & LOWER / TO OPEN WINDOW CENTER HANDLE			2	
NS	790520	. . SPRING, COMPRESSION			1	
NS	790661	. . ROD SHORT UPPER & LOWER / TO RETAIN WINDOW BACKWARD			1	
10	790559	. GLASS ASSY FIX R.H.			1	
20	N.P.N.	. FRAME			1	4
21	790555	. SLIDING TRACK			1	
22	790554	. SLIDING TRACK			1	
23	N.P.N.	. SCREW MA FL PH SS 10-32X1/2			AR	4
24	N.P.N.	. RUBBER			1	4
25	790561	. SEAL UPPER / BETWEEN			6	
26	790556	. SEAL LOWER & SIDE			1	
27	790562	. SEAL CENTER WINDOW			3	
30	790553	. SCREEN			1	
NS	790552	. RETAINING RING			1	
30	N.P.N.	. RETAINING RING R.H. LAST BACKWARD WINDOW			1	4
		S) FOR SERVICE USED 790530				
		4) NO PARTS NUMBER				

From 7-0772 To J-0287

Date:10/2022

PAGE:H7-1884-80

ELECTRICAL SLIDING WINDOW ASSY

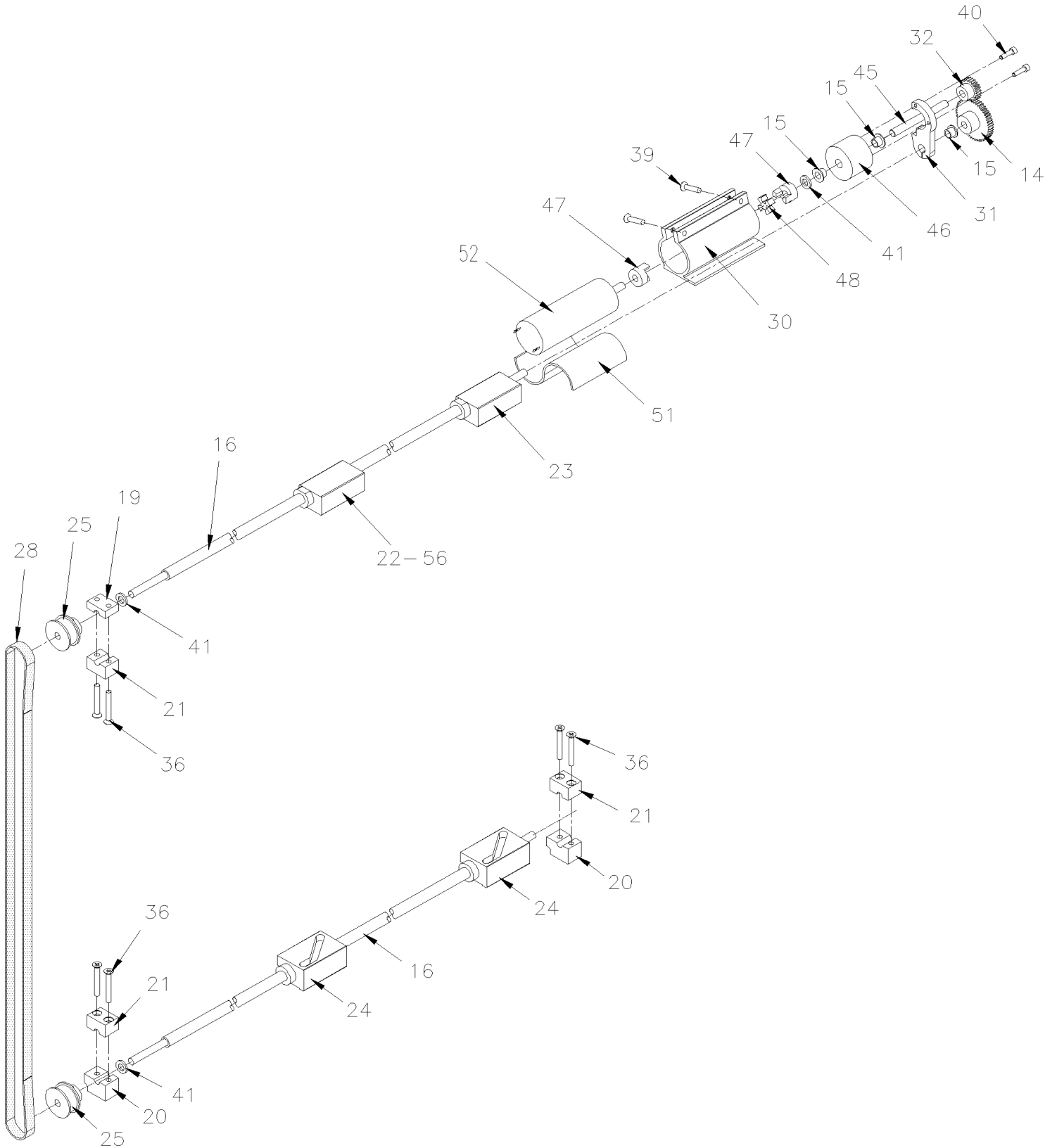


From 7-0772 To J-0287

Date:10/2022

PAGE:H7-1884-80

## ELECTRICAL SLIDING WINDOW ASSY



From 7-0772 To J-0287	Date:10/2022	PAGE:H7-1884-80
<b>ELECTRICAL SLIDING WINDOW ASSY</b>		

Item#	Part	Description	H 3 4 1	H 3 4 5	V I P 4 5	N O T E S
	791002	ELECTRICAL SLIDING WINDOW ASSY To 8-1197			1	
	791006	ELECTRICAL SLIDING WINDOW ASSY From 8-1198			1	
1	790712	. FRAME COMPONENT ASSY			1	
2	790715	. SASH ASSY - 5MM T GRAY/4mm T CLR			1	
. A	790751	. . SASH INSERT - RH UPPER / LH LOWER			1	
. B	790750	. . SASH INSERT - LH UPPER / RH LOWER			1	
. C	790728	. . RELEASE LATCH ASSY - RH			1	
. D	790727	. . RELEASE LATCH ASSY - LH			1	
. E	790752	. . SPRING RELEASE LATCH			2	
. F	790732	. . FIXED SASH INSERT ASSY - RH			1	
. G	790730	. . FIXED SASH INSERT ASSY - LH			1	
3	790718	. CLAMPRING ASSY			1	
4	790720	. SCREEN ASSY			1	
6	790708	. GLASS ASSY-5MM T GRAY/4mm T CLR-H-FIXED			1	
7	790710	. COVER HEADER ACCESS			1	
8	790714	. JAMB COVER			2	
9	790731	. COVER SASH GUIDE - SILL			2	
10	790735	. COVER FIXED GUIDE- HEADER			1	
11	790739	. COVER FIXED GUIDE- SILL			1	
12	790759	. COVER INNER GUIDE			1	
13	790741	. FIXED GLAZING ANGLE			1	
14	790770	. SPUR GEAR - 1 1/2" - STAINLESS / W/24Volt Motor			1	
14	790780	. SPUR GEAR - 1 1/4" - STAINLESS / W/30Volt Motor			1	
15	790743	. FLANGE BEARING 0.25" DEPTH			1	
16	790745	. DRIVE SHAFT			2	
17	790778	. D-SEAL EPDM SPONGE (PER FT)			AR	
18	790746	. SASH END STOP			1	
19	790747	. BLOCK BASE SUPPORT SHAFT - UPPER			1	
20	790748	. BLOCK BASE SUPPORT SHAFT - LOWER			2	
21	790749	. CAP SUPPORT BLOCK SHAFT			3	
22	790724	. FOLLOWER CAM ASSY - UPPER w/ MAGNET			1	
. NS	790015	. . BUSHING INSERT			1	
23	790725	. FOLLOWER CAM ASSY - UPPER			1	
. NS	790015	. . BUSHING INSERT			1	
24	790726	. FOLLOWER CAM ASSY - LOWER			2	
. NS	790015	. . BUSHING INSERT			1	
25	790753	. PULLEY			2	
26	790754	. BRACKET TENSIONER			2	
27	790755	. ROLLER TENSIONER			2	
28	790756	. DRIVE BELT			1	
29	790757	. COVER, GEAR			1	
30	790740	. MOTOR MOUNT			1	

From 7-0772 To J-0287	Date:10/2022	PAGE:H7-1884-80
<b>ELECTRICAL SLIDING WINDOW ASSY</b>		

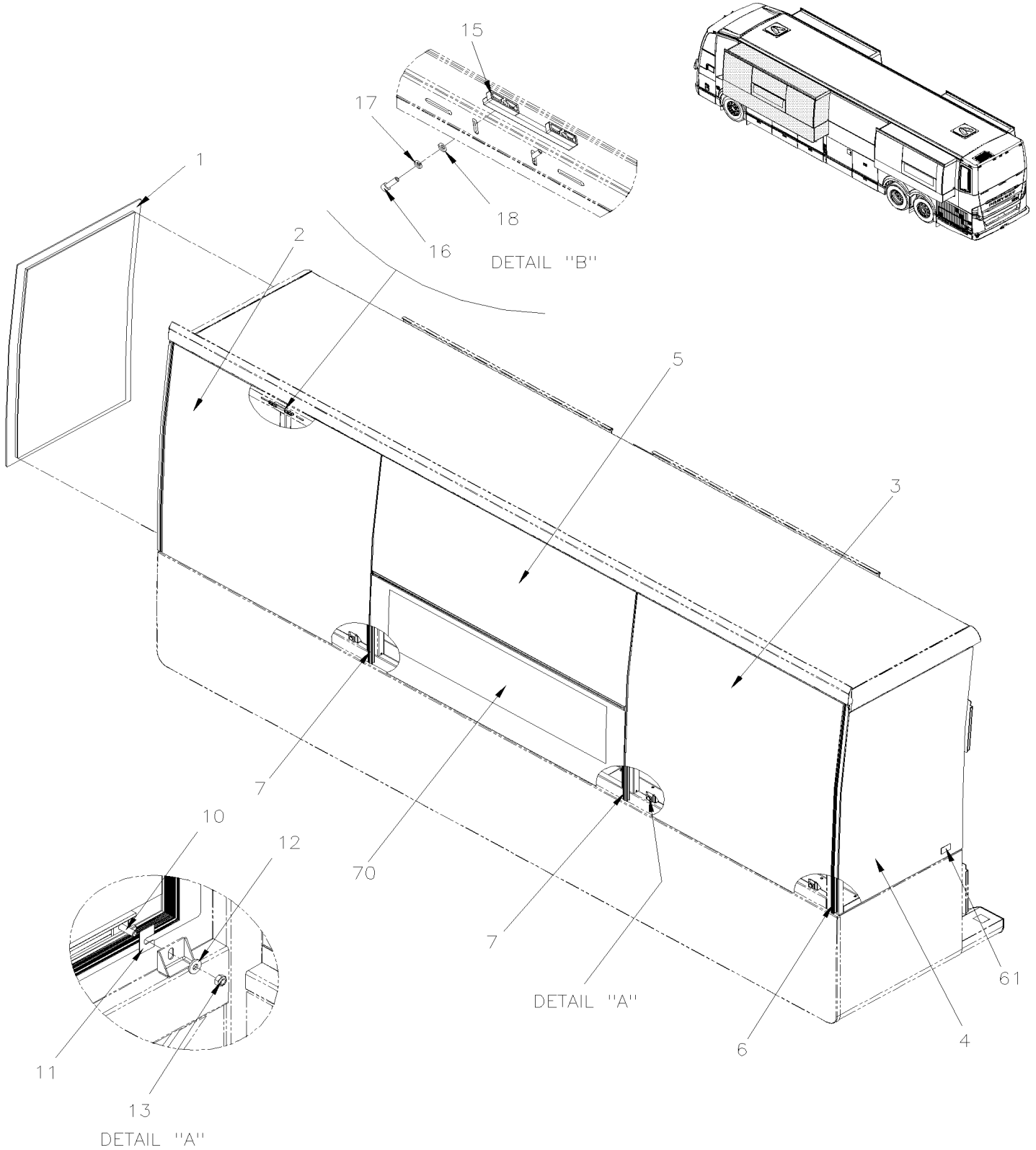
Item#	Part	Description	H 3 4 1	H 3 4 5	V I P 4 5	N O T E S
31	790742	. MOTOR MOUNT END PLATE			1	
32	790769	. SPUR GEAR - 3/4" - ACETAL / W/24Volt Motor			1	
32	790781	. SPUR GEAR - 1" - ACETAL / W/30Volt Motor			1	
33	N.P.N.	. SCREW CAP FL HEXS 1/4-20 x 1/2			2	4
34	N.P.N.	. SCREW SHR CAP HEX .250x.625			2	4
35	500883	. SCREW TC PAN PH #8-32x3/8 Z050			6	
36	500887	. SCREW MA FL PH #8-32x1 1/4 SS			6	
37	790704	. SCREW CAP BUT HEXS #8-32x3/8 420 S/S BLACK OX			19	
38	790702	. SCREW MA FL PH #8-32x3/8 410 S/S BLACK OX			7	
39	790703	. SCREW MA FL PH #8-32x7/8 TYPE 23 410 SS			2	
40	790773	. SCREW CAP HEXS M3-0.5x9.5 SS			2	
41	790774	. WASHER FL .250x.470x .065			2	
42	790775	. WASHER LO EXT .250x.500x.187 SS			2	
43	790761	. STRIP ANTI FRICTION			1	
44	790763	. COVER SASH GUIDE - HEADER			1	
45	790767	. OUTPUT SHAFT			1	
46	790768	. SUPPORT OUTPUT SHAFT			1	
47	790766	. JAW COUPLER			2	
48	790765	. SPIDER			1	
49	790772	. SPACER SLEEVE			2	
50	790700	. SCREW MA PAN PH #8-32x7/8 TYPE 23 410 SS			1	
51	790771	. PAD VIBRATION DAMPER			1	
52	790779	. MOTOR ELECTRIC 30V ASSY			1	
53	790736	CABLE ASSY W/CAPACITOR / MOTOR 24V			1	
. NS	790721	. FRAME WIRING HARNESS WITH RELAY ASSY			1	
. . NS	790002	. . RELAY			1	
. NS	790722	. POWER WIRING HARNESS ASSY			1	
. NS	790738	. MOTOR ELECTRIC 24V ASSY / W/CABLE			1	
. NS	790723	. PROXIMITY SENSOR ASSY			2	
. NS	563570	. CABLE ASSY WITH ROCKER SWITCH AND HARNESS / W/XL2 & H3			1	
. NS	790764	. VOLTAGE REGULATOR			1	
NS	790721	. FRAME WIRING HARNESS WITH RELAY ASSY			1	
. NS	790002	. . RELAY			1	
56	790723	PROXIMITY SENSOR ASSY			1	
NS	790599	DECAL / "EMERGENCY EXIT" # 1 / PULL SCREEN			1	
NS	790600	DECAL / "EMERGENCY EXIT" # 2			1	
		4) NO PARTS NUMBER				

From 7-0671 To J-0287

Date:10/2022

PAGE:H7-1884-90

## SIDE WINDOW - "SLIDE-OUT"

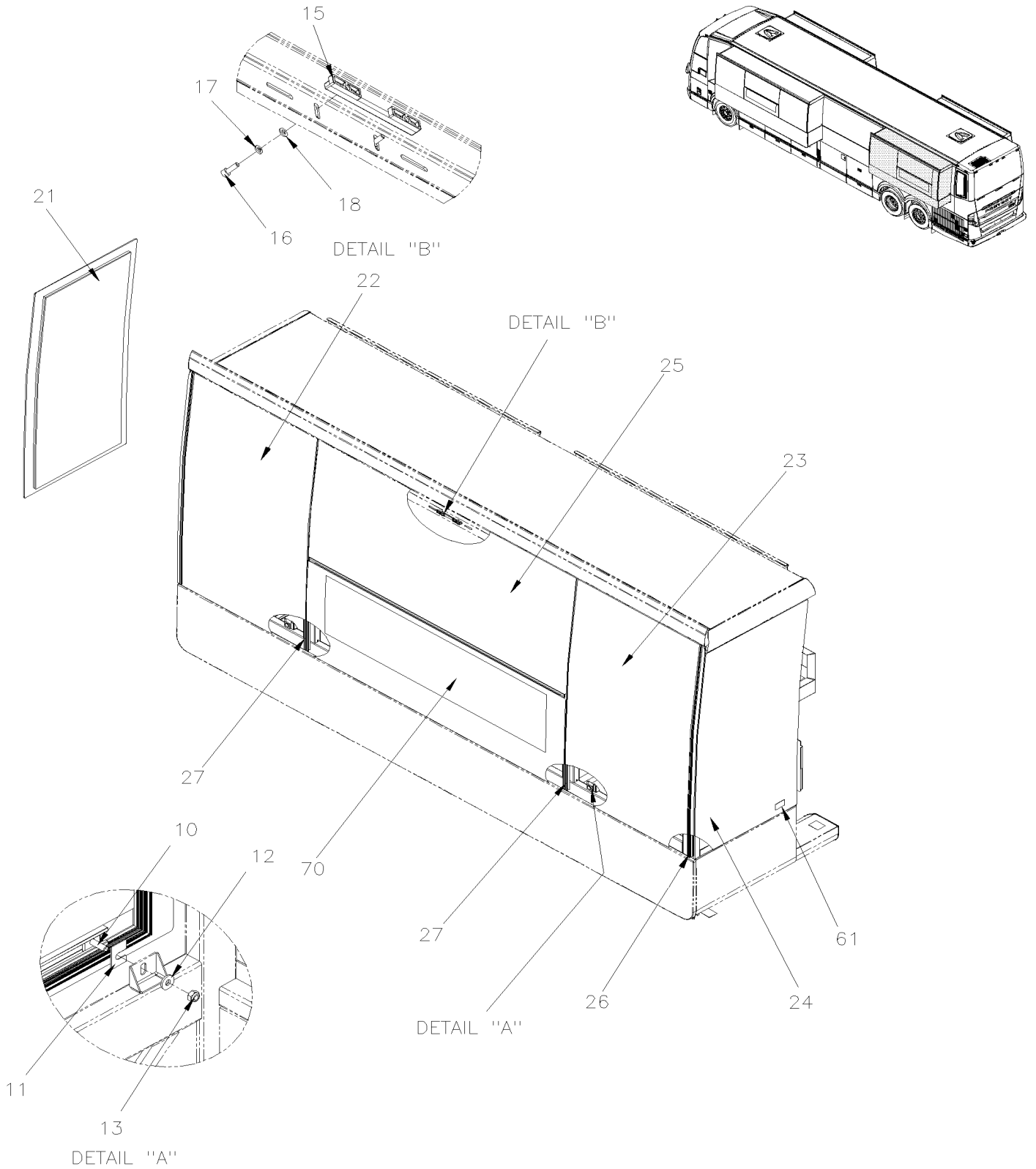


From 7-0671 To J-0287

Date:10/2022

PAGE:H7-1884-90

## SIDE WINDOW - "SLIDE-OUT"



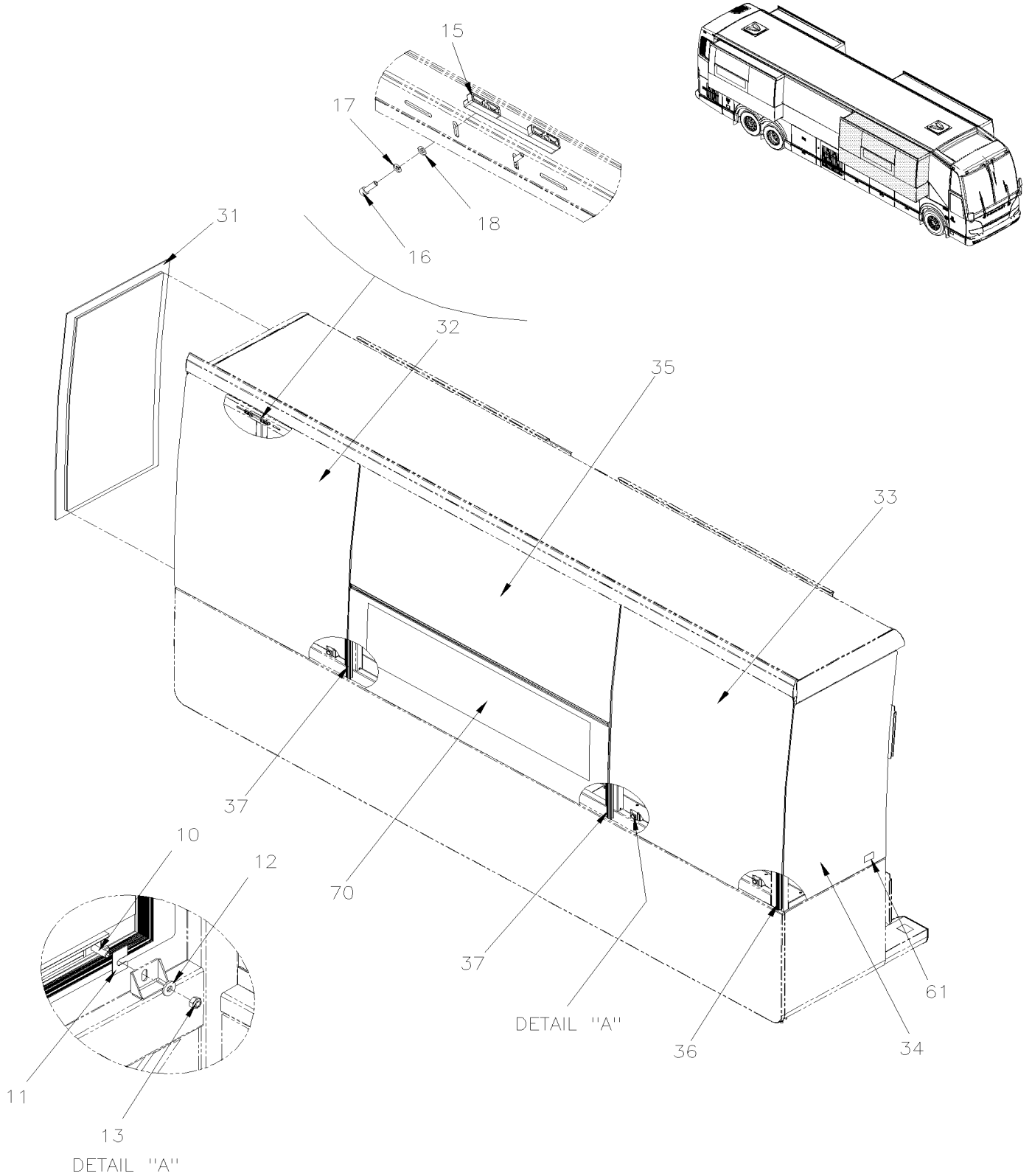


From 7-0671 To J-0287

Date:10/2022

PAGE:H7-1884-90

## SIDE WINDOW - "SLIDE-OUT"

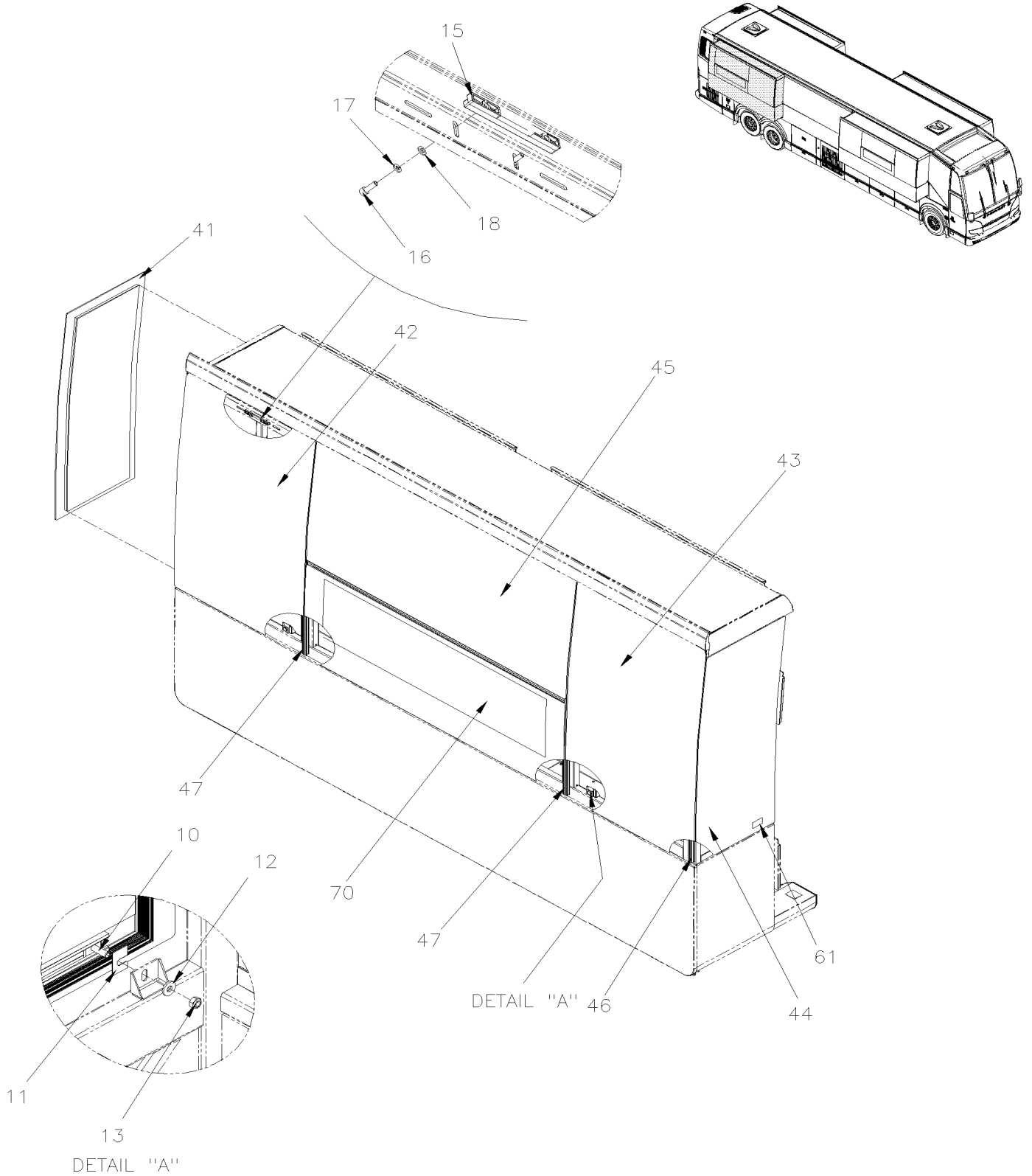


From 7-0671 To J-0287

Date:10/2022

PAGE:H7-1884-90

## SIDE WINDOW - "SLIDE-OUT"

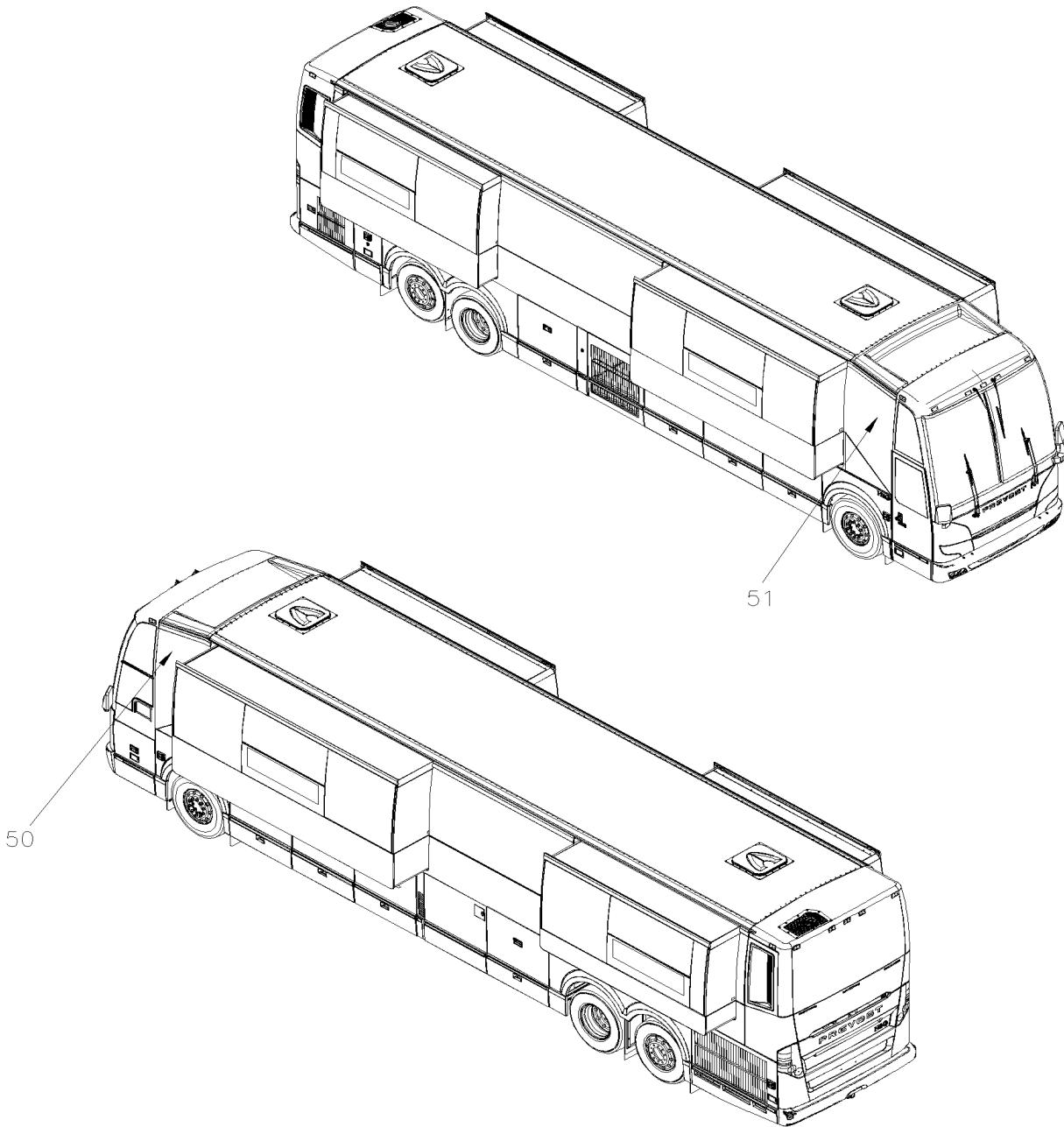


From 7-0671 To J-0287

Date:10/2022

PAGE:H7-1884-90

**SIDE WINDOW - "SLIDE-OUT"**



<b>From 7-0671 To J-0287</b>	<b>Date:10/2022</b>	<b>PAGE:H7-1884-90</b>
<b>SIDE WINDOW - "SLIDE-OUT"</b>		

Item#	Part	Description	H 3 4 1	H 3 4 5	V I P 4 5	N O T E S
1	293865	GLASS, THERMO / FRONT SIDE			1	
2	297098	GLASS, THERMOS / FRONT / 1378MM			1	
. NS	297100	. WINDOW SEAL / 1286MM X 1183MM			1	
. NS	297238	. WINDOW SEAL / 1286MM X 1183MM			1	
3	297106	GLASS, THERMOS / REAR / 1378MM			1	
. NS	297100	. WINDOW SEAL / 1286MM X 1183MM			1	
. NS	297238	. WINDOW SEAL / 1286MM X 1183MM			1	
4	293866	GLASS, THERMO / REAR SIDE			1	
5	297101	GLASS ASSY, THERMOS 13% / UPPER / 1652MM			1	
NS	5060044	TAPE RUB ADH2 CC POL 1/4" X 1/4" X 50' / BLACK 11C-N-A			AR	
6	297195	SEAL RUBBER FRONT SLIDE OUT 4397MM To B-1784			1	S
6	297258	SEAL RUBBER FRONT SLIDE OUT 4397MM From B-1785			1	S
7	297186	SEAL RUBBER 1244MM			2	
10	292810	ANCHOR BLOCK W/THREAD M10-1.5 To 9-1394			AR	
10	290302	ANCHOR BLOCK W/SCREW M10-1.5 x 30 From 9-1395			AR	
11	505213	SHIM 1/16" THICK			AR	
12	502644	WASHER FL 10.5x30.0x2.5 Z050 To 9-1394			AR	
12	502585	WASHER LO SERR 10.2x26.3x1.4 ZP To 9-1394			AR	
12	5001443	WASHER FL 10.3x38.0x3.0 SS From 9-1395			AR	
13	502719	SCREW CAP HEX M10-1.5x20 SS EMN To 9-1394			AR	
13	502859	NUT HEX NYRT M10-1.5 N500 From 9-1395			AR	
15	790645	SAFETY ANCHOR W/2 HOLE M6-1.0 / 203MM From 8-1079			3	
16	5001648	SCREW CAP HEXS M6-1.0x18 SS BK			6	
17	502570	WASHER LO SPT 6.1x11.8x1.6 SS			6	
18	502573	WASHER FL 6.4x12.5x1.6 SS			6	
21	297120	GLASS, THERMO / FRONT SIDE			1	
22	297147	GLASS, SINGLE / 312MM To H-3644			1	7.5
. NS	297146	. WINDOW SEAL / 219MM X 1183MM To H-3644			1	7.5
. NS	290061	. WINDOW SEAL / 219MM X 1183MM To H-3644			1	7.5
. NS	297274	. WINDOW SEAL / 219MM X 1183MM To H-3644			1	7.5
22	298930	GLASS, SINGLE / 312MM From H-3645			1	7.5
. NS	297274	. WINDOW SEAL / 219MM X 1183MM From H-3645			1	7.5
22	297114	GLASS, THERMO / FRONT 820MM			1	L
. NS	297116	. WINDOW SEAL / 728MM X 1183MM			1	L
. NS	290022	. WINDOW SEAL / 728MM X 1183MM			1	L
. NS	297279	. WINDOW SEAL / 728MM X 1183MM			1	L
22	297140	GLASS, THERMO / FRONT 1328MM			1	M
. NS	297142	. WINDOW SEAL / 1235MM X 1183MM			1	M
. NS	290027	. WINDOW SEAL / 1235MM X 1183MM			1	M
23	297144	GLASS, SINGLE / REAR 312MM To H-3644			1	7.5

<b>From 7-0671 To J-0287</b>	<b>Date:10/2022</b>	<b>PAGE:H7-1884-90</b>
<b>SIDE WINDOW - "SLIDE-OUT"</b>		

Item#	Part	Description	H 3 4 1	H 3 4 5	V I P 4 5	N O T E S
. NS	297146	. WINDOW SEAL / 219MM X 1183MM To H-3644			1	7.5
. NS	290061	. WINDOW SEAL / 219MM X 1183MM To H-3644			1	7.5
. NS	297274	. WINDOW SEAL / 219MM X 1183MM To H-3644			1	7.5
23	298931	GLASS, SINGLE / REAR 312MM From H-3645			1	7.5
. NS	297274	. WINDOW SEAL / 219MM X 1183MM From H-3645			1	7.5
23	297118	GLASS, THERMO / REAR 820MM			1	L
. NS	297116	. WINDOW SEAL / 728MM X 1183MM			1	L
. NS	290022	. WINDOW SEAL / 728MM X 1183MM			1	L
. NS	297279	. WINDOW SEAL / 728MM X 1183MM			1	L
23	297144	GLASS, SINGLE / REAR 312MM To H-3644			1	M
. NS	297146	. WINDOW SEAL / 219MM X 1183MM To H-3644			1	M
. NS	290061	. WINDOW SEAL / 219MM X 1183MM To H-3644			1	M
. NS	297274	. WINDOW SEAL / 219MM X 1183MM To H-3644			1	M
23	298931	GLASS, SINGLE / REAR 312MM From H-3645			1	M
. NS	297274	. WINDOW SEAL / 219MM X 1183MM From H-3645			1	M
24	297121	GLASS, THERMO / REAR SIDE			1	
25	297101	GLASS ASSY, THERMOS 13% / UPPER / 1652MM			1	
25	5060044	TAPE RUB ADH2 CC POL 1/4" X 1/4" X 50' / BLACK 11C-N-A			AR	
25	477025	PANEL UPPER SLIDE-OUT W/OUT WINDOW 2293MM	1	1	1	7.5
26	297196	SEAL RUBBER REAR LARGE SLIDE OUT 3280MM To B-1784			1	S
26	297259	SEAL RUBBER REAR LARGE SLIDE OUT 3280MM From B-1785			1	S
26	297197	SEAL RUBBER REAR SMALL SLIDE OUT 2264MM To B-1784			1	S
26	297260	SEAL RUBBER REAR SMALL SLIDE OUT 2264MM From B-1785			1	S
27	297186	SEAL RUBBER 1244MM			2	
31	297120	GLASS, THERMO / FRONT SIDE From 9-1404 To H-3644			1	C
31	293865	GLASS, THERMO / FRONT SIDE From 9-1404 To H-3644			1	D
32	297230	GLASS, THERMOS / REAR / 1099MM From 9-1404 To H-3644			1	12
. NS	297232	. WINDOW SEAL / 1190MM X 1012.4MM From 9-1404 To H-3644			1	12
. NS	290052	. WINDOW SEAL / 1190MM X 1012.4MM From 9-1404 To H-3644			1	12
. NS	297291	. WINDOW SEAL / 1190MM X 1012.4MM From 9-1404 To H-3644			1	12
32	297224	GLASS, THERMOS / REAR / 591.2MM From 9-1404 To H-3644			1	9
. NS	297226	. WINDOW SEAL / 1190MM X 504MM From 9-1404 To H-3644			1	9
. NS	290051	. WINDOW SEAL / 1190MM X 504MM From 9-1404 To H-3644			1	9
. NS	297290	. WINDOW SEAL / 1190MM X 504MM From 9-1404 To H-3644			1	9
33	297228	GLASS, THERMOS / FRONT / 1099MM From 9-1404 To H-3644			1	12
. NS	297232	. WINDOW SEAL / 1190MM X 1012.4MM From 9-1404 To H-3644			1	12
. NS	290052	. WINDOW SEAL / 1190MM X 1012.4MM From 9-1404 To H-3644			1	12
. NS	297291	. WINDOW SEAL / 1190MM X 1012.4MM From 9-1404 To H-3644			1	12
33	297222	GLASS, THERMOS / FRONT / 591.2MM From 9-1404 To H-3644			1	9
. NS	297226	. WINDOW SEAL / 1190MM X 504MM From 9-1404 To H-3644			1	9
. NS	290051	. WINDOW SEAL / 1190MM X 504MM From 9-1404 To H-3644			1	9

<b>From 7-0671 To J-0287</b>	<b>Date:10/2022</b>	<b>PAGE:H7-1884-90</b>
<b>SIDE WINDOW - "SLIDE-OUT"</b>		

Item#	Part	Description	H 3 4 1	H 3 4 5	V I P 4 5	N O T E S
. NS	297290	. WINDOW SEAL / 1190MM X 504MM From 9-1404 To H-3644			1	9
34	297121	GLASS, THERMO / REAR SIDE From 9-1404 To H-3644			1	C
34	293866	GLASS, THERMO / REAR SIDE From 9-1404 To H-3644			1	D
35	297101	GLASS ASSY, THERMOS 13% / UPPER / 1652MM From 9-1404			1	
35	5060044	TAPE RUB ADH2 CC POL 1/4" X 1/4" X 50' / BLACK I1C-N-A From 9-1404			AR	
36	297209	SEAL RUBBER FRONT SLIDE OUT 3839MM From 9-1404 To B-1784			1	12 S
36	297266	SEAL RUBBER FRONT SLIDE OUT 3839MM From B-1785 To H-3644			1	12 S
36	297208	SEAL RUBBER FRONT SLIDE OUT 2822MM From 9-1404 To B-1784			1	9 S
36	297265	SEAL RUBBER FRONT SLIDE OUT 2822MM From B-1785 To H-3644			1	9 S
37	297186	SEAL RUBBER 1244MM From 9-1404			2	
41	297166	GLASS, THERMO / REAR SIDE From 9-1404			1	
42	297147	GLASS, SINGLE / 312MM From 9-1404 To H-3644			1	7.5
. NS	297146	. WINDOW SEAL / 219MM X 1183MM From 9-1404 To H-3644			1	7.5
. NS	290061	. WINDOW SEAL / 219MM X 1183MM From 9-1404 To H-3644			1	7.5
. NS	297274	. WINDOW SEAL / 219MM X 1183MM From 9-1404 To H-3644			1	7.5
42	298930	GLASS, SINGLE / 312MM From H-3645			1	7.5
. NS	297274	. WINDOW SEAL / 219MM X 1183MM From H-3645			1	7.5
42	297114	GLASS, THERMO / FRONT 820MM From 9-1404			1	L
. NS	297116	. WINDOW SEAL / 728MM X 1183MM From 9-1404			1	L
. NS	290022	. WINDOW SEAL / 728MM X 1183MM From 9-1404			1	L
. NS	297279	. WINDOW SEAL / 728MM X 1183MM From 9-1404			1	L
42	297147	GLASS, SINGLE / 312MM From 9-1404 To H-3644			1	M
. NS	297146	. WINDOW SEAL / 219MM X 1183MM From 9-1404 To H-3644			1	M
. NS	290061	. WINDOW SEAL / 219MM X 1183MM From 9-1404 To H-3644			1	M
. NS	297274	. WINDOW SEAL / 219MM X 1183MM From 9-1404 To H-3644			1	M
42	298930	GLASS, SINGLE / 312MM From H-3645			1	M
. NS	297274	. WINDOW SEAL / 219MM X 1183MM From H-3645			1	M
43	297144	GLASS, SINGLE / REAR 312MM From 9-1404 To H-3644			1	7.5
. NS	297146	. WINDOW SEAL / 219MM X 1183MM From 9-1404 To H-3644			1	7.5
. NS	290061	. WINDOW SEAL / 219MM X 1183MM From 9-1404 To H-3644			1	7.5
. NS	297274	. WINDOW SEAL / 219MM X 1183MM From 9-1404 To H-3644			1	7.5
43	298931	GLASS, SINGLE / REAR 312MM From H-3645			1	7.5
. NS	297274	. WINDOW SEAL / 219MM X 1183MM From H-3645			1	7.5
43	297118	GLASS, THERMO / REAR 820MM From 9-1404			1	L
. NS	297116	. WINDOW SEAL / 728MM X 1183MM From 9-1404			1	L
. NS	290022	. WINDOW SEAL / 728MM X 1183MM From 9-1404			1	L
. NS	297279	. WINDOW SEAL / 728MM X 1183MM From 9-1404			1	L
43	297172	GLASS, THERMO / FRONT 1328MM From 9-1404			1	M
44	297167	GLASS, THERMO / FRONT SIDE From 9-1404			1	
45	297101	GLASS ASSY, THERMOS 13% / UPPER / 1652MM From 9-1404			1	
46	297197	SEAL RUBBER REAR SMALL SLIDE OUT 2264MM From 9-1404 To B-1784			1	

From 7-0671 To J-0287	Date:10/2022	PAGE:H7-1884-90
-----------------------	--------------	-----------------

**SIDE WINDOW - "SLIDE-OUT"**

Item#	Part	Description	H 3 4 1	H 3 4 5	V I P 4 5	N O T E S
46	297260	SEAL RUBBER REAR SMALL SLIDE OUT 2264MM From B-1785			1	
46	297196	SEAL RUBBER REAR LARGE SLIDE OUT 3280MM From 9-1404 To B-1784			1	
46	297259	SEAL RUBBER REAR LARGE SLIDE OUT 3280MM From B-1785			1	
47	297186	SEAL RUBBER 1244MM From 9-1404			1	
50	297108	GLASS ASSY, THERMO 13% / TRAPEZOIDAL / LH VIP / W/SLIDE-OUT "PRÉVOST"			1	
. NS	297105	. WINDOW SEAL / TRAPEZOIDAL LH 1826MM X 900MM			1	
. NS	290020	. WINDOW SEAL / TRAPEZOIDAL LH 1826MM X 900MM			1	
. NS	297277	. WINDOW SEAL / TRAPEZOIDAL LH 1826MM X 900MM			1	
51	297213	GLASS ASSY, THERMO 13% / TRAPEZOIDAL / RH VIP / W/SLIDE-OUT "PRÉVOST"				
. NS	297215	. WINDOW SEAL / TRAPEZOIDAL LH / W/SLIDE-OUT 1159MM X 965MM			1	
. NS	290035	. WINDOW SEAL / TRAPEZOIDAL LH / W/SLIDE-OUT 1159MM X 965MM			1	
NS	800355	LUBRICANT CLEAR LUBE 32A / 20 LITER				AR
NS	689819	LUBRICANT CLEAR LUBE 32A / 2 LBS				AR
NS	800356	LUBRICANT CLEAR LUBE 32A / 430 Gr				AR
61	476130	DECAL " KEEP HANDS & FINGERS AWAY.."			2	
70	<b>H7-1884-70</b>	<b>SLIDING WINDOW L.H. - V.I.P.</b>				
70	<b>H7-1884-65</b>	<b>ELECTRICAL AWNING WINDOW ASSY</b>				
70	<b>H7-1884-80</b>	<b>ELECTRICAL SLIDING WINDOW ASSY</b>				
		12) USE WITH 12 FEET SLIDE-OUT ONLY				
		7.5) USE WITH 7.5 FEET SLIDE-OUT ONLY				
		9) USE WITH 9 FEET SLIDE-OUT ONLY				
		C) WITH 2 FEET DEPTH SLIDE OUT				
		D) WITH 2.5 FEET DEPTH SLIDE OUT				
		L) USE WITH SLIDE-OUT 10 1/2 FEET LONG WITH CENTER OPEN WINDOWS				
		M) USE WITH SLIDE-OUT 10 1/2 FEET LONG WITH BACKWARD OPEN WINDOW				
		S) COVERING ALLS WINDOW UPPER & SIDE "U" SHAPE				



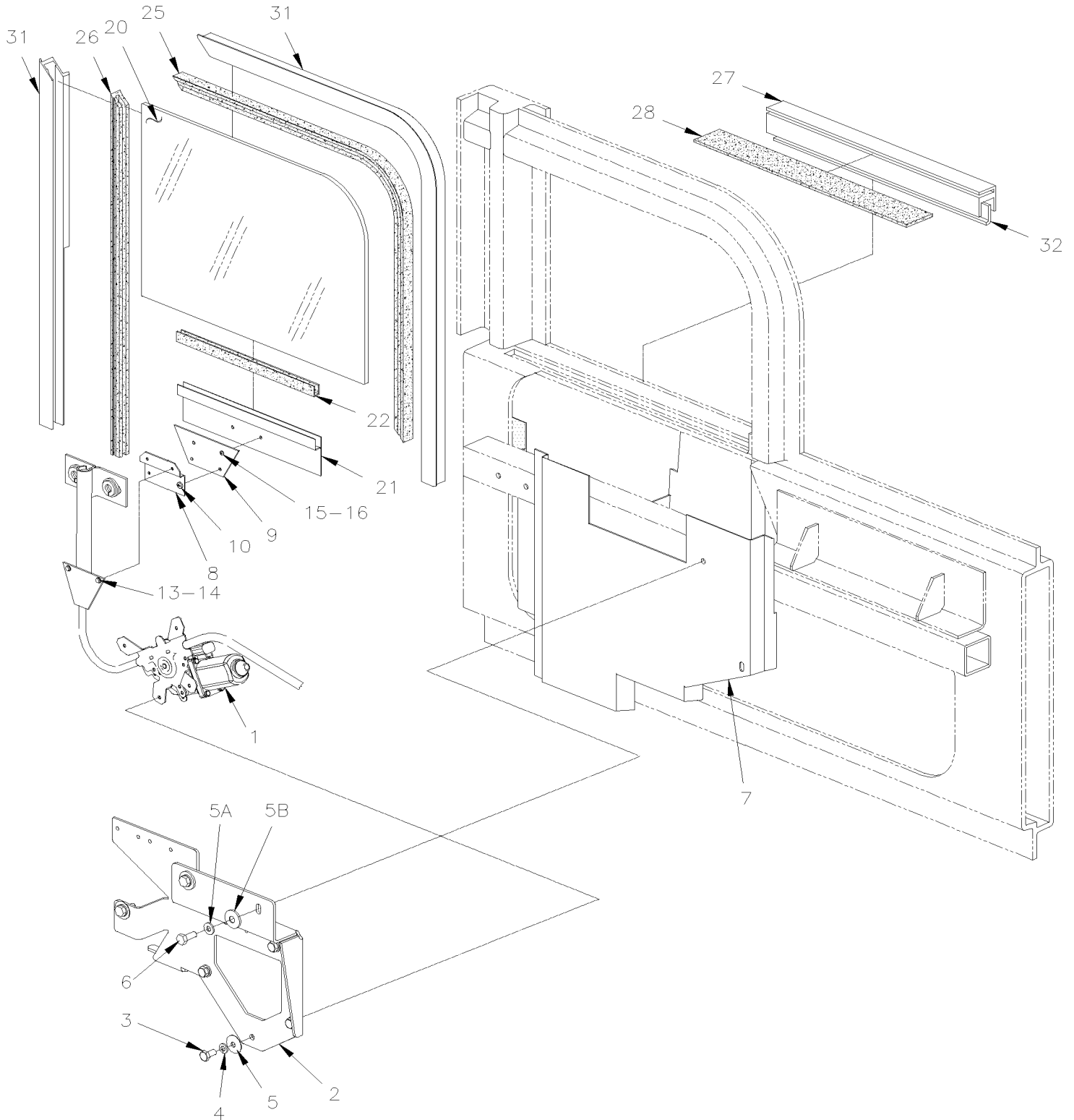


From 7-0671 To J-0287

Date:10/2022

PAGE:H7-1886-00

## POWER WINDOW - ELECTRICAL INSTALLATION



From 7-0671 To J-0287	Date:10/2022	PAGE:H7-1886-00
<b>POWER WINDOW - ELECTRICAL INSTALLATION</b>		

Item#	Part	Description	H 3 4 1	H 3 4 5	V I P 4 5	N O T E S
	293855P	MOTOR ASSY W/SUPPORT	1	1	1	
1	790501	. MOTOR & REGULATOR ASSY / SERIES "H"	1	1	1	
2	293846	. SUPPORT ASSY	1	1	1	
3	502772	. SCREW CAP HEX 1/4-20x1/2 G5 N500	4	4	4	
4	500440	. WASHER FL .250x.562x.065 Z050	5	5	5	
5	500270	. WASHER FL .406x1.000x.063 SS	1	1	1	
5A	500877	. WASHER FL .250x.562x.065 N500	3	3	3	
5B	502590	. WASHER LO INT 12.2x24.3x1.0 ZP	3	3	3	
6	502848	. SCREW TC CAP HEXF 1/4-20x3/4 N500	3	3	3	
7	293867	. PROTECTOR, WATER / WHITE PLASTIC	1	1	1	
8	293902	ADAPTOR TRANSITION ASSY	1	1	1	B
8	293899	. SUPPORT "Z" SHAPE	1	1	1	
9	293898	. SUPPORT TRANSITION PLASTIC BLACK	1	1	1	
10	5001198	SCREW MA FL PH M6-1.0x16 Z050	2	2	2	
NS	5001182	NUT HEX NYRT M6-1.0 SS	2	2	2	
13	502772	SCREW CAP HEX 1/4-20x1/2 G5 N500	2	2	2	
14	502570	WASHER LO SPT 6.1x11.8x1.6 SS	2	2	2	
NS	500440	WASHER FL .250x.562x.065 Z050	2	2	2	
15	5001633	SCREW MA FL PH M6-1.0x12 Z050	2	2	2	
16	680066	ADHESIVE / ADBOND #5014 / 23.6ML BOTTLE	AR	AR	AR	
20	291948	GLASS ASSY	1	1	1	
20	299045	. GLASS / DRIVER'S WINDOW	1	1	1	
21	299049	. SUPPORT ASSY	1	1	1	
22	681092	. ADHESIVE SIKA #255FC / BLACK / 310ml CARTRIDGE	AR	AR	AR	
22	681091	. PRIMER SIKA #206 / BLACK / 250ml	AR	AR	AR	
25	291854	FELT SLIDING 610MM	1	1	1	
26	291855	FELT SLIDING 375MM	1	1	1	
26	680044	SEALANT TAPE BUTYL / GREY / 1/8"x1/2"x25' / 71017F1760	AR	AR	AR	
27	299050	ALUMINIUM EXTRUSION, DRIVER WINDOW / TO FIX FELT LOWER SEAL	1	1	1	
28	292277	FLAP SEAL / W/FLOCKING 25MM x 312MM	1	1	1	
NS	293085	SEAL INTERIOR / CONSOLE & GLASS / 340MM	1	1	1	
30	293867	PROTECTOR, WATER / WHITE PLASTIC	1	1	1	
30	680088	SEALANT BUTYL 692 12X203 / BLACK / 310ml CARTRIDGE	AR	AR	AR	
31	292798	ALUMINIUM EXTRUSION / TO FIX SIDE & TOP FELT	1	1	1	
31	506769	TAPE RUB ADH2 CC POL 1/8" x 1/4" x 60' / BLACK H1CC-N-#14	AR	AR	AR	
32	<b>H7-1851-00</b>	<b>CAP - FRONT &amp; REAR - INSTALLATION From 7-0671 To 9-1469</b>				
32	<b>H7-1851-01</b>	<b>CAP - FRONT &amp; REAR - INSTALLATION From A-1470 To A-1720</b>	1	1	1	
32	<b>H7-1851-02</b>	<b>CAP - FRONT &amp; REAR - INSTALLATION From B-1721</b>	1	1	1	
33	293872	KIT, RETROFIT ELECTRICAL DRIVER'S WINDOW / SERIES "H"	1	1	1	
. NS	IS-05010	. SEE INSTRUCTION SHEET	1	1	1	

From 7-0671 To J-0287	Date:10/2022	PAGE:H7-1886-00
-----------------------	--------------	-----------------

**POWER WINDOW - ELECTRICAL INSTALLATION**

Item#	Part	Description	H 3 4 1	H 3 4 5	V I P 4 5	N O T E S
		B) INCLUDE ITEM 8 & 9				

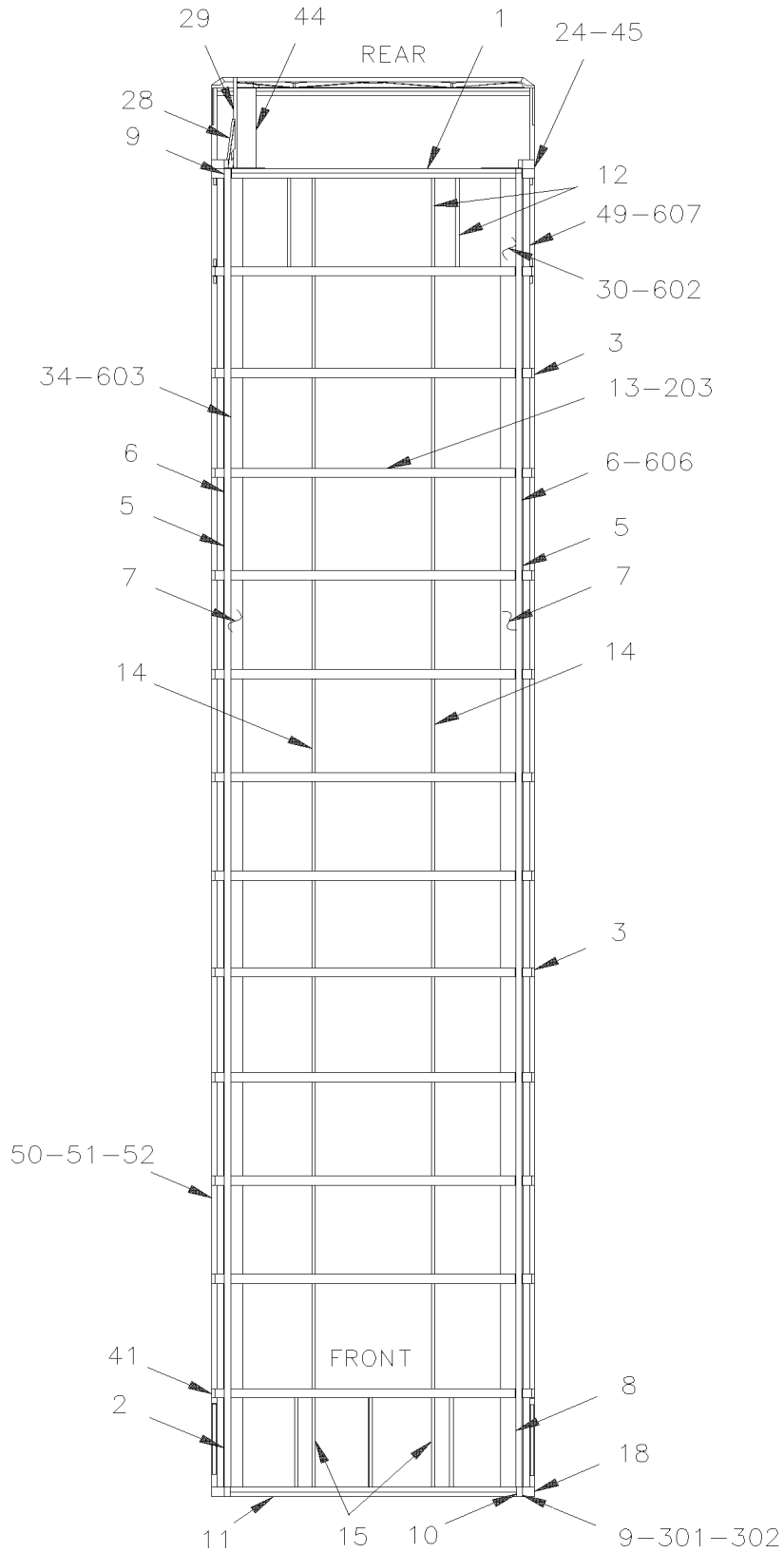


From 7-0671 To D-2363

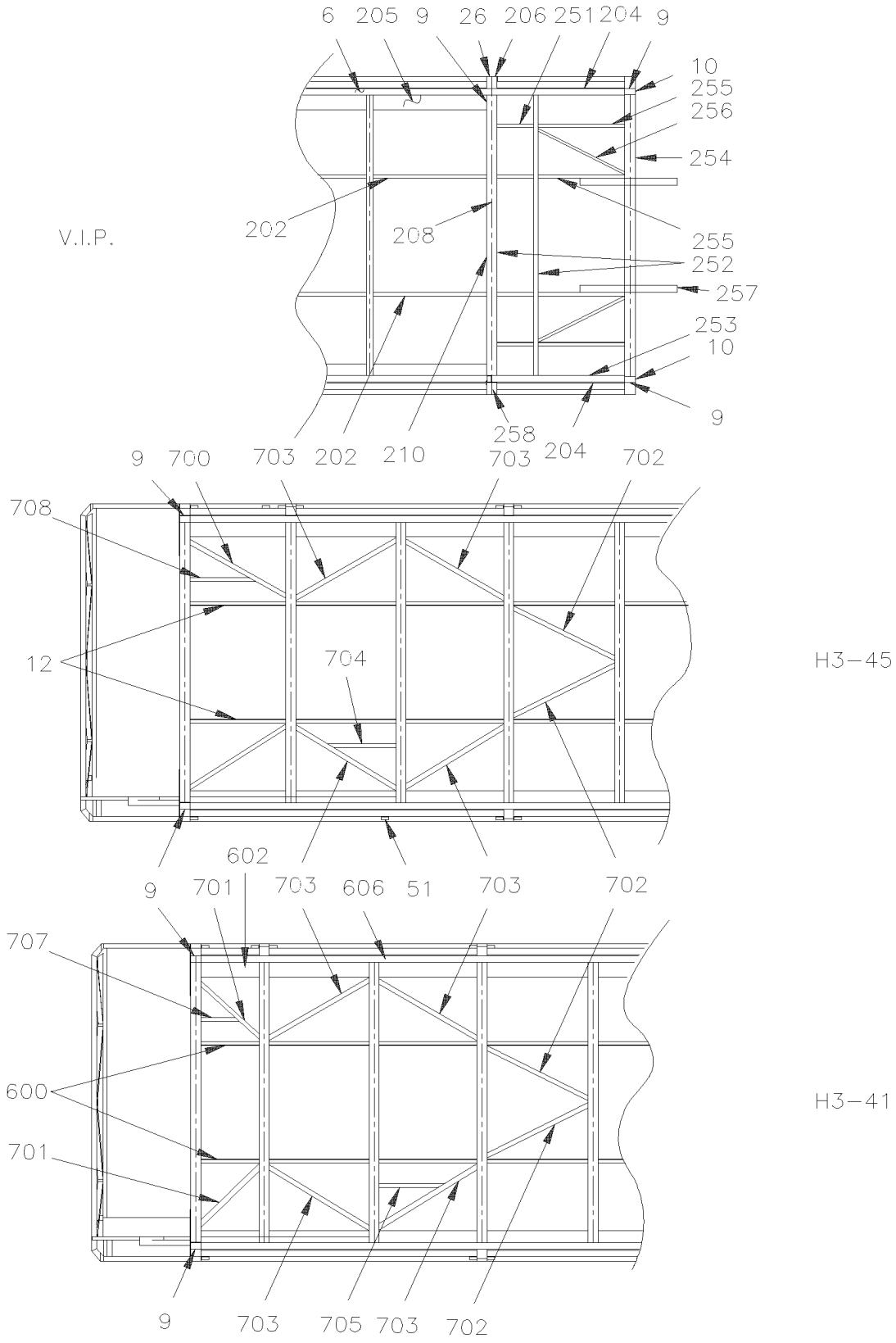
Date:10/2022

PAGE:H7-1890-00

ROOF STRUCTURE



From 7-0671 To D-2363	Date:10/2022	PAGE:H7-1890-00
<b>ROOF STRUCTURE</b>		



From 7-0671 To D-2363	Date:10/2022	PAGE:H7-1890-00
<b>ROOF STRUCTURE</b>		

Item#	Part	Description	H 3 4 1	H 3 4 5	V I P 4 5	N O T E S
1	271535	ROOF ARCH	1	1	1	
2	271051	CORNER FORM	2	2	2	
3	<b>H7-1890-10</b>	<b>STRUCTURE WALL - UPPER</b>				
4	270553	REINFORCEMENT / BETWEEN WINDOW	4	4	4	
5	271053	CORNER FORM		9		
6	270919	TUBE		4		
6	270921	TUBE			4	
7	270558	CORNER PANEL	24			
7	270558	CORNER PANEL		22	22	
8	271006	CORNER FORM	2	2	2	
9	271104	PLATE (CURVED)	6	6	6	
10	270541	CLOSING PLATE	2	2	2	
11	270566P	ROOF ARCH ASSY To A-1720	1	1	1	
11	271748	ROOF ARCH ASSY From B-1721	1	1	1	
12	271626	FORM / BETWEEN ARCH		4		
13	271636	ARCH	12			
13	271636	ARCH		13		
14	271620	FORM / BETWEEN ARCH	22		22	
14	271041	FORM / BETWEEN ARCH	2	2		R
15	272135	CORNER FORM	5	5	5	
18	270596P	FRONT POST ASSY L.H.	1	1	1	
24	270831	TUBE		1		
24	270915	TUBE		1		
24	270889	TUBE			1	
24	270940	TUBE			1	
26	270624	IN BETWEEN WINDOW TUBE			5	
28	211561	SUPPORT	1	1	1	
29	271207	REINFORCEMENT ASSY	1	1	1	
30	271005	CORNER FORM		2	2	
34	271055	RIGHT CORNER FORM		1		
41	<b>H7-1890-10</b>	<b>STRUCTURE WALL - UPPER</b>				
44	271208	PLATE	1	1	1	
45	270833P	TUBES ASSY		1		
49	271054	REAR LEFT CORNER FORM		1		
50	<b>H7-1890-10</b>	<b>STRUCTURE WALL - UPPER</b>				
51	292931	ANGLE / (WELDED)	14			
51	292931	ANGLE / (WELDED)		16	16	
52	293062	ANGLE / (WELDED)	4	4	4	
202	271619	FORM / BETWEEN ARCH			2	
203	270516	CORNER REINFORCEMENT	26	26	26	
204	270760	CORNER SUPPORT			2	
205	270621	CORNER PANEL			2	

From 7-0671 To D-2363	Date:10/2022	PAGE:H7-1890-00
<b>ROOF STRUCTURE</b>		

Item#	Part	Description	H 3 4 1	H 3 4 5	V I P 4 5	N O T E S
206	270623	IN BETWEEN WINDOW TUBE			2	
208	270761	CLOSING PANEL			1	
210	270533	ROOF ARCH			1	
251	270652	TUBE			4	
252	271636	ARCH			2	
253	270762	REINFORCEMENT			2	
254	271288	ARCH			2	
255	270616	TUBE			4	
256	270635	TUBE			2	
257	270677	TUBE			2	
258	270516	CORNER REINFORCEMENT			4	
301	270922	CORNER FORM	2	2	2	
302	270591	REINFORCEMENT	2	2	2	
600	271627	FORM / BETWEEN ARCH	2			
602	271002	CORNER FORM	1			
603	271057	PANEL, CORNER	1			
606	270920	TUBE	4			
607	271056	CORNER FORM REAR LEFT	1			
700	271059	REINFORCEMENT	2	2		
701	271062	REINFORCEMENT	2			
702	270867	REINFORCEMENT TUBE	2	2		
703	270868	REINFORCEMENT TUBE	4	4		
704	271623	FORM / BETWEEN ARCH	1	1		
705	271622	FORM / BETWEEN ARCH	1			
707	261627	FORM / BETWEEN ARCH	1			
708	271624	FORM / BETWEEN ARCH	1	1		
		R) OVER "RICON" DOOR				

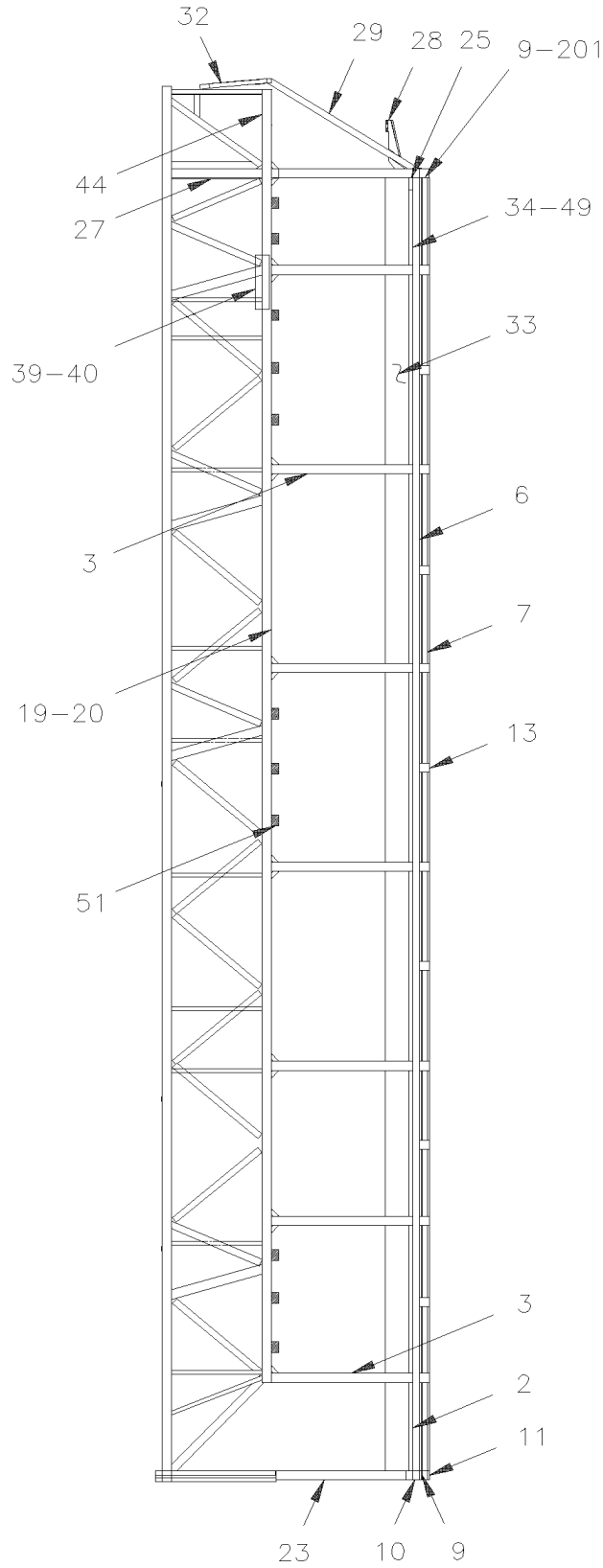


From 7-0671 To D-2363

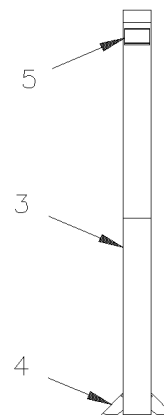
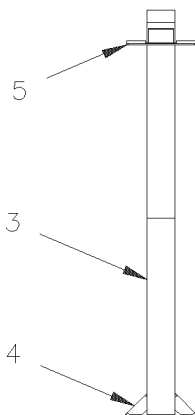
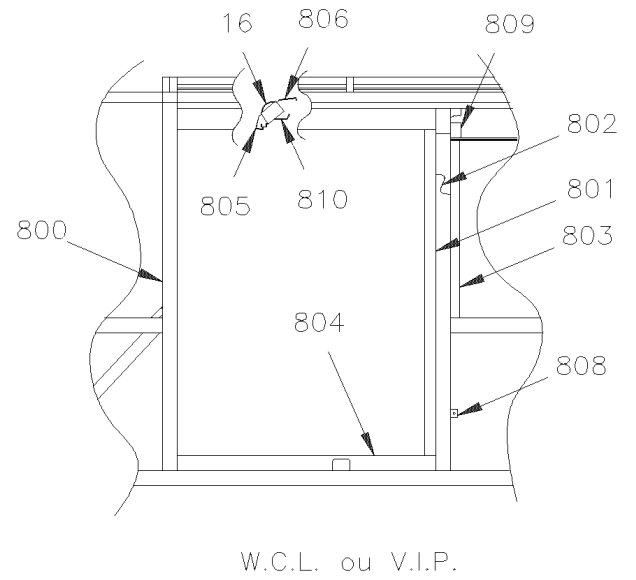
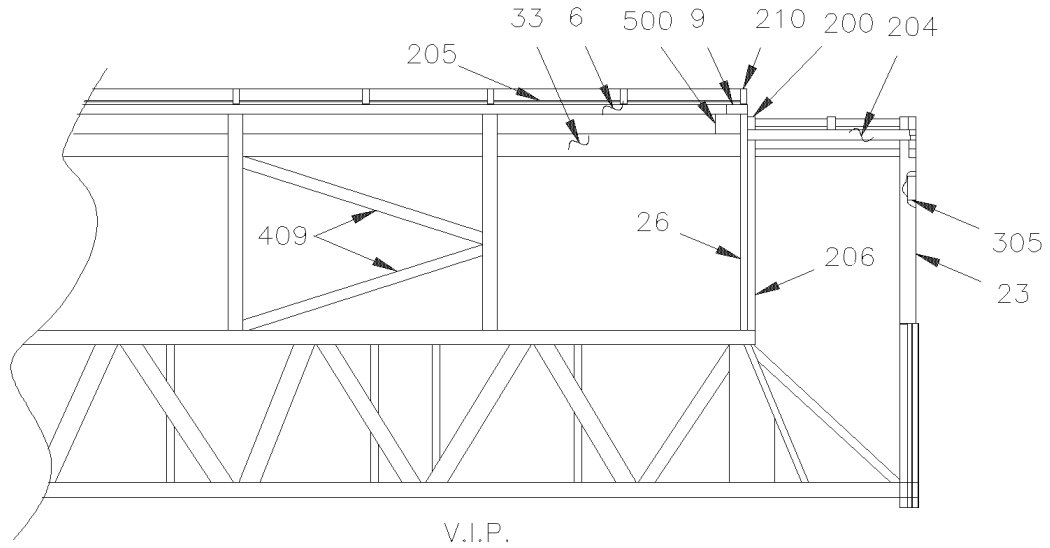
Date:10/2022

PAGE:H7-1890-10

STRUCTURE WALL - UPPER



From 7-0671 To D-2363	Date:10/2022	PAGE:H7-1890-10
<b>STRUCTURE WALL - UPPER</b>		



From 7-0671 To D-2363	Date:10/2022	PAGE:H7-1890-10
<b>STRUCTURE WALL - UPPER</b>		

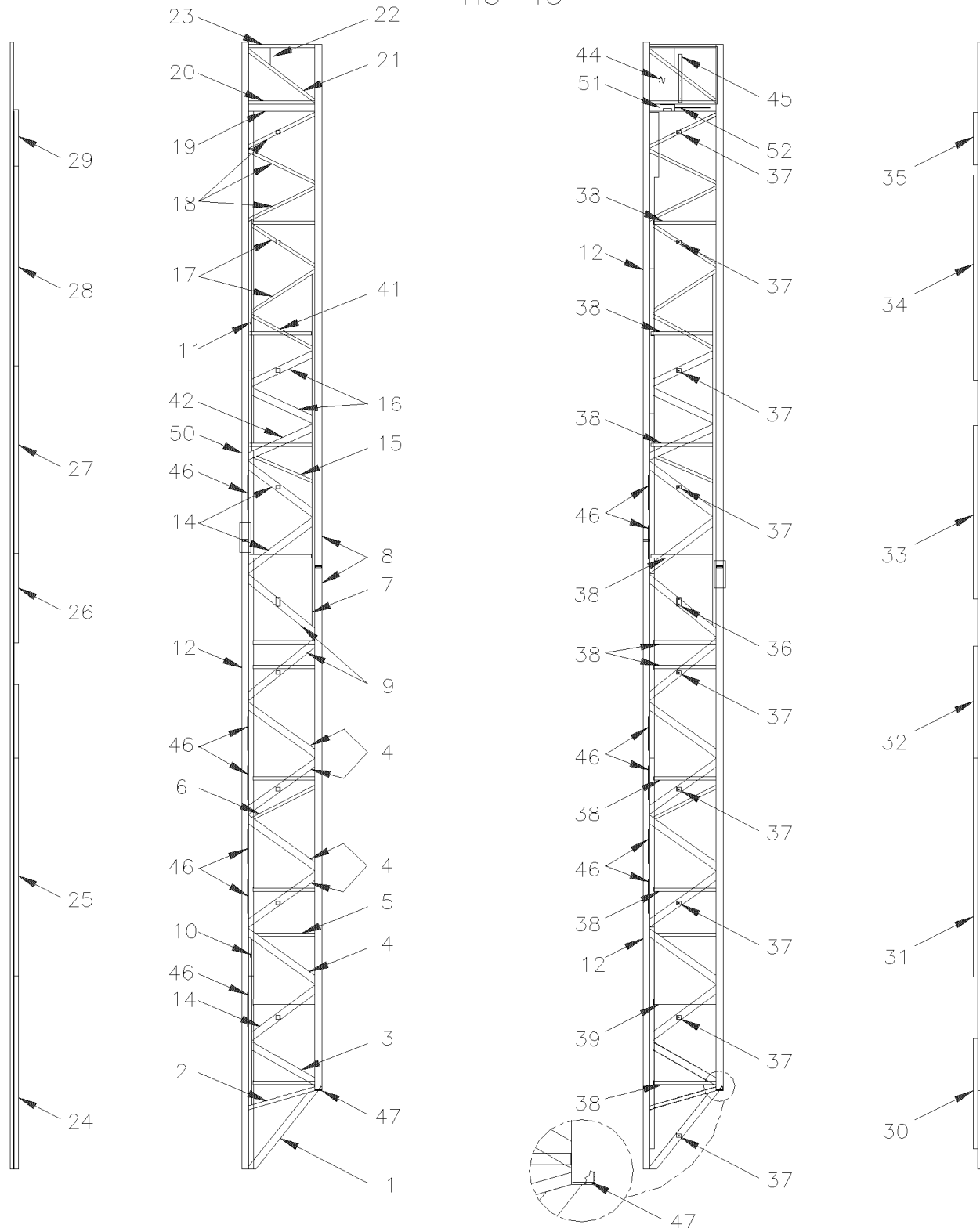
Item#	Part	Description	H 3 4 1	H 3 4 5	V I P 4 5	N O T E S
2	271051	CORNER FORM	2	2	2	
3	270556	POST / BETWEN WINDOW / 1129MM	AR	AR		
3	270622	POST / BETWEN WINDOW / 1283MM			AR	
4	270553	REINFORCEMENT / BETWEEN WINDOW	AR	AR	AR	
5	271048	SUPPORT PARCEL RACK	AR	AR		
6	270919	TUBE		4		
6	270921	TUBE			4	
7	270558	CORNER PANEL	24			
7	270558	CORNER PANEL		22	22	
9	271104	PLATE (CURVED)	6	6	6	
10	270541	CLOSING PLATE	2	2	2	
11	270566P	ROOF ARCH ASSY	1	1	1	
13	271636	ARCH	12			
13	271636	ARCH		13		
16	271104	PLATE (CURVED)	6	6	6	
19	<b>H7-1891-00</b>	<b>WALL STRUCTURE - LOWER BUS</b>				
20	<b>H7-1891-00</b>	<b>WALL STRUCTURE - LOWER BUS</b>				
23	270595P	FRONT POST ASSY R.H.	1	1	1	
23	270596P	FRONT POST ASSY L.H.	1	1	1	
25	271098	SUPPORT PARCEL RACK	4	4	4	
26	270624	IN BETWEEN WINDOW TUBE			5	
27	270601	SUPPORT	2	2	2	
28	211561	SUPPORT	1	1	1	
29	271207	REINFORCEMENT ASSY	1	1	1	
32	<b>H7-1894-00</b>	<b>REAR STRUCTURE</b>				
33	270629	SUPPORT			14	
34	271055	RIGHT CORNER FORM		1		
39	362599	SUPPORT	2	2	2	
40	211832	REINFORCEMENT	2	2	2	
44	271208	PLATE	1	1	1	
49	271054	REAR LEFT CORNER FORM		1		
51	292931	ANGLE / (WELDED)	14			
51	292931	ANGLE / (WELDED)		16		
201	210787	PLATE	4	4	4	
203	270516	CORNER REINFORCEMENT	26	26	26	
204	270760	CORNER SUPPORT			2	
205	270621	CORNER PANEL			2	
206	270623	IN BETWEEN WINDOW TUBE			AR	
210	270533	ROOF ARCH			1	
305	270674	REINFORCEMENT			2	
409	270678	TUBE			4	
500	271107	PLATE			2	

From 7-0671 To D-2363	Date:10/2022	PAGE:H7-1890-10
<b>STRUCTURE WALL - UPPER</b>		

Item#	Part	Description	H 3 4 1	H 3 4 5	V I P 4 5	N O T E S
603	271057	PANEL, CORNER	1			
606	270920	TUBE	4			
607	271056	CORNER FORM REAR LEFT	1			
800	271772	DOUBLE REAR TUBE	1	1	1	
802	271773	DOUBLE FRONT TUBE To C-1930	1	1	1	
802	278007	DOUBLE FRONT TUBE From C-1931	1	1	1	
804	270858	TUBE	1	1	1	
805	270855	CORNER PANEL	1	1	1	
806	271001	CORNER EXTRUSION	1	1	1	
807	270877	FIXTURE	1	1	1	
808	231469	SUPPORT SINGLE	1	1	1	
809	271100	SUPPORT	1	1	1	
810	270872	ROOF SUPPORT	1	1	1	
900	Call order desk	POST ASSY / W/"RICON"		1		P
900	Call order desk	POST ASSY / W/"RICON"		1		P
900	271010	POST ASSY			1	
901	270927	POST ASSY / W/"RICON"		1		
901	Call order desk	POST ASSY			1	P
901	Call order desk	POST ASSY			1	P
910	271052	CORNER EXTRUSION W/RICON		2		
911	271066	SUPPORT W/RICON		1		
		P) CALL ORDER DESK FOR SPECIFIC APPLICATION (V.I.N.)				

**WALL STRUCTURE - LOWER BUS**

H3-45



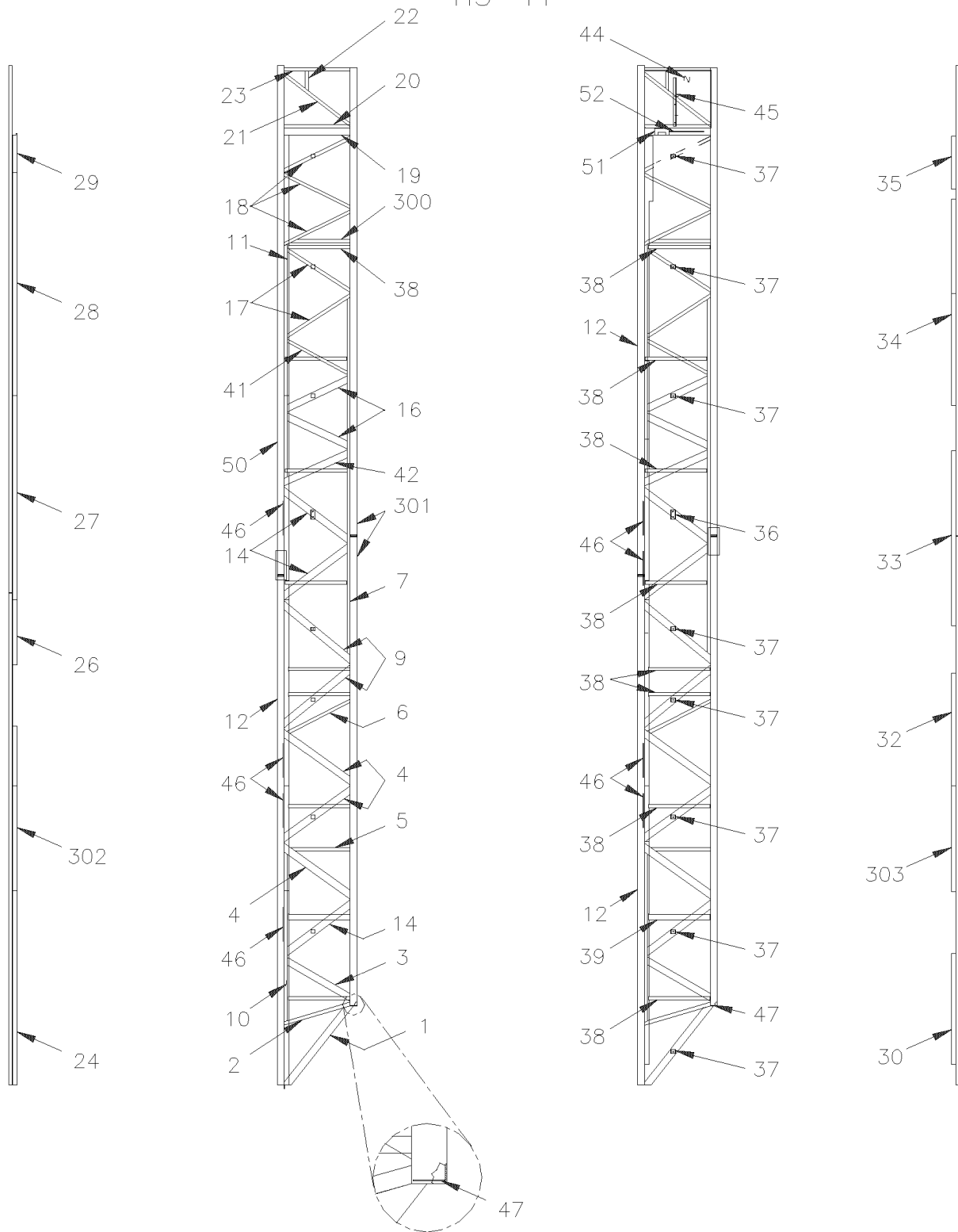
TOP VIEW RH RH FROM OUTSIDE

LH FROM INSIDE

TOP VIEW LH

WALL STRUCTURE - LOWER BUS

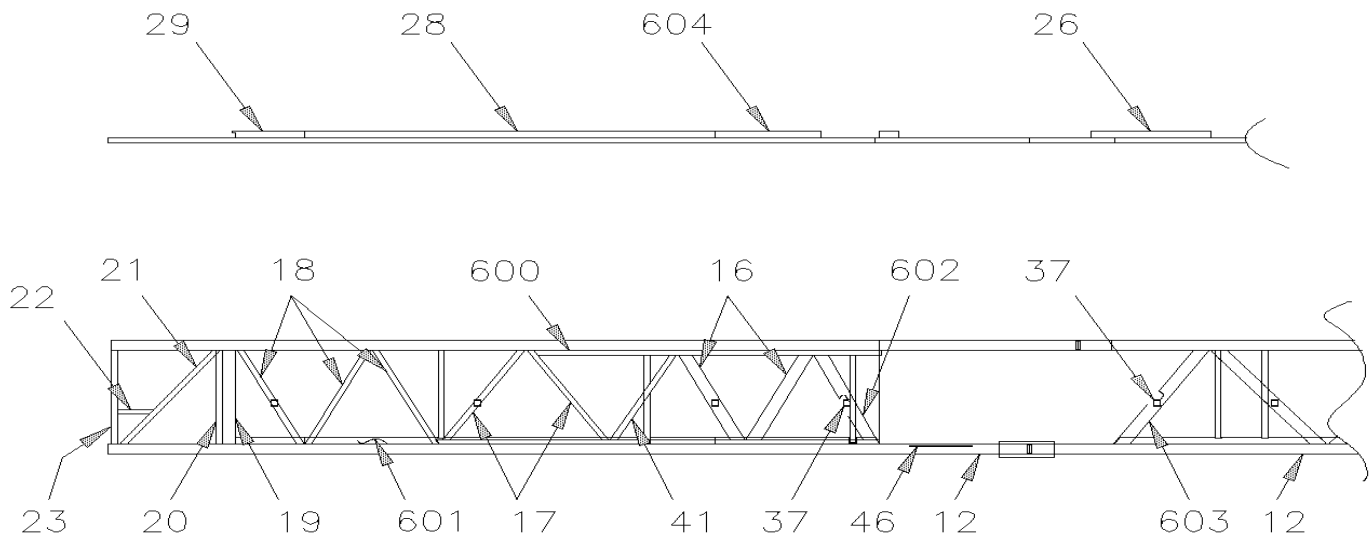
H3-41



TOP VIEW RH RH FROM OUTSIDE

LH FROM INSIDE TOP VIEW LH

From 7-0671 To D-2363	Date:10/2022	PAGE:H7-1891-00
WALL STRUCTURE - LOWER BUS		



RH FROM OUTSIDE  
W.C.L. "RICON"  
BUS 45'

From 7-0671 To D-2363	Date:10/2022	PAGE:H7-1891-00
<b>WALL STRUCTURE - LOWER BUS</b>		

Item#	Part	Description	H 3 4 1	H 3 4 5	V I P 4 5	N O T E S
1	231006	TUBE	1	1		
2	230954	TUBE	1	1		
3	230945	TUBE	1	1		
4	230951	TUBE	3			
4	230951	TUBE		5		
5	231048	TUBE	1	1		
6	231047	TUBE	1	1		
7	231044	TUBE	1	1		
8	230882	TUBE	1			
8	230882	TUBE		2		
9	230952	TUBE	2	2		
10	230967	TUBE	1	1		
11	230966	TUBE	1	1		
12	231163	TUBE		2		
12	231014	TUBE	2			
14	230953	TUBE	3	3		
15	231046	TUBE		1		
16	230948	TUBE	2	2		
17	231051	TUBE	2	2		
18	231050	TUBE	1	1		
19	230962	TUBE	1	1		
20	230963	PLATE	1	1		
21	231053	TUBE	1	1		
22	231045	TUBE	1	1		
23	230688	TUBE 1 1/2" X 1 1/2" / S.L.	1	1		
24	230986	ANGLE #1 R.H.	1	1		
25	230985	ANGLE	1	1		
26	231288	ANGLE			1	B
26	230984	ANGLE			1	C
26	231451	ANGLE	1	1		A
26	230988	ANGLE	1			
27	230988	ANGLE		1		
28	230983	ANGLE	1	1		
29	230898	ANGLE	1	1		
30	230980	ANGLE	1	1		
31	230987	ANGLE	1	1		
32	230990	ANGLE	1	1	1	
32	231284	ANGLE BAR			1	B
32	231453	FLOOR ANGLE BAR	1	1		A
32	231284	ANGLE BAR			1	B
32	230981	ANGLE	1			
33	230981	ANGLE	1	1		

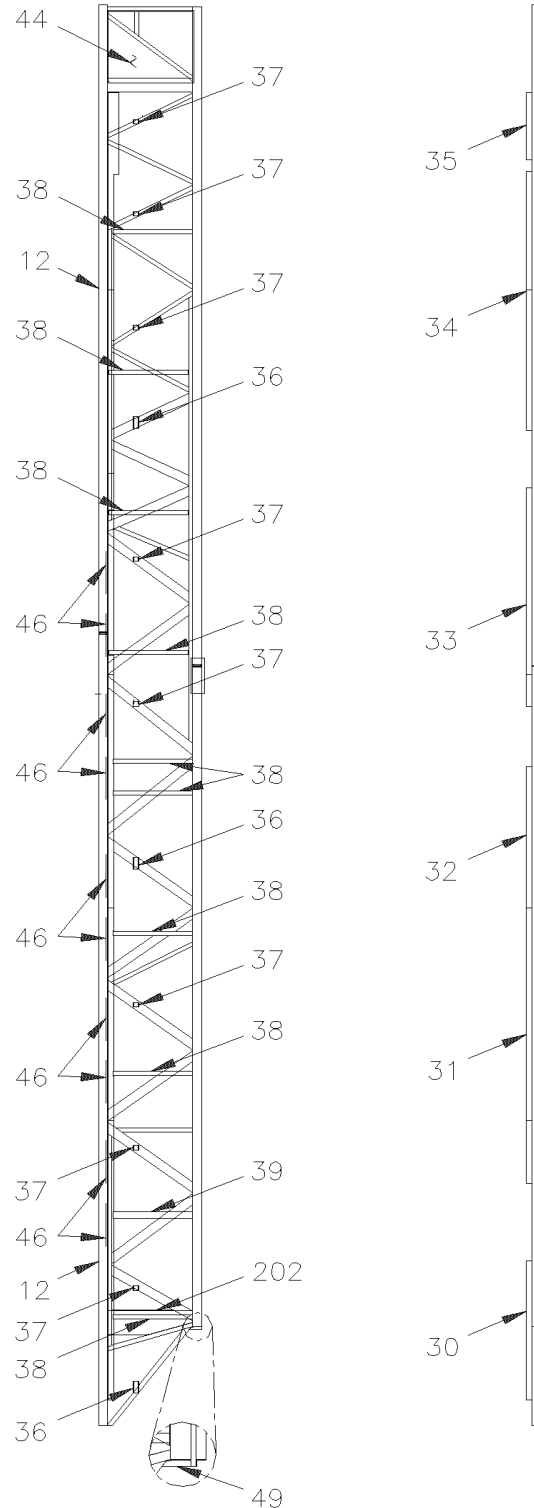
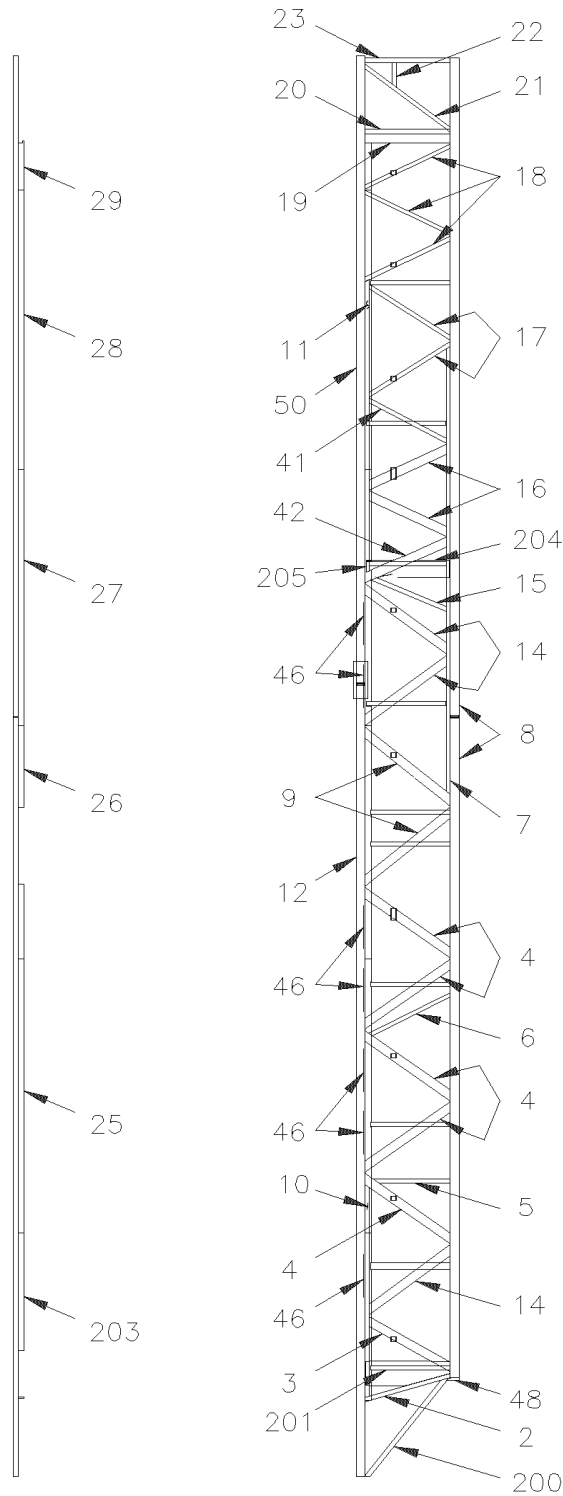


From 7-0671 To D-2363	Date:10/2022	PAGE:H7-1891-00
<b>WALL STRUCTURE - LOWER BUS</b>		

Item#	Part	Description	H 3 4 1	H 3 4 5	V I P 4 5	N O T E S
34	230982	ANGLE	1	1		
35	231105	ANGLE	1	1		
36	231470	DOUBLE SUPPORT	1	1		
37	231469	SUPPORT SINGLE	8			
37	231469	SUPPORT SINGLE		9		
40	231019	JOINT BUTT 15MM X 68MM / (WELDED)	4	4		
41	231052	TUBE	1	1		
42	231004	TUBE	1	1		
44	270887	SIDE PANEL	1	1		
45	230761	ANGLE SEAT RETAINER	1	1		
45	230795	ANGLE SEAT RETAINER W/AMERICAN SEATING ONLY	1	1		
46	212655	ATTACHMENT ROD / WELDED (TO FIX ANYTHING) / 373MM x 11MM DEEP	6			
46	212655	ATTACHMENT ROD / WELDED (TO FIX ANYTHING) / 373MM x 11MM DEEP		7		
47	230695	PLATE, CLOSING	1	1		
48	270675	REINFORCEMENT	1	1		
50	231251	RIGHT REAR LOWER TUBE	1	1		
51	321249	MOULDING SUPPORT	1	1		
52	212655	ATTACHMENT ROD / WELDED (TO FIX ANYTHING) / 373MM x 11MM DEEP	1	1		
300	231049	TUBE	1			
302	230991	ANGLE	1			
303	230992	ANGLE	1			
304	231019	JOINT BUTT 15MM X 68MM / (WELDED)	4			
401	231009	TUBE	1			
401	231500	TUBE		1		
403	231013	ANGLE	1	1		
600	231130	TUBE		1		
601	231132	TUBE		1		
602	231133	TUBE		1		
603	231134	TUBE		1		
604	231135	TUBE		1		
		A) WITH A/C IN PARCEL RACK				
		B) WITH SMALL A/C				
		C) WITH CENTRAL A/C				



**WALL STRUCTURE - LOWER V.I.P.**



TOP VIEW RH RH FROM OUTSIDE

LH FROM INSIDE TOP VIEW LH

From 7-0671 To D-2363	Date:10/2022	PAGE:H7-1891-50
<b>WALL STRUCTURE - LOWER V.I.P.</b>		

Item#	Part	Description	H 3 4 1	H 3 4 5	V I P 4 5	N O T E S
2	230954	TUBE			1	
3	230945	TUBE			1	
4	230951	TUBE			5	
5	231048	TUBE			1	
6	231047	TUBE			1	
7	231044	TUBE			1	
8	230882	TUBE			2	
9	230952	TUBE			2	
10	230967	TUBE			1	
11	230966	TUBE			1	
12	231163	TUBE			1	
14	230953	TUBE			3	
15	231046	TUBE			1	
16	230948	TUBE			2	
17	231051	TUBE			2	
18	231050	TUBE			3	
19	230962	TUBE			1	
20	230963	PLATE			1	
21	231053	TUBE			1	
22	231045	TUBE			1	
23	230688	TUBE 1 1/2" X 1 1/2" / S.L.			1	
25	230985	ANGLE			1	
26	230984	ANGLE			1	
27	230988	ANGLE			1	
28	230983	ANGLE			1	
29	230898	ANGLE			1	
30	230980	ANGLE			1	
31	230987	ANGLE			1	
32	230990	ANGLE			1	
33	230981	ANGLE			1	
34	230982	ANGLE			1	
35	231105	ANGLE			1	
36	230972	SUPPORT			2	
37	230974	SUPPORT			8	
40	231019	JOINT BUTT 15MM X 68MM / (WELDED)			4	
41	231052	TUBE			1	
42	231004	TUBE			1	
44	270887	SIDE PANEL			1	
46	212655	ATTACHMENT ROD / WELDED (TO FIX ANYTHING) / 373MM x 11MM DEEP			6	
48	270675	REINFORCEMENT			1	
49	270676	REINFORCEMENT			1	
50	231251	RIGHT REAR LOWER TUBE			1	

From 7-0671 To D-2363	Date:10/2022	PAGE:H7-1891-50
<b>WALL STRUCTURE - LOWER V.I.P.</b>		

Item#	Part	Description	H 3 4 1	H 3 4 5	V I P 4 5	N O T E S
200	231041	TUBE			1	
201	230969	REINFORCEMENT			1	
202	230971	REINFORCEMENT			1	
203	230993	ANGLE			1	
204	231509	SUPPORT			1	
205	231510	SUPPORT			1	

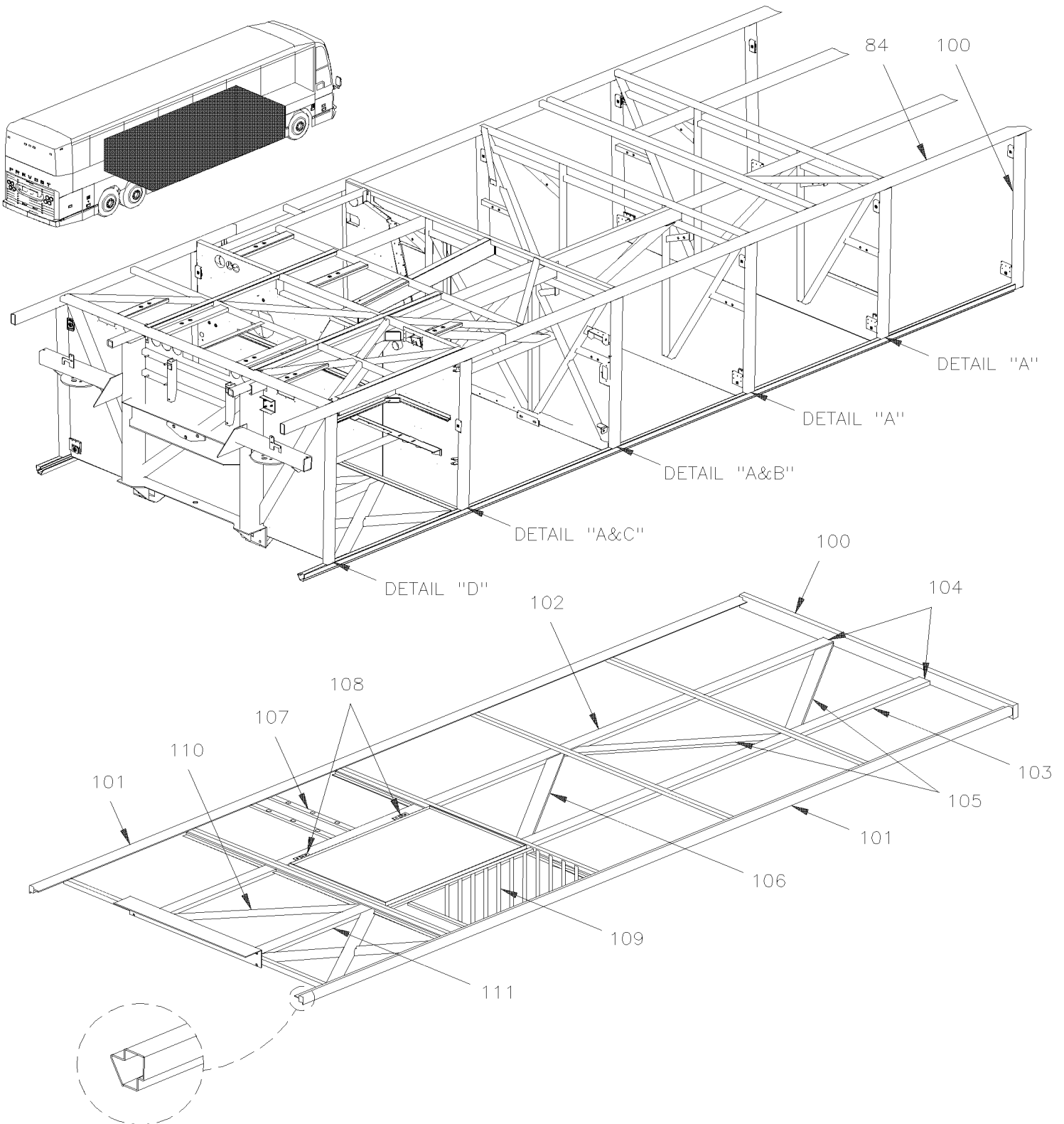


From 7-0671 To D-2363

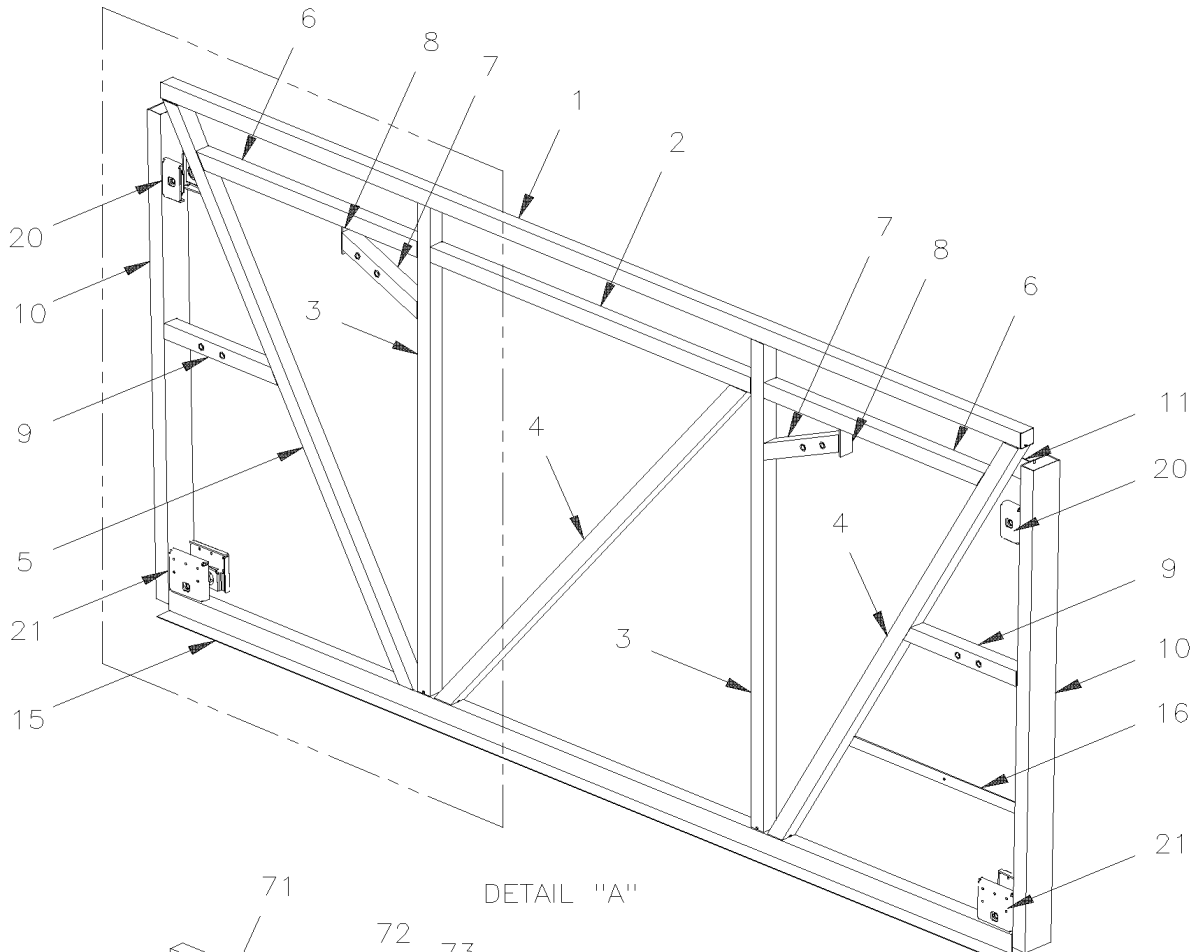
Date:10/2022

PAGE:H7-1893-00

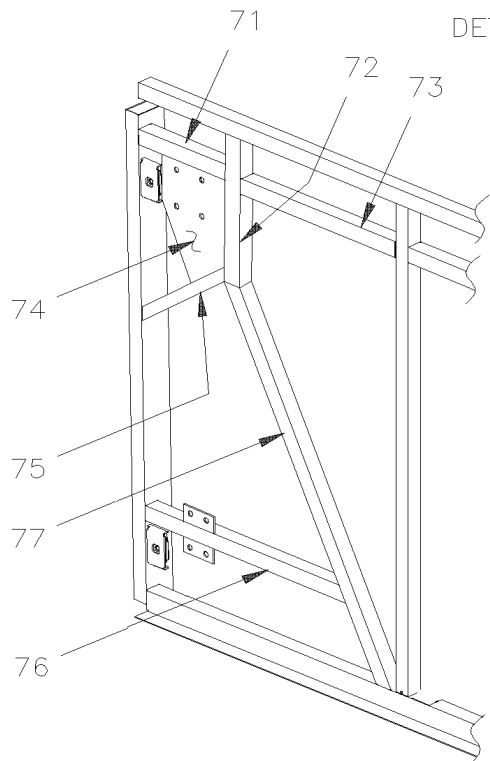
## BAGGAGE COMPARTMENT STRUCTRE



From 7-0671 To D-2363	Date:10/2022	PAGE:H7-1893-00
<b>BAGGAGE COMPARTMENT STRUCTRE</b>		



DETAIL "A"



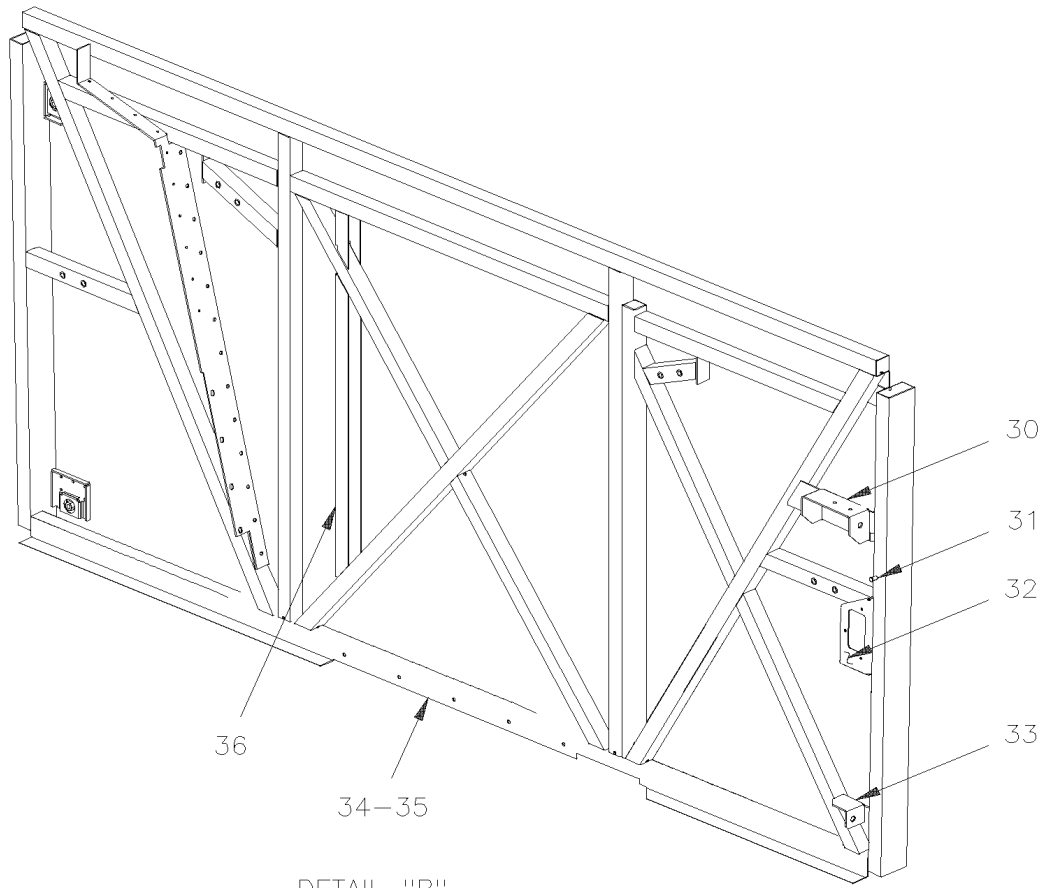


From 7-0671 To D-2363

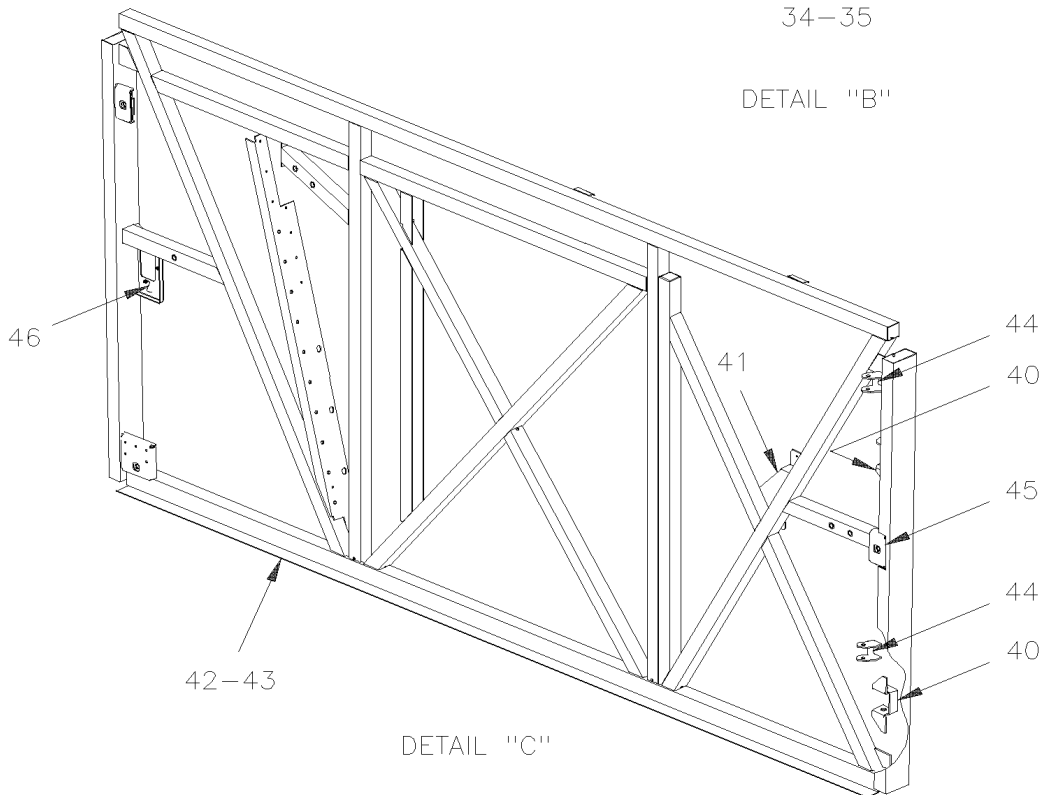
Date:10/2022

PAGE:H7-1893-00

BAGGAGE COMPARTMENT STRUCTRE



DETAIL "B"



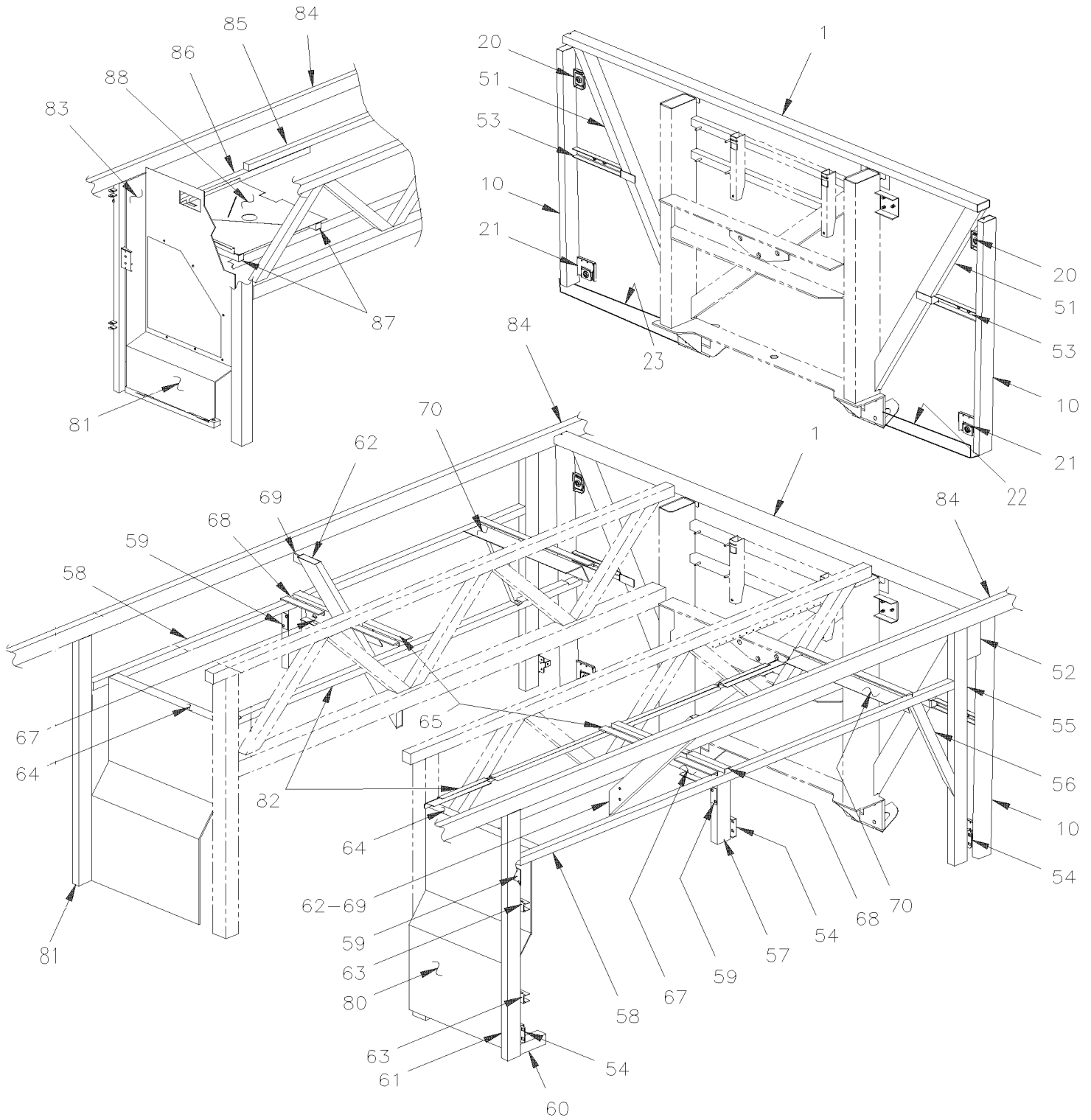
DETAIL "C"

From 7-0671 To D-2363

Date:10/2022

PAGE:H7-1893-00

**BAGGAGE COMPARTMENT STRUCTRE**



DETAIL "D"

From 7-0671 To D-2363	Date:10/2022	PAGE:H7-1893-00
<b>BAGGAGE COMPARTMENT STRUCTRE</b>		

Item#	Part	Description	H 3 4 1	H 3 4 5	V I P 4 5	N O T E S
		....."WARNING" - "WARNING" - "WARNING"	1	1	1	
		ALLS COMPONENTS ARE USE WHITOUT SLIDE-OUT	1	1	1	
1	210608	TUBE 2460MM	1	1	1	
2	210550	TUBE 916MM	1	1	1	
3	210961	TUBE 1145MM	2	2	2	
4	213407	TUBE 1354MM	1	1	1	
5	213408	TUBE 1351MM	2	2	2	
6	213388	TUBE 631MM	2	2	2	
7	213386	TUBE CYLINDER ATTACHMENT ASSY 249MM	2	2	2	
8	213387	CLOSING PLATE 34MM X 55MM	2	2	2	
9	213409	TUBE CYLINDER ATTACHMENT ASSY 325MM	2	2	2	
10	213557	TUBE 1139MM	2	2		
10	213564	TUBE / W/ONE FACE SAND / 1139MM			2	
11	213410	REINFORCEMENT PLATE	1	1	1	
15	212466	FLOOR SUPPORT FORM 2410MM / 133MM WIDE 2410MM / 133MM WIDE	1	1	1	
16	363998	SUPPORT LOWER HOSTESS SEAT / BAGGAGE COMP	1	1		
20	287943	FLOATING NUT ASSY WITH CASE	2	2	2	
21	287903	SUPPORT LOWER / (WELDED TO STRUCTURE)	2	2	2	
22	214479	ANGLE FLOOR SUPPORT / CURBSIDE	1	1	1	
23	214478	ANGLE FLOOR SUPPORT / STREETSIDE	1	1	1	
30	213314	SUPPORT SAFETY LOCK	1	1	1	
31	285688	PIN PIVOT / (WELDED)	1	1	1	
32	285704	SUPPORT / LATCH / (WELDED)	1	1	1	
33	213316	ATTACHMENT	1	1	1	
34	211396	FLOOR SUPPORT FORM 2410MM / 113.5MM WIDE 2410MM / 113.5MM WIDE	1	1	1	
34	485590	FLOOR SUPPORT FORM 2410MM / 133MM WIDE 2410MM / 133MM WIDE	1	1	1	
35	211405	REINFORCEMENT 45MM X 692MM	1	1	1	
36	211324	SUPPORT "U" 864MM	1	1	1	
36	213435	SUPPORT "U" 871MM	1	1	1	
40	282491	SUPPORT (WELDED)	1	1	1	
41	214518	SUPPORT A/C FILTER DRYER	1	1	1	
42	211396	FLOOR SUPPORT FORM 2410MM / 113.5MM WIDE 2410MM / 113.5MM WIDE	1	1	1	
43	211405	REINFORCEMENT 45MM X 692MM	1	1	1	
44	285351	SUPPORT / (WELDED)		1		
45	287943	FLOATING NUT ASSY WITH CASE		1		
46	282988	PLATE HOLDER / WELDED TO STRUCTURE	1	1	1	
51	171548	TUBE 1272MM	1	1	1	
52	212572	REINFORCEMENT PLATE / 134MM X 200MM	2	2	2	
53	212843	CYLINDER ATTACHMENT 326MM	2	2	2	
54	285667	BRACKET / "U" SHAPE / (WELDED)	3	3	3	
55	212457	TUBE 1139MM	2	2	2	

From 7-0671 To D-2363	Date:10/2022	PAGE:H7-1893-00
<b>BAGGAGE COMPARTMENT STRUCTRE</b>		

Item#	Part	Description	H 3 4 1	H 3 4 5	V I P 4 5	N O T E S
55	212457	TUBE 1139MM	1	1	1	
56	212529	TUBE 608MM	2	2		
56	212996	TUBE 564MM			2	
57	212029	TUBE 248MM			2	
57	212997	TUBE 286MM	2	2		
58	212541	TUBE 2462MM SS	2	2	2	
58	212541	TUBE 2462MM SS	1	1	1	C
58	214920	TUBE 2562MM			1	S
59	213389	REINFORCEMENT ANGLE 30MM X 64MM	AR	AR	AR	
60	212596	ANGLE 100MM	1	1	1	
61	213179	TUBE ASSY / CURBSIDE	1	1	1	
61	213180	TUBE ASSY / STREETSIDE	1	1	1	
62	171692	TUBE 932MM	1	1	1	
63	285399	SUPPORT / (WELDED)	2	2	2	
64	212522	ANGLE 25MM x 65MM x 628MM / (WELDED)	1	1		
64	212999	ANGLE R.H. / 25MM x 65MM x 628MM / (WELDED)			1	
64	213031	ANGLE L.H. / 25MM x 65MM x 628MM / (WELDED)			1	
65	213012	SUPPORT / "W" SHAPE (WELDED) / 170MM SS			2	
65	212553	SUPPORT / "W" SHAPE (WELDED) / 206MM SS	2	2		
NS	212532	SUPPORT	2	2		
NS	213001	SUPPORT			2	
67	171954	SUPPORT R.H.	1	1	1	
67	171957	SUPPORT L.H.	1	1	1	
68	212531	SUPPORT / "T" SHAPE (WELDED) / 245MM SS	2	2	2	
69	213546	REINFORCEMENT	2	2	2	
70	212521	SUPPORT ANGLE 45° / SLOTTED TO HOLD PANEL (WELDED) 648MM	2	2		
70	212998	SUPPORT ANGLE 45° / SLOTTED TO HOLD PANEL (WELDED) 648MM			2	
71	215561	TUBE 196MM			1	V
71	215163	TUBE 156.5MM			1	V
72	215162	TUBE 306MM			1	H
73	215164	TUBE 499MM			1	H
74	215160	SUPPORT HINGE / W/SLIDE-OUT			1	H
75	214955	TUBE 262MM			1	H
76	215155	TUBE			1	H
77	215161	TUBE 970MM			1	H
80	<b>H7-1894-15</b>	<b>REAR - R.H. SERVICE COMPARTMENT STRUCTURE</b>				
81	<b>H7-1894-05</b>	<b>REAR - L.H. BACKWARD FENDER - STRUCTURE</b>				
81	<b>H7-1894-06</b>	<b>REAR - L.H. BACKWARD FENDER - STRUCTURE WITH "EPA 2010"</b>				
82	<b>H7-1897-10</b>	<b>REAR SUB-FRAME</b>				
83	250851	REINFORCEMENT	1	1	1	
84	<b>H7-1891-00</b>	<b>WALL STRUCTURE - LOWER BUS</b>				

BAGGAGE COMPARTMENT STRUCTRE

Item#	Part	Description	H 3 4 1	H 3 4 5	V I P 4 5	N O T E S
85	215158	TUBE 1824MM	1	1		C
86	214843	TUBE 1168MM	1	1		C
86	214920	TUBE 2562MM			1	C
87	214914	TUBE 641MM	2	2		
88	215159	FLOOR / WATER HEATER To A-1655	1	1		
88	218376	FLOOR / WATER HEATER From A-1656 To A-1720	1	1		
88	216826	FLOOR / WATER HEATER From B-1721	1	1		
NS	374322	SPACER ASSY 1" / "WATER HEATER & FENDER	1	1	1	A
100	H7-1895-40	FRONT END STRUCTURE - BUS W/ "I" BEAM SUSPENSION				
100	H7-1895-60	FRONT END STRUCTURE - V.I.P. W/ IND SUSPENSION				
101	213796	PROFILE LOWER BAGGAGE DOOR 6594MM To D-2404		2	2	
101	221876P	PROFILE LOWER BAGGAGE DOOR 6594MM From D-2405 To E-2504		2	2	
101	221881P	PROFILE LOWER BAGGAGE DOOR 6399MM From E-2505		2	2	
101	213798	PROFILE LOWER BAGGAGE DOOR 5348MM To D-2404	2			
101	221877P	PROFILE LOWER BAGGAGE DOOR 5348MM From D-2405 To E-2504	2			
101	Call order desk	PROFILE LOWER BAGGAGE DOOR 5153MM From E-2505	2			P
101	213657	PROFILE LOWER BAGGAGE DOOR 3297MM / SERVICE To D-2404	AR	AR	AR	
101	221892	PROFILE LOWER BAGGAGE DOOR 3297MM / SERVICE From D-2405	AR	AR	AR	
101	226692	PROFILE LOWER BAGGAGE DOOR 3199MM / SERVICE	AR	AR	AR	
102	213276	TUBE 6327MM To 9-1469		1	1	
102	212398	TUBE 3744MM From A-1470		1		
102	213405	TUBE 2507MM From A-1470		1	1	I
102	213486	TUBE 5086MM	1			
103	212622	TUBE 2498MM		1	1	
104	230695	PLATE, CLOSING	2	2	2	
105	212683	TUBE 1474MM	2	2		
106	212717	TUBE 1517MM	1	1		
107	213363	ANGLE SUPPORT 702MM	2	2	2	
108	211411	SUPPORT FUEL TANK To 9-1469	2	2	2	
108	216273	TUBE To 9-1469			2	B
108	216273	TUBE From A-1470	2	2	2	
109	213354P	DEFLECTOR FLOOR LOUVER ASSY / WELDED 1265MM x 582MM To 9-1403	1	1	1	
109	216246P	DEFLECTOR FLOOR LOUVER ASSY / WELDED 1265MM x 565MM From 9-1404 To A-1720	1	1	1	
109	218402P	DEFLECTOR FLOOR LOUVER ASSY / WELDED 1265MM x 565MM From B-1721	1	1	1	
110	212682	TUBE 1426MM	1	1	1	
111	213832	TUBE 1226MM	1	1	1	
		A) FOR PRODUCT IMPROVEMENT WE SUGEST TO ADD THIS SPACER ON PREVIUS VEHICULE				
		B) WITH SLIDE-OUT				

<b>From 7-0671 To D-2363</b>	<b>Date:10/2022</b>	<b>PAGE:H7-1893-00</b>
------------------------------	---------------------	------------------------

**BAGGAGE COMPARTMENT STRUCTRE**

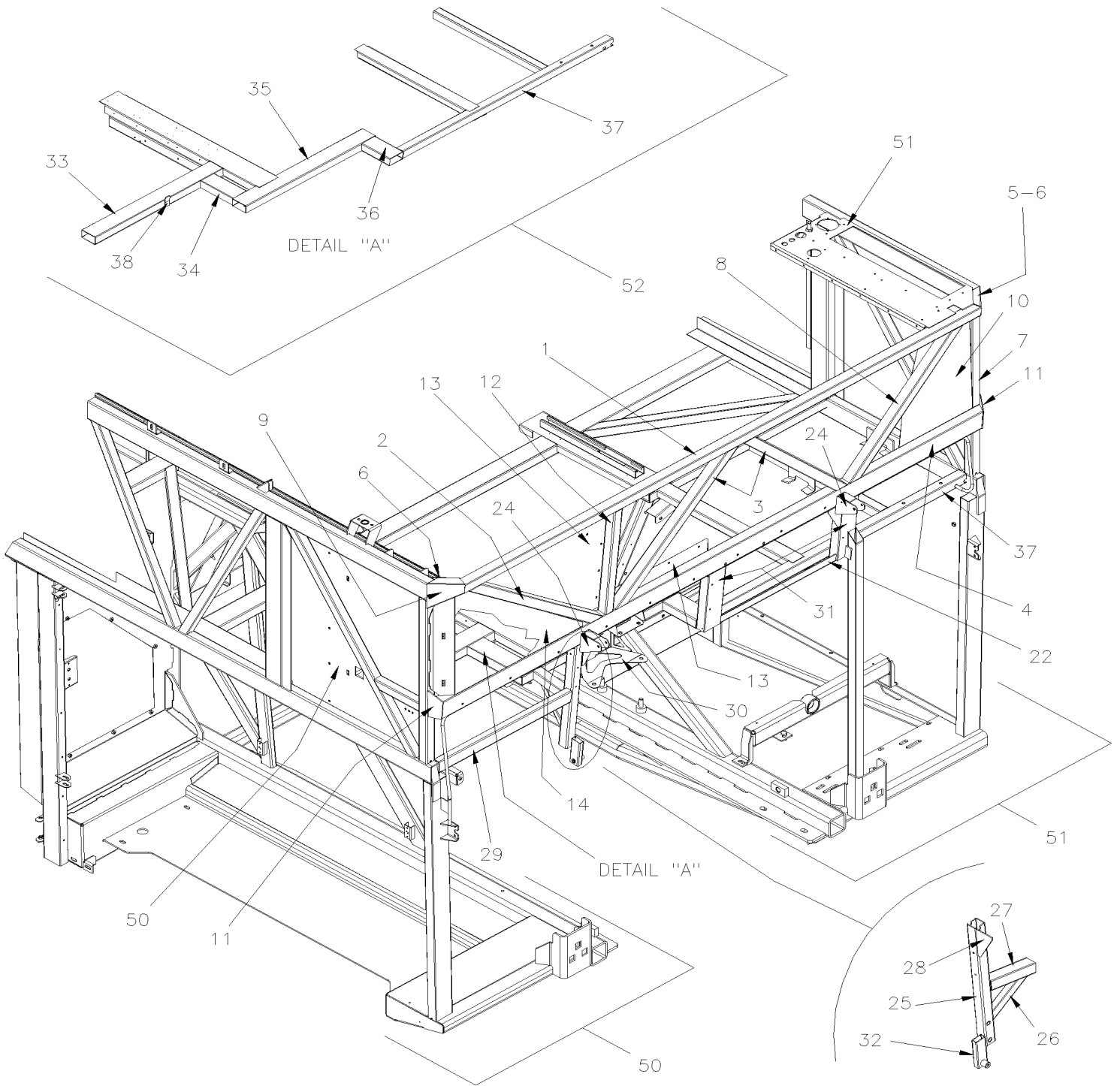
Item#	Part	Description	H 3 4 1	H 3 4 5	V I P 4 5	N O T E S
		C) CURBSIDE				
		H) WITH BAGGAGE DOOR WITH HINGE FOR SLIDEOUT				
		I) WITH INDEPENDENT SUSPENSIONS STREETSIDE				
		S) STREETSIDE				
		V) WITH "VANTARE" BAGGAGE DOOR WITH HINGE FOR SLIDE OUT				
		P) CALL ORDER DESK FOR SPECIFIC APPLICATION (V.I.N.)				

From 7-0671 To A-1720

Date:10/2022

PAGE:H7-1894-00

## REAR STRUCTURE



<b>From 7-0671 To A-1720</b>	<b>Date:10/2022</b>	<b>PAGE:H7-1894-00</b>
<b>REAR STRUCTURE</b>		

Item#	Part	Description	H 3 4 1	H 3 4 5	V I P 4 5	N O T E S
	Call order desk	REAR END STRUCRURE ASSY	1	1	1	P
	Call order desk	REAR END STRUCRURE ASSY				P
1	270984	. TUBE UPPER	1	1	1	
2	272059	. TUBE	1	1	1	
3	272060	. TUBE	2	2	2	
4	272087	. TUBE	1	1	1	
5	270981	. PLATE R.H.	1	1	1	
6	270982	. REINFORCEMENT	2	2	2	
7	270817	. TUBE	1	1	1	
8	270818	. TUBE	1	1	1	
9	270983	. PLATE L.H	1	1	1	
10	270980	. PANEL R.H. OUTSIDE	1	1	1	
11	270985	. PLATE	2	2	2	
12	272056	. TUBE	1	1	1	
13	261090	. PANEL CORNER TRIANGULAR	1	1	1	
14	261142	. PANEL STRUCTURE	1	1	1	
22	218174	SUPPORT 530MM	1	1	1	
24	284746	ANCHOR BRACKET PANTHOGRAPH LEVER / WELDED TO STRUCTURE	2	2	2	
25	218219	POST DOOR CYLINDER ASSY	1	1	1	
25	216030	. TUBE 458MM	1	1	1	
26	218166	. TUBE REINFORCMENT 180MM	1	1	1	
27	218154	. TUBE	1	1	1	
28	211432	SUPPORT	2	2	2	
29	218155	TUBE 608MM	1	1	1	
30	218173	SUPPORT SURGE TANK (WELDED TO STRUCTURE)	1	1	1	
31	216029	TUBE 262MM	2	2	2	
32	214215	ATTACHMENT ASSY / CYLINDER LOWER	1	1	1	
33	218157	TUBE 726MM	1	1	1	
34	218156	TUBE 180MM	1	1	1	
35	218153	TUBE 719MM	1	1	1	
36	218152	TUBE 156MM	1	1	1	
37	218151	TUBE 1164MM	1	1	1	
38	216133	STOPPER	1	1	1	
50	<b>H7-1894-05</b>	<b>REAR - L.H. BACKWARD FENDER - STRUCTURE</b>				
51	<b>H7-1894-10</b>	<b>REAR - R.H. - STRUCTURE</b>				
52	<b>H7-1897-10</b>	<b>REAR SUB-FRAME</b>				
		P) CALL ORDER DESK FOR SPECIFIC APPLICATION (V.I.N.)				

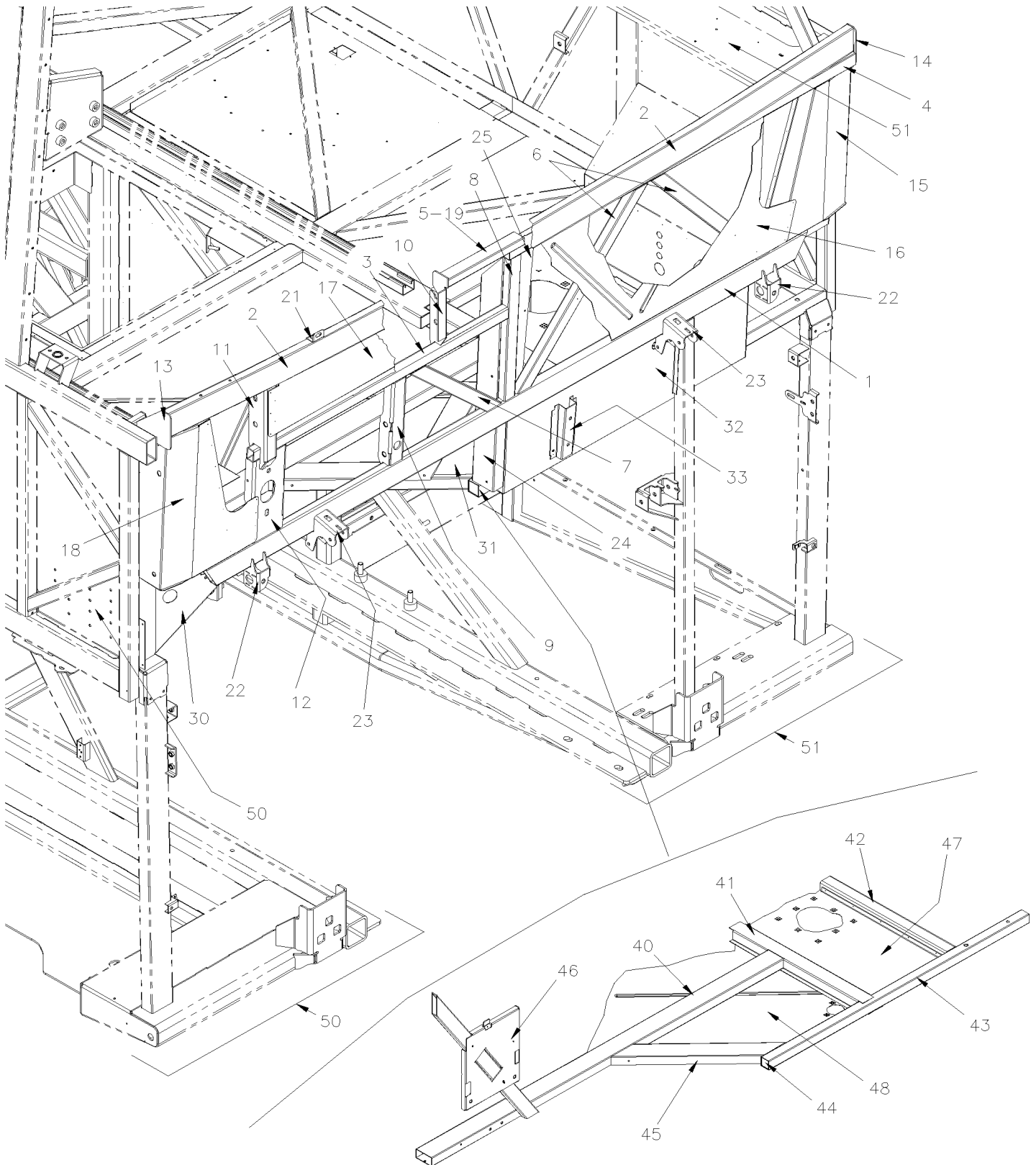


From B-1721 To D-2363

Date:10/2022

PAGE:H7-1894-01

## REAR STRUCTURE WITH "EPA 2010"



From B-1721 To D-2363	Date:10/2022	PAGE:H7-1894-01
<b>REAR STRUCTURE WITH "EPA 2010"</b>		

Item#	Part	Description	H 3 4 1	H 3 4 5	V I P 4 5	N O T E S
	Call order desk	REAR END STRUCRURE ASSY	1	1	1	P
	Call order desk	REAR END STRUCRURE ASSY				P
1	272411	. TUBE	1	1	1	
2	272434	. TUBE WITH CURVE	1	1	1	
3	272436	. TUBE	1	1	1	
4	272405	. TUBE UPPER	1	1	1	
5	272408	. TUBE	1	1	1	
6	272419	. TUBE	2	2	2	
7	272407	. TUBE	1	1	1	
8	272440	. TUBE	1	1	1	
9	272431	. ATTACHMENT, DPF VOLVO CURBE SIDE	1	1	1	
10	272429	. ATTACHMENT, LOWER, SCR VOLVO CURBE SIDE	1	1	1	
11	272444	. ATTACHMENT, LOWER, SCR VOLVO STREET SIDE	1	1	1	
12	272430	. ATTACHMENT, DPF VOLVO STREET SIDE To D-2188	1	1	1	
12	272496	. ATTACHMENT, DPF VOLVO STREET SIDE From D-2189	1	1	1	
13	272438	. PLATE END L.H.	1	1	1	
14	272439	. PLATE END R.H.	1	1	1	
15	272421	. REINFORCMENT ASSY R.H.	1	1	1	
16	272428	. PANEL R.H.	1	1	1	
17	272427	. PANEL L.H.	1	1	1	
18	272420	. REINFORCMENT ASSY L.H.	1	1	1	
19	240769	. CLOSING PLATE	1	1	1	
21	352135	. SUPPORT	1	1	1	
22	272521	. GUIDE PIN (WEDED TO STRUCTURE) From B-1721 To D-2266	2	2	2	
22	272624	. GUIDE PIN (WEDED TO STRUCTURE) From D-2267	2	2	2	
23	272518	. ANCHOR BRACKET PANTHOGRAPH LEVER / (WEDED TO STRUCTURE)	2	2	2	
24	272422	. TUBE	1	1	1	
25	272416	. FRAME REAR WALL	1	1	1	
30	216614	PANEL STRUCTURE STREET SIDE To D-2188	1	1	1	
30	218589	PANEL STRUCTURE STREET SIDE From D-2189	1	1	1	
31	272417	RENFORCEMENT MIDDLE REAR STRUCTURE	1	1	1	
32	216760	PANEL ASSY To D-2363	1	1	1	
32	218577	PANEL ASSY From D-2364	1	1	1	
40	216599	TUBE 1736MM	1	1	1	
41	216782	SUPPORT 640MM	1	1	1	
42	216806	SUPPORT AIR FILTER	1	1	1	
43	216596	TUBE ASSY 1125MM To D-2363	1	1	1	
43	218575	TUBE ASSY 1245MM From D-2364	1	1	1	
44	286005	END PLATE	1	1	1	
45	216597	TUBE	1	1	1	
46	216771	SUPPORT SURGE TANK (WELDED TO STRUCTURE)	1	1	1	
47	216824	SHEET PANEL FLOOR To D-2363	1	1	1	

From B-1721 To D-2363	Date:10/2022	PAGE:H7-1894-01
<b>REAR STRUCTURE WITH "EPA 2010"</b>		

Item#	Part	Description	H 3 4 1	H 3 4 5	V I P 4 5	N O T E S
47	218579	SHEET PANEL FLOOR From D-2364 To E-2423	1	1	1	
47	217675	SHEET PANEL FLOOR From E-2424	1	1	1	
47	216871	SHEET PANEL FLOOR To D-2363			1	A
47	217200	SHEET PANEL FLOOR From D-2364			1	A
47	216870	SHEET PANEL FLOOR To D-2363			1	B
47	217199	SHEET PANEL FLOOR From D-2364			1	B
47	217198	SHEET PANEL FLOOR To D-2363			1	B
48	216788	SHEET PANEL To D-2363			1	
50	<b>H7-1894-05</b>	<b>REAR - L.H. BACKWARD FENDER - STRUCTURE</b>				
51	<b>H7-1894-10</b>	<b>REAR - R.H. - STRUCTURE</b>				
52	<b>H7-1897-10</b>	<b>REAR SUB-FRAME</b>				
		A) WITH LARGE CURBE SIDE SLIDE-OUT				
		B) WITH SMALL CURBE SIDE SLIDE-OUT				
		P) CALL ORDER DESK FOR SPECIFIC APPLICATION (V.I.N.)				

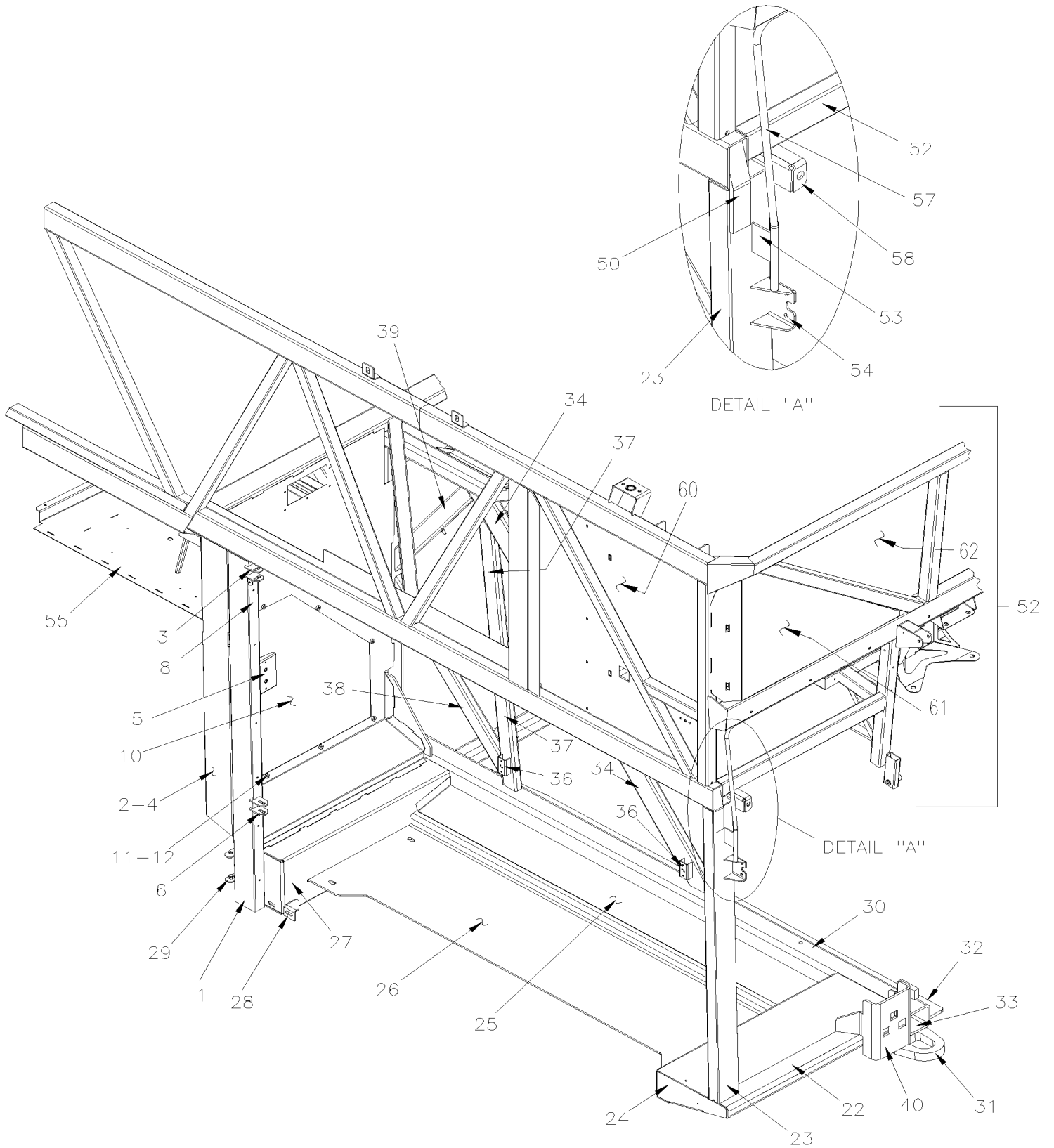


From 7-0671 To A-1720

Date:10/2022

PAGE:H7-1894-05

REAR - L.H. BACKWARD FENDER - STRUCTURE

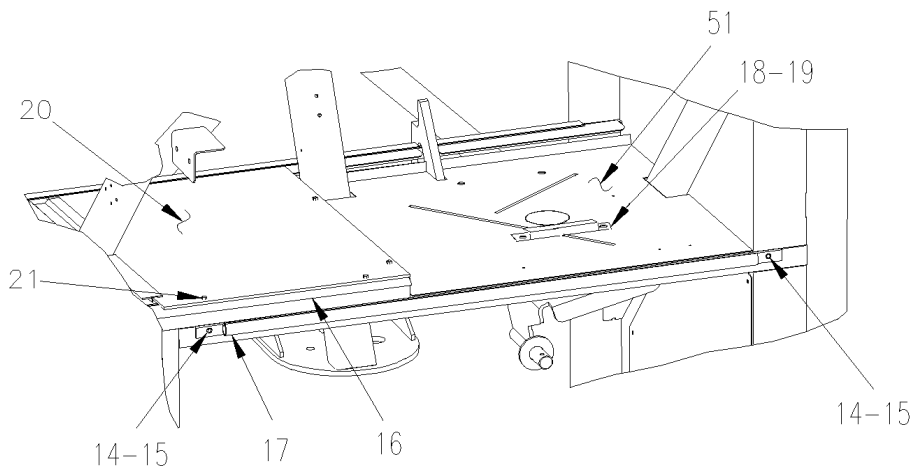
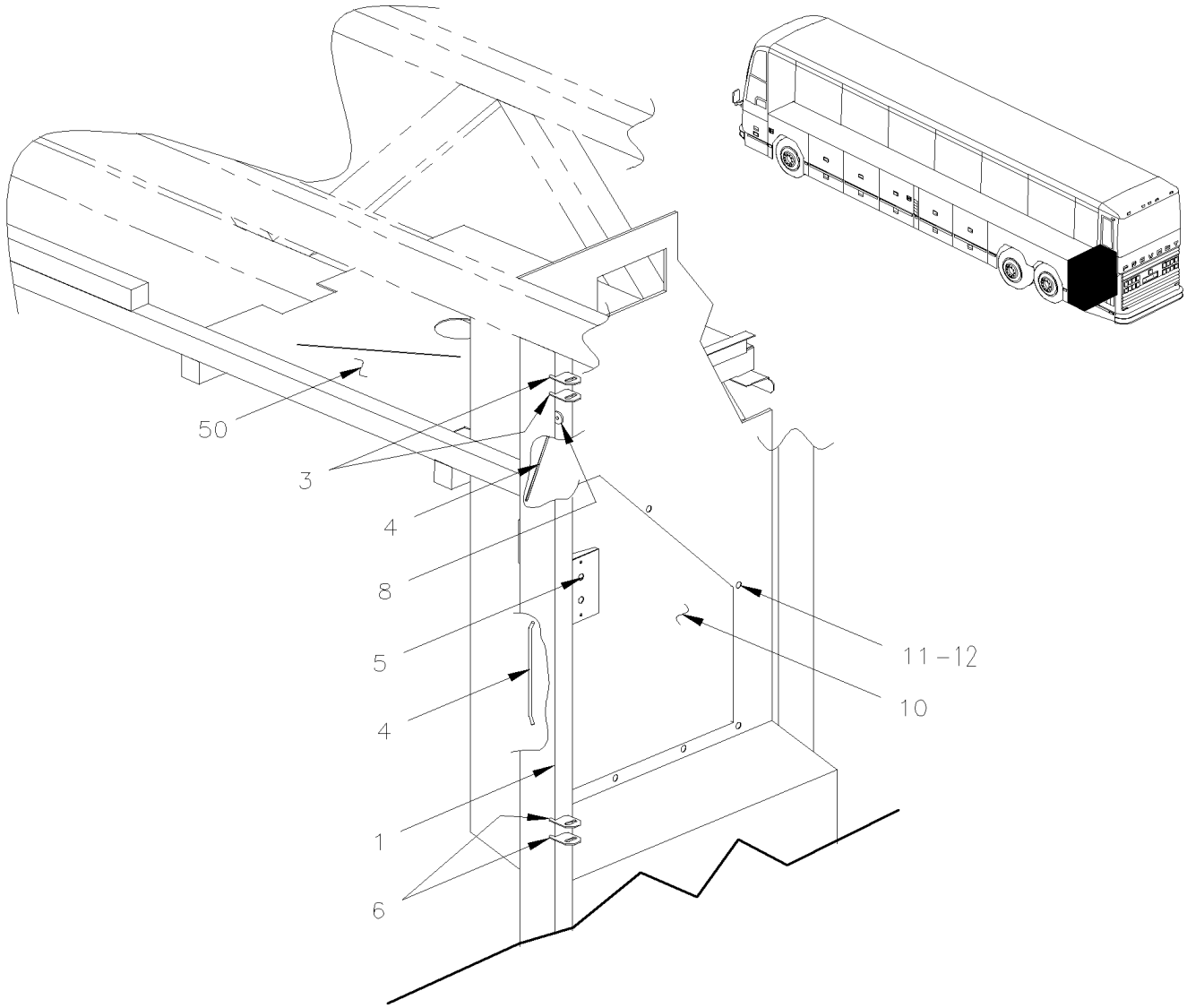


From 7-0671 To A-1720

Date:10/2022

PAGE:H7-1894-05

## REAR - L.H. BACKWARD FENDER - STRUCTURE



From 7-0671 To A-1720	Date:10/2022	PAGE:H7-1894-05
<b>REAR - L.H. BACKWARD FENDER - STRUCTURE</b>		

Item#	Part	Description	H 3 4 1	H 3 4 5	V I P 4 5	N O T E S
	Call order desk	FENDER ASSY W/POST STREETSIDE	1	1	1	P
	Call order desk	FENDER ASSY W/POST STREETSIDE	1	1	1	P
1	215938	. TUBE	1	1	1	
2	218160	. FENDER PANEL ASSY / STREETSIDE To 9-1322	1	1	1	
. NS	Call order desk	. . FENDER PANEL To 9-1322	1	1	1	P
2	219919	. FENDER PANEL ASSY / STREETSIDE From 9-1323	1	1	1	
. NS	Call order desk	. . FENDER PANEL From 9-1323	1	1	1	P
3	288098	. ATTACHMENT UPPER ARM	2	2	2	
4	212655	. ATTACHMENT ROD / WELDED (TO FIX ANYTHING) / 373MM x 11MM DEEP	2	2	2	
5	288059	. SUPPORT / CATCH PIN	1	1	1	
6	288099	. ATTACHMENT LOWER ARM	2	2	2	
8	215357	. SUPPORT STOPPER BUMPER "D" SHAPE	1	1	1	
10	460453	. FENDER ACCESS PANEL SS To 9-1322	1	1	1	
10	464698	. FENDER ACCESS PANEL SS From 9-1323	1	1	1	
11	955269	. SCREW CAP HEX M6-1.0x12 G8.8 ZG603	11	11	11	
12	955920	. WASHER LO SPT 6.5x11.5x1.6 ZP	11	11	11	
14	504339	RIVET POP DOME OE 1/8x3/8 SS	AR	AR	AR	
15	500157	WASHER FL .125x.375x.032 SS	AR	AR	AR	
16	460447	SEAL RUBBER EXTRUSION EPDM 1470MM To A-1541	1	1	1	
16	460076	SEAL RUBBER EXTRUSION EPDM 1470MM From A-1542	1	1	1	
17	460493	SEAL 1090MM To A-1578	1	1	1	
17	460670	SEAL 1090MM From A-1579	1	1	1	
18	374322	SPACER ASSY 1" / "WATER HEATER & FENDER	2	2	2	
19	500069	SCREW CAP HEX M8-1.25x16 G10.9 DP	4	4	4	
NS	5001341	WASHER FL 8.4x17.0x1.6 SS	4	4	4	
NS	5001161	WASHER LO SPT 8.1x14.8x2.0 SS-304	4	4	4	
NS	5001188	NUT HEX M8-1.25 SS	4	4	4	
20	460457	SPLASH GUARD PANEL 675MM X 458MM	1	1	1	
21	500526	SCREW TP CAP HEXW #12x3/4 N500	10	10	10	
22	218165	TUBE REINFORCMENT 657MM	1	1	1	
23	215994	TUBE	1	1	1	
. NS	5001337	. NUT INS FL HEX M8-1.25 0.5-3.0 Z050	6	6	6	
24	218164	BOX SUPPORT RADIATOR FLOOR BACKWARD	1	1	1	
25	218163	FLOOR FAN RADIATOR CURBSIDE SECTION 130MM x 1422MM	1	1	1	
26	218162	FLOOR FAN RADIATOR STREETSIDE SECTION 412MM x 1435MM	1	1	1	
27	218161	BOX SUPPORT RADIATOR FLOOR FORWARD	1	1	1	
28	216043	SUPPORT ANGLE RADIATOR LOWER BAR	1	1	1	
29	285667	BRACKET / "U" SHAPE / (WELDED)	1	1	1	
30	171559	TUBE	1	1	1	
31	174888	TOW HOOK	1	1	1	
32	174901	SUPPORT ENGINE CRADLE	1	1	1	
33	171809	REINFORCEMENT	1	1	1	

From 7-0671 To A-1720	Date:10/2022	PAGE:H7-1894-05
<b>REAR - L.H. BACKWARD FENDER - STRUCTURE</b>		

Item#	Part	Description	H 3 4 1	H 3 4 5	V I P 4 5	N O T E S
34	173225	TUBE 1663MM	1	1	1	
35	212489	ATTACHMENT ENGINE CRADLE	1	1	1	
36	215953	SUPPORT PIPE COOLANT	2	2	2	
NS	173461	ATTACHMENT RADIATOR PIPE (UPPER)	1	1	1	
37	173230	TUBE 919MM	1	1	1	
38	173229	TUBE 638MM	1	1	1	
39	173228	TUBE 500MM	1	1	1	
40	216044	BRACKET BUMPER L.H. & R.H. / WELDED TO STRUCTURE	1	1	1	
40	219761	BRACKET BUMPER L.H. & R.H. / WELDED TO STRUCTURE	1	1		R
50	213257	REINFORCEMENT	1	1	1	
51	<b>H7-1893-00</b>	<b>BAGGAGE COMPARTMENT STRUCTRE</b>				
52	<b>H7-1894-00</b>	<b>REAR STRUCTURE</b>				
53	211594	SUPPORT GUIDE TUBE WELDED TO STRUCTURE / 36MMX 50MM	1	1	1	
54	283327	SUPPORT	1	1	1	
55	<b>H7-2350-10</b>	<b>WATER HEATER - INSTALLATION</b>				
57	218150	GUIDE TUBE L.H. / WELDED TO STRUCTURE	1	1	1	
58	214691	GUIDE PIN L.H. / WELDED TO STRUCTURE	1	1	1	
60	231971	SIDE PANEL LOWER FILTER	1	1	1	
61	261090	PANEL CORNER TRIANGULAR	1	1	1	
62	261142	PANEL STRUCTURE	1	1	1	
		R) WITH OPTION "ROMEO RIM" REAR BUMPER				
		P) CALL ORDER DESK FOR SPECIFIC APPLICATION (V.I.N.)				
		P) CALL ORDER DESK FOR SPECIFIC APPLICATION (V.I.N.)				

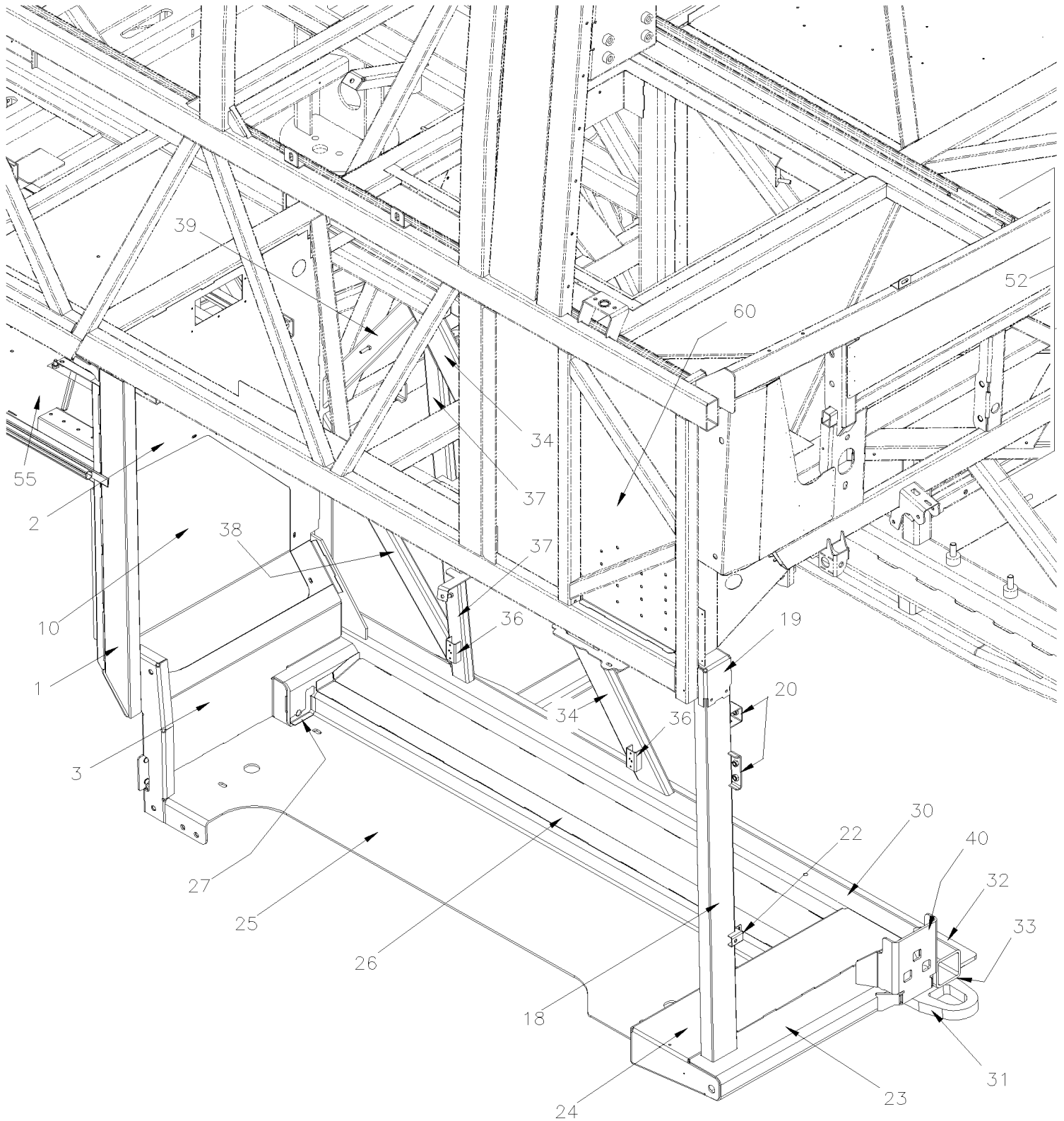


From B-1721 To D-2363

Date:10/2022

PAGE:H7-1894-06

REAR - L.H. BACKWARD FENDER - STRUCTURE WITH "EPA 2010"

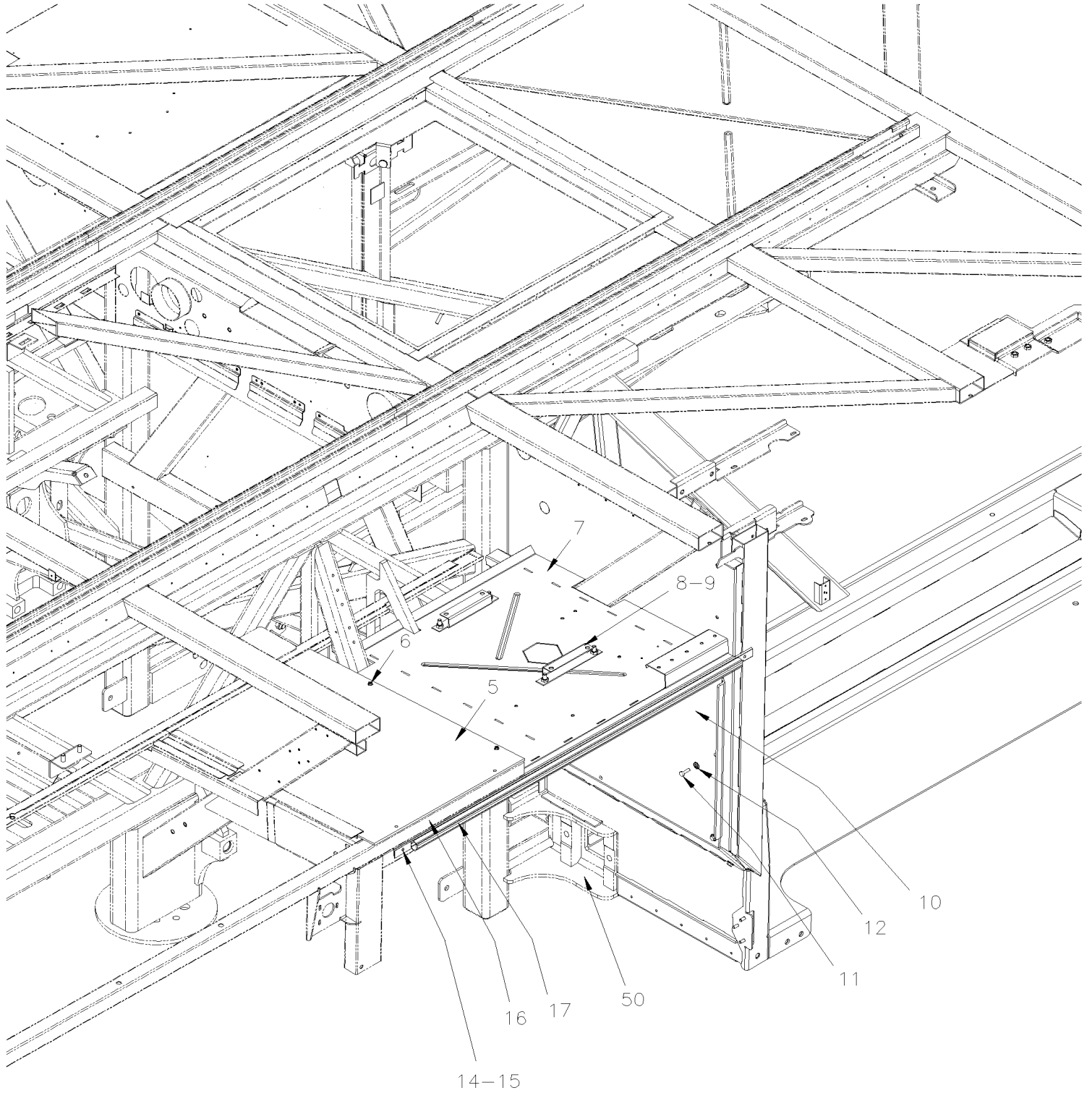


From B-1721 To D-2363

Date:10/2022

PAGE:H7-1894-06

REAR - L.H. BACKWARD FENDER - STRUCTURE WITH "EPA 2010"



From B-1721 To D-2363	Date:10/2022	PAGE:H7-1894-06
<b>REAR - L.H. BACKWARD FENDER - STRUCTURE WITH "EPA 2010"</b>		

Item#	Part	Description	H 3 4 1	H 3 4 5	V I P 4 5	N O T E S
	Call order desk	FENDER ASSY W/POST STREETSIDE	1	1	1	P
	Call order desk	FENDER ASSY W/POST STREETSIDE	1	1	1	P
1	216794	. TUBE ASSY	1	1	1	
1	5001181	. . SCREW CAP HEX M6-1.0x12 SS	3	3	3	
2	216738	. FENDER UPPER PANEL ASSY	1	1	1	
3	218482	. FENDER LOWER PANEL ASSY	2	2	2	
		. CHAR(255)				
5	460457	SPLASH GUARD PANEL 675MM X 458MM	1	1	1	
6	500526	SCREW TP CAP HEXW #12x3/4 N500	10	10	10	
7	218376	FLOOR / WATER HEATER	1	1	1	
7	216826	FLOOR / WATER HEATER	1	1	1	
8	374322	SPACER ASSY 1" / "WATER HEATER & FENDER	2	2	2	
9	500069	SCREW CAP HEX M8-1.25x16 G10.9 DP	4	4	4	
10	053558	FENDER ACCESS PANEL PLASTIC BLACK	1	1	1	
NS	5001341	WASHER FL 8.4x17.0x1.6 SS	4	4	4	
NS	5001161	WASHER LO SPT 8.1x14.8x2.0 SS-304	4	4	4	
NS	5001188	NUT HEX M8-1.25 SS	4	4	4	
11	502830	SCREW CAP HEX M6-1.0x20 G8.8 N500	4	4	4	
12	500356	WASHER LO SERR 6.1x16.0x0.9 N500	4	4	4	
14	504339	RIVET POP DOME OE 1/8x3/8 SS	AR	AR	AR	
15	500157	WASHER FL .125x.375x.032 SS	AR	AR	AR	
16	460076	SEAL RUBBER EXTRUSION EPDM 1470MM	1	1	1	
17	460670	SEAL 1090MM	1	1	1	
18	261312	TUBE L.H. REAR ASSY	1	1	1	
18	261380	TUBE L.H. REAR ASSY	1	1	1	
18	261316	. TUBE L.H. REAR	1	1	1	
19	216736	. REINFORCMENT UPPER TUBE	1	1	1	
20	261315	. SUPPORT STABILIZATOR ARM & CATCH L.H	1	1	1	
22	261271	SUPPORT LOWER BUMPER	1	1	1	
23	216757	TUBE REINFORCMENT 660MM	1	1	1	
24	216735	BOX SUPPORT RADIATOR FLOOR BACKWARD	1	1	1	
25	216795	FLOOR FAN RADIATOR STREET SECTION	1	1	1	
26	216734	FLOOR FAN RADIATOR CURBSIDE SECTION	1	1	1	
27	216732	CLOSER ANGLE FLOOR FAN RADIATOR	1	1	1	
30	172652	TUBE 1948MM	1	1	1	
NS	172538	REINFORCEMENT / L.H.	1	1	1	
31	174888	TOW HOOK	1	1	1	
32	173691	SUPPORT ENGINE CRADLE	1	1	1	
33	171809	REINFORCEMENT	1	1	1	
34	173631	TUBE	1	1	1	
36	215953	SUPPORT PIPE COOLANT	2	2	2	
37	173634	TUBE	1	1	1	S

From B-1721 To D-2363	Date:10/2022	PAGE:H7-1894-06
<b>REAR - L.H. BACKWARD FENDER - STRUCTURE WITH "EPA 2010"</b>		

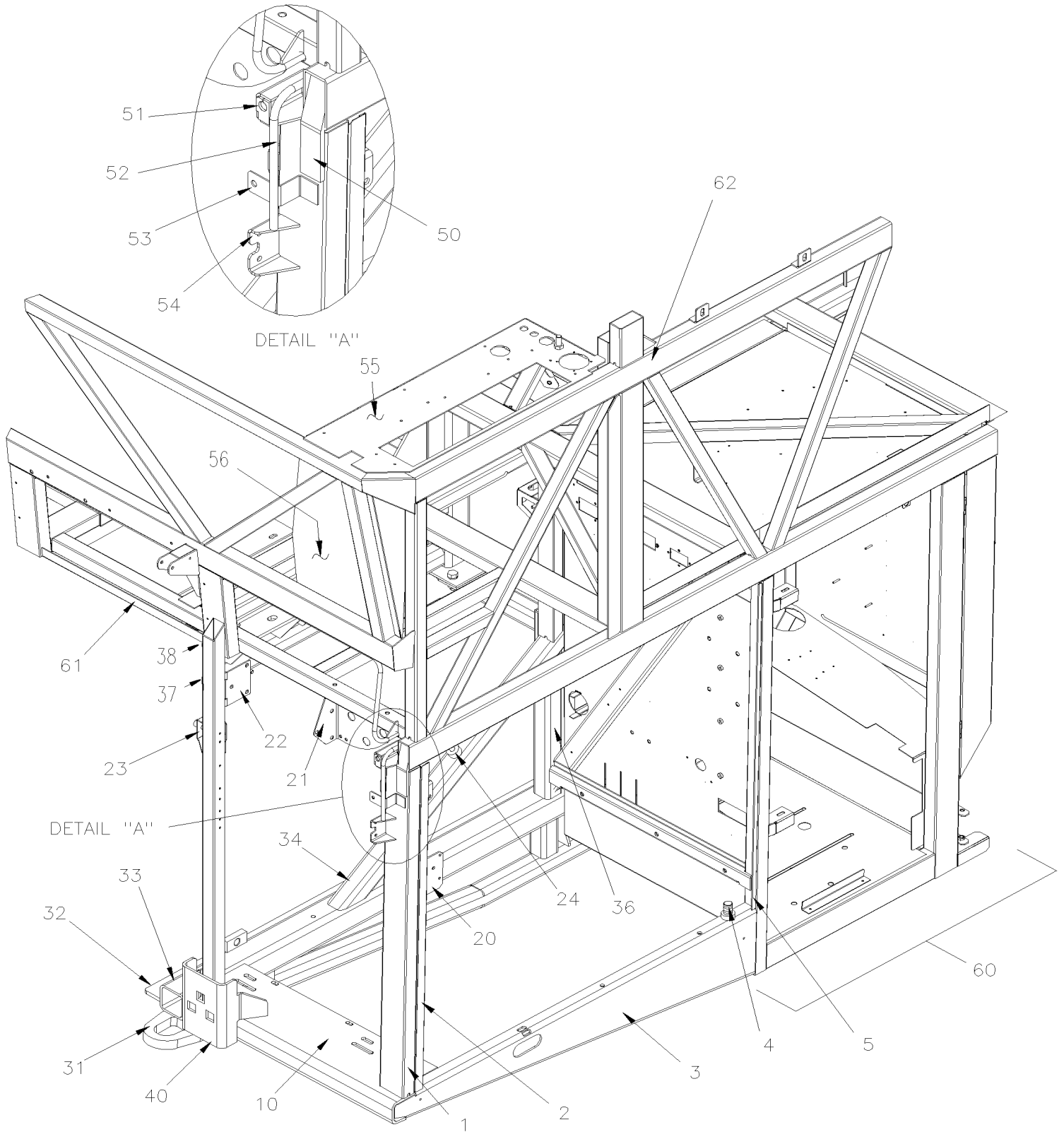
Item#	Part	Description	H 3 4 1	H 3 4 5	V I P 4 5	N O T E S
38	173229	TUBE 638MM	1	1	1	
39	173633	TUBE	1	1	1	S
40	216819	BRACKET BUMPER L.H. & R.H. / WELDED TO STRUCTURE	1	1	1	
40	216926	BRACKET BUMPER L.H. & R.H. / WELDED TO STRUCTURE	1	1	1	R
41	174999	SUPPORT AIR DEFLECTOR	1	1	1	
42	502737	SCREW CAP HEX M6-1.0x25 SS BK	1	1	1	
50	<b>H7-1897-10</b>	<b>REAR SUB-FRAME</b>				
52	<b>H7-1894-01</b>	<b>REAR STRUCTURE WITH "EPA 2010"</b>				
55	<b>H7-2350-10</b>	<b>WATER HEATER - INSTALLATION</b>				
60	232081	PANEL - STREET SIDE STRUCTRE	1	1	1	
		R) WITH OPTION "ROMEO RIM" REAR BUMPER				
		S) WITH SLIDE -OUT				
		P) CALL ORDER DESK FOR SPECIFIC APPLICATION (V.I.N.)				

From 7-0671 To A-1720

Date:10/2022

PAGE:H7-1894-10

## REAR - R.H. - STRUCTURE



From 7-0671 To A-1720	Date:10/2022	PAGE:H7-1894-10
<b>REAR - R.H. - STRUCTURE</b>		

Item#	Part	Description	H 3 4 1	H 3 4 5	V I P 4 5	N O T E S
1	215601	TUBE	1	1		
. NS	5001337	. NUT INS FL HEX M8-1.25 0.5-3.0 Z050	2	2		
. NS	5001344	. NUT INS FL HEX M6-1.0 0.5-3.0 SS	2	2		
1	215068	TUBE			1	
. NS	5001337	. NUT INS FL HEX M8-1.25 0.5-3.0 Z050			2	
2	212474	SUPPORT / SEAL	1	1	1	
3	214571	REINFORCEMENT R.H. / "TRIANGULAR SHAPE"	1	1		
3	215739	REINFORCEMENT R.H. / "TRIANGULAR SHAPE"			1	
4	382101	STUD, GROUND (WELDED TO STRUCTURE)	1	1	1	
5	212785	SUPPORT / SEAL	1	1	1	
10	215738	FORM R.H. SUPPORT COMPRESOR	1	1	1	
20	219043	SUPPORT BACK UP ALARM	1	1	1	
20	215740	SUPPORT BACK UP ALARM & 110V OUTLET			1	
21	214602	ATTACHMENT OIL TANK R.H.	1	1	1	
22	213288	ATTACHMENT OIL TANK L.H.	1	1	1	
23	213285	ATTACHMENT ASSY / CYLINDER LOWER	1	1	1	
24	380360	STUD, GROUND (WELDED TO STRUCTURE) 1/2-13	1	1	1	
31	174888	TOW HOOK	1	1	1	
32	174901	SUPPORT ENGINE CRADLE	1	1	1	
33	171559	TUBE	1	1	1	
34	171551	TUBE	1	1	1	
35	212489	ATTACHMENT ENGINE CRADDLE	1	1	1	
36	171550	TUBE	1	1	1	
37	216022	TUBE 1146.5MM	1	1	1	
38	212183	REINFORCEMENT	1	1	1	
40	216044	BRACKET BUMPER L.H. & R.H. / WELDED TO STRUCTURE	1	1	1	
40	219761	BRACKET BUMPER L.H. & R.H. / WELDED TO STRUCTURE	1	1		R
50	213257	REINFORCEMENT	1	1	1	
51	212246	GUIDE PIN R.H. / WELDED TO STRUCTURE	1	1	1	
52	283036	GUIDE TUBE R.H. / WELDED TO STRUCTURE	1	1	1	
53	214053	SUPPORT MAGNETIC SWITCH	1	1	1	
54	283327	SUPPORT	1	1	1	
55	271746	PLATE FILTER PANEL	1	1		
56	270980	PANEL R.H. OUTSIDE	1	1	1	
60	<b>H7-1894-15</b>	<b>REAR - R.H. SERVICE COMPARTMENT STRUCTURE</b>				
61	<b>H7-1894-00</b>	<b>REAR STRUCTURE</b>				
62	<b>H7-1891-00</b>	<b>WALL STRUCTURE - LOWER BUS</b>				
		R) WITH OPTION "ROMEO RIM" REAR BUMPER				

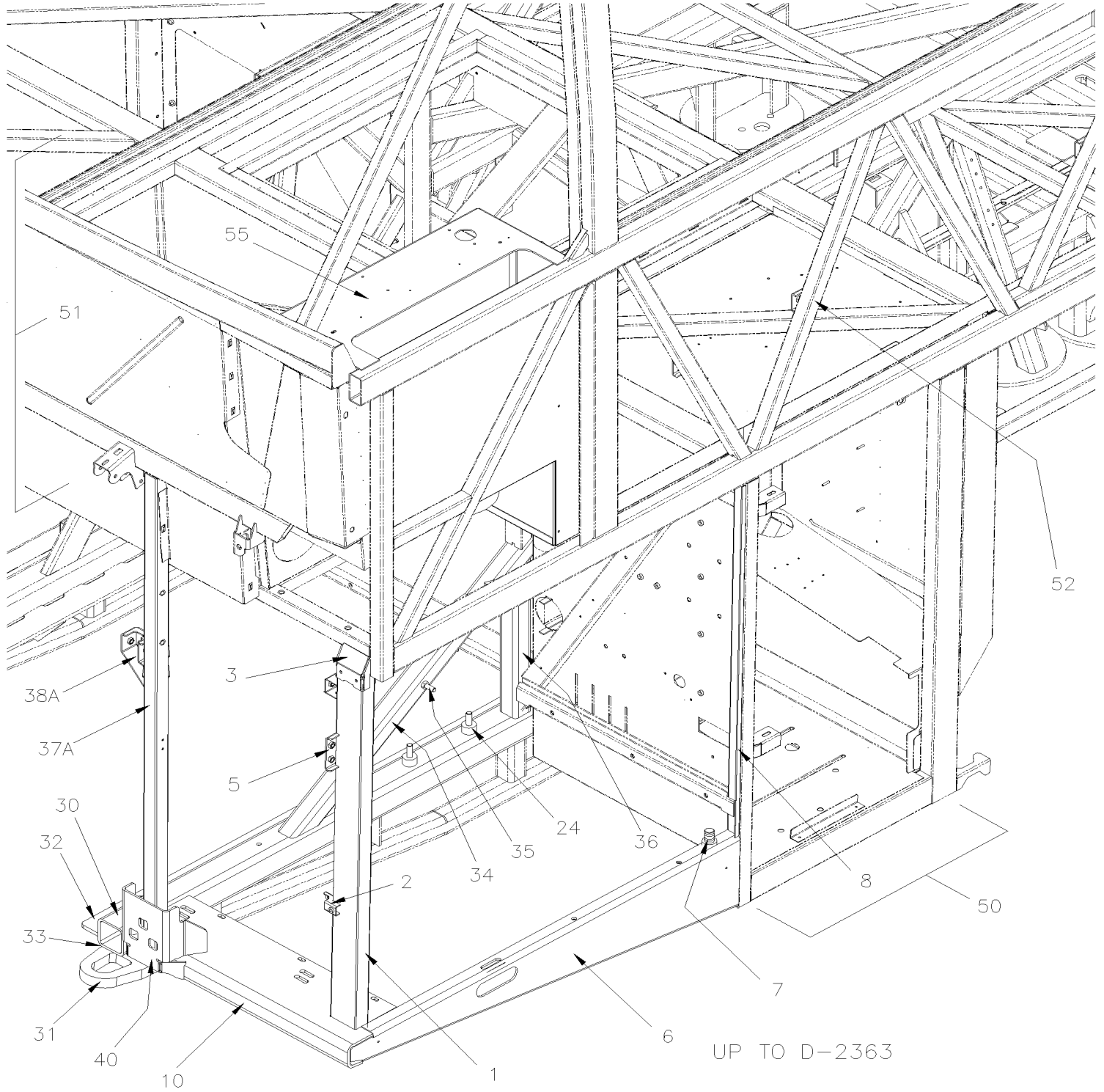


From B-1721 To D-2363

Date:10/2022

PAGE:H7-1894-11

REAR - R.H. - STRUCTURE WITH "EPA 2010"

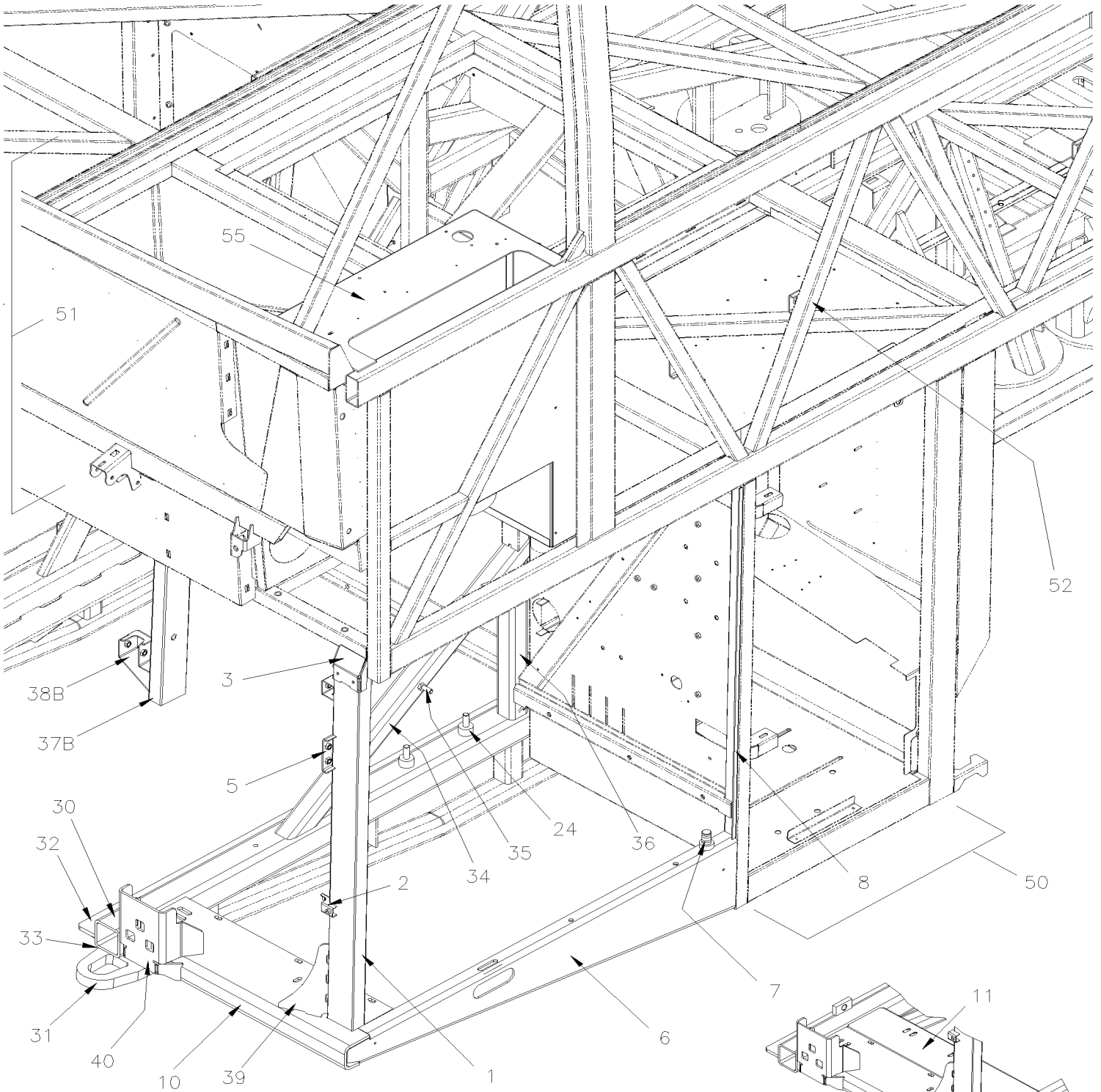


From B-1721 To D-2363

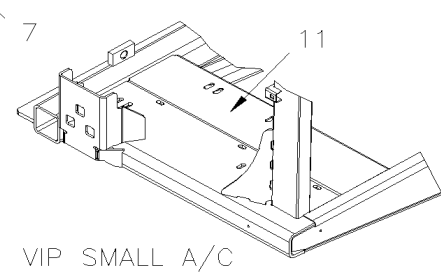
Date:10/2022

PAGE:H7-1894-11

## REAR - R.H. - STRUCTURE WITH "EPA 2010"



FROM D-2364





From B-1721 To D-2363	Date:10/2022	PAGE:H7-1894-11
<b>REAR - R.H. - STRUCTURE WITH "EPA 2010"</b>		

Item#	Part	Description	H 3 4 1	H 3 4 5	V I P 4 5	N O T E S
1	261313	TUBE R.H. REAR ASSY	1	1	1	
1	261317	. TUBE	1	1	1	
1	5001337	. NUT INS FL HEX M8-1.25 0.5-3.0 Z050	4	4	4	
2	261271	. SUPPORT LOWER BUMPER	1	1	1	
3	216737	. RENFORCEMENT UPPER TUBE	1	1	1	
5	261314	SUPPORT STABILIZATOR ARM & CATCH R.H	1	1	1	
6	215739	REINFORCEMENT R.H. / "TRIANGULAR SHAPE" To D-2363	1	1	1	
6	218621	REINFORCEMENT R.H. / "TRIANGULAR SHAPE" From D-2364	1	1	1	
7	382101	STUD, GROUND (WELDED TO STRUCTURE)	1	1	1	
8	212785	SUPPORT / SEAL	1	1	1	
10	216758	FORM R.H. SUPPORT COMPRESOR To D-2363	1	1	1	
10	218578	FORM R.H. SUPPORT COMPRESOR From D-2364	1	1	1	
11	218622	FLOOR SMALL A/C From D-2364			1	A
24	380360	STUD, GROUND (WELDED TO STRUCTURE) 1/2-13	2	2	2	
30	172652	TUBE 1948MM To D-2363	1	1	1	
30	178842	TUBE 1948MM From D-2364	1	1	1	
NS	172538	REINFORCEMENT / L.H.	1	1	1	
31	174888	TOW HOOK	1	1	1	
32	173691	SUPPORT ENGINE CRADLE	1	1	1	
33	171812	REINFORCEMENT / R.H.	1	1	1	
34	171551	TUBE	1	1	1	
35	502559	SCREW CAP HEX M10-1.5x25 G8.8 Z050	1	1	1	
36	171550	TUBE	1	1	1	
37A	216759	TUBE ASSY 1336MM To D-2363	1	1	1	
37A	5001692	. NUT INS FL HEX M8-1.25 0.5-3.0 SS To D-2363	2	2	2	
37A	5001692	. NUT INS FL HEX M8-1.25 0.5-3.0 SS To D-2363	2	2	2	
37B	218573	TUBE ASSY 385MM From D-2364	1	1	1	
NS	5001692	. NUT INS FL HEX M8-1.25 0.5-3.0 SS From D-2364	2	2	2	
NS	5001692	. NUT INS FL HEX M8-1.25 0.5-3.0 SS From D-2364	2	2	2	
NS	218574	TUBE 278MM From D-2364	1	1	1	
38A	261310	ATTACHEMENT / DOOR CYLINDER To D-2363	1	1	1	
38B	261357	ATTACHEMENT / DOOR CYLINDER From D-2364	1	1	1	
39	218624	STIFFENER	1	1	1	
40	216819	BRACKET BUMPER L.H. & R.H. / WELDED TO STRUCTURE	1	1	1	
40	216926	BRACKET BUMPER L.H. & R.H. / WELDED TO STRUCTURE	1	1	1	R
50	<b>H7-1894-15</b>	<b>REAR - R.H. SERVICE COMPARTMENT STRUCTURE</b>	1	1	1	
51	<b>H7-1894-01</b>	<b>REAR STRUCTURE WITH "EPA 2010"</b>				
52	<b>H7-1891-00</b>	<b>WALL STRUCTURE - LOWER BUS</b>				
55	Call order desk	DUCT / AIR INTAKE	1	1	1	P

From B-1721 To D-2363	Date:10/2022	PAGE:H7-1894-11
<b>REAR - R.H. - STRUCTURE WITH "EPA 2010"</b>		

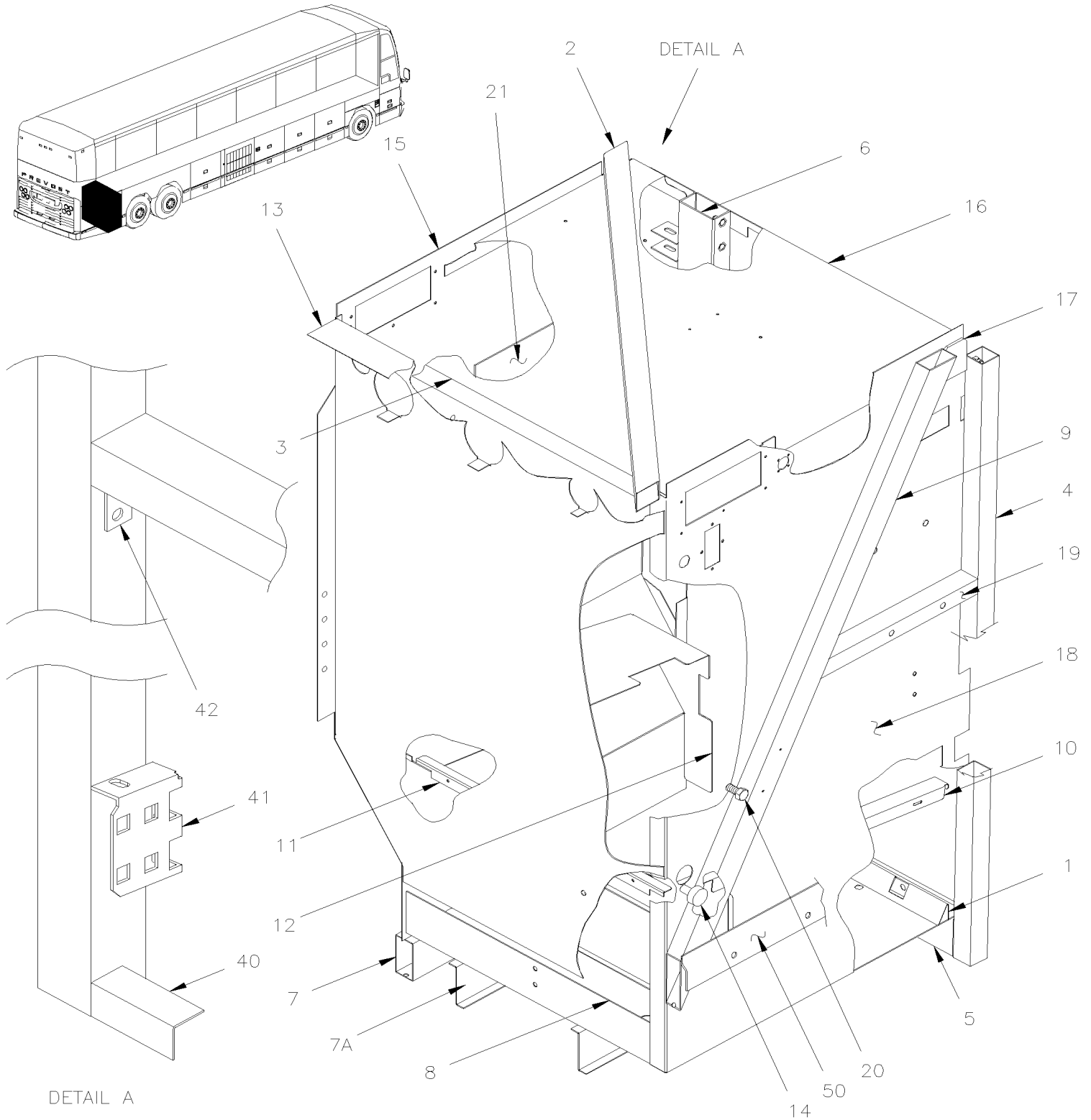
Item#	Part	Description	H 3 4 1	H 3 4 5	V I P 4 5	N O T E S
		A) WITH SMALL A/C SYSTEM				
		R) WITH SMALL A/C SYSTEM				
		P) CALL ORDER DESK FOR SPECIFIC APPLICATION (V.I.N.)				

From 7-0671 To D-2363

Date:10/2022

PAGE:H7-1894-15

## REAR - R.H. SERVICE COMPARTMENT STRUCTURE



From 7-0671 To D-2363 Date:10/2022 PAGE:H7-1894-15

**REAR - R.H. SERVICE COMPARTMENT STRUCTURE**

Item#	Part	Description	H 3 4 1	H 3 4 5	V I P 4 5	N O T E S
1	214781	ANGLE 30MM X 90 DEG / TO FIX BATTERY COVER	1	1	1	
NS	214536	ANGLE SUPPORT BATTERY COVER / FORWARD 200MM To E-2505	1	1	1	
1	217271	ANGLE SUPPORT BATTERY COVER / FORWARD 200MM From E-2506	1	1	1	
2	212407	TUBE To A-1720	1	1	1	
2	218502	TUBE From B-1721	1	1	1	
3	214899	PANEL CEILING / STREETSIDE To A-1720	1	1	1	
3	218507	PANEL CEILING / STREETSIDE From B-1721 To D-2363	1	1	1	
3	218611	PANEL CEILING / STREETSIDE From D-2364	1	1	1	
4	215453	TUBE / BACKWARD	1	1		
4	215499	TUBE / BACKWARD To C-2103			1	
4	215453	TUBE / BACKWARD From C-2104			1	
5	212313	TUBE / LOWER	1	1	1	
6	215600	TUBE ASSY / CURBSIDE	1	1	1	
7	215036	TUBE / LOWER FORWARD To A-1720	1	1	1	
7	218363	SUPPORT / LOWER FORWARD From B-1721	1	1	1	
7A	218614	SUPPORT / LOWER From D-2364	2	2	2	
8	214780	PANEL / FLOOR To A-1655	1	1	1	
8	218362	PANEL / FLOOR From A-1656 To D-2363	1	1	1	
8	218609	PANEL / FLOOR From D-2364	1	1	1	
9	212412	TUBE / REINFORCEMENT / BACKWARD			1	
NS	216114	TUBE 670MM From 8-1276			1	
NS	216148	SUPPORT OIL RESERVOIR POWER STEERING From 8-1276			1	
NS	032761	SHIM PLATE 189MM x 60MM x 1/4" SS From 8-1276			1	
10	212659	SUPPORT BATTERY COVER / BACKWARD	1	1	1	
11	212658	SUPPORT BATTERY COVER / BACKWARD From 8-1276	1	1	1	
12	213185	PANEL BATTERY COVER / FORWARD To A-1655	1	1	1	
12	218361	PANEL BATTERY COVER / FORWARD From A-1656 To C-2058	1	1	1	
12	218569	PANEL BATTERY COVER / FORWARD From C-2059 To D-2363	1	1	1	
12	218610	PANEL BATTERY COVER / FORWARD From D-2364	1	1	1	
13	215457	PANEL / REAR BOX To A-1655	1	1		
13	218364	PANEL / REAR BOX From A-1656 To A-1720	1	1		
13	218499	PANEL / REAR BOX From B-1721 To D-2363	1	1		
13	218592	PANEL / REAR BOX From D-2364	1	1		
13	216137	PANEL / REAR BOX To A-1655			1	
13	218369	PANEL / REAR BOX From A-1656 To D-2363			1	
13	218607	PANEL / REAR BOX From D-2364			1	
14	380360	STUD, GROUND (WELDED TO STRUCTURE) 1/2-13	1	1	1	
15	216231	PANEL / FOWARD To A-1655	1	1	1	
15	218365	PANEL / FOWARD From A-1656 To C-2058	1	1	1	
15	218572	PANEL / FOWARD From C-2059 To D-2363	1	1	1	
15	218594	PANEL / FOWARD From D-2364	1	1	1	
15	216218	PANEL / FOWARD / W/10 SLIDE-OUT To A-1655			1	

From 7-0671 To D-2363 Date:10/2022 PAGE:H7-1894-15

**REAR - R.H. SERVICE COMPARTMENT STRUCTURE**

Item#	Part	Description	H 3 4 1	H 3 4 5	V I P 4 5	N O T E S
15	218371	PANEL / FOWARD / W/10 SLIDE-OUT From A-1656 To C-2058			1	
15	218571	PANEL / FOWARD / W/10 SLIDE-OUT From C-2059 To D-2363			1	
15	218618	PANEL / FOWARD / W/10 SLIDE-OUT From D-2364			1	
15	216136	PANEL / FOWARD / W/7.5 BACKWARD To A-1655			1	
15	218372	PANEL / FOWARD / W/7.5 BACKWARD From A-1656 To C-2058			1	
15	218567	PANEL / FOWARD / W/7.5 BACKWARD From C-2059 To D-2363			1	
15	218617	PANEL / FOWARD / W/7.5 BACKWARD From D-2364			1	
15	216193	PANEL / FOWARD / W/7.5 FOWARD To A-1655			1	
15	218370	PANEL / FOWARD / W/7.5 FOWARD From A-1656 To C-2058			1	
15	218570	PANEL / FOWARD / W/7.5 FOWARD From C-2059 To D-2363			1	
15	218615	PANEL / FOWARD / W/7.5 FOWARD From D-2364			1	
16	216267	PANEL CEILLING / CURBSIDE To A-1720	1	1		
16	218506	PANEL CEILLING / CURBSIDE From B-1721 To D-2363	1	1		
16	218620	PANEL CEILLING / CURBSIDE From D-2364	1	1		
16	219066	PANEL CEILLING / CURBSIDE / W/OUT SLIDE OUT To A-1720			1	
16	216685	PANEL CEILLING / CURBSIDE / W/OUT SLIDE OUT From B-1721 To D-2363			1	
16	218612	PANEL CEILLING / CURBSIDE / W/OUT SLIDE OUT From D-2364			1	
16	216135	PANEL CEILLING / CURBSIDE / W/10 & 7.5 BACKWARD From A-1656			1	
16	216200	PANEL CEILLING / CURBSIDE / W/7.5 FOWARD From A-1656 To D-2363			1	
16	218616	PANEL CEILLING / CURBSIDE / W/7.5 FOWARD From D-2364			1	
NS	328171	FLAPGATE ASSY 1½" x 1½ TUBE		1		
16	382462	SUPPORT EQUALIZER From B-1817			1	
17	213295	REINFORCEMENT	1	1	1	
18	215685	PANEL / BACKWARD / MUX To 9-1417	1	1		
18	216435	PANEL / BACKWARD / MUX From 9-1418 To A-1720	1	1		
18	216657	PANEL / BACKWARD From B-1721 To D-2363	1	1		
18	218598	PANEL / BACKWARD From D-2364	1	1		
18	216155	PANEL / BACKWARD To 8-1150			1	
18	216234	PANEL / BACKWARD From 8-1151 To 9-1417			1	
18	216434	PANEL / BACKWARD From 9-1418 To A-1720			1	
18	216684	PANEL / BACKWARD From B-1721 To D-2363			1	
18	218597	PANEL / BACKWARD From D-2364			1	
18	216139	PANEL / BACKWARD / W/10 & 7.5 BACKWARD To 8-1150			1	
18	216232	PANEL / BACKWARD / W/10 & 7.5 BACKWARD From 8-1151 To 9-1417			1	
18	216432	PANEL / BACKWARD / W/10 & 7.5 BACKWARD From 9-1418 To D-2363			1	
18	218596	PANEL / BACKWARD / W/10 & 7.5 BACKWARD From D-2364			1	
18	216199	PANEL / BACKWARD / W/7.5 FOWARD To 8-1150			1	
18	216233	PANEL / BACKWARD / W/7.5 FOWARD From 8-1151 To 9-1417			1	
18	216433	PANEL / BACKWARD / W/7.5 FOWARD From 9-1418 To A-1720			1	
18	218511	PANEL / BACKWARD / W/7.5 FOWARD From B-1721 To D-2363			1	
18	218595	PANEL / BACKWARD / W/7.5 FOWARD From D-2364			1	
19	213169	PLATE SUPPORT / W/W.C.L. "RICON"		1		

From 7-0671 To D-2363	Date:10/2022	PAGE:H7-1894-15
<b>REAR - R.H. SERVICE COMPARTMENT STRUCTURE</b>		

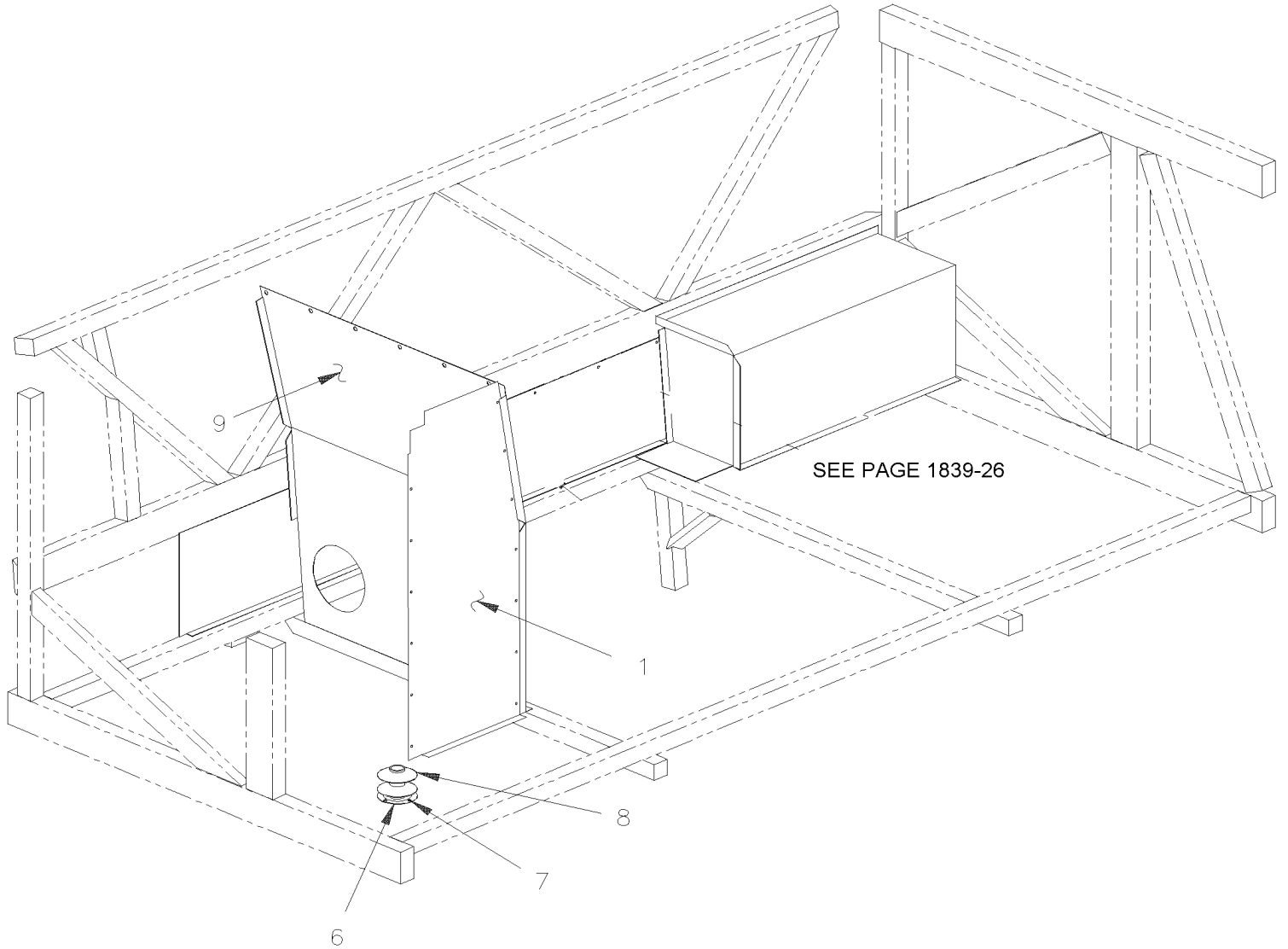
Item#	Part	Description	H 3 4 1	H 3 4 5	V I P 4 5	N O T E S
20	5001316	SCREW CAP HEX M10-1.5x45 SS	AR	AR	AR	
20	5001231	SCREW CAP HEX M10-1.5x25 SS	AR	AR	AR	
21	065096	SUPPORT BATTERIES CHARGER	1	1		
21	065415	SUPPORT BATTERIES CHARGER	1	1		
21	382086	SUPPORT BATTERIES EQUALIZER To A-1720			1	
40	212596	ANGLE 100MM	1	1	1	
41	285667	BRACKET / "U" SHAPE / (WELDED) To A-1720	1	1	1	
41	218467	SUPPORT RECEPTACLE ASSY (WELDED AT STRUCTURE) From B-1721	1	1	1	
42	213389	REINFORCEMENT ANGLE 30MM X 64MM	1	1	1	
50	212787	ATTACHMENT / SUMP TANK FLOOR	1	1	1	

From 7-0671 To A-1720

Date:10/2022

PAGE:H7-1894-20

**REAR UPPER SHEATING**



From 7-0671 To A-1720	Date:10/2022	PAGE:H7-1894-20
<b>REAR UPPER SHEATING</b>		

Item#	Part	Description	H 3 4 1	H 3 4 5	V I P 4 5	N O T E S
1	481669	SIDE PANEL	1	1	1	
6	382028	RETAINING RING 67MM I.D. x 90MM O.D. SS	1	1	1	
7	500120	SCREW TP BDG PH #6x1/2 SS	4	4	4	
8	504707	CUFF END BELLOW / 2 1/2" I.D. x 3 7/8" x 2 5/8"	1	1	1	
9	481665	PANEL FRONT OF AIR INTAKE	1	1	1	

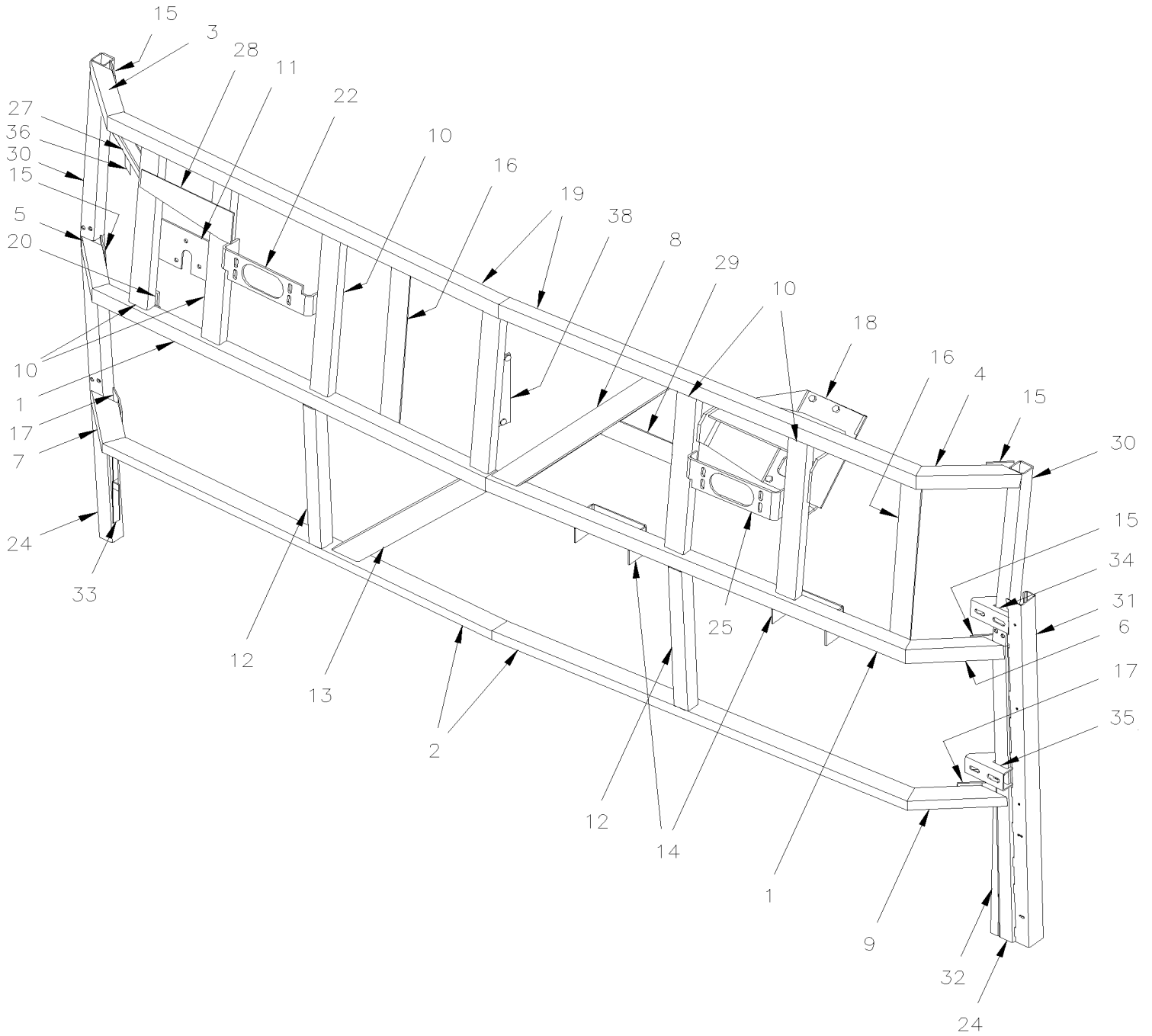


From 7-0671 To D-2363

Date:10/2022

PAGE:H7-1895-00

**FRONT STRUCTURE**



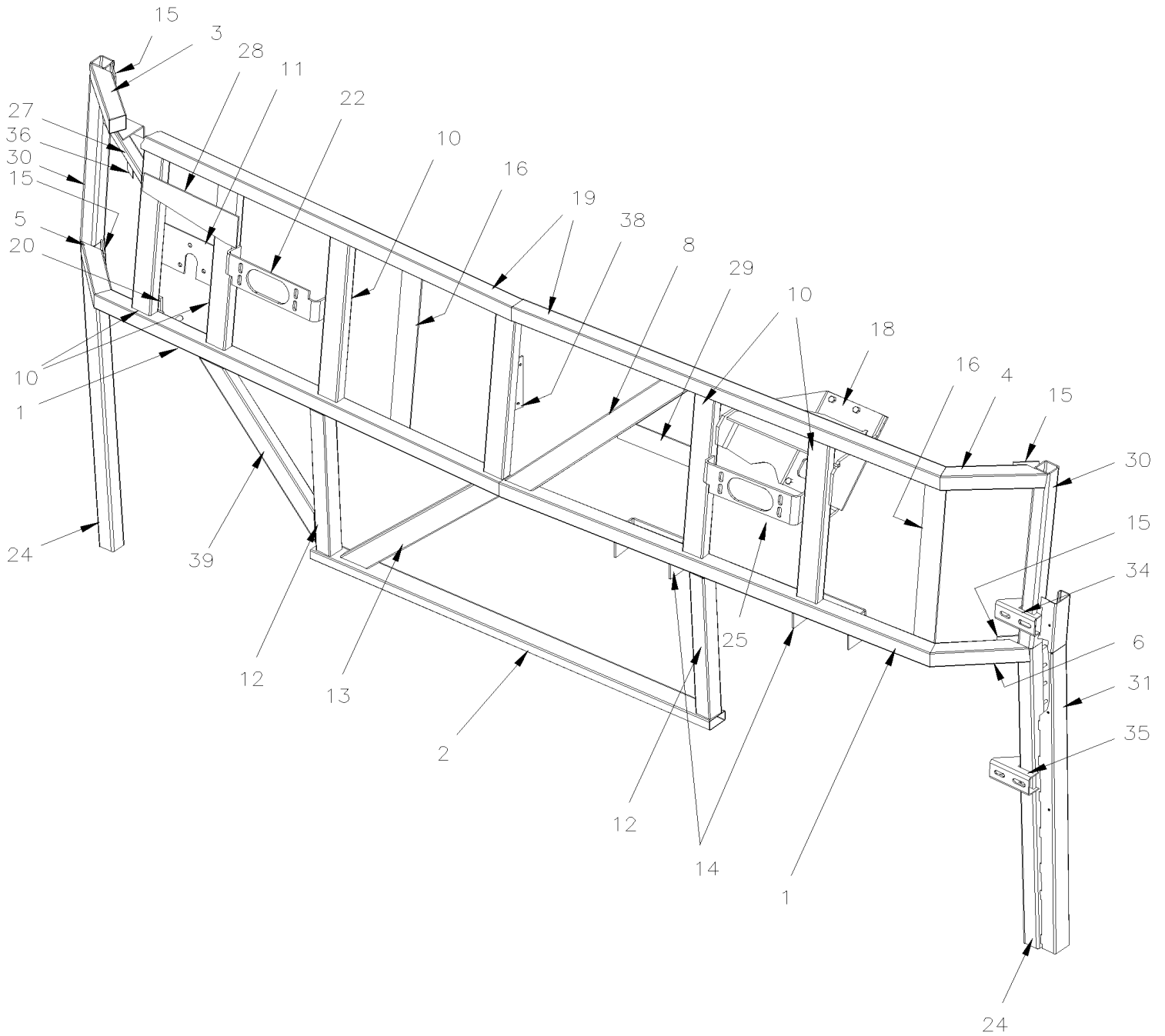
UP TO 9-1469

From 7-0671 To D-2363

Date:10/2022

PAGE:H7-1895-00

FRONT STRUCTURE



FROM A-1470

<b>From 7-0671 To D-2363</b>	<b>Date:10/2022</b>	<b>PAGE:H7-1895-00</b>
<b>FRONT STRUCTURE</b>		

Item#	Part	Description	H 3 4 1	H 3 4 5	V I P 4 5	N O T E S
	251164	FRONT STRUCTURE ASSY To 9-1469	1	1		
	251165	FRONT STRUCTURE ASSY To 9-1469			1	
	173684	FRONT STRUCTURE ASSY From A-1470	1	1	1	
1	250845	. TUBE	2	2	2	
2	250846	. TUBE 1062MM To 9-1469	2	2	2	
2	251569	. TUBE 1021MM From A-1470	1	1	1	
3	250863	. TUBE	1	1	1	
4	250864	. TUBE	1	1	1	
5	250865	. TUBE	1	1	1	
6	250866	. TUBE	1	1	1	
7	250847	. TUBE To 9-1469	1	1	1	
8	250867	. TUBE	1	1	1	
9	250848	. TUBE To 9-1469	1	1	1	
10	250976	. TUBE	5	5	5	
11	285322	. SUPPORT	1	1	1	
12	250664	. TUBE	2	2	2	
13	250862	. TUBE	1	1	1	
14	250934	. DASH SUPPORT To E-2660	2	2	2	
14	251297	. DASH SUPPORT From E-2661	2	2	2	
15	250851	. REINFORCEMENT	4	4	4	
16	250942	. DASH SUPPORT	2	2	2	
17	250852	. REINFORCEMENT	2	2	2	
18	161072	. STEERING COLUMN SUPPORT	1	1	1	
NS	502737	. SCREW CAP HEX M6-1.0x25 SS BK	4	4	4	
19	250853	. TUBE	2	2	2	
20	250967	. DASH SUPPORT To D-2302	1	1	1	
20	251270	. DASH SUPPORT From D-2303	1	1	1	
22	250741	. SUPPORT, WIPER PIVOT R.H. / (WELDED AT STRUCTURE)	1	1	1	
24	250875	. TUBE	2	2	2	
25	250742	. SUPPORT, WIPER PIVOT L.H. / (WELDED AT STRUCTURE)	1	1	1	
27	211729	. TUBE	1	1	1	
28	250791	. REINFORCEMENT	1	1	1	
29	250937	. DASH SUPPORT	1	1	1	
30	250874	. TUBE	2	2	2	
31	285325	ANGLE SUPPORT	1	1	1	
32	250870	ANGLE SUPPORT To 9-1469	1	1		
33	250871	ANGLE SUPPORT To 9-1469	1	1	1	
34	285332	SUPPORT UPPER	1	1	1	
35	285323	SUPPORT LOWER	1	1	1	
36	250971	SUPPORT	1	1	1	
38	250964	TUBE ASSY W/PLATE TO FIX HANDRAIL	1	1	1	
. NS	250976	. TUBE	1	1	1	

From 7-0671 To D-2363	Date:10/2022	PAGE:H7-1895-00
-----------------------	--------------	-----------------

**FRONT STRUCTURE**

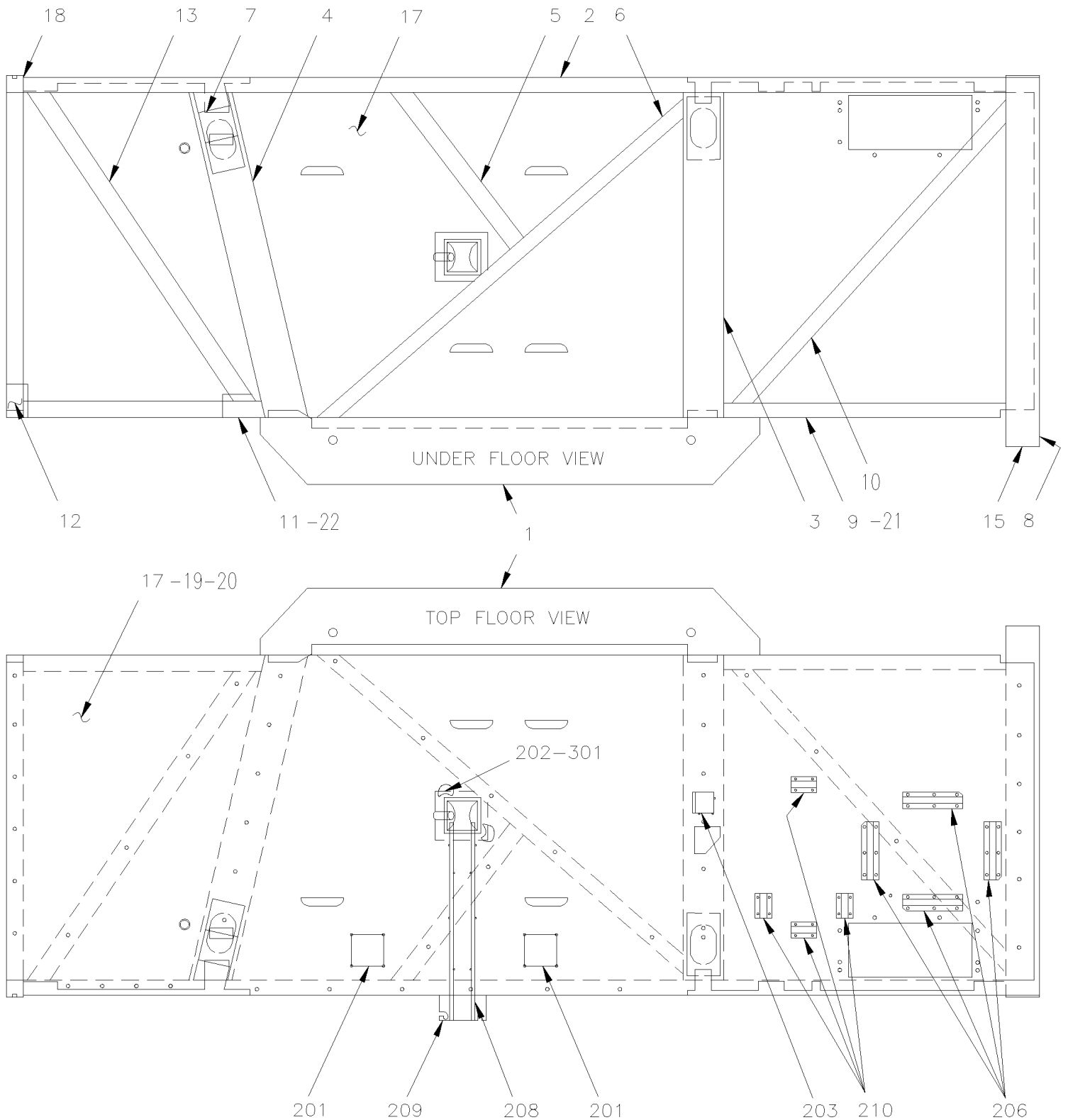
Item#	Part	Description	H 3 4 1	H 3 4 5	V I P 4 5	N O T E S
. NS	250956	. HANDRAIL SUPPORT	1	1	1	
NS	250882	ANGULAR			1	
39	251210	TUBE To 9-1469	1	1	1	
39	251568	TUBE From A-1470	1	1	1	

From 7-0671 To 9-1469

Date:10/2022

PAGE:H7-1895-10

FRONT FLOOR STRUCTURE - BUS W/ "I" BEAM SUSPENSION



From 7-0671 To 9-1469 Date:10/2022 PAGE:H7-1895-10

**FRONT FLOOR STRUCTURE - BUS W/ "I" BEAM SUSPENSION**

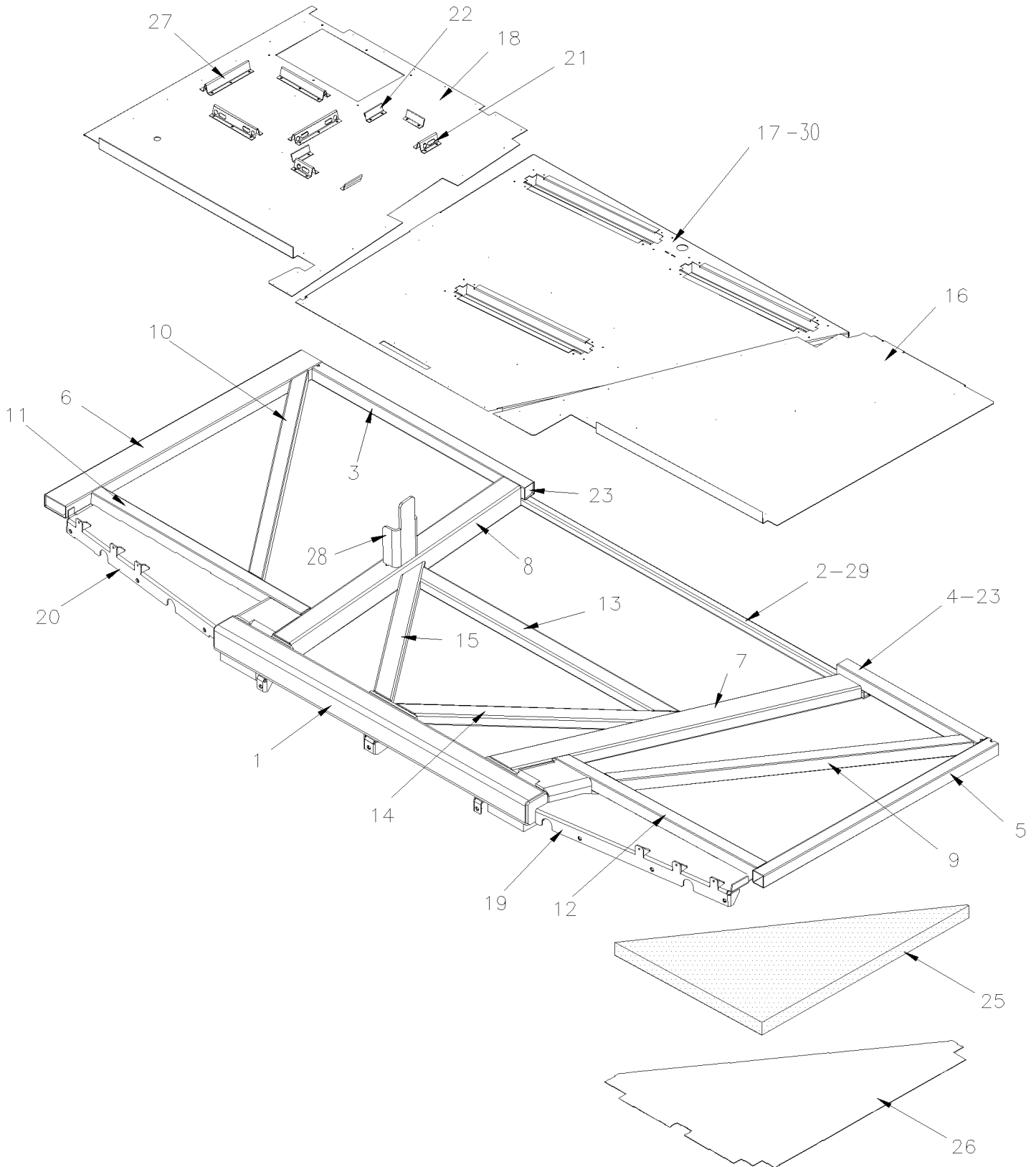
Item#	Part	Description	H 3 4 1	H 3 4 5	V I P 4 5	N O T E S
	173122	STRUCTURE FLOOR W/PANEL	1	1		
	172497	. STRUCTURE FLOOR W/O PANEL	1	1		A
1	171529	. . REINFORCEMENT INFERIOR	1	1		
2	170911	. . TUBE	1	1		
3	171418	. . REINFORCEMENT	1	1		
4	171415	. . REINFORCEMENT	1	1		
5	171109	. . TUBE	1	1		
6	171108	. . TUBE	1	1		
7	171419	. . HOOK, TOWING	1	1		
8	171767	. . TUBE 900MM	1	1		
9	210766	. . REINFORCEMENT	1	1		
10	210764	. . REINFORCEMENT	1	1		
11	210767	. . REINFORCEMENT	1	1		
12	171637	. . TUBE	1	1		
13	210769	. . REINFORCEMENT	1	1		
15	230695	. . PLATE, CLOSING	2	2		
17	214273	. . BOTTOM PANEL	1	1		B
18	260120	. . PLATE, CLOSING / TUBE 33MM x 33MM	1	1		
19	350668	. . SOUND INSULATOR PANEL / (UNDER FLOOR)	1	1		
20	326206	. . SOUND INSULATOR PANEL / (UNDER FLOOR)	1	1		
21	460611	. . SUPPORT / AIR SHIELD / STREETSIDE	1	1		
22	460610	. . SUPPORT / AIR SHIELD / CURBSIDE	1	1		
201	150187	. . SPACER	2	2		
202	240023	. . DRAIN ASSY	1	1		
203	150188	. . STOP, SAFETY	1	1		
206	309048	. . RESERVOIR SUPPORT FOR HOOK / WINDSHIELD WASH.	4	4		
208	211638	. . ROD	2	2		
209	212927	. . PLATE, SPARE TIRE	1	1		
210	300563	RESERVOIR SUPPORT FOR HOOK / HEADLAMP WASH.	4	4		
300	213959	PLATE CLOSING	1	1		
		A) DO NOT INCLUDE ITEM #17 TO 22 & 200 TO 210				
		B) BOTTOM PANEL IN ON PIECE				

From A-1470 To D-2363

Date:10/2022

PAGE:H7-1895-11

FRONT FLOOR STRUCTURE - BUS W/ "I" BEAM SUSPENSION



From A-1470 To D-2363 Date:10/2022 PAGE:H7-1895-11

**FRONT FLOOR STRUCTURE - BUS W/ "I" BEAM SUSPENSION**

Item#	Part	Description	H 3 4 1	H 3 4 5	V I P 4 5	N O T E S
	173680	FRONT FLOOR ASSY W/PANEL BUS W/ I-BEAM SUSPENSION	1	1		
1	173414	. TUBE ASSY	1	1		
2	173413	. TUBE	1	1		
3	173411	. TUBE	1	1		
4	173412	. TUBE	1	1		
5	171637	. TUBE	1	1		
6	171767	. TUBE 900MM	1	1		
7	213422	. TUBE	1	1		
8	218340	. TUBE	1	1		
9	218348	. TUBE	1	1		
10	218346	. TUBE	1	1		
11	218341	. TUBE	1	1		
12	218342	. TUBE	1	1		
13	218339	. TUBE	1	1		
14	218338	. TUBE	1	1		
15	218337	. TUBE	1	1		
16	218347	. PANEL	1	1		
17	173415	. PANEL FLOOR W/ TIRE ROLL	1	1		
18	218345	. PANEL	1	1		
19	173496	. SUPPORT MUD FLAP R.H. To D-2136	1	1		
19	175095	. SUPPORT MUD FLAP R.H. From D-2137	1	1		
20	173497	. SUPPORT MUD FLAP L.H. To D-2136	1	1		
20	175096	. SUPPORT MUD FLAP L.H. From D-2137	1	1		
21	300563	. RESERVOIR SUPPORT FOR HOOK / HEADLAMP WASH.	2	2		
22	300570	. RESERVOIR SUPPORT SIDE	4	4		
23	260120	. PLATE, CLOSING / TUBE 33MM x 33MM	3	3		
24	230695	. PLATE, CLOSING	2	2		
25	356070	. SOUND INSULATOR PANEL / (UNDER FLOOR)	1	1		
26	178836	. PANEL UNDER STEPWELL	1	1		
27	309048	. RESERVOIR SUPPORT FOR HOOK / WINDSHIELD WASH.	1	1		
28	174934	. STOPPER SPARE WHEEL TIRE	1	1		
29	174952	. PLATE CLOSING	1	1		
30	504433	SNAP-IN PLUG / 1.090 O.D.	1	1		

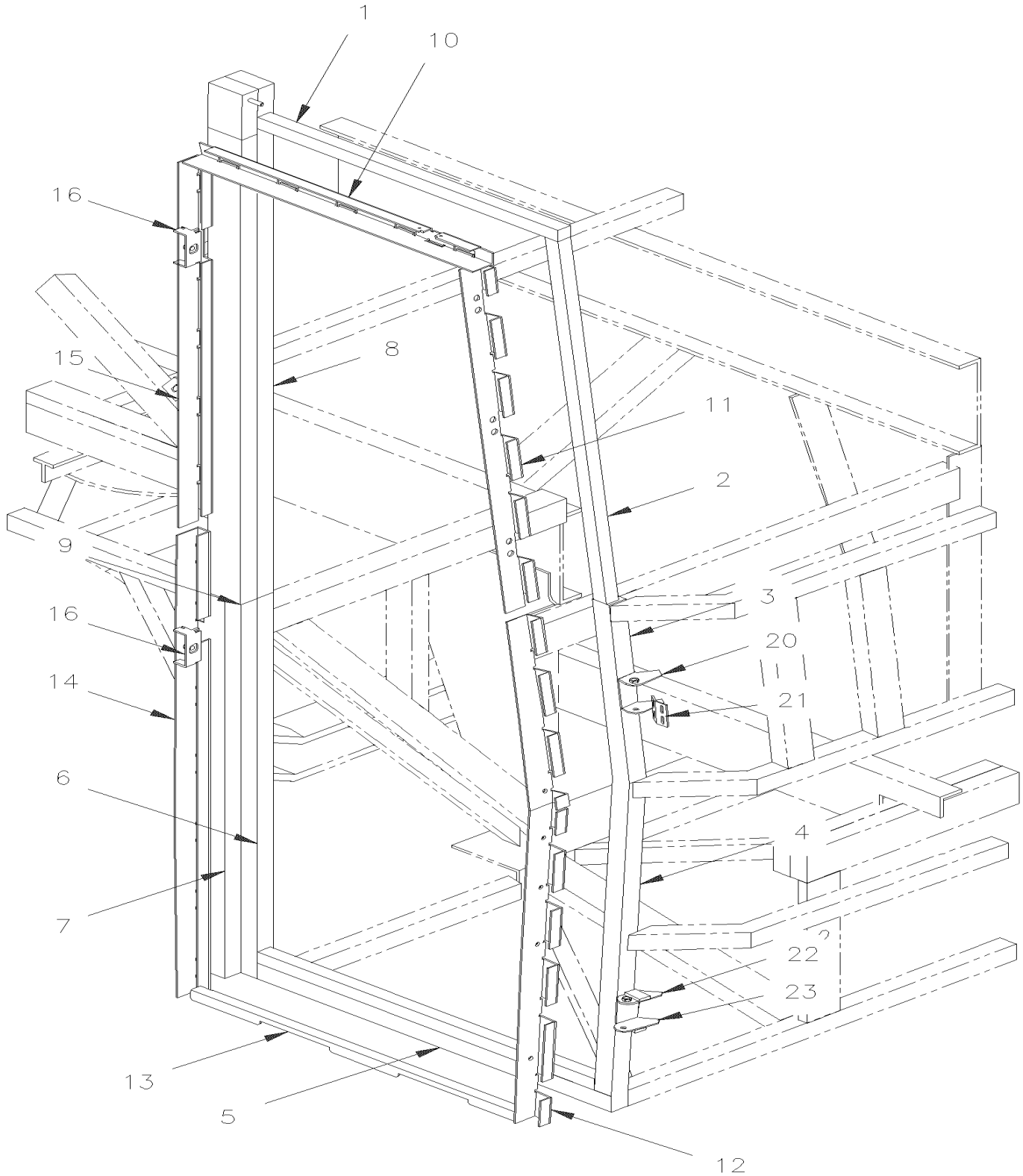


From 7-0671 To D-2363

Date:10/2022

PAGE:H7-1895-20

**ENTRANCE DOOR STRUCTURE**



From 7-0671 To D-2363 Date:10/2022 PAGE:H7-1895-20

**ENTRANCE DOOR STRUCTURE**

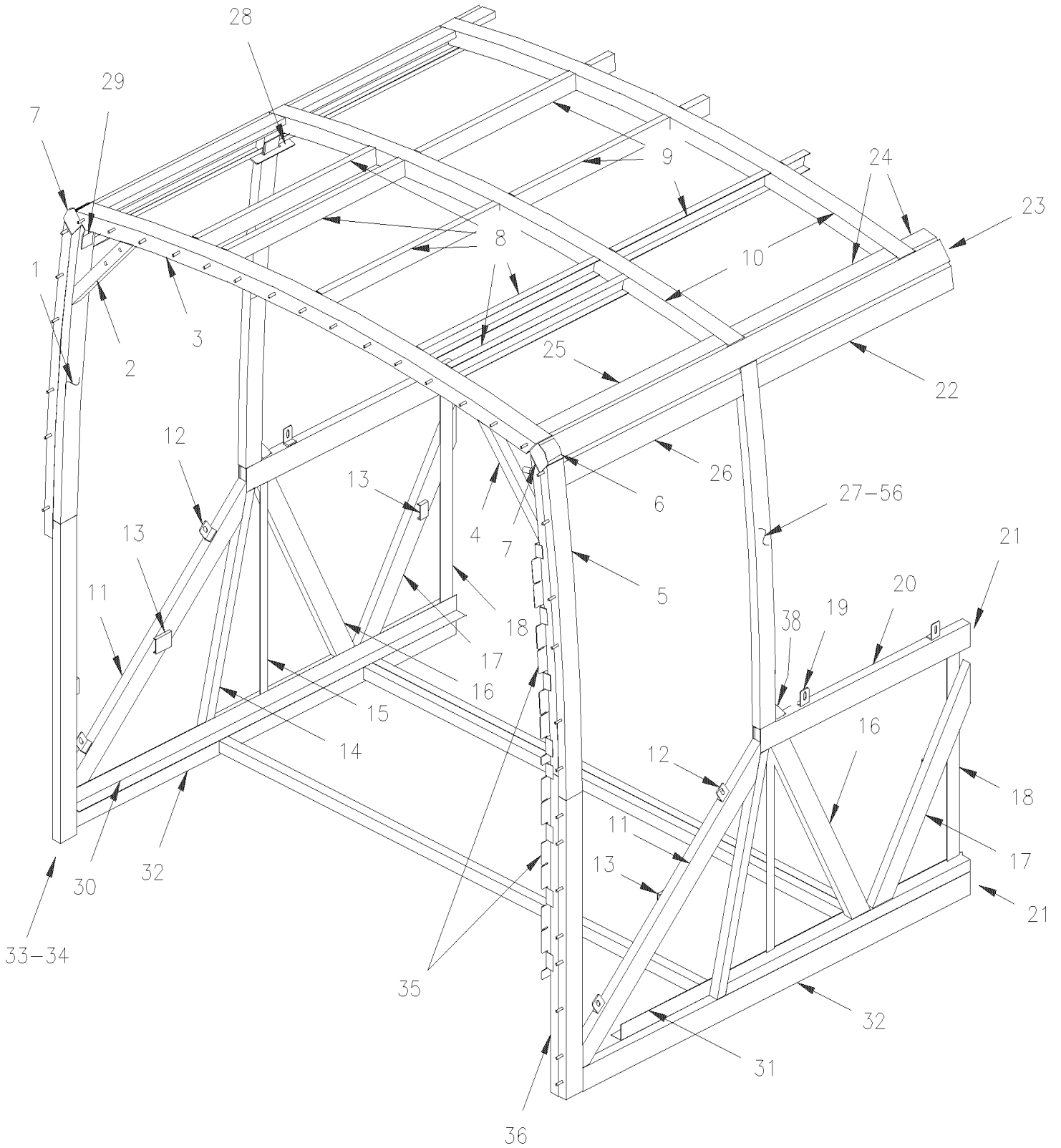
Item#	Part	Description	H 3 4 1	H 3 4 5	V I P 4 5	N O T E S
	214427	ENTRANCE DOOR STRUCTURE ASSY	1	1		B
	216838	ENTRANCE DOOR STRUCTURE ASSY			1	B
1	251196	TUBE 644MM	1	1	1	
2	251195	TUBE 857MM	1	1	1	
3	250874	TUBE	1	1	1	
4	250875	TUBE	1	1	1	
5	171637	TUBE	1	1	1	
NS	214554P	TUBE ASSY	1	1	1	A
. NS	211730	. TUBE	1	1	1	A
. NS	260120	. PLATE, CLOSING / TUBE 33MM x 33MM	1	1	1	A
. NS	210832	. TUBE	1	1	1	A
. NS	211731	. FINISHING PANEL	1	1	1	A
. NS	230695	. PLATE, CLOSING	1	1	1	A
7	210832	TUBE	1	1	1	
8	270595P	FRONT POST ASSY R.H.	1	1	1	
9	231465	JOINT BUTT 33MM X 33MM / (WELDED)	1	1	1	
9	231466	JOINT BUTT 33MM X 68MM / (WELDED)	1	1	1	
10	211970	FRAME SUPPORT	1	1		
10	211723	FRAME SUPPORT			1	
11	213153	FRAME SUPPORT	1	1	1	
12	216258	FRAME SUPPORT	1	1	1	
13	214075	FRAME SUPPORT	1	1	1	
14	214115	FRAME SUPPORT	1	1		
14	213199	FRAME SUPPORT			1	
15	213151	FRAME SUPPORT			1	
15	213664	FRAME SUPPORT	1	1		
16	211757	CATCH SUPPORT			2	
20	211984	HINGE SUPPORT / (WELDED TO STRUCTURE)	1	1	1	
21	211987	PLATE / "V" SHAPE 48MM X 57MM 45°	1	1	1	
22	211992	PLATE	4	4	4	
23	211983	HINGE SUPPORT / (WELDED TO STRUCTURE)	1	1	1	
		A) INCLUDES ITEM 6 & 7				
		B) INCLUDE ITEM 1, 2, 3, 4, 10, 11, 12, 14, 15, 20, 21, 22 & 23				

From 7-0671 To D-2363

Date:10/2022

PAGE:H7-1895-30

FRONT UPPER STRUCTURE

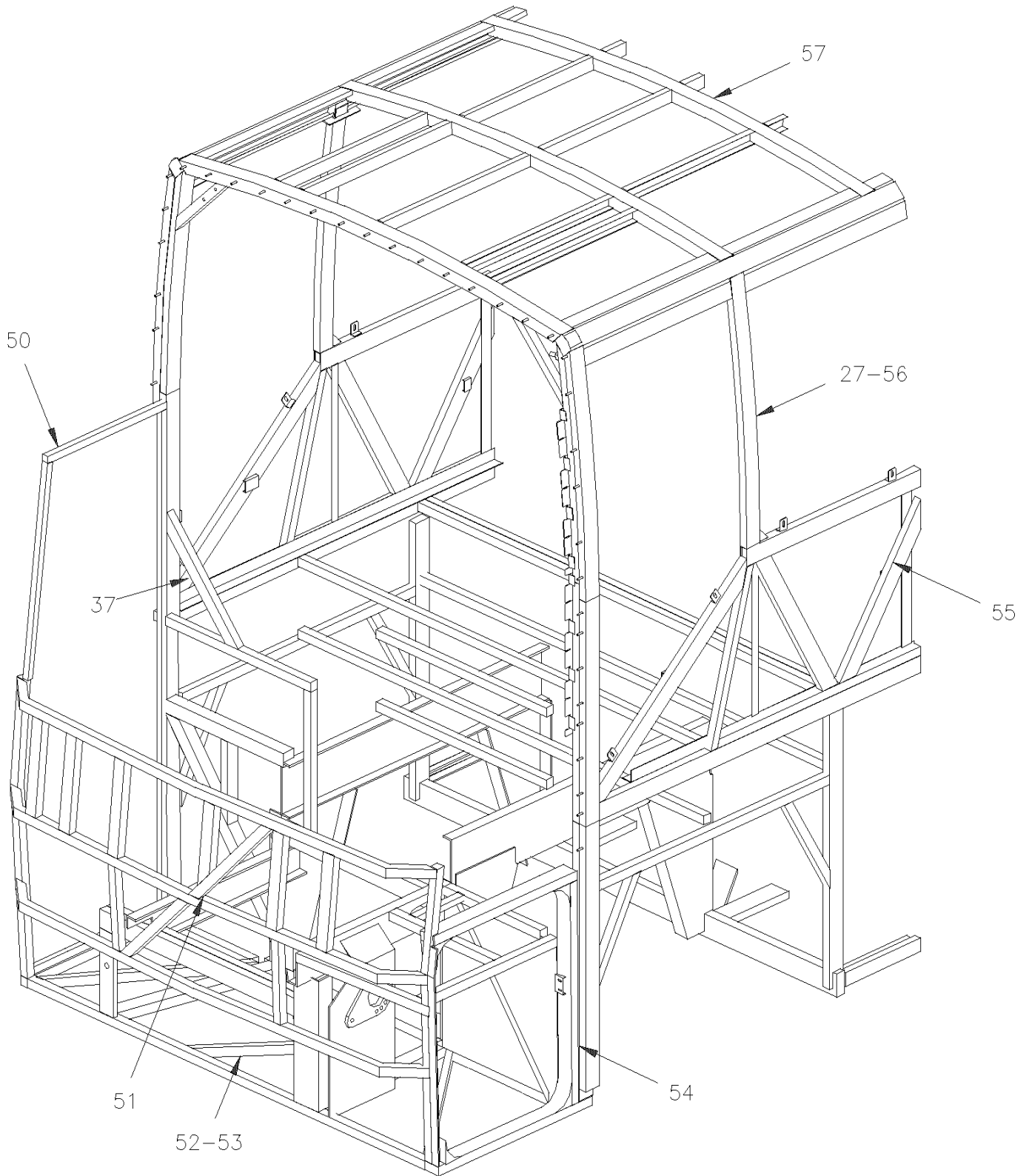


From 7-0671 To D-2363

Date:10/2022

PAGE:H7-1895-30

FRONT UPPER STRUCTURE



<b>From 7-0671 To D-2363</b>	<b>Date:10/2022</b>	<b>PAGE:H7-1895-30</b>
<b>FRONT UPPER STRUCTURE</b>		

Item#	Part	Description	H 3 4 1	H 3 4 5	V I P 4 5	N O T E S
1	270595P	FRONT POST ASSY R.H.	1	1	1	
NS	5001300	STUD WD WOC 5/16-18x1 1/4 SS	AR	AR	AR	
2	161168	REINFORCEMENT	2	2	2	
3	270566P	ROOF ARCH ASSY To A-1720	1	1	1	
3	271748	ROOF ARCH ASSY From B-1721	1	1	1	
NS	5001300	STUD WD WOC 5/16-18x1 1/4 SS	AR	AR	AR	
4	160760	REINFORCEMENT				
5	270596P	FRONT POST ASSY L.H.	1	1	1	
NS	5001300	STUD WD WOC 5/16-18x1 1/4 SS	AR	AR	AR	
6	271104	PLATE (CURVED)	6	6	6	
7	270541	CLOSING PLATE	2	2	2	
NS	270922	CORNER FORM	2	2		
8	272135	CORNER FORM	5	5	5	
9	271620	FORM / BETWEEN ARCH	AR	AR	AR	
10	271636	ARCH	AR	AR	AR	
11	231006	TUBE	1	1	1	
12	293062	ANGLE / (WELDED)	1	1	1	
13	231469	SUPPORT SINGLE	1	1	1	
14	230954	TUBE	1	1	1	
16	230945	TUBE	1	1	1	
17	230953	TUBE	1	1	1	
19	292931	ANGLE / (WELDED)	1	1	1	
20	231015	TUBE	1	1	1	
20	230882	TUBE	1	1	1	
21	231019	JOINT BUTT 15MM X 68MM / (WELDED)	1	1	1	
22	271053	CORNER FORM	AR	AR	AR	
23	270919	TUBE		1		
23	270920	TUBE	1			
23	270921	TUBE			1	
24	270558	CORNER PANEL	1			
24	270558	CORNER PANEL		1	1	
25	271006	CORNER FORM	2	2	2	
26	271051	CORNER FORM	2	2	2	
27	270556	POST / BETWEN WINDOW / 1129MM	AR	AR	AR	
28	271048	SUPPORT PARCEL RACK	AR	AR		
NS	270516	CORNER REINFORCEMENT	AR	AR	AR	
29	270591	REINFORCEMENT	2	2	2	
30	230980	ANGLE	1	1	1	
31	230986	ANGLE #1 R.H.	1	1	1	
32	231163	TUBE	1	1	1	
33	231465	JOINT BUTT 33MM X 33MM / (WELDED)	1	1	1	
34	231466	JOINT BUTT 33MM X 68MM / (WELDED)	1	1	1	

From 7-0671 To D-2363	Date:10/2022	PAGE:H7-1895-30
<b>FRONT UPPER STRUCTURE</b>		

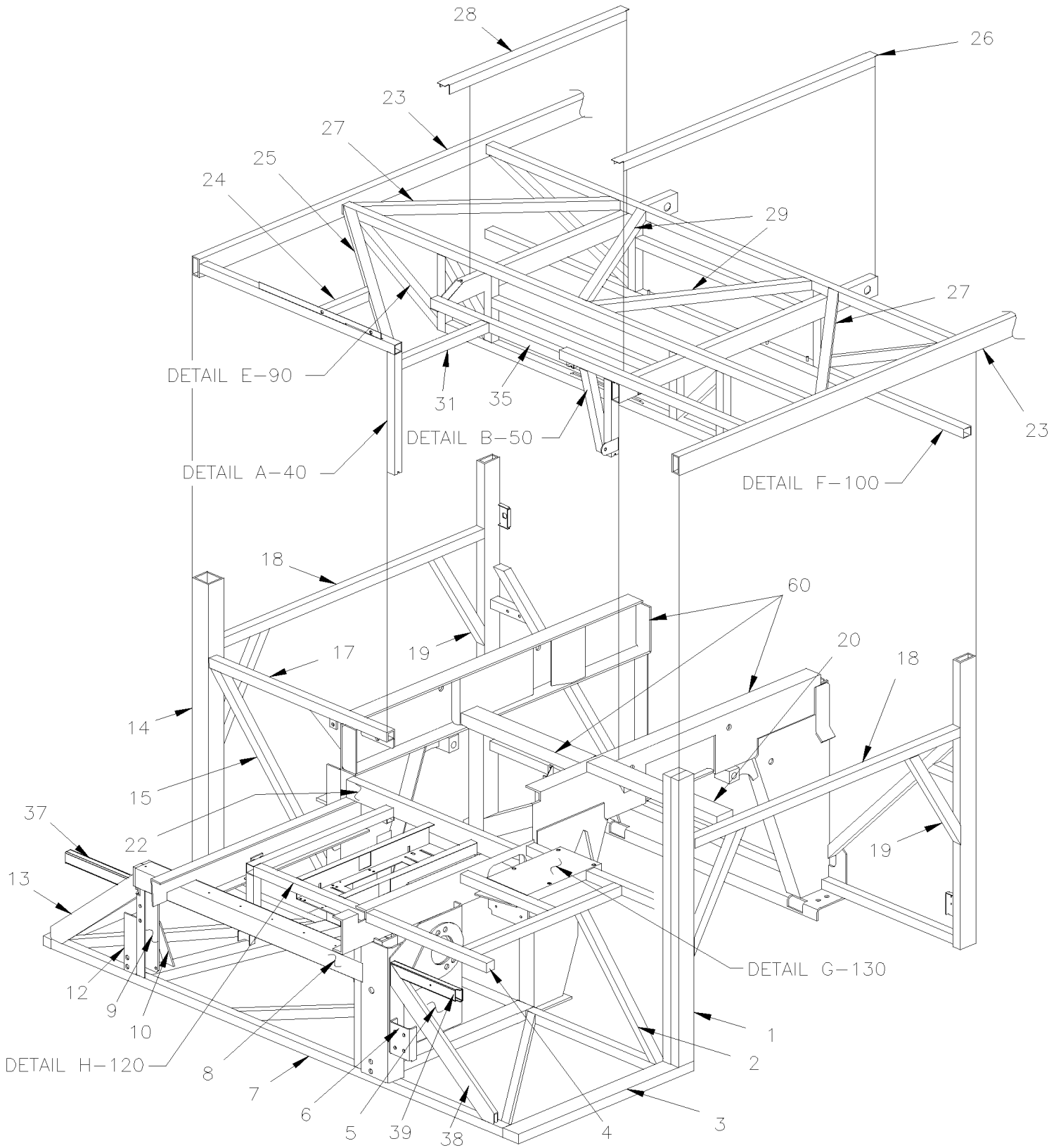
Item#	Part	Description	H 3 4 1	H 3 4 5	V I P 4 5	N O T E S
35	272054	SUPPORT	2	2		
36	270837	ANGLE	1	1		
37	212520	TUBE / MODESTY PANEL	1	1	1	
38	270553	REINFORCEMENT / BETWEEN WINDOW	AR	AR	AR	
50	<b>H7-1895-20</b>	<b>ENTRANCE DOOR STRUCTURE</b>	1	1	1	
51	<b>H7-1895-00</b>	<b>FRONT STRUCTURE</b>	1	1	1	
52	<b>H7-1895-10</b>	<b>FRONT FLOOR STRUCTURE - BUS W/ "I" BEAM SUSPENSION</b>	1	1	1	
53	<b>H7-1895-50</b>	<b>FRONT FLOOR STRUCTURE - V.I.P. W/ IND SUSPENSION</b>	1	1	1	
54	<b>H7-1879-10</b>	<b>FRONT SERVICE DOOR - INSTALLATION</b>	1	1	1	
55	<b>H7-1891-00</b>	<b>WALL STRUCTURE - LOWER BUS</b>	1	1	1	
55	<b>H7-1891-50</b>	<b>WALL STRUCTURE - LOWER V.I.P.</b>	1	1	1	
56	<b>H7-1890-10</b>	<b>STRUCTURE WALL - UPPER</b>	1	1	1	
57	<b>H7-1890-00</b>	<b>ROOF STRUCTURE</b>	1	1	1	

From 7-0671 To D-2363

Date:10/2022

PAGE:H7-1895-40

FRONT END STRUCTURE - BUS W/ "I" BEAM SUSPENSION

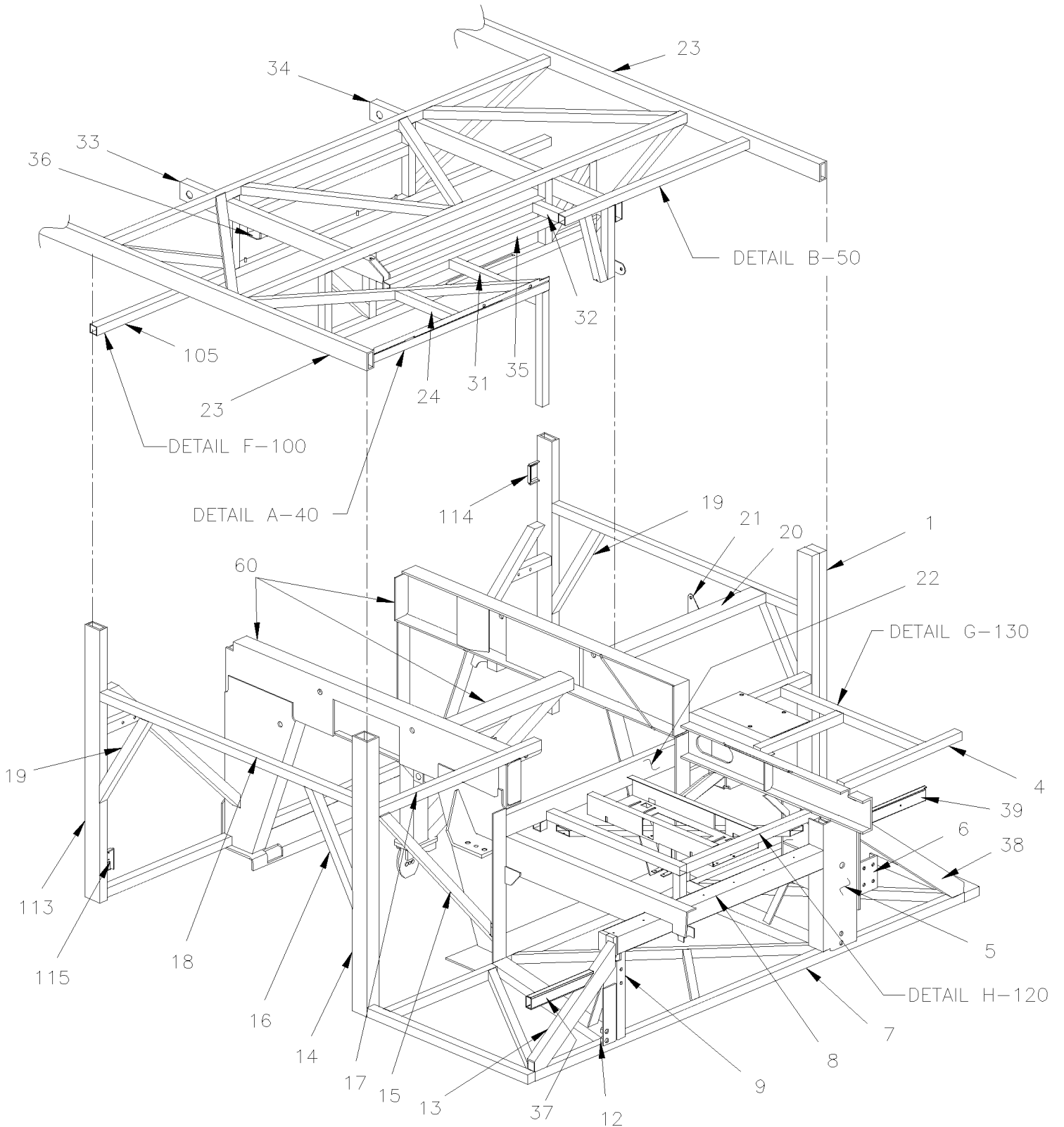


From 7-0671 To D-2363

Date:10/2022

PAGE:H7-1895-40

FRONT END STRUCTURE - BUS W/ "I" BEAM SUSPENSION



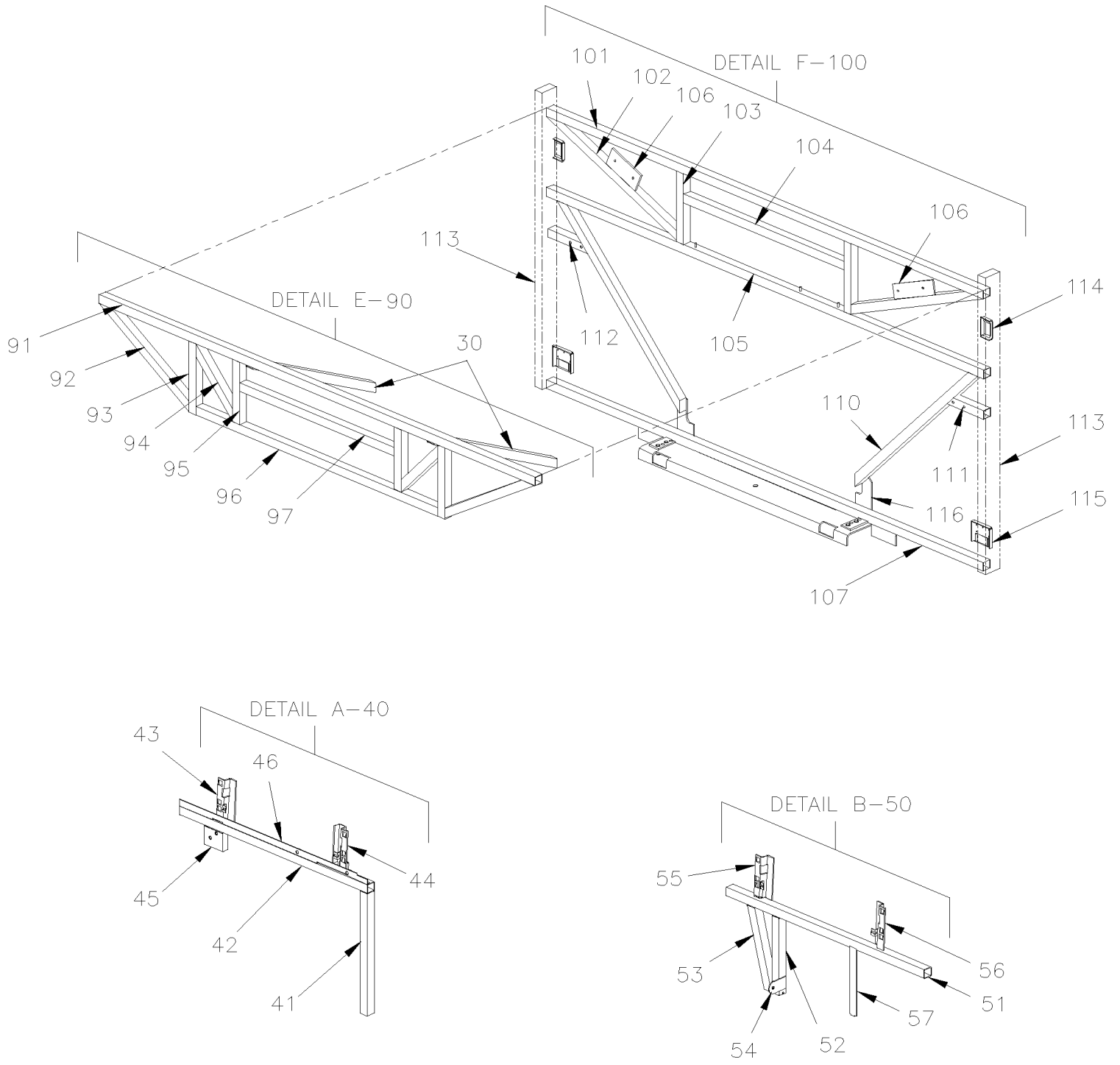


From 7-0671 To D-2363

Date:10/2022

PAGE:H7-1895-40

FRONT END STRUCTURE - BUS W/ "I" BEAM SUSPENSION

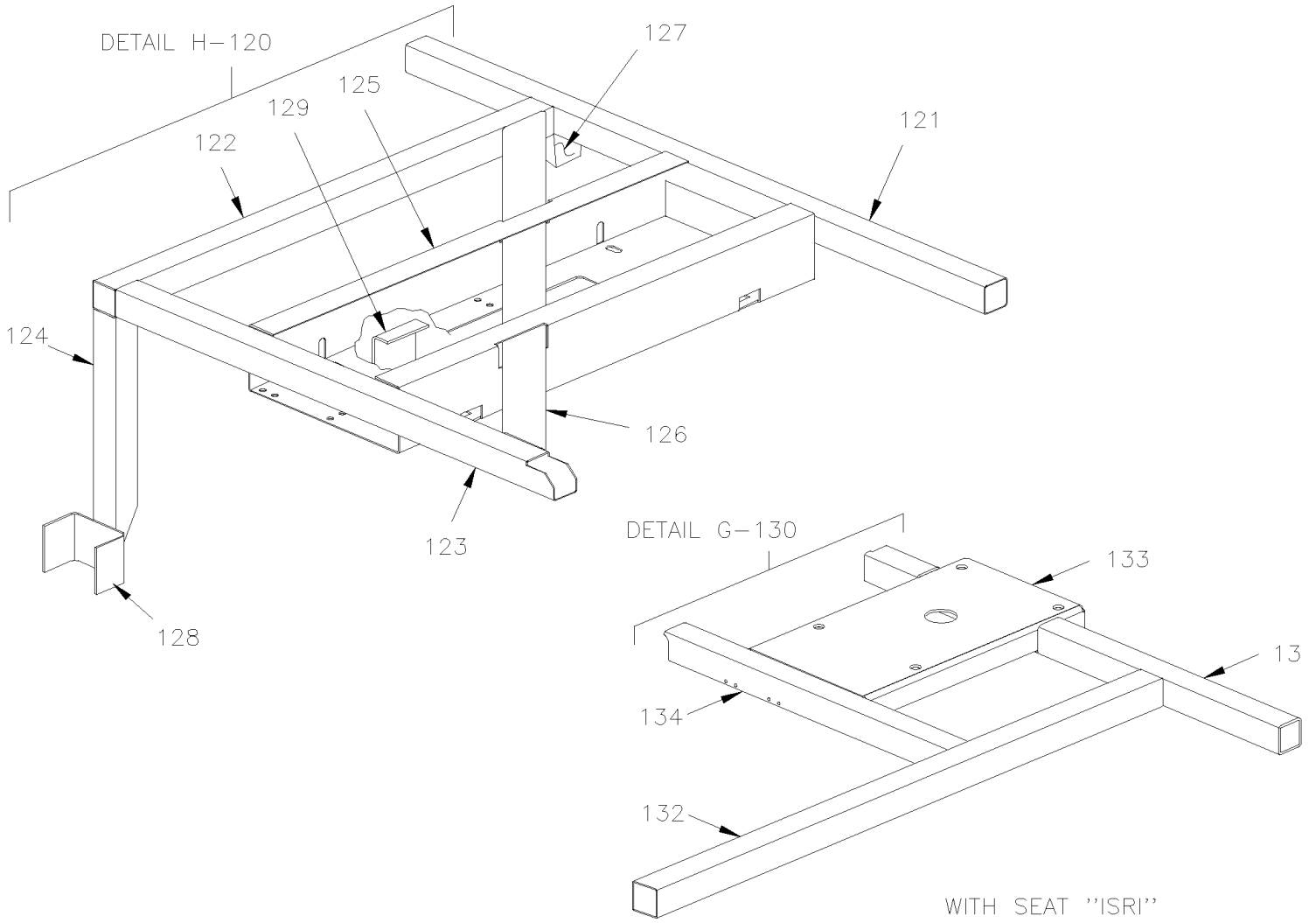


From 7-0671 To D-2363

Date:10/2022

PAGE:H7-1895-40

FRONT END STRUCTURE - BUS W/ "I" BEAM SUSPENSION



From 7-0671 To D-2363 Date:10/2022 PAGE:H7-1895-40

**FRONT END STRUCTURE - BUS W/ "I" BEAM SUSPENSION**

Item#	Part	Description	H 3 4 1	H 3 4 5	V I P 4 5	N O T E S
	172710	FRONT STRUCTURE ASSY COMPLETE AS SHOWN BUS W/ "I" BEAM SUSPENSION To 9-1469	1	1		
1	210936	TUBE 1156MM	2	2		
1	<b>H7-1879-10</b>	<b>FRONT SERVICE DOOR - INSTALLATION</b>				
2	211294	TUBE 868MM	1	1		
3	171767	TUBE 900MM	1	1		
4	213392	TUBE / DRIVER'S FLOOR SUPPORT / 737MM	1	1		
5	172857	SUPPORT GEAR BOX STEERING / W/ "ZF" To 9-1469	1	1		
5	174911	SUPPORT GEAR BOX STEERING / W/ "ZF" From A-1470 To A-1604	1	1		
5	173695	SUPPORT GEAR BOX STEERING / W/ "ZF" From A-1605	1	1		
6	214599	ATTACHMENT / BUMPER LATCH	1	1		
7	<b>H7-1895-10</b>	<b>FRONT FLOOR STRUCTURE - BUS W/ "I" BEAM SUSPENSION</b>				
8	171205	TUBE 1172MM To 9-1469	1	1		
8	173494	TUBE 1172MM From A-1470	1	1		
9	171421	SUPPORT R.H. / "C" FORM To 9-1469	1	1		
9	173551	SUPPORT R.H. / "C" FORM From A-1470	1	1		
. NS	411150	. STOPPER / SPARE TIRE ARM From A-1470	1	1		
10	171423	REINFORCEMENT / TRIANGULAR SHAPE	1	1		
12	213961	BUMPER HINGE ATTACHMENT R.H.	1	1		
13	210742	TUBE 597MM	1	1		
14	<b>H7-1895-20</b>	<b>ENTRANCE DOOR STRUCTURE</b>				
15	170775	TUBE 1046MM	1	1		
16	211616	TUBE 655MM	1	1		
17	172221	TUBE 908MM	1	1		
18	213451	TUBE 1405MM	2	2		
19	211960	TUBE 560MM	2	2		
20	171652	TUBE 695MM	1	1		
21	213458	ATTACHMENT SEAT BELT	1	1		
22	171122	REINFORCEMENT	1	1		
23	<b>H7-1891-00</b>	<b>WALL STRUCTURE - LOWER BUS</b>				
24	172615	TUBE 225MM	1	1		
25	172614	TUBE 1168MM	1	1		
26	172610	SEAT SUPPORT / L.H. / 980MM	1	1		
27	171023	TUBE 982MM	2	2		
28	173216	SEAT SUPPORT / R.H. / 1472MM	1	1		
29	172081	TUBE 836MM	2	2		
30	171024	TUBE 758MM	2	2		
31	172612	TUBE 540MM	1	1		
32	172613	TUBE 137MM	1	1		
33	212427	TUBE 1233MM	1	1		
34	172105	TUBE 1330MM	1	1		
35	170784	TUBE 1068MM	1	1		
36	373832	SUPPORT WATER PUMP / UPPER DEFROSTER To D-2179	1	1		

From 7-0671 To D-2363 Date:10/2022 PAGE:H7-1895-40

**FRONT END STRUCTURE - BUS W/ "I" BEAM SUSPENSION**

Item#	Part	Description	H 3 4 1	H 3 4 5	V I P 4 5	N O T E S
36	374660	SUPPORT WATER PUMP / UPPER DEFROSTER From D-2180	1	1		
37	218353	TUBE 371MM From A-1470	1	1		
38	214568	TUBE 782MM	1	1		
39	218357	TUBE 341MM From A-1470	1	1		
40	Call order desk	STRUCTURE ASSY / R.H MODESTY PANEL	1	1		P
40	Call order desk	STRUCTURE ASSY / R.H MODESTY PANEL	1	1		P
41	170796	. TUBE 496MM	1	1		
42	171330	. TUBE 953MM	1	1		
43	327608	. ANCHOR / MODESTY PANEL	1	1		
44	328922	. ANCHOR / MODESTY PANEL	1	1		
45	213614	. ANCHOR ASSY / HAND-RAIL	1	1		
46	171281	. ANCHOR ASSY / HOSTESS SEAT	1	1		
50	Call order desk	STRUCTURE ASSY / L.H MODESTY PANEL	1	1		P
50	Call order desk	STRUCTURE ASSY / L.H MODESTY PANEL	1	1		P
51	172070	. TUBE 1004MM	1	1		
52	171651	. TUBE 312MM	1	1		
53	171650	. TUBE 335MM	1	1		
54	212485	. ATTACHMENT SEAT BELT	1	1		
55	327612	. ANCHOR / MODESTY PANEL	1	1		
56	327610	. ANCHOR / MODESTY PANEL	1	1		
57	213470	REINFORCEMENT 50MM X 328MM	1	1		
60	<b>H7-1897-00</b>	<b>FRONT SUB-FRAME / W/RIGID SUSPENSION</b>				
90	N.S.A.	CROSS MEMBER SUB FLOOR FORWARD	1	1		3
91	172026	. TUBE 2463MM	1	1		
92	172030	. TUBE 578MM To D-2238	2	2		
92	175107	. TUBE 580MM From D-2239	2	2		
93	172069	. TUBE 312MM	2	2		
94	172038	. TUBE 327MM	2	2		
95	172036	. TUBE 273MM	2	2		
96	172029	. TUBE 1396MM	1	1		
97	210550	. TUBE 916MM	1	1		
98	213548	. REINFORCEMENT	2	2		
100	N.S.A.	CROSS MEMBER SUB FLOOR BACKWARD	1	1		3
101	172026	. TUBE 2463MM	1	1		
102	172024	. TUBE 785MM	2	2		
103	172027	. TUBE 312MM	2	2		
104	170732	. TUBE 913MM	1	1		
105	172025	. TUBE 2447MM	1	1		
106	172031	. DOOR CYLINDER SUPPORT / "U" SHAPE 125MM	2	2		
107	172733	. TUBE	1	1		
110	213447	TUBE 1040MM	2	2		
111	213449	TUBE ASSY / W/INSERT / STREETSIDE	1	1		

<b>From 7-0671 To D-2363</b>	<b>Date:10/2022</b>	<b>PAGE:H7-1895-40</b>
<b>FRONT END STRUCTURE - BUS W/ "I" BEAM SUSPENSION</b>		

Item#	Part	Description	H 3 4 1	H 3 4 5	V I P 4 5	N O T E S
112	213448	TUBE ASSY / W/INSERT / CURBSIDE	1	1		
113	213789	TUBE ASSY / STREET SIDE / W/FLOATING NUT / 1196MM	1	1		
113	213790	TUBE ASSY / CURBSIDE / W/FLOATING NUT / 1196MM	1	1		
113	213450	. TUBE 1196MM	1	1		
114	287943	. FLOATING NUT ASSY WITH CASE	1	1		
115	287903	. SUPPORT LOWER / (WELDED TO STRUCTURE)	1	1		
116	171524	REINFORCEMENT	2	2		
120	172604P	FLOOR STEPWELL ASSY	1	1		
121	170909	. TUBE 953MM	1	1		
122	172605	. TUBE 700MM	1	1		
123	172606	. TUBE 651MM	1	1		
124	170862	. TUBE 273MM	1	1		
125	171771	. SUPPORT LOWER / (WELDED TO FRAME) / TO FIX TANK ACCESSORIES	1	1		
126	172607	. TUBE 907MM	1	1		
127	171764	. TUBE 36MM	1	1		
128	170858	. SUPPORT	1	1		
128	173216	SEAT SUPPORT / R.H. / 1472MM	1	1		
129	372742	. SUPPORT / TO FIX WATER VALVE	1	1		
130	216071P	DRIVER`S FLOOR ASSY / W/"ISRI" & "RECARO" To 8-1127	1	1		
130	216321	DRIVER`S FLOOR ASSY / W/"ISRI" & "RECARO" From 8-1128	1	1		
131	216072	. TUBE 682MM To 8-1127	1	1		
131	216323	. TUBE 682MM From 8-1128	1	1		
132	216069	. TUBE 838MM	1	1		
133	216070	. PLATE 197MM X 324MM To 8-1127	1	1		
133	216322	. PLATE 197MM X 324MM From 8-1128 To C-2020	1	1		
133	219086	. PLATE 197MM X 324MM From C-2021	1	1		
NS	5001086	. NUT HEXF M12-1.75 DP	4	4		
134	216068	. TUBE 427MM	1	1		
		3) NOT SOLD ASSEMBLY				
		P) CALL ORDER DESK FOR SPECIFIC APPLICATION (V.I.N.)				

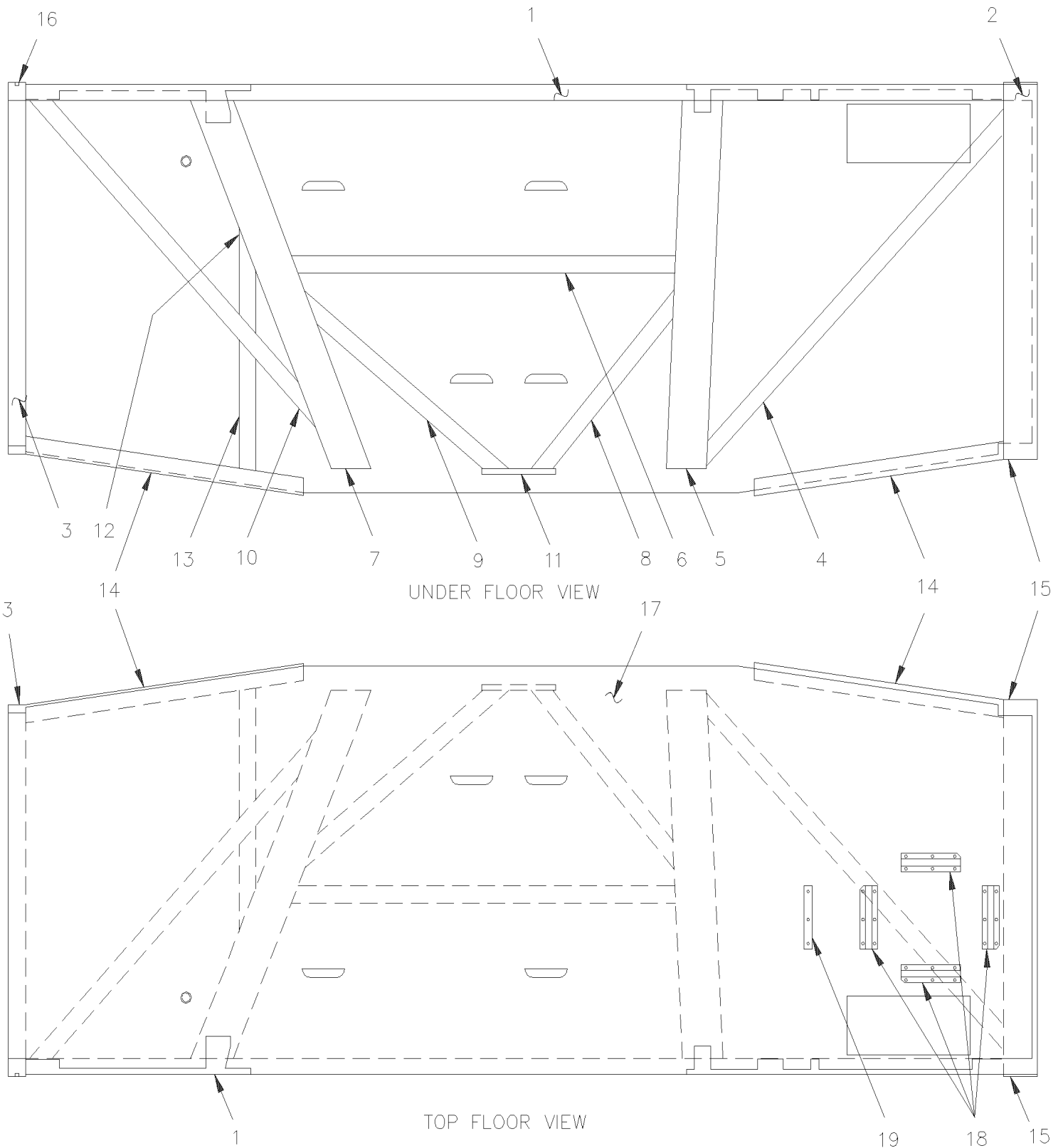


From 7-0671 To 9-1469

Date:10/2022

PAGE:H7-1895-50

FRONT FLOOR STRUCTURE - V.I.P. W/ IND SUSPENSION



From 7-0671 To 9-1469	Date:10/2022	PAGE:H7-1895-50
<b>FRONT FLOOR STRUCTURE - V.I.P. W/ IND SUSPENSION</b>		

Item#	Part	Description	H 3 4 1	H 3 4 5	V I P 4 5	N O T E S
	Call order desk	FRONT FLOOR ASSY W/PANEL VIP W/ IND SUSPENSION			1	P
	Call order desk	FRONT FLOOR ASSY W/PANEL VIP W/ IND SUSPENSION			1	P
1	170911	TUBE			1	
2	171767	TUBE 900MM			1	
3	171637	TUBE			1	
4	213425	TUBE			1	
5	213423	TUBE			1	
6	213430	TUBE			1	
7	213422	TUBE			1	
8	213432	TUBE			1	
9	213431	TUBE			1	
10	213427	TUBE			1	
11	213503	PLATE			1	
12	172251	SUPPORT			1	
13	172252	SUPPORT			1	
14	213438	TUBE			1	
15	230695	PLATE, CLOSING			1	
16	260120	PLATE, CLOSING / TUBE 33MM x 33MM			1	
17	214566	PANEL			1	
18	309048	RESERVOIR SUPPORT FOR HOOK / WINDSHIELD WASH.			4	
19	460594	SUPPORT / AIR SHIELD / STREETSIDE			1	
20	460593	SUPPORT / AIR SHIELD / CURBSIDE			1	
21	300563	RESERVOIR SUPPORT FOR HOOK / HEADLAMP WASH.			2	
		P) CALL ORDER DESK FOR SPECIFIC APPLICATION (V.I.N.)				

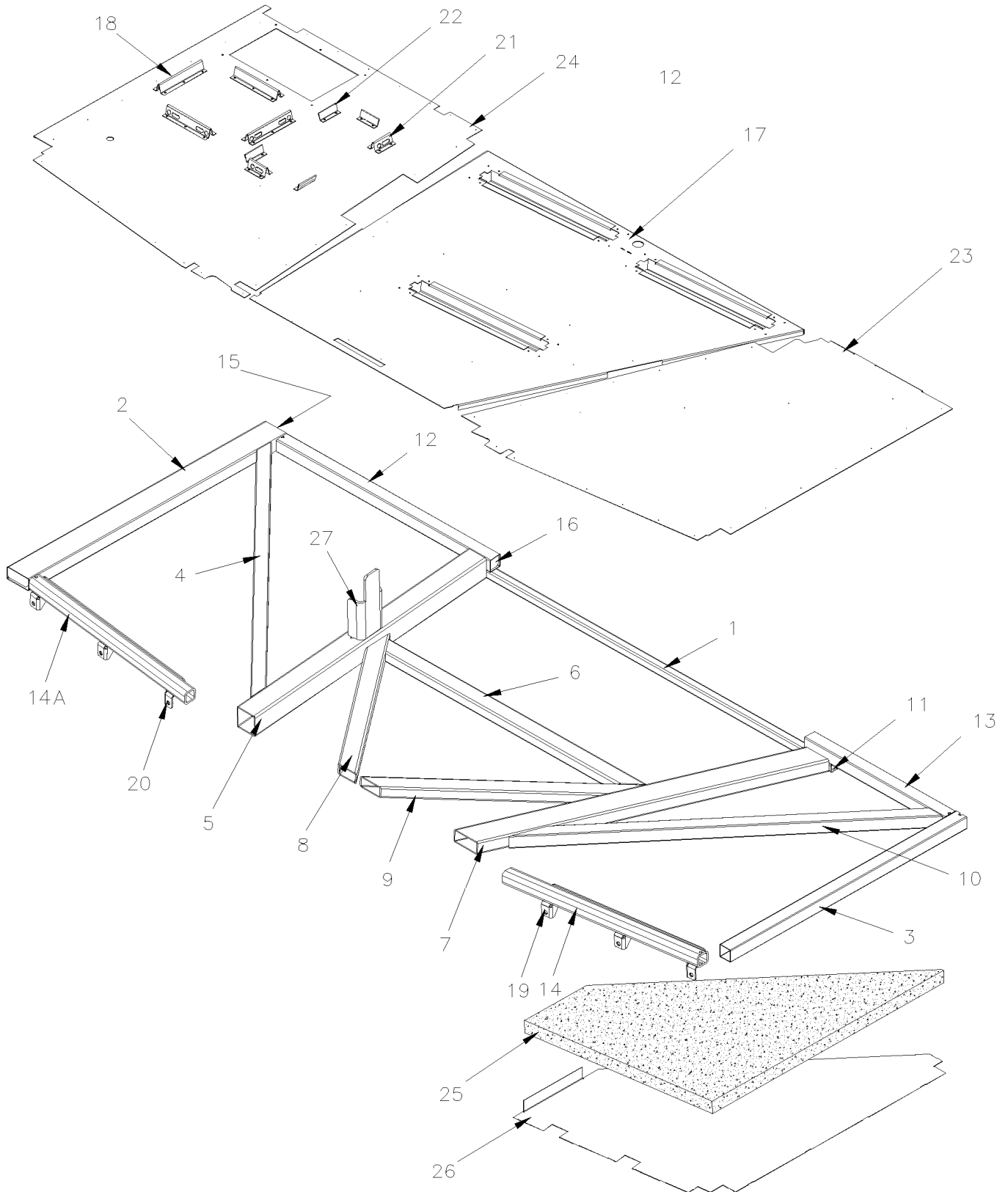


From A-1470 To D-2363

Date:10/2022

PAGE:H7-1895-51

## FRONT FLOOR STRUCTURE W/ IND SUSPENSION



<b>From A-1470 To D-2363</b>	<b>Date:10/2022</b>	<b>PAGE:H7-1895-51</b>
------------------------------	---------------------	------------------------

**FRONT FLOOR STRUCTURE W/ IND SUSPENSION**

Item#	Part	Description	H 3 4 1	H 3 4 5	V I P 4 5	N O T E S
	Call order desk	FRONT FLOOR ASSY W/PANEL BUS W/ IND SUSPENSION		1		P
	Call order desk	FRONT FLOOR ASSY W/PANEL BUS W/ IND SUSPENSION		1		P
	Call order desk	FRONT FLOOR ASSY W/PANEL VIP W/ IND SUSPENSION			1	P
	Call order desk	FRONT FLOOR ASSY W/PANEL VIP W/ IND SUSPENSION			1	P
1	173413	TUBE		1	1	
2	171767	TUBE 900MM		1	1	
3	171637	TUBE		1	1	
4	218358	TUBE		1	1	
5	218340	TUBE		1	1	
6	218339	TUBE		1	1	
7	213422	TUBE		1	1	
8	218337	TUBE		1	1	
9	218338	TUBE		1	1	
10	213427	TUBE		1	1	
11	174952	PLATE CLOSING		2	2	
12	172251	SUPPORT		1	1	
13	172252	SUPPORT		1	1	
14	213438	TUBE To D-2187		1	1	
14	213438	TUBE To D-2187		1	1	
14	218024	TUBE ASSY / STREET SIDE From D-2188	1	1	1	
14A	213438	TUBE To D-2187	1	1	1	
14A	213438	TUBE To D-2187	1	1	1	
14A	218025	TUBE ASSY / CURBSIDE From D-2188	1	1	1	
15	230695	PLATE, CLOSING		2	2	
16	260120	PLATE, CLOSING / TUBE 33MM x 33MM		3	3	
17	173415	PANEL FLOOR W/ TIRE ROLL		1		
17	173538	PANEL FLOOR W/4 VENT SLOT			1	
18	309048	RESERVOIR SUPPORT FOR HOOK / WINDSHIELD WASH.		4	4	
19	460594	SUPPORT / AIR SHIELD / STREETSIDE To D-2187		1	1	
19	460680	SUPPORT / AIR SHIELD From D-2188	1	1	1	
20	460593	SUPPORT / AIR SHIELD / CURBSIDE To D-2187		1	1	
20	460680	SUPPORT / AIR SHIELD From D-2188	1	1	1	
21	300563	RESERVOIR SUPPORT FOR HOOK / HEADLAMP WASH.		2	2	
22	300570	RESERVOIR SUPPORT SIDE		4	4	
23	173511	PANEL R.H.		1	1	
24	173512	PANEL L.H.		1	1	
25	356071	INSULATING UNDER STEPWELL		1		
26	173525	PANEL UNDER STEPWELL		1		
27	174934	STOPPER SPARE WHEEL TIRE		1		

From A-1470 To D-2363		Date:10/2022		PAGE:H7-1895-51			
<b>FRONT FLOOR STRUCTURE W/ IND SUSPENSION</b>							
Item#	Part	Description	H 3 4 1	H 3 4 5	V I P 4 5	N O T E S	
		P) CALL ORDER DESK FOR SPECIFIC APPLICATION (V.I.N.)					

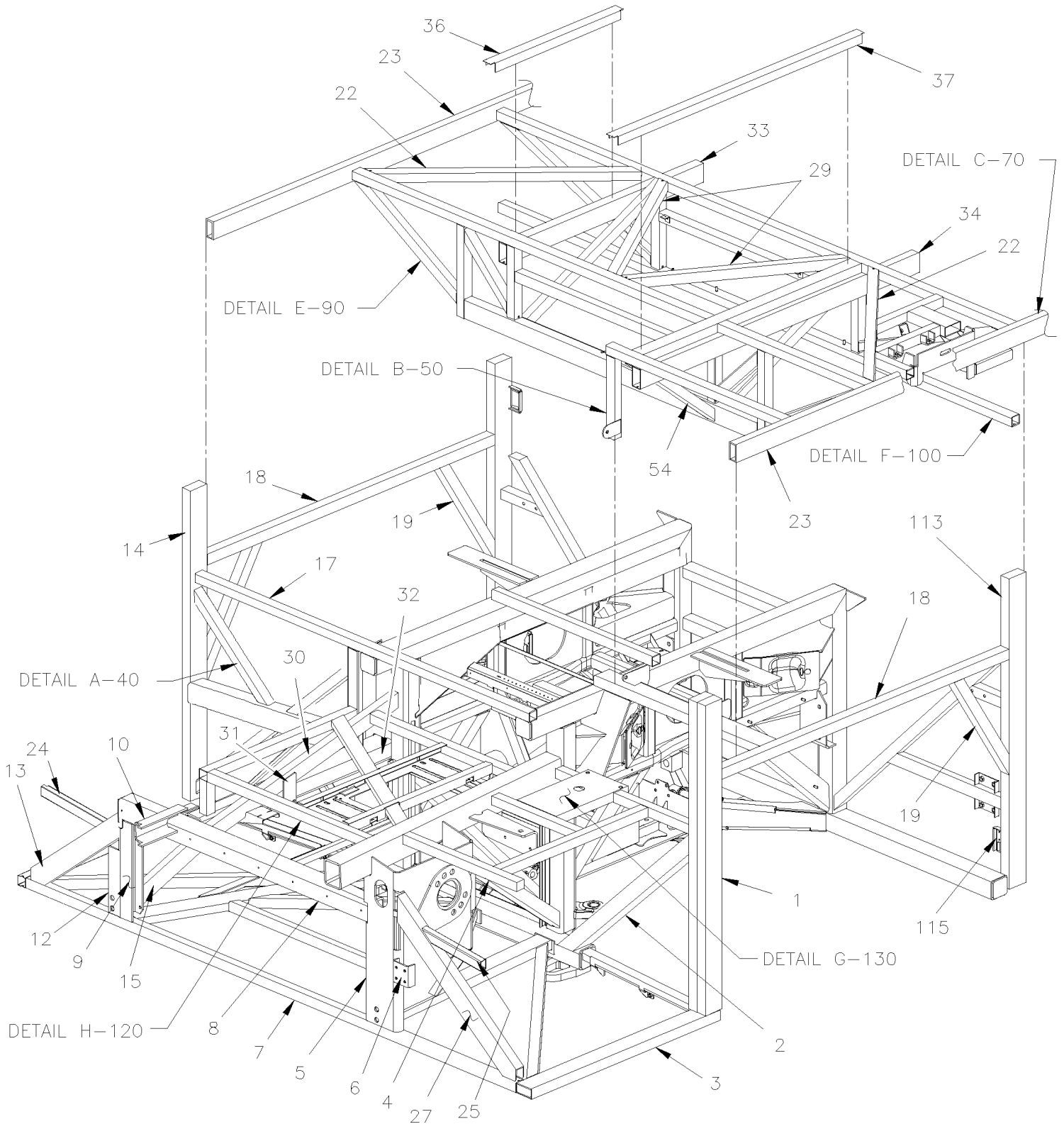


From 7-0671 To D-2363

Date:10/2022

PAGE:H7-1895-60

FRONT END STRUCTURE - V.I.P. W/ IND SUSPENSION

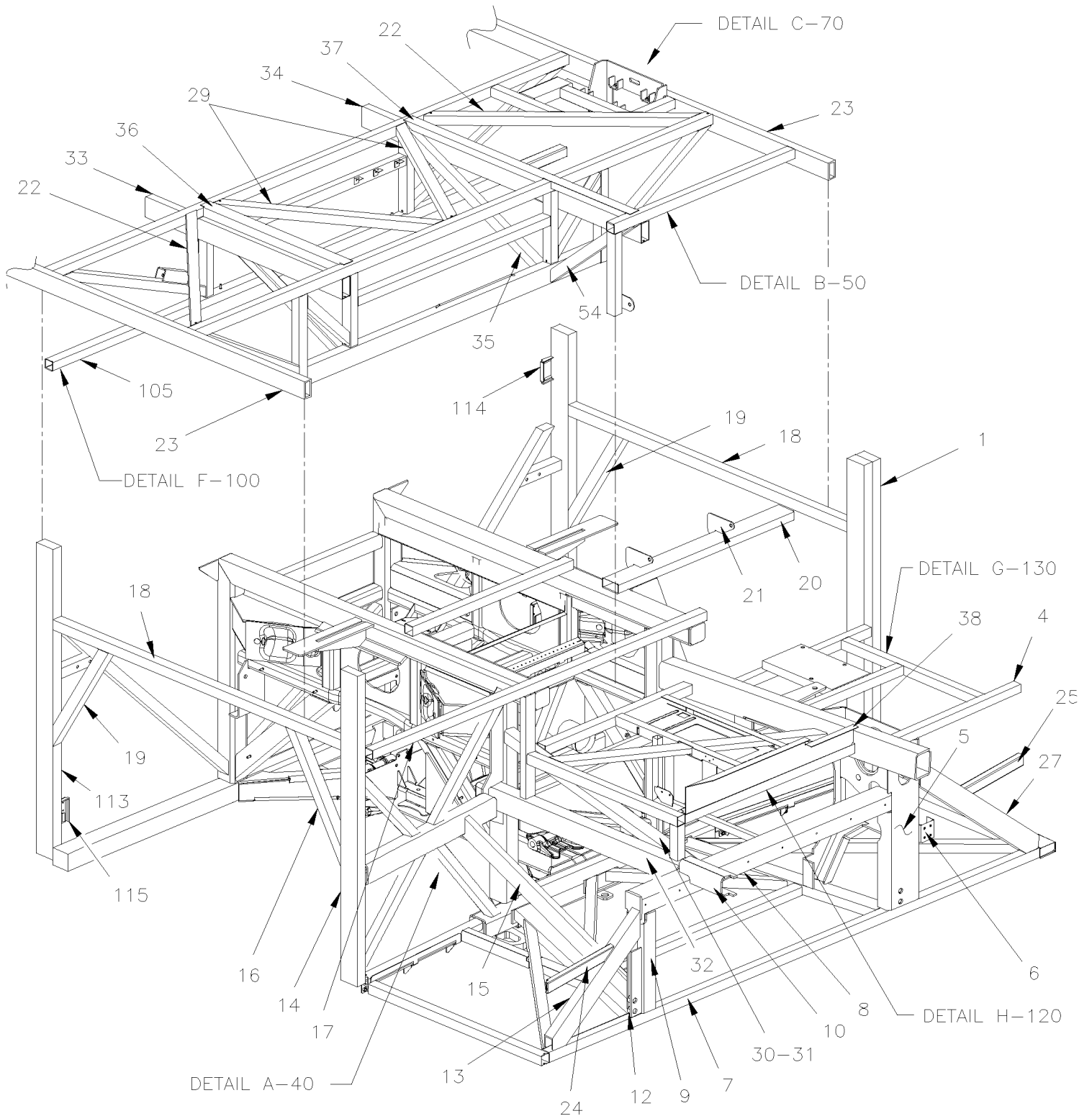


From 7-0671 To D-2363

Date:10/2022

PAGE:H7-1895-60

## FRONT END STRUCTURE - V.I.P. W/ IND SUSPENSION

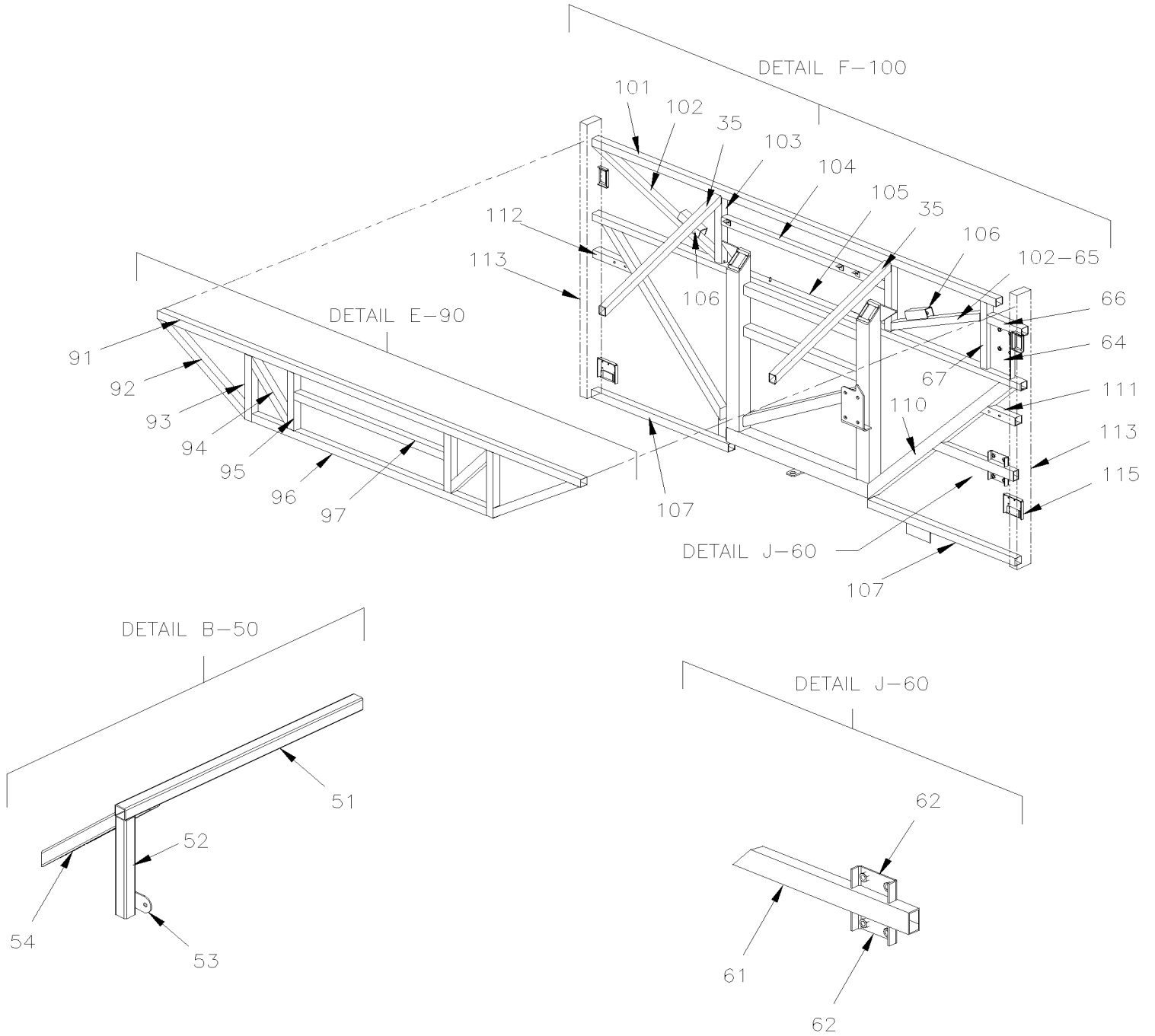


From 7-0671 To D-2363

Date:10/2022

PAGE:H7-1895-60

**FRONT END STRUCTURE - V.I.P. W/ IND SUSPENSION**

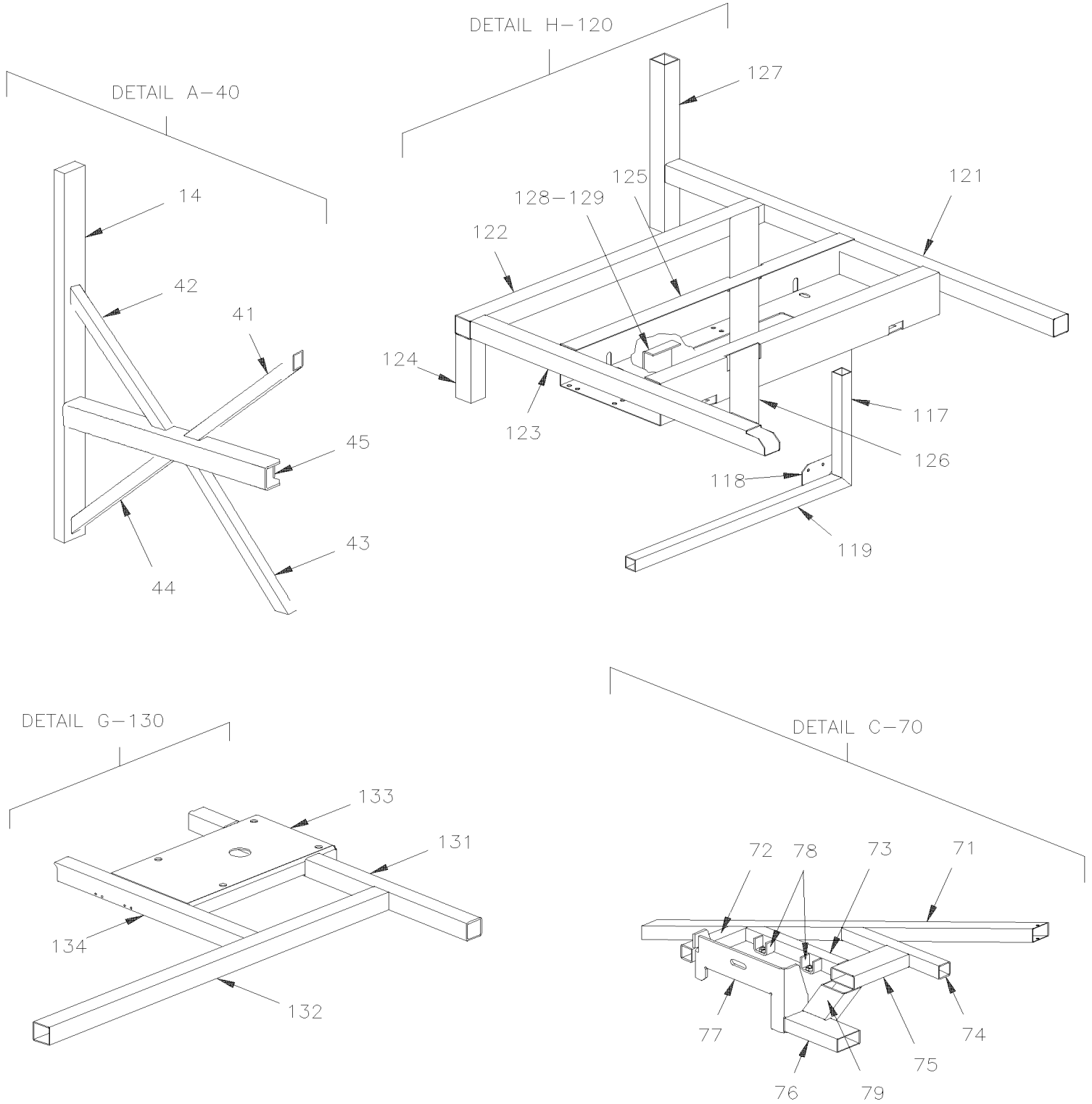


From 7-0671 To D-2363

Date:10/2022

PAGE:H7-1895-60

## FRONT END STRUCTURE - V.I.P. W/ IND SUSPENSION





From 7-0671 To D-2363	Date:10/2022	PAGE:H7-1895-60
<b>FRONT END STRUCTURE - V.I.P. W/ IND SUSPENSION</b>		

Item#	Part	Description	H 3 4 1	H 3 4 5	V I P 4 5	N O T E S
1	210936	TUBE 1156MM			2	
1	<b>H7-1879-10</b>	<b>FRONT SERVICE DOOR - INSTALLATION</b>				
2	213475	TUBE 1005MM			1	
3	171767	TUBE 900MM			1	
4	213474	TUBE / DRIVER'S FLOOR SUPPORT / W/IND SUSPENSION ONLY / 776MM			1	
5	172859	SUPPORT GEAR BOX STEERING / W/ "ZF" / W/IND SUSPENSION ONLY			1	
6	214599	ATTACHMENT / BUMPER LATCH			1	
7	<b>H7-1895-50</b>	<b>FRONT FLOOR STRUCTURE - V.I.P. W/ IND SUSPENSION</b>				
7	<b>H7-1895-51</b>	<b>FRONT FLOOR STRUCTURE W/ IND SUSPENSION</b>	1	1	1	
8	213502	TUBE 1188MM To 9-1469			1	
8	173520	TUBE 1188MM From A-1470			1	
9	214591	SUPPORT R.H. / "C" FORM			1	
10	213499	SUPPORT INSIDE			1	
12	213961	BUMPER HINGE ATTACHMENT R.H. To 9-1469			1	
12	218382	BUMPER HINGE ATTACHMENT R.H. From A-1470			1	
13	210742	TUBE 597MM			1	
14	<b>H7-1895-20</b>	<b>ENTRANCE DOOR STRUCTURE</b>				
15	213731	TUBE 904MM To 8-1416			1	
15	214985	TUBE 904MM From 8-1417			1	
16	211616	TUBE 655MM			1	
17	213440	TUBE 1591MM			1	
18	213451	TUBE 1405MM			2	
19	211960	TUBE 560MM			2	
20	213530	TUBE 835MM			1	
21	213458	ATTACHMENT SEAT BELT			2	
22	172104	TUBE 937MM			2	
23	<b>H7-1891-50</b>	<b>WALL STRUCTURE - LOWER V.I.P.</b>				
24	218353	TUBE 371MM From A-1470			1	
25	218357	TUBE 341MM From A-1470			1	
26	213926	SUPPORT SPARE DOOR / STREET SIDE			1	
27	214568	TUBE 782MM			1	
28	171130	TUBE 402MM			1	
29	172108	TUBE 788MM			2	
30	213497	TUBE 937MM			1	
31	172449	SUPPORT WATER VALVE			1	
32	171336	TUBE 957MM			1	
33	172103	TUBE 937MM			1	
34	172105	TUBE 1330MM			1	
35	172028	TUBE 737MM			2	
36	172106	SEAT SUPPORT 684MM			1	
37	172107	SEAT SUPPORT 1077MM			1	
38	284540	HINGE ASSY, R.H. L.H.			1	

From 7-0671 To D-2363	Date:10/2022	PAGE:H7-1895-60
<b>FRONT END STRUCTURE - V.I.P. W/ IND SUSPENSION</b>		

Item#	Part	Description	H 3 4 1	H 3 4 5	V I P 4 5	N O T E S
38	Call order desk	SERVICE DOOR			1	P
40	Call order desk	WALL STRUCTURE STEPWELL ASSY			1	P
41	213728	. TUBE 534MM			1	
42	213729	. TUBE 489MM			1	
43	233730	. TUBE			1	
44	213727	. TUBE 504MM			1	
45	213726	. TUBE 705MM To 8-1416			1	
45	214984	. TUBE 705MM From 8-1417			1	
50	N.S.A.	STRUCTURE ASSY / L.H. / REAR DRIVER'S			1	3
51	172140	TUBE 860MM			1	
52	172141	. TUBE 312MM			1	
53	212485	. ATTACHMENT SEAT BELT			1	
54	213753	TUBE 519MM			1	
57	213470	REINFORCEMENT 50MM X 328MM			1	
60	214782	TUBE ASSY W/HINGE SUPPORT / W/SLIDE-OUT			1	
61	214787	TUBE / W/SLIDE-OUT / 642MM			1	
62	214788	HINGE DOOR LOWER PLATE SUPPORT / W/SLIDE-OUT			2	
64	215169	HINGE DOOR UPPER PLATE SUPPORT / W/SLIDE-OUT			1	
65	215166	. TUBE / W/SLIDE-OUT / 559MM			1	
66	215168	TUBE / W/SLIDE-OUT / 196MM			1	
67	172027	TUBE 312MM			1	
70	Call order desk	LOWER SHAFT MOUNTING PLATE ASSY / W/SLIDE-OUT			1	P
71	172104	. TUBE 937MM			1	
72	214926	. TUBE / W/SLIDE-OUT / 183MM			1	
73	214927	. TUBE / W/SLIDE-OUT / 298MM			1	
74	214930	. TUBE / W/SLIDE-OUT / 316MM			1	
75	214931	. TUBE / W/SLIDE-OUT / 179MM			1	
76	214958	. TUBE / W/SLIDE-OUT / 171MM			1	
77	214966	. PLATE "C" FORM / W/SLIDE-OUT			1	
78	214928	. ATTACHMENT "U" SHAPE / W/SLIDE-OUT / W/SLIDE-OUT			1	
79	214961	. TUBE / W/SLIDE-OUT / 128MM			1	
80	<b>H7-1897-50</b>	<b>FRONT SUB-FRAME / W/INDEPENDENT SUSPENSION - 18000 LBS</b>				
90	N.S.A.	CROSS MEMBER SUB FLOOR FORWARD			1	3
91	172026	. TUBE 2463MM			1	
92	172030	. TUBE 578MM To C-1909			2	
92	173061	. TUBE 794MM From C-1910 To D-2238			2	
92	175106	. TUBE 802MM From D-2239			2	
93	172035	. TUBE 350MM			2	
94	172038	. TUBE 327MM			2	
95	172036	. TUBE 273MM			2	
96	172037	. TUBE 1396MM			1	
97	210550	. TUBE 916MM			1	

<b>From 7-0671 To D-2363</b>	<b>Date:10/2022</b>	<b>PAGE:H7-1895-60</b>
<b>FRONT END STRUCTURE - V.I.P. W/ IND SUSPENSION</b>		

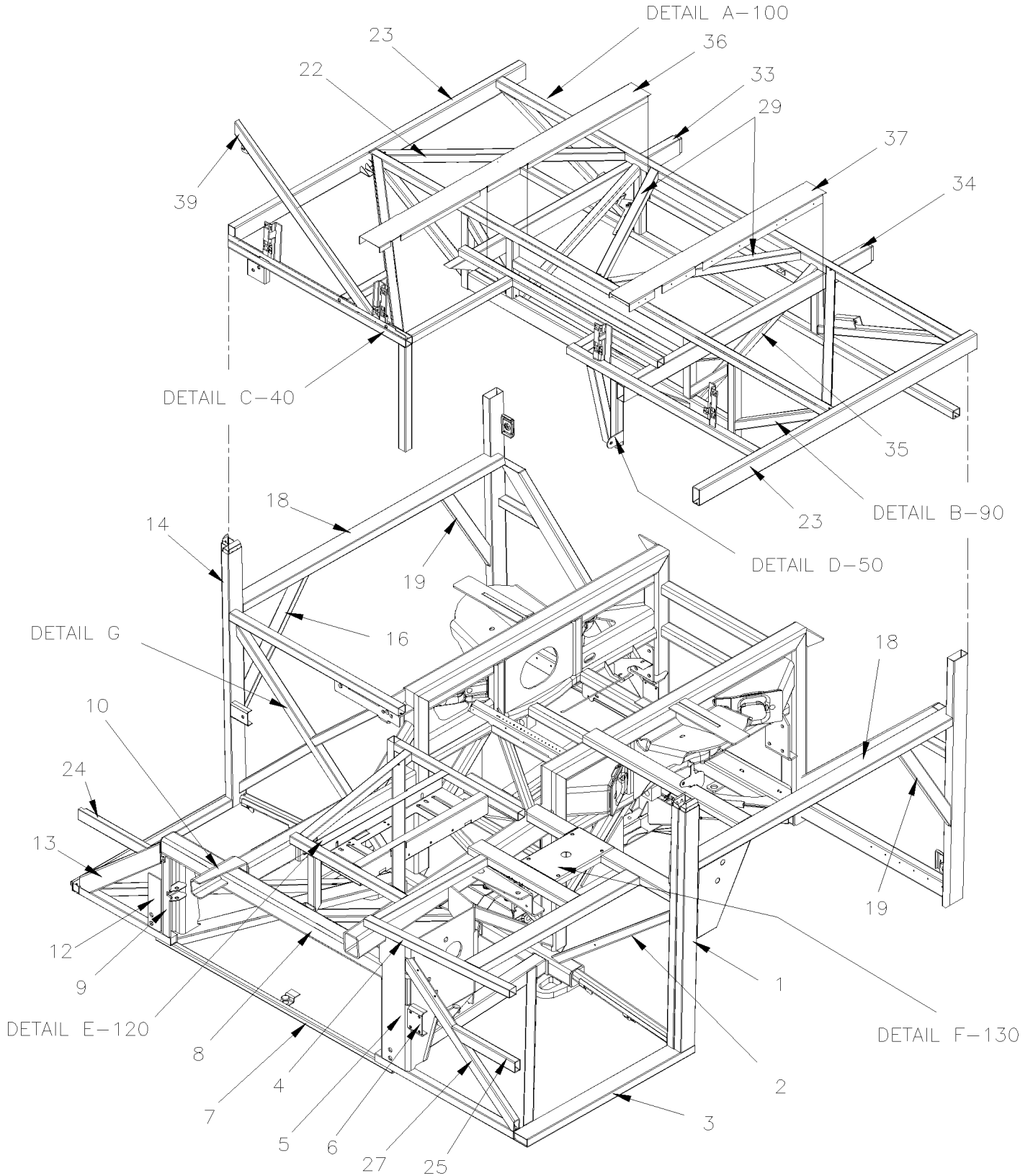
Item#	Part	Description	H 3 4 1	H 3 4 5	V I P 4 5	N O T E S
98	213548	. REINFORCEMENT To C-1909			2	
98	212830	. REINFORCEMENT From C-1910			2	
100	172058P	CROSS MEMBER SUB FLOOR BACKWARD			1	
100	Call order desk	CROSS MEMBER SUB FLOOR BACKWARD			1	P
101	172026	. TUBE 2463MM			1	
101	215170	. TUBE / W/SLIDE-OUT / 2308MM			1	
102	172024	. TUBE 785MM			2	
103	172027	. TUBE 312MM			2	
104	170732	. TUBE 913MM			1	
105	172025	. TUBE 2447MM			1	
106	172031	. DOOR CYLINDER SUPPORT / "U" SHAPE 125MM			2	
110	213413	TUBE 1133MM			2	
111	213415	TUBE ASSY / W/INSERT / STREETSIDE			1	
112	213414	TUBE ASSY / W/INSERT / CURBSIDE			1	
113	213789	TUBE ASSY / STREET SIDE / W/FLOATING NUT / 1196MM			1	
113	213790	TUBE ASSY / CURBSIDE / W/FLOATING NUT / 1196MM			1	
113	213450	. TUBE 1196MM			1	
114	287943	. FLOATING NUT ASSY WITH CASE			1	
115	287903	. SUPPORT LOWER / (WELDED TO STRUCTURE)			1	
117	171806	TUBE / W/SMALL A/C / 245MM			1	
118	454581	SUPPORT A/C VALVE / W/SMALL A/C			1	
119	171301	TUBE / W/SMALL A/C / 554MM			1	
120	Call order desk	FLOOR STEPWELL ASSY			1	P
121	172101	. TUBE 698MM			1	
122	172197	. TUBE 715MM			1	
123	172077	. TUBE 807MM			1	
124	171133	. TUBE 130MM			1	
125	171817	. SUPPORT LOWER / (WELDED TO FRAME) / TO FIX			1	
126	172078	. TUBE 956MM			1	
127	172102	. TUBE 388MM			1	
128	372742	. SUPPORT / TO FIX WATER VALVE			1	
129	172869	SUPPORT WATER PUMP / W/SMALL A/C			1	
130	213860	DRIVER`S FLOOR ASSY / W/IND SUSPENSION ONLY To 8-1126			1	
130	216333	DRIVER`S FLOOR ASSY / W/IND SUSPENSION ONLY From 8-1127			1	
131	213859	. TUBE / W/IND SUSPENSION ONLY / 920MM To 8-1126			1	
131	216329	. TUBE / W/IND SUSPENSION ONLY / 919MM From 8-1127			1	
132	213500	. TUBE / W/IND SUSPENSION ONLY / 911MM To 8-1126			1	
132	216332	. TUBE 866MM / W/IND SUSPENSION ONLY From 8-1127			1	
133	213858	. PLATE To 8-1126			1	
133	216331	. PLATE 197MM X 324MM From 8-1127			1	
NS	5001086	. NUT HEXF M12-1.75 DP			4	
134	213471	. TUBE / W/IND SUSPENSION ONLY / 593MM To 8-1126			1	

From 7-0671 To D-2363	Date:10/2022	PAGE:H7-1895-60
-----------------------	--------------	-----------------

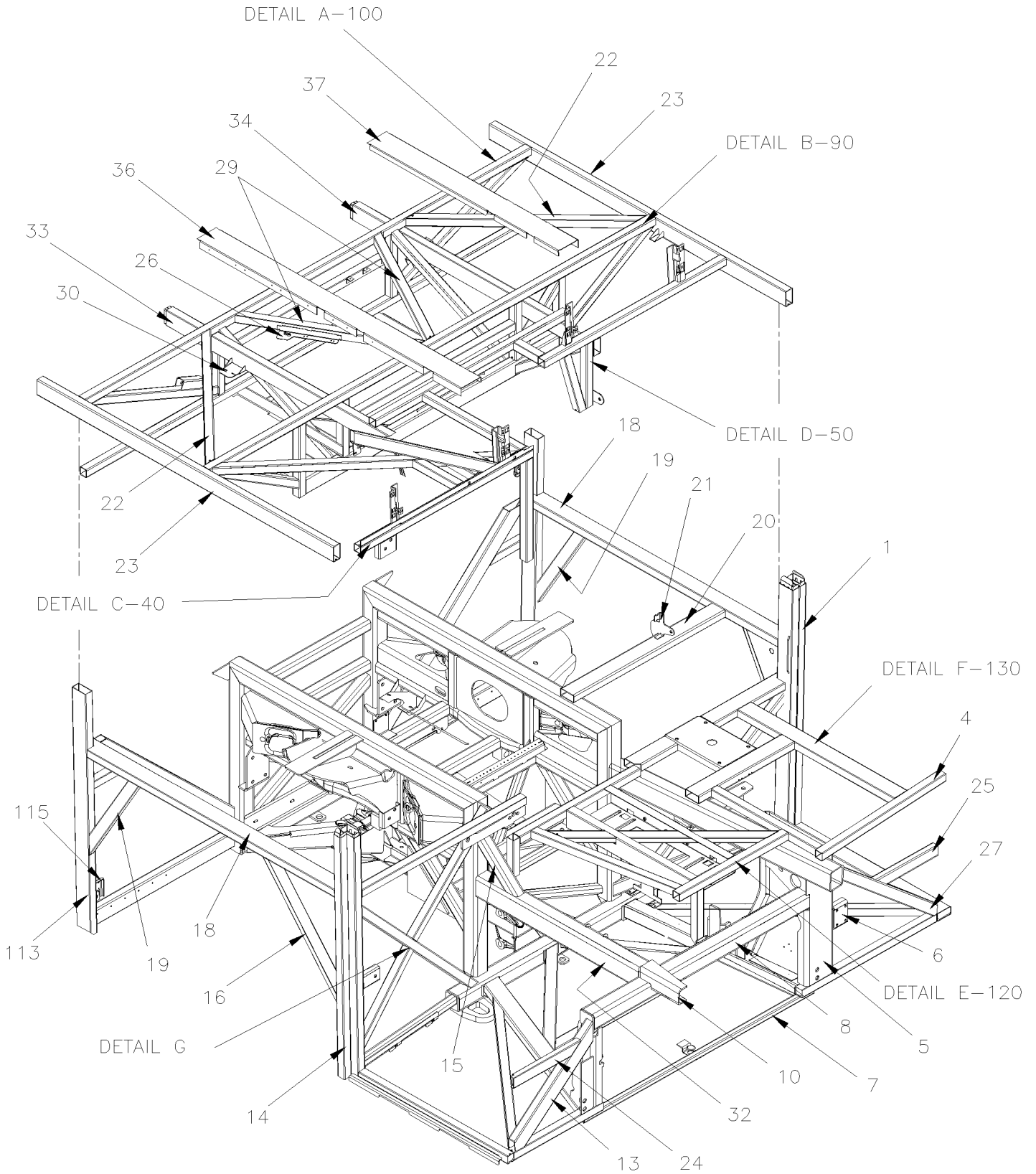
**FRONT END STRUCTURE - V.I.P. W/ IND SUSPENSION**

Item#	Part	Description	H 3 4 1	H 3 4 5	V I P 4 5	N O T E S
134	216330	. TUBE / W/IND SUSPENSION ONLY / 558MM From 8-1127			1	
		3) NOT SOLD ASSEMBLY				
		P) CALL ORDER DESK FOR SPECIFIC APPLICATION (V.I.N.)				

From A-1470 To D-2363	Date:10/2022	PAGE:H7-1895-61
FRONT END STRUCTURE - BUS W/ IND SUSPENSION		



From A-1470 To D-2363	Date:10/2022	PAGE:H7-1895-61
FRONT END STRUCTURE - BUS W/ IND SUSPENSION		

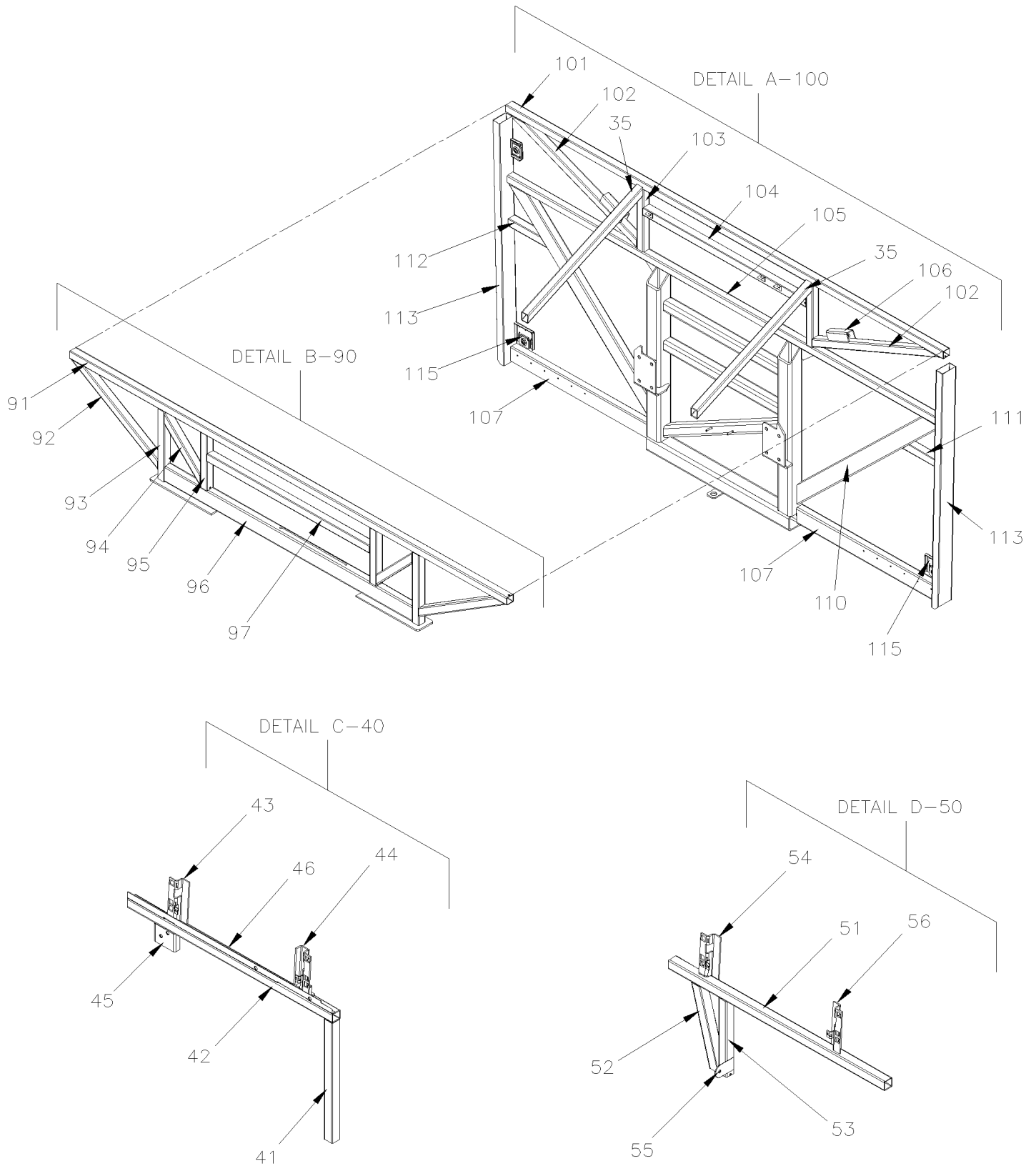


From A-1470 To D-2363

Date:10/2022

PAGE:H7-1895-61

FRONT END STRUCTURE - BUS W/ IND SUSPENSION

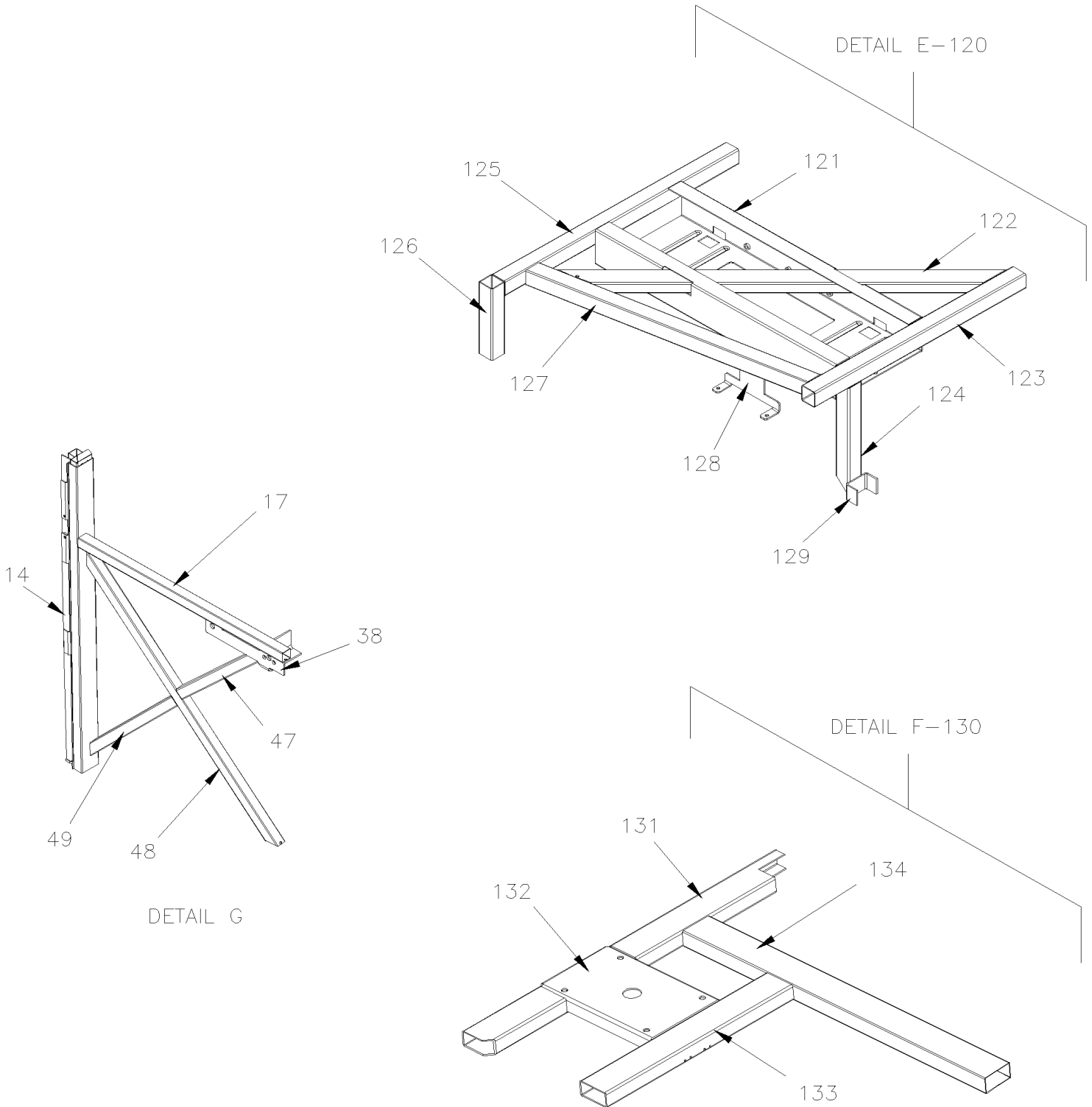


From A-1470 To D-2363

Date:10/2022

PAGE:H7-1895-61

FRONT END STRUCTURE - BUS W/ IND SUSPENSION





From A-1470 To D-2363 Date:10/2022 PAGE:H7-1895-61

**FRONT END STRUCTURE - BUS W/ IND SUSPENSION**

Item#	Part	Description	H 3 4 1	H 3 4 5	V I P 4 5	N O T E S
1	210936	TUBE 1156MM		2		
1	<b>H7-1879-10</b>	<b>FRONT SERVICE DOOR - INSTALLATION</b>				
2	213475	TUBE 1005MM		1		
3	171767	TUBE 900MM		1		
4	213392	TUBE / DRIVER'S FLOOR SUPPORT / 737MM		1		
5	172859	SUPPORT GEAR BOX STEERING / W/ "ZF" / W/IND SUSPENSION ONLY		1		
6	214599	ATTACHMENT / BUMPER LATCH		1		
7	<b>H7-1895-51</b>	<b>FRONT FLOOR STRUCTURE W/ IND SUSPENSION</b>				
8	173520	TUBE 1188MM		1		
9	173551	SUPPORT R.H. / "C" FORM		1		
. NS	411150	. STOPPER / SPARE TIRE ARM		1		
10	216349	SUPPORT INSIDE		1		
NS	251209	PLATE TRIANGULAR		1		
12	213961	BUMPER HINGE ATTACHMENT R.H.		1		
13	210742	TUBE 597MM		1		
14	<b>H7-1895-20</b>	<b>ENTRANCE DOOR STRUCTURE</b>				
15	173532	TUBE 303MM		1		
16	211616	TUBE 655MM		1		
17	172221	TUBE 908MM		1		
18	213451	TUBE 1405MM		2		
19	211960	TUBE 560MM		2		
20	216348	TUBE ASSY 835MM		1		
21	173514	. ATTACHMENT SEAT BELT		1		
22	173519	TUBE 1200MM		2		
23	<b>H7-1891-00</b>	<b>WALL STRUCTURE - LOWER BUS</b>				
24	218353	TUBE 371MM		1		
25	218357	TUBE 341MM		1		
26	216052	SUPPORT 260MM		1		
27	214568	TUBE 782MM		1		
29	172108	TUBE 788MM		2		
30	373832	SUPPORT WATER PUMP / UPPER DEFROSTER To D-2179		1		
30	374660	SUPPORT WATER PUMP / UPPER DEFROSTER From D-2180		1		
32	173503	TUBE 899MM		1		
NS	173540	SUPPORT SOLENOID / "U" SHAPE		1		
33	212427	TUBE 1233MM		1		
34	172105	TUBE 1330MM		1		
35	172028	TUBE 737MM		2		
36	173628	SEAT SUPPORT 1461MM		1		
37	173627	SEAT SUPPORT 1058MM		1		
38	216354	SUPPORT HOSTESS SEAT		1		
39	213697	TUBE ASSY 963MM		1		
39	328956	. SUPPORT		1		

From A-1470 To D-2363	Date:10/2022	PAGE:H7-1895-61
<b>FRONT END STRUCTURE - BUS W/ IND SUSPENSION</b>		

Item#	Part	Description	H 3 4 1	H 3 4 5	V I P 4 5	N O T E S
40	Call order desk	STRUCTURE ASSY / R.H MODESTY PANEL		1		P
40	Call order desk	STRUCTURE ASSY / R.H MODESTY PANEL		1		P
41	170796	. TUBE 496MM		1		
42	171330	. TUBE 953MM		1		
43	327608	. ANCHOR / MODESTY PANEL		1		
44	328922	. ANCHOR / MODESTY PANEL		1		
45	213614	. ANCHOR ASSY / HAND-RAIL		1		
46	171281	. ANCHOR ASSY / HOSTESS SEAT		1		
47	173517	. TUBE 598MM		1		
48	173516	. TUBE 1126MM		1		
49	173518	. TUBE 496MM		1		
50	Call order desk	STRUCTURE ASSY / L.H MODESTY PANEL		1		P
50	Call order desk	STRUCTURE ASSY / L.H MODESTY PANEL		1		P
51	172070	. TUBE 1004MM		1		
52	171650	. TUBE 335MM		1		
53	171651	. TUBE 312MM		1		
54	327612	. ANCHOR / MODESTY PANEL		1		
55	212485	. ATTACHMENT SEAT BELT		1		
56	327610	. ANCHOR / MODESTY PANEL		1		
57	173531	TUBE 488MM		1		
80	<b>H7-1897-50</b>	<b>FRONT SUB-FRAME / W/INDEPENDENT SUSPENSION - 18000 LBS</b>				
90	Call order desk	CROSS MEMBER SUB FLOOR FORWARD		1		P
90	Call order desk	CROSS MEMBER SUB FLOOR FORWARD		1		P
91	172026	. TUBE 2463MM		1		
92	172030	. TUBE 578MM		2		
93	172035	. TUBE 350MM		2		
94	172038	. TUBE 327MM		2		
95	172036	. TUBE 273MM		2		
96	172037	. TUBE 1396MM		1		
97	210550	. TUBE 916MM		1		
NS	213548	REINFORCEMENT		2		
100	172058P	CROSS MEMBER SUB FLOOR BACKWARD		1		
101	172026	. TUBE 2463MM		1		
102	172024	. TUBE 785MM		2		
103	172069	. TUBE 312MM		2		
104	210550	. TUBE 916MM		1		
105	173320	. TUBE 2448MM		1		
106	172031	. DOOR CYLINDER SUPPORT / "U" SHAPE 125MM		2		
107	215037	TUBE 798MM		2		
110	213413	TUBE 1133MM		2		
111	213415	TUBE ASSY / W/INSERT / STREETSIDE		1		
112	213414	TUBE ASSY / W/INSERT / CURBSIDE		1		

From A-1470 To D-2363      Date:10/2022      PAGE:H7-1895-61

**FRONT END STRUCTURE - BUS W/ IND SUSPENSION**

Item#	Part	Description	H 3 4 1	H 3 4 5	V I P 4 5	N O T E S
113	213789	TUBE ASSY / STREET SIDE / W/FLOATING NUT / 1196MM		1		
113	213790	TUBE ASSY / CURBSIDE / W/FLOATING NUT / 1196MM		1		
113	213450	. TUBE 1196MM		1		
114	287943	. FLOATING NUT ASSY WITH CASE		1		
115	287903	. SUPPORT LOWER / (WELDED TO STRUCTURE)		1		
120	Call order desk	FLOOR STEPWELL ASSY		1		P
120	Call order desk	FLOOR STEPWELL ASSY		1		P
121	171771	. SUPPORT LOWER / (WELDED TO FRAME) / TO FIX TANK ACCESSORIES		1		
122	172607	. TUBE 907MM		1		
123	173513	. TUBE 600MM		1		
124	170862	. TUBE 273MM		1		
125	173510	. TUBE 665MM		1		
126	173515	. TUBE 180MM		1		
127	172605	. TUBE 700MM		1		
128	374079	. SUPPORT VALVE		1		
129	170858	. SUPPORT		1		
130	216356	DRIVER'S FLOOR ASSY / W/IND SUSPENSION ONLY		1		
131	216357	. TUBE 889MM		1		
132	216331	. PLATE 197MM X 324MM		1		
NS	5001086	. NUT HEXF M12-1.75 DP		4		
133	216358	. TUBE 530MM		1		
134	216332	. TUBE 866MM / W/IND SUSPENSION ONLY		1		
		P) CALL ORDER DESK FOR SPECIFIC APPLICATION (V.I.N.)				

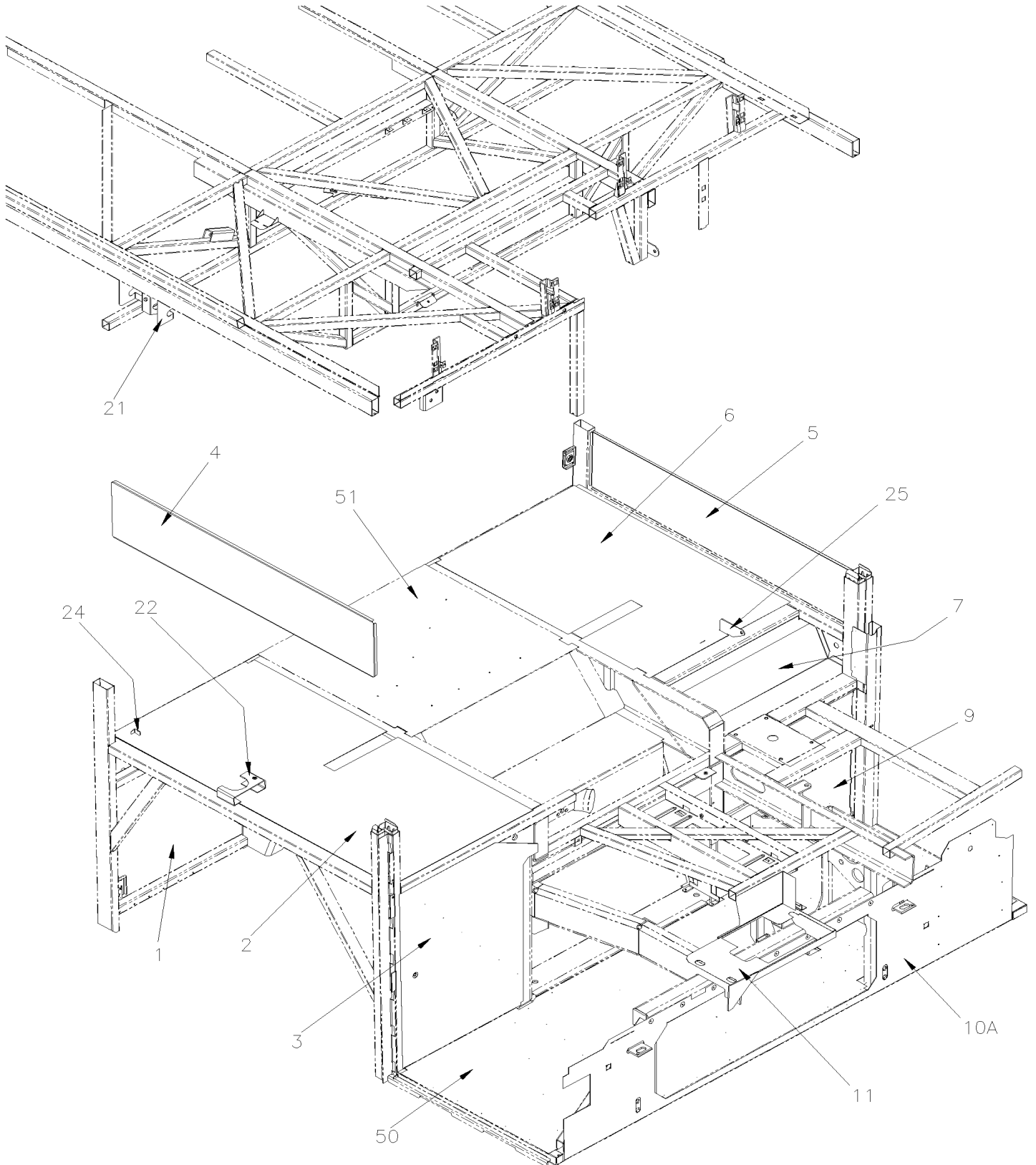


From 7-0671 To D-2363

Date:10/2022

PAGE:H7-1896-00

FRONT SHEATING - BUS W/ "I" BEAM SUSPENSION

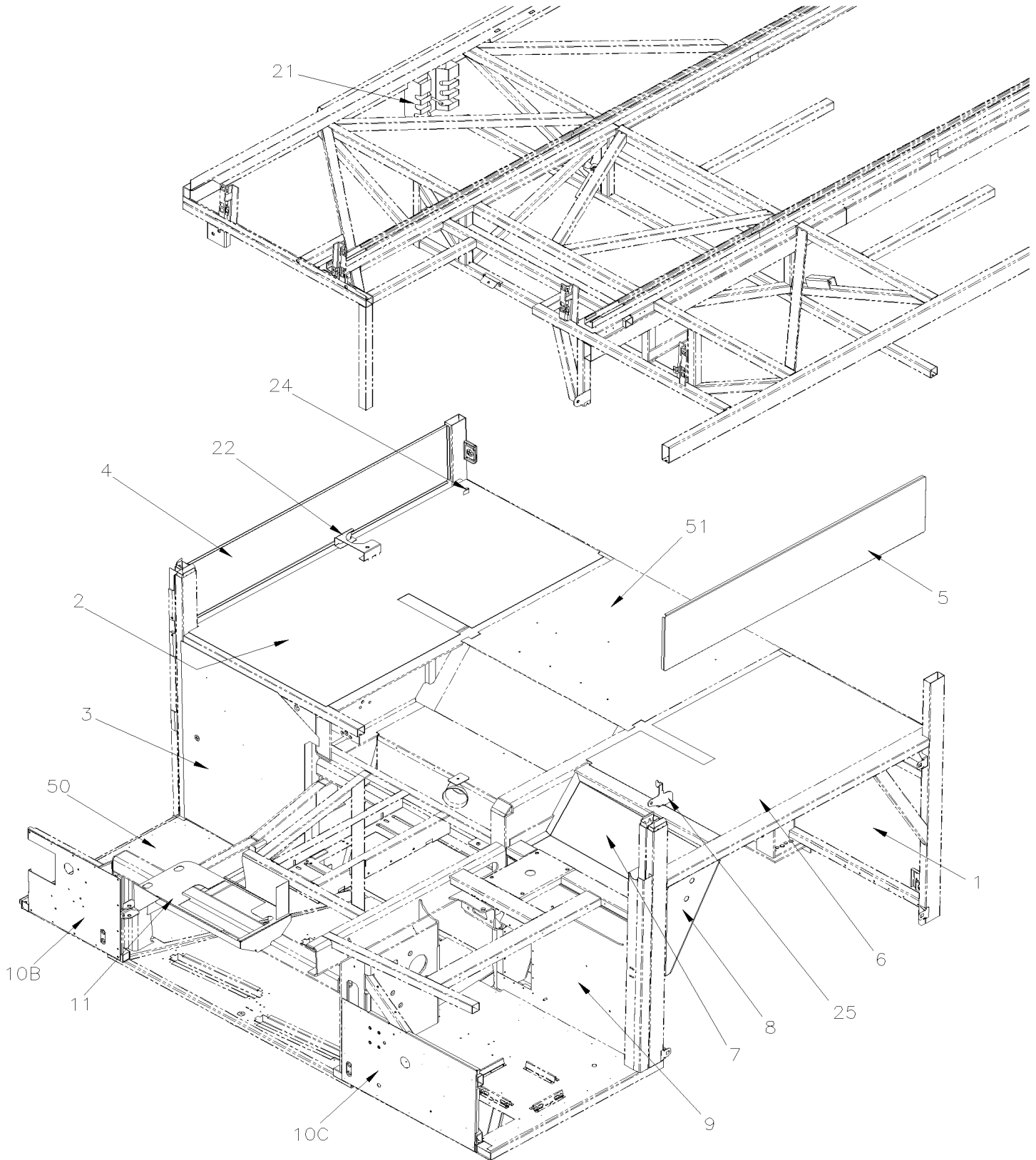


From 7-0671 To D-2363

Date:10/2022

PAGE:H7-1896-00

FRONT SHEATING - BUS W/ "I" BEAM SUSPENSION



From 7-0671 To D-2363 Date:10/2022 PAGE:H7-1896-00

**FRONT SHEATING - BUS W/ "I" BEAM SUSPENSION**

Item#	Part	Description	H 3 4 1	H 3 4 5	V I P 4 5	N O T E S
1	213417	PANEL / FRONT BAGGAGE COMPARTMENT	1	1		
2	215488	PANEL / R.H. TOP WHEELHOUSE To D-2332	1	1		
2	217228	PANEL / R.H. TOP WHEELHOUSE From D-2333	1	1		
3	213689	PANEL / R.H. FRONT WHEELHOUSE To 9-1469	1	1		
3	218374	PANEL / R.H. FRONT WHEELHOUSE From A-1470	1	1		
4	213641	PANEL SIDE / OVER WHEELHOUSE	1	1		
5	213641	PANEL SIDE / OVER WHEELHOUSE	1	1		
6	213453	PANEL / L.H. TOP WHEELHOUSE To 9-1469	1	1		
6	216359	PANEL / L.H. TOP WHEELHOUSE From A-1470	1	1		
7	212465	PANEL / L.H. FRONT TOP WHEELHOUSE To 8-1126	1	1		
7	216328	PANEL / L.H. FRONT TOP WHEELHOUSE From 8-1127 To 9-1469	1	1		
7	216208	PANEL / L.H. FRONT TOP WHEELHOUSE From A-1470	1	1		
8	210945	PANEL SIDE CLOSING L.H. WHEELHOUSE / (TRIANGULAR SHAPE)	1	1		
9	213838	PANEL / L.H. FRONT WHEELHOUSE To 9-1469	1	1		
9	218375	PANEL / L.H. FRONT WHEELHOUSE From A-1470	1	1		
10A	215694	PANEL LOWER REAR BUMPER To 9-1469	1	1		
10A	215695	PANEL LOWER REAR BUMPER To 9-1469	1	1		R
10B	218349	PANEL LOWER REAR BUMPER CURBSIDE From A-1470	1	1		
10C	218350	PANEL LOWER REAR BUMPER STREETSIDE From A-1470	1	1		
11	172633	SUPPORT, DEFROSTER	1	1		
21	213593	SUPPORT / JACK ACCESSORIES To D-2332	1	1		
21	217229	SUPPORT / JACK ACCESSORIES From D-2333	1	1		
22	215539	SUPPORT JACK / CURRENT DEC 2003 To C-2020	1	1		
22	211934	SUPPORT JACK From C-2021	1	1		
24	211155	ANGLE RETAINER	1	1		
25	213458	ATTACHMENT SEAT BELT To 9-1469	1	1		
25	173514	ATTACHMENT SEAT BELT From A-1470	1	1		
50	<b>H7-1895-10</b>	<b>FRONT FLOOR STRUCTURE - BUS W/ "I" BEAM SUSPENSION</b>				
51	<b>H7-1897-00</b>	<b>FRONT SUB-FRAME / W/RIGID SUSPENSION</b>				
		R) WITH "ROMEO RIM" BUMPER				



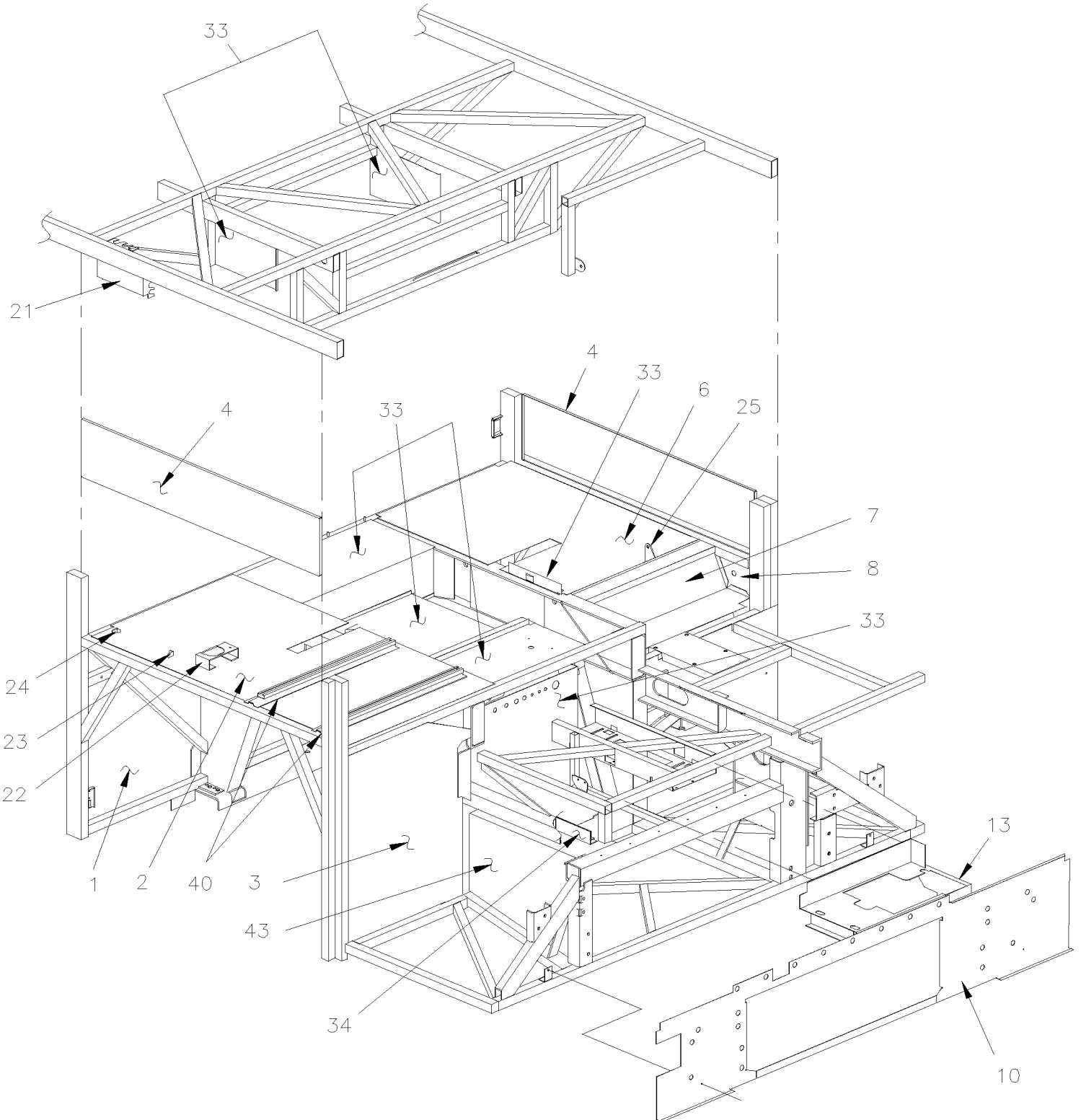


From 7-0671 To D-2363

Date:10/2022

PAGE:H7-1896-50

**FRONT SHEATING - V.I.P. W/ IND SUSPENSION**

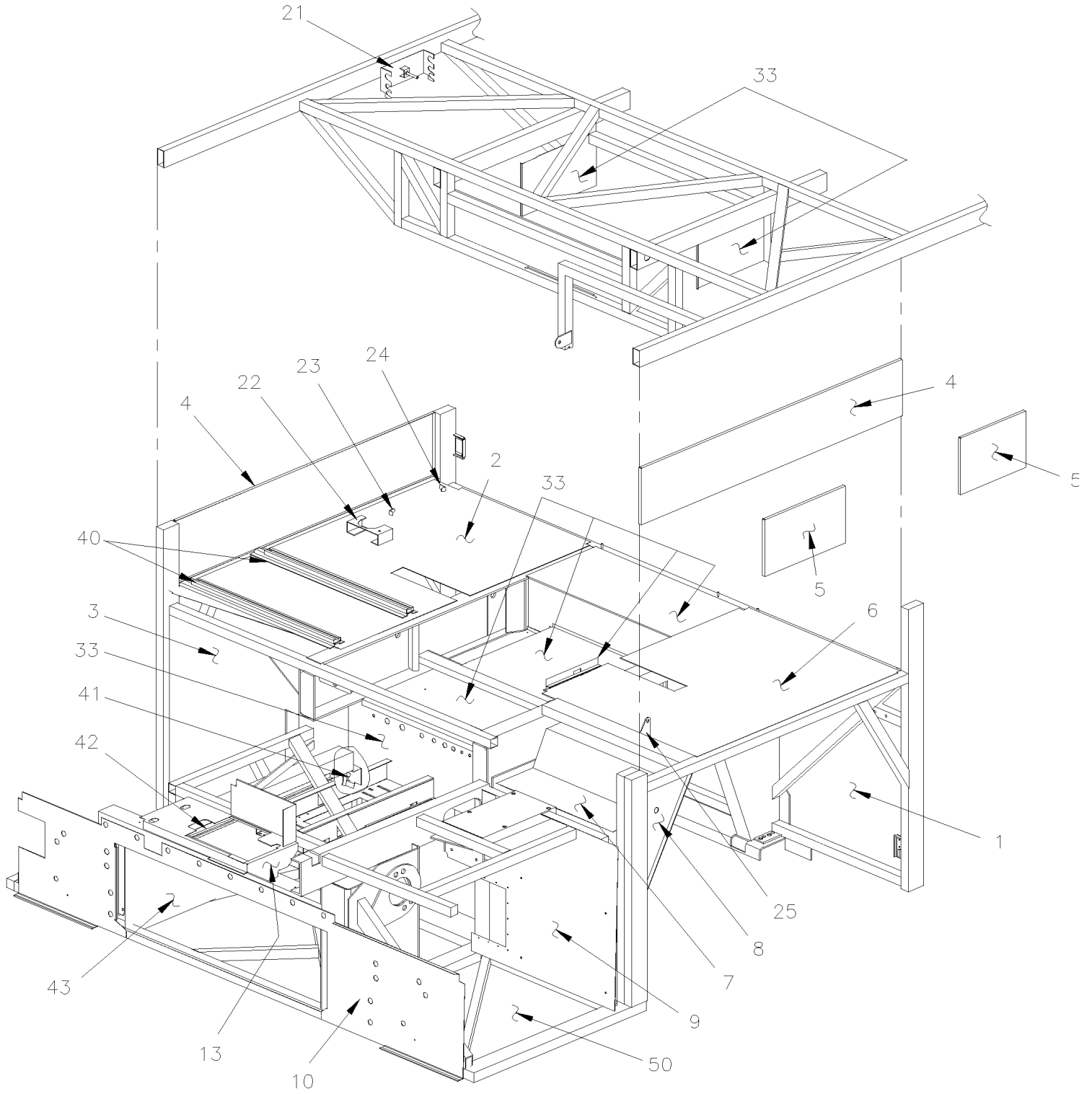


From 7-0671 To D-2363

Date:10/2022

PAGE:H7-1896-50

FRONT SHEATING - V.I.P. W/ IND SUSPENSION



From 7-0671 To D-2363	Date:10/2022	PAGE:H7-1896-50
<b>FRONT SHEATING - V.I.P. W/ IND SUSPENSION</b>		

Item#	Part	Description	H 3 4 1	H 3 4 5	V I P 4 5	N O T E S
1	213417	PANEL / FRONT BAGGAGE COMPARTMENT			1	
2	213454	PANEL / R.H. TOP WHEELHOUSE			1	
3	213477	PANEL / R.H. FRONT WHEELHOUSE			1	
4	213375	PANEL SIDE / OVER WHEELHOUSE			2	
5	213906	PANEL SIDE / OVER WHEELHOUSE / W/SMALL A/C			2	
6	213453	PANEL / L.H. TOP WHEELHOUSE			1	
6	213479	PANEL / L.H. TOP WHEELHOUSE			1	
7	213437	PANEL / L.H. FRONT TOP WHEELHOUSE			1	
8	210945	PANEL SIDE CLOSING L.H. WHEELHOUSE / (TRIANGULAR SHAPE)			1	
9	215132	PANEL / L.H. FRONT WHEELHOUSE			1	
10	214585	PANEL LOWER REAR BUMPER To 9-1469			1	
10	218379	PANEL LOWER REAR BUMPER From A-1470 To C-1950			1	
10	219927	PANEL LOWER REAR BUMPER From C-1951 To D-2398			1	
10	218379	PANEL LOWER REAR BUMPER From D-2399			1	
13	172201	SUPPORT, DEFROSTER To 9-1469			1	
13	218380	SUPPORT, DEFROSTER From A-1470			1	
21	213593	SUPPORT / JACK ACCESSORIES			1	
22	215539	SUPPORT JACK / CURRENT DEC 2003 To C-1909			1	
22	211934	SUPPORT JACK From C-1910			1	
23	211556	RETAINER FLARE BOX			1	
24	211115	ANGLE RETAINER			1	
25	213458	ATTACHMENT SEAT BELT			1	
33	<b>H7-1897-50</b>	<b>FRONT SUB-FRAME / W/INDEPENDENT SUSPENSION - 18000 LBS</b>				
34	<b>H7-1840-00</b>	<b>CLOSING PANEL SPARE COMPARTMENT</b>				
39	171807	ANGLE RETAINER			1	
40	323465	SEAT TRACK ASSY			2	
40	325744	SEAT TRACK ASSY To 8-1147			2	
40	329627	SEAT TRACK ASSY From 8-1148			1	
41	213635	PANEL CLOSING / UNDER STEPWELL / NEAR SUB-FRAME To 9-1469			1	
41	218383	PANEL CLOSING / UNDER STEPWELL / NEAR SUB-FRAME From A-1470			1	
43	213634	PANEL CLOSING / UNDER STEPWELL			1	
43	213955	FRONT PANEL To 9-1469			1	
43	218381	FRONT PANEL From A-1470			1	
50	<b>H7-1895-50</b>	<b>FRONT FLOOR STRUCTURE - V.I.P. W/ IND SUSPENSION</b>				
NS	213754	ANGLE 25MM X 55MM X 345MM SS			1	

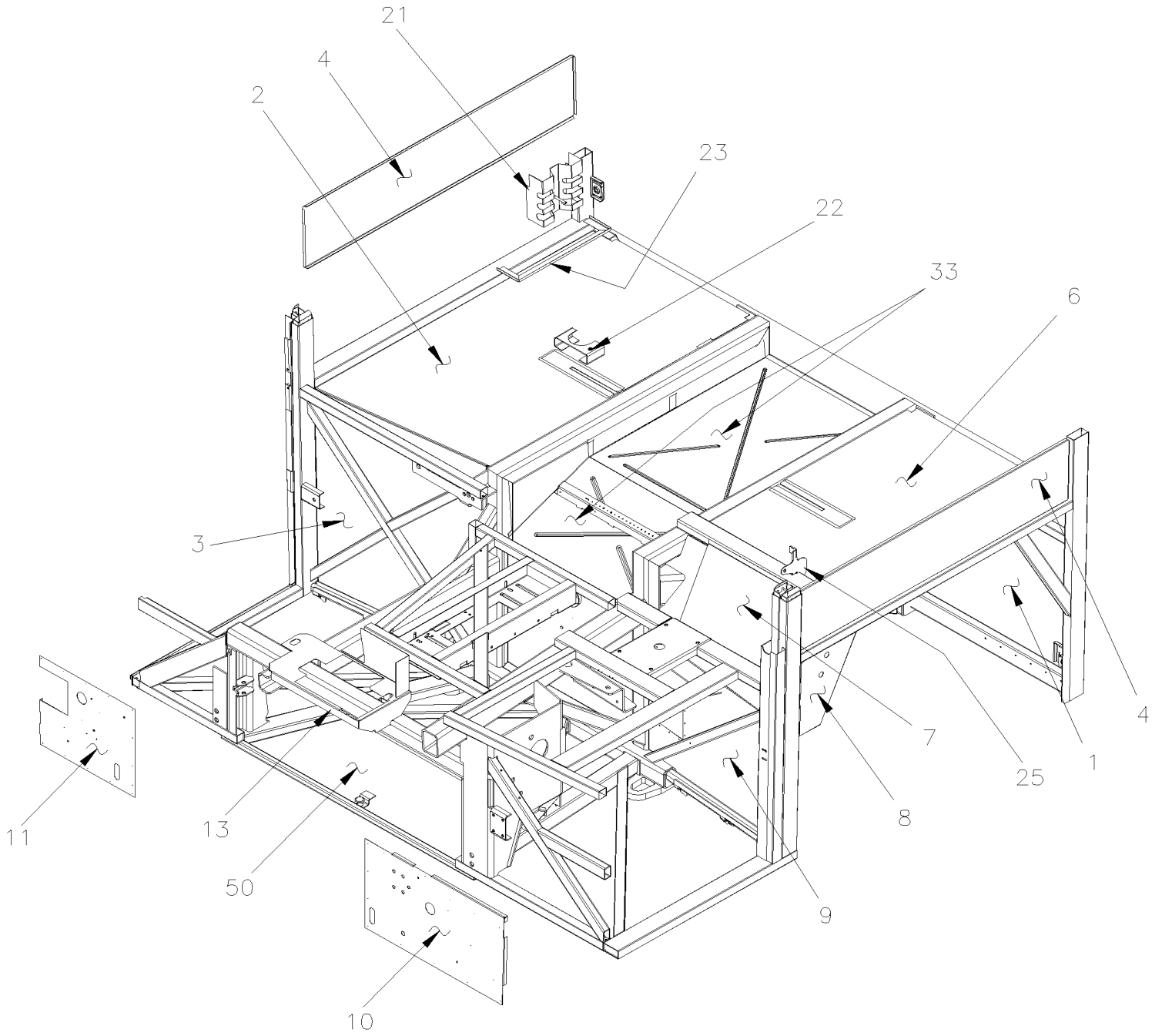


From 7-0671 To D-2363

Date:10/2022

PAGE:H7-1896-51

## FRONT SHEATING - BUS W/ IND SUSPENSION

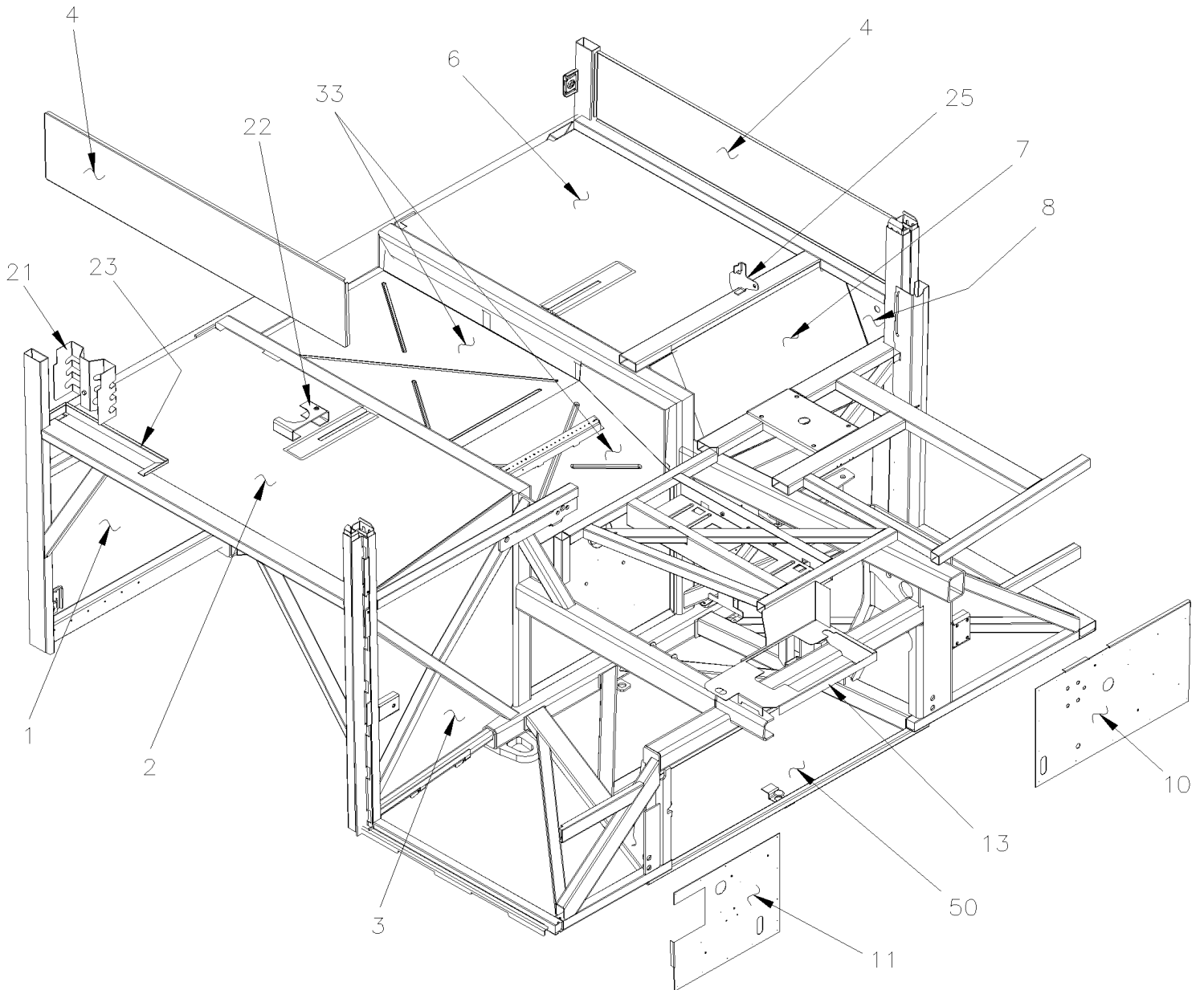


From 7-0671 To D-2363

Date:10/2022

PAGE:H7-1896-51

## FRONT SHEATING - BUS W/ IND SUSPENSION



From 7-0671 To D-2363	Date:10/2022	PAGE:H7-1896-51
<b>FRONT SHEATING - BUS W/ IND SUSPENSION</b>		

Item#	Part	Description	H 3 4 1	H 3 4 5	V I P 4 5	N O T E S
1	213417	PANEL / FRONT BAGGAGE COMPARTMENT		1		
2	213478	PANEL / R.H. TOP WHEELHOUSE		1		
3	216347	PANEL / R.H. FRONT WHEELHOUSE		1		
4	213641	PANEL SIDE / OVER WHEELHOUSE		2		
6	213479	PANEL / L.H. TOP WHEELHOUSE		1		
7	213437	PANEL / L.H. FRONT TOP WHEELHOUSE		1		
8	213473	PANEL SIDE CLOSING L.H. WHEELHOUSE / (TRIANGULAR SHAPE)		1		
9	215132	PANEL / L.H. FRONT WHEELHOUSE		1		
10	218350	PANEL LOWER REAR BUMPER STREETSIDE		1		
10	218352	PANEL LOWER REAR BUMPER STREETSIDE		1		R
NS	211263	BUMPER RETAINER L.H		1		R
11	218349	PANEL LOWER REAR BUMPER CURBSIDE		1		
11	218351	PANEL LOWER REAR BUMPER CURBSIDE		1		R
NS	210951	BUMPER RETAINER R.H.		1		R
13	216355	SUPPORT, DEFROSTER		1		
21	213593	SUPPORT / JACK ACCESSORIES To D-2332		1		
21	217229	SUPPORT / JACK ACCESSORIES From D-2333		1		
22	215539	SUPPORT JACK / CURRENT DEC 2003 To C-2020		1		
22	211934	SUPPORT JACK From C-2021		1		
23	213536	RETAINER FLARE BOX To D-2332		1		
23	217231	RETAINER FLARE BOX From D-2333		1		
25	173514	ATTACHMENT SEAT BELT		1		
33	<b>H7-1897-50</b>	<b>FRONT SUB-FRAME / W/INDEPENDENT SUSPENSION - 18000 LBS</b>				
50	<b>H7-1895-50</b>	<b>FRONT FLOOR STRUCTURE - V.I.P. W/ IND SUSPENSION</b>				
		R) WITH "ROMEO RIM" BUMPER				



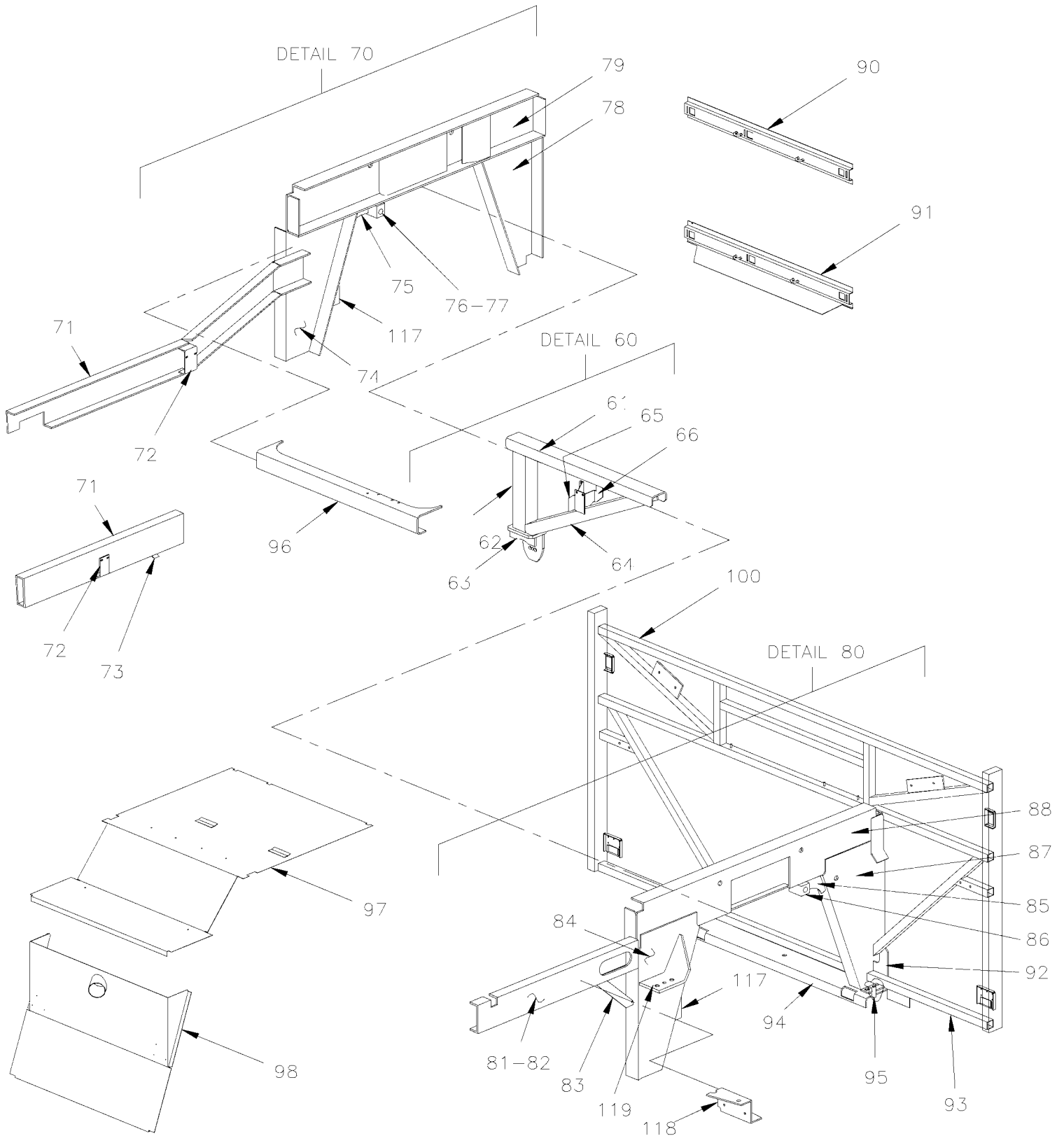


From 7-0671 To D-2363

Date:10/2022

PAGE:H7-1897-00

## FRONT SUB-FRAME / W/RIGID SUSPENSION



<b>From 7-0671 To D-2363</b>	<b>Date:10/2022</b>	<b>PAGE:H7-1897-00</b>
<b>FRONT SUB-FRAME / W/RIGID SUSPENSION</b>		

Item#	Part	Description	H 3 4 1	H 3 4 5	V I P 4 5	N O T E S
60	171755P	ATTACHMENT PANHARD / FRONT	1	1		
61	171748	. CHANNEL "C" 900MM	1	1		
62	171750	. TUBE 439MM	1	1		
63	131785	. SUPPORT ASSY / (WELDED)	1	1		
64	171749	. CHANNEL "C" 835MM	1	1		
65	171160	. SUPPORT	1	1		
66	172513	. SUPPORT HEIGHT CONTROL VALVE / (WELDED)	1	1		
70	N.S.A.	SUB FRAME R.H. ASSY	1	1		3
NS	171972	. BELLOW PLATE SUPPORT	1	1		
71	172635	BEAM "C" 1099MM	1	1		
72	172636	SUPPORT SOLOINOID VALVE	1	1		
73	171207	REINFORCEMENT	1	1		
74	171532	FRONT BASE FORWARD / CURBSIDE	1	1		
75	171837	REINFORCEMENT	1	1		
76	110627	ATTACHMENT PIN 1"-14 / SHOCK ABSORBER / 50.8MM LONG	1	1		
77	171838	REINFORCEMENT	1	1		
78	172046	REAR BASE BACKWARD / CURBSIDE	1	1		
79	172043	UPPER SUB FRAME	1	1		
80	N.S.A.	SUB FRAME R.H.	1	1		3
NS	171972	. BELLOW PLATE SUPPORT	1	1		
81	172039	BEAM "C" 987MM	1	1		
82	171745	REINFORCEMENT 126MM X 43MM	1	1		
83	171744	REINFORCEMENT ANGLE	1	1		
84	171720	FRONT BASE FORWARD / STREETSIDE	1	1		
85	171731	REINFORCEMENT	1	1		
NS	172744	REINFORCEMENT L.H.	1	1		
86	171732	ATTACHMENT PIN 1"-14 / SHOCK ABSORBER / 76MM LONG	1	1		
87	172044	REAR BASE BACKWARD / STREETSIDE	1	1		
88	172043	UPPER SUB FRAME	1	1		
90	171171	SUPPORT LOWER / (WELDED TO FRAME)	1	1		
91	171170	SUPPORT UPPER / (WELDED TO FRAME)	1	1		
92	171524	REINFORCEMENT To 9-1469	2	2		
92	173555	REINFORCEMENT From A-1470	2	2		
93	172733	TUBE	1	1		
94	171528	REINFORCEMENT To 9-1469	1	1		
. NS	502164	. PIN DOWEL M16 X 40MM To 9-1469	2	2		
94	173553	REINFORCEMENT From A-1470 To A-1692	1	1		
. NS	502164	. PIN DOWEL M16 X 40MM From A-1470 To A-1692	2	2		
94	175021	REINFORCEMENT From A-1693 To C-2074	1	1		
. NS	502164	. PIN DOWEL M16 X 40MM From A-1693 To C-2074	1	1		
94	175078	REINFORCEMENT From C-2075	1	1		
. NS	502164	. PIN DOWEL M16 X 40MM From C-2075	2	2		

From 7-0671 To D-2363	Date:10/2022	PAGE:H7-1897-00
<b>FRONT SUB-FRAME / W/RIGID SUSPENSION</b>		

Item#	Part	Description	H 3 4 1	H 3 4 5	V I P 4 5	N O T E S
96	171122	REINFORCEMENT	1	1		
97	216134	CENTRAL PANEL	1	1		
98	172591	PANEL CENTRAL FRONT LOWER To 9-1403	1	1		
98	173495	PANEL CENTRAL FRONT LOWER From 9-1404 To 9-1469	1	1		
98	174914	PANEL CENTRAL FRONT LOWER From A-1470	1	1		
100	<b>H7-1895-40</b>	<b>FRONT END STRUCTURE - BUS W/ "I" BEAM SUSPENSION</b>				
117	172274	SUPPORT "C" FORM / (WELDED)	1	1		
118	171138	SUPPORT / BRAKE VALVE	1	1		
119	171700	RADIUS ROD SUPPORT STREET SIDE To C-2074	1	1		
119	175082	RADIUS ROD SUPPORT STREETSIDE From C-2075	1	1		
NS	502164	PIN DOWEL M16 X 40MM	AR	AR		
		A) INCLUDE ITEMS # 60,70,71 & 80 FOR WRECK				
		3) NOT SOLD ASSEMBLY				

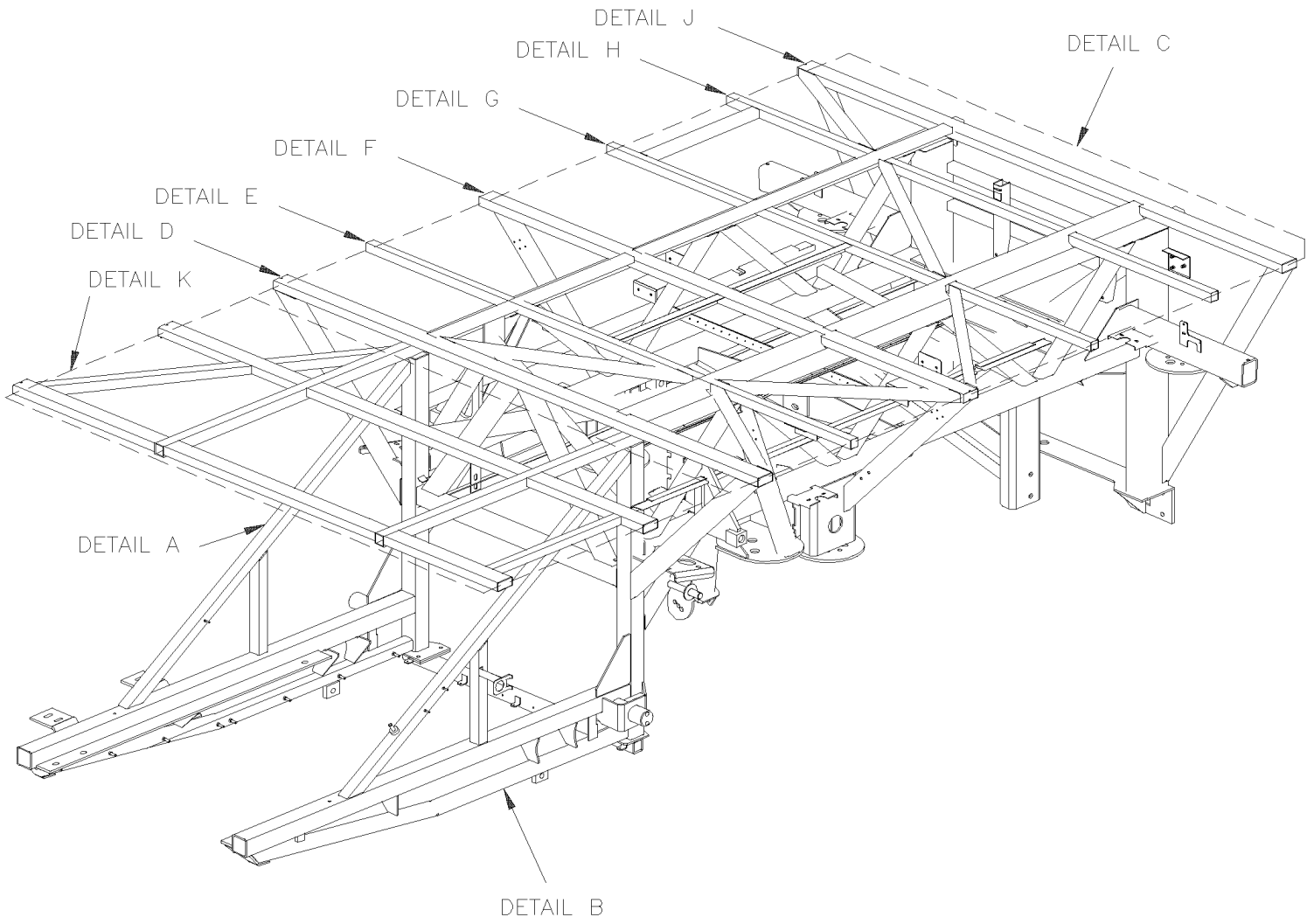
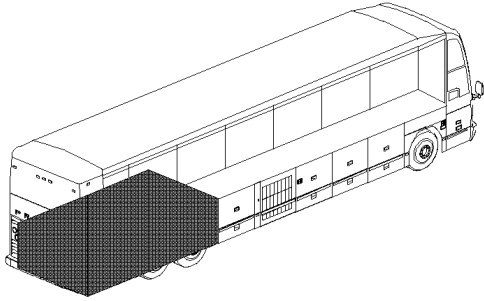


From 7-0671 To D-2363

Date:10/2022

PAGE:H7-1897-10

## REAR SUB-FRAME

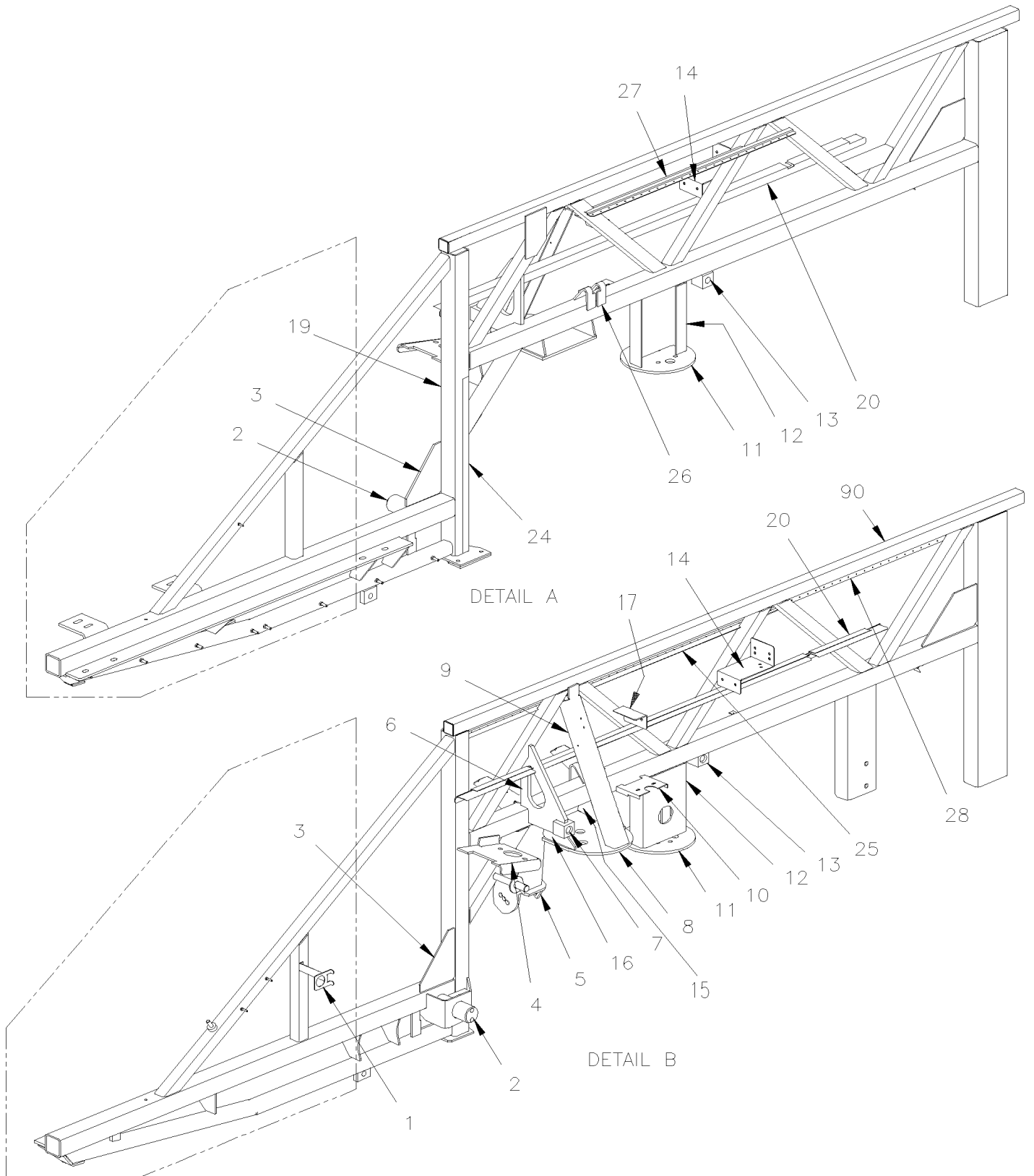


From 7-0671 To D-2363

Date:10/2022

PAGE:H7-1897-10

## REAR SUB-FRAME

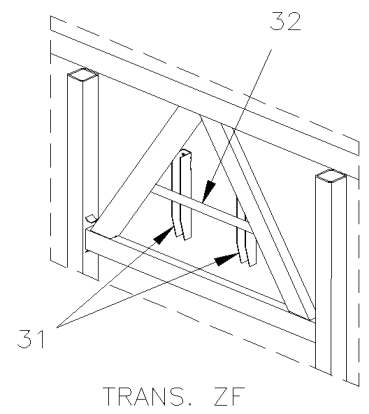
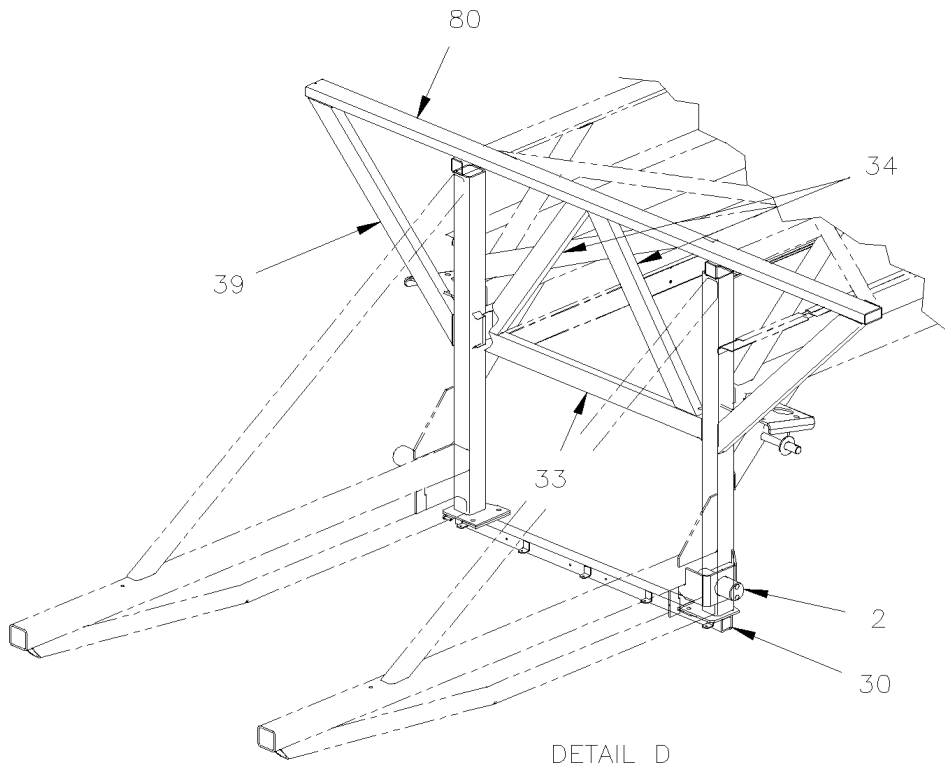
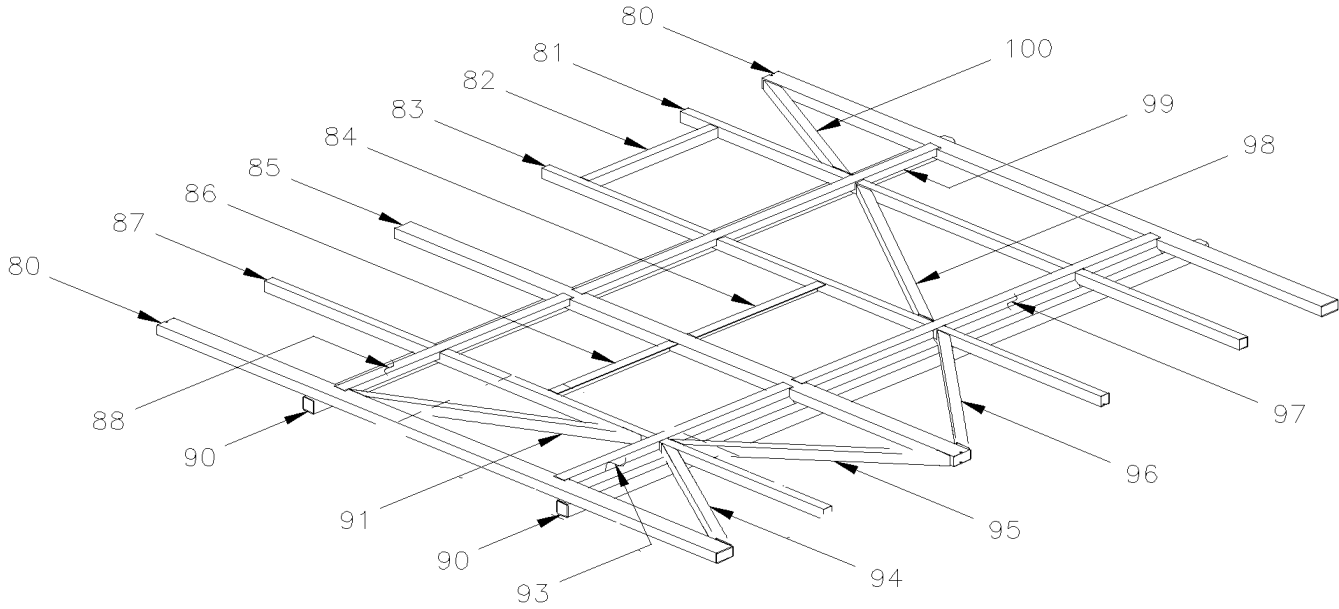


From 7-0671 To D-2363

Date:10/2022

PAGE:H7-1897-10

## REAR SUB-FRAME

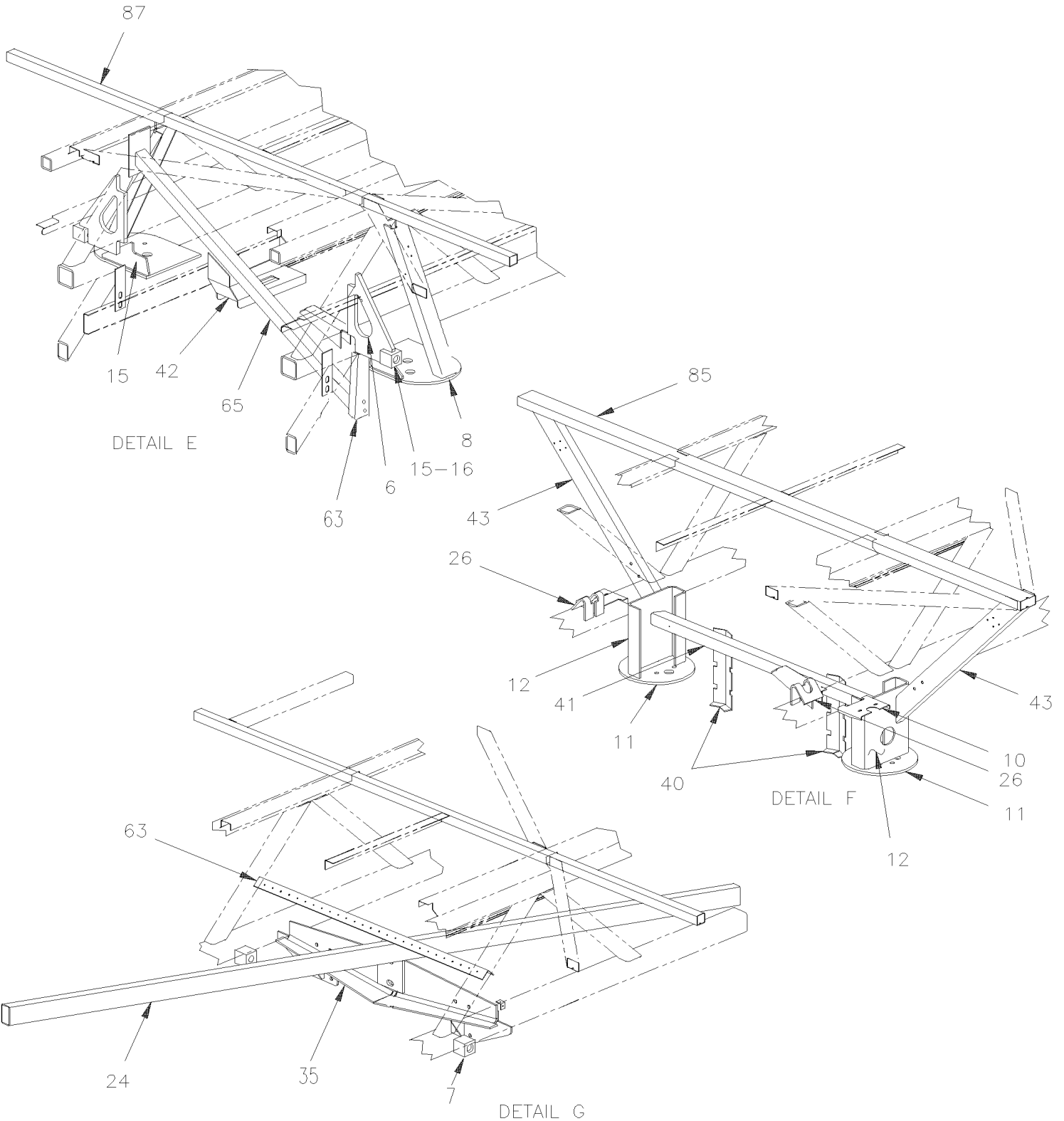


From 7-0671 To D-2363

Date:10/2022

PAGE:H7-1897-10

## REAR SUB-FRAME



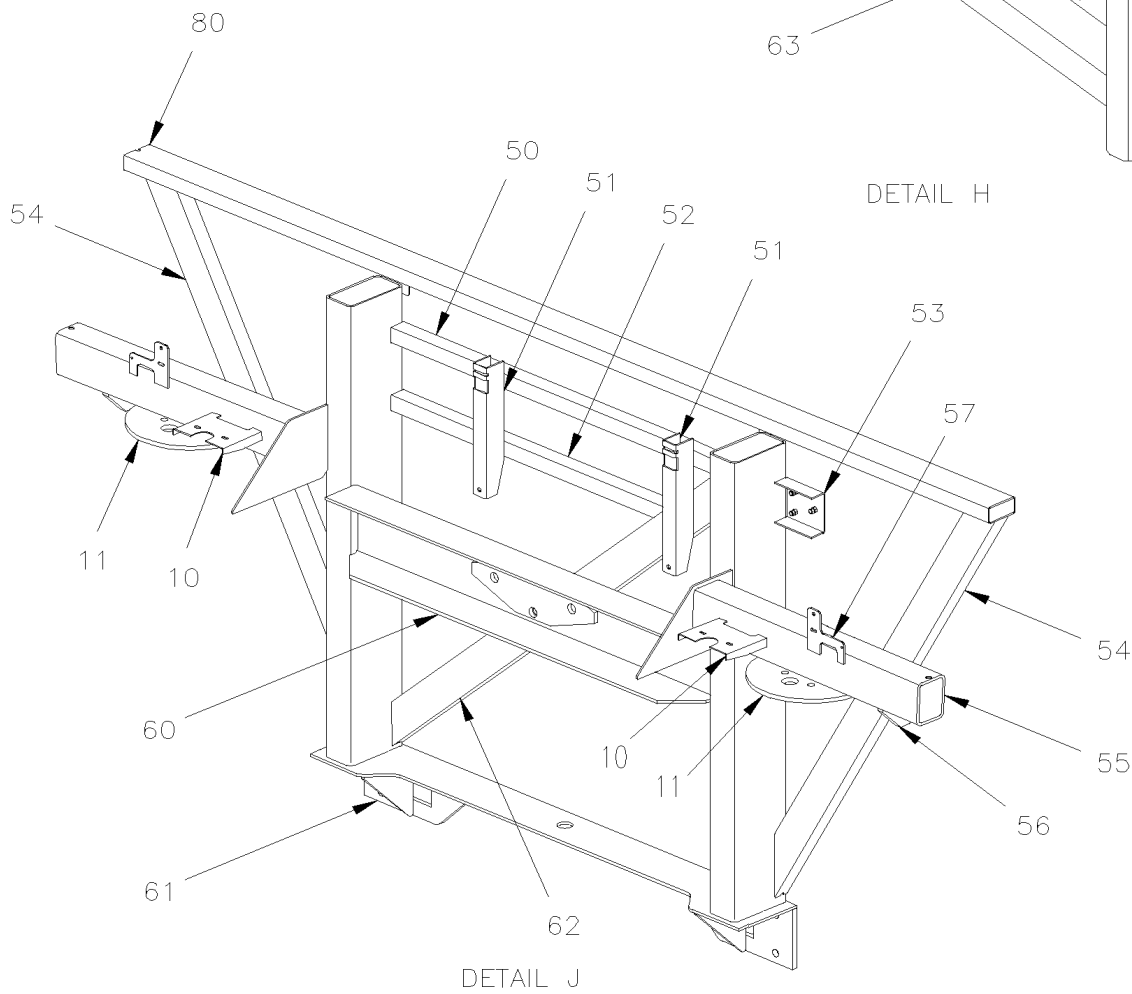
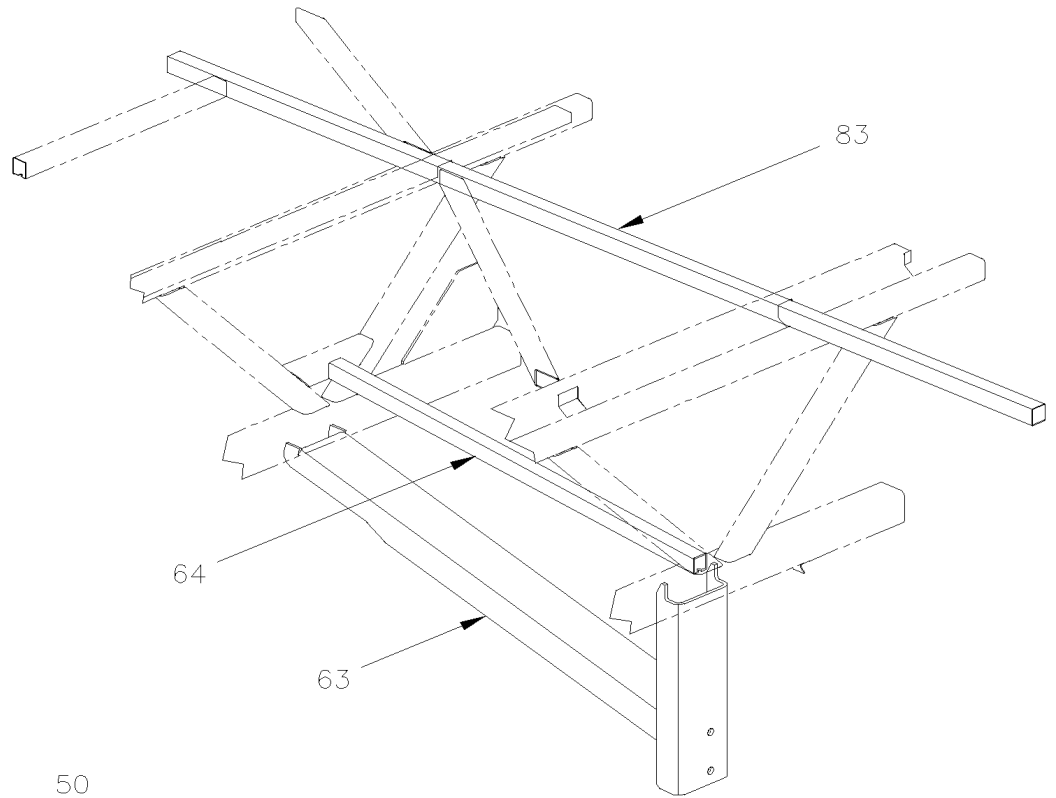


From 7-0671 To D-2363

Date:10/2022

PAGE:H7-1897-10

REAR SUB-FRAME

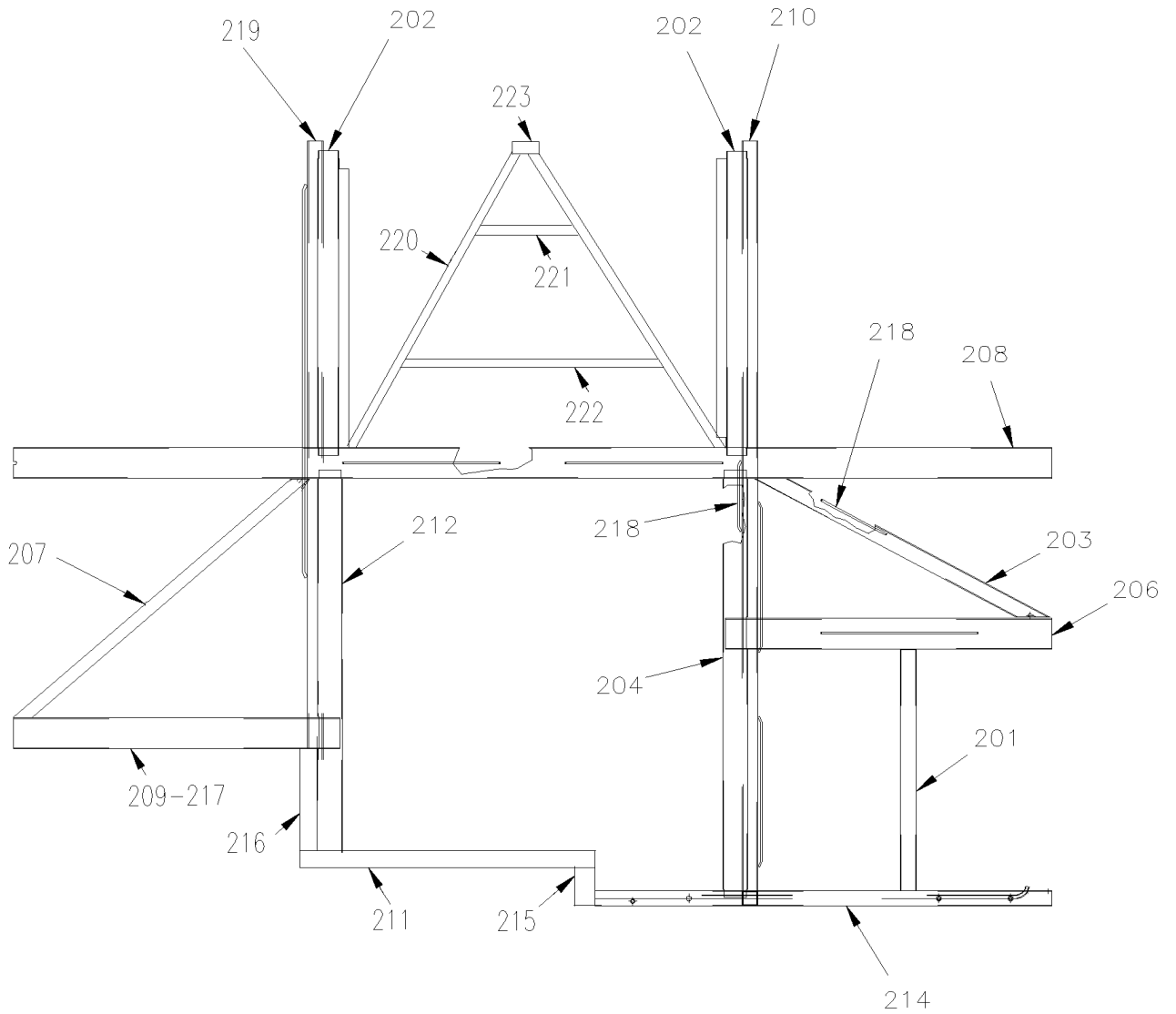
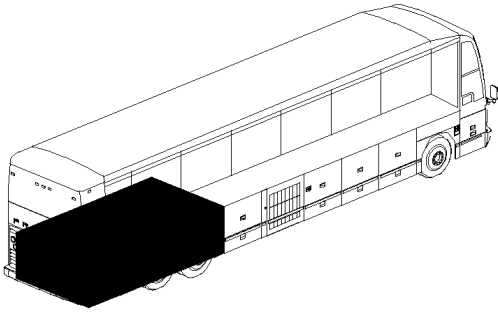


From 7-0671 To D-2363

Date:10/2022

PAGE:H7-1897-10

## REAR SUB-FRAME



DETAIL K

FLOOR OVERVIEW ENGINE COMPARTEMENT

<b>From 7-0671 To D-2363</b>	<b>Date:10/2022</b>	<b>PAGE:H7-1897-10</b>
<b>REAR SUB-FRAME</b>		

Item#	Part	Description	H 3 4 1	H 3 4 5	V I P 4 5	N O T E S
1	215222	SUPPORT CONNECTOR "ZF" TRANS	1	1		
2	171582	ATTACHMENT ROD R.H. To A-1720	1	1	1	
2	173546	ATTACHMENT ROD R.H. From B-1721	1	1	1	
2	171583	ATTACHMENT ROD L.H. To A-1720	1	1	1	
2	173556	ATTACHMENT ROD L.H. From B-1721	1	1	1	
3	171636	REINFORCEMENT	2	2	2	
4	172585	BRACKET / R.H. To A-1720	1	1	1	
4	175005	BRACKET / R.H. From B-1721	1	1	1	
4	172586	BRACKET / L.H. To A-1720	1	1	1	
4	175006	BRACKET / L.H. From B-1721	1	1	1	
5	172519P	ROD ATTACHMENT To A-1720	1	1	1	
6	172441	SUPPORT SHOCK ASSY	2	2	2	
6	174926	SUPPORT SHOCK ASSY From B-1721	2	2	2	
7	171032	. SUPPORT 1"-14 / SHOCK ABSORBER / 55MM	1	1	1	
8	171752	BELLOW PLATE R.H. / STREETSIDE	1	1	1	
8	171042	BELLOW PLATE / CURBSIDE	1	1	1	
8	174928	BELLOW PLATE From B-1721	2	2	2	
9	171590	REINFORCEMENT BELLOW PLATE	2	2	2	
9	173311	REINFORCEMENT BELLOW PLATE To A-1720	1	1	1	
9	174958	REINFORCEMENT BELLOW PLATE From B-1721	1	1	1	
10	172196	SUPPORT VALVE	4	4	4	
11	131356	BELLOW PLATE	2	2	2	
12	171036	SUPPORT BELLOW R.H.	1	1	1	
12	172216	SUPPORT BELLOW L.H.	1	1	1	
NS	Call order desk	SUPPORT SHOCK ASSY To A-1720	2	2	2	P
NS	174986	SUPPORT SHOCK ASSY From B-1721	2	2	2	
13	171032	. SUPPORT 1"-14 / SHOCK ABSORBER / 55MM	1	1	1	
14	173364	SUPPORT VALVE ANGLE 85MMx85MMx114MM WIDE	1	1	1	
14	173386	SUPPORT VALVE ANGLE WSTUD 42MMx42MMx90MM WIDE	1	1	1	
14	172529	SUPPORT VALVE "Z" SHAPE			2	
14	173325	SUPPORT VALVE "Z" SHAPE	2	2	2	
15	171048	REINFORCEMENT FORWARD To A-1720	3	3	3	
15	174929	REINFORCEMENT FORWARD From B-1721	2	2	2	
16	171751	REINFORCEMENT BACKWARD To B-1721	1	1	1	
16	220944	CLOSING PLATE 67MM X 67MM From B-1721	1	1	1	
17	173364	SUPPORT VALVE ANGLE 85MMx85MMx114MM WIDE	2	2	2	
17	173386	SUPPORT VALVE ANGLE WSTUD 42MMx42MMx90MM WIDE From B-1721	2	2	2	
19	171557	TUBE To B-1721	1	1	1	
19	173685	TUBE From B-1721	1	1	1	
20	172060	RETAINER PLASTIC FENDER "F" SHAPE 2105MM SS To A-1720	2	2	2	
20	174921	RETAINER PLASTIC FENDER "F" SHAPE 1995MM SS From B-1721	2	2	2	
24	211590	SUPPORT	2	2	2	

<b>From 7-0671 To D-2363</b>	<b>Date:10/2022</b>	<b>PAGE:H7-1897-10</b>
<b>REAR SUB-FRAME</b>		

Item#	Part	Description	H 3 4 1	H 3 4 5	V I P 4 5	N O T E S
25	171795	SUPPORT	1	1	1	
26	131525	ATTACHMENT	1	1	1	
27	171796	SUPPORT	2	2	2	
28	171808	SUPPORT	1	1	1	
30	171605	BAR, TRANSMISSION PROTECTOR To A-1720	1	1	1	
30	173688	TUBE 1058MM From B-1721	1	1	1	
30	173687	ATTACHMENT PLATE From B-1721	2	2	2	
31	172820	SUPPORT / (WELDED TO FRAME) To A-1720	2	2		
32	172821	BACK PLATE To A-1720	1	1		
33	171547	TUBE 1012MM	1	1	1	
34	171621	TUBE 775MM	2	2	2	
35	171761P	ATTACHMENT SUSPENSION ROD ASS.	1	1	1	
36	171660	PLATE	1	1	1	
37	171695	REINFORCEMENT	1	1	1	
38	171797	SUPPORT	1	1	1	
39	171692	TUBE 932MM	2	2	2	
40	171973	SUPPORT AIR TANK			2	
41	171729	TUBE 1154MM			1	
42	171813	SUPPORT	1	1	1	
43	171544	TUBE 932MM	2	2	2	
50	172581	TUBE 788MM	1	1	1	
51	171669	BRACKET	2	2	2	
52	172580	TUBE 961MM	1	1	1	
53	172032	SUPPORT DOOR CYLINDER	2	2	2	
54	171548	TUBE 1272MM	2	2	2	
55	172129	TUBE 649MM	2	2	2	
55	172578P	TUBE ASSY W/COMPONENTS L.H.	1	1	1	B
55	172579P	TUBE ASSY W/COMPONENTS R.H.	1	1	1	B
56A	121564	SUPPORT SHOCK ASSY CURB SIDE	1	1	1	
. NS	171032	. SUPPORT 1"-14 / SHOCK ABSORBER / 55MM	1	1	1	
56B	121568	SUPPORT SHOCK ASSY STREET SIDE	1	1	1	
. NS	171032	. SUPPORT 1"-14 / SHOCK ABSORBER / 55MM	1	1	1	
57	172083	SUPPORT VALVE HEIGHT CONTROL	1	1	1	
57	171618	SUPPORT VALVE	1	1	1	
60	172583P	CHANNEL W/REINFORCEMENT / TRIPODE REAR AXLE / 1014MM WIDE	1	1	1	
60	Call order desk	CHANNEL W/REINFORCEMENT / TRIPODE REAR AXLE / W/YAW / 1014MM WIDE From 7-0942 To 8-1138	1	1	1	P
. NS	172583P	. CHANNEL W/REINFORCEMENT / TRIPODE REAR AXLE / 1014MM WIDE From 7-0942 To 8-1138	1	1	1	
. NS	173312	. SUPPORT YAW / EPS SYSTEM From 7-0942 To 8-1138	1	1	1	
60	173530P	CHANNEL W/REINFORCEMENT / TRIPODE REAR AXLE / W/YAW / 1014MM WIDE From 8-1139 To B-1785	1	1	1	
. NS	173312	. SUPPORT YAW / EPS SYSTEM From 8-1139 To B-1785	1	1	1	
. NS	173527	. REINFORCMENT LH PANHARD From 8-1139 To B-1785	1	1	1	

<b>From 7-0671 To D-2363</b>	<b>Date:10/2022</b>	<b>PAGE:H7-1897-10</b>
<b>REAR SUB-FRAME</b>		

Item#	Part	Description	H 3 4 1	H 3 4 5	V I P 4 5	N O T E S
. NS	173528	. REINFORCMENT RH PANHARD From 8-1139 To B-1785	1	1	1	
60	Call order desk	CHANNEL W/REINFORCEMENT / 1014MM WIDE From B-1786	1	1	1	P
61	172269	REAR RADIUS ROD ATTACHMENT ANGLE ASSY	1	1	1	
61	172532	REAR RADIUS ROD ATTACHMENT ANGLE ASSY	1	1	1	
62	171931	TUBE 1441MM	1	1	1	
63	172519P	ROD ATTACHMENT	1	1	1	
64	171611	TUBE 1050MM	1	1	1	
65	171753P	SUPPORT LATERAL ROD	1	1	1	
80	210989	TUBE 2460MM	2	2	2	
81	210608	TUBE 2460MM	1	1	1	
82	171635	TUBE 570MM	1	1	1	
83	212703	TUBE	1	1	1	
83	211136	SUPPORT	AR	AR	AR	
84	171633	ANGLE 571MM	1	1	1	
85	210989	TUBE 2460MM To A-1720	1	1	1	
85	216822	TUBE From B-1721	1	1	1	
85	211136	SUPPORT	AR	AR	AR	
86	171634	ANGLE 532MM	1	1	1	
87	210608	TUBE 2460MM	1	1	1	
88	171624	SEAT SUPPORT / L.H. / 980MM To A-1499	1	1		
88	171819	SEAT SUPPORT / L.H. / 980MM To A-1499	1	1		
90	171567	TUBE 2818MM	1	1	1	
91	171632	TUBE 797MM	1	1	1	
93	171623	SEAT SUPPORT / R.H. / 1006MM To A-1499	1	1		
93	171818	SEAT SUPPORT / R.H. / 1006MM To A-1499	1	1		
94	171630	TUBE 803MM	1	1	1	
95	171629	TUBE 879MM	1	1	1	
96	171628	TUBE 903MM	1	1	1	
97	171625	SEAT SUPPORT / R.H. / 1579MM To A-1499	1	1		
97	171820	SEAT SUPPORT / R.H. / 1579MM To A-1499	1	1		
98	171631	TUBE 1063MM	1	1	1	
99	171626	SEAT SUPPORT / L.H. / 1579MM To A-1499	1	1		
99	171821	SEAT SUPPORT / L.H. / 1579MM To A-1499	1	1		
100	171627	TUBE 769MM	1	1	1	
201	211636	TUBE 599MM	1	1	1	
202	212406	SEAT SUPPORT 757MM	2	2	2	
203	212409	TUBE 780MM	1	1	1	
203	216121	TUBE 527MM			1	S
204	214624	SEAT SUPPORT / R.H. / 1060MM	1	1	1	
206	212347	TUBE 773MM	1	1	1	
207	218175	TUBE 884MM	1	1	1	

From 7-0671 To D-2363	Date:10/2022	PAGE:H7-1897-10
<b>REAR SUB-FRAME</b>		

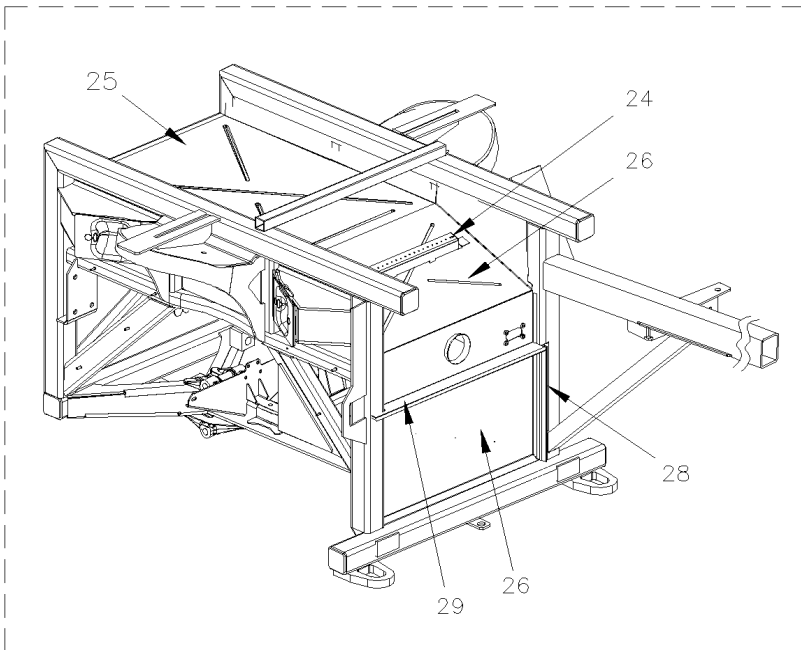
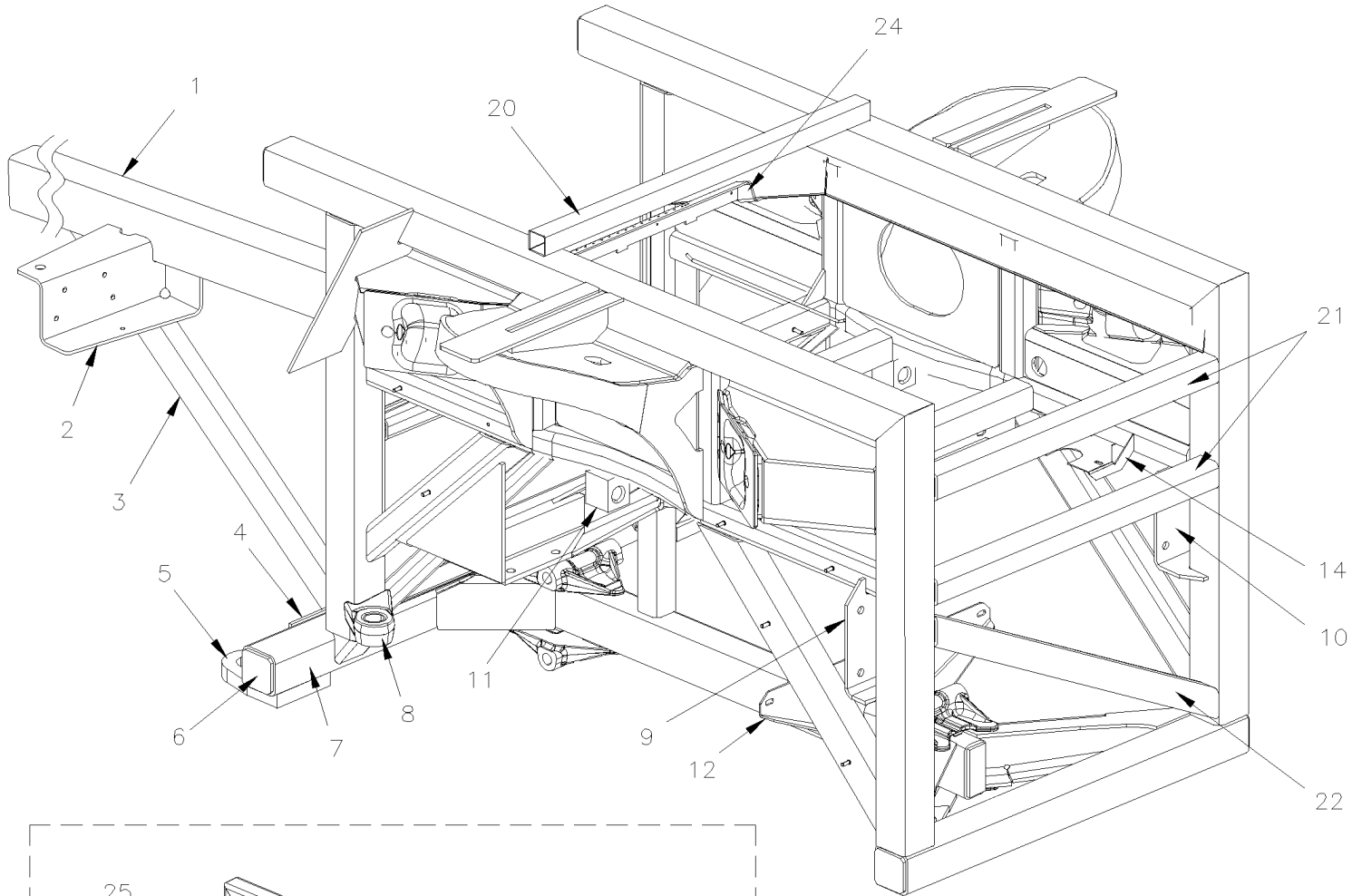
Item#	Part	Description	H 3 4 1	H 3 4 5	V I P 4 5	N O T E S
208	210989	TUBE 2460MM	1	1	1	
208	216138	TUBE 1820MM			1	S
209	218157	TUBE 726MM	1	1	1	
210	212348	TUBE 1899MM	1	1	1	
NS	212575	CLOSING PLATE 48MM X 35MM	1	1	1	
211	218153	TUBE 719MM	1	1	1	
212	218159	SEAT SUPPORT / L.H. / 870MM	1	1	1	
214	218151	TUBE 1164MM	1	1	1	
215	218152	TUBE 156MM	1	1	1	
216	218156	TUBE 180MM	1	1	1	
217	216133	STOPPER	1	1	1	
218	212655	ATTACHMENT ROD / WELDED (TO FIX ANYTHING) / 373MM x 11MM DEEP	AR	AR	AR	
218	214026	ATTACHMENT ROD / WELDED (TO FIX ANYTHING) / 977MM x 12MM DEEP	AR	AR	AR	
218	214025	ATTACHMENT ROD / WELDED (TO FIX ANYTHING) / 177MM x 11MM DEEP	AR	AR	AR	
219	173226	TUBE 1503MM	1	1	1	
220	218004	TUBE 863MM			2	
221	218005	TUBE 221MM			1	
222	174898	TUBE 644MM			1	
223	215123	PLATE			1	
		B) INCLUS ITEMS # 10, 11, 55, 56 & 57				
		S) WITH CURBSIDE SLIDE-OUT				
		P) CALL ORDER DESK FOR SPECIFIC APPLICATION (V.I.N.)				

From 7-0671 To D-2363

Date:10/2022

PAGE:H7-1897-50

## FRONT SUB-FRAME / W/INDEPENDENT SUSPENSION - 18000 LBS

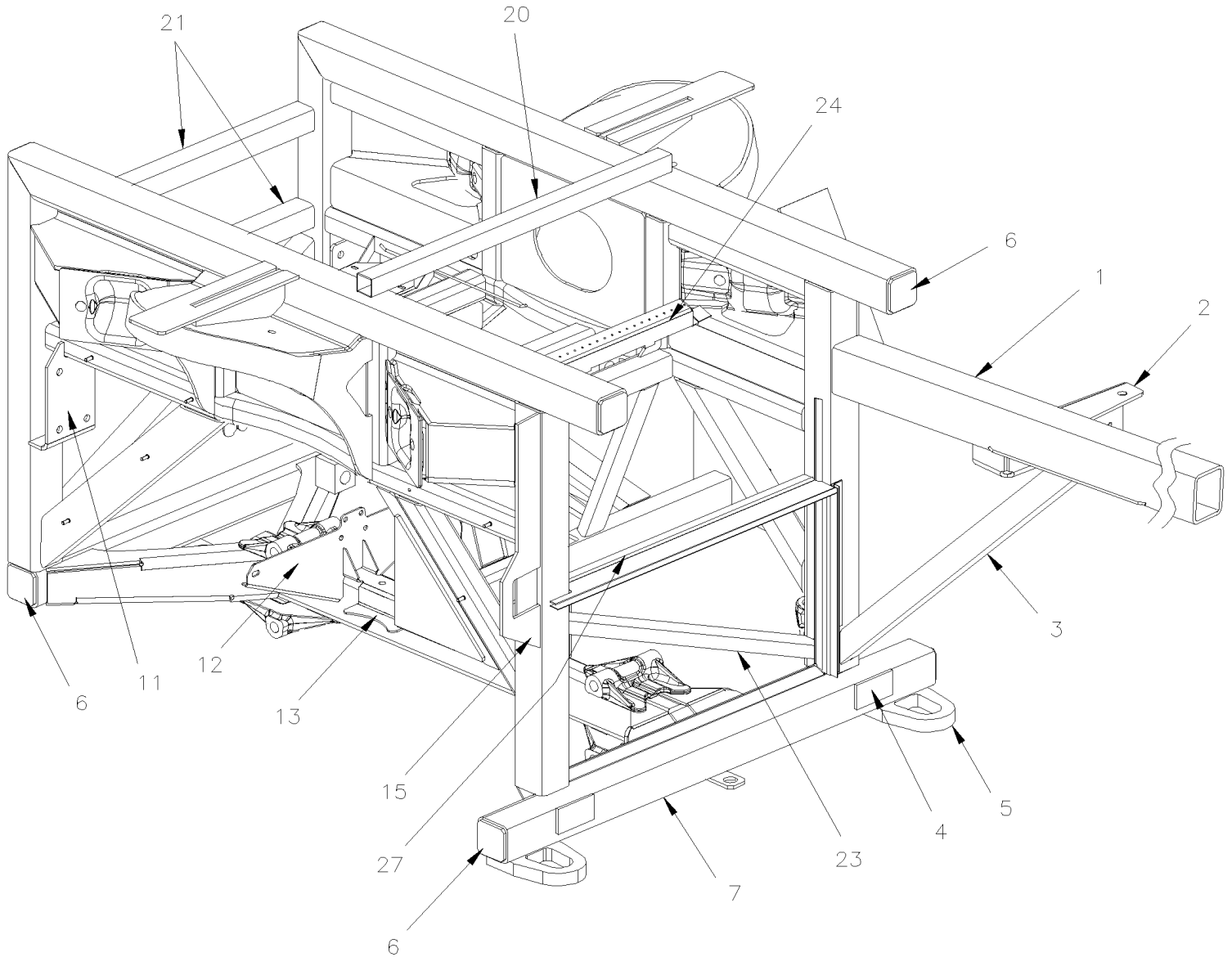


From 7-0671 To D-2363

Date:10/2022

PAGE:H7-1897-50

**FRONT SUB-FRAME / W/INDEPENDENT SUSPENSION - 18000 LBS**



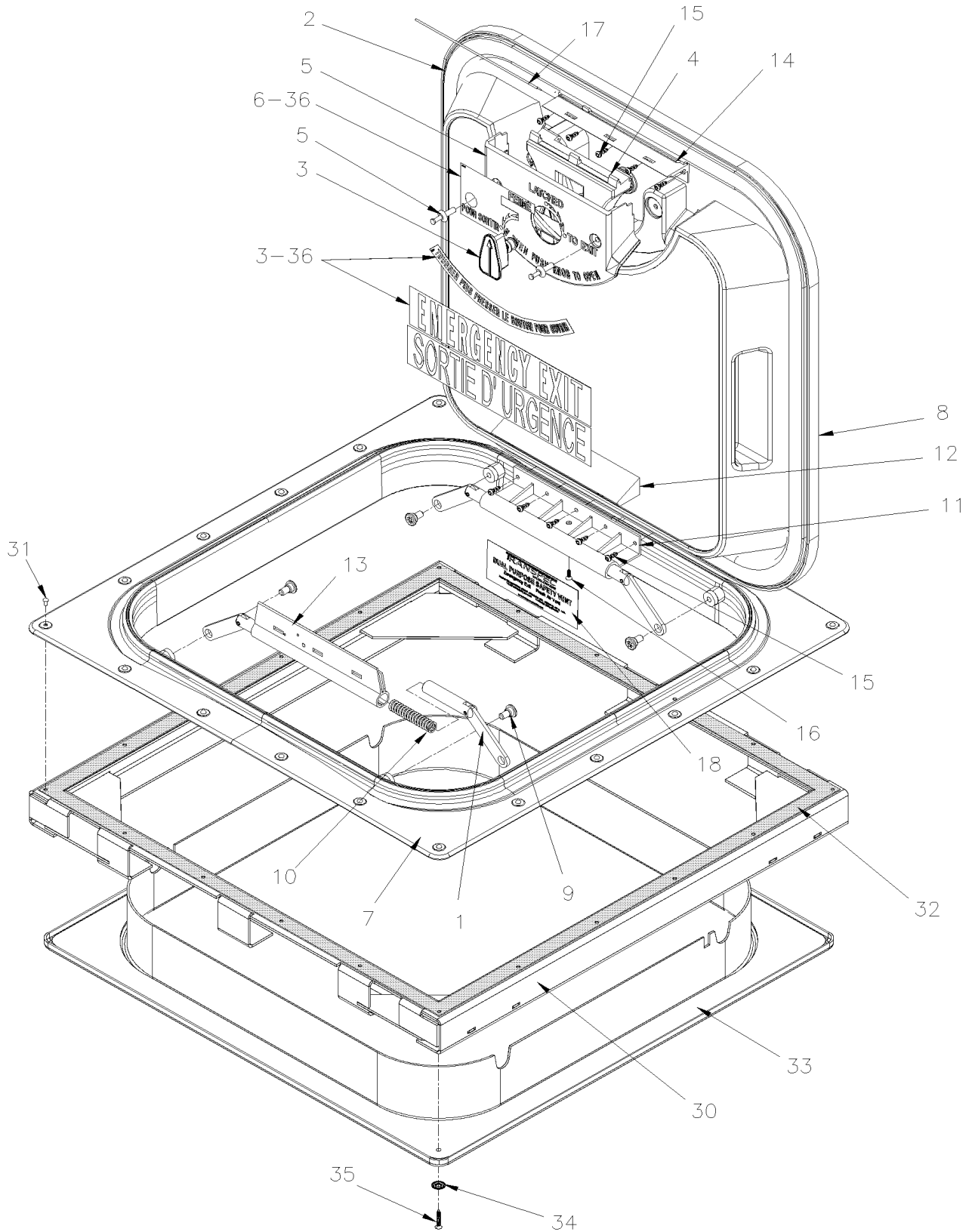


From 7-0671 To D-2363	Date:10/2022	PAGE:H7-1897-50
<b>FRONT SUB-FRAME / W/INDEPENDENT SUSPENSION - 18000 LBS</b>		

Item#	Part	Description	H 3 4 1	H 3 4 5	V I P 4 5	N O T E S
	172762P	FRONT SUB-FRAME ASSY / V.I.P. W/IND 18000			1	A
1	172075	TUBE 1143MM			1	
2	172133	SUPPORT / BRAKE VALVE			1	
3	172836	TUBE 869MM			1	
4	213527	. PLATE JOINT 92MM X 51MM			2	
5	171991	. ATTACHMENT / TOWING			2	
6	220944	. CLOSING PLATE 67MM X 67MM			6	
7	172782	. TUBE 1090MM			1	
8	172815	. SUPPORT POWER STEERING CYLINDER			1	
9	171908	. ATTACHMENT SWAY BAR STREETSIDE			1	
10	171718	. ATTACHMENT SWAY BAR CURBSIDE			1	
11	110627	. ATTACHMENT PIN 1"-14 / SHOCK ABSORBER / 50.8MM LONG			2	
12	172704	. SUPPORT AIR TANK / LOWER			1	
13	172705	. SUPPORT AIR TANK / LOWER			1	
14	131746	. SUPPORT AIR TANK / BELLOW			2	
15	215206	. PLATE			1	
20	172132	. TUBE 765MM			1	
21	172712	. TUBE 733MM			1	
22	171713	. TUBE 779MM			1	
23	171712	. TUBE 661MM			1	
24	172235	. SUPPORT PIPE & HARNESS			1	
25	212774	. PANEL CENTRAL BACKWARD			1	
26	172777	. PANEL CENTRAL FORWARD & LOWER			1	
26	Call order desk	. PANEL CENTRAL FORWARD & LOWER			1	P
27	172719	. TUBE 661MM			1	
28	213625	. SLIDING TRACK ASSY / VERTICAL			1	
28	Call order desk	. SLIDING TRACK ASSY / VERTICAL			1	P
29	215130	. SLIDING TRACK ASSY / HORIZONTAL			1	
29	Call order desk	. SLIDING TRACK ASSY / HORIZONTAL			1	P
		A) DOES NOT INCLUDE ITEMS 1, 2 AND 3				
		P) CALL ORDER DESK FOR SPECIFIC APPLICATION (V.I.N.)				



**ESCAPE HATCH - INSTALLATION**



<b>From 7-0671 To J-0287</b>	<b>Date:10/2022</b>	<b>PAGE:H7-1898-00</b>
<b>ESCAPE HATCH - INSTALLATION</b>		

Item#	Part	Description	H 3 4 1	H 3 4 5	V I P 4 5	N O T E S
	950396	HATCH ASSY / 23" X 23" GREY / LOW PROFILE GREY / ENG & FRENCH To 8-1135	1	1	1	
	950443	HATCH ASSY / 23" X 23" BEIGE / LOW PROFILE BEIGE From 8-1136 To C-1928	1	1	1	
	950470	HATCH ASSY / 23" X 23" BEIGE / LOW PROFILE BEIGE From C-1929	1	1	1	
	950468	HATCH ASSY / 23" X 23" GREY / LOW PROFILE GREY / ENG & FRENCH From H-3497		1		A
1	790436	. LINK & LEVER ASSY	4	4	4	
2	950069	. SEAL, GASKET KIT	1	1	1	
3	790663	. RELEASE KNOB W/SCREW / RED	1	1	1	
4	790664	. RELEASE HANDLE ASSY GREY To 8-1135	1	1	1	
4	790371	. HANDLE, RELEASE W/SPRING / GREY To 8-1135	1	1	1	
4	950472	. HANDLE, RELEASE W/SPRING / BEIGE From 8-1136	1	1	1	
4	790371	. HANDLE, RELEASE W/SPRING / GREY From H-3497		1		A
5	790662	. RELEASE HINGE SHIELD ASSY GREY To 8-1135	1	1	1	
5	950476	. RELEASE HINGE SHIELD ASSY BEIGE From 8-1136	1	1	1	
5	790662	. RELEASE HINGE SHIELD ASSY GREY From H-3497		1		A
6	950690	. DECAL KIT INSTRUCTION / ENGLISH & FRANCAIS To 8-1135	1	1	1	
NS	950229	. DECAL KIT INSTRUCTION / ENGLISH & FRANCAIS From 8-1136	1	1	1	
6	950690	. DECAL KIT INSTRUCTION / ENGLISH & FRANCAIS From H-3497		1		A
NS	403651	. DECAL, "EMERGEGENCY... JAPAN"	AR	AR	AR	
NS	405775	. DECAL / BRAILLE / EMERGENCY EXIT ONLY / ENGLISH & FRANCAIS	AR	AR	AR	
7	950205	. FRAME ASSY, EXTERIOR FIBERGLASS / 23" X 23" GREY To 8-1135	1	1	1	
7	950477	. FRAME ASSY, EXTERIOR FIBERGLASS / 23" X 23" BEIGE From 8-1136	1	1	1	
7	950205	. FRAME ASSY, EXTERIOR FIBERGLASS / 23" X 23" GREY From H-3497		1		A
8	950464	. COVER ASSY / LOW PROFILE / GREY ENGLISH & FRENCH To 8-1135	1	1	1	B
8	950465	. COVER ASSY / LOW PROFILE BEIGE From 8-1136 To C-1828	1	1	1	B
8	950473	. COVER ASSY / LOW PROFILE BEIGE From C-1929	1	1	1	B
8	950478	. COVER ASSY / LOW PROFILE / THIN GREY ENGLISH & FRENCH From H-3497		1		A
9	790372	. SCREW SHR HEXS 7/16x3/16 {5/16-18	4	4	4	
9	950449	. SCREW CAP BUT TORX 5/16-18x3/4 BK G8	4	4	4	
NS	950450	. SPACER BUSHING 5/16I.D.x 7/16O.D.x 3/16TH	4	4	4	
10	790449	. SPRING COMPRESSION / .549 O.D. x 2.590 x .078	4	4	4	
11	N.S.S.	. HINGE COVER SECTION	1	1	1	1
12	N8891498	. HINGE COVER GREY To 8-1135	1	1	1	
12	950474	. HINGE COVER BEIGE From 8-1136 To C-1828	1	1	1	
12	950475	. HINGE COVER BEIGE From C-1929	1	1	1	
12	950479	. HINGE COVER GREY From H-3497		1		A
13	790375	. HINGE, RELEASE / GREY To 8-1135	1	1	1	
13	791789	. RELEASE HANDLE ASSY BEIGE From 8-1136	1	1	1	
13	790375	. HINGE, RELEASE / GREY From H-3497		1		A
13	950472	. HANDLE, RELEASE W/SPRING / BEIGE	1	1	1	
14	6982866	. HANDLE BASE	1	1	1	
15	N8880007	. SPECIAL TORX SCREW #10 x 1/2 SS	10	10	10	
16	7775130	. SCREW FL PH #8 x 1/2 SS	1	1	1	

From 7-0671 To J-0287	Date:10/2022	PAGE:H7-1898-00
-----------------------	--------------	-----------------

**ESCAPE HATCH - INSTALLATION**

Item#	Part	Description	H 3 4 1	H 3 4 5	V I P 4 5	N O T E S
17	950693	. HINGE PIN SS	1	1	1	
18	N8891500	DECAL PURPOSE SAFETY VENT	1	1	1	
30	292398	FRAME ASSY, MOUNTING 23" X 23"	1	1	1	
NS	685126	ADHESIVE SIMSON #ISR 70-03 / GREY / 600ml SAUSAGE	AR	AR	AR	
31	504546	RIVET CHY MONOLOK PRDG 1/4x5/8 ZP To E-2423	20	20	20	
31	504787	RIVET CHY MONOLOK PRDG 1/4x5/8 ZP From E-2424 To H-3785	20	20	20	
31	504058	RIVET CHY MONOLOK PRDG 1/4x5/8 AL From H-3786	20	20	20	
32	680093	SEALANT TAPE BUTYL / GREY / 1/16"x1 1/2"x50' /71079B11760	AR	AR	AR	
33	291720	MOULDING, INTERIOR 23" X 23" GREY To 8-1135	1	1	1	
33	293939	MOULDING, INTERIOR 23" X 23" BEIGE From 8-1136	1	1	1	
33	291720	MOULDING, INTERIOR 23" X 23" GREY From H-3497		1		A
33	340591	INSULATION FIBERGLASS	AR	AR	AR	
34	500464	WASHER FN CKF .210x.540 SS	4	4	4	
35	500629	SCREW TP OV PH #8x1 Z050	4	4	4	
36	297090	DECAL / "PARA SALIR" / SPANISH	1	1	1	
36	297089	DECAL / "CERRADO" / SPANISH	1	1	1	
36	297091	DECAL / "GIRE Y EMPUHE EL BUTON.." / SPANISH	1	1	1	
36	297092	DECAL / "EMERGENCY..." / ENGLISH & SPANISH	1	1	1	
36	406161	DECAL / DO NOT OPEN... MOTION / ENGLISH & SPANISH	1	1	1	
		A) BAUER'S TRANSPORTATION OPTION				
		B) INCLUDED ITEMS 2-3-4-5-6-8-11-12-15-16-17				
		1) NOT SOLD SEPARATELY				

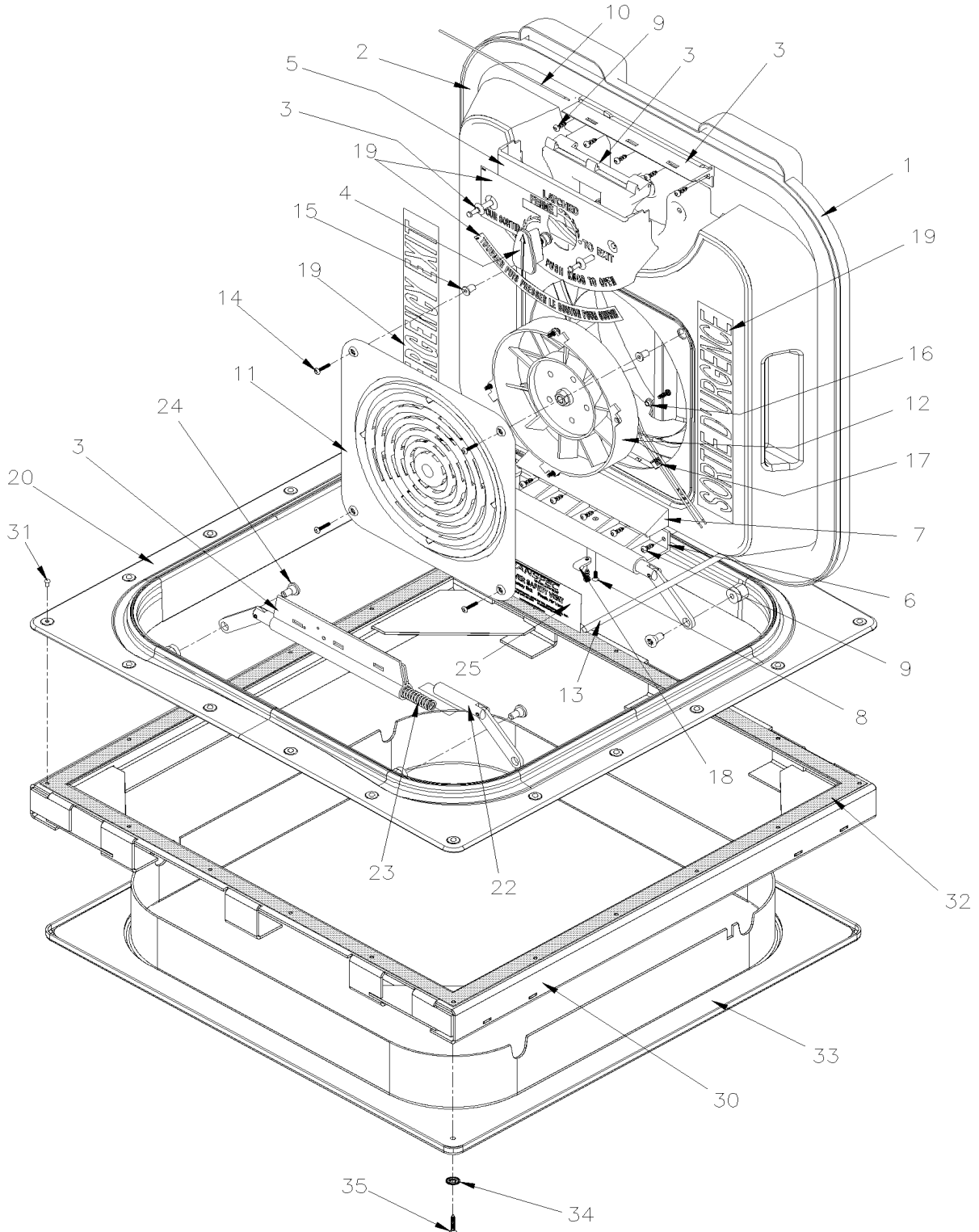


From 8-1101 To J-0287

Date:10/2022

PAGE:H7-1898-10

## ESCAPE HATCH - INSTALLATION - VENTILATION "OPTION"



From 8-1101 To J-0287	Date:10/2022	PAGE:H7-1898-10
<b>ESCAPE HATCH - INSTALLATION - VENTILATION "OPTION"</b>		

Item#	Part	Description	H 3 4 1	H 3 4 5	V I P 4 5	N O T E S
	067282	HATCH ASSY / 23" X 23" BEIGE / W/VENTILATION To A-1992	1	1		
	950456	HATCH ASSY / 23" X 23" BEIGE / W/VENTILATION From A-1993	1	1		
1	951084	. LID POWER VENT GREY To 8-1135	1	1		A
1	951083	. LID POWER VENT BEIGE From 8-1136	1	1		A
2	N8889278	. SEAL, GASKET KIT	1	1		
3	790373	. BASE, RELEASE / GREY To 8-1135	1	1		
3	950689	. RELEASE HANDLE ASSY / WHITE From 8-1136	1	1		
4	790663	. RELEASE KNOB W/SCREW / RED	1	1		
5	790662	. RELEASE HINGE SHIELD ASSY GREY To 8-1135	1	1		
5	950688	. RELEASE HINGE SHIELD / WHITE From 8-1136	1	1		
6	N.S.S.	. HINGE FIXED	1	1		1
7	950479	. HINGE COVER GREY To 8-1135	1	1		
7	N8902738	. HINGE COVER BEIGE From 8-1136	1	1		
8	7775130	. SCREW FL PH #8 x 1/2 SS	1	1		
9	N8880007	. SPECIAL TORX SCREW #10 x 1/2 SS	14	14		
10	950693	. HINGE PIN SS	1	1		
11	951085	. GRILL-POWER VENT GREY To 8-1135	1	1		
11	950682	. GRILL-POWER VENT BEIGE From 8-1136	1	1		
12	950701	. FAN 8" 24V	1	1		
13	951086	. CORD ASSEMBLY- W/ INSUL. TERMINALS	1	1		
14	950703	. SCREW MA RND PH #6-32x3/4 SS	4	4		
15	950702	. NUT WELL #6-32	4	4		
16	950694	. WASHER NYLON	4	4		
17	950704	. INSULATING BUSHING	1	1		
18	950697	. CLAMP 5/16"	2	2		
19	950698	. DECAL KIT INSTRUCTION / ENGLISH	1	1		
19	950690	. DECAL KIT INSTRUCTION / ENGLISH & FRANCAIS	1	1		
19	N8898772	. DECAL KIT INSTRUCTION / ENGLISH & SPANISH	1	1		
20	950205	. FRAME ASSY, EXTERIOR FIBERGLASS / 23" X 23" GREY To 8-1135	1	1		
20	N8893671	. FRAME ASSY, EXTERIOR FIBERGLASS / 23" X 23" BEIGE From 8-1136	1	1		
22	790436	. LINK & LEVER ASSY	4	4		
23	790449	. SPRING COMPRESSION / .549 O.D. x 2.590 x .078	4	4		
24	790372	. SCREW SHR HEXS 7/16x3/16 {5/16-18	4	4		
25	950700	. DECAL "POWER SAFETY VENT"	1	1		
NS	N8893675	. DECAL- "FRONT OF VEHICLE"	1	1		
30	292398	FRAME ASSY, MOUNTING 23" X 23"	1	1		
30	680532	SEALANT SIKA #221 / GREY / 310ml CARTRIDGE	AR	AR		
31	504546	RIVET CHY MONOLOK PRDG 1/4x5/8 ZP To E-2423	AR	AR		
31	504787	RIVET CHY MONOLOK PRDG 1/4x5/8 ZP From E-2424 To H-3785	AR	AR		
31	504058	RIVET CHY MONOLOK PRDG 1/4x5/8 AL From H-3786	AR	AR		
32	680093	SEALANT TAPE BUTYL / GREY / 1/16"x1 1/2"x50' /71079B11760	AR	AR		



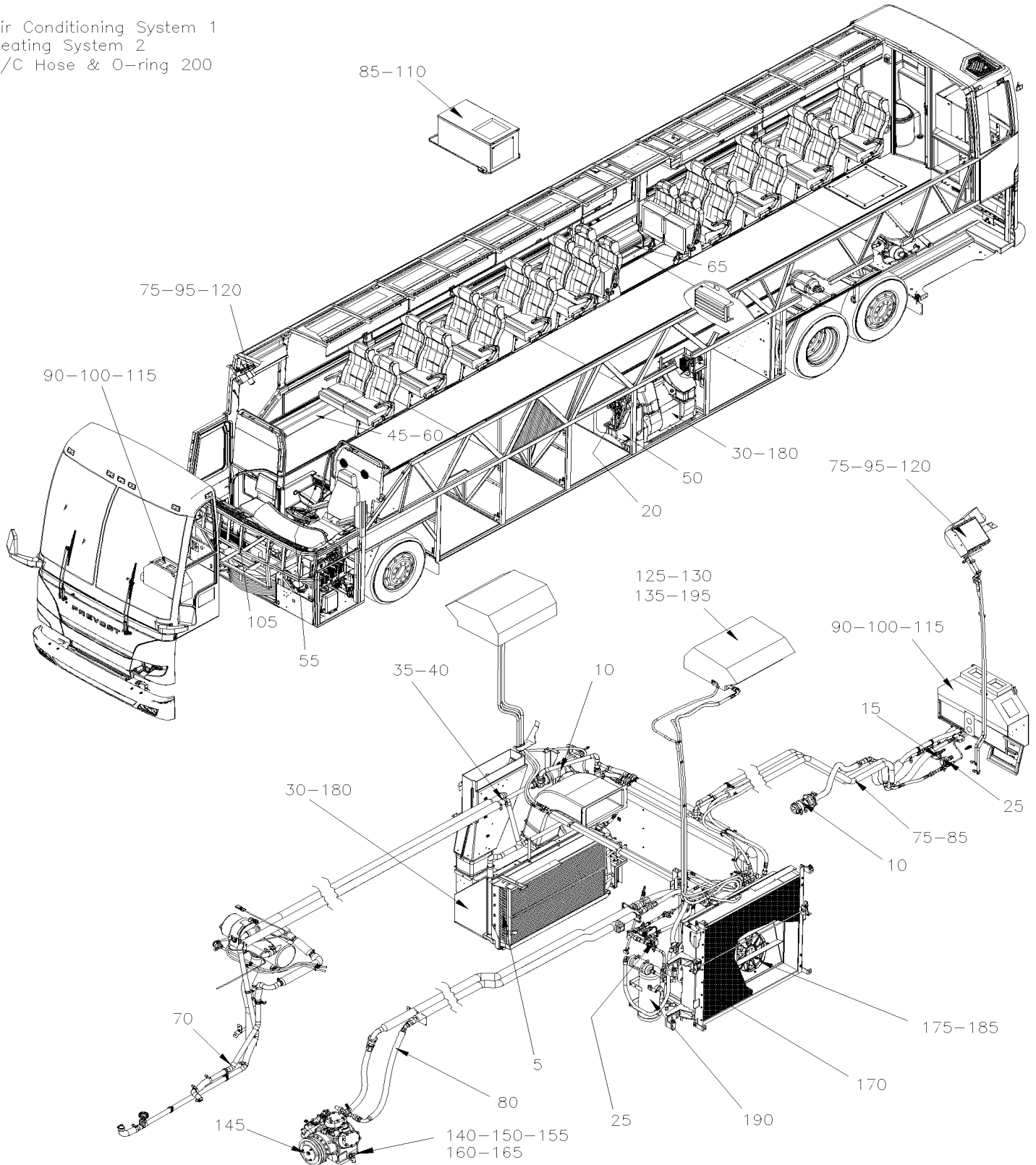
From 8-1101 To J-0287	Date:10/2022	PAGE:H7-1898-10
<b>ESCAPE HATCH - INSTALLATION - VENTILATION "OPTION"</b>		

Item#	Part	Description	H 3 4 1	H 3 4 5	V I P 4 5	N O T E S
33	291720	MOULDING, INTERIOR 23" X 23" GREY To 8-1135	1	1		
33	293939	MOULDING, INTERIOR 23" X 23" BEIGE From 8-1136	1	1		
33	340591	INSULATION FIBERGLASS	AR	AR		
34	500464	WASHER FN CKF .210x.540 SS	4	4		
35	500629	SCREW TP OV PH #8x1 Z050	4	4		
NS	067350	WIRING HARNESS ROOF HATCH REAR & FAN	1	1		
NS	067352	WIRING HARNESS ROOF HATCH & FAN FJB DASH	1	1		
NS	562697	SWITCH / ON-ON / D.P.D.T. / CH-OVER / W/RED & GREEN LED	1	1		
NS	562716	CAP / DRIVER'S LAMP	1	1		
NS	563284	FUSE / ATM 15 AMPS BLUE	1	1		
NS	IS-18905_3	INSTALLATION OF HATCHES WITH FAN ON H3 MODELS BEIGE	1	1	1	
		A) INCLUDE ITEM 1 TO 19				
		1) NOT SOLD SEPARATELY				



	Date:10/2022	H7-22
HEATING & AIR CONDITIONING		

Air Conditioning System 1  
Heating System 2  
A/C Hose & O-ring 200



	Date:10/2022	H7-22
<b>HEATING &amp; AIR CONDITIONING</b>		

Item#	Part	Description	H 3 4 1	H 3 4 5	V I P 4 5	N O T E S
1	H7-2200-00	AIR CONDITIONING SYSTEM From 7-0671 To J-0287				
2	H7-2200-05	HEATING SYSTEM From 7-0671 To J-0287				
5	H7-2205-00	HEATER & EVAPORATOR COIL & FILTER ASSY From 7-0671 To 9-1403				
5	H7-2205-01	HEATER & EVAPORATOR COIL - INSTALLATION From 9-1404 To J-0287				
5	H7-2205-90	HEATER & EVAPORATOR COIL & FILTER ASSY VIP - W/SLIDE-OUT From 7-0671 To 9-1403				
10	H7-2206-00	WATER PUMP / "MP PUMP" From 7-0671 To D-2179				
10	H7-2206-01	WATER PUMP/ "ROTRON" / SEALLESS & BRUSHLESS "SPECIAL OPTION" From 7-0671 To D-2179				
10	H7-2206-02	WATER PUMP / "MP PUMPS" / SEALLESS From 7-0671 To D-2179				
10	H7-2206-03	WATER PUMP "AMETEK" / SEALLESS & BRUSHLESS From D-2180 To J-0287				
10	H7-2206-10	WATER PUMP / "MP PUMP" / FRONT UPPER DEFROSTER From 7-0671 To D-2179				
10	H7-2206-11	WATER PUMP "AMETEK" / SEALLESS & BRUSHLESS / FRONT UPPER DEFROSTER "SPECIAL OPTION" From 7-0671 To D-2179				
15	H7-2207-00	WATER VALVE - W/3 WAYS BY-PASS From 7-0671 To J-0287				
15	H7-2207-05	WATER VALVE - W/2 WAYS From 7-0671 To F-2886				
15	H7-2207-06	WATER VALVE - W/2 WAYS From F-2887 To J-0287				
15	H7-2207-99	WATER VALVE - W/MAIN & DRIVER'S / SERVICE From 7-0671 To F-2886				
20	H7-2208-00	A/C EXPANSION VALVE From 7-0671 To J-0287				
25	H7-2208-10	REFRIGERENT SOLENOID VALVE From 7-0671 To J-0287				
30	H7-2210-00	HEATER & EVAPORATOR BLOWER - INSTALLATION From 7-0671 To 9-1403				
30	H7-2210-01	HEATER & EVAPORATOR BLOWER - INSTALLATION From 7-0671 To 9-1403				
30	H7-2210-02	HEATER & EVAPORATOR BLOWER - INSTALLATION From 9-1404 To J-0287				
30	H7-2210-05	HEATER & EVAPORATOR BLOWER - INSTALLATION VIP - W/SLIDE-OUT From 7-0671 To 9-1403				
30	H7-2210-06	HEATER & EVAPORATOR BLOWER - INSTALLATION From 9-1404 To J-0287				
35	H7-2210-10	WATER HEATER PUMP & FILTER - INSTALLATION From 7-0671 To 9-1403				
35	H7-2210-11	WATER HEATER PUMP - INSTALLATION VIP - W/SLIDE OUT From 7-0671 To 9-1403				
35	H7-2210-12	WATER HEATER PUMP - INSTALLATION From 9-1404 To J-0287				
40	H7-2210-20	WATER HEATER PUMP - INSTALLATION WITH SMALL A/C From 7-0671 To J-0287				
45	H7-2210-50	AIR MAIN SENSOR From 7-0671 To J-0287				
50	H7-2215-00	EVAPORATOR & DAMPER CONTROL COMPONENTS From 7-0671 To J-0287				
55	H7-2220-00	UNDER FLOOR AIR DUCTING From 7-0671 To J-0287				
60	H7-2221-10	DUCTING HEATER & A/C From 7-0671 To J-0184				
65	H7-2221-80	AIR DUCT W.C.L. DOOR "RICON" From 7-0671 To J-0184				
70	H7-2222-00	HEATER LINE REAR SECTION WITH "DETROIT" ENGINE From 7-0671 To A-1720				
70	H7-2222-05	HEATER LINE REAR SECTION WITH "VOLVO" ENGINE "EPA 2007" From 8-1202 To A-1720				
70	H7-2222-06	HEATER LINE REAR SECTION WITH "VOLVO" ENGINE "EPA 2010" From B-1721 To J-0287				
75	H7-2222-10	A/C & HEATING LINE FRONT SECTION From 7-0671 To J-0287				
80	H7-2222-15	A/C LINE REAR SECTION W/05G From 7-0671 To D-2363				
80	H7-2222-16	A/C LINE REAR SECTION W/"BITZER" From D-2364 To J-0287				
85	H7-2222-50	SMALL A/C LINE & HEATER LINE From 7-0671 To J-0287				
85	H7-2222-55	SMALL A/C LINES & HOSES - R134A From 7-0671 To D-2282				
85	H7-2222-56	SMALL A/C LINES & HOSES - R134A From D-2283 To J-0287				
90	H7-2225-00	DRIVER'S HEATER & DEFROSTER ASSY From 7-0671 To 9-1403				
90	H7-2225-01	DRIVER'S HEATER & DEFROSTER ASSY From 9-1404 To J-0287				

	Date:10/2022	H7-22
<b>HEATING &amp; AIR CONDITIONING</b>		

Item#	Part	Description	H 3 4 1	H 3 4 5	V I P 4 5	N O T E S
95	H7-2225-10	UPPER WINDSHIELD - DEFROSTER ASSY From 7-0671 To J-0184				
100	H7-2225-50	A/C & HEATER AUXILIARY - V.I.P. From 7-0671 To J-0287				
105	H7-2230-00	DEFROSTER - INSTALLATION From 7-0671 To J-0287				
110	H7-2230-50	A/C AUXILIARY V.I.P. - INSTALLATION From 7-0671 To J-0287				
120	H7-2240-10	UPPER WINDSHIELD FAN - INSTALLATION From 7-0671 To J-0184				
125	H7-2240-20	BLOWER VENTILATION - PARCEL RACK From 7-0671 To J-0184				
130	H7-2240-25	BLOWER ASSY - PARCEL RACK From 7-0671 To J-0184				
135	H7-2240-30	BLOWER VENTILATION - PARCEL RACK WITH W.C.L. From 7-0671 To J-0184				
140	H7-2245-00	A/C COMPRESSOR 05G - INSTALLATION From 7-0671 To A-1720				
140	H7-2245-01	A/C COMPRESSOR 05G - INSTALLATION From B-1721 To D-2363				
140	H7-2245-02	A/C COMPRESSOR "BITZER" - INSTALLATION From D-2364 To J-0287				
140	H7-2245-30	A/C COMPRESSOR "BITZER" - INSTALLATION From 8-1362 To D-2363				
140	H7-2245-50	A/C COMPRESSOR SMALL - INSTALLATION From 7-0671 To A-1720				
140	H7-2245-51	A/C COMPRESSOR SMALL - INSTALLATION From B-1721 To J-0287				
145	H7-2246-00	A/C CLUTCH 05G - HOUSING MOUNTED From 7-0671 To D-2363				
145	H7-2246-01	A/C CLUTCH - WITH "BITZER" COMPRESSOR From D-2364 To J-0287				
150	H7-2250-00	A/C COMPRESSOR ASSY 05G - TWIN PORT From 7-0671 To D-2363				
150	H7-2250-01	A/C COMPRESSOR "BITZER" 4NFCY From D-2364 To J-0287				
155	H7-2250-15	A/C ELECTRIC UNLOADER - W/05G COMPRESSOR From 7-0671 To D-2363				
155	H7-2250-16	A/C ELECTRIC UNLOADER - WITH "BITZER" COMPRESSOR From D-2364 To J-0287				
160	H7-2250-20	A/C COMPRESSOR "BITZER" 6NFCY / "SPECIAL" From 8-1362 To J-0287				
165	H7-2251-00	GASKET - 05G A/C COMPRESSOR From 7-0671 To D-2363				
170	H7-2255-00	CONDENSOR - INSTALLATION From 7-0671 To A-1720				
170	H7-2255-01	CONDENSOR - INSTALLATION WITH "EPA 2010" From B-1721 To J-0287				
170	H7-2255-50	CONDENSOR - INSTALLATION SMALL A/C SYSTEM From 7-0671 To J-0287				
175	H7-2260-00	CONDENSOR FANS - INSTALLATION W/2 MOTORS From 7-0671 To 8-1291				
175	H7-2260-01	CONDENSOR FANS - INSTALLATION W/4 MOTORS From 8-1292 To J-0287				
180	H7-2265-00	MOTOR - EVAPORATOR "PREVOST" - T-17 - 2 SPEEDS From 7-0671 To 9-1403				
180	H7-2265-01	MOTOR - EVAPORATOR BRUSHLESS From 9-1404 To J-0287				
185	H7-2265-50	MOTOR - CONDENSOR "PREVOST" - T114 From 7-0671 To 8-1291				
185	H7-2265-51	MOTOR - CONDENSOR BRUSHLESS From 8-1292 To J-0287				
190	H7-2270-00	RECEIVER TANK & FILTER DRYER From 7-0671 To 9-1403				
190	H7-2270-01	RECEIVER TANK & FILTER DRYER From 9-1404 To J-0287				
195	H7-2270-10	A/C HOSE PARCEL RACK - INSTALLATION From 7-0671 To 9-1403				
195	H7-2270-11	A/C HOSE PARCEL RACK - INSTALLATION From 9-1404 To J-0184				
197	H7-2270-50	RECEIVER TANK & FILTER DRYER WITH SLIDE-OUT From 7-0671 To 9-1403				
200	H7-2299-00	A/C HOSE & O-RING - W/R-134A From 7-0671 To 9-1403				

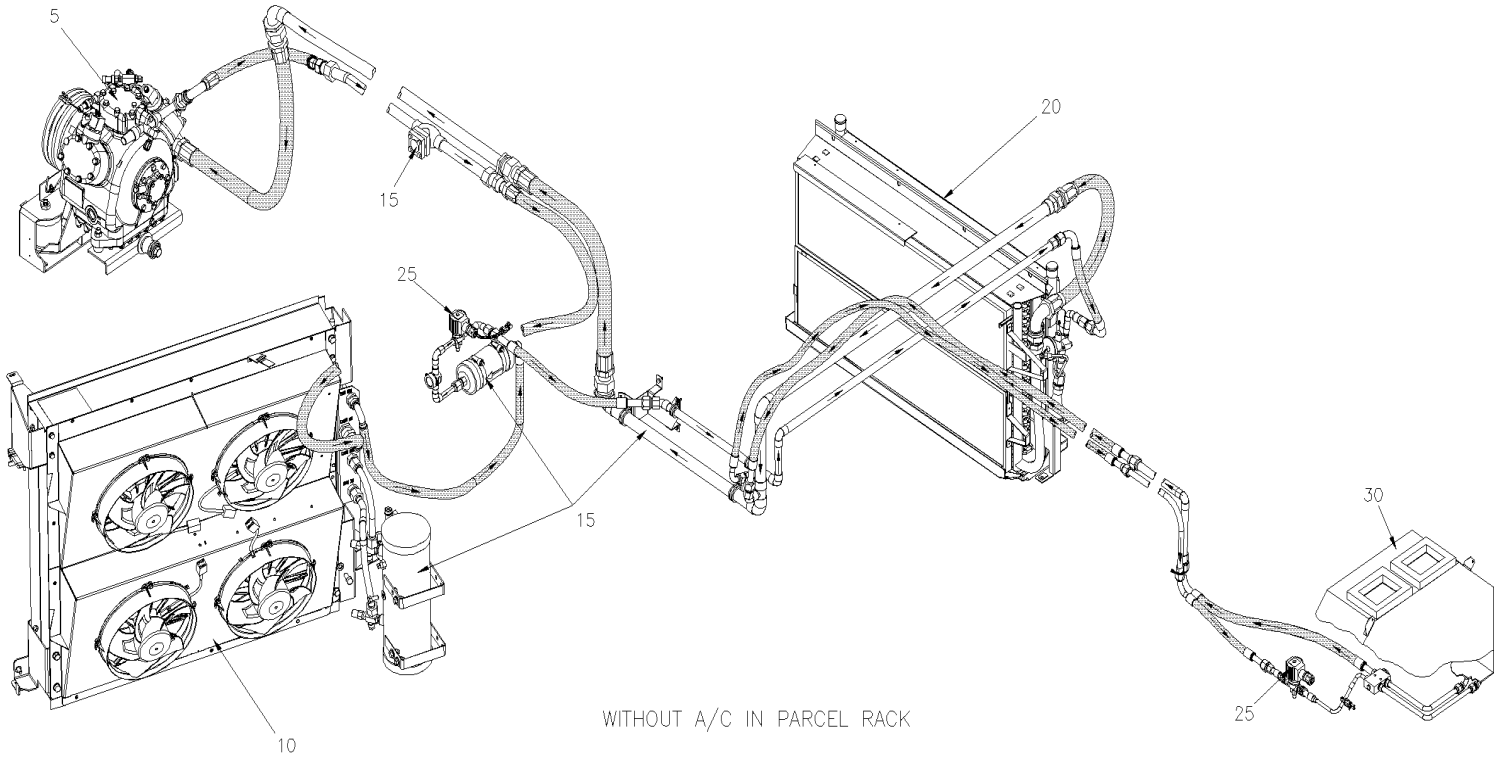


From 7-0671 To J-0287

Date:10/2022

PAGE:H7-2200-00

## AIR CONDITIONING SYSTEM

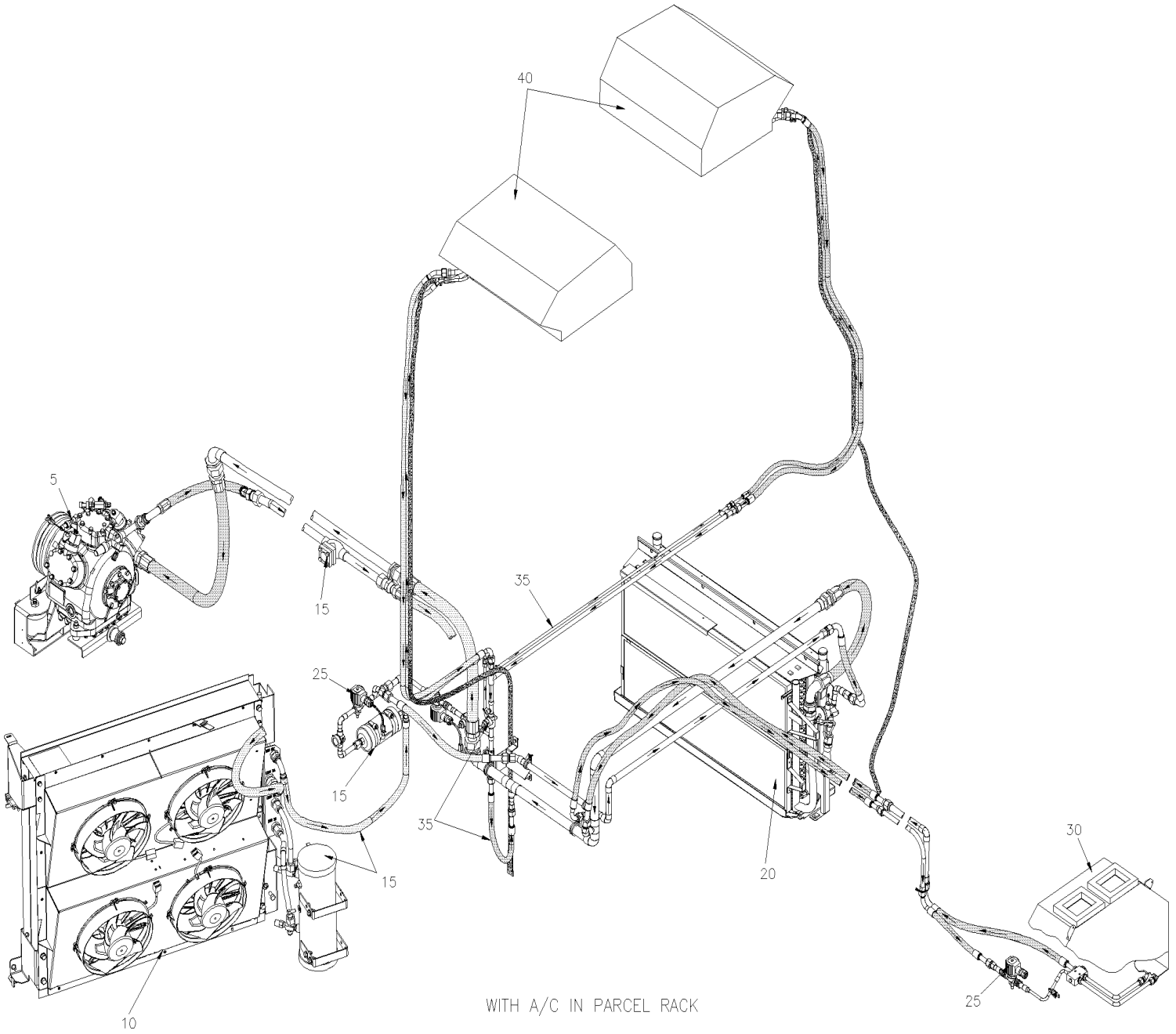


From 7-0671 To J-0287

Date:10/2022

PAGE:H7-2200-00

## AIR CONDITIONING SYSTEM



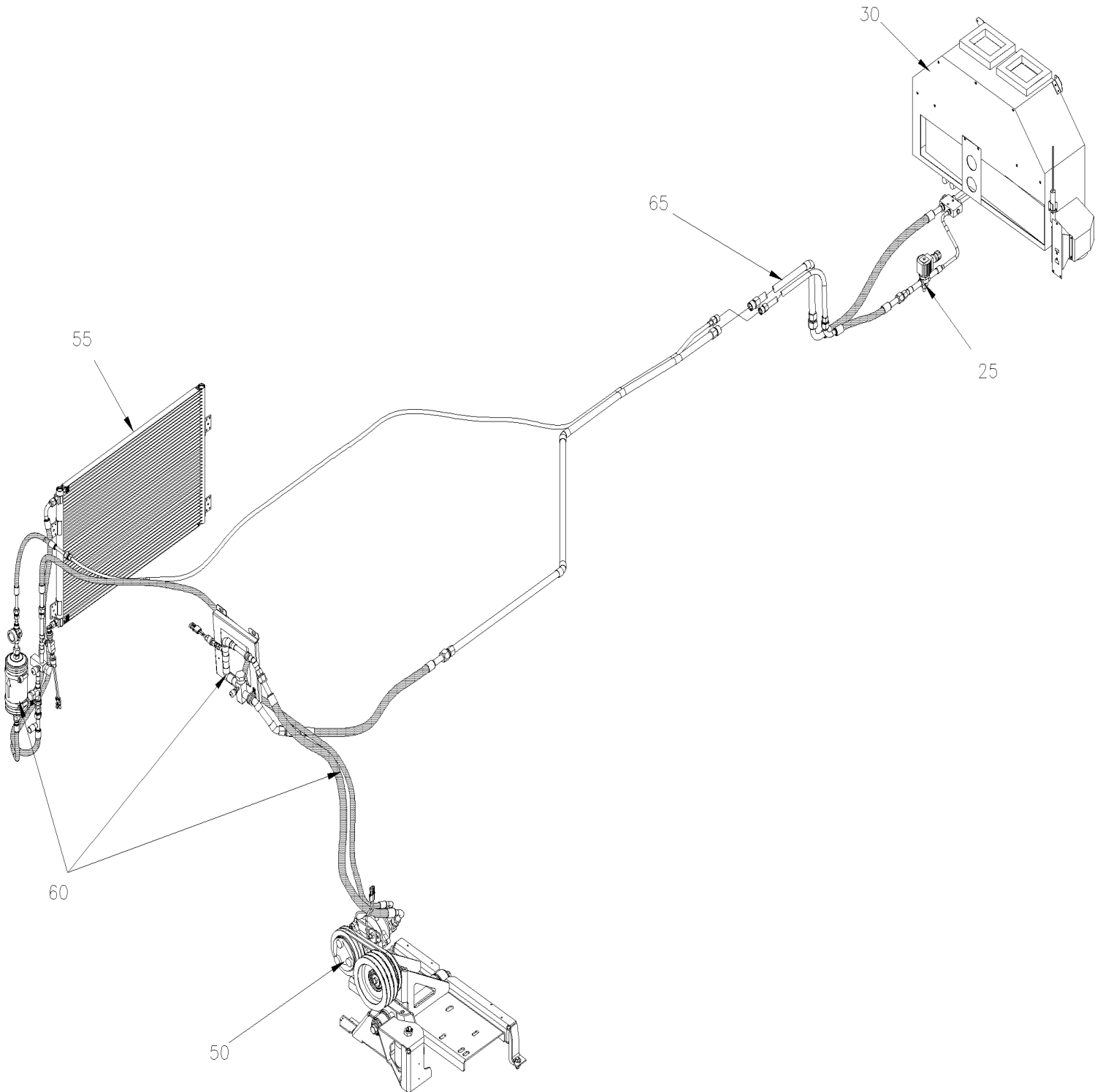


From 7-0671 To J-0287

Date:10/2022

PAGE:H7-2200-00

## AIR CONDITIONING SYSTEM



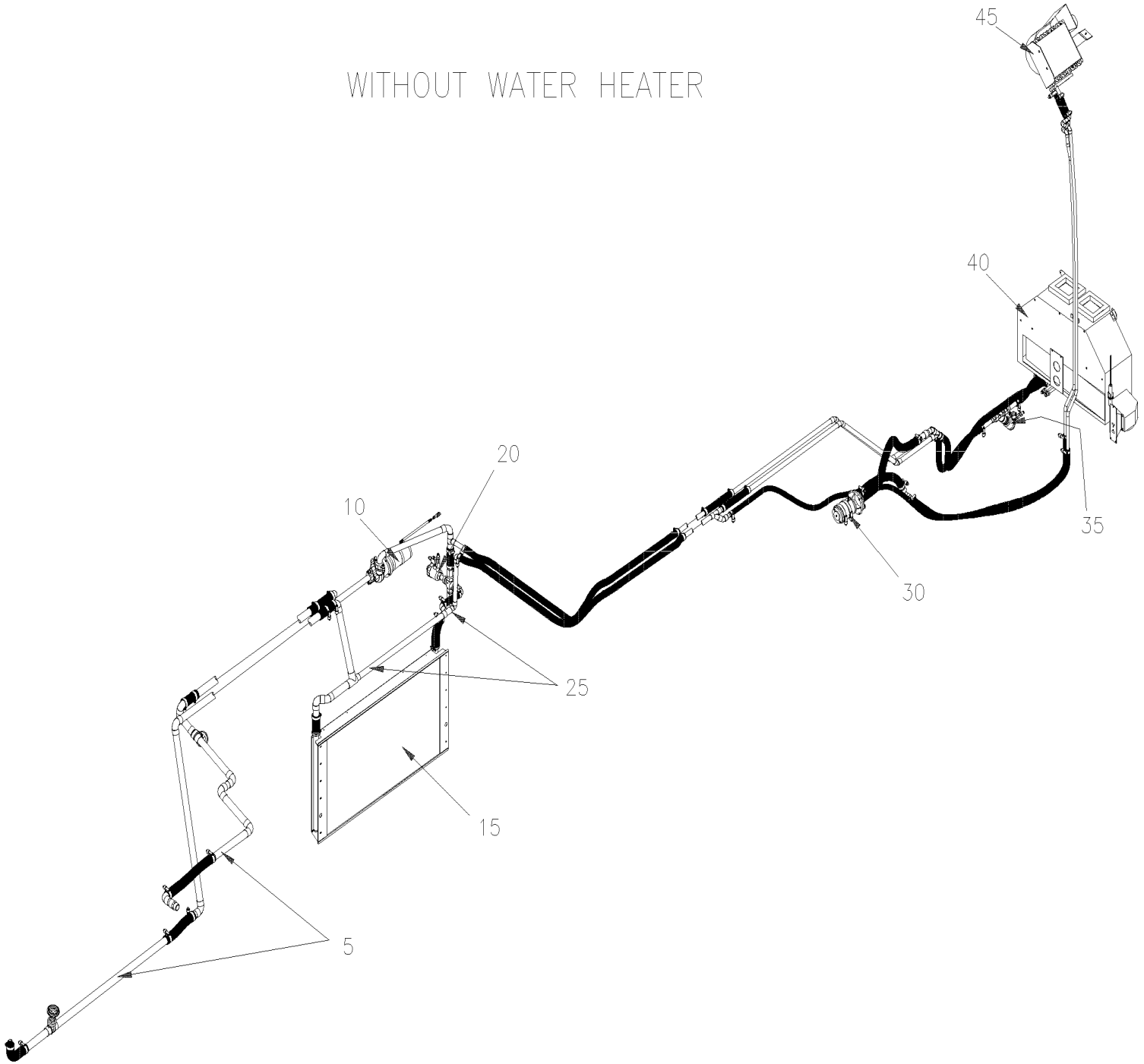
VIP-45 WITH SMALL A/C SYSTEM

From 7-0671 To J-0287	Date:10/2022	PAGE:H7-2200-00
<b>AIR CONDITIONING SYSTEM</b>		

Item#	Part	Description	H 3 4 1	H 3 4 5	V I P 4 5	N O T E S
5	H7-2245-00	A/C COMPRESSOR 05G - INSTALLATION From 7-0671 To A-1720				
5	H7-2245-01	A/C COMPRESSOR 05G - INSTALLATION From B-1721 To D-2363				
5	H7-2245-02	A/C COMPRESSOR "BITZER" - INSTALLATION From D-2364				
5	H7-2250-00	A/C COMPRESSOR ASSY 05G - TWIN PORT From 7-0671 To D-2363				
5	H7-2250-01	A/C COMPRESSOR "BITZER" 4NFCY From D-2364				
10	H7-2255-00	CONDENSOR - INSTALLATION From 7-0671 To A-1720				
10	H7-2255-01	CONDENSOR - INSTALLATION WITH "EPA 2010" From B-1721				
10	H7-2260-00	CONDENSOR FANS - INSTALLATION W/2 MOTORS From 7-0671 To 8-1291				
10	H7-2260-01	CONDENSOR FANS - INSTALLATION W/4 MOTORS From 8-1292				
15	H7-2270-00	RECEIVER TANK & FILTER DRYER From 7-0671 To 9-1403				
15	H7-2270-01	RECEIVER TANK & FILTER DRYER From 9-1404				
20	H7-2205-00	HEATER & EVAPORATOR COIL & FILTER ASSY From 7-0671 To 9-1403				
20	H7-2205-01	HEATER & EVAPORATOR COIL - INSTALLATION From 9-1404				
20	H7-2205-90	HEATER & EVAPORATOR COIL & FILTER ASSY VIP - W/SLIDE-OUT From 7-0671 To 9-1403				
20	H7-2210-00	HEATER & EVAPORATOR BLOWER - INSTALLATION From 7-0671 To 9-1403				
20	H7-2210-01	HEATER & EVAPORATOR BLOWER - INSTALLATION From 7-0671 To 9-1403				
20	H7-2210-05	HEATER & EVAPORATOR BLOWER - INSTALLATION VIP - W/SLIDE-OUT From 7-0671 To 9-1403				
20	H7-2210-06	HEATER & EVAPORATOR BLOWER - INSTALLATION From 9-1404				
25	H7-2208-10	REFRIGERENT SOLENOID VALVE From 7-0671				
30	H7-2225-00	DRIVER'S HEATER & DEFROSTER ASSY From 7-0671 To 9-1403				
30	H7-2225-01	DRIVER'S HEATER & DEFROSTER ASSY From 9-1404				
35	H7-2270-10	A/C HOSE PARCEL RACK - INSTALLATION From 7-0671 To 9-1403				
35	H7-2270-11	A/C HOSE PARCEL RACK - INSTALLATION From 9-1404				
40	H7-2240-20	BLOWER VENTILATION - PARCEL RACK From 7-0671				
50	H7-2245-50	A/C COMPRESSOR SMALL - INSTALLATION From 7-0671 To A-1720				
50	H7-2245-51	A/C COMPRESSOR SMALL - INSTALLATION From B-1721				
55	H7-2255-50	CONDENSOR - INSTALLATION SMALL A/C SYSTEM From 7-0671				
60	H7-2222-55	SMALL A/C LINES & HOSES - R134A From 7-0671 To D-2282				
60	H7-2222-56	SMALL A/C LINES & HOSES - R134A From D-2283				
65	H7-2222-50	SMALL A/C LINE & HEATER LINE From 7-0671				

From 7-0671 To J-0287	Date:10/2022	PAGE:H7-2200-05
<b>HEATING SYSTEM</b>		

WITHOUT WATER HEATER



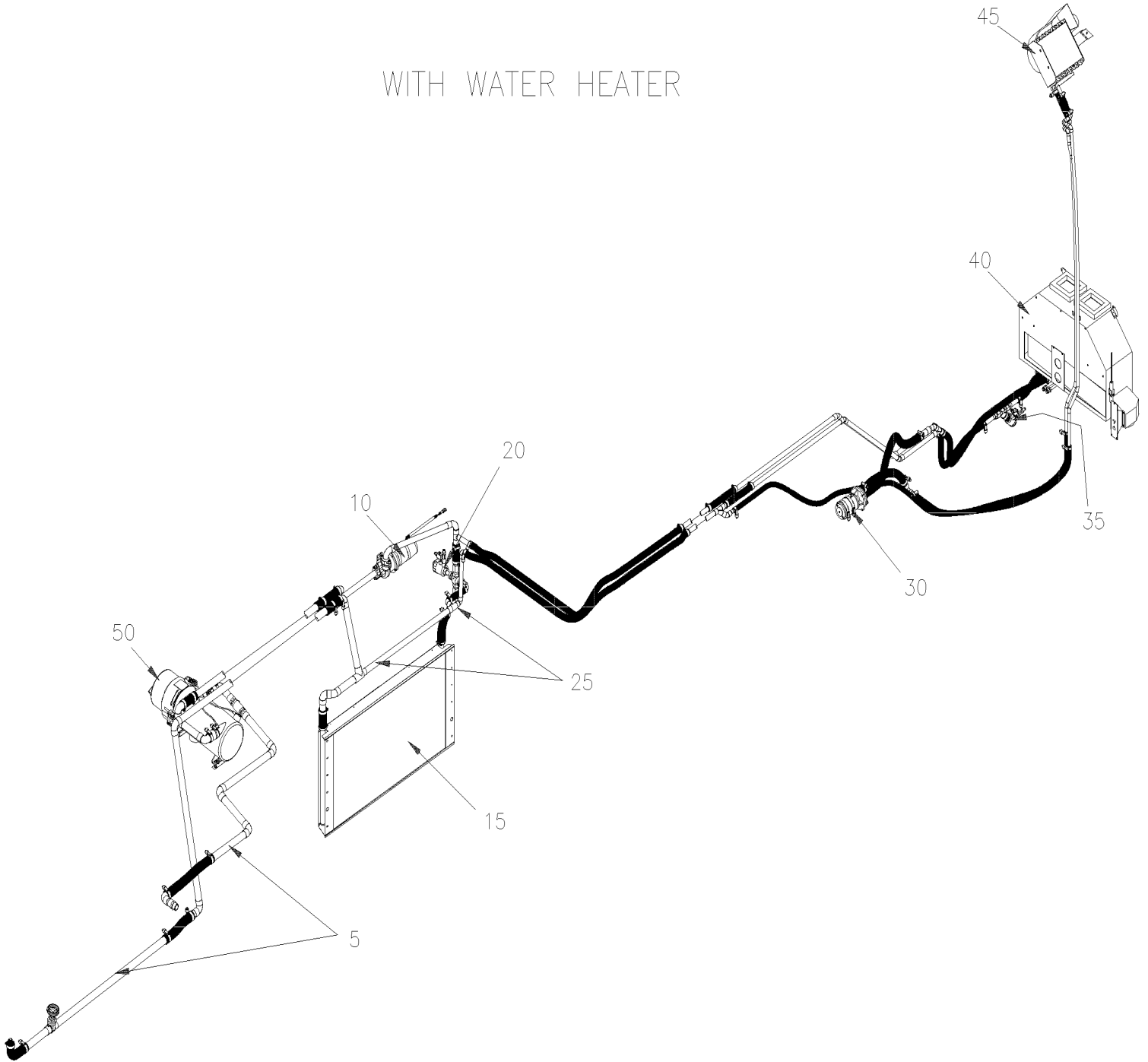
From 7-0671 To J-0287

Date:10/2022

PAGE:H7-2200-05

**HEATING SYSTEM**

WITH WATER HEATER



From 7-0671 To J-0287	Date:10/2022	PAGE:H7-2200-05
<b>HEATING SYSTEM</b>		

Item#	Part	Description	H 3 4 1	H 3 4 5	V I P 4 5	N O T E S
5	H7-2222-00	HEATER LINE REAR SECTION WITH "DETROIT" ENGINE From 7-0671 To A-1720				
5	H7-2222-05	HEATER LINE REAR SECTION WITH "VOLVO" ENGINE "EPA 2007" From 8-1202 To B-1720				
5	H7-2222-06	HEATER LINE REAR SECTION WITH "VOLVO" ENGINE "EPA 2010" From B-1721				
10	H7-2206-00	WATER PUMP / "MP PUMP" From 7-0671 To D-2179				
10	H7-2206-01	WATER PUMP/ "ROTRON" / SEALLESS & BRUSHLESS "SPECIAL OPTION" From 7-0671 To D-2179				
10	H7-2206-02	WATER PUMP / "MP PUMPS" / SEALLESS From 7-0671 To D-2179				
10	871327	WATER PUMP / "ROTRON" 24 V "SPECIAL OPTION" From 7-0671 To D-2179				
10	H7-2206-03	WATER PUMP "AMETEK" / SEALLESS & BRUSHLESS From D-2180				
10	H7-2210-20	WATER HEATER PUMP - INSTALLATION WITH SMALL A/C To D-2179				
15	H7-2205-00	HEATER & EVAPORATOR COIL & FILTER ASSY From 7-0671 To 9-1403				
15	H7-2205-01	HEATER & EVAPORATOR COIL - INSTALLATION From 9-1404				
15	H7-2205-90	HEATER & EVAPORATOR COIL & FILTER ASSY VIP - W/SLIDE-OUT From 7-0671 To 9-1403				
15	H7-2210-00	HEATER & EVAPORATOR BLOWER - INSTALLATION From 7-0671 To 9-1403				
15	H7-2210-01	HEATER & EVAPORATOR BLOWER - INSTALLATION From 7-0671 To 9-1403				
15	H7-2210-02	HEATER & EVAPORATOR BLOWER - INSTALLATION From A-1470				
15	H7-2210-05	HEATER & EVAPORATOR BLOWER - INSTALLATION VIP - W/SLIDE-OUT From 7-0671 To 9-1403				
15	H7-2210-06	HEATER & EVAPORATOR BLOWER - INSTALLATION From A-1470				
20	H7-2207-00	WATER VALVE - W/3 WAYS BY-PASS From 7-0671				
25	H7-2210-10	WATER HEATER PUMP & FILTER - INSTALLATION From 7-0671 To 9-1403				
25	H7-2210-11	WATER HEATER PUMP - INSTALLATION VIP - W/SLIDE OUT From 7-0671 To 9-1403				
25	H7-2210-12	WATER HEATER PUMP - INSTALLATION From 9-1404				
30	H7-2206-10	WATER PUMP / "MP PUMP" / FRONT UPPER DEFROSTER From 7-0671 To D-2179				
30	H7-2206-11	WATER PUMP "AMETEK" / SEALLESS & BRUSHLESS / FRONT UPPER DEFROSTER "SPECIAL OPTION" From 7-0671 To D-2179				
30	H7-2206-03	WATER PUMP "AMETEK" / SEALLESS & BRUSHLESS From D-2180				
35	H7-2207-05	WATER VALVE - W/2 WAYS From 7-0671 To F-2886				
35	H7-2207-06	WATER VALVE - W/2 WAYS From F-2887				
40	H7-2230-00	DEFROSTER - INSTALLATION From 7-0671				
45	H7-2225-10	UPPER WINDSHIELD - DEFROSTER ASSY From 7-0671				
45	H7-2240-10	UPPER WINDSHIELD FAN - INSTALLATION From 7-0671				
50	H7-2350-10	WATER HEATER - INSTALLATION From 7-0671				
50	871202	WATER HEATER - "SPHEROS" 100,000 B.T.U.				
50	871329	WATER HEATER - "PROHEAT" 80,000 B.T.U. To E-2511				
50	871345	WATER HEATER - "PROHEAT" 80,000 B.T.U. From E-2512				

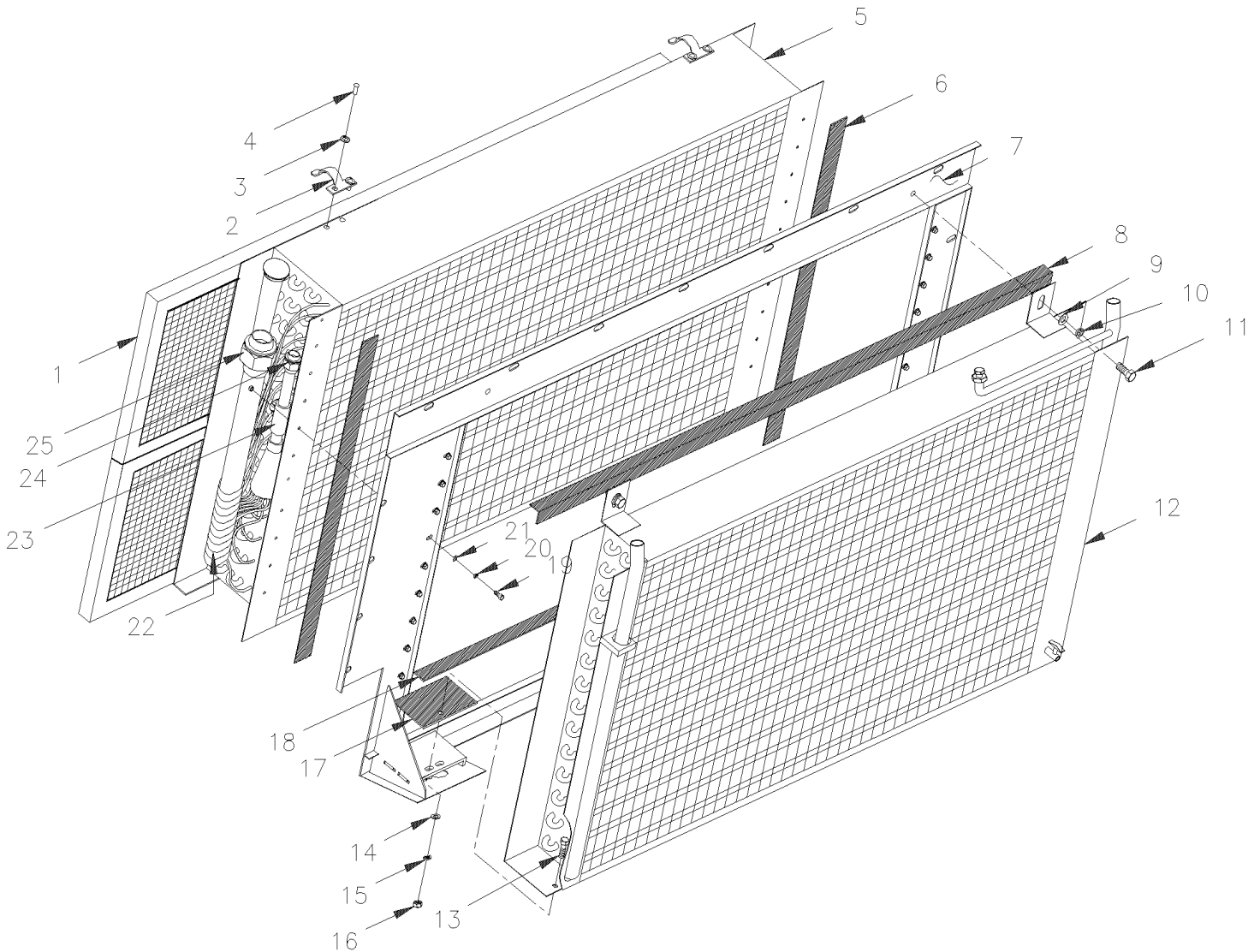
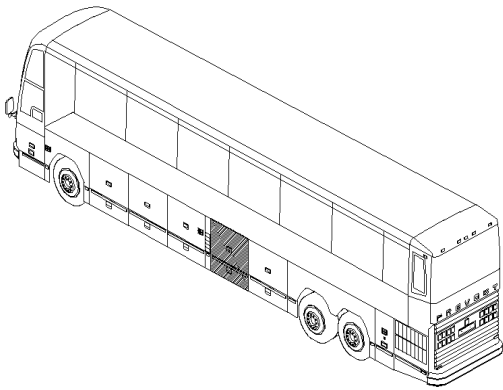


From 7-0671 To 9-1403

Date:10/2022

PAGE:H7-2205-00

## HEATER & EVAPORATOR COIL & FILTER ASSY



<b>From 7-0671 To 9-1403</b>	<b>Date:10/2022</b>	<b>PAGE:H7-2205-00</b>
<b>HEATER &amp; EVAPORATOR COIL &amp; FILTER ASSY</b>		

Item#	Part	Description	H 3 4 1	H 3 4 5	V I P 4 5	N O T E S
1	871051	FILTER 1" x 23 3/8" x 43 1/2" To 9-1469	1	1	1	
1	870146	AIR FILTER PLEATED 1" x 23 3/8" x 43 1/2" - MERV8 To 9-1469	1	1	1	
1	870147	AIR FILTER PLEATED 1" x 23 3/8" x 43 1/2" -MERV13 To 9-1469	1	1	1	
1	871383	FILTER 1" x 38" x 10 1/2" From A-1470	2	2	2	
1	871466	AIR FILTER PLEATED 1" x 38" x 10 1/2" - MERV8 From A-1470	2	2	2	
1	870142	AIR FILTER PLEATED 1" x 38" x 10 1/2" - MERV13 From A-1470	2	2	2	
NS	374228	HANDLE UPPER W/RETAINER SLOT	1	1	1	
NS	374229	HANDLE LOWER W/GUIDE	1	1	1	
NS	374231	SLIDING GUIDE 55MM	1	1	1	
NS	504104	RIVET POP DOME OE 1/8x1/8 SS	9	9	9	
2	391009	CLIP RETAINING	2	2	2	
3	500437	WASHER FL .125x.375x.040 Z050	4	4	4	
4	504104	RIVET POP DOME OE 1/8x1/8 SS	4	4	4	
5	950315	COIL EVAPORATOR	1	1	1	
. NS	507346	. O-RING / ORS FITTING / #24 NEO	1	1	1	
. NS	507280	. O-RING / ORS FITTING / #12 NEO	1	1	1	
6	506277	TAPE RUB ADH1 CC POL 1/2" x 3/4" x 15' / GREY 2520X	AR	AR	AR	
7	453623	SUPPORT ASSY	1	1	1	
8	506337	RUBBER CHANNEL / 3/32" x 11/32" INT "U" SHAPE / ROUND C.T.L.	AR	AR	AR	
9	500444	WASHER FL .406x.812x.065 Z050	2	2	2	
10	500478	WASHER LO SPT .380x.683x.094 Z050	2	2	2	
11	500044	SCREW CAP HEX 3/8-24x3/4 G5 Z050	2	2	2	
12	871050	HEATER COIL ASSY	1	1	1	
. NS	870124	. BLEEDER VALVE	2	2	2	
NS	501354	. NEEDLE VALVE 1/8 NPT M x 1/8 NPT F	1	1	1	
NS	370355	DECAL "DRAIN..." / ENGLISH & FRANCAIS	1	1	1	
NS	374062	DECAL "DRAIN..." / ENGLISH & SPANISH	1	1	1	
13	500181	SCREW CAP HEX 5/16-18x1 G5 Z050	2	2	2	
14	500441	WASHER FL .312x.734x.065 Z050	2	2	2	
15	500942	WASHER LO SPT 8.1x14.8x2.0 N500	2	2	2	
16	500778	NUT HEX 5/16-18 N500	2	2	2	
17	371735	RUBBER 4 3/4" X 2 7/8" X 3/16" THICK	2	2	2	
18	372543	SEAL RUBBER 19MM X 1065MM	1	1	1	
19	500386	SCREW MA RND PH #10-24x1/2 Z050	20	20	20	
20	500470	WASHER LO SPT .193x.334x.047 Z050	20	20	20	
21	500964	WASHER FL .203x.500x.047 Z050	20	20	20	
22	680091	TAPE INSULATING / 1/8" x 2" x 30' / BLACK PT-1	AR	AR	AR	
23	<b>H7-2208-00</b>	<b>A/C EXPANSION VALVE</b>				
24	373292	HOSE ASSY /EXPANSION VALVE & TUBE / #12 590MM To A-1511	1	1	1	
. NS	507280	. O-RING / ORS FITTING / #12 NEO To A-1511	2	2	2	
24	370725	HOSE ASSY /EXPANSION VALVE & TUBE / #12 590MM From A-1512	1	1	1	
. NS	507280	. O-RING / ORS FITTING / #12 NEO From A-1512	2	2	2	



From 7-0671 To 9-1403	Date:10/2022	PAGE:H7-2205-00
<b>HEATER &amp; EVAPORATOR COIL &amp; FILTER ASSY</b>		

Item#	Part	Description	H 3 4 1	H 3 4 5	V I P 4 5	N O T E S
25	373132	HOSE ASSY /SUCTION & EVAPO.W/R-134a / #24 701MM	1	1	1	
NS	507346	O-RING / ORS FITTING / #24 NEO	1	1	1	

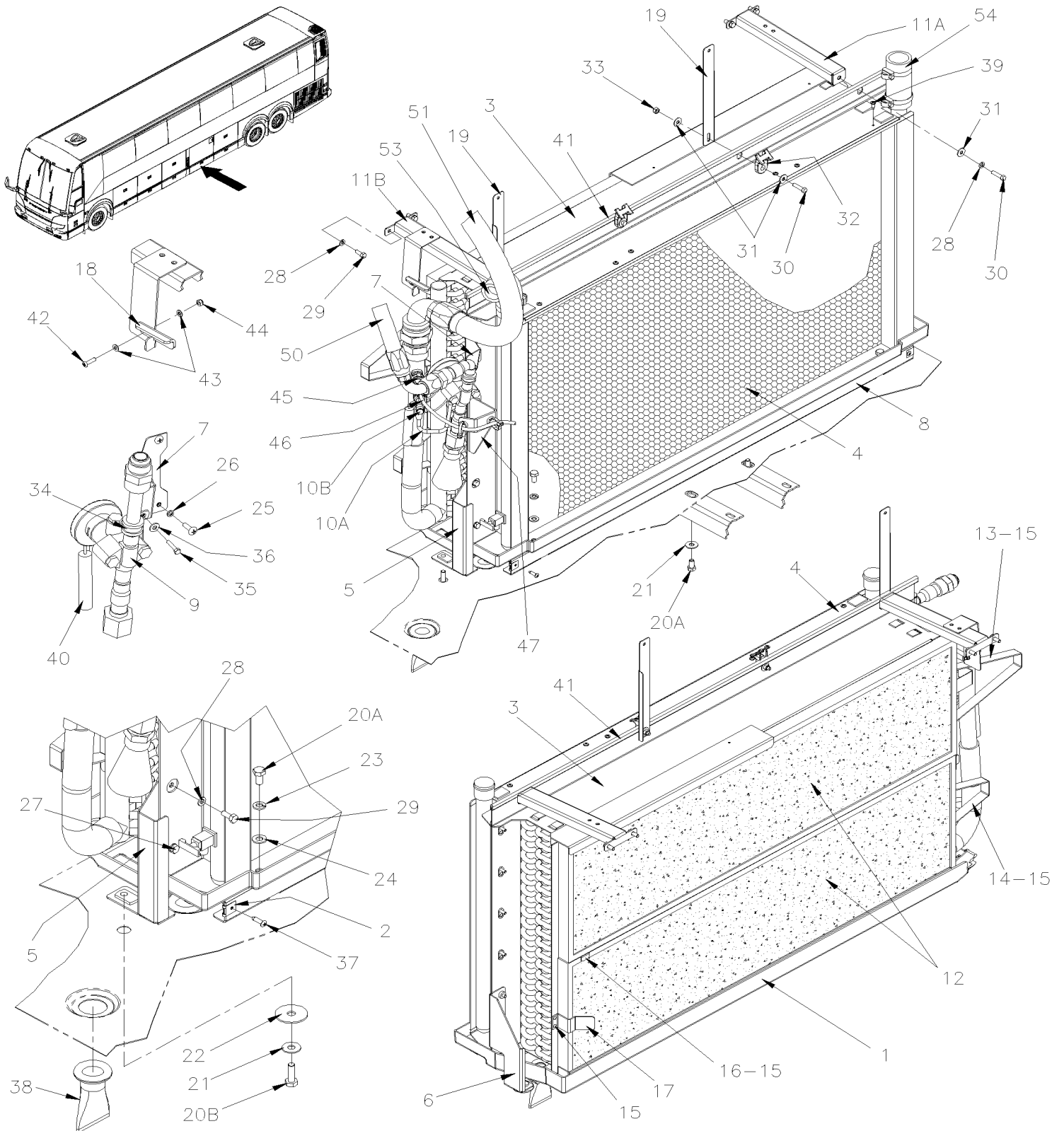


From 9-1404 To J-0287

Date:10/2022

PAGE:H7-2205-01

## HEATER & EVAPORATOR COIL - INSTALLATION



From 9-1404 To J-0287	Date:10/2022	PAGE:H7-2205-01
<b>HEATER &amp; EVAPORATOR COIL - INSTALLATION</b>		

Item#	Part	Description	H 3 4 1	H 3 4 5	V I P 4 5	N O T E S
1	453994	DRAIN PAN	1	1	1	
2	481249	NUT To H-3646	2	2	2	
2	500981	NUT SPR U #10-23/32x5/8 From H-3647	2	2	2	
3	950390	COIL EVAPORATOR To H-3734	1	1	1	
. NS	501829	. O-RING / ORS FITTING / #12 NEO To H-3734	1	1	1	
. NS	501803	. O-RING / ORS FITTING / #20 NEO To H-3734	1	1	1	
3	950547	COIL EVAPORATOR From H-3735 To J-0158	1	1	1	
. NS	501829	. O-RING / ORS FITTING / #12 NEO From H-3735 To J-0158	1	1	1	
. NS	501803	. O-RING / ORS FITTING / #20 NEO From H-3735 To J-0158	1	1	1	
3	950584	COIL EVAPORATOR From J-0159	1	1	1	
. NS	501829	. O-RING / ORS FITTING / #12 NEO From J-0159	1	1	1	
. NS	501803	. O-RING / ORS FITTING / #20 NEO From J-0159	1	1	1	
4	871372	COIL HEATER	1	1	1	
5	453983	SUPPORT EVAPORATOR / FORWARD To H-3860	1	1	1	
6	453984	SUPPORT EVAPORATOR / BACKWARD	1	1	1	
7	454257	SUPPORT VALVE EXPANSION	1	1	1	
8	453982	SUPPORT HEATER CORE	1	1	1	
9	<b>H7-2208-00</b>	<b>A/C EXPANSION VALVE</b>				
10A	454256	TUBE STABILISATOR A/C PRESSURE To F-2711	1	1	1	
10A	454753	TUBE STABILISATOR A/C PRESSURE From F-2712 To H-3734	1	1	1	
10A	450078	TUBE STABILISATOR A/C PRESSURE From H-3735	1	1	1	
NS	680869	THREAD SEALANT LOCTITE #554 / REFRIG. / 250ml	1	1	1	
10B	501058	SWIVEL NUT ELBOW 90° / SAE 45° FITTING / #4FL-Fx#4FLC-M BR From F-2712 To G-3424	1	1	1	
10B	501001	SWIVEL NUT FEMALE BRANCH TEE WITH CAP / SAE 45° FITTING / #4JIC-Mx#4JIC-Mx#4JIC-F STL From G-3425 To H-3734	1	1	1	
10B	501069	SWIVEL NUT ELBOW 90° / SAE 45° FITTING / WITH SCHRADER VALVE #4FL-Fx#4FLC-M BR W- VALVE From H-3735	1	1	1	
11A	374368	SUPPORT ASSY	1	1	1	
11B	374369	SUPPORT ASSY	1	1	1	
12	871383	FILTER 1" x 38" x 10 1/2"	2	2	2	
12	871466	AIR FILTER PLEATED 1" x 38" x 10 1/2" - MERV8	2	2	2	M
12	870142	AIR FILTER PLEATED 1" x 38" x 10 1/2" - MERV13	2	2	2	M
13	374228	HANDLE UPPER W/RETAINER SLOT	1	1	1	
13	370480	AIR FILTER FRAME / UPPER 1" X 38" X 10-1/2"	1	1	1	M
14	374229	HANDLE LOWER W/GUIDE	1	1	1	
14	370479	AIR FILTER FRAME / LOWER 1" X 38" X 10-1/2"	1	1	1	M
15	504104	RIVET POP DOME OE 1/8x1/8 SS	9	9	9	
16	374231	SLIDING GUIDE 55MM	1	1	1	
17	374232	SUPPORT LOWER GUIDE	1	1	1	
18	453903	PLATE FOR FILTER STOPPER A/C	1	1	1	
19	374266	SUPPORT HEATER PIPE RETURN	2	2	2	
20A	502780	SCREW CAP HEX M8-1.25x25 SS BK To G-3088	6	6	6	
20A	502780	SCREW CAP HEX M8-1.25x25 SS BK To G-3088	6	6	6	
20A	5001527	SCREW CAP HEX M8-1.25x16 SS BK From G-3089	6	6	6	

<b>From 9-1404 To J-0287</b>	<b>Date:10/2022</b>	<b>PAGE:H7-2205-01</b>
------------------------------	---------------------	------------------------

## HEATER & EVAPORATOR COIL - INSTALLATION

Item#	Part	Description	H 3 4 1	H 3 4 5	V I P 4 5	N O T E S
20A	5001527	SCREW CAP HEX M8-1.25x16 SS BK From G-3089	6	6	6	
20B	502780	SCREW CAP HEX M8-1.25x25 SS BK To G-3088	2	2	2	
20B	502780	SCREW CAP HEX M8-1.25x25 SS BK To G-3088	2	2	2	
20B	5001527	SCREW CAP HEX M8-1.25x16 SS BK From G-3089 To H-3860	2	2	2	
20B	5001527	SCREW CAP HEX M8-1.25x16 SS BK From G-3089 To H-3860	2	2	2	
20B	5001527	SCREW CAP HEX M8-1.25x16 SS BK From H-3861	1	1	1	
20B	5001527	SCREW CAP HEX M8-1.25x16 SS BK From H-3861	1	1	1	
21	5001448	WASHER FL .343x.875x.062 SS18-8	6	6	6	
22	500261	WASHER FL .390x1.500x.083 N500 To G-3088	2	2	2	
22	500462	WASHER FL .343x1.500x.083 SS From G-3089 To H-3860	2	2	2	
22	500462	WASHER FL .343x1.500x.083 SS From H-3861	1	1	1	
23	500035	WASHER LO SPT .317x.586x.078 SS To G-6044	2	2	2	
24	5001341	WASHER FL 8.4x17.0x1.6 SS To G-3234	2	2	2	
24	5001848	WASHER BEL SPR .827 x .331 x .098 th SS From G-3235	2	2	2	
25	500510	SCREW MA BDG PH #10-32x3/4 SS EMN	8	8	8	
26	500914	WASHER LO SPT .193x.334x.047 N500	8	8	8	
27	5001743	SCREW CAP HEX M6-1.0x12 G8.8 N500 To F-2735	2	2	2	
27	5001744	SCREW CAP HEX M6-1.0x16 G8.8 N500 From F-2736	2	2	2	
28	502853	WASHER LO SPT 6.1x11.8x1.6 N500 To H-3860	10	10	10	
28	502853	WASHER LO SPT 6.1x11.8x1.6 N500 From H-3861	8	8	8	
29	5001744	SCREW CAP HEX M6-1.0x16 G8.8 N500 To H-3860	6	6	6	
29	5001744	SCREW CAP HEX M6-1.0x16 G8.8 N500 From H-3861	4	4	4	
30	502737	SCREW CAP HEX M6-1.0x25 SS BK	4	4	4	
31	500411	WASHER FL .260x.697x.050 SS	6	6	6	
32	507383	TIE MOUNT HOLE 3/8"	2	2	2	
33	502681	NUT HEX NYRT M6-1.0 N500 G8	2	2	2	
34	952629	CLAMP / 5/8" I.D.	1	1	1	
35	500588	SCREW CAP HEX M4-0.7x20 G8.8 Z050	1	1	1	
36	500964	WASHER FL .203x.500x.047 Z050	1	1	1	
37	500957	SCREW TP BDG PH #10x3/4 N500	2	2	2	
38	414654	DRAIN BOOT 1" I.D. W/GROOVE 1.5 x 35MM I.D. x 85MM	4	4	4	
39	502868	SCREW TC TR PH #10-16x1/2 N500	6	6	6	
40	680091	TAPE INSULATING / 1/8" x 2" x 30' / BLACK PT-1	AR	AR	AR	
41	506337	RUBBER CHANNEL / 3/32" x 11/32" INT "U" SHAPE / ROUND C.T.L. To H-3463	AR	AR	AR	
41	506338	RUBBER CHANNEL / 1/16" x 1/4" INT "U" SHAPE / ROUND C.T.L. From H-3464	AR	AR	AR	
42	5001332	SCREW MA PAN PH M4-0.7x16 SS	1	1	1	
43	502556	WASHER FL 4.3x9.0x0.8 SS	2	2	2	
44	502557	NUT HEX NYRT M4-0.7 SS	1	1	1	
45	950504	TRANSDUCER 0-500 PSIG From H-3735	1	1	1	
47	370155	SUPPORT,SENSOR HARNESS From H-3925	1	1	1	
NS	500510	SCREW MA BDG PH #10-32x3/4 SS EMN From H-3925	2	2	2	
NS	509815	TIE MOUNT / ATTACHMENT W/TREE MOUNT From H-3925	AR	AR	AR	

From 9-1404 To J-0287	Date:10/2022	PAGE:H7-2205-01
<b>HEATER &amp; EVAPORATOR COIL - INSTALLATION</b>		

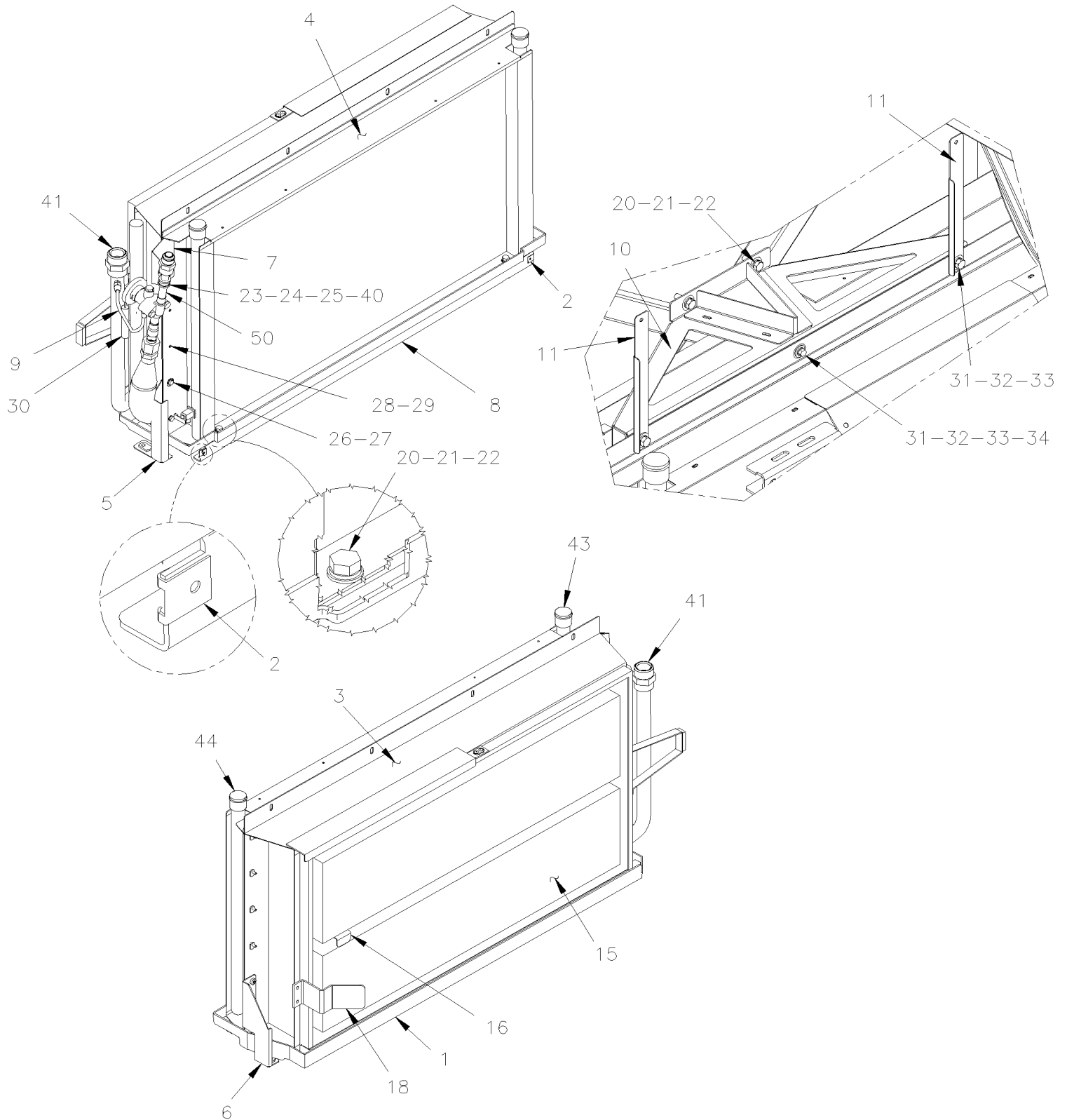
Item#	Part	Description	H 3 4 1	H 3 4 5	V I P 4 5	N O T E S
NS	504637	CABLE TIE / 3/16" x 13" From H-3925	AR	AR	AR	
50	454334	HOSE ASSY / #12 335MM To A-1511	1	1	1	
. NS	507280	. O-RING / ORS FITTING / #12 NEO To A-1511	2	2	2	
50	455297	HOSE ASSY / #12 335MM From A-1512 To F-2941	1	1	1	
. NS	507280	. O-RING / ORS FITTING / #12 NEO From A-1512 To F-2941	2	2	2	
50	457724	HOSE ASSY / #12 402MM From F-2942	1	1	1	
. NS	507280	. O-RING / ORS FITTING / #12 NEO From F-2942	1	1	1	
50	507280	O-RING / ORS FITTING / #12 NEO	1	1	1	
51	454335	HOSE ASSY / #20 500MM To F-2941	1	1	1	
51	457721	HOSE ASSY / #20 800MM From F-2942	1	1	1	
51	501803	O-RING / ORS FITTING / #20 NEO	1	1	1	
53	374247	ELBOW 90° REDUCER 1 1/8" I.D.W/3 1/4" x 1 3/8" I.D. W 3 15/16" C/C	1	1	1	
54	051383	HOSE / W/CENTRAL A/C SYSTEM / 1 3/8" I.D. X 150MM	1	1	1	
54	503392	. HOSE SILICONE 4PLY 1 3/8" I.D. x 4' To D-2275	AR	AR	AR	
54	503783	. HOSE SILICONE 4PLY / NOMEX-ARAMID 34MM I.D. x 6' From D-2276	AR	AR	AR	
		M) USE WITH MERV FILTER				

From 7-0671 To 9-1403

Date:10/2022

PAGE:H7-2205-90

## HEATER & EVAPORATOR COIL & FILTER ASSY VIP - W/SLIDE-OUT



From 7-0671 To 9-1403	Date:10/2022	PAGE:H7-2205-90
<b>HEATER &amp; EVAPORATOR COIL &amp; FILTER ASSY VIP - W/SLIDE-OUT</b>		

Item#	Part	Description	H 3 4 1	H 3 4 5	V I P 4 5	N O T E S
1	453994	DRAIN PAN			1	
2	481249	NUT			2	
3	950390	COIL EVAPORATOR			1	
. NS	501829	. O-RING / ORS FITTING / #12 NEO			1	
. NS	501803	. O-RING / ORS FITTING / #20 NEO			1	
4	871372	COIL HEATER			1	
5	453983	SUPPORT EVAPORATOR / FORWARD			1	
6	453984	SUPPORT EVAPORATOR / BACKWARD			1	
7	454257	SUPPORT VALVE EXPANSION			1	
8	453982	SUPPORT HEATER CORE			1	
9	454256	TUBE STABILISATOR A/C PRESSURE			1	
10	454333	SUPPORT UPPER HEATER CORE			1	
11	374266	SUPPORT HEATER PIPE RETURN			2	
15	871383	FILTER 1" x 38" x 10 1/2"			2	
16	374231	SLIDING GUIDE 55MM			1	
18	374232	SUPPORT LOWER GUIDE			1	
NS	504340	RIVET POP DOME OE 1/8x3/16 SS			AR	
20	502780	SCREW CAP HEX M8-1.25x25 SS BK			AR	
21	5001341	WASHER FL 8.4x17.0x1.6 SS			AR	
22	500035	WASHER LO SPT .317x.586x.078 SS			AR	
23	952629	CLAMP / 5/8" I.D.			1	
24	500588	SCREW CAP HEX M4-0.7x20 G8.8 Z050			1	
25	500964	WASHER FL .203x.500x.047 Z050			1	
26	955269	SCREW CAP HEX M6-1.0x12 G8.8 ZG603			6	
27	502573	WASHER FL 6.4x12.5x1.6 SS			4	
28	500510	SCREW MA BDG PH #10-32x3/4 SS EMN			8	
29	500914	WASHER LO SPT .193x.334x.047 N500			8	
30	680091	TAPE INSULATING / 1/8" x 2" x 30' / BLACK PT-1			1	
31	502737	SCREW CAP HEX M6-1.0x25 SS BK			3	
32	502853	WASHER LO SPT 6.1x11.8x1.6 N500			AR	
33	500411	WASHER FL .260x.697x.050 SS			3	
34	5001448	WASHER FL .343x.875x.062 SS18-8			AR	
40	454334	HOSE ASSY / #12 335MM			1	
. NS	507280	. O-RING / ORS FITTING / #12 NEO			2	
41	454335	HOSE ASSY / #20 500MM			1	
NS	501803	O-RING / ORS FITTING / #20 NEO			1	
43	374247	ELBOW 90° REDUCER 1 1/8" I.D.W/3 1/4" x 1 3 I.D. W 3 15/16" C/C			1	
44	051383	HOSE / W/CENTRAL A/C SYSTEM / 1 3/8" I.D. X 150MM			1	
44	503392	. HOSE SILICONE 4PLY 1 3/8" I.D. x 4'			AR	
50	<b>H7-2208-00</b>	<b>A/C EXPANSION VALVE</b>	1	1	1	



From 7-0671 To 9-1403      Date:10/2022      PAGE:H7-2205-90

**HEATER & EVAPORATOR COIL & FILTER ASSY VIP - W/SLIDE-OUT**

Item#	Part	Description	H 3 4 1	H 3 4 5	V I P 4 5	N O T E S

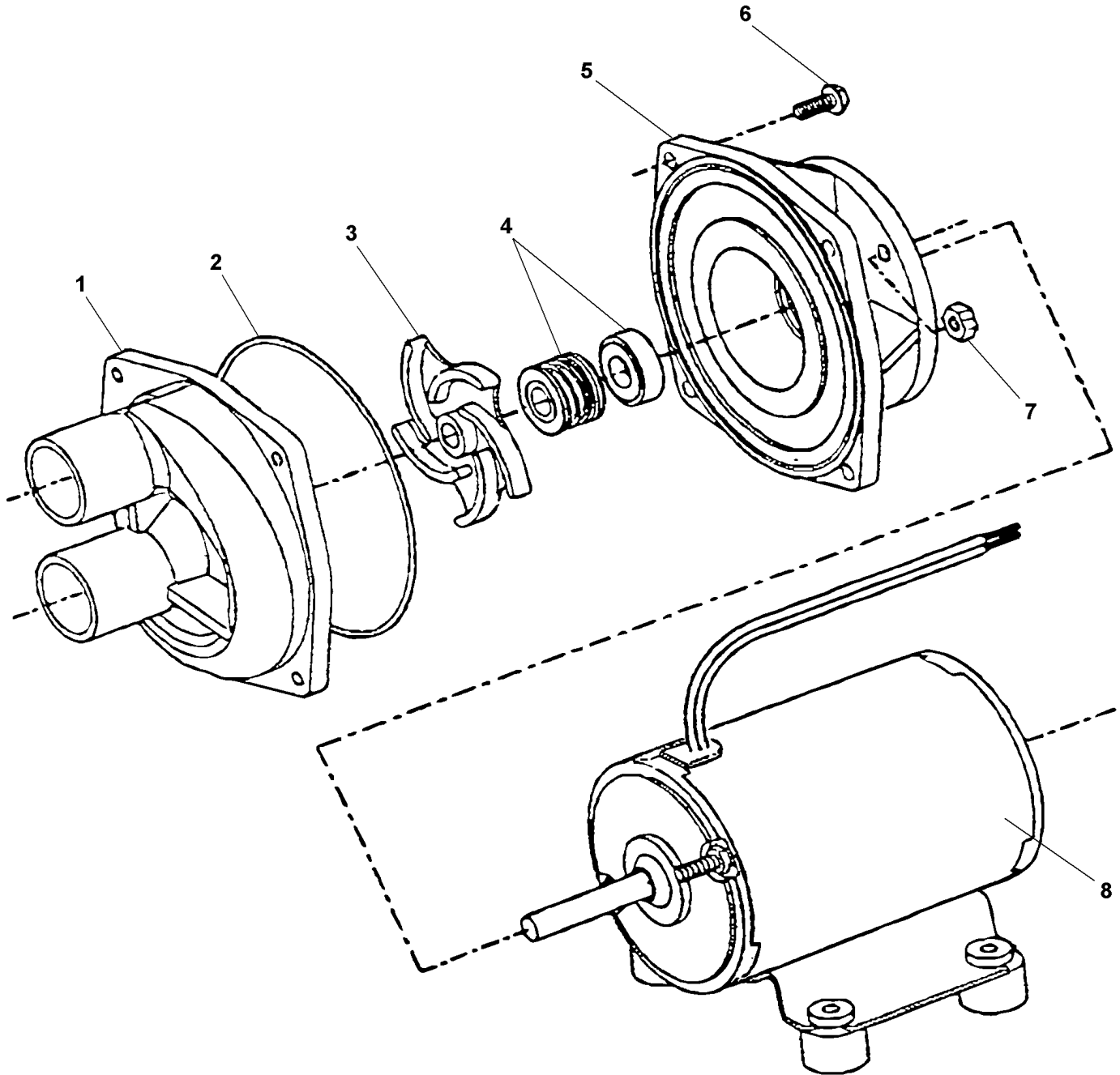


From 7-0671 To D-2179

Date:10/2022

PAGE:H7-2206-00

WATER PUMP / "MP PUMP"



From 7-0671 To D-2179	Date:10/2022	PAGE:H7-2206-00
<b>WATER PUMP / "MP PUMP"</b>		

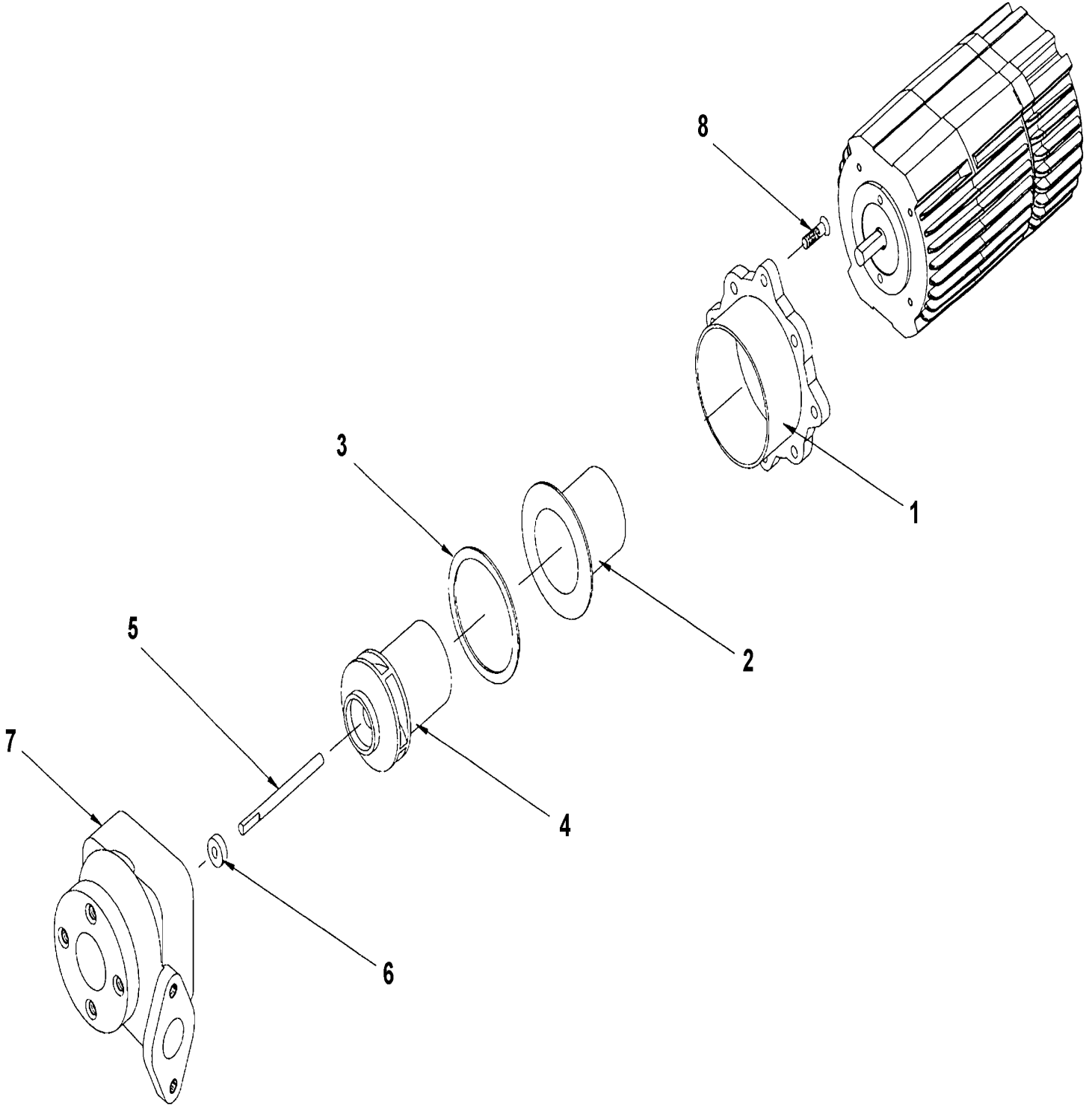
Item#	Part	Description	H 3 4 1	H 3 4 5	V I P 4 5	N O T E S
	067484	WATER PUMP ASSY / W/CONNECTOR				
	874296	. WATER PUMP ASSY / 24V / "MP PUMPS"	1	1		
1	871047	. . COVER	1	1		
2	871065	. . O-RING	1	1		
3	870436	. . IMPELLER	1	1		
4	871346	. . KIT SEAL	1	1		
5	N.P.N.	. . ADAPTER / (28733)	1	1		4
6	N.P.N.	. . SCREW BRASS / (28834)	1	1		4
7	N.P.N.	. . NUT BRASS / (21543)	1	1		4
8	871347	. . MOTOR ASSY 24V	1	1		
NS	561566	. CONNECTOR / WEATHER PACK / PH 2C / BLACK / PED 12010973	1	1		
NS	561568	. PIN TERMINAL / 16-14 / PED 12089305	2	2		
NS	561786	. CABLE SEAL / GRAY / PED 15324980	2	2		
		4) NO PARTS NUMBER				

From 7-0671 To D-2179

Date:10/2022

PAGE:H7-2206-01

**WATER PUMP/ "ROTRON" / SEALLESS & BRUSHLESS "SPECIAL OPTION"**



From 7-0671 To D-2179	Date:10/2022	PAGE:H7-2206-01
<b>WATER PUMP/ "ROTRON" / SEALLESS &amp; BRUSHLESS "SPECIAL OPTION"</b>		

Item#	Part	Description	H 3 4 1	H 3 4 5	V I P 4 5	N O T E S
	067717P	WATER PUMP ASSY / W/PIPE FITTING	1	1	1	
	871421	. WATER PUMP ASSY / 24V / SEALLESS & BRUSHLESS / "ROTRON"	1	1	1	
1	G1017730	PUMP ASSY				
1	G1091780	. HOUSING CONNECTOR RING	1	1	1	
2	G1091781	. IMPELLER HOUSING	1	1	1	
3	G1091782	. GASKET ROUND	\	\	\	
4	G1091783	. IMPELLER ASSY	1	1	1	
5	G1091785	. IMPELLER SHAFT	1	1	1	
6	G1091784	. THRUST WASHER	1	1	1	
7	G1091779	. PUMP HOUSING BRASS	1	1	1	
8	Call order desk	. SCREW FLAT HEAD	4	4	4	P
NS	870441	GASKET PUMP INLET & OUTLET	2	2	2	
NS	871206	FLANGE ADAPTOR / W/QUAD RING	2	2	2	
NS	5001580	SCREW CAP HEXS 3/8-16x7/8	4	4	4	
		P) CALL ORDER DESK FOR SPECIFIC APPLICATION (V.I.N.)				

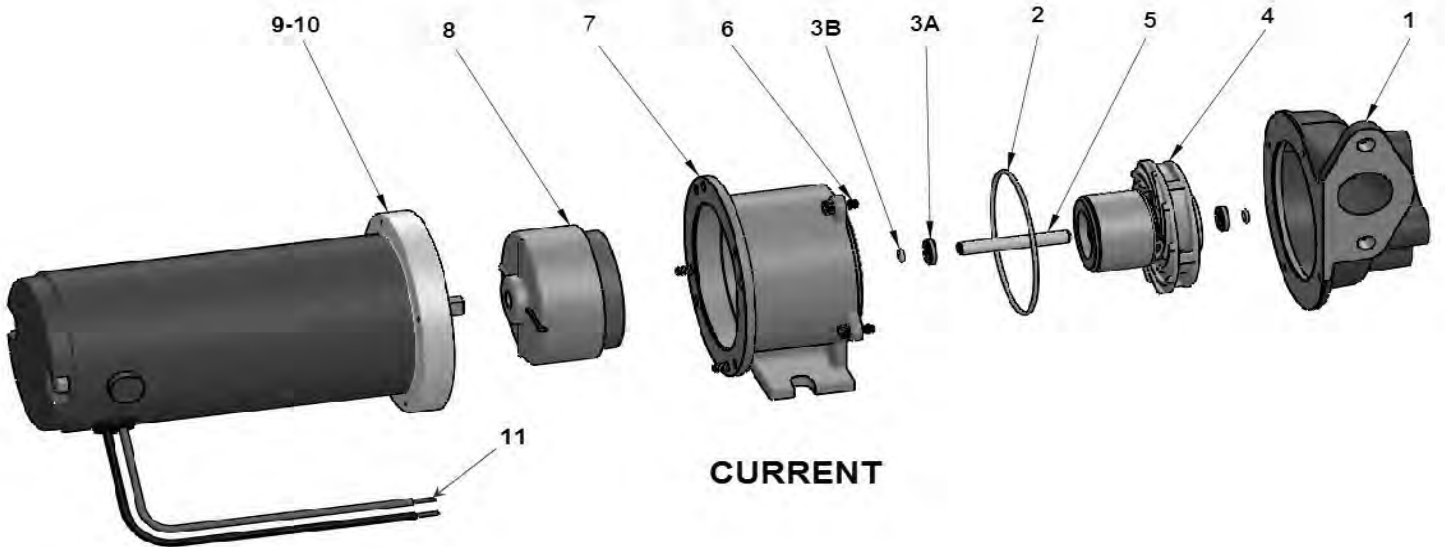
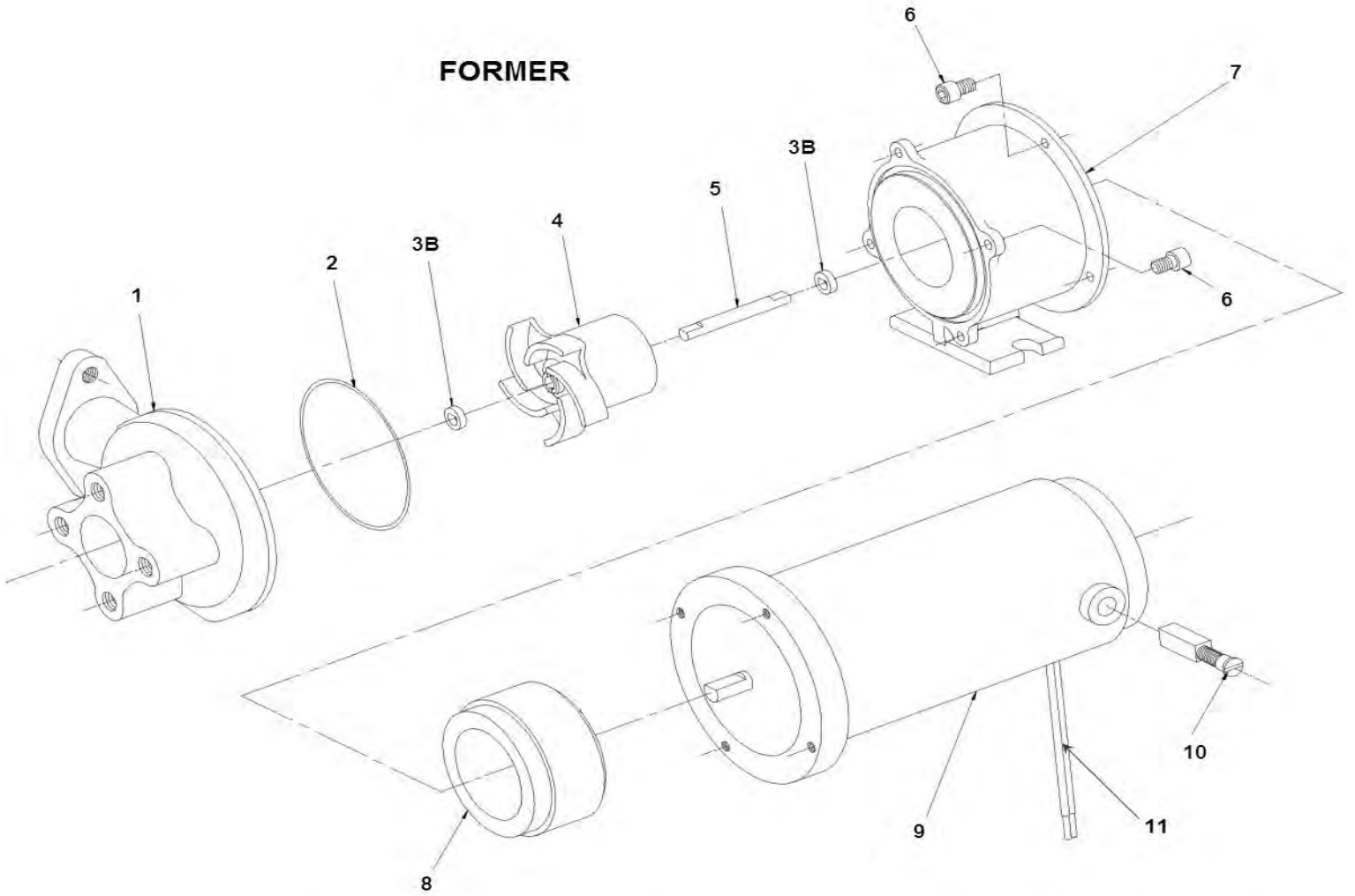
From 7-0671 To D-2179

Date:10/2022

PAGE:H7-2206-02

WATER PUMP / "MP PUMPS" / SEALLESS

## FORMER



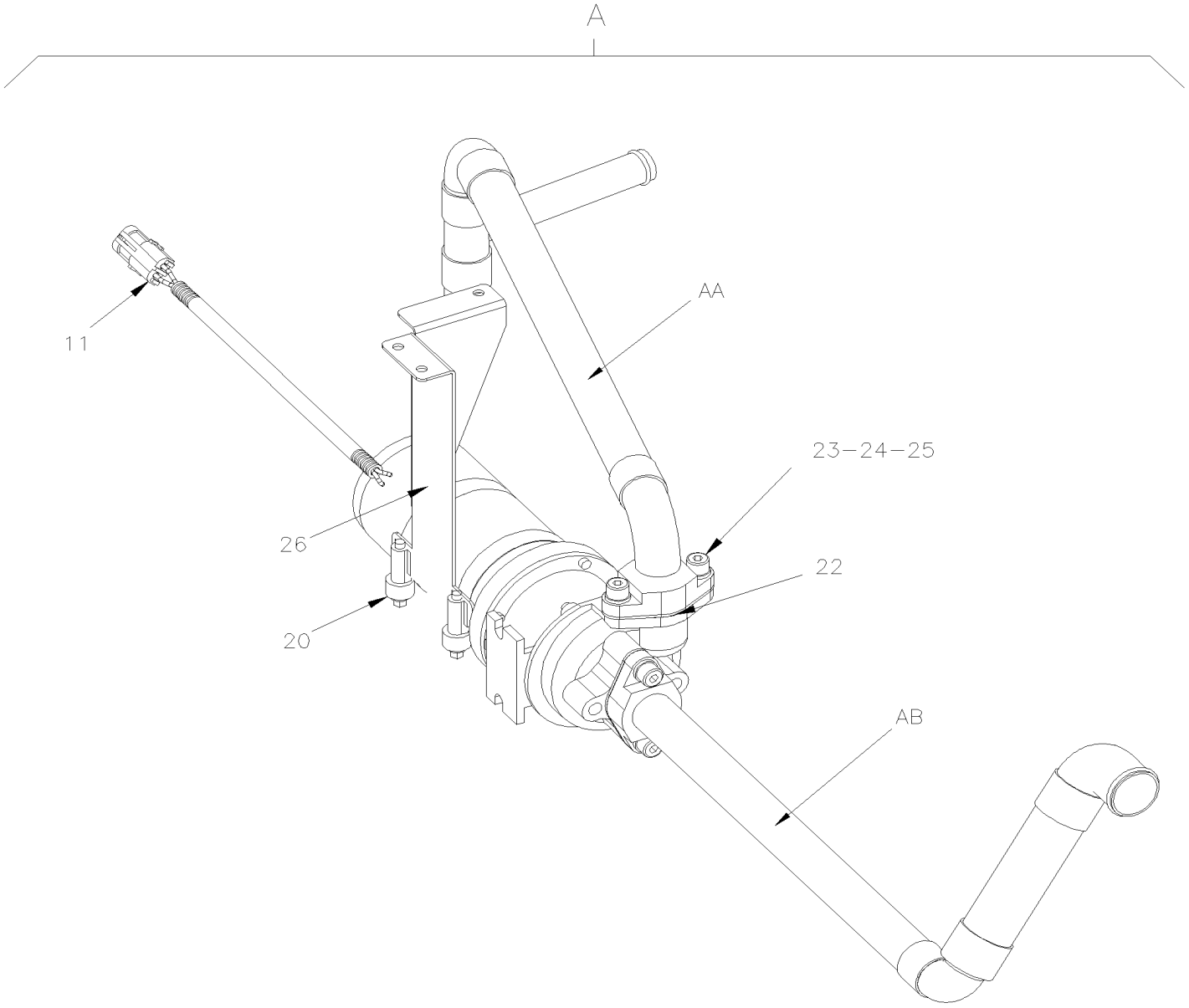
## CURRENT

From 7-0671 To D-2179

Date:10/2022

PAGE:H7-2206-02

**WATER PUMP / "MP PUMPS" / SEALLESS**





From 7-0671 To D-2179	Date:10/2022	PAGE:H7-2206-02
<b>WATER PUMP / "MP PUMPS" / SEALLESS</b>		

Item#	Part	Description	H 3 4 1	H 3 4 5	V I P 4 5	N O T E S
	374032	PUMP WATER ASSY WITH CONNECTOR / SEALLESS MODEL	1	1	1	
	871414	. WATER PUMP ASSY / 24V / SEALLESS / "MP PUMPS"	1	1	1	A
	871342	. WATER PUMP ASSY / 24V / SEALLESS / "MP PUMPS"	1	1	1	
1	N.S.S.	. . HOUSING	1	1	1	1
2	871236	. . O-RING	1	1	1	
3A	870138	. . O-RING	2	2	2	C
3B	871239	. . WASHER SS	2	2	2	F
3B	Call order desk	. . WASHER THRUST	2	2	2	P C
4	871240	. . ROTOR ASSY	1	1	1	F
4	870117	. . ROTOR ASSY	1	1	1	C
5	871241	. . SHAFT SS	1	1	1	F
5	Call order desk	. . SHAFT SS	1	1	1	P C
6	G1094056	. . SCREW CAP HEXS 8-32x3/8	8	8	8	
7	G1094057	. . ADAPTOR	1	1	1	
8	871242	. . DRIVE MAGNET	1	1	1	
9	871322	. . MOTOR ASSY 24V	1	1	1	
10	871323	. . . BRUSH	2	2	2	
11	561566	. CONNECTOR / WEATHER PACK / PH 2C / BLACK / PED 12010973	1	1	1	
NS	561568	. PIN TERMINAL / 16-14 / PED 12089305	2	2	2	
NS	561786	. CABLE SEAL / GRAY / PED 15324980	1	1	1	
20	504026	. HOSE CLAMP / 2"13/16-3"3/4 SS / HS-52	2	2	2	
22	870441	. GASKET PUMP INLET & OUTLET	2	2	2	
23	5001580	. SCREW CAP HEXS 3/8-16x7/8	4	4	4	
24	500478	. WASHER LO SPT .380x.683x.094 Z050	4	4	4	
25	871206	. FLANGE ADAPTOR / W/QUAD RING	2	2	2	
26	374265	. SUPPORT / WATER PUMP	1	1	1	
A	Call order desk	PUMP WATER ASSY WITH PIPE To 9-1469			1	P S
. A	374827	. OUTPUT SECTION To 9-1469			1	S
. B	374850	. TUBE ASSY WITHOUT FILTER To 9-1469			1	S
A	Call order desk	PUMP WATER ASSY WITH PIPE From A-1470	1	1	1	P
. A	374827	. OUTPUT SECTION From A-1470	1	1	1	
. B	374850	. TUBE ASSY WITHOUT FILTER From A-1470	1	1	1	
		A) THIS PUMP IS PACKAGING INDIVIDUALLY WITHOUT ELECTRICAL CONNECTORS				
		C) CURRENT				
		F) FORMER				
		S) WITH SLIDE-OUT				
		1) NOT SOLD SEPARATELY				
		P) CALL ORDER DESK FOR SPECIFIC APPLICATION (V.I.N.)				

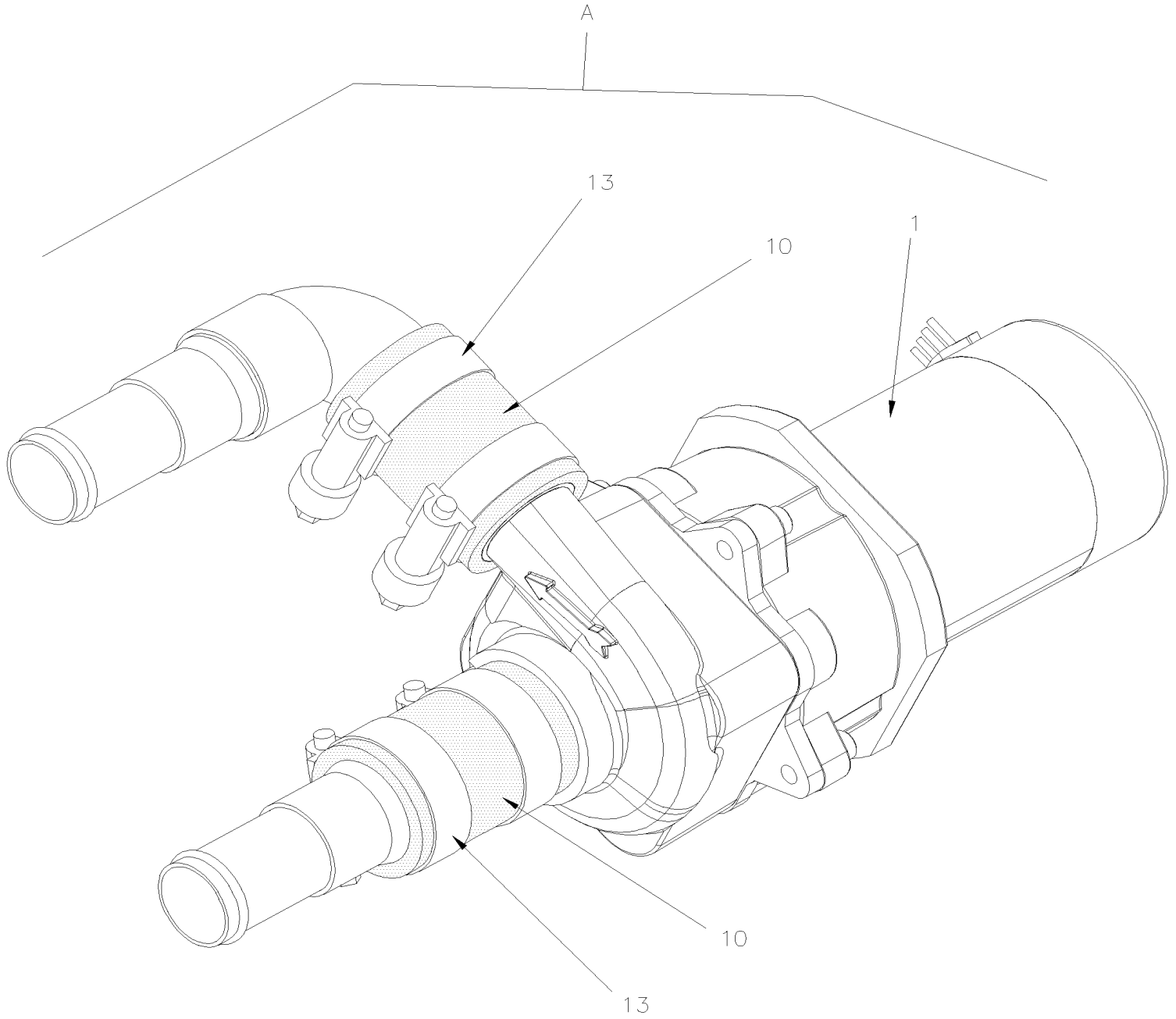


From D-2180 To J-0287

Date:10/2022

PAGE:H7-2206-03

**WATER PUMP "AMETEK" / SEALLESS & BRUSHLESS**

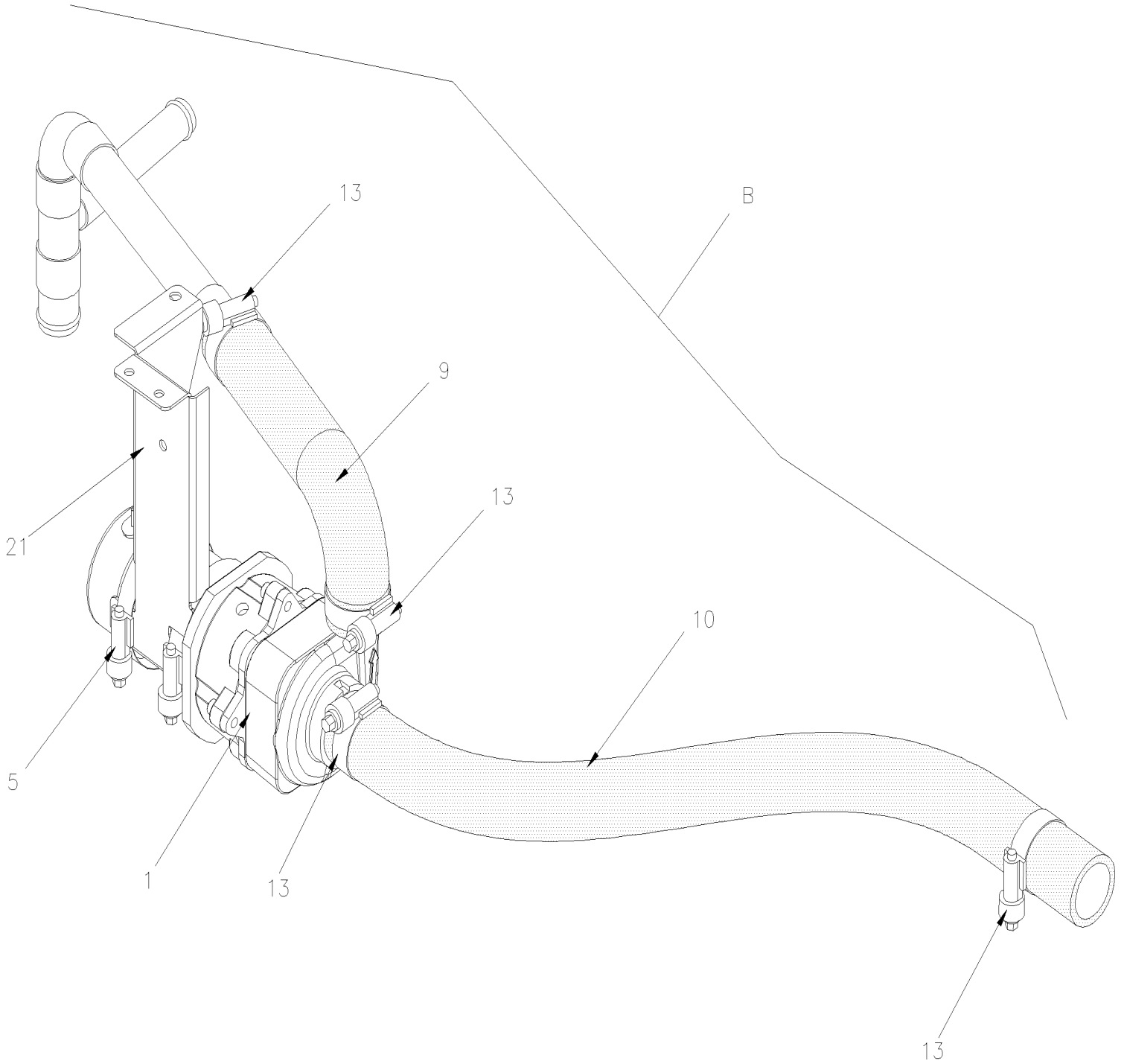


From D-2180 To J-0287

Date:10/2022

PAGE:H7-2206-03

**WATER PUMP "AMETEK" / SEALLESS & BRUSHLESS**

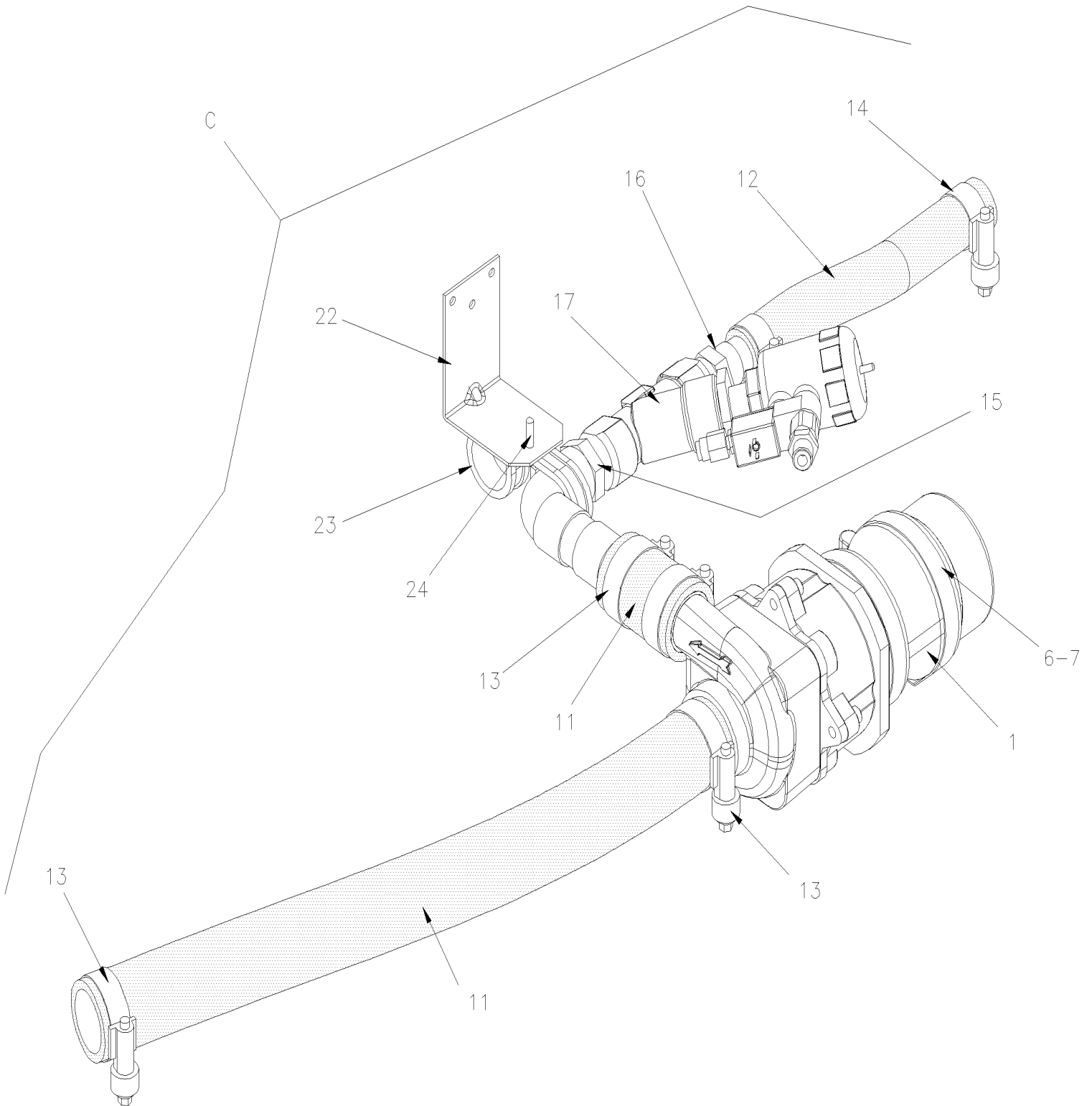


From D-2180 To J-0287

Date:10/2022

PAGE:H7-2206-03

**WATER PUMP "AMETEK" / SEALLESS & BRUSHLESS**

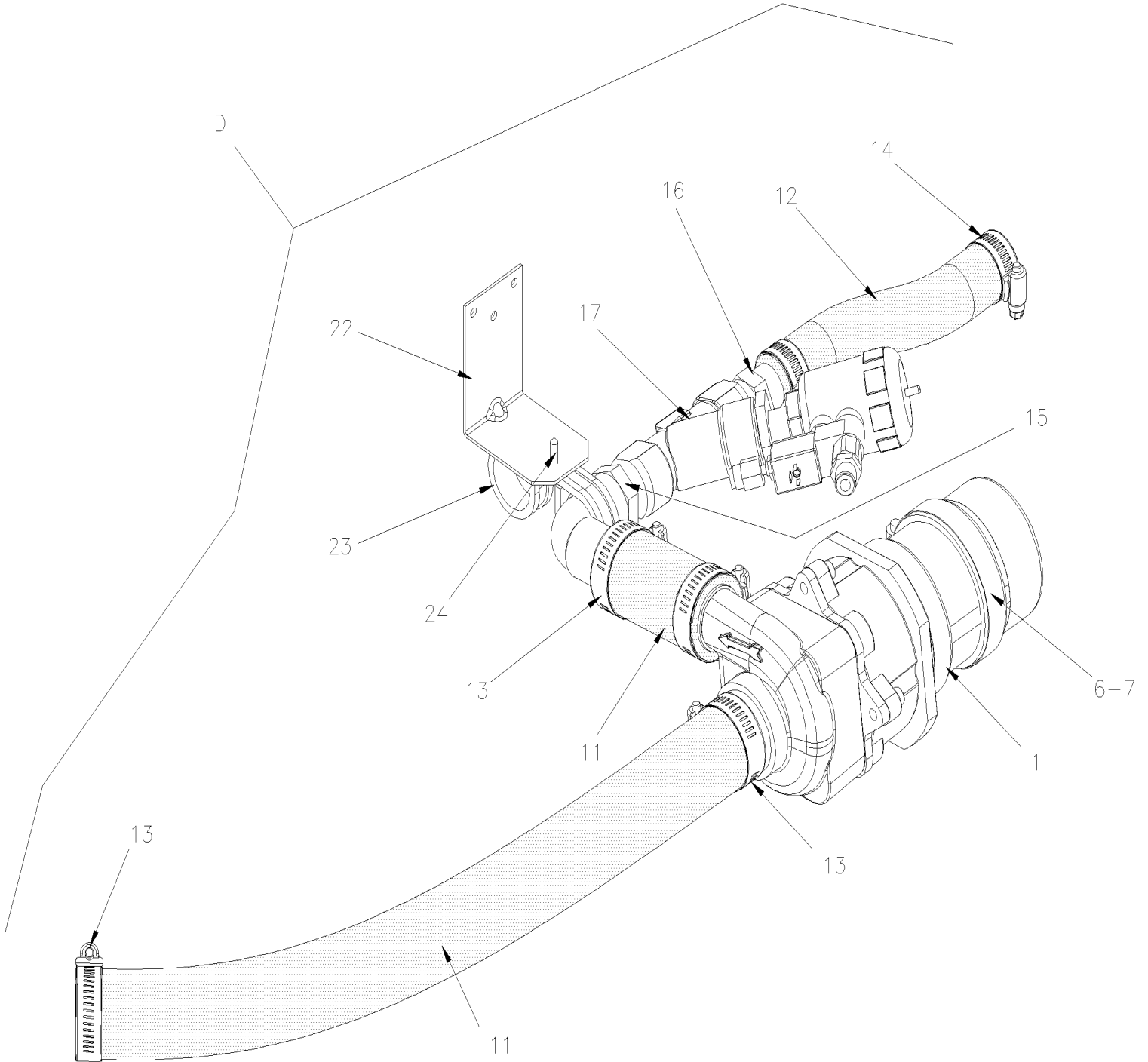


From D-2180 To J-0287

Date:10/2022

PAGE:H7-2206-03

## WATER PUMP "AMETEK" / SEALLESS & BRUSHLESS



<b>From D-2180 To J-0287</b>	<b>Date:10/2022</b>	<b>PAGE:H7-2206-03</b>
<b>WATER PUMP "AMETEK" / SEALLESS &amp; BRUSHLESS</b>		

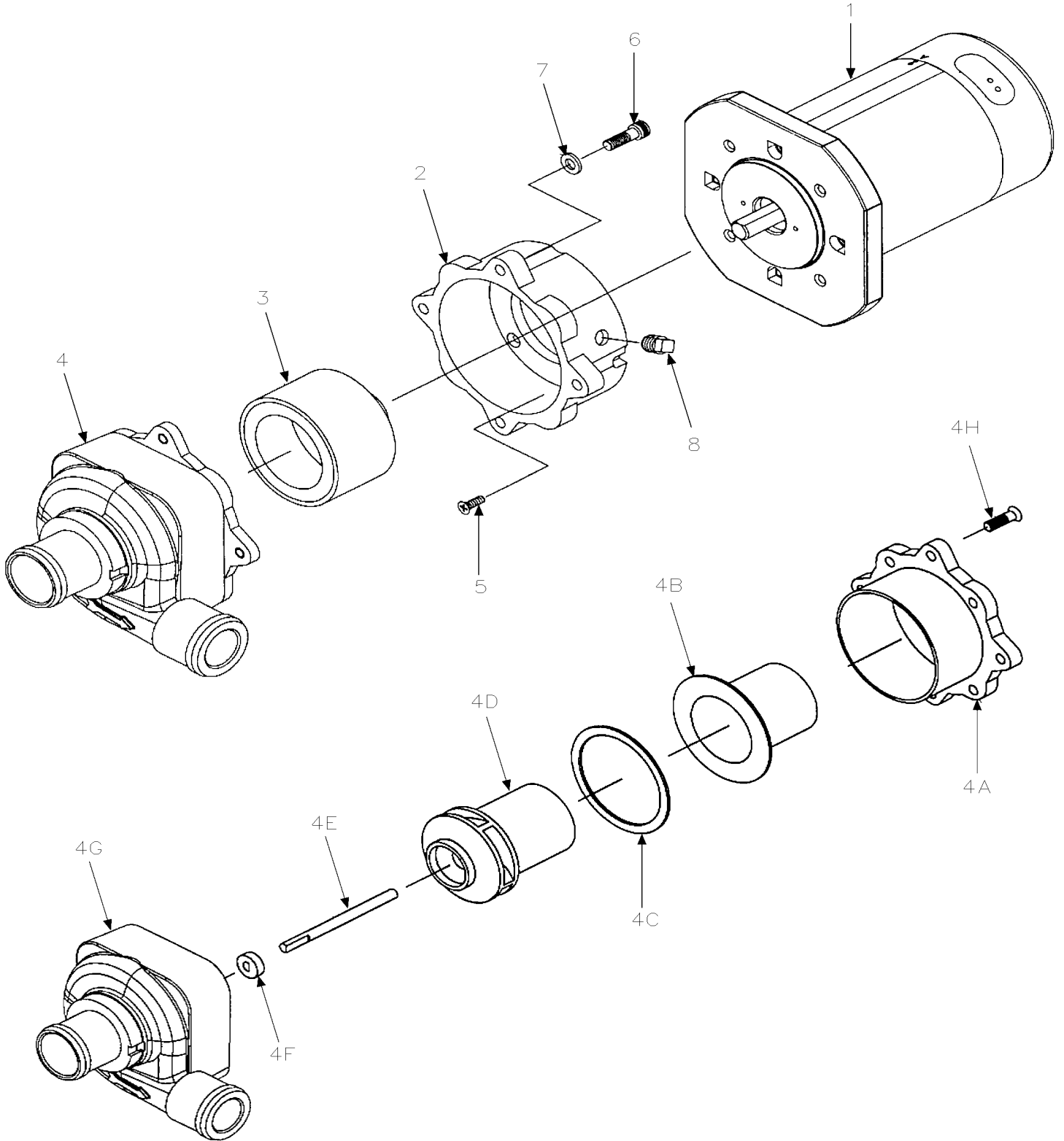
Item#	Part	Description	H 3 4 1	H 3 4 5	V I P 4 5	N O T E S
1	<b>874297</b>	<b>WATER PUMP "AMETEK" / SEALLESS &amp; BRUSHLESS</b>	1	1	1	
NS	561781	CONNECTOR / WEATHER PACK / PH 3C / BLACK / PED 12010717	1	1	1	
NS	561568	PIN TERMINAL / 16-14 / PED 12089305	2	2	2	
NS	561786	CABLE SEAL / GRAY / PED 15324980	2	2	2	
NS	561783	SEAL PLUG CAVITY / GREEN / PED 12010300	1	1	1	
NS	680319	TAPE ADHESIF ELECTRIC / BLACK 3/4"	AR	AR	AR	
NS	562387	CONVOLUTED TUBING / SLIT / BLACK / .250"	AR	AR	AR	
5	504026	HOSE CLAMP / 2"13/16-3"3/4 SS / HS-52	2	2	2	
6	504235	HOSE CLAMP / 3"9/16"-4"1/2 SS / HS-64	2	2	2	
7	506728	TAPE RUB ADH1 NEO 1/4" x 3/4" x 10' / BLACK	AR	AR	AR	
9	374136	ELBOW 90° X 1 3/8" I.D. / 75MM x 194MM C/C / SILICONE To F-2971	1	1	1	
9	378924	ELBOW 90° X 1 3/8" I.D. / 75MM x 194MM C/C / SILICONE From F-2972	1	1	1	
10	503392	HOSE SILICONE 4PLY 1 3/8" I.D. x 4' To D-2275	AR	AR	AR	
10	503783	HOSE SILICONE 4PLY / NOMEX-ARAMID 34MM I.D. x 6' From D-2276	AR	AR	AR	
11	503392	HOSE SILICONE 4PLY 1 3/8" I.D. x 4' To D-2179	AR	AR	AR	
11	503653	HOSE SILICONE 4PLY 1 3/8" I.D. x 3' From D-2180 To D-2275	AR	AR	AR	
11	503783	HOSE SILICONE 4PLY / NOMEX-ARAMID 34MM I.D. x 6' From D-2276	AR	AR	AR	
12	503684	HOSE SILICONE 1 PLY 7/8" I.D. x 100' / S.L. To D-2275	AR	AR	AR	
12	503803	HOSE SILICONE 1 PLY / NOMEX-ARAMID 7/8" I.D. x 100' / S.L. From D-2276	AR	AR	AR	
13	504657	HOSE CLAMP / 1"1/16-2" C.T. 9424 To D-2301	4	4	4	
13	504783	HOSE CLAMP / 1"1/16-2" SS / C.T. W.S. From D-2302 To F-2886	4	4	4	
13	992086	HOSE CLAMP / 32MM/52MM From F-2887	4	4	4	
13	504692	HOSE CLAMP STEPLESS SPRING SS / OETIKER / 1.5-1.8	4	4	4	A
14	504646	HOSE CLAMP / 11/16"-1"1/4 / C.T. 9412 To D-2301	2	2	2	
14	504781	HOSE CLAMP / 13/16"-1 5/16" SS / C.T. W.S. From D-2302 To F-2886	2	2	2	
14	992084	HOSE CLAMP / 23MM/35MM From F-2887	2	2	2	
14	504693	HOSE CLAMP STEPLESS SPRING SS / OETIKER / .94-1.1	2	2	2	A
15	501794	ADAPTER / COPPER @ PIPE / 1Mx3/4NPT-M	1	1	1	
16	501866	ADAPTER / COPPER @ PIPE / 3/4Fx3/4NPT-M	1	1	1	
17	<b>H7-2207-05</b>	<b>WATER VALVE - W/2 WAYS To F-2886</b>				
17	<b>H7-2207-06</b>	<b>WATER VALVE - W/2 WAYS From F-2887</b>				
21	374658	SUPPORT / WATER PUMP From C-2066 To C-2066	1	1	1	
21	374670	SUPPORT / WATER PUMP	1	1	1	
22	373565	SUPPORT W/PUMP / OUTPUT	1	1	1	
23	952639	CLAMP / 1"1/4 I.D.	2	2	2	
24	500658	SCREW TC PAN PH #10-24x3/4 Z050	1	1	1	
A	374659P	WATER PUMP ASSY WITH PIPE / UPPER DEFROSTER	1	1		
. NS	374831	. PUMP OUTPUT PIPE	1	1		
. NS	374832	. PUMP INPUT PIPE	1	1		
B	Call order desk	WATER PUMP ASSY WITH PIPE / LARGE A/C	1	1	1	P
B	370413	. PIPE, PUMP ASSY	1	1	1	
C	Call order desk	WATER PUMP ASSY WITH PIPE / SMALL A/C To E-2504			1	P

From D-2180 To J-0287	Date:10/2022	PAGE:H7-2206-03
<b>WATER PUMP "AMETEK" / SEALLESS &amp; BRUSHLESS</b>		

Item#	Part	Description	H 3 4 1	H 3 4 5	V I P 4 5	N O T E S
D	Call order desk	WATER PUMP ASSY WITH PIPE / SMALL A/C From E-2505 To F-2886			1	P
D	Call order desk	WATER PUMP ASSY WITH PIPE / SMALL A/C From F-2887 To J-0040			1	P
D	370153	WATER PUMP ASSY WITH WATER VALVE / SMALL A/C From J-0041			1	
		A) WITH OPTION "OETIKER" HOSE CLAMP				
		P) CALL ORDER DESK FOR SPECIFIC APPLICATION (V.I.N.)				



WATER PUMP "AMETEK" / SEALLESS & BRUSHLESS

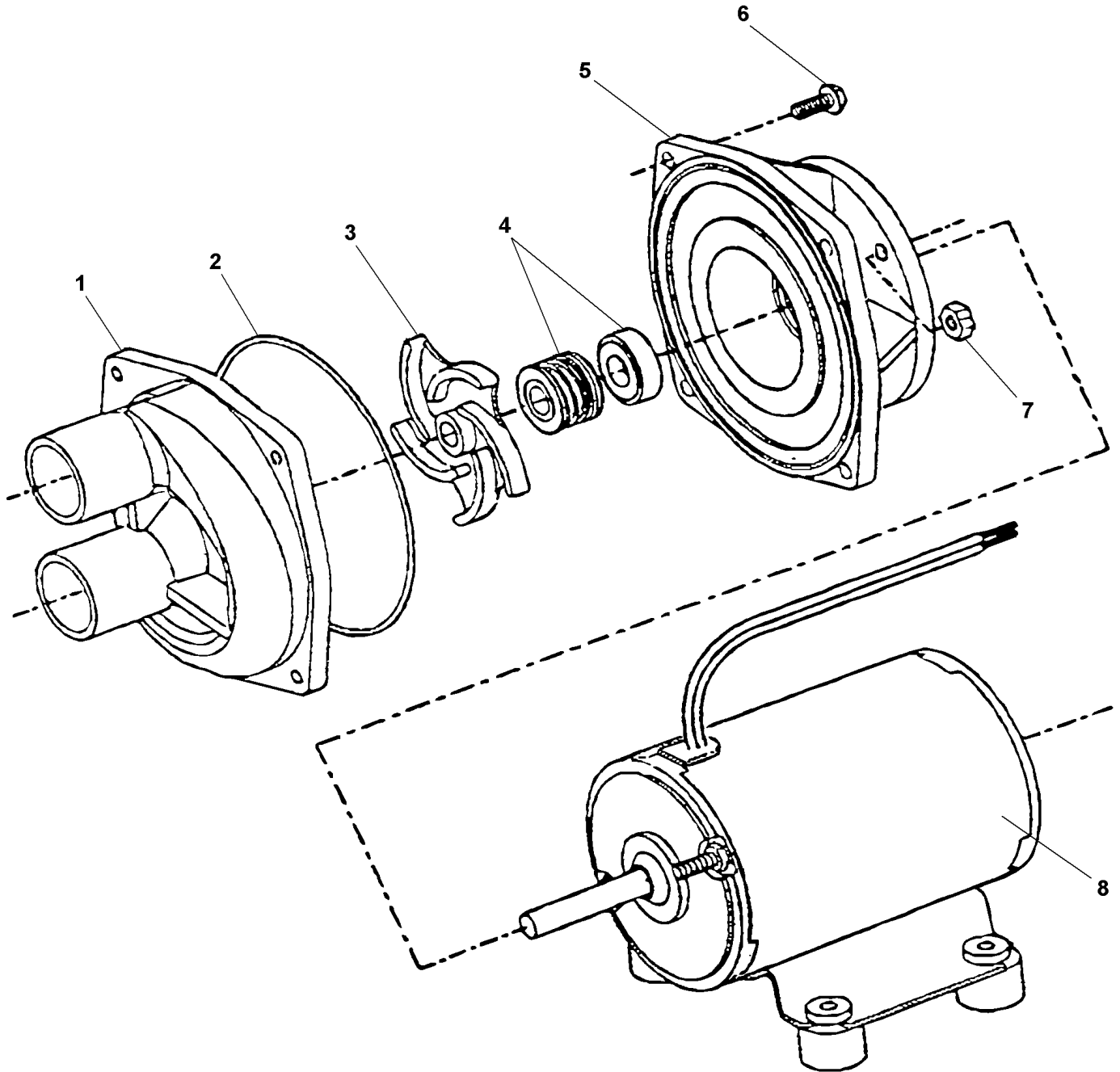


From D-2180 To J-0287 Date:10/2022 PAGE:874297

**WATER PUMP "AMETEK" / SEALLESS & BRUSHLESS**

Item#	Part	Description	H 3 4 1	H 3 4 5	V I P 4 5	N O T E S
1	N.P.N.	MOTOR ASSEMBLY WITHOUT BASEPLATE	1	1	1	4
2	N8896645	CONNECTING HOUSING	1	1	1	
3	N8896646	DRIVE MAGNET	1	1	1	
4	19517742	HOUSING	1	1	1	
4A	G1091780	. HOUSING CONNECTOR RING	1	1	1	
4B	G1091781	. IMPELLER HOUSING	1	1	1	
4C	G1091782	. GASKET ROUND	1	1	1	
4D	G1091783	. IMPELLER ASSY	1	1	1	
4E	G1091785	. IMPELLER SHAFT	1	1	1	
4F	G1091784	. THRUST WASHER	1	1	1	
4G	870074	. PUMP HOUSING BRASS	1	1	1	
4H	19508912	. SCREW FLAT HEAD	4	4	4	
5	N.P.N.	SCREW FLAT HEAD	4	4	4	4
6	N8896647	SCREW SOCKET HEAD	4	4	4	
7	N8896640	FLAT WASHER	4	4	4	
8	195971	PLUG, TREATED	1	1	1	
		4) NO PARTS NUMBER				

From 7-0671 To D-2179	Date:10/2022	PAGE:H7-2206-10
<b>WATER PUMP / "MP PUMP" / FRONT UPPER DEFROSTER</b>		



From 7-0671 To D-2179	Date:10/2022	PAGE:H7-2206-10
<b>WATER PUMP / "MP PUMP" / FRONT UPPER DEFROSTER</b>		

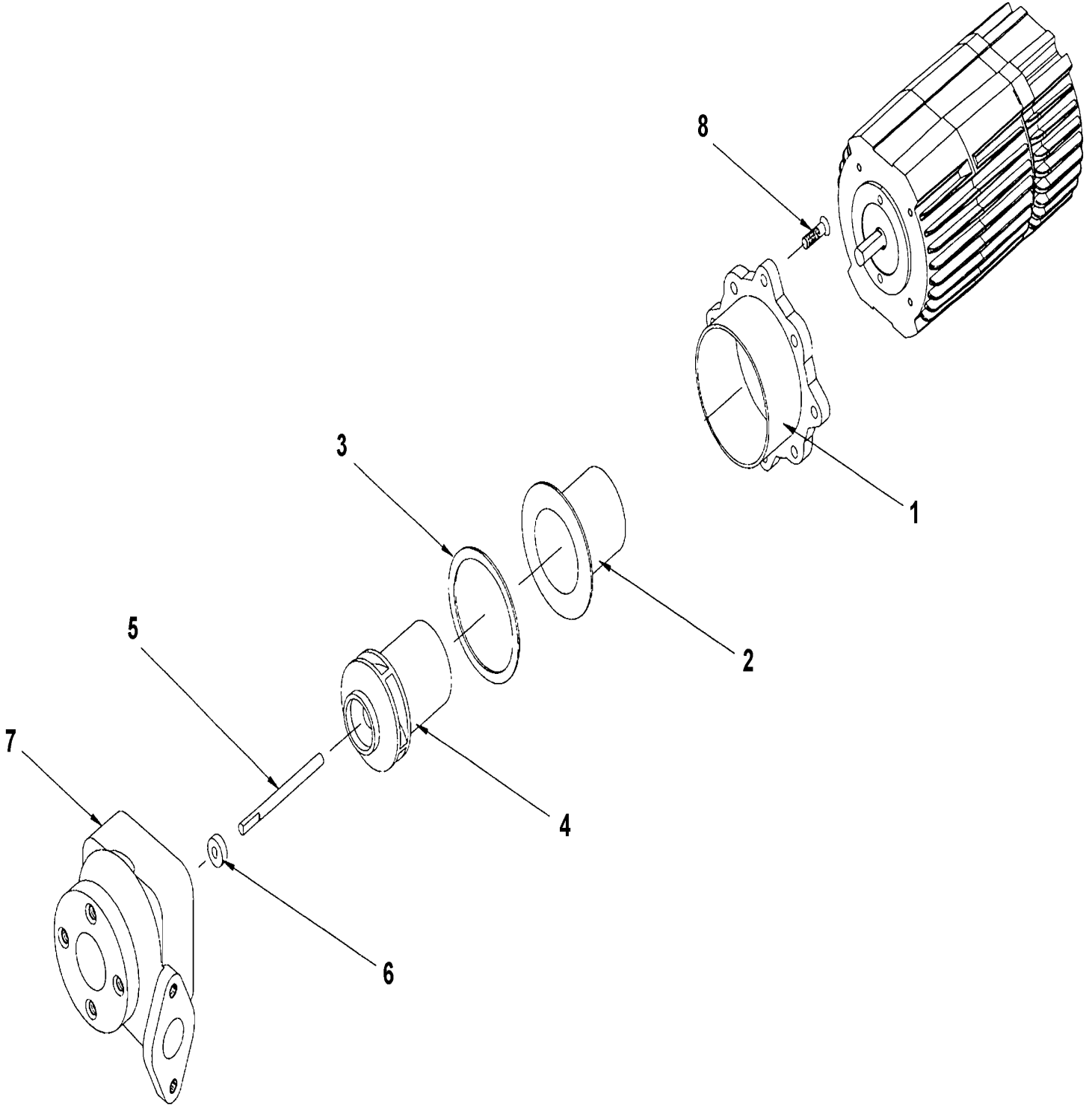
Item#	Part	Description	H 3 4 1	H 3 4 5	V I P 4 5	N O T E S
	067484	WATER PUMP ASSY / W/CONNECTOR				
	874296	. WATER PUMP ASSY / 24V / "MP PUMPS"	1	1		
1	871047	. . COVER	1	1		
2	871065	. . O-RING	1	1		
3	870436	. . IMPELLER	1	1		
4	871346	. . KIT SEAL	1	1		
5	N.P.N.	. . ADAPTER / (28733)	1	1		4
6	N.P.N.	. . SCREW BRASS / (28834)	1	1		4
7	N.P.N.	. . NUT BRASS / (21543)	1	1		4
8	871347	. . MOTOR ASSY 24V	1	1		
NS	561566	. CONNECTOR / WEATHER PACK / PH 2C / BLACK / PED 12010973	1	1		
NS	561568	. PIN TERMINAL / 16-14 / PED 12089305	2	2		
NS	561786	. CABLE SEAL / GRAY / PED 15324980	2	2		
		4) NO PARTS NUMBER				

From 7-0671 To D-2179

Date:10/2022

PAGE:H7-2206-11

WATER PUMP "AMETEK" / SEALLESS & BRUSHLESS / FRONT UPPER DEFROSTER "SPECIAL OPTION"



From 7-0671 To D-2179      Date:10/2022      PAGE:H7-2206-11

**WATER PUMP "AMETEK" / SEALLESS & BRUSHLESS / FRONT UPPER DEFROSTER "SPECIAL OPTION"**

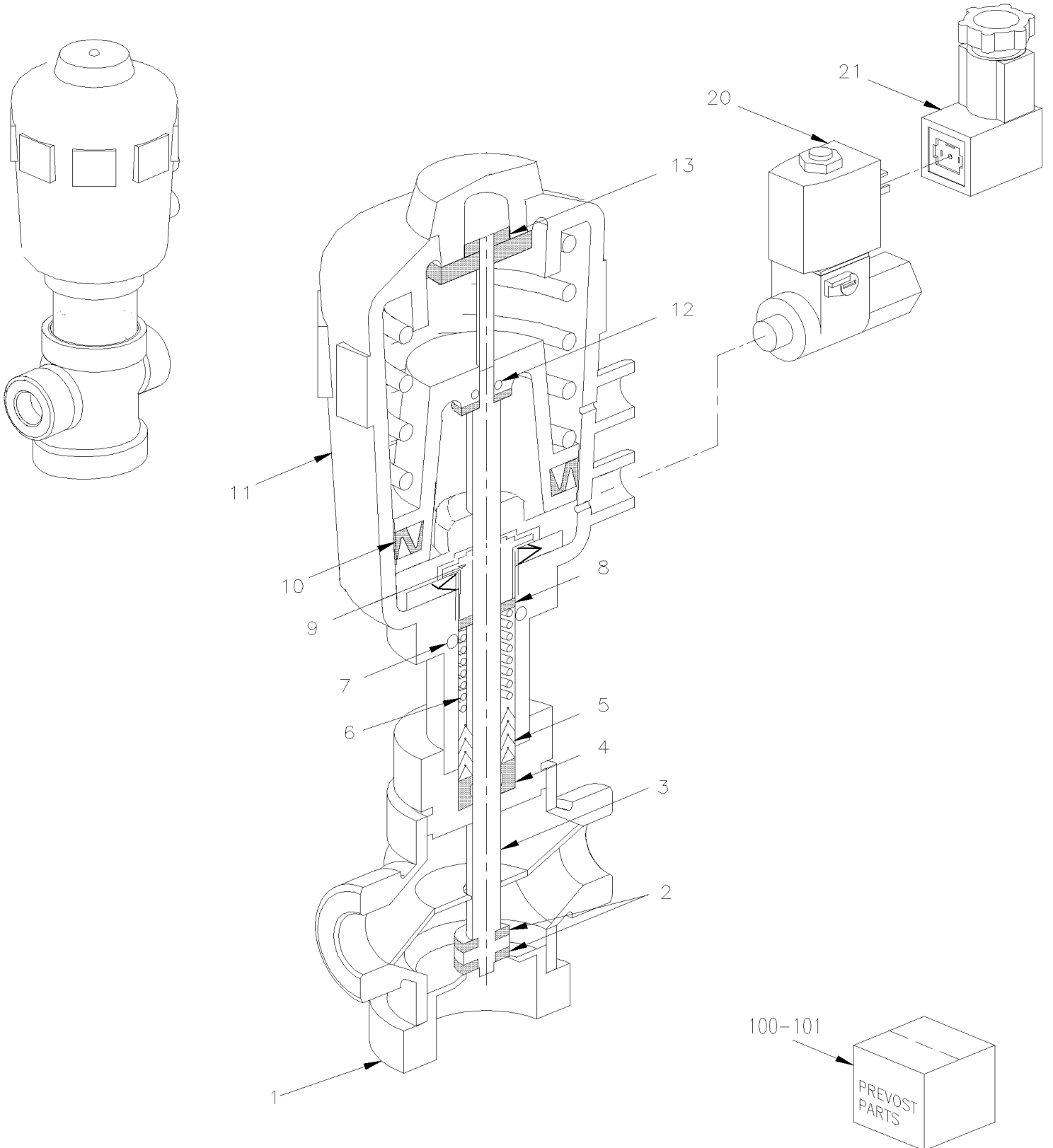
Item#	Part	Description	H 3 4 1	H 3 4 5	V I P 4 5	N O T E S
	067717P	WATER PUMP ASSY / W/PIPE FITTING	1	1	1	
	871421	. WATER PUMP ASSY / 24V / SEALESS & BRUSHLESS / "ROTRON"	1	1	1	
1	G1017730	PUMP ASSY				
1	G1091780	. HOUSING CONNECTOR RING	1	1	1	
2	G1091781	. IMPELLER HOUSING	1	1	1	
3	G1091782	. GASKET ROUND	\	\	\	
4	G1091783	. IMPELLER ASSY	1	1	1	
5	G1091785	. IMPELLER SHAFT	1	1	1	
6	G1091784	. THRUST WASHER	1	1	1	
7	G1091779	. PUMP HOUSING BRASS	1	1	1	
8	Call order desk	. SCREW FLAT HEAD	4	4	4	P
NS	870441	GASKET PUMP INLET & OUTLET	2	2	2	
NS	871206	FLANGE ADAPTOR / W/QUAD RING	2	2	2	
NS	5001580	SCREW CAP HEXS 3/8-16x7/8	4	4	4	
		P) CALL ORDER DESK FOR SPECIFIC APPLICATION (V.I.N.)				

From 7-0671 To J-0287

Date:10/2022

PAGE:H7-2207-00

## WATER VALVE - W/3 WAYS BY-PASS

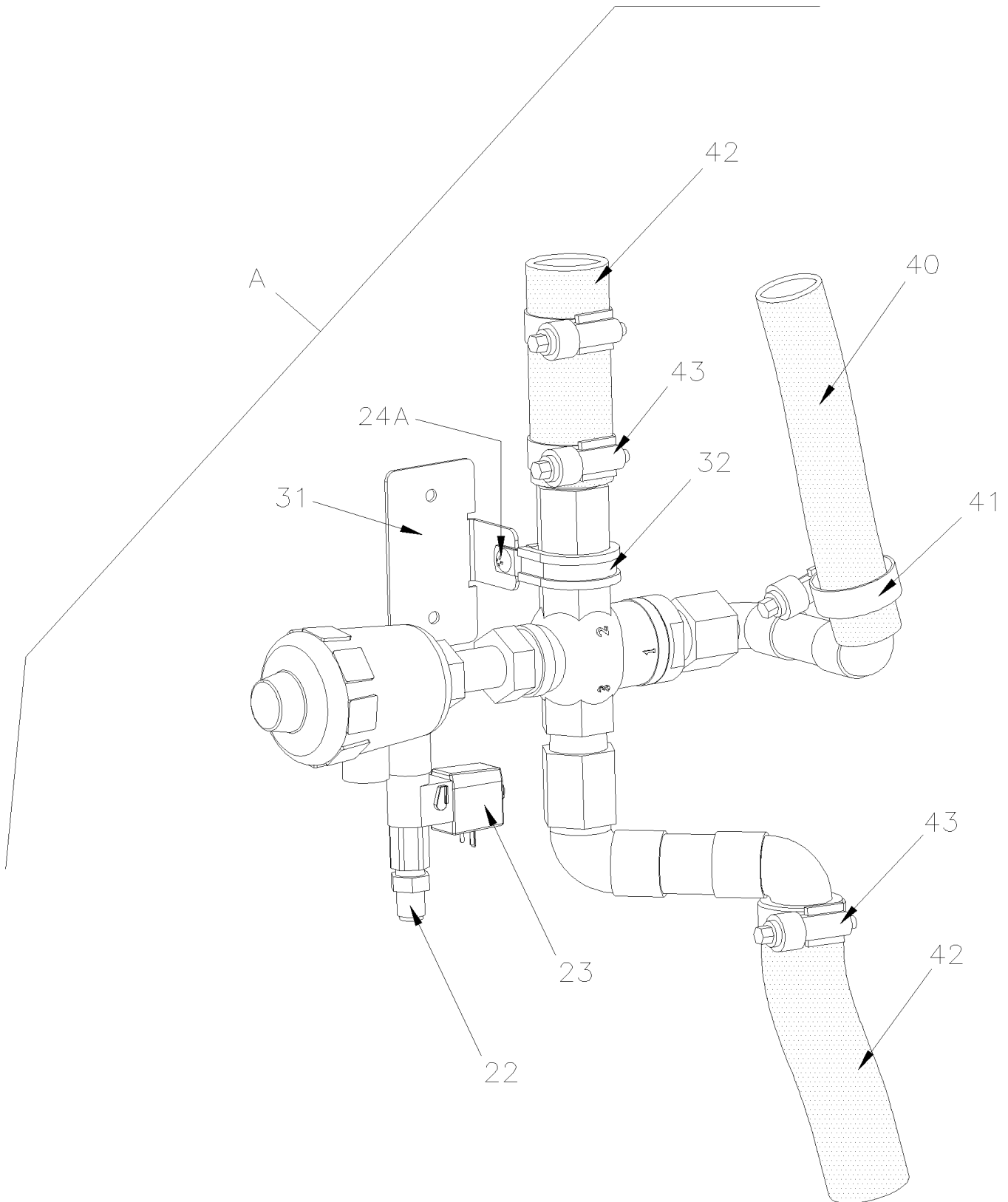


From 7-0671 To J-0287

Date:10/2022

PAGE:H7-2207-00

WATER VALVE - W/3 WAYS BY-PASS



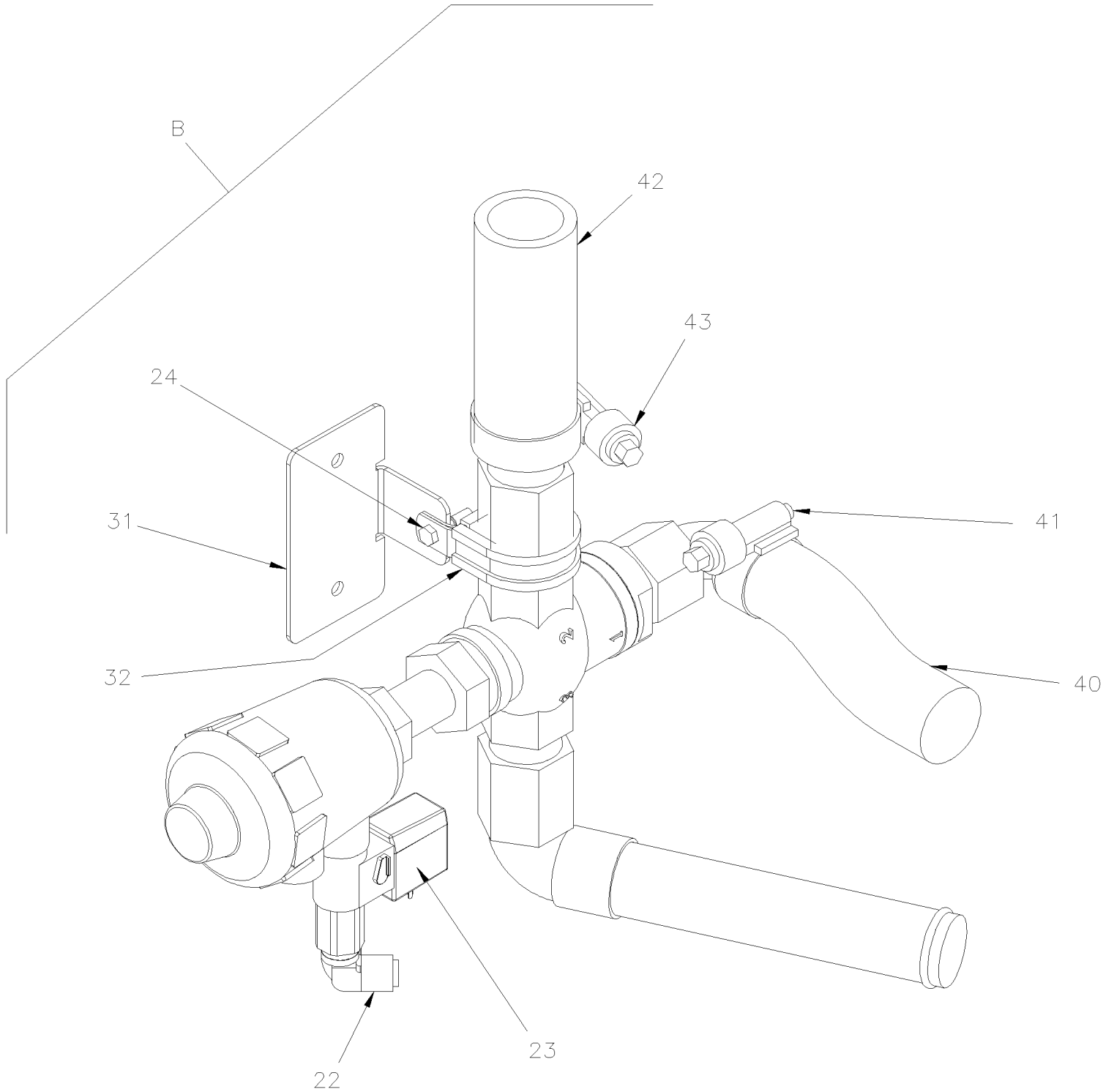


From 7-0671 To J-0287

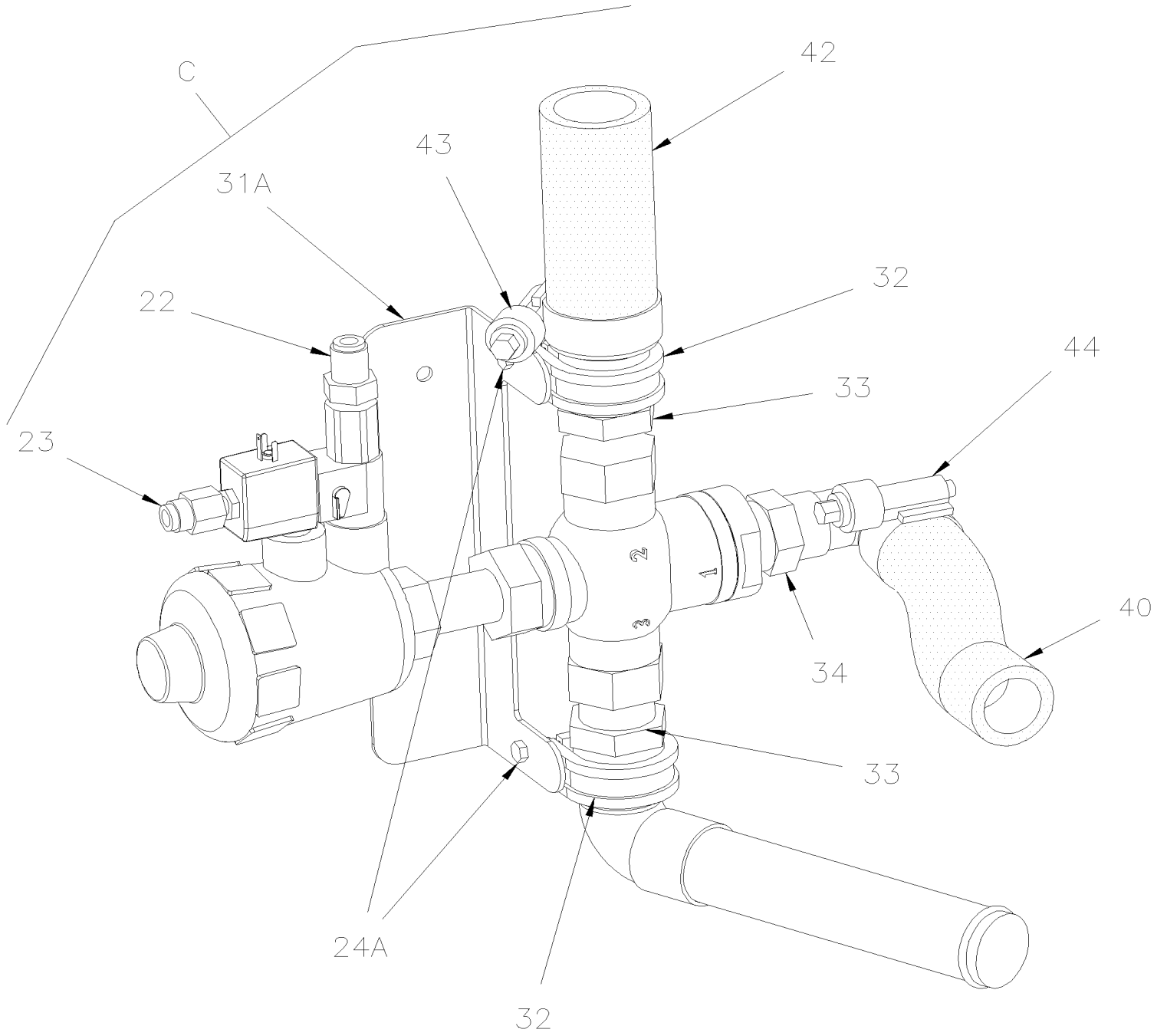
Date:10/2022

PAGE:H7-2207-00

WATER VALVE - W/3 WAYS BY-PASS



WATER VALVE - W/3 WAYS BY-PASS



From 7-0671 To J-0287	Date:10/2022	PAGE:H7-2207-00
<b>WATER VALVE - W/3 WAYS BY-PASS</b>		

Item#	Part	Description	H 3 4 1	H 3 4 5	V I P 4 5	N O T E S
	871381	. WATER VALVE ASSY / 24V / 3/WAY 3/4" NPT To A-1720	1	1	1	
	871430	. WATER VALVE ASSY / 24V / 3/WAY 3/4" NPT From B-1721	1	1	1	
1	N.S.S.	. BODY	1	1	1	1
2	N.S.S.	. SEAL	1	1	1	1
3	N.S.S.	. SPINDLE	1	1	1	1
4	N.S.S.	. WIPER	1	1	1	1
5	N.S.S.	. V-SEAL	3	3	3	1
6	N.S.S.	. SPRING	1	1	1	1
7	N.S.S.	. O-RING	1	1	1	1
8	N.S.S.	. LIP SEAL	1	1	1	1
9	N.S.S.	. SCREW PISTON	1	1	1	1
10	N.S.S.	. CYLINDER SEAL	1	1	1	1
11	N.S.S.	. ACTUATOR CASING	1	1	1	1
12	N.S.S.	. O-RING.	1	1	1	1
13	N.S.S.	. LIP SEAL	1	1	1	1
14	N.S.S.	. CONE GLAND 1/8"	2	2	2	1
20	871390	. SOLENOID VALVE / 24V 4 WATTS	1	1	1	
. NS	871391	. . COIL 24V 4 WATTS	1	1	1	
21	563204	. CONNECTOR / SOCKET HOUSING ASSY 4C / BURKET 303148	1	1	1	
22	641332	MALE CONNECTOR / PUSH-IN FITTING / #4x1/4NPT-M BR	1	1	1	
23	642028	MALE CONNECTOR / PUSH-IN FITTING / 6MM x M5-0.8 BR To G-3169	1	1	1	
23	871374	MUFFLER M5 PLASTIC From G-3170	1	1	1	
24	500283	SCREW TC TR PH #10-24x3/4 SS	1	1	1	
24A	502685	SCREW CAP HEX M4-0.7x20 SS EMN	AR	AR	AR	
NS	504357	WASHER FL .187x.437x.050 SS	AR	AR	AR	
NS	502557	NUT HEX NYRT M4-0.7 SS	AR	AR	AR	
25	641371	MALE ELBOW 90° NON-SWIVEL / PUSH-IN FITTING / #4x1/4NPT-M BR	1	1	1	
31	373899	SUPPORT WATER VALVE To A-1720	1	1	1	
31A	374594	SUPPORT WATER VALVE From B-1721	1	1	1	
32	952639	CLAMP / 1"1/4 I.D.	1	1	1	
33	501794	ADAPTER / COPPER @ PIPE / 1Mx3/4NPT-M	2	2	2	
34	501866	ADAPTER / COPPER @ PIPE / 3/4Fx3/4NPT-M	1	1	1	
40	503651	HOSE SILICONE 2PLY 7/8" I.D. x 3' To C-1964	1	1	1	
40	503684	. HOSE SILICONE 1 PLY 7/8" I.D. x 100' / S.L. From C-1965 To D-2275	AR	AR	AR	
40	503803	. HOSE SILICONE 1 PLY / NOMEX-ARAMID 7/8" I.D. x 100' / S.L. From D-2276	AR	AR	AR	
41	504658	HOSE CLAMP / 13/16"-1"3/4 / C.T. 9420 To D-2301	1	1	1	
41	504782	HOSE CLAMP / 1 3/16-1 13/16 SS / C.T. W.S. From D-2302	1	1	1	
42	503652	HOSE SILICONE 2PLY 1 1/8" I.D. x 3' To D-2275	AR	AR	AR	
42	503796	HOSE SILICONE 2 PLY / NOMEX-ARAMID 1 1/8" I.D. x 6' From D-2276	AR	AR	AR	
43	504658	HOSE CLAMP / 13/16"-1"3/4 / C.T. 9420 To D-2301	2	2	2	
43	504782	HOSE CLAMP / 1 3/16-1 13/16 SS / C.T. W.S. From D-2302 To F-2891	2	2	2	
43	992086	HOSE CLAMP / 32MM/52MM From F-2892	2	2	2	

From 7-0671 To J-0287	Date:10/2022	PAGE:H7-2207-00
<b>WATER VALVE - W/3 WAYS BY-PASS</b>		

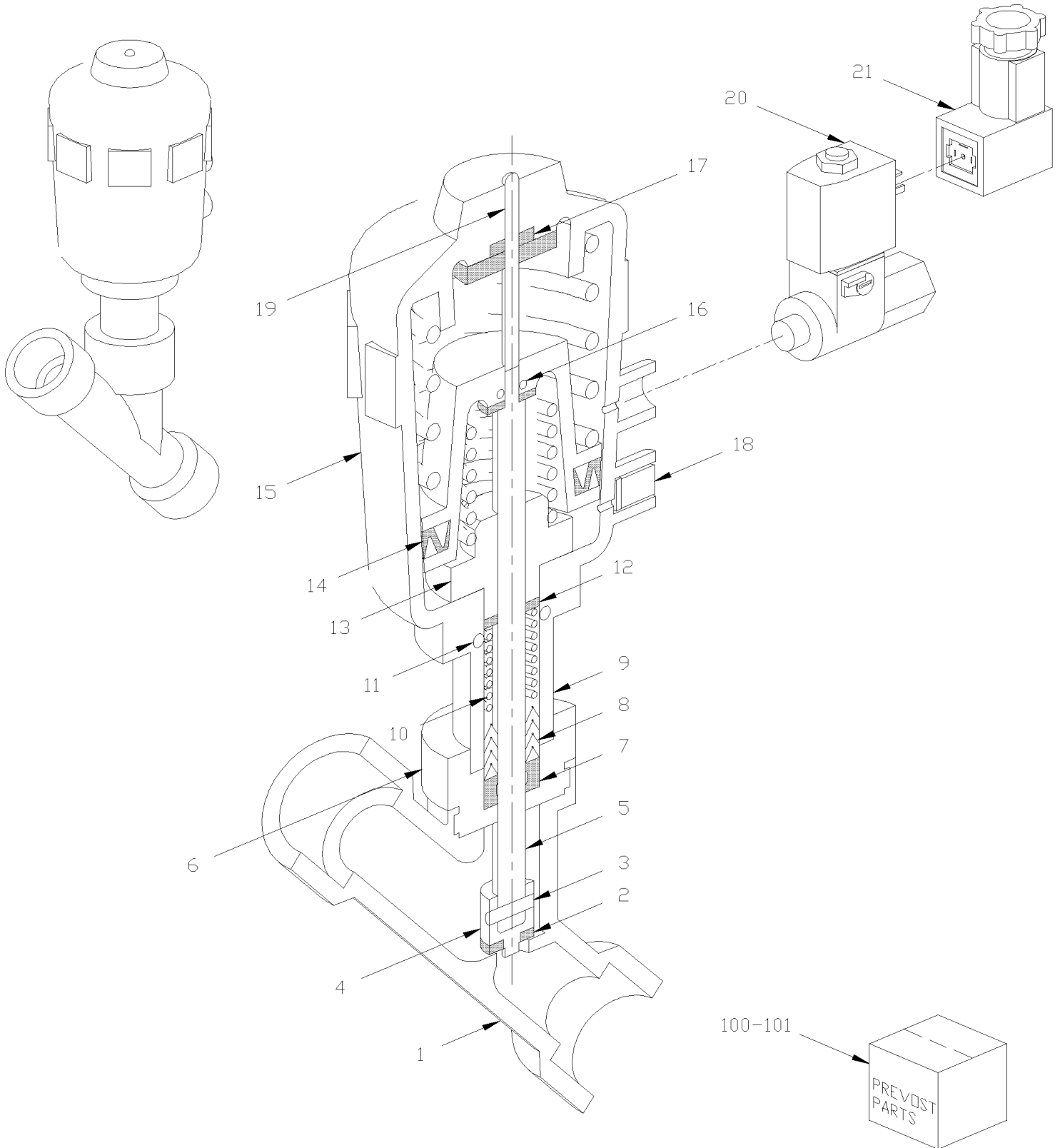
Item#	Part	Description	H 3 4 1	H 3 4 5	V I P 4 5	N O T E S
43	504451	HOSE CLAMP STEPLESS SPRING SS / OETIKER / 1.3-1.6	2	2	2	A
44	504646	HOSE CLAMP / 11/16"-1"1/4 / C.T. 9412 To D-2301	1	1	1	
44	504781	HOSE CLAMP / 13/16"-1 5/16" SS / C.T. W.S. From D-2302 To F-2891	1	1	1	
44	992084	HOSE CLAMP / 23MM/35MM From F-2892	1	1	1	
44	504569	HOSE CLAMP STEPLESS SPRING / HC12-20 / 1"	1	1	1	A
100	871389	SEAL KIT / WATER SIDE	1	1	1	
101	871388	SEAL KIT / AIR PISTON SIDE	1	1	1	
A	374349P	WATER VALVE ASSY W/PIPE & SUPPORT To 9-1403	1	1		
. NS	374281	. ADAPTOR 7/8" I.D. WELDED x 3/4" B.P.T. MALE To 9-1403	1	1		
. NS	374282	. ADAPTOR 1 1/8" I.D. WELDED x 3/4" B.P.T. MALE To 9-1403	2	2		
B	Call order desk	WATER VALVE ASSY W/PIPE & SUPPORT From A-1470 To A-1720	1	1		P
. NS	374281	. ADAPTOR 7/8" I.D. WELDED x 3/4" B.P.T. MALE From A-1470 To A-1720	1	1		
. NS	374282	. ADAPTOR 1 1/8" I.D. WELDED x 3/4" B.P.T. MALE From A-1470 To A-1720	2	2		
C	374548P	WATER VALVE ASSY W/PIPE & SUPPORT From B-1721 To J-0040	1	1		
. NS	374281	. ADAPTOR 7/8" I.D. WELDED x 3/4" B.P.T. MALE From B-1721 To J-0040	1	1		
. NS	374282	. ADAPTOR 1 1/8" I.D. WELDED x 3/4" B.P.T. MALE From B-1721 To J-0040	2	2		
C	370150	WATER VALVE ASSY W/PIPE & SUPPORT From J-0041	1	1		
		A) WITH OPTION "OETIKER" HOSE CLAMP				
		1) NOT SOLD SEPARATELY				
		P) CALL ORDER DESK FOR SPECIFIC APPLICATION (V.I.N.)				

From 7-0671 To F-2886

Date:10/2022

PAGE:H7-2207-05

## WATER VALVE - W/2 WAYS

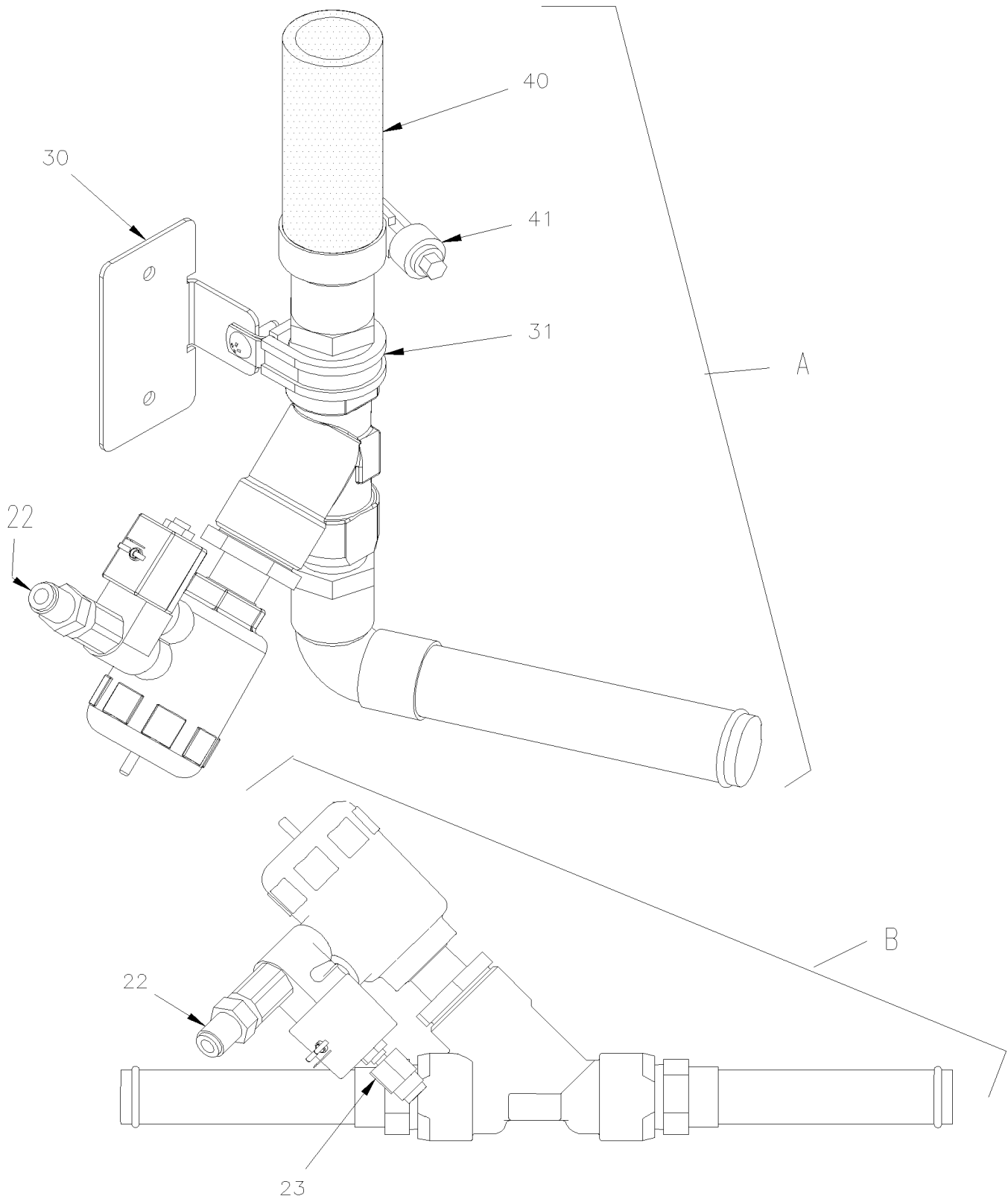


From 7-0671 To F-2886

Date:10/2022

PAGE:H7-2207-05

**WATER VALVE - W/2 WAYS**



From 7-0671 To F-2886	Date:10/2022	PAGE:H7-2207-05
<b>WATER VALVE - W/2 WAYS</b>		

Item#	Part	Description	H 3 4 1	H 3 4 5	V I P 4 5	N O T E S
	871252	. WATER VALVE ASSY / 24V	1	1	1	
1	N.S.S.	. . BODY	1	1	1	1
2	N.S.S.	. . SEAL	1	1	1	1
3	N.S.S.	. . PIN	1	1	1	1
4	N.S.S.	. . SWIVEL PLATE	1	1	1	1
5	N.S.S.	. . SPINDLE	1	1	1	1
6	N.S.S.	. . NIPPLE	1	1	1	1
7	N.S.S.	. . WIPER	1	1	1	1
8	N.S.S.	. . V-SEAL	3	3	3	1
9	N.S.S.	. . TUBE	1	1	1	1
10	N.S.S.	. . SPRING	1	1	1	1
11	N.S.S.	. . O-RING	1	1	1	1
12	N.S.S.	. . LIP SEAL	1	1	1	1
13	N.S.S.	. . SCREW	1	1	1	1
14	N.S.S.	. . CYLINDER SEAL	1	1	1	1
15	N.S.S.	. . ACTUATOR CASING	1	1	1	1
16	N.S.S.	. . O-RING	1	1	1	1
17	N.S.S.	. . LIP SEAL	1	1	1	1
18	N.S.S.	. . CONE GLAND 1/8"	2	2	2	1
19	N.S.S.	. . POSITION INDICATOR	1	1	1	1
20	871313	. SOLENOID VALVE 24V 4 WATTS 1/8SPT X 1/4NPT	1	1	1	
. NS	871391	. . COIL 24V 4 WATTS	1	1	1	
21	563204	. CONNECTOR / SOCKET HOUSING ASSY 4C / BURKET 303148	1	1	1	
22	641332	MALE CONNECTOR / PUSH-IN FITTING / #4x1/4NPT-M BR	1	1	1	
23	642028	MALE CONNECTOR / PUSH-IN FITTING / 6MM x M5-0.8 BR	1	1	1	
24	500283	SCREW TC TR PH #10-24x3/4 SS	1	1	1	
30	373899	SUPPORT WATER VALVE	1	1	1	
31	952639	CLAMP / 1"1/4 I.D.	1	1	1	
40	503652	HOSE SILICONE 2PLY 1 1/8" I.D. x 3' To D-2275	AR	AR	AR	
40	503796	HOSE SILICONE 2 PLY / NOMEX-ARAMID 1 1/8" I.D. x 6' From D-2276	AR	AR	AR	
41	504658	HOSE CLAMP / 13/16"-1"3/4 / C.T. 9420 To D-2301	2	2	2	
41	504782	HOSE CLAMP / 1 3/16-1 13/16 SS / C.T. W.S. From D-2302	2	2	2	
100	871311	SEAL KIT / WATER SIDE	1	1	1	
101	871312	SEAL KIT / AIR PISTON SIDE	1	1	1	
A	Call order desk	WATER VALVE ASSY / 24V W/MUX			1	P S
B	Call order desk	WATER VALVE ASSY / 24V 70deg To 9-1469	1	1		P M
B	Call order desk	WATER VALVE ASSY / 24V 70deg			1	P M
B	Call order desk	WATER VALVE ASSY / 24V 35deg From A-1470		1		P M I
		I) BUS WITH INDEPENDENT SUSPENSION				

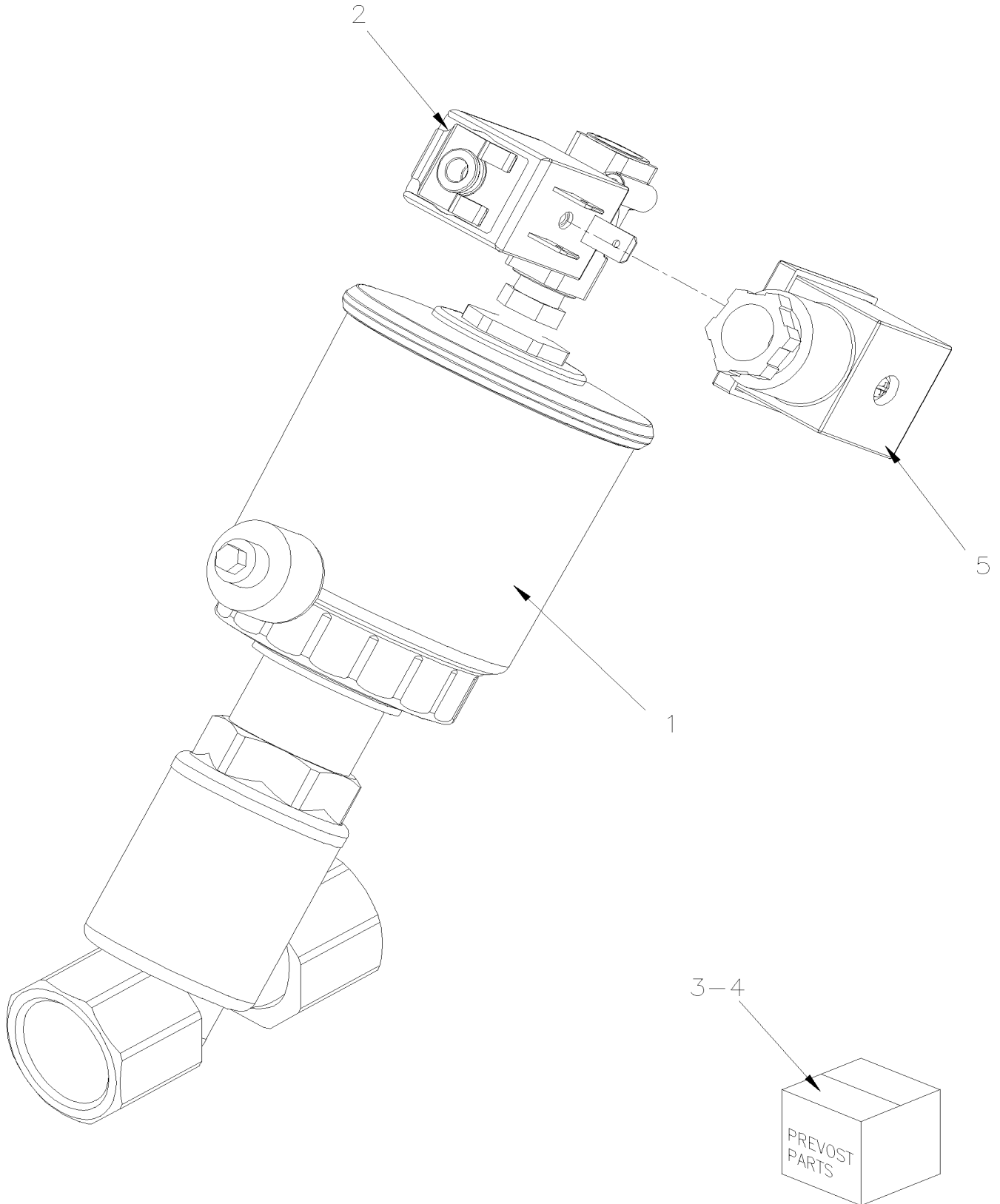
From 7-0671 To F-2886	Date:10/2022	PAGE:H7-2207-05
-----------------------	--------------	-----------------

**WATER VALVE - W/2 WAYS**

Item#	Part	Description	H 3 4 1	H 3 4 5	V I P 4 5	N O T E S
		M) UNDER STEPWELL WITH MULTIPLEX				
		S) WITH SLIDE OUT				
		1) NOT SOLD SEPARATELY				
		P) CALL ORDER DESK FOR SPECIFIC APPLICATION (V.I.N.)				



From F-2887 To J-0287	Date:10/2022	PAGE:H7-2207-06
<b>WATER VALVE - W/2 WAYS</b>		



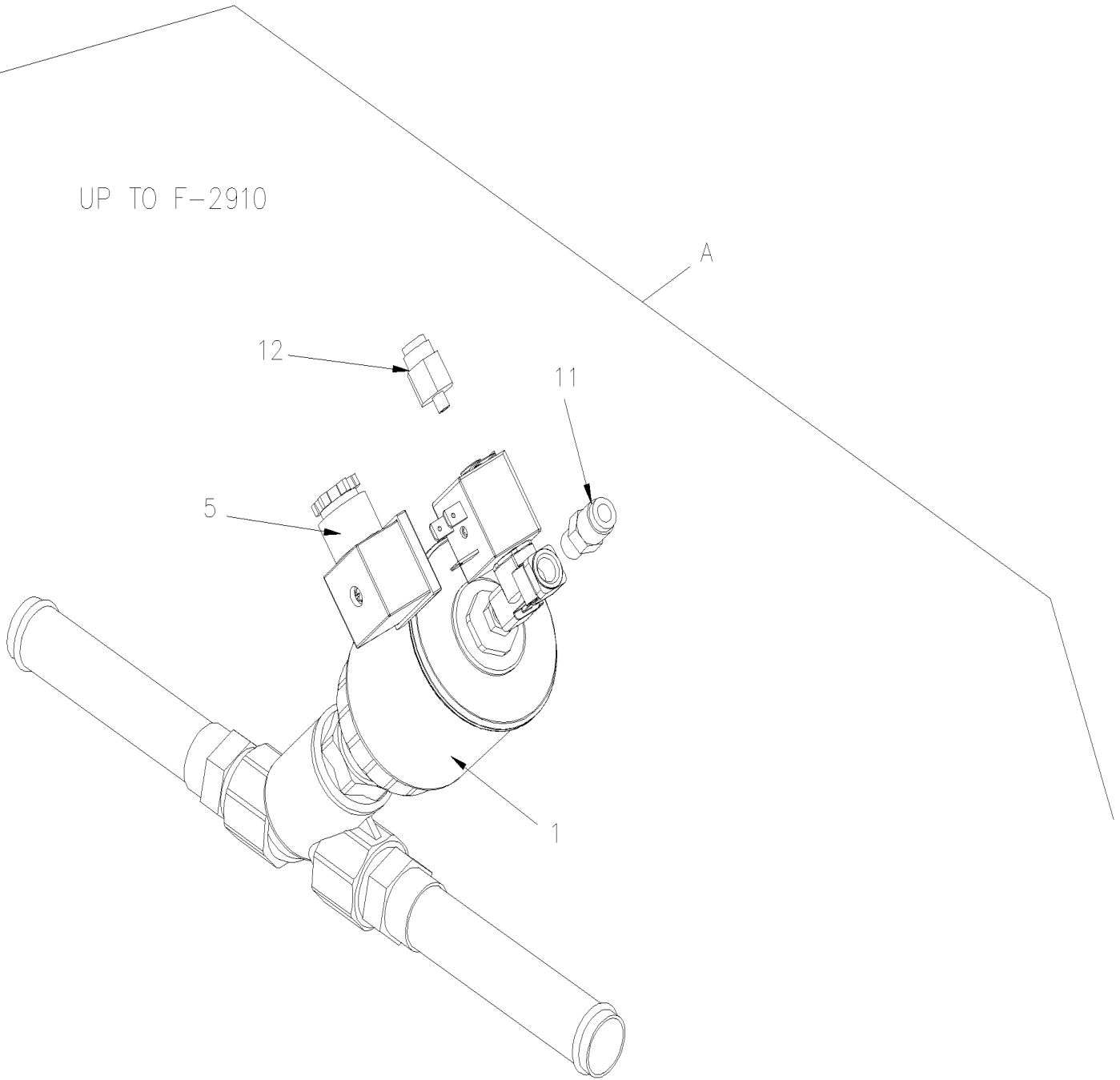
From F-2887 To J-0287

Date:10/2022

PAGE:H7-2207-06

**WATER VALVE - W/2 WAYS**

UP TO F-2910



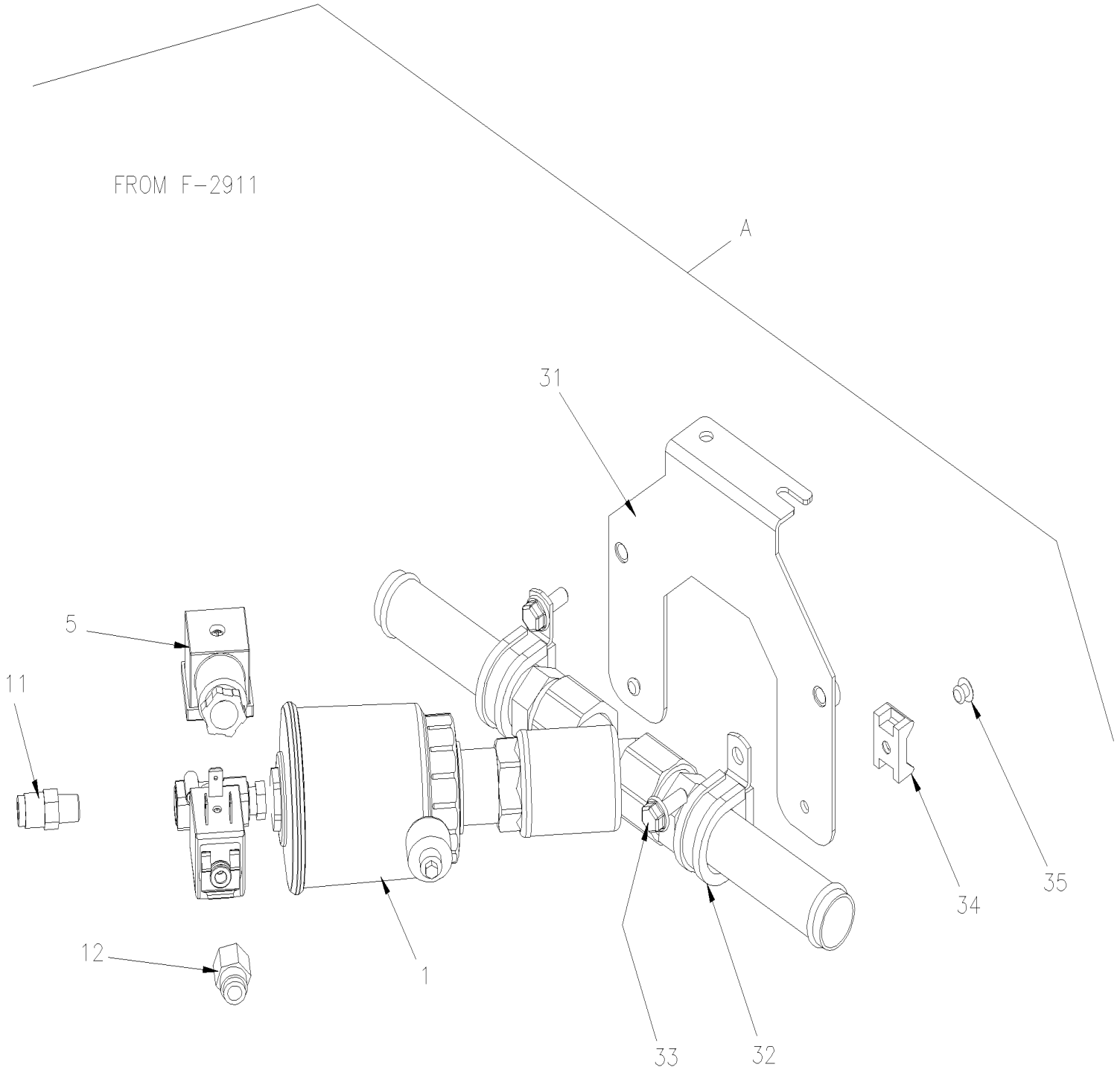
From F-2887 To J-0287

Date:10/2022

PAGE:H7-2207-06

**WATER VALVE - W/2 WAYS**

FROM F-2911

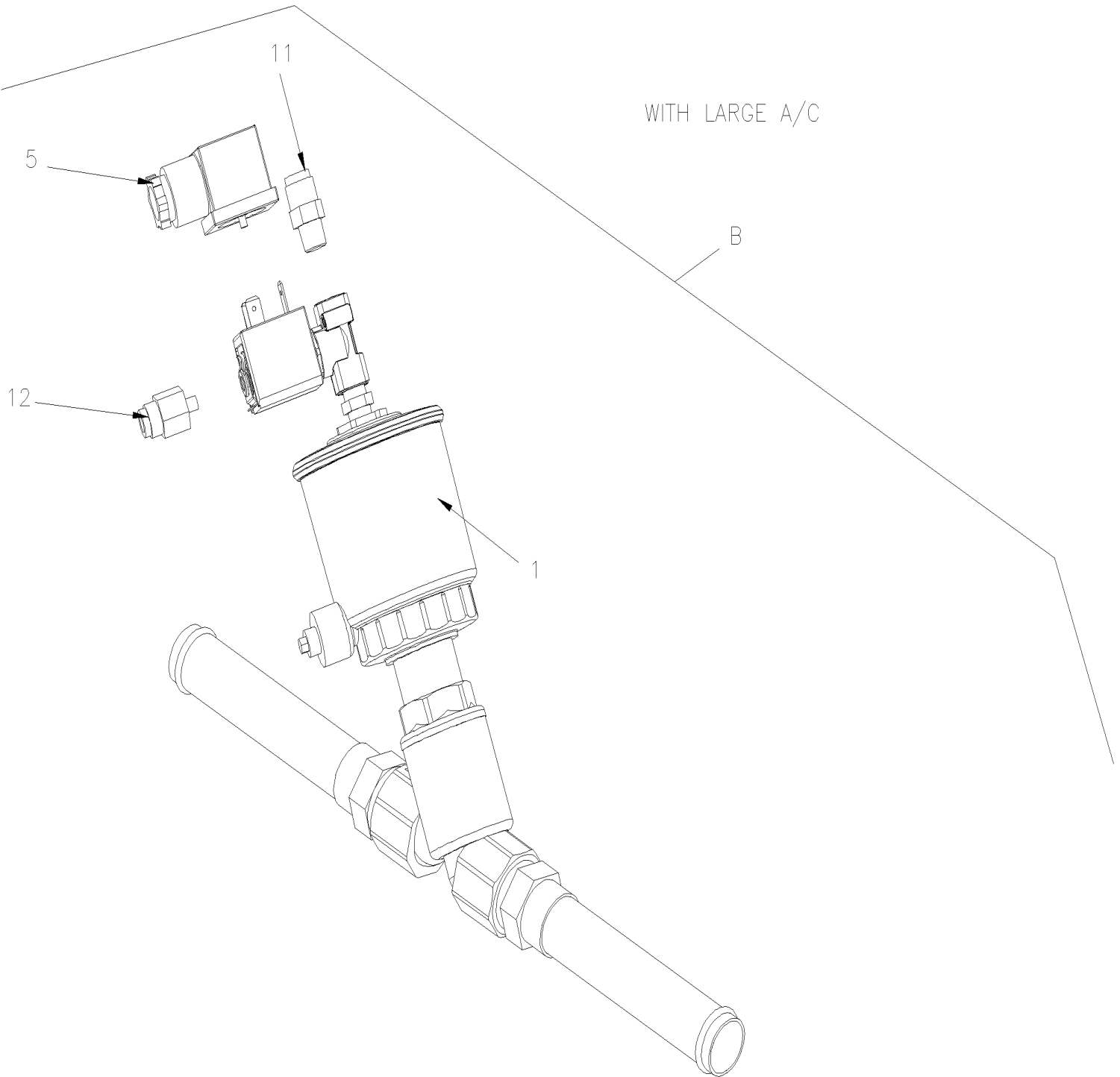


From F-2887 To J-0287

Date:10/2022

PAGE:H7-2207-06

**WATER VALVE - W/2 WAYS**



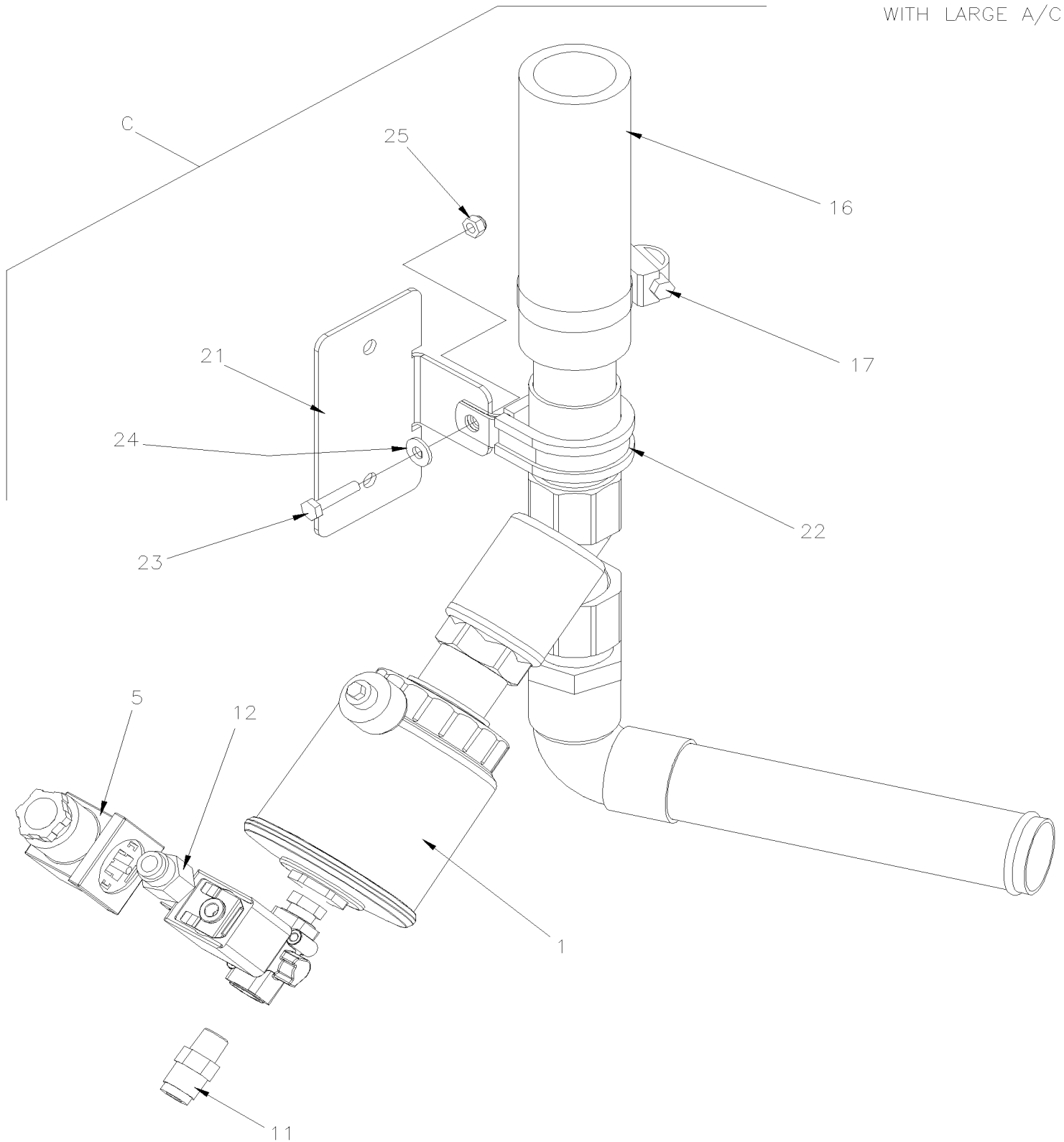
From F-2887 To J-0287

Date:10/2022

PAGE:H7-2207-06

WATER VALVE - W/2 WAYS

WITH LARGE A/C



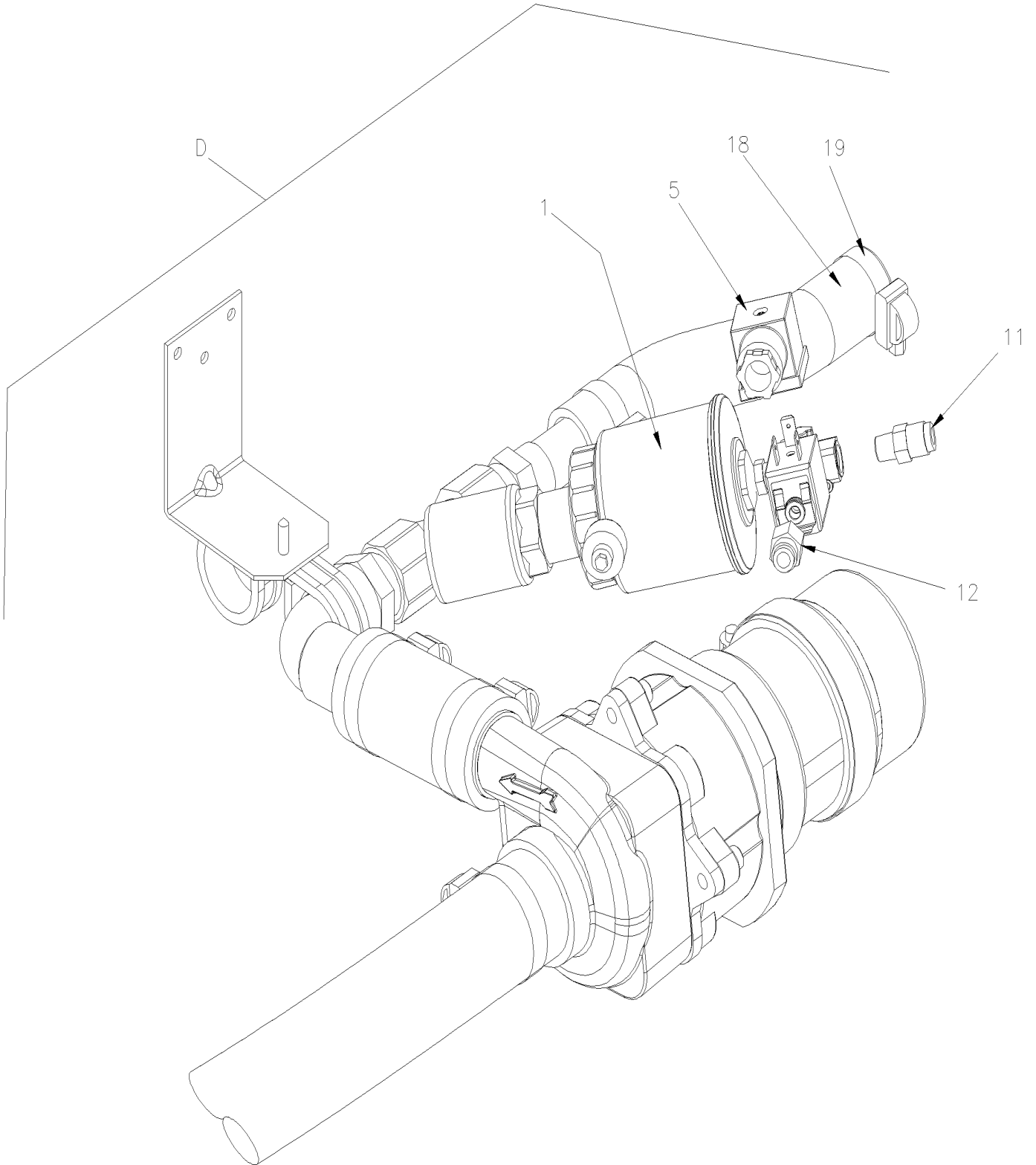
From F-2887 To J-0287

Date:10/2022

PAGE:H7-2207-06

**WATER VALVE - W/2 WAYS**

WITH SMALL A/C



From F-2887 To J-0287	Date:10/2022	PAGE:H7-2207-06
<b>WATER VALVE - W/2 WAYS</b>		

Item#	Part	Description	H 3 4 1	H 3 4 5	V I P 4 5	N O T E S
1	871454	WATER VALVE ASSY / 24V	1	1	1	
2	871458	. VALVE PILOT	1	1	1	
3	871459	. VALVE PSITON SERVICE KIT	1	1	1	
. NS	N.S.S.	. . VALVE PSITON SERVICE KIT	1	1	1	1
. NS	N.S.S.	. . WASHER	1	1	1	1
. NS	N.S.S.	. . WASHER	1	1	1	1
. NS	N.S.S.	. . SEAL	1	1	1	1
4	871460	. CONNECTOR KIT	1	1	1	
5	641385	CONNECTOR / SOCKET HOUSING ASSY 3C / PNEUMAC 54934-01	1	1	1	
11	641242	MALE CONNECTOR / PUSH-IN FITTING / #4x1/8NPT-M BR	1	1	1	
12	642028	MALE CONNECTOR / PUSH-IN FITTING / 6MM x M5-0.8 BR To G-3169	1	1	1	
12	871374	MUFFLER M5 PLASTIC From G-3170 To J-0040	1	1	1	
12	642028	MALE CONNECTOR / PUSH-IN FITTING / 6MM x M5-0.8 BR From J-0041	1	1	1	
12	503040	TUBE, NYLON 6MM O.D. / WHITE S.L. From J-0041	AR	AR	AR	
NS	680098	THREAD SEALANT LOCTITE #567 / WHITE / 250ml	AR	AR	AR	
16	503796	HOSE SILICONE 2 PLY / NOMEX-ARAMID 1 1/8" I.D. x 6'	AR	AR	AR	LE
17	992086	HOSE CLAMP / 32MM/52MM	1	1	1	LE
18	503797	HOSE SILICONE 4 PLY / NOMEX-ARAMID 7/8" I.D. x 6' To F-2910	AR	AR	AR	
18	503803	HOSE SILICONE 1 PLY / NOMEX-ARAMID 7/8" I.D. x 100' / S.L. From F-2911	AR	AR	AR	
19	992084	HOSE CLAMP / 23MM/35MM	2	2	2	
21	373899	SUPPORT WATER VALVE			1	LE
22	952639	CLAMP / 1"1/4 I.D.			1	LE
23	502685	SCREW CAP HEX M4-0.7x20 SS EMN			1	LE
24	504357	WASHER FL .187x.437x.050 SS			1	LE
25	502557	NUT HEX NYRT M4-0.7 SS			1	LE
31	374869	SUPPORT VALVE From F-2911	1	1	1	
32	952635	CLAMP / 1" I.D. From F-2911	2	2	2	
33	5001730	SCREW CAP HEXF M6-1.0x16 G10.9 N500 From F-2911	2	2	2	
34	504013	TIE MOUNT / 1/4" X 1/4" I.D. From F-2911	2	2	2	
35	504379	RIVET POP DOME OE 3/16x1/4 SS From F-2911	2	2	2	
A	374844	WATER VALVE ASSY W/PIPE To F-2910	1	1		A
A	Call order desk	WATER VALVE ASSY W/PIPE From F-2911 To J-0040	1	1		P
A	370151	WATER VALVE ASSY W/PIPE From J-0041	1	1		
A	Call order desk	WATER VALVE ASSY W/PIPE From F-2911 To J-0040			1	PAL
A	370151	WATER VALVE ASSY W/PIPE From J-0041			1	AL
B	374846	WATER VALVE ASSY W/PIPE To F-2910			1	AL
C	374849	WATER VALVE ASSY W/PIPE To J-0040			1	LE
C	370152	WATER VALVE ASSY W/PIPE From J-0041			1	LE
D	370153	WATER PUMP ASSY WITH WATER VALVE / SMALL A/C From J-0041			1	S
D	<b>H7-2206-03</b>	<b>WATER PUMP "AMETEK" / SEALLESS &amp; BRUSHLESS From J-0041</b>			1	S

From F-2887 To J-0287	Date:10/2022	PAGE:H7-2207-06
<b>WATER VALVE - W/2 WAYS</b>		

Item#	Part	Description	H 3 4 1	H 3 4 5	V I P 4 5	N O T E S
		A) IN SPARE COMPARTMENT				
		E) INSIDE EVAPORATOR COMPARTMENT				
		L) WITH LARGE A/C SYSTEM				
		S) WITH SMALL A/C SYSTEM				
		P) CALL ORDER DESK FOR SPECIFIC APPLICATION (V.I.N.)				
		1) NOT SOLD SEPARATELY				

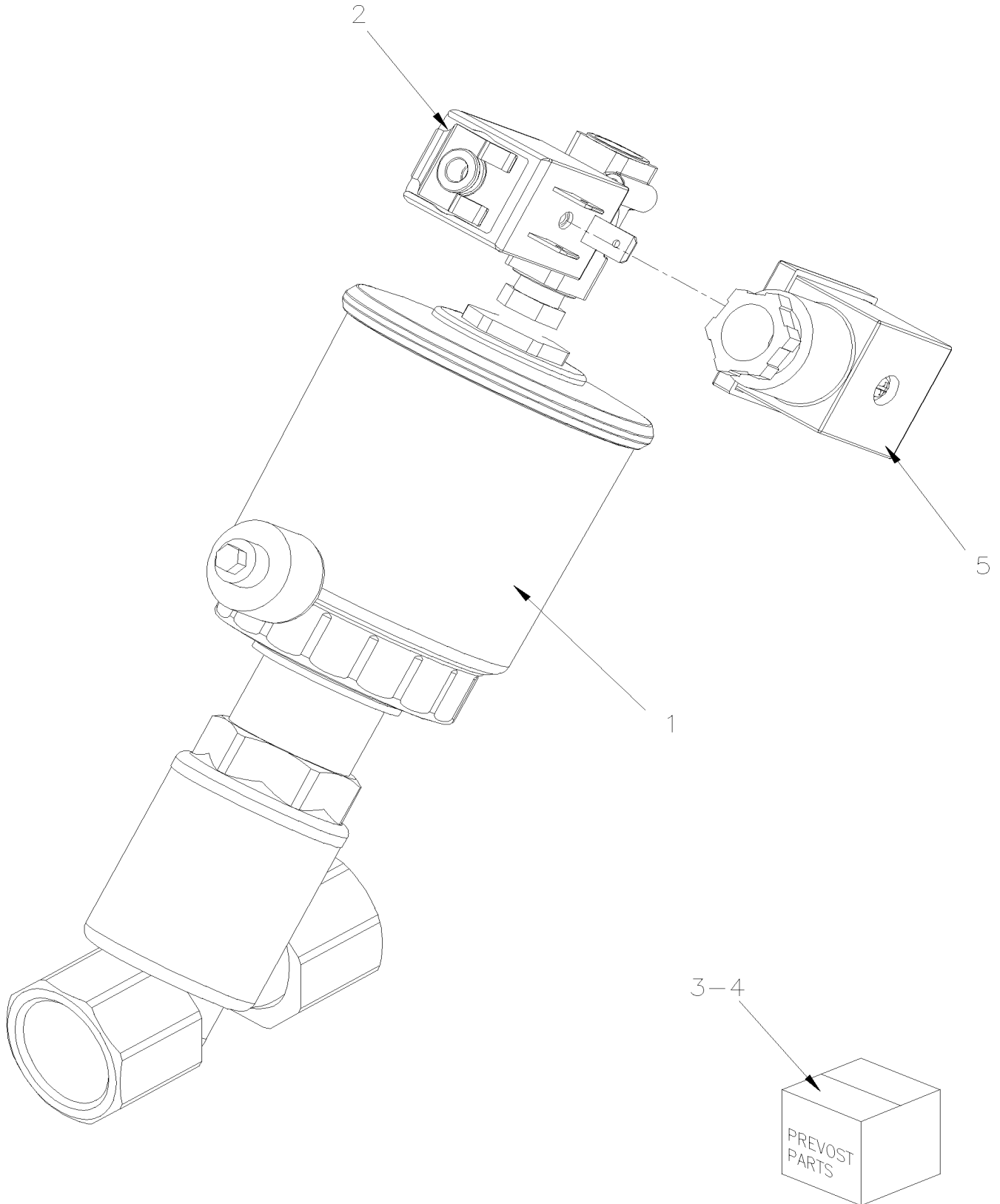


From 7-0671 To F-2886

Date:10/2022

PAGE:H7-2207-99

**WATER VALVE - W/MAIN & DRIVER'S / SERVICE**



From 7-0671 To F-2886	Date:10/2022	PAGE:H7-2207-99
<b>WATER VALVE - W/MAIN &amp; DRIVER'S / SERVICE</b>		

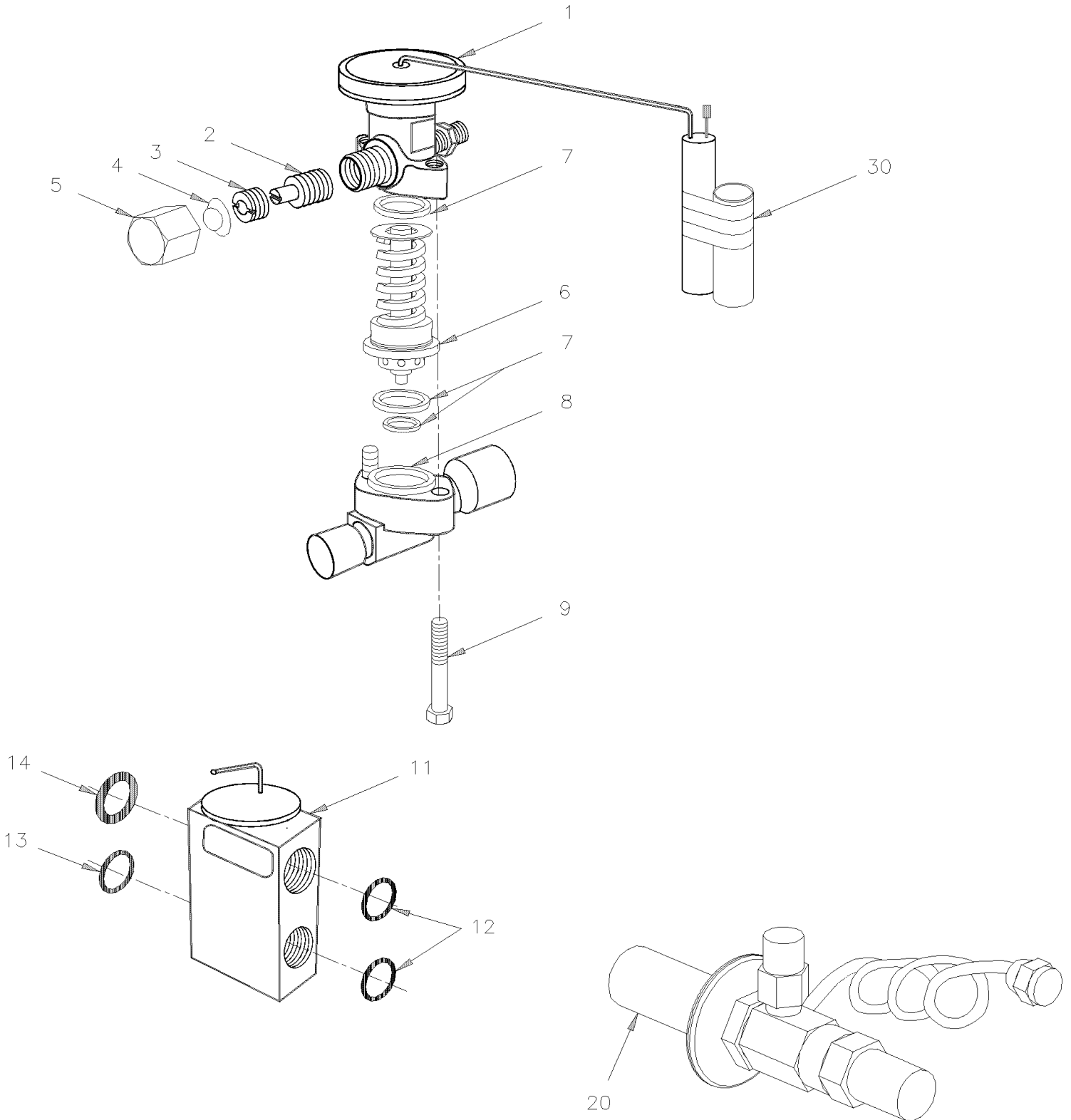
Item#	Part	Description	H 3 4 1	H 3 4 5	V I P 4 5	N O T E S
1	871454	WATER VALVE ASSY / 24V	1	1	1	
2	871458	. VALVE PILOT	1	1	1	
3	871459	. VALVE PSITON SERVICE KIT	1	1	1	
. NS	N.S.S.	. . VALVE PSITON SERVICE KIT	1	1	1	1
. NS	N.S.S.	. . WASHER	1	1	1	1
. NS	N.S.S.	. . WASHER	1	1	1	1
. NS	N.S.S.	. . SEAL	1	1	1	1
4	871460	. CONNECTOR KIT	1	1	1	
5	641385	CONNECTOR / SOCKET HOUSING ASSY 3C / PNEUMAC 54934-01	1	1	1	
		1) NOT SOLD SEPARATELY				

From 7-0671 To J-0287

Date:10/2022

PAGE:H7-2208-00

## A/C EXPANSION VALVE



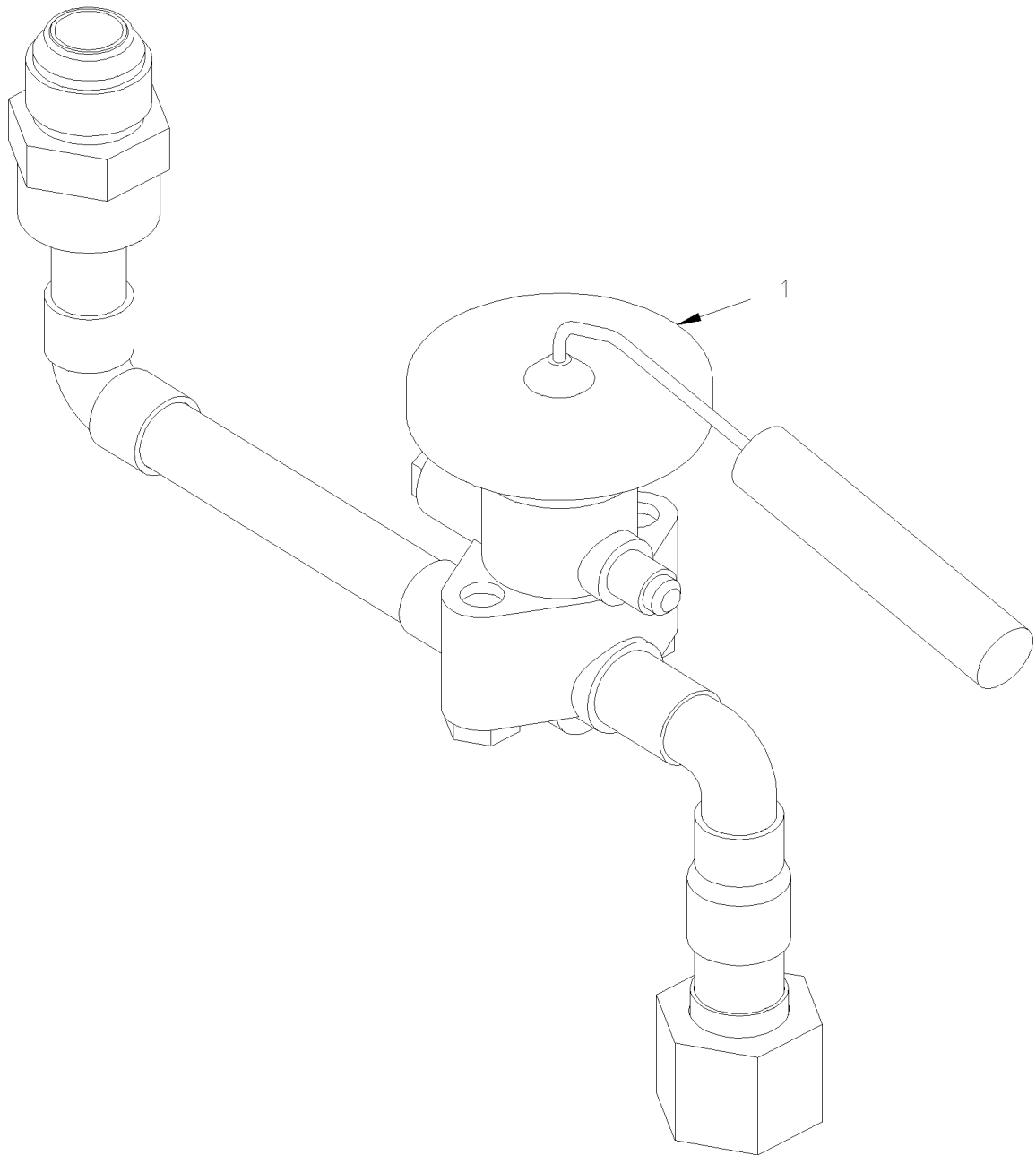
From 7-0671 To J-0287

Date:10/2022

PAGE:H7-2208-00

**A/C EXPANSION VALVE**

A



<b>From 7-0671 To J-0287</b>	<b>Date:10/2022</b>	<b>PAGE:H7-2208-00</b>
<b>A/C EXPANSION VALVE</b>		

Item#	Part	Description	H 3 4 1	H 3 4 5	V I P 4 5	N O T E S
	950316	VALVE, EXPANSION 5 1/2 TON W/R134A To 9-1469	1	1	1	
	950320	VALVE, EXPANSION 5 1/2 TON From 7-0671 To 9-1469			1	S
	950320	VALVE, EXPANSION 5 1/2 TON From A-1470	1	1	1	
1	950241	. ELEMENT POWER R134A	1	1	1	H
2	870622	. ADJUSTING STEM & PACKING ASSY	1	1	1	
3	870621	. NUT PACKING	1	1	1	
4	N.S.S.	. SEAL	1	1	1	1
5	870619	. NUT CAP	1	1	1	
6	950317	. CAGE ASSY & SPRING / B6B	1	1	1	
7	870709	. SET GASKET	1	1	1	
8	N.S.S.	. FLANGE BODY	1	1	1	1
9	500054	. SCREW CAP HEX 3/8-24x2 1/2 G5 ZP	2	2	2	
11	950221	VALVE, EXPANSION / DRIVER'S W/R134A	1	1	1	
11	950282	VALVE, EXPANSION R-22	1	1		
12	507279	O-RING / ORS FITTING / #8 NEO	2	2	2	
13	507278	O-RING / ORS FITTING / #4 NEO	1	1	1	
14	507344	O-RING / ORS FITTING / #10 NEO	1	1	1	
20	950322	VALVE, EXPANSION R-134 / PARCEL-RACK	1	1		
30	680091	TAPE INSULATING / 1/8" x 2" x 30' / BLACK PT-1	AR	AR	AR	F
A	454310	VALVE, EXPANSION ASSY / WITH PIPE From 7-0772 To 9-9614	1	1	1	
A	454635	VALVE, EXPANSION ASSY / WITH PIPE From 9-9615 To F-2711	1	1	1	
A	454754	VALVE, EXPANSION ASSY / WITH PIPE From F-2712 To F-2941	1	1	1	
A	457761	VALVE, EXPANSION ASSY / WITH PIPE From F-2942	1	1	1	
. NS	501829	. O-RING / ORS FITTING / #12 NEO From F-2942	1	1	1	
		F) USE FOR COVERING POWER ELEMENT BULB ON A/C PIPE IN EVAPORATOR COMPARTMENT				
		H) RELATED TO EXPANSION VALVE WITH R-134A				
		S) VIP WITH SLIDE-OUT ONLY				
		1) NOT SOLD SEPARATELY				

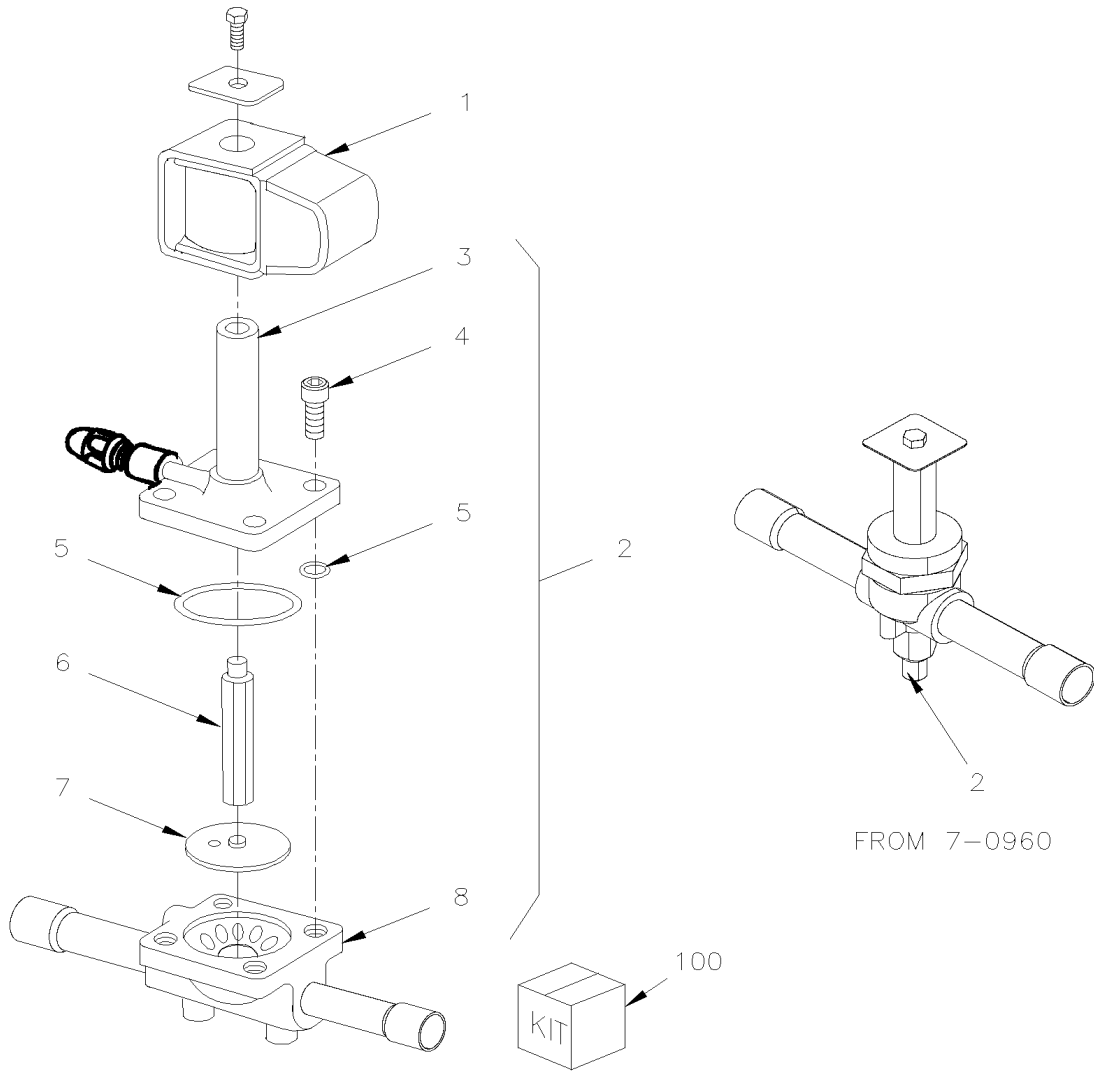


From 7-0671 To J-0287

Date:10/2022

PAGE:H7-2208-10

## REFRIGERENT SOLENOID VALVE

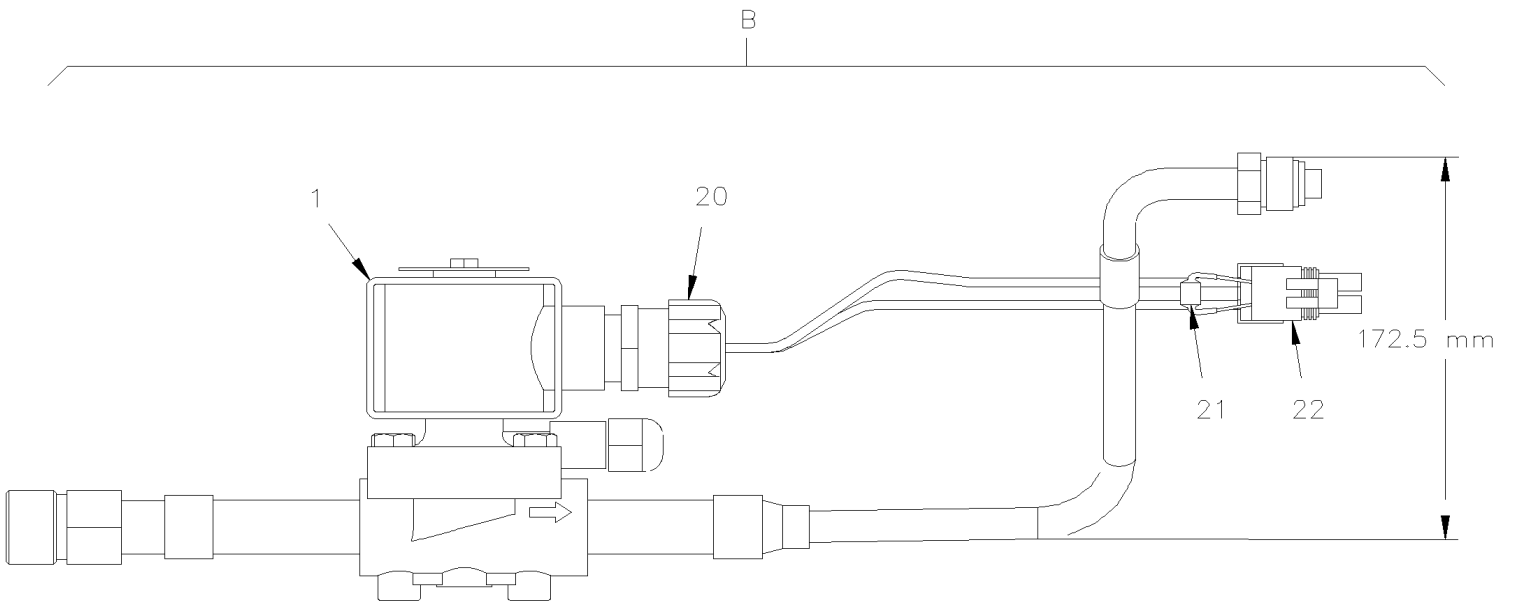
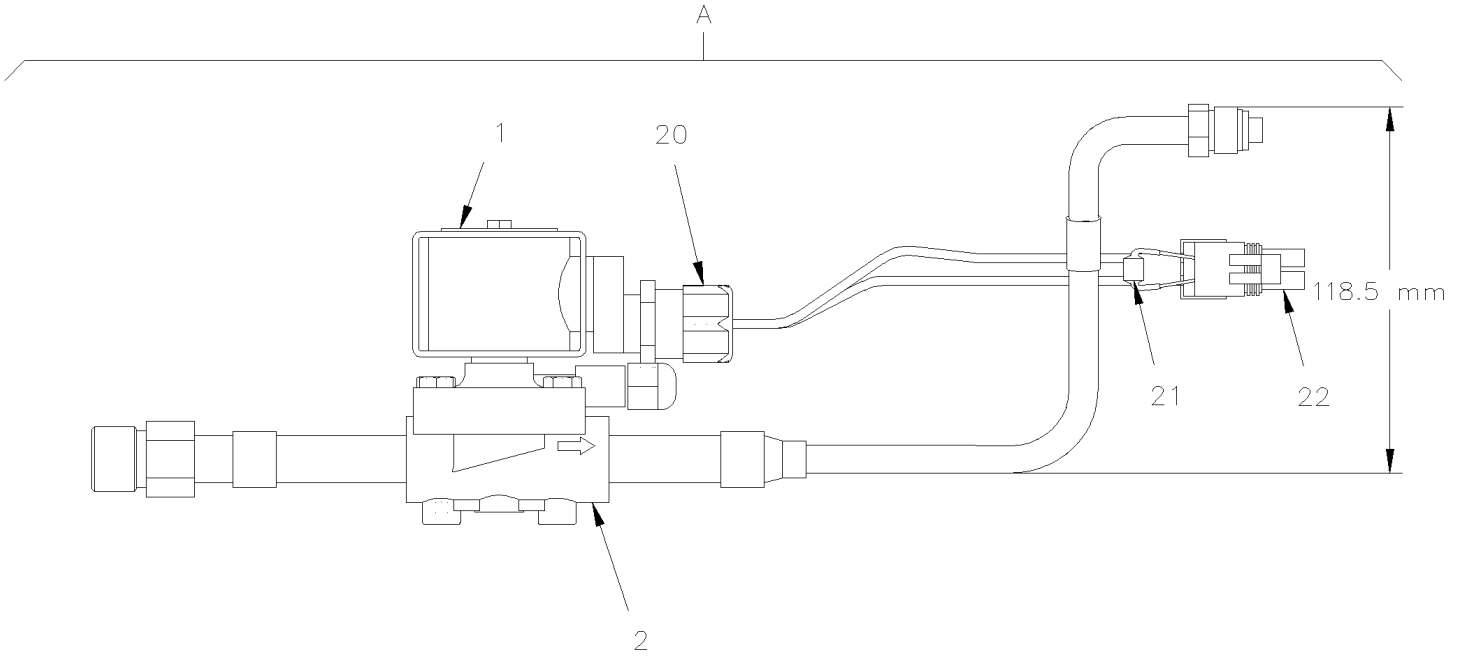


From 7-0671 To J-0287

Date:10/2022

PAGE:H7-2208-10

**REFRIGERENT SOLENOID VALVE**



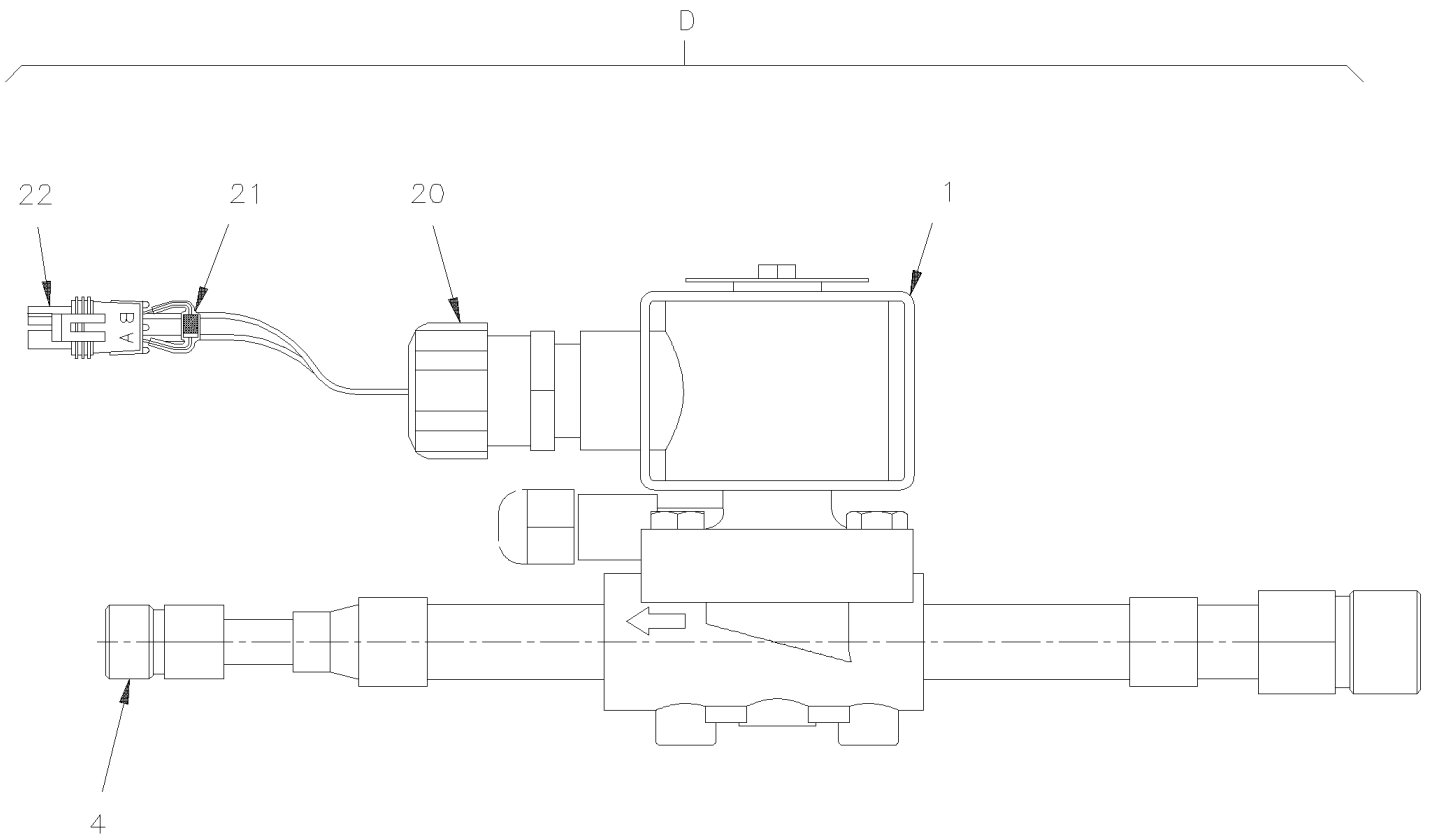
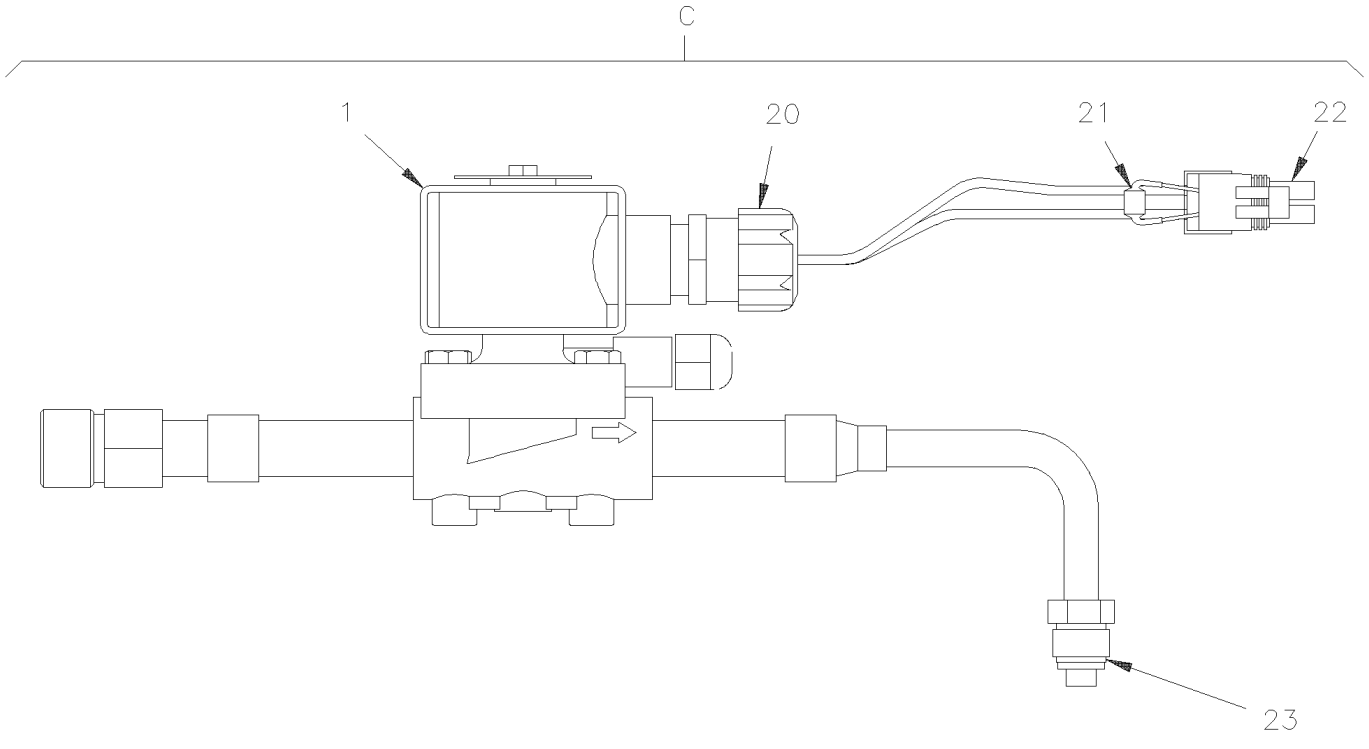


From 7-0671 To J-0287

Date:10/2022

PAGE:H7-2208-10

**REFRIGERENT SOLENOID VALVE**



From 7-0671 To J-0287	Date:10/2022	PAGE:H7-2208-10
<b>REFRIGERENT SOLENOID VALVE</b>		

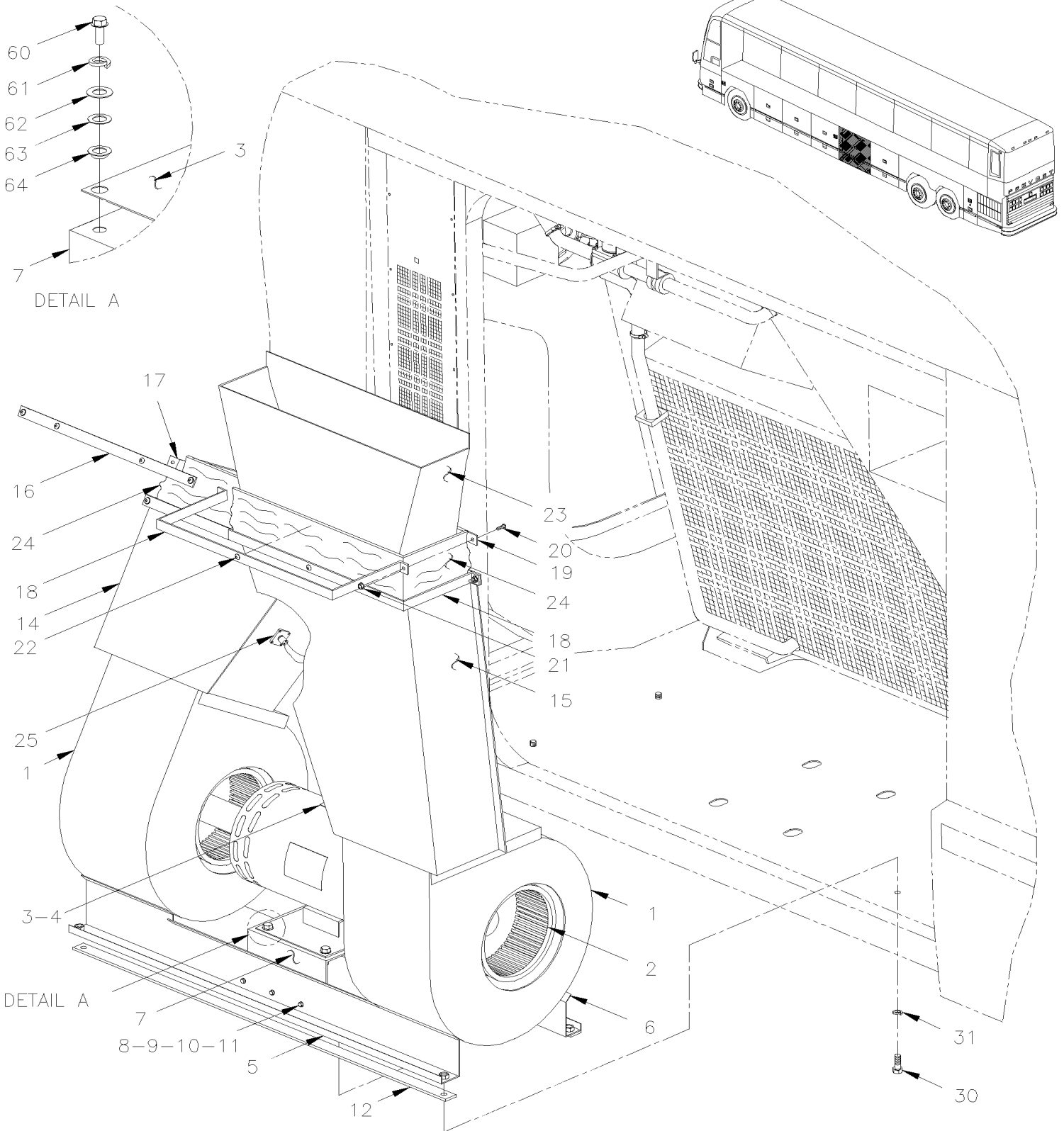
Item#	Part	Description	H 3 4 1	H 3 4 5	V I P 4 5	N O T E S
1	950953	. COIL 24V / SERVICE	1	1	1	
2	950951	. VALVE REFRIGERANT SOLENOID	1	1	1	
3	N.S.S.	. . BONNET & ENCLOSING TUBE ASSY	1	1	1	1
4	500238	. . SCREW CAP HEXS 1/4-20x3/4 ZP	4	4	4	
5	N.S.S.	. . O-RING	1	1	1	1
6	N.S.S.	. . PLUNGER ASSY	1	1	1	1
7	N.S.S.	. . DIAPRAGM ASSY	1	1	1	1
8	N.S.S.	. . BODY	1	1	1	1
20	560434	. CONNECTOR 1/2" PIPE	1	1	1	
21	560931	. DIODE / 3AMPS	1	1	1	
22	561690	. CONNECTOR / WEATHER PACK / SH 2C / BLACK / PED 12015792	1	1	1	
NS	561565	. CABLE SEAL / GREEN / PED 15324982	2	2	2	
NS	561578	. SOCKET TERMINAL / 16-14 / PED 12010182	2	2	2	
23	507278	. O-RING / ORS FITTING / #4 NEO	1	1	1	
A	374357	VALVE ASSY / REFRIGERANT SOLENOID To E-2622	1	1		
A	454900P	VALVE ASSY / REFRIGERANT SOLENOID From E-2623 To F-2910	1	1		
A	454939P	VALVE ASSY / REFRIGERANT SOLENOID From F-2911	1	1		
. NS	454938	. SUPPORT, VALVE A/C ASSY From F-2911	1	1		
. NS	502681	. NUT HEX NYRT M6-1.0 N500 G8 From F-2911	2	2		
. NS	500877	. WASHER FL .250x.562x.065 N500 From F-2911	2	2		
B	374360	VALVE ASSY / REFRIGERANT SOLENOID To E-2504			1	E
B	374357	VALVE ASSY / REFRIGERANT SOLENOID From E-2505 To E-2625			1	E
B	454900P	VALVE ASSY / REFRIGERANT SOLENOID From E-2626 To F-2910			1	E
B	454939P	VALVE ASSY / REFRIGERANT SOLENOID From F-2911			1	E
. NS	454938	. SUPPORT, VALVE A/C ASSY From F-2911			1	E
. NS	502681	. NUT HEX NYRT M6-1.0 N500 G8 From F-2911			2	E
. NS	500877	. WASHER FL .250x.562x.065 N500 From F-2911			2	E
C	453290	VALVE ASSY / REFRIGERANT SOLENOID			1	C
D	453151	VALVE ASSY / REFRIGERANT SOLENOID			1	B
		B) WITH SMALL A/C SYSTEM / UNDER STEPWELL				
		C) WITH SMALL A/C SYSTEM W/AUX REAR OF DRIVER				
		E) WITH LARGE A/C SYSTEM / UNDER STEPWELL				
		1) NOT SOLD SEPARATELY				

From 7-0671 To 9-1403

Date:10/2022

PAGE:H7-2210-00

## HEATER & EVAPORATOR BLOWER - INSTALLATION



From 7-0671 To 9-1403	Date:10/2022	PAGE:H7-2210-00
<b>HEATER &amp; EVAPORATOR BLOWER - INSTALLATION</b>		

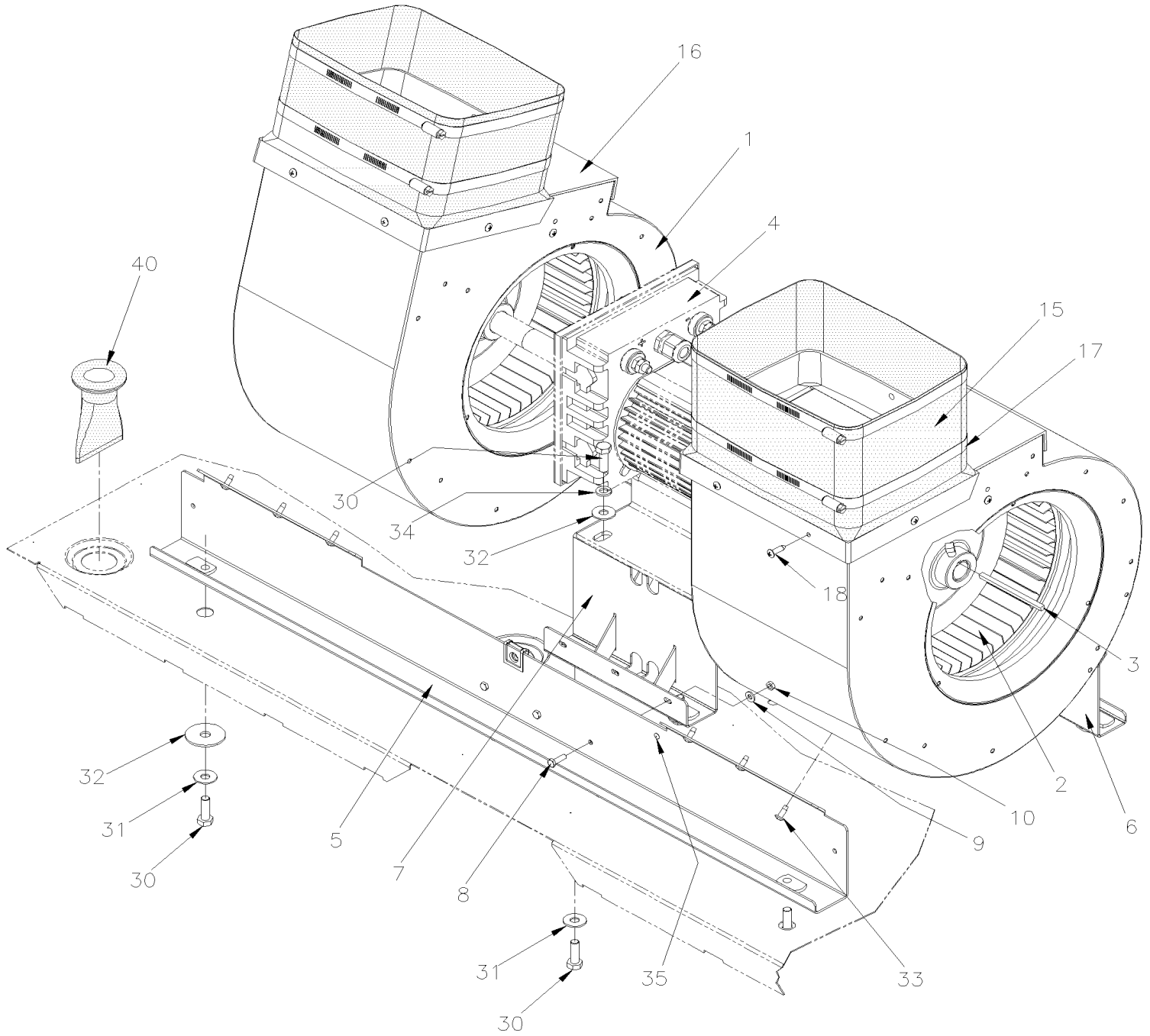
Item#	Part	Description	H 3 4 1	H 3 4 5	V I P 4 5	N O T E S
	451820P	MOTOR & BLOWER ASSY	1	1	1	A
1	871306	HOUSING ASSY W/BLOWER WHEEL	1	1	1	
1	871308	. HOUSING ASSY, GALVANISED	1	1	1	
2	870956	. BLOWER WHEEL	1	1	1	
NS	500524	. SCREW TP PAN PH #12x5/8 SS	12	12	12	F
3	452085	. KEY 3/16 X 82 MM	2	2	2	
4	<b>H7-2265-00</b>	<b>MOTOR - EVAPORATOR "PREVOST" - T-17 - 2 SPEEDS</b>				
NS	453337	SUPPORT ASSY	1	1	1	
5	453284	. SUPPORT FRONT	1	1	1	
6	453285	. SUPPORT REAR	1	1	1	
7	453283	. BASE SUB ASSY	1	1	1	
NS	500297	. . NUT WD FLRET 5/16-24	AR	AR	AR	
8	5001447	. . SCREW CAP HEX #10-24x5/8 PT SS BK	6	6	6	
9	5001180	. . NUT HEX NYRT #10-24 SS	6	6	6	
10	5001137	. . WASHER FL .203x.438x.050 SS	6	6	6	
11	506466	. . TAPE RUB ADH1 CC POL 1/16" x 1 1/2" x 100 / GREY 2520	AR	AR	AR	
12	506227	. . TAPE RUB ADH1 CC POL 1/16" x 3/4" x 100' / GREY 2520	AR	AR	AR	
14	453940	. DUCT ASSY L.H.	1	1	1	
15	454412	. DUCT ASSY R.H.	1	1	1	
18	452728P	RETAINER STRAP / "U" SHAPE 388MM X 139MM SS	2	2	2	
NS	453292	PLATE RETAINER	1	1	1	
19	452729P	RETAINER STRAP / 425MM X 25MM SS	2	2	2	
20	502708	SCREW CAP HEX M5-0.8x35 SS	6	6	6	
21	502782	NUT HEX NYRT M5-0.8 Z050	6	6	6	
22	5001184	. SCREW TP PAN PH #12x1/2 SS	20	20	20	
23	372949	DUCT, AIR INLET L.H.			1	
23	453002	DUCT, AIR INLET L.H.	1	1		
24	452248	DUCT LEATHERETTE 127MM X 1100MM	2	2	2	
NS	372711	ANGLE SUPPORT	2	2	2	
25	<b>H7-2210-50</b>	<b>AIR MAIN SENSOR</b>				
30	5001446	SCREW CAP HEX 5/16-24x1 SS EMN	8	8	8	
31	5001467	WASHER FL .343x1.250x.062 SS18-8	8	8	8	
60	5001446	. SCREW CAP HEX 5/16-24x1 SS EMN	4	4	4	
61	500035	. WASHER LO SPT .317x.586x.078 SS	4	4	4	
62	5001448	. WASHER FL .343x.875x.062 SS18-8	4	4	4	
63	502723	WASHER FL .386x.750x.050 NYL	4	4	4	
64	504503	. BUSHING, NYLON 5/16 DIA.	4	4	4	
		A) THIS PART NUMBER INCLUDE MOTOR, SEE PAGE HF-2265-00				
		F) TO FIX HOUSING TO SUPPORT				

From 7-0671 To 9-1403

Date:10/2022

PAGE:H7-2210-01

## HEATER & EVAPORATOR BLOWER - INSTALLATION



From 7-0671 To 9-1403	Date:10/2022	PAGE:H7-2210-01
<b>HEATER &amp; EVAPORATOR BLOWER - INSTALLATION</b>		

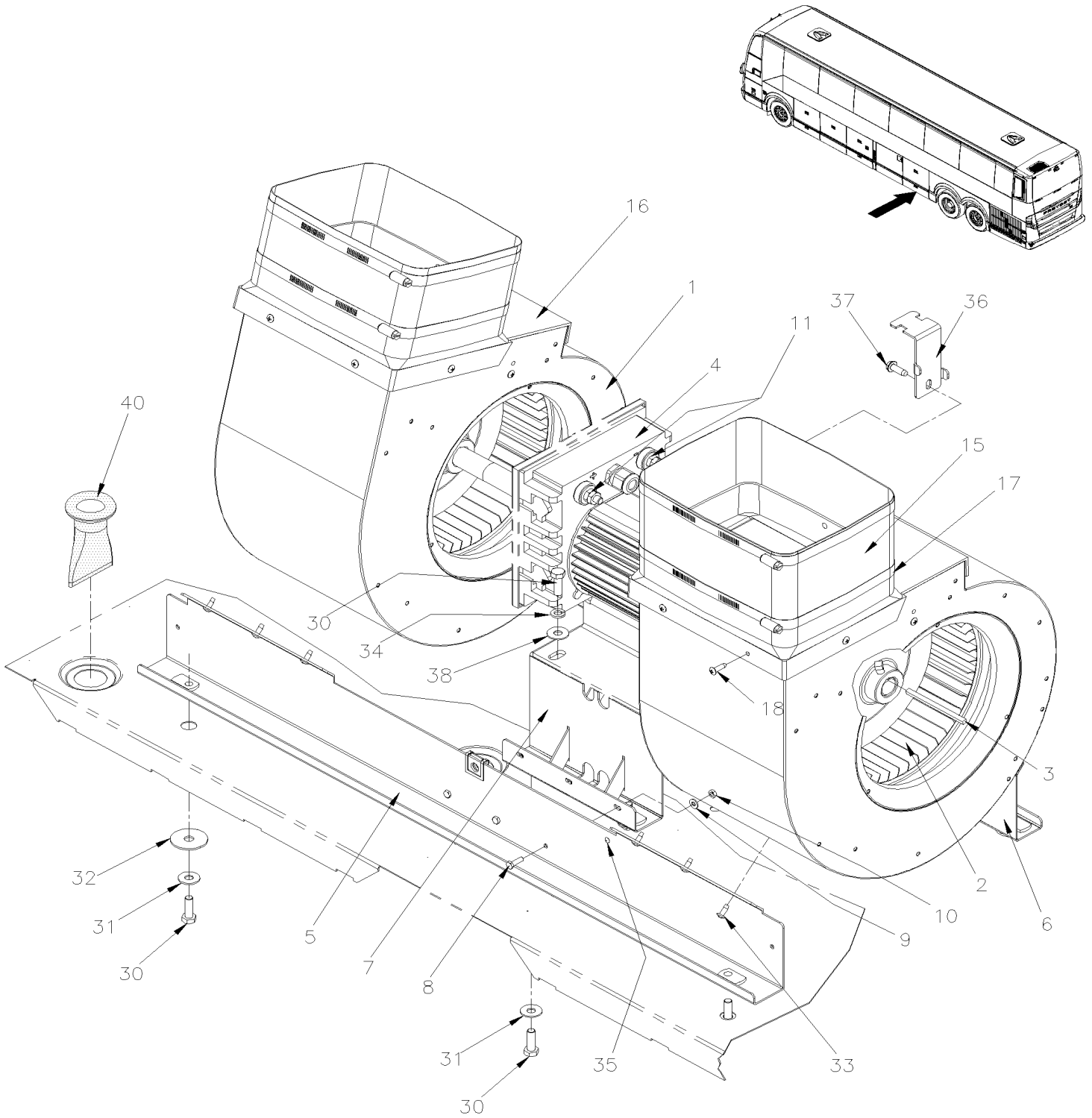
Item#	Part	Description	H 3 4 1	H 3 4 5	V I P 4 5	N O T E S
1	871306	HOUSING ASSY W/BLOWER WHEEL	2	2	2	
1	871308	. HOUSING ASSY, GALVANISED	1	1	1	
2	870956	. BLOWER WHEEL	1	1	1	
3	452085	KEY 3/16 X 82 MM	2	2	2	
4	<b>H7-2265-00</b>	<b>MOTOR - EVAPORATOR "PREVOST" - T-17 - 2 SPEEDS To 9-1403</b>				
4	<b>H7-2265-01</b>	<b>MOTOR - EVAPORATOR BRUSHLESS From 9-1404</b>				
5	453990	SUPPORT	1	1	1	
6	453995	SUPPORT	1	1	1	
7	457414	BASE SUB ASSY	1	1	1	
8	5001447	SCREW CAP HEX #10-24x5/8 PT SS BK	6	6	6	
9	5001137	WASHER FL .203x.438x.050 SS	6	6	6	
10	5001180	NUT HEX NYRT #10-24 SS	6	6	6	
15	454439	FLEXIBLE DUCT / HEIGHT 160MM	2	2	2	
16	453992	TRANSITION ADAPTOR FLEXIBLE DUCT	2	2	2	
17	504729	CLAMP HOSE SS/CR 203-279	2	2	2	
18	500957	SCREW TP BDG PH #10x3/4 N500	10	10	10	
30	502780	SCREW CAP HEX M8-1.25x25 SS BK	AR	AR	AR	
31	5001448	WASHER FL .343x.875x.062 SS18-8	AR	AR	AR	
32	500261	WASHER FL .390x1.500x.083 N500	AR	AR	AR	
33	502868	SCREW TC TR PH #10-16x1/2 N500	AR	AR	AR	
34	500035	WASHER LO SPT .317x.586x.078 SS	AR	AR	AR	
35	504112	RIVET POP DOME OE 1/8x1/8 AL	2	2	2	
40	453981	DRAIN BOOT 1" I.D. W/GROOVE 1.5 x 35MM I.D. x 62MM	4	4	4	
40	414654	DRAIN BOOT 1" I.D. W/GROOVE 1.5 x 35MM I.D. x 85MM	1	1	1	

From 9-1404 To J-0287

Date:10/2022

PAGE:H7-2210-02

## HEATER & EVAPORATOR BLOWER - INSTALLATION



From 9-1404 To J-0287	Date:10/2022	PAGE:H7-2210-02
<b>HEATER &amp; EVAPORATOR BLOWER - INSTALLATION</b>		

Item#	Part	Description	H 3 4 1	H 3 4 5	V I P 4 5	N O T E S
1	871306	HOUSING ASSY W/BLOWER WHEEL	2	2	2	
1	871308	. HOUSING ASSY, GALVANISED	1	1	1	
2	870956	. BLOWER WHEEL	1	1	1	
3	452085	KEY 3/16 X 82 MM	2	2	2	
4	<b>H7-2265-00</b>	<b>MOTOR - EVAPORATOR "PREVOST" - T-17 - 2 SPEEDS To 9-1403</b>				
4	<b>H7-2265-01</b>	<b>MOTOR - EVAPORATOR BRUSHLESS From 9-1404</b>				
5	453990	SUPPORT To E-2661	1	1	1	
5	457568	SUPPORT From E-2662 To H-3528	1	1	1	
5	450103	SUPPORT From H-3529	1	1	1	
6	453995	SUPPORT	1	1	1	
7	457414	BASE SUB ASSY	1	1	1	
8	5001447	SCREW CAP HEX #10-24x5/8 PT SS BK	6	6	6	
9	5001137	WASHER FL .203x.438x.050 SS	6	6	6	
10	5001180	NUT HEX NYRT #10-24 SS	6	6	6	
11	5001448	WASHER FL .343x.875x.062 SS18-8	2	2	2	
NS	500035	WASHER LO SPT .317x.586x.078 SS	2	2	2	
15	454439	FLEXIBLE DUCT / HEIGHT 160MM	2	2	2	
16	453992	TRANSITION ADAPTOR FLEXIBLE DUCT	2	2	2	
17	504729	CLAMP HOSE SS/CR 203-279	2	2	2	
18	500957	SCREW TP BDG PH #10x3/4 N500	10	10	10	
30	502780	SCREW CAP HEX M8-1.25x25 SS BK To G-3088	AR	AR	AR	
30	5001527	SCREW CAP HEX M8-1.25x16 SS BK From G-3089	AR	AR	AR	
31	5001448	WASHER FL .343x.875x.062 SS18-8	AR	AR	AR	
32	500261	WASHER FL .390x1.500x.083 N500 To G-3088	AR	AR	AR	
32	500462	WASHER FL .343x1.500x.083 SS From G-3089	AR	AR	AR	
33	502868	SCREW TC TR PH #10-16x1/2 N500	AR	AR	AR	
34	500035	WASHER LO SPT .317x.586x.078 SS To G-3234	4	4	4	
35	504112	RIVET POP DOME OE 1/8x1/8 AL	2	2	2	
36	068359	SUPPORT WIRING HARNESS	1	1	1	
37	502848	SCREW TC CAP HEXF 1/4-20x3/4 N500 To G-3234	1	1	1	
38	5001448	WASHER FL .343x.875x.062 SS18-8 From G-3235	4	4	4	
38	5001848	WASHER BEL SPR .827 x .331 x .098 th SS	4	4	4	
40	453981	DRAIN BOOT 1" I.D. W/GROOVE 1.5 x 35MM I.D. x 62MM	4	4	4	
40	414654	DRAIN BOOT 1" I.D. W/GROOVE 1.5 x 35MM I.D. x 85MM	1	1	1	

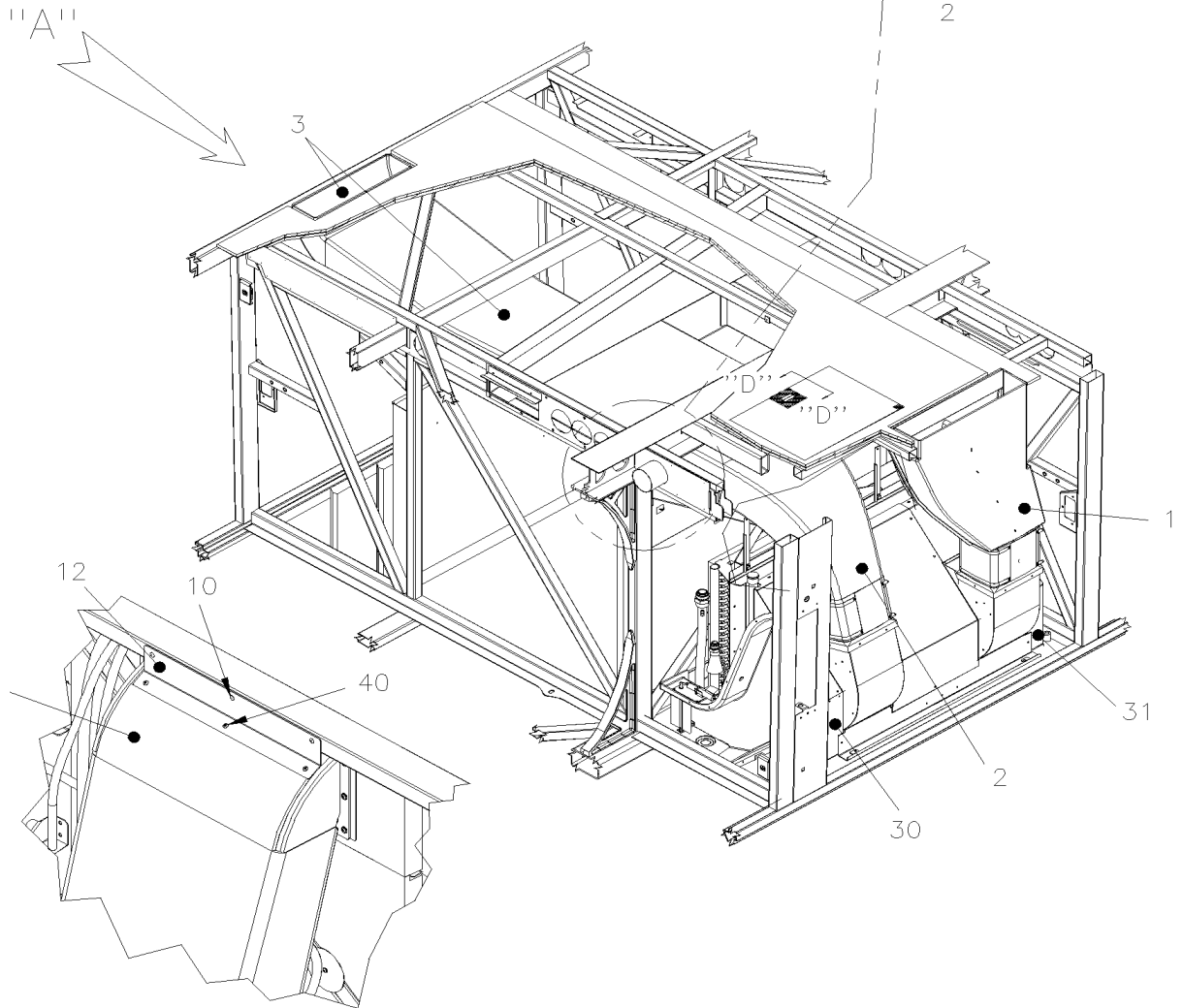
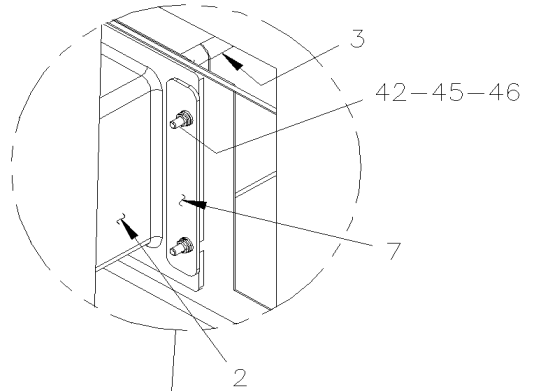
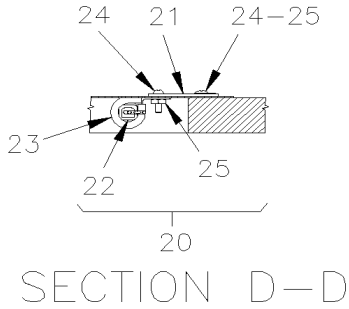


From 7-0671 To 9-1403

Date:10/2022

PAGE:H7-2210-05

## HEATER & EVAPORATOR BLOWER - INSTALLATION VIP - W/SLIDE-OUT



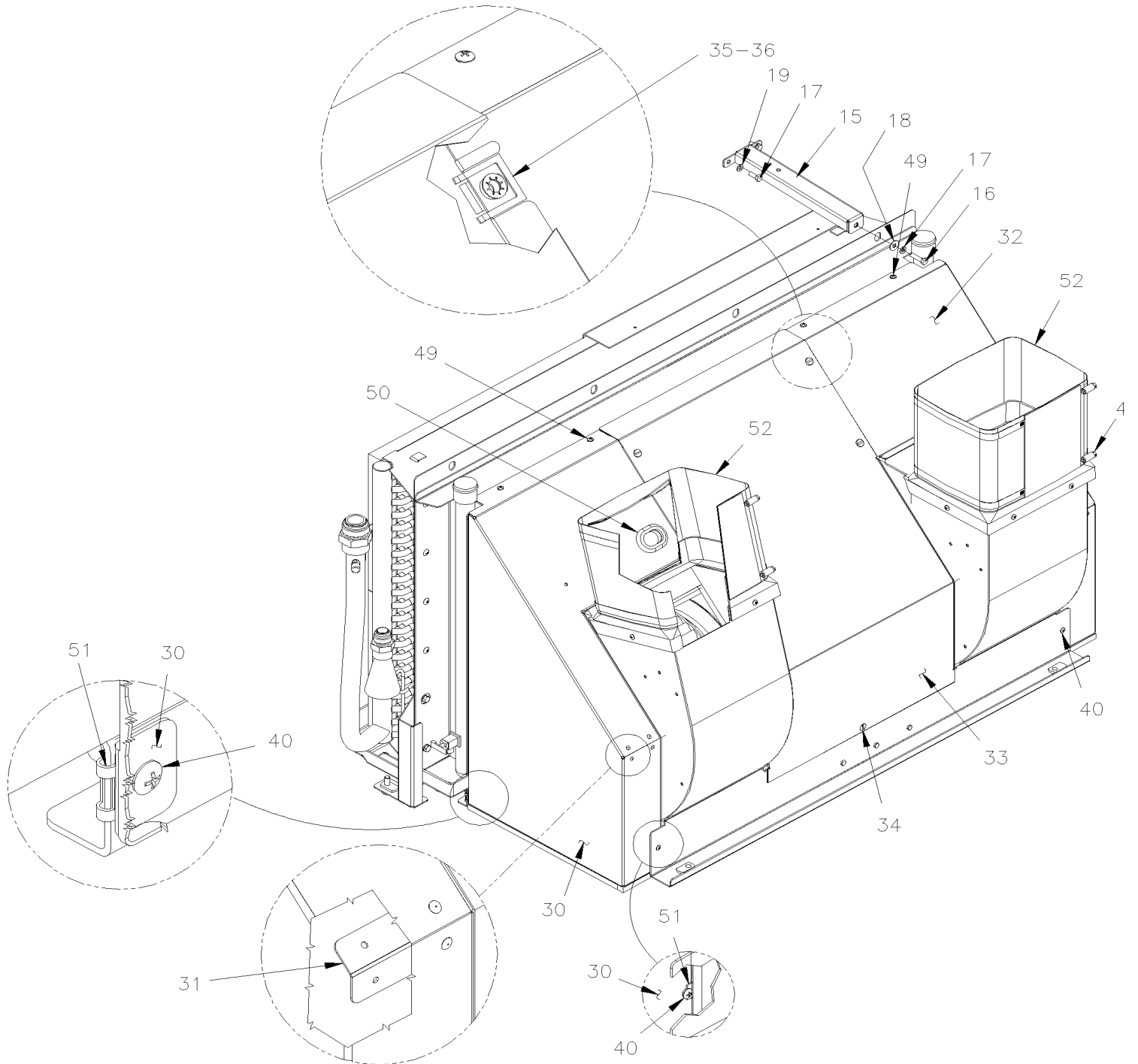
VIEW "A"

From 7-0671 To 9-1403

Date:10/2022

PAGE:H7-2210-05

HEATER & EVAPORATOR BLOWER - INSTALLATION VIP - W/SLIDE-OUT



From 7-0671 To 9-1403	Date:10/2022	PAGE:H7-2210-05
<b>HEATER &amp; EVAPORATOR BLOWER - INSTALLATION VIP - W/SLIDE-OUT</b>		

Item#	Part	Description	H 3 4 1	H 3 4 5	V I P 4 5	N O T E S
1	454307	DUCT, R.H, OUTLET EVAPORATOR FAN			1	
2	454308	DUCT, L.H. OUTLET EVAPORATOR FAN			1	
3	Call order desk	DUCT, L.H. OUTLET EVAPORATOR FAN			1	P
. NS	454309	. DUCT, L.H. (SEE O,C,2007084)			1	
. NS	454646	. DUCT, L.H.			1	
3	Call order desk	DUCT, L.H. OUTLET EVAPORATOR FAN			1	P
3	454309	. DUCT, L.H. (SEE O,C,2007084)			1	
4	504729	CLAMP HOSE SS/CR 203-279			4	
7	454327	PLATE ATTACHMENT			2	
10	504347	RIVET POP DOME OE 3/16x1/4 AL			3	
12	454546	SUPPORT, CONDENSER DUCT			1	
15	374368	SUPPORT ASSY			1	
16	502737	SCREW CAP HEX M6-1.0x25 SS BK			1	
17	502853	WASHER LO SPT 6.1x11.8x1.6 N500			3	
18	500411	WASHER FL .260x.697x.050 SS			1	
19	5001744	SCREW CAP HEX M6-1.0x16 G8.8 N500			2	
20	453791	TEMPERATURE SENSOR ASSY W/SUPPORT			1	
21	453792	. SUPPORT TERMISTOR			1	
22	563063	. SENSOR THERMISTOR ASSY / TEMPERATURE / ("DELPHI")			1	
23	952637	. CLAMP / 1"1/16 I.D.			1	
24	500414	. SCREW TP BDG PH #10x3/4 SS			1	
25	500700	. NUT HEX #10-32 Z050			1	
26	453789	. GRILL / AIR RETURN			1	
30	454329	PLENUM FORWARD SECTION			1	
31	453991	REINFORCMENT			1	
32	454328	PLENUM BACKWARD SECTION			1	
33	454331	PLENUM CENTRAL SECTION			1	
34	504681	STUD 6MM (DZUS)			1	
35	504604	FASTENER			1	
36	504605	RECEPTACLE 6 MM			1	
40	500957	SCREW TP BDG PH #10x3/4 N500			AR	
41	502737	SCREW CAP HEX M6-1.0x25 SS BK			AR	
42	502681	NUT HEX NYRT M6-1.0 N500 G8			AR	
43	500642	SCREW TP PAN PH #10x3/4 Z050			AR	
45	502573	WASHER FL 6.4x12.5x1.6 SS			AR	
46	502853	WASHER LO SPT 6.1x11.8x1.6 N500			AR	
47	500804	WASHER FL .203x.500x.047 N500			AR	
48	500411	WASHER FL .260x.697x.050 SS			AR	
49	502868	SCREW TC TR PH #10-16x1/2 N500			AR	
50	504534	GROMMET / .875x1.250x.187x.562x1.625			1	
51	502904	NUT SPR J #10A .035-.050 N500			AR	
52	454439	FLEXIBLE DUCT / HEIGHT 160MM			2	

From 7-0671 To 9-1403	Date:10/2022	PAGE:H7-2210-05
-----------------------	--------------	-----------------

**HEATER & EVAPORATOR BLOWER - INSTALLATION VIP - W/SLIDE-OUT**

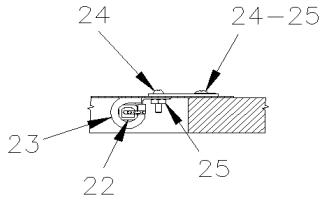
Item#	Part	Description	H 3 4 1	H 3 4 5	V I P 4 5	N O T E S
		P) CALL ORDER DESK FOR SPECIFIC APPLICATION (V.I.N.)				

From 9-1404 To J-0287

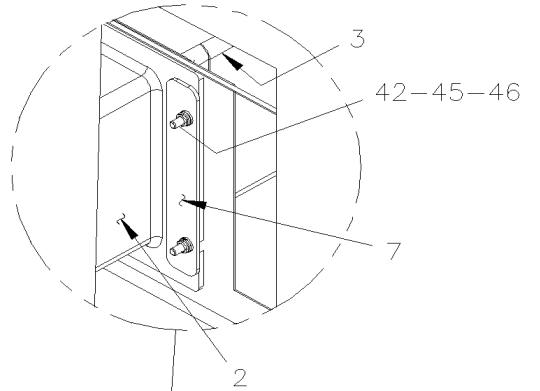
Date:10/2022

PAGE:H7-2210-06

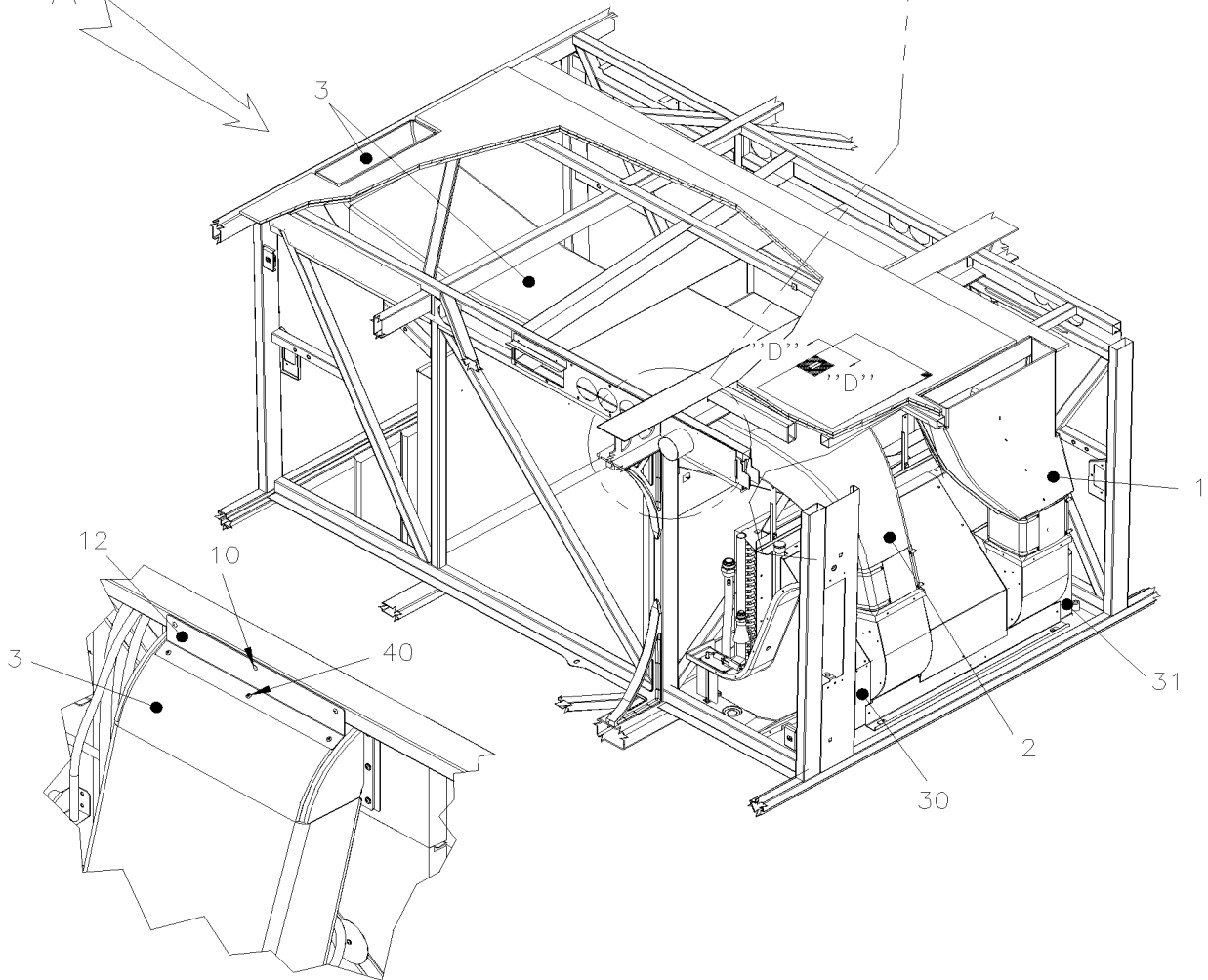
HEATER & EVAPORATOR BLOWER - INSTALLATION



SECTION D-D



"A"



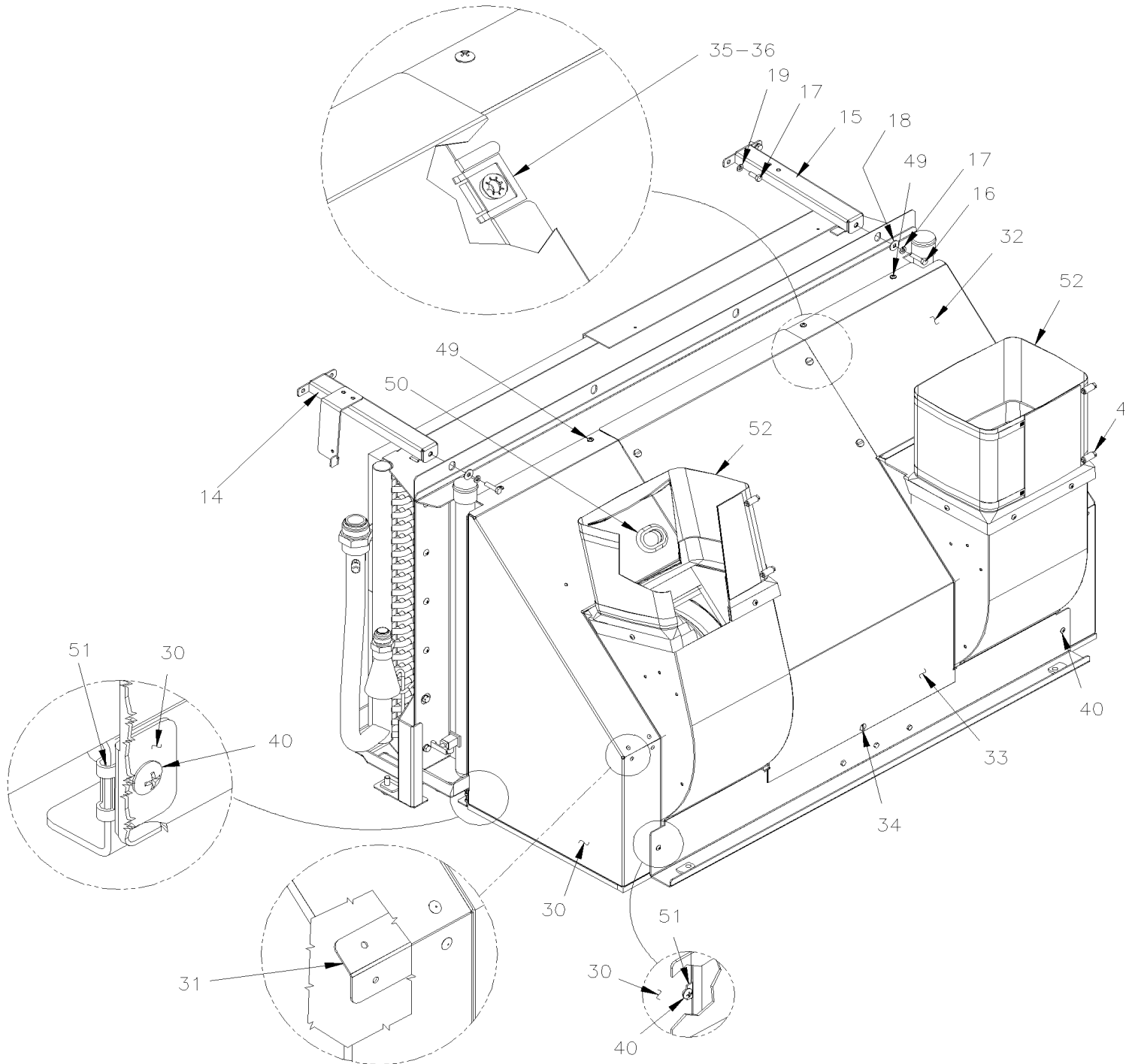
VIEW "A"

From 9-1404 To J-0287

Date:10/2022

PAGE:H7-2210-06

## HEATER & EVAPORATOR BLOWER - INSTALLATION



<b>From 9-1404 To J-0287</b>	<b>Date:10/2022</b>	<b>PAGE:H7-2210-06</b>
<b>HEATER &amp; EVAPORATOR BLOWER - INSTALLATION</b>		

Item#	Part	Description	H 3 4 1	H 3 4 5	V I P 4 5	N O T E S
1	454602P	DUCT, R.H. OUTLET EVAPORATOR FAN	1	1		
1	454307	DUCT, R.H. OUTLET EVAPORATOR FAN			1	
NS	454547	SUPPORT, VERTICAL EVAPORATOR DUCT	1	1	1	
NS	500957	SCREW TP BDG PH #10x3/4 N500	2	2	2	
NS	502868	SCREW TC TR PH #10-16x1/2 N500	2	2	2	
2	454362	DUCT, L.H. OUTLET EVAPORATOR FAN	1	1	1	
3	Call order desk	DUCT, L.H. OUTLET EVAPORATOR FAN To A-1540			1	P
. NS	454309	. DUCT, L.H. (SEE O,C,2007084) To A-1540			1	
. NS	454646	. DUCT, L.H. To A-1540			1	
3	Call order desk	DUCT, L.H. OUTLET EVAPORATOR FAN From A-1541			1	P
. NS	454646	. DUCT, L.H. From A-1541			1	
. NS	454651	. INSULATING CONDENSOR DUCT From A-1541			1	
. NS	454363	. INSULATING CONDENSOR DUCT From A-1541			1	
3	Call order desk	DUCT, L.H. OUTLET EVAPORATOR FAN To A-1540	1	1		P WCL
. NS	454598	. DUCT, L.H. To A-1540	1	1		WCL
. NS	453634	. INSULATING CONDENSOR DUCT To A-1540	1	1		WCL
. NS	454363	. INSULATING CONDENSOR DUCT To A-1540	1	1		WCL
3	Call order desk	DUCT, L.H. OUTLET EVAPORATOR FAN From A-1541	1	1		P WCL
. NS	454646	. DUCT, L.H. From A-1541	1	1		WCL
. NS	454651	. INSULATING CONDENSOR DUCT From A-1541	1	1		WCL
. NS	454363	. INSULATING CONDENSOR DUCT From A-1541	1	1		WCL
3	Call order desk	DUCT, L.H. OUTLET EVAPORATOR FAN To G-3326	1	1		P
. NS	454598	. DUCT, L.H. To G-3326	1	1		
. NS	453634	. INSULATING CONDENSOR DUCT To G-3326	1	1		
. NS	454363	. INSULATING CONDENSOR DUCT To G-3326	1	1		
3	Call order desk	DUCT, L.H. OUTLET EVAPORATOR FAN From G-3327	1	1		P
. NS	454598	. DUCT, L.H. From G-3327	1	1		
4	504729	CLAMP HOSE SS/CR 203-279	4	4	4	
7	454327	PLATE ATTACHMENT	2	2	2	
10	504347	RIVET POP DOME OE 3/16x1/4 AL	3	3	3	
12	454546	SUPPORT, CONDENSER DUCT	1	1	1	
14	374369	SUPPORT ASSY	1	1	1	
15	374368	SUPPORT ASSY	1	1	1	
16	502737	SCREW CAP HEX M6-1.0x25 SS BK	1	1	1	
17	5001744	SCREW CAP HEX M6-1.0x16 G8.8 N500	2	2	2	
18	500411	WASHER FL .260x.697x.050 SS	1	1	1	
19	502853	WASHER LO SPT 6.1x11.8x1.6 N500	3	3	3	
22	563063	SENSOR THERMISTOR ASSY / TEMPERATURE / ("DELPHI")			1	
23	952637	CLAMP / 1"1/16 I.D.			1	
24	500414	SCREW TP BDG PH #10x3/4 SS			1	
25	500700	NUT HEX #10-32 Z050			1	
26	453789	GRILL / AIR RETURN			1	

From 9-1404 To J-0287 Date:10/2022 PAGE:H7-2210-06

**HEATER & EVAPORATOR BLOWER - INSTALLATION**

Item#	Part	Description	H 3 4 1	H 3 4 5	V I P 4 5	N O T E S
30	454329	PLENUM FORWARD SECTION To A-1629	1	1	1	
30	454665P	PLENUM FORWARD SECTION From A-1630 To E-2661	1	1	1	
30	457563P	PLENUM FORWARD SECTION From E-2662 To H-3528	1	1	1	
30	Call order desk	PLENUM FORWARD SECTION From H-3529 To H-3734	1	1	1	P
30	Call order desk	PLENUM FORWARD SECTION From H-3735	1	1	1	P
31	453991	REINFORCMENT	1	1	1	
32	454328	PLENUM BACKWARD SECTION To A-1549	1	1	1	
32	454652	PLENUM BACKWARD SECTION From A-1550 To A-1650	1	1	1	
32	454664P	PLENUM BACKWARD SECTION From A-1651 To E-2661	1	1	1	
32	457564P	PLENUM BACKWARD SECTION From E-2662	1	1	1	
33	454331	PLENUM CENTRAL SECTION To A-1549	1	1	1	
33	454650	PLENUM CENTRAL SECTION From A-1550 To A-1650	1	1	1	
33	454670P	PLENUM CENTRAL SECTION From A-1651 To E-2661	1	1	1	A
33	457562P	PLENUM CENTRAL SECTION From E-2662	1	1	1	
NS	454648	SUPPORT PLENUM CENTRAL SECTION From A-1550 To E-2661	1	1	1	
NS	457569	SUPPORT PLENUM CENTRAL SECTION From E-2662	1	1	1	
34	504681	STUD 6MM (DZUS)	1	1	1	
35	504604	FASTENER	1	1	1	
36	504605	RECEPTACLE 6 MM	1	1	1	
40	500414	SCREW TP BDG PH #10x3/4 SS	AR	AR	AR	
41	502737	SCREW CAP HEX M6-1.0x25 SS BK	AR	AR	AR	
42	502681	NUT HEX NYRT M6-1.0 N500 G8	AR	AR	AR	
43	500642	SCREW TP PAN PH #10x3/4 Z050	AR	AR	AR	
45	502573	WASHER FL 6.4x12.5x1.6 SS	AR	AR	AR	
46	502853	WASHER LO SPT 6.1x11.8x1.6 N500	AR	AR	AR	
47	500804	WASHER FL .203x.500x.047 N500	AR	AR	AR	
48	500411	WASHER FL .260x.697x.050 SS	AR	AR	AR	
49	502868	SCREW TC TR PH #10-16x1/2 N500	AR	AR	AR	
50	504534	GROMMET / .875x1.250x.187x.562x1.625	1	1	1	
51	502904	NUT SPR J #10A .035-.050 N500	AR	AR	AR	
52	454439	FLEXIBLE DUCT / HEIGHT 160MM	2	2	2	
NS	871165	THERMOSTAT BIMETAL STD 5-25°C To E-2558	1	1		O
NS	871542	THERMOSTAT BIMETAL COLD 50-90°F From E-2559	1	1		O
NS	563848	RECEPTACLE BOX / 100Vac outlet WHITE NYLON To F-2877	1	1		O
NS	564129	RECEPTACLE BOX / 110Vac outlet / WHITE From F-2878 To H-3447	1	1		O
NS	564580	RECEPTACLE BOX / 110Vac outlet / GRAY From H-3448	1	1		O
NS	504637	CABLE TIE / 3/16" x 13"	8	8		O
NS	500957	SCREW TP BDG PH #10x3/4 N500	4	4		O
NS	IS20929	UV LIGHTS INSTALLATION IN AC COMPARTMENT From E-2662	1	1		
. NS	7771178	. UVC LIGHT KIT From E-2662	1	1		



From 9-1404 To J-0287	Date:10/2022	PAGE:H7-2210-06
<b>HEATER &amp; EVAPORATOR BLOWER - INSTALLATION</b>		

Item#	Part	Description	H 3 4 1	H 3 4 5	V I P 4 5	N O T E S
. NS	N91098	. CABLE TIE / .135" X 8" / BLEU From E-2662	20	20		
. NS	IS-20929	. SEE INSTRUCTION SHEET From E-2662	1	1		
. NS	FI-20929	. VOIR FEUILLE D'INSTRUCTION From E-2662	1	1		
		A) 454670				
		O) WITH "ORLEAN" OPTION				
		WCL) WITH WHEEL CHAIR LIFT				
		P) CALL ORDER DESK FOR SPECIFIC APPLICATION (V.I.N.)				

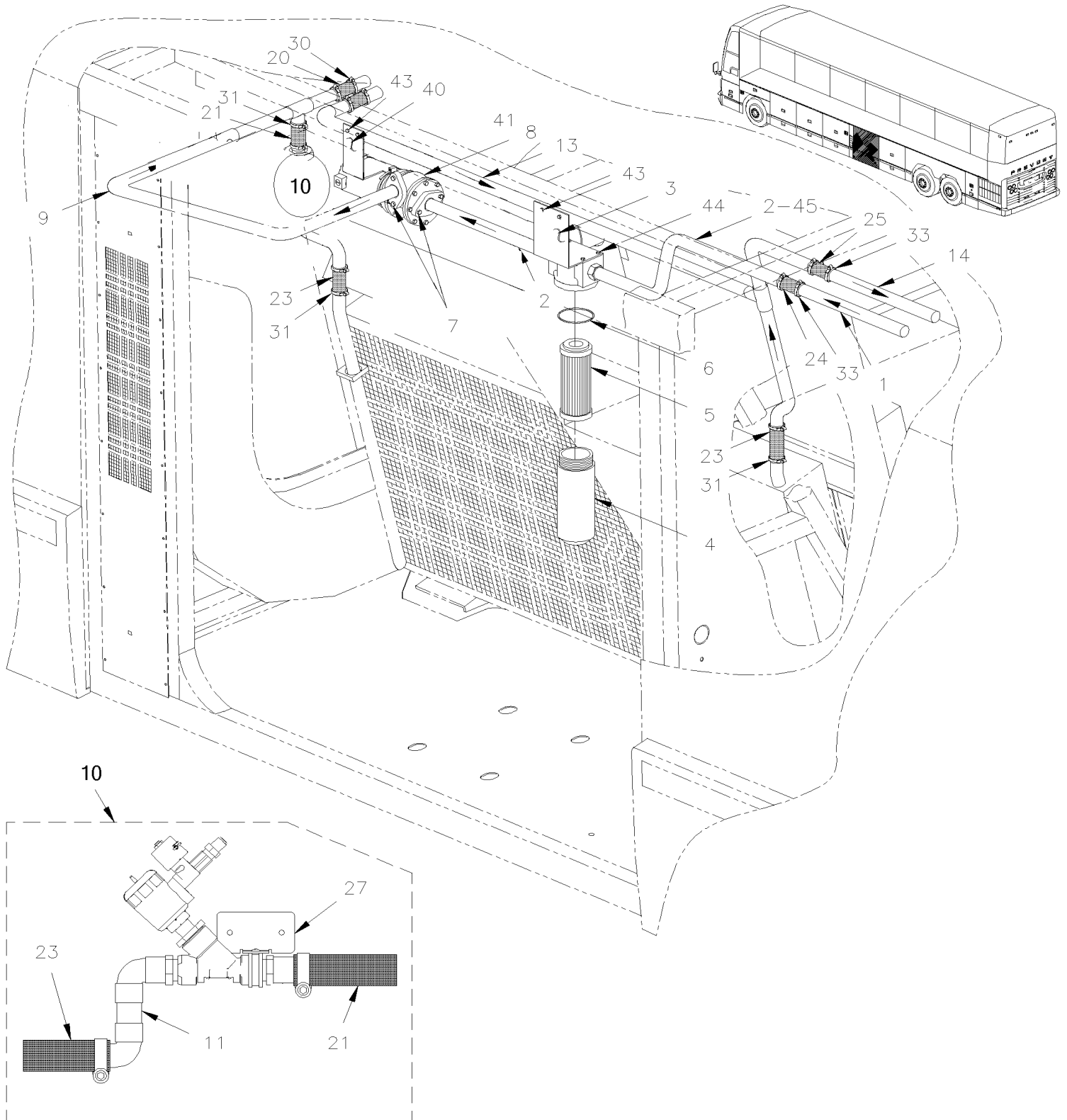


From 7-0671 To 9-1403

Date:10/2022

PAGE:H7-2210-10

## WATER HEATER PUMP & FILTER - INSTALLATION



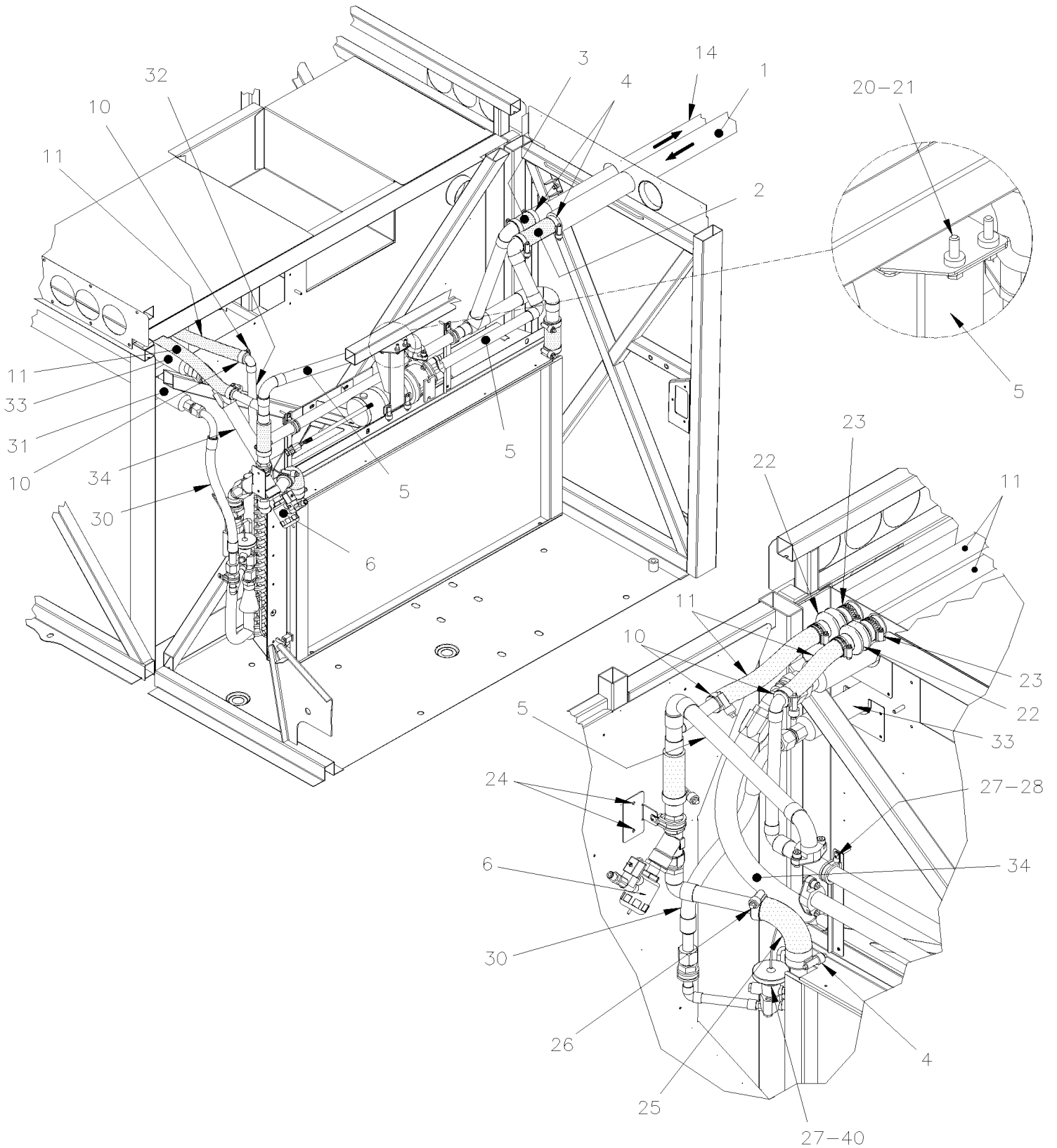
From 7-0671 To 9-1403		Date:10/2022	PAGE:H7-2210-10			
<b>WATER HEATER PUMP &amp; FILTER - INSTALLATION</b>						
Item#	Part	Description	H 3 4 1	H 3 4 5	V I P 4 5	N O T E S
1	373878P	PIPE ASSY / ENGINE COMP & WATER FILTER	1	1	1	
1	Call order desk	PIPE ASSY / ENGINE COMP & WATER FILTER	1	1	1	P
NS	373572	CLOSING PLATE	2	2	2	
2	372870	FILTER ASSY W/TUBE To 8-1202	1	1	1	
3	372863	. SUPPORT / WATER FILTER To 8-1202	1	1	1	
3	871028	. FILTER "PARKER" ASSY To 8-1202	1	1	1	
4	871043	. . BOWL To 8-1202	1	1	1	
5	871029	. . CARTRIDGE To 8-1202	1	1	1	
6	871044	. . SEAL BOWL To 8-1202	2	2	2	
7	870441	GASKET PUMP INLET & OUTLET	2	2	2	
NS	680527	SEALANT 473ml	AR	AR	AR	
NS	500305	SCREW CAP HEX 3/8-16x7/8 G5 Z050	4	4	4	
NS	500478	WASHER LO SPT .380x.683x.094 Z050	4	4	4	
8	<b>H7-2206-02</b>	<b>WATER PUMP / "MP PUMPS" / SEALLESS</b>				
9	372942	PIPE ASSY / WATER PUMP & WATER VALVE	1	1	1	
10	<b>H7-2207-00</b>	<b>WATER VALVE - W/3 WAYS BY-PASS</b>				
13	Call order desk	PIPE ASSY / RETURN LINE / W/BYPASS VALVE	1	1	1	P
14	<b>H7-2222-00</b>	<b>HEATER LINE REAR SECTION WITH "DETROIT" ENGINE</b>				
NS	373571	CLOSING PLATE	2	2	2	
20	372632	HOSE 7/8" I.D. X 1848MM	2	2	2	
21	050937	HOSE / W/O BYPASS VALVE / 1 1/8" I.D. X 3"			2	
21	402376	HOSE / W/BYPASS VALVE / 1 3/8" I.D. X 2 1/4"	2	2		
22	374030	HOSE 7/8" I.D. X 145MM	1	1	1	
22	374031	HOSE 7/8" I.D. X 120MM	1	1	1	
23	371217	HOSE 1 1/8" I.D. X 4"	2	2	2	
24	373218	HOSE 1 3/8" I.D. X 3"	1	1	1	
25	371535	HOSE 1 3/8" I.D. X 127MM	1	1	1	
27	373899	SUPPORT WATER VALVE	1	1	1	
30	504646	HOSE CLAMP / 11/16"-1"1/4 / C.T. 9412	4	4	4	
31	504291	HOSE CLAMP / 1"1/8-1"3/4 SS / E.T. 20	8	8	8	
32	504020	HOSE CLAMP / 9/16"-1"1/4 SS / HS-12	4	4	4	
33	504657	HOSE CLAMP / 1"1/16-2" C.T. 9424	4	4	4	
40	374029	SUPPORT / WATER PUMP	1	1	1	
41	504235	HOSE CLAMP / 3"9/16"-4"1/2 SS / HS-64	2	2	2	
43	500365	SCREW TP CAP HEX #12x1 Z050	4	4	4	
44	500162	SCREW CAP HEX 1/4-20x1/2 G5 Z050	4	4	4	
NS	500473	WASHER LO SPT .262x.489x.062 Z050	4	4	4	
45	374850	TUBE ASSY WITHOUT FILTER SERVICE ONLY	1	1	1	
		P) CALL ORDER DESK FOR SPECIFIC APPLICATION (V.I.N.)				

From 7-0671 To 9-1403

Date:10/2022

PAGE:H7-2210-11

## WATER HEATER PUMP - INSTALLATION VIP - W/SLIDE OUT



From 7-0671 To 9-1403 Date:10/2022 PAGE:H7-2210-11

**WATER HEATER PUMP - INSTALLATION VIP - W/SLIDE OUT**

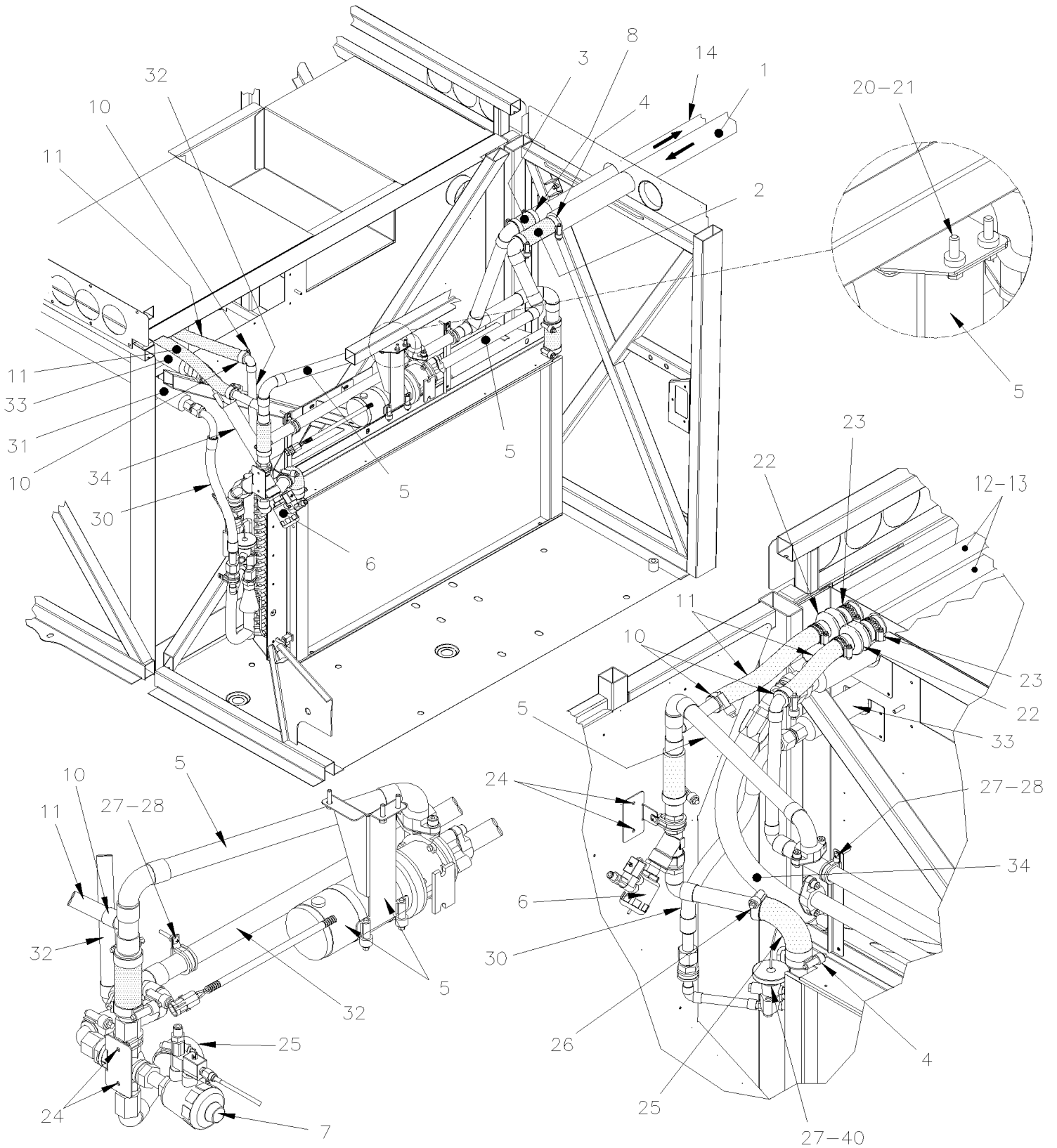
Item#	Part	Description	H 3 4 1	H 3 4 5	V I P 4 5	N O T E S
1	373878P	PIPE ASSY / ENGINE COMP & WATER FILTER			1	
2	373218	HOSE 1 3/8" I.D. x 3"			1	
3	371535	HOSE 1 3/8" I.D. X 127MM			1	
4	504657	HOSE CLAMP / 1"1/16-2" C.T. 9424			AR	
5	<b>H7-2206-02</b>	<b>WATER PUMP / "MP PUMPS" / SEALLESS</b>				
6	<b>H7-2207-05</b>	<b>WATER VALVE - W/2 WAYS</b>				
10	504646	HOSE CLAMP / 11/16"-1"1/4 / C.T. 9412			AR	
11	372632	HOSE 7/8" I.D. X 1848MM			2	
14	Call order desk	PIPE ASSY / RETURN LINE TO ENGINE COMPARTMENT To A-1720			1	P
14	374442P	PIPE ASSY / RETURN LINE TO ENGINE COMPARTMENT From B-1721			1	
20	502737	SCREW CAP HEX M6-1.0x25 SS BK			AR	
21	502853	WASHER LO SPT 6.1x11.8x1.6 N500			AR	
22	504444	CUFF END BELLOW / 1 1/4" I.D. x 1 x 3 7/8"			2	
23	504022	HOSE CLAMP / 3/4"-1"3/4 SS / HS-20			2	
24	500957	SCREW TP BDG PH #10x3/4 N500			AR	
25	374247	ELBOW 90° REDUCER 1 1/8" I.D.W/3 1/4" x 1 3 I.D. W 3 15/16" C/C			1	
26	504658	HOSE CLAMP / 13/16"-1"3/4 / C.T. 9420			1	
27	952637	CLAMP / 1"1/16 I.D.			4	
28	500574	SCREW MA TR PH #10-24x1 1/4 SS			2	
NS	500914	WASHER LO SPT .193x.334x.047 N500			2	
NS	502882	NUT HEX #10-24 N500			2	
30	454334	HOSE ASSY / #12 335MM To A-1511			1	
. NS	507280	. O-RING / ORS FITTING / #12 NEO To A-1511			2	
30	455297	HOSE ASSY / #12 335MM From A-1512			1	
. NS	507280	. O-RING / ORS FITTING / #12 NEO From A-1512			2	
31	454340	PIPE ASSY / PRESSURE			1	
32	374248	PIPE ASSY / RETURN LINE			1	
33	454339	PIPE ASSY / SUCTION			1	
. NS	507346	. O-RING / ORS FITTING / #24 NEO			1	
. NS	501803	. O-RING / ORS FITTING / #20 NEO			1	
34	454335	HOSE ASSY / #20 500MM			1	
34	501803	O-RING / ORS FITTING / #20 NEO			1	
40	<b>H7-2208-00</b>	<b>A/C EXPANSION VALVE</b>				
		P) CALL ORDER DESK FOR SPECIFIC APPLICATION (V.I.N.)				

From 9-1404 To J-0287

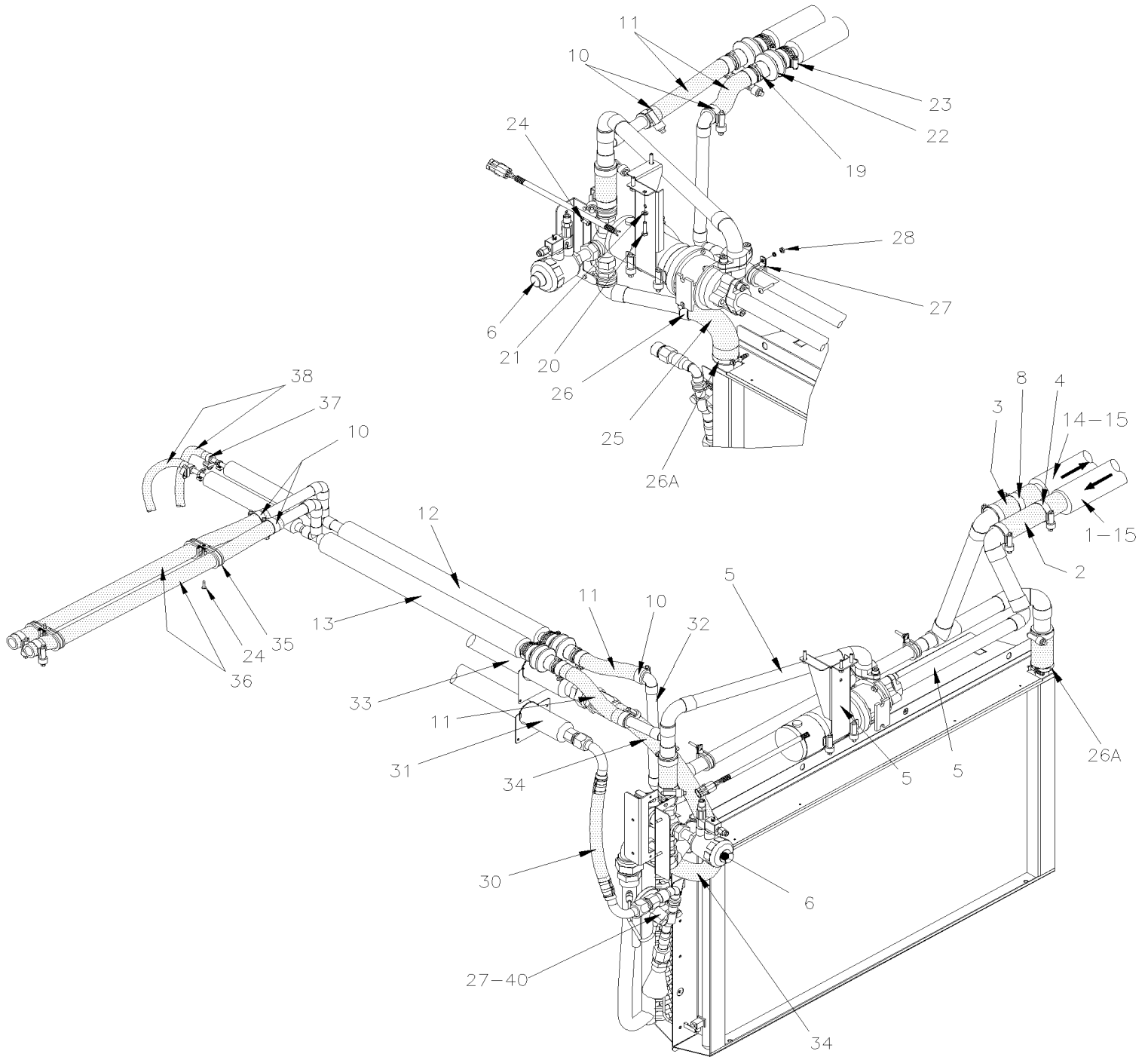
Date:10/2022

PAGE:H7-2210-12

## WATER HEATER PUMP - INSTALLATION



WATER HEATER PUMP - INSTALLATION





<b>From 9-1404 To J-0287</b>	<b>Date:10/2022</b>	<b>PAGE:H7-2210-12</b>
<b>WATER HEATER PUMP - INSTALLATION</b>		

Item#	Part	Description	H 3 4 1	H 3 4 5	V I P 4 5	N O T E S
1	373878P	PIPE ASSY / ENGINE COMP & WATER FILTER To F-2835	1	1	1	
1	Call order desk	PIPE ASSY / ENGINE COMP & WATER FILTER From F-2836	1	1	1	P
1	Call order desk	PIPE ASSY WITH VALVE / ENGINE COMP & WATER FILTER From H-3451	1	1	1	P B
. NS	871419	. BALL VALVE 1" NPT-F From H-3451	1	1	1	B
. NS	501997	. ADAPTER / COPPER @ PIPE / 1 1/4Fx1NPT-M From H-3451	2	2	2	B
2	373218	HOSE 1 3/8" I.D. x 3" To D-2179	1	1	1	
2	503392	HOSE SILICONE 4PLY 1 3/8" I.D. x 4' From D-2180 To D-2275	AR	AR	AR	
2	503783	HOSE SILICONE 4PLY / NOMEX-ARAMID 34MM I.D. x 6' From D-2276	AR	AR	AR	
3	371535	HOSE 1 3/8" I.D. X 127MM	1	1	1	
3	503392	. HOSE SILICONE 4PLY 1 3/8" I.D. x 4' To D-2275	AR	AR	AR	
3	503783	. HOSE SILICONE 4PLY / NOMEX-ARAMID 34MM I.D. x 6' From D-2276	AR	AR	AR	
4	504657	HOSE CLAMP / 1"1/16-2" C.T. 9424 To D-2301	AR	AR	AR	
4	504783	HOSE CLAMP / 1"1/16-2" SS / C.T. W.S. From D-2302 To F-2891	AR	AR	AR	
4	992086	HOSE CLAMP / 32MM/52MM From F-2892	AR	AR	AR	
4	504692	HOSE CLAMP STEPLESS SPRING SS / OETIKER / 1.5-1.8	AR	AR	AR	A
5	<b>H7-2206-02</b>	<b>WATER PUMP / "MP PUMPS" / SEALLESS To D-2179</b>				
5	<b>H7-2206-03</b>	<b>WATER PUMP "AMETEK" / SEALLESS &amp; BRUSHLESS From D-2180</b>				
6	<b>H7-2207-05</b>	<b>WATER VALVE - W/2 WAYS To F-2886</b>				
6	<b>H7-2207-06</b>	<b>WATER VALVE - W/2 WAYS From F-2887</b>				
7	<b>H7-2207-00</b>	<b>WATER VALVE - W/3 WAYS BY-PASS</b>				
8	504657	HOSE CLAMP / 1"1/16-2" C.T. 9424 To D-2301	2	2	2	
8	504783	HOSE CLAMP / 1"1/16-2" SS / C.T. W.S. From D-2302 To F-2835	2	2	2	
8	992086	HOSE CLAMP / 32MM/52MM From F-2836	2	2	2	
8	504692	HOSE CLAMP STEPLESS SPRING SS / OETIKER / 1.5-1.8	2	2	2	A
10	504646	HOSE CLAMP / 11/16"-1"1/4 / C.T. 9412 To D-2301	AR	AR	AR	
10	504781	HOSE CLAMP / 13/16"-1 5/16" SS / C.T. W.S. From D-2302 To F-2891	AR	AR	AR	
10	992084	HOSE CLAMP / 23MM/35MM From F-2892	AR	AR	AR	
10	504569	HOSE CLAMP STEPLESS SPRING / HC12-20 / 1"	1	1	1	A
11	372632	HOSE 7/8" I.D. X 1848MM	2	2	2	
11	503684	. HOSE SILICONE 1 PLY 7/8" I.D. x 100' / S.L. To D-2275	AR	AR	AR	
11	503803	. HOSE SILICONE 1 PLY / NOMEX-ARAMID 7/8" I.D. x 100' / S.L. From D-2276	AR	AR	AR	
12	Call order desk	PIPE ASSY / FEED LINE TO UREA From B-1721	1	1	1	P
13	Call order desk	PIPE ASSY / RETURN LINE FROM UREA From B-1721	1	1	1	P
14	Call order desk	PIPE ASSY / RETURN LINE TO ENGINE COMPARTMENT To A-1720	1	1	1	P
14	374442P	PIPE ASSY / RETURN LINE TO ENGINE COMPARTMENT From B-1721 To E-2504	1	1	1	
14	Call order desk	PIPE ASSY / RETURN LINE TO ENGINE COMPARTMENT From E-2505 To F-2835	1	1	1	P
14	Call order desk	PIPE ASSY / RETURN LINE TO ENGINE COMPARTMENT From F-2836	1	1	1	P
15	370060	PROTECTOR / SILICONE From F-2836	AR	AR	AR	
15	504023	HOSE CLAMP / 1"5/16-2"1/4 SS / HS-28 From F-2836	2	2	2	
19	504637	CABLE TIE / 3/16" x 13"	2	2	2	
20	502737	SCREW CAP HEX M6-1.0x25 SS BK	AR	AR	AR	
21	502853	WASHER LO SPT 6.1x11.8x1.6 N500	AR	AR	AR	

<b>From 9-1404 To J-0287</b>	<b>Date:10/2022</b>	<b>PAGE:H7-2210-12</b>
<b>WATER HEATER PUMP - INSTALLATION</b>		

Item#	Part	Description	H 3 4 1	H 3 4 5	V I P 4 5	N O T E S
22	504444	CUFF END BELLOW / 1 1/4" I.D. x 1 x 3 7/8"	2	2	2	
23	504022	HOSE CLAMP / 3/4"-1"3/4 SS / HS-20 To F-2891	2	2	2	
23	992086	HOSE CLAMP / 32MM/52MM From F-2892	2	2	2	
24	500957	SCREW TP BDG PH #10x3/4 N500	AR	AR	AR	
25	374247	ELBOW 90° REDUCER 1 1/8" I.D.W/3 1/4" x 1 3 I.D. W 3 15/16" C/C	1	1	1	
26	504658	HOSE CLAMP / 13/16"-1"3/4 / C.T. 9420 To D-2301	1	1	1	
26	504782	HOSE CLAMP / 1 3/16-1 13/16 SS / C.T. W.S. From D-2302 To F-2891	1	1	1	
26	992086	HOSE CLAMP / 32MM/52MM From F-2892	1	1	1	
26	992086	HOSE CLAMP / 32MM/52MM From F-2892	1	1	1	
26	504687	HOSE CLAMP STEPLESS SPRING SS / OETIKER / 1.2-1.4	1	1	1	A
26	504451	HOSE CLAMP STEPLESS SPRING SS / OETIKER / 1.3-1.6	1	1	1	A
26A	504692	HOSE CLAMP STEPLESS SPRING SS / OETIKER / 1.5-1.8 To F-2891	2	2	2	
26A	504692	HOSE CLAMP STEPLESS SPRING SS / OETIKER / 1.5-1.8	2	2	2	A
26A	992086	HOSE CLAMP / 32MM/52MM From F-2892	1	1	1	
26A	992086	HOSE CLAMP / 32MM/52MM From F-2892	1	1	1	
26A	504455	HOSE CLAMP STEPLESS SPRING SS / OETIKER / 1.7-1.9	1	1	1	A
27	952637	CLAMP / 1"1/16 I.D.	4	4	4	
28	500574	SCREW MA TR PH #10-24x1 1/4 SS	2	2	2	
NS	500914	WASHER LO SPT .193x.334x.047 N500	2	2	2	
NS	502882	NUT HEX #10-24 N500	2	2	2	
30	454334	HOSE ASSY / #12 335MM To A-1511	1	1	1	
. NS	507280	. O-RING / ORS FITTING / #12 NEO To A-1511	2	2	2	
30	455297	HOSE ASSY / #12 335MM From A-1512 To F-2941	1	1	1	
. NS	507280	. O-RING / ORS FITTING / #12 NEO From A-1512 To F-2941	2	2	2	
30	457724	HOSE ASSY / #12 402MM From F-2942	1	1	1	
. NS	507280	. O-RING / ORS FITTING / #12 NEO From F-2942	1	1	1	
31	Call order desk	PIPE ASSY / PRESSURE To A-1720	1	1	1	P
31	456969P	PIPE ASSY / PRESSURE From B-1721 To F-2941	1	1	1	
31	457735P	PIPE ASSY / PRESSURE From F-2942	1	1	1	
. NS	501829	. O-RING / ORS FITTING / #12 NEO From F-2942	1	1	1	
32	374248	PIPE ASSY / RETURN LINE To F-2835			1	
32	374729	PIPE ASSY / RETURN LINE From F-2836			1	
32	374388	PIPE ASSY / RETURN LINE To F-2835	1	1		
32	374728	PIPE ASSY / RETURN LINE From F-2836	1	1		
32	374720	PIPE ASSY / RETURN LINE To F-2835	1	1		A
32	374727	PIPE ASSY / RETURN LINE From F-2836	1	1		A
33	Call order desk	PIPE ASSY / SUCTION To A-1720	1	1	1	P
. NS	507346	. O-RING / ORS FITTING / #24 NEO To A-1720	1	1	1	
. NS	501803	. O-RING / ORS FITTING / #20 NEO To A-1720	1	1	1	
33	456968P	PIPE ASSY / SUCTION From B-1721 To F-2941	1	1	1	
. NS	507346	. O-RING / ORS FITTING / #24 NEO From B-1721 To F-2941	1	1	1	
. NS	501803	. O-RING / ORS FITTING / #20 NEO From B-1721 To F-2941	1	1	1	

From 9-1404 To J-0287	Date:10/2022	PAGE:H7-2210-12
<b>WATER HEATER PUMP - INSTALLATION</b>		

Item#	Part	Description	H 3 4 1	H 3 4 5	V I P 4 5	N O T E S
33	Call order desk	PIPE ASSY / SUCTION From F-2942	1	1	1	P
. NS	501803	. O-RING / ORS FITTING / #20 NEO From F-2942	2	2	2	
. NS	501829	. O-RING / ORS FITTING / #12 NEO From F-2942	1	1	1	
34	454335	HOSE ASSY / #20 500MM To F-2941	1	1	1	
34	457721	HOSE ASSY / #20 800MM From F-2942	1	1	1	
NS	501803	O-RING / ORS FITTING / #20 NEO	1	1	1	
35	952639	CLAMP / 1"1/4 I.D.	AR	AR	AR	
36	503684	HOSE SILICONE 1 PLY 7/8" I.D. x 100' / S.L. To D-2275	AR	AR	AR	
36	503803	HOSE SILICONE 1 PLY / NOMEX-ARAMID 7/8" I.D. x 100' / S.L. From D-2276	AR	AR	AR	
37	992081	HOSE CLAMP / 12MM/22MM	2	2	2	
38	503779	HOSE SILICONE 1PLY 3/8" I.D. x 100' To D-2275	AR	AR	AR	
38	503806	HOSE SILICONE 1 PLY / NOMEX-ARAMID 3/8" I.D. x 100' From D-2276 To F-2711	AR	AR	AR	
38	503821	HOSE SILICONE 4 PLY / NOMEX-ARAMID 3/8" x 144" From F-2712	AR	AR	AR	
40	<b>H7-2208-00</b>	<b>A/C EXPANSION VALVE</b>				
		A) WITH OPTION "OETIKER" HOSE CLAMP				
		B) LOCATION CHARTAND OPTION				
		P) CALL ORDER DESK FOR SPECIFIC APPLICATION (V.I.N.)				

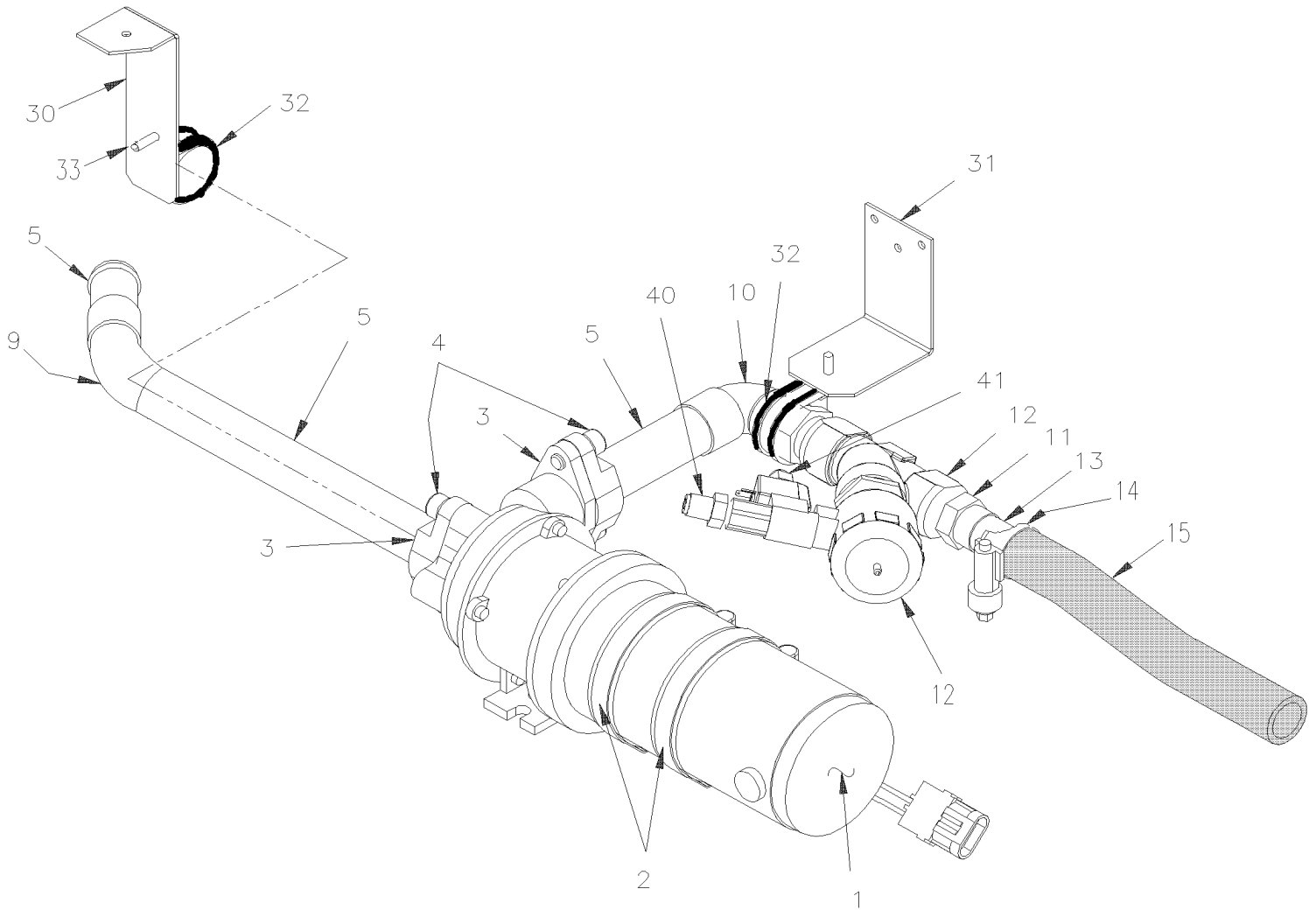


From 7-0671 To J-0287

Date:10/2022

PAGE:H7-2210-20

## WATER HEATER PUMP - INSTALLATION WITH SMALL A/C



From 7-0671 To J-0287	Date:10/2022	PAGE:H7-2210-20
<b>WATER HEATER PUMP - INSTALLATION WITH SMALL A/C</b>		

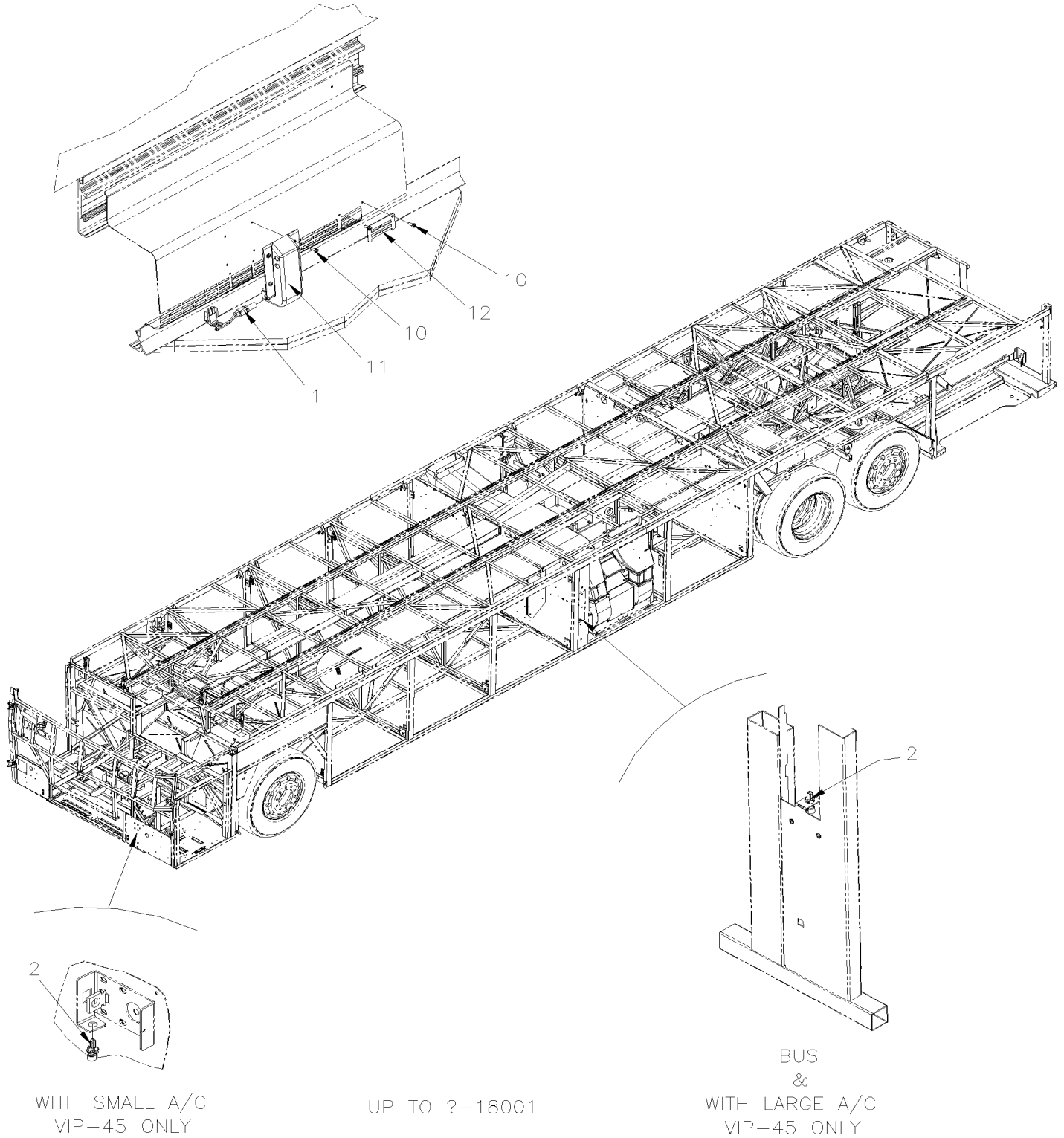
Item#	Part	Description	H 3 4 1	H 3 4 5	V I P 4 5	N O T E S
	Call order desk	WATER PUMP ASSY W/PIPE AND WATER VALVE			1	P
	Call order desk	WATER PUMP ASSY W/PIPE AND WATER VALVE			1	P
1	<b>H7-2206-02</b>	<b>WATER PUMP / "MP PUMPS" / SEALLESS To D-2179</b>				
1	<b>H7-2206-03</b>	<b>WATER PUMP "AMETEK" / SEALLESS &amp; BRUSHLESS From D-2180</b>	1	1	1	
2	504235	HOSE CLAMP / 3"9/16"-4"1/2 SS / HS-64			2	
NS	506728	TAPE RUB ADH1 NEO 1/4" x 3/4" x 10' / BLACK			AR	
3	871206	FLANGE ADAPTOR / W/QUAD RING			2	
3	870441	GASKET PUMP INLET & OUTLET			2	
4	5001580	SCREW CAP HEXS 3/8-16x7/8			2	
4	500438	WASHER FL .187x.437x.050 Z050			2	
5	503199	COPPER TUBE 1.125" O.D.x .050" x 240"			AR	
9	501567	STREET ELBOW 45° / COPPER TUBE / 1Mx1F			1	
10	501762	STREET ELBOW 90° SHORT RADIUS / COPPER TUBE / 1Mx1F			1	
11	501866	ADAPTER / COPPER @ PIPE / 3/4Fx3/4NPT-M			1	
12	<b>H7-2207-05</b>	<b>WATER VALVE - W/2 WAYS To F-2886</b>				
12	<b>H7-2207-06</b>	<b>WATER VALVE - W/2 WAYS From F-2887</b>				
13	503198	COPPER TUBE .875" O.D. x .045" x 240"			1	
14	504646	HOSE CLAMP / 11/16"-1"1/4 / C.T. 9412			1	
15	503684	HOSE SILICONE 1 PLY 7/8" I.D. x 100' / S.L. To D-2277			AR	
15	503803	HOSE SILICONE 1 PLY / NOMEX-ARAMID 7/8" I.D. x 100' / S.L. From D-2276			AR	
30	373564	SUPPORT W/PUMP / INPUT			1	
31	373565	SUPPORT W/PUMP / OUTPUT			1	
32	952639	CLAMP / 1"1/4 I.D.			2	
33	500658	SCREW TC PAN PH #10-24x3/4 Z050			2	
40	641332	MALE CONNECTOR / PUSH-IN FITTING / #4x1/4NPT-M BR			1	
41	642028	MALE CONNECTOR / PUSH-IN FITTING / 6MM x M5-0.8 BR			1	
		P) CALL ORDER DESK FOR SPECIFIC APPLICATION (V.I.N.)				

From 7-0671 To J-0287

Date:10/2022

PAGE:H7-2210-50

## AIR MAIN SENSOR



<b>From 7-0671 To J-0287</b>	<b>Date:10/2022</b>	<b>PAGE:H7-2210-50</b>
<b>AIR MAIN SENSOR</b>		

Item#	Part	Description	H 3 4 1	H 3 4 5	V I P 4 5	N O T E S
1	563063	SENSOR THERMISTOR ASSY / TEMPERATURE / ("DELPHI")	1	1	1	
2	563335	SENSOR THERMISTOR ASSY / OUTSIDE // PED 15416387	1	1	1	A
10	5001015	SCREW TP BDG PH #6x1/2 SS BK	6	6	6	
11	374080	SENSOR BOX / CENTRAL AIR SENSOR / FIXED OUTSIDE OF DUCT To 8-1135	1	1		
11	328507	SENSOR BOX / CENTRAL AIR SENSOR / FIXED OUTSIDE OF DUCT From 8-1136	1	1		
12	328182	PLATE COVER / W/4 VENT HOLES / 64MM x 33MM	1	1		
NS	294051	DEFLECTOR AIR FOR SENSOR NITRIL 1210MM x 54MM From A-1601	1	1		D
50	<b>H7-2221-10</b>	<b>DUCTING HEATER &amp; A/C</b>				
		A) USE WITH CONSOLE THERMOMETER AT PAGE H7-0645-30				
		D) FOR PRODUCT IMPROVEMENT TO PREVENT WARM AIR TO SENSOR INSTALL THIS ON WINDOW HANDLE				
		U) UNDER CONSTRUCTION				



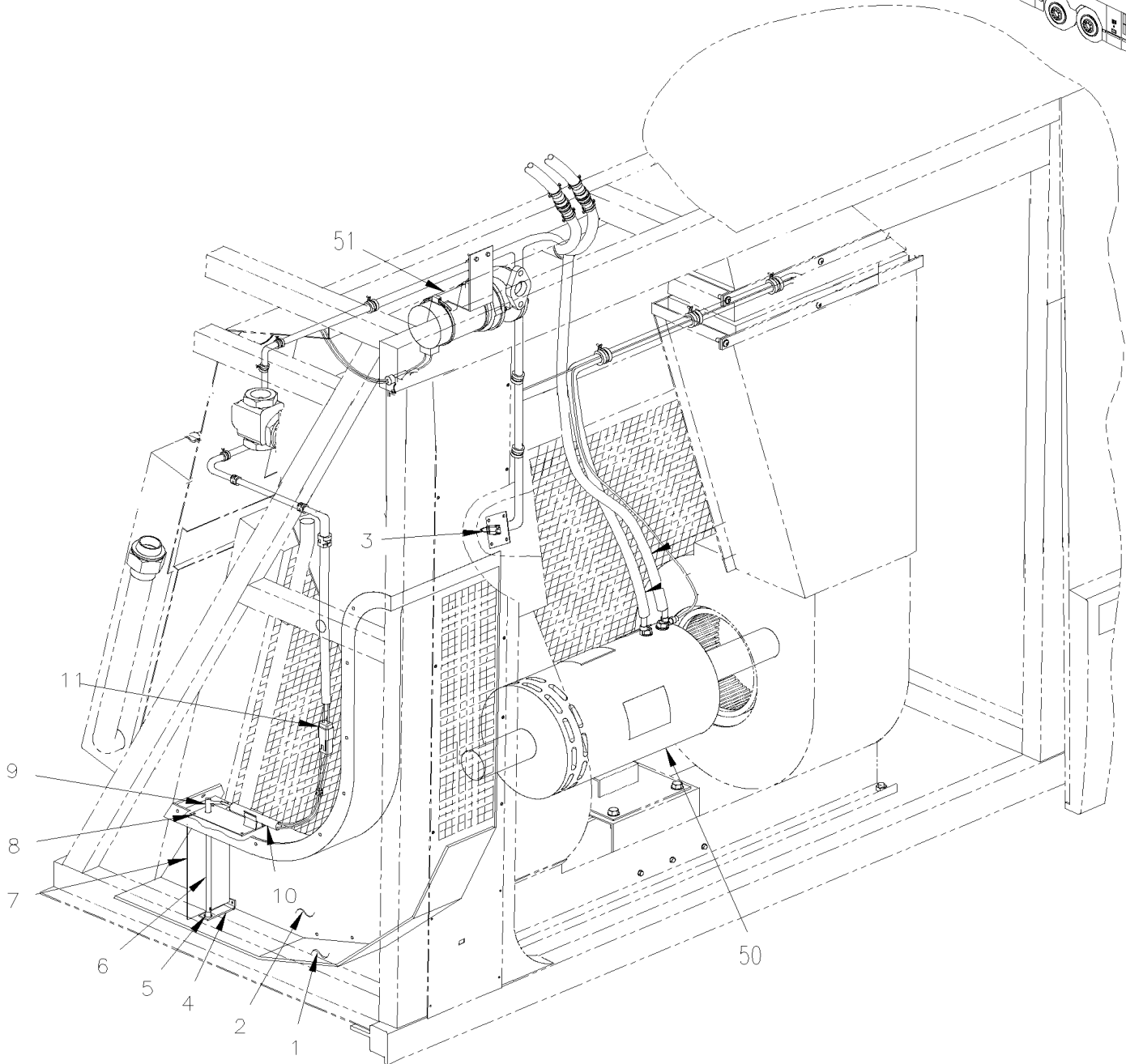
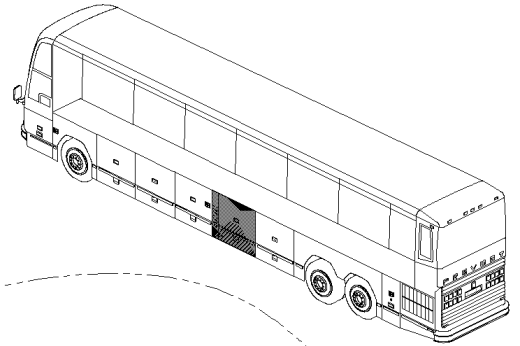
From 7-0671 To J-0287

Date:10/2022

PAGE:H7-2215-00

## EVAPORATOR & DAMPER CONTROL COMPONENTS

UP TO 9-1469

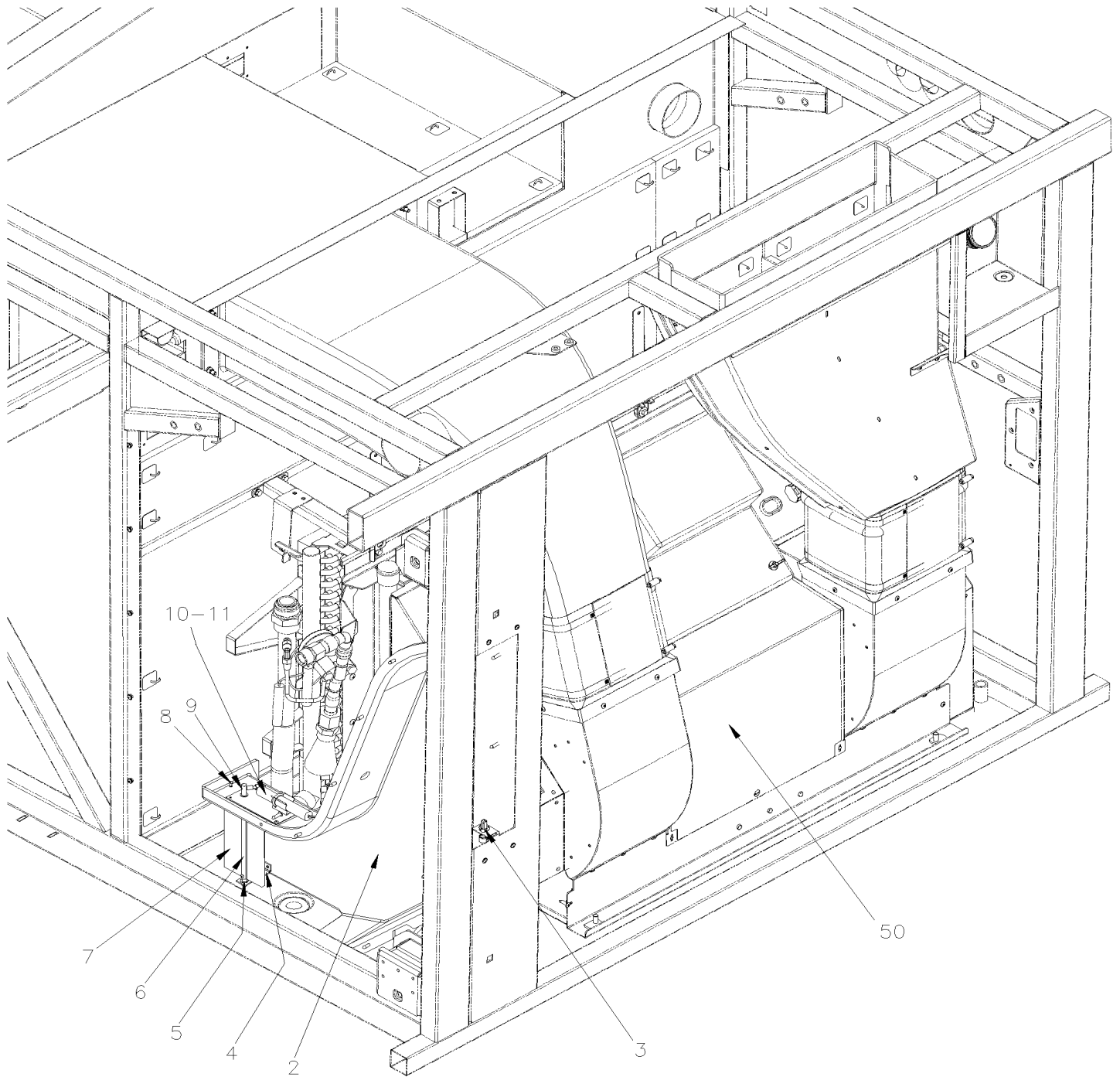


From 7-0671 To J-0287

Date:10/2022

PAGE:H7-2215-00

**EVAPORATOR & DAMPER CONTROL COMPONENTS**



FROM A-1470

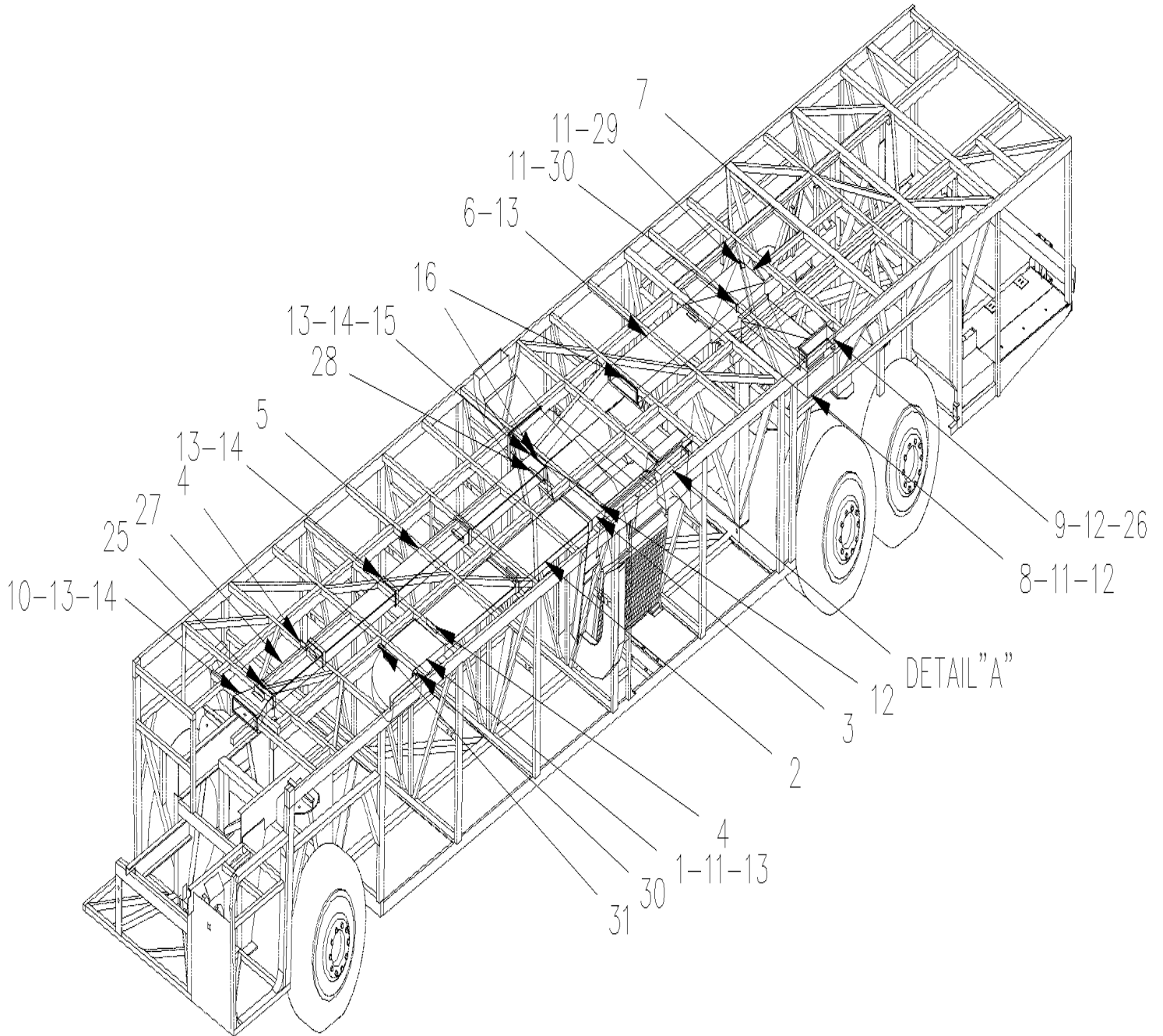
From 7-0671 To J-0287	Date:10/2022	PAGE:H7-2215-00
<b>EVAPORATOR &amp; DAMPER CONTROL COMPONENTS</b>		

Item#	Part	Description	H 3 4 1	H 3 4 5	V I P 4 5	N O T E S
		. . . . . "WARNING" - "WARNING" - "WARNING" To 9-1469				
		. . . . . MODEL WHITOUT PLENUM To 9-1469				
		. . . . . BUS & VIP WITHOUT SLIDE-OUT To 9-1469				
1	451895	PANEL / BOTTOM / INTAKE DUCT To 9-1469	1	1	1	
1	459197	DAMPER DUCT ASSY W/ACTUATOR To 9-1469	1	1	1	
1	374241	DAMPER DUCT ASSY W/ACTUATOR From A-1470 To G-3169	1	1		
1	374241	DAMPER DUCT ASSY W/ACTUATOR To G-3169			1	S
1	370068	DAMPER DUCT ASSY W/ACTUATOR From G-3170	1	1	1	
2	379673	. FIBERGLASS DUCT To 9-1469	1	1	1	
2	374240	. PLASTIC BLACK DUCT From A-1470 To G-3169	1	1		
2	374240	. PLASTIC BLACK DUCT To G-3169			1	S
2	370067	. PLASTIC BLACK DUCT From G-3170	1	1	1	
NS	500957	SCREW TP BDG PH #10x3/4 N500	8	8	8	
NS	504488	RIVET MGLP PRDG 3/16x17/64 SS	7	7	7	
NS	5001137	WASHER FL .203x.438x.050 SS	4	4	4	
3	<b>H7-2210-50</b>	<b>AIR MAIN SENSOR</b>				
4	453426	. SUPPORT	1	1	1	
5	504449	. HOLE PLUG BUTTON / .500 O.D. BLACK	1	1	1	
6	452965	. SHAFT To 9-1469	1	1	1	
6	454336	. SHAFT From A-1470	1	1		
6	454336	. SHAFT			1	S
NS	504689	. RING RETAINER / EXT .312 x .243 x .025 / SS	1	1	1	
7	452967	. DAMPER To 9-1469	1	1	1	
7	454337	. DAMPER From A-1470	1	1		
7	454337	. DAMPER			1	S
8	452966	. FIXTURE PLATE	1	1	1	
NS	507309	. BUSHING NYLINED .312x.375x.078x.500	1	1	1	
9	502243	. SPRING PIN	1	1	1	
10	373415	. ACTUATOR ASSY	1	1	1	
10	871180	. . ACTUATOR W/BOOT	1	1	1	G
. NS	871452	. . . CLIP MOUTING ACTUATOR	1	1	1	G
. NS	N.S.S.	. . . ACTUATOR	1	1	1	1 G
. NS	N.S.S.	. . . BOOT	1	1	1	1 G
10	870135	. . ACTUATOR W/BOOT W/E-COAT PROTECTION	1	1	1	
. NS	871452	. . . CLIP MOUTING ACTUATOR	1	1	1	
11	562486	. . CONNECTOR / DT SERIES / PH 2C / GRAY / DEUTSCH DT04-2P	2	2	2	
NS	562487	. . SECONDARY LOCK / DT SERIES / PH 2C / DEUTSCH W2P	2	2	2	
NS	562286	. . PIN TERMINAL / 18-16 / DEUTSCH 0460-202-16141	4	4	4	
50	<b>H7-2265-00</b>	<b>MOTOR - EVAPORATOR "PREVOST" - T-17 - 2 SPEEDS To 9-1403</b>				
50	<b>H7-2265-01</b>	<b>MOTOR - EVAPORATOR BRUSHLESS From 9-1404</b>				
51	<b>H7-2206-02</b>	<b>WATER PUMP / "MP PUMPS" / SEALLESS To D-2179</b>				

From 7-0671 To J-0287	Date:10/2022	PAGE:H7-2215-00
<b>EVAPORATOR &amp; DAMPER CONTROL COMPONENTS</b>		

Item#	Part	Description	H 3 4 1	H 3 4 5	V I P 4 5	N O T E S
51	871327	WATER PUMP / "ROTRON" 24 V "SPECIAL OPTION" To D-2179				
51	H7-2206-03	WATER PUMP "AMETEK" / SEALLESS & BRUSHLESS From D-2180				
		G) FOR PRODUCT IMPROVEMENT ASK FOR 870135				
		S) VIP W/SLIDE-OUT ONLY				
		1) NOT SOLD SEPARATELY				

From 7-0671 To J-0287	Date:10/2022	PAGE:H7-2220-00
UNDER FLOOR AIR DUCTING		

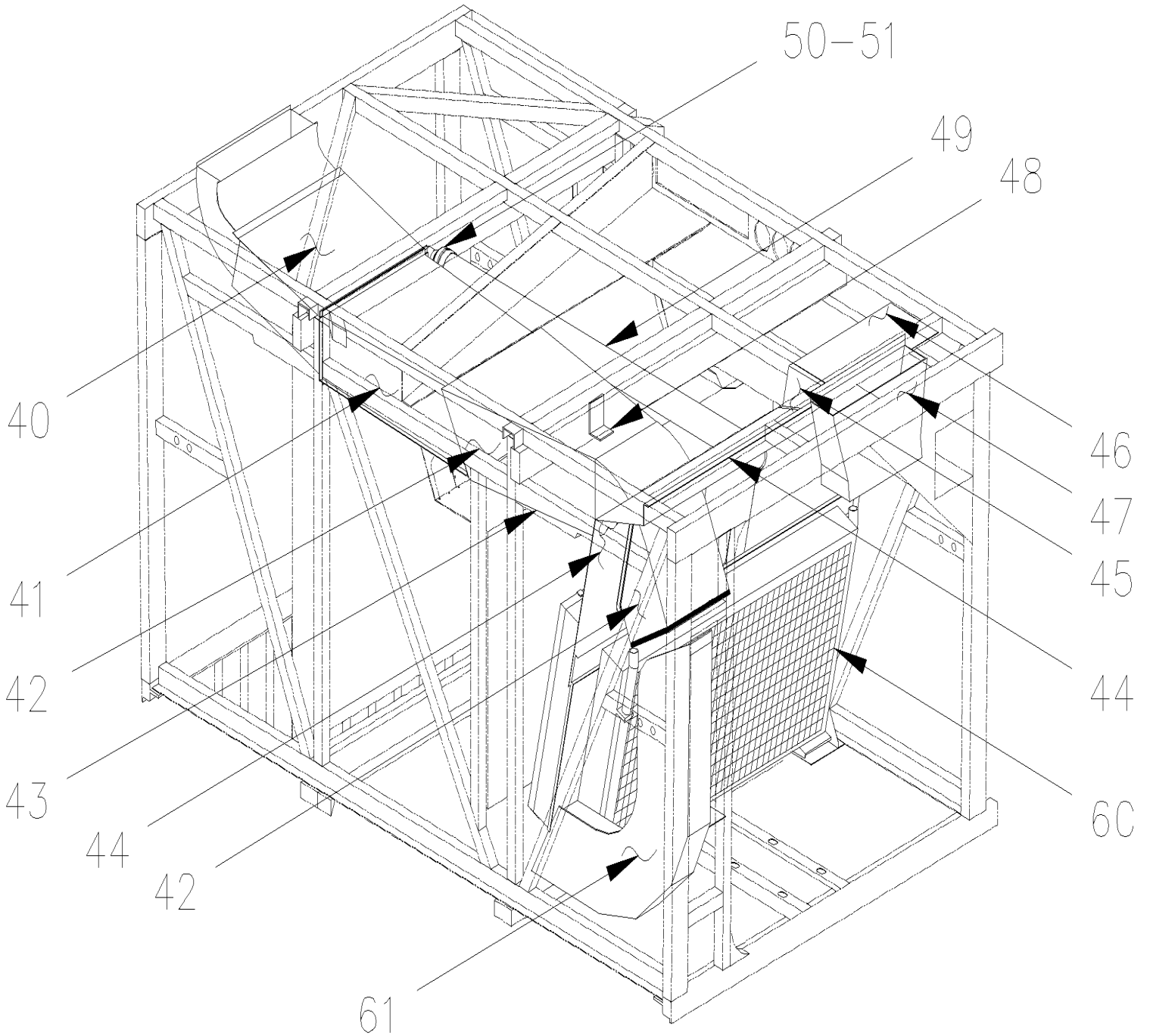


From 7-0671 To J-0287

Date:10/2022

PAGE:H7-2220-00

UNDER FLOOR AIR DUCTING



DETAIL "A"

THIS ILLUSTRATION  
UP-TO 9-1469 WITH BUS  
& UP TO 9-1469 WITH V.I.P. W/OUT SLIDE OUT

From 7-0671 To J-0287	Date:10/2022	PAGE:H7-2220-00
<b>UNDER FLOOR AIR DUCTING</b>		

Item#	Part	Description	H 3 4 1	H 3 4 5	V I P 4 5	N O T E S
1	454312	DUCT LEFT To F-2960	1	1	1	
1	Call order desk	DUCT LEFT From F-2961	1	1	1	P
2	452397	DUCT RIGHT 1164MM To F-2960	1			
2	455678	DUCT RIGHT 954MM From F-2961	1			
2	452397	DUCT RIGHT 1164MM To F-2960		2	2	
2	455678	DUCT RIGHT 954MM From F-2961		1	1	
2	452397	DUCT RIGHT 1164MM From F-2961		1	1	
3	452404	DUCT ASSY To 9-1403	1	1	1	
3	454638	DUCT ASSY From 9-1404	1	1	1	
4	452522	DUCT, AIR INLET ASSY #1 812MM	1			
4	452413	DUCT, AIR INLET ASSY #1 886MM		1		
4	453095	DUCT, AIR INLET ASSY #1 590MM			1	
5	452410	FRONT DUCT ASSY	2			
5	452410	FRONT DUCT ASSY		3	3	
6	452407	DUCT ASSY To B-1802	1	1	1	
6	455418	DUCT ASSY From B-1803	1	1	1	
7	452377	CENTER REAR DUCT ASSY	1	1	1	
8	452376	REAR DUCT	1	1	1	
9	454313	REAR DUCT	1	1	1	
10	453085	FRONT OUTFLOW DUCT	1	1	1	
11	500957	SCREW TP BDG PH #10x3/4 N500	AR	AR	AR	
12	680096	SEALANT BUTYL ALUM / GREY / 310ml CARTRIDGE	AR	AR	AR	
13	504114	RIVET POP DOME OE 3/16x1/4 AL	AR	AR	AR	
14	506227	TAPE RUB ADH1 CC POL 1/16" x 3/4" x 100' / GREY 2520	AR	AR	AR	
15	451835	ANGULAR BRACKET	2	2	2	
16	506002	TAPE RUB ADH1 CC POL 3/16" x 1/2" x 40' / GREY 2520	AR	AR	AR	
NS	684517	ADHESIVE SIMSON #ISR 70-03 / GREY / 310ml CARTRIDGE	AR	AR	AR	
25	506236	TAPE RUB ADH1 CC POL 1/16" x 1/2" x 100' / GREY 2520	AR	AR	AR	
26	500659	SCREW TC PAN PH #10-32x1 Z050	4	4	4	
28	451801	DUCT SUPPORT	1	1	1	
29	452507	SUPPORT To E-2592	1	1	1	
29	454898	SUPPORT From E-2593	1	1	1	
30	452509	SUPPORT	3	3	3	
31	452510	SUPPORT	1	1	1	
40	451948	AIR DUCT COMPT CONDENSOR ASSY To 9-1403	1	1		
40	451995	AIR DUCT COMPT CONDENSOR ASSY To 9-1403			1	
40	452867	AIR DUCT COMPT CONDENSOR ASSY / W/RICON To 9-1403		1		
40	453037	AIR DUCT COMPT CONDENSOR ASSY / W/W.C.L. DOOR To 9-1403			1	
40	<b>H7-2210-06</b>	<b>HEATER &amp; EVAPORATOR BLOWER - INSTALLATION From 9-1404</b>				
41	451950	AIR DUCT CENTRAL ASSY To 9-1403	1	1	1	
42	451951	AIR DUCT LEFT ASSY To 9-1403	1	1	1	
43	451934	FRONT INSULATING To 9-1403	1	1	1	



From 7-0671 To J-0287	Date:10/2022	PAGE:H7-2220-00
<b>UNDER FLOOR AIR DUCTING</b>		

Item#	Part	Description	H 3 4 1	H 3 4 5	V I P 4 5	N O T E S
43	451762	CENTER INSULATING To 9-1403	1	1	1	
43	452899	REAR INSULATING To 9-1403	1	1	1	
44	453274	EVAPORATOR PANEL To 9-1403	1	1	1	
44	453310	EVAPORATOR PANEL To 9-1403	1	1		B
NS	506236	TAPE RUB ADH1 CC POL 1/16" x 1/2" x 100' / GREY 2520 To 9-1403	AR	AR	AR	
NS	500165	SCREW CAP HEX 1/4-20x1 G5 Z050 To 9-1403	4	4	4	
NS	506001	TAPE RUB ADH1 CC POL 1/8" x 3/4" x 50' / GREY 2520X To 9-1403	AR	AR	AR	
NS	506338	RUBBER CHANNEL / 1/16" x 1/4" INT "U" SHAPE / ROUND C.T.L. To 9-1403	AR	AR	AR	
45	451937	PLATE CLOSING / UPPER / ITEM 44 & 46 To 9-1403	1	1	1	
46	453969	EVAPORATOR PANEL To 9-1403	1	1	1	
47	372949	DUCT, AIR INLET L.H. To 9-1403			1	
47	453002	DUCT, AIR INLET L.H. To 9-1403	1	1		
NS	372711	ANGLE SUPPORT To 9-1403			1	
48	451932	SUPPORT To 9-1403	1	1	1	
NS	500613	SCREW TP PAN PH #10x1/2 Z050 To 9-1403	AR	AR	AR	
49	451954	TUBE PVC / 3" X 1440MM To 9-1403	1	1	1	
50	504441	CUFF END BELLOW / 3 1/2" I.D. x 3 1/2" x 5 5/8" To 9-1403	1	1	1	A
51	504026	HOSE CLAMP / 2"13/16-3"3/4 SS / HS-52 To 9-1403	1	1	1	
60	<b>H7-2205-00</b>	<b>HEATER &amp; EVAPORATOR COIL &amp; FILTER ASSY From 7-0671 To 9-1403</b>				
60	<b>H7-2205-01</b>	<b>HEATER &amp; EVAPORATOR COIL - INSTALLATION From 9-1404</b>				
60	<b>H7-2205-90</b>	<b>HEATER &amp; EVAPORATOR COIL &amp; FILTER ASSY VIP - W/SLIDE-OUT From 7-0671 To 9-1403</b>				
61	<b>H7-2215-00</b>	<b>EVAPORATOR &amp; DAMPER CONTROL COMPONENTS</b>				
		A) CUFF END ELBOW				
		B) WITH A/C IN PARCEL RACK				
		P) CALL ORDER DESK FOR SPECIFIC APPLICATION (V.I.N.)				

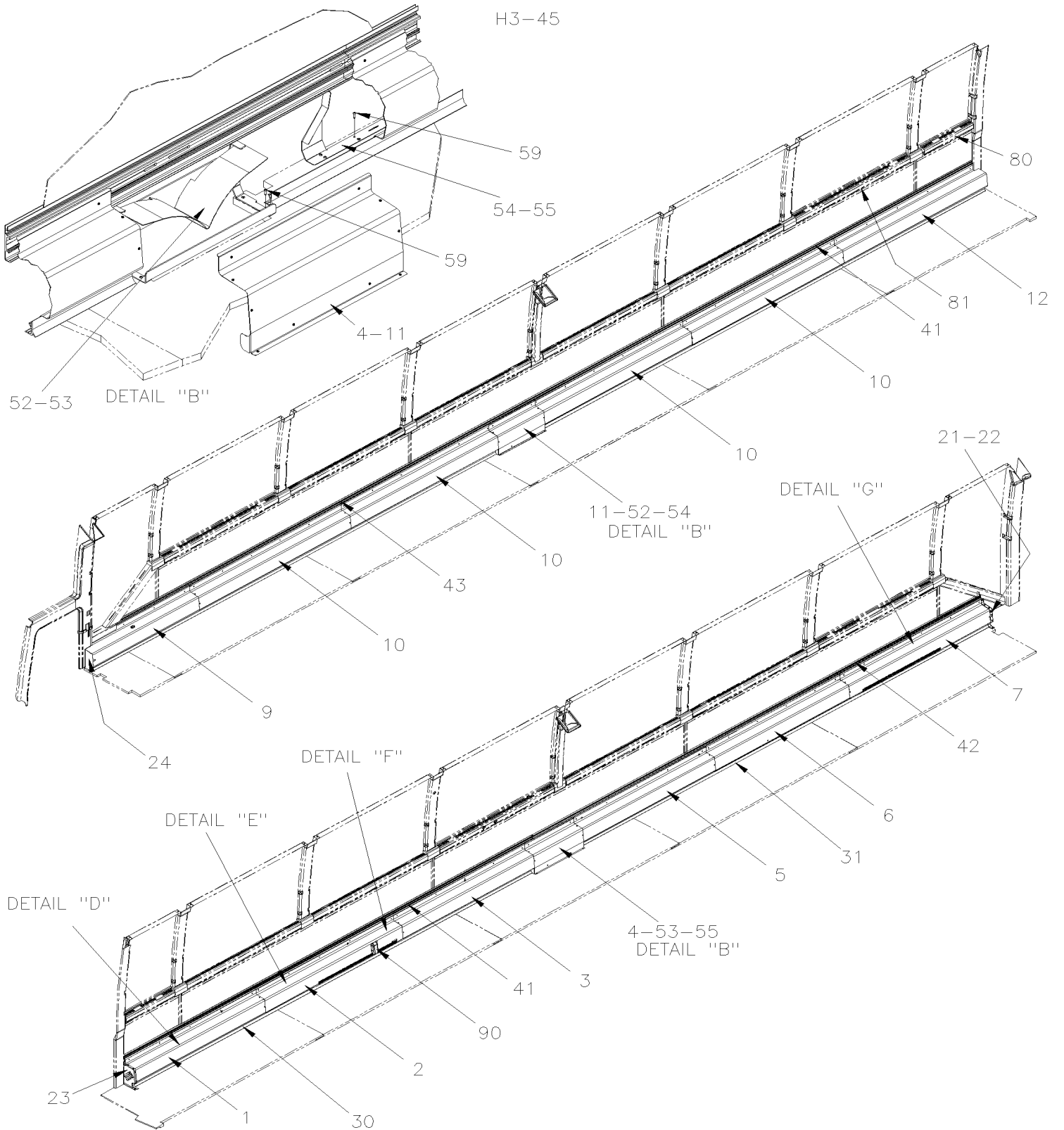


From 7-0671 To J-0184

Date:10/2022

PAGE:H7-2221-10

DUCTING HEATER & A/C

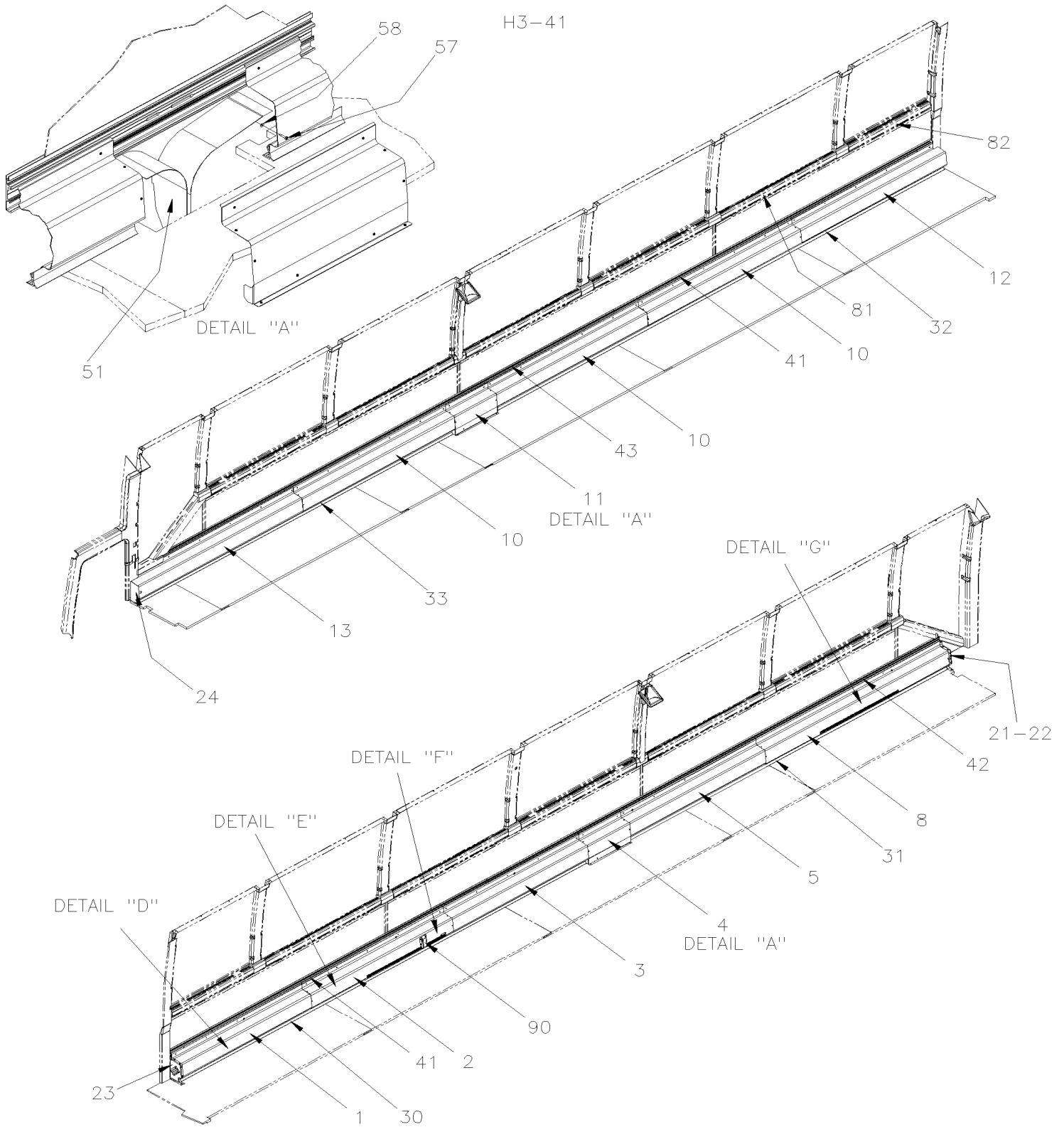


From 7-0671 To J-0184

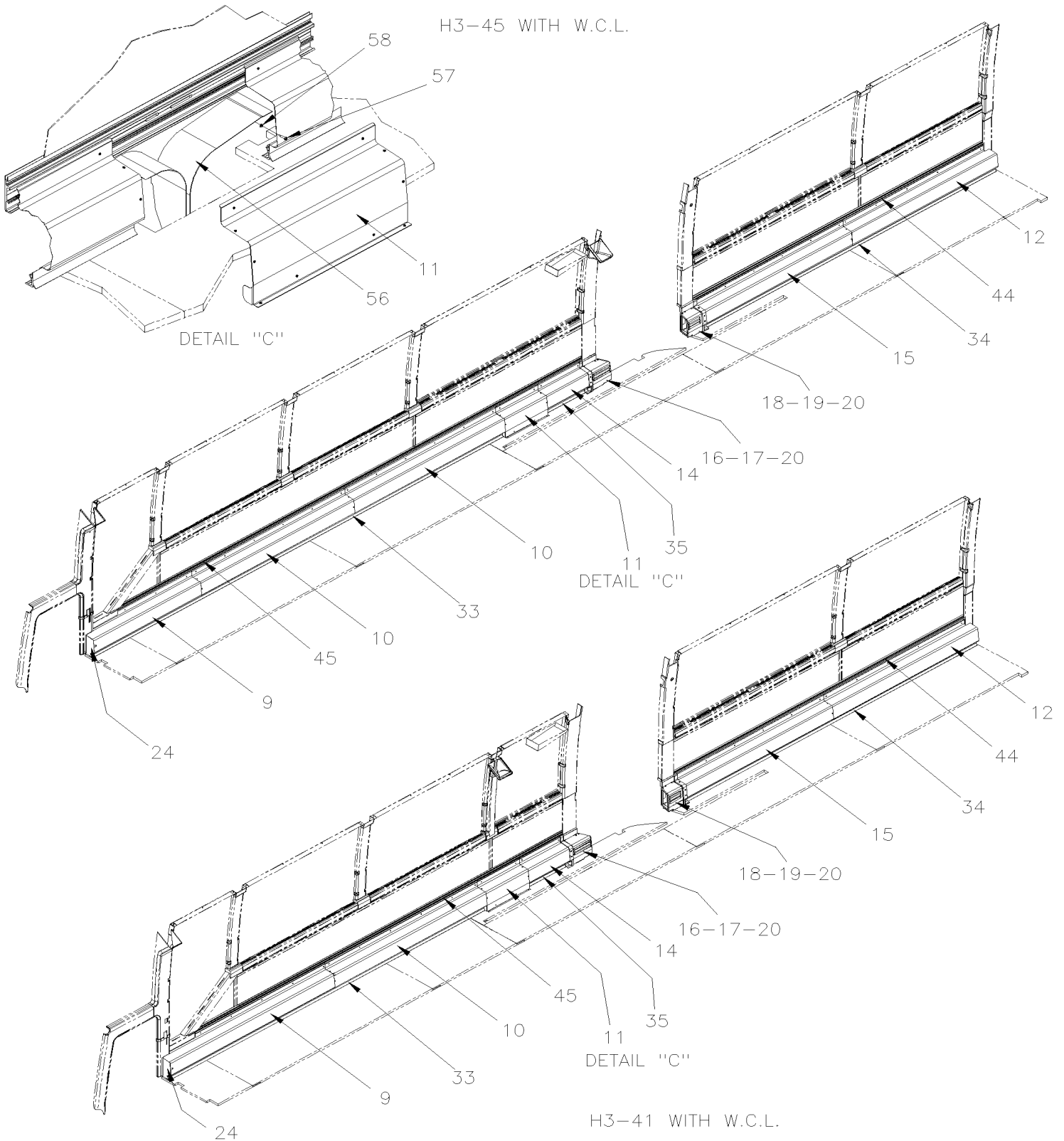
Date:10/2022

PAGE:H7-2221-10

## DUCTING HEATER & A/C



DUCTING HEATER & A/C

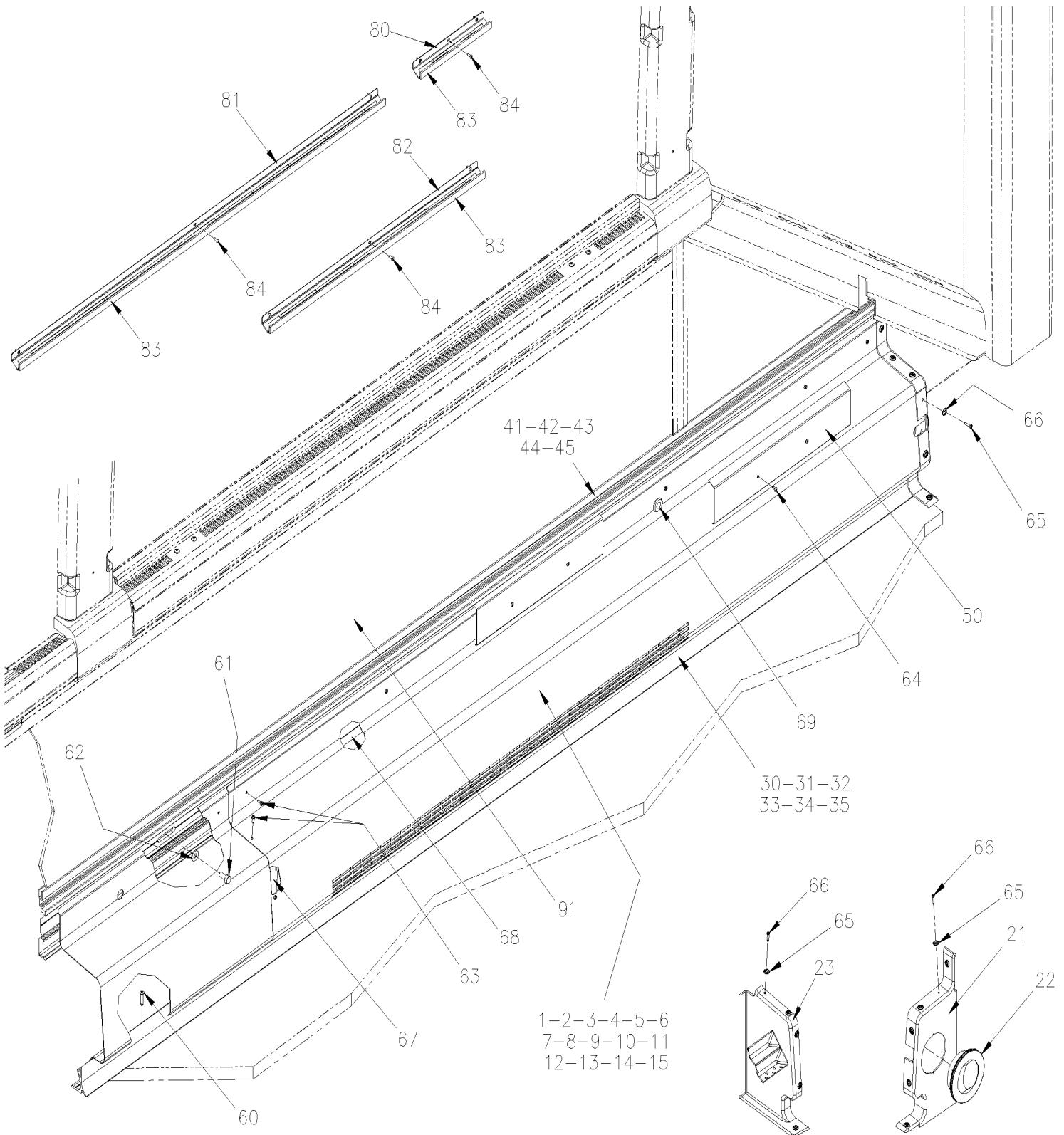


From 7-0671 To J-0184

Date:10/2022

PAGE:H7-2221-10

## DUCTING HEATER & A/C

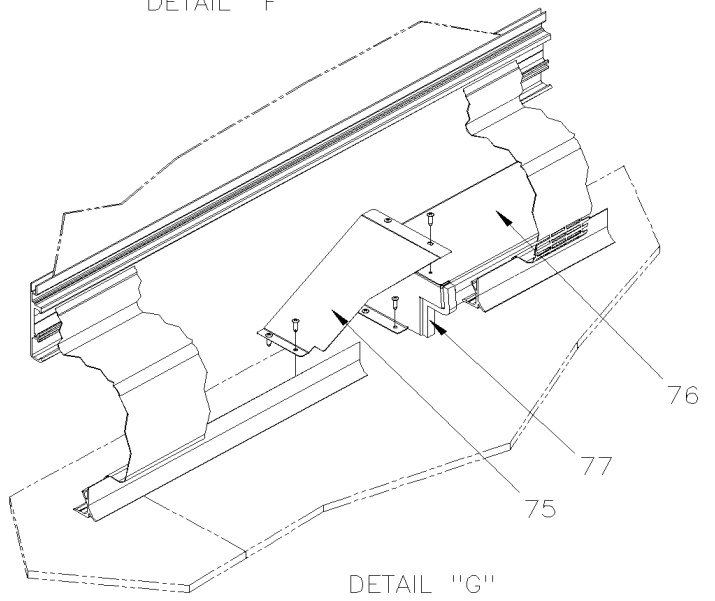
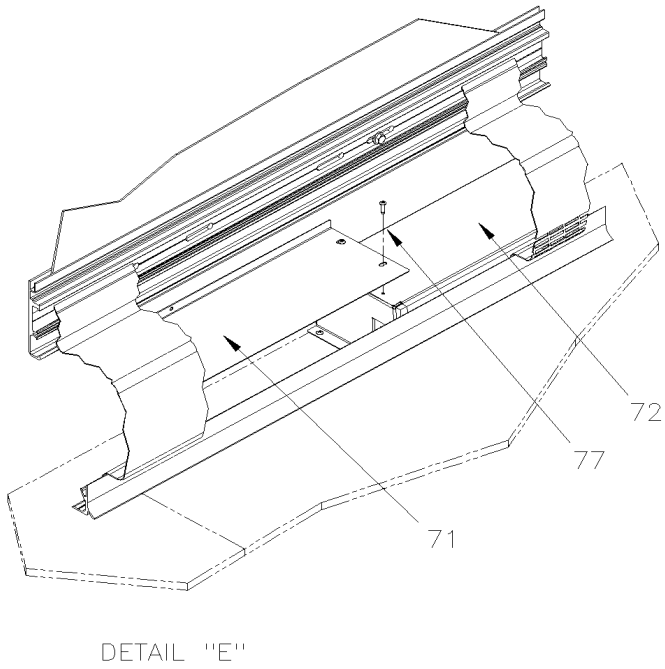
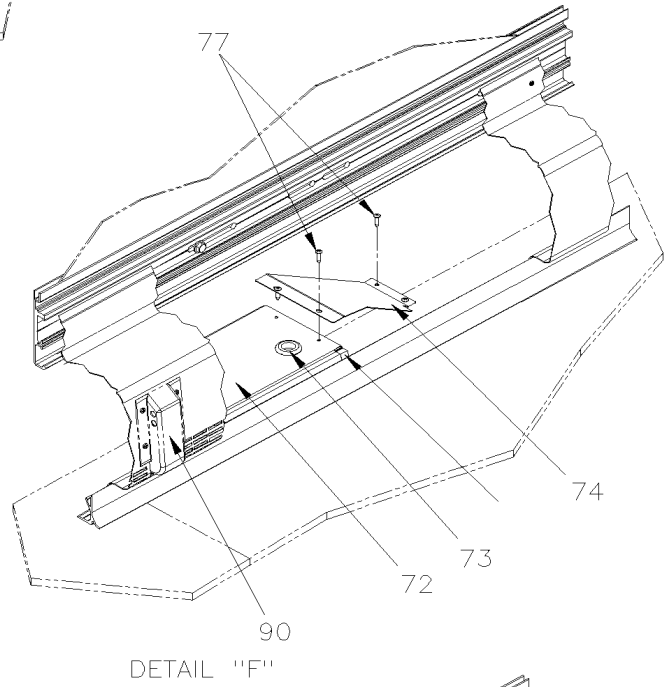
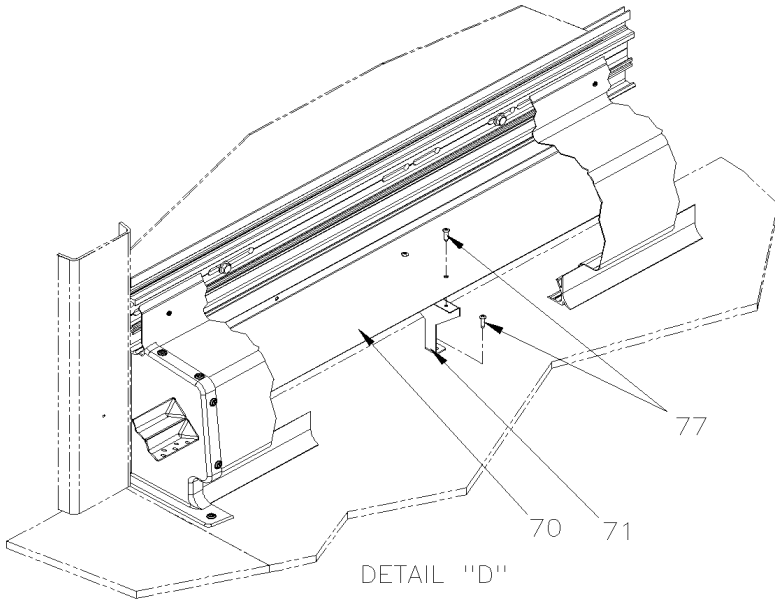


From 7-0671 To J-0184

Date:10/2022

PAGE:H7-2221-10

DUCTING HEATER & A/C





From 7-0671 To J-0184	Date:10/2022	PAGE:H7-2221-10
<b>DUCTING HEATER &amp; A/C</b>		

Item#	Part	Description	H 3 4 1	H 3 4 5	V I P 4 5	N O T E S
1	327682	DUCT, AIR 2000 MM To 8-1039	1	1		
1	329524	DUCT, AIR 2000 MM From 8-1040	1	1		
2	328178	DUCT, AIR 1843 MM To 8-1039	1	1		
2	329533	DUCT, AIR 1843 MM From 8-1040 To 8-1135	1	1		
2	329642	DUCT, AIR 1843 MM From 8-1136	1	1		
2	3201318	DUCT, AIR 1843 MM From F-2878	1	1		SP
3	327684	DUCT, AIR 1800 MM To 8-1039	1			
3	329525	DUCT, AIR 1800 MM W/1 HOLE 940MM From 8-1040	1			
3	327684	DUCT, AIR 1800 MM To 8-1039		1		
3	329525	DUCT, AIR 1800 MM W/1 HOLE 940MM From 8-1040 To G-3326		1		
3	320919	DUCT, AIR 1744 MM From G-3327		1		
4	327685	DUCT, AIR 548 MM To 8-1039	1			
4	329527	DUCT, AIR 548 MM From 8-1040	1			
4	327685	DUCT, AIR 548 MM To 8-1039		1		
4	329527	DUCT, AIR 548 MM From 8-1040 To G-3326		1		
4	320907	DUCT, AIR 653 MM From G-3327		1		
5	327684	DUCT, AIR 1800 MM To 8-1039	1			
5	329526	DUCT, AIR 1800MM W/2 HOLES 166MM/ 1706MM From 8-1040	1			
5	327684	DUCT, AIR 1800 MM To 8-1039		1		
5	329526	DUCT, AIR 1800MM W/2 HOLES 166MM/ 1706MM From 8-1040 To G-3326		1		
5	320920	DUCT, AIR 1756 MM From G-3327		1		
6	327684	DUCT, AIR 1800 MM To 8-1039		1		
6	329535	DUCT, AIR 1800 MM W/1 HOLE 1468MM From 8-1040		1		
7	327686	DUCT, AIR W/VENT 1877MM W/1 HOLE 1141MM To 8-1039		1		
7	329528	DUCT, AIR W/VENT 1877MM W/1 HOLE 1227MM From 8-1040		1		
8	327690	DUCT, AIR W/VENT 2411MM W/1 HOLE 1141MM To 8-1039	1			
8	329529	DUCT, AIR W/VENT 2411MM W/1 HOLE 1141MM From 8-1040	1			
9	327687	DUCT, AIR 1422 MM		1		
10	327688	DUCT, AIR 2000 MM / GREY	3			
10	327688	DUCT, AIR 2000 MM / GREY	1			WCL
10	327688	DUCT, AIR 2000 MM / GREY To G-3326		4		
10	320943	DUCT, AIR 1990 MM From G-3327		4		
10	327688	DUCT, AIR 2000 MM / GREY To G-3326		2		WCL
10	320943	DUCT, AIR 1990 MM From G-3327		2		WCL
11	327685	DUCT, AIR 548 MM To 8-1039	1			
11	329527	DUCT, AIR 548 MM From 8-1040	1			
11	327685	DUCT, AIR 548 MM To 8-1039		1		
11	329527	DUCT, AIR 548 MM From 8-1040 To G-3326		1		
11	3200162	DUCT, AIR 615 MM/ GREY From G-3327		1		
11	329527	DUCT, AIR 548 MM From G-3327		1		WCL
12	327689	DUCT, AIR 1908 MM	1	1		
13	327691	DUCT, AIR 2156 MM	1			

From 7-0671 To J-0184	Date:10/2022	PAGE:H7-2221-10
<b>DUCTING HEATER &amp; A/C</b>		

Item#	Part	Description	H 3 4 1	H 3 4 5	V I P 4 5	N O T E S
14	327692	DUCT, AIR 578 MM	1			
15	327693	DUCT, AIR 1948 MM	1			
16	329612	DUCT END FORWARD AIR DUCT To 8-1135		1		WCL
16	329620	DUCT END FORWARD AIR DUCT From 8-1136 To D-2158		1		WCL
16	3200789	DUCT END FORWARD AIR DUCT From D-2159		1		WCL
16	3200789	DUCT END FORWARD AIR DUCT From E-2585	1	1		WCL
17	328511	CLOSING PANEL FORWARD AIR DUCT To D-2158		1		WCL
17	3200831	CLOSING PANEL FORWARD AIR DUCT From D-2159 To E-2584		1		WCL
17	3200831	CLOSING PANEL FORWARD AIR DUCT From E-2585	1	1		WCL
18	329619	DUCT END BACKWARD AIR DUCT To E-2584		1		WCL
18	329619	DUCT END BACKWARD AIR DUCT From E-2585	1	1		WCL
19	328510	CLOSING PANEL BACKWARD AIR DUCT To E-2584		1		WCL
19	328510	CLOSING PANEL BACKWARD AIR DUCT From E-2585	1	1		WCL
20	504105	RIVET POP DOME OE 1/8x3/16 AL To E-2584	AR	AR		WCL
20	504105	RIVET POP DOME OE 1/8x3/16 AL From E-2585	AR	AR		WCL
21	326589	CAP CLOSING / L.H. FRONT DUCT To 8-1135	1	1		
21	328506	CAP CLOSING / L.H. FRONT DUCT From 8-1136	1	1		
22	870901	LOUVER, ADJUSTABLE / ROUND 3" O.D.	1	1		
23	326587	CAP CLOSING / L.H. REAR DUCT To 8-1135	1	1		
23	328505	CAP CLOSING / L.H. REAR DUCT From 8-1136	1	1		
24	328961	INSULATING PANEL / DUCT END	1	1		
30	326629	EXTRUSION, FLOOR 5303MM To G-3326	1	1		
30	326629	EXTRUSION, FLOOR 5303MM From G-3327	1			
30	320922	EXTRUSION, FLOOR 5264MM From G-3327		1		
31	326651	EXTRUSION, FLOOR 4165MM	1			
31	326630	EXTRUSION, FLOOR 5419MM To G-3326		1		
31	320921	EXTRUSION, FLOOR 5393MM From G-3327		1		
32	326632	EXTRUSION, FLOOR 5864MM To G-3326	1	1		
32	326632	EXTRUSION, FLOOR 5864MM From G-3327	1			
32	320944	EXTRUSION, FLOOR 5836MM From G-3327		1		
33	327756	EXTRUSION, FLOOR 4124 MM	1			
33	327755	EXTRUSION, FLOOR 5370 MM To G-3326		1		
33	320945	EXTRUSION, FLOOR 5351 MM From G-3327		1		
34	326650	EXTRUSION, FLOOR 3875 MM To E-2584		1		WCL
34	326650	EXTRUSION, FLOOR 3875 MM From E-2585	1	1		WCL
35	326649	EXTRUSION, FLOOR 606 MM To E-2584		1		WCL
35	326649	EXTRUSION, FLOOR 606 MM From E-2585	1	1		WCL
41	327715	EXTRUSION, LOWER WALL 4123 MM To 8-1039	2			
41	329513	EXTRUSION, LOWER WALL 4123 MM From 8-1040 To 8-1135	2			
41	328527	EXTRUSION, LOWER WALL 4123 MM From 8-1136 To 8-1160	2			
41	329637	EXTRUSION, LOWER WALL 4123 MM From 8-1161 To A-1499	2			
41	320741	EXTRUSION, LOWER WALL 4123 MM From A-1500 To E-2584	2			

<b>From 7-0671 To J-0184</b>	<b>Date:10/2022</b>	<b>PAGE:H7-2221-10</b>
<b>DUCTING HEATER &amp; A/C</b>		

Item#	Part	Description	H 3 4 1	H 3 4 5	V I P 4 5	N O T E S
41	320006	EXTRUSION, LOWER WALL 4123 MM From E-2585	2			
41	327713	EXTRUSION, LOWER WALL 5370 MM To 8-1039		2		
41	329511	EXTRUSION, LOWER WALL 5370 MM From 8-1040 To 8-1135		2		
41	328528	EXTRUSION, LOWER WALL 5370 MM From 8-1136 To 8-1160		2		
41	329638	EXTRUSION, LOWER WALL 5370 MM From 8-1161 To A-1499		2		
41	320739	EXTRUSION, LOWER WALL 5370 MM From A-1500 To E-2576		2		
41	320001	EXTRUSION, LOWER WALL 5370 MM From E-2577		2		
42	327717	EXTRUSION, LOWER WALL 5890 MM To 8-1039	1	1		
42	329512	EXTRUSION, LOWER WALL 5890 MM From 8-1040 To 8-1135	1	1		
42	328526	EXTRUSION, LOWER WALL 5890 MM From 8-1136 To 8-1160	1	1		
42	329636	EXTRUSION, LOWER WALL 5890 MM From 8-1161 To A-1499	1	1		
42	320740	EXTRUSION, LOWER WALL 5890 MM From A-1500 To E-2576	1	1		
42	320002	EXTRUSION, LOWER WALL 5890 MM From E-2577	1	1		
43	327712	EXTRUSION, LOWER WALL 6236 MM To 8-1135	1	1		
43	328525	EXTRUSION, LOWER WALL 6236 MM From 8-1136 To 8-1160	1	1		
43	329635	EXTRUSION, LOWER WALL 6236 MM From 8-1161 To A-1499	1	1		
43	320738	EXTRUSION, LOWER WALL 6236 MM From A-1500 To E-2576	1	1		
43	320005	EXTRUSION, LOWER WALL 6236 MM From E-2577	1	1		
44	327711	EXTRUSION, LOWER WALL 3800 MM To 8-1135		1		
44	328533	EXTRUSION, LOWER WALL 3800 MM From 8-1136 To 8-1160		1		
44	329641	EXTRUSION, LOWER WALL 3800 MM From 8-1161 To A-1499		1		
44	320426	EXTRUSION, LOWER WALL 3800 MM From A-1500 To E-2584		1		
44	320004	EXTRUSION, LOWER WALL 3771.5 MM From E-2585	1	1		
45	328228	EXTRUSION, LOWER WALL 6395 MM To 8-1135		1		
45	328532	EXTRUSION, LOWER WALL 6395 MM From 8-1136 To 8-1160		1		
45	329640	EXTRUSION, LOWER WALL 6395 MM From 8-1161 To A-1499		1		
45	320425	EXTRUSION, LOWER WALL 6395 MM From A-1500 To E-2584		1		
45	320003	EXTRUSION, LOWER WALL 6395 MM From E-2585		1		
45	3201157	EXTRUSION, LOWER WALL 5149 MM From E-2585	1			
50	327742	MOULDING, COVER CABLE / GREY / 203MM To 8-1039	AR	AR		
50	329521	MOULDING, COVER CABLE / GREY / 203MM From 8-1040	AR	AR		
50	328520	MOULDING, COVER CABLE / CHARCOAL / 203MM From 8-1040 To A-1720	AR	AR		O
50	327709	MOULDING, COVER CABLE / GREY / 330MM To 8-1039	AR	AR		
50	329522	MOULDING, COVER CABLE / GREY / 330MM From 8-1040	AR	AR		
50	328508	MOULDING, COVER CABLE / CHARCOAL / 330MM From 8-1040 To A-1720	AR	AR		O
50	327706	MOULDING, COVER CABLE / GREY / 360MM To 8-1039	AR	AR		
50	329518	MOULDING, COVER CABLE / GREY / 360MM From 8-1040	AR	AR		
50	328521	MOULDING, COVER CABLE / CHARCOAL / 360MM From 8-1040 To A-1720	AR	AR		O
50	327707	MOULDING, COVER CABLE / GREY / 390MM To 8-1039	AR	AR		
50	329519	MOULDING, COVER CABLE / GREY / 390MM From 8-1040	AR	AR		
50	328522	MOULDING, COVER CABLE / CHARCOAL / 390MM From 8-1040 To A-1720	AR	AR		O
50	327708	MOULDING, COVER CABLE / GREY / 465MM To 8-1039	AR	AR		



<b>From 7-0671 To J-0184</b>	<b>Date:10/2022</b>	<b>PAGE:H7-2221-10</b>
<b>DUCTING HEATER &amp; A/C</b>		

Item#	Part	Description	H 3 4 1	H 3 4 5	V I P 4 5	N O T E S
50	329520	MOULDING, COVER CABLE / GREY / 465MM From 8-1040	AR	AR		
50	328523	MOULDING, COVER CABLE / CHARCOAL / 465MM From 8-1040 To A-1720	AR	AR		O
50	327705	MOULDING, COVER CABLE / GREY / 530MM To 8-1039	AR	AR		
50	329517	MOULDING, COVER CABLE / GREY / 530MM From 8-1040	AR	AR		
50	328524	MOULDING, COVER CABLE / CHARCOAL / 530MM From 8-1040 To A-1720	AR	AR		O
51	452689	DEFLECTOR / OUTPUT DUCT LH & RH	2			
51	452689	DEFLECTOR / OUTPUT DUCT LH & RH From E-2585	1			WCL
52	452673	DEFLECTOR / OUTPUT DUCT LH & RH To G-3326		1		
52	450007	DEFLECTOR / RH From G-3327		1		
53	452673	DEFLECTOR / OUTPUT DUCT LH & RH To G-3326		1		
53	450003	DEFLECTOR / LH From G-3327		1		
54	370066	DEFLECTOR / RH / "U" SHAPE From G-3327		1		
55	370065	DEFLECTOR / LH / "U" SHAPE From G-3327		1		
56	457440	DEFLECTOR / OUTPUT DUCT RH		1		
57	500659	SCREW TC PAN PH #10-32x1 Z050	8			
57	500659	SCREW TC PAN PH #10-32x1 Z050		4		WCL
58	500855	WASHER FL .188x.438x.049 N500	8			
58	500855	WASHER FL .188x.438x.049 N500		4		WCL
59	500957	SCREW TP BDG PH #10x3/4 N500		20		
59	500957	SCREW TP BDG PH #10x3/4 N500		10		WCL
60	500879	SCREW TP PAN PH #10x1 Z050	AR	AR		
61	5001473	SCREW CAP HEXS 5/16-18x3/4 NYRT	AR	AR		
62	502638	WASHER FL .312x.734x.065 N500	AR	AR		
63	500583	SCREW TP PAN PH #6x1/2 Z050	AR	AR		
64	500417	SCREW TP PAN PH #6x3/8 Z050 To 8-1135	AR	AR		
64	500852	SCREW TP BDG PH #6x3/8 N500 From 8-1136	AR	AR		
65	500552	SCREW TP OV PH #6x3/4 Z050 To E-2584	AR	AR		
65	500333	SCREW TP OV PH #6x3/4 BK From E-2585	AR	AR		
66	500463	WASHER FN CKF .187x.500x.090 BR Z050 To E-2584	AR	AR		
66	500345	WASHER FN CKF .187x.500x.090 BR BK From E-2585	AR	AR		
67	506104	TAPE RUB ADH1 URE 1/8" x 1/2" x 75' / GREY 1820	AR	AR		
68	506191	TAPE RUB ADH1 CC POL 1/8" x 1/4" x 50' / GREY 2520X	AR	AR		
69	504061	GROMMET / .4375x.687x.062x.312x.937	AR	AR		
70	323412	DEFLECTOR, ANGLE / REAR L.H. SIDE / TOP OF RETURN To B-1804	1	1		
70	454690	DEFLECTOR, ANGLE / REAR L.H. SIDE / TOP OF RETURN From B-1805	1	1		
71	323416	SUPPORT / "Y" SHAPED To B-1804	5	5		
71	454689	SUPPORT / "Y" SHAPED From B-1805	5	5		
72	451474	DUCT, AIR RETURN (1143 MM ) To B-1804	1	1		
72	Call order desk	DUCT, AIR RETURN (1143 MM ) From B-1805	1	1		P
72	506268	. TAPE RUB ADH1 URE 3/8" x 1/2" x 25' / GREY 1820	AR	AR		
73	504397	. GROMMET / .750x1.062x.062x.375x1.375	1	1		
74	451475	DEFLECTOR / L.H. /END OF RETURN DUCT) To B-1804	1	1		

From 7-0671 To J-0184	Date:10/2022	PAGE:H7-2221-10
<b>DUCTING HEATER &amp; A/C</b>		

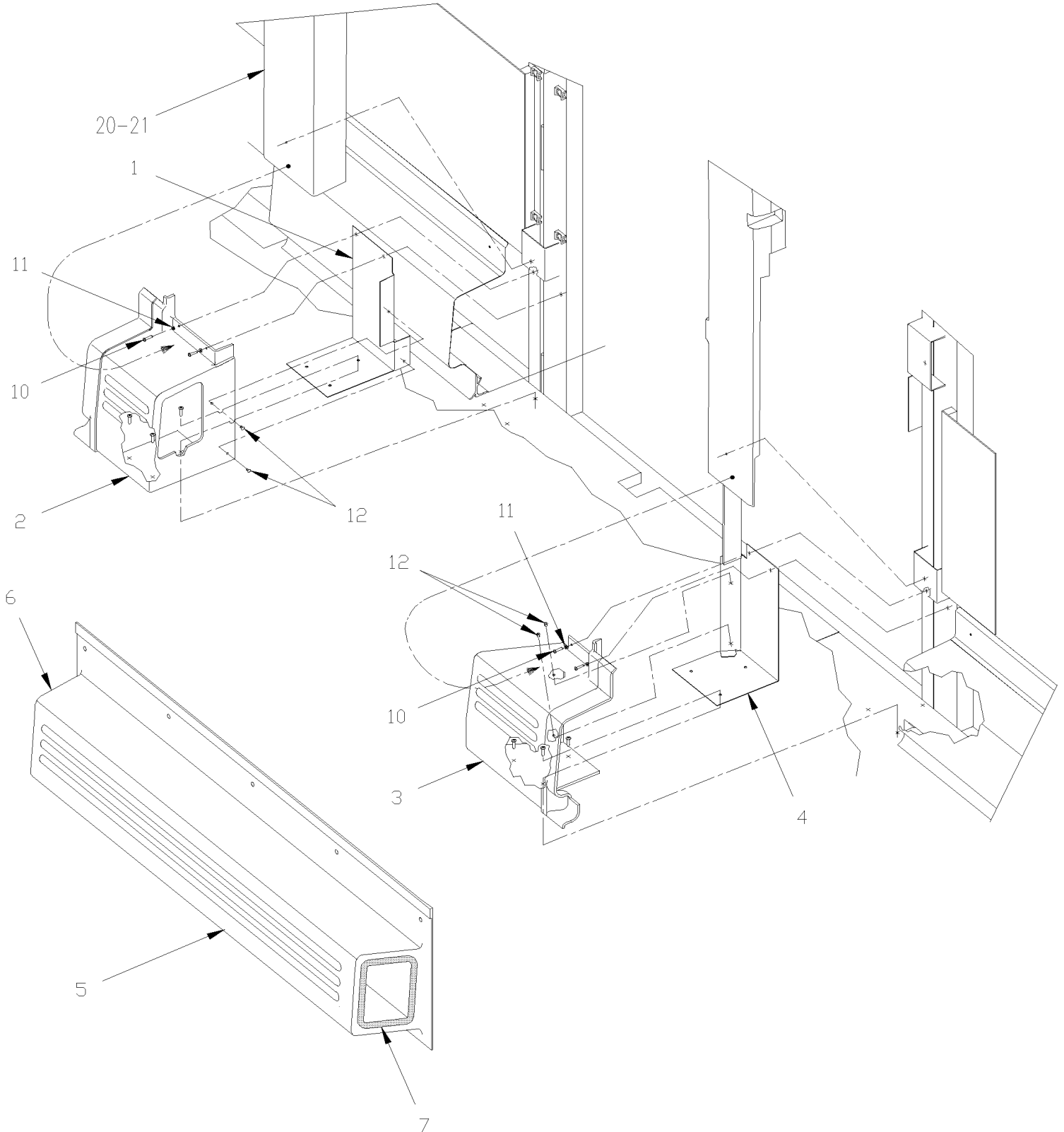
Item#	Part	Description	H 3 4 1	H 3 4 5	V I P 4 5	N O T E S
74	454687	DEFLECTOR / L.H. /END OF RETURN DUCT) From B-1805	1	1		
75	451476	DEFLECTOR / R.H. /END OF RETURN DUCT) To B-1804	1	1		
75	454688	DEFLECTOR / R.H. /END OF RETURN DUCT) From B-1805	1	1		
76	451474	DUCT, AIR RETURN (1143 MM ) To B-1804	1	1		
76	454691	DUCT, AIR RETURN (1143 MM ) From B-1805	1	1		
76	506268	. TAPE RUB ADH1 URE 3/8" x 1/2" x 25' / GREY 1820	AR	AR		
77	500642	SCREW TP PAN PH #10x3/4 Z050	AR	AR		
80	453732	AIR DIFFUSOR RESTRICTION 202MM		1		
81	453731	AIR DIFFUSOR RESTRICTION 1048MM	1	1		
82	457495	AIR DIFFUSOR RESTRICTION 616MM	1			
83	506104	. TAPE RUB ADH1 URE 1/8" x 1/2" x 75' / GREY 1820	1	1		
84	504106	RIVET POP DOME OE 1/8x1/4 AL	AR	AR		
90	<b>H7-2210-50</b>	<b>AIR MAIN SENSOR</b>				
91	<b>H7-1833-00</b>	<b>WINDOW FINISHING CAP &amp; WALL W/GREY FINISHING To 8-1135</b>				
91	<b>H7-1833-01</b>	<b>WINDOW FINISHING CAP &amp; WALL W/TAN FINISHING From 8-1136</b>				
92	<b>H7-1839-00</b>	<b>INSULATING SIDE WALL - LOWER PANEL To E-2575</b>				
92	<b>H7-1839-01</b>	<b>INSULATING SIDE WALL - LOWER PANEL From E-2576</b>				
		O) OPTION				
		SP) SPECIAL WITH BOX, AIR RECIRCULATION				
		WCL) WITH WHEEL CHAIR LIFT				
		P) CALL ORDER DESK FOR SPECIFIC APPLICATION (V.I.N.)				
		U) UNDER CONSTRUCTION				

From 7-0671 To J-0184

Date:10/2022

PAGE:H7-2221-80

**AIR DUCT W.C.L. DOOR "RICON"**



<b>From 7-0671 To J-0184</b>	<b>Date:10/2022</b>	<b>PAGE:H7-2221-80</b>
<b>AIR DUCT W.C.L. DOOR "RICON"</b>		

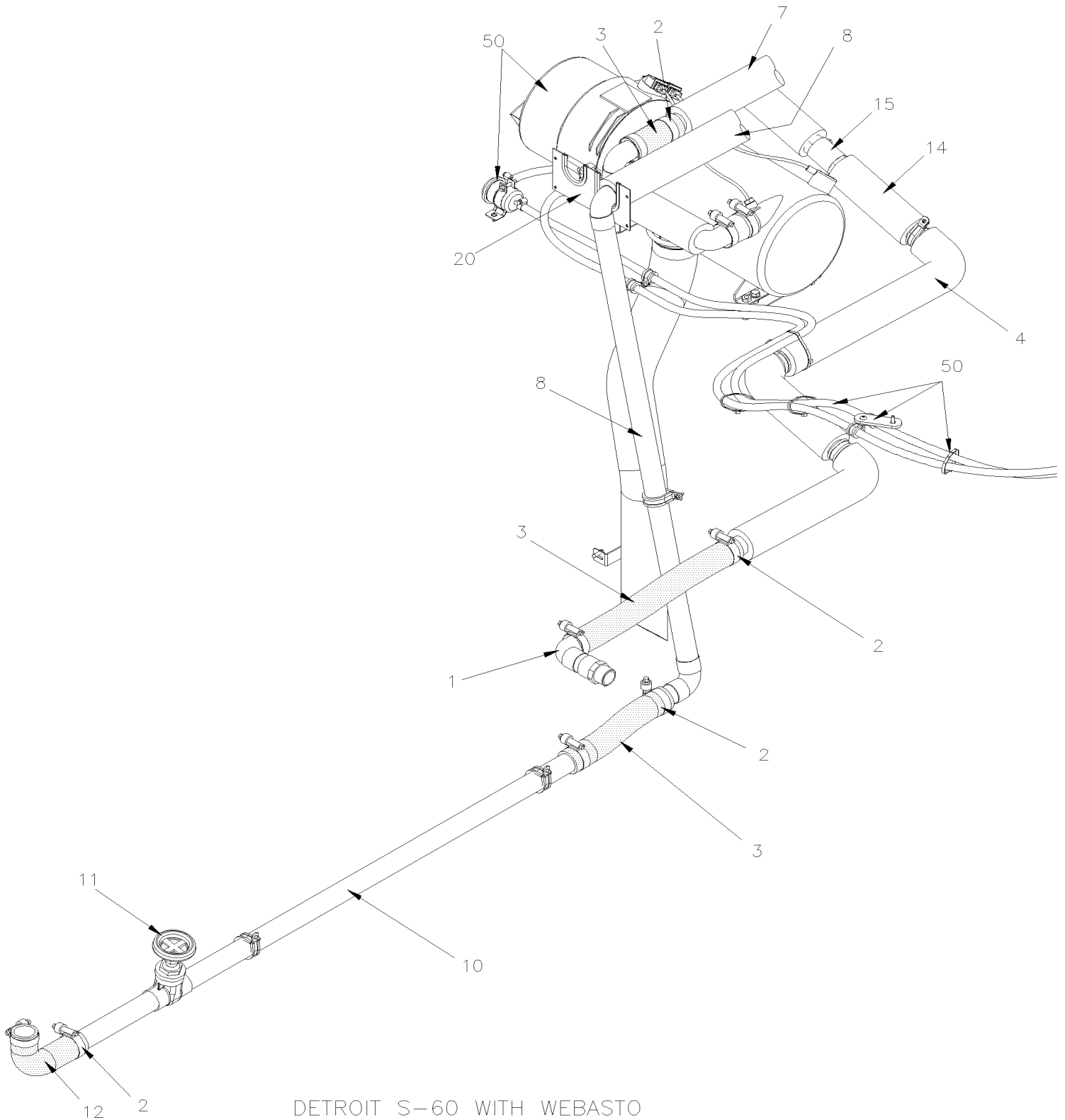
Item#	Part	Description	H 3 4 1	H 3 4 5	V I P 4 5	N O T E S
1	328234	CLOSING PANEL FORWARD AIR DUCT To 8-1135	1	1	1	A
1	329614	CLOSING PANEL FORWARD AIR DUCT SERVICE To 8-1135	1	1	1	
1	328511	CLOSING PANEL FORWARD AIR DUCT From 8-1136 To D-2158	1	1	1	
1	3200831	CLOSING PANEL FORWARD AIR DUCT From D-2159	1	1	1	
2	328174	DUCT END FORWARD AIR DUCT To 8-1135	1	1	1	A
2	329621	DUCT END FORWARD AIR DUCT SERVICE To 8-1135	1	1	1	
2	329622	DUCT END FORWARD AIR DUCT From 8-1136 To D-2275	1	1	1	
2	3200789	DUCT END FORWARD AIR DUCT From D-2274	1	1	1	
2	328172	DUCT END FORWARD AIR DUCT To 8-1135	1	1	1	A B
2	329612	DUCT END FORWARD AIR DUCT SERVICE To 8-1135	1	1	1	B
2	329620	DUCT END FORWARD AIR DUCT From 8-1136 To D-2158	1	1	1	B
2	3200789	DUCT END FORWARD AIR DUCT From D-2159	1	1	1	B
3	328129	DUCT END BACKWARD AIR DUCT To 8-1135	1	1	1	A
3	329613	DUCT END BACKWARD AIR DUCT SERVICE To 8-1135	1	1	1	
3	329619	DUCT END BACKWARD AIR DUCT From 8-1136	1	1	1	
4	328235	CLOSING PANEL BACKWARD AIR DUCT To 8-1135	1	1	1	
4	328510	CLOSING PANEL BACKWARD AIR DUCT From 8-1136	1	1	1	
5	328173	DUCT DOOR / PLASTIC To 8-1135	1	1	1	A
5	329611	DUCT DOOR / PLASTIC SERVICE To 8-1135	1	1	1	
5	328556	DUCT DOOR / PLASTIC From 8-1136 To 8-1195	1	1	1	
5	329618	DUCT DOOR / PLASTIC From 8-1196 To D-2158	1	1	1	
5	3200790	DUCT DOOR / PLASTIC From D-2159 To J-0184	1	1	1	
5	281449	DUCT DOOR / PLASTIC From J-0185	1	1	1	
6	328201	SEAL DUCT To 8-1195	1	1	1	
6	329615	SEAL DUCT 600MM From 8-1196	1	1	1	
. NS	5061011	. RUBBER EXTRUSION TRIM SEAL / GRIP .090/.120 / 5/8" HOLLOW BULB C.T.L. From 8-1196	AR	AR	AR	
7	328201	SEAL DUCT To 8-1195	1	1	1	
7	329615	SEAL DUCT 600MM From 8-1196	1	1	1	
. NS	5061011	. RUBBER EXTRUSION TRIM SEAL / GRIP .090/.120 / 5/8" HOLLOW BULB C.T.L. From 8-1196	AR	AR	AR	
10	500552	SCREW TP OV PH #6x3/4 Z050	AR	AR	AR	
11	500463	WASHER FN CKF .187x.500x.090 BR Z050	AR	AR	AR	
12	504105	RIVET POP DOME OE 1/8x3/16 AL	AR	AR	AR	
20	<b>H7-1833-00</b>	<b>WINDOW FINISHING CAP &amp; WALL W/GREY FINISHING To 8-1135</b>				
20	<b>H7-1833-01</b>	<b>WINDOW FINISHING CAP &amp; WALL W/TAN FINISHING From 8-1136</b>				
21	<b>H7-1862-80</b>	<b>ENTRANCE DOOR SLIDING - WCL To E-2584</b>				
21	<b>H7-1862-81</b>	<b>ENTRANCE DOOR SLIDING - WCL From E-2585</b>				
NS	506264	TAPE RUB ADH1 URE 3/4" x 1" x 12.5' / GREY 1820X	AR	AR	AR	
		A) WITH A/C IN PARCEL RACK				
		B) WITH A/C IN PARCEL RACK				

From 7-0671 To A-1720

Date:10/2022

PAGE:H7-2222-00

HEATER LINE REAR SECTION WITH "DETROIT" ENGINE



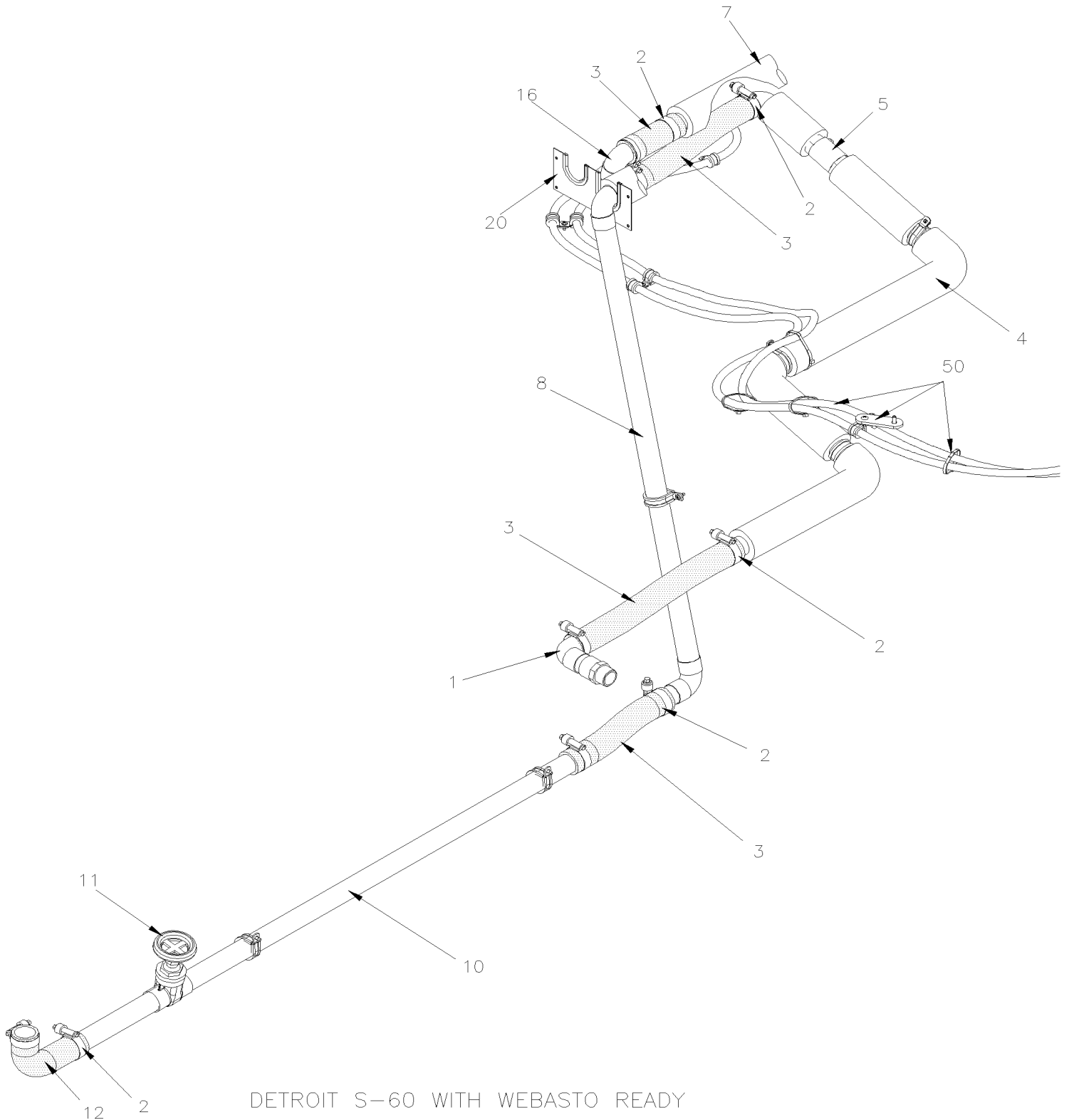
DETROIT S-60 WITH WEBASTO

From 7-0671 To A-1720

Date:10/2022

PAGE:H7-2222-00

## HEATER LINE REAR SECTION WITH "DETROIT" ENGINE

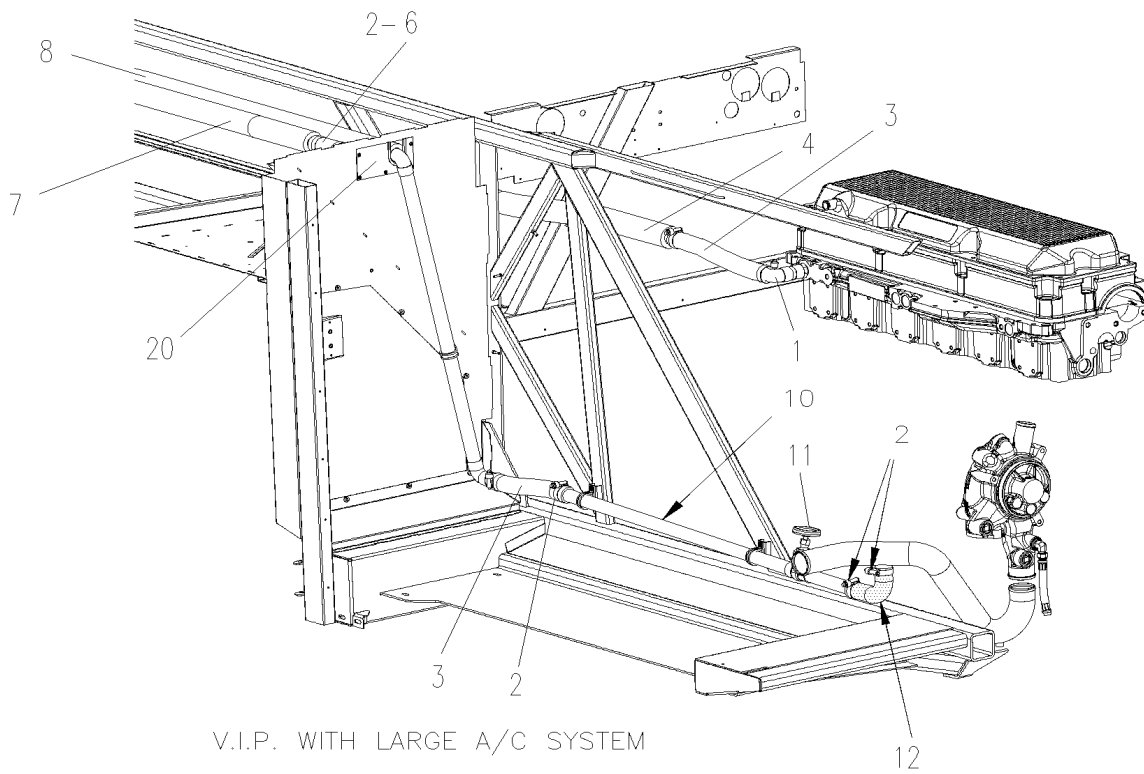
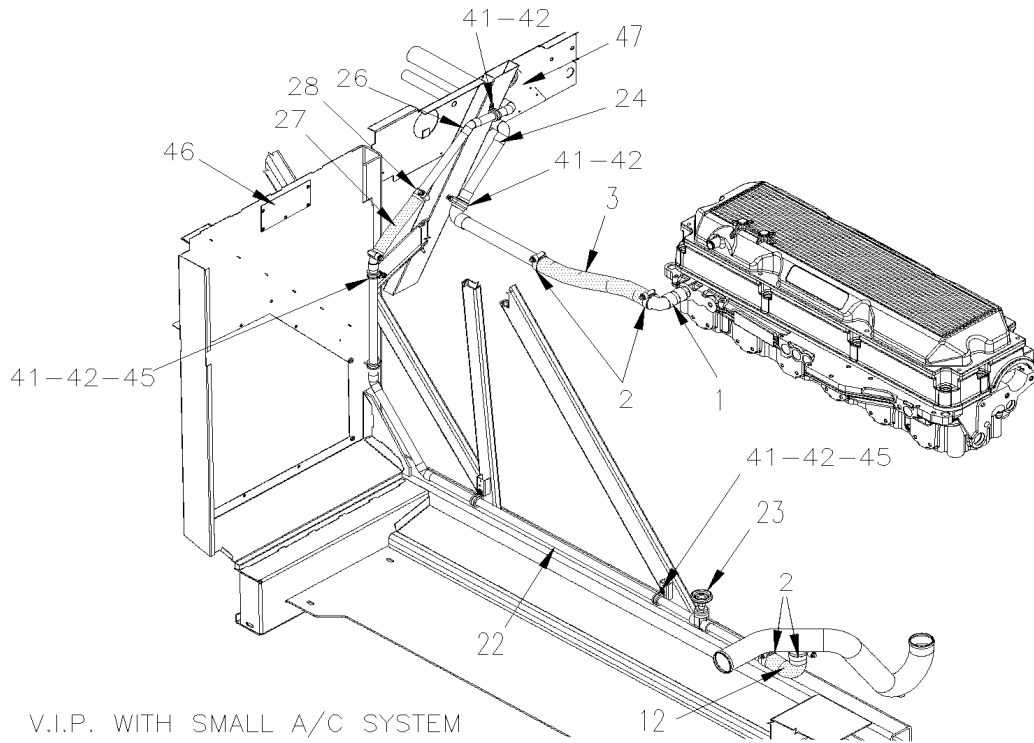


From 7-0671 To A-1720

Date:10/2022

PAGE:H7-2222-00

## HEATER LINE REAR SECTION WITH "DETROIT" ENGINE



From 7-0671 To A-1720 Date:10/2022 PAGE:H7-2222-00

## HEATER LINE REAR SECTION WITH "DETROIT" ENGINE

Item#	Part	Description	H 3 4 1	H 3 4 5	V I P 4 5	N O T E S
1	373866	HOSE ADAPTOR ELBOW 90° 1 3/8" X 1" NPT / CYLINDER HEAD EXIT	1	1	1	
2	504657	HOSE CLAMP / 1"1/16"-2" C.T. 9424	AR	AR	AR	
3	503392	HOSE SILICONE 4PLY 1 3/8" I.D. x 4'	1	1	1	
4	Call order desk	PIPE ASSY HEATING / FEED LINE / W/OUT WATER HEATER To 8-1043	1	1	1	P
4	Call order desk	PIPE ASSY HEATING / FEED LINE / W/OUT WATER HEATER From 8-1044	1	1	1	P
4	Call order desk	PIPE ASSY HEATING / FEED LINE / W/OUT WATER HEATER W/SLIDE-OUT			1	P
5	501861	. GATE VALVE 1 1/4" (WELDED)	1	1	1	
6	051383	HOSE / W/CENTRAL A/C SYSTEM / 1 3/8" I.D. X 150MM	1	1	1	
7	373878P	PIPE ASSY / ENGINE COMP & WATER FILTER	1	1	1	
8	Call order desk	PIPE ASSY / RETURN LINE TO ENGINE COMPARTMENT	1	1	1	P
8	Call order desk	PIPE ASSY / RETURN LINE TO ENGINE COMPARTMENT			1	P
8	Call order desk	PIPE ASSY / RETURN LINE TO ENGINE COMPARTMENT W/SLIDE-OUT			1	P
9	503651	HOSE SILICONE 2PLY 7/8" I.D. x 3'	AR	AR	AR	
10	374233P	PIPE RETURN / ENGINE WATER PUMP	1	1	1	
11	501861	. GATE VALVE 1 1/4" (WELDED)	1	1	1	
12	Call order desk	PIPE RETURN / ENGINE WATER PUMP / W/SMALL A/C SYSTEM			1	P
12	374258	ELBOW 90° X 1 3/8" I.D. / 88MM x 128MM C/C / SILICONE 1 PLY	1	1	1	
14	374316P	PIPE ASSY HEATING / FEED LINE	1	1		
15	501861	. GATE VALVE 1 1/4" (WELDED)	1	1		
16	374034	PIPE "U" / BY-PASS W/O WATER HEATER	1	1		
20	374008	CLOSING PLATE FOR 1 PIPE	1	1	1	
21	502868	SCREW TC TR PH #10-16x1/2 N500	AR	AR	AR	
22	Call order desk	PIPE RETURN / ENGINE WATER PUMP / W/SMALL A/C SYSTEM			1	P
23	501861	. GATE VALVE 1 1/4" (WELDED)			1	
24	Call order desk	PIPE ASSY / ENGINE COMP & WATER FILTER / W/SMALL A/C SYSTEM			1	P
NS	871419	. BALL VALVE 1" NPT-F			1	
25	501553	. ADAPTER / COPPER @ PIPE / 1Fx1NPT-M			2	
26	Call order desk	PIPE ASSY / RETURN LINE TO ENGINE COMPARTMENT / W/SMALL A/C SYSTEM			1	P
27	371534	HOSE 7/8" I.D. X 9"			1	
28	504646	HOSE CLAMP / 11/16"-1"1/4 / C.T. 9412			8	
41	500957	SCREW TP BDG PH #10x3/4 N500			AR	
42	952641	CLAMP / 1 5/16" I.D.			AR	
42	952633	CLAMP / 7/8" I.D.			AR	
43	502746	SCREW MA PAN PH M5-0.8x20 SS BK			AR	
44	500804	WASHER FL .203x.500x.047 N500			AR	
45	502841	NUT HEX NYRT M5-0.8 N500			AR	
46	373908	CLOSING PLATE / W/SMALL A/C SYSTEM 83MM x 180MM To 9-1403			1	
46	374418	CLOSING PLATE ASSY W/RUBBER / W/SMALL A/C SYSTEM From 9-1404			1	
47	453174	PIPE CLOSING ASSY TRIANGULAR SGHAPE			1	
50	<b>871202</b>	<b>WATER HEATER - "SPHEROS" 100,000 B.T.U.</b>				
50	<b>871329</b>	<b>WATER HEATER - "PROHEAT" 80,000 B.T.U.</b>				



From 7-0671 To A-1720	Date:10/2022	PAGE:H7-2222-00
-----------------------	--------------	-----------------

**HEATER LINE REAR SECTION WITH "DETROIT" ENGINE**

Item#	Part	Description	H 3 4 1	H 3 4 5	V I P 4 5	N O T E S
		P) CALL ORDER DESK FOR SPECIFIC APPLICATION (V.I.N.)				

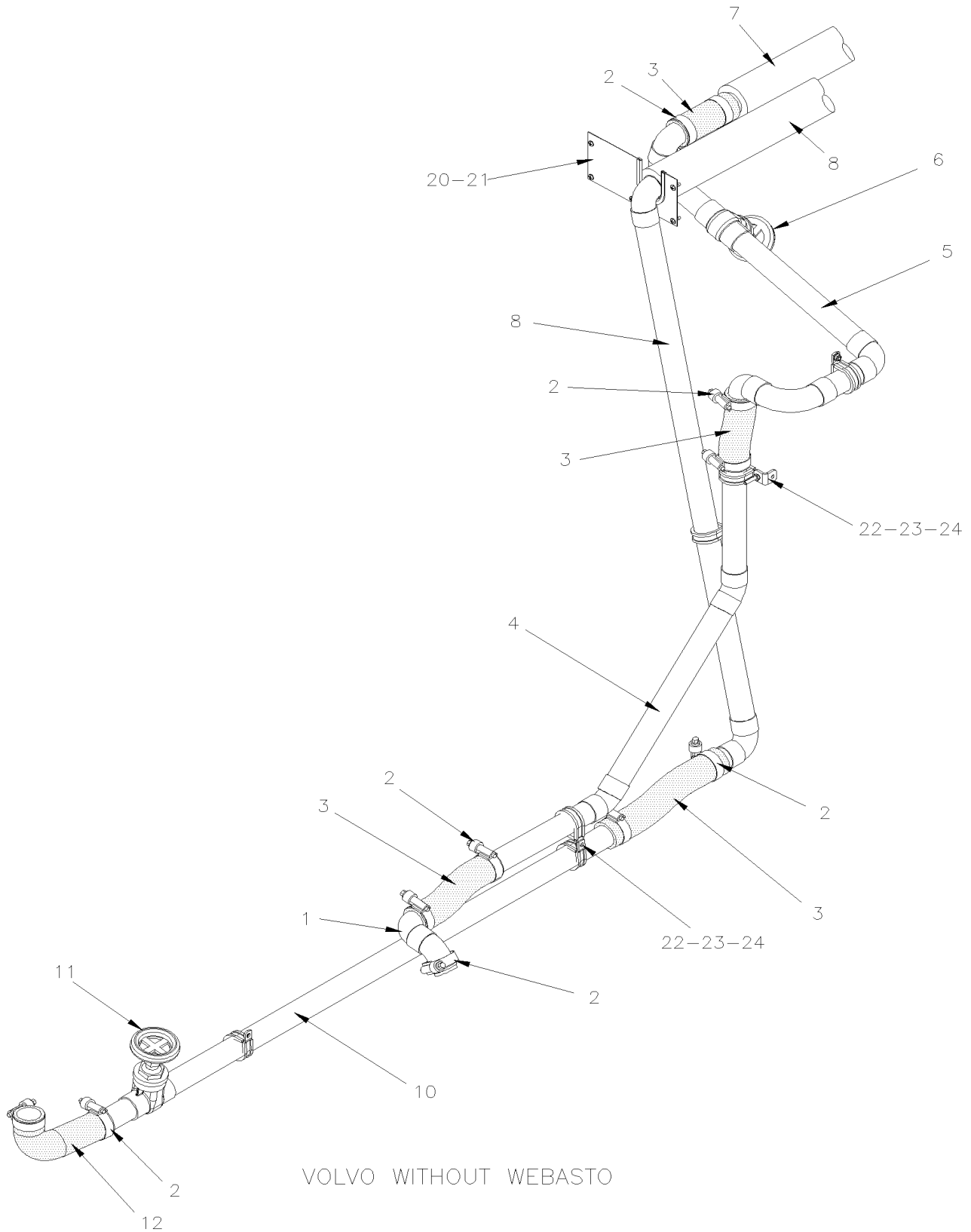


From 8-1202 To A-1720

Date:10/2022

PAGE:H7-2222-05

HEATER LINE REAR SECTION WITH "VOLVO" ENGINE "EPA 2007"

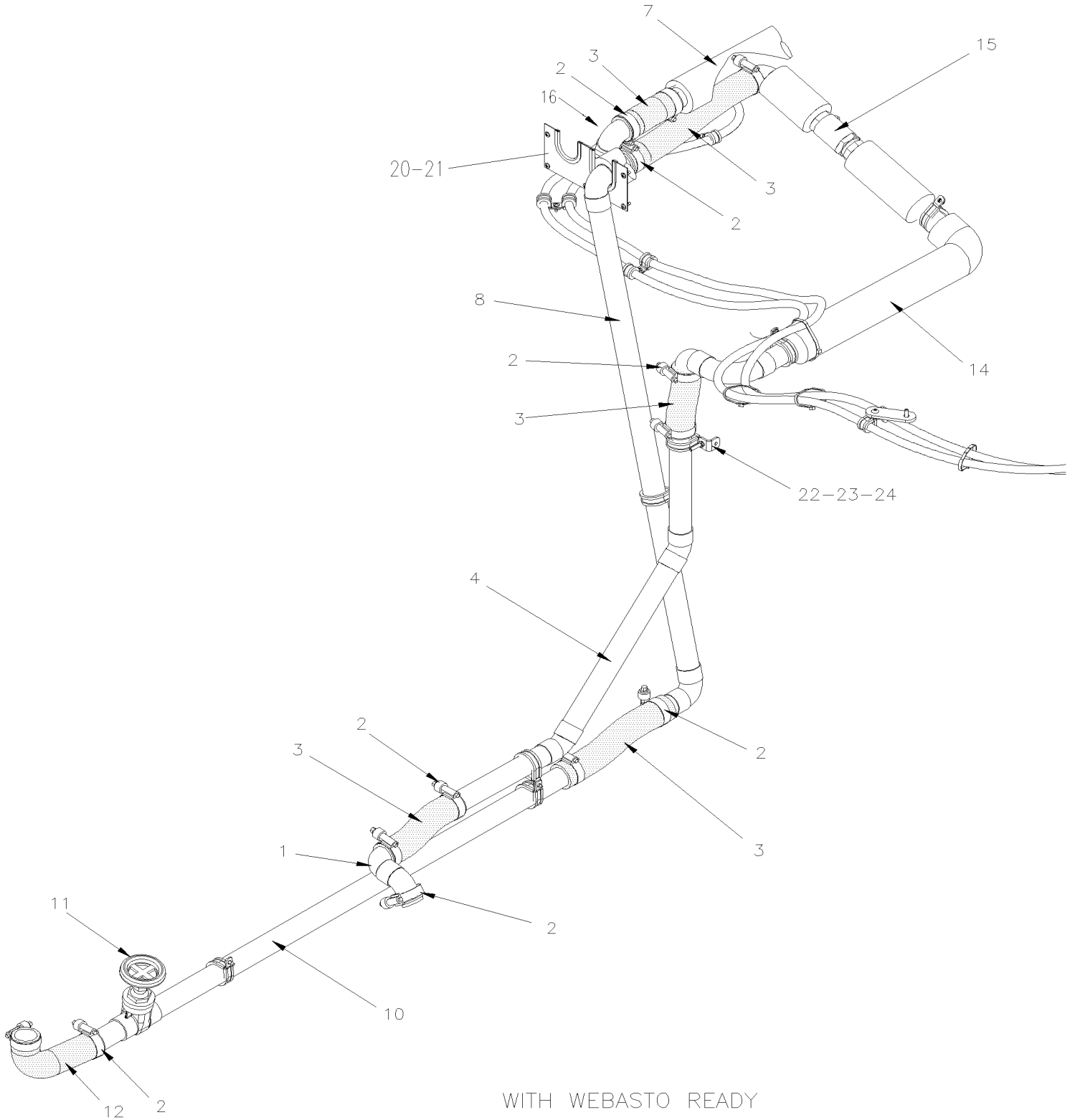


From 8-1202 To A-1720

Date:10/2022

PAGE:H7-2222-05

HEATER LINE REAR SECTION WITH "VOLVO" ENGINE "EPA 2007"

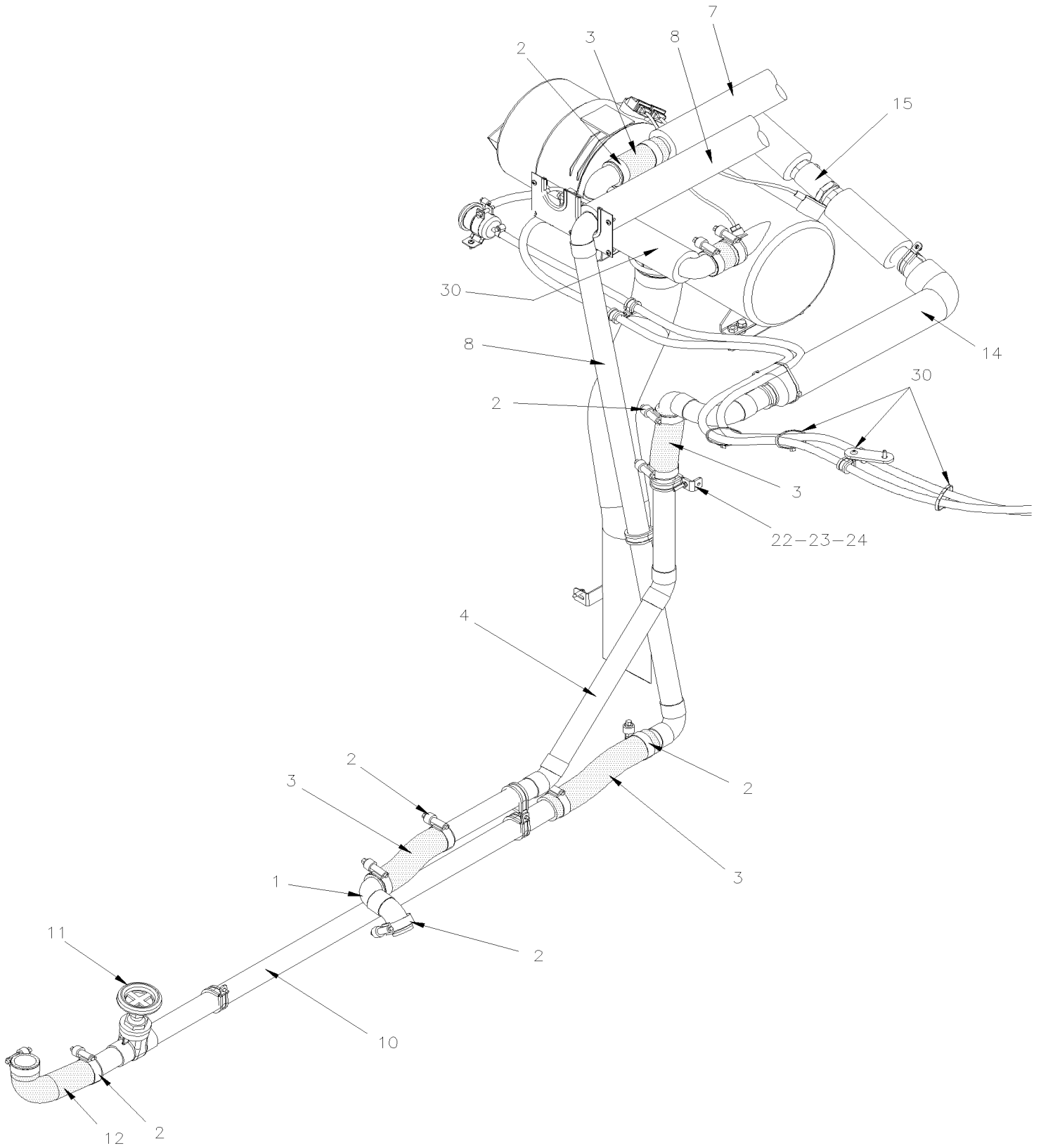


From 8-1202 To A-1720

Date:10/2022

PAGE:H7-2222-05

HEATER LINE REAR SECTION WITH "VOLVO" ENGINE "EPA 2007"



From 8-1202 To A-1720	Date:10/2022	PAGE:H7-2222-05
<b>HEATER LINE REAR SECTION WITH "VOLVO" ENGINE "EPA 2007"</b>		

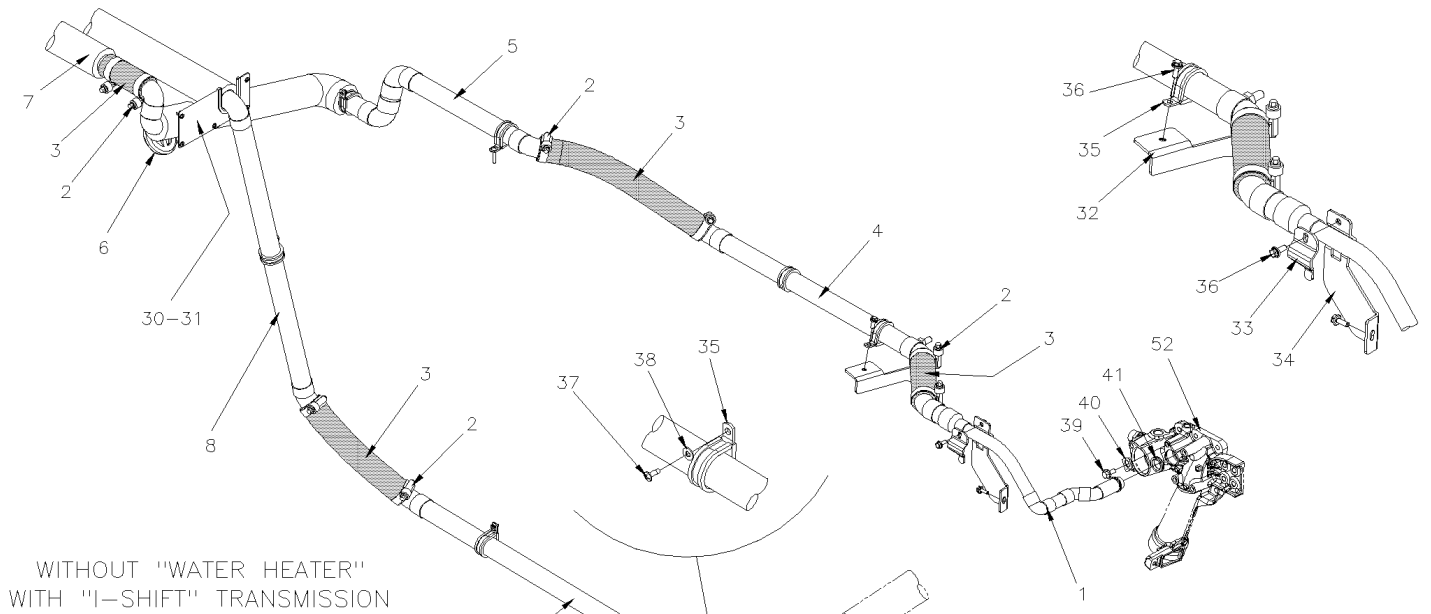
Item#	Part	Description	H 3 4 1	H 3 4 5	V I P 4 5	N O T E S
1	374355P	PIPE ASSY HEATING / FEED LINE / LOWER SECTION	1	1		
2	504657	HOSE CLAMP / 1"1/16-2" C.T. 9424	AR	AR		
3	503392	HOSE SILICONE 4PLY 1 3/8" I.D. x 4'	AR	AR		
4	374295P	PIPE ASSY HEATING / FEED LINE / MIDDLE SECTION	1	1		
5	Call order desk	PIPE ASSY HEATING / FEED LINE W/"WORLD" TRANS	1	1		P
6	501861	. GATE VALVE 1 1/4" (WELDED)	1	1		
7	373878P	PIPE ASSY / ENGINE COMP & WATER FILTER	1	1		
8	Call order desk	PIPE ASSY / RETURN LINE TO ENGINE COMPARTMENT	1	1		P
10	374294P	PIPE RETURN / ENGINE WATER PUMP	1	1		
11	501861	. GATE VALVE 1 1/4" (WELDED)	1	1		
NS	373919	SUPPORT PIPE TO RAD FLOOR ?	1	1		
12	374298	ELBOW 90° X 1 3/8" I.D. / 78MM x 140MM C/C / SILICONE	1	1		
13	501861	. GATE VALVE 1 1/4" (WELDED)	1	1		
14	374296P	PIPE ASSY HEATING / FEED LINE / UPPER SECTION	1	1		
15	871419	. BALL VALVE 1" NPT-F	1	1		
15	501997	. ADAPTER / COPPER @ PIPE / 1 1/4Fx1NPT-M	2	2		
16	374034	PIPE "U" / BY-PASS W/O WATER HEATER	1	1		
20	373926	CLOSING PLATE FOR 2 PIPE	1	1		
20	374008	CLOSING PLATE FOR 1 PIPE	1	1		
21	502868	SCREW TC TR PH #10-16x1/2 N500	AR	AR		
22	952641	CLAMP / 1 5/16" I.D.	AR	AR		
23	502841	NUT HEX NYRT M5-0.8 N500 0	AR	AR		
24	500804	WASHER FL .203x.500x.047 N500 0	AR	AR		
30	<b>871202</b>	<b>WATER HEATER - "SPHEROS" 100,000 B.T.U. 0</b>				
30	<b>871329</b>	<b>WATER HEATER - "PROHEAT" 80,000 B.T.U.</b>				
NS	Call order desk	PIPE ASSY HEATING / FEED LINE FROM ENGINE COMPARTMENT / W/SMALL A/C SYSTEM			1	P
NS	Call order desk	PIPE ASSY HEATING / FEED LINE / MIDDLE SECTION / W/SMALL A/C SYSTEM			1	P
31	Call order desk	PIPE RETURN / ENGINE WATER PUMP / W/SMALL A/C SYSTEM			1	P
32	373908	CLOSING PLATE / W/SMALL A/C SYSTEM 83MM x 180MM To 9-1403			1	
32	374418	CLOSING PLATE ASSY W/RUBBER / W/SMALL A/C SYSTEM From 9-1404 To C-2033			1	
32	373908	CLOSING PLATE / W/SMALL A/C SYSTEM 83MM x 180MM From C-2034			1	
32	506338	RUBBER CHANNEL / 1/16" x 1/4" INT "U" SHAPE / ROUND C.T.L. To C-2033			AR	
32	5060120	GROMMET EDGING ADHESIVE .036-.062 From C-2034			AR	
		P) CALL ORDER DESK FOR SPECIFIC APPLICATION (V.I.N.)				

From B-1721 To J-0287

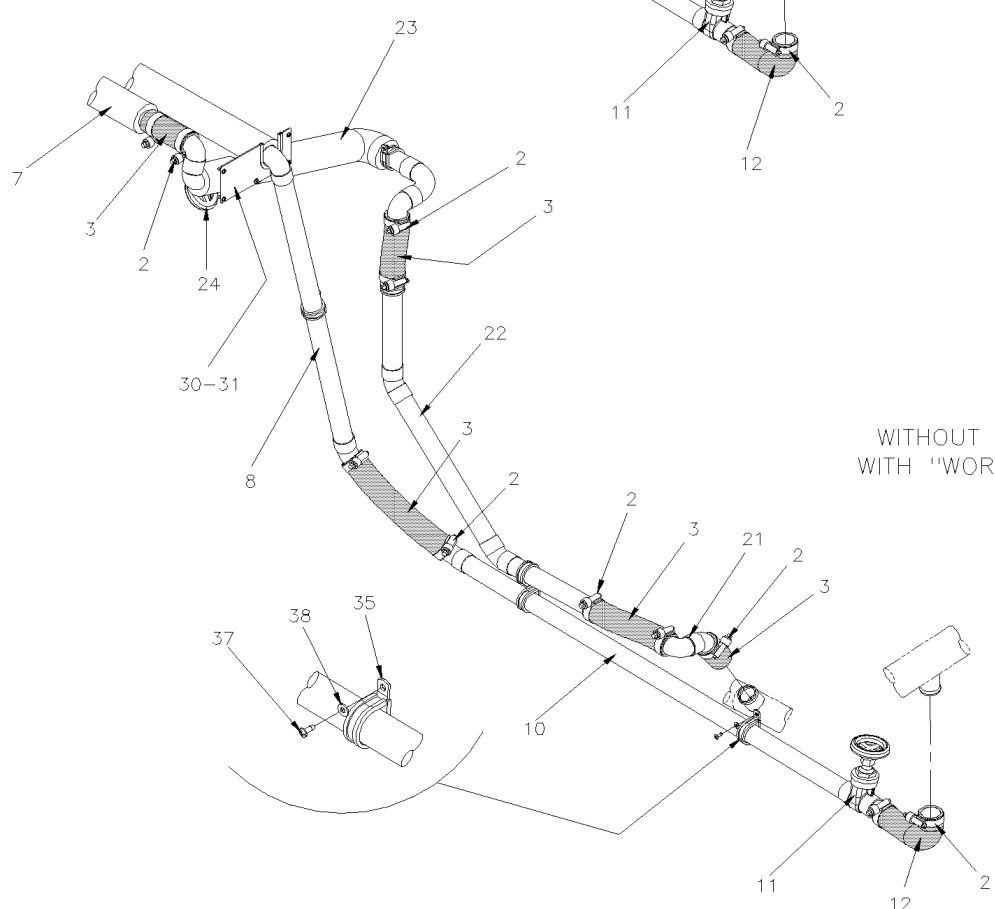
Date:10/2022

PAGE:H7-2222-06

**HEATER LINE REAR SECTION WITH "VOLVO" ENGINE "EPA 2010"**



WITHOUT "WATER HEATER"  
WITH "I-SHIFT" TRANSMISSION



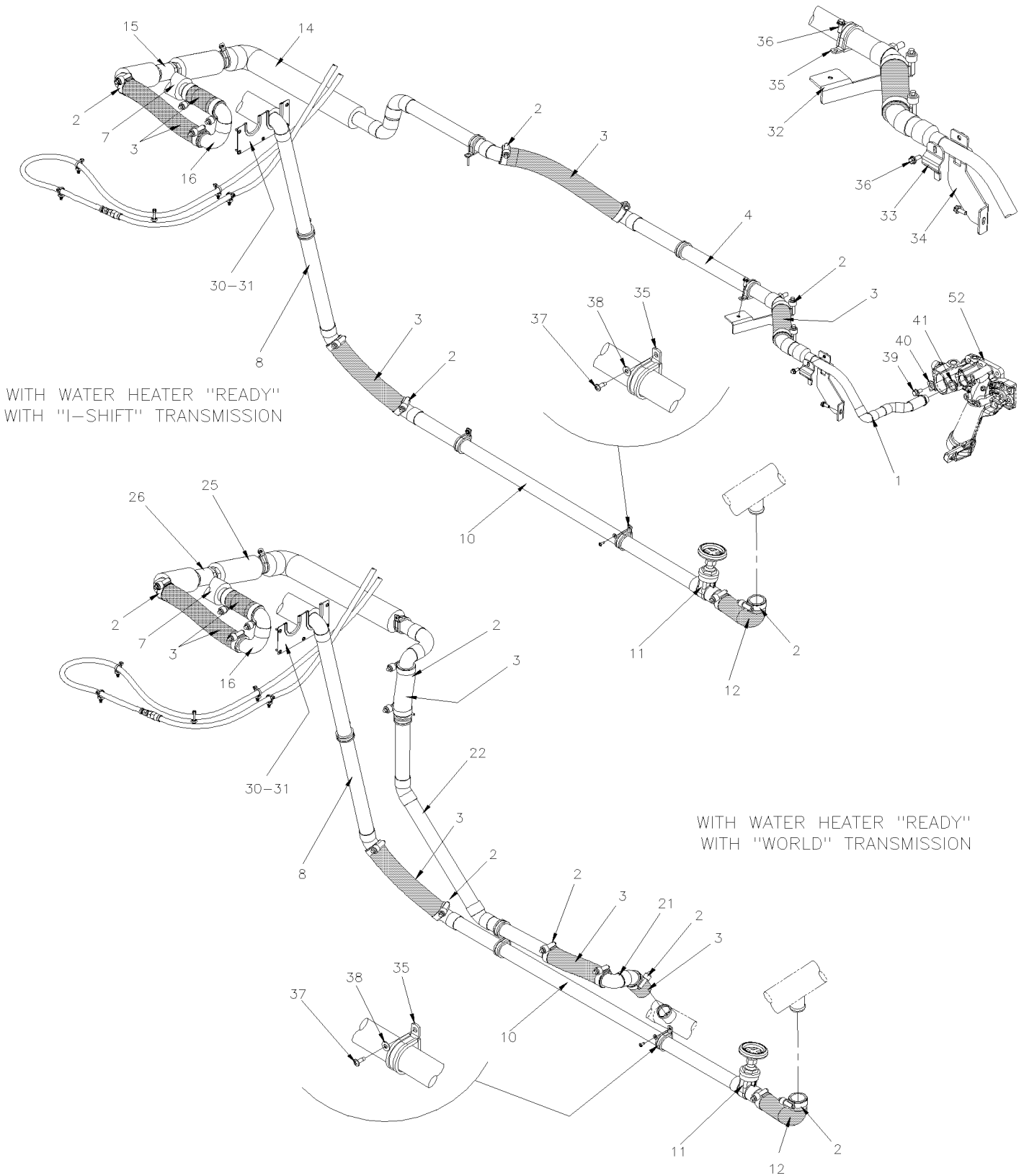
WITHOUT "WATER HEATER"  
WITH "WORLD" TRANSMISSION

From B-1721 To J-0287

Date:10/2022

PAGE:H7-2222-06

## HEATER LINE REAR SECTION WITH "VOLVO" ENGINE "EPA 2010"



WITH WATER HEATER "READY"  
WITH "I-SHIFT" TRANSMISSION

WITH WATER HEATER "READY"  
WITH "WORLD" TRANSMISSION

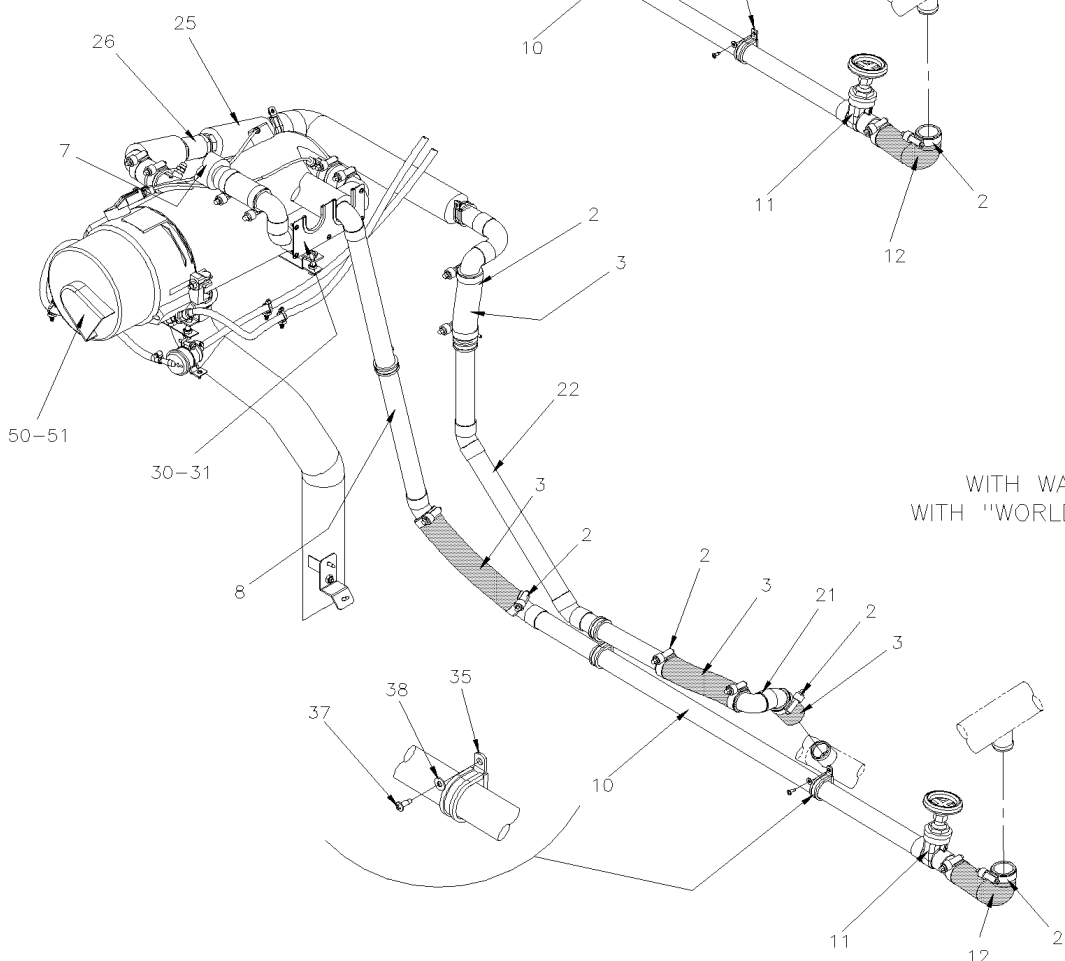
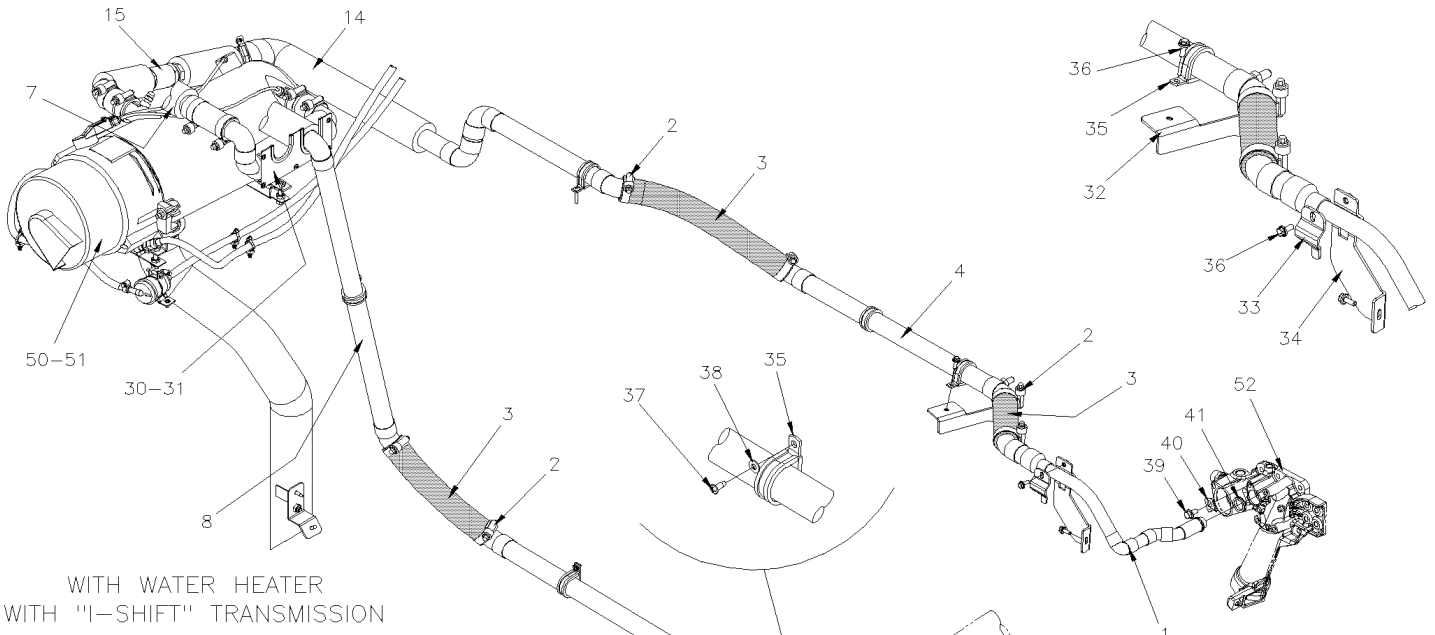


From B-1721 To J-0287

Date:10/2022

PAGE:H7-2222-06

## HEATER LINE REAR SECTION WITH "VOLVO" ENGINE "EPA 2010"



<b>From B-1721 To J-0287</b>	<b>Date:10/2022</b>	<b>PAGE:H7-2222-06</b>
<b>HEATER LINE REAR SECTION WITH "VOLVO" ENGINE "EPA 2010"</b>		

Item#	Part	Description	H 3 4 1	H 3 4 5	V I P 4 5	N O T E S
1	374443P	PIPE ASSY HEATING / FEED LINE / LOWER SECTION W/"I-SHIFT TRANS	1	1		
. NS	503803	. HOSE SILICONE 1 PLY / NOMEX-ARAMID 7/8" I.D. x 100' / S.L.	AR	AR		
. NS	504637	. CABLE TIE / 3/16" x 13"	2	2		
2	504657	HOSE CLAMP / 1"1/16-2" C.T. 9424 To D-2301	AR	AR	AR	
2	504783	HOSE CLAMP / 1"1/16-2" SS / C.T. W.S. From D-2302 To F-2891	AR	AR	AR	
2	992086	HOSE CLAMP / 32MM/52MM From F-2892	AR	AR	AR	
2	504692	HOSE CLAMP STEPLESS SPRING SS / OETIKER / 1.5-1.8	AR	AR	AR	A
3	503392	HOSE SILICONE 4PLY 1 3/8" I.D. x 4' To D-2275	AR	AR	AR	
3	503783	HOSE SILICONE 4PLY / NOMEX-ARAMID 34MM I.D. x 6' From D-2276	AR	AR	AR	
4	Call order desk	PIPE ASSY HEATING / FEED LINE W/"I-SHIFT TRANS	1	1		P
4	374440P	PIPE ASSY HEATING / FEED LINE W/"I-SHIFT TRANS	1	1		
5	Call order desk	PIPE ASSY HEATING / FEED LINE W/"I-SHIFT TRANS To C-2065	1	1		P
5	Call order desk	PIPE ASSY HEATING / FEED LINE W/"I-SHIFT TRANS From C-2066 To E-2504	1	1		P
5	Call order desk	PIPE ASSY HEATING / FEED LINE W/"I-SHIFT TRANS From E-2505	1	1		P
6	501861	. GATE VALVE 1 1/4" (WELDED) To C-2065	1	1		
6	871419	. BALL VALVE 1" NPT-F From C-2066	1	1		
6	501997	. ADAPTER / COPPER @ PIPE / 1 1/4Fx1NPT-M From C-2066	2	2		
7	373878P	PIPE ASSY / ENGINE COMP & WATER FILTER To F-2835	1	1	1	
7	Call order desk	PIPE ASSY / ENGINE COMP & WATER FILTER From F-2836	1	1	1	P
7	Call order desk	PIPE ASSY WITH VALVE / ENGINE COMP & WATER FILTER	1	1	1	P B
. NS	871419	. BALL VALVE 1" NPT-F	1	1	1	B
. NS	501997	. ADAPTER / COPPER @ PIPE / 1 1/4Fx1NPT-M	2	2	2	B
8	374442P	PIPE ASSY / RETURN LINE TO ENGINE COMPARTMENT To E-2504	1	1	1	
8	Call order desk	PIPE ASSY / RETURN LINE TO ENGINE COMPARTMENT From E-2505 To F-2835	1	1	1	P
8	Call order desk	PIPE ASSY / RETURN LINE TO ENGINE COMPARTMENT From F-2836	1	1	1	P
10	374438P	PIPE RETURN / ENGINE WATER PUMP To E-2504	1	1	1	
10	374785P	PIPE RETURN / ENGINE WATER PUMP From E-2505	1	1	1	
11	501861	. GATE VALVE 1 1/4" (WELDED)	1	1	1	
12	374298	ELBOW 90° X 1 3/8" I.D. / 78MM x 140MM C/C / SILICONE	1	1	1	
14	Call order desk	PIPE ASSY HEATING / FEED LINE W/"I-SHIFT TRANS To E-2504	1	1		P
14	Call order desk	PIPE ASSY HEATING / FEED LINE W/"I-SHIFT TRANS From E-2505	1	1		P
15	871419	. BALL VALVE 1" NPT-F	1	1		
15	501997	. ADAPTER / COPPER @ PIPE / 1 1/4Fx1NPT-M	2	2		
16	Call order desk	PIPE "U" / BY-PASS W/O WATER HEATER To C-2065	1	1		P
16	374666P	PIPE "U" / BY-PASS W/O WATER HEATER From C-2066	1	1		
21	374355P	PIPE ASSY HEATING / FEED LINE / LOWER SECTION	1	1	1	
22	374295P	PIPE ASSY HEATING / FEED LINE / MIDDLE SECTION To E-2504	1	1	1	
22	Call order desk	PIPE ASSY HEATING / FEED LINE / MIDDLE SECTION From E-2505	1	1	1	P
23	Call order desk	PIPE ASSY HEATING / FEED LINE W/"WORLD" TRANS To C-2065	1	1	1	P
23	374296P	PIPE ASSY HEATING / FEED LINE / UPPER SECTION From C-2066 To E-2504	1	1	1	
23	Call order desk	PIPE ASSY HEATING / FEED LINE W/"WORLD" TRANS From E-2505	1	1	1	P
23	Call order desk	PIPE ASSY HEATING W/O VALVE / FEED LINE W/"WORLD" TRANS	1	1	1	P B

From B-1721 To J-0287	Date:10/2022	PAGE:H7-2222-06
<b>HEATER LINE REAR SECTION WITH "VOLVO" ENGINE "EPA 2010"</b>		

Item#	Part	Description	H 3 4 1	H 3 4 5	V I P 4 5	N O T E S
23	374666P	PIPE "U" / BY-PASS W/O WATER HEATER From C-2066	1	1	1	
24	501861	. GATE VALVE 1 1/4" (WELDED) To C-2065	1	1	1	
24	871419	. BALL VALVE 1" NPT-F From C-2066	1	1	1	
24	501997	. ADAPTER / COPPER @ PIPE / 1 1/4Fx1NPT-M From C-2066	2	2	2	
25	374296P	PIPE ASSY HEATING / FEED LINE / UPPER SECTION	1	1		
26	871419	. BALL VALVE 1" NPT-F	1	1		
26	501997	. ADAPTER / COPPER @ PIPE / 1 1/4Fx1NPT-M	2	2		
30	374456	CLOSING PLATE FOR 1 PIPE	1	1	1	
30	Call order desk	CLOSING PLATE FOR 2 PIPE To C-2033	1	1	1	P
30	374457	CLOSING PLATE FOR 2 PIPE From C-2034	1	1	1	
30	506338	RUBBER CHANNEL / 1/16" x 1/4" INT "U" SHAPE / ROUND C.T.L. To C-2033	AR	AR	AR	
30	5060120	GROMMET EDGING ADHESIVE .036-.062 From C-2034	AR	AR	AR	
31	502868	SCREW TC TR PH #10-16x1/2 N500	6	6	6	
32	071582	SUPPORT To E-2601	1	1		
32	374796	SUPPORT From E-2602	1	1		
NS	374820	SUPPORT From E-2602	1	1		
32	374809	SUPPORT From F-2750	1	1		
NS	5001857	NUT HEXF M6-1.0 N500	1	1	1	
NS	502830	SCREW CAP HEX M6-1.0x20 G8.8 N500	1	1	1	
NS	5001833	WASHER BEL SPR 6.1x18x1.27 SS	1	1	1	
33	374446	ATTACHMENT HEATING TUBE	1	1		
34	374445	SUPPORT TUBE HEATING	1	1		
35	952641	CLAMP / 1 5/16" I.D.	AR	AR	AR	
36	5001730	SCREW CAP HEXF M6-1.0x16 G10.9 N500	AR	AR		
37	502868	SCREW TC TR PH #10-16x1/2 N500	AR	AR	AR	
38	500804	WASHER FL .203x.500x.047 N500	AR	AR	AR	
39	946440	SCREW CAP HEXF M12-1.75x140 G8.8 MAGNI 565	1	1		
40	1546531	ANGLE RETAINER 13MM I.D.	1	1		
41	1547252	RUBBER JOINT 21MM I.D.	1	1		
50	<b>871202</b>	<b>WATER HEATER - "SPHEROS" 100,000 B.T.U. 0</b>				
50	<b>871329</b>	<b>WATER HEATER - "PROHEAT" 80,000 B.T.U. To E-2511</b>				
50	<b>871345</b>	<b>WATER HEATER - "PROHEAT" 80,000 B.T.U. From E-2512</b>				
51	<b>H7-2350-10</b>	<b>WATER HEATER - INSTALLATION</b>				
52	Refer To Volvo	SEE IMPACT OR CALL ORDER DESK				V
231	Call order desk	PIPE ASSY / ENGINE COMP & WATER FILTER / W/SMALL A/C SYSTEM			1	P
231	Call order desk	PIPE ASSY / RETURN LINE TO ENGINE COMPARTMENT / W/SMALL A/C SYSTEM			1	P
234	504775	T-BOLT BAND CLAMP/ 9.69" ID				

From B-1721 To J-0287	Date:10/2022	PAGE:H7-2222-06
<b>HEATER LINE REAR SECTION WITH "VOLVO" ENGINE "EPA 2010"</b>		

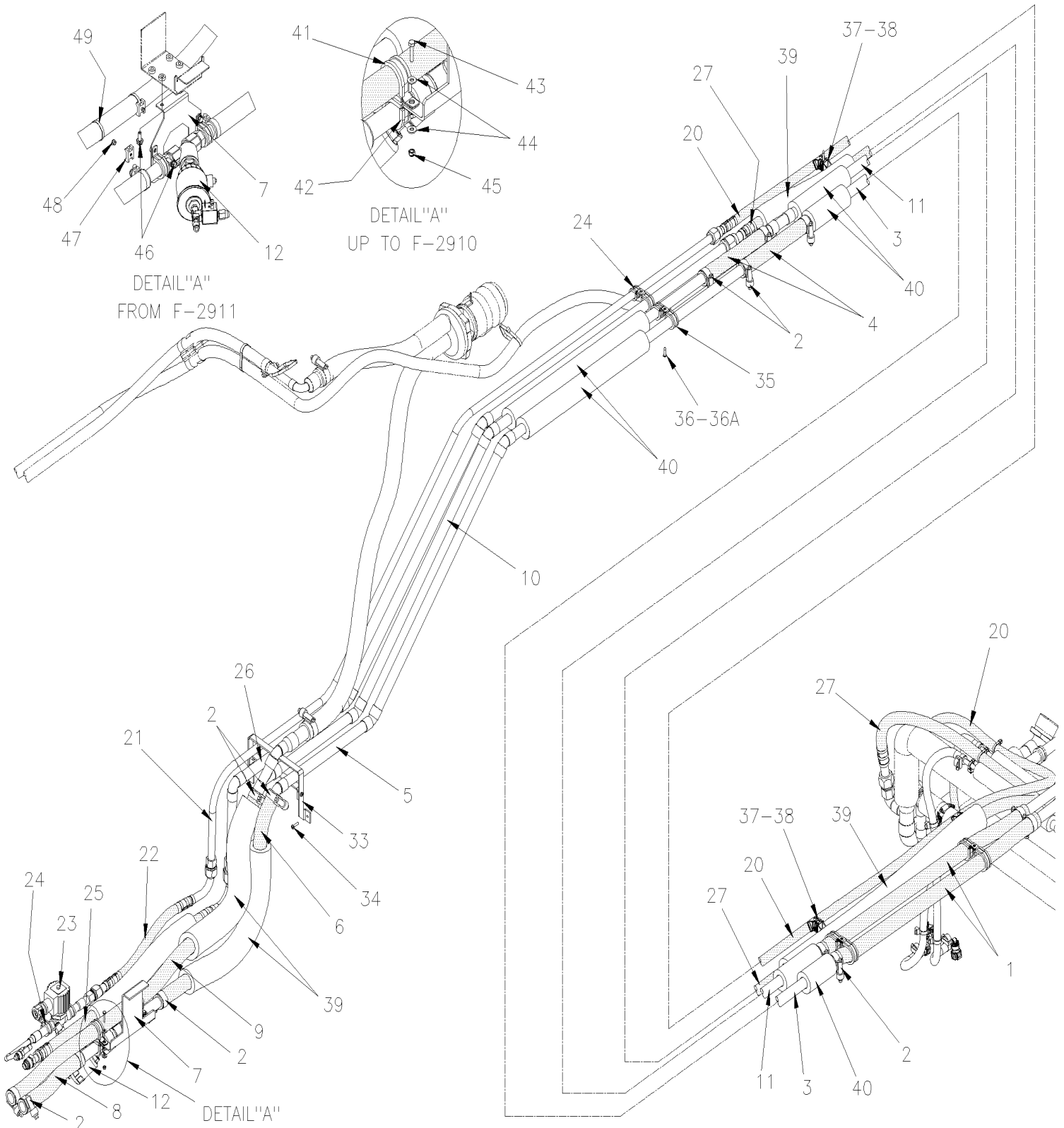
Item#	Part	Description	H 3 4 1	H 3 4 5	V I P 4 5	N O T E S
		A) WITH OPTION "OETIKER" HOSE CLAMP				
		B) LOCATION CHARTRAND OPTION				
		P) CALL ORDER DESK FOR SPECIFIC APPLICATION (V.I.N.)				
		V) SEE IMPACT OR CALL ORDER DESK				

From 7-0671 To J-0287

Date:10/2022

PAGE:H7-2222-10

## A/C & HEATING LINE FRONT SECTION



<b>From 7-0671 To J-0287</b>	<b>Date:10/2022</b>	<b>PAGE:H7-2222-10</b>
<b>A/C &amp; HEATING LINE FRONT SECTION</b>		

Item#	Part	Description	H 3 4 1	H 3 4 5	V I P 4 5	N O T E S
1	372632	HOSE 7/8" I.D. X 1848MM To A-1720	2	2	2	
1	374421	HOSE 7/8" I.D. X 715MM From B-1721	2	2	2	
1	503684	. HOSE SILICONE 1 PLY 7/8" I.D. x 100' / S.L. To D-2275	AR	AR	AR	
1	503803	. HOSE SILICONE 1 PLY / NOMEX-ARAMID 7/8" I.D. x 100' / S.L. From D-2276	AR	AR	AR	
2	504646	HOSE CLAMP / 11/16"-1"1/4 / C.T. 9412 To D-2301	AR	AR	AR	
2	504781	HOSE CLAMP / 13/16"-1 5/16" SS / C.T. W.S. From D-2302 To F-2891	AR	AR	AR	
2	992084	HOSE CLAMP / 23MM/35MM From F-2892	AR	AR	AR	
2	504569	HOSE CLAMP STEPLESS SPRING / HC12-20 / 1"	AR	AR	AR	C
3	373453	PIPE ASSY 1294MM	1			
3	373450	PIPE ASSY 2450MM		1		
3	373450	PIPE ASSY 2450MM To E-2504			1	
3	Call order desk	PIPE ASSY 2700MM From E-2505			1	P
4	373134	HOSE /WATER VALVE & HEATER / 7/8" I.D. 229MM	2	2	2	
4	503684	. HOSE SILICONE 1 PLY 7/8" I.D. x 100' / S.L. To D-2275	AR	AR	AR	
4	503803	. HOSE SILICONE 1 PLY / NOMEX-ARAMID 7/8" I.D. x 100' / S.L. From D-2276	AR	AR	AR	
5	374260	PIPE ASSY To E-2504	1	1		
5	Call order desk	PIPE ASSY From E-2505	1	1		P
5	374262	PIPE ASSY To 7-0771			1	
5	374277	PIPE ASSY From 7-0772 To E-2504			1	
5	Call order desk	PIPE ASSY From E-2505			1	P
6	373500	HOSE / PIPE & WATER VALVE / 7/8" I.D. 650MM To F-2910	1	1	1	
6	374867	HOSE / PIPE & WATER VALVE / 7/8" I.D. 635MM From F-2911	1	1	1	
6	503684	. HOSE SILICONE 1 PLY 7/8" I.D. x 100' / S.L. To D-2275	AR	AR	AR	
6	503803	. HOSE SILICONE 1 PLY / NOMEX-ARAMID 7/8" I.D. x 100' / S.L. From D-2276	AR	AR	AR	
7	374079	SUPPORT VALVE To F-2910	1	1	1	
7	374869	SUPPORT VALVE From F-2911	1	1	1	
8	373134	HOSE /WATER VALVE & HEATER / 7/8" I.D. 229MM To F-2910	1	1	1	
8	374868	HOSE /WATER VALVE & HEATER / 7/8" I.D. 255MM From F-2911	1	1	1	
8	503684	. HOSE SILICONE 1 PLY 7/8" I.D. x 100' / S.L. To D-2275	AR	AR	AR	
8	503803	. HOSE SILICONE 1 PLY / NOMEX-ARAMID 7/8" I.D. x 100' / S.L. From D-2276	AR	AR	AR	
9	373550	HOSE / PIPE & HEATER / 7/8" I.D. 1130MM To F-2910	1	1	1	
9	374866	HOSE / PIPE & HEATER / 7/8" I.D. 1105MM From F-2911	1	1	1	
9	503684	. HOSE SILICONE 1 PLY 7/8" I.D. x 100' / S.L. To D-2275	AR	AR	AR	
9	503803	. HOSE SILICONE 1 PLY / NOMEX-ARAMID 7/8" I.D. x 100' / S.L. From D-2276	AR	AR	AR	
10	374261	PIPE ASSY / W/BY-PASS FOR UPPER DEFROSTER To E-2504	1	1		
10	Call order desk	PIPE ASSY / W/BY-PASS FOR UPPER DEFROSTER From E-2505	1	1		P
10	374262	PIPE ASSY To 7-0771			1	
10	374277	PIPE ASSY From 7-0772 To E-2504			1	
10	Call order desk	PIPE ASSY From E-2505			1	P
11	373882	PIPE W/Y / 2639MM		1		
11	378907	PIPE W/Y / 2639MM From D-2400		1		B
11	373892	PIPE W/Y / 1393MM	1			

From 7-0671 To J-0287	Date:10/2022	PAGE:H7-2222-10
<b>A/C &amp; HEATING LINE FRONT SECTION</b>		

Item#	Part	Description	H 3 4 1	H 3 4 5	V I P 4 5	N O T E S
11	373450	PIPE ASSY 2450MM To E-2504			1	
11	Call order desk	PIPE ASSY 2700MM From E-2505			1	P
12	<b>H7-2207-05</b>	<b>WATER VALVE - W/2 WAYS To F-2886</b>				
12	<b>H7-2207-06</b>	<b>WATER VALVE - W/2 WAYS From F-2887</b>				
20	373451	HOSE ASSY / #10 4570MM To 9-1469	1			
. NS	507344	. O-RING / ORS FITTING / #10 NEO To 9-1469	2			
20	370730	HOSE ASSY / #10 4570MM To 9-1469	1			
. NS	507344	. O-RING / ORS FITTING / #10 NEO To 9-1469	2			
20	454627	HOSE ASSY / #10 2920MM To A-1511	1			
. NS	507344	. O-RING / ORS FITTING / #10 NEO To A-1511	2			
20	455322	HOSE ASSY / #10 2920MM From A-1512	1			
. NS	507344	. O-RING / ORS FITTING / #10 NEO From A-1512	2			
20	373448	HOSE ASSY / #10 5606MM To 9-1469		1	1	
. NS	507344	. O-RING / ORS FITTING / #10 NEO To 9-1469		2	2	
20	370728	HOSE ASSY / #10 5606MM From A-1512		1	1	
. NS	507344	. O-RING / ORS FITTING / #10 NEO From A-1512		2	2	
20	454437	HOSE ASSY / #10 4165MM To A-1511		1	1	
. NS	507344	. O-RING / ORS FITTING / #10 NEO To A-1511		2	2	
20	455306	HOSE ASSY / #10 4165MM From A-1512 To E-2504		1	1	
. NS	507344	. O-RING / ORS FITTING / #10 NEO From A-1512 To E-2504		2	2	
20	455306	HOSE ASSY / #10 4165MM From E-2505		1		
. NS	507344	. O-RING / ORS FITTING / #10 NEO From E-2505		2		
20	454437	HOSE ASSY / #10 4165MM To A-1511			1	S
. NS	507344	. O-RING / ORS FITTING / #10 NEO To A-1511			2	S
20	455306	HOSE ASSY / #10 4165MM From A-1512 To E-2504			1	S
. NS	507344	. O-RING / ORS FITTING / #10 NEO From A-1512 To E-2504			2	S
20	454818	HOSE ASSY / #10 4360MM From E-2505			1	
21	455107	PIPE ASSY PRESSURE A/C To E-2504	1	1		
21	Call order desk	PIPE ASSY PRESSURE A/C From E-2505	1	1		P
21	455110	PIPE ASSY PRESSURE A/C To 7-0771			1	
21	455114	PIPE ASSY PRESSURE A/C From 7-0772 To E-2504			1	
21	Call order desk	PIPE ASSY PRESSURE A/C From E-2505			1	P
22	453875	HOSE ASSY / #10 372MM To A-1511	1	1		
. NS	507344	. O-RING / ORS FITTING / #10 NEO To A-1511	1	1		
22	455270	HOSE ASSY / #10 372MM From A-1512 To E-2504	1	1		
. NS	507344	. O-RING / ORS FITTING / #10 NEO From A-1512 To E-2504	1	1		
22	454797	HOSE ASSY / #10 370MM From E-2505 To F-2910	1	1		
. NS	507344	. O-RING / ORS FITTING / #10 NEO From E-2505 To F-2910	2	2		
22	454817	HOSE ASSY / #10 308MM From F-2911	1	1		
. NS	507344	. O-RING / ORS FITTING / #10 NEO From F-2911	2	2		
22	453479	HOSE ASSY / #10 235MM To A-1511			1	
. NS	507344	. O-RING / ORS FITTING / #10 NEO To A-1511			2	

<b>From 7-0671 To J-0287</b>	<b>Date:10/2022</b>	<b>PAGE:H7-2222-10</b>
<b>A/C &amp; HEATING LINE FRONT SECTION</b>		

Item#	Part	Description	H 3 4 1	H 3 4 5	V I P 4 5	N O T E S
22	455247	HOSE ASSY / #10 235MM From A-1512 To E-2504			1	
. NS	507344	. O-RING / ORS FITTING / #10 NEO From A-1512 To E-2504			2	
22	454817	HOSE ASSY / #10 308MM From E-2505			1	
. NS	507344	. O-RING / ORS FITTING / #10 NEO From E-2505			2	
23	<b>H7-2208-10</b>	<b>REFRIGERENT SOLENOID VALVE</b>				
24	952629	CLAMP / 5/8" I.D.	3	3	3	
24	500957	SCREW TP BDG PH #10x3/4 N500	AR	AR	AR	
25	453420	HOSE ASSY / #12 675 MM To A-1511	1	1	1	
. NS	507280	. O-RING / ORS FITTING / #12 NEO To A-1511	1	1	1	
. NS	507344	. O-RING / ORS FITTING / #10 NEO To A-1511	1	1	1	
25	455229	HOSE ASSY / #12 693 MM From A-1512 To F-2910	1	1	1	
. NS	507280	. O-RING / ORS FITTING / #12 NEO From A-1512 To F-2910	1	1	1	
. NS	507344	. O-RING / ORS FITTING / #10 NEO From A-1512 To F-2910	1	1	1	
25	454937	HOSE ASSY / #12 685 MM From F-2911 To H-3540	1	1	1	
. NS	507280	. O-RING / ORS FITTING / #12 NEO From F-2911 To H-3540	1	1	1	
. NS	507344	. O-RING / ORS FITTING / #10 NEO From F-2911 To H-3540	1	1	1	
25	450126	HOSE ASSY / #12 665 MM From H-3541	1	1	1	
. NS	507280	. O-RING / ORS FITTING / #12 NEO From H-3541	1	1	1	
. NS	507344	. O-RING / ORS FITTING / #10 NEO From H-3541	1	1	1	
25	453420	HOSE ASSY / #12 675 MM To A-1511			1	A
. NS	507280	. O-RING / ORS FITTING / #12 NEO To A-1511			1	A
. NS	507344	. O-RING / ORS FITTING / #10 NEO To A-1511			1	A
25	455229	HOSE ASSY / #12 693 MM From A-1512 To H-3540			1	A
. NS	507280	. O-RING / ORS FITTING / #12 NEO From A-1512 To H-3540			1	A
. NS	507344	. O-RING / ORS FITTING / #10 NEO From A-1512 To H-3540			1	A
25	450135	HOSE ASSY / #12 674 MM From H-3541			1	A
. NS	507280	. O-RING / ORS FITTING / #12 NEO From H-3541			1	A
. NS	507344	. O-RING / ORS FITTING / #10 NEO From H-3541			1	A
26	455108	PIPE ASSY RETURN A/C To E-2504	1	1		
26	Call order desk	PIPE ASSY RETURN A/C From E-2505 To F-2941	1	1		P
26	Call order desk	PIPE ASSY RETURN A/C From F-2942	1	1		P
26	455109	PIPE ASSY RETURN A/C To 7-0771			1	
26	455113	PIPE ASSY RETURN A/C From 7-0772 To E-2504			1	
26	Call order desk	PIPE ASSY RETURN A/C From E-2505 To F-2941			1	P
26	Call order desk	PIPE ASSY RETURN A/C From F-2942			1	P
27	373452	HOSE ASSY / #12 3300MM To 8-1324	1			
. NS	507280	. O-RING / ORS FITTING / #12 NEO To 8-1324	2			
27	370731	HOSE ASSY / #12 3300MM To 8-1324	1			E
. NS	507280	. O-RING / ORS FITTING / #12 NEO To 8-1324	2			E
27	379085	HOSE ASSY / #12 3300MM From 8-1325 To 9-1469	1			
. NS	507280	. O-RING / ORS FITTING / #12 NEO From 8-1325 To 9-1469	2			
27	370735	HOSE ASSY / #12 3300MM From 8-1325 To 9-1469	1			E



From 7-0671 To J-0287	Date:10/2022	PAGE:H7-2222-10
<b>A/C &amp; HEATING LINE FRONT SECTION</b>		

Item#	Part	Description	H 3 4 1	H 3 4 5	V I P 4 5	N O T E S
. NS	507280	. O-RING / ORS FITTING / #12 NEO From 8-1325 To 9-1469	2			E
27	454628	HOSE ASSY / #12 2885MM From A-1470 To A-1511	1			
. NS	507280	. O-RING / ORS FITTING / #12 NEO From A-1470 To A-1511	2			
27	455669	HOSE ASSY / #12 2911MM From A-1512 To F-2941	1			
. NS	507280	. O-RING / ORS FITTING / #12 NEO From A-1512 To F-2941	1			
27	457728	HOSE ASSY / #12 2950MM From F-2942	1			
27	373449	HOSE ASSY / #12 4546MM To 8-1324		1	1	
. NS	507280	. O-RING / ORS FITTING / #12 NEO To 8-1324		2	2	
27	370729	HOSE ASSY / #12 4546MM To 8-1324		1	1	E
. NS	507280	. O-RING / ORS FITTING / #12 NEO To 8-1324		2	2	E
27	379084	HOSE ASSY / #12 4546MM From 8-1325 To 9-1469		1	1	
. NS	507280	. O-RING / ORS FITTING / #12 NEO From 8-1325 To 9-1469		2	2	
27	370734	HOSE ASSY / #12 4546MM From 8-1325 To 9-1469		1	1	E
. NS	507280	. O-RING / ORS FITTING / #12 NEO From 8-1325 To 9-1469		2	2	E
27	454594	HOSE ASSY / #12 4130MM From A-1470 To A-1511		1	1	
. NS	507280	. O-RING / ORS FITTING / #12 NEO From A-1470 To A-1511		2	2	
27	455308	HOSE ASSY / #12 4156MM From A-1512 To E-2504		1	1	
. NS	507280	. O-RING / ORS FITTING / #12 NEO From A-1512 To E-2504		2	2	
27	455308	HOSE ASSY / #12 4156MM From E-2505 To F-2941		1		
. NS	507280	. O-RING / ORS FITTING / #12 NEO From E-2505 To F-2941		2		
27	457725	HOSE ASSY / #12 4215MM From F-2942		1		
27	454435	HOSE ASSY / #12 4130MM To 8-1324			1	S
27	455304	HOSE ASSY / #12 4130MM To 8-1324			1	E S
27	454594	HOSE ASSY / #12 4130MM From 8-1325 To A-1511			1	S
. NS	507280	. O-RING / ORS FITTING / #12 NEO From 8-1325 To A-1511			2	S
27	455308	HOSE ASSY / #12 4156MM From A-1512 To E-2504			1	S
. NS	507280	. O-RING / ORS FITTING / #12 NEO From A-1512 To E-2504			2	S
27	454819	HOSE ASSY / #12 4330MM From E-2505 To F-2941			1	
27	457727	HOSE ASSY / #12 4355MM From F-2942			1	
33	372722	PIPE SUPPORT / UNDER AISLE STEPWELL	1	1	1	
33	373510	PIPE SUPPORT			1	
34	500638	SCREW TP PAN PH #8x1/2 Z050	2	2	2	
34	500641	SCREW TP PAN PH #8x3/4 Z050	2	2	2	
35	952633	CLAMP / 7/8" I.D.	AR	AR	AR	
36	500957	SCREW TP BDG PH #10x3/4 N500	AR	AR	AR	
36A	500608	SCREW TP BDG PH #10x1 N500	1	1	1	
37	509490	ATTACHMENT DOUBLE USE WITH CABLE TIE	AR	AR	AR	
38	500539	NUT HEX NYRT M4-0.7 N500	AR	AR	AR	
39	506267	PIPE INSULATING / 1 1/8" I.D. X 1/2" TH. X / APT11812	AR	AR	AR	
40	506276	PIPE INSULATING / 7/8" I.D. X 1/2" TH. X 72 / APT07812	AR	AR	AR	
41	952637	CLAMP / 1"1/16 I.D. To F-2910	2	2	2	
42	952635	CLAMP / 1" I.D. To F-2910	2	2	2	

From 7-0671 To J-0287	Date:10/2022	PAGE:H7-2222-10
<b>A/C &amp; HEATING LINE FRONT SECTION</b>		

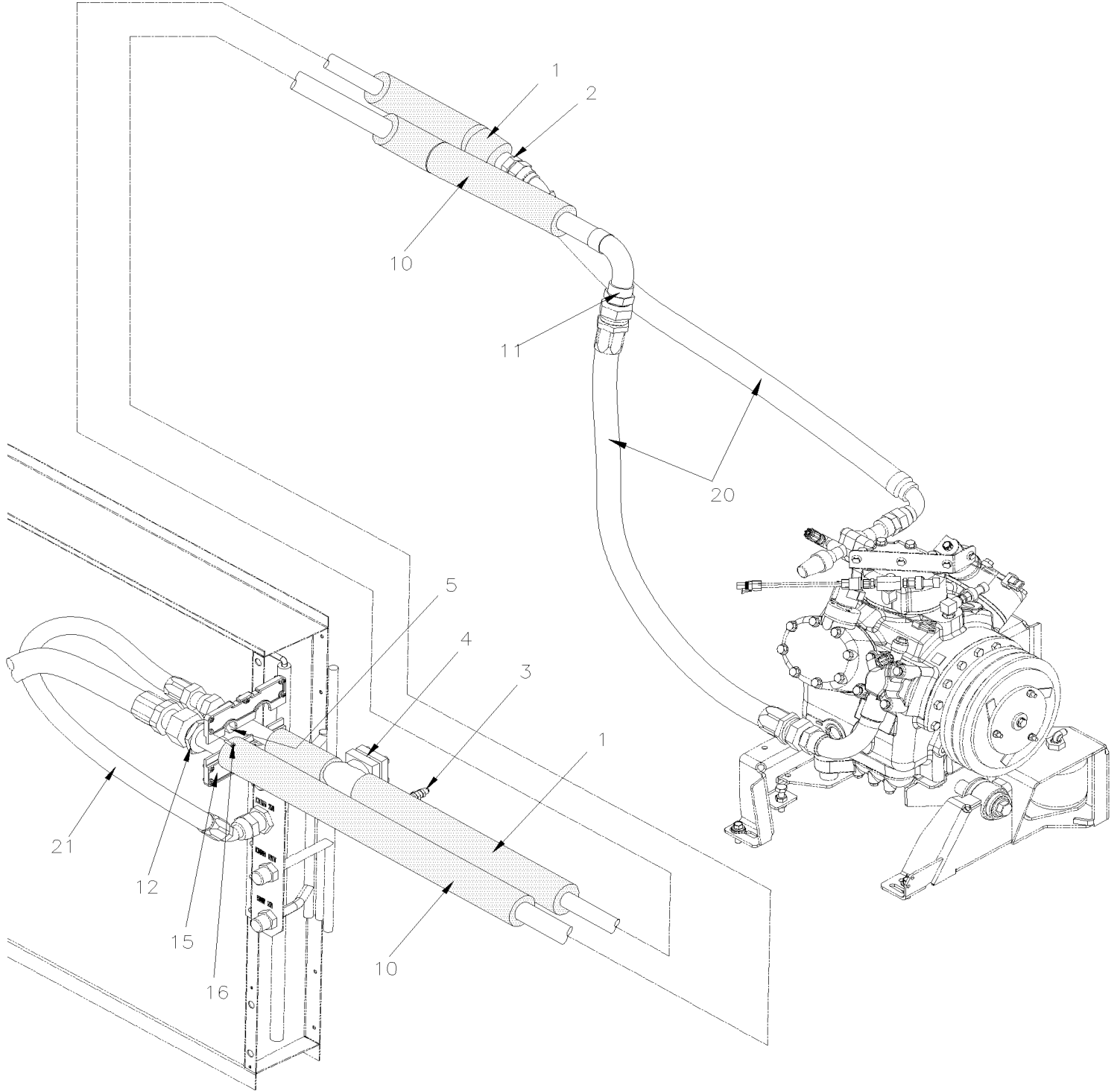
Item#	Part	Description	H 3 4 1	H 3 4 5	V I P 4 5	N O T E S
43	500588	SCREW CAP HEX M4-0.7x20 G8.8 Z050 To F-2910	2	2	2	
44	500855	WASHER FL .188x.438x.049 N500 To F-2910	4	4	4	
45	500539	NUT HEX NYRT M4-0.7 N500 To F-2910	2	2	2	
46	5001730	SCREW CAP HEXF M6-1.0x16 G10.9 N500 From F-2911	4	4	4	
47	504013	TIE MOUNT / 1/4" X 1/4" I.D. From F-2911	2	2	2	
47	504637	CABLE TIE / 3/16" x 13" From F-2911	2	2	2	
48	504379	RIVET POP DOME OE 3/16x1/4 SS From F-2911	2	2	2	
49	504637	CABLE TIE / 3/16" x 13" From F-2911	2	2	2	
		A) WITH SMALL A/C SYSTEM				
		B) WITH WINDSHIELD WASHER HEATER				
		C) WITH OPTION "OETIKER" HOSE CLAMP				
		E) SERVICE				
		S) WITH SLIDE OUT				
		P) CALL ORDER DESK FOR SPECIFIC APPLICATION (V.I.N.)				

From 7-0671 To D-2363

Date:10/2022

PAGE:H7-2222-15

A/C LINE REAR SECTION W/05G



From 7-0671 To D-2363	Date:10/2022	PAGE:H7-2222-15
<b>A/C LINE REAR SECTION W/05G</b>		

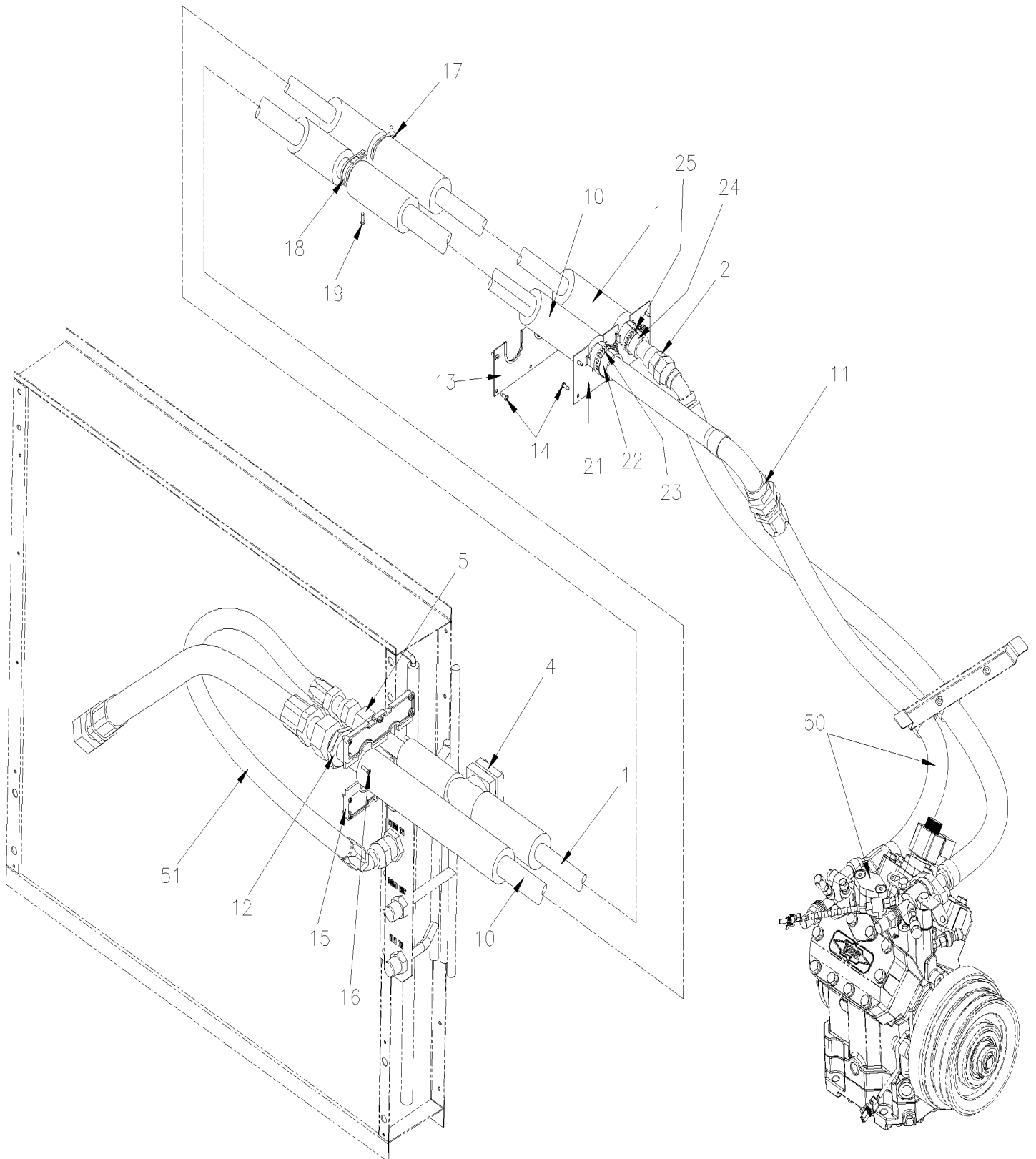
Item#	Part	Description	H 3 4 1	H 3 4 5	V I P 4 5	N O T E S
1	454017	TUBE ASSY, PRESSURE / A/C COMPRESSOR To 8-1154	1	1	1	
1	459014	TUBE ASSY, PRESSURE / A/C COMPRESSOR From 8-1155 To A-1720	1	1	1	
1	455365	TUBE ASSY, PRESSURE / A/C COMPRESSOR From B-1721	1	1	1	
1	454115	TUBE ASSY, PRESSURE / A/C COMPRESSOR W/"RICON" To A-1720		1		
1	455367	TUBE ASSY, PRESSURE / A/C COMPRESSOR W/"RICON" From B-1721		1		
1	Call order desk	TUBE ASSY, PRESSURE / A/C COMPRESSOR W/"RICON"		1		P
2	501718	ADAPTER JIC @ BRAZE W/O-RING // #16JIC-Mx#18BRAZE-F BR	1	1	1	
. NS	501802	. O-RING / ORS FITTING / #16 NEO	1	1	1	
3	950249	SCHRADER VALVE 1/4NPT-M To 8-1154	1	1	1	
4	870386	CHECK VALVE	1	1	1	
. NS	870615	. SPRING	1	1	1	
. NS	870616	. PISTON	1	1	1	
. NS	870617	. GASKET	1	1	1	
5	5011106	BULKHEAD MALE CONNECTOR / ORS FITTING / #16ORS-Mx#18BRAZE-F BR	1	1	1	
. NS	507345	. O-RING / ORS FITTING / #16 NEO	1	1	1	
10	373124P	TUBE ASSY, VACUUM / A/C COMPRESSOR To A-1720	1	1	1	
10	Call order desk	TUBE ASSY, VACUUM / A/C COMPRESSOR From B-1721 To D-2363	1	1	1	P
10	Call order desk	TUBE ASSY, VACUUM / A/C COMPRESSOR From B-1721 To D-2363	1	1	1	P
10	454116P	TUBE ASSY, VACUUM / A/C COMPRESSOR W/"RICON" To A-1720		1		
10	Call order desk	TUBE ASSY, VACUUM / A/C COMPRESSOR W/"RICON" From B-1721		1		P
10	Call order desk	TUBE ASSY, VACUUM / A/C COMPRESSOR W/"RICON" From B-1721		1		P
11	5011107	BULKHEAD MALE CONNECTOR / ORS FITTING / #24ORS-Mx#22BRAZE-F BR	1	1	1	
. NS	507346	. O-RING / ORS FITTING / #24 NEO	1	1	1	
12	5011107	BULKHEAD MALE CONNECTOR / ORS FITTING / #24ORS-Mx#22BRAZE-F BR	1	1	1	
. NS	507346	. O-RING / ORS FITTING / #24 NEO	1	1	1	
15	457424	CLOSING / PIPE TUNNEL PLASTIC / RH 57.2MM x 181MM	4	4	4	
16	500623	SCREW TC PAN PH #10-24x3/4 N500	AR	AR	AR	
20	<b>H7-2245-00</b>	<b>A/C COMPRESSOR 05G - INSTALLATION To A-1720</b>				
20	<b>H7-2245-01</b>	<b>A/C COMPRESSOR 05G - INSTALLATION From B-1721</b>				
21	<b>H7-2270-00</b>	<b>RECEIVER TANK &amp; FILTER DRYER To 9-1403</b>				
21	<b>H7-2270-01</b>	<b>RECEIVER TANK &amp; FILTER DRYER From 9-1404</b>				
23	454116P	TUBE ASSY, VACUUM / A/C COMPRESSOR W/"RICON"	1	1	1	
		P) CALL ORDER DESK FOR SPECIFIC APPLICATION (V.I.N.)				

From D-2364 To J-0287

Date:10/2022

PAGE:H7-2222-16

## A/C LINE REAR SECTION W/"BITZER"



<b>From D-2364 To J-0287</b>	<b>Date:10/2022</b>	<b>PAGE:H7-2222-16</b>
<b>A/C LINE REAR SECTION W/"BITZER"</b>		

Item#	Part	Description	H 3 4 1	H 3 4 5	V I P 4 5	N O T E S
1	455365	TUBE ASSY, PRESSURE / A/C COMPRESSOR To H-3734	1	1	1	
1	455015	TUBE ASSY, PRESSURE / A/C COMPRESSOR From H-3735	1	1	1	
1	455367	TUBE ASSY, PRESSURE / A/C COMPRESSOR W/"RICON" To E-2504	1	1		WCL
2	501718	. ADAPTER JIC @ BRAZE W/O-RING // #16JIC-Mx#18BRAZE-F BR	1	1	1	
. NS	501802	. . O-RING / ORS FITTING / #16 NEO	1	1	1	
4	870386	. CHECK VALVE	1	1	1	
. NS	870615	. . SPRING	1	1	1	
. NS	870616	. . PISTON	1	1	1	
. NS	870617	. . GASKET	1	1	1	
5	5011106	. BULKHEAD MALE CONNECTOR / ORS FITTING / #16ORS-Mx#18BRAZE-F BR	1	1	1	
. NS	507345	. . O-RING / ORS FITTING / #16 NEO	1	1	1	
10	Call order desk	TUBE ASSY, VACUUM / A/C COMPRESSOR To F-2923	1	1	1	P
10	Call order desk	TUBE ASSY, VACUUM / A/C COMPRESSOR From F-2924 To F-2941	1	1	1	P
10	Call order desk	TUBE ASSY, VACUUM / A/C COMPRESSOR From F-2942	1	1	1	P
. NS	501803	. O-RING / ORS FITTING / #20 NEO From F-2942	1	1	1	
10	Call order desk	TUBE ASSY, VACUUM / A/C COMPRESSOR W/"RICON" To E-2504	1	1		P WCL
11	501717	ADAPTER JIC @ BRAZE W/O-RING // #20JIC-Mx#22BRAZE-F BR	1	1	1	
. NS	501803	. O-RING / ORS FITTING / #20 NEO	1	1	1	
12	5011107	BULKHEAD MALE CONNECTOR / ORS FITTING / #24ORS-Mx#22BRAZE-F BR	1	1	1	
. NS	507346	. O-RING / ORS FITTING / #24 NEO	1	1	1	
13	373373	CLOSING / PIPE TUNNEL SS 85MM x 196MM To F-2923	2	2	2	
13	373373	CLOSING / PIPE TUNNEL SS 85MM x 196MM From F-2924	1	1	1	
13	5060120	GROMMET EDGING ADHESIVE .036-.062 From F-3003	AR	AR	AR	
14	502868	SCREW TC TR PH #10-16x1/2 N500	10	10	10	
15	457424	CLOSING / PIPE TUNNEL PLASTIC / RH 57.2MM x 181MM	4	4	4	
16	500623	SCREW TC PAN PH #10-24x3/4 N500	AR	AR	AR	
17	952637	CLAMP / 1"1/16 I.D.	1	1	1	
18	952641	CLAMP / 1 5/16" I.D.	1	1	1	
19	500957	SCREW TP BDG PH #10x3/4 N500	2	2	2	
21	455012	CLOSING / PIPE TUNNEL From F-2924 To H-3734	1	1	1	
21	455016	CLOSING / PIPE TUNNEL From H-3735	1	1	1	
22	455014	PROTECTOR 1 3/8" I.D. x 45MM From F-2924	1	1	1	
23	504413	HOSE CLAMP / 1"1/16-2" SS / HAS-24 From F-2924	1	1	1	
24	455013	PROTECTOR 1 1/8" I.D. x 45MM From F-2924	1	1	1	
24	503796	. HOSE SILICONE 2 PLY / NOMEX-ARAMID 1 1/8" I.D. x 6' From F-2924	AR	AR	AR	
25	504022	HOSE CLAMP / 3/4"-1"3/4 SS / HS-20 From F-2924	1	1	1	
NS	IS14085	AC COPPER PIPES CHAFFING AT ENGINE BULKHEAD KIT To F-2923	1	1	1	
. NS	455012	. CLOSING / PIPE TUNNEL To F-2923	1	1	1	
. NS	455013	. PROTECTOR 1 1/8" I.D. x 45MM To F-2923	1	1	1	
. NS	455014	. PROTECTOR 1 3/8" I.D. x 45MM To F-2923	1	1	1	
. NS	502634	. SCREW SET HEXS CUP M6-1.0x6 To F-2923	5	5	5	
. NS	504021	. HOSE CLAMP / 11/16"-1"1/2 SS / HS-16 To F-2923	1	1	1	

From D-2364 To J-0287	Date:10/2022	PAGE:H7-2222-16
<b>A/C LINE REAR SECTION W/"BITZER"</b>		

Item#	Part	Description	H 3 4 1	H 3 4 5	V I P 4 5	N O T E S
. NS	504022	. HOSE CLAMP / 3/4"-1"3/4 SS / HS-20 To F-2923	1	1	1	
50	<b>H7-2245-02</b>	<b>A/C COMPRESSOR "BITZER" - INSTALLATION</b>				
51	<b>H7-2270-01</b>	<b>RECEIVER TANK &amp; FILTER DRYER</b>				
		WCL) WITH WHEEL CHAIR LIFT				
		P) CALL ORDER DESK FOR SPECIFIC APPLICATION (V.I.N.)				



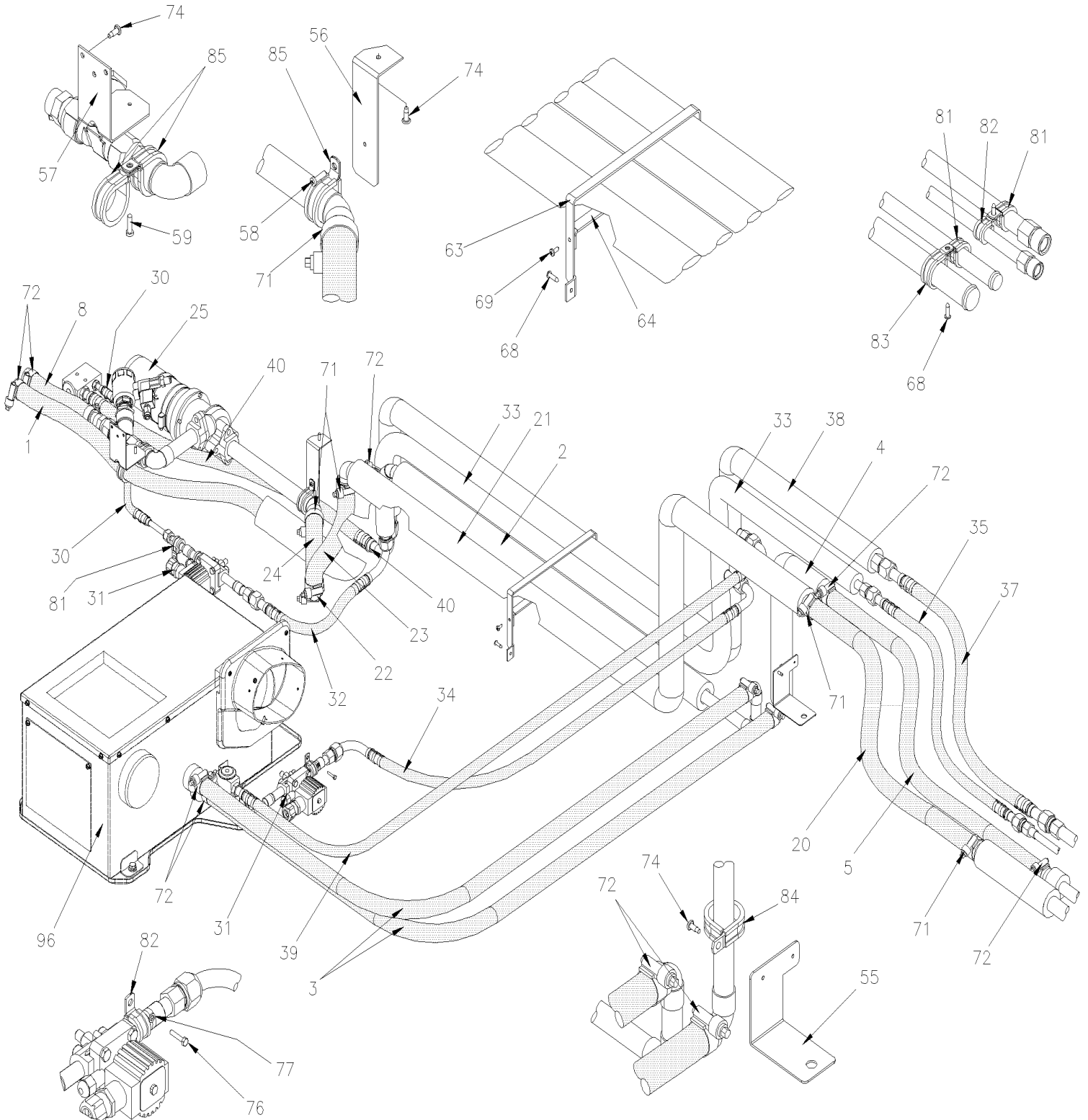


From 7-0671 To J-0287

Date:10/2022

PAGE:H7-2222-50

## SMALL A/C LINE & HEATER LINE

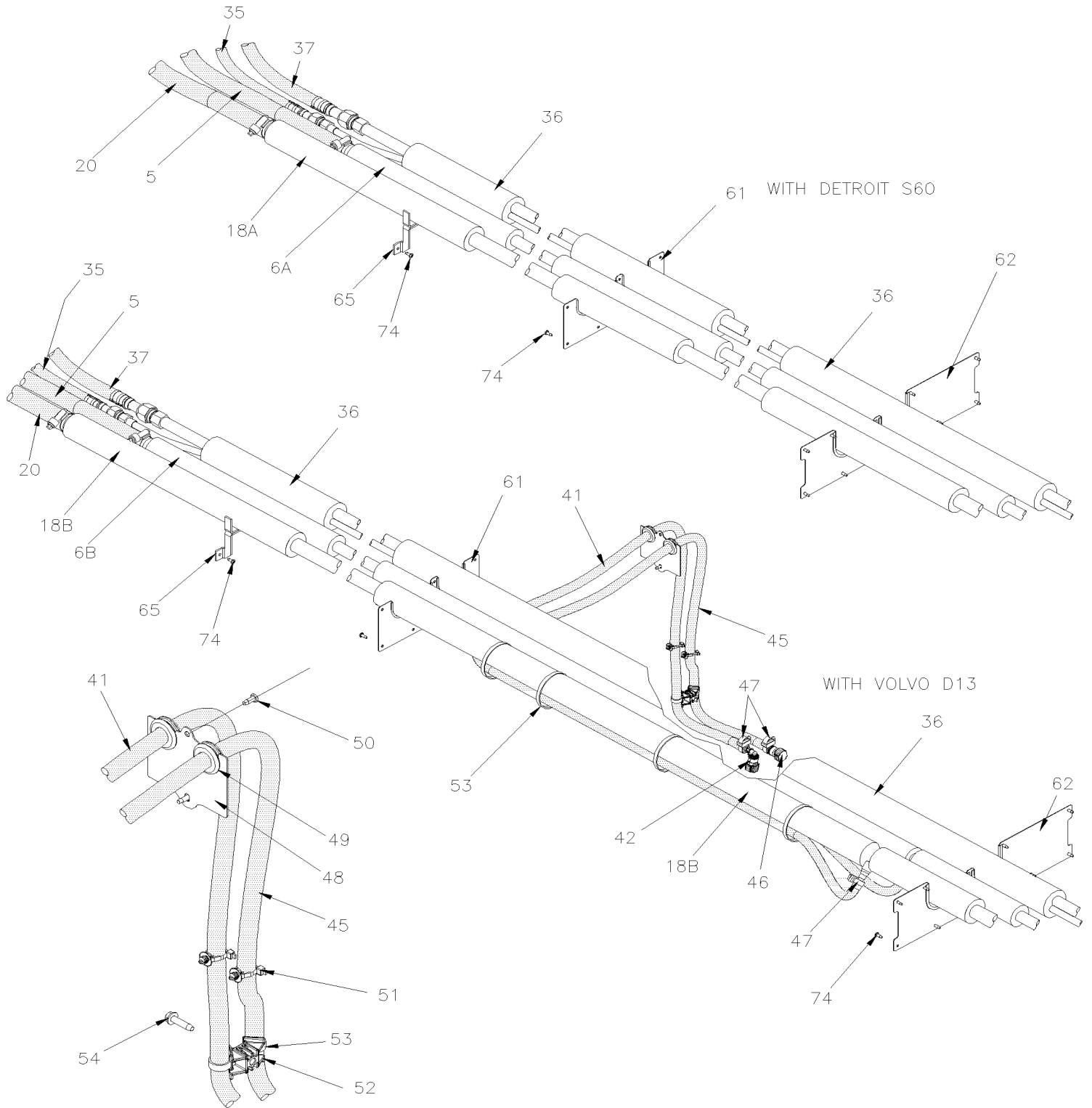


From 7-0671 To J-0287

Date:10/2022

PAGE:H7-2222-50

## SMALL A/C LINE & HEATER LINE



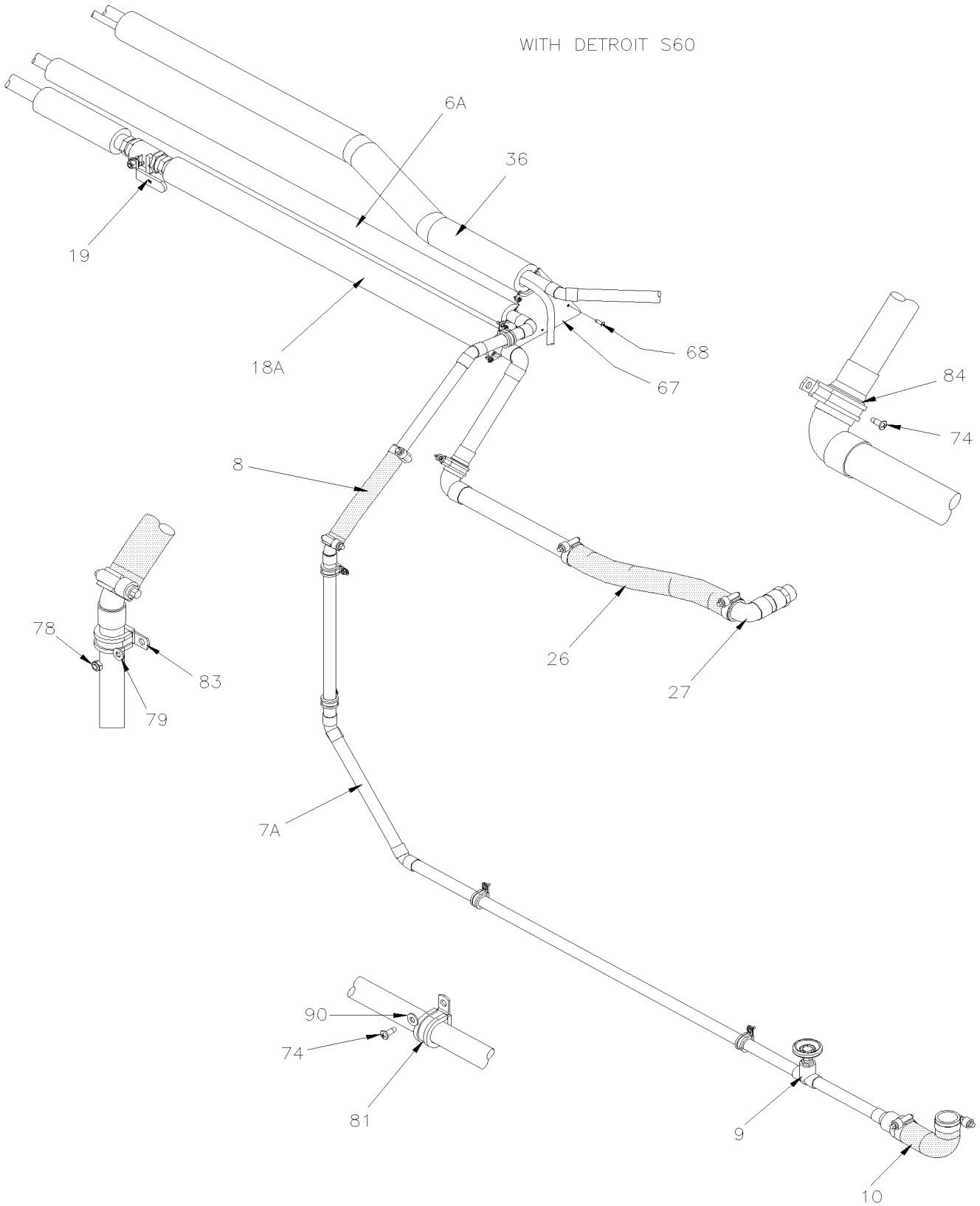
From 7-0671 To J-0287

Date:10/2022

PAGE:H7-2222-50

## SMALL A/C LINE & HEATER LINE

WITH DETROIT S60



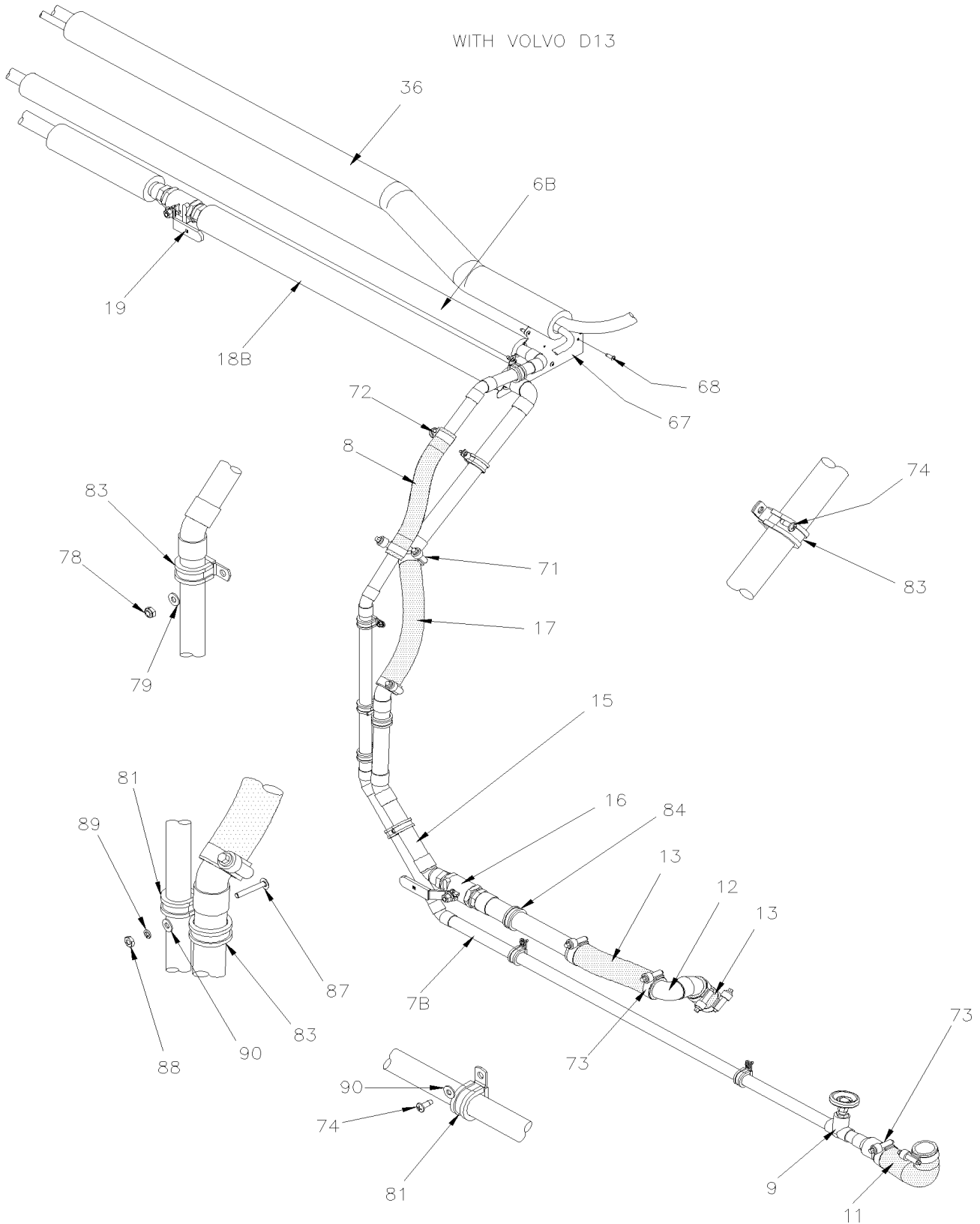
From 7-0671 To J-0287

Date:10/2022

PAGE:H7-2222-50

## SMALL A/C LINE & HEATER LINE

WITH VOLVO D13



<b>From 7-0671 To J-0287</b>	<b>Date:10/2022</b>	<b>PAGE:H7-2222-50</b>
------------------------------	---------------------	------------------------

**SMALL A/C LINE & HEATER LINE**

Item#	Part	Description	H 3 4 1	H 3 4 5	V I P 4 5	N O T E S
1	373550	HOSE / PIPE & HEATER / 7/8" I.D. 1130MM			1	
1	503684	. HOSE SILICONE 1 PLY 7/8" I.D. x 100' / S.L. To D-2275			AR	
1	503803	. HOSE SILICONE 1 PLY / NOMEX-ARAMID 7/8" I.D. x 100' / S.L. From D-2276			AR	
2	Call order desk	PIPE ASSY / RETURN FRONT SECTION			1	P
3	373601	HOSE / AUX HEATER & PIPE / 7/8" I.D. 1675MM			2	
3	503684	. HOSE SILICONE 1 PLY 7/8" I.D. x 100' / S.L. To D-2275			AR	
3	503803	. HOSE SILICONE 1 PLY / NOMEX-ARAMID 7/8" I.D. x 100' / S.L. From D-2276			AR	
4	Call order desk	PIPE ASSY / RETURN REAR SECTION To E-2504			1	P
4	Call order desk	PIPE ASSY / RETURN REAR SECTION From E-2505			1	P
5	373582	HOSE 7/8" I.D. 1050MM			1	
5	503684	. HOSE SILICONE 1 PLY 7/8" I.D. x 100' / S.L. To D-2275			AR	
5	503803	. HOSE SILICONE 1 PLY / NOMEX-ARAMID 7/8" I.D. x 100' / S.L. From D-2276			AR	
6A	Call order desk	PIPE ASSY / RETURN LINE TO ENGINE COMPARTMENT / W/SMALL A/C SYSTEM To A-1720			1	P
6B	Call order desk	PIPE ASSY / RETURN LINE TO ENGINE COMPARTMENT / W/SMALL A/C SYSTEM From B-1721 To E-2504			1	P
6B	Call order desk	PIPE ASSY / RETURN LINE TO ENGINE COMPARTMENT / W/SMALL A/C SYSTEM From E-2505			1	P
7A	Call order desk	PIPE RETURN / ENGINE WATER PUMP / W/SMALL A/C SYSTEM To A-1720			1	P
7B	Call order desk	PIPE RETURN / ENGINE WATER PUMP / W/SMALL A/C SYSTEM To A-1720			1	P
7B	Call order desk	PIPE RETURN / ENGINE WATER PUMP / W/SMALL A/C SYSTEM From B-1721 To E-2504			1	P
7B	Call order desk	PIPE RETURN / ENGINE WATER PUMP / W/SMALL A/C SYSTEM From E-2505			1	P
8	503684	. HOSE SILICONE 1 PLY 7/8" I.D. x 100' / S.L. To D-2275			AR	
8	503803	. HOSE SILICONE 1 PLY / NOMEX-ARAMID 7/8" I.D. x 100' / S.L. From D-2276			AR	
9	501958	. GATE VALVE 7/8" (WELDED)			1	
10	374258	ELBOW 90° X 1 3/8" I.D. / 88MM x 128MM C/C / SILICONE 1 PLY To A-1720			1	
11	374298	ELBOW 90° X 1 3/8" I.D. / 78MM x 140MM C/C / SILICONE To F-2971			1	
11	378925	ELBOW 90° X 1 3/8" I.D. / 78MM x 140MM C/C / SILICONE From F-2972			1	
12	374355P	PIPE ASSY HEATING / FEED LINE / LOWER SECTION			1	
13	503392	. HOSE SILICONE 4PLY 1 3/8" I.D. x 4' To D-2275			AR	
13	503783	. HOSE SILICONE 4PLY / NOMEX-ARAMID 34MM I.D. x 6' From D-2276			AR	
15	Call order desk	PIPE ASSY HEATING / FEED LINE / MIDDLE SECTION / W/SMALL A/C SYSTEM To A-1720			1	P
15	Call order desk	PIPE ASSY HEATING / FEED LINE / MIDDLE SECTION / W/SMALL A/C SYSTEM From B-1721 To E-2504			1	P
15	Call order desk	PIPE ASSY HEATING / FEED LINE / MIDDLE SECTION / W/SMALL A/C SYSTEM From E-2505			1	P
16	871419	. BALL VALVE 1" NPT-F			1	
16	501997	. ADAPTER / COPPER @ PIPE / 1 1/4Fx1NPT-M			2	
17	503652	. HOSE SILICONE 2PLY 1 1/8" I.D. x 3' To D-2275			AR	
17	503796	. HOSE SILICONE 2 PLY / NOMEX-ARAMID 1 1/8" I.D. x 6' From D-2276			AR	
18A	Call order desk	PIPE ASSY / ENGINE COMP & WATER FILTER / W/SMALL A/C SYSTEM To A-1720			1	P
18B	Call order desk	PIPE ASSY HEATING / FEED LINE FROM ENGINE COMPARTMENT / W/SMALL A/C SYSTEM To A-1720			1	P
18B	Call order desk	PIPE ASSY HEATING / FEED LINE FROM ENGINE COMPARTMENT / W/SMALL A/C SYSTEM From B-1721 To E-2504			1	P
18B	Call order desk	PIPE ASSY HEATING / FEED LINE FROM ENGINE COMPARTMENT / W/SMALL A/C SYSTEM From E-2505			1	P
19	871419	. BALL VALVE 1" NPT-F To E-2504			1	
19	501553	. ADAPTER / COPPER @ PIPE / 1Fx1NPT-M To E-2504			2	
20	503652	HOSE SILICONE 2PLY 1 1/8" I.D. x 3' To D-2275			AR	

From 7-0671 To J-0287	Date:10/2022	PAGE:H7-2222-50
<b>SMALL A/C LINE &amp; HEATER LINE</b>		

Item#	Part	Description	H 3 4 1	H 3 4 5	V I P 4 5	N O T E S
20	503796	HOSE SILICONE 2 PLY / NOMEX-ARAMID 1 1/8" I.D. x 6' From D-2276			AR	
21	Call order desk	PIPE ASSY / TO HEATER To E-2504			1	P
21	Call order desk	PIPE ASSY / TO HEATER From E-2505			1	P
22	373586	HOSE ASSY W/ELBOW / 1 3/8" I.D. To D-2179			1	
22	374662	HOSE ASSY W/ELBOW / 1 3/8" I.D. From D-2180 To E-2504			1	
22	Call order desk	HOSE ASSY W/ELBOW / 1 3/8" I.D. From E-2505			1	P
22	373585	. ELBOW To D-2179			1	
23	Call order desk	. HOSE SILICONE 2PLY 1 1/8" I.D. x 220MM			1	P
23	503652	. . HOSE SILICONE 2PLY 1 1/8" I.D. x 3' To D-2275			AR	
23	503796	. . HOSE SILICONE 2 PLY / NOMEX-ARAMID 1 1/8" I.D. x 6' From D-2276			AR	
24	Call order desk	. HOSE SILICONE 2PLY 1 1/8" I.D. x 250MM To A-1720			1	P
24	503652	. . HOSE SILICONE 2PLY 1 1/8" I.D. x 3' To A-1720			1	
24	374570	HOSE SILICONE 1 1/8" I.D. x 395MM From B-1721			1	
24	503652	. HOSE SILICONE 2PLY 1 1/8" I.D. x 3' From B-1721 To D-2275			AR	
24	503810	. HOSE SILICONE 1 PLY / NOMEX-ARAMID 1 1/8" I.D. x 25' From D-2276			AR	
25	<b>H7-2210-20</b>	<b>WATER HEATER PUMP - INSTALLATION WITH SMALL A/C</b>				
26	373972	HOSE / W/SMALL A/C SYSTEM / 1 3/8" I.D. 395MM To A-1720			1	
27	373866	HOSE ADAPTOR ELBOW 90° 1 3/8" X 1" NPT / CYLINDER HEAD EXIT To A-1720			1	
30	453212	HOSE ASSY / #6 265MM To A-1511			1	
. NS	507278	. O-RING / ORS FITTING / #4 NEO To A-1511			2	
30	455200	HOSE ASSY / #6 265MM From A-1512 To E-2504			1	
. NS	507278	. O-RING / ORS FITTING / #4 NEO From A-1512 To E-2504			2	
30	454811	HOSE ASSY / #6 265MM From E-2505			1	
. NS	507278	. O-RING / ORS FITTING / #4 NEO From E-2505			2	
NS	504751	ROTATIF SPACER DOUBLE / SMALL From H-3635			1	
NS	504637	CABLE TIE / 3/16" x 13" From H-3635			2	
31	<b>H7-2208-10</b>	<b>REFRIGERENT SOLENOID VALVE</b>				
32	453424	HOSE ASSY / #10 225MM To A-1511			1	
. NS	507344	. O-RING / ORS FITTING / #10 NEO To A-1511			2	
32	455230	HOSE ASSY / #10 225MM From A-1512 To E-2504			1	
. NS	507344	. O-RING / ORS FITTING / #10 NEO From A-1512 To E-2504			2	
32	454812	HOSE ASSY / #10 215MM From E-2505			1	
. NS	507344	. O-RING / ORS FITTING / #10 NEO From E-2505			2	
33	455116	PIPE ASSY / A/C PRESSURE To E-2504			1	
33	Call order desk	PIPE ASSY / A/C PRESSURE From E-2505			1	P
34	453342	HOSE ASSY / #10 1100MM To A-1511			1	
. NS	507344	. O-RING / ORS FITTING / #10 NEO To A-1511			2	
34	455213	HOSE ASSY / #10 1100MM From A-1512			1	
. NS	507344	. O-RING / ORS FITTING / #10 NEO From A-1512			2	
35	453187	HOSE ASSY / #10 740MM To A-1511			1	
. NS	507344	. O-RING / ORS FITTING / #10 NEO To A-1511			2	
35	455193	HOSE ASSY / #10 740MM From A-1512 To E-2504			1	

<b>From 7-0671 To J-0287</b>	<b>Date:10/2022</b>	<b>PAGE:H7-2222-50</b>
<b>SMALL A/C LINE &amp; HEATER LINE</b>		

Item#	Part	Description	H 3 4 1	H 3 4 5	V I P 4 5	N O T E S
. NS	507344	. O-RING / ORS FITTING / #10 NEO From A-1512 To E-2504			2	
35	454813	HOSE ASSY / #10 740MM From E-2505			1	
. NS	507344	. O-RING / ORS FITTING / #10 NEO From E-2505			2	
36	455103P	PIPE ASSY / A/C PRESSURE & SUCTION To A-1720			1	
36	Call order desk	PIPE ASSY / A/C PRESSURE & SUCTION From B-1721			1	P
37	453188	HOSE ASSY / #12 740MM To A-1511			1	
. NS	507280	. O-RING / ORS FITTING / #12 NEO To A-1511			2	
37	455194	HOSE ASSY / #12 766MM From A-1512 To E-2504			1	
. NS	507280	. O-RING / ORS FITTING / #12 NEO From A-1512 To E-2504			2	
37	454814	HOSE ASSY / #12 955MM From E-2505 To F-2941			1	
. NS	507280	. O-RING / ORS FITTING / #12 NEO From E-2505 To F-2941			2	
37	457731	HOSE ASSY / #12 980MM From F-2942			1	
38	455115	PIPE ASSY / A/C SUCTION To E-2504			1	
38	Call order desk	PIPE ASSY / A/C SUCTION From E-2505 To F-2941			1	P
38	Call order desk	PIPE ASSY / A/C SUCTION From F-2942			1	P
39	453195	HOSE ASSY / FROM A/C AUX / #10 1450MM To A-1511			1	
. NS	507344	. O-RING / ORS FITTING / #10 NEO To A-1511			2	
39	455198	HOSE ASSY / FROM A/C AUX / #10 1450MM From A-1512			1	
. NS	507344	. O-RING / ORS FITTING / #10 NEO From A-1512			2	
40	453420	HOSE ASSY / #12 675 MM To A-1511			1	
. NS	507280	. O-RING / ORS FITTING / #12 NEO To A-1511			1	
. NS	507344	. O-RING / ORS FITTING / #10 NEO To A-1511			1	
40	455229	HOSE ASSY / #12 693 MM From A-1512 To H-3540			1	
. NS	507280	. O-RING / ORS FITTING / #12 NEO From A-1512 To H-3540			1	
. NS	507344	. O-RING / ORS FITTING / #10 NEO From A-1512 To H-3540			1	
40	450135	HOSE ASSY / #12 674 MM From H-3541			1	
. NS	507280	. O-RING / ORS FITTING / #12 NEO From H-3541			1	
. NS	507344	. O-RING / ORS FITTING / #10 NEO From H-3541			1	
41	Call order desk	PIPE ASSY / From B-1721			1	P
41	503779	. HOSE SILICONE 1PLY 3/8" I.D. x 100' From B-1721 To D-2275			AR	
41	503806	. HOSE SILICONE 1 PLY / NOMEX-ARAMID 3/8" I.D. x 100' From D-2276 To F-2711			AR	
41	503821	. HOSE SILICONE 4 PLY / NOMEX-ARAMID 3/8" x 144" From F-2712			AR	
42	20805110	. QUICK CONNECTOR 90° 10MM From B-1721			1	
45	Call order desk	PIPE ASSY / From B-1721			1	P
45	503779	. HOSE SILICONE 1PLY 3/8" I.D. x 100' From B-1721 To D-2275			AR	
45	503806	. HOSE SILICONE 1 PLY / NOMEX-ARAMID 3/8" I.D. x 100' From D-2276 To F-2711			AR	
45	503821	. HOSE SILICONE 4 PLY / NOMEX-ARAMID 3/8" x 144" From F-2712			AR	
46	20805109	. QUICK CONECTOR 10MM From B-1721			1	
47	992081	HOSE CLAMP / 12MM/22MM			4	
48	040935	CLOSING PLATE AROUND 3 HOSES 130MM x 98MM SS			1	
49	504671	GROMMET / .687x1.000x.125x.437x1.312			1	
NS	684517	ADHESIVE SIMSON #ISR 70-03 / GREY / 310ml CARTRIDGE			AR	

<b>From 7-0671 To J-0287</b>	<b>Date:10/2022</b>	<b>PAGE:H7-2222-50</b>
<b>SMALL A/C LINE &amp; HEATER LINE</b>		

Item#	Part	Description	H 3 4 1	H 3 4 5	V I P 4 5	N O T E S
50	502868	SCREW TC TR PH #10-16x1/2 N500			2	
51	8631155	CABLE TIE / 4.6MM x 200 / CHRISTMAS TREE			2	
52	509490	ATTACHMENT DOUBLE USE WITH CABLE TIE			1	
53	504016	CABLE TIE / 5/16" X 14"1/2			2	
54	500266	SCREW TC CAP HEX 1/4-20x1 N500			1	
55	374305	PIPE SUPPORT			1	
56	373564	SUPPORT W/PUMP / INPUT			1	
57	373565	SUPPORT W/PUMP / OUTPUT To F-2910			1	
57	374876	SUPPORT W/PUMP / OUTPUT From F-2911			1	
58	500658	SCREW TC PAN PH #10-24x3/4 Z050			2	
59	500658	SCREW TC PAN PH #10-24x3/4 Z050 To F-2910			1	
59	5001730	SCREW CAP HEXF M6-1.0x16 G10.9 N500 From F-2911			2	
61	453193	CLOSING ASSY (UNDER FLOOR) 110MM X 266MM			2	
62	454056	CLOSING ASSY (UNDER FLOOR) 127MM X 473MM			1	
NS	373908	CLOSING PLATE / W/SMALL A/C SYSTEM 83MM x 180MM			1	
NS	373909	CLOSING PLATE / W/SMALL A/C SYSTEM 95MM x 196MM			2	
NS	373910	CLOSING PLATE / W/SMALL A/C SYSTEM 102MM x 181MM			1	
NS	680532	SEALANT SIKA #221 / GREY / 310ml CARTRIDGE			AR	
63	373510	PIPE SUPPORT			1	
64	372722	PIPE SUPPORT / UNDER AISLE STEPWELL			1	
65	373589	SUPPORT PIPE (UNDER FLOOR)			2	
67	453174	PIPE CLOSING ASSY TRIANGULAR SGHAPE To A-1720			1	
67	Call order desk	PIPE CLOSING ASSY TRIANGULAR SGHAPE From B-1721 To C-2033			1	P
67	455402	PIPE CLOSING ASSY TRIANGULAR SGHAPE From C-2034			1	
67	506338	RUBBER CHANNEL / 1/16" x 1/4" INT "U" SHAPE / ROUND C.T.L. To C-2033			AR	
67	5060120	GROMMET EDGING ADHESIVE .036-.062 From C-2034			AR	
68	500957	SCREW TP BDG PH #10x3/4 N500			7	
69	500638	SCREW TP PAN PH #8x1/2 Z050			2	
71	504658	HOSE CLAMP / 13/16"-1"3/4 / C.T. 9420 To D-2301			5	
71	504782	HOSE CLAMP / 1 3/16-1 13/16 SS / C.T. W.S. From D-2302 To F-2891			5	
71	992086	HOSE CLAMP / 32MM/52MM From F-2892			5	
72	504646	HOSE CLAMP / 11/16"-1"1/4 / C.T. 9412 To D-2301			AR	
72	504781	HOSE CLAMP / 13/16"-1 5/16" SS / C.T. W.S. From D-2302 To F-2891			AR	
72	992084	HOSE CLAMP / 23MM/35MM From F-2892			AR	
73	504657	HOSE CLAMP / 1"1/16-2" C.T. 9424 To D-2301			AR	
73	504783	HOSE CLAMP / 1"1/16-2" SS / C.T. W.S. From D-2302 To F-2891			AR	
73	992086	HOSE CLAMP / 32MM/52MM From F-2892			AR	
74	502868	SCREW TC TR PH #10-16x1/2 N500			AR	
75	509805	SCREW TP PAN PH #10x1/2 BK			AR	
76	500588	SCREW CAP HEX M4-0.7x20 G8.8 Z050			1	
77	500470	WASHER LO SPT .193x.334x.047 Z050			1	
78	502841	NUT HEX NYRT M5-0.8 N500			2	



From 7-0671 To J-0287	Date:10/2022	PAGE:H7-2222-50
<b>SMALL A/C LINE &amp; HEATER LINE</b>		

Item#	Part	Description	H 3 4 1	H 3 4 5	V I P 4 5	N O T E S
79	500804	WASHER FL .203x.500x.047 N500			4	
81	952633	CLAMP / 7/8" I.D.			AR	
82	952629	CLAMP / 5/8" I.D.			AR	
83	952637	CLAMP / 1"1/16 I.D.			AR	
84	952641	CLAMP / 1 5/16" I.D.			AR	
85	952639	CLAMP / 1"1/4 I.D.			AR	
NS	504634	T-CLIP / 7/8" - 1"			2	
NS	504637	CABLE TIE / 3/16" x 13"			2	
87	500574	SCREW MA TR PH #10-24x1 1/4 SS			2	
88	502882	NUT HEX #10-24 N500			2	
89	500914	WASHER LO SPT .193x.334x.047 N500			2	
90	500804	WASHER FL .203x.500x.047 N500			2	
95	<b>H7-2222-55</b>	<b>SMALL A/C LINES &amp; HOSES - R134A</b>				
96	<b>H7-2225-50</b>	<b>A/C &amp; HEATER AUXILIARY - V.I.P.</b>				
97	<b>H7-2230-50</b>	<b>A/C AUXILIARY V.I.P. - INSTALLATION</b>				
		P) CALL ORDER DESK FOR SPECIFIC APPLICATION (V.I.N.)				

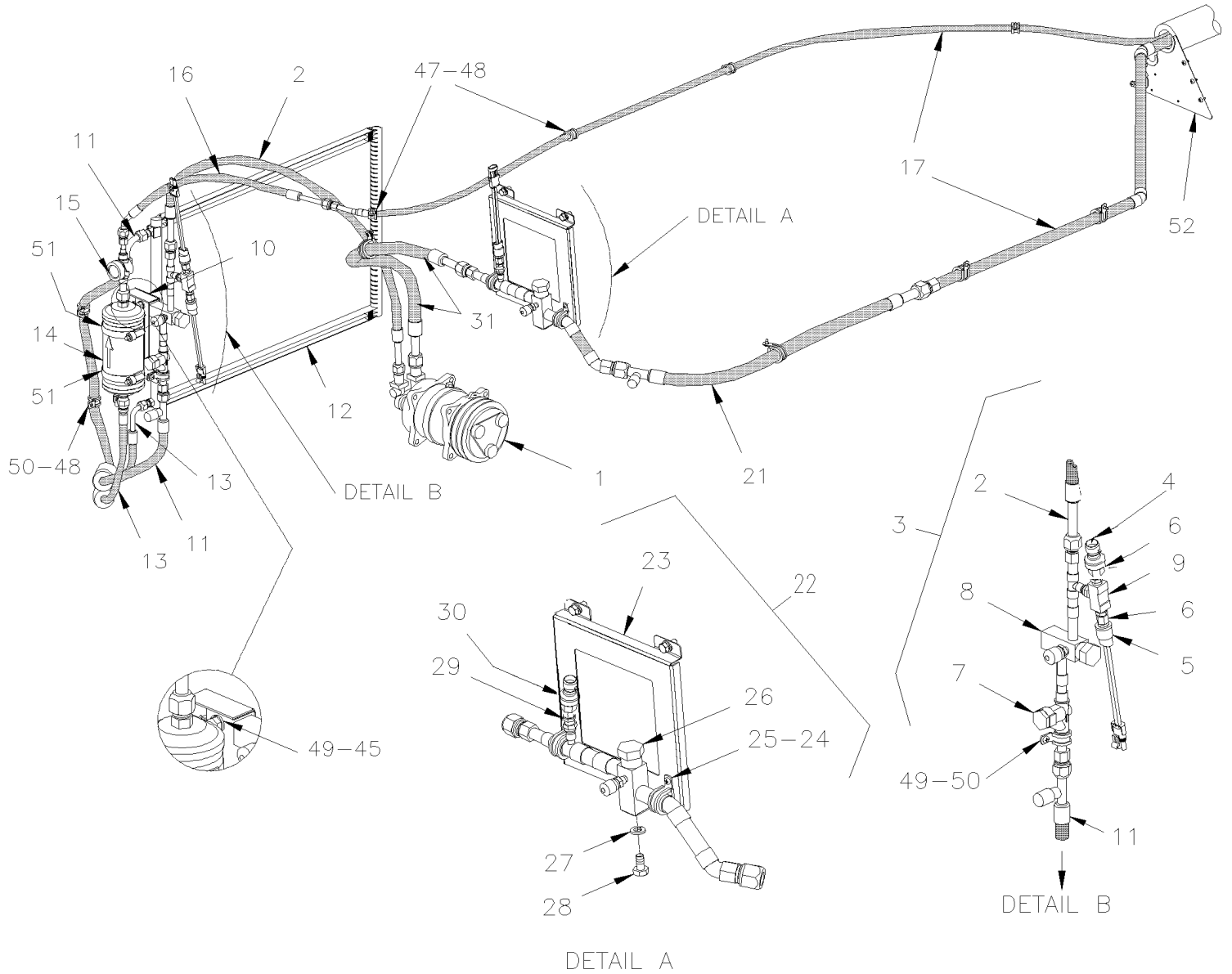
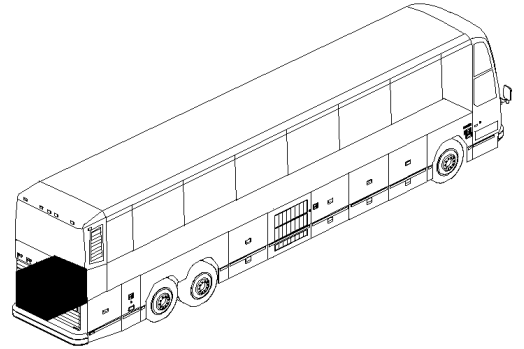
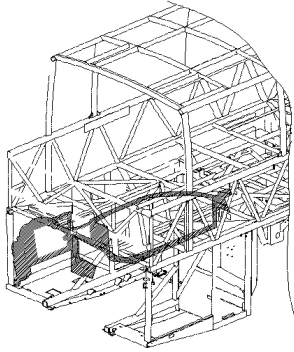


From 7-0671 To D-2282

Date:10/2022

PAGE:H7-2222-55

## SMALL A/C LINES & HOSES - R134A



From 7-0671 To D-2282	Date:10/2022	PAGE:H7-2222-55
<b>SMALL A/C LINES &amp; HOSES - R134A</b>		

Item#	Part	Description	H 3 4 1	H 3 4 5	V I P 4 5	N O T E S
1	<b>H7-2245-50</b>	<b>A/C COMPRESSOR SMALL - INSTALLATION</b>				
2	455100	HOSE ASSY / #8 2680MM To A-1511			1	
. NS	507343	. O-RING / ORS FITTING / #8 NEO To A-1511			2	
2	455311	HOSE ASSY / #8 2680MM From A-1512 To A-1720			1	
. NS	507343	. O-RING / ORS FITTING / #8 NEO From A-1512 To A-1720			2	
2	455360	HOSE ASSY / #8 3625MM From B-1721			1	
. NS	507343	. O-RING / ORS FITTING / #8 NEO From B-1721			2	
3	454356	VALVE ASSY / HI-SIDE W/MUX To A-1720			1	
3	457485P	VALVE ASSY / HI-SIDE (superseded by 409205) From B-1721				
3	459205	VALVE ASSY / HI-SIDE From B-1721			1	
4	563423	. TRANSDUSER -6.7 to 420 LBS / 1/8 NPT-F			1	
. NS	563159	. . CONNECTOR / METRI-PACK 150 / SH 3C / PED 12065287			1	
5	453380	. PRESSURE SWITCH N.C. 350-245 20PS001MB350K245R			1	
6	950249	. SCHRADER VALVE 1/4NPT-M			2	
7	950326	. CHECK VALVE			1	
8	950376	. VALVE SERVICE HIGH PRESSURE			1	
9	501894	. MALE BRANCHE TEE / PIPE FITTING / 1/4NPT-Fx1/4NPT-Fx1/4NPT-M BR			1	
10	455096	SUPPORT / HIGHT PRESSURE VALVE To A-1720			1	
10	459204	SUPPORT / HIGHT PRESSURE VALVE From B-1721			1	
11	455097	HOSE ASSY / #8 1072MM To A-1511			1	
. NS	507343	. O-RING / ORS FITTING / #8 NEO To A-1511			2	
11	455310	HOSE ASSY / #8 1072MM From A-1512 To A-1720			1	
. NS	507343	. O-RING / ORS FITTING / #8 NEO From A-1512 To A-1720			2	
11	455356	HOSE ASSY / #8 1140MM From B-1721			1	
. NS	507343	. O-RING / ORS FITTING / #8 NEO From B-1721			2	
12	<b>H7-2255-50</b>	<b>CONDENSOR - INSTALLATION SMALL A/C SYSTEM</b>				
13	455098	HOSE ASSY / #6 658MM To A-1720			1	
. NS	507278	. O-RING / ORS FITTING / #4 NEO To A-1720			1	
13	455355	HOSE ASSY / #6 760MM From B-1721			1	
. NS	507278	. O-RING / ORS FITTING / #4 NEO From B-1721			1	
14	950370	FILTER DRYER			1	
. NS	507085	. O-RING 7/16" I.D X 1/32"			1	
15	453514	MOISTURE INDICATOR ASSY To 9-1385			1	
. NS	950379	. MOISTURE INDICATOR To 9-1385			1	
15	455336	MOISTURE INDICATOR ASSY From 9-1386			1	
. NS	950455	. MOISTURE INDICATOR From 9-1386			1	
16	455102	HOSE ASSY / #6 362MM To A-1511			1	
. NS	507278	. O-RING / ORS FITTING / #4 NEO To A-1511			2	
16	455337	HOSE ASSY / #6 290MM From 9-1386 To A-1720			1	
. NS	507278	. O-RING / ORS FITTING / #4 NEO From 9-1386 To A-1720			2	
16	455357	HOSE ASSY / #6 975MM From B-1721			1	
. NS	507278	. O-RING / ORS FITTING / #4 NEO From B-1721			2	

From 7-0671 To D-2282	Date:10/2022	PAGE:H7-2222-55
<b>SMALL A/C LINES &amp; HOSES - R134A</b>		

Item#	Part	Description	H 3 4 1	H 3 4 5	V I P 4 5	N O T E S
17	<b>H7-2222-50</b>	<b>SMALL A/C LINE &amp; HEATER LINE</b>	1	1	1	
21	454081	HOSE ASSY / #12 645MM To A-1511			1	
. NS	507280	. O-RING / ORS FITTING / #12 NEO To A-1511			2	
. NS	950358	. PROTECTOR CAP LOW PRESSURE PORT / "TUBE-O" To A-1511			1	
21	455284	HOSE ASSY / #12 645MM From A-1512 To A-1720			1	
. NS	507280	. O-RING / ORS FITTING / #12 NEO From A-1512 To A-1720			2	
. NS	950358	. PROTECTOR CAP LOW PRESSURE PORT / "TUBE-O" From A-1512 To A-1720			1	
21	455978	HOSE ASSY / #12 1000MM From B-1721			1	
. NS	507280	. O-RING / ORS FITTING / #12 NEO From B-1721			1	
. NS	950358	. PROTECTOR CAP LOW PRESSURE PORT / "TUBE-O" From B-1721			1	
22	455099	VALVE ASSY W/SUPPORT / LOW SIDE To A-1720			1	
22	459203P	VALVE ASSY W/SUPPORT / LOW SIDE From B-1721			1	A
22	<b>450855</b>	<b>SERVICE KIT, VALVE SUCTION ASSY From B-1721</b>			1	A
23	454065	. SUPPORT / LOW PRESSURE VALVE To A-1720			1	
23	455979	. SUPPORT / LOW PRESSURE VALVE From B-1721			1	
24	952635	. CLAMP / 1" I.D.			1	
25	509805	. SCREW TP PAN PH #10x1/2 BK			1	
26	950950	. VALVE SERVICE LOW PRESSURE			1	
. NS	950235	. . GAUGE ADAPTOR ASSY / W/BLUE CAP FOR R-134A / SUCTION SIDE (ALUMINUM)			1	
27	955920	. WASHER LO SPT 6.5x11.5x1.6 ZP			1	
28	502772	. SCREW CAP HEX 1/4-20x1/2 G5 N500			1	
29	950249	. SCHRADER VALVE 1/4NPT-M			1	
30	563423	. TRANSDUSER -6.7 to 420 LBS / 1/8 NPT-F			1	
. NS	563159	. . CONNECTOR / METRI-PACK 150 / SH 3C / PED 12065287			1	
31	455101	HOSE ASSY / #12 1090MM To A-1511			1	
. NS	507344	. O-RING / ORS FITTING / #10 NEO To A-1511			2	
31	455312	HOSE ASSY / #12 1090MM From A-1512 To A-1720			1	
. NS	507344	. O-RING / ORS FITTING / #10 NEO From A-1512 To A-1720			2	
31	455975	HOSE ASSY / #12 305MM From B-1721			1	
. NS	507344	. O-RING / ORS FITTING / #10 NEO From B-1721			2	
45	502916	SCREW CAP HEX 3/8-16x3/4 G8 N500 To A-1720			2	
45	502780	SCREW CAP HEX M8-1.25x25 SS BK From B-1721			2	
47	952627	CLAMP / 1/2" I.D.			AR	
48	509805	SCREW TP PAN PH #10x1/2 BK			3	
49	3852496	WASHER LO SPT 10.2x18.1x2.2 ZG603 To A-1720			2	
49	5001848	WASHER BEL SPR .827 x .331 x .098 th SS From B-1721			2	
50	952629	CLAMP / 5/8" I.D.			AR	
50	952633	CLAMP / 7/8" I.D.	AR	AR	AR	
51	504026	HOSE CLAMP / 2"13/16-3"3/4 SS / HS-52			1	
52	453174	PIPE CLOSING ASSY TRIANGULAR SGHAPE			1	

From 7-0671 To D-2282	Date:10/2022	PAGE:H7-2222-55
-----------------------	--------------	-----------------

**SMALL A/C LINES & HOSES - R134A**

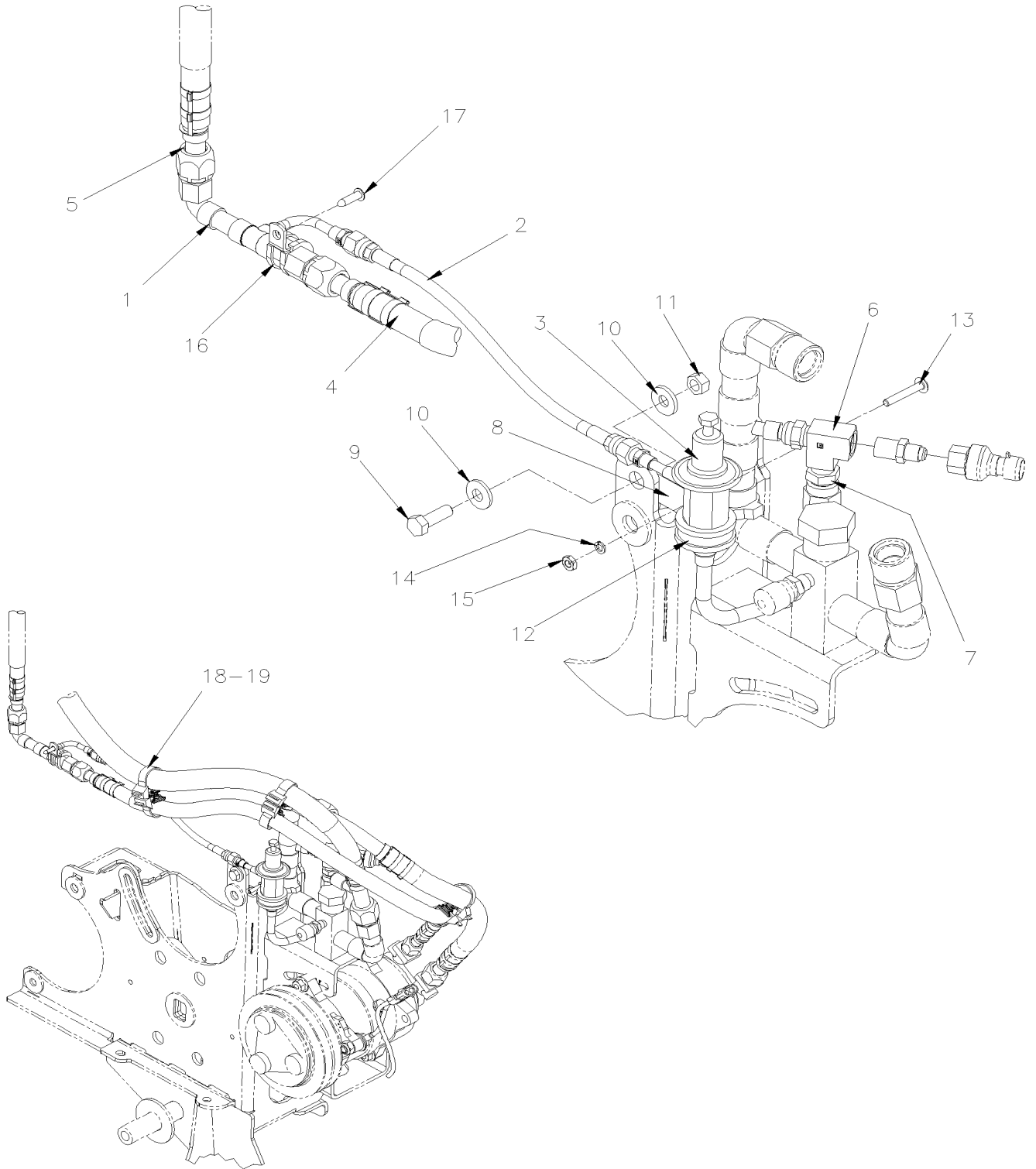
Item#	Part	Description	H 3 4 1	H 3 4 5	V I P 4 5	N O T E S
		A) FOR PRODUCT IMPROVMENT USE KIT 450855				

From B-1721

Date:10/2022

PAGE:450855

## SERVICE KIT, VALVE SUCTION ASSY



From B-1721	Date:10/2022	PAGE:450855
<b>SERVICE KIT, VALVE SUCTION ASSY</b>		

Item#	Part	Description	H 3 4 1	H 3 4 5	V I P 4 5	N O T E S
1	457749	TUYAU ASS			1	
2	450833	HOSE ASSY / #4 210MM			1	
3	457752	BY-PASS VALVE ASSY			1	
3	950065	. BY-PASS VALVE			1	
4	450747	HOSE ASSY / #8 800MM			1	
5	5011319	FEMALE CONNECTOR LONG / "TUBE-O" / #8TUBE-O-Fx#8 STL			1	
5	504761	CLAMP "E-Z CLIP" / "TUBE-O" / G134 #8			2	
5	504765	CAGE "E-Z CLIP" / "TUBE-O" / #8 STL			1	
5	507343	O-RING / ORS FITTING / #8 NEO			1	
6	501338	MALE RUN TEE / PIPE FITTING / 1/4NPT-Mx1/4NPT-Fx1/4NPT-F BR			1	
7	5011080	MALE CONNECTOR / ORS FITTING / #6ORS-Mx1/4NPT-M STL			1	
7	5011082	ADAPTOR / ORS@COPPER TUBE / #6ORS-Fx#6COPPER TUBE			1	
8	060840	SUPPORT HARNESS			1	
9	5001745	SCREW CAP HEX M8-1.25x25 G8.8 N500			1	
10	500321	WASHER BEL SPR .331x.827x.098 N500			2	
11	502851	NUT HEX M8-1.25 N500			1	
12	952637	CLAMP / 1"1/16 I.D.			1	
13	500574	SCREW MA TR PH #10-24x1 1/4 SS			1	
14	500914	WASHER LO SPT .193x.334x.047 N500			1	
15	502882	NUT HEX #10-24 N500			1	
16	952629	CLAMP / 5/8" I.D.			1	
17	500957	SCREW TP BDG PH #10x3/4 N500			1	
18	504751	ROTATIF SPACER DOUBLE / SMALL			3	
19	509491	CABLE TIE / 13MM x 383MM			6	

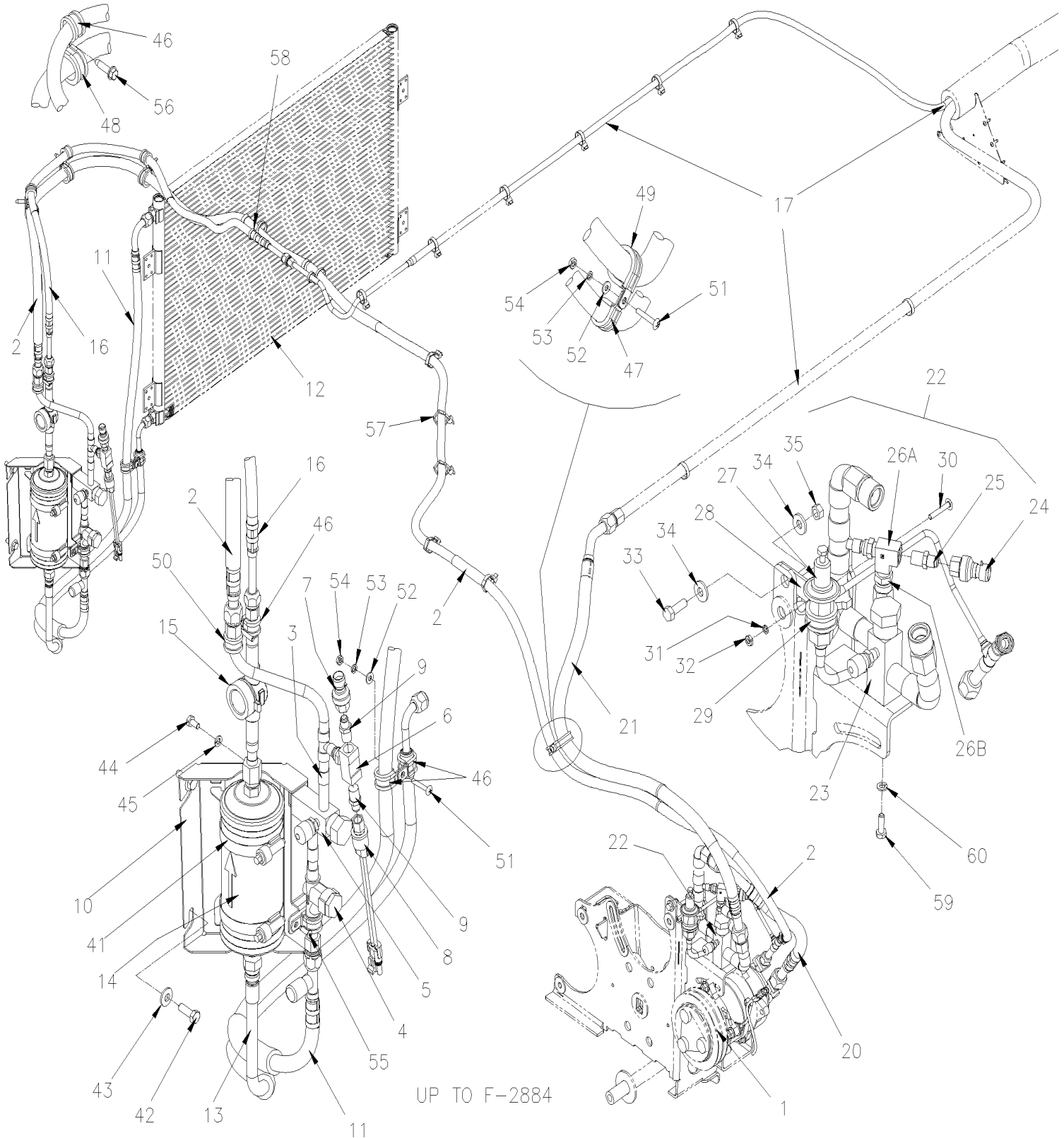


From D-2283 To J-0287

Date:10/2022

PAGE:H7-2222-56

## SMALL A/C LINES & HOSES - R134A

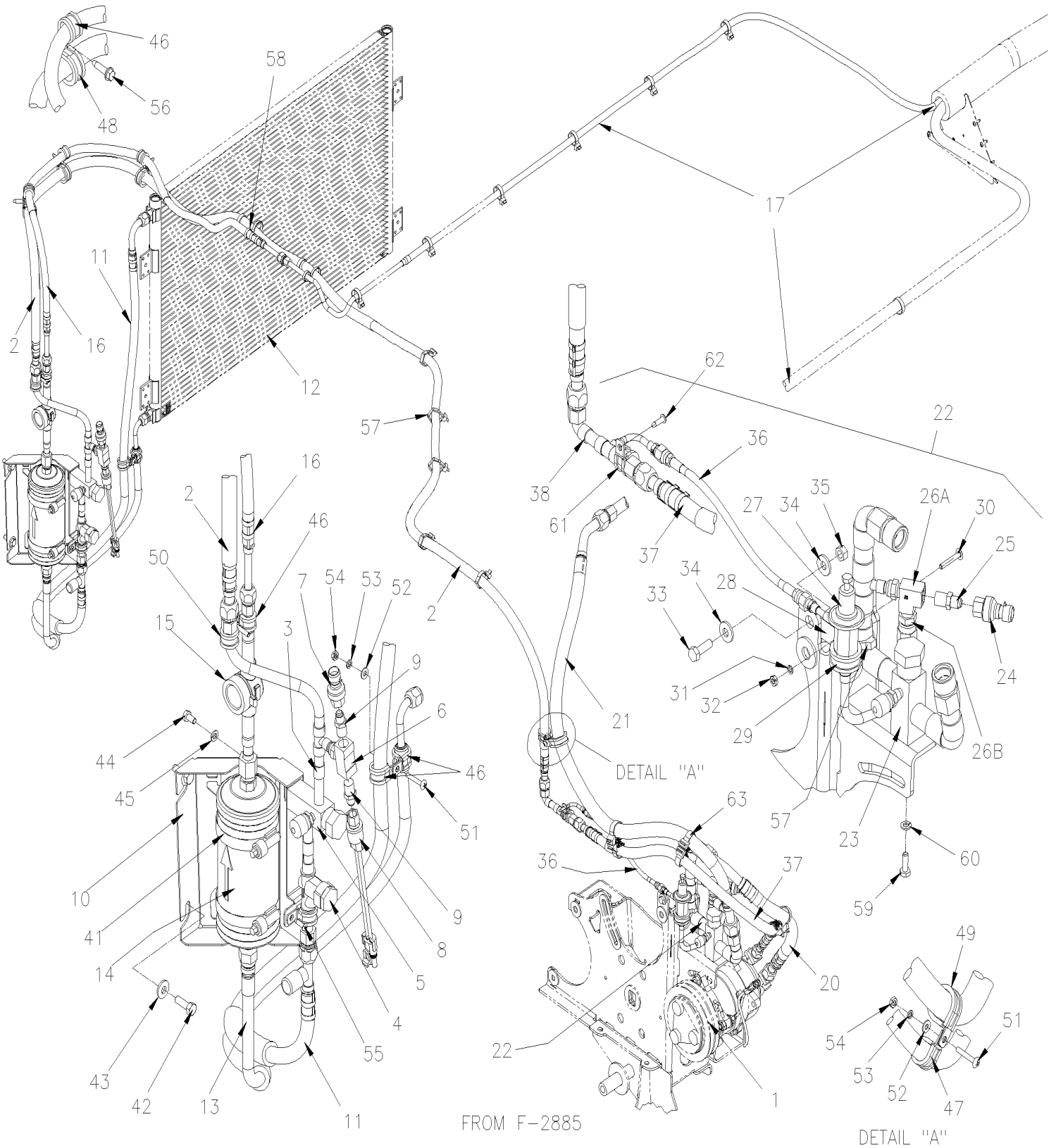


From D-2283 To J-0287

Date:10/2022

PAGE:H7-2222-56

## SMALL A/C LINES & HOSES - R134A



From D-2283 To J-0287	Date:10/2022	PAGE:H7-2222-56
<b>SMALL A/C LINES &amp; HOSES - R134A</b>		

Item#	Part	Description	H 3 4 1	H 3 4 5	V I P 4 5	N O T E S
1	<b>H7-2245-50</b>	<b>A/C COMPRESSOR SMALL - INSTALLATION</b>				
2	455360	HOSE ASSY / #8 3625MM To F-2884			1	
. NS	507343	. O-RING / ORS FITTING / #8 NEO To F-2884			2	
2	450727	HOSE ASSY / #8 2870MM From F-2885 To H-3734			1	
2	450302	HOSE ASSY / #8 2710MM From H-3735			1	
3	457485P	VALVE ASSY / HI-SIDE (superseded by 409205)				
4	950326	. CHECK VALVE			1	
5	950376	. VALVE SERVICE HIGH PRESSURE			1	
6	501894	. MALE BRANCHE TEE / PIPE FITTING / 1/4NPT-Fx1/4NPT-Fx1/4NPT-M BR			1	
7	563423	TRANSDUSER -6.7 to 420 LBS / 1/8 NPT-F			1	
. NS	563159	. CONNECTOR / METRI-PACK 150 / SH 3C / PED 12065287			1	
8	453380	PRESSURE SWITCH N.C. 350-245 20PS001MB350K245R			1	
9	950249	SCHRADER VALVE 1/4NPT-M			2	
10	459204	SUPPORT / HIGHT PRESSURE VALVE			1	
11	455356	HOSE ASSY / #8 1140MM			1	
. NS	507343	. O-RING / ORS FITTING / #8 NEO			2	
12	<b>H7-2255-50</b>	<b>CONDENSOR - INSTALLATION SMALL A/C SYSTEM</b>				
13	455355	HOSE ASSY / #6 760MM			1	
. NS	507278	. O-RING / ORS FITTING / #4 NEO			1	
14	950370	FILTER DRYER			1	
. NS	507085	. O-RING 7/16" I.D X 1/32"			1	
15	455336	MOISTURE INDICATOR ASSY			1	
. NS	950455	. MOISTURE INDICATOR			1	
16	455357	HOSE ASSY / #6 975MM			1	
. NS	507278	. O-RING / ORS FITTING / #4 NEO			2	
17	<b>H7-2222-50</b>	<b>SMALL A/C LINE &amp; HEATER LINE</b>	1	1	1	
20	455975	HOSE ASSY / #12 305MM To H-3734			1	
. NS	507344	. O-RING / ORS FITTING / #10 NEO To H-3734			2	
20	450071	HOSE ASSY / #12 250MM From H-3735			1	
21	455978	HOSE ASSY / #12 1000MM			1	
. NS	507280	. O-RING / ORS FITTING / #12 NEO			1	
. NS	950358	. PROTECTOR CAP LOW PRESSURE PORT / "TUBE-O"			1	
22	454729P	VALVE ASSY To F-2884			1	A
22	<b>450855</b>	<b>SERVICE KIT, VALVE SUCTION ASSY To F-2884</b>			1	A
22	450770P	VALVE ASSY From F-2885 To H-3734			1	
22	450068P	VALVE ASSY From H-3735			1	
23	457751	. VALVE SERVICE ASSY			1	
23	950950	. . VALVE SERVICE LOW PRESSURE			1	
. NS	950235	. . . GAUGE ADAPTOR ASSY / W/BLUE CAP FOR R-134A / SUCTION SIDE (ALUMINUM)			1	
24	563423	. TRANSDUSER -6.7 to 420 LBS / 1/8 NPT-F			1	
. NS	563159	. . CONNECTOR / METRI-PACK 150 / SH 3C / PED 12065287			1	
25	950249	. SCHRADER VALVE 1/4NPT-M			1	

<b>From D-2283 To J-0287</b>	<b>Date:10/2022</b>	<b>PAGE:H7-2222-56</b>
<b>SMALL A/C LINES &amp; HOSES - R134A</b>		

Item#	Part	Description	H 3 4 1	H 3 4 5	V I P 4 5	N O T E S
26A	501338	. MALE RUN TEE / PIPE FITTING / 1/4NPT-Mx1/4NPT-Fx1/4NPT-F BR			1	
26B	5011080	. MALE CONNECTOR / ORS FITTING / #6ORS-Mx1/4NPT-M STL			1	
27	454748	. SUCCION VALVE ASSY To F-2884			1	
27	457752	. BY-PASS VALVE ASSY From F-2885			1	
27	950065	. . BY-PASS VALVE			1	
28	060840	. SUPPORT HARNESS			1	
29	952637	. CLAMP / 1"1/16 I.D.			1	
30	500574	. SCREW MA TR PH #10-24x1 1/4 SS			1	
31	500914	. WASHER LO SPT .193x.334x.047 N500			1	
32	502882	. NUT HEX #10-24 N500			1	
33	5001745	. SCREW CAP HEX M8-1.25x25 G8.8 N500			1	
34	500321	. WASHER BEL SPR .331x.827x.098 N500			1	
35	502851	. NUT HEX M8-1.25 N500			1	
36	450833	HOSE ASSY / #4 210MM From F-2885			1	
37	450747	HOSE ASSY / #8 800MM From F-2885			1	
38	457749	TUYAU ASS From F-2885			1	
41	504026	HOSE CLAMP / 2"13/16-3"3/4 SS / HS-52			2	
42	502780	SCREW CAP HEX M8-1.25x25 SS BK			2	
43	5001848	WASHER BEL SPR .827 x .331 x .098 th SS To £-13073			2	
43	5001868	WASHER BEL SPR 8.4x18x2 SS From £-13073			2	
44	502772	SCREW CAP HEX 1/4-20x1/2 G5 N500			1	
45	5001749	WASHER LO SPT 6.5x11.5x1.6 N500			1	
46	952629	CLAMP / 5/8" I.D.			9	
47	952631	CLAMP / 3/4" I.D.			1	
48	952633	CLAMP / 7/8" I.D.			3	
49	952637	CLAMP / 1"1/16 I.D.			1	
50	952627	CLAMP / 1/2" I.D.			1	
51	500574	SCREW MA TR PH #10-24x1 1/4 SS			2	
52	500804	WASHER FL .203x.500x.047 N500			2	
53	500914	WASHER LO SPT .193x.334x.047 N500			2	
54	502882	NUT HEX #10-24 N500			2	
55	500957	SCREW TP BDG PH #10x3/4 N500			1	
56	500266	SCREW TC CAP HEX 1/4-20x1 N500			3	
57	504016	CABLE TIE / 5/16" X 14"1/2				AR
58	507664	CABLE TIE / 3/16" 11" / DOUBLE LOOP HEAD				AR
58	504637	CABLE TIE / 3/16" x 13"				AR
59	5001746	SCREW CAP HEX 1/4-20x3/4 G5 N500			1	
60	5001749	WASHER LO SPT 6.5x11.5x1.6 N500			1	
61	952629	CLAMP / 5/8" I.D. From F-2885	1	1	1	
62	500957	SCREW TP BDG PH #10x3/4 N500 From F-2885	1	1	1	
63	509491	CABLE TIE / 13MM x 383MM From F-2885	3	3	3	
63	504751	ROTATIF SPACER DOUBLE / SMALL From F-2885	3	3	3	

From D-2283 To J-0287	Date:10/2022	PAGE:H7-2222-56
<b>SMALL A/C LINES &amp; HOSES - R134A</b>		

Item#	Part	Description	H 3 4 1	H 3 4 5	V I P 4 5	N O T E S
		A) FOR PRODUCT IMPROVMENT USE KIT 450855				

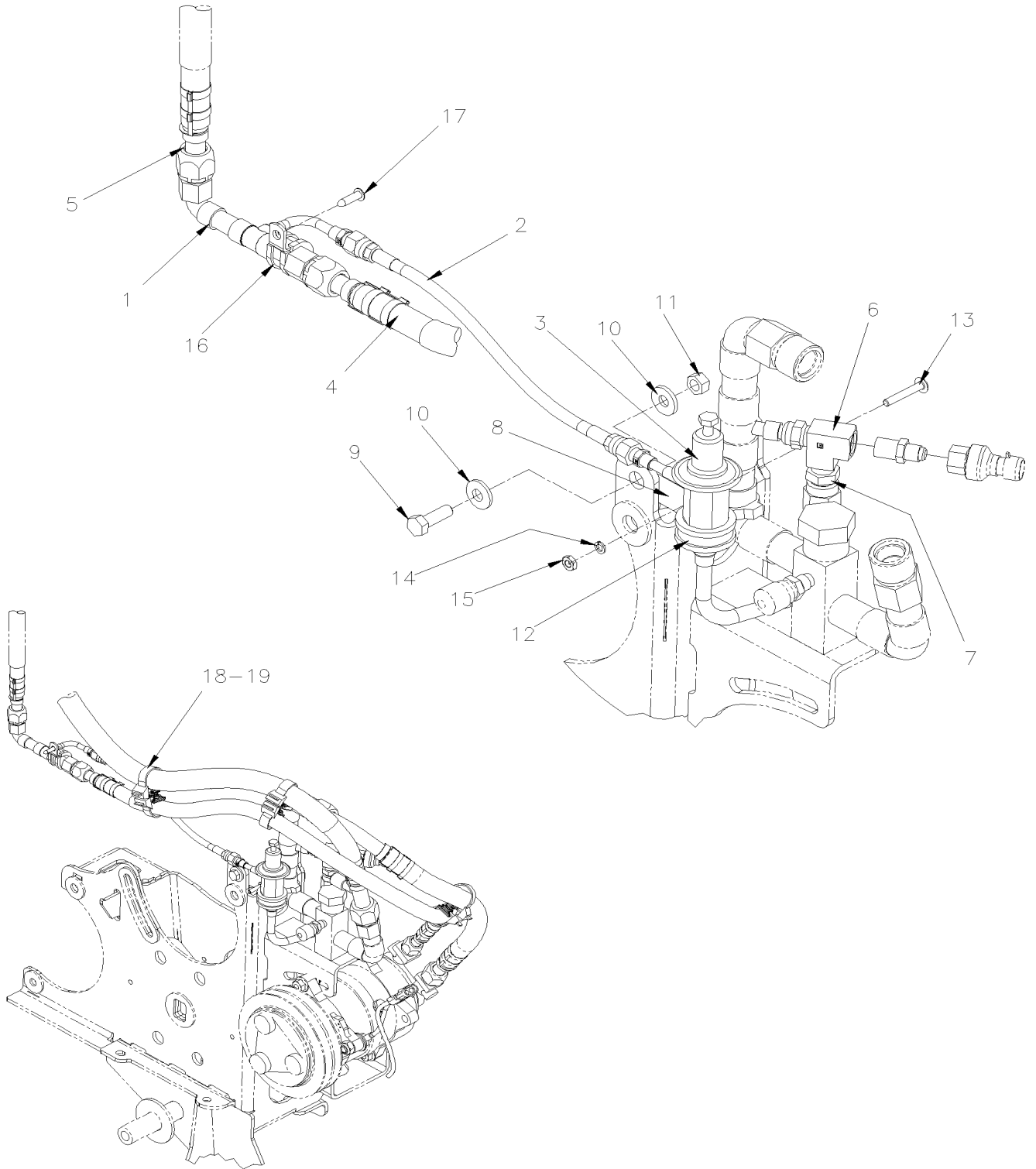


To F-2884

Date:10/2022

PAGE:450855

SERVICE KIT, VALVE SUCTION ASSY



To F-2884	Date:10/2022	PAGE:450855
<b>SERVICE KIT, VALVE SUCTION ASSY</b>		

Item#	Part	Description	H 3 4 1	H 3 4 5	V I P 4 5	N O T E S
1	457749	TUYAU ASS			1	
2	450833	HOSE ASSY / #4 210MM			1	
3	457752	BY-PASS VALVE ASSY			1	
3	950065	. BY-PASS VALVE			1	
4	450747	HOSE ASSY / #8 800MM			1	
5	5011319	FEMALE CONNECTOR LONG / "TUBE-O" / #8TUBE-O-Fx#8 STL			1	
5	504761	CLAMP "E-Z CLIP" / "TUBE-O" / G134 #8			2	
5	504765	CAGE "E-Z CLIP" / "TUBE-O" / #8 STL			1	
5	507343	O-RING / ORS FITTING / #8 NEO			1	
6	501338	MALE RUN TEE / PIPE FITTING / 1/4NPT-Mx1/4NPT-Fx1/4NPT-F BR			1	
7	5011080	MALE CONNECTOR / ORS FITTING / #6ORS-Mx1/4NPT-M STL			1	
7	5011082	ADAPTOR / ORS@COPPER TUBE / #6ORS-Fx#6COPPER TUBE			1	
8	060840	SUPPORT HARNESS			1	
9	5001745	SCREW CAP HEX M8-1.25x25 G8.8 N500			1	
10	500321	WASHER BEL SPR .331x.827x.098 N500			2	
11	502851	NUT HEX M8-1.25 N500			1	
12	952637	CLAMP / 1"1/16 I.D.			1	
13	500574	SCREW MA TR PH #10-24x1 1/4 SS			1	
14	500914	WASHER LO SPT .193x.334x.047 N500			1	
15	502882	NUT HEX #10-24 N500			1	
16	952629	CLAMP / 5/8" I.D.			1	
17	500957	SCREW TP BDG PH #10x3/4 N500			1	
18	504751	ROTATIF SPACER DOUBLE / SMALL			3	
19	509491	CABLE TIE / 13MM x 383MM			6	

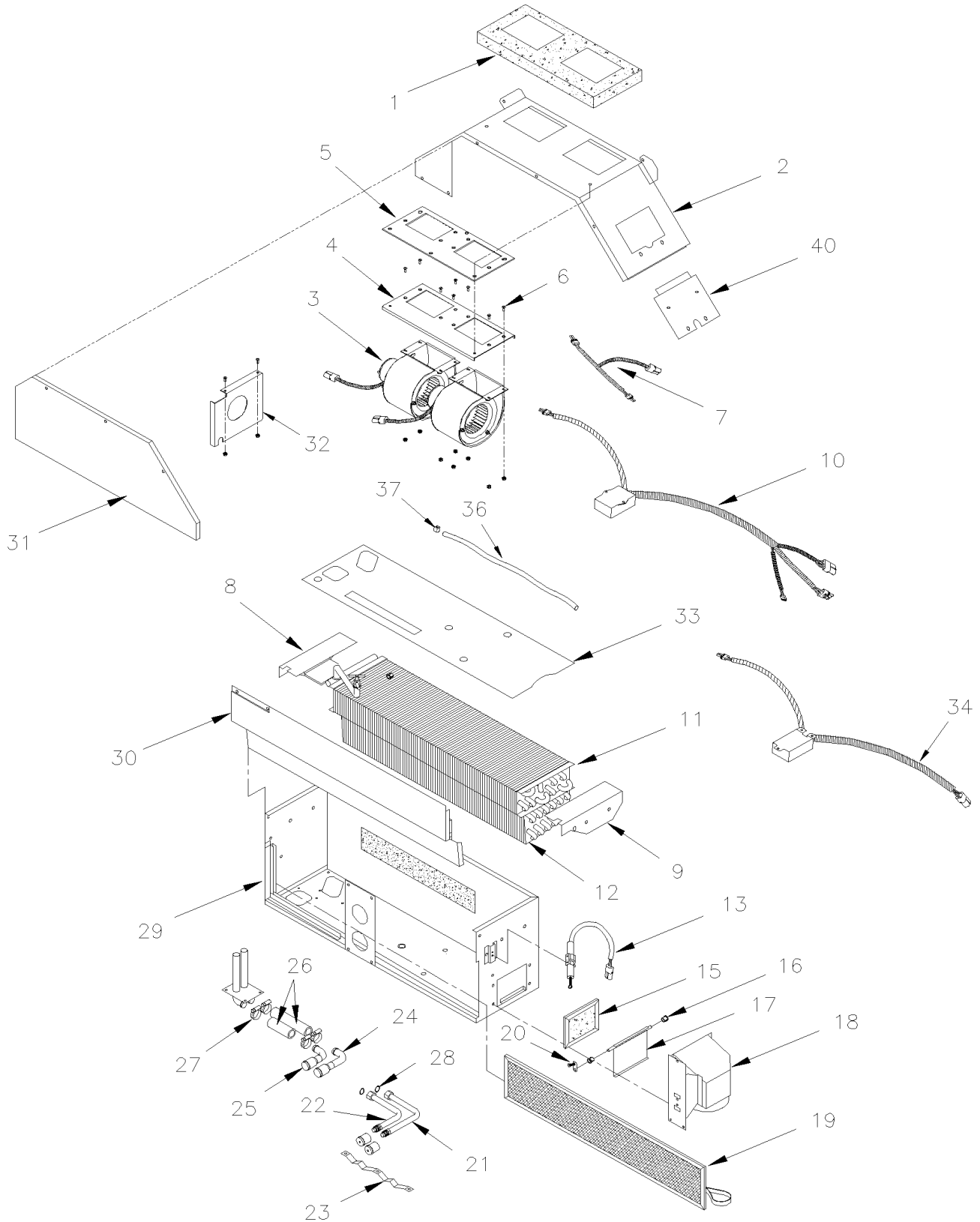


From 7-0671 To 9-1403

Date:10/2022

PAGE:H7-2225-00

## DRIVER'S HEATER & DEFROSTER ASSY



From 7-0671 To 9-1403	Date:10/2022	PAGE:H7-2225-00
<b>DRIVER'S HEATER &amp; DEFROSTER ASSY</b>		

Item#	Part	Description	H 3 4 1	H 3 4 5	V I P 4 5	N O T E S
	871375	DEFROSTER & A/C UNIT ASSY / W/MUX	1	1		
	871385	DEFROSTER & A/C UNIT ASSY / W/MUX			1	
1	871129	. SEAL	2	2	2	
2	871399	. TOP	1	1		
2	871398	. TOP			1	
3	871359	. BLOWER ASSY 24V / W/DOUBLE MOTOR MOUNT	1	1	1	
3	<b>871360</b>	. . <b>BLOWER &amp; MOTOR ASSY - "M.C.C." "CCW" / FAN END</b>	2	2	2	
4	871410	. . PLATE MOUNTING	1	1	1	
5	871411	. . FOAM ASSY	1	1	1	
6	684605	. . SCREW CAP HEXS #10-32x1/2	8	8	8	
6	500423	. . NUT HEX NYRT #10-32 SS	8	8	8	
7	871364	. . CABLE HARNESS	1	1	1	
8	871137	. BRACKET L.H.	1	1	1	
9	871138	. BRACKET R.H.	1	1	1	
10	871353	. MODULE CONTROL FAN SPEED / W/DOUBLE MOTOR	1	1	1	
11	871140	. HEATER COIL	1	1	1	
. NS	870127	. . DRAIN VALVE ROBINET VIDANGE	1	1	1	
12	871141	. EVAPORATOR COIL	1	1	1	
13	871142	. ACTUATOR, THERMAL	1	1	1	
15	871144	. FILTER / FRESH AIR 1/4" x 3 5/8" x 5 1/4"	1	1	1	
16	871025	. BUSHING / CABLE PIVOT	2	2	2	
17	871145	. DAMPER TRAP	1	1	1	
18	871146	. BOX, FRESH AIR	1	1	1	
19	871147	. FILTER / RECIRCULATING 1/4" x 6 1/4" x 28"	1	1	1	
20	871148	. LEVER , F/A DAMPER	1	1	1	
21	871149	. TUBE, A/C	1	1	1	
22	871150	. TUBE, A/C	1	1	1	
23	871405	. TUBE SUPPORT	1	1	1	
24	871152	. TUBE HEATER	1	1	1	
25	871153	. TUBE HEATER	1	1	1	
26	503007	. HOSE 2 PLY / RADIATOR HOSE / 5/8" I.D. / S.L.	AR	AR	AR	
27	504646	. HOSE CLAMP / 11/16"-1"1/4 / C.T. 9412	4	4	4	
28	507279	. O-RING / ORS FITTING / #8 NEO	2	2	2	
28	<b>H7-2208-00</b>	<b>A/C EXPANSION VALVE</b>				
29	871396	. CASING	1	1	1	
30	871401	. COVER	1	1	1	
31	871403	. COVER / BLOWER ACCESS	1	1	1	
32	871409	. DIVIDER			1	
33	871412	. INSULATION	1	1	1	
34	563660	. MODULE CONTROL FAN SPEED / W/DOUBLE MOTOR W/MUX PASSNGER SIDE			1	A
36	8860148	. TUBE, NYLON 5/16 O.D. / BLACK S.L.	1	1	1	
37	N8888160	. SPRING CLIP	1	1	1	

From 7-0671 To 9-1403	Date:10/2022	PAGE:H7-2225-00
<b>DRIVER'S HEATER &amp; DEFROSTER ASSY</b>		

Item#	Part	Description	H 3 4 1	H 3 4 5	V I P 4 5	N O T E S
40	871407	. HARNESS COVER	1	1		
40	871408	. HARNESS COVER			1	
		A) WITH SMALL A/C SYSTEM				

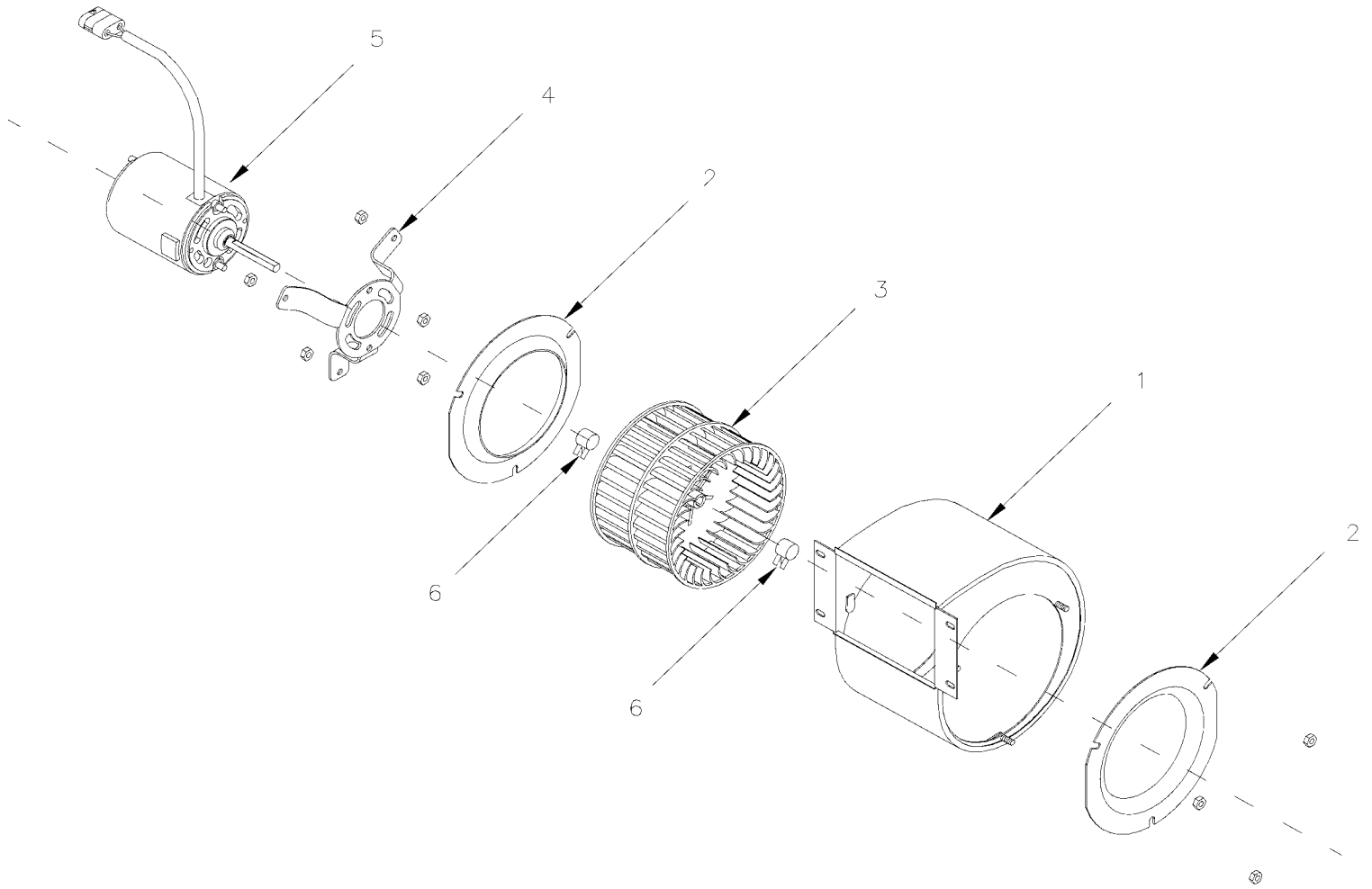


From 7-0671 To 9-1403

Date:10/2022

PAGE:871360

**BLOWER & MOTOR ASSY - "M.C.C." "CCW" / FAN END**



From 7-0671 To 9-1403	Date:10/2022	PAGE:871360
<b>BLOWER &amp; MOTOR ASSY - "M.C.C." "CCW" / FAN END</b>		

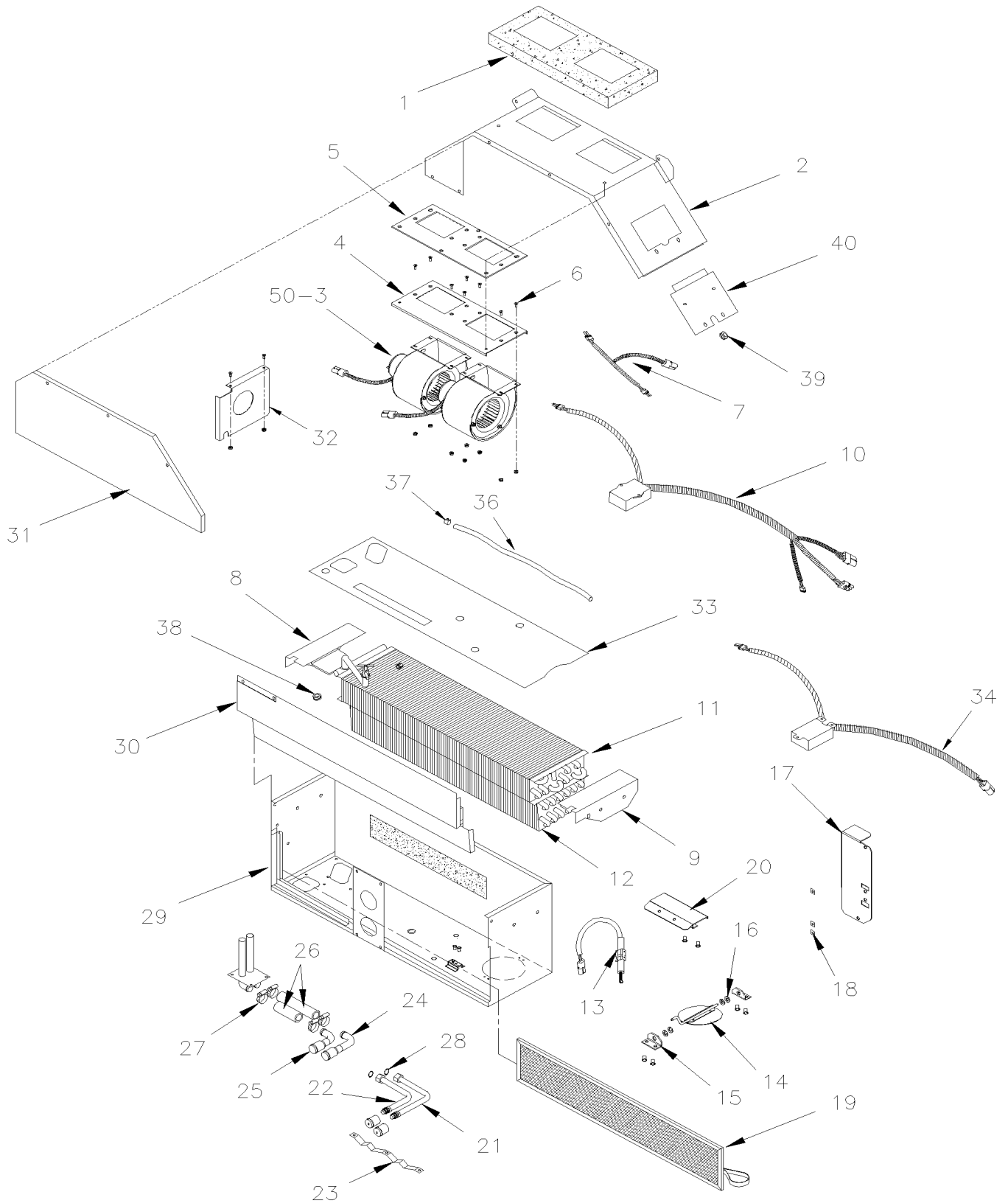
Item#	Part	Description	H 3 4 1	H 3 4 5	V I P 4 5	N O T E S
		BLOWER ASSY 24V / CCW	1	1	1	
1	871365	. BLOWER HOUSING	1	1	1	
2	N8889479	. VENTURY	2	2	2	
3	871133	. BLOWER WHEEL / PLASTIC 5 1/8" x 3 1/2" x 5/16" x I.D.	1	1	1	
4	N8890530	. MOUNTING MOTOR BRACKET	1	1	1	
5	871366	. MOTOR ASSY 24V / CCW	1	1	1	
6	N8888160	. SPRING CLIP	2	2	2	

From 9-1404 To J-0287

Date:10/2022

PAGE:H7-2225-01

## DRIVER'S HEATER & DEFROSTER ASSY



From 9-1404 To J-0287	Date:10/2022	PAGE:H7-2225-01
<b>DRIVER'S HEATER &amp; DEFROSTER ASSY</b>		

Item#	Part	Description	H 3 4 1	H 3 4 5	V I P 4 5	N O T E S
	871422	DEFROSTER & A/C UNIT ASSY	1	1		
	871423	DEFROSTER & A/C UNIT ASSY			1	
1	871129	. SEAL	2	2	2	
2	871399	. TOP	1	1		
2	871398	. TOP			1	
3	871359	. BLOWER ASSY 24V / W/DOUBLE MOTOR MOUNT	1	1	1	
3	<b>871360</b>	. . <b>BLOWER &amp; MOTOR ASSY - "M.C.C." "CCW" / FAN END</b>	2	2	2	
4	871410	. . PLATE MOUNTING	1	1	1	
5	871411	. . FOAM ASSY	1	1	1	
6	684605	. . SCREW CAP HEXS #10-32x1/2	8	8	8	
6	500423	. . NUT HEX NYRT #10-32 SS	8	8	8	
7	871364	. . CABLE HARNESS	1	1	1	
8	871137	. BRACKET L.H.	1	1	1	
9	871138	. BRACKET R.H.	1	1	1	
10	871353	. MODULE CONTROL FAN SPEED / W/DOUBLE MOTOR	1	1	1	
11	871140	. HEATER COIL	1	1	1	
. NS	870127	. . DRAIN VALVE ROBINET VIDANGE	1	1	1	
12	871141	. EVAPORATOR COIL	1	1	1	
13	871142	. ACTUATOR, THERMAL	1	1	1	
NS	374436	SUPPORT ACTUATOR DEFROSTER FOR FACE LIFT W/2009 FACE LIFT	1	1	1	
14	871425	. FLAPPER DOOR	1	1	1	
15	871426	. BRACKET	2	2	2	
NS	504431	. RIVET POP DOME OE 1/8x3/8 AL	AR	AR	AR	
16	N8889689	. WASHER FLAT 5MM SS	8	8	8	
17	871427	. BRACKET	1	1	1	
18	N.S.P.	. SPRING NUT	3	3	3	2
19	871147	. FILTER / RECIRCULATING 1/4" x 6 1/4" x 28"	1	1	1	
20	N.S.P.	. DRIP PROTECTOR	1	1	1	2
21	871149	. TUBE, A/C	1	1	1	
22	871150	. TUBE, A/C	1	1	1	
23	871405	. TUBE SUPPORT	1	1	1	
24	871152	. TUBE HEATER	1	1	1	
25	871153	. TUBE HEATER	1	1	1	
26	503007	. HOSE 2 PLY / RADIATOR HOSE / 5/8" I.D. / S.L. To C-1964	AR	AR	AR	
26	871442	. HOSE SILICONE 4 PLY 5/8 OD x 4" From C-1965	AR	AR	AR	
27	504646	. HOSE CLAMP / 11/16"-1"1/4 / C.T. 9412 To C-1964	4	4	4	
27	871443	. HOSE CLAMP / From C-1965	4	4	4	
28	507279	. O-RING / ORS FITTING / #8 NEO	2	2	2	
28	<b>H7-2208-00</b>	. <b>A/C EXPANSION VALVE</b>				
29	870151	. CASING	1	1		
29	870151	. CASING			1	
30	871401	. COVER	1	1	1	



From 9-1404 To J-0287	Date:10/2022	PAGE:H7-2225-01
<b>DRIVER'S HEATER &amp; DEFROSTER ASSY</b>		

Item#	Part	Description	H 3 4 1	H 3 4 5	V I P 4 5	N O T E S
31	871403	. COVER / BLOWER ACCESS	1	1	1	
32	871409	. DIVIDER			1	
33	871412	. INSULATION	1	1	1	
34	563660	. MODULE CONTROL FAN SPEED / W/DOUBLE MOTOR W/MUX PASSNGER SIDE			1	A
36	8860148	. TUBE, NYLON 5/16 O.D. / BLACK S.L.	1	1	1	
37	N8888160	. SPRING CLIP	1	1	1	
38	N8889483	. GROMMET	1	1	1	
39	N8885879	. GROMMET	1	1	1	
40	871407	. HARNESS COVER	1	1		
40	871408	. HARNESS COVER			1	
		A) WITH SMALL A/C SYSTEM				
		2) NOT SOLD BY PREVOST (SEE MANUFACTURING PART NUMBER AT END OF DESCRIPTION LINE)				

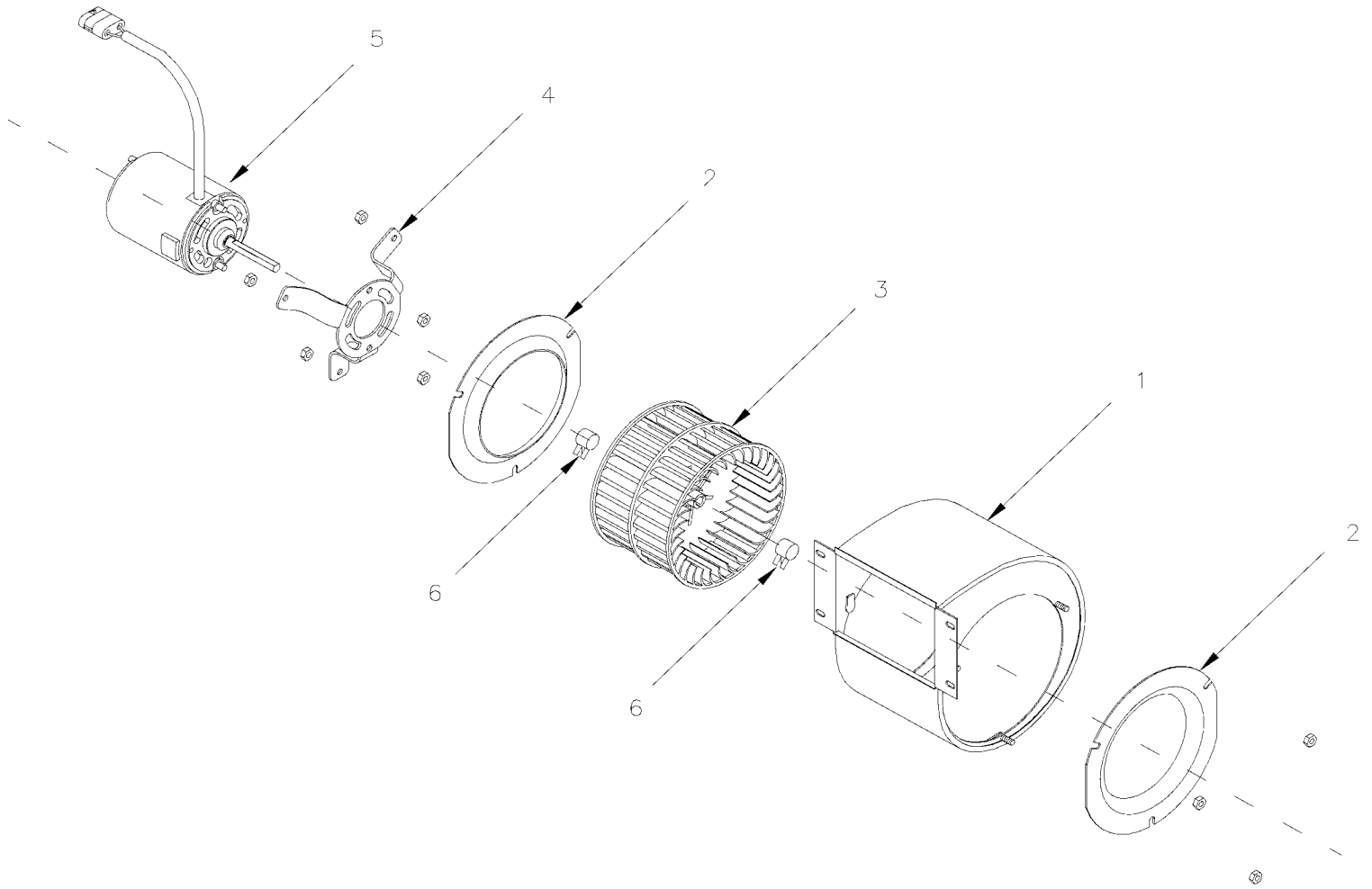


From 9-1404 To J-0287

Date:10/2022

PAGE:871360

**BLOWER & MOTOR ASSY - "M.C.C." "CCW" / FAN END**



From 9-1404 To J-0287 Date:10/2022 PAGE:871360

**BLOWER & MOTOR ASSY - "M.C.C." "CCW" / FAN END**

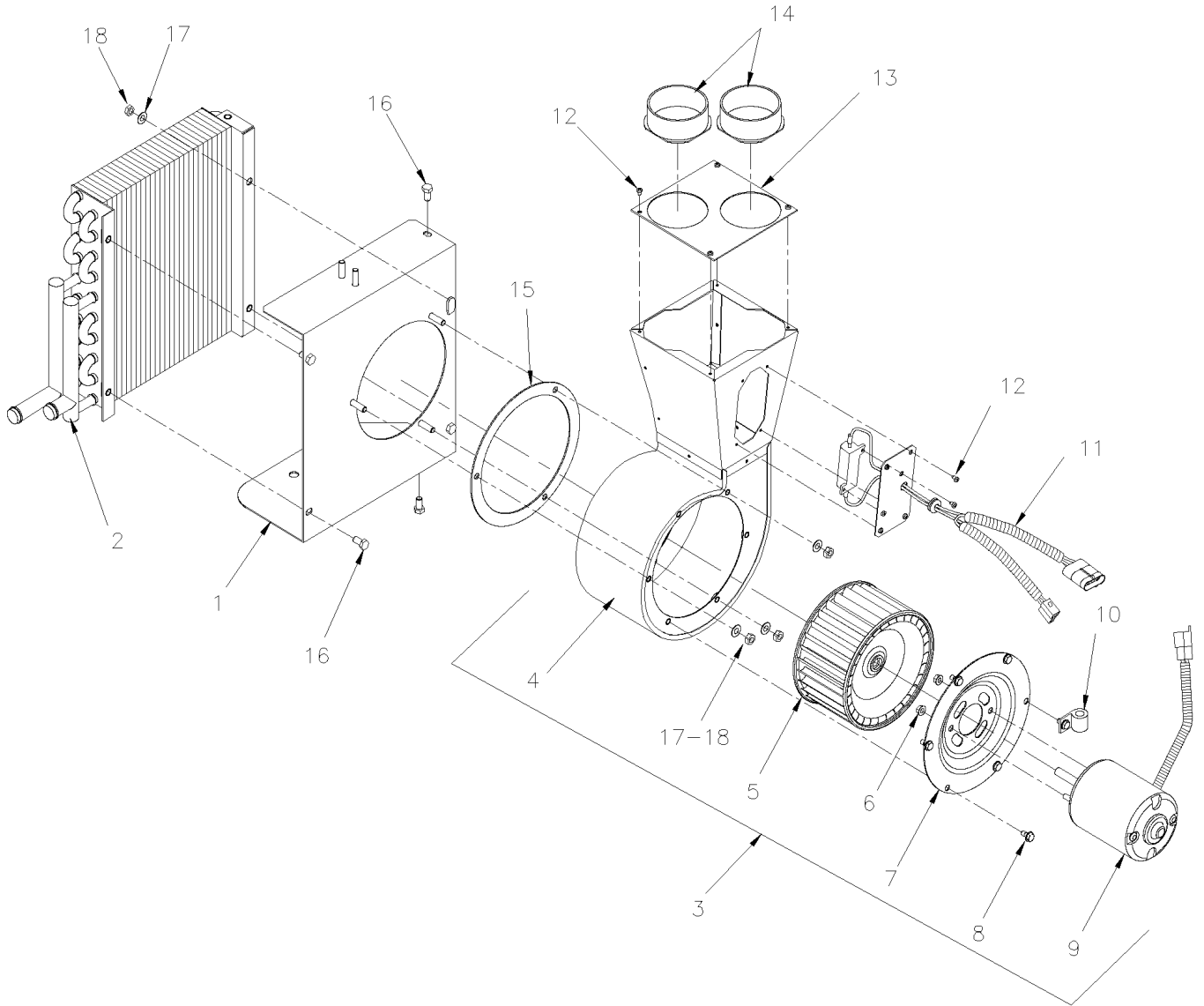
Item#	Part	Description	H 3 4 1	H 3 4 5	V I P 4 5	N O T E S
		BLOWER ASSY 24V / CCW	1	1	1	
1	871365	. BLOWER HOUSING	1	1	1	
2	N8889479	. VENTURY	2	2	2	
3	871133	. BLOWER WHEEL / PLASTIC 5 1/8" x 3 1/2" x 5/16" x I.D.	1	1	1	
4	N8890530	. MOUNTING MOTOR BRACKET	1	1	1	
5	871366	. MOTOR ASSY 24V / CCW	1	1	1	
6	N8888160	. SPRING CLIP	2	2	2	

From 7-0671 To J-0184

Date:10/2022

PAGE:H7-2225-10

## UPPER WINDSHIELD - DEFROSTER ASSY



From 7-0671 To J-0184	Date:10/2022	PAGE:H7-2225-10
<b>UPPER WINDSHIELD - DEFROSTER ASSY</b>		

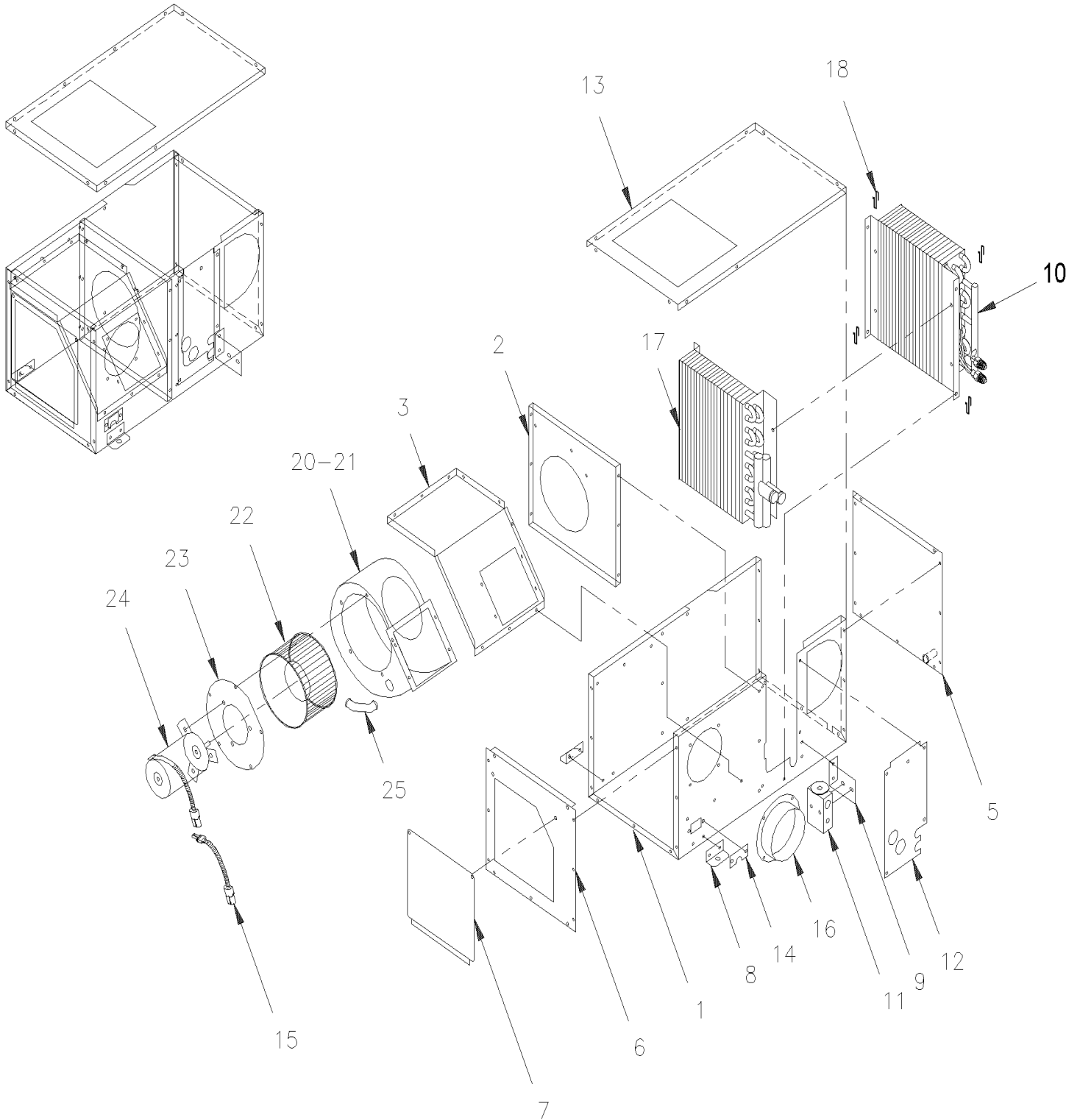
Item#	Part	Description	H 3 4 1	H 3 4 5	V I P 4 5	N O T E S
	374072	UPPER DEFROSTER ASSY / W/MOTOR	1	1		
1	871253	. SUPPORT PLATE	1	1		
2	871254	. HEATER COIL	1	1		
3	871255	. BLOWER ASSY 24V	1	1		
4	871256	. . BLOWER HOUSING	1	1		
5	871017	. . BLOWER WHEEL / STEEL	1	1		
6	500423	. . NUT HEX NYRT #10-32 SS	2	2		
7	871020	. . PLATE MOUNTING / MOTOR	1	1		
8	N.P.N.	. . SCR CAP HEX ZP M5-10	6	6		4
9	562167	. . MOTOR ASSY / 24V	1	1		
10	952625	. . CLAMP / 3/8" I.D.	1	1		
11	871351	. HARNESS ASSY / W/COVER & RESISTOR 6 ohms	1	1		
. NS	563436	. . RESISTOR / 6 OHMS 50 WATTS RCD	1	1		
12	502783	. SCREW TP CAP HEXW #6x3/8 ZP	10	10		
13	871258	. ADAPTOR PLATE	1	1		
14	871257	. HOSE ADAPTOR 2 1/2"	2	2		
15	506002	. TAPE RUB ADH1 CC POL 3/16" x 1/2" x 40' / GREY 2520	AR	AR		
16	5001106	SCREW CAP HEX M6-1.0x10 G8.8 Z050	5	5		
17	500473	WASHER LO SPT .262x.489x.062 Z050	4	4		
18	502581	NUT HEX M6-1.0 Z050	4	4		
NS	374474	KIT UPPER DEFROSTER RETROFIT	1	1		
. A	328921	. FINISHING POST CAP / FRONT R.H.	1	1		
. B	373829	. HOSE 1 1/8" I.D. x 1160MM	2	2		
. C	373835	. HOSE ASSY REDUCER 1 1/8" TO 5/8"	1	1		
. D	373882	. PIPE W/Y / 2639MM	1	1		
. E	374072	. UPPER DEFROSTER ASSY / W/MOTOR	1	1		
. F	374261	. PIPE ASSY / W/BY-PASS FOR UPPER DEFROSTER	1	1		
. G	503031	. HOSE FLEXIBLE / AIR DUCT 2 1/2" I.D. X 12' / RUBBER	1	1		
. H	503720	. HOSE SILICONE 1 PLY 5/8" I.D. x 25' / S.L.	1	1		
. I	561566	. CONNECTOR / WEATHER PACK / PH 2C / BLACK / PED 12010973	1	1		
. J	561568	. PIN TERMINAL / 16-14 / PED 12089305	2	2		
. K	561786	. CABLE SEAL / GRAY / PED 15324980	2	2		
. L	870900	. NOZZLE AIR	2	2		
. M	874296	. WATER PUMP ASSY / 24V / "MP PUMPS"	1	1		
		4) NO PARTS NUMBER				

From 7-0671 To J-0287

Date:10/2022

PAGE:H7-2225-50

## A/C & HEATER AUXILIARY - V.I.P.



From 7-0671 To J-0287	Date:10/2022	PAGE:H7-2225-50
<b>A/C &amp; HEATER AUXILIARY - V.I.P.</b>		

Item#	Part	Description	H 3 4 1	H 3 4 5	V I P 4 5	N O T E S
	871177	A/C UNIT AUXILLIARY ASSY W/HEATER COIL			1	
1	N.S.P.	. CASING / (24-3709)			1	2
2	N.S.P.	. PARTITION / (24-3233)			1	2
3	N.S.P.	. BLOWER MTG PLATE / (24-3234)			1	2
5	N.S.P.	. END COVER - COIL END / (24-3232)			1	2
6	N.S.P.	. END COVER - BLOWER END / (24-3231)			1	2
7	N.S.P.	. BLOWER ACCESS DOOR / (24-3235)			1	2
8	N.S.P.	. MTG BRACKET / (24-3240)			2	2
9	N.S.P.	. MTG BRACKET (VALVE) / (24-3238)			1	2
10	871216	. EVAPORATOR COIL			1	
11	950221	. VALVE, EXPANSION / DRIVER'S W/R134A			1	
12	N.S.P.	. COVER PLATE / (24-3710)			1	2
13	N.S.P.	. COVER / (24-3237)			1	2
14	N.S.P.	. HARNESS COVER / (24-3239)			1	2
15	N.S.P.	. BLOWER WIRE EXTENSION / (35-0089)			1	2
16	871335	. HOSE ADAPTOR 4"			1	
17	871215	. HEATER COIL			1	
18	N.S.P.	. CLIPS / (29-0437)			4	2
20	871217	. BLOWER 24V			1	
21	871218	. BLOWER HOUSING			1	
22	871219	. BLOWER WHEEL			1	
23	871220	. MOTOR PLATE			1	
24	871221	. MOTOR 24V			1	
25	871222	. TUBE			1	
		2) NOT SOLD BY PREVOST (SEE MANUFACTURING PART NUMBER AT END OF DESCRIPTION LINE)				

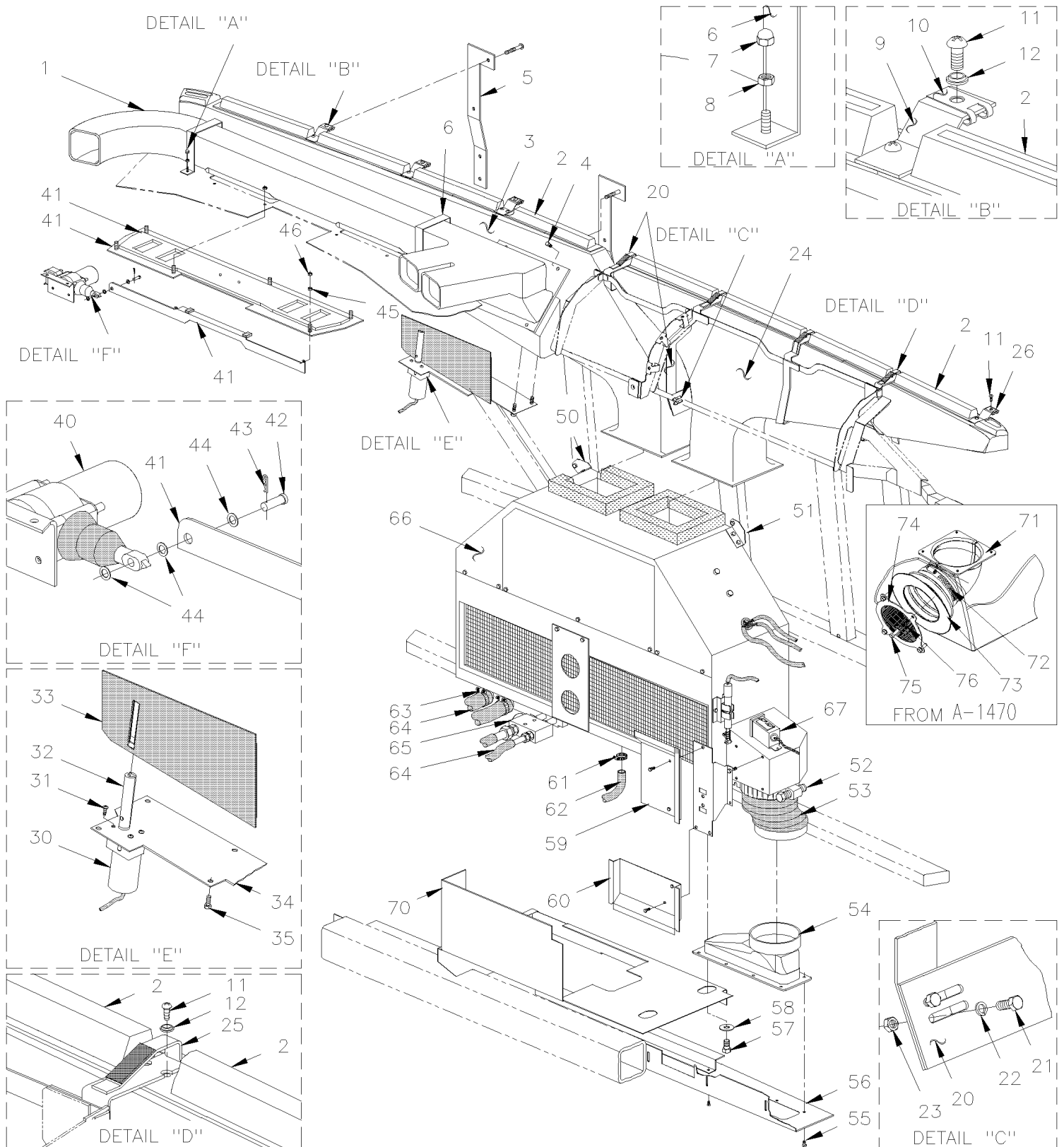


From 7-0671 To J-0287

Date:10/2022

PAGE:H7-2230-00

## DEFROSTER - INSTALLATION



<b>From 7-0671 To J-0287</b>	<b>Date:10/2022</b>	<b>PAGE:H7-2230-00</b>
<b>DEFROSTER - INSTALLATION</b>		

Item#	Part	Description	H 3 4 1	H 3 4 5	V I P 4 5	N O T E S
1	392211	DUCT DRIVER LH SECTION To A-1720	1	1	1	
1	392479	DUCT DRIVER LH SECTION From B-1721	1	1	1	
1	392488	DUCT DRIVER CENTER SECTION From B-1721	1	1	1	
1	392212	DUCT DRIVER RH SECTION	1	1	1	
. NS	391003	. SEAL DUCT	1	1	1	
NS	392064	SUPPORT	1	1	1	
NS	392085	. DEFLECTOR (INSIDE DUCT)	1	1	1	
2	391931	. LOUVER To E-2566	4	4	4	
2	392519	. LOUVER, LOW SHAPE From E-2567	4	4	4	
3	391925	. DEFROSTER DUCT STREETSIDE	1	1	1	
NS	392292	GASKET / DRIVER'S DUCT & WINDSHIELD DUCT	1	1	1	
NS	391979	DEFLECTOR / (INSIDE OF DUCT)	1	1	1	
4	500641	SCREW TP PAN PH #8x3/4 Z050	1	1	1	
4	500841	SCREW TP PAN PH #14x3/4 Z050				
7	5001404	NUT HEX CAP M4-0.7 SS	4	4	4	
8	502557	NUT HEX NYRT M4-0.7 SS	4	4	4	
9	392163	CAP SUPPORT L.H. & CENTER	2	2	2	
9	392164	CAP SUPPORT R.H.	1	1	1	
10	5001405	NUT SPR U M4-0.7 0.8-4.0x9.5	AR	AR	AR	
11	5001411	SCREW MA FL PH M4-0.7x20 BK	AR	AR	AR	
12	500345	WASHER FN CKF .187x.500x.090 BR BK	AR	AR	AR	
20	391956	STRUCTURE / R.H.	1	1		
20	391996	STRUCTURE / R.H.				
21	502529	SCREW MA BDG PH M5-0.8x12 BZC	2	2	2	
22	500440	WASHER FL .250x.562x.065 Z050	2	2	2	
23	502782	NUT HEX NYRT M5-0.8 Z050	2	2	2	
24	391923	DEFROSTER DUCT CURBSIDE	1	1		
25	392018	STRAP R.H. / TO FIX DUCT TO STRUCTURE	1	1	1	
25	392019	STRAP L.H. / TO FIX DUCT TO STRUCTURE	1	1	1	
26	392017	SUPPORT / R.H. WINDSHIELD	1	1	1	
30	392282	DAMPER ASSY To F-2973	1	1	1	
30	392540	DAMPER ASSY From F-2974	1	1	1	
30	871424	. MOTOR To F-2973	1	1	1	
30	390084	. MOTOR From F-2974	1	1	1	
31	5001398	. SCREW MA CHE PH M3-0.5x10 SS	3	3	3	
31	5001407	. WASHER LO EXT 3.2x6.0x0.4 SS	3	3	3	
32	N.P.N.	. SHAFT To F-2973	1	1	1	4
32	390040	. FIXING PLATE DAMPER From F-2974	1	1	1	
32	390046	. SPACER FIXING DAMPER From F-2974	1	1	1	
32	5002051	. SCREW MA PAN TORX M5-0.8x12 SS From F-2974	4	4	4	
33	N.P.N.	. TRAP ASSY To F-2973	1	1	1	4
33	390994	. TRAP ASSY From F-2974	1	1	1	

From 7-0671 To J-0287	Date:10/2022	PAGE:H7-2230-00
<b>DEFROSTER - INSTALLATION</b>		

Item#	Part	Description	H 3 4 1	H 3 4 5	V I P 4 5	N O T E S
34	N.P.N.	. BASE DAMPER MOTOR To F-2973	1	1	1	4
34	390024	. BASE DAMPER MOTOR From F-2974	1	1	1	
35	890014	SCREW TP PAN PH ST3.9x16 BKP	4	4	4	
NS	563429	SWITCH MAGNETIC ASSY	1	1	1	
. NS	562641	. MAGNET	1	1	1	
40	890009	LOCK ACTUATOR / 12V	1	1	1	
. NS	562076	. CONNECTOR / PACK-CON I / FEMALE HOUSING / 2C / PED 8911772	1	1	1	
41	392063	DAMPER, FOOT ASSY To A-1720	1	1	1	
41	392484	DAMPER, FOOT ASSY From B-1721	1	1	1	
42	502023	. PIN, CLEVIS 1/4 x 51/64	1	1	1	
43	502180	. PIN HITCH CLIP 3/32 x 1/2 Z050	1	1	1	
44	500411	. WASHER FL .260x.697x.050 SS	2	2	2	
NS	563429	. SWITCH MAGNETIC ASSY	1	1	1	
. NS	562641	. . MAGNET	1	1	1	
NS	562641	. MAGNET	1	1	1	
45	N.S.S.	. SPACER	6	6	6	1
46	5001036	. SCREW MA PAN PH M4-0.7x10 Z050	6	6	6	
50	373551	ATTACHMENT L.H.	1	1	1	
51	373552	ATTACHMENT R.H.	1	1	1	
NS	500642	SCREW TP PAN PH #10x3/4 Z050	2	2	2	
NS	504114	RIVET POP DOME OE 3/16x1/4 AL	4	4	4	
52	504235	HOSE CLAMP / 3"9/16"-4"1/2 SS / HS-64 To 9-1469	2	2	2	
53	373530	HOSE 4" I.D. 85MM To 9-1469	1	1	1	
53	503434	. HOSE FLEXIBLE / AIR DUCT 4" I.D. X 12' / RUBBER To 9-1469	AR	AR	AR	
54	373503	TRANSITION AIR INLET To 9-1469	1	1	1	
55	500414	SCREW TP BDG PH #10x3/4 SS To 9-1469	8	8	8	
56	473609	PANEL AIR INTAKE W/GRILL To 9-1469	1	1	1	
57	500179	SCREW CAP HEX 5/16-18x3/4 G5 Z050	3	3	3	
58	500462	WASHER FL .343x1.500x.083 SS	3	3	3	
NS	500942	WASHER LO SPT 8.1x14.8x2.0 N500	3	3	3	
59	373851	DEFLECTOR, UPPER / PLASTIC GREY	1	1		
59	373553	DEFLECTOR, ONE PIECE, ALU To E-2631			1	
59	Call order desk	DEFLECTOR, ONE PIECE, ALU / ASSY From E-2632			1	P
60	373850	DEFLECTOR, LOWER / PLASTIC GREY	1	1		
NS	502868	SCREW TC TR PH #10-16x1/2 N500	5	5	5	
NS	500803	NUT SPR J #10A .035-.050	5	5	5	
NS	506268	TAPE RUB ADH1 URE 3/8" x 1/2" x 25' / GREY 1820	AR	AR	AR	
61	504014	HOSE CLAMP / 1/4"-5/8" SS / HM-4 To 9-1469	2	2	2	
62	373421	HOSE #10 900MM To 9-1469	1	1	1	
62	373428	HOSE #10 50MM To 9-1469	1	1	1	
62	503666	. HOSE 1/2" I.D. 100' / S.L. To 9-1469	AR	AR	AR	
NS	641418	ELBOW UNION 90° / COMPRESSION FITTING / #10x#10 PLAS WHITE To 9-1469	1	1	1	

<b>From 7-0671 To J-0287</b>	<b>Date:10/2022</b>	<b>PAGE:H7-2230-00</b>
<b>DEFROSTER - INSTALLATION</b>		

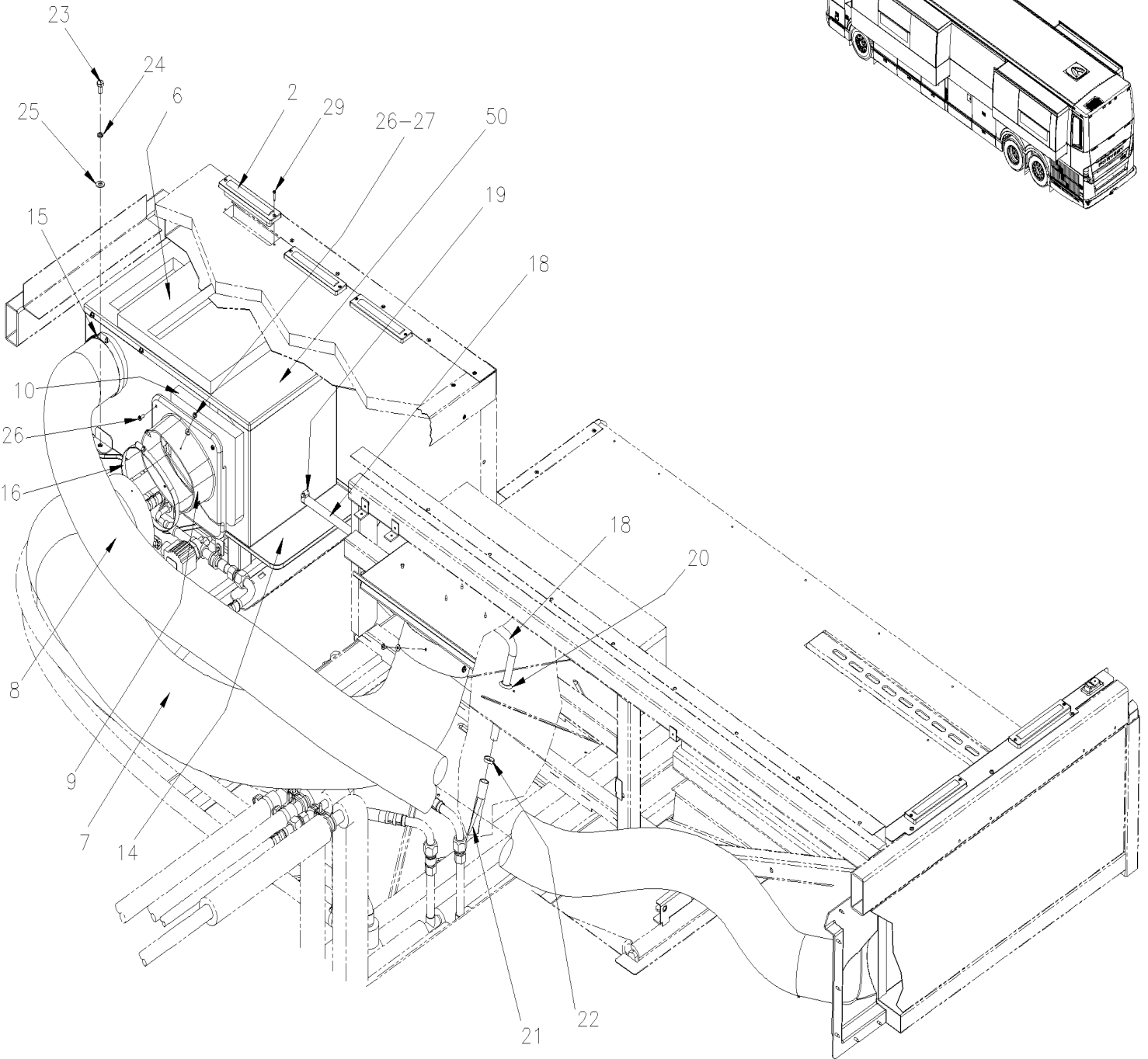
Item#	Part	Description	H 3 4 1	H 3 4 5	V I P 4 5	N O T E S
NS	504356	GROMMET / .625x.875x.062x.312x1.125 To 9-1469	1	1	1	
NS	590286	DRAIN BOOT 1 1/4" I.D. X 4" / FLAT To 9-1469	1	1	1	
63	504646	HOSE CLAMP / 11/16"-1"1/4 / C.T. 9412 To D-2301	2	2	2	
63	504781	HOSE CLAMP / 13/16"-1 5/16" SS / C.T. W.S. From D-2302	2	2	2	
64	<b>H7-2222-10</b>	<b>A/C &amp; HEATING LINE FRONT SECTION</b>				
65	<b>H7-2208-00</b>	<b>A/C EXPANSION VALVE</b>				
66	<b>H7-2225-00</b>	<b>DRIVER'S HEATER &amp; DEFROSTER ASSY</b>				
67	950035	THERMOSTAT			1	B
67	500583	SCREW TP PAN PH #6x1/2 Z050			2	B
70	172633	SUPPORT, DEFROSTER	1	1		R
70	172201	SUPPORT, DEFROSTER To 9-1469			1	I
70	218380	SUPPORT, DEFROSTER From A-1470	1	1	1	I
71	374366	ELBOW 90 DEG AIR INLET From A-1470	1	1	1	
NS	504105	RIVET POP DOME OE 1/8x3/16 AL From A-1470	4	4	4	
NS	684517	ADHESIVE SIMSON #ISR 70-03 / GREY / 310ml CARTRIDGE	AR	AR	AR	
72	504235	HOSE CLAMP / 3"9/16"-4"1/2 SS / HS-64 From A-1470	1	1	1	
73	504755	CUFF END BELLOW / 4" I.D. x 7" x 2 1/2" W/FLANGE From A-1470 To C-1950	1	1	1	
73	374627	CUFF END BELLOW / WITH FLAP From C-1951	1	1	1	
74	374381	GRILL ASSY / 130MM O.D. SS From A-1470	1	1	1	
75	502622	SCREW CAP HEX M6-1.0x20 SS BK From A-1470	4	4	4	
76	502570	WASHER LO SPT 6.1x11.8x1.6 SS From A-1470	4	4	4	
		B) WITH SMALL A/C SYSTEM ONLY				
		I) WITH INDEPENDANT SUSPENSION				
		R) WITH I-BEAM RIGID SUSPENSION				
		1) NOT SOLD SEPARATELY				
		4) NO PARTS NUMBER				
		P) CALL ORDER DESK FOR SPECIFIC APPLICATION (V.I.N.)				

From 7-0671 To J-0287

Date:10/2022

PAGE:H7-2230-50

## A/C AUXILIARY V.I.P. - INSTALLATION

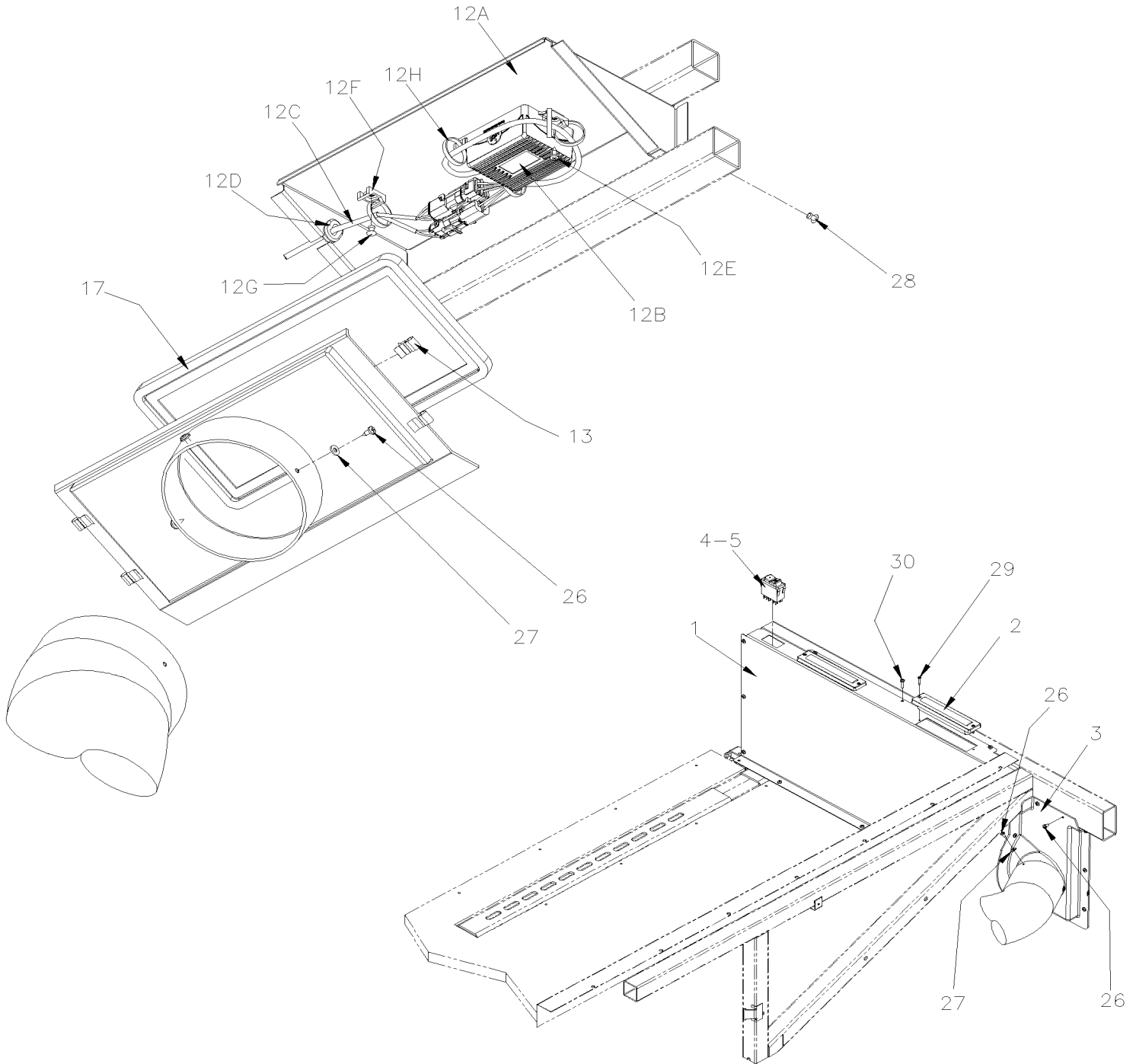


From 7-0671 To J-0287

Date:10/2022

PAGE:H7-2230-50

## A/C AUXILIARY V.I.P. - INSTALLATION

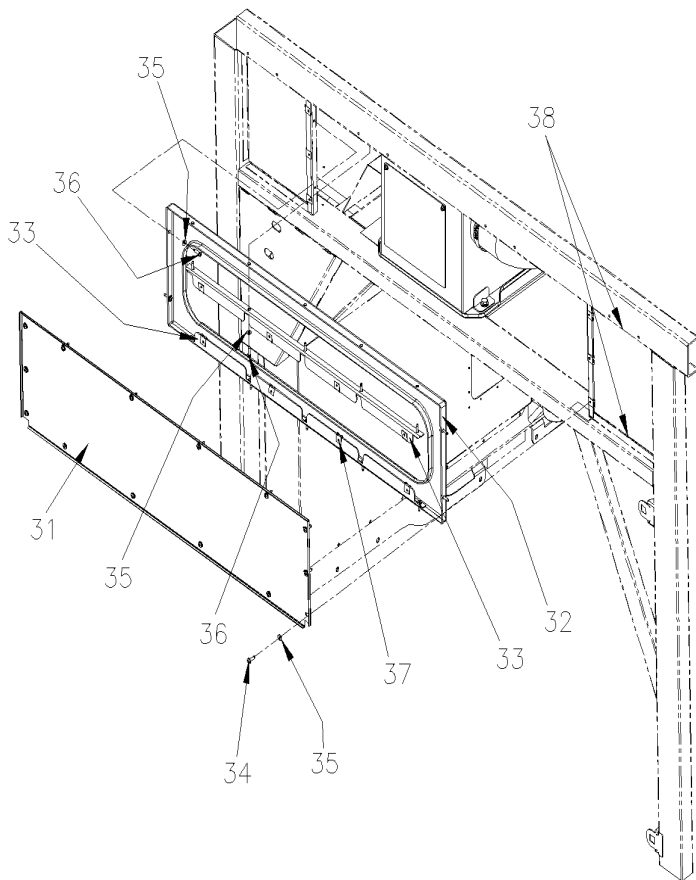


From 7-0671 To J-0287

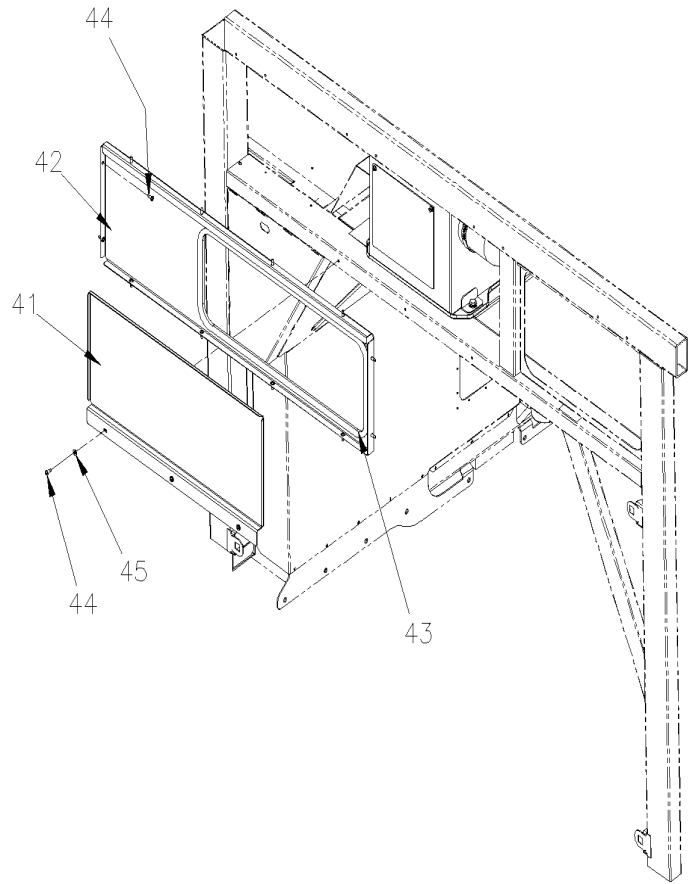
Date:10/2022

PAGE:H7-2230-50

A/C AUXILIARY V.I.P. - INSTALLATION



WITHOUT FRONT STREET SIDE SLIDE-OUT



WITH FRONT STREET SIDE SLIDE-OUT

From 7-0671 To J-0287	Date:10/2022	PAGE:H7-2230-50
<b>A/C AUXILIARY V.I.P. - INSTALLATION</b>		

Item#	Part	Description	H 3 4 1	H 3 4 5	V I P 4 5	N O T E S
1	374193	DUCT, AIR / R.H. FRONT LOWER			1	
2	871027	DIFFUSOR			5	
3	453162	CONDUIT CO-PILOTE (PLASTIC)			1	
NS	506268	TAPE RUB ADH1 URE 3/8" x 1/2" x 25' / GREY 1820			AR	
4	562699	SWITCH / M/ON-OFF-M/ON / D.P.D.T. / W/GREEN LED			1	
5	563278	CAP / HI SPEED MAIN VENTILATION			1	
5	565927	CAP SWITCH / "VENTILATION ROOF"			1	
6	453304	GASKET			1	
7	453197	HOSE 6" I.D.1300MM			1	
7	503670	. HOSE FLEXIBLE / AIR DUCT 6" I.D. X 25' / RUBBER			AR	
8	453196	HOSE 4" I.D. 2850MM			1	
8	503434	. HOSE FLEXIBLE / AIR DUCT 4" I.D. X 12' / RUBBER			AR	
9	453182	AIR RETURN (PLASTIC) To C-1909			1	
9	456983	AIR RETURN (PLASTIC) From C-1910			1	
10	453183	GASKET To C-1909			1	
10	456984	GASKET From C-1910			1	
NS	680532	SEALANT SIKA #221 / GREY / 310ml CARTRIDGE			AR	
11	453161	AIR RETURN (PLASTIC)			1	
12	Call order desk	AIR INTAKE ASSY			1	P
12A	454403	. AIR INTAKE UPPER SECTION			1	
12B	563660	. MODULE CONTROL FAN SPEED / W/DOUBLE MOTOR W/MUX PASSNGR SIDE			1	
12C	066512	. CABLE ASSY / TO DRIVER'S A/C UNIT			1	
12D	504063	. . GROMMET / .562x.812x.062x.312x1.062			1	
12E	500638	. SCREW TP PAN PH #8x1/2 Z050			3	
12F	504013	. TIE MOUNT / 1/4" X 1/4" I.D.			4	
12G	504114	. RIVET POP DOME OE 3/16x1/4 AL			1	
12H	504637	. CABLE TIE / 3/16" x 13"			6	
13	5001394	CLIP "U-TYPE FASTENERS"			4	
14	454046	DRAIN PAN / PLASTIC / (UNDER UNIT)			1	
15	504235	HOSE CLAMP / 3"9/16"-4"1/2 SS / HS-64			2	
16	504031	HOSE CLAMP / 5"-7" SS / HS-104			1	
17	453202	FILTER ASSY			1	
17	871164	. FILTER 1/4" X 6 1/4" X 14 1/2"			1	
17	506268	. TAPE RUB ADH1 URE 3/8" x 1/2" x 25' / GREY 1820			1	
18	453203	HOSE 1/2" I.D. 875MM			1	
18	503666	. HOSE 1/2" I.D. 100' / S.L.			AR	
19	504014	HOSE CLAMP / 1/4"-5/8" SS / HM-4			1	
20	504356	GROMMET / .625x.875x.062x.312x1.125			1	
21	590286	DRAIN BOOT 1 1/4" I.D. X 4" / FLAT			1	
22	504637	CABLE TIE / 3/16" x 13"			1	
23	500820	SCREW CAP HEX M8-1.25x16 G10.9 N500			2	
24	500942	WASHER LO SPT 8.1x14.8x2.0 N500			2	



From 7-0671 To J-0287	Date:10/2022	PAGE:H7-2230-50
<b>A/C AUXILIARY V.I.P. - INSTALLATION</b>		

Item#	Part	Description	H 3 4 1	H 3 4 5	V I P 4 5	N O T E S
25	5001736	WASHER FL 8.4x18.0x2.0 N500			2	
26	500638	SCREW TP PAN PH #8x1/2 Z050			22	
27	500855	WASHER FL .188x.438x.049 N500			9	
28	504114	RIVET POP DOME OE 3/16x1/4 AL			3	
29	500333	SCREW TP OV PH #6x3/4 BK			10	
30	5001119	SCREW TP BDG PH #8x3/4 SS			12	
31	453216	ACCESS PANEL COVER ASSY			1	
32	453214	FRAME ACCESS PANEL			1	
32	506302	RUBBER EXTRUSION TRIM SEAL / GRIP .024 / 7/16" HOLLOW BULB C.T.L.			AR	
33	453217	ANGLE BAR			2	
34	500414	SCREW TP BDG PH #10x3/4 SS			14	
35	500855	WASHER FL .188x.438x.049 N500			28	
36	500432	SCREW TC PAN PH #8-32x3/4 Z050			14	
37	481249	NUT To H-3646			14	
37	500981	NUT SPR U #10-23/32x5/8 From H-3647			14	
38	680532	SEALANT SIKA #221 / GREY / 310ml CARTRIDGE			AR	
41	476597	COVER ACCESS 573MM 257MM			1	
42	216050	FRAME ACCESS PANEL			1	
42	680532	SEALANT SIKA #221 / GREY / 310ml CARTRIDGE			AR	
43	478328	RUBBER SEAL 1090MM			1	
43	680459	ADHESIVE CYANOACRYLATE LOCTITE 404 Quick Set(TM)			AR	
44	502868	SCREW TC TR PH #10-16x1/2 N500			15	
45	500855	WASHER FL .188x.438x.049 N500			3	
50	<b>H7-2225-50</b>	<b>A/C &amp; HEATER AUXILIARY - V.I.P.</b>	1	1	1	
		P) CALL ORDER DESK FOR SPECIFIC APPLICATION (V.I.N.)				

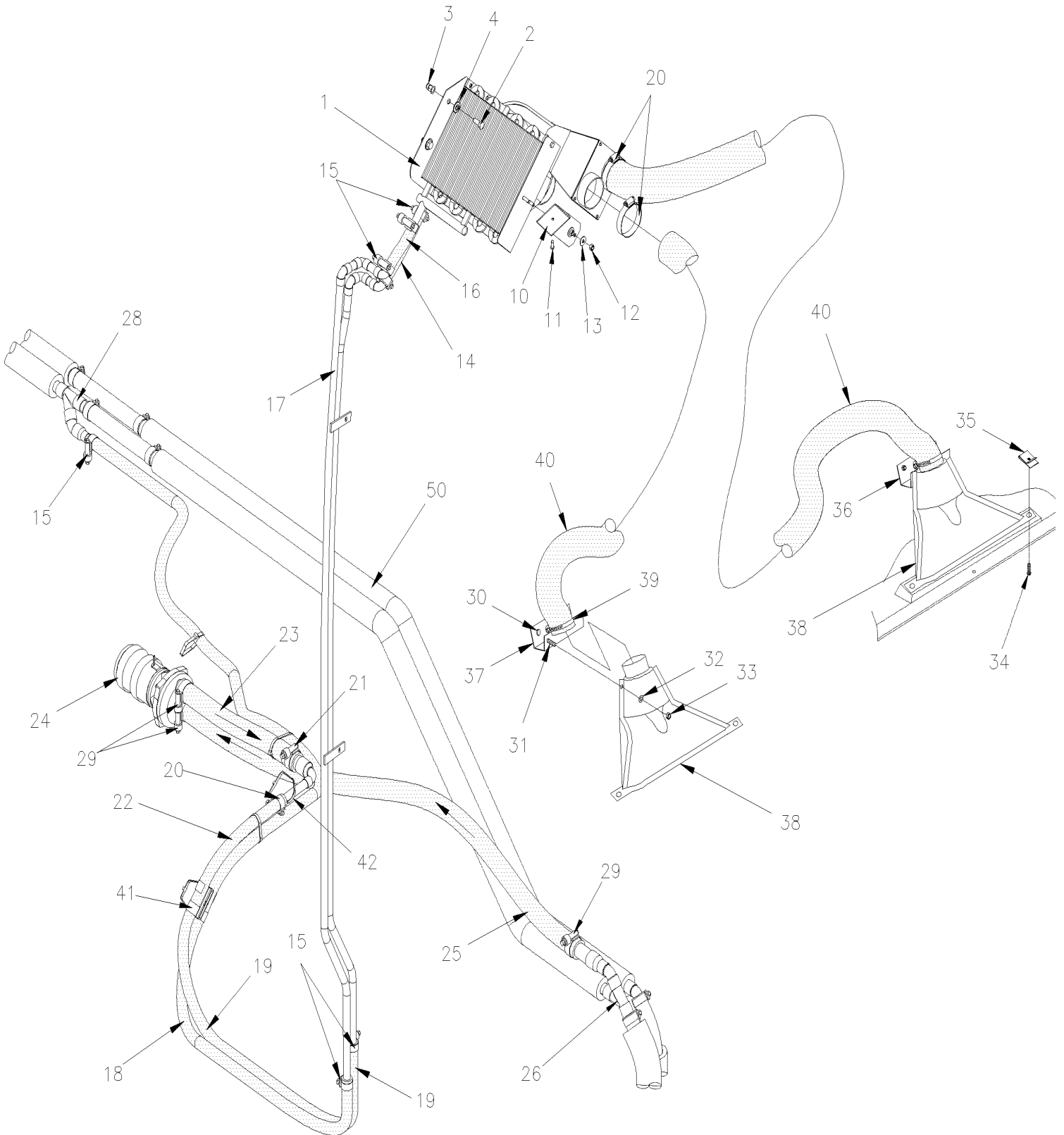


From 7-0671 To J-0184

Date:10/2022

PAGE:H7-2240-10

## UPPER WINDSHIELD FAN - INSTALLATION

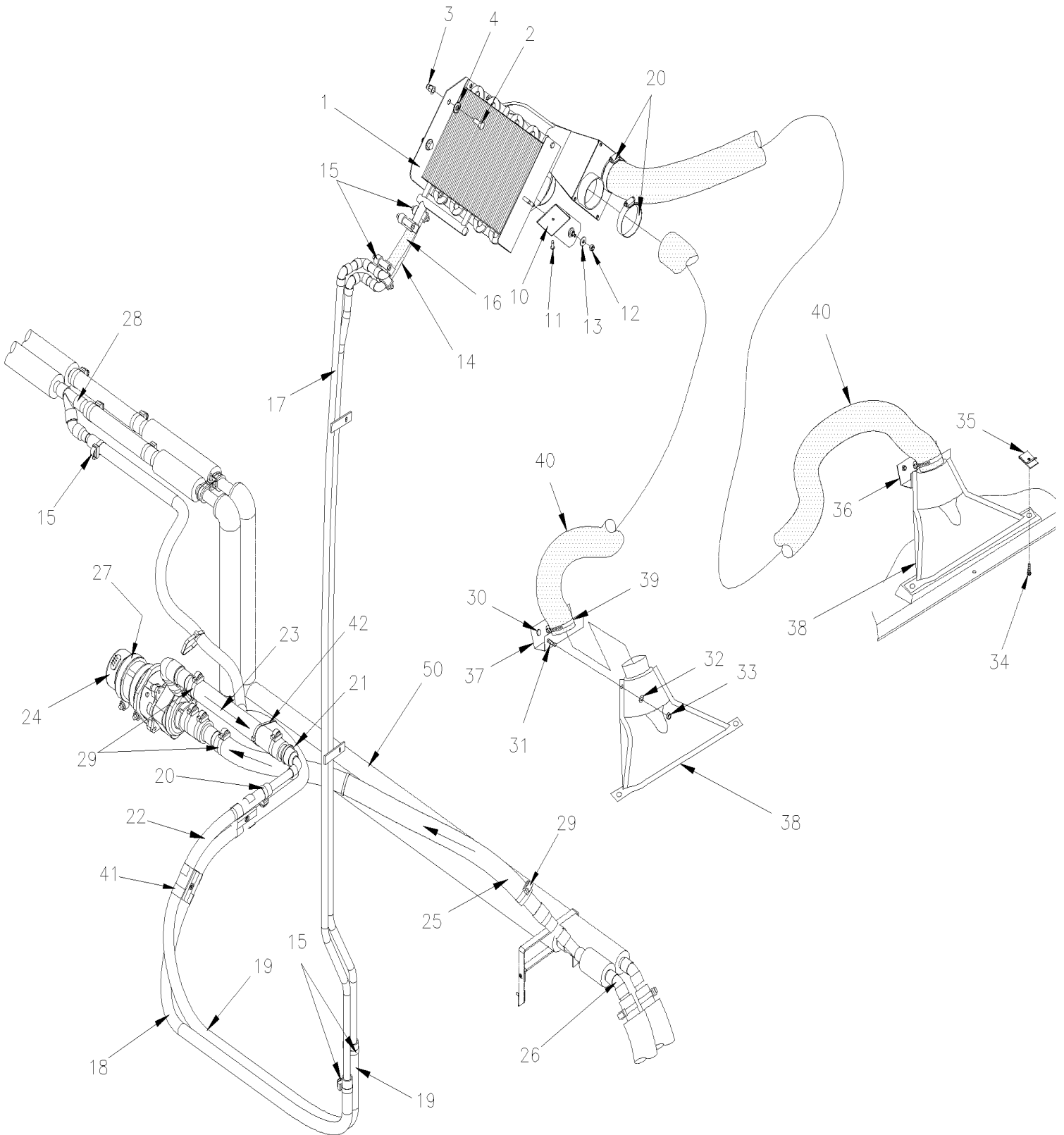


From 7-0671 To J-0184

Date:10/2022

PAGE:H7-2240-10

UPPER WINDSHIELD FAN - INSTALLATION



<b>From 7-0671 To J-0184</b>	<b>Date:10/2022</b>	<b>PAGE:H7-2240-10</b>
<b>UPPER WINDSHIELD FAN - INSTALLATION</b>		

Item#	Part	Description	H 3 4 1	H 3 4 5	V I P 4 5	N O T E S
1	<b>H7-2225-10</b>	<b>UPPER WINDSHIELD - DEFROSTER ASSY</b>				
2	502790	SCREW CAP HEX M8-1.25x20 G8.8 Z050	2	2		
3	5001337	NUT INS FL HEX M8-1.25 0.5-3.0 Z050	2	2		
4	5001699	WASHER BEL SPR 8.2x22x1.4 N500	2	2		
10	373836	SUPPORT / UPPER DEFROSTER	1	1		
11	500643	SCREW TP PAN PH #12x3/4 Z050	1	1		
12	502511	NUT HEX NYRT M6-1.0 Z050	2	2		
13	5001462	WASHER FL 6.4x18.0x1.6 Z050	2	2		
14	373828	HOSE 5/8" I.D. 165MM	1	1		
14	503720	. HOSE SILICONE 1 PLY 5/8" I.D. x 25' / S.L. To D-2275	AR	AR		
14	503802	. HOSE SILICONE 1 PLY / NOMEX-ARAMID 5/8" I.D. x 100' / S.L. From D-2276	AR	AR		
15	504646	HOSE CLAMP / 11/16"-1"1/4 / C.T. 9412 To D-2301	7	7		
15	504781	HOSE CLAMP / 13/16"-1 5/16" SS / C.T. W.S. From D-2302 To E-2607	7	7		
15	504704	HOSE CLAMP / 3/4"-15/16" / C.T. From E-2607 To F-2891	7	7		
15	992082	HOSE CLAMP / 16MM/27MM From F-2892	7	7		
15	504569	HOSE CLAMP STEPLESS SPRING / HC12-20 / 1"	7	7		C
15	504704	HOSE CLAMP / 3/4"-15/16" / C.T.	AR	AR	AR	C
16	373827	HOSE 5/8" I.D. 113MM	1	1		
16	503720	. HOSE SILICONE 1 PLY 5/8" I.D. x 25' / S.L. To D-2275	AR	AR		
16	503802	. HOSE SILICONE 1 PLY / NOMEX-ARAMID 5/8" I.D. x 100' / S.L. From D-2276	AR	AR		
17	373847	PIPE ASSY / UPPER DEFROSTER & PUMP	1	1		
18	373831	HOSE 5/8" I.D. 2300MM To 9-1469	1	1		
18	374417	HOSE 5/8" I.D. 2623MM From A-1470	1	1		
18	503720	. HOSE SILICONE 1 PLY 5/8" I.D. x 25' / S.L. To D-2275	AR	AR		
18	503802	. HOSE SILICONE 1 PLY / NOMEX-ARAMID 5/8" I.D. x 100' / S.L. From D-2276	AR	AR		
19	373835	HOSE ASSY REDUCER 1 1/8" TO 5/8" To 9-1469	1	1		
19	374416	HOSE ASSY REDUCER 1 1/8" TO 5/8" From A-1470 To E-2504	1	1		
19	374671	HOSE ASSY REDUCER 1 1/8" TO 5/8" From D-2180 To E-2504	1	1		I
19	374671	HOSE ASSY REDUCER 1 1/8" TO 5/8" From E-2505	1	1		
19	378906	HOSE ASSY REDUCER 1 1/8" TO 5/8" From D-2400	1	1		B
19	378905	HOSE ASSY REDUCER 1 1/8" TO 5/8" From D-2400	1	1		B I
19	374719	HOSE ASSY REDUCER 1 1/8" TO 5/8" To E-2504	1	1		C
19	374801	HOSE ASSY REDUCER 1 1/8" TO 5/8" From E-2505	1	1		C
20	504646	. HOSE CLAMP / 11/16"-1"1/4 / C.T. 9412 To D-2301	1	1		
20	504781	. HOSE CLAMP / 13/16"-1 5/16" SS / C.T. W.S. From D-2302 To E-2607	1	1		
20	504704	. HOSE CLAMP / 3/4"-15/16" / C.T. From E-2607 To F-2891	1	1		
20	992082	. HOSE CLAMP / 16MM/27MM From F-2892	1	1		
20	504704	. HOSE CLAMP / 3/4"-15/16" / C.T.	1	1		C
21	504658	. HOSE CLAMP / 13/16"-1"3/4 / C.T. 9420 To D-2301	1	1		
21	504782	. HOSE CLAMP / 1 3/16-1 13/16 SS / C.T. W.S. From D-2302 To F-2891	1	1		
21	992086	. HOSE CLAMP / 32MM/52MM From F-2892	1	1		
21	504451	. HOSE CLAMP STEPLESS SPRING SS / OETIKER / 1.3-1.6	1	1		C

From 7-0671 To J-0184	Date:10/2022	PAGE:H7-2240-10
<b>UPPER WINDSHIELD FAN - INSTALLATION</b>		

Item#	Part	Description	H 3 4 1	H 3 4 5	V I P 4 5	N O T E S
22	503720	. HOSE SILICONE 1 PLY 5/8" I.D. x 25' / S.L. To D-2275	AR	AR		
22	503802	. HOSE SILICONE 1 PLY / NOMEX-ARAMID 5/8" I.D. x 100' / S.L. From D-2276	AR	AR		
23	503652	. HOSE SILICONE 2PLY 1 1/8" I.D. x 3' To D-2275	AR	AR		
23	503796	. HOSE SILICONE 2 PLY / NOMEX-ARAMID 1 1/8" I.D. x 6' From D-2276	AR	AR		
24	<b>H7-2206-10</b>	<b>WATER PUMP / "MP PUMP" / FRONT UPPER DEFROSTER To D-2179</b>				
24	<b>H7-2206-11</b>	<b>WATER PUMP "AMETEK" / SEALLESS &amp; BRUSHLESS / FRONT UPPER DEFROSTER "SPECIAL OPTION" To D-2179</b>				
24	<b>H7-2206-03</b>	<b>WATER PUMP "AMETEK" / SEALLESS &amp; BRUSHLESS From D-2180</b>				
25	373829	HOSE 1 1/8" I.D. x 1160MM To D-2179	1	1		
25	503796	HOSE SILICONE 2 PLY / NOMEX-ARAMID 1 1/8" I.D. x 6' To D-2179	AR	AR		S
25	Call order desk	HOSE 1 1/8" I.D. x 960MM From D-2180	1	1		P
25	373829	. HOSE 1 1/8" I.D. x 1160MM To D-2275	AR	AR		
25	503796	. HOSE SILICONE 2 PLY / NOMEX-ARAMID 1 1/8" I.D. x 6' From D-2276	AR	AR		
26	374261	PIPE ASSY / W/BY-PASS FOR UPPER DEFROSTER To E-2504	1	1		
26	Call order desk	PIPE ASSY / W/BY-PASS FOR UPPER DEFROSTER From E-2505	1	1		P
27	504026	HOSE CLAMP / 2"13/16-3"3/4 SS / HS-52 From D-2180	2	2		
27	506728	TAPE RUB ADH1 NEO 1/4" x 3/4" x 10' / BLACK From D-2180	AR	AR		
28	373892	PIPE W/Y / 1393MM	1			
28	373882	PIPE W/Y / 2639MM		1		
28	378907	PIPE W/Y / 2639MM From D-2400		1		B
29	504658	HOSE CLAMP / 13/16"-1"3/4 / C.T. 9420 To D-2301	AR	AR		
29	504782	HOSE CLAMP / 1 3/16-1 13/16 SS / C.T. W.S. From D-2302 To F-2891	AR	AR		
29	992086	HOSE CLAMP / 32MM/52MM From F-2892	AR	AR		
29	504687	HOSE CLAMP STEPLESS SPRING SS / OETIKER / 1.2-1.4	AR	AR		C
29	504451	HOSE CLAMP STEPLESS SPRING SS / OETIKER / 1.3-1.6	AR	AR		C
30	500638	SCREW TP PAN PH #8x1/2 Z050	6	6		
31	502531	SCREW CAP HEX M6-1.0x16 G8.8 Z050	4	4		
32	500877	WASHER FL .250x.562x.065 N500	8	8		
33	502511	NUT HEX NYRT M6-1.0 Z050	4	4		
34	500432	SCREW TC PAN PH #8-32x3/4 Z050	4	4		
35	500563	NUT SPR U #8-32 .094-.125	4	4		
36	340954	SUPPORT AIR NOZZLE / L.H. To H-3734	1	1		
36	340048	SUPPORT AIR NOZZLE / L.H. From H-3735	1	1		
37	340955	SUPPORT AIR NOZZLE / R.H. To H-3734	1	1		
37	340049	SUPPORT AIR NOZZLE / L.H. From H-3735	1	1		
38	870900	NOZZLE AIR	2	2		
39	504024	HOSE CLAMP / 1"13/16"-2"3/4 SS / HS-36	4	4		
40	503031	HOSE FLEXIBLE / AIR DUCT 2 1/2" I.D. X 12' RUBBER	AR	AR		
41	504634	T-CLIP / 7/8" - 1"	AR	AR		
42	504637	CABLE TIE / 3/16" x 13"	AR	AR		
NS	374474	KIT UPPER DEFROSTER RETROFIT	1	1		
. A	328921	. FINISHING POST CAP / FRONT R.H.	1	1		
. B	373829	. HOSE 1 1/8" I.D. x 1160MM	2	2		

From 7-0671 To J-0184	Date:10/2022	PAGE:H7-2240-10
<b>UPPER WINDSHIELD FAN - INSTALLATION</b>		

Item#	Part	Description	H 3 4 1	H 3 4 5	V I P 4 5	N O T E S
. C	373835	. HOSE ASSY REDUCER 1 1/8" TO 5/8"	1	1		
. D	373882	. PIPE W/Y / 2639MM	1	1		
. E	374072	. UPPER DEFROSTER ASSY / W/MOTOR	1	1		
. F	374261	. PIPE ASSY / W/BY-PASS FOR UPPER DEFROSTER	1	1		
. G	503031	. HOSE FLEXIBLE / AIR DUCT 2 1/2" I.D. X 12' RUBBER	1	1		
. H	503720	. HOSE SILICONE 1 PLY 5/8" I.D. x 25' / S.L.	1	1		
. I	561566	. CONNECTOR / WEATHER PACK / PH 2C / BLACK / PED 12010973	1	1		
. J	561568	. PIN TERMINAL / 16-14 / PED 12089305	2	2		
. K	561786	. CABLE SEAL / GRAY / PED 15324980	2	2		
. L	870900	. NOZZLE AIR	2	2		
. M	874296	. WATER PUMP ASSY / 24V / "MP PUMPS"	1	1		
50	<b>H7-2222-10</b>	<b>A/C &amp; HEATING LINE FRONT SECTION</b>				
		B) WITH WINSHIELD WASHER HEATER				
		C) WITH OPTION "OETIKER" HOSE CLAMP				
		I) WITH INDEPENDANTE SUSPENSION				
		S) SERVICE				
		P) CALL ORDER DESK FOR SPECIFIC APPLICATION (V.I.N.)				



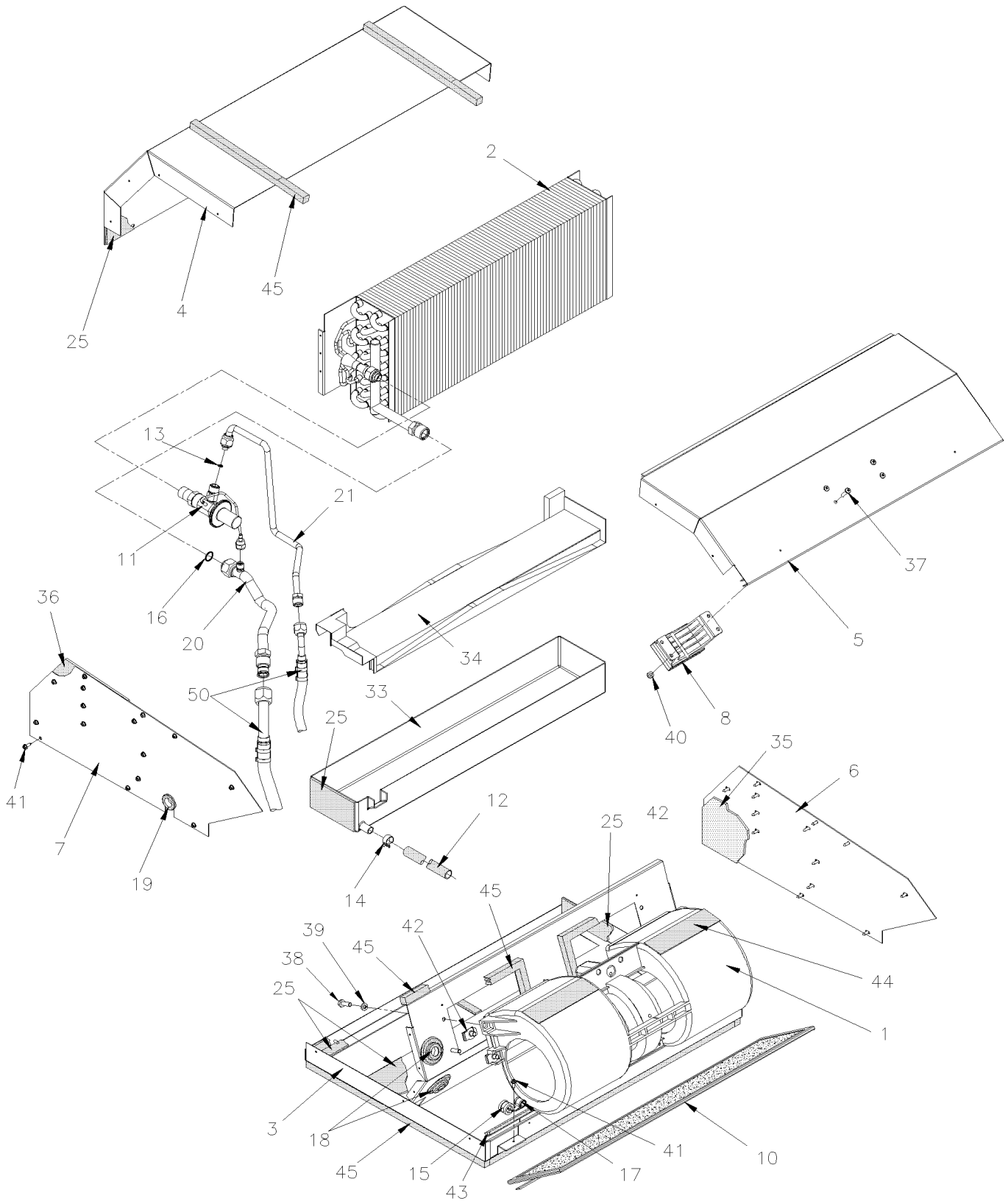


From 7-0671 To J-0184

Date:10/2022

PAGE:H7-2240-20

## BLOWER VENTILATION - PARCEL RACK

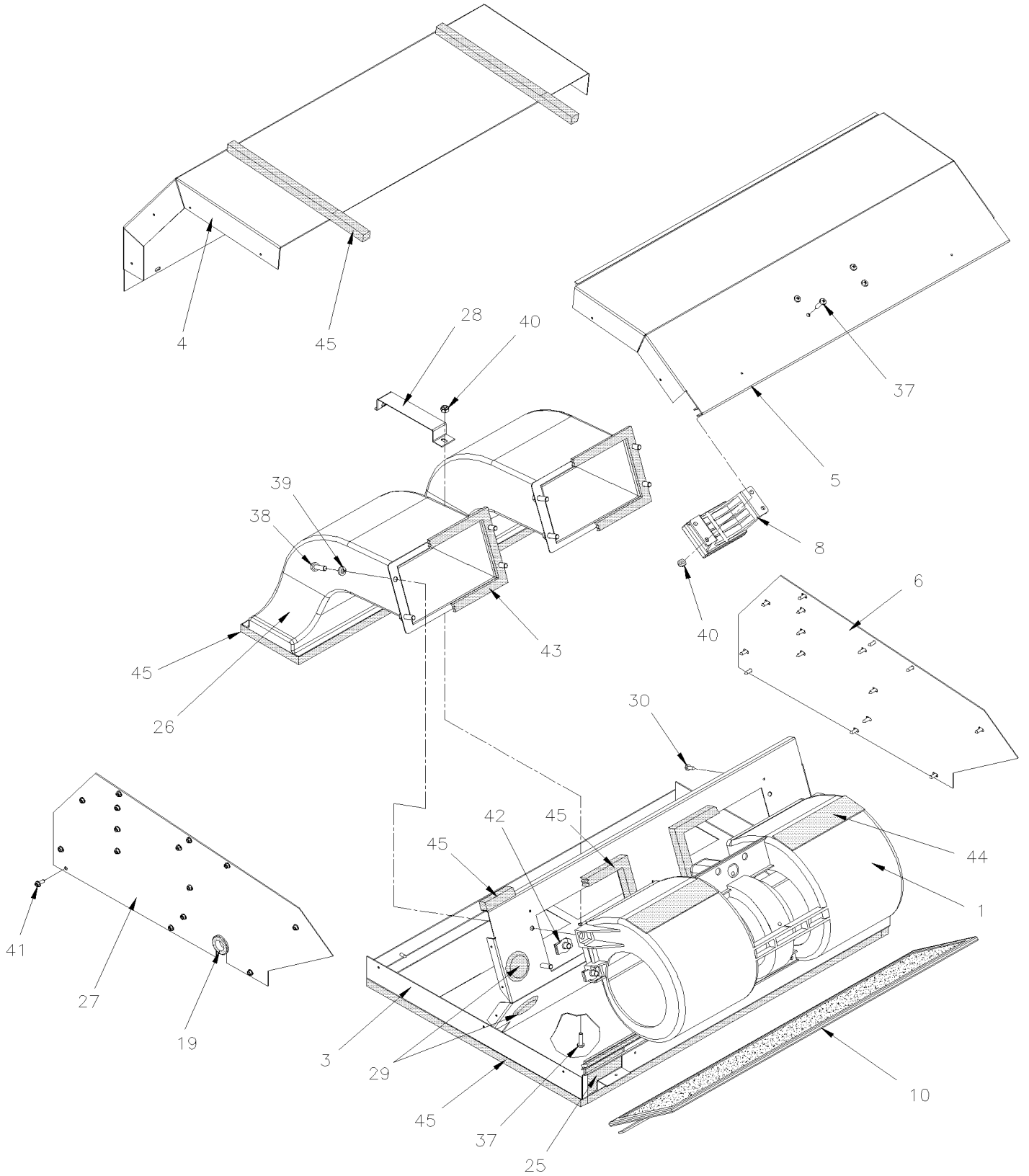


From 7-0671 To J-0184

Date:10/2022

PAGE:H7-2240-20

BLOWER VENTILATION - PARCEL RACK



From 7-0671 To J-0184	Date:10/2022	PAGE:H7-2240-20
<b>BLOWER VENTILATION - PARCEL RACK</b>		

Item#	Part	Description	H 3 4 1	H 3 4 5	V I P 4 5	N O T E S
	950293	VENTILATION UNIT ASSY W/A/C SYSTEM To F-2839	1	1		
	952645	VENTILATION UNIT ASSY W/A/C SYSTEM From F-2840	1	1		
	871173	VENTILLATION UNIT ASSY	1	1		
1	<b>H7-2240-25</b>	<b>. BLOWER ASSY - PARCEL RACK</b>				A B
NS	871264	. WIRE HARNESS	1	1		
NS	<b>453959</b>	<b>PARCEL RACK BRUSHLESS FAN KIT</b>	1	1		
NS	0610572	HARNESS PARCEL RACK FAN To G-3128	1	1		
NS	0610573	HARNESS PARCEL RACK FAN From G-3129	1	1		
NS	0610582	HARNESS PARCEL RACK FAN G3 & 4 SAV PIN OUT From G-3129	1	1		
2	950321	. EVAPORATOR COIL	1	1		
3	871266	. BASE PLATE ASSY	1	1		
4	871189	. TOP COVER	1	1		
5	871268	. BLOWER COVER	1	1		
6	871267	. LEFT SIDE PANEL	1	1		
7	871267	. LEFT SIDE PANEL	1	1		
8	871453	. MODULE RESISTOR 100 WATT	1	1		
10	871159	. FILTER 1/4" x 5 3/4" x 23"	1	1		
11	950322	. VALVE, EXPANSION R-134 / PARCEL-RACK	1	1		
11	871445	. O-RING #4	1	1		
12	503707	. HOSE / PVC REINFORCED 1/2" I.D. 100' / S.L.	1	1		
13	N8894484	. O-RING #6	1	1		
14	Call order desk	. HOSE CLAMP / 1 /2"	1	1		P
15	N8887164	. CLAMP / #10	1	1		
16	871444	. O-RING #10	1	1		
17	N8895767	. CLAMP / 3/8"	1	1		
18	G5009550	. GROMMET 5/8"	2	2		
19	N8889852	. GROMMET	1	1		
20	871272	. LO-SIDE HARDLINE	1	1		
21	871271	. HI-SIDE HARDLINE	1	1		
25	Call order desk	. NEOPRENE / 1 /8"	2	2		P
26	871262	. DUCT ASSY	2	2		
27	871265	. RIGHT SIDE PANEL	1	1		
28	Call order desk	. BRACKET	1	1		P
29	Call order desk	. HOLE PLUG / 1 1/4"	2	2		P
30	Call order desk	. SCREW TP PAN PH #8x1/2	4	4		P
33	871273	. DRAIN PAN To F-2839	1	1		
33	950568	. DRAIN PAN From F-2840	1	1		
34	950529	. INSERT / DRAIN PAN To F-2839	1	1		
35	Call order desk	. FOAM / 1/8"	1	1		P
36	Call order desk	. FOAM / 1/8"	1	1		P
37	N8890509	. SCREW MA PAN PH #10-32x3/4 ZP	4	4		
38	Call order desk	. SCREW CAP HEX 1/4-20x3/4	4	4		P

From 7-0671 To J-0184	Date:10/2022	PAGE:H7-2240-20
<b>BLOWER VENTILATION - PARCEL RACK</b>		

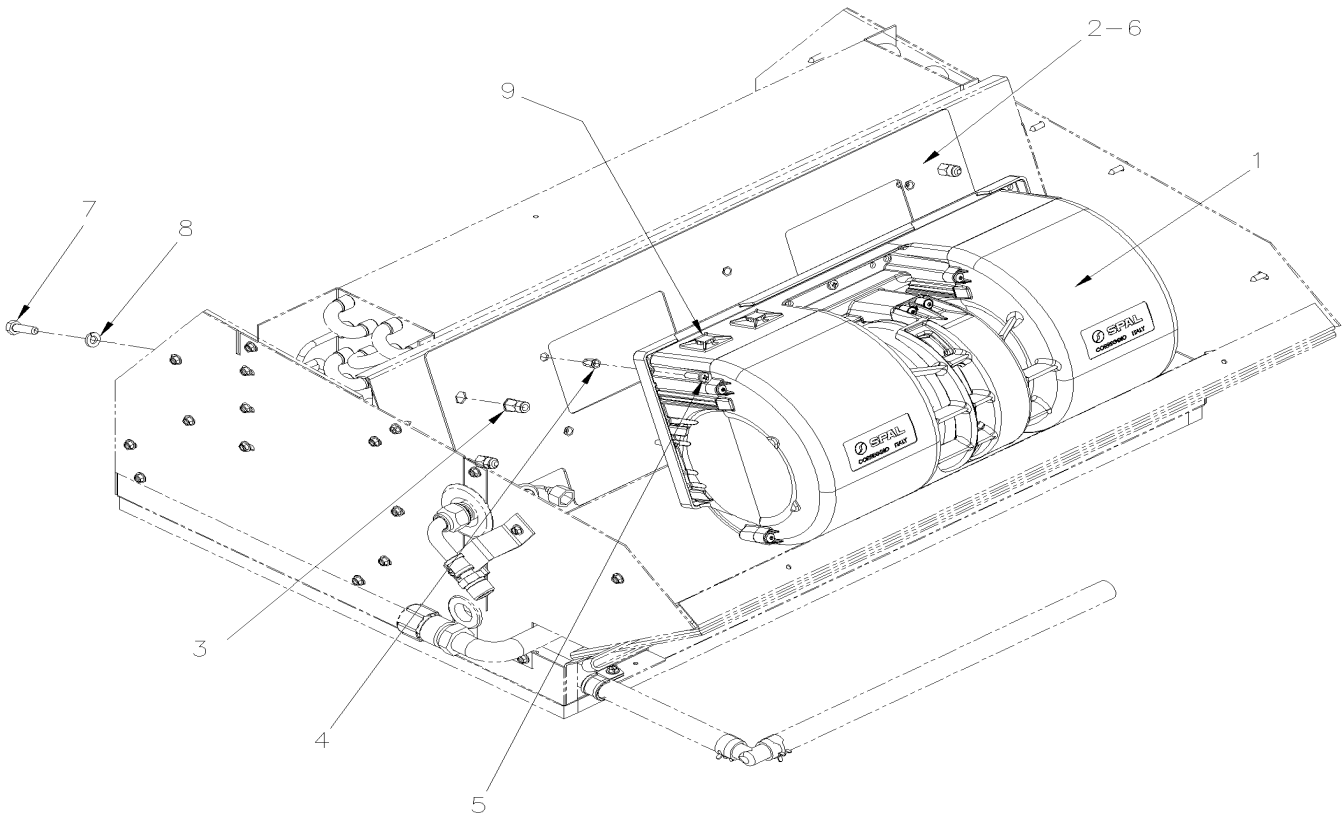
Item#	Part	Description	H 3 4 1	H 3 4 5	V I P 4 5	N O T E S
39	N8892465	. WASHER LO SPT 1/4	4	4		
40	Call order desk	. NUT HEX NYRT #10-32	4	4		P
41	Call order desk	. SCREW TC CAP HEXW SLT #8-32 X 1/2"	34	34		P
42	Call order desk	. NUT SPR U 1/4-20	4	4		P
43	N8889679	. FOAM / 3/16"x1 1/2"	1	1		
44	Call order desk	. FOAM / 1/16"x5"	2	2		P
45	Call order desk	. FOAM / 1/2"x1/2"	2	2		P
50	<b>H7-2270-10</b>	<b>A/C HOSE PARCEL RACK - INSTALLATION To 9-1403</b>				
50	<b>H7-2270-11</b>	<b>A/C HOSE PARCEL RACK - INSTALLATION From 9-1404</b>				
		A) FOR PRODUCT IMPROVMENT ASK FOR KIT 453959 AND 0610572 ONLY FOR VEHICLE UP TO G-3128				
		B) FOR PRODUCT IMPROVMENT ASK FOR KIT 453959 AND 0610573 AND 0610582 ONLY FOR VEHICLE FROM G-3129				
		P) CALL ORDER DESK FOR SPECIFIC APPLICATION (V.I.N.)				

From 7-0671 To J-0184

Date:10/2022

PAGE:453959

**PARCEL RACK BRUSHLESS FAN KIT**



From 7-0671 To J-0184	Date:10/2022	PAGE:453959
<b>PARCEL RACK BRUSHLESS FAN KIT</b>		

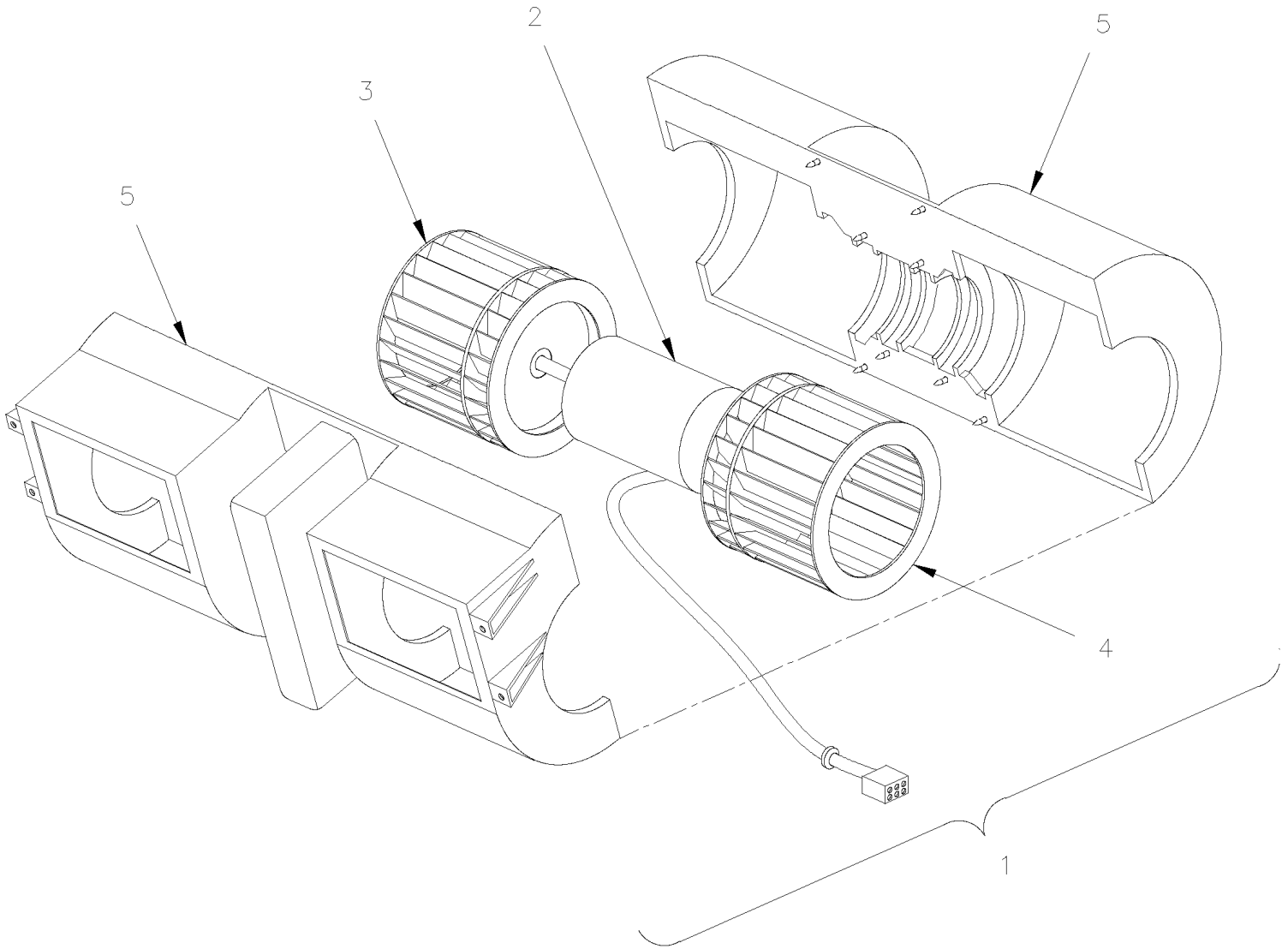
Item#	Part	Description	H 3 4 1	H 3 4 5	V I P 4 5	N O T E S
1	950623	BLOWER 24V	2	2	2	
2	453961	TRANSITION PLATE	2	2	2	
3	5001344	. NUT INS FL HEX M6-1.0 0.5-3.0 SS	4	4	4	
4	504726	. NUT INS FL HEX M4-0.7 0.5-2.0 DP	5	5	5	
5	502698	SCREW MA PAN PH M4-0.7x16 SS BK	10	10	10	
5	502636	WASHER LO SPT 4.1x7.6x0.9 Z050	10	10	10	
5	680038	THREAD LOCKER LOCTITE #243 / BLUE / 50ml	AR	AR	AR	
6	506071	TAPE RUB ADH1 CC POL 1/8" x 1/2" x 50' / GREY 2520X	AR	AR	AR	
7	502622	SCREW CAP HEX M6-1.0x20 SS BK	8	8	8	
8	502853	WASHER LO SPT 6.1x11.8x1.6 N500	8	8	8	
9	562679	4 WAY ADH. BACKED MOUNTS 1.000 x 1.000 x .160	4	4	4	

From 7-0671 To J-0184

Date:10/2022

PAGE:H7-2240-25

**BLOWER ASSY - PARCEL RACK**



From 7-0671 To J-0184	Date:10/2022	PAGE:H7-2240-25
<b>BLOWER ASSY - PARCEL RACK</b>		

Item#	Part	Description	H 3 4 1	H 3 4 5	V I P 4 5	N O T E S
1	871157	BLOWER ASSY 24V	2	2		
2	N.P.N.	. MOTOR 24V	1	1		4
3	N.P.N.	. BLOWER WHEEL	1	1		4
4	N.P.N.	. BLOWER WHEEL	1	1		4
5	N.P.N.	. HOUSING	1	1		4
		4) NO PARTS NUMBER				

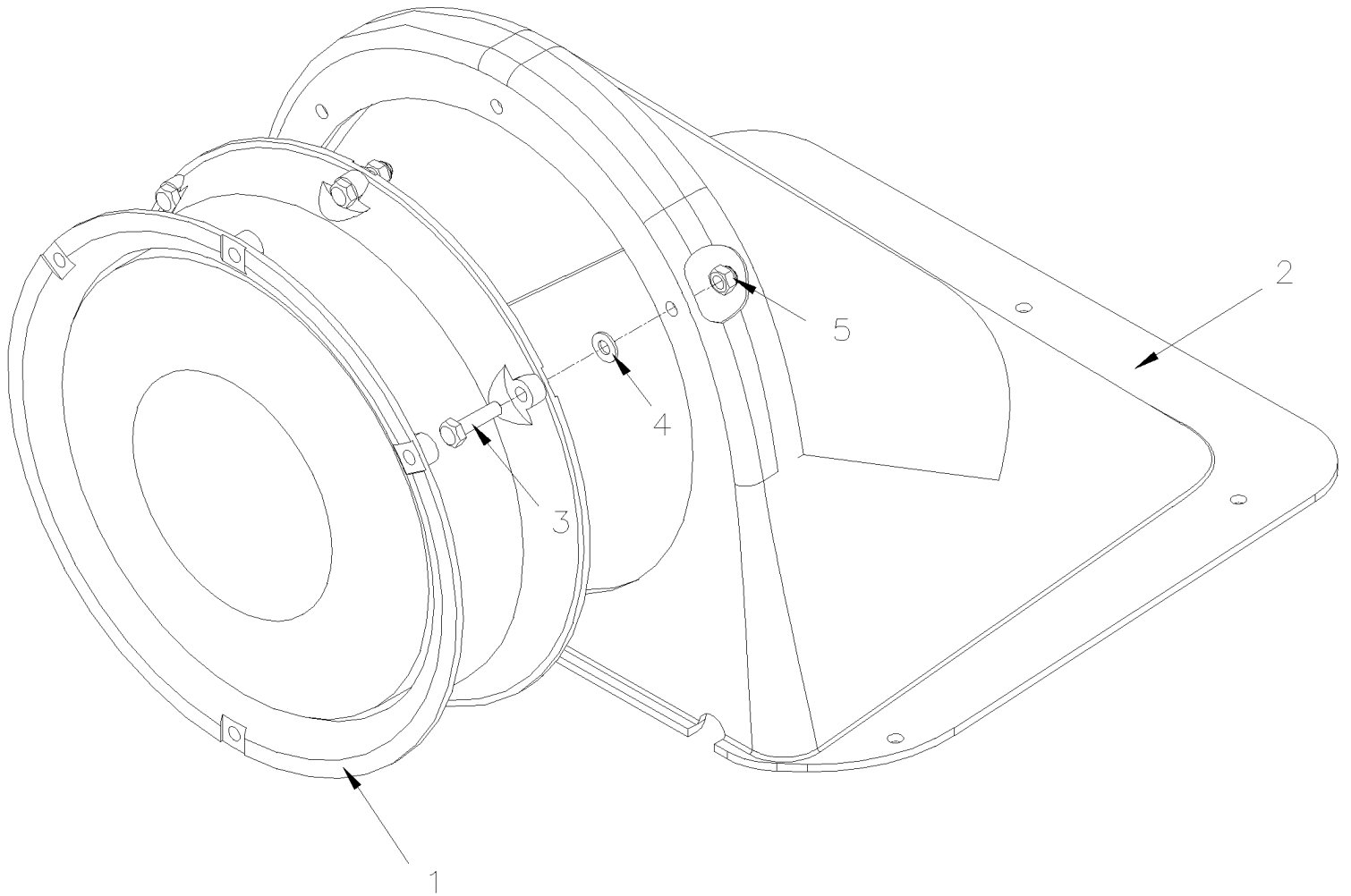


From 7-0671 To J-0184

Date:10/2022

PAGE:H7-2240-30

**BLOWER VENTILATION - PARCEL RACK WITH W.C.L.**



From 7-0671 To J-0184	Date:10/2022	PAGE:H7-2240-30
<b>BLOWER VENTILATION - PARCEL RACK WITH W.C.L.</b>		

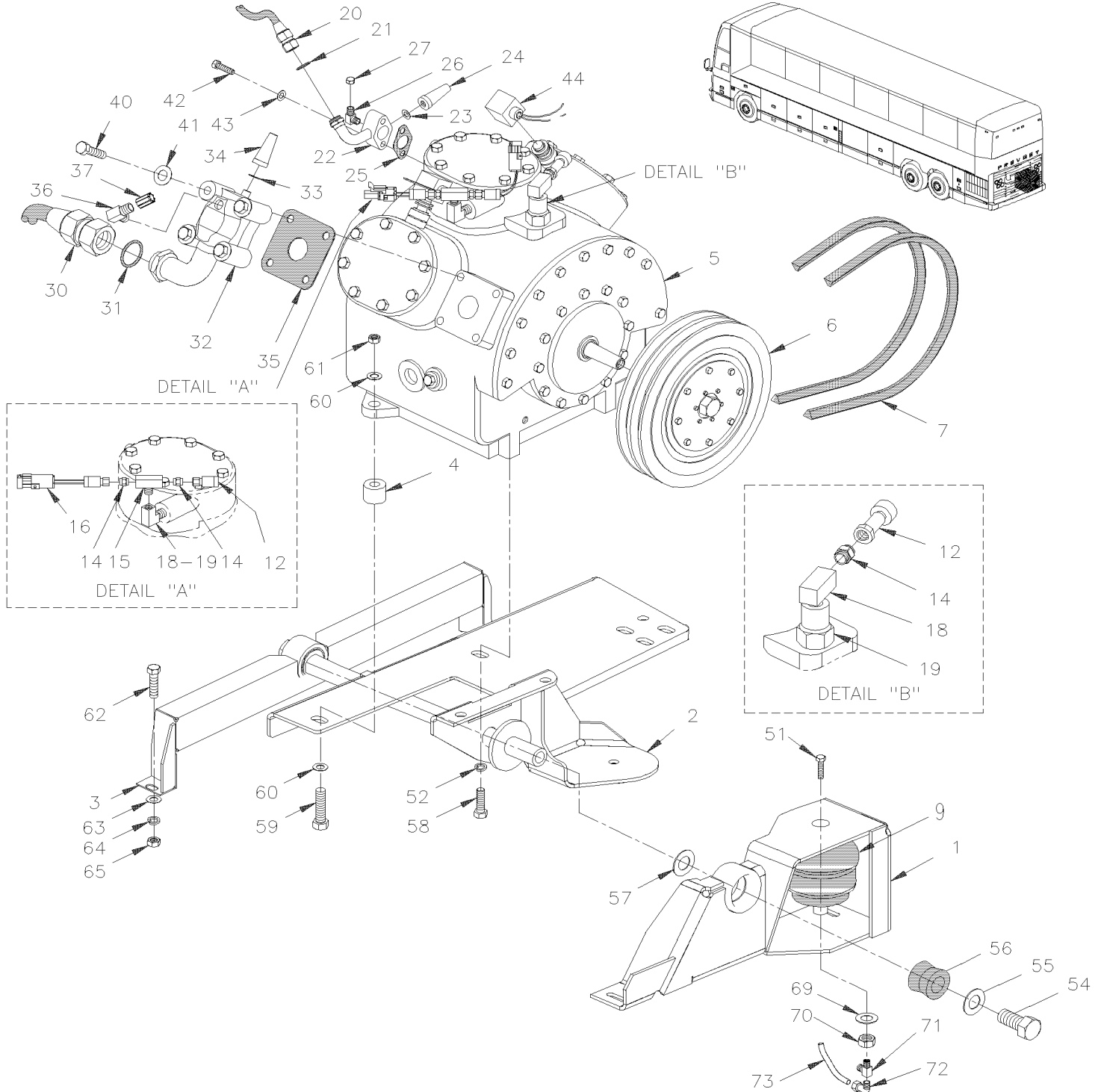
Item#	Part	Description	H 3 4 1	H 3 4 5	V I P 4 5	N O T E S
	Call order desk	FAN AXIAL 24V ASSY / W/DEFLECTOR	1	1		P
1	454419	. AXIAL FAN ASSY / W/CONNECTOR	1	1	1	
. NS	871361	. . AXIAL FAN ASSY 12/28V / 230CFM	1	1	1	
. NS	561247	. . CONNECTOR / UNIVERSAL MATE-N-LOK / SH 2C / AMP 1-480698-0	1	1	1	
. NS	561673	. . SOCKET TERMINAL / 24-18 / AMP 350689-1	2	2	2	
. NS	562387	. . CONVOLUTED TUBING / SLIT / BLACK / .250"	AR	AR	AR	
. NS	680319	. . TAPE ADHESIF ELECTRIC / BLACK 3/4"	AR	AR	AR	
2	374315	. SUPPORT FAN DEFLECTOR / GREY To 8-1135	1	1		
2	374356	. SUPPORT FAN DEFLECTOR / TAN From 8-1136	1	1		
2	374315	. SUPPORT FAN DEFLECTOR / GREY From H-3497		1		H
3	502550	. SCREW CAP HEX M4-0.7x16 G8.8 Z050 To D-2163	4	4		
3	502799	. SCREW CAP HEX M4-0.7X16 G8.8 N500 From D-2164	4	4		
4	502556	. WASHER FL 4.3x9.0x0.8 SS	4	4		
5	500590	. NUT HEX NYRT M4-0.7 Z050 To C-2099	4	4		
5	500539	. NUT HEX NYRT M4-0.7 N500 From C-2100	4	4		
NS	316116	COVER R.H. / PLAIN OFFSET W/CORD & FAN VENT, GREY	1	1		
NS	316112	COVER R.H. ASSY / W/LIGHT OFFSET & FAN VENT GREY	1	1		
. NS	316113	. COVER R.H. / W/LIGHT HOLE & VENT HOLE	1	1		
		H) BAUER'S TRANSPORTATION OPTION				
		P) CALL ORDER DESK FOR SPECIFIC APPLICATION (V.I.N.)				
		U) UNDER CONSTRUCTION				

From 7-0671 To A-1720

Date:10/2022

PAGE:H7-2245-00

## A/C COMPRESSOR 05G - INSTALLATION

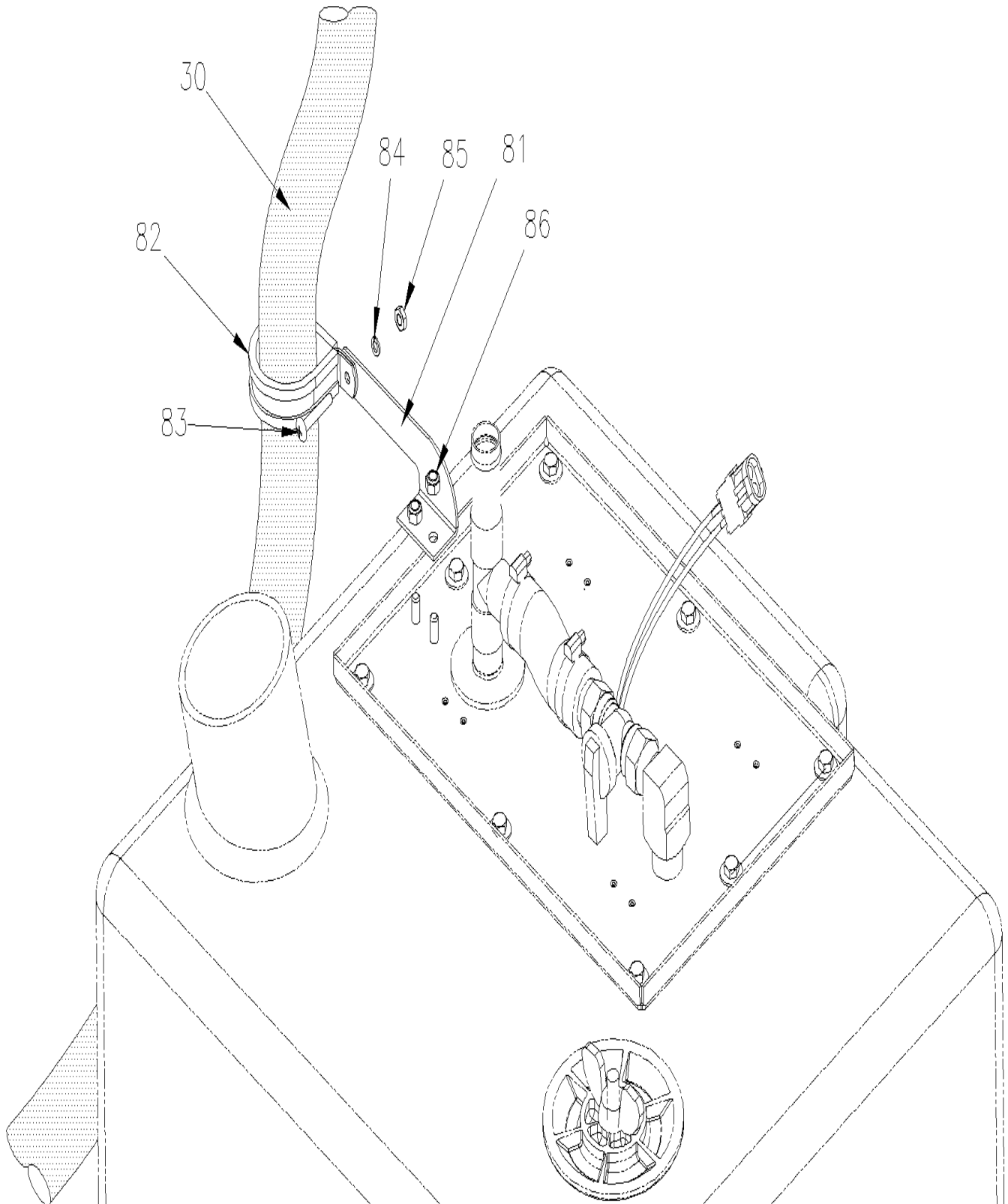


From 7-0671 To A-1720

Date:10/2022

PAGE:H7-2245-00

## A/C COMPRESSOR 05G - INSTALLATION



From 7-0671 To A-1720	Date:10/2022	PAGE:H7-2245-00
<b>A/C COMPRESSOR 05G - INSTALLATION</b>		

Item#	Part	Description	H 3 4 1	H 3 4 5	V I P 4 5	N O T E S
1	454190	SUPPORT ASSY	1	1	1	
2	453651	SUPPORT ASSY	1	1	1	
2	454485	SUPPORT ASSY			1	E
3	451081	SUPPORT OPPOSITE PULLEY SIDE	1	1	1	
3	454487	SUPPORT OPPOSITE PULLEY SIDE			1	E
4	452268	SLEEVE SPACER	2	2	2	
5	<b>H7-2250-00</b>	<b>A/C COMPRESSOR ASSY 05G - TWIN PORT</b>				
6	<b>H7-2246-00</b>	<b>A/C CLUTCH 05G - HOUSING MOUNTED</b>				
7	506864	V-BELT / BX-100 / SET OF 2 9212-0404	1	1		
7	5060077	V-BELT / BX-95 / SET OF 2 9013-2095			1	D
7	5060078	V-BELT / BX-98 / SET OF 2 9013-2098			1	B
9	550840	BELLOW ASSY / BELT TENSIONER / 4" O.D.	1	1	1	
11	950246	PRESSURE SWITCH N.C. 25-37 LO-UNLOAD W/WIRE BLACK	1	1	1	
12	563423	TRANSDUSER -6.7 to 420 LBS / 1/8 NPT-F	2	2	2	
. NS	563159	. CONNECTOR / METRI-PACK 150 / SH 3C / PED 12065287	1	1	1	
13	950245	PRESSURE SWITCH N.C. 20-30 LO-UNLOAD W/WIRE BLACK	1	1	1	
NS	501338	MALE RUN TEE / PIPE FITTING / 1/4NPT-Mx1/4NPT-Fx1/4NPT-F BR	1	1	1	
14	950249	SCHRADER VALVE 1/4NPT-M	1	1	1	
15	501894	MALE BRANCHE TEE / PIPE FITTING / 1/4NPT-Fx1/4NPT-Fx1/4NPT-M BR	1	1	1	
16	453380	PRESSURE SWITCH N.C. 350-245 20PS001MB350K245R	1	1	1	
18	501332	STREET ELBOW 90° / PIPE FITTING / 1/4NPT-Mx1/4NPT-F BR	1	1	1	
19	5011184	FEMALE CONNECTOR / PIPE @ ORB / 1/4NPT-Fx#4ORB-M STL	AR	AR	AR	
20	454019	HOSE ASSY / DISCHARGE W/R-134a / #16 788MM / SS BELLOW To 8-1201	1	1		
20	950442	HOSE ASSY / DISCHARGE W/R-134a / #16 927MM / SS BELLOW From 8-1202	1	1		
20	454019	HOSE ASSY / DISCHARGE W/R-134a / #16 788MM / SS BELLOW			1	
21	507345	O-RING / ORS FITTING / #16 NEO	2	2	2	
22	950378	VALVE ASSY / DISCHARGE / W/R134A	1	1	1	
23	870751	. GASKET	1	1	1	
24	870752	. GASKET, CAP SEAL	1	1	1	
25	870753	GASKET / DISCHARGE VALVE	1	1	1	
26	5011133	ELBOW 90° 1/8 NPT X M15 / W/R134A	1	1	1	
NS	5011134	GAUGE ADAPTOR ASSY M15 / W/BLACK CAP W/R134A	1	1	1	
27	950287	SCHROUDER CAP / HIGH PRESSURE	1	1	1	
30	373126	HOSE ASSY / SUCTION W/R-134a / #24 1122MM	1	1	1	
31	507346	O-RING / ORS FITTING / #24 NEO	2	2	2	
32	950264	VALVE ASSY / SUCTION / W/R134A	1	1	1	
33	870751	. GASKET	1	1	1	
34	870752	. GASKET, CAP SEAL	1	1	1	
35	870754	GASKET / SUCTION VALVE	1	1	1	
36	5011131	ELBOW 90° 1/4 NPT X M13 / W/R134A	1	1	1	
NS	5011132	GAUGE ADAPTOR ASSY M13 / W/BLACK CAP W/R134A	1	1	1	
37	950288	SCHROUDER CAP / LOW PRESSURE	1	1	1	

From 7-0671 To A-1720	Date:10/2022	PAGE:H7-2245-00
<b>A/C COMPRESSOR 05G - INSTALLATION</b>		

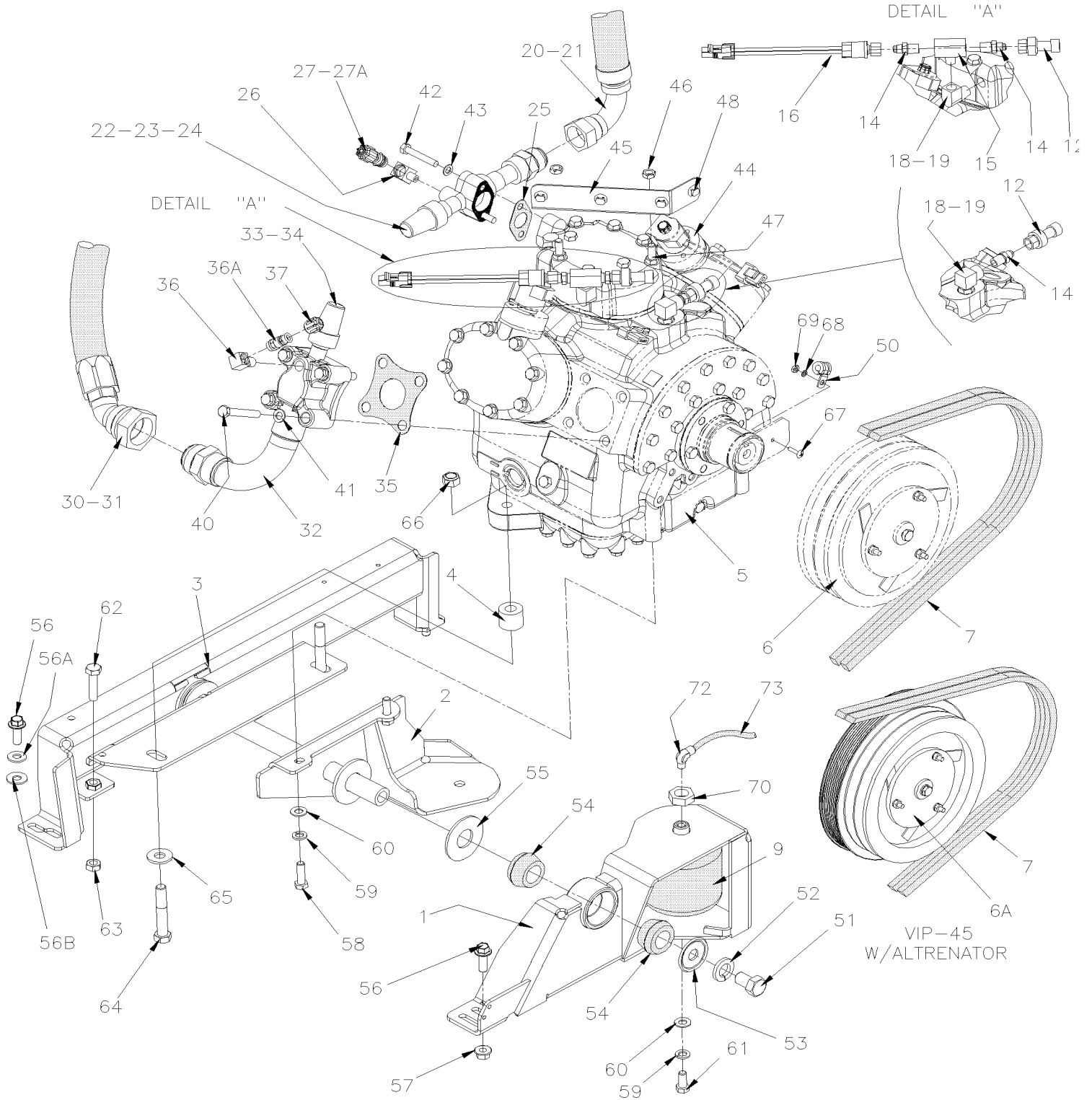
Item#	Part	Description	H 3 4 1	H 3 4 5	V I P 4 5	N O T E S
40	870755	SCREW CAP HEX 1/2-13x2 1/2 G5 ZP	4	4	4	
41	870756	GASKET	4	4	4	
42	870877	SCREW CAP HEX 5/16-18x2 G5 ZP	2	2	2	
43	870750	GASKET	2	2	2	
44	<b>H7-2250-15</b>	<b>A/C ELECTRIC UNLOADER - W/05G COMPRESSOR</b>				
45	501037	MALE ELBOW 90° / SAE 45° FITTING / #4FL-Mx1/4NPT-M BR	1	1	1	
NS	5011184	FEMALE CONNECTOR / PIPE @ ORB / 1/4NPT-Fx#4ORB-M STL	AR	AR	AR	
51	502926	SCREW CAP HEX 3/8-16x7/8 G5 N500	1	1	1	
NS	500832	WASHER FL .406x.812x.065 N500	1	1	1	
52	500478	WASHER LO SPT .380x.683x.094 Z050	4	4	4	
54	500225	SCREW CAP HEX 5/8-11x1 G5 Z050	2	2	2	
55	5001151	WASHER CON 16.5x50.0x4.5 ZP	2	2	2	
56	630062	BUSHING / RUBBER / (ONE PIECE) 2" x 1.005" I.D.	2	2	2	
57	500997	WASHER FL 1.062x2.500x.125 SS	2	2	2	
58	500192	SCREW CAP HEX 3/8-16x1 1/4 G5 Z050	2	2	2	
59	500096	SCREW CAP HEX 1/2-20x3 G5 Z050	2	2	2	
60	500446	WASHER FL .531x1.250x.125 Z050	4	4	4	
61	500718	NUT HEX STO 1/2-20 Z050	2	2	2	
62	502549	SCREW CAP HEX M10-1.5x35 G8.8 Z050	5	5	5	
63	500445	WASHER FL .437x1.000x.083 Z050	5	5	5	
64	502616	WASHER LO SPT 10.2x18.1x2.2 SS	5	5	5	
65	500680	NUT HEX STO M10-1.5 Z050	5	5	5	
69	5001150	WASHER FL 17.0x30.0x3.0 N500	1	1	1	
69	500218	WASHER LO SPT .380x.683x.098 DP320	1	1	1	
70	500792	NUT HEX 5/8-11 Z050	1	1	1	
70	502917	NUT HEX JAM 3/4-16 G2 N500	1	1	1	
71	501707	ADAPTER TEE / SAE 45° FITTING / #4FL-Mx1/8NPT-Mx1/8NPT-F BR	1	1	1	
72	641369	MALE ELBOW 90° NON-SWIVEL / PUSH-IN FITTING / #4x1/8NPT-M BR	1	1	1	
73	503402	TUBE, NYLON 1/4 O.D. / BLACK S.L.	AR	AR	AR	
81	405949	SUPPORT A/C HOSE / FIXED AT AUX SUMP TANK	1	1		
82	562060	CLAMP / 1 3/4" I.D.	1	1		
83	500574	SCREW MA TR PH #10-24x1 1/4 SS	1	1		
84	500914	WASHER LO SPT .193x.334x.047 N500	1	1		
85	502882	NUT HEX #10-24 N500	1	1		
86	502681	NUT HEX NYRT M6-1.0 N500 G8	2	2		
		B) WITH 2 ALTERNATORS "BOSCH" 24V-140Amps				
		D) WITH ALTERNATOR 50DN "DELCO"				
		E) WITH ALTERNATOR SIDE OF COMPRESSOR				

From B-1721 To D-2363

Date:10/2022

PAGE:H7-2245-01

## A/C COMPRESSOR 05G - INSTALLATION

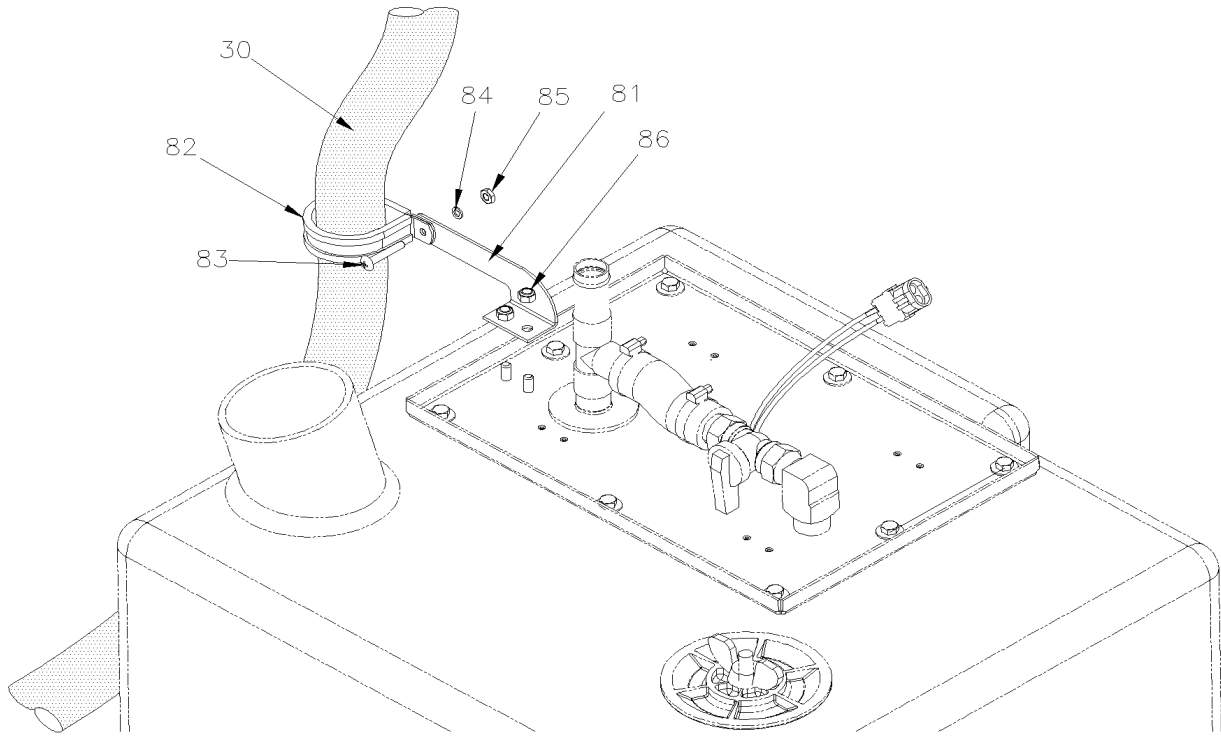


From B-1721 To D-2363

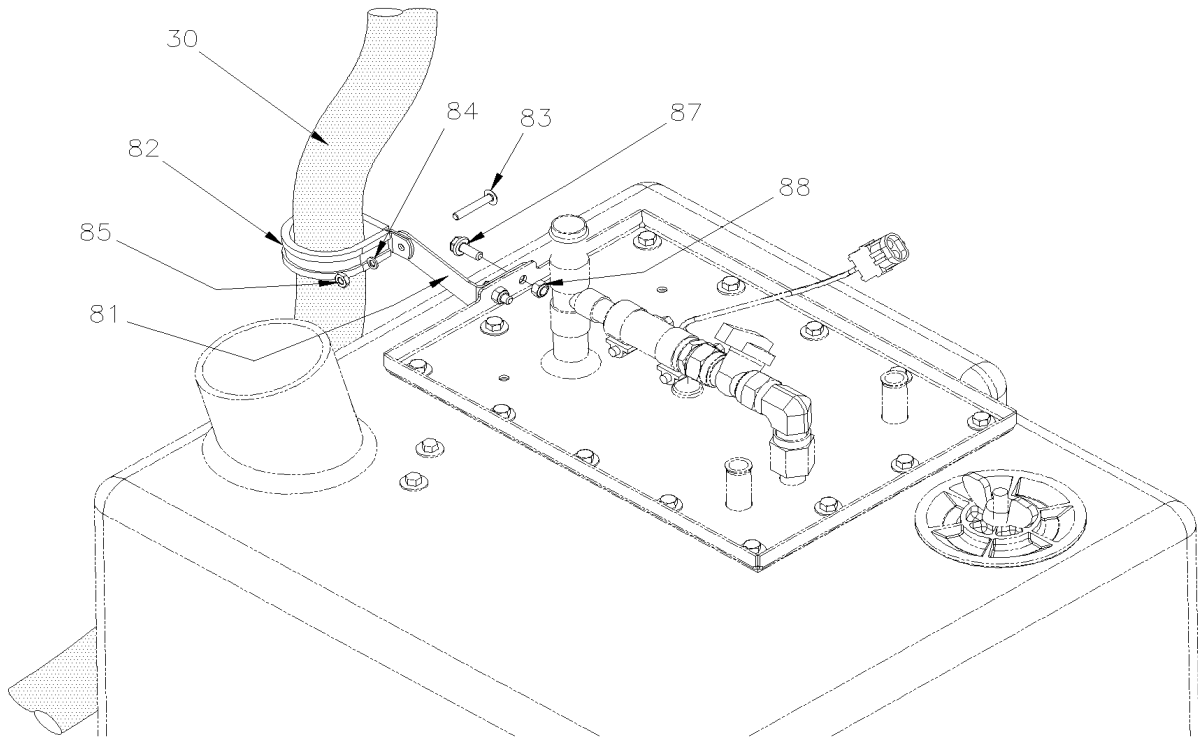
Date:10/2022

PAGE:H7-2245-01

A/C COMPRESSOR 05G - INSTALLATION



UP TO D-2122



FROM D-2123



<b>From B-1721 To D-2363</b>	<b>Date:10/2022</b>	<b>PAGE:H7-2245-01</b>
<b>A/C COMPRESSOR 05G - INSTALLATION</b>		

Item#	Part	Description	H 3 4 1	H 3 4 5	V I P 4 5	N O T E S
1	454190	SUPPORT ASSY	1	1	1	
2	453651	SUPPORT ASSY	1	1	1	
2	454485	SUPPORT ASSY			1	C
3	457447	SUPPORT OPPOSITE PULLEY SIDE	1	1	1	
4	452268	SLEEVE SPACER	2	2	2	
5	<b>H7-2250-00</b>	<b>A/C COMPRESSOR ASSY 05G - TWIN PORT</b>				
6	<b>H7-2246-00</b>	<b>A/C CLUTCH 05G - HOUSING MOUNTED</b>				
6A	<b>H7-2246-01</b>	<b>A/C CLUTCH - WITH "BITZER" COMPRESSOR</b>				A
7	5060086	V-BELT / BX-96 / SET OF 2 9013-2096	AR	AR	AR	
7	5060121	SUPER V-BELT / 2B-96	1	1	1	
9	550840	BELLOW ASSY / BELT TENSIONER / 4" O.D.	1	1	1	
12	563423	TRANSDUSER -6.7 to 420 LBS / 1/8 NPT-F	2	2	2	
. NS	563159	. CONNECTOR / METRI-PACK 150 / SH 3C / PED 12065287	1	1	1	
14	950249	SCHRADER VALVE 1/4NPT-M	1	1	1	
15	501894	MALE BRANCHE TEE / PIPE FITTING / 1/4NPT-Fx1/4NPT-Fx1/4NPT-M BR	1	1	1	
16	453380	PRESSURE SWITCH N.C. 350-245 20PS001MB350K245R	1	1	1	
18	501332	STREET ELBOW 90° / PIPE FITTING / 1/4NPT-Mx1/4NPT-F BR	1	1	1	
19	5011184	FEMALE CONNECTOR / PIPE @ ORB / 1/4NPT-Fx#4ORB-M STL	AR	AR	AR	
20	950460	HOSE ASSY / DISCHARGE W/R-134a / #16 976MM / SS BELLOW	1	1	1	
21	501802	O-RING / ORS FITTING / #16 NEO	2	2	2	
22	950463	VALVE ASSY / DISCHARGE / W/R134A	1	1	1	
23	870751	. GASKET	1	1	1	
24	870752	. GASKET, CAP SEAL	1	1	1	
25	870753	GASKET / DISCHARGE VALVE	1	1	1	
26	5011133	ELBOW 90° 1/8 NPT X M15 / W/R134A	1	1	1	
27	950287	SCHROUDER CAP / HIGH PRESSURE	1	1	1	
27A	5011134	GAUGE ADAPTOR ASSY M15 / W/BLACK CAP W/R134A	1	1	1	
30	455363	HOSE ASSY / SUCTION W/R-134a / #20 940MM	1	1	1	
31	501803	O-RING / ORS FITTING / #20 NEO	2	2	2	
32	950265	VALVE ASSY / SUCTION / W/R134A	1	1	1	
33	870751	. GASKET	1	1	1	
34	870752	. GASKET, CAP SEAL	1	1	1	
35	870754	GASKET / SUCTION VALVE	1	1	1	
36	5011131	ELBOW 90° 1/4 NPT X M13 / W/R134A	1	1	1	
36A	5011132	GAUGE ADAPTOR ASSY M13 / W/BLACK CAP W/R134A	1	1	1	
37	950288	SCHROUDER CAP / LOW PRESSURE	1	1	1	
40	870755	SCREW CAP HEX 1/2-13x2 1/2 G5 ZP	4	4	4	
41	870756	GASKET	4	4	4	
42	870877	SCREW CAP HEX 5/16-18x2 G5 ZP	2	2	2	
43	870750	GASKET	2	2	2	
44	<b>H7-2250-15</b>	<b>A/C ELECTRIC UNLOADER - W/05G COMPRESSOR</b>				
45	068370	SUPPORT , A/C COMPRESSOR HARNESS	1	1	1	

<b>From B-1721 To D-2363</b>	<b>Date:10/2022</b>	<b>PAGE:H7-2245-01</b>
<b>A/C COMPRESSOR 05G - INSTALLATION</b>		

Item#	Part	Description	H 3 4 1	H 3 4 5	V I P 4 5	N O T E S
46	500208	NUT HEX STO 3/8-16 N500 From C-2038	2	2	2	
47	950481	STUD	2	2	2	
48	509815	TIE MOUNT / ATTACHMENT W/TREE MOUNT	4	4	4	
50	952624	CLAMP / 1/4" I.D.	1	1	1	
51	500225	SCREW CAP HEX 5/8-11x1 G5 Z050	2	2	2	
52	500484	WASHER LO SPT .635x1.079x.156 Z050	2	2	2	
53	5001151	WASHER CON 16.5x50.0x4.5 ZP	2	2	2	
54	630002	BUSHING / RUBBER / (TWO PIECES) 1" x 1.005" I.D.	4	4	4	
55	500997	WASHER FL 1.062x2.500x.125 SS	1	1	1	
56	5001741	SCREW CAP HEXF M10-1.5x30 G8.8 N500	4	4	4	
56A	5001751	WASHER FL 10.5x26.0x2.0 N500	1	1	1	
56B	5001834	WASHER BEL SPR 10.5X23X2.5 N500	1	1	1	
57	5001727	NUT HEXF NYRT M10-1.5 N500	1	1	1	
58	500192	SCREW CAP HEX 3/8-16x1 1/4 G5 Z050	2	2	2	
59	500478	WASHER LO SPT .380x.683x.094 Z050 To C-1994	2	2	2	
59A	500218	WASHER LO SPT .380x.683x.098 DP320 To C-1994	1	1	1	
60	500832	WASHER FL .406x.812x.065 N500 To C-1994	3	3	3	
60	5001834	WASHER BEL SPR 10.5X23X2.5 N500 From C-1995	3	3	3	
61	502926	SCREW CAP HEX 3/8-16x7/8 G5 N500	1	1	1	
62	5001316	SCREW CAP HEX M10-1.5x45 SS	1	1	1	
63	500847	NUT HEX M10-1.5 N500	4	4	4	
64	500096	SCREW CAP HEX 1/2-20x3 G5 Z050	2	2	2	
65	500446	WASHER FL .531x1.250x.125 Z050	2	2	2	
66	500718	NUT HEX STO 1/2-20 Z050	1	1	1	
67	502698	SCREW MA PAN PH M4-0.7x16 SS BK	1	1	1	
68	500964	WASHER FL .203x.500x.047 Z050	1	1	1	
69	502524	NUT HEX M4-0.7 Z050	1	1	1	
70	502917	NUT HEX JAM 3/4-16 G2 N500	1	1	1	
72	641369	MALE ELBOW 90° NON-SWIVEL / PUSH-IN FITTING / #4x1/8NPT-M BR	1	1	1	
73	503402	TUBE, NYLON 1/4 O.D. / BLACK S.L.	AR	AR	AR	
81	405949	SUPPORT A/C HOSE / FIXED AT AUX SUMP TANK To D-2122	1	1		B
81	409386	SUPPORT A/C HOSE / FIXED AT AUX SUMP TANK From D-2123	1	1		B
82	562060	CLAMP / 1 3/4" I.D.	1	1		B
83	500574	SCREW MA TR PH #10-24x1 1/4 SS	1	1		B
84	500914	WASHER LO SPT .193x.334x.047 N500	1	1		B
85	502882	NUT HEX #10-24 N500	1	1		B
86	502681	NUT HEX NYRT M6-1.0 N500 G8 To D-2122	2	2		B
87	5001730	SCREW CAP HEXF M6-1.0x16 G10.9 N500 From D-2123	2	2		B
88	5001182	NUT HEX NYRT M6-1.0 SS From D-2123	2	2		B

From B-1721 To D-2363	Date:10/2022	PAGE:H7-2245-01
-----------------------	--------------	-----------------

**A/C COMPRESSOR 05G - INSTALLATION**

Item#	Part	Description	H 3 4 1	H 3 4 5	V I P 4 5	N O T E S
		A) WITH ALTERNATOR MOUNTED ON COMPRESSOR				
		B) USE WITH AUXILIAIRY SUMP TANK				
		C) WITH ALTERNATOR SIDE OF COMPRESSOR				

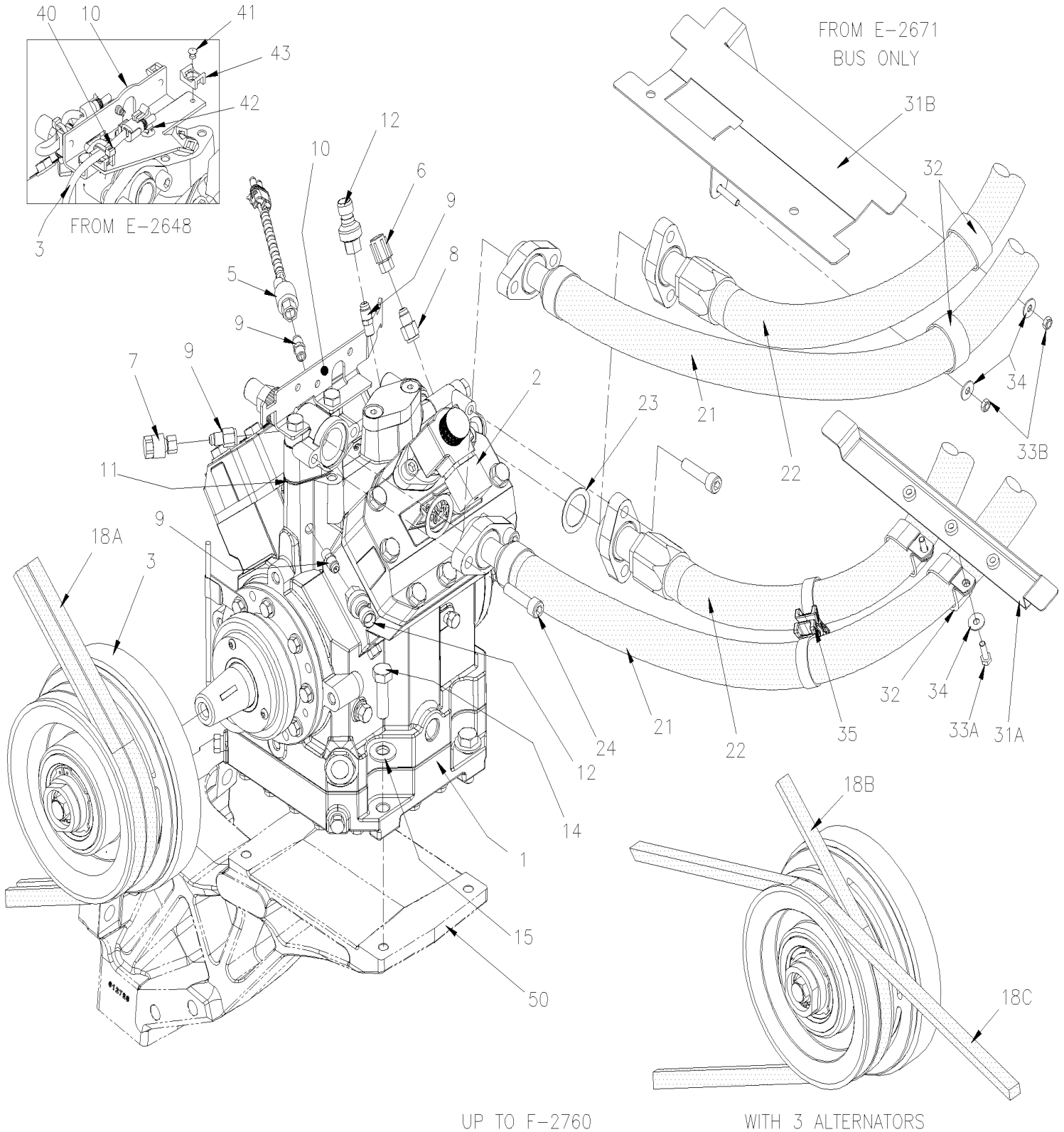


From D-2364 To J-0287

Date:10/2022

PAGE:H7-2245-02

## A/C COMPRESSOR "BITZER" - INSTALLATION

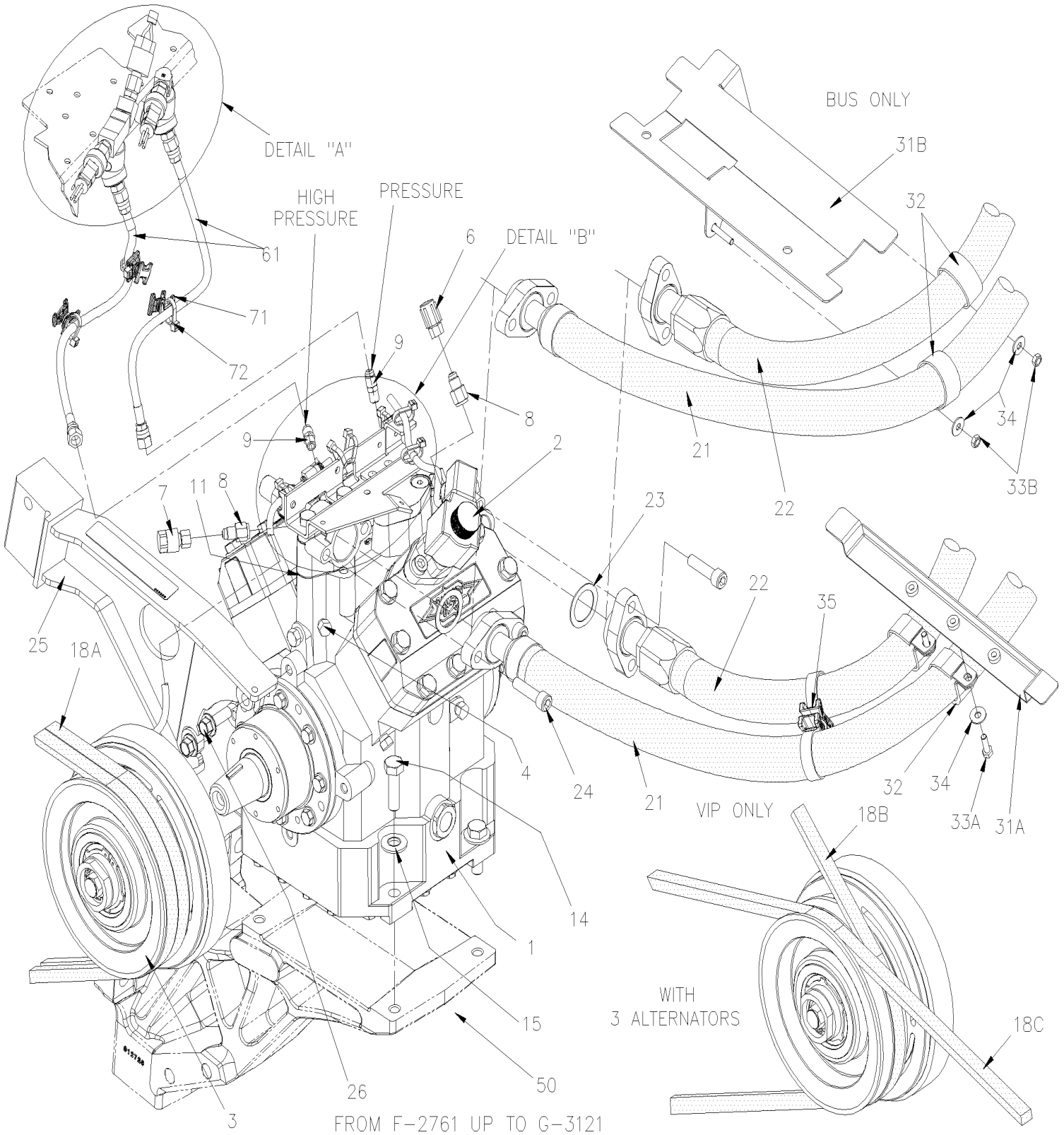


From D-2364 To J-0287

Date:10/2022

PAGE:H7-2245-02

## A/C COMPRESSOR "BITZER" - INSTALLATION

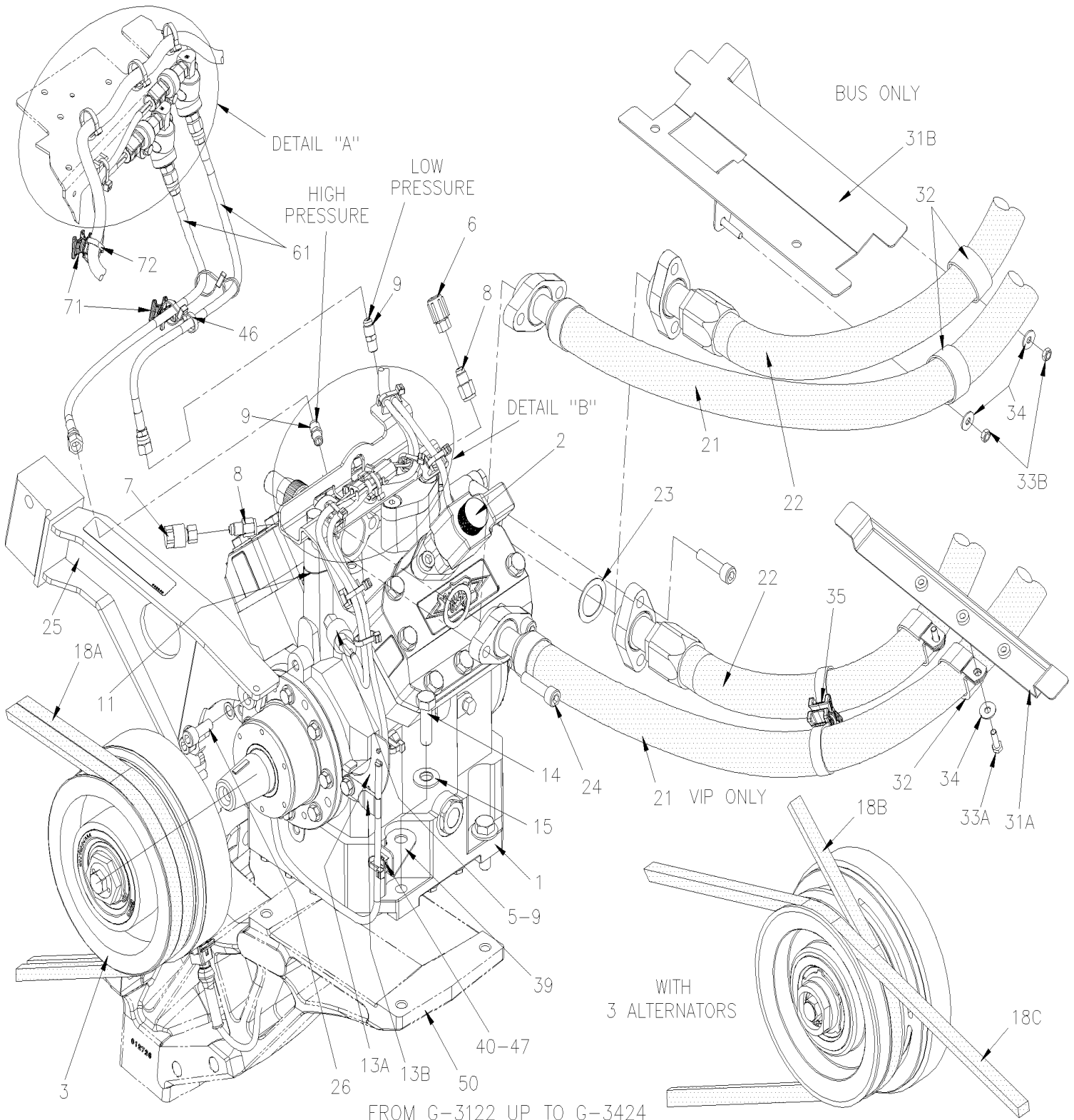


From D-2364 To J-0287

Date:10/2022

PAGE:H7-2245-02

## A/C COMPRESSOR "BITZER" - INSTALLATION

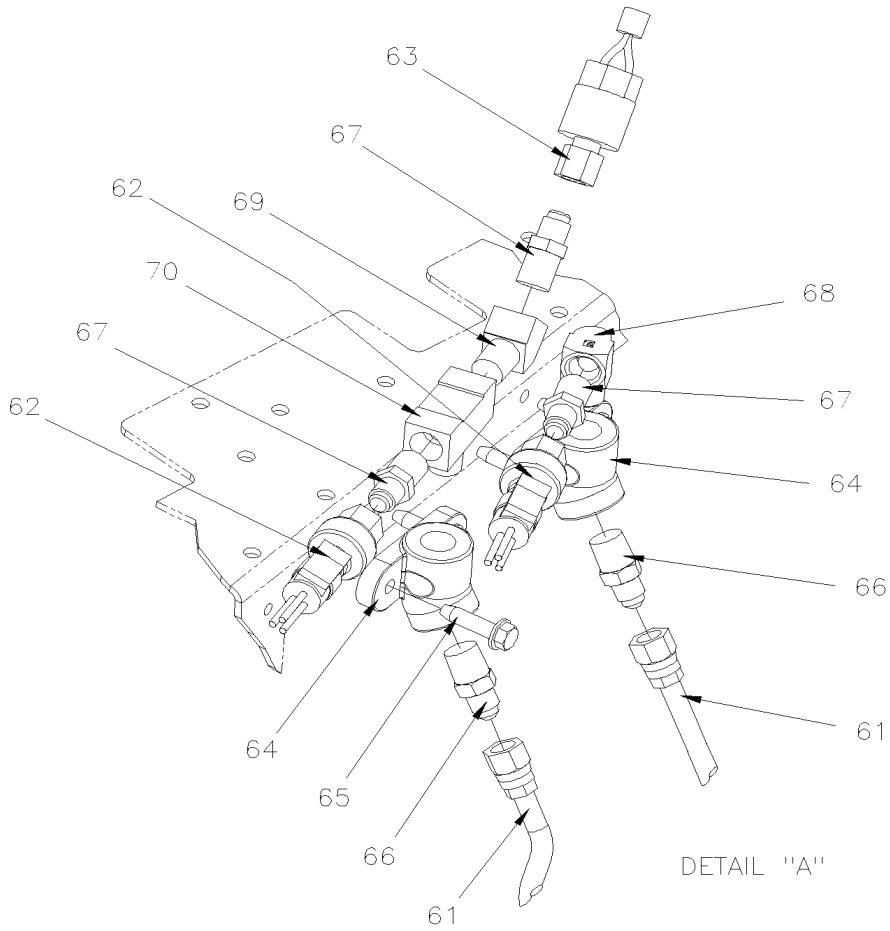


From D-2364 To J-0287

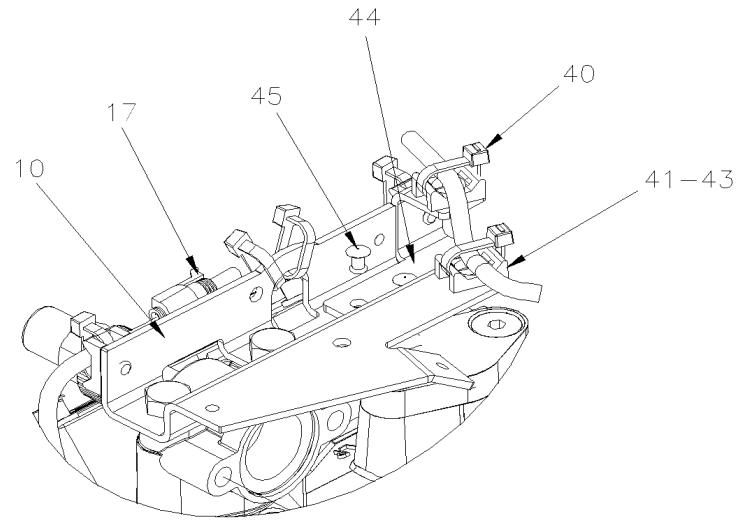
Date:10/2022

PAGE:H7-2245-02

**A/C COMPRESSOR "BITZER" - INSTALLATION**



DETAIL "A"



DETAIL "B"

FROM F-2761

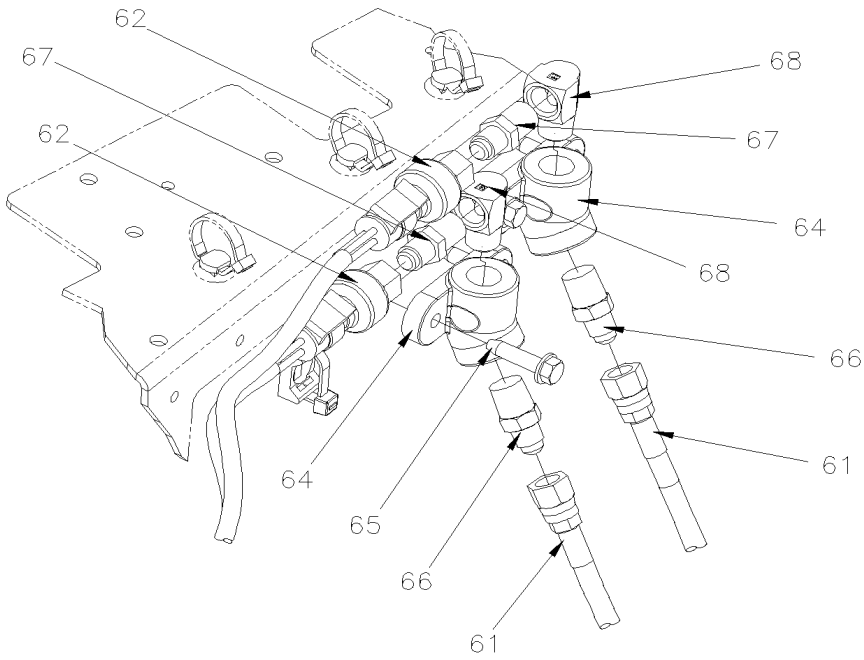


From D-2364 To J-0287

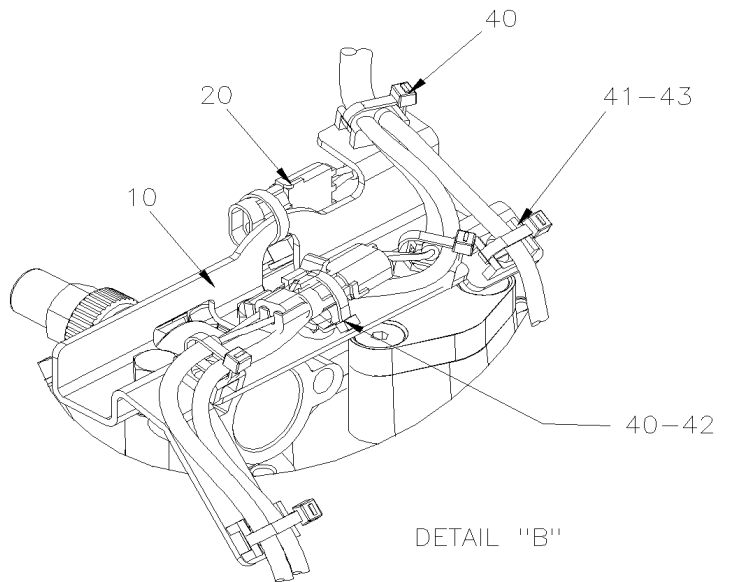
Date:10/2022

PAGE:H7-2245-02

A/C COMPRESSOR "BITZER" - INSTALLATION



DETAIL "A"



DETAIL "B"

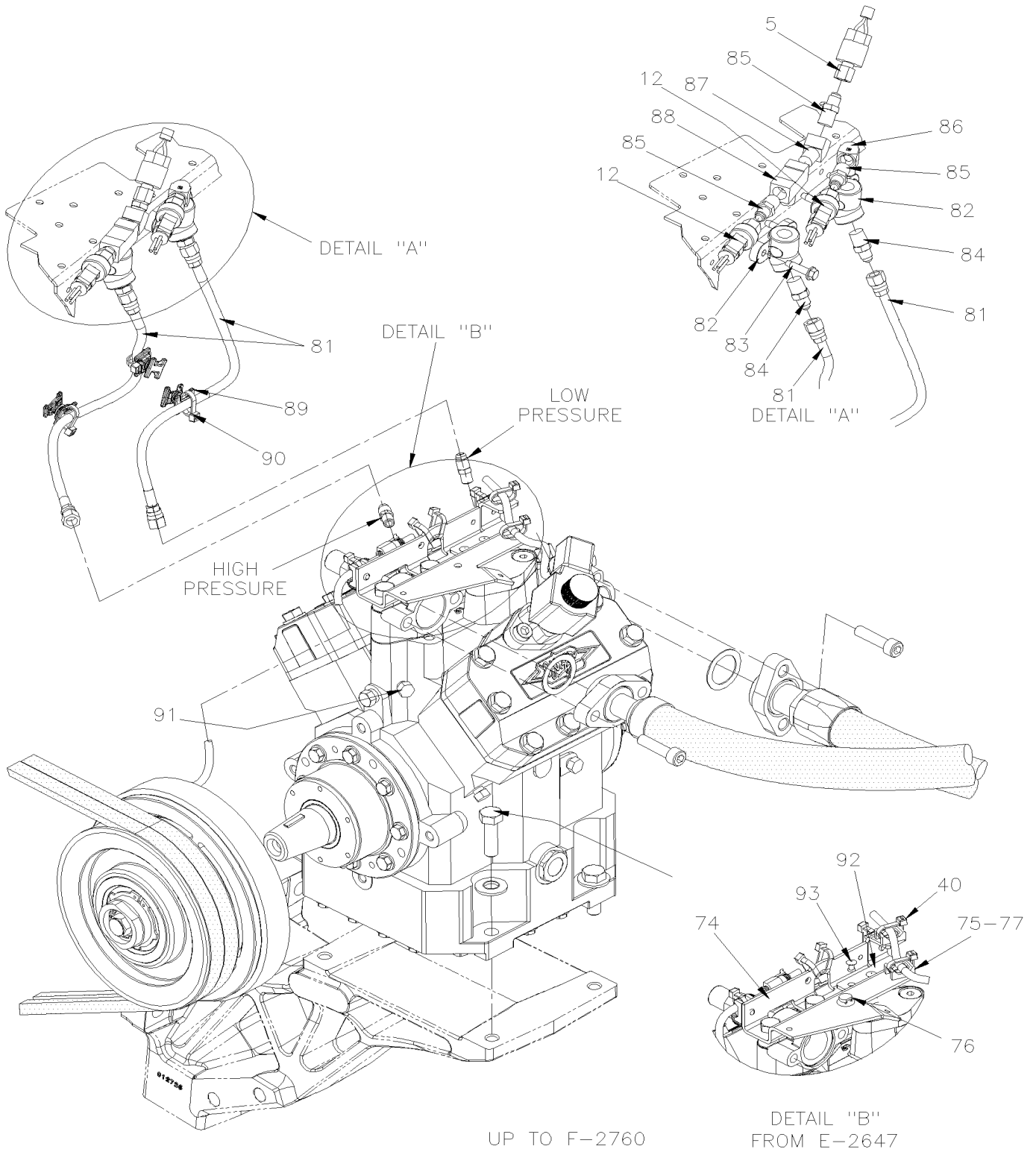
FROM G-3122

From D-2364 To J-0287

Date:10/2022

PAGE:H7-2245-02

## A/C COMPRESSOR "BITZER" - INSTALLATION



UP TO F-2760

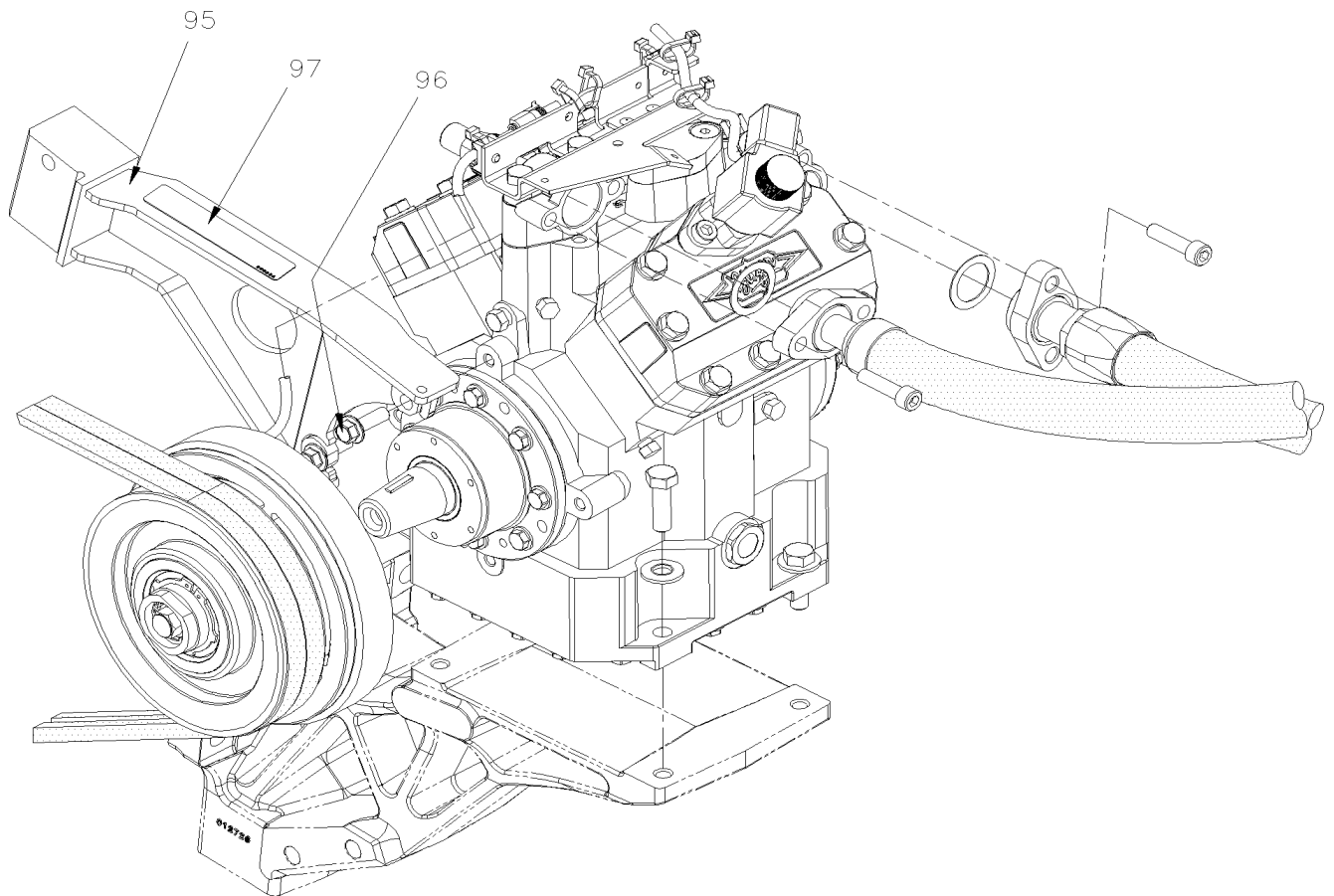
DETAIL "B"  
FROM E-2647

From D-2364 To J-0287

Date:10/2022

PAGE:H7-2245-02

**A/C COMPRESSOR "BITZER" - INSTALLATION**



UP TO F-3015

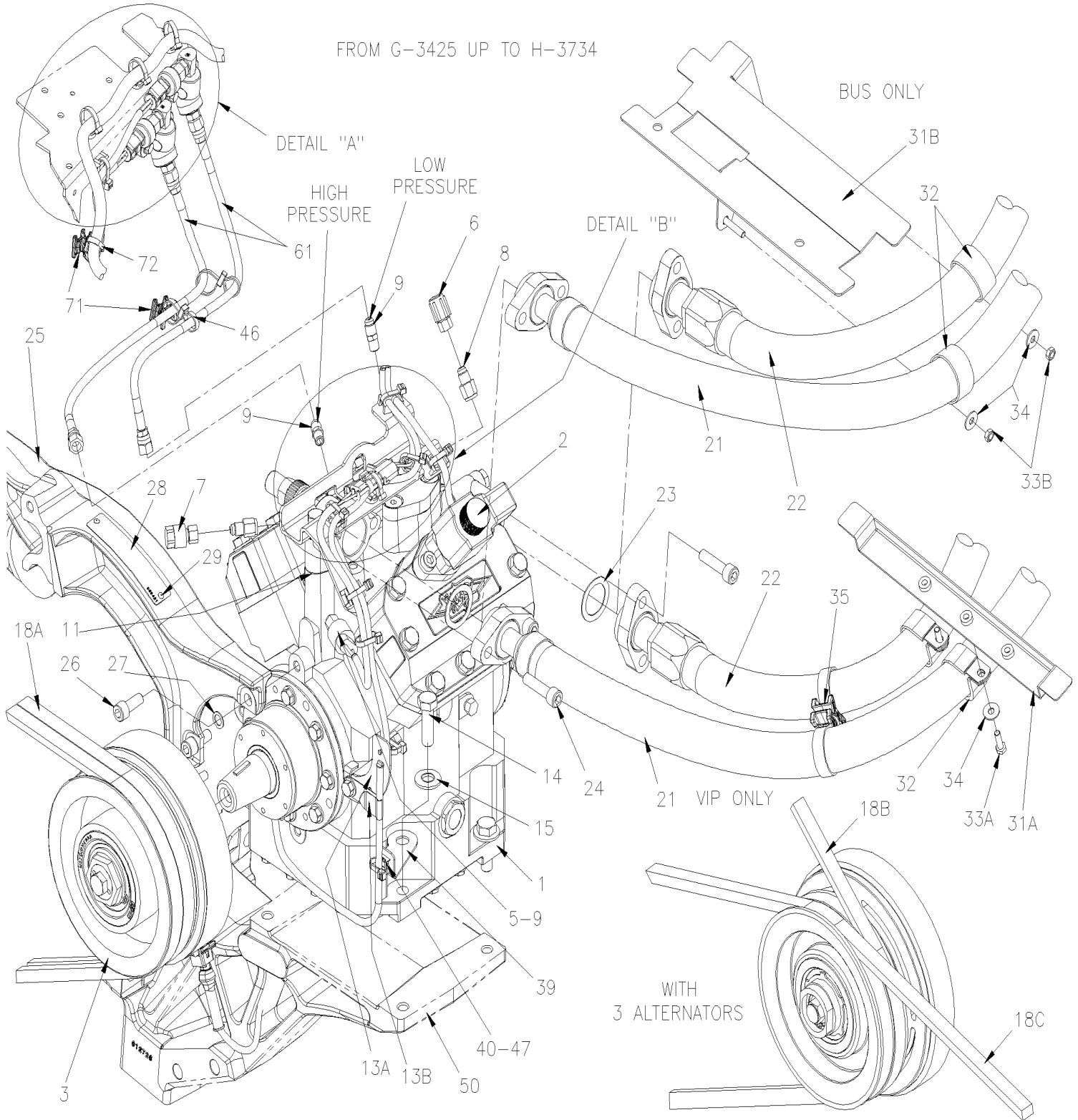
From D-2364 To J-0287

Date:10/2022

PAGE:H7-2245-02

## A/C COMPRESSOR "BITZER" - INSTALLATION

FROM G-3425 UP TO H-3734

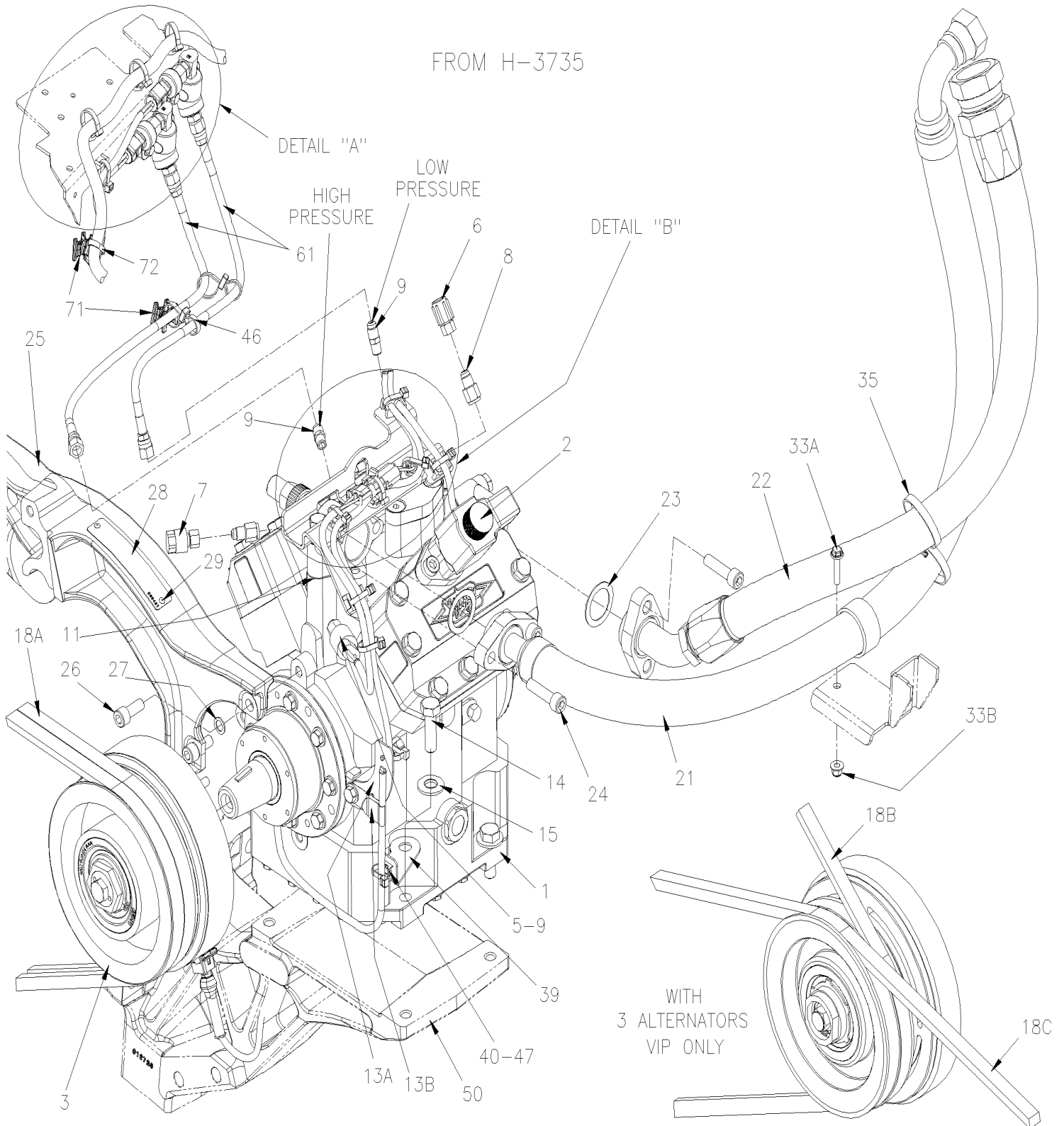


From D-2364 To J-0287

Date:10/2022

PAGE:H7-2245-02

## A/C COMPRESSOR "BITZER" - INSTALLATION



<b>From D-2364 To J-0287</b>	<b>Date:10/2022</b>	<b>PAGE:H7-2245-02</b>
<b>A/C COMPRESSOR "BITZER" - INSTALLATION</b>		

Item#	Part	Description	H 3 4 1	H 3 4 5	V I P 4 5	N O T E S
	950001D	A/C COMPRESSOR ASSY 4 CYLINDERS W/O CLUTCH W/O VALVES - "BITZER" REMAN To E-2647	1	1	1	
	950002	A/C COMPRESSOR ASSY 4 CYLINDERS - "BITZER" From E-2648 To F-2760	1	1	1	
	950572	A/C COMPRESSOR ASSY 4 CYLINDERS - "BITZER" From F-2761 To G-3079	1	1	1	
	950575	A/C COMPRESSOR ASSY 4 CYLINDERS W/O CLUTCH - "BITZER" From G-3080 To G-3121	1	1	1	
	950580	A/C COMPRESSOR ASSY 4 CYLINDERS W/O CLUTCH - "BITZER" From G-3122	1	1	1	
	5001775	SCREW CAP HEXS M8-1.25x25 G8.8 G500 From G-3080	4	4	4	C
	950494	A/C COMPRESSOR ASSY 4 CYLINDERS W/O CLUTCH W/O VALVES - "BITZER"	1	1	1	
. NS	680801	. OIL, BITZER COMPRESSOR, POE 134A 1 GALLON	AR	AR	AR	
1	<b>H7-2250-01</b>	<b>. A/C COMPRESSOR "BITZER" 4NFCY</b>				
2	<b>H7-2250-16</b>	<b>. A/C ELECTRIC UNLOADER - WITH "BITZER" COMPRESSOR</b>				
3	<b>H7-2246-01</b>	<b>. A/C CLUTCH - WITH "BITZER" COMPRESSOR</b>				
4	501303	. PLUG SQUARE HEAD / PIPE FITTING / 1/8NPT-M BR From E-2648 To G-3121	1	1	1	
5	950498	. PRESSURE SWITCH ASSY To E-2647	1	1	1	
. NS	561690	. . CONNECTOR / WEATHER PACK / SH 2C / BLACK / PED 12015792 To E-2647	1	1	1	
. NS	561567	. . PIN TERMINAL / 20-18 / PED 12089040 To E-2647	2	2	2	
. NS	561786	. . CABLE SEAL / GRAY / PED 15324980 To E-2647	2	2	2	
5	950498	. PRESSURE SWITCH ASSY From G-3122	1	1	1	
. NS	561690	. . CONNECTOR / WEATHER PACK / SH 2C / BLACK / PED 12015792 From G-3122	1	1	1	
. NS	561567	. . PIN TERMINAL / 20-18 / PED 12089040 From G-3122	2	2	2	
. NS	561786	. . CABLE SEAL / GRAY / PED 15324980 From G-3122	2	2	2	
6	950499	. ADAPTOR 7/16-20 x R134 13MM	1	1	1	
7	950500	. ADAPTOR 7/16-20 x R134 16MM	1	1	1	
8	950501	. ADAPTOR 7/16-20-F x 7/16-20-M To G-3121	2	2	2	
8	950466	. ADAPTOR 7/16-20-F x 7/16-20-M From G-3122	2	2	2	
9	950502	. ADAPTOR / SHRADER FITTING / 1/8NPT-M To E-2647	3	3	3	
9	950502	. ADAPTOR / SHRADER FITTING / 1/8NPT-M From E-2648 To G-3121	2	2	2	
9	950502	. ADAPTOR / SHRADER FITTING / 1/8NPT-M From G-3122	3	3	3	
10	068758	. BRACKET WIRIING HARNESS COMPRESSOR To E-2647	1	1	1	
10	067349	. BRACKET WIRIING HARNESS COMPRESSOR From E-2648 To G-3121	1	1	1	
10	069449	. BRACKET WIRIING HARNESS COMPRESSOR From G-3122	1	1	1	
11	950503	. MUFFLER 14MM / 56MM C/C	1	1	1	
12	950504	. TRANSDUCER 0-500 PSIG To E-2647	2	2	2	
13A	069450	. BRACKET WIRIING HARNESS COMPRESSOR From G-3122	1	1	1	
13B	950532	. BRACKET OIL TUBING From G-3122	1	1	1	
13B	950975	. HOSE From G-3122	1	1	1	
14	5001885	SCREW CAP HEX M12-1.75X40 G10.9 N500	4	4	4	
15	500967	WASHER BEL SPR .512x1.142x.098 N500	4	4	4	
16	069206	CABLE ASSY / A/C COMPRESSOR W/LARGE SYSTEM From E-2648 To G-3121	1	1	1	
16	069492	CABLE ASSY / A/C COMPRESSOR W/LARGE SYSTEM From G-3122 To H-3734	1	1	1	
16	069654	CABLE ASSY / A/C COMPRESSOR W/LARGE SYSTEM From H-3735 To H-3996	1	1	1	
16	061487	CABLE ASSY / A/C COMPRESSOR W/LARGE SYSTEM From H-3997	1	1	1	
17	561690	CONNECTOR / WEATHER PACK / SH 2C / BLACK / PED 12015792 To G-3121	1	1	1	



<b>From D-2364 To J-0287</b>	<b>Date:10/2022</b>	<b>PAGE:H7-2245-02</b>
<b>A/C COMPRESSOR "BITZER" - INSTALLATION</b>		

Item#	Part	Description	H 3 4 1	H 3 4 5	V I P 4 5	N O T E S
17	561565	CABLE SEAL / GREEN / PED 15324982 To G-3121	2	2	2	
17	561567	PIN TERMINAL / 20-18 / PED 12089040 To G-3121	2	2	2	
18A	5060134	V-BELT / BX-71 / SET OF 2	1	1	1	
18B	5060127	SUPER V-BELT / 5VX810 To E-2687			1	A
18B	5060137	SUPER V-BELT / 5VX740 From E-2688			1	A
18C	5060125	SUPER V-BELT / 5VX918 To E-2687			1	A
18C	5060138	SUPER V-BELT / 5VX940 From E-2688			1	A
20	452831	PRESSURE SWITCH N.O. 30-5 20SP001MA030C005C From H-3997	1	1	1	
21	950490	HOSE ASSY / DISCHARGE / #16 / 1360MM To E-2670	1	1		
21	950524	HOSE ASSY / DISCHARGE / #16 / 1390MM From E-2671 To H-3734	1	1		
21	950490	HOSE ASSY / DISCHARGE / #16 / 1360MM To H-3734			1	
21	950578	HOSE ASSY / DISCHARGE / #16 / 1070MM From H-3735	1	1	1	
22	950489	HOSE ASSY / SUCTION / #20 / 950MM To F-2941	1	1	1	
22	457719	HOSE ASSY / SUCTION / #20 / 950MM From F-2942 To H-3734	1	1	1	
22	950579	HOSE ASSY / SUCTION / #20 / 821MM From H-3735	1	1	1	
23	950957	GASKET	2	2	2	
24	Call order desk	SCREW CAP HEXS M10-1.5x40 G10.9	1	1	1	P
25	457759	SUPPORT, TENSIONNER From F-3016 To G-3157	1	1	1	
25	457675	SUPPORT, TENSIONNER WELDED From G-3158 To G-3424	1	1	1	
25	069356	DECAL "DO NOT POWER WASH ALTERNATORS" ENGLISH From F-3016 To G-3424	1	1	1	
25	457750	SUPPORT, TENSIONNER CASTING From G-3425	1	1	1	
26	5001741	SCREW CAP HEXF M10-1.5x30 G8.8 N500 From F-3016 To G-3157	2	2	2	
26	5001616	SCREW CAP HEXS M10-1.5X25 G10.9 DP From G-3158	2	2	2	
27	502867	WASHER FL .406x.625x.040 N500 From G-3162	2	2	2	
28	069421	DECAL "DO NOT POWER WASH ALTERNATORS" From G-3425	1	1	1	
29	504339	RIVET POP DOME OE 1/8x3/8 SS From G-3425	2	2	2	
NS	680038	THREAD LOCKER LOCTITE #243 / BLUE / 50ml	AR	AR	AR	
NS	680098	THREAD SEALANT LOCTITE #567 / WHITE / 250ml	AR	AR	AR	
31A	454453	SUPPORT / A/C HOSE To E-2670	1	1		
31A	454453	SUPPORT / A/C HOSE To H-3734			1	
31B	454820	SUPPORT / A/C HOSE From E-2671 To H-3734	1	1		D
31B	450404	SUPPORT / A/C HOSE From E-2671 To H-3734	1	1		
32	504785	CLAMP / SS / SILICONE RUBBER / 1 1/2" I.D. x .281 HOLE To H-3734	2	2	2	
32	504785	CLAMP / SS / SILICONE RUBBER / 1 1/2" I.D. x .281 HOLE From H-3735	1	1	1	
33A	502830	SCREW CAP HEX M6-1.0x20 G8.8 N500 To E-2670	2	2		
33A	502830	SCREW CAP HEX M6-1.0x20 G8.8 N500 To H-3734			2	
33A	5001815	SCREW CAP HEXF M6-1.0x30 G 8.8 N500 From H-3735	1	1	1	
33B	502854	NUT HEX M6-1.0 N500 From E-2671 To H-3734	2	2		
33B	5001932	NUT HEXF NYRT M6-1.0 G8.8 N500 From H-3735	1	1	1	
34	5001833	WASHER BEL SPR 6.1x18x1.27 SS To H-3734	2	2	2	
35	504752	ROTATIF SPACER DOUBLE / LARGE To H-3734			1	
35	509491	CABLE TIE / 13MM x 383MM To H-3734			2	

<b>From D-2364 To J-0287</b>	<b>Date:10/2022</b>	<b>PAGE:H7-2245-02</b>
<b>A/C COMPRESSOR "BITZER" - INSTALLATION</b>		

Item#	Part	Description	H 3 4 1	H 3 4 5	V I P 4 5	N O T E S
35	504751	ROTATIF SPACER DOUBLE / SMALL From H-3735	1	1	1	
35	504016	CABLE TIE / 5/16" X 14"1/2 From H-3735	2	2	2	
39	069481	BRACKET WIRIING HARNESS COMPRESSOR From G-3122	1	1	1	
40	504637	CABLE TIE / 3/16" x 13" From E-2648	AR	AR	AR	
41	504379	RIVET POP DOME OE 3/16x1/4 SS From E-2648	5	5	5	
42	509815	TIE MOUNT / ATTACHMENT W/TREE MOUNT From E-2648 To F-2760	2	2	2	
42	509815	TIE MOUNT / ATTACHMENT W/TREE MOUNT From G-3122 To H-3996	1	1	1	
42	509815	TIE MOUNT / ATTACHMENT W/TREE MOUNT From H-3997	3	3	3	
43	504013	TIE MOUNT / 1/4" X 1/4" I.D. From E-2648	5	5	5	
44	069099	SUPPROT WIRIING HARNESS COMPRESSOR From F-2761 To G-3121	1	1	1	
45	504379	RIVET POP DOME OE 3/16x1/4 SS From F-2761 To G-3121	2	2	2	
46	507664	CABLE TIE / 3/16" 11" / DOUBLE LOOP HEAD From G-3122	AR	AR	AR	
47	504810	TIE MOUNT / #8 From G-3122	2	2	2	
47	504340	RIVET POP DOME OE 1/8x3/16 SS From G-3122	2	2	2	
50	<b>H7-0150-01</b>	<b>ENGINE CRADLE - WITH VOLVO D13</b>				
61	457743	HOSE ASSY / #4 / 400MM From F-2761 To G-3121	2	2	2	
61	457772	HOSE ASSY / #4 / 425MM From G-3122 To H-3734	2	2	2	
62	950504	TRANSDUCER 0-500 PSIG From F-2761 To H-3734	2	2	2	
63	950498	PRESSURE SWITCH ASSY From F-2761 To G-3121	1	1	1	
. NS	561690	. CONNECTOR / WEATHER PACK / SH 2C / BLACK / PED 12015792 From F-2761 To G-3121	1	1	1	
. NS	561567	. PIN TERMINAL / 20-18 / PED 12089040 From F-2761 To G-3121	2	2	2	
. NS	561786	. CABLE SEAL / GRAY / PED 15324980 From F-2761 To G-3121	2	2	2	
64	640643	ANCHOR ELBOW / PIPE FITTING / 1/4NPT-Fx1/4NPT-F STL From F-2761 To H-3734	2	2	2	
65	500266	SCREW TC CAP HEX 1/4-20x1 N500 From F-2761 To H-3734	4	4	4	
66	501027	MALE CONNECTOR / SAE 45° FITTING / #4FL-Mx1/4NPT-M BR From F-2761 To H-3734	2	2	2	
67	950249	SCHRADER VALVE 1/4NPT-M From F-2761 To G-3121	3	3	3	
67	950249	SCHRADER VALVE 1/4NPT-M From G-3122 To H-3734	2	2	2	
68	501332	STREET ELBOW 90° / PIPE FITTING / 1/4NPT-Mx1/4NPT-F BR From F-2761 To G-3121	1	1	1	
68	501332	STREET ELBOW 90° / PIPE FITTING / 1/4NPT-Mx1/4NPT-F BR From G-3122 To H-3734	2	2	2	
69	501329	STREET ELBOW 45° / PIPE FITTING / 1/4NPT-Mx1/4NPT-F BR From F-2761 To G-3121	1	1	1	
70	501894	MALE BRANCHE TEE / PIPE FITTING / 1/4NPT-Fx1/4NPT-Fx1/4NPT-M BR From F-2761 To G-3121	1	1	1	
71	504751	ROTATIF SPACER DOUBLE / SMALL From F-2761 To H-3734	4	4	4	
72	504637	CABLE TIE / 3/16" x 13" From F-2761 To H-3734	AR	AR	AR	
73	WB14-06	BRACKET WIRIING HARNESS COMPRESSOR REPLACEMENT To E-2647	1	1	1	
73	069206	. CABLE ASSY / A/C COMPRESSOR W/LARGE SYSTEM To E-2647	1	1	1	
74	067349	. BRACKET WIRIING HARNESS COMPRESSOR To E-2647	1	1	1	
75	504379	. RIVET POP DOME OE 3/16x1/4 SS To E-2647	5	5	5	
76	509815	. TIE MOUNT / ATTACHMENT W/TREE MOUNT To E-2647	1	1	1	
77	504013	. TIE MOUNT / 1/4" X 1/4" I.D. To E-2647	5	5	5	



From D-2364 To J-0287	Date:10/2022	PAGE:H7-2245-02
<b>A/C COMPRESSOR "BITZER" - INSTALLATION</b>		

Item#	Part	Description	H 3 4 1	H 3 4 5	V I P 4 5	N O T E S
78	504637	CABLE TIE / 3/16" x 13" To E-2647	AR	AR	AR	
80	WB14-06-1	RELOCATION PRESSURE SWITCHES & TRANSDUCER To F-2760				
81	457743	. HOSE ASSY / #4 / 400MM To F-2760	2	2	2	
82	640643	. ANCHOR ELBOW / PIPE FITTING / 1/4NPT-Fx1/4NPT-F STL To F-2760	2	2	2	
83	500266	. SCREW TC CAP HEX 1/4-20x1 N500 To F-2760	4	4	4	
84	501027	. MALE CONNECTOR / SAE 45° FITTING / #4FL-Mx1/4NPT-M BR To F-2760	2	2	2	
85	950249	. SCHRADER VALVE 1/4NPT-M To F-2760	3	3	3	
86	501332	. STREET ELBOW 90° / PIPE FITTING / 1/4NPT-Mx1/4NPT-F BR To F-2760	1	1	1	
87	501329	. STREET ELBOW 45° / PIPE FITTING / 1/4NPT-Mx1/4NPT-F BR To F-2760	1	1	1	
88	501894	. MALE BRANCHE TEE / PIPE FITTING / 1/4NPT-Fx1/4NPT-Fx1/4NPT-M BR To F-2760	1	1	1	
89	504751	. ROTATIF SPACER DOUBLE / SMALL To F-2760	4	4	4	
90	504637	. CABLE TIE / 3/16" x 13" To F-2760	AR	AR	AR	
91	501303	. PLUG SQUARE HEAD / PIPE FITTING / 1/8NPT-M BR To F-2760	1	1	1	
92	069099	. SUPPROT WIRIING HARNESS COMPRESSOR To F-2760	1	1	1	
93	504379	. RIVET POP DOME OE 3/16x1/4 SS To F-2760	2	2	2	
95	457769	SUPPORT A/C COMPRESSOR KIT To F-3015	1	1	1	
95	457675	. SUPPORT, TENSIONNER WELDED To F-3015	1	1	1	S
96	5001616	. SCREW CAP HEXS M10-1.5X25 G10.9 DP To F-3015	2	2	2	S
97	069356	. DECAL "DO NOT POWER WASH ALTERNATORS" ENGLISH To F-3015	1	1	1	
		A) WITH 3 ALTERNATORS INSTALLATION				
		C) USE TO FIX THE CLUTCH TO THE COMPRESSOR				
		D) FOR PRODUCT IMPROVMENT ORDER #450404				
		S) SERVICE				
		P) CALL ORDER DESK FOR SPECIFIC APPLICATION (V.I.N.)				

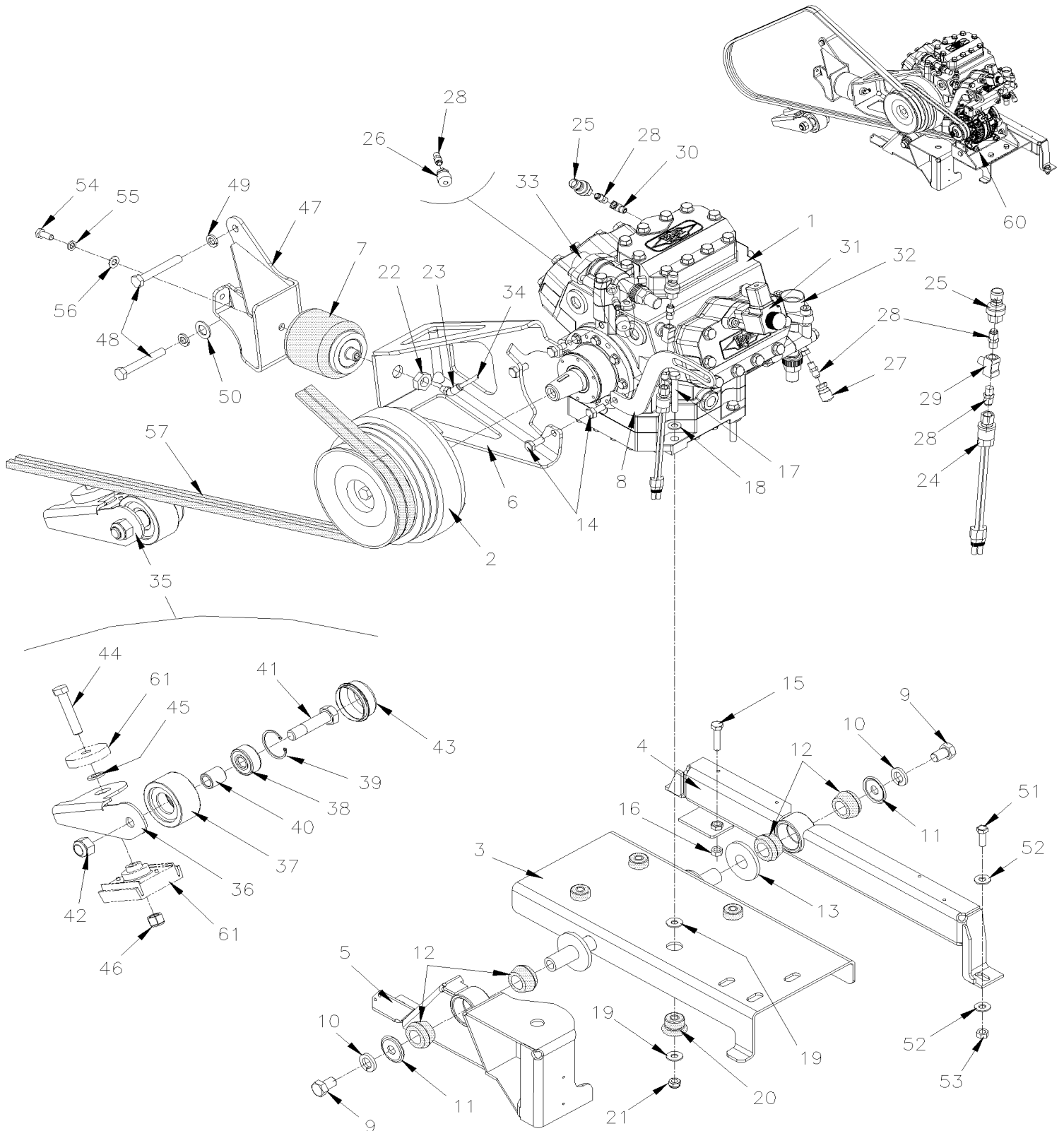


From 8-1362 To D-2363

Date:10/2022

PAGE:H7-2245-30

## A/C COMPRESSOR "BITZER" - INSTALLATION



From 8-1362 To D-2363	Date:10/2022	PAGE:H7-2245-30
<b>A/C COMPRESSOR "BITZER" - INSTALLATION</b>		

Item#	Part	Description	H 3 4 1	H 3 4 5	V I P 4 5	N O T E S
1	H7-2250-20	A/C COMPRESSOR "BITZER" 6NFCY / "SPECIAL"				
2	950447	A/C CLUTCH - WITH "BITZER" COMPRESSOR			1	
. NS	Call order desk	. KIT BEARING CLUTCH & PLATE REPAIR			1	P
. NS	Call order desk	. COIL CLUTCH			1	P
. NS	Call order desk	. CONECTOR FOR CLUTCH			1	P
NS	940142	SCREW CAP HEX M8-1.25x30 G8.8 ZG603			4	
NS	502889	WASHER LO SPT 8.1x12.7x2.0 N500			4	
3	455157	SUPPORT ASSY - "BITZER"			1	
4	454487	SUPPORT OPPOSITE PULLEY SIDE			1	
5	454190	SUPPORT ASSY			1	
6	455161	SUPPORT			1	
7	550840	BELLOW ASSY / BELT TENSIONER / 4" O.D.			1	
8	067599	TENSIONER			1	
9	500225	SCREW CAP HEX 5/8-11x1 G5 Z050			2	
10	500484	WASHER LO SPT .635x1.079x.156 Z050			2	
11	5001151	WASHER CON 16.5x50.0x4.5 ZP			2	
12	630002	BUSHING / RUBBER / (TWO PIECES) 1" x 1.005" I.D.			4	
13	500997	WASHER FL 1.062x2.500x.125 SS			1	
14	502804	SCREW CAP HEX M10-1.5x25 G8.8 N500			4	
15	5001316	SCREW CAP HEX M10-1.5x45 SS			1	
16	500847	NUT HEX M10-1.5 N500			1	
17	5001493	SCREW CAP HEX M10-1.5x70 SS			4	
18	500832	WASHER FL .406x.812x.065 N500			4	
19	960143	WASHER FL 10.5x26.0x2.0 ZP			8	
20	510342	INSULATOR, RUBBER MOUNT			4	
21	502859	NUT HEX NYRT M10-1.5 N500			4	
22	502917	NUT HEX JAM 3/4-16 G2 N500			1	
23	641365	MALE ELBOW 45° NON-SWIVEL / PUSH-IN FITTING / #4x1/8NPT-M BR			1	
24	453380	PRESSURE SWITCH N.C. 350-245 20PS001MB350K245R			1	
25	563423	TRANSDUSER -6.7 to 420 LBS / 1/8 NPT-F			2	
. NS	563159	. CONNECTOR / METRI-PACK 150 / SH 3C / PED 12065287			1	
26	950234	GAUGE ADAPTOR ASSY / W/RED CAP FOR R-134A / DISCHARGE SIDE (ALUMINUM)			1	
27	950235	GAUGE ADAPTOR ASSY / W/BLUE CAP FOR R-134A / SUCTION SIDE (ALUMINUM)			1	
28	950030	SCHRADER VALVE 1/8NPT-M			5	
29	507589	MALE BRANCHE TEE / PIPE FITTING / 1/8NPT-Fx1/8NPT-Fx1/8NPT-M BR			1	
NS	067701	CABLE HARNESS PRESSURE SWITCH & ACCESORIES			1	
30	501331	STREET ELBOW 90° / PIPE FITTING / 1/8NPT-Mx1/8NPT-F BR			1	
31	950521	SOLONOID VALVE COMPLET 24VOLT			2	
32	Call order desk	PIPE ASSY / SUCTION ASSY W/PIPE			1	P
. NS	950451	. PIPE ASSY / SUCTION			1	
. NS	5011107	. BULKHEAD MALE CONNECTOR / ORS FITTING / #24ORS-Mx#22BRAZE-F BR			1	
. NS	507346	. . O-RING / ORS FITTING / #24 NEO			1	

From 8-1362 To D-2363 Date:10/2022 PAGE:H7-2245-30

**A/C COMPRESSOR "BITZER" - INSTALLATION**

Item#	Part	Description	H 3 4 1	H 3 4 5	V I P 4 5	N O T E S
NS	374411	HOSE ASSY / SUCTION W/R-134a / #24 830MM			1	
33	455318	HOSE ASSY / DISCHARGE W/R-134a / #16 1166MM			1	
34	503402	TUBE, NYLON 1/4 O.D. / BLACK S.L.			AR	
35	455155	PULLEY ASSY			1	
36	455156	. SUPPORT PULLEY			1	
37	453834	. PULLEY / 45MM x 90MM O.D.			1	
38	507340	. BALL BEARING 20 ID x 52 OD x 22.2 W			1	
39	504095	. RING RETAINER / INT 2.00 x 2.12 x .062			1	
40	457445	. SPACER / 29.75ODx20IDx33			1	
41	457446	. SCREW CAP HEX M20-2.5x85.5			1	
42	5001663	. NUT HEX NYRT M20-2.5 G10 Z050			1	
43	453076	. CAP, DUST			1	
44	502545	SCREW CAP HEX M16-2.0x80 G8.8 Z050			1	
45	5001722	WASHER FL 17.0x30.0x3.0 SS			1	
46	5001662	NUT HEX NYRT M16-2.0 G10 Z050			1	
47	455160	SUPPORT			1	
48	502792	SCREW CAP HEX M12-1.75x90 G8.8 Z050			2	
49	5001534	WASHER LO SPT .509x.873x.125 SS			2	
50	500958	WASHER FL .531x1.062x.095 SS			1	
51	500065	SCREW CAP HEX M10-1.5x30 G10.9 DP			4	
52	500897	WASHER FL .437x1.000x.083 N500			7	
53	5001758	NUT HEX STO M10-1.5 N500			3	
54	502926	SCREW CAP HEX 3/8-16x7/8 G5 N500			1	
55	500218	WASHER LO SPT .380x.683x.098 DP320			1	
56	500832	WASHER FL .406x.812x.065 N500			1	
57	5060078	V-BELT / BX-98 / SET OF 2 9013-2098			1	
60	<b>H7-0610-57</b>	<b>ALTERNATOR MOUNTING / 12V-200Amps WITH "BITZER"</b>				
61	<b>H7-0150-00</b>	<b>ENGINE CRADLE - WITH DETROIT S-60</b>				
		P) CALL ORDER DESK FOR SPECIFIC APPLICATION (V.I.N.)				
		P) CALL ORDER DESK FOR SPECIFIC APPLICATION (V.I.N.)				

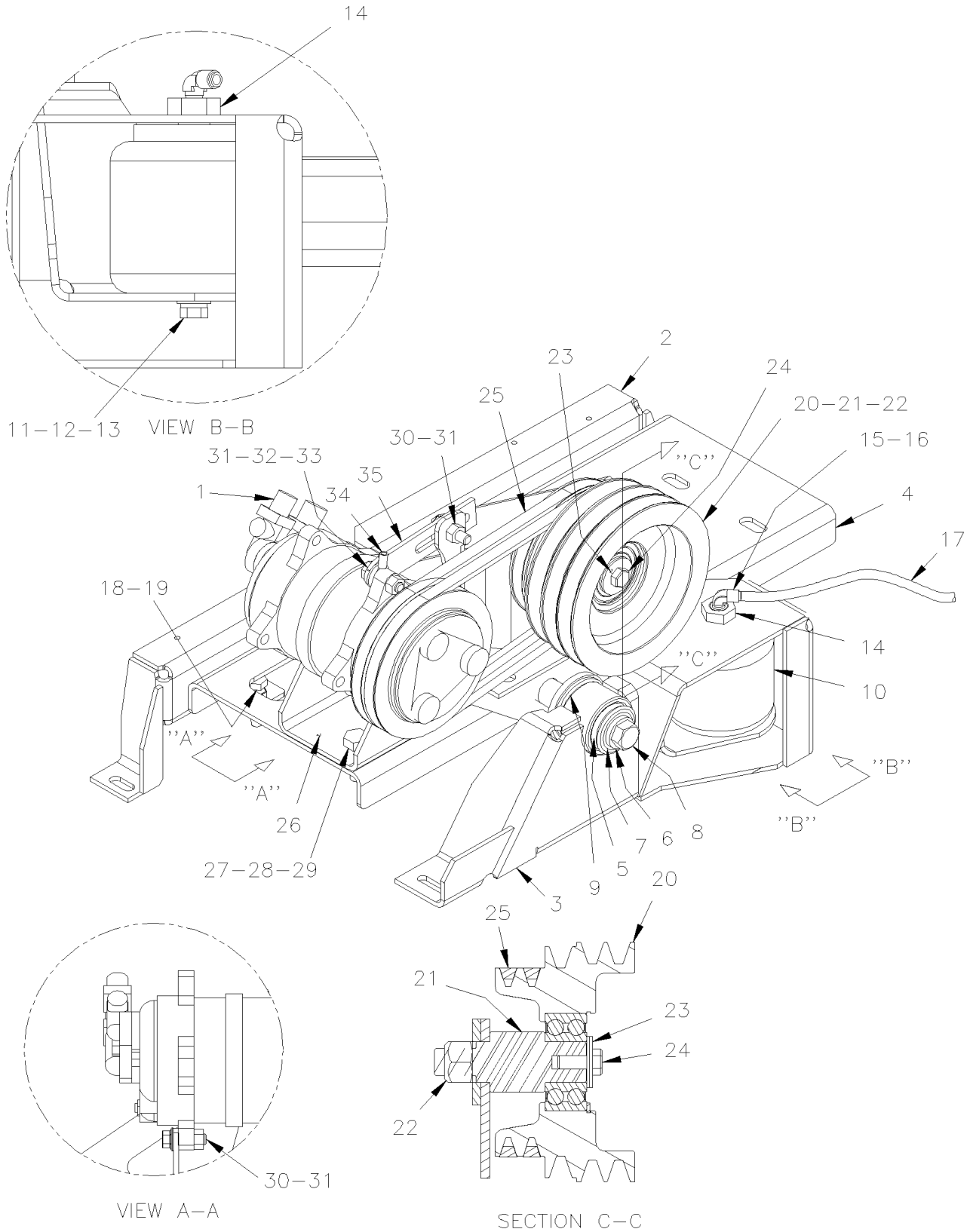


From 7-0671 To A-1720

Date:10/2022

PAGE:H7-2245-50

## A/C COMPRESSOR SMALL - INSTALLATION



<b>From 7-0671 To A-1720</b>	<b>Date:10/2022</b>	<b>PAGE:H7-2245-50</b>
<b>A/C COMPRESSOR SMALL - INSTALLATION</b>		

Item#	Part	Description	H 3 4 1	H 3 4 5	V I P 4 5	N O T E S
1	950436	A/C COMPRESSOR ASSY "SD7"			1	
. NS	950445	. MANIFOLD FITTING 3/4-16 & 7/8-14			1	
2	454505	SUPPORT OPPOSITE PULLEY SIDE W/SMALL A/C			1	
3	454190	SUPPORT ASSY			1	
4	454507	SUPPORT ASSY / SMALL A/C COMPRESSOR			1	
5	630002	BUSHING / RUBBER / (TWO PIECES) 1" x 1.005" I.D.			4	
6	5001151	WASHER CON 16.5x50.0x4.5 ZP			2	
7	500484	WASHER LO SPT .635x1.079x.156 Z050			2	
8	500225	SCREW CAP HEX 5/8-11x1 G5 Z050			2	
9	500997	WASHER FL 1.062x2.500x.125 SS			2	
10	550840	BELLOW ASSY / BELT TENSIONER / 4" O.D.			1	
11	502926	SCREW CAP HEX 3/8-16x7/8 G5 N500			1	
12	500218	WASHER LO SPT .380x.683x.098 DP320			1	
13	500832	WASHER FL .406x.812x.065 N500			1	
14	502917	NUT HEX JAM 3/4-16 G2 N500			1	
15	641369	MALE ELBOW 90° NON-SWIVEL / PUSH-IN FITTING / #4x1/8NPT-M BR			1	
16	680098	THREAD SEALANT LOCTITE #567 / WHITE / 250ml			AR	
17	503402	TUBE, NYLON 1/4 O.D. / BLACK S.L.			AR	
18	5001316	SCREW CAP HEX M10-1.5x45 SS			1	
19	500847	NUT HEX M10-1.5 N500			1	
20	454510	PULLEY ASSY / W/5 GROOVE			1	
20	454330	. PULLEY W/5 GROOVE			1	
NS	507213	. BALL BEARING			1	
20	507675	. BALL BEARING			1	
NS	504736	. RING RETAINER / INT 72 x 75 x 2.5MM			1	
21	454511	SHAFT PULLEY			1	
22	5001252	NUT HEX STO M20-2.5 DP			1	
23	500261	WASHER FL .390x1.500x.083 N500			2	
24	502804	SCREW CAP HEX M10-1.5x25 G8.8 N500			1	
25	5060081	V-BELT / AX-32 / SET OF 2 9012-2032			1	
26	454503	SUPPORT ASSY / SMALL A/C COMPRESSOR			1	
27	502731	SCREW CAP HEX M12-1.75x40 G8.8 Z050			2	
28	500446	WASHER FL .531x1.250x.125 Z050			2	
29	500811	NUT HEX STO M12-1.75 G500			2	
30	946472	SCREW CAP HEXF M10-1.5x30 G8.8 ZG603			3	
31	5001758	NUT HEX STO M10-1.5 N500			4	
32	970949	SCREW CAP HEX M10-1.5x35 G8.8 ZG603			1	
33	960143	WASHER FL 10.5x26.0x2.0 ZP			1	
34	560093	RING TERMINAL .375 / 16-14 / INSULATED / AMP 330896			1	
35	454502	TENSIONER SMALL A/C COMPRESSOR 140MM			1	



From 7-0671 To A-1720      Date:10/2022      PAGE:H7-2245-50

**A/C COMPRESSOR SMALL - INSTALLATION**

Item#	Part	Description	H 3 4 1	H 3 4 5	V I P 4 5	N O T E S

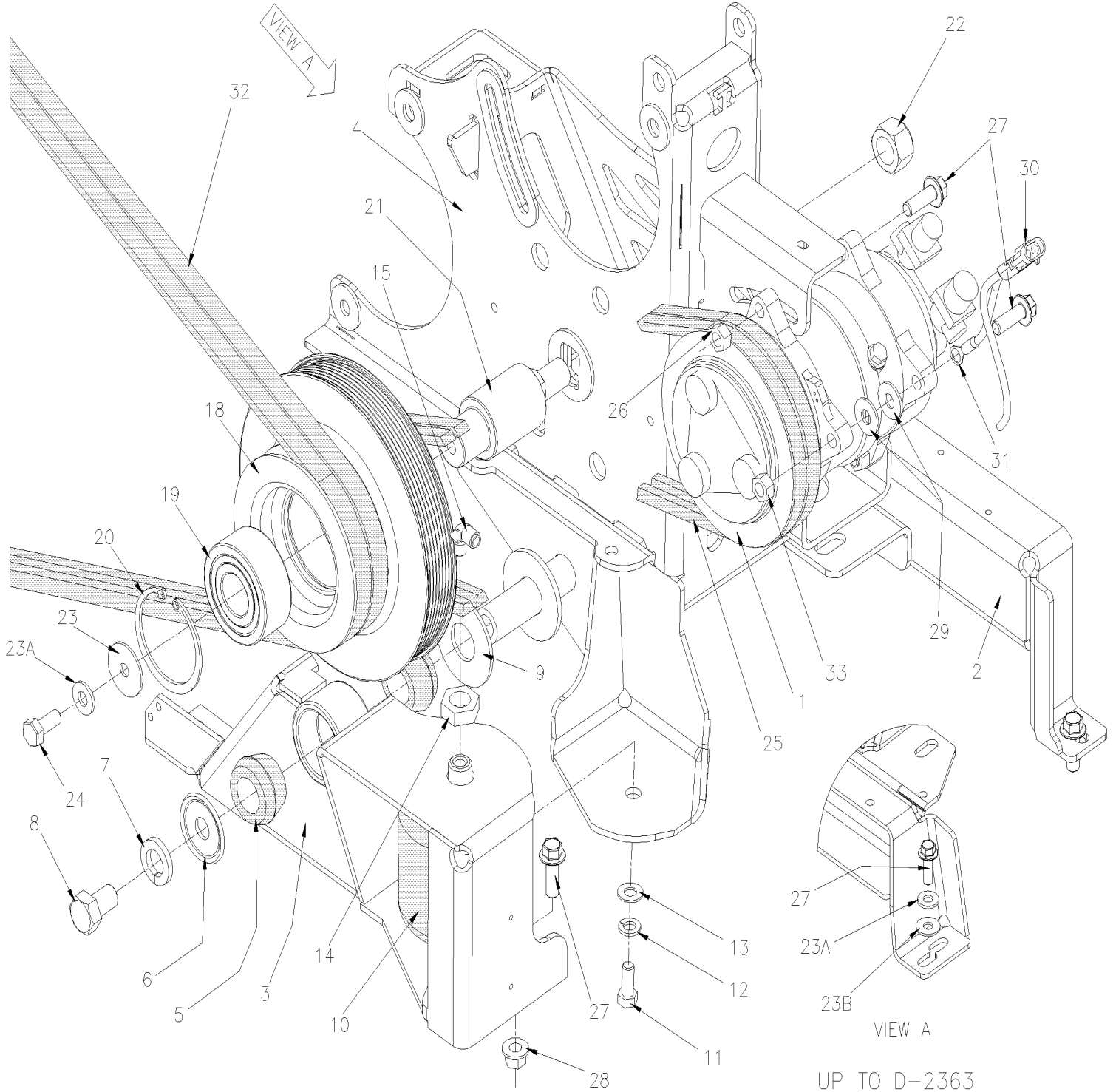


From B-1721 To J-0287

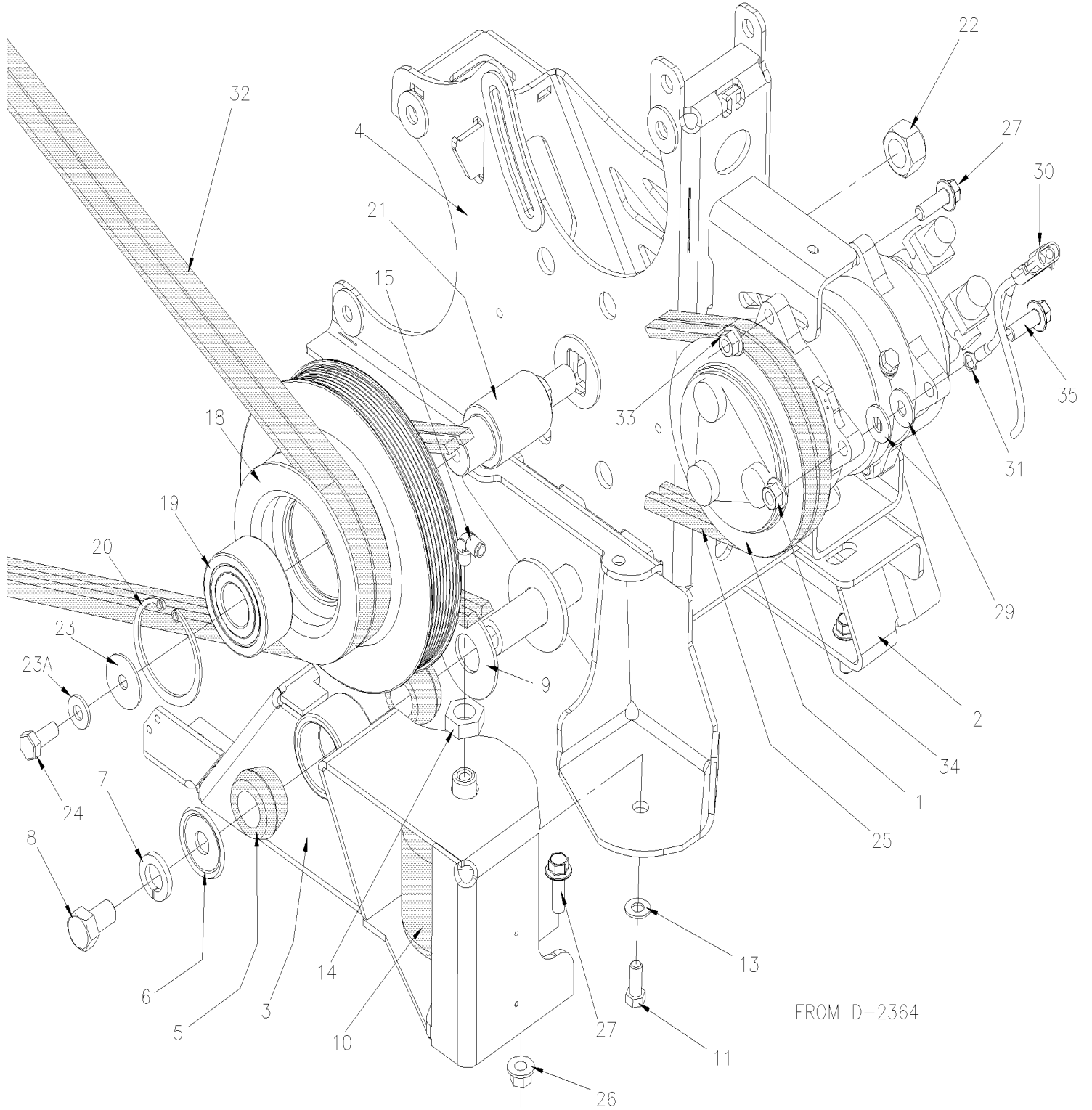
Date:10/2022

PAGE:H7-2245-51

## A/C COMPRESSOR SMALL - INSTALLATION



A/C COMPRESSOR SMALL - INSTALLATION



FROM D-2364

<b>From B-1721 To J-0287</b>	<b>Date:10/2022</b>	<b>PAGE:H7-2245-51</b>
<b>A/C COMPRESSOR SMALL - INSTALLATION</b>		

Item#	Part	Description	H 3 4 1	H 3 4 5	V I P 4 5	N O T E S
1	950436	A/C COMPRESSOR ASSY "SD7"			1	
. NS	950445	. MANIFOLD FITTING 3/4-16 & 7/8-14			1	
2	457447	SUPPORT OPPOSITE PULLEY SIDE To D-2363			1	
2	457528	SUPPORT OPPOSITE PULLEY SIDE From D-2364			1	
3	454190	SUPPORT ASSY To D-2363			1	
3	457529	SUPPORT ASSY From D-2364			1	
4	457469	SUPPORT ASSY / SMALL A/C COMPRESSOR To D-2363			1	
4	457521	SUPPORT ASSY / SMALL A/C COMPRESSOR From D-2364			1	
4	060789	SUPPORT ASSY / SMALL A/C COMPRESSOR W/"VOLTA" ALTERNATOR From H-3901			1	
. NS	061155	. SLEEVE, ALTERNATOR PIVOT DOUILLE, PIVOT D'ALTERNATEUR From H-3901			2	
. NS	5001774	. NUT HEXF STO M12-1.75 MAGNI G500 From H-3901			2	
. NS	502950	. SCREW SHR CAP HEXF 13x135 (M12x1.75 G10.9 N500 From H-3901			2	
5	630002	BUSHING / RUBBER / (TWO PIECES) 1" x 1.005" I.D.			4	
6	5001151	WASHER CON 16.5x50.0x4.5 ZP			2	
7	500484	WASHER LO SPT .635x1.079x.156 Z050 To D-2363			2	
7	502884	WASHER LO SPT 16.2x27.4x3.5 N500 From D-2364			2	
8	500225	SCREW CAP HEX 5/8-11x1 G5 Z050 To D-2363			2	
8	500813	SCREW CAP HEX M16-2.0x35 G8.8 ZP From D-2364 To G-3166			2	
8	5001896	SCREW CAP HEX M16-2.0x35 G10.9 N500 From G-3167			2	
9	500997	WASHER FL 1.062x2.500x.125 SS			2	
10	550840	BELLOW ASSY / BELT TENSIONER / 4" O.D.			1	
11	502926	SCREW CAP HEX 3/8-16x7/8 G5 N500			1	
12	5001737	WASHER LO SPT 10.2x18.1x2.2 N500 To C-1994			1	
13	500832	WASHER FL .406x.812x.065 N500 To C-1994			1	
13	5001834	WASHER BEL SPR 10.5X23X2.5 N500 From C-1995			1	
14	502917	NUT HEX JAM 3/4-16 G2 N500			1	
15	641369	MALE ELBOW 90° NON-SWIVEL / PUSH-IN FITTING / #4x1/8NPT-M BR			1	
NS	680098	THREAD SEALANT LOCTITE #567 / WHITE / 250ml			AR	
NS	503402	TUBE, NYLON 1/4 O.D. / BLACK S.L.			AR	
18	457449	PULLEY / W/4 GROOVE & 8 RIB 2/B + 8 RIB + 2/A To D-2154			1	
18	457499	PULLEY / W/4 GROOVE & 8 RIB 2/B + 8 RIB + 2/A From D-2155 To D-2363			1	
18	457530	PULLEY / W/4 GROOVE & 8 RIB 2/B + 8 RIB + 2/A From D-2364			1	
NS	950471	CAP, DUST From D-2155			1	
NS	507213	BALL BEARING To C-1942			1	
19	507675	BALL BEARING From C-1943 To G-3412			1	
19	507008	BALL BEARING 30MM x 72MM x 30.2 W From G-3413 To H-3596			1	
19	509953	BALL BEARING 30MM x 72MM x 30.2 W HI-TEMP From H-3597			1	
20	504736	RING RETAINER / INT 72 x 75 x 2.5MM To G-3412			1	
21	457474	SHAFT PULLEY			1	
22	5001252	NUT HEX STO M20-2.5 DP			1	
23	500261	WASHER FL .390x1.500x.083 N500			2	

<b>From B-1721 To J-0287</b>	<b>Date:10/2022</b>	<b>PAGE:H7-2245-51</b>
<b>A/C COMPRESSOR SMALL - INSTALLATION</b>		

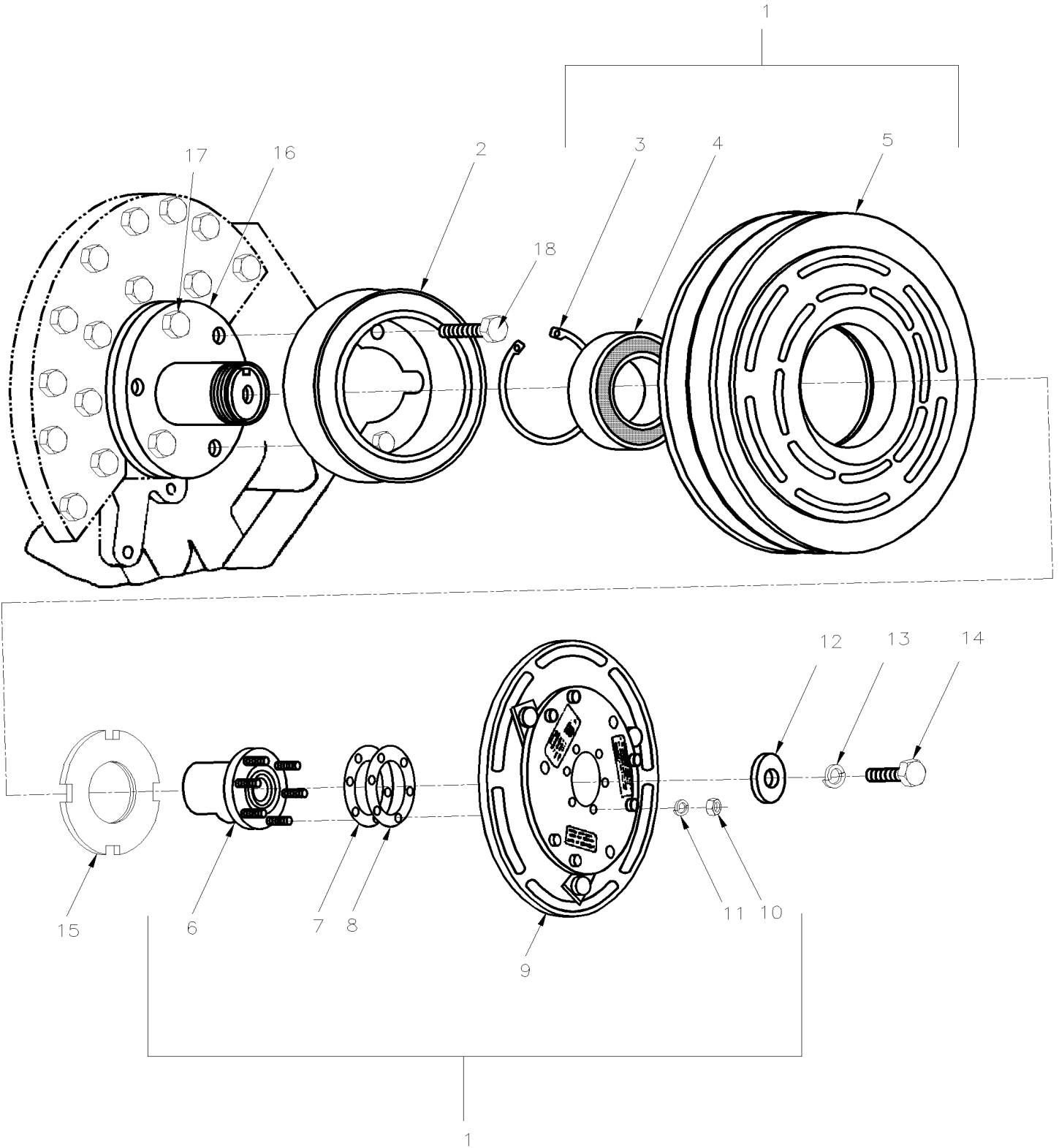
Item#	Part	Description	H 3 4 1	H 3 4 5	V I P 4 5	N O T E S
23A	5001834	WASHER BEL SPR 10.5X23X2.5 N500			2	
23B	5001751	WASHER FL 10.5x26.0x2.0 N500			1	
24	502804	SCREW CAP HEX M10-1.5x25 G8.8 N500			1	
25	5060081	V-BELT / AX-32 / SET OF 2 9012-2032			1	
26	5001758	NUT HEX STO M10-1.5 N500 To D-2363			4	
26	5001727	NUT HEXF NYRT M10-1.5 N500 From D-2364 To E-2621			4	
26	5001930	NUT HEXF NYRT M10-1.5 N500 G10.9 From E-2622			4	
27	5001741	SCREW CAP HEXF M10-1.5x30 G8.8 N500 To H-3549			3	
27	5000343	SCREW CAP HEXF M10-1.5x30 G10.9 N500 From H-3550			3	
28	5001760	NUT HEXF STO M10-1.5 G8 ZP To D-2363			4	
28	5001727	NUT HEXF NYRT M10-1.5 N500 From D-2364 To E-2621			4	
28	5001930	NUT HEXF NYRT M10-1.5 N500 G10.9 From E-2622			4	
29	5001751	WASHER FL 10.5x26.0x2.0 N500 To F-2985			2	
29	500270	WASHER FL .406x1.000x.063 SS From F-2986			2	
30	561566	CONNECTOR / WEATHER PACK / PH 2C / BLACK / PED 12010973			1	
30	561565	CABLE SEAL / GREEN / PED 15324982			2	
30	561568	PIN TERMINAL / 16-14 / PED 12089305			2	
30	560673	WIRE CABLE 16 / BLACK / GXL			1	
30	066933	CABLE ASSY / A/C COMPRESSOR W/SMALL SYSTEM To A-1720	1	1	1	
30	068272	CABLE ASSY / A/C COMPRESSOR W/SMALL SYSTEM From B-1721 To F-2861	1	1	1	
30	069210	CABLE ASSY / A/C COMPRESSOR W/SMALL SYSTEM From F-2862	1	1	1	
31	560093	RING TERMINAL .375 / 16-14 / INSULATED / AMP 330896			1	
32	5060082	V-BELT / BX-92 / SET OF 2 9013-2092 To D-2363			1	
32	5060126	SUPER V-BELT / 5VX950 / SET OF 2 From D-2364			1	
33	5001758	NUT HEX STO M10-1.5 N500 To D-2363			3	
33	5001727	NUT HEXF NYRT M10-1.5 N500 From D-2364			3	
34	5001628	NUT HEX NYRT M10-1.5 SS From F-2986			1	
35	5001418	SCREW CAP HEX M10-1.5x30 SS From F-2986			1	

From 7-0671 To D-2363

Date:10/2022

PAGE:H7-2246-00

A/C CLUTCH 05G - HOUSING MOUNTED



<b>From 7-0671 To D-2363</b>	<b>Date:10/2022</b>	<b>PAGE:H7-2246-00</b>
<b>A/C CLUTCH 05G - HOUSING MOUNTED</b>		

Item#	Part	Description	H 3 4 1	H 3 4 5	V I P 4 5	N O T E S
1	950204	CLUTCH HOUSING-MOUNTED/24V DC 9" DIA 2B GROVE	1	1	1	
1	950441	CLUTCH HOUSING-MOUNTED/24V DC 9" DIA 2B GROVE / & 8 1/4" DIA 2A GROVE To A-1720			1	A
1	950960	CLUTCH HOUSING-MOUNTED/24V DC 9" DIA 2B GROVE / 8PK From B-1721			1	A
2	950156	. COIL 24V	1	1	1	
3	950146	. CIRCLIP INTERNAL	1	1	1	
4	950141	. BEARING	1	1	1	
5	N.S.S.	. PULLEY	1	1	1	1
6	N.S.S.	. HUB DRIVE	1	1	1	1
7	950104	. SHIM 0.010	1	1	1	
8	950103	. SHIM 0.020	5	5	5	
9	N.S.S.	. ARMATURE	1	1	1	1
10	500769	. NUT HEX 1/4-20 Z050	6	6	6	
11	500473	. WASHER LO SPT .262x.489x.062 Z050	6	6	6	
NS	561813	CONNECTOR / SURE-SEAL / FEMALE HOUSING 2C / ITT CANNON 120-1804-000	1	1	1	
NS	561023	PIN TERMINAL / 18-14 / ITT CANNON 030-2196-001	1	1	1	
NS	561024	SOCKET TERMINAL / 18-14 / ITT CANNON 031-1267-001	1	1	1	
NS	561815	CLAMP W/ 2 / ITT CANNON 029-0263-000	1	1	1	
12	870784	WASHER 13/32" I.D. X 1 1/2" O.D. X 3/16" TH	1	1	1	
13	500478	WASHER LO SPT .380x.683x.094 Z050	1	1	1	
14	870785	SCREW CAP HEX 3/8-24x7/8 G8 ZP	1	1	1	
15	950093	NUT / W/HUB MOUNTING ONLY	1	1	1	
16	950408	HUB HOUSING MOUNT W/GROOVE FOR TWIN PORT	1	1	1	
. NS	950409	. SEAL, LIP, SHAFT SEAL / W/TWIN PORT ONLY	1	1	1	
. NS	870795	. GASKET, HUB BEARING	1	1	1	
17	500192	SCREW CAP HEX 3/8-16x1 1/4 G5 Z050	6	6	6	
18	186679	SCREW CAP HEX 3/8-16x1 1/4 G8 ZP	1	1	1	
NS	950105	SOCKET / TOOL FOR INSTALLATION				
NS	950106	PUSHER ROTOR / TOOL				
NS	950107	SPANNER WRENCH / TOOL				
		A) WITH ALTERNATOR MOUNTED ON COMPRESSOR				
		1) NOT SOLD SEPARATELY				

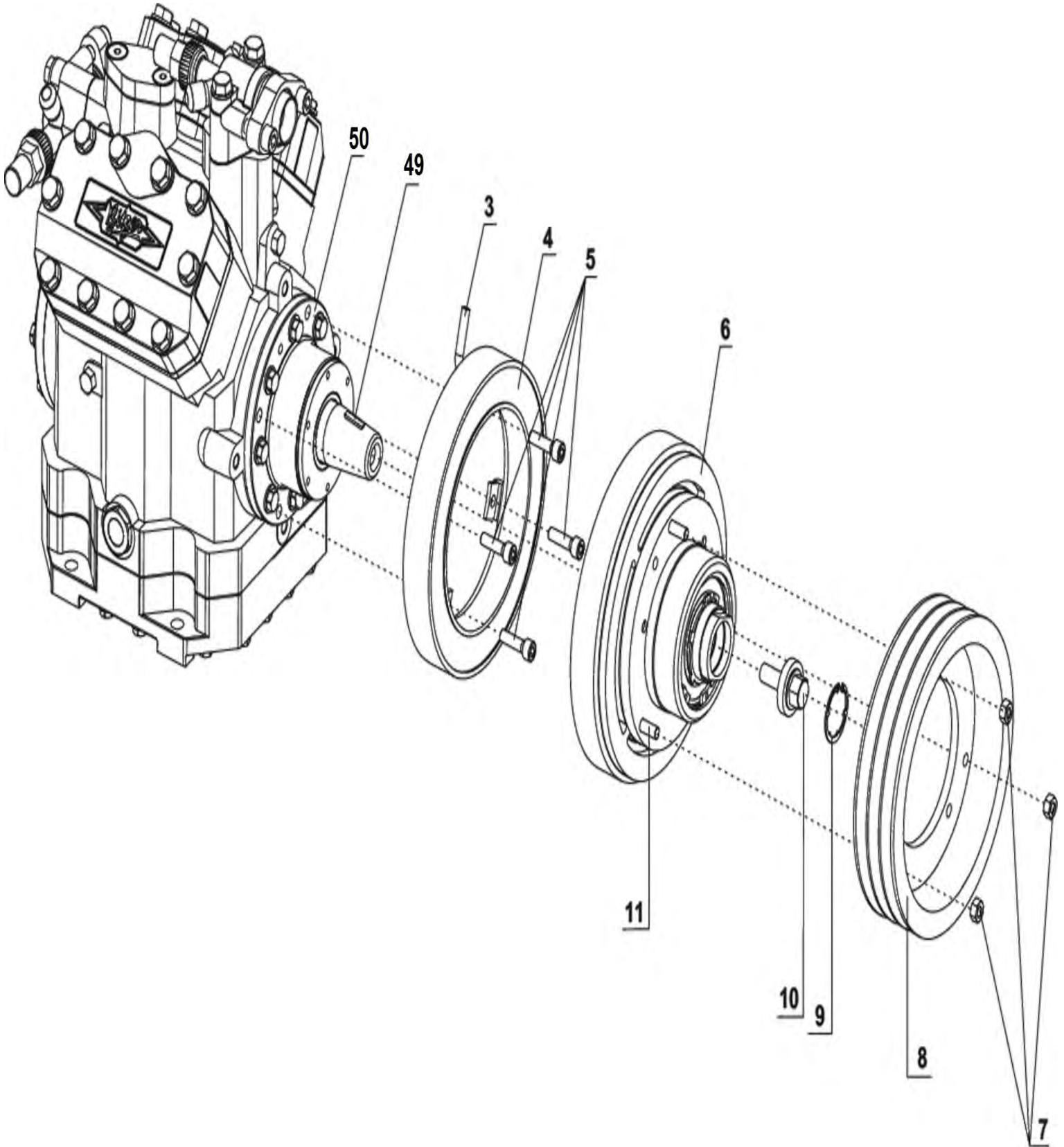


From D-2364 To J-0287

Date:10/2022

PAGE:H7-2246-01

**A/C CLUTCH - WITH "BITZER" COMPRESSOR**



From D-2364 To J-0287	Date:10/2022	PAGE:H7-2246-01
A/C CLUTCH - WITH "BITZER" COMPRESSOR		



<b>From D-2364 To J-0287</b>	<b>Date:10/2022</b>	<b>PAGE:H7-2246-01</b>
<b>A/C CLUTCH - WITH "BITZER" COMPRESSOR</b>		

Item#	Part	Description	H 3 4 1	H 3 4 5	V I P 4 5	N O T E S
	950496	CLUTCH ASSY 24V To E-2647	1	1	1	
. NS	561690	. CONNECTOR / WEATHER PACK / SH 2C / BLACK / PED 12015792 To E-2647	1	1	1	
. NS	561567	. PIN TERMINAL / 20-18 / PED 12089040 To E-2647	2	2	2	
. NS	561786	. CABLE SEAL / GRAY / PED 15324980 To E-2647	2	2	2	
	950571	CLUTCH ASSY 24V From E-2648 To G-3121	1	1	1	
	950034	CLUTCH ASSY 24V From G-3122	1	1	1	
. NS	950561	. BALL BEARING 50MM X 90MM X 30.2MM From G-3122	1	1	1	
	561690	CONNECTOR / WEATHER PACK / SH 2C / BLACK / PED 12015792 From E-2648 To G-3121	1	1	1	
	561567	PIN TERMINAL / 20-18 / PED 12089040 From E-2648 To G-3121	2	2	2	
	561786	CABLE SEAL / GRAY / PED 15324980 From E-2648 To G-3121	2	2	2	
	459228	CLUTCH ASSY 24V From E-2648 To G-3121	1	1	1	S
. NS	950974	. CLUTCH ASSY 24V From E-2648 To G-3121	1	1	1	S
. NS	561690	. CONNECTOR / WEATHER PACK / SH 2C / BLACK / PED 12015792 From E-2648 To G-3121	1	1	1	S
. NS	561567	. PIN TERMINAL / 20-18 / PED 12089040 From E-2648 To G-3121	2	2	2	S
. NS	561786	. CABLE SEAL / GRAY / PED 15324980 From E-2648 To G-3121	2	2	2	S
NS	950594	. BEARING, SERVICE A/C CLUTCH From E-2648 To G-3121	1	1	1	
2	950561	. BALL BEARING 50MM X 90MM X 30.2MM From G-3122	1	1	1	
3	N.S.S.	. CABLE	1	1	1	1
4	950972	. MAGNET To E-2647	1	1	1	
4	455003	. MAGNET / WITH CABLE & CONNECTOR From E-2648 To G-3121	1	1	1	
4	950533	. . MAGNET / WITH CABLE From E-2648 To G-3121	1	1	1	
4	561690	. . CONNECTOR / WEATHER PACK / SH 2C / BLACK / PED 12015792 From E-2648 To G-3121	1	1	1	
4	561567	. . PIN TERMINAL / 20-18 / PED 12089040 From E-2648 To G-3121	2	2	2	
4	561786	. . CABLE SEAL / GRAY / PED 15324980 From E-2648 To G-3121	2	2	2	
4	950534	. MAGNET / W/CONNECTOR From G-3122	1	1	1	
5	5001775	SCREW CAP HEXS M8-1.25x25 G8.8 G500	4	4	4	
6	N.S.S.	ROTOR	1	1	1	1
7	N.S.S.	NUT HEX M8-1.25	1	1	1	1
8	N.S.S.	PULLEY	1	1	1	1
9	N.S.S.	CIRCLIP	1	1	1	1
10	N.S.S.	SCREW STRAINING	1	1	1	1
10	502875	SCREW CAP HEX M12-1.75x40 G8.8 N50	1	1	1	
11	N.S.S.	STUD M8-1.25x20	1	1	1	1
49	950520	WOODRUFF KEY 5 x 9	1	1	1	
50	<b>H7-2250-01</b>	<b>A/C COMPRESSOR "BITZER" 4NFCY</b>				
60	680888	TOOL M16-2.0x70MM PLAIN FIN HEX CAP SCREW WITH LANG CLUTCH From E-2648	1	1	1	
		S) SERVICE				
		1) NOT SOLD SEPARATELY				

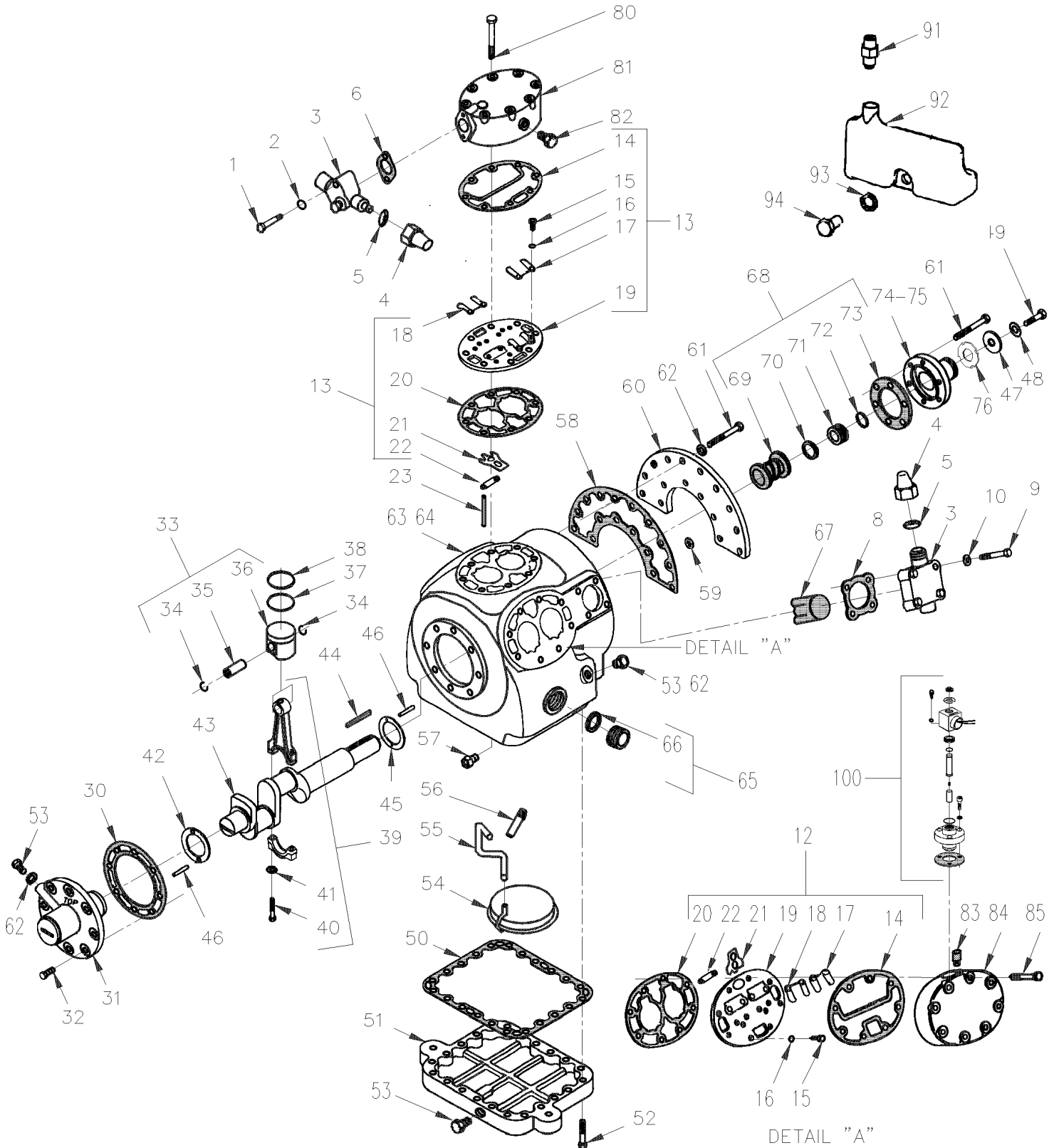


From 7-0671 To D-2363

Date:10/2022

PAGE:H7-2250-00

## A/C COMPRESSOR ASSY 05G - TWIN PORT



From 7-0671 To D-2363	Date:10/2022	PAGE:H7-2250-00
<b>A/C COMPRESSOR ASSY 05G - TWIN PORT</b>		

Item#	Part	Description	H 3 4 1	H 3 4 5	V I P 4 5	N O T E S
	950401	A/C COMPRESSOR ASSY REBUILT / W/41 C.F.M W/O ACCESSORIES TWIN PORT				
1	870877	. SCREW CAP HEX 5/16-18x2 G5 ZP	2	2	2	
2	870750	. GASKET	2	2	2	
3	<b>H7-2245-00</b>	<b>. A/C COMPRESSOR 05G - INSTALLATION</b>				
4	870446	. . CAP SEAL	1	1	1	
5	870752	. . . GASKET, CAP SEAL	1	1	1	
6	950425	. GASKET / DISCHARGE VALVE / (METAL)	1	1	1	
8	950423	. GASKET / SUCTION VALVE / (METAL)	1	1	1	
9	870755	. SCREW CAP HEX 1/2-13x2 1/2 G5 ZP	4	4	4	
10	870756	. GASKET	4	4	4	
12	950415	. VALVE PLATE ASSY / SIDE BANK / W/TWIN PORT ONLY	2	2	2	
NS	870800	. . CHECK VALVE ASSY / UNLOADER	2	2	2	
13	950414	. VALVE PLATE ASSY / CENTER BANK / W/TWIN PORT ONLY	1	1	1	
14	950421	. . GASKET, CYLINDER HEAD / W/TWIN PORT ONLY	1	1	1	
15	870761	. . SCREW CAP HEXS 1/4-28 x 3/8"	4	4	4	
16	500473	. . WASHER LO SPT .262x.489x.062 Z050	4	4	4	
17	950416	. . VALVE DISCHARGE / W/TWIN PORT ONLY	2	2	2	
18	950417	. . BACKER VALVE DISCHARGE / W/TWIN PORT ONLY	2	2	2	
19	N.S.S.	. . PLATE VALVE	1	1	1	1
20	950420	. . GASKET, VALVE PLATE / W/TWIN PORT ONLY	1	1	1	
21	950418	. . VALVE SUCTION / W/TWIN PORT ONLY	2	2	2	
22	950419	. . SPRING / SUCTION VALVE / W/TWIN PORT ONLY	2	2	2	
23	870767	. PIN DOWEL VALVE PLATE	4	4	4	
30	870771	. GASKET / OIL PUMP	1	1	1	
31	950403	. OIL PUMP ASSY / W/TWIN PORT ONLY	1	1	1	
32	500192	. SCREW CAP HEX 3/8-16x1 1/4 G5 Z050	8	8	8	
33	950272	. PISTON & PIN ASSY / STANDARD / W/41 CFM	6	6	6	
33	950274	. PISTON & PIN ASSY/.020" OVERSIZE / W/41 CFM	6	6	6	
34	N.S.S.	. . RETAINER	2	2	2	1
35	N.S.S.	. . PIN	1	1	1	1
36	N.S.S.	. . PISTON SINGLE RING	1	1	1	1
37	870774	. RING / W/DOUBLE RING PISTON ONLY	6	6	6	
38	870775	. RING COMPRESSION / STANDARD	6	6	6	
38	870815	. RING COMPRESSION / .020" OVERSIZE	6	6	6	
39	870776	. CONNECTING ROD & CLIP ASSY / STANDARD	6	6	6	
39	870816	. CONNECTING ROD & CLIP ASSY / .010" OVERSIZE	6	6	6	
NS	870767	. . PIN DOWEL VALVE PLATE	2	2	2	
40	870777	. . BOLT	2	2	2	
41	500440	. . WASHER FL .250x.562x.065 Z050	1	1	1	
42	870778	. WASHER THRUST / PUMP END	1	1	1	
43	950406	. CRANKSHAFT ASSY / W/41 CFM / W/TWIN PORT ONLY	1	1	1	

<b>From 7-0671 To D-2363</b>	<b>Date:10/2022</b>	<b>PAGE:H7-2250-00</b>
<b>A/C COMPRESSOR ASSY 05G - TWIN PORT</b>		

Item#	Part	Description	H 3 4 1	H 3 4 5	V I P 4 5	N O T E S
44	950140	. KEY CRANKSHAFT / W/HOUSING-MOUNTED CLUTCH	1	1	1	
45	870781	. WASHER THRUST	1	1	1	
46	870782	. PIN STRAIGHT 1/8" DIA. X 1/2"	2	2	2	
NS	870783	. PIN STRAIGHT .094" X 5/16"	2	2	2	
47	870784	. WASHER 13/32" I.D. X 1 1/2" O.D. X 3/16" TH	1	1	1	
48	500478	. WASHER LO SPT .380x.683x.094 Z050	1	1	1	
49	870785	. SCREW CAP HEX 3/8-24x7/8 G8 ZP	1	1	1	
50	950402	. GASKET, BOTTOM PLATE / (METAL)	1	1	1	
51	950444	. PLATE BOTTOM	1	1	1	
52	500191	. SCREW CAP HEX 3/8-16x1 G5 Z050	22	22	22	
53	950303	. PLUG, O-RING / (CURRENT)	2	2	2	
54	870787	. SCREEN ASSY / OIL FILTER	1	1	1	
55	870788	. TUBE / OIL SUCTION	1	1	1	
56	870789	. VALVE / OIL RELIEF	1	1	1	
57	870790	. CHECK VALVE ASSY / OIL RETURN	2	2	2	
58	950412	. GASKET, SHAFT END COVER / W/TWIN PORT ONLY	1	1	1	
59	950139	. WASHER .393x.622x.031	2	2	2	
60	870792	. FLANGE	1	1	1	
61	500192	. SCREW CAP HEX 3/8-16x1 1/4 G5 Z050	21	21	21	
62	950139	. WASHER .393x.622x.031	21	21	21	
63	N.S.S.	. CRANKCASE	1	1	1	1
64	950283	. . BEARING, MAIN SEAL END	1	1	1	
65	870768	. SIGHT GLASS ASSY	2	2	2	
66	870769	. . GASKET, SIGHT GLASS	2	2	2	
67	870770	. STRAINER SUCTION	1	1	1	
68	950407	. SHAFT SEAL ASSY / W/HOUSING-MOUNTED CLUTCH / W/TWIN PORT ONLY	1	1	1	
69	N.S.S.	. . SEAL / SHAFT	1	1	1	1
70	870794	. . RING CARBON	1	1	1	
71	N.S.S.	. . RING WEAR	1	1	1	1
72	N.S.S.	. . O-RING	1	1	1	1
73	870795	. . GASKET, HUB BEARING	1	1	1	
74	950408	. HUB HOUSING MOUNT W/GROOVE FOR TWIN PORT	1	1	1	
. NS	950409	. . SEAL, LIP, SHAFT SEAL / W/TWIN PORT ONLY	1	1	1	
. NS	870795	. . GASKET, HUB BEARING	1	1	1	
75	950409	. SEAL, LIP, SHAFT SEAL / W/TWIN PORT ONLY	1	1	1	
76	950093	. NUT / W/HUB MOUNTING ONLY	1	1	1	
80	G1091280	. SCREW CAP HEX 3/8-16 X 3"1/4	8	8	8	
81	870757	. HEAD CYLINDER / CENTER BANK	1	1	1	
82	501303	. PLUG SQUARE HEAD / PIPE FITTING / 1/8NPT-M BR To A-1677	1	1	1	
83	870799	. STRAINER	1	1	1	
84	950426	HEAD CYLINDER / UNLOADER / W/TWIN PORT ONLY	1	1	1	
85	502694	SCREW CAP HEX 3/8-16x3 1/4 G5 ZP	1	1	1	

From 7-0671 To D-2363	Date:10/2022	PAGE:H7-2250-00
<b>A/C COMPRESSOR ASSY 05G - TWIN PORT</b>		

Item#	Part	Description	H 3 4 1	H 3 4 5	V I P 4 5	N O T E S
91	950410	ACCESS VALVE / W/TWIN PORT ONLY	1	1	1	
92	950411	RESERVOIR / W/TWIN PORT ONLY	1	1	1	
93	500856	WASHER LO INT .384x.692x.040 ZP	1	1	1	
94	950967	SCREW CAP HEX 3/8-16 X 3/4 G8	1	1	1	
NS	950236	REFRIGERANT OIL POE / USE W/134A (4LITER)	AR	AR	AR	
100	<b>H7-2250-15</b>	<b>A/C ELECTRIC UNLOADER - W/05G COMPRESSOR</b>	1	1	1	
		1) NOT SOLD SEPARATELY				

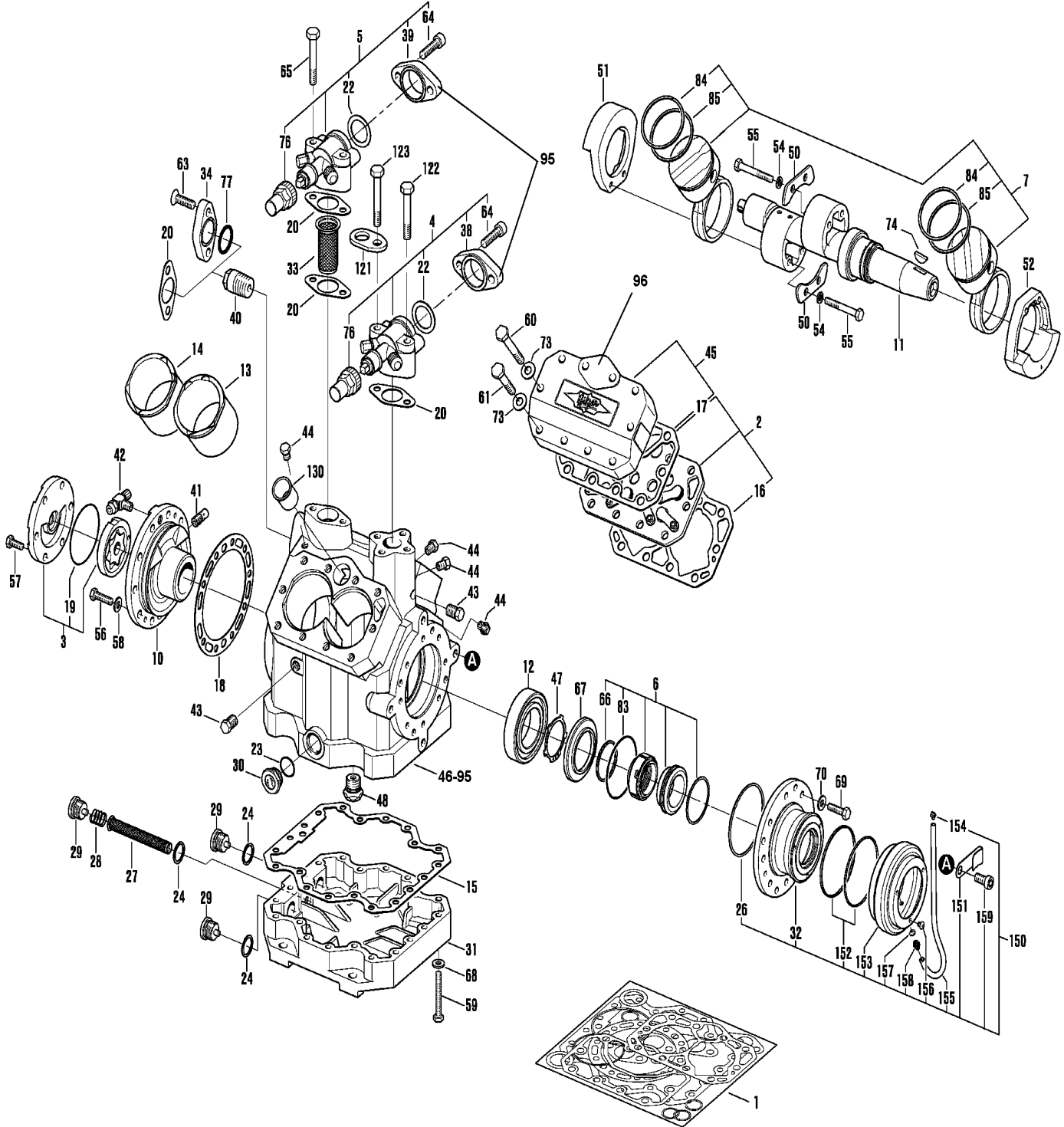


From D-2364 To J-0287

Date:10/2022

PAGE:H7-2250-01

## A/C COMPRESSOR "BITZER" 4NFCY



From D-2364 To J-0287	Date:10/2022	PAGE:H7-2250-01
<b>A/C COMPRESSOR "BITZER" 4NFCY</b>		

Item#	Part	Description	H 3 4 1	H 3 4 5	V I P 4 5	N O T E S
	950494	A/C COMPRESSOR ASSY 4 CYLINDERS W/O CLUTCH W/O VALVES - "BITZER"	1	1	1	
. NS	680801	. OIL, BITZER COMPRESSOR, POE 134A 1 GALLON	AR	AR	AR	
1	950510	. KIT GASKET	1	1	1	A
2	950517	. VALVE COMPLET WITH GASKET	3	3	3	B
3	950518	. OIL PUMP W/ O-RING	1	1	1	C
4	950956	. DISCHARGE & SUCTION SHUT-OFF VALVE	1	1	1	D
4	950557	GASKET KIT FOR VALVE	1	1	1	
5	950956	. DISCHARGE & SUCTION SHUT-OFF VALVE	1	1	1	D
5	950557	GASKET KIT FOR VALVE	1	1	1	
6	950509	. SHAFT SEAL COMPLETE	1	1	1	E
7	950627	. CONNECTING ROD W/PISTON COMPLETE	4	4	4	F
8	N.S.S.	. . PISTON STD	4	4	4	1
9	N.S.S.	. . CONNECTING ROD	4	4	4	1
10	950541	. BEARING COVER	1	1	1	G
11	950628	. ECCENTRIC SHAFT	1	1	1	H
12	950585	. CYLINDRIC ROLLER BEARING	1	1	1	
13	Call order desk	. CYLINDER LINER RIGHT	3	3	3	P
14	Call order desk	. CYLINDER LINER LEFT	3	3	3	P
15	N.S.S.	. GASKET	1	1	1	1
16	950516	. GASKET	3	3	3	
17	950625	. GASKET	2	2	2	
18	950542	. GASKET	1	1	1	
19	950519	. O-RING 74 x 2	1	1	1	
20	950506	. GASKET	3	3	3	
22	950957	. GASKET	2	2	2	
23	950515	. O-RING 23.5 x 1.8	2	2	2	
24	950544	. GASKET RING ALUMINUM	1	1	1	
26	950626	. O-RING 85 x 3.53 MM	1	1	1	
27	951082	. OIL FILTER	1	1	1	
28	950600	. PRESSURE SPRING	1	1	1	
29	950545	. MAGNETIC SCREW M22-1.5	3	3	3	
30	950514	. SIGHT GLASS	2	2	2	
31	Call order desk	. BOTTOM PLATE	1	1	1	P
32	950605	. SHAFT SEAL COVER	1	1	1	
33	950973	. SUCTION GAS FILTER	2	2	2	
34	950644	. BLIND FLANGE 80x44.5x15	1	1	1	
38	Call order desk	. COMPANION FLANGE 35 (1 3/8")	1	1	1	P
39	Call order desk	. COMPANION FLANGE 35 (1 3/8")	2	2	2	P
40	Call order desk	. PRESSURE RELIEF VALVE	2	2	2	P
41	Call order desk	. OIL PRESSURE RELIEF VALVE	1	1	1	P
42	950540	. SCHRADER VALVE 7/16 UNF	1	1	1	

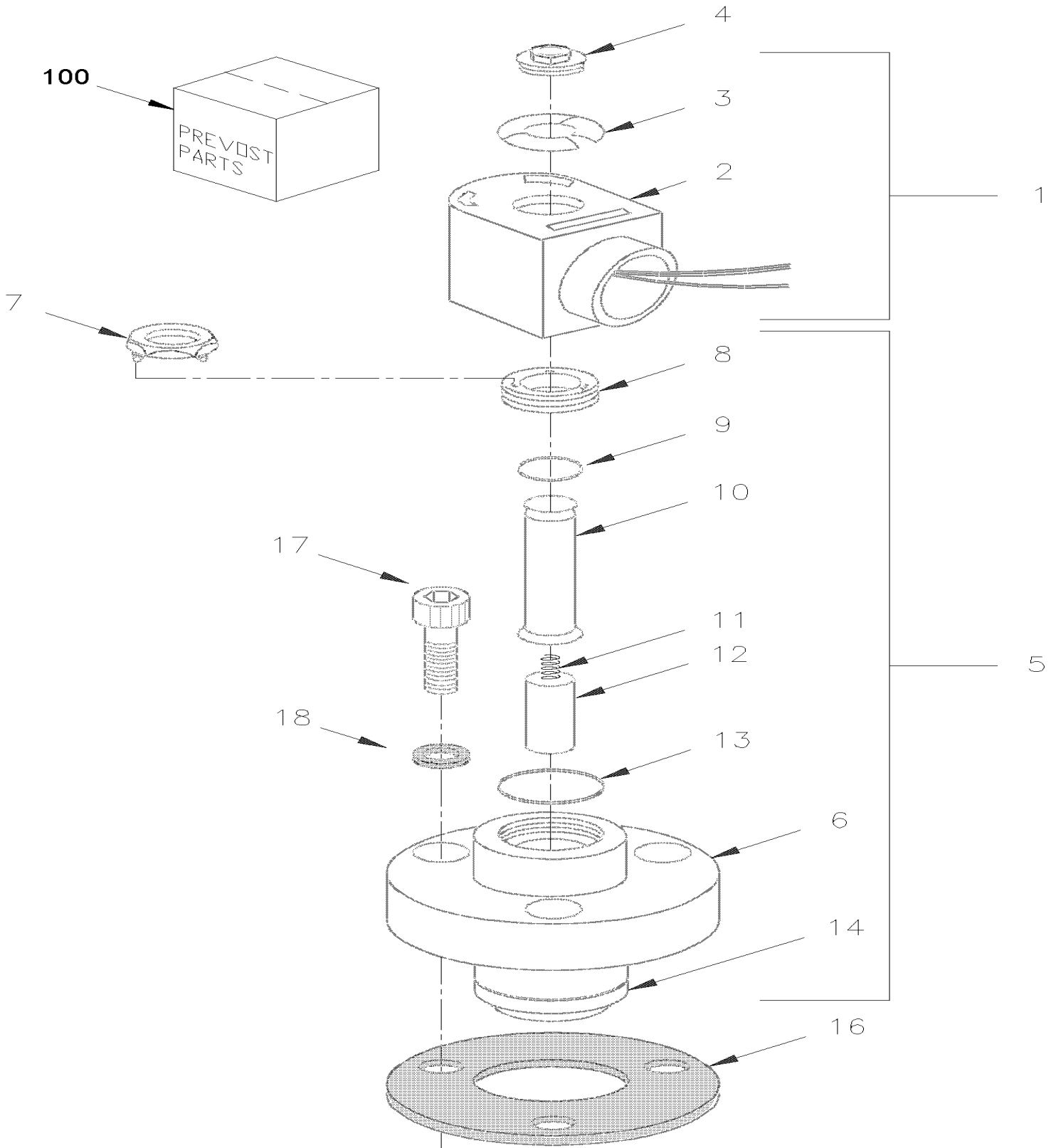
<b>From D-2364 To J-0287</b>	<b>Date:10/2022</b>	<b>PAGE:H7-2250-01</b>
<b>A/C COMPRESSOR "BITZER" 4NFCY</b>		

Item#	Part	Description	H 3 4 1	H 3 4 5	V I P 4 5	N O T E S
43	Call order desk	. SEALING PLUG	2	2	2	P
44	Call order desk	. SEALING PLUG	2	2	2	P
45	Call order desk	. CYLINDER HEAD	2	2	2	P J
45	950511	. CYLINDER HEAD W/MUFFLER	2	2	2	J
45	Call order desk	. GASKET CYLINDER HEAD	1	1	1	P
46	Call order desk	. HOUSING	1	1	1	P
47	950970	. RETAINING RING W/LUGS	1	1	1	
48	Call order desk	. GAS EQUALISING VALVE	1	1	1	P
50	Call order desk	. THRUST SEGMENT	2	2	2	P
51	Call order desk	. BALANCE WEIGHT	1	1	1	P
52	Call order desk	. BALANCE WEIGHT	1	1	1	P
54	Call order desk	. WASHER A 8 DIN 134	4	4	4	P
55	Call order desk	. SCREW CAP HEX M8-1.25x60 G10.9 ZP	4	4	4	P
56	Call order desk	. SCREW CAP HEX M8-1.25x30 G10.9 FT	10	10	10	P
57	Call order desk	. SCREW CAP HEX M8-1.25x20 G10.9 FT	6	6	6	P
58	Call order desk	. WASHER A 8 DIN 134	16	16	16	P
59	Call order desk	. SCREW CAP HEX M8-1.25x60 G10.9 FT	20	20	20	P
60	Call order desk	. SCREW CAP HEX M10-1.5x75 G10.9	18	18	18	P
61	Call order desk	. SCREW CAP HEX M10-1.5x55 G10.9	8	8	8	P
63	Call order desk	. SCREW CAP CK HEXS M10-1.5x35 G10.9	1	1	1	P
64	950488	. SCREW CAP HEXS M10-1.5x40 G10.9	4	4	4	
65	950641	. SCREW CAP HEX M10-1.5x65 G10.9	2	2	2	
66	Call order desk	. GASKET	1	1	1	P
67	950565	. BLANKING PLATE	1	1	1	
68	Call order desk	. WASHER A 8 DIN 134	20	20	20	P
69	Call order desk	. SCREW CAP HEX M8-1.25x30 G10.9 FT	8	8	8	P
70	Call order desk	. WASHER A 8 DIN 134	8	8	8	P
73	Call order desk	. WASHER A10 DIN 134	20	20	20	P
74	950520	. WOODRUFF KEY 5 x 9	1	1	1	
NS	950634	. SPIRAL PIN 3 x 20	1	1	1	
76	950564	. PROTECTIVE CAP	3	3	3	
77	950645	. O RING 33x3.5	1	1	1	
83	950519	. O-RING 74 x 2	1	1	1	
84	Call order desk	. GROOVE # 1 COMPRESSION RING	4	4	4	P
85	Call order desk	. GROOVE # 2 COMPRESSION RING	4	4	4	P
NS	Call order desk	. FLANGE KIT INTERMEDIATE	1	1	1	P
NS	Call order desk	. CROSS FLANGE KIT	1	1	1	P
NS	Call order desk	. SEALING SCREW M36 x 1.5	2	2	2	P
NS	Call order desk	. GASKET RING	2	2	2	P
95	<b>H7-2245-02</b>	<b>. A/C COMPRESSOR "BITZER" - INSTALLATION</b>				
95	<b>H7-2246-01</b>	<b>. A/C CLUTCH - WITH "BITZER" COMPRESSOR</b>				
96	<b>H7-2250-16</b>	<b>. A/C ELECTRIC UNLOADER - WITH "BITZER" COMPRESSOR</b>				

From D-2364 To J-0287	Date:10/2022	PAGE:H7-2250-01
<b>A/C COMPRESSOR "BITZER" 4NFCY</b>		

Item#	Part	Description	H 3 4 1	H 3 4 5	V I P 4 5	N O T E S
121	950505	. LIFTING LUG	1	1	1	
122	950641	. SCREW CAP HEX M10-1.5x65 G10.9	1	1	1	
123	950646	. SCREW CAP HEX M10-1.5x70 G10.9	1	1	1	
130	Call order desk	. BUSHING DRAIN INSERT	1	1	1	P
150	950968	. RETROFIT KIT OF SEALING COVER	1	1	1	
151	950532	. . BRACKET OIL TUBING	1	1	1	
152	950969	. . O RING 85x2	2	2	2	
153	Call order desk	. . OIL COLLECTION CHAMBER	1	1	1	P
154	950507	. . SEALING PLUG	1	1	1	
155	950975	. . HOSE	1	1	1	
156	950555	. . SCREW MA BUT M5x6	1	1	1	
157	950560	. . GASKET 9.5	1	1	1	
158	951087	. . CONNECTION PIECE M6	1	1	1	
159	Call order desk	. . SCREW CAP HEXS M10x16 G10.9	1	1	1	P
200	680801	OIL, BITZER COMPRESSOR, POE 134A 1 GALLON	AR	AR	AR	
		A) INCLUDE ITEMS # 15 to 26 + 66,77,83,94 & 266				
		B) INCLUDE ITEMS # 16 & 17				
		C) INCLUDE ITEM # 19				
		D) INCLUDE ITEMS # 22, 35, 38, 64 & 76				
		E) INCLUDE ITEMS # 26, 66, 83, 152 & 156				
		F) INCLUDE ITEMS # 8, 9, 84, 85				
		G) INCLUDE ITEM # 105				
		H) INCLUDE ITEM # 75				
		J) INCLUDE ITEM # 17				
		1) NOT SOLD SEPARATELY				
		P) CALL ORDER DESK FOR SPECIFIC APPLICATION (V.I.N.)				

From 7-0671 To D-2363	Date:10/2022	PAGE:H7-2250-15
<b>A/C ELECTRIC UNLOADER - W/05G COMPRESSOR</b>		



From 7-0671 To D-2363	Date:10/2022	PAGE:H7-2250-15
<b>A/C ELECTRIC UNLOADER - W/05G COMPRESSOR</b>		

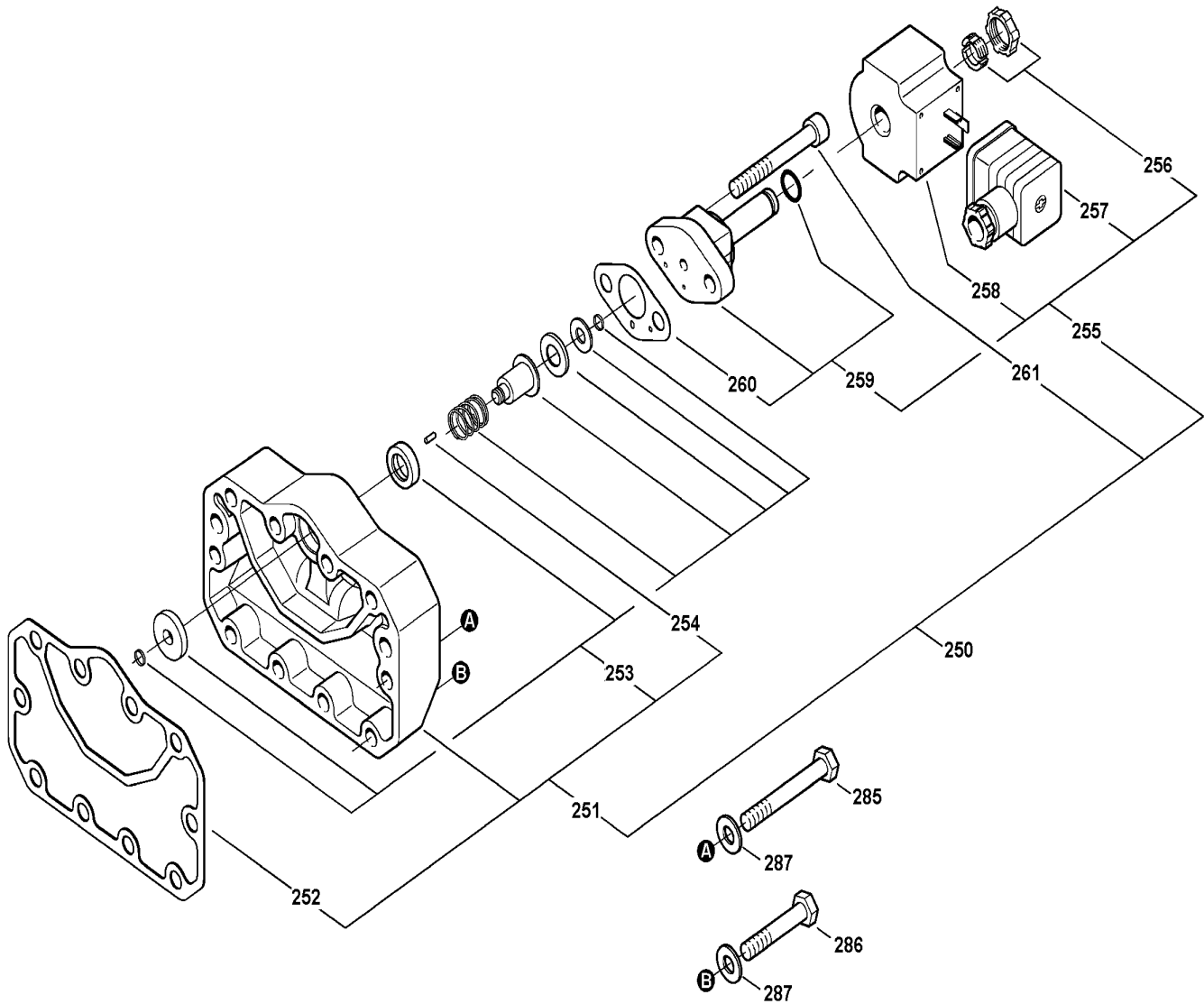
Item#	Part	Description	H 3 4 1	H 3 4 5	V I P 4 5	N O T E S
1	063969	COIL ASSY W/CONNECTOR	2	2	2	
2	950096	. COIL 24V	1	1	1	
3	N.S.S.	. NAMEPLATE / VOLTAGE	1	1	1	1
4	N.S.S.	. CAP, SNAP	1	1	1	1
4	N.S.S.	. CAP, SNAP	1	1	1	1
NS	561566	. CONNECTOR / WEATHER PACK / PH 2C / BLACK / PED 12010973	1	1	1	
NS	561578	. SOCKET TERMINAL / 16-14 / PED 12010182	2	2	2	
NS	561786	. CABLE SEAL / GRAY / PED 15324980	2	2	2	
5	950095	BODY / UNLOADER VALVE	1	1	1	
6	N.S.S.	. BODY, VALVE	1	1	1	1
7	N.S.S.	. NUT / FOR REMOVING OR REPLACING TUBE COLLAR	1	1	1	1
8	N.S.S.	. COLLAR / TUBE	1	1	1	1
9	N.S.S.	. O-RING	1	1	1	1
10	N.S.S.	. TUBE	1	1	1	1
11	N.S.S.	. SPRING, PLUNGER	1	1	1	1
12	N.S.S.	. PLUNGER	1	1	1	1
13	N.S.S.	. O-RING	1	1	1	1
14	870818	. RING, PISTON	1	1	1	
16	870820	GASKET, UNLOADER	1	1	1	
17	5001415	SCREW CAP HEXS 1/4-28x3/4	3	3	3	
18	950305	GASKET / W/ALLEN BOLT	3	3	3	
100	950413	KIT, STEM REPAIR	1	1	1	B
		B) INCLUDE ITEMS # 7, 10, 11,11, 12 & 13				
		1) NOT SOLD SEPARATELY				

From D-2364 To J-0287

Date:10/2022

PAGE:H7-2250-16

## A/C ELECTRIC UNLOADER - WITH "BITZER" COMPRESSOR



From D-2364 To J-0287	Date:10/2022	PAGE:H7-2250-16
<b>A/C ELECTRIC UNLOADER - WITH "BITZER" COMPRESSOR</b>		

Item#	Part	Description	H 3 4 1	H 3 4 5	V I P 4 5	N O T E S
250	950513	CAPACITY REGULATOR COMPLETE 24 VOLT	1	1	1	
251	950512	. CYLINDER HEAD W/PISTON "CR"	1	1	1	
252	950625	. . GASKET	1	1	1	
253	Call order desk	. . CONTROL PISTON COMPLETE	1	1	1	P
254	Call order desk	. . HALF LENGHT RESERVE TAPER GROVE DOWEL PIN 3 x 8	1	1	1	P
255	950521	. SOLONOID VALVE COMPLET 24VOLT	1	1	1	
256	950563	. . COIL FIXATION	1	1	1	
257	950971	. . ELECTRICAL CONNECTOR ASSY	1	1	1	
258	950495	. . COIL 24 VOLT W/CONNECTOR To G-3079	1	1	1	
258	950576	. . COIL 24 VOLT W/CONNECTOR From G-3080	1	1	1	
258	950577	. . O-RING From G-3080	1	1	1	
259	950522	. . SOLONOID VALVE W/OUT COIL	1	1	1	
260	950965	. . . GASKET	1	1	1	
261	Call order desk	. SCREW CAP HEXS M10 x 80 GR 10.9	1	1	1	P
285	Call order desk	SCREW CAP HEX M10x75 G10.9	4	4	4	P
286	Call order desk	SCREW CAP HEX M10x55 G10.9	4	4	4	P
287	Call order desk	WASHER 10	8	8	8	P
		P) CALL ORDER DESK FOR SPECIFIC APPLICATION (V.I.N.)				

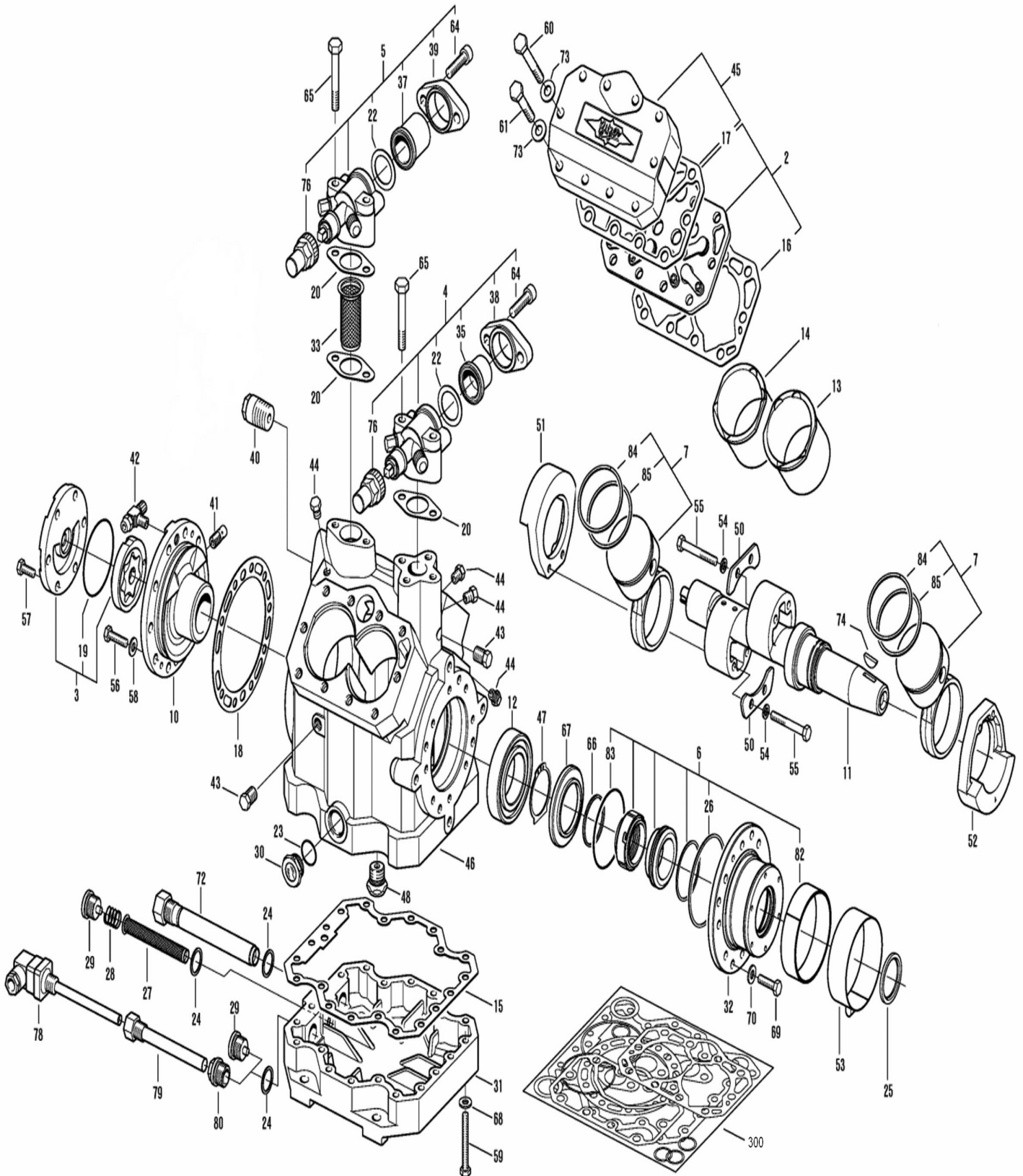


From 8-1362 To J-0287

Date:10/2022

PAGE:H7-2250-20

## A/C COMPRESSOR "BITZER" 6NFCY / "SPECIAL"

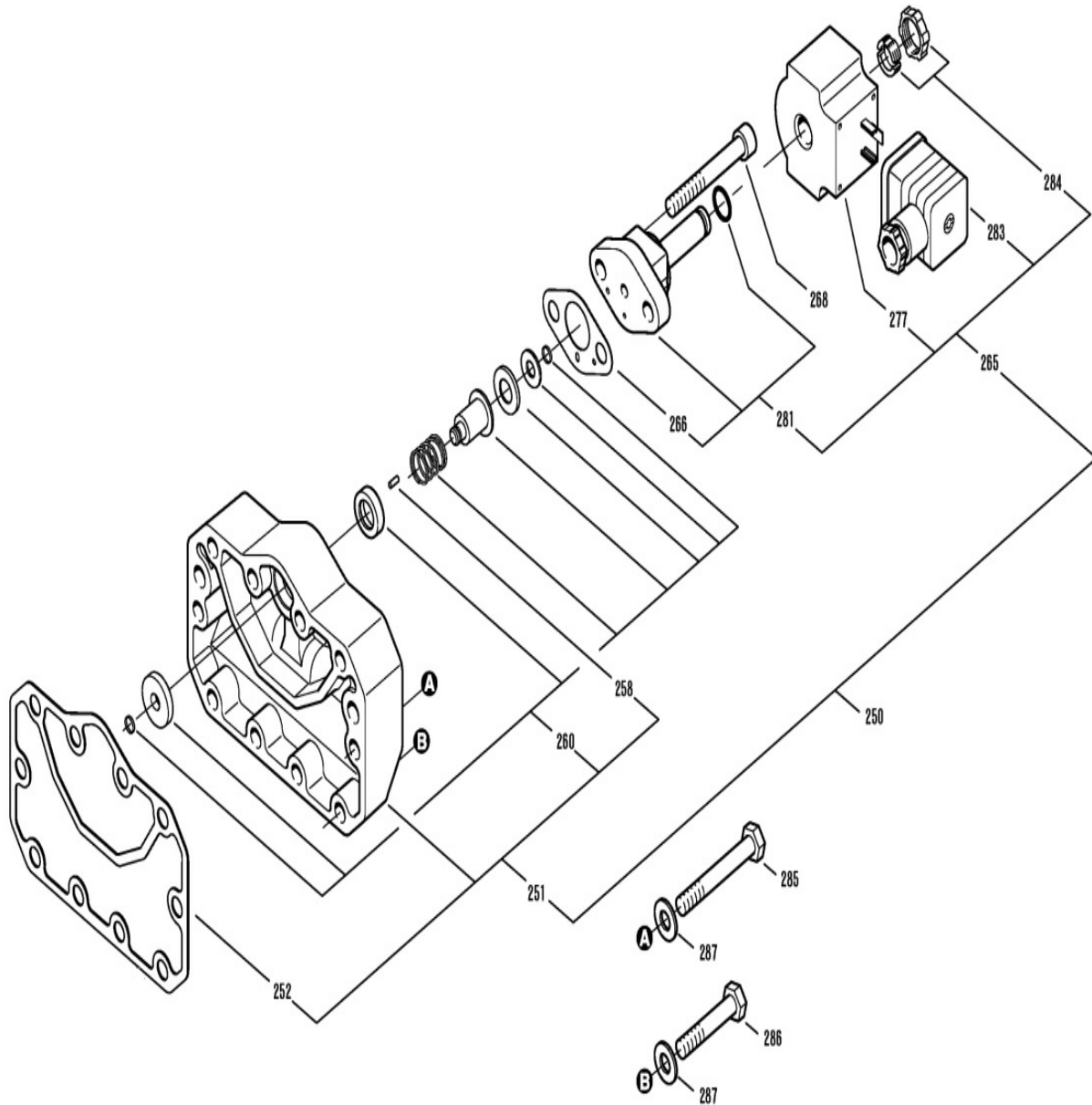


From 8-1362 To J-0287

Date:10/2022

PAGE:H7-2250-20

## A/C COMPRESSOR "BITZER" 6NFCY / "SPECIAL"

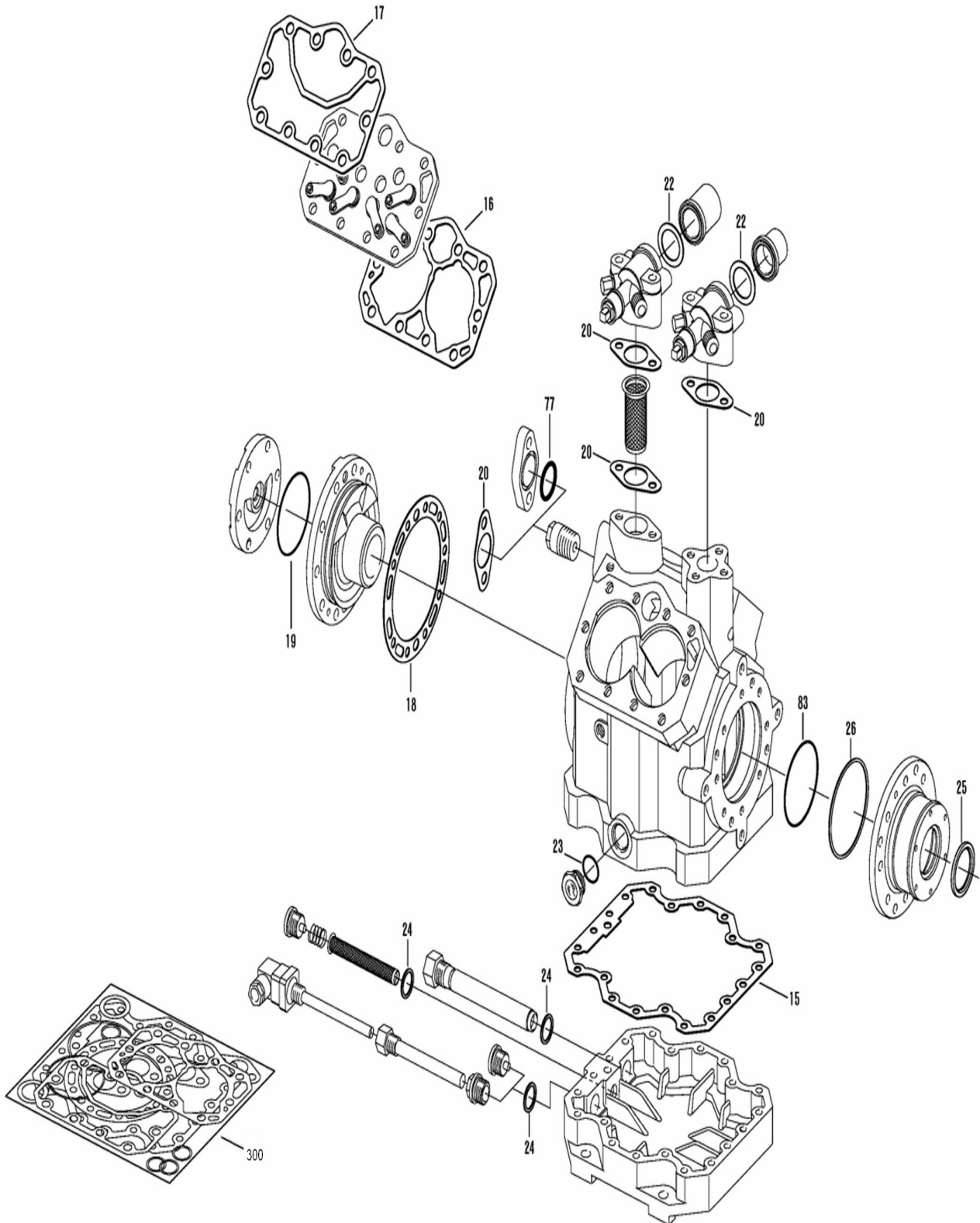


From 8-1362 To J-0287

Date:10/2022

PAGE:H7-2250-20

## A/C COMPRESSOR "BITZER" 6NFCY / "SPECIAL"



From 8-1362 To J-0287	Date:10/2022	PAGE:H7-2250-20
<b>A/C COMPRESSOR "BITZER" 6NFCY / "SPECIAL"</b>		

Item#	Part	Description	H 3 4 1	H 3 4 5	V I P 4 5	N O T E S
	950448	A/C COMPRESSOR ASSY 6 CYLINDERS - "BITZER" 6NFCY			1	
2	950517	. VALVE COMPLET WITH GASKET			3	
3	950518	. OIL PUMP W/ O-RING			1	
4	950956	. DISCHARGE & SUCTION SHUT-OFF VALVE			1	
5	950956	. DISCHARGE & SUCTION SHUT-OFF VALVE			2	
6	N8901790	. SHAFT SEAL COMPLETE			1	
7	Call order desk	. CONNECTING ROD W/PISTON COMPLETE			6	P
8	Call order desk	. PISTON STD			6	P
9	Call order desk	. CONNECTING ROD			6	P
10	950541	. BEARING COVER			1	
11	950628	. ECCENTRIC SHAFT			1	
12	950585	. CYLINDRIC ROLLER BEARING			1	
13	Call order desk	. CYLINDER LINER RIGHT			3	P
14	Call order desk	. CYLINDER LINER LEFT			3	P
15	Call order desk	. GASKET			1	P
16	950516	. GASKET			3	
17	950625	. GASKET			3	
18	950542	. GASKET			1	
19	950519	. O-RING 74 x 2			1	
20	950506	. GASKET			5	
22	950957	. GASKET			3	
23	950515	. O-RING 23.5 x 1.8			2	
24	950544	. GASKET RING ALUMINUM			3	
25	Call order desk	. GASKET RING			1	P
26	950626	. O-RING 85 x 3.53 MM			1	
27	951082	. OIL FILTER			1	
28	950600	. PRESSURE SPRING			1	
29	950545	. MAGNETIC SCREW M22-1.5			3	
30	950514	. SIGHT GLASS			2	
31	Call order desk	. BOTTOM PLATE			1	P
32	950605	. SHAFT SEAL COVER			1	
33	950973	. SUCTION GAS FILTER			2	
35	Call order desk	. PIPE CONNECTION 35 (1 3/8")			1	P
37	Call order desk	. PIPE CONNECTION 35 (1 3/8")			1	P
38	Call order desk	. COMPANION FLANGE 35 (1 3/8")			1	P
39	Call order desk	. COMPANION FLANGE 35 (1 3/8")			2	P
40	Call order desk	. PRESSURE RELIEF VALVE			2	P
41	Call order desk	. OIL PRESSURE RELIEF VALVE			1	P
42	950540	. SCHRADER VALVE 7/16 UNF			1	
43	Call order desk	. SEALING PLUG			2	P
44	Call order desk	. SEALING PLUG			2	P

From 8-1362 To J-0287	Date:10/2022	PAGE:H7-2250-20
<b>A/C COMPRESSOR "BITZER" 6NFCY / "SPECIAL"</b>		

Item#	Part	Description	H 3 4 1	H 3 4 5	V I P 4 5	N O T E S
45	Call order desk	. CYLINDER HEAD			3	P
45	950511	. CYLINDER HEAD W/MUFFLER			3	
46	Call order desk	. HOUSING			1	P
47	950970	. RETAINING RING W/LUGS			1	
48	Call order desk	. GAS EQUALISING VALVE			1	P
49	Call order desk	. BUSHING DRAIN INSERT			3	P
50	Call order desk	. THRUST SEGMENT			2	P
51	Call order desk	. BALANCE WEIGHT			1	P
52	Call order desk	. BALANCE WEIGHT			1	P
53	Call order desk	. BANDAGE			1	P
54	Call order desk	. WASHER A 8 DIN 134			4	P
55	Call order desk	. SCREW CAP HEX M8-1.25x75 G10.9 ZP			4	P
56	Call order desk	. SCREW CAP HEX M8-1.25x30 G10.9 FT			10	P
57	Call order desk	. SCREW CAP HEX M8-1.25x20 G10.9 FT			6	P
58	Call order desk	. WASHER A 8 DIN 134			16	P
59	Call order desk	. SCREW CAP HEX M8-1.25x60 G10.9 FT			20	P
60	Call order desk	. SCREW CAP HEX M10-1.5x75 G10.9			18	P
61	Call order desk	. SCREW CAP HEX M10-1.5x55 G10.9			12	P
64	950488	. SCREW CAP HEXS M10-1.5x40 G10.9			6	
65	950641	. SCREW CAP HEX M10-1.5x65 G10.9			2	
66	Call order desk	. GASKET			1	P
67	950565	. BLANKING PLATE			1	
68	Call order desk	. WASHER A 8 DIN 134			20	P
69	Call order desk	. SCREW CAP HEX M8-1.25x30 G10.9 FT			8	P
70	Call order desk	. WASHER A 8 DIN 134			8	P
72	Call order desk	. OIL DRIER			1	P
73	Call order desk	. WASHER A10 DIN 134			30	P
74	950520	. WOODRUFF KEY 5 x 9			1	
75	950634	. SPIRAL PIN 3 x 20			1	
76	950564	. PROTECTIVE CAP			3	
78	Call order desk	. CRANKASE HEATER 24 VOLTS			1	P
78	Call order desk	. CRANKASE HEATER 12 VOLTS			1	P
79	Call order desk	. HEATER SLEEVE			1	P
80	Call order desk	. SCREWED NIPPLE HEATER SLEEVE M22 x 1.5 x 3/8-18 NPT			1	P
82	Call order desk	. FELT TAPE			1	P
83	950519	. O-RING 74 x 2			1	
84	Call order desk	. GROOVE # 1 COMPRESSION RING			6	P
85	Call order desk	. GROOVE # 2 COMPRESSION RING			6	P
90	Call order desk	. FLANGE KIT INTERMEDIATE			1	P
91	Call order desk	. CROSS FLANGE KIT			1	P
93	Call order desk	. SEALING SCREW M36 x 1.5			2	P
94	Call order desk	. GASKET RING			2	P

From 8-1362 To J-0287	Date:10/2022	PAGE:H7-2250-20
<b>A/C COMPRESSOR "BITZER" 6NFCY / "SPECIAL"</b>		

Item#	Part	Description	H 3 4 1	H 3 4 5	V I P 4 5	N O T E S
121	950505	. LIFTING LUG			1	
122	950641	. SCREW CAP HEX M10-1.5x65 G10.9			1	
123	950646	. SCREW CAP HEX M10-1.5x70 G10.9			1	
250	950513	. CAPACITY REGULATOR COMPLETE 24 VOLT			1	
251	950512	. CYLINDER HEAD W/PISTON "CR"			1	
252	950625	. GASKET			1	
258	Call order desk	. HALF LENGHT RESERVE TAPER GROVE DOWEL PIN 3 x 8			1	P
260	Call order desk	. CONTROL PISTON COMPLETE			1	P
265	950521	. SOLONOID VALVE COMPLET 24VOLT			1	
266	950965	. . GASKET			1	
268	Call order desk	. . SCREW CAP HEXS M10 x 80 GR 10.9			1	P
277	Call order desk	. . COIL 24 VOLT W/OUT CONNECTOR			1	P
281	Call order desk	. . SOLONOID VALVE W/OUT COIL			1	P
283	950971	. . ELECTRICAL CONNECTOR ASSY			1	
284	950563	. . COIL FIXATION			1	
300	950510	KIT GASKET			1	A
		A) INCLUDE ITEMS # 15 to 26 + 66,77,83,94 & 266				
		P) CALL ORDER DESK FOR SPECIFIC APPLICATION (V.I.N.)				

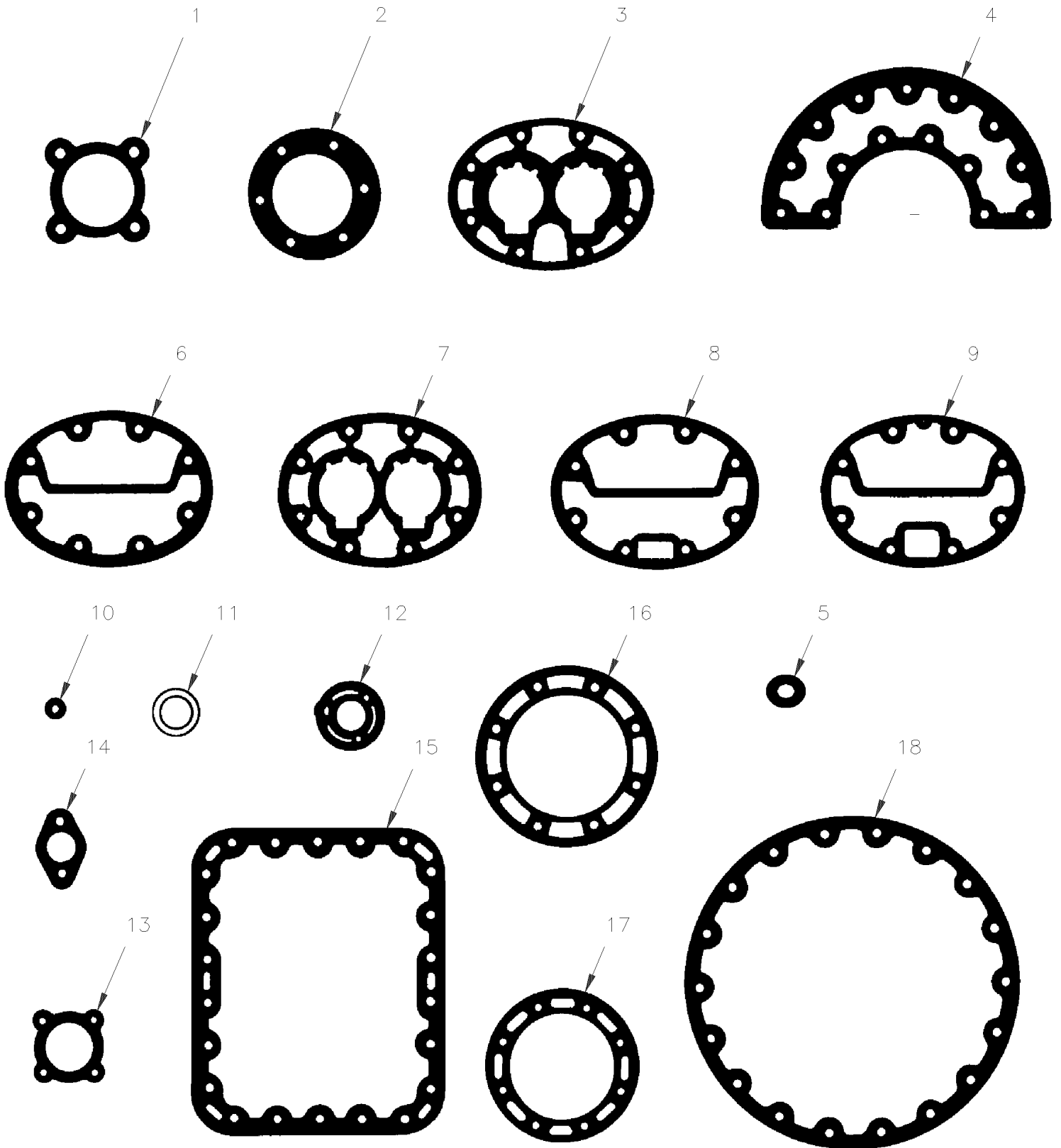


From 7-0671 To D-2363

Date:10/2022

PAGE:H7-2251-00

GASKET - 05G A/C COMPRESSOR



From 7-0671 To D-2363	Date:10/2022	PAGE:H7-2251-00
<b>GASKET - 05G A/C COMPRESSOR</b>		

Item#	Part	Description	H 3 4 1	H 3 4 5	V I P 4 5	N O T E S
	870829	KIT GASKET	1	1	1	
	950422	KIT GASKET / W/TWIN PORT ONLY	1	1	1	
1	870754	. GASKET / SUCTION VALVE	1	1	1	
1	950423	. GASKET / SUCTION VALVE / (METAL)	1	1	1	
2	870795	. GASKET, HUB BEARING	1	1	1	
3	870764	. GASKET, VALVE PLATE	3	3	3	
4	N.S.S.	. GASKET / END FLANGE	1	1	1	1
4	950412	. GASKET, SHAFT END COVER / W/TWIN PORT ONLY	1	1	1	
5	870791	. GASKET, SHAFT END COVER	2	2	2	
6	N.S.S.	. GASKET / LEFT & RIGHT CYLINDER HEAD - STANDARDS	2	2	2	1
7	N.S.S.	. GASKET / VALVE PLATE	3	3	3	1
7	950420	. GASKET, VALVE PLATE / W/TWIN PORT ONLY	1	1	1	
8	870760	. GASKET, CENTER CYLINDER HEAD	1	1	1	
8	950421	. GASKET, CYLINDER HEAD / W/TWIN PORT ONLY	1	1	1	
9	870797	. GASKET, L.H & R.H CYLINDER HEAD	2	2	2	
10	N.S.S.	. GASKET / OIL SUPPLY TUBE	1	1	1	1
11	870769	. GASKET, SIGHT GLASS	2	2	2	
11	950424	. GASKET, SIGHT GLASS / (METAL)	1	1	1	
12	870820	. GASKET, UNLOADER	2	2	2	
13	N.S.S.	. GASKET / OIL PUMP COVER	1	1	1	1
14	870753	. GASKET / DISCHARGE VALVE	2	2	2	
14	950425	. GASKET / DISCHARGE VALVE / (METAL)	1	1	1	
15	870786	. GASKET, BOTTOM PLATE	1	1	1	
15	950402	. GASKET, BOTTOM PLATE / (METAL)	1	1	1	
16	870771	. GASKET / OIL PUMP	1	1	1	
17	N.S.S.	. SEAL / SHAFT	1	1	1	1
18	N.S.S.	. GASKET / MOTOR END COVER	1	1	1	1
		1) NOT SOLD SEPARATELY				

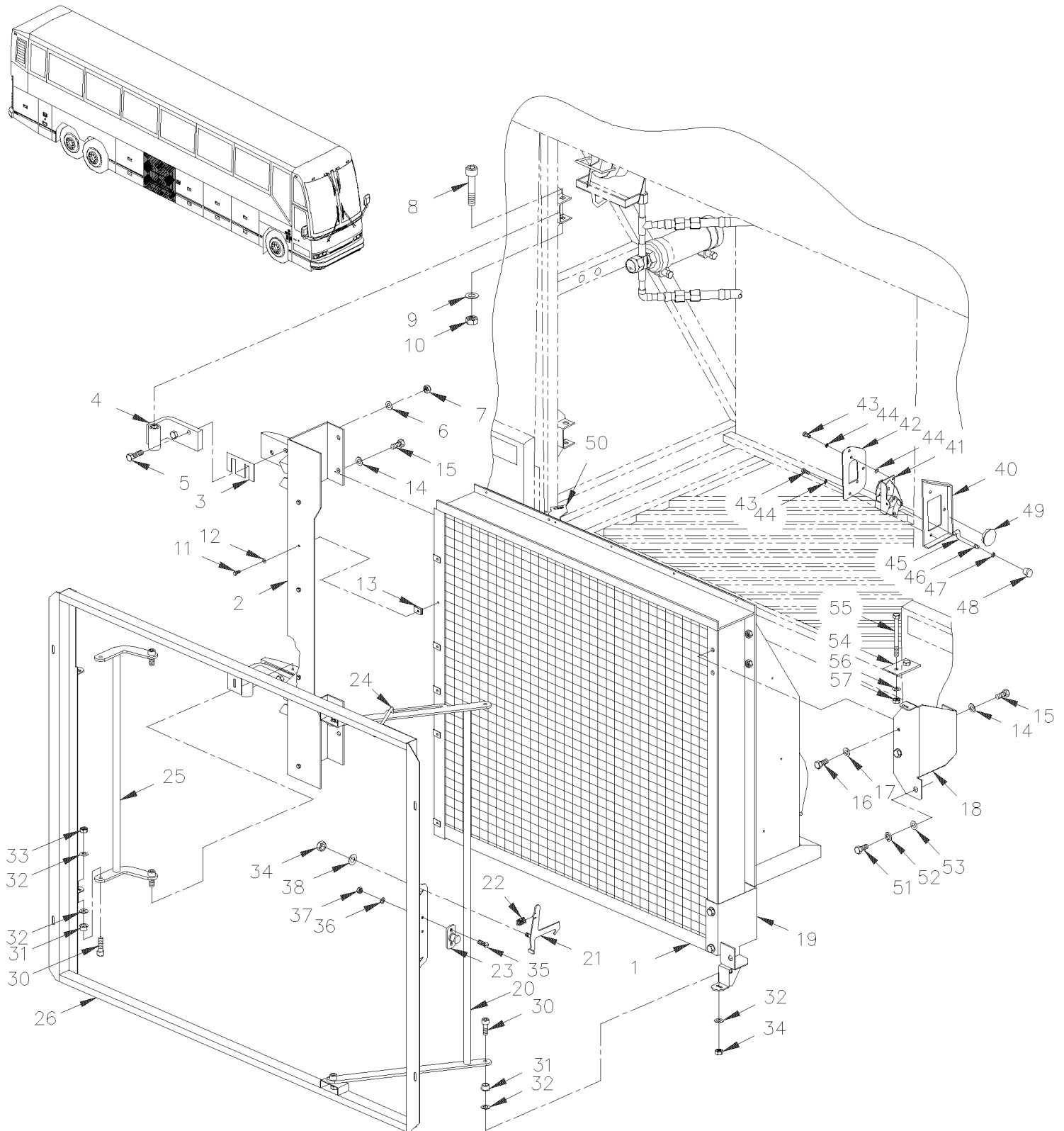


From 7-0671 To A-1720

Date:10/2022

PAGE:H7-2255-00

## CONDENSOR - INSTALLATION



From 7-0671 To A-1720	Date:10/2022	PAGE:H7-2255-00
<b>CONDENSOR - INSTALLATION</b>		

Item#	Part	Description	H 3 4 1	H 3 4 5	V I P 4 5	N O T E S
1	453013	CONDENSOR COPPER	1	1	1	
. NS	501829	. O-RING / ORS FITTING / #12 NEO	3	3	3	
. NS	N8892888	. O-RING ORS-16, .921 ID X .139 THK	1	1	1	
. NS	N8908582	. FITTING #16 ORS	1	1	1	
. NS	950636	. FITTING	3	3	3	
1	453125P	CONDENSOR COPPER / PAINTED BLACK	1	1	1	O
. NS	501829	. O-RING / ORS FITTING / #12 NEO	3	3	3	O
. NS	N8892888	. O-RING ORS-16, .921 ID X .139 THK	1	1	1	O
2	285484	ATTACHMENT / HINGE	1	1	1	
3	285598	SPACER SHIM	1	1	1	
4	283001	HINGE / CONDENSER DOOR	2	2	2	
5	5001338	SCREW CAP HEX M12-1.75x45 G10.9 N500	4	4	4	
6	500958	WASHER FL .531x1.062x.095 SS	12	12	12	
7	502591	NUT HEX NYRT M12-1.75 CP	8	8	8	
8	502596	SCREW SHR HEXS 5/8x2 1/4 {1/2-13 Z050	2	2	2	
9	507299	BUSHING NYLINER	4	4	4	
10	502595	NUT HEX NYRT 1/2-13 Z050	2	2	2	
11	502622	SCREW CAP HEX M6-1.0x20 SS BK	8	8	8	
12	502570	WASHER LO SPT 6.1x11.8x1.6 SS	8	8	8	
13	502738	NUT SPR U M6-1.0 0.6-4.0	8	8	8	
14	500482	WASHER LO SPT .506x.873x.125 Z050	8	8	8	
15	500850	SCREW CAP HEX M12-1.75X25 G8.8 Z050	8	8	8	
16	502528	SCREW CAP HEX M8-1.25x20 G8.8 EMN	6	6	6	
17	500874	WASHER FL 8.4x17.0x1.6 Z050	6	6	6	
NS	502744	NUT HEX STO M8-1.25 Z050	8	8	8	
18	285817	PLATE END / UPPER R.H.	1	1	1	
19	285819	PALTE END / LOWER R.H.	1	1	1	
20	285828	PANTOGRAPH ARM RIGHT	1	1	1	
21	285690	LATCH ASSY	1	1	1	
22	502245	SPRING COMPRESSION / .600 O.D. x 1.25 x .059	1	1	1	
23	780278	PIN, STRIKER STUD	1	1	1	
24	285656	RETAINING ROD	1	1	1	
NS	504323	GROMMET / .375x.500x.062x.281x.687	1	1	1	
25	285826	PANTOGRAPH ARM LEFT	1	1	1	
26	285831	DOOR FRAME (WELDED)	1	1	1	
30	502625	SCREW SHR HEXS 5/16x3/8 {1/4-20	8	8	8	
31	507301	BUSHING NYLINER	8	8	8	
32	500441	WASHER FL .312x.734x.065 Z050	8	8	8	
NS	500975	WASHER FL .378x.620x.094 NYL	8	8	8	
33	500868	NUT HEX NYRT M8-1.25 Z050	4	4	4	
34	5001352	NUT HEX NYRT 1/4-20 SS	4	4	4	
35	500316	SCREW MA FL PH 1/4-28x3/4 SS	2	2	2	

From 7-0671 To A-1720	Date:10/2022	PAGE:H7-2255-00
<b>CONDENSOR - INSTALLATION</b>		

Item#	Part	Description	H 3 4 1	H 3 4 5	V I P 4 5	N O T E S
36	502856	WASHER LO SERR 8.15x22.3x1.0 DP320	2	2	2	
37	500970	NUT HEX 1/4-28 N500	2	2	2	
38	500985	WASHER FL .343x.875x.125 Z050	2	2	2	
40	282988	PLATE HOLDER / WELDED TO STRUCTURE	1	1	1	
41	780652	LOCK SPAGNOLET L.H. / W/G-FITTING	1	1	1	
. NS	780340	. CLIP, RETAINER ROD	1	1	1	
. NS	507607	. GREASE FITTING / M6-1.00	1	1	1	
42	285765	PLATE ADAPTOR	1	1	1	
43	5001982	SCREW CAP HEX M6-1.0x12 SS BK	5	5	5	
44	5001833	WASHER BEL SPR 6.1x18x1.27 SS	5	5	5	
45	282984	ROD OPENING 52MM	1	1	1	
46	504083	SNAP BUSHING / .250x.468.406	1	1	1	
47	500986	NUT HEX #8-32 N500	1	1	1	
48	505504	KNOB, PULL / 8-32	1	1	1	
49	507295	HOLE PLUG BUTTON / 1.375 O.D. BLACK	1	1	1	
50	453015	BELT RETAINER	1	1	1	
NS	505507	STRAP NYLON 1" WIDE / S.L.	AR	AR	AR	
51	5001231	SCREW CAP HEX M10-1.5x25 SS	2	2	2	
52	502616	WASHER LO SPT 10.2x18.1x2.2 SS	2	2	2	
53	5001443	WASHER FL 10.3x38.0x3.0 SS	2	2	2	
54	483473	BLOCK SUPPORT	1	1	1	
NS	482329	SHIM	AR	AR	AR	
54	285452	SHIM SPACER W/2 SLOTS 74MM x 56MM	AR	AR	AR	
55	500346	SCREW MA FL PH 1/4-20x1 SS BK	2	2	2	
56	955920	WASHER LO SPT 6.5x11.5x1.6 ZP	2	2	2	
57	500771	NUT HEX 1/4-20 SS	2	2	2	
		O) OPTION				

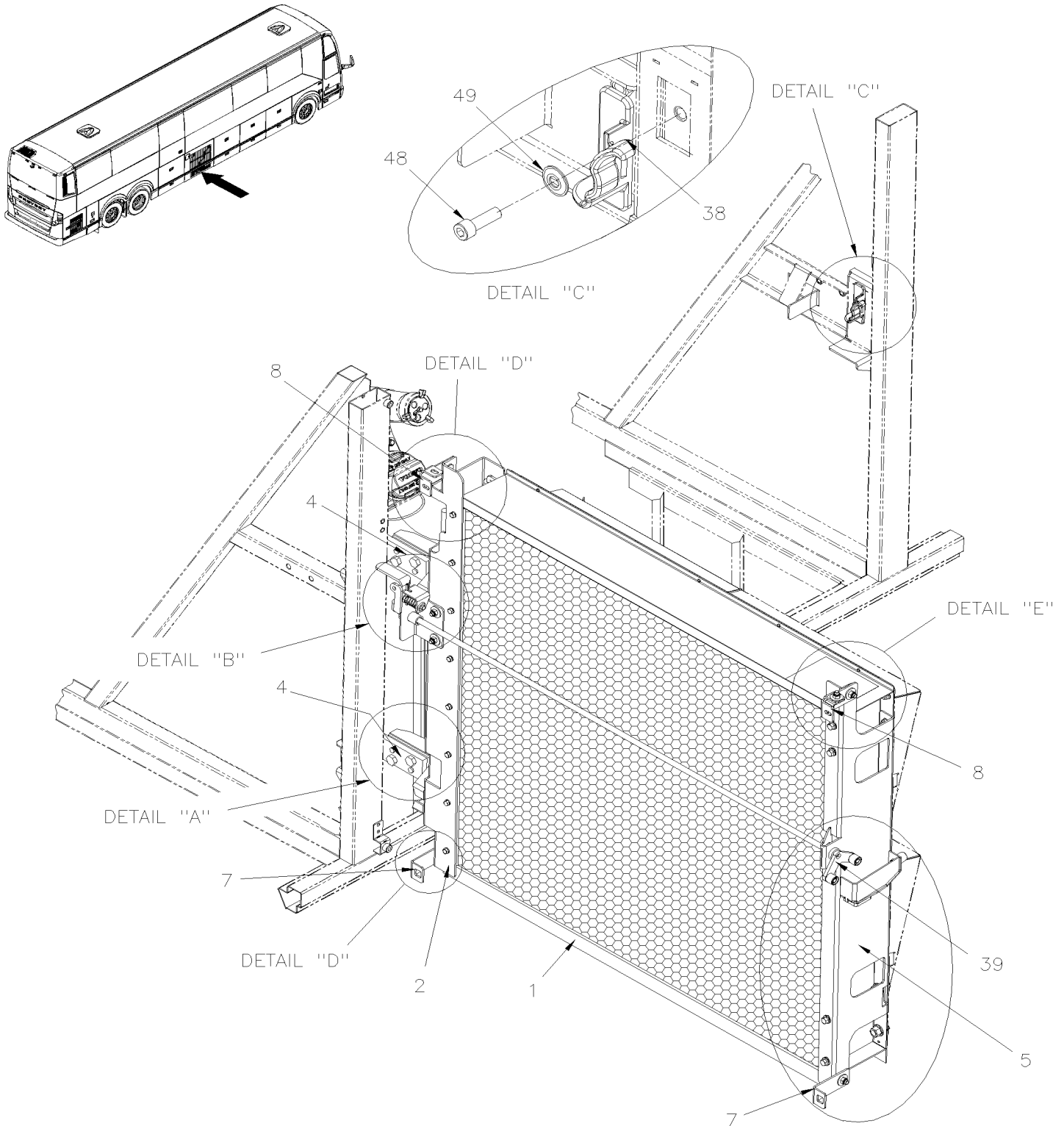


From B-1721 To J-0287

Date:10/2022

PAGE:H7-2255-01

## CONDENSOR - INSTALLATION WITH "EPA 2010"

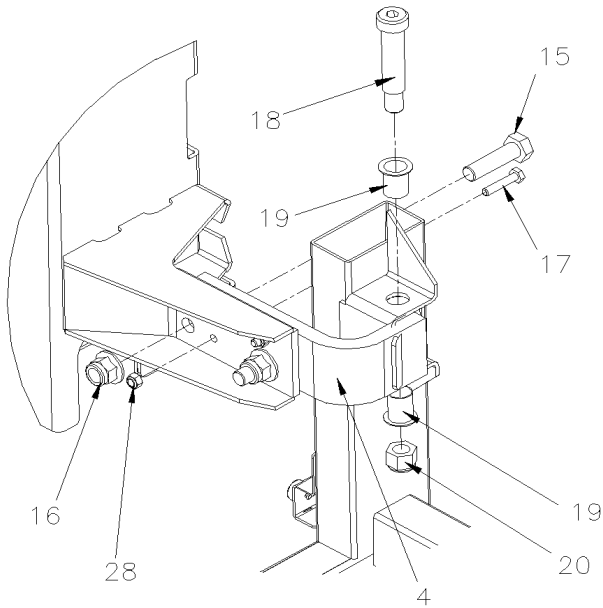


From B-1721 To J-0287

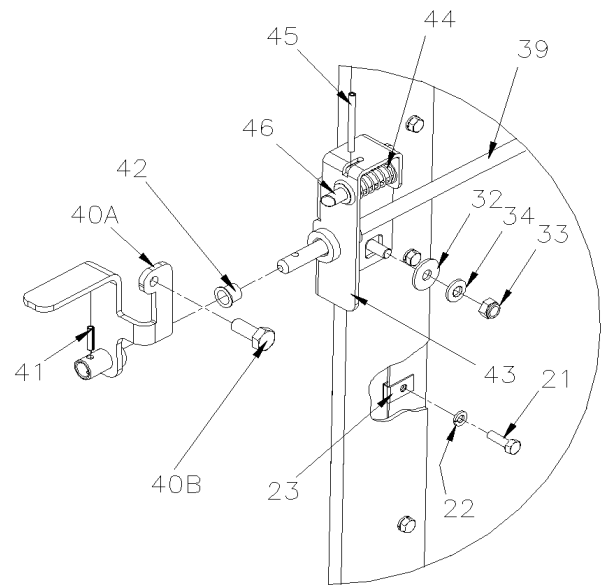
Date:10/2022

PAGE:H7-2255-01

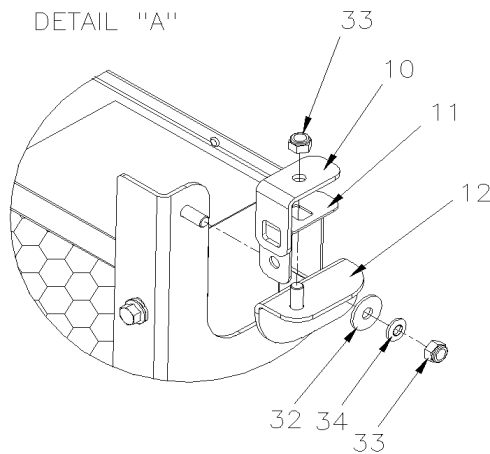
**CONDENSOR - INSTALLATION WITH "EPA 2010"**



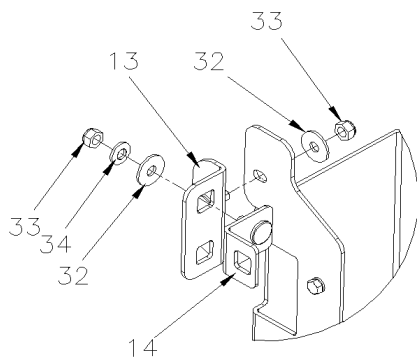
DETAIL "A"



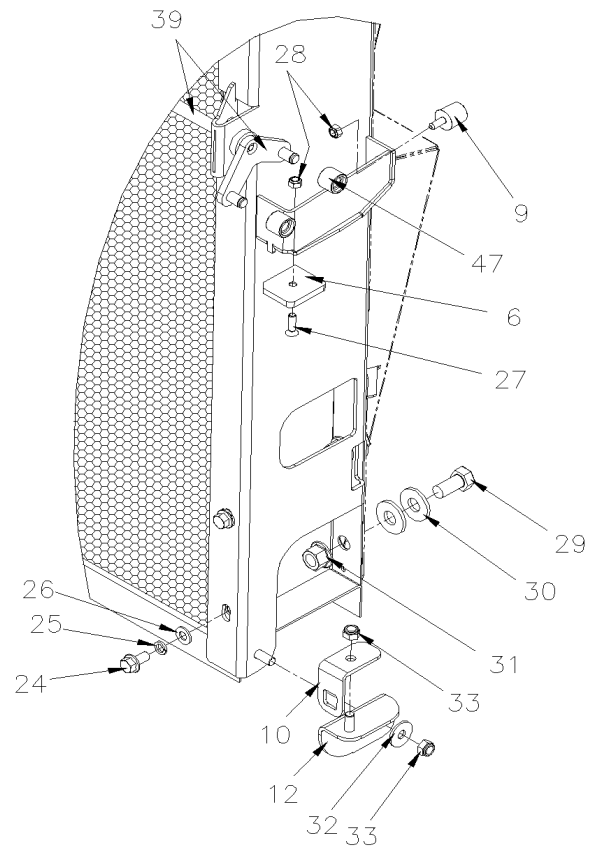
DETAIL "B"



DETAIL "E"  
FROM C-1887



DETAIL "D"  
FROM C-1887



DETAIL "B"

<b>From B-1721 To J-0287</b>	<b>Date:10/2022</b>	<b>PAGE:H7-2255-01</b>
<b>CONDENSOR - INSTALLATION WITH "EPA 2010"</b>		

Item#	Part	Description	H 3 4 1	H 3 4 5	V I P 4 5	N O T E S
1	453013	CONDENSOR COPPER	1	1	1	
. NS	501829	. O-RING / ORS FITTING / #12 NEO	3	3	3	
. NS	N8892888	. O-RING ORS-16, .921 ID X .139 THK	1	1	1	
. NS	N8908582	. FITTING #16 ORS	1	1	1	
. NS	950636	. FITTING	3	3	3	
1	453125P	CONDENSOR COPPER / PAINTED BLACK	1	1	1	O
. NS	501829	. O-RING / ORS FITTING / #12 NEO	3	3	3	O
. NS	N8892888	. O-RING ORS-16, .921 ID X .139 THK	1	1	1	O
2	455315	ATTACHMENT / HINGE To B-1886	1	1	1	
2	454683	ATTACHMENT / HINGE / E-COAT BLACK From C-1887	1	1	1	
2	285598	SPACER SHIM	1	1	1	
4	287646	HINGE / CONDENSER DOOR	2	2	2	
5	289624	SUPPORT R.H. SIDE To B-1886	1	1	1	
5	454693	SUPPORT R.H. SIDE / E-COAT BLACK From C-1887	1	1	1	
6	289616	BLOCK SUPPORT	1	1	1	
NS	483730	SHIM 14GA 73.2MM x 38.1MM SS	1	1	1	
7	289612	SUPPORT LOWER To B-1886	2	2	2	
8	289611	SUPPORT UPPER To B-1886	2	2	2	
9	504454	BUMPER RUBBER BOLT / 20MM ODx20MM TH X M6X15MM STUD	1	1	1	
10	289818	BRACKET, HINGE, CONDENSER DOOR From C-1887	2	2	2	
11	289819	BRACKET, LOCK, CONDENSER DOOR From C-1887	1	1	1	
12	289820	BRACKET, CONDENSER DOOR From C-1887	2	2	2	
13	289821	BRACKET, CONDENSER DOOR From C-1887	2	2	2	
14	289822	BRACKET, CONDENSER DOOR From C-1887	2	2	2	
15	5001338	SCREW CAP HEX M12-1.75x45 G10.9 N500	4	4	4	
16	5001761	NUT HEXF NYRT M12-1.75 G8 N500	4	4	4	
17	502758	SCREW CAP HEX M6-1.0x30 G8.8 N500	4	4	4	
18	502596	SCREW SHR HEXS 5/8x2 1/4 {1/2-13 Z050 To H-3464	2	2	2	
18	5000323	SCREW SHR HEXS 5/8x2 1/4 {1/2-13 SS From H-3465	2	2	2	
19	507299	BUSHING NYLINER	4	4	4	
20	502595	NUT HEX NYRT 1/2-13 Z050	2	2	2	
21	502622	SCREW CAP HEX M6-1.0x20 SS BK	4	4	4	
22	500942	WASHER LO SPT 8.1x14.8x2.0 N500 To G-3047	4	4	4	
22	5001736	WASHER FL 8.4x18.0x2.0 N500 To G-3047	4	4	4	
22	5001868	WASHER BEL SPR 8.4x18x2 SS From G-3048	4	4	4	
23	502738	NUT SPR U M6-1.0 0.6-4.0 To G-3047	8	8	8	
23	5001965	NUT SPR U M6-1.0 0.6-4.0 N500 From G-3048	8	8	8	
24	5001780	SCREW CAP HEXF M8-1.25x16 G8.8 N500 To G-3047	4	4	4	
24	5001527	SCREW CAP HEX M8-1.25x16 SS BK From G-3048	4	4	4	
25	500942	WASHER LO SPT 8.1x14.8x2.0 N500 To G-3047	4	4	4	
25	5001868	WASHER BEL SPR 8.4x18x2 SS From G-3048	4	4	4	
26	5001736	WASHER FL 8.4x18.0x2.0 N500 To G-3047	4	4	4	

<b>From B-1721 To J-0287</b>	<b>Date:10/2022</b>	<b>PAGE:H7-2255-01</b>
<b>CONDENSOR - INSTALLATION WITH "EPA 2010"</b>		

Item#	Part	Description	H 3 4 1	H 3 4 5	V I P 4 5	N O T E S
27	5001497	SCREW MA OV PH M6-1.0x20 SS	1	1	1	
28	502681	NUT HEX NYRT M6-1.0 N500 G8	6	6	6	
29	502705	SCREW CAP HEX M12-1.75X25 G8.8 N500	4	4	4	
30	500211	WASHER FL .531x1.250x.125 N500	8	8	8	
31	5001728	NUT HEXF STO M12-1.75 N500 G10	4	4	4	
32	5001751	WASHER FL 10.5x26.0x2.0 N500 To G-3047	8	8	8	
32	5001849	WASHER FL 8.4x24.0x2.0 SS From G-3048	8	8	8	
33	502847	NUT HEX NYRT M8-1.25 N500 To G-3047	AR	AR	AR	
33	5001852	NUT HEX M8-1.25 SS BK From G-3048	AR	AR	AR	
34	5001868	WASHER BEL SPR 8.4x18x2 SS From G-3048	6	6	6	
38	289694	GUIDE R.H. / W/2 HOLES FOR RIVET	1	1	1	
NS	288517	. GUIDE R.H.	1	1	1	
39	289615	ROD LOCK ASSY To J-0154	1	1	1	
39	281778	ROD LOCK ASSY From J-0155	1	1	1	
40A	289627	HANDLE ASSY To J-0154	1	1	1	
40A	281775	HANDLE ASSY From J-0155	1	1	1	
40B	5001832	SCREW CAP HEX M10-1.5x25 NYLON	1	1	1	
41	5001812	SPRING PIN 3/16" x 3/4" SS To J-0154	1	1	1	
41	502532	SCREW MA PAN PH M5-0.8x25 SS EMN From J-0155	1	1	1	
42	507141	BUSHING, NYLINER W/SHOULDER (7-L-7-F)	1	1	1	
43	289631P	SUPPORT HANDLE ASSY	1	1	1	
44	502910	. SPRING COMPRESSION / .720 O.D. 1.75 x .055	1	1	1	
45	5001811	. SPRING PIN 3/16" x 2" SS	1	1	1	
46	289645	. ROD	1	1	1	
47	288607	ROLLER CATCH	2	2	2	
47	504318	RING RETAINER / EXT .375 x .352 x .025	2	2	2	
48	5001775	SCREW CAP HEXS M8-1.25x25 G8.8 G500	1	1	1	
49	5001699	WASHER BEL SPR 8.2x22x1.4 N500	1	1	1	
NS	453015	BELT RETAINER	1	1	1	
51	<b>H7-2260-01</b>	<b>CONDENSOR FANS - INSTALLATION W/4 MOTORS</b>				
52	<b>H7-1863-01</b>	<b>CONDENSOR DOOR ASSY "EPA 2010"</b>				
		O) OPTION				

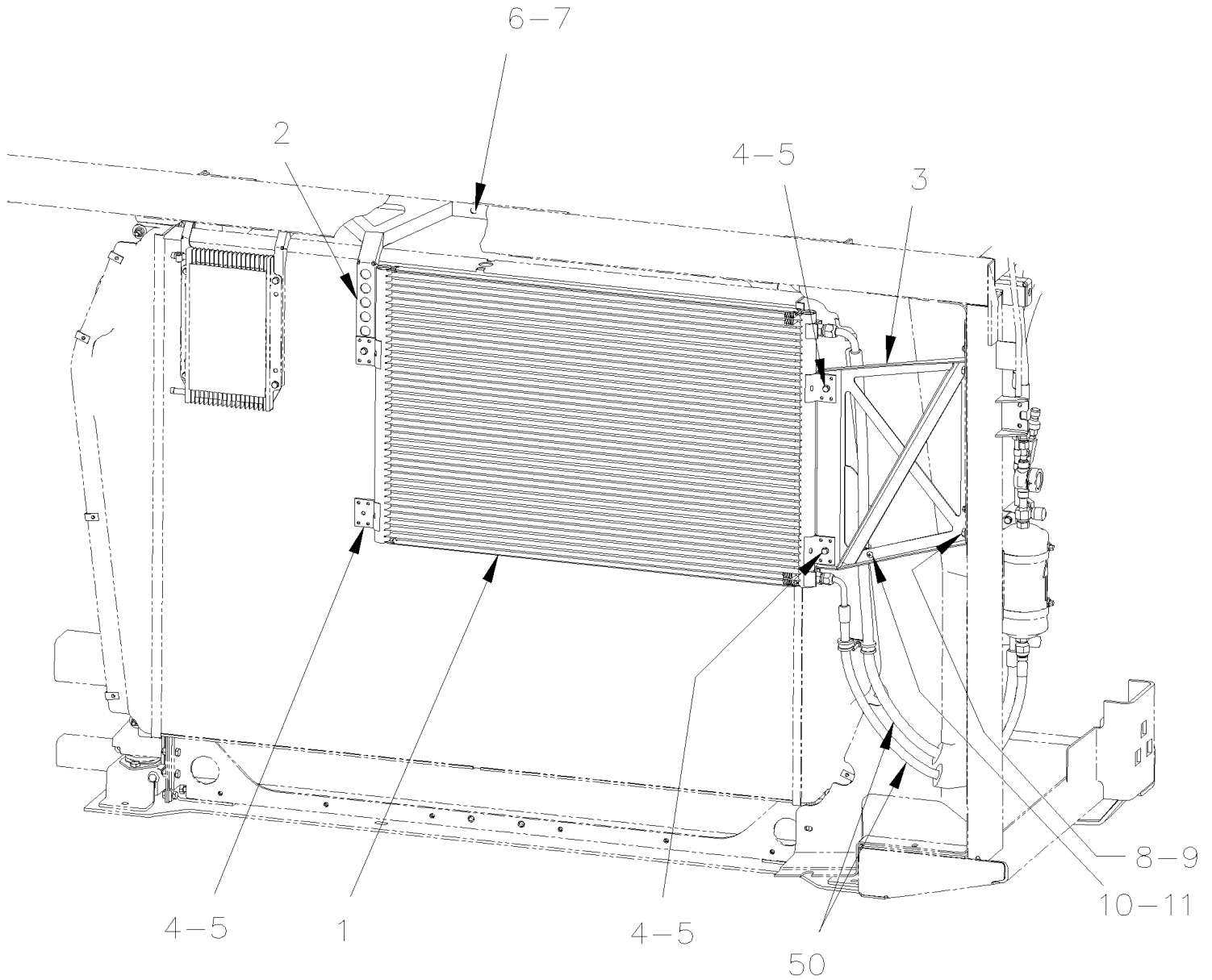


From 7-0671 To J-0287

Date:10/2022

PAGE:H7-2255-50

## CONDENSOR - INSTALLATION SMALL A/C SYSTEM



From 7-0671 To J-0287	Date:10/2022	PAGE:H7-2255-50
<b>CONDENSOR - INSTALLATION SMALL A/C SYSTEM</b>		

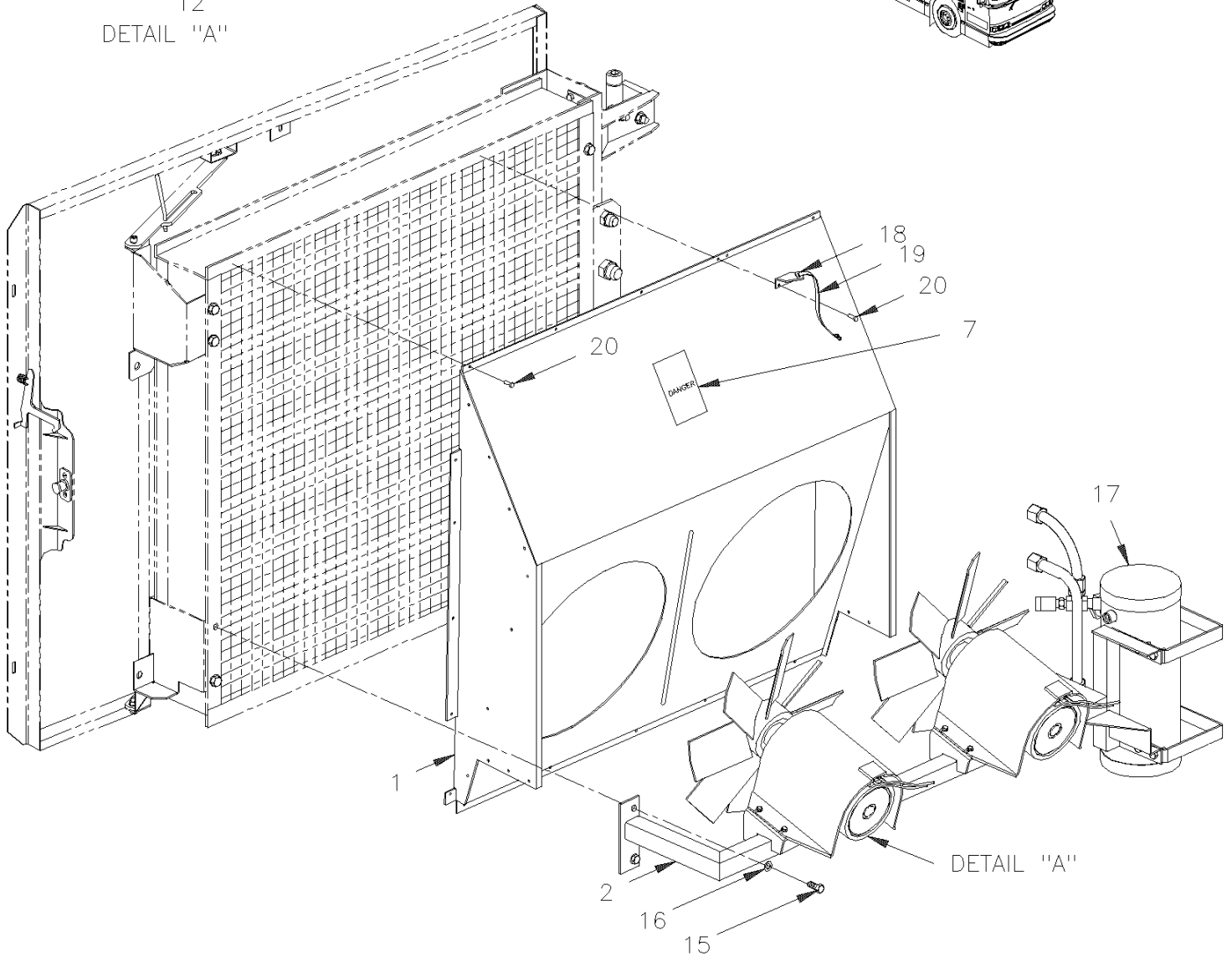
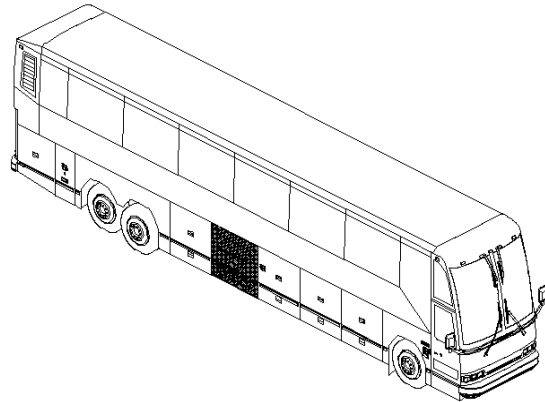
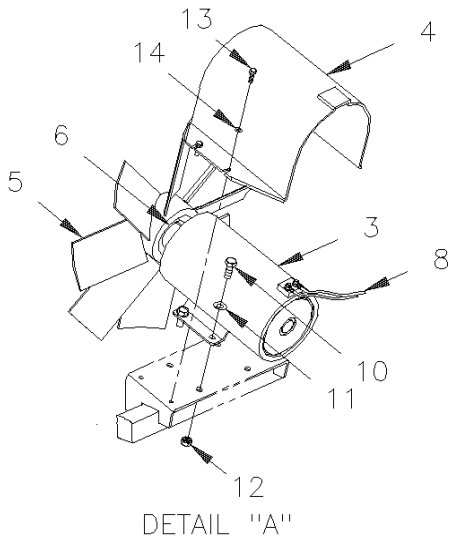
Item#	Part	Description	H 3 4 1	H 3 4 5	V I P 4 5	N O T E S
1	950381	CONDENSOR COIL To B-1720			1	
1	950958	CONDENSOR COIL E-COAT 8.2 From B-1721 To C-1953			1	
1	950467	CONDENSOR COIL E-COAT LT-8 From C-1954 To D-2143			1	
1	950958	CONDENSOR COIL E-COAT 8.2 From D-2144			1	
2	052699	SUPPORT FORWARD To B-1720			1	
2	053543	SUPPORT FORWARD From B-1721			1	
3	052698	SUPPORT BACKWARD To B-1720			1	
3	053544	SUPPORT BACKWARD From B-1721			1	
4	955271	SCREW CAP HEX M6-1.0x16 G8.8 ZG603			8	
5	502853	WASHER LO SPT 6.1x11.8x1.6 N500			8	
6	502830	SCREW CAP HEX M6-1.0x20 G8.8 N500			2	
7	5001608	WASHER BEL SPR 6.2x15.0x0.7 G500			2	
8	502862	SCREW CAP HEX M8-1.25x20 G8.8 N500			2	
9	500321	WASHER BEL SPR .331x.827x.098 N500			2	
10	952629	CLAMP / 5/8" I.D.			AR	
11	500574	SCREW MA TR PH #10-24x1 1/4 SS			AR	
NS	500914	WASHER LO SPT .193x.334x.047 N500			AR	
NS	502882	NUT HEX #10-24 N500			AR	
50	<b>H7-2222-55</b>	<b>SMALL A/C LINES &amp; HOSES - R134A</b>				

From 7-0671 To 8-1291

Date:10/2022

PAGE:H7-2260-00

## CONDENSOR FANS - INSTALLATION W/2 MOTORS



From 7-0671 To 8-1291	Date:10/2022	PAGE:H7-2260-00
<b>CONDENSOR FANS - INSTALLATION W/2 MOTORS</b>		

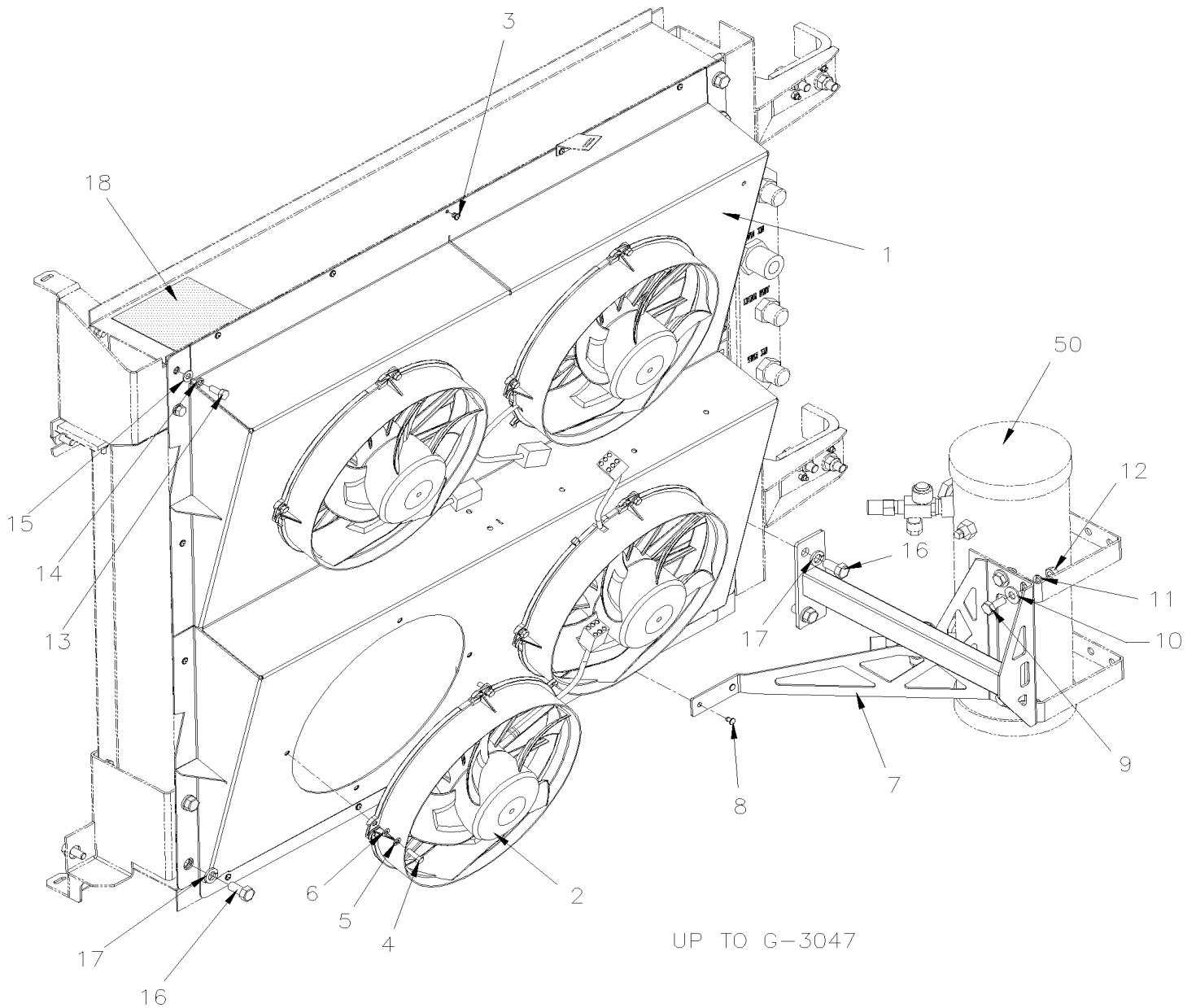
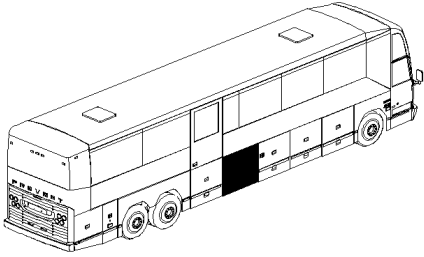
Item#	Part	Description	H 3 4 1	H 3 4 5	V I P 4 5	N O T E S
1	452948	SHROUD	1	1	1	
2	457130	FAN MOTOR & RECEIVER TANK SUPPORT	1	1	1	
NS	453686	SHIM 142MM X 46MM X 24GA SS	AR	AR	AR	
3	<b>H7-2265-50</b>	<b>MOTOR - CONDENSOR "PREVOST" - T114</b>				
4	453016	PROTECTOR COVER	2	2	2	
5	871090	FAN BLADE	2	2	2	
6	452069	KEY	2	2	2	
7	402792	DECAL / "DANGER" SHUT DOWN A/C BEFORE SERVI. / ENGLISH & FRANCAIS	1	1	1	
7	405637	DECAL / "DANGER" SHUT DOWN A/C BEFORE SERVI. / ENGLISH & SPANISH	1	1	1	
8	065273	CABLE ASSY / RR BAT. COMPT & EVAPO. PANEL	1	1	1	
10	502528	SCREW CAP HEX M8-1.25x20 G8.8 EMN	12	12	12	
11	500874	WASHER FL 8.4x17.0x1.6 Z050	12	12	12	
12	502744	NUT HEX STO M8-1.25 Z050	8	8	8	
13	502568	SCREW MA PAN PH M6-1.0x20 EMN	8	8	8	
14	500468	WASHER FL .281x1.250x.065 Z050	8	8	8	
15	5001314	SCREW CAP HEX M12-1.75x19 G8.8 ZP	4	4	4	
16	5001003	WASHER LO SPT 8.1x12.7x2.0 Z050	4	4	4	
17	<b>H7-2270-00</b>	<b>RECEIVER TANK &amp; FILTER DRYER</b>				
18	453015	BELT RETAINER	1	1	1	
19	505507	STRAP NYLON 1" WIDE / S.L.	AR	AR	AR	
20	504488	RIVET MGLP PRDG 3/16x17/64 SS	2	2	2	
NS	563464	SWITCH / S.P.S.T. / N.C. / W/RUBBER BOOT	1	1	1	
22	IS16903	CONDENSOR BRUSHLESS FAN INSTALLATION MULTIPLEX KIT	1	1	1	

From 8-1292 To J-0287

Date:10/2022

PAGE:H7-2260-01

## CONDENSOR FANS - INSTALLATION W/4 MOTORS

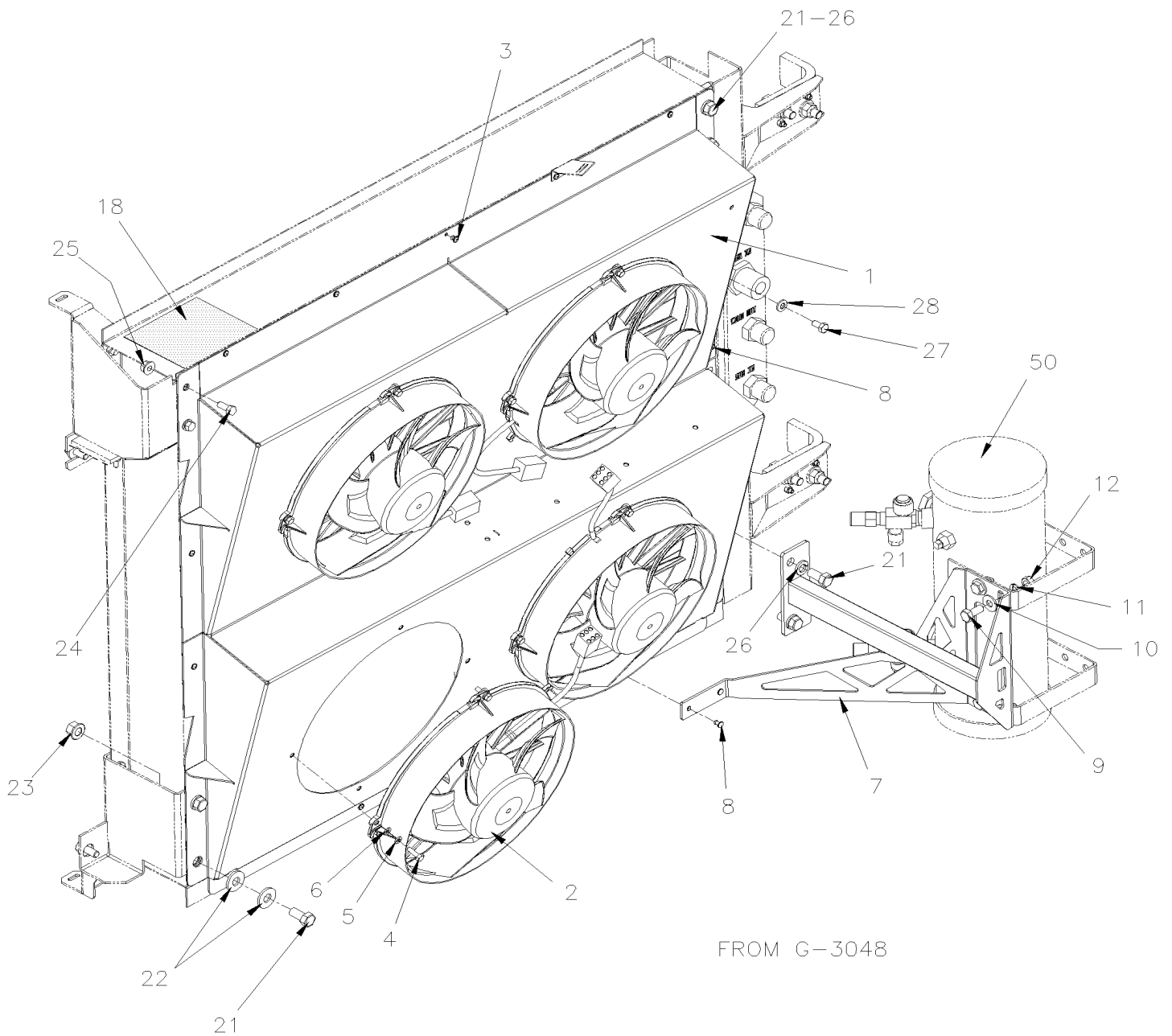
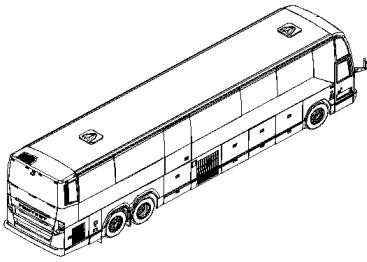


From 8-1292 To J-0287

Date:10/2022

PAGE:H7-2260-01

## CONDENSOR FANS - INSTALLATION W/4 MOTORS



From 8-1292 To J-0287 Date:10/2022 PAGE:H7-2260-01

**CONDENSOR FANS - INSTALLATION W/4 MOTORS**

Item#	Part	Description	H 3 4 1	H 3 4 5	V I P 4 5	N O T E S
1	454583	SHROUD FAN To A-1691	1	1	1	
1	455324	SHROUD FAN From A-1692	1	1	1	
2	563461	CONDENSOR FAN ASSY 24V To A-1691	4	4	4	
. NS	563691	. CONNECTOR / JUNIOR POWER TIMER / SH 6C / AMP 1-963212-1 To A-1691	1	1	1	
2	565881	CONDENSOR FAN ASSY 24V From A-1692	4	4	4	
. NS	563691	. CONNECTOR / JUNIOR POWER TIMER / SH 6C / AMP 1-963212-1 From A-1692	1	1	1	
3	504488	RIVET MGLP PRDG 3/16x17/64 SS	12	12	12	
4	502622	SCREW CAP HEX M6-1.0x20 SS BK	AR	AR	AR	
5	502570	WASHER LO SPT 6.1x11.8x1.6 SS To H-3734	AR	AR	AR	
5	5001833	WASHER BEL SPR 6.1x18x1.27 SS From H-3735	AR	AR	AR	
6	502573	WASHER FL 6.4x12.5x1.6 SS	AR	AR	AR	
7	457443	SUPPORT RECEIVER TANK To A-1720	1	1	1	
7	454657	SUPPORT RECEIVER TANK From B-1721 To B-1886	1	1	1	
7	454678	SUPPORT RECEIVER TANK From C-1887	1	1	1	
8	504487	RIVET MGLP PRDG 3/16x7/16 SS	2	2	2	
9	502559	SCREW CAP HEX M10-1.5x25 G8.8 Z050	2	2	2	
10	500445	WASHER FL .437x1.000x.083 Z050	2	2	2	
11	500257	WASHER LO SPT 10.2x18.1x2.2 Z050	2	2	2	
12	500256	NUT HEX M10-1.5 Z050	2	2	2	
13	502528	SCREW CAP HEX M8-1.25x20 G8.8 EMN To A-1720	2	2	2	
14	5001003	WASHER LO SPT 8.1x12.7x2.0 Z050 To A-1720	2	2	2	
15	500874	WASHER FL 8.4x17.0x1.6 Z050 To A-1720	2	2	2	
16	500850	SCREW CAP HEX M12-1.75X25 G8.8 Z050 To A-1720	6	6	6	
17	500482	WASHER LO SPT .506x.873x.125 Z050 To A-1720	6	6	6	
18	402792	DECAL / "DANGER" SHUT DOWN A/C BEFORE SERVI. / ENGLISH & FRANCAIS	1	1	1	
18	405637	DECAL / "DANGER" SHUT DOWN A/C BEFORE SERVI. / ENGLISH & SPANISH	1	1	1	
21	502705	SCREW CAP HEX M12-1.75X25 G8.8 N500 From B-1721	6	6	6	
22	500211	WASHER FL .531x1.250x.125 N500 From B-1721	4	4	4	
23	5001728	NUT HEXF STO M12-1.75 N500 G10 From B-1721	2	2	2	
24	5001780	SCREW CAP HEXF M8-1.25x16 G8.8 N500 From B-1721 To G-3047	2	2	2	
24	502862	SCREW CAP HEX M8-1.25x20 G8.8 N500 From G-3048	2	2	2	
25	502837	NUT HEXF STO M8-1.25 N500 From B-1721 To G-3047	2	2	2	
25	5001852	NUT HEX M8-1.25 SS BK From G-3048	2	2	2	
26	500482	WASHER LO SPT .506x.873x.125 Z050 From B-1721	4	4	4	
27	5001780	SCREW CAP HEXF M8-1.25x16 G8.8 N500 From B-1721 To G-3047	2	2	2	
27	5001527	SCREW CAP HEX M8-1.25x16 SS BK From G-3048	2	2	2	
28	5001868	WASHER BEL SPR 8.4x18x2 SS From G-3048	2	2	2	
50	<b>H7-2270-00</b>	<b>RECEIVER TANK &amp; FILTER DRYER To 9-1403</b>				
50	<b>H7-2270-01</b>	<b>RECEIVER TANK &amp; FILTER DRYER From 9-1404</b>				



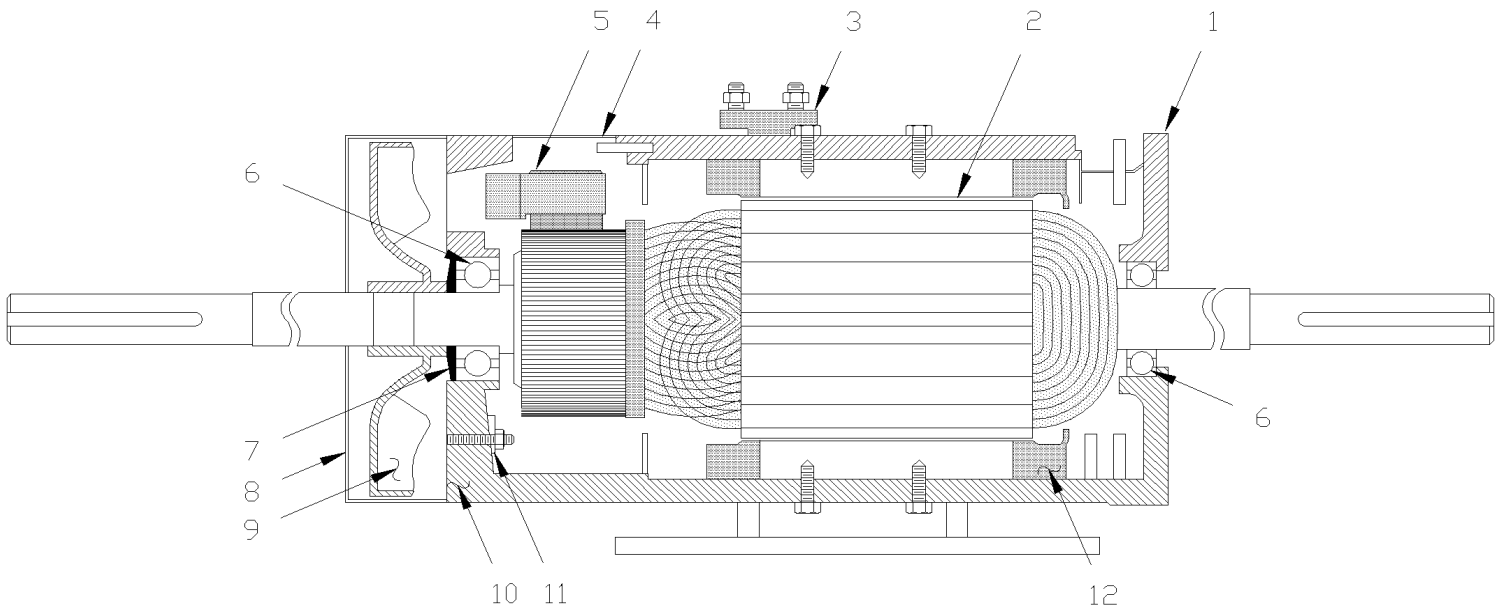


From 7-0671 To 9-1403

Date:10/2022

PAGE:H7-2265-00

MOTOR - EVAPORATOR "PREVOST" - T-17 - 2 SPEEDS

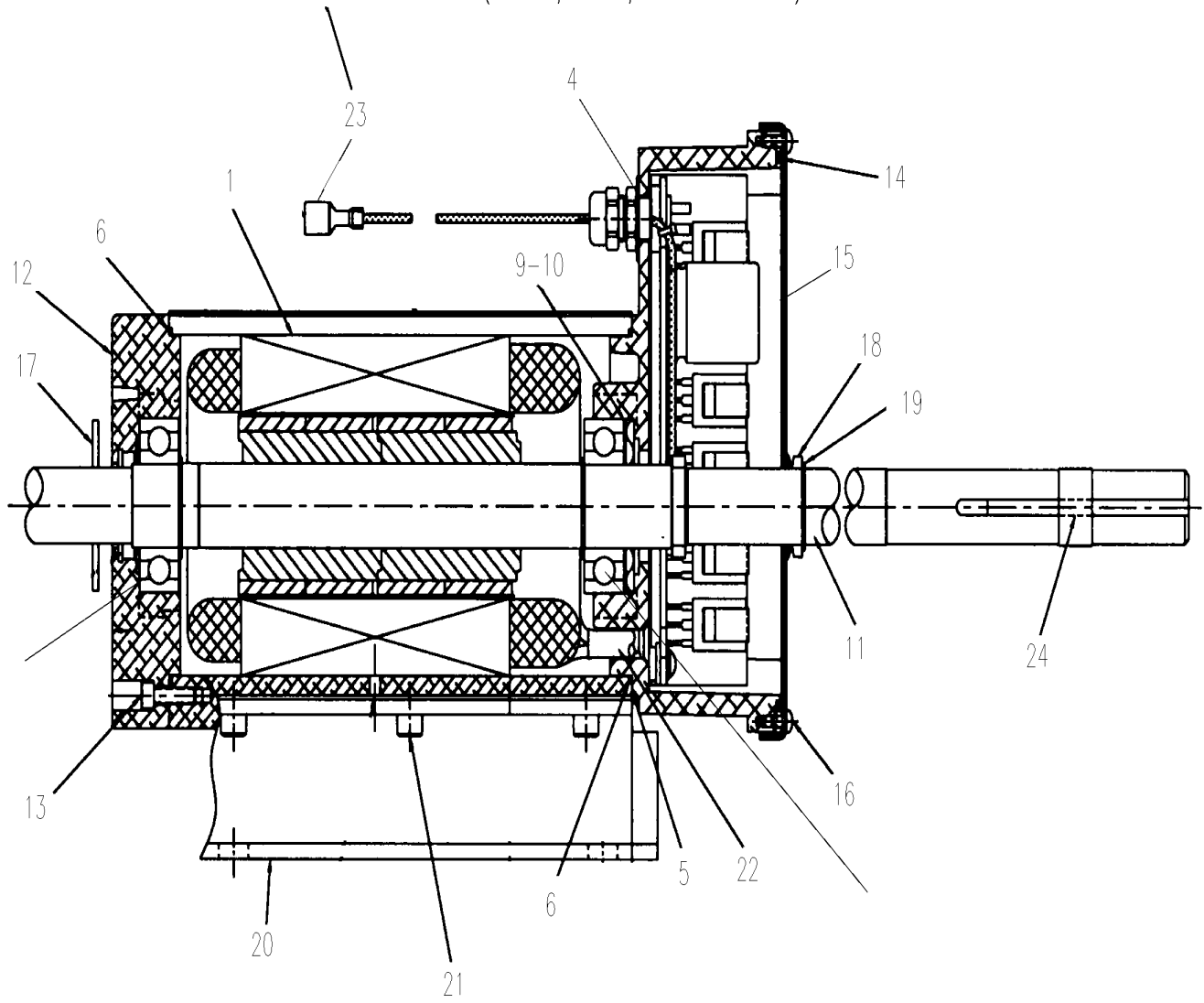


From 7-0671 To 9-1403	Date:10/2022	PAGE:H7-2265-00
<b>MOTOR - EVAPORATOR "PREVOST" - T-17 - 2 SPEEDS</b>		

Item#	Part	Description	H 3 4 1	H 3 4 5	V I P 4 5	N O T E S
	563008	MOTOR "PREVOST" / 2.1 HP / 1400 & 1880 RPM / (STAMPED T-17)	1	1	1	
1	563079	. COVER	1	1	1	
2	563077	. ARMATURE MOTOR	1	1	1	
3	563122	. BLOCK, RECEPTACLE	1	1	1	
4	562527	. GRILLE PROTECTOR	1	1	1	
5	562951	. BRUSH	4	4	4	
6	561210	. BALL BEARING	2	2	2	
7	561211	. WASHER SPRING	1	1	1	
8	562521	. COVER / FAN END	1	1	1	
9	562526	. FAN	1	1	1	
10	563078	. COVER / COMMUTATOR END	1	1	1	
11	563081	. BRUSH HOLDER ASSY / W/SPRING	1	1	1	
11	562546	. . SPRING, TORSION / .750 O.D. x .322 x .020	4	4	4	
12	563080	. STATOR WOUND / COMPLETE	1	1	1	
NS	453830	KIT, SERVICE, REPLACEMENT BRUSH MOTOR	1	1	1	
. NS	IS-05903	. SEE INSTRUCTION SHEET	1	1	1	
. NS	562951	. BRUSH	4	4	4	
. NS	680309	. HONING / STONE (FOR CLEAN COMMUTATOR)	2	2	2	

From 9-1404 To J-0287	Date:10/2022	PAGE:H7-2265-01
MOTOR - EVAPORATOR BRUSHLESS		

NOTE.: IN REPLACEMENT OF FORMER MOTOR MODEL YOU REQUIRE THOSE PARTS TO MODIFIED ITEM # 23 ONE OF EACH (561577,561578, 561786 & 563623)



From 9-1404 To J-0287	Date:10/2022	PAGE:H7-2265-01
<b>MOTOR - EVAPORATOR BRUSHLESS</b>		

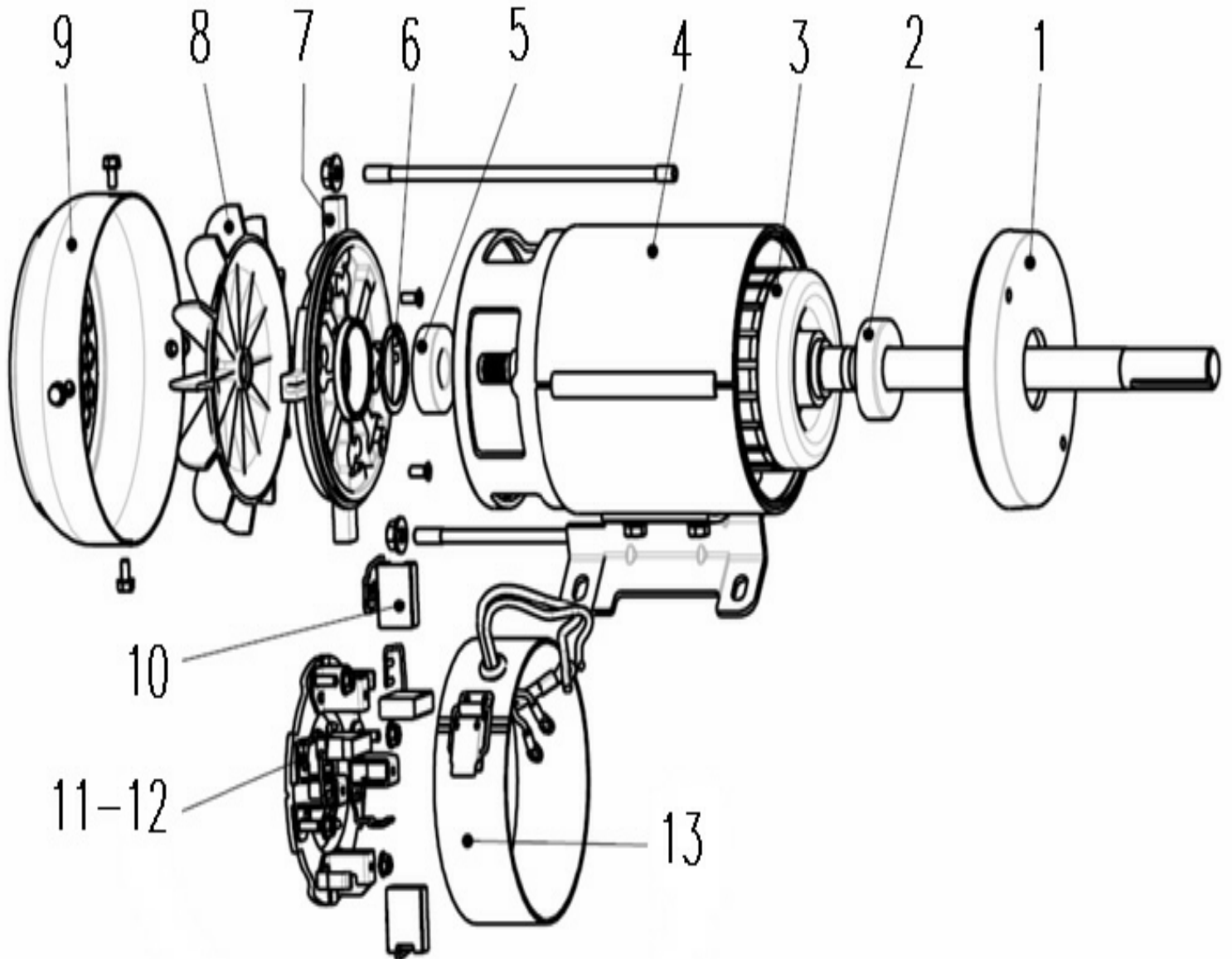
Item#	Part	Description	H 3 4 1	H 3 4 5	V I P 4 5	N O T E S
	563586	MOTOR EVAPORATOR BRUSHLESS / (E-50348-0A) To C-1872	1	1		S
	564216	MOTOR EVAPORATOR BRUSHLESS / 2 SPEEDS From C-1873	1	1		
	565898	MOTOR EVAPORATOR BRUSHLESS / 3 SPEEDS From D-2259	1	1		O
	563586	MOTOR EVAPORATOR BRUSHLESS / (E-50348-0A) To B-1888			1	S
	564216	MOTOR EVAPORATOR BRUSHLESS / 2 SPEEDS From B-1889			1	
		IF YOU CHANGE MOTOR T-17 (563008) WITH THE BRUSHLESS ONE (563586) YOU HAVE TO ORDER PLENUM CENTRAL SECTION 454670P AND 454648				
		"WARNING" - "WARNING" -"WARNING" - "WARNING" THE FOLLOWING PARTS NUMBER ARE NOT "PREVOST" NUMBER AND IT NOT IN S.A.P. SYSTEM THEY ARE O.E.M. MFG NUMBER				
1	Call order desk	. MOTOR ASSY / COMPLETE	1	1	1	P
4	564621	. CONTROLLER ASSEMBLY	1	1	1	
5	Call order desk	. GASKET	1	1	1	P
6	Call order desk	. O-RING 3.989" x .070"	1	1	1	P
7	Call order desk	. SCREW MA PAN 8-32 x ?	1	1	1	P
8	Call order desk	. HEAT-SHRINK TUBING	1	1	1	P
9	Call order desk	. WAVE SPRING	1	1	1	P
10	Call order desk	. SHIM	1	1	1	P
11	Call order desk	. SHAFT / ROTOR ASSY W/KEYS	1	1	1	P
12	Call order desk	. ENDBELL	1	1	1	P
13	Call order desk	. SCREW MA PAN 8-32 x .875"	1	1	1	P
14	Call order desk	. O-RING SEAL	1	1	1	P
15	Call order desk	. COVER	1	1	1	P
16	Call order desk	. SCREW MA PAN #6-32	1	1	1	P
17	Call order desk	. SLINGER	1	1	1	P
18	Call order desk	. V-SEAL	1	1	1	P
19	Call order desk	. EXTERNAL RETAINING RING	1	1	1	P
20	Call order desk	. BASE PLATE	1	1	1	P
21	Call order desk	. SCREW CAP HEXS 1/4-20 x ?	1	1	1	P
22	Call order desk	. TUBING	1	1	1	P
23	Call order desk	. TERMINAL (0.032 X 0.25)	1	1	1	P
24	Call order desk	. KEY SQUARE 3/16" x 3"	1	1	1	P
30	032937	KIT / SHAFT SHIELD To B-1878				S
. NS	033188	. SHIELD / SHAFT To B-1878	1	1	1	S
. NS	500443	. SCREW TP PAN PH #8x1/2 N500 To B-1878	5	5	5	S
. NS	IS-10125	. SEE INSTRUCTION SHEET To B-1878	1	1	1	S

From 9-1404 To J-0287	Date:10/2022	PAGE:H7-2265-01
<b>MOTOR - EVAPORATOR BRUSHLESS</b>		

Item#	Part	Description	H 3 4 1	H 3 4 5	V I P 4 5	N O T E S
		O) WITH "ORLEANS" OPTION				
		S) USE WITH OLD MOTOR 563586 WITHOUT SEAL ON THE SHAFT				
		P) CALL ORDER DESK FOR SPECIFIC APPLICATION (V.I.N.)				



From 7-0671 To 8-1291	Date:10/2022	PAGE:H7-2265-50
MOTOR - CONDENSOR "PREVOST" - T114		



From 7-0671 To 8-1291	Date:10/2022	PAGE:H7-2265-50
<b>MOTOR - CONDENSOR "PREVOST" - T114</b>		

Item#	Part	Description	H 3 4 1	H 3 4 5	V I P 4 5	N O T E S
	Call order desk	MOTOR / .57 HP / 1950 RPM / MODEL T114 / W/2" SHAFT & CONNECTORS	1	1	1	P
	Call order desk	MOTOR / .57 HP / 1950 RPM / MODEL T114 / W/2" SHAFT & CONNECTORS	1	1	1	P
	563454	. MOTOR / .57 HP / 1950 RPM / MODEL T114 / W/2" SHAFT / US MOTOR	2	2	2	C
	<b>560424</b>	<b>. MOTOR / .57 HP / 1950 RPM // W/2" SHAFT / SCOTT DC SERVIC</b>	2	2	2	C
1	563729	. . COVER				
2	560974	. . BALL BEARING	1	1	1	
3	563726	. . ARMATURE / T114 / W/2" SHAFT				
4	563727	. . PERMANENT MAGNET / ASSY W/CASE				
5	0907240	. . BALL BEARING	1	1	1	
6	N.P.N.	. . PRELOAD WASHER	1	1	1	4
7	563728	. . COVER COMMUTATOR END				
8	563730	. . FAN				
9	563732	. . COVER FAN PROTECTOR				
10	561914	. . BRUSH	4	4	4	
11	563111	. . BRUSH HOLDER ASSY	1	1	1	
12	562545	. . . SPRING, TORSION / .875 O.D. x .317 x .0	4	4	4	
13	563731	. . PROTECTOR GRILL				
NS	563595	. PIN TERMINAL / 12-10 / PED 12052139	2	2	2	
NS	563596	. SOCKET TERMINAL / 12 / PED 12065197	2	2	2	
NS	563597	. CABLE SEAL / PURPLE / PED 15324990	4	4	4	
NS	563599	. CAP LOCK CONNECTOR / GRAY / PED 12020833	1	1	1	
NS	563600	. CONNECTOR / METRI-PACK 480 / 2C PH / PED 12052613	1	1	1	
NS	563601	. CONNECTOR / METRI-PACK 480 / 2C SH / PED 12065863	1	1	1	
NS	563602	. SECONDARY LOCK / METRI-PACK 480 / 2C / BLACK / PED 12059897	2	2	2	
		C) SERVICE PARTS OF MOTOR ARE NOT INTERCHANGEABLE BETWEEN 563454 AND 560424				
		4) NO PARTS NUMBER				
		P) CALL ORDER DESK FOR SPECIFIC APPLICATION (V.I.N.)				

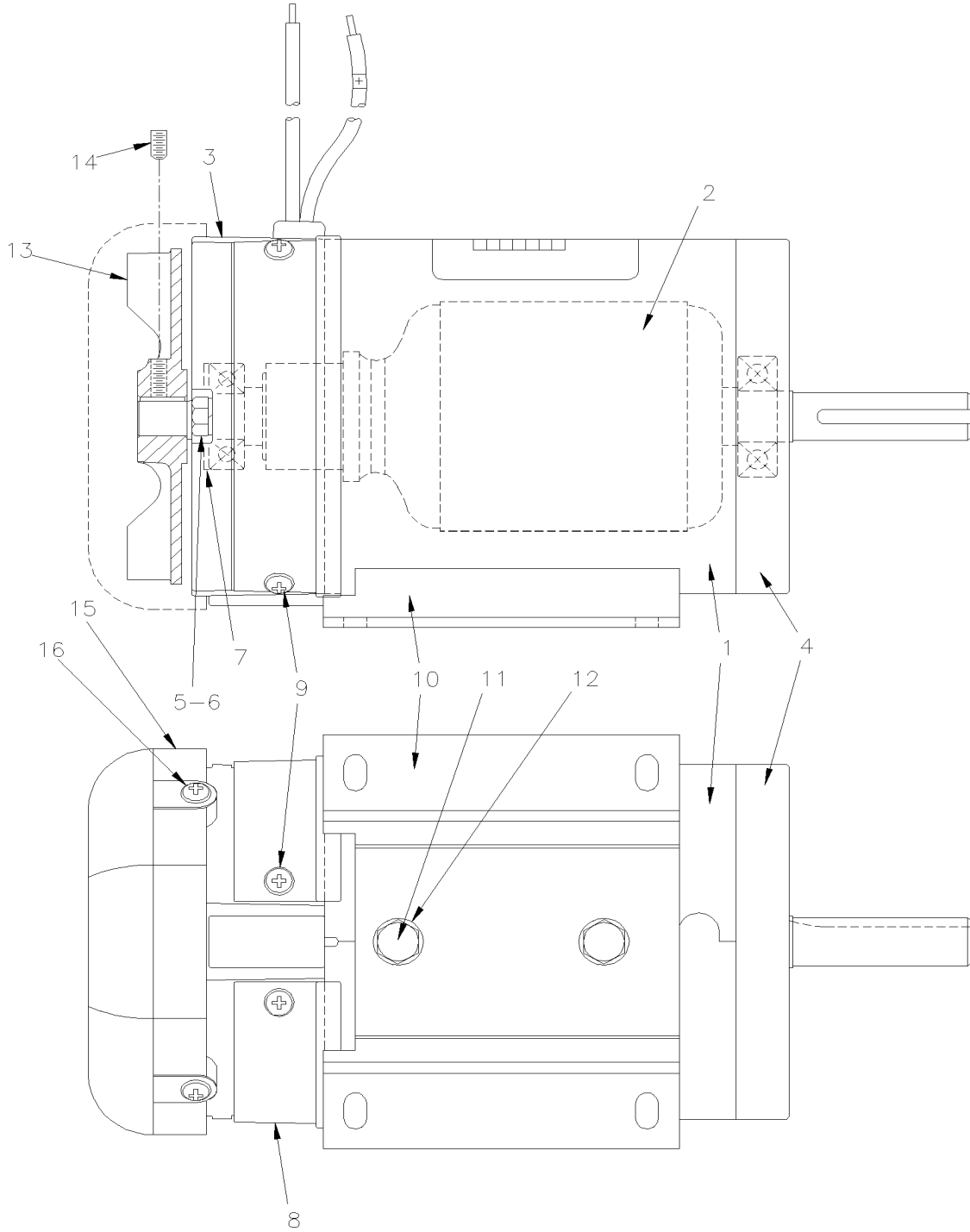


From 7-0671 To 8-1291

Date:10/2022

PAGE:560424

MOTOR / .57 HP / 1950 RPM // W/2" SHAFT / SCOTT DC



From 7-0671 To 8-1291	Date:10/2022	PAGE:560424
<b>MOTOR / .57 HP / 1950 RPM // W/2" SHAFT / SCOTT DC</b>		

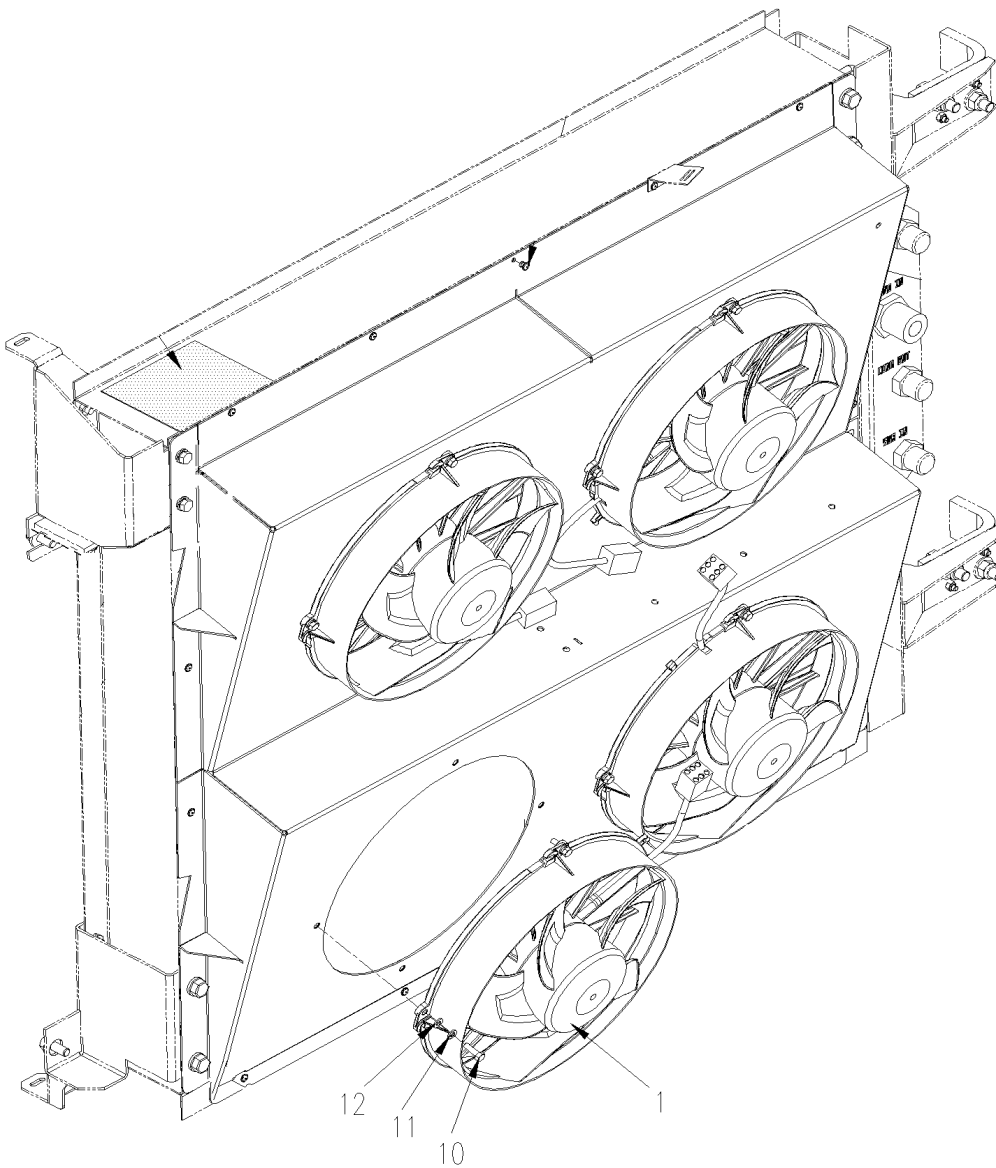
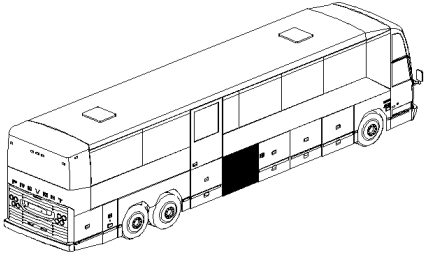
Item#	Part	Description	H 3 4 1	H 3 4 5	V I P 4 5	N O T E S
1	Call order desk	FRAME ASSEMBLY	1	1	1	P
2	Call order desk	ARMATURE ASSEMBLY	1	1	1	P
3	Call order desk	BRUSH END ASSEMBLY	1	1	1	P
3	560423	. BRUSH	1	1	1	
4	Call order desk	DRIVE END CAP	1	1	1	P
5	Call order desk	SCREW CAP HEX 1/4-20x6 3/4	2	2	2	P
6	Call order desk	WASHER LOCK SPRING 1/4	2	2	2	P
7	Call order desk	WASHER SPRING	1	1	1	P
8	Call order desk	BRUSH ACCESS COVER	2	2	2	P
9	Call order desk	SCREW MA PAN PH #10-32x3/8	1	1	1	P
10	Call order desk	BASE	1	1	1	P
11	Call order desk	SCREW CAP HEX 5/16-18x1/2	2	2	2	P
12	Call order desk	WASHER LO INT 5/16	2	2	2	P
13	Call order desk	FAN 12 BLADES	1	1	1	P
14	Call order desk	SCREW SET HEXS CUP #10-32x3/8	1	1	1	P
15	Call order desk	FAN COVER W/VENT SLOTS	1	1	1	P
16	Call order desk	SCREW MA PAN PH #10-32x3/4	4	4	4	P
		P) CALL ORDER DESK FOR SPECIFIC APPLICATION (V.I.N.)				

From 8-1292 To J-0287

Date:10/2022

PAGE:H7-2265-51

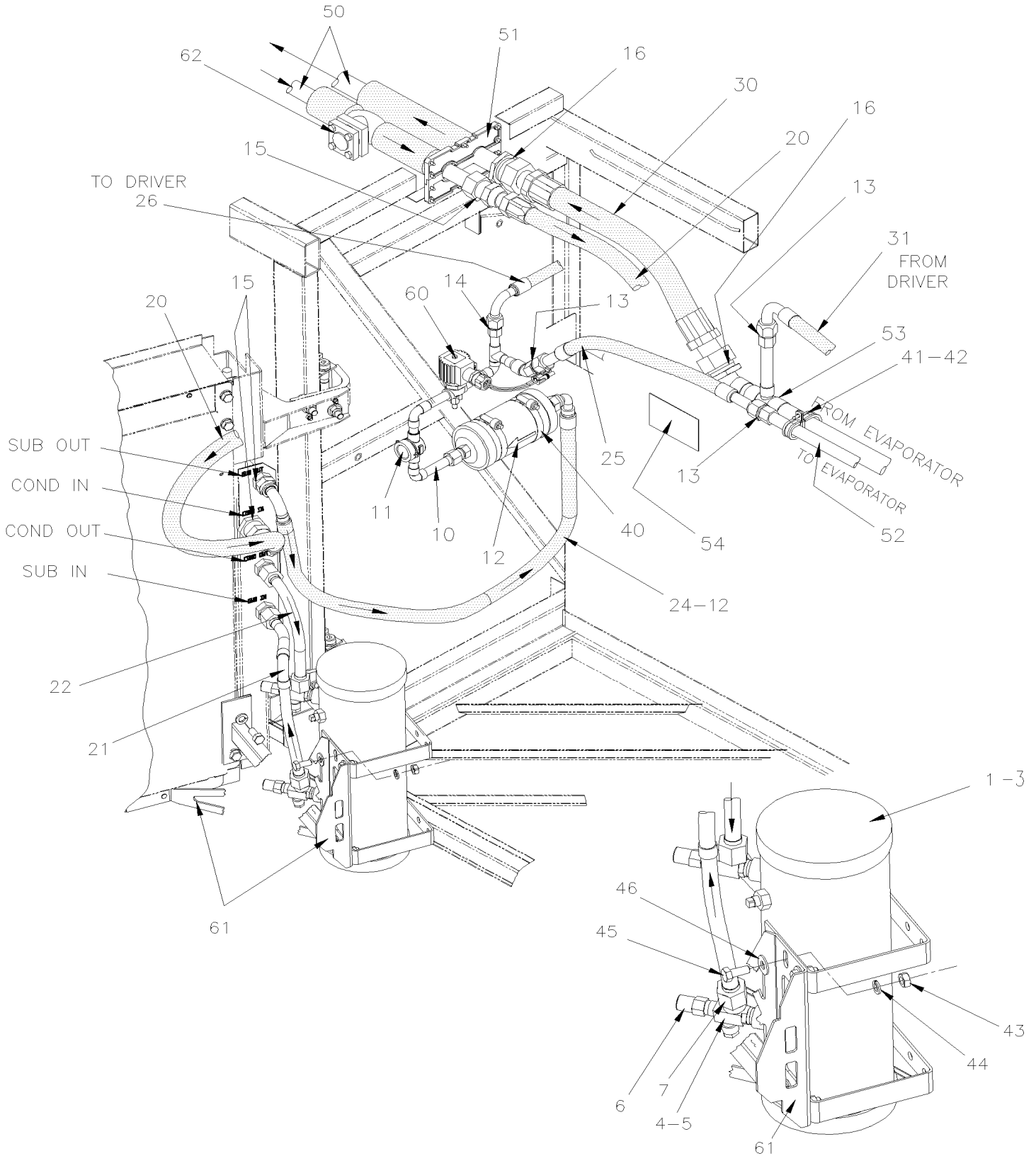
## MOTOR - CONDENSOR BRUSHLESS



From 8-1292 To J-0287	Date:10/2022	PAGE:H7-2265-51
<b>MOTOR - CONDENSOR BRUSHLESS</b>		

Item#	Part	Description	H 3 4 1	H 3 4 5	V I P 4 5	N O T E S
1	563461	CONDENSOR FAN ASSY 24V To A-1691	4	4	4	
. NS	563691	. CONNECTOR / JUNIOR POWER TIMER / SH 6C / AMP 1-963212-1 To A-1691	1	1	1	
1	565881	CONDENSOR FAN ASSY 24V From A-1692	4	4	4	
. NS	563691	. CONNECTOR / JUNIOR POWER TIMER / SH 6C / AMP 1-963212-1 From A-1692	1	1	1	
10	502633	SCREW MA PAN SLT M6-1.0x40	16	16	16	
11	502570	WASHER LO SPT 6.1x11.8x1.6 SS	16	16	16	
12	502573	WASHER FL 6.4x12.5x1.6 SS	16	16	16	

## RECEIVER TANK & FILTER DRYER



From 7-0671 To 9-1403	Date:10/2022	PAGE:H7-2270-00
<b>RECEIVER TANK &amp; FILTER DRYER</b>		

Item#	Part	Description	H 3 4 1	H 3 4 5	V I P 4 5	N O T E S
		..... "WARNING" - "WARNING" - "WARNING"				
		..... V.I.P.-45 WITHOUT SLIDE-OUT ONLY To 9-1469				
1	950261	RECEIVER TANK ASSY	1	1	1	
. NS	<b>950428</b>	. SIGHTGLASS / W/BALL 1NPT-M (FORMER)	1	1	1	
. NS	<b>951198</b>	. SIGHTGLASS / W/BALL 1 1/4NPT-F (CURRENT)	1	1	1	
3	870890	VALVE, SAFETY 450 PSI	1	1	1	
4	950228	VALVE ASSY / SERVICE / INLET & OUTLET	2	2	2	
. NS	950284	. CAP / PROTECTOR / FOR GAUGE	1	1	1	
. NS	507169	. O-RING 1/2 I.D.	1	1	1	
5	950285	. CAP VALVE / PROTECTOR / PLASTIC	1	1	1	
6	950284	. CAP / PROTECTOR / FOR GAUGE	1	1	1	
7	507169	O-RING 1/2 I.D.	AR	AR	AR	
10	453692	MOISTURE INDICATOR ASSY	1	1	1	
11	950029	. CAP, MOISTURE INDICATOR	1	1	1	
12	950332	. FILTER DRYER	1	1	1	
. NS	507370	. . O-RING #10	1	1	1	U
13	507280	O-RING / ORS FITTING / #12 NEO	2	2	2	
14	507344	O-RING / ORS FITTING / #10 NEO	AR	AR	AR	
15	507345	O-RING / ORS FITTING / #16 NEO	AR	AR	AR	
16	507346	O-RING / ORS FITTING / #24 NEO	AR	AR	AR	
20	950256	HOSE ASSY / W/R-134a / #16 1096MM / SS BELLOW	1	1	1	
21	452999	TUBE ASSY / CONDENSOR OUT & RECEIVER TANK	1	1	1	
22	452990	TUBE ASSY / RECEIVER TANK & COND-SUB-OUT	1	1	1	
24	453696	HOSE ASSY / COND SUB-OUT / #12 1100MM	1	1	1	
25	453785	HOSE ASSY / #12 465MM	1	1	1	
. NS	507280	. O-RING / ORS FITTING / #12 NEO	2	2	2	
25	455266	HOSE ASSY / #12 465MM	1	1	1	A
. NS	507280	. O-RING / ORS FITTING / #12 NEO	2	2	2	A
26	373451	HOSE ASSY / #10 4570MM	1			
. NS	507344	. O-RING / ORS FITTING / #10 NEO	2			
26	370730	HOSE ASSY / #10 4570MM	1			A
. NS	507344	. O-RING / ORS FITTING / #10 NEO	2			A
26	373448	HOSE ASSY / #10 5606MM		1		
. NS	507344	. O-RING / ORS FITTING / #10 NEO		2		
26	370728	HOSE ASSY / #10 5606MM		1		A
. NS	507344	. O-RING / ORS FITTING / #10 NEO		2		A
30	373432	HOSE ASSY / SUCTION LINE W/R-134a / #24 537MM O	1	1		
. NS	507346	. O-RING / ORS FITTING / #24 NEO	2	2		
31	379085	HOSE ASSY / #12 3300MM O ISO	1			
. NS	507280	. O-RING / ORS FITTING / #12 NEO	2			
31	379084	HOSE ASSY / #12 4546MM O ISO		1	1	

From 7-0671 To 9-1403	Date:10/2022	PAGE:H7-2270-00
<b>RECEIVER TANK &amp; FILTER DRYER</b>		

Item#	Part	Description	H 3 4 1	H 3 4 5	V I P 4 5	N O T E S
. NS	507280	. O-RING / ORS FITTING / #12 NEO		2	2	
40	504026	HOSE CLAMP / 2"13/16-3"3/4 SS / HS-52	2	2	2	
41	952633	CLAMP / 7/8" I.D.	6	6	6	
42	500957	SCREW TP BDG PH #10x3/4 N500	AR	AR	AR	
43	500256	NUT HEX M10-1.5 Z050	4	4	4	
44	500257	WASHER LO SPT 10.2x18.1x2.2 Z050	4	4	4	
45	502559	SCREW CAP HEX M10-1.5x25 G8.8 Z050	4	4	4	
46	500445	WASHER FL .437x1.000x.083 Z050	4	4	4	
47	500850	SCREW CAP HEX M12-1.75X25 G8.8 Z050	2	2	2	
48	500482	WASHER LO SPT .506x.873x.125 Z050	2	2	2	
49	504487	RIVET MGLP PRDG 3/16x7/16 SS	2	2	2	
50	<b>H7-2222-15</b>	<b>A/C LINE REAR SECTION W/05G</b>				
51	457424	CLOSING / PIPE TUNNEL PLASTIC / RH 57.2MM x 181MM	2	2	2	
51	457426	CLOSING / PIPE TUNNEL PLASTIC 85MM x 181MM	2	2	2	
NS	373373	CLOSING / PIPE TUNNEL SS 85MM x 196MM	2	2	2	
NS	500623	SCREW TC PAN PH #10-24x3/4 N500	AR	AR	AR	
52	373129	PIPE ASSY / PRESSURE	1	1	1	
53	373431	PIPE ASSY / SUCTION	1	1	1	
54	453066	DECAL R134A / NOMINAL CHARGE 24 LBS // ENGLISH & FRANCAIS	1	1	1	
54	454180	DECAL R134A / NOMINAL CHARGE 24 LBS // ENGLISH & SPANISH	1	1	1	
60	<b>H7-2208-10</b>	<b>REFRIGERENT SOLENOID VALVE</b>				
61	<b>H7-2260-00</b>	<b>CONDENSOR FANS - INSTALLATION W/2 MOTORS To 8-1291</b>				
61	<b>H7-2260-01</b>	<b>CONDENSOR FANS - INSTALLATION W/4 MOTORS From 8-1292</b>				
62	<b>H7-2222-15</b>	<b>A/C LINE REAR SECTION W/05G</b>				
		A) AFTERMARKET				
		U) UNDER CONSTRUCTION				



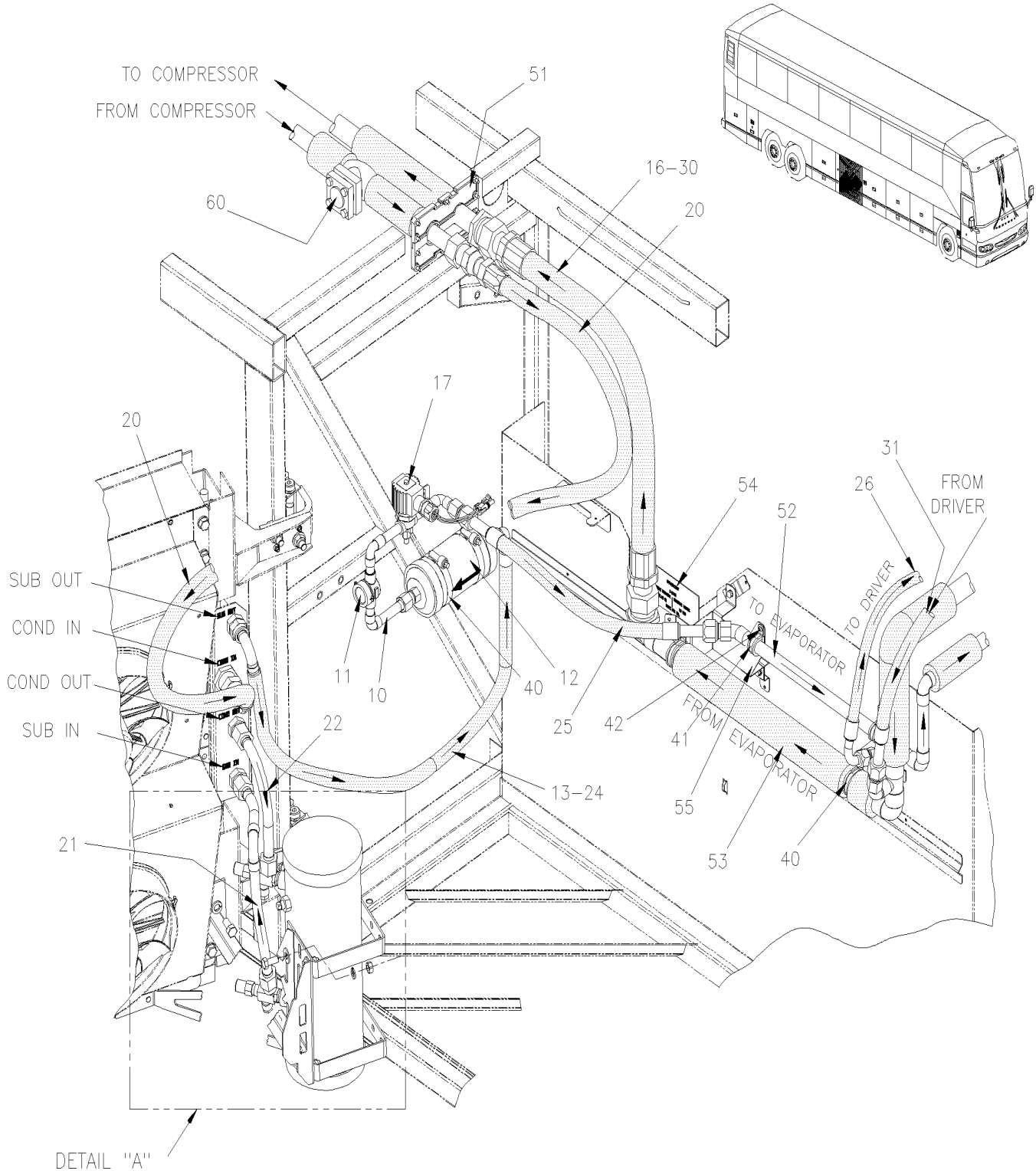


From 9-1404 To J-0287

Date:10/2022

PAGE:H7-2270-01

## RECEIVER TANK & FILTER DRYER



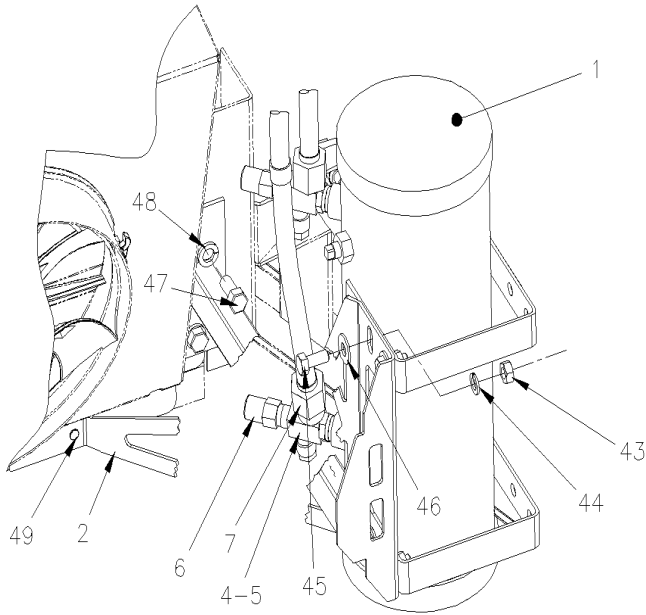
From 9-1404 To J-0287

Date:10/2022

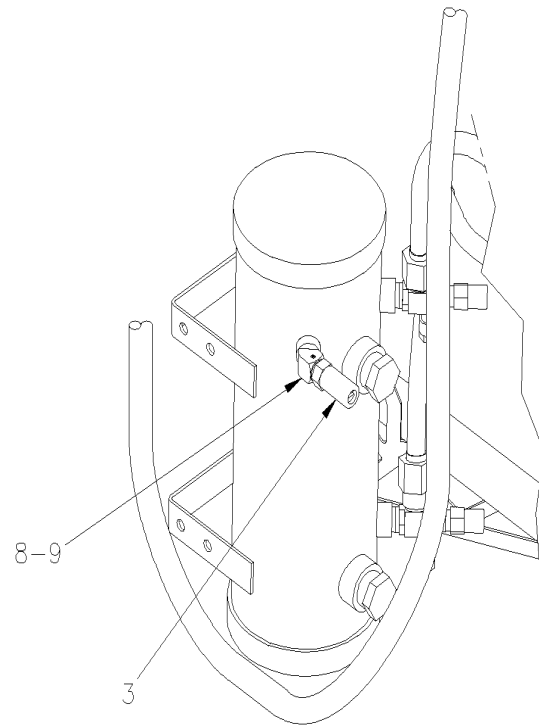
PAGE:H7-2270-01

## RECEIVER TANK & FILTER DRYER

UP TO H-3734

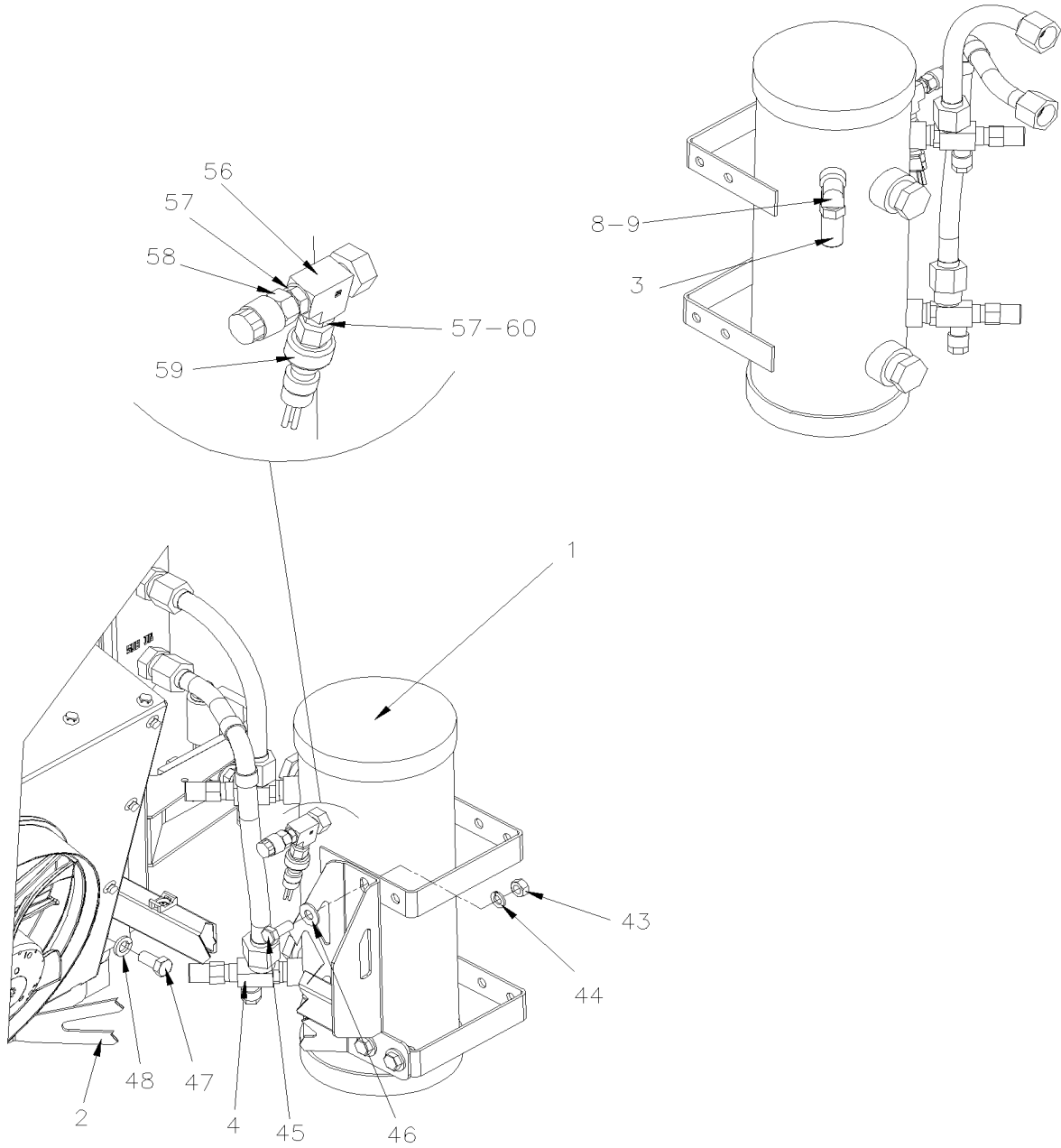


DETAIL "A"



From 9-1404 To J-0287	Date:10/2022	PAGE:H7-2270-01
<b>RECEIVER TANK &amp; FILTER DRYER</b>		

FROM H-3735



DETAIL "A"

From 9-1404 To J-0287	Date:10/2022	PAGE:H7-2270-01
<b>RECEIVER TANK &amp; FILTER DRYER</b>		

Item#	Part	Description	H 3 4 1	H 3 4 5	V I P 4 5	N O T E S
		..... "WARNING" - "WARNING" - "WARNING"				
		..... PAGE EFFECTIVITY ARE ONLY FOR BUS From A-1470				
1	950261	RECEIVER TANK ASSY	1	1	1	
. NS	<b>950428</b>	. SIGHTGLASS / W/BALL 1NPT-M (FORMER)	1	1	1	
. NS	<b>951198</b>	. SIGHTGLASS / W/BALL 1 1/4NPT-F (CURRENT)	1	1	1	
2	<b>H7-2260-01</b>	<b>CONDENSOR FANS - INSTALLATION W/4 MOTORS</b>				
3	870890	VALVE, SAFETY 450 PSI	1	1	1	
4	950228	VALVE ASSY / SERVICE / INLET & OUTLET	2	2	2	
. NS	950284	. CAP / PROTECTOR / FOR GAUGE	1	1	1	
. NS	507169	. O-RING 1/2 I.D.	1	1	1	
5	950285	. CAP VALVE / PROTECTOR / PLASTIC	1	1	1	
6	950284	. CAP / PROTECTOR / FOR GAUGE	1	1	1	
7	507169	O-RING 1/2 I.D.	AR	AR	AR	
8	501330	STREET ELBOW 45° / PIPE FITTING / 3/8NPT-Mx3/8NPT-F BR To F-2999	1	1	1	
8	501333	STREET ELBOW 90° / PIPE FITTING / 3/8NPT-Mx3/8NPT-F BR From F-3000	1	1	1	
9	680098	THREAD SEALANT LOCTITE #567 / WHITE / 250ml To E-2563	AR	AR	AR	
9	680869	THREAD SEALANT LOCTITE #554 / REFRIG. / 250ml From E-2564	AR	AR	AR	
10	453692	MOISTURE INDICATOR ASSY To 9-1469			1	
10	454432	MOISTURE INDICATOR ASSY W/SLIDE-OUT To 9-1469			1	S
10	Call order desk	MOISTURE INDICATOR ASSY From A-1470 To A-1720	1	1	1	P
10	456970P	MOISTURE INDICATOR ASSY From B-1721 To F-2941	1	1	1	
10	Call order desk	MOISTURE INDICATOR ASSY From F-2942	1	1	1	P
10	453664	. MOISTURE INDICATOR ASSY W/O SOLENOID From F-2942	1	1	1	
11	950029	. CAP, MOISTURE INDICATOR	1	1	1	
12	950332	FILTER DRYER	1	1	1	
. NS	507370	. O-RING #10	1	1	1	U
13	507280	O-RING / ORS FITTING / #12 NEO	2	2	2	
14	507344	O-RING / ORS FITTING / #10 NEO	AR	AR	AR	
15	507345	O-RING / ORS FITTING / #16 NEO	AR	AR	AR	
16	507346	O-RING / ORS FITTING / #24 NEO	AR	AR	AR	
17	<b>H7-2208-10</b>	<b>REFRIGERENT SOLENOID VALVE</b>				
20	950256	HOSE ASSY / W/R-134a / #16 1096MM / SS BELLOW O	1	1	1	
21	452999	TUBE ASSY / CONDENSOR OUT & RECEIVER TANK	1	1	1	
22	452990	TUBE ASSY / RECEIVER TANK & COND-SUB-OUT	1	1	1	
24	453696	HOSE ASSY / COND SUB-OUT / #12 1100MM	1	1	1	
25	453785	HOSE ASSY / #12 465MM To A-1511	1	1	1	
. NS	507280	. O-RING / ORS FITTING / #12 NEO To A-1511	2	2	2	
25	455266	HOSE ASSY / #12 465MM To A-1511	1	1	1	
. NS	507280	. O-RING / ORS FITTING / #12 NEO To A-1511	2	2	2	
25	454436	HOSE ASSY / #12 475MM To 9-1469			1	
. NS	507280	. O-RING / ORS FITTING / #12 NEO To 9-1469			2	

<b>From 9-1404 To J-0287</b>	<b>Date:10/2022</b>	<b>PAGE:H7-2270-01</b>
<b>RECEIVER TANK &amp; FILTER DRYER</b>		

Item#	Part	Description	H 3 4 1	H 3 4 5	V I P 4 5	N O T E S
25	455305	HOSE ASSY / #12 475MM To 9-1469			1	
. NS	507280	. O-RING / ORS FITTING / #12 NEO To 9-1469			2	
25	454613	HOSE ASSY / #12 490MM VOIR VIP From A-1470 To A-1511	1	1		
. NS	507280	. O-RING / ORS FITTING / #12 NEO From A-1470 To A-1511	2	2		
25	455309	HOSE ASSY / #12 490MM VOIR VIP From A-1470 To A-1511	1	1		
. NS	507280	. O-RING / ORS FITTING / #12 NEO From A-1470 To A-1511	2	2		
25	456979	HOSE ASSY / #12 480MM From B-1721 To F-2941	1	1	1	A
. NS	507280	. O-RING / ORS FITTING / #12 NEO From B-1721 To F-2941	2	2	2	A
25	457723	HOSE ASSY / #12 515MM From F-2942	1	1	1	
. NS	507280	. O-RING / ORS FITTING / #12 NEO From F-2942	2	2	2	
26	454627	HOSE ASSY / #10 2920MM To A-1511	1			
. NS	507344	. O-RING / ORS FITTING / #10 NEO To A-1511	2			
26	455322	HOSE ASSY / #10 2920MM From A-1512	1			
. NS	507344	. O-RING / ORS FITTING / #10 NEO From A-1512	2			
26	454437	HOSE ASSY / #10 4165MM To A-1511		1	1	S
. NS	507344	. O-RING / ORS FITTING / #10 NEO To A-1511		2	2	S
26	455306	HOSE ASSY / #10 4165MM From A-1512		1	1	
. NS	507344	. O-RING / ORS FITTING / #10 NEO From A-1512		2	2	
30	454612	HOSE ASSY / #24 740MM To A-1720	1	1	1	
30	456974	HOSE ASSY / #24 865MM From B-1721 To F-2941	1	1	1	
30	457720	HOSE ASSY / #20 865MM From F-2942	1	1	1	
31	454594	HOSE ASSY / #12 4130MM To A-1511		1	1	
. NS	507280	. O-RING / ORS FITTING / #12 NEO To A-1511		2	2	
31	455308	HOSE ASSY / #12 4156MM From A-1512 To F-2941		1	1	
. NS	507280	. O-RING / ORS FITTING / #12 NEO From A-1512 To F-2941		2	2	
31	457725	HOSE ASSY / #12 4215MM From F-2942		1	1	
31	454628	HOSE ASSY / #12 2885MM To A-1511	1			
. NS	507280	. O-RING / ORS FITTING / #12 NEO To A-1511	2			
31	455669	HOSE ASSY / #12 2911MM From A-1512 To F-2941	1			
. NS	507280	. O-RING / ORS FITTING / #12 NEO From A-1512 To F-2941	1			
31	457728	HOSE ASSY / #12 2950MM From F-2942	1			
40	952641	CLAMP / 1 5/16" I.D.	AR	AR	AR	
41	952633	CLAMP / 7/8" I.D.	6	6	6	
42	500957	SCREW TP BDG PH #10x3/4 N500	AR	AR	AR	
43	500256	NUT HEX M10-1.5 Z050 To H-3734	AR	AR	AR	
43	500847	NUT HEX M10-1.5 N500 From H-3735	3	3	3	
44	500257	WASHER LO SPT 10.2x18.1x2.2 Z050	AR	AR	AR	
45	502559	SCREW CAP HEX M10-1.5x25 G8.8 Z050 To H-3734	AR	AR	AR	
45	502804	SCREW CAP HEX M10-1.5x25 G8.8 N500 From H-3735	3	3	3	
46	500445	WASHER FL .437x1.000x.083 Z050 To H-3734	AR	AR	AR	
46	500897	WASHER FL .437x1.000x.083 N500 From H-3735	3	3	3	
47	500850	SCREW CAP HEX M12-1.75X25 G8.8 Z050 To H-3734	2	2	2	

<b>From 9-1404 To J-0287</b>	<b>Date:10/2022</b>	<b>PAGE:H7-2270-01</b>
<b>RECEIVER TANK &amp; FILTER DRYER</b>		

Item#	Part	Description	H 3 4 1	H 3 4 5	V I P 4 5	N O T E S
47	5001942	SCREW CAP HEX M12-1.75x25 CL10.9 N500 From H-3735	2	2	2	
48	500482	WASHER LO SPT .506x.873x.125 Z050	2	2	2	
49	504487	RIVET MGLP PRDG 3/16x7/16 SS	2	2	2	
50	<b>H7-2222-15</b>	<b>A/C LINE REAR SECTION W/05G To D-2363</b>				
50	<b>H7-2222-16</b>	<b>A/C LINE REAR SECTION W/"BITZER" From D-2364</b>	1	1	1	
51	457424	CLOSING / PIPE TUNNEL PLASTIC / RH 57.2MM x 181MM	2	2	2	
51	457426	CLOSING / PIPE TUNNEL PLASTIC 85MM x 181MM	2	2	2	
NS	373373	CLOSING / PIPE TUNNEL SS 85MM x 196MM	2	2	2	
NS	500623	SCREW TC PAN PH #10-24x3/4 N500	AR	AR	AR	
52	Call order desk	PIPE ASSY / PRESSURE From A-1470 To A-1720	1	1		P
52	456969P	PIPE ASSY / PRESSURE From B-1721 To F-2941	1	1	1	A
52	457735P	PIPE ASSY / PRESSURE From F-2942	1	1	1	
. NS	501829	. O-RING / ORS FITTING / #12 NEO From F-2942	1	1	1	
52	Call order desk	PIPE ASSY / PRESSURE From 9-1404 To A-1720			1	P
52	Call order desk	PIPE ASSY / PRESSURE To 9-1469			1	P S
53	Call order desk	PIPE ASSY / SUCTION To 9-1469			1	P
. NS	507346	. O-RING / ORS FITTING / #24 NEO To 9-1469			1	
. NS	501803	. O-RING / ORS FITTING / #20 NEO To 9-1469			1	
53	456968P	PIPE ASSY / SUCTION From B-1721 To F-2941	1	1	1	A
. NS	507346	. O-RING / ORS FITTING / #24 NEO From B-1721 To F-2941	1	1	1	A
. NS	501803	. O-RING / ORS FITTING / #20 NEO From B-1721 To F-2941	1	1	1	A
53	Call order desk	PIPE ASSY / SUCTION From F-2942	1	1	1	P
. NS	501803	. O-RING / ORS FITTING / #20 NEO From F-2942	2	2	2	
. NS	501829	. O-RING / ORS FITTING / #12 NEO From F-2942	1	1	1	
53	Call order desk	PIPE ASSY / SUCTION From A-1470 To A-1720	1	1		P
. NS	507346	. O-RING / ORS FITTING / #24 NEO From A-1470 To A-1720	1	1		
. NS	501803	. O-RING / ORS FITTING / #20 NEO From A-1470 To A-1720	1	1		
53	Call order desk	PIPE ASSY / SUCTION From 9-1404 To A-1720			1	P
. NS	507346	. O-RING / ORS FITTING / #24 NEO From 9-1404 To A-1720			1	
. NS	501803	. O-RING / ORS FITTING / #20 NEO From 9-1404 To A-1720			1	
54	453066	DECAL R134A / NOMINAL CHARGE 24 LBS // ENGLISH & FRANCAIS	1	1	1	
54	454180	DECAL R134A / NOMINAL CHARGE 24 LBS // ENGLISH & SPANISH	1	1	1	
54	453244	DECAL R134A / NOMINAL CHARGE 26 LBS // ENGLISH & FRANCAIS	1	1		
54	454181	DECAL R134A / 26LBS / W/A/C PARCEL RACK / ENGLISH & SPANISH	1	1		
55	454597	SUPPORT HOSE To A-1720	1	1	1	
55	456982	SUPPORT HOSE PROTO From A-1573 To A-1573	2	2	2	
55	456978	SUPPORT HOSE From B-1721	2	2	2	
56	501338	MALE RUN TEE / PIPE FITTING / 1/4NPT-Mx1/4NPT-Fx1/4NPT-F BR From H-3735	1	1	1	
57	501027	MALE CONNECTOR / SAE 45° FITTING / #4FL-Mx1/4NPT-M BR From H-3735 To H-3809	2	2	2	
57	501027	MALE CONNECTOR / SAE 45° FITTING / #4FL-Mx1/4NPT-M BR From H-3810	1	1	1	
58	950500	ADAPTOR 7/16-20 x R134 16MM From H-3735	1	1	1	
59	950504	TRANSDUCER 0-500 PSIG From H-3735	1	1	1	

From 9-1404 To J-0287	Date:10/2022	PAGE:H7-2270-01
<b>RECEIVER TANK &amp; FILTER DRYER</b>		

Item#	Part	Description	H 3 4 1	H 3 4 5	V I P 4 5	N O T E S
60	950249	SCHRADER VALVE 1/4NPT-M From H-3810	1	1	1	
		A) WITH EPA 2010				
		S) WITH SLIDE OUT				
		P) CALL ORDER DESK FOR SPECIFIC APPLICATION (V.I.N.)				
		U) UNDER CONSTRUCTION				



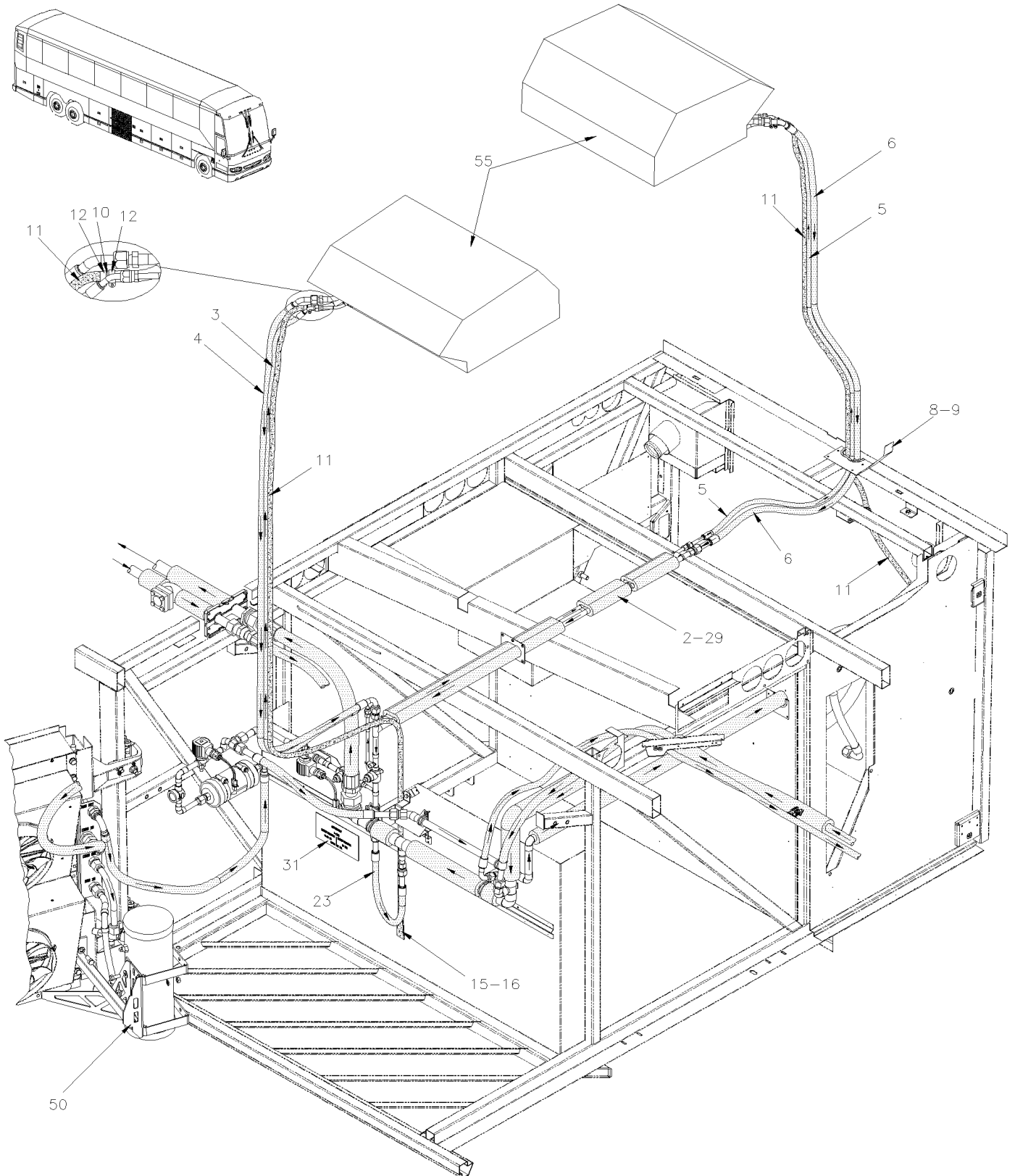


From 7-0671 To 9-1403

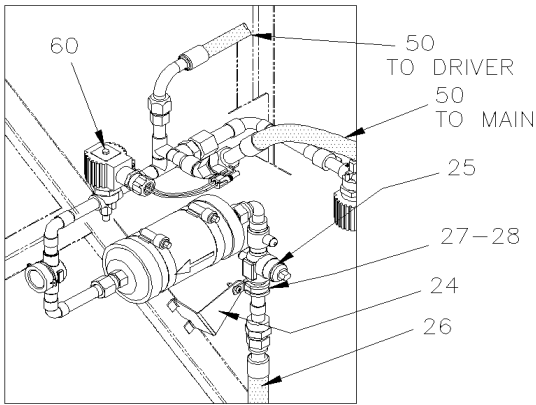
Date:10/2022

PAGE:H7-2270-10

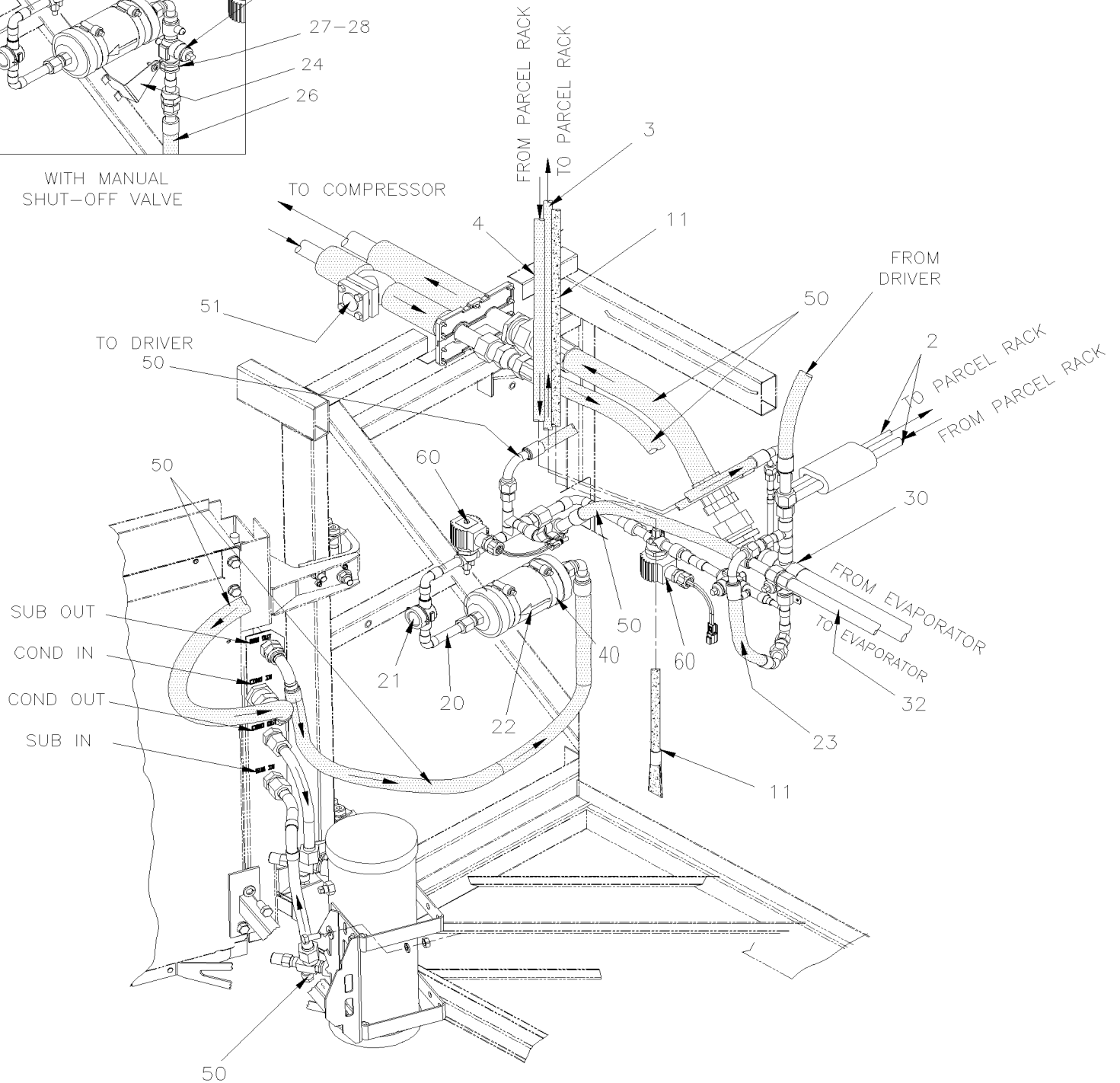
## A/C HOSE PARCEL RACK - INSTALLATION



## A/C HOSE PARCEL RACK - INSTALLATION



WITH MANUAL SHUT-OFF VALVE



<b>From 7-0671 To 9-1403</b>	<b>Date:10/2022</b>	<b>PAGE:H7-2270-10</b>
<b>A/C HOSE PARCEL RACK - INSTALLATION</b>		

Item#	Part	Description	H 3 4 1	H 3 4 5	V I P 4 5	N O T E S
1	373136	HOSE ASSY /MOISTURE IND. TO MAIN #12 540MM	1	1	1	
. NS	507280	. O-RING / ORS FITTING / #12 NEO	2	2	2	
1	453785	HOSE ASSY / #12 465MM	1	1	1	
. NS	507280	. O-RING / ORS FITTING / #12 NEO	2	2	2	
2	453693P	PIPE ASSY / PRESSURE & RETURN	1	1		
3	453374	HOSE ASSY / #6 2400MM	1			
. NS	507278	. O-RING / ORS FITTING / #4 NEO	2			
3	455216	HOSE ASSY / #6 2400MM	1			
. NS	507278	. O-RING / ORS FITTING / #4 NEO	2			
3	453557	HOSE ASSY / #6 2315MM		1		
. NS	507278	. O-RING / ORS FITTING / #4 NEO		2		
3	455257	HOSE ASSY / #6 2315MM		1		
. NS	507278	. O-RING / ORS FITTING / #4 NEO		2		
3	453549	HOSE ASSY / #6 3435MM		1		W
. NS	507278	. O-RING / ORS FITTING / #4 NEO		2		W
3	455254	HOSE ASSY / #6 3435MM		1		W
. NS	507278	. O-RING / ORS FITTING / #4 NEO		2		W
4	453372	HOSE ASSY / #10 2400MM	1			
. NS	507344	. O-RING / ORS FITTING / #10 NEO	2			
4	455214	HOSE ASSY / #10 2400MM	1			
. NS	507344	. O-RING / ORS FITTING / #10 NEO	2			
4	453558	HOSE ASSY / #10 2240MM		1		
. NS	507344	. O-RING / ORS FITTING / #10 NEO		2		
4	455258	HOSE ASSY / #10 2240MM		1		
. NS	507344	. O-RING / ORS FITTING / #10 NEO		2		
4	453550	HOSE ASSY / #10 3385MM		1		W
. NS	507344	. O-RING / ORS FITTING / #10 NEO		2		W
4	455255	HOSE ASSY / #10 3385MM		1		W
. NS	507344	. O-RING / ORS FITTING / #10 NEO		2		W
NS	504634	T-CLIP / 7/8" - 1"	1	1		
NS	500267	SCREW TC FL PH #10-32x1 1/2 Z050	1	1		
5	453375	HOSE ASSY / #6 2800MM	1			
. NS	507278	. O-RING / ORS FITTING / #4 NEO	2			
5	455217	HOSE ASSY / #6 2800MM	1			
. NS	507278	. O-RING / ORS FITTING / #4 NEO	2			
5	453227	HOSE ASSY / #6 2315MM		1		
. NS	507278	. O-RING / ORS FITTING / #4 NEO		2		
5	455203	HOSE ASSY / #6 2315MM		1		
. NS	507278	. O-RING / ORS FITTING / #4 NEO		2		
6	453373	HOSE ASSY / #10 2800MM	1			
. NS	507344	. O-RING / ORS FITTING / #10 NEO	2			
6	455215	HOSE ASSY / #10 2800MM	1			

<b>From 7-0671 To 9-1403</b>	<b>Date:10/2022</b>	<b>PAGE:H7-2270-10</b>
<b>A/C HOSE PARCEL RACK - INSTALLATION</b>		

Item#	Part	Description	H 3 4 1	H 3 4 5	V I P 4 5	N O T E S
. NS	507344	. O-RING / ORS FITTING / #10 NEO	2			
6	453230	HOSE ASSY / #10 2240MM		1		
. NS	507344	. O-RING / ORS FITTING / #10 NEO		2		
6	455205	HOSE ASSY / #10 2240MM		1		
. NS	507344	. O-RING / ORS FITTING / #10 NEO		2		
8	454896	DEFLECTOR AIR	2	2		
NS	454897	CLOSING PANEL		1		W
9	500641	SCREW TP PAN PH #8x3/4 Z050	AR	AR		
10	453234	UNION / DRAIN	2	2		
11	453232	HOSE POLYETHYLENE / 1/2 ID 3175MM	2	2		
11	453556	HOSE POLYETHYLENE / 1/2 ID 3825MM		1		W
11	503666	. HOSE 1/2" I.D. 100' / S.L.	AR	AR		
12	504230	HOSE CLAMP / 3/8"-7/8" SS / HS-6	4	4		
13	952629	CLAMP / 5/8" I.D.	AR	AR		
14	500957	SCREW TP BDG PH #10x3/4 N500	AR	AR		
15	504637	CABLE TIE / 3/16" x 13"	2	2		
16	590286	DRAIN BOOT 1 1/4" I.D. X 4" / FLAT	2	2		
20	453614	MOISTURE INDICATOR ASSY / W/A/C PARCEL RACK	1	1		
20	453814	MOISTURE INDICATOR ASSY / W/MAN SHUT-OFF / W/A/C PARCEL RACK	1	1		M
. NS	457418	. VALVE ASSY MANUAL "SHUT-OFF" A/C LINE / TO "EASILY REMOVED FILTER DR	1	1		M
21	950029	. CAP, MOISTURE INDICATOR	1	1		
22	950332	. FILTER DRYER	1	1		
. NS	507370	. . O-RING #10	1	1		U
23	454620	HOSE ASSY / #10 480MM	1	1		
. NS	507344	. O-RING / ORS FITTING / #10 NEO	2	2		
23	455321	HOSE ASSY / #10 480MM	1	1		
. NS	507344	. O-RING / ORS FITTING / #10 NEO	2	2		
23	453555	HOSE ASSY / #10 245MM	1	1		
. NS	507344	. O-RING / ORS FITTING / #10 NEO	2	2		
23	455256	HOSE ASSY / #10 245MM	1	1		
. NS	507344	. O-RING / ORS FITTING / #10 NEO	2	2		
24	215546	SUPPORT MOISTURE INDICATOR	1	1		M P
25	457418	VALVE ASSY MANUAL "SHUT-OFF" A/C LINE / TO "EASILY REMOVED FILTER DR	1	1		M P
26	453815	HOSE ASSY / COND SUB-OUT / #12 1100MM	1	1		M P
26	507280	O-RING / ORS FITTING / #12 NEO	1	1		M P
27	952631	CLAMP / 3/4" I.D.	1	1		M P
28	500957	SCREW TP BDG PH #10x3/4 N500	1	1		M P
29	506267	PIPE INSULATING / 1 1/8" I.D. X 1/2" TH. X / APT11812	1	1		
29	503390	TUBE / PVC PIPE / 3"x10' WHITE PVC	AR	AR		
30	453546	PIPE ASSY / SUCTION / W/A/C PARCEL RACK	1	1		
31	453244	DECAL R134A / NOMINAL CHARGE 26 LBS // ENGLISH & FRANCAIS	1	1		
31	454181	DECAL R134A / 26LBS / W/A/C PARCEL RACK / ENGLISH & SPANISH	1	1		

From 7-0671 To 9-1403	Date:10/2022	PAGE:H7-2270-10
<b>A/C HOSE PARCEL RACK - INSTALLATION</b>		

Item#	Part	Description	H 3 4 1	H 3 4 5	V I P 4 5	N O T E S
32	373129	PIPE ASSY / PRESSURE	1	1		
40	504026	HOSE CLAMP / 2"13/16-3"3/4 SS / HS-52	2	2		
50	H7-2270-00	RECEIVER TANK & FILTER DRYER				
51	H7-2222-15	A/C LINE REAR SECTION W/05G				
55	H7-2240-20	BLOWER VENTILATION - PARCEL RACK				
60	H7-2208-10	REFRIGERENT SOLENOID VALVE				
		M) WITH MANUAL SHUT-OFF VALVE TO EASIER REPLACE FILTER DRIER # 950332				
		P) PRODUCT IMPROVEMENT IT EASY TO ADD MANUAL VALVE # 457418 FOR EASIER REPLACE FILTER DRIER # 950332				
		W) WITH W.C.L. RICON				
		U) UNDER CONSTRUCTION				

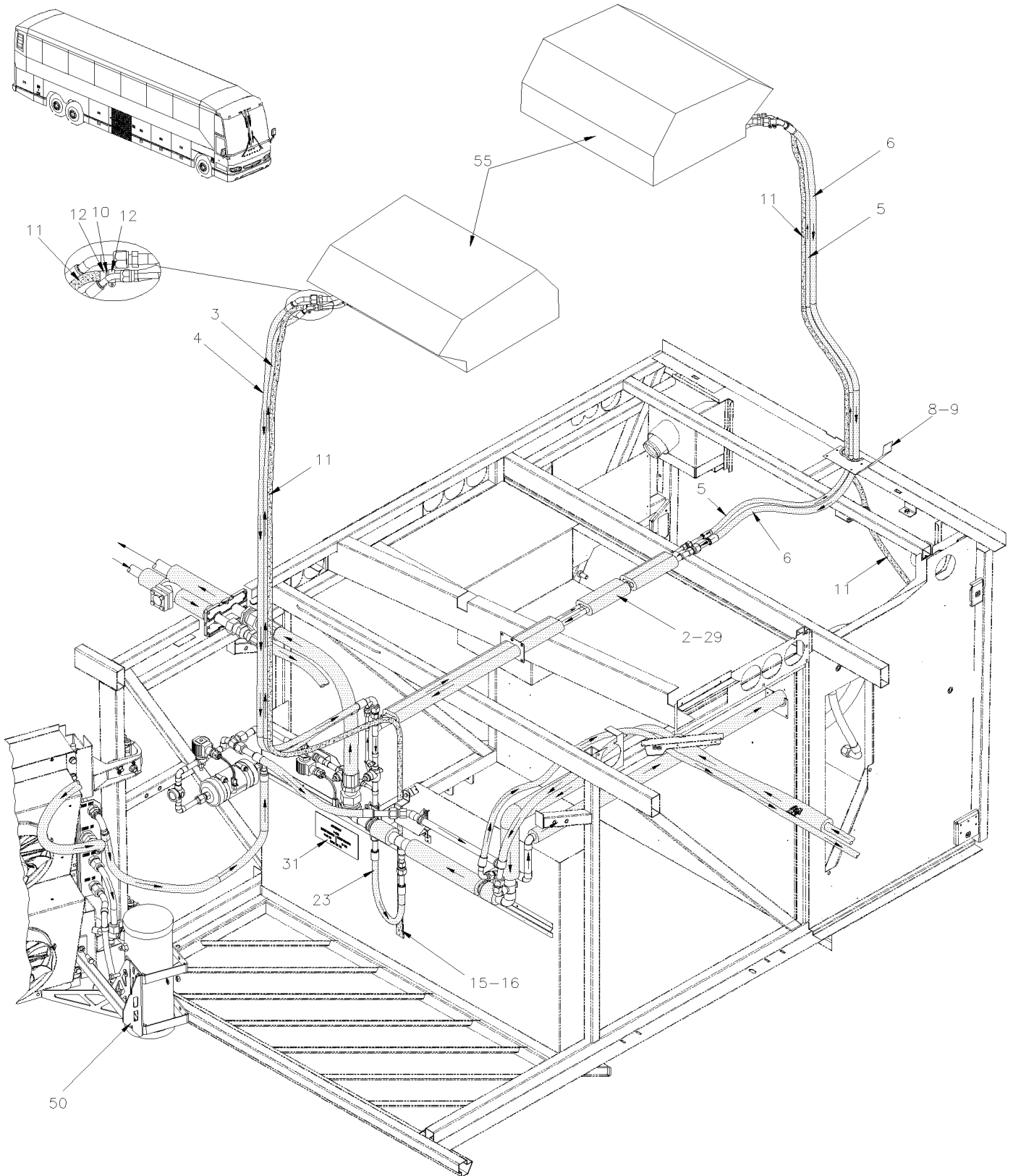


From 9-1404 To J-0184

Date:10/2022

PAGE:H7-2270-11

## A/C HOSE PARCEL RACK - INSTALLATION



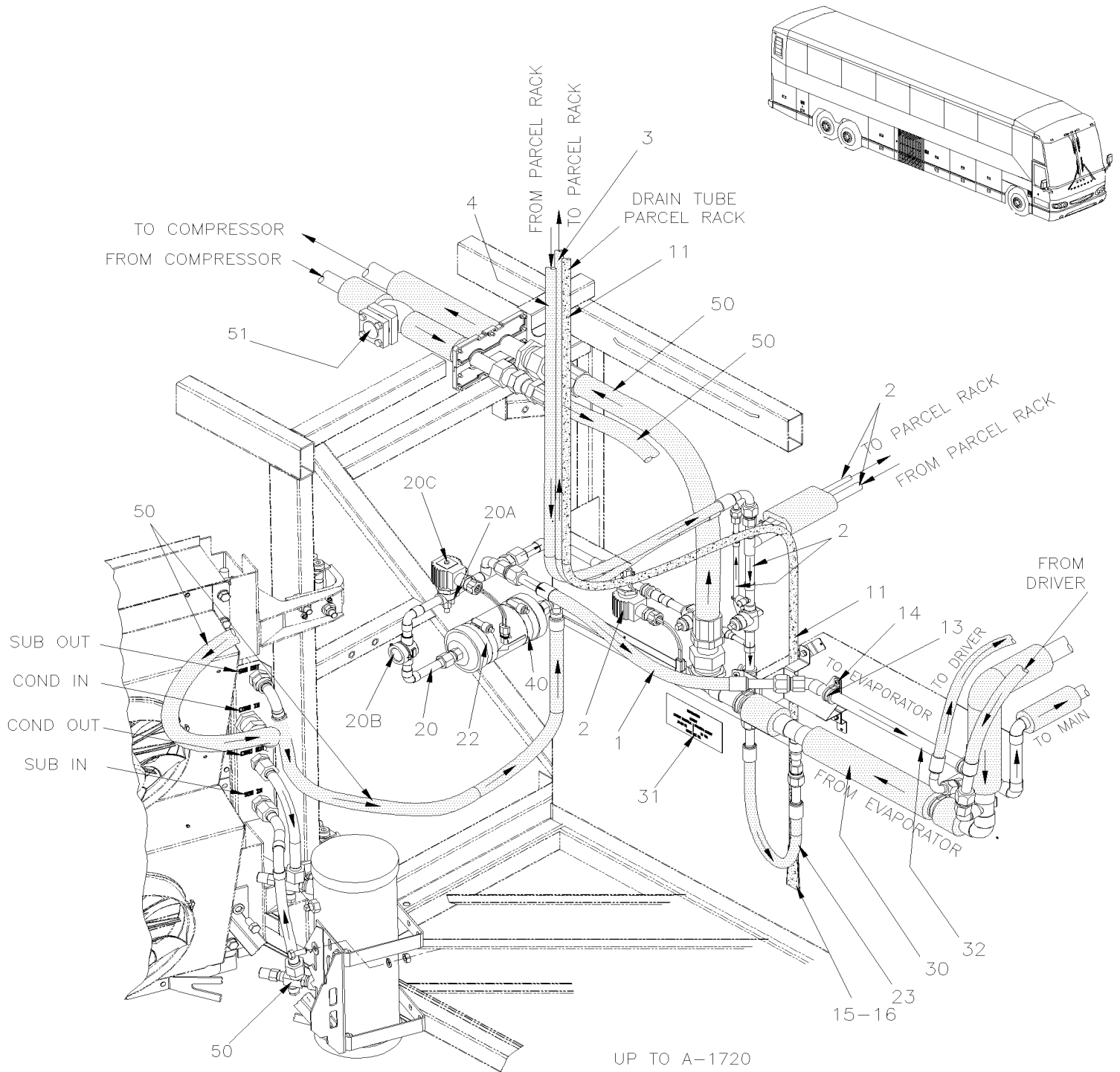


From 9-1404 To J-0184

Date:10/2022

PAGE:H7-2270-11

## A/C HOSE PARCEL RACK - INSTALLATION





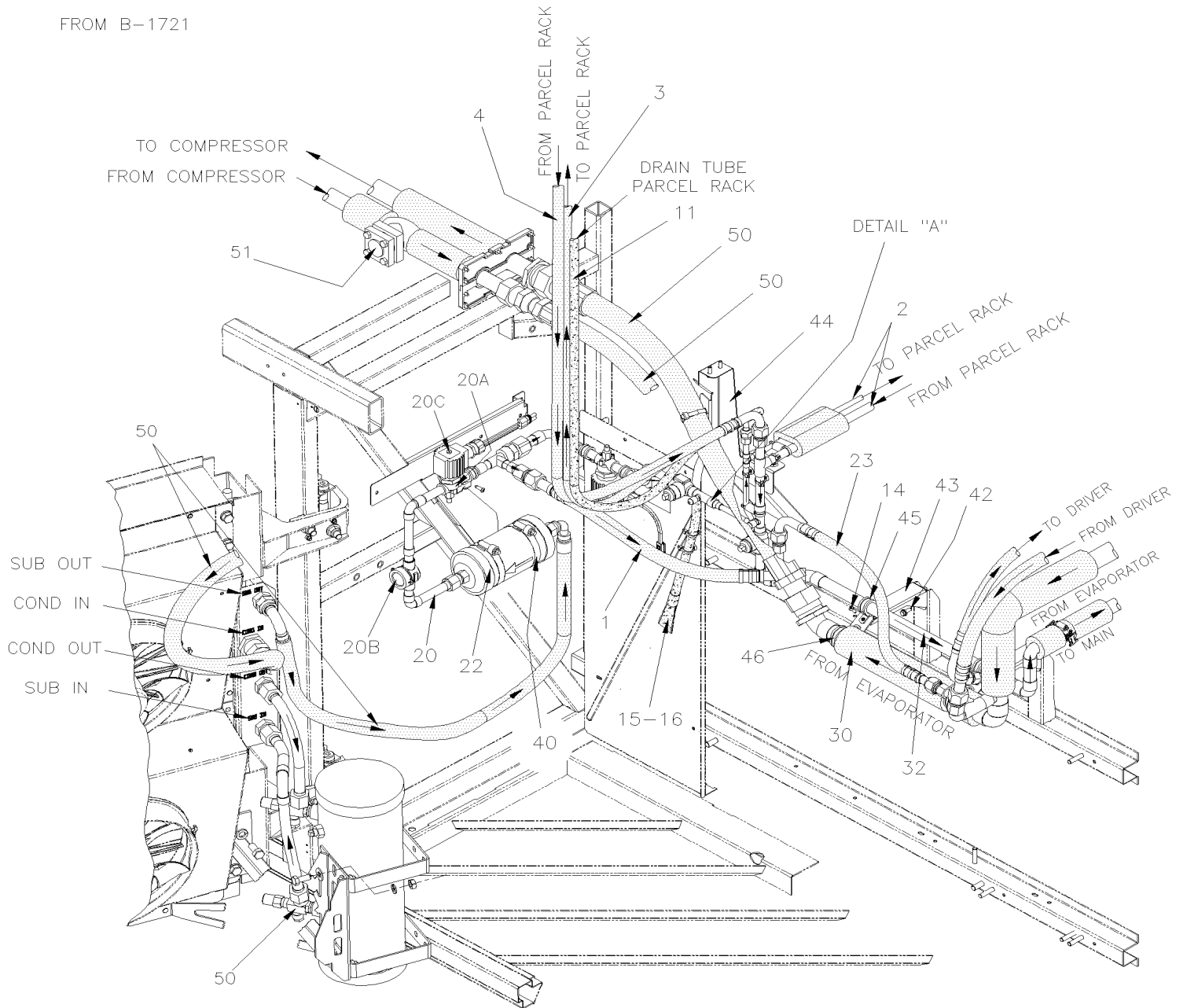
From 9-1404 To J-0184

Date:10/2022

PAGE:H7-2270-11

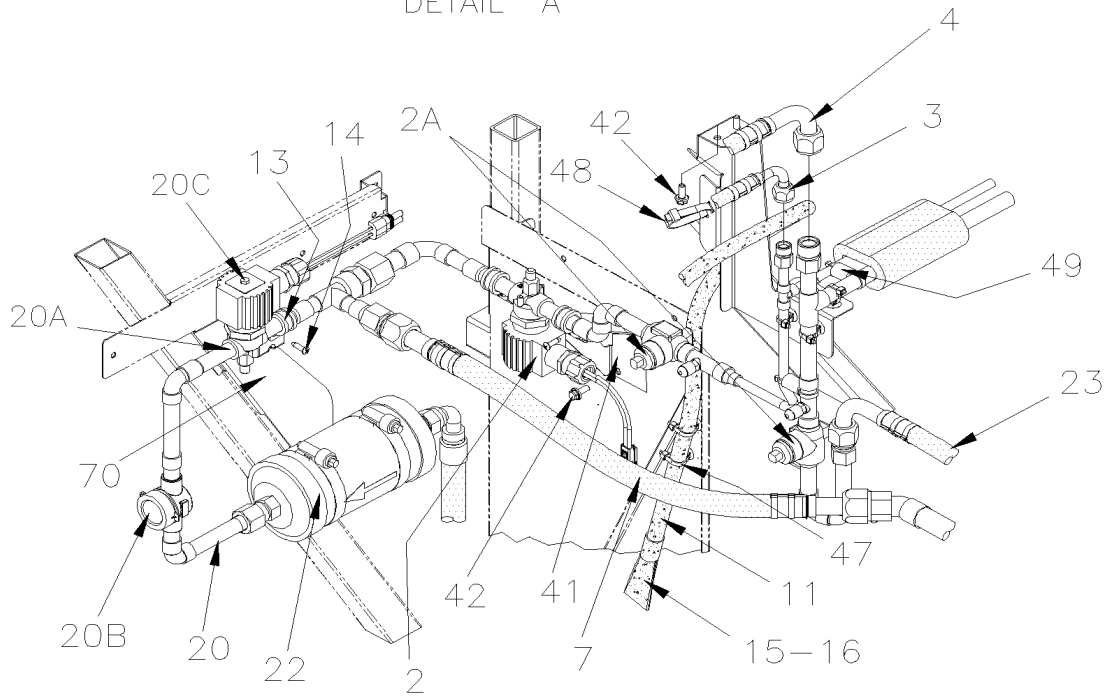
## A/C HOSE PARCEL RACK - INSTALLATION

FROM B-1721



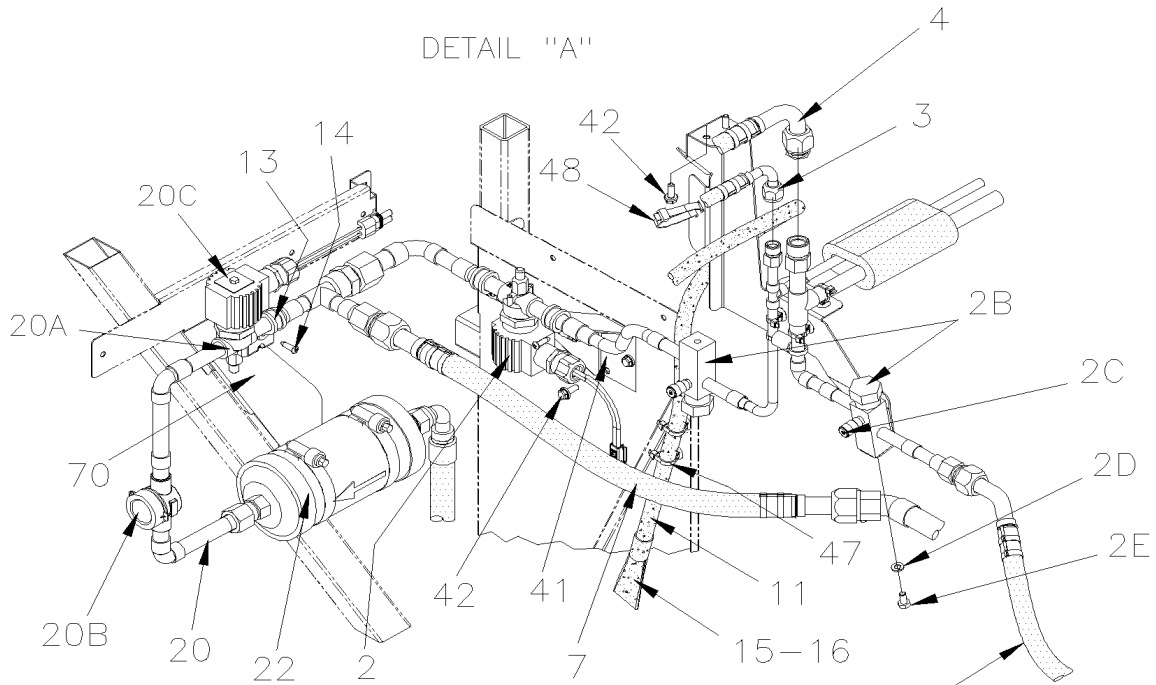
A/C HOSE PARCEL RACK - INSTALLATION

DETAIL "A"



FROM B-1721 TO C-1975

DETAIL "A"



FROM C-1976

<b>From 9-1404 To J-0184</b>	<b>Date:10/2022</b>	<b>PAGE:H7-2270-11</b>
<b>A/C HOSE PARCEL RACK - INSTALLATION</b>		

Item#	Part	Description	H 3 4 1	H 3 4 5	V I P 4 5	N O T E S
1	454613	HOSE ASSY / #12 490MM 0 VOIR 50 To A-1511	1	1		
. NS	507280	. O-RING / ORS FITTING / #12 NEO To A-1511	2	2		
1	455309	HOSE ASSY / #12 490MM 0 VOIR 50 From A-1512	1	1		
. NS	507280	. O-RING / ORS FITTING / #12 NEO From A-1512	2	2		
2	Call order desk	PIPE ASSY / PRESSURE & RETURN To A-1720	1	1		P
. NS	451031	. SOLENOID ASSY W/DEUTCH CONNECTOR To A-1720	1	1		
. . NS	950953	. . COIL 24V / SERVICE To A-1720	1	1		
. . NS	560434	. . CONNECTOR 1/2" PIPE To A-1720	1	1		
. . NS	562486	. . CONNECTOR / DT SERIES / PH 2C / GRAY / DEUTSCH DT04-2P To A-1720	1	1		
. . NS	562487	. . SECONDARY LOCK / DT SERIES / PH 2C / DEUTSCH W2P To A-1720	1	1		
. . NS	562286	. . PIN TERMINAL / 18-16 / DEUTSCH 0460-202-16141 To A-1720	2	2		
2	Call order desk	PIPE ASSY / PRESSURE & RETURN From B-1721 To C-1975	1	1		P
. NS	451031	. SOLENOID ASSY W/DEUTCH CONNECTOR From B-1721 To C-1975	1	1		
. . NS	950953	. . COIL 24V / SERVICE From B-1721 To C-1975	1	1		
. . NS	560434	. . CONNECTOR 1/2" PIPE From B-1721 To C-1975	1	1		
. . NS	562486	. . CONNECTOR / DT SERIES / PH 2C / GRAY / DEUTSCH DT04-2P From B-1721 To C-1975	1	1		
. . NS	562487	. . SECONDARY LOCK / DT SERIES / PH 2C / DEUTSCH W2P From B-1721 To C-1975	1	1		
. . NS	562286	. . PIN TERMINAL / 18-16 / DEUTSCH 0460-202-16141 From B-1721 To C-1975	2	2		
2	Call order desk	PIPE ASSY / PRESSURE & RETURN From C-1976 To C-1976	1	1		P
. NS	451031	. SOLENOID ASSY W/DEUTCH CONNECTOR From C-1976 To C-1976	1	1		
. . NS	950953	. . COIL 24V / SERVICE From C-1976 To C-1976	1	1		
. . NS	560434	. . CONNECTOR 1/2" PIPE From C-1976 To C-1976	1	1		
. . NS	562486	. . CONNECTOR / DT SERIES / PH 2C / GRAY / DEUTSCH DT04-2P From C-1976 To C-1976	1	1		
. . NS	562487	. . SECONDARY LOCK / DT SERIES / PH 2C / DEUTSCH W2P From C-1976 To C-1976	1	1		
. . NS	562286	. . PIN TERMINAL / 18-16 / DEUTSCH 0460-202-16141 From C-1976 To C-1976	2	2		
2	454723P	PIPE ASSY / PRESSURE & RETURN From C-1976	1	1		
. NS	450719	. SOLENOID VALVE ASSY From C-1976	1	1		
. . NS	451031	. . SOLENOID ASSY W/DEUTCH CONNECTOR From C-1976	1	1		
. . . NS	950953	. . . COIL 24V / SERVICE From C-1976	1	1		
. . . NS	560434	. . . CONNECTOR 1/2" PIPE From C-1976	1	1		
. . . NS	562486	. . . CONNECTOR / DT SERIES / PH 2C / GRAY / DEUTSCH DT04-2P From C-1976	1	1		
. . . NS	562487	. . . SECONDARY LOCK / DT SERIES / PH 2C / DEUTSCH W2P From C-1976	1	1		
. . . NS	562286	. . . PIN TERMINAL / 18-16 / DEUTSCH 0460-202-16141 From C-1976	2	2		
2A	950306	. BALL VALVE MANUAL SHUT OFF A/C LINE W/SHREADER (WELDED) To C-1975	1	1		
2B	950376	VALVE SERVICE HIGH PRESSURE From C-1976	1	1		
2C	950483	SEAL CAP, SHRADER VALVE From C-1976	1	1		
2D	502772	SCREW CAP HEX 1/4-20x1/2 G5 N500 From C-1976	1	1		
2E	5001749	WASHER LO SPT 6.5x11.5x1.6 N500 From C-1976	1	1		
3	453374	HOSE ASSY / #6 2400MM To A-1511	1			
. NS	507278	. O-RING / ORS FITTING / #4 NEO To A-1511	2			
3	455216	HOSE ASSY / #6 2400MM From A-1512	1			
. NS	507278	. O-RING / ORS FITTING / #4 NEO From A-1512	2			

<b>From 9-1404 To J-0184</b>	<b>Date:10/2022</b>	<b>PAGE:H7-2270-11</b>
<b>A/C HOSE PARCEL RACK - INSTALLATION</b>		

Item#	Part	Description	H 3 4 1	H 3 4 5	V I P 4 5	N O T E S
3	453557	HOSE ASSY / #6 2315MM To A-1511		1		
. NS	507278	. O-RING / ORS FITTING / #4 NEO To A-1511		2		
3	455257	HOSE ASSY / #6 2315MM From A-1512		1		
. NS	507278	. O-RING / ORS FITTING / #4 NEO From A-1512		2		
3	453549	HOSE ASSY / #6 3435MM To A-1511		1		W
. NS	507278	. O-RING / ORS FITTING / #4 NEO To A-1511		2		W
3	455254	HOSE ASSY / #6 3435MM From A-1512		1		W
. NS	507278	. O-RING / ORS FITTING / #4 NEO From A-1512		2		W
4	453372	HOSE ASSY / #10 2400MM To A-1511	1			
. NS	507344	. O-RING / ORS FITTING / #10 NEO To A-1511	2			
4	455214	HOSE ASSY / #10 2400MM From A-1512	1			
. NS	507344	. O-RING / ORS FITTING / #10 NEO From A-1512	2			
4	453230	HOSE ASSY / #10 2240MM To A-1511		1		
. NS	507344	. O-RING / ORS FITTING / #10 NEO To A-1511		2		
4	455205	HOSE ASSY / #10 2240MM From A-1512		1		
. NS	507344	. O-RING / ORS FITTING / #10 NEO From A-1512		2		
4	453558	HOSE ASSY / #10 2240MM To A-1720		1		
. NS	507344	. O-RING / ORS FITTING / #10 NEO To A-1720		2		
4	455258	HOSE ASSY / #10 2240MM From B-1721		1		
. NS	507344	. O-RING / ORS FITTING / #10 NEO From B-1721		2		
4	453550	HOSE ASSY / #10 3385MM To A-1511		1		W
. NS	507344	. O-RING / ORS FITTING / #10 NEO To A-1511		2		W
4	455255	HOSE ASSY / #10 3385MM From A-1512		1		W
. NS	507344	. O-RING / ORS FITTING / #10 NEO From A-1512		2		W
NS	504634	T-CLIP / 7/8" - 1"	AR	AR		
NS	500267	SCREW TC FL PH #10-32x1 1/2 Z050	AR	AR		
5	453375	HOSE ASSY / #6 2800MM To A-1511	1			
. NS	507278	. O-RING / ORS FITTING / #4 NEO To A-1511	2			
5	455217	HOSE ASSY / #6 2800MM From A-1512	1			
. NS	507278	. O-RING / ORS FITTING / #4 NEO From A-1512	2			
5	453227	HOSE ASSY / #6 2315MM To A-1511		1		
. NS	507278	. O-RING / ORS FITTING / #4 NEO To A-1511		2		
5	455203	HOSE ASSY / #6 2315MM From A-1512		1		
. NS	507278	. O-RING / ORS FITTING / #4 NEO From A-1512		2		
NS	504016	CABLE TIE / 5/16" X 14"1/2	2	2		
NS	504751	ROTATIF SPACER DOUBLE / SMALL	1	1		
6	453373	HOSE ASSY / #10 2800MM To A-1511	1			
. NS	507344	. O-RING / ORS FITTING / #10 NEO To A-1511	2			
6	455215	HOSE ASSY / #10 2800MM From A-1512	1			
. NS	507344	. O-RING / ORS FITTING / #10 NEO From A-1512	2			
6	453230	HOSE ASSY / #10 2240MM To A-1511		1		
. NS	507344	. O-RING / ORS FITTING / #10 NEO To A-1511		2		

<b>From 9-1404 To J-0184</b>	<b>Date:10/2022</b>	<b>PAGE:H7-2270-11</b>
<b>A/C HOSE PARCEL RACK - INSTALLATION</b>		

Item#	Part	Description	H 3 4 1	H 3 4 5	V I P 4 5	N O T E S
6	455205	HOSE ASSY / #10 2240MM From A-1512 To A-1720		1		
. NS	507344	. O-RING / ORS FITTING / #10 NEO From A-1512 To A-1720		2		
6	455258	HOSE ASSY / #10 2240MM From B-1721 To E-2504		1		
. NS	507344	. O-RING / ORS FITTING / #10 NEO From B-1721 To E-2504		2		
6	455205	HOSE ASSY / #10 2240MM From E-2505		1		
. NS	507344	. O-RING / ORS FITTING / #10 NEO From E-2505		2		
7	455309	HOSE ASSY / #12 490MM To A-1720	1	1		
. NS	507280	. O-RING / ORS FITTING / #12 NEO To A-1720	2	2		
7	456979	HOSE ASSY / #12 480MM From B-1721 To F-2941	1	1		
. NS	507280	. O-RING / ORS FITTING / #12 NEO From B-1721 To F-2941	2	2		
7	457723	HOSE ASSY / #12 515MM From F-2942	1	1		
. NS	507280	. O-RING / ORS FITTING / #12 NEO From F-2942	2	2		
8	454896	DEFLECTOR AIR To G-3326	2	2		
8	506338	RUBBER CHANNEL / 1/16" x 1/4" INT "U" SHAPE / ROUND C.T.L. To G-3326	AR	AR		
8	454788	CLOSING PLATE FLOOR From G-3327	1	1		W
8	450073	CLOSING PLATE FLOOR From G-3327	1	1		
8	5060120	GROMMET EDGING ADHESIVE .036-.062 From G-3327	AR	AR		
NS	454897	CLOSING PANEL To G-3326	1	1		W
9	500641	SCREW TP PAN PH #8x3/4 Z050	AR	AR		
10	453234	UNION / DRAIN	2	2		
11	453232	HOSE POLYETHYLENE / 1/2 ID 3175MM	2	2		
11	453556	HOSE POLYETHYLENE / 1/2 ID 3825MM	1	1		
11	503666	. HOSE 1/2" I.D. 100' / S.L.	AR	AR		
NS	5011230	UNION ELBOW 90° / HOSE BARB FITTING / #8x#8 PLAS	1	1		
12	504230	HOSE CLAMP / 3/8"-7/8" SS / HS-6	4	4		
13	952629	CLAMP / 5/8" I.D.	AR	AR		
14	500957	SCREW TP BDG PH #10x3/4 N500	AR	AR		
15	504637	CABLE TIE / 3/16" x 13"	AR	AR		
15	504013	TIE MOUNT / 1/4" X 1/4" I.D.	AR	AR		
16	590286	DRAIN BOOT 1 1/4" I.D. X 4" / FLAT	2	2		
20	Call order desk	MOISTURE INDICATOR ASSY / W/A/C PARCEL RACK To A-1720	1	1		P
20	456971P	MOISTURE INDICATOR ASSY / W/A/C PARCEL RACK From B-1721 To F-2941	1	1		
20	457739P	MOISTURE INDICATOR ASSY / W/A/C PARCEL RACK From F-2942	1	1		
20A	950951	. VALVE REFRIGERANT SOLENOID	1	1		
20B	950333	. MOISTURE INDICATOR	1	1		
20C	451187	. SOLENOID ASSY W/WEATHER PACK CONNECTOR	1	1		
. NS	950953	. . COIL 24V / SERVICE	1	1		
. NS	560434	. . CONNECTOR 1/2" PIPE	1	1		
. NS	561690	. . CONNECTOR / WEATHER PACK / SH 2C / BLACK / PED 12015792	1	1		
. NS	561578	. . SOCKET TERMINAL / 16-14 / PED 12010182	2	2		
. NS	561565	. . CABLE SEAL / GREEN / PED 15324982	2	2		
22	950332	FILTER DRYER	1	1		

<b>From 9-1404 To J-0184</b>	<b>Date:10/2022</b>	<b>PAGE:H7-2270-11</b>
<b>A/C HOSE PARCEL RACK - INSTALLATION</b>		

Item#	Part	Description	H 3 4 1	H 3 4 5	V I P 4 5	N O T E S
. NS	507370	. O-RING #10	1	1		U
NS	501338	MALE RUN TEE / PIPE FITTING / 1/4NPT-Mx1/4NPT-Fx1/4NPT-F BR From G-3335	1	1		
NS	501027	MALE CONNECTOR / SAE 45° FITTING / #4FL-Mx1/4NPT-M BR From G-3335	2	2		
NS	950500	ADAPTOR 7/16-20 x R134 16MM From G-3335	2	2		
23	454620	HOSE ASSY / #10 480MM To A-1511	1	1		
. NS	507344	. O-RING / ORS FITTING / #10 NEO To A-1511	2	2		
23	455321	HOSE ASSY / #10 480MM From A-1512 To A-1720	1	1		
. NS	507344	. O-RING / ORS FITTING / #10 NEO From A-1512 To A-1720	2	2		
23	456975	HOSE ASSY / #10 455MM From B-1721 To C-1975	1	1		
. NS	507344	. O-RING / ORS FITTING / #10 NEO From B-1721 To C-1975	2	2		
23	454702	HOSE ASSY / #10 235MM From C-1976	1	1		
29	506267	PIPE INSULATING / 1 1/8" I.D. X 1/2" TH. X / APT11812	1	1		
290	503390	TUBE / PVC PIPE / 3"x10' WHITE PVC	AR	AR		
30	Call order desk	PIPE ASSY / SUCTION / W/A/C PARCEL RACK To A-1720	1	1		P
30	Call order desk	PIPE ASSY / SUCTION / W/A/C PARCEL RACK From B-1721 To F-2941	1	1		P
30	457737P	PIPE ASSY / SUCTION / W/A/C PARCEL RACK From F-2942	1	1		
31	453244	DECAL R134A / NOMINAL CHARGE 26 LBS // ENGLISH & FRANCAIS	1	1		
31	454181	DECAL R134A / 26LBS / W/A/C PARCEL RACK / ENGLISH & SPANISH	1	1		
32	Call order desk	PIPE ASSY / PRESSURE To A-1720	1	1		P
32	456969P	PIPE ASSY / PRESSURE From B-1721 To F-2941	1	1		
32	457735P	PIPE ASSY / PRESSURE From F-2942	1	1		
. NS	501829	. O-RING / ORS FITTING / #12 NEO From F-2942	1	1		
33	950306	BALL VALVE MANUAL SHUT OFF A/C LINE W/SHREADER (WELDED)	1	1		
40	504026	HOSE CLAMP / 2"13/16-3"3/4 SS / HS-52	2	2		
41	456976	SUPPORT "Y" SHAPE From B-1721	1	1		
42	5001730	SCREW CAP HEXF M6-1.0x16 G10.9 N500 From B-1721	3	3		
43	456978	SUPPORT HOSE From B-1721	2	2		
43	456982	SUPPORT HOSE From B-1721	2	2		W
44	454647	SUPPORT HOSE From B-1721 To C-1975	1	1		
44	454722	SUPPORT HOSE From C-1976 To F-3040	1	1		
44	450001	SUPPORT HOSE From F-3041	1	1		
44	504016	CABLE TIE / 5/16" X 14"1/2	1	1		
44	680091	TAPE INSULATING / 1/8" x 2" x 30' / BLACK PT-1	AR	AR		
45	952633	CLAMP / 7/8" I.D.	2	2		
46	952641	CLAMP / 1 5/16" I.D.	2	2		
47	8631155	CABLE TIE / 4.6MM x 200 / CHRISTMAS TREE	AR	AR		
48	504016	CABLE TIE / 5/16" X 14"1/2	AR	AR		
49	504586	WASHER FL SPACER .450x.625x.875 NYL	AR	AR		
49	504637	CABLE TIE / 3/16" x 13"	AR	AR		
50	<b>H7-2270-01</b>	<b>RECEIVER TANK &amp; FILTER DRYER</b>				
51	<b>H7-2222-15</b>	<b>A/C LINE REAR SECTION W/05G</b>				
55	<b>H7-2240-20</b>	<b>BLOWER VENTILATION - PARCEL RACK</b>				

From 9-1404 To J-0184	Date:10/2022	PAGE:H7-2270-11
<b>A/C HOSE PARCEL RACK - INSTALLATION</b>		

Item#	Part	Description	H 3 4 1	H 3 4 5	V I P 4 5	N O T E S
60	H7-2208-10	REFRIGERENT SOLENOID VALVE				
70	216582	SUPPORT From B-1721	1	1		
		W) WITH W.C.L. RICON				
		P) CALL ORDER DESK FOR SPECIFIC APPLICATION (V.I.N.)				
		U) UNDER CONSTRUCTION				



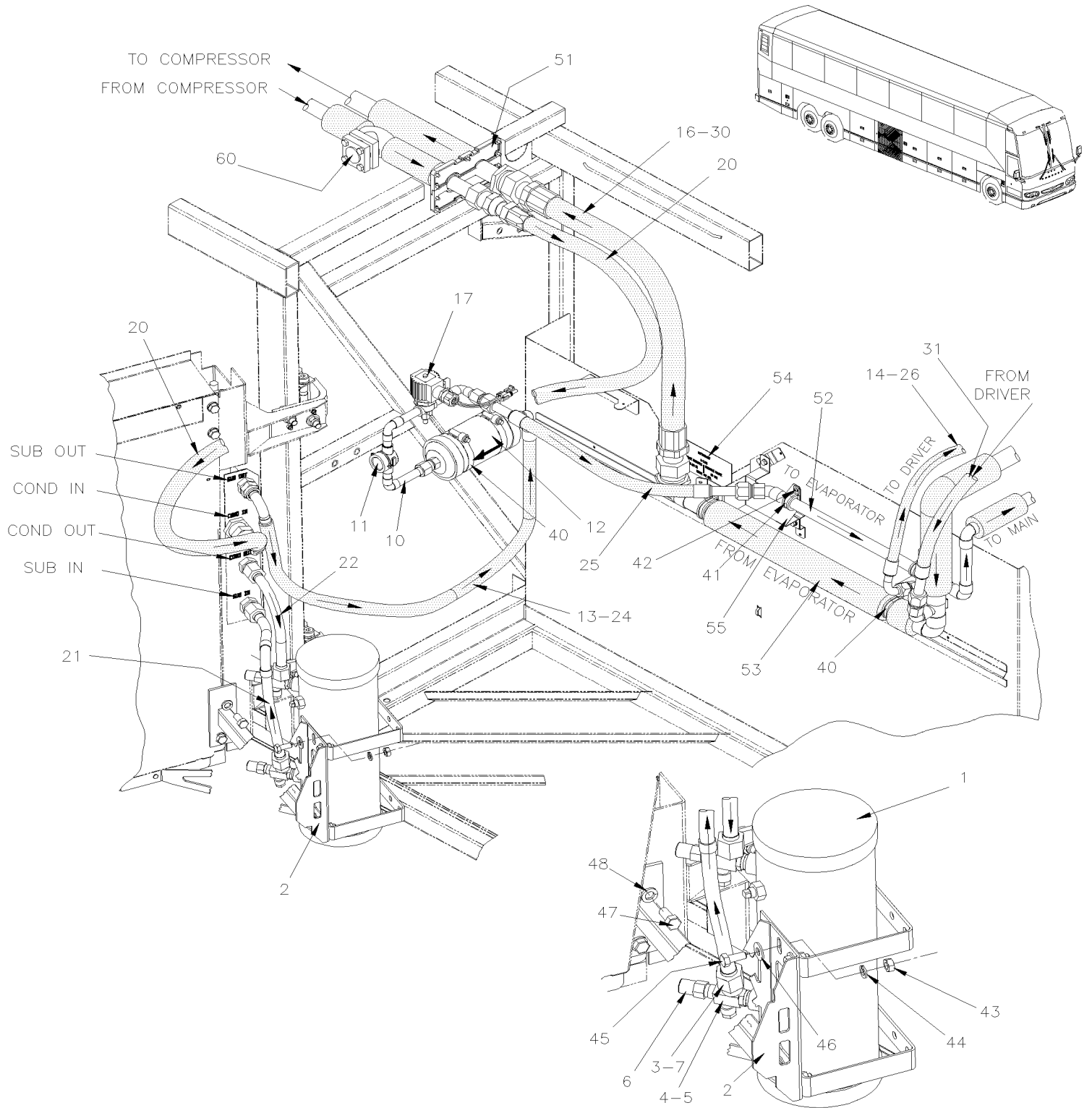


From 7-0671 To 9-1403

Date:10/2022

PAGE:H7-2270-50

## RECEIVER TANK & FILTER DRYER WITH SLIDE-OUT



From 7-0671 To 9-1403	Date:10/2022	PAGE:H7-2270-50
<b>RECEIVER TANK &amp; FILTER DRYER WITH SLIDE-OUT</b>		

Item#	Part	Description	H 3 4 1	H 3 4 5	V I P 4 5	N O T E S
		"WARNING" - "WARNING" - "WARNING"			1	
		. . . . VIP WITH SLIDE-OUT ONLY From 7-0772				
1	950261	RECEIVER TANK ASSY			1	
. NS	<b>950428</b>	. SIGHTGLASS / W/BALL 1NPT-M (FORMER)			1	
. NS	<b>951198</b>	. SIGHTGLASS / W/BALL 1 1/4NPT-F (CURRENT)			1	
2	<b>H7-2260-00</b>	<b>CONDENSOR FANS - INSTALLATION W/2 MOTORS</b>				
3	870890	VALVE, SAFETY 450 PSI			1	
4	950228	VALVE ASSY / SERVICE / INLET & OUTLET			2	
. NS	950284	. CAP / PROTECTOR / FOR GAUGE			1	
. NS	507169	. O-RING 1/2 I.D.			1	
5	950285	. CAP VALVE / PROTECTOR / PLASTIC			1	
6	950284	. CAP / PROTECTOR / FOR GAUGE			1	
7	507169	O-RING 1/2 I.D.			AR	
10	454432	MOISTURE INDICATOR ASSY W/SLIDE-OUT			1	
11	950029	. CAP, MOISTURE INDICATOR			1	
12	950332	. FILTER DRYER			1	
. NS	507370	. . O-RING #10			1	U
13	507280	O-RING / ORS FITTING / #12 NEO			2	
14	507344	O-RING / ORS FITTING / #10 NEO			AR	
15	507345	O-RING / ORS FITTING / #16 NEO			AR	
16	507346	O-RING / ORS FITTING / #24 NEO			AR	
17	<b>H7-2208-10</b>	<b>REFRIGERENT SOLENOID VALVE</b>				
20	950256	HOSE ASSY / W/R-134a / #16 1096MM / SS BELLOW O			1	
21	452999	TUBE ASSY / CONDENSOR OUT & RECEIVER TANK			1	
22	452990	TUBE ASSY / RECEIVER TANK & COND-SUB-OUT			1	
24	453696	HOSE ASSY / COND SUB-OUT / #12 1100MM			1	
25	454436	HOSE ASSY / #12 475MM			1	
. NS	507280	. O-RING / ORS FITTING / #12 NEO			2	
25	455305	HOSE ASSY / #12 475MM			1	
. NS	507280	. O-RING / ORS FITTING / #12 NEO			2	
26	454437	HOSE ASSY / #10 4165MM			1	
. NS	507344	. O-RING / ORS FITTING / #10 NEO			2	
26	455306	HOSE ASSY / #10 4165MM			1	
. NS	507344	. O-RING / ORS FITTING / #10 NEO			2	
30	454438	HOSE ASSY / #24 885MM			1	
31	454435	HOSE ASSY / #12 4130MM To 8-1325			1	
31	454594	HOSE ASSY / #12 4130MM From 8-1326			1	
. NS	507280	. O-RING / ORS FITTING / #12 NEO From 8-1326			2	
31	455308	HOSE ASSY / #12 4156MM From 8-1326			1	
. NS	507280	. O-RING / ORS FITTING / #12 NEO From 8-1326			2	
40	504026	HOSE CLAMP / 2"13/16-3"3/4 SS / HS-52			2	

From 7-0671 To 9-1403	Date:10/2022	PAGE:H7-2270-50
<b>RECEIVER TANK &amp; FILTER DRYER WITH SLIDE-OUT</b>		

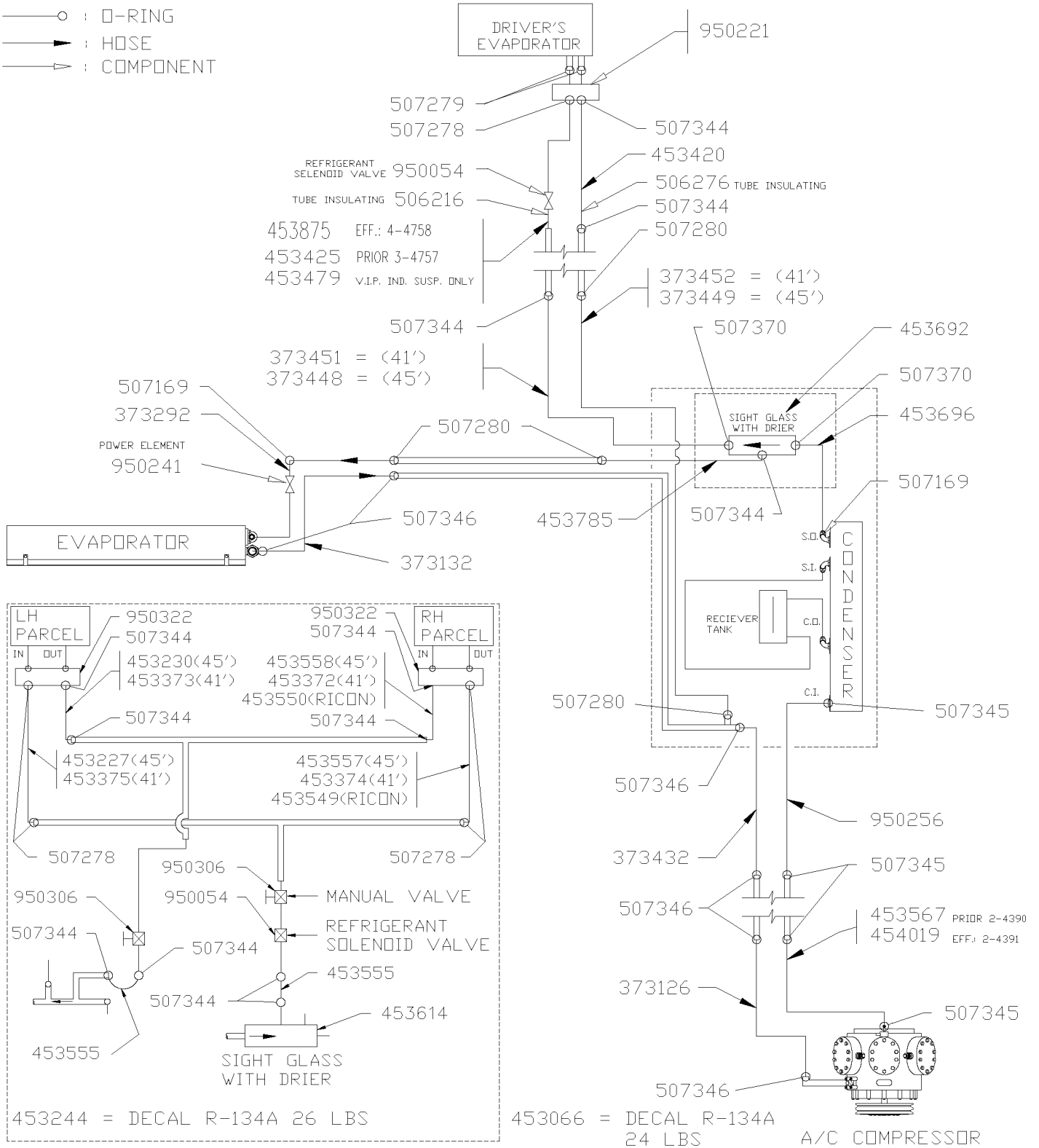
Item#	Part	Description	H 3 4 1	H 3 4 5	V I P 4 5	N O T E S
41	952633	CLAMP / 7/8" I.D.			6	
42	500957	SCREW TP BDG PH #10x3/4 N500			AR	
43	500256	NUT HEX M10-1.5 Z050			4	
44	500257	WASHER LO SPT 10.2x18.1x2.2 Z050			4	
45	502559	SCREW CAP HEX M10-1.5x25 G8.8 Z050			4	
46	500445	WASHER FL .437x1.000x.083 Z050			4	
47	500850	SCREW CAP HEX M12-1.75X25 G8.8 Z050			2	
48	500482	WASHER LO SPT .506x.873x.125 Z050			2	
49	504487	RIVET MGLP PRDG 3/16x7/16 SS			2	
50	<b>H7-2222-15</b>	<b>A/C LINE REAR SECTION W/05G</b>				
51	457424	CLOSING / PIPE TUNNEL PLASTIC / RH 57.2MM x 181MM			2	
NS	500623	SCREW TC PAN PH #10-24x3/4 N500			AR	
52	454340	PIPE ASSY / PRESSURE			1	
53	454339	PIPE ASSY / SUCTION			1	
. NS	507346	. O-RING / ORS FITTING / #24 NEO			1	
. NS	501803	. O-RING / ORS FITTING / #20 NEO			1	
54	453066	DECAL R134A / NOMINAL CHARGE 24 LBS // ENGLISH & FRANCAIS			1	
54	454180	DECAL R134A / NOMINAL CHARGE 24 LBS // ENGLISH & SPANISH			1	
55	454597	SUPPORT HOSE			2	
60	<b>H7-2208-10</b>	<b>REFRIGERENT SOLENOID VALVE</b>				
61	<b>H7-2260-00</b>	<b>CONDENSOR FANS - INSTALLATION W/2 MOTORS</b>				
62	<b>H7-2222-15</b>	<b>A/C LINE REAR SECTION W/05G</b>				
		U) UNDER CONSTRUCTION				



**A/C HOSE & O-RING - W/R-134A**

H3-41, H3-45 & V.I.P. 45 ONLY

- : O-RING
- : HOSE
- ▷ : COMPONENT



From 7-0671 To 9-1403	Date:10/2022	PAGE:H7-2299-00
<b>A/C HOSE &amp; O-RING - W/R-134A</b>		

Item#	Part	Description	H 3 4 1	H 3 4 5	V I P 4 5	N O T E S
1	950221	VALVE, EXPANSION / DRIVER'S W/R134A	AR	AR	AR	
2	507279	O-RING / ORS FITTING / #8 NEO	AR	AR	AR	
3	507278	O-RING / ORS FITTING / #4 NEO	AR	AR	AR	
4	507344	O-RING / ORS FITTING / #10 NEO	AR	AR	AR	
5	453420	HOSE ASSY / #12 675 MM To A-1511	AR	AR	AR	
. NS	507280	. O-RING / ORS FITTING / #12 NEO To A-1511	1	1	1	
. NS	507344	. O-RING / ORS FITTING / #10 NEO To A-1511	1	1	1	
5	455229	HOSE ASSY / #12 693 MM From A-1512 To F-2910	AR	AR	AR	
. NS	507280	. O-RING / ORS FITTING / #12 NEO From A-1512 To F-2910	1	1	1	
. NS	507344	. O-RING / ORS FITTING / #10 NEO From A-1512 To F-2910	1	1	1	
5	454937	HOSE ASSY / #12 685 MM From F-2911 To H-3540	AR	AR	AR	
. NS	507280	. O-RING / ORS FITTING / #12 NEO From F-2911 To H-3540	1	1	1	
. NS	507344	. O-RING / ORS FITTING / #10 NEO From F-2911 To H-3540	1	1	1	
5	450126	HOSE ASSY / #12 665 MM From H-3541	1	1	1	
. NS	507280	. O-RING / ORS FITTING / #12 NEO From H-3541	1	1	1	
. NS	507344	. O-RING / ORS FITTING / #10 NEO From H-3541	1	1	1	
6	506276	PIPE INSULATING / 7/8" I.D. X 1/2" TH. X 72 / APT07812	AR	AR	AR	
7	950951	VALVE REFRIGERANT SOLENOID	AR	AR	AR	
8	506216	PIPE INSULATING / 5/8" I.D. X 1/2" TH. X 72 / APT05812	AR	AR	AR	
9	507280	O-RING / ORS FITTING / #12 NEO	AR	AR	AR	
10	453425	HOSE ASSY / #10 365 MM To A-1511	AR	AR	AR	
. NS	507344	. O-RING / ORS FITTING / #10 NEO To A-1511	2	2	2	
10	455231	HOSE ASSY / #10 365 MM From A-1512	AR	AR	AR	
. NS	507344	. O-RING / ORS FITTING / #10 NEO From A-1512	2	2	2	
11	453479	HOSE ASSY / #10 235MM To A-1511	AR	AR	AR	
. NS	507344	. O-RING / ORS FITTING / #10 NEO To A-1511	2	2	2	
11	455247	HOSE ASSY / #10 235MM From A-1512	AR	AR	AR	
. NS	507344	. O-RING / ORS FITTING / #10 NEO From A-1512	2	2	2	
12	373452	HOSE ASSY / #12 3300MM To 8-1324	AR	AR	AR	
. NS	507280	. O-RING / ORS FITTING / #12 NEO To 8-1324	2	2	2	
12	370731	HOSE ASSY / #12 3300MM To 8-1324	AR	AR	AR	S
. NS	507280	. O-RING / ORS FITTING / #12 NEO To 8-1324	2	2	2	S
12	379085	HOSE ASSY / #12 3300MM From 8-1325 To A-1511	AR	AR	AR	
. NS	507280	. O-RING / ORS FITTING / #12 NEO From 8-1325 To A-1511	2	2	2	
12	370735	HOSE ASSY / #12 3300MM From A-1512	AR	AR	AR	
. NS	507280	. O-RING / ORS FITTING / #12 NEO From A-1512	2	2	2	
13	373449	HOSE ASSY / #12 4546MM To 8-1324	AR	AR	AR	
. NS	507280	. O-RING / ORS FITTING / #12 NEO To 8-1324	2	2	2	
13	370729	HOSE ASSY / #12 4546MM To 8-1324	AR	AR	AR	S
. NS	507280	. O-RING / ORS FITTING / #12 NEO To 8-1324	2	2	2	S
13	379084	HOSE ASSY / #12 4546MM From 8-1325 To A-1511	AR	AR	AR	
. NS	507280	. O-RING / ORS FITTING / #12 NEO From 8-1325 To A-1511	2	2	2	

<b>From 7-0671 To 9-1403</b>	<b>Date:10/2022</b>	<b>PAGE:H7-2299-00</b>
<b>A/C HOSE &amp; O-RING - W/R-134A</b>		

Item#	Part	Description	H 3 4 1	H 3 4 5	V I P 4 5	N O T E S
13	370734	HOSE ASSY / #12 4546MM From A-1512	AR	AR	AR	
. NS	507280	. O-RING / ORS FITTING / #12 NEO From A-1512	2	2	2	
16	453614	MOISTURE INDICATOR ASSY / W/A/C PARCEL RACK	AR	AR	AR	
17	373451	HOSE ASSY / #10 4570MM To A-1511	AR	AR	AR	
. NS	507344	. O-RING / ORS FITTING / #10 NEO To A-1511	2	2	2	
17	370730	HOSE ASSY / #10 4570MM From A-1512	AR	AR	AR	
. NS	507344	. O-RING / ORS FITTING / #10 NEO From A-1512	2	2	2	
18	373448	HOSE ASSY / #10 5606MM To A-1511	AR	AR	AR	
. NS	507344	. O-RING / ORS FITTING / #10 NEO To A-1511	2	2	2	
18	370728	HOSE ASSY / #10 5606MM From A-1512	AR	AR	AR	
. NS	507344	. O-RING / ORS FITTING / #10 NEO From A-1512	2	2	2	
19	507169	O-RING 1/2 I.D.	AR	AR	AR	
20	373292	HOSE ASSY /EXPANSION VALVE & TUBE / #12 590MM To A-1511	AR	AR	AR	
. NS	507280	. O-RING / ORS FITTING / #12 NEO To A-1511	2	2	2	
20	370725	HOSE ASSY /EXPANSION VALVE & TUBE / #12 590MM From A-1512	AR	AR	AR	
. NS	507280	. O-RING / ORS FITTING / #12 NEO From A-1512	2	2	2	
21	453696	HOSE ASSY / COND SUB-OUT / #12 1100MM	AR	AR	AR	
22	950241	ELEMENT POWER R134A	AR	AR	AR	
23	507370	O-RING #10	AR	AR	AR	
26	453785	HOSE ASSY / #12 465MM To A-1511	AR	AR	AR	
. NS	507280	. O-RING / ORS FITTING / #12 NEO To A-1511	2	2	2	
26	455266	HOSE ASSY / #12 465MM From A-1512	AR	AR	AR	
. NS	507280	. O-RING / ORS FITTING / #12 NEO From A-1512	2	2	2	
27	373132	HOSE ASSY /SUCTION & EVAPO.W/R-134a / #24 701MM	AR	AR	AR	
28	950322	VALVE, EXPANSION R-134 / PARCEL-RACK	AR	AR	AR	
29	453230	HOSE ASSY / #10 2240MM To A-1511	AR	AR	AR	
. NS	507344	. O-RING / ORS FITTING / #10 NEO To A-1511	2	2	2	
29	455205	HOSE ASSY / #10 2240MM From A-1512	AR	AR	AR	
. NS	507344	. O-RING / ORS FITTING / #10 NEO From A-1512	2	2	2	
30	453558	HOSE ASSY / #10 2240MM To A-1511	AR	AR	AR	
. NS	507344	. O-RING / ORS FITTING / #10 NEO To A-1511	2	2	2	
30	455258	HOSE ASSY / #10 2240MM From A-1512	AR	AR	AR	
. NS	507344	. O-RING / ORS FITTING / #10 NEO From A-1512	2	2	2	
31	453373	HOSE ASSY / #10 2800MM To A-1511	AR	AR	AR	
. NS	507344	. O-RING / ORS FITTING / #10 NEO To A-1511	2	2	2	
31	455215	HOSE ASSY / #10 2800MM From A-1512	AR	AR	AR	
. NS	507344	. O-RING / ORS FITTING / #10 NEO From A-1512	2	2	2	
32	453372	HOSE ASSY / #10 2400MM To A-1511	AR	AR	AR	
. NS	507344	. O-RING / ORS FITTING / #10 NEO To A-1511	2	2	2	
32	455214	HOSE ASSY / #10 2400MM From A-1512	AR	AR	AR	
. NS	507344	. O-RING / ORS FITTING / #10 NEO From A-1512	2	2	2	
33	453550	HOSE ASSY / #10 3385MM To A-1511	AR	AR	AR	

<b>From 7-0671 To 9-1403</b>	<b>Date:10/2022</b>	<b>PAGE:H7-2299-00</b>
<b>A/C HOSE &amp; O-RING - W/R-134A</b>		

Item#	Part	Description	H 3 4 1	H 3 4 5	V I P 4 5	N O T E S
. NS	507344	. O-RING / ORS FITTING / #10 NEO To A-1511	2	2	2	
33	455255	HOSE ASSY / #10 3385MM From A-1512	AR	AR	AR	
. NS	507344	. O-RING / ORS FITTING / #10 NEO From A-1512	2	2	2	
34	453227	HOSE ASSY / #6 2315MM To A-1511	AR	AR	AR	
. NS	507278	. O-RING / ORS FITTING / #4 NEO To A-1511	2	2	2	
34	455203	HOSE ASSY / #6 2315MM From A-1512	AR	AR	AR	
. NS	507278	. O-RING / ORS FITTING / #4 NEO From A-1512	2	2	2	
35	453375	HOSE ASSY / #6 2800MM To A-1511	AR	AR	AR	
. NS	507278	. O-RING / ORS FITTING / #4 NEO To A-1511	2	2	2	
35	455217	HOSE ASSY / #6 2800MM From A-1512	AR	AR	AR	
. NS	507278	. O-RING / ORS FITTING / #4 NEO From A-1512	2	2	2	
36	453557	HOSE ASSY / #6 2315MM To A-1511	AR	AR	AR	
. NS	507278	. O-RING / ORS FITTING / #4 NEO To A-1511	2	2	2	
36	455257	HOSE ASSY / #6 2315MM From A-1512	AR	AR	AR	
. NS	507278	. O-RING / ORS FITTING / #4 NEO From A-1512	2	2	2	
37	453374	HOSE ASSY / #6 2400MM To A-1511	AR	AR	AR	
. NS	507278	. O-RING / ORS FITTING / #4 NEO To A-1511	2	2	2	
37	455216	HOSE ASSY / #6 2400MM From A-1512	AR	AR	AR	
. NS	507278	. O-RING / ORS FITTING / #4 NEO From A-1512	2	2	2	
38	453549	HOSE ASSY / #6 3435MM To A-1511	AR	AR	AR	
. NS	507278	. O-RING / ORS FITTING / #4 NEO To A-1511	2	2	2	
38	455254	HOSE ASSY / #6 3435MM From A-1512	AR	AR	AR	
. NS	507278	. O-RING / ORS FITTING / #4 NEO From A-1512	2	2	2	
39	507345	O-RING / ORS FITTING / #16 NEO	AR	AR	AR	
40	507346	O-RING / ORS FITTING / #24 NEO	AR	AR	AR	
41	950306	BALL VALVE MANUAL SHUT OFF A/C LINE W/SHREADER (WELDED)	AR	AR	AR	
42	453555	HOSE ASSY / #10 245MM To A-1511	AR	AR	AR	
. NS	507344	. O-RING / ORS FITTING / #10 NEO To A-1511	2	2	2	
42	455256	HOSE ASSY / #10 245MM From A-1512	AR	AR	AR	
. NS	507344	. O-RING / ORS FITTING / #10 NEO From A-1512	2	2	2	
43	453692	MOISTURE INDICATOR ASSY	AR	AR	AR	
44	453244	DECAL R134A / NOMINAL CHARGE 26 LBS // ENGLISH & FRANCAIS	AR	AR	AR	
44	454181	DECAL R134A / 26LBS / W/A/C PARCEL RACK / ENGLISH & SPANISH	AR	AR	AR	
45	950256	HOSE ASSY / W/R-134a / #16 1096MM / SS BELLOW	AR	AR	AR	
46	373432	HOSE ASSY / SUCTION LINE W/R-134a / #24 537MM	AR	AR	AR	
. NS	507346	. O-RING / ORS FITTING / #24 NEO	2	2	2	
47	453716	HOSE ASSY / DISCHARGE W/R-134a / #16 533MM / SS BELLOW	AR	AR	AR	
48	373126	HOSE ASSY / SUCTION W/R-134a / #24 1122MM	AR	AR	AR	
49	453066	DECAL R134A / NOMINAL CHARGE 24 LBS // ENGLISH & FRANCAIS	AR	AR	AR	
49	454180	DECAL R134A / NOMINAL CHARGE 24 LBS // ENGLISH & SPANISH	AR	AR	AR	
50	453567	HOSE ASSY / DISCHARGE W/R-134a / #16 440MM	AR	AR	AR	
51	454019	HOSE ASSY / DISCHARGE W/R-134a / #16 788MM / SS BELLOW	AR	AR	AR	

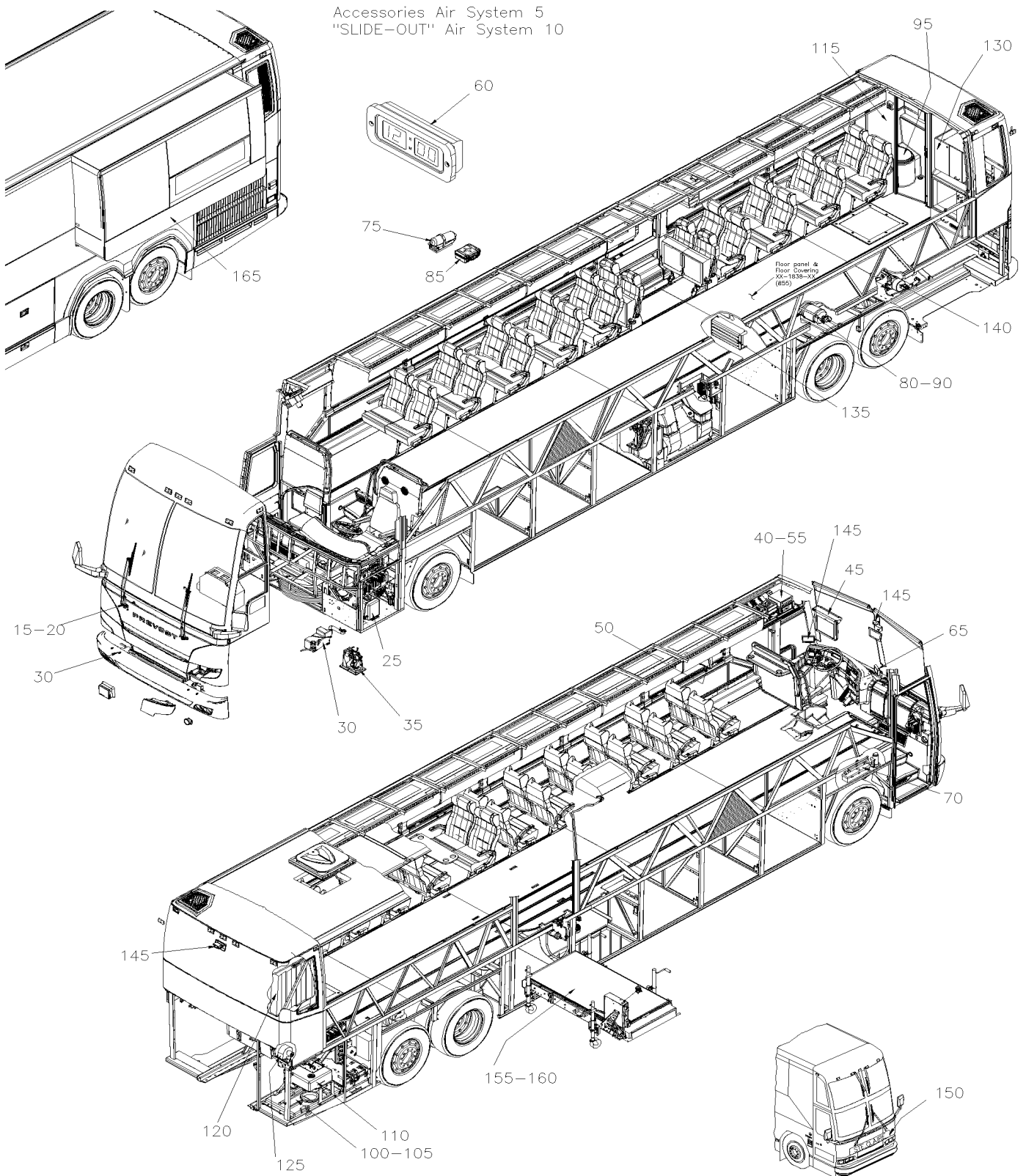


From 7-0671 To 9-1403	Date:10/2022	PAGE:H7-2299-00
<b>A/C HOSE &amp; O-RING - W/R-134A</b>		

Item#	Part	Description	H 3 4 1	H 3 4 5	V I P 4 5	N O T E S
52	453875	HOSE ASSY / #10 372MM To A-1511	AR	AR	AR	
. NS	507344	. O-RING / ORS FITTING / #10 NEO To A-1511	1	1	1	
52	455270	HOSE ASSY / #10 372MM From A-1512	AR	AR	AR	
. NS	507344	. O-RING / ORS FITTING / #10 NEO From A-1512	1	1	1	
		S) SERVICE				



	Date:10/2022	H7-23
ACCESSORIES		



	Date:10/2022	H7-23
<b>ACCESSORIES</b>		

Item#	Part	Description	H 3 4 1	H 3 4 5	V I P 4 5	N O T E S
5	H7-2300-00	ACCESSORIES AIR SYSTEM From 7-0671 To F-2922				
5	H7-2300-01	ACCESSORIES AIR SYSTEM From F-2923 To J-0287				
10	H7-2300-90	"SLIDE-OUT" AIR SYSTEM From 7-0671 To F-2922				
10	H7-2300-91	"SLIDE-OUT" AIR SYSTEM From F-2923 To J-0287				
15	H7-2305-00	LOWER WINDSHIELD WIPER From 7-0671 To J-0287				
15	H7-2305-05	LOWER WINDSHIELD WIPER - INSTALLATION From 7-0671 To 9-1469				
15	H7-2305-06	LOWER WINDSHIELD WIPER - INSTALLATION From A-1470 To J-0287				
20	H7-2305-10	UPPER WINDSHIELD WIPER From 7-0671 To J-0287				
20	H7-2305-15	UPPER WINDSHIELD WIPER - INSTALLATION From 7-0671 To H-3734				
20	H7-2305-16	UPPER WINDSHIELD WIPER - INSTALLATION From H-3735 To J-0287				
25	H7-2305-20	WINDSHIELD WASHER - INSTALLATION From 7-0671 To J-0287				
30	H7-2305-25	HEAD LAMP CLEANING WASHER TANK From 7-0671 To 9-1469				
30	H7-2305-26	HEAD LAMP CLEANING WASHER TANK From A-1470 To J-0287				
35	H7-2310-00	HORN - INSTALLATION From 7-0671 To 9-1469				
35	H7-2310-01	HORN - INSTALLATION From A-1470 To J-0287				
40	H7-2315-00	SOUND SYSTEM & ACCESSORIES From 7-0671 To G-3308				
40	H7-2315-01	SOUND SYSTEM & ACCESSORIES W/HHED From G-3309 To J-0184				
40	H7-2315-05	"USB" & "VGA" & "RCA" CABLE & CONVERTER & 12 VOLTS From A-1605 To G-3308				
40	H7-2315-06	"USB" & "RCA" CABLE & CONVERTER & 12 VOLTS W/HHED From G-3309 To J-0184				
40	H7-2315-10	BOARD UNDER FLOOR - "R.E.I." From 7-0671 To 7-0887				
40	H7-2315-12	BACK SEAT AUDIO WITH "XM" & 4 X 8 CD INSTALL IN BAGGAGE COMPT From 7-0671 To A-1720				
40	H7-2315-15	SUBWOOFER - INSTALLATION From 7-0671 To J-0184				
40	H7-2315-20	INDIVIDUAL STATIONS - "R.E.I." From 7-0671 To G-3308				
40	H7-2315-21	INDIVIDUAL STATIONS - "R.E.I." W/HHED From G-3309 To J-0184				
40	H7-2315-30	2 VIDEOS & AUDIO W/SATELLITE From 7-0671 To G-3308				
40	H7-2315-60	ROOF ANTENNA & WIRING "R.E.I." From 7-0671 To A-1605				
40	H7-2315-61	ANTENNA SATELLITE KVH INDUSTRIES TRACKVISION A9 From E-2687 To J-0184				
45	H7-2317-00	FRONT MONITOR FLAT SCREEN - VIDEO From 7-0671 To J-0184				
50	H7-2317-10	SIDE MONITOR FLAT SCREEN - VIDEO -"R.E.I." From 7-0671 To J-0184				
50	H7-2317-11	SIDE MONITOR FLAT SCREEN - VIDEO "VOLVO" From 8-1136 To A-1605				
55	H7-2317-20	SCREEN VIDEO & POWER - INSTALLATION From 7-0671 To G-3308				
55	H7-2317-21	SCREEN VIDEO & POWER - INSTALLATION W/HHED From G-3309 To J-0184				
55	H7-2317-25	WI-FI MODULE - INSTALLATION From D-2404 To J-0184				
55	H7-2317-26	"WI-FI" MODULE - INSTALLTION From D-2404 To J-0184				
55	H7-2317-30	VIDEO & AUDIO SYSTEM - INSTALLATION From 7-0671 To G-3308				
55	H7-2317-31	VIDEO & AUDIO SYSTEM - INSTALLATION W/HHED From G-3309 To J-0184				
55	H7-2317-35	"WI-FI" MODULE MOOVBOX From E-2508 To J-0184				
55	H7-2317-40	MEDIA PLAYER MP-1000 From G-3309 To J-0184				
55	H7-2317-99	UPDATE TO MEDIA PLAYER MP-1000 From B-1721 To G-3308				
60	H7-2318-00	CLOCK (DIGITAL) From 7-0671 To G-3149				
60	H7-2318-01	CLOCK (DIGITAL) From G-3150 To J-0184				
65	H7-2319-00	GPS - VOLVO LINK ANTENNA - INSTALLATION From 7-0671 To A-1625				

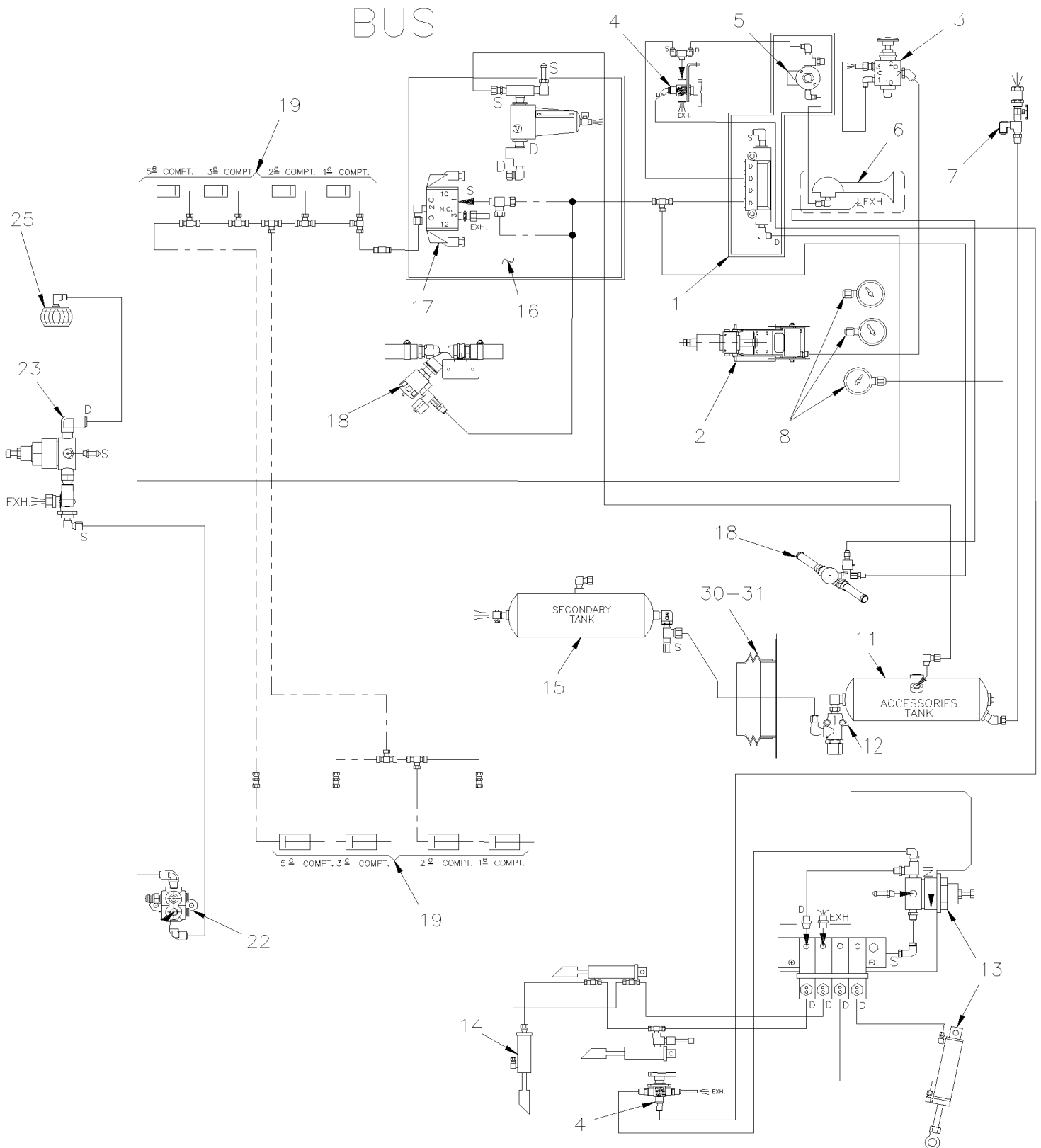
		Date:10/2022	H7-23			
<b>ACCESSORIES</b>						

Item#	Part	Description	H 3 4 1	H 3 4 5	V I P 4 5	N O T E S
65	H7-2319-01	VOLVO LINK ANTENNA - INSTALLATION From A-1626 To J-0287				
67	H7-2319-20	CAMERA SYSTEM - "SEON" 3 CAMERAS KEOLIS From H-3599 To J-0184				
67	H7-2319-30	CAMERA SYSTEM & ITS SYSTEM - "SAUCON" 8 CAMERAS "TRENTWAY WAGAR" From H-3827 To H-3829				
67	H7-2319-35	ITS SYSTEM - "SAUCON" From J-0074 To J-0184				
67	H7-2319-40	CAMERA SYSTEM - "S-VISION" 4 CAMERAS "MUTUAL TRANS" / "RJR LEASING" From H-3973 To J-0184				
67	H7-2319-41	CAMERA SYSTEM - "S-VISION" 8 CAMERAS "BURLINGTON STAGE LINES" From H-3945 To J-0184				
74	H7-2320-00	JACK & FLARE KIT - INSTALLATION From 7-0671 To J-0287				
75	H7-2320-30	EXTINGUISHER - INSTALLATION From 7-0671 To J-0287				
80	H7-2320-35	FIRE PROTECTION SYSTEM BUS INSTALLATION From 7-0671 To 9-1403				
80	H7-2320-36	FIRE PROTECTION SYSTEM BUS INSTALLATION / EPA 2007 From 9-1404 To A-1720				
80	H7-2320-37	FIRE PROTECTION SYSTEM INSTALLATION / EPA 2010 From B-1721 To J-0287				
85	H7-2320-40	FIRST AID KIT & AXE - INSTALLATION From 7-0671 To J-0184				
90	H7-2320-50	FIRE PROTECTION SYSTEM VIP INSTALLATION From 7-0671 To A-1720				
91	H7-2322-00	CENTRAL VACUUMING SYSTEM INSTALLATION From C-1998 To J-0184				
95	H7-2325-00	LAVATORY - ACCESSORIES From 7-0671 To J-0184				
100	H7-2326-00	TOILET PUMP ASSY From 7-0671 To D-2122				
100	H7-2326-01	TOILET PUMP ASSY / WITH HEATER From D-2123 To J-0184				
105	H7-2327-00	SUMP TANK - PLASTIC 30 GALLONS From 7-0671 To J-0184				
110	H7-2327-10	SUMP TANK - AUXILIARY 13 GALLONS From 7-0671 To J-0184				
115	H7-2328-00	LAVATORY WALL - INSTALLATION WITH SLIDING DOOR From 7-0671 To J-0184				
120	H7-2330-00	WATER & SUMP TANK - INSTALLATION From 7-0671 To A-1720				
120	H7-2330-01	WATER & SUMP TANK - INSTALLATION From B-1721 To J-0184				
125	H7-2337-00	LAVATORY FAN - INSTALLATION From 7-0671 To J-0184				
127	H7-2340-00	PLASMA CLUSTER IONS AIR SANITIZER - ENVIROCARE / RETROFIT From 9-1409 To J-0184				
130	H7-2345-00	GALLEY ASSY From 7-0671 To J-0184				
130	H7-2345-10	GALLEY ACCESSORIES From 7-0671 To J-0184				
135	H7-2345-40	POWERVERTER - INSTALLATION From 7-0671 To E-2580				
135	H7-2345-41	POWERVERTER - INSTALLATION From E-2581 To J-0184				
140	H7-2350-10	WATER HEATER - INSTALLATION From 7-0671 To J-0184				
145	H7-2355-10	FRONT CAMERA - INSTALLATION From 7-0671 To J-0184				
145	H7-2355-20	FRONT MONITOR BACK-UP - INSTALLATION From 7-0671 To J-0184				
150	H7-2360-00	MONOGRAM ASSY & LETTERS From 7-0671 To J-0184				
155	H7-2370-10	W.C.L. - DECAL From 7-0671 To J-0184				
155	H7-2370-20	W.C.L. SEAT BELTS From 7-0671 To J-0184				
155	H7-2370-25	W.C.L. SEAT BELTS "SAFEGUARD" (IMMI) From 7-0671 To J-0184				
160	H7-2380-00	W.C.L. "RICON" REMOVABLE - INSTALLATION MODEL "F9TF" From 7-0671 To E-2584				
160	H7-2380-01	W.C.L. "RICON" REMOVABLE - INSTALLATION MODEL "F9TF" & "F9TH" From E-2585 To J-0184				
160	H7-2380-05	W.C.L. "RICON" REMOVABLE MODEL "F9TF" From 7-0671 To E-2584				
160	H7-2380-06	W.C.L. "RICON" REMOVABLE MODEL "F9TF" From E-2585 To J-0184				
160	H7-2380-07	W.C.L. "RICON" REMOVABLE MODEL "F9TH" From J-0086 To J-0184				A
160	H7-2380-10	W.C.L. "RICON" - LIFT ENCLOSURE ASSY MODEL "F9TF" From 7-0671 To E-2584				
160	H7-2380-11	W.C.L. "RICON" - LIFT ENCLOSURE ASSY MODEL "F9TF" From E-2585 To J-0184				

		Date:10/2022	H7-23			
<b>ACCESSORIES</b>						

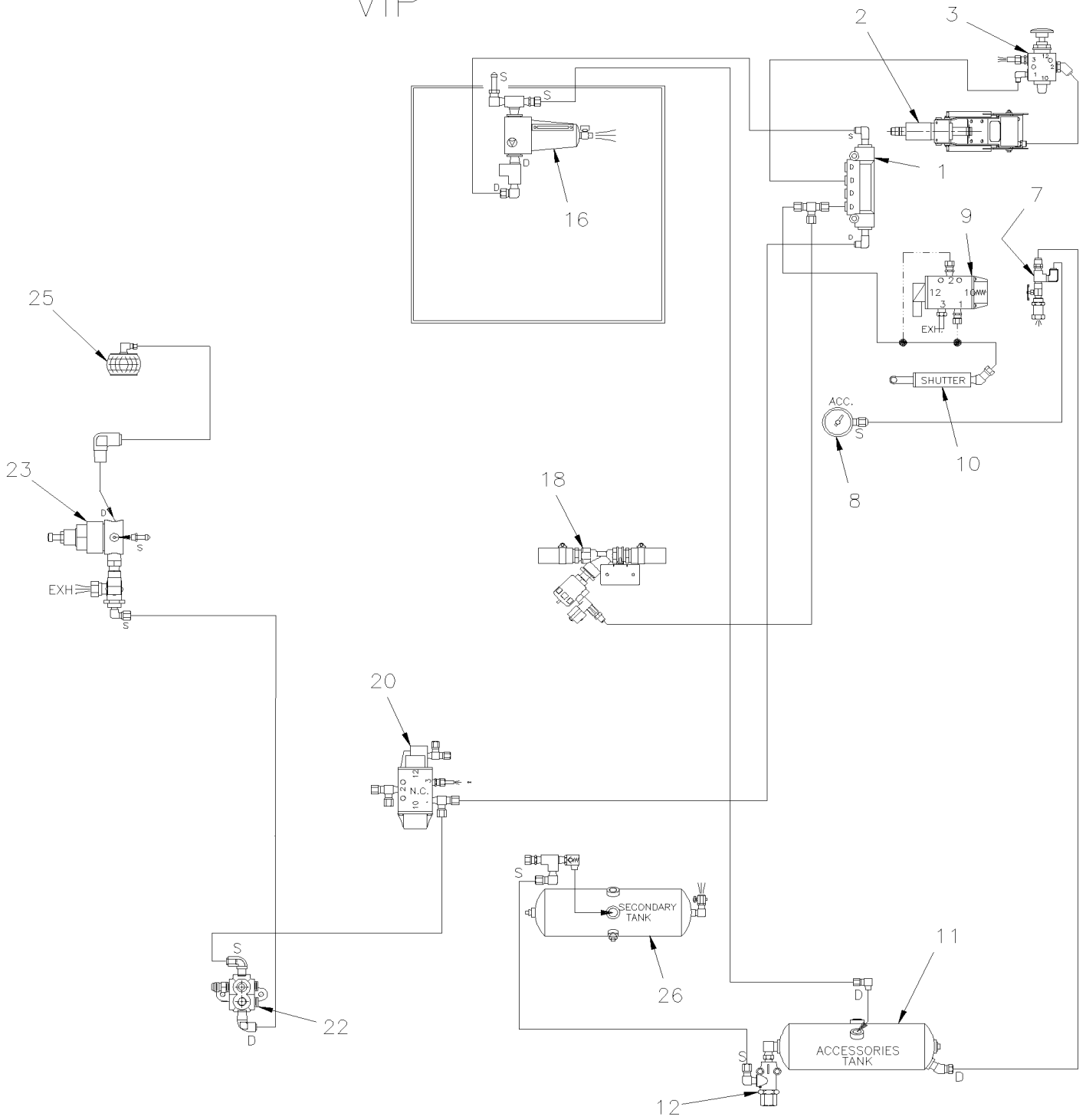
Item#	Part	Description	H 3 4 1	H 3 4 5	V I P 4 5	N O T E S
160	H7-2380-12	W.C.L. "RICON" - LIFT ENCLOSURE ASSY MODEL "F9TH" From J-0086 To J-0184				A
160	H7-2380-20	W.C.L. "RICON" - PLATFORM ASSY MODEL "F9TF" From 7-0671 To E-2584				
160	H7-2380-21	W.C.L. "RICON" - PLATFORM ASSY MODEL "F9TF" From E-2585 To J-0184				
160	H7-2380-22	W.C.L. "RICON" - PLATFORM ASSY MODEL "F9TH" From J-0086 To J-0184				A
160	H7-2380-30	W.C.L. "RICON" - TRAVELING FRAME ASSY MODEL "F9TF" From 7-0671 To E-2584				
160	H7-2380-31	W.C.L. "RICON" - TRAVELING FRAME ASSY MODEL "F9TF" From E-2585 To J-0184				
160	H7-2380-32	W.C.L. "RICON" - TRAVELING FRAME ASSY MODEL "F9TH" From J-0086 To J-0184				A
160	H7-2380-40	W.C.L. "RICON" - CARRIAGE ASSY MODEL "F9TF" From 7-0671 To E-2584				
160	H7-2380-41	W.C.L. "RICON" - CARRIAGE ASSY MODEL "F9TF" From E-2585 To J-0184				
160	H7-2380-42	W.C.L. "RICON" - CARRIAGE ASSY MODEL "F9TH" From J-0086 To J-0184				A
160	H7-2380-50	W.C.L. "RICON" - BRIDGE PLATE ASSY MODEL "F9TF" From 7-0671 To E-2584				
160	H7-2380-51	W.C.L. "RICON" - BRIDGE PLATE ASSY MODEL "F9TF" From E-2585 To J-0287				
160	H7-2380-52	W.C.L. "RICON" - BRIDGE PLATE ASSY MODEL "F9TH" From J-0086 To J-0184				A
160	H7-2380-60	W.C.L. "RICON" - PUMP INSTALLATION MODEL "F9TF" From 7-0671 To E-2584				
160	H7-2380-61	W.C.L. "RICON" - PUMP INSTALLATION MODEL "F9TF" From E-2585 To J-0184				
160	H7-2380-62	W.C.L. "RICON" - PUMP INSTALLATION MODEL "F9TH" From J-0086 To J-0184				A
160	H7-2380-65	W.C.L. "RICON" - PUMP ASSY MODEL "F9TF" From 7-0671 To E-2584				
160	H7-2380-66	W.C.L. "RICON" - PUMP ASSY MODEL "F9TF" From E-2585 To J-0184				
160	H7-2380-67	W.C.L. "RICON" - PUMP ASSY MODEL "F9TH" From J-0086 To J-0184				A
165	H7-2390-00	"SLIDE-OUT" INFLATED SEAL From 7-0671 To J-0287				
165	H7-2390-10	"SLIDE-OUT" AIR CONTROL PANEL From 7-0671 To H-3644				
165	H7-2390-11	"SLIDE-OUT" AIR CONTROL PANEL From H-3645 To J-0287				
165	H7-2390-20	"SLIDE-OUT" - FRONT MECHANISM - INSTALLATION / STREET SIDE From 7-0671 To J-0287				
165	H7-2390-25	"SLIDE-OUT" - FRONT MECHANISM - INSTALLATION / CURBSIDE From 9-1404 To H-3644				
165	H7-2390-26	"SLIDE-OUT" - FRONT MECHANISM - INSTALLATION / CURBSIDE From H-3645 To J-0287				
165	H7-2390-30	"SLIDE-OUT" - REAR MECHANISM - INSTALLATION / STREET SIDE From 7-0671 To J-0287				
165	H7-2390-35	"SLIDE-OUT" - REAR MECHANISM - INSTALLATION / CURBSIDE From 9-1404 To J-0287				
165	H7-2390-40	"SLIDE-OUT" - BED SUPPORT From 7-0671 To J-0287				
165	H7-2390-50	"SLIDE-OUT" - INSTALLATION / FRONT STREET SIDE From 7-0671 To J-0287				
165	H7-2390-55	"SLIDE-OUT" - INSTALLATION / REAR STREET SIDE From 9-1404 To J-0287				
165	H7-2390-60	"SLIDE-OUT" - INSTALLATION / FRONT CURBSIDE From 7-0671 To H-3644				
165	H7-2390-61	"SLIDE-OUT" - INSTALLATION / FRONT CURBSIDE From H-3645 To J-0287				
165	H7-2390-65	"SLIDE-OUT" - INSTALLATION / REAR CURBSIDE From 9-1404 To J-0287				
165	H7-2390-70	"SLIDE-OUT" - MECHANISM MOBILE FLOOR INSTALLATION / FRONT CURBSIDE From H-3645 To J-0287				
165	H7-2390-85	ACCESS PANELS - FRONT "SLIDE-OUT" - INSTALLATION CURBSIDE From H-3645 To J-0287				
		A) EAST CAROLINA UNIVERSITY TRANSIT OPTION				

## ACCESSORIES AIR SYSTEM



ACCESSORIES AIR SYSTEM

VIP





From 7-0671 To F-2922	Date:10/2022	PAGE:H7-2300-00
<b>ACCESSORIES AIR SYSTEM</b>		

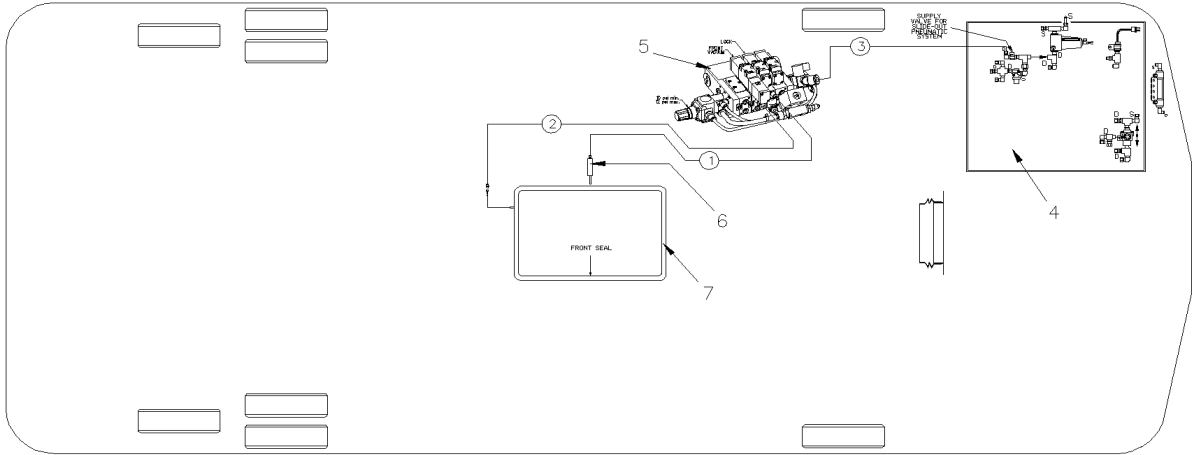
Item#	Part	Description	H 3 4 1	H 3 4 5	V I P 4 5	N O T E S
1	641415	MANIFOLD / PUSH-IN FITTING / 2x#6 / 4x#4 PLAS	1	1	1	
2	<b>H7-1405-00</b>	<b>STEERING WHEEL &amp; COLUMN ASSY</b>				
3	641445	VALVE, 3 WAYS, 2 POSITIONS MECHANICAL To D-2363	1	1	1	
. NS	641992	. KNOB To D-2363	1	1	1	
3	642173	VALVE, 3 WAYS, 2 POSITIONS MECHANICAL From D-2364	1	1	1	
4	641417	VALVE, 3 WAYS 1/8NPT-Fx1/8NPT-Fx1/8NPT-F BR To C-2005	2	2		
. NS	642014	. HANDLE / RED To C-2005	1	1		
4	642161	VALVE, 3 WAYS 1/8NPT-Fx1/8NPT-Fx1/8NPT-F BR From C-2006	2	2		
. NS	642014	. HANDLE / RED From C-2006	1	1		
5	562804	VALVE, 2 WAYS N.C.	1	1	1	
. NS	562848	. CONNECTOR / SOCKET HOUSING ASSY 3C / PNEUMAC 54933-05	1	1	1	
6	640093	HORN AIR	1	1		
7	501354	NEEDLE VALVE 1/8 NPT M x 1/8 NPT F	1	1	1	
8	<b>H7-0645-20</b>	<b>CENTER DASHBOARD PANEL</b>				
9	N.P.N.	SUPPLIED BY CONVERTER			1	4
10	051570	SHUTTER ASSY To C-1950			1	
. NS	550568	. CYLINDER AIR / SHUTTER / W/4" MOUNT To C-1950			1	
. NS	550569	. BOOT RUBBER To C-1950			1	
. NS	550577	. SPRING EXTENSION / .350 O.D. x 6.875 x .069 To C-1950			1	
. NS	550179	. BUSHING 5/16" I.D. / NYLON To C-1950			AR	
10	053011	SHUTTER ASSY From C-1951			1	
11	140868	AIR TANK / W/END LOWER DRAIN 1228 IN° / 8" O.D. X 26"	1	1	1	
12	640439	VALVE, PRESSURE PROTECTION / PR-2 75PSI To 8-1319	1	1	1	
12	641137	VALVE, PRESSURE PROTECTION TYPE PR-4 70PSI From 8-1320	1	1	1	
13	<b>H7-1802-00</b>	<b>ENTRANCE DOOR CONTROL</b>				
14	<b>H7-1862-10</b>	<b>ENTRANCE DOOR ASSY - SEDAN</b>				
15	140869	AIR TANK / 1791 IN° / 9 1/2" O.D. X 27"	1	1		
16	<b>H7-1220-15</b>	<b>AIR FILTER - ACCESSORIES</b>				
17	641530	VALVE, 3 WAYS, 2 POSITIONS / 2 SOLENOIDS	1	1		
. NS	641929	. COIL 24V	1	1		
. NS	641169	. SPOOL	1	1		
. NS	641385	. CONNECTOR / SOCKET HOUSING ASSY 3C / PNEUMAC 54934-01	1	1		
18	<b>H7-2207-05</b>	<b>WATER VALVE - W/2 WAYS To F-2886</b>				
18	<b>H7-2207-06</b>	<b>WATER VALVE - W/2 WAYS From F-2887</b>				
18	<b>H7-2207-00</b>	<b>WATER VALVE - W/3 WAYS BY-PASS</b>				
19	<b>H7-1864-31</b>	<b>HANDLE LOCK &amp; KEYS - TYPE "NS" &amp; "FORD"</b>				
20	641274	VALVE, 3 WAYS, 2 POSITIONS N.C.	1	1	1	
22	640055	MANIFOLD / PIPE FITTING / 7 PORTS 1/4NPT-F STL	1	1	1	
23	641472	AIR PRESSURE REGULATOR 1/4" NPT / COPPER	1	1	1	
25	550840	BELLOW ASSY / BELT TENSIONER / 4" O.D.	3	3	3	
26	141834	AIR TANK / 1303 IN° / 8" O.D. X 27"1/2			1	
30	504499	CUFF END BELLOW / 2 7/8" I.D. x 3 5/8" x 4 7/16	1	1	1	

From 7-0671 To F-2922	Date:10/2022	PAGE:H7-2300-00
-----------------------	--------------	-----------------

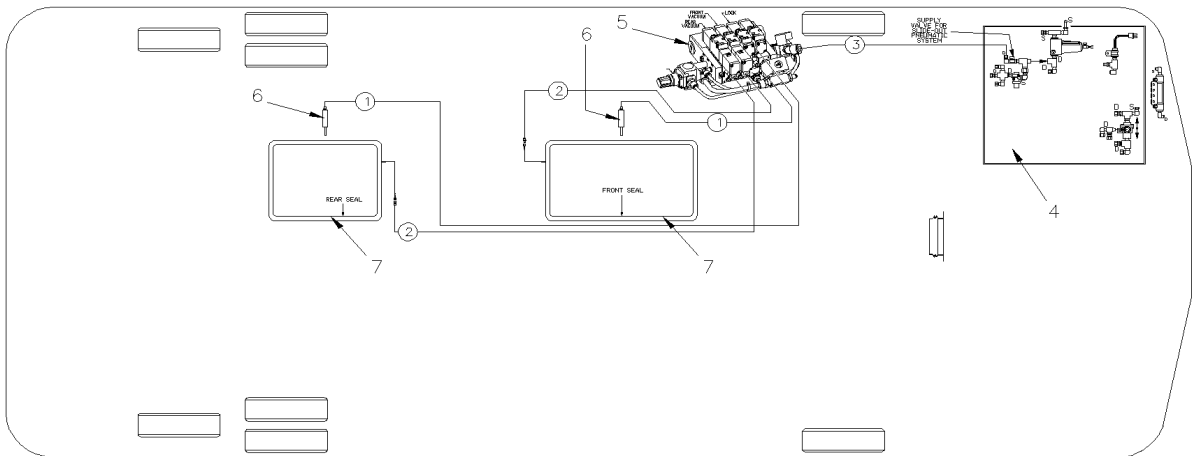
**ACCESSORIES AIR SYSTEM**

Item#	Part	Description	H 3 4 1	H 3 4 5	V I P 4 5	N O T E S
31	141567	PROTECTOR RUBBER 100MM	1	1	1	
NS	509558	WEATHERSEAL SNAP-ON 1/8" / SINGLE LIP / WH / C.T.L.	AR	AR	AR	
		NEXT ITEMS ARE RELATED WITH				
		FRONT AIR FILLING				
NS	287622	SUPPORT AIR VALVE	1	1		
NS	641417	VALVE, 3 WAYS 1/8NPT-Fx1/8NPT-Fx1/8NPT-F BR To C-2005	1	1		
. NS	642014	. HANDLE / RED To C-2005	1	1		
40	642161	VALVE, 3 WAYS 1/8NPT-Fx1/8NPT-Fx1/8NPT-F BR From C-2006	1	1		
. NS	642014	. HANDLE / RED From C-2006	1	1		
NS	640488	VALVE, AIR FILL 1/8" NPT	1	1		
. NS	650164	. CAP VALVE / CHROME	1	1		
NS	642021	DROP-EAR ELBOW 90° / PIPE FITTING / 1/8NPT-F BR	1	1		
NS	140381	DECAL / "AIR BRAKE SYSTEM FILL" // ENGLISH & FRANCAIS	1	1		
40	142369	DECAL / "AIR BRAKE SYSTEM FILL" // ENGLISH & SPANISH	1	1		
NS	283989	DECAL "EMERGENCY DOOR VALVE" / IN STEERING COMPARTMENT	1	1		
NS	501310	ADAPTER / PIPE FITTING / 1/4NPT-Fx1/8NPT-M BR	1	1		
NS	641936	BALL VALVE 1/4 NPT M x 1/4 NPT F	1	1		
		4) NO PARTS NUMBER				

## "SLIDE-OUT" AIR SYSTEM

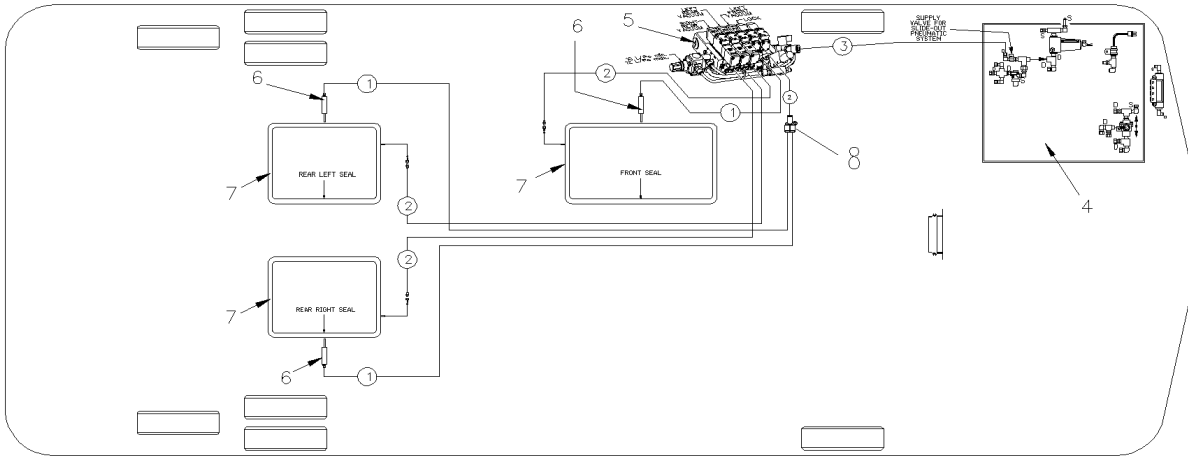


WITH FRONT SINGLE SLIDE-OUT

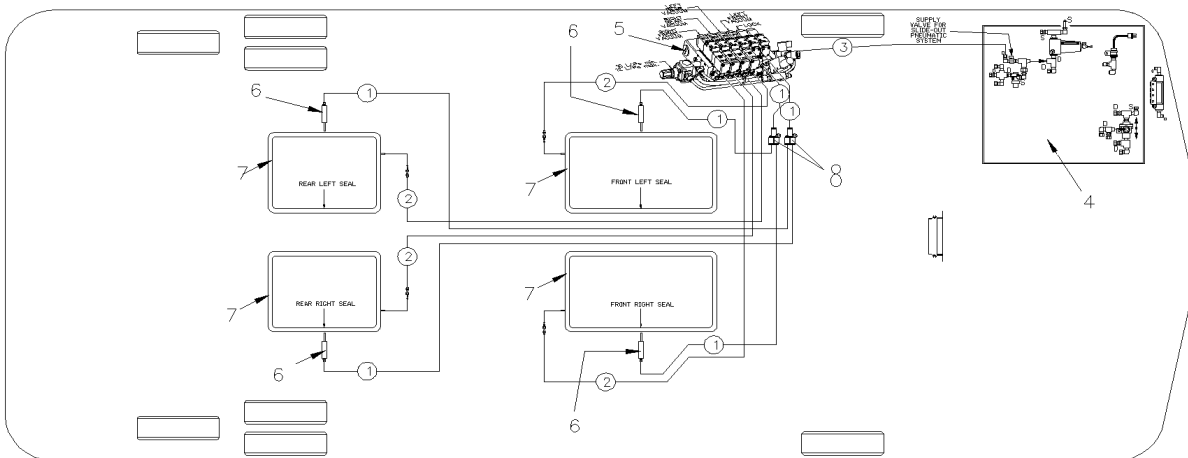


WITH DOUBLE SLIDE-OUT

"SLIDE-OUT" AIR SYSTEM



WITH TRIPLE SLIDE-OUT



WITH FOUR SLIDE-OUT

From 7-0671 To F-2922	Date:10/2022	PAGE:H7-2300-90
<b>"SLIDE-OUT" AIR SYSTEM</b>		

Item#	Part	Description	H 3 4 1	H 3 4 5	V I P 4 5	N O T E S
1	503536	TUBE, NYLON 1/8 O.D. / BLACK S.L.			AR	
2	503404	TUBE, NYLON 3/8 O.D. / BLACK S.L.			AR	
3	503488	TUBE, NYLON 1/2 O.D. / BLACK S.L./			AR	
4	<b>H7-1260-00</b>	<b>VALVE SUPPORT ASSY To E-2565</b>				
4	<b>H7-1260-01</b>	<b>VALVE SUPPORT ASSY From E-2566</b>				
5	<b>H7-2390-10</b>	<b>"SLIDE-OUT" AIR CONTROL PANEL</b>				
6	<b>H7-2390-20</b>	<b>"SLIDE-OUT" - FRONT MECHANISM - INSTALLATION / STREET SIDE</b>				
6	<b>H7-2390-25</b>	<b>"SLIDE-OUT" - FRONT MECHANISM - INSTALLATION / CURBSIDE</b>	1	1	1	
6	<b>H7-2390-30</b>	<b>"SLIDE-OUT" - REAR MECHANISM - INSTALLATION / STREET SIDE</b>				
6	<b>H7-2390-35</b>	<b>"SLIDE-OUT" - REAR MECHANISM - INSTALLATION / CURBSIDE</b>	1	1	1	
7	<b>H7-2390-00</b>	<b>"SLIDE-OUT" INFLATED SEAL</b>				
8	642095	UNION "Y" / PUSH-IN FITTING / #2x#2x#2 PLAS			AR	

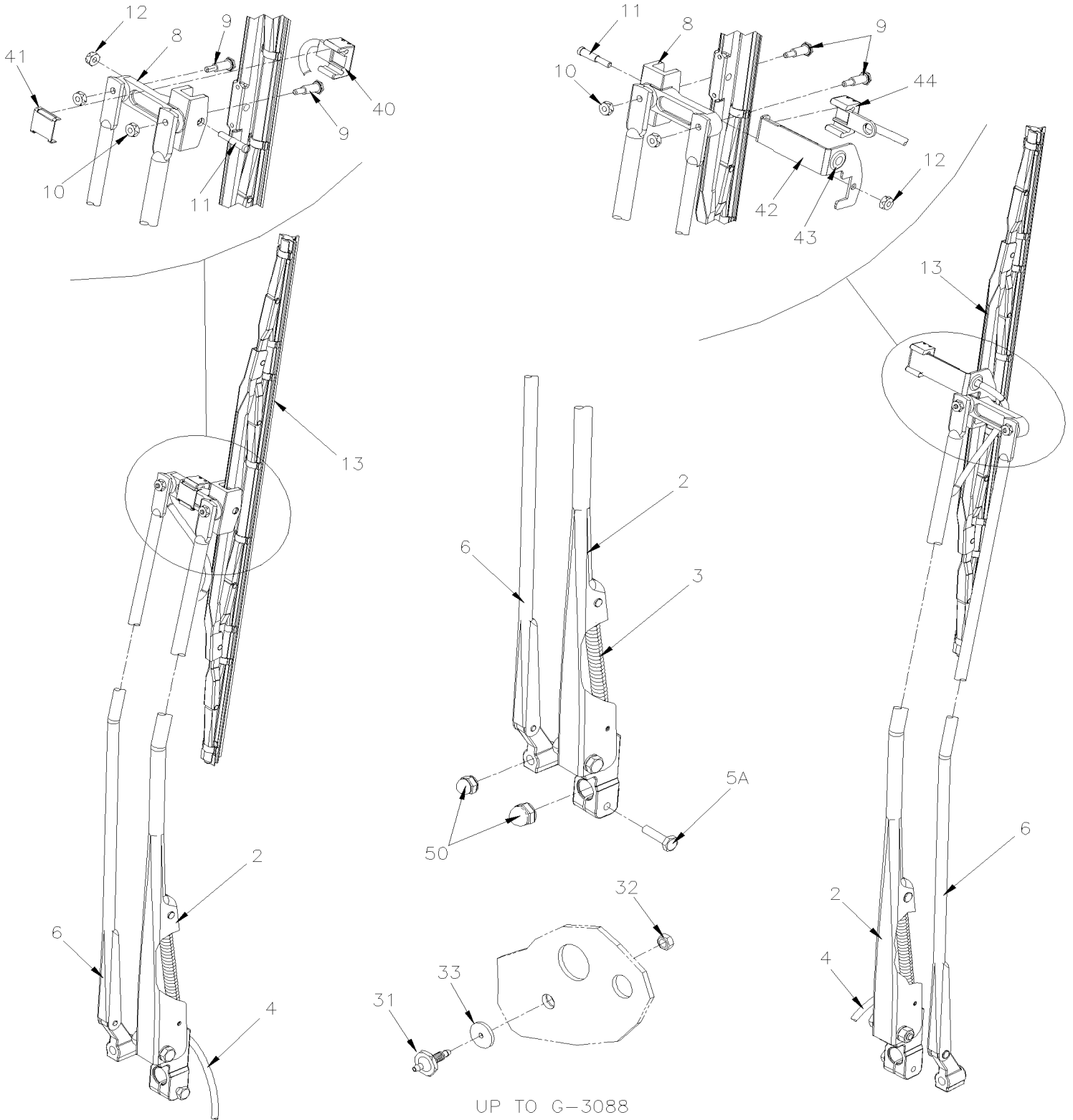


From 7-0671 To J-0287

Date:10/2022

PAGE:H7-2305-00

## LOWER WINDSHIELD WIPER

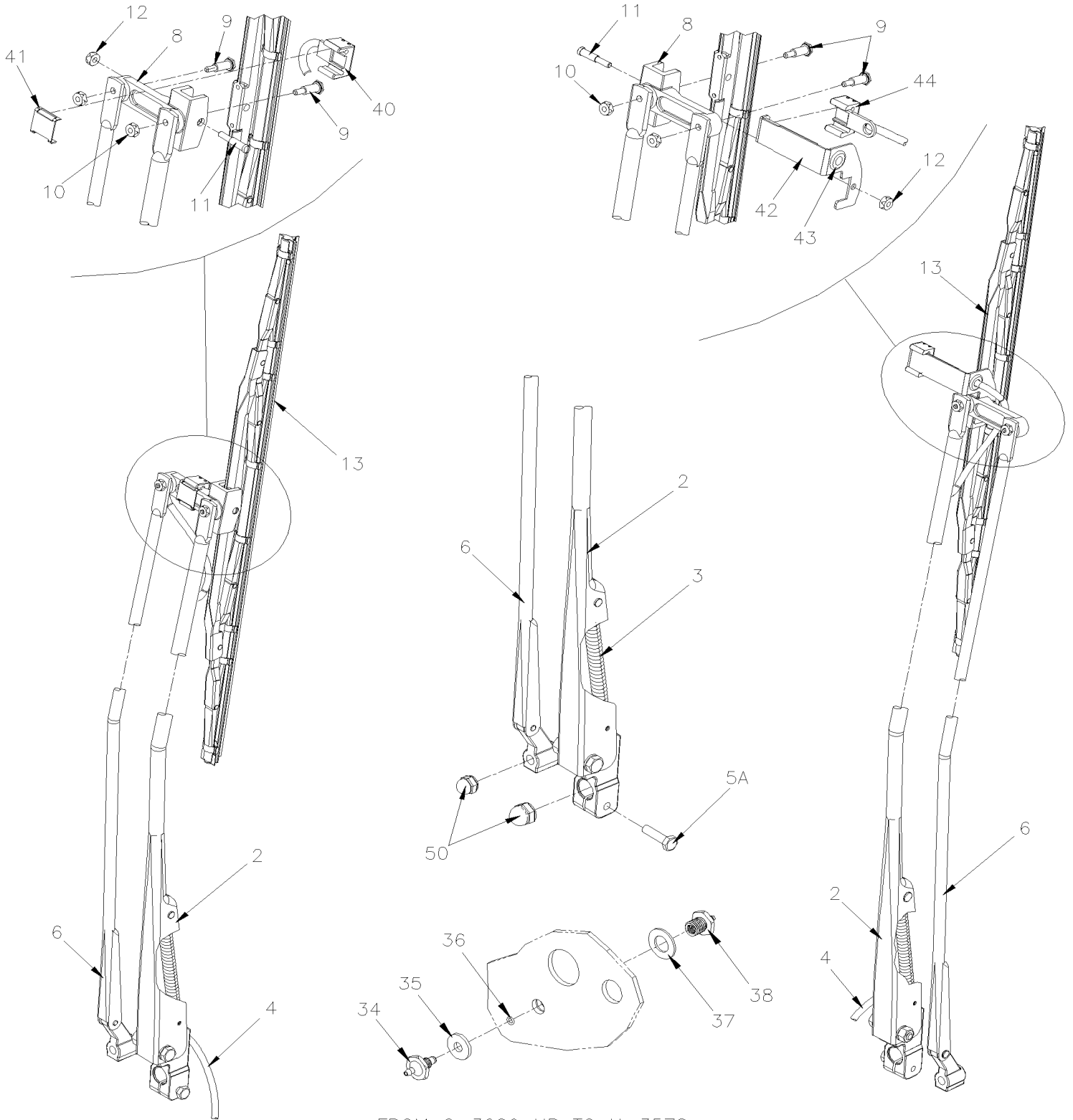


From 7-0671 To J-0287

Date:10/2022

PAGE:H7-2305-00

## LOWER WINDSHIELD WIPER



FROM G-3089 UP TO H-3578

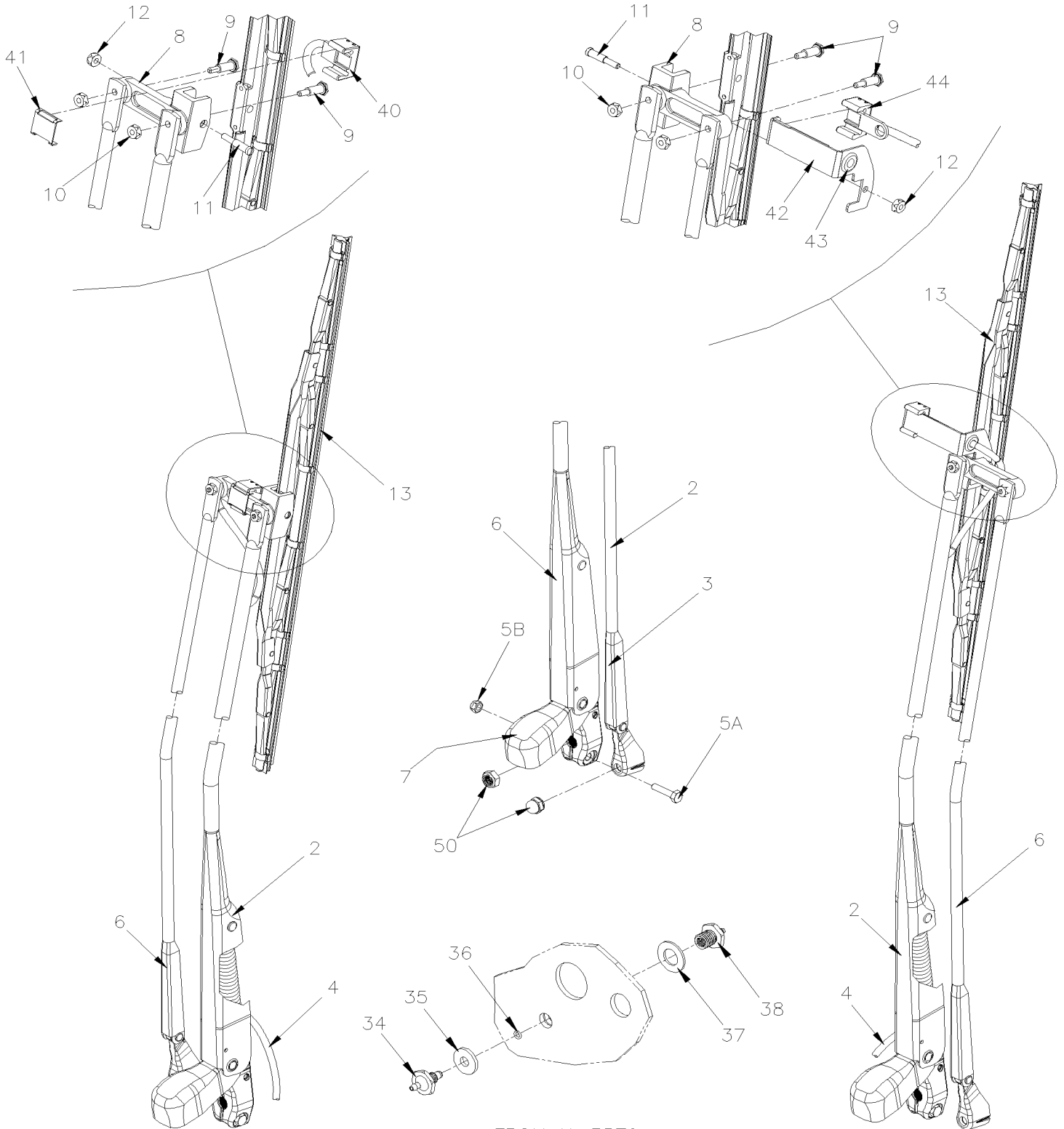


From 7-0671 To J-0287

Date:10/2022

PAGE:H7-2305-00

LOWER WINDSHIELD WIPER



<b>From 7-0671 To J-0287</b>	<b>Date:10/2022</b>	<b>PAGE:H7-2305-00</b>
<b>LOWER WINDSHIELD WIPER</b>		

Item#	Part	Description	H 3 4 1	H 3 4 5	V I P 4 5	N O T E S
	300465P	WIPER ARM ASSY / RH	1	1	1	
	300488P	WIPER ARM ASSY / LH	1	1	1	
	800283	. WIPER ARM ASSY 33" C/C / W/PLASTIC LINK ("H" MODEL) To H-3578	1	1	1	
	800002	. WIPER ARM ASSY 33" C/C / W/PLASTIC LINK ("H" MODEL) From H-3579	1	1	1	
2	800310	. . WIPER ARM / MAIN 33" C/C To H-3578	1	1	1	
2	800006	. . WIPER ARM / MAIN 33" C/C From H-3579	1	1	1	
3	800312	. . . SPRING EXTENSION / .528 O.D. x 5.41 x .118	1	1	1	
4	503696	. . HOSE 1/8" I.D To F-3001	AR	AR	AR	A
4	503011	. . HOSE / RUBBER 3MM I.D. From F-3002	AR	AR	AR	A
5A	10539188	. . SCREW CAP HEX 1/4-28x1 G8 BK To H-3578	1	1	1	
5A	800023	. . SCREW CAP HEX From H-3579	1	1	1	
5B	800025	. . LOCKNUT From H-3579	1	1	1	
6	800313	. . WIPER ARM / IDLER 33" C/C To H-3578	1	1	1	
6	800008	. . WIPER ARM / IDLER 33" C/C From H-3579	1	1	1	
7	800033	. . ARM HEAD COVER From H-3579	1	1	1	
8	800308	. . LINK ASSY	1	1	1	
9	800243	. . SCREW SHR CAP HEX 1/4x33/64{10-32	2	2	2	
10	500423	. . NUT HEX NYRT #10-32 SS To H-3578	2	2	2	
10	N22777	. . STOP NUT THIN HEIGHT #10-32 From H-3579	2	2	2	
11	800309	. . SCREW #10-32x.390 SS	1	1	1	
12	500423	. . NUT HEX NYRT #10-32 SS To H-3578	1	1	1	
12	N22777	. . STOP NUT THIN HEIGHT #10-32 From H-3579	1	1	1	
13	800284	. WIPER BLADE ASSY 22"	1	1	1	
. NS	800383	. . RUBBER BLADE REFILL / (ONLY) WIPER REFILL 22"	1	1	1	
NS	191104	WIPER BLADE ASSY 22" ALTERNATIVE PART	1	1	1	
. NS	800316	. RUBBER BLADE REFILL / (ONLY) WIPER REFILL 22"	1	1	1	
. NS	800180	. CLIP / RETAINER END	2	2	2	
31	300469	ADAPTOR HOSE #3 / WET ARM M8-1.25 x 44MM To G-3130	2	2	2	
32	5001188	NUT HEX M8-1.25 SS To G-3130	2	2	2	
33	502820	WASHER FL .187x1.000x.125 RUB BK To G-3130	2	2	2	
34	300645	ADAPTOR HOSE #3 / WET ARM M10-1.5 x 36MM From G-3131	2	2	2	
35	502220	WASHER FL .375x1.000x.125 RUB From G-3131	2	2	2	
36	507198	O RING 3/16I.D. x 5/16O.D. x 1/16 From G-3131	2	2	2	
37	5001460	WASHER FL .640x1.188x0.073 SS From G-3131	2	2	2	
38	300644	ADAPTOR HOSE #3 / WET ARM From G-3131	2	2	2	
40	800330	NOZZLE, WINDSHIELD WASHER / "BOSCH" From G-3131	1	1	1	
41	300473	. CLIP RETAINER / NOZZLE W/W "BOSCH"	2	2	2	A
42	300487	. SUPPORT NOZZLE ASSY	1	1	1	A
43	504529	. GROMMET / .250x.375x.062x.281x.625	1	1	1	A
44	300474	. NOZZLE, WINDSHIELD WASHER / "BOSCH" / MODIFIED	2	2	2	A
44	800330	. . NOZZLE, WINDSHIELD WASHER / "BOSCH"	1	1	1	
50	<b>H7-2305-05</b>	<b>LOWER WINDSHIELD WIPER - INSTALLATION To 9-1469</b>				

From 7-0671 To J-0287	Date:10/2022	PAGE:H7-2305-00
-----------------------	--------------	-----------------

**LOWER WINDSHIELD WIPER**

Item#	Part	Description	H 3 4 1	H 3 4 5	V I P 4 5	N O T E S
50	H7-2305-06	LOWER WINDSHIELD WIPER - INSTALLATION From A-1470				
		A) THESE COMPONENTS ARE INSTALLED BY "PREVOST" AND NOT INCLUDE WITH ARM ASSY # 800283				

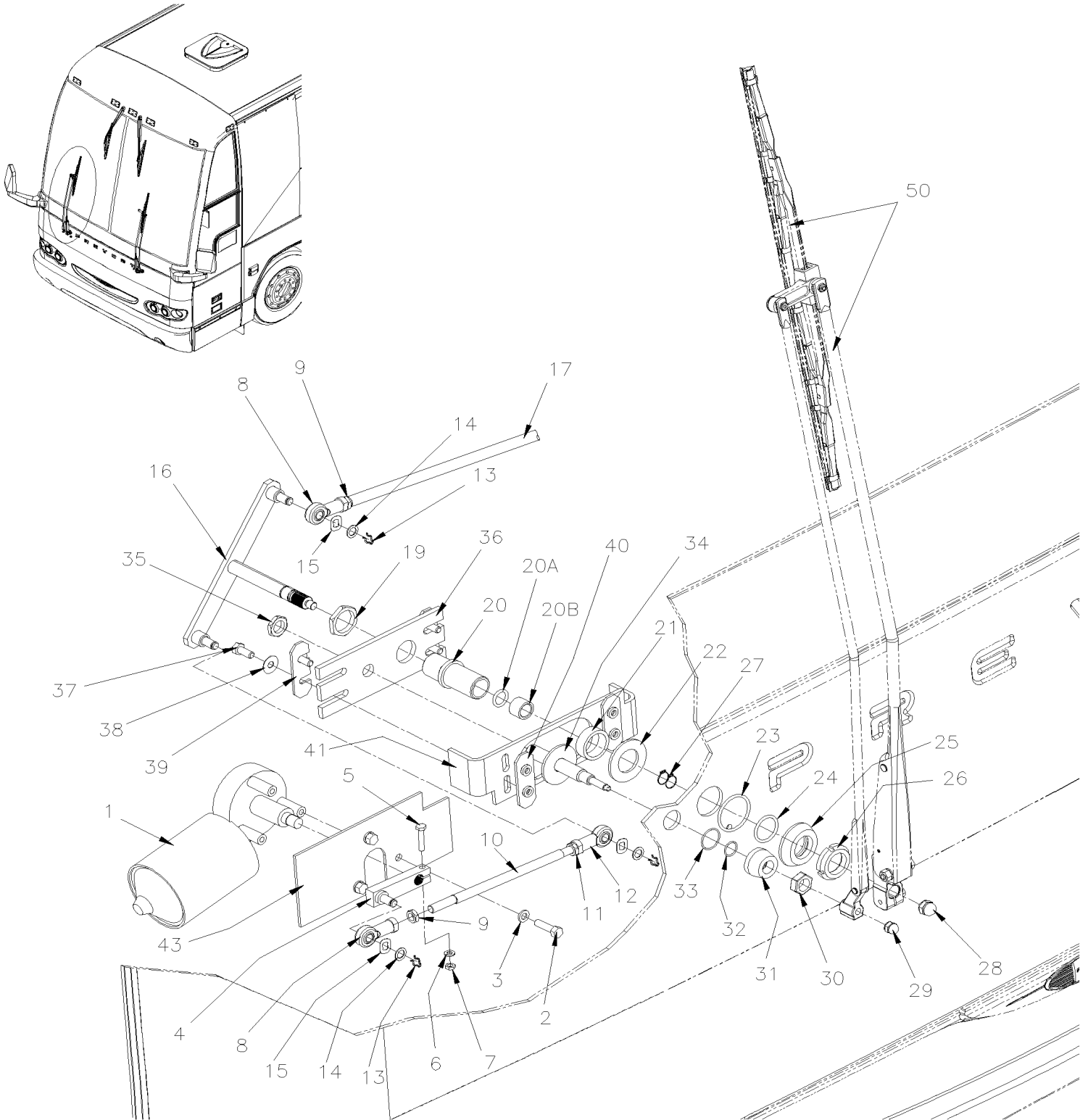


From 7-0671 To 9-1469

Date:10/2022

PAGE:H7-2305-05

## LOWER WINDSHIELD WIPER - INSTALLATION

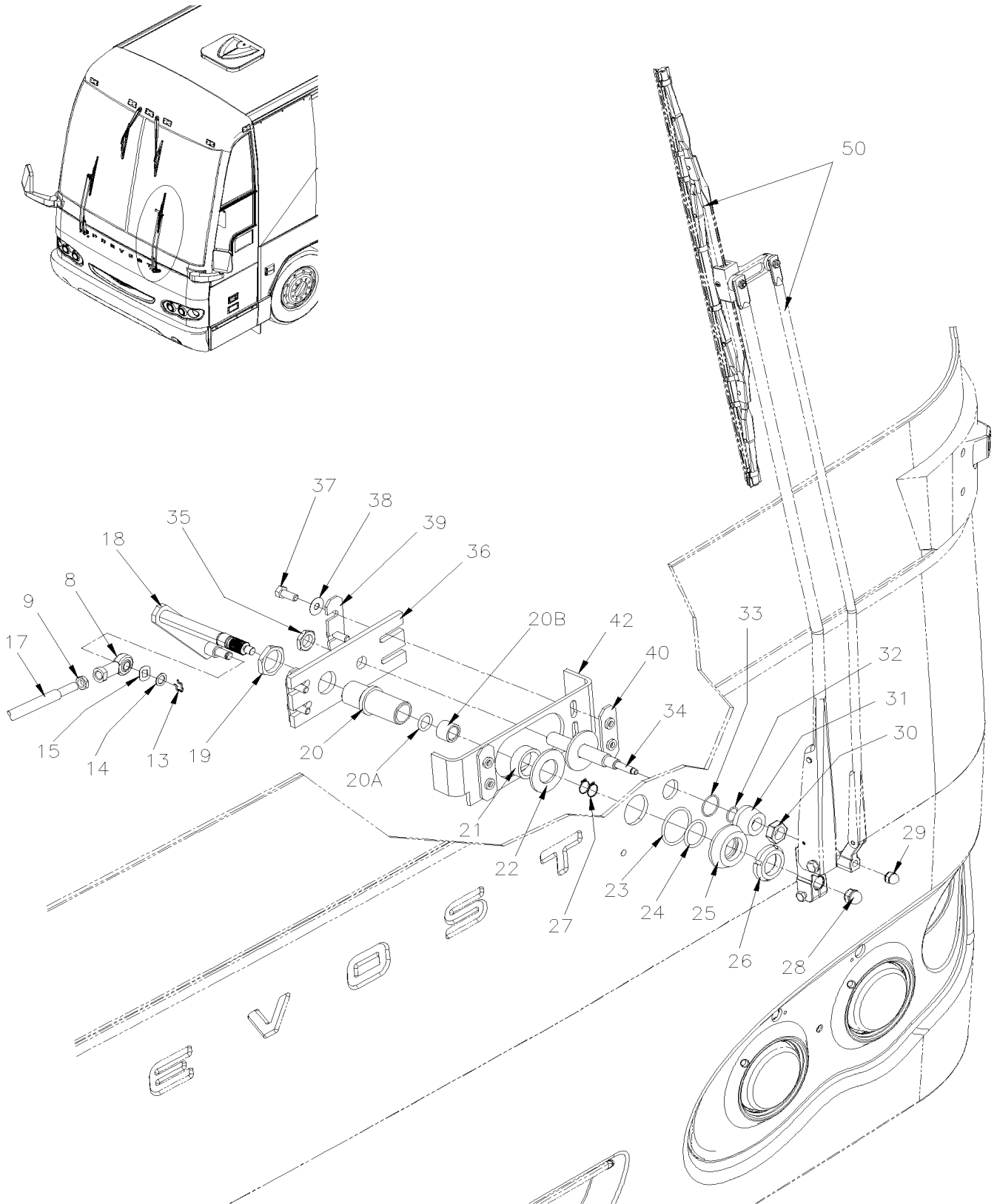


From 7-0671 To 9-1469

Date:10/2022

PAGE:H7-2305-05

## LOWER WINDSHIELD WIPER - INSTALLATION



From 7-0671 To 9-1469	Date:10/2022	PAGE:H7-2305-05
<b>LOWER WINDSHIELD WIPER - INSTALLATION</b>		

Item#	Part	Description	H 3 4 1	H 3 4 5	V I P 4 5	N O T E S
1	800328	MOTOR WIPER ASSY / 24V / BOSCH	1	1	1	
2	5001217	SCREW CAP HEX M8-1.25x20 G10.9	3	3	3	
3	502507	WASHER LO SPT 8.1x14.8x2.0 Z050	3	3	3	
4	300184	LEVER / MOTOR	1	1	1	
5	502533	SCREW CAP HEX M6-1.0x30 G8.8 Z050	1	1	1	
6	502564	WASHER LO SPT 6.1x11.8x1.6 Z050	1	1	1	
7	502565	NUT HEX M6-1.0 SS	1	1	1	
8	502174	ROD END MALE 3/8-24 / 3/8 I.D.	3	3	3	
8	680739	GREASE SYNTHETIC / RED 20KG	AR	AR	AR	
9	500956	NUT HEX JAM 3/8-24 Z050	3	3	3	
10	300253	ROD, W/R.H. & L.H. THREAD	1	1	1	
11	5001039	NUT HEX JAM LH 3/8-24 Z050	1	1	1	
12	502186	ROD END MALE L.H. 3/8-24-L.H./ 3/8 I.D.	1	1	1	
12	680739	GREASE SYNTHETIC / RED 20KG	AR	AR	AR	
13	502185	PIN HAIR CUTTER .062 X 9/32	4	4	4	
14	5001011	WASHER FL .406x.625x.040 Z050	4	4	4	
15	500905	WASHER SPR WAVE .750x.015	4	4	4	
16	300186	LEVER RIGHT PIVOT	1	1	1	
16	680739	GREASE SYNTHETIC / RED 20KG	AR	AR	AR	
17	309026	ROD, L.H. / L.H. WIPER	1	1	1	
18	300192	LEVER LEFT PIVOT	1	1	1	
18	680739	GREASE SYNTHETIC / RED 20KG	AR	AR	AR	
19	502821	NUT HEX JAM 1 1/8-18 Z050	2	2	2	
20	300198	TUBE ASSY	1	1	1	
20	300197	. MAIN WIPER ARM THREADED TUBE	2	2	2	
20A	800276	. V-RING	2	2	2	
20B	800125	. BUSHING 5/8" I.D. X 7/8" O.D. X 5/8" L	4	4	4	
21	300302	SPACER 38MM O.D.x 30MM I.D. x 12.5MM	2	2	2	
22	300370	WASHER / 54MM O.D.x 30MM I.D. 1/8TH AL	2	2	2	
23	507321	O-RING 1 5/8" I.D. X 1/8"	2	2	2	
24	507320	O-RING 1 1/8" I.D. X 1/8"	2	2	2	
25	300271	SPACER	2	2	2	
26	800064	NUT SPANNER 1 1/8-18 / PLASTIC	2	2	2	
27	504691	RING RETAINER / EXT .625 x .588 x .035" / SS	4	4	4	
28	800062	NUT HEX CAP 3/8-24 BK	2	2	2	
29	800078	NUT HEX CAP 1/4-28 BK	2	2	2	
30	800079	NUT HEX 5/8-18 BK	2	2	2	
31	300301	SPACER	2	2	2	
32	507318	O-RING 5/8" I.D. X 1/16"	2	2	2	
33	507303	O-RING 1/2" I.D. FLAT FACE	2	2	2	
34	300274	SECONDARY SHAFT IDLE ARM	2	2	2	
35	502822	NUT HEX JAM THN 5/8-18x3/16 Z050	2	2	2	

From 7-0671 To 9-1469	Date:10/2022	PAGE:H7-2305-05
<b>LOWER WINDSHIELD WIPER - INSTALLATION</b>		

Item#	Part	Description	H 3 4 1	H 3 4 5	V I P 4 5	N O T E S
36	300208	PLATE, MOUNTING	2	2	2	
37	502790	SCREW CAP HEX M8-1.25x20 G8.8 Z050	8	8	8	
38	5001699	WASHER BEL SPR 8.2x22x1.4 N500	8	8	8	
39	300471	SPACER	4	4	4	
40	300206	PLATE, THREADED	4	4	4	
41	250741	SUPPORT, WIPER PIVOT R.H. / (WELDED AT STRUCTURE)	1	1	1	
42	250742	SUPPORT, WIPER PIVOT L.H. / (WELDED AT STRUCTURE)	1	1	1	
43	285322	SUPPORT	1	1	1	
50	<b>H7-2305-00</b>	<b>LOWER WINDSHIELD WIPER</b>				

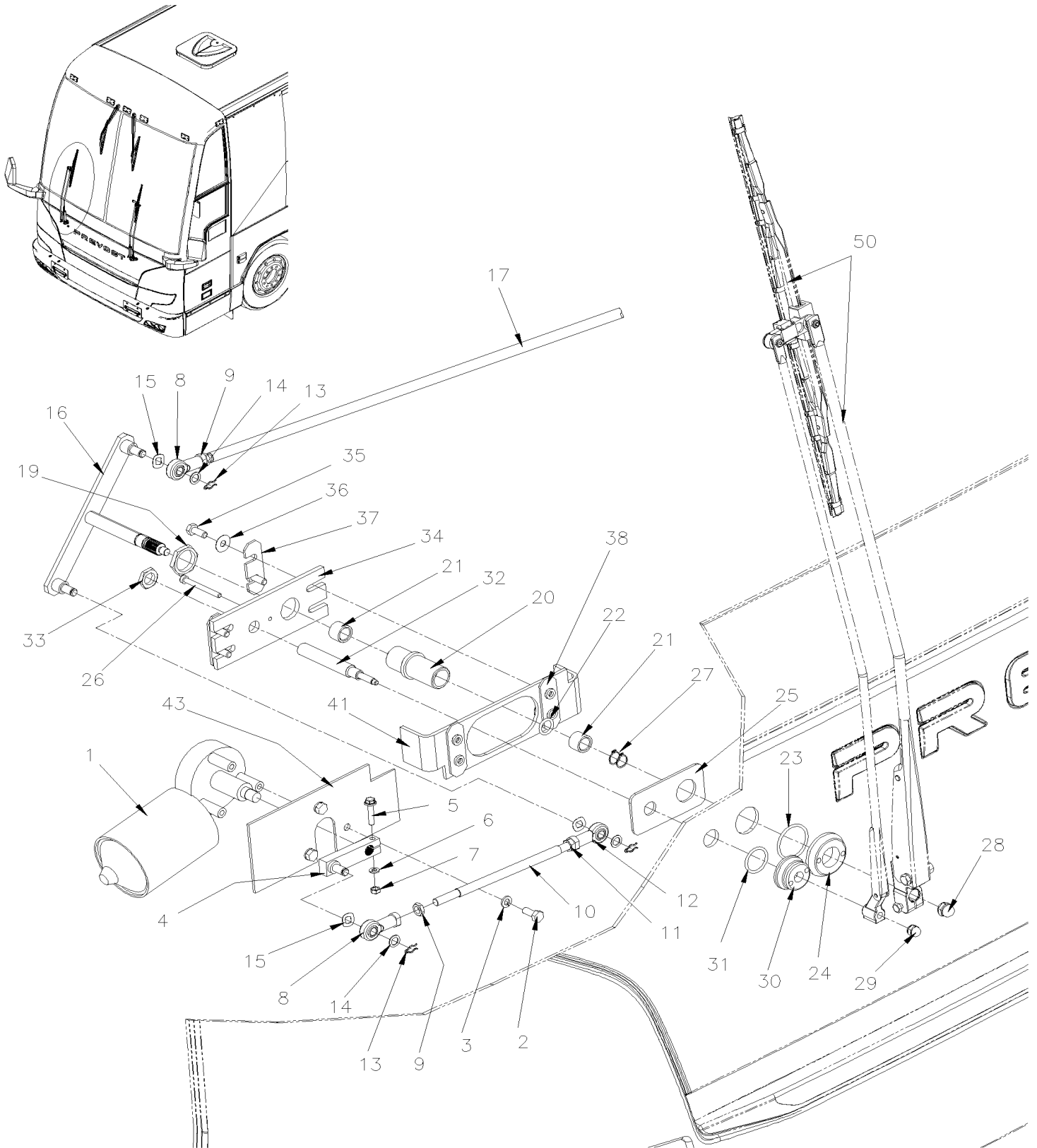


From A-1470 To J-0287

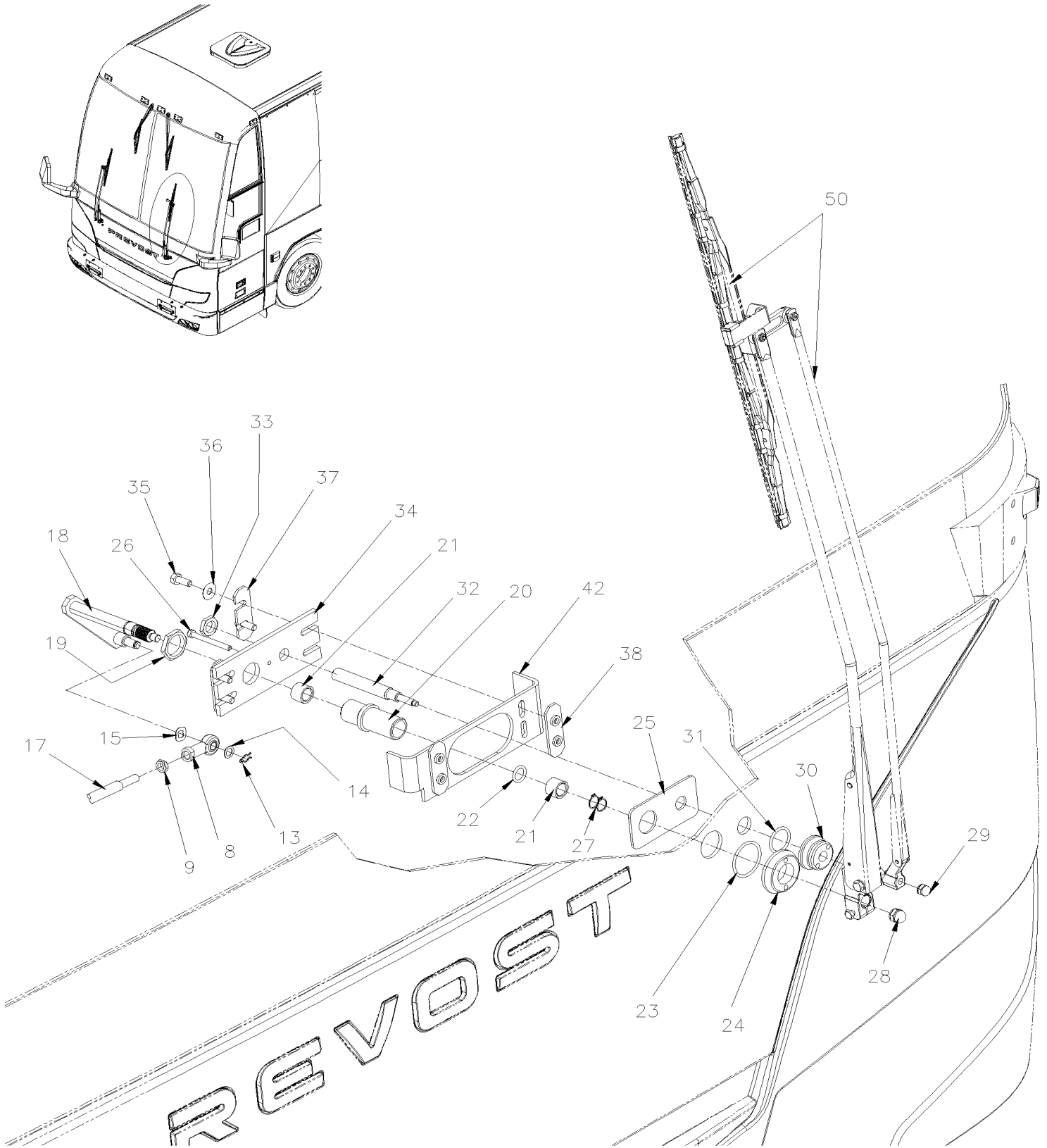
Date:10/2022

PAGE:H7-2305-06

## LOWER WINDSHIELD WIPER - INSTALLATION



**LOWER WINDSHIELD WIPER - INSTALLATION**



<b>From A-1470 To J-0287</b>	<b>Date:10/2022</b>	<b>PAGE:H7-2305-06</b>
<b>LOWER WINDSHIELD WIPER - INSTALLATION</b>		

Item#	Part	Description	H 3 4 1	H 3 4 5	V I P 4 5	N O T E S
1	800328	MOTOR WIPER ASSY / 24V / BOSCH To D-2305	1	1	1	
1	800380	MOTOR WIPER ASSY / 24V / BOSCH From D-2306	1	1	1	
2	5001217	SCREW CAP HEX M8-1.25x20 G10.9	3	3	3	
3	500942	WASHER LO SPT 8.1x14.8x2.0 N500	3	3	3	
4	300184	LEVER / MOTOR	1	1	1	
5	5001815	SCREW CAP HEXF M6-1.0x30 G 8.8 N500	1	1	1	
6	502565	NUT HEX M6-1.0 SS	1	1	1	
7	502564	WASHER LO SPT 6.1x11.8x1.6 Z050	1	1	1	
8	502174	ROD END MALE 3/8-24 / 3/8 I.D.	3	3	3	
8	680739	GREASE SYNTHETIC / RED 20KG	AR	AR	AR	
9	500956	NUT HEX JAM 3/8-24 Z050	3	3	3	
10	300253	ROD, W/R.H. & L.H. THREAD	1	1	1	
11	5001039	NUT HEX JAM LH 3/8-24 Z050	1	1	1	
12	502186	ROD END MALE L.H. 3/8-24-L.H./ 3/8 I.D.	1	1	1	
12	680739	GREASE SYNTHETIC / RED 20KG	AR	AR	AR	
13	502185	PIN HAIR CUTTER .062 X 9/32	4	4	4	
14	502867	WASHER FL .406x.625x.040 N500	4	4	4	
15	500905	WASHER SPR WAVE .750x.015	4	4	4	
16	300186	LEVER RIGHT PIVOT To F-2811	1	1	1	
16	300624	RIGHT PIVOT ASSY From F-2812 To J-0038	1	1	1	
16	300047	RIGHT PIVOT ASSY From J-0039	1	1	1	
NS	680739	GREASE SYNTHETIC / RED 20KG	AR	AR	AR	
17	309026	ROD, L.H. / L.H. WIPER	1	1	1	
18	300192	LEVER LEFT PIVOT To F-2811	1	1	1	
18	300622	LEFT PIVOT ASSY From F-2812	1	1	1	
NS	680739	GREASE SYNTHETIC / RED 20KG	AR	AR	AR	
19	502821	NUT HEX JAM 1 1/8-18 Z050	2	2	2	
20	300198	TUBE ASSY	1	1	1	
21	800125	BUSHING 5/8" I.D. X 7/8" O.D. X 5/8" L	4	4	4	
22	800276	V-RING	2	2	2	
23	507321	O-RING 1 5/8" I.D. X 1/8"	2	2	2	
24	300598	NUT SPECIAL 1 1/8 - 18 BK AL	2	2	2	
25	300600	PLATE SPACER W/2 HOLES	2	2	2	
26	5001698	SCREW CAP HEXS M6-1.0x60 SS XYLAN	2	2	2	
27	504691	RING RETAINER / EXT .625 x .588 x .035" / SS	4	4	4	
28	800062	NUT HEX CAP 3/8-24 BK To H-3578	2	2	2	
28	800003	NUT HEX NYRT 3/8-24 From H-3579	1	1	1	
29	800078	NUT HEX CAP 1/4-28 BK	2	2	2	
30	300597	NUT SPECIAL 5/8-18 AL BK	2	2	2	
31	507320	O-RING 1 1/8" I.D. X 1/8"	2	2	2	
32	300599	SECONDARY SHAFT IDLE ARM	2	2	2	
33	502822	NUT HEX JAM THN 5/8-18x3/16 Z050	2	2	2	

From A-1470 To J-0287      Date:10/2022      PAGE:H7-2305-06

**LOWER WINDSHIELD WIPER - INSTALLATION**

Item#	Part	Description	H 3 4 1	H 3 4 5	V I P 4 5	N O T E S
NS	680038	THREAD LOCKER LOCTITE #243 / BLUE / 50ml	AR	AR	AR	
34	300601	PLATE, MOUNTING	2	2	2	
35	502862	SCREW CAP HEX M8-1.25x20 G8.8 N500	8	8	8	
36	5001699	WASHER BEL SPR 8.2x22x1.4 N500	8	8	8	
37	300471	SPACER	4	4	4	
38	300206	PLATE, THREADED	4	4	4	
41	250741	SUPPORT, WIPER PIVOT R.H. / (WELDED AT STRUCTURE)	1	1	1	
42	250742	SUPPORT, WIPER PIVOT L.H. / (WELDED AT STRUCTURE)	1	1	1	
43	285322	SUPPORT	1	1	1	
50	<b>H7-2305-00</b>	<b>LOWER WINDSHIELD WIPER</b>				



<b>From 7-0671 To J-0287</b>	<b>Date:10/2022</b>	<b>PAGE:H7-2305-10</b>
<b>UPPER WINDSHIELD WIPER</b>		

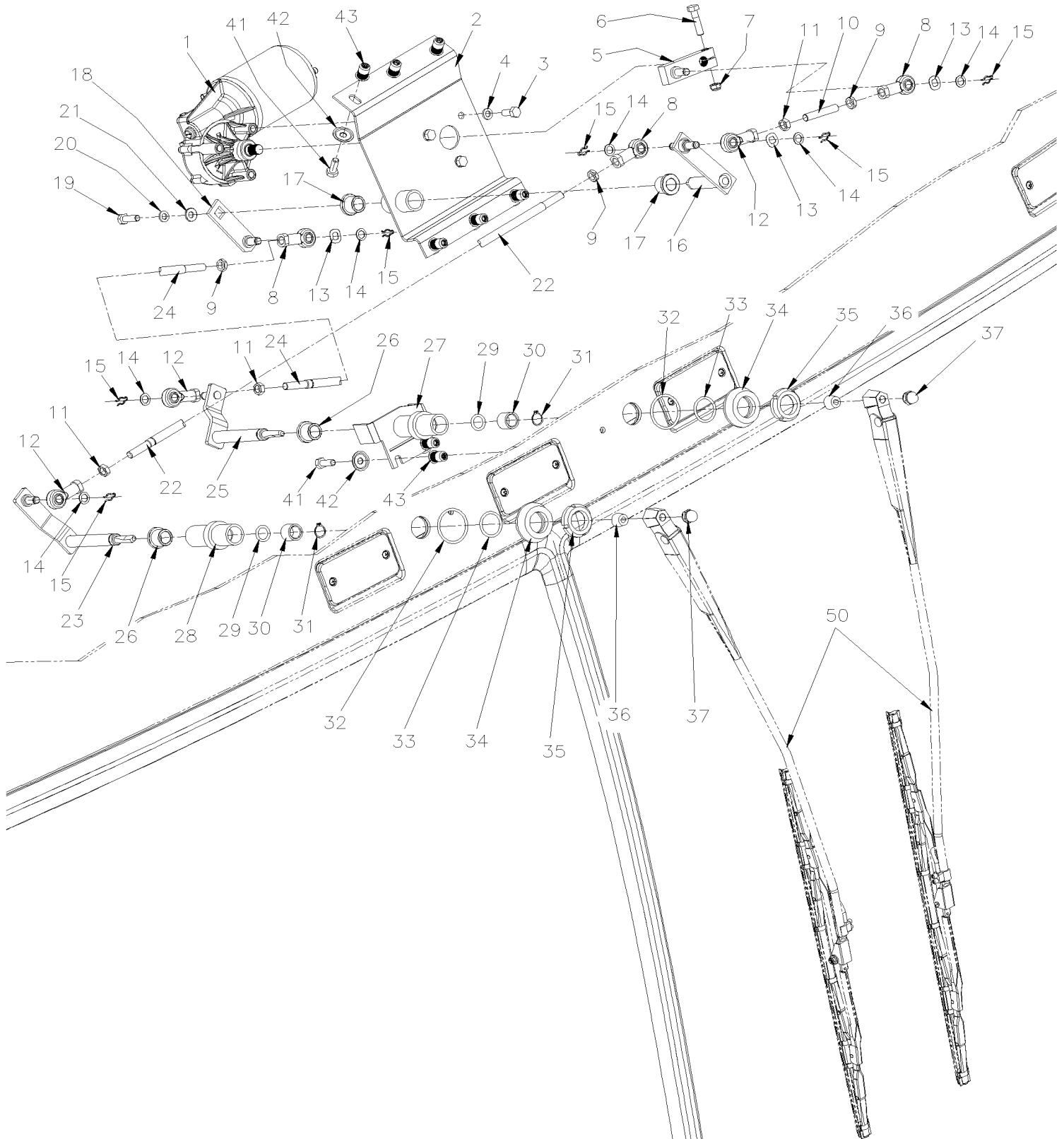
Item#	Part	Description	H 3 4 1	H 3 4 5	V I P 4 5	N O T E S
1A	800626	ARM WIPER, R.H. UPPER	1	1	1	
1B	800625	ARM WIPER, L.H. UPPER	1	1	1	
2	300292	. HOSE #2 54"	AR	AR	AR	
2	300106	. HOSE #2 30"	AR	AR	AR	
2	300250	. HOSE #2 33"	AR	AR	AR	
2	300107	. HOSE #2 42"	AR	AR	AR	
2	300269	. HOSE #2 50'	AR	AR	AR	
2	800227	. HOSE WINDSHIELD WASHER WIPER ARM 100 FT	AR	AR	AR	
3	800357	. NOZZLE, WINDSHIELD WASHER / R.H.	1	1	1	
3	800358	. NOZZLE, WINDSHIELD WASHER / L.H.	1	1	1	
4	500423	. NUT HEX NYRT #10-32 SS	1	1	1	
5	800309	. SCREW #10-32x.390 SS	1	1	1	
6	800284	WIPER BLADE ASSY 22"	1	1	1	
. NS	800383	. RUBBER BLADE REFILL / (ONLY) WIPER REFILL 22"	1	1	1	
6	191104	WIPER BLADE ASSY 22" ALTERNATIVE PART	1	1	1	
. NS	800316	. RUBBER BLADE REFILL / (ONLY) WIPER REFILL 22"	1	1	1	
. NS	800180	. CLIP / RETAINER END	2	2	2	
7	800180	. CLIP / RETAINER END	1	1	1	
8	800062	NUT HEX CAP 3/8-24 BK To H-3578	1	1	1	
8	800003	NUT HEX NYRT 3/8-24 From H-3579	1	1	1	
9	800282	ADAPTOR, DRIVE KNURLED	1	1	1	
10	800321	ADAPTOR ASSY 90 DEG / #3 TO #2 WET ARM	1	1	1	
11	800317	. ADAPTOR HOSE #2 (ALUMINUM)	1	1	1	
50	<b>H7-2305-15</b>	<b>UPPER WINDSHIELD WIPER - INSTALLATION To H-3734</b>				
50	<b>H7-2305-16</b>	<b>UPPER WINDSHIELD WIPER - INSTALLATION From H-3735</b>				

From 7-0671 To H-3734

Date:10/2022

PAGE:H7-2305-15

## UPPER WINDSHIELD WIPER - INSTALLATION



From 7-0671 To H-3734	Date:10/2022	PAGE:H7-2305-15
<b>UPPER WINDSHIELD WIPER - INSTALLATION</b>		

Item#	Part	Description	H 3 4 1	H 3 4 5	V I P 4 5	N O T E S
1	800328	MOTOR WIPER ASSY / 24V / BOSCH To D-2306	1	1	1	
1	800380	MOTOR WIPER ASSY / 24V / BOSCH From D-2307	1	1	1	
2	300227	SUPPORT	1	1	1	
3	5001217	SCREW CAP HEX M8-1.25x20 G10.9	3	3	3	
4	500942	WASHER LO SPT 8.1x14.8x2.0 N500	3	3	3	
5	300447	LEVER / MOTOR	1	1	1	
6	502836	. SCREW CAP HEX M8-1.25x35 G8.8 N500	1	1	1	
7	502847	. NUT HEX NYRT M8-1.25 N500	1	1	1	
8	502174	ROD END MALE 3/8-24 / 3/8 I.D.	3	3	3	
NS	680739	GREASE SYNTHETIC / RED 20KG	AR	AR	AR	
9	500956	NUT HEX JAM 3/8-24 Z050	3	3	3	
10	300248	ROD THREADED / W/3/8-24 LH & RH THREAD 54MM	1	1	1	
11	5001039	NUT HEX JAM LH 3/8-24 Z050	3	3	3	
12	502186	ROD END MALE L.H. 3/8-24-L.H./ 3/8 I.D.	3	3	3	
NS	680739	GREASE SYNTHETIC / RED 20KG	AR	AR	AR	
13	500905	WASHER SPR WAVE .750x.015	3	3	3	
14	502867	WASHER FL .406x.625x.040 N500	6	6	6	
15	502185	PIN HAIR CUTTER .062 X 9/32	6	6	6	
16	300480	INVERTION PIVOT	1	1	1	
17	800274	BUSHING FLANGE 5/8" I.D. X 7/8" O.D. X 3/4" L	2	2	2	
18	300477	LEVER ARM To F-2811	1	1	1	
18	300632	LEVER ARM From F-2812	1	1	1	
19	502780	SCREW CAP HEX M8-1.25x25 SS BK	1	1	1	
NS	680038	THREAD LOCKER LOCTITE #243 / BLUE / 50ml	AR	AR	AR	
20	500942	WASHER LO SPT 8.1x14.8x2.0 N500	1	1	1	
21	5001868	WASHER BEL SPR 8.4x18x2 SS	1	1	1	
22	300255	ROD THREADED / W/3/8-24 LH & RH THREAD 555MM	1	1	1	
23	300485	RIGHT PIVOT To F-2811	1	1	1	
23	300634	RIGHT PIVOT From F-2812	1	1	1	
24	300257	ROD THREADED / W/3/8-24 LH & RH THREAD 173MM	1	1	1	
25	300238	LEFT PIVOT To F-2811	1	1	1	
25	300623	LEFT PIVOT From F-2812	1	1	1	
26	800274	BUSHING FLANGE 5/8" I.D. X 7/8" O.D. X 3/4" L	2	2	2	
27	300260	MAIN WIPER ARM THREADED TUBE STREETSIDE	1	1	1	
28	300507	MAIN WIPER ARM THREADED TUBE	1	1	1	
29	800276	V-RING	2	2	2	
30	800125	BUSHING 5/8" I.D. X 7/8" O.D. X 5/8" L	2	2	2	
NS	680100	THREAD LOCKER LOCTITE #271 / RED / 250ml	AR	AR	AR	
31	504691	RING RETAINER / EXT .625 x .588 x .035" / SS	2	2	2	
32	507321	O-RING 1 5/8" I.D. X 1/8"	2	2	2	
33	507320	O-RING 1 1/8" I.D. X 1/8"	2	2	2	
34	300271	SPACER	2	2	2	



From 7-0671 To H-3734	Date:10/2022	PAGE:H7-2305-15
<b>UPPER WINDSHIELD WIPER - INSTALLATION</b>		

Item#	Part	Description	H 3 4 1	H 3 4 5	V I P 4 5	N O T E S
35	800064	NUT SPANNER 1 1/8-18 / PLASTIC	2	2	2	
36	800282	ADAPTOR, DRIVE KNURLED	2	2	2	
37	800062	NUT HEX CAP 3/8-24 BK	2	2	2	
41	5001132	SCREW CAP HEX 5/16-18x7/8 G5 Z050	8	8	8	
42	502584	WASHER LO SERR 8.2x26.3x1.8 Z050	8	8	8	
43	500277	RIVET NUT FL KNURLED OKS 5/16-18 .150-.312	8	8	8	
50	<b>H7-2305-10</b>	<b>UPPER WINDSHIELD WIPER</b>				

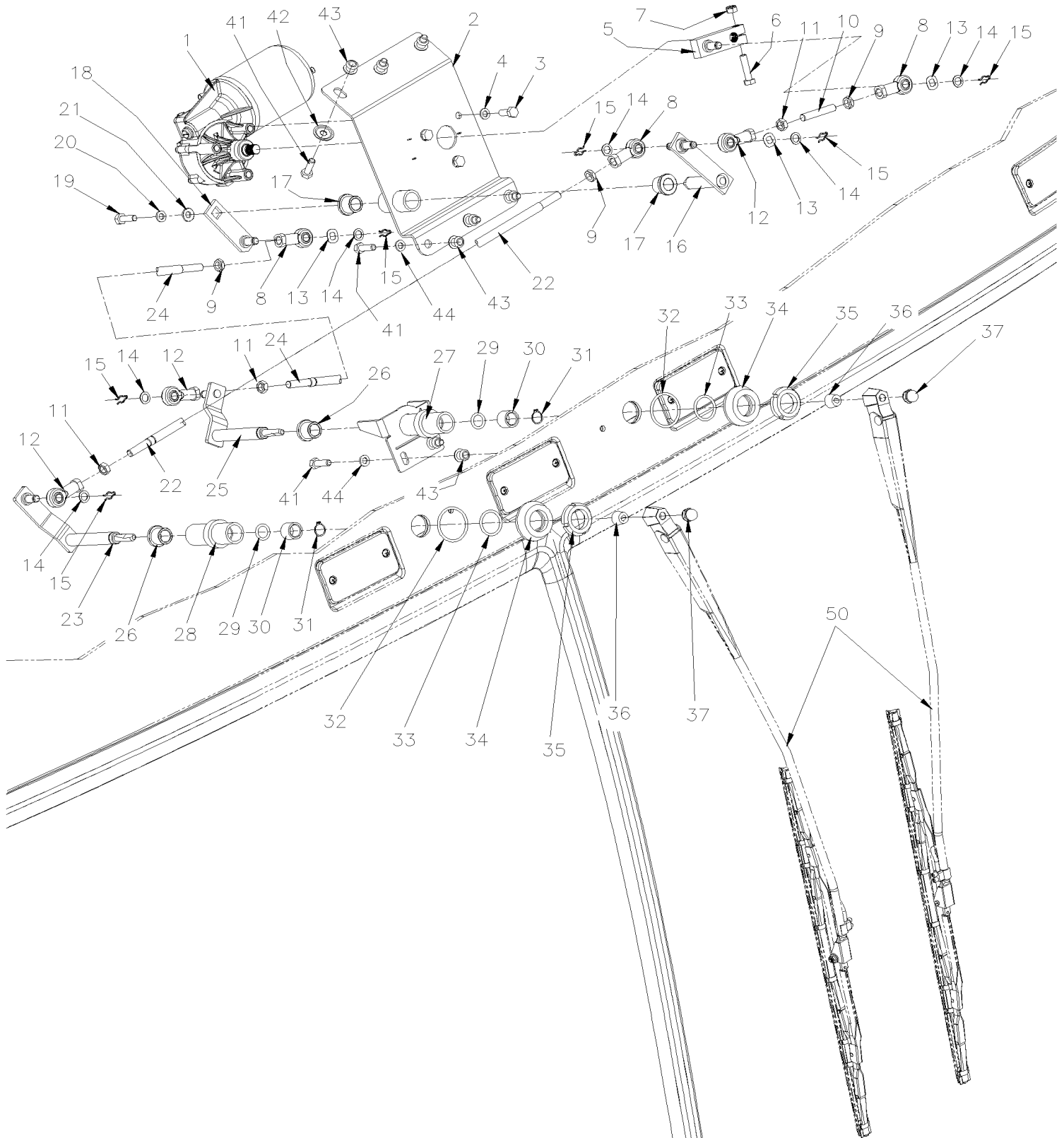


From H-3735 To J-0287

Date:10/2022

PAGE:H7-2305-16

## UPPER WINDSHIELD WIPER - INSTALLATION



From H-3735 To J-0287 Date:10/2022 PAGE:H7-2305-16

**UPPER WINDSHIELD WIPER - INSTALLATION**

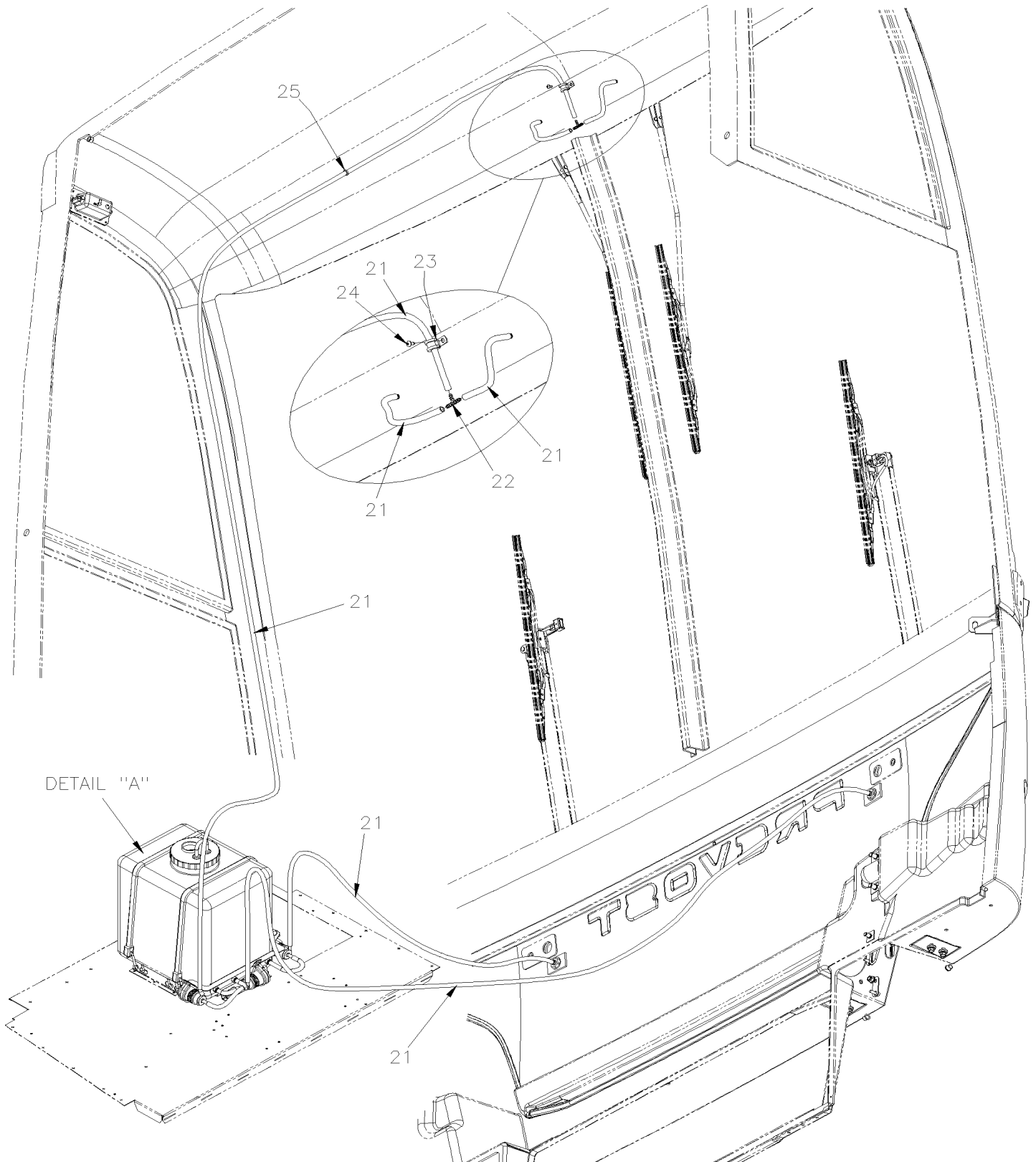
Item#	Part	Description	H 3 4 1	H 3 4 5	V I P 4 5	N O T E S
1	800380	MOTOR WIPER ASSY / 24V / BOSCH	1	1	1	
2	300013	SUPPORT	1	1	1	
3	5001217	SCREW CAP HEX M8-1.25x20 G10.9	3	3	3	
4	500942	WASHER LO SPT 8.1x14.8x2.0 N500	3	3	3	
5	300014	LEVER / MOTOR	1	1	1	
6	502836	. SCREW CAP HEX M8-1.25x35 G8.8 N500	1	1	1	
7	502847	. NUT HEX NYRT M8-1.25 N500	1	1	1	
8	502174	ROD END MALE 3/8-24 / 3/8 I.D.	3	3	3	
NS	680739	GREASE SYNTHETIC / RED 20KG	AR	AR	AR	
9	500956	NUT HEX JAM 3/8-24 Z050	3	3	3	
10	300248	ROD THREADED / W/3/8-24 LH & RH THREAD 54MM	1	1	1	
11	5001039	NUT HEX JAM LH 3/8-24 Z050	3	3	3	
12	502186	ROD END MALE L.H. 3/8-24-L.H./ 3/8 I.D.	3	3	3	
NS	680739	GREASE SYNTHETIC / RED 20KG	AR	AR	AR	
13	500905	WASHER SPR WAVE .750x.015	3	3	3	
14	502867	WASHER FL .406x.625x.040 N500	6	6	6	
15	502185	PIN HAIR CUTTER .062 X 9/32	6	6	6	
16	300480	INVERTION PIVOT	1	1	1	
17	800274	BUSHING FLANGE 5/8" I.D. X 7/8" O.D. X 3/4" L	2	2	2	
18	300632	LEVER ARM	1	1	1	
19	502780	SCREW CAP HEX M8-1.25x25 SS BK	1	1	1	
NS	680038	THREAD LOCKER LOCTITE #243 / BLUE / 50ml	AR	AR	AR	
20	500942	WASHER LO SPT 8.1x14.8x2.0 N500	1	1	1	
21	5001868	WASHER BEL SPR 8.4x18x2 SS	1	1	1	
22	300016	ROD THREADED / W/3/8-24 LH & RH THREAD 540MM	1	1	1	
23	300026	RIGHT PIVOT	1	1	1	
24	300032	ROD THREADED / W/3/8-24 LH & RH THREAD 163MM	1	1	1	
25	300030	LEFT PIVOT	1	1	1	
26	800274	BUSHING FLANGE 5/8" I.D. X 7/8" O.D. X 3/4" L	2	2	2	
28	300507	MAIN WIPER ARM THREADED TUBE	1	1	1	
29	800276	V-RING	2	2	2	
30	800125	BUSHING 5/8" I.D. X 7/8" O.D. X 5/8" L	2	2	2	
NS	680100	THREAD LOCKER LOCTITE #271 / RED / 250ml	AR	AR	AR	
31	504691	RING RETAINER / EXT .625 x .588 x .035" / SS	2	2	2	
32	507321	O-RING 1 5/8" I.D. X 1/8"	2	2	2	
33	507320	O-RING 1 1/8" I.D. X 1/8"	2	2	2	
34	300271	SPACER	2	2	2	
35	800064	NUT SPANNER 1 1/8-18 / PLASTIC	2	2	2	
36	800282	ADAPTOR, DRIVE KNURLED	2	2	2	
37	800062	NUT HEX CAP 3/8-24 BK	2	2	2	
41	5001745	SCREW CAP HEX M8-1.25x25 G8.8 N500	8	8	8	
42	502584	WASHER LO SERR 8.2x26.3x1.8 Z050	3	3	3	

From H-3735 To J-0287	Date:10/2022	PAGE:H7-2305-16
<b>UPPER WINDSHIELD WIPER - INSTALLATION</b>		

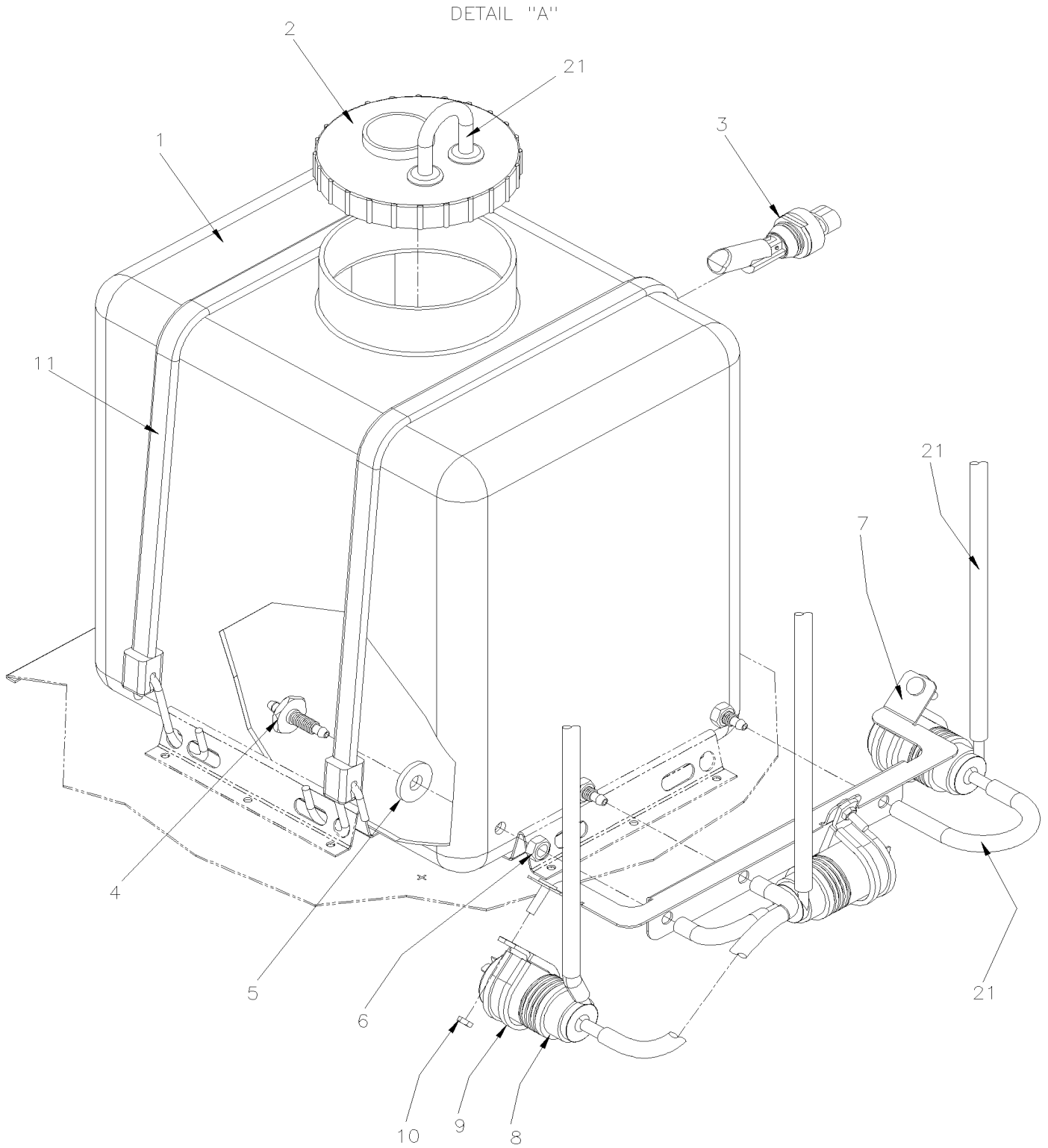
Item#	Part	Description	H 3 4 1	H 3 4 5	V I P 4 5	N O T E S
43	5002013	RIVET NUT FL KNURLED OKS M8-1.25 3.8-7.9 ZP	8	8	8	
44	500942	WASHER LO SPT 8.1x14.8x2.0 N500	5	5	5	
50	<b>H7-2305-10</b>	<b>UPPER WINDSHIELD WIPER</b>				



WINDSHIELD WASHER - INSTALLATION



WINDSHIELD WASHER - INSTALLATION





From 7-0671 To J-0287	Date:10/2022	PAGE:H7-2305-20
<b>WINDSHIELD WASHER - INSTALLATION</b>		

Item#	Part	Description	H 3 4 1	H 3 4 5	V I P 4 5	N O T E S
1	800285	TANK, WINDSHIELD WASHER	1	1	1	
2	800286	COVER ASSY W/PLUG	1	1	1	
3	800364	SENSOR LEVEL-LOW	1	1	1	
. NS	563409	. CONNECTOR / SUPERSEAL 1.5 SERIES / SH 2C / AMP 282080-1	1	1	1	
. NS	562607	. SOCKET TERMINAL / 20-16 / AMP 183025-1	2	2	2	
4	300469	ADAPTOR HOSE #3 / WET ARM M8-1.25 x 44MM	3	3	3	
5	502820	WASHER FL .187x1.000x.125 RUB BK	3	3	3	
6	5001188	NUT HEX M8-1.25 SS	3	3	3	
7	300562	SUPPORT W/WASHER PUMP	1	1	1	
8	800346	PUMP WINDSHIELD WASHER 24V	3	3	3	
9	952639	CLAMP / 1"1/4 I.D.	3	3	3	
10	5001180	NUT HEX NYRT #10-24 SS	3	3	3	
11	504483	TIE RUBBER BELT, W/HOOK 23"	2	2	2	
21	503002	HOSE / EPDM 5/32" I.D. / S.L.	AR	AR	AR	
22	800322	UNION TEE / HOSE BARB FITTING / 5/32x5/32x5/32 PLAS	1	1	1	
23	952625	CLAMP / 3/8" I.D.	3	3	3	
24	500613	SCREW TP PAN PH #10x1/2 Z050 To J-0022	3	3	3	
24	500582	SCREW TP PAN PH #8x3/8 Z050 From J-0023	3	3	3	
25	504637	CABLE TIE / 3/16" x 13" To J-0022	7	7	7	
25	504273	CABLE TIE / 1/8" X 3"1/2 From J-0023	8	8	8	
50	<b>H7-2305-00</b>	<b>LOWER WINDSHIELD WIPER</b>				
51	<b>H7-2305-10</b>	<b>UPPER WINDSHIELD WIPER</b>				

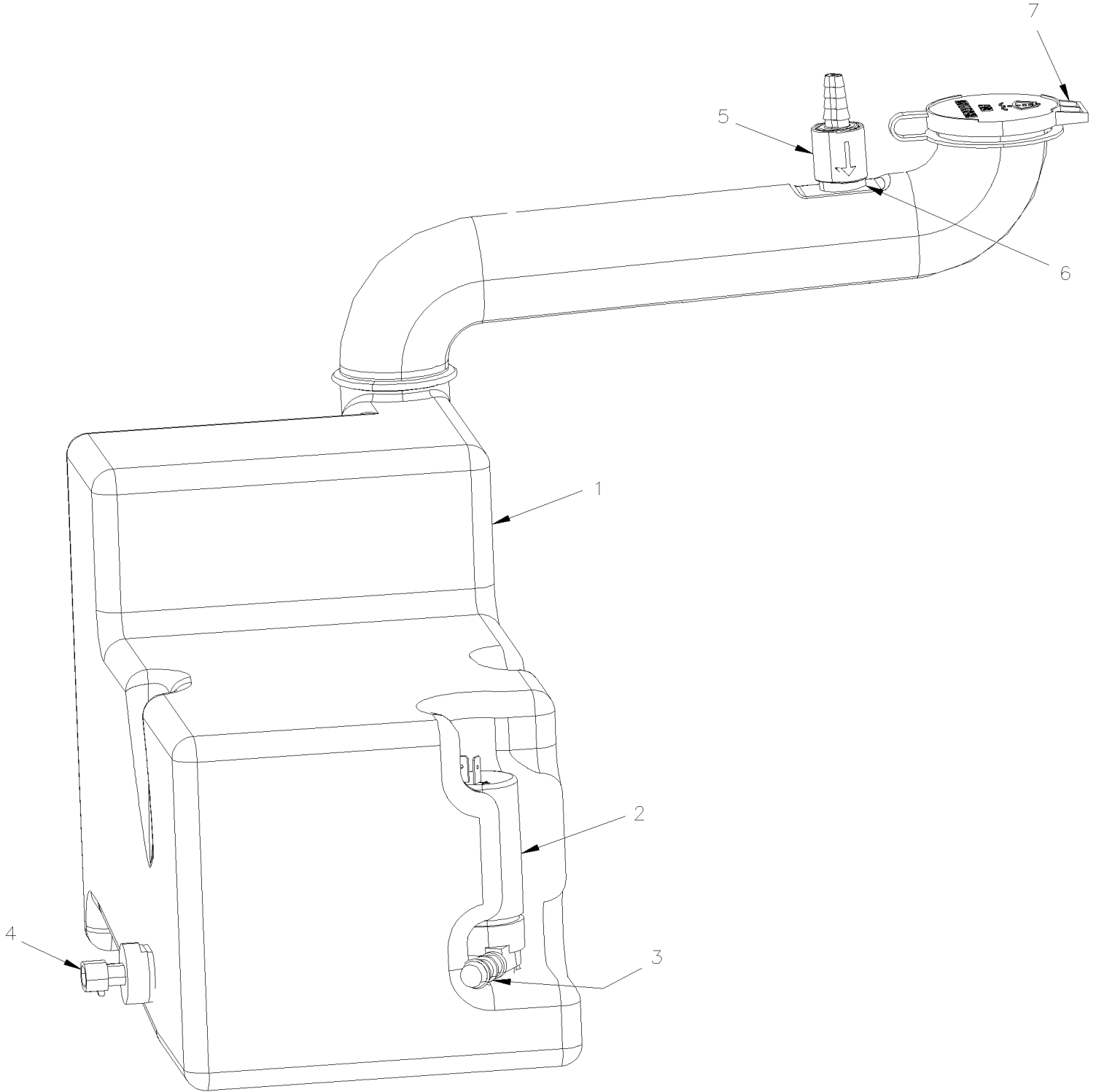


From 7-0671 To 9-1469

Date:10/2022

PAGE:H7-2305-25

**HEAD LAMP CLEANING WASHER TANK**

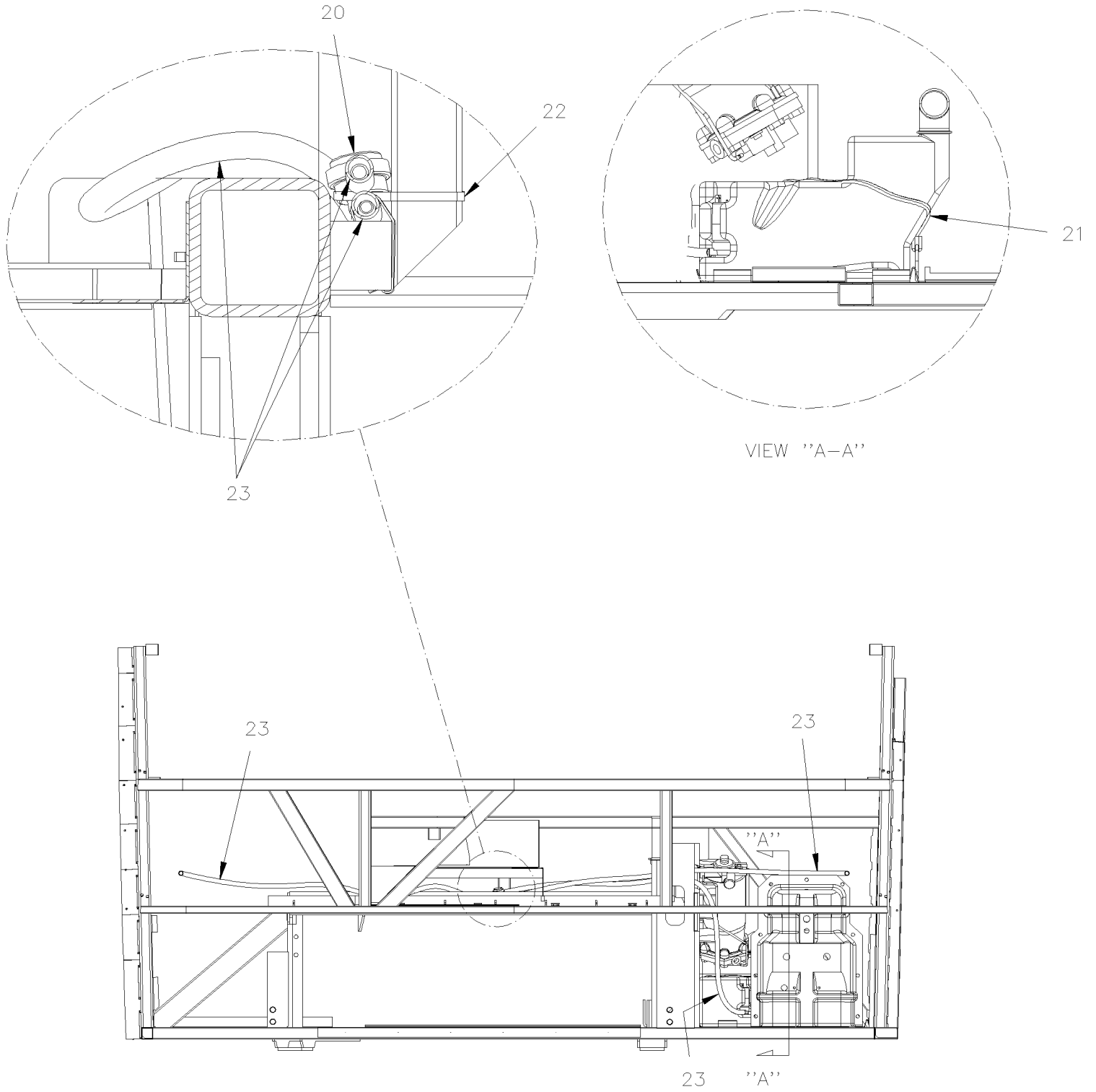


From 7-0671 To 9-1469

Date:10/2022

PAGE:H7-2305-25

HEAD LAMP CLEANING WASHER TANK

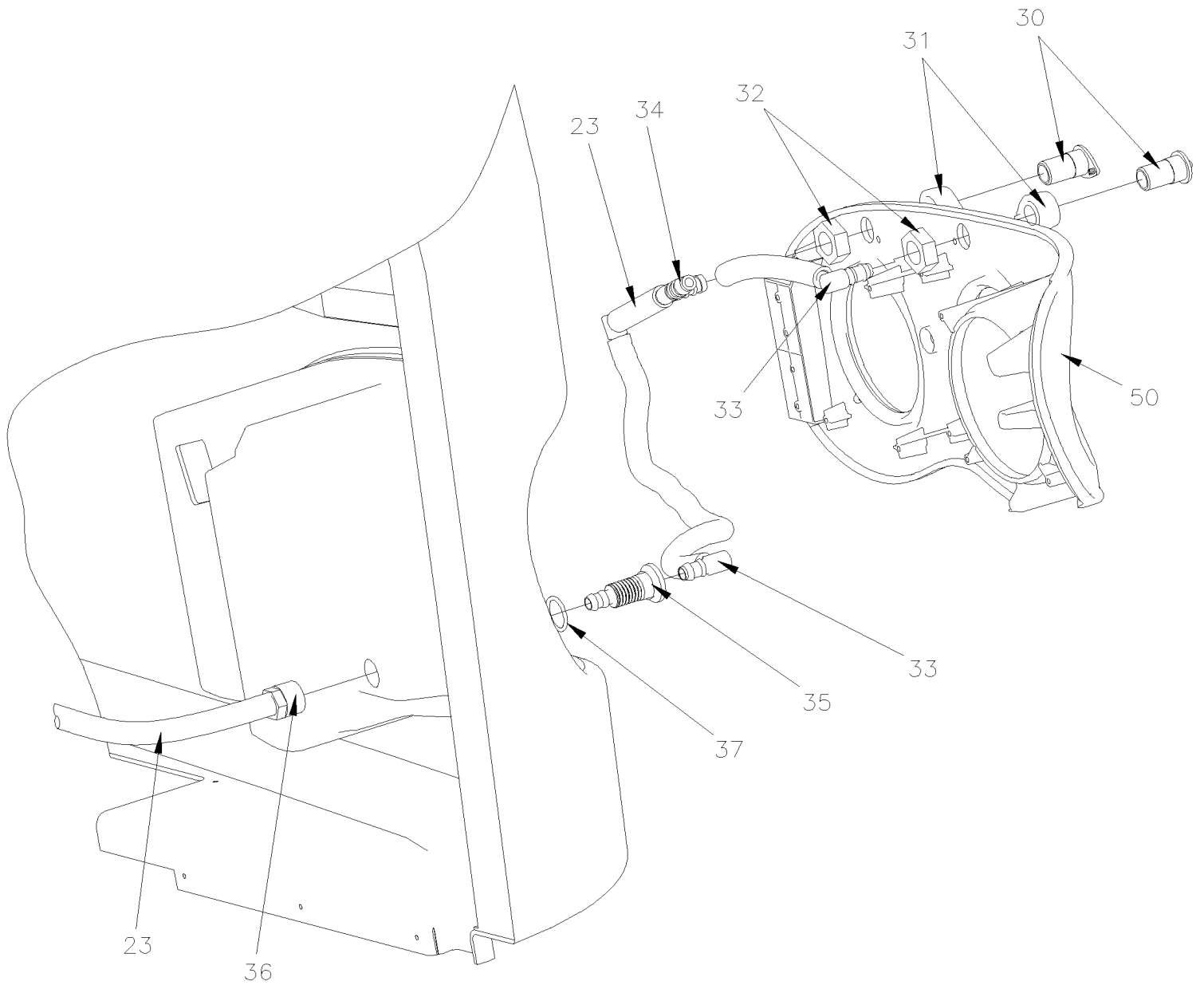


From 7-0671 To 9-1469

Date:10/2022

PAGE:H7-2305-25

HEAD LAMP CLEANING WASHER TANK



From 7-0671 To 9-1469	Date:10/2022	PAGE:H7-2305-25
<b>HEAD LAMP CLEANING WASHER TANK</b>		

Item#	Part	Description	H 3 4 1	H 3 4 5	V I P 4 5	N O T E S
	Call order desk	HEADLAMP WASHER TANK ASSY	1	1	1	P
	Call order desk	HEADLAMP WASHER TANK ASSY	1	1	1	P
1	800365	. HEADLAMP WASHER TANK	1	1	1	
2	800367	. PUMP SEALBEAM WASHER	1	1	1	
3	800368	. GROMMET PUMP	1	1	1	
4	800364	. SENSOR LEVEL-LOW	1	1	1	
. NS	563409	. . CONNECTOR / SUPERSEAL 1.5 SERIES / SH 2C / AMP 282080-1	1	1	1	
. NS	562607	. . SOCKET TERMINAL / 20-16 / AMP 183025-1	2	2	2	
5	800351	. CHECK VALVE	1	1	1	
6	800348	. SEAL RETAINER	1	1	1	
7	20462640	. COVER WASHER RESERVOIR	1	1	1	
20	800371	VALVE CENTRAL	1	1	1	
21	504731	TIE RUBBER BELT, W/HOOK 15"	1	1	1	
22	504637	CABLE TIE / 3/16" x 13"	2	2	2	
23	800376	HOSE HEADLAMP WASHER / 5M	AR	AR	AR	
30	800372	NOZZLE SEALBEAM WASHER	4	4	4	
NS	800377	TOOL, ALIGNMENT NOZZLE HEADLAMP	AR	AR	AR	
31	800374	SPACER NOZZLE WASHER	4	4	4	
32	5001717	NUT HEX JAM THN M16-1.5x8 SS	4	4	4	
33	800369	ELBOW NOZZLE ADAPTOR	6	6	6	
34	800370	TEE CONNECTOR	2	2	2	
35	800375	ADAPTOR WALL / FRONT FACE	2	2	2	
36	800373	NUT NOZZLE ADAPTOR	2	2	2	
37	507214	O-RING	2	2	2	
50	<b>H7-0660-00</b>	<b>HEADLAMP "HALOGENE" &amp; FRONT DIRECTIONAL LAMPS</b>				
50	<b>H7-0660-01</b>	<b>HEADLAMP "XENON" &amp; FRONT DIRECTIONAL LAMPS</b>				
51	430631	RETROFIT KIT, HEADLAMP WASHER / SERIES "H"	1	1	1	
52	300563	RESERVOIR SUPPORT FOR HOOK / HEADLAMP WASH.	2	2	2	
53	300570	RESERVOIR SUPPORT SIDE	4	4	4	
55	067488	RETROFIT KIT, HEADLAMP WASHER / SERIES "H" ELECTRIC SECTION BUS W/MUX	1	1		
. NS	066960	. CABLE ASSY / SWITCH HEADLAMP WASHER PUMP / "H" SERIES / MUX	1	1		
. NS	066961	. CABLE ASSY / HEADLAMP WASHER PUMP / "H" SERIES	1	1		
. NS	562699	. SWITCH / M/ON-OFF-M/ON / D.P.D.T. / W/GREEN LED	1	1		
. NS	564007	. CAP / WASHER WIDSHIELD & HEADLAMP	1	1		
. NS	563623	. BUTT SPLICE / 16-14 / BLUE / W/THERMORETRAC / PANDUIT BSH14-Q	2	2		
55	067489	RETROFIT KIT, HEADLAMP WASHER / SERIES "H" ELECTRIC SECTION VIP W/MUX			1	
. NS	066960	. CABLE ASSY / SWITCH HEADLAMP WASHER PUMP / "H" SERIES / MUX			1	
. NS	066961	. CABLE ASSY / HEADLAMP WASHER PUMP / "H" SERIES			1	
. NS	564006	. CAP / HEADLAMP WASHER			1	
. NS	564008	. SWITCH / OFF-M/ON / S.P.S.T. / W/GREEN LED			1	

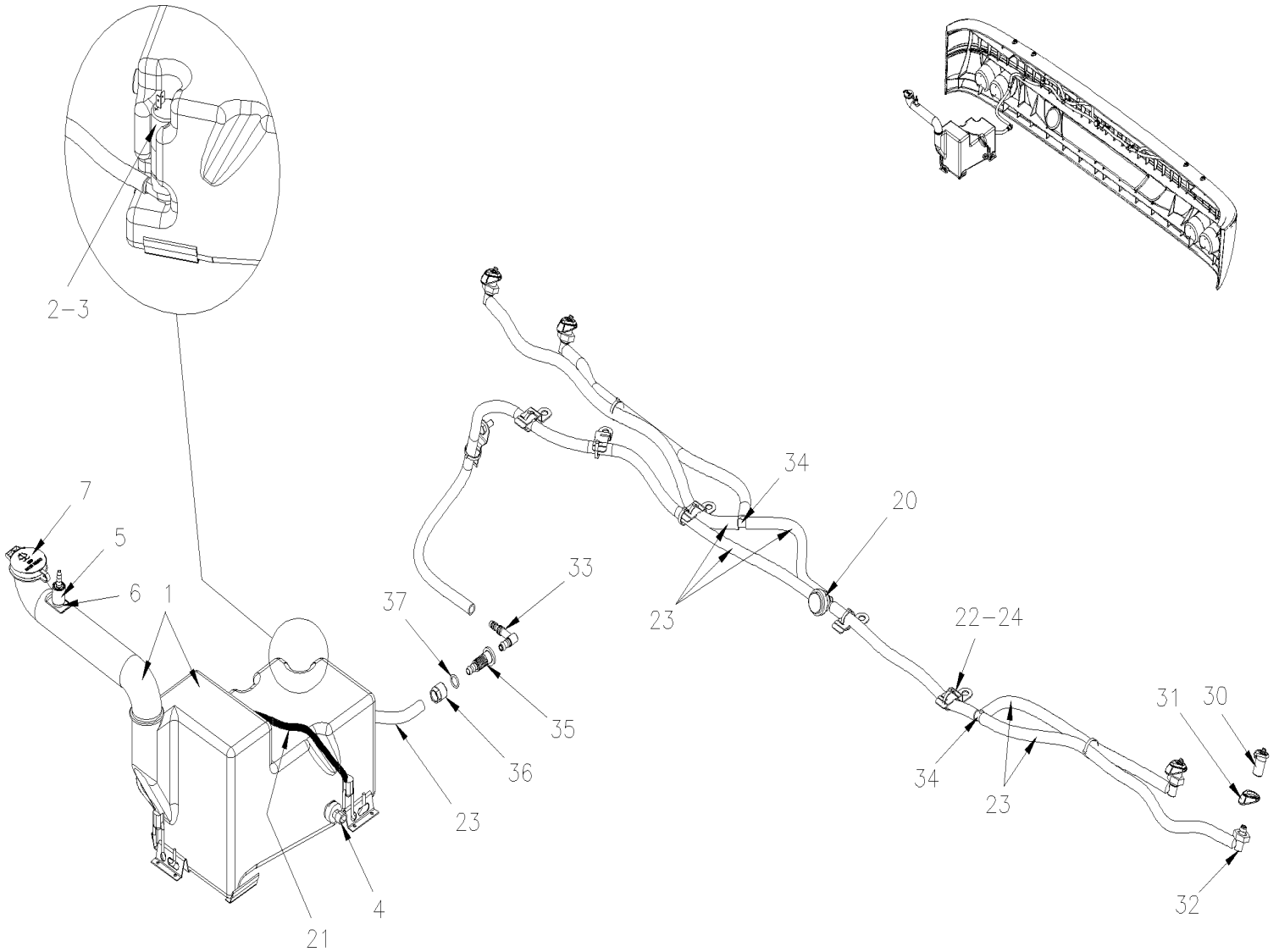
From 7-0671 To 9-1469	Date:10/2022	PAGE:H7-2305-25
<b>HEAD LAMP CLEANING WASHER TANK</b>		

Item#	Part	Description	H 3 4 1	H 3 4 5	V I P 4 5	N O T E S
. NS	563623	. BUTT SPLICE / 16-14 / BLUE / W/THERMORETRAC / PANDUIT BSH14-Q			2	
		P) CALL ORDER DESK FOR SPECIFIC APPLICATION (V.I.N.)				





From A-1470 To J-0287	Date:10/2022	PAGE:H7-2305-26
HEAD LAMP CLEANING WASHER TANK		

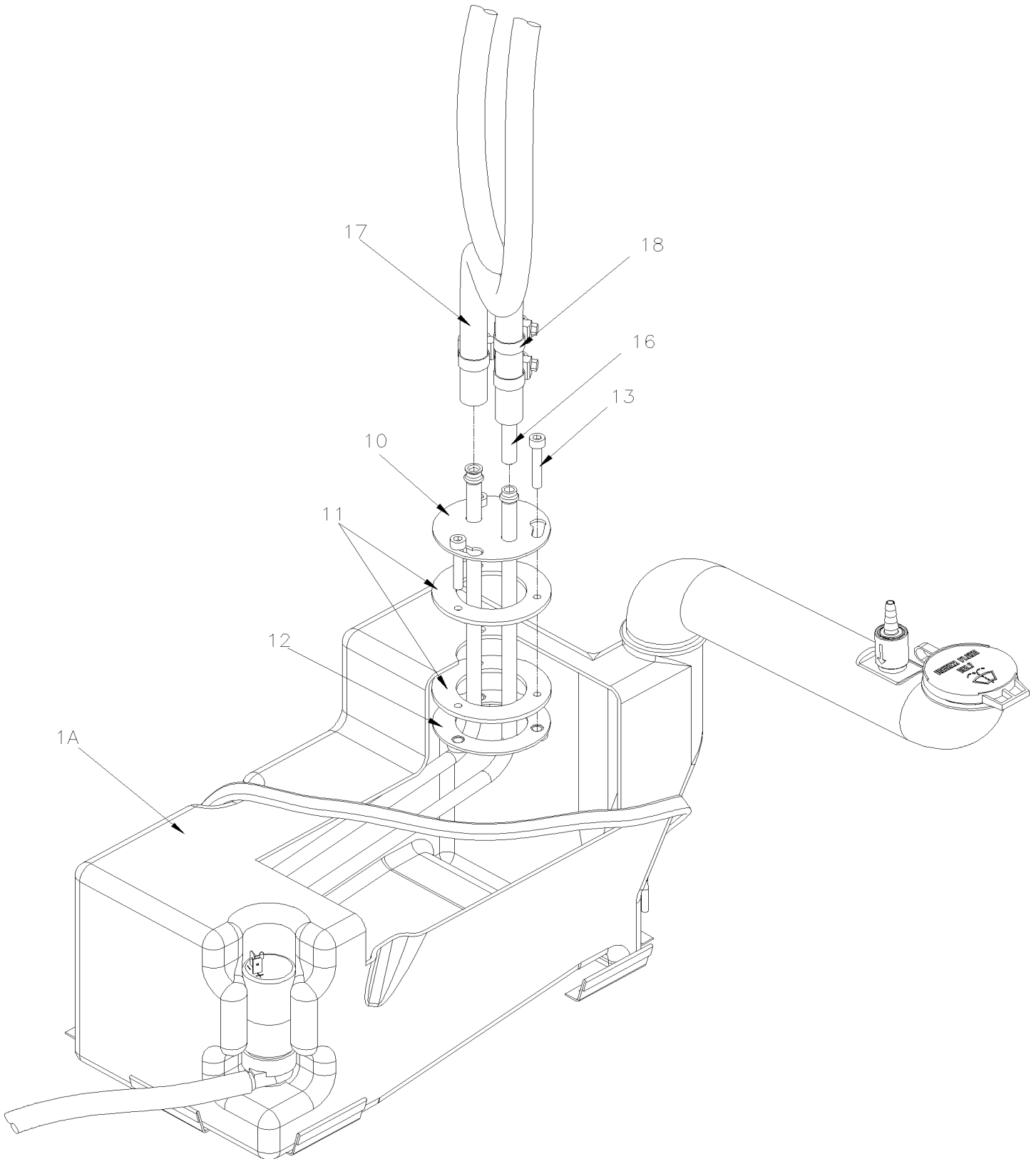


From A-1470 To J-0287

Date:10/2022

PAGE:H7-2305-26

HEAD LAMP CLEANING WASHER TANK



From A-1470 To J-0287 Date:10/2022 PAGE:H7-2305-26

**HEAD LAMP CLEANING WASHER TANK**

Item#	Part	Description	H 3 4 1	H 3 4 5	V I P 4 5	N O T E S
	Call order desk	HEADLAMP WASHER TANK ASSY	1	1	1	P
	Call order desk	HEADLAMP WASHER TANK ASSY WITH HEATER	1	1	1	PA
1	800365	. HEADLAMP WASHER TANK	1	1	1	
1A	800381	. HEADLAMP WASHER TANK	1	1	1	A
2	800367	. PUMP SEALBEAM WASHER	1	1	1	
3	800368	. GROMMET PUMP	1	1	1	
4	800364	. SENSOR LEVEL-LOW	1	1	1	
. NS	563409	. . CONNECTOR / SUPERSEAL 1.5 SERIES / SH 2C / AMP 282080-1	1	1	1	
. NS	562607	. . SOCKET TERMINAL / 20-16 / AMP 183025-1	2	2	2	
5	800351	. CHECK VALVE	1	1	1	
6	800348	. SEAL RETAINER	1	1	1	
7	20462640	. COVER WASHER RESERVOIR	1	1	1	
7	300621	. GASKET / COVER WASHER RESERVOIR From E-2543	1	1	1	
10	430686P	ELEMENT, HEATING ASSY	1	1	1	A
11	430689	GASKET	2	2	2	A
12	430690	ANCHOR PLATE	1	1	1	A
13	5001641	SCREW CAP HEXS M6-1.0x35 SS EMN	3	3	3	A
16	053672	CHOKE 2.5 MM	1	1	1	A
17	503806	HOSE SILICONE 1 PLY / NOMEX-ARAMID 3/8" I.D. x 100' To F-2711	AR	AR	AR	A
17	503821	HOSE SILICONE 4 PLY / NOMEX-ARAMID 3/8" x 144" From F-2712	AR	AR	AR	A
18	992081	HOSE CLAMP / 12MM/22MM	1	1	1	A
20	800371	VALVE CENTRAL	1	1	1	
21	504731	TIE RUBBER BELT, W/HOOK 15"	1	1	1	
22	504637	CABLE TIE / 3/16" x 13"	6	6	6	
23	800376	HOSE HEADLAMP WASHER / 5M	AR	AR	AR	
24	300603	SUPPORT "Z" / TO FIX HOSE H.L. WASHER	6	6	6	
30	800372	NOZZLE SEALBEAM WASHER	4	4	4	
NS	800377	TOOL, ALIGNMENT NOZZLE HEADLAMP	AR	AR	AR	
31	300589	BASE NOZZLE WASHER	4	4	4	
32	5001717	NUT HEX JAM THN M16-1.5x8 SS	4	4	4	
33	800369	ELBOW NOZZLE ADAPTOR	6	6	6	
34	800370	TEE CONNECTOR	2	2	2	
35	800375	ADAPTOR WALL / FRONT FACE	2	2	2	
36	800373	NUT NOZZLE ADAPTOR	2	2	2	
37	507214	O-RING	2	2	2	
		A) USE ONLY WITH WINDSHEILD WASHER HEATER				
		P) CALL ORDER DESK FOR SPECIFIC APPLICATION (V.I.N.)				

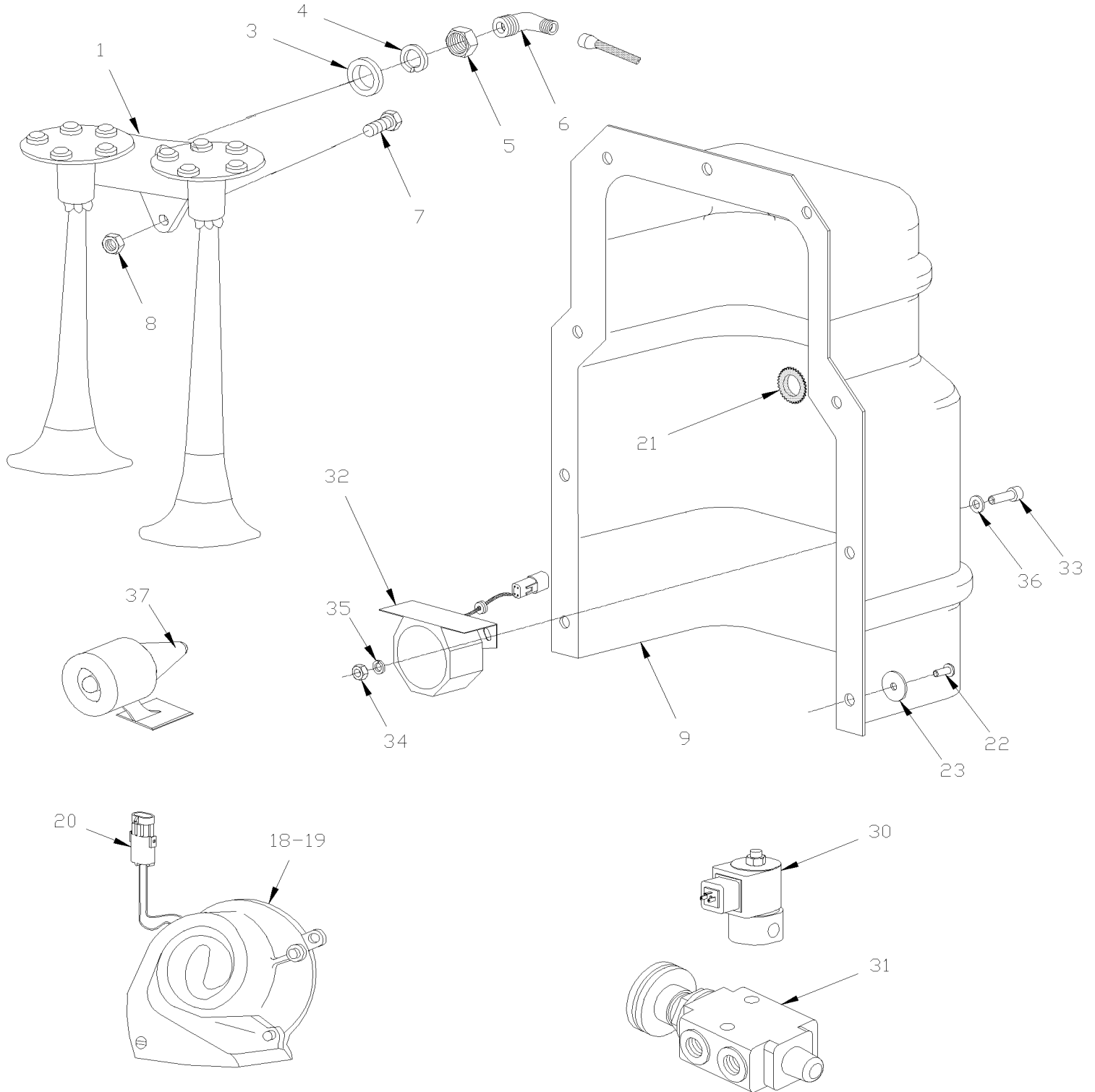


From 7-0671 To 9-1469

Date:10/2022

PAGE:H7-2310-00

## HORN - INSTALLATION

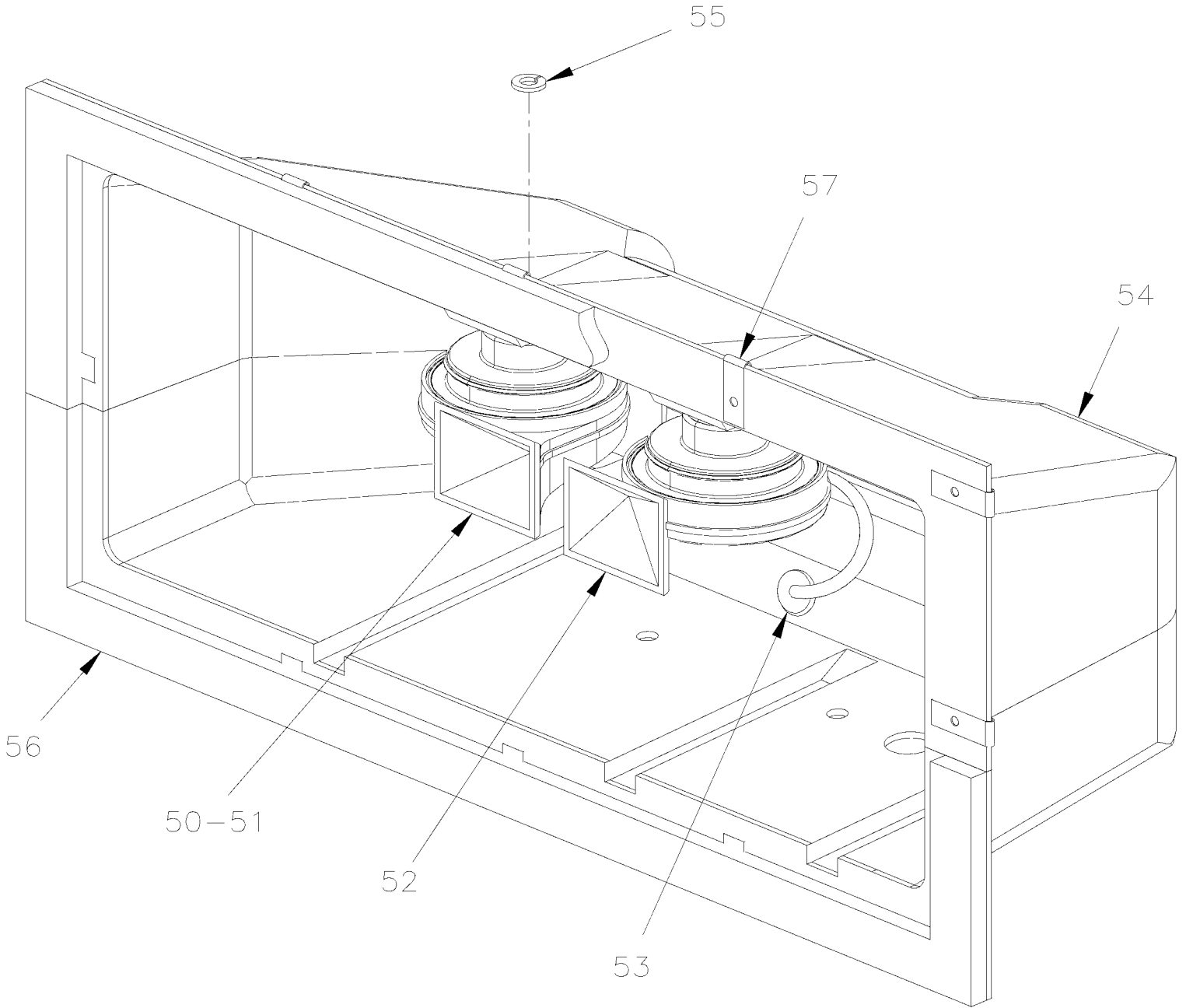


From 7-0671 To 9-1469

Date:10/2022

PAGE:H7-2310-00

**HORN - INSTALLATION**



<b>From 7-0671 To 9-1469</b>	<b>Date:10/2022</b>	<b>PAGE:H7-2310-00</b>
<b>HORN - INSTALLATION</b>		

Item#	Part	Description	H 3 4 1	H 3 4 5	V I P 4 5	N O T E S
1	640093	HORN AIR	1	1		
3	500448	WASHER FL .625x1.469x.109 ZP	1	1		
4	500858	WASHER LO INT .769x1.245x.055 Z050	1	1		
5	500730	NUT HEX JAM THN 5/8-18x3/8 ZP	1	1		
6	640996	MALE ELBOW 90° / NTA FITTING / #4x1/8NPT-M BR	2	2		
7	500025	SCREW CAP HEX 5/16-24x1 G5 ZP	1	1		
8	500699	NUT HEX 5/16-24 Z050	1	1		
NS	142492	BOX ASSY W/ELECTRIC HORN 12V / W/MUX	1	1		B
NS	142493	BOX ASSY W/ELECTRIC HORN 12V AND "KNEELING ALARM" / W/MUX	1	1		C
NS	143089	CLOSING PANEL AIR HORN FORMER STYLE ON "H" SERIES	1	1		
NS	502868	SCREW TC TR PH #10-16x1/2 N500	9	9		
NS	500805	WASHER FL .218x.875x.062 N500	9	9		
9	142490	. BOX, COVER / ELECTRICAL & AIR / W/MUX	1	1		
9	142491	. BOX, COVER / ELECTRICAL & AIR W/"KNEELING ALARM" / W/MUX	1	1		
18	563015	. HORN, ELECTRIC / LOW 405HZ / 12V "FIAM" SERVICE	1	1		
18	563023	. HORN, ELECTRIC / HIGH 485HZ / 12V "FIAM" SERVICE	1	1		
19	500468	. WASHER FL .281x1.250x.065 Z050	2	2		
NS	500489	. WASHER LO INT .894x1.410x.060 Z050	2	2		
20	065257	. HARNESS / HORN & CONNECTOR	1	1		
21	504070	. GROMMET / .375x.625x.156x.406x1.000	1	1		
NS	504598	. GROMMET / 1.187x.937x.125x.437	1	1		
22	502868	SCREW TC TR PH #10-16x1/2 N500	13	13		
23	500805	WASHER FL .218x.875x.062 N500	13	13		
30	562804	VALVE, 2 WAYS N.C.	1	1		
. NS	562848	. CONNECTOR / SOCKET HOUSING ASSY 3C / PNEUMAC 54933-05	1	1		
31	641445	VALVE, 3 WAYS, 2 POSITIONS MECHANICAL To D-2363	1	1		
. NS	641992	. KNOB To D-2363	1	1		
31	642173	VALVE, 3 WAYS, 2 POSITIONS MECHANICAL From D-2364	1	1		
32	065593	ALARM "KNEELING"	1	1		
. NS	563164	. ALARM "KNEELING"	1	1		
33	502622	SCREW CAP HEX M6-1.0x20 SS BK	2	2		
34	502565	NUT HEX M6-1.0 SS	2	2		
35	502570	WASHER LO SPT 6.1x11.8x1.6 SS	2	2		
36	502573	WASHER FL 6.4x12.5x1.6 SS	2	2		
37	901075	WHISTLE, ULTRASOUND	AR	AR		
37	680532	SEALANT SIKA #221 / GREY / 310ml CARTRIDGE	AR	AR		
50	142502	HORNS BOX ASSY ELECTRIC			1	
51	563015	. HORN, ELECTRIC / LOW 405HZ / 12V "FIAM" SERVICE			1	
52	563023	. HORN, ELECTRIC / HIGH 485HZ / 12V "FIAM" SERVICE			1	
53	504593	. GROMMET / .250x.437x.250x.375x.625			1	
NS	065257	. HARNESS / HORN & CONNECTOR			1	

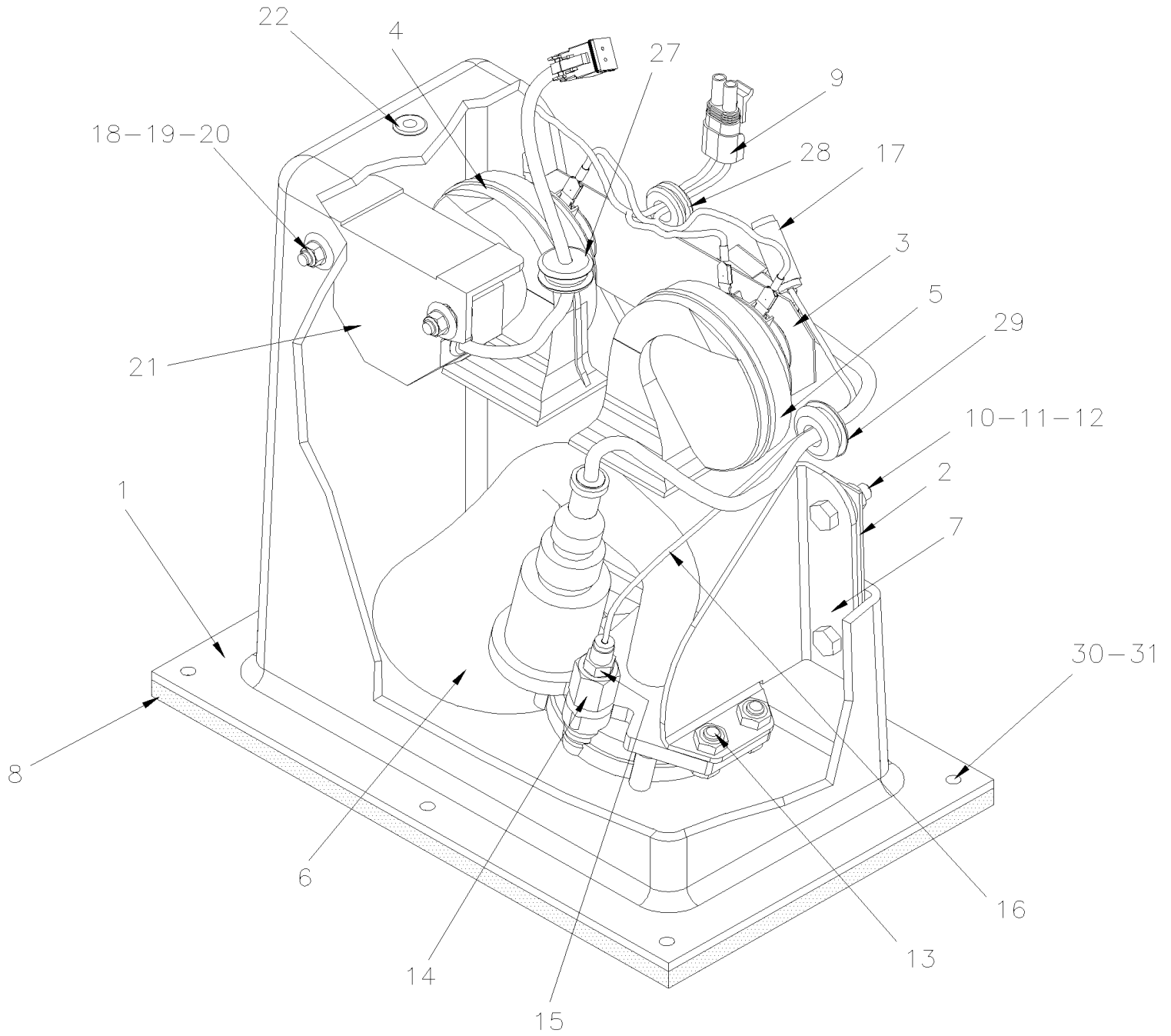
From 7-0671 To 9-1469	Date:10/2022	PAGE:H7-2310-00
-----------------------	--------------	-----------------

**HORN - INSTALLATION**

Item#	Part	Description	H 3 4 1	H 3 4 5	V I P 4 5	N O T E S
54	142501	. BOX, PLASTIC / BLACK / ELECTRIC HORN			1	
55	500468	. WASHER FL .281x1.250x.065 Z050			2	
NS	500489	. WASHER LO INT .894x1.410x.060 Z050			2	
56	506282	. TAPE RUB ADH1 CC POL 3/8" x 1" x 20' / GREY 2520			AR	
57	500252	NUT SPR U #10-24 .156-.187			10	
		B) INCLUDE ITEMS # 9, 18, 19, 20 & 21 WITHOUT AIR HORN				
		C) INCLUDE ITEMS # 9, 18,19, 20, 21, 32 TO 36 WITHOUT AIR HORN				



HORN - INSTALLATION

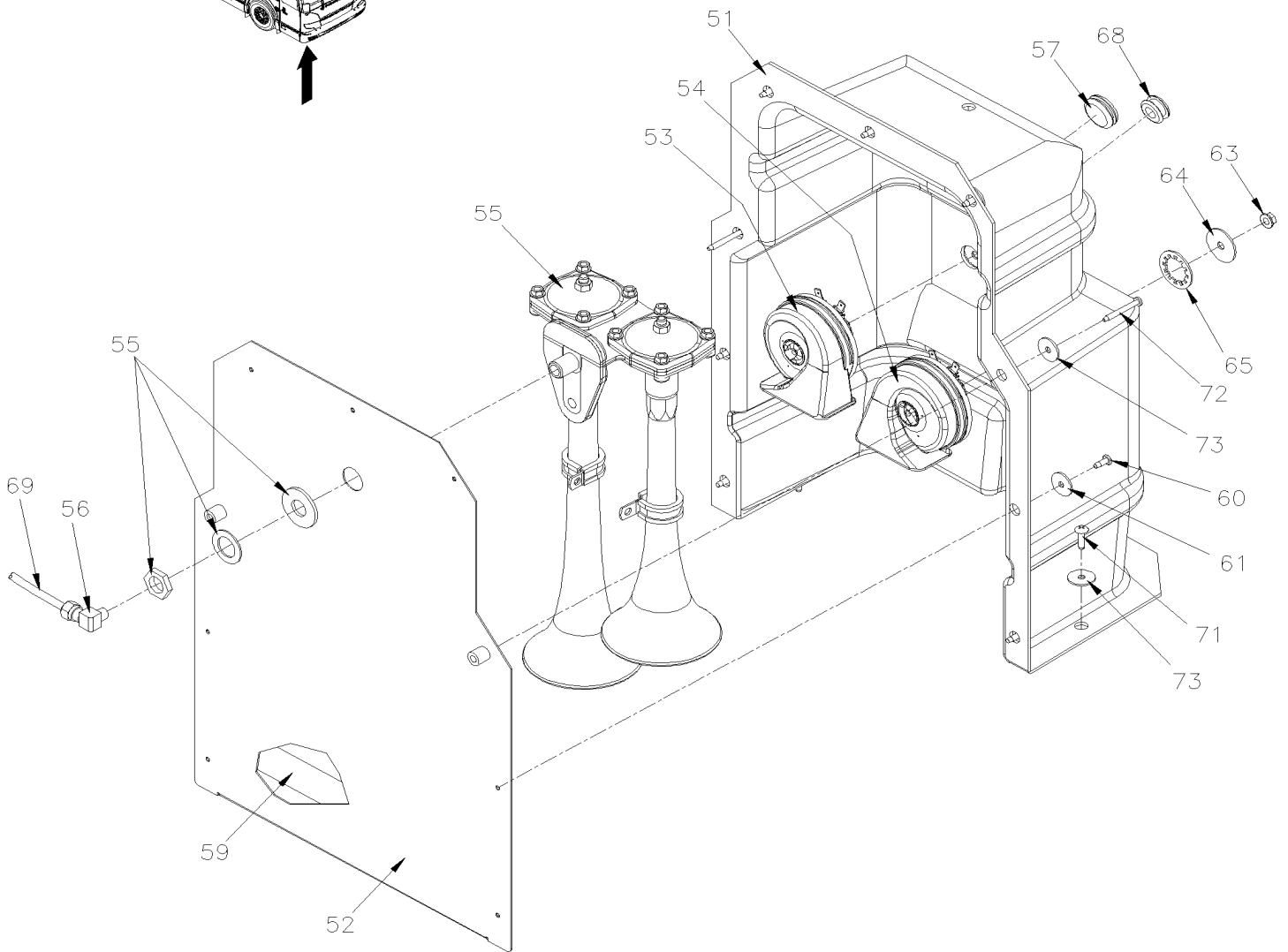
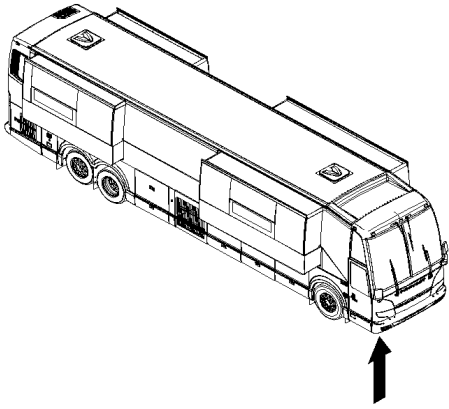


From A-1470 To J-0287

Date:10/2022

PAGE:H7-2310-01

## HORN - INSTALLATION



<b>From A-1470 To J-0287</b>	<b>Date:10/2022</b>	<b>PAGE:H7-2310-01</b>
------------------------------	---------------------	------------------------

**HORN - INSTALLATION**

Item#	Part	Description	H 3 4 1	H 3 4 5	V I P 4 5	N O T E S
	142837P	BOX ASSY W/ELECTRIC HORN 12V AND "KNEELING ALARM" To F-2922	1	1		
	142349	BOX ASSY W/ELECTRIC HORN 12V AND "KNEELING ALARM" To F-2922	1	1		
	143289	BOX ASSY W/ELECTRIC HORN 12V AND "KNEELING ALARM" From F-2923 To G-3169	1	1		
	142439	BOX ASSY W/ELECTRIC HORN 12V AND "KNEELING ALARM" From F-2923 To G-3169	1	1		
	148461	BOX ASSY W/ELECTRIC HORN 12V AND "KNEELING ALARM" From G-3170	1	1		
	142443	BOX ASSY W/ELECTRIC HORN 12V AND "KNEELING ALARM" From G-3170	1	1		
	142845P	BOX ASSY W/ELECTRIC HORN 12V To F-2922	1	1		
	142431	BOX ASSY W/ELECTRIC HORN 12V To F-2922	1	1		
	143288	BOX ASSY W/ELECTRIC HORN 12V From F-2923 To G-3169	1	1		
	142434	BOX ASSY W/ELECTRIC HORN 12V From F-2923 To G-3169	1	1		
	148460	BOX ASSY W/ELECTRIC HORN 12V From G-3170	1	1		
	142442	BOX ASSY W/ELECTRIC HORN 12V From G-3170	1	1		
	142847P	HORN ASSY W/BOX 12V / W/MUX / H3 V.I.P. To G-3169			1	
	148459	HORN ASSY W/BOX 12V From G-3170			1	
1	142838	. BOX, COVER / ELECTRICAL & AIR To G-3169	1	1	1	
1	145608	. BOX, COVER / ELECTRICAL & AIR From G-3170	1	1		
1	145608	. BOX, COVER / ELECTRICAL & AIR From G-3170			1	
2	142840	. ATTACHMENT PLATE AIR HORN	1	1		
NS	504346	. SNAP-IN PLUG / .500 O.D.			2	
3	142846	. ATTACHMENT PLATE ELECTRICAL HORN	1	1	1	
4	563015	. HORN, ELECTRIC / LOW 405HZ / 12V "FIAM" SERVICE To J-0204	1	1	1	
4	560624	. HORN, ELECTRIC / LOW 405HZ / 12V "FIAM" SERVICE From J-0205	1	1	1	
NS	5001835	. NUT HEXF M6-1.0 SS	1	1	1	
5	563023	. HORN, ELECTRIC / HIGH 485HZ / 12V "FIAM" SERVICE To J-0204	1	1	1	
5	560625	. HORN, ELECTRIC / HIGH 485HZ / 12V "FIAM" SERVICE From J-0205	1	1	1	
NS	5001835	. NUT HEXF M6-1.0 SS	1	1	1	
6	20383071	. HORN AIR To A-1501	1	1		A
6	21246652	. HORN AIR From A-1502	1	1		A
6	067321	. CABLE ASSY	1	1		
7	142828	. SUPPORT AIR HORN	1	1		
8	506282	. TAPE RUB ADH1 CC POL 3/8" x 1" x 20' / GREY 2520 To H-3520	AR	AR	AR	
8	506643	. TAPE RUB ADH1 CC NEO 1/8" x 1/2" x 60' / BLACK 2011 From H-3521	AR	AR	AR	
9	066540	. HARNESS / HORN & CONNECTOR	1	1	1	
10	5001188	. NUT HEX M8-1.25 SS	2	2		
11	5001161	. WASHER LO SPT 8.1x14.8x2.0 SS-304	2	2		
12	955297	. SCREW CAP HEX M8-1.25x25 G8.8 ZG603	1	1		
13	502790	. SCREW CAP HEX M8-1.25x20 G8.8 Z050	2	2		
14	5011304	. FEMALE CONNECTOR / PIPE @ ORB / 1/4NPT-FxM12-1.5 ORB-M	14	14		
15	642117	. MALE CONNECTOR / PUSH-IN FITTING / #2x1/4NPT-M NP To F-2922	1	1		
15	641332	. MALE CONNECTOR / PUSH-IN FITTING / #4x1/4NPT-M BR From F-2923	1	1		
16	503536	. TUBE, NYLON 1/8 O.D. / BLACK S.L. To F-2922	AR	AR		
16	503404	. TUBE, NYLON 3/8 O.D. / BLACK S.L. From F-2923	AR	AR		

<b>From A-1470 To J-0287</b>	<b>Date:10/2022</b>	<b>PAGE:H7-2310-01</b>
<b>HORN - INSTALLATION</b>		

Item#	Part	Description	H 3 4 1	H 3 4 5	V I P 4 5	N O T E S
17	501317	. COUPLING / PIPE FITTING / 1/8NPT-Fx1/8NPT-F BR	1	1		
17	641126	. MALE CONNECTOR / PUSH-IN FITTING / #2x1/8NPT-M BR	2	2		
18	502573	. WASHER FL 6.4x12.5x1.6 SS	4	4		
19	5001182	. NUT HEX NYRT M6-1.0 SS	2	2		
20	502622	. SCREW CAP HEX M6-1.0x20 SS BK	2	2		
21	065593	. ALARM "KNEELING"	1	1		
. NS	563164	. . ALARM "KNEELING"	1	1		
22	504593	. GROMMET / .250x.437x.250x.375x.625 To G-3169	1	1	1	
NS	680111	. GREASE PROTECTIVE / NYK77 (8 oz)	AR	AR	AR	
NS	680025	. CAULKING STRIP 3/16" O.D. X 14'	AR	AR	AR	
NS	680066	. ADHESIVE / ADBOND #5014 / 23.6ML BOTTLE	AR	AR	AR	
26	5001419	. SNAP-IN PLUG / .375 O.D.	1	1	1	
27	504690	. SNAP-IN PLUG / .750 O.D. To J-0041	2	2	2	
28	504062	. GROMMET / .4375x.687x.125x.375x.937	1	1	1	
29	504421	. GROMMET / .625x.875x.187x.437x1.125	1	1	1	
30	500623	SCREW TC PAN PH #10-24x3/4 N500	6	6	6	
31	500804	WASHER FL .203x.500x.047 N500	6	6	6	
33	065593	ALARM "KNEELING"	1	1	1	
. NS	563164	. ALARM "KNEELING"	1	1	1	
50	Call order desk	HORN ASSY W/BOX			1	P O
51	142490	. BOX, COVER / ELECTRICAL & AIR / W/MUX To J-0041			1	O
51	140110	. BOX, COVER / ELECTRICAL & AIR / W/MUX From J-0041			1	O
52	142903	. PLATE, HORN CASING			1	O
53	563015	. HORN, ELECTRIC / LOW 405HZ / 12V "FIAM" SERVICE To J-0204			1	O
53	560624	. HORN, ELECTRIC / LOW 405HZ / 12V "FIAM" SERVICE From J-0205			1	O
NS	5001835	. NUT HEXF M6-1.0 SS From J-0205			1	O
54	563023	. HORN, ELECTRIC / HIGH 485HZ / 12V "FIAM" SERVICE To J-0204			1	O
54	560625	. HORN, ELECTRIC / HIGH 485HZ / 12V "FIAM" SERVICE From J-0205			1	O
NS	5001835	. NUT HEXF M6-1.0 SS From J-0205			1	O
55	640093	. HORN AIR			1	O
56	640996	. MALE ELBOW 90° / NTA FITTING / #4x1/8NPT-M BR			1	O
57	504598	. GROMMET / 1.187x.937x.125x.437			1	O
59	506007	. TAPE RUB ADH1 CC NEO 3/4" x 1" x 10' / BLACK 1220			AR	O
60	500805	. WASHER FL .218x.875x.062 N500			7	O
61	502868	. SCREW TC TR PH #10-16x1/2 N500			7	O
NS	684685	. ADHESIVE SIMSON #ISR 70-03 / 310ml CARTRIDGE			AR	O
63	5001835	. NUT HEXF M6-1.0 SS			2	O
64	500913	. WASHER FL .281x1.250x.065 N500			2	O
65	500489	. WASHER LO INT .894x1.410x.060 Z050			2	O
67	066540	. HARNESS / HORN & CONNECTOR			1	O
67	685373	. GREASE "NYOGEL" ELECTRICAL / 760G 100GR			AR	O
68	504568	. GROMMET / .437x.687x.250x.500x1.000			1	O

From A-1470 To J-0287	Date:10/2022	PAGE:H7-2310-01
<b>HORN - INSTALLATION</b>		

Item#	Part	Description	H 3 4 1	H 3 4 5	V I P 4 5	N O T E S
69	503402	. TUBE, NYLON 1/4 O.D. / BLACK S.L.			AR	O
71	502868	SCREW TC TR PH #10-16x1/2 N500			4	O
72	500421	SCREW TC PAN PH #10-32x1 1/2 N500			2	O
73	500805	WASHER FL .218x.875x.062 N500			6	O
74	680532	SEALANT SIKA #221 / GREY / 310ml CARTRIDGE			AR	O
NS	561740	DIODE / 3AMPS			1	O
		A) WHEN YOU REPLACE THE HORN BY THE NEW 23150684 YOU ALSO NEED HARNESS 0610004 , TUBE 145591, ADAPTER 641507, SUPPORT 142852 & SCREW 2X 502836				
		O) OPTIONAL				
		P) CALL ORDER DESK FOR SPECIFIC APPLICATION (V.I.N.)				

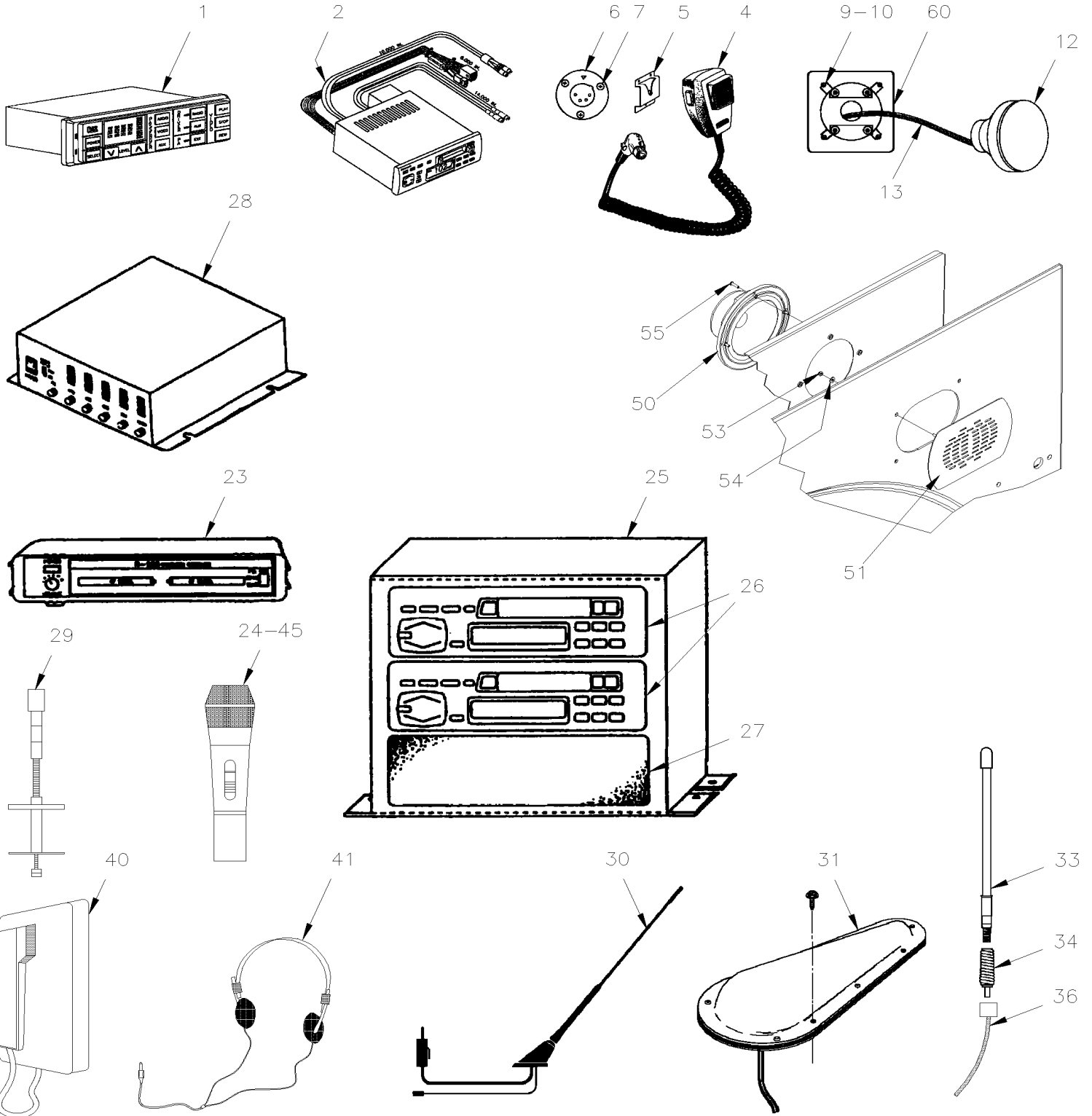


From 7-0671 To G-3308

Date:10/2022

PAGE:H7-2315-00

## SOUND SYSTEM & ACCESSORIES



<b>From 7-0671 To G-3308</b>	<b>Date:10/2022</b>	<b>PAGE:H7-2315-00</b>
<b>SOUND SYSTEM &amp; ACCESSORIES</b>		

Item#	Part	Description	H 3 4 1	H 3 4 5	V I P 4 5	N O T E S
1	900803	CONTROL HEAD / "R.E.I." SYSTEM 2000 To A-1492	1	1		R
. NS	563064	. BULB (CONTROL HEAD GREEN ) / 12VOLTS / 2700 To A-1492	1	1		R
1	901192	CONTROL HEAD / "VOLVO" (VSS-04) To A-1492	1	1		
. NS	901266	. REMOTE CONTROL / CONTROL HEAD VOLVO / VSS04 To A-1492	1	1		
1		WHEN CHANGE VSS04 TO VSS05 YOU NEED CONTROL HEAD 21516503 To A-1492	1	1		
1		& HARNESS KIT 409439 & NEW RADIO To A-1492	1	1		
1		901417P OR 901418P OR 901419P To A-1492	1	1		
1	IS08080	SOUND SELECTOR REPLACEMENT, VSS04 VS VSS05 To A-1492	1	1		
. NS	900238	. CONTROL HEAD / "VOLVO" (VSS-05A) To A-1492	1	1		
. NS	21251311	. . REMOTE CONTROL / CONTROL HEAD VOLVO / VSS05 To A-1492	1	1		
. NS	0610388	. CABLE INTERFACE VSS04 TO VSS05 To A-1492	1	1		
. NS	IS-08080	. SEE INSTRUCTION SHEET To A-1492	1	1		
1	21516503	CONTROL HEAD / "VOLVO" (VSS-05) To A-1492	1	1		
. NS	21251311	. REMOTE CONTROL / CONTROL HEAD VOLVO / VSS05 To A-1492	1	1		
1	901417P	RADIO "PREVOST" AM/FM/CD & MP3 BLUETOOTH COMPUTERIZ To A-1492	1	1		
1	901418P	RADIO "PREVOST" AM/FM/CD & MP3 BLUETOOTH SIRIUS COMPUTERIZ To A-1492	1	1		
1	901419P	RADIO "PREVOST" AM/FM/CD & MP3 BLUETOOTH & XM COMPUTERIZ To A-1492	1	1		
1	21116371	CONTROL HEAD / "VOLVO" (VSS-05) From A-1493 To B-1728	1	1		
. NS	21251311	. REMOTE CONTROL / CONTROL HEAD VOLVO / VSS05 From A-1493 To B-1728	1	1		
1	21516503	CONTROL HEAD / "VOLVO" (VSS-05) From B-1729	1	1		
. NS	21251311	. REMOTE CONTROL / CONTROL HEAD VOLVO / VSS05 From B-1729	1	1		
2	901190	RADIO AM-FM-CD-CDX / "PRÉVOST" MP3 VR-300 To A-1492	1	1		
2	901209	RADIO "PREVOST" AM-FM-CD / "XM" READY (DELPHI) To A-1492	1	1		
2	901218	RADIO "PREVOST" AM-FM-CD / "SIRIUS" READY (DELPHI) To A-1492	1	1		
2	901315	RADIO "PREVOST" AM/FM/CD & MP3 BLUETOOTH (DELPHI) From A-1493 To A-1543	1	1		
2	901341	RADIO "PREVOST" AM/FM/CD & MP3 BLUETOOTH (DELPHI / PANA PACIFIC) From A-1544 To A-1692	1	1		
2	901380	RADIO "PREVOST" AM/FM/CD & MP3 BLUETOOTH (DELPHI / PANA PACIFIC) From A-1693 To C-2108	1	1		
2	901417	RADIO "PREVOST" AM/FM/CD & MP3 BLUETOOTH (DELPHI / PANA PACIFIC) From C-2109 To E-2570	1	1		
2	901437	RADIO "PREVOST" AM/FM/CD & MP3 BLUETOOTH (DELPHI / PANA PACIFIC) From E-2571	1	1		
2	901316	RADIO "PREVOST" AM/FM/CD & MP3 BLUETOOTH & XM (DELPHI) From A-1493 To A-1543	1	1		
2	901342	RADIO "PREVOST" AM/FM/CD & MP3 BLUETOOTH & XM (DELPHI / PANA PACIFIC) From A-1544 To A-1715	1	1		
2	901381	RADIO "PREVOST" AM/FM/CD & MP3 BLUETOOTH & XM (DELPHI / PANA PACIFIC) From A-1716 To C-2108	1	1		
2	901419	RADIO "PREVOST" AM/FM/CD & MP3 BLUETOOTH & XM (DELPHI / PANA PACIFIC) From C-2109 To E-2602	1	1		
2	901439	RADIO "PREVOST" AM/FM/CD & MP3 BLUETOOTH & XM (DELPHI / PANA PACIFIC) From E-2603	1	1		
2	901317	RADIO "PREVOST" AM/FM/CD & MP3 BLUETOOTH SIRIUS (DELPHI) From A-1493 To A-1543	1	1		
2	901343	RADIO "PREVOST" AM/FM/CD & MP3 BLUETOOTH SIRIUS (DELPHI / PANA PACIFIC) From A-1544 To B-1728	1	1		
2	901382	RADIO "PREVOST" AM/FM/CD & MP3 BLUETOOTH SIRIUS (DELPHI / PANA PACIFIC) From B-1729 To C-2108	1	1		
2	901418	RADIO "PREVOST" AM/FM/CD & MP3 BLUETOOTH SIRIUS (DELPHI / PANA PACIFIC) From C-2109 To E-2656	1	1		
2	901438	RADIO "PREVOST" AM/FM/CD & MP3 BLUETOOTH SIRIUS (DELPHI / PANA PACIFIC) From E-2657	1	1		
2	400469	REPLACEMENT OF RADIO #901437 BY #23000462 WITH CONVERSION KIT VSS04 TO VSS05 To A-1492	1	1		



From 7-0671 To G-3308	Date:10/2022	PAGE:H7-2315-00
<b>SOUND SYSTEM &amp; ACCESSORIES</b>		

Item#	Part	Description	H 3 4 1	H 3 4 5	V I P 4 5	N O T E S
. NS	23000462	. RADIO "PREVOST" AM/FM/CD & MP3 BLUETOOTH (PANA PACIFIC) To A-1492	1	1		
. NS	061010	. JUMPER HARNESS FOR DEA5XX RADIO To A-1492	1	1		
. NS	563962	. CONNECTOR / JUNIOR POWER TIMER / SH 8C / AMP 962191-1 To A-1492	1	1		
. NS	21516503	. CONTROL HEAD / "VOLVO" (VSS-05) To A-1492	1	1		
. NS	21251311	. . REMOTE CONTROL / CONTROL HEAD VOLVO / VSS05 To A-1492	1	1		
. NS	21285274	. CABLE INTERFACE VSS04 to VSS05 To A-1492	1	1		
. NS	IS-08080	. SEE INSTRUCTION SHEET To A-1492	1	1		
2	390021	REPLACEMENT OF RADIO #901437 BY #23000462 From A-1493	1	1		
. NS	23000444	. RADIO "PREVOST" AM/FM/CD & MP3 BLUETOOTH & XM & SIRIUS (PANA PACIFIC) From A-1493	1	1		
. NS	061010	. JUMPER HARNESS FOR DEA5XX RADIO From A-1493	1	1		
. NS	563962	. CONNECTOR / JUNIOR POWER TIMER / SH 8C / AMP 962191-1 From A-1493	1	1		
. NS	IS16100	. SEE INSTRUCTION SHEET From A-1493	1	1		
2	400483	REPLACEMENT OF RADIO #901438 & #901439 BY #23000444 WITH CONVERSION KIT VSS04 TO VSS05 To A-1492	1	1		
. NS	23000444	. RADIO "PREVOST" AM/FM/CD & MP3 BLUETOOTH & XM & SIRIUS (PANA PACIFIC) To A-1492	1	1		
. NS	061010	. JUMPER HARNESS FOR DEA5XX RADIO To A-1492	1	1		
. NS	563962	. CONNECTOR / JUNIOR POWER TIMER / SH 8C / AMP 962191-1 To A-1492	1	1		
. NS	21516503	. CONTROL HEAD / "VOLVO" (VSS-05) To A-1492	1	1		
. NS	21251311	. . REMOTE CONTROL / CONTROL HEAD VOLVO / VSS05 To A-1492	1	1		
. NS	21285274	. CABLE INTERFACE VSS04 to VSS05 To A-1492	1	1		
. NS	IS-08080	. SEE INSTRUCTION SHEET To A-1492	1	1		
2	390023	REPLACEMENT OF RADIO #901438 & #901439 BY #23000444 From A-1493	1	1		
. NS	23000444	. RADIO "PREVOST" AM/FM/CD & MP3 BLUETOOTH & XM & SIRIUS (PANA PACIFIC) From A-1493	1	1		
. NS	061010	. JUMPER HARNESS FOR DEA5XX RADIO From A-1493	1	1		
. NS	563962	. CONNECTOR / JUNIOR POWER TIMER / SH 8C / AMP 962191-1 From A-1493	1	1		
. NS	IS16100	. SEE INSTRUCTION SHEET From A-1493	1	1		
NS	406440	ATTACHMENT / RADIO	AR	AR		
NS	500989	WASHER FL .219x.875x.062 Z050	AR	AR		
NS	500470	WASHER LO SPT .193x.334x.047 Z050	AR	AR		
NS	502816	NUT HEX M5-0.8 N500	AR	AR		
4	900808	MICROPHONE / W/6' CORD / "REI" TYPE C.B.	1	1		
. NS	900721	. CONNECTOR MICROPHONE 90° / R4F	1	1		
4	900829	MICROPHONE / W/10' CORD / "REI" TYPE C.B.	1	1		
. NS	900721	. CONNECTOR MICROPHONE 90° / R4F	1	1		
. NS	900900	. CABLE MICROPHONE 10' / "REI"	1	1		
4	901286	MICROPHONE / W/10' CORD / "REI" TYPE C.B.	1	1		
. NS	900721	. CONNECTOR MICROPHONE 90° / R4F	1	1		
. NS	900900	. CABLE MICROPHONE 10' / "REI"	1	1		
4	<b>7770304</b>	<b>HANDS FREE MICROPHONE</b>	1	1		
5	900859	BRACKET, MOUNTING / MICROPHONE	AR	AR		
NS	500583	SCREW TP PAN PH #6x1/2 Z050	AR	AR		
6	404226	OUTLET, MICROPHONE / 12" W/CONNECTOR	AR	AR		
7	500798	SCREW TP PAN PH #4-3/8 ZP	AR	AR		

From 7-0671 To G-3308	Date:10/2022	PAGE:H7-2315-00
<b>SOUND SYSTEM &amp; ACCESSORIES</b>		

Item#	Part	Description	H 3 4 1	H 3 4 5	V I P 4 5	N O T E S
9	500814	SCREW TP BDG PH #6x3/4 BK	4	4		
10	500996	NUT SPR U #6-32 .135-.150	4	4		
12	901195	SPEAKER COAXIAL	1	1		
12	901261	GRILLE / SPEAKER NO STAMPED	1	1		
13	066704	CABLE SPEAKER / JCT & LH & RH	1	1		
23	901201	RECEIVER WIRELESS MICROPHONE / 16 CHANNEL	1	1		
24	900954	MICROPHONE, WIRELESS / 16 CHANNEL	1	1		
. NS	685199	. BATTERY 1.5V / TYPE "AA" / RECHARGEABLE	AR	AR		
NS	900953	STATION WIRELESS BATTERY CHARGING 16 CHANNEL	1	1		
25	<b>H7-2317-30</b>	<b>VIDEO &amp; AUDIO SYSTEM - INSTALLATION</b>				
26	901148	RADIO "PANASONIC" CQ-C3301U / AM/FM/CD & XM / 700972	1	1		
26	901189	RADIO "PANASONIC" CQ-C3301U / AM/FM/CD & XM / 690450	1	1		
		SEE ALSO ITEM # 2 ABOVE				
27	900849	PLATE RADIO "DUMMY"	AR	AR		
28	<b>H7-2315-20</b>	<b>INDIVIDUAL STATIONS - "R.E.I."</b>				
29	901045	MICROPHONE / W/GOOSE NECK 36"	1	1		
NS	504234	SPRING CLIP 5/16"	2	2		
NS	500409	SCREW TP PAN PH #8x1/2 BK	2	2		
NS	500862	SCREW TC PAN PH #6-32x3/4 Z050	3	3		
NS	404430	SUPPORT GOOSE NECK	1	1		
30	901253	ANTENNA, RADIO / W/AMPLIFIER To A-1532	1	1		
30	901318	ANTENNA, RADIO / W/AMPLIFIER From A-1533 To A-1623	1	1		
30	901371	ANTENNA, RADIO / W/AMPLIFIER From A-1627	1	1		
NS	900775	Y RADIO ANTENNA CABLE / TO USE W/2 RADIOS	AR	AR		
30	901252	EXTENSION CABLE FOR RADIO ANTENNA 25'	1	1		
NS	900663	ADAPTOR / RADIO & ANTENNA CABLE / MOTOROLA MALE to EURO FEMA	AR	AR		
30	901258	ADAPTOR / RADIO & ANTENNA CABLE 90° / EURO MALE to MOTOROLA FEM To A-1532	AR	AR		
30	901338	CABLE ADAPTOR / RADIO & ANTENNA CABLE / MOTOROLA / M TO EURO / F From A-1533 To A-1626	AR	AR		
30	901372	CABLE ADAPTOR / RADIO & ANTENNA CABLE / MOTOROLA / M TO EURO / F From A-1627	1	1		
NS	901219	ANTENNA ROOF "XM" & SIRIUS"	1	1		
. NS	901220	. CABLE, ANTENNA EXTENSION / "XM & SIRIUS"	1	1		
31	901124	ANTENNA ASSY / CELLULAR	1	1		
33	900888	ANTENNA ASSY / C.B. / 12"	1	1		
33	901563	ANTENNA ASSY 170MM	1	1		
34	900895	SPRING EXTENSION / .828 O.D. x 3.010 X .104 W/3/8	1	1		
36	900889	CABLE, ANTENNA 22' / 511386	1	1		
NS	5001242	WASHER SHR .375x.110 NYL	2	2		
NS	403488	WASHER	1	1		
NS	685126	ADHESIVE SIMSON #ISR 70-03 / GREY / 600ml SAUSAGE	AR	AR		
40	404188	MASTER INTERPHONE ASSY / FRONT TELEPHONE To D-2403	1	1		
40	404187	SECONDARY INTERPHONE ASSY / REAR TELEPHONE To D-2403	1	1		
40	901446	INTERCOM SYS. DUAL HANDSET AT-406B From D-2404	1	1		

From 7-0671 To G-3308	Date:10/2022	PAGE:H7-2315-00
<b>SOUND SYSTEM &amp; ACCESSORIES</b>		

Item#	Part	Description	H 3 4 1	H 3 4 5	V I P 4 5	N O T E S
40	901447	POWER ADAPTER 120VAC TO 6VDC From D-2404	1	1		
41	900881	HEAD SET EARPHONE	AR	AR		
. NS	900882	. FOAM CUSHION PAD / (SET OF 2) / FOR 900881	1	1		
41	900882	. FOAM CUSHION PAD / (SET OF 2) / FOR 900881	AR	AR		
45	900745	MICROPHONE / W/10' CORD / "SHURE" / TYPE ENTERTAINER	1	1		
. NS	900900	. CABLE MICROPHONE 10' / "REI"	1	1		
50	563011	SPEAKER / EXTERIOR / PIONEER	1	1		B
51	421397	GRILLE SS / SPEAKER / EXTERIOR 200MM X 125 To C-1957	1	1		B
51	491474	GRILLE SS / SPEAKER / EXTERIOR 200MM X 130 From C-1958	1	1		B
NS	382102	BOX / EXTERIOR SPEAKER To 7-1041	1	1		B
53	502557	NUT HEX NYRT M4-0.7 SS	4	4		B
54	504357	WASHER FL .187x.437x.050 SS	4	4		B
55	5001094	SCREW MA PAN PH M4-0.7x16 SS BK To E-2494	4	4		B
55	502698	SCREW MA PAN PH M4-0.7x16 SS BK From E-2495	4	4		B
60	<b>H7-1812-00</b>	<b>MODESTY PANEL L.H.</b>				
		NEXT ITEMS ARE RELATED WITH				
61		"BLAUPUNKT" BUS MUTIMEDIA SYSTEM	1	1	1	
		WITH "ADIIRONDAACK TRANSIT LINE"				
NS	901329	RADIO "BLAUPUNKT" / From A-1518 To A-1528	1	1		
NS	901330	CD CHARGER / 10 DISCS / "BLAUPUNKT" CDC M7 From A-1518 To A-1528	1	1		
NS	901331	CABLE ASSY / CD & RADIO From A-1518 To A-1528	1	1		
		B) WITH EXTERIOR SPEAKER FIXED FRONT FENDER PANEL				
		R) USE ALSO WITH "OPTION" R.E.I. CONTROL HEAD UP TO A-1492				

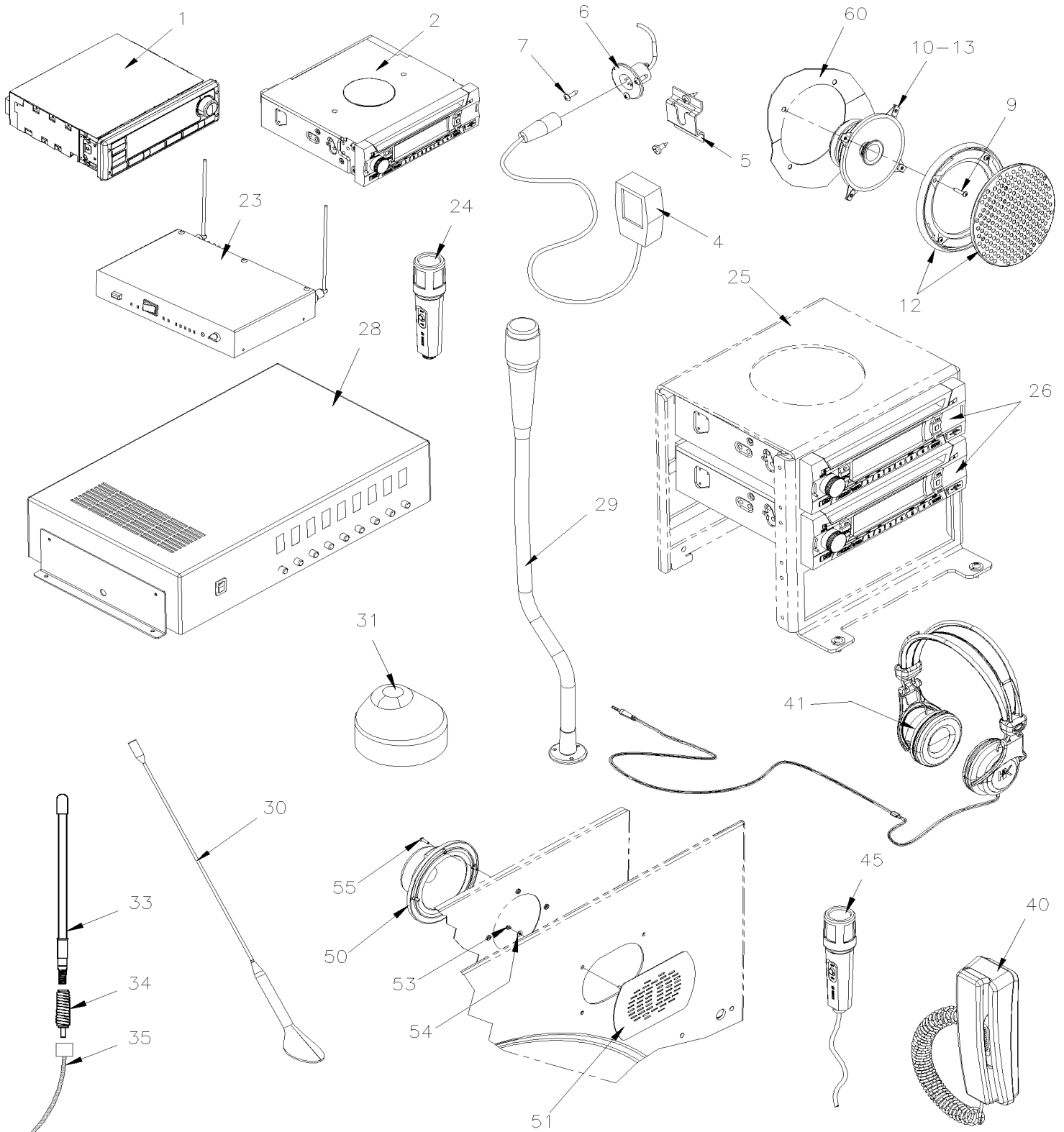


From G-3309 To J-0184

Date:10/2022

PAGE:H7-2315-01

## SOUND SYSTEM & ACCESSORIES W/HHD



<b>From G-3309 To J-0184</b>	<b>Date:10/2022</b>	<b>PAGE:H7-2315-01</b>
<b>SOUND SYSTEM &amp; ACCESSORIES W/HHED</b>		

Item#	Part	Description	H 3 4 1	H 3 4 5	V I P 4 5	N O T E S
1	21516503	CONTROL HEAD / "VOLVO" (VSS-05)	1	1		
. NS	21251311	. REMOTE CONTROL / CONTROL HEAD VOLVO / VSS05	1	1		
2	901437	RADIO "PREVOST" AM/FM/CD & MP3 BLUETOOTH (DELPHI / PANA PACIFIC) To H-3734	1	1		
2	23000462	RADIO "PREVOST" AM/FM/CD & MP3 BLUETOOTH (PANA PACIFIC) From H-3735	1	1		
2	901439	RADIO "PREVOST" AM/FM/CD & MP3 BLUETOOTH & XM (DELPHI / PANA PACIFIC) To H-3734	1	1		
2	23000444	RADIO "PREVOST" AM/FM/CD & MP3 BLUETOOTH & XM & SIRIUS (PANA PACIFIC) From H-3735	1	1		
2	901438	RADIO "PREVOST" AM/FM/CD & MP3 BLUETOOTH SIRIUS (DELPHI / PANA PACIFIC) To H-3734	1	1		
2	23000444	RADIO "PREVOST" AM/FM/CD & MP3 BLUETOOTH & XM & SIRIUS (PANA PACIFIC) From H-3735	1	1		
2	390021	REPLACEMENT OF RADIO #901437 BY #23000462 To H-3734	1	1		
. NS	23000444	. RADIO "PREVOST" AM/FM/CD & MP3 BLUETOOTH & XM & SIRIUS (PANA PACIFIC) To H-3734	1	1		
. NS	061010	. JUMPER HARNESS FOR DEA5XX RADIO To H-3734	1	1		
. NS	563962	. CONNECTOR / JUNIOR POWER TIMER / SH 8C / AMP 962191-1 To H-3734	1	1		
. NS	IS16100	. SEE INSTRUCTION SHEET To H-3734	1	1		
2	390023	REPLACEMENT OF RADIO #901438 & #901439 BY #23000444 To H-3734	1	1		
. NS	23000444	. RADIO "PREVOST" AM/FM/CD & MP3 BLUETOOTH & XM & SIRIUS (PANA PACIFIC) To H-3734	1	1		
. NS	061010	. JUMPER HARNESS FOR DEA5XX RADIO To H-3734	1	1		
. NS	563962	. CONNECTOR / JUNIOR POWER TIMER / SH 8C / AMP 962191-1 To H-3734	1	1		
. NS	IS16100	. SEE INSTRUCTION SHEET To H-3734	1	1		
NS	406440	ATTACHMENT / RADIO	AR	AR		
NS	500989	WASHER FL .219x.875x.062 Z050	AR	AR		
NS	500470	WASHER LO SPT .193x.334x.047 Z050	AR	AR		
NS	502816	NUT HEX M5-0.8 N500	AR	AR		
4	900808	MICROPHONE / W/6' CORD / "REI" TYPE C.B.	1	1		
. NS	900721	. CONNECTOR MICROPHONE 90° / R4F	1	1		
4	900829	MICROPHONE / W/10' CORD / "REI" TYPE C.B.	1	1		
. NS	900721	. CONNECTOR MICROPHONE 90° / R4F	1	1		
. NS	900900	. CABLE MICROPHONE 10' / "REI"	1	1		
4	901286	MICROPHONE / W/10' CORD / "REI" TYPE C.B.	1	1		
. NS	900721	. CONNECTOR MICROPHONE 90° / R4F	1	1		
. NS	900900	. CABLE MICROPHONE 10' / "REI"	1	1		
4	<b>7770304</b>	<b>HANDS FREE MICROPHONE</b>	1	1		
5	900859	BRACKET, MOUNTING / MICROPHONE	AR	AR		
NS	500583	SCREW TP PAN PH #6x1/2 Z050	AR	AR		
6	404226	OUTLET, MICROPHONE / 12" W/CONNECTOR	AR	AR		
7	500798	SCREW TP PAN PH #4-3/8 ZP	AR	AR		
9	500814	SCREW TP BDG PH #6x3/4 BK	4	4		
10	500996	NUT SPR U #6-32 .135-.150	4	4		
12	901195	SPEAKER COAXIAL	1	1		
12	901261	GRILLE / SPEAKER NO STAMPED	1	1		
13	066704	CABLE SPEAKER / JCT & LH & RH	1	1		
23	901201	RECEIVER WIRELESS MICROPHONE / 16 CHANNEL To H-3775	1	1		
23	901657	RECEIVER WIRELESS MICROPHONE / 200 CHANNEL From H-3776	1	1		

<b>From G-3309 To J-0184</b>	<b>Date:10/2022</b>	<b>PAGE:H7-2315-01</b>
<b>SOUND SYSTEM &amp; ACCESSORIES W/HHED</b>		

Item#	Part	Description	H 3 4 1	H 3 4 5	V I P 4 5	N O T E S
24	900954	MICROPHONE, WIRELESS / 16 CHANNEL To H-3775	1	1		
. NS	685199	. BATTERY 1.5V / TYPE "AA" / RECHARGEABLE To H-3775	AR	AR		
24	901640	MICROPHONE, WIRELESS / 100 CHANNEL From H-3776	1	1		
NS	900953	STATION WIRELESS BATTERY CHARGING 16 CHANNEL To H-3775	1	1		
24	901639	STATION WIRELESS BATTERY CHARGING 100 CHANNEL From H-3776	1	1		
25	<b>H7-2317-31</b>	<b>VIDEO &amp; AUDIO SYSTEM - INSTALLATION W/HHED</b>				
26	23000444	RADIO "PREVOST" AM/FM/CD & MP3 BLUETOOTH & XM & SIRIUS (PANA PACIFIC)	1	1		
26	23000462	RADIO "PREVOST" AM/FM/CD & MP3 BLUETOOTH (PANA PACIFIC)	1	1		
28	<b>H7-2315-21</b>	<b>INDIVIDUAL STATIONS - "R.E.I." W/HHED</b>				
29	901045	MICROPHONE / W/GOOSE NECK 36"	1	1		
NS	504234	SPRING CLIP 5/16"	2	2		
NS	500409	SCREW TP PAN PH #8x1/2 BK	2	2		
NS	500862	SCREW TC PAN PH #6-32x3/4 Z050	3	3		
NS	404430	SUPPORT GOOSE NECK	1	1		
30	901371	ANTENNA, RADIO / W/AMPLIFIER	1	1		
NS	900775	Y RADIO ANTENNA CABLE / TO USE W/2 RADIOS	AR	AR		
30	901252	EXTENSION CABLE FOR RADIO ANTENNA 25' To H-3734	1	1		
30	900060	EXTENSION CABLE FOR RADIO ANTENNA 20' From H-3735	1	1		
NS	900663	ADAPTOR / RADIO & ANTENNA CABLE / MOTOROLA MALE to EURO FEMA	AR	AR		
30	901372	CABLE ADAPTOR / RADIO & ANTENNA CABLE / MOTOROLA / M TO EURO / F	1	1		
NS	901219	ANTENNA ROOF "XM" & SIRIUS"	1	1		
. NS	901220	. CABLE, ANTENNA EXTENSION / "XM & SIRIUS"	1	1		
31	901124	ANTENNA ASSY / CELLULAR	1	1		
33	900888	ANTENNA ASSY / C.B. / 12"	1	1		
33	901563	ANTENNA ASSY 170MM	1	1		
34	900895	SPRING EXTENSION / .828 O.D. x 3.010 X .104 W/3/8	1	1		
35	900889	CABLE, ANTENNA 22' / 511386	1	1		
NS	5001242	WASHER SHR .375x.110 NYL	2	2		
NS	403488	WASHER	1	1		
NS	685126	ADHESIVE SIMSON #ISR 70-03 / GREY / 600ml SAUSAGE	AR	AR		
40	901446	INTERCOM SYS. DUAL HANDSET AT-406B	1	1		
40	901447	POWER ADAPTER 120VAC TO 6VDC	1	1		
41	900881	HEAD SET EARPHONE	AR	AR		
. NS	900882	. FOAM CUSHION PAD / (SET OF 2) / FOR 900881	1	1		
41	900882	. FOAM CUSHION PAD / (SET OF 2) / FOR 900881	AR	AR		
45	900745	MICROPHONE / W/10' CORD / "SHURE" / TYPE ENTERTAINER	1	1		
. NS	900900	. CABLE MICROPHONE 10' / "REI"	1	1		
50	563011	SPEAKER / EXTERIOR / PIONEER	1	1		B
51	491474	GRILLE SS / SPEAKER / EXTERIOR 200MM X 130	1	1		B
53	502557	NUT HEX NYRT M4-0.7 SS	4	4		B
54	504357	WASHER FL .187x.437x.050 SS	4	4		B
55	502698	SCREW MA PAN PH M4-0.7x16 SS BK	4	4		B

From G-3309 To J-0184	Date:10/2022	PAGE:H7-2315-01
<b>SOUND SYSTEM &amp; ACCESSORIES W/HHED</b>		

Item#	Part	Description	H 3 4 1	H 3 4 5	V I P 4 5	N O T E S
60	H7-1812-00	MODESTY PANEL L.H.				
		B) WITH EXTERIOR SPEAKER FIXED FRONT FENDER PANEL				



From A-1605 To G-3308

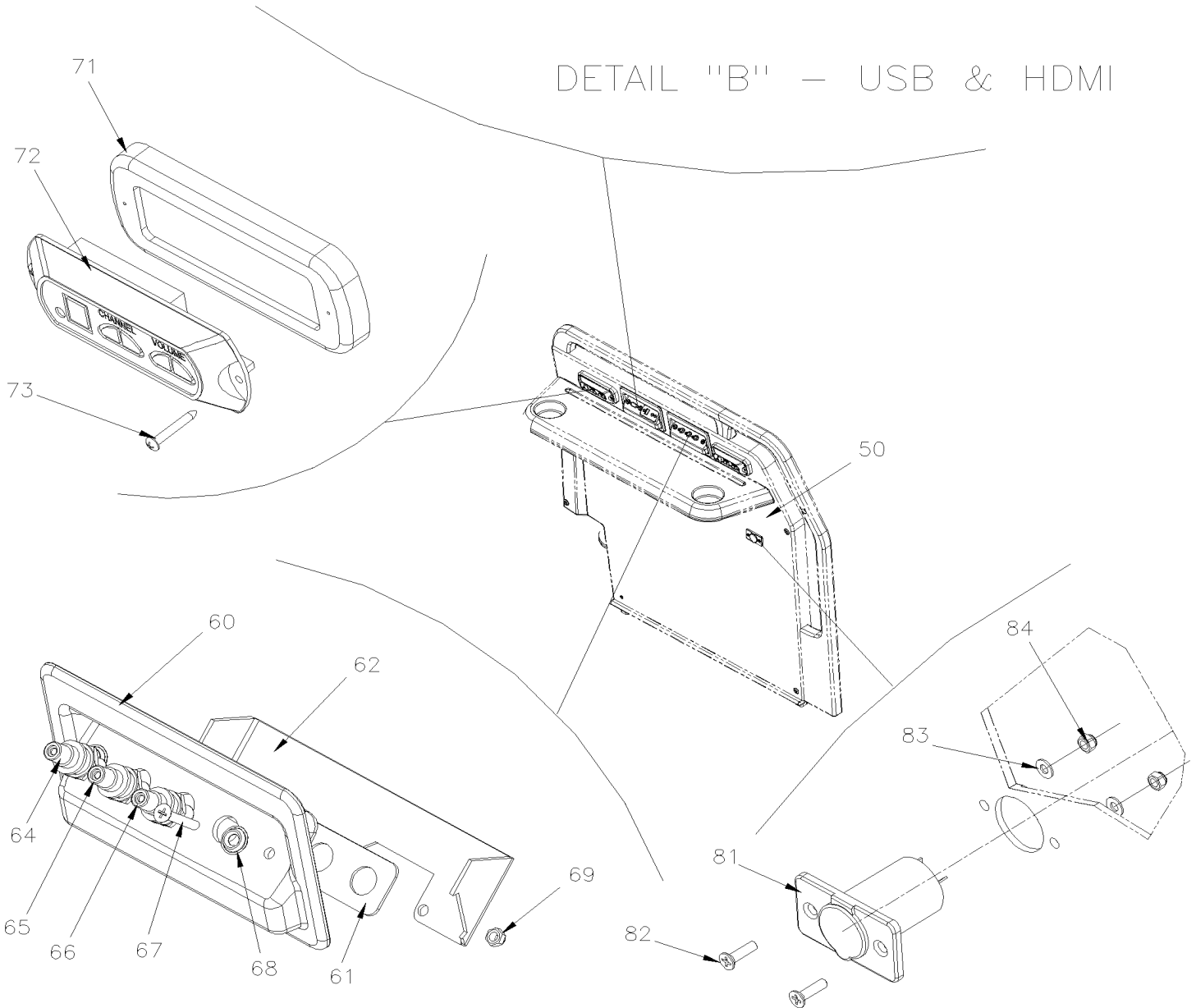
Date:10/2022

PAGE:H7-2315-05

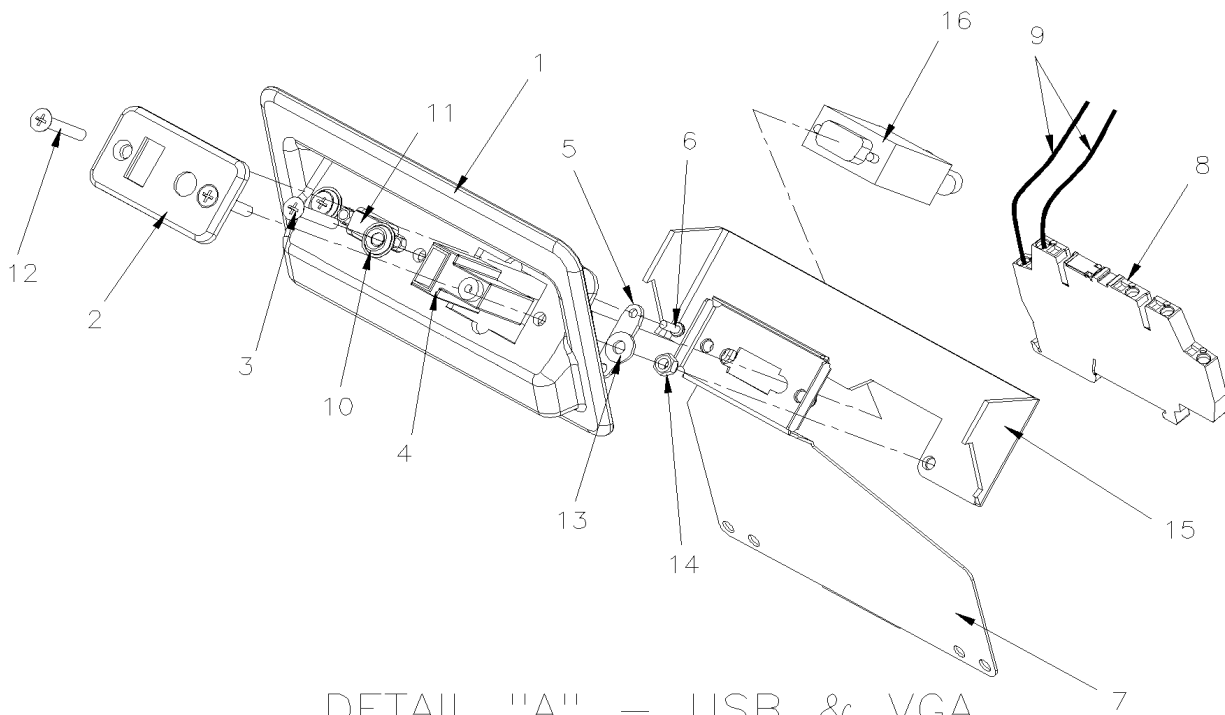
"USB" & "VGA" & "RCA" CABLE & CONVERTER & 12 VOLTS

DETAIL "A" — USB & VGA

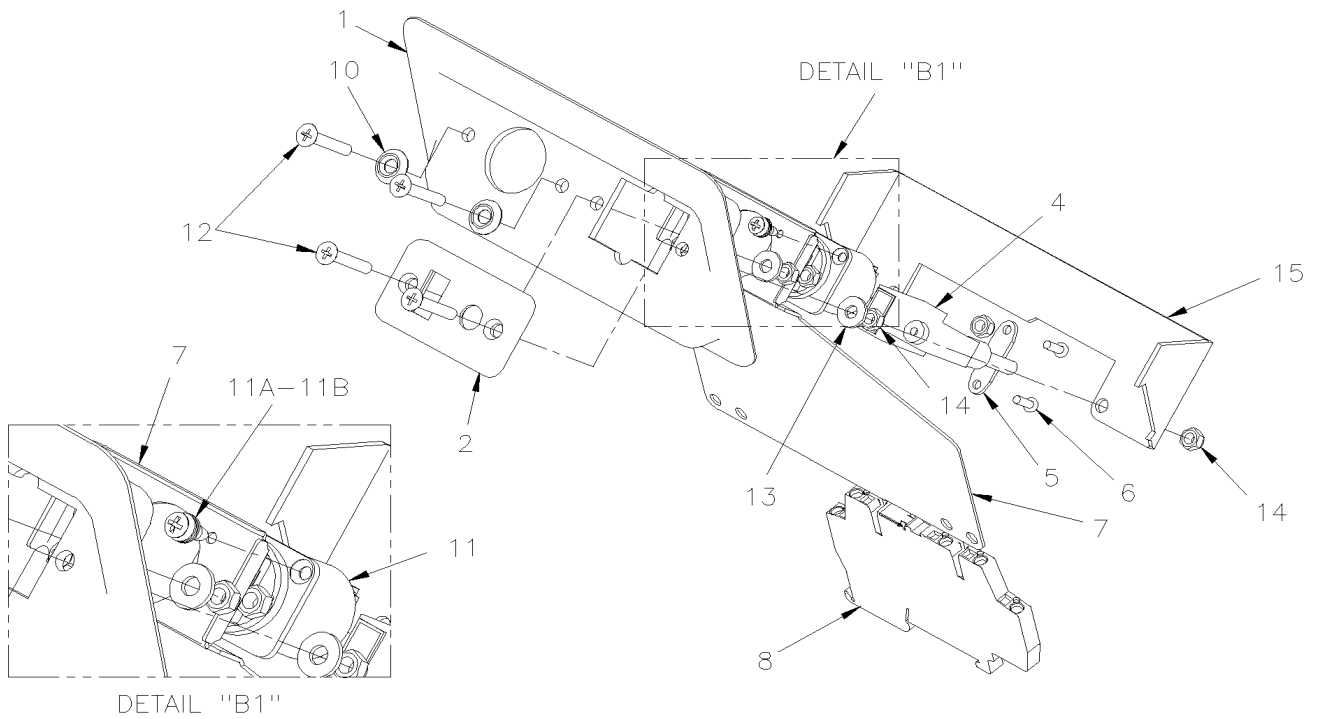
DETAIL "B" — USB & HDMI



"USB" & "VGA" & "RCA" CABLE & CONVERTER & 12 VOLTS



DETAIL "A" - USB & VGA



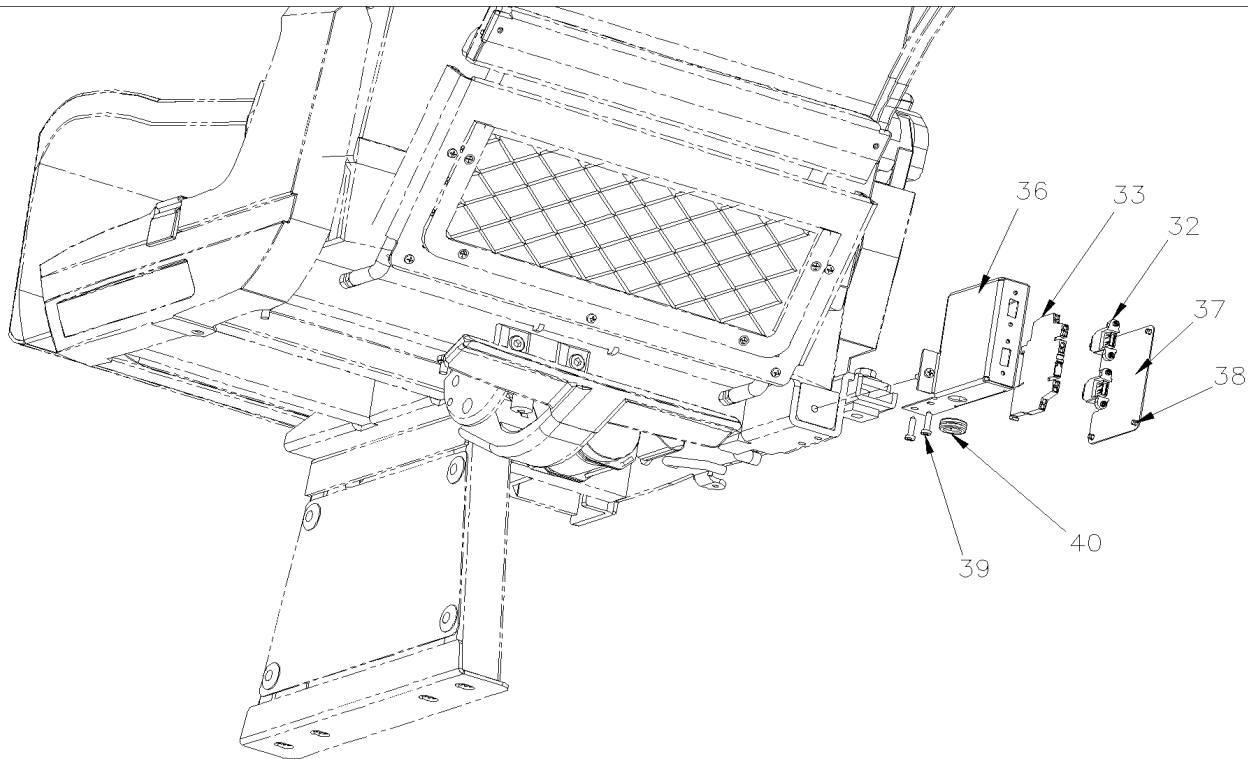
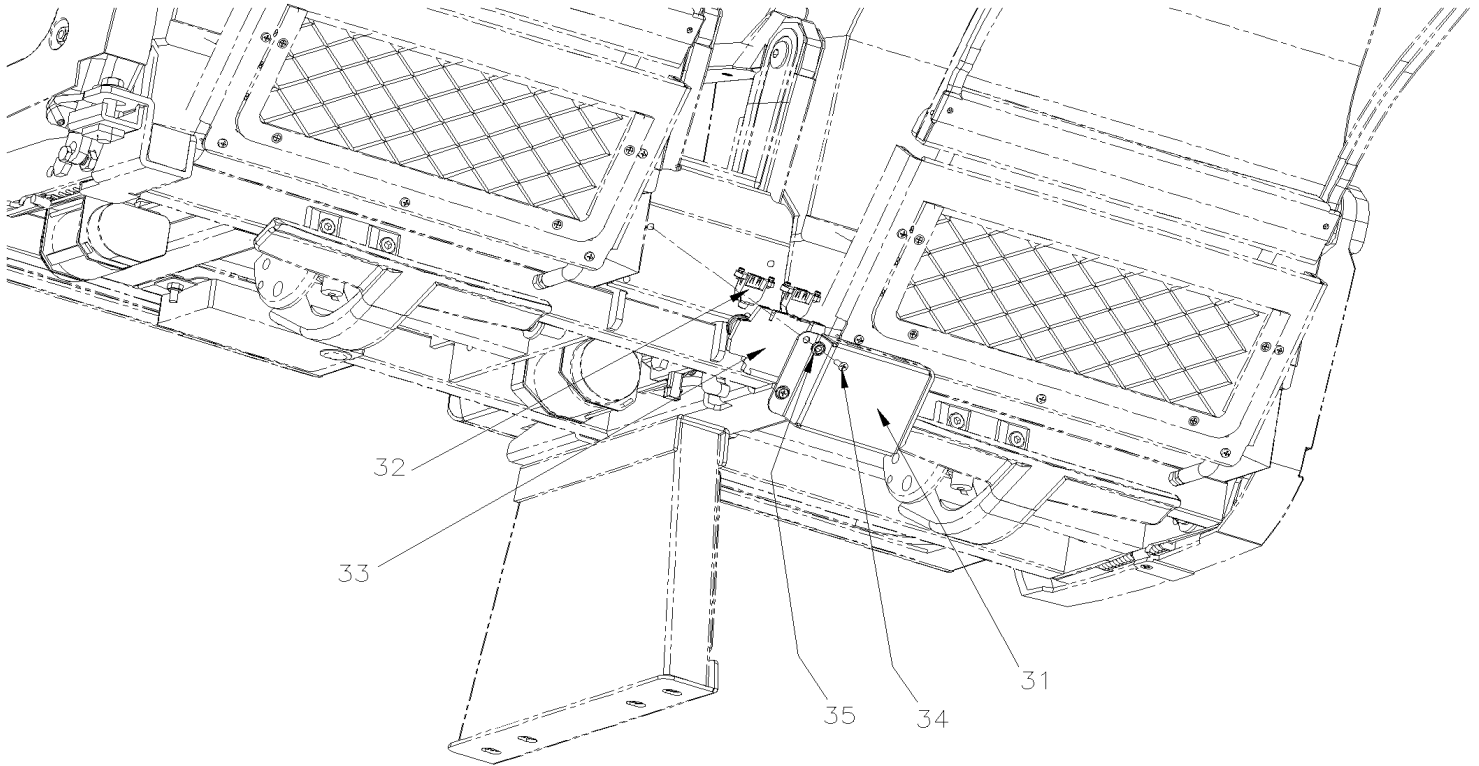
DETAIL "B" - USB & HDMI

From A-1605 To G-3308

Date:10/2022

PAGE:H7-2315-05

## "USB" & "VGA" & "RCA" CABLE & CONVERTER & 12 VOLTS

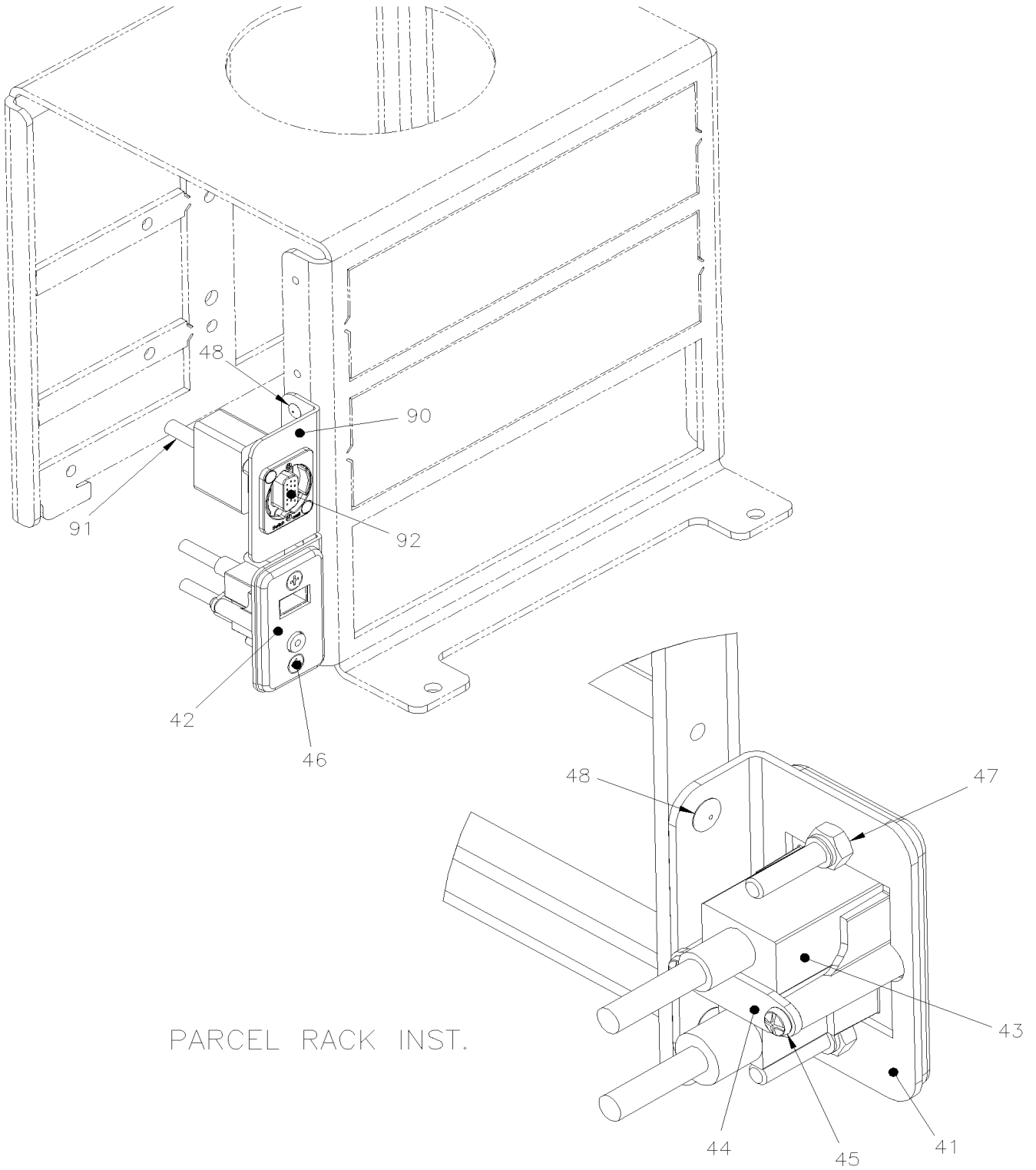


From A-1605 To G-3308

Date:10/2022

PAGE:H7-2315-05

"USB" & "VGA" & "RCA" CABLE & CONVERTER & 12 VOLTS



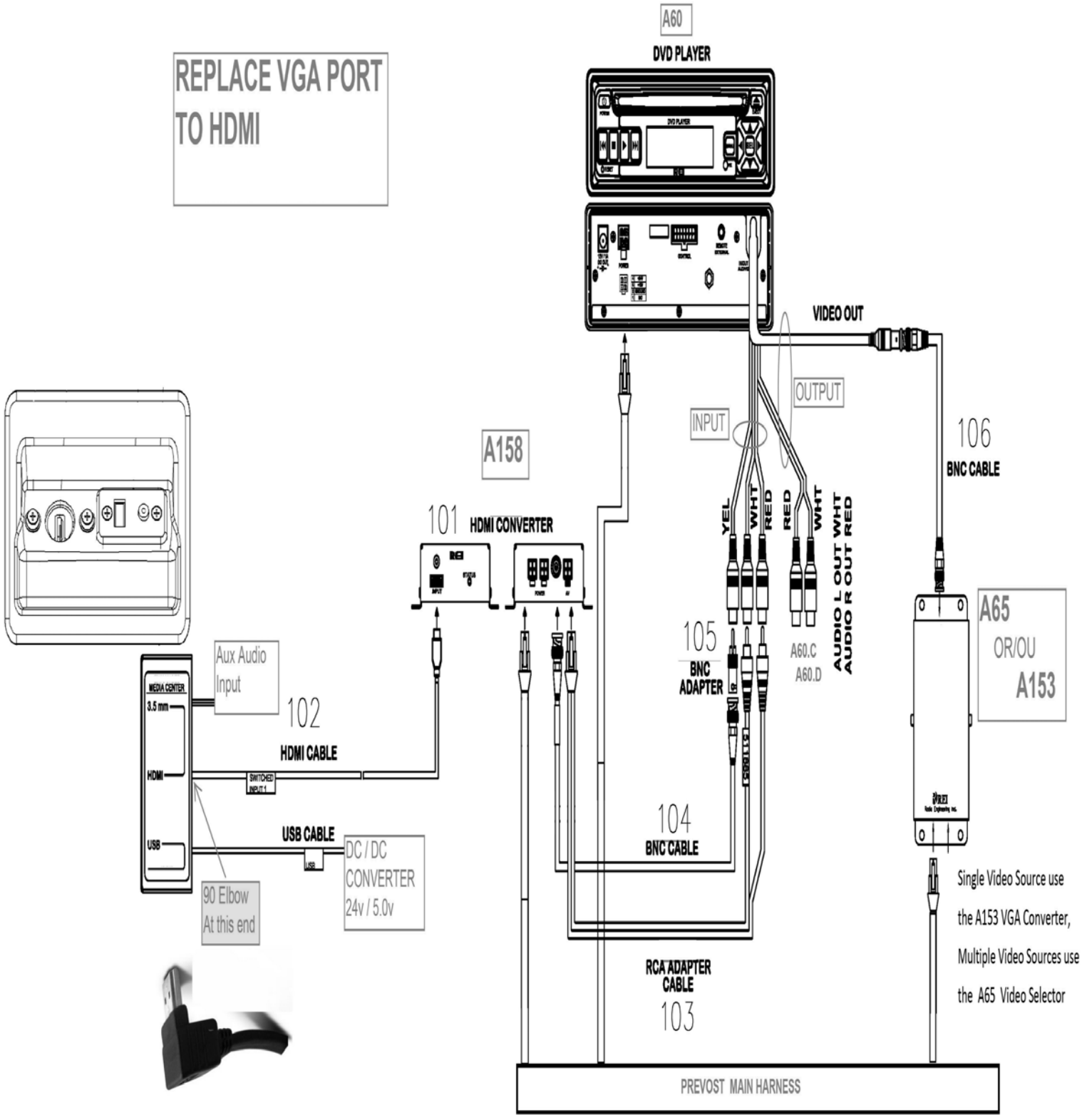
PARCEL RACK INST.

From A-1605 To G-3308

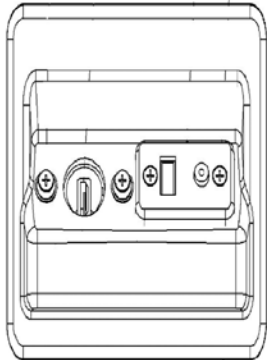
Date:10/2022

PAGE:H7-2315-05

"USB" & "VGA" & "RCA" CABLE & CONVERTER & 12 VOLTS



REPLACE VGA PORT  
TO HDMI



Single Video Source use the A153 VGA Converter, Multiple Video Sources use the A65 Video Selector

<b>From A-1605 To G-3308</b>	<b>Date:10/2022</b>	<b>PAGE:H7-2315-05</b>
<b>"USB" &amp; "VGA" &amp; "RCA" CABLE &amp; CONVERTER &amp; 12 VOLTS</b>		

Item#	Part	Description	H 3 4 1	H 3 4 5	V I P 4 5	N O T E S
	409993P	CONVERTER VGA & "USB" PLUG ASSY	1	1		
	409317P	CONVERTER & "USB" / MP3 PLUG ASSY	1	1		
	409444P	CONVERTER & HDMI / USB PLUG ASSY	1	1		
1	406384	. COVER CONVERTER MODULE "USB" & "VGA"	1	1		
1	406399	. COVER CONVERTER MODULE "USB" / MP3	1	1		
1	406699	. CASE, HDMI OUTLET	1	1		
2	406413	. SUPPORT "USB" CONNECTOR	1	1		
3	5001429	. SCREW MA FL PH M4-0.7x25 BK	4	4		
4	901349	. CABLE USB ASSY W/2 RESISTORS 870MM	1	1		
5	406414	. PLATE RETAINER "USB" CONECTOR	1	1		
6	500798	. SCREW TP PAN PH #4-3/8 ZP	2	2		
7	406385	. SUPPORT PANEL "VGA" SOCKET ALUMINUM	1	1		
7	406700	. PANEL, HDMI OUTLET	1	1		
8	901345	. REGULATOR 5 Volt 500ma	1	1		
NS	504273	. CABLE TIE / 1/8" X 3"1/2	2	2		
9	068007	. CABLE HARNESS "USB" 5 Volt	1	1		
10	500345	. WASHER FN CKF .187x.500x.090 BR BK	2	2		
11	901351	. ADAPTOR "VGA" / DB15 / FEMALE-FEMALE	1	1		
11	901506	. CONN., HDMI PANEL MOUNT BLACK / NEUTRIK	1	1		
11A	500672	. SCREW TP OV PH #6x1/2 N500	2	2		
11B	502578	. WASHER FL 3.2x7.0x0.5 Z050 To G-3168	8	8		
11B	400041	. SPACER From G-3169	1	1		
12	5001429	. SCREW MA FL PH M4-0.7x25 BK	4	4		
13	500855	. WASHER FL .188x.438x.049 N500	2	2		
14	500539	. NUT HEX NYRT M4-0.7 N500	6	6		
15	406406	BRACKET MODULE RETAINER REAR OF PANEL	1	1		
16	901350	CABLE VGA VGA 6 FT / MALE-MALE	1	1		
16	901348	CABLE VGA VGA 15 FT / MALE-MALE	1	1		
16	901314	CABLE VGA VGA 25 FT / MALE-FEMALE	1	1		
16	901452	CABLE VGA VGA 25 FT / MALE-MALE	1	1		
16	069182	POWER CABLE USB OPTION	1	1		
NS	068300	WIRING HARNESS SOUND SYSTEM BELL HORIZON	1	1		
NS	901310	CONVERTER VGA to S-Video & RCA	1	1		
NS	901311	CABLE RCA / 1M/1M / 5'	1	1		
NS	901135	CABLE RCA / 3M/3M / 3'	1	1		
NS	901136	CABLE RCA / 3M/3M / 20'	1	1		
NS	901344	CONVERTISSOR VGA/ COMPOSITE To F-2711	1	1		
24	901537	CONVERTISSOR VGA/ COMPOSITE From F-2712	1	1		
NS	901352	CABLE EXTENSION 3.5MM 3 FT / MALE-MALE	1	1		
NS	21280133	CABLE USB / (DRAWER TO RADIO) / I-POD CONECTOR	1	1		
NS	Call order desk	CABLE ASSY USB/MP3 TO / VSS @ MODESTY PANEL L.H. MODESTY PANEL L.H.	1	1		P

<b>From A-1605 To G-3308</b>	<b>Date:10/2022</b>	<b>PAGE:H7-2315-05</b>
<b>"USB" &amp; "VGA" &amp; "RCA" CABLE &amp; CONVERTER &amp; 12 VOLTS</b>		

Item#	Part	Description	H 3 4 1	H 3 4 5	V I P 4 5	N O T E S
NS	Call order desk	CABLE ASSY USB/MP3 TO / VSS @ MODESTY PANEL R.H. MODESTY PANEL R.H.	1	1		P
31	409351	BOX USB WITH 2+1 SEATSET (SEAT 2 PASS) From C-1884 To D-2275	1	1		
32	901041	CABLE USB, TYPE A, FEMALE, 12" From C-1884 To D-2275	1	1		
33	901345	REGULATOR 5 Volt 500ma From C-1884 To D-2275	1	1		
34	500345	WASHER FN CKF .187x.500x.090 BR BK From C-1884 To D-2275	4	4		
35	500353	SCREW TP FL PH #8x3/4 BK From C-1884 To D-2275	4	4		
36	409352	BOX USB WITH 2+1 SEATSET (SEAT 1 PASS) From C-1884 To D-2275	1	1		
37	409353	COVER BOX USB WITH 2+1 SEATSET (SEAT 1 PASS) From C-1884 To D-2275	1	1		
38	504104	RIVET POP DOME OE 1/8x1/8 SS From C-1884 To D-2275	4	4		
39	500623	SCREW TC PAN PH #10-24x3/4 N500 From C-1884 To D-2275	3	3		
40	504496	GROMMET 2 HOLESx.062x.625x.062x.312x.875x.031 x.375 From C-1884 To D-2275	1	1		
NS	065615	CABLE ASSY POWER 24v to 5v TO USB UNDER SEAT From C-1884 To C-1969	1	1		
40	068455	CABLE ASSY POWER 24v to 5v TO USB UNDER SEAT From C-1970 To D-2275	1	1		
41	406501	SUPPORT "USB" CONECTOR	1	1		
42	406413	SUPPORT "USB" CONNECTOR	1	1		
43	21280133	CABLE USB / (DRAWER TO RADIO) / I-POD CONECTOR	1	1		
44	406414	PLATE RETAINER "USB" CONECTOR	1	1		
45	500798	SCREW TP PAN PH #4-3/8 ZP	2	2		
46	5001429	SCREW MA FL PH M4-0.7x25 BK	2	2		
47	500539	NUT HEX NYRT M4-0.7 N500	2	2		
48	504105	RIVET POP DOME OE 1/8x3/16 AL	AR	AR		
50	<b>H7-1810-00</b>	<b>MODESTY PANEL R.H.</b>				
50	<b>H7-1812-00</b>	<b>MODESTY PANEL L.H.</b>				
60	409996	CASE, RCA OUTLET	1	1		
61	406503	REINFORCEMENT, RCA OUTLET	1	1		
62	406406	BRACKET MODULE RETAINER REAR OF PANEL	1	1		
64	901404	ADAPTOR FEMALE / FEMALE JOINT / NUT / RED / RCA	1	1		
65	901405	ADAPTOR FEMALE / FEMALE JOINT / NUT / WHITE / RCA	1	1		
66	901406	ADAPTOR FEMALE / FEMALE JOINT / NUT / YELLOW / RCA	1	1		
67	5001429	SCREW MA FL PH M4-0.7x25 BK	2	2		
68	500345	WASHER FN CKF .187x.500x.090 BR BK	2	2		
69	500539	NUT HEX NYRT M4-0.7 N500	2	2		
71	405199	RECEPTACLE BOX / PLASTIC	2	2		
72	901006	SELECTOR HEAD SET MODULE	2	2		
73	5001145	SCREW TP BDG PH #6x1 BK	4	4		
		12 VOLTS POWER OUTLET PARCEL RACK INSTALLATION				
76	382598	12 VOLTS POWER OUTLET ASSY	1	1		
NS	562796	12 VOLTS POWER OUTLET	1	1		

From A-1605 To G-3308	Date:10/2022	PAGE:H7-2315-05
<b>"USB" &amp; "VGA" &amp; "RCA" CABLE &amp; CONVERTER &amp; 12 VOLTS</b>		

Item#	Part	Description	H 3 4 1	H 3 4 5	V I P 4 5	N O T E S
81	562796	12 VOLTS POWER OUTLET	1	1		
NS	561566	CONNECTOR / WEATHER PACK / PH 2C / BLACK / PED 12010973	1	1		
NS	561568	PIN TERMINAL / 16-14 / PED 12089305	2	2		
NS	561690	CONNECTOR / WEATHER PACK / SH 2C / BLACK / PED 12015792	1	1		
NS	561578	SOCKET TERMINAL / 16-14 / PED 12010182	2	2		
NS	561539	TAB RECEPTACLE TERMINAL INSUL. NYLON / 16 / AMP 3-520141-2	2	2		
NS	562229	BUTT SPLICE / 22-16 / AMP 31818	2	2		
NS	562585	WIRE CABLE 14 / BLACK / TXL	AR	AR		
NS	562591	WIRE CABLE 14 / YELLOW / TXL	AR	AR		
NS	560784	SHRINK TUBING / .250" - .080" / BLACK / ALPHA FIT-300-1/4-4B	AR	AR		
NS	561681	CONVOLUTED TUBING / SLIT / BLACK & GRAY / .350"	AR	AR		
NS	504637	CABLE TIE / 3/16" x 13"	AR	AR		
82	5001414	SCREW MA FL PH M4-0.7x16 BK	2	2		
83	502690	WASHER FL 4.3x9.0x0.8 Z050	2	2		
84	500539	NUT HEX NYRT M4-0.7 N500	2	2		
NS	069187	DECAL, VGA OUTLET / P-RACK	1	1		
90	409999	BRACKET, VGA PLUG	1	1		
91	901543	VGA CABLE, MALE-MALE 3FT	1	1		
92	901541	CONNECTOR, VGA P-MOUNT	1	1		
NS	901542	VGA CABLE, MALE-MALE W/ AUDIO 10FT	1	1		
101	901567	CONVERTER HDMI-COMPOSITE 12/24V	1	1		
101	500564	SCREW MA RND PH #8-32x3/4 Z050	4	4		
102	901495	CABLE, HDMI W/LOCK W/90 ELBOW - 20 FT	1	1		
103	901565	HARNESS, AUDIO BETWEEN CONV AND DVD	1	1		
104	901347	CABLE ASSY / W/2 BNC FEMALE/ FEMALE 1"	1	1		
105	901564	ADAPTOR, RCA MALE TO BNC FEMALE	1	1		
106	901157	CABLE COAXIAL 3' BNC	1	1		
		P) CALL ORDER DESK FOR SPECIFIC APPLICATION (V.I.N.)				

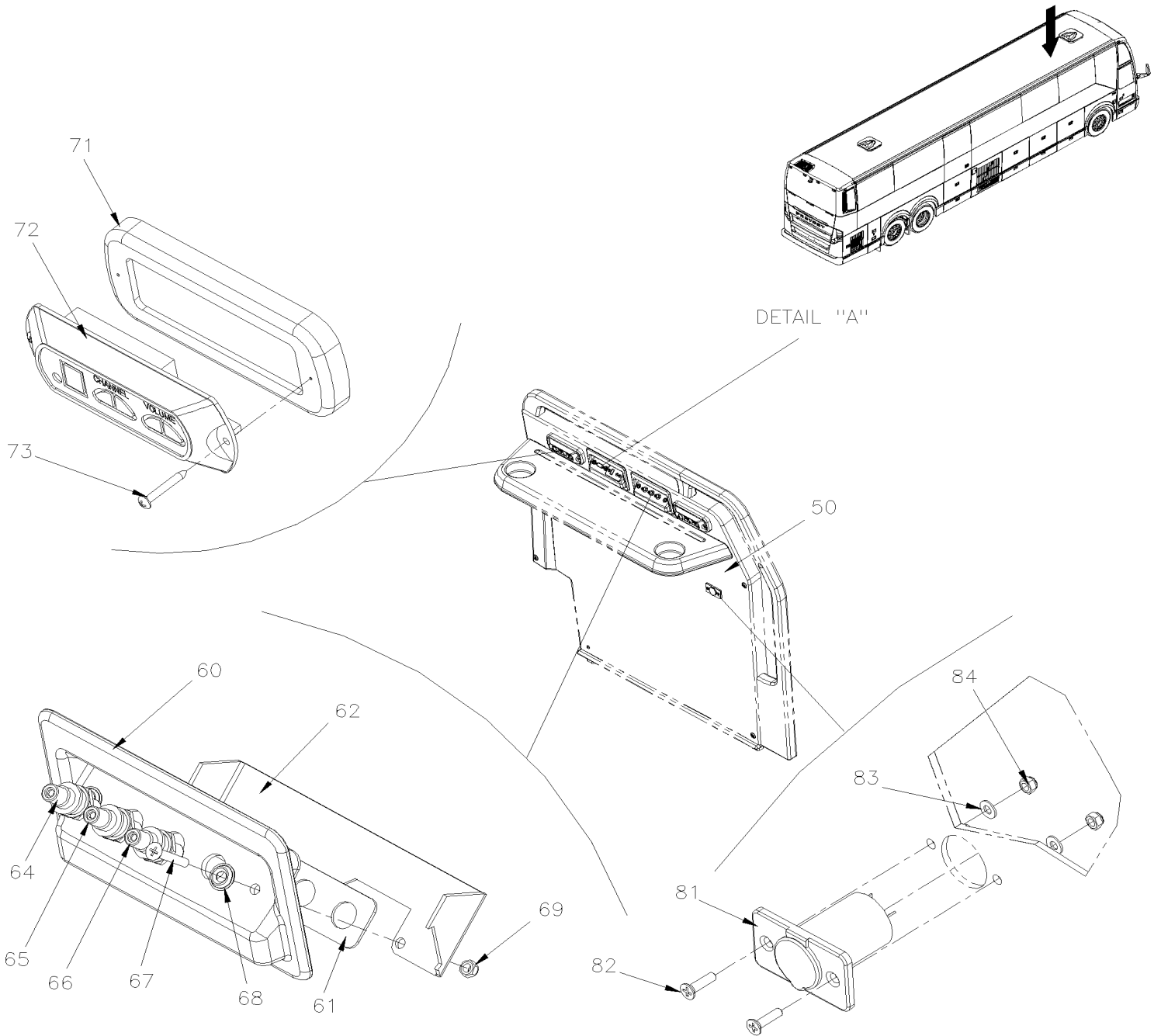


From G-3309 To J-0184

Date:10/2022

PAGE:H7-2315-06

## "USB" & "RCA" CABLE & CONVERTER & 12 VOLTS W/HHD

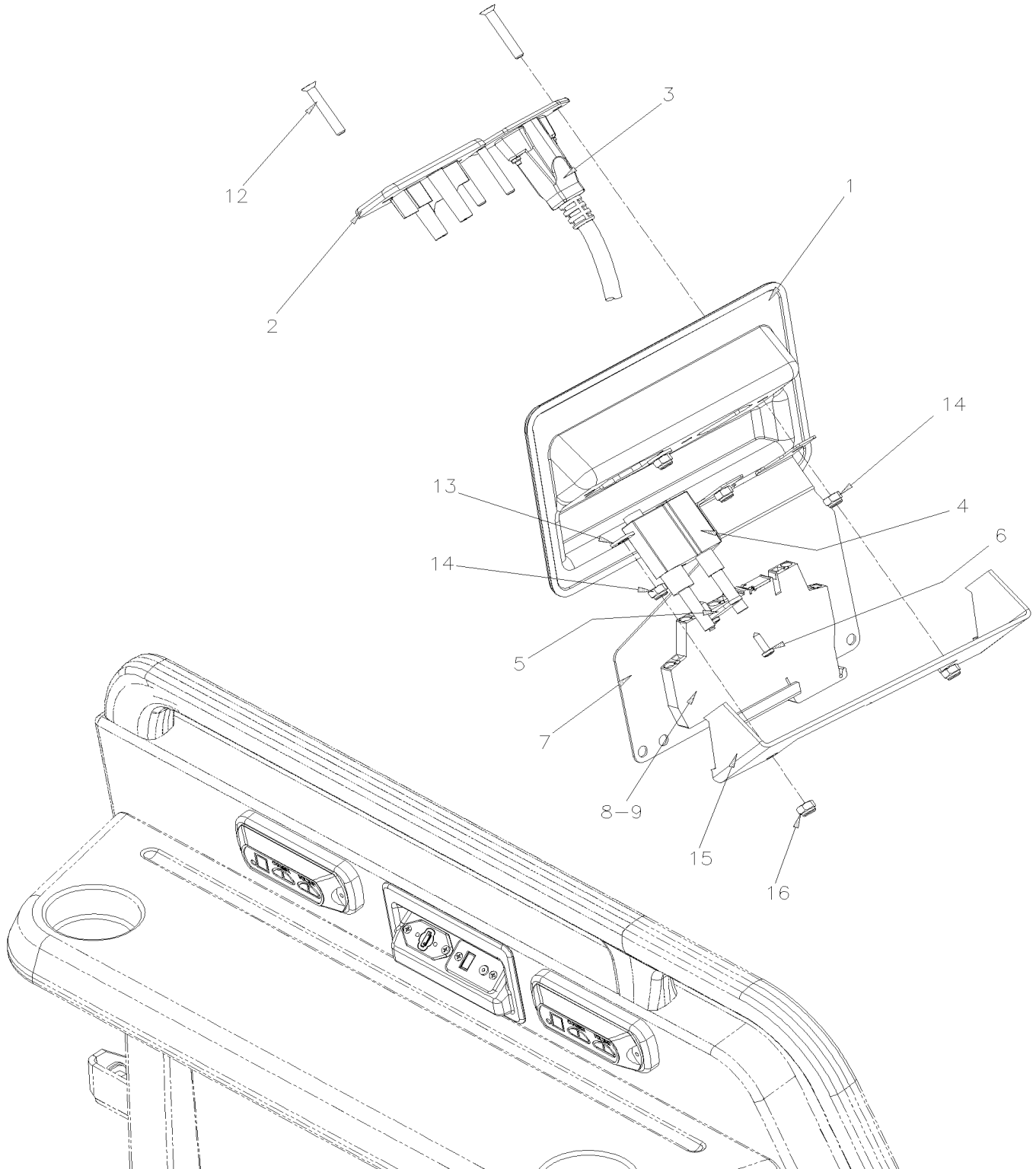


From G-3309 To J-0184

Date:10/2022

PAGE:H7-2315-06

## "USB" & "RCA" CABLE & CONVERTER & 12 VOLTS W/HHD

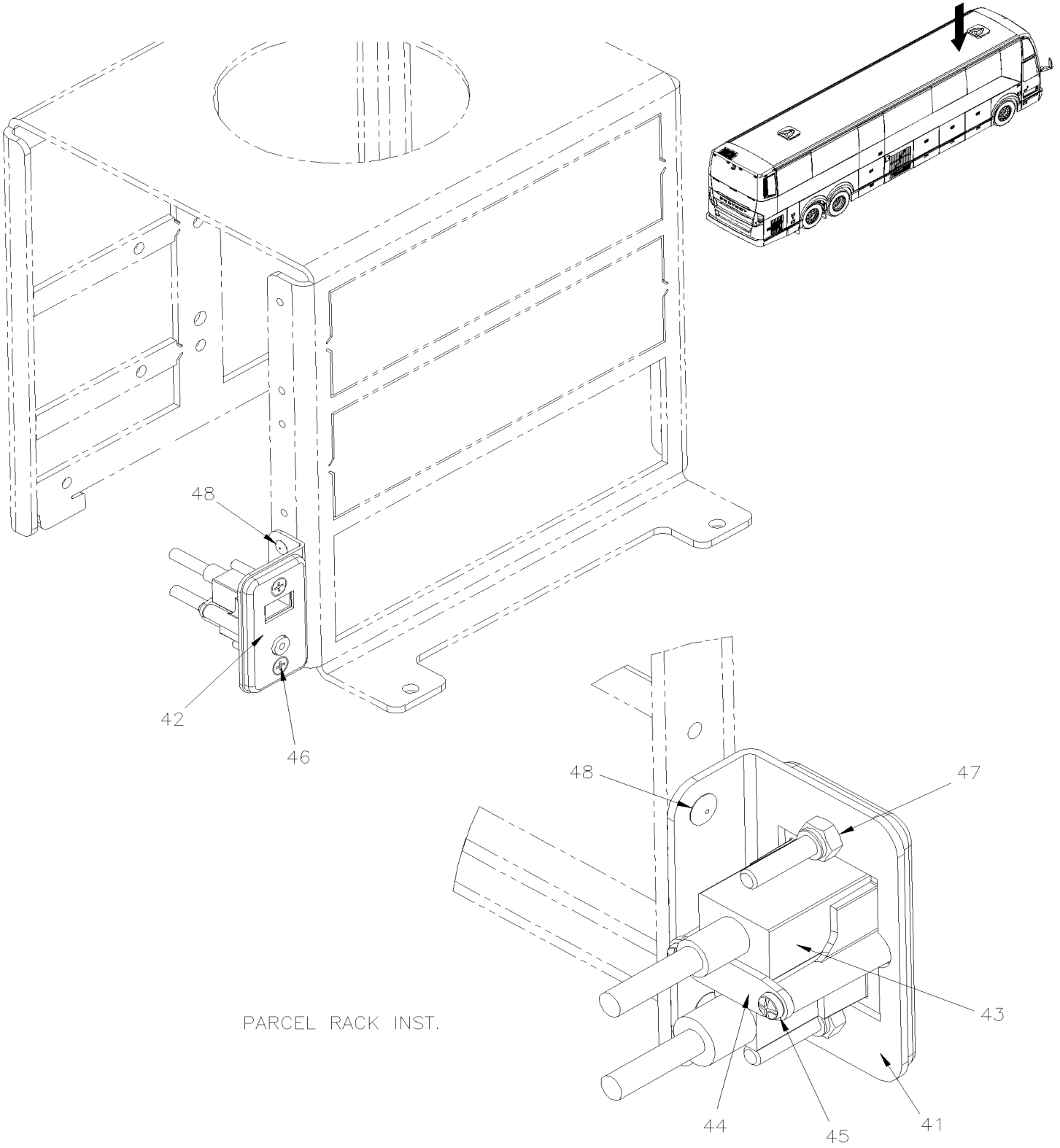


From G-3309 To J-0184

Date:10/2022

PAGE:H7-2315-06

"USB" & "RCA" CABLE & CONVERTER & 12 VOLTS W/HED



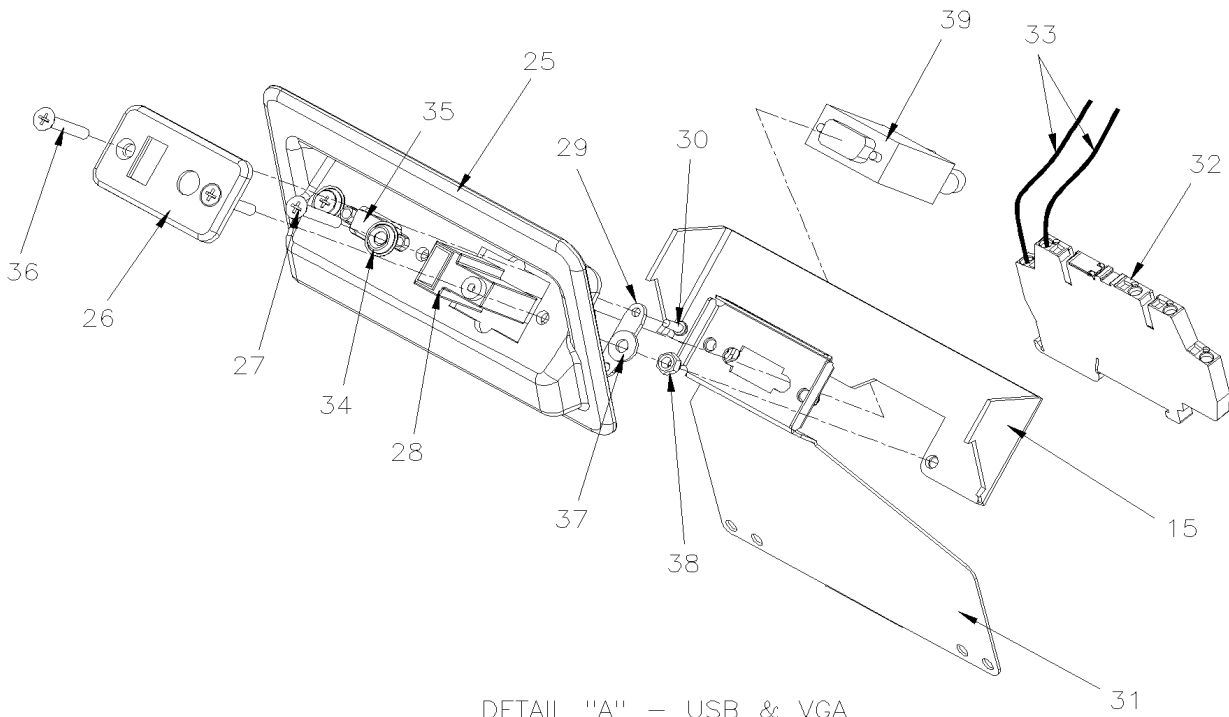
PARCEL RACK INST.

From G-3309 To J-0184

Date:10/2022

PAGE:H7-2315-06

"USB" & "RCA" CABLE & CONVERTER & 12 VOLTS W/HHD



DETAIL "A" - USB & VGA

From G-3309 To J-0184	Date:10/2022	PAGE:H7-2315-06
<b>"USB" &amp; "RCA" CABLE &amp; CONVERTER &amp; 12 VOLTS W/HHD</b>		

Item#	Part	Description	H 3 4 1	H 3 4 5	V I P 4 5	N O T E S
	Call order desk	CONVERTER & HDMI / USB PLUG ASSY	1	1		P
1	400185	. COVER CONVERTER MODULE "HDMI" / "USB"	1	1		
2	406413	. SUPPORT "USB" CONNECTOR	1	1		
3	900039	. HDMI CONNECTOR ASSY To G-3424	1	1		
3	900053	. HDMI CONNECTOR ASSY From G-3425	1	1		
4	901349	. CABLE USB ASSY W/2 RESISTORS 870MM	1	1		
5	406414	. PLATE RETAINER "USB" CONECTOR	1	1		
6	500798	. SCREW TP PAN PH #4-3/8 ZP	2	2		
7	400184	. PANEL, HDMI OUTLET	1	1		
8	901345	. REGULATOR 5 Volt 500ma	1	1		
9	068007	. CABLE HARNESS "USB" 5 Volt To H-3734	1	1		
9	060660	. CABLE HARNESS "USB" 5 Volt From H-3735	1	1		
12	5001429	. SCREW MA FL PH M4-0.7x25 BK	4	4		
13	500855	. WASHER FL .188x.438x.049 N500	2	2		
14	500539	. NUT HEX NYRT M4-0.7 N500	4	4		
15	406406	BRACKET MODULE RETAINER REAR OF PANEL	1	1		
16	500539	NUT HEX NYRT M4-0.7 N500	2	2		
NS	901352	CABLE EXTENSION 3.5MM 3 FT / MALE-MALE	1	1		
NS	900034	CABLE HDMI E / 15'	1	1		
NS	900047	CABLE HDMI E / 25'	1	1		
NS	069182	POWER CABLE USB OPTION	1	1		
24	409993P	CONVERTER VGA & "USB" PLUG ASSY	1	1		
24	409317P	CONVERTER & "USB" / MP3 PLUG ASSY	1	1		
25	406384	. COVER CONVERTER MODULE "USB" & "VGA"	1	1		
25	406399	. COVER CONVERTER MODULE "USB" / MP3	1	1		
26	406413	. SUPPORT "USB" CONNECTOR	1	1		
27	5001429	. SCREW MA FL PH M4-0.7x25 BK	4	4		
28	901349	. CABLE USB ASSY W/2 RESISTORS 870MM	1	1		
29	406414	. PLATE RETAINER "USB" CONECTOR	1	1		
30	500798	. SCREW TP PAN PH #4-3/8 ZP	2	2		
31	406385	. SUPPORT PANEL "VGA" SOCKET ALUMINUM	1	1		
32	901345	. REGULATOR 5 Volt 500ma	1	1		
32	504273	. CABLE TIE / 1/8" X 3"1/2	2	2		
33	068007	. CABLE HARNESS "USB" 5 Volt				
33	060660	. CABLE HARNESS "USB" 5 Volt	1	1		
34	500345	. WASHER FN CKF .187x.500x.090 BR BK	2	2		
35	901351	. ADAPTOR "VGA" / DB15 / FEMALE-FEMALE	1	1		
36	5001429	. SCREW MA FL PH M4-0.7x25 BK	4	4		
37	500855	. WASHER FL .188x.438x.049 N500	2	2		
38	500539	. NUT HEX NYRT M4-0.7 N500	6	6		
39	068301	WIRING HARNESS SOUND SYSTEM BELL HORIZON	1	1		
41	406501	SUPPORT "USB" CONECTOR	1	1		

<b>From G-3309 To J-0184</b>	<b>Date:10/2022</b>	<b>PAGE:H7-2315-06</b>
<b>"USB" &amp; "RCA" CABLE &amp; CONVERTER &amp; 12 VOLTS W/HHD</b>		

Item#	Part	Description	H 3 4 1	H 3 4 5	V I P 4 5	N O T E S
42	406413	SUPPORT "USB" CONNECTOR	1	1		
43	21280133	CABLE USB / (DRAWER TO RADIO) / I-POD CONECTOR	1	1		
44	406414	PLATE RETAINER "USB" CONECTOR	1	1		
45	500798	SCREW TP PAN PH #4-3/8 ZP	2	2		
46	5001429	SCREW MA FL PH M4-0.7x25 BK	2	2		
47	500539	NUT HEX NYRT M4-0.7 N500	2	2		
48	504105	RIVET POP DOME OE 1/8x3/16 AL	AR	AR		
50	<b>H7-1810-00</b>	<b>MODESTY PANEL R.H.</b>				
50	<b>H7-1812-00</b>	<b>MODESTY PANEL L.H.</b>				
60	409996	CASE, RCA OUTLET	1	1		
61	406503	REINFORCEMENT, RCA OUTLET	1	1		
62	406406	BRACKET MODULE RETAINER REAR OF PANEL	1	1		
64	901404	ADAPTOR FEMALE / FEMALE JOINT / NUT / RED / RCA	1	1		
65	901405	ADAPTOR FEMALE / FEMALE JOINT / NUT / WHITE / RCA	1	1		
66	901406	ADAPTOR FEMALE / FEMALE JOINT / NUT / YELLOW / RCA	1	1		
67	5001429	SCREW MA FL PH M4-0.7x25 BK	2	2		
68	500345	WASHER FN CKF .187x.500x.090 BR BK	2	2		
69	500539	NUT HEX NYRT M4-0.7 N500	2	2		
71	405199	RECEPTACLE BOX / PLASTIC	2	2		
72	901006	SELECTOR HEAD SET MODULE	2	2		
73	5001145	SCREW TP BDG PH #6x1 BK	4	4		
		12 VOLTS POWER OUTLET PARCEL RACK INSTALLATION				
76	382598	12 VOLTS POWER OUTLET ASSY	1	1		
. NS	562796	. 12 VOLTS POWER OUTLET	1	1		
81	562796	12 VOLTS POWER OUTLET	1	1		
NS	561566	CONNECTOR / WEATHER PACK / PH 2C / BLACK / PED 12010973	1	1		
NS	561568	PIN TERMINAL / 16-14 / PED 12089305	2	2		
NS	561690	CONNECTOR / WEATHER PACK / SH 2C / BLACK / PED 12015792	1	1		
NS	561578	SOCKET TERMINAL / 16-14 / PED 12010182	2	2		
NS	561539	TAB RECEPTACLE TERMINAL INSUL. NYLON / 16 / AMP 3-520141-2	2	2		
NS	562229	BUTT SPLICE / 22-16 / AMP 31818	2	2		
NS	562585	WIRE CABLE 14 / BLACK / TXL	AR	AR		
NS	562591	WIRE CABLE 14 / YELLOW / TXL	AR	AR		
NS	560784	SHRINK TUBING / .250" - .080" / BLACK / ALPHA FIT-300-1/4-4B	AR	AR		
NS	561681	CONVOLUTED TUBING / SLIT / BLACK & GRAY / .350"	AR	AR		
NS	504637	CABLE TIE / 3/16" x 13"	AR	AR		
82	5001414	SCREW MA FL PH M4-0.7x16 BK	2	2		
83	502690	WASHER FL 4.3x9.0x0.8 Z050	2	2		
84	500539	NUT HEX NYRT M4-0.7 N500	2	2		

From G-3309 To J-0184	Date:10/2022	PAGE:H7-2315-06
-----------------------	--------------	-----------------

**"USB" & "RCA" CABLE & CONVERTER & 12 VOLTS W/HHED**

Item#	Part	Description	H 3 4 1	H 3 4 5	V I P 4 5	N O T E S
		P) CALL ORDER DESK FOR SPECIFIC APPLICATION (V.I.N.)				



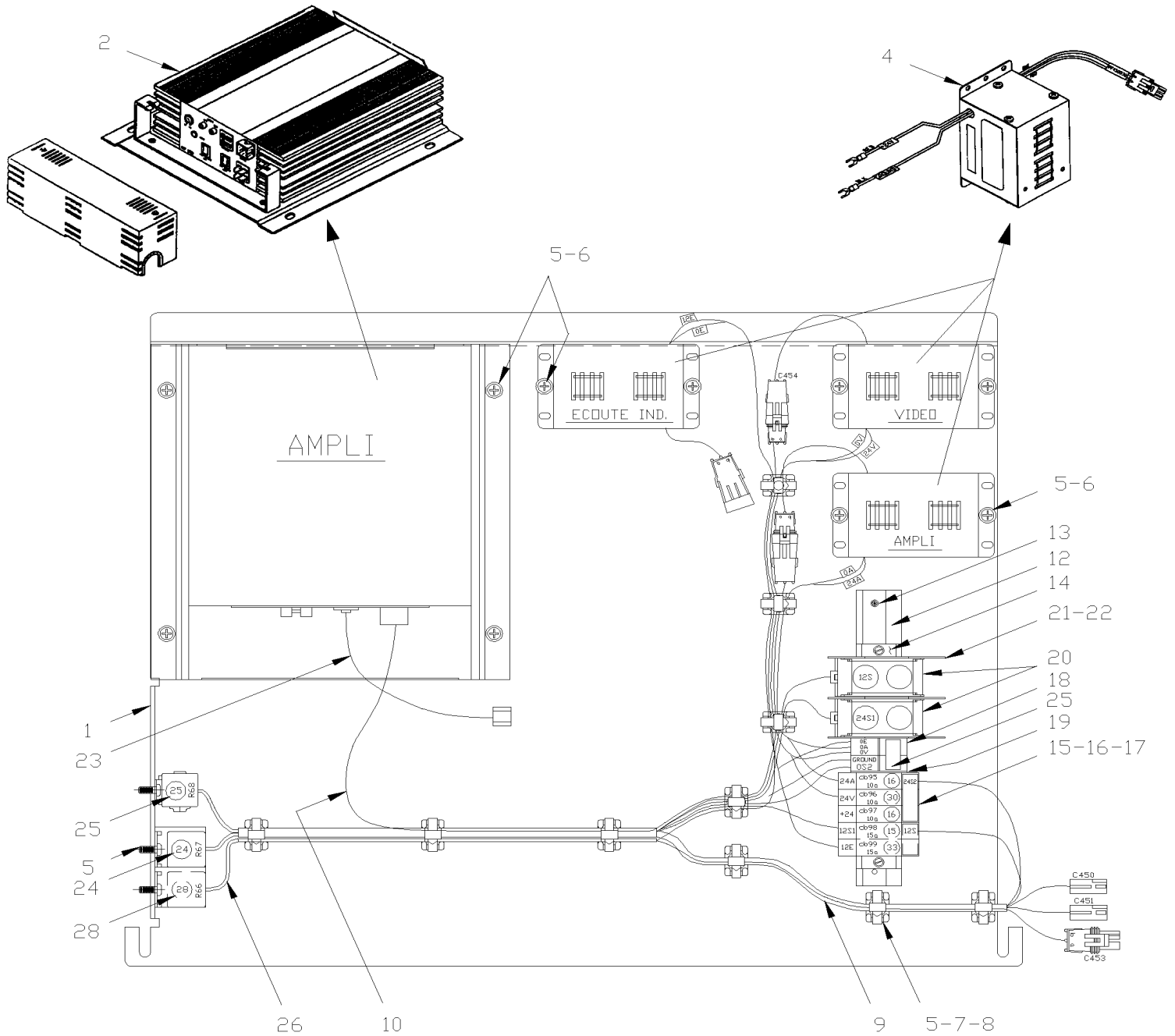


From 7-0671 To 7-0887

Date:10/2022

PAGE:H7-2315-10

## BOARD UNDER FLOOR - "R.E.I."



From 7-0671 To 7-0887	Date:10/2022	PAGE:H7-2315-10
<b>BOARD UNDER FLOOR - "R.E.I."</b>		

Item#	Part	Description	H 3 4 1	H 3 4 5	V I P 4 5	N O T E S
		PA & AMPLI PLATE ASSY / SOUND SYSTEM	1	1		
1	404296	. PLATE MOUNTING	1	1		
2	901056	. AMPLI AUDIO & VIDEO / SYST 3000	1	1		
4	404225	. NOISE FILTER / P/A, VIDEO & HOOKUP INDIVIDU / 450030	AR	AR		
5	500657	. SCREW TC TR PH #10-24x1/2 Z050	AR	AR		
6	500964	. WASHER FL .203x.500x.047 Z050	AR	AR		
7	504013	. TIE MOUNT / 1/4" X 1/4" I.D.	10	10		
8	504637	. CABLE TIE / 3/16" x 13"	AR	AR		
9	404573	. CABLE ASSY / SOUND SYSTEM MASTER	1	1		
10	405314	. CABLE ASSY 28" / FILTER & AMPLI	1	1		
11	404255	. CABLE ASSY / 24V POWER / 13"	1	1		
12	380885	. RAIL SUPPORT / 225MM	1	1		
13	504006	. RIVET POP CK OE 1/8x5/16 AL	3	3		
14	561729	. STOPPER	2	2		
15	561793	. BREAKER 15AMPS / 24V /	1	1		
16	561792	. BREAKER 10AMPS / 24V /	2	2		
17	381813	. BUS BAR / W/2 HOLES 25MM	2	2		
17	381814	. BUS BAR / W/3 HOLES 38MM	2	2		
NS	381236	. DUMMY ASSY W/SCREW	1	1		
NS	502531	. SCREW CAP HEX M6-1.0x16 G8.8 Z050	3	3		
18	561726	. BLOCK JUNCTION	2	2		
19	561728	. END CLOSING	1	1		
20	561727	. SCREW MA PAN PH	2	2		
21	561731	. COVER SUPPORT	3	3		
22	561732	. COVER / PROTECTOR / 2 BLOCKS	1	1		
23	404291	CABLE ASSY / MASTER P/A & BACK-UP P/A / 12"	1	1		
24	563337	RELAY 12V S.P.D.T. W/RESISTOR /	1	1		
25	561991	. RELAY 24V S.P.S.T. / 70 AMPS N.O. To C-1848	1	1		
26	404284	CABLE ASSY / VIDEO FILTERS VCP & AMPLI	1	1		
28	563332	. RELAY 24V S.P.D.T. W/RESISTOR / "VOLVO" (20374662)	1	1		
NS	405478	CABLE "Y" CONTROL AMPLI / W/SUBWOOFER / 511690	1	1		A
NS	405479	CABLE "Y" CONTROL AUDIO AMPLI / W/SUBWOOFER / 511691	1	1		A
NS	405480	CABLE SUBWOOFER SPEAKER / 511689	1	1		A
40	405481	INSULATOR STEREO / 461005	1	1		A
NS	404307	PROTECTOR SOUND SYSTEM	1	1		
NS	404579	DECAL "SOUND SYSTEM"	1	1		
NS	502581	NUT HEX M6-1.0 Z050	3	3		
NS	5001164	WASHER FL 8.4x25.0x2.0 Z050	3	3		
		A) USE WITH SUBWOOFER SPEAKER IN BAGGAGE COMPARTMENT				

From 7-0671 To A-1720		Date:10/2022	PAGE:H7-2315-12
BACK SEAT AUDIO WITH "XM" & 4 X 8 CD INSTALL IN BAGGAGE COMPT			

**"OPTION SPECIAL # 200561"**

**SEE DIAGRAM # D-061020 PAGE 35.SP6**

**&**

**D-480173 INSTALL BAG SUPPORT**

---

From 7-0671 To A-1720 Date:10/2022 PAGE:H7-2315-12

**BACK SEAT AUDIO WITH "XM" & 4 X 8 CD INSTALL IN BAGGAGE COMPT**

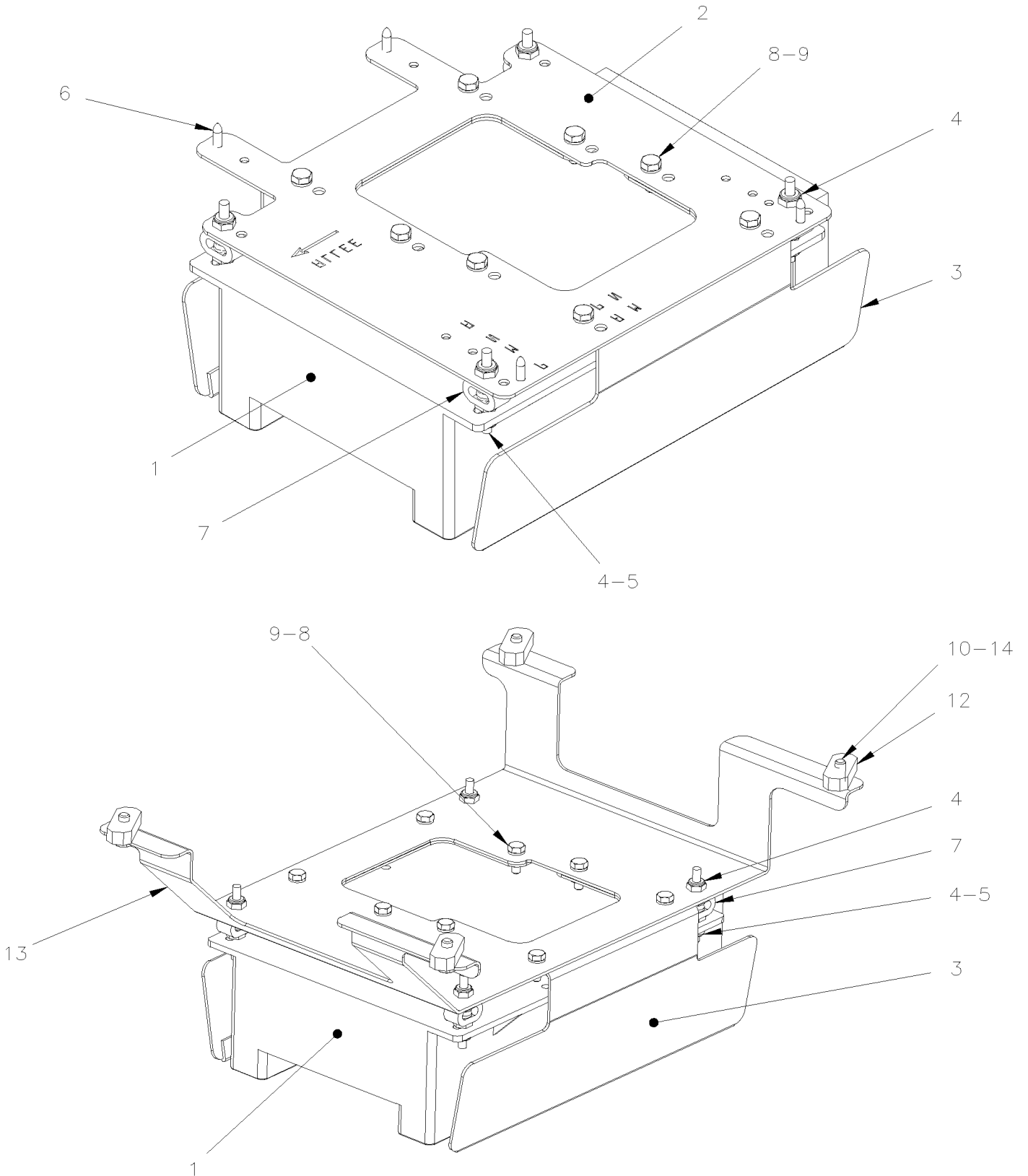
Item#	Part	Description	H 3 4 1	H 3 4 5	V I P 4 5	N O T E S
1	901208	CABLE POWER	1	1		
2	901156	CABLE AUDIO 8 CIRCUITS	1	1		
3	901152	CD CHARGER MODEL CX-DP880U	1	1		
4	901148	RADIO "PANASONIC" CQ-C3301U / AM/FM/CD & XM / 700972	1	1		
5	901107	CABLE ADAPTOR RCA TO MOLEX / 4"	1	1		
6	901102	8 CHANNEL AMPLIFIER MODULE	1	1		
6	500443	SCREW TP PAN PH #8x1/2 N500	4	4		
7	901101	MODULE BOX / FOR 3 CD PLAYER	1	1		
8	901081	ADAPTOR "Y" RCA / 1M/2F / 11"	3	3		
9	404498	CABLE ADAPTOR INTER. MODULE / 511211	1	1		
10	901021	CABLE ASSY	1	1		
11	901151	ANTENNA ROOF / XM RADIO	1	1		
12	901211	CABLE AUDIO	2	2		
13	901020	CABLE ASSY / ENTERTAINMENT MODULE RIGHT SEAT	1	1		
14	901062	CABLE RCA / 2M/2F / 23'	1	1		
15	901019	CABLE ASSY / ENTERTAINMENT MODULE LEFT SEAT	1	1		
16	404302	CABLE ASSY 20' / 510520 /	2	2		
17	901018	CABLE ASSY / 2 JCT BOX MODULES	1	1		
18	901211	CABLE AUDIO	1	1		
19	901149	RECEIVER / XM "SATELLITE"	2	2		
20	901150	CABLE / XM TUNER & RADIO	2	2		
21	404288	CABLE ASSY / "Y" 9" CONTROL HEAD & ENTERTAINMENT MODULE	1	1		
NS	484045	SUPPORT AUDIO SYSTEM / LOC. FIRST BAG. COMP.	1	1		
NS	5001499	SCREW CAP HEX M8-1.25x30 SS	4	4		
NS	5001527	SCREW CAP HEX M8-1.25x16 SS BK	4	4		
NS	5001341	WASHER FL 8.4x17.0x1.6 SS	4	4		
NS	500035	WASHER LO SPT .317x.586x.078 SS	4	4		
NS	5001315	SCREW CAP HEX 1/4-20x1 SS	6	6		
NS	500411	WASHER FL .260x.697x.050 SS	6	6		
NS	500477	WASHER LO SPT .262x.489x.062 SS	6	6		

From 7-0671 To J-0184

Date:10/2022

PAGE:H7-2315-15

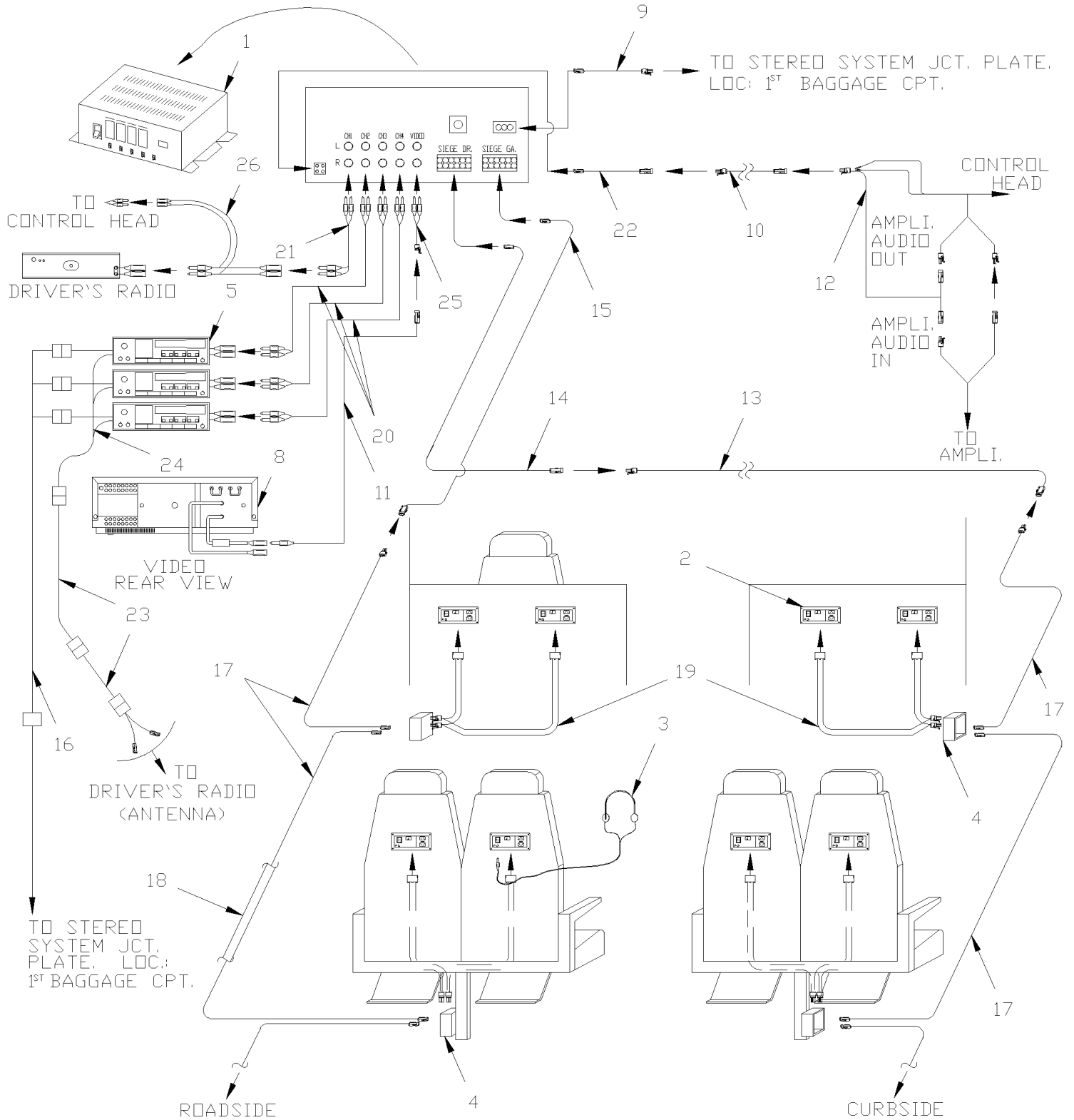
## SUBWOOFER - INSTALLATION



<b>From 7-0671 To J-0184</b>	<b>Date:10/2022</b>	<b>PAGE:H7-2315-15</b>
<b>SUBWOOFER - INSTALLATION</b>		

Item#	Part	Description	H 3 4 1	H 3 4 5	V I P 4 5	N O T E S
1	901193	SUBWOOFER ASSY	1	1		
2	405780	PLATE MOUNTING To A-1499	1	1		
2	406292	PLATE MOUNTING "IMMI" SEATING ONLY" W/3 POINTS SAFETY BELT From A-1500	1	1		
2	406293	PLATE MOUNTING "AMAYA SEATING ONLY" W/3 POINTS SAFETY BELT From A-1500	1	1		
3	405829	DEFLECTOR SPEAKER To A-1499	2	2		
3	406302	DEFLECTOR SPEAKER "IMMI" SEATING ONLY" W/3 POINTS SAFETY BELT From A-1500	2	2		
4	502874	NUT HEX NYRT 1/4-20 N500	8	8		
5	500877	WASHER FL .250x.562x.065 N500	8	8		
6	500526	SCREW TP CAP HEXW #12x3/4 N500	4	4		
7	5060076	RUBBER CUSHION ABSORBANT	4	4		
8	500163	SCREW CAP HEX 1/4-20x3/4 G5 Z050	16	16		
9	500473	WASHER LO SPT .262x.489x.062 Z050	16	16		
10	500942	WASHER LO SPT 8.1x14.8x2.0 N500	4	4		A
12	5001642	T NUT 5/16-18	4	4		A
13	405787	PLATE MOUNTING "AMERICAN SEATING ONLY"	1	1		A
14	500179	SCREW CAP HEX 5/16-18x3/4 G5 Z050	4	4		A
NS	067274	CABLE AISLE LAMP W/SUBWOOFER / SERIES "H" To D-2363	1	1		
NS	068627	CABLE ASSY TO AISLE LAMP From D-2364	1	1		
NS	066743	CABLE EXTENSION 2M / SUBWOOFER	1	1		
		A) USE ONLY WITH "AMERICAN SEATING" ONLY				

INDIVIDUAL STATIONS - "R.E.I."



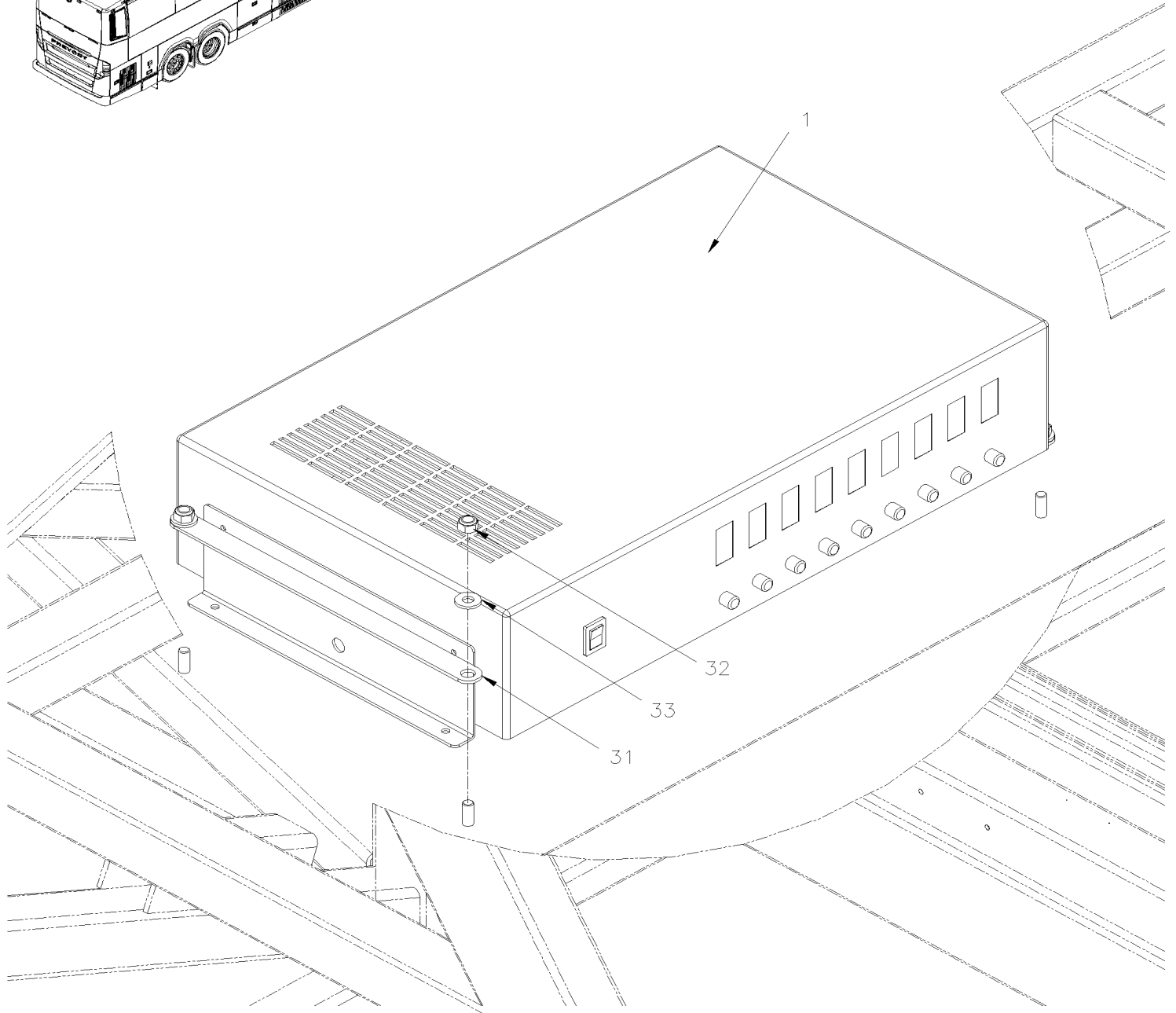
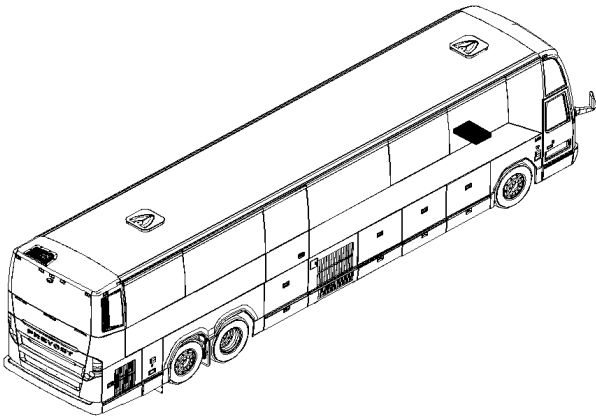
NOTE: RADIOS, ITEM #1, ARE LOCATED IN THE PARCEL RACK ON LEFT SIDE (2<sup>nd</sup> DOOR).

From 7-0671 To G-3308

Date:10/2022

PAGE:H7-2315-20

## INDIVIDUAL STATIONS - "R.E.I."





From 7-0671 To G-3308	Date:10/2022	PAGE:H7-2315-20
<b>INDIVIDUAL STATIONS - "R.E.I."</b>		

Item#	Part	Description	H 3 4 1	H 3 4 5	V I P 4 5	N O T E S
1	901102	8 CHANNEL AMPLIFIER MODULE	1	1		
NS	500443	SCREW TP PAN PH #8x1/2 N500	4	4		
2	901006	SELECTOR HEAD SET MODULE	AR	AR		
NS	363644	HEADREST REINFORCEMENT	AR	AR		B
NS	405199	RECEPTACLE BOX / PLASTIC	AR	AR		
3	900881	HEAD SET EARPHONE	AR	AR		
NS	900882	FOAM CUSHION PAD / (SET OF 2) / FOR 900881	1	1		
4	901007	JUNCTION BOX MODULE SINGLE	1	1		
4	900899	JUNCTION BOX MODULE DOUBLE	1	1		
NS	408270	SUPPORT	1	1		
NS	500640	SCREW TP PAN PH #6x3/4 Z050	2	2		
5	<b>H7-2315-00</b>	<b>SOUND SYSTEM &amp; ACCESSORIES</b>				
5	900849	PLATE RADIO "DUMMY"	AR	AR		
NS	404488	SUPPORT, RADIO	1	1		
8	<b>H7-2317-20</b>	<b>SCREEN VIDEO &amp; POWER - INSTALLATION</b>				
8	901152	CD CHARGER MODEL CX-DP880U	1	1		
9	064485	CABLE ASSY 24V POWER / ENT MODULE / 23.5'	1	1		
10	404302	CABLE ASSY 20' / 510520 /	1	1		
11	404380	CABLE ASSY RCA / M/M / USE WITH 2 VIDEOS / 510300	1	1		
11	901058	CABLE ASSY CD / DIN / 280"	1	1		
11	901110	CABLE RCA / 2M/2M / 25'	1	1		
12	404288	CABLE ASSY / "Y" 9" CONTROL HEAD & ENTERTAINMENT MODULE	1	1		
13	901021	CABLE ASSY	1	1		
14	901020	CABLE ASSY / ENTERTAINMENT MODULE RIGHT SEAT	1	1		
15	901019	CABLE ASSY / ENTERTAINMENT MODULE LEFT SEAT	1	1		
17	901018	CABLE ASSY / 2 JCT BOX MODULES	1	1		
17	065567	CABLE ASSY / 2 JCT BOX MODULES	1	1		
18	325056	PROTECTOR MOULDING	1	1		
19	901008	CABLE SEAT ASSY / JCT BOX & CHANNEL SELECTOR	1	1		
19	404501	CABLE SEAT ASSY / JCT BOX & CHANNEL SELECTOR CHANNEL SELECTOR	1	1		A
20	901107	CABLE ADAPTOR RCA TO MOLEX / 4"	1	1		
21	900855	CABLE RCA / 2M/2M / 20'	1	1		
22	404498	CABLE ADAPTOR INTER. MODULE / 511211	1	1		
23	900774	CABLE, ANTENNA EXTENSION / 12'	1	1		
24	900775	Y RADIO ANTENNA CABLE / TO USE W/2 RADIOS	AR	AR		
25	900758	ADAPTOR "Y" RCA / 1F/2M / 9"	1	1		
26	900671	ADAPTOR "Y" RCA / 1M/2F / 4"	1	1		
26	901283	ADAPTOR "Y" RCA / 1M/2F / 6"	1	1		
NS	404525	INSULATING, NOISE	1	1		
NS	562218	CONVOLUTED TUBING / UNSLIT / BLACK & GRAY / 1.000"	AR	AR		
31	406631	FIXING PLATE, 8 CHANNEL AMPLIFIER	2	2		C
32	502681	NUT HEX NYRT M6-1.0 N500 G8	4	4		C

From 7-0671 To G-3308	Date:10/2022	PAGE:H7-2315-20
<b>INDIVIDUAL STATIONS - "R.E.I."</b>		

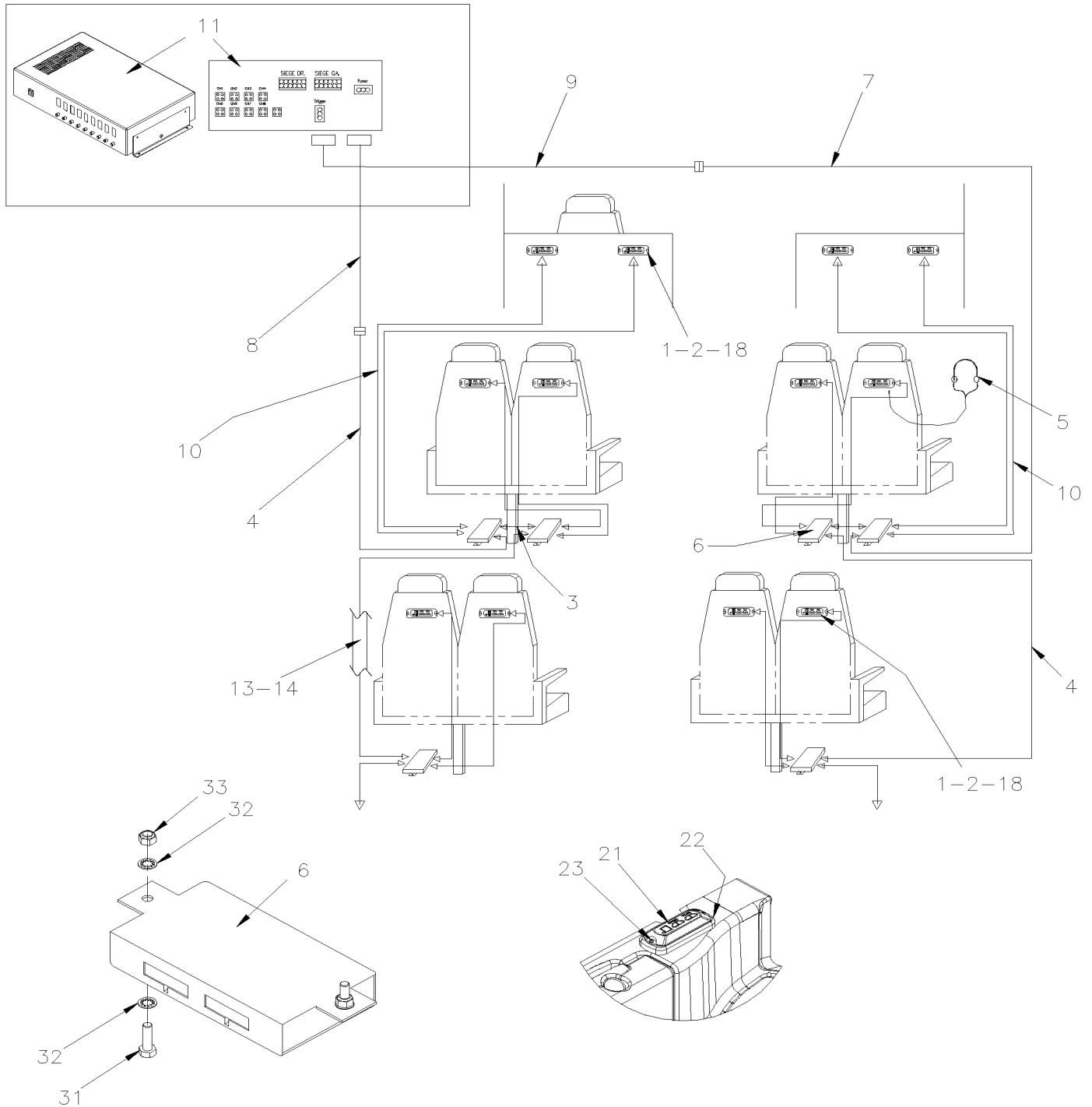
Item#	Part	Description	H 3 4 1	H 3 4 5	V I P 4 5	N O T E S
33	500877	WASHER FL .250x.562x.065 N500	4	4		C
		A) USE WITH SINGLE SEAT ONLY				
		B) USE WITH SELECTOR HEAD SET MODULE FIX ON THE HEADREST				
		C) USE WITH AMPLIFIER INSTALL OVER WHEEL HOUSE				

From G-3309 To J-0184

Date:10/2022

PAGE:H7-2315-21

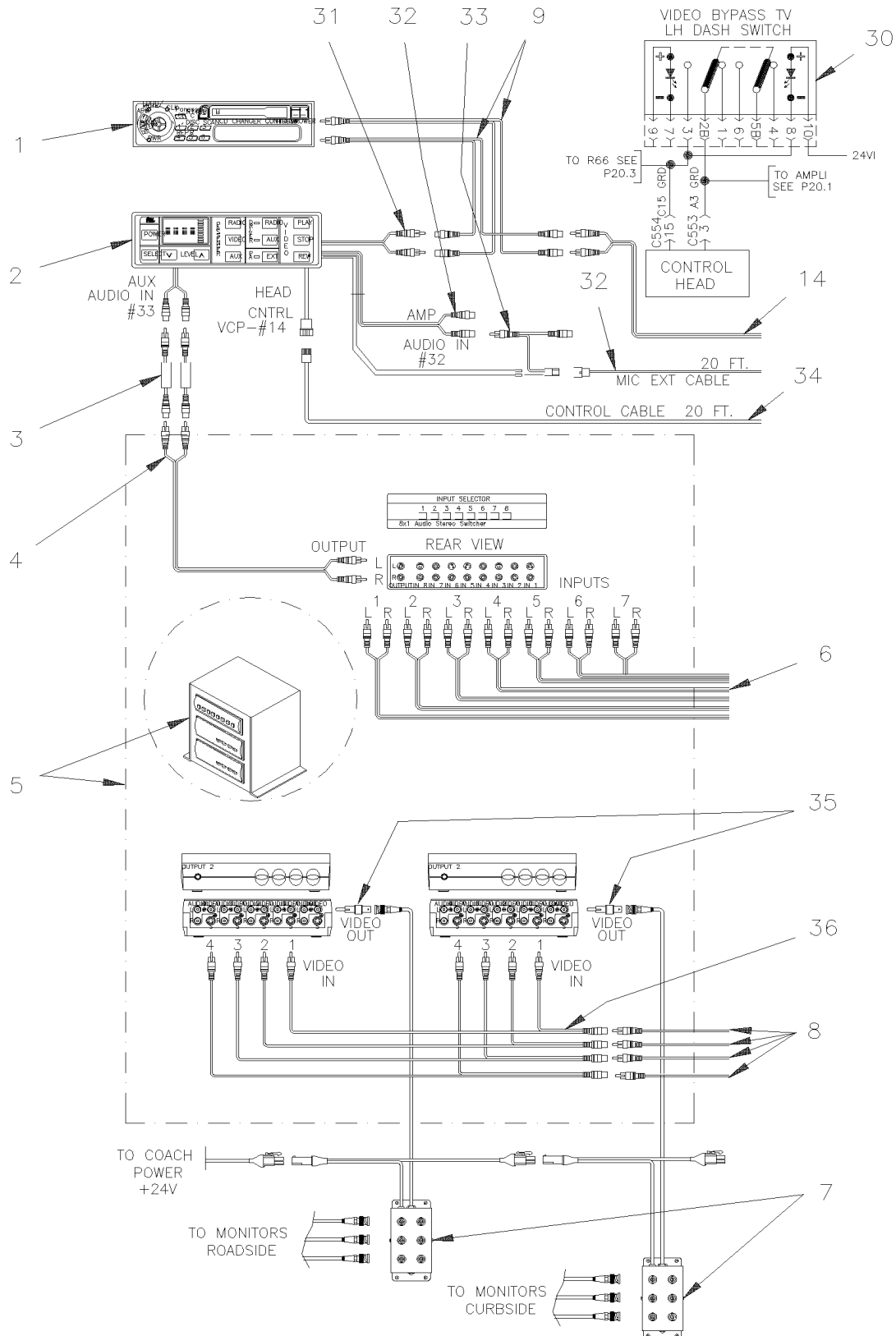
## INDIVIDUAL STATIONS - "R.E.I." W/HHD



From G-3309 To J-0184	Date:10/2022	PAGE:H7-2315-21
<b>INDIVIDUAL STATIONS - "R.E.I." W/HHED</b>		

Item#	Part	Description	H 3 4 1	H 3 4 5	V I P 4 5	N O T E S
1	405199	RECEPTACLE BOX / PLASTIC	1	1		
2	901006	SELECTOR HEAD SET MODULE	AR	AR		
3	065567	CABLE ASSY / 2 JCT BOX MODULES	AR	AR		
4	901018	CABLE ASSY / 2 JCT BOX MODULES	1	1		
5	900881	HEAD SET EARPHONE	AR	AR		
. NS	900882	. FOAM CUSHION PAD / (SET OF 2) / FOR 900881	1	1		
6	901094	MODULE, 8CH AUDIO SEAT	AR	AR		
NS	408270	SUPPORT	AR	AR		
NS	502830	SCREW CAP HEX M6-1.0x20 G8.8 N500	AR	AR		
NS	5001432	WASHER LO INT .256x.478x.028 SS 410	AR	AR		
NS	502681	NUT HEX NYRT M6-1.0 N500 G8	AR	AR		
7	901021	CABLE ASSY	1	1		
8	901019	CABLE ASSY / ENTERTAINMENT MODULE LEFT SEAT	1	1		
9	901020	CABLE ASSY / ENTERTAINMENT MODULE RIGHT SEAT	1	1		
10	564575	CABLE, MODULAR TELEPHONE 4 COND.	1	1		
11	901102	8 CHANNEL AMPLIFIER MODULE	1	1		
NS	500442	SCREW MA OV PH 1/4-20x3/4 ZP	4	4		
13	329517	MOULDING, COVER CABLE / GREY / 530MM	1	1		
14	329521	MOULDING, COVER CABLE / GREY / 203MM	1	1		
18	500814	SCREW TP BDG PH #6x3/4 BK	4	4		
18	5001145	SCREW TP BDG PH #6x1 BK	4	4		
21	901006	SELECTOR HEAD SET MODULE	1	1		
22	405199	RECEPTACLE BOX / PLASTIC	1	1		
23	5001145	SCREW TP BDG PH #6x1 BK	2	2		
31	502830	SCREW CAP HEX M6-1.0x20 G8.8 N500	4	4		
32	5001432	WASHER LO INT .256x.478x.028 SS 410	4	4		
33	502681	NUT HEX NYRT M6-1.0 N500 G8	4	4		

## 2 VIDEOS & AUDIO W/SATELLITE

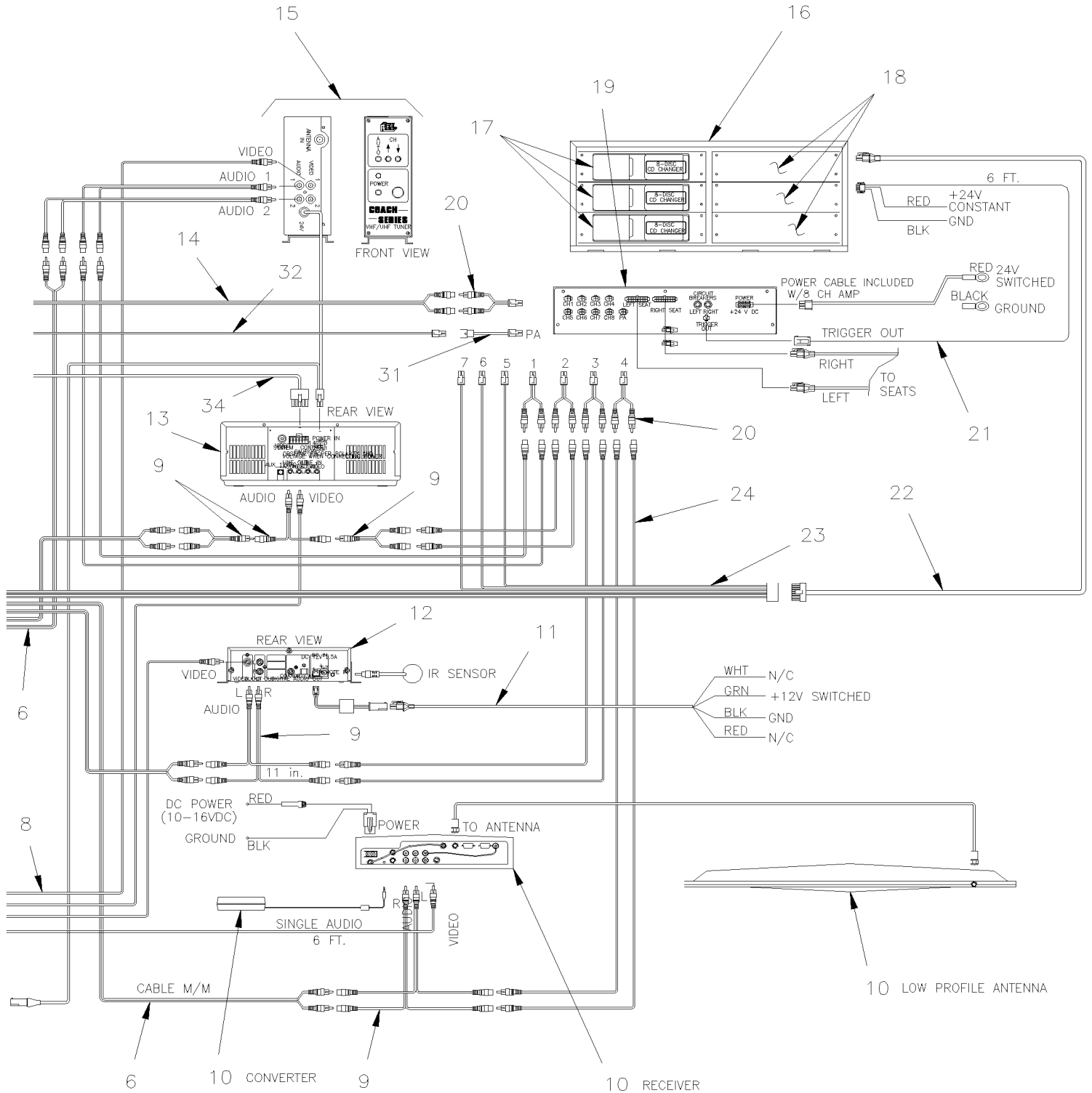


From 7-0671 To G-3308

Date:10/2022

PAGE:H7-2315-30

## 2 VIDEOS & AUDIO W/SATELLITE

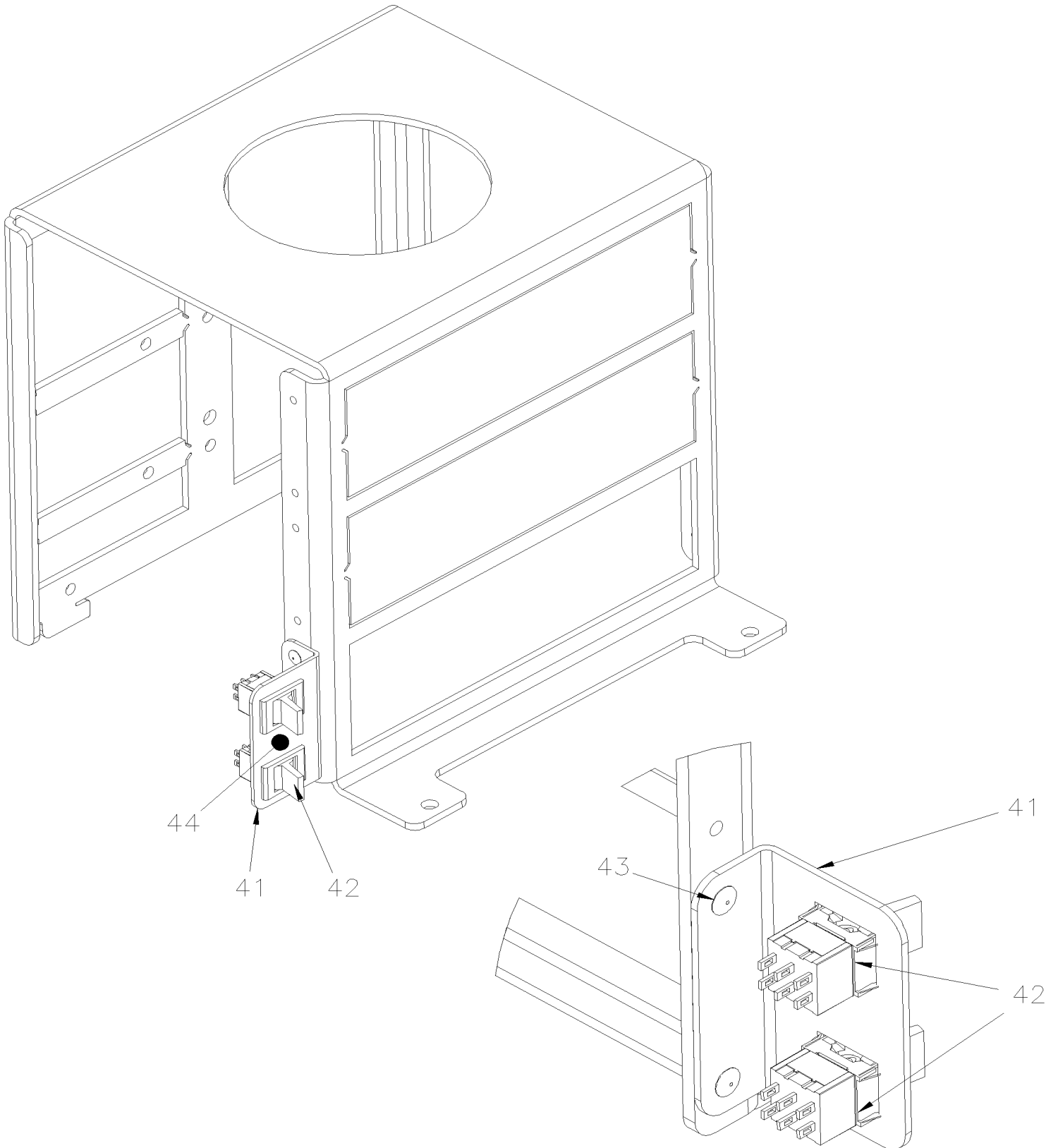


From 7-0671 To G-3308

Date:10/2022

PAGE:H7-2315-30

2 VIDEOS & AUDIO W/SATELLITE



From 7-0671 To G-3308	Date:10/2022	PAGE:H7-2315-30
<b>2 VIDEOS &amp; AUDIO W/SATELLITE</b>		

Item#	Part	Description	H 3 4 1	H 3 4 5	V I P 4 5	N O T E S
1	901032	RADIO "PANASONIC" CQ-R 145 CAHH / 700760 or 700914	1	1		
2	900803	CONTROL HEAD / "R.E.I." SYSTEM 2000	1	1		
. NS	563064	. BULB (CONTROL HEAD GREEN ) / 12VOLTS / 2700	1	1		
3	901106	AUDIO FILTER	2	2		
4	901059	CABLE RCA / 2M/2M / 23'	1	1		
5	901100	SELECTORAUDIO & VIDEO 8 CHANNEL	1	1		
6	901083	CABLE RCA / 2M/2M / 10'	1	1		
7	901117	VIDEO DISTRIBUTION AMPLI W/BNC To B-1905	2	2		
. NS	901119	. CABLE POWER DVA/VIDEO To B-1905	1	1		
7	901403	VIDEO DISTRIBUTION AMPLI W/BNC From B-1906	2	2		
8	901082	CABLE RCA / 1M/1M / 6'	4	4		
9	901081	ADAPTOR "Y" RCA / 1M/2F / 11"	6	6		
10	901111	KIT, DSS SATELLITE TV RECEIVER	1	1		
NS	901280	KIT, DSS SATELLITE ANTENNA INSTALLATION From 8-1048	1	1		
11	901079	CABLE POWER DVD ADAPTOR / 6'	1	1		
12	901096	DVD REI / MP3	1	1		
. NS	901098	. REMOTE CONTROL "MP3" DVD	1	1		
13	901030	VIDEO V-3000 VCP, SYS 2000 24V To 7-0985	1	1		
. NS	901065	. REMOTE CONTROL / VDO REI V-3000 To 7-0985	1	1		
13	7770197	KIT, VHS TO DVD CONVERSION To 7-0985	1	1		
. NS	901339	. DVD PLAYER 12V To 7-0985	1	1		
. . NS	901377	. . REMOTE CONTROL / DVD R.E.I. To 7-0985	1	1		
. NS	407639	. SUPPORT, DVD To 7-0985	1	1		
. NS	901347	. CABLE ASSY / W/2 BNC FEMALE/ FEMALE 1" To 7-0985	1	1		
. NS	901564	. ADAPTOR, RCA MALE TO BNC FEMALE To 7-0985	1	1		
. NS	563071	. CONNECTOR / MINI FIT JR / SH 4C / MOLEX 39-01-3042 To 7-0985	1	1		
. NS	562593	. WIRE CABLE 18 / YELLOW / TXL To 7-0985	AR	AR		
. NS	562587	. WIRE CABLE 18 / BLACK / TXL To 7-0985	AR	AR		
. NS	562463	. SOCKET TERMINAL / 24-18 / MOLEX 39-00-0039 To 7-0985	2	2		
. NS	563622	. BUTT SPLICE / 22-18 / RED / W/THERMORETRAC / PANDUIT BSH18-Q To 7-0985	2	2		
. NS	5001017	. SCREW TC CAP HEXW #10-24x1/2 Z050 To 7-0985	4	4		
. NS	502853	. WASHER LO SPT 6.1x11.8x1.6 N500 To 7-0985	1	1		
. NS	IS-16901A	. SEE INSTRUCTION SHEET To 7-0985	1	1		
14	901062	CABLE RCA / 2M/2F / 23'	1	1		
14	901110	CABLE RCA / 2M/2M / 25'	1	1		
15	901054	TUNER TV 24V	1	1		
16	901101	MODULE BOX / FOR 3 CD PLAYER	1	1		
17	901109	. CD CHARGER / 8 DISCS / "PANASONIC" CX-DP88	3	3		
17	901152	. CD CHARGER MODEL CX-DP880U	1	1		
18	901108	CLOSING PLATE / 540717	3	3		
19	901102	8 CHANNEL AMPLIFIER MODULE	1	1		
NS	500443	SCREW TP PAN PH #8x1/2 N500	4	4		



From 7-0671 To G-3308	Date:10/2022	PAGE:H7-2315-30
<b>2 VIDEOS &amp; AUDIO W/SATELLITE</b>		

Item#	Part	Description	H 3 4 1	H 3 4 5	V I P 4 5	N O T E S
20	901107	CABLE ADAPTOR RCA TO MOLEX / 4"	6	6		
21	901104	CABLE POWER TRIGGER	1	1		
22	901103	CABLE 8 CHANEL / 10'	1	1		
23	901105	CABLE ASSY / CHANNEL SELECTOR & MODULE	1	1		
24	901073	CABLE RCA / 1M/1F / 6'	8	8		
30	562697	SWITCH / ON-ON / D.P.D.T. / CH-OVER / W/RED & GREEN LED	1	1		
NS	562714	CAP / PLAIN (W/O DESCRIPTION)	1	1		
31	N.P.N.	PA ADAPTER CABLE / 511211	AR	AR		4
32	N.P.N.	MICROPHONE EXTENSION 20' / 510520	AR	AR		4
33	N.P.N.	ADAPTER AUDIO / 510645	AR	AR		4
34	N.P.N.	CABLE / 510605	AR	AR		4
35	562207	CONNECTOR / BNC / FEMALE / RCA MALE / AMP 12343	2	2		
36	900758	ADAPTOR "Y" RCA / 1F/2M / 9"	2	2		
36	901283	ADAPTOR "Y" RCA / 1M/2F / 6"	2	2		
41	401098	SUPPORT, SWITCH	1	1		A
42	406536	TOGGLE SWITCHES ASSY	1	1		A
43	504105	RIVET POP DOME OE 1/8x3/16 AL	2	2		A
44	068460	DECAL, VIDEO 3 SWITCHES ASSY	1	1		A
		A) USE WITH 3 POSITION SWITCH FOR MONITOR (DVD 1 / TV - SAT / DVD 2)				
		4) NO PARTS NUMBER				

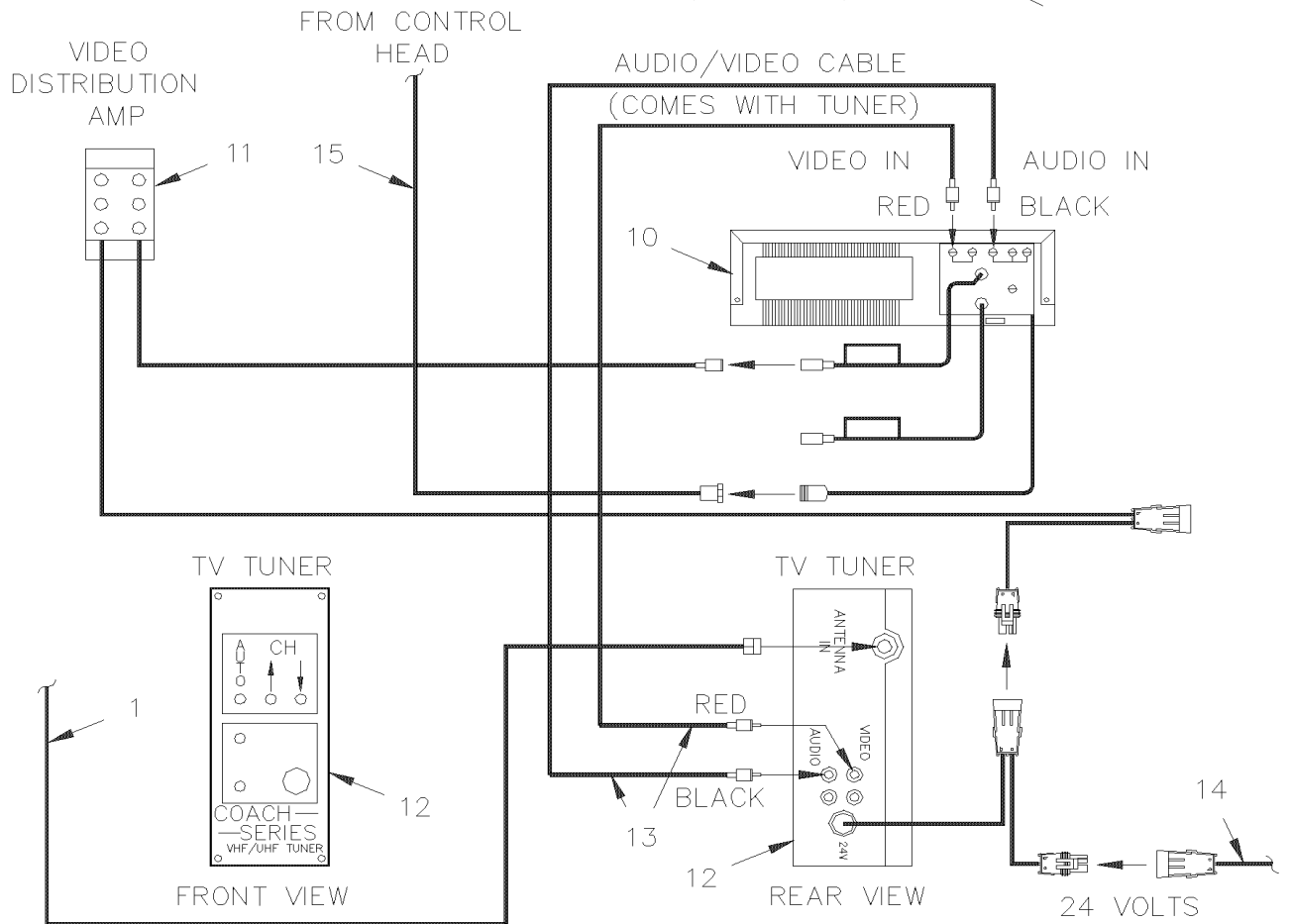
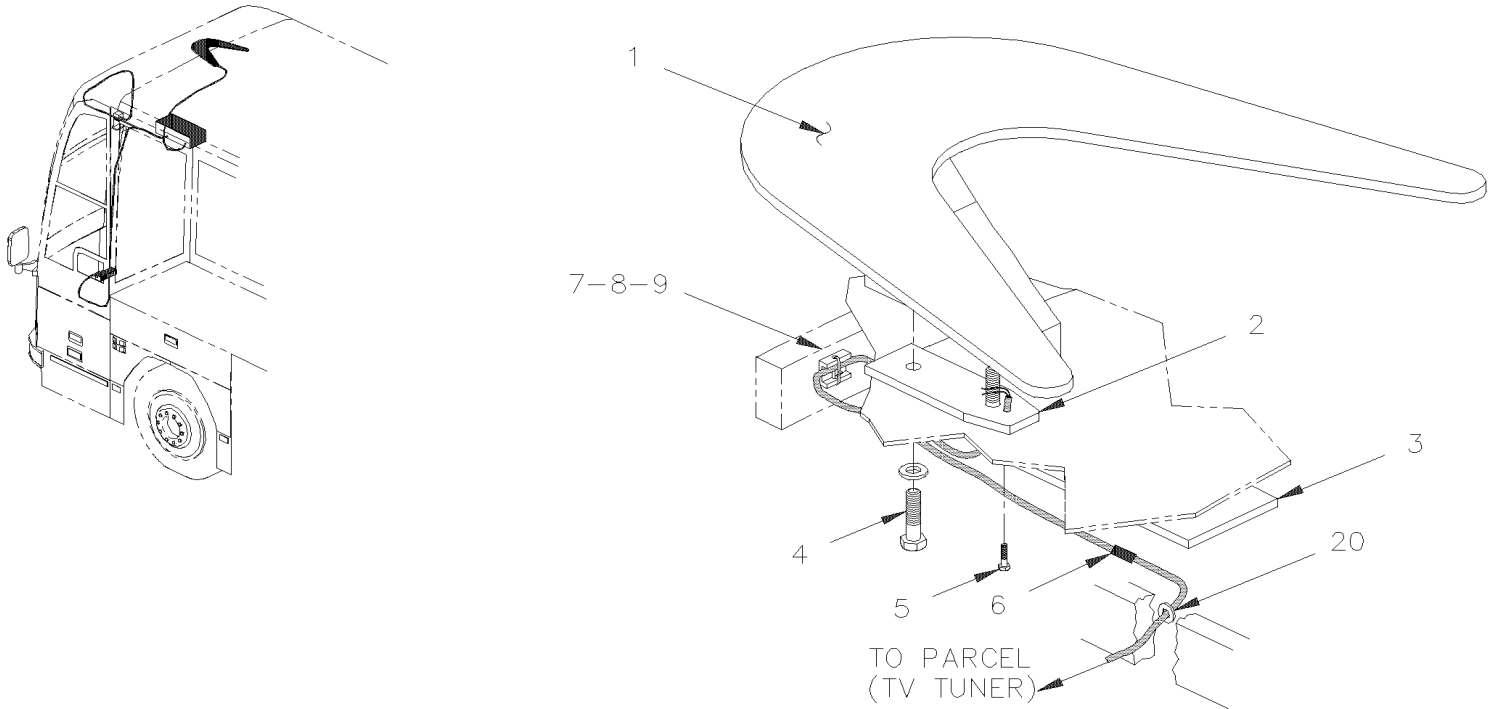


From 7-0671 To A-1605

Date:10/2022

PAGE:H7-2315-60

## ROOF ANTENNA & WIRING "R.E.I."



From 7-0671 To A-1605	Date:10/2022	PAGE:H7-2315-60
<b>ROOF ANTENNA &amp; WIRING "R.E.I."</b>		

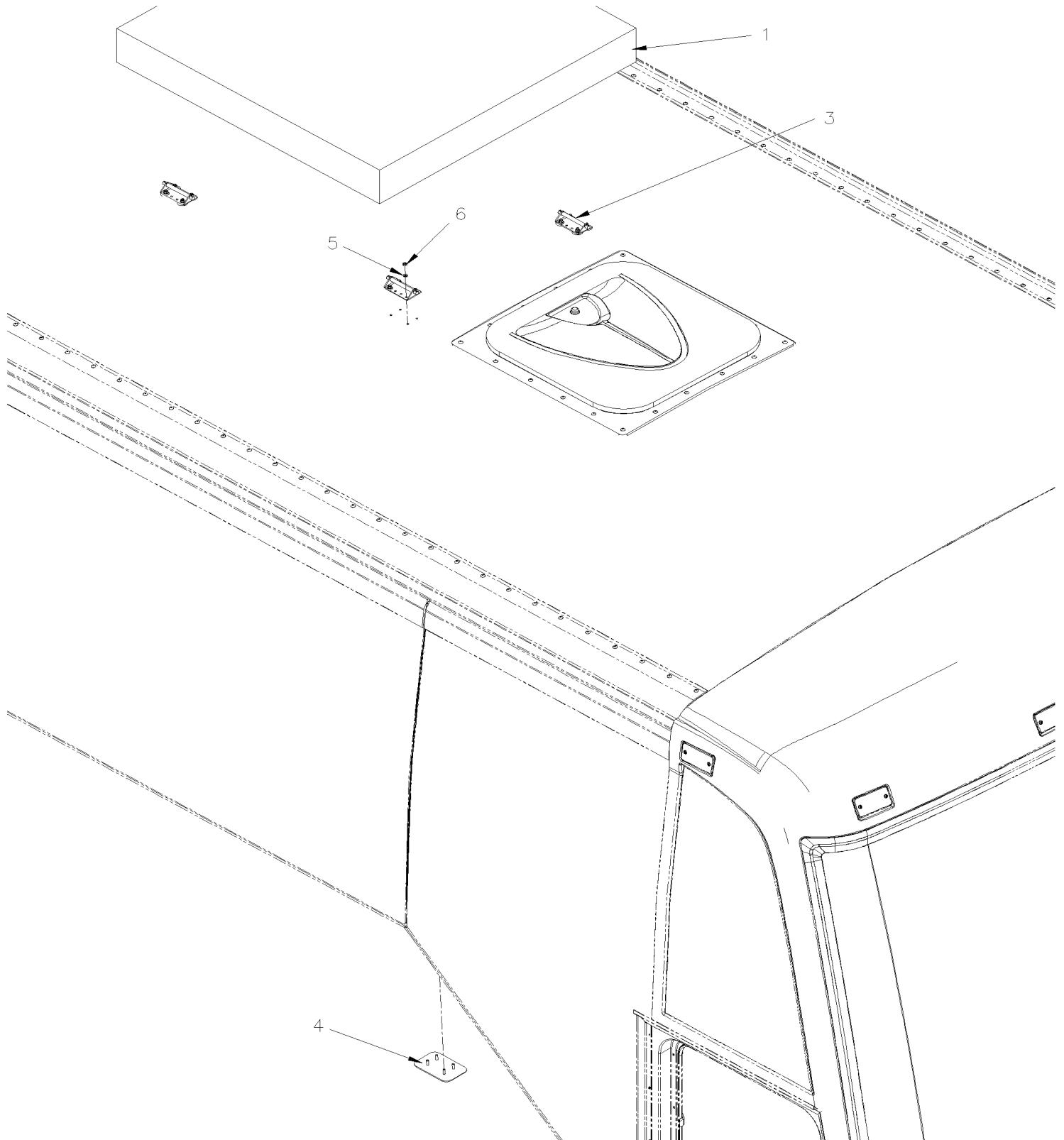
Item#	Part	Description	H 3 4 1	H 3 4 5	V I P 4 5	N O T E S
1	900794	ANTENNA, ROOF / "WINTENNA" MODEL 2 3/4"	1	1		
NS	403355	DECAL / VEHICLE HEIGHT 11' 9"	1	1		
NS	901071	SATELLITE RADIO RECEIVER	1	1		S
NS	901072	ADAPTOR "Y" RCA / 1M/2M	1	1		S
NS	901073	CABLE RCA / 1M/1F / 6'	1	1		S
NS	901062	CABLE RCA / 2M/2F / 23'	1	1		S
NS	900758	ADAPTOR "Y" RCA / 1F/2M / 9"	2	2		S
2	403298	GASKET, ANTENNA	1	1		
3	404345	PLATE, REINFORCEMENT / ROOF	1	1		
4	500048	SCREW CAP HEX 3/8-24x1 1/4 G5 ZP	1	1		
5	500617	SCREW TP PAN PH #8x1 Z050	1	1		
5	5001209	SCREW CAP HEX M6-1.0x25 G8.8 Z050	1	1		
5	500441	WASHER FL .312x.734x.065 Z050	1	1		
6	560786	SHRINK TUBING / .500" - .250" / BLACK / ALPHA FIT-300-1/2-4B	AR	AR		
7	504006	RIVET POP CK OE 1/8x5/16 AL	4	4		
8	504013	TIE MOUNT / 1/4" X 1/4" I.D.	4	4		
9	504637	CABLE TIE / 3/16" x 13"	4	4		
10	<b>H7-2317-20</b>	<b>SCREEN VIDEO &amp; POWER - INSTALLATION</b>				
12	901054	TUNER TV 24V	1	1		
13	900785	CABLE RCA / 2M/2M / 10'	1	1		
14	409148	CABLE ASSY / DASH & PLATE IN BAGGAGE	1	1		
14	409149	CABLE ASSY / DASH & PARCEL RACK / AUDIO	1	1		
15	404283	CABLE ASSY / FILTER VCP & CONTROL HEAD / 20'	1	1		
20	504063	GROMMET / .562x.812x.062x.312x1.062	1	1		
		NEXT ITEMS ARE RELATED WITH "TV-SATELLITE"				
NS	901298	KIT, SATELLITE TV ANTENNA R6 W/CABLE From 8-1285 To 8-1289	1	1		
NS	901297	KIT, SATELLITE TV RECEIVER 12V 60WATTS From 8-1285 To 8-1289	1	1		
NS	901296	KIT, SATELLITE TV CABLE INTERFACE R6DX From 8-1285 To 8-1289	1	1		
NS	563839	INVERTER 800WATTS From 8-1285 To 8-1289	1	1		
NS	5001315	SCREW CAP HEX 1/4-20x1 SS From 8-1285 To 8-1289	AR	AR		
NS	500548	NUT AN JK 1/4-20 From 8-1285 To 8-1289	AR	AR		
		S) WITH SATELLITE RADIO RECEIVER				

From E-2687 To J-0184

Date:10/2022

PAGE:H7-2315-61

**ANTENNA SATELLITE KVH INDUSTRIES TRACKVISION A9**



From E-2687 To J-0184	Date:10/2022	PAGE:H7-2315-61
<b>ANTENNA SATELLITE KVH INDUSTRIES TRACKVISION A9</b>		

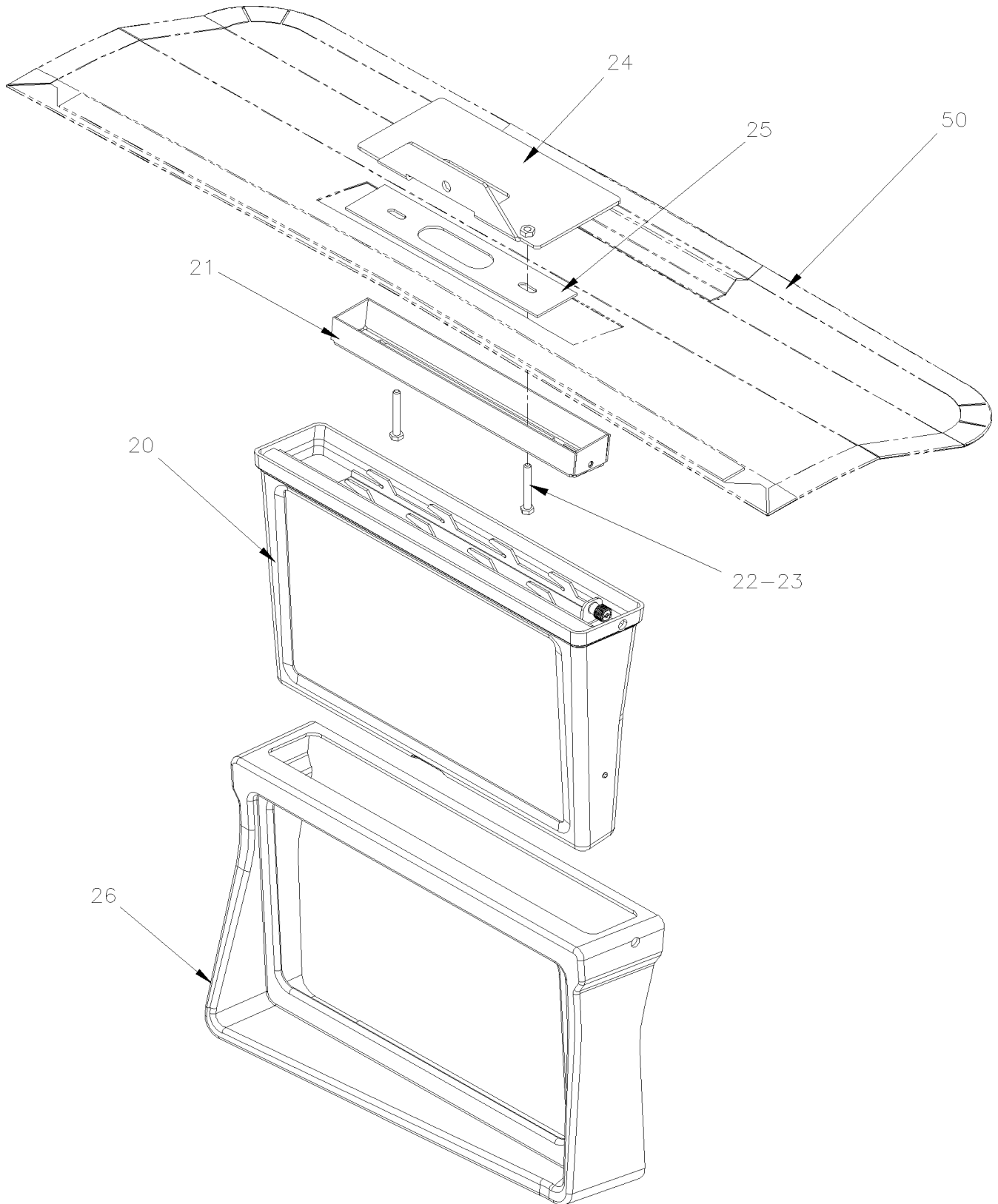
Item#	Part	Description	H 3 4 1	H 3 4 5	V I P 4 5	N O T E S
1	901795	TRACVISION A9 DIGITAL SATELLITE ANTENNA	1	1		
NS	901796	TRACVISION TV-HUB	1	1		IN
3	900180	ANCHOR ANTENNA	4	4		
4	491492	FIXATION FOR SATELLITE ANTENNA	4	4		
5	502573	WASHER FL 6.4x12.5x1.6 SS	16	16		
6	502681	NUT HEX NYRT M6-1.0 N500 G8	16	16		
NS	685126	ADHESIVE SIMSON #ISR 70-03 / GREY / 600ml SAUSAGE	AR	AR		
		IN) INSTALLED IN FIRST PARCEL RACK LH				

From 7-0671 To J-0184

Date:10/2022

PAGE:H7-2317-00

**FRONT MONITOR FLAT SCREEN - VIDEO**

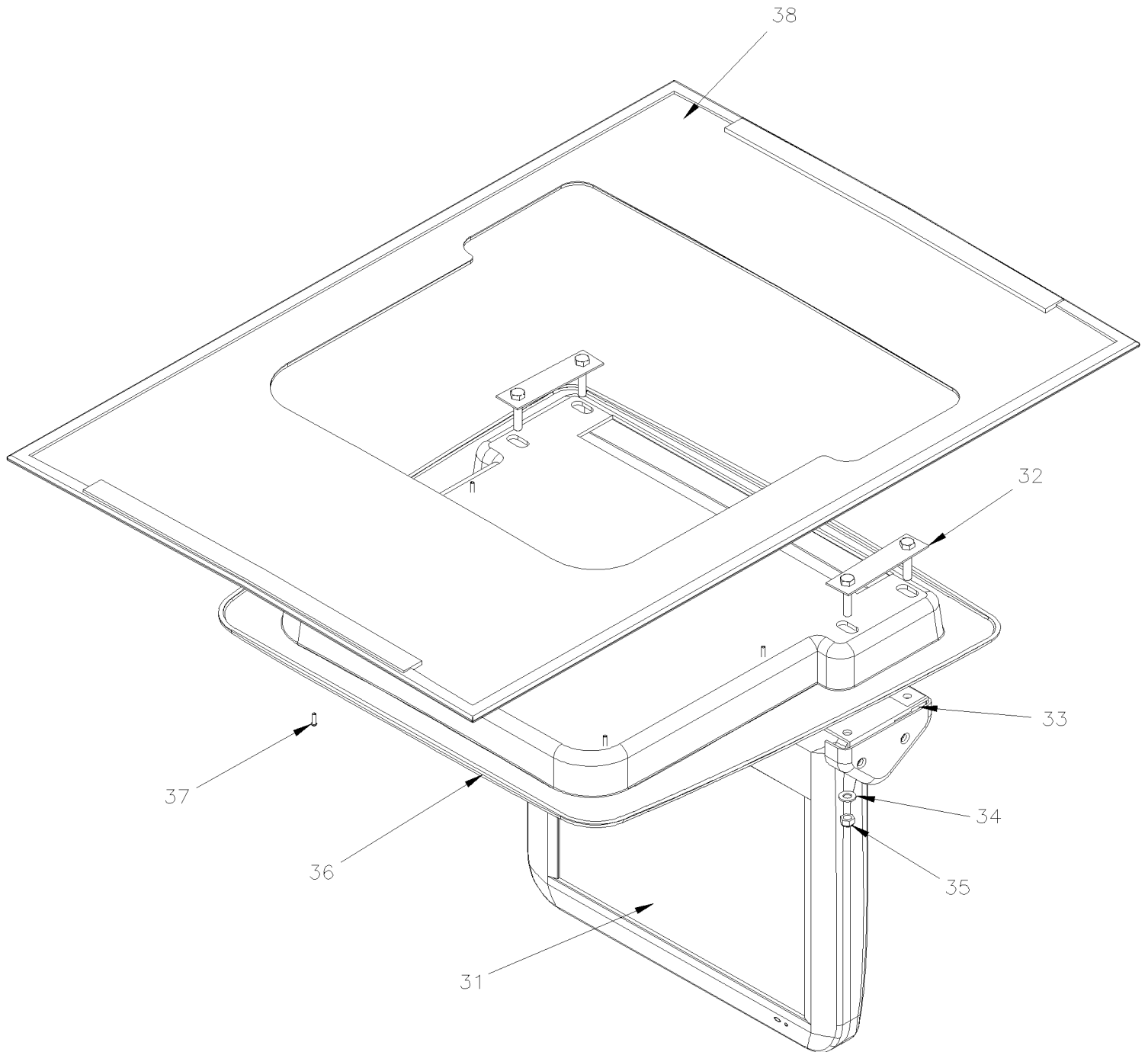


From 7-0671 To J-0184

Date:10/2022

PAGE:H7-2317-00

**FRONT MONITOR FLAT SCREEN - VIDEO**



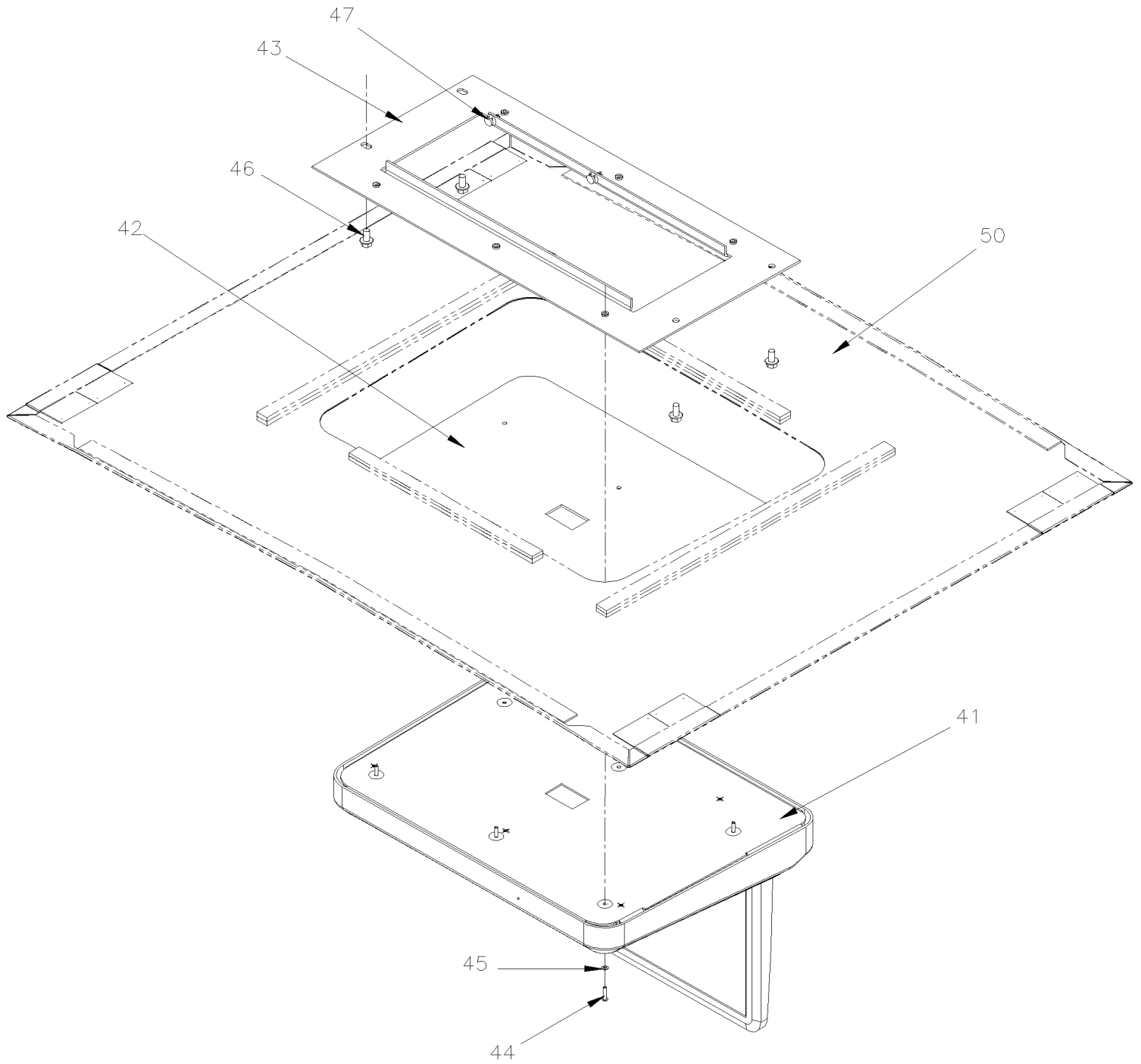


From 7-0671 To J-0184

Date:10/2022

PAGE:H7-2317-00

**FRONT MONITOR FLAT SCREEN - VIDEO**



<b>From 7-0671 To J-0184</b>	<b>Date:10/2022</b>	<b>PAGE:H7-2317-00</b>
<b>FRONT MONITOR FLAT SCREEN - VIDEO</b>		

Item#	Part	Description	H 3 4 1	H 3 4 5	V I P 4 5	N O T E S
		PARTS RELATED WITH				
		10" OR 15.6" CENTRAL MONITOR				
20	903214	MONITOR 10" LCD 24V To A-1605	1	1		
. NS	901243	. PLUG CAP / GREY OVER SCREW 9.31MM O.D. To A-1605	1	1		
20	406730	KIT, CENTRAL MONITOR REI 10.1" H3 SAV To A-1605	1	1		
. NS	901547	. MONITOR, LCD REI 10.1" To A-1605	1	1		
. NS	406725	. SUPPORT, CENTRAL MONITOR 10.1" ASSY To A-1605	1	1		
20	901335	MONITOR 15.4" LCD 24V From A-1606 To G-3308	1	1		
20	900016	MONITOR 15.6" LCD 24V From G-3309	1	1		
20	901359	MONITOR 15.4" LCD 24V W/SHIELD SCREEN PROTECTOR To D-2207	1	1		
20	903232	MONITOR 15.4" LCD 24V From D-2208 To G-3163	1	1		C
20	903233	MONITOR 15.4" LCD 24V W/ DEFLECTOR From G-3164 To G-3308	1	1		
20	900021	MONITOR 15.6" LCD 24V W/ DEFLECTOR From G-3309	1	1		
NS	406359	PROTECTOR PANEL W/LEATHERETTE 400MM x 95MM To G-3163	1	1		
NS	406704	TRANSITION MOLDING From G-3164 To G-3308	1	1		
20	400038	TRANSITION MOLDING From G-3309	1	1		
21	409159	SUPPORT CENTRAL MONITOR / W/FLAT SCREEN 10" To A-1605	1	1		
21	402818	SUPPORT CENTRAL MONITOR / W/FLAT SCREEN 15.4" From A-1606 To D-2207	1	1		
21	409417	SUPPORT CENTRAL MONITOR / W/FLAT SCREEN 15.4" From D-2208 To G-3163	1	1		
21	901358	SUPPORT MONITOR 15.4" 16/9 SCREEN From G-3164	1	1		
22	502843	SCREW CAP HEX M6-1.0x45 G8.8 N500 To G-3163	2	2		
22	5001923	SCREW CAP HEX M6-1.0x45 SS BK From G-3164	2	2		
23	502582	WASHER LO SERR 6.1x16.2x0.9 Z050	2	2		
24	476596	REINFORCEMENT FRONT MONITOR 10" SUPPORT To D-2207	1	1		
24	478955	REINFORCEMENT FRONT MONITOR 15.4" SUPPORT From D-2208 To G-3163	1	1		
24	406702	REINFORCEMENT FRONT MONITOR 15.4" SUPPORT From G-3164	1	1		
25	341124	SHIM To A-1604	1	1		
25	341192	SHIM From A-1605 To D-2207	1	1		
25	344240	SHIM From D-2208 To G-3163	1	1		
25	406703	SHIM From G-3164	1	1		
26	405858	SHIELD SCREEN DEFLECTOR / W/10" SCREEN / PLASTIC GREY To 8-1135	1	1		
26	406134	SHIELD SCREEN DEFLECTOR / W/10" SCREEN / PLASTIC SAND BEIGE From 8-1136 To A-1605	1	1		
26	402819	SHIELD SCREEN DEFLECTOR / W/15.6" SCREEN / PLASTIC SAND BEIGE From A-1606	1	1		
		PARTS RELATED WITH 17" CENTRAL MONITOR				
		ELECTRICAL RETRACTABLE				
31	901259	MONITOR 17" LCD 24V CHARCOAL To 8-1043	1	1		A
. NS	901294	. REMOTE CONTROL / MONITOR LCD To 8-1043	1	1		A
31	901275	MONITOR 17" LCD 24V LIGHT GREY To 8-1135	1	1		

From 7-0671 To J-0184	Date:10/2022	PAGE:H7-2317-00
<b>FRONT MONITOR FLAT SCREEN - VIDEO</b>		

Item#	Part	Description	H 3 4 1	H 3 4 5	V I P 4 5	N O T E S
. NS	901294	. REMOTE CONTROL / MONITOR LCD To 8-1135	1	1		
31	901284	MONITOR 17" LCD 24V CHARCOAL From 8-1136 To A-1605	1	1		
. NS	901294	. REMOTE CONTROL / MONITOR LCD From 8-1136 To A-1605	1	1		
NS	067157	CABLE ASSY / SCREEN To A-1605	1	1		
32	272119	PLATE SUPPORT W/30 MM STUDS / W/17" MONITOR To 9-1358	2	2		
32	272382	PLATE SUPPORT W/40 MM STUDS / W/17" MONITOR From 9-1359 To A-1605	2	2		B
33	272383	SPACER SHIM PLASTIC TAPER From 9-1359 To A-1605	2	2		B
34	500874	WASHER FL 8.4x17.0x1.6 Z050 To A-1605	4	4		
35	502847	NUT HEX NYRT M8-1.25 N500 To A-1605	4	4		
36	341165	BOX RECEPACLE To 8-1135	1	1		
36	341175	BOX RECEPACLE From 8-1136 To A-1605	1	1		
37	500576	SCREW TC PAN PH #6-32x1/2 Z050 To A-1606	4	4		
38	Call order desk	CEILING PANEL ASSY #1 / W/17" MONITOR 922MM x 640MM To A-1605	1	1		P
. NS	341153	. CEILING PANEL W/17" MONITOR 922MM x 640MM To A-1605	1	1		
		PARTS RELATED WITH 19" CENTRAL MONITOR				
		ELECTRICAL RETRACTABLE MODEL 16 : 9				
41	901336	MONITOR 19" LCD 24V From A-1606	1	1		
NS	068003	CABLE ASSY / SCREEN From A-1606 To G-3071	1	1		
41	069346	CABLE ASSY / FLIP SCREEN From G-3072	1	1		
42	406335	BOX RECEPACLE From A-1606	1	1		
43	409274	PLATE SUPPORT W/19" MONITOR From A-1606	1	1		
44	5001305	SCREW MA RND PH #8-32X3/4 SS From A-1606	6	6		
45	500834	WASHER LO INT .168x.340x.023 N500 From A-1606	6	6		
46	5001780	SCREW CAP HEXF M8-1.25x16 G8.8 N500 From A-1606	4	4		
47	509815	TIE MOUNT / ATTACHMENT W/TREE MOUNT From A-1606	4	4		
		USE WITH FRONT CENTRAL MONITOR SWITCH OPTION				
49	562697	SWITCH / ON-ON / D.P.D.T. / CH-OVER / W/RED & GREEN LED	1	1		
49	565925	CAP / "MONITOR"	1	1		
49	068316	WIRING HARNESS SWITCH FRONT MONITOR To G-3308	1	1		
49	068338	WIRING HARNESS SWITCH FRONT MONITOR From G-3309	1	1		
50	<b>H7-1837-00</b>	<b>CEILING PANELS &amp; MOULDING W/GREY FINISHING To 8-1135</b>				
50	<b>H7-1837-01</b>	<b>CEILING PANELS &amp; MOULDING W/TAN FINISHING From 8-1136</b>				
60	564183	REMOTE CONTROL / CENTERING SCREEN PLAY TOOL	AR	AR		
		PARTS RELATED WITH ALLS CENTRAL MONITOR				
61	405905	DECAL / "WATCH YOUR STEP" 16 x 200	1	1		

From 7-0671 To J-0184	Date:10/2022	PAGE:H7-2317-00
<b>FRONT MONITOR FLAT SCREEN - VIDEO</b>		

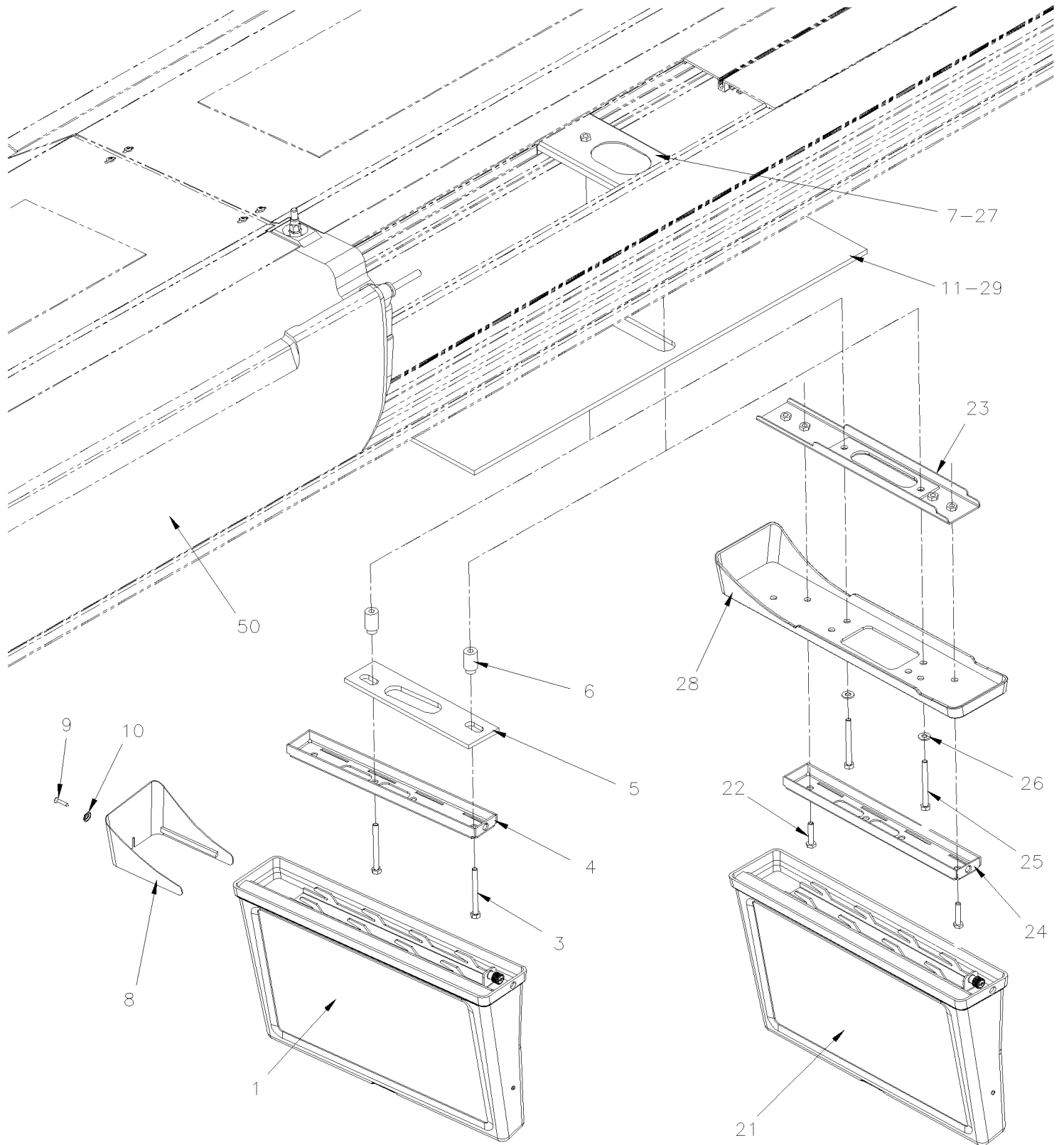
Item#	Part	Description	H 3 4 1	H 3 4 5	V I P 4 5	N O T E S
61	405906	DECAL / "ATTENTION À LA MARCHE" / BILINGUAL 43 x241	1	1		
61	405907	DECAL / "WATCH YOUR STEP" / "CUINDADO CON EL 43 x 241	1	1		
108	068213	KIT, CONTROL REMOTE MONITOR WITH INSTRUCTION SHEET	1	1		
. NS	IS-10900	. SEE INSTRUCTION SHEET	1	1		
109	IS-10900	SEE INSTRUCTION SHEET	1	1		
		A) THIS FLAT SCREEN IT SUPPERSEDED BY 901284 AND YOU NEED 1 CONNECTOR 564004 WITH 5 TERMINALS 564005				
		B) FOR PRODUCT IMPROVEMENT INSTALL THIS SPACERS FOR BETTER OPERATION ON PRIVIOUS VEHICULE AND 2 x 272382 SUPPORT				
		C) THIS FLAT SCREEN IT IS SUPERSEDED BY 903232 FOR THE CENTRAL SCREEN, YOU HAVE TO ORDER 1 X 409417, 1 X 478955 AND 2 X 344240				
		P) CALL ORDER DESK FOR SPECIFIC APPLICATION (V.I.N.)				
		U) UNDER CONSTRUCTION				

From 7-0671 To J-0184

Date:10/2022

PAGE:H7-2317-10

## SIDE MONITOR FLAT SCREEN - VIDEO - "R.E.I."

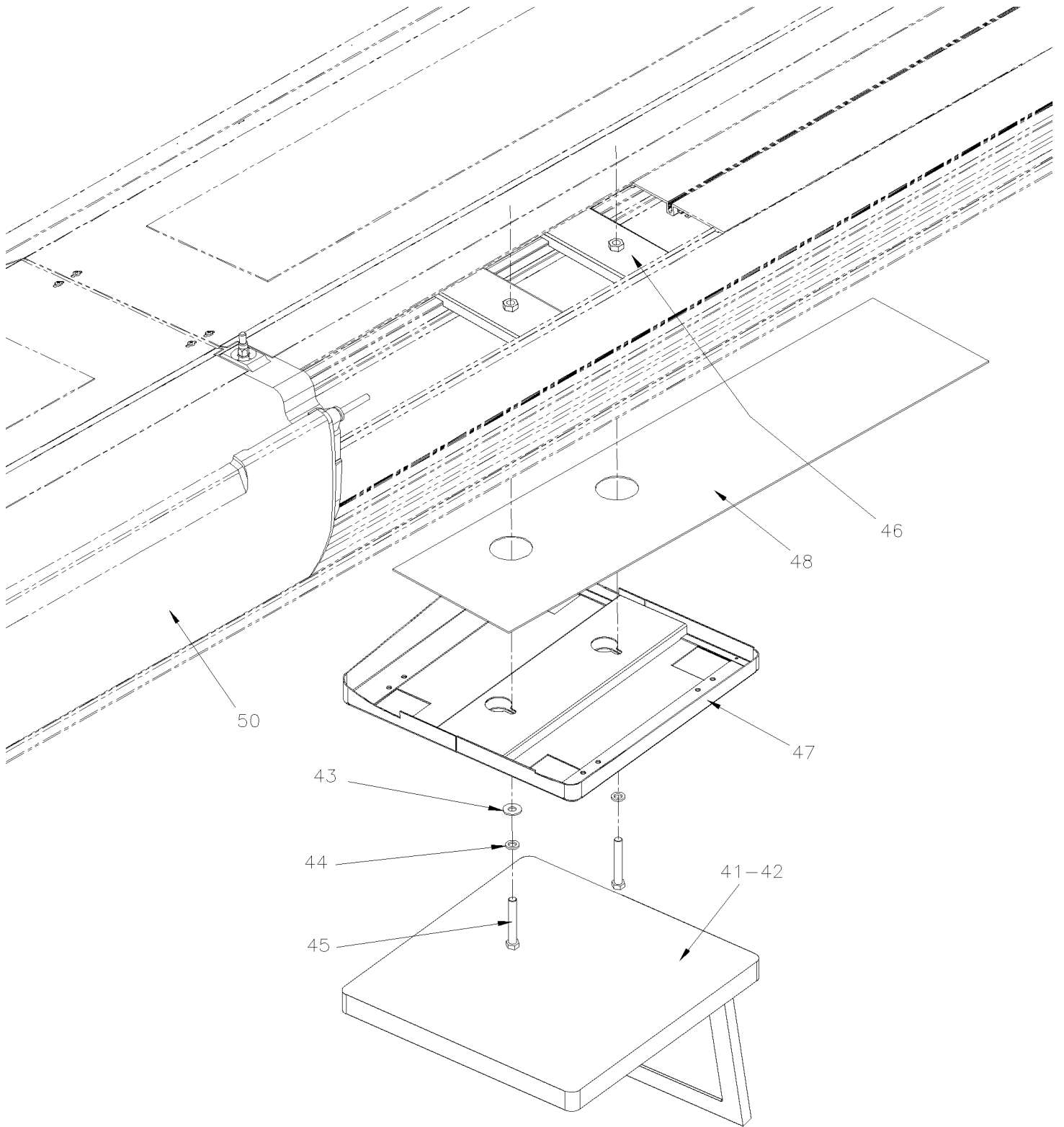


From 7-0671 To J-0184

Date:10/2022

PAGE:H7-2317-10

SIDE MONITOR FLAT SCREEN - VIDEO - "R.E.I."



From 7-0671 To J-0184	Date:10/2022	PAGE:H7-2317-10
<b>SIDE MONITOR FLAT SCREEN - VIDEO -"R.E.I."</b>		

Item#	Part	Description	H 3 4 1	H 3 4 5	V I P 4 5	N O T E S
		FOLLOWING ITEMS ARE RELATED ONLY WITH				
		FLAT SCREEN 10" MONITOR To A-1605				
		FLAT SCREEN 15.4" MONITOR 16/9 To A-1605				
1	903214	MONITOR 10" LCD 24V To A-1605	1	1		
. NS	901243	. PLUG CAP / GREY OVER SCREW 9.31MM O.D. To A-1605	1	1		
1	<b>406729</b>	<b>KIT, PARCEL RACK MONITOR REI 10.1" SAV To A-1605</b>	1	1		
1	901269	MONITOR 15.4" LCD 24V / 16/9 SCREEN To A-1605	AR	AR		
NS	561681	CONVOLUTED TUBING / SLIT / BLACK & GRAY / .350" To A-1605	AR	AR		
3	502541	SCREW CAP HEX M6-1.0x65 G8.8 Z050 To A-1605	2	2		
3	509838	SCREW CAP HEX M6-1.0x55 G8.8 ZP To A-1605	2	2		A
NS	680038	THREAD LOCKER LOCTITE #243 / BLUE / 50ml To A-1605	AR	AR		
4	903213	SUPPORT CENTRAL MONITOR / W/FLAT SCREEN 10" To A-1605	1	1		
4	901270	SUPPORT MONITOR 15.4" 16/9 SCREEN To A-1605	AR	AR		
5	407564	SHIM / BLACK PLASTIC / 50MM X 207MM To A-1605	1	1		
5	405802	SHIM / BLACK PLASTIC / 50MM X 207MM To A-1605	1	1		A
6	407561	SPACER 5/8" OD TUBE X 24MM / W/FL 6MM To A-1605	2	2		
7	409151	SUPPORT MONITOR R.H. To A-1605	1	1		
7	409150	SUPPORT MONITOR L.H. To A-1605	1	1		
7	409168	SUPPORT MONITOR R.H. 1ST To A-1605	1	1		A
8	405942	FINISHING CAP ASSY W/TISSUS S.C.C. R.H. W/15.4" MONITOR To 8-1135	1	1		
. NS	405940	. FINISHING CAP To 8-1135	1	1		
8	Call order desk	FINISHING CAP ASSY W/TISSUS S.C.C. R.H. W/15.4" MONITOR From 8-1136 To A-1605	1	1		P
. NS	406224	. FINISHING CAP From 8-1136 To A-1605	1	1		
8	405943	FINISHING CAP ASSY W/TISSUS S.C.C. # 1 FRONT R.H. W/15.4" MONITOR To 8-1135	1	1		
. NS	405941	. FINISHING CAP # 1 To 8-1135	1	1		
8	406225P	FINISHING CAP ASSY W/TISSUS S.C.C. # 1 FRONT R.H. W/15.4" MONITOR From 8-1136 To A-1605	1	1		
. NS	406226	. FINISHING CAP From 8-1136 To A-1605	1	1		
8	405944	FINISHING CAP ASSY W/TISSUS S.C.C. L.H. W/15.4" MONITOR To A-1605	1	1		
. NS	405853	. FINISHING CAP ADAPTOR SCREEN POSITION / W/16 To A-1605	1	1		
8	Call order desk	FINISHING CAP ASSY W/TISSUS S.C.C. L.H. W/15.4" MONITOR From 8-1136 To A-1605	1	1		P
. NS	406228	. FINISHING CAP From 8-1136 To A-1605	1	1		
9	500463	WASHER FN CKF .187x.500x.090 BR Z050 To A-1605	AR	AR		
10	500552	SCREW TP OV PH #6x3/4 Z050 To A-1605	AR	AR		
11	310653P	PANEL 655MM / 382MM POSITION SCREEN / L.H. W/10" LCD SCREEN To A-1605	1	1		
11	310654P	PANEL 655MM / 382MM POSITION SCREEN / R.H. W/ LCD SCREEN To A-1605	1	1		
11	Call order desk	PANEL 1155MM / 440MM POSITION SCREEN	1	1		P
11	Call order desk	PANEL 1300MM / 76MM POSITION SCREEN From G-3267	1	1		P
		FOLLOWING ITEMS ARE RELATED ONLY WITH				
		FLAT SCREEN 15.6" MONITOR 16/9				

From 7-0671 To J-0184	Date:10/2022	PAGE:H7-2317-10
<b>SIDE MONITOR FLAT SCREEN - VIDEO -"R.E.I."</b>		

Item#	Part	Description	H 3 4 1	H 3 4 5	V I P 4 5	N O T E S
21	901335	MONITOR 15.4" LCD 24V To G-3308	1	1		
21	900016	MONITOR 15.6" LCD 24V From G-3309	1	1		
NS	561681	CONVOLUTED TUBING / SLIT / BLACK & GRAY / .350"	AR	AR		
22	502533	SCREW CAP HEX M6-1.0x30 G8.8 Z050	2	2		
22	680038	THREAD LOCKER LOCTITE #243 / BLUE / 50ml	AR	AR		
23	406332	SUPPORT MONITOR	1	1		
24	901270	SUPPORT MONITOR 15.4" 16/9 SCREEN To A-1605	1	1		
24	901358	SUPPORT MONITOR 15.4" 16/9 SCREEN From A-1606	1	1		
25	502541	SCREW CAP HEX M6-1.0x65 G8.8 Z050	2	2		
26	500877	WASHER FL .250x.562x.065 N500	2	2		
27	402823	SUPPORT MONITOR	1	1		
28	402825	FINISHING CAP W/15.4" MONITOR To G-3308	1	1		
28	900013	FINISHING CAP W/15.6" MONITOR From G-3309	1	1		
29	Call order desk	PANEL 376MM / 112MM POSITION SCREEN	1	1		P
29	Call order desk	PANEL 475MM / 310MM POSITION SCREEN	1	1		P
29	Call order desk	PANEL 495MM / 310MM POSITION SCREEN	1	1		P
29	Call order desk	PANEL 510MM / 310MM POSITION SCREEN	1	1		P
29	Call order desk	PANEL 655MM / 310MM POSITION SCREEN / LCD SCREEN	1	1		P
29	316123P	PANEL 655MM / 383MM POSITION SCREEN / W/15" LCD SCREEN	1	1		
29	Call order desk	PANEL 705MM / 544MM POSITION SCREEN	1	1		P
		FOLLOWING ITEMS ARE RELATED ONLY WITH				
		FLAT SCREEN FOLDING 12" MONITOR				
41	901086	MONITOR 12" LCD / FOLDING	AR	AR		
42	405461	CABLE ASSY / 24V POWER / W/12" MONITOR / 10' / 511824	AR	AR		
42	405462	CABLE ASSY / 24V POWER / W/12" MONITOR / 511693 / 15'	AR	AR		
42	405463	CABLE ASSY / 24V POWER / W/12" MONITOR / 35' / 511825	AR	AR		
43	500195	SCREW CAP HEX 3/8-16x2 1/2 G5 Z050	AR	AR		
44	502510	WASHER FL .375x.875x.083	AR	AR		
45	500478	WASHER LO SPT .380x.683x.094 Z050	AR	AR		
46	901089	SUPPORT MONITOR / W/FLAT SCREEN 12" FOLDING	AR	AR		
47	901087	SUPPORT SIDE MONITOR TRANSITION L.H.	AR	AR		
47	901088	SUPPORT SIDE MONITOR TRANSITION R.H.	AR	AR		
48	312761P	PANEL 315MM	1	1		
48	312840P	PANEL 753MM	1	1		
48	Call order desk	PANEL 243MM	1	1		P
48	313328P	PANEL 388MM	1	1		
50	<b>H7-1836-00</b>	<b>PARCEL RACK W/GREY FINISHING To 8-1135</b>				
50	<b>H7-1836-01</b>	<b>PARCEL RACK W/TAN FINISHING From 8-1136 To E-2584</b>				
50	<b>H7-1836-02</b>	<b>PARCEL RACK W/TAN FINISHING From E-2585</b>				



From 7-0671 To J-0184	Date:10/2022	PAGE:H7-2317-10
<b>SIDE MONITOR FLAT SCREEN - VIDEO -"R.E.I."</b>		

Item#	Part	Description	H 3 4 1	H 3 4 5	V I P 4 5	N O T E S
51	H7-2317-20	SCREEN VIDEO & POWER - INSTALLATION				
NS	564183	REMOTE CONTROL / CENTERING SCREEN PLAY TOOL	1	1		
		A) USE ONLY WITH FIRST FRONT SIDE MONITOR R.H.				
		P) CALL ORDER DESK FOR SPECIFIC APPLICATION (V.I.N.)				

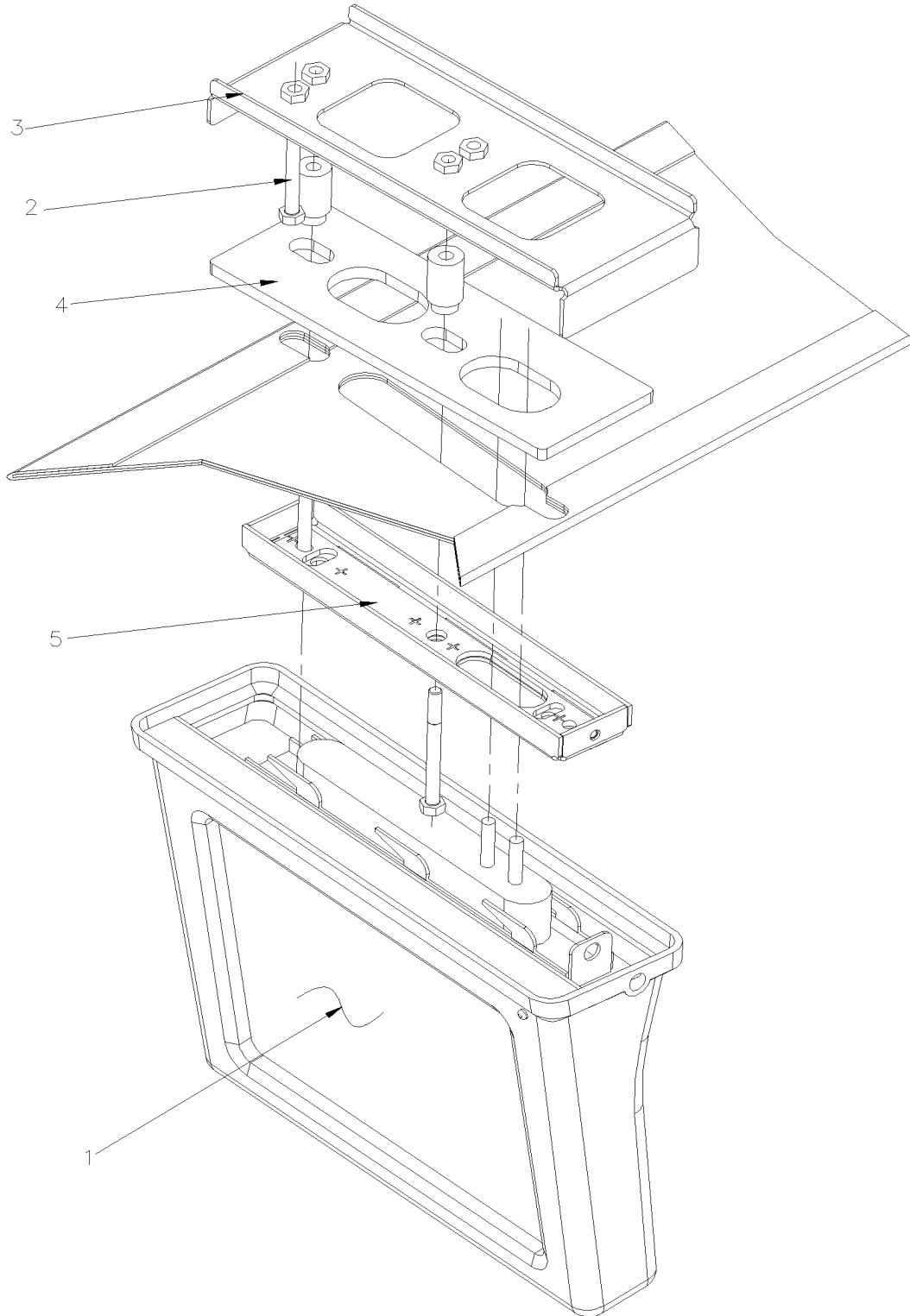


To A-1605

Date:10/2022

PAGE:406729

**KIT, PARCEL RACK MONITOR REI 10.1" SAV**



To A-1605	Date:10/2022	PAGE:406729
<b>KIT, PARCEL RACK MONITOR REI 10.1" SAV</b>		

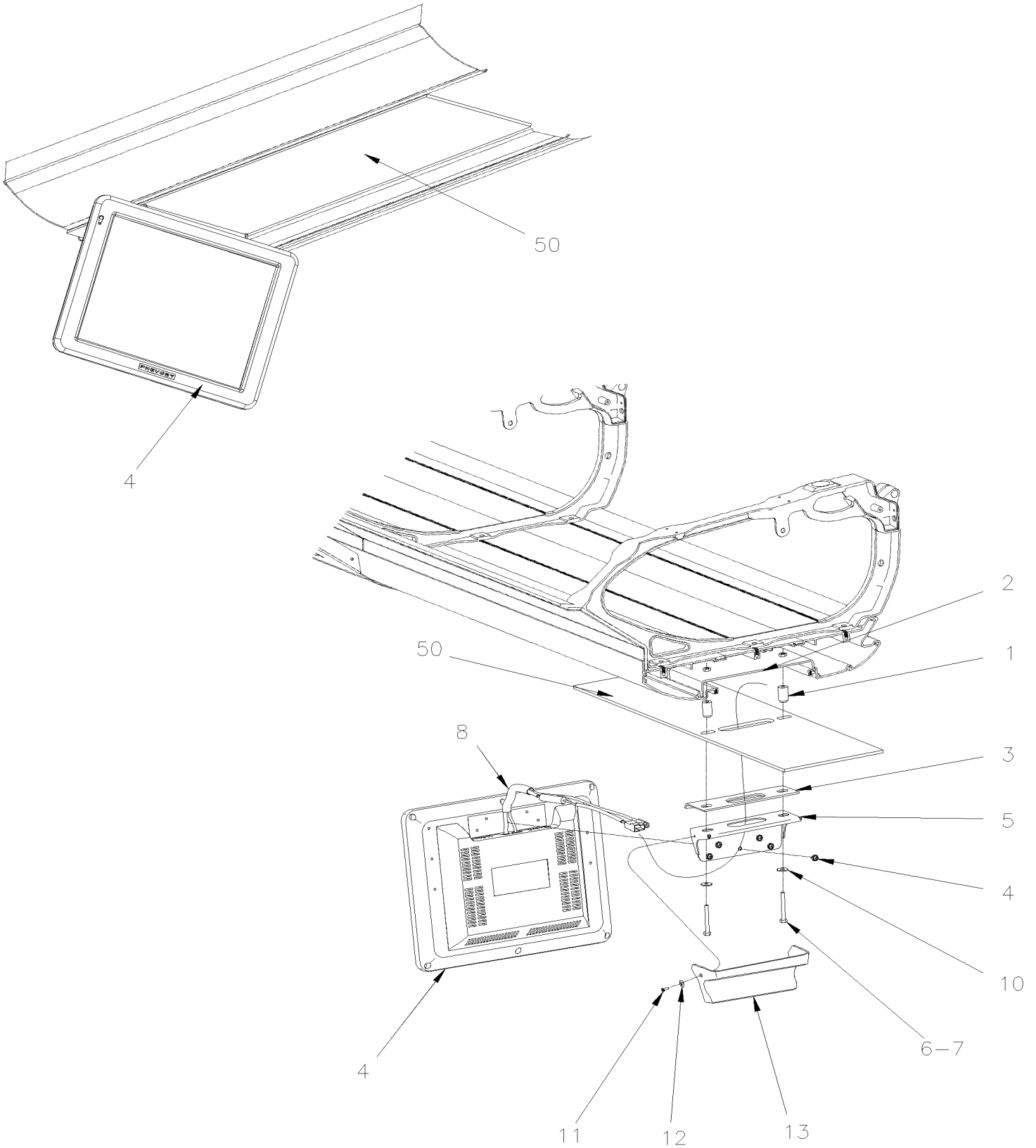
Item#	Part	Description	H 3 4 1	H 3 4 5	V I P 4 5	N O T E S
1	901547	MONITOR, LCD REI 10.1"	1	1	1	
2	502656	SCREW CAP HEX M6-1.0x50 SS	2	2	2	
3	406722	SUPPORT, PARCEL RACK MONITOR 10.1"	1	1	1	
4	406723	SPACER, PARCEL RACK MONITOR 10.1"	1	1	1	
5	406724	SUPPORT, MONITOR 10.1" ASSY	1	1	1	

From 8-1136 To A-1605

Date:10/2022

PAGE:H7-2317-11

SIDE MONITOR FLAT SCREEN - VIDEO "VOLVO"



From 8-1136 To A-1605	Date:10/2022	PAGE:H7-2317-11
<b>SIDE MONITOR FLAT SCREEN - VIDEO "VOLVO"</b>		

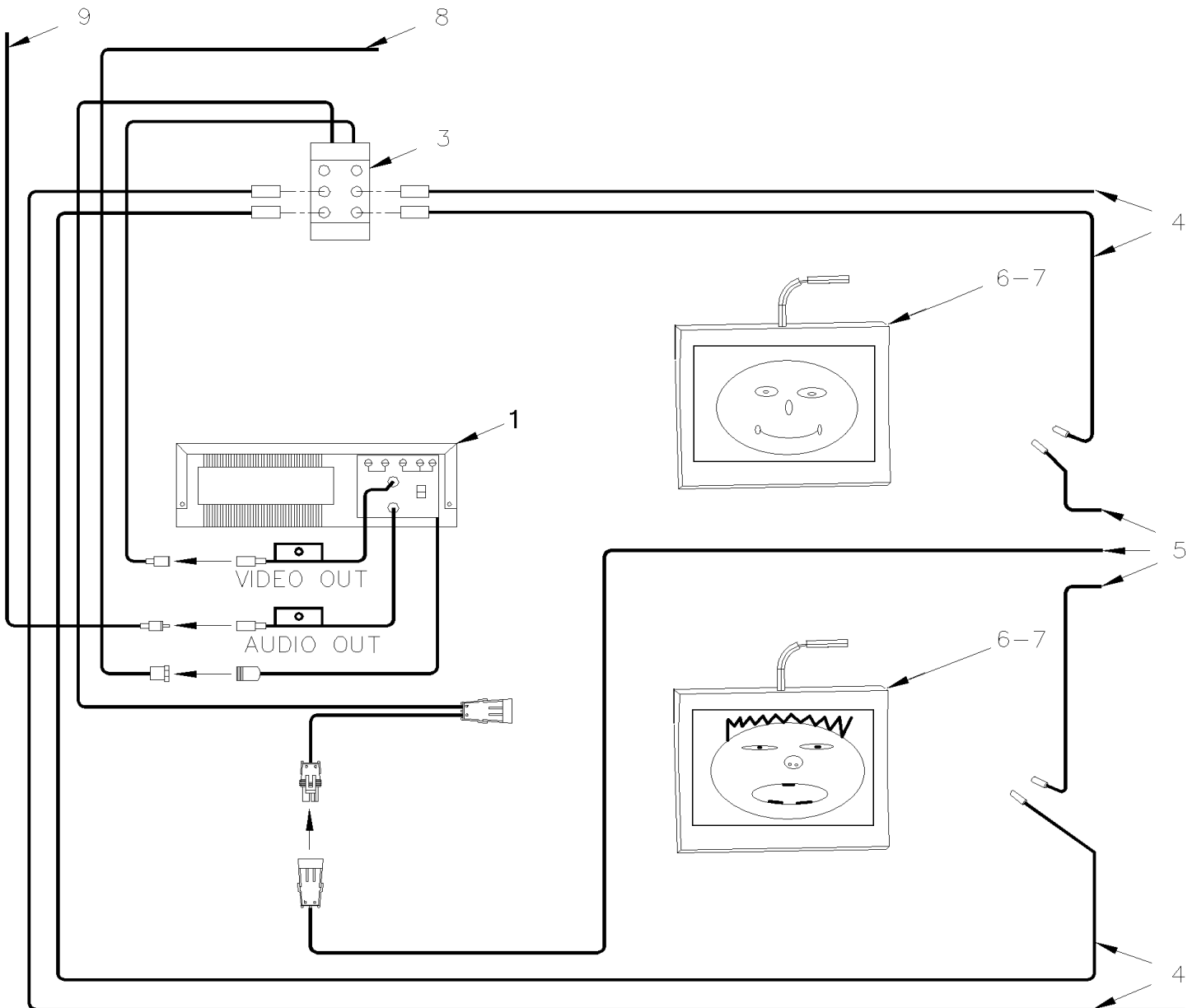
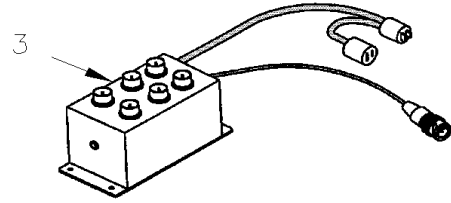
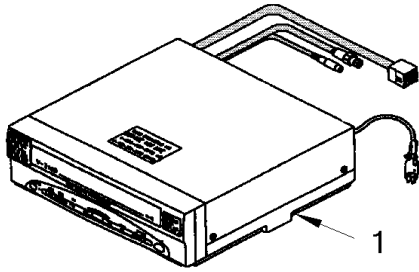
Item#	Part	Description	H 3 4 1	H 3 4 5	V I P 4 5	N O T E S
1	409211	SPACER 5/8" OD TUBEXx24.5MM /W/FL 3MM	2	2		
2	409210	SUPPORT MONITOR	1	1		
3	903221	CLOSING SUPPORT CURBSIDE MONITOR	1	1		
3	903222	CLOSING SUPPORT STREETSIDE MONITOR	1	1		
4	903224	MONITOR LCD 15"	1	1		
. NS	901294	. REMOTE CONTROL / MONITOR LCD	1	1		
5	903218	ATTACHMENT CURBSIDE MONITOR	1	1		
5	903219	ATTACHMENT STREETSIDE MONITOR	1	1		
6	680038	THREAD LOCKER LOCTITE #243 / BLUE / 50ml	AR	AR		
7	502793	SCREW CAP HEX M6-1.0x45 G8.8 Z050	2	2		
8	561681	CONVOLUTED TUBING / SLIT / BLACK & GRAY / .350"	AR	AR		
9	506268	TAPE RUB ADH1 URE 3/8" x 1/2" x 25' / GREY 1820	AR	AR		
10	976944	WASHER FL 8.4x22.0x2.0 ZP	2	2		
NS	509910	NUT PUSH RND M6 ZP	2	2		
11	500624	SCREW TP OV PH #6x1/2 Z050	2	2		
12	500463	WASHER FN CKF .187x.500x.090 BR Z050	2	2		
13	903220	FINISHING SCREEN SUPPORT CURBSIDE	1	1		
13	903223	FINISHING SCREEN SUPPORT STREETSIDE	1	1		
50	<b>H7-1836-01</b>	<b>PARCEL RACK W/TAN FINISHING</b>				

From 7-0671 To G-3308

Date:10/2022

PAGE:H7-2317-20

## SCREEN VIDEO & POWER - INSTALLATION



<b>From 7-0671 To G-3308</b>	<b>Date:10/2022</b>	<b>PAGE:H7-2317-20</b>
<b>SCREEN VIDEO &amp; POWER - INSTALLATION</b>		

Item#	Part	Description	H 3 4 1	H 3 4 5	V I P 4 5	N O T E S
1	901198	DVD PLAYER 12V (VOLVO) VD-404 To A-1582	1	1		S
. NS	901265	. REMOTE CONTROL / DVD VOLVO To A-1582	1	1		S
. NS	901302	. SENSOR ASSY W/CABLE / DVD REMOTE CONTROL To A-1582	1	1		S
1	901339	DVD PLAYER 12V From A-1583	1	1		
. NS	901377	. REMOTE CONTROL / DVD R.E.I. From A-1583	1	1		
NS	409294	CABLE INTERFACE DVD "VOLVO" to DVD "REI" 4 CONN. to 6 CONN. To A-1582	1	1		
3	901117	VIDEO DISTRIBUTION AMPLI W/BNC To B-1905	1	1		
. NS	901119	. CABLE POWER DVA/VIDEO To B-1905	1	1		
3	901403	VIDEO DISTRIBUTION AMPLI W/BNC From B-1906	1	1		
NS	901119	CABLE POWER DVA/VIDEO	1	1		
3	900817	DUAL VCP MODULE / USE W/KARAOKE	1	1		
4	901146	CABLE ASSY COAX / RG-59 / 7'	1	1		
4	404232	CABLE ASSY COAX / RG-59 / 10' / 510443	AR	AR		
4	404233	CABLE ASSY COAX / RG-59 / 15' / 511062	AR	AR		
4	404234	CABLE ASSY COAX / RG-59 / 20' / 510407	AR	AR		
4	404235	CABLE ASSY COAX / RG-59 / 24' / 510414	AR	AR		
4	404236	CABLE ASSY COAX / RG-59 / 33' / 510928	AR	AR		
4	404237	CABLE ASSY COAX / RG-59 / 44' / 510929	AR	AR		
5	405487	CABLE ASSY / 24V POWER / 10' To 8-1135	AR	AR		R
5	406087	CABLE ASSY / 24V POWER / 10' From 8-1136 To A-1605	AR	AR		V
5	409287	CABLE ASSY / 24V POWER / 10' From A-1606	AR	AR		R
5	405488	CABLE ASSY / 24V POWER / 15' To 8-1135	AR	AR		R
5	406088	CABLE ASSY / 24V POWER / 15' From 8-1136 To A-1605	AR	AR		V
5	409288	CABLE ASSY / 24V POWER / 15' From A-1606	AR	AR		R
5	405489	CABLE ASSY / 24V POWER / 20' To 8-1135	AR	AR		R
5	406089	CABLE ASSY / 24V POWER / 20' From 8-1136 To A-1605	AR	AR		V
5	409289	CABLE ASSY / 24V POWER / 20' From A-1606	AR	AR		R
5	405490	CABLE ASSY / 24V POWER / 25' To 8-1135	AR	AR		R
5	406090	CABLE ASSY / 24V POWER / 25' From 8-1136 To A-1605	AR	AR		V
5	409290	CABLE ASSY / 24V POWER / 25' From A-1606	AR	AR		R
5	405491	CABLE ASSY / 24V POWER / 30' To 8-1135	AR	AR		R
5	406091	CABLE ASSY / 24V POWER / 30' From 8-1136 To A-1605	AR	AR		V
5	409291	CABLE ASSY / 24V POWER / 30' From A-1606	AR	AR		R
5	405492	CABLE ASSY / 24V POWER / 35' To 8-1135	AR	AR		R
5	406092	CABLE ASSY / 24V POWER / 35' From 8-1136 To A-1605	AR	AR		V
5	409292	CABLE ASSY / 24V POWER / 35' From A-1606	AR	AR		R
5	405493	CABLE ASSY / 24V POWER / 40' To 8-1135	AR	AR		R
5	406093	CABLE ASSY / 24V POWER / 40' From 8-1136 To A-1605	AR	AR		V
5	409293	CABLE ASSY / 24V POWER / 45' From A-1606	AR	AR		R
5	405494	CABLE ASSY / 24V POWER / 60' To 8-1135	AR	AR		R
6	<b>H7-2317-00</b>	<b>FRONT MONITOR FLAT SCREEN - VIDEO</b>				
7	<b>H7-2317-10</b>	<b>SIDE MONITOR FLAT SCREEN - VIDEO -"R.E.I."</b>				



From 7-0671 To G-3308	Date:10/2022	PAGE:H7-2317-20
<b>SCREEN VIDEO &amp; POWER - INSTALLATION</b>		

Item#	Part	Description	H 3 4 1	H 3 4 5	V I P 4 5	N O T E S
8	404283	CABLE ASSY / FILTER VCP & CONTROL HEAD / 20'	1	1		
9	900783	CABLE RCA / 2M/2M / 10'	1	1		
20	430669	KIT, REPLACEMENT DVD "VOLVO" TO "REI" To A-1582	1	1		
. NS	409294	. CABLE INTERFACE DVD "VOLVO" to DVD "REI" 4 CONN. to 6 CONN. To A-1582	1	1		
. NS	901436	. DVD PLAYER 12V To A-1582	1	1		
. . NS	901264	. . REMOTE CONTROL / DVD REI To A-1582	1	1		
. NS	901347	. CABLE ASSY / W/2 BNC FEMALE/ FEMALE 1" To A-1582	1	1		
. NS	IS-09048	. SEE INSTRUCTION SHEET To A-1582	1	1		
		R) CABLE W/R.E.I. MONITOR USE W/CON 1 # 563071 & 3 TERM # 562483				
		S) THIS DVD MAY BY REPLACE BY ONE # 901339 AND ONE CABLE # 409294				
		V) THIS DVD MAY BY REPLACE BY ONE # 901339 AND ONE CABLE # 409294				

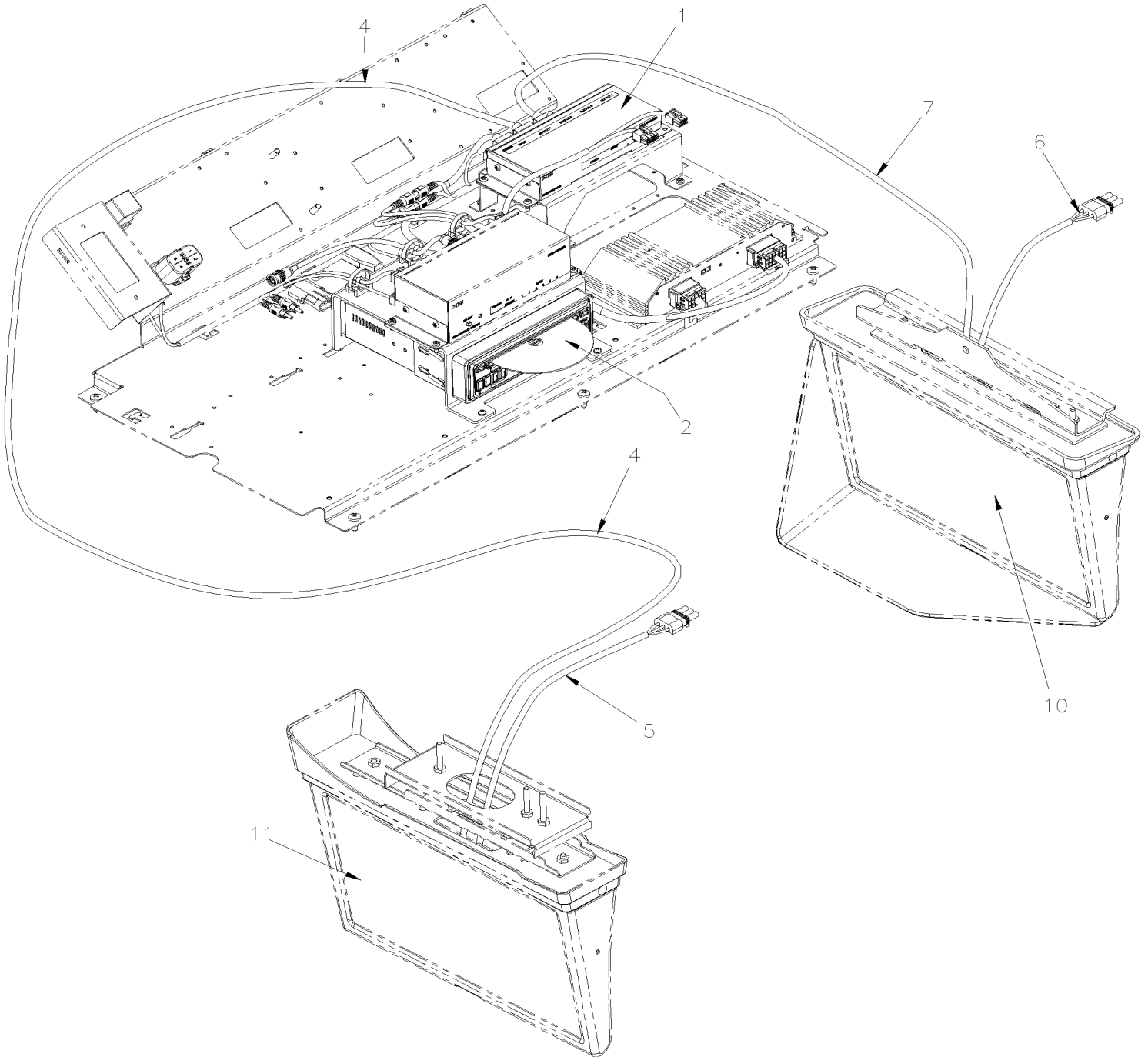


From G-3309 To J-0184

Date:10/2022

PAGE:H7-2317-21

## SCREEN VIDEO & POWER - INSTALLATION W/HHED



From G-3309 To J-0184	Date:10/2022	PAGE:H7-2317-21
<b>SCREEN VIDEO &amp; POWER - INSTALLATION W/HHED</b>		

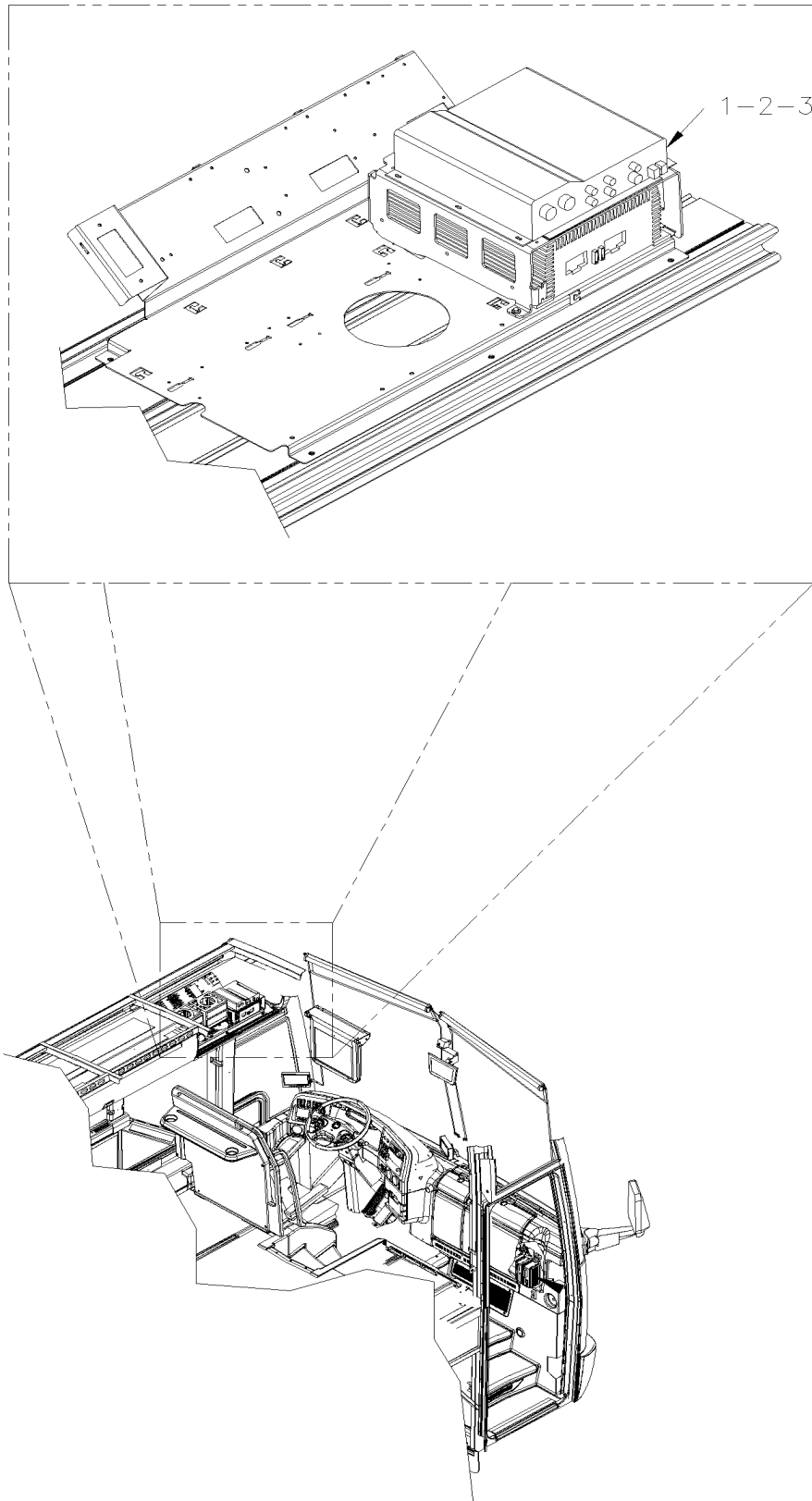
Item#	Part	Description	H 3 4 1	H 3 4 5	V I P 4 5	N O T E S
1	900027	MODULE HDMI VIDEO SPLITTER To J-0137	1	1		
1	900208	MODULE HDMI VIDEO SPLITTER From J-0138	1	1		
2	901339	DVD PLAYER 12V	1	1		
. NS	901377	. REMOTE CONTROL / DVD R.E.I.	1	1		
NS	900029	POWER CABLE ON REI SWITCH AND SPLITTER	1	1		
4	900031	CABLE HDMI E / 3'	AR	AR		
4	900032	CABLE HDMI E / 7'	AR	AR		
4	900033	CABLE HDMI E / 10'	AR	AR		
4	900034	CABLE HDMI E / 15'	AR	AR		
4	900036	CABLE HDMI E / 20'	AR	AR		
4	900047	CABLE HDMI E / 25'	AR	AR		
4	900048	CABLE HDMI E / 30'	AR	AR		
4	900037	CABLE HDMI E / 35'	AR	AR		
4	900038	CABLE HDMI E / 45'	AR	AR		
5	409287	CABLE ASSY / 24V POWER / 10'	AR	AR		
5	409288	CABLE ASSY / 24V POWER / 15'	AR	AR		
5	409289	CABLE ASSY / 24V POWER / 20'	AR	AR		
5	409290	CABLE ASSY / 24V POWER / 25'	AR	AR		
5	409291	CABLE ASSY / 24V POWER / 30'	AR	AR		
5	409292	CABLE ASSY / 24V POWER / 35'	AR	AR		
5	409293	CABLE ASSY / 24V POWER / 45'	AR	AR		
6	405732	CABLE ASSY / 24V POWER / 6'	1	1		A
6	069346	CABLE ASSY / FLIP SCREEN	1	1		B
7	900032	CABLE HDMI E / 7'	1	1		
10	<b>H7-2317-00</b>	<b>FRONT MONITOR FLAT SCREEN - VIDEO</b>				
11	<b>H7-2317-10</b>	<b>SIDE MONITOR FLAT SCREEN - VIDEO -"R.E.I."</b>				
		A) WITH FIXE MONITOR				
		B) WITH FLIP MONITOR				

From D-2404 To J-0184

Date:10/2022

PAGE:H7-2317-25

## WI-FI MODULE - INSTALLATION



From D-2404 To J-0184	Date:10/2022	PAGE:H7-2317-25
<b>WI-FI MODULE - INSTALLATION</b>		

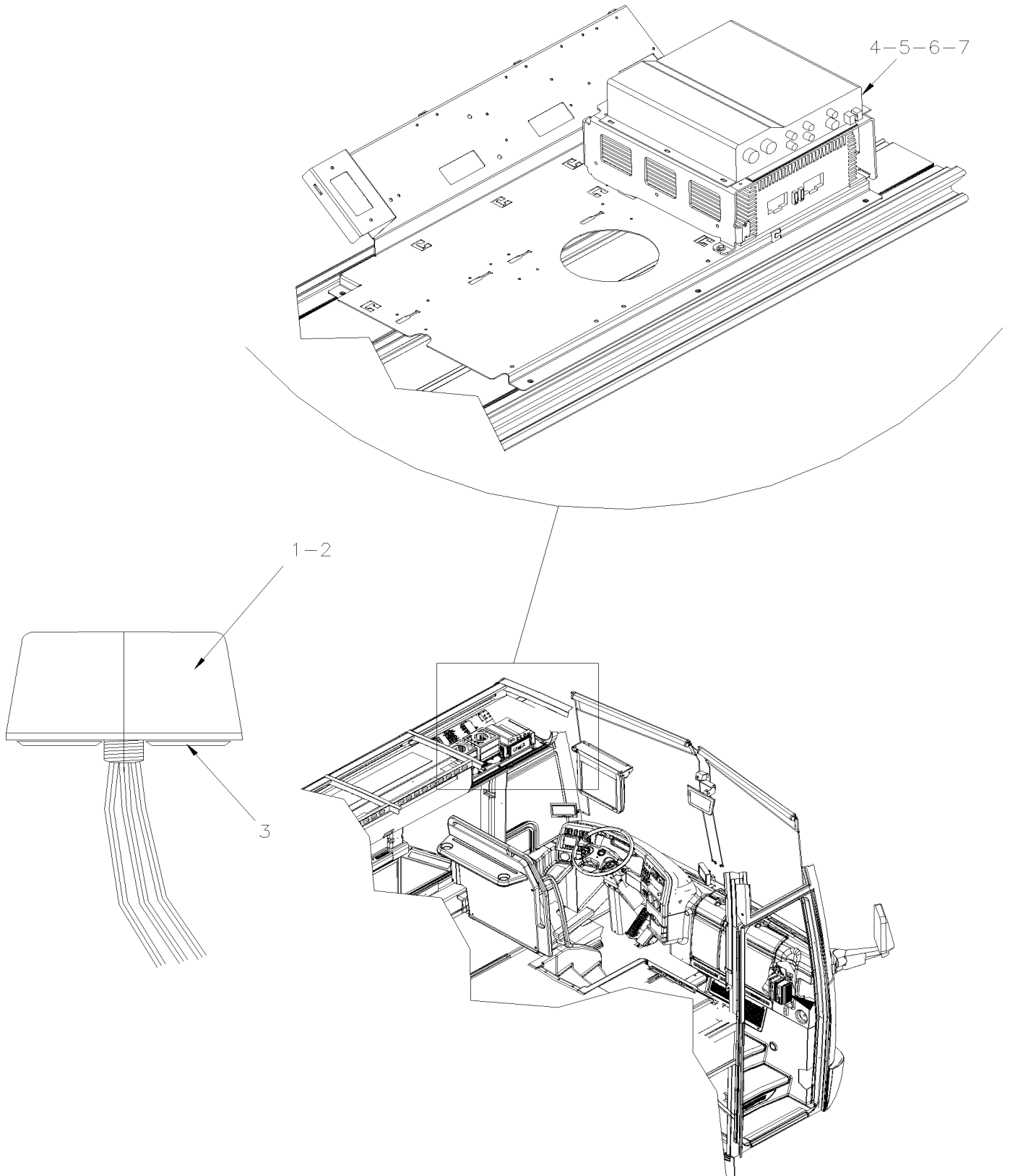
Item#	Part	Description	H 3 4 1	H 3 4 5	V I P 4 5	N O T E S
1	901432	WIFI SYSTEM MOOVBOX M220 AT&T, TELUS	1	1		
NS	901508	ROOF ANTENNA (LTE-LTE-GPS) CABLE 15'	1	1		
2	506756	VELCRO / LOOP ADHESIF 1" x 75'	AR	AR		
3	506755	VELCRO / HOOK ADHESIF 1" x 75'	AR	AR		
4	901449	MULTIBAND CELLULAR AND GPS ANTENNA	1	1		
5	901451	PATCH ANTENNA (7-9DBI WIFI 2.4GHZ)	1	1		

From D-2404 To J-0184

Date:10/2022

PAGE:H7-2317-26

## "WI-FI" MODULE - INSTALLTION



From D-2404 To J-0184	Date:10/2022	PAGE:H7-2317-26
<b>"WI-FI" MODULE - INSTALLTION</b>		

Item#	Part	Description	H 3 4 1	H 3 4 5	V I P 4 5	N O T E S
1	901508	ROOF ANTENNA (LTE-LTE-GPS) CABLE 15'	1	1		
2	901509	ROOF ANTENNA (LTE-LTE) WIRES 15 FT	1	1		
3	680532	SEALANT SIKA #221 / GREY / 310ml CARTRIDGE	AR	AR		
4	N.S.P.	WIFI SYSTEM MOOVBOX M220	1	1		2
4	N.S.P.	WIFI SYSTEM MOOVBOX M310	1	1		2
4	N.S.P.	WIFI SYSTEM MOOVBOX M340	1	1		2
5	500654	SCREW TC BDG PH #8-32x1/2 Z050	3	3		
6	069125	CABLE ALIMENTATION MODULE WIFI	1	1		
7	504637	CABLE TIE / 3/16" x 13"	AR	AR		
		2) NOT SOLD BY PREVOST (SEE MANUFACTURING PART NUMBER AT END OF DESCRIPTION LINE)				



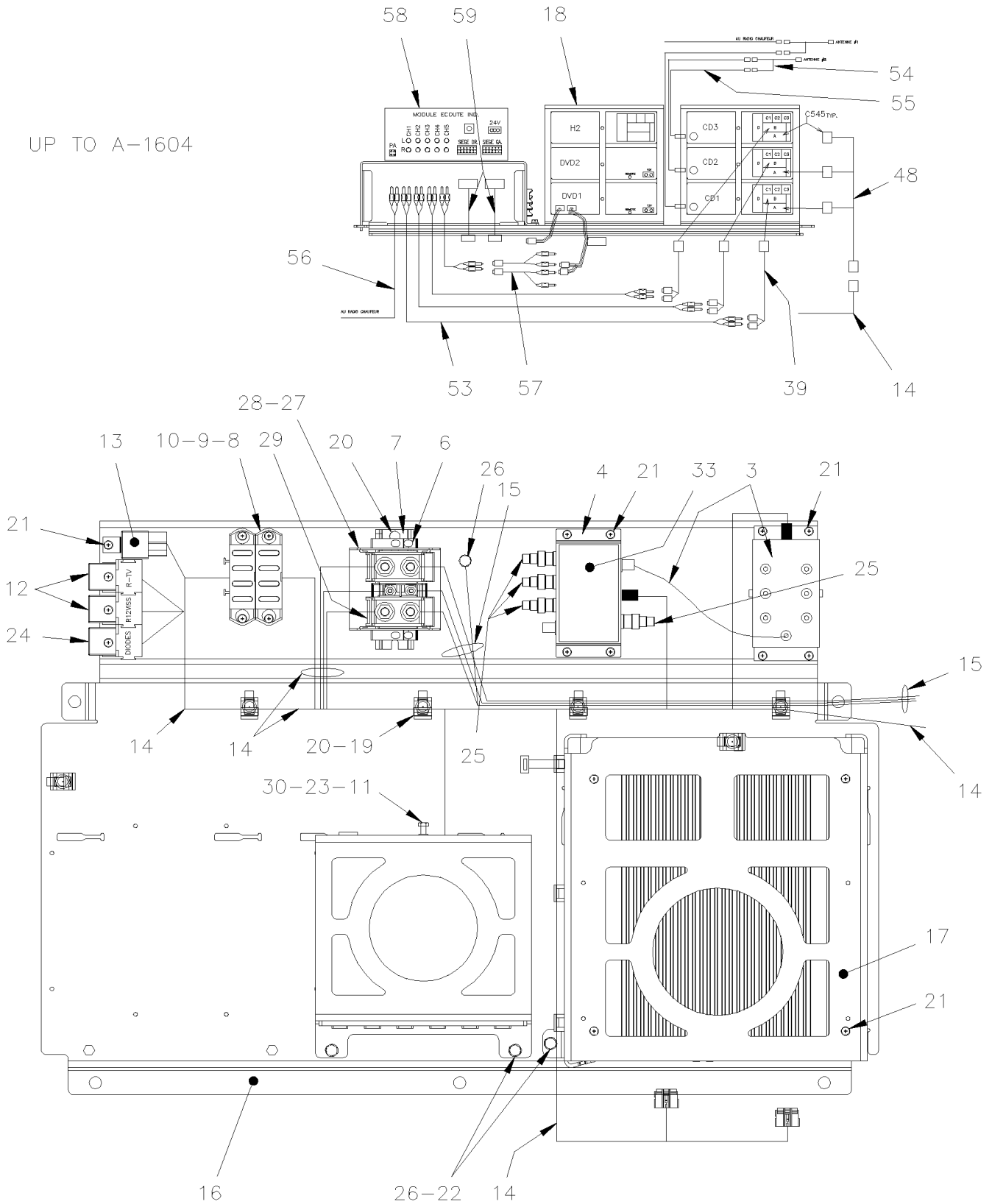
From 7-0671 To G-3308

Date:10/2022

PAGE:H7-2317-30

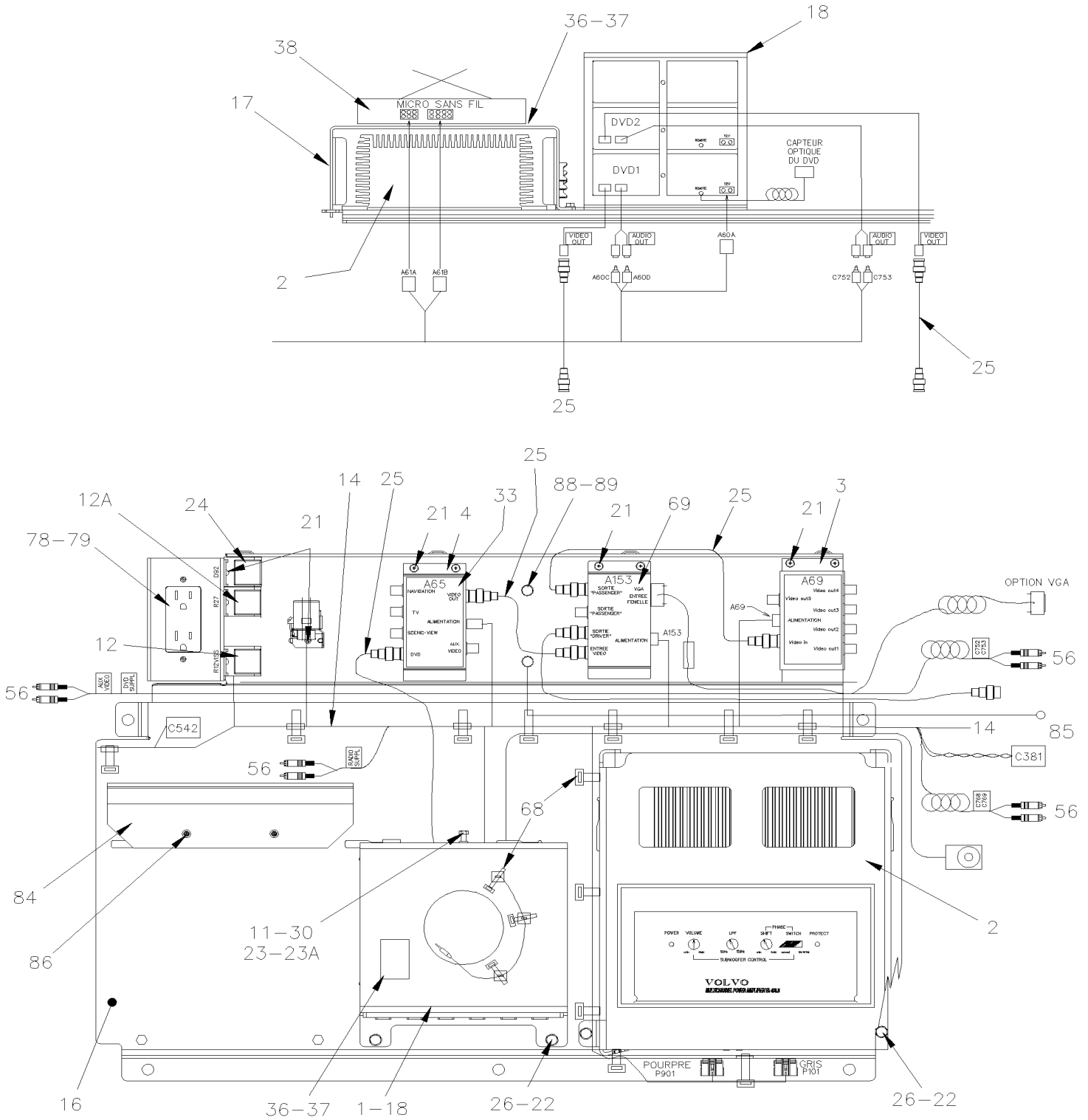
## VIDEO & AUDIO SYSTEM - INSTALLATION

UP TO A-1604



From 7-0671 To G-3308	Date:10/2022	PAGE:H7-2317-30
<b>VIDEO &amp; AUDIO SYSTEM - INSTALLATION</b>		

FROM A-1605

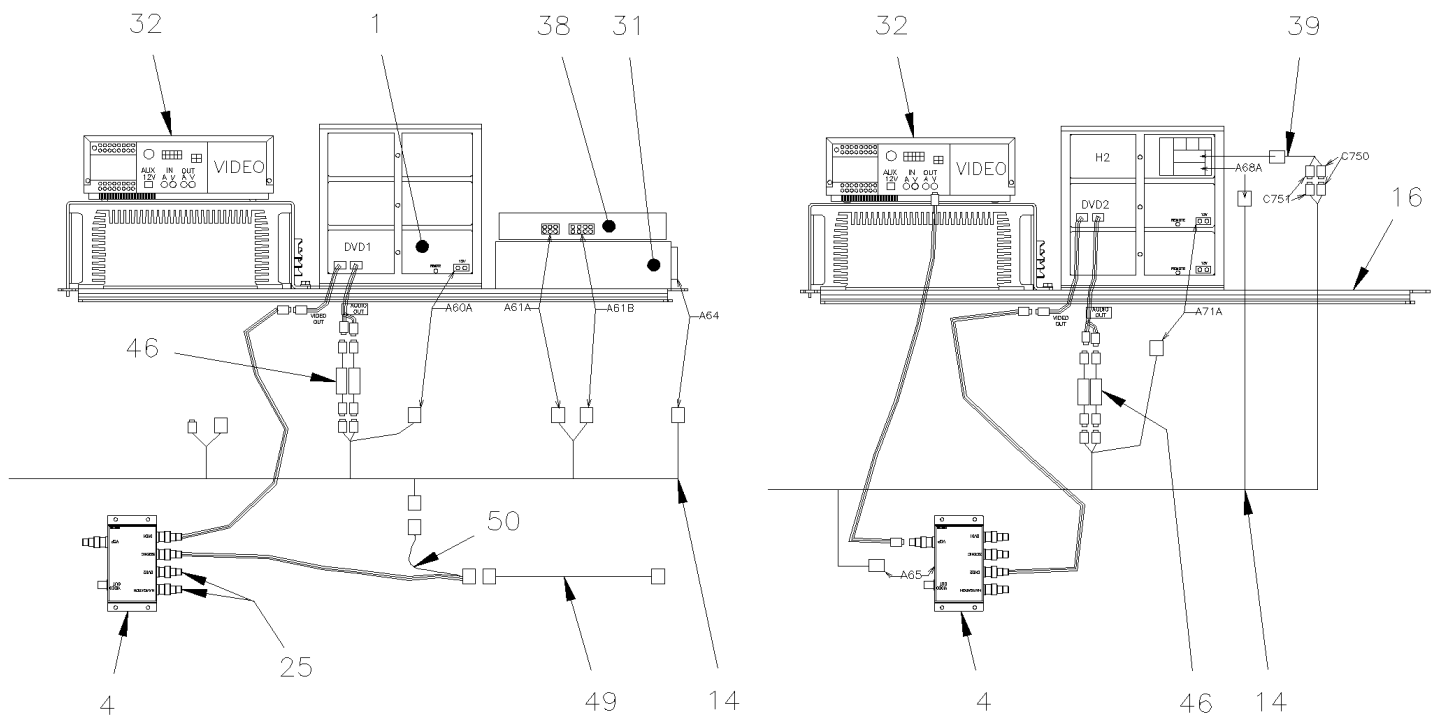
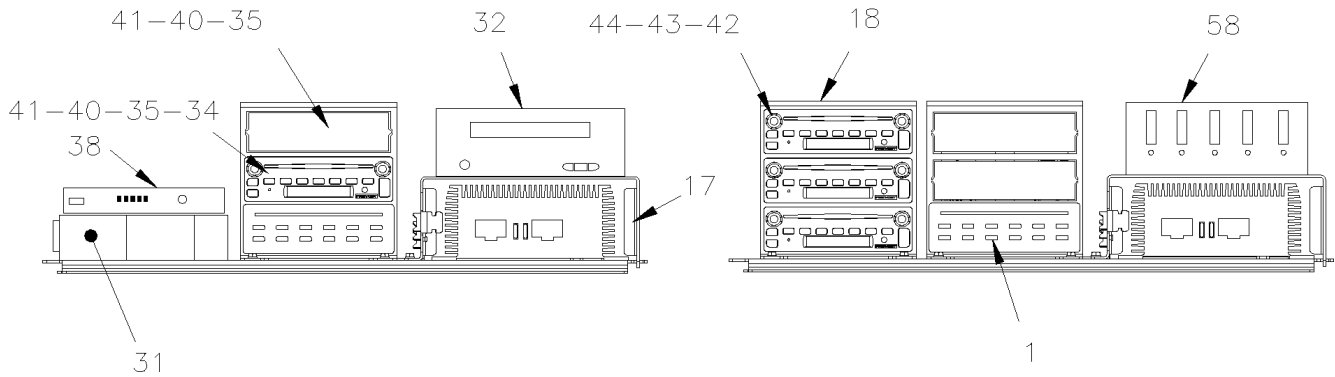
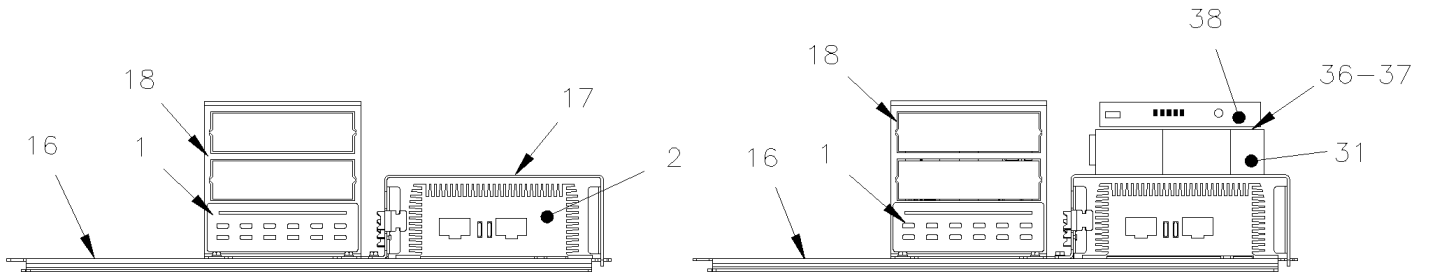


From 7-0671 To G-3308

Date:10/2022

PAGE:H7-2317-30

## VIDEO & AUDIO SYSTEM - INSTALLATION

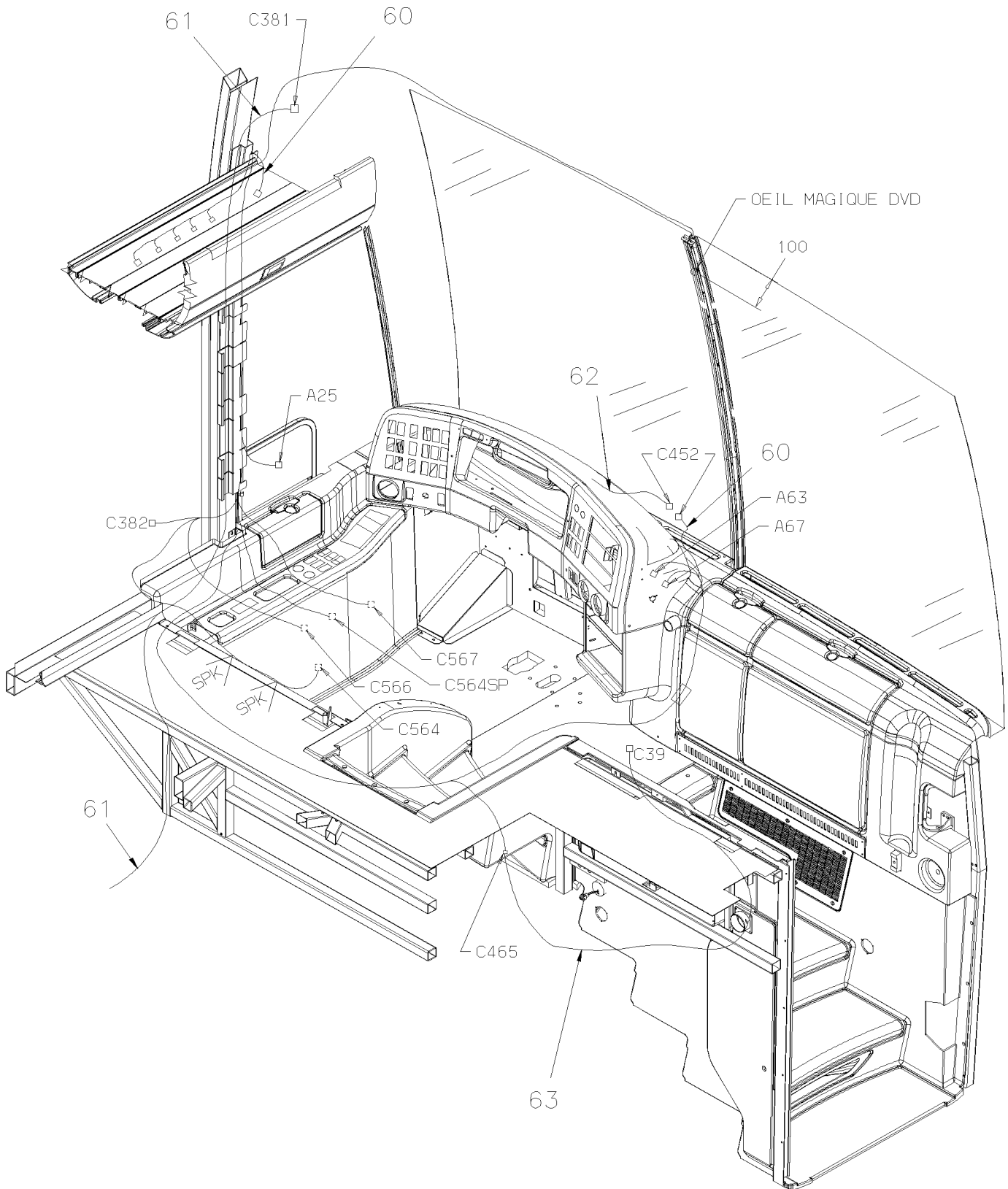


From 7-0671 To G-3308

Date:10/2022

PAGE:H7-2317-30

## VIDEO & AUDIO SYSTEM - INSTALLATION

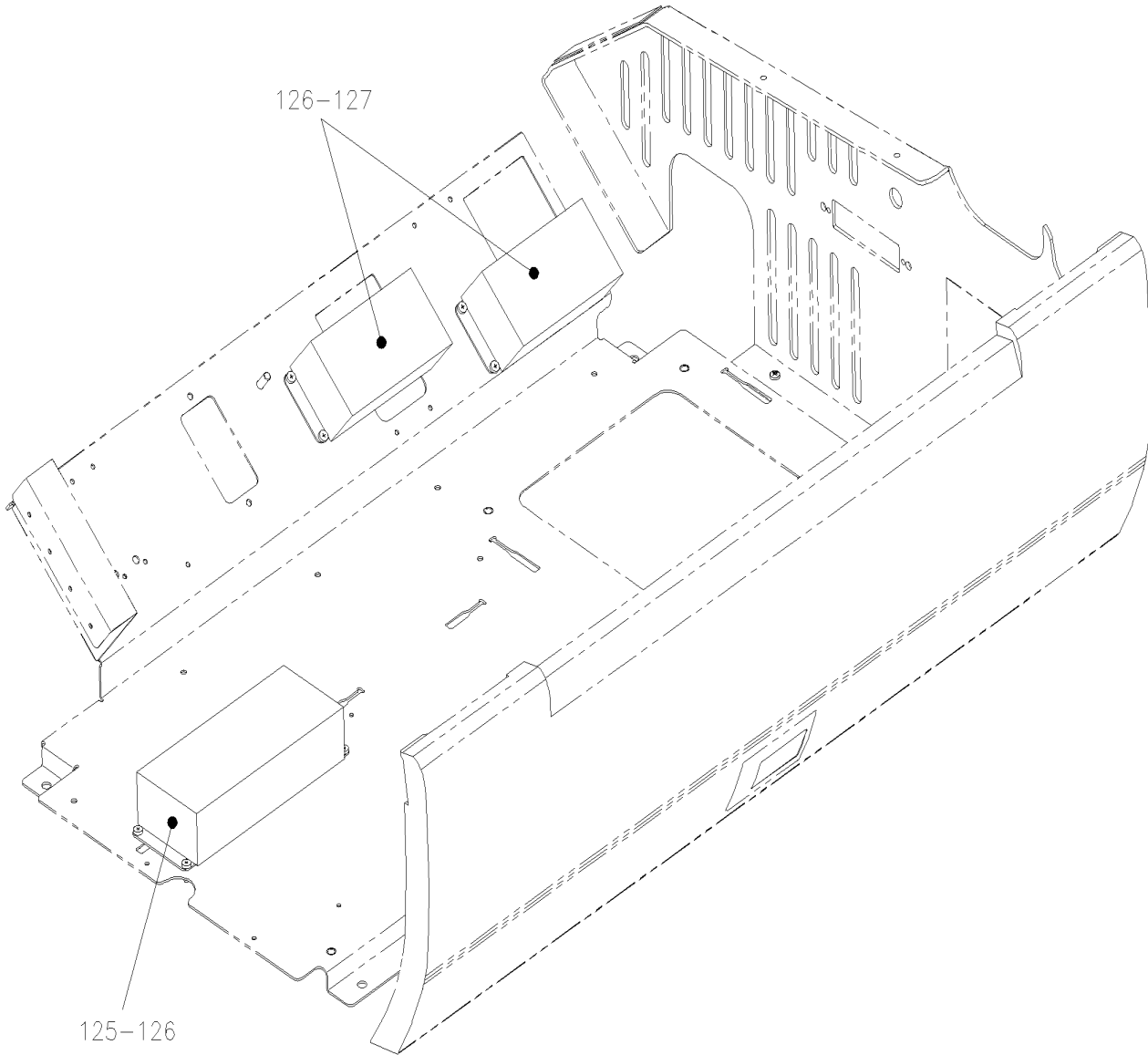


From 7-0671 To G-3308

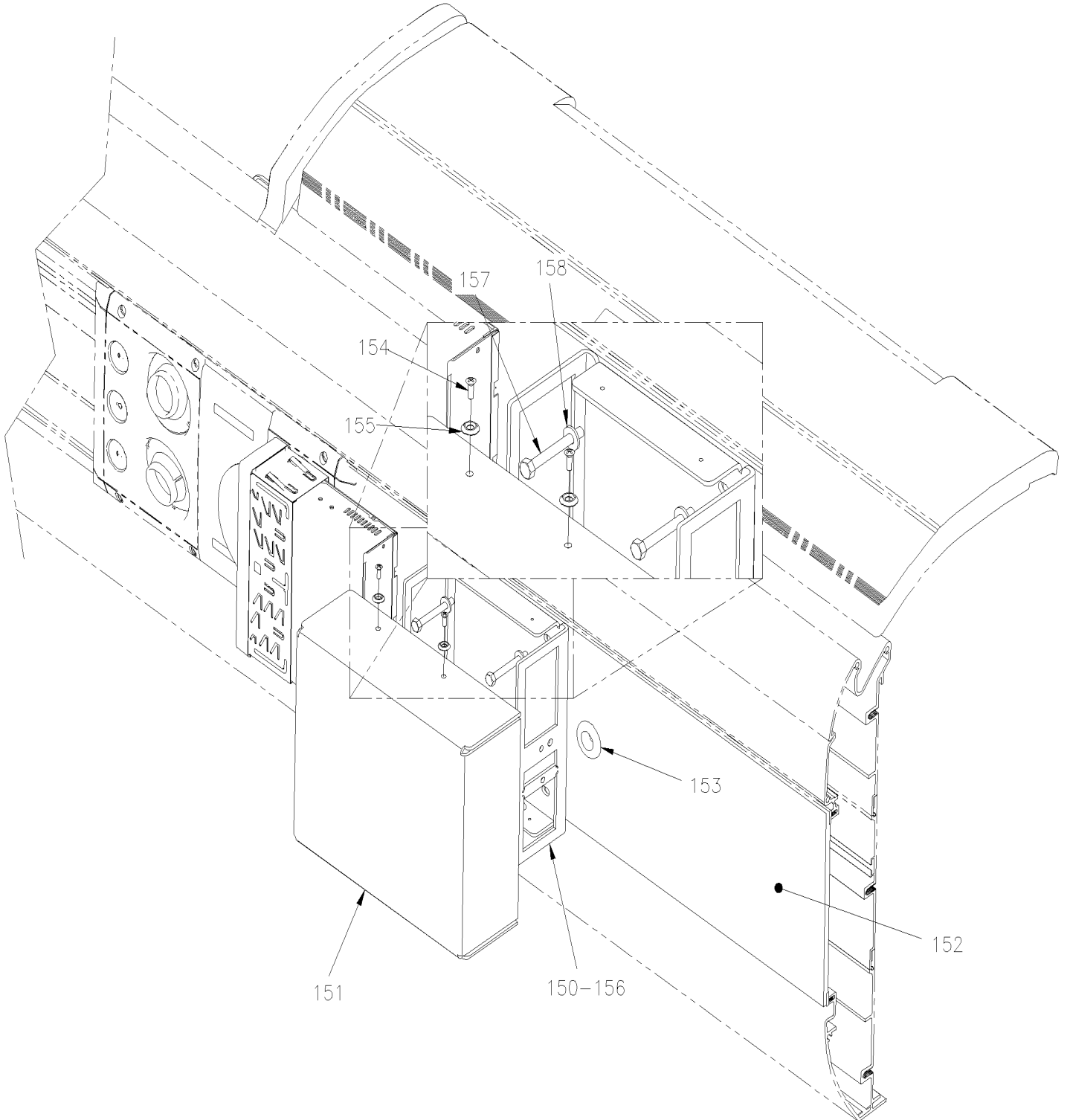
Date:10/2022

PAGE:H7-2317-30

## VIDEO & AUDIO SYSTEM - INSTALLATION



**VIDEO & AUDIO SYSTEM - INSTALLATION**



From 7-0671 To G-3308	Date:10/2022	PAGE:H7-2317-30
<b>VIDEO &amp; AUDIO SYSTEM - INSTALLATION</b>		

Item#	Part	Description	H 3 4 1	H 3 4 5	V I P 4 5	N O T E S
	405845	PLATE AUDIO ASSY WITH COMPONENTS	1	1		
1	901198	. DVD PLAYER 12V (VOLVO) VD-404 To A-1582	1	1		S
. NS	901265	. . REMOTE CONTROL / DVD VOLVO To A-1582	1	1		S
. NS	901302	. . SENSOR ASSY W/CABLE / DVD REMOTE CONTROL To A-1582	1	1		S
1	901339	. DVD PLAYER 12V From A-1583	1	1		
. NS	901377	. . REMOTE CONTROL / DVD R.E.I. From A-1583	1	1		
1	409294	. CABLE INTERFACE DVD "VOLVO" to DVD "REI" 4 CONN. to 6 CONN. To A-1582	1	1		
2	901191	. AMPLIFICATOR AUDIO / 400 WATTS / ONKYO To F-2825	1	1		
2	901538	. AMPLIFICATOR AUDIO / 400 WATTS / FISCHER From F-2826	1	1		
3	901117	. VIDEO DISTRIBUTION AMPLI W/BNC To B-1905	1	1		
. NS	901119	. . CABLE POWER DVA/VIDEO To B-1905	1	1		
3	901403	. VIDEO DISTRIBUTION AMPLI W/BNC From B-1906	1	1		
4	901199	. SCREEN PLAY SELECTOR	1	1		
4	406491	. SUPPORT / VIDEO SELECTOR From C-1998	1	1		
NS	562697	. SWITCH / ON-ON / D.P.D.T. / CH-OVER / W/RED & GREEN LED	1	1		B
NS	565925	. CAP / "MONITOR"	1	1		B
NS	068316	. WIRING HARNESS SWITCH FRONT MONITOR	1	1		B
5	561726	. BLOCK JUNCTION	1	1		
6	562645	. STOPPER "U" RAIL	2	2		
7	382184	. RAIL SUPPORT "U" SHAPE 112MM	1	1		
8	562598	. FUSE / ATO 2 AMPS GREY	1	1		
8	562407	. FUSE / ATO 10 AMPS RED	4	4		
9	562396	. FUSE / ATO 30 AMPS GREEN	1	1		
10	562605	. FUSE / ATO 20 AMPS YELLOW	1	1		
11	500470	. WASHER LO SPT .193x.334x.047 Z050	1	1		
12	563337	. RELAY 12V S.P.D.T. W/RESISTOR /	2	2		
12A	563332	. RELAY 24V S.P.D.T. W/RESISTOR / "VOLVO" (20374662)	1	1		
13	561991	. RELAY 24V S.P.S.T. / 70 AMPS N.O.	1	1		
14	067126	. CABLE ASSY / DASH & PARCEL RACK To A-1492	1	1		
. NS	563994	. . CONNECTOR / METRI-PACK 150 / SH 2C / PED 12047662 To A-1492	ar	ar		
14	067444	. CABLE ASSY / DASH & PARCEL RACK From A-1493 To A-1582	1	1		
14	068001	. CABLE ASSY / DASH & PARCEL RACK From A-1583 To A-1605	1	1		
14	068002	. CABLE ASSY / DASH & PARCEL RACK From A-1606 To A-1720	1	1		
14	068066	. CABLE ASSY / DASH & PARCEL RACK From B-1721 To D-2271	1	1		
14	068549	. CABLE ASSY / DASH & PARCEL RACK From D-2272 To D-2363	1	1		
14	067566	. CABLE ASSY / DASH & PARCEL RACK From D-2364 To E-2539	1	1		
14	068936	. CABLE ASSY / DASH & PARCEL RACK From E-2540 To G-3128	1	1		
14	069306	. CABLE ASSY / DASH & PARCEL RACK From G-3129	1	1		
14	069250	. CABLE ASSY / DASH & PARCEL RACK From F-2814 To F-2814	1	1		
14	067428	. CABLE ASSY / DASH & PARCEL RACK / SECOND PARCEL RACK From C-1923 To C-1923	1	1		C
14	068415	. CABLE ASSY / DASH & PARCEL RACK / SECOND PARCEL RACK From D-2271 To D-2271	1	1		C
14	069183	. CABLE ASSY / DASH & PARCEL RACK / SECOND PARCEL RACK From F-2756 To F-2756	1	1		C

<b>From 7-0671 To G-3308</b>	<b>Date:10/2022</b>	<b>PAGE:H7-2317-30</b>
<b>VIDEO &amp; AUDIO SYSTEM - INSTALLATION</b>		

Item#	Part	Description	H 3 4 1	H 3 4 5	V I P 4 5	N O T E S
15	066866	. CABLE POWER	1	1		
16	405884	. PLATE SUPPORT MAIN SYSTEM To 8-1206	1	1		
16	406140	. PLATE SUPPORT MAIN SYSTEM From 8-1207 To A-1604	1	1		
16	406438	. PLATE SUPPORT MAIN SYSTEM From A-1605 To D-2403	1	1		
16	406630	. PLATE SUPPORT MAIN SYSTEM From D-2404	1	1		
17	405921	. SUPPORT VIDEO OVER AMPLI	1	1		
18	405922	. SUPPORT, RADIO (MORE THAN 3 RADIO) & DVD VOLVO To A-1582	1	1		
18	406361	. SUPPORT, RADIO (3 RADIO) & DVD REI From A-1583 To D-2403	1	1		
18	406360	. SUPPORT, RADIO (1RADIO) & DVD REI From A-1583 To D-2403	1	1		
18	406361	. SUPPORT, RADIO (3 RADIO) & DVD REI From D-2404	1	1		
19	504013	. TIE MOUNT / 1/4" X 1/4" I.D.	9	9		
20	504347	. RIVET POP DOME OE 3/16x1/4 AL	9	9		
21	500564	. SCREW MA RND PH #8-32x3/4 Z050	16	16		
22	502631	. SCREW CAP HEX M6-1.0x20 G8.8 Z050 To A-1604	AR	AR		
22	500588	. SCREW CAP HEX M4-0.7x20 G8.8 Z050 From A-1605	AR	AR		
23	502561	. NUT HEX M5-0.8 Z050	1	1		
23A	406440	ATTACHMENT / RADIO	1	1		
24	901200	. DIODE BLOCK ON RELAY BASE	1	1		
25	900777	. CONNECTOR BNC PLUG TO RCA ADAPTOR / ELEC 21-142-0 To A-1582	AR	AR		
25	901347	. CABLE ASSY / W/2 BNC FEMALE/ FEMALE 1" From A-1583	1	1		
26	502564	. WASHER LO SPT 6.1x11.8x1.6 Z050 To A-1604	AR	AR		
26	500855	. WASHER FL .188x.438x.049 N500 From A-1605	AR	AR		
27	562024	. COVER / PROTECTOR / 3 BLOCKS	1	1		
28	561731	. COVER SUPPORT	2	2		
29	561727	. SCREW MA PAN PH	2	2		
30	5001146	. SCREW CAP HEX M5-0.8x20 SS BK	1	1		
NS	066880	DECAL VDO PLATE / BREAKER & FUSE IDENTIF 115MM x 115MM	1	1		
31	901116	DVD REI / MP3	1	1		
. NS	901264	. REMOTE CONTROL / DVD REI	1	1		
31	901196	CD PLAYER 6 DISC "VOLVO" To A-1492	1	1		
33	066733	. DECAL "VIDEO DISTRIBUTION" To A-1492	1	1		
34	901198	DVD PLAYER 12V (VOLVO) VD-404 To A-1582	AR	AR		S
. NS	901265	. REMOTE CONTROL / DVD VOLVO To A-1582	1	1		S
. NS	901302	. SENSOR ASSY W/CABLE / DVD REMOTE CONTROL To A-1582	1	1		S
34	901339	DVD PLAYER 12V From A-1583	AR	AR		
. NS	901377	. REMOTE CONTROL / DVD R.E.I. From A-1583	1	1		
34	409294	CABLE INTERFACE DVD "VOLVO" to DVD "REI" 4 CONN. to 6 CONN.	1	1		
35	900849	PLATE RADIO "DUMMY"	1	1		
36	506755	VELCRO / HOOK ADHESIF 1" x 75'	AR	AR		
37	506756	VELCRO / LOOP ADHESIF 1" x 75'	AR	AR		
38	901201	RECEIVER WIRELESS MICROPHONE / 16 CHANNEL	1	1		
39	066804	ADAPTOR AUDIO SIRIUS SH 8C x 2F RCA To A-1492	1	1		



<b>From 7-0671 To G-3308</b>	<b>Date:10/2022</b>	<b>PAGE:H7-2317-30</b>
<b>VIDEO &amp; AUDIO SYSTEM - INSTALLATION</b>		

Item#	Part	Description	H 3 4 1	H 3 4 5	V I P 4 5	N O T E S
. NS	903217	. CONVERTISSOR AUDIO To A-1492	1	1		
39	067777	ADAPTOR AUDIO AUXILIARY SH 10C x 2F RCA From A-1493	1	1		
. NS	901283	. ADAPTOR "Y" RCA / 1M/2F / 6" From A-1493	1	1		
40	901209	RADIO "PREVOST" AM-FM-CD / "XM" READY (DELPHI) To A-1492	1	1		
40	901316	RADIO "PREVOST" AM/FM/CD & MP3 BLUETOOTH & XM (DELPHI) From A-1493 To A-1543	1	1		
40	901342	RADIO "PREVOST" AM/FM/CD & MP3 BLUETOOTH & XM (DELPHI / PANA PACIFIC) From A-1544 To A-1715	1	1		
40	901381	RADIO "PREVOST" AM/FM/CD & MP3 BLUETOOTH & XM (DELPHI / PANA PACIFIC) From A-1716 To C-2108	1	1		
40	901419	RADIO "PREVOST" AM/FM/CD & MP3 BLUETOOTH & XM (DELPHI / PANA PACIFIC) From C-2109 To E-2602	1	1		
40	901439	RADIO "PREVOST" AM/FM/CD & MP3 BLUETOOTH & XM (DELPHI / PANA PACIFIC) From E-2603	1	1		
40	406440	ATTACHMENT / RADIO	AR	AR		
40	500989	WASHER FL .219x.875x.062 Z050	AR	AR		
40	500470	WASHER LO SPT .193x.334x.047 Z050	AR	AR		
40	502816	NUT HEX M5-0.8 N500	AR	AR		
41	901218	RADIO "PREVOST" AM-FM-CD / "SIRIUS" READY (DELPHI) To A-1492	1	1		
41	901317	RADIO "PREVOST" AM/FM/CD & MP3 BLUETOOTH SIRIUS (DELPHI) From A-1493 To A-1543	1	1		
41	901343	RADIO "PREVOST" AM/FM/CD & MP3 BLUETOOTH SIRIUS (DELPHI / PANA PACIFIC) From A-1544 To B-1728	1	1		
41	901382	RADIO "PREVOST" AM/FM/CD & MP3 BLUETOOTH SIRIUS (DELPHI / PANA PACIFIC) From B-1729 To C-2108	1	1		
41	901418	RADIO "PREVOST" AM/FM/CD & MP3 BLUETOOTH SIRIUS (DELPHI / PANA PACIFIC) From C-2109 To E-2656	1	1		
41	901438	RADIO "PREVOST" AM/FM/CD & MP3 BLUETOOTH SIRIUS (DELPHI / PANA PACIFIC) From E-2657	1	1		
42	901190	RADIO AM-FM-CD-CDX / "PRÉVOST" MP3 VR-300 To A-1492	1	1		
42	901315	RADIO "PREVOST" AM/FM/CD & MP3 BLUETOOTH (DELPHI) From A-1493 To A-1543	1	1		
42	901341	RADIO "PREVOST" AM/FM/CD & MP3 BLUETOOTH (DELPHI / PANA PACIFIC) From A-1544 To A-1694	1	1		
42	901380	RADIO "PREVOST" AM/FM/CD & MP3 BLUETOOTH (DELPHI / PANA PACIFIC) From A-1695 To C-2108	1	1		
42	901417	RADIO "PREVOST" AM/FM/CD & MP3 BLUETOOTH (DELPHI / PANA PACIFIC) From C-2109 To E-2570	1	1		
42	901437	RADIO "PREVOST" AM/FM/CD & MP3 BLUETOOTH (DELPHI / PANA PACIFIC) From E-2571	1	1		
42	400469	REPLACEMENT OF RADIO #901437 BY #23000462 WITH CONVERSION KIT VSS04 TO VSS05 To A-1492	1	1		
. NS	23000462	. RADIO "PREVOST" AM/FM/CD & MP3 BLUETOOTH (PANA PACIFIC) To A-1492	1	1		
. NS	061010	. JUMPER HARNESS FOR DEA5XX RADIO To A-1492	1	1		
. NS	563962	. CONNECTOR / JUNIOR POWER TIMER / SH 8C / AMP 962191-1 To A-1492	1	1		
. NS	21516503	. CONTROL HEAD / "VOLVO" (VSS-05) To A-1492	1	1		
. NS	21251311	. . REMOTE CONTROL / CONTROL HEAD VOLVO / VSS05 To A-1492	1	1		
. NS	21285274	. CABLE INTERFACE VSS04 to VSS05 To A-1492	1	1		
. NS	IS-08080	. SEE INSTRUCTION SHEET To A-1492	1	1		
42	390021	REPLACEMENT OF RADIO #901437 BY #23000462 From A-1493	1	1		
. NS	23000444	. RADIO "PREVOST" AM/FM/CD & MP3 BLUETOOTH & XM & SIRIUS (PANA PACIFIC) From A-1493	1	1		
. NS	061010	. JUMPER HARNESS FOR DEA5XX RADIO From A-1493	1	1		
. NS	563962	. CONNECTOR / JUNIOR POWER TIMER / SH 8C / AMP 962191-1 From A-1493	1	1		
. NS	IS16100	. SEE INSTRUCTION SHEET From A-1493	1	1		
42	400483	REPLACEMENT OF RADIO #901438 & #901439 BY #23000444 WITH CONVERSION KIT VSS04 TO VSS05 To A-1492	1	1		
. NS	23000444	. RADIO "PREVOST" AM/FM/CD & MP3 BLUETOOTH & XM & SIRIUS (PANA PACIFIC) To A-1492	1	1		
. NS	061010	. JUMPER HARNESS FOR DEA5XX RADIO To A-1492	1	1		
. NS	563962	. CONNECTOR / JUNIOR POWER TIMER / SH 8C / AMP 962191-1 To A-1492	1	1		

From 7-0671 To G-3308	Date:10/2022	PAGE:H7-2317-30
<b>VIDEO &amp; AUDIO SYSTEM - INSTALLATION</b>		

Item#	Part	Description	H 3 4 1	H 3 4 5	V I P 4 5	N O T E S
. NS	21516503	. CONTROL HEAD / "VOLVO" (VSS-05) To A-1492	1	1		
. NS	21251311	. . REMOTE CONTROL / CONTROL HEAD VOLVO / VSS05 To A-1492	1	1		
. NS	21285274	. CABLE INTERFACE VSS04 to VSS05 To A-1492	1	1		
. NS	IS-08080	. SEE INSTRUCTION SHEET To A-1492	1	1		
42	390023	REPLACEMENT OF RADIO #901438 & #901439 BY #23000444 From A-1493	1	1		
. NS	23000444	. RADIO "PREVOST" AM/FM/CD & MP3 BLUETOOTH & XM & SIRIUS (PANA PACIFIC) From A-1493	1	1		
. NS	061010	. JUMPER HARNESS FOR DEA5XX RADIO From A-1493	1	1		
. NS	563962	. CONNECTOR / JUNIOR POWER TIMER / SH 8C / AMP 962191-1 From A-1493	1	1		
. NS	IS16100	. SEE INSTRUCTION SHEET From A-1493	1	1		
45	N.P.N.	BOX	1	1		4
46	901106	. AUDIO FILTER	2	2		
47	901106	AUDIO FILTER	1	1		
49	900912	CABLE ASSY / FRONT CAMERA	1	1		
50	066822	CABLE ASSY / VIDEO & FRONT CAMERA	1	1		
53	900856	CABLE RCA / 2M/2M / 3'	1	1		
54	900775	Y RADIO ANTENNA CABLE / TO USE W/2 RADIOS	AR	AR		
55	900774	CABLE, ANTENNA EXTENSION / 12'	AR	AR		
NS	066863	CABLE GROUND	1	1		
56	901110	CABLE RCA / 2M/2M / 25'	1	1		
57	900671	ADAPTOR "Y" RCA / 1M/2F / 4"	AR	AR		
58	901102	8 CHANNEL AMPLIFIER MODULE	1	1		
NS	500443	SCREW TP PAN PH #8x1/2 N500	4	4		
59	900671	ADAPTOR "Y" RCA / 1M/2F / 4"	AR	AR		
61	066864	CABLE POWER AUDIO To E-2504	1	1		
61	068965	CABLE ASSY POWER SOUND SYSTEM From E-2505	1	1		
62	<b>H7-1806-00</b>	<b>CENTRAL DASHBOARD PANEL</b>				
63	Call order desk	CABLE EXTENSION MICRO MODESTY PANEL R.H.	1	1		P
68	504637	CABLE TIE / 3/16" x 13"	1	1		
69	901344	CONVERTISSOR VGA/ COMPOSITE To F-2711	1	1		
69	901537	CONVERTISSOR VGA/ COMPOSITE From F-2712	1	1		
75	066864	. CABLE POWER AUDIO	1	1		
78	504273	CABLE TIE / 1/8" X 3"1/2	AR	AR		
79	564507	PLUG DOUBLE 110 VAC MURAL GREY NYLON "DECORA"	1	1		
79	680319	TAPE ADHESIF ELECTRIC / BLACK 3/4"	AR	AR		
84	405924	PROTECTOR COVER ALLUMINUM / OVER FUSE HOLDER / BLACK	1	1		
85	<b>H7-2315-05</b>	<b>"USB" &amp; "VGA" &amp; "RCA" CABLE &amp; CONVERTER &amp; 12 VOLTS</b>				
86	500654	SCREW TC BDG PH #8-32x1/2 Z050	2	2		
88	066863	CABLE GROUND To A-1604	1	1		
88	068086	CABLE, NSS GROUND From A-1605	1	1		
89	502573	WASHER FL 6.4x12.5x1.6 SS	2	2		
89	5001182	NUT HEX NYRT M6-1.0 SS	2	2		

<b>From 7-0671 To G-3308</b>	<b>Date:10/2022</b>	<b>PAGE:H7-2317-30</b>
<b>VIDEO &amp; AUDIO SYSTEM - INSTALLATION</b>		

Item#	Part	Description	H 3 4 1	H 3 4 5	V I P 4 5	N O T E S
		NEXT ITEMS ARE RELATED WITH				
		WIRELESS INTERNET RECEIVER INSTALLATION				
		D-061020 PAGE 35 SP1 & 3 (WIRING INSTALL)				
90	067260	KIT, COMPONENTS / INTERNET WIRELESS "U.S.A."	1	1		
91	067268	KIT, COMPONENTS / INTERNET WIRELESS "CANADA."	1	1		
92	067280	KIT, 2 ANTENNA & PLATES	1	1		
93	565924	CAP / "INTERNET"	1	1		A
93	562697	SWITCH / ON-ON / D.P.D.T. / CH-OVER / W/RED & GREEN LED	1	1		A
94	068535	WIRING HARNESS 12V POWER, DASH TO PARCEL-RACK	1	1		A
		NEXT ITEM RELATED WITH "WILDCATS"				
NS	901310	CONVERTER VGA to S-Video & RCA	1	1		
NS	901311	CABLE RCA / 1M/1M / 5'	1	1		
NS	901312	CABLE ASSY S-Video RCA COMPOSITE	1	1		
NS	901313	CABLE "USB" 25 FT / MALE-FEMALE	1	1		
NS	901314	CABLE VGA VGA 25 FT / MALE-FEMALE	1	1		
NS	067485	CABLE ASSY / W/1 AUDIO 3.5MM MALE / W/ST / 25'	1	1		
NS	294040	SUPPORT SWITCH / REMOTE OPERATIONAL MODEL "HAT" FORM	1	1		
NS	562697	SWITCH / ON-ON / D.P.D.T. / CH-OVER / W/RED & GREEN LED	1	1		
NS	562773	SWITCH / "DUMMY" / PLUG PC/CAB VIDEO	1	1		
NS	564126	BOX CABLE STORAGE	1	1		
120	430669	KIT, REPLACEMENT DVD "VOLVO" TO "REI" To A-1582	1	1		
NS	409294	CABLE INTERFACE DVD "VOLVO" to DVD "REI" 4 CONN. to 6 CONN. To A-1582	1	1		
NS	901436	DVD PLAYER 12V To A-1582	1	1		
NS	901264	REMOTE CONTROL / DVD REI To A-1582	1	1		
NS	901347	CABLE ASSY / W/2 BNC FEMALE/ FEMALE 1" To A-1582	1	1		
NS	IS-09048	SEE INSTRUCTION SHEET To A-1582	1	1		
125	901494	MODULE 4X1 HDMI SW. W/AUDIO OUT	1	1		
126	500564	SCREW MA RND PH #8-32x3/4 Z050	12	12		
127	901493	MODULE REI, HDMI VIDEO SPLITTER	2	2		
150	408369	DVD, SUPPORT	1	1		
151	408370	DVD, COVER	1	1		
152	316717	DVD, FINISHING PANEL	1	1		
153	504671	GROMMET / .687x1.000x.125x.437x1.312	1	1		
154	500686	SCREW TP OV PH #6x1/2 BK	4	4		
155	500345	WASHER FN CKF .187x.500x.090 BR BK	4	4		
156	402823	SUPPORT MONITOR	2	2		
157	502656	SCREW CAP HEX M6-1.0x50 SS	4	4		
158	500877	WASHER FL .250x.562x.065 N500	4	4		

From 7-0671 To G-3308      Date:10/2022      PAGE:H7-2317-30

**VIDEO & AUDIO SYSTEM - INSTALLATION**

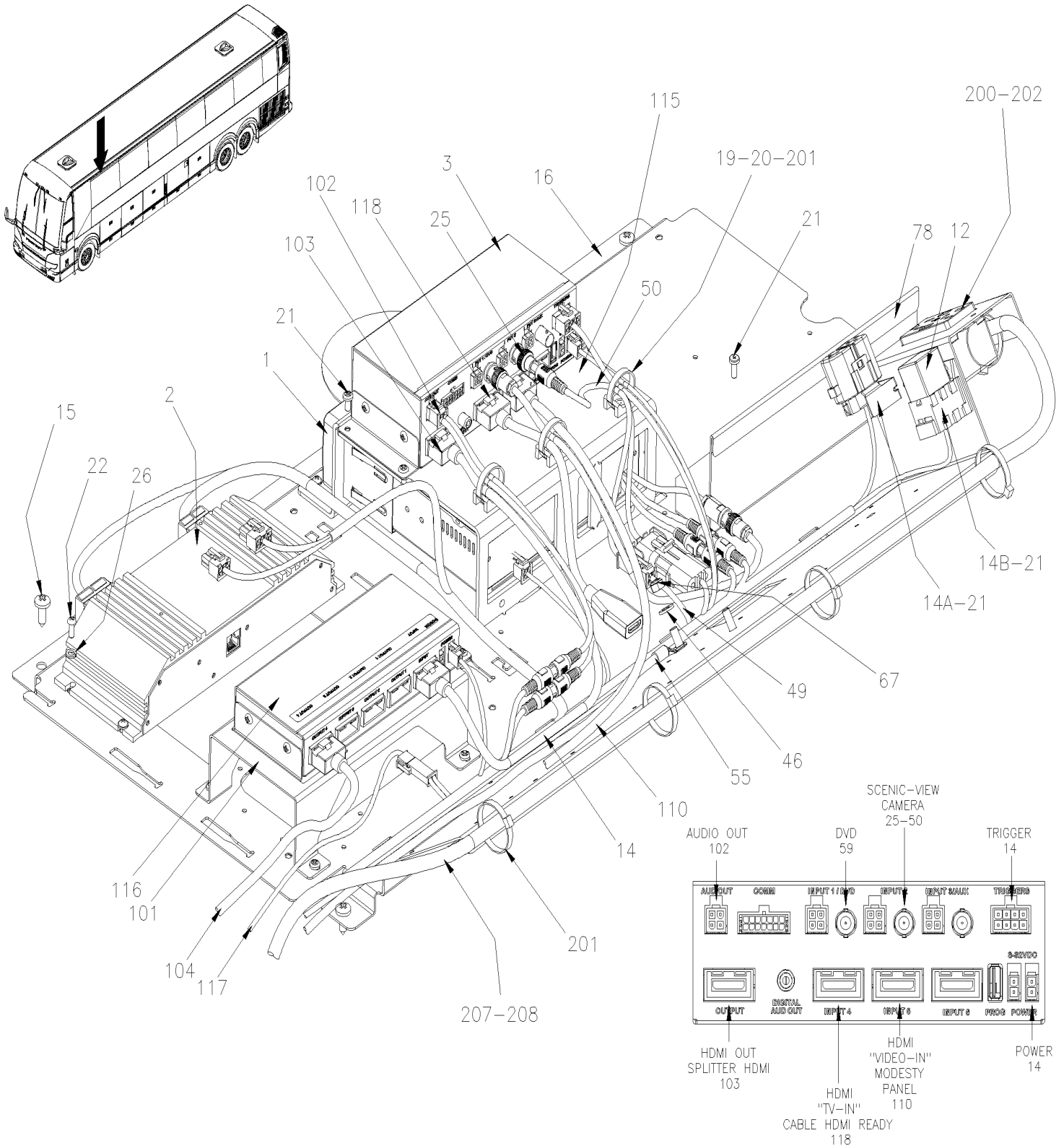
Item#	Part	Description	H 3 4 1	H 3 4 5	V I P 4 5	N O T E S
		A) WITH WIFI SWITCH				
		B) USE WITH FRONT CENTRAL MONITOR SWITCH OPTION				
		C) USE ONLY WITH SYSTEM INSTALL IN SECOND DOOR OF PARCEL RACK				
		S) THIS DVD MAY BY REPLACE BY ONE # 901339 AND ONE CABLE # 409294				
		4) NO PARTS NUMBER				
		P) CALL ORDER DESK FOR SPECIFIC APPLICATION (V.I.N.)				

From G-3309 To J-0184

Date:10/2022

PAGE:H7-2317-31

## VIDEO & AUDIO SYSTEM - INSTALLATION W/HHD

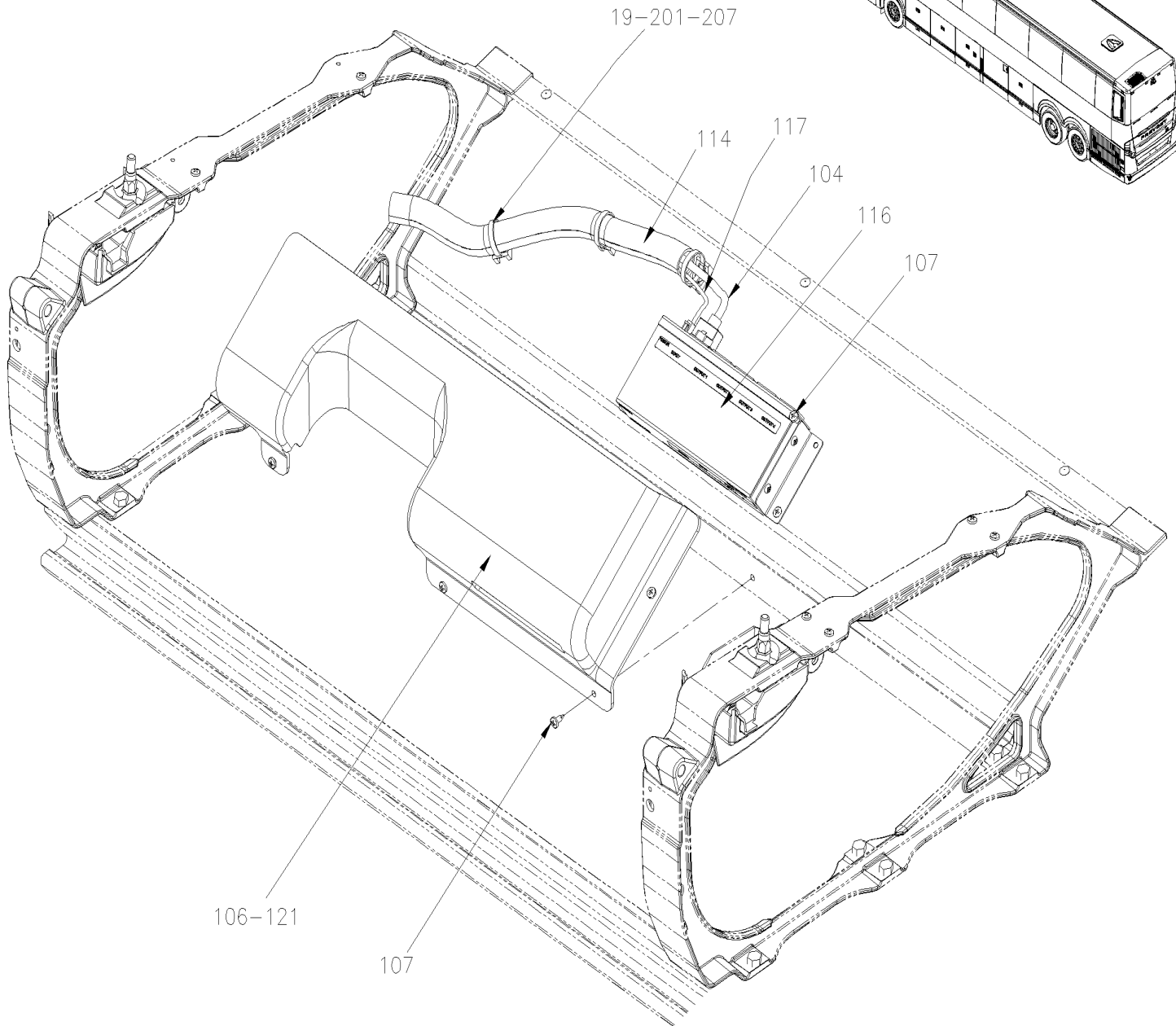
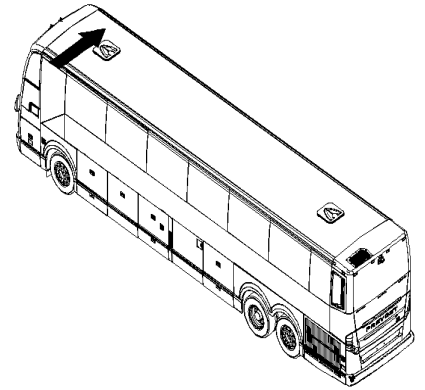


From G-3309 To J-0184

Date:10/2022

PAGE:H7-2317-31

## VIDEO & AUDIO SYSTEM - INSTALLATION W/HHED

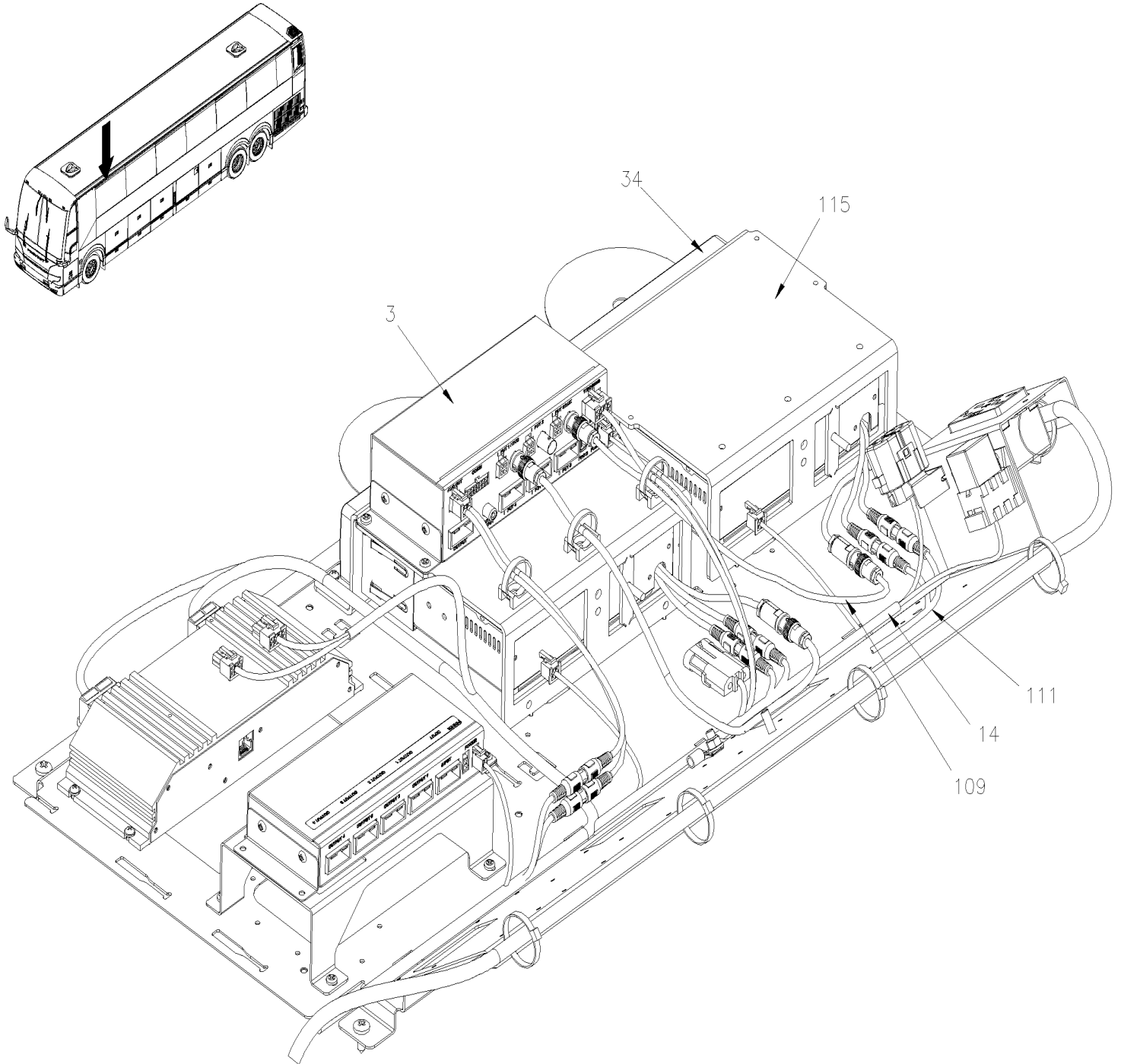


From G-3309 To J-0184

Date:10/2022

PAGE:H7-2317-31

## VIDEO & AUDIO SYSTEM - INSTALLATION W/HHD



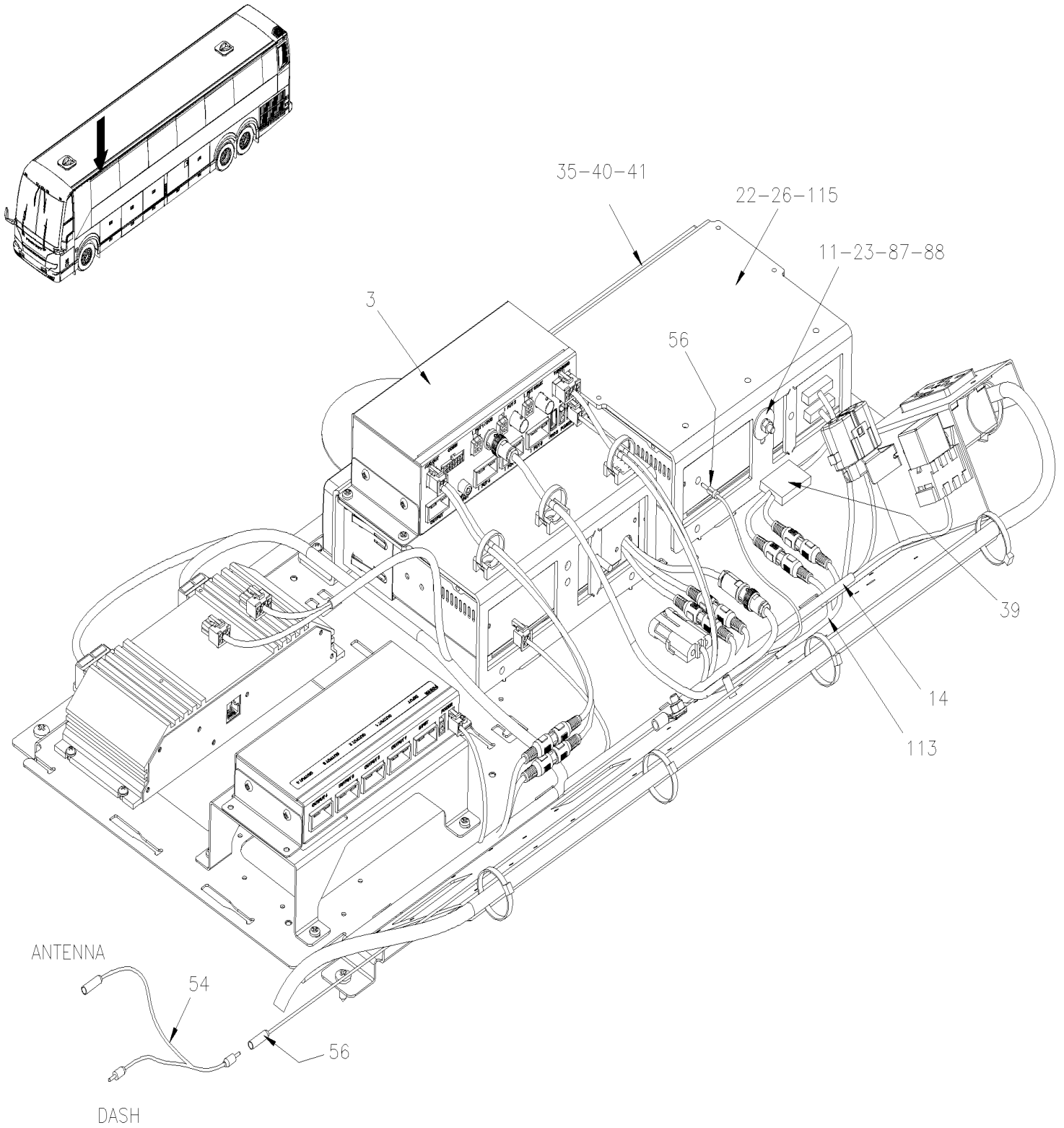


From G-3309 To J-0184

Date:10/2022

PAGE:H7-2317-31

## VIDEO & AUDIO SYSTEM - INSTALLATION W/HHD



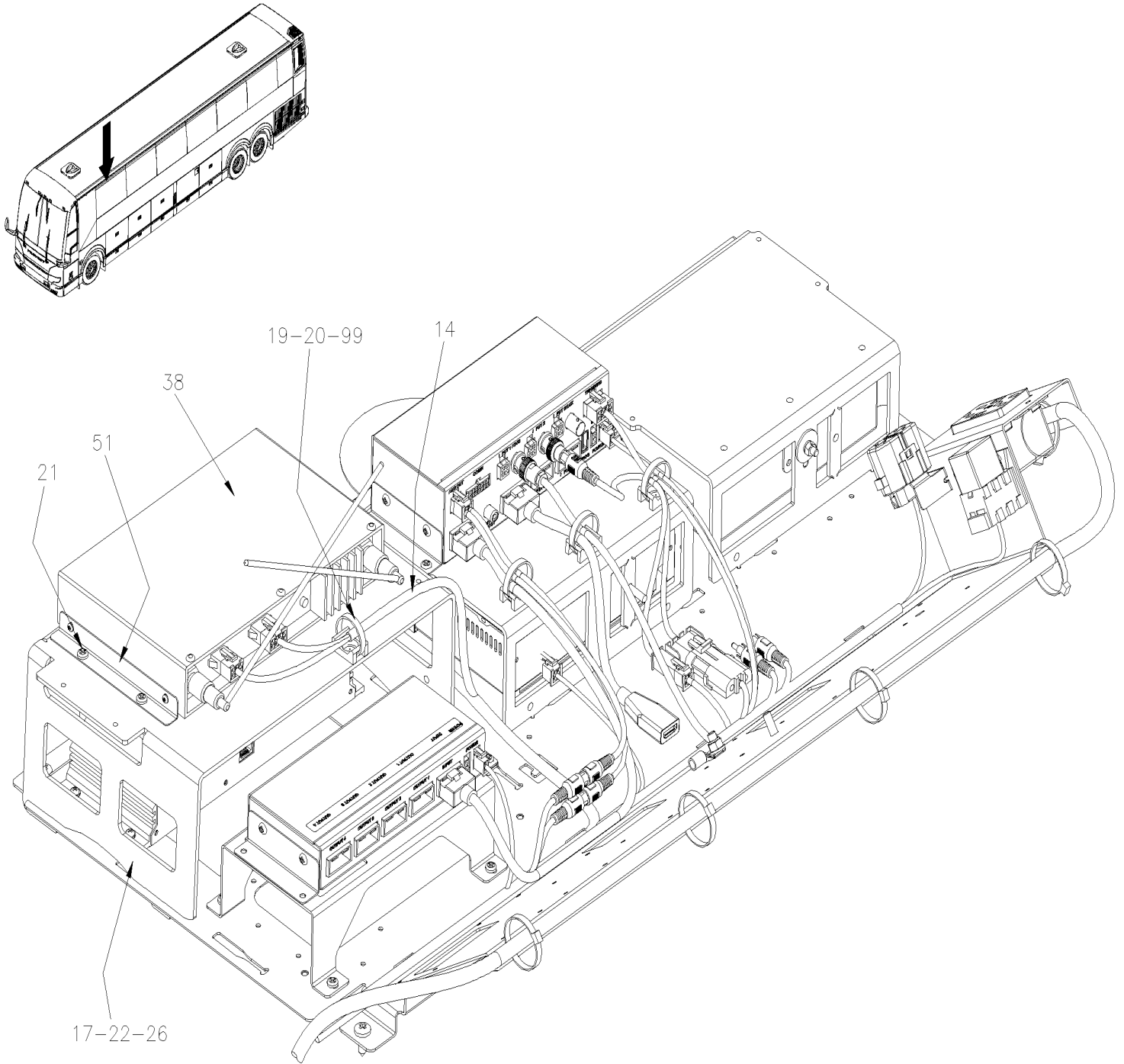


From G-3309 To J-0184

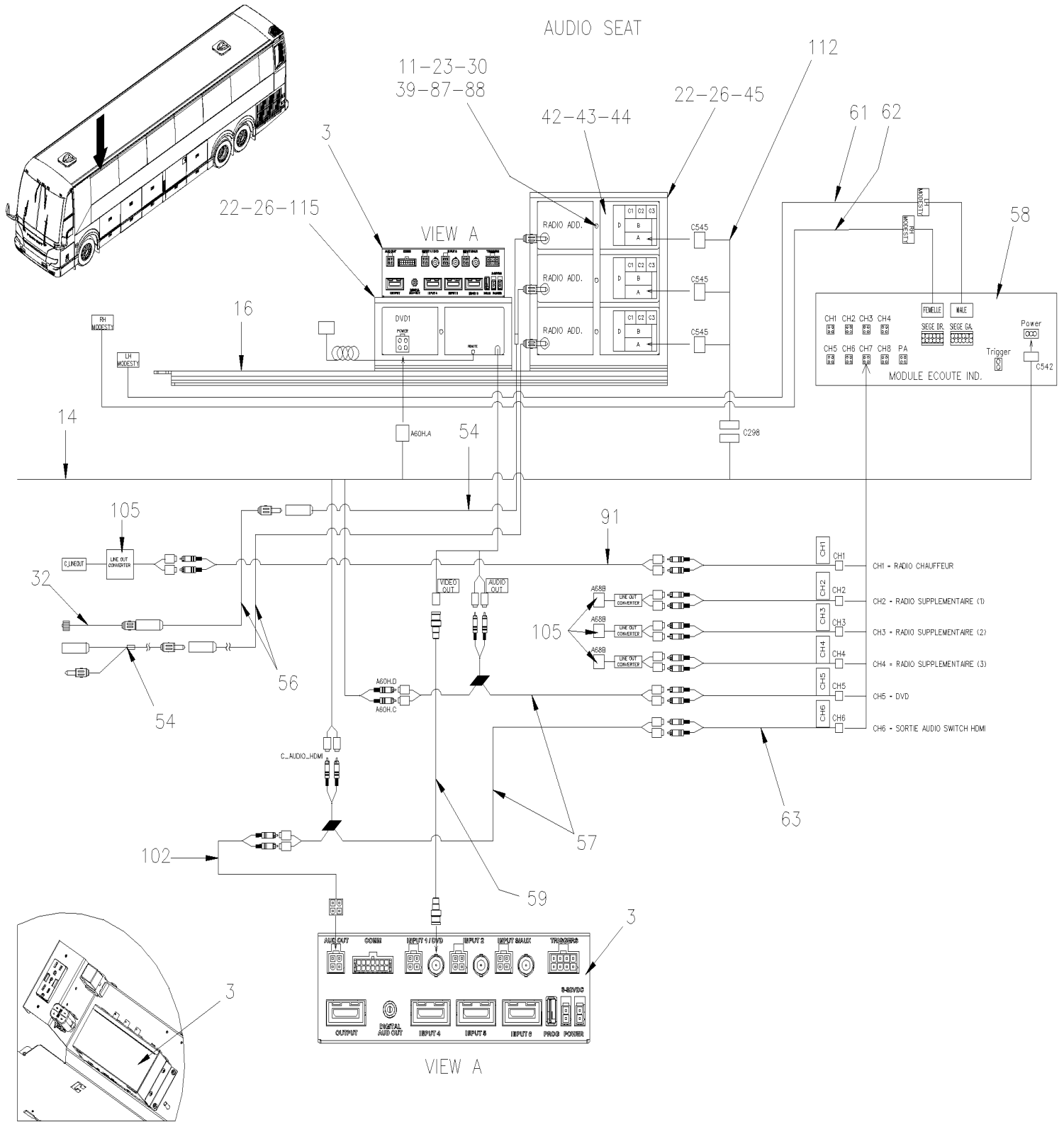
Date:10/2022

PAGE:H7-2317-31

## VIDEO & AUDIO SYSTEM - INSTALLATION W/HHED



## VIDEO & AUDIO SYSTEM - INSTALLATION W/HHD

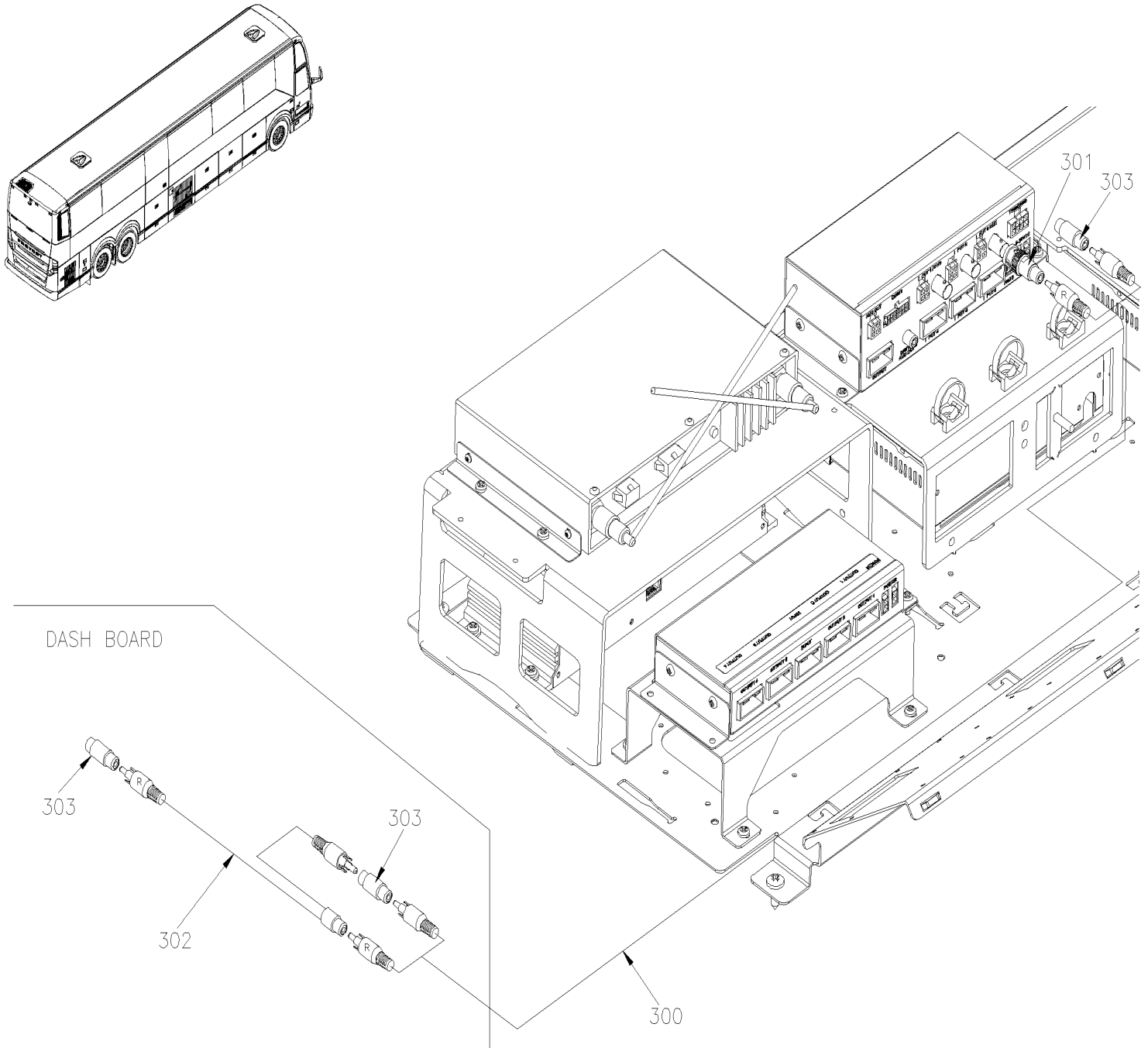


From G-3309 To J-0184

Date:10/2022

PAGE:H7-2317-31

## VIDEO & AUDIO SYSTEM - INSTALLATION W/HHD

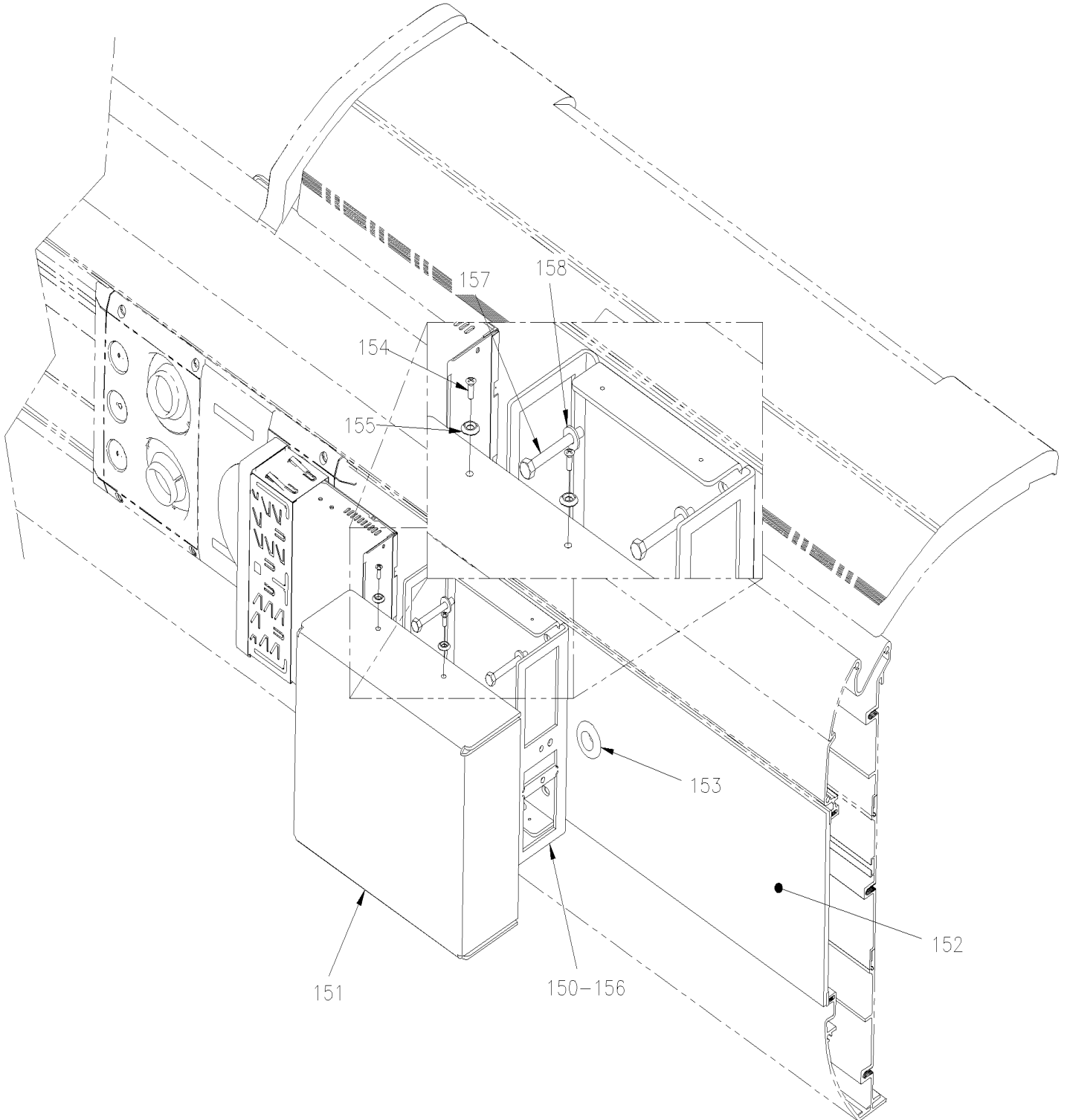


From G-3309 To J-0184

Date:10/2022

PAGE:H7-2317-31

**VIDEO & AUDIO SYSTEM - INSTALLATION W/HHD**



<b>From G-3309 To J-0184</b>	<b>Date:10/2022</b>	<b>PAGE:H7-2317-31</b>
<b>VIDEO &amp; AUDIO SYSTEM - INSTALLATION W/HHED</b>		

Item#	Part	Description	H 3 4 1	H 3 4 5	V I P 4 5	N O T E S
1	901339	DVD PLAYER 12V	1	1		
. NS	901377	. REMOTE CONTROL / DVD R.E.I.	1	1		
NS	506755	VELCRO / HOOK ADHESIF 1" x 75'	AR	AR		
NS	506756	VELCRO / LOOP ADHESIF 1" x 75'	AR	AR		
2	901538	AMPLIFICATOR AUDIO / 400 WATTS / FISCHER	1	1		
3	900026	MODULE HDMI SWITCH To J-0137	1	1		
3	900204	MODULE HDMI SWITCH From J-0138	1	1		
NS	562697	SWITCH / ON-ON / D.P.D.T. / CH-OVER / W/RED & GREEN LED	1	1		B
NS	565925	CAP / "MONITOR"	1	1		B
NS	068338	WIRING HARNESS SWITCH FRONT MONITOR	1	1		B
11	500470	WASHER LO SPT .193x.334x.047 Z050	2	2		
12	563337	RELAY 12V S.P.D.T. W/RESISTOR /	1	1		
14	069591	HARNESS, SOUND SYSTEM To H-3734	1	1		
. A	564560	. FUSE HOLDER / SHORT / BUSSMANN CFH-ASE To H-3734	1	1		
. B	564496	. CONNECTOR / METRI-PACK 630 / SH 5C / PED 12033871 To H-3734	1	1		
14	060642	HARNESS, SOUND SYSTEM From H-3735	1	1		
14	069123	HARNESS, SOUND SYSTEM To J-0075	1	1		C
. A	564560	. FUSE HOLDER / SHORT / BUSSMANN CFH-ASE To J-0075	1	1		C
. B	564496	. CONNECTOR / METRI-PACK 630 / SH 5C / PED 12033871 To J-0075	1	1		C
14	062828	HARNESS, SOUND SYSTEM From J-0076	1	1		C
. NS	564560	. FUSE HOLDER / SHORT / BUSSMANN CFH-ASE From J-0076	1	1		C
. NS	564496	. CONNECTOR / METRI-PACK 630 / SH 5C / PED 12033871 From J-0076	1	1		C
15	500841	SCREW TP PAN PH #14x3/4 Z050 To H-3552	5	5		
15	502513	SCREW TP CAP HEX 5/16x1 Z050 From H-3553	5	5		
15	500942	WASHER LO SPT 8.1x14.8x2.0 N500 From H-3553	5	5		
15	500401	WASHER FL .343x.875x.125 N500 From H-3553	5	5		
16	406630	PLATE SUPPORT MAIN SYSTEM	1	1		
17	400066	SUPPORT VIDEO ON AMPLIFICATOR	1	1		
NS	068965	CABLE ASSY POWER SOUND SYSTEM	1	1		
19	504013	TIE MOUNT / 1/4" X 1/4" I.D.	AR	AR		
20	504347	RIVET POP DOME OE 3/16x1/4 AL	AR	AR		
21	500799	SCREW TC PAN PH #8-32x3/8 N500	AR	AR		
22	500344	SCREW MA RND PH M4-0.7x12 Z050	AR	AR		
23	502816	NUT HEX M5-0.8 N500	AR	AR		
25	900777	CONNECTOR BNC PLUG TO RCA ADAPTOR / ELEC 21-142-0	1	1		
26	500914	WASHER LO SPT .193x.334x.047 N500	2	2		
30	5001146	SCREW CAP HEX M5-0.8x20 SS BK	1	1		
32	901372	CABLE ADAPTOR / RADIO & ANTENNA CABLE / MOTOROLA / M TO EURO / F	1	1		
34	901339	DVD PLAYER 12V	1	1		
. NS	901377	. REMOTE CONTROL / DVD R.E.I.	1	1		
NS	506755	VELCRO / HOOK ADHESIF 1" x 75'	1	1		
NS	506756	VELCRO / LOOP ADHESIF 1" x 75'	1	1		

<b>From G-3309 To J-0184</b>	<b>Date:10/2022</b>	<b>PAGE:H7-2317-31</b>
<b>VIDEO &amp; AUDIO SYSTEM - INSTALLATION W/HHD</b>		

Item#	Part	Description	H 3 4 1	H 3 4 5	V I P 4 5	N O T E S
35	901437	RADIO "PREVOST" AM/FM/CD & MP3 BLUETOOTH (DELPHI / PANA PACIFIC) To H-3734	1	1		
35	23000462	RADIO "PREVOST" AM/FM/CD & MP3 BLUETOOTH (PANA PACIFIC) From H-3735	1	1		
35	390021	REPLACMENT OF RADIO #901437 BY #23000462 To H-3734	1	1		
. NS	23000444	. RADIO "PREVOST" AM/FM/CD & MP3 BLUETOOTH & XM & SIRIUS (PANA PACIFIC) To H-3734	1	1		
. NS	061010	. JUMPER HARNESS FOR DEA5XX RADIO To H-3734	1	1		
. NS	563962	. CONNECTOR / JUNIOR POWER TIMER / SH 8C / AMP 962191-1 To H-3734	1	1		
. NS	IS16100	. SEE INSTRUCTION SHEET To H-3734	1	1		
38	901201	RECEIVER WIRELESS MICROPHONE / 16 CHANNEL To H-3775	1	1		
38	901657	RECEIVER WIRELESS MICROPHONE / 200 CHANNEL From H-3776	1	1		
39	066804	ADAPTOR AUDIO SIRIUS SH 8C x 2F RCA	1	1		
. NS	903217	. CONVERTISSOR AUDIO	1	1		
40	901439	RADIO "PREVOST" AM/FM/CD & MP3 BLUETOOTH & XM (DELPHI / PANA PACIFIC) To H-3734	1	1		
40	23000444	RADIO "PREVOST" AM/FM/CD & MP3 BLUETOOTH & XM & SIRIUS (PANA PACIFIC) From H-3735	1	1		
40	390023	REPLACMENT OF RADIO #901438 & #901439 BY #23000444 To H-3734	1	1		
. NS	23000444	. RADIO "PREVOST" AM/FM/CD & MP3 BLUETOOTH & XM & SIRIUS (PANA PACIFIC) To H-3734	1	1		
. NS	061010	. JUMPER HARNESS FOR DEA5XX RADIO To H-3734	1	1		
. NS	563962	. CONNECTOR / JUNIOR POWER TIMER / SH 8C / AMP 962191-1 To H-3734	1	1		
. NS	IS16100	. SEE INSTRUCTION SHEET To H-3734	1	1		
41	901438	RADIO "PREVOST" AM/FM/CD & MP3 BLUETOOTH SIRIUS (DELPHI / PANA PACIFIC) To H-3734	1	1		
41	23000444	RADIO "PREVOST" AM/FM/CD & MP3 BLUETOOTH & XM & SIRIUS (PANA PACIFIC) From H-3735	1	1		
41	390023	REPLACMENT OF RADIO #901438 & #901439 BY #23000444 To H-3734	1	1		
. NS	23000444	. RADIO "PREVOST" AM/FM/CD & MP3 BLUETOOTH & XM & SIRIUS (PANA PACIFIC) To H-3734	1	1		
. NS	061010	. JUMPER HARNESS FOR DEA5XX RADIO To H-3734	1	1		
. NS	563962	. CONNECTOR / JUNIOR POWER TIMER / SH 8C / AMP 962191-1 To H-3734	1	1		
. NS	IS16100	. SEE INSTRUCTION SHEET To H-3734	1	1		
42	901437	RADIO "PREVOST" AM/FM/CD & MP3 BLUETOOTH (DELPHI / PANA PACIFIC) To H-3734	1	1		
42	23000462	RADIO "PREVOST" AM/FM/CD & MP3 BLUETOOTH (PANA PACIFIC) From H-3735	1	1		
42	390021	REPLACMENT OF RADIO #901437 BY #23000462 To H-3734	1	1		
. NS	23000444	. RADIO "PREVOST" AM/FM/CD & MP3 BLUETOOTH & XM & SIRIUS (PANA PACIFIC) To H-3734	1	1		
. NS	061010	. JUMPER HARNESS FOR DEA5XX RADIO To H-3734	1	1		
. NS	563962	. CONNECTOR / JUNIOR POWER TIMER / SH 8C / AMP 962191-1 To H-3734	1	1		
. NS	IS16100	. SEE INSTRUCTION SHEET To H-3734	1	1		
43	901439	RADIO "PREVOST" AM/FM/CD & MP3 BLUETOOTH & XM (DELPHI / PANA PACIFIC) To H-3734	1	1		
43	23000444	RADIO "PREVOST" AM/FM/CD & MP3 BLUETOOTH & XM & SIRIUS (PANA PACIFIC) From H-3735	1	1		
43	390023	REPLACMENT OF RADIO #901438 & #901439 BY #23000444 To H-3734	1	1		
. NS	23000444	. RADIO "PREVOST" AM/FM/CD & MP3 BLUETOOTH & XM & SIRIUS (PANA PACIFIC) To H-3734	1	1		
. NS	061010	. JUMPER HARNESS FOR DEA5XX RADIO To H-3734	1	1		
. NS	563962	. CONNECTOR / JUNIOR POWER TIMER / SH 8C / AMP 962191-1 To H-3734	1	1		
. NS	IS16100	. SEE INSTRUCTION SHEET To H-3734	1	1		
44	901438	RADIO "PREVOST" AM/FM/CD & MP3 BLUETOOTH SIRIUS (DELPHI / PANA PACIFIC) To H-3734	1	1		
44	23000444	RADIO "PREVOST" AM/FM/CD & MP3 BLUETOOTH & XM & SIRIUS (PANA PACIFIC) From H-3735	1	1		
44	390023	REPLACMENT OF RADIO #901438 & #901439 BY #23000444 To H-3734	1	1		

<b>From G-3309 To J-0184</b>	<b>Date:10/2022</b>	<b>PAGE:H7-2317-31</b>
<b>VIDEO &amp; AUDIO SYSTEM - INSTALLATION W/HHED</b>		

Item#	Part	Description	H 3 4 1	H 3 4 5	V I P 4 5	N O T E S
. NS	23000444	. RADIO "PREVOST" AM/FM/CD & MP3 BLUETOOTH & XM & SIRIUS (PANA PACIFIC) To H-3734	1	1		
. NS	061010	. JUMPER HARNESS FOR DEA5XX RADIO To H-3734	1	1		
. NS	563962	. CONNECTOR / JUNIOR POWER TIMER / SH 8C / AMP 962191-1 To H-3734	1	1		
. NS	IS16100	. SEE INSTRUCTION SHEET To H-3734	1	1		
45	406361	SUPPORT, RADIO (3 RADIO) & DVD REI	1	1		
46	502573	WASHER FL 6.4x12.5x1.6 SS	2	2		
49	900912	CABLE ASSY / FRONT CAMERA	1	1		
50	066822	CABLE ASSY / VIDEO & FRONT CAMERA	1	1		
51	900050	BRACKET RECEIVER WIRELESS MIC To H-3775	1	1		
54	900775	Y RADIO ANTENNA CABLE / TO USE W/2 RADIOS	1	1		
55	068086	CABLE, NSS GROUND	1	1		
56	900774	CABLE, ANTENNA EXTENSION / 12'	1	1		
57	901283	ADAPTOR "Y" RCA / 1M/2F / 6"	4	4		
58	901102	8 CHANNEL AMPLIFIER MODULE	1	1		
NS	500443	SCREW TP PAN PH #8x1/2 N500	4	4		
59	901347	CABLE ASSY / W/2 BNC FEMALE/ FEMALE 1"	1	1		
61	901019	CABLE ASSY / ENTERTAINMENT MODULE LEFT SEAT	1	1		
62	901020	CABLE ASSY / ENTERTAINMENT MODULE RIGHT SEAT	1	1		
63	901107	CABLE ADAPTOR RCA TO MOLEX / 4"	6	6		
67	5001182	NUT HEX NYRT M6-1.0 SS	2	2		
78	405924	PROTECTOR COVER ALLUMINUM / OVER FUSE HOLDER / BLACK	1	1		
87	406440	ATTACHMENT / RADIO	1	1		
88	500805	WASHER FL .218x.875x.062 N500	1	1		
91	901062	CABLE RCA / 2M/2F / 23'	1	1		
99	504637	CABLE TIE / 3/16" x 13"	AR	AR		
101	400056	BRACKET HDMI VIDEO SPLITTER	1	1		
102	901565	HARNESS, AUDIO BETWEEN CONV AND DVD	1	1		
103	900031	CABLE HDMI E / 3'	1	1		
104	900034	CABLE HDMI E / 15'	1	1		
105	066804	ADAPTOR AUDIO SIRIUS SH 8C x 2F RCA	1	1		
. NS	903217	. CONVERTISSOR AUDIO	1	1		
106	310135	COVER MODULE HDMI VIDEO SPLITTER TAN	1	1		
106	310353	COVER MODULE HDMI VIDEO SPLITTER GREY From H-3497		1		H
107	500638	SCREW TP PAN PH #8x1/2 Z050	7	7		
109	901347	CABLE ASSY / W/2 BNC FEMALE/ FEMALE 1"	1	1		
110	900034	CABLE HDMI E / 15'	1	1		
111	901110	CABLE RCA / 2M/2M / 25'	1	1		
112	405847	CABLE ASSY ENTERTAINER MODULE POWER	1	1		
113	901110	CABLE RCA / 2M/2M / 25'	1	1		
114	561451	CONVOLUTED TUBING / SLIT / GRAY / .750	AR	AR		
115	406360	SUPPORT, RADIO (1RADIO) & DVD REI	1	1		
116	900027	MODULE HDMI VIDEO SPLITTER To J-0137	1	1		

From G-3309 To J-0184	Date:10/2022	PAGE:H7-2317-31
<b>VIDEO &amp; AUDIO SYSTEM - INSTALLATION W/HHD</b>		

Item#	Part	Description	H 3 4 1	H 3 4 5	V I P 4 5	N O T E S
116	900208	MODULE HDMI VIDEO SPLITTER From J-0138	1	1		
117	409057	HARNESS, POWER RH HDMI SPLITTER	1	1		
118	900030	CABLE HDMI ADAPTER E RECEP. TO A PLUG	1	1		
NS	900027	MODULE HDMI VIDEO SPLITTER To J-0137	1	1		
NS	900208	MODULE HDMI VIDEO SPLITTER From J-0138	1	1		
121	060157	DECAL, O2 EL MONITOR LAYOUT P-RACK E	1	1		
122	507661	PROTECTOR, VINYL / , .437x1.500	1	1		
150	408369	DVD, SUPPORT	1	1		
151	408370	DVD, COVER	1	1		
152	316717	DVD, FINISHING PANEL	1	1		
153	504671	GROMMET / .687x1.000x.125x.437x1.312	1	1		
154	500686	SCREW TP OV PH #6x1/2 BK	4	4		
155	500345	WASHER FN CKF .187x.500x.090 BR BK	4	4		
156	402823	SUPPORT MONITOR	2	2		
157	502656	SCREW CAP HEX M6-1.0x50 SS	4	4		
158	500877	WASHER FL .250x.562x.065 N500	4	4		
200	565200	PLUG DOUBLE 110 VAC MURAL W/2 USB PORT / GREY	1	1		
201	504637	CABLE TIE / 3/16" x 13"	AR	AR		
202	680319	TAPE ADHESIF ELECTRIC / BLACK 3/4"	AR	AR		
207	068339	CABLE / 120VAC / PARCEL RACK OUTLET	1	1		
208	560784	SHRINK TUBING / .250" - .080" / BLACK / ALPHA FIT-300-1/4-4B	AR	AR		
NS	565924	CAP / "INTERNET"	1	1		D
NS	562697	SWITCH / ON-ON / D.P.D.T. / CH-OVER / W/RED & GREEN LED	1	1		D
NS	068535	WIRING HARNESS 12V POWER, DASH TO PARCEL-RACK	1	1		D
300	901110	CABLE RCA / 2M/2M / 25'	1	1		A
301	900777	CONNECTOR BNC PLUG TO RCA ADAPTOR / ELEC 21-142-0	1	1		A
302	900758	ADAPTOR "Y" RCA / 1F/2M / 9"	1	1		A
303	562652	ADAPTOR FEMALE / FEMALE JOINT / RCA	3	3		A
304	680319	TAPE ADHESIF ELECTRIC / BLACK 3/4"	AR	AR		A
		A) USE WITH GPS INSTALLATION				
		B) USE WITH FRONT CENTRAL MONITOR SWITCH OPTION				
		C) USE ONLY WITH SYSTEM INSTALL IN SECOND DOOR OF PARCEL RACK				
		D) WITH"WIFI" SWITCH				
		H) BAUER'S TRANSPORTATION OPTION				

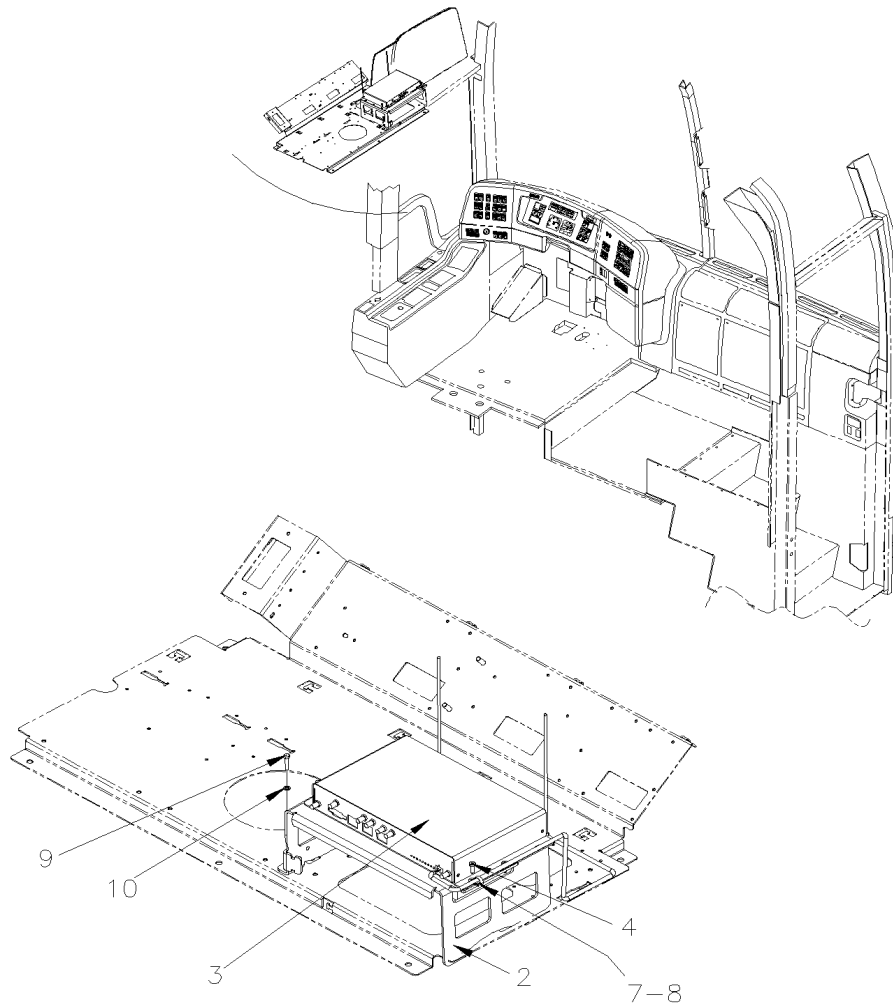
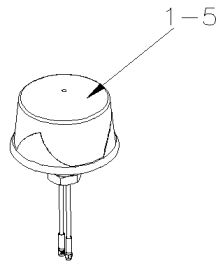


From E-2508 To J-0184

Date:10/2022

PAGE:H7-2317-35

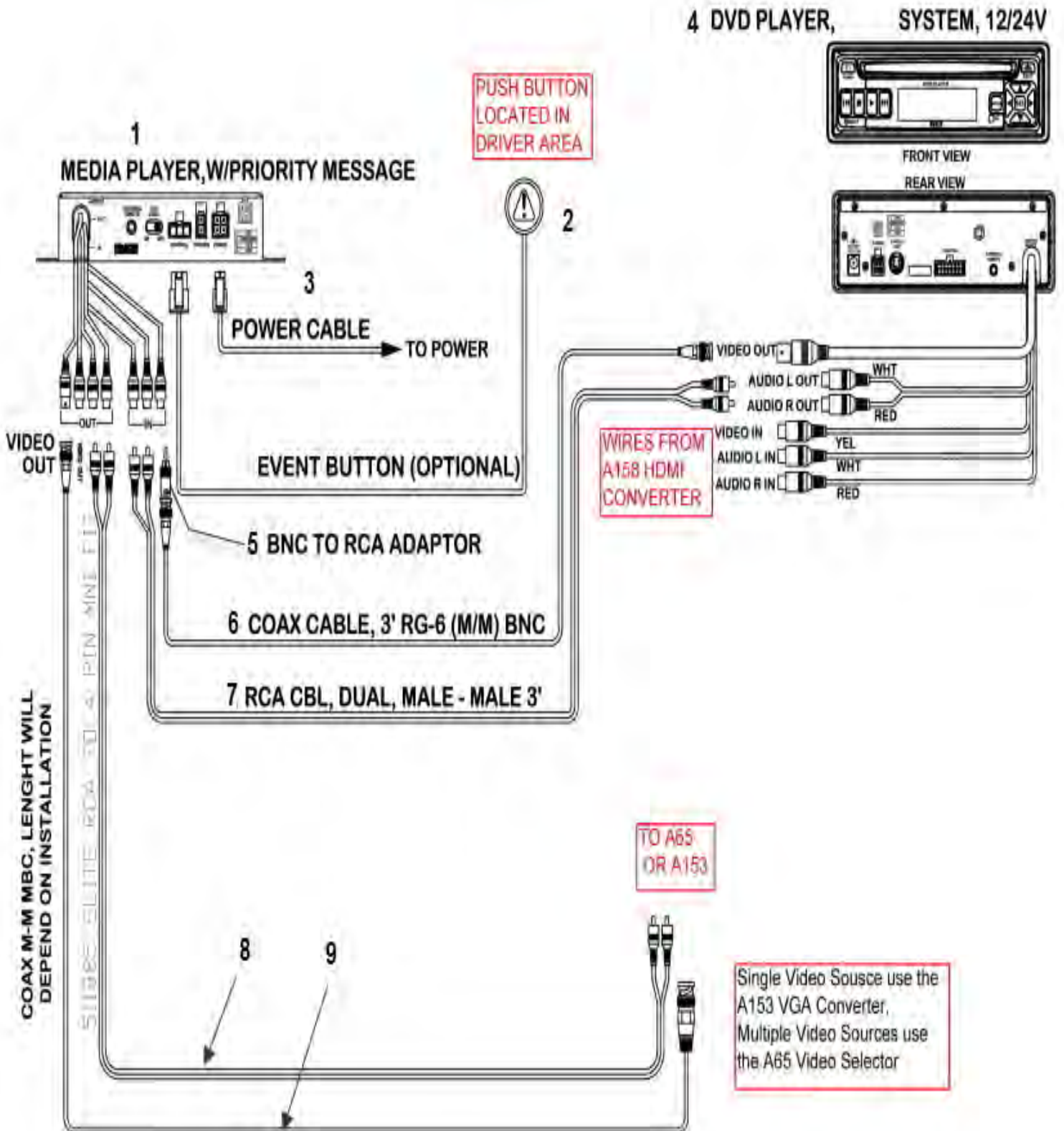
## "WI-FI" MODULE MOOVBOX



From E-2508 To J-0184	Date:10/2022	PAGE:H7-2317-35
<b>"WI-FI" MODULE MOOVBOX</b>		

Item#	Part	Description	H 3 4 1	H 3 4 5	V I P 4 5	N O T E S
1	901508	ROOF ANTENNA (LTE-LTE-GPS) CABLE 15'	1	1		
1	900200	ROOF ANTENNA (LTE-GPS) CABLE 17' From H-3858	1	1		
1	900201	ROOF ANTENNA (LTE) CABLE 17' From H-3858	1	1		
2	400066	SUPPORT VIDEO ON AMPLIFICATOR	1	1		
3	901591	SYSTEM WIFI / MOOVBOX M310	1	1		
3	901577	SYSTEM WIFI / MOOVBOX M320	1	1		
3	901577-01	SYSTEM WIFI / MOOVBOX M320 From H-3858	1	1		
4	500799	SCREW TC PAN PH #8-32x3/8 N500	4	4		
5	685126	ADHESIVE SIMSON #ISR 70-03 / GREY / 600ml SAUSAGE	AR	AR		
6	069125	CABLE ALIMENTATION MODULE WIFI	1	1		
7	504637	CABLE TIE / 3/16" x 13"	AR	AR		
8	504428	TIE MOUNT / 3/16" #10 SCREW / TA1S10-C	1	1		
9	500588	SCREW CAP HEX M4-0.7x20 G8.8 Z050	1	1		
10	500470	WASHER LO SPT .193x.334x.047 Z050	1	1		

**MEDIA PLAYER MP-1000**



From G-3309 To J-0184	Date:10/2022	PAGE:H7-2317-40
<b>MEDIA PLAYER MP-1000</b>		

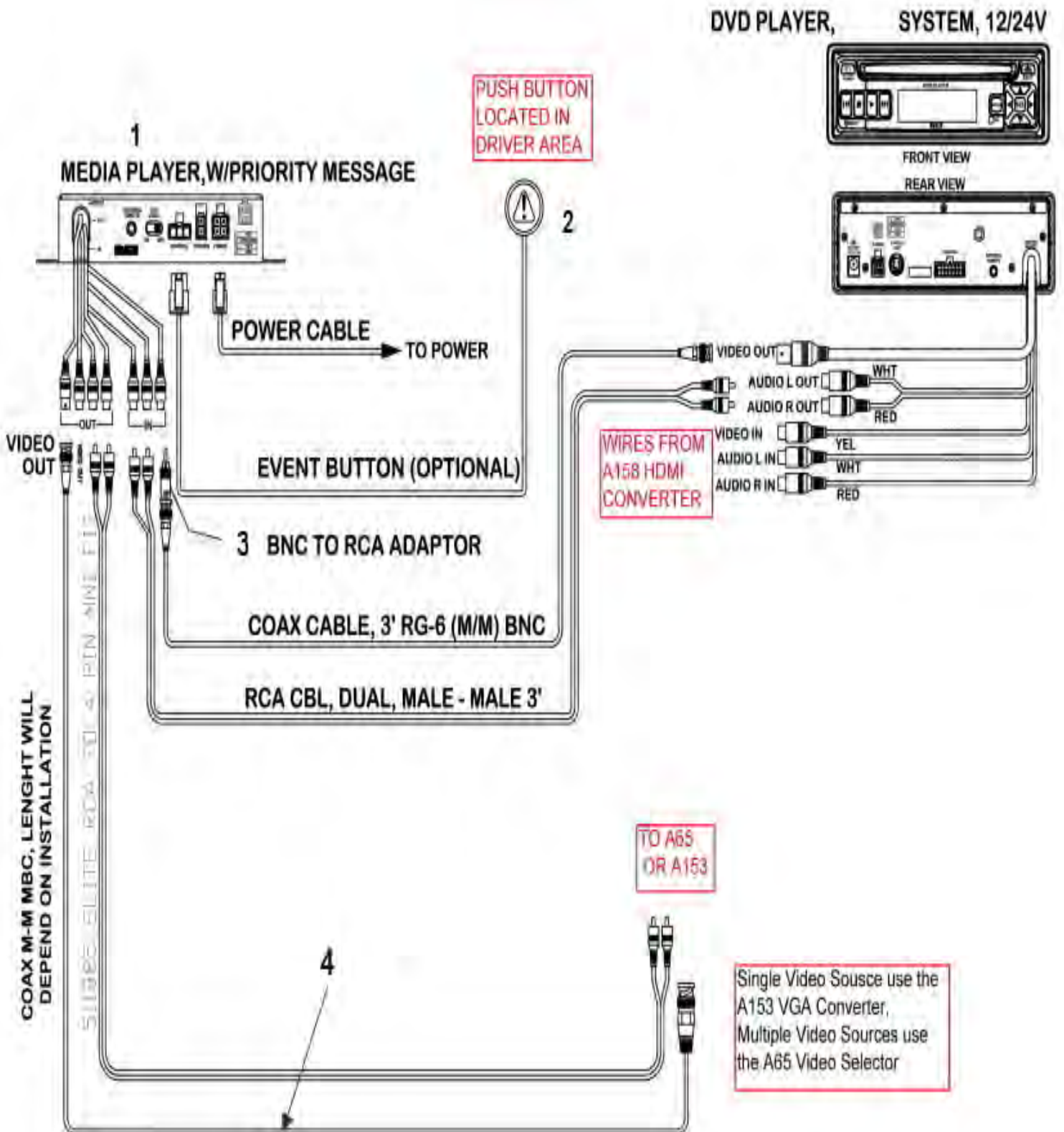
Item#	Part	Description	H 3 4 1	H 3 4 5	V I P 4 5	N O T E S
1	901575	MULTIMEDIA PLAYER MP1000	1	1		
1	500654	SCREW TC BDG PH #8-32x1/2 Z050	4	4		
2	901576	CABLE AND PUSH BUTTON / MULTIMEDIA PLAYER MP1000	1	1		
3	901079	CABLE POWER DVD ADAPTOR / 6'	1	1		
4	901339	DVD PLAYER 12V	1	1		
. NS	901377	. REMOTE CONTROL / DVD R.E.I.	1	1		
5	901564	ADAPTOR, RCA MALE TO BNC FEMALE	1	1		
6	901157	CABLE COAXIAL 3' BNC	1	1		
7	900052	CABLE RCA / DUAL / MALE-MALE 3'	1	1		
8	901565	HARNESS, AUDIO BETWEEN CONV AND DVD	1	1		
9	901347	CABLE ASSY / W/2 BNC FEMALE/ FEMALE 1"	1	1		
10	506493	TAPE DUAL LOCK 1/2" x 150' / BLACK SJ3541	AR	AR		
NS	900012	ADAPTOR, RCA MALE TO RCA MALE	1	1		

From B-1721 To G-3308	Date:10/2022	PAGE:H7-2317-99
<b>UPDATE TO MEDIA PLAYER MP-1000</b>		

Item#	Part	Description	H 3 4 1	H 3 4 5	V I P 4 5	N O T E S
1	IS19915	MP-1000 MULTIMEDIA PLAYER INSTALLATION				



MP-1000 MULTIMEDIA PLAYER INSTALLATION



From B-1721 To G-3308	Date:10/2022	PAGE:IS19915
<b>MP-1000 MULTIMEDIA PLAYER INSTALLATION</b>		

Item#	Part	Description	H 3 4 1	H 3 4 5	V I P 4 5	N O T E S
1	901807	MULTIMEDIA PLAYER MP1200	1	1	1	
1	901821	. SD CARD PRE-PROG. PREVOST SAFETY VIDEO	1	1	1	
2	901809	ADAPTER CABLE MEDIA PLAYER MP1200	1	1	1	
2	901810	CABLE AND PUSH BUTTON / MULTIMEDIA PLAYER MP1200	1	1	1	
3	901564	ADAPTOR, RCA MALE TO BNC FEMALE	1	1	1	
NS	900856	CABLE RCA / 2M/2M / 3'	1	1	1	
4	901347	CABLE ASSY / W/2 BNC FEMALE/ FEMALE 1"	1	1	1	
NS	500965	SCREW TC BDG PH #8-32x1/2 N500	4	4	4	
NS	563071	CONNECTOR / MINI FIT JR / SH 4C / MOLEX 39-01-3042	1	1	1	
NS	562483	SOCKET TERMINAL / 16 / MOLEX 39-00-0078	2	2	2	
NS	561689	SOCKET TERMINAL / 20-18 / PED 12089188	2	2	2	
NS	561565	CABLE SEAL / GREEN / PED 15324982	2	2	2	
NS	561783	SEAL PLUG CAVITY / GREEN / PED 12010300	1	1	1	
NS	562592	WIRE CABLE 16 / YELLOW / TXL	3	3	3	
NS	562586	WIRE CABLE 16 / BLACK / TXL	3	3	3	
NS	561782	CONNECTOR / WEATHER PACK / SH 3C / BLACK / PED 12015793	1	1	1	
NS	901135	CABLE RCA / 3M/3M / 3'	1	1	1	
NS	505537	TAPE DUAL LOCK 2" X 50 YARD / BLACK SJ3551	AR	AR	AR	
25	IS-19915	SEE INSTRUCTION SHEET	1	1	1	



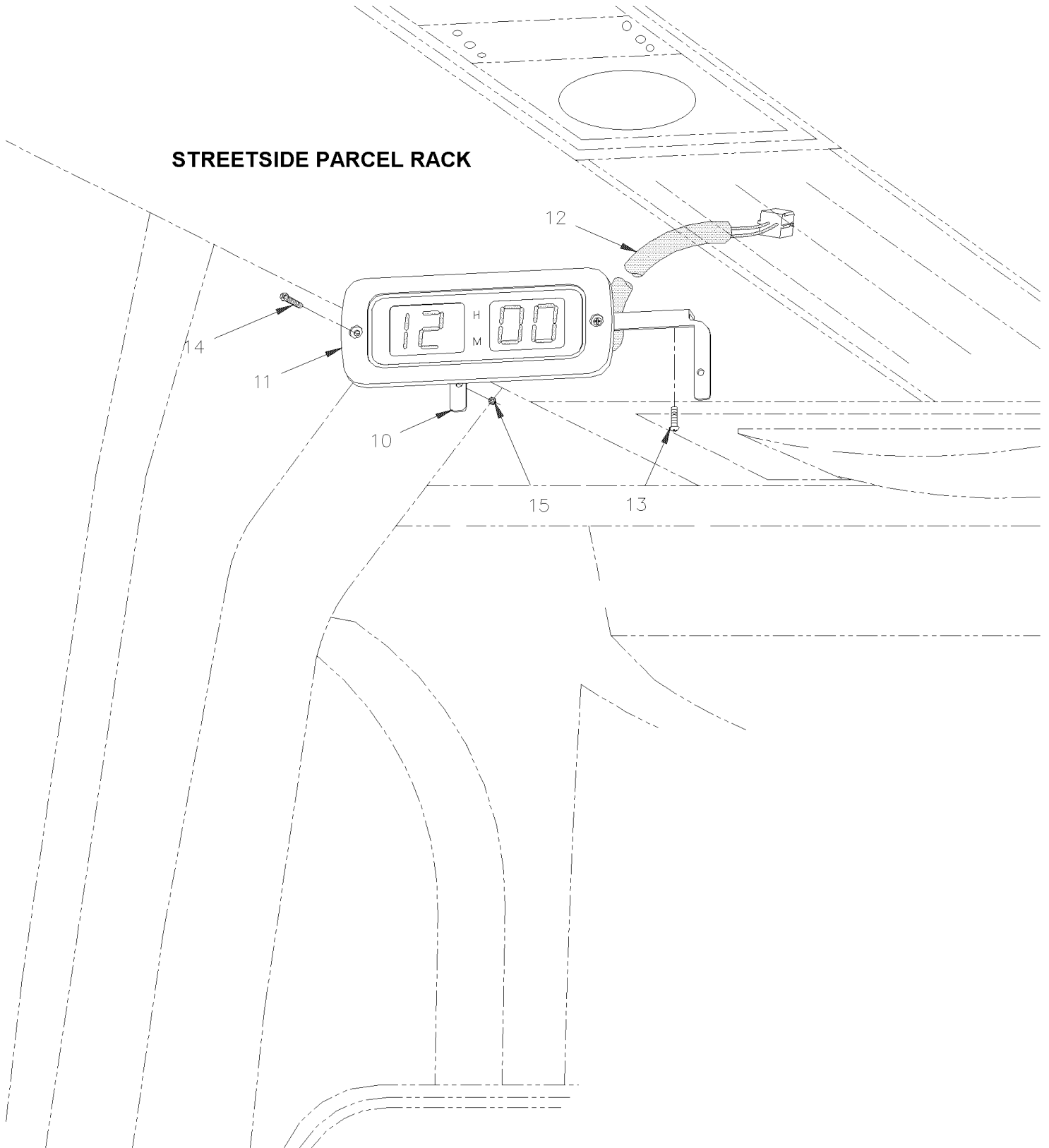
From 7-0671 To G-3149

Date:10/2022

PAGE:H7-2318-00

**CLOCK (DIGITAL)**

**STREETSIDE PARCEL RACK**



From 7-0671 To G-3149	Date:10/2022	PAGE:H7-2318-00
<b>CLOCK (DIGITAL)</b>		

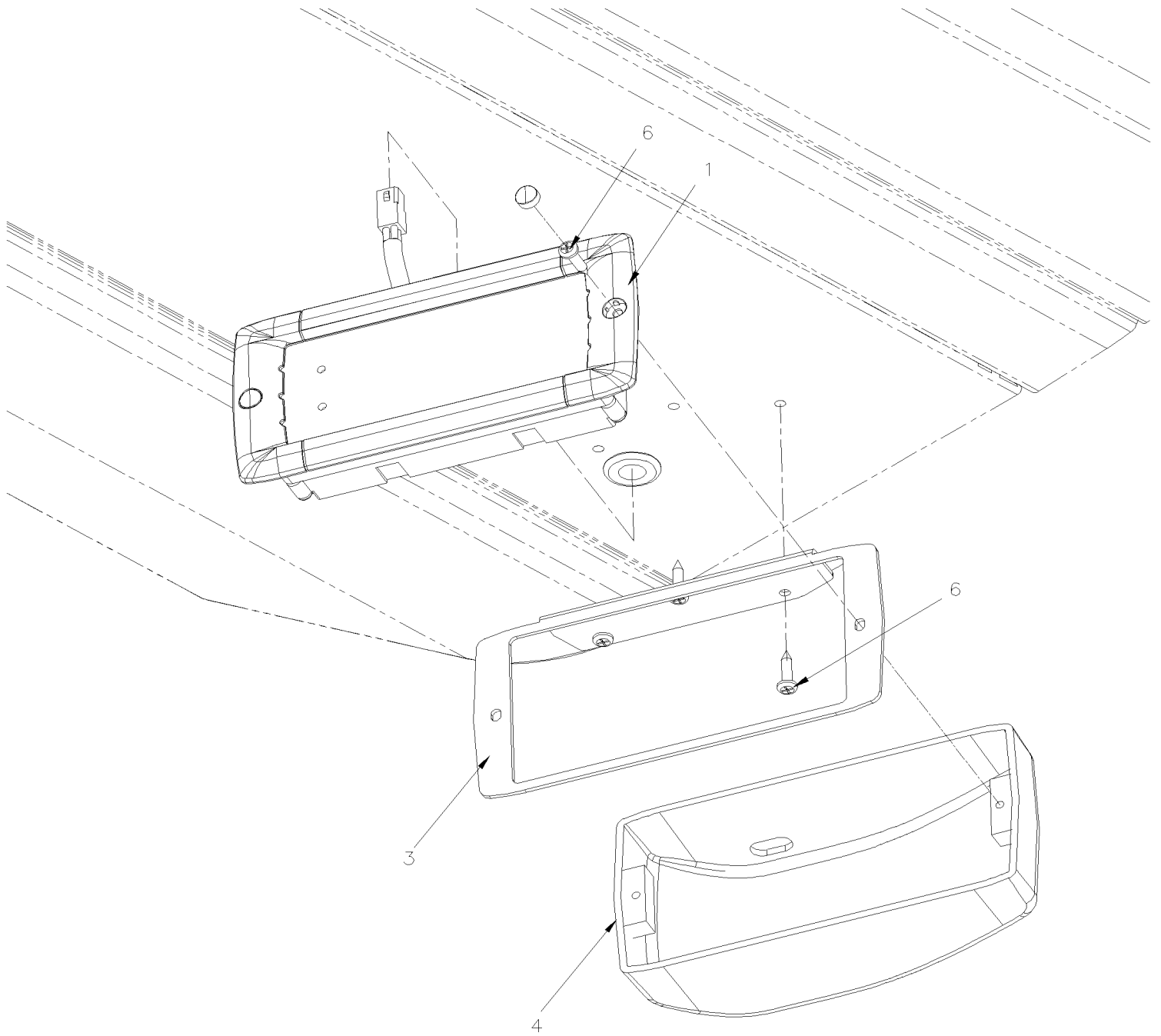
Item#	Part	Description	H 3 4 1	H 3 4 5	V I P 4 5	N O T E S
10	404546	SUPPORT	1	1		
11	407502	DIGITAL CLOCK / 12/24HRS	1	1		
NS	901123	. DIGITAL CLOCK	1	1		
NS	561476	. CONNECTOR / (.062) / SH 4C / MOLEX 03-06-1044	1	1		
NS	561478	. SOCKET TERMINAL / 24-18 / MOLEX 02-06-1103	3	3		
NS	562387	. CONVOLUTED TUBING / SLIT / BLACK / .250"	AR	AR		
12	066206	CABLE ASSY TO DIGITAL CLOCK	1	1		
12	066298	CABLE ASSY TO DIGITAL CLOCK / CENTRAL INSTALLTION	1	1		
13	500409	SCREW TP PAN PH #8x1/2 BK To F-2695	3	3		
13	500414	SCREW TP BDG PH #10x3/4 SS From F-2696	3	3		
14	500260	SCREW TC FL PH #8-32x3/4 BK	2	2		
15	500670	NUT HEX NYRT #8-32 Z050	2	2		
20	<b>340395</b>	<b>REPLACEMENT KIT DIGITAL CLOCK 12H</b>				
20	<b>340409</b>	<b>REPLACEMENT KIT DIGITAL CLOCK 24H</b>				

From 7-0671 To G-3149

Date:10/2022

PAGE:340395

**REPLACEMENT KIT DIGITAL CLOCK 12H**



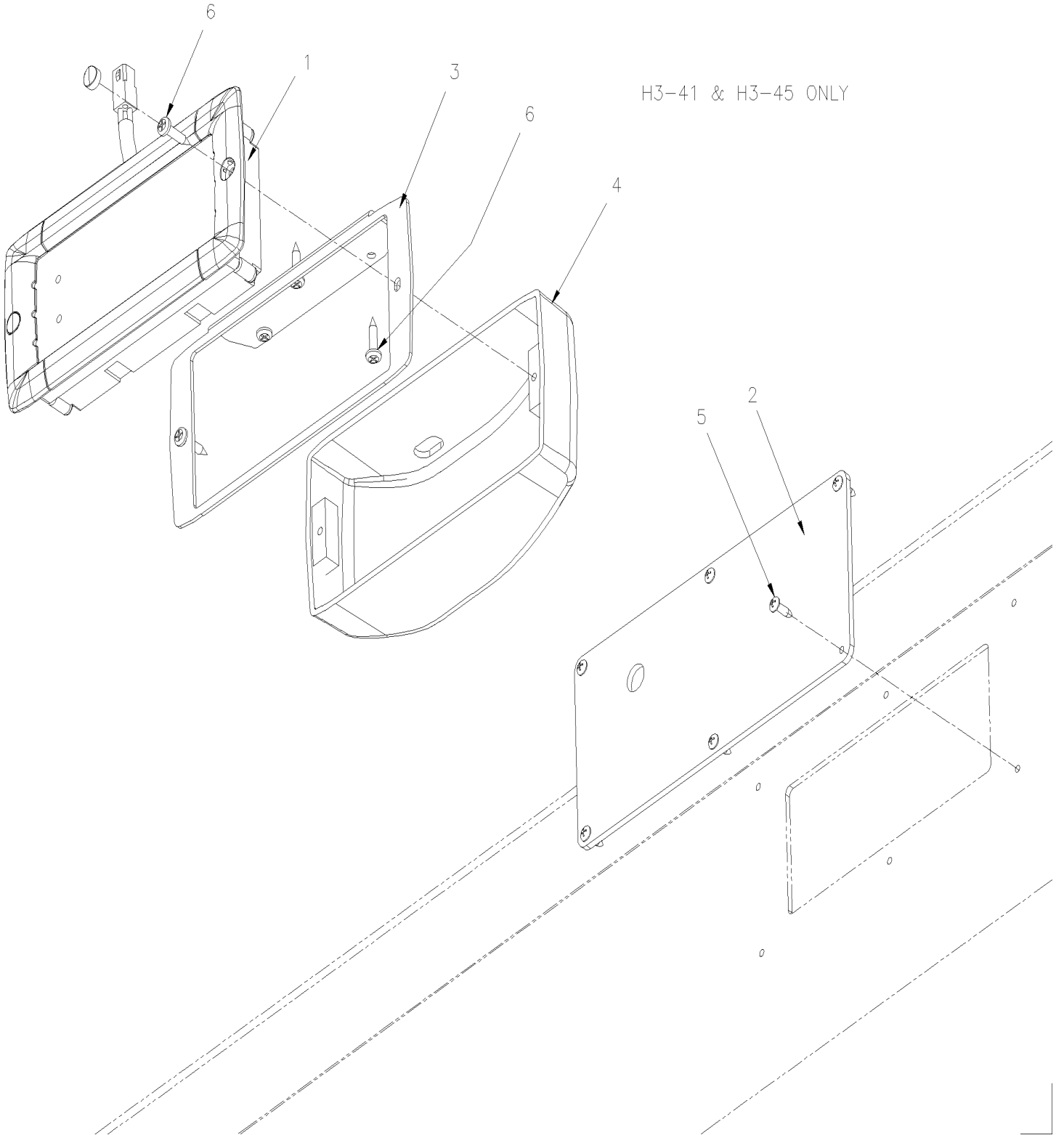
From 7-0671 To G-3149

Date:10/2022

PAGE:340395

**REPLACEMENT KIT DIGITAL CLOCK 12H**

H3-41 & H3-45 ONLY



From 7-0671 To G-3149	Date:10/2022	PAGE:340395
<b>REPLACEMENT KIT DIGITAL CLOCK 12H</b>		

Item#	Part	Description	H 3 4 1	H 3 4 5	V I P 4 5	N O T E S
1	901569	DIGITAL CLOCK, GREEN LEDS - 12H	1	1	1	
2	Call order desk	PLATE CLOSING	1	1		P
3	400133	SUPPORT DIGITAL CLOCK / STREET SIDE	1	1	1	
4	400236	COVER DIGITAL CLOCK	1	1	1	
5	500120	SCREW TP BDG PH #6x1/2 SS	6	6		
6	5001155	SCREW TP PAN PH #8X3/4 N050	5	5	5	
		P) CALL ORDER DESK FOR SPECIFIC APPLICATION (V.I.N.)				

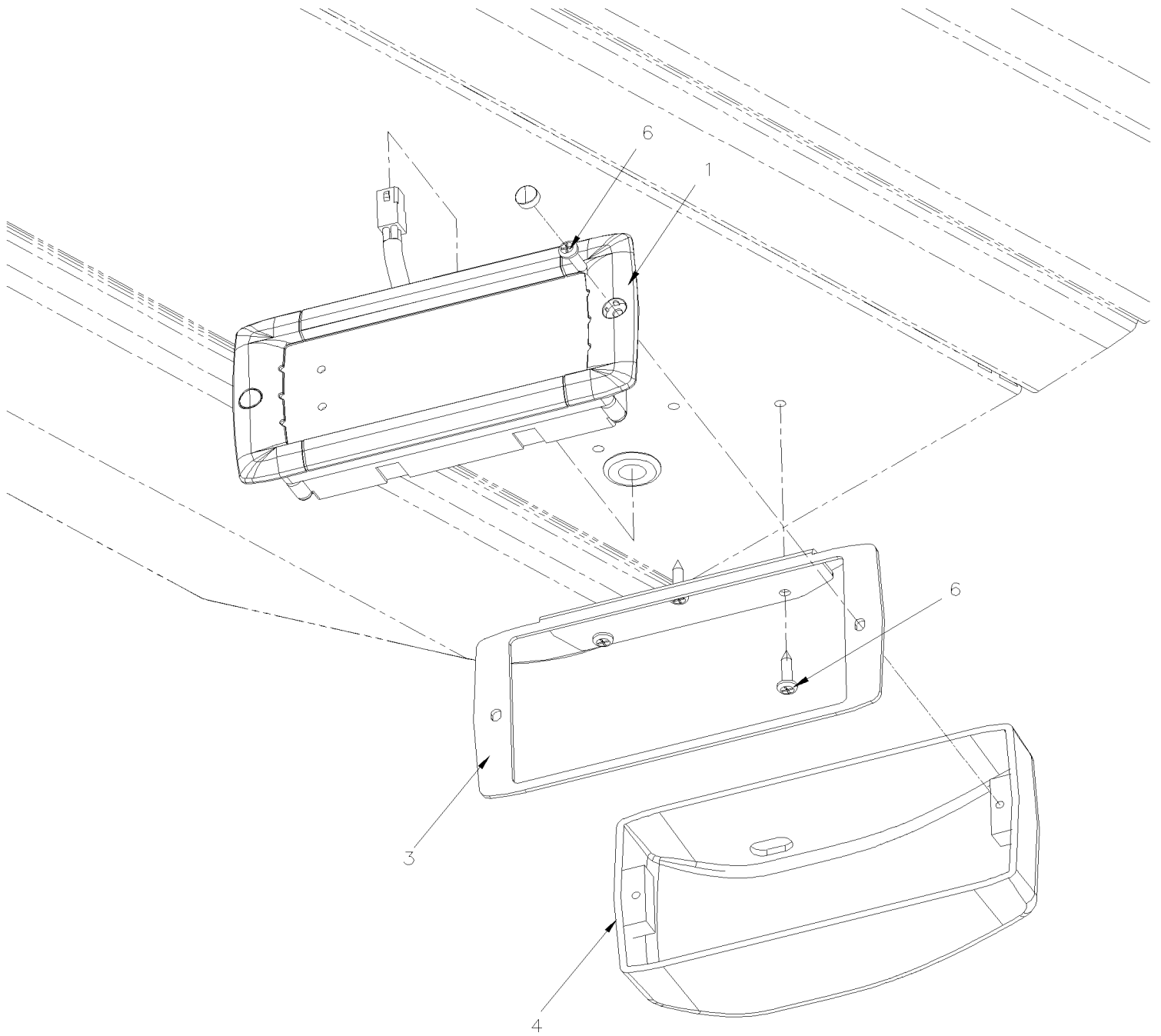


From 7-0671 To G-3149

Date:10/2022

PAGE:340409

**REPLACEMENT KIT DIGITAL CLOCK 24H**



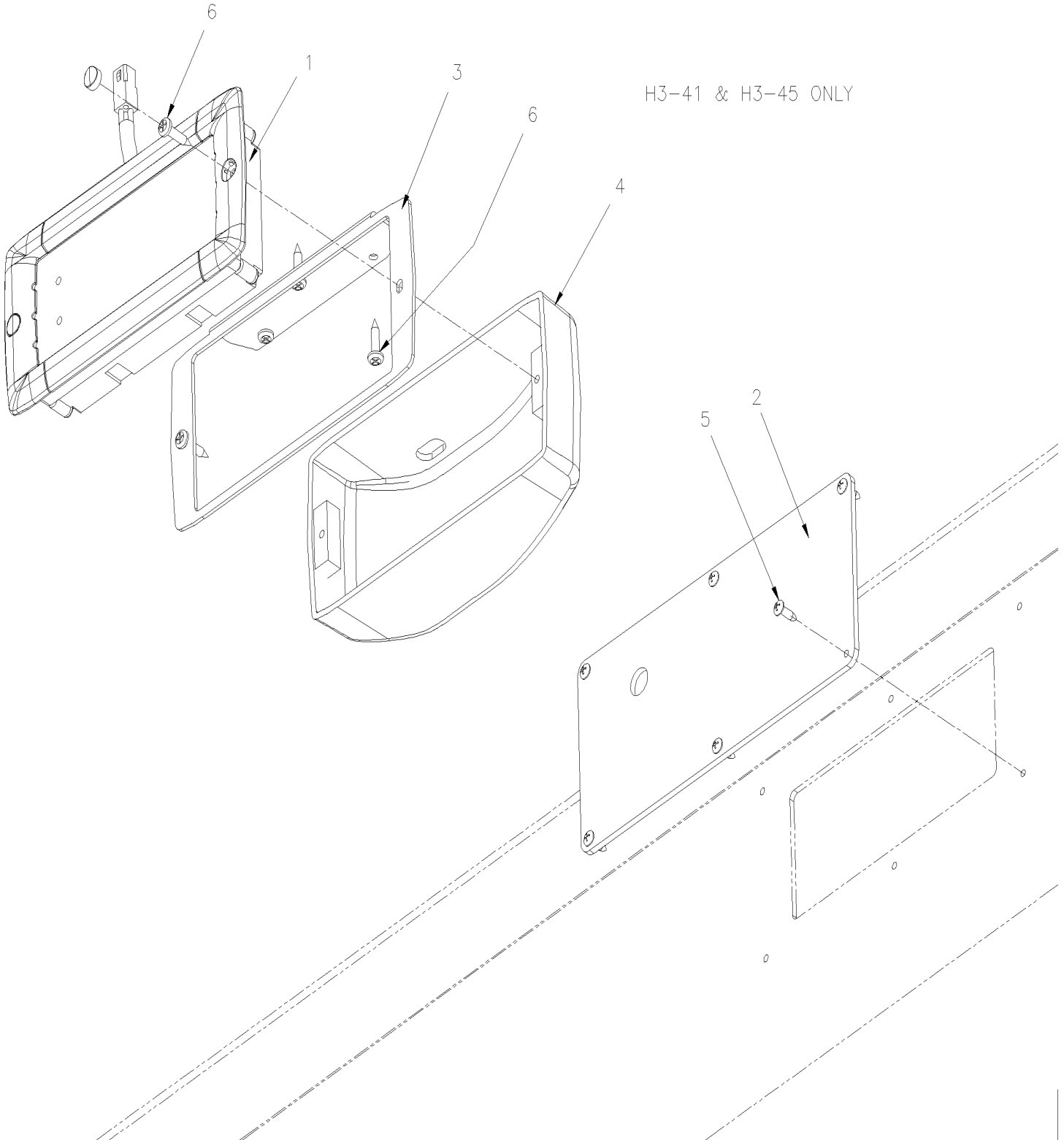
From 7-0671 To G-3149

Date:10/2022

PAGE:340409

## REPLACEMENT KIT DIGITAL CLOCK 24H

H3-41 & H3-45 ONLY





From 7-0671 To G-3149	Date:10/2022	PAGE:340409
<b>REPLACEMENT KIT DIGITAL CLOCK 24H</b>		

Item#	Part	Description	H 3 4 1	H 3 4 5	V I P 4 5	N O T E S
1	901569	DIGITAL CLOCK, GREEN LEDS - 12H	1	1	1	
2	Call order desk	PLATE CLOSING	1	1		P
3	400133	SUPPORT DIGITAL CLOCK / STREET SIDE	1	1	1	
4	400236	COVER DIGITAL CLOCK	1	1	1	
5	500120	SCREW TP BDG PH #6x1/2 SS	6	6		
6	5001155	SCREW TP PAN PH #8X3/4 N050	5	5	5	
		P) CALL ORDER DESK FOR SPECIFIC APPLICATION (V.I.N.)				

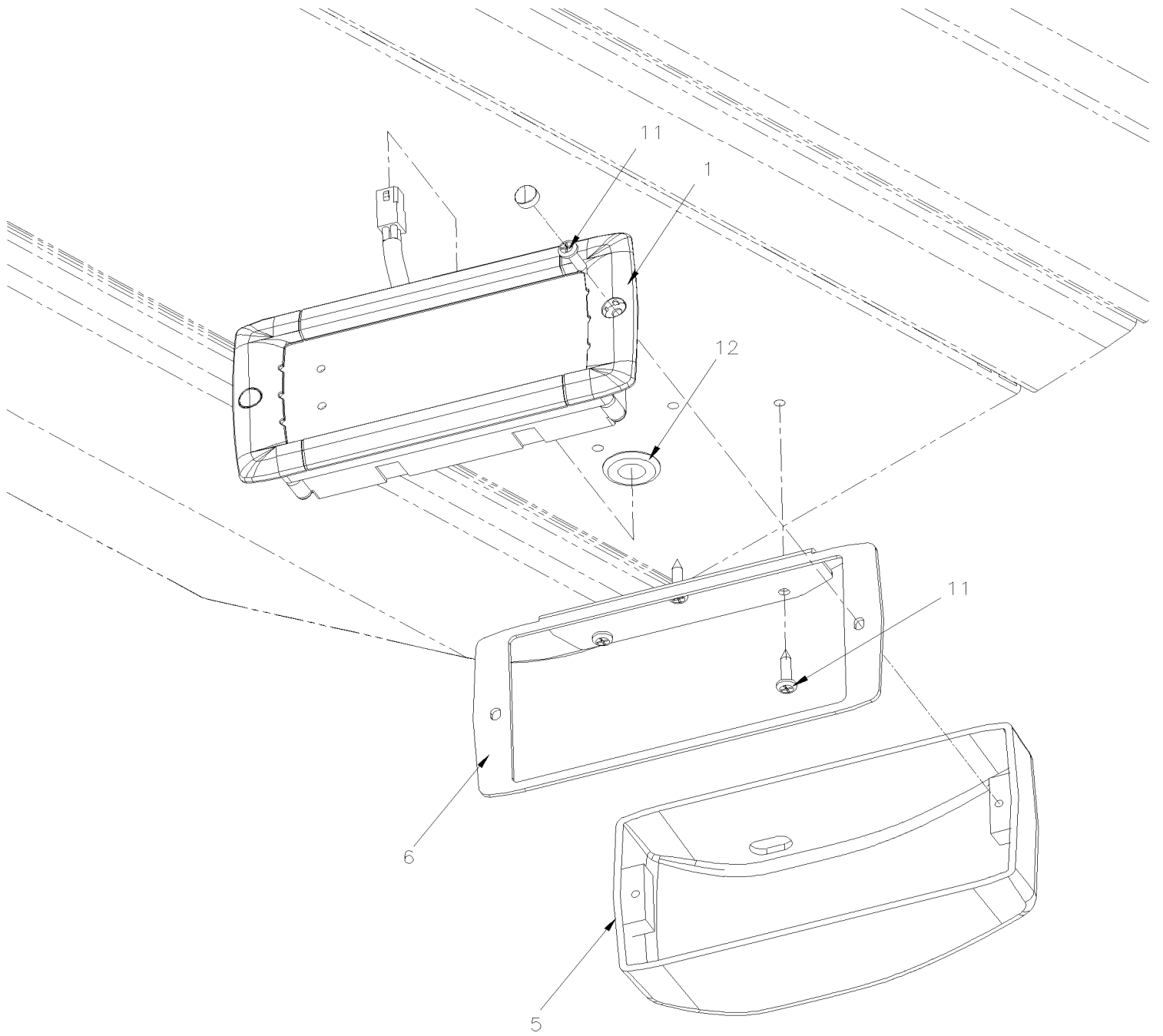


From G-3150 To J-0184

Date:10/2022

PAGE:H7-2318-01

**CLOCK (DIGITAL)**

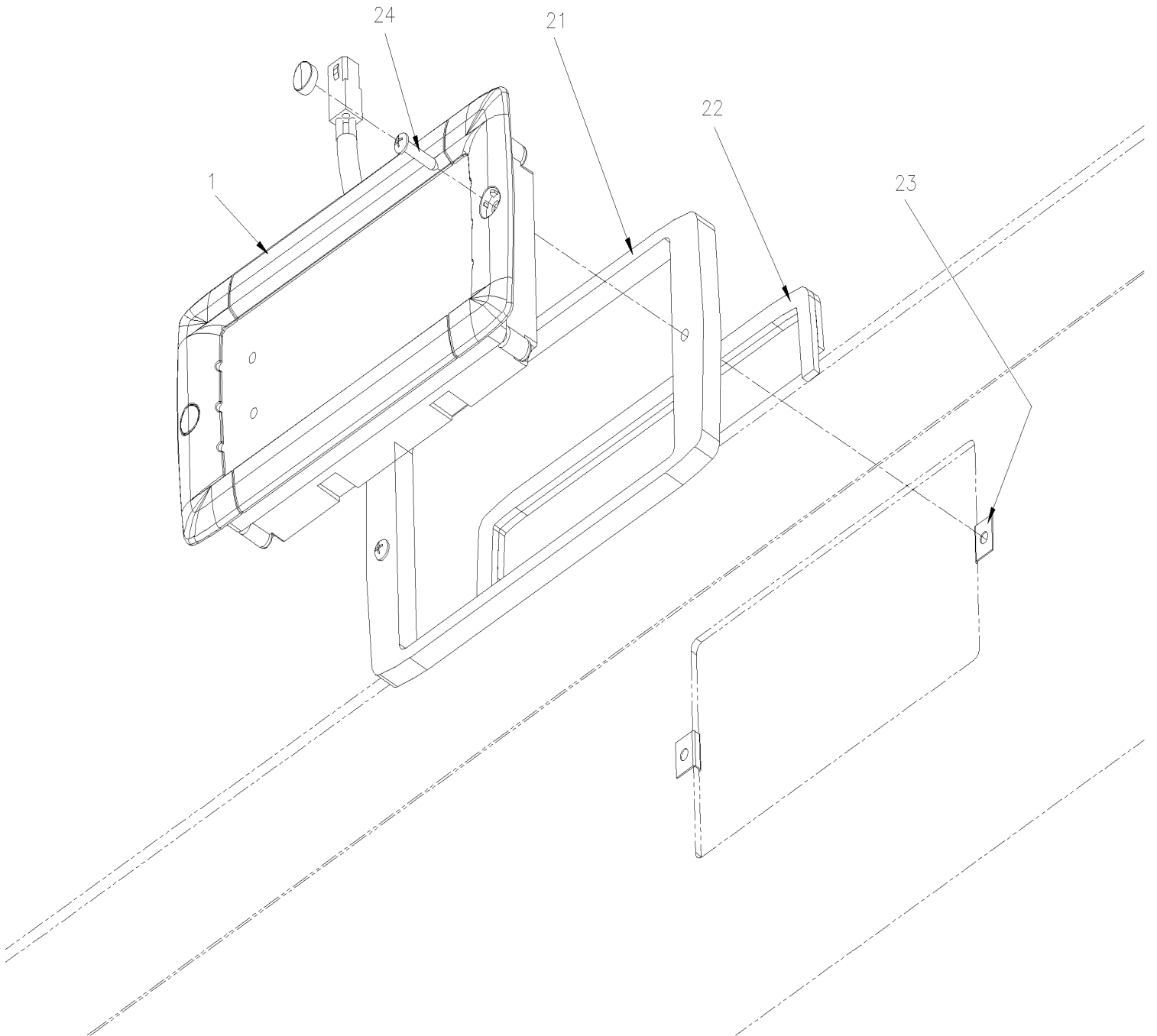


From G-3150 To J-0184

Date:10/2022

PAGE:H7-2318-01

**CLOCK (DIGITAL)**



From G-3150 To J-0184	Date:10/2022	PAGE:H7-2318-01
<b>CLOCK (DIGITAL)</b>		

Item#	Part	Description	H 3 4 1	H 3 4 5	V I P 4 5	N O T E S
1	901569	DIGITAL CLOCK, GREEN LEDS - 12H	1	1		
1	901570	DIGITAL CLOCK, GREEN LEDS - 24H	1	1		
1	066206	CABLE ASSY TO DIGITAL CLOCK	1	1		
1	066298	CABLE ASSY TO DIGITAL CLOCK / CENTRAL INSTALLTION	1	1		
5	400236	COVER DIGITAL CLOCK	1	1		
6	400133	SUPPORT DIGITAL CLOCK / STREET SIDE	1	1		
6	400454	SUPPORT DIGITAL CLOCK / CURBSIDE	1	1		
11	5001155	SCREW TP PAN PH #8X3/4 N050	5	5		
12	504568	GROMMET / .437x.687x.250x.500x1.000	1	1		
21	340228	SPACER, DIGITAL CLOCK	1	1		
22	506191	TAPE RUB ADH1 CC POL 1/8" x 1/4" x 50' / GREY 2520X	AR	AR		
23	5001145	SCREW TP BDG PH #6x1 BK	2	2		
24	500422	NUT SPR U #6-32 .110-.120 SS	2	2		

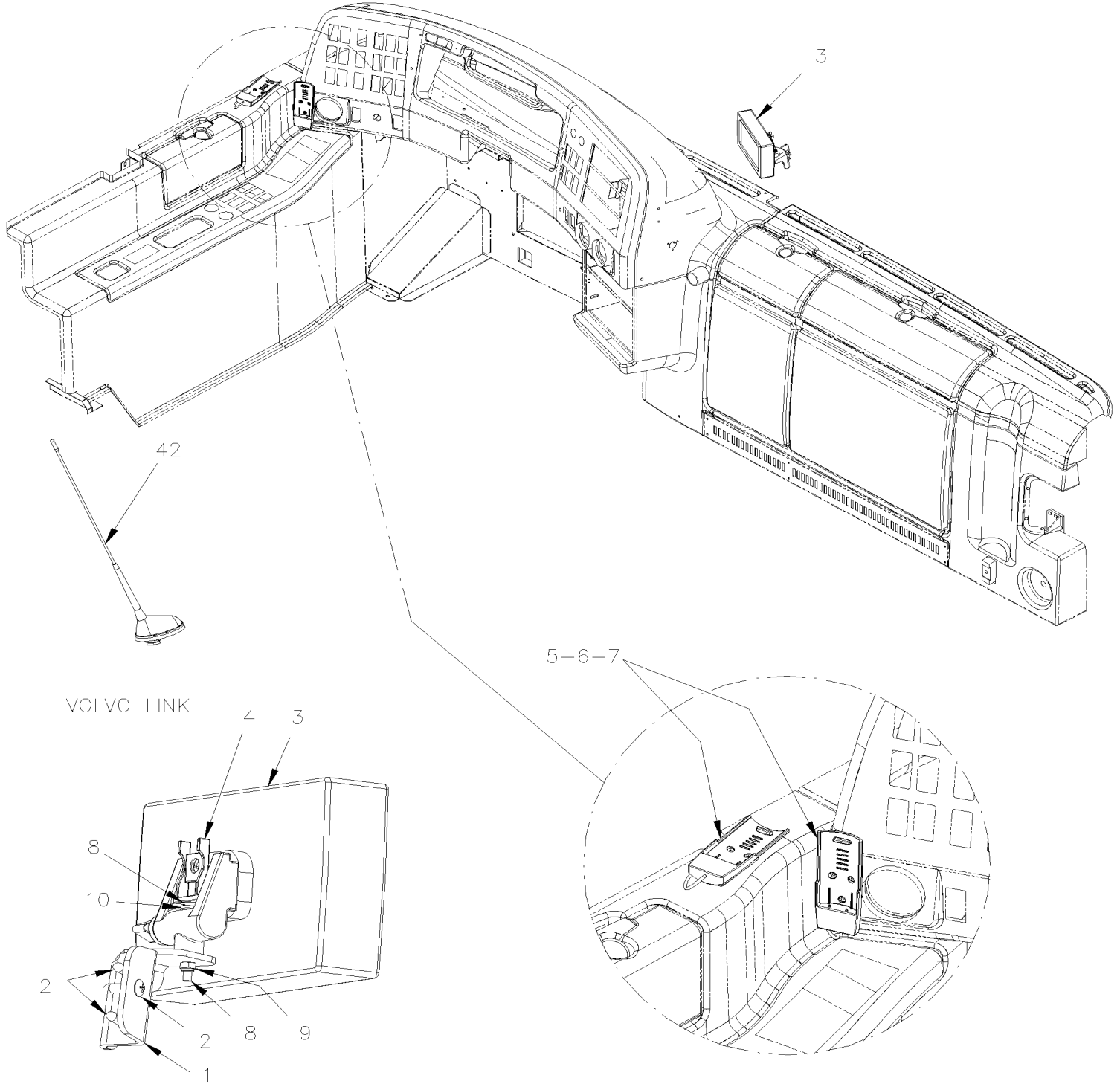


From 7-0671 To A-1625

Date:10/2022

PAGE:H7-2319-00

## GPS - VOLVO LINK ANTENNA - INSTALLATION



<b>From 7-0671 To A-1625</b>	<b>Date:10/2022</b>	<b>PAGE:H7-2319-00</b>
<b>GPS - VOLVO LINK ANTENNA - INSTALLATION</b>		

Item#	Part	Description	H 3 4 1	H 3 4 5	V I P 4 5	N O T E S
1	405814	SUPPORT "GPS" NAVIGATION SCREEN / "H" SERIES	1	1		
2	500957	SCREW TP BDG PH #10x3/4 N500	3	3		
3	901231	GPS NAVIGATION SCREEN	1	1		
4	901232	SUPPORT VIDEO FOR SCREEN	1	1		
5	901244	RECEPTACLE REMOTE CONTROL	1	1		
NS	901254	REMOTE CONTROL "GPS"	1	1		
6	500286	NUT WELL #6-32	3	3		
7	5001303	SCREW MA BDG PH #6-32x1 ZP EMN	3	3		
8	502530	SCREW MA OV PH M4-0.7x40 SS	1	1		
9	500539	NUT HEX NYRT M4-0.7 N500	1	1		
10	502630	WASHER FL .156x.375x.049 Z050	1	1		
		ALSO USE FOR RETROFIT INSTALLATION				
NS	901230	CPU NAVIGATOR VDO / W/CD DVD FORMAT To 8-1122	1	1		S
20	901262	CPU NAVIGATOR VDO "SEIMENS" / W/SD CARD From 8-1123	1	1		
NS	901234	CONVERTER 24V @ 9V	1	1		
NS	901250	SWITCH AUDIO ASSY	1	1		
NS	901255	ANTENNA "GPS"	1	1		
21	405813	ADAPTOR SCREW / MALE / FEMALE M5-0.8 X 33MM To 8-1122	1	1		
NS	406084	SUPPORT W/"SEIMENS CPU NAVIGATOR From 8-1123	1	1		
NS	502561	NUT HEX M5-0.8 Z050 From 8-1123	1	1		
NS	500470	WASHER LO SPT .193x.334x.047 Z050 From 8-1123	1	1		
NS	500989	WASHER FL .219x.875x.062 Z050 From 8-1123	1	1		
NS	5001146	SCREW CAP HEX M5-0.8x20 SS BK From 8-1123	1	1		
NS	500590	NUT HEX NYRT M4-0.7 Z050 From 8-1123	1	1		
NS	502561	NUT HEX M5-0.8 Z050	1	1		
NS	500470	WASHER LO SPT .193x.334x.047 Z050	1	1		
NS	066952	CABLE ASSY NAVIGATOR RCA & BNC	1	1		
NS	066953	CABLE ASSY NAVIGATOR W/MINI DIN CONNECTOR S/VIDEO	1	1		
NS	066954	CABLE INTERFACE W/CAMERA CLARION BLK& WHITE To 8-1142	1	1		B
26	067185	CABLE INTERFACE W/CAMERA "R.E.I." COLOR From 8-1143	1	1		C
NS	901247	KIT OF 2 CABLES "GPS " ONE BROWN ONE BLACK	1	1		
NS	506755	VELCRO / HOOK ADHESIF 1" x 75'	AR	AR		
NS	506756	VELCRO / LOOP ADHESIF 1" x 75'	AR	AR		
NS	900774	CABLE, ANTENNA EXTENSION / 12'	1	1		
NS	900775	Y RADIO ANTENNA CABLE / TO USE W/2 RADIOS	1	1		
NS	901258	ADAPTOR / RADIO & ANTENNA CABLE 90° / EURO MALE to MOTOROLA FEM	1	1		
		NEXT 6 ITEMS ARE RELATED WITH "VOLVO LINK"				
NS	901276	EXTENSION "GPS" FOR "VOLVO" LINK	1	1		



From 7-0671 To A-1625	Date:10/2022	PAGE:H7-2319-00
<b>GPS - VOLVO LINK ANTENNA - INSTALLATION</b>		

Item#	Part	Description	H 3 4 1	H 3 4 5	V I P 4 5	N O T E S
NS	901277	EXTENSION "RF" FOR "VOLVO" LINK	1	1		
NS	20932469	ANTENNA BASE 4MM "VOLVO" LINK	1	1		
NS	20563496	ANTENNA "VOLVO" LINK	1	1		
42	901287	ANTENNA WHIP SHORT "VOLVO" LINK To A-1625	1	1		
NS	901278	ANTENNA BASE 5MM To A-1625	1	1		
42	903228	ANTENNA BASE From A-1626	1	1		
42	903229	CABLE ANTENNA (GPS & RF-in VOLVO LINK) From A-1626	1	1		
42	903230	NUT RETAINER ANTENNA From A-1626	1	1		
		B) BLACK & WHITE CAMERA MAY BE LINKED TO FRONT FLAT SCREEN "GPS" MONITOR # 901231 WITH CABLE #066954				
		C) COLOR CAMERA MAY BE LINKED TO FRONT FLAT SCREEN "GPS" MONITOR # 901231 WITH CABLE #067185				
		S) THIS NAVIGATOR IT UPPERSEDED BY # 901262 WITH SUPPORT # 406084 & BOLT & NUT				

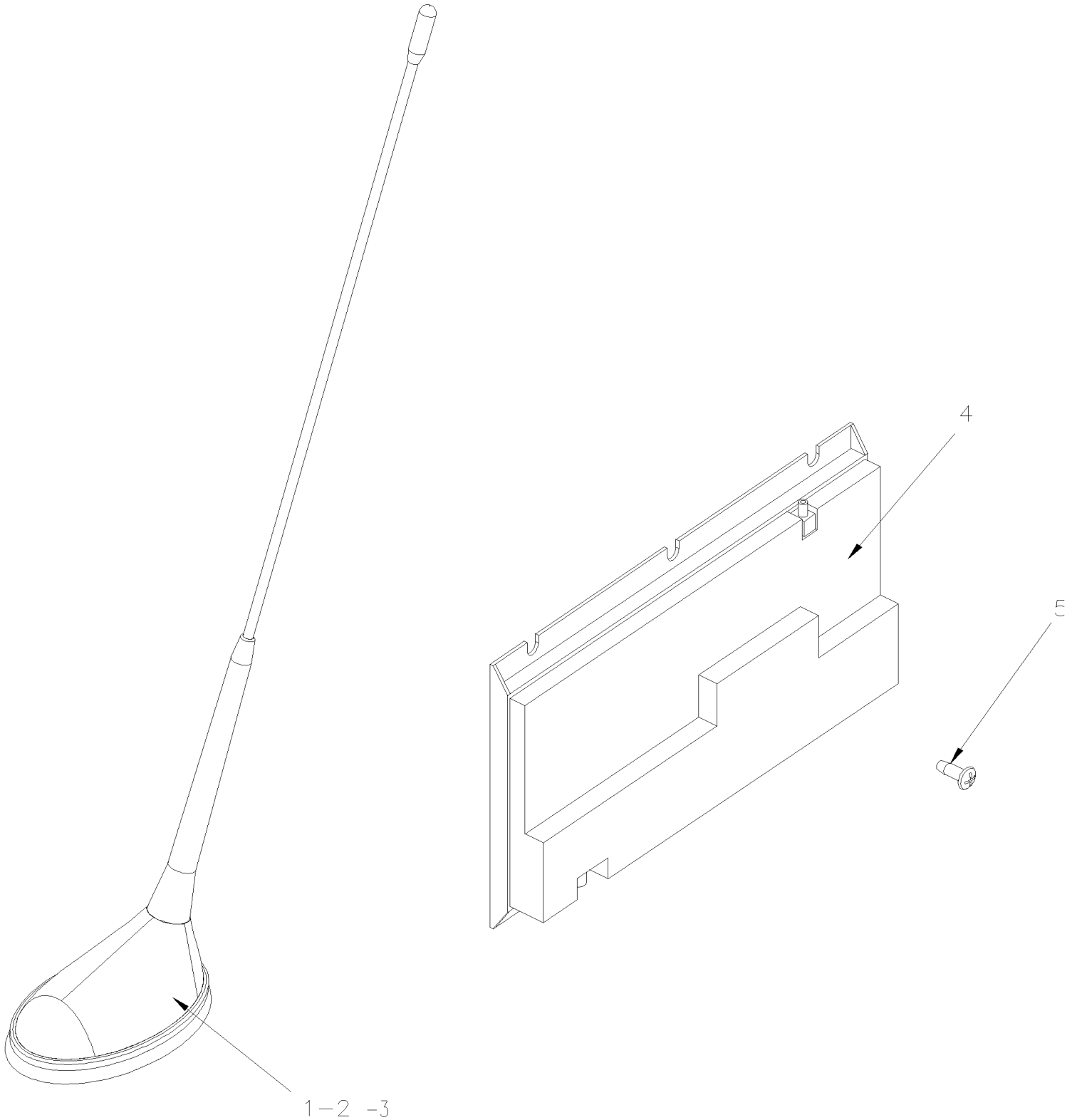


From A-1626 To J-0287

Date:10/2022

PAGE:H7-2319-01

**VOLVO LINK ANTENNA - INSTALLATION**



<b>From A-1626 To J-0287</b>	<b>Date:10/2022</b>	<b>PAGE:H7-2319-01</b>
<b>VOLVO LINK ANTENNA - INSTALLATION</b>		

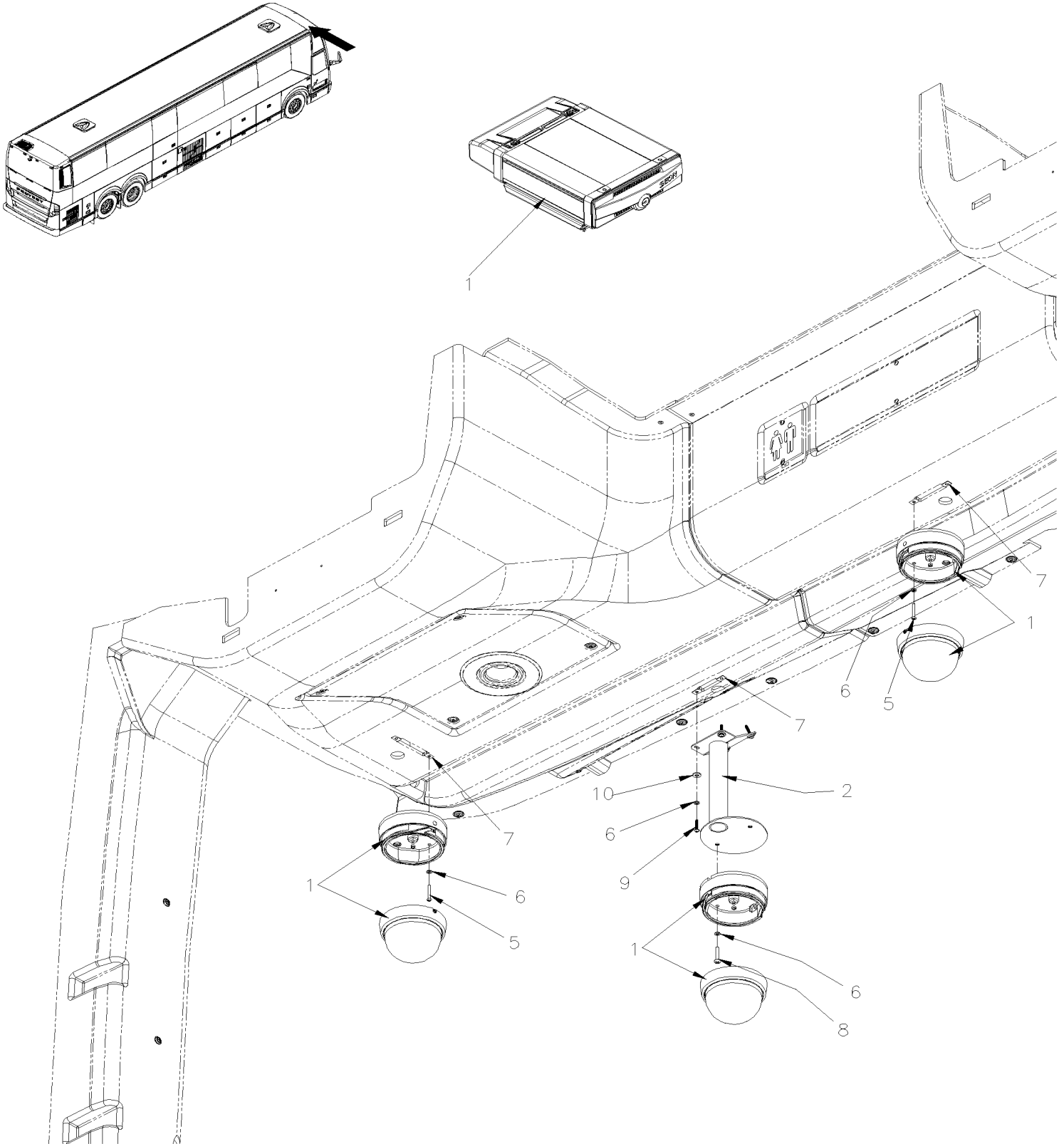
Item#	Part	Description	H 3 4 1	H 3 4 5	V I P 4 5	N O T E S
1	903228	ANTENNA BASE To C-2058	1	1	1	
1	21383947	ANTENNA (VOLVO LINK) From C-2059 To D-2390	1	1	1	
1	21705662	ANTENNA (VOLVO LINK) From D-2391	1	1	1	
1	880050	WASHER FL 19X24.4X3.2 RUB	1	1	1	
NS	685126	ADHESIVE SIMSON #ISR 70-03 / GREY / 600ml SAUSAGE	AR	AR	AR	
2	903230	NUT RETAINER ANTENNA	1	1	1	
3	903229	CABLE ANTENNA (GPS & RF-in VOLVO LINK) To C-2058	1	1	1	
3	21385255	CABLE ANTENNA (RF-in VOLVO LINK) From C-2059	1	1	1	
4	20700142	ECU VOLVO LINK MODULE To C-2058	1	1	1	
4	21284312	ECU VOLVO LINK MODULE From C-2059 To E-2547	1	1	1	
4	21985688	ECU VOLVO LINK MODULE From E-2548 To F-2922	1	1	1	
4	22357675	ECU VOLVO LINK MODULE From F-2923 To H-3940	1	1	1	
4	22861158	ECU VOLVO LINK MODULE From H-3941	1	1	1	
4	IS14122	REPLACEMENT KIT TGW1 TO TWG2 To F-2922	1	1	1	
. NS	IS-14122	. SEE INSTRUCTION SHEET To F-2922	1	1	1	
. NS	069100	. KIT SERVICE TGW1 TO TGW2 To F-2922	1	1	1	
. NS	22357675	. ECU VOLVO LINK MODULE To F-2922	1	1	1	
4	21443469	SIM CARD VOLVO LINK MODULE From C-2059 To H-3858	1	1	1	
4	22990242	SIM CARD VOLVO LINK MODULE FOR SERVICE From H-3859	1	1	1	
4	067448	RETROFIT KIT / VOLVO LINK MODULE ONLY / WITH EPA 2010 From B-1721 To C-2058	1	1	1	
. NS	21385255	. CABLE ANTENNA (RF-in VOLVO LINK) From B-1721 To C-2058	1	1	1	
. NS	21383947	. ANTENNA (VOLVO LINK) From B-1721 To C-2058	1	1	1	
. NS	21443469	. SIM CARD VOLVO LINK MODULE From B-1721 To C-2058	1	1	1	
. NS	21284312	. ECU VOLVO LINK MODULE From B-1721 To C-2058	1	1	1	
. NS	067447	. CABLE / "GATEWAY" From B-1721 To C-2058	1	1	1	
. NS	562583	. CONNECTOR / DT SERIES / PH 6C / GRAY / DEUTSCH DT04-6P From B-1721 To C-2058	1	1	1	
. NS	562286	. PIN TERMINAL / 18-16 / DEUTSCH 0460-202-16141 From B-1721 To C-2058	6	6	6	
. NS	382470	. DIODE SUPPORT PLATE From B-1721 To C-2058	1	1	1	
. NS	382472	. SUPPORT / RELAY From B-1721 To C-2058	1	1	1	
. NS	504013	. TIE MOUNT / 1/4" X 1/4" I.D. From B-1721 To C-2058	1	1	1	
. NS	502868	. SCREW TC TR PH #10-16x1/2 N500 From B-1721 To C-2058	3	3	3	
. NS	504347	. RIVET POP DOME OE 3/16x1/4 AL From B-1721 To C-2058	1	1	1	
. NS	880050	. WASHER FL 19X24.4X3.2 RUB From B-1721 To C-2058	1	1	1	
5	502568	SCREW MA PAN PH M6-1.0x20 EMN	2	2	2	
NS	562679	4 WAY ADH. BACKED MOUNTS 1.000 x 1.000 x .160	AR	AR	AR	
NS	504637	CABLE TIE / 3/16" x 13"	AR	AR	AR	
NS	504671	GROMMET / .687x1.000x.125x.437x1.312	1	1	1	

From H-3599 To J-0184

Date:10/2022

PAGE:H7-2319-20

## CAMERA SYSTEM - "SEON" 3 CAMERAS KEOLIS



From H-3599 To J-0184	Date:10/2022	PAGE:H7-2319-20
<b>CAMERA SYSTEM - "SEON" 3 CAMERAS KEOLIS</b>		

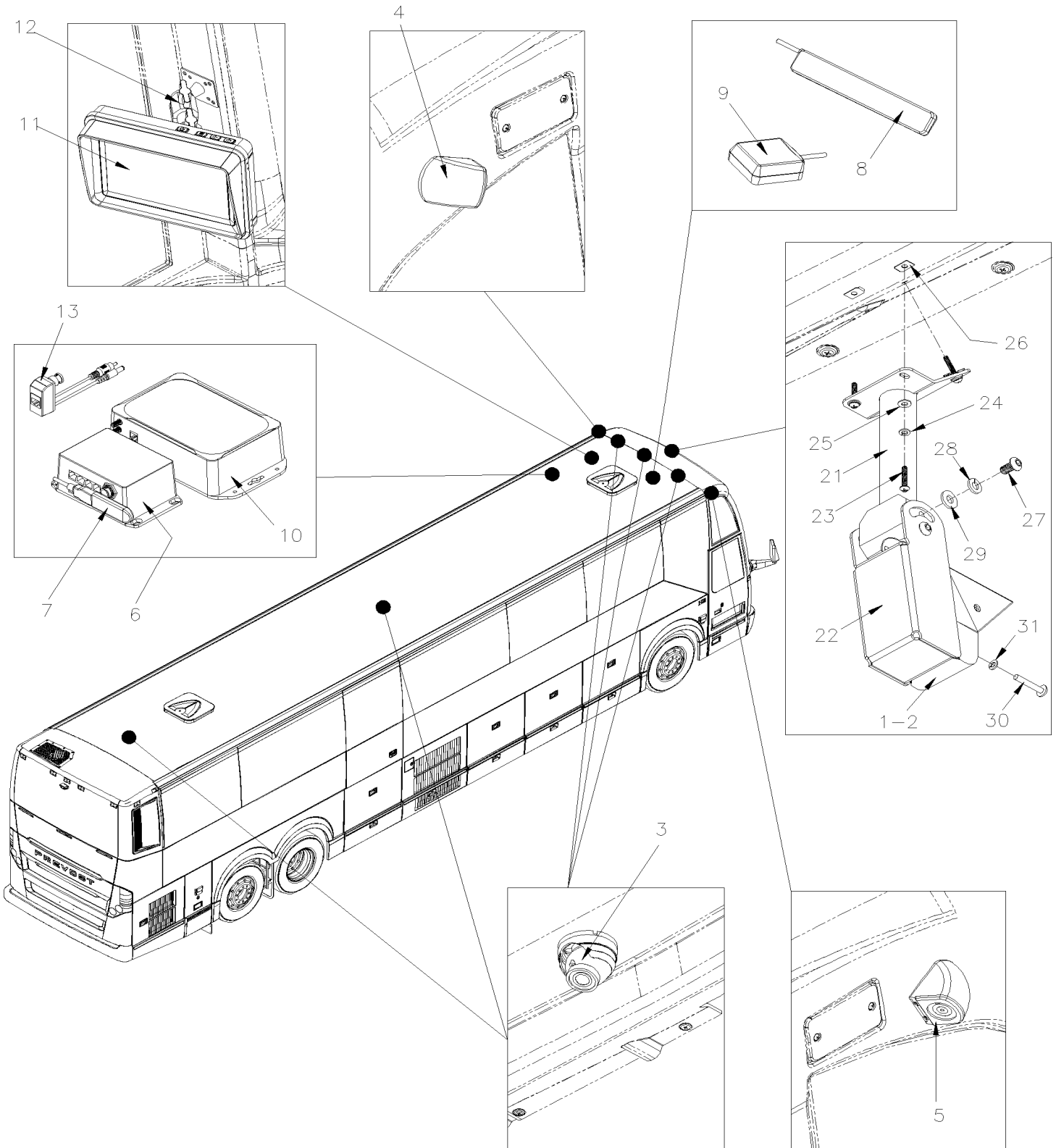
Item#	Part	Description	H 3 4 1	H 3 4 5	V I P 4 5	N O T E S
1	N.S.P.	KIT CAMERAS, DVR SEON / SUPPLY BY "ORELAN"		1		2
NS	069702	CABLE, VIDEO CAM REC. PWR 12V - SEON		1		
NS	504637	CABLE TIE / 3/16" x 13"		AR		
2	400349	SUPPORT / MINI-DOME SEON		1		
5	502612	SCREW MA RND PH #6-32x1 Z050		4		
6	502834	WASHER LO SPT 4.1x7.6x0.9 N500		8		
7	500996	NUT SPR U #6-32 .135-.150		8		
8	509827	SCREW MA RND PH M4-0.7x20 SS		2		
9	500339	SCREW MA RND PH #6-32x3/4 SS		4		
10	502556	WASHER FL 4.3x9.0x0.8 SS		4		
		2) NOT SOLD BY PREVOST (SEE MANUFACTURING PART NUMBER AT END OF DESCRIPTION LINE)				

From H-3827 To H-3829

Date:10/2022

PAGE:H7-2319-30

## CAMERA SYSTEM & ITS SYSTEM - "SAUCON" 8 CAMERAS "TRENTWAY WAGAR"



From H-3827 To H-3829	Date:10/2022	PAGE:H7-2319-30
<b>CAMERA SYSTEM &amp; ITS SYSTEM - "SAUCON" 8 CAMERAS "TRENTWAY WAGAR"</b>		

Item#	Part	Description	H 3 4 1	H 3 4 5	V I P 4 5	N O T E S
	901612	ITS SYSTEM WITH CAMERA RECORDER "SAUCON"		1		
NS	901626	. INTERFACE MAIN HARNESS PREVOST / "SAUCON"		1		
1	901667	. PLASTIC COVER / "SAUCON"		1		
2	901677	. CAMERA FRONT / "SAUCON"		1		
3	901636	. CAMERA INSIDE / "SAUCON"		5		
4	901634	. CAMERA OUTSIDE STREET SIDE / "SAUCON"		1		
5	901635	. CAMERA OUTSIDE CURBSIDE		1		
6	901632	. VIDEO BOX 128GB / "SAUCON"		1		
6	Call order desk	. VIDEO COMMUNICATION CABLE / "SAUCON"		1		P
6	Call order desk	. VIDEO POWER CABLE / "SAUCON"		1		P
7	901633	. USB STICK 64GB / "SAUCON"		1		
7	Call order desk	. S-VIDEO USB 6FT / "SAUCON"		1		P
8	901629	. DISPLAY CABLE 25 FT / "SAUCON"		1		
9	901630	. ANTENNA GPS / "SAUCON"		1		
10	901631	. PROX VIDEO 8 CAM / "SAUCON"		1		
11	901688	. DISPLAY TOUCH / "SAUCON"		1		
11	Call order desk	. S-DISPLAY CABLE 25'		1		P
12	901627	. ARM DISPLAY / "SAUCON"		1		
13	901637	. BALUN ADAPTOR / "SAUCON"		6		
NS	901691	. HARNESS / CAMERA "SAUCON" 15'		1		
NS	Call order desk	. HARNESS / CAMERA "SAUCON" 14' GREEN		2		P
NS	Call order desk	. HARNESS / CAMERA "SAUCON" 14' WHITE		1		P
NS	901692	. HARNESS / CAMERA "SAUCON" 20'		1		
NS	Call order desk	. HARNESS / CAMERA "SAUCON" 20' WHITE		1		P
NS	901695	. HARNESS / CAMERA "SAUCON" 50' BLUE		1		
NS	Call order desk	. HARNESS / CAMERA "SAUCON" 50' GREEN		1		P
NS	061488	CONNECTOR C-700 BYPASSED (CTGI)		1		
. NS	562637	. HEAT DETECTOR SENSOR 2500MM		1		
. NS	561240	. SOCKET TERMINAL / 18-16 / SIGNAL CONTACT / AMP 66101-2		4		
. NS	561653	. CABLE CLAMP / CPC / #13 / AMP 206966-1		1		
. NS	562593	. WIRE CABLE 18 / YELLOW / TXL		1		
. NS	563623	. BUTT SPLICE / 16-14 / BLUE / W/THERMORETRAC / PANDUIT BSH14-Q		1		
NS	504637	CABLE TIE / 3/16" x 13"		1		
21	400757	BASE		1		
22	400502	BRACKET ASSY. "SAUCON" CAMERA		1		
23	500339	SCREW MA RND PH #6-32x3/4 SS		4		
24	502834	WASHER LO SPT 4.1x7.6x0.9 N500		4		
25	502556	WASHER FL 4.3x9.0x0.8 SS		4		
26	500996	NUT SPR U #6-32 .135-.150		4		
27	5000353	SCREW CAP BUT HEXS M6-1.0x12 N500		4		



From H-3827 To H-3829	Date:10/2022	PAGE:H7-2319-30
<b>CAMERA SYSTEM &amp; ITS SYSTEM - "SAUCON" 8 CAMERAS "TRENTWAY WAGAR"</b>		

Item#	Part	Description	H 3 4 1	H 3 4 5	V I P 4 5	N O T E S
28	502853	WASHER LO SPT 6.1x11.8x1.6 N500		2		
29	500877	WASHER FL .250x.562x.065 N500		2		
30	502677	SCREW MA RND PH M4-0.7x25 SS		2		
31	502834	WASHER LO SPT 4.1x7.6x0.9 N500		2		
		P) CALL ORDER DESK FOR SPECIFIC APPLICATION (V.I.N.)				

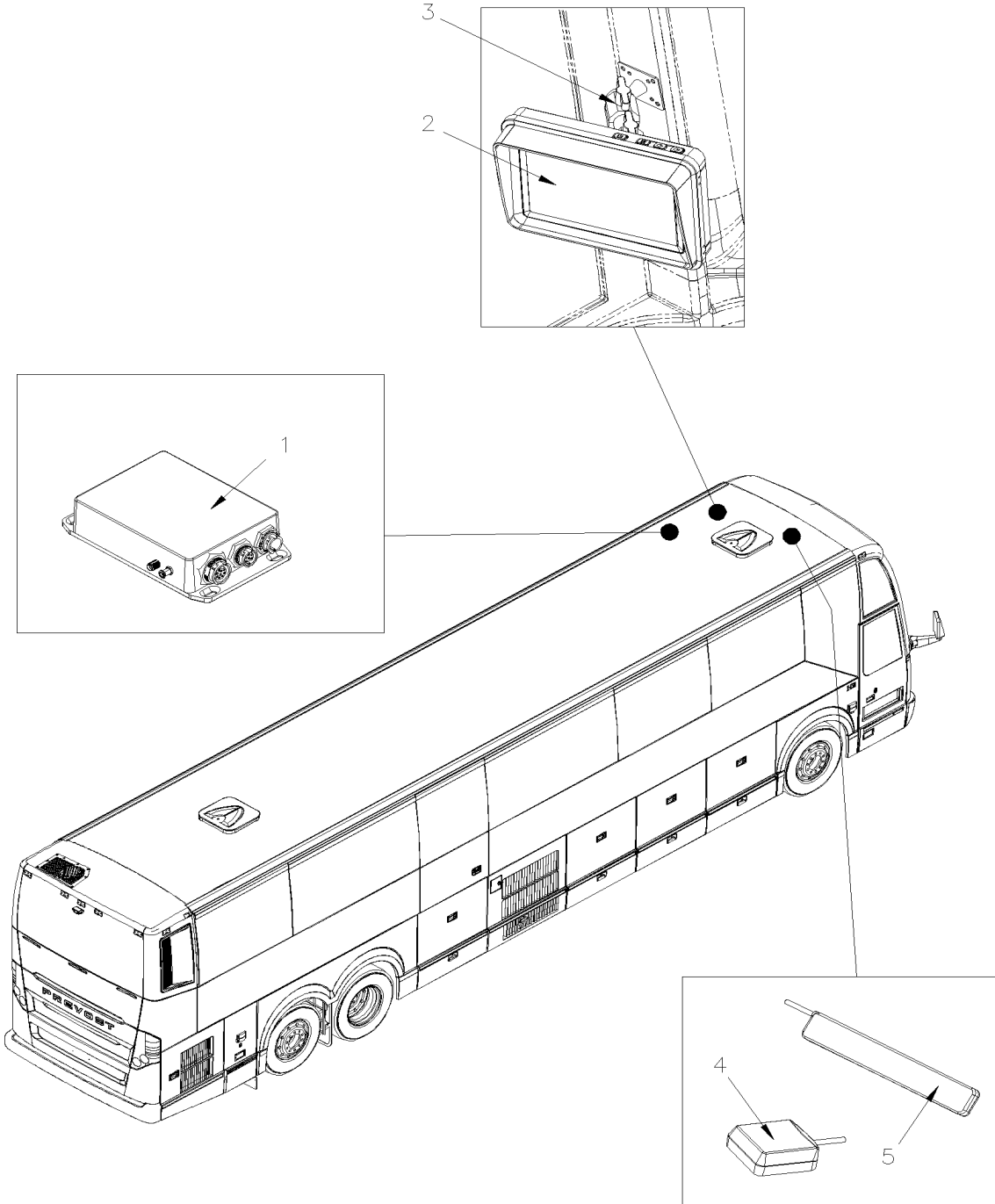


From J-0074 To J-0184

Date:10/2022

PAGE:H7-2319-35

## ITS SYSTEM - "SAUCON"



From J-0074 To J-0184	Date:10/2022	PAGE:H7-2319-35
<b>ITS SYSTEM - "SAUCON"</b>		

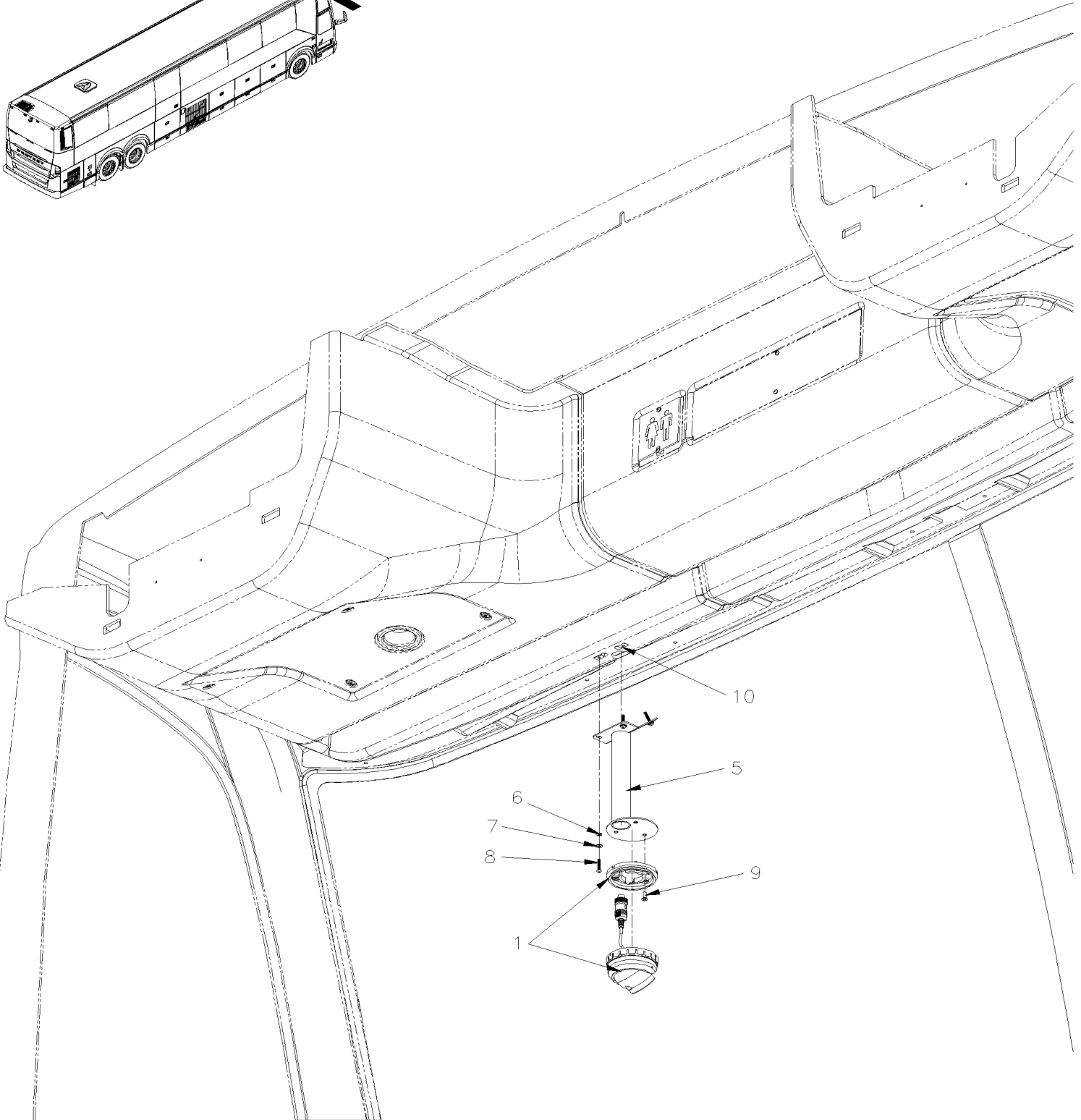
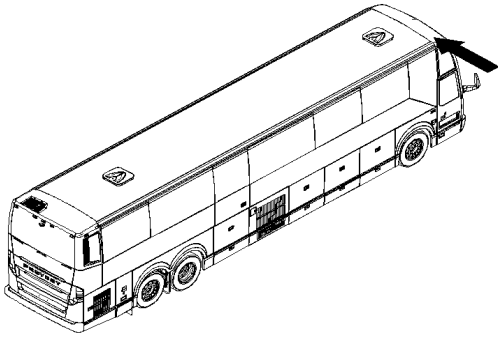
Item#	Part	Description	H 3 4 1	H 3 4 5	V I P 4 5	N O T E S
	901680	BASIC KIT, ITS SUCON (PROX & DISPLAY)		1		
1	Call order desk	. PROX MODULE / "SAUCON"		1		P
2	901688	. DISPLAY TOUCH / "SAUCON"		1		
2	Call order desk	. S-DISPLAY CABLE / "SAUCON"		1		P
3	901627	. ARM DISPLAY / "SAUCON"		1		
4	901630	. ANTENNA GPS / "SAUCON"		1		
5	901629	. DISPLAY CABLE 25 FT / "SAUCON"		1		
NS	901626	. INTERFACE MAIN HARNESS PREVOST / "SAUCON"		1		
11	061488	CONNECTOR C-700 BYPASSED (CTGI)		1		
. NS	562637	. HEAT DETECTOR SENSOR 2500MM		1		
. NS	561240	. SOCKET TERMINAL / 18-16 / SIGNAL CONTACT / AMP 66101-2		4		
. NS	561653	. CABLE CLAMP / CPC / #13 / AMP 206966-1		1		
. NS	562593	. WIRE CABLE 18 / YELLOW / TXL		1		
. NS	563623	. BUTT SPLICE / 16-14 / BLUE / W/THERMORETRAC / PANDUIT BSH14-Q		1		
12	504637	CABLE TIE / 3/16" x 13"		AR		
12	507664	CABLE TIE / 3/16" 11" / DOUBLE LOOP HEAD		AR		
13	506318	TAPE DUAL LOCK 1" x 150' / BLACK SJ3541		AR		
		P) CALL ORDER DESK FOR SPECIFIC APPLICATION (V.I.N.)				

From H-3973 To J-0184

Date:10/2022

PAGE:H7-2319-40

CAMERA SYSTEM - "S-VISION" 4 CAMERAS "MUTUAL TRANS" / "RJR LEASING"

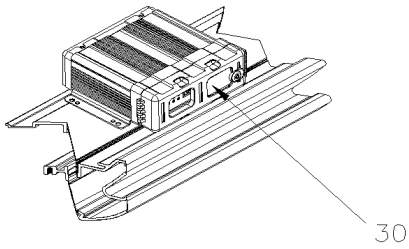


From H-3973 To J-0184

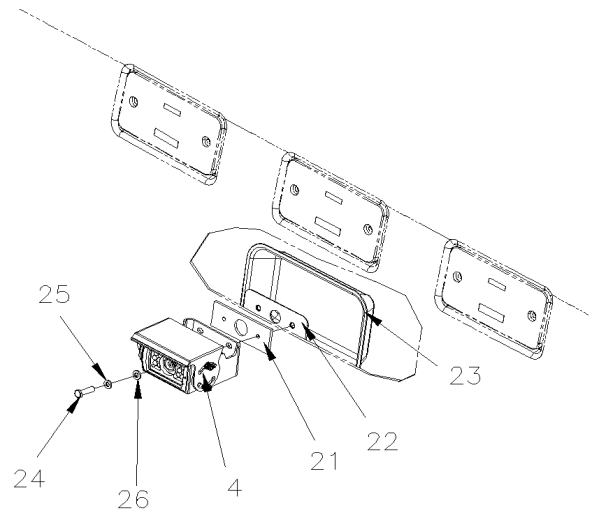
Date:10/2022

PAGE:H7-2319-40

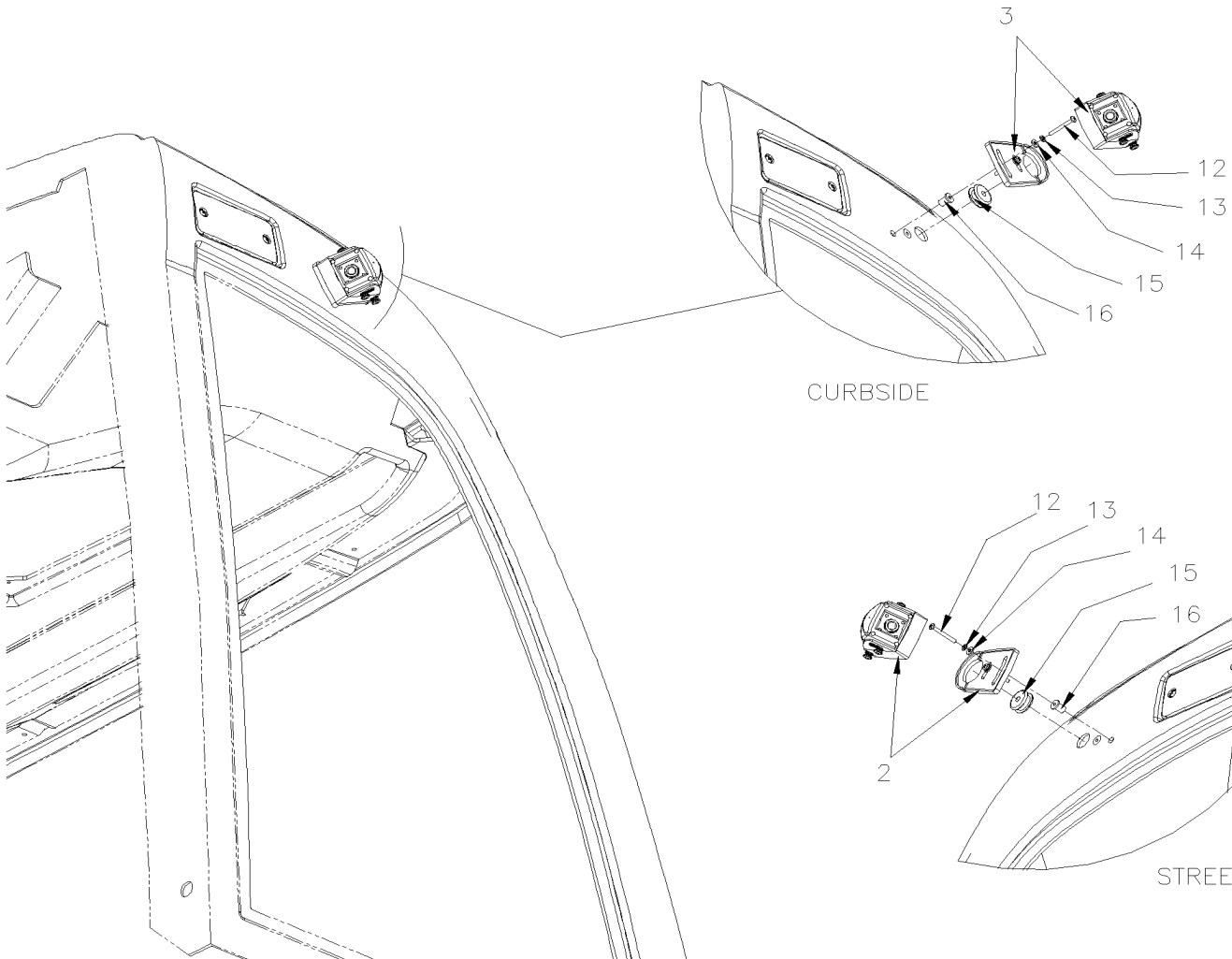
CAMERA SYSTEM - "S-VISION" 4 CAMERAS "MUTUAL TRANS" / "RJR LEASING"



VIDEO RECORDER



REAR VIEW



From H-3973 To J-0184	Date:10/2022	PAGE:H7-2319-40
<b>CAMERA SYSTEM - "S-VISION" 4 CAMERAS "MUTUAL TRANS" / "RJR LEASING"</b>		

Item#	Part	Description	H 3 4 1	H 3 4 5	V I P 4 5	N O T E S
1	901645	CAMERA WINDSHIELD W/MIC / 2.8 BLK S-VISION		1		
2	901647	CAMERA OUTSIDE LH, STREET SIDE / SILVER S-VISION		1		
3	901648	CAMERA OUTSIDE RH, CURBSIDE / SILVER S-VISION		1		
4	901663	BACK-UP CAMERA - "SAFETY VISION" / COLOR		1		
5	400536	BRACKET ASSY FOR CAMERA "SAFETY VISION"		1		
6	502556	WASHER FL 4.3x9.0x0.8 SS		AR		
7	502834	WASHER LO SPT 4.1x7.6x0.9 N500		AR		
8	500339	SCREW MA RND PH #6-32x3/4 SS		AR		
9	5001414	SCREW MA FL PH M4-0.7x16 BK		AR		
10	500996	NUT SPR U #6-32 .135-.150		AR		
12	500339	SCREW MA RND PH #6-32x3/4 SS		AR		
13	502834	WASHER LO SPT 4.1x7.6x0.9 N500		AR		
14	502556	WASHER FL 4.3x9.0x0.8 SS		AR		
15	504625	GROMMET / .250x.750x.250x.437x1.000		AR		
16	500286	NUT WELL #6-32		AR		
21	400612	PLATE		1		
22	409266	PLATE, FIXATION / (INSIDE OF REAR CAP)		1		
23	682177	LIGHT PROTECTOR		1		
24	5001433	SCREW CAP HEX M6-1.0x25 SS		AR		
25	502570	WASHER LO SPT 6.1x11.8x1.6 SS		AR		
26	502573	WASHER FL 6.4x12.5x1.6 SS		AR		
30	901662	VIDEO RECORDER S-VISION 128G		1		
NS	901650	CABLE FOR S-VISION CAMERA / 3M		AR		
NS	901651	CABLE FOR S-VISION CAMERA / 5M		AR		
NS	901653	CABLE FOR S-VISION CAMERA / 15M		AR		



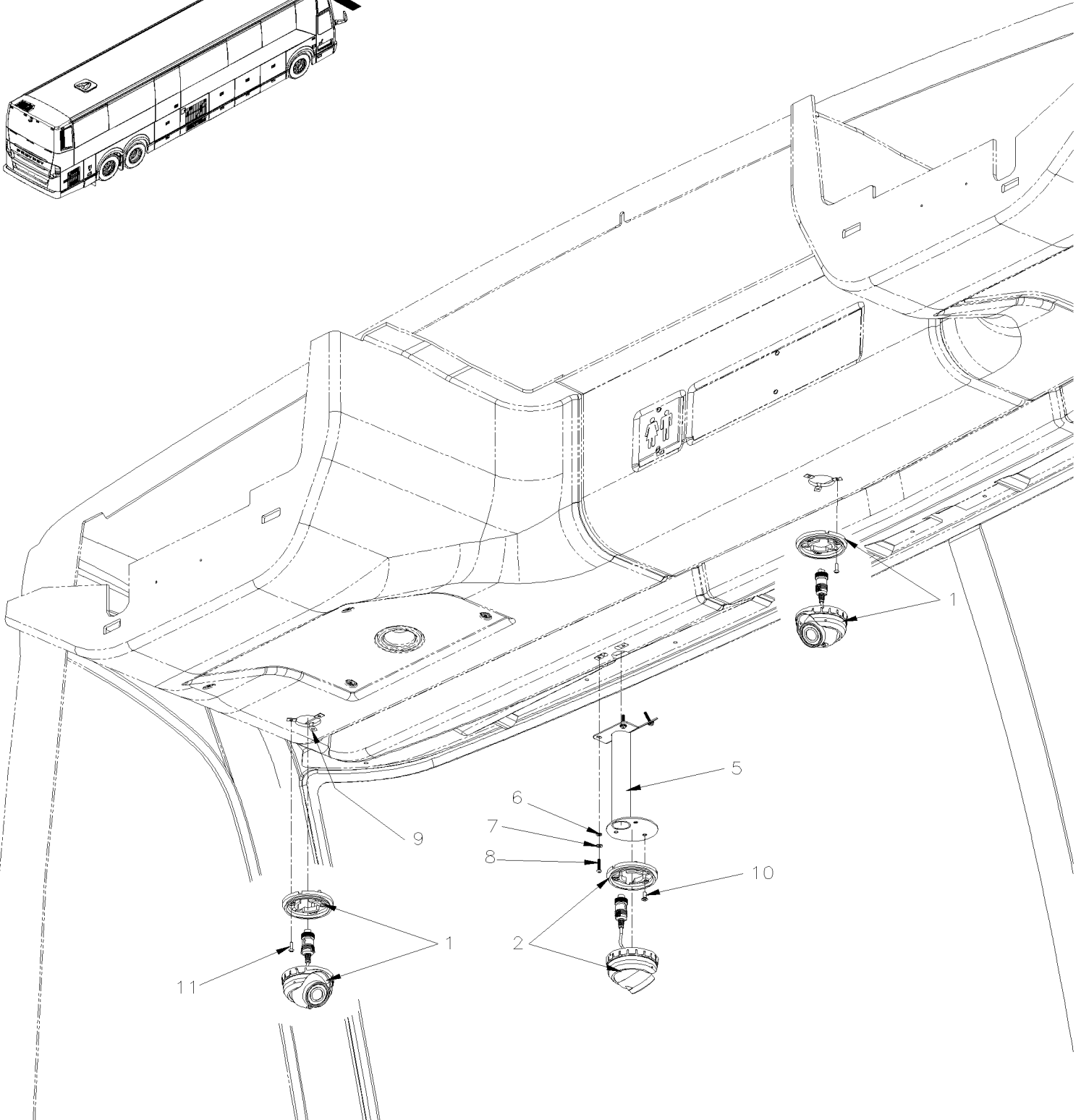
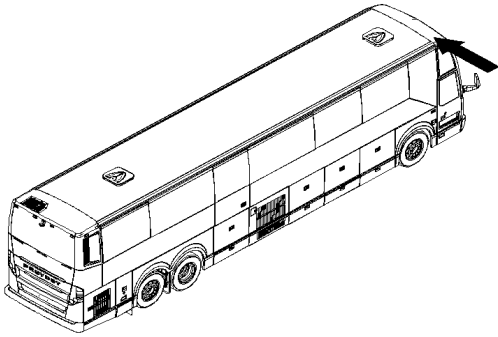


From H-3945 To J-0184

Date:10/2022

PAGE:H7-2319-41

## CAMERA SYSTEM - "S-VISION" 8 CAMERAS "BURLINGTON STAGE LINES"

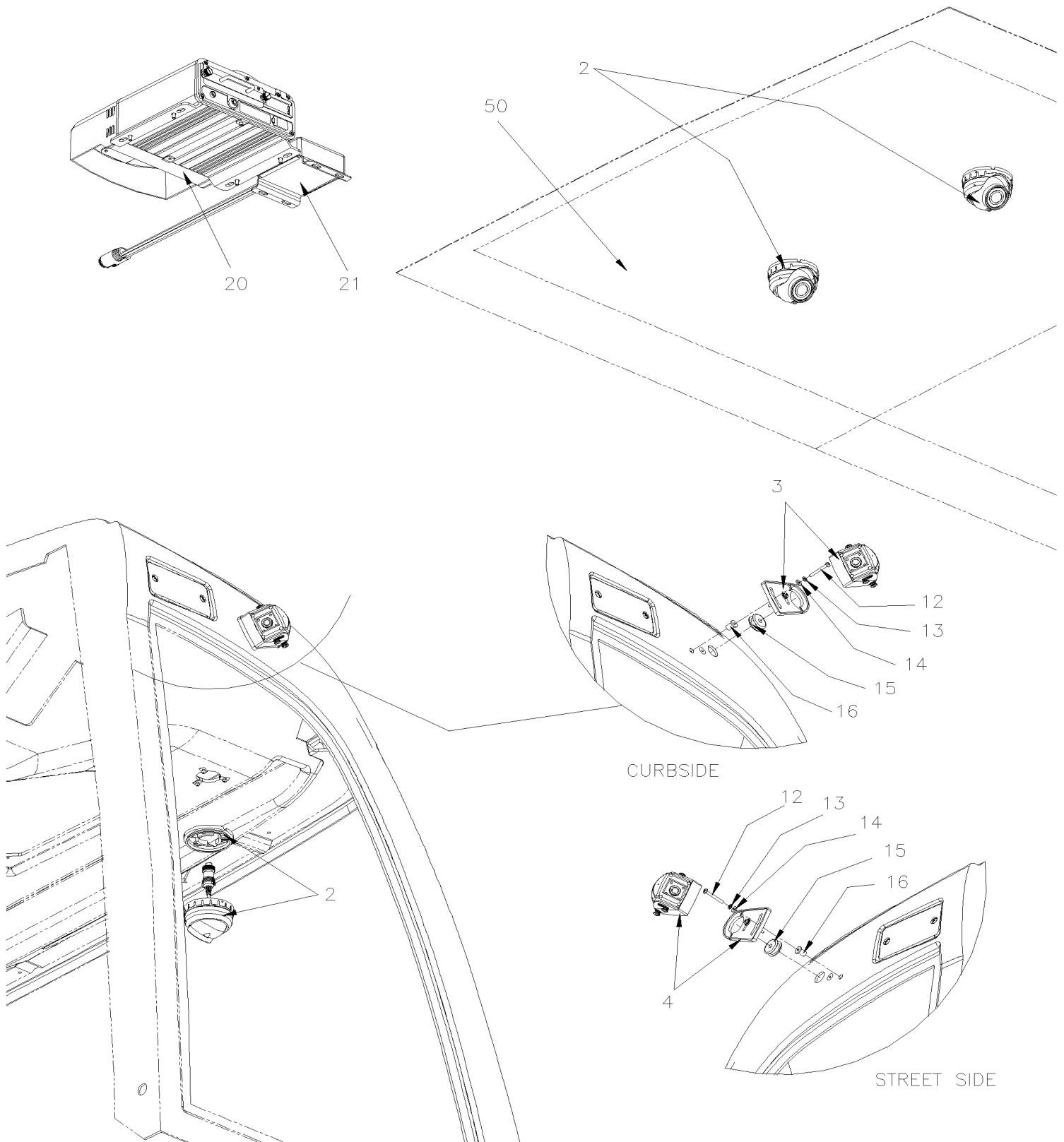


From H-3945 To J-0184

Date:10/2022

PAGE:H7-2319-41

## CAMERA SYSTEM - "S-VISION" 8 CAMERAS "BURLINGTON STAGE LINES"



From H-3945 To J-0184	Date:10/2022	PAGE:H7-2319-41
<b>CAMERA SYSTEM - "S-VISION" 8 CAMERAS "BURLINGTON STAGE LINES"</b>		

Item#	Part	Description	H 3 4 1	H 3 4 5	V I P 4 5	N O T E S
1	901646	CAMERA INT. W/MIC & IR / 2.8 WHT S-VISION		5		
2	901645	CAMERA WINDSHIELD W/MIC / 2.8 BLK S-VISION		1		
3	901648	CAMERA OUTSIDE RH, CURBSIDE / SILVER S-VISION		1		
4	901647	CAMERA OUTSIDE LH, STREET SIDE / SILVER S-VISION		1		
5	400536	BRACKET ASSY FOR CAMERA "SAFETY VISION"		1		
6	502834	WASHER LO SPT 4.1x7.6x0.9 N500		4		
7	502556	WASHER FL 4.3x9.0x0.8 SS		4		
8	500339	SCREW MA RND PH #6-32x3/4 SS		4		
9	500996	NUT SPR U #6-32 .135-.150		AR		
10	5001414	SCREW MA FL PH M4-0.7x16 BK		AR		
11	500148	SCREW MA RND PH #6-32x1/2 SS		AR		
12	500339	SCREW MA RND PH #6-32x3/4 SS		AR		
13	502636	WASHER LO SPT 4.1x7.6x0.9 Z050		AR		
14	502630	WASHER FL .156x.375x.049 Z050		AR		
15	504625	GROMMET / .250x.750x.250x.437x1.000		AR		
16	500286	NUT WELL #6-32		AR		
NS	901656	ACCELEROMETER 6 AXIS S-VISION		1		
20	901642	DIGITAL VIDEO RECORDER / S-VISION 1TB		1		
NS	901649	SD CARD 32G FOR DVR / S-VISION		1		
21	901643	UPS BATTERY BACKUP / FOR DVR-4108		1		
NS	901644	ADAPTOR CABLE FOR UPS BATT. BACKUP		1		
NS	901650	CABLE FOR S-VISION CAMERA / 3M		2		
NS	901651	CABLE FOR S-VISION CAMERA / 5M		4		
NS	901653	CABLE FOR S-VISION CAMERA / 15M		2		
NS	901658	DECAL "S-VISION"		1		
NS	D400486	DIAG. INST. 8 CAMERAS S-VISION (J3949)		1		
50	<b>H7-1837-01</b>	<b>CEILING PANELS &amp; MOULDING W/TAN FINISHING</b>				

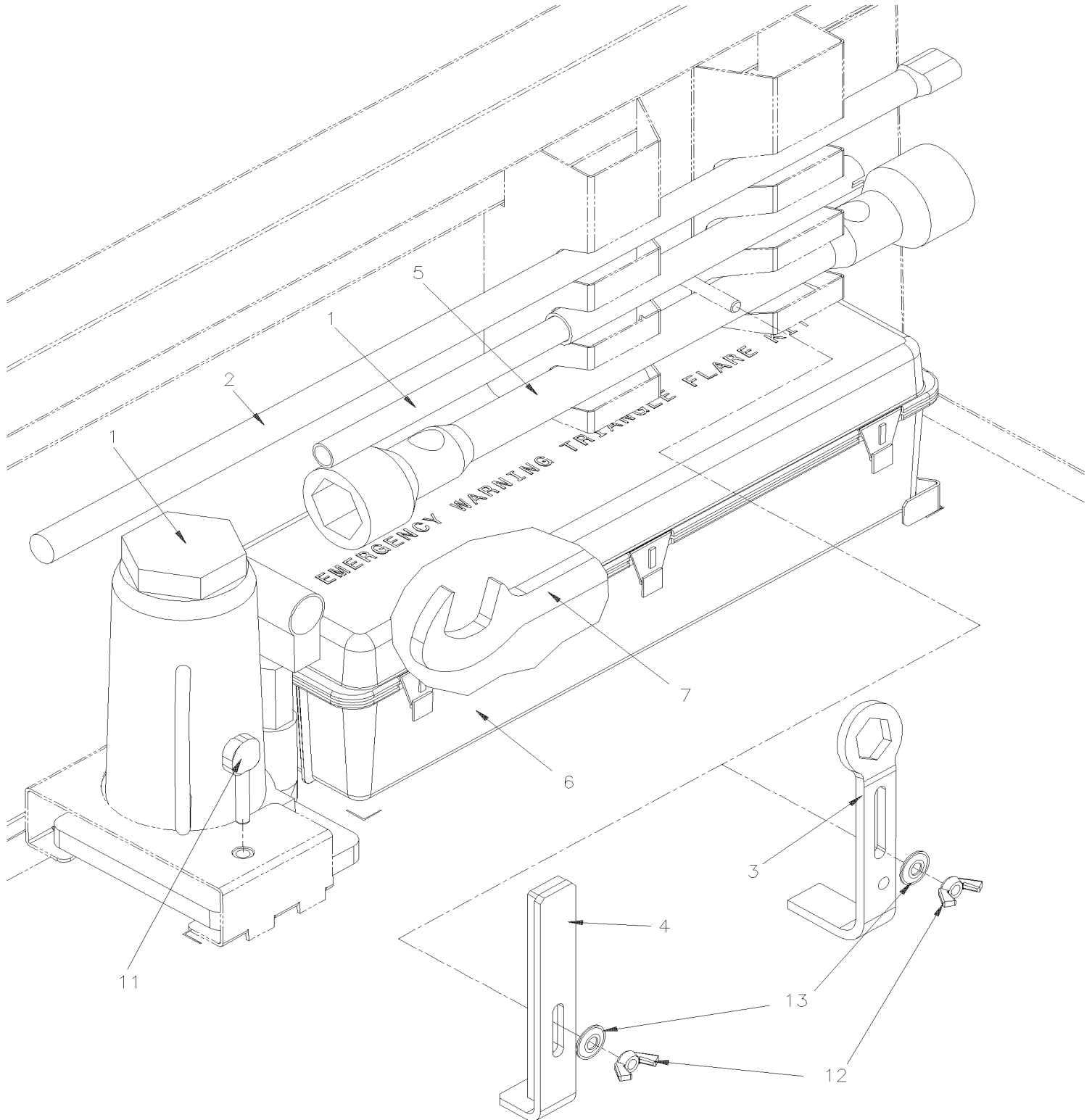


From 7-0671 To J-0287

Date:10/2022

PAGE:H7-2320-00

JACK & FLARE KIT - INSTALLATION

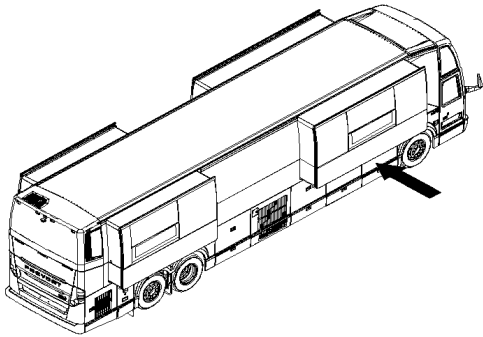


From 7-0671 To J-0287

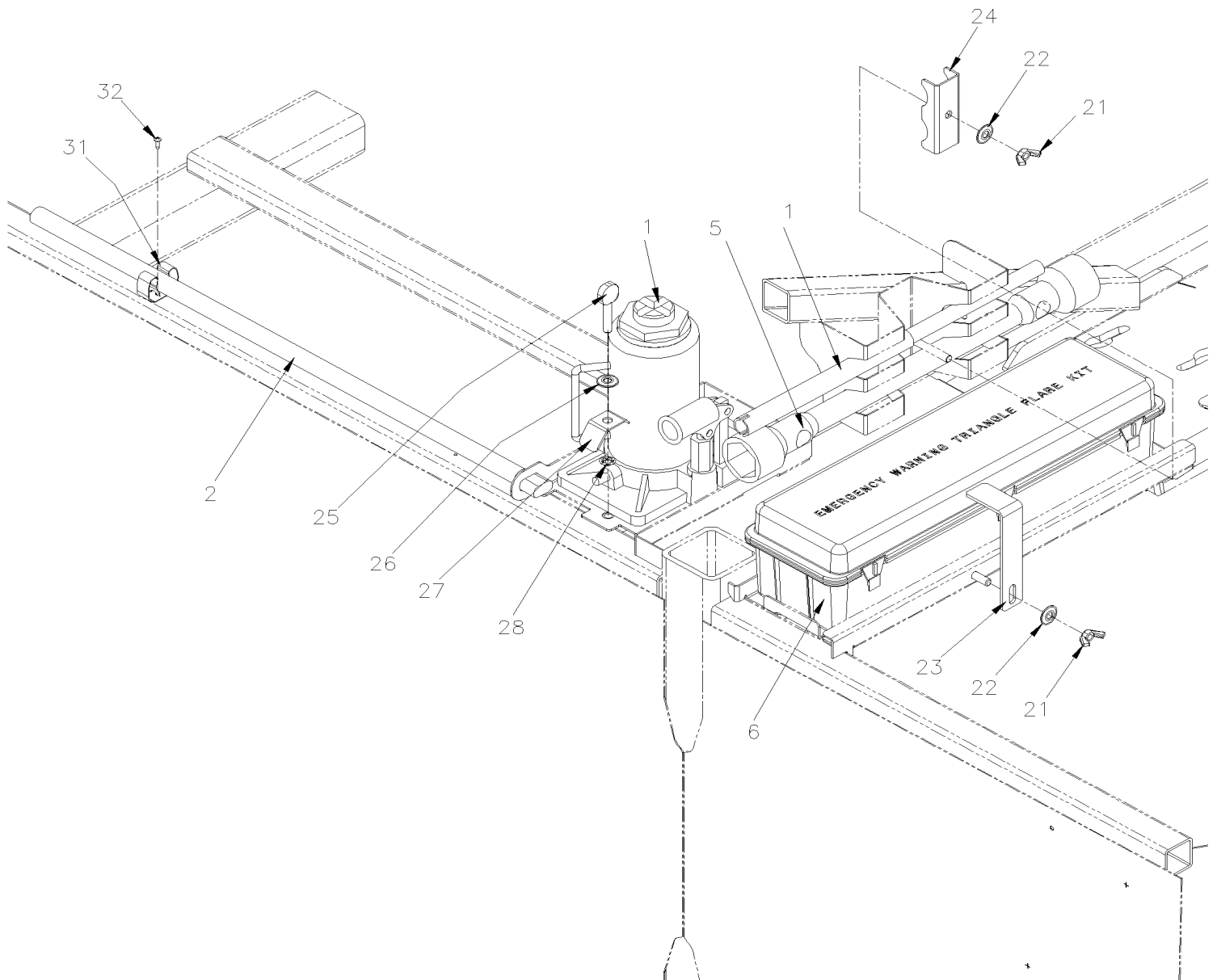
Date:10/2022

PAGE:H7-2320-00

## JACK & FLARE KIT - INSTALLATION



FROM H-3645



From 7-0671 To J-0287	Date:10/2022	PAGE:H7-2320-00
<b>JACK &amp; FLARE KIT - INSTALLATION</b>		

Item#	Part	Description	H 3 4 1	H 3 4 5	V I P 4 5	N O T E S
1	505505	JACK, 12TONS	1	1	1	
2	690002	HANDLE, W/WRENCH WHEEL NUT	1	1	1	
3	410556	KEY (FOR FRONT BUMPER NUT) To D-2332	1	1	1	
. NS	410545	. KEY To D-2332	1	1	1	
. NS	410557	. RUBBER To D-2332	1	1	1	
4	3200921	ANGULAR BRACKET / FIX JACK & TOOL From D-2333	1	1	1	
5	690001	WRENCH, WHEEL NUT 1 1/2" & 13/16 SQUARE	1	1	1	
5	690005	WRENCH, WHEEL 33 MM	1	1	1	
6	930283	FLARE KIT, TRIANGULAR To D-2332	1	1	1	
6	930442	FLARE KIT, TRIANGULAR From D-2333	1	1	1	
7	010032	TOOL KEY 1 1/2" / TENSIONER RELEASE	1	1	1	
11	5001012	SCREW TH 5/16-18x1 1/2 BZC	1	1	1	
12	500782	NUT WING 5/16-18 Z050	1	1	1	
13	5001699	WASHER BEL SPR 8.2x22x1.4 N500	1	1	1	
21	500782	NUT WING 5/16-18 Z050 From H-3645			2	A
22	5001699	WASHER BEL SPR 8.2x22x1.4 N500 From H-3645			2	A
23	3200922	ANGLE FIXING, EMERGENCY TRIANGLE KIT From H-3645			1	A
24	3201594	SUPPORT, JACK ACCESSORIES From H-3645			1	A
25	5001012	SCREW TH 5/16-18x1 1/2 BZC From H-3645			1	A
26	5001699	WASHER BEL SPR 8.2x22x1.4 N500 From H-3645			1	A
27	3201598	CLAMP, JACK From H-3645			1	A
28	500622	NUT PUSH RND 5/16 From H-3645			1	A
31	504039	SPRING CLIP 3/4-1 1/8 From H-3645			1	A
32	500583	SCREW TP PAN PH #6x1/2 Z050 From H-3645			1	A
		A) USE WITH FRONT CURBSIDE SLIDE OUT				



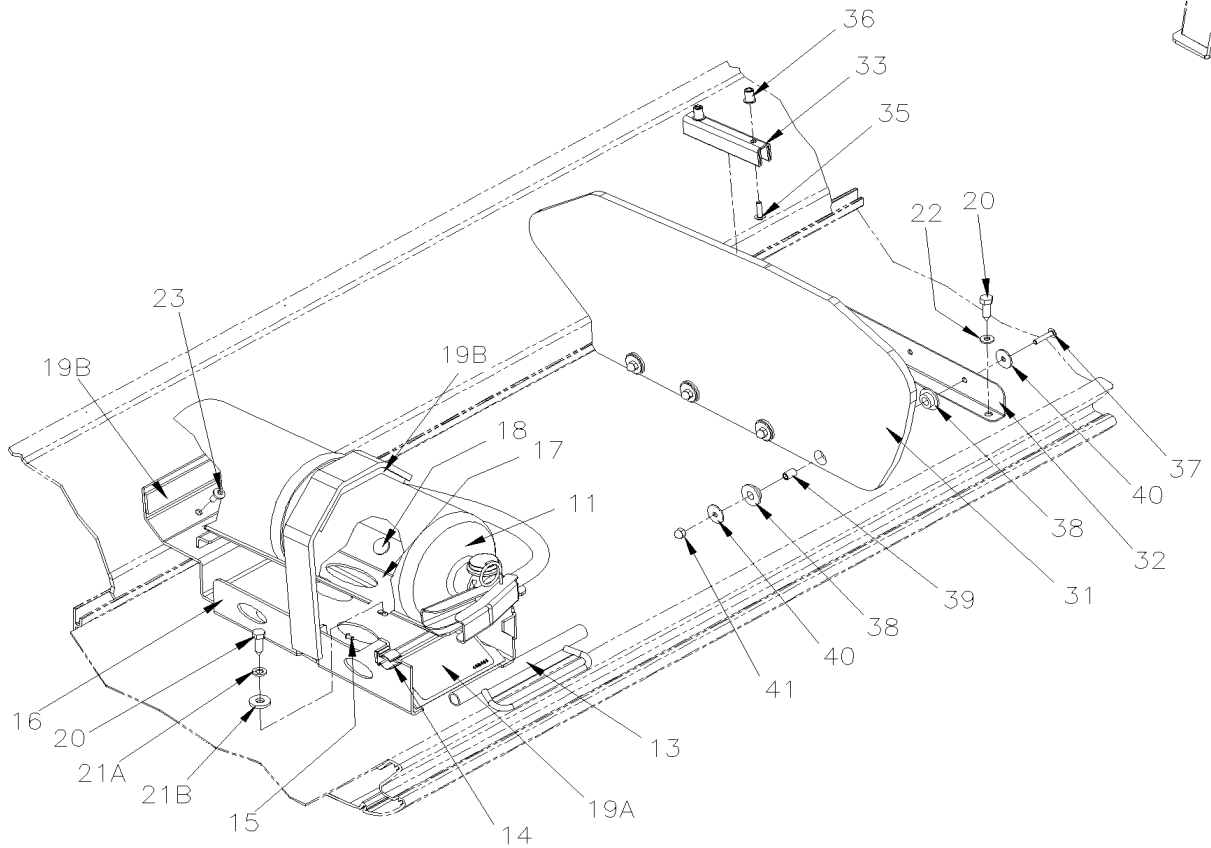
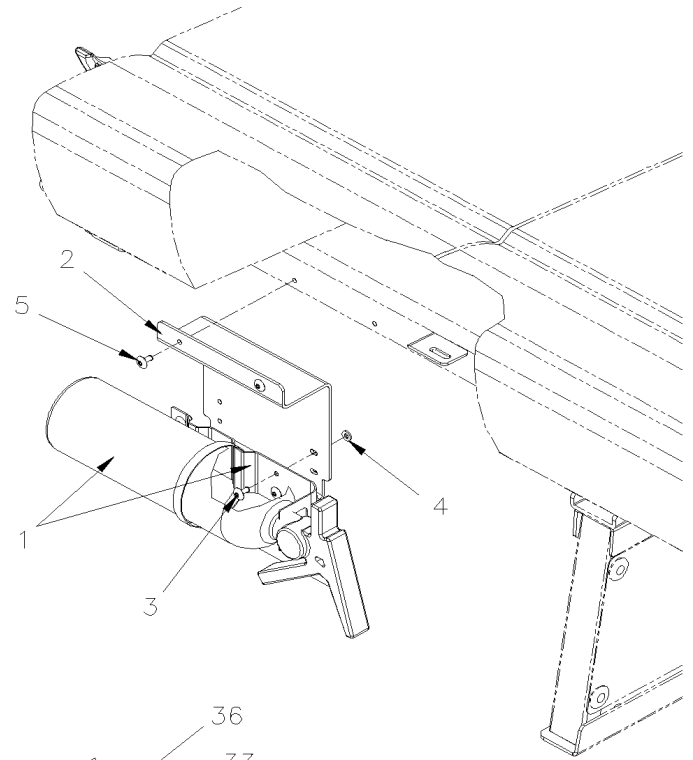
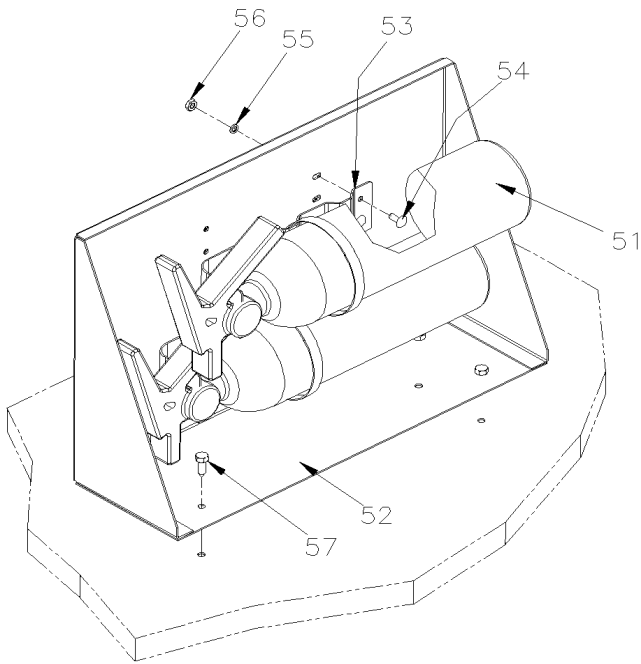


From 7-0671 To J-0287

Date:10/2022

PAGE:H7-2320-30

## EXTINGUISHER - INSTALLATION

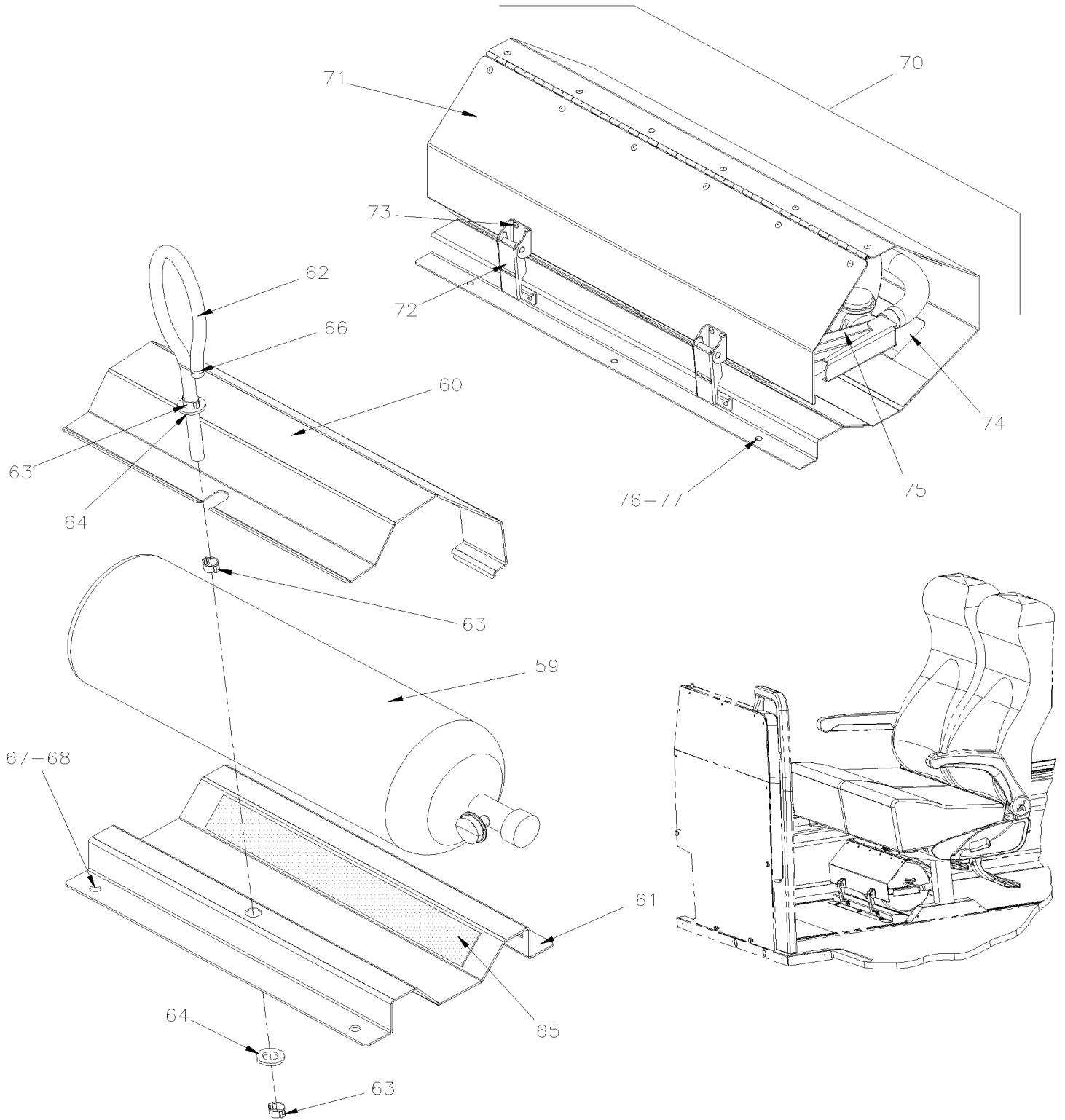


From 7-0671 To J-0287

Date:10/2022

PAGE:H7-2320-30

EXTINGUISHER - INSTALLATION

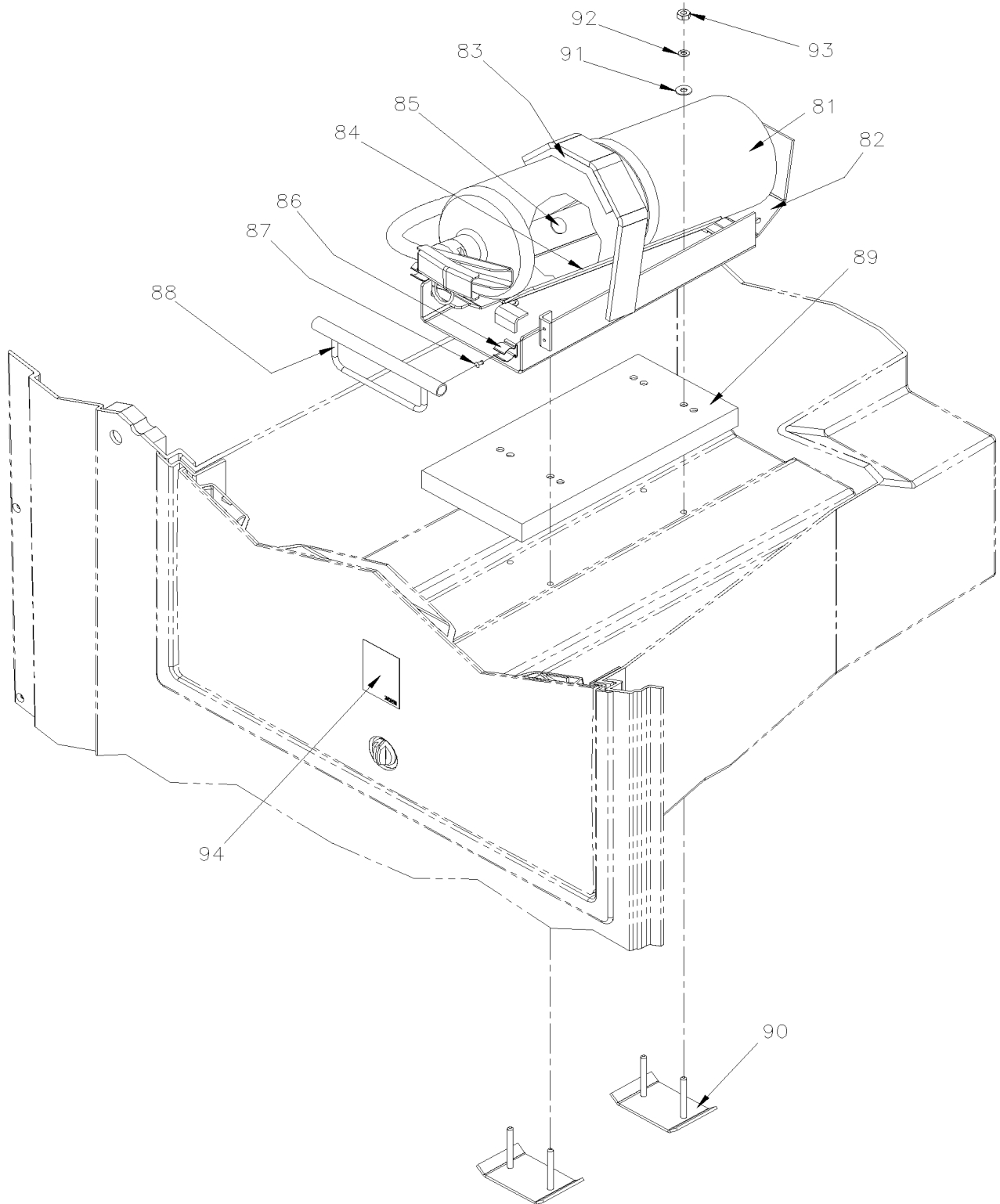


From 7-0671 To J-0287

Date:10/2022

PAGE:H7-2320-30

**EXTINGUISHER - INSTALLATION**



<b>From 7-0671 To J-0287</b>	<b>Date:10/2022</b>	<b>PAGE:H7-2320-30</b>
<b>EXTINGUISHER - INSTALLATION</b>		

Item#	Part	Description	H 3 4 1	H 3 4 5	V I P 4 5	N O T E S
		UNDER PASSENGER'S SEAT / EXTINGUISHER 2.5 LBS				
1	901001	EXTINGUISHER 2.5 LBS / W/METAL HANDLE	2	2		
1	901414	EXTINGUISHER 2.5 LBS / W/STEEL HANDLE	2	2		
1	900702	EXTINGUISHER 2.5 LBS / W/PLASTIC HANDLE To A-1604	2	2		
1	901360	EXTINGUISHER 2.5 LBS / W/PLASTIC HANDLE From A-1605 To J-0127	2	2		
1	901414	EXTINGUISHER 2.5 LBS / W/STEEL HANDLE From J-0128	2	2		
2	324349	SUPPORT ASSY / EXTINGUISHER	1	1		
3	500572	SCREW MA TR PH #10-24x1/2 SS BK To A-1570	8	8		
3	504793	RIVET MNB OE LARGE HEAD 3/16x7/16 SS From A-1571	4	4		
3	500767	NUT HEX #10-24 Z050 To A-1570	8	8		
4	500964	WASHER FL .203x.500x.047 Z050 To A-1570	8	8		
4	5001137	WASHER FL .203x.438x.050 SS From A-1571	4	4		
5	504793	RIVET MNB OE LARGE HEAD 3/16x7/16 SS	4	4		
NS	402763	DECAL / UNDER SEAT EXTINGUISHER	AR	AR		
		INSIDE PARCEL RACK / EXTINGUISHER 10 LBS				
11	900449	EXTINGUISHER 10 LBS	1	1		
. NS	900618	. SUPPORT	1	1		
11	900618	. SUPPORT	1	1		
12	403581	SUPPORT ASSY / 10 LBS INTINGUISHER / IN PARCEL RACK	1	1		
13	402575	. HANDLE ASSY / TILTING SUPPORT To A-1602	1	1		
13	409277	. HANDLE ASSY / TILTING SUPPORT From A-1603 To G-3338	1	1		
13	408406	. HANDLE ASSY / TILTING SUPPORT From G-3339	1	1		
14	402571	. CLIP, SPRING	2	2		
15	504105	. RIVET POP DOME OE 1/8x3/16 AL	1	1		
16	404633	. BRACKET ASSY / TILTING SUPPORT To A-1602	1	1		
16	409276	. BRACKET ASSY / TILTING SUPPORT From A-1603 To G-3338	1	1		
16	408408	. BRACKET ASSY / TILTING SUPPORT From G-3339	1	1		
17	402567	. SUPPORT, TILTING To A-1602	1	1		
17	409279	. SUPPORT, TILTING From A-1603 To G-3338	1	1		
17	505188	. PIN, SPRING 1/4" X 7/8" From G-3339	1	1		
18	470949	. SPACER RUBBER 3/4" O.D. / S.Q. To G-3338	2	2		
18	470949	. SPACER RUBBER 3/4" O.D. / S.Q. From G-3339	6	6		
19A	408405	. DECAL / FIRE EXTINGUISHER From G-3339	1	1		
19B	506235	. TAPE RUB ADH1 PVC.NITRIL 1/2" x 1" x 15' / BLACK 1210 To G-3424	AR	AR		
19B	506738	. TAPE RUB ADH1 CC POL 1/8" x 1" x 50' / GREY 2520 From G-3425	AR	AR		
20	502513	SCREW TP CAP HEX 5/16x1 Z050	6	6		
21A	500877	WASHER FL .250x.562x.065 N500 To G-3424	2	2		
21A	5001736	WASHER FL 8.4x18.0x2.0 N500 From G-3425 To H-3552	2	2		

<b>From 7-0671 To J-0287</b>	<b>Date:10/2022</b>	<b>PAGE:H7-2320-30</b>
<b>EXTINGUISHER - INSTALLATION</b>		

Item#	Part	Description	H 3 4 1	H 3 4 5	V I P 4 5	N O T E S
21A	500942	WASHER LO SPT 8.1x14.8x2.0 N500 From H-3553	2	2		
21B	500401	WASHER FL .343x.875x.125 N500 From H-3553	2	2		
22	500942	WASHER LO SPT 8.1x14.8x2.0 N500	3	3		
23	502513	SCREW TP CAP HEX 5/16x1 Z050 To H-3552	1	1		
23	5001736	WASHER FL 8.4x18.0x2.0 N500 From H-3553	1	1		
23	500841	SCREW TP PAN PH #14x3/4 Z050 From H-3553	1	1		
NS	402763	DECAL / UNDER SEAT EXTINGUISHER	1	1		
31	404645	GUARD, PLEXIGLASS	1	1		
32	404644	FIXTURE, LOWER	1	1		
33	402555	FIXTURE, UPPER	2	2		
35	500510	SCREW MA BDG PH #10-32x3/4 SS EMN	4	4		
36	500519	NUT WELL #10-32x.518	4	4		
37	500607	SCREW MA TR PH #10-24x1 SS	4	4		
38	900251	BUSHING, RUBBER	8	8		
39	400380	SPACER 5/16 O.D. x 17/32" x 18GA To A-1702	4	4		
39	505539	SPACER 5/16 O.D. x 17/32" x 18GA From A-1703	4	4		
40	500805	WASHER FL .218x.875x.062 N500 To H-3552	4	4		
40	500805	WASHER FL .218x.875x.062 N500 From H-3553	8	8		
41	500891	NUT HEX CAP #10-24 Z050	4	4		
NS	323290	DECAL / FIRE EXTINGUISHER	1	1		
NS	407693	DECAL "FIRE EXTINGUISHER INSIDE" GREY To 8-1135	1	1		B
NS	407692	DECAL "FIRE EXTINGUISHER INSIDE" TAN From 8-1136	1	1		B
NS	402763	DECAL / UNDER SEAT EXTINGUISHER	1	1		
NS	327523	DECAL / FIRE EXTINGUISHER / (PARCEL RACK DOOR	1	1		
		VIP ONLY / TWO EXTINGUISHER 2.5 LBS				
51	901001	EXTINGUISHER 2.5 LBS / W/METAL HANDLE To J-0127			2	
51	901414	EXTINGUISHER 2.5 LBS / W/STEEL HANDLE			2	
51	900702	EXTINGUISHER 2.5 LBS / W/PLASTIC HANDLE To A-1604			2	
51	901360	EXTINGUISHER 2.5 LBS / W/PLASTIC HANDLE From A-1605 To J-0127			2	
52	324391	SUPPORT ASSY / EXTINGUISHER			1	
53	901361	SUPPORT ASSY / EXTINGUISHER			2	
53	470949	SPACER RUBBER 3/4" O.D. / S.Q.			2	
54	500572	SCREW MA TR PH #10-24x1/2 SS BK			8	
55	500470	WASHER LO SPT .193x.334x.047 Z050			8	
56	500786	NUT HEX #10-24 Z050			8	
57	500535	SCREW TP CAP HEX #14x3/4 Z050			4	
		UNDER PASSENGER'S SEAT / EXTINGUISHER 10 LBS				

<b>From 7-0671 To J-0287</b>	<b>Date:10/2022</b>	<b>PAGE:H7-2320-30</b>
<b>EXTINGUISHER - INSTALLATION</b>		

Item#	Part	Description	H 3 4 1	H 3 4 5	V I P 4 5	N O T E S
59	900449	EXTINGUISHER 10 LBS	1	1		
. NS	900618	. SUPPORT	1	1		
60	405273	COVER, EXTINGUISHER 10 LBS	1	1		
61	405274	BASE SUPPORT EXTINGUISHER 10LBS	1	1		
62	405276	CORD, RUBBER 370MM	1	1		
. NS	506066	. CORD, RUBBER EXTRUSION NEO 7/16" O.D. / C.T.L.	AR	AR		
63	504452	CLAMP "E-Z CLIP" / "TUBE-O" / 7/16" / HC9-7	3	3		
64	5001458	WASHER FL 12.0x24.0x2.5 NYL	2	2		
65	506466	TAPE RUB ADH1 CC POL 1/16" x 1 1/2" x 100 / GREY 2520	AR	AR		
66	504637	CABLE TIE / 3/16" x 13"	1	1		
67	502706	SCREW TP PAN PH #14x1 SS To C-1955	4	4		
67	502686	SCREW CAP HEX M6-1.0x30 SS BK From C-1956	4	4		
68	500411	WASHER FL .260x.697x.050 SS	4	4		
68	500477	WASHER LO SPT .262x.489x.062 SS From C-1956	4	4		
NS	402763	DECAL / UNDER SEAT EXTINGUISHER	1	1		
		UNDER PASSENGER'S SEAT / EXTINGUISHER 20 LBS				
70	406145P	BOX ASSY / USED W/20LBS INSTINGUISHER	1	1		
70	406146	. BOX ASSY	1	1		
71	406147	. COVER	1	1		
71	405839	. HINGE	1	1		
72	504749	. LOCK SS	2	2		
73	504104	. RIVET POP DOME OE 1/8x1/8 SS	AR	AR		
74	506466	. TAPE RUB ADH1 CC POL 1/16" x 1 1/2" x 100 / GREY 2520	AR	AR		
75	900651	EXTINGUISHER 20 LBS	1	1		
76	502656	SCREW CAP HEX M6-1.0x50 SS	6	6		
76	500477	WASHER LO SPT .262x.489x.062 SS	6	6		
76	500411	WASHER FL .260x.697x.050 SS	6	6		
77	216414	ANCHOR STRIP UNDER FLOOR 150.7MM LG	1	1		
77	216413	ANCHOR STRIP UNDER FLOOR 303.9MM LG	1	1		
77	216412	ANCHOR STRIP UNDER FLOOR 456.7MM LG	1	1		
77	216415	ANCHOR STRIP UNDER FLOOR 543.4MM LG	1	1		
NS	402763	DECAL / UNDER SEAT EXTINGUISHER	1	1		
79		STEPWELL COMPARTMENT / EXTINGUISHER 10 LBS	1	1	1	
81	900449	EXTINGUISHER 10 LBS	1	1		
. NS	900618	. SUPPORT	1	1		
82	402569	BRACKET ASSY / TILTING SUPPORT To G-3338	1	1		
82	408408	BRACKET ASSY / TILTING SUPPORT From G-3339	1	1		
83	506235	TAPE RUB ADH1 PVC.NITRIL 1/2" x 1" x 15' / BLACK 1210	AR	AR		

From 7-0671 To J-0287	Date:10/2022	PAGE:H7-2320-30
<b>EXTINGUISHER - INSTALLATION</b>		

Item#	Part	Description	H 3 4 1	H 3 4 5	V I P 4 5	N O T E S
84	402567	SUPPORT, TILTING To G-3338	1	1		
84	409279	SUPPORT, TILTING From G-3339	1	1		
84	505188	PIN, SPRING 1/4" X 7/8"	1	1		
85	470949	SPACER RUBBER 3/4" O.D. / S.Q. To G-3338	4	4		
85	470949	SPACER RUBBER 3/4" O.D. / S.Q. From G-3339	6	6		
86	402571	CLIP, SPRING To G-3338	2	2		
86	402571	CLIP, SPRING From G-3339	1	1		
87	504105	RIVET POP DOME OE 1/8x3/16 AL To G-3338	2	2		
87	504105	RIVET POP DOME OE 1/8x3/16 AL From G-3339	1	1		
88	402575	HANDLE ASSY / TILTING SUPPORT To G-3338	1	1		
88	408406	HANDLE ASSY / TILTING SUPPORT From G-3339	1	1		
89	329899	SPACER ASSY WITH CARPET To G-3338	1	1		
90	325738	PLATE RETAINING WITH STUDS To G-3338	2	2		
90	408411	PLATE RETAINING WITH STUDS From G-3339	2	2		
91	500411	WASHER FL .260x.697x.050 SS To G-3338	4	4		
91	500381	WASHER FL 8.4x25.0x2.0 N500 From G-3339	4	4		
92	502570	WASHER LO SPT 6.1x11.8x1.6 SS To G-3338	4	4		
93	500771	NUT HEX 1/4-20 SS To G-3338	4	4		
93	5001931	NUT HEXF NYRT M8-1.25 G8.8 N500 From G-3339	4	4		
94	323290	DECAL / FIRE EXTINGUISHER To G-3338	1	1		
94	408405	DECAL / FIRE EXTINGUISHER From G-3339	1	1		
94	407693	DECAL "FIRE EXTINGUISHER INSIDE" GREY To 8-1135	1	1		
94	407692	DECAL "FIRE EXTINGUISHER INSIDE" TAN 6 From 8-1136	1	1		
		B) ALBERTA REGULATION				



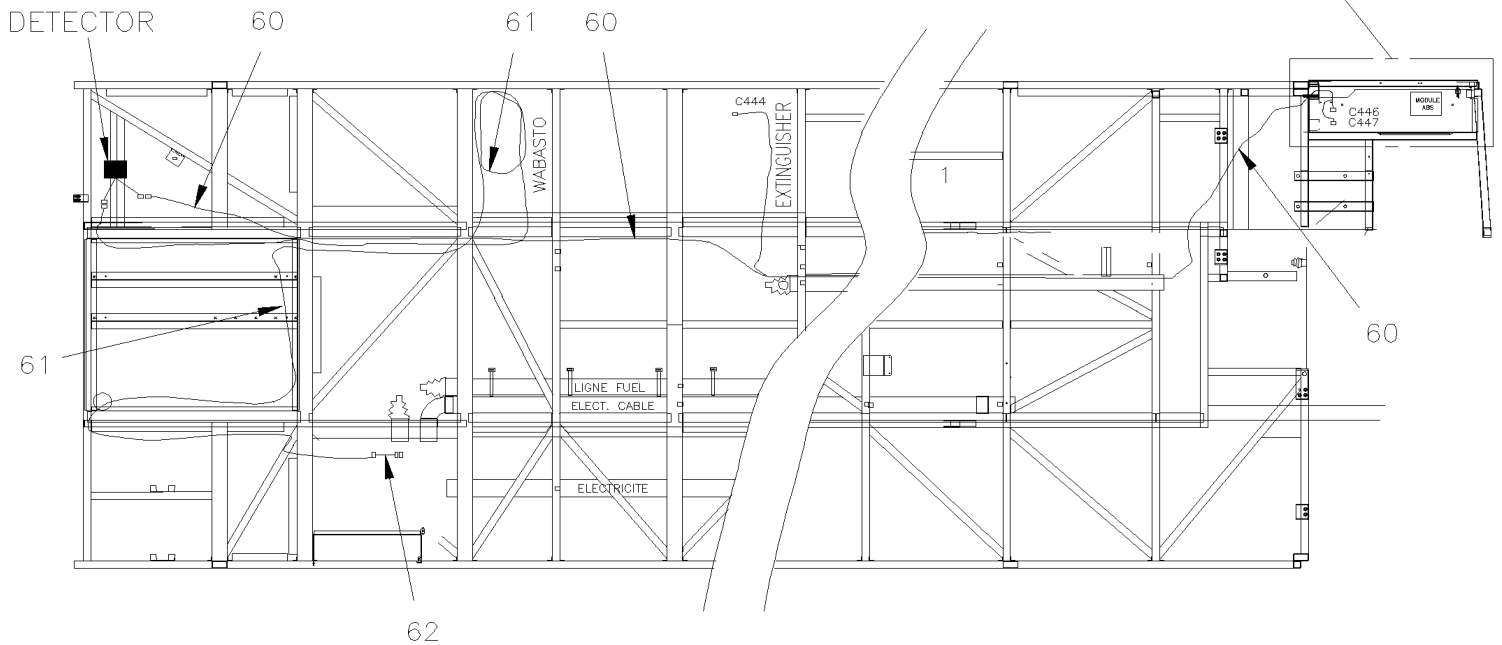
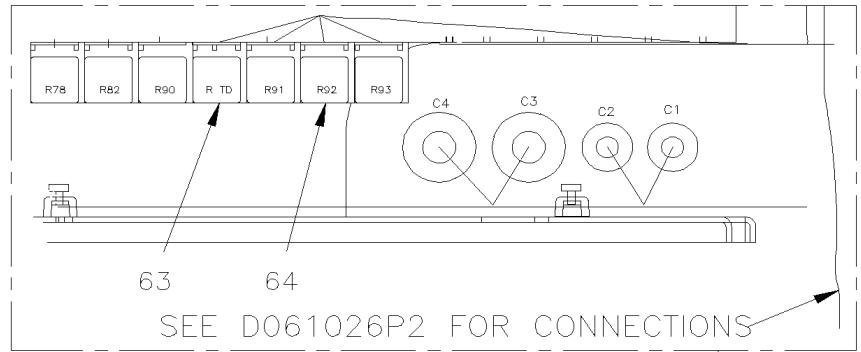
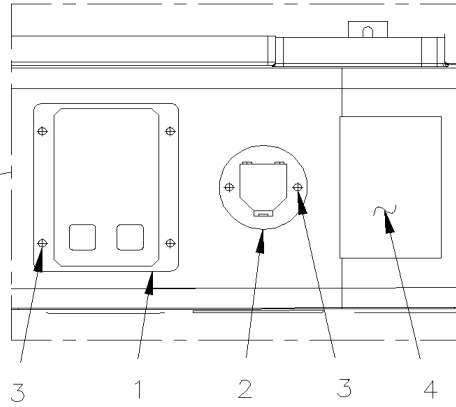
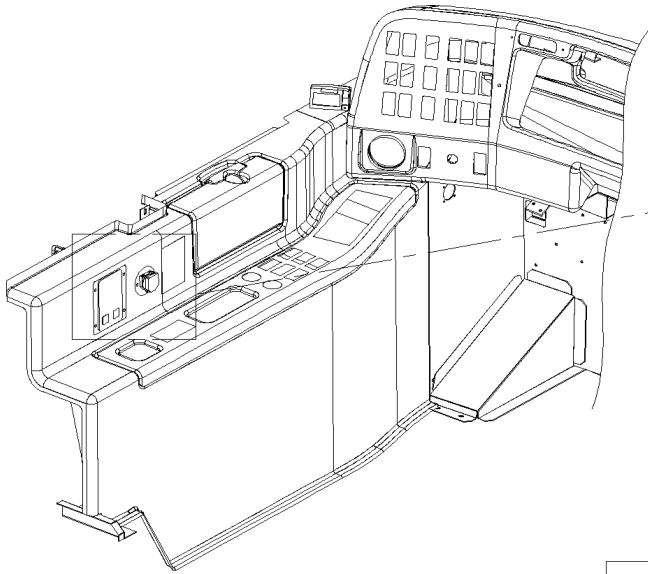


From 7-0671 To 9-1403

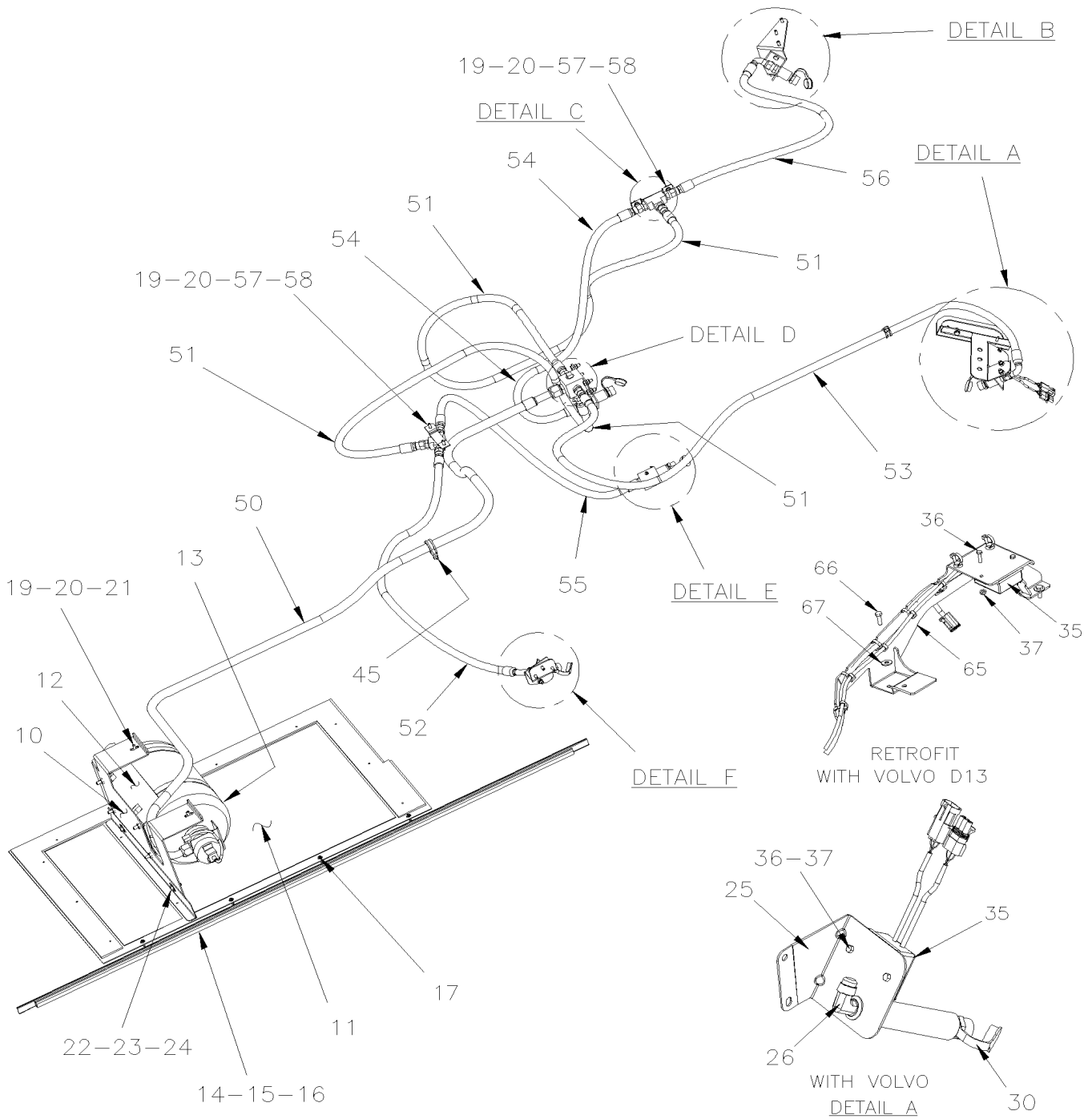
Date:10/2022

PAGE:H7-2320-35

## FIRE PROTECTION SYSTEM BUS INSTALLATION



FIRE PROTECTION SYSTEM BUS INSTALLATION

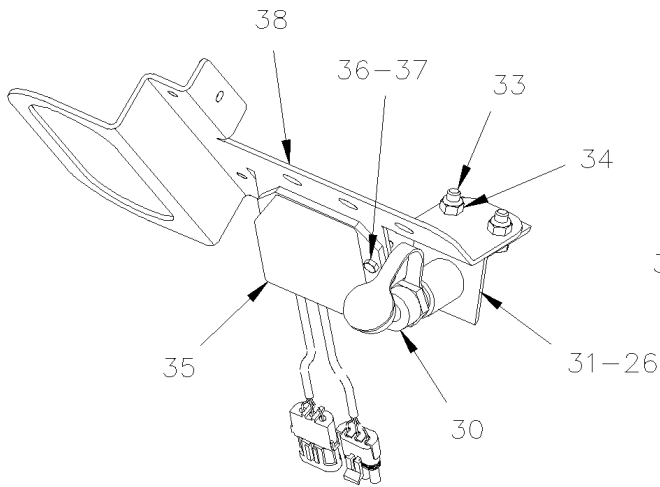


From 7-0671 To 9-1403

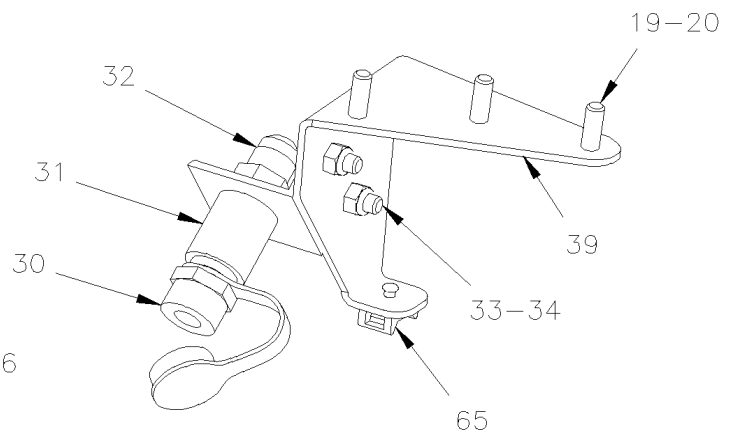
Date:10/2022

PAGE:H7-2320-35

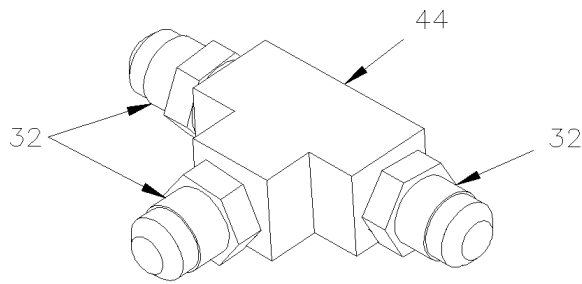
## FIRE PROTECTION SYSTEM BUS INSTALLATION



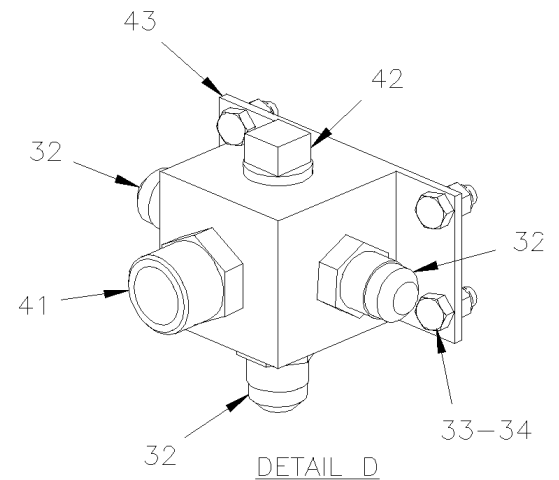
WITH DETROIT  
DETAIL A



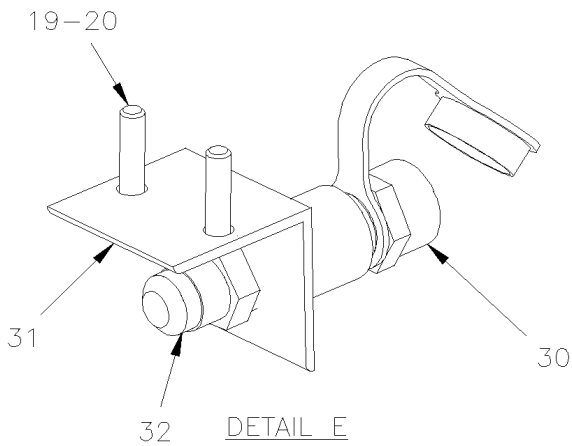
DETAIL B



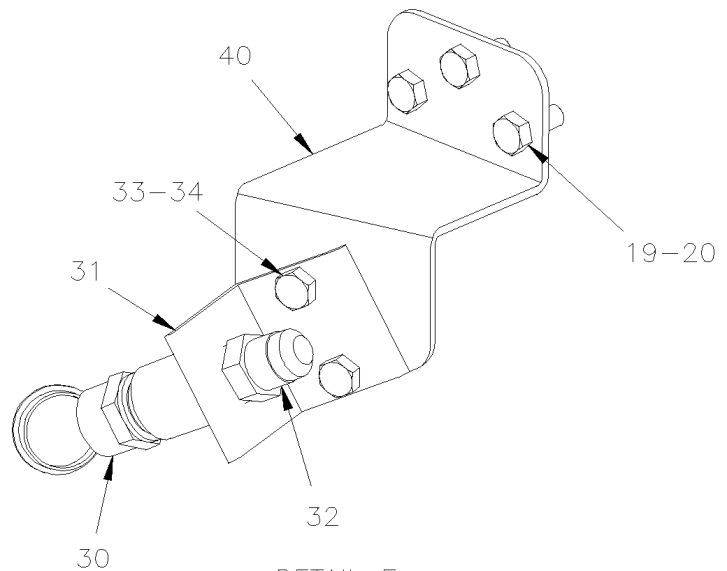
DETAIL C



DETAIL D



DETAIL E



DETAIL F

From 7-0671 To 9-1403	Date:10/2022	PAGE:H7-2320-35
<b>FIRE PROTECTION SYSTEM BUS INSTALLATION</b>		

Item#	Part	Description	H 3 4 1	H 3 4 5	V I P 4 5	N O T E S
1	563455	PANEL FIRE PROTECTOR DISPLAY	1	1		
2	563456	BUTTON FIRE / MANUAL OPERATING	1	1		
. NS	563462	. SEAL BUTTON FIRE / MANUAL OPERATING	1	1		
3	500814	SCREW TP BDG PH #6x3/4 BK	6	6		
4	405725	DECAL / "IN CASE OF FIRE..." / ENGLISH & FRANCAIS	1	1		
4	405724	DECAL / "IN CASE OF FIRE..." / ENGLISH	1	1		
10	409129	SUPPORT EXTINGUISHER AS SHOWN To 9-1403	1	1		
10	406229	SUPPORT EXTINGUISHER From 9-1404	1	1		
11	460630P	PANEL ASSY FIRE INSTINGUISHER INSTALLATION To 9-1403	1	1		
. NS	460629	. SLIDING PANEL FIRE / PROTECTOR To 9-1403	1	1		
. NS	460628	. PANEL ASSY FIRE / PROTECTOR To 9-1403	1	1		
. NS	464676	. INSULATING PANEL To 9-1403	1	1		
. NS	464677	. INSULATING PANEL To 9-1403	1	1		
. NS	504339	. RIVET POP DOME OE 1/8x3/8 SS To 9-1403	10	10		
11	Call order desk	PANEL ASSY FIRE INSTINGUISHER INSTALLATION From 9-1404	1	1		P
11	Call order desk	PANEL ASSY FIRE INSTINGUISHER INSTALLATION				P
12	901126	BRACKET EXTINGUISHER To 9-1403	1	1		
. NS	901389	. COLLAR TO FIX EXTINGUISHER To 9-1403	2	2		
13	901125	EXTINGUISHER 25 LBS	1	1		
. NS	<b>901299</b>	<b>. KIT REPAIR, FIRE EXTINGUISHER SYSTEM</b>	1	1		
14	460494	RUBBER SEAL EXTRUSION / 1820MM	1	1		
14	460675	RUBBER SEAL EXTRUSION / 1820MM	1	1		
14	460688	RUBBER SEAL EXTRUSION / 1820MM	1	1		
14	460029	RUBBER SEAL EXTRUSION / 1820MM	1	1		
15	504339	RIVET POP DOME OE 1/8x3/8 SS	2	2		
16	500157	WASHER FL .125x.375x.032 SS	2	2		
17	500526	SCREW TP CAP HEXW #12x3/4 N500	4	4		
19	502848	SCREW TC CAP HEXF 1/4-20x3/4 N500	AR	AR		
20	955920	WASHER LO SPT 6.5x11.5x1.6 ZP	18	18		
21	500411	WASHER FL .260x.697x.050 SS	2	2		
22	955297	SCREW CAP HEX M8-1.25x25 G8.8 ZG603	6	6		
23	5001161	WASHER LO SPT 8.1x14.8x2.0 SS-304	6	6		
24	5001448	WASHER FL .343x.875x.062 SS18-8	2	2		
25	491392	SUPPORT FIRE NOZZLE, & SENSOR PROTO To 9-1403	1	1		
25	406249	SUPPORT FIRE NOZZLE, & SENSOR From 9-1404	1	1		
26	501612	MALE ELBOW 90° / SAE 45° FITTING / #8FL-Mx1/2NPT-M BR	1	1		
30	901128	NOZZLE DRY CHEMICAL	5	5		
. NS	901184	. CAP PROTECTOR NOZZLE	1	1		
31	901127	BRACKET SUPPORT 90 DEG	5	5		
32	501616	MALE CONNECTOR / SAE 45° FITTING / #8FL-Mx1/2NPT-M BR	AR	AR		
33	502862	SCREW CAP HEX M8-1.25x20 G8.8 N500	16	16		
34	502847	NUT HEX NYRT M8-1.25 N500	16	16		

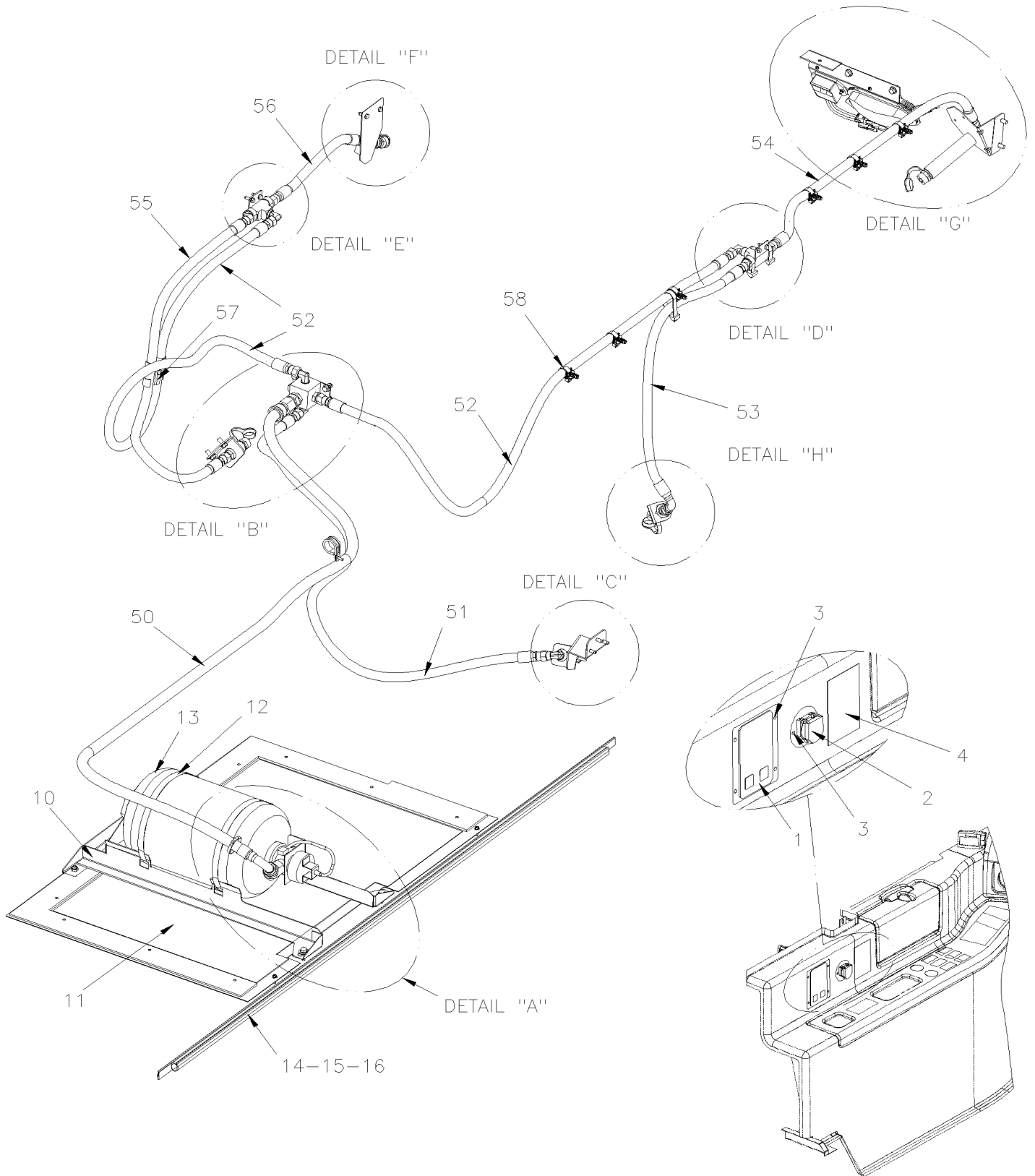
From 7-0671 To 9-1403	Date:10/2022	PAGE:H7-2320-35
<b>FIRE PROTECTION SYSTEM BUS INSTALLATION</b>		

Item#	Part	Description	H 3 4 1	H 3 4 5	V I P 4 5	N O T E S
35	563457	FIRE SENSOR PM-3M	1	1		
36	5001146	SCREW CAP HEX M5-0.8x20 SS BK	2	2		
37	502841	NUT HEX NYRT M5-0.8 N500	2	2		
38	491123	SUPPORT FIRE NOZZLE, LAMP & SENSOR	1	1		
39	408116	SUPPORT FIRE NOZZLE / RESERVOIR SECTION	1	1		
40	408119	SUPPORT FIRE NOZZLE / WATER HEATER SECTION	1	1		
41	507581	NIPPLE HEX / PIPE FITTING / 3/4NPT-Mx3/4NPT-Mx1 9/16 BR	1	1		
42	501306	PLUG SQUARE HEAD / PIPE FITTING / 1/2NPT-M BR	1	1		
43	901133	BLOCK DISTRIBUTOR EXTINGUISHER	1	1		
44	501472	FEMALE UNION TEE / PIPE FITTING / 1/2NPT-Fx1/2NPT-Fx1/2NPT-F BR	1	1		
NS	400663	SUPPORT CONNECTOR	1	1		
NS	509491	CABLE TIE / 13MM x 383MM	2	2		
NS	502848	SCREW TC CAP HEXF 1/4-20x3/4 N500	2	2		
45	952631	CLAMP / 3/4" I.D.	14	14		
45	952637	CLAMP / 1"1/16 I.D.	4	4		
47	500623	SCREW TC PAN PH #10-24x3/4 N500	18	18		
48	500470	WASHER LO SPT .193x.334x.047 Z050	18	18		
49	5001137	WASHER FL .203x.438x.050 SS	18	18		
50	409133	HOSE ASSY / #12 2750MM	1	1		
. NS	507280	. O-RING / ORS FITTING / #12 NEO	2	2		
50	455163	HOSE ASSY / #12 2750MM	1	1		S
. NS	507280	. O-RING / ORS FITTING / #12 NEO	2	2		S
51	409134	HOSE ASSY / #8 1525MM	2	2		
52	409135	HOSE ASSY / #8 1220MM	1	1		
53	491127	HOSE ASSY / #8 2730MM	1	1		
54	409137	HOSE ASSY / #8 915MM	1	1		
55	409139	HOSE ASSY / #8 1220MM	1	1		
56	409140	HOSE ASSY / #8 915MM	1	1		
57	409138	SUPPORT	2	2		
58	504021	HOSE CLAMP / 11/16"-1"1/2 SS / HS-16	AR	AR		
60	067497	CABLE ASSY / FIRE DETECTOR FRT JCT BOX	1	1		
60	067498	CABLE ASSY / FIRE DETECTOR REAR SECTION	1	1		
61	563458	CABLE THERMO DETECTOR (LINEAR FIRE CABLE) / 35 ft / 168C/180C // 334F/356F	1	1		
61	067266	CABLE THERMO DETECTOR (LINEAR FIRE CABLE) / 3M / 168C/180C // 334F/356F From 8-1170	AR	AR		
. NS	563587	. MODULE DETECTOR / END CIRCUIT From 8-1170	1	1		
61	067265	CABLE THERMO DETECTOR (LINEAR FIRE CABLE) / 8.4M / 168C/180C // 334F/356F From 8-1170	1	1		
. NS	563587	. MODULE DETECTOR / END CIRCUIT From 8-1170	1	1		
61	067388	CABLE THERMO DETECTOR (LINEAR FIRE CABLE) / 6M / 168C/180C // 334F/356F From 8-1170	1	1		
. NS	563587	. MODULE DETECTOR / END CIRCUIT From 8-1170	1	1		
62	563587	MODULE DETECTOR / END CIRCUIT	1	1		
63	563615	RELAY, TIME DELAY RELAY - OFF / 2 HOURS	1	1		
64	563332	RELAY 24V S.P.D.T. W/RESISTOR / "VOLVO" (20374662)	1	1		

From 7-0671 To 9-1403	Date:10/2022	PAGE:H7-2320-35
<b>FIRE PROTECTION SYSTEM BUS INSTALLATION</b>		

Item#	Part	Description	H 3 4 1	H 3 4 5	V I P 4 5	N O T E S
65	504013	TIE MOUNT / 1/4" X 1/4" I.D.	1	1		
NS	504248	RIVET CHY Q PRDG 3/16x1/4 SS	1	1		
NS	19500355	TEST KIT EXTINGUISHER 25LBS / WSIMULATOR & POWER CABLE	1	1		
. NS	685536	. POWER CABLE / USED W 24VOLT	1	1		
. NS	685537	. SOURCE SIMILATOR	1	1		
. NS	901301	. TEST KIT EXTINGUISHER 25LBS	1	1		
. . NS	685128	. . VALVE SIMULATOR / EXTINGUISHER 25LBS	1	1		
. . NS	685129	. . TEST SWITCH W/CABLE 48" / EXTINGUISHER 25LBS	1	1		
. . NS	N.P.N.	. . STORAGE CASE	1	1		4
NS	901301	TEST KIT EXTINGUISHER 25LBS	1	1		
. NS	685128	. VALVE SIMULATOR / EXTINGUISHER 25LBS	1	1		
. NS	685129	. TEST SWITCH W/CABLE 48" / EXTINGUISHER 25LBS	1	1		
. NS	N.P.N.	. STORAGE CASE	1	1		4
71	068552	SUPPORT CABLE & FIRE HARNESS	1	1		D13
72	502830	SCREW CAP HEX M6-1.0x20 G8.8 N500	2	2		D13
73	5001833	WASHER BEL SPR 6.1x18x1.27 SS	2	2		D13
74	068855	EXTENSION / FIRE SENSOR	1	1		D13
		D13) WITH VOLVO D13 ENGINE				
		S) SERVICE				
		P) CALL ORDER DESK FOR SPECIFIC APPLICATION (V.I.N.)				
		4) NO PARTS NUMBER				

FIRE PROTECTION SYSTEM BUS INSTALLATION / EPA 2007

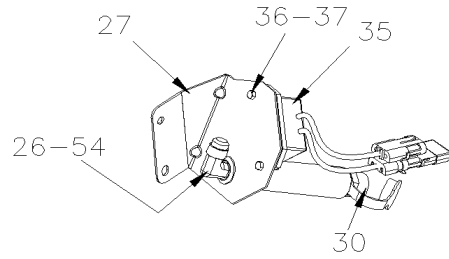
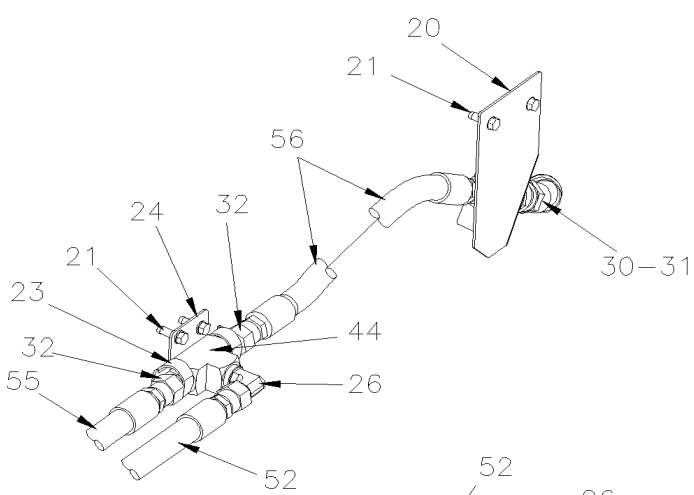


From 9-1404 To A-1720

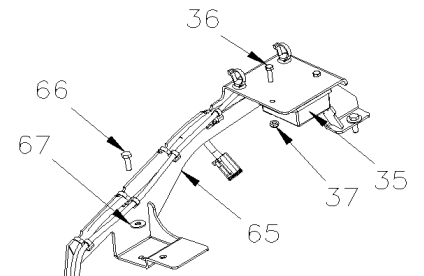
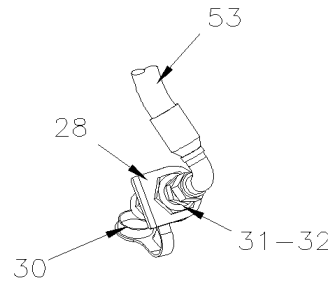
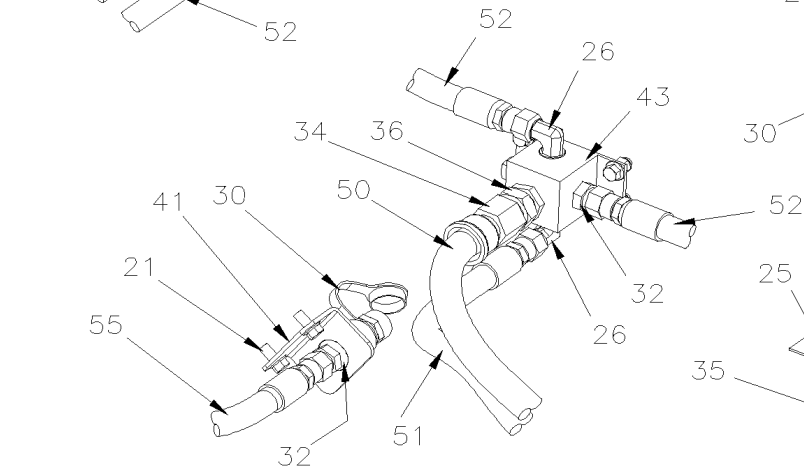
Date:10/2022

PAGE:H7-2320-36

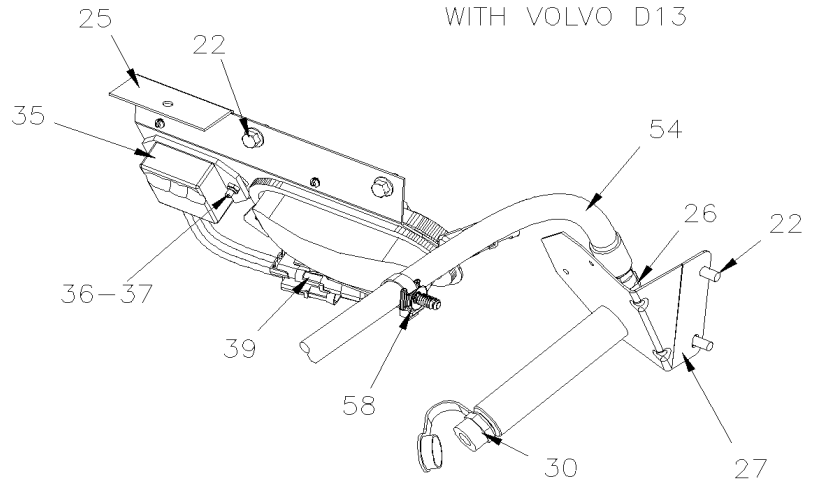
## FIRE PROTECTION SYSTEM BUS INSTALLATION / EPA 2007



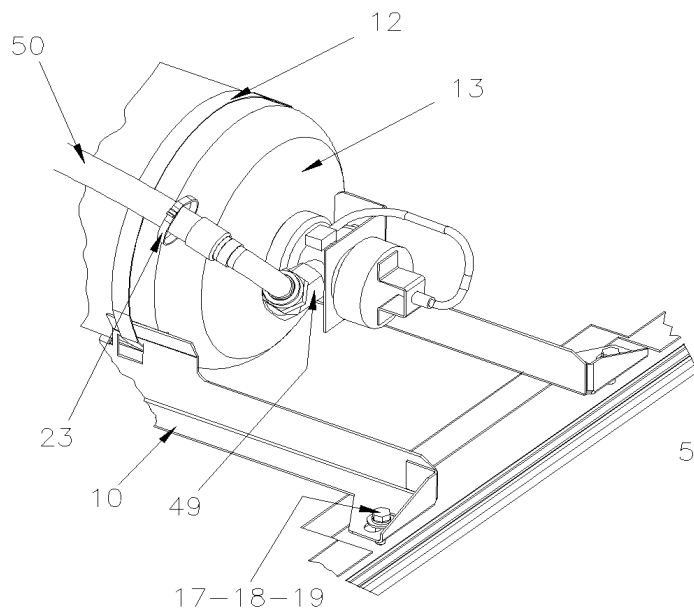
WITH VOLVO D13 ENGINE  
DETAIL "G"



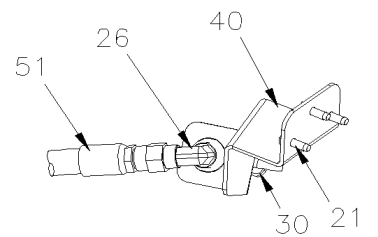
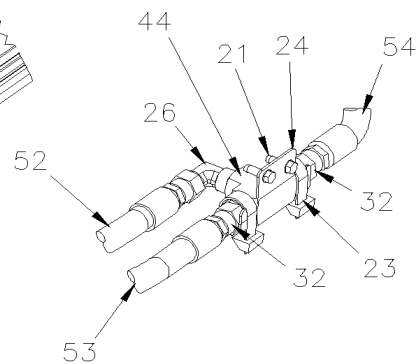
RETROFIT  
WITH VOLVO D13



WITH DETROIT S60 ENGINE



DETAIL "A"



DETAIL "C"

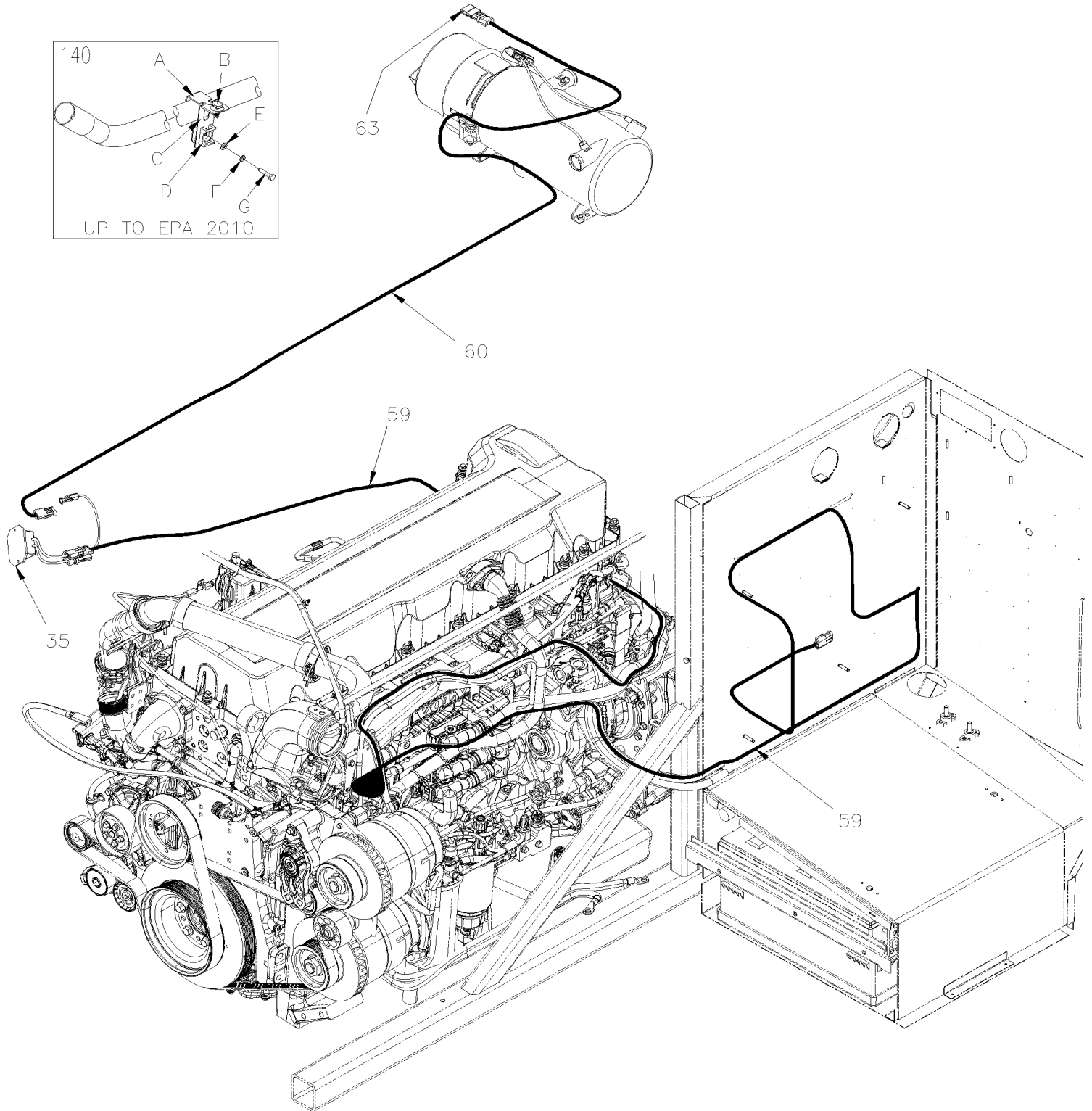


From 9-1404 To A-1720

Date:10/2022

PAGE:H7-2320-36

## FIRE PROTECTION SYSTEM BUS INSTALLATION / EPA 2007



From 9-1404 To A-1720	Date:10/2022	PAGE:H7-2320-36
<b>FIRE PROTECTION SYSTEM BUS INSTALLATION / EPA 2007</b>		

Item#	Part	Description	H 3 4 1	H 3 4 5	V I P 4 5	N O T E S
1	563455	PANEL FIRE PROTECTOR DISPLAY	1	1		
2	563456	BUTTON FIRE / MANUAL OPERATING	1	1		
. NS	563462	. SEAL BUTTON FIRE / MANUAL OPERATING	1	1		
3	500814	SCREW TP BDG PH #6x3/4 BK	6	6		
4	405725	DECAL / "IN CASE OF FIRE..." / ENGLISH & FRANCAIS	1	1		
4	405724	DECAL / "IN CASE OF FIRE..." / ENGLISH	1	1		
10	406229	SUPPORT EXTINGUISHER	1	1		
11	Call order desk	PANEL ASSY FIRE INSTINGUISHER INSTALLATION	1	1		P
12	509915	T-BOLT BAND CLAMP/ 9.19" ID	2	2		
13	901125	EXTINGUISHER 25 LBS	1	1		
. NS	<b>901299</b>	<b>. KIT REPAIR, FIRE EXTINGUISHER SYSTEM</b>	1	1		
14	460494	RUBBER SEAL EXTRUSION / 1820MM To A-1579	1	1		
14	460675	RUBBER SEAL EXTRUSION / 1820MM From A-1580	1	1		
14	460688	RUBBER SEAL EXTRUSION / 1820MM	1	1		
14	460029	RUBBER SEAL EXTRUSION / 1820MM	1	1		
15	504339	RIVET POP DOME OE 1/8x3/8 SS	2	2		
16	500157	WASHER FL .125x.375x.032 SS	2	2		
17	955297	SCREW CAP HEX M8-1.25x25 G8.8 ZG603	4	4		
18	5001161	WASHER LO SPT 8.1x14.8x2.0 SS-304	4	4		
19	5001448	WASHER FL .343x.875x.062 SS18-8	2	2		
20	406200	SUPPORT NOZZLE	1	1		
21	502848	SCREW TC CAP HEXF 1/4-20x3/4 N500	AR	AR		
22	946440	SCREW CAP HEXF M12-1.75x140 G8.8 MAGNI 565	6	6		
NS	502847	NUT HEX NYRT M8-1.25 N500	6	6		
23	509491	CABLE TIE / 13MM x 383MM	8	8		
24	400663	SUPPORT CONNECTOR	2	2		
25	491194	SUPPORT FIRE NOZZLE, LAMP & SENSOR	1	1		
NS	8631155	CABLE TIE / 4.6MM x 200 / CHRISTMAS TREE	1	1		
26	501612	MALE ELBOW 90° / SAE 45° FITTING / #8FL-Mx1/2NPT-M BR	3	3		
27	406249	SUPPORT FIRE NOZZLE, & SENSOR	1	1		
28	406117	SUPPORT NOZZLE	1	1		
30	901128	NOZZLE DRY CHEMICAL	5	5		
. NS	901184	. CAP PROTECTOR NOZZLE	1	1		
31	501796	BULKHEAD COUPLING / PIPE FITTING / 1/2NPT-Fx1/2NPT-Fx1 1/2 BR	5	5		
32	501616	MALE CONNECTOR / SAE 45° FITTING / #8FL-Mx1/2NPT-M BR	AR	AR		
34	501600	MALE CONNECTOR / JIC 37° FITTING / #12JIC-Mx1/2NPT-M STL	1	1		
35	563457	FIRE SENSOR PM-3M	1	1		
36	5001146	SCREW CAP HEX M5-0.8x20 SS BK	2	2		
NS	500975	WASHER FL .378x.620x.094 NYL	2	2		
37	502841	NUT HEX NYRT M5-0.8 N500	2	2		
39	563587	MODULE DETECTOR / END CIRCUIT	1	1		
40	408119	SUPPORT FIRE NOZZLE / WATER HEATER SECTION	1	1		

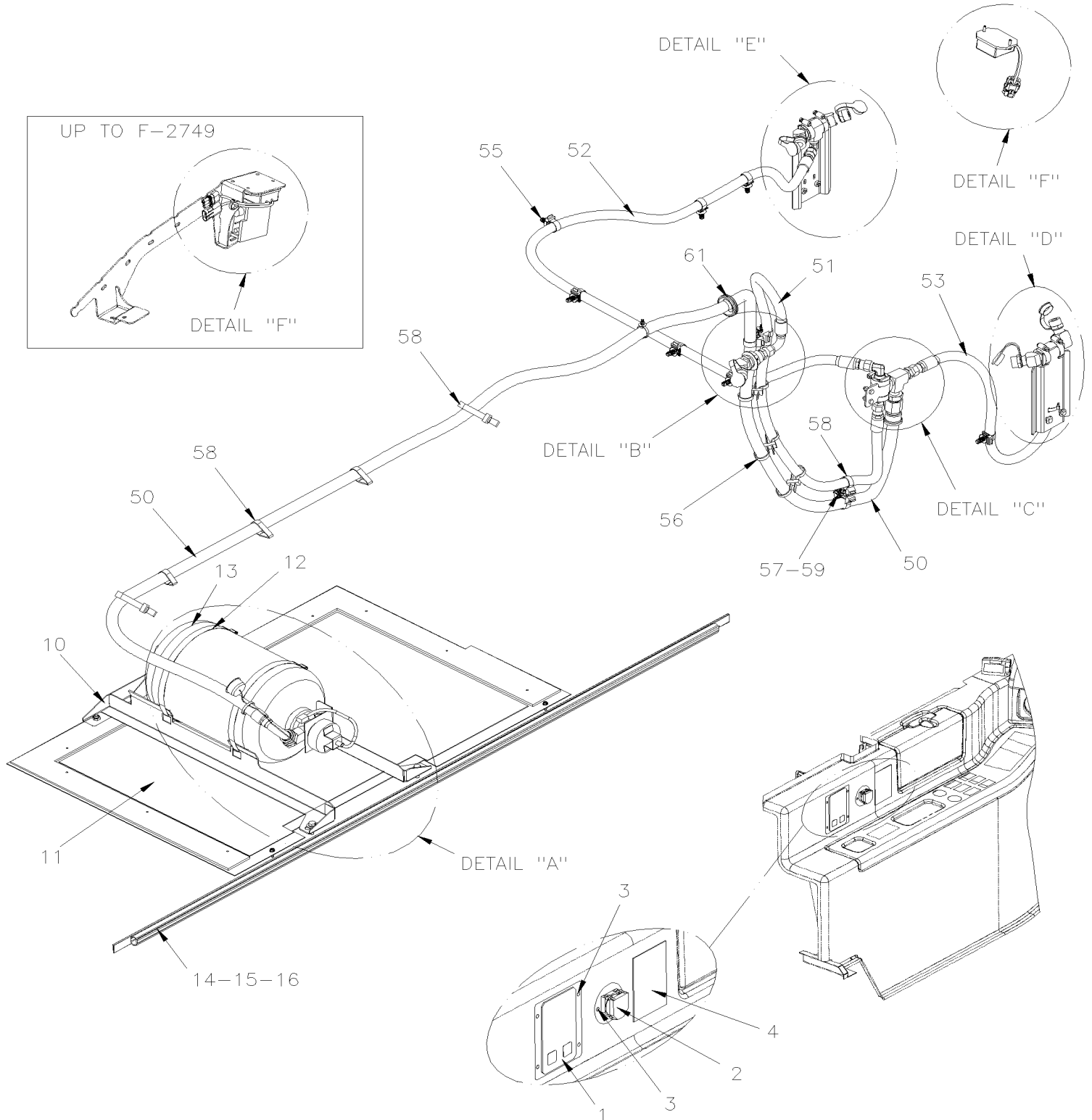
<b>From 9-1404 To A-1720</b>	<b>Date:10/2022</b>	<b>PAGE:H7-2320-36</b>
<b>FIRE PROTECTION SYSTEM BUS INSTALLATION / EPA 2007</b>		

Item#	Part	Description	H 3 4 1	H 3 4 5	V I P 4 5	N O T E S
41	408268	SUPPORT NOZZLE	1	1		
42	501306	PLUG SQUARE HEAD / PIPE FITTING / 1/2NPT-M BR To A-1677	1	1		
42	501966	PLUG HEXS / PIPE FITTING / 1/2NPT-M STL From A-1678	1	1		
43	901133	BLOCK DISTRIBUTOR EXTINGUISHER	1	1		
44	501472	FEMALE UNION TEE / PIPE FITTING / 1/2NPT-Fx1/2NPT-Fx1/2NPT-F BR	1	1		
49	5011305	FEMALE ELBOW 45° / JIC 37° FITTING / #12JIC-Mx3/4NPT-F STL	1	1		
50	406219P	HOSE ASSY / #12 2252MM	1	1		
51	406239P	HOSE ASSY / #8 1725MM	1	1		
52	406214P	HOSE ASSY / #8 1495MM	2	2		
53	406215P	HOSE ASSY / #8 755MM	1	1		
54	406212P	HOSE ASSY / #8 825MM	1	1		
55	406256P	HOSE ASSY / #8 1022MM	1	1		
56	406213P	HOSE ASSY / #8 385MM	1	1		
NS	406420P	HOSE ASSY / #8 1250MM From A-1605	1	1		
NS	406421P	HOSE ASSY / #8 1930MM From A-1605	1	1		
NS	406422P	HOSE ASSY / #8 665MM From A-1605	1	1		
57	504634	T-CLIP / 7/8" - 1"	1	1		
58	504750	CABLE TIE / 1/2" x 15" / CHRISTMAS TREE	AR	AR		
59	067265	CABLE THERMO DETECTOR (LINEAR FIRE CABLE) / 8.4M / 168C/180C // 334F/356F	1	1		E
. NS	563587	. MODULE DETECTOR / END CIRCUIT	1	1		E
60	067266	CABLE THERMO DETECTOR (LINEAR FIRE CABLE) / 3M / 168C/180C // 334F/356F	1	1		W
. NS	563587	. MODULE DETECTOR / END CIRCUIT	1	1		W
60	067676	CABLE THERMO DETECTOR (LINEAR FIRE CABLE) / 1M / 168C/180C // 334F/356F	1	1		W
. NS	563587	. MODULE DETECTOR / END CIRCUIT	1	1		W
NS	067267	CABLE ASSY / FIRE DETECTOR FRT JCT BOX	1	1		F
NS	068139	KIT CABLE SUPPORT / THERMAL PROTECTOR From A-1648	1	1		S
. A	071638	. BASE SUPPORT / W/NUT M4-0.7 From A-1648	1	1		S
. B	509815	. TIE MOUNT / ATTACHMENT W/TREE MOUNT From A-1648	1	1		S
. C	071639	. ANGLE CABLE SUPPORT / THERMAL DETECTOR 25.4MMx 61.3MMx25.4 From A-1648	1	1		S
. D	504013	. TIE MOUNT / 1/4" X 1/4" I.D. From A-1648	1	1		S
. E	502556	. WASHER FL 4.3x9.0x0.8 SS From A-1648	1	1		S
. F	502834	. WASHER LO SPT 4.1x7.6x0.9 N500 From A-1648	1	1		S
. G	502685	. SCREW CAP HEX M4-0.7x20 SS EMN From A-1648	1	1		S
63	563587	MODULE DETECTOR / END CIRCUIT	1	1		
64	19500355	TEST KIT EXTINGUISHER 25LBS / WSIMULATOR & POWER CABLE	1	1		
. NS	685536	. POWER CABLE / USED W 24VOLT	1	1		
. NS	685537	. SOURCE SIMILATOR	1	1		
. NS	901301	. TEST KIT EXTINGUISHER 25LBS	1	1		
. . NS	685128	. . VALVE SIMULATOR / EXTINGUISHER 25LBS	1	1		
. . NS	685129	. . TEST SWITCH W/CABLE 48" / EXTINGUISHER 25LBS	1	1		
. . NS	N.P.N.	. . STORAGE CASE	1	1		4

From 9-1404 To A-1720	Date:10/2022	PAGE:H7-2320-36
<b>FIRE PROTECTION SYSTEM BUS INSTALLATION / EPA 2007</b>		

Item#	Part	Description	H 3 4 1	H 3 4 5	V I P 4 5	N O T E S
64	901301	TEST KIT EXTINGUISHER 25LBS	1	1		
. NS	685128	. VALVE SIMULATOR / EXTINGUISHER 25LBS	1	1		
. NS	685129	. TEST SWITCH W/CABLE 48" / EXTINGUISHER 25LBS	1	1		
. NS	N.P.N.	. STORAGE CASE	1	1		4
65	068552	SUPPORT CABLE & FIRE HARNESS	1	1		D13
66	502830	SCREW CAP HEX M6-1.0x20 G8.8 N500	2	2		D13
67	5001833	WASHER BEL SPR 6.1x18x1.27 SS	2	2		D13
NS	068855	EXTENSION / FIRE SENSOR	1	1		D13
		D13) WITH "VOLVO" ENGINE				
		E) INSTALL ON THE ENGINE				
		F) LOCATED IN FRONT JCT BOX PANEL				
		S) PRODUCT IMPROVEMENT ASK FOR KIT # 068154 UP TO VIN = A-1647				
		W) THIS PANEL ARE USE WITHOUT SIDE WINDOW LAYOUT				
		P) CALL ORDER DESK FOR SPECIFIC APPLICATION (V.I.N.)				
		4) NO PARTS NUMBER				

From B-1721 To J-0287	Date:10/2022	PAGE:H7-2320-37
FIRE PROTECTION SYSTEM INSTALLATION / EPA 2010		

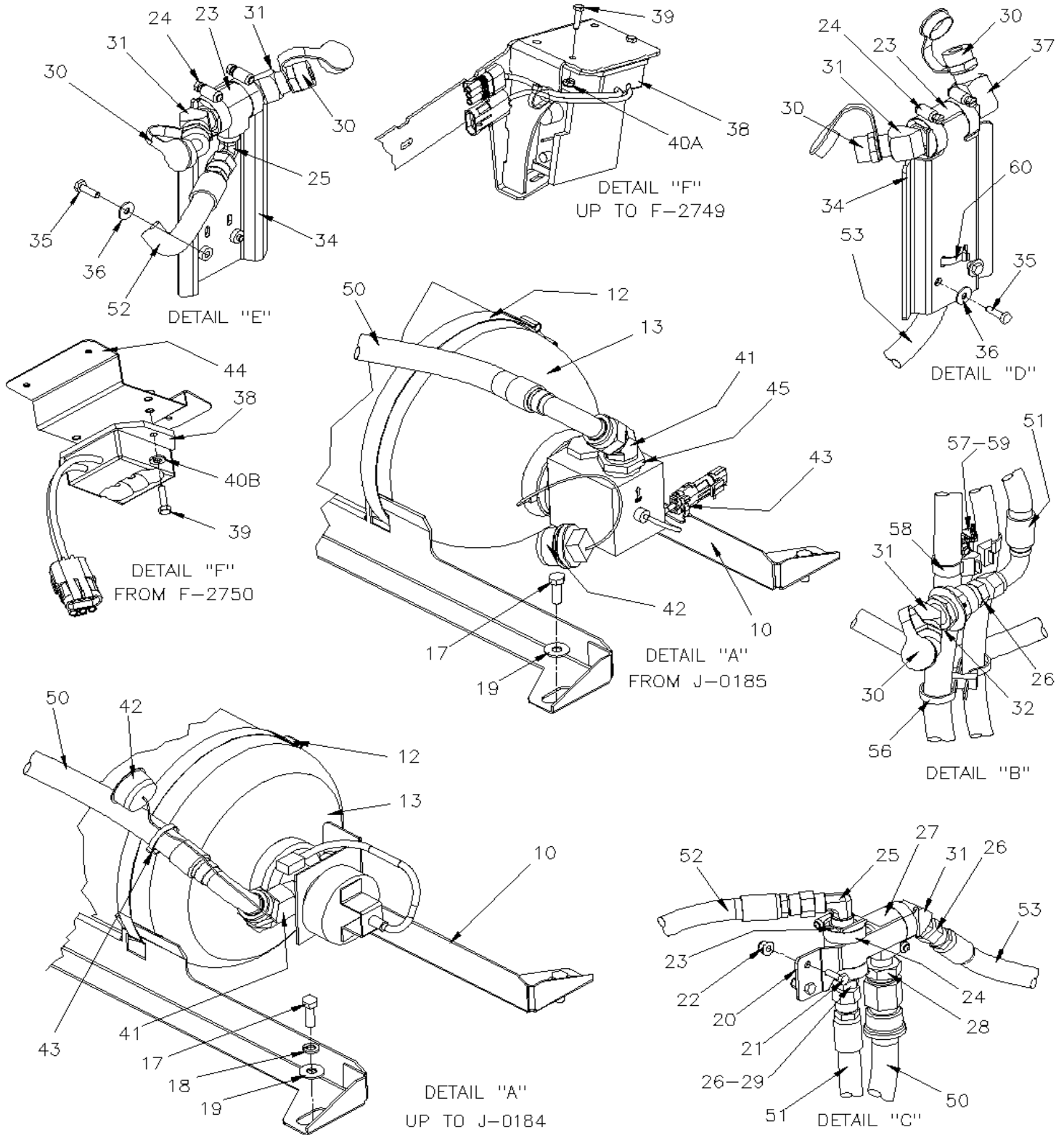


From B-1721 To J-0287

Date:10/2022

PAGE:H7-2320-37

FIRE PROTECTION SYSTEM INSTALLATION / EPA 2010



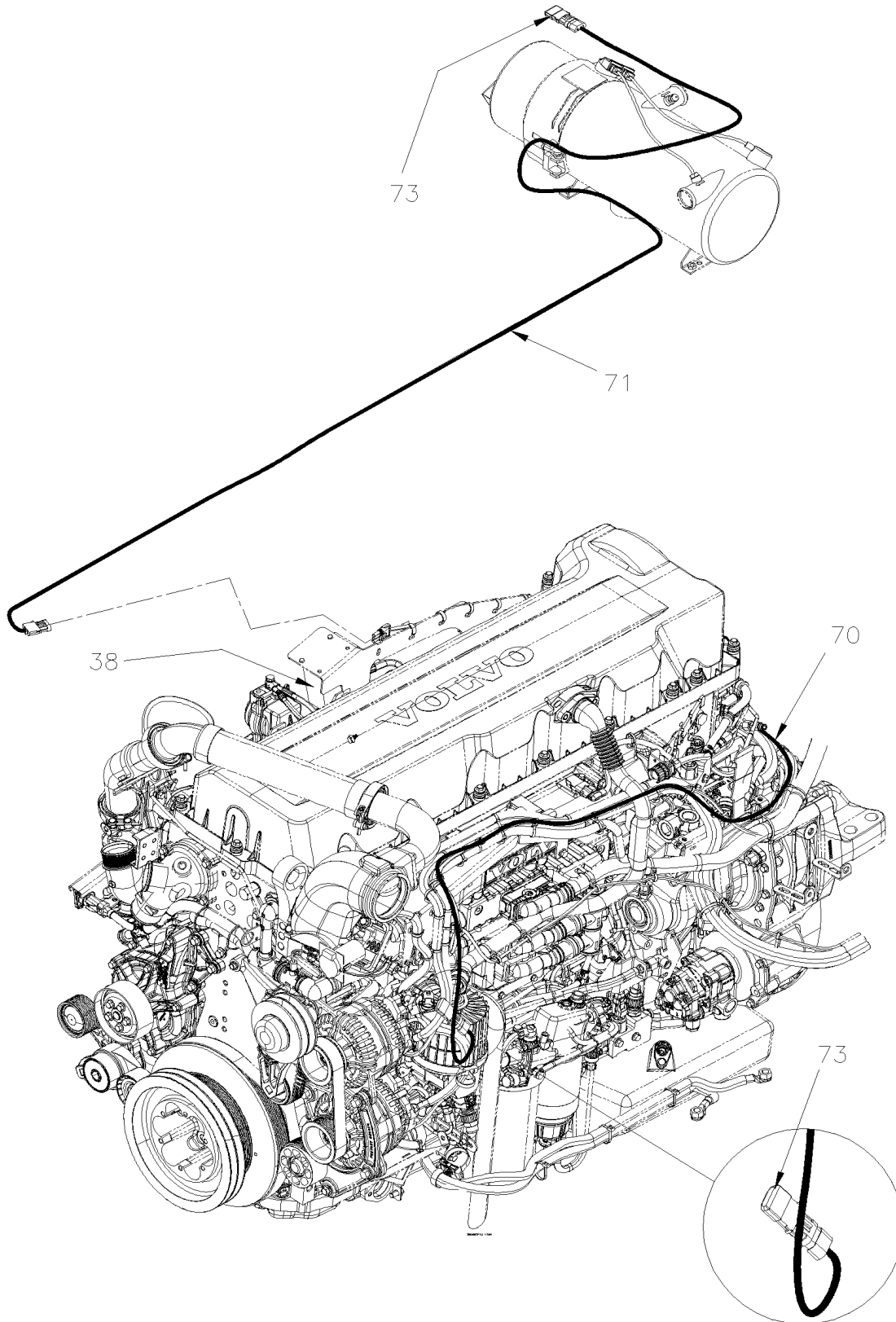


From B-1721 To J-0287

Date:10/2022

PAGE:H7-2320-37

FIRE PROTECTION SYSTEM INSTALLATION / EPA 2010



<b>From B-1721 To J-0287</b>	<b>Date:10/2022</b>	<b>PAGE:H7-2320-37</b>
<b>FIRE PROTECTION SYSTEM INSTALLATION / EPA 2010</b>		

Item#	Part	Description	H 3 4 1	H 3 4 5	V I P 4 5	N O T E S
1	563455	PANEL FIRE PROTECTOR DISPLAY	1	1	1	
2	563456	BUTTON FIRE / MANUAL OPERATING	1	1	1	
. NS	563462	. SEAL BUTTON FIRE / MANUAL OPERATING	1	1	1	
3	500814	SCREW TP BDG PH #6x3/4 BK	6	6	6	
4	405725	DECAL / "IN CASE OF FIRE..." / ENGLISH & FRANCAIS	1	1	1	
4	405724	DECAL / "IN CASE OF FIRE..." / ENGLISH	1	1	1	
4	400032	DECAL / "IN CASE OF FIRE..." / ENGLISH & FRANCAIS & SPANISH	1	1	1	
10	406229	SUPPORT EXTINGUISHER To J-0184	1	1	1	
10	400565	SUPPORT EXTINGUISHER From J-0185	1	1	1	
NS	8631155	CABLE TIE / 4.6MM x 200 / CHRISTMAS TREE	1	1	1	
11	Call order desk	PANEL ASSY FIRE INSTINGUISHER INSTALLATION	1	1	1	P
12	509915	T-BOLT BAND CLAMP/ 9.19" ID To G-3109	2	2	2	
12	509951	T-BOLT BAND CLAMP/ 9.19" ID From G-3110 To J-0184	2	2	2	
12	509955	T-BOLT BAND CLAMP/ 8.56" ID From J-0185	2	2	2	
13	901125	EXTINGUISHER 25 LBS To J-0184	1	1	1	
. NS	<b>901299</b>	<b>. KIT REPAIR, FIRE EXTINGUISHER SYSTEM To J-0184</b>	1	1	1	
13	900211	EXTINGUISHER 25 LBS From J-0185	1	1	1	
. NS	N8900111	. REBUILT KIT From J-0185	1	1	1	
NS	504637	CABLE TIE / 3/16" x 13"	2	2	2	
14	460675	RUBBER SEAL EXTRUSION / 1820MM To C-2017	1	1	1	
14	460688	RUBBER SEAL EXTRUSION / 1820MM From C-2018 To E-2504	1	1	1	
14	460715	SEAL RUBBER EXTRUSION EPDM 1163MM From E-2505 To F-2965	1	1	1	
14	460724	SEAL RUBBER EXTRUSION EPDM 2400MM From F-2966	1	1	1	
15	504339	RIVET POP DOME OE 1/8x3/8 SS	2	2	2	
16	500157	WASHER FL .125x.375x.032 SS	2	2	2	
17	5001745	SCREW CAP HEX M8-1.25x25 G8.8 N500	4	4	4	
18	5001161	WASHER LO SPT 8.1x14.8x2.0 SS-304	4	4	4	
19	5001448	WASHER FL .343x.875x.062 SS18-8 To J-0184	2	2	2	
19	500321	WASHER BEL SPR .331x.827x.098 N500 From J-0185	2	2	2	
20	406404	SUPPORT HOSE To B-1782	1	1	1	
20	406499	SUPPORT HOSE From B-1783 To C-1936	1	1	1	
20	491473	SUPPORT HOSE From C-1937 To G-3167	1	1	1	
20	400057	SUPPORT HOSE From G-3168	1	1	1	
21	502830	SCREW CAP HEX M6-1.0x20 G8.8 N500	2	2	2	
22	502681	NUT HEX NYRT M6-1.0 N500 G8 To E-2621	2	2	2	
22	5001932	NUT HEXF NYRT M6-1.0 G8.8 N500 From E-2622	2	2	2	
23	501472	FEMALE UNION TEE / PIPE FITTING / 1/2NPT-Fx1/2NPT-Fx1/2NPT-F BR	3	3	3	
24	504021	HOSE CLAMP / 11/16"-1"1/2 SS / HS-16	6	6	6	
25	501612	MALE ELBOW 90° / SAE 45° FITTING / #8FL-Mx1/2NPT-M BR	2	2	2	
26	501616	MALE CONNECTOR / SAE 45° FITTING / #8FL-Mx1/2NPT-M BR	3	3	3	
27	501473	MALE RUN TEE / PIPE FITTING / 1/2NPT-Mx1/2NPT-Fx1/2NPT-F BR	1	1	1	
28	501600	MALE CONNECTOR / JIC 37° FITTING / #12JIC-Mx1/2NPT-M STL	1	1	1	



<b>From B-1721 To J-0287</b>	<b>Date:10/2022</b>	<b>PAGE:H7-2320-37</b>
<b>FIRE PROTECTION SYSTEM INSTALLATION / EPA 2010</b>		

<b>Item#</b>	<b>Part</b>	<b>Description</b>	<b>H 3 4 1</b>	<b>H 3 4 5</b>	<b>V I P 4 5</b>	<b>N O T E S</b>
29	501966	PLUG HEXS / PIPE FITTING / 1/2NPT-M STL	1	1	1	B
30	901128	NOZZLE DRY CHEMICAL From A-1678	5	5	5	
NS	901184	. CAP PROTECTOR NOZZLE From A-1678	1	1	1	
31	501528	STREET ELBOW 45° / PIPE FITTING / 1/2NPT-Mx1/2NPT-F BR	4	4	4	
32	501796	BULKHEAD COUPLING / PIPE FITTING / 1/2NPT-Fx1/2NPT-Fx1 1/2 BR	1	1	1	
33	504021	HOSE CLAMP / 11/16"-1"1/2 SS / HS-16 To G-3176	1	1	1	
33	992084	HOSE CLAMP / 23MM/35MM From G-3177	1	1	1	
34	406403	SUPPORT NOZZLE	2	2	2	
35	502830	SCREW CAP HEX M6-1.0x20 G8.8 N500	4	4	4	
36	5001833	WASHER BEL SPR 6.1x18x1.27 SS	4	4	4	
37	507557	STREET ELBOW 90° / PIPE FITTING / 1/2NPT-Mx1/2NPT-F BR	1	1	1	
38	563457	FIRE SENSOR PM-3M	1	1	1	
NS	500975	WASHER FL .378x.620x.094 NYL	2	2	2	
39	5001146	SCREW CAP HEX M5-0.8x20 SS BK	2	2	2	
40A	502841	NUT HEX NYRT M5-0.8 N500 To F-2749	2	2	2	
40B	502570	WASHER LO SPT 6.1x11.8x1.6 SS From F-2750	2	2	2	
41	5011305	FEMALE ELBOW 45° / JIC 37° FITTING / #12JIC-Mx3/4NPT-F STL To J-0185	1	1	1	
41	501980	MALE ELBOW 45° / JIC 37° FITTING / #12JIC-Mx3/4NPT-M STL From J-0185	1	1	1	
42	680470	CAP PLUG ID 1.364 OD 1.423	1	1	1	
43	504637	CABLE TIE / 3/16" x 13"	1	1	1	
44	217797	SUPPORT, FIRE DETECTOR ASSY From F-2750	1	1	1	
45	501564	ADAPTER / PIPE FITTING / 3/4NPT-Fx1NPT-M BR From J-0185	1	1	1	
50	406419P	HOSE ASSY / #12 3650MM To E-2504	1	1	1	
50	406977P	HOSE ASSY / #12 2770MM From E-2505 To J-0184	1	1	1	
50	400288P	HOSE ASSY / #12 2700MM From J-0184 To J-0184	1	1	1	
50	406977P	HOSE ASSY / #12 2770MM From J-0185	1	1	1	
51	406420P	HOSE ASSY / #8 1250MM	1	1	1	
52	406421P	HOSE ASSY / #8 1930MM To F-2749	1	1	1	
52	406715P	HOSE ASSY / #8 1965MM From F-2750 To G-3296	1	1	1	
52	400101	HOSE ASSY / #8 1965MM From G-3297	1	1	1	
53	406422P	HOSE ASSY / #8 665MM To G-3296	1	1	1	
53	400094	HOSE ASSY / #8 665MM From G-3297	1	1	1	
55	504750	CABLE TIE / 1/2" x 15" / CHRISTMAS TREE	AR	AR	AR	
NS	406635	SUPPORT From E-2505	1	1	1	
56	504768	CABLE TIE / 3/16" 14.7" / DOUBLE LOOP HEAD	AR	AR	AR	
57	509490	ATTACHMENT DOUBLE USE WITH CABLE TIE	AR	AR	AR	
58	509491	CABLE TIE / 13MM x 383MM	AR	AR	AR	
59	502681	NUT HEX NYRT M6-1.0 N500 G8	AR	AR	AR	
60	504016	CABLE TIE / 5/16" X 14"1/2	1	1	1	
61	504664	GROMMET / 1.375x1.625x.062x.500x2.000	1	1	1	
NS	509815	TIE MOUNT / ATTACHMENT W/TREE MOUNT	AR	AR	AR	
NS	504637	CABLE TIE / 3/16" x 13"	AR	AR	AR	

<b>From B-1721 To J-0287</b>	<b>Date:10/2022</b>	<b>PAGE:H7-2320-37</b>
<b>FIRE PROTECTION SYSTEM INSTALLATION / EPA 2010</b>		

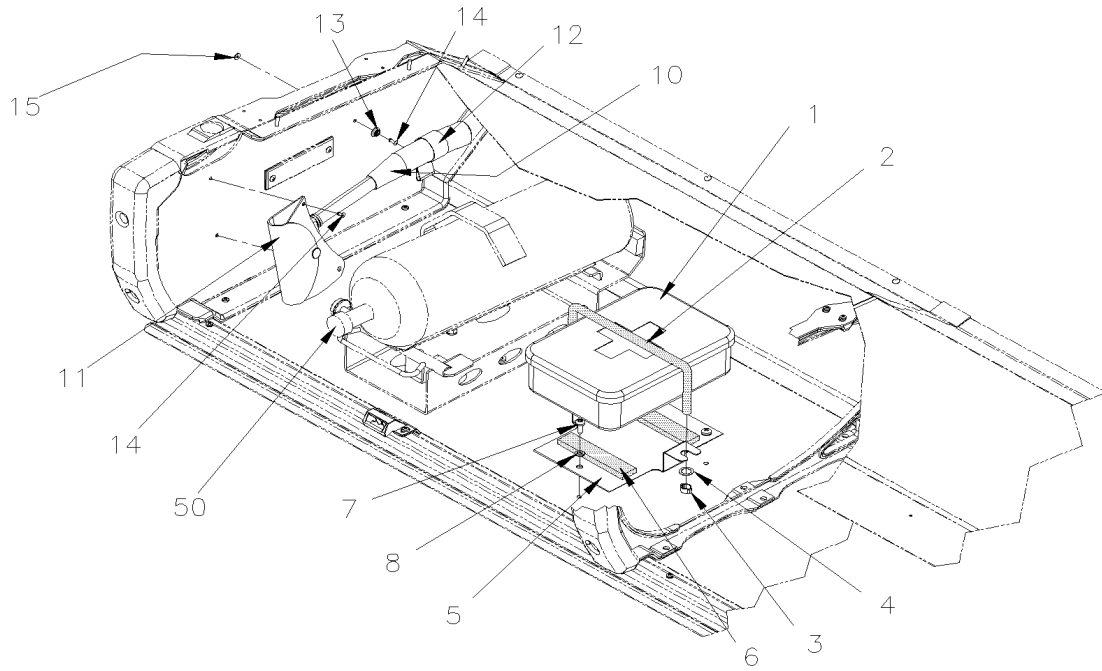
Item#	Part	Description	H 3 4 1	H 3 4 5	V I P 4 5	N O T E S
70	067736	CABLE THERMO DETECTOR (LINEAR FIRE CABLE) / 7M / 168C/180C // 334F/356F To A-1720	1	1	1	E
. NS	563587	. MODULE DETECTOR / END CIRCUIT To A-1720	1	1	1	E
70	067405	CABLE THERMO DETECTOR (LINEAR FIRE CABLE) / 4M / 168C/180C // 334F/356F From B-1721 To D-2163	1	1	1	E
. NS	563587	. MODULE DETECTOR / END CIRCUIT From B-1721 To D-2163	1	1	1	E
70	068564	CABLE THERMO DETECTOR (LINEAR FIRE CABLE) / 2.26M / 168C/180C // 334F/356F From D-2164 To F-2749	1	1	1	E
70	069062	CABLE THERMO DETECTOR (LINEAR FIRE CABLE) / 1.6M / 168C/180C // 334F/356F From F-2750 To H-3734	1	1	1	
70	069738	CABLE THERMO DETECTOR (LINEAR FIRE CABLE) / 2.46M / 168C/180C // 334F/356F From H-3735	1	1	1	
70	069175	CABLE THERMO DETECTOR (LINEAR FIRE CABLE) / 0.9M / 168C/180C // 334F/356F From F-2750	1	1	1	A C
70	8631155	CABLE TIE / 4.6MM x 200 / CHRISTMAS TREE From F-2750	AR	AR	AR	A C
71	067676	CABLE THERMO DETECTOR (LINEAR FIRE CABLE) / 1M / 168C/180C // 334F/356F	1	1		W
. NS	563587	. MODULE DETECTOR / END CIRCUIT	1	1		W
71	504013	TIE MOUNT / 1/4" X 1/4" I.D.	4	4	4	
71	504637	CABLE TIE / 3/16" x 13"	4	4	4	
NS	068139	KIT CABLE SUPPORT / THERMAL PROTECTOR From A-1648	1	1		
. A	071638	. BASE SUPPORT / W/NUT M4-0.7 From A-1648	1	1		
. B	509815	. TIE MOUNT / ATTACHMENT W/TREE MOUNT From A-1648	1	1		
. C	071639	. ANGLE CABLE SUPPORT / THERMAL DETECTOR 25.4MMx 61.3MMx25.4 From A-1648	1	1		
. D	504013	. TIE MOUNT / 1/4" X 1/4" I.D. From A-1648	1	1		
. E	502556	. WASHER FL 4.3x9.0x0.8 SS From A-1648	1	1		
. F	502834	. WASHER LO SPT 4.1x7.6x0.9 N500 From A-1648	1	1		
. G	502685	. SCREW CAP HEX M4-0.7x20 SS EMN From A-1648	1	1		
NS	067267	CABLE ASSY / FIRE DETECTOR FRT JCT BOX To D-2363	1	1	1	F
72	068646	CABLE ASSY / FIRE DETECTOR FRT JCT BOX From D-2364	1	1	1	F
73	563587	MODULE DETECTOR / END CIRCUIT	2	2	2	
75	19500355	TEST KIT EXTINGUISHER 25LBS / WSIMULATOR & POWER CABLE	1	1		
. NS	685536	. POWER CABLE / USED W 24VOLT	1	1		
. NS	685537	. SOURCE SIMILATOR	1	1		
. NS	901301	. TEST KIT EXTINGUISHER 25LBS	1	1		
. . NS	685128	. . VALVE SIMULATOR / EXTINGUISHER 25LBS	1	1		
. . NS	685129	. . TEST SWITCH W/CABLE 48" / EXTINGUISHER 25LBS	1	1		
. . NS	N.P.N.	. . STORAGE CASE	1	1		4
75	901301	TEST KIT EXTINGUISHER 25LBS	1	1		
. NS	685128	. VALVE SIMULATOR / EXTINGUISHER 25LBS	1	1		
. NS	685129	. TEST SWITCH W/CABLE 48" / EXTINGUISHER 25LBS	1	1		
. NS	N.P.N.	. STORAGE CASE	1	1		4

From B-1721 To J-0287	Date:10/2022	PAGE:H7-2320-37
<b>FIRE PROTECTION SYSTEM INSTALLATION / EPA 2010</b>		

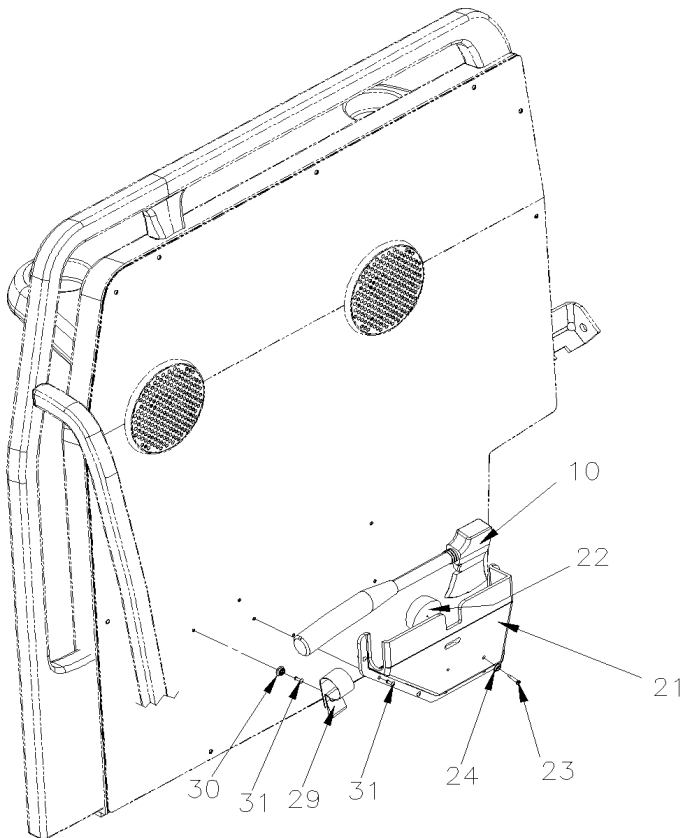
Item#	Part	Description	H 3 4 1	H 3 4 5	V I P 4 5	N O T E S
		A) USE WHEN YOU DO NOT HAVE A FIRE SUPPRESSIONS SYSTEM				
		B) WITHOUT WATER HEATER				
		C) FIX TO THE PANEL OVER THE ENGINE				
		E) INSTALL ON THE ENGINE				
		F) LOCATED IN FRONT JCT BOX PANEL				
		W) INSTALL WITH WATER HEATER				
		P) CALL ORDER DESK FOR SPECIFIC APPLICATION (V.I.N.)				
		4) NO PARTS NUMBER				



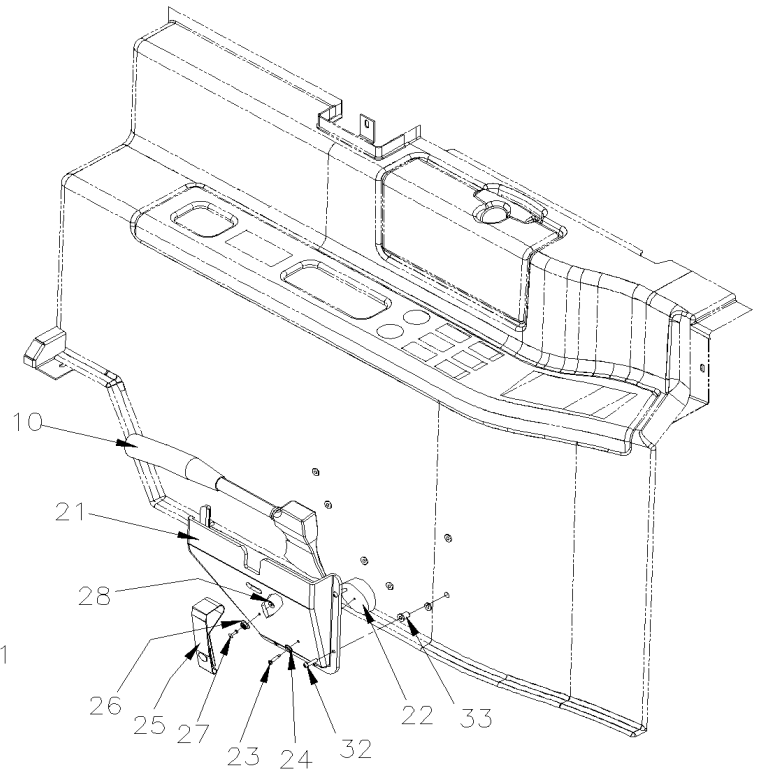
**FIRST AID KIT & AXE - INSTALLATION**



FRONT CURBSIDE PARCEL RACK



UP TO D-2258



FROM D-2259

<b>From 7-0671 To J-0184</b>	<b>Date:10/2022</b>	<b>PAGE:H7-2320-40</b>
<b>FIRST AID KIT &amp; AXE - INSTALLATION</b>		

Item#	Part	Description	H 3 4 1	H 3 4 5	V I P 4 5	N O T E S
1	900014	KIT, FIRST AID (SMALL)	1	1		
1	900767	KIT, FIRST AID (EXTRA LARGE) / W / W.C.L.	1	1		
1	900990	KIT, FIRST AID / SASKATCHEWAN MODEL	1	1		
1	900991	KIT, FIRST AID / MANITOBA & N-BRUNSWICK MODEL	1	1		
1	900992	KIT, FIRST AID / NOVA-SCOTIA MODEL	1	1		
1	900993	KIT, FIRST AID / ALBERTA MODEL To A-1715	1	1		
1	901388	KIT, FIRST AID / ALBERTA MODEL From A-1716	1	1		
1	900994	KIT, FIRST AID / NEWFUNLAND MODEL	1	1		
1	900995	KIT, FIRST AID / QUEBEC & BRI. COLUMBIA MODEL	1	1		
1	900996	KIT, FIRST AID / ONTARIO, I.P.E. & USA MODEL	1	1		
NS	323292	DECAL / FIRST AID	1	1		
NS	327524	DECAL / FIRST AID / (PARCEL RACK DOOR)	1	1		
NS	195889	KIT "EMERGENCY CLEANING" BIOHAZARD CASE OF 25	1	1		
NS	19503251	KIT "EMERGENCY CLEANING" STANDARD	1	1		
2	506066	CORD, RUBBER EXTRUSION NEO 7/16" O.D. / C.T.L.	1	1		
3	504452	CLAMP "E-Z CLIP" / "TUBE-O" / 7/16" / HC9-7	1	1		
4	502525	WASHER FL .484x.750x.031 Z050	1	1		
5	312807	SUPPORT ASSY / W/FIRST AID KIT (SMALL) / 139MM	1	1		
5	312806	SUPPORT ASSY / W/FIRST AID KIT (LARGE) / 205MM	1	1		
6	506007	TAPE RUB ADH1 CC NEO 3/4" x 1" x 10' / BLACK 1220	AR	AR		
7	500841	SCREW TP PAN PH #14x3/4 Z050 To H-3502	4	4		
7	502513	SCREW TP CAP HEX 5/16x1 Z050 From H-3503	3	3		
8	500473	WASHER LO SPT .262x.489x.062 Z050 To H-3502	4	4		
8	500942	WASHER LO SPT 8.1x14.8x2.0 N500 From H-3503	3	3		
8	500401	WASHER FL .343x.875x.125 N500 From H-3503	3	3		
10	901132	FIRE AXE	1	1		
NS	323291	DECAL / AXE	1	1		
11	901134	FIRE AXE CASE LEATHER	1	1		
12	403582	STRAP / TO FIX AXE	1	1		
NS	506235	TAPE RUB ADH1 PVC.NITRIL 1/2" x 1" x 15' / BLACK 1210	AR	AR		
13	504003	FASTENER RIVET BASE	1	1		
14	504107	RIVET POP DOME OE 1/8x5/16 AL	3	3		
15	500157	WASHER FL .125x.375x.032 SS	1	1		
21	405180	SUPPORT ASSY W/BUMPER	1	1		A B
21	505115	. SUPPORT	1	1		A B
22	405179	. PROTECTOR, BOTTOM	1	1		A B
23	500333	. SCREW TP OV PH #6x3/4 BK	1	1		A B
24	500345	. WASHER FN CKF .187x.500x.090 BR BK	1	1		A B
25	406626	. STRAP TO FIXE AXE ASSY From D-2259	1	1		A
26	504003	. FASTENER RIVET BASE From D-2259	1	1		A
27	504339	. RIVET POP DOME OE 1/8x3/8 SS From D-2259	1	1		A
28	500157	. WASHER FL .125x.375x.032 SS From D-2259	1	1		A

From 7-0671 To J-0184	Date:10/2022	PAGE:H7-2320-40
<b>FIRST AID KIT &amp; AXE - INSTALLATION</b>		

Item#	Part	Description	H 3 4 1	H 3 4 5	V I P 4 5	N O T E S
29	404922	STRAP / TO FIX AXE To D-2258	1	1		A B
30	504003	FASTENER RIVET BASE To D-2258	1	1		A B
31	504339	RIVET POP DOME OE 1/8x3/8 SS To D-2258	8	8		A B
32	500873	SCREW MA RND PH #8-32x3/4 SS BK From D-2259	7	7		A
33	500678	NUT WELL #8-32x.450 From D-2259	7	7		A
50	<b>H7-2320-30</b>	<b>EXTINGUISHER - INSTALLATION</b>				
		A) COACH WITH AXE INSTALLATION REAR DRIVER'S SEAT				
		B) COACH WITH AXE INSTALLATION LEFT DRIVER'S CONSOLE				



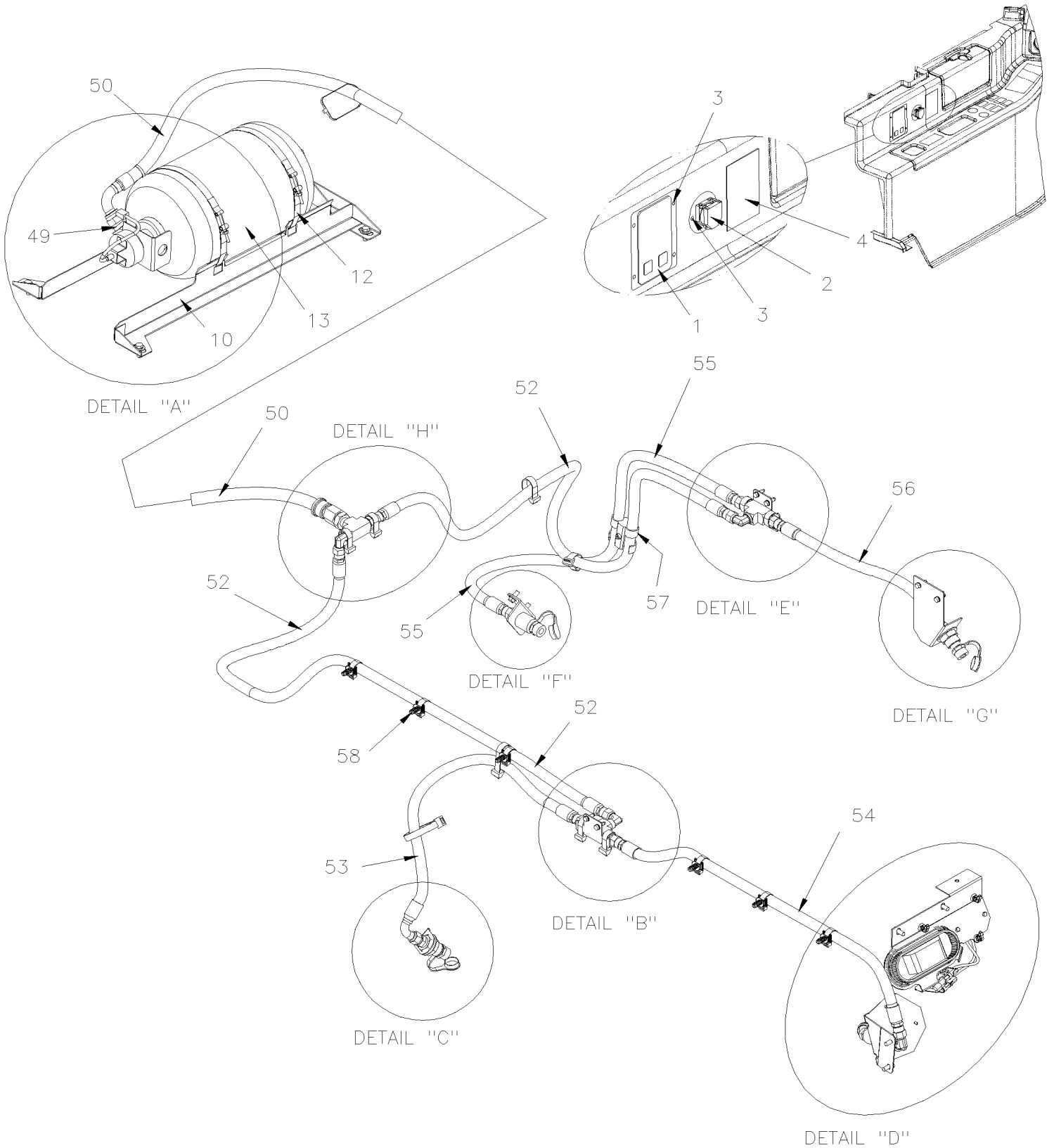


From 7-0671 To A-1720

Date:10/2022

PAGE:H7-2320-50

## FIRE PROTECTION SYSTEM VIP INSTALLATION

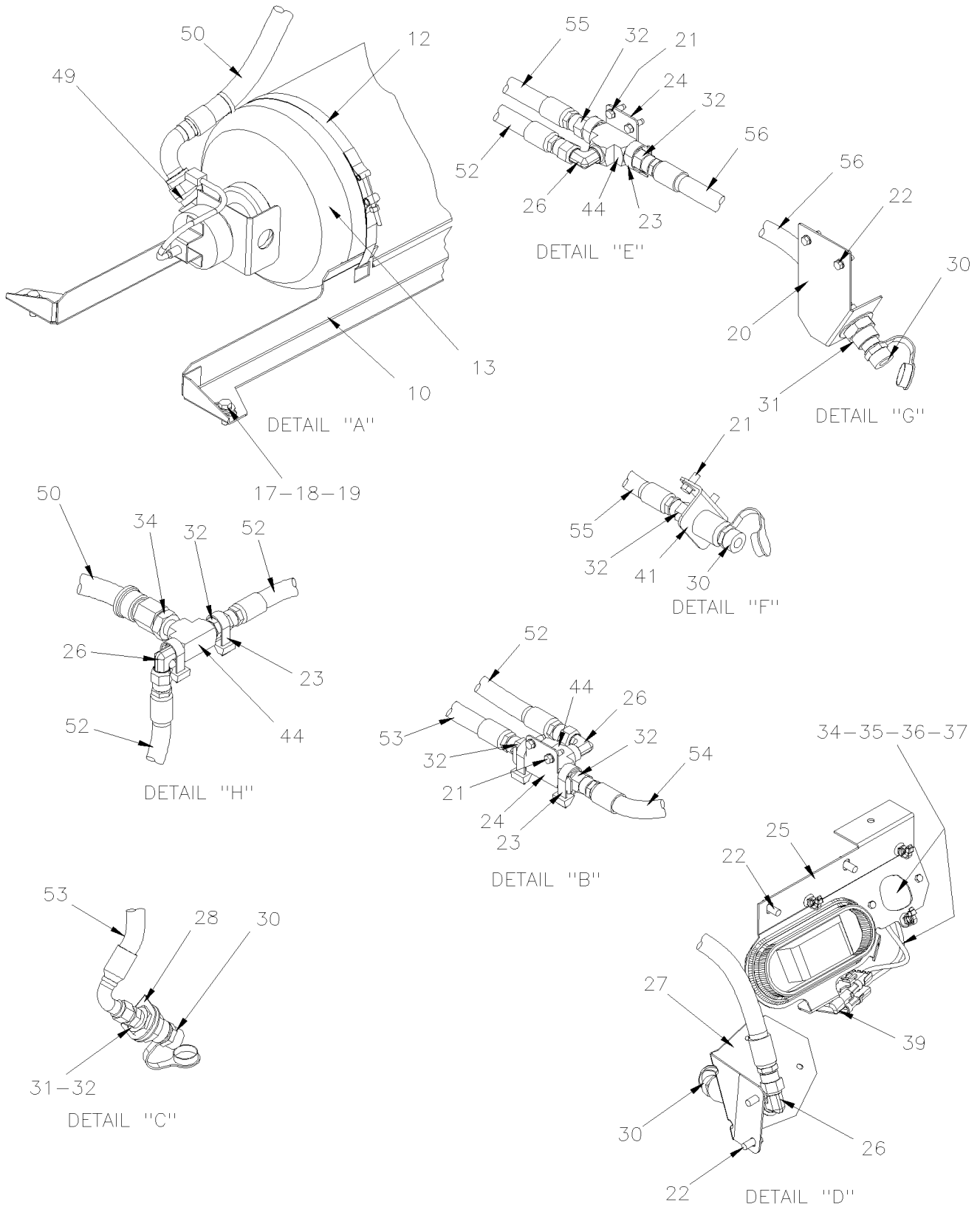


From 7-0671 To A-1720

Date:10/2022

PAGE:H7-2320-50

## FIRE PROTECTION SYSTEM VIP INSTALLATION



From 7-0671 To A-1720	Date:10/2022	PAGE:H7-2320-50
<b>FIRE PROTECTION SYSTEM VIP INSTALLATION</b>		

Item#	Part	Description	H 3 4 1	H 3 4 5	V I P 4 5	N O T E S
1	563455	PANEL FIRE PROTECTOR DISPLAY			1	
2	563456	BUTTON FIRE / MANUAL OPERATING			1	
. NS	563462	. SEAL BUTTON FIRE / MANUAL OPERATING			1	
3	500814	SCREW TP BDG PH #6x3/4 BK			6	
4	405725	DECAL / "IN CASE OF FIRE..." / ENGLISH & FRANCAIS			1	
4	405724	DECAL / "IN CASE OF FIRE..." / ENGLISH			1	
10	406229	SUPPORT EXTINGUISHER			1	
12	509915	T-BOLT BAND CLAMP/ 9.19" ID			2	
13	901125	EXTINGUISHER 25 LBS			1	
. NS	<b>901299</b>	<b>. KIT REPAIR, FIRE EXTINGUISHER SYSTEM</b>			1	
14	955297	SCREW CAP HEX M8-1.25x25 G8.8 ZG603			4	
15	5001161	WASHER LO SPT 8.1x14.8x2.0 SS-304			4	
16	5001448	WASHER FL .343x.875x.062 SS18-8			4	
17	955297	SCREW CAP HEX M8-1.25x25 G8.8 ZG603			4	
18	5001161	WASHER LO SPT 8.1x14.8x2.0 SS-304			4	
19	5001448	WASHER FL .343x.875x.062 SS18-8			4	
20	406200	SUPPORT NOZZLE			1	
21	502848	SCREW TC CAP HEXF 1/4-20x3/4 N500			AR	
22	946440	SCREW CAP HEXF M12-1.75x140 G8.8 MAGNI 565			6	
NS	502847	NUT HEX NYRT M8-1.25 N500			6	
23	509491	CABLE TIE / 13MM x 383MM			8	
24	400663	SUPPORT CONNECTOR			2	
25	491194	SUPPORT FIRE NOZZLE, LAMP & SENSOR			1	
26	501612	MALE ELBOW 90° / SAE 45° FITTING / #8FL-Mx1/2NPT-M BR			1	
27	491392	SUPPORT FIRE NOZZLE, & SENSOR PROTO			1	
27	406249	SUPPORT FIRE NOZZLE, & SENSOR			1	
28	406117	SUPPORT NOZZLE			1	
29	5011305	FEMALE ELBOW 45° / JIC 37° FITTING / #12JIC-Mx3/4NPT-F STL			1	
30	901128	NOZZLE DRY CHEMICAL			1	
. NS	901184	. CAP PROTECTOR NOZZLE			1	
31	501796	BULKHEAD COUPLING / PIPE FITTING / 1/2NPT-Fx1/2NPT-Fx1 1/2 BR			1	
32	501616	MALE CONNECTOR / SAE 45° FITTING / #8FL-Mx1/2NPT-M BR			11	
34	501600	MALE CONNECTOR / JIC 37° FITTING / #12JIC-Mx1/2NPT-M STL			1	
35	563457	FIRE SENSOR PM-3M			1	
36	5001146	SCREW CAP HEX M5-0.8x20 SS BK			2	
37	502841	NUT HEX NYRT M5-0.8 N500			2	
37	500975	WASHER FL .378x.620x.094 NYL			2	
39	563587	MODULE DETECTOR / END CIRCUIT			1	
40	408119	SUPPORT FIRE NOZZLE / WATER HEATER SECTION			1	
41	408268	SUPPORT NOZZLE			1	
44	501472	FEMALE UNION TEE / PIPE FITTING / 1/2NPT-Fx1/2NPT-Fx1/2NPT-F BR			3	
49	5011305	FEMALE ELBOW 45° / JIC 37° FITTING / #12JIC-Mx3/4NPT-F STL			1	

From 7-0671 To A-1720	Date:10/2022	PAGE:H7-2320-50
<b>FIRE PROTECTION SYSTEM VIP INSTALLATION</b>		

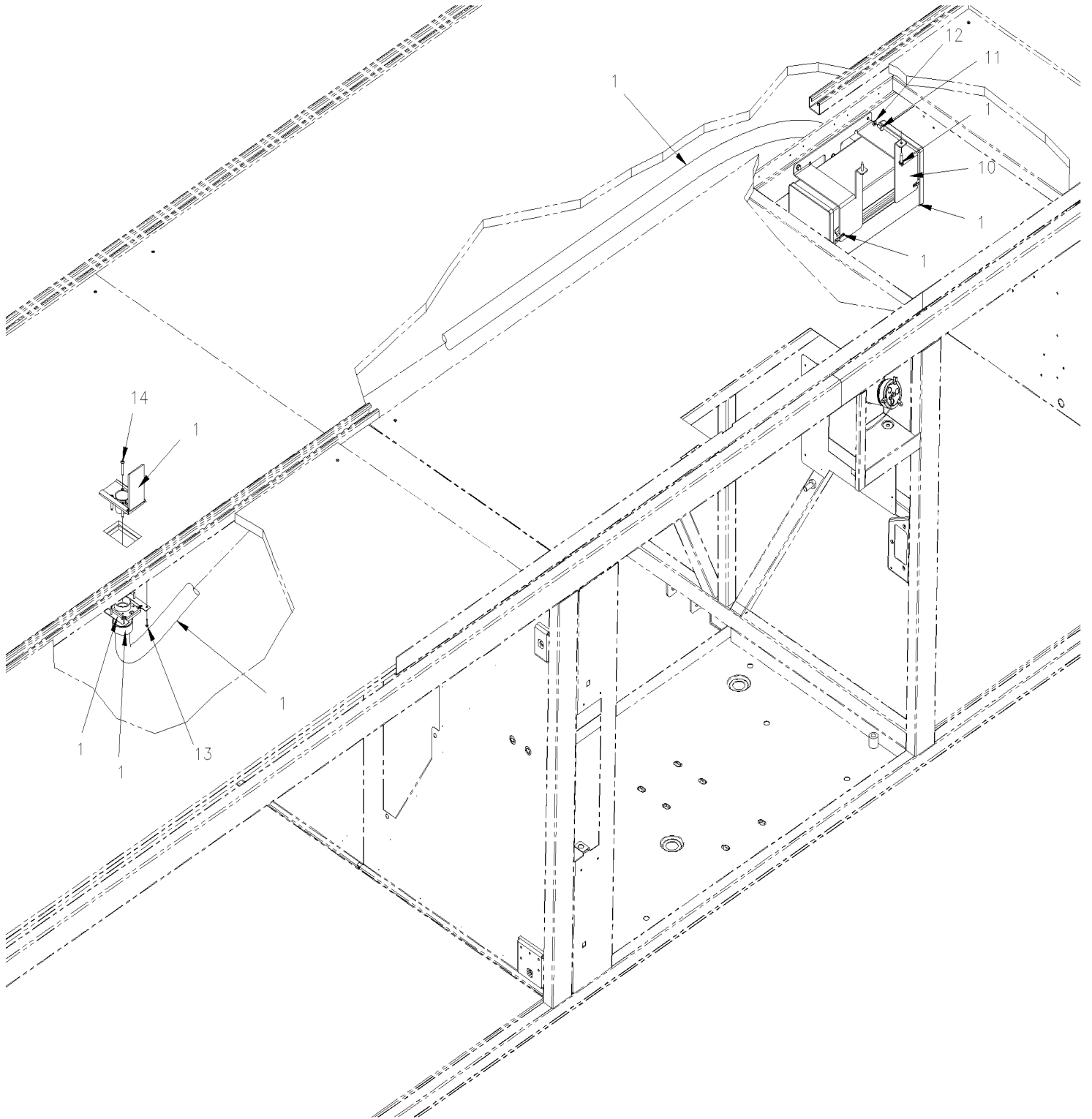
Item#	Part	Description	H 3 4 1	H 3 4 5	V I P 4 5	N O T E S
50	406219P	HOSE ASSY / #12 2252MM			1	
51	406213P	HOSE ASSY / #8 385MM			1	
52	406214P	HOSE ASSY / #8 1495MM			1	
53	406215P	HOSE ASSY / #8 755MM			2	
54	406212P	HOSE ASSY / #8 825MM			1	
55	406256P	HOSE ASSY / #8 1022MM			1	
56	406213P	HOSE ASSY / #8 385MM			1	
57	504634	T-CLIP / 7/8" - 1"			1	
58	504750	CABLE TIE / 1/2" x 15" / CHRISTMAS TREE			AR	
NS	19500355	TEST KIT EXTINGUISHER 25LBS / WSIMULATOR & POWER CABLE			1	
. NS	685536	. POWER CABLE / USED W 24VOLT			1	
. NS	685537	. SOURCE SIMILATOR			1	
. NS	901301	. TEST KIT EXTINGUISHER 25LBS			1	
. . NS	685128	. . VALVE SIMULATOR / EXTINGUISHER 25LBS			1	
. . NS	685129	. . TEST SWITCH W/CABLE 48" / EXTINGUISHER 25LBS			1	
. . NS	N.P.N.	. . STORAGE CASE			1	4
NS	901301	TEST KIT EXTINGUISHER 25LBS			1	
. NS	685128	. VALVE SIMULATOR / EXTINGUISHER 25LBS			1	
. NS	685129	. TEST SWITCH W/CABLE 48" / EXTINGUISHER 25LBS			1	
. NS	N.P.N.	. STORAGE CASE			1	4
61	067265	CABLE THERMO DETECTOR (LINEAR FIRE CABLE) / 8.4M / 168C/180C // 334F/356F			1	
. NS	563587	. MODULE DETECTOR / END CIRCUIT			1	
61	067266	CABLE THERMO DETECTOR (LINEAR FIRE CABLE) / 3M / 168C/180C // 334F/356F			1	
. NS	563587	. MODULE DETECTOR / END CIRCUIT			1	
61	068139	KIT CABLE SUPPORT / THERMAL PROTECTOR From A-1648			1	
. A	071638	. BASE SUPPORT / W/NUT M4-0.7 From A-1648			1	
. B	509815	. TIE MOUNT / ATTACHMENT W/TREE MOUNT From A-1648			1	
. C	071639	. ANGLE CABLE SUPPORT / THERMAL DETECTOR 25.4MMx 61.3MMx25.4 From A-1648			1	
. D	504013	. TIE MOUNT / 1/4" X 1/4" I.D. From A-1648			1	
. E	502556	. WASHER FL 4.3x9.0x0.8 SS From A-1648			1	
. F	502834	. WASHER LO SPT 4.1x7.6x0.9 N500 From A-1648			1	
. G	502685	. SCREW CAP HEX M4-0.7x20 SS EMN From A-1648			1	
		4) NO PARTS NUMBER				

From C-1998 To J-0184

Date:10/2022

PAGE:H7-2322-00

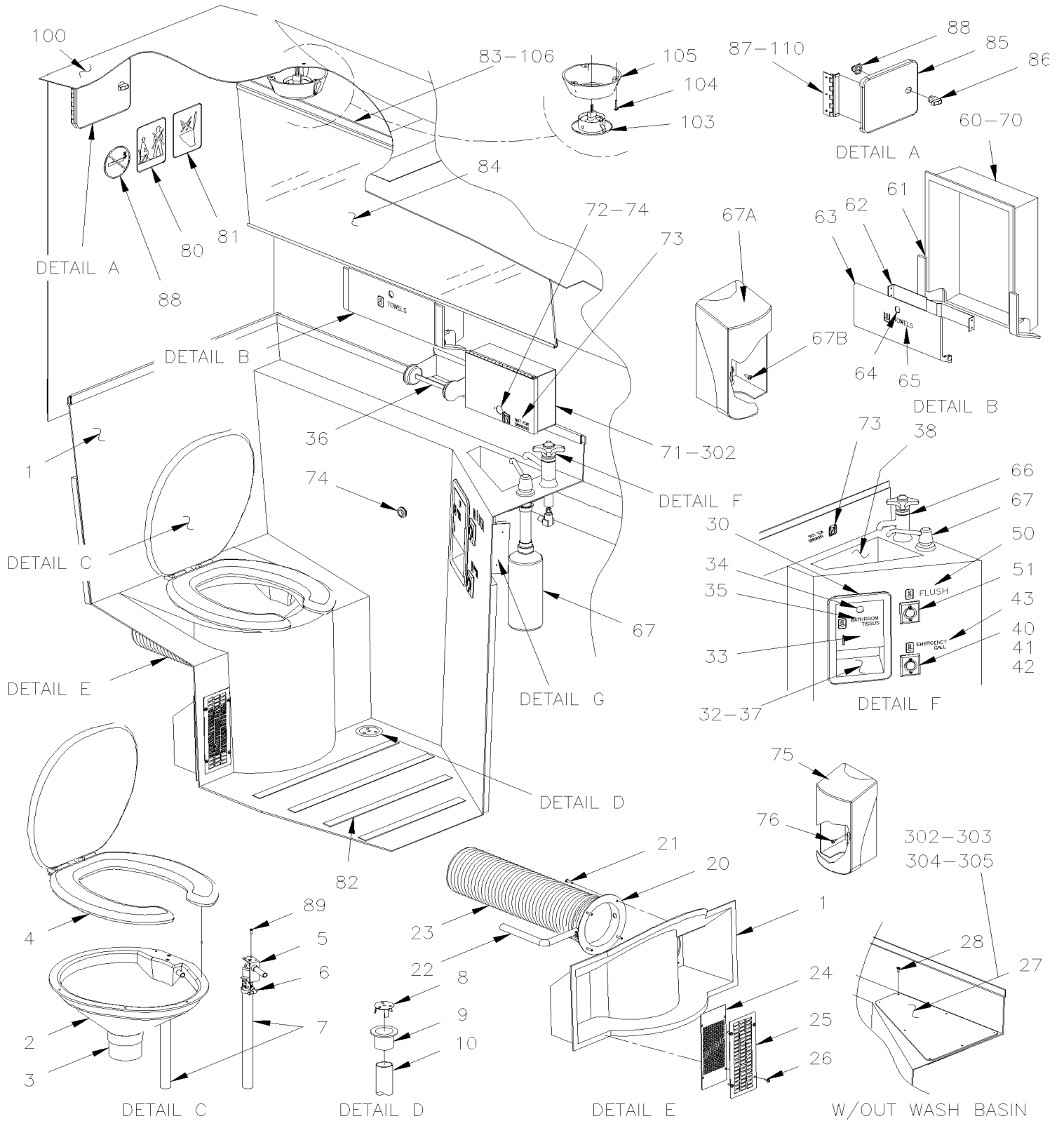
**CENTRAL VACUUMING SYSTEM INSTALLATION**



From C-1998 To J-0184	Date:10/2022	PAGE:H7-2322-00
<b>CENTRAL VACUUMING SYSTEM INSTALLATION</b>		

Item#	Part	Description	H 3 4 1	H 3 4 5	V I P 4 5	N O T E S
1	880046	CENTRAL VACUUMING SYSTEM KIT CV950 "DIRT DEVIL"		1		
1	N.S.P.	FOR ALL SERVICE PART SEE DIRT DEVIL DEALER				2 S
10	406081	SUPPORT CENTRAL VACUUMING		1		
11	5001381	SCREW TC CAP HEX 1/4-20x1/2 Z050		3		
12	500473	WASHER LO SPT .262x.489x.062 Z050		3		
13	500640	SCREW TP PAN PH #6x3/4 Z050		6		
14	500843	SCREW TP PAN PH #10X1 1/2 Z050		4		
NS	504637	CABLE TIE / 3/16" x 13"		AR		
NS	506283	PIPE INSULATING / 1 5/8" I.D. X 1/2" TH. X 72 / APT15812		AR		
NS	506466	TAPE RUB ADH1 CC POL 1/16" x 1 1/2" x 100 / GREY 2520		AR		
NS	562595	SPECIAL WIRE CABLE 14/3 / WHITE (BOAT CABLE)		AR		
NS	562664	PROTECTOR METALLIC 1"/CABLE		AR		
NS	680025	CAULKING STRIP 3/16" O.D. X 14'		AR		
NS	680290	ADHESIVE PVC / 946ml		AR		
		S) FOR ALL SERVICE PART SEE "DIRT DEVIL" DEALER				
		2) NOT SOLD BY PREVOST (SEE MANUFACTURING PART NUMBER AT END OF DESCRIPTION LINE)				

## LAVATORY - ACCESSORIES

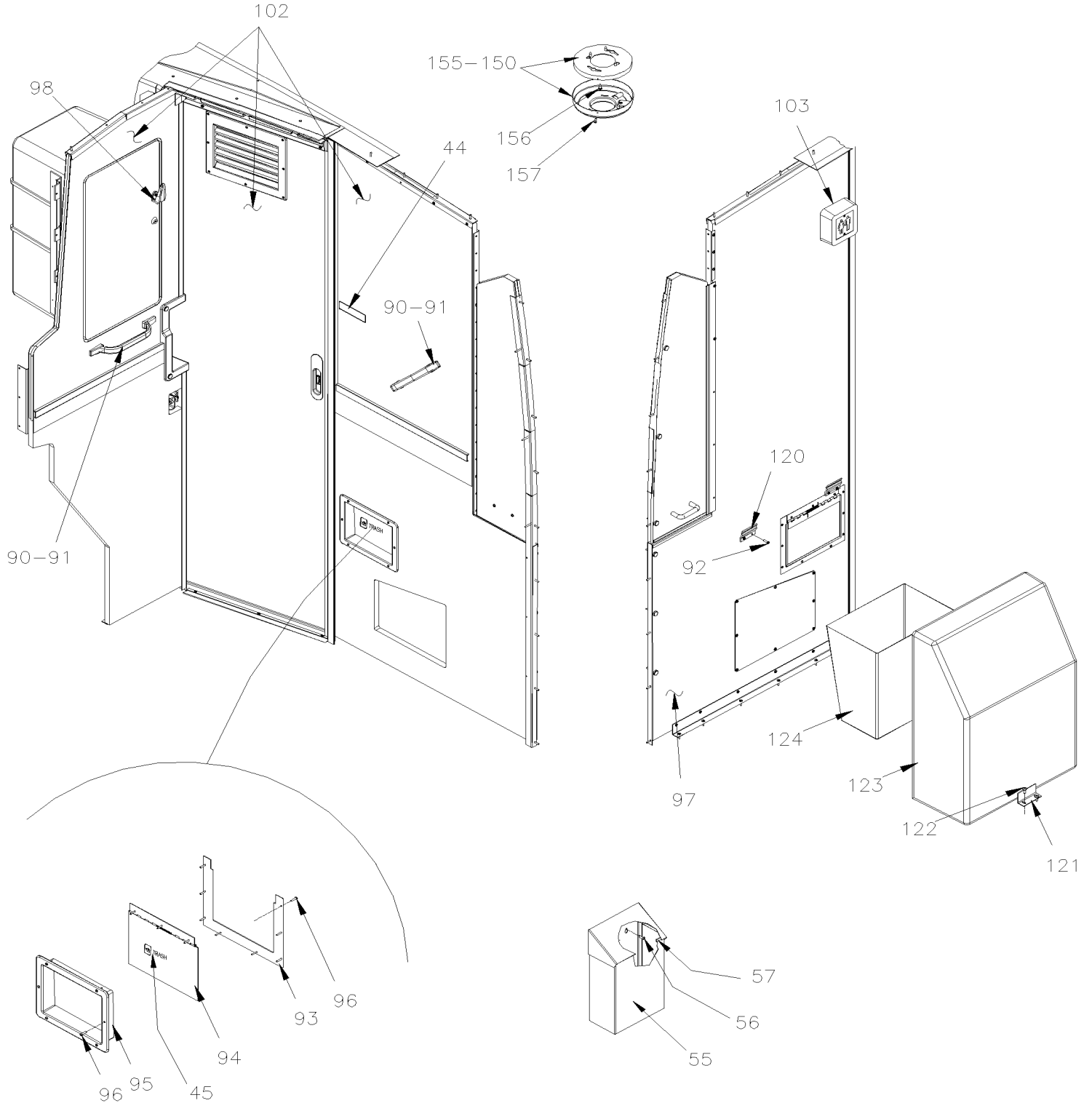


From 7-0671 To J-0184

Date:10/2022

PAGE:H7-2325-00

## LAVATORY - ACCESSORIES





From 7-0671 To J-0184	Date:10/2022	PAGE:H7-2325-00
<b>LAVATORY - ACCESSORIES</b>		

Item#	Part	Description	H 3 4 1	H 3 4 5	V I P 4 5	N O T E S
	403168P	LAVATORY ASSY W/BASIN WASH	1	1		
1	408121	TOILET FIBERGLASS ASSY To 8-1135	1	1		
1	405988	TOILET FIBERGLASS ASSY From 8-1136 To J-0156	1	1		
1	400518	TOILET FIBERGLASS ASSY From J-0157	1	1		
1	400409	TOILET FIBERGLASS ASSY GREY From H-3655 To J-0156		1		H
1	400602	TOILET FIBERGLASS ASSY GREY From J-0157	1	1		H
1	400344	TOILET FIBERGLASS ASSY From H-3599 To J-0156	1	1		D
1	400603	TOILET FIBERGLASS ASSY FIREPROOF From J-0157	1	1		D
1	408226	TOILET FIBERGLASS ASSY / W/W.C.L. "RED ARROW" grey "P.W.T." To 9-1369	1	1		
1	408236	TOILET FIBERGLASS ASSY / W/W.C.L. "RED ARROW" grey "P.W.T." From 9-1370 To J-0156	1	1		
1	400292	TOILET FIBERGLASS ASSY / W/W.C.L. "RED ARROW" grey "P.W.T." From J-0157	1	1		
NS	400646	KIT OPTIMAL OPERATION OF THE LAVATORY FAN To J-0156	1	1		
. NS	400256	. HOSE 3/4" I.D. 670 MM To J-0156	1	1		
. NS	400512	. FLANGE ASSY To J-0156	1	1		
. NS	400647	. PLUG To J-0156	1	1		
. NS	504020	. HOSE CLAMP / 9/16"-1"1/4 SS / HS-12 To J-0156	2	2		
. NS	680537	. GLUE, PLEXUS MA830 380 ML To J-0156	1	1		
2	901049	BOWL ASSY, TOILET / W/ACRYLIC LAVATORY To 8-1135	1	1		
2	405994	BOWL ASSY, TOILET / W/ACRYLIC LAVATORY BEIGE From 8-1136 To C-1964	1	1		
2	406531	BOWL ASSY, TOILET / W/ACRYLIC LAVATORY GREY From C-1965	1	1		
3	404322	PIPE ABS 3" I.D. X 73MM	1	1		
4	900338	SEAT & COVER ASSY, TOILET / "BEMIS" To 8-1135	1	1		
4	901293	SEAT & COVER ASSY, TOILET / "BONE ALMOND" From 8-1136	1	1		
4	901279	SEAT & COVER ASSY, TOILET / "CENTOCO" "P.W.T."	AR	AR		H
NS	504427	NUT WELL 1/4-20	2	2		
NS	500610	SCREW MA RND PH 1/4x1 3/4 SS	2	2		
5	405361	SUPPORT	1	1		
5	405362	PIPE ASSY	1	1		
6	504319	HOSE CLAMP / 1"-1"1/2 SS / E.T. 16	1	1		
7	403191	HOSE 3/4" I.D. x 1900MM	1	1		
7	400151	HOSE 3/4" I.D. x 1220MM	1	1		C
7	503523	. HOSE SILICONE 1PLY 3/4" I.D. x 100' / S.L.	1	1		
8	401927	GRILLE ASSY, STRAINER	1	1		
9	900219	STRAINER ASSY, FLOOR	1	1		
NS	900861	PIGTAIL / DRAIN TUBE To H-3734	1	1		
9	406734	PIGTAIL / DRAIN TUBE From H-3735	1	1		
NS	Call order desk	PLATE, CLOSING TOILET DRAIN ASSY From B-1721 To H-3734	1	1		P
NS	500623	SCREW TC PAN PH #10-24x3/4 N500 From B-1721 To H-3734	3	3		
10	590285	DRAIN BOOT 2" I.D. X 6" / FLAT To H-3734	1	1		
NS	504019	HOSE CLAMP / 9/16"-1"1/16 SS / HS-10 To H-3734	1	1		
10	414654	DRAIN BOOT 1" I.D. W/GROOVE 1.5 x 35MM I.D. x 85MM From H-3735	1	1		
20	403060	FLANGE HOSE ADAPTOR 4" O.D. / W/5/8" HOSE To A-1720	1	1		

<b>From 7-0671 To J-0184</b>	<b>Date:10/2022</b>	<b>PAGE:H7-2325-00</b>
<b>LAVATORY - ACCESSORIES</b>		

Item#	Part	Description	H 3 4 1	H 3 4 5	V I P 4 5	N O T E S
20	406374	FLANGE HOSE ADAPTOR 5" O.D. / W3/4" HOSE From B-1721 To J-0156	1	1		
20	400509	FLANGE HOSE ADAPTOR 5" O.D. From J-0157	1	1		
NS	684517	ADHESIVE SIMSON #ISR 70-03 / GREY / 310ml CARTRIDGE	AR	AR		
21	500641	SCREW TP PAN PH #8x3/4 Z050	4	4		
22	373481	HOSE 3/4" I.D. 533MM To A-1720	1	1		
22	372738	HOSE 3/4" I.D. 815 MM From B-1721 To J-0156	1	1		
22	400256	HOSE 3/4" I.D. 670 MM From J-0157	1	1		
23	403058	HOSE FLEXIBLE 5" I.D. X 460MM	1	1		
24	283827	SCREEN 84.5 x 223	1	1		
25	403151	GRILLE / SIDE OF BOWL / 91MM x 226MM	1	1		
26	500638	SCREW TP PAN PH #8x1/2 Z050	8	8		
27	403382	COVER / FORMICA / W/O WASHBASSIN To 8-1135	AR	AR		
27	406048	COVER / FORMICA / W/O WASHBASSIN From 8-1136 To C-1926	AR	AR		
27	406527	COVER / PAINT / W/O WASHBASSIN BEIGE From C-1927	AR	AR		
27	400408	COVER / PAINT / W/O WASHBASSIN GREY From H-3655		AR		H
27	404198	COVER / SS / W/O WASHBASSIN	AR	AR		
28	500656	SCREW TP OV PH #6x3/4 SS To H-3552	7	7		
28	500289	SCREW TC OV PH #6-32x3/4 SS410 From H-3553	7	7		
NS	500463	WASHER FN CKF .187x.500x.090 BR Z050	7	7		
30	404754	DISPENSER ASSY / PLASTIC GREY To 8-1135	1	1		
30	405989	DISPENSER ASSY / PLASTIC BEIGE From 8-1136 To A-1720	1	1		
30	900083	DISPENSER / TOILET PAPER / (CHROME) From B-1721	1	1		
32	404748	. BOX / PLASTIC GREY To 8-1135	1	1		
32	405991	. BOX / PLASTIC BEIGE From 8-1136 To A-1720	1	1		
33	404747	. DOOR / PLASTIC GREY To 8-1135	1	1		
33	405990	. DOOR / PLASTIC BEIGE From 8-1136 To A-1720	1	1		
34	780538	. LOCK To A-1720	1	1		
. NS	780539	. . KEY / (CH751) To A-1720	1	1		
NS	403145	SUPPORT DISPENSER To A-1720	1	1		
NS	406405	SUPPORT DISPENSER From B-1721	1	1		
NS	502789	SCREW MA PAN PH M6-1.0x20 Z050 To A-1720	1	1		
NS	500642	SCREW TP PAN PH #10x3/4 Z050 From B-1721	4	4		
NS	900085	PAPER, TOILET / BOX OF 96 PACK	AR	AR		
35	407541	DECAL / "BATHROOM TISSUS" / ENGLISH & FRANCAIS To 8-1135	1	1		
35	408259	DECAL / "BATHROOM TISSUS" / ENGLISH & FRANCAIS From 8-1136	1	1		
35	402746	DECAL / "BATHROOM TISSUS" / ENGLISH To 8-1135	1	1		
35	408260	DECAL / "BATHROOM TISSUS" / ENGLISH From 8-1136	1	1		S
35	405633	DECAL / "BATHROOM TISSUS" / ENGLISH & SPANISH To 8-1135	1	1		
35	408265	DECAL / "BATHROOM TISSUS" / ENGLISH & SPANISH From 8-1136	1	1		S
36	900656	DISPENSER / TOILET PAPER ASSY (TO USE W/STD) ROLL)	1	1		
NS	900657	PAPER, TOILET / ROLL S.Q.	AR	AR		
37	403553	CLOSING PANEL SS To 8-1135	1	1		

From 7-0671 To J-0184	Date:10/2022	PAGE:H7-2325-00
<b>LAVATORY - ACCESSORIES</b>		

Item#	Part	Description	H 3 4 1	H 3 4 5	V I P 4 5	N O T E S
37	405992	CLOSING PANEL BEIGE From 8-1136	1	1		
37	400415	CLOSING PANEL GREY From H-3655		1		H
38	900509	STRAINER / WASHBASIN	1	1		
40	561676	BUTTON / EMERGENCY	1	1		
41	403040	PROTECTOR / EMERGENCY SWITCH / PLASTIC GREY / 44MM X 54MM To 8-1135	2	2		
41	405993	PROTECTOR / EMERGENCY SWITCH / PLASTIC TAN / 44MM X 54MM From 8-1136	2	2		
41	403040	PROTECTOR / EMERGENCY SWITCH / PLASTIC GREY / 44MM X 54MM From H-3655		2		H
NS	500148	SCREW MA RND PH #6-32x1/2 SS To F-2762	4	4		
NS	5001955	SCREW MA RND PH #6-32x1/2 SS From F-2763	4	4		
42	500862	SCREW TC PAN PH #6-32x3/4 Z050	2	2		
43	405452	DECAL / "EMERGENCY CALL" / ENGLISH & FRANCAIS To 8-1135	1	1		
43	408255	DECAL / "EMERGENCY CALL" / ENGLISH & FRANCAIS From 8-1136 To D-2398	1	1		
43	406612	DECAL / "EMERGENCY CALL" / ENGLISH & FRANCAIS From D-2399	1	1		
43	405632	DECAL / "EMERGENCY CALL" / ENGLISH & SPANISH To 8-1135	1	1		
43	408262	DECAL / "EMERGENCY CALL" / ENGLISH & SPANISH From 8-1136 To D-2398	1	1		
43	406618	DECAL / "EMERGENCY CALL" / ENGLISH & SPANISH From D-2399	1	1		
43	402745	DECAL / "EMERGENCY CALL" / ENGLISH To 8-1135	1	1		
43	408248	DECAL / "EMERGENCY CALL" / ENGLISH From 8-1136 To D-2398	1	1		
43	406614	DECAL / "EMERGENCY CALL" / ENGLISH From D-2399	1	1		
44	408212	DECAL "PLEASE SHUT DOOR.." / ENGLISH & FRANCAIS To 8-1135	1	1		
44	408244	DECAL "PLEASE SHUT DOOR.." / ENGLISH & FRANCAIS From 8-1136	1	1		
44	408213	DECAL "PLEASE SHUT DOOR.." / ENGLISH & SPANISH To 8-1135	1	1		
44	408245	DECAL "PLEASE SHUT DOOR.." / ENGLISH & SPANISH From 8-1136	1	1		
44	408214	DECAL "PLEASE SHUT DOOR.." / ENGLISH To 8-1135	1	1		
44	408246	DECAL "PLEASE SHUT DOOR.." / ENGLISH From 8-1136	1	1		
44	408214	DECAL "PLEASE SHUT DOOR.." / ENGLISH From H-3655		1		H
45	407540	DECAL / "TRASH" / ENGLISH & FRANCAIS To 8-1135	1	1		
45	408256	DECAL / "TRASH" / ENGLISH & FRANCAIS From 8-1136 To D-2398	1	1		
45	402742	DECAL / "TRASH" / ENGLISH To 8-1135	1	1		
45	408257	DECAL / "TRASH" / ENGLISH From 8-1136 To D-2398	1	1		
45	405630	DECAL / "TRASH" / ENGLISH & SPANISH To 8-1135	1	1		
45	408263	DECAL / "TRASH" / ENGLISH & SPANISH From 8-1136 To D-2398	1	1		
45	406616	DECAL / "TRASH" From D-2399	1	1		
50	405414	DECAL / "FLUSH" / ENGLISH & FRANCAIS To 8-1135	1	1		
50	408254	DECAL / "FLUSH" / ENGLISH & FRANCAIS From 8-1136 To D-2398	1	1		
50	406611	DECAL / LAVATORY PUMP FLUSH / ENGLISH & FRANCAIS From D-2399	1	1		
50	402744	DECAL / LAVATORY PUMP FLUSH / ENGLISH To 8-1135	1	1		
50	408247	DECAL / LAVATORY PUMP FLUSH / ENGLISH From 8-1136 To D-2398	1	1		
50	406613	DECAL / LAVATORY PUMP FLUSH / ENGLISH From D-2399	1	1		
50	405631	DECAL / LAVATORY PUMP FLUSH / ENGLISH & SPANISH To 8-1135	1	1		
50	408261	DECAL / LAVATORY PUMP FLUSH / ENGLISH & SPANISH From 8-1136 To D-2398	1	1		
50	406617	DECAL / LAVATORY PUMP FLUSH / ENGLISH & SPANISH From D-2399	1	1		

<b>From 7-0671 To J-0184</b>	<b>Date:10/2022</b>	<b>PAGE:H7-2325-00</b>
<b>LAVATORY - ACCESSORIES</b>		

Item#	Part	Description	H 3 4 1	H 3 4 5	V I P 4 5	N O T E S
51	563326	PUSH BUTTON / OPERATOR / BLACK	1	1		
55	900057	SANITARY NAPKIN CONTAINER From H-3599	1	1		D
55	506790	TAPE RUB ADH2 CC POL 1/16" x 1/2" x 200' / BLACK I1C-N-A From H-3599	AR	AR		D
56	500642	SCREW TP PAN PH #10x3/4 Z050 From H-3599	2	2		D
57	506338	RUBBER CHANNEL / 1/16" x 1/4" INT "U" SHAPE / ROUND C.T.L. From H-3599	AR	AR		D
57	680066	ADHESIVE / ADBOND #5014 / 23.6ML BOTTLE From H-3599	AR	AR		D
60	404753	DISPENSER ASSY / PLASTIC GREY To 8-1135	1	1		
60	406027	DISPENSER ASSY / PLASTIC BEIGE From 8-1136	1	1		
60	404753	DISPENSER ASSY / PLASTIC GREY From H-3655		1		H
61	404746	. BOX / PLASTIC GREY To 8-1135	1	1		
61	406026	. BOX / PLASTIC BEIGE From 8-1136	1	1		
61	404746	. BOX / PLASTIC GREY From H-3655		1		H
62	403161	. SUPPORT, ALUMINIUM	1	1		
63	404745	. DOOR / PLASTIC GREY To 8-1135	1	1		
63	406028	. DOOR / PLASTIC BEIGE From 8-1136	1	1		
63	404745	. DOOR / PLASTIC GREY From H-3655		1		H
64	780538	. LOCK	1	1		B
. NS	780539	. . KEY / (CH751)	1	1		B
65	407539	DECAL / "TOWELS" / ENGLISH & FRANCAIS	1	1		
65	405634	DECAL / "TOWELS" / ENGLISH & SPANISH	1	1		
66	900582	FAUCET To F-2890	1	1		
66	900011	FAUCET From F-2891	1	1		
66	900010	NUT, COUPLING 1/2-14 From F-2891	1	1		
67	900084	DISPENSER / SOAP	1	1		
NS	19501055	SOAP BASE ANGLED COUNTER MOUNT ROUND 2" O.D. / WHITE	AR	AR		
NS	19503252	SOAP BASE ANGLED COUNTER MOUNT ROUND 2" O.D. / BLACK	AR	AR		
NS	19501054	SOAP BASE 12° ANGLED COUNTER MOUNT ROUND 2" 5/8" / BLACK	AR	AR		
NS	19503185	HAND SANITIZER WATERLESS NON-ALCOHOLIC SCREWABLE BOTTLE	AR	AR		
NS	19503186	HAND SANITIZER WATERLESS ALCOHOLIC SCREWABLE BOTTLE	AR	AR		
NS	19503187	HAND & FACE REFRESHER TOWELLETES	AR	AR		
67A	900088	DISPENSER / SOAP	1	1		
67B	500638	SCREW TP PAN PH #8x1/2 Z050	4	4		
NS	901385	HAND SANITIZER WATERLESS BOX OF 12/800ml	1	1		
70	900328	TOWEL, PAPER	AR	AR		
NS	403891	CLOSING PANEL SS / TO USE W/O DISPENSER ASSY	1	1		
NS	500640	SCREW TP PAN PH #6x3/4 Z050	6	6		F
NS	500996	NUT SPR U #6-32 .135-.150	6	6		F
71	404999	DISPENSER SS / WET TOWELS	1	1		
NS	402026	. BOX	1	1		
72	901051	. LOCK	1	1		
72	N.S.S.	. . KEY	1	1		1
73	402748	DECAL / "NOT FOR DRINKING" / ENGLISH To 8-1135	1	1		

<b>From 7-0671 To J-0184</b>	<b>Date:10/2022</b>	<b>PAGE:H7-2325-00</b>
<b>LAVATORY - ACCESSORIES</b>		

Item#	Part	Description	H 3 4 1	H 3 4 5	V I P 4 5	N O T E S
73	408249	DECAL / "NOT FOR DRINKING" / ENGLISH From 8-1136 To D-2398	1	1		
73	407538	DECAL / "NOT FOR DRINKING" / ENGLISH & FRANCAIS To 8-1135	1	1		
73	408258	DECAL / "NOT FOR DRINKING" / ENGLISH & FRANCAIS From 8-1136 To D-2398	1	1		
73	405635	DECAL / "NOT FOR DRINKING" / ENGLISH & SPANISH To 8-1135	1	1		
73	408264	DECAL / "NOT FOR DRINKING" / ENGLISH & SPANISH From 8-1136 To D-2398	1	1		
73	406615	DECAL / "NOT FOR DRINKING" From D-2399	1	1		
74	900588	TISSUS / WET PAPER	AR	AR		
75	900148	DISPENSER, GEL, PURELL ANTISEPTIC	1	1		
76	500642	SCREW TP PAN PH #10x3/4 Z050	4	4		
80	404344	DECAL / "NO GARBAGE & PLEASE SIT DOWN" To 8-1135	1	1		
80	408250	DECAL / "NO GARBAGE & PLEASE SIT DOWN" From 8-1136 To D-2398	1	1		S
80	406610	DECAL "NO FOREIGN MATERIAL..." From D-2399	1	1		
81	901026	DECAL / "NO SMOKING" / 4" O.D. To E-2500	1	1		
81	406690	DECAL / "NO SMOKING" From E-2501	1	1		
82	900515	TAPE ANTISKID ADH / GREY / 1" X 60'	AR	AR		
83	403156	SUPPORT / MIRROR LOWER	1	1		
83	403153	SUPPORT / MIRROR UPPER	1	1		
NS	506494	TAPE RUB ADH2 URE 1/8" x 1" x 100' / WHITE 4008	AR	AR		
NS	506236	TAPE RUB ADH1 CC POL 1/16" x 1/2" x 100' / GREY 2520	AR	AR		
NS	403122	MOULDING CAP / GREY PLATINE 1085MM / 42 5/8"	1	1		A
NS	406046	MOULDING CAP / GREY MIDNIGHT CHARCOAL 1085MM / 42 5/8"	1	1		A
NS	403116	MOULDING RETAINER / 1081MM (42 1/2")	1	1		A
NS	500640	SCREW TP PAN PH #6x3/4 Z050	AR	AR		A
84	403041	MIRROR ASSY / SAFETY	1	1		
NS	506466	TAPE RUB ADH1 CC POL 1/16" x 1 1/2" x 100' / GREY 2520	AR	AR		
NS	066927	MOTION SENSOR ASSY W/CABLE	1	1		
NS	563689	. MOTION SENSOR	1	1		
85	405366	ACCES DOOR ASSY / PLASTIC GREY To 8-1135	1	1		
85	406030	ACCES DOOR ASSY / PLASTIC BEIGE From 8-1136	1	1		
85	405366	ACCES DOOR ASSY / PLASTIC GREY From H-3655		1		H
85	405364	. ACCES DOOR / PLASTIC GREY To 8-1135	1	1		
85	406031	. ACCES DOOR / PLASTIC BEIGE From 8-1136	1	1		
85	405364	. ACCES DOOR / PLASTIC GREY From H-3655		1		H
86	780538	. LOCK	1	1		
. NS	780539	. . KEY / (CH751)	1	1		
86	280015	. SPACER / LOCK COVER	1	1		
87	405365	. HINGE	1	1		
NS	506785	. TAPE RUB ADH2 CC POL 1/16" x 1/4" x 200' / BLACK I1C-N-A	AR	AR		
87	682462	. ADHESIVE SIKA #252 / BLACK / 310ml CARTRIDGE	AR	AR		
88	288755	. PIVOT LOCK ACTUATOR 33.5MM	1	1		
89	502885	SCREW TC FL PH #8-32x5/8 N500	2	2		
90	901047	HANDLE / SHORT To G-3148	2	2		

<b>From 7-0671 To J-0184</b>	<b>Date:10/2022</b>	<b>PAGE:H7-2325-00</b>
<b>LAVATORY - ACCESSORIES</b>		

Item#	Part	Description	H 3 4 1	H 3 4 5	V I P 4 5	N O T E S
90	901459	HANDLE From G-3149 To H-3533	2	2		
90	900054	HANDLE From H-3534 To H-3708	2	2		
90	901459	HANDLE From H-3709	2	2		
91	500641	SCREW TP PAN PH #8x3/4 Z050 To G-3148	8	8		
91	500879	SCREW TP PAN PH #10x1 Z050 From G-3149	4	4		
91	500964	WASHER FL .203x.500x.047 Z050 From G-3149	4	4		
91	900490	CAP / W/HANDLE From G-3149 To H-3533	2	2		
91		CAP / W/HANDLE From H-3534 To H-3708	2	2		
91	900490	CAP / W/HANDLE From H-3709	2	2		
92	500641	SCREW TP PAN PH #8x3/4 Z050	4	4		
93	403675	FRAME / STANLESS STEEL / EXTERIOR	1	1		
94	403677	TRAP ASSY 232MM x 146MM	1	1		
. NS	403674	. HINGE	1	1		
. NS	502209	. SPRING, TORSION / .140 I.D. x 1.86 x .063	1	1		
94	406496	TRAP ASSY 160MM x 146MM	1	1		
95	403045	FRAME / PLASTIC / EXTERIOR / PLASTIC GREY To 8-1135	1	1		
95	406032	FRAME / PLASTIC / EXTERIOR / PLASTIC BEIGE From 8-1136	1	1		
95	403045	FRAME / PLASTIC / EXTERIOR / PLASTIC GREY From H-3655		1		H
96	500640	SCREW TP PAN PH #6x3/4 Z050	2	2		
98	900297	HOOK / COAT To H-3944	1	1		
98	900065	HOOK / COAT From H-3945	1	1		
98	900066	CAP, COAT HOOK From H-3945	1	1		
100	<b>H7-1834-00</b>	<b>REAR FINISHING CAP</b>				
102	<b>H7-2328-00</b>	<b>LAVATORY WALL - INSTALLATION WITH SLIDING DOOR</b>				
103	<b>H7-0655-00</b>	<b>INTERIOR LIGHTING To D-2264</b>				
103	<b>H7-0655-01</b>	<b>INTERIOR LIGHTING LED From D-2265</b>				
104	502643	SCREW MA PAN PH #8-32x1 1/4 Z050	3	3		
NS	500678	NUT WELL #8-32x.450	3	3		
105	405371	LAMP SUPPORT / LAVATORY GREY PLATINE To 8-1135	1	1		
105	406045	LAMP SUPPORT / LAVATORY MIDNIGHT CHARCOAL From 8-1136 To A-1512	1	1		
105	409271	LAMP SUPPORT / LAVATORY MIDNIGHT CHARCOAL From A-1513	1	1		
106	066927	MOTION SENSOR ASSY W/CABLE	1	1		
110	501325	NIPPLE / PIPE FITTING / 3/8NPT-Mx3/8NPT-Mx1 BR	1	1		
110	5011180	BALL VALVE 3/8 NPT M x 3/8 NPT M	1	1		
110	5011178	MALE CONNECTOR / GARDEN FITTING / 3/4GARDEN-Mx3/8NPT-M BR	1	1		
110	404474	HOSE ADAPTER SS 1/4" NPT X 6 GARDEN HOSE MALE	1	1		
120	404459	BRACKET, RETAINING / TO FIX CONTAINER TO WALL	2	2		
121	400860	ANGLE / TO FIX DUSTBIN TO FLOOR / 3"	1	1		
122	500841	SCREW TP PAN PH #14x3/4 Z050	2	2		
123	404450	COVER, BASKET	1	1		
NS	405713	DECAL / "TRASH DEPOSIT" PICTOGRAM / PHOTOLUMINESCENT	1	1		
124	900605	TRASH CAN / BLACK PLASTIC	1	1		

<b>From 7-0671 To J-0184</b>	<b>Date:10/2022</b>	<b>PAGE:H7-2325-00</b>
<b>LAVATORY - ACCESSORIES</b>		

Item#	Part	Description	H 3 4 1	H 3 4 5	V I P 4 5	N O T E S
NS	404005	CONTAINER ASSY	1	1		A
NS	404006	. COVER	1	1		A
NS	504353	. RETAINER, 5/16"DIA. (DZUS) STUD	2	2		A
NS	504354	. STUD 5/16 O.D. X 3/8 (DZUS)	2	2		A
NS	504365	. SPRING HOOK / DZUS 5/16	2	2		A
NS	509558	. WEATHERSEAL SNAP-ON 1/8" / SINGLE LIP / WH / C.T.L.	AR	AR		A
NS	500510	SCREW MA BDG PH #10-32x3/4 SS EMN	4	4		A
NS	500519	NUT WELL #10-32x.518	4	4		A
150	562176	DETECTOR / SMOKE (OPTION) To H-3598	1	1		
150	505412	. SPACER, ROLL To H-3598	2	2		
150	502630	. WASHER FL .156x.375x.049 Z050 To H-3598	2	2		
150	500440	. WASHER FL .250x.562x.065 Z050 To H-3598	4	4		
150	504481	. RIVET POP DOME OE 1/8x.515 STL To H-3598	2	2		
		LAVATORY SMOKE DETECTOR From H-3599				
155	560395	DETECTOR / SMOKE (2 WIRES) From H-3599	1	1		D
155	060614	WIRING HARNESS LAVATORY SMOKE DETECTOR From H-3599	1	1		D
156	500409	SCREW TP PAN PH #8x1/2 BK From H-3599	4	4		D
157	500373	SCREW TP BDG PH #6x1/2 N500 From H-3599	1	1		D
		NEXT PACK ARE FOR SERVICE				
300	900655	CHEMICAL PACK / "TIMSEN-AIR" / (BOX OF 960)	AR	AR		
300	403678	CHEMICAL PACK / "TIMSEN-AIR" / (BOX OF 40)	AR	AR		
301	900329	CHEMICAL PACK / "INCA GOLD" / S.Q.	AR	AR		
301	900654	CHEMICAL PACK / "INCA" FORMULE 104 / S.Q.	AR	AR		
301	900893	CHEMICAL PACK / "CELESTE INDUSTRIE" / S.Q.	AR	AR		
301	900894	CHEMICAL PACK / "CELESTE INDUSTRIE" / (BOX OF 100)	AR	AR		
		WET TOWEL DISPENDER MOULDED				
302	405275	SUPPORT WET TOWEL DISPENDER	1	1		
303	405303	DISPENSER PLASTIC / WET TOWELS	1	1		
. NS	780538	. LOCK	1	1		
. . NS	780539	. . KEY / (CH751)	1	1		
304	500656	SCREW TP OV PH #6x3/4 SS	8	8		
		A) FIX OVER MIRROR				
		B) SOME COACH USE LOCK /504502 TO USE W/O KEY				

From 7-0671 To J-0184	Date:10/2022	PAGE:H7-2325-00
<b>LAVATORY - ACCESSORIES</b>		

Item#	Part	Description	H 3 4 1	H 3 4 5	V I P 4 5	N O T E S
		C) USE WITH AUXILIAIRY SUMP TANK				
		D) "ORLEAN" OPTION				
		F) TO FIX CLOSING PANEL				
		H) BAUER'S TRANSPORTATION OPTION				
		S) THIS ARE RELATED WITH INSIDE SAND STONE COLOR				
		1) NOT SOLD SEPARATELY				
		P) CALL ORDER DESK FOR SPECIFIC APPLICATION (V.I.N.)				

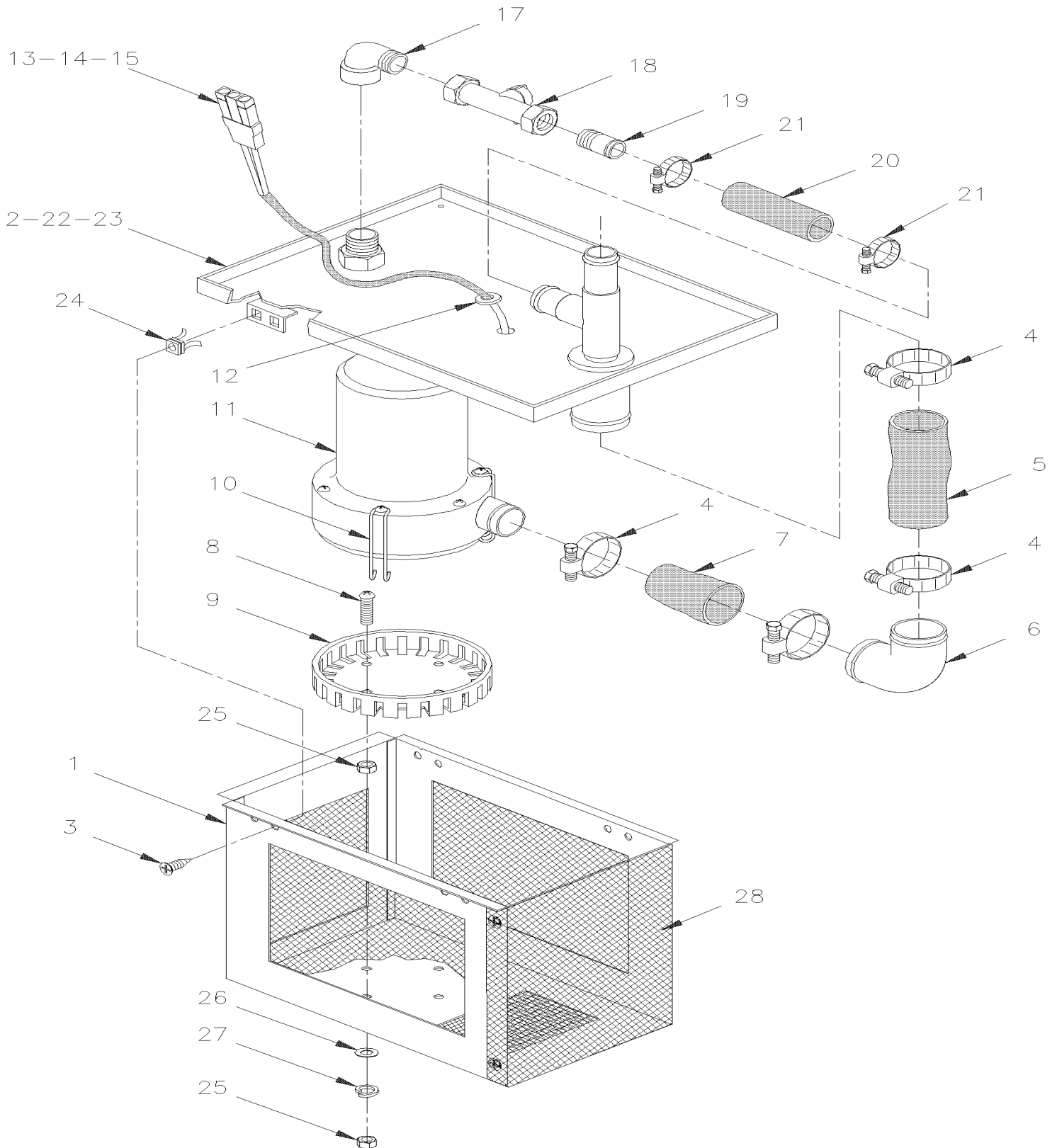


From 7-0671 To D-2122

Date:10/2022

PAGE:H7-2326-00

**TOILET PUMP ASSY**



<b>From 7-0671 To D-2122</b>	<b>Date:10/2022</b>	<b>PAGE:H7-2326-00</b>
<b>TOILET PUMP ASSY</b>		

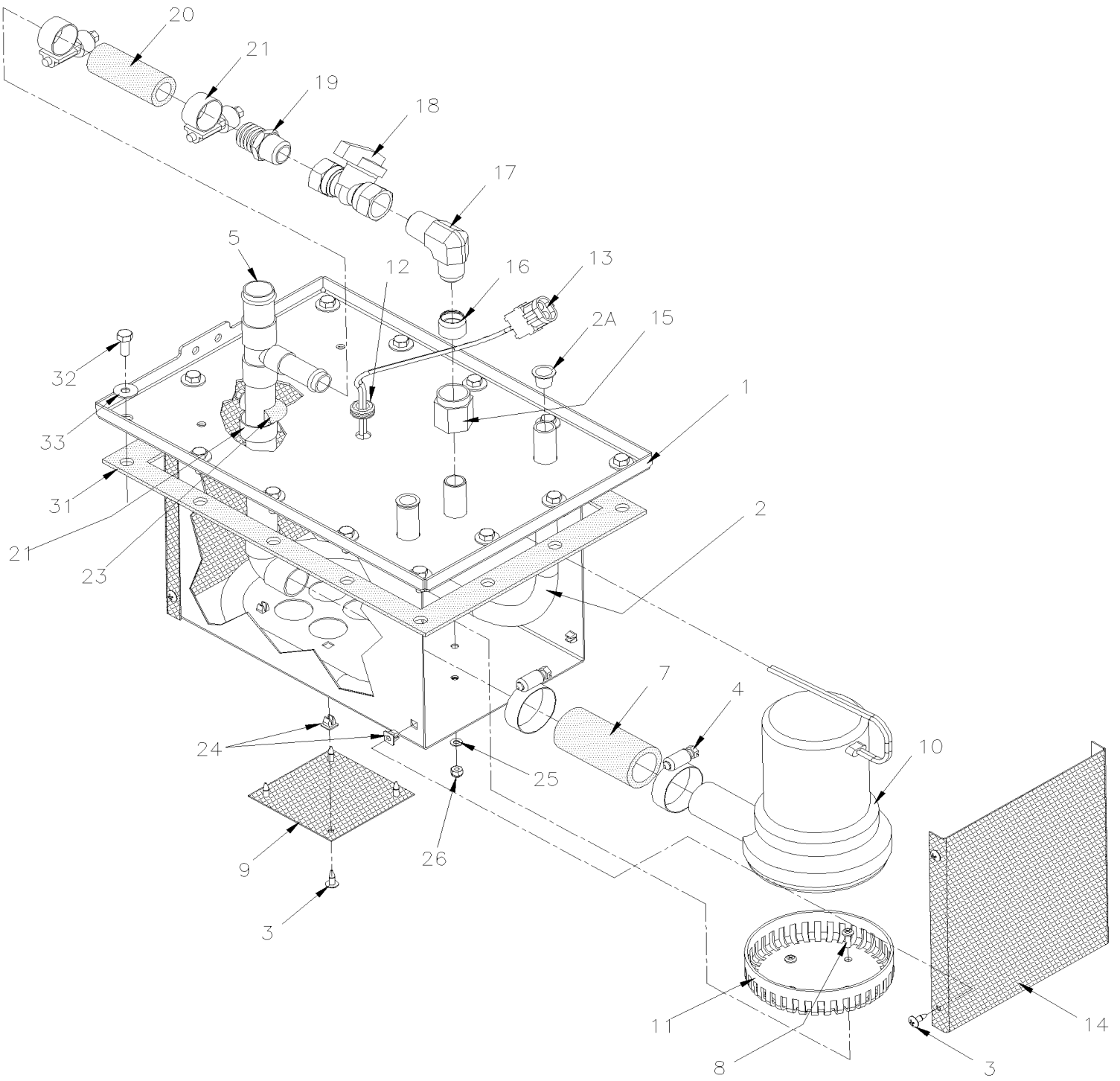
Item#	Part	Description	H 3 4 1	H 3 4 5	V I P 4 5	N O T E S
	404898	SUMP PUMP ASSY W/BOX	1	1		C
	404902	SUMP PUMP ASSY W/BOX	1	1		C B
1	404899	. FRAME / PUMP BOX	1	1		
2	403467	. COVER / PUMP BOX / STD To B-1726	1	1		
2	408296	. COVER / PUMP BOX / STD From B-1727	1	1		
2	404484	. COVER / PUMP BOX / W/AUXILIARY BATTERY OR 8	1	1		
3	500124	. SCREW TP TR PH #8x1/2 SS	12	12		
4	504413	. HOSE CLAMP / 1"1/16-2" SS / HAS-24	4	4		
5	503391	. HOSE SILICONE 4PLY 1 1/8" I.D. x 3'	AR	AR		
6	403470	. TUBE ASSY	1	1		
7	503391	. HOSE SILICONE 4PLY 1 1/8" I.D. x 3'	AR	AR		A
8	500556	. SCREW MA TR PH 1/4-20x3/4 SS	4	4		
9	901421	. BASE, STRAINER	AR	AR		
11	900960	. PUMP TOILET	1	1		
12	504323	. GROMMET / .375x.500x.062x.281x.687	1	1		
13	561786	. CABLE SEAL / GRAY / PED 15324980	2	2		
14	561568	. PIN TERMINAL / 16-14 / PED 12089305	2	2		
15	561566	. CONNECTOR / WEATHER PACK / PH 2C / BLACK / PED 12010973	1	1		
17	507557	. STREET ELBOW 90° / PIPE FITTING / 1/2NPT-Mx1/2NPT-F BR	1	1		
18	530096	. BALL VALVE 1/2" NPT 1/2 NPT F x 1/2 NPT F	1	1		
19	030827	. NIPPLE	1	1		
20	381115	. HOSE 7/8" I.D. X 3"	1	1		
20	372387	. HOSE 7/8" I.D. X 76MM	1	1		
21	504022	. HOSE CLAMP / 3/4"-1"3/4 SS / HS-20	2	2		
22	409053	. GASKET / PUMP COVER 8 HOLES	2	2		
23	502621	. NUT HEX STO M6-1.0 Z050	1	1		A
24	502741	. NUT AN #8 NYL	12	12		
25	500769	. NUT HEX 1/4-20 Z050	8	8		
26	502573	. WASHER FL 6.4x12.5x1.6 SS	4	4		
27	502570	. WASHER LO SPT 6.1x11.8x1.6 SS	4	4		
28	403037	. PROTECTION GRILL	1	1		
29	409416	KIT NEW PUMP / SEAL	1	1		
		A) TO FIX PUMP				
		B) USE IN AUXILIARY SUMP TANK				
		C) WHEN YOU REPLACE THE SUMP PUMP WITH NEW ONE YOU HAVE ORDER #409416				

From D-2123 To J-0184

Date:10/2022

PAGE:H7-2326-01

TOILET PUMP ASSY / WITH HEATER



From D-2123 To J-0184	Date:10/2022	PAGE:H7-2326-01
<b>TOILET PUMP ASSY / WITH HEATER</b>		

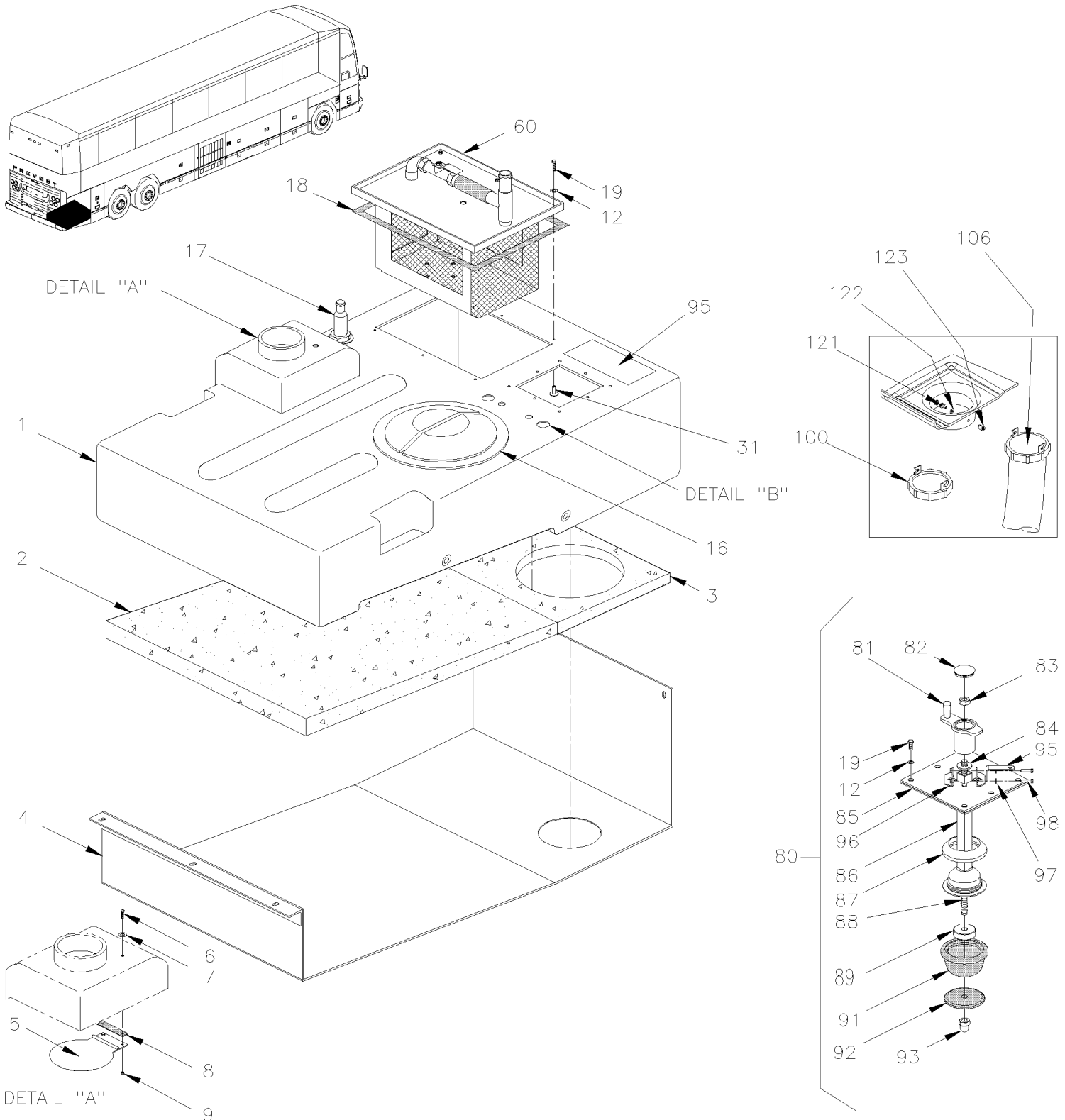
Item#	Part	Description	H 3 4 1	H 3 4 5	V I P 4 5	N O T E S
	409392P	SUMP PUMP ASSY W/BOX	1	1		
1	409384	. BOX ASSY	1	1		
2	409390	. . HEATER	1	1		
2A	680467	. . PLUG	1	1		
3	500124	. SCREW TP TR PH #8x1/2 SS	12	12		
4	504021	. HOSE CLAMP / 11/16"-1"1/2 SS / HS-16	2	2		
5	409393	. PIPE ASSY / SUMP PUMP	1	1		
7	409397	. HOSE 1" I.D. X 75MM	1	1		
7	503579	. . HOSE 1" I.D. X 50' / "GREEN STRIPE"	AR	AR		
8	5011209	. SCREW MA PAN PH #8-32x1/2 SS	4	4		
9	409387	. PROTECTION GRILL	1	1		
10	900960	. PUMP TOILET	1	1		
11	901421	. . BASE, STRAINER	1	1		
12	504323	. GROMMET / .375x.500x.062x.281x.687	1	1		
13	561566	. CONNECTOR / WEATHER PACK / PH 2C / BLACK / PED 12010973	1	1		
13	561786	. CABLE SEAL / GRAY / PED 15324980	2	2		
13	561568	. PIN TERMINAL / 16-14 / PED 12089305	2	2		
14	409401	. PROTECTION GRILL	2	2		
15	641061	. NUT / NTA FITTING / #10 BR	1	1		
16	641034	. . SLEEVE / NTA FITTING / #10 BR	1	1		
17	641001	. . MALE ELBOW 90° / NTA FITTING / #10x1/2NPT-M BR	1	1		
18	530096	. BALL VALVE 1/2" NPT 1/2 NPT F x 1/2 NPT F	1	1		
NS	680098	THREAD SEALANT LOCTITE #567 / WHITE / 250ml	AR	AR		
19	5011241	. MALE CONNECTOR / BEADED HOSE BARB / #10x1/2NPT-M BR	1	1		
20	409394	. HOSE SILICONE 1PLY 5/8" I.D. x 65MM	1	1		
20	503720	. . HOSE SILICONE 1 PLY 5/8" I.D. x 25' / S.L. To D-2275	AR	AR		
20	503802	. . HOSE SILICONE 1 PLY / NOMEX-ARAMID 5/8" I.D. x 100' / S.L. From D-2276	AR	AR		
21	504646	. HOSE CLAMP / 11/16"-1"1/4 / C.T. 9412 To D-2301	3	3		
21	504781	. HOSE CLAMP / 13/16"-1 5/16" SS / C.T. W.S. From D-2302	3	3		
23	680532	SEALANT SIKA #221 / GREY / 310ml CARTRIDGE	AR	AR		
24	502741	. NUT AN #8 NYL	12	12		
25	502556	. WASHER FL 4.3x9.0x0.8 SS	4	4		
26	5001480	. NUT HEX NYRT #8-32 SS	4	4		
31	406552	GASKET / PUMP COVER 14 HOLES	1	1		
32	5001697	SCREW CAP HEX M6-1.0x16 SS BK	14	14		
33	500411	WASHER FL .260x.697x.050 SS	14	14		

From 7-0671 To J-0184

Date:10/2022

PAGE:H7-2327-00

## SUMP TANK - PLASTIC 30 GALLONS

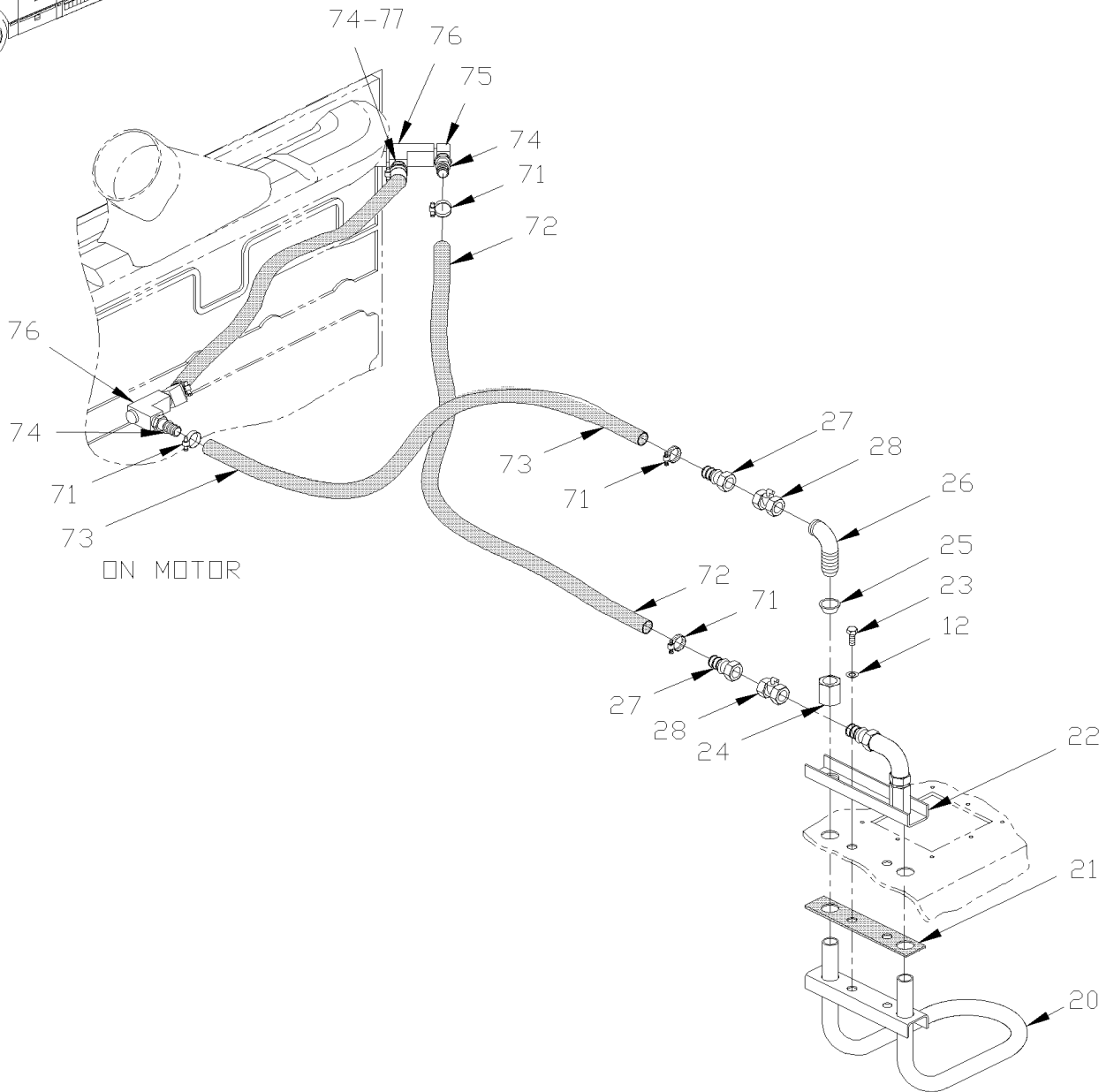
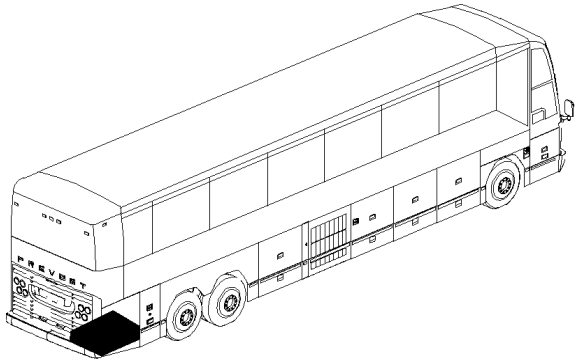


From 7-0671 To J-0184

Date:10/2022

PAGE:H7-2327-00

## SUMP TANK - PLASTIC 30 GALLONS



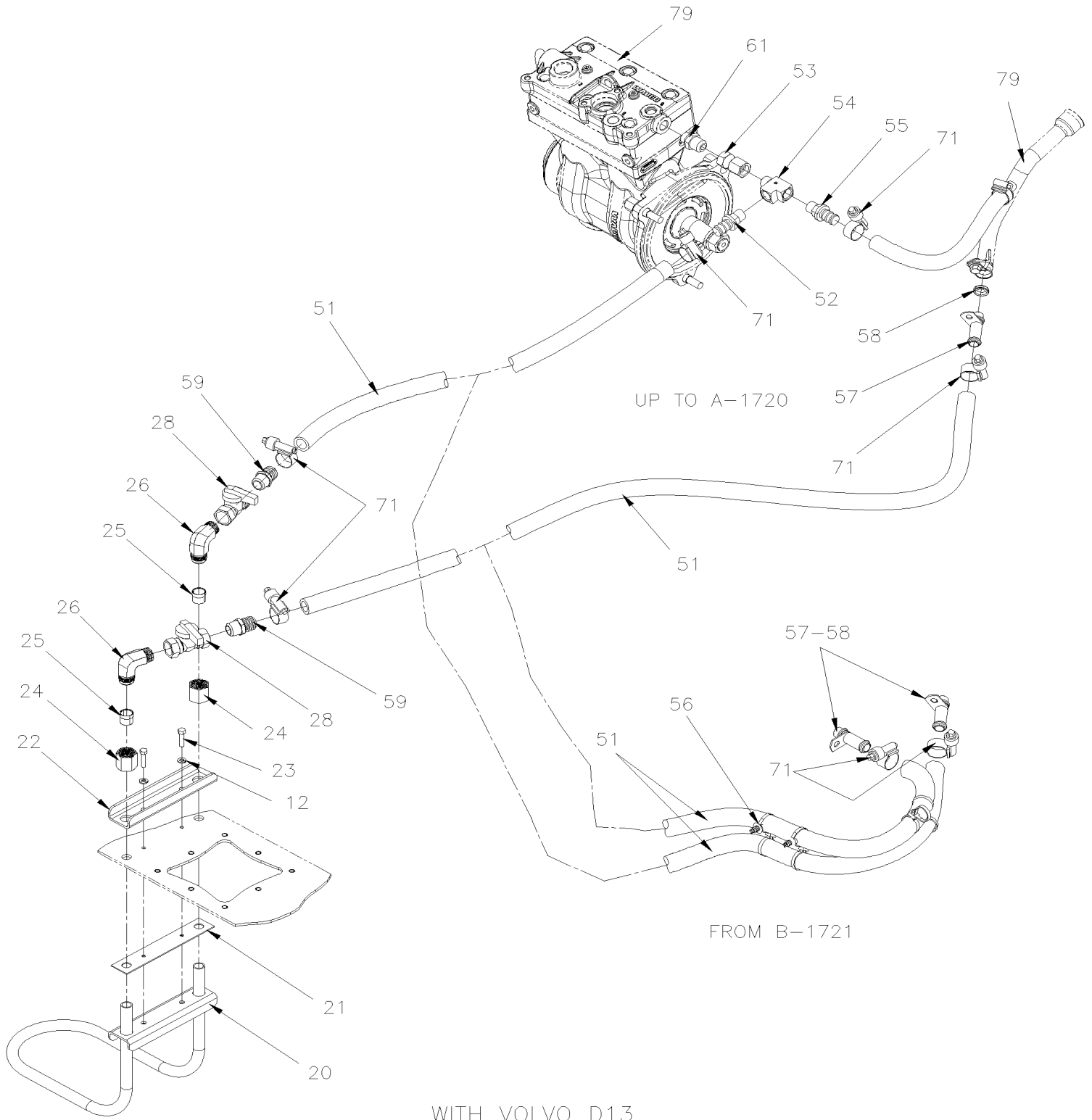
DETAIL "B"

From 7-0671 To J-0184

Date:10/2022

PAGE:H7-2327-00

**SUMP TANK - PLASTIC 30 GALLONS**

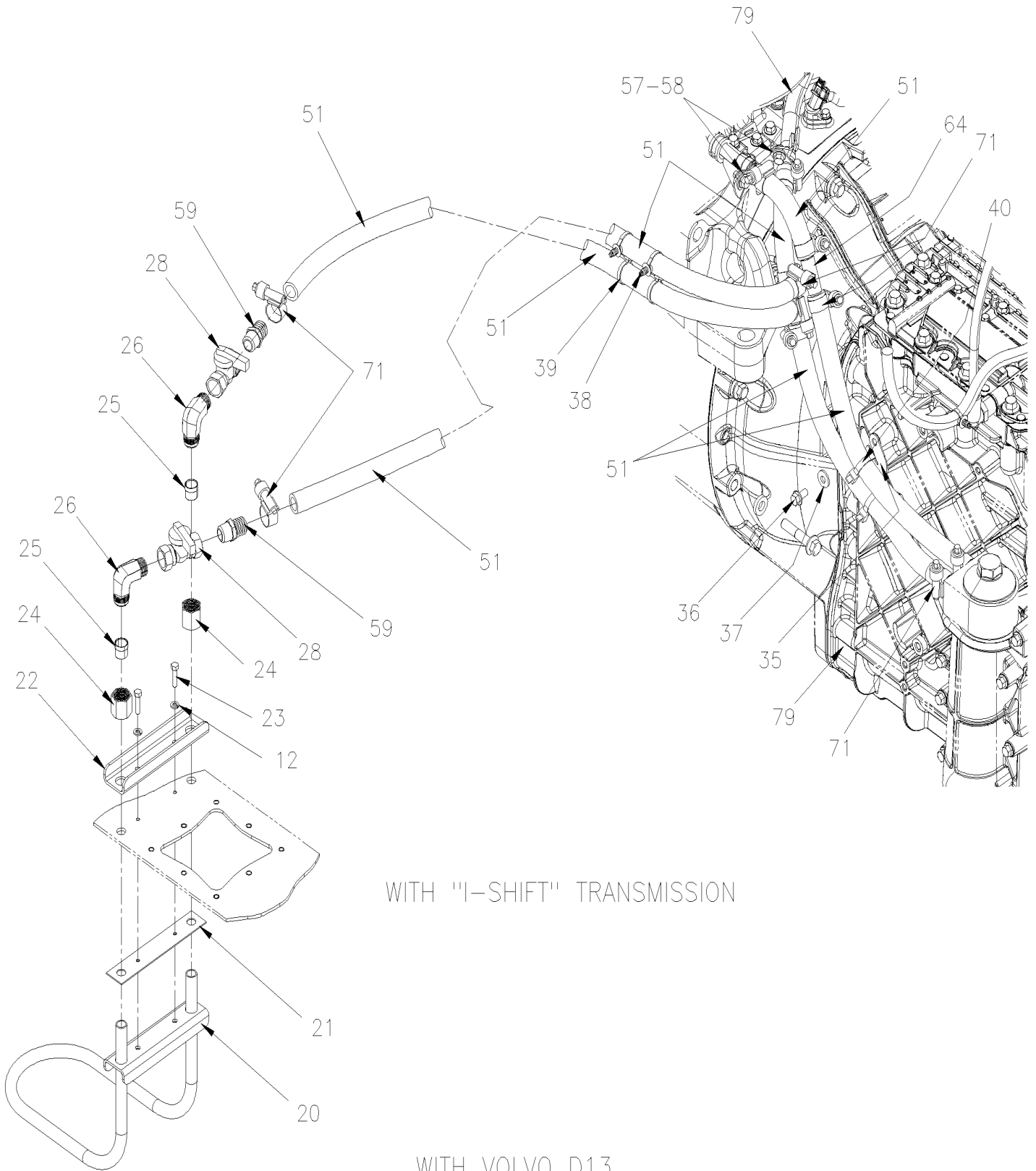


From 7-0671 To J-0184

Date:10/2022

PAGE:H7-2327-00

SUMP TANK - PLASTIC 30 GALLONS





<b>From 7-0671 To J-0184</b>	<b>Date:10/2022</b>	<b>PAGE:H7-2327-00</b>
<b>SUMP TANK - PLASTIC 30 GALLONS</b>		

Item#	Part	Description	H 3 4 1	H 3 4 5	V I P 4 5	N O T E S
	404781	SUMP TANK ASSY / W/O PUMP / W/HEATER	1	1		
	405296	SUMP TANK ASSY / USE WITH AUXILAIRY SUMP TANK	1	1		A
	403230	SUMP TANK ASSY / W/PUMP	1	1		
1	405209	. SUMP TANK To D-2122	1	1		G
. NS	D400361	. . DIAGRAM INSTALL To D-2122	1	1		G
1	406551	. SUMP TANK From D-2123	1	1		
1	400071	. . REINFORCING RING From G-3039	1	1		
1	405208	. SUMP TANK To A-1595	1	1		A
. NS	D400361	. . DIAGRAM INSTALL To A-1595	1	1		A
1	406396	. SUMP TANK From A-1596	1	1		A
2	404340	. INSULATOR PANEL	1	1		
3	404341	. INSULATOR PANEL	1	1		
4	405685	. BOTTOM PANEL	1	1		
5	404176	. TRAP DOOR WELDED	1	1		
6	502622	. SCREW CAP HEX M6-1.0x20 SS BK	2	2		
7	502582	. WASHER LO SERR 6.1x16.2x0.9 Z050	4	4		
8	404155	. GASKET	1	1		
9	502581	. NUT HEX M6-1.0 Z050	2	2		
12	502570	. WASHER LO SPT 6.1x11.8x1.6 SS	2	2		
16	900825	. 8" CLOSED LID C/W RIM	1	1		
18	409053	. GASKET / PUMP COVER 8 HOLES To D-2122	1	1		
18	406552	. GASKET / PUMP COVER 14 HOLES From D-2123	1	1		
19	5001697	. SCREW CAP HEX M6-1.0x16 SS BK	12	12		
20	404337	. HEATER ASSY To D-2122	1	1		
20	409388	. HEATER ASSY From D-2123	1	1		
21	404367	. GASKET	1	1		
22	404339	. SUPPORT PLATE To D-2122	1	1		
22	409389	. SUPPORT PLATE From D-2123	1	1		
23	502737	. SCREW CAP HEX M6-1.0x25 SS BK	2	2		
24	5011027	. NUT FLARELESS TUBE / JIC 37° FITTING / #10 STL	2	2		
25	5011028	. FERRULE FLARELESS TUBE / JIC 37° FITTING / #10 STL	2	2		
26	5011176	. MALE ELBOW 90° / JIC 37° FITTING / #10JIC-Mx1/2NPT-M STL	2	2		
27	507605	. MALE CONNECTOR / HOSE BARB FITTING / #12x1/2NPT-M BR	2	2		
28	530096	. BALL VALVE 1/2" NPT 1/2 NPT F x 1/2 NPT F	2	2		
28	530096	BALL VALVE 1/2" NPT 1/2 NPT F x 1/2 NPT F From B-1721	1	1		E D13
29	406484	FEMALE CONNECTOR / HOSE BARB FITTING / W/RESTRICTION / #10x1/2NPT-F BR From B-1721	1	1		E D13
31	5001182	NUT HEX NYRT M6-1.0 SS	6	6		
35	071624	SUPPORT HOSE From B-1721	1	1		E
36	5001780	SCREW CAP HEXF M8-1.25x16 G8.8 N500 From B-1721	2	2		E
37	500321	WASHER BEL SPR .331x.827x.098 N500 From B-1721	2	2		E
38	509815	TIE MOUNT / ATTACHMENT W/TREE MOUNT From B-1721	2	2		E
39	507664	CABLE TIE / 3/16" 11" / DOUBLE LOOP HEAD From B-1721	2	2		E

From 7-0671 To J-0184	Date:10/2022	PAGE:H7-2327-00
<b>SUMP TANK - PLASTIC 30 GALLONS</b>		

Item#	Part	Description	H 3 4 1	H 3 4 5	V I P 4 5	N O T E S
40	504016	CABLE TIE / 5/16" X 14"1/2 From B-1721	2	2		E
50	Call order desk	HOSE ASSY W/FITTING	1	1		P
51	503720	HOSE SILICONE 1 PLY 5/8" I.D. x 25' / S.L. To D-2275	AR	AR		
51	503802	HOSE SILICONE 1 PLY / NOMEX-ARAMID 5/8" I.D. x 100' / S.L. From D-2276	AR	AR		
52	501124	MALE CONNECTOR / HOSE BARB FITTING / #10x3/8NPT-M BR	1	1		
53	5001674	SWIVEL NUT FEMALE CONNECTOR /JIC 37° FITTING/ #8JIC-Fx3/8NPT-F STL	1	1		
54	501699	MALE RUN TEE / PIPE FITTING / 3/8NPT-Mx3/8NPT-Fx3/8NPT-F BR	1	1		
55	501949	MALE CONNECTOR / PUSH-LOK FITTING / 3/8NPT-Mx#8 BR	1	1		
56	509815	TIE MOUNT / ATTACHMENT W/TREE MOUNT	2	2		
56	507664	CABLE TIE / 3/16" 11" / DOUBLE LOOP HEAD	4	4		
NS	504751	ROTATIF SPACER DOUBLE / SMALL	2	2		
NS	504637	CABLE TIE / 3/16" x 13"	2	2		
NS	504016	CABLE TIE / 5/16" X 14"1/2	AR	AR		
57	374358	ADAPTOR HOSE D15 TO 5/8" I.D. HOSE	2	2		
58	20566808	SEAL 14.5 x 20.9 x 5 To E-2656	1	1		
58	21532261	SEAL From E-2657	1	1		
59	501942	MALE CONNECTOR / PUSH-LOK FITTING / 1/2NPT-Mx#10 BR	2	2		
590	501942	MALE CONNECTOR / PUSH-LOK FITTING / 1/2NPT-Mx#10 BR From B-1721	1	1		E D13
60	<b>H7-2326-00</b>	<b>TOILET PUMP ASSY To D-2122</b>				
60	<b>H7-2326-01</b>	<b>TOILET PUMP ASSY / WITH HEATER From D-2123</b>				
61	641294	MALE CONNECTOR / JIC 37° FITTING / #8JIC-MxM16-1.5-M STL	2	2		
. NS	641297	. O-RING 13.1MM I.D. X 2.6 TH	1	1		
. NS	641298	. WASHER FL 17MM I.D x 22MM O.D. x 1.5MM	1	1		
64	Call order desk	ADAPTOR TEE 5/8"IDx5/8"IDx5/8"ID From B-1721	2	2		P E
64	Call order desk	ADAPTOR TEE 5/8"IDx5/8"IDx5/8"ID From B-1721	2	2		P E
71	504646	HOSE CLAMP / 11/16"-1"1/4 / C.T. 9412 To D-2301	AR	AR		
71	504781	HOSE CLAMP / 13/16"-1 5/16" SS / C.T. W.S. From D-2302 To F-2891	AR	AR		
71	992084	HOSE CLAMP / 23MM/35MM From F-2892	AR	AR		
71	504704	HOSE CLAMP / 3/4"-15/16" / C.T.	AR	AR		H
72	404427	HOSE / HEATER & ENGINE / 3/4" I.D. 1260MM	1	1		
73	402618	HOSE / HEATER & ENGINE / 3/4" I.D. 960MM	1	1		
73	503523	. HOSE SILICONE 1PLY 3/4" I.D. x 100' / S.L.	AR	AR		
74	507605	MALE CONNECTOR / HOSE BARB FITTING / #12x1/2NPT-M BR	3	3		
77	501528	STREET ELBOW 45° / PIPE FITTING / 1/2NPT-Mx1/2NPT-F BR	1	1		
79	VOLVO	VOLVO ENGINE D-13				
80	404948P	EMPTYING PLUG ASSY	1	1		
81	405446	. CRANK W/FLANGE	1	1		
82	689948	. PLUG	1	1		
83	502567	. NUT HEX M10-1.5 SS	1	1		
84	509802	. WASHER FL .500x1.125x.081 BR	2	2		
85	404949	. PLATE ASSY / W/19MM SQ HOLE To 8-1313	1	1		

From 7-0671 To J-0184	Date:10/2022	PAGE:H7-2327-00
<b>SUMP TANK - PLASTIC 30 GALLONS</b>		

Item#	Part	Description	H 3 4 1	H 3 4 5	V I P 4 5	N O T E S
. NS	404950	. . PLATE To 8-1313	1	1		
. NS	404951	. . SEAL RUBBER / W/19MM SQ HOLE To 8-1313	1	1		
. NS	405083	. . SEAL RETAINER To 8-1313	1	1		
. NS	504643	. . RIVET POP DOME OE 1/8x1/2 SS To 8-1313	4	4		
85	407499	. PLATE ASSY / W/22MM SQ HOLE From 8-1314	1	1		
. NS	407497	. . PLATE From 8-1314	1	1		
. NS	407498	. . SEAL RUBBER / W/22MM SQ HOLE From 8-1314	1	1		
. NS	407496	. . SEAL RETAINER FORMER ONE PIECE From 8-1314	1	1		
. NS	409262	. . SEAL RETAINER CURRENT TWO PIECES From 8-1314	2	2		
. NS	504643	. . RIVET POP DOME OE 1/8x1/2 SS From 8-1314	4	4		
86	407494	. TUBE PLASTIC To 8-1313	1	1		
86	409257	. TUBE PLASTIC From 8-1314	1	1		
87	404956	. CLAMPING RING To 8-1313	1	1		
87	409256	. CLAMPING RING From 8-1314	1	1		
88	407495	. ROD	1	1		
89	5001443	. WASHER FL 10.3x38.0x3.0 SS	1	1		
91	409989	. PLUG RUBBER	1	1		
92	404959	. WASHER, CONIC	1	1		
93	5001511	. NUT HEX CAP M10-1.5 SS	1	1		
94	405194	DECAL "OPENING & CLOSING SUMP TANK PICTOGRA	1	1		
95	405438	COLLAR ASSY W/NUT	1	1		
96	405436	COLLAR ASSY W/NUT	1	1		
97	502570	WASHER LO SPT 6.1x11.8x1.6 SS	2	2		
98	5001165	SCREW CAP HEX M6-1.0x20 SS EMN	2	2		
100	900520	CAP	1	1		F
106	900525	HOSE SUMP TANK	1	1		F
121	500557	SCREW MA PAN PH #8-32x3/8 SS	2	2		F
122	502556	WASHER FL 4.3x9.0x0.8 SS	2	2		F
123	405827	ADAPTOR WITH SPECIAL NUT / TO FIX DUMP HOSE	2	2		F
NS	D400361	DIAGRAM INSTALL	1	1		F
126	406621	KIT SERVICE SEPTIC TANK To D-2122	1	1		
. NS	406551	. SUMP TANK To D-2122	1	1		
. NS	406552	. GASKET / PUMP COVER 14 HOLES To D-2122	1	1		
. NS	502573	. WASHER FL 6.4x12.5x1.6 SS To D-2122	6	6		
. NS	5001181	. SCREW CAP HEX M6-1.0x12 SS To D-2122	6	6		
. NS	IS-11135	. SEE INSTRUCTION SHEET To D-2122	1	1		
		A) USE WITH OPTION AUXILIARY TANK OVER SEE PAGE H3-2327-10				

From 7-0671 To J-0184	Date:10/2022	PAGE:H7-2327-00
<b>SUMP TANK - PLASTIC 30 GALLONS</b>		

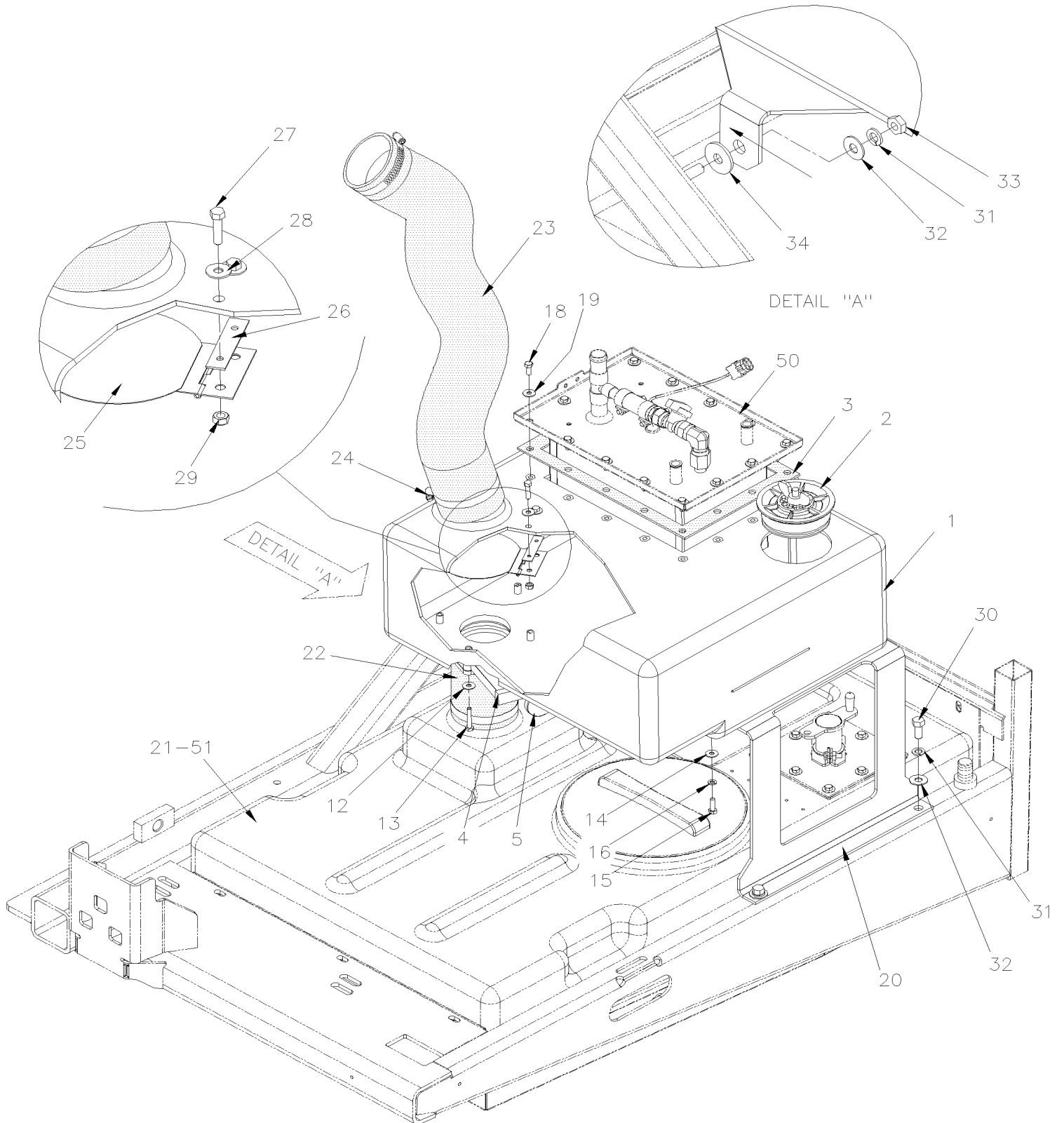
Item#	Part	Description	H 3 4 1	H 3 4 5	V I P 4 5	N O T E S
		D13) WITH D13 "VOLVO" ENGINE ONLY				
		E) WITH "I-SHIFT" TRANSMISSION				
		F) CURRENT // FOR RETROFIT HOSE ADAPTOR TO DUMP SUMP WITH NEW MODEL OF TANK (#405208 & 405209) YOU REQUIRE FOLLOWING PARTS WITH KEEP THE EXIT NIPPLE MOULDED TO TANK				
		G) IF YOU HAVE TO REPLACE THE SUMP TANK AUXILIARY USE #406621				
		H) WITH OPTION "OETIKER" HOSE CLAMP				
		P) CALL ORDER DESK FOR SPECIFIC APPLICATION (V.I.N.)				

From 7-0671 To J-0184

Date:10/2022

PAGE:H7-2327-10

## SUMP TANK - AUXILIARY 13 GALLONS

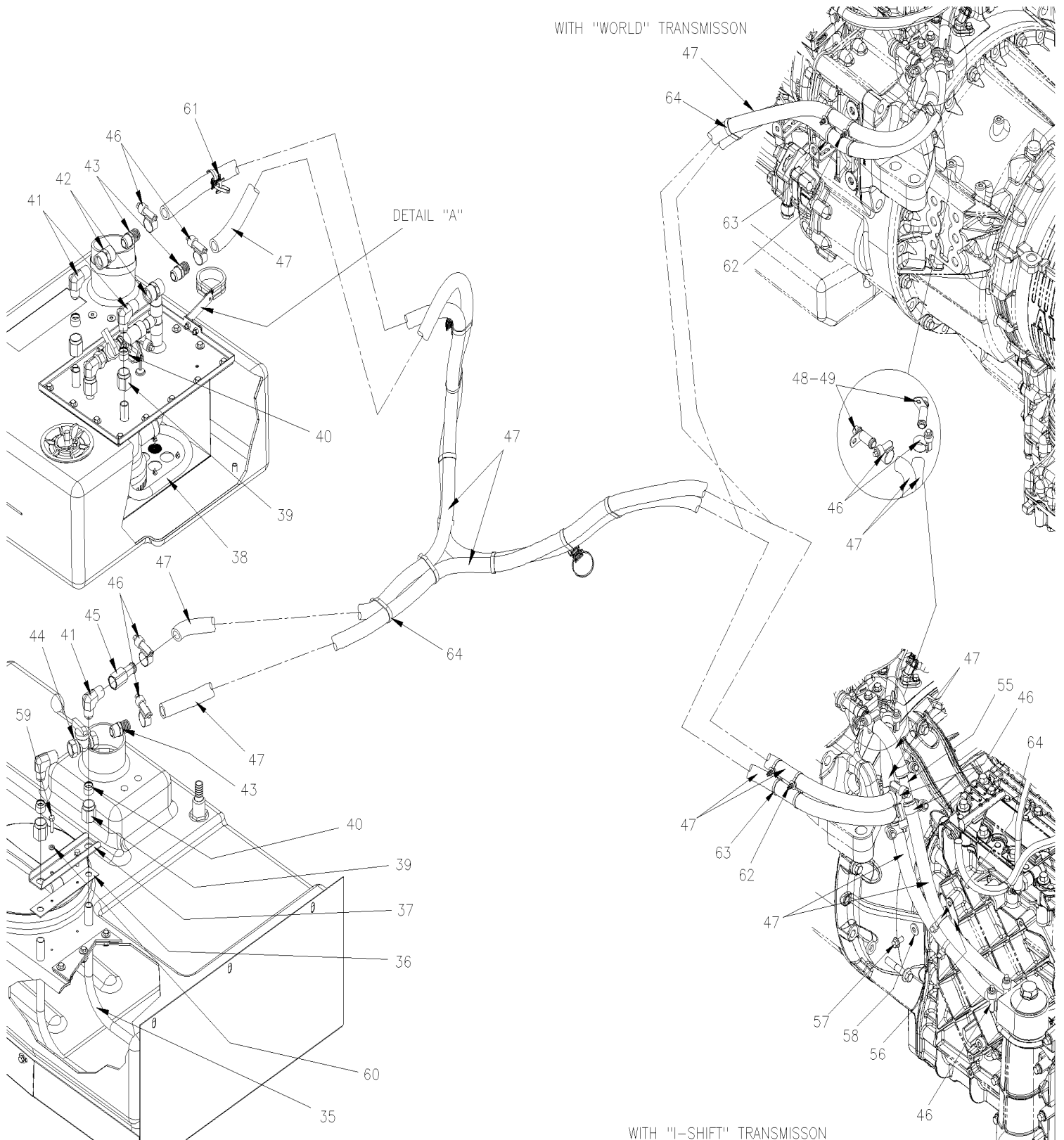


From 7-0671 To J-0184

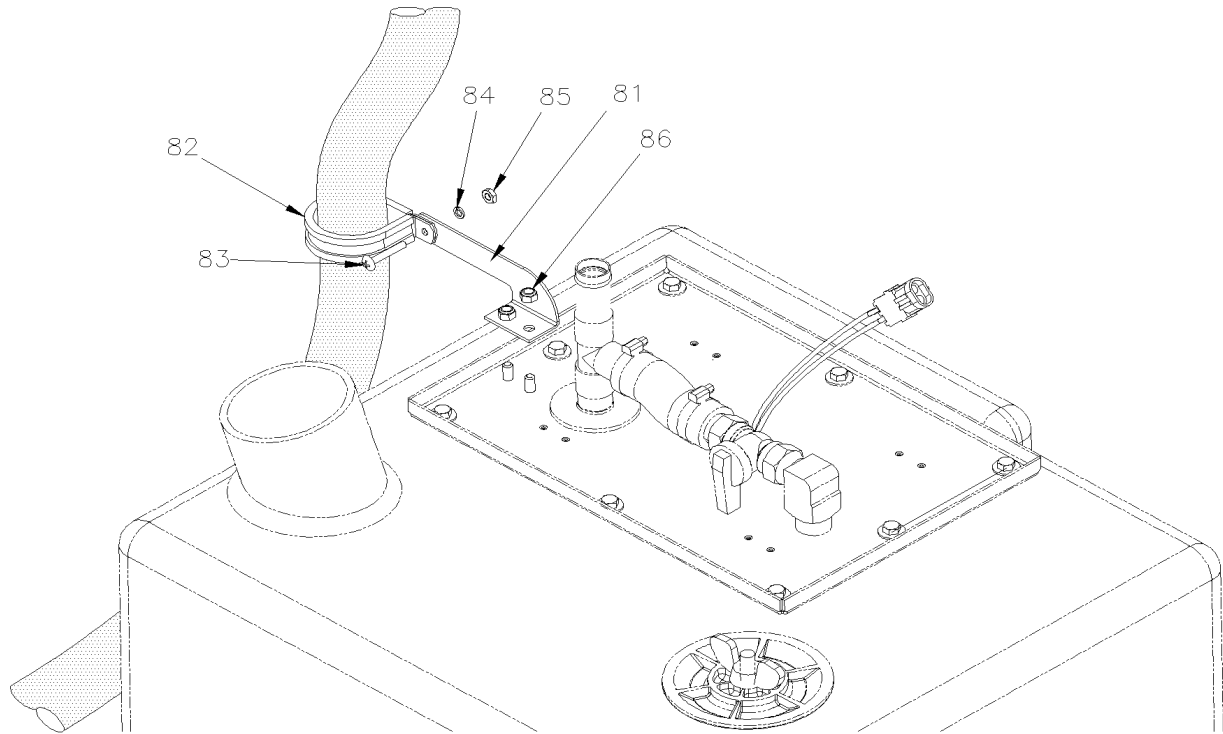
Date:10/2022

PAGE:H7-2327-10

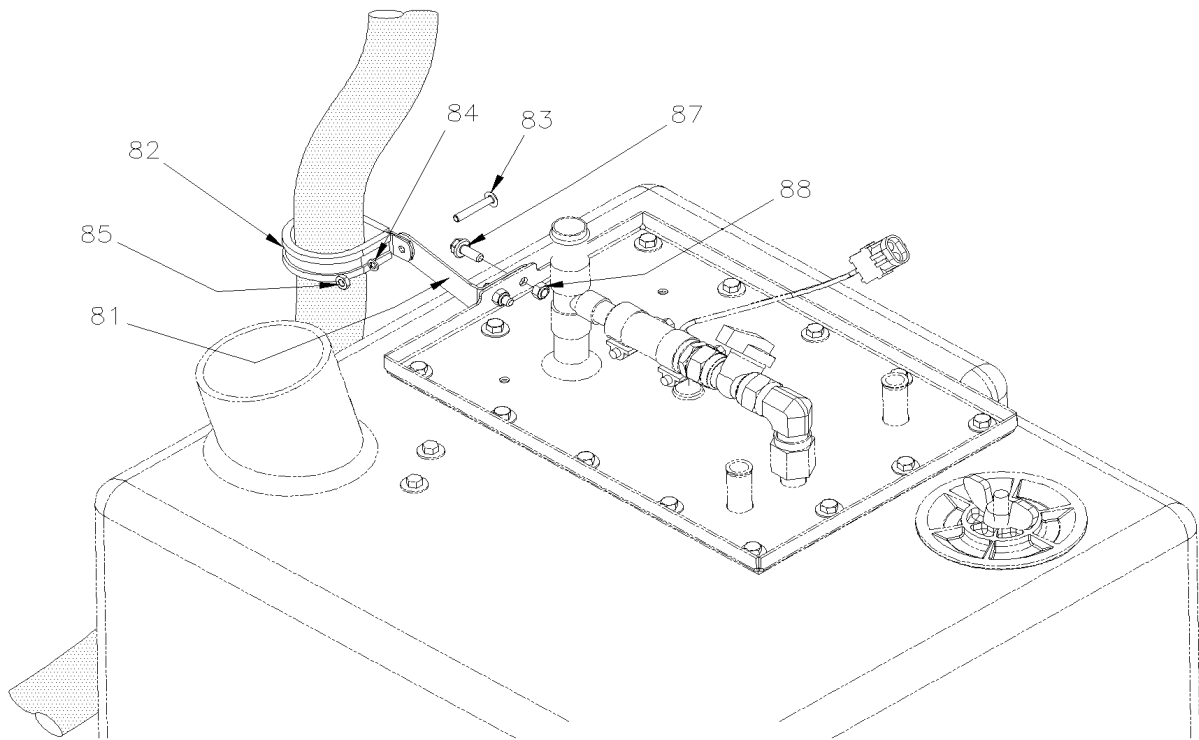
## SUMP TANK - AUXILIARY 13 GALLONS



SUMP TANK - AUXILIARY 13 GALLONS



DETAIL "A"  
UP TO D-2122



DETAIL "A"  
FROM D-2123

From 7-0671 To J-0184	Date:10/2022	PAGE:H7-2327-10
<b>SUMP TANK - AUXILIARY 13 GALLONS</b>		

Item#	Part	Description	H 3 4 1	H 3 4 5	V I P 4 5	N O T E S
1	405109	SUMP TANK AUXILIARY PLASTIC 8 HOLES TO FIX PUMP To D-2122	1	1		A B
1	406550	SUMP TANK AUXILIARY PLASTIC From D-2123	1	1		A
1	400071	. REINFORCING RING From G-3039	1	1		
2	504702	CAP	1	1		
3	409053	GASKET / PUMP COVER 8 HOLES To D-2122	1	1		
3	406552	GASKET / PUMP COVER 14 HOLES From D-2123	1	1		
4	405141	THREADED VALVE ASSY To G-3146	1	1		
4	900195	THREADED VALVE ASSY W/HANDLE From G-3147	1	1		
4	900197	. THREADED VALVE ASSY W/PLASTIC HANDLE To G-3146	1	1		
5	403109	. HANDLE, THREADED VALVE / STANLESS STEEL To G-3146	1	1		
12	500411	WASHER FL .260x.697x.050 SS To H-3576	4	4		
12	5001833	WASHER BEL SPR 6.1x18x1.27 SS From H-3577	4	4		
13	502888	SCREW CAP HEX M6-1.0x35 G8.8 N500	4	4		
14	500411	WASHER FL .260x.697x.050 SS	4	4		
15	502622	SCREW CAP HEX M6-1.0x20 SS BK	4	4		
16	502570	WASHER LO SPT 6.1x11.8x1.6 SS	4	4		
18	5001697	SCREW CAP HEX M6-1.0x16 SS BK	AR	AR		
19	500411	WASHER FL .260x.697x.050 SS	AR	AR		
20	405107	SUPPORT TANK / W/PLASTIC TANK	1	1		
21	405208	SUMP TANK To A-1595	1	1		
. NS	D400361	. DIAGRAM INSTALL To A-1595	1	1		
21	406396	SUMP TANK From A-1596	1	1		
22	405050	HOSE FLEXIBLE 3 1/2" I.D. X 140MM	1	1		
23	405049	HOSE FLEXIBLE 3 1/2" I.D. X 405MM To A-1720	1	1		
23	406464	HOSE FLEXIBLE 3 1/2" I.D. X 745MM From B-1721	1	1		
24	504235	HOSE CLAMP / 3"9/16"-4"1/2 SS / HS-64 To G-3038	4	4		
24	504580	HOSE CLAMP / 3"1/4-4"1/8 / C.T. 400 From G-3039	4	4		
25	404176	TRAP DOOR WELDED From D-2123	1	1		
26	404155	GASKET From D-2123	1	1		
27	502737	SCREW CAP HEX M6-1.0x25 SS BK From D-2123	2	2		
28	500411	WASHER FL .260x.697x.050 SS From D-2123	2	2		
29	5001182	NUT HEX NYRT M6-1.0 SS From D-2123	2	2		
30	502655	SCREW CAP HEX M10-1.5x25 SS BK	2	2		
31	502616	WASHER LO SPT 10.2x18.1x2.2 SS	3	3		
32	500270	WASHER FL .406x1.000x.063 SS	3	3		
33	502567	NUT HEX M10-1.5 SS	1	1		
34	5001417	WASHER FL 11.0x34.0x3.0 SS	1	1		
35	409388	HEATER ASSY From D-2123				
36	404367	GASKET From D-2123	1	1		
37	409389	SUPPORT PLATE From D-2123	1	1		
38	409390	HEATER From D-2123	1	1		
39	5011027	NUT FLARELESS TUBE / JIC 37° FITTING / #10 STL From D-2123	4	4		



<b>From 7-0671 To J-0184</b>	<b>Date:10/2022</b>	<b>PAGE:H7-2327-10</b>
<b>SUMP TANK - AUXILIARY 13 GALLONS</b>		

Item#	Part	Description	H 3 4 1	H 3 4 5	V I P 4 5	N O T E S
40	5011028	FERRULE FLARELESS TUBE / JIC 37° FITTING / #10 STL From D-2123	4	4		
41	5011176	MALE ELBOW 90° / JIC 37° FITTING / #10JIC-Mx1/2NPT-M STL From D-2123	4	4		
42	501529	COUPLING / PIPE FITTING / 1/2NPT-Fx1/2NPT-F BR From D-2123	2	2		
43	501942	MALE CONNECTOR / PUSH-LOK FITTING / 1/2NPT-Mx#10 BR From D-2123	3	3		
NS	680098	THREAD SEALANT LOCTITE #567 / WHITE / 250ml From D-2123	AR	AR		
44	530096	BALL VALVE 1/2" NPT 1/2 NPT F x 1/2 NPT F From D-2123	1	1		
45	406484	FEMALE CONNECTOR / HOSE BARB FITTING / W/RESTRICTION / #10x1/2NPT-F BR From D-2123	1	1		
46	504646	HOSE CLAMP / 11/16"-1"1/4 / C.T. 9412 From D-2123 To D-2301	AR	AR		
46	504781	HOSE CLAMP / 13/16"-1 5/16" SS / C.T. W.S. From D-2302	AR	AR		
46	504693	HOSE CLAMP STEPLESS SPRING SS / OETIKER / .94-1.1	AR	AR		E
47	503720	HOSE SILICONE 1 PLY 5/8" I.D. x 25' / S.L. From D-2123 To D-2275	AR	AR		
47	503802	HOSE SILICONE 1 PLY / NOMEX-ARAMID 5/8" I.D. x 100' / S.L. From D-2276	AR	AR		
48	20566808	SEAL 14.5 x 20.9 x 5 From D-2123 To E-2656	1	1		
48	21532261	SEAL From E-2657	1	1		
49	374358	ADAPTOR HOSE D15 TO 5/8" I.D. HOSE From D-2123	2	2		
50	<b>H7-2326-00</b>	<b>TOILET PUMP ASSY To D-2122</b>				
50	<b>H7-2326-01</b>	<b>TOILET PUMP ASSY / WITH HEATER From D-2123</b>				
51	<b>H7-2327-00</b>	<b>SUMP TANK - PLASTIC 30 GALLONS</b>				
55	Call order desk	ADAPTOR TEE 5/8"IDx5/8"IDx5/8"ID	2	2		P
56	071624	SUPPORT HOSE From D-2123	1	1		
57	5001780	SCREW CAP HEXF M8-1.25x16 G8.8 N500 From D-2123	2	2		
58	500321	WASHER BEL SPR .331x.827x.098 N500 From D-2123	2	2		
59	502737	SCREW CAP HEX M6-1.0x25 SS BK From D-2123	2	2		
60	502570	WASHER LO SPT 6.1x11.8x1.6 SS From D-2123	2	2		
61	504751	ROTATIF SPACER DOUBLE / SMALL From D-2123	3	3		
62	509815	TIE MOUNT / ATTACHMENT W/TREE MOUNT From D-2123	2	2		
63	507664	CABLE TIE / 3/16" 11" / DOUBLE LOOP HEAD From D-2123	2	2		
63	504768	CABLE TIE / 3/16" 14.7" / DOUBLE LOOP HEAD From D-2123	2	2		
64	504016	CABLE TIE / 5/16" X 14"1/2 From D-2123	AR	AR		
64	504637	CABLE TIE / 3/16" x 13" From D-2123	AR	AR		
81	405949	SUPPORT A/C HOSE / FIXED AT AUX SUMP TANK To D-2122	1	1		
81	409386	SUPPORT A/C HOSE / FIXED AT AUX SUMP TANK From D-2123	1	1		
82	562060	CLAMP / 1 3/4" I.D.	1	1		
83	500574	SCREW MA TR PH #10-24x1 1/4 SS	1	1		
84	500914	WASHER LO SPT .193x.334x.047 N500	1	1		
85	502882	NUT HEX #10-24 N500 To D-2122	1	1		
86	502681	NUT HEX NYRT M6-1.0 N500 G8 From D-2123	2	2		
87	5001730	SCREW CAP HEXF M6-1.0x16 G10.9 N500 From D-2123	2	2		
88	5001182	NUT HEX NYRT M6-1.0 SS	2	2		
NS	405205	KIT, RETROFIT AUXILIARY SUMP TANK ASSY	1	1		
. NS	IS-00005	. SEE INSTRUCTION SHEET	1	1		

From 7-0671 To J-0184	Date:10/2022	PAGE:H7-2327-10
<b>SUMP TANK - AUXILIARY 13 GALLONS</b>		

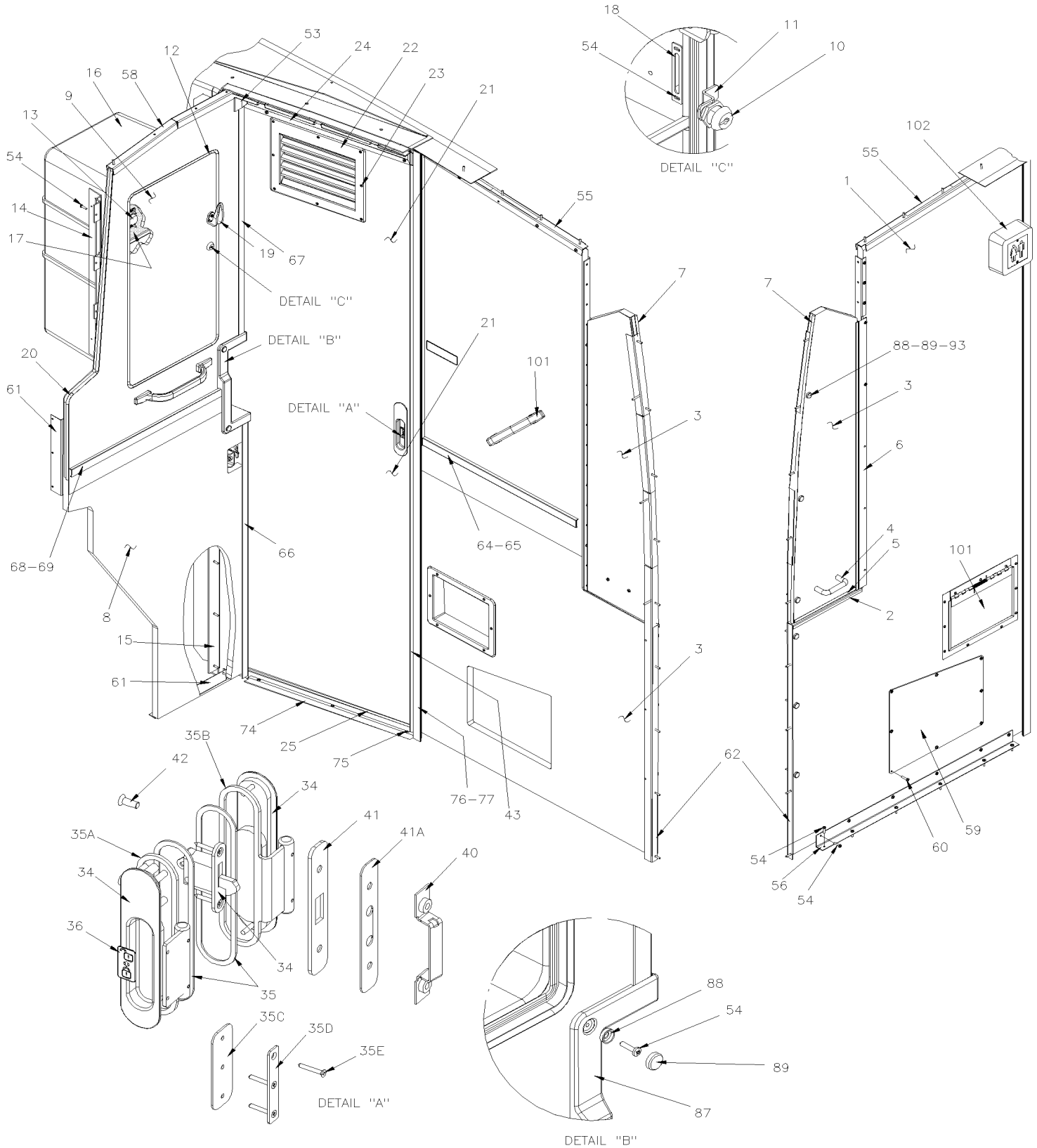
Item#	Part	Description	H 3 4 1	H 3 4 5	V I P 4 5	N O T E S
91	406620	KIT SERVICE SEPTIC TANK AUXILIARY To D-2122	1	1		
. NS	406550	. SUMP TANK AUXILIARY PLASTIC To D-2122	1	1		
. NS	406552	. GASKET / PUMP COVER 14 HOLES To D-2122	1	1		
. NS	502573	. WASHER FL 6.4x12.5x1.6 SS To D-2122	6	6		
. NS	5001181	. SCREW CAP HEX M6-1.0x12 SS To D-2122	6	6		
. NS	IS-11135	. SEE INSTRUCTION SHEET To D-2122	1	1		
		A) FOR RETROFIT THIS OPTION YOU REQUIRE KIT # 405205				
		B) IF YOU HAVE TO REPLACE THE SUMP TANK AUXILIARY USE #406620				
		E) WITH OPTION "OETIKER" HOSE CLAMP				
		P) CALL ORDER DESK FOR SPECIFIC APPLICATION (V.I.N.)				

From 7-0671 To J-0184

Date:10/2022

PAGE:H7-2328-00

## LAVATORY WALL - INSTALLATION WITH SLIDING DOOR

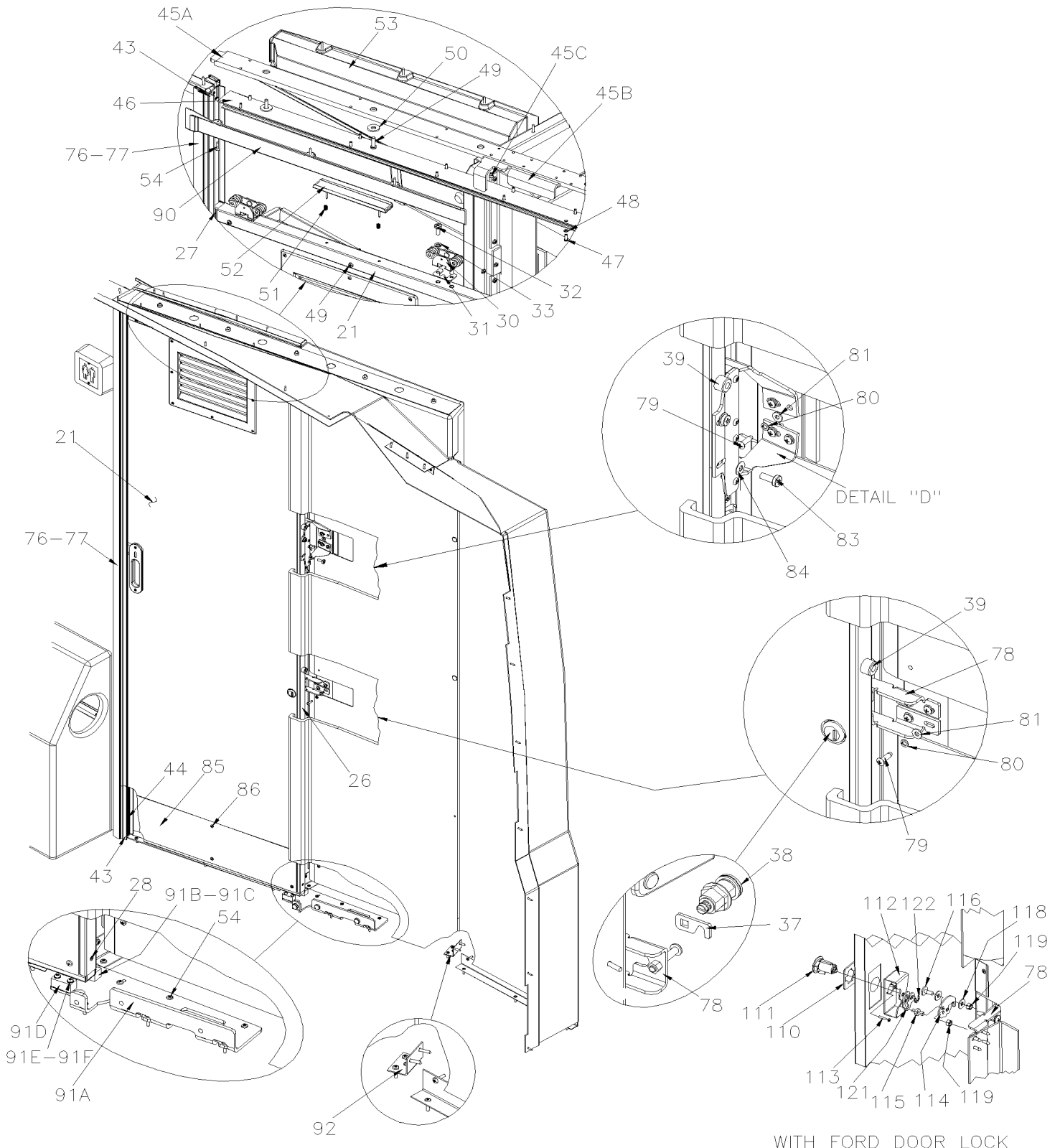


From 7-0671 To J-0184

Date:10/2022

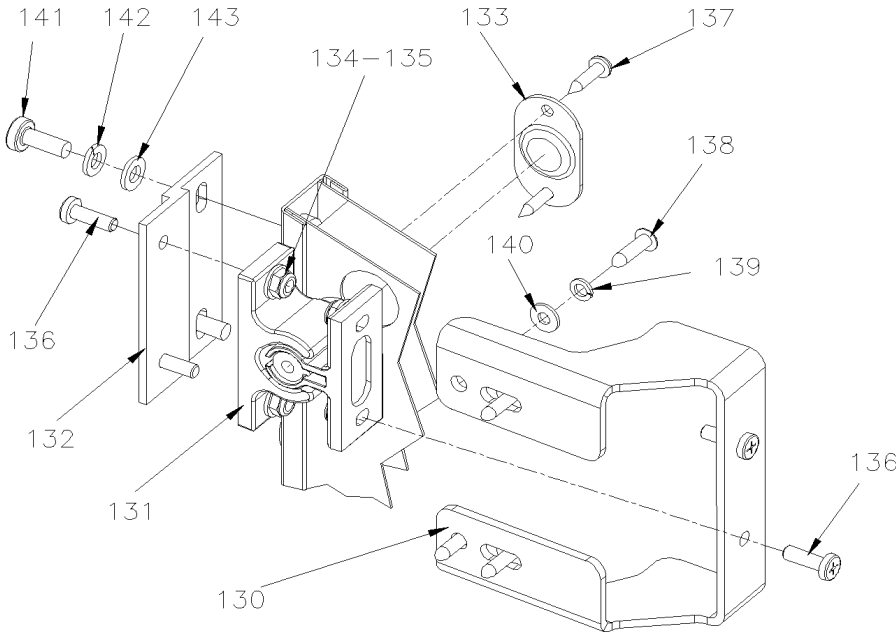
PAGE:H7-2328-00

## LAVATORY WALL - INSTALLATION WITH SLIDING DOOR

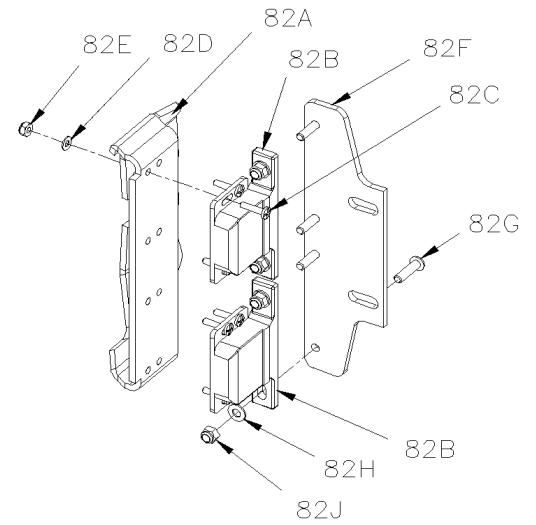


WITH FORD DOOR LOCK

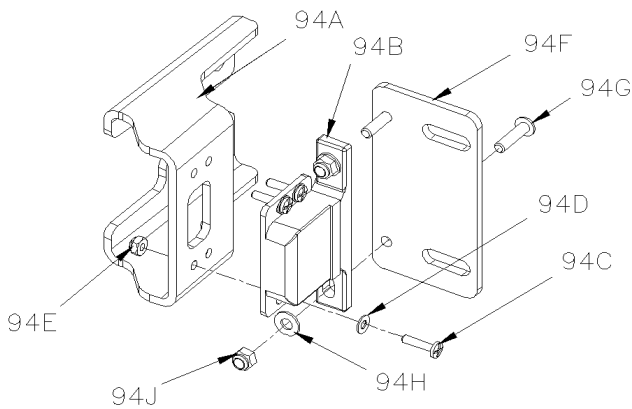
**LAVATORY WALL - INSTALLATION WITH SLIDING DOOR**



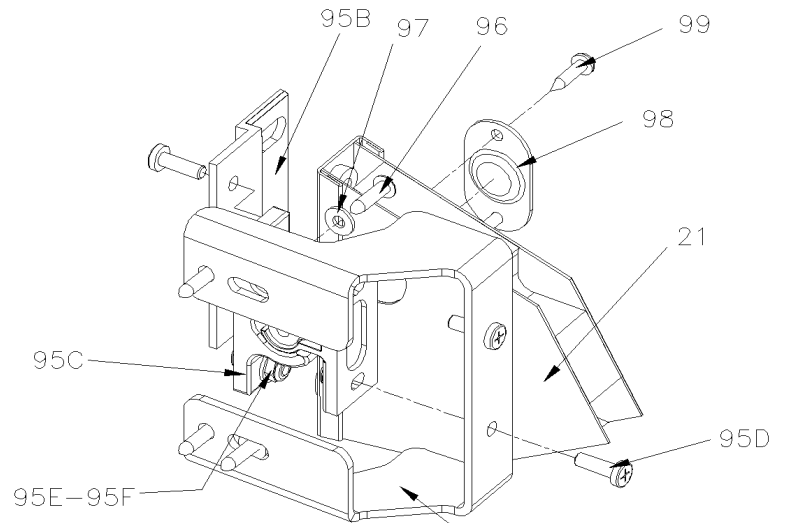
FROM G-3418  
DETAIL "D"



UP TO 9-1425  
DETAIL "D"



FROM 9-1426 UP TO A-1623  
DETAIL "D"



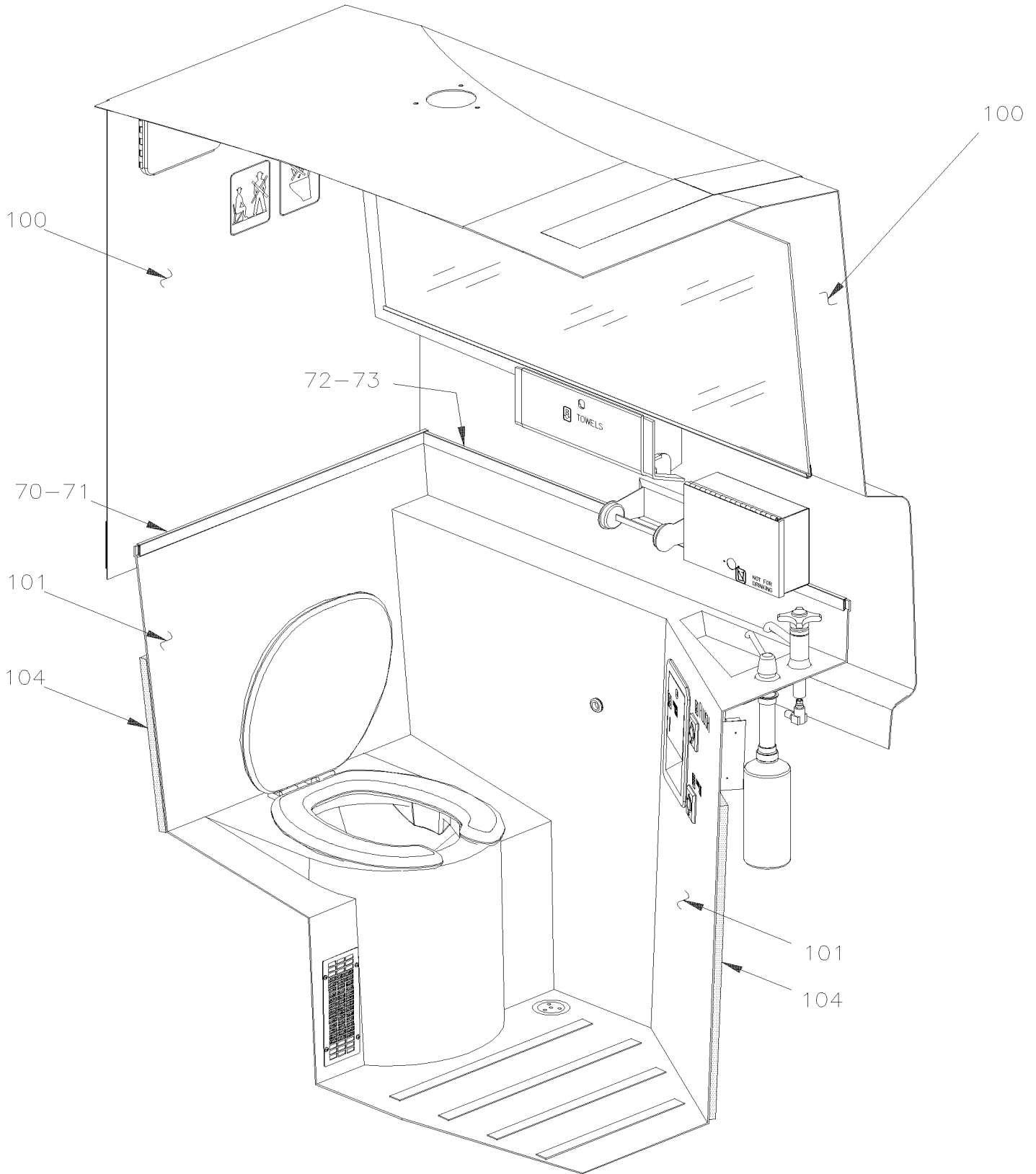
FROM A-1624 UP TO G-3417  
DETAIL "D"

From 7-0671 To J-0184

Date:10/2022

PAGE:H7-2328-00

LAVATORY WALL - INSTALLATION WITH SLIDING DOOR



<b>From 7-0671 To J-0184</b>	<b>Date:10/2022</b>	<b>PAGE:H7-2328-00</b>
<b>LAVATORY WALL - INSTALLATION WITH SLIDING DOOR</b>		

Item#	Part	Description	H 3 4 1	H 3 4 5	V I P 4 5	N O T E S
1	406245	FRONT WALL ASSY / LAVATORY / SPECIFY COLOR To 8-1135	1	1		
1	406244	FRONT WALL ASSY / LAVATORY / SPECIFY COLOR From 8-1136	1	1		
1	Call order desk	FRONT WALL ASSY / LAVATORY / SPECIFY COLOR WITH SPEAKER From 8-1136	1	1		P
1	Call order desk	FRONT WALL ASSY / LAVATORY / SS From H-3599	1	1		PH
1	Call order desk	FRONT WALL ASSY / LAVATORY / GREY From H-3655		1		PJ
1	Call order desk	FRONT WALL ASSY / LAVATORY / "TISSUS" W/"LOGO" / EMBROIDERED		1		P
1	508396	. FORMICA GREY .038"x48"x96" To 8-1135	AR	AR		
1	509908	. FORMICA SAND From 8-1136	1	1		
1	500641	. SCREW TP PAN PH #8x3/4 Z050	3	3		
1	400337	. PANEL ASSY SS From H-3599	1	1		H
1	400425	. PANEL ASSY GREY From H-3655		1		J
1	Call order desk	. COVERING FRONT WALL / LAVATORY / "TISSUS" W/"LOGO" / EMBROIDERED	1	1		P
2	403147	. ANGLE, FINISHING To 8-1135	1	1		
2	405999	. ANGLE, FINISHING / MIDNIGHT CHARCOAL From 8-1136	1	1		
2B	403262	SPACER ASSY / FRONT WALL / FORMICA GREY To 8-1135	1	1		
NS	406047	SPACER ASSY / FRONT WALL / FORMICA SAND From 8-1136	1	1		
NS	400456	SPACER ASSY / FRONT WALL / FORMICA GREY From H-3655		1		J
3	403196P	CLOSING PANEL ASSY / WATER TANK / SPECIFY COLOR / MIDNIGHT CHARCOAL To 8-1135	1	1		
3	Call order desk	CLOSING PANEL ASSY / WATER TANK / SPECIFY COLOR / SAND From 8-1136	1	1		P
3	Call order desk	CLOSING PANEL ASSY / WATER TANK / SPECIFY GREY	1	1		P
3	508396	. FORMICA GREY .038"x48"x96" To 8-1135	AR	AR		
3	509908	. FORMICA SAND From 8-1136	1	1		
4	900568	. HANDLE / DOOR	1	1		
NS	500575	. SCREW TP PAN PH #8x1 1/4	2	2		
5	403146	. ANGLE, FINISHING / LOWER To 8-1135	1	1		
5	406024	. ANGLE, FINISHING / LOWER / MIDNIGHT CHARCOAL From 8-1136	1	1		
6	403157	. MOULDING, FINISHING / SIDE To 8-1135	1	1		
6	406025	. MOULDING, FINISHING / SIDE / MIDNIGHT CHARCOAL From 8-1136	1	1		
7	405013	CORD FILLING / WALL CAP / GREY / 1020MM To 8-1135	1	1		
7	406097	CORD FILLING / WALL CAP / BLACK / 1020MM From 8-1136	1	1		
7	405826	CORD FILLING / WALL CAP OPTION "RED ARROW" CORD FILLING / WALL CAP OPT To 8-1135	1	1		
7	406096	CORD FILLING / WALL CAP OPTION "RED ARROW" CORD FILLING / WALL CAP OPT From 8-1136	1	1		
8	Call order desk	SIDE WALL ASSY / LAVATORY To A-1720	1	1		P
8	400775	SIDE WALL ASSY / LAVATORY From B-1721 To G-3417	1	1		
8	Call order desk	SIDE WALL ASSY / LAVATORY From G-3418 To H-3766	1	1		P
8	Call order desk	SIDE WALL ASSY / LAVATORY From H-3767	1	1		P
8	Call order desk	SIDE WALL ASSY / LAVATORY / GREY From H-3655		1		PJ
8	Call order desk	SIDE WALL ASSY / LAVATORY / SS From H-3599	1	1		PH
8	Call order desk	. WALL ASSY GREY From H-3655		1		PJ
8	Call order desk	. WALL ASSY	1	1		P
8	Call order desk	. WALL ASSY SS From H-3599	1	1		PH
NS	406393	. SUPPORT / WALL From B-1721	1	1		

<b>From 7-0671 To J-0184</b>	<b>Date:10/2022</b>	<b>PAGE:H7-2328-00</b>
<b>LAVATORY WALL - INSTALLATION WITH SLIDING DOOR</b>		

Item#	Part	Description	H 3 4 1	H 3 4 5	V I P 4 5	N O T E S
NS	500965	. SCREW TC BDG PH #8-32x1/2 N500 From B-1721	3	3		
9	405804P	. SMALL DOOR ASSY To A-1720	1	1		
10	780538	. . LOCK To A-1720	1	1		
. NS	780539	. . . KEY / (CH751) To A-1720	1	1		
11	408183	. . PIVOT LOCK / ON CUPBOARD DOOR / 16MM OFFSET To A-1720	1	1		
12	900810	. . MOULDING PLASTIC To A-1720	AR	AR		
13	900389	. . HINGE, DOOR To A-1720	2	2		
NS	500614	. . SCREW TP FL PH #6x3/4 Z050 To A-1720	4	4		
NS	900514	. PLATE, MOUNTING / HINGE To A-1720	2	2		
14	405816	. SUPPORT To A-1720	2	2		
15	405807	. REINFORCEMENT To G-3417	1	1		
15	400189	. REINFORCEMENT From G-3418 To H-3766	1	1		
15	400359	. REINFORCEMENT From H-3767	1	1		
16	405803	. STORE CUPBOARD / GREY To 8-1135	1	1		
16	406023	. STORE CUPBOARD / MIDNIGHT CHARCOAL From 8-1136 To A-1720	1	1		
17	408190	. SHELF To A-1720	1	1		
NS	810034	. CARPET OZITE / S.L. 12 FT WIDE To A-1720	AR	AR		
18	402737	. REINFORCEMENT / DOOR LOCK To A-1720	1	1		
19	900297	. HOOK / COAT To H-3944	1	1		
19	900065	. HOOK / COAT From H-3945	1	1		
19	900066	. CAP, COAT HOOK From H-3945	1	1		
20	405013	. CORD FILLING / WALL CAP / GREY / 1020MM To 8-1135	1	1		
20	406097	. CORD FILLING / WALL CAP / BLACK / 1020MM From 8-1136	1	1		
20	408230	. CORD FILLING / WALL CAP / BLACK / 1020MM From 8-1136 To A-1720	1	1		
20	406398	. CORD FILLING / WALL CAP / BLACK / 1020MM From B-1721	1	1		
21	408269	SLIDING DOOR ASSY / FORMICA GREY To 8-1135	1	1		
21	408131P	SLIDING DOOR ASSY / FORMICA TAN From 8-1136 To G-3417	1	1		
21	Call order desk	SLIDING DOOR ASSY / SS From H-3599				P H
21	Call order desk	SLIDING DOOR ASSY / GREY From H-3655				P J
21	Call order desk	SLIDING DOOR ASSY / GREY W/TISSUS To 8-1135				P
21	400268	SLIDING DOOR ASSY / TAN W/TISSUS From 8-1136 To G-3417				
21	400531	SLIDING DOOR ASSY / TAN W/TISSUS From G-3418				
NS	508396	. FORMICA GREY .038"x48"x96" To 8-1135	AR	AR		
NS	509908	. FORMICA SAND From 8-1136	1	1		
NS	506191	. TAPE RUB ADH1 CC POL 1/8" x 1/4" x 50' / GREY 2520X	AR	AR		
21	820604	. FLOOR COVERING GAYA WOOD #4521 YELLOSTONE 568MM x 1888MM		1		G
22	405065	. GRILL, VENT / MED GREY To 8-1135	2	2		
22	406009	. GRILL, VENT / MIDNIGHT CHARCOAL From 8-1136	1	1		
23	500624	. SCREW TP OV PH #6x1/2 Z050 To 8-1135	16	16		
24	408135	. MOULDING UPPER DOOR 560MM SS To 8-1135	1	1		
24	406004	. MOULDING UPPER DOOR / MIDNIGHT CHARCOAL / 560MM SS From 8-1136	1	1		
25	408151	. MOULDING LOWER DOOR 572MM SS To 8-1135	1	1		



From 7-0671 To J-0184	Date:10/2022	PAGE:H7-2328-00
<b>LAVATORY WALL - INSTALLATION WITH SLIDING DOOR</b>		

Item#	Part	Description	H 3 4 1	H 3 4 5	V I P 4 5	N O T E S
25	406006	. MOULDING LOWER DOOR / MIDNIGHT CHARCOAL / 572MM SS From 8-1136	1	1		
26	408133	. MOULDING SS STREETSIDE DOOR To 8-1135	1	1		
26	406005	. MOULDING SS STREETSIDE DOOR / MIDNIGHT CHARCOAL From 8-1136	1	1		
26	500805	. WASHER FL .218x.875x.062 N500	4	4		
26	500637	. SCREW TP PAN PH #8x1 1/2 Z050	4	4		
27	408134	. MOULDING SS CURBSIDE DOOR To 8-1135	1	1		
27	406008	. MOULDING SS CURBSIDE DOOR / MIDNIGHT CHARCOAL From 8-1136 To A-1623	1	1		
27	409310	. MOULDING SS CURBSIDE DOOR / MIDNIGHT CHARCOAL From A-1624 To J-0028	1	1		
27	400535	. MOULDING SS CURBSIDE DOOR / MIDNIGHT CHARCOAL From J-0029	1	1		
28	500552	. SCREW TP OV PH #6x3/4 Z050 To G-3417	22	22		
28	500495	. SCREW TP PAN PH #6x1 Z050 From G-3418	AR	AR		
30	901215	. ROLLER ASSY	1	1		
31	408164	. SPACER 14G / ROLLER	AR	AR		
32	502817	. SCREW MA PAN PH M6-1.0x16 N500	4	4		
33	502564	. WASHER LO SPT 6.1x11.8x1.6 Z050 To E-2587	4	4		
33	5001432	. WASHER LO INT .256x.478x.028 SS 410 From E-2588	4	4		
34	901221	. HANDLE LAVATORY DOOR	1	1		
35	408132	. SPACER 14G / LAVATORY DOOR HANDLE To A-1623	AR	AR		A
35	409286	. SPACER 16G / LAVATORY DOOR HANDLE From A-1624 To J-0028	2	2		I
35	400534	. SPACER 14G / LAVATORY DOOR HANDLE From J-0029	2	2		I
35	406270	. LAVATORY DOOR HANDLE EXTERIOR From 9-1426 To A-1623	1	1		A
35	406271	. LAVATORY DOOR HANDLE INTERIOR From 9-1426 To A-1623	1	1		A
35A	409315	. LAVATORY DOOR HANDLE / W/1/2" O.D. GRIP INTERIOR From A-1624	1	1		I
35B	409316	. LAVATORY DOOR HANDLE / W/1/2" O.D. GRIP EXTERIOR From A-1624	1	1		I
35C	409309	. RUBBER, ANTI-VIBRATION From A-1624	1	1		I
35D	409308	. PLATE, ANTI-VIBRATION From A-1624	1	1		I
35E	500435	. SCREW TP FL PH #6x1 Z050 From A-1624	3	3		I
36	408192	. DECAL / LAVATORY LOCK, BILINGUAL	1	1		
37	408173	. PIVOT LOCK / ON LAVATORY DOOR	1	1		
38	780745	. CYLINDER LOCK BODY	1	1		
39	504334	. BUMPER RUBBER / .625 OD x .406 TH x .156 HOLE To G-3417	1	1		
39	5001168	. BUMPER RUBBER / .750 OD x .562 TH x .187 HOLE From G-3418	1	1		
40	408199	. ATTACHMENT PLATE W/NUT M6-1.0 To A-1623	2	2		A
40	409285	. ATTACHMENT PLATE W/NUT M6-1.0 From A-1624 To G-3417	1	1		I
NS	400174	. ATTACHMENT PLATE W/NUT M6-1.0 From G-3418	1	1		
41	408200	. PLATE CATCH FOR DOOR LOCK 25MM X 140MM	1	1		
41A	409284	. RUBBER STRIP From A-1624	1	1		
42	5001198	. SCREW MA FL PH M6-1.0x16 Z050	2	2		
43	408140	. MOULDING / WALL SS To 8-1135	1	1		
43	406007	. MOULDING / WALL SS / MIDNIGHT CHARCOAL From 8-1136 To A-1623	1	1		
43	409280	. MOULDING / WALL SS / MIDNIGHT CHARCOAL From A-1624 To G-3417	1	1		I
43	400155	. MOULDING / DOOR SIDE From G-3418 To H-3766	1	1		

<b>From 7-0671 To J-0184</b>	<b>Date:10/2022</b>	<b>PAGE:H7-2328-00</b>
<b>LAVATORY WALL - INSTALLATION WITH SLIDING DOOR</b>		

Item#	Part	Description	H 3 4 1	H 3 4 5	V I P 4 5	N O T E S
43	400156	. MOULDING / WALL SIDE From G-3418 To H-3766	1	1		
43	400362	. MOULDING / WALL SS From H-3767	1	1		
44	506001	TAPE RUB ADH1 CC POL 1/8" x 3/4" x 50' / GREY 2520X	AR	AR		
45	408189	SUPPORT "T" TRACK ASSY / UPPER DOOR To A-1623	1	1		
45	409298	SUPPORT "T" TRACK ASSY / UPPER DOOR From A-1624 To G-3417	1	1		I
45	Call order desk	SUPPORT "T" TRACK ASSY / UPPER DOOR From G-3418	1	1		P
45A	408152	. SUPPORT "T" TRACK To A-1623	1	1		
45A	409283	. SUPPORT "T" TRACK From A-1624 To G-3417	1	1		
45A	400153	. SUPPORT "T" TRACK From G-3418 To H-3766	1	1		
45A	400358	. SUPPORT "T" TRACK From H-3767	1	1		
45B	328319	. SUPPORT WALL COVERING DOOR	1	1		
45C	500371	. SCREW MA FL PH M4-0.7x8 N500	6	6		
45Z	680038	. THREAD LOCKER LOCTITE #243 / BLUE / 50ml	AR	AR		
46	408153	TRACK "T" 1010MM	1	1		
47	500344	SCREW MA RND PH M4-0.7x12 Z050	12	12		
48	502636	WASHER LO SPT 4.1x7.6x0.9 Z050	12	12		
49	502626	SCREW MA PAN PH M6-1.0x20 N500	5	5		
50	5001608	WASHER BEL SPR 6.2x15.0x0.7 G500 To G-3417	5	5		
50	502564	WASHER LO SPT 6.1x11.8x1.6 Z050 From G-3418	5	5		
51	502162	SPRING COMPRESSION / .240 O.D. x .312 x .026	2	2		
52	408184	BRAKE DOOR ASSY W/CARPET To 9-1425	1	1		
52	406971	BRAKE DOOR ASSY W/CARPET From 9-1426	1	1		
53	408138	CAP PROTECTOR TRACK INSIDE LAVATORY GREY PLATINE To 8-1135	1	1		
53	406044	CAP PROTECTOR TRACK INSIDE LAVATORY TAN From 8-1136	1	1		
53	400418	CAP PROTECTOR TRACK INSIDE LAVATORY GREY From H-3655		1		J
54	500641	SCREW TP PAN PH #8x3/4 Z050	AR	AR		
55	408122	MOULDING "U" 22MM X 25MM X 592MM To 8-1135	1	1		
55	408235	MOULDING "U" TAN / 22MM X 25MM X 592MM From 8-1136	1	1		
55	400420	MOULDING "U" GREY / 22MM X 25MM X 592MM From H-3655	1	1		J
NS	504114	RIVET POP DOME OE 3/16x1/4 AL	14	14		
56	408139	ANGLE 741MM	1	1		
58	408123	MOULDING "U" 22MM X 25MM X 446MM To 8-1135	1	1		
58	408234	MOULDING "U" 22MM X 25MM X 446MM From 8-1136 To A-1720	1	1		
58	406391	MOULDING "U" 22MM X 25MM X 433MM From B-1721	1	1		
58	400423	MOULDING "U" GREY / 22MM X 25MM X 433MM From H-3655		1		J
59	404756	CLOSING PLATE / TRAP ACCESS	AR	AR		
60	500640	SCREW TP PAN PH #6x3/4 Z050	AR	AR		
61	408179	ANGLE 25MM X 38MM X 250MM To A-1720	1	1		
61	406392	ANGLE 25MM X 38MM X 120MM From B-1721	1	1		
62	403144	ANGLE 20MM X 25MM X 1715MM / FIXED AT WINDOW POST VOOIR	1	1		
64	408147	MOULDING RETAINER / 545MM (21 7/16")	1	1		
65	408148	MOULDING CAP / GREY PLATINE 570MM / 22 7/16" To 8-1135	1	1		

<b>From 7-0671 To J-0184</b>	<b>Date:10/2022</b>	<b>PAGE:H7-2328-00</b>
<b>LAVATORY WALL - INSTALLATION WITH SLIDING DOOR</b>		

Item#	Part	Description	H 3 4 1	H 3 4 5	V I P 4 5	N O T E S
65	406132	MOULDING CAP / GREY MIDNIGHT CHARCOAL 570MM / 22 7/16" From 8-1136	1	1		
66	408124	MOULDING "U" / 807MM SS To 8-1135	1	1		
66	406041	MOULDING "U" / TAN / 807MM SS From 8-1136 To A-1623	1	1		
66	409299	MOULDING "U" / TAN / 807MM SS From A-1624 To A-1720	1	1		
66	406394	MOULDING "U" / TAN / 807MM SS From B-1721	1	1		
66	400417	MOULDING "U" / GREY / 807MM SS From H-3655		1		J
66	409995	MOULDING "U" / TAN / 807MM SS To A-1623	1	1		I
67	408144	MOULDING "U" / 870MM SS To 8-1135	1	1		
67	406040	MOULDING "U" / TAN / 870MM SS From 8-1136 To A-1720	1	1		
67	406395	MOULDING "U" / TAN / 870MM SS From B-1721	1	1		
67	400427	MOULDING "U" / GREY / 870MM SS From H-3655		1		J
68	408193	MOULDING RETAINER / 520MM (20 1/2")	1	1		
69	408146	MOULDING CAP / GREY PLATINE 550MM / 21 7/8" To 8-1135	1	1		
69	406035	MOULDING CAP / GREY MIDNIGHT CHARCOAL 550MM / 21 7/8" From 8-1136	1	1		
70	403115	MOULDING RETAINER / 733MM (28 7/8")	1	1		
71	404222	MOULDING CAP / GREY PLATINE 739MM / 29 1/8" To 8-1135	1	1		
71	406036	MOULDING CAP / GREY MIDNIGHT CHARCOAL 739MM / 29 1/8" From 8-1136	1	1		
72	403116	MOULDING RETAINER / 1081MM (42 1/2")	1	1		
73	404223	MOULDING CAP / GREY PLATINE 1085MM / 42 5/8" To 8-1135	1	1		
73	406038	MOULDING CAP / GREY MIDNIGHT CHARCOAL 1085MM / 42 5/8" From 8-1136	1	1		
74	408143	FLOOR MOULDING / COVERING & TOILET	1	1		
75	5001119	SCREW TP BDG PH #8x3/4 SS	3	3		
76	403125	MOULDING CAP / GREY PLATINE 1948MM / 76 5/8" To 8-1135	2	2		
76	406042	MOULDING CAP / GREY MIDNIGHT CHARCOAL 1948MM / 76 5/8" From 8-1136	1	1		
77	403126	MOULDING RETAINER / 1943MM (76 1/2")	2	2		
78	408174	DOOR STOPPER & LOCK PIVOT CATCH	1	1		
79	500642	SCREW TP PAN PH #10x3/4 Z050	16	16		
80	500914	WASHER LO SPT .193x.334x.047 N500	8	8		
81	504357	WASHER FL .187x.437x.050 SS	8	8		
82	408167	LATCH GRABBER CATCH ASSY /W/SUPPORT To 9-4125	1	1		
. A	408166	. SUPPORT CATCH PUSH OUT To 9-4125	1	1		
. B	901217	. LATCH GRABBER CATCH / 44N PLASTIC BLACK To 9-4125	1	1		
. C	500518	. SCREW MA BDG PH #4-40x1/2 Z050 To 9-4125	8	8		
. D	502578	. WASHER FL 3.2x7.0x0.5 Z050 To 9-4125	8	8		
. E	500425	. NUT HEX NYRT #4-40 SS To 9-4125	8	8		
. F	408165	. PLATE STOPPER To 9-4125	1	1		
. G	502698	. SCREW MA PAN PH M4-0.7x16 SS BK To 9-4125	4	4		
. H	500591	. WASHER FL 4.3x9.0x0.8 Z050 To 9-4125	4	4		
. J	502557	. NUT HEX NYRT M4-0.7 SS To 9-4125	4	4		
83	502817	SCREW MA PAN PH M6-1.0x16 N500	2	2		
84	5001608	WASHER BEL SPR 6.2x15.0x0.7 G500	2	2		
85	408102	PROTECTOR PANEL SS 553MM X 148MM	1	1		

<b>From 7-0671 To J-0184</b>	<b>Date:10/2022</b>	<b>PAGE:H7-2328-00</b>
<b>LAVATORY WALL - INSTALLATION WITH SLIDING DOOR</b>		

Item#	Part	Description	H 3 4 1	H 3 4 5	V I P 4 5	N O T E S
85	406986	PROTECTOR PANEL SS 560MM X 575MM From G-3097	1	1		
86	500952	SCREW TP BDG PH #8x1/2 SS	6	6		
86	502569	SCREW MA PAN PH M6-1.0x16 BK From G-3097	8	8		
87	408172	CAP HANDLE SPACE GREY PLATINE To 8-1135	1	1		
87	406043	CAP HANDLE SPACE SAND BEIGE From 8-1136	1	1		
87	400416	CAP HANDLE SPACE GREY From H-3655		1		J
87	409994	CAP HANDLE SPACE SAND BEIGE To A-1623	1	1		I
88	504399	WASHER RETAINER SNAP CAP #10	20	20		
89	504400	SNAP CAP #10 FINISHING BLACK	20	20		
90	408154	CAP PROTECTOR TRACK OUTSIDE LAVATORY GREY PLATINE To 8-1135	1	1		
90	406033	CAP PROTECTOR TRACK OUTSIDE LAVATORY / MIDNIGHT CHARCOAL From 8-1136	1	1		
91	408171	LOWER DOOR ALIGNMENT SUPPORT ASSY To 9-1425	1	1		
A	408168	. PLATE SUPPORT To 9-1425	1	1		
B	408169	. BLOCK ALIGNMENT BACKWARD DOOR To 9-1425	1	1		
C	500353	. SCREW TP FL PH #8x3/4 BK To 9-1425	2	2		
D	408161	. BLOCK ALIGNMENT FORWARD DOOR To 9-1425	1	1		
E	500873	. SCREW MA RND PH #8-32x3/4 SS BK To 9-1425	2	2		
F	500591	. WASHER FL 4.3x9.0x0.8 Z050 To 9-1425	2	2		
91	406269	LOWER DOOR ALIGNMENT SUPPORT ASSY From 9-1426 To A-1623	1	1		
A	408168	. PLATE SUPPORT From 9-1426 To A-1623	1	1		
B	408169	. BLOCK ALIGNMENT BACKWARD DOOR From 9-1426 To A-1623	1	1		
C	500353	. SCREW TP FL PH #8x3/4 BK From 9-1426 To A-1623	2	2		
D	406268	. BLOCK ALIGNMENT FORWARD DOOR From 9-1426 To A-1623	1	1		
E	500873	. SCREW MA RND PH #8-32x3/4 SS BK From 9-1426 To A-1623	2	2		
F	500591	. WASHER FL 4.3x9.0x0.8 Z050 From 9-1426 To A-1623	2	2		
91	409306	LOWER DOOR ALIGNMENT SUPPORT ASSY From A-1624	1	1		
A	408168	. PLATE SUPPORT From A-1624	1	1		
B	406268	. BLOCK ALIGNMENT FORWARD DOOR From A-1624	1	1		
C	408169	. BLOCK ALIGNMENT BACKWARD DOOR From A-1624	1	1		
D	502690	. WASHER FL 4.3x9.0x0.8 Z050 From A-1624	2	2		
E	5001317	. SCREW MA PAN PH #8-32x1 SS From A-1624	2	2		
F	500353	. SCREW TP FL PH #8x3/4 BK From A-1624	2	2		
G	506756	. VELCRO / LOOP ADHESIF 1" x 75' From A-1624	AR	AR		
92	408201	ANGLE 30MM X 30MM X 50MM	1	1		
93	500637	SCREW TP PAN PH #8x1 1/2 Z050	6	6		
94	406265	LATCH GRABBER CATCH ASSY /W/SUPPORT From 9-1426 To A-1623	1	1		A
A	406266	. SUPPORT CATCH PUSH OUT From 9-1426 To A-1623	1	1		A
B	901304	. LATCH GRABBER CATCH / 13N PLASTIC BLACK From 9-1426 To A-1623	1	1		A
C	500518	. SCREW MA BDG PH #4-40x1/2 Z050 From 9-1426 To A-1623	4	4		A
D	502578	. WASHER FL 3.2x7.0x0.5 Z050 From 9-1426 To A-1623	4	4		A
E	500425	. NUT HEX NYRT #4-40 SS From 9-1426 To A-1623	4	4		A
F	406267	. PLATE STOPPER From 9-1426 To A-1623	1	1		A

<b>From 7-0671 To J-0184</b>	<b>Date:10/2022</b>	<b>PAGE:H7-2328-00</b>
<b>LAVATORY WALL - INSTALLATION WITH SLIDING DOOR</b>		

Item#	Part	Description	H 3 4 1	H 3 4 5	V I P 4 5	N O T E S
. G	502698	. SCREW MA PAN PH M4-0.7x16 SS BK From 9-1426 To A-1623	2	2		A
. H	500591	. WASHER FL 4.3x9.0x0.8 Z050 From 9-1426 To A-1623	2	2		A
. J	502557	. NUT HEX NYRT M4-0.7 SS From 9-1426 To A-1623	2	2		A
95	409295	LATCH GRABBER CATCH ASSY /W/SUPPORT From A-1624 To F-2902	1	1		I
. A	409296	. SUPPORT CATCH PUSH OUT From A-1624 To F-2902	1	1		I
. B	409297	. SUPPORT CATCH From A-1624 To F-2902	1	1		I
. C	901340	. LATCH ASSY NYLON (2 PARTS) PLASTIC WHITE From A-1624 To F-2902	1	1		I
. D	502653	. SCREW MA PAN PH M5-0.8x16 SS From A-1624 To F-2902	4	4		I
. E	500964	. WASHER FL .203x.500x.047 Z050 From A-1624 To F-2902	4	4		I
. F	5001587	. NUT HEX NYRT M5-0.8 SS From A-1624 To F-2902	4	4		I
. NS	408137	. RETAINER PLATE From A-1624 To F-2902	1	1		I
95	408388	LATCH GRABBER CATCH ASSY /W/SUPPORT From F-2903 To G-3417	1	1		
. A	409296	. SUPPORT CATCH PUSH OUT From F-2903 To G-3417	1	1		
. B	409297	. SUPPORT CATCH From F-2903 To G-3417	1	1		
. C	408387	. LATCH ASSY NYLON (2 PARTS) PLASTIC WHITE From F-2903 To G-3417	1	1		
. D	502653	. SCREW MA PAN PH M5-0.8x16 SS From F-2903 To G-3417	4	4		
. E	500964	. WASHER FL .203x.500x.047 Z050 From F-2903 To G-3417	4	4		
. F	5001587	. NUT HEX NYRT M5-0.8 SS From F-2903 To G-3417	4	4		
96	500642	SCREW TP PAN PH #10x3/4 Z050	4	4		
97	504357	WASHER FL .187x.437x.050 SS	4	4		
98	408399	FINISHING CAP TOILET DOOR	1	1		
99	5001155	SCREW TP PAN PH #8X3/4 N050	2	2		
100	328265	CAP REAR / FIBERGLASS LAVATORY GREY PLATINE To 9-1452	1	1		
100	329610	CAP REAR / FIBERGLASS LAVATORY SAND BEIGE From 8-1136 To A-1720	1	1		
100	323174	CAP REAR / FIBERGLASS LAVATORY SAND BEIGE From B-1721	1	1		
100	3201563	CAP REAR / FIBERGLASS LAVATORY SAND BEIGE From H-3599	1	1		H
100	3201595	CAP REAR / FIBERGLASS LAVATORY GREY From H-3655		1		J
101	<b>H7-2325-00</b>	<b>LAVATORY - ACCESSORIES</b>				
102	<b>H7-0655-00</b>	<b>INTERIOR LIGHTING To D-2264</b>				
102	<b>H7-0655-01</b>	<b>INTERIOR LIGHTING LED From D-2265</b>				
103	<b>H7-1864-31</b>	<b>HANDLE LOCK &amp; KEYS - TYPE "NS" &amp; "FORD"</b>				
104	350222	INSULATING PAD TRIANGULAR SHAPE 230MM x 230MM	1	1		
104	350223	INSULATING PAD REAR LOWER WALL	1	1		
104	350224	INSULATING PAD / 635MM x 360MM	1	1		
104	350249	INSULATING PAD REAR LOWER TOILET	1	1		
104	350305	INSULATING PAD / 640MM x 90MM	1	1		
104	350306	INSULATING PAD / 880MM x 90MM	1	1		
104	350376	INSULATING PAD / 965MM x 280MM	1	1		
105	405198	KIT UPDATE / LAVATORY DOOR HANDLE & ALLINMENT To A-1623	1	1	1	
. NS	IS-09034	. SEE INSTRUCTION SHEET To A-1623	1	1	1	

<b>From 7-0671 To J-0184</b>	<b>Date:10/2022</b>	<b>PAGE:H7-2328-00</b>
<b>LAVATORY WALL - INSTALLATION WITH SLIDING DOOR</b>		

Item#	Part	Description	H 3 4 1	H 3 4 5	V I P 4 5	N O T E S
110	3200760	SPACER FORD LOCK	1	1		
111	289467	CYLINDER LOCK MODIFIED / WITH 2 HOLES #4-40 / CODE A / FA 0000	1	1		
111	780217	KEY CODE / FA 0000	1	1		
111	287796	CYLINDER LOCK MODIFIED / WITH 2 HOLES #4-40 / CODE BB / FA 0144	1	1		
111	780838	KEY CODE / BB / FA 0144	1	1		
112	3200767	SUPPORT / LOCK FORD	1	1		
113	5001881	SCREW MA PAN PH #4-40x3/4 ZP	2	2		
114	3200761	LOCK / LAVATORY DOOR W/FORD LOCK	1	1		
115	3200763	PIVOT / LAVATORY DOOR W/FORD LOCK	1	1		
115	688910	THREAD LOCKER LOCTITE #262 / RED / 250ml	AR	AR		
117	3200762	PIVOT / LAVATORY DOOR W/FORD LOCK	1	1		
118	5001114	WASHER FL .260x.687x.060 NYL	2	2		
119	502681	NUT HEX NYRT M6-1.0 N500 G8	2	2		
121	3200757	LOCK / LAVATORY DOOR W/FORD LOCK	1	1		
122	504402	RING RETAINER / EXT .250 x .210 x .025"	1	1		
130	409296	SUPPORT CATCH PUSH OUT From G-3418	1	1		
131	408387	LATCH ASSY NYLON (2 PARTS) PLASTIC WHITE From G-3418	1	1		
132	400159	SUPPORT MOBILE LATCH From G-3418	1	1		
133	408399	FINISHING CAP TOILET DOOR From G-3418	1	1		
134	5001587	NUT HEX NYRT M5-0.8 SS From G-3418	4	4		
135	500964	WASHER FL .203x.500x.047 Z050 From G-3418	4	4		
136	502653	SCREW MA PAN PH M5-0.8x16 SS From G-3418	4	4		
137	5001155	SCREW TP PAN PH #8X3/4 N050 From G-3418	3	3		
138	500642	SCREW TP PAN PH #10x3/4 Z050 From G-3418	4	4		
139	500914	WASHER LO SPT .193x.334x.047 N500 From G-3418	4	4		
140	504357	WASHER FL .187x.437x.050 SS From G-3418	4	4		
141	502817	SCREW MA PAN PH M6-1.0x16 N500 From G-3418 To H-3837	2	2		
141	502569	SCREW MA PAN PH M6-1.0x16 BK From H-3838	2	2		
142	502564	WASHER LO SPT 6.1x11.8x1.6 Z050 From G-3418 To H-3837	2	2		
142	5001833	WASHER BEL SPR 6.1x18x1.27 SS From H-3838	2	2		
143	502573	WASHER FL 6.4x12.5x1.6 SS From G-3418 To H-3837	2	2		
NS	<b>403268</b>	<b>LAVATORY COMPARTMENT SLIDING DOOR LATCH IMPROVEMENT</b>	1	1		
		A) FOR PRODUCT IMPROVEMENT ASK FOR KIT 405198				
		G) ESCAMILLA TOUR OPTION				
		H) WITH "ORLEAN" OPTION				
		I) ALSO INCLUDE IN KIT # 405198				
		J) BAUER'S TRANSPORTATION OPTION				
		P) CALL ORDER DESK FOR SPECIFIC APPLICATION (V.I.N.)				

From 7-0671 To J-0184      Date:10/2022      PAGE:H7-2328-00

**LAVATORY WALL - INSTALLATION WITH SLIDING DOOR**

Item#	Part	Description	H 3 4 1	H 3 4 5	V I P 4 5	N O T E S
		U) UNDER CONSTRUCTION				



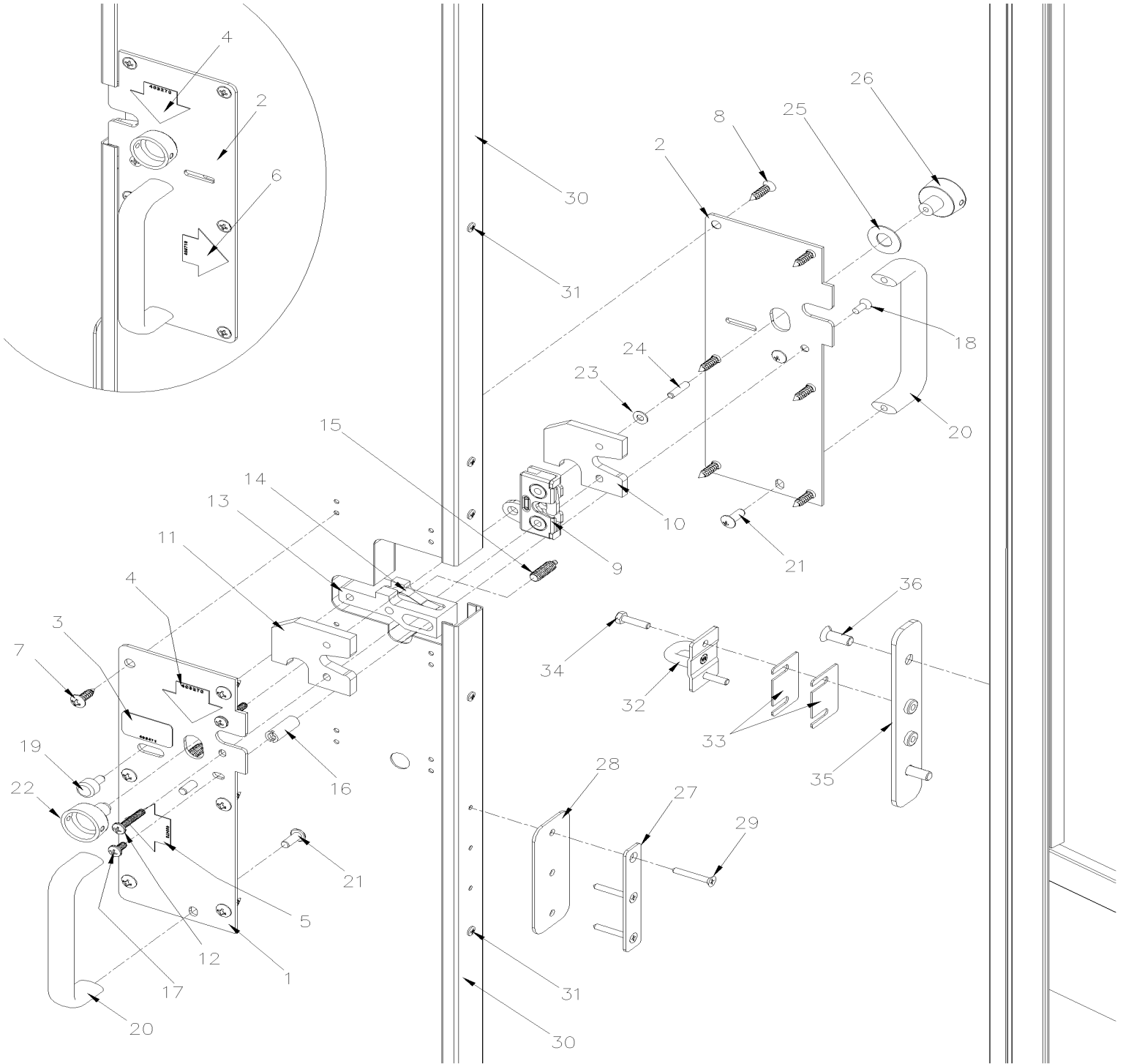


From 7-0671 To J-0184

Date:10/2022

PAGE:403268

## LAVATORY COMPARTMENT SLIDING DOOR LATCH IMPROVEMENT

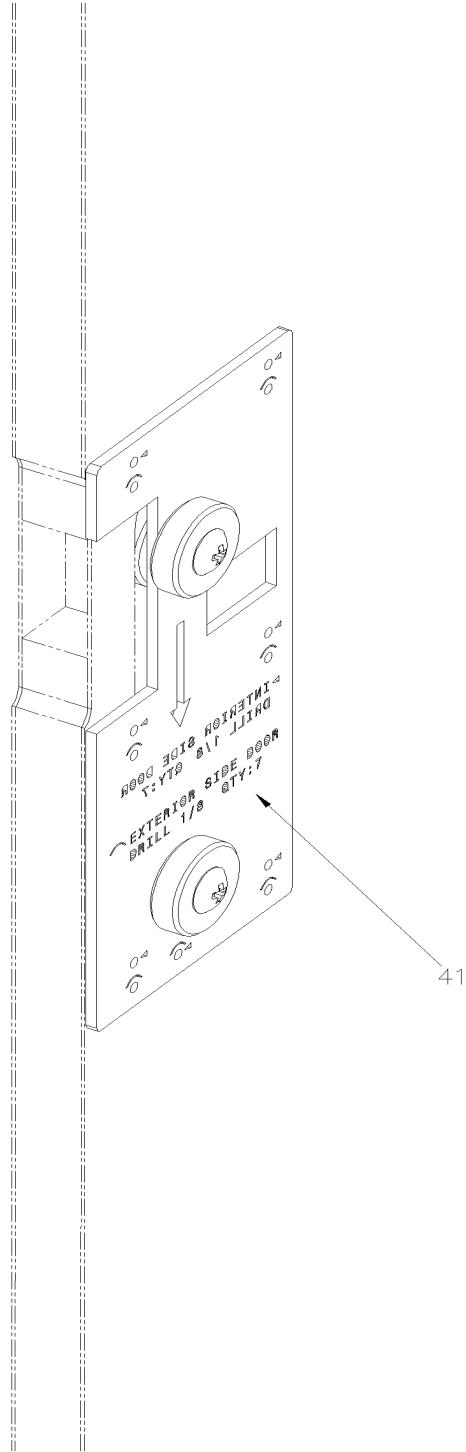


From 7-0671 To J-0184

Date:10/2022

PAGE:403268

LAVATORY COMPARTMENT SLIDING DOOR LATCH IMPROVEMENT



<b>From 7-0671 To J-0184</b>	<b>Date:10/2022</b>	<b>PAGE:403268</b>
------------------------------	---------------------	--------------------

**LAVATORY COMPARTMENT SLIDING DOOR LATCH IMPROVEMENT**

Item#	Part	Description	H 3 4 1	H 3 4 5	V I P 4 5	N O T E S
1	402205	MOUNT PLATE	1	1		
2	402204	MOUNTING PLATE	1	1		
3	403471	DECAL LAVATORY LOCK	1	1		
4	403270	DECAL, ARROW "1"	2	2		
5	403472	DECAL, ARROW 2	1	1		
6	403710	DECAL, ARROW 2	1	1		
7	5001243	SCREW TP PAN PH #10x5/8 SS	6	6		
8	5000109	SCREW TP OV PH #10x5/8 N050	6	6		
9	901892	ROTARY LATCH	1	1		
10	402207	SHIM	1	1		
11	402206	SHIM	1	1		
12	5000111	SCREW MA OV PH M4-0.7x22 SS	2	2		
13	402210	LOCK	1	1		
14	402862	SPRING SHEATH	1	1		
15	509957	BALL PLUNGER 1/4X17/32	1	1		
16	402208	BUSHING	1	1		
17	5000110	SCREW MA OV PH M4-0.7x8 SS	1	1		
18	502725	SCREW MA OV PH M4-0.7x10 SS EMN	1	1		
19	402209	LOCK LATCH	1	1		
20	901891	HANDLE	2	2		
21	500416	SCREW MA PAN PH #10-32x1/2 BK	4	4		
22	402213	KNOB	1	1		
23	500591	WASHER FL 4.3x9.0x0.8 Z050	1	1		
24	502506	SCREW SET HEXS CUP M4-0.7x16	1	1		
25	5000112	WASHER FL .380x.812x.030 NYL	1	1		
26	402212	KNOB	1	1		
27	409308	PLATE, ANTI-VIBRATION	1	1		A
28	402216	RUBBER, ANTI VIBRATION	1	1		
29	500435	SCREW TP FL PH #6x1 Z050	3	3		A
30	402234	CAPPING, DOOR, LEFT	2	2		
31	500333	SCREW TP OV PH #6x3/4 BK	12	12		
32	901893	LATCH STRIKER	1	1		
33	402233	SHIM	2	2		
34	502799	SCREW CAP HEX M4-0.7X16 G8.8 N500	2	2		
35	402215	PLATE LATCH STRIKER	1	1		
36	5001198	SCREW MA FL PH M6-1.0x16 Z050	2	2		
NS	IS-20089	SEE INSTRUCTION SHEET	1	1		
NS	FI-20089	VOIR FEUILLE D'INSTRUCTION	1	1		
41	403269	DRILL AND CUTTING JIG	1	1		A
NS	408213	DECAL "PLEASE SHUT DOOR.." / ENGLISH & SPANISH	1	1		A
NS	408212	DECAL "PLEASE SHUT DOOR.." / ENGLISH & FRANCAIS	1	1		A

From 7-0671 To J-0184	Date:10/2022	PAGE:403268
-----------------------	--------------	-------------

**LAVATORY COMPARTMENT SLIDING DOOR LATCH IMPROVEMENT**

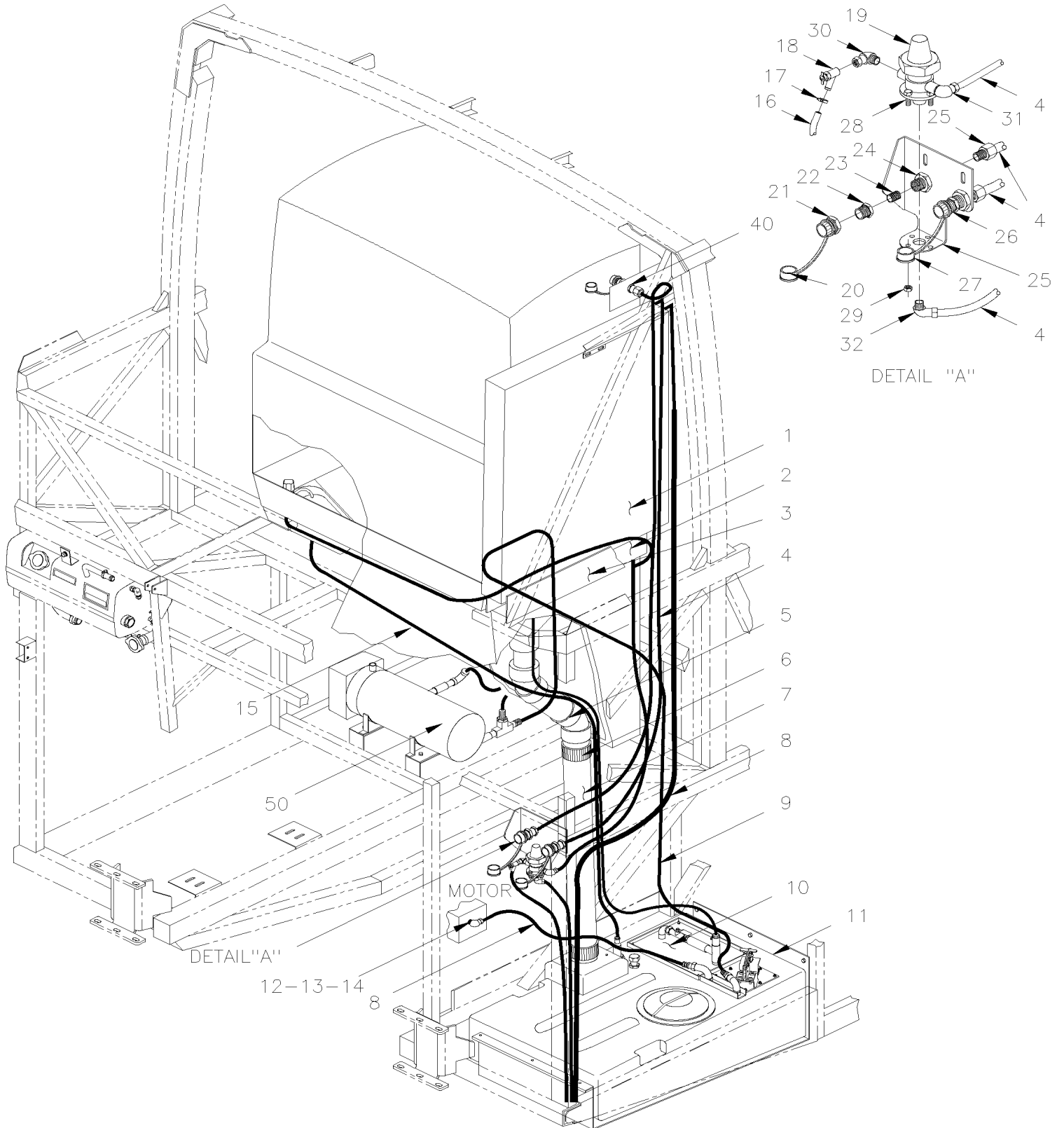
Item#	Part	Description	H 3 4 1	H 3 4 5	V I P 4 5	N O T E S
		A) NOT INCLUDE WITH 403268				

From 7-0671 To A-1720

Date:10/2022

PAGE:H7-2330-00

## WATER & SUMP TANK - INSTALLATION



From 7-0671 To A-1720	Date:10/2022	PAGE:H7-2330-00
<b>WATER &amp; SUMP TANK - INSTALLATION</b>		

Item#	Part	Description	H 3 4 1	H 3 4 5	V I P 4 5	N O T E S
1	405240	TANK / WATER ASSY / W/FITING PLASTIC	1	1		
NS	900959	TANK / WATER 66Liters	1	1		
2	641040	MALE ELBOW 90° / NTA FITTING / #8x3/8NPT-M BR	2	2		
2	641182	MALE RUN TEE / NTA FITTING / #8x#8x3/8NPT-M BR	1	1		
3	403851	SUPPORT / WATER TANK	1	1		
3	310674	ANGLE, #5 / L.H. / USE ONLY W/O FRESH WATER TANK	1	1		
3	504068	GROMMET / .500x.750x.062x.312x1.062	1	1		
3	500365	SCREW TP CAP HEX #12x1 Z050	6	6		
3	504249	RIVET CHY Q PRDG 3/16x3/8 SS	5	5		A
4	503488	TUBE, NYLON 1/2 O.D. / BLACK S.L./	AR	AR		
NS	641012	BULKHEAD UNION / NTA FITTING / #8x3/8NPT-M BR	AR	AR		
5	405693	TUBE ASSY / SS To 8-1201	1	1		
5	405950	TUBE ASSY / SS From 8-1202	1	1		
5	406378	TUBE ASSY / SS W/OUTBASSIN DRAIN	1	1		
NS	530211	ELBOW 45° X 3 1/2" I.D. RUBBER	1	1		
NS	504235	HOSE CLAMP / 3"9/16"-4"1/2 SS / HS-64	2	2		
6	503532	UNION / ABS PIPE / 3Fx3F NEO	3	3		
NS	504235	HOSE CLAMP / 3"9/16"-4"1/2 SS / HS-64	2	2		
7	402418	HOSE FLEXIBLE 3 1/2" I.D. X 32"	1	1		
NS	405049	HOSE FLEXIBLE 3 1/2" I.D. X 405MM	1	1		C
7	503039	HOSE FLEXIBLE / 3 1/2" I.D. X 10'	AR	AR		
8	503006	HOSE 5/8" I.D. 50' / S.L.	AR	AR		
9	503523	HOSE SILICONE 1PLY 3/4" I.D. x 100' / S.L.	AR	AR		
10	<b>H7-2326-00</b>	<b>TOILET PUMP ASSY</b>				
11	<b>H7-2327-00</b>	<b>SUMP TANK - PLASTIC 30 GALLONS</b>				
12	507557	STREET ELBOW 90° / PIPE FITTING / 1/2NPT-Mx1/2NPT-F BR	1	1		
13	501373	MALE CONNECTOR / HOSE BARB FITTING / #10x1/2NPT-M GALV	1	1		
14	504020	HOSE CLAMP / 9/16"-1"1/4 SS / HS-12	1	1		
15	503006	HOSE 5/8" I.D. 50' / S.L.	AR	AR		
NS	900191	TUBE, TAIL 1 1/2" X 4" LG	1	1		
NS	504023	HOSE CLAMP / 1"5/16"-2"1/4 SS / HS-28	1	1		
16	503527	HOSE RADIATOR / 5/8" I.D. X 25'"GREEN STRIPE"	AR	AR		
17	504319	HOSE CLAMP / 1"-1"1/2 SS / E.T. 16	2	2		
18	501531	DRAIN VALVE 3/8 NPT M x 5/8 HOSE	1	1		
20	900326	DUST CAP / QUICK DISCONNECT "B SERIES" / #10 VINYL	2	2		
21	900323	NIPPLE / QUICK DISCONNECT "B SERIES" / #10x1/2NPT-F BR	2	2		
22	404474	HOSE ADAPTER SS 1/4" NPT X 6 GARDEN HOSE MALE	2	2		
24	641012	BULKHEAD UNION / NTA FITTING / #8x3/8NPT-M BR	2	2		
25	<b>H7-1894-00</b>	<b>REAR STRUCTURE</b>				
26	900324	COUPLER / QUICK DISCONNECT "B SERIES" / #8x1/2NPT-F BR	1	1		
27	900325	DUST PLUG / QUICK DISCONNECT "B SERIES" / #8 VINYL	1	1		
28	500163	SCREW CAP HEX 1/4-20x3/4 G5 Z050	3	3		

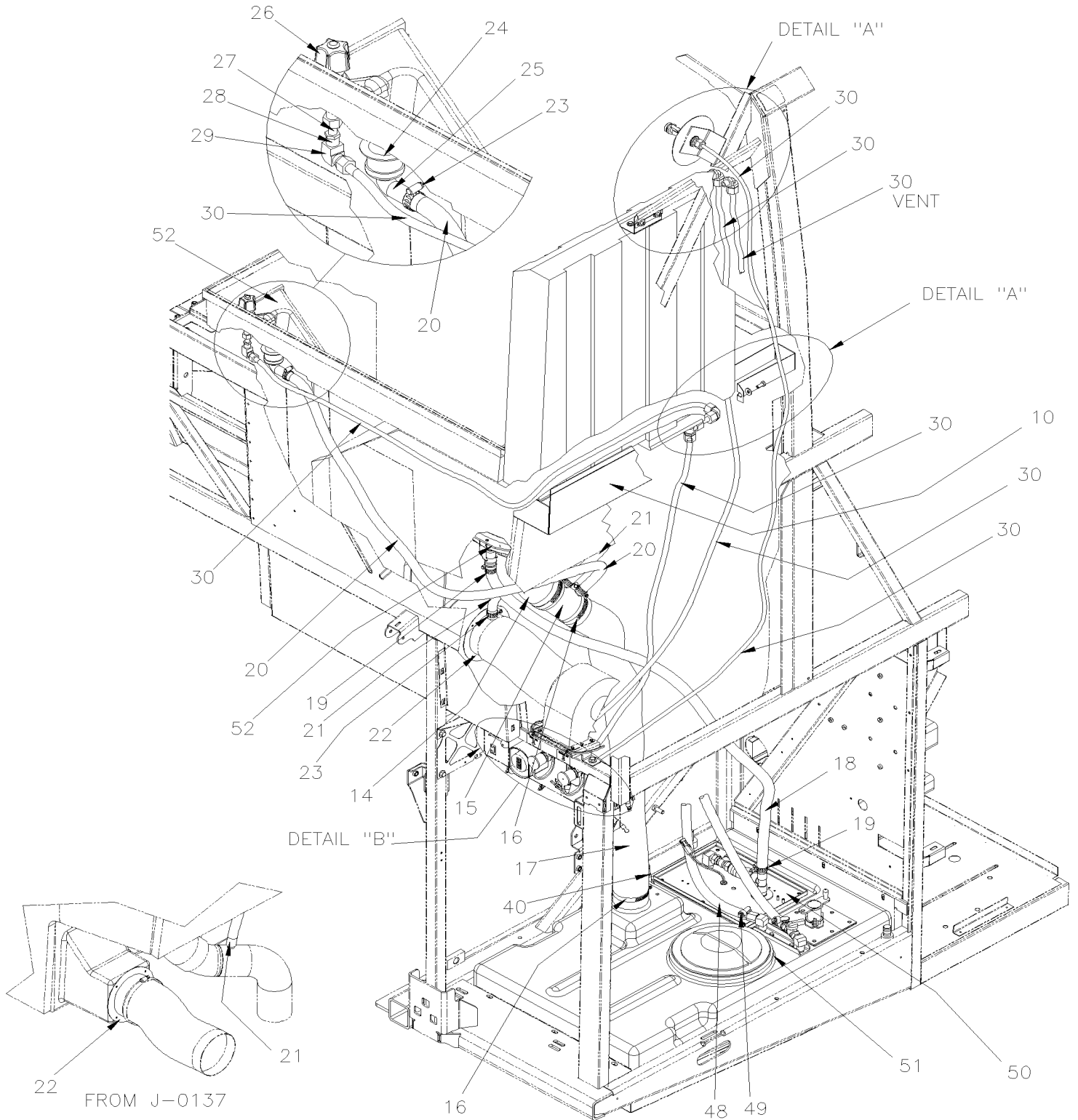
From 7-0671 To A-1720	Date:10/2022	PAGE:H7-2330-00
<b>WATER &amp; SUMP TANK - INSTALLATION</b>		

Item#	Part	Description	H 3 4 1	H 3 4 5	V I P 4 5	N O T E S
29	500749	NUT HEX THK 1-14x1 5/16	3	3		
NS	500473	WASHER LO SPT .262x.489x.062 Z050	3	3		
30	501333	STREET ELBOW 90° / PIPE FITTING / 3/8NPT-Mx3/8NPT-F BR	1	1		
31	641040	MALE ELBOW 90° / NTA FITTING / #8x3/8NPT-M BR	1	1		
32	641076	MALE ELBOW 90° / NTA FITTING / #8x1/2NPT-M BR	1	1		
50	<b>871202</b>	<b>WATER HEATER - "SPHEROS" 100,000 B.T.U.</b>				
		A) TO FIX ANGLE				
		C) USE WITH OPTION AUXILIARY TANK OVER				





WATER & SUMP TANK - INSTALLATION

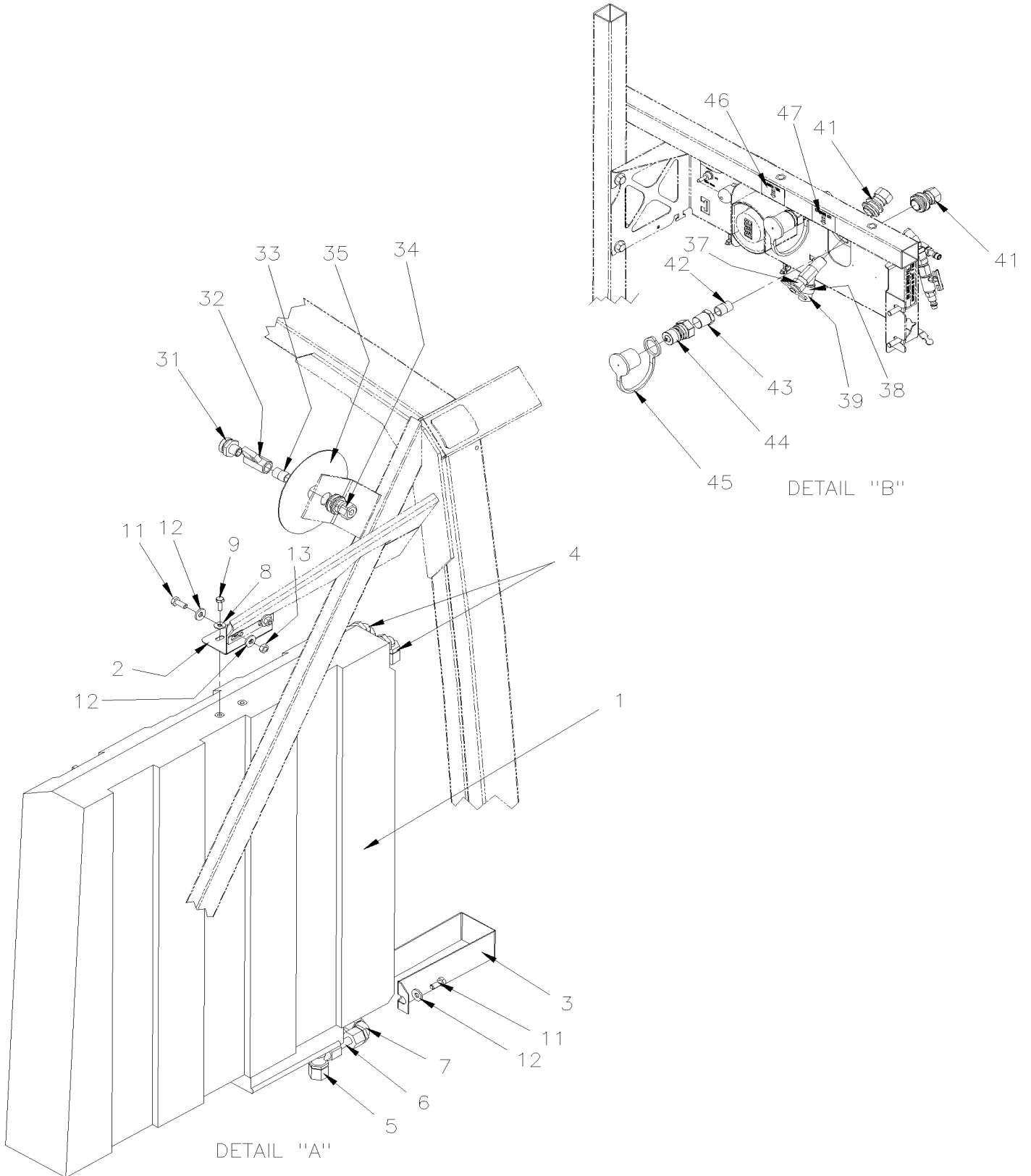


From B-1721 To J-0184

Date:10/2022

PAGE:H7-2330-01

## WATER & SUMP TANK - INSTALLATION



From B-1721 To J-0184	Date:10/2022	PAGE:H7-2330-01
<b>WATER &amp; SUMP TANK - INSTALLATION</b>		

Item#	Part	Description	H 3 4 1	H 3 4 5	V I P 4 5	N O T E S
1	900959	TANK / WATER 66Liters	1	1		
2	405237	SUPPORT / WATER TANK	1	1		
3	405238	SUPPORT "U" SHAPE / WATER TANK	1	1		
4	5011227	MALE ELBOW 90° / COMPRESSION FITTING / #8x3/8NPT-M PLAS WHITE	2	2		
5	5011228	MALE RUN TEE/ COMPRESSION FITTING / #8x#8x3/8NPT-M BR	1	1		
6	503488	TUBE, NYLON 1/2 O.D. / BLACK S.L./	AR	AR		
7	5011229	ELBOW UNION 90° / COMPRESSION FITTING / #8x#8 PLAS WHITE	1	1		
8	5001833	WASHER BEL SPR 6.1x18x1.27 SS	2	2		
9	5001746	SCREW CAP HEX 1/4-20x3/4 G5 N500	2	2		
10	403851	SUPPORT / WATER TANK To C-2023	1	1		
10	406533	SUPPORT / WATER TANK From C-2024	1	1		
NS	506071	TAPE RUB ADH1 CC POL 1/8" x 1/2" x 50' / GREY 2520X	AR	AR		
NS	504068	GROMMET / .500x.750x.062x.312x1.062	2	2		
NS	504398	GROMMET / 1.000x1.375x.062x.437x1.750	1	1		
NS	500365	SCREW TP CAP HEX #12x1 Z050 To E-2681	6	6		
10	502896	SCREW TC BDG PH #12-24x3/4 N500 From E-2682	6	6		
10	500805	WASHER FL .218x.875x.062 N500 From E-2682	6	6		
11	502862	SCREW CAP HEX M8-1.25x20 G8.8 N500	4	4		
12	500321	WASHER BEL SPR .331x.827x.098 N500	6	6		
13	502851	NUT HEX M8-1.25 N500	2	2		
14	530211	ELBOW 45° X 3 1/2" I.D. RUBBER	1	1		
15	406463	TUBE ASSY / SS	1	1		
15	406462	TUBE ASSY / SS W/OUTBASSIN DRAIN	1	1		
16	504235	HOSE CLAMP / 3"9/16"-4"1/2 SS / HS-64 To G-3038	4	4		
16	504235	HOSE CLAMP / 3"9/16"-4"1/2 SS / HS-64 From G-3039	1	1		
16	504580	HOSE CLAMP / 3"1/4-4"1/8 / C.T. 400 From G-3039	3	3		
NS	680098	THREAD SEALANT LOCTITE #567 / WHITE / 250ml	AR	AR		
17	406465	HOSE FLEXIBLE 3 1/2" I.D. X 1150MM	1	1		
17	405050	HOSE FLEXIBLE 3 1/2" I.D. X 140MM	1	1		C
17	406464	HOSE FLEXIBLE 3 1/2" I.D. X 745MM	1	1		C
17	503039	. HOSE FLEXIBLE / 3 1/2" I.D. X 10'	AR	AR		
18	403191	HOSE 3/4" I.D. x 1900MM	1	1		
18	400151	HOSE 3/4" I.D. x 1220MM	1	1		C
18	503523	. HOSE SILICONE 1PLY 3/4" I.D. x 100' / S.L.	AR	AR		
NS	504574	GROMMET / 1.125x1.312x.062x.312x1.56	1	1		
19	504319	HOSE CLAMP / 1"-1"1/2 SS / E.T. 16	5	5		
20	406492	HOSE 1450MM	1	1		
20	503523	. HOSE SILICONE 1PLY 3/4" I.D. x 100' / S.L.	AR	AR		
21	372738	HOSE 3/4" I.D. 815 MM To J-0156	1	1		
21	503523	. HOSE SILICONE 1PLY 3/4" I.D. x 100' / S.L. To J-0156	AR	AR		
21	400256	HOSE 3/4" I.D. 670 MM From J-0157	1	1		
21	503523	HOSE SILICONE 1PLY 3/4" I.D. x 100' / S.L. From J-0157	AR	AR		

<b>From B-1721 To J-0184</b>	<b>Date:10/2022</b>	<b>PAGE:H7-2330-01</b>
<b>WATER &amp; SUMP TANK - INSTALLATION</b>		

Item#	Part	Description	H 3 4 1	H 3 4 5	V I P 4 5	N O T E S
22	406374	FLANGE HOSE ADAPTOR 5" O.D. / W3/4" HOSE To J-0156	1	1		
22	400509	FLANGE HOSE ADAPTOR 5" O.D. From J-0157	1	1		
NS	684517	ADHESIVE SIMSON #ISR 70-03 / GREY / 310ml CARTRIDGE	AR	AR		
22	400646	KIT OPTIMAL OPERATION OF THE LAVATORY FAN To J-0156	1	1		
. NS	400256	. HOSE 3/4" I.D. 670 MM To J-0156	1	1		
. NS	400512	. FLANGE ASSY To J-0156	1	1		
. NS	400647	. PLUG To J-0156	1	1		
. NS	504020	. HOSE CLAMP / 9/16"-1"1/4 SS / HS-12 To J-0156	2	2		
. NS	680537	. GLUE, PLEXUS MA830 380 ML To J-0156	1	1		
23	504019	HOSE CLAMP / 9/16"-1"1/16 SS / HS-10 To H-3952	2	2		
23	504319	HOSE CLAMP / 1"-1"1/2 SS / E.T. 16 From H-3953	2	2		
24	900509	STRAINER / WASHBASIN	1	1		
25	901386	DRAIN 1 1/2 90 DEG X #12BB	1	1		
26	900582	FAUCET To F-2890	1	1		
26	900011	FAUCET From F-2891	1	1		
26	900010	NUT, COUPLING 1/2-14 From F-2891	1	1		
27	501176	FITTING STRAIGHT #8BBX	1	1		
28	501314	BUSHING REDUCER / PIPE FITTING / 3/8NPT-Mx1/4NPT-F BR	1	1		
29	641179	FEMALE ELBOW 90° / NTA FITTING / #8x3/8NPT-F BR	1	1		
NS	680098	THREAD SEALANT LOCTITE #567 / WHITE / 250ml	AR	AR		
30	503488	TUBE, NYLON 1/2 O.D. / BLACK S.L./	AR	AR		
31	5011178	MALE CONNECTOR / GARDEN FITTING / 3/4GARDEN-Mx3/8NPT-M BR	1	1		
32	5011180	BALL VALVE 3/8 NPT M x 3/8 NPT M	1	1		
33	501325	NIPPLE / PIPE FITTING / 3/8NPT-Mx3/8NPT-Mx1 BR	1	1		
34	641012	BULKHEAD UNION / NTA FITTING / #8x3/8NPT-M BR	1	1		
35	404481	PLATE / FINISHING	1	1		
37	501531	DRAIN VALVE 3/8 NPT M x 5/8 HOSE	1	1		
NS	405298	DECAL / "DRAINING WATER TANK" / ENGLISH	1	1		
37	405650	DECAL / "DRAINING WATER TANK" / ENGLISH & SPANISH	1	1		
38	504019	HOSE CLAMP / 9/16"-1"1/16 SS / HS-10	1	1		
39	503006	HOSE 5/8" I.D. 50' / S.L.	AR	AR		
40	900280	THRU HULL, CONNECTOR / PLASTIC	1	1		
41	641012	BULKHEAD UNION / NTA FITTING / #8x3/8NPT-M BR	2	2		
42	501325	NIPPLE / PIPE FITTING / 3/8NPT-Mx3/8NPT-Mx1 BR	2	2		
43	501534	BUSHING REDUCER / PIPE FITTING / 1/2NPT-Mx3/8NPT-F BR	2	2		
44	900323	NIPPLE / QUICK DISCONNECT "B SERIES" / #10x1/2NPT-F BR	2	2		
44	900324	COUPLER / QUICK DISCONNECT "B SERIES" / #8x1/2NPT-F BR	2	2		
44	404474	HOSE ADAPTER SS 1/4" NPT X 6 GARDEN HOSE MALE	2	2		
45	900326	DUST CAP / QUICK DISCONNECT "B SERIES" / #10 VINYL	2	2		
45	900325	DUST PLUG / QUICK DISCONNECT "B SERIES" / #8 VINYL	2	2		
46	403550	DECAL / "WATER TANK" / ENGLISH	1	1		
46	405640	DECAL / "WATER TANK" / ENGLISH & SPANISH	1	1		

From B-1721 To J-0184	Date:10/2022	PAGE:H7-2330-01
<b>WATER &amp; SUMP TANK - INSTALLATION</b>		

Item#	Part	Description	H 3 4 1	H 3 4 5	V I P 4 5	N O T E S
47	403551	DECAL / "CLEANING KIT" / ENGLISH	1	1		
47	405641	DECAL / "CLEANING KIT" / ENGLISH & SPANISH	1	1		
48	503720	HOSE SILICONE 1 PLY 5/8" I.D. x 25' / S.L. To D-2275	AR	AR		
48	503802	HOSE SILICONE 1 PLY / NOMEX-ARAMID 5/8" I.D. x 100' / S.L. From D-2276	AR	AR		
49	504646	HOSE CLAMP / 11/16"-1"1/4 / C.T. 9412 To D-2301	4	4		
49	504781	HOSE CLAMP / 13/16"-1 5/16" SS / C.T. W.S. From D-2302	4	4		
50	<b>H7-2326-00</b>	<b>TOILET PUMP ASSY To D-2122</b>				
50	<b>H7-2326-01</b>	<b>TOILET PUMP ASSY / WITH HEATER From D-2123</b>				
51	<b>H7-2327-00</b>	<b>SUMP TANK - PLASTIC 30 GALLONS</b>				
52	<b>H7-2325-00</b>	<b>LAVATORY - ACCESSORIES</b>				
		C) USE WITH OPTION AUXILIARY TANK OVER				

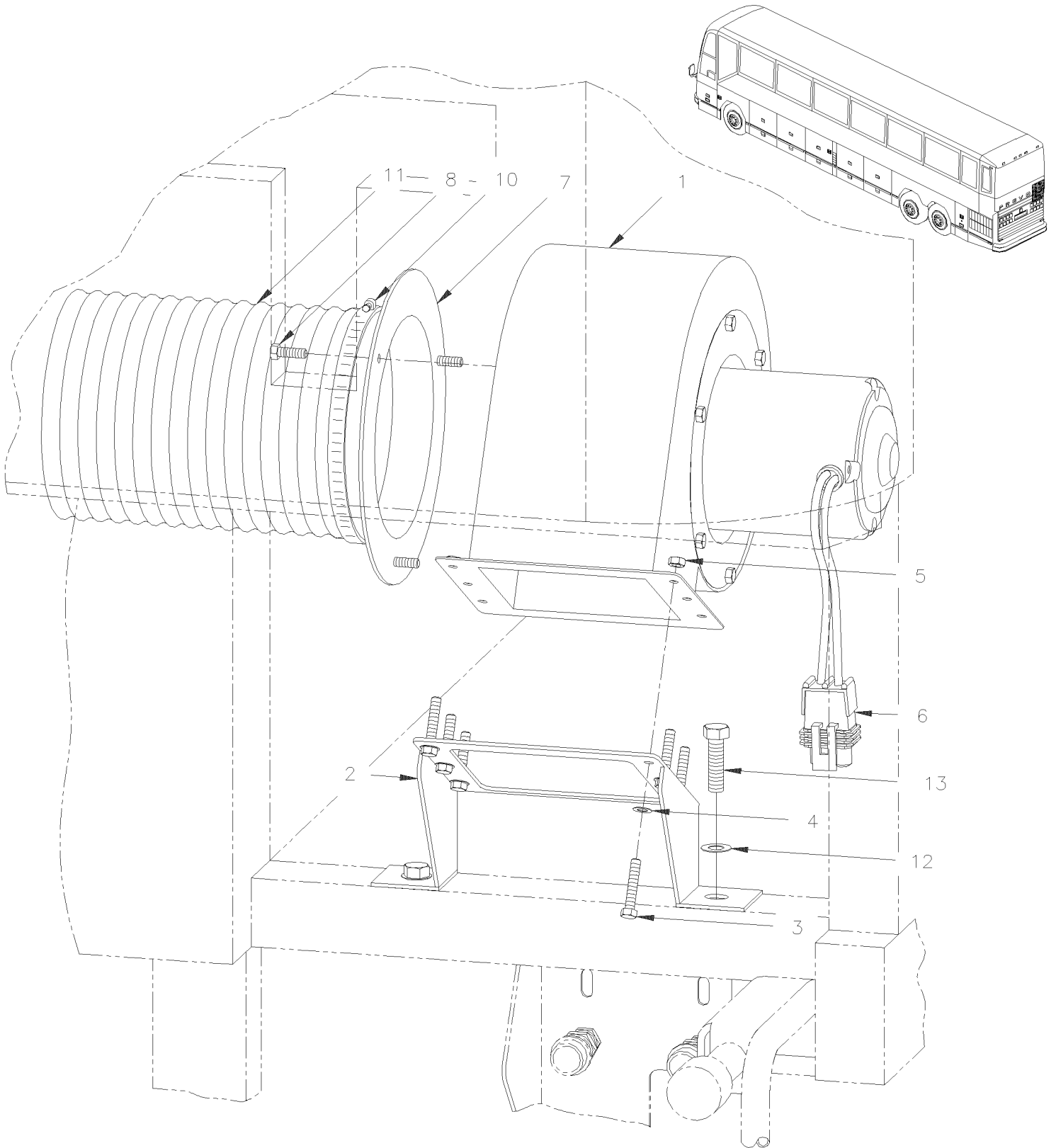


From 7-0671 To J-0184

Date:10/2022

PAGE:H7-2337-00

## LAVATORY FAN - INSTALLATION



From 7-0671 To J-0184	Date:10/2022	PAGE:H7-2337-00
<b>LAVATORY FAN - INSTALLATION</b>		

Item#	Part	Description	H 3 4 1	H 3 4 5	V I P 4 5	N O T E S
	Call order desk	BLOWER ASSY / LAVATORY				P
1	<b>870844</b>	<b>. BLOWER &amp; MOTOR ASSY - "M.C.C." "CW" / FAN END</b>				
2	403085	. SUPPORT ASSY To A-1604	1	1		
2	456891	. SUPPORT ASSY From A-1605	1	1		
2	8631155	. CABLE TIE / 4.6MM x 200 / CHRISTMAS TREE From A-1605	2	2		
3	500588	. SCREW CAP HEX M4-0.7x20 G8.8 Z050	6	6		
4	500591	. WASHER FL 4.3x9.0x0.8 Z050	6	6		
5	500590	. NUT HEX NYRT M4-0.7 Z050	6	6		
6	561690	. CONNECTOR / WEATHER PACK / SH 2C / BLACK / PED 12015792	1	1		
NS	561578	. SOCKET TERMINAL / 16-14 / PED 12010182	2	2		
NS	561786	. CABLE SEAL / GRAY / PED 15324980	2	2		
7	403063	. FLANGE / HOSE ADAPTOR	1	1		
8	502685	. SCREW CAP HEX M4-0.7x20 SS EMN	3	3		
NS	500589	. NUT WELL M4-0.7x13.5	3	3		
10	504324	HOSE CLAMP / 4"1/2-6"1/2 SS / HS-96	2	2		
11	503522	HOSE FLEXIBLE / AIR DUCT 5" I.D. X 12' / LINEN RUBBER	AR	AR		
12	500874	WASHER FL 8.4x17.0x1.6 Z050	2	2		
NS	502507	WASHER LO SPT 8.1x14.8x2.0 Z050	2	2		
13	500069	SCREW CAP HEX M8-1.25x16 G10.9 DP	2	2		
NS	<b>454393</b>	<b>LAVATORY FAN - INSTALLATION</b>	1	1		
		P) CALL ORDER DESK FOR SPECIFIC APPLICATION (V.I.N.)				

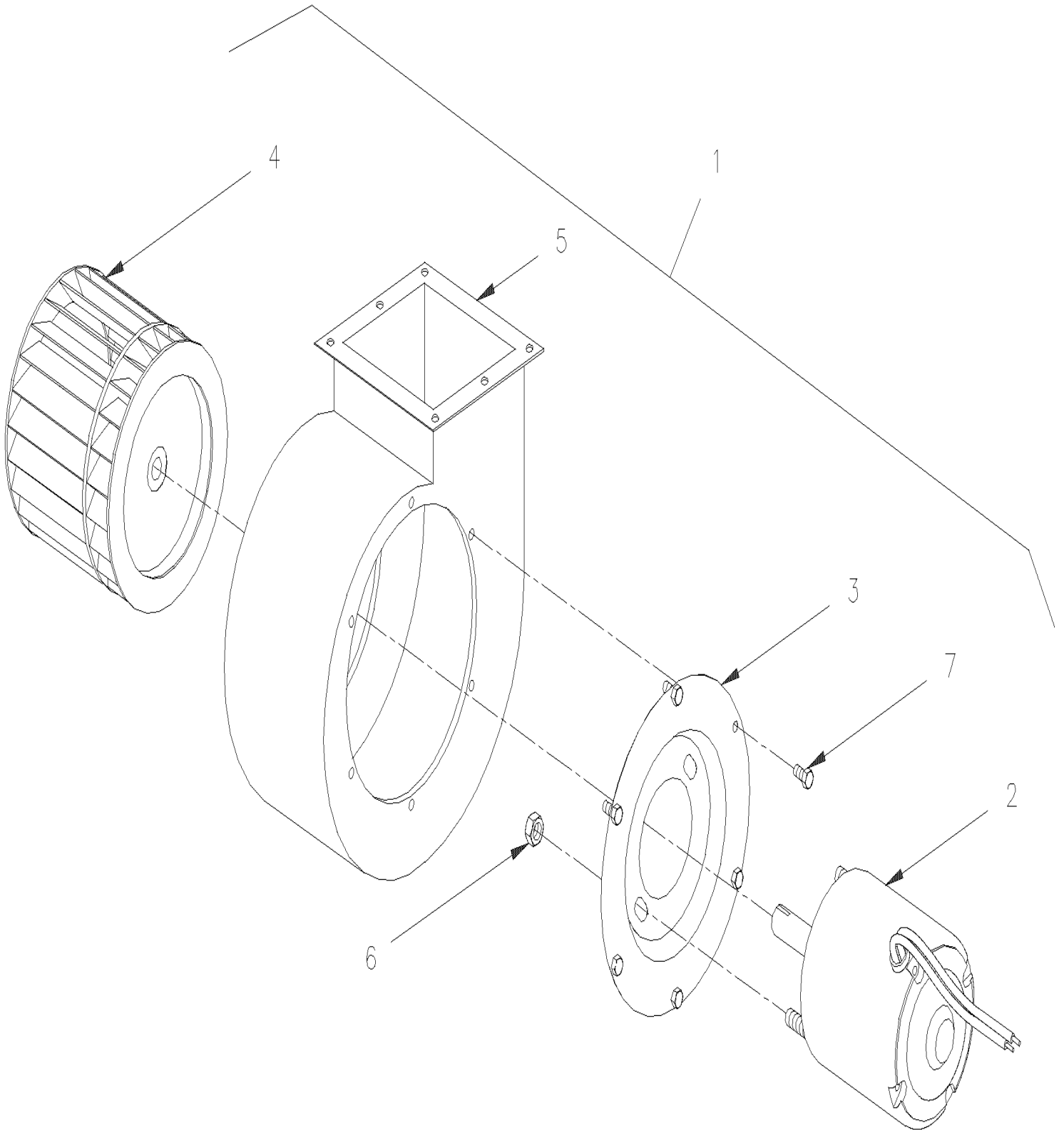


From 7-0671 To J-0184

Date:10/2022

PAGE:870844

**BLOWER & MOTOR ASSY - "M.C.C." "CW" / FAN END**



From 7-0671 To J-0184      Date:10/2022      PAGE:870844

**BLOWER & MOTOR ASSY - "M.C.C." "CW" / FAN END**

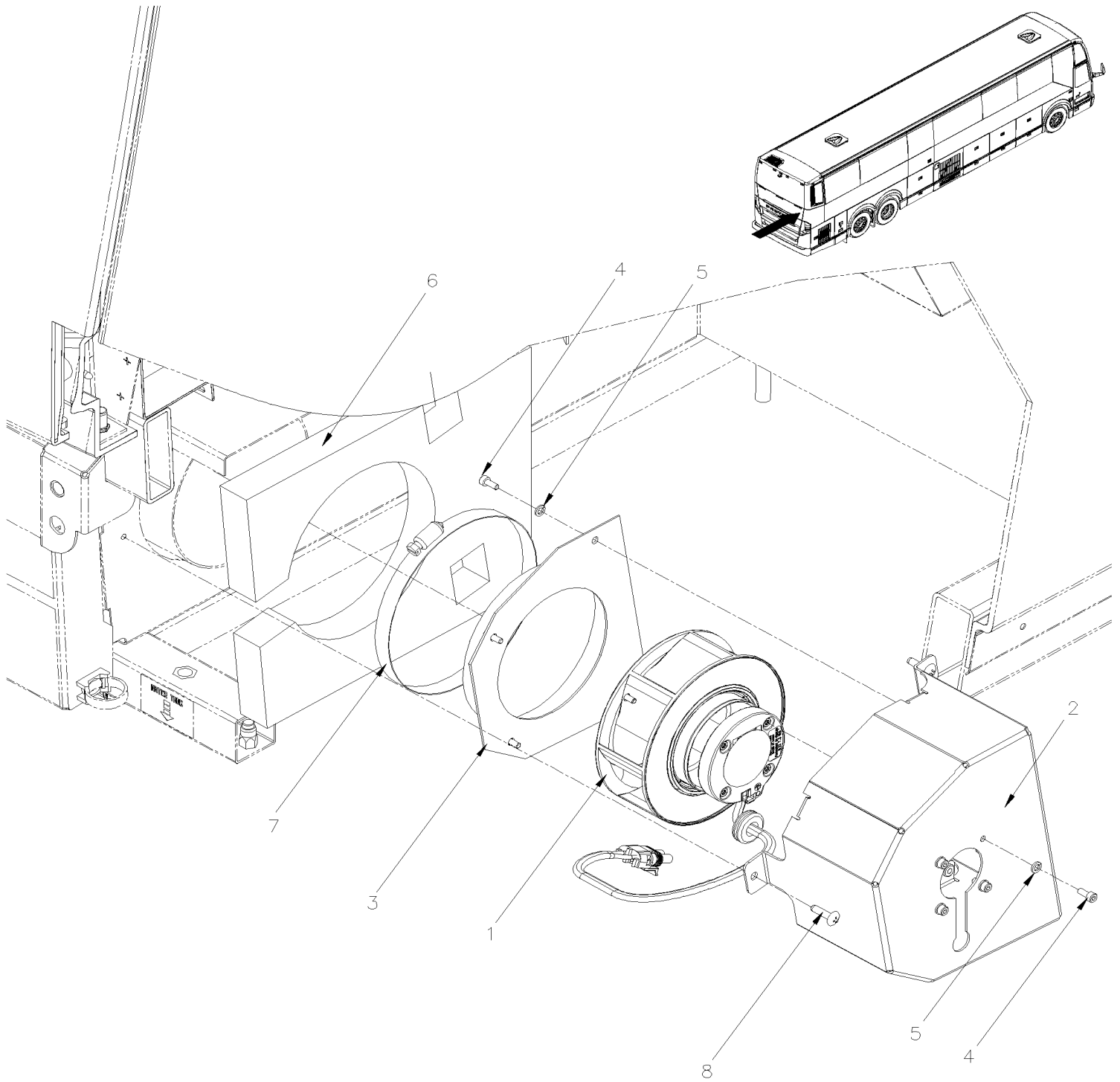
Item#	Part	Description	H 3 4 1	H 3 4 5	V I P 4 5	N O T E S
1		BLOWER ASSY 24V / CW	1	1	1	
2	562167	. MOTOR ASSY / 24V	1	1	1	
3	871020	. PLATE MOUNTING / MOTOR	1	1	1	
4	871017	. BLOWER WHEEL / STEEL	1	1	1	
5	871440	. HOUSING BLOWER	1	1	1	
6	500786	. NUT HEX #10-24 Z050	2	2	2	
7	500978	. SCREW CAP HEX #10-24x3/4 Z050	6	6	6	

From 7-0671 To J-0184

Date:10/2022

PAGE:454393

**LAVATORY FAN - INSTALLATION**



From 7-0671 To J-0184	Date:10/2022	PAGE:454393
<b>LAVATORY FAN - INSTALLATION</b>		

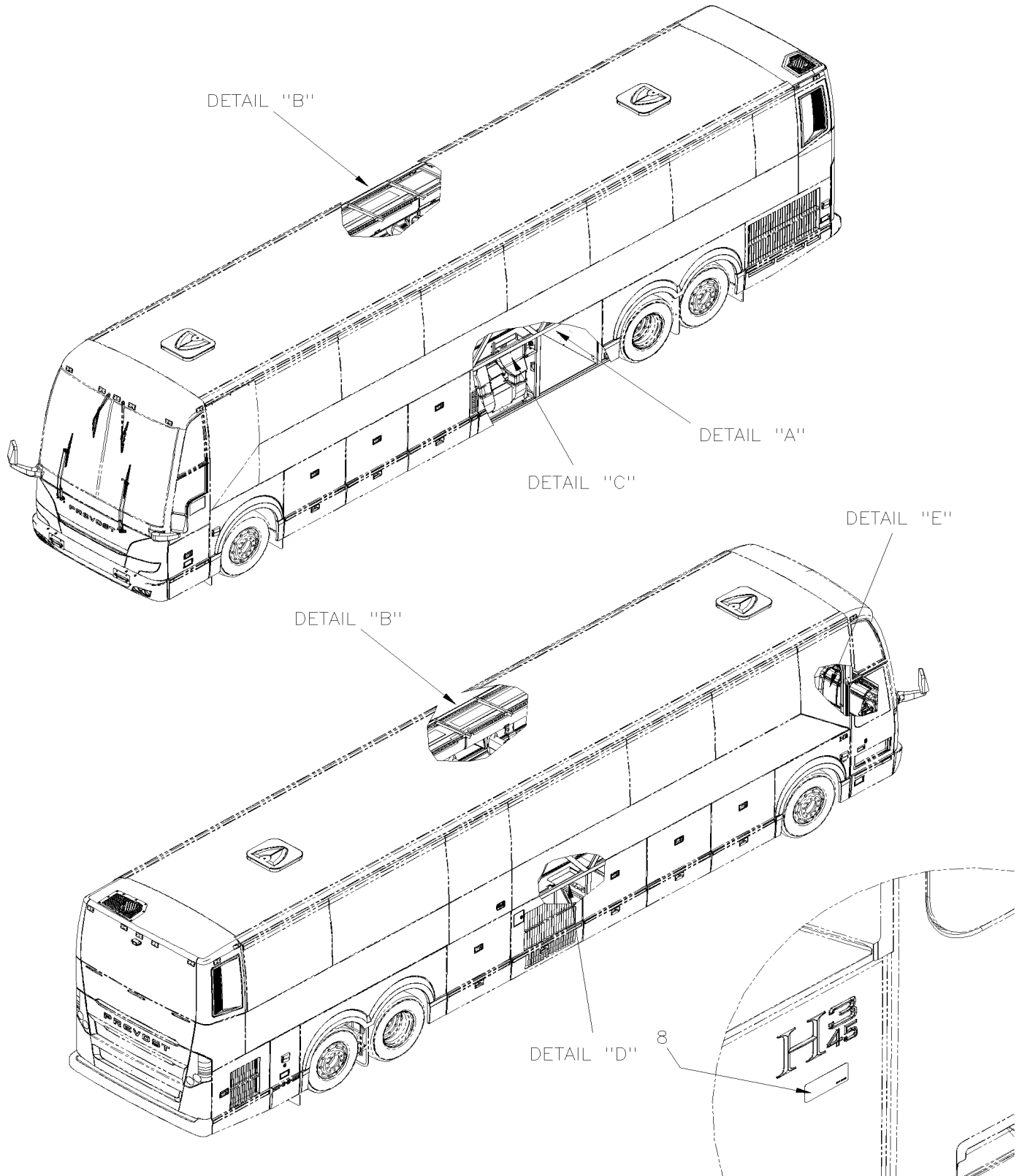
Item#	Part	Description	H 3 4 1	H 3 4 5	V I P 4 5	N O T E S
1	950624	FAN BRUSHLESS	1	1		
. NS	561690	. CONNECTOR / WEATHER PACK / SH 2C / BLACK / PED 12015792	1	1		
2	454382	BRACKET FOR LAVATORY FAN	1	1		
3	454383	PLATE FOR LAVATORY FAN ASSY	1	1		
4	5002180	SCREW CAP HEXS M4X0.7x10 SS	8	8		
5	500914	WASHER LO SPT .193x.334x.047 N500	8	8		
6	354192	INSULATION	1	1		
7	504324	HOSE CLAMP / 4"1/2-6"1/2 SS / HS-96	1	1		
8	500283	SCREW TC TR PH #10-24x3/4 SS	3	3		
NS	IS-19165	SEE INSTRUCTION SHEET	1	1		
NS	FI-19165	VOIR FEUILLE D'INSTRUCTION	1	1		

From 9-1409 To J-0184

Date:10/2022

PAGE:H7-2340-00

**PLASMA CLUSTER IONS AIR SANITIZER - ENVIROCARE / RETROFIT**

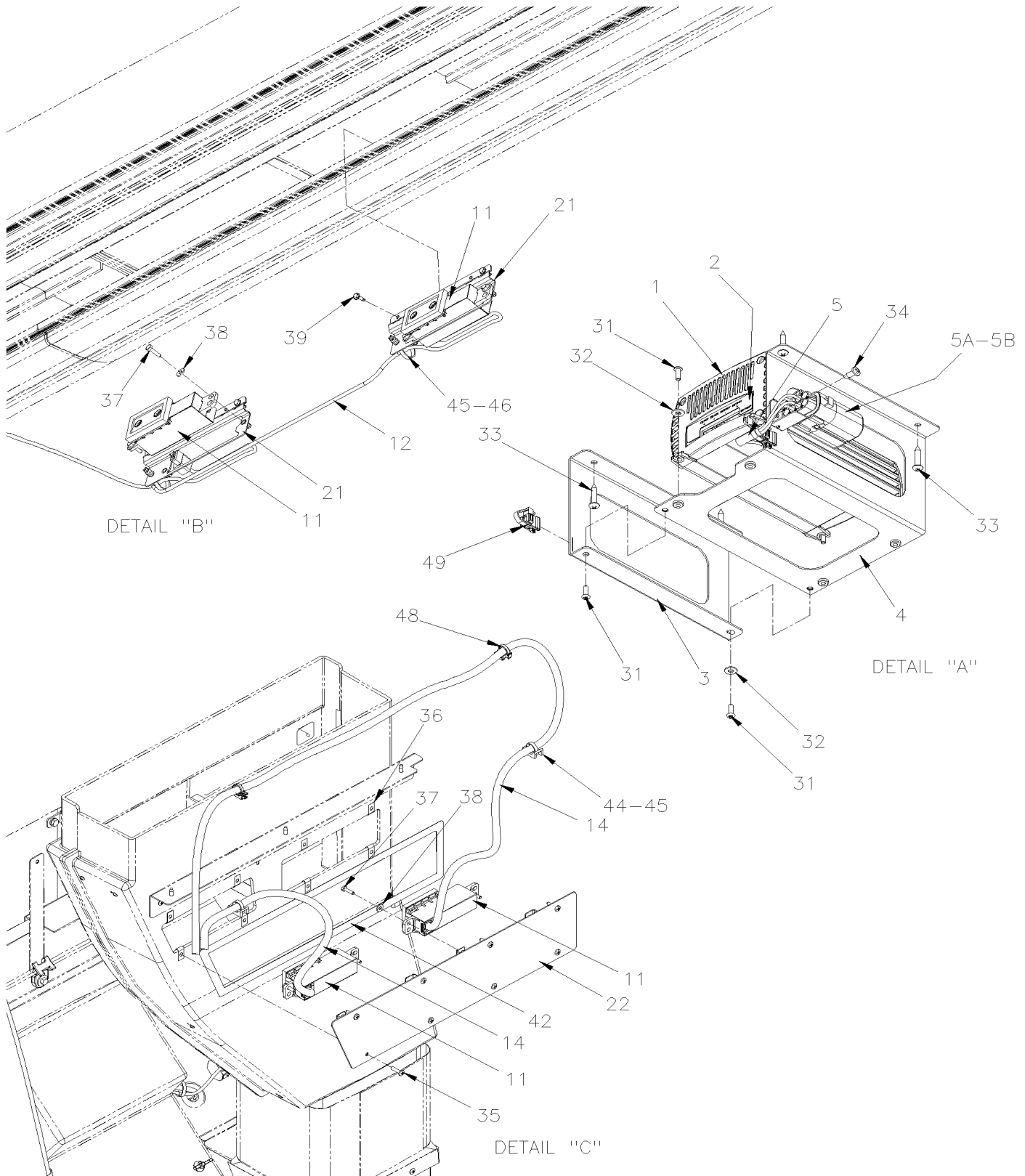


From 9-1409 To J-0184

Date:10/2022

PAGE:H7-2340-00

PLASMA CLUSTER IONS AIR SANITIZER - ENVIROCARE / RETROFIT

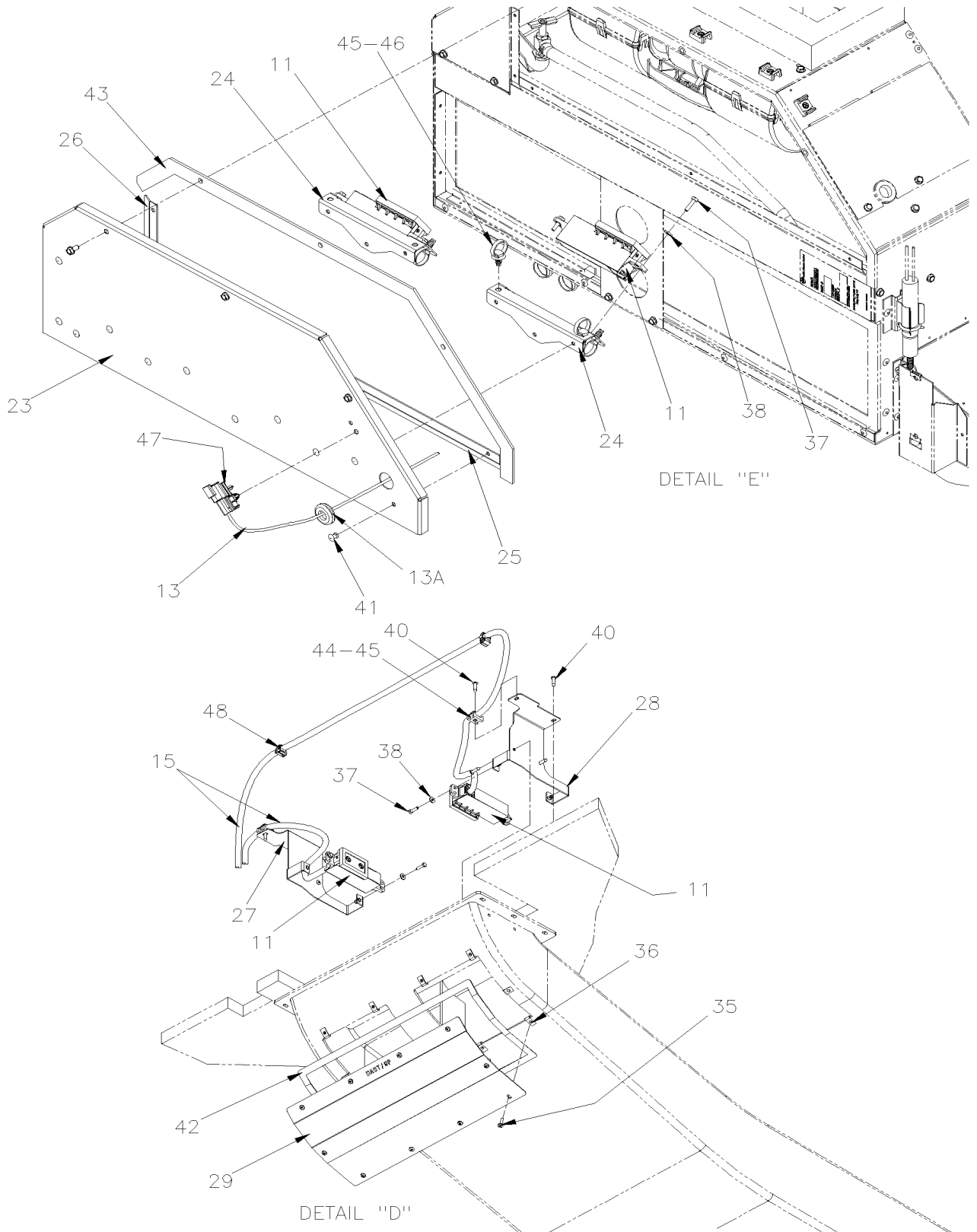


From 9-1409 To J-0184

Date:10/2022

PAGE:H7-2340-00

## PLASMA CLUSTER IONS AIR SANITIZER - ENVIROCARE / RETROFIT



From 9-1409 To J-0184      Date:10/2022      PAGE:H7-2340-00

**PLASMA CLUSTER IONS AIR SANITIZER - ENVIROCARE / RETROFIT**

Item#	Part	Description	H 3 4 1	H 3 4 5	V I P 4 5	N O T E S
	0610448	SERVICE KIT ENVIROCARE, H3	1	1	1	
1	564288	. DC/DC (24/12V) CONVERTER	1	1		
2	0610547	. DECAL CONVERTER DC-DC	2	2		
3	0610510	. SUPPORT CONVERTER DC-DC	1	1		
4	0610511	. SUPPORT CONVERTER DC-DC	1	1		
5	0610502	. HARNESS, PLASMA CLUSTER DCDC	1	1		
. A	564238	. . FUSE HOLDER / LONG / BUSSMANN CFH-ALE	1	1		
. B	563280	. . FUSE / ATM 5 AMPS AMBER	1	1		
8	0611019	. DECAL "PREVOST ENVIROCARE" / ENGLISH	1	1		
8	0610528	. DECAL "PREVOST ENVIROCARE" / ENGLISH / FRENCH	1	1		
11	0610449	. PLASMACLUSTER	10	10		
12	0610505	. WIRING, PLASMA CLUSTER PARCEL RACK	1	1		
13	0610503	. WIRING, PLASMA CLUSTER DRIVER	1	1		
13A	504555	. . GROMMET / .500x.812x.125x.344x1.062x.031	1	1	1	
14	0610504	. WIRING, PLASMA CLUSTER EVAPORATOR H3	1	1		
15	0610501	. WIRING, PLASMA CLUSTER CONDENSOR H3	1	1		
21	314937	. PLASMACLUSTER BRACKET, PARCEL RACK	4	4		
22	454472	. SUPPORT PLASMACLUSTER, EVAPORATOR DUCT ASSY	1	1		
22	454769	. CUTTING TEMPLATE 454472	1	1		
23	370482	. PLASMACLUSTER PANEL, DEFROST UNIT	1	1		
24	370377	. PLASMACLUSTER BRACKET, DEFROST UNIT	2	2		
25	370483	. PLASMACLUSTER PANEL ANGULAR	1	1		
26	370484	. PLASMACLUSTER PANEL ANGULAR	1	1		
27	454466	. SUPPORT ASSY	1	1		
28	454469	. SUPPORT ASSY	1	1		
29	454471	. CLOSING, CONDENSOR DUCT	1	1		
29	454479	. CUTTING TEMPLATE 454471	1	1		
31	5001996	. SCREW MA PAN PH M4-0.7x12 N500	6	6		
32	500855	. WASHER FL .188x.438x.049 N500	5	5		
33	500608	. SCREW TP BDG PH #10x1 N500	4	4		
34	502868	. SCREW TC TR PH #10-16x1/2 N500	1	1		
35	500244	. SCREW TP BDG PH #8x3/4 N500	18	18		
36	5002071	. NUT SPR U #8 .110-.187 BK	18	18		
37	502799	. SCREW CAP HEX M4-0.7X16 G8.8 N500	20	20		
38	500855	. WASHER FL .188x.438x.049 N500	20	20		
39	5002209	. SCREW DR HEXW #6-20x1/2 Z050	8	8		
40	500957	. SCREW TP BDG PH #10x3/4 N500	8	8		
41	504335	. RIVET POP DOME CLE 3/16x1/4 AL	11	11		



From 9-1409 To J-0184	Date:10/2022	PAGE:H7-2340-00
<b>PLASMA CLUSTER IONS AIR SANITIZER - ENVIROCARE / RETROFIT</b>		

Item#	Part	Description	H 3 4 1	H 3 4 5	V I P 4 5	N O T E S
42	506268	. TAPE RUB ADH1 URE 3/8" x 1/2" x 25' / GREY 1820	QR	QR		
43	506001	. TAPE RUB ADH1 CC POL 1/8" x 3/4" x 50' / GREY 2520X	QR	QR		
44	504013	. TIE MOUNT / 1/4" X 1/4" I.D.	4	4		
45	504637	. CABLE TIE / 3/16" x 13"	12	12		
46	509815	. TIE MOUNT / ATTACHMENT W/TREE MOUNT	8	8		
47	564108	. SELF MOUNTING STUD // DEUTSCH 1011-310-0205	1	1		
48	564534	. CABLE TIE / WITH EDGE CLIP / T50REC5A 10 MM x 200 MM	4	4		
49	564204	. CABLE TIE / WITH EDGE CLIP / T50REC4A 10MMx200MM	2	2		
50	IS-20932	SEE INSTRUCTION SHEET	1	1		
50	FI-20932	VOIR FEUILLE D'INSTRUCTION	1	1		
60	7771197	ION COUNTER TESTING DEVICE	1	1		

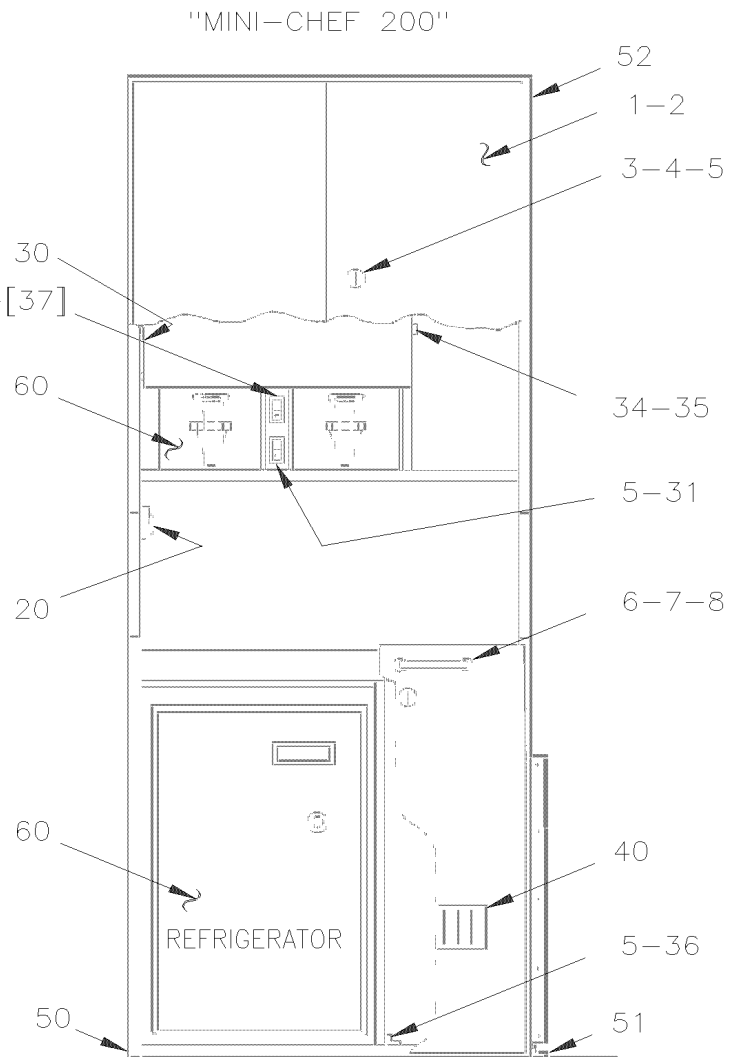
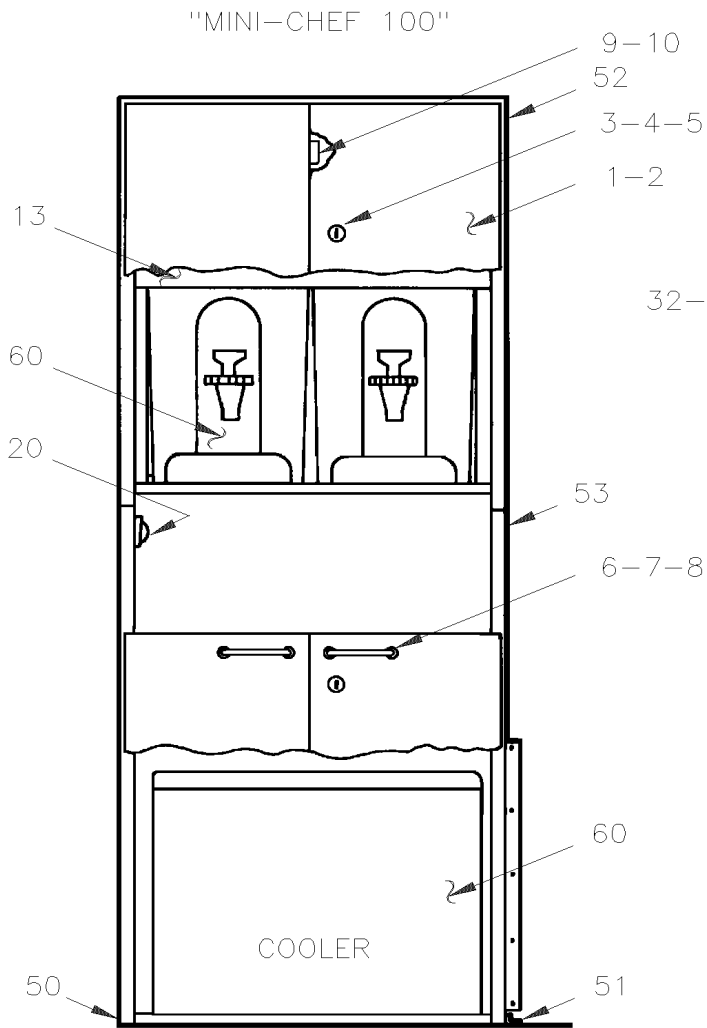


From 7-0671 To J-0184

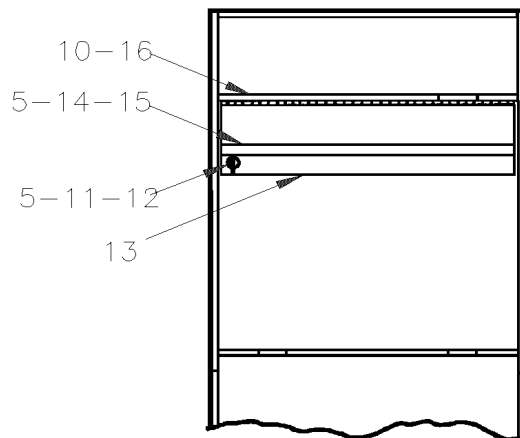
Date:10/2022

PAGE:H7-2345-00

**GALLEY ASSY**



"MINI-CHEF 100" (DOOR OPEN)

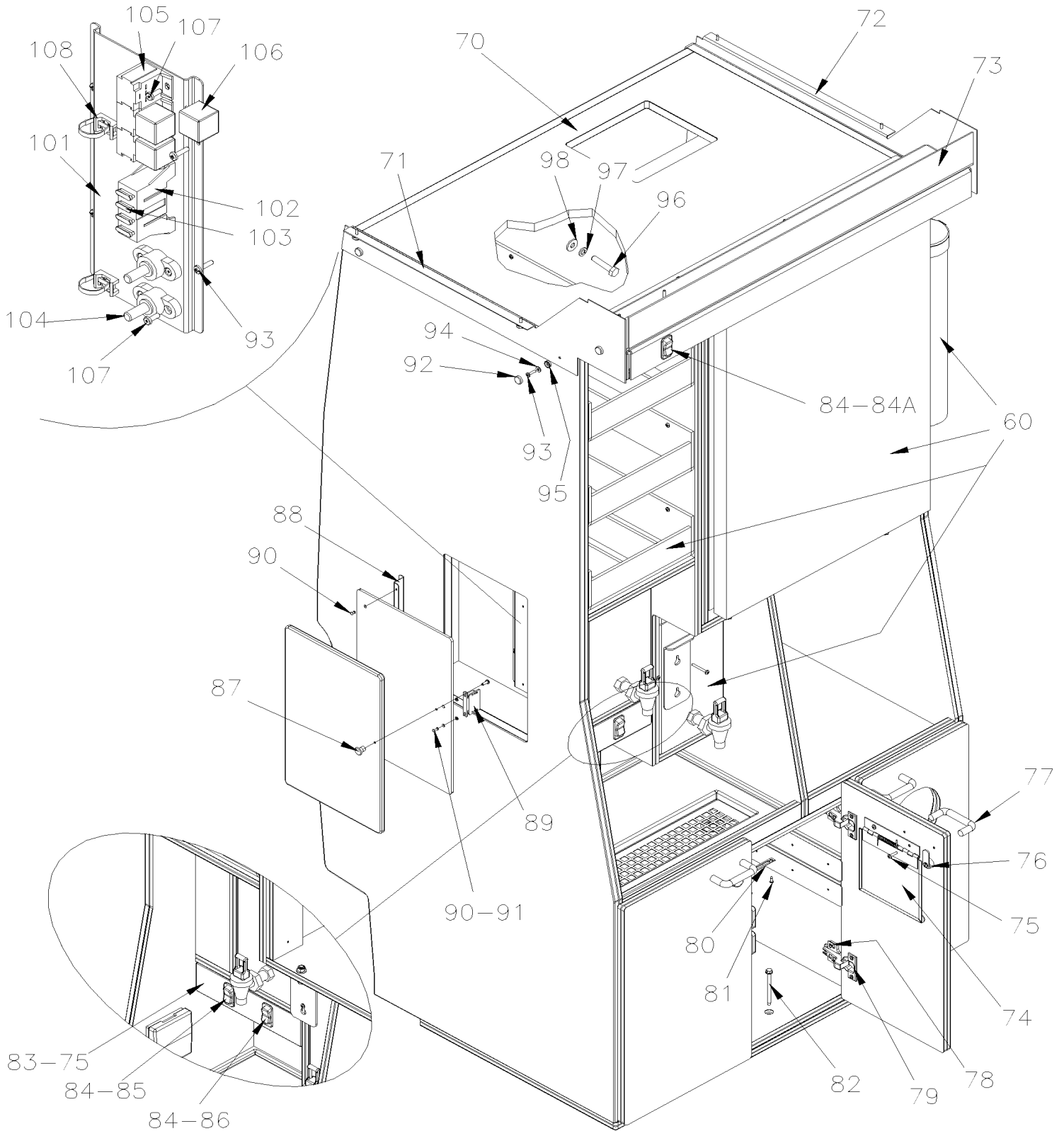


From 7-0671 To J-0184

Date:10/2022

PAGE:H7-2345-00

GALLEY ASSY

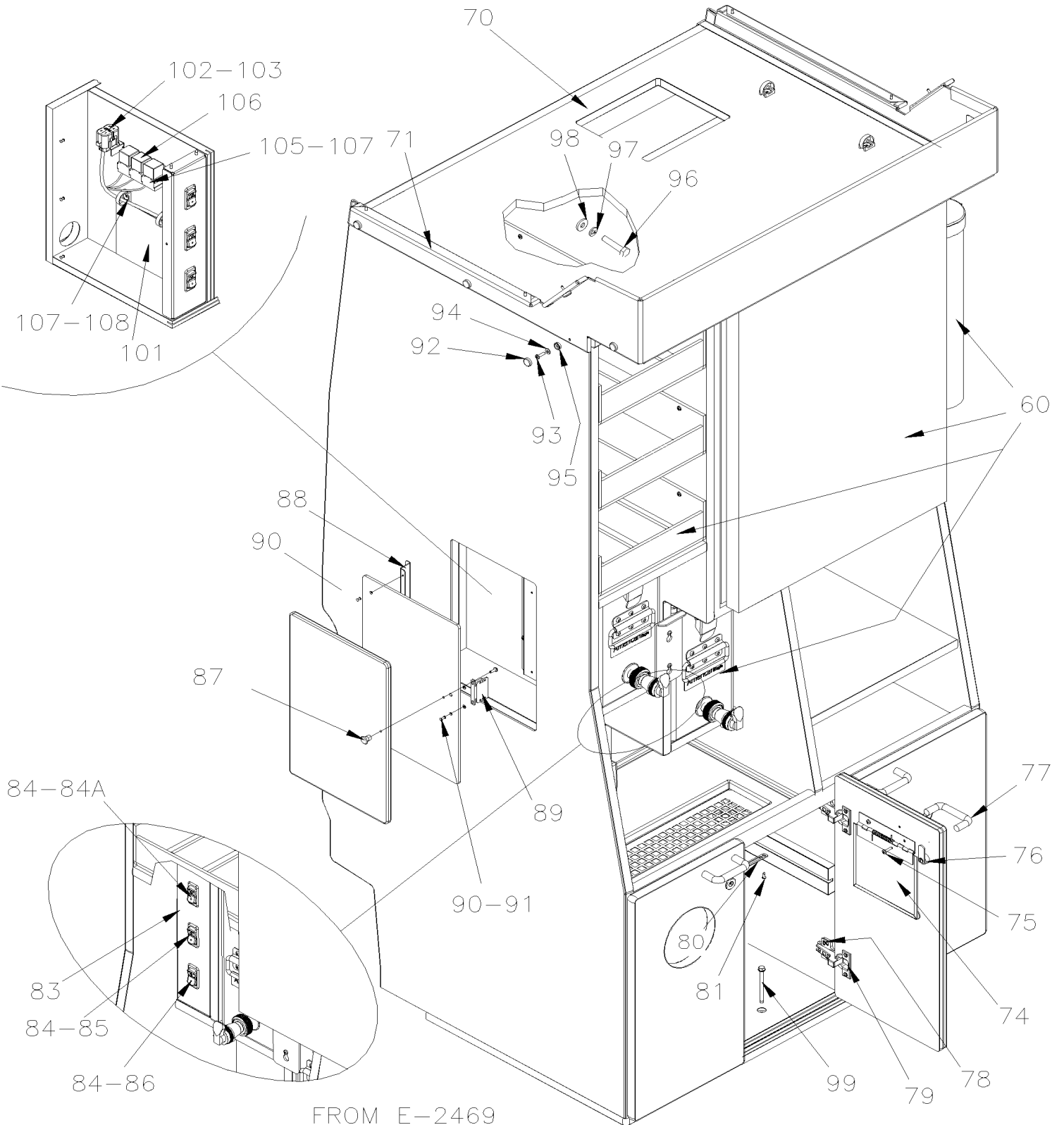


From 7-0671 To J-0184

Date:10/2022

PAGE:H7-2345-00

GALLEY ASSY



FROM E-2469

From 7-0671 To J-0184	Date:10/2022	PAGE:H7-2345-00
<b>GALLEY ASSY</b>		

Item#	Part	Description	H 3 4 1	H 3 4 5	V I P 4 5	N O T E S
	N.S.P.	GALLEY "MINI-CHEF 101" ASSY/W/COOLER	1	1		2 A
	N.S.P.	GALLEY "MINI-CHEF 101" ASSY/W/REFRIGERATOR 1.2 CU FT	1	1		2 A
	N.S.P.	GALLEY "MINI CHEF 101" ASSY W/COFFEE MACHINE & MICROWAVE & POWER VERTER	AR	AR		2 B
	N.S.P.	GALLEY "MINI-CHEF 201" ASSY /W/COOLER	1	1		2 A
	N.S.P.	GALLEY "MINI-CHEF 201" ASSY/W/REFRIGERATOR	1	1		2 A
	N.S.P.	GALLEY "MINI CHEF 201" / W/REFRIGERATOR & MICROWAVE	1	1		2 A
1	N.S.S.	. DOOR ASSY / GALLEY "MINI-CHEF"	4	4		1
2	900569	. MOULDING, PLASTIC	AR	AR		
2	900587	. HINGE, DOOR / GALLEY	8	8		
2	900514	. PLATE, MOUNTING / HINGE	8	8		
2	500626	. SCREW TP OV PH #8x3/4 Z050	AR	AR		
3	780180	. LOCK CYLINDER W/KEY / "VIRO" To D-2334	1	1		
. NS	780501	. . KEY To D-2334	1	1		
3	780806	. LOCK CYLINDER W/KEY / "VIRO" From D-2335	1	1		
. NS	780501	. . KEY From D-2335	1	1		
3	289549	. PIVOT LOCK ACTUATOR 42.4MM / W/11MM OFFSET To D-2334	1	1		S
4	402737	. REINFORCEMENT / DOOR LOCK	2	2		C
5	500583	. SCREW TP PAN PH #6x1/2 Z050	AR	AR		
6	900568	. HANDLE / DOOR	4	4		
7	500645	. SCREW TP OV PH #8x1 1/4 Z050	8	8		
8	500464	. WASHER FN CKF .210x.540 SS	8	8		
9	402738	. PLATE, RETAINING / DOOR	4	4		
10	502611	. SCREW TP FL PH #6x1/2 Z050	AR	AR		
11	504502	. LATCH ASSY, DOOR	1	1		
12	402827	. ANGLE, RETAINING / LATCH	1	1		
13	403249	. PLATE, CLOSING	1	1		
13	506004	. TAPE RUB ADH1 CC POL 3/8" x 1/2" x 20' / GREY 2520X	AR	AR		
14	403250	. MOULDING CAP / GREY PLATINE 524MM / 20 5/8"	AR	AR		
15	403251	. MOULDING RETAINER / 514MM (20 1/4")	AR	AR		
16	403248	. HINGE / DOOR	1	1		
20	830124	. LAMP ASSY	1	1		
20	561942	. BULB / 10WATT-24VOLTS / SAE# 6429	AR	AR		
30	402828	. HINGE, DOOR	1	1		
30	900621	. LATCH ASSY	1	1		
30	403321	. SPACER / LATCH & SHELF	1	1		
31	403970	. SUPPORT / SWITCH GALLEY SS 173MM x 35.5MM	1	1		
31	403326	. SUPPORT / SWITCH / W/GALLEY & W/MICROWAVE 461MM x 110MM	1	1		
32	562697	. SWITCH / ON-ON / D.P.D.T. / CH-OVER / W/RED & GREEN LED	2	2		
33	562744	. CAP / LEFT GALLEY COFFEE HEATING	1	1		
33	562745	. CAP / RIGHT GALLEY COFFEE HEATING	1	1		

From 7-0671 To J-0184	Date:10/2022	PAGE:H7-2345-00
<b>GALLEY ASSY</b>		

Item#	Part	Description	H 3 4 1	H 3 4 5	V I P 4 5	N O T E S
34	403081	. HOOK / DOOR	1	1		
35	500656	. SCREW TP OV PH #6x3/4 SS	2	2		
36	402849	. ANGLE, RETAINING	2	2		
NS	063347	CABLE ASSY / REAR OF GALLEY & REAR JCT PANEL	1	1		
NS	063831	CABLE ASSY / INVERTER 750 WATT & GALLEY ON R.H. SIDE	1	1		
NS	062929	CABLE ASSY / INVERTER 1000W & GALLEY ON R.H. SIDE	1	1		
NS	064411	CABLE ASSY / INVERTER 1000W & GALLEY ON L.H. SIDE	1	1		
37	063273	CABLE ASSY / INVERTER 1000W & GALLEY ON L.H. SIDE	1	1		
48	400877	ANGLE, FINISHING / FRONT GALLEY	1	1		
NS	900280	THRU HULL, CONNECTOR / PLASTIC	1	1		
50	403324	ANGLE / TO FIX GALLEY	1	1		
NS	Call order desk	BASE ASSY / GALLEY & FLOOR	1	1		P
50	Call order desk	BASE ASSY / GALLEY & FLOOR	1	1		P
51	403323	ANGLE / TO FIX GALLEY	2	2		
52	403322	ANGLE / TO FIX GALLEY	1	1		
53	403328	CLOSING PANEL	1	1		
NS	500686	SCREW TP OV PH #6x1/2 BK	AR	AR		
55	500345	WASHER FN CKF .187x.500x.090 BR BK	AR	AR		
NS	504106	RIVET POP DOME OE 1/8x1/4 AL	AR	AR		
NS	500638	SCREW TP PAN PH #8x1/2 Z050	AR	AR		
60	<b>H7-2345-10</b>	<b>GALLEY ACCESSORIES</b>				
70		GALLEY R.H. "RED-ARROW"	1	1	1	
70	065024	WIRING HARNESS From E-2469		1		
NS	065025	WIRING HARNESS From E-2469		1		
NS	065537	CABLE ASSY / INVERTER 1000W & GALLEY ON R.H. SIDE		1		
NS	068872	WIRING HARNESS, "GALLEY" POWER		1		
NS	062815	CABLE ASSY #24B		1		
71	405947	ANGLE SIDE To E-2468		1		
71	406678	FINISHING PANEL W/ LED LIGHT From E-2469		1		
72	405946	ANGLE SIDE To E-2468		1		
73	328454	FINISHING ANGLE To B-1883		1		
73	406523	FINISHING ANGLE From B-1884 To E-2468		1		
74	406496	TRAP ASSY 160MM x 146MM		2		
75	5001119	SCREW TP BDG PH #8x3/4 SS		10		
76	780180	LOCK CYLINDER W/KEY / "VIRO" To E-2468		3		
. NS	780501	. KEY To E-2468		1		
76	780806	LOCK CYLINDER W/KEY / "VIRO" From E-2469		3		
. NS	780501	. KEY From E-2469		1		
77	900568	HANDLE / DOOR		3		
78	900514	PLATE, MOUNTING / HINGE		6		
79	900389	HINGE, DOOR		2		
79	900587	HINGE, DOOR / GALLEY		4		

<b>From 7-0671 To J-0184</b>	<b>Date:10/2022</b>	<b>PAGE:H7-2345-00</b>
<b>GALLEY ASSY</b>		

Item#	Part	Description	H 3 4 1	H 3 4 5	V I P 4 5	N O T E S
80	402737	REINFORCEMENT / DOOR LOCK		3		
81	500120	SCREW TP BDG PH #6x1/2 SS		6		
82	5001389	SCREW TC CAP HEXW 1/4-20x3 ZP		6		
83	405781	SUPPORT / SWITCH GALLEY SS 271MM x 70MM / 2 SWITCHES To E-2468		1		
83	407636	SUPPORT / SWITCH GALLEY SS 271MM x 70MM / 1 SWITCH To E-2468		1		
83	406676	SUPPORT / SWITCH GALLEY SS 3 SWITCHES From E-2469		1		
83	500952	SCREW TP BDG PH #8x1/2 SS From E-2469		4		
84	562697	SWITCH / ON-ON / D.P.D.T. / CH-OVER / W/RED & GREEN LED		2		
84A	562717	CAP / INTERIOR LIGHT		1		
85	562744	CAP / LEFT GALLEY COFFEE HEATING		1		
86	562745	CAP / RIGHT GALLEY COFFEE HEATING		1		
87	505504	KNOB, PULL / 8-32		1		
87	5011209	SCREW MA PAN PH #8-32x1/2 SS		1		
88	405841	SUPPORT ACCES DOOR		1		
89	900621	LATCH ASSY		1		
90	504368	RIVET POP CK CLE 1/8x.285 AL		5		
91	502578	WASHER FL 3.2x7.0x0.5 Z050		2		
92	504400	SNAP CAP #10 FINISHING BLACK		AR		
93	500641	SCREW TP PAN PH #8x3/4 Z050		AR		
94	500438	WASHER FL .187x.437x.050 Z050		10		
95	504399	WASHER RETAINER SNAP CAP #10		10		
96	502680	SCREW CAP HEX M10-1.5x50 SS		1		
97	502616	WASHER LO SPT 10.2x18.1x2.2 SS		1		
98	5001443	WASHER FL 10.3x38.0x3.0 SS		1		
101	064546	PLATE ELECTRICAL / GALLEY To E-2468		1		
101	065927	DECAL / RELAY GALLEY To E-2468		1		
101	065543	CABLE ASSY #4 X 550MM To E-2468		1		
101	068874	DECAL / RELAY GALLEY From E-2469		1		
NS	068873	CABLE ASSY / GALLEY From E-2469		1		
102	563535	FUSE BLOCK W/4 LEDS & WIRES To E-2468		1		
. NS	381960	. PROTECTOR COVER FUSE HOLDER 49MM x 62MM "OPTION SPECIAL" To E-2468		AR		
102	564560	FUSE HOLDER / SHORT / BUSSMANN CFH-ASE From E-2469		1		
103	562407	FUSE / ATO 10 AMPS RED To E-2468		1		
103	562602	FUSE / ATO 7.5 AMPS BROWN To E-2468		2		
103	562608	FUSE / ATO 35 AMPS BLUE-GREEN To E-2468		1		
103	563280	FUSE / ATM 5 AMPS AMBER From E-2469		1		
103	563283	FUSE / ATM 10 AMPS RED From E-2469		2		
103	563284	FUSE / ATM 15 AMPS BLUE From E-2469		1		
104	560422	BLOCK, TERMINAL / 1 STUD 3/8-16 / BLACK To E-2468		2		
105	561183	RELAY BASE / TAB TERMINAL / BOSCH 3334485008		3		
106	563332	RELAY 24V S.P.D.T. W/RESISTOR / "VOLVO" (20374662)		3		
107	500654	SCREW TC BDG PH #8-32x1/2 Z050 To E-2468		AR		



From 7-0671 To J-0184	Date:10/2022	PAGE:H7-2345-00
<b>GALLEY ASSY</b>		

Item#	Part	Description	H 3 4 1	H 3 4 5	V I P 4 5	N O T E S
107	500613	SCREW TP PAN PH #10x1/2 Z050 From E-2469		AR		
108	504013	TIE MOUNT / 1/4" X 1/4" I.D.		AR		
108	504637	CABLE TIE / 3/16" x 13"		AR		
NS	564129	RECEPTACLE BOX / 110Vac outlet / WHITE		1		
NS	562657	PLUG DOUBLE 110 VAC MURAL / WHITE		1		
NS	562659	COVER PLATE DOUBLE 110V OUTLET / WHITE		1		
NS	564187	RECEPTACLE BOX / 110Vac outlet / GREY		1		
NS	564507	PLUG DOUBLE 110 VAC MURAL GREY NYLON "DECORA"		1		
NS	564591	COVER PLATE DOUBLE 110V OUTLET GREY NYLON "DECORA"		1		
NS	069221	BRACKET, HORIZONTAL OUTLET		1		
NS	500388	SCREW MA RND PH #10-24x1 Z050		6		
NS	500888	NUT AN JK #10-24		6		
NS	500120	SCREW TP BDG PH #6x1/2 SS		2		
NS	066294	CABLE ASSY / RJB & GALLEY		1		
		A) REFRIGERATOR, COOLER, ICE BOX & HOT LIQUID DISPENSOR ARE NOT INCLUDED IN ASSEMBLY SEE H3-2345-10				
		B) THIS PART NUMBER INCLUDE ALLS COMPONENTS & INVERTER 1000 W				
		C) DOOR LOCK				
		S) REQUIERED ONLY IN SERVICE IF YOU NEED TO CHANGE YOUR OLD CYLINDER LOCK # 780180				
		1) NOT SOLD SEPARATELY				
		2) NOT SOLD BY PREVOST (SEE MANUFACTURING PART NUMBER AT END OF DESCRIPTION LINE)				
		P) CALL ORDER DESK FOR SPECIFIC APPLICATION (V.I.N.)				

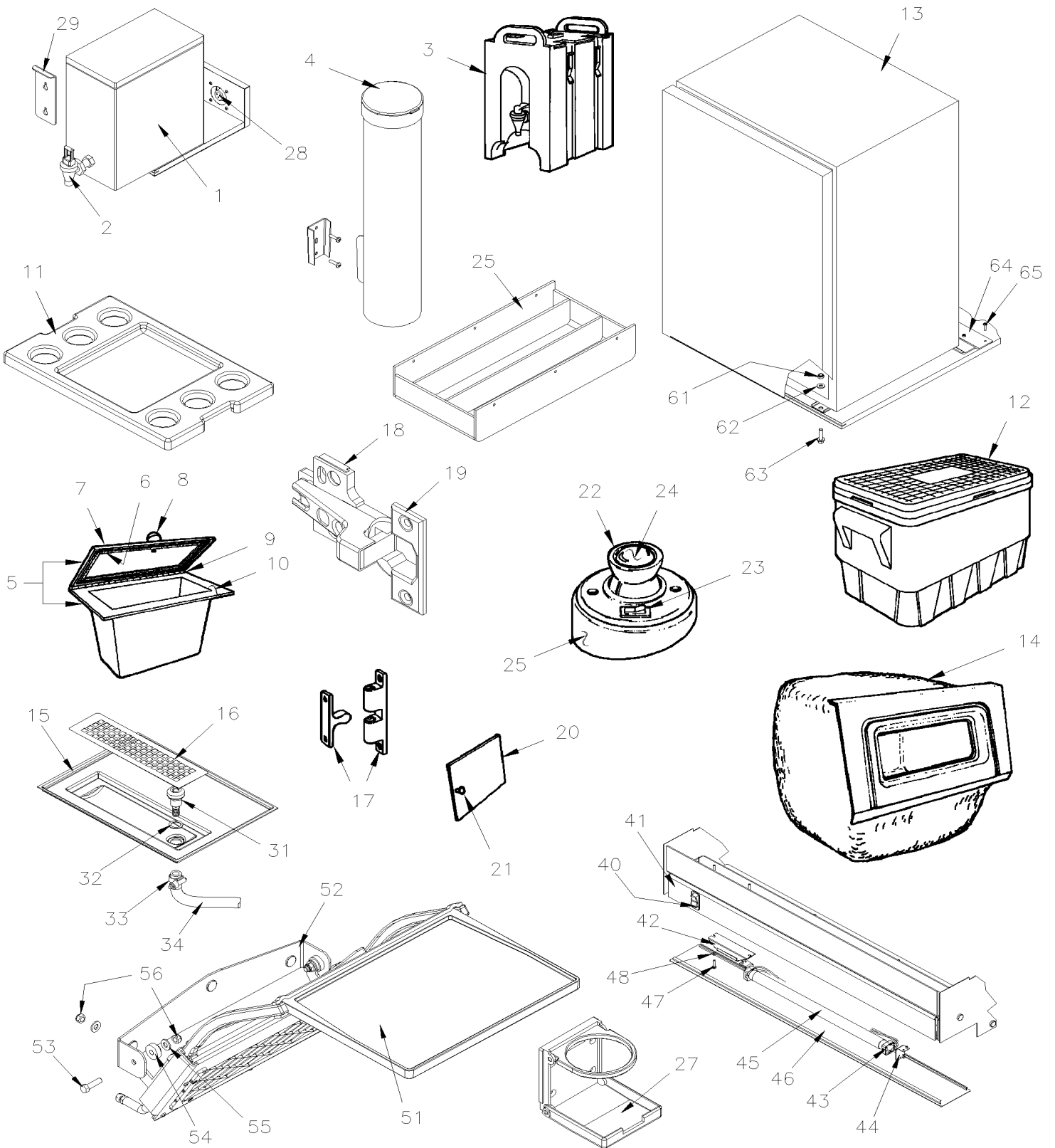


From 7-0671 To J-0184

Date:10/2022

PAGE:H7-2345-10

## GALLEY ACCESSORIES

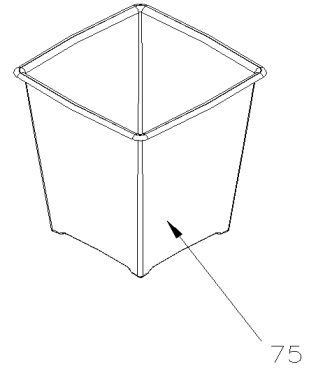
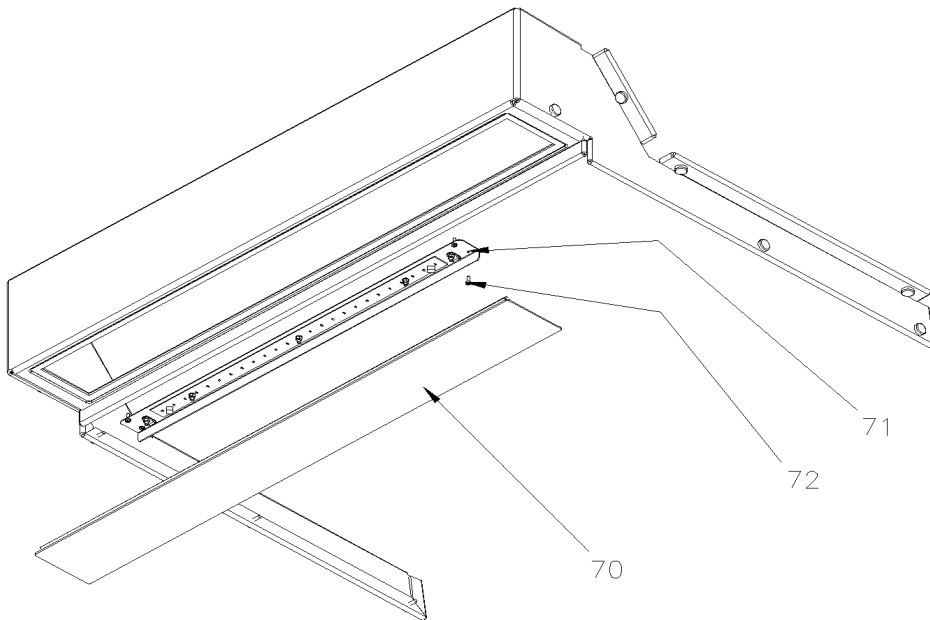
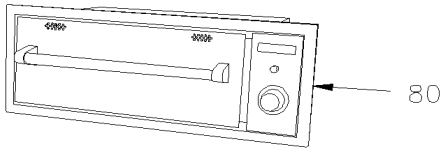


From 7-0671 To J-0184

Date:10/2022

PAGE:H7-2345-10

## GALLEY ACCESSORIES



From 7-0671 To J-0184	Date:10/2022	PAGE:H7-2345-10
<b>GALLEY ACCESSORIES</b>		

Item#	Part	Description	H 3 4 1	H 3 4 5	V I P 4 5	N O T E S
1	403640	DISPENSER ASSY / HOT LIQUID To E-2468	2	2		
1	901457	DISPENSER ASSY / HOT LIQUID From E-2469	2	2		
1	900488	. DISPENSER, HOT LIQUID To E-2468	1	1		
2	900483	. SPIGOT ASSY / 1/2 NPT W/900488 To E-2468	1	1		
2	900678	. ADAPTOR / SPIGOT & CONTAINER To E-2468	1	1		
2	900426	. PLUG, 3 PINS MALE To E-2468	1	1		
2	900427	. SWITCH, TEMPERATURE To E-2468	1	1		
2	900676	. GASKET COVER To E-2468	1	1		
2	403639	. ADAPTOR, ON COVER FOR SAFETY CAP To E-2468	1	1		
3	900583	CONTAINER, LIQUID	2	2		
3	900677	. SPIGOT ASSY / W/PLASTIC WING NUT	1	1		
4	402826	DISPENSER, CUP / MODIFIED SHORT	1	1		
4	900391	CUP DISPENSER / CUP / LONG	1	1		
NS	900249	CUP / 100 UNIT PACK	AR	AR		
5	404755	ICE CONTAINER ASSY	1	1		
6	402734	. COVER, ICE CONTAINER	1	1		
7	506002	. TAPE RUB ADH1 CC POL 3/16" x 1/2" x 40' / GREY 2520	AR	AR		
8	505018	. KNOB	1	1		
8	500541	. SCREW MA FL PH 1/4-20x1/2 SS BK	1	1		
9	402829	HINGE, COVER	1	1		
10	404749	CONTAINER, ICE	1	1		
11	404752	TRAY, SERVICE	1	1		
12	900585	COOLER 23 LITERS	1	1		
13	900741	REFRIGERATOR "NORCOLD" 2.5 CU. FT MODEL DE-351 120/12 V W/ICE BOX	1	1		
13	900738 FORMER	REFRIGERATOR "NORCOLD" 4 CU. FT MODEL DE-390	1	1		
. NS	901539	. HINGE ASSY	1	1		
13	900738 CURRENT	REFRIGERATOR "NORCOLD" / 3.1 CU. FT MODEL DE-390	1	1	1	
. NS	901539	. HINGE ASSY	1	1	1	
. NS	901726	. REFRIGERATOR DOOR, BLACK	1	1	1	
13	900584	REFRIGERATOR "FRENSLEL" 1.2 CU. FT / W/GALLEY "MINI-CHEF"	1	1		
NS	900586	COMPRESSOR, 24 VOLTS, REFRIGERATOR / W/900584 ONLY	1	1		
14	400989	ICE BOX ASSY	1	1		
15	405774	DRAIN PAN ASSY / GREY 325MM x 460MM (RED ARROW) To 8-1135	1	1		
15	406246	DRAIN PAN ASSY / BEIGE 325MM x 460MM From 8-1136 To C-1883	1	1		
15	405774	DRAIN PAN ASSY / GREY 325MM x 460MM (RED ARROW) From C-1884	1	1		
15	407635	DRAIN PAN ASSY / BLACK 271MM X 327MM (LUX BUS)	1	1		
16	405783	GRILLE DRAIN SS 362MM x 96MM	1	1		
16	407637	GRILLE DRAIN SS 175MM x 96MM	1	1		
17	900425	CATCH ASSY	AR	AR		
18	900514	PLATE, MOUNTING / HINGE	2	2		
19	900389	HINGE, DOOR	2	2		
20	401009	DOOR, SLIDING	1	1		

From 7-0671 To J-0184	Date:10/2022	PAGE:H7-2345-10
<b>GALLEY ACCESSORIES</b>		

Item#	Part	Description	H 3 4 1	H 3 4 5	V I P 4 5	N O T E S
21	505018	KNOB	1	1		
22	830124	LAMP ASSY	AR	AR		
23	830139	LAMP ASSY / W/ONE BULB	AR	AR		
24	562278	BULB / 10WATT-24VOLTS / SAE# 6429	1	1		
25	404485	BIN W/3 SEPARATOR	1	1		
25	403933	BOX ACRYLIC W/3 DIVISORS 105/105/59 269MM x 520MM	1	1		
25	403934	BOX ACRYLIC W/3 DIVISORS 89/89/91 269MM x 520MM	1	1		
25	403935	BOX ACRYLIC W/2 DIVISORS 100/169 269MM x 520MM	1	1		
NS	900620	MICRO WAVE "SANYO"	1	1		
NS	900919	MICRO WAVE "SANYO"	1	1		
27	900527	GLASS HOLDER	1	1		
28	402835	CONNECTOR ASSY / HOT LIQUID DISPENSER To E-2468	2	2		
28	402833	. PLATE / TO FIX CONNECTOR To E-2468	1	1		
28	900649	. CONNECTOR ASSY / FOR HOT LIQUID DISPENSOR To E-2468	1	1		
28	500660	. SCREW TC FL PH #6-32x3/8 Z050 To E-2468	4	4		
28	5001696	SCREW MA PAN PH M4-0.7x35 SS To E-2468	8	8		
28	502557	NUT HEX NYRT M4-0.7 SS To E-2468	8	8		
28	900649	CONNECTOR ASSY / FOR HOT LIQUID DISPENSOR From E-2469	1	1		
28	500660	SCREW TC FL PH #6-32x3/8 Z050 From E-2469	8	8		
28	406674	PLATE / TO FIX CONNECTOR From E-2469	2	2		
28	5001696	SCREW MA PAN PH M4-0.7x35 SS From E-2469	8	8		
28	502556	WASHER FL 4.3x9.0x0.8 SS From E-2469	8	8		
28	502557	NUT HEX NYRT M4-0.7 SS From E-2469	8	8		
29	405782	RETAINER / DISPENSER, HOT LIQUID	1	1		
29	5001452	SCREW TP PAN PH #8x1 1/2 SS	2	2		
31	900280	THRU HULL, CONNECTOR / PLASTIC	1	1		
32	409038	GASKET	1	1		
33	504018	HOSE CLAMP / 7/16"-1" SS / HS-8	1	1		
34	503006	HOSE 5/8" I.D. 50' / S.L.	AR	AR		
40	562697	SWITCH / ON-ON / D.P.D.T. / CH-OVER / W/RED & GREEN LED To E-2468	1	1		
40	562717	CAP / INTERIOR LIGHT To E-2468	1	1		
41	404760	SUPPORT / SWITCH & FLUORESCENT GALLEY SS 880MM x 120MM To C-1883	1	1		
41	406520	SUPPORT / SWITCH & FLUORESCENT GALLEY SS From C-1884 To E-2468	1	1		
42	830155	BALLAST / 24 VOLTS / TO USE W/830153 To E-2468	1	1		
43	330340	SOCKET / TUBE To E-2468	2	2		
43	5001306	SCREW TC PAN PH #4-40x5/8 Z050 To E-2468	4	4		
44	312369	ANGLE / TO FIX SOCKET TUBES To E-2468	2	2		
44	504105	RIVET POP DOME OE 1/8x3/16 AL To E-2468	4	4		
45	830102	TUBE / 15WATT / F15T8CW - 18" / G13 MED BIPIN To E-2468	1	1		
46	312501	LENS 1235MM To E-2468	1	1		
47	500862	SCREW TC PAN PH #6-32x3/4 Z050 To E-2468	2	2		
48	502630	WASHER FL .156x.375x.049 Z050 To E-2468	2	2		

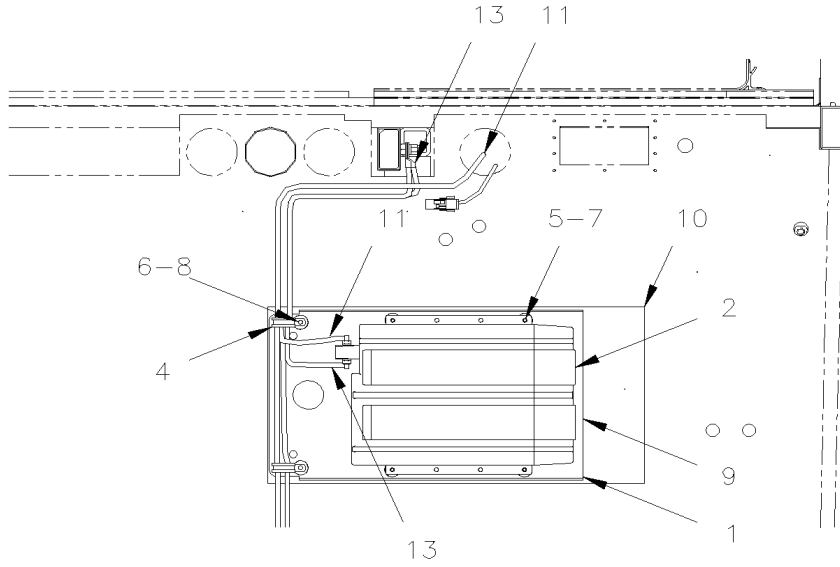
From 7-0671 To J-0184	Date:10/2022	PAGE:H7-2345-10
<b>GALLEY ACCESSORIES</b>		

Item#	Part	Description	H 3 4 1	H 3 4 5	V I P 4 5	N O T E S
51	861920	FOOD TRAY / GREY / W/AIRPLANE TYPE	1	1		
52	405795	SUPPORT TABLE, AIRPLANE TYPE / ON GALLEY WALL	1	1		
53	5001738	SCREW CAP HEX M8-1.25x30 G8.8 N500	2	2		
54	405796	BUSHING	2	2		
55	5001736	WASHER FL 8.4x18.0x2.0 N500	5	5		
56	502847	NUT HEX NYRT M8-1.25 N500	5	5		
61	5001742	SCREW CAP HEXF M8-1.25x30 G8.8 N500	2	2		
62	5001736	WASHER FL 8.4x18.0x2.0 N500	2	2		
63	502847	NUT HEX NYRT M8-1.25 N500	2	2		
64	405926	ATTACHMENT / REFRIGERATOR To E-2468	2	2		
64	406675	ATTACHMENT / REFRIGERATOR From E-2469	2	2		
65	500641	SCREW TP PAN PH #8x3/4 Z050 To E-2468	6	6		
65	500642	SCREW TP PAN PH #10x3/4 Z050 From E-2469	8	8		
70	312503	LENS 831MM From E-2469	1	1		
71	316453	LIGHT, DIRECT, PARCEL RACK WINDOW SIDE 600MM 24VDC From E-2469 To G-3128	1	1		
71	319193	LIGHT, DIRECT, PARCEL RACK WINDOW SIDE 600MM 24VDC From G-3129	1	1		
72	500601	SCREW TC PAN PH #6-32x3/8 N500 From E-2469	4	4		
75	901460	TRASH CAN / WHITE PLASTIC From E-2469	1	1		
80	901426	WARMING DRAWER	1	1		L
NS	409415	FIRE BOX / WARMING DRAWER	1	1		L
NS	409412	GRILL VENTILATION / WARMING DRAWER	1	1		L
NS	409413	MOLDING / WARMING DRAWER	1	1		L
		L) WITH LUX BUS				

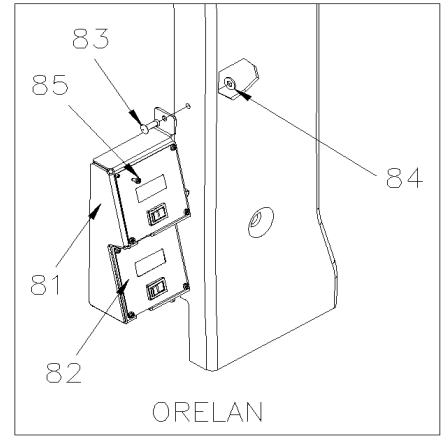




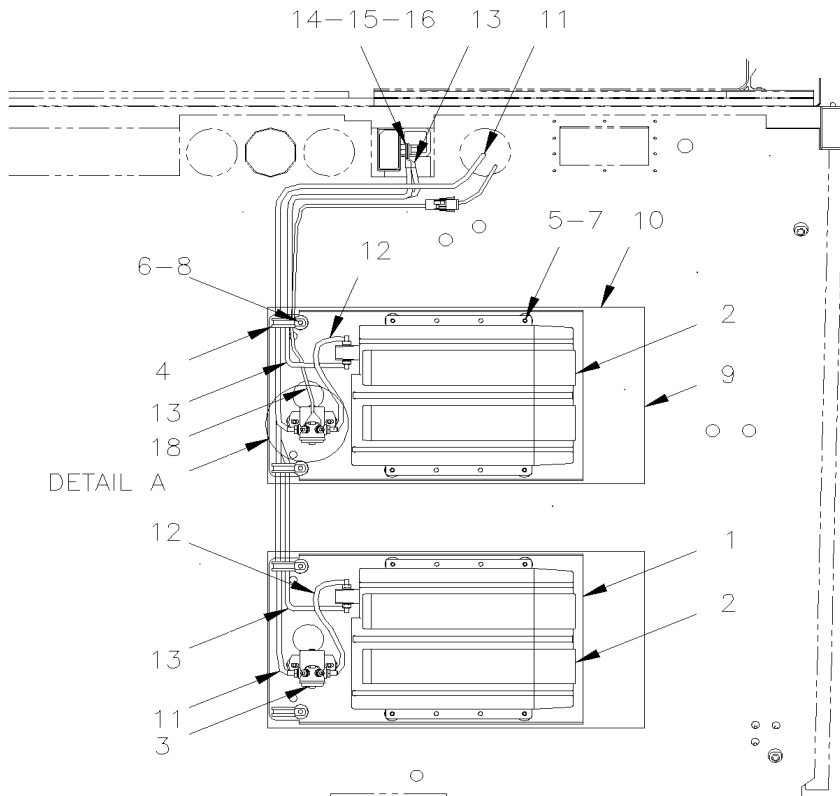
## POWERVERTER - INSTALLATION



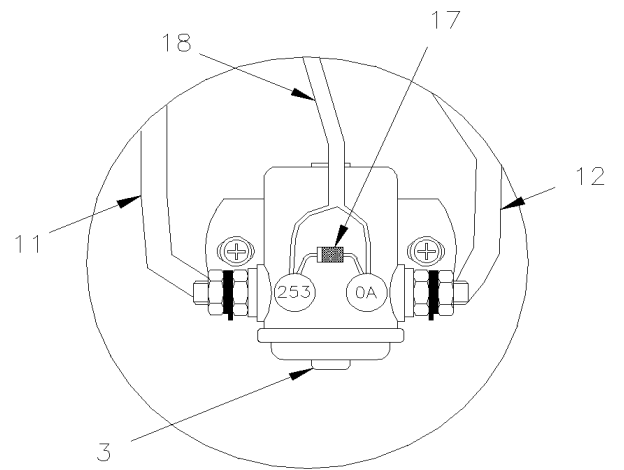
WITHOUT RELAY



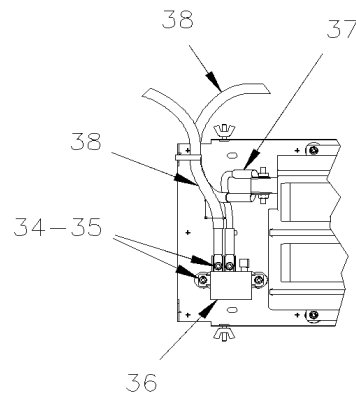
ORELAN



WITH RELAY

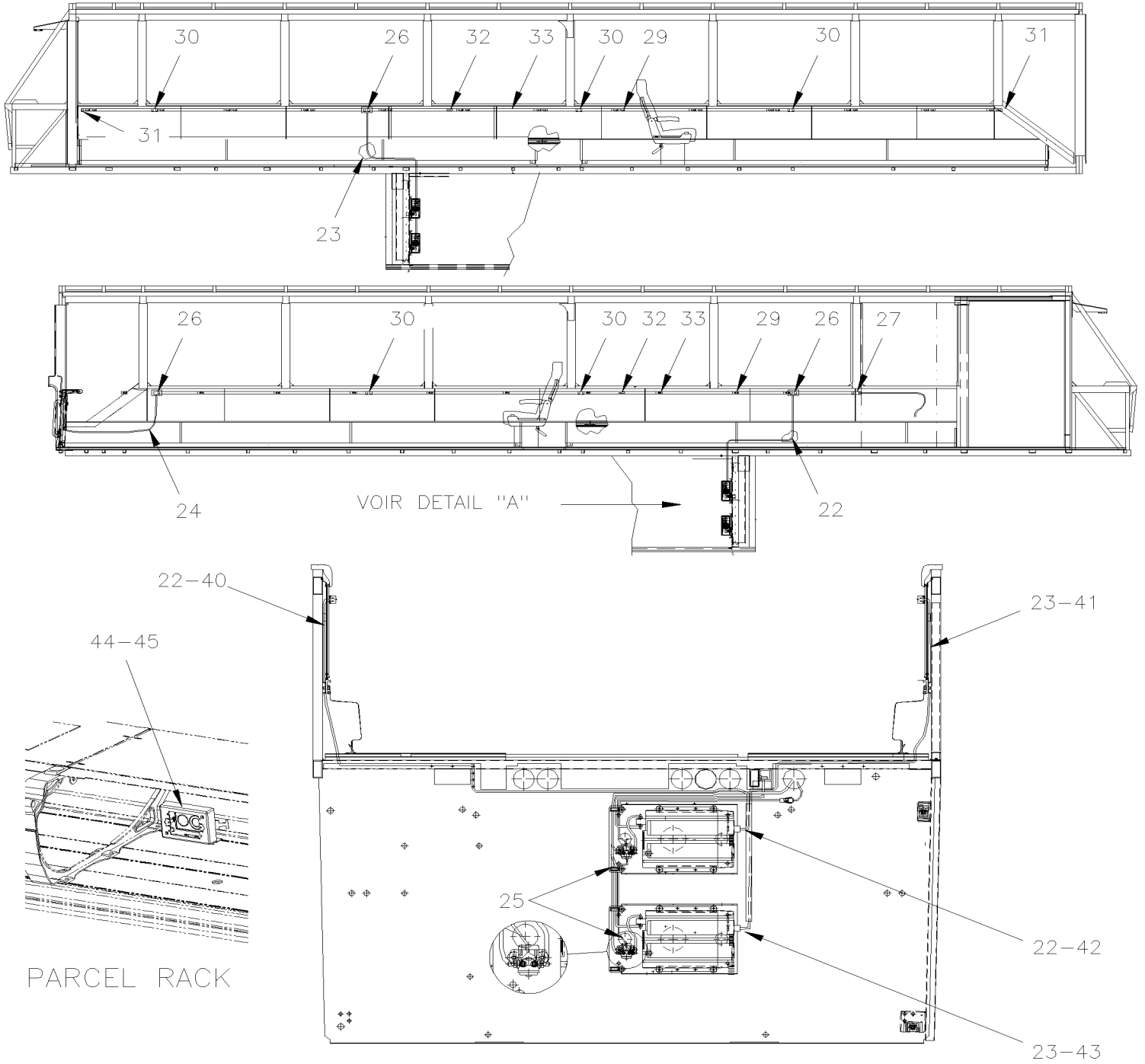


DETAIL A



WITH RELAY

POWERVERTER - INSTALLATION

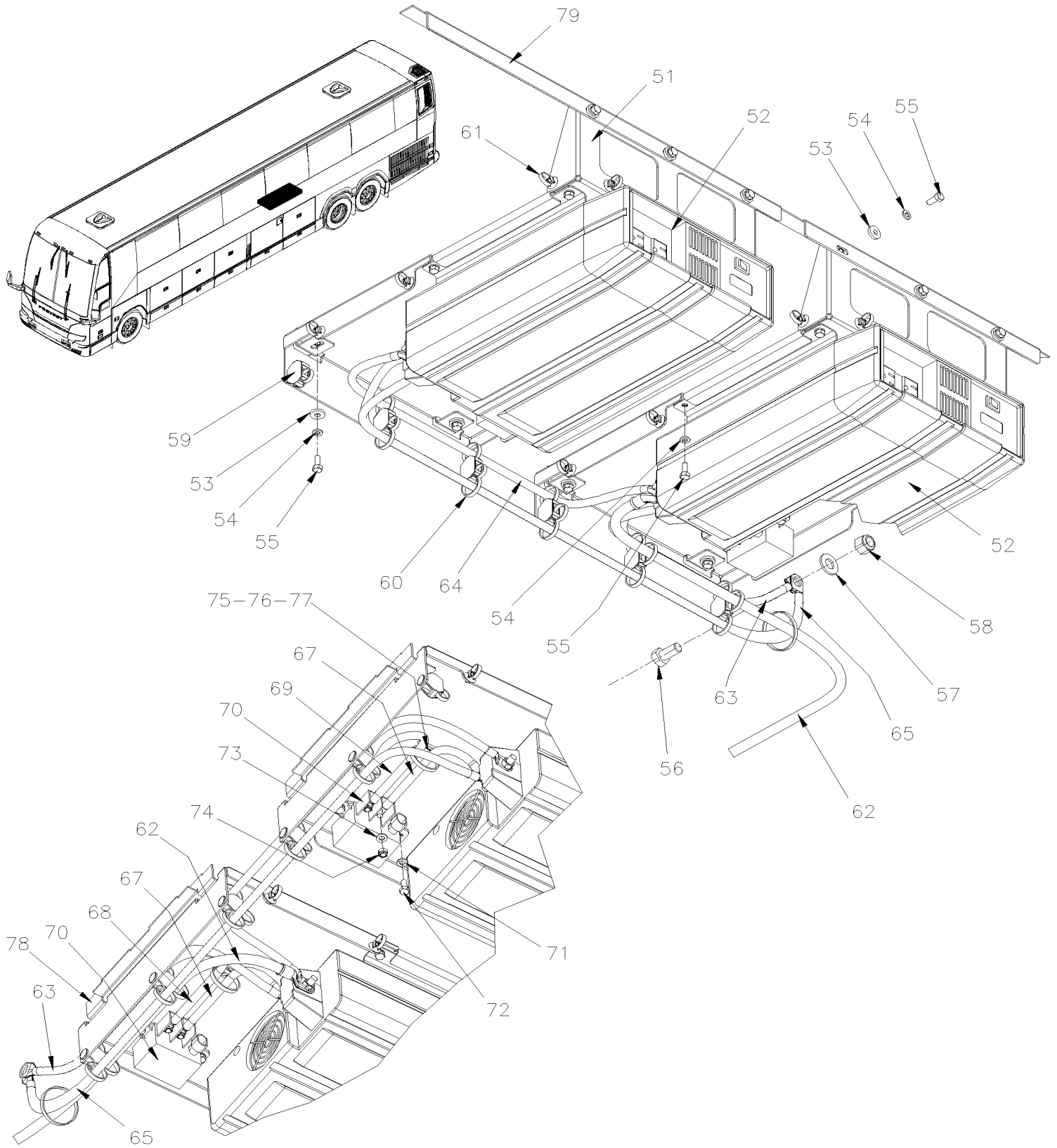


From 7-0671 To E-2580

Date:10/2022

PAGE:H7-2345-40

## POWERVERTER - INSTALLATION

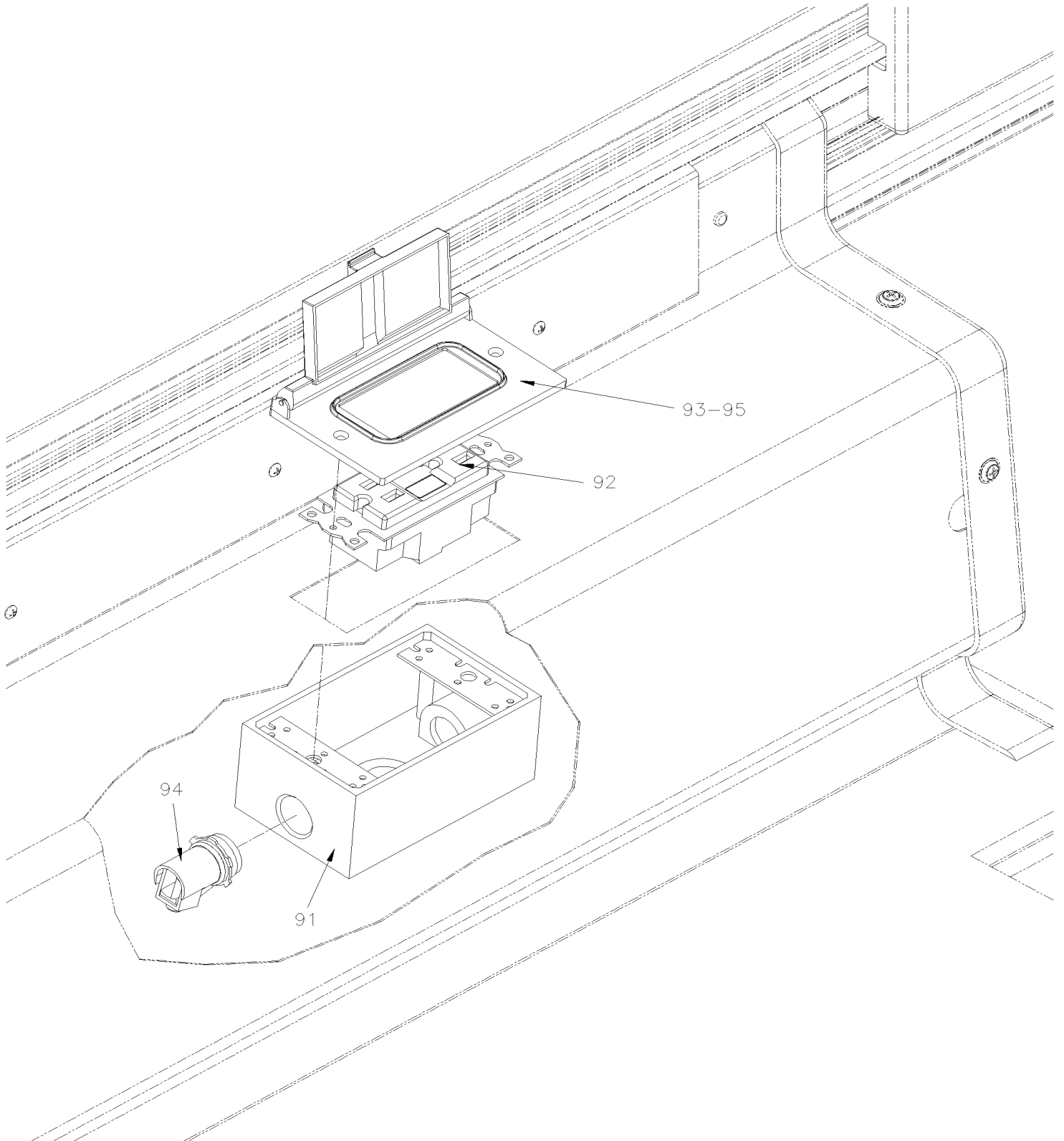


From 7-0671 To E-2580

Date:10/2022

PAGE:H7-2345-40

**POWERVERTER - INSTALLATION**

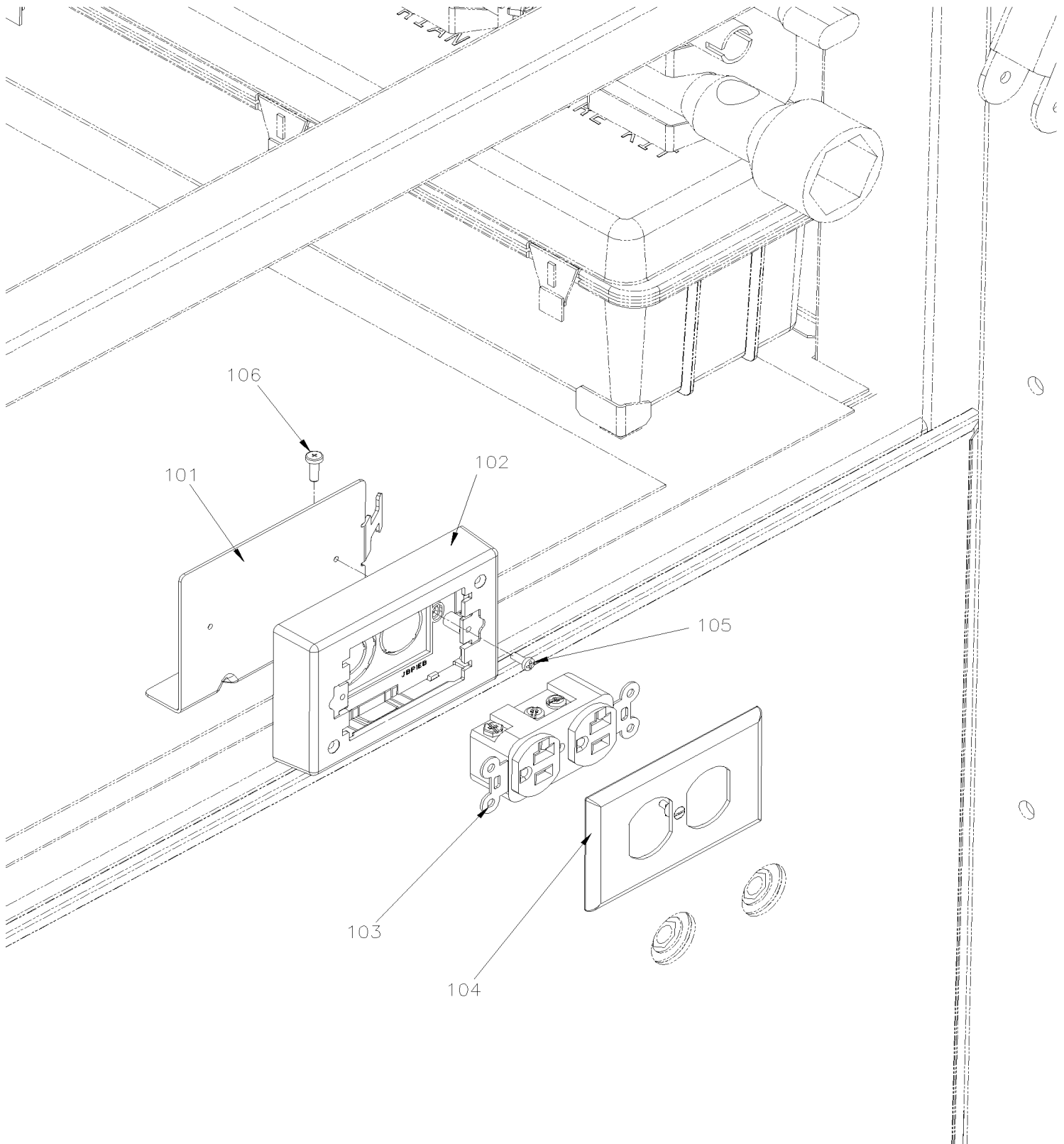


From 7-0671 To E-2580

Date:10/2022

PAGE:H7-2345-40

POWERVERTER - INSTALLATION



<b>From 7-0671 To E-2580</b>	<b>Date:10/2022</b>	<b>PAGE:H7-2345-40</b>
<b>POWERVERTER - INSTALLATION</b>		

Item#	Part	Description	H 3 4 1	H 3 4 5	V I P 4 5	N O T E S
1	065519	INVERTER, SUPPORT To B-1729	1	1		
1	068168	INVERTER, SUPPORT From B-1730	1	1		
1	068193	SUPPORT "HAT" CHANNEL 280MM LG From B-1730	2	2		B
2	563082	POWERVERTER ASSY / 24/110 V 1800 WATTS W/DISPLAY ON INVERTER	1	1		
NS	562567	POWERVERTER ASSY / 24/110 V 5000 WATTS	1	1		A
3	561005	SWITCH MAGNETIC / 24V S.P.S.T. / 200AMPS N.O.	1	1		
4	952637	CLAMP / 1"1/16 I.D.	2	2		
4	504016	CABLE TIE / 5/16" X 14"1/2	2	2		
5	5001182	NUT HEX NYRT M6-1.0 SS	6	6		
6	500590	NUT HEX NYRT M4-0.7 Z050	2	2		
7	502573	WASHER FL 6.4x12.5x1.6 SS	6	6		
8	502637	WASHER FL .200x.437x.037 SS To E-2550	2	2		
8	5001137	WASHER FL .203x.438x.050 SS From E-2551	2	2		
9	563131	POWERVERTER, COVER	1	1		
10	500572	SCREW MA TR PH #10-24x1/2 SS BK	6	6		
11	065538	CABLE ASSY #4 x 5425MM To D-2363	1	1		
11	068754	CABLE ASSY 24PV From D-2364	1	1		
12	065540	CABLE ASSY #4 x 250MM To D-2363	1	1		
12	068762	CABLE INVERTER OPA From D-2364	1	1		
13	065542	CABLE ASSY #4 x 1750MM To D-2363	1	1		
13	068761	CABLE INVERTER OP From D-2364	1	1		
NS	065543	CABLE ASSY #4 X 550MM To D-2363	1	1		
14	5001330	SCREW CAP HEX 1/2-13x1 SS	1	1		
15	500998	NUT HEX 1/2-13 BR	1	1		
16	500482	WASHER LO SPT .506x.873x.125 Z050	1	1		
17	060798	DIODE ASSY	1	1		
18	065531	CABLE INVERTER	1	1		
22	065546	CABLE ASSY / W/CONNECTOR 3000MM To 8-1369	1	1		WT
23	065545	CABLE ASSY / W/CONNECTOR 4500MM To 8-1369	1	1		WT
NS	562595	. SPECIAL WIRE CABLE 14/3 / WHITE (BOAT CABLE) To 8-1369	1	1		WT
24	065547	CABLE ASSY 2850MM To 8-1369	1	1		WT
25	065532	CABLE ASSY 525MM To 8-1369	1	1		WT
26	563098	STARTER, 110V FEEDER HATRD WIRED To 8-1369	4	4		WT
27	563105	STARTED, 110V KO FEEDER To 8-1369	1	1		WT
28	563146	COVER, END TRACK To 8-1369	2	2		WT
29	563100	RECEPTACLE 110V To 8-1369	35	35		WT
30	563101	CONNECTOR STRAIGHT TRACK To 8-1369	5	5		WT
31	563102	TRACK END CAP To 8-1369	3	3		WT
32	563099	TRACK 110V 96" To 8-1369	8	8		WT
33	563103	COVER, TRACK To 8-1369	13	13		WT
NS	560838	BREAKER 200AMPS / 24V /	1	1		A
NS	382025	SUPPORT, BREAKER	1	1		A

<b>From 7-0671 To E-2580</b>	<b>Date:10/2022</b>	<b>PAGE:H7-2345-40</b>
<b>POWERVERTER - INSTALLATION</b>		

Item#	Part	Description	H 3 4 1	H 3 4 5	V I P 4 5	N O T E S
NS	562657	PLUG DOUBLE 110 VAC MURAL / WHITE	2	2		A
NS	562659	COVER PLATE DOUBLE 110V OUTLET / WHITE	2	2		A
NS	562661	RECEPTACLE BOX / 110Vac outlet WHITE To 9-1447	2	2		A
33	564129	RECEPTACLE BOX / 110Vac outlet / WHITE From 9-1448	1	1		
34	5001182	NUT HEX NYRT M6-1.0 SS	8	8		O
35	502573	WASHER FL 6.4x12.5x1.6 SS	8	8		O
36	563348	RELAY POWER 24V 200 AMPS / S.P.S.T. N.O.	1	1		O
. NS	5001182	. NUT HEX NYRT M6-1.0 SS	1	1		O
. NS	502573	. WASHER FL 6.4x12.5x1.6 SS	1	1		O
. NS	563409	. CONNECTOR / SUPERSEAL 1.5 SERIES / SH 2C / AMP 282080-1	1	1		O
. NS	562607	. SOCKET TERMINAL / 20-16 / AMP 183025-1	1	1		O
37	068493	CABLE POWER INVERTER To D-2363	1	1		O
37	068761	CABLE INVERTER 0P From D-2364	1	1		O
38	068494	CABLE POWER INVERTER To D-2363	1	1		O
38	068762	CABLE INVERTER 0PA From D-2364	1	1		O
		NEXT CABLES USE WITH 110V OUTLET				
		INSTALL BACKREST BY SEAT SUPPLIER				
NS	067595	CABLE ASSY / STREETSIDE W/23 PLUGS From 8-1370	1	1		
40	067609	CABLE ASSY / STREETSIDE W/10 PLUGS 44P From 8-1370	1			
40	067721	CABLE ASSY / STREETSIDE W/13 PLUGS 56P+2T From 8-1370	1	1		
40	067725	CABLE ASSY / STREETSIDE W/11 PLUGS 44P+2T From 8-1370	1	1		
40	067635	CABLE ASSY / STREETSIDE W/8 PLUGS 36P VIP From 8-1370	1	1		
40	067680	CABLE ASSY / STREETSIDE W/11 PLUGS 52P+2T From 8-1370	1	1		
40	067438	CABLE ASSY / STREETSIDE W/11 PLUGS 54+2T From 9-1499	1	1		
41	067596	CABLE ASSY / CURBSIDE W/9 PLUGS From 8-1370	1	1		
41	067610	CABLE ASSY / CURBSIDE W/11 PLUGS 44P From 8-1370	1			
41	067724	CABLE ASSY / CURBSIDE W/10 PLUGS 44P+2T From 8-1370	1	1		
41	067726	CABLE ASSY / CURBSIDE W/12 PLUGS 56P+1T From 8-1370	1	1		
41	067720	CABLE ASSY / CURBSIDE W/11 PLUGS 56P+2T From 8-1370	1	1		
41	067634	CABLE ASSY / CURBSIDE W/7 PLUGS 36P VIP From 8-1370	1	1		
41	067681	CABLE ASSY / CURBSIDE W/12 PLUGS 52P+2T From 8-1370	1	1		
41	067439	CABLE ASSY / CURBSIDE W/12 PLUGS 54+2T From 9-1499	1	1		
42	067608	CABLE ASSY / W/CONNECTOR / INVERTER STREET SIDE LH / 3200M From 8-1370	1	1		
43	067607	CABLE ASSY / W/CONNECTOR / INVERTER CURBSIDE / RH /1300MM From 8-1370	1	1		
		NEXT PARTS USE WITH 110V OUTLET				
		INSTALL INSIDE THE FIRST STREET SIDE PARCEL RACK				
44	381790	SUPPORT / 110V OUTLET To D-2403	1	1		

<b>From 7-0671 To E-2580</b>	<b>Date:10/2022</b>	<b>PAGE:H7-2345-40</b>
<b>POWERVERTER - INSTALLATION</b>		

Item#	Part	Description	H 3 4 1	H 3 4 5	V I P 4 5	N O T E S
44	562657	PLUG DOUBLE 110 VAC MURAL / WHITE To D-2403	1	1		
44	564507	PLUG DOUBLE 110 VAC MURAL GREY NYLON "DECORA" From D-2402	1	1		
44	562659	COVER PLATE DOUBLE 110V OUTLET / WHITE To D-2403	1	1		
44	564129	RECEPTACLE BOX / 110Vac outlet / WHITE To D-2403	1	1		
44	560094	FLANGE SPADE TERMINAL #10 / 16-14 / AMP 320863 To D-2403	3	3		
45	068295	CABLE / 120VAC / PARCEL RACK OUTLET	1	1		
45	504016	CABLE TIE / 5/16" X 14"1/2	1	1		
45	504768	CABLE TIE / 3/16" 14.7" / DOUBLE LOOP HEAD	8	8		
NS	504751	ROTATIF SPACER DOUBLE / SMALL	AR	AR		
NS	504637	CABLE TIE / 3/16" x 13"	AR	AR		
NS	500601	SCREW TC PAN PH #6-32x3/8 N500	AR	AR		
NS	500654	SCREW TC BDG PH #8-32x1/2 Z050	AR	AR		
51	068809	SUPPORT INVERTER		2		O
52	563082	POWERVERTER ASSY / 24/110 V 1800 WATTS W/DISPLAY ON INVERTER		2		O
52	068833	DECAL "ATTENTION WARNING..."		1		O
53	5001654	WASHER FL 6.4x17.0x3.0 SS		10		O
54	502570	WASHER LO SPT 6.1x11.8x1.6 SS		18		O
55	5001697	SCREW CAP HEX M6-1.0x16 SS BK		18		O
56	5001330	SCREW CAP HEX 1/2-13x1 SS		1		O
57	500958	WASHER FL .531x1.062x.095 SS		1		O
58	502595	NUT HEX NYRT 1/2-13 Z050		1		O
59	509492	CABLE TIE MOUNT FOR THREADED STUD 1/4		6		O
60	504637	CABLE TIE / 3/16" x 13"		AR		O
61	8631155	CABLE TIE / 4.6MM x 200 / CHRISTMAS TREE		AR		O
62	068843	CABLE ASSY 24PV		1		O
63	068840	CABLE INVERTER GND 0P1		1		O
64	068838	CABLE POWER INVERTER 24PVA_OP		1		O
65	068841	CABLE INVERTER GND 0P2		1		O
67	068761	CABLE INVERTER 0P		2		O
68	068836	CABLE INVERTER 0PA1		1		O
69	068837	CABLE INVERTER 0PA2		1		O
70	563348	RELAY POWER 24V 200 AMPS / S.P.S.T. N.O.		2		O
. NS	5001182	. NUT HEX NYRT M6-1.0 SS		1		O
. NS	502573	. WASHER FL 6.4x12.5x1.6 SS		1		O
. NS	563409	. CONNECTOR / SUPERSEAL 1.5 SERIES / SH 2C / AMP 282080-1		1		O
. NS	562607	. SOCKET TERMINAL / 20-16 / AMP 183025-1		1		O
71	502570	WASHER LO SPT 6.1x11.8x1.6 SS		4		O
72	5001697	SCREW CAP HEX M6-1.0x16 SS BK		4		O
73	502573	WASHER FL 6.4x12.5x1.6 SS		4		O
74	5001182	NUT HEX NYRT M6-1.0 SS		4		O
75	504013	TIE MOUNT / 1/4" X 1/4" I.D.		2		O



From 7-0671 To E-2580	Date:10/2022	PAGE:H7-2345-40
<b>POWERVERTER - INSTALLATION</b>		

Item#	Part	Description	H 3 4 1	H 3 4 5	V I P 4 5	N O T E S
76	504379	RIVET POP DOME OE 3/16x1/4 SS		2		O
77	504637	CABLE TIE / 3/16" x 13"		2		O
78	218657	SUPPORT		2		O
79	218658	SUPPORT		1		O
81	068776	SUPPORT TWO DISPLAY		1		O
82	N.P.N.	INVERTER DISPLAY & SWITCH		1		4 O
82	068784	CABLE INVERTER DISPLAY		1		O
NS	8631155	CABLE TIE / 4.6MM x 200 / CHRISTMAS TREE		AR		O
83	504118	RIVET POP DOME OE 3/16x3/8 AL		2		O
84	500964	WASHER FL .203x.500x.047 Z050		2		O
85	5001091	SCREW TC PAN PH #4-40x1/4 BK		8		O
91	564506	BOX ALUMINIUM / 110 VAC MURAL	2	2		
92	564507	PLUG DOUBLE 110 VAC MURAL GREY NYLON "DECORA"	2	2		
93	564508	COVER PLATE DOUBLE 110V OUTLET SILVER	2	2		
94	564565	CONNECTOR L-16	2	2		
95	068404	DECAL "120 VOLTS AC"	2	2		
101	381790	SUPPORT / 110V OUTLET	1	1		
102	564129	RECEPTACLE BOX / 110Vac outlet / WHITE	1	1		
103	562657	PLUG DOUBLE 110 VAC MURAL / WHITE	1	1		
104	562659	COVER PLATE DOUBLE 110V OUTLET / WHITE	1	1		
105	500601	SCREW TC PAN PH #6-32x3/8 N500	2	2		
106	500654	SCREW TC BDG PH #8-32x1/2 Z050	2	2		
		A) USE WITH 5000W POWERVERTER				
		B) USE WITH SECOND INVERTER UNDER 068168 AND WELDED AT STRUCTURE				
		O) "ORLEAN" OPTION				
		WT) WITH INSTALLATION WITH WALL TRACK				
		4) NO PARTS NUMBER				

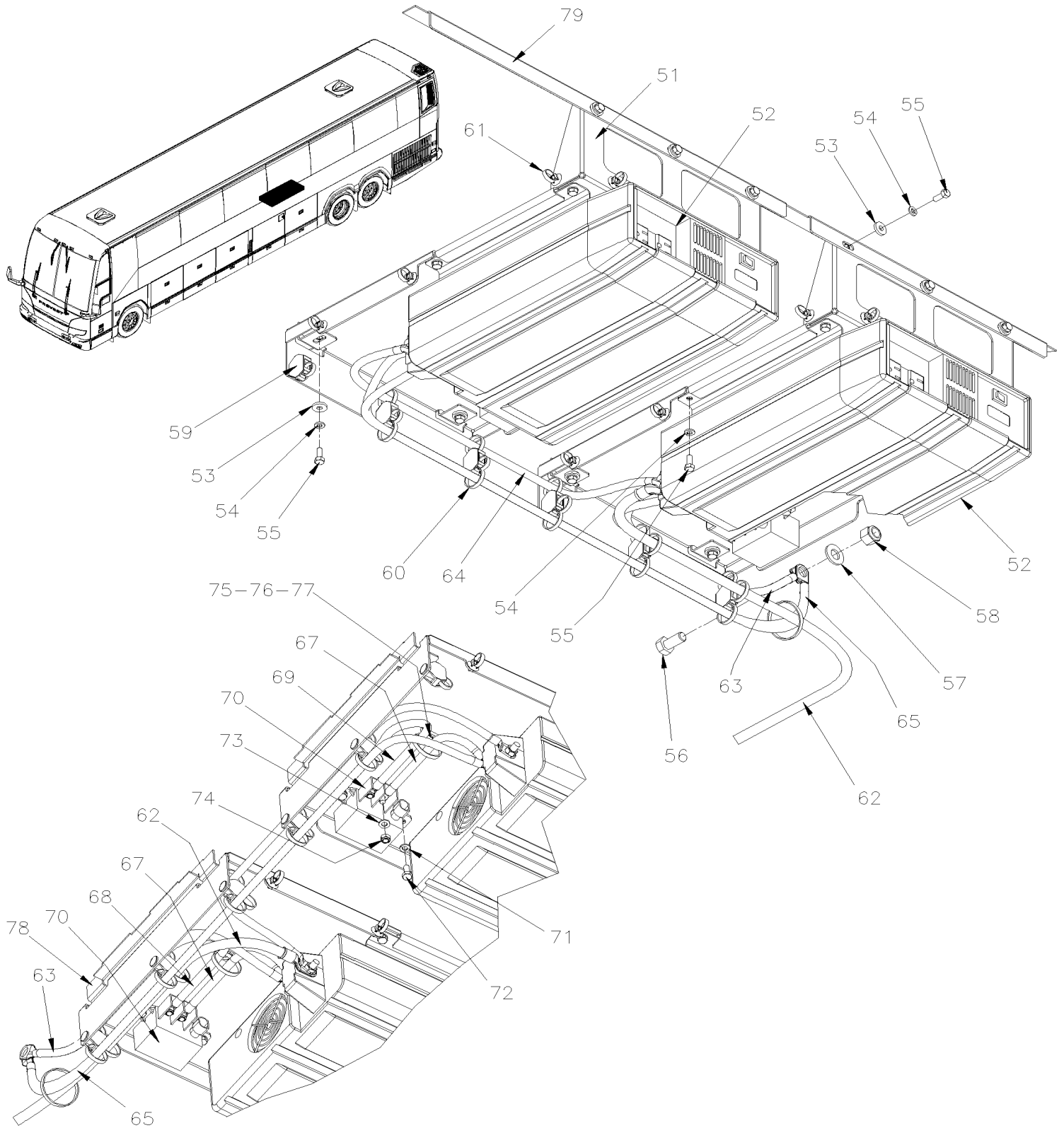


From E-2581 To J-0184

Date:10/2022

PAGE:H7-2345-41

## POWERVERTER - INSTALLATION



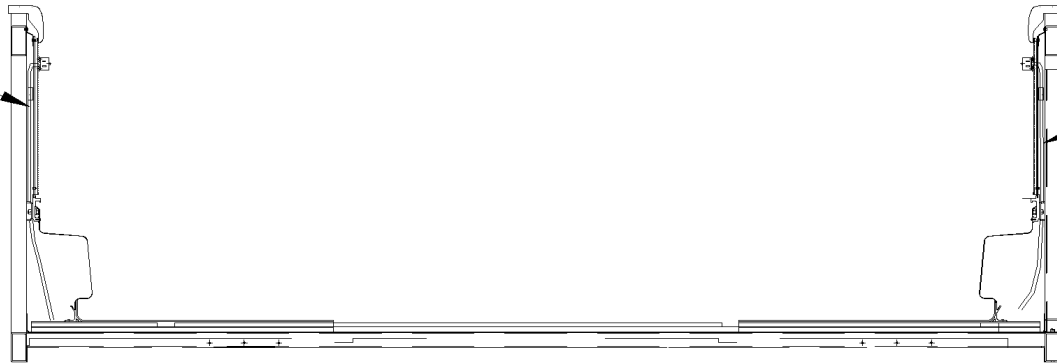
From E-2581 To J-0184

Date:10/2022

PAGE:H7-2345-41

POWERVERTER - INSTALLATION

40-42

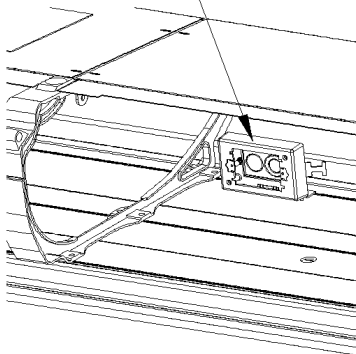


41-43

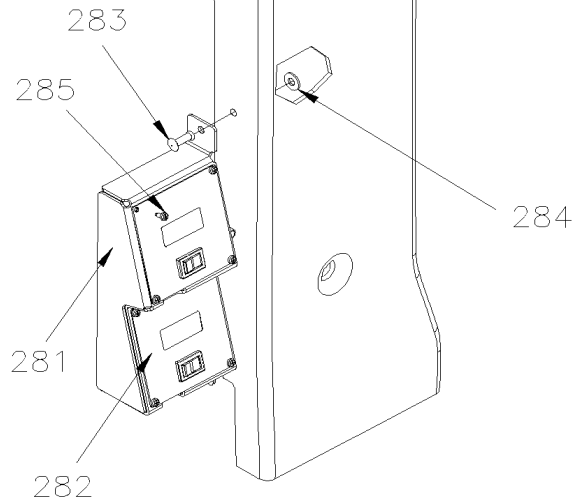
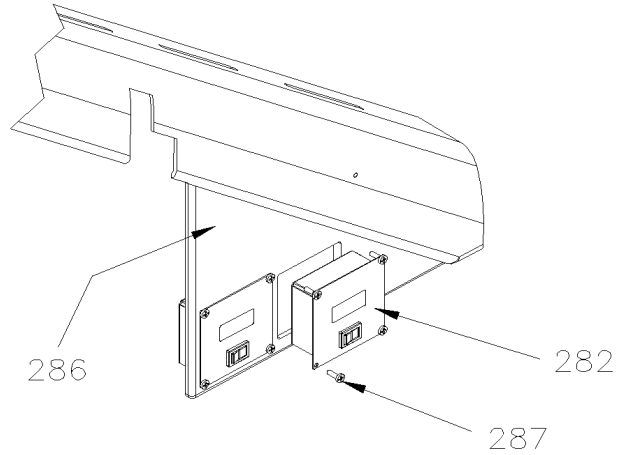
STREET SIDE

CURB SIDE

144-145



PARCEL RACK



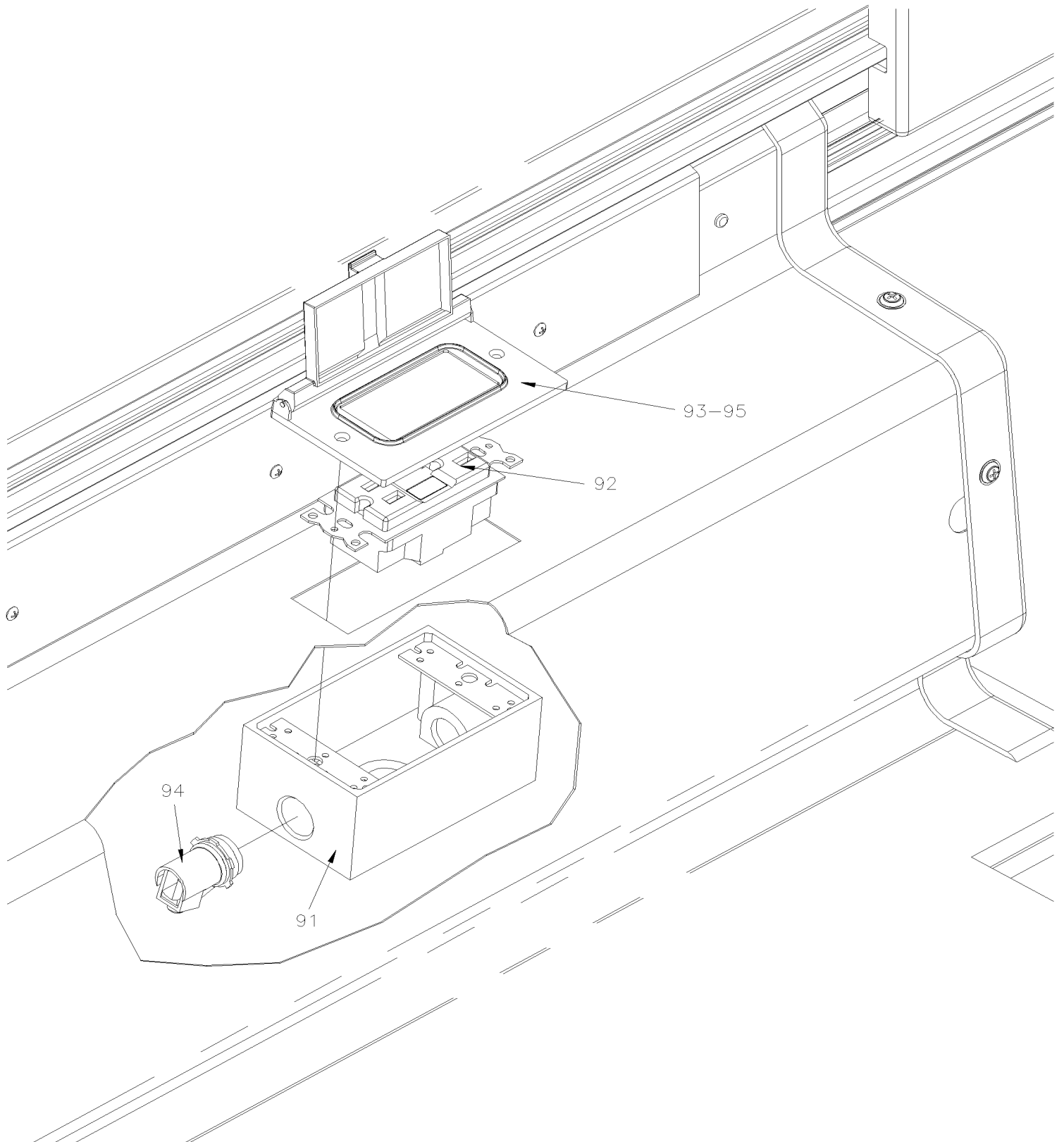
DRIVER DISPLAY & SWITCH

From E-2581 To J-0184

Date:10/2022

PAGE:H7-2345-41

**POWERVERTER - INSTALLATION**

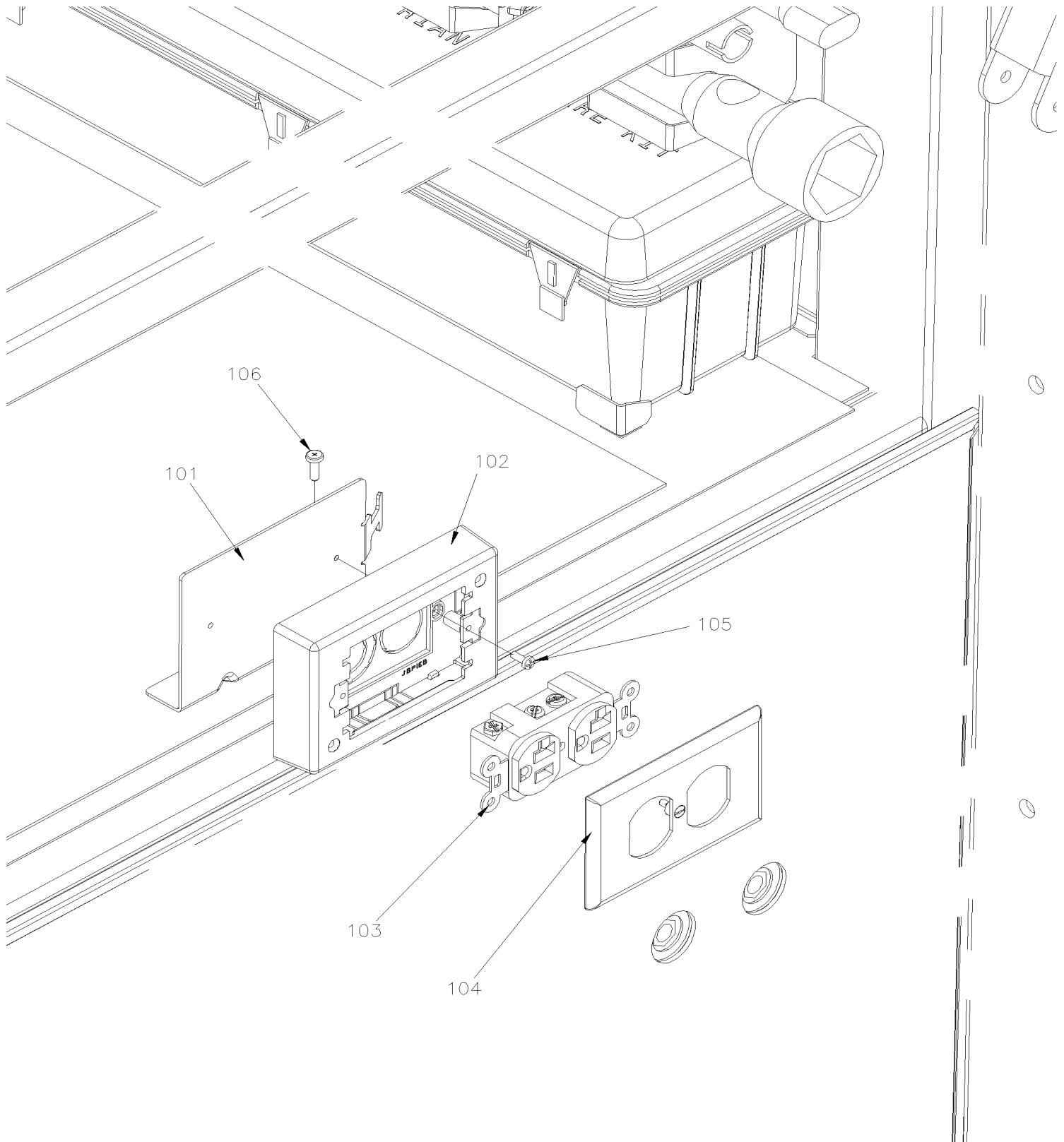


From E-2581 To J-0184

Date:10/2022

PAGE:H7-2345-41

**POWERVERTER - INSTALLATION**

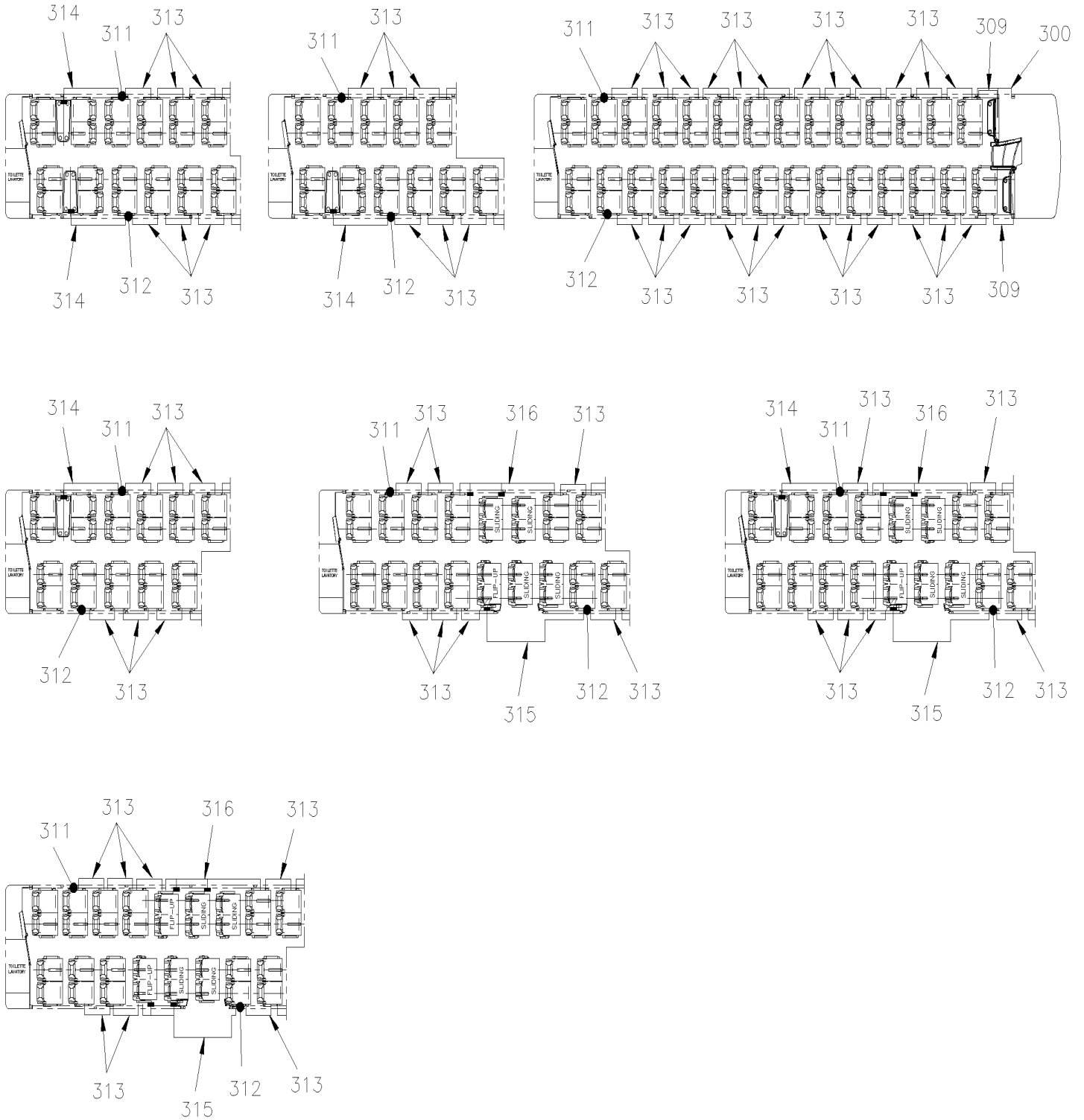


From E-2581 To J-0184

Date:10/2022

PAGE:H7-2345-41

## POWERVERTER - INSTALLATION

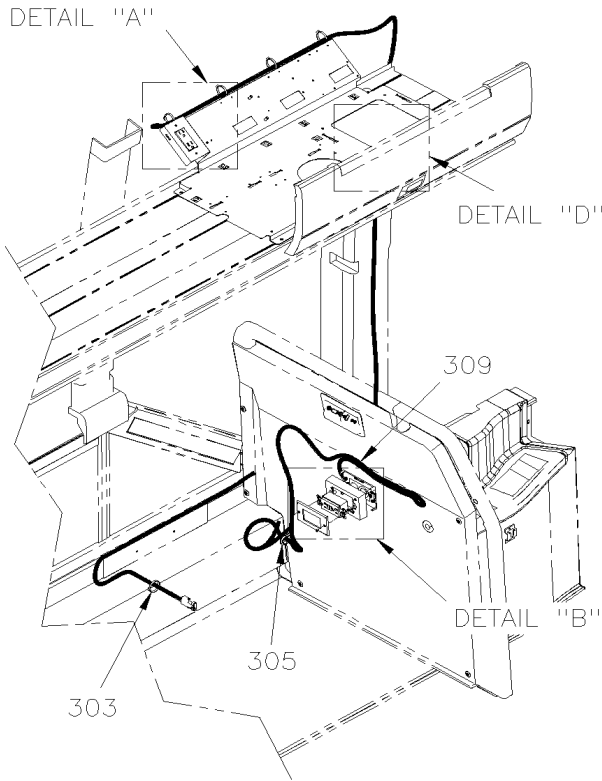


From E-2581 To J-0184

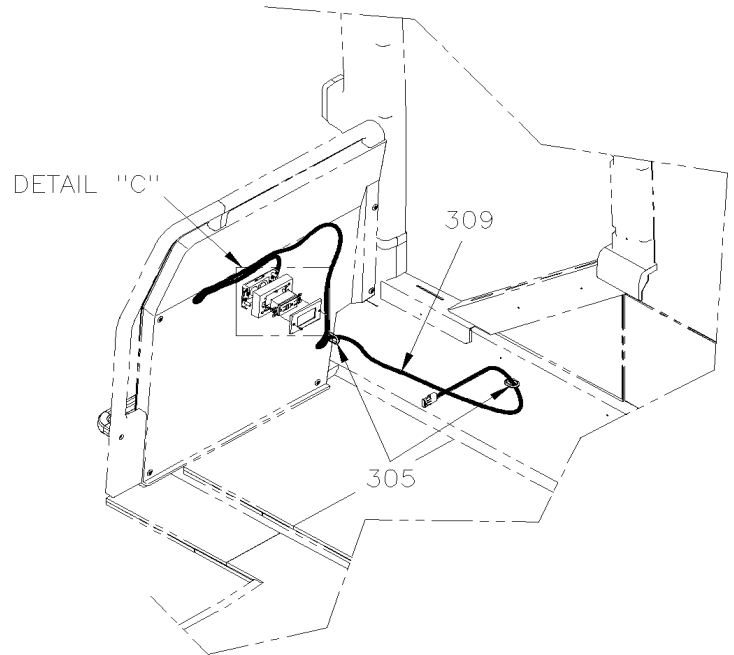
Date:10/2022

PAGE:H7-2345-41

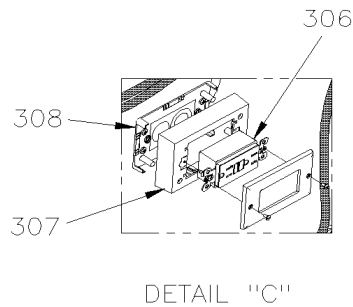
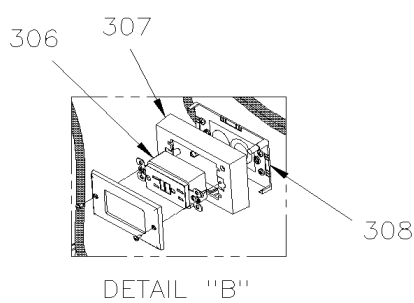
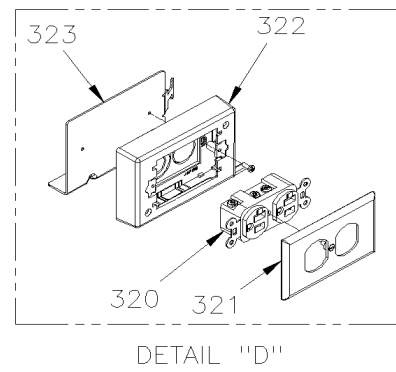
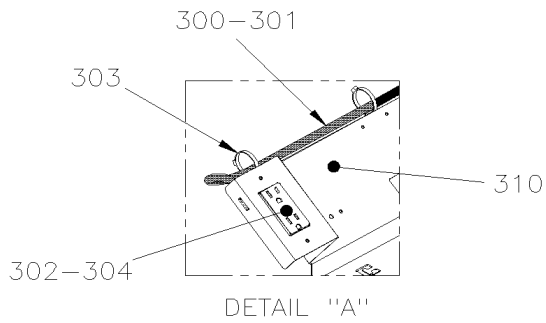
## POWERVERTER - INSTALLATION



STREET SIDE



CURB SIDE



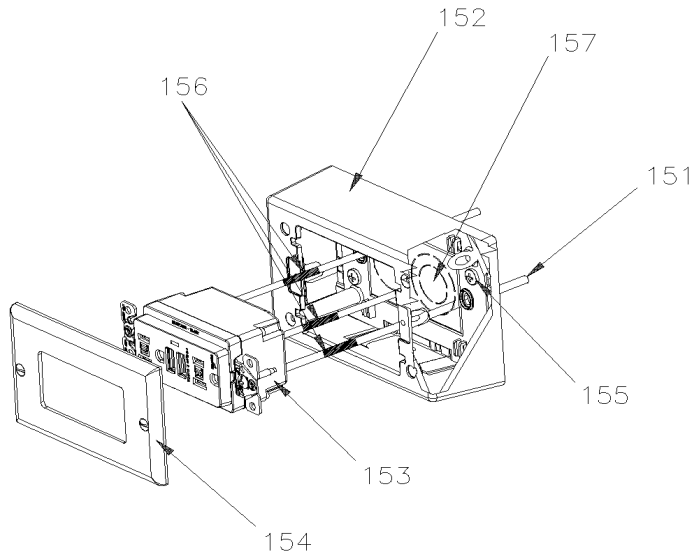
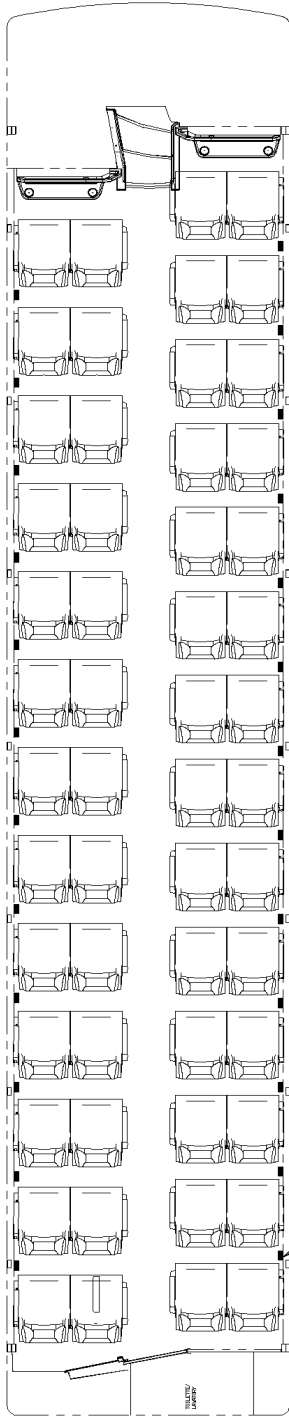


From E-2581 To J-0184

Date:10/2022

PAGE:H7-2345-41

## POWERVERTER - INSTALLATION



From E-2581 To J-0184	Date:10/2022	PAGE:H7-2345-41
<b>POWERVERTER - INSTALLATION</b>		

Item#	Part	Description	H 3 4 1	H 3 4 5	V I P 4 5	N O T E S
		NEXT CABLES USE WITH 110V OUTLET				
		INSTALL BACKREST BY SEAT SUPPLIER				
NS	067595	CABLE ASSY / STREETSIDE W/23 PLUGS From 8-1370	1	1		
40	067609	CABLE ASSY / STREETSIDE W/10 PLUGS 44P From 8-1370	1			
40	067721	CABLE ASSY / STREETSIDE W/13 PLUGS 56P+2T From 8-1370	1	1		
40	067725	CABLE ASSY / STREETSIDE W/11 PLUGS 44P+2T From 8-1370	1	1		
40	067635	CABLE ASSY / STREETSIDE W/8 PLUGS 36P VIP From 8-1370	1	1		
40	067680	CABLE ASSY / STREETSIDE W/11 PLUGS 52P+2T From 8-1370	1	1		
40	067438	CABLE ASSY / STREETSIDE W/11 PLUGS 54+2T From 9-1499	1	1		
41	067596	CABLE ASSY / CURBSIDE W/9 PLUGS From 8-1370	1	1		
41	067610	CABLE ASSY / CURBSIDE W/11 PLUGS 44P From 8-1370	1			
41	067724	CABLE ASSY / CURBSIDE W/10 PLUGS 44P+2T From 8-1370	1	1		
41	067726	CABLE ASSY / CURBSIDE W/12 PLUGS 56P+1T From 8-1370	1	1		
41	067720	CABLE ASSY / CURBSIDE W/11 PLUGS 56P+2T From 8-1370	1	1		
41	067634	CABLE ASSY / CURBSIDE W/7 PLUGS 36P VIP From 8-1370	1	1		
41	067681	CABLE ASSY / CURBSIDE W/12 PLUGS 52P+2T From 8-1370	1	1		
41	067439	CABLE ASSY / CURBSIDE W/12 PLUGS 54+2T From 9-1499	1	1		
42	067608	CABLE ASSY / W/CONNECTOR / INVERTER STREET SIDE LH / 3200M From 8-1370	1	1		
43	067607	CABLE ASSY / W/CONNECTOR / INVERTER CURBSIDE / RH /1300MM From 8-1370	1	1		
NS	504751	ROTATIF SPACER DOUBLE / SMALL	AR	AR		
NS	504637	CABLE TIE / 3/16" x 13"	AR	AR		
NS	500601	SCREW TC PAN PH #6-32x3/8 N500	AR	AR		
NS	500654	SCREW TC BDG PH #8-32x1/2 Z050	AR	AR		
NS	509815	TIE MOUNT / ATTACHMENT W/TREE MOUNT	AR	AR		
51	068947	SUPPORT, INVERTER		2		O
52	563082	POWERVERTER ASSY / 24/110 V 1800 WATTS W/DISPLAY ON INVERTER		2		O
52	564636	POWERVERTER ASSY / 24/110 V 1800 WATTS W/REMOTE DISPLAY		2		O
52	068833	DECAL "ATTENTION WARNING..."		1		O
53	5001654	WASHER FL 6.4x17.0x3.0 SS		10		O
54	502570	WASHER LO SPT 6.1x11.8x1.6 SS		18		O
55	5001697	SCREW CAP HEX M6-1.0x16 SS BK		18		O
56	5001330	SCREW CAP HEX 1/2-13x1 SS		1		O
57	500958	WASHER FL .531x1.062x.095 SS		1		O
58	502595	NUT HEX NYRT 1/2-13 Z050		1		O
59	509492	CABLE TIE MOUNT FOR THREADED STUD 1/4		6		O
60	504016	CABLE TIE / 5/16" X 14"1/2		AR		O
61	8631155	CABLE TIE / 4.6MM x 200 / CHRISTMAS TREE		AR		O
62	068843	CABLE ASSY 24PV		1		O
63	068840	CABLE INVERTER GND 0P1		1		O
64	068838	CABLE POWER INVERTER 24PVA_OP		1		O

<b>From E-2581 To J-0184</b>	<b>Date:10/2022</b>	<b>PAGE:H7-2345-41</b>
<b>POWERVERTER - INSTALLATION</b>		

Item#	Part	Description	H 3 4 1	H 3 4 5	V I P 4 5	N O T E S
65	068841	CABLE INVERTER GND 0P2		1		0
67	068761	CABLE INVERTER 0P		2		0
68	068836	CABLE INVERTER 0PA1		1		0
69	068837	CABLE INVERTER 0PA2		1		0
70	563348	RELAY POWER 24V 200 AMPS / S.P.S.T. N.O.		2		0
. NS	5001182	. NUT HEX NYRT M6-1.0 SS		1		0
. NS	502573	. WASHER FL 6.4x12.5x1.6 SS		1		0
. NS	563409	. CONNECTOR / SUPERSEAL 1.5 SERIES / SH 2C / AMP 282080-1		1		0
. NS	562607	. SOCKET TERMINAL / 20-16 / AMP 183025-1		1		0
70	068492	CABLE, INVERTERS POWER RELAY From E-2471		1		0
71	502570	WASHER LO SPT 6.1x11.8x1.6 SS		4		0
72	5001697	SCREW CAP HEX M6-1.0x16 SS BK		4		0
73	502573	WASHER FL 6.4x12.5x1.6 SS		4		0
74	5001182	NUT HEX NYRT M6-1.0 SS		4		0
75	504013	TIE MOUNT / 1/4" X 1/4" I.D.		2		0
76	504379	RIVET POP DOME OE 3/16x1/4 SS		2		0
77	504637	CABLE TIE / 3/16" x 13"		2		0
78	218657	SUPPORT		2		0
79	218658	SUPPORT		1		0
91	564506	BOX ALUMINIUM / 110 VAC MURAL	2	2		
92	564507	PLUG DOUBLE 110 VAC MURAL GREY NYLON "DECORA"	2	2		
93	564508	COVER PLATE DOUBLE 110V OUTLET SILVER	2	2		
94	564565	CONNECTOR L-16	2	2		
95	068404	DECAL "120 VOLTS AC"	2	2		
101	381790	SUPPORT / 110V OUTLET	1	1		
102	564129	RECEPTACLE BOX / 110Vac outlet / WHITE	1	1		
103	562657	PLUG DOUBLE 110 VAC MURAL / WHITE	1	1		
104	562659	COVER PLATE DOUBLE 110V OUTLET / WHITE	1	1		
105	500601	SCREW TC PAN PH #6-32x3/8 N500	2	2		
106	500654	SCREW TC BDG PH #8-32x1/2 Z050	2	2		
		NEXT PARTS USE WITH 110V OUTLET				
		INSTALL INSIDE THE FIRST STREET SIDE PARCEL RACK				
144	564507	PLUG DOUBLE 110 VAC MURAL GREY NYLON "DECORA"	1	1		
145	068295	CABLE / 120VAC / PARCEL RACK OUTLET	1	1		
145	504016	CABLE TIE / 5/16" X 14"1/2	1	1		
145	504768	CABLE TIE / 3/16" 14.7" / DOUBLE LOOP HEAD	8	8		
		NEXT PARTS USE WITH 110V OUTLET				

<b>From E-2581 To J-0184</b>	<b>Date:10/2022</b>	<b>PAGE:H7-2345-41</b>
<b>POWERVERTER - INSTALLATION</b>		

Item#	Part	Description	H 3 4 1	H 3 4 5	V I P 4 5	N O T E S
		INSTALL ON THE WALL				
151	069562	HARNESS 120VAC 13 OUTLETS ON WALL		2		
152	564580	RECEPTACLE BOX / 110Vac outlet / GRAY		25		
153	564233	PLUG DOUBLE 110 VAC MURAL W/2 USB PORT / BLACK		25		
154	564579	COVER PLATE DOUBLE 110V OUTLET BLACK NYLON "DECORA"		25		
155	500638	SCREW TP PAN PH #8x1/2 Z050		AR		
156	561918	SHRINK TUBING / .125" - .062" / BLACK / ALPHA FIT-221-1/8-4-B		AR		
157	680093	SEALANT TAPE BUTYL / GREY / 1/16"x1 1/2"x50' /71079B11760		AR		
281	068776	SUPPORT TWO DISPLAY		1		
282	564637	INVERTER DISPLAY & SWITCH		1		
282	068784	CABLE INVERTER DISPLAY To G-3205		1		
282	069354	CABLE INVERTER DISPLAY From G-3206		1		
NS	8631155	CABLE TIE / 4.6MM x 200 / CHRISTMAS TREE		AR		
282	565129	REMOTE INTERFACE PANEL - FOR DISPLAY From G-3206		1		D
283	504118	RIVET POP DOME OE 3/16x3/8 AL		2		
284	500964	WASHER FL .203x.500x.047 Z050		2		
285	5001091	SCREW TC PAN PH #4-40x1/4 BK		8		
286	3201347	FINISHING CAP L.H. LOWER WINDOW / MIDNIGHT CHARCOAL WITH 2 INVERTER DISPLAY	1	1		
286	320926	FINISHING CAP L.H. LOWER WINDOW / MIDNIGHT CHARCOAL WITH 1 INVERTER DISPLAY	1	1		
287	5001015	SCREW TP BDG PH #6x1/2 SS BK	8	8		
300	068295	CABLE / 120VAC / PARCEL RACK OUTLET	1	1		
301	560784	SHRINK TUBING / .250" - .080" / BLACK / ALPHA FIT-300-1/4-4B	AR	AR		
302	564507	PLUG DOUBLE 110 VAC MURAL GREY NYLON "DECORA"	1	1		
303	504637	CABLE TIE / 3/16" x 13"	AR	AR		
304	680319	TAPE ADHESIF ELECTRIC / BLACK 3/4"	AR	AR		
305	504574	GROMMET / 1.125x1.312x.062x.312x1.56	4	4		
306	564188	PLUG DOUBLE 110 VAC MURAL GREY NYLON "DECORA"	2	2		
NS	564591	COVER PLATE DOUBLE 110V OUTLET GREY NYLON "DECORA"	2	2		
306	564233	PLUG DOUBLE 110 VAC MURAL W/2 USB PORT / BLACK	2	2		USB
NS	564579	COVER PLATE DOUBLE 110V OUTLET BLACK NYLON "DECORA"	2	2		
307	564187	RECEPTACLE BOX / 110Vac outlet / GREY	2	2		
307	564580	RECEPTACLE BOX / 110Vac outlet / GRAY	1	1		USB
308	500638	SCREW TP PAN PH #8x1/2 Z050	8	8		
309	067704	CABLE ASSY EXTENSION 2900MM / TO FRONT MODESTIE PANEL	2	2		
310	406630	PLATE SUPPORT MAIN SYSTEM	1	1		
311	067608	CABLE ASSY / W/CONNECTOR / INVERTER STREET SIDE LH / 3200M	1	1		
312	067607	CABLE ASSY / W/CONNECTOR / INVERTER CURBSIDE / RH /1300MM	1	1		

From E-2581 To J-0184	Date:10/2022	PAGE:H7-2345-41
<b>POWERVERTER - INSTALLATION</b>		

Item#	Part	Description	H 3 4 1	H 3 4 5	V I P 4 5	N O T E S
313	067703	CABLE ASSY EXTENSION 1200MM / EACH SEAT	AR	AR		
314	067704	CABLE ASSY EXTENSION 2900MM / TO FRONT MODESTIE PANEL	AR	AR		
315	068937	CABLE ASSY EXTENSION / WCL DOOR	1	1		
316	067984	CABLE ASSY 2 PLUG, FOR SLIDING SEATS	1	1		
		OUTLET ONTO AMPLIFIER ENCLOSURE				
320	562657	PLUG DOUBLE 110 VAC MURAL / WHITE	1	1		
321	562659	COVER PLATE DOUBLE 110V OUTLET / WHITE	1	1		
322	564129	RECEPTACLE BOX / 110Vac outlet / WHITE	1	1		
323	381790	SUPPORT / 110V OUTLET	1	1		
NS	068295	CABLE / 120VAC / PARCEL RACK OUTLET	1	1		
NS	504637	CABLE TIE / 3/16" x 13"	4	4		
NS	560094	FLANGE SPADE TERMINAL #10 / 16-14 / AMP 320863	3	3	3	
		D) MODULE INSTALL ON INVERTER				
		O) "ORLEANS" OPTION				
		USB) WITH USB				

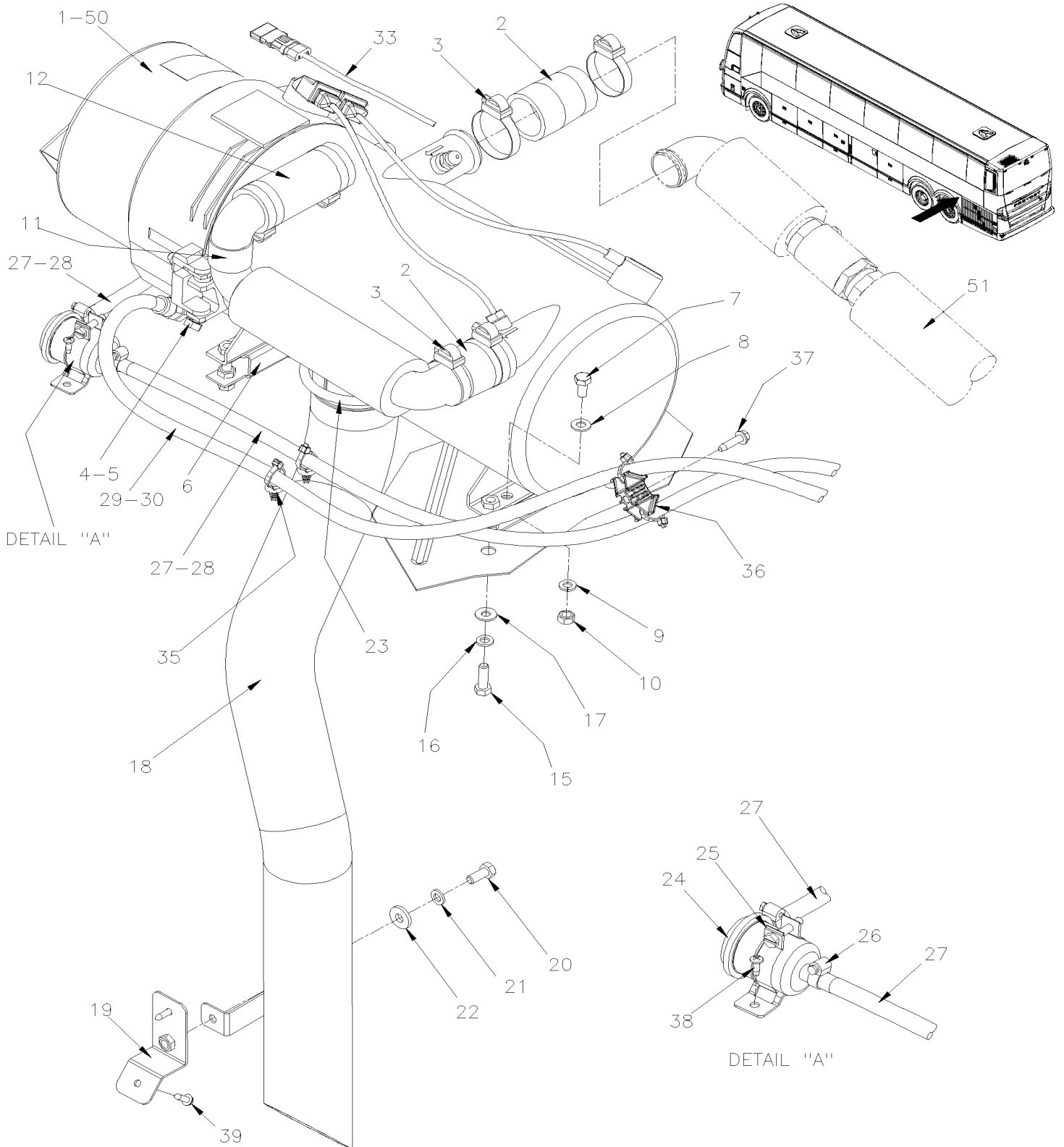


From 7-0671 To J-0184

Date:10/2022

PAGE:H7-2350-10

## WATER HEATER - INSTALLATION

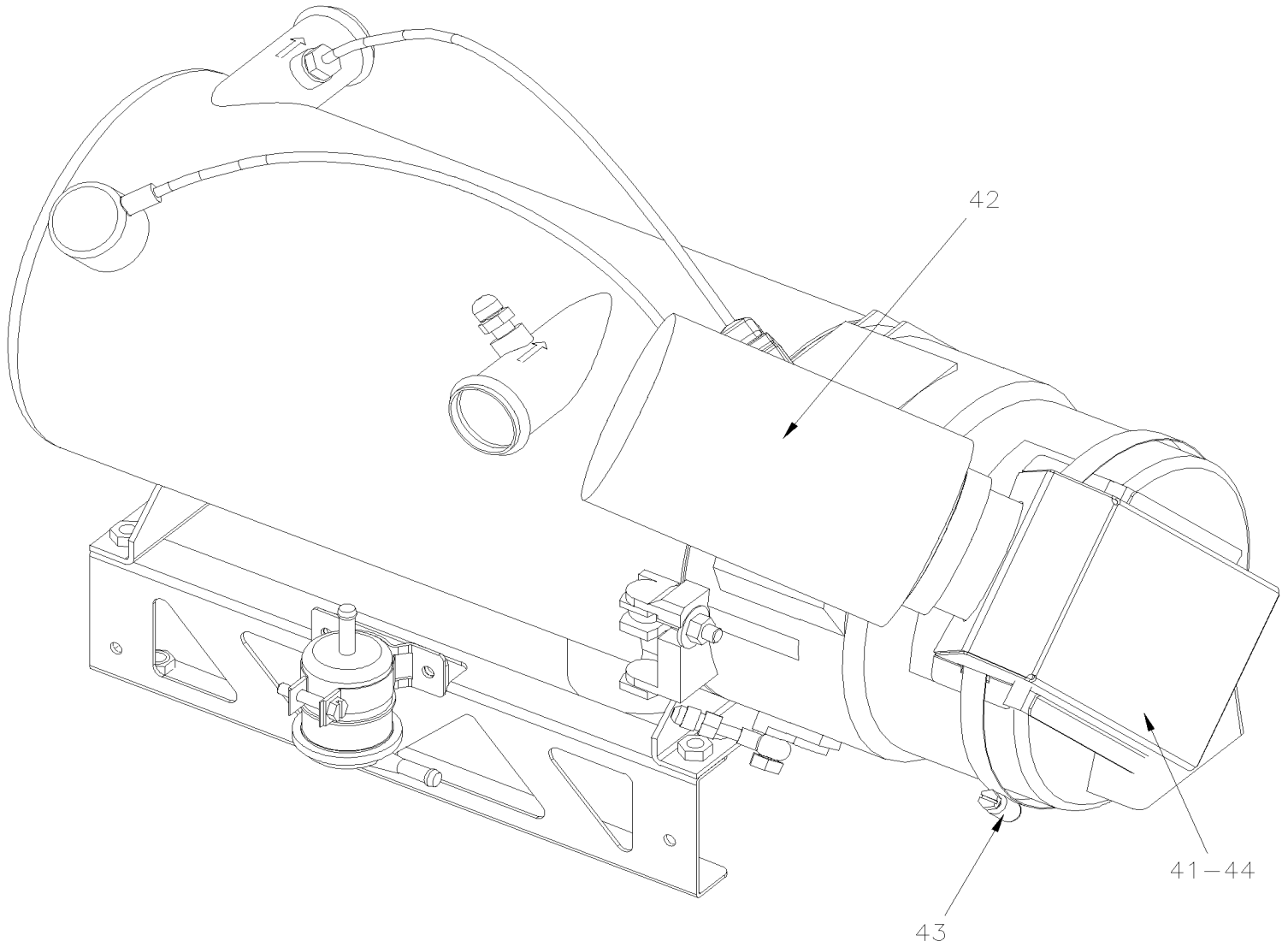


From 7-0671 To J-0184

Date:10/2022

PAGE:H7-2350-10

**WATER HEATER - INSTALLATION**





From 7-0671 To J-0184	Date:10/2022	PAGE:H7-2350-10
<b>WATER HEATER - INSTALLATION</b>		

Item#	Part	Description	H 3 4 1	H 3 4 5	V I P 4 5	N O T E S
	373886P	WATER HEATER ASSY ASSY W/HOSE & SPACERS	1	1		
1	<b>871202</b>	<b>. WATER HEATER - "SPHEROS" 100,000 B.T.U. From 7-0761</b>	1	1		
2	373800	. HOSE REDUCER / 1 1/2" I.D.x1 3/8" I.D.x65MM	2	2		
3	504657	. HOSE CLAMP / 1"1/16-2" C.T. 9424 To D-2301	AR	AR		
3	504783	. HOSE CLAMP / 1"1/16-2" SS / C.T. W.S. From D-2302 To F-2891	AR	AR		
3	992086	. HOSE CLAMP / 32MM/52MM From F-2892	AR	AR		
3	504692	. HOSE CLAMP STEPLESS SPRING SS / OETIKER / 1.5-1.8	AR	AR		A
3	504455	. HOSE CLAMP STEPLESS SPRING SS / OETIKER / 1.7-1.9	AR	AR		A
4	5011238	. BANJO UNION / 10MMx#6JIC-M	1	1		
5	5011237	. BANJO UNION / 10MMx#4JIC-M	1	1		
6	374322	. SPACER ASSY 1" / "WATER HEATER & FENDER	2	2		
7	500820	. SCREW CAP HEX M8-1.25x16 G10.9 N500 To H-3569	4	4		
7	5001527	. SCREW CAP HEX M8-1.25x16 SS BK From H-3570	4	4		
8	5001341	. WASHER FL 8.4x17.0x1.6 SS	4	4		
9	5001161	. WASHER LO SPT 8.1x14.8x2.0 SS-304 To H-3569	4	4		
10	5001188	. NUT HEX M8-1.25 SS To H-3569	4	4		
10	5001983	. NUT HEX NYRT M8-1.25 SS SS BK From H-3570	4	4		
11	373887P	. PIPE ASSY / "WATER HEATER" / EXIT LINE	1	1		
12	051383	. . HOSE / W/CENTRAL A/C SYSTEM / 1 3/8" I.D. X 150MM	1	1		
12	503392	. . . HOSE SILICONE 4PLY 1 3/8" I.D. x 4' To D-2275	AR	AR		
12	503783	. . . HOSE SILICONE 4PLY / NOMEX-ARAMID 34MM I.D. x 6' From D-2276	AR	AR		
15	5001745	SCREW CAP HEX M8-1.25x25 G8.8 N500 To H-3569	4	4		
15	5001527	SCREW CAP HEX M8-1.25x16 SS BK From H-3570	4	4		
16	500942	WASHER LO SPT 8.1x14.8x2.0 N500 To H-3569	4	4		
16	5001848	WASHER BEL SPR .827 x .331 x .098 th SS From H-3570	4	4		
17	502638	WASHER FL .312x.734x.065 N500 To H-3569	4	4		
18	373950	PIPE EXHAUST To 9-1412	1	1		
18	374386	PIPE EXHAUST From 9-1413 To A-1720	1	1		
18	374452	PIPE EXHAUST From B-1721	1	1		
19	374453	ATTACHMENT PIPE From B-1721	1	1		
20	502862	SCREW CAP HEX M8-1.25x20 G8.8 N500 From B-1721 To H-3569	1	1		
20	5001527	SCREW CAP HEX M8-1.25x16 SS BK From H-3570	1	1		
21	500942	WASHER LO SPT 8.1x14.8x2.0 N500 From B-1721 To H-3569	1	1		
21	5001848	WASHER BEL SPR .827 x .331 x .098 th SS From H-3570	1	1		
22	500401	WASHER FL .343x.875x.125 N500 From B-1721 To H-3569	1	1		
23	871203	U-CLAMP / 3" I.D.	1	1		
24	871037	FILTER, FUEL	1	1		
25	871038	SUPPORT, FILTER FUEL	1	1		
26	504014	HOSE CLAMP / 1/4"-5/8" SS / HM-4 To F-3000	2	2		
27	373790	HOSE / FUEL LINE / #4 7924MM To A-1720	1	1		
27	374431	HOSE / FUEL LINE / #4 7000MM From B-1721 To B-1858	1	1		

<b>From 7-0671 To J-0184</b>	<b>Date:10/2022</b>	<b>PAGE:H7-2350-10</b>
<b>WATER HEATER - INSTALLATION</b>		

Item#	Part	Description	H 3 4 1	H 3 4 5	V I P 4 5	N O T E S
27	374605	HOSE / FUEL LINE / #4 7000MM From B-1859	1	1		
27	503706	. HOSE FC-332-4 #4	AR	AR		
28	501347	. FEMALE CONNECTOR SWIVEL / PUSH-LOK FITTING #4JIC-Fx#4 BR	1	1		
29	373837	HOSE / FUEL LINE / #4 7924MM To A-1720	1	1		
29	374430	HOSE / FUEL LINE / #4 6570MM From B-1721 To B-1858	1	1		
29	374604	HOSE / FUEL LINE / #4 6570MM From B-1859	1	1		
29	503706	. HOSE FC-332-4 #4	AR	AR		
30	5011235	. FEMALE CONNECTOR SWIVEL / PUSH-LOK FITTING #6JIC-Fx#4 BR	1	1		
33	067266	CABLE THERMO DETECTOR (LINEAR FIRE CABLE) / 3M / 168C/180C // 334F/356F To A-1720	1	1		
. NS	563587	. MODULE DETECTOR / END CIRCUIT To A-1720	1	1		
33	067676	CABLE THERMO DETECTOR (LINEAR FIRE CABLE) / 1M / 168C/180C // 334F/356F From B-1721	1	1		
. NS	563587	. MODULE DETECTOR / END CIRCUIT From B-1721	1	1		
35	952627	CLAMP / 1/2" I.D. To A-1720	4	4		
35	502868	SCREW TC TR PH #10-16x1/2 N500 To A-1720	4	4		
35	509815	TIE MOUNT / ATTACHMENT W/TREE MOUNT From B-1721	3	3		
35	504637	CABLE TIE / 3/16" x 13" From B-1721	3	3		
36	952627	CLAMP / 1/2" I.D. To A-1720	1	1		
36	509490	ATTACHMENT DOUBLE USE WITH CABLE TIE From B-1721	1	1		
36	504637	CABLE TIE / 3/16" x 13" From B-1721	1	1		
37	500574	SCREW MA TR PH #10-24x1 1/4 SS To A-1720	1	1		
37	500470	WASHER LO SPT .193x.334x.047 Z050 To A-1720	1	1		
37	500804	WASHER FL .203x.500x.047 N500 To A-1720	1	1		
37	502882	NUT HEX #10-24 N500 To A-1720	1	1		
37	500266	SCREW TC CAP HEX 1/4-20x1 N500 From B-1721	1	1		
38	502868	SCREW TC TR PH #10-16x1/2 N500	2	2		
39	500526	SCREW TP CAP HEXW #12x3/4 N500 From B-1721 To H-3569	2	2		
39	5001169	SCREW TP CAP HEXW #12x3/4 SS410 From H-3570	2	2		
40		WATER HEATER AIR INTAKE WITH FILTER				O
41	374586	AIR INTAKE / "WATER HEATER" WEBASTO	1	1		O
42	871439	AIR FILTER / AIR INTAKE WATER HEATER	1	1		O
42	504561	HOSE CLAMP / 2"1/4-3"1/8 / C.T. 300 To F-2815	1	1		O
42	992089	HOSE CLAMP / 60MM/80MM From F-2816	1	1		O
43	504229	HOSE CLAMP / 6"1/2-8"1/2 SS / HS-100	1	1		O
44	506268	TAPE RUB ADH1 URE 3/8" x 1/2" x 25' / GREY 1820	AR	AR		O
50	871329	WATER HEATER - "PROHEAT" 80,000 B.T.U. To E-2511				
50	871345	WATER HEATER - "PROHEAT" 80,000 B.T.U. From E-2512				
51	H7-2222-00	HEATER LINE REAR SECTION WITH "DETROIT" ENGINE				
51	H7-2222-05	HEATER LINE REAR SECTION WITH "VOLVO" ENGINE "EPA 2007"				

From 7-0671 To J-0184	Date:10/2022	PAGE:H7-2350-10
<b>WATER HEATER - INSTALLATION</b>		

Item#	Part	Description	H 3 4 1	H 3 4 5	V I P 4 5	N O T E S
70		FOLLOWING ITEMS ARE RELATED WITH From H-3599				○
70		AUTOMATIC START From H-3599				○
70		WITH WATER HEATER INSTALLATION From H-3599				○
70		WITH BATTERIES CHARGER 110V From H-3599				○
70	066332	CABLE ASSY POWER / W/FUSE HOLDER & RECTIFIER From H-3599		1		○
70	069708	CABLE I/F BATTERIES CHARGER / W/RELAY BASE From H-3599		1		○
70	563332	RELAY 24V S.P.D.T. W/RESISTOR / "VOLVO" (20374662) From H-3599		1		○
70	502868	SCREW TC TR PH #10-16x1/2 N500 From H-3599		1		○
		A) WITH OPTION "OETIKER" HOSE CLAMP				
		O) WITH ORLEAN OPTION				

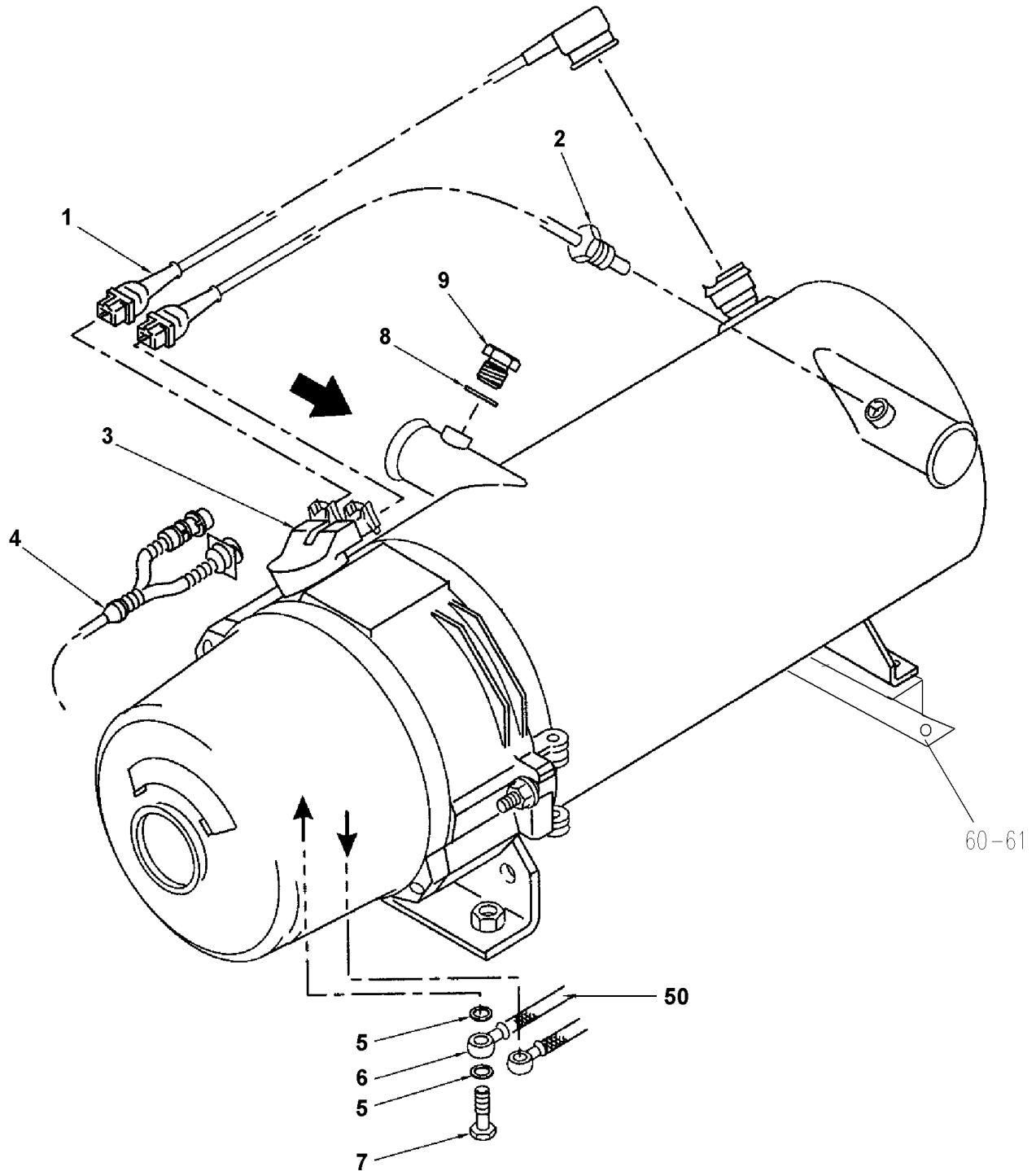


From 7-0671 To J-0184

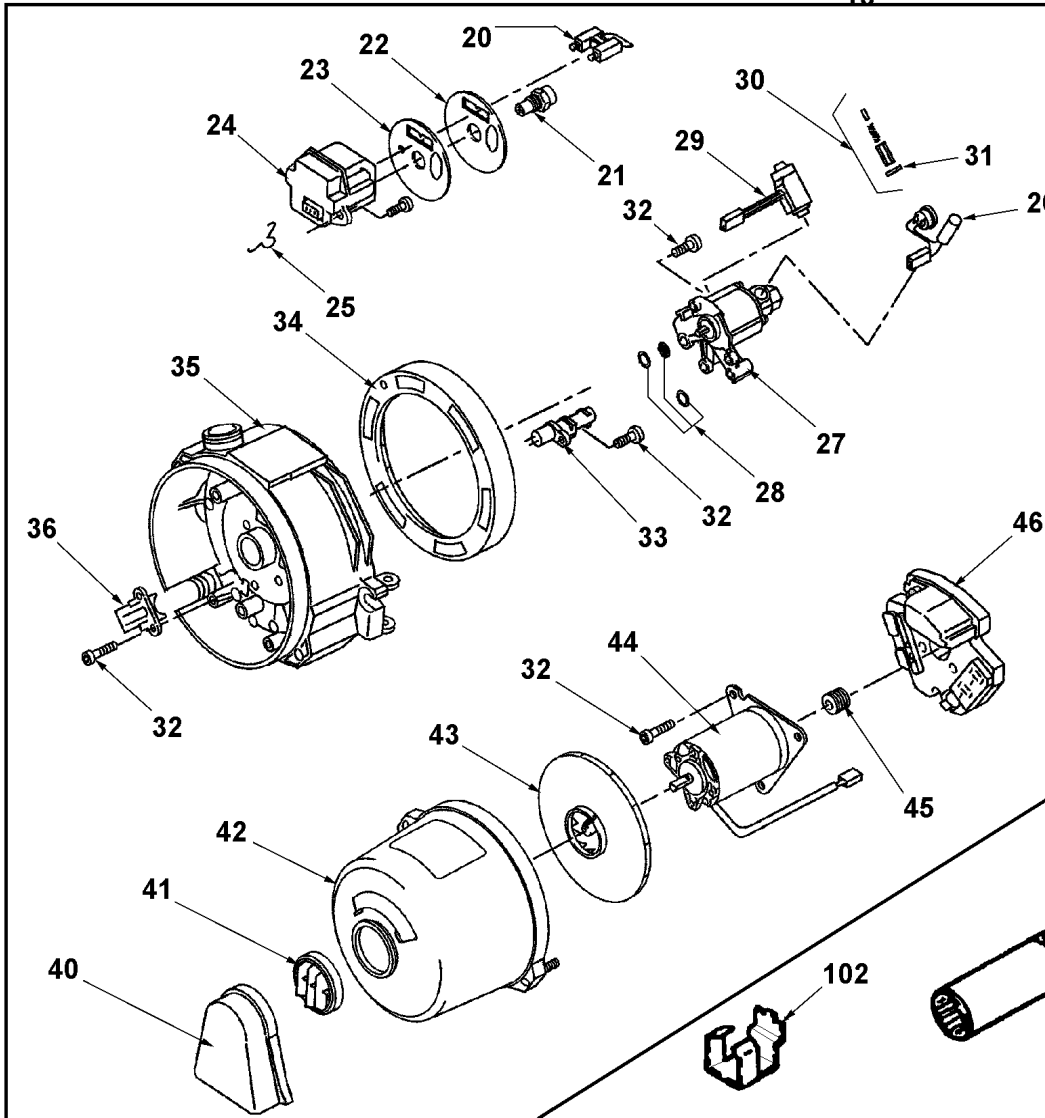
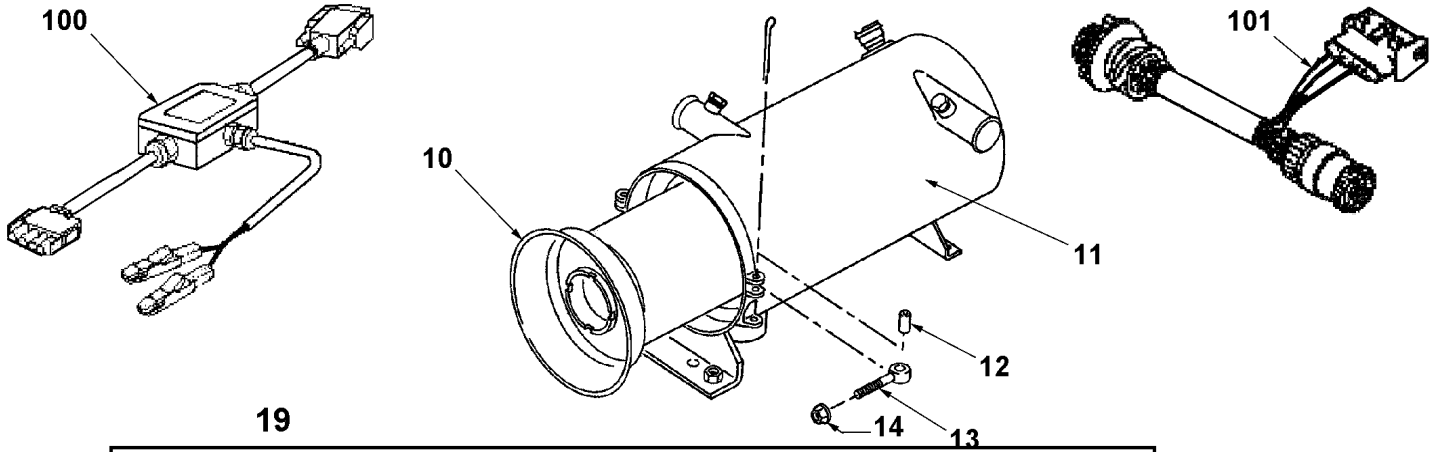
Date:10/2022

PAGE:871202

WATER HEATER - "SPHEROS" 100,000 B.T.U.



From 7-0671 To J-0184	Date:10/2022	PAGE:871202
WATER HEATER - "SPHEROS" 100,000 B.T.U.		



From 7-0671 To J-0184	Date:10/2022	PAGE:871202
<b>WATER HEATER - "SPHEROS" 100,000 B.T.U.</b>		

Item#	Part	Description	H 3 4 1	H 3 4 5	V I P 4 5	N O T E S
		WATER HEATER - "WEBASTO" 100,000 B.T.U.	1	1	1	
1	871284	. OVERHEAT PROTECTION	1	1	1	
2	871285	. TEMPERATURE SENSOR	1	1	1	
2	G1094742	. TEMPERATURE SENSOR	1	1	1	
3	194873	. CABLE ASSY / WITH RUBBER BOOT / CONTROL & HARNESS CABLE	1	1	1	
4	871286	. MASTER WIRING HARNESS	1	1	1	
5	870923	. BANJO WASHER / M10	1	1	1	
6	5011237	. BANJO UNION / 10MMx#4JIC-M	1	1	1	
6	5011238	. BANJO UNION / 10MMx#6JIC-M	1	1	1	
7	870929	. BANJO BOLT / M10-1.0	1	1	1	
8	N.S.P.	. GASKET / (151 173)	1	1	1	2
9	N.S.P.	. PLUG / (199 87A)	1	1	1	2
10	871288	. COMBUSTION CHAMBER	1	1	1	
11	871289	. HEAT EXCHANGER	1	1	1	
NS	871431	. . STICKER WEBASTO	1	1	1	
12	N8890598	. COLLAR	2	2	2	
13	N8890596	. EYE BOLT	2	2	2	
14	502692	. NUT HEXF STO M8-1.25 Z050	1	1	1	
19	N8894780	. BURNER HEAD ASSY / 24V - "WEBASTO" THERMO 300	1	1	1	
19	N8896417	. BURNER HEAD ASSY / 24V - "WEBASTO" THERMO 350	1	1	1	
20	871290	. . IGNITION ELECTRODE	1	1	1	
21	871291	. . NOZZLE 0.85GPH - "WEBASTO" THERMO 300	1	1	1	
21	870918	. . NOZZLE 0.80GPH	AR	AR	AR	
22	871368	. . PHOTODISC	1	1	1	
23	871369	. . PHOTODISC	1	1	1	
24	871292	. . ELECTRONIC IGNITION UNIT	1	1	1	
25	N8883147	. . HOLDING STRAP	1	1	1	
26	871293	. . HEATING ELEMENT WITH THERMOSTAT	1	1	1	
27	871294	. . FUEL PUMP	1	1	1	
28	871295	. . . SMALLL PARTS FOR FUEL PUMP	1	1	1	
29	871296	. . . MAGNETIC COIL	1	1	1	
30	870919	. . . . UNLOADER POWER ASSY	1	1	1	
31	871297	. . . . GASKET	1	1	1	
32	502653	. . SCREW MA PAN PH M5-0.8x16 SS	AR	AR	AR	
33	871298	. . FLAME DETECTOR	1	1	1	
34	194824	. . ADJUSTING RING	1	1	1	
35	N8890616	. . HOUSING	1	1	1	
35	G1094733	. . HOUSING	1	1	1	
36	N8890590	. . CORE GRIP	1	1	1	
36	G1094734	. . CORE GRIP	1	1	1	
40	871299	. . SPLASHGUARD	1	1	1	
41	871300	. . GRID	1	1	1	

From 7-0671 To J-0184	Date:10/2022	PAGE:871202
<b>WATER HEATER - "SPHEROS" 100,000 B.T.U.</b>		

Item#	Part	Description	H 3 4 1	H 3 4 5	V I P 4 5	N O T E S
42	871301	. . HOOD	1	1	1	
NS	G1017565	. . DECAL "DANGER"	1	1	1	
43	871302	. . FAN ROTOR	1	1	1	
44	871303	. . DRIVE ASSY	1	1	1	
45	871304	. . . CLUTCH	1	1	1	
46	871305	. . ELECTRONIC CONTROL	1	1	1	
		SEE WATER HEATER - INSTALLATION				
60	374322	SPACER ASSY 1" / "WATER HEATER & FENDER	2	2	2	
61	500069	SCREW CAP HEX M8-1.25x16 G10.9 DP	4	4	4	
NS	5001341	WASHER FL 8.4x17.0x1.6 SS	4	4	4	
NS	5001161	WASHER LO SPT 8.1x14.8x2.0 SS-304	4	4	4	
NS	5001188	NUT HEX M8-1.25 SS	4	4	4	
100	871320	DIAGNOSTIC KIT VERSION 2.2	AR	AR	AR	
100	N8894700	DIAGNOSTIC KIT VERSION 2.?	AR	AR	AR	
101	871321	ADAPTOR HARNESS / W/ROUND CONECTORS	AR	AR	AR	
101	195314	ADAPTOR HARNESS / W/RECTANGULAR CONECTORS	1	1	1	
102	870937	GAUGE / IGNITION ELECTRODE	AR	AR	AR	
103	870938	BOX WRENCH / HIGH PRESSURE NOZZLE	AR	AR	AR	
		2) NOT SOLD BY PREVOST (SEE MANUFACTURING PART NUMBER AT END OF DESCRIPTION LINE)				

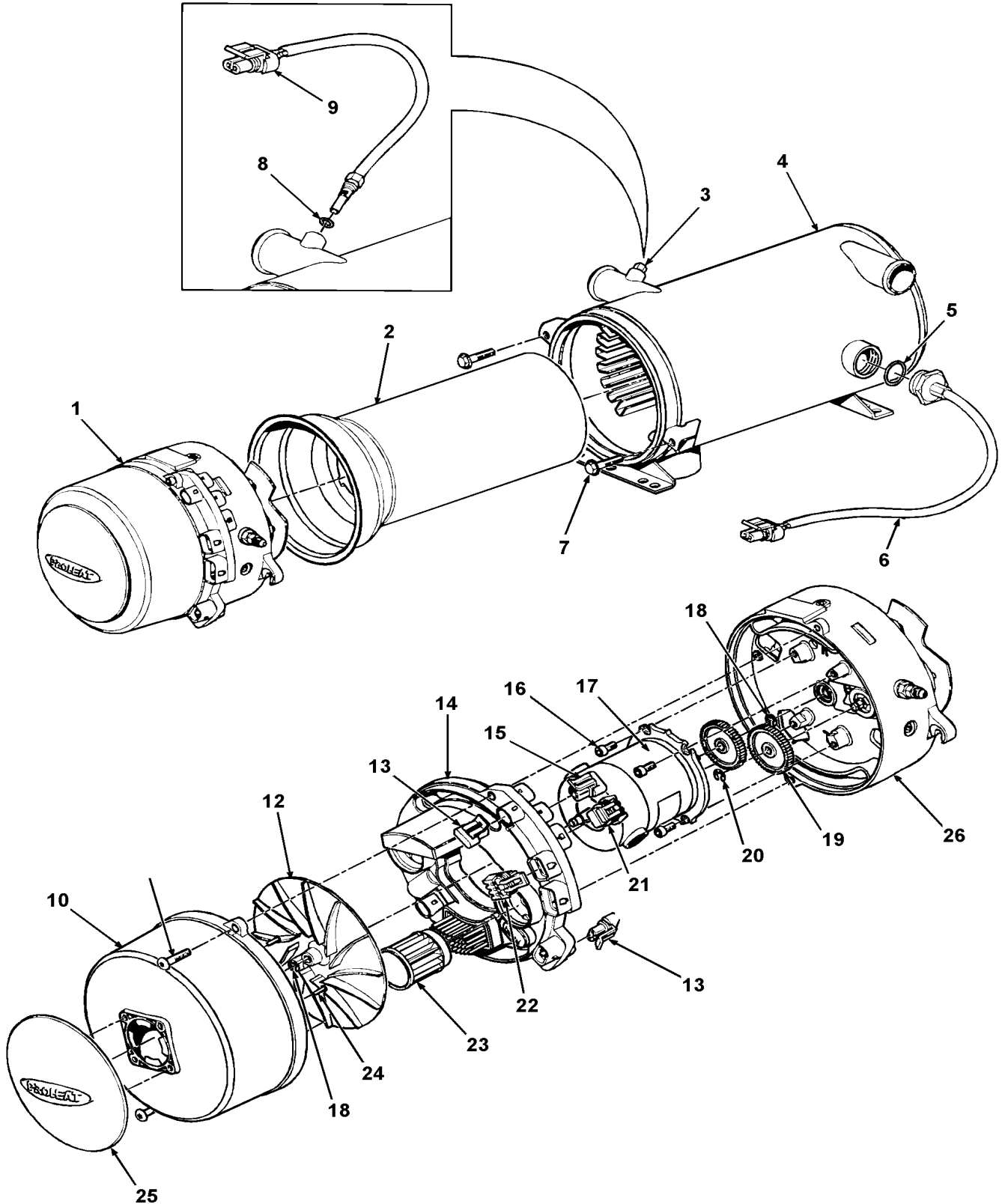


To E-2511

Date:10/2022

PAGE:871329

## WATER HEATER - "PROHEAT" 80,000 B.T.U.

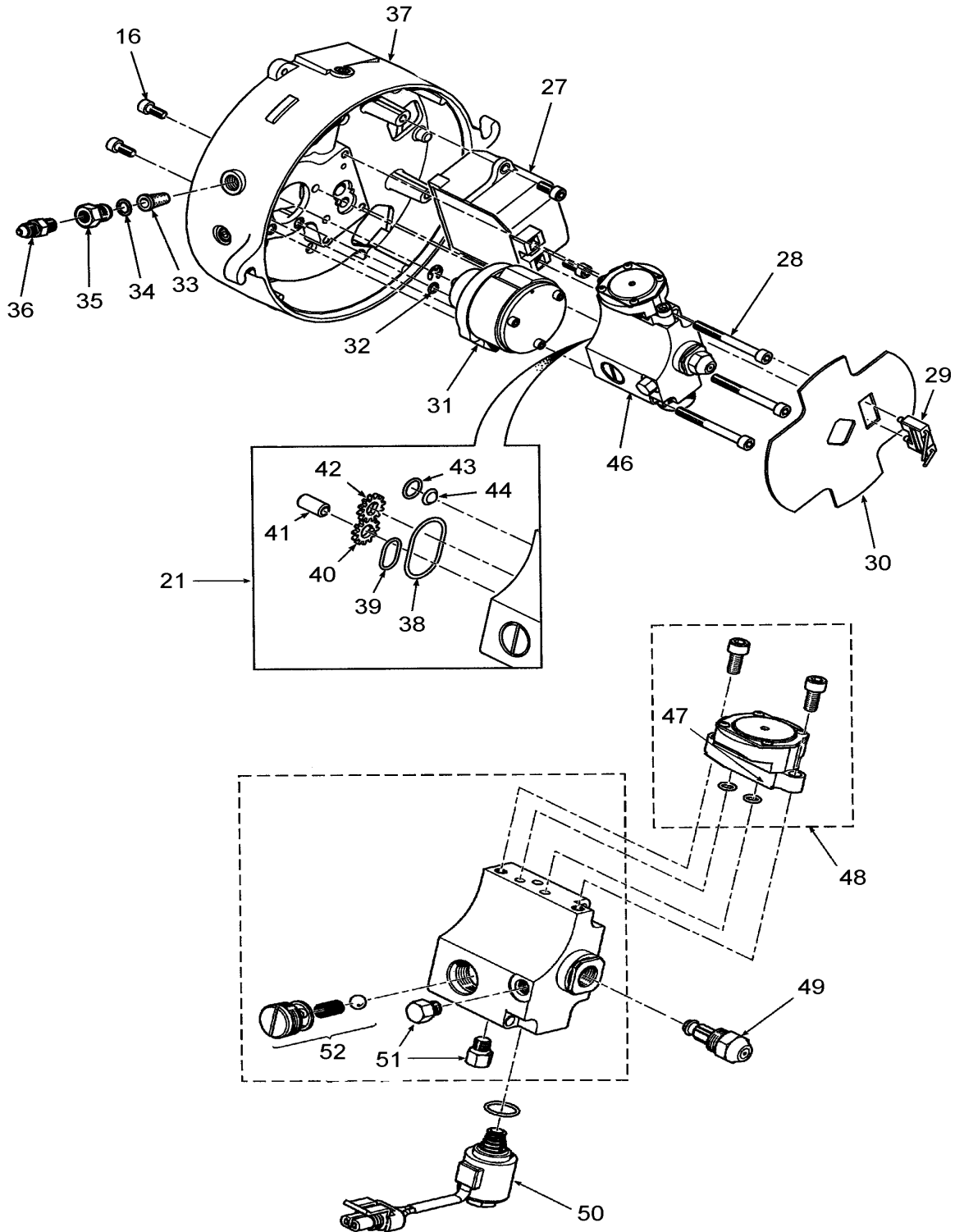


To E-2511

Date:10/2022

PAGE:871329

WATER HEATER - "PROHEAT" 80,000 B.T.U.



<b>To E-2511</b>	<b>Date:10/2022</b>	<b>PAGE:871329</b>
<b>WATER HEATER - "PROHEAT" 80,000 B.T.U.</b>		

Item#	Part	Description	H 3 4 1	H 3 4 5	V I P 4 5	N O T E S
NS	065839	CABLE ASSY INTERFACE W/"PRO-HEAT" M-80 To 4-4887				
NS	066172	CABLE ASSY INTERFACE W/"PRO-HEAT" M-80 From 4-4888				
NS	065839	CABLE ASSY INTERFACE W/"PRO-HEAT" M-80 To 5-8366				
NS	066172	CABLE ASSY INTERFACE W/"PRO-HEAT" M-80 From 5-8367 To 7-8753				
NS	066172	CABLE ASSY INTERFACE W/"PRO-HEAT" M-80 From 7-8754				
		WATER HEATER - "PROHEAT" 80,000 B.T.U.	1	1	1	
1	N8892398	. BURNER HEAD ASSY	1	1	1	
2	N8892399	. COMBUSTION TUBE	1	1	1	
3	N8892400	. PLUG	1	1	1	
4	N8892401	. HEAT EXCHANGER	1	1	1	
5	N8892402	. O-RING, TEMPERATURE SENSOR, OVERHEAT	1	1	1	
6	N8892403	. TEMPERATURE SENSOR, OVERHEAT	1	1	1	
7	N8892405	. SCREW HEXW M8X1.25X30 (2/PKG)	1	1	1	
8	N8892406	. O-RING, TEMPERATURE SENSOR	1	1	1	
9	N8892407	. TEMPERATURE SENSOR, WITH O-RING	1	1	1	
10	N8892408	. BLOWER HOUSING	1	1	1	
11	N8892409	. SCREW CAP BUT HEXS SS M6X1X25 (2/PKG)	1	1	1	
12	N8892410	. BLOWER	1	1	1	
13	N8892411	. PLUG (2/PKG)	1	1	1	
14	N8892412	. PRIMARY CONTROL MODULE	1	1	1	
15	N8892413	. PLUG	1	1	1	
16	N8892414	. SCREW CAP HEXS M6-1.0x16 ZP	1	1	1	
17	N8892415	. MOTOR 24V	1	1	1	
18	N8892416	. RETAINING RING (3/PKG)	1	1	1	
19	N8892417	. GEAR SET	1	1	1	
20	N8892418	. RETAINING RING (2/PKG)	1	1	1	
21	N8892419	. PLUG, CAN BUS PRIMARY CONTROL MODULE	1	1	1	
22	N8892420	. PLUG, DATALINK PRIMARY CONTROL MODULE	1	1	1	
23	N8892421	. AIR FILTER	1	1	1	
24	N8892422	. SCREW, AIR INLET	1	1	1	
25	N8892423	. SPLASH GUARD	1	1	1	
26	N8892414	. SCREW CAP HEXS M6-1.0x16 ZP	1	1	1	
27	N8892426	. KIT IGNITION MODULE & ELECTRODE	1	1	1	
28	N8892427	. SCREW CAP HEXS SS M6X1X60 (3/PKG)	1	1	1	
29	N8892428	. IGNITION ELECTRODES	1	1	1	
30	N8892429	. FLAME SHIELD	1	1	1	
31	N8892430	. COMPRESSOR	1	1	1	
32	N8892431	. O-RING (3/PKG)	1	1	1	
33	N8892432	. FUEL FILTER	1	1	1	
34	N8892433	. O-RING, FUEL FILTER	1	1	1	
35	N8892434	. ADAPTER	1	1	1	
36	N8892435	. MALE CONNECTOR / JIC 37° FITTING / #4JIC-Mx1/8NPT-M BR	1	1	1	

<b>To E-2511</b>	<b>Date:10/2022</b>	<b>PAGE:871329</b>
<b>WATER HEATER - "PROHEAT" 80,000 B.T.U.</b>		

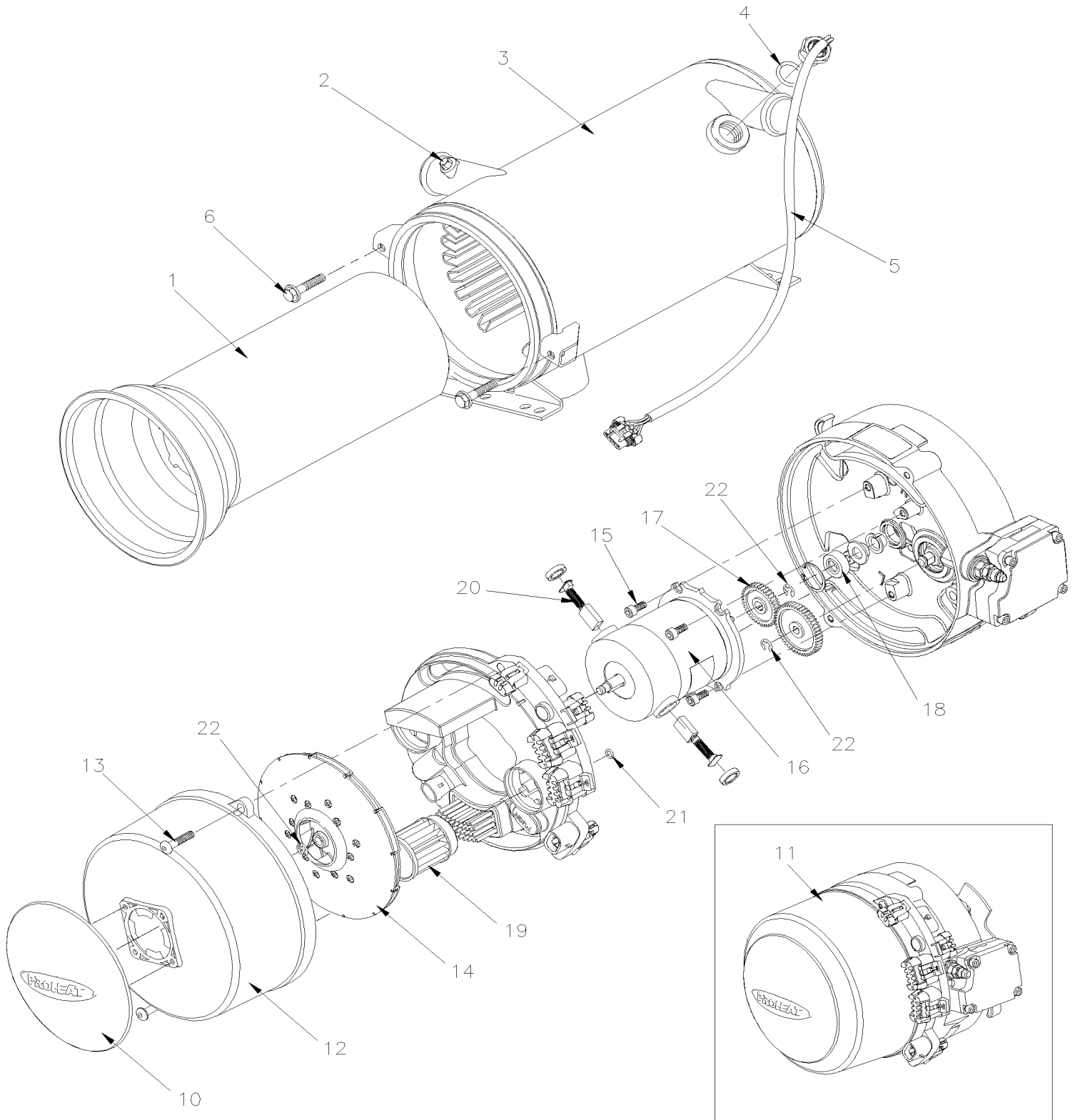
Item#	Part	Description	H 3 4 1	H 3 4 5	V I P 4 5	N O T E S
37	N8892436	. BURNER HEAD FLANGE ASSY	1	1	1	
38	N8892437	. O-RING, GEAR PUMP	1	1	1	
39	N8892438	. O-RING, AIR INTAKE	1	1	1	
40	N8892439	. GEAR & PINION, FUEL PUMP	1	1	1	
41	N8892440	. IDLER SHAFT, FUEL PUMP	1	1	1	
42	N8892441	. GEAR DRIVE, FUEL PUMP	1	1	1	
43	N8892442	. O-RING, FUEL INTAKE	1	1	1	
44	N8892443	. SCREEN, INLET	1	1	1	
45	N8892444	. FUEL PUMP SERVICE KIT	1	1	1	
46	N8892445	. FUEL DELIVERY BLOCK ASM	1	1	1	
47	N8892446	. O-RING (3/PKG)	1	1	1	
48	N8892447	. REGULATOR ASM	1	1	1	
49	N8892448	. NOZZLE	1	1	1	
50	N8892449	. SOLENOID	1	1	1	
51	N8892450	. PLUG HEX-HEAD / ORB FITTING / #2ORB-M BR	1	1	1	
52	N8892451	. RELIEF VALVE KIT	1	1	1	
NS	N8892404	. PROHEAT DATA LINK KIT	1	1	1	
		FOLLOWING ITEMS ARE RELATED WITH				
		AUTOMATIC START				
		WITH WATER HEATER INSTALLATION				
		WITH BATTERIES CHARGER 110V				
111	066236	CABLE I/F BATTERIES CHARGER / W/RELAY BASE	1	1	1	A
111	068248	CABLE I/F BATTERIES CHARGER / W/RELAY BASE	1	1	1	A
111	066968	CABLE ASSY W/FUSE HOLDER / W/"PRO-HEAT" M-80 / "OPTION"	1	1	1	
112	066332	CABLE ASSY POWER / W/FUSE HOLDER & RECTIFIER	1	1	1	A
113	563332	RELAY 24V S.P.D.T. W/RESISTOR / "VOLVO" (20374662)	1	1	1	A
114	500946	SCREW TP BDG PH #8x1/2 N500	1	1	1	A
		A) USE WHEN YOU DO NOT HAVE A FIRE SUPPRESSIONS SYSTEMEUTILISE SEULEMENT				

From E-2512

Date:10/2022

PAGE:871345

WATER HEATER - "PROHEAT" 80,000 B.T.U.

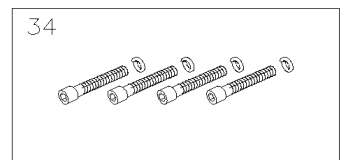
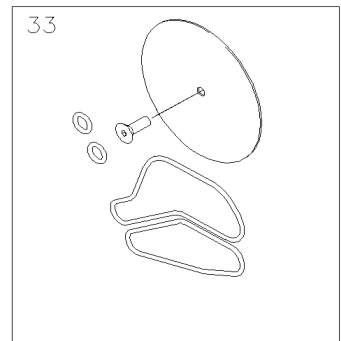
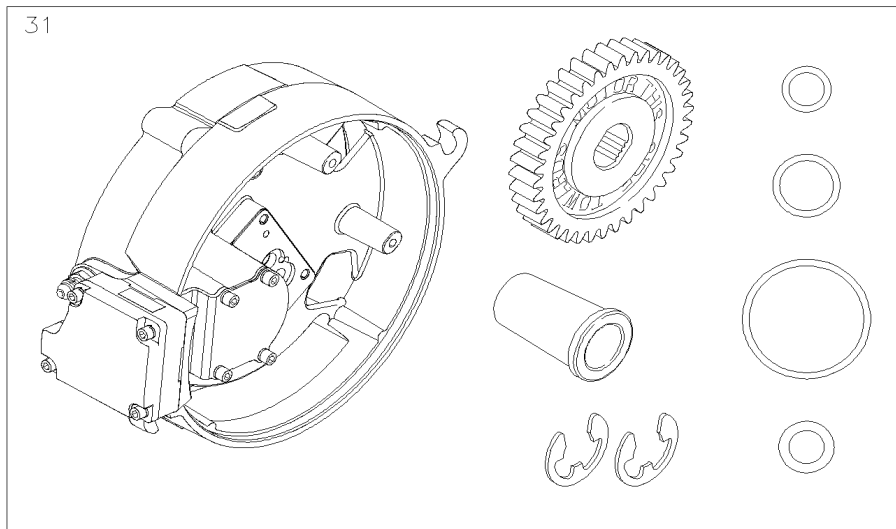
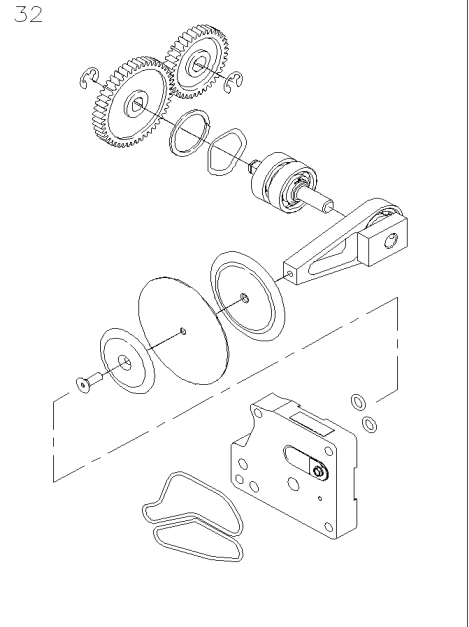
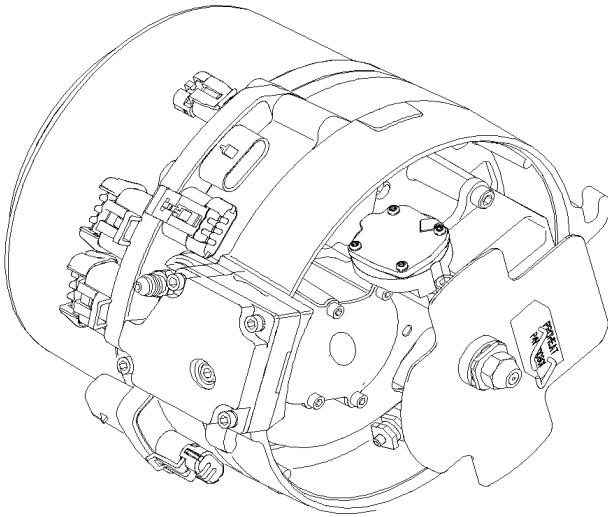


From E-2512

Date:10/2022

PAGE:871345

WATER HEATER - "PROHEAT" 80,000 B.T.U.



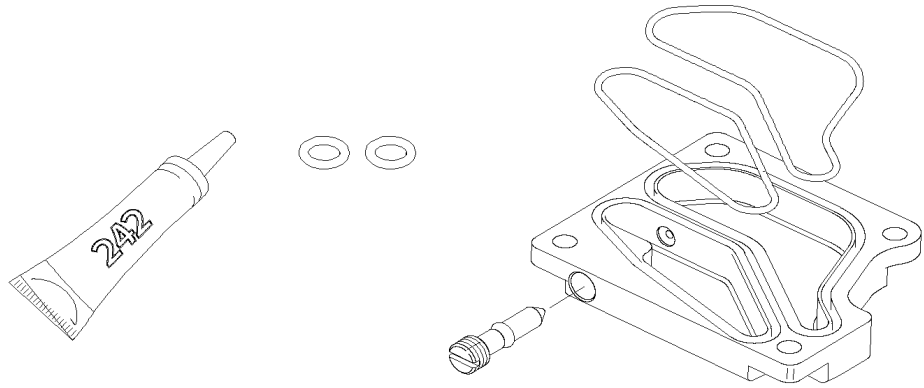
From E-2512

Date:10/2022

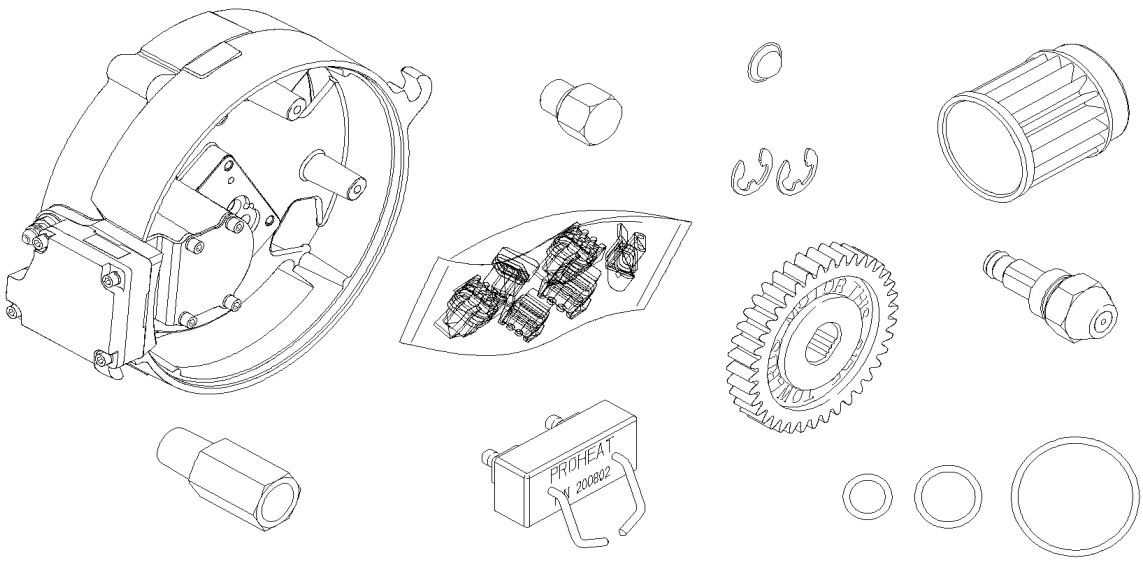
PAGE:871345

WATER HEATER - "PROHEAT" 80,000 B.T.U.

35



36

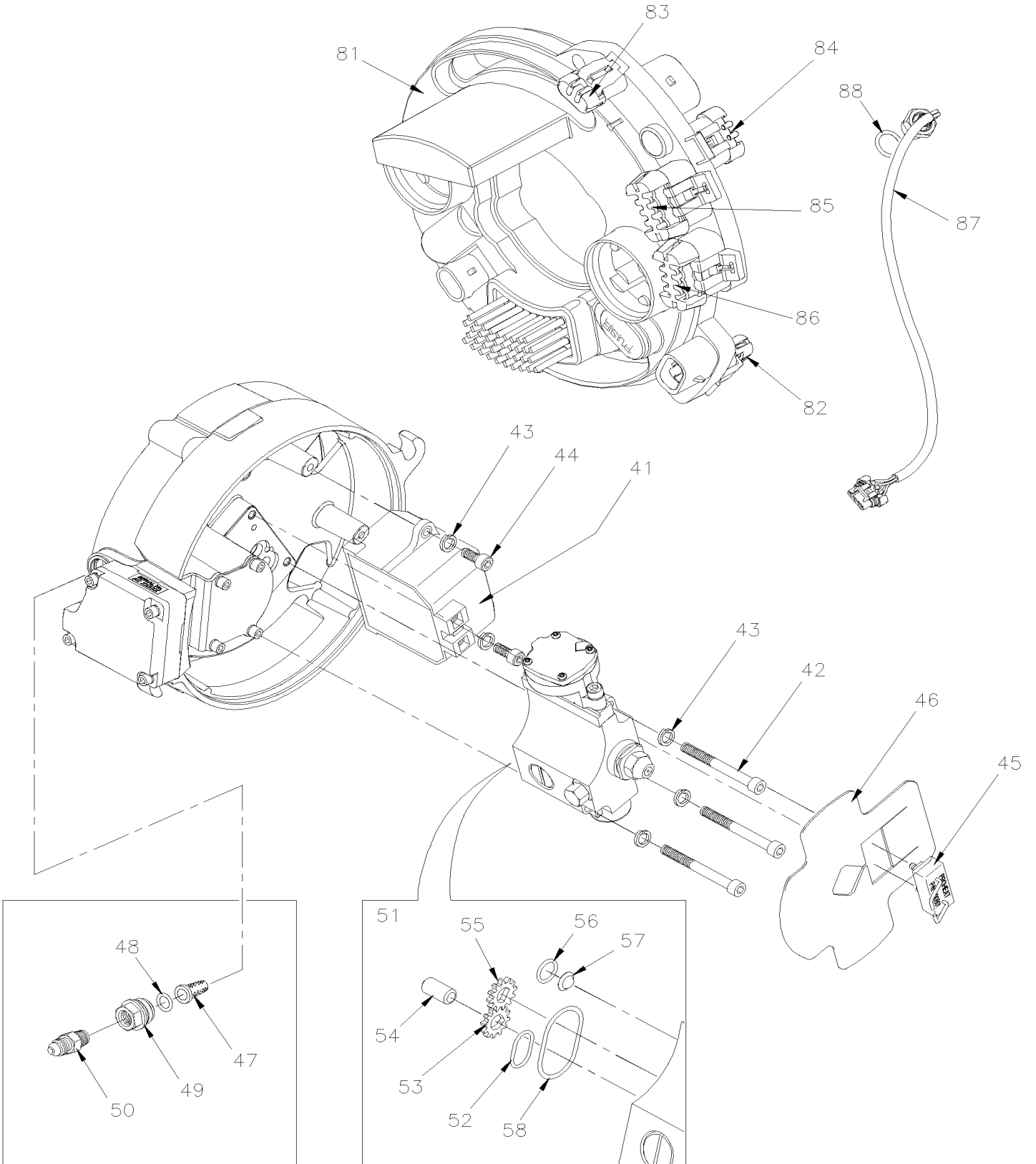


From E-2512

Date:10/2022

PAGE:871345

## WATER HEATER - "PROHEAT" 80,000 B.T.U.



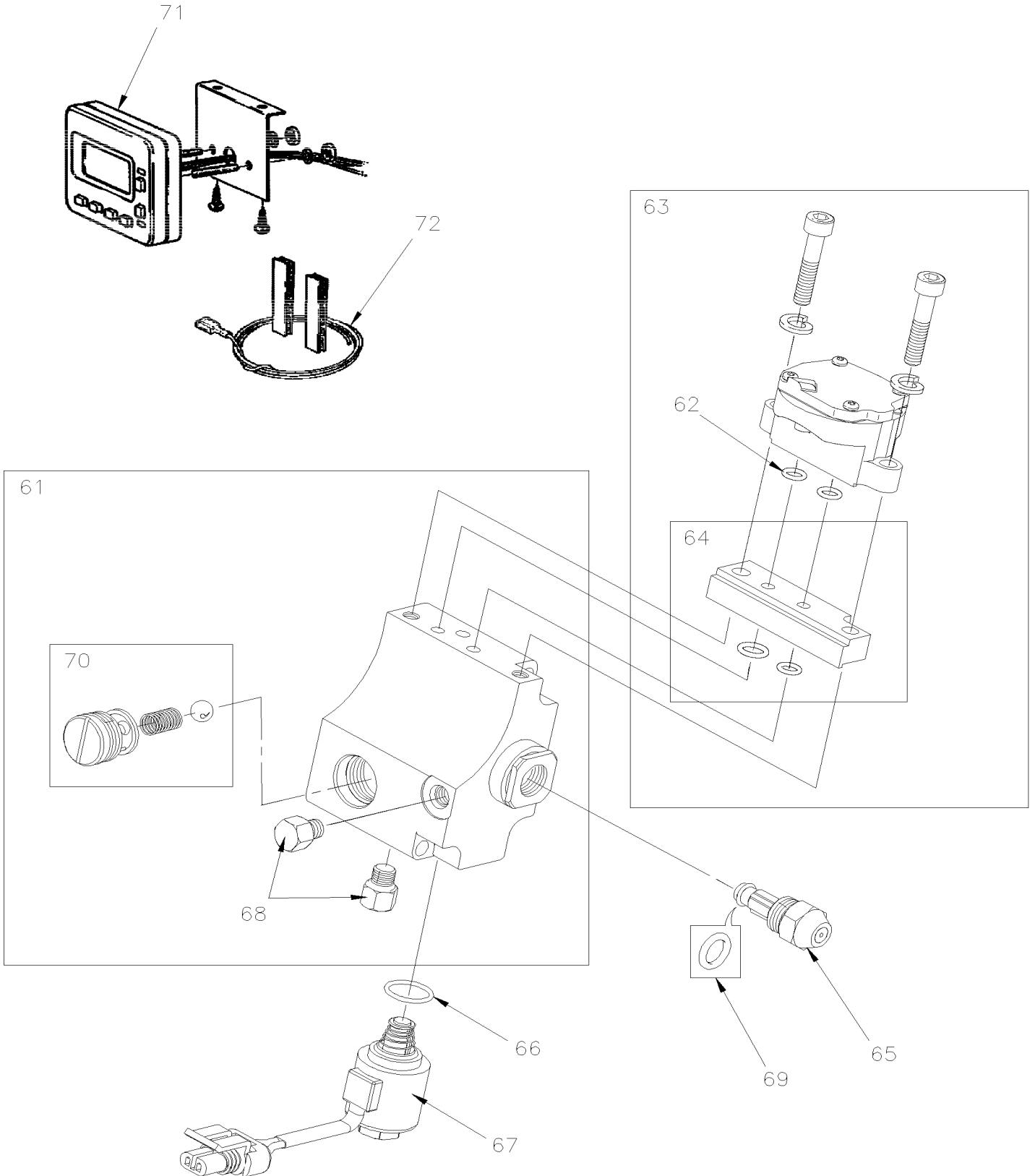


From E-2512

Date:10/2022

PAGE:871345

WATER HEATER - "PROHEAT" 80,000 B.T.U.



From E-2512	Date:10/2022	PAGE:871345
<b>WATER HEATER - "PROHEAT" 80,000 B.T.U.</b>		

Item#	Part	Description	H 3 4 1	H 3 4 5	V I P 4 5	N O T E S
NS	068127	CABLE ASSY INTERFACE W/"PRO-HEAT" M-80 To K-0185				
	068127	CABLE ASSY INTERFACE W/"PRO-HEAT" M-80 To H-6180	1	1	1	
	068127	CABLE ASSY INTERFACE W/"PRO-HEAT" M-80 To H-7417	1	1	1	
	060228	CABLE ASSY INTERFACE W/"PRO-HEAT" M-80 From K-0185	1	1	1	
	060228	CABLE ASSY INTERFACE W/"PRO-HEAT" M-80 From H-6180	1	1	1	
	060228	CABLE ASSY INTERFACE W/"PRO-HEAT" M-80 From H-7417	1	1	1	
	069728	CABLE ASSY / PRO-HEAT & RJB From K-0185	1	1	1	
	069728	CABLE ASSY / PRO-HEAT & RJB From H-6180	1	1	1	
	069728	CABLE ASSY / PRO-HEAT & RJB From H-7417	1	1	1	
		WATER HEATER - "PROHEAT" 80,000 B.T.U.	1	1	1	
1	N8892399	. COMBUSTION TUBE	1	1	1	
2	N8892400	. PLUG	1	1	1	
3	N8892401	. HEAT EXCHANGER	1	1	1	
4	G1092919	. O-RING, OVERHEAT	1	1	1	
5	19506050	. SENSOR, TEMP	1	1	1	
6	N8892405	. SCREW HEXW M8X1.25X30 (2/PKG)	1	1	1	
10	N8892423	. SPLASH GUARD	1	1	1	
11	N8898734	. BURNER HEAD ASM WITH TEMP. SENSOR	1	1	1	
12	Call order desk	. BLOWER HOUSING	1	1	1	P
13	N8892409	. SCREW CAP BUT HEXS SS M6X1X25 (2/PKG)	1	1	1	
14	N8892410	. BLOWER	1	1	1	
15	G1092666	. SCREW (M6-1 X 16MM)	1	1	1	
16	N8892415	. MOTOR 24V	1	1	1	
17	19510483	. GEAR SET M SERIES	1	1	1	
18	19400496	. KIT, GASKET	1	1	1	
19	N8892421	. AIR FILTER	1	1	1	
20	19400249	. KIT, BRUSH, RELIANCE MOTOR	1	1	1	
21	Call order desk	. BRUSH KIT	1	1	1	P
22	Call order desk	. O RING AIR INTAKE	1	1	1	P
23	19510484	. O RING KIT M SERIES	1	1	1	
31	N8892436	. BURNER HEAD FLANGE ASSY	1	1	1	
32	19510889	. DIAPHRAGM COMP. REBUILD KIT	1	1	1	
33	19509330	. DIAPHRAGM REPL. KIT	1	1	1	
34	19401361	. KIT, SCREW, DIAPHRAGM COMP.	1	1	1	
35	Call order desk	. DIAPHRAGM COMPRESSOR VALVE COVER KIT	1	1	1	P
36	N8896967	. COMPRESSOR KIT	1	1	1	
41	N8892426	. KIT IGNITION MODULE & ELECTRODE	1	1	1	
42	N8892427	. SCREW CAP HEXS SS M6X1X60 (3/PKG)	1	1	1	
43	G1092896	. LOCKWASHER (#10) (1EA=PAC OF 10)	1	1	1	
44	G1092666	. SCREW (M6-1 X 16MM)	1	1	1	
45	N8892428	. IGNITION ELECTRODES	1	1	1	
46	N8892429	. FLAME SHIELD	1	1	1	

From E-2512		Date:10/2022	PAGE:871345
<b>WATER HEATER - "PROHEAT" 80,000 B.T.U.</b>			

Item#	Part	Description	H 3 4 1	H 3 4 5	V I P 4 5	N O T E S
47	N8892432	. FUEL FILTER	1	1	1	
48	N8892433	. O-RING, FUEL FILTER	1	1	1	
49	19509953	. FITTING, FUEL INLET	1	1	1	
50	N8892435	. MALE CONNECTOR / JIC 37° FITTING / #4JIC-Mx1/8NPT-M BR	1	1	1	
51	N8892444	. FUEL PUMP SERVICE KIT	1	1	1	
52	N8890336	. . O-RING	1	1	1	
53	N8892439	. . GEAR & PINION, FUEL PUMP	1	1	1	
54	N8892440	. . IDLER SHAFT, FUEL PUMP	1	1	1	
55	N8892441	. . GEAR DRIVE, FUEL PUMP	1	1	1	
56	N8892442	. . O-RING, FUEL INTAKE	1	1	1	
57	N8892443	. . SCREEN, INLET	1	1	1	
58	N8892437	. . O-RING, GEAR PUMP	1	1	1	
61	N8892445	. FUEL DELIVERY BLOCK ASM	1	1	1	
62	N8892431	. O-RING (3/PKG)	1	1	1	
63	N8892447	. REGULATOR ASM	1	1	1	
64	Call order desk	. SCREEN KIT	1	1	1	P
65	G1092703	. NOZZLE	1	1	1	
66	N8890336	. O-RING	1	1	1	
67	N8892449	. SOLENOID	1	1	1	
68	G1092707	. PLUG	1	1	1	
69	N8890338	. O-RING	1	1	1	
70	N8892451	. RELIEF VALVE KIT	1	1	1	
71	19503429	. CLOCK	1	1	1	
72	19508272	. INSTALLATION KIT	1	1	1	
81	19506481	. CONTROL MODULE	1	1	1	
82	N8892419	. PLUG, CAN BUS PRIMARY CONTROL MODULE	1	1	1	
82	N8892411	. . PLUG (2/PKG)	1	1	1	
83	N8892413	. . PLUG	1	1	1	
84	Call order desk	. . PLUG	1	1	1	P
85	Call order desk	. . PLUG	1	1	1	P
86	Call order desk	. . PLUG	1	1	1	P
87	19506050	. SENSOR, TEMP	1	1	1	
88	G1092919	. O-RING, OVERHEAT	1	1	1	
		P) CALL ORDER DESK FOR SPECIFIC APPLICATION (V.I.N.)				

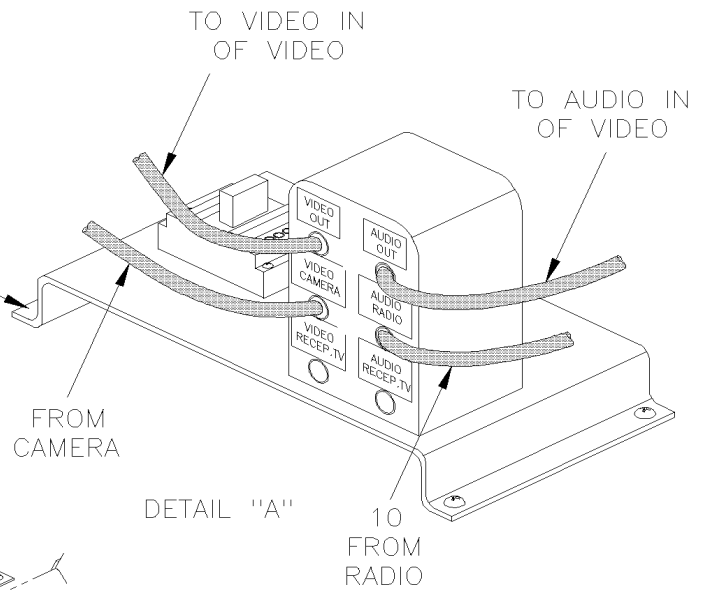
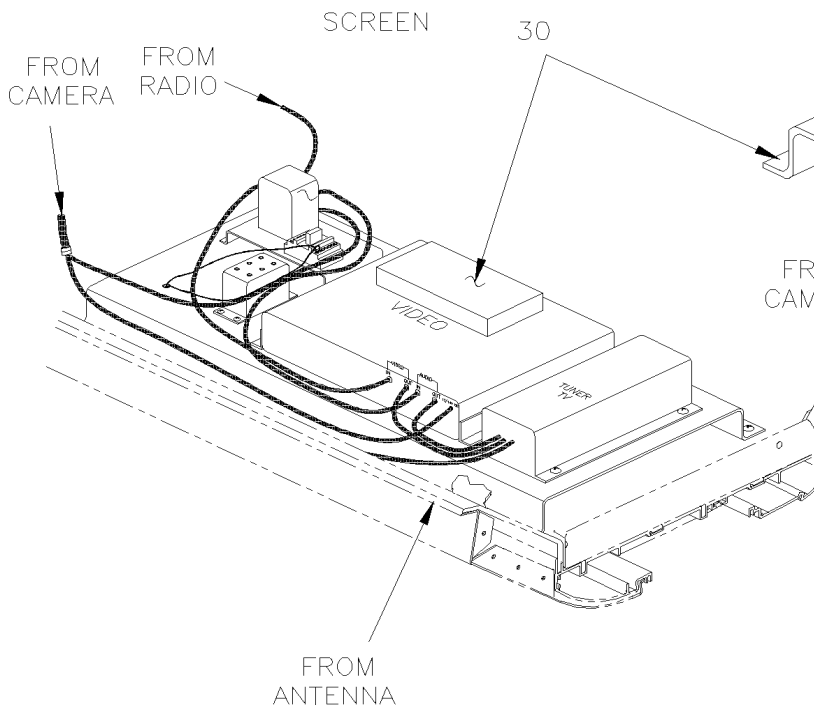
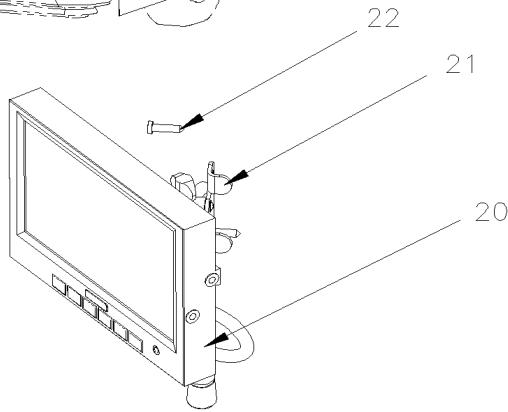
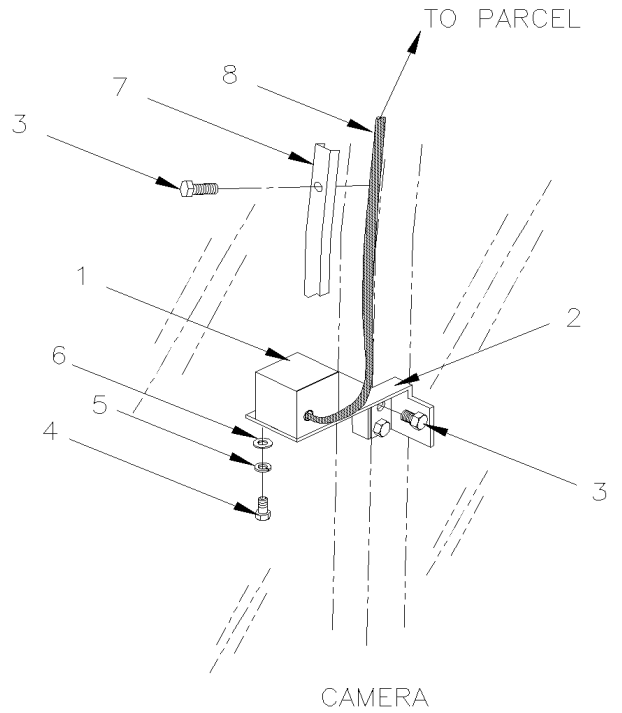
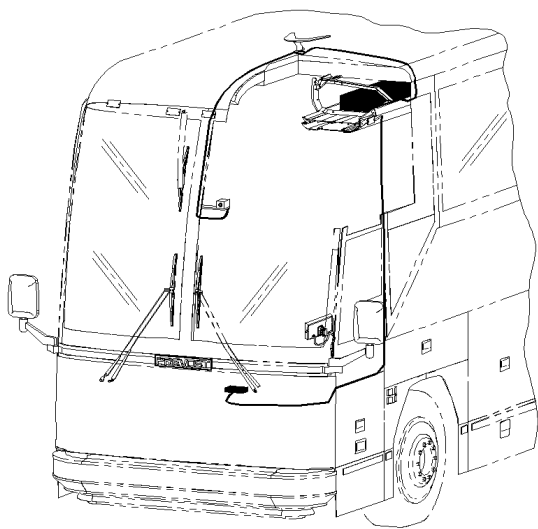


From 7-0671 To J-0184

Date:10/2022

PAGE:H7-2355-10

## FRONT CAMERA - INSTALLATION



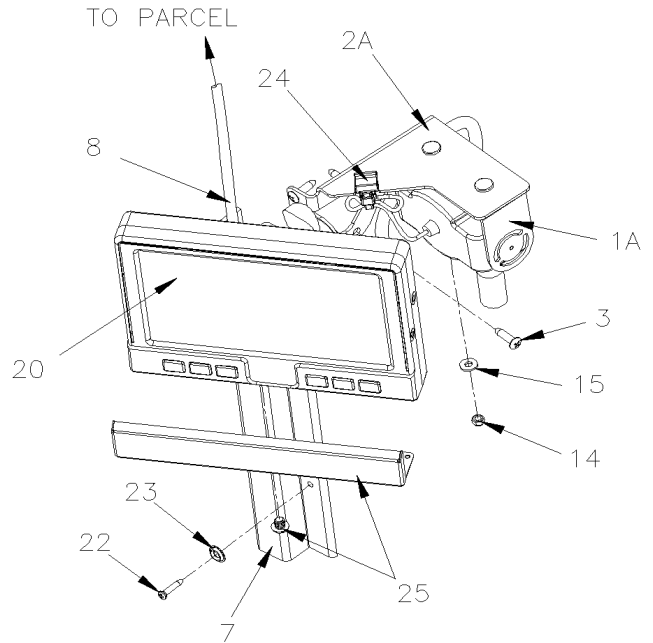
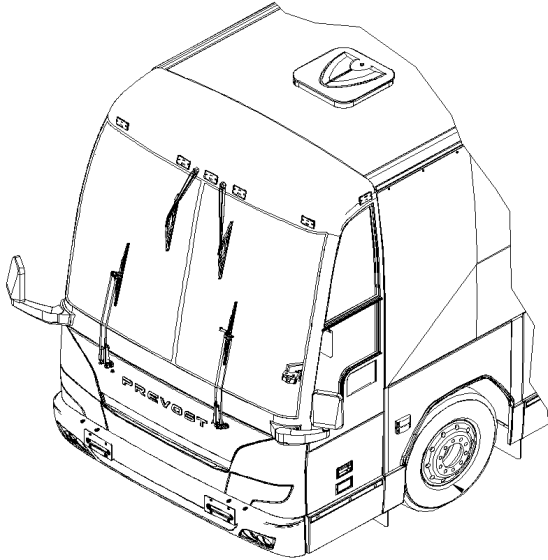
UP TO D-2112

From 7-0671 To J-0184

Date:10/2022

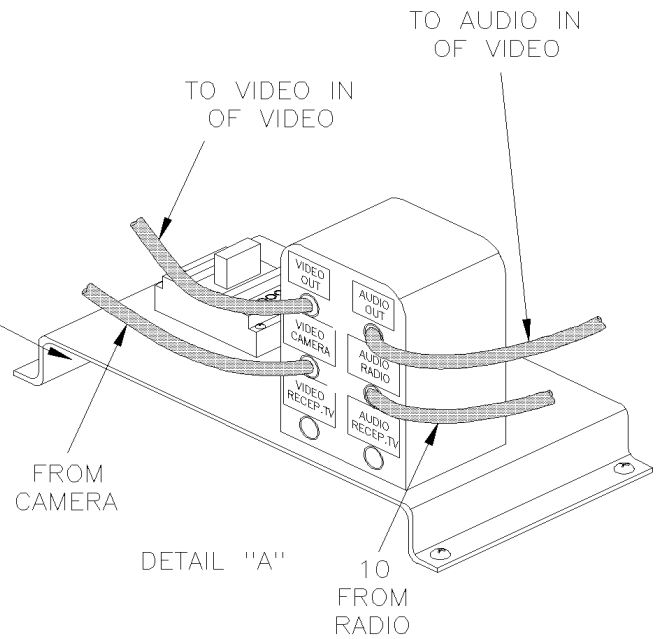
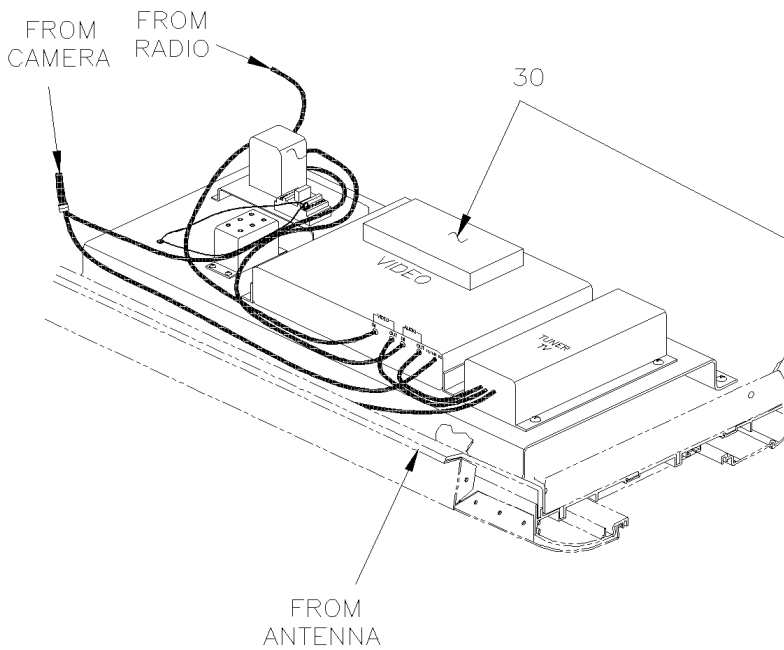
PAGE:H7-2355-10

## FRONT CAMERA - INSTALLATION



CAMERA & SCREEN

DETAIL "A"



DETAIL "A"

<b>From 7-0671 To J-0184</b>	<b>Date:10/2022</b>	<b>PAGE:H7-2355-10</b>
<b>FRONT CAMERA - INSTALLATION</b>		

Item#	Part	Description	H 3 4 1	H 3 4 5	V I P 4 5	N O T E S
1	900914	FRONT CAMERA To D-2112	1	1		
1A	901122	FRONT CAMERA From D-2113	1	1		
2	405263	MIRROR SUPPORT W/CAMERA / CENTER WINDSHIELD To D-2112	1	1		
2	406628	SUPPORT / CAMERA & MONITOR To D-2112	1	1		S
2A	406607	SUPPORT / CAMERA & MONITOR From D-2113	1	1		
3	500957	SCREW TP BDG PH #10x3/4 N500	4	4		
4	500162	SCREW CAP HEX 1/4-20x1/2 G5 Z050 To D-2112	2	2		
5	500440	WASHER FL .250x.562x.065 Z050 To D-2112	2	2		
6	500473	WASHER LO SPT .262x.489x.062 Z050 To D-2112	2	2		
7	327552	MOULDING HIDE WIRE 723MM To 8-1135	1	1		
7	329633	MOULDING HIDE WIRE 723MM From 8-1136	1	1		
8	900912	CABLE ASSY / FRONT CAMERA	1	1		
10	901110	CABLE RCA / 2M/2M / 25' To D-2112	1	1		
12	066822	CABLE ASSY / VIDEO & FRONT CAMERA	1	1		
14	500539	NUT HEX NYRT M4-0.7 N500	2	2		
15	500855	WASHER FL .188x.438x.049 N500	2	2		
20	901309	MONITOR - "R.E.I." / COLOR LCD 12 VOLT To D-2112	1	1		A
20	901424	MONITOR - "R.E.I." / COLOR LCD 12 VOLT From D-2113	1	1		
. NS	900277	. ARTICLATION MONITOR From D-2113	1	1		
. NS	901289	. ADJUSTABLE PEDESTAL From D-2113	1	1		
NS	409267	CABLE INTERFACE / MONITOR & DASH To D-2112	1	1		
NS	409327	CABLE INTERFACE / MONITOR & DASH From D-2113	1	1		
21	409265	MONITOR SUPPORT To D-2112	1	1		
22	500333	SCREW TP OV PH #6x3/4 BK	2	2		
23	500345	WASHER FN CKF .187x.500x.090 BR BK	2	2		
24	564534	CABLE TIE / WITH EDGE CLIP / T50REC5A 10 MM x 200 MM	1	1		
25	880009	MONITOR BUTTON GUARD From 9-1353	1	1		NJ
30	<b>H7-2317-30</b>	<b>VIDEO &amp; AUDIO SYSTEM - INSTALLATION</b>				
NS	901428	MONITOR REPLACEMENT KIT	1	1	1	
. NS	409327	. CABLE INTERFACE / MONITOR & DASH	1	1	1	
. NS	901424	. MONITOR - "R.E.I." / COLOR LCD 12 VOLT	1	1	1	
. . NS	900277	. . ARTICLATION MONITOR	1	1	1	
. . NS	901289	. . ADJUSTABLE PEDESTAL	1	1	1	
. NS	406628	. SUPPORT / CAMERA & MONITOR	1	1	1	
. NS	500539	. NUT HEX NYRT M4-0.7 N500	1	1	1	
. NS	500623	. SCREW TC PAN PH #10-24x3/4 N500	1	1	1	
. NS	500855	. WASHER FL .188x.438x.049 N500	1	1	1	
. NS	502799	. SCREW CAP HEX M4-0.7X16 G8.8 N500	1	1	1	
. NS	564534	. CABLE TIE / WITH EDGE CLIP / T50REC5A 10 MM x 200 MM	1	1	1	
. NS	IS-12035	. SEE INSTRUCTION SHEET	1	1	1	

From 7-0671 To J-0184	Date:10/2022	PAGE:H7-2355-10
<b>FRONT CAMERA - INSTALLATION</b>		

Item#	Part	Description	H 3 4 1	H 3 4 5	V I P 4 5	N O T E S
		A) NO LONGER AVAILABELE ASK FOR REPLACEMENT KIT 901428				
		NJ) NEW JERSEY OPTION				
		S) USE WITH OLD CAMERA 900914 WITH THE NEW MONITOR 901424				

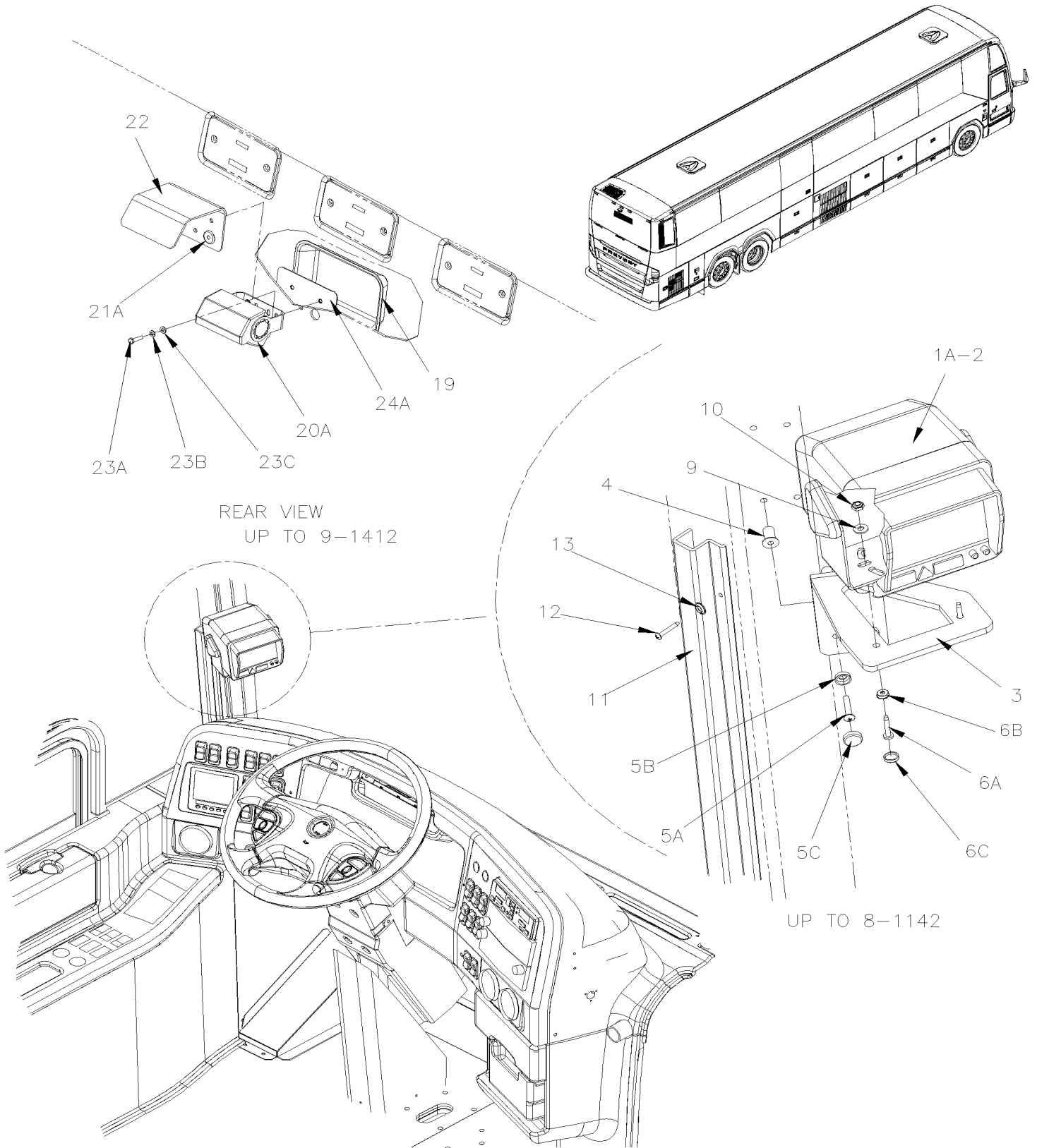


From 7-0671 To J-0184

Date:10/2022

PAGE:H7-2355-20

## FRONT MONITOR BACK-UP - INSTALLATION

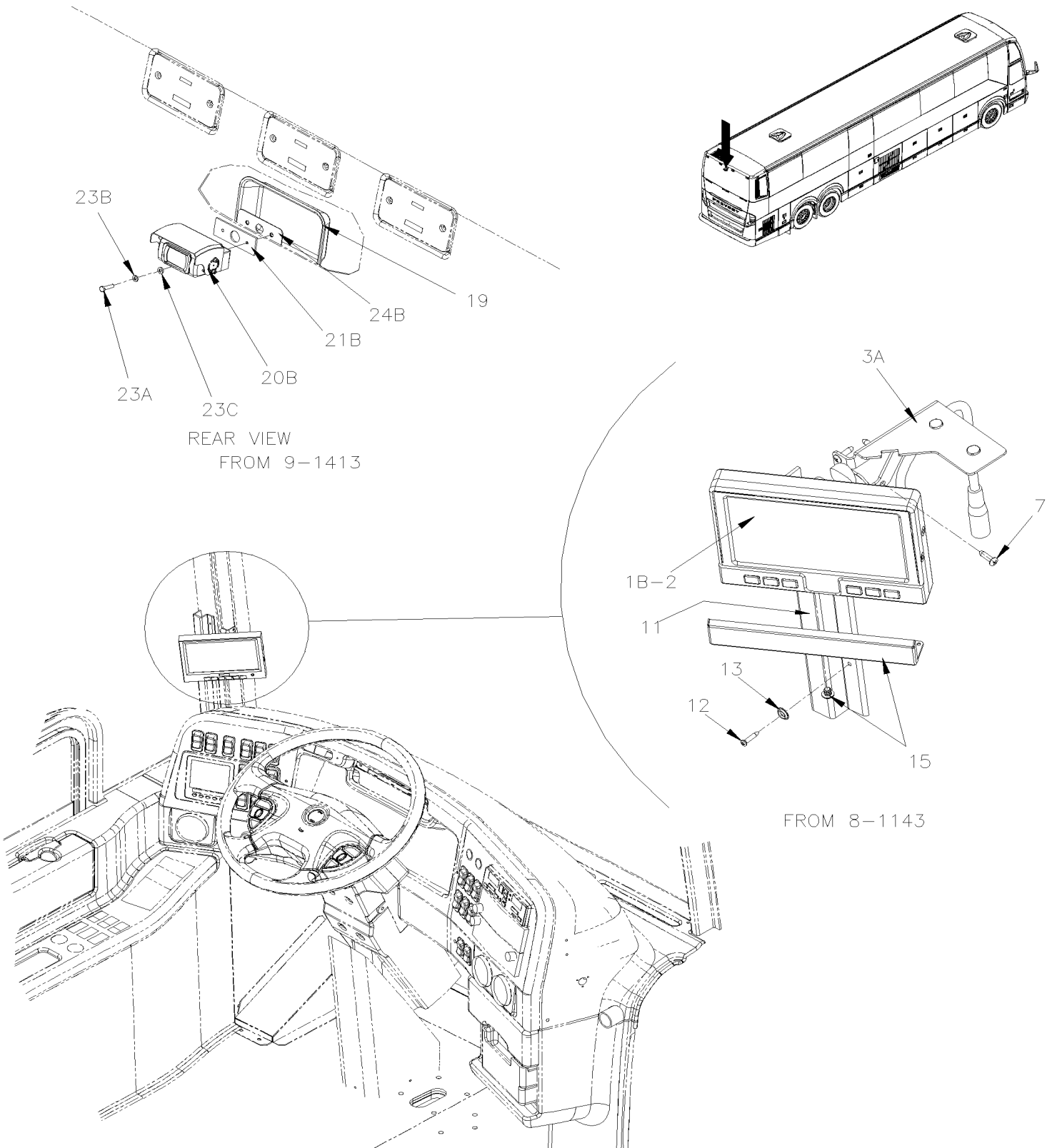


From 7-0671 To J-0184

Date:10/2022

PAGE:H7-2355-20

## FRONT MONITOR BACK-UP - INSTALLATION



<b>From 7-0671 To J-0184</b>	<b>Date:10/2022</b>	<b>PAGE:H7-2355-20</b>
------------------------------	---------------------	------------------------

**FRONT MONITOR BACK-UP - INSTALLATION**

Item#	Part	Description	H 3 4 1	H 3 4 5	V I P 4 5	N O T E S
1A	990334	MONITOR - "CLARION" / BLACK & WHITE 12 VOLT To 8-1142	1	1	1	
1B	901281	MONITOR - "R.E.I." / COLOR LCD 12 VOLT From 8-1143 To 9-1412	1	1	1	S
1B	901309	MONITOR - "R.E.I." / COLOR LCD 12 VOLT From 9-1413 To D-2112	1	1	1	A
1B	901424	MONITOR - "R.E.I." / COLOR LCD 12 VOLT From D-2113	1	1	1	
. NS	900277	. ARTICLATION MONITOR From D-2113	1	1	1	
. NS	901289	. ADJUSTABLE PEDESTAL From D-2113	1	1	1	
2	065063	CABLE ASSY / BACK-UP MONITOR To 8-1142	1	1	1	
. NS	990335	. CABLE MONITOR "CLARION" To 8-1142	1	1	1	
. NS	560851	. CONNECTOR / COM. MATE-N-LOCK / PH 4C / AMP 1-480426-0 To 8-1142	1	1	1	
. NS	504397	. GROMMET / .750x1.062x.062x.375x1.375 To 8-1142	1	1	1	
. NS	N.P.N.	. CABLE ASSY / BACK-UP MONITOR To 8-1142	AR	AR	AR	4
2	064410	CABLE ASSY / BACK-UP CAMERA VIDEO / CAMERA & MONITOR B&W / 60' To 8-1142	1	1	1	
. NS	990288	. CABLE BACK-UP CAMERA 60' To 8-1142	1	1	1	
. NS	561681	. CONVOLUTED TUBING / SLIT / BLACK & GRAY / .350" To 8-1142	25	25	25	
2	067071	CABLE ASSY / BACK-UP CAMERA VIDEO / CAMERA & MONITOR LCD / 60' From 8-1143 To 9-1412	1	1	1	
. NS	901268	. CABLE BACK-UP CAMERA "COLOR" From 8-1143 To 9-1412	1	1	1	
. NS	561681	. CONVOLUTED TUBING / SLIT / BLACK & GRAY / .350" From 8-1143 To 9-1412	25	25	25	
NS	901334	CABLE ADAPTOR MONITOR INTERFA / OLD vs NEW To 9-1412	1	1	1	
2	067696	CABLE ASSY / BACK-UP CAMERA VIDEO / CAMERA & MONITOR LCD / 60' From 9-1413 To G-3144	1	1	1	
. NS	901308	. CABLE BACK-UP CAMERA "COLOR" From 9-1413 To G-3144	1	1	1	
. NS	561681	. CONVOLUTED TUBING / SLIT / BLACK & GRAY / .350" From 9-1413 To G-3144	25	25	25	
2	901433	CABLE ASSY / BACK-UP CAMERA VIDEO / CAMERA & MONITOR LCD / 50' From G-3145	1	1	1	
2	901434	CABLE ASSY / BACK-UP CAMERA VIDEO / CAMERA & MONITOR LCD / 15' From G-3145	1	1	1	
3	490848	MONITOR SUPPORT To 8-1135	1	1	1	
3	491165	MONITOR SUPPORT From 8-1136 To 9-1412	1	1	1	
3A	406076	MONITOR SUPPORT From 8-1143 To 9-1412	1	1	1	F
3A	409265	MONITOR SUPPORT From 9-1413 To F-2941	1	1	1	
3A	406607	SUPPORT / CAMERA & MONITOR From F-2942	1	1	1	
3A	406800	SUPPORT / CAMERA & MONITOR From G-3385	1	1	1	T
3A	500957	SCREW TP BDG PH #10x3/4 N500 From G-3385	3	3	3	T
4	502774	NUT WELL #10-32x.625 To 8-1142	4	4	4	
5A	502735	SCREW MA BDG PH #10-32x1 SS BK To 8-1142	4	4	4	
5B	504399	WASHER RETAINER SNAP CAP #10 To 8-1142	4	4	4	
5C	504400	SNAP CAP #10 FINISHING BLACK To 8-1142	4	4	4	
6A	5001000	SCREW MA BDG PH #8-32x5/8 SS To 8-1142	2	2	2	
6B	504412	WASHER RETAINER SNAP CAP #8 To 8-1142	2	2	2	
6C	504403	SNAP CAP #8 FINISHING BLACK To 8-1142	2	2	2	
7	500957	SCREW TP BDG PH #10x3/4 N500 From 8-1143	3	3	3	
9	500438	WASHER FL .187x.437x.050 Z050 To 8-1142	2	2	2	
10	500670	NUT HEX NYRT #8-32 Z050 To 8-1142	2	2	2	
11	327281	MOULDING HIDE CABLE	1	1	1	
11	329625	MOULDING HIDE CABLE From 8-1143 To D-2112	1	1	1	F

From 7-0671 To J-0184	Date:10/2022	PAGE:H7-2355-20
<b>FRONT MONITOR BACK-UP - INSTALLATION</b>		

Item#	Part	Description	H 3 4 1	H 3 4 5	V I P 4 5	N O T E S
11	327281	MOULDING HIDE CABLE From D-2113 To F-2942	1	1	1	F
11	329625	MOULDING HIDE CABLE From F-2943 To F-3019	1	1	1	F
11	3201455	MOULDING HIDE CABLE From F-3020	1	1	1	F
12	500552	SCREW TP OV PH #6x3/4 Z050 To F-3019	2	2	2	
12	500333	SCREW TP OV PH #6x3/4 BK From F-3020	2	2	2	
13	500463	WASHER FN CKF .187x.500x.090 BR Z050 To F-3019	2	2	2	
13	500345	WASHER FN CKF .187x.500x.090 BR BK From F-3020	2	2	2	
15	880009	MONITOR BUTTON GUARD From 9-1353	1	1	1	NJ
19	682177	LIGHT PROTECTOR	1	1	1	
20A	990303	BACK-UP CAMERA - "CLARION" / BLACK & WHITE To 8-1142	1	1	1	B
20A	901267	BACK-UP CAMERA - "R.E.I." / COLOR From 8-1143 To 9-1412	1	1	1	C
NS	901333	CABLE ADAPTOR CAMERA INTERFACE OLD vs NEW To 9-1412	1	1	1	
20B	901307	BACK-UP CAMERA - "R.E.I." / COLOR From 9-1413	1	1	1	
20B	901663	BACK-UP CAMERA - "SAFETY VISION" / COLOR From H-3973	1	1	1	O
21A	504625	GROMMET / .250x.750x.250x.437x1.000 To 9-1412	1	1	1	
21B	409268	GASKET RUBER 100MM x 36MM x 1/8" From 9-1413	1	1	1	
22	490853	PROTECTOR, CAMERA To 8-1142	1	1	1	
22	491141	PROTECTOR, CAMERA From 8-1143 To 9-1412	1	1	1	
23A	502737	SCREW CAP HEX M6-1.0x25 SS BK To 9-1412	3	3	3	
23A	502737	SCREW CAP HEX M6-1.0x25 SS BK From 9-1413	2	2	2	
23A	680038	THREAD LOCKER LOCTITE #243 / BLUE / 50ml To 9-1412	AR	AR	AR	
23B	502570	WASHER LO SPT 6.1x11.8x1.6 SS From 9-1413	3	3	3	
23B	5001739	WASHER LO EXT 6.4x11.0x0.7 N500 From 9-1413	2	2	2	
23C	502573	WASHER FL 6.4x12.5x1.6 SS To 9-1412	3	3	3	
23C	502709	WASHER FL .260x.687x.050 XLN BK From 9-1413	2	2	2	
24A	490852	PLATE, FIXATION / (INSIDE OF REAR CAP) To 8-1142	1	1	1	
24A	491140	PLATE, FIXATION / (INSIDE OF REAR CAP) From 8-1143 To 9-1412	1	1	1	
24B	409266	PLATE, FIXATION / (INSIDE OF REAR CAP) From 9-1413	1	1	1	
NS	680532	SEALANT SIKA #221 / GREY / 310ml CARTRIDGE	AR	AR	AR	
NS	066954	CABLE INTERFACE W/CAMERA CLARION BLK& WHITE To 8-1142	1	1	1	B
26	067210	CABLE W/CAMERA COLOR From 8-1143 To 9-1412	1	1	1	B
26	409267	CABLE INTERFACE / MONITOR & DASH From 9-1413 To D-2112	1	1	1	
26	409327	CABLE INTERFACE / MONITOR & DASH From D-2113	1	1	1	
NS	067185	CABLE INTERFACE W/CAMERA "R.E.I." COLOR To 9-1412	1	1	1	C
NS	504637	CABLE TIE / 3/16" x 13"	AR	AR	AR	
28	901428	MONITOR REPLACEMENT KIT To D-2112	1	1	1	
. NS	409327	. CABLE INTERFACE / MONITOR & DASH To D-2112	1	1	1	
. NS	901424	. MONITOR - "R.E.I." / COLOR LCD 12 VOLT To D-2112	1	1	1	
. . NS	900277	. . ARTICLATION MONITOR To D-2112	1	1	1	

From 7-0671 To J-0184      Date:10/2022      PAGE:H7-2355-20

**FRONT MONITOR BACK-UP - INSTALLATION**

Item#	Part	Description	H 3 4 1	H 3 4 5	V I P 4 5	N O T E S
. NS	901289	. . ADJUSTABLE PEDESTAL To D-2112	1	1	1	
. NS	406628	. SUPPORT / CAMERA & MONITOR To D-2112	1	1	1	
. NS	500539	. NUT HEX NYRT M4-0.7 N500 To D-2112	1	1	1	
. NS	500623	. SCREW TC PAN PH #10-24x3/4 N500 To D-2112	1	1	1	
. NS	500855	. WASHER FL .188x.438x.049 N500 To D-2112	1	1	1	
. NS	502799	. SCREW CAP HEX M4-0.7X16 G8.8 N500 To D-2112	1	1	1	
. NS	564534	. CABLE TIE / WITH EDGE CLIP / T50REC5A 10 MM x 200 MM To D-2112	1	1	1	
. NS	IS-12035	. SEE INSTRUCTION SHEET To D-2112	1	1	1	
		A) NO LONGER AVAILABELE ASK FOR REPLACEMENT KIT 901428				
		B) BLACK & WHITE CAMERA MAY BE LINKED TO FRONT FLAT SCREEN "GPS" MONITOR # 901231 WITH CABLE #066954				
		C) COLOR CAMERA MAY BE LINKED TO FRONT FLAT SCREEN "GPS" MONITOR # 901231 WITH CABLE #067185				
		F) USE WITH COLOR FLAT SCREEN MONITOR				
		NJ) NEW JERSEY OPTION				
		O) OPTION BACK-UP CAMERA "SAFETY VISON"				
		S) THIS MONITOR IT OBSOLETED IT SUPPERSEDED BY 901309 WITH NEW SUPPORT 409265 & CABLE # 901334				
		T) TORNADO BUS OPTION				
		4) NO PARTS NUMBER				
		U) UNDER CONSTRUCTION				

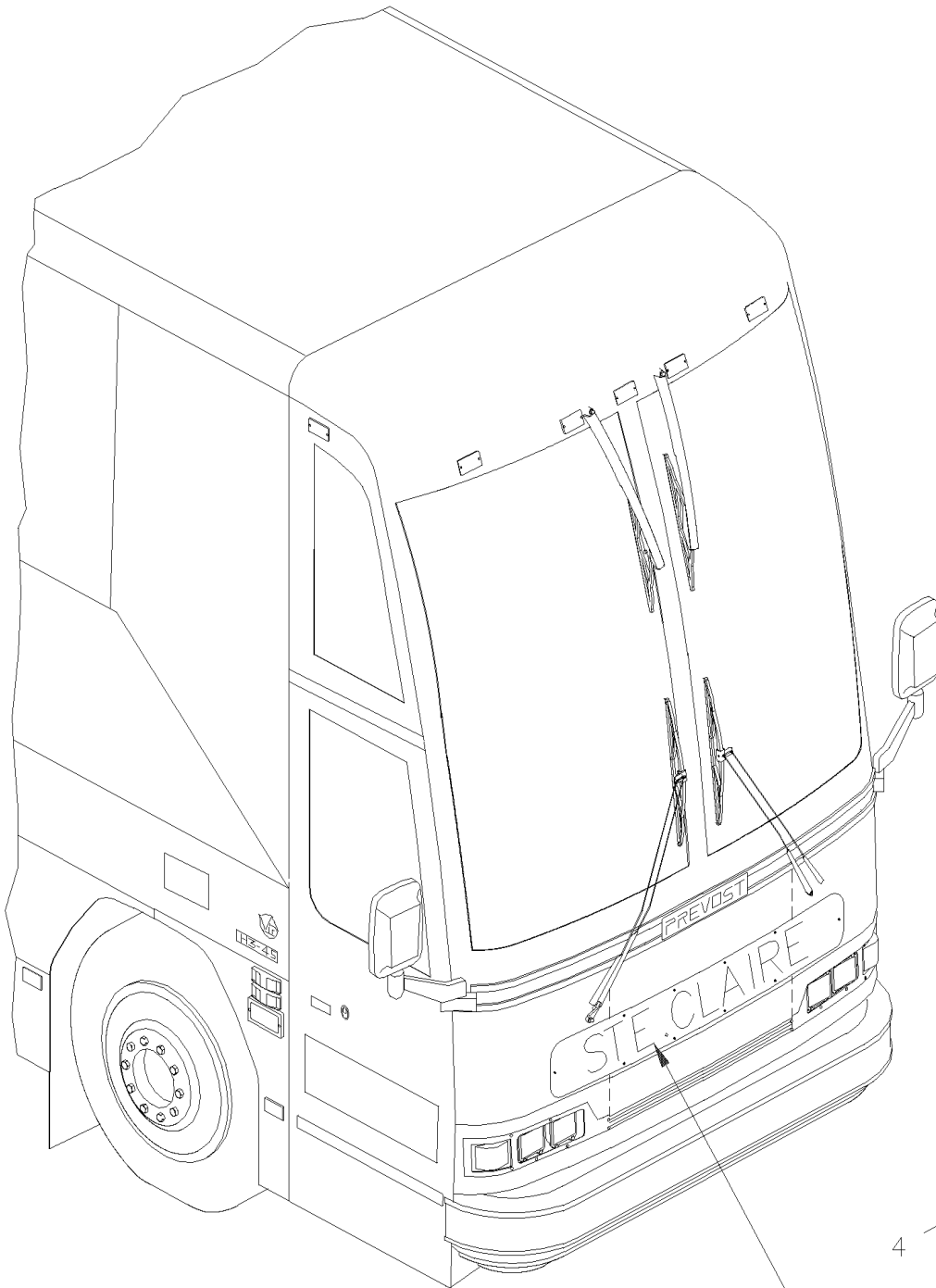


From 7-0671 To J-0184

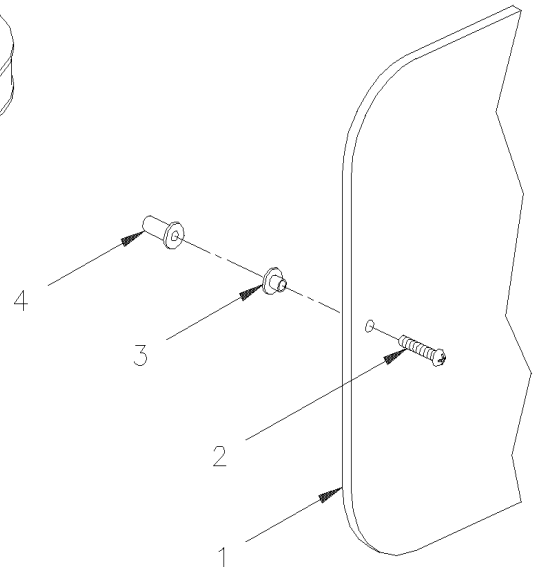
Date:10/2022

PAGE:H7-2360-00

## MONOGRAM ASSY & LETTERS



This monogram is only a example



From 7-0671 To J-0184	Date:10/2022	PAGE:H7-2360-00
<b>MONOGRAM ASSY &amp; LETTERS</b>		

Item#	Part	Description	H 3 4 1	H 3 4 5	V I P 4 5	N O T E S
		BEFORE ORDERING "MONOGRAM" OR "DECAL" PLEASE SPECIFY NAME...				
	490392	DECAL / ON BAGGAGE DOOR "OWNER & OPERATOR ICC # & ETC...."	1	1		
1	490494P	MONOGRAM ASSY / FRONT BLACK W/ACRYLIC LETTER (WHITE OR GREY)	1	1		
1	490492	. MONOGRAM PLATE, BLACK PLASTIC / 9 3/4" X 82 5/8"	1	1		
1	490716P	MONOGRAM ASSY / FRONT RED W/ACRYLIC LETTER GREY	1	1		
1	490700	. MONOGRAM PLATE, RED PLASTIC / 9 3/4" X 82 5/8"	1	1		
1	490683P	MONOGRAM ASSY / FRONT CLEAR W/PAINT LETTER OR "SCOTCH"	1	1		
1	490686	. MONOGRAM PLATE, CLEAR PLASTIC / 9 3/4" X 90 1/2"	1	1		
2	502735	SCREW MA BDG PH #10-32x1 SS BK	10	10		A
3	900251	BUSHING, RUBBER	10	10		B
4	500519	NUT WELL #10-32x.518	10	10		
NS	680130	GLUE / TO FIX ACRYLIC LETTER TO MONOGRAM 1 Liter	AR	AR		
NS	490307	LETTER "A" / ACRYLIC WHITE	AR	AR		
NS	490608	LETTER "A" / ACRYLIC GREY	AR	AR		
NS	490308	LETTER "B" / ACRYLIC WHITE	AR	AR		
NS	490609	LETTER "B" / ACRYLIC GREY	AR	AR		
NS	490309	LETTER "C" / ACRYLIC WHITE	AR	AR		
NS	490610	LETTER "C" / ACRYLIC GREY	AR	AR		
NS	490310	LETTER "D" / ACRYLIC WHITE	AR	AR		
NS	490611	LETTER "D" / ACRYLIC GREY	AR	AR		
NS	490311	LETTER "E" / ACRYLIC WHITE	AR	AR		
NS	490612	LETTER "E" / ACRYLIC GREY	AR	AR		
NS	490312	LETTER "F" / ACRYLIC WHITE	AR	AR		
NS	490613	LETTER "F" / ACRYLIC GREY	AR	AR		
NS	490313	LETTER "G" / ACRYLIC WHITE	AR	AR		
NS	490614	LETTER "G" / ACRYLIC GREY	AR	AR		
NS	490314	LETTER "H" / ACRYLIC WHITE	AR	AR		
NS	490615	LETTER "H" / ACRYLIC GREY	AR	AR		
NS	490336	LETTER "I" / ACRYLIC WHITE	AR	AR		
NS	490616	LETTER "I" / ACRYLIC GREY	AR	AR		
NS	490315	LETTER "J" / ACRYLIC WHITE	AR	AR		
NS	490617	LETTER "J" / ACRYLIC GREY	AR	AR		
NS	490316	LETTER "K" / ACRYLIC WHITE	AR	AR		
NS	490618	LETTER "K" / ACRYLIC GREY	AR	AR		
NS	490317	LETTER "L" / ACRYLIC WHITE	AR	AR		
NS	490619	LETTER "L" / ACRYLIC GREY	AR	AR		
NS	490318	LETTER "M" / ACRYLIC WHITE	AR	AR		
NS	490620	LETTER "M" / ACRYLIC GREY	AR	AR		



From 7-0671 To J-0184	Date:10/2022	PAGE:H7-2360-00
<b>MONOGRAM ASSY &amp; LETTERS</b>		

Item#	Part	Description	H 3 4 1	H 3 4 5	V I P 4 5	N O T E S
NS	490319	LETTER "N" / ACRYLIC WHITE	AR	AR		
NS	490621	LETTER "N" / ACRYLIC GREY	AR	AR		
NS	490320	LETTER "O" / ACRYLIC WHITE	AR	AR		
NS	490622	LETTER "O" / ACRYLIC GREY	AR	AR		
NS	490321	LETTER "P" / ACRYLIC WHITE	AR	AR		
NS	490597	LETTER "P" / ACRYLIC GREY	AR	AR		
NS	490322	LETTER "Q" / ACRYLIC WHITE	AR	AR		
NS	490624	LETTER "Q" / ACRYLIC GREY	AR	AR		
NS	490323	LETTER "R" / ACRYLIC WHITE	AR	AR		
NS	490625	LETTER "R" / ACRYLIC GREY	AR	AR		
NS	490324	LETTER "S" / ACRYLIC WHITE	AR	AR		
NS	490626	LETTER "S" / ACRYLIC GREY	AR	AR		
NS	490325	LETTER "T" / ACRYLIC WHITE	AR	AR		
NS	490599	LETTER "T" / ACRYLIC GREY	AR	AR		
NS	490326	LETTER "U" / ACRYLIC WHITE	AR	AR		
NS	490628	LETTER "U" / ACRYLIC GREY	AR	AR		
NS	490327	LETTER "V" / ACRYLIC WHITE	AR	AR		
NS	490629	LETTER "V" / ACRYLIC GREY	AR	AR		
NS	490328	LETTER "W" / ACRYLIC WHITE	AR	AR		
NS	490598	LETTER "W" / ACRYLIC GREY	AR	AR		
NS	490329	LETTER "X" / ACRYLIC WHITE	AR	AR		
NS	490631	LETTER "X" / ACRYLIC GREY	AR	AR		
NS	490330	LETTER "Y" / ACRYLIC WHITE	AR	AR		
NS	490632	LETTER "Y" / ACRYLIC GREY	AR	AR		
NS	490331	LETTER "Z" / ACRYLIC WHITE	AR	AR		
NS	490633	LETTER "Z" / ACRYLIC GREY	AR	AR		
NS	490332	AND "&" / ACRYLIC WHITE	AR	AR		
NS	490634	AND "&" / ACRYLIC GREY	AR	AR		
NS	490333	DOT "." / ACRYLIC WHITE	AR	AR		
NS	490635	DOT "." / ACRYLIC GREY	AR	AR		
NS	490334	DASH "-" / ACRYLIC WHITE	AR	AR		
NS	490636	DASH "-" / ACRYLIC GREY	AR	AR		
NS	490335	COMA "," / ACRYLIC WHITE	AR	AR		
NS	490637	COMA "," / ACRYLIC GREY	AR	AR		
		A) TO FIX MONOGRAM				
		B) BODY & MONOGRAM				

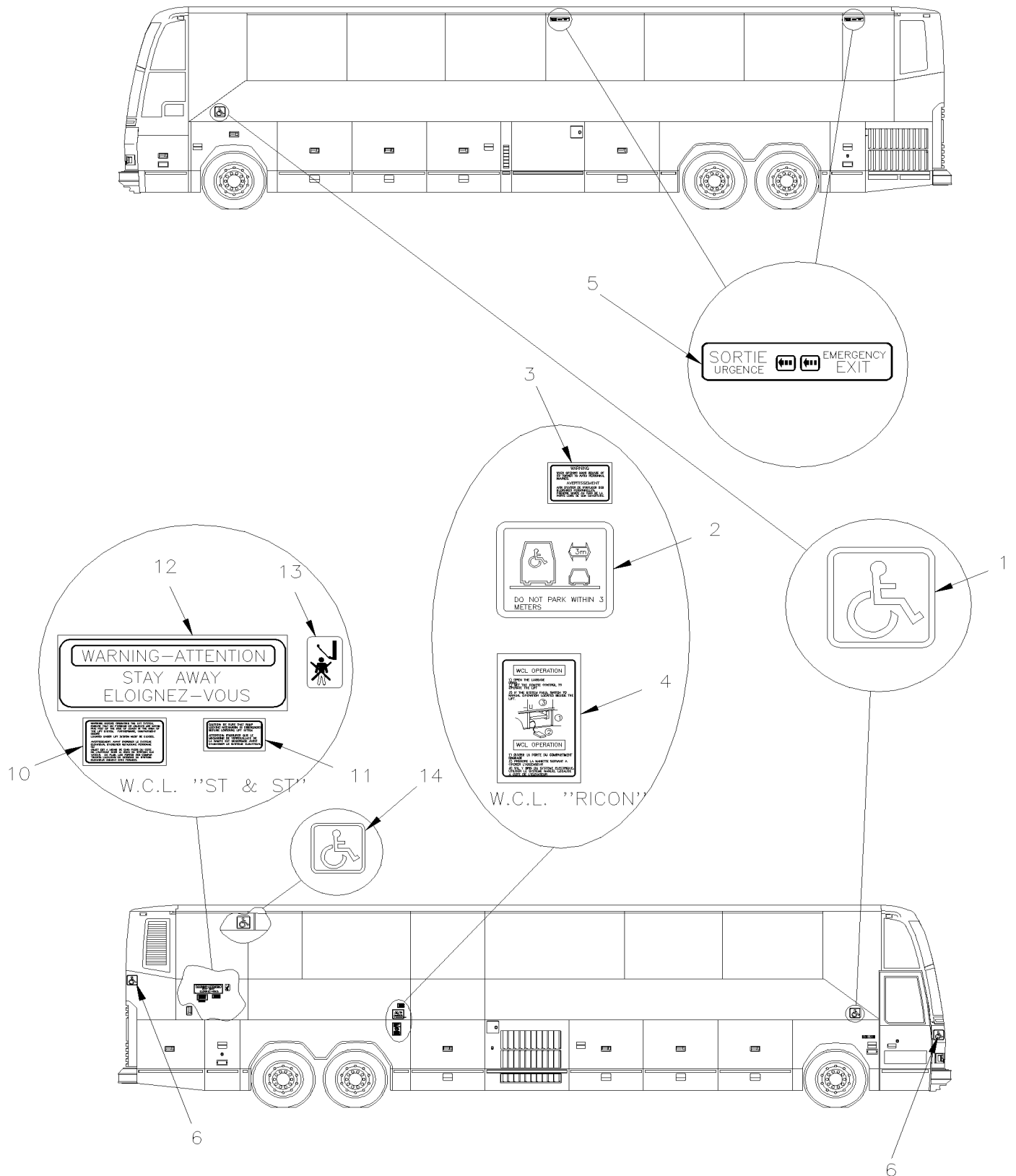


From 7-0671 To J-0184

Date:10/2022

PAGE:H7-2370-10

## W.C.L. - DECAL

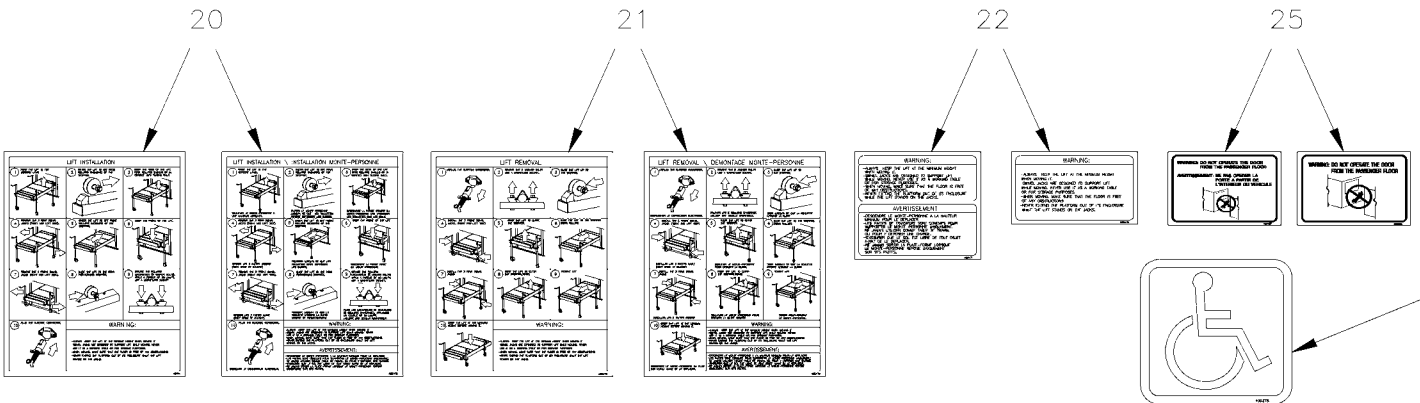
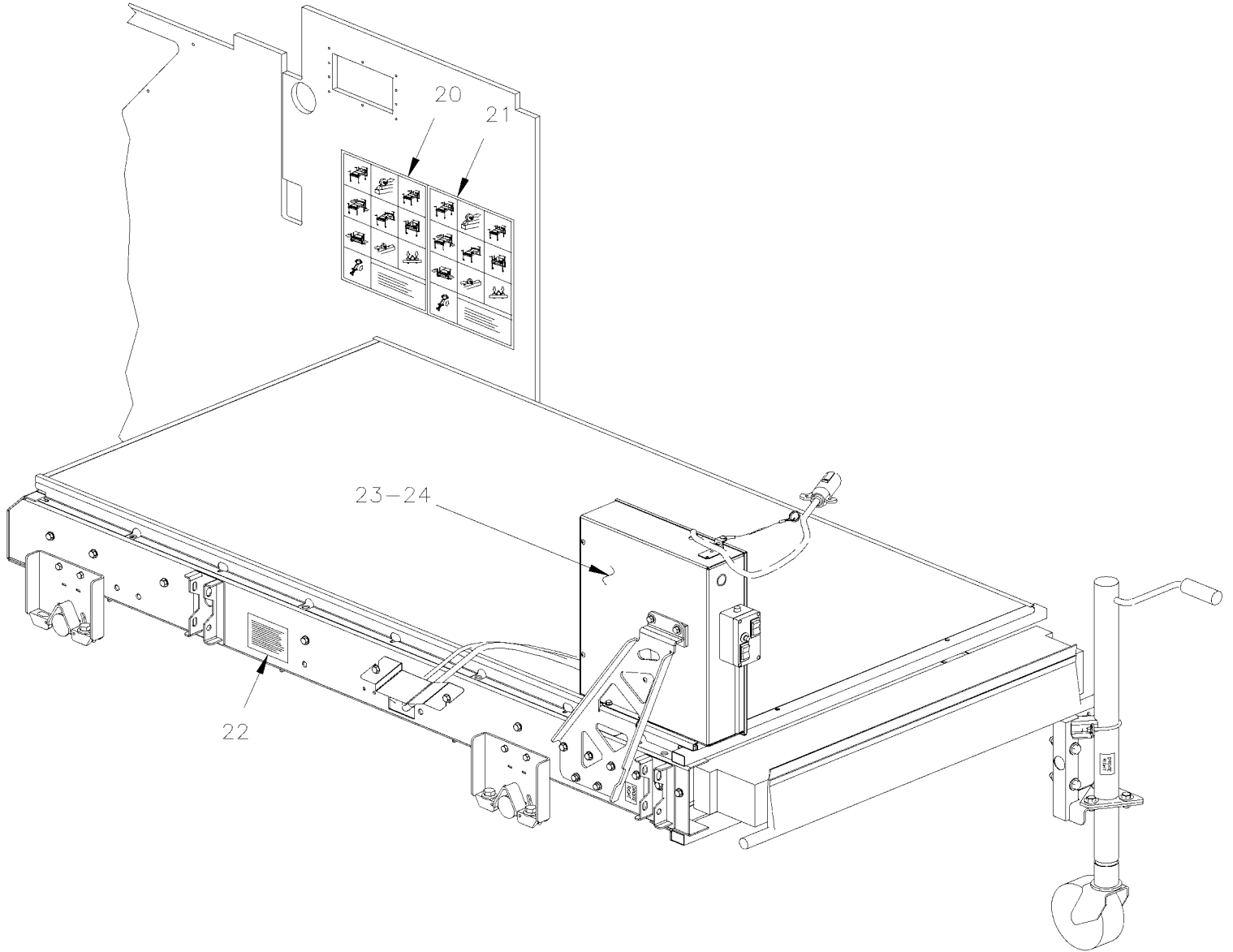


From 7-0671 To J-0184

Date:10/2022

PAGE:H7-2370-10

W.C.L. - DECAL



<b>From 7-0671 To J-0184</b>	<b>Date:10/2022</b>	<b>PAGE:H7-2370-10</b>
<b>W.C.L. - DECAL</b>		

Item#	Part	Description	H 3 4 1	H 3 4 5	V I P 4 5	N O T E S
1	404087	DECAL / BLUE W/CHAIR / 180MM x 180MM To E-2584		2		
1	404087	DECAL / BLUE W/CHAIR / 180MM x 180MM From E-2585 To H-3512	2	2		
1	400003	DECAL / BLUE W/CHAIR / 150MM x 150MM From H-3513	2	2		
2	404089	DECAL / DO NOT PARK WITHIN 3 METRES / ENGLISH To E-2584		1		
2	404089	DECAL / DO NOT PARK WITHIN 3 METRES / ENGLISH From E-2585	1	1		
2	404083	DECAL / DO NOT PARK WITHIN 3 METRES / ENGLISH & FRANCAIS To E-2584		1		
2	404083	DECAL / DO NOT PARK WITHIN 3 METRES / ENGLISH & FRANCAIS From E-2585	1	1		
2	405645	DECAL / DO NOT PARK WITHIN 3 METRES / ENGLISH & SPANISH To E-2584		1		
2	405645	DECAL / DO NOT PARK WITHIN 3 METRES / ENGLISH & SPANISH From E-2585	1	1		
3	404332	DECAL / "WARNING" WHEN OPENING DOOR BEWARE.. / ENGLISH To E-2584		1		
3	404332	DECAL / "WARNING" WHEN OPENING DOOR BEWARE.. / ENGLISH From E-2585	1	1		
3	403898	DECAL / "WARNING" WHEN OPENING DOOR BEWARE.. / ENGLISH & FRANCAIS To E-2584		1		
3	403898	DECAL / "WARNING" WHEN OPENING DOOR BEWARE.. / ENGLISH & FRANCAIS From E-2585	1	1		
3	405644	DECAL / "WARNING" WHEN OPENING DOOR BEWARE.. / ENGLISH & SPANISH To E-2584		1		
3	405644	DECAL / "WARNING" WHEN OPENING DOOR BEWARE.. / ENGLISH & SPANISH From E-2585	1	1		
4	404333	DECAL / WCL OPERATION 1. 2.		1		
5	404088	DECAL / EMERGENCY EXIT / (RED ON CLEAR) / ENGLISH		1		
5	404084	DECAL / EMERGENCY EXIT / (RED ON CLEAR) / ENGLISH & FRANCAIS To 8-1056		1		
5	405629	DECAL / EMERGENCY EXIT / (RED ON CLEAR) / ENGLISH & SPANISH To 8-1056		1		
5	408204	DECAL EMERGENCY >>>> PICTOGRAM LEFT>>>> From 8-1057 To E-2584		1		
5	408204	DECAL EMERGENCY >>>> PICTOGRAM LEFT>>>> From E-2585	1	1		
6	400003	DECAL / BLUE W/CHAIR / 150MM x 150MM	2	2		O
14	405378	DECAL / BLUE W/CHAIR / 102MM x 102MM		1		
20	405745	DECAL / PICTOGRAM LIFT INSTALL... / ENGLISH To E-2584		1		
20	405745	DECAL / PICTOGRAM LIFT INSTALL... / ENGLISH From E-2585	1	1		
20	405746	DECAL / PICTOGRAM LIFT INSTALL... / MONTAGE / ENGLISH & FRANCAIS To E-2584		1		
20	405746	DECAL / PICTOGRAM LIFT INSTALL... / MONTAGE / ENGLISH & FRANCAIS From E-2585	1	1		
20	405742	DECAL / PICTOGRAM LIFT INSTALL... / ENGLISH & SPANISH To E-2584		1		
20	405742	DECAL / PICTOGRAM LIFT INSTALL... / ENGLISH & SPANISH From E-2585	1	1		
21	405743	DECAL / PICTOGRAM LIFT REMOVAL / ENGLISH To E-2584		1		
21	405743	DECAL / PICTOGRAM LIFT REMOVAL / ENGLISH From E-2585	1	1		
21	405744	DECAL / PICTOGRAM LIFT REMOVAL / DEMONTAGE.. / ENGLISH & FRANCAIS To E-2584		1		
21	405744	DECAL / PICTOGRAM LIFT REMOVAL / DEMONTAGE.. / ENGLISH & FRANCAIS From E-2585	1	1		
21	405741	DECAL / PICTOGRAM LIFT REMOVAL / ENGLISH & SPANISH To E-2584		1		
21	405741	DECAL / PICTOGRAM LIFT REMOVAL / ENGLISH & SPANISH From E-2585	1	1		
22	405471	DECAL / "WARNING" ALWAYS KEEP THE LIFT AT T... / ENGLISH & FRANCAIS		1		
22	405470	DECAL / "WARNING" ALWAYS KEEP THE LIFT AT T... / ENGLISH To E-2584		1		
22	405470	DECAL / "WARNING" ALWAYS KEEP THE LIFT AT T... / ENGLISH From E-2585	1	1		
22	405652	DECAL / "WARNING" ALWAYS KEEP THE LIFT AT T... / ENGLISH & SPANISH To E-2584		1		
22	405652	DECAL / "WARNING" ALWAYS KEEP THE LIFT AT T... / ENGLISH & SPANISH From E-2585	1	1		
23	405468	DECAL / MANUAL OPERATING INSTRUCTION... / ENGLISH	1	1		
23	404616	DECAL / MANUAL OPERATING INSTRUCTION... / ENGLISH & FRANCAIS To E-2584	1	1		

From 7-0671 To J-0184	Date:10/2022	PAGE:H7-2370-10
<b>W.C.L. - DECAL</b>		

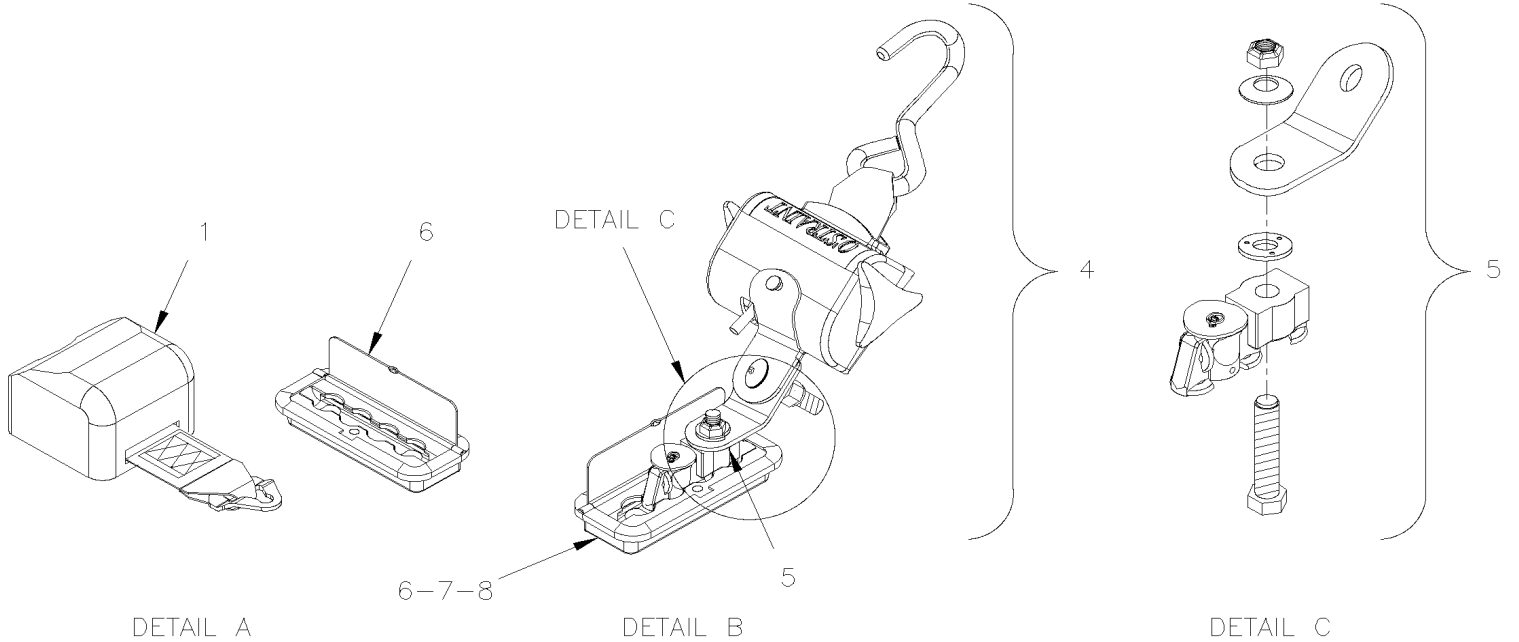
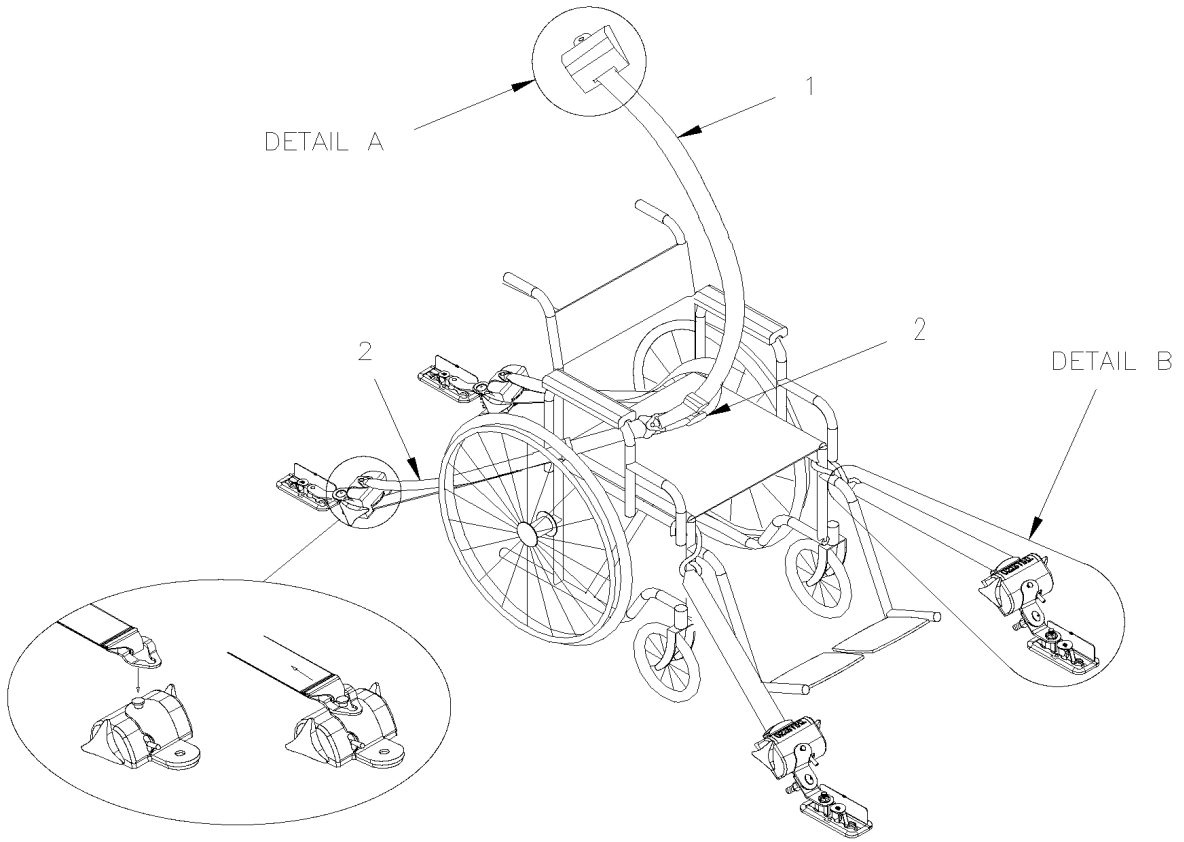
Item#	Part	Description	H 3 4 1	H 3 4 5	V I P 4 5	N O T E S
23	409441	DECAL / MANUAL OPERATING INSTRUCTION... / ENGLISH & FRANCAIS From E-2585 To F-2809	1	1		
23	409453	DECAL / MANUAL OPERATING INSTRUCTION... / ENGLISH & FRANCAIS From F-2809	1	1		
23	406180	DECAL / MANUAL OPERATING INSTRUCTION... / ENGLISH & SPANISH To E-2550		1		
23	409442	DECAL / MANUAL OPERATING INSTRUCTION... / ENGLISH & SPANISH From E-2551 To E-2583	1	1		
23	409454	DECAL / MANUAL OPERATING INSTRUCTION... / ENGLISH & SPANISH From F-2809	1	1		
24	405749	DECAL / RICON W.C.L. OPERATING INSTRUCTION EXIT / ENGLISH To E-2584		1		
24	405749	DECAL / RICON W.C.L. OPERATING INSTRUCTION EXIT / ENGLISH From E-2585	1	1		
24	405750	DECAL / RICON W.C.L. OPERATING INSTRUCTION EXIT / ENGLISH & FRANCAIS To E-2584		1		
24	405750	DECAL / RICON W.C.L. OPERATING INSTRUCTION EXIT / ENGLISH & FRANCAIS From E-2585	1	1		
24	406178	DECAL / RICON W.C.L. OPERATING INSTRUCTION EXIT / ENGLISH & SPANISH To E-2584		1		
24	406178	DECAL / RICON W.C.L. OPERATING INSTRUCTION EXIT / ENGLISH & SPANISH From E-2585	1	1		
25	405747	DECAL / RICON W.C.L. OPERATING INSTRUCTION ENTER / ENGLISH To E-2584		1		
25	405747	DECAL / RICON W.C.L. OPERATING INSTRUCTION ENTER / ENGLISH From E-2585	1	1		
25	405748	DECAL / RICON W.C.L. OPERATING INSTRUCTION ENTER / ENGLISH & FRANCAIS To E-2584		1		
25	405748	DECAL / RICON W.C.L. OPERATING INSTRUCTION ENTER / ENGLISH & FRANCAIS From E-2585	1	1		
25	406179	DECAL / RICON W.C.L. OPERATING INSTRUCTION ENTER / ENGLISH & SPANISH To E-2584		1		
25	406179	DECAL / RICON W.C.L. OPERATING INSTRUCTION ENTER / ENGLISH & SPANISH From E-2585	1	1		
26	405378	DECAL / BLUE W/CHAIR / 102MM x 102MM		1		
		O) ONTARIO OPTION				

From 7-0671 To J-0184

Date:10/2022

PAGE:H7-2370-20

W.C.L. SEAT BELTS



From 7-0671 To J-0184	Date:10/2022	PAGE:H7-2370-20
<b>W.C.L. SEAT BELTS</b>		

Item#	Part	Description	H 3 4 1	H 3 4 5	V I P 4 5	N O T E S
	861930	KIT SAFETY BELT		AR		A
1	861931	. RETRACTALE SHOULDER BELT		1		
2	861932	. REGULAR LAP BELT / KIT MALE & FEMALE		1		
4	861934	. RETACTABLE SEAT MOUNTED / BELT ASSY (SET OF 4 W/TRAC ADAPTOR)		1		
5	861935	. . KIT TRAC ADAPTOR		4		
6	861929	FLOOR POCKET W/COVER		8		
NS	862213	SCREW CAP CK HEXS 5/16-18x1 3/4 SS		2		
6	867816	SCREW CAP CK HEXS 5/16-18x1 3/4		2		
7	223822	SPACER 1/2" O.D. X 20MM		16		
8	223818	ANCHOR PLATE		8		
		A) INCLUDE ITEM 1, 2, 3, 4, 5 & 7				

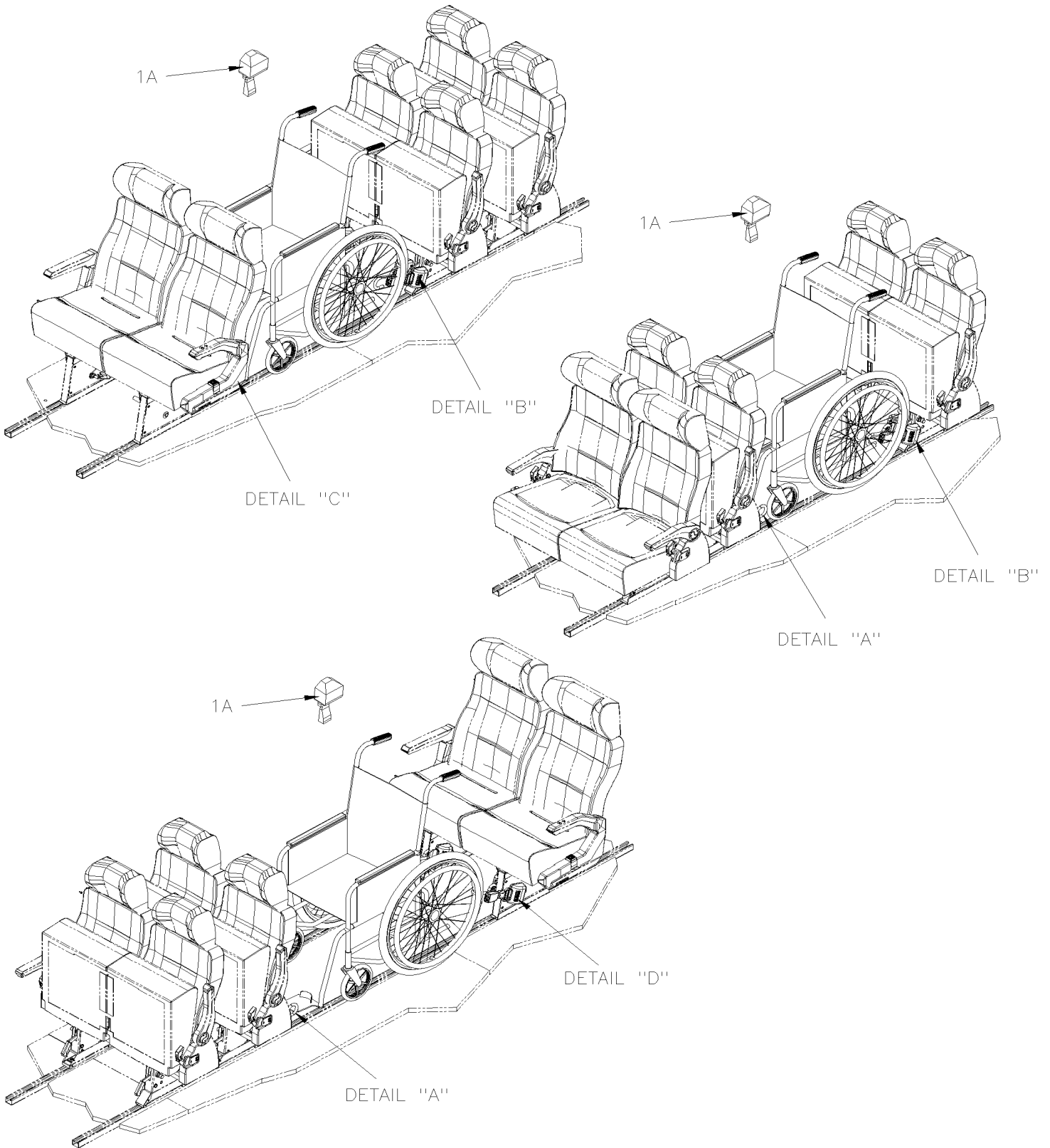


From 7-0671 To J-0184

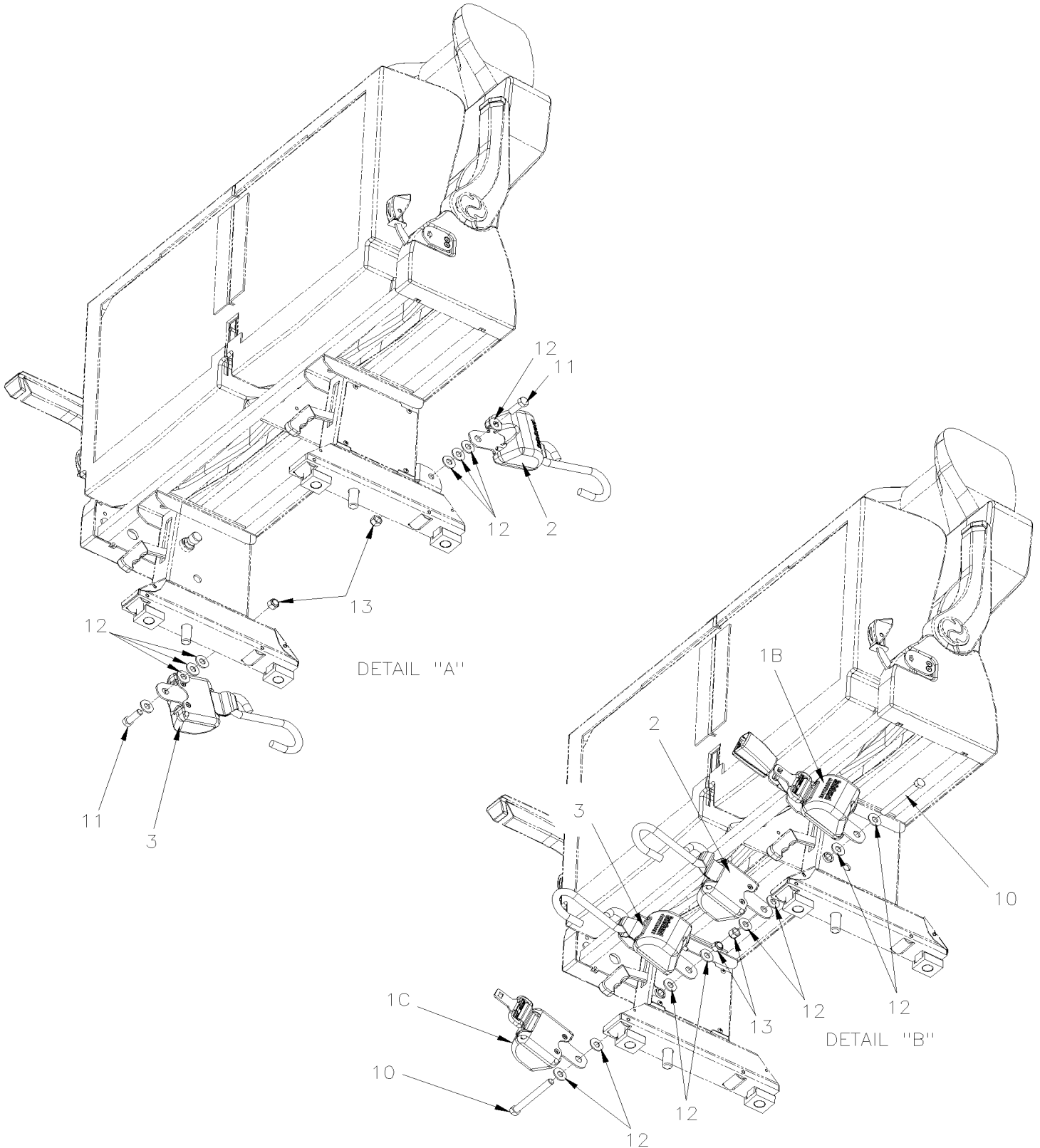
Date:10/2022

PAGE:H7-2370-25

## W.C.L. SEAT BELTS "SAFEGUARD" (IMMI)



From 7-0671 To J-0184	Date:10/2022	PAGE:H7-2370-25
W.C.L. SEAT BELTS "SAFEGUARD" (IMMI)		

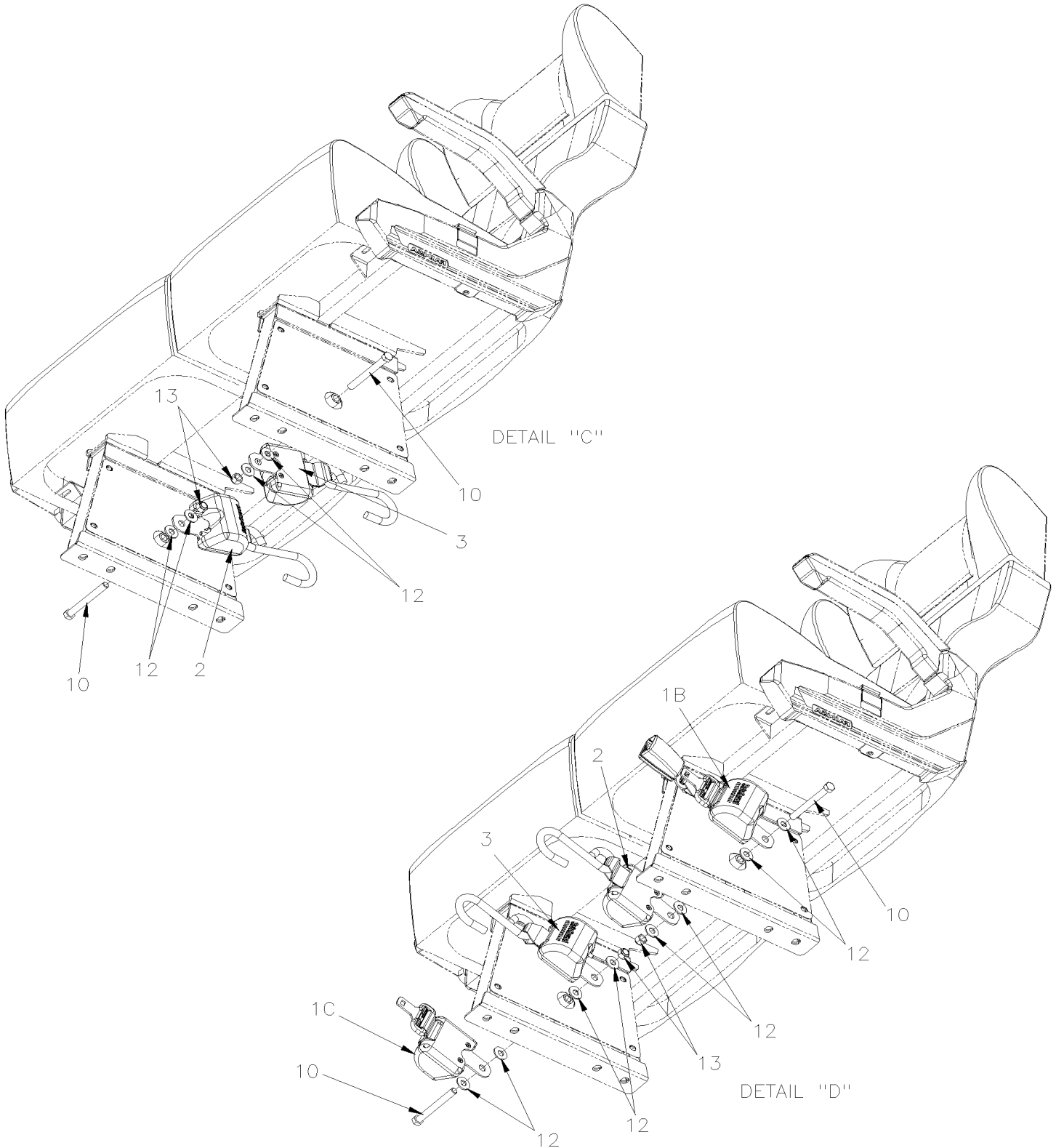


From 7-0671 To J-0184

Date:10/2022

PAGE:H7-2370-25

W.C.L. SEAT BELTS "SAFEGUARD" (IMMI)

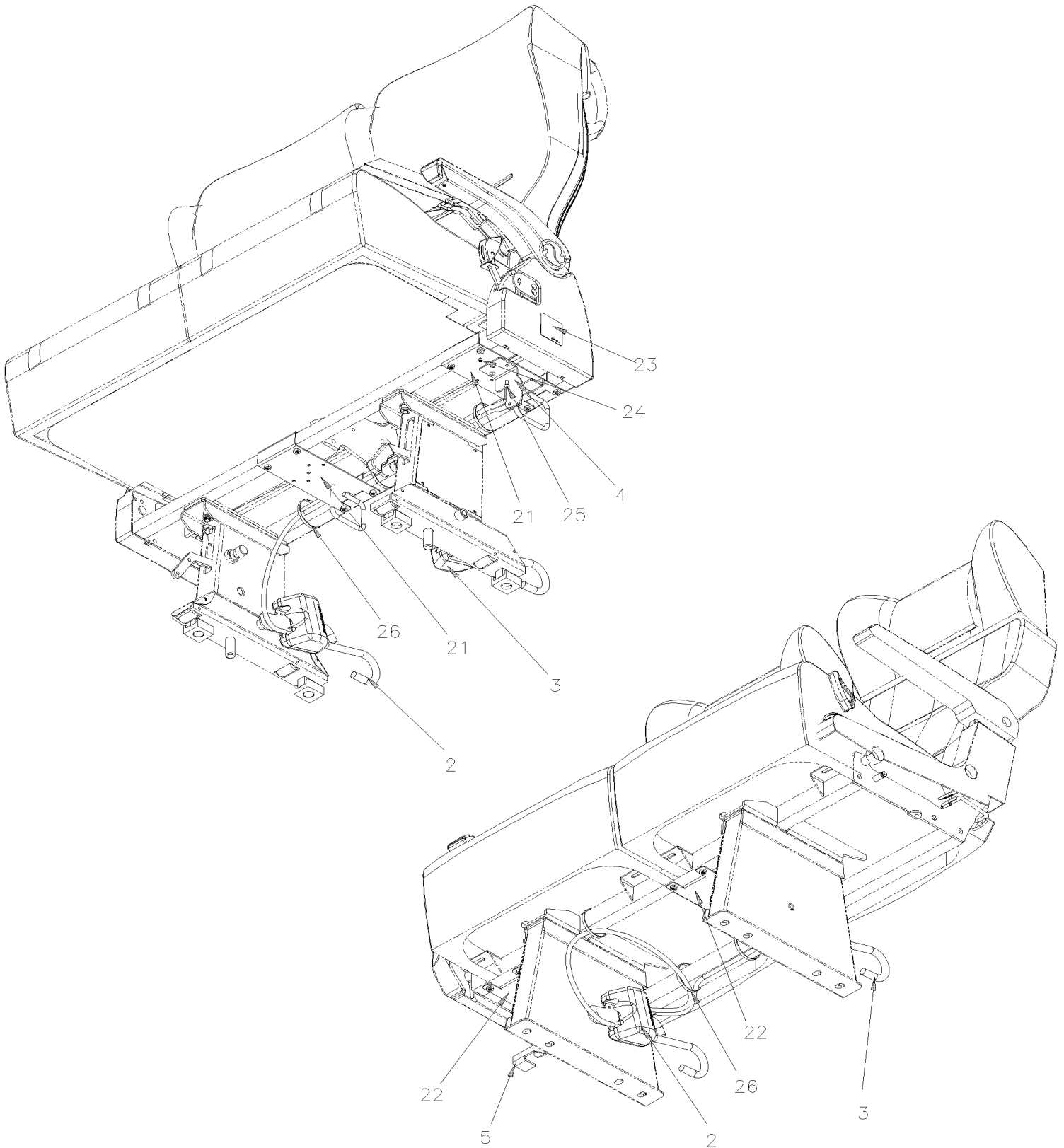


From 7-0671 To J-0184

Date:10/2022

PAGE:H7-2370-25

## W.C.L. SEAT BELTS "SAFEGUARD" (IMMI)



From 7-0671 To J-0184	Date:10/2022	PAGE:H7-2370-25
<b>W.C.L. SEAT BELTS "SAFEGUARD" (IMMI)</b>		

Item#	Part	Description	H 3 4 1	H 3 4 5	V I P 4 5	N O T E S
	864013	WHEEL CHAIR TIE-DOWNS, RETRAINTS To E-2584		1		
	864013	WHEEL CHAIR TIE-DOWNS, RETRAINTS From E-2585	1	1		
	864811	WHEEL CHAIR TIE-DOWNS, RETRAINTS WITH BELT RELEASE		1		A
1	864813	. RESTRAINT / WHEELCHAIR OCCUPANT		1		
2	864812	. TIEDOWN / WHEELCHAIR LH		1		
3	864814	. TIEDOWN / WHEELCHAIR RH		1		
4	N.S.S.	. CABLE WITH HANDLE / CURBSIDE		1		1 A
5	N.S.S.	. CABLE WITH HANDLE / STREET SIDE		1		1 A
10	500688	SCREW CAP HEX 7/16-20x4 G8 N500 PT To E-2584		AR		
10	500688	SCREW CAP HEX 7/16-20x4 G8 N500 PT From E-2585	AR	AR		
11	500954	SCREW TP OV PH #10x3/4 ZP To E-2584		AR		
11	500594	SCREW CAP HEX 7/16-20x1 1/4 G8 N500 From E-2585	AR	AR		
12	500897	WASHER FL .437x1.000x.083 N500 To E-2584		AR		
12	500897	WASHER FL .437x1.000x.083 N500 From E-2585	AR	AR		
13	5001734	NUT HEX 7/16-20 G8 N500 To E-2584		AR		
13	5001734	NUT HEX 7/16-20 G8 N500 From E-2585	AR	AR		
21	364353	SUPPORT, BELT / SLIDING SEAT To H-3598		2		A
21	360027	SUPPORT, BELT / SLIDING SEAT From H-3599		4		A
22	364354	SUPPORT, BELT / FIXE SEAT To H-3598		2		A
23	364374	DECAL "TTRACTABLE BELT"		2		A
24	502634	SCREW SET HEXS CUP M6-1.0x6		16		A
25	504582	RIVET POP DOME OE 3/16x1/4 SS BK		6		A
26	504637	CABLE TIE / 3/16" x 13"		AR		A
		A) WITH BELT RELEASE				
		1) NOT SOLD SEPARATELY				

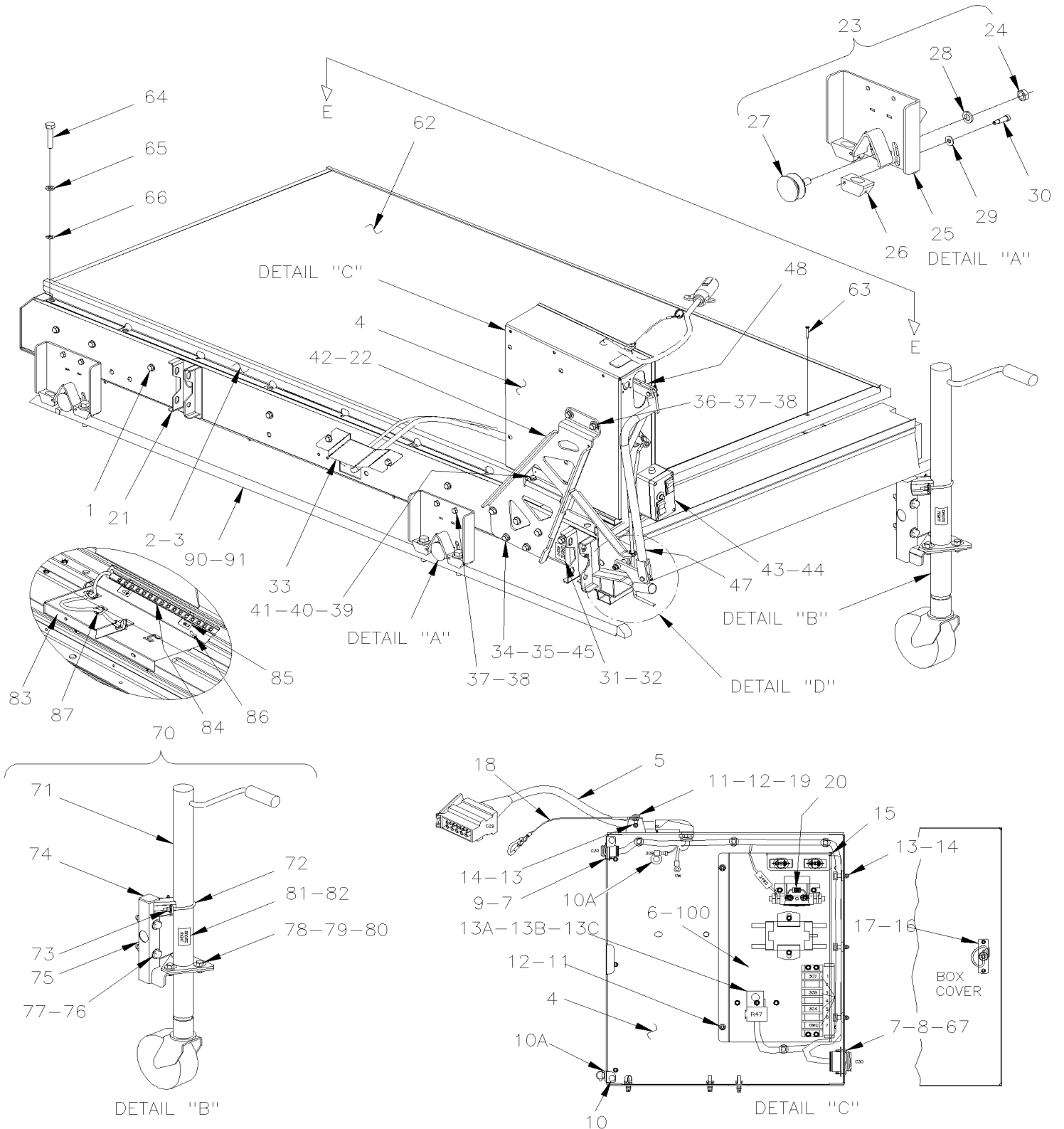


From 7-0671 To E-2584

Date:10/2022

PAGE:H7-2380-00

## W.C.L. "RICON" REMOVABLE - INSTALLATION MODEL "F9TF"

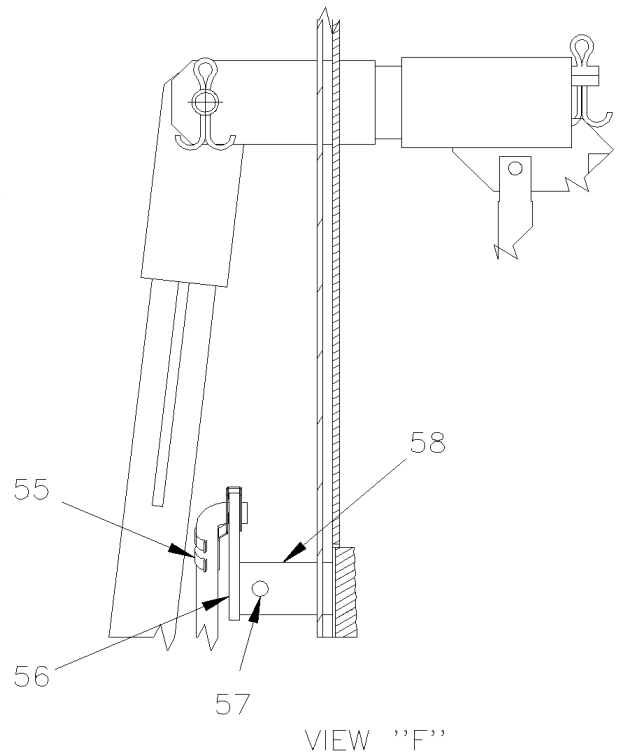
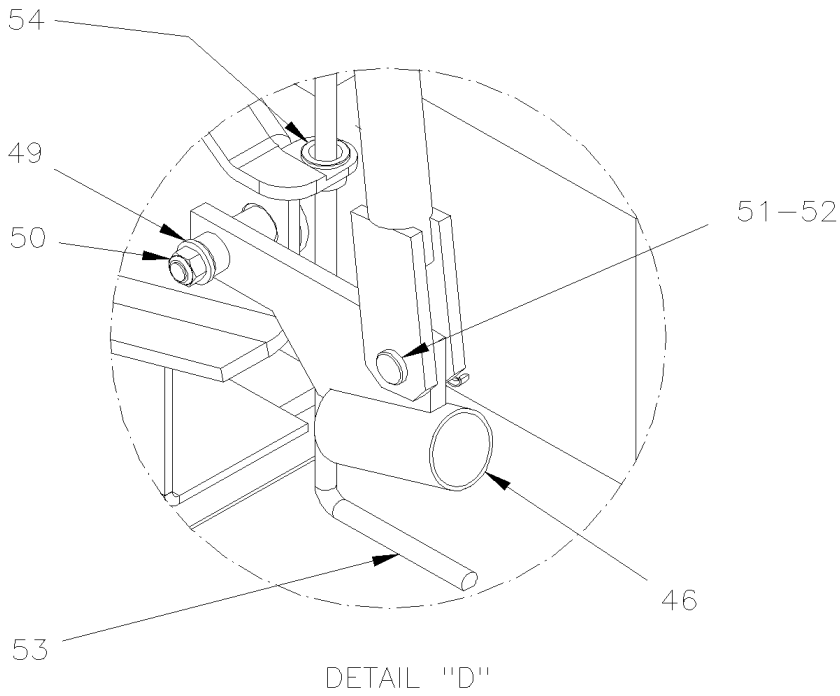
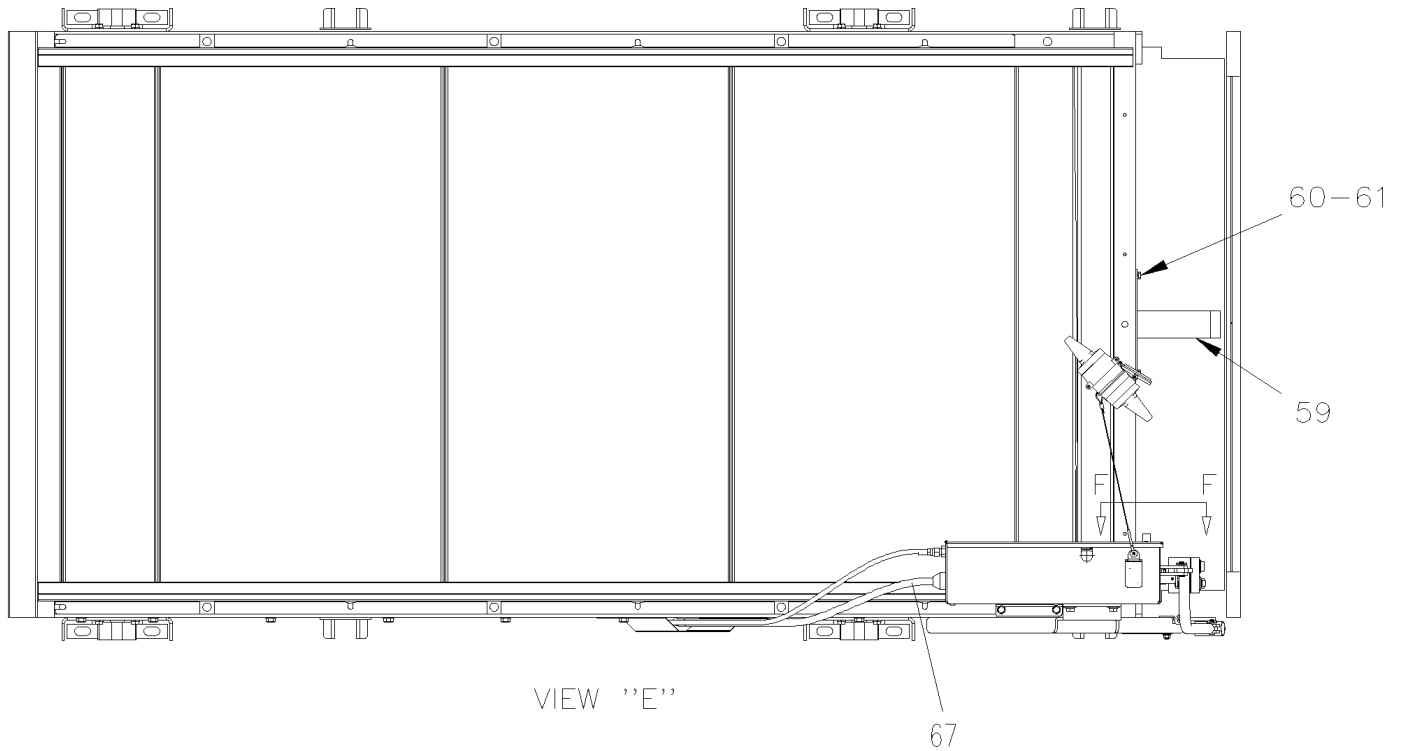


From 7-0671 To E-2584

Date:10/2022

PAGE:H7-2380-00

W.C.L. "RICON" REMOVABLE - INSTALLATION MODEL "F9TF"





From 7-0671 To E-2584	Date:10/2022	PAGE:H7-2380-00
<b>W.C.L. "RICON" REMOVABLE - INSTALLATION MODEL "F9TF"</b>		

Item#	Part	Description	H 3 4 1	H 3 4 5	V I P 4 5	N O T E S
	490891P	REMOVABLE W.C.L. COMPLETE ASSY W/ PUMP BOX ASSY / "F9TF"		1		A
1	<b>H7-2380-05</b>	<b>W.C.L. "RICON" REMOVABLE MODEL "F9TF"</b>				
2	490971	SLIDING TRACK REMOVABLE R.H. To A-1558		1		
2	491397	SLIDING TRACK REMOVABLE R.H. From A-1559 To A-1706		1		
2	490971	SLIDING TRACK REMOVABLE R.H. From A-1707		1		
3	490990	SLIDING TRACK REMOVABLE L.H. To A-1558		1		
3	491398	SLIDING TRACK REMOVABLE L.H. From A-1559 To A-1706		1		
3	490990	SLIDING TRACK REMOVABLE L.H. From A-1707		1		
4	491017P	BOX ASSY W/POWER PLATE		1		
4	364074	. BOX ASSY		1		
5	066307	. CABLE ASSY / POWER / W.C.L. "RICON" To D-2299		1		
5	068665	. CABLE ASSY / POWER / W.C.L. "RICON" From D-2299 To E-2566		1		
5	068938	. CABLE ASSY / POWER / W.C.L. "RICON" From E-2567		1		
6	563370	. POWER PLATE ASSY "RICON"		1		
7	500518	. SCREW MA BDG PH #4-40x1/2 Z050 To 7-0819		8		
7	5001454	. SCREW MA BDG PH #4-40x1/2 SS From 7-0820		8		
8	561823	. NUT, RING #23 / 1.812" I.D. W/4 4-40		1		
9	561820	. NUT, RING #13 / 1.125" I.D. W/4 4-40		1		
10	504498	. BUMPER PLUG / .406ODx.218THx.250HOLEx.125		2		
10A	504323	GROMMET / .375x.500x.062x.281x.687 To E-2539		1		
10A	504323	GROMMET / .375x.500x.062x.281x.687 From E-2540		2		
11	5001180	. NUT HEX NYRT #10-24 SS		5		
12	5001241	. SCREW MA TR PH #10-24x1/2 SS		5		
13	509815	. TIE MOUNT / ATTACHMENT W/TREE MOUNT		AR		
13A	563332	RELAY 24V S.P.D.T. W/RESISTOR / "VOLVO" (20374662)		1		
13B	500416	SCREW MA PAN PH #10-32x1/2 BK		1		
14	504637	. CABLE TIE / 3/16" x 13"		11		
15	506338	. RUBBER CHANNEL / 1/16" x 1/4" INT "U" SHAPE / ROUND C.T.L. To 7-0819		AR		
15	506025	. RUBBER CHANNEL / 1/18" x 5/16" INT "U" SHAPE / SQUARE C.T.L. From 7-0820		AR		
NS	680066	. ADHESIVE / ADBOND #5014 / 23.6ML BOTTLE		AR		
16	504105	. RIVET POP DOME OE 1/8x3/16 AL To 7-0819		2		
16	504340	. RIVET POP DOME OE 1/8x3/16 SS From 7-0820		2		
17	504203	. SPRING LATCH / KNURLED STEEL KNOB		1		
18	364072P	. CABLE RETAINING ASSY		1		
18	283069	. . CABLE 1/16 DIA. / 565MM LG		1		
18	780341	. . SLEEVE / TO HOLDING CABLE 1/16OD SS		1		
18	504723	. . SPRING HOOK		1		
19	500964	. WASHER FL .203x.500x.047 Z050		1		
20	064792	. DIODE ASSY		1		
. NS	561740	. . DIODE / 3AMPS		1		
. NS	560082	. . RING TERMINAL #10 / 16-14 / INSULATED / AMP 626033-2		1		
. NS	560815	. . RING TERMINAL #10 / 22-18 / INSULATED / AMP 42037-2		1		

From 7-0671 To E-2584	Date:10/2022	PAGE:H7-2380-00
<b>W.C.L. "RICON" REMOVABLE - INSTALLATION MODEL "F9TF"</b>		

Item#	Part	Description	H 3 4 1	H 3 4 5	V I P 4 5	N O T E S
. NS	562499	. . SHRINK TUBING / .250" - .125" / CLEAR / ALPHA FIT 221-1/4		AR		
21	491009	. ATTACHMENT ASSY		4		
22	491094	SUPPORT PUMP ASSY To D-2315		1		
22	491482	SUPPORT PUMP ASSY From D-2316		1		
23	491008	CARRIER ASSY / W/WHEEL To B-1662		4		AS
23	491228	CARRIER ASSY / W/WHEEL From B-1663		4		
24	500652	. NUT HEX 1/2-20 SS To B-1662		1		
25	490998	. PLATE SUPPORT To B-1662		1		AS
25	491229	. PLATE SUPPORT ASSY W/AXLE SHAFT From B-1663		1		
26	490995	. CALIPER To B-1662		1		AS
26	491232	. CALIPER From B-1663		1		
27	990418	. WHEEL / W/"V" GROOVE USE W/SCREW To B-1662		1		AS
27	491233	. WHEEL / W/"V" GROOVE USE W/AXLE SHAFT RIV From B-1663		1		
NS	685888	. LUBRICANT LPS MAGNUM(AEROSOL)		AR		
28	500944	. WASHER LO SPT .506x.873x.125 N500 To B-1662		1		
28	500270	. WASHER FL .406x1.000x.063 SS From B-1663		1		
29	502638	. WASHER FL .312x.734x.065 N500 To B-1662		2		
30	500631	. SCREW SHR HEXS 5/16x3/4 {1/4-20 SS To B-1662		2		
31	491002	DECAL / GAUCHE / LEFT / ENGLISH & FRANCAIS		1		
31	491056	DECAL / LEFT IZQUIERDA / ENGLISH & SPANISH		1		
32	491001	DECAL / DROIT / RIGHT / ENGLISH & FRANCAIS		1		
32	491055	DECAL / RIGHT DERECHA / ENGLISH & SPANISH		1		
33	491013	PLATE PROTECTOR		1		
34	5001747	SCREW CAP HEX 5/16-18x1 G5 N500		10		
35	500942	WASHER LO SPT 8.1x14.8x2.0 N500		10		
36	500347	SCREW CAP HEX 5/16-18x1 1/4 SS		2		
37	5001448	WASHER FL .343x.875x.062 SS18-8		2		
38	500035	WASHER LO SPT .317x.586x.078 SS		2		
39	5001746	SCREW CAP HEX 1/4-20x3/4 G5 N500		2		
40	500877	WASHER FL .250x.562x.065 N500		2		
41	502874	NUT HEX NYRT 1/4-20 N500		10		
42	364031	SPACER		2		
43	900859	BRACKET, MOUNTING / MICROPHONE		1		
44	504379	RIVET POP DOME OE 3/16x1/4 SS		2		
45	502638	WASHER FL .312x.734x.065 N500		2		
46	491091	PIVOT ASSY To D-2315		1		
46	491483	PIVOT ASSY From D-2316		1		
47	491087	ARM ASSY		1		
48	491083	TUBE ASSY		1		
49	500877	WASHER FL .250x.562x.065 N500		1		
50	502681	NUT HEX NYRT M6-1.0 N500 G8		1		
51	502024	PIN, CLEVIS 5/16 x 13/16 BZC		2		

From 7-0671 To E-2584	Date:10/2022	PAGE:H7-2380-00
<b>W.C.L. "RICON" REMOVABLE - INSTALLATION MODEL "F9TF"</b>		

Item#	Part	Description	H 3 4 1	H 3 4 5	V I P 4 5	N O T E S
52	502102	PIN, COTTER 1/8 x 1		3		
53	491097	ROD To E-2479		1		
53	491486	ROD From E-2480 To E-2584		1		
53	491487	ROD From E-2585		1		
54	504226	SNAP BUSHING / .391x.578x.406		1		
55	504243	CLIP ROD 1/4" L.H. To E-2584		1		
55	504541	CLIP ROD 1/4" R.H. From E-2585		1		
56	491100	PIVOT		1		
57	505420	SPRING, PIN M4.5 x 20		1		
58	491101	UNION		1		
59	491102	GUIDE		1		
60	502772	SCREW CAP HEX 1/4-20x1/2 G5 N500		2		
61	502853	WASHER LO SPT 6.1x11.8x1.6 N500		2		
62	990417	PANEL FIBERGLASS / OVER W.C.L. "RICON" / 1000MM X 1940MM To A-1558		1		
62	484134	PANEL FIBERGLASS / OVER W.C.L. "RICON" / 1000MM X 1940MM From A-1559 To A-1706		1		
62	484144	PANEL FIBERGLASS / OVER W.C.L. "RICON" / 1000MM X 1940MM From A-1707		1		
63	502903	SCREW TC FL PH #10-24x1 1/4 N500		2		
64	5001538	SCREW CAP HEXF SERR M12-1.75x50 G500		8		
65	500944	WASHER LO SPT .506x.873x.125 N500		8		
66	5001568	NUT PUSH RND M12 ZP		8		
67	864071	HARNESS, ELECTRICAL, MAIN, W/HYDRAULIC LINE		1		
70	490988P	TRANSPORTER JACK ASSY L.H.		2		
70	490989P	TRANSPORTER JACK ASSY R.H.		2		
71	990416	. JACK		1		
72	503399	. U-CLAMP / 2" I.D. X 1/4-20		1		
73	500769	. NUT HEX 1/4-20 Z050		2		
73	502638	. WASHER FL .312x.734x.065 N500		2		
NS	500473	. WASHER LO SPT .262x.489x.062 Z050		2		
74	508394	. GLIDE SQUARE END 1.5 X 1.5 TUBE 14GA / P		1		
75	490981	. SUPPORT JACK L.H.		1		
75	490982	. SUPPORT JACK R.H.		1		
76	5001862	. SCREW CAP HEX M12-1.75x70 G10.9 N500		2		
77	5001757	. NUT HEX M12-1.75 N500		2		
NS	500958	. WASHER FL .531x1.062x.095 SS		4		
78	502804	. SCREW CAP HEX M10-1.5x25 G8.8 N500		3		
79	502644	. WASHER FL 10.5x30.0x2.5 Z050		3		
80	500680	. NUT HEX STO M10-1.5 Z050		3		
81	491002	. DECAL / GAUCHE / LEFT / ENGLISH & FRANCAIS		1		
81	491056	. DECAL / LEFT IZQUIERDA / ENGLISH & SPANISH		1		
82	491001	. DECAL / DROIT / RIGHT / ENGLISH & FRANCAIS		1		
82	491055	. DECAL / RIGHT DERECHA / ENGLISH & SPANISH		1		

From 7-0671 To E-2584	Date:10/2022	PAGE:H7-2380-00
<b>W.C.L. "RICON" REMOVABLE - INSTALLATION MODEL "F9TF"</b>		

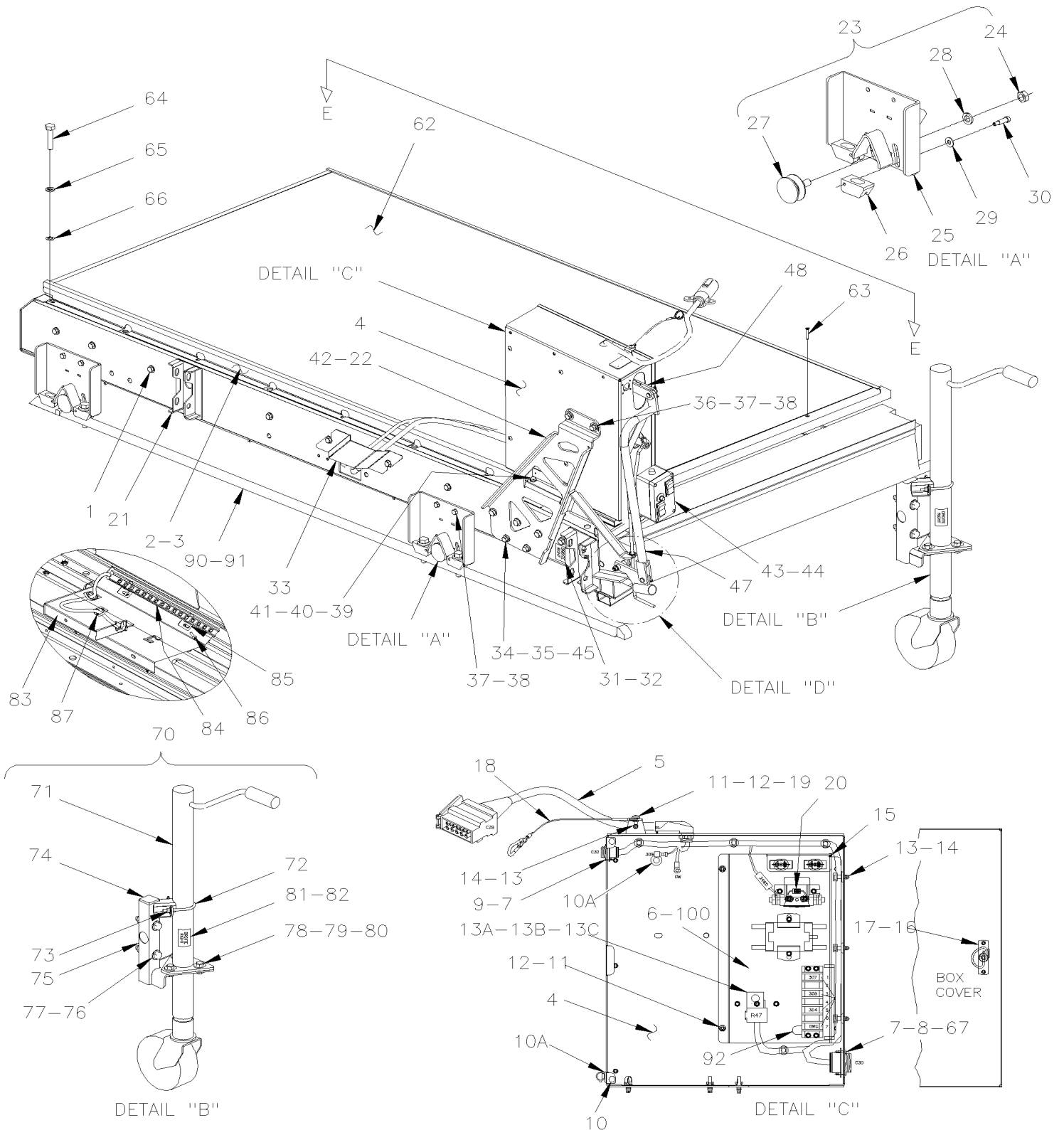
Item#	Part	Description	H 3 4 1	H 3 4 5	V I P 4 5	N O T E S
83	068861	LAMP ASSY From E-2540		1		
83	068862	SUPPORT LAMP From E-2540		1		
83	500477	WASHER LO SPT .262x.489x.062 SS From E-2540		2		
83	500411	WASHER FL .260x.697x.050 SS From E-2540		2		
84	330299	LAMP ASSY 24V / BAGGAGE COMPARTMENT LAMP / LED From E-2540		1		B
. NS	561248	. CONNECTOR / UNIVERSAL MATE-N-LOK / PH 2C / AMP 1-480699-0 From E-2540		1		B
84	830008	LAMP ASSY 24V / LED		1		
. NS	561248	. CONNECTOR / UNIVERSAL MATE-N-LOK / PH 2C / AMP 1-480699-0		1		
85	330411	SUPPORT, LIGHT From E-2540		2		
86	500873	SCREW MA RND PH #8-32x3/4 SS BK From E-2540		1		
87	504637	CABLE TIE / 3/16" x 13" From E-2540		AR		
NS	068859	HARNESS WCL LAMP From E-2540		1		
NS	504013	TIE MOUNT / 1/4" X 1/4" I.D. From E-2540		AR		
NS	500554	SCREW MA RND SLT 1/4-20x1/2 SS From E-2540		AR		
NS	504637	CABLE TIE / 3/16" x 13" From E-2540		AR		
NS	564534	CABLE TIE / WITH EDGE CLIP / T50REC5A 10 MM x 200 MM From E-2540		AR		
NS	8631155	CABLE TIE / 4.6MM x 200 / CHRISTMAS TREE From E-2540		AR		
90	215857	TRACK ANGULAR ASSY W.C.L. BACKWARD		1		
91	215861	TRACK BASE W.C.L. FORWARD UNDER FLOOR		1		
100	<b>H7-2380-60</b>	<b>W.C.L. "RICON" - PUMP INSTALLATION MODEL "F9TF"</b>				
		A) DO NOT INCLUDED TRANSPORTER JACK L.H. & R.H.				
		AS) AS SHOWN				
		B) WHEN YOU REPLACE LAMP #330299 BY THE NEW LAMP #830008 YOU HAVE TO DRILL HOLE TO INSTALL IT WITH TWO SCREWS #500965				

From E-2585 To J-0184

Date:10/2022

PAGE:H7-2380-01

W.C.L. "RICON" REMOVABLE - INSTALLATION MODEL "F9TF" & "F9TH"

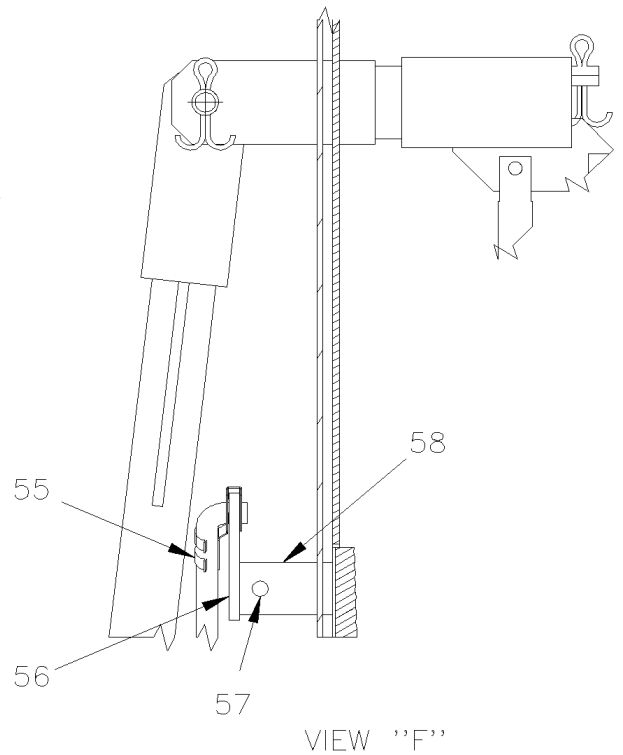
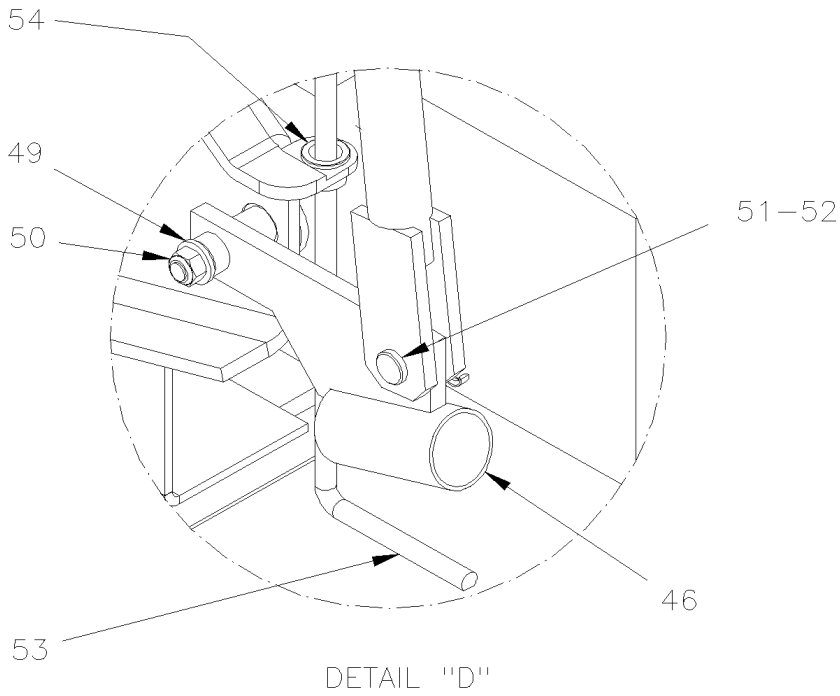
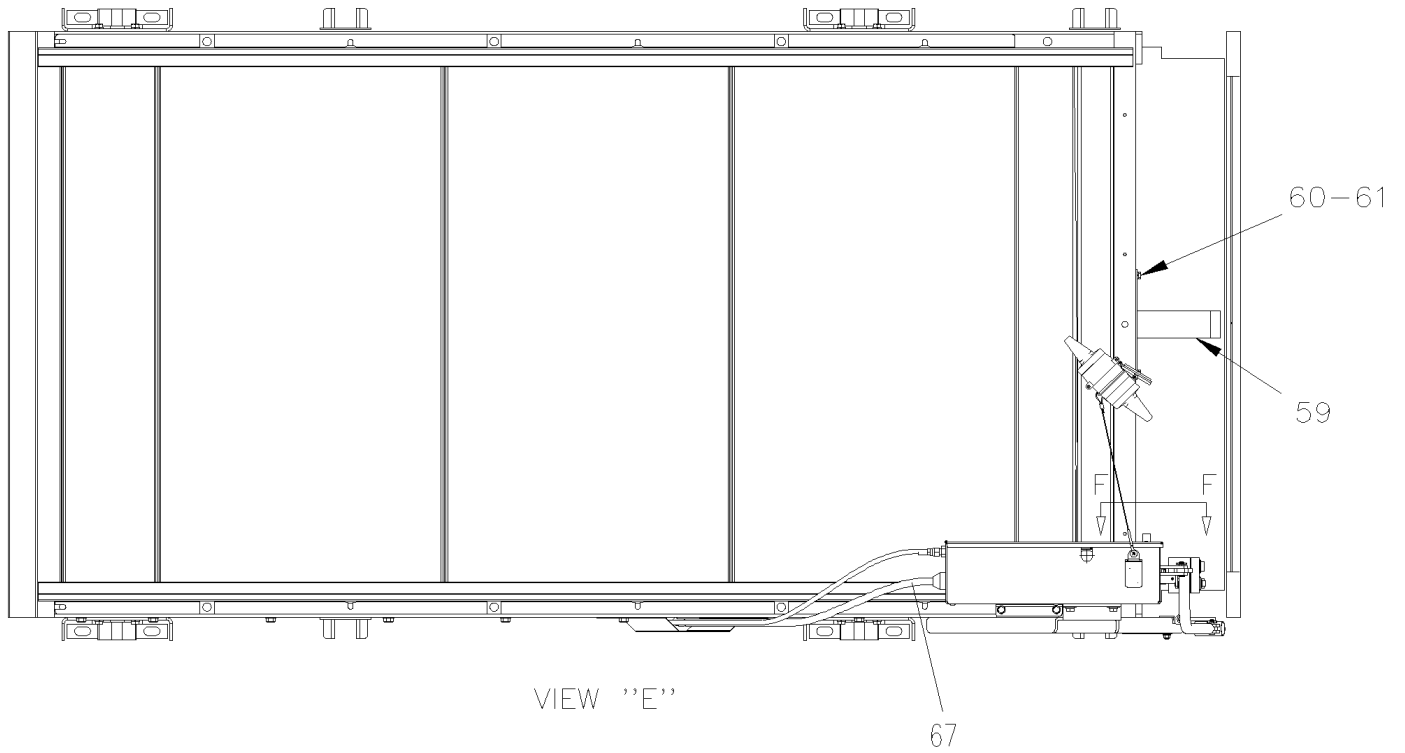


From E-2585 To J-0184

Date:10/2022

PAGE:H7-2380-01

W.C.L. "RICON" REMOVABLE - INSTALLATION MODEL "F9TF" & "F9TH"



From E-2585 To J-0184	Date:10/2022	PAGE:H7-2380-01
<b>W.C.L. "RICON" REMOVABLE - INSTALLATION MODEL "F9TF" &amp; "F9TH"</b>		

Item#	Part	Description	H 3 4 1	H 3 4 5	V I P 4 5	N O T E S
	490891P	REMOVABLE W.C.L. COMPLETE ASSY W/ PUMP BOX ASSY / "F9TF"	1	1		A
1	<b>H7-2380-05</b>	<b>W.C.L. "RICON" REMOVABLE MODEL "F9TF"</b>				
2	490971	SLIDING TRACK REMOVABLE R.H.	1	1		
3	490990	SLIDING TRACK REMOVABLE L.H.	1	1		
4	491017P	BOX ASSY W/POWER PLATE	1	1		
4	364074	. BOX ASSY	1	1		
5	068938	. CABLE ASSY / POWER / W.C.L. "RICON"	1	1		
6	563370	. POWER PLATE ASSY "RICON"	1	1		
7	5001454	. SCREW MA BDG PH #4-40x1/2 SS	8	8		
8	561823	. NUT, RING #23 / 1.812" I.D. W/4 4-40	1	1		
9	561820	. NUT, RING #13 / 1.125" I.D. W/4 4-40	1	1		
10	504498	. BUMPER PLUG / .406ODx.218THx.250HOLEx.125	2	2		
10A	504323	. GROMMET / .375x.500x.062x.281x.687	2	2		
11	5001180	. NUT HEX NYRT #10-24 SS	5	5		
12	5001241	. SCREW MA TR PH #10-24x1/2 SS	5	5		
13	509815	. TIE MOUNT / ATTACHMENT W/TREE MOUNT	AR	AR		
13A	563332	. RELAY 24V S.P.D.T. W/RESISTOR / "VOLVO" (20374662)	1	1		
13B	500416	. SCREW MA PAN PH #10-32x1/2 BK	2	2		
13C	500914	. WASHER LO SPT .193x.334x.047 N500	2	2		
14	504637	. CABLE TIE / 3/16" x 13"	11	11		
15	506025	. RUBBER CHANNEL / 1/18" x 5/16" INT "U" SHAPE / SQUARE C.T.L.	AR	AR		
NS	680066	. ADHESIVE / ADBOND #5014 / 23.6ML BOTTLE	AR	AR		
16	504340	. RIVET POP DOME OE 1/8x3/16 SS	2	2		
17	504203	. SPRING LATCH / KNURLED STEEL KNOB	1	1		
18	364072P	. CABLE RETAINING ASSY	1	1		
18	283069	. . CABLE 1/16 DIA. / 565MM LG	1	1		
18	780341	. . SLEEVE / TO HOLDING CABLE 1/16OD SS	1	1		
18	504723	. . SPRING HOOK	1	1		
19	500964	. WASHER FL .203x.500x.047 Z050	1	1		
20	064792	. DIODE ASSY	1	1		
. NS	561740	. . DIODE / 3AMPS	1	1		
. NS	560082	. . RING TERMINAL #10 / 16-14 / INSULATED / AMP 626033-2	1	1		
. NS	560815	. . RING TERMINAL #10 / 22-18 / INSULATED / AMP 42037-2	1	1		
. NS	562499	. . SHRINK TUBING / .250" - .125" / CLEAR / ALPHA FIT 221-1/4	AR	AR		
21	491009	. ATTACHMENT ASSY	4	4		
22	491482	SUPPORT PUMP ASSY	1	1		
23	491228	CARRIER ASSY / W/WHEEL To F-2966	4	4		
23	491251	CARRIER ASSY / W/WHEEL From F-2967	4	4		
25	491229	. PLATE SUPPORT ASSY W/AXLE SHAFT To F-2966	1	1		
25	491252	. PLATE SUPPORT ASSY W/AXLE SHAFT From F-2967	1	1		
26	491232	. CALIPER	1	1		
27	491233	. WHEEL / W/"V" GROOVE USE W/AXLE SHAFT RIV	1	1		

<b>From E-2585 To J-0184</b>	<b>Date:10/2022</b>	<b>PAGE:H7-2380-01</b>
<b>W.C.L. "RICON" REMOVABLE - INSTALLATION MODEL "F9TF" &amp; "F9TH"</b>		

Item#	Part	Description	H 3 4 1	H 3 4 5	V I P 4 5	N O T E S
NS	685888	. LUBRICANT LPS MAGNUM(AEROSOL)	AR	AR		
28	500270	. WASHER FL .406x1.000x.063 SS	1	1		
31	491002	DECAL / GAUCHE / LEFT / ENGLISH & FRANCAIS	1	1		
31	491056	DECAL / LEFT IZQUIERDA / ENGLISH & SPANISH	1	1		
32	491001	DECAL / DROIT / RIGHT / ENGLISH & FRANCAIS	1	1		
32	491055	DECAL / RIGHT DERECHA / ENGLISH & SPANISH	1	1		
33	491013	PLATE PROTECTOR	1	1		
34	5001747	SCREW CAP HEX 5/16-18x1 G5 N500	10	10		
35	500942	WASHER LO SPT 8.1x14.8x2.0 N500	10	10		
36	500347	SCREW CAP HEX 5/16-18x1 1/4 SS	2	2		
37	5001448	WASHER FL .343x.875x.062 SS18-8	2	2		
38	500035	WASHER LO SPT .317x.586x.078 SS	2	2		
39	5001746	SCREW CAP HEX 1/4-20x3/4 G5 N500	AR	AR		
40	500877	WASHER FL .250x.562x.065 N500	2	2		
41	502872	RIVET POP CK OE 1/8x3/16 SS	10	10		
42	364031	SPACER	2	2		
43	364381P	REMOTE SUPPORT WCL ASSY To H-3998	1	1		
44	900859	BRACKET, MOUNTING / MICROPHONE	1	1		
44	504339	RIVET POP DOME OE 1/8x3/8 SS	2	2		
45	502638	WASHER FL .312x.734x.065 N500		2		
46	491483	PIVOT ASSY	1	1		
47	491087	ARM ASSY	1	1		
48	491083	TUBE ASSY	1	1		
49	500877	WASHER FL .250x.562x.065 N500	1	1		
50	502681	NUT HEX NYRT M6-1.0 N500 G8	1	1		
51	502024	PIN, CLEVIS 5/16 x 13/16 BZC	2	2		
52	502102	PIN, COTTER 1/8 x 1	3	3		
53	491487	ROD	1	1		
54	504226	SNAP BUSHING / .391x.578x.406	1	1		
55	504541	CLIP ROD 1/4" R.H.	1	1		
56	491100	PIVOT	1	1		
57	505420	SPRING, PIN M4.5 x 20	1	1		
58	491101	UNION	1	1		
59	491489	GUIDE	1	1		
60	502772	SCREW CAP HEX 1/4-20x1/2 G5 N500	2	2		
61	502853	WASHER LO SPT 6.1x11.8x1.6 N500	2	2		
62	484144	PANEL FIBERGLASS / OVER W.C.L. "RICON" / 1000MM X 1940MM	1	1		
63	502903	SCREW TC FL PH #10-24x1 1/4 N500	2	2		
63	5001869	WASHER FL .343x.750x.12 SS	2	2		
64	5001538	SCREW CAP HEXF SERR M12-1.75x50 G500	8	8		
65	500944	WASHER LO SPT .506x.873x.125 N500	8	8		
66	5001568	NUT PUSH RND M12 ZP	8	8		



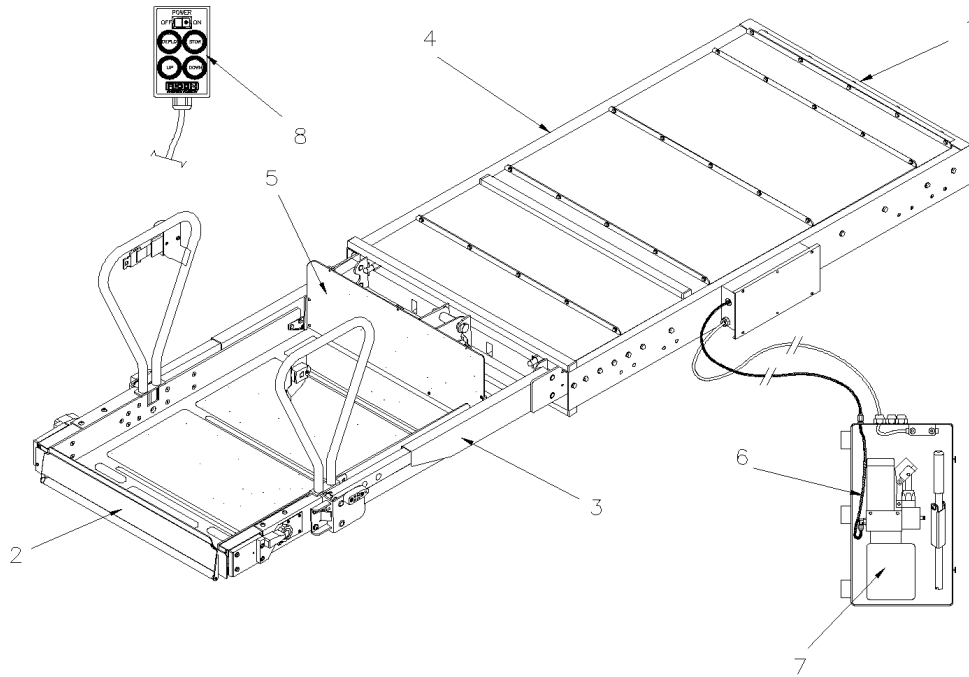
From E-2585 To J-0184	Date:10/2022	PAGE:H7-2380-01
<b>W.C.L. "RICON" REMOVABLE - INSTALLATION MODEL "F9TF" &amp; "F9TH"</b>		

Item#	Part	Description	H 3 4 1	H 3 4 5	V I P 4 5	N O T E S
67	864071	HARNESS, ELECTRICAL, MAIN, W/HYDRAULIC LINE	1	1		
70	490988P	TRANSPORTER JACK ASSY L.H.	2	2		
70	490989P	TRANSPORTER JACK ASSY R.H.	2	2		
71	990416	. JACK	1	1		
72	503399	. U-CLAMP / 2" I.D. X 1/4-20	1	1		
73	500769	. NUT HEX 1/4-20 Z050	2	2		
73	502638	. WASHER FL .312x.734x.065 N500	2	2		
73	500473	. WASHER LO SPT .262x.489x.062 Z050	2	2		
74	508394	. GLIDE SQUARE END 1.5 X 1.5 TUBE 14GA / P	1	1		
75	490981	. SUPPORT JACK L.H.	1	1		
75	490982	. SUPPORT JACK R.H.	1	1		
76	5001862	. SCREW CAP HEX M12-1.75x70 G10.9 N500	2	2		
77	5001757	. NUT HEX M12-1.75 N500	2	2		
77	500958	. WASHER FL .531x1.062x.095 SS	4	4		
78	502804	. SCREW CAP HEX M10-1.5x25 G8.8 N500	3	3		
79	502644	. WASHER FL 10.5x30.0x2.5 Z050	3	3		
80	500680	. NUT HEX STO M10-1.5 Z050	3	3		
81	491002	. DECAL / GAUCHE / LEFT / ENGLISH & FRANCAIS	1	1		
81	491056	. DECAL / LEFT IZQUIERDA / ENGLISH & SPANISH	1	1		
82	491001	. DECAL / DROIT / RIGHT / ENGLISH & FRANCAIS	1	1		
82	491055	. DECAL / RIGHT DERECHA / ENGLISH & SPANISH	1	1		
83	068861	LAMP ASSY	1	1		
83	068862	. SUPPORT LAMP To H-3790	1	1		
83	060781	. SUPPORT LAMP From H-3791	1	1		
84	330299	. LAMP ASSY 24V / BAGGAGE COMPARTMENT LAMP / LED To H-3790	1	1		B
. NS	561248	. . CONNECTOR / UNIVERSAL MATE-N-LOK / PH 2C / AMP 1-480699-0 To H-3790	1	1		B
84	830008	. LAMP ASSY 24V / LED From H-3791	1	1		
. NS	561248	. . CONNECTOR / UNIVERSAL MATE-N-LOK / PH 2C / AMP 1-480699-0 From H-3791	1	1		
85	330411	. SUPPORT, LIGHT To H-3790	2	2		
86	500873	. SCREW MA RND PH #8-32x3/4 SS BK To H-3790	2	2		
86	500965	. SCREW TC BDG PH #8-32x1/2 N500 From H-3791	2	2		
87	504637	. CABLE TIE / 3/16" x 13"	AR	AR		
NS	504273	. CABLE TIE / 1/8" X 3"1/2	AR	AR		
NS	068859	HARNESS WCL LAMP	1	1		
NS	504013	TIE MOUNT / 1/4" X 1/4" I.D.	AR	AR		
NS	500554	SCREW MA RND SLT 1/4-20x1/2 SS	AR	AR		
NS	504637	CABLE TIE / 3/16" x 13"	AR	AR		
NS	564534	CABLE TIE / WITH EDGE CLIP / T50REC5A 10 MM x 200 MM	AR	AR		
88	8631155	CABLE TIE / 4.6MM x 200 / CHRISMAS TREE	AR	AR		
90	215857	TRACK ANGULAR ASSY W.C.L. BACKWARD	1	1		

From E-2585 To J-0184	Date:10/2022	PAGE:H7-2380-01
<b>W.C.L. "RICON" REMOVABLE - INSTALLATION MODEL "F9TF" &amp; "F9TH"</b>		

Item#	Part	Description	H 3 4 1	H 3 4 5	V I P 4 5	N O T E S
91	215861	TRACK BASE W.C.L. FORWARD UNDER FLOOR	1	1		
92	069065	JUMPER, WCL LIGHTING	1	1		
100	<b>H7-2380-60</b>	<b>W.C.L. "RICON" - PUMP INSTALLATION MODEL "F9TF"</b>				
		A) DO NOT INCLUDED TRANSPORTER JACK L.H. & R.H.				
		B) WHEN YOU REPLACE LAMP #330299 BY THE NEW LAMP #830008 YOU HAVE TO DRILL HOLE TO INSTALL IT WITH TWO SCREWS #500965				

W.C.L. "RICON" REMOVABLE MODEL "F9TF"



**DECALS AFFIXED TO VEHICLE**

LIFT OPERATING INSTRUCTIONS, ENTRY AND EXIT  
ENTRY-32159, EXIT-32160

LIFT OPERATING INSTRUCTIONS, ENTRY AND EXIT, FOR LIFTS WITH A STOP AT INTERMEDIATE HEIGHT  
ENTRY-32154, EXIT-32155

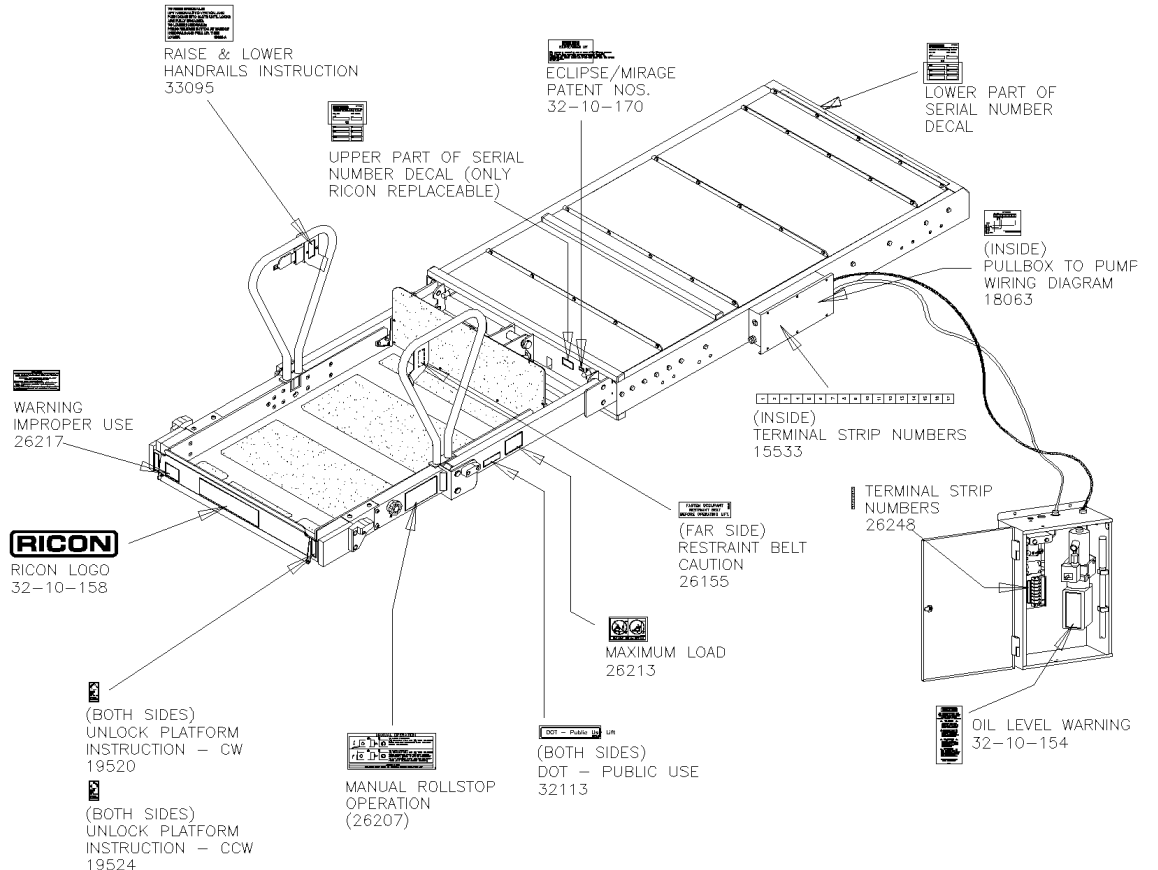
NO PARKING (26119)

MANUAL OPERATING INSTRUCTIONS (19551)

MANUAL OPERATING INSTRUCTIONS - ENGLISH-FRENCH (29254)

PLATFORM STOW HEIGHT (19550)

TWS WARNING (31997)



From 7-0671 To E-2584	Date:10/2022	PAGE:H7-2380-05
<b>W.C.L. "RICON" REMOVABLE MODEL "F9TF"</b>		

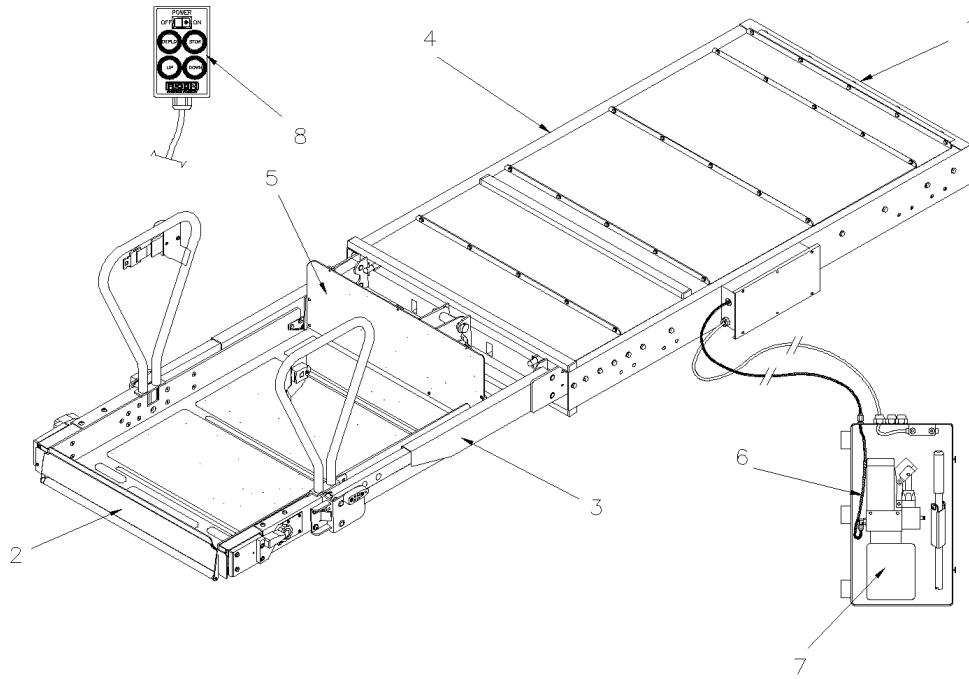
Item#	Part	Description	H 3 4 1	H 3 4 5	V I P 4 5	N O T E S
	862662	W.C.L. "RICON" - F9TF-DE004 To D-2157		1		
	864809	W.C.L. "RICON" - F9TF-DE022 From D-2158		1		
1	H7-2380-10	. W.C.L. "RICON" - LIFT ENCLOSURE ASSY MODEL "F9TF"				
2	H7-2380-20	. W.C.L. "RICON" - PLATFORM ASSY MODEL "F9TF"				
3	H7-2380-30	. W.C.L. "RICON" - TRAVELING FRAME ASSY MODEL "F9TF"				
4	H7-2380-40	. W.C.L. "RICON" - CARRIAGE ASSY MODEL "F9TF"				
5	H7-2380-50	. W.C.L. "RICON" - BRIDGE PLATE ASSY MODEL "F9TF"				
6	H7-2380-60	. W.C.L. "RICON" - PUMP INSTALLATION MODEL "F9TF"				
7	H7-2380-65	. . W.C.L. "RICON" - PUMP ASSY MODEL "F9TF"				
8	862986	PENDANT, W/COILED CORD		1		
8	862987	HARNESS PENDANT EXTENSION, PULLBOX TO PENDANT		1		
8	862988	HARNESS, TWS INTERFACE, W/PCB		1		
NS	862989	CYCLE COUNTER		1		
NS	864191	DVD "SAFETY RECALL "RICON" W.C.L.		1		
NS	864173	DECAL "FASTEN BELT" WCL		1		
NS	864194	DECAL "ATTACHEZ LA CEINTURE" WCL		1		
NS	19514002	ROLLSTOP ADJ. TOOL		1		
NS	19514003	BRIDGEPLATE HGT GAUGE TOOL		1		

From E-2585 To J-0184

Date:10/2022

PAGE:H7-2380-06

## W.C.L. "RICON" REMOVABLE MODEL "F9TF"



**DECALS AFFIXED TO VEHICLE**

LIFT OPERATING INSTRUCTIONS, ENTRY-32159, EXIT-32160

LIFT OPERATING INSTRUCTIONS, ENTRY AND EXIT, FOR LIFTS WITH A STOP AT INTERMEDIATE HEIGHT ENTRY-32154, EXIT-32155

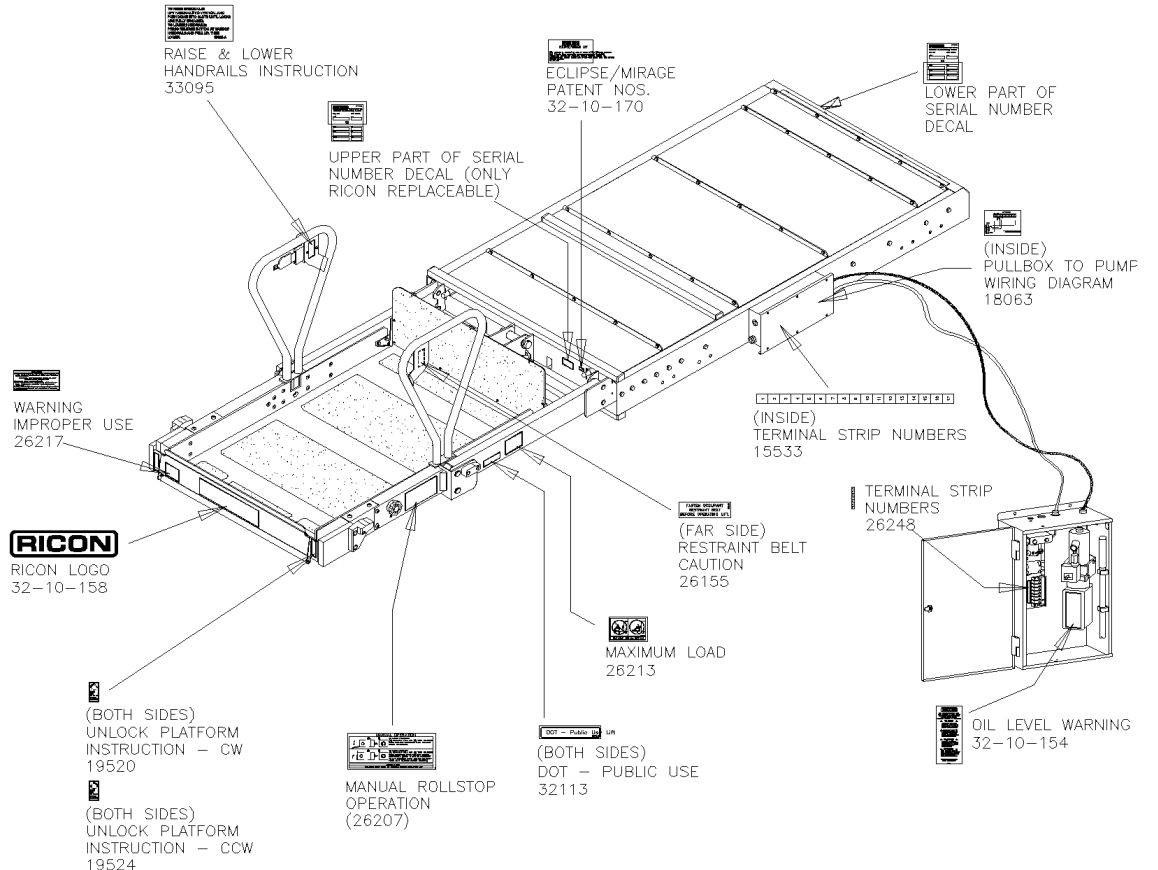
NO PARKING (26119)

MANUAL OPERATING INSTRUCTIONS (19551)

MANUAL OPERATING INSTRUCTIONS - ENGLISH-FRENCH (29254)

PLATFORM STOW HEIGHT (19550)

TWS WARNING (31997)



From E-2585 To J-0184	Date:10/2022	PAGE:H7-2380-06
<b>W.C.L. "RICON" REMOVABLE MODEL "F9TF"</b>		

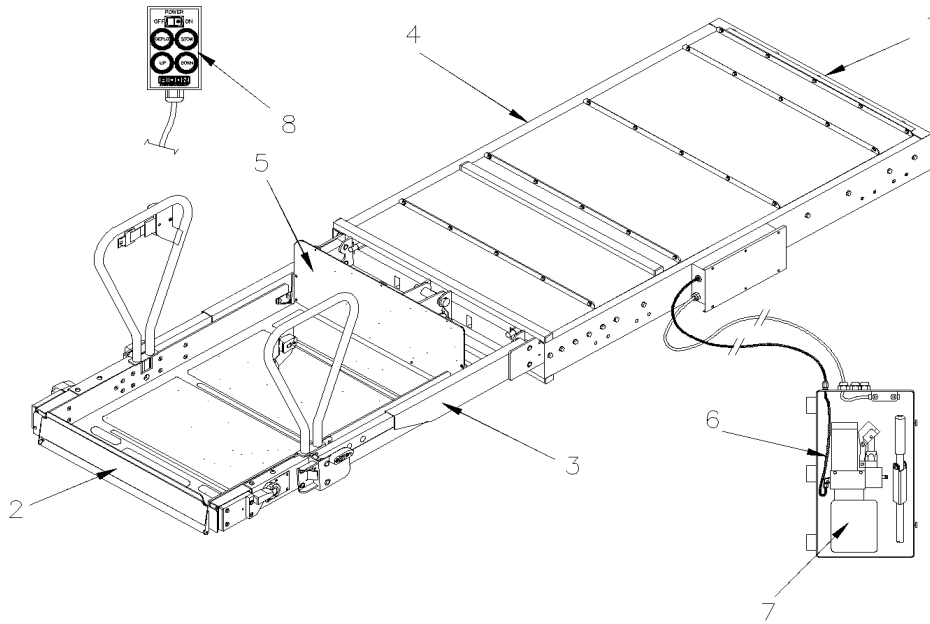
Item#	Part	Description	H 3 4 1	H 3 4 5	V I P 4 5	N O T E S
	864809	W.C.L. "RICON" - F9TF-DE022	1	1		
	864798	W.C.L. "RICON" - F9TF-DE019 OPTION To H-3598	1	1		A
	860069	W.C.L. "RICON" - F9TF-DE033 OPTION From H-3599	1	1		A
1	<b>H7-2380-11</b>	<b>. W.C.L. "RICON" - LIFT ENCLOSURE ASSY MODEL "F9TF"</b>				
2	<b>H7-2380-21</b>	<b>. W.C.L. "RICON" - PLATFORM ASSY MODEL "F9TF"</b>				
3	<b>H7-2380-31</b>	<b>. W.C.L. "RICON" - TRAVELING FRAME ASSY MODEL "F9TF"</b>				
4	<b>H7-2380-41</b>	<b>. W.C.L. "RICON" - CARRIAGE ASSY MODEL "F9TF"</b>				
5	<b>H7-2380-51</b>	<b>. W.C.L. "RICON" - BRIDGE PLATE ASSY MODEL "F9TF"</b>				
6	<b>H7-2380-61</b>	<b>. W.C.L. "RICON" - PUMP INSTALLATION MODEL "F9TF"</b>				
7	<b>H7-2380-66</b>	<b>. . W.C.L. "RICON" - PUMP ASSY MODEL "F9TF"</b>				
8	862986	PENDANT, W/COILED CORD	1	1		
8	862987	HARNESS PENDANT EXTENSION, PULLBOX TO PENDANT	1	1		
8	862988	HARNESS, TWS INTERFACE, W/PCB	1	1		
NS	862989	CYCLE COUNTER	1	1		
NS	864191	DVD "SAFETY RECALL "RICON" W.C.L.	1	1		
NS	864173	DECAL "FASTEN BELT" WCL	1	1		
NS	864194	DECAL "ATTACHEZ LA CEINTURE" WCL	1	1		
NS	19514002	ROLLSTOP ADJ. TOOL	1	1		
NS	19514003	BRIDGEPLATE HGT GAUGE TOOL	1	1		
		A) THIS WHEEL CHAIR LIFT HAVE A SENSOR FULLY OPEN DOOR				

From J-0086 To J-0184

Date:10/2022

PAGE:H7-2380-07

## W.C.L. "RICON" REMOVABLE MODEL "F9TH"



**DECALS AFFIXED TO VEHICLE**

- LIFT OPERATING INSTRUCTIONS, ENTRY AND EXIT ENTRY-32159, EXIT-32160
- LIFT OPERATING INSTRUCTIONS, ENTRY AND EXIT, FOR LIFTS WITH A STOP AT INTERMEDIATE HEIGHT ENTRY-32154, EXIT-32155
- NO PARKING (26119)
- MANUAL OPERATING INSTRUCTIONS (19551)
- MANUAL OPERATING INSTRUCTIONS - ENGLISH-FRENCH (29254)
- PLATFORM STOW HEIGHT (19550)
- TWS WARNING (31997)

- RAISE & LOWER HANDRAILS INSTRUCTION 33095
- ECLIPSE/MIRAGE PATENT NOS. 32-10-170
- LOWER PART OF SERIAL NUMBER DECAL
- UPPER PART OF SERIAL NUMBER DECAL (ONLY RICON REPLACEABLE)
- (INSIDE) PULLBOX TO PUMP WIRING DIAGRAM 18063
- (INSIDE) TERMINAL STRIP NUMBERS 15533
- WARNING IMPROPER USE 61318
- RICON LOGO 32-10-158
- (FAR SIDE) RESTRAINT BELT CAUTION 26155
- MAXIMUM LOAD 60197
- TERMINAL STRIP NUMBERS 26248
- OIL LEVEL WARNING 32-10-154
- (BOTH SIDES) UNLOCK PLATFORM INSTRUCTION - CW 19520
- MANUAL ROLLSTOP OPERATION (26207)
- (BOTH SIDES) UNLOCK PLATFORM INSTRUCTION - CCW 19524
- (DOT - Public Use) DOT - PUBLIC USE 32113

From J-0086 To J-0184	Date:10/2022	PAGE:H7-2380-07
<b>W.C.L. "RICON" REMOVABLE MODEL "F9TH"</b>		

Item#	Part	Description	H 3 4 1	H 3 4 5	V I P 4 5	N O T E S
	860117	W.C.L. "RICON" - F9TH-DE038	1	1		
	491651	DECAL "WEELCHAIR LIFT MAX LOAD 800LBS./ 363KG"	1	1		
1	H7-2380-12	. W.C.L. "RICON" - LIFT ENCLOSURE ASSY MODEL "F9TH"				
2	H7-2380-22	. W.C.L. "RICON" - PLATFORM ASSY MODEL "F9TH"				
3	H7-2380-32	. W.C.L. "RICON" - TRAVELING FRAME ASSY MODEL "F9TH"				
4	H7-2380-42	. W.C.L. "RICON" - CARRIAGE ASSY MODEL "F9TH"				
5	H7-2380-52	. W.C.L. "RICON" - BRIDGE PLATE ASSY MODEL "F9TH"				
6	H7-2380-62	. W.C.L. "RICON" - PUMP INSTALLATION MODEL "F9TH"				
7	H7-2380-67	. . W.C.L. "RICON" - PUMP ASSY MODEL "F9TH"				
8	862986	PENDANT, W/COILED CORD	1	1		
8	865106	PENDANT, W/COILED CORD / WATERPROOTF	1	1		
NS	509815	TIE MOUNT / ATTACHMENT W/TREE MOUNT	1	1		
NS	504637	CABLE TIE / 3/16" x 13"	1	1		
8	862987	HARNESS PENDANT EXTENSION, PULLBOX TO PENDANT	1	1		
8	862988	HARNESS, TWS INTERFACE, W/PCB	1	1		
NS	862989	CYCLE COUNTER	1	1		
NS	19514002	ROLLSTOP ADJ. TOOL	1	1		
NS	19514003	BRIDGEPLATE HGT GAUGE TOOL	1	1		

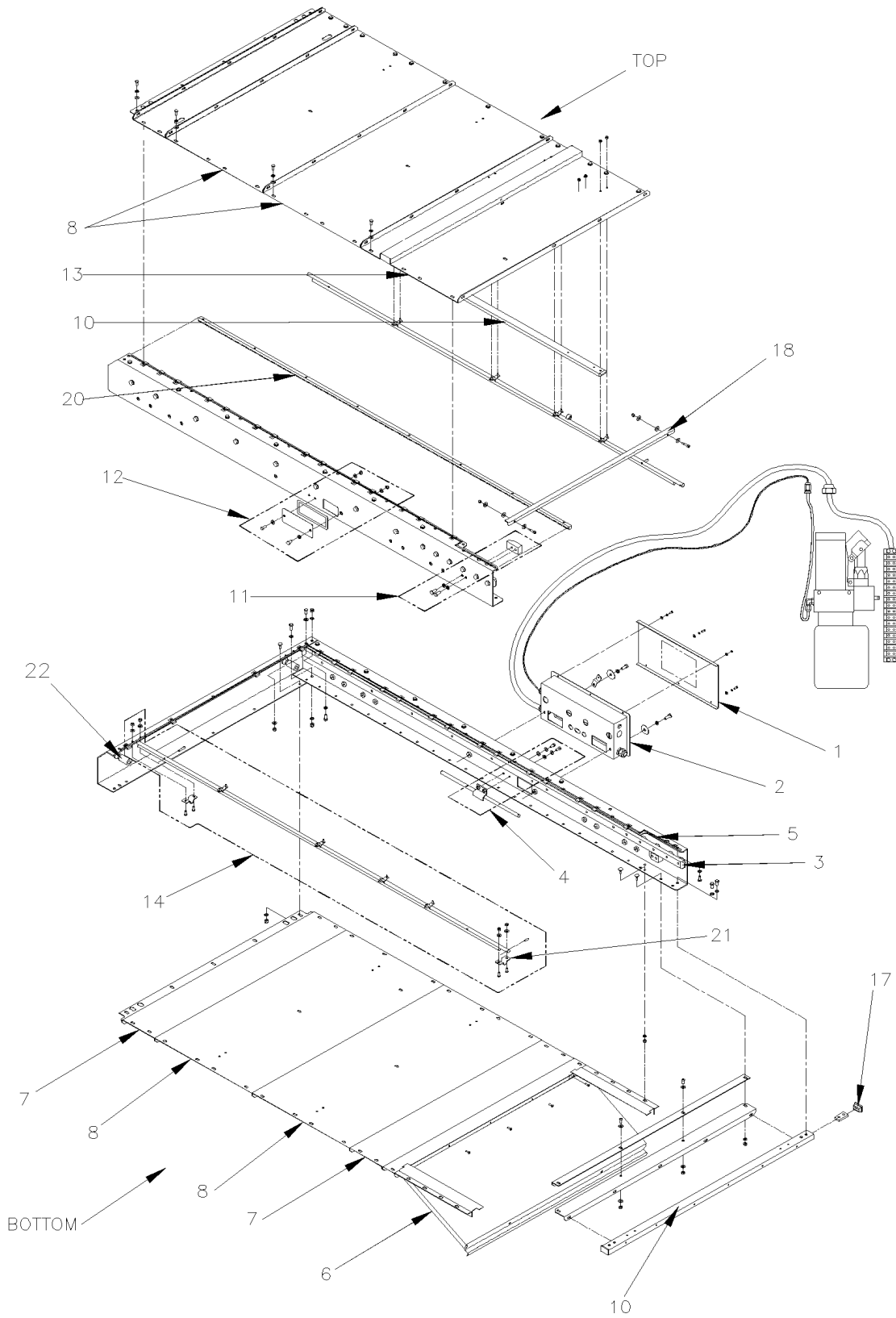


From 7-0671 To E-2584

Date:10/2022

PAGE:H7-2380-10

## W.C.L. "RICON" - LIFT ENCLOSURE ASSY MODEL "F9TF"

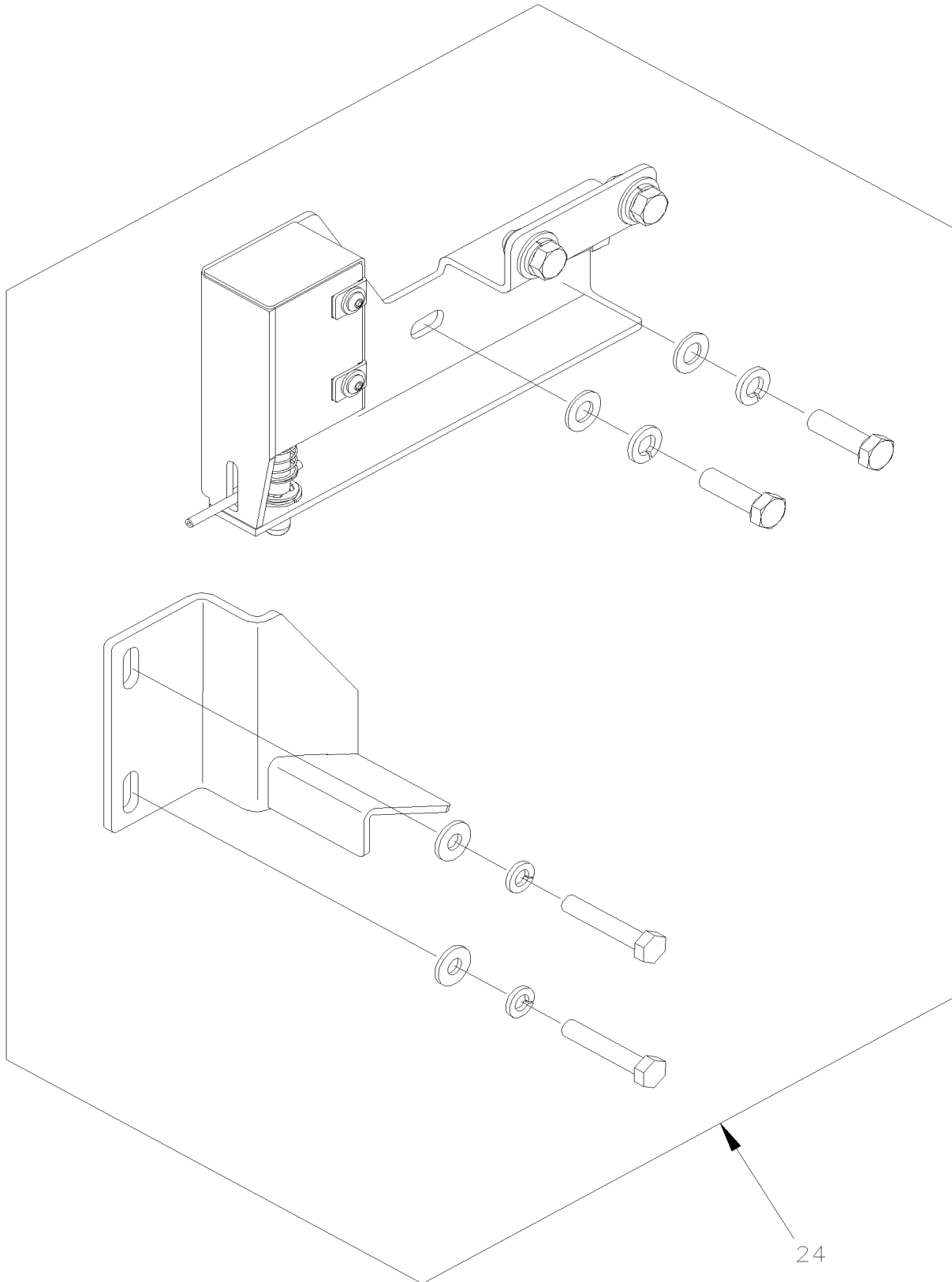


From 7-0671 To E-2584

Date:10/2022

PAGE:H7-2380-10

W.C.L. "RICON" - LIFT ENCLOSURE ASSY MODEL "F9TF"



24

From 7-0671 To E-2584	Date:10/2022	PAGE:H7-2380-10
<b>W.C.L. "RICON" - LIFT ENCLOSURE ASSY MODEL "F9TF"</b>		

Item#	Part	Description	H 3 4 1	H 3 4 5	V I P 4 5	N O T E S
1	862991	KIT, PULLBOX COVER		1		
2	862992	PULLBOX ASSY		1		
3	862999	RAIL, CARRIAGE GUIDE		2		
4	862994	KIT, HOSE CLAMP		1		
5	19509886	WEATHERSTRIP		1		
6	862995	KIT, SERVICE ACCESS PANEL		1		
7	19509867	KIT, ENCLOSURE COVER, 6.6" W/HDWR		2		
8	862997	KIT, ENCLOSURE COVER, 19.98"		4		
10	862998	TUBE, FORWARD CROSSMEMBER		1		
11	863000	KIT, STOP BLOCK		2		
12	863001	KIT, BLOCK-OFF PLATE		1		
13	863002	KIT, ENCLOSURE COVER, LINKAGE		1		
14	863003	KIT, PLATFORM RELEASE SHAFT / LH		2		
17	863004	PLUG, RECTANGULAR, 1.0 X 1.5, NYLON, BLACK		4		
18	868231	TIE BAR, PLATFORM RELEASE SHAFTS		1		
20	863006	GEAR RACK		2		
21	863007	BRACKET, PLATFORM RELEASE SHAFT		4		
22	863008	BUMPER, CARRIAGE STOP		2		
24	865081	KIT, STOW LOCK From D-2158		1		
24	864955	SOLENOID / STOW LOCK From D-2158		1		
24	Call order desk	BRACKET / STOW LOCK From D-2158		1		P
		P) CALL ORDER DESK FOR SPECIFIC APPLICATION (V.I.N.)				

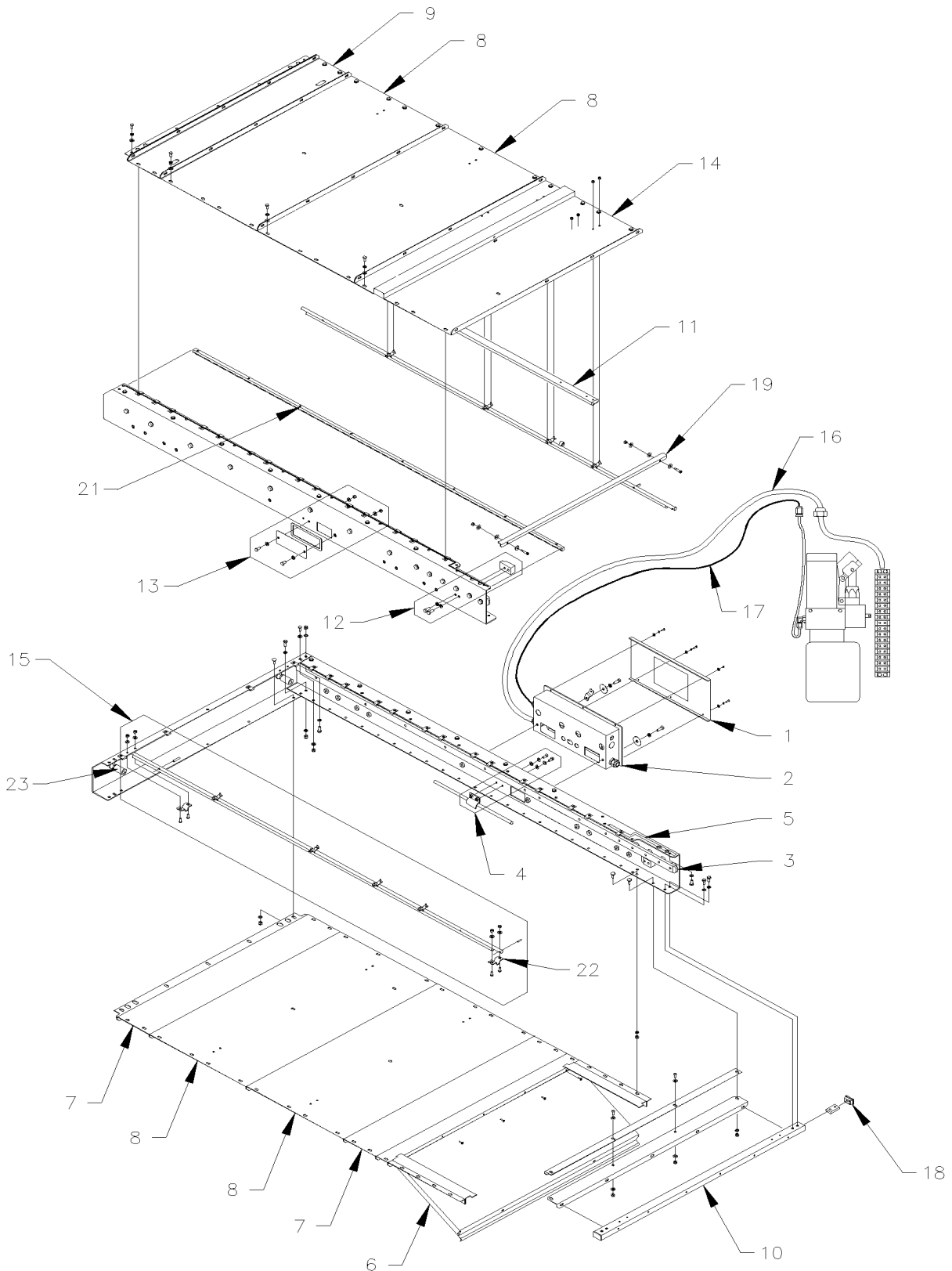


From E-2585 To J-0184

Date:10/2022

PAGE:H7-2380-11

## W.C.L. "RICON" - LIFT ENCLOSURE ASSY MODEL "F9TF"

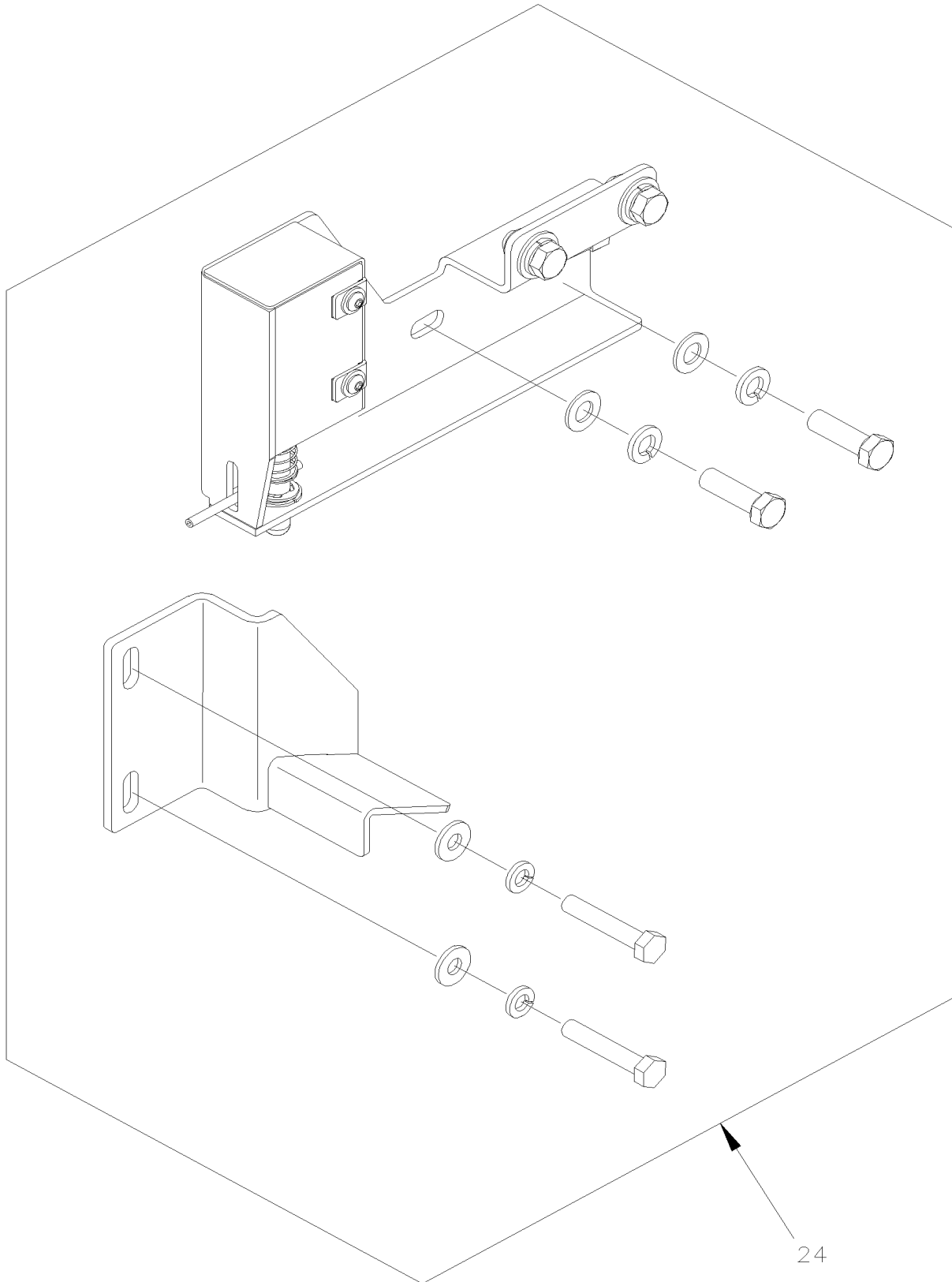


From E-2585 To J-0184

Date:10/2022

PAGE:H7-2380-11

W.C.L. "RICON" - LIFT ENCLOSURE ASSY MODEL "F9TF"



24

From E-2585 To J-0184	Date:10/2022	PAGE:H7-2380-11
<b>W.C.L. "RICON" - LIFT ENCLOSURE ASSY MODEL "F9TF"</b>		

Item#	Part	Description	H 3 4 1	H 3 4 5	V I P 4 5	N O T E S
1	862991	KIT, PULLBOX COVER	1	1		
2	862992	PULLBOX ASSY	1	1		
3	862993	RAIL, GUIDE, CARRIAGE	2	2		
4	862994	KIT, HOSE CLAMP	1	1		
5	19509886	WEATHERSTRIP	1	1		
6	862995	KIT, SERVICE ACCESS PANEL	1	1		
7	19509867	KIT, ENCLOSURE COVER, 6.6" W/HDWR	2	2		
8	862997	KIT, ENCLOSURE COVER, 19.98"	2	2		
9	19509868	KIT, ENCLOSURE COVER, 6.6" W/HDWR	1	1		
10	865636	TUBE, FORWARD CROSSMEMBER	1	1		
11	862999	RAIL, CARRIAGE GUIDE	1	1		
12	863000	KIT, STOP BLOCK	2	2		
13	863001	KIT, BLOCK-OFF PLATE	1	1		
14	863002	KIT, ENCLOSURE COVER, LINKAGE	1	1		
15	19509882	KIT, PLATFORM RELEASE SHAFT / RH	1	1		
15	863003	KIT, PLATFORM RELEASE SHAFT / LH	1	1		
16	865637	HARNESS,STOW POSITION PROGRAMMING SW	1	1		
17	863085	HOSE ASSY 13 3/4"	1	1		
18	863004	PLUG, RECTANGULAR, 1.0 X 1.5, NYLON, BLACK	4	4		
19	863005	TIE BAR, PLATFORM RELEASE SHAFTS	1	1		
21	863006	GEAR RACK	2	2		
22	863007	BRACKET, PLATFORM RELEASE SHAFT	4	4		
23	863000	KIT, STOP BLOCK	1	1		
24	865081	KIT, STOW LOCK From D-2158	1	1		
24	864955	. SOLENOID / STOW LOCK From D-2158	1	1		
24	Call order desk	. BRACKET / STOW LOCK From D-2158	1	1		P
		P) CALL ORDER DESK FOR SPECIFIC APPLICATION (V.I.N.)				



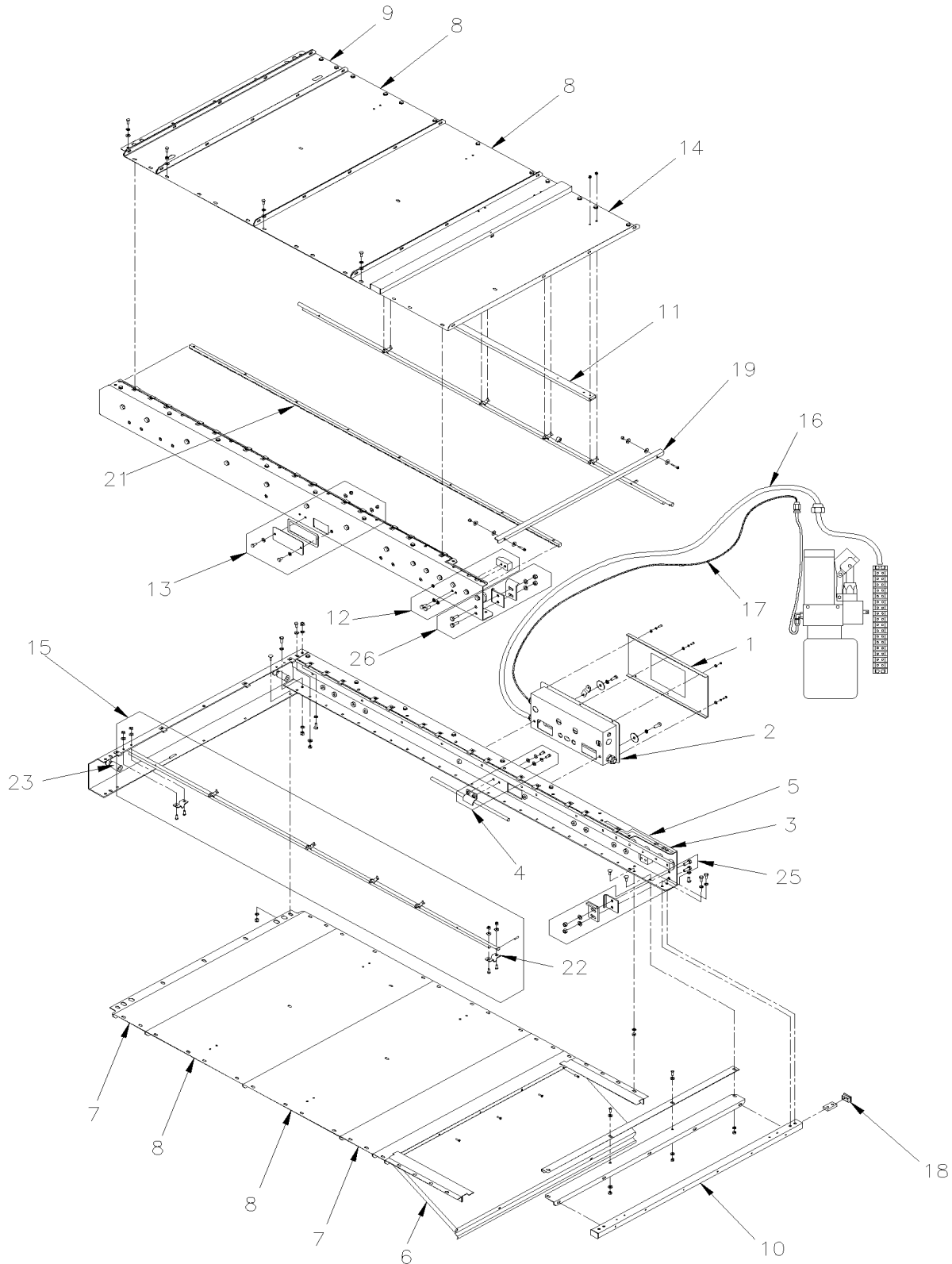


From J-0086 To J-0184

Date:10/2022

PAGE:H7-2380-12

## W.C.L. "RICON" - LIFT ENCLOSURE ASSY MODEL "F9TH"

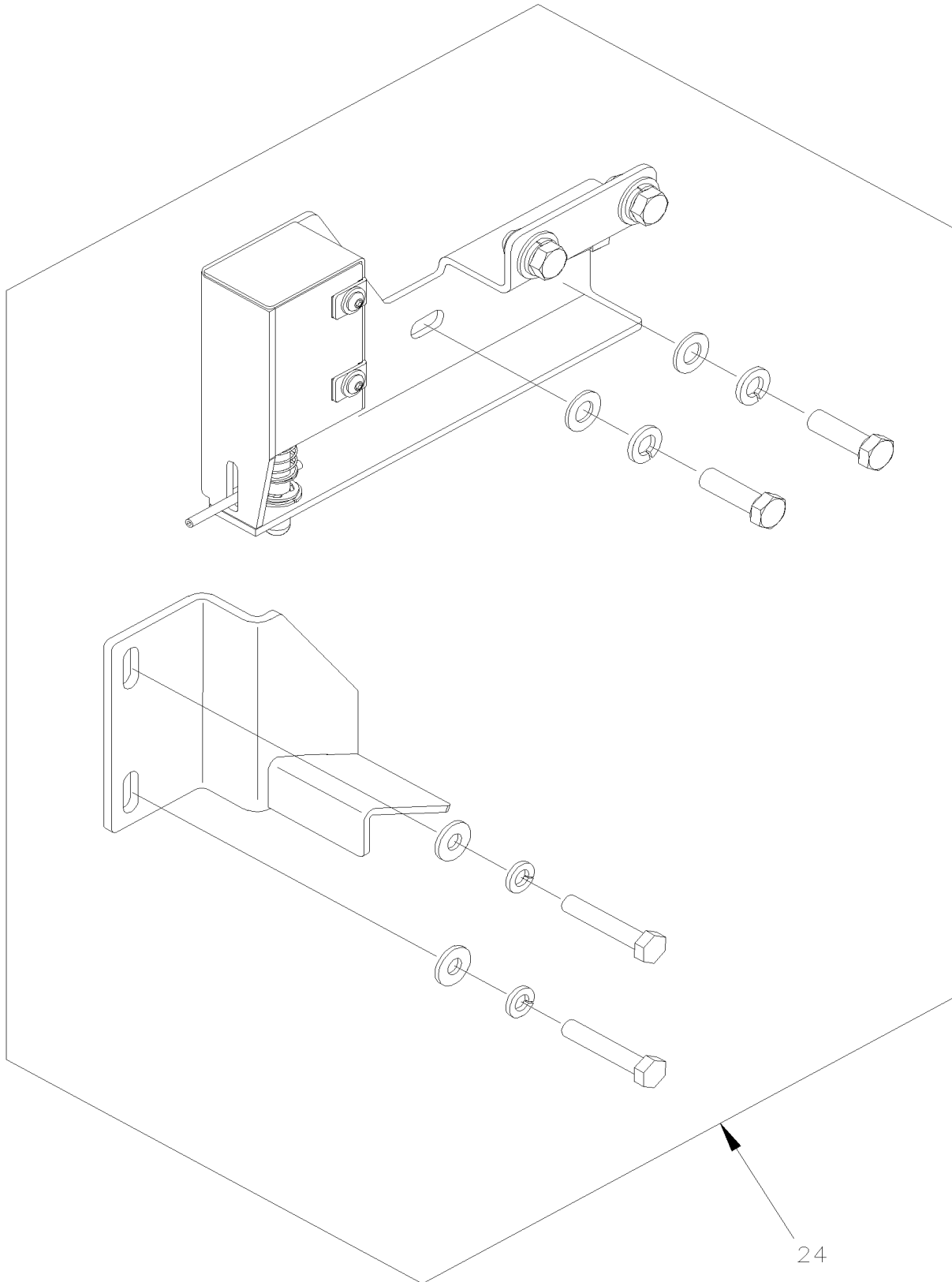


From J-0086 To J-0184

Date:10/2022

PAGE:H7-2380-12

W.C.L. "RICON" - LIFT ENCLOSURE ASSY MODEL "F9TH"



24

From J-0086 To J-0184	Date:10/2022	PAGE:H7-2380-12
<b>W.C.L. "RICON" - LIFT ENCLOSURE ASSY MODEL "F9TH"</b>		

Item#	Part	Description	H 3 4 1	H 3 4 5	V I P 4 5	N O T E S
1	862991	KIT, PULLBOX COVER	1	1		
2	862992	PULLBOX ASSY	1	1		
3	862999	RAIL, CARRIAGE GUIDE	2	2		
4	862994	KIT, HOSE CLAMP	1	1		
5	19509886	WEATHERSTRIP	1	1		
6	868223	KIT, SERVICE ACCESS PANEL	1	1		
7	868224	KIT, ENCLOSURE COVER, 6.6" W/HDWR	2	2		
8	868225	KIT, ENCLOSURE COVER, 19.98"	4	4		
9	868226	KIT, ENCLOSURE COVER, 6.6" W/HDWR	1	1		
10	868227	TUBE, FORWARD CROSSMEMBER	1	1		
11	862999	RAIL, CARRIAGE GUIDE	1	1		
12	863000	KIT, STOP BLOCK	2	2		
13	863001	KIT, BLOCK-OFF PLATE	1	1		
14	868228	KIT, ENCLOSURE COVER, LINKAGE	1	1		
15	863003	KIT, PLATFORM RELEASE SHAFT / LH	2	2		
16	868229	HARNESS, STOP POSITION PROGRAMMING SW				
17	863004	PLUG, RECTANGULAR, 1.0 X 1.5, NYLON, BLACK	4	4		
18	868230	CAP RECTANGLE / BLACK	4	4		
19	868231	TIE BAR, PLATFORM RELEASE SHAFTS	1	1		
21	863006	GEAR RACK	2	2		
22	863007	BRACKET, PLATFORM RELEASE SHAFT	4	4		
23	863008	BUMPER, CARRIAGE STOP	2	2		
24	868232	KIT, STOW LOCK	1	1		
25	868233	KIT REINFORCEMENT, ENLOCSURE RH	1	1		
26	868234	KIT REINFORCEMENT, ENLOCSURE LH	1	1		

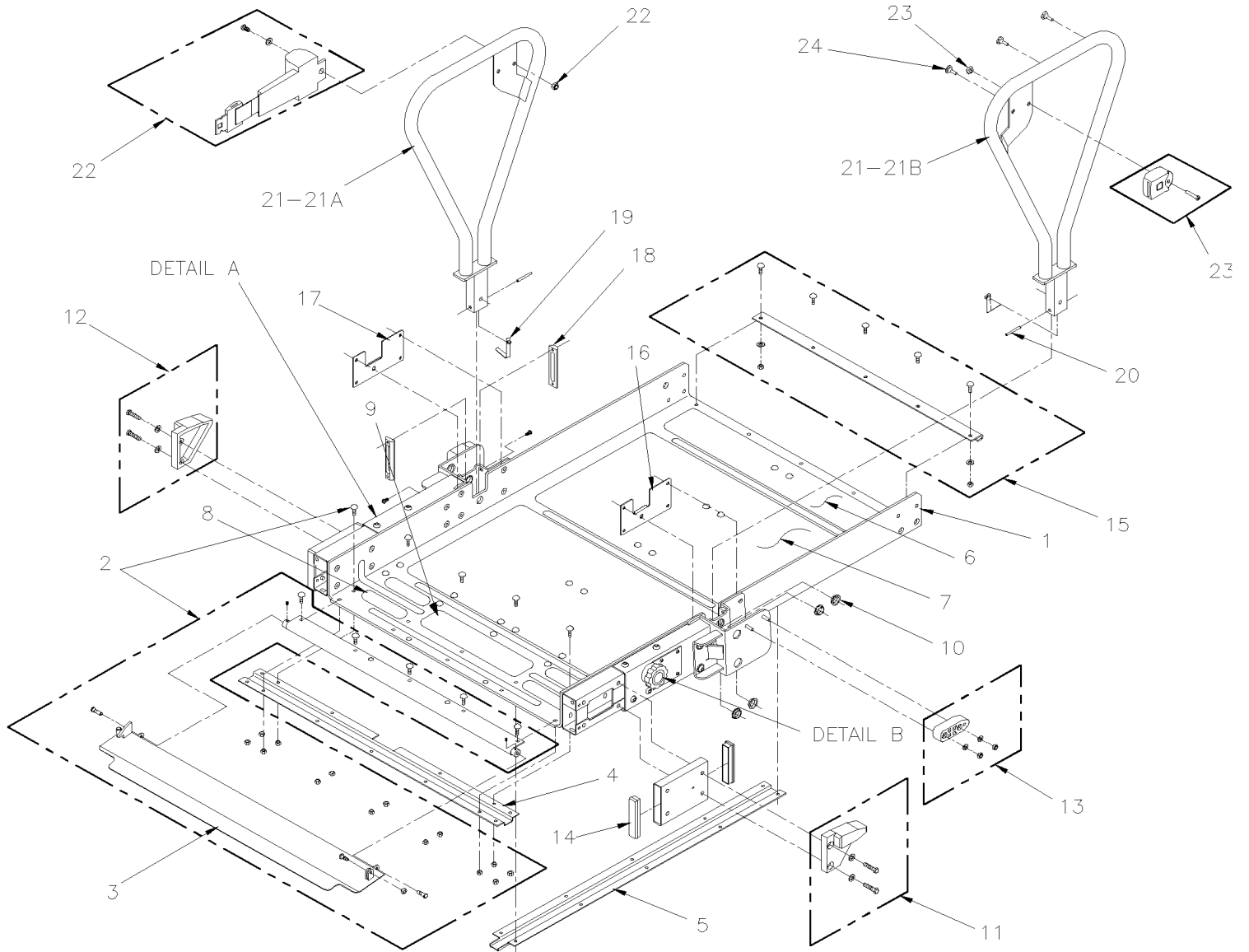


From 7-0671 To E-2584

Date:10/2022

PAGE:H7-2380-20

W.C.L. "RICON" - PLATFORM ASSY MODEL "F9TF"

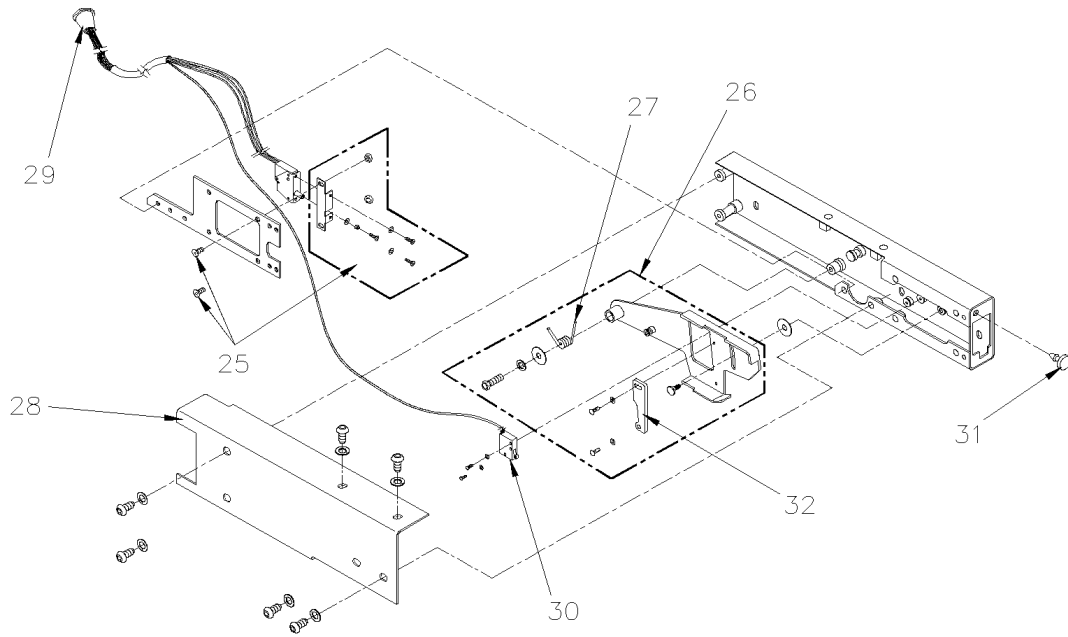


From 7-0671 To E-2584

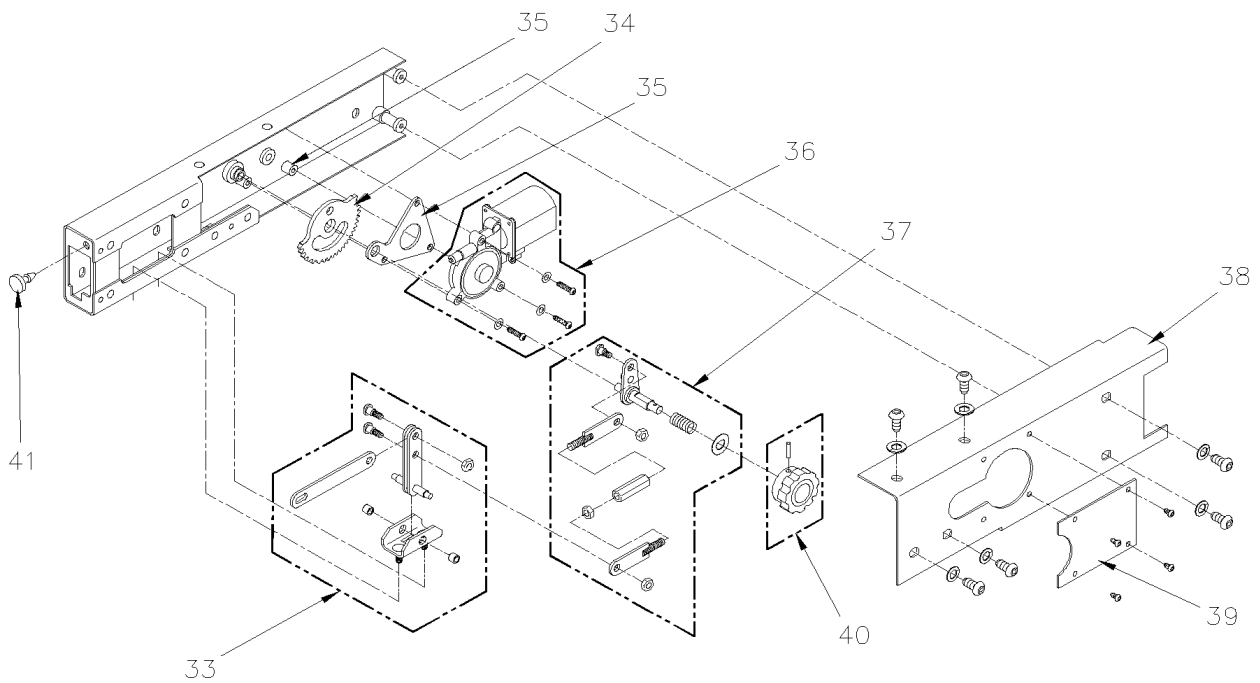
Date:10/2022

PAGE:H7-2380-20

W.C.L. "RICON" - PLATFORM ASSY MODEL "F9TF"



DETAIL A



DETAIL B

From 7-0671 To E-2584	Date:10/2022	PAGE:H7-2380-20
<b>W.C.L. "RICON" - PLATFORM ASSY MODEL "F9TF"</b>		

Item#	Part	Description	H 3 4 1	H 3 4 5	V I P 4 5	N O T E S
1	865627	PLATFORM		1		
2	863010	KIT, ROLLSTOP ASSEMBLY		1		
3	Call order desk	ROLLSTOP, PAINTED To D-2157		1		P
3	865634	ROLLSTOP, PAINTED From D-2158		1		
4	865628	STIFFENER & HARNESS CONDUIT, NOTCHED		1		
5	865629	HARNESS CONDUIT, FRONT TO REAR		1		
6	863014	SAFETREAD, 3.0 X 31.0, YELLOW		1		
7	863015	SAFETREAD, 16.0 X 31.0, GRAY		1		
8	863016	SAFETY TREAD / 12.75x3.0 / SAFETY YELLOW		1		
9	863017	SAFETY TREAD / 5.5x1.5 / SAFETY YELLOW		4		
10	863018	BEARING, FLANGED, 3/4I.D. X 1/4W		1		
11	862114	BLOCK / PLAFORM GUIDE / RH		1		
12	862115	BLOCK / PLAFORM GUIDE / LH		1		
13	863019	KIT, PLATFORM GUIDE, REAR		2		
14	863020	CAP, RECTANGULAR, SNAP-IN		4		
15	863021	KIT, STIFFENER, PLATFORM, REAR		1		
16	865630	PLATE, PIN LOCK, RH		1		
17	865631	PLATE, PIN LOCK, LH		1		
18	863024	HANDRAIL GUIDE		4		
19	863618	BUTTON, HANDRAIL LOCK		2		
20	863026	PIN, HANDRAIL PIVOT		2		
21	864222	HANDRAIL To D-2157		2		
21A	865136	HANDRAIL ASSY RH From D-2158		1		
21B	865137	HANDRAIL ASSY LH From D-2158		1		
22	863028	KIT, SAFETY BELT W/RETRACTOR To D-2157		1		
22	864774	KIT, SAFETY BELT W/RETRACTOR From D-2158		1		
23	863029	KIT, SAFETY BELT BUCKLE ASSEMBLY To D-2157		1		
23	864775	KIT, SAFETY BELT BUCKLE ASSEMBLY From D-2158		1		
23	7775207	KIT, SAFETY BELT BUCKLE ASSEMBLY WITH DETECTOR		1		
24	862120	BUMPER / RUBBER 1.000 O.D. x .13THK		1		
25	863036	KIT, MOUNTING BRACKET, LIMIT SWITCH		1		
26	863037	KIT, ACTUATOR FOOT ASSY		1		
27	862121	SPRING / LH / ROLLSTOP ACTUATOR RETURN		1		
28	863038	COVER, ROLLSTOP, LH		1		
29	863039	HARNESS, W/TWO ROLLSTOP SWITCHES		1		
. NS	865043	. ROLLSTOP PLUNGER		1		
30	863040	SWITCH LIMIT, W/LEADS		1		
31	862120	BUMPER / RUBBER 1.000 O.D. x .13THK		1		
32	863041	PLATE, ACTUATOR, SWITCH		1		
33	863031	KIT, ROLLSTOP LINKAGE		1		
34	862996	KIT, ROLLSTOP GEAR		1		
35	863032	KIT, GEAR MOTOR MTG PLATE		1		

From 7-0671 To E-2584	Date:10/2022	PAGE:H7-2380-20
<b>W.C.L. "RICON" - PLATFORM ASSY MODEL "F9TF"</b>		

Item#	Part	Description	H 3 4 1	H 3 4 5	V I P 4 5	N O T E S
36	862117	KIT MOTOR, 24V W/HARDAWARE		1		
37	863033	KIT, GEAR LINKAGE		1		
38	863034	COVER, ROLLSTOP, RH To D-2157		1		
38	868235	COVER, ROLLSTOP, RH From D-2158		1		
39	868236	COVER PLATE, MANUAL RELEASE		1		
40	862210	KNOB KIT		1		
41	862120	BUMPER / RUBBER 1.000 O.D. x .13THK		1		
NS	865633	KIT, CONTACT CONNECTOR, HAND RAIL ASSY From D-2158		1		
NS	868221	CONTACT BLOCK ASSY From D-2158		1		
		P) CALL ORDER DESK FOR SPECIFIC APPLICATION (V.I.N.)				

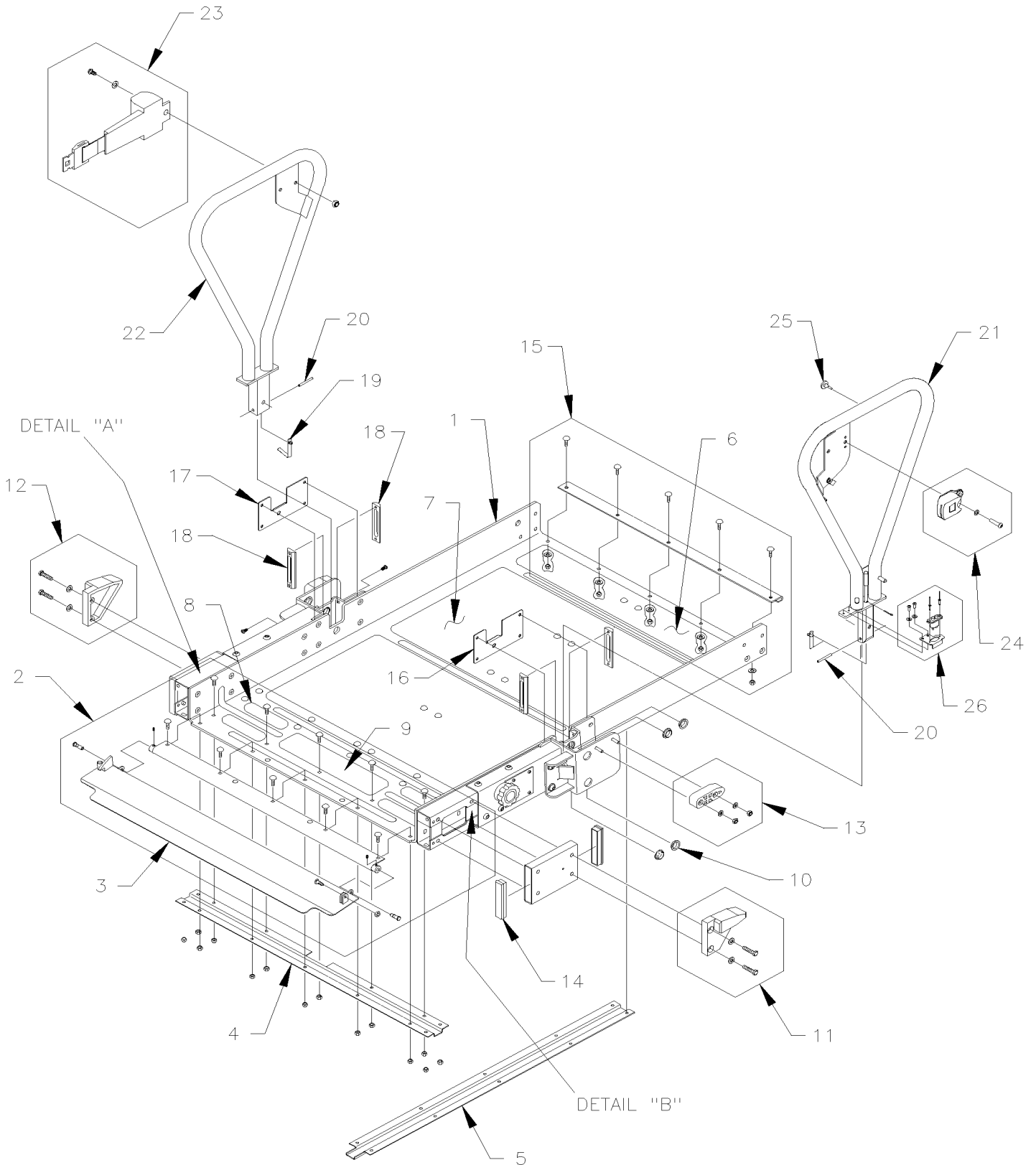


From E-2585 To J-0184

Date:10/2022

PAGE:H7-2380-21

W.C.L. "RICON" - PLATFORM ASSY MODEL "F9TF"

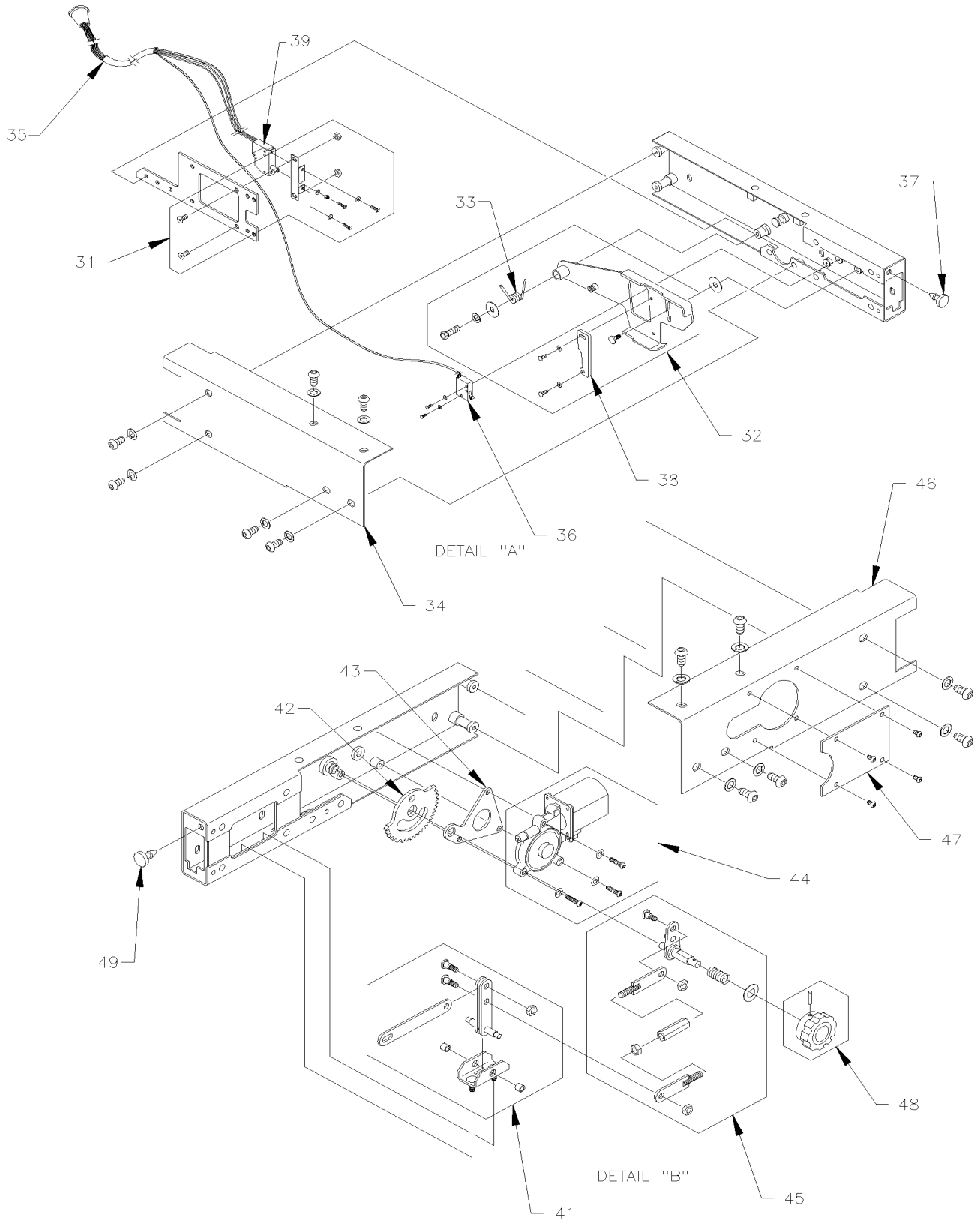


From E-2585 To J-0184

Date:10/2022

PAGE:H7-2380-21

## W.C.L. "RICON" - PLATFORM ASSY MODEL "F9TF"



From E-2585 To J-0184	Date:10/2022	PAGE:H7-2380-21
<b>W.C.L. "RICON" - PLATFORM ASSY MODEL "F9TF"</b>		

Item#	Part	Description	H 3 4 1	H 3 4 5	V I P 4 5	N O T E S
1	865627	PLATFORM	1	1		
2	863010	KIT, ROLLSTOP ASSEMBLY	1	1		
3	865634	ROLLSTOP, PAINTED	1	1		
4	865628	STIFFENER & HARNESS CONDUIT, NOTCHED	1	1		
5	865629	HARNESS CONDUIT, FRONT TO REAR	1	1		
6	863014	SAFETREAD, 3.0 X 31.0, YELLOW	1	1		
7	863015	SAFETREAD, 16.0 X 31.0, GRAY	1	1		
8	863016	SAFETY TREAD / 12.75x3.0 / SAFETY YELLOW	1	1		
9	863017	SAFETY TREAD / 5.5x1.5 / SAFETY YELLOW	4	4		
10	863018	BEARING, FLANGED, 3/4I.D. X 1/4W	1	1		
11	862114	BLOCK / PLATFORM GUIDE / RH	1	1		
12	862115	BLOCK / PLATFORM GUIDE / LH	1	1		
13	862113	STOW GUIDE	2	2		
14	863020	CAP, RECTANGULAR, SNAP-IN	4	4		
15	863021	KIT, STIFFENER, PLATFORM, REAR	1	1		
16	865630	PLATE, PIN LOCK, RH To FORMER	1	1		
16	860098	PLATE, PIN LOCK From CURRENT	1	1		
17	865631	PLATE, PIN LOCK, LH To FORMER	1	1		
17	860098	PLATE, PIN LOCK From CURRENT	1	1		
18	193012	KIT, BLOCK HANDRAIL GUIDES, LH & RH (2 EACH PER KIT)	4	4		
19	863025	BUTTON, HANDRAIL LOCK	2	2		
20	863026	PIN, HANDRAIL PIVOT	2	2		
21	865137	HANDRAIL ASSY LH	1	1		
22	865136	HANDRAIL ASSY RH	1	1		
23	864774	KIT, SAFETY BELT W/RETRACTOR	1	1		
23	863028	KIT, SAFETY BELT W/RETRACTOR		1		O
24	864775	KIT, SAFETY BELT BUCKLE ASSEMBLY	1	1		
24	863029	KIT, SAFETY BELT BUCKLE ASSEMBLY	1	1		O
24	7775207	KIT, SAFETY BELT BUCKLE ASSEMBLY WITH DETECTOR	1	1	1	
25	865632	BUMPER, RUBBER, (BAG OF 10)	1	1		
26	865633	KIT, CONTACT CONNECTOR, HAND RAIL ASSY	1	1		
26	19514004	LIFT RAIL PIN PROTECTOR BRACKETS	1	1		
31	863036	KIT, MOUNTING BRACKET, LIMIT SWITCH	1	1		
32	863037	KIT, ACTUATOR FOOT ASSY	1	1		
33	862121	SPRING / LH / ROLLSTOP ACTUATOR RETURN	1	1		
34	863038	COVER, ROLLSTOP, LH	1	1		
35	863039	HARNESS, W/TWO ROLLSTOP SWITCHES	1	1		
. NS	865043	. ROLLSTOP PLUNGER	1	1		
36	863040	SWITCH LIMIT, W/LEADS	1	1		
37	862120	BUMPER / RUBBER 1.000 O.D. x .13THK	1	1		
38	863041	PLATE, ACTUATOR, SWITCH	1	1		

From E-2585 To J-0184	Date:10/2022	PAGE:H7-2380-21
<b>W.C.L. "RICON" - PLATFORM ASSY MODEL "F9TF"</b>		

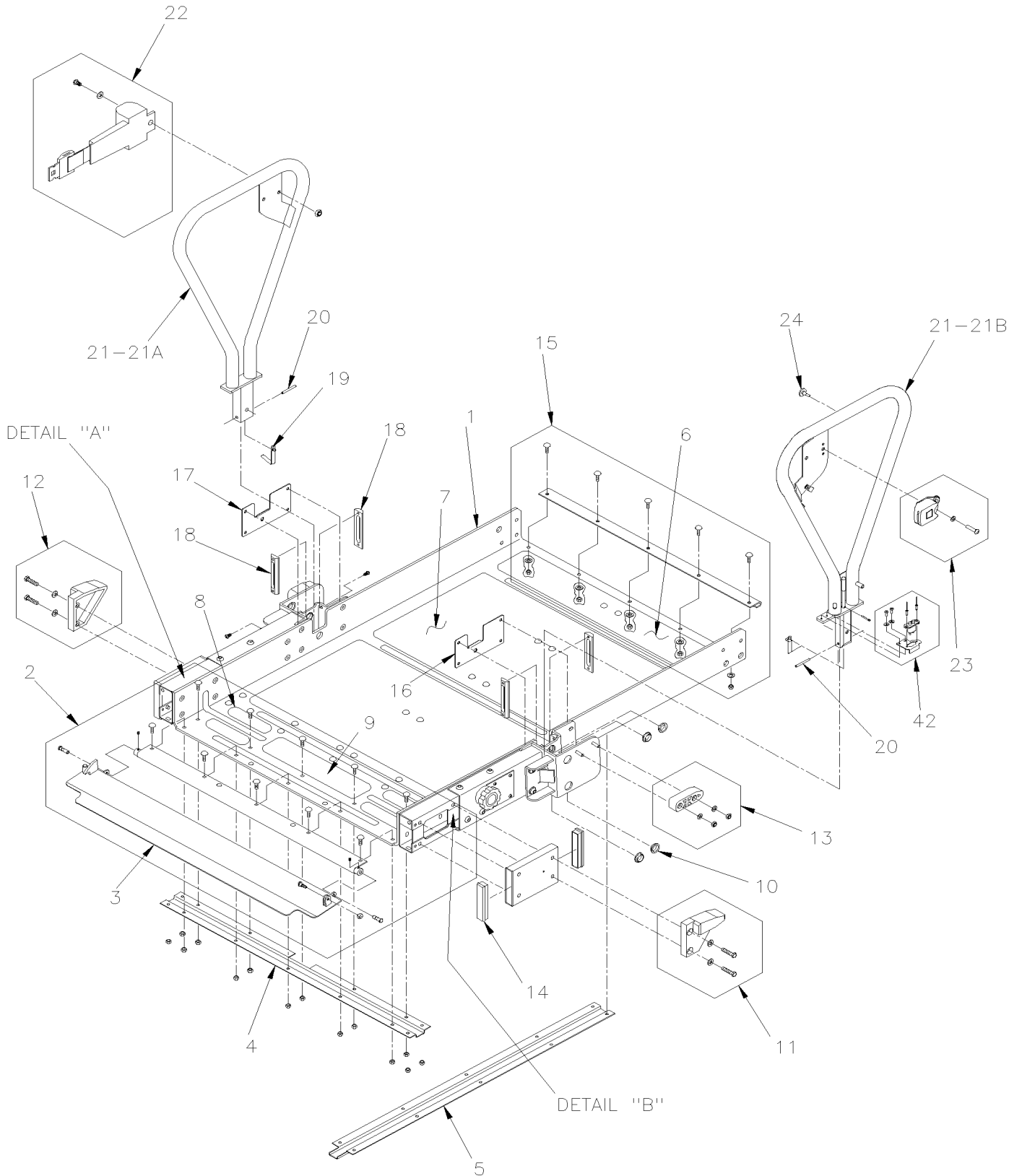
Item#	Part	Description	H 3 4 1	H 3 4 5	V I P 4 5	N O T E S
39	864026	PLUNGER SWITCH / SEALED / TAPPED 6-32	1	1		
41	863031	KIT, ROLLSTOP LINKAGE	1	1		
42	19507731	KIT, ROLLSTOP GEAR	1	1		
43	863032	KIT, GEAR MOTOR MTG PLATE	1	1		
44	862117	KIT MOTOR, 24V W/HARDAWARE	1	1		
45	863033	KIT, GEAR LINKAGE	1	1		
46	863034	COVER, ROLLSTOP, RH	1	1		
47	863035	COVER PLATE, MANUAL RELEASE	1	1		
48	862210	KNOB KIT	1	1		
49	862120	BUMPER / RUBBER 1.000 O.D. x .13THK	1	1		
		O) USE WITH ORELEAN OPTION WITH WCL #860069				

From J-0086 To J-0184

Date:10/2022

PAGE:H7-2380-22

W.C.L. "RICON" - PLATFORM ASSY MODEL "F9TH"

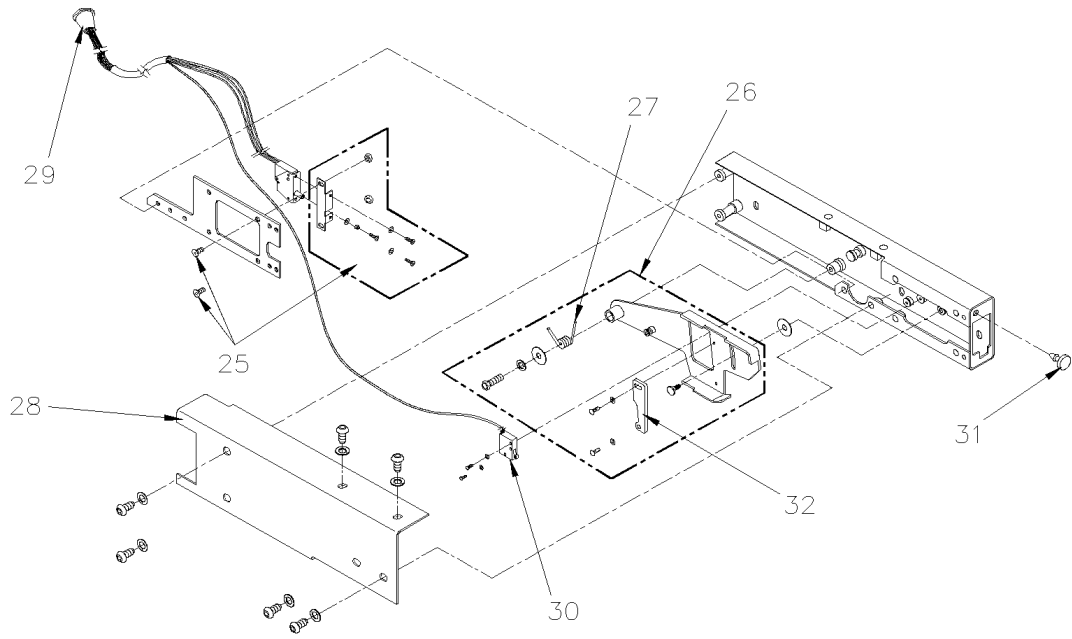


From J-0086 To J-0184

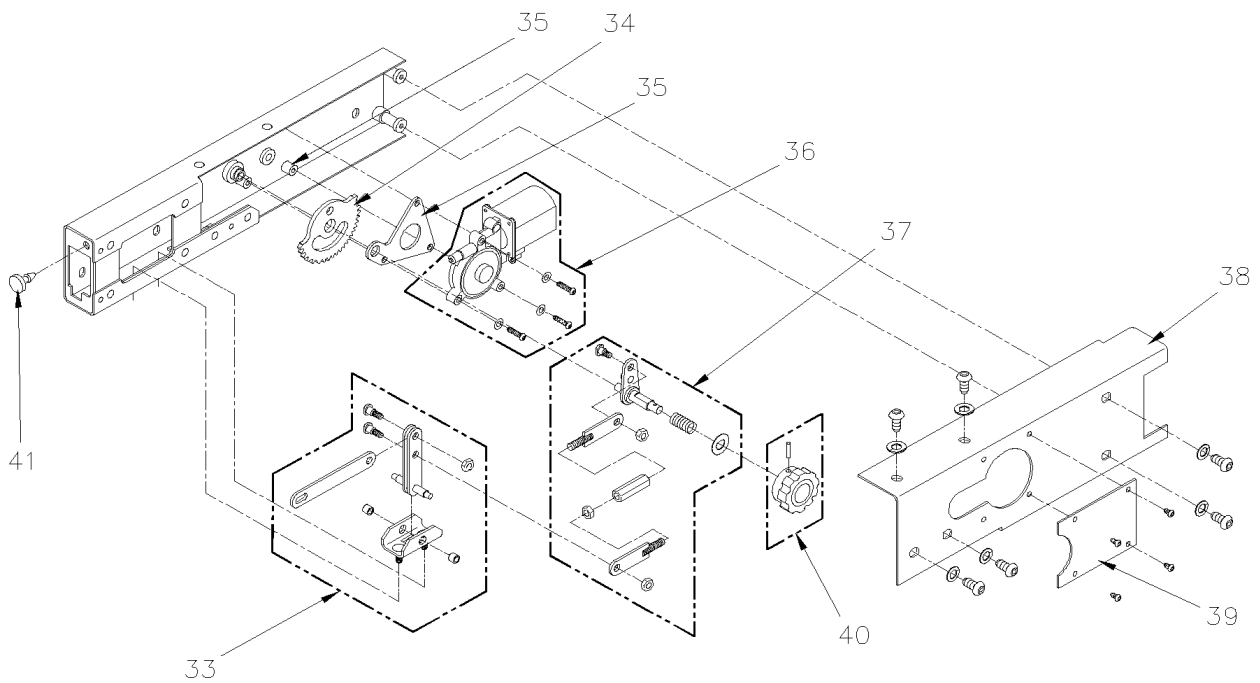
Date:10/2022

PAGE:H7-2380-22

**W.C.L. "RICON" - PLATFORM ASSY MODEL "F9TH"**



DETAIL A



DETAIL B

From J-0086 To J-0184	Date:10/2022	PAGE:H7-2380-22
<b>W.C.L. "RICON" - PLATFORM ASSY MODEL "F9TH"</b>		

Item#	Part	Description	H 3 4 1	H 3 4 5	V I P 4 5	N O T E S
1	865627	PLATFORM	1	1		
2	863010	KIT, ROLLSTOP ASSEMBLY	1	1		
3	865634	ROLLSTOP, PAINTED	1	1		
4	865628	STIFFENER & HARNESS CONDUIT, NOTCHED	1	1		
5	865629	HARNESS CONDUIT, FRONT TO REAR	1	1		
6	863014	SAFETREAD, 3.0 X 31.0, YELLOW	1	1		
7	863015	SAFETREAD, 16.0 X 31.0, GRAY	1	1		
8	863016	SAFETY TREAD / 12.75x3.0 / SAFETY YELLOW	1	1		
9	863017	SAFETY TREAD / 5.5x1.5 / SAFETY YELLOW	4	4		
10	863018	BEARING, FLANGED, 3/4I.D. X 1/4W	1	1		
11	862114	BLOCK / PLATFORM GUIDE / RH	1	1		
12	862115	BLOCK / PLATFORM GUIDE / LH	1	1		
13	863019	KIT, PLATFORM GUIDE, REAR	2	2		
14	863020	CAP, RECTANGULAR, SNAP-IN	4	4		
15	863021	KIT, STIFFENER, PLATFORM, REAR	1	1		
16	860098	PLATE, PIN LOCK From CURRENT	1	1		
17	860098	PLATE, PIN LOCK From CURRENT	1	1		
18	863024	HANDRAIL GUIDE	4	4		
19	863618	BUTTON, HANDRAIL LOCK	2	2		
20	863026	PIN, HANDRAIL PIVOT	2	2		
21A	865136	HANDRAIL ASSY RH	1	1		
21B	865137	HANDRAIL ASSY LH	1	1		
22	864774	KIT, SAFETY BELT W/RETRACTOR	1	1		
23	864775	KIT, SAFETY BELT BUCKLE ASSEMBLY	1	1		
23	7775207	KIT, SAFETY BELT BUCKLE ASSEMBLY WITH DETECTOR	1	1		
24	862120	BUMPER / RUBBER 1.000 O.D. x .13THK	1	1		
25	863036	KIT, MOUNTING BRACKET, LIMIT SWITCH	1	1		
26	863037	KIT, ACTUATOR FOOT ASSY	1	1		
27	862121	SPRING / LH / ROLLSTOP ACTUATOR RETURN	1	1		
28	863038	COVER, ROLLSTOP, LH	1	1		
29	863039	HARNESS, W/TWO ROLLSTOP SWITCHES	1	1		
. NS	865043	. ROLLSTOP PLUNGER	1	1		
30	863040	SWITCH LIMIT, W/LEADS	1	1		
31	862120	BUMPER / RUBBER 1.000 O.D. x .13THK	1	1		
32	863041	PLATE, ACTUATOR, SWITCH	1	1		
33	863031	KIT, ROLLSTOP LINKAGE	1	1		
34	862996	KIT, ROLLSTOP GEAR	1	1		
35	863032	KIT, GEAR MOTOR MTG PLATE	1	1		
36	862117	KIT MOTOR, 24V W/HARDAWARE	1	1		
37	863033	KIT, GEAR LINKAGE	1	1		
38	868235	COVER, ROLLSTOP, RH	1	1		
39	868236	COVER PLATE, MANUAL RELEASE	1	1		

From J-0086 To J-0184	Date:10/2022	PAGE:H7-2380-22
<b>W.C.L. "RICON" - PLATFORM ASSY MODEL "F9TH"</b>		

Item#	Part	Description	H 3 4 1	H 3 4 5	V I P 4 5	N O T E S
40	862210	KNOB KIT	1	1		
41	862120	BUMPER / RUBBER 1.000 O.D. x .13THK	1	1		
42	865633	KIT, CONTACT CONNECTOR, HAND RAIL ASSY	1	1		
42	868221	CONTACT BLOCK ASSY	1	1		

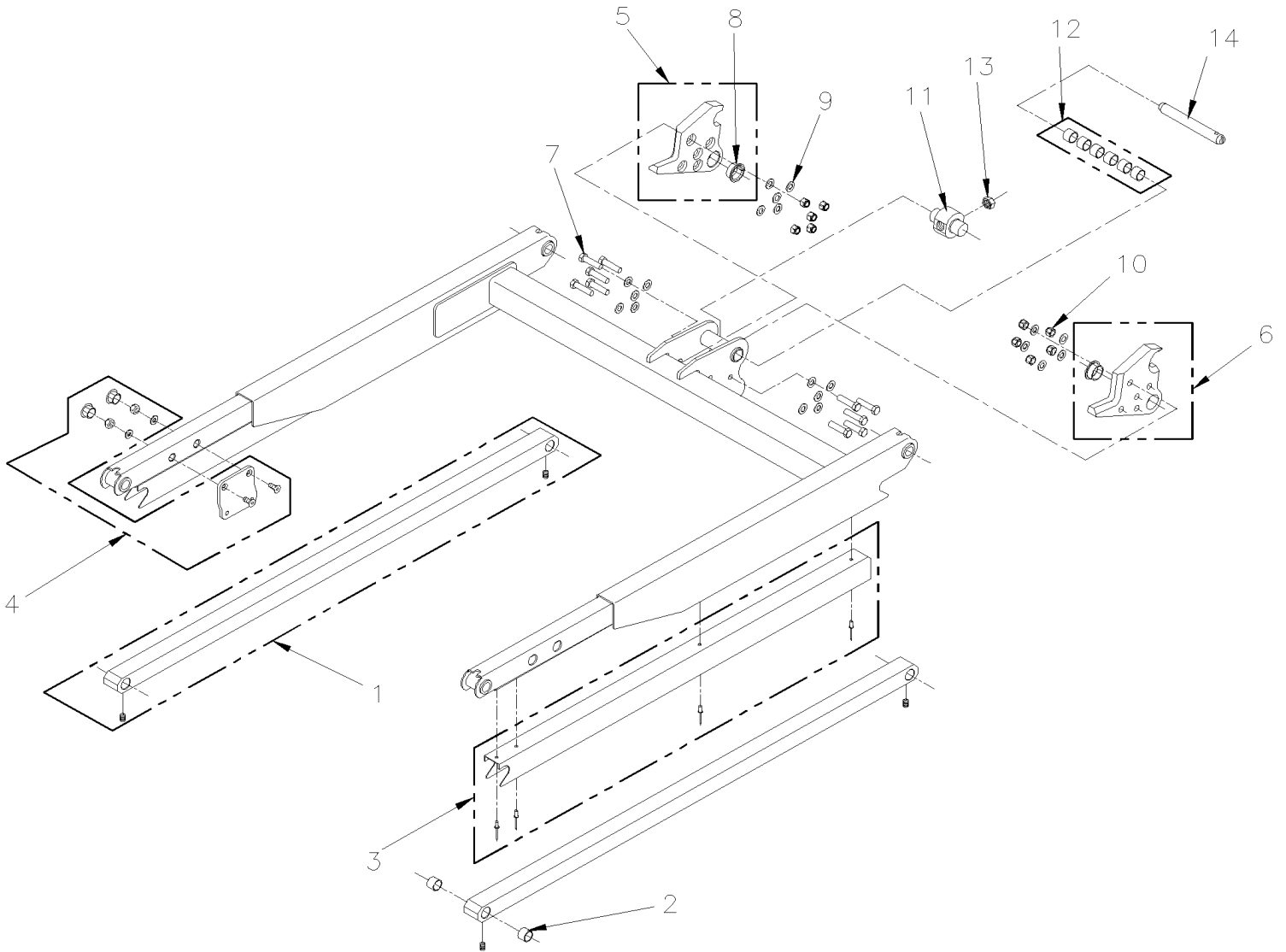


From 7-0671 To E-2584

Date:10/2022

PAGE:H7-2380-30

**W.C.L. "RICON" - TRAVELING FRAME ASSY MODEL "F9TF"**



From 7-0671 To E-2584	Date:10/2022	PAGE:H7-2380-30
<b>W.C.L. "RICON" - TRAVELING FRAME ASSY MODEL "F9TF"</b>		

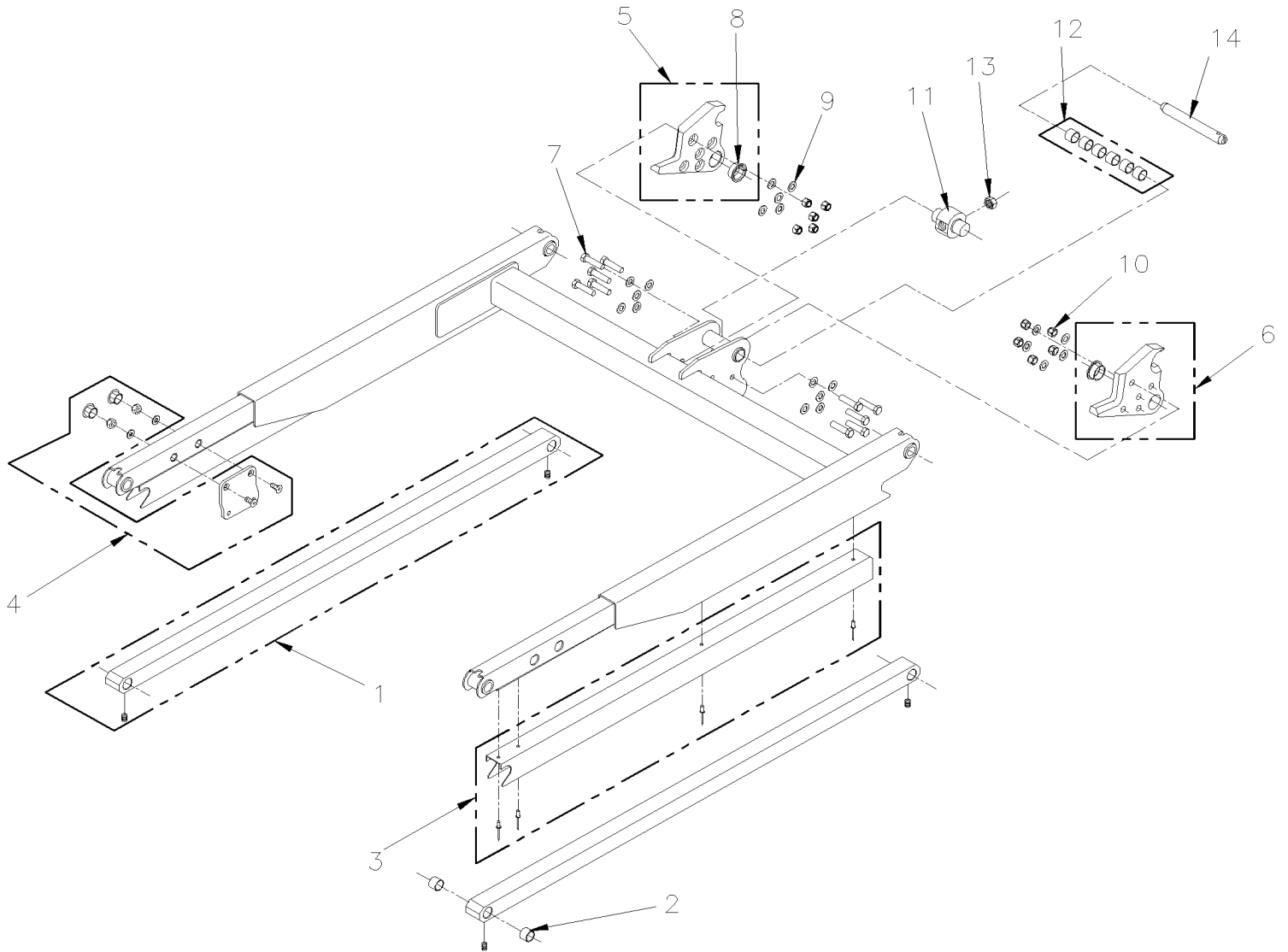
Item#	Part	Description	H 3 4 1	H 3 4 5	V I P 4 5	N O T E S
1	863042	KIT, LOWER ARM		2		
2	863043	BUSHING, .88O.D. X .75I.D. X .38		4		
3	863044	KIT, COVER, LOWER ARM		2		
4	863045	KIT, PLATE, BRIDGEPLATE ACTUATOR		2		
5	863046	PLATE ASSY, CLEVIS REINFORCEMENT, LH		1		
6	863047	PLATE ASSY, CLEVIS REINFORCEMENT, RH		1		
7	863048	SCREW CAP HEX 3/8-16x1 1/2 SS		1		
8	863049	BEARING, FLANGED, 1.00 I.D. X .75W		2		
9	863050	WASHER FL .40x.75x.06 SS		2		
10	863051	NUT, ESN, 3/8-16, SS		1		
11	863052	TRUNNION, SOLID PIN		1		
12	863053	KIT, BEARING, .75I.D. X .875O.D. X .63		1		
13	863054	NUT, JAM, 3/4-16		1		
14	863055	PIN, .75D X 6.0L		1		

From E-2585 To J-0184

Date:10/2022

PAGE:H7-2380-31

W.C.L. "RICON" - TRAVELING FRAME ASSY MODEL "F9TF"



From E-2585 To J-0184	Date:10/2022	PAGE:H7-2380-31
<b>W.C.L. "RICON" - TRAVELING FRAME ASSY MODEL "F9TF"</b>		

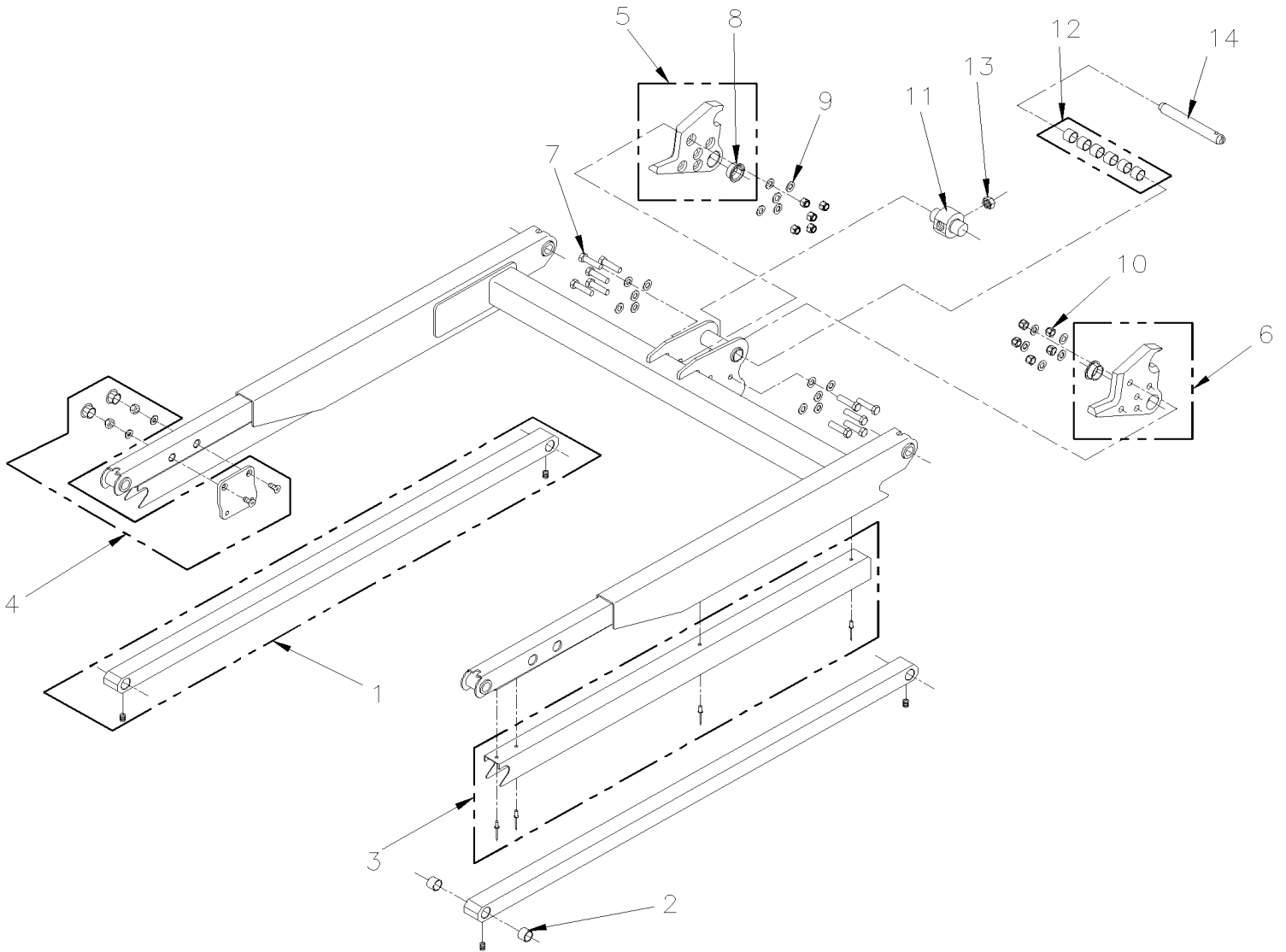
Item#	Part	Description	H 3 4 1	H 3 4 5	V I P 4 5	N O T E S
1	863042	KIT, LOWER ARM	2	2		
2	863043	BUSHING, .88O.D. X .75I.D. X .38	4	4		
3	863044	KIT, COVER, LOWER ARM	2	2		
4	863045	KIT, PLATE, BRIDGEPLATE ACTUATOR	2	2		
5	863046	PLATE ASSY, CLEVIS REINFORCEMENT, LH	1	1		
6	863047	PLATE ASSY, CLEVIS REINFORCEMENT, RH	1	1		
7	863048	SCREW CAP HEX 3/8-16x1 1/2 SS	1	1		
8	863049	BEARING, FLANGED, 1.00 I.D. X .75W	2	2		
9	863050	WASHER FL .40x.75x.06 SS	2	2		
10	863051	NUT, ESN, 3/8-16, SS	1	1		
11	863052	TRUNNION, SOLID PIN	1	1		
12	863053	KIT, BEARING, .75I.D. X .875O.D. X .63	1	1		
13	863054	NUT, JAM, 3/4-16	1	1		
14	863055	PIN, .75D X 6.0L	1	1		

From J-0086 To J-0184

Date:10/2022

PAGE:H7-2380-32

## W.C.L. "RICON" - TRAVELING FRAME ASSY MODEL "F9TH"



From J-0086 To J-0184	Date:10/2022	PAGE:H7-2380-32
<b>W.C.L. "RICON" - TRAVELING FRAME ASSY MODEL "F9TH"</b>		

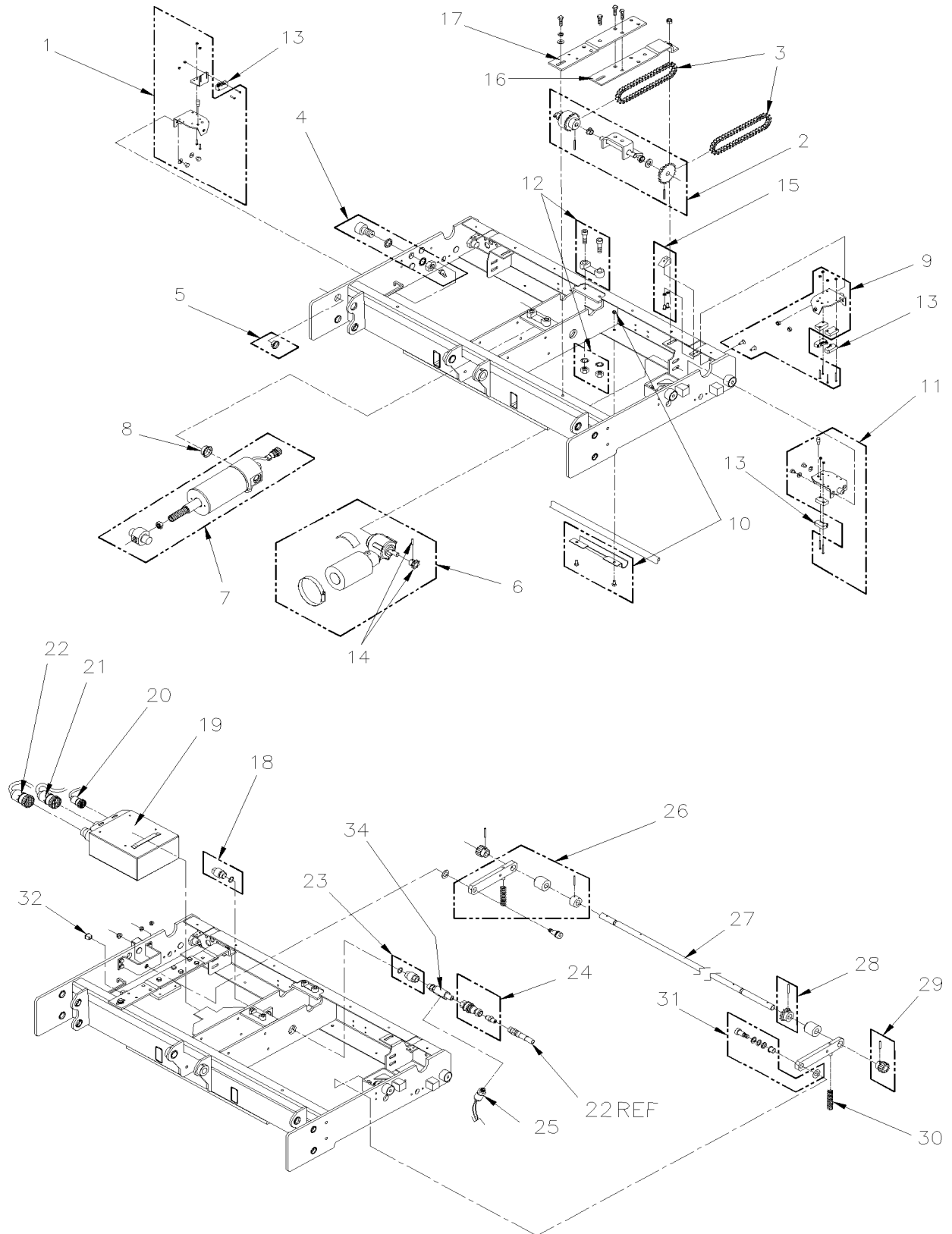
Item#	Part	Description	H 3 4 1	H 3 4 5	V I P 4 5	N O T E S
1	863042	KIT, LOWER ARM	2	2		
2	863043	BUSHING, .88O.D. X .75I.D. X .38	4	4		
3	868237	KIT, COVER, LOWER ARM	2	2		
4	868238	KIT, PLATE, BRIDGEPLATE ACTUATOR	2	2		
5	868239	PLATE ASSY, CLEVIS REINFORCEMENT, LH	1	1		
6	868240	PLATE ASSY, CLEVIS REINFORCEMENT, RH	1	1		
7	863048	SCREW CAP HEX 3/8-16x1 1/2 SS	1	1		
8	863049	BEARING, FLANGED, 1.00 I.D. X .75W	2	2		
9	863050	WASHER FL .40x.75x.06 SS	2	2		
10	863051	NUT, ESN, 3/8-16, SS	1	1		
11	868241	TRUNNION, SOLID PIN	1	1		
12	863053	KIT, BEARING, .75I.D. X .875O.D. X .63	1	1		
13	863054	NUT, JAM, 3/4-16	1	1		
14	868242	PIN, .75D X 6.9L	1	1		

From 7-0671 To E-2584

Date:10/2022

PAGE:H7-2380-40

## W.C.L. "RICON" - CARRIAGE ASSY MODEL "F9TF"



From 7-0671 To E-2584	Date:10/2022	PAGE:H7-2380-40
<b>W.C.L. "RICON" - CARRIAGE ASSY MODEL "F9TF"</b>		

Item#	Part	Description	H 3 4 1	H 3 4 5	V I P 4 5	N O T E S
1	863056	KIT, PLATFORM RELEASE SWITCH BRACKET		1		
2	863057	KIT, INTERMEDIATE SHAFT ASSY		1		
3	863058	DRIVE CHAIN		2		
4	863059	KIT, CARRIAGE ROLLER, 1 1/4 O.D.		4		
5	863128	BEARING		1		
6	863060	KIT, GEAR MOTOR ASSY, 24V		1		
7	863061	HYDRAULIC CYLINDER ASSEMBLY		1		
8	863062	FLANGED BEARING, 1" I.D.B20		1		
9	863063	KIT, STOW SWITCH BRACKET		1		
10	863064	KIT, HARNESS CLAMP		1		
11	863065	KIT, DEPLOY SWITCH BRACKET		1		
12	N8892390	KIT, GUIDE BLOCKS CARRIAGE		1		
13	863129	LIMIT SWITCH		4		
14	863066	KIT, SPROCKET, 8T		1		
15	863067	KIT, MANUAL RELEASE RESET RAMP		2		
16	863068	BRACKET, IDLER SHAFT, REAR		1		
17	863069	BRACKET, IDLER SHAFT, FRONT		1		
18	863070	KIT, PIVOT CAP, HYDRAULIC CYLINDER		1		
19	862957	CONTROL BOX 24V / YELLOW / W/REMOVABLE W.C.L. To D-2157		1		
19	19506358	CONTROL BOX 24V W/SOFTWARE From D-2158		1		
20	863071	HARNESS, ELECTRICAL, HYDRAULIC CYLINDER		1		
21	863072	HARNESS, ELECTRICAL, CARRIAGE		1		
22	864071	HARNESS, ELECTRICAL, MAIN, W/HYDRAULIC LINE		1		
23	863074	KIT, PIVOT FITTING, HYDRAULIC CYLINDER		1		
24	863076	KIT, QUICK DISCONNECT FITTING		1		
25	863077	KIT, PRESSURE SWITCH, W/ELECTRICAL TERMINALS		1		
26	863078	KIT, DRIVESHAFT LINK ASSY		2		
27	863079	DRIVESHAFT, FINAL		1		
28	863080	KIT, SPROCKET, 12 TEETH		1		
29	863081	KIT, PINION GEAR, 18 TEETH		2		
30	863082	SPRING, COM, .609O.D. X 2.53		2		
31	863083	KIT, BUSHING ASSY, DRIVESHAFT LINK		2		
32	863084	DUST CAP, CONTROLLER PROGRAMMING CONNECTOR		1		
34	866059	MANIFOLD, HYD, PRESSURE SWITCH (PACKAGED)		1		

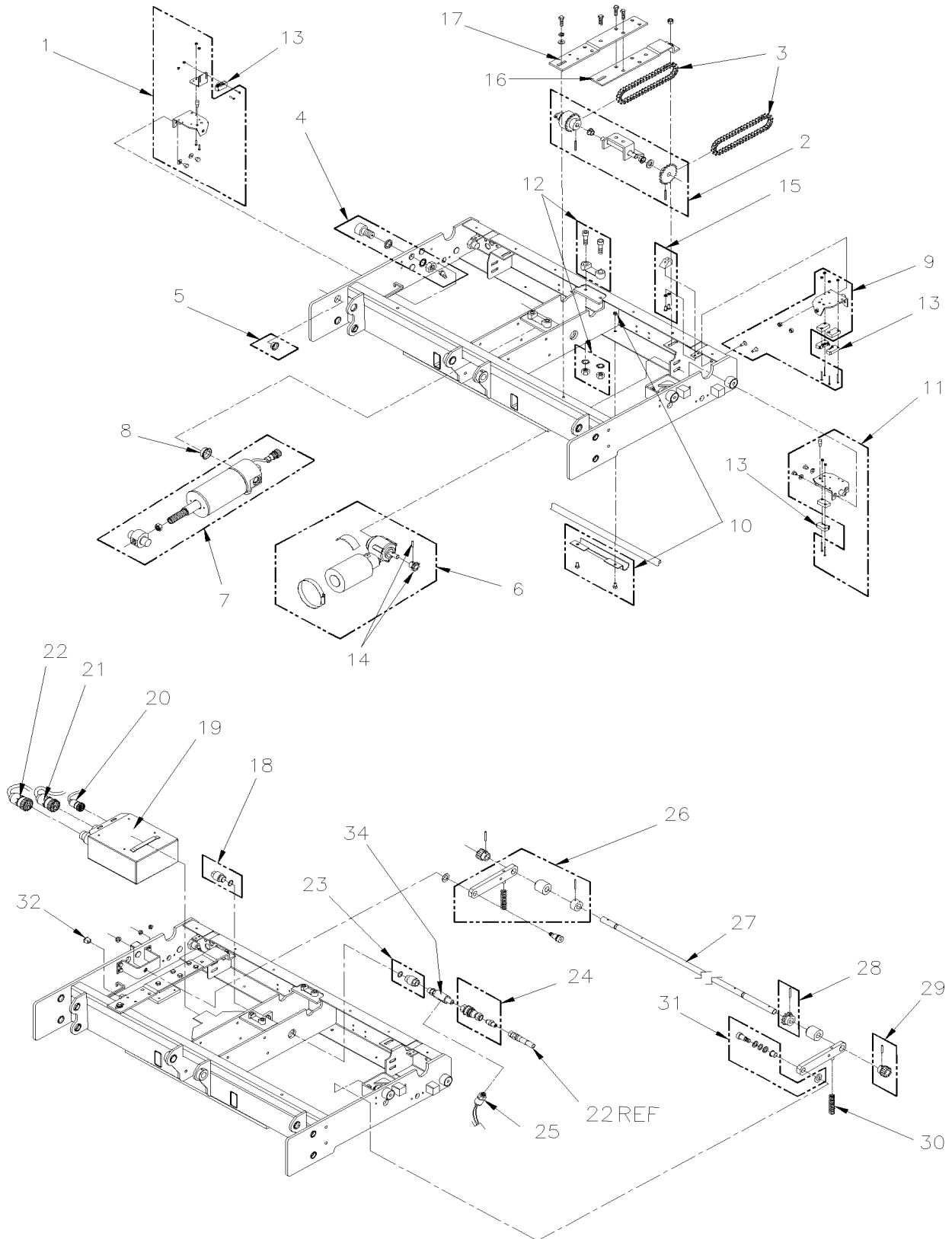


From E-2585 To J-0184

Date:10/2022

PAGE:H7-2380-41

## W.C.L. "RICON" - CARRIAGE ASSY MODEL "F9TF"



From E-2585 To J-0184	Date:10/2022	PAGE:H7-2380-41
<b>W.C.L. "RICON" - CARRIAGE ASSY MODEL "F9TF"</b>		

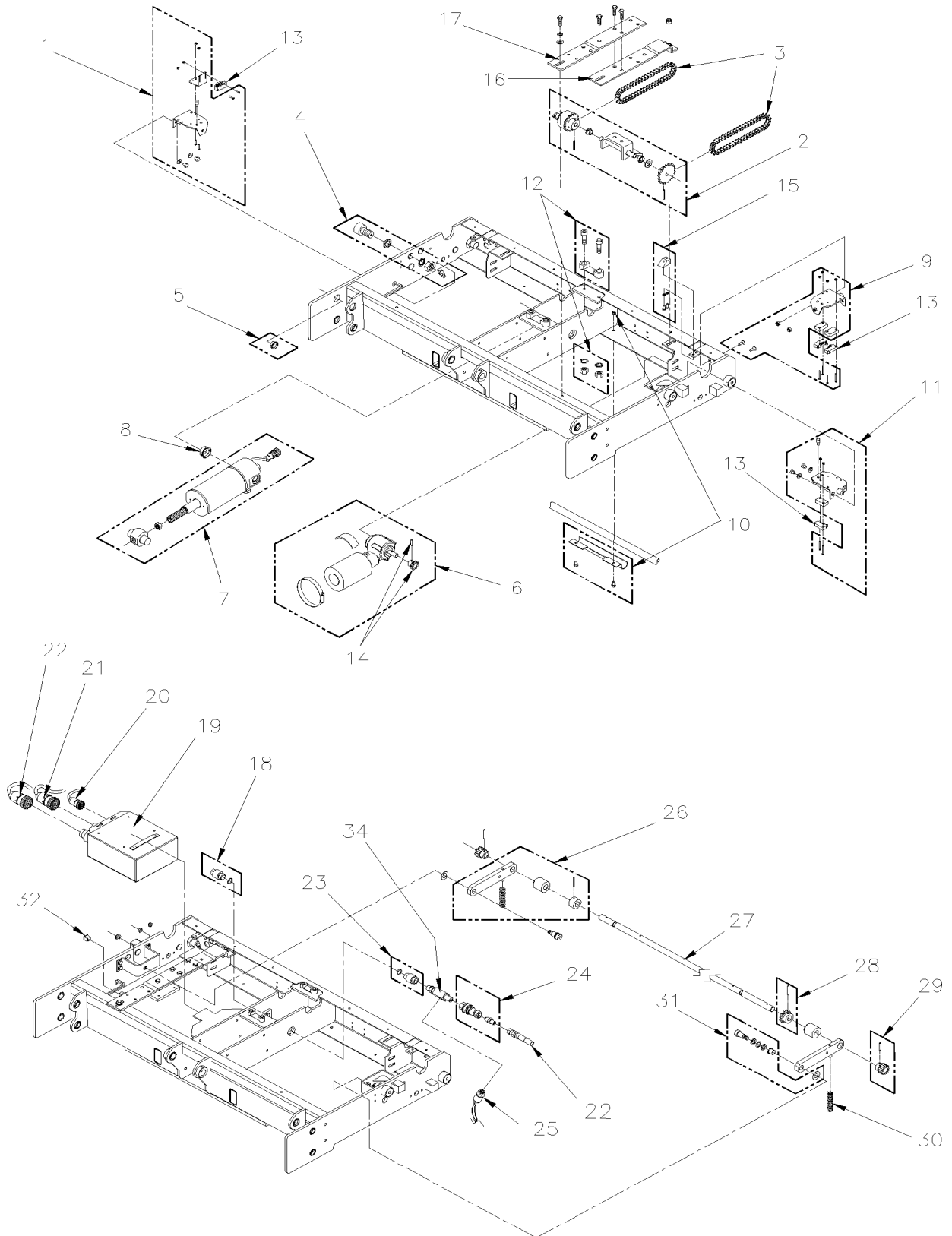
Item#	Part	Description	H 3 4 1	H 3 4 5	V I P 4 5	N O T E S
1	863056	KIT, PLATFORM RELEASE SWITCH BRACKET	1	1		
2	863057	KIT, INTERMEDIATE SHAFT ASSY	1	1		
3	863058	DRIVE CHAIN	2	2		
4	863059	KIT, CARRIAGE ROLLER, 1 1/4 O.D.	4	4		
5	863128	BEARING	1	1		
6	863060	KIT, GEAR MOTOR ASSY, 24V	1	1		
7	863061	HYDRAULIC CYLINDER ASSEMBLY	1	1		
8	863062	FLANGED BEARING, 1" I.D.B20	1	1		
9	863063	KIT, STOW SWITCH BRACKET	1	1		
10	863064	KIT, HARNESS CLAMP	1	1		
11	863065	KIT, DEPLOY SWITCH BRACKET	1	1		
12	N8892390	KIT, GUIDE BLOCKS CARRIAGE	1	1		
13	863129	LIMIT SWITCH	4	4		
14	863066	KIT, SPROCKET, 8T	1	1		
15	863067	KIT, MANUAL RELEASE RESET RAMP	2	2		
16	863068	BRACKET, IDLER SHAFT, REAR	1	1		
17	863069	BRACKET, IDLER SHAFT, FRONT	1	1		
18	863070	KIT, PIVOT CAP, HYDRAULIC CYLINDER	1	1		
19	19506358	CONTROL BOX 24V W/SOFTWARE	1	1		
19	865199	CONTROL BOX 24V W/SOFTWARE From H-3599		1		O
20	863071	HARNESS, ELECTRICAL, HYDRAULIC CYLINDER	1	1		
21	863072	HARNESS, ELECTRICAL, CARRIAGE	1	1		
22	863073	HARNESS, ELECTRICAL, MAIN, W/HYDRAULIC LINE	1	1		
23	863074	KIT, PIVOT FITTING, HYDRAULIC CYLINDER	1	1		
24	863076	KIT, QUICK DISCONNECT FITTING	1	1		
25	863077	KIT, PRESSURE SWITCH, W/ELECTRICAL TERMINALS	1	1		
26	863078	KIT, DRIVESHAFT LINK ASSY	2	2		
27	863079	DRIVESHAFT, FINAL	1	1		
28	863080	KIT, SPROCKET, 12 TEETH	1	1		
29	863081	KIT, PINION GEAR, 18 TEETH	2	2		
30	863082	SPRING, COM, .609O.D. X 2.53	2	2		
31	863083	KIT, BUSHING ASSY, DRIVESHAFT LINK	2	2		
32	863084	DUST CAP, CONTROLLER PROGRAMMING CONNECTOR	1	1		
34	866059	MANIFOLD, HYD, PRESSURE SWITCH (PACKAGED)	1	1		
		O) USE WITH ORELEAN OPTION WITH WCL #860069				

From J-0086 To J-0184

Date:10/2022

PAGE:H7-2380-42

## W.C.L. "RICON" - CARRIAGE ASSY MODEL "F9TH"

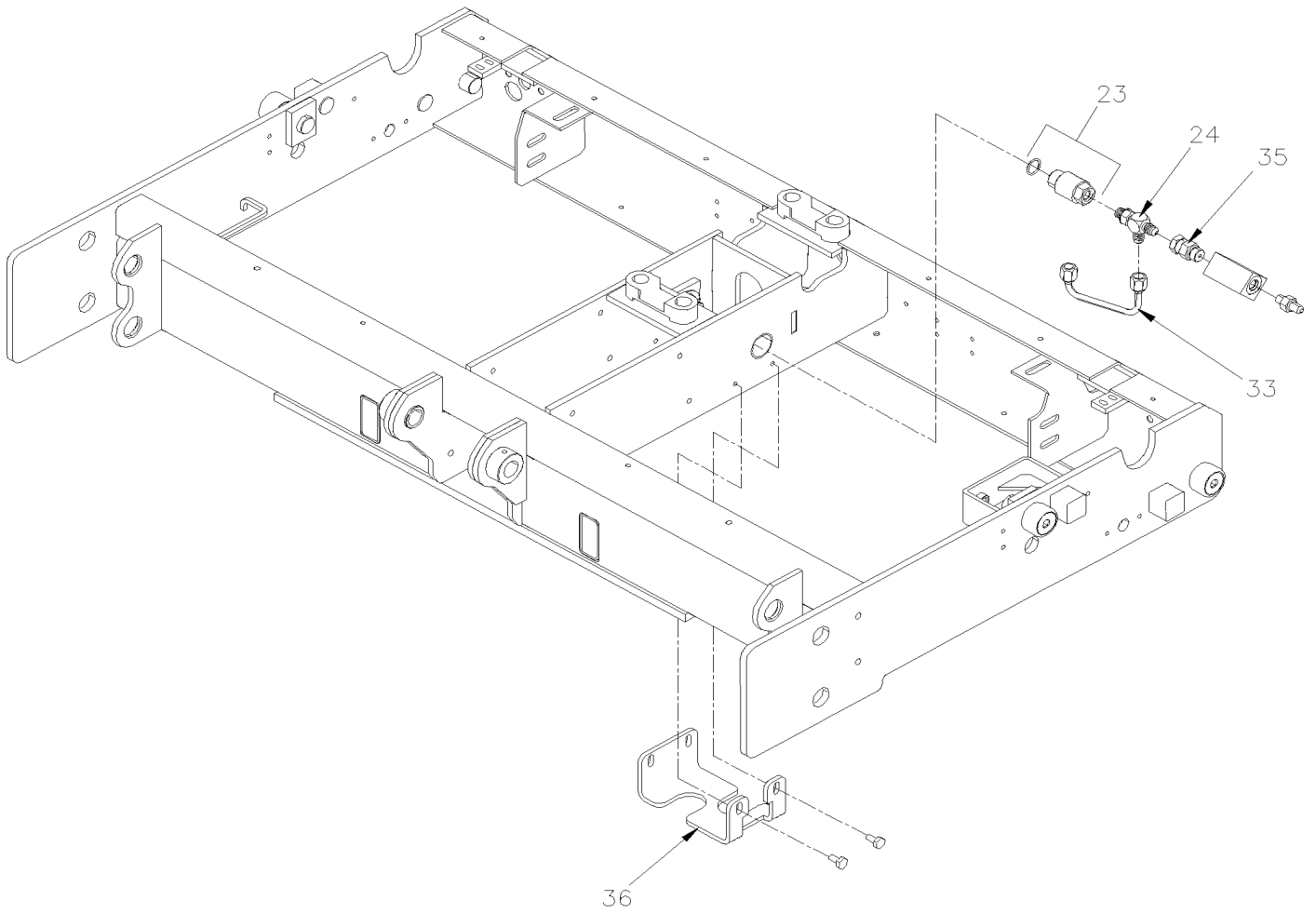


From J-0086 To J-0184

Date:10/2022

PAGE:H7-2380-42

W.C.L. "RICON" - CARRIAGE ASSY MODEL "F9TH"



From J-0086 To J-0184	Date:10/2022	PAGE:H7-2380-42
<b>W.C.L. "RICON" - CARRIAGE ASSY MODEL "F9TH"</b>		

Item#	Part	Description	H 3 4 1	H 3 4 5	V I P 4 5	N O T E S
1	863056	KIT, PLATFORM RELEASE SWITCH BRACKET	1	1		
2	867839	KIT, INTERMEDIATE SHAFT ASSY	1	1		
3	863058	DRIVE CHAIN	2	2		
4	863059	KIT, CARRIAGE ROLLER, 1 1/4 O.D.	4	4		
5	863128	BEARING	1	1		
6	863060	KIT, GEAR MOTOR ASSY, 24V	1	1		
7	860371	HYDRAULIC CYLINDER ASSEMBLY	1	1		
8	863062	FLANGED BEARING, 1" I.D.B20	1	1		
9	863063	KIT, STOW SWITCH BRACKET	1	1		
10	863064	KIT, HARNESS CLAMP	1	1		
11	863065	KIT, DEPLOY SWITCH BRACKET	1	1		
12	N8892390	KIT, GUIDE BLOCKS CARRIAGE	1	1		
13	863129	LIMIT SWITCH	4	4		
14	863066	KIT, SPROCKET, 8T	1	1		
15	863067	KIT, MANUAL RELEASE RESET RAMP	2	2		
16	868243	BRACKET, IDLER SHAFT, REAR	1	1		
17	868244	BRACKET, IDLER SHAFT, FRONT	1	1		
18	868245	KIT, PIVOT CAP, HYDRAULIC CYLINDER	1	1		
19	19506358	CONTROL BOX 24V W/SOFTWARE	1	1		
20	863071	HARNESS, ELECTRICAL, HYDRAULIC CYLINDER	1	1		
21	863072	HARNESS, ELECTRICAL, CARRIAGE	1	1		
22	864071	HARNESS, ELECTRICAL, MAIN, W/HYDRAULIC LINE	1	1		
23	868246	KIT, PIVOT FITTING, HYDRAULIC CYLINDER	1	1		
24	868247	KIT, QUICK DISCONNECT FITTING	1	1		
25	863077	KIT, PRESSURE SWITCH, W/ELECTRICAL TERMINALS	1	1		
26	863078	KIT, DRIVESHAFT LINK ASSY	2	2		
27	863079	DRIVESHAFT, FINAL	1	1		
28	863080	KIT, SPROCKET, 12 TEETH	1	1		
29	863081	KIT, PINION GEAR, 18 TEETH	2	2		
30	863082	SPRING, COM, .609O.D. X 2.53	2	2		
31	863083	KIT, BUSHING ASSY, DRIVESHAFT LINK	2	2		
32	863084	DUST CAP, CONTROLLER PROGRAMMING CONNECTOR	1	1		
33	868248	TUBE ASSY, RH HYDRAULIC CYLINDER CONNECTION, CAP END	1	1		
34	866059	MANIFOLD, HYD, PRESSURE SWITCH (PACKAGED)	1	1		
35	868249	FITTING 1/4ORB-Mx1/4JIC-FxSAE-4	1	1		
36	868250	BRACKET, PROTECTION, TUBE, HYDRAULIC	1	1		

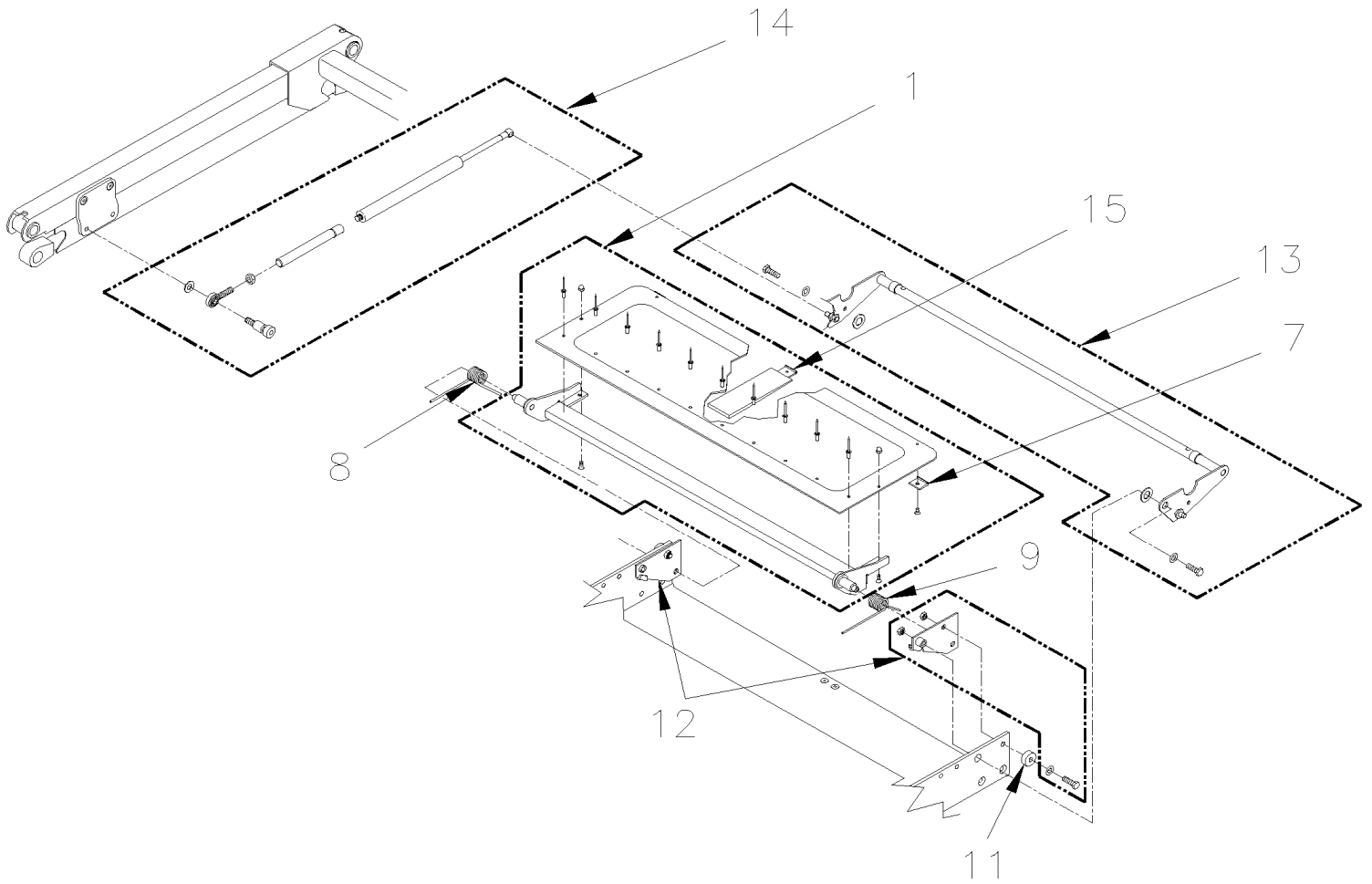


From 7-0671 To E-2584

Date:10/2022

PAGE:H7-2380-50

**W.C.L. "RICON" - BRIDGE PLATE ASSY MODEL "F9TF"**

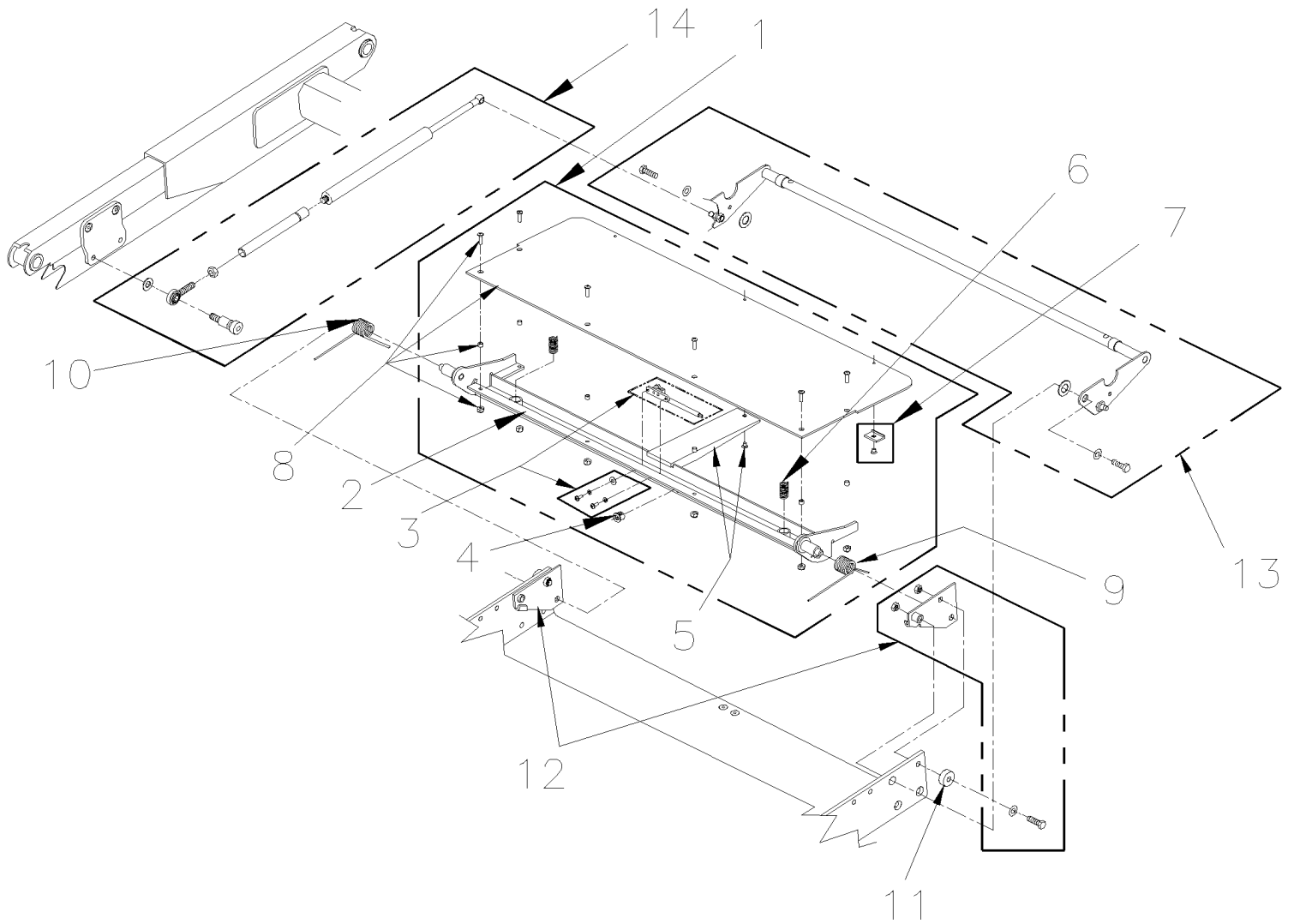


From 7-0671 To E-2584

Date:10/2022

PAGE:H7-2380-50

**W.C.L. "RICON" - BRIDGE PLATE ASSY MODEL "F9TF"**





From 7-0671 To E-2584	Date:10/2022	PAGE:H7-2380-50
<b>W.C.L. "RICON" - BRIDGE PLATE ASSY MODEL "F9TF"</b>		

Item#	Part	Description	H 3 4 1	H 3 4 5	V I P 4 5	N O T E S
1	863097	BRIDGEPLATE ASSEMBLY 9"		1		
2	860228	FRAME, BRIDGEPLATE		1		
3	863099	KIT, SWITCH ASSEMBLY		1		
4	863100	BUSHING, SNAP-IN, 1/2		1		
5	863101	KIT, GUIDE, BRIDGEPLATE, W/SCREW		1		
6	863102	SPRING, COMP. SST, .48OD X .75L		2		
7	863103	SKID, BRIDGEPLATE BRACKET		2		
8	863104	KIT, PLATE, BRIDGEPLATE		1		
9	863105	SPRING, BRIDGEPLATE RETURN, RH		1		
10	863106	SPRING, BRIDGEPLATE RETURN, LH		1		
11	863107	BUSHING .75x.32x.38		1		
12	863108	KIT, MOUNTING BRACKETS, LH AND RH		1		
13	863109	KIT, STIRRUP ASSEMBLY		1		
14	863110	KIT, ACTUATOR ROD ASSEMBLY, BRIDGEPLATE		2		

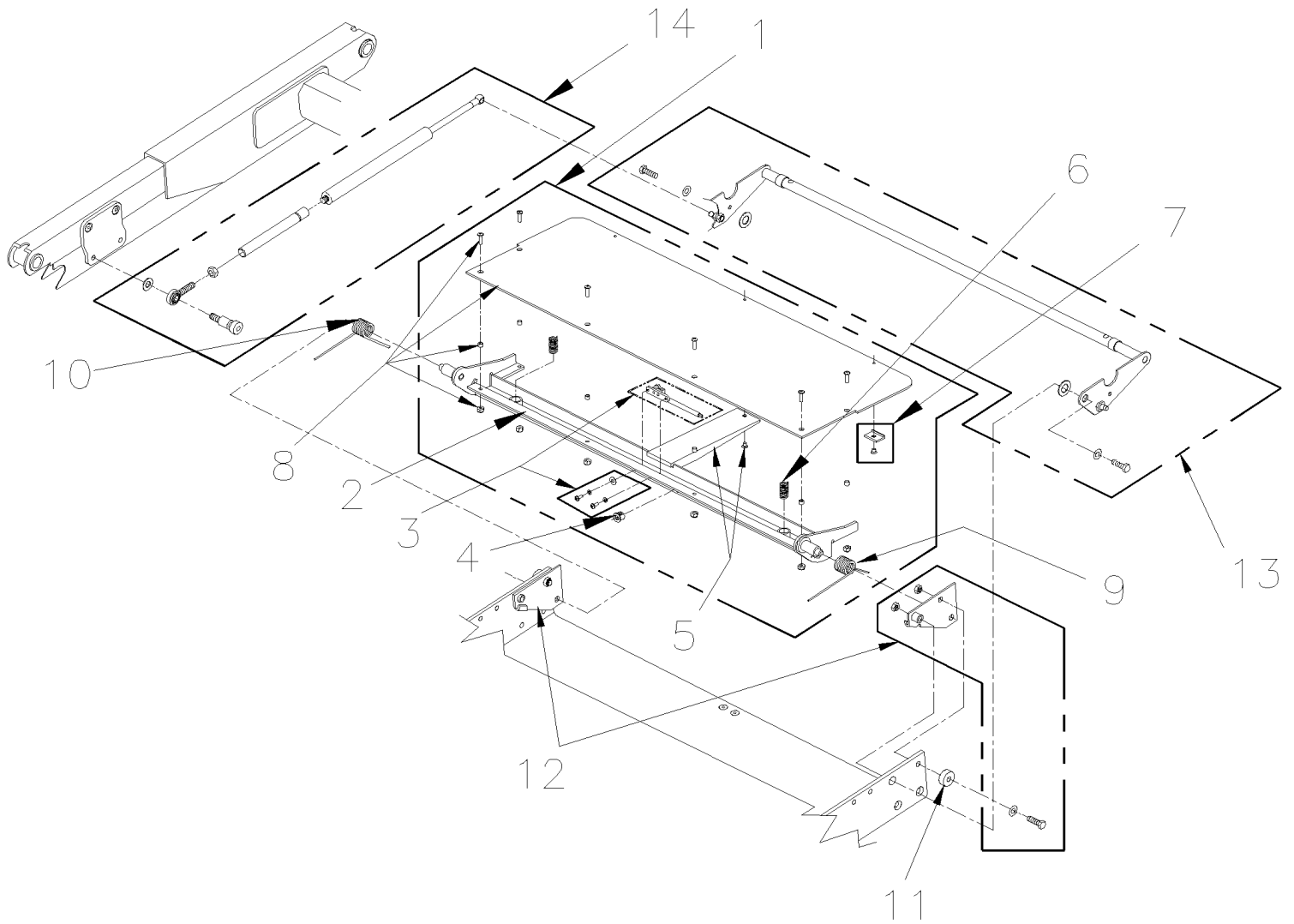


From E-2585 To J-0287

Date:10/2022

PAGE:H7-2380-51

**W.C.L. "RICON" - BRIDGE PLATE ASSY MODEL "F9TF"**



From E-2585 To J-0287	Date:10/2022	PAGE:H7-2380-51
<b>W.C.L. "RICON" - BRIDGE PLATE ASSY MODEL "F9TF"</b>		

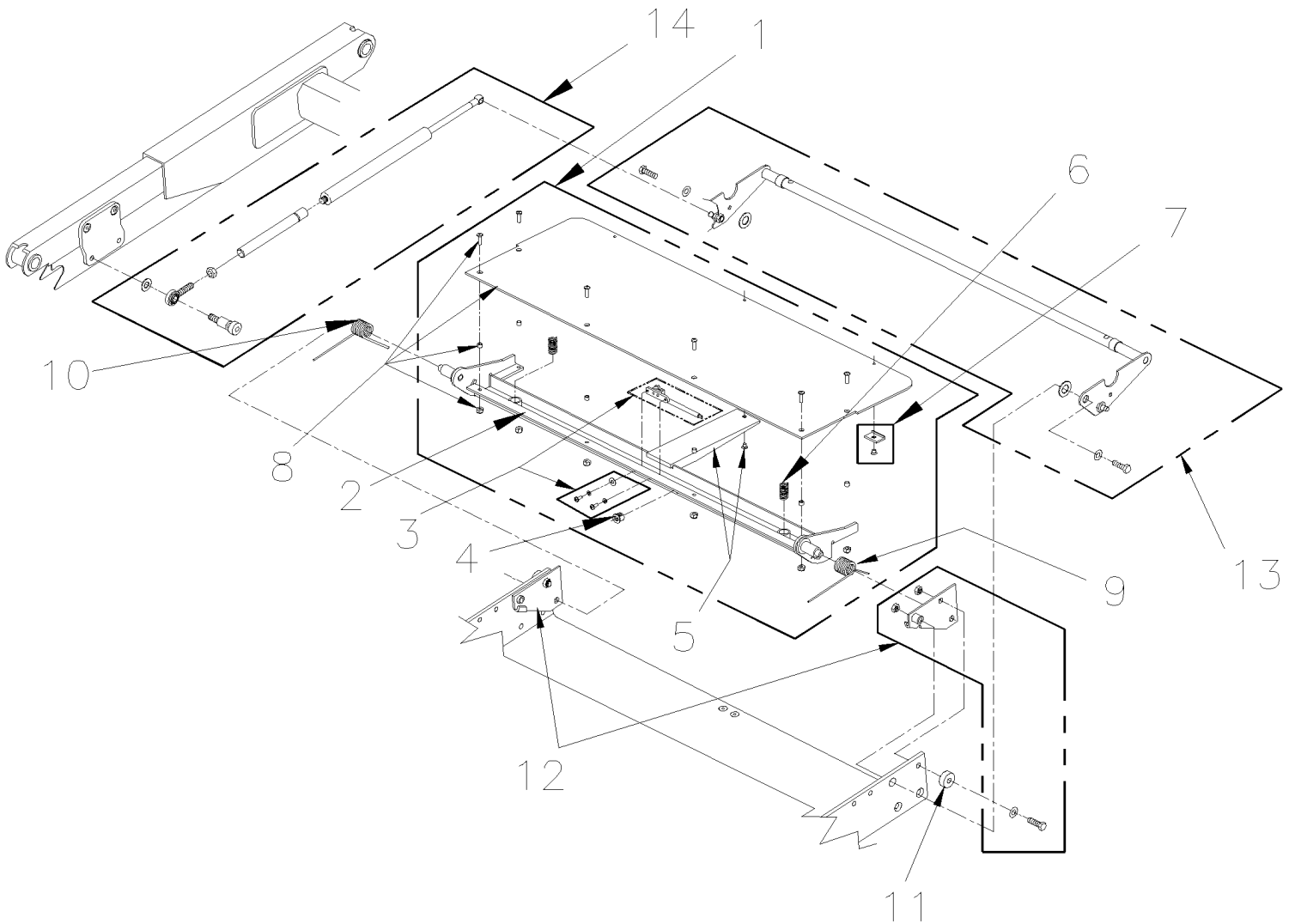
Item#	Part	Description	H 3 4 1	H 3 4 5	V I P 4 5	N O T E S
1	863097	BRIDGEPLATE ASSEMBLY 9"	1	1		
1	865626	BRIDGEPLATE ASSEMBLY 11"	1	1	1	A
2	860228	FRAME, BRIDGEPLATE	1	1		
3	863099	KIT, SWITCH ASSEMBLY	1	1		
4	863100	BUSHING, SNAP-IN, 1/2	1	1		
5	863101	KIT, GUIDE, BRIDGEPLATE, W/SCREW	1	1		
6	863102	SPRING, COMP. SST, .48OD X .75L	2	2		
7	863103	SKID, BRIDGEPLATE BRACKET	2	2		
8	863104	KIT, PLATE, BRIDGEPLATE	1	1		
9	863105	SPRING, BRIDGEPLATE RETURN, RH	1	1		
10	863106	SPRING, BRIDGEPLATE RETURN, LH	1	1		
11	863107	BUSHING .75x.32x.38	1	1		
12	863108	KIT, MOUNTING BRACKETS, LH AND RH	1	1		
13	863109	KIT, STIRRUP ASSEMBLY	1	1		
14	863110	KIT, ACTUATOR ROD ASSEMBLY, BRIDGEPLATE	2	2		
		A) USE WITH WHEEL CHAIRE LIFT F9TF-DE019				

From J-0086 To J-0184

Date:10/2022

PAGE:H7-2380-52

W.C.L. "RICON" - BRIDGE PLATE ASSY MODEL "F9TH"



From J-0086 To J-0184	Date:10/2022	PAGE:H7-2380-52
<b>W.C.L. "RICON" - BRIDGE PLATE ASSY MODEL "F9TH"</b>		

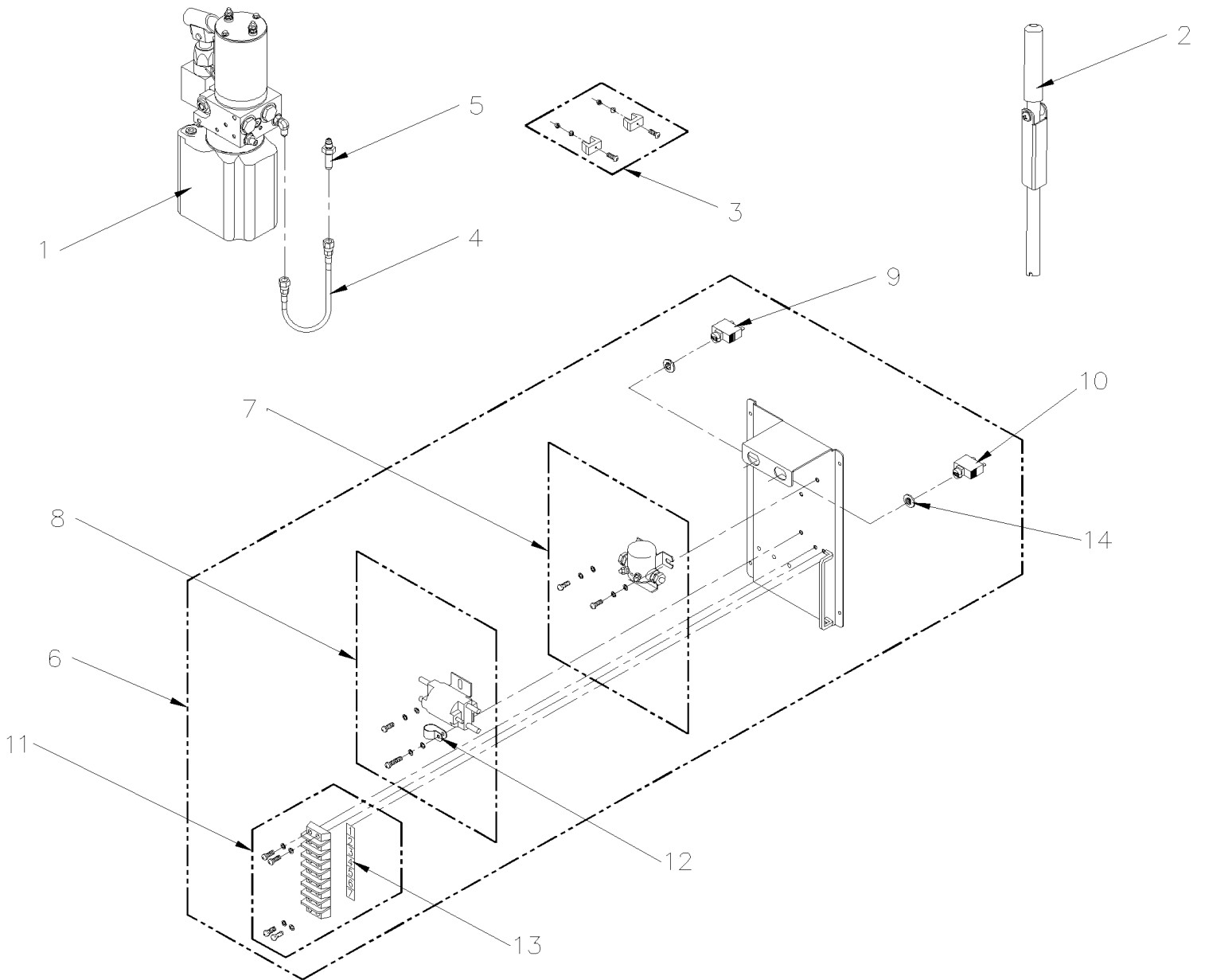
Item#	Part	Description	H 3 4 1	H 3 4 5	V I P 4 5	N O T E S
1	865626	BRIDGEPLATE ASSEMBLY 11" To D-2378	1	1		
1	863097	BRIDGEPLATE ASSEMBLY 9" From D-2379	1	1		
1	865626	BRIDGEPLATE ASSEMBLY 11" OPTION From D-2379	1	1		A
2	860228	FRAME, BRIDGEPLATE	1	1		
3	863099	KIT, SWITCH ASSEMBLY	1	1		
4	863100	BUSHING, SNAP-IN, 1/2	1	1		
5	863101	KIT, GUIDE, BRIDGEPLATE, W/SCREW	1	1		
6	863102	SPRING, COMP. SST, .480D X .75L	2	2		
7	863103	SKID, BRIDGEPLATE BRACKET	2	2		
8	863104	KIT, PLATE, BRIDGEPLATE	1	1		
9	863105	SPRING, BRIDGEPLATE RETURN, RH	1	1		
10	863106	SPRING, BRIDGEPLATE RETURN, LH	1	1		
11	863107	BUSHING .75x.32x.38	1	1		
12	863108	KIT, MOUNTING BRACKETS, LH AND RH	1	1		
13	863109	KIT, STIRRUP ASSEMBLY	1	1		
14	863110	KIT, ACTUATOR ROD ASSEMBLY, BRIDGEPLATE	2	2		
		A) USE WITH WHEEL CHAIRE LIFT F9TF-DE019				

From 7-0671 To E-2584

Date:10/2022

PAGE:H7-2380-60

W.C.L. "RICON" - PUMP INSTALLATION MODEL "F9TF"



From 7-0671 To E-2584	Date:10/2022	PAGE:H7-2380-60
<b>W.C.L. "RICON" - PUMP INSTALLATION MODEL "F9TF"</b>		

Item#	Part	Description	H 3 4 1	H 3 4 5	V I P 4 5	N O T E S
1	H7-2380-65	W.C.L. "RICON" - PUMP ASSY MODEL "F9TF"				
2	464678	HANDLE-MANUAL BACKUP PUMP		1		
3	868251	TOOL CLIP		1		
4	863085	HOSE ASSY 13 3/4"		1		
5	863086	FITTING, BUN, 1/4J, 2.08L		1		
6	563370	POWER PLATE ASSY "RICON"		1		
6	863087	KIT, SOLENOID PLATE ASSY, 24VDC		1		
7	862100	SOLENOID / SP 24V		1		
8	862101	SOLENOID-24V DP LARGE		1		
9	862102	CIRCUIT BREAKER / 8AMP		1		
10	862103	CIRCUIT BREAKER / 30AMPS		1		
11	863088	KIT, TERMINAL STRIP		1		
12	863089	CLAMP, NYLON, 3/8" BLACK		1		
13	863090	DECAL "TERMINAL STRIP NUMBERS"		1		
14	863091	ADAPTOR .625 D-HOLE		1		

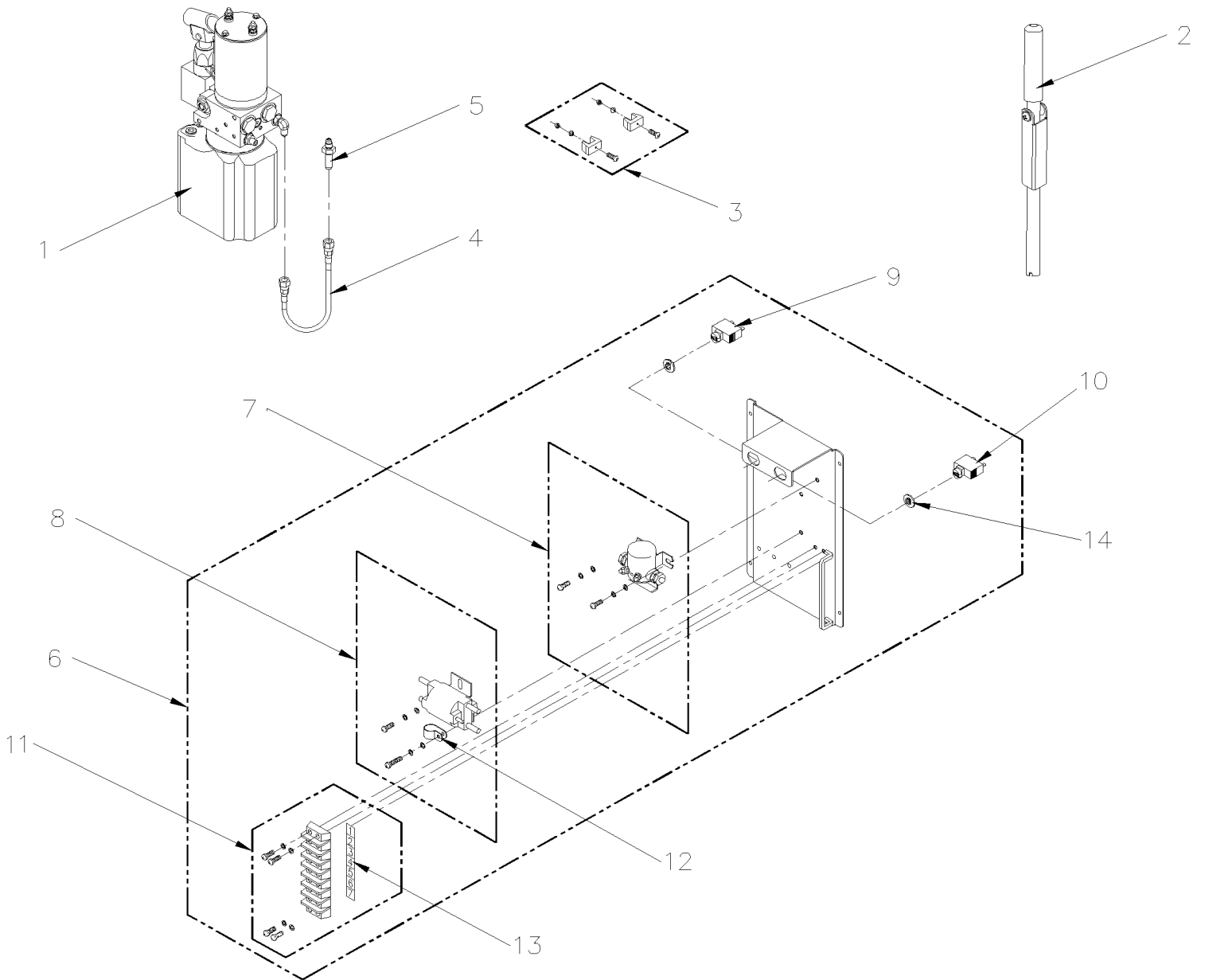


From E-2585 To J-0184

Date:10/2022

PAGE:H7-2380-61

W.C.L. "RICON" - PUMP INSTALLATION MODEL "F9TF"



From E-2585 To J-0184	Date:10/2022	PAGE:H7-2380-61
<b>W.C.L. "RICON" - PUMP INSTALLATION MODEL "F9TF"</b>		

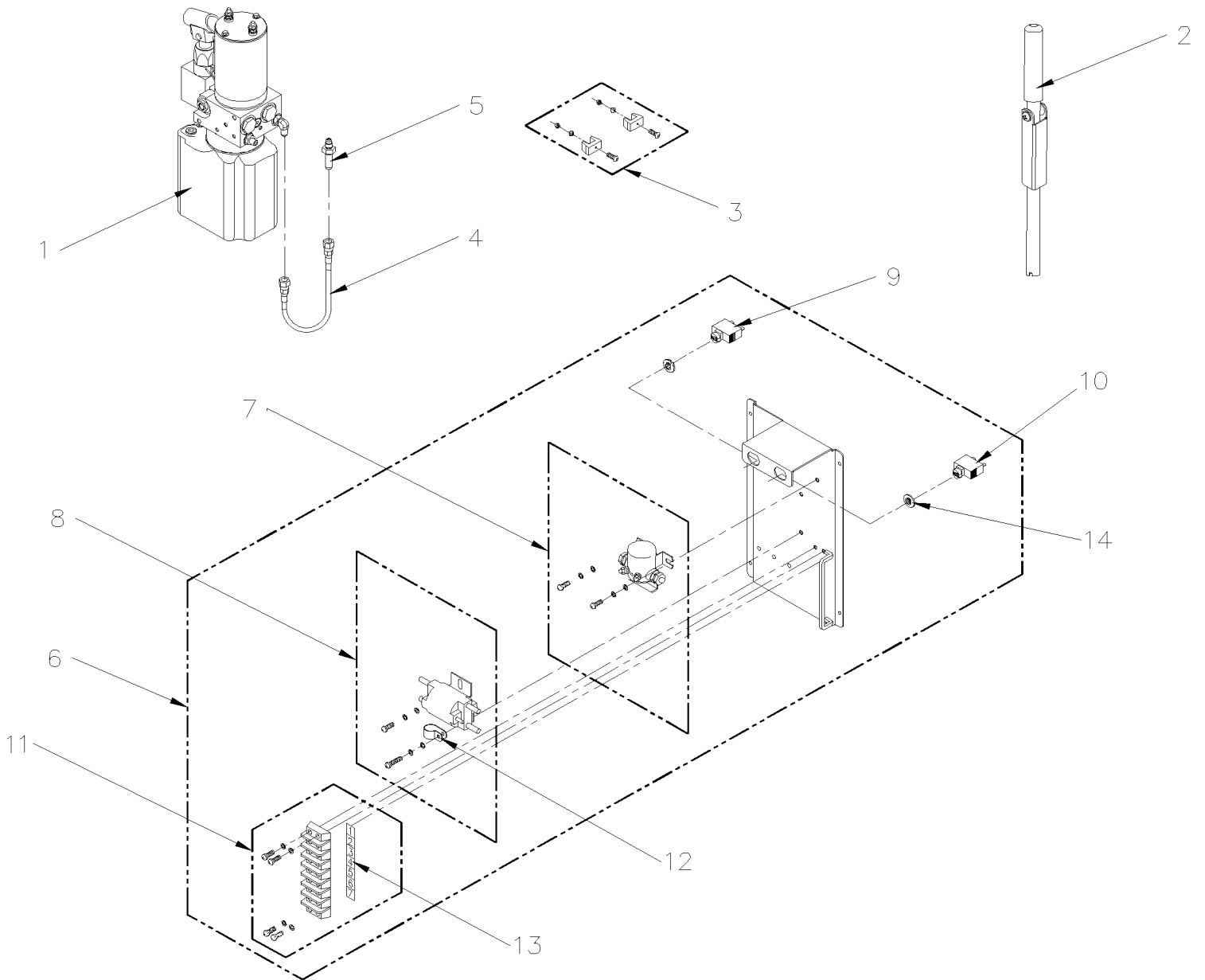
Item#	Part	Description	H 3 4 1	H 3 4 5	V I P 4 5	N O T E S
1	H7-2380-66	W.C.L. "RICON" - PUMP ASSY MODEL "F9TF"				
2	464678	HANDLE-MANUAL BACKUP PUMP	1	1		
3	868251	TOOL CLIP	1	1		
4	19509909	HOSE ASSY 1/4JIC x 11"	1	1		
5	863086	FITTING, BUN, 1/4J, 2.08L	1	1		
6	563370	POWER PLATE ASSY "RICON"	1	1		
6	863087	KIT, SOLENOID PLATE ASSY, 24VDC	1	1		
7	862100	SOLENOID / SP 24V	1	1		
8	862101	SOLENOID-24V DP LARGE	1	1		
9	862102	CIRCUIT BREAKER / 8AMP	1	1		
10	862103	CIRCUIT BREAKER / 30AMPS	1	1		
11	863088	KIT, TERMINAL STRIP	1	1		
12	863089	CLAMP, NYLON, 3/8" BLACK	1	1		
13	863090	DECAL "TERMINAL STRIP NUMBERS"	1	1		
14	863091	ADAPTOR .625 D-HOLE	1	1		

From J-0086 To J-0184

Date:10/2022

PAGE:H7-2380-62

W.C.L. "RICON" - PUMP INSTALLATION MODEL "F9TH"



From J-0086 To J-0184	Date:10/2022	PAGE:H7-2380-62
<b>W.C.L. "RICON" - PUMP INSTALLATION MODEL "F9TH"</b>		

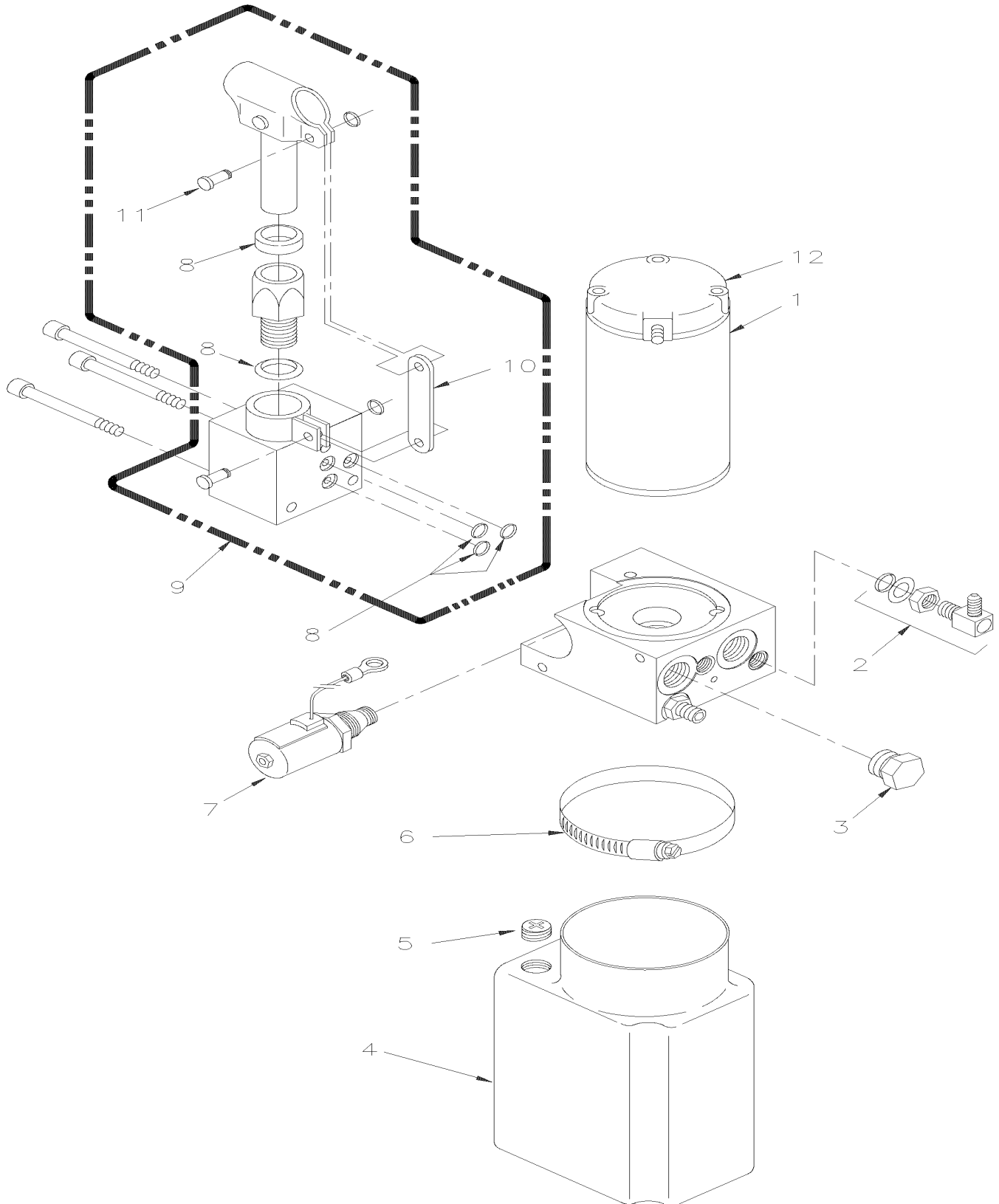
Item#	Part	Description	H 3 4 1	H 3 4 5	V I P 4 5	N O T E S
1	H7-2380-67	W.C.L. "RICON" - PUMP ASSY MODEL "F9TH"				
2	464678	HANDLE-MANUAL BACKUP PUMP	1	1		
3	868251	TOOL CLIP	1	1		
4	863085	HOSE ASSY 13 3/4"	1	1		
5	863086	FITTING, BUN, 1/4J, 2.08L	1	1		
6	868252	KIT, SOLENOID PLATE ASSY, 24VDC	1	1		
7	862100	SOLENOID / SP 24V	1	1		
8	862101	SOLENOID-24V DP LARGE	1	1		
9	862102	CIRCUIT BREAKER / 8AMP	1	1		
10	862103	CIRCUIT BREAKER / 30AMPS	1	1		
11	863088	KIT, TERMINAL STRIP	1	1		
12	863089	CLAMP, NYLON, 3/8" BLACK	1	1		
13	863090	DECAL "TERMINAL STRIP NUMBERS"	1	1		
14	863091	ADAPTOR .625 D-HOLE	1	1		

From 7-0671 To E-2584

Date:10/2022

PAGE:H7-2380-65

W.C.L. "RICON" - PUMP ASSY MODEL "F9TF"



From 7-0671 To E-2584	Date:10/2022	PAGE:H7-2380-65
<b>W.C.L. "RICON" - PUMP ASSY MODEL "F9TF"</b>		

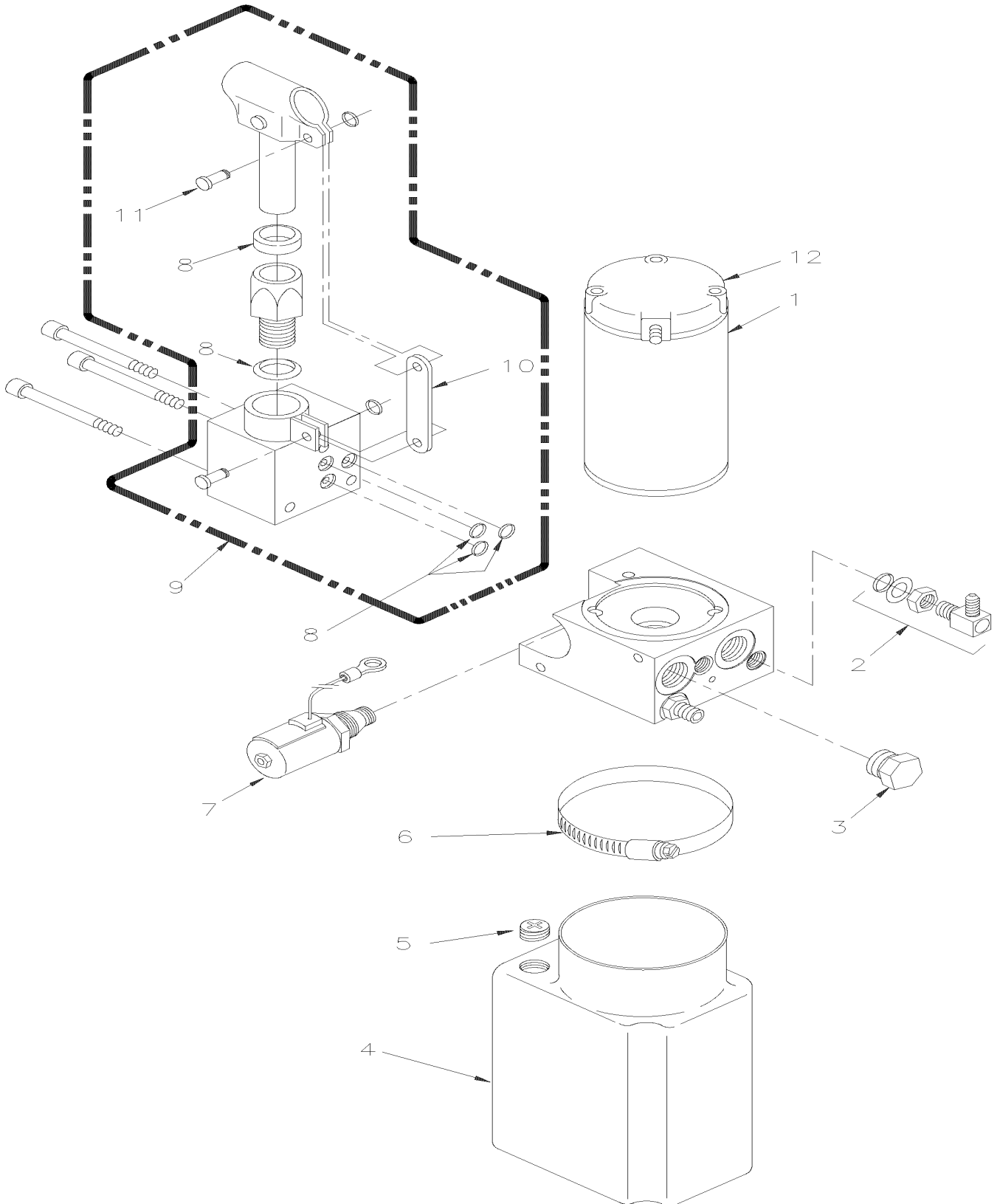
Item#	Part	Description	H 3 4 1	H 3 4 5	V I P 4 5	N O T E S
	19509911	PUMP ASSY 2.0 KPSI / 24V		1		
1	862104	. MOTOR ASSY. / 24V 3" MONARCCH PUMP		1		
2	868147	. FITTING / "L" 1/4 SAE O-RING BOSS 1/4 JIC		1		
3	860122	. PLUG / 3/4-16 CAVITY / W/O-RING		2		
4	863092	. RESERVOIR / RICON POWER UNIT / PLASTIC		1		
5	863095	. PLUG, BREATHER, RESERVOIR		1		
5	865625	. WASHER, RUBBER 1"O.D.x5/8"I.D.x1/8"		1		
6	863096	. CLAMP, RESERVOIR		1		
7	860153	. KIT DOWN VALVE / W/TERMINALS		1		
8	862107	. SEAL KIT / MANUAL BACK-UP PUMP		1		
9	863093	. BACK-UP PUMP ASSY, MANUAL W/O HANDLE		1		
10	868253	. BRACKET / TENSION LINK / MANARCH PUMP		1		
11	868254	. PIN & RETAINING RING-BACKUP PUMP		2		
12	862108	. KIT / PUMP MOTOR BRUSH SET		1		
NS	685682	. OIL HYDRAULIC W.C.L. (19 LITERS)		1		

From E-2585 To J-0184

Date:10/2022

PAGE:H7-2380-66

## W.C.L. "RICON" - PUMP ASSY MODEL "F9TF"



From E-2585 To J-0184	Date:10/2022	PAGE:H7-2380-66
<b>W.C.L. "RICON" - PUMP ASSY MODEL "F9TF"</b>		

Item#	Part	Description	H 3 4 1	H 3 4 5	V I P 4 5	N O T E S
	863112	PUMP ASSY 2.0 KPSI / 24V	1	1		
1	862104	. MOTOR ASSY. / 24V 3" MONARCCH PUMP	1	1		
2	868147	. FITTING / "L" 1/4 SAE O-RING BOSS 1/4 JIC	1	1		
3	860122	. PLUG / 3/4-16 CAVITY / W/O-RING	2	2		
4	863092	. RESERVOIR / RICON POWER UNIT / PLASTIC	1	1		
5	863095	. PLUG, BREATHER, RESERVOIR	1	1		
5	865625	. WASHER, RUBBER 1"O.D.x5/8"I.D.x1/8"	1	1		
6	863096	. CLAMP, RESERVOIR	1	1		
7	862106	. HYD. POPPET VALVE ASSY. / 24V DELTROL	1	1		
8	862107	. SEAL KIT / MANUAL BACK-UP PUMP	1	1		
9	863093	. BACK-UP PUMP ASSY, MANUAL W/O HANDLE	1	1		
10	868253	. BRACKET / TENSION LINK / MANARCH PUMP	1	1		
11	868254	. PIN & RETAINING RING-BACKUP PUMP	2	2		
12	862108	. KIT / PUMP MOTOR BRUSH SET	1	1		
NS	685682	. OIL HYDRAULIC W.C.L. (19 LITERS)	1	1		

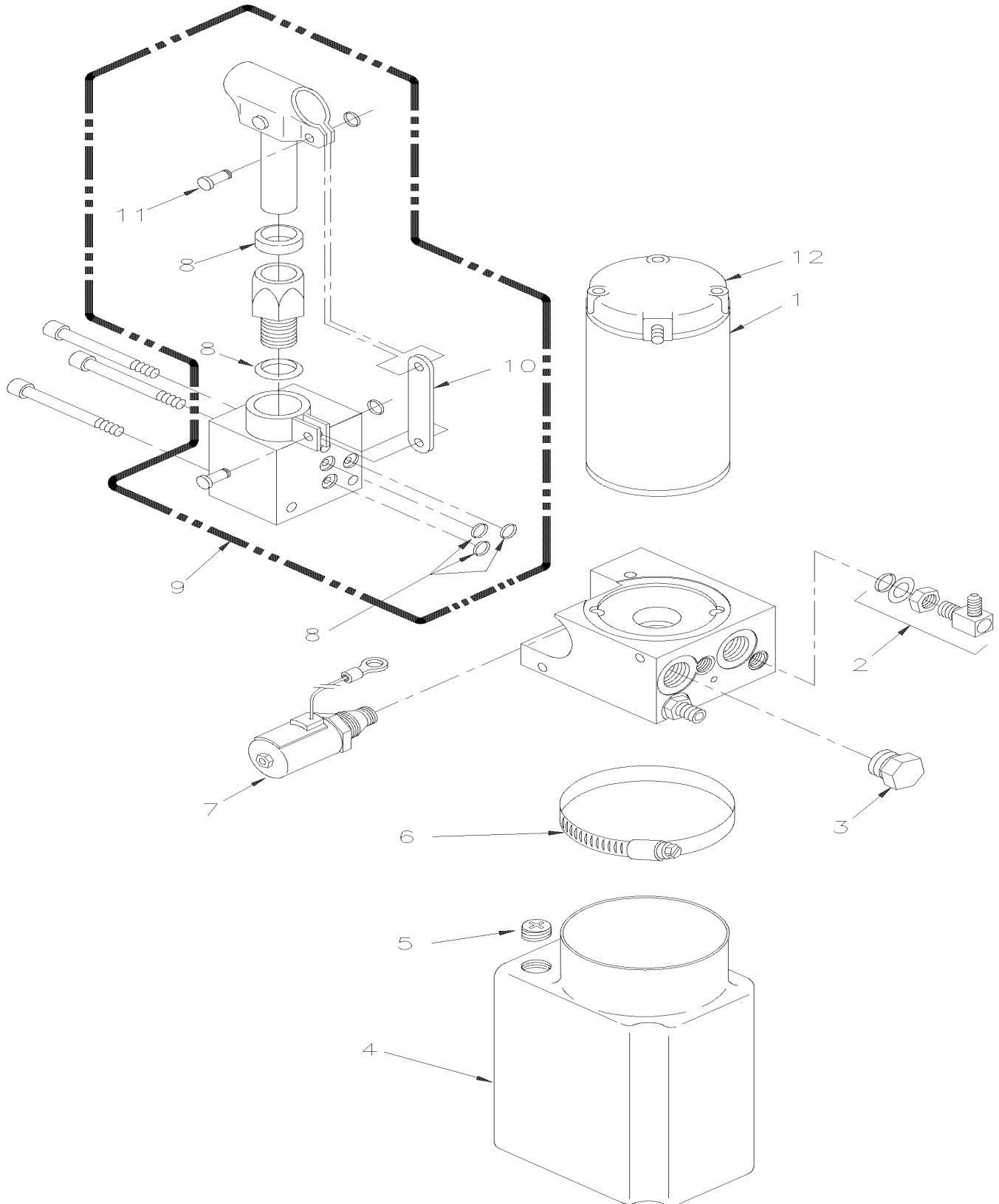


From J-0086 To J-0184

Date:10/2022

PAGE:H7-2380-67

W.C.L. "RICON" - PUMP ASSY MODEL "F9TH"



From J-0086 To J-0184	Date:10/2022	PAGE:H7-2380-67
<b>W.C.L. "RICON" - PUMP ASSY MODEL "F9TH"</b>		

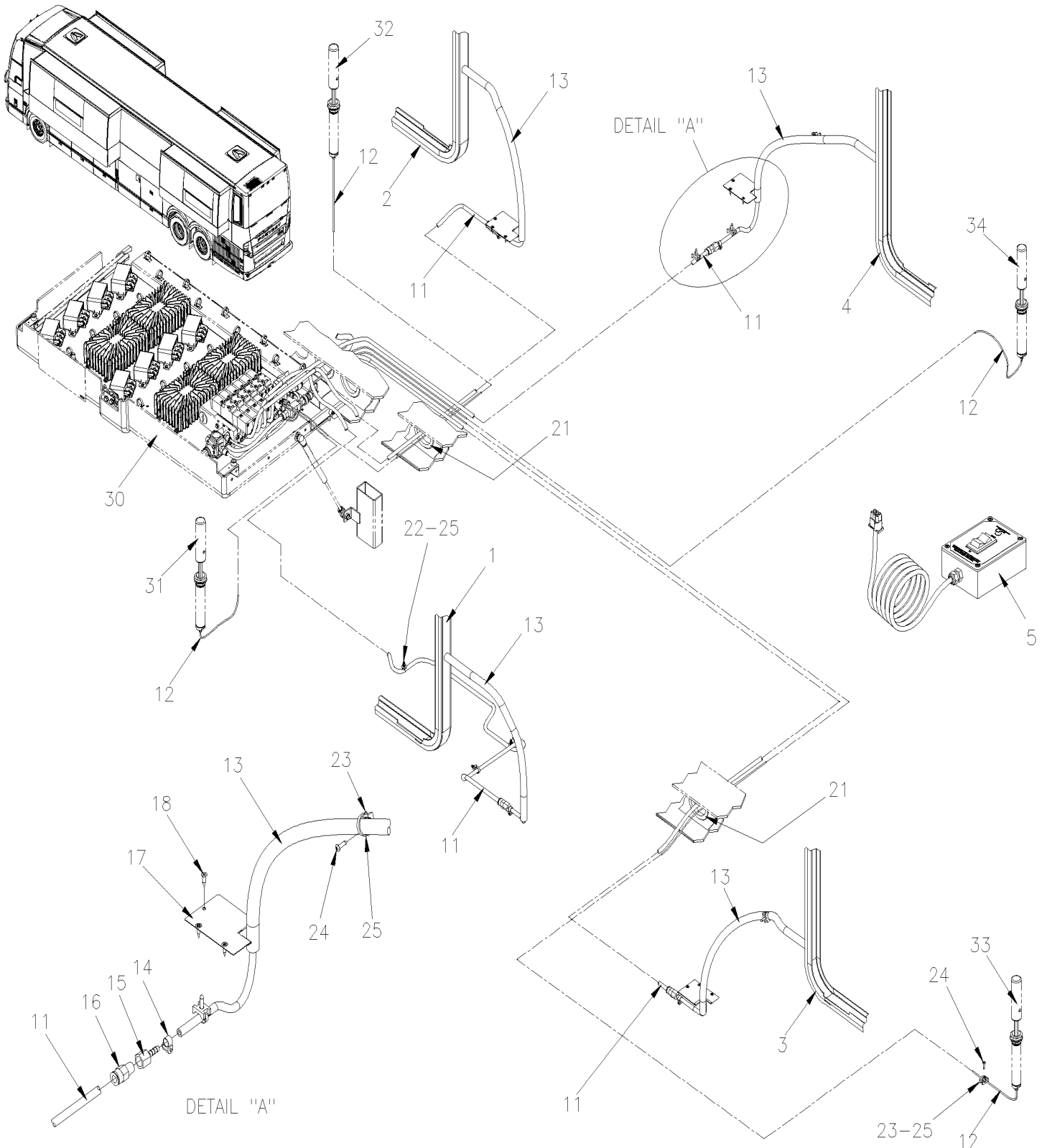
Item#	Part	Description	H 3 4 1	H 3 4 5	V I P 4 5	N O T E S
	863112	PUMP ASSY 2.0 KPSI / 24V	1	1		
1	863126	. MOTOR ASSY. / 24V	1	1		
2	868147	. FITTING / "L" 1/4 SAE O-RING BOSS 1/4 JIC	1	1		
3	860122	. PLUG / 3/4-16 CAVITY / W/O-RING	2	2		
4	863092	. RESERVOIR / RICON POWER UNIT / PLASTIC	1	1		
5	863095	. PLUG, BREATHER, RESERVOIR	1	1		
NS	865625	. WASHER, RUBBER 1"O.D.x5/8"I.D.x1/8"	1	1		
6	504235	. HOSE CLAMP / 3"9/16"-4"1/2 SS / HS-64	1	1		
7	862106	. HYD. POPPET VALVE ASSY. / 24V DELTROL	1	1		
8	862107	. SEAL KIT / MANUAL BACK-UP PUMP	1	1		
9	863093	. BACK-UP PUMP ASSY, MANUAL W/O HANDLE	1	1		
10	868253	. BRACKET / TENSION LINK / MANARCH PUMP	1	1		
11	868254	. PIN & RETAINING RING-BACKUP PUMP	2	2		
12	863127	. KIT / PUMP MOTOR BRUSH SET	1	1		
NS	685682	OIL HYDRAULIC W.C.L. (19 LITERS)	1	1		

From 7-0671 To J-0287

Date:10/2022

PAGE:H7-2390-00

## "SLIDE-OUT" INFLATED SEAL



<b>From 7-0671 To J-0287</b>	<b>Date:10/2022</b>	<b>PAGE:H7-2390-00</b>
------------------------------	---------------------	------------------------

**"SLIDE-OUT" INFLATED SEAL**

Item#	Part	Description	H 3 4 1	H 3 4 5	V I P 4 5	N O T E S
1	476701	SEAL, INFLATABLE ASSY FRONT / "VIP" / W/14' STREET 4464MM x 1971MM / 300MM			1	
1	479742	SEAL INSTALLATION / FRONT / "VIP" / W/14' STREET 4464MM x 1971MM			1	
. NS	470499	. SEAL, BASE FRONT / "VIP" / W/14' STREET 4464MM x 1971MM / 300MM			1	
. NS	470500	. SEAL, INFLATABLE FRONT / "VIP" / W/14' STREET 4464MM x 1971MM / 300MM			1	
. NS	IS-16078	. SEE INSTRUCTION SHEET			1	
. NS	FI-16078	. VOIR FEUILLE D'INSTRUCTION			1	
2	478371	SEAL, INFLATABLE ASSY FRONT / "VIP" / W/9' CURB 2889MM x 1971MM / 300MM From 9-1404 To H-3644			1	
2	479428	SEAL INSTALLATION / FRONT / "VIP" / W/9' CURB 2889MM x 1971MM From 9-1404 To H-3644			1	
. NS	470622	. SEAL, BASE FRONT / "VIP" / W/9' CURB 2889MM x 1971MM From 9-1404 To H-3644			1	
. NS	470623	. SEAL, INFLATABLE FRONT / "VIP" / W/9' CURB 2889MM x 1971MM From 9-1404 To H-3644			1	
. NS	IS-16080	. SEE INSTRUCTION SHEET From 9-1404 To H-3644			1	
. NS	FI-16080	. VOIR FEUILLE D'INSTRUCTION From 9-1404 To H-3644			1	
2	478368	SEAL, INFLATABLE ASSY FRONT / "VIP" / W/12' CURB 3905MM x 1971MM / 300MM From 9-1404 To H-3644			1	
2	479429	SEAL INSTALLATION / FRONT / "VIP" / W/12' CURB 3905MM x 1971MM From 9-1404 To H-3644			1	
. NS	470625	. SEAL, BASE FRONT / "VIP" / W/12' CURB 3905MM x 1971MM From 9-1404 To H-3644			1	
. NS	470626	. SEAL, INFLATABLE FRONT / "VIP" / W/12' CURB 3905MM x 1971MM From 9-1404 To H-3644			1	
. NS	IS-16080	. SEE INSTRUCTION SHEET From 9-1404 To H-3644			1	
. NS	FI-16080	. VOIR FEUILLE D'INSTRUCTION From 9-1404 To H-3644			1	
2	470541	SEAL, INFLATABLE FRONT / "VIP" / W/12' CURB 3905MM x 2041MM / 370MM From H-3645			1	
2	470540	SEAL, BASE FRONT / "VIP" / W/12' CURB 3905MM x 2041MM / 370MM From H-3645			1	
3	476702	SEAL, INFLATABLE ASSY REAR / "VIP" / W/7' STREET 2331MM x 1673MM / 115MM			1	
3	479739	SEAL INSTALLATION / REAR / "VIP" / W/7' STREET 2331MM x 1673MM			1	
. NS	470592	. SEAL, BASE REAR / "VIP" / W/7' STREET 2231MM x 1673MM / 115MM			1	
. NS	470593	. SEAL, INFLATABLE REAR / "VIP" / W/7' STREET 2231MM x 1673MM / 115MM			1	
. NS	IS-16078	. SEE INSTRUCTION SHEET			1	
3	476704	SEAL, INFLATABLE ASSY REAR / "VIP" / W/10' STREET 3347MM x 1673MM / 115MM			1	
3	479740	SEAL INSTALLATION / REAR / "VIP" / W/10' STREET 3347MM x 1673MM			1	
. NS	470586	. SEAL, BASE REAR / "VIP" / W/10' STREET 3347MM x 1673MM / 115MM			1	
. NS	470587	. SEAL, INFLATABLE REAR / "VIP" / W/10' STREET 3347MM x 1673MM / 115MM			1	
. NS	IS-16078	. SEE INSTRUCTION SHEET			1	
. NS	FI-16078	. VOIR FEUILLE D'INSTRUCTION			1	
NS	478309	SEAL, INFLATABLE ASSY REAR / "VIP" / W/7' CURB 2331MM x 1971MM / 300MM			1	
4	479737	SEAL INSTALLATION / REAR / "VIP" / W/7' CURB 2331MM x 1971MM			1	
. NS	470596	. SEAL, BASE REAR / "VIP" / W/7' CURB 2331MM x 1971MM / 300MM			1	
. NS	470597	. SEAL, INFLATABLE REAR / "VIP" / W/7' CURB 2331MM x 1971MM / 300MM			1	
. NS	IS-16078	. SEE INSTRUCTION SHEET			1	
. NS	FI-16078	. VOIR FEUILLE D'INSTRUCTION			1	
NS	478310	SEAL, INFLATABLE ASSY REAR / "VIP" / W/10' CURB 3347MM x 1971MM / 300MM			1	
4	479738	SEAL INSTALLATION / REAR / "VIP" / W/10' CURB 3347MM x 1971MM			1	
. NS	470594	. SEAL, BASE REAR / "VIP" / W/10' CURB 3347MM x 1971MM / 300MM			1	
. NS	470595	. SEAL, INFLATABLE REAR / "VIP" / W/10' CURB 3347MM x 1971MM / 300MM			1	
. NS	IS-16078	. SEE INSTRUCTION SHEET			1	

From 7-0671 To J-0287	Date:10/2022	PAGE:H7-2390-00
-----------------------	--------------	-----------------

**"SLIDE-OUT" INFLATED SEAL**

Item#	Part	Description	H 3 4 1	H 3 4 5	V I P 4 5	N O T E S
. NS	FI-16078	. VOIR FEUILLE D'INSTRUCTION			1	
5	382048	REMOTE CONTROL / SINGLE SLIDE-OUT			1	
. NS	563380	. SWITCH / M/ON-OFF-M/ON S P.D.T BLACK			1	
. NS	564421	. PILOT LIGHT GREEN / LED 24V			1	
. NS	382047	. DECAL "REMOTE CONTROL"			1	
11	503404	TUBE, NYLON 3/8 O.D. / BLACK S.L.			AR	
12	503536	TUBE, NYLON 1/8 O.D. / BLACK S.L.			AR	
13	503541	TUBE, NYLON 3/4" O.D. / BLACK S.L.			AR	
13	684517	ADHESIVE SIMSON #ISR 70-03 / GREY / 310ml CARTRIDGE			AR	
14	504715	HOSE CLAMP / 7/32"-5/8" SS			4	
15	642010	FEMALE CONNECTOR / HOSE BARB FITTING / #4x1/4NPT-F BR			4	
16	641331	MALE CONNECTOR / PUSH-IN FITTING / #6x1/4NPT-M BR			4	
17	320069	CLOSING PLATE			3	
18	500434	SCREW TP FL PH #8x3/4 Z050			9	
21	504720	GROMMET / 2.375x3.000x.250x.437x3.250			AR	
21	680066	ADHESIVE / ADBOND #5014 / 23.6ML BOTTLE			AR	
22	509815	TIE MOUNT / ATTACHMENT W/TREE MOUNT			AR	
23	504013	TIE MOUNT / 1/4" X 1/4" I.D.			AR	
24	500957	SCREW TP BDG PH #10x3/4 N500			AR	
25	504637	CABLE TIE / 3/16" x 13"			AR	
30	<b>H7-2390-10</b>	<b>"SLIDE-OUT" AIR CONTROL PANEL</b>				
31	<b>H7-2390-20</b>	<b>"SLIDE-OUT" - FRONT MECHANISM - INSTALLATION / STREET SIDE</b>				
32	<b>H7-2390-25</b>	<b>"SLIDE-OUT" - FRONT MECHANISM - INSTALLATION / CURBSIDE To H-3644</b>				
32	<b>H7-2390-26</b>	<b>"SLIDE-OUT" - FRONT MECHANISM - INSTALLATION / CURBSIDE From H-3645</b>				
33	<b>H7-2390-30</b>	<b>"SLIDE-OUT" - REAR MECHANISM - INSTALLATION / STREET SIDE</b>				
34	<b>H7-2390-35</b>	<b>"SLIDE-OUT" - REAR MECHANISM - INSTALLATION / CURBSIDE</b>				

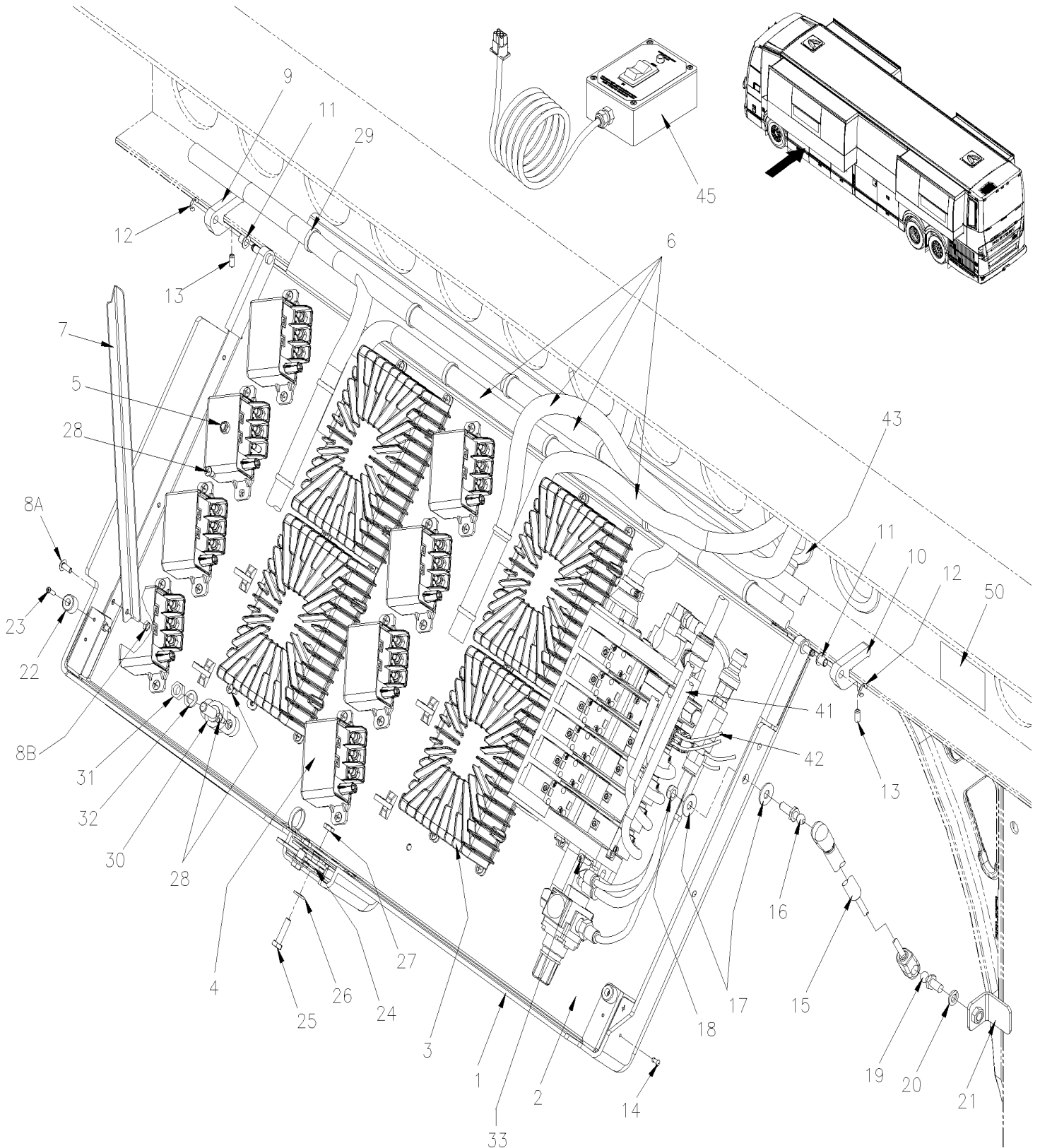


From 7-0671 To H-3644

Date:10/2022

PAGE:H7-2390-10

## "SLIDE-OUT" AIR CONTROL PANEL

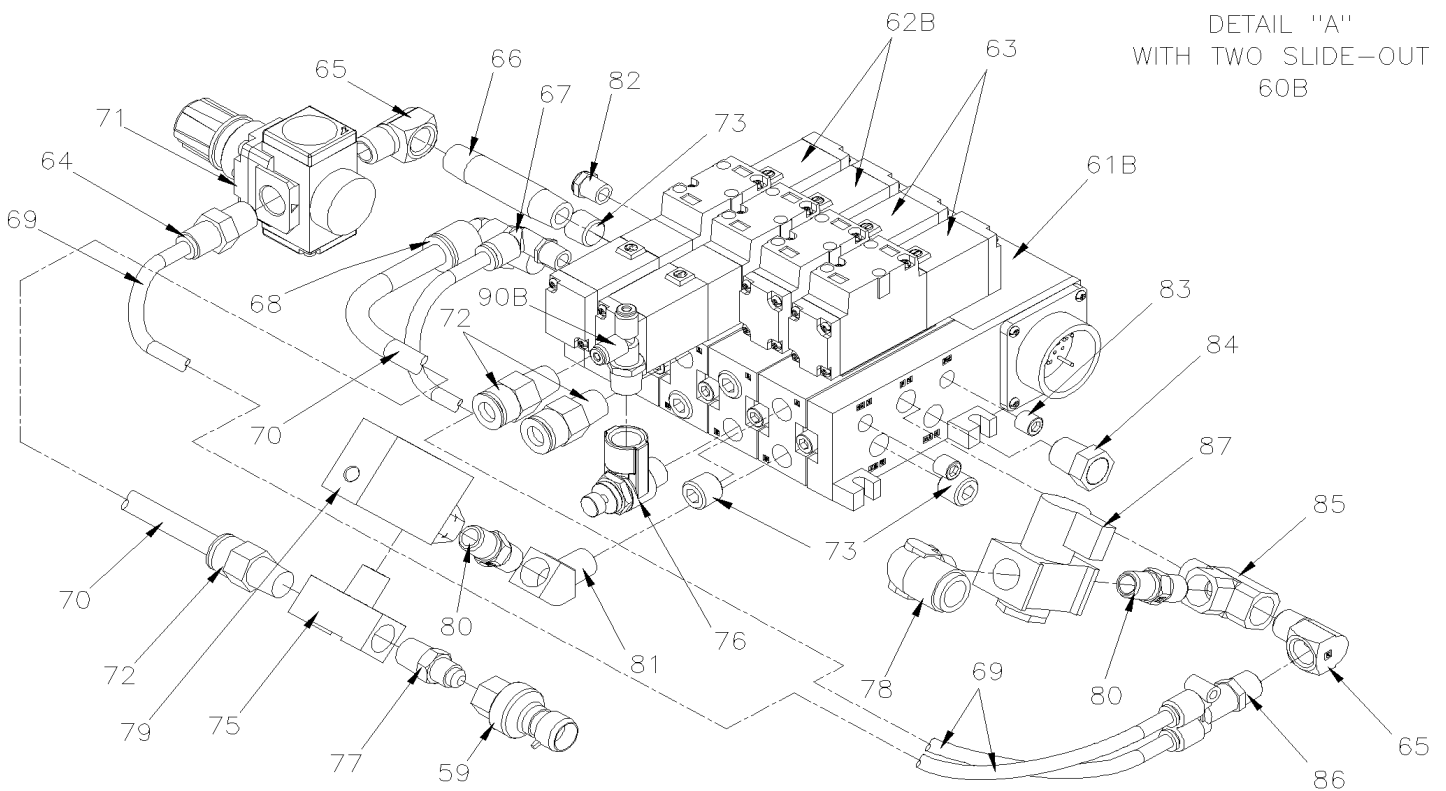
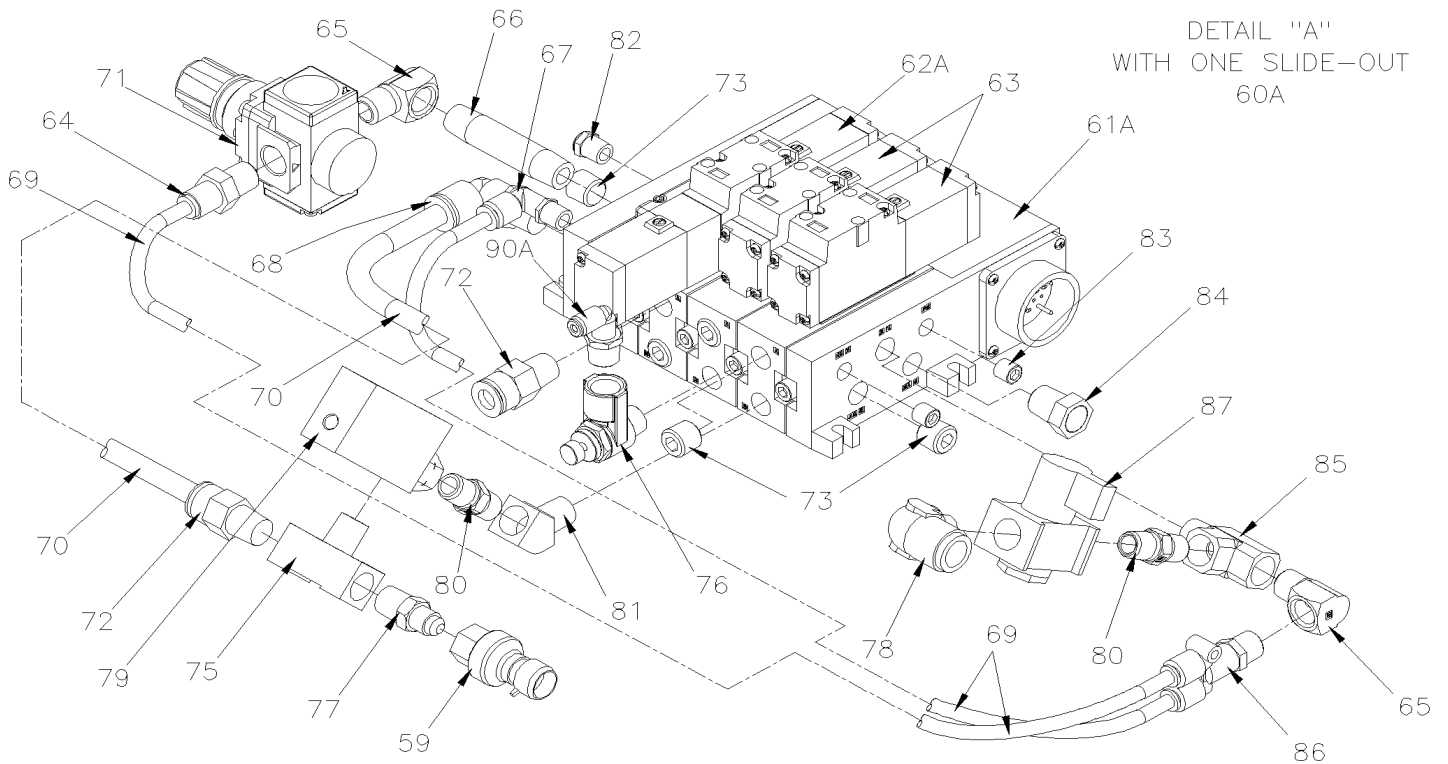


From 7-0671 To H-3644

Date:10/2022

PAGE:H7-2390-10

## "SLIDE-OUT" AIR CONTROL PANEL



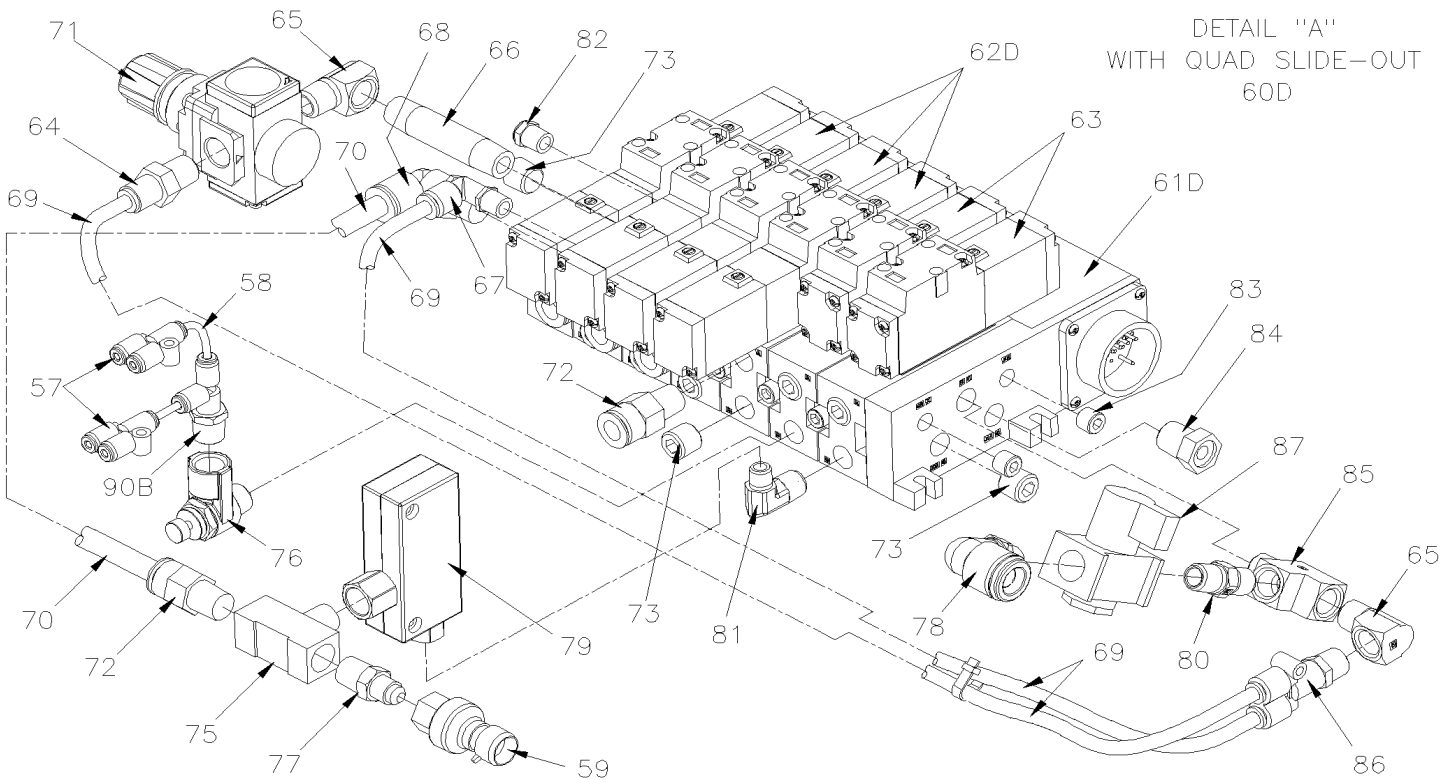
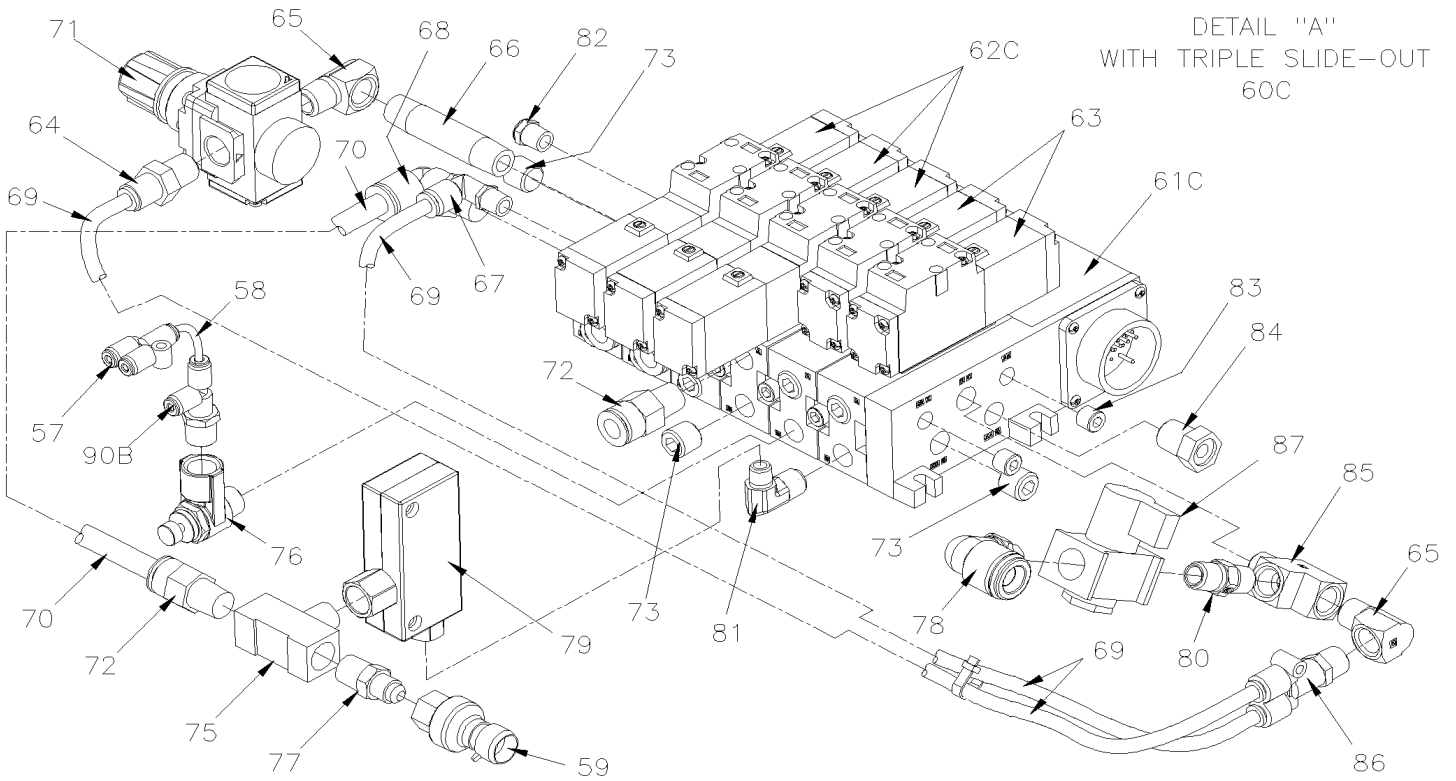


From 7-0671 To H-3644

Date:10/2022

PAGE:H7-2390-10

## "SLIDE-OUT" AIR CONTROL PANEL



<b>From 7-0671 To H-3644</b>	<b>Date:10/2022</b>	<b>PAGE:H7-2390-10</b>
<b>"SLIDE-OUT" AIR CONTROL PANEL</b>		

Item#	Part	Description	H 3 4 1	H 3 4 5	V I P 4 5	N O T E S
1	066380	COVER PLASTIC			1	
1	067452	COVER PLASTIC From E-2683			1	A
1	504749	LOCK SS From E-2683			2	A
1	504340	RIVET POP DOME OE 1/8x3/16 SS From E-2683			8	A
1	067182	DECAL "JCT BOX SLIDE-OUT "VIP" / W/TRIPLE "SLIDE-OUT" To 9-1403			1	
1	067577	DECAL "JCT BOX SLIDE-OUT "VIP" / W/QUAD "SLIDE-OUT" From 9-1404			1	
2	066632	PANEL MOUNTING / W/DOUBLE "SLIDE-OUT" To 9-1403			1	
2	067156	PANEL MOUNTING / W/TRIPLE "SLIDE-OUT" To 9-1403			1	
2	067540	PANEL MOUNTING / W/QUAD "SLIDE-OUT" From 9-1404 To E-2533			1	
2	068964	PANEL MOUNTING / W/QUAD "SLIDE-OUT" From E-2524			1	
2	067450	PANEL MOUNTING From E-2683			1	A
3	565865	I/O B-MODULE VOLVO MULTIPLEX / ALUMINUM To A-1555			AR	
. NS	563132	. CONNECTOR / SH 2C / YAZAKI 7283-6458-40 To A-1555			1	
. NS	563133	. CONNECTOR / JUNIOR POWER TIMER / SH 29C / AMP 1-963449-2 To A-1555			1	
. NS	562957	. CONNECTOR / SH 5C / GREEN / JAE IL-AG5-5S-S3C1 To A-1555			1	
3	564075	I/O B-MODULE VOLVO MULTIPLEX / ALUMINUM From A-1556 To B-1817			AR	
. NS	563132	. CONNECTOR / SH 2C / YAZAKI 7283-6458-40 From A-1556 To B-1817			1	
. NS	563133	. CONNECTOR / JUNIOR POWER TIMER / SH 29C / AMP 1-963449-2 From A-1556 To B-1817			1	
. NS	562957	. CONNECTOR / SH 5C / GREEN / JAE IL-AG5-5S-S3C1 From A-1556 To B-1817			1	
3	564193	I/O B-MODULE VOLVO MULTIPLEX / ALUMINUM From B-1818 To G-3374			AR	
. NS	563132	. CONNECTOR / SH 2C / YAZAKI 7283-6458-40 From B-1818 To G-3374			1	
. NS	563133	. CONNECTOR / JUNIOR POWER TIMER / SH 29C / AMP 1-963449-2 From B-1818 To G-3374			1	
. NS	562957	. CONNECTOR / SH 5C / GREEN / JAE IL-AG5-5S-S3C1 From B-1818 To G-3374			1	
3	22722842	I/O B-MODULE VOLVO MULTIPLEX / ALUMINUM From G-3375			AR	
. NS	563132	. CONNECTOR / SH 2C / YAZAKI 7283-6458-40 From G-3375			1	
. NS	563133	. CONNECTOR / JUNIOR POWER TIMER / SH 29C / AMP 1-963449-2 From G-3375			1	
. NS	562957	. CONNECTOR / SH 5C / GREEN / JAE IL-AG5-5S-S3C1 From G-3375			1	
4	563445	RELAY POWER 24V 130 AMPS / S.P.D.T. N.O. To E-2523			AR	
4	564242	RELAY POWER 24V 200AMPS / S.P.D.T. From E-2524			AR	
4	068091	KIT, RELAY POWER 24V S.P.D.T. To E-2523			1	
. NS	068087	. WIRING HARNESS. INTERFACE, RELAY COIL To E-2523			1	
. NS	564242	. RELAY POWER 24V 200AMPS / S.P.D.T. To E-2523			1	
. NS	500182	. SCREW CAP HEX 5/16-18x1 1/4 G5 PT Z050 To E-2523			3	
. NS	IS-13069	. INSTRUCTION SHEET To E-2523			1	
5	5001182	NUT HEX NYRT M6-1.0 SS			AR	
6	067147	WIRING HARNESS SLIDE-OUT FRONT LEFT To 9-1403			1	
6	067342	WIRING HARNESS SLIDE-OUT FRONT LEFT From 9-1404 To E-2523			1	
6	068957	WIRING HARNESS SLIDE-OUT FRONT LEFT From E-2524			1	
6	066794	WIRING HARNESS SLIDE-OUT REAR LEFT To 9-1403			1	
6	067343	WIRING HARNESS SLIDE-OUT REAR LEFT From 9-1404 To E-2523			1	
6	068958	WIRING HARNESS SLIDE-OUT REAR LEFT From E-2524			1	
6	067345	WIRING HARNESS SLIDE-OUT FRONT RIGHT From 9-1404 To E-2523			1	

From 7-0671 To H-3644	Date:10/2022	PAGE:H7-2390-10
<b>"SLIDE-OUT" AIR CONTROL PANEL</b>		

Item#	Part	Description	H 3 4 1	H 3 4 5	V I P 4 5	N O T E S
6	068960	WIRING HARNESS SLIDE-OUT FRONT RIGHT From E-2524			1	
6	067123	WIRING HARNESS SLIDE-OUT REAR RIGHT To 9-1403			1	
6	067344	WIRING HARNESS SLIDE-OUT REAR RIGHT From 9-1404 To E-2523			1	
6	068959	WIRING HARNESS SLIDE-OUT REAR RIGHT From E-2524			1	
6	509815	TIE MOUNT / ATTACHMENT W/TREE MOUNT			AR	
6	562679	4 WAY ADH. BACKED MOUNTS 1.000 x 1.000 x .160			AR	
6	504637	CABLE TIE / 3/16" x 13"			AR	
6	504750	CABLE TIE / 1/2" x 15" / CHRISTMAS TREE			AR	
6	504013	TIE MOUNT / 1/4" X 1/4" I.D.			AR	
6	504379	RIVET POP DOME OE 3/16x1/4 SS			AR	
7	066928	ANGLE HOLDING SUPPORT (OPEN )			1	
8A	5001241	SCREW MA TR PH #10-24x1/2 SS			1	
8B	5001180	NUT HEX NYRT #10-24 SS			1	
9	066489	HINGE BLOCK L.H. FIXED TO STRUCTURE To E-2571			1	
9	068949	HINGE BLOCK FIXED TO STRUCTURE From E-2572			1	
10	066490	HINGE BLOCK R.H. FIXED TO STRUCTURE To E-2571			1	
10	068949	HINGE BLOCK FIXED TO STRUCTURE From E-2572			1	
11	507381	BUSHING W/SHOULDER 1/4" I,D,			2	
12	502180	PIN HITCH CLIP 3/32 x 1/2 Z050 To E-2571			2	
12	504402	RING RETAINER / EXT .250 x .210 x .025" From E-2572			2	
13	5001634	SCREW SET HEXS CUP M6-1.0X12MM Z050 To E-2571			6	
13	5001634	SCREW SET HEXS CUP M6-1.0X12MM Z050 From E-2572			2	
14	504105	RIVET POP DOME OE 1/8x3/16 AL			6	
15	980029	CYLINDER GAZ / 354/219MM C/C / 46LBS			1	
16	980027	BALL STUD / W/10 MM X M8-1.25 / 36.5MM			1	
17	500332	WASHER FL .328x.875x.062 N500			2	
18	500868	NUT HEX NYRT M8-1.25 Z050			1	
19	980015	BALL STUD / W/10 MM X M8-1.25 / 29.18 MM			1	
20	5001161	WASHER LO SPT 8.1x14.8x2.0 SS-304			1	
21	066803	SUPPORT CYLINDER STUD			1	
22	504334	BUMPER RUBBER / .625 OD x .406 TH x .156 HOLE			2	
23	500576	SCREW TC PAN PH #6-32x1/2 Z050			2	
24	780778	LOCK L.H.			1	
25	500165	SCREW CAP HEX 1/4-20x1 G5 Z050			2	
26	500440	WASHER FL .250x.562x.065 Z050			2	
27	502819	NUT HEX JAM 1/4-20 Z050			2	
28	502868	SCREW TC TR PH #10-16x1/2 N500			AR	
29	504637	CABLE TIE / 3/16" x 13"			AR	
29	504013	TIE MOUNT / 1/4" X 1/4" I.D. To E-2533			AR	
29	502868	SCREW TC TR PH #10-16x1/2 N500 To E-2533			AR	
30	560422	BLOCK, TERMINAL / 1 STUD 3/8-16 / BLACK			1	
31	500379	NUT HEX 3/8-16 BR To F-2711			1	

From 7-0671 To H-3644	Date:10/2022	PAGE:H7-2390-10
<b>"SLIDE-OUT" AIR CONTROL PANEL</b>		

Item#	Part	Description	H 3 4 1	H 3 4 5	V I P 4 5	N O T E S
31	500702	NUT HEX NYRT 3/8-16 SS From F-2712			1	
32	500478	WASHER LO SPT .380x.683x.094 Z050 To F-2711			1	
32	5001935	WASHER FL 10.5x18.0x1.6 SS From F-2712			1	
33	500658	SCREW TC PAN PH #10-24x3/4 Z050			2	
41	503404	TUBE, NYLON 3/8 O.D. / BLACK S.L.			AR	
42	503536	TUBE, NYLON 1/8 O.D. / BLACK S.L.			AR	
43	504720	GROMMET / 2.375x3.000x.250x.437x3.250			AR	
43	680066	ADHESIVE / ADBOND #5014 / 23.6ML BOTTLE			AR	
45	382048	REMOTE CONTROL / SINGLE SLIDE-OUT			AR	
. NS	563380	. SWITCH / M/ON-OFF-M/ON S P.D.T BLACK			1	
. NS	564421	. PILOT LIGHT GREEN / LED 24V			1	
. NS	382047	. DECAL "REMOTE CONTROL"			1	
50	216451	DECAL PATENT			AR	
57	642095	UNION "Y" / PUSH-IN FITTING / #2x#2x#2 PLAS			1	
58	503536	TUBE, NYLON 1/8 O.D. / BLACK S.L.			AR	
59	563459	TRANSDUSER -14.7 to 100LBS / 1/8 NPT-F			1	
. NS	563159	. CONNECTOR / METRI-PACK 150 / SH 3C / PED 12065287			1	
60A	144867	CONTROL VALVE ASSY / W/SINGLE "SLIDE-OUT"			1	
60B	144866	CONTROL VALVE ASSY / W/DOUBLE "SLIDE-OUT"			1	
60C	144881	CONTROL VALVE ASSY / W/TRIPLE "SLIDE-OUT"			1	
60D	144913	CONTROL VALVE ASSY / W/QUAD "SLIDE-OUT"			1	
61A	642025	. BLOCK VALVE / W/SINGLE "SLIDE-OUT"			1	
61B	642024	. BLOCK VALVE / W/DOUBLE "SLIDE-OUT"			1	
61C	642091	. BLOCK VALVE / W/TRIPLE "SLIDE-OUT"			1	
61D	642112	. BLOCK VALVE / W/QUAD "SLIDE-OUT"			1	
62A	641995	. . SOLENOID VALVE 5/2 ASSY / W/DOUBLE COIL 2 / W/SINGLE "SLIDE-OUT"			1	
62A	641995	. . SOLENOID VALVE 5/2 ASSY / W/DOUBLE COIL 2 / W/SINGLE "SLIDE-OUT"			1	
62A	641995	. . SOLENOID VALVE 5/2 ASSY / W/DOUBLE COIL 2 / W/SINGLE "SLIDE-OUT"			1	
62A	641995	. . SOLENOID VALVE 5/2 ASSY / W/DOUBLE COIL 2 / W/SINGLE "SLIDE-OUT"			1	
. NS	642059	. . . GASKET VALVE BODY / RECTANGULAR			1	
62B	641995	. . SOLENOID VALVE 5/2 ASSY / W/DOUBLE COIL 2 / W/DOUBLE "SLIDE-OUT"			2	
62B	641995	. . SOLENOID VALVE 5/2 ASSY / W/DOUBLE COIL 2 / W/DOUBLE "SLIDE-OUT"			2	
62B	641995	. . SOLENOID VALVE 5/2 ASSY / W/DOUBLE COIL 2 / W/DOUBLE "SLIDE-OUT"			2	
62B	641995	. . SOLENOID VALVE 5/2 ASSY / W/DOUBLE COIL 2 / W/DOUBLE "SLIDE-OUT"			2	
. NS	642059	. . . GASKET VALVE BODY / RECTANGULAR			1	
62C	641995	. . SOLENOID VALVE 5/2 ASSY / W/DOUBLE COIL 2 / W/TRIPLE "SLIDE-OUT"			3	
62C	641995	. . SOLENOID VALVE 5/2 ASSY / W/DOUBLE COIL 2 / W/TRIPLE "SLIDE-OUT"			3	
62C	641995	. . SOLENOID VALVE 5/2 ASSY / W/DOUBLE COIL 2 / W/TRIPLE "SLIDE-OUT"			3	
62C	641995	. . SOLENOID VALVE 5/2 ASSY / W/DOUBLE COIL 2 / W/TRIPLE "SLIDE-OUT"			3	
. NS	642059	. . . GASKET VALVE BODY / RECTANGULAR			1	
62D	641995	. . SOLENOID VALVE 5/2 ASSY / W/DOUBLE COIL 2 / W/QUAD "SLIDE-OUT"			4	
62D	641995	. . SOLENOID VALVE 5/2 ASSY / W/DOUBLE COIL 2 / W/QUAD "SLIDE-OUT"			4	

From 7-0671 To H-3644	Date:10/2022	PAGE:H7-2390-10
<b>"SLIDE-OUT" AIR CONTROL PANEL</b>		

Item#	Part	Description	H 3 4 1	H 3 4 5	V I P 4 5	N O T E S
62D	641995	. . SOLENOID VALVE 5/2 ASSY / W/DOUBLE COIL 2 / W/QUAD "SLIDE-OUT"			4	
62D	641995	. . SOLENOID VALVE 5/2 ASSY / W/DOUBLE COIL 2 / W/QUAD "SLIDE-OUT"			4	
. NS	642059	. . . GASKET VALVE BODY / RECTANGULAR			1	
63	641997	. . SOLENOID VALVE 5/2 ASSY / W/SIMPLE COIL 2			2	
. NS	642059	. . . GASKET VALVE BODY / RECTANGULAR			1	
64	641332	. MALE CONNECTOR / PUSH-IN FITTING / #4x1/4NPT-M BR			1	
65	501332	. STREET ELBOW 90° / PIPE FITTING / 1/4NPT-Mx1/4NPT-F BR			2	
66	Call order desk	. NIPPLE / PIPE FITTING / 1/4NPT-Mx1/4NPT-Mx2 1/2			1	P
67	642052	. MALE ELBOW 90° / PUSH-IN FITTING / #2x3/8NPT-M PLAS			1	
68	642051	. MALE ELBOW 90° / PUSH-IN FITTING / #6x1/4NPT-M PLAS			1	
69	503402	. TUBE, NYLON 1/4 O.D. / BLACK S.L.			AR	
70	503404	. TUBE, NYLON 3/8 O.D. / BLACK S.L.			AR	
71	647891	. PRESSURE REGULATOR			1	
72	641331	. MALE CONNECTOR / PUSH-IN FITTING / #6x1/4NPT-M BR			2	
73	501800	. PLUG HEXS / PIPE FITTING / 1/4NPT-M STL			7	
75	501894	. MALE BRANCHE TEE / PIPE FITTING / 1/4NPT-Fx1/4NPT-Fx1/4NPT-M BR			1	
NS	680098	. THREAD SEALANT LOCTITE #567 / WHITE / 250ml			AR	
76	642050	. AIR REGULATOR			1	
77	501027	. MALE CONNECTOR / SAE 45° FITTING / #4FL-Mx1/4NPT-M BR			1	
78	642073	. MALE ELBOW 45° / PUSH-IN FITTING / #8x1/4NPT-M To C-2103			1	
78	642165	. MALE ELBOW 90° NON-SWIVEL / PUSH-IN FITTING / #8x1/4NPT-M BR From C-2104			1	
79	690344	. VACUUM GENERATORS To C-1931			1	
79	690424	. VACUUM GENERATORS From C-1932 To C-2103			1	
79	642166	. VACUUM GENERATORS From C-2104			1	
80	501321	. NIPPLE HEX / PIPE FITTING / 1/4NPT-Mx1/4NPT-Mx1 3/8 BR To C-2103			2	
81	501329	. STREET ELBOW 45° / PIPE FITTING / 1/4NPT-Mx1/4NPT-F BR			1	
81	642170	. MALE ELBOW 90° / PIPE FITTING / 1/4NPT-Mx1/8NPT-M BR From C-2104			1	
82	642048	. SILENCER / MUFFLER / 1/8NPT-M			1	
83	501072	. PLUG HEXS / PIPE FITTING / 1/8NPT-M STL			1	
84	641926	. SILENCER / MUFFLER / 1/4NPT-M			1	
85	501338	. MALE RUN TEE / PIPE FITTING / 1/4NPT-Mx1/4NPT-Fx1/4NPT-F BR			1	
86	642047	. MALE BRANCH "Y" / PUSH-IN FITTING / #4X#4X1/4NPT-M PLAS			1	
87	690351	. PORT RELIEVING SHUT-OFF VALVE			1	
88	504637	. CABLE TIE / 3/16" x 13"			1	
90A	642053	. MALE ELBOW 90° / PUSH-IN FITTING / #2x1/4NPT-M PLAS			1	
90B	641920	. MALE RUN TEE / PUSH-IN FITTING / #2x#2x1/4NPT-M PLAS			1	
		A) WITH PANTOGRAPH DOOR OPTION (UNITED COACHWORKS)				
		P) CALL ORDER DESK FOR SPECIFIC APPLICATION (V.I.N.)				

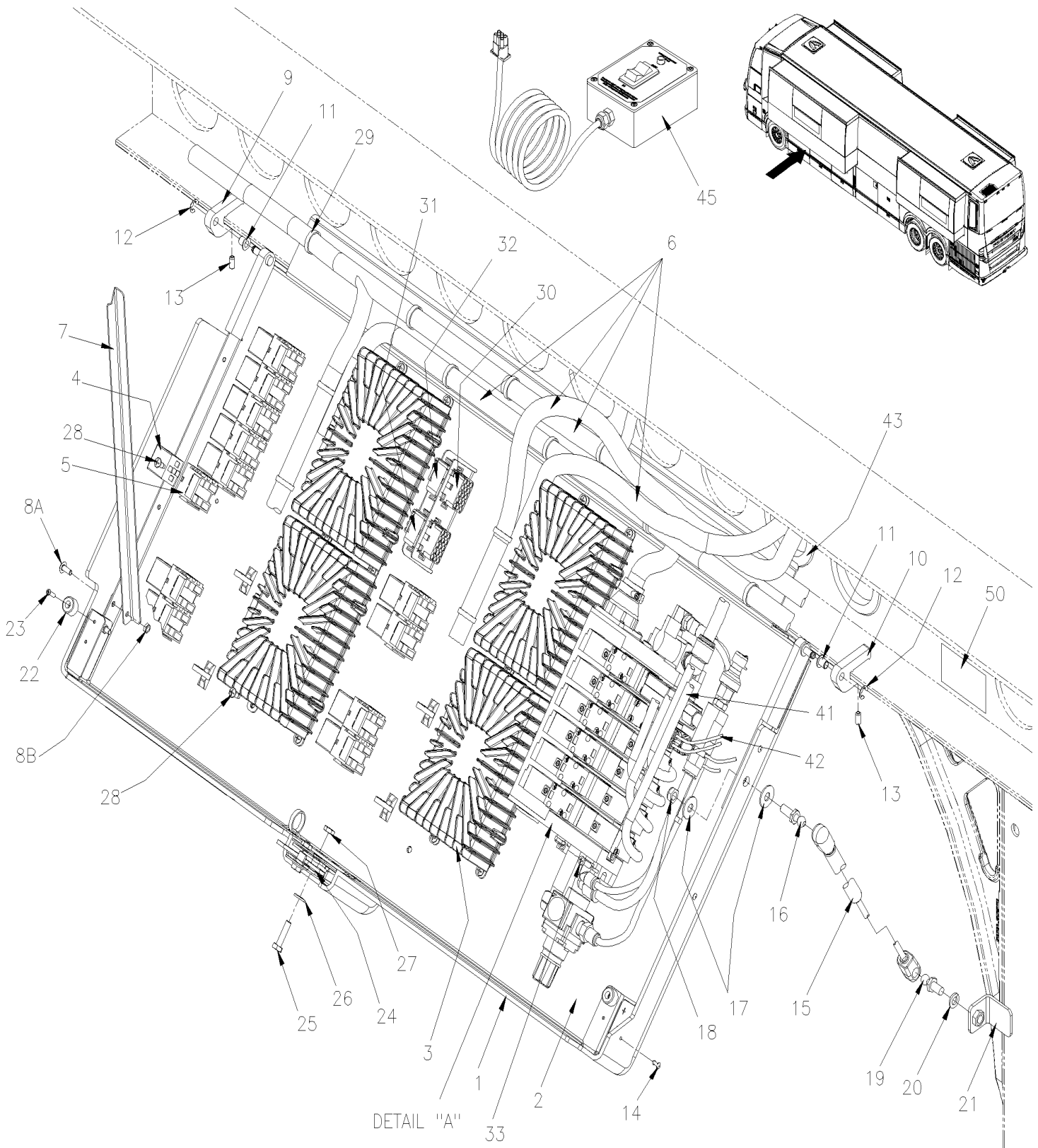


From H-3645 To J-0287

Date:10/2022

PAGE:H7-2390-11

## "SLIDE-OUT" AIR CONTROL PANEL



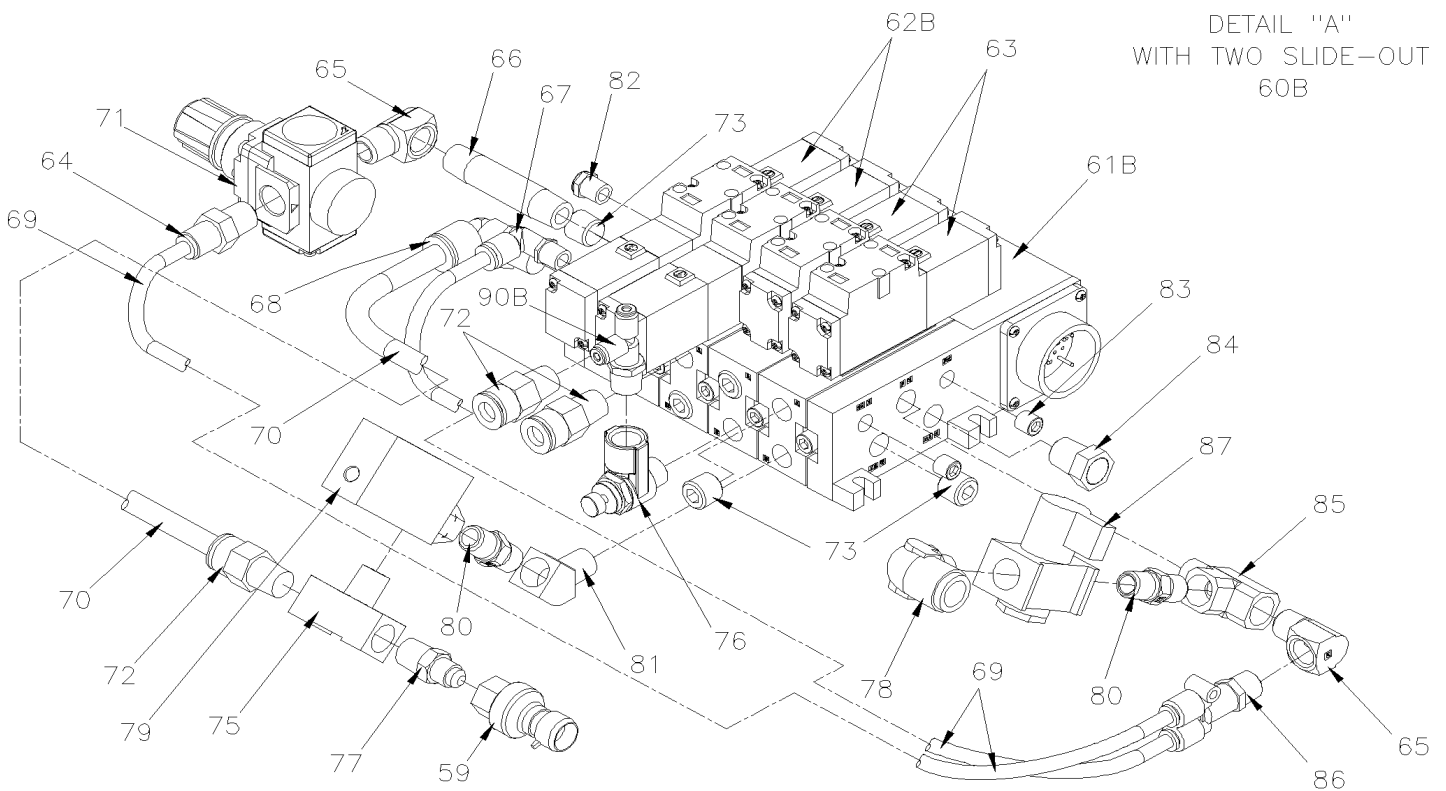
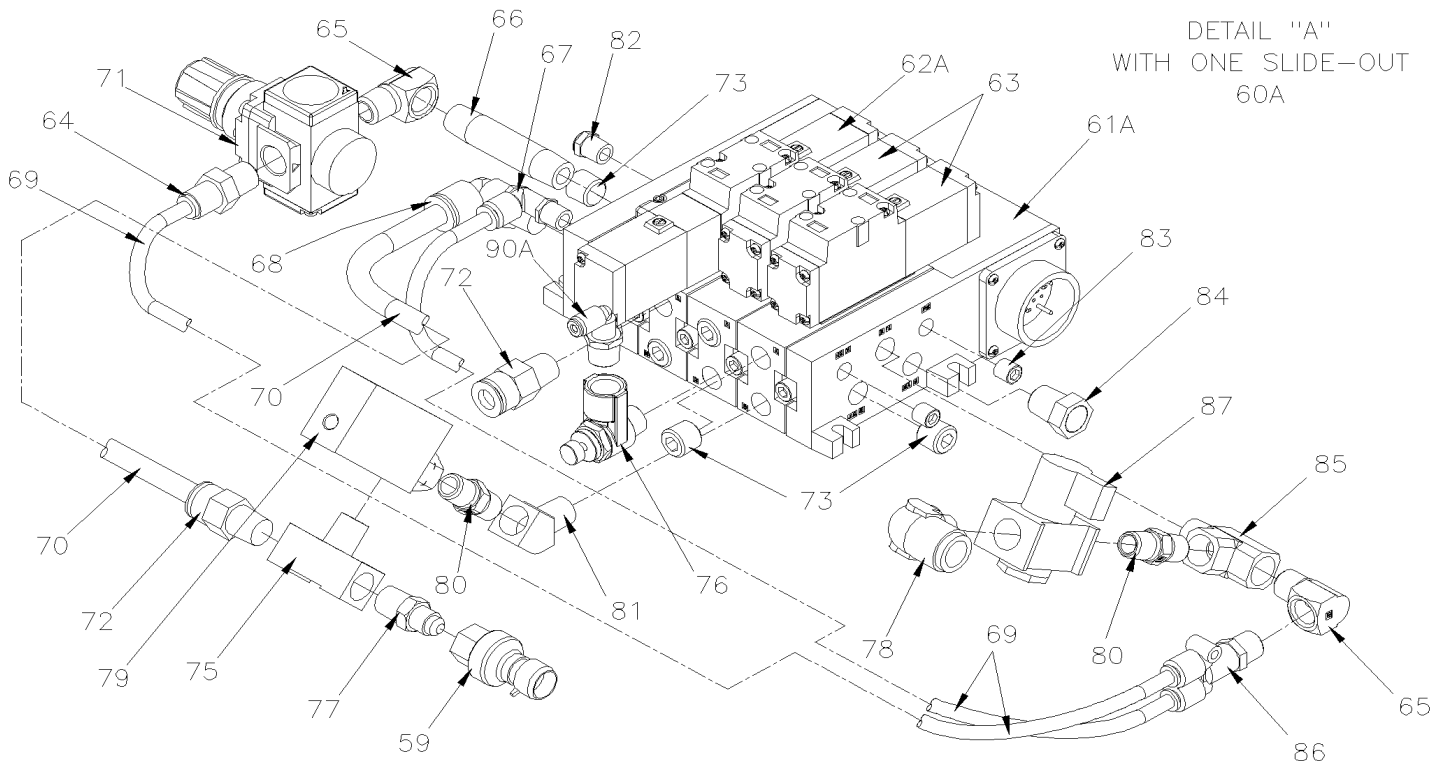


From H-3645 To J-0287

Date:10/2022

PAGE:H7-2390-11

## "SLIDE-OUT" AIR CONTROL PANEL



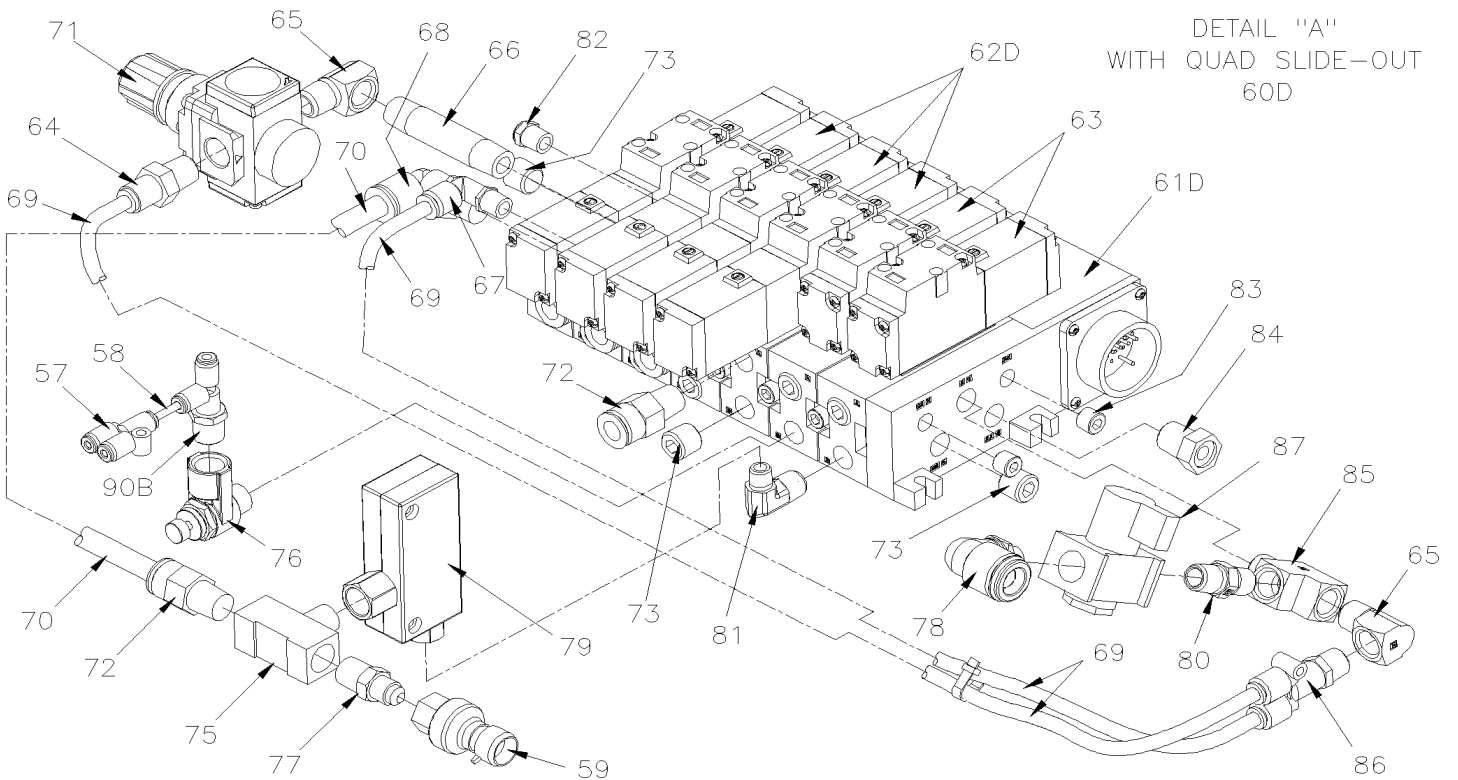
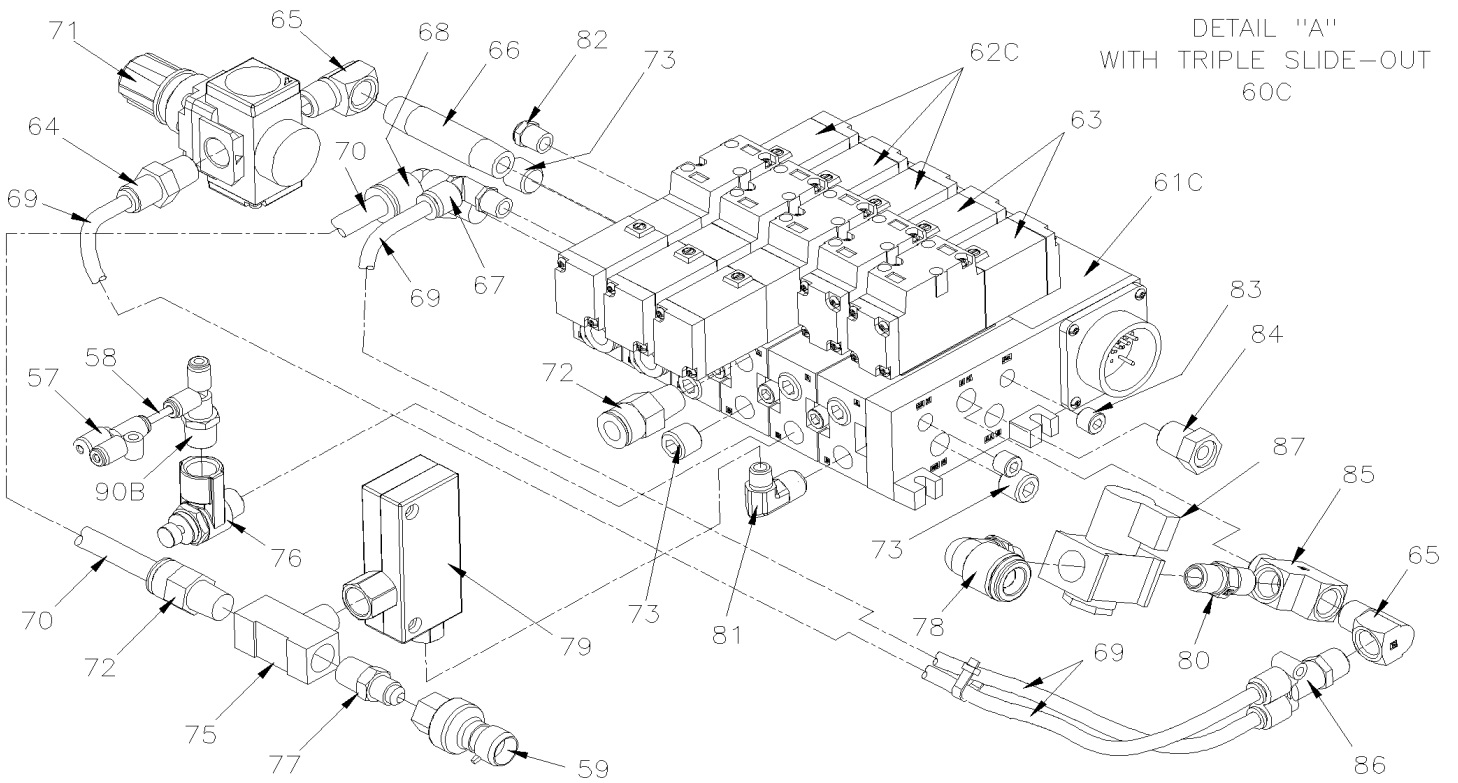


From H-3645 To J-0287

Date:10/2022

PAGE:H7-2390-11

## "SLIDE-OUT" AIR CONTROL PANEL



<b>From H-3645 To J-0287</b>	<b>Date:10/2022</b>	<b>PAGE:H7-2390-11</b>
<b>"SLIDE-OUT" AIR CONTROL PANEL</b>		

Item#	Part	Description	H 3 4 1	H 3 4 5	V I P 4 5	N O T E S
1	066380	COVER PLASTIC			1	
1	067452	COVER PLASTIC			1	A
1	504749	LOCK SS			2	A
1	504340	RIVET POP DOME OE 1/8x3/16 SS			8	A
1	060219	DECAL "JCT BOX SLIDE-OUT "VIP" / W/QUAD "SLIDE-OUT"			1	
2	060215	PANEL MOUNTING			1	
2	060224	PANEL MOUNTING			1	A
3	22722850	I/O B E-MODULE VOLVO MULTIPLEX / ALUMINUM			AR	
4	563332	RELAY 24V S.P.D.T. W/RESISTOR / "VOLVO" (20374662)			AR	
5	564496	CONNECTOR / METRI-PACK 630 / SH 5C / PED 12033871			AR	
6	066189	WIRING HARNESS SLIDE-OUT FRONT LEFT			1	
6	066199	WIRING HARNESS SLIDE-OUT REAR LEFT			1	
6	067515	WIRING HARNESS SLIDE-OUT FRONT RIGHT			1	
6	067368	WIRING HARNESS SLIDE-OUT REAR RIGHT			1	
6	509815	TIE MOUNT / ATTACHMENT W/TREE MOUNT			AR	
6	562679	4 WAY ADH. BACKED MOUNTS 1.000 x 1.000 x .160			AR	
6	504637	CABLE TIE / 3/16" x 13"			AR	
6	504750	CABLE TIE / 1/2" x 15" / CHRISTMAS TREE			AR	
6	504013	TIE MOUNT / 1/4" X 1/4" I.D.			AR	
6	504379	RIVET POP DOME OE 3/16x1/4 SS			AR	
7	066928	ANGLE HOLDING SUPPORT (OPEN )			1	
8A	5001241	SCREW MA TR PH #10-24x1/2 SS			1	
8B	5001180	NUT HEX NYRT #10-24 SS			1	
9	068949	HINGE BLOCK FIXED TO STRUCTURE			1	
10	068949	HINGE BLOCK FIXED TO STRUCTURE			1	
11	507381	BUSHING W/SHOULDER 1/4" I,D,			2	
12	504402	RING RETAINER / EXT .250 x .210 x .025"			2	
13	5001634	SCREW SET HEXS CUP M6-1.0X12MM Z050			2	
14	504105	RIVET POP DOME OE 1/8x3/16 AL			6	
15	980029	CYLINDER GAZ / 354/219MM C/C / 46LBS			1	
16	980027	BALL STUD / W/10 MM X M8-1.25 / 36.5MM			1	
17	500332	WASHER FL .328x.875x.062 N500			2	
18	500868	NUT HEX NYRT M8-1.25 Z050			1	
19	980015	BALL STUD / W/10 MM X M8-1.25 / 29.18 MM			1	
20	5001161	WASHER LO SPT 8.1x14.8x2.0 SS-304			1	
21	066803	SUPPORT CYLINDER STUD			1	
22	504334	BUMPER RUBBER / .625 OD x .406 TH x .156 HOLE			2	
23	500576	SCREW TC PAN PH #6-32x1/2 Z050			2	
24	780778	LOCK L.H.			1	
25	500165	SCREW CAP HEX 1/4-20x1 G5 Z050			2	
26	500440	WASHER FL .250x.562x.065 Z050			2	
27	502819	NUT HEX JAM 1/4-20 Z050			2	

<b>From H-3645 To J-0287</b>	<b>Date:10/2022</b>	<b>PAGE:H7-2390-11</b>
<b>"SLIDE-OUT" AIR CONTROL PANEL</b>		

Item#	Part	Description	H 3 4 1	H 3 4 5	V I P 4 5	N O T E S
28	502868	SCREW TC TR PH #10-16x1/2 N500			AR	
29	504637	CABLE TIE / 3/16" x 13"			AR	
29	504013	TIE MOUNT / 1/4" X 1/4" I.D.			AR	
29	504379	RIVET POP DOME OE 3/16x1/4 SS			AR	
30	561987	CONNECTOR / UNIVERSAL MATE-N-LOK / PH 15C / AMP 1-480711-0 / NATURAL			2	
31	380053	CONNECTOR RESISTOR 3KOHMS ASSY			1	
32	380054	CONNECTOR RESISTOR 6.2KOHMS ASSY			1	
33	500658	SCREW TC PAN PH #10-24x3/4 Z050			2	
41	503404	TUBE, NYLON 3/8 O.D. / BLACK S.L.			AR	
42	503536	TUBE, NYLON 1/8 O.D. / BLACK S.L.			AR	
43	504720	GROMMET / 2.375x3.000x.250x.437x3.250			AR	
43	680066	ADHESIVE / ADBOND #5014 / 23.6ML BOTTLE			AR	
45	382048	REMOTE CONTROL / SINGLE SLIDE-OUT			AR	
. NS	563380	. SWITCH / M/ON-OFF-M/ON S P.D.T BLACK			1	
. NS	564421	. PILOT LIGHT GREEN / LED 24V			1	
. NS	382047	. DECAL "REMOTE CONTROL"			1	
50	216451	DECAL PATENT			AR	
57	642095	UNION "Y" / PUSH-IN FITTING / #2x#2x#2 PLAS			1	
58	503536	TUBE, NYLON 1/8 O.D. / BLACK S.L.			AR	
59	563459	TRANSDUSER -14.7 to 100LBS / 1/8 NPT-F			1	
. NS	563159	. CONNECTOR / METRI-PACK 150 / SH 3C / PED 12065287			1	
60A	144867	CONTROL VALVE ASSY / W/SINGLE "SLIDE-OUT"			1	
60B	144866	CONTROL VALVE ASSY / W/DOUBLE "SLIDE-OUT"			1	
60C	144881	CONTROL VALVE ASSY / W/TRIPLE "SLIDE-OUT"			1	
60D	144913	CONTROL VALVE ASSY / W/QUAD "SLIDE-OUT"			1	
61A	642025	. BLOCK VALVE / W/SINGLE "SLIDE-OUT"			1	
61B	642024	. BLOCK VALVE / W/DOUBLE "SLIDE-OUT"			1	
61C	642091	. BLOCK VALVE / W/TRIPLE "SLIDE-OUT"			1	
61D	642112	. BLOCK VALVE / W/QUAD "SLIDE-OUT"			1	
62A	641995	. . SOLENOID VALVE 5/2 ASSY / W/DOUBLE COIL 2 / W/SINGLE "SLIDE-OUT"			1	
62A	641995	. . SOLENOID VALVE 5/2 ASSY / W/DOUBLE COIL 2 / W/SINGLE "SLIDE-OUT"			1	
62A	641995	. . SOLENOID VALVE 5/2 ASSY / W/DOUBLE COIL 2 / W/SINGLE "SLIDE-OUT"			1	
62A	641995	. . SOLENOID VALVE 5/2 ASSY / W/DOUBLE COIL 2 / W/SINGLE "SLIDE-OUT"			1	
. NS	642059	. . . GASKET VALVE BODY / RECTANGULAR			1	
62B	641995	. . SOLENOID VALVE 5/2 ASSY / W/DOUBLE COIL 2 / W/DOUBLE "SLIDE-OUT"			2	
62B	641995	. . SOLENOID VALVE 5/2 ASSY / W/DOUBLE COIL 2 / W/DOUBLE "SLIDE-OUT"			2	
62B	641995	. . SOLENOID VALVE 5/2 ASSY / W/DOUBLE COIL 2 / W/DOUBLE "SLIDE-OUT"			2	
62B	641995	. . SOLENOID VALVE 5/2 ASSY / W/DOUBLE COIL 2 / W/DOUBLE "SLIDE-OUT"			2	
. NS	642059	. . . GASKET VALVE BODY / RECTANGULAR			1	
62C	641995	. . SOLENOID VALVE 5/2 ASSY / W/DOUBLE COIL 2 / W/TRIPLE "SLIDE-OUT"			3	
62C	641995	. . SOLENOID VALVE 5/2 ASSY / W/DOUBLE COIL 2 / W/TRIPLE "SLIDE-OUT"			3	
62C	641995	. . SOLENOID VALVE 5/2 ASSY / W/DOUBLE COIL 2 / W/TRIPLE "SLIDE-OUT"			3	

From H-3645 To J-0287	Date:10/2022	PAGE:H7-2390-11
<b>"SLIDE-OUT" AIR CONTROL PANEL</b>		

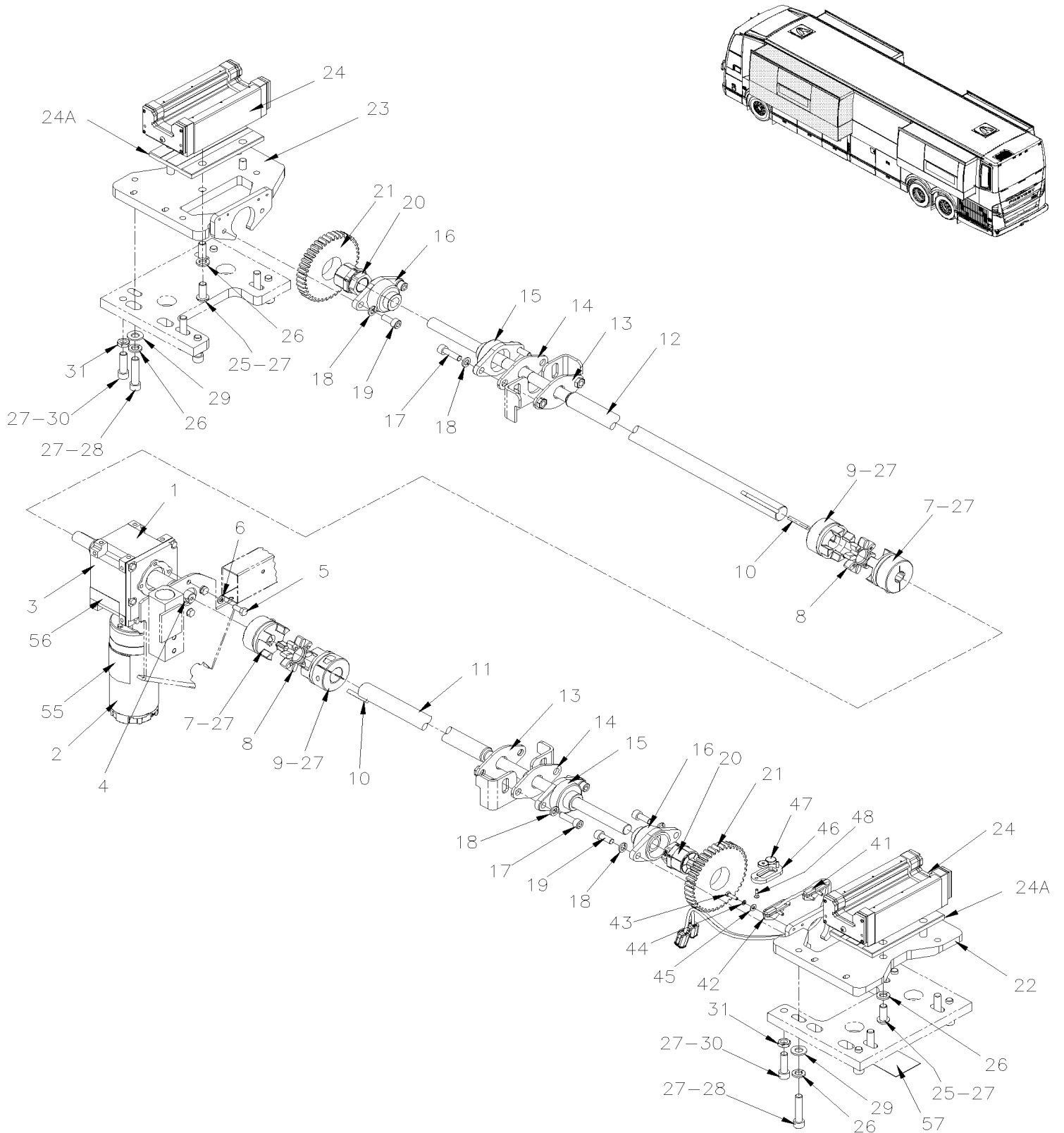
Item#	Part	Description	H 3 4 1	H 3 4 5	V I P 4 5	N O T E S
62C	641995	. . SOLENOID VALVE 5/2 ASSY / W/DOUBLE COIL 2 / W/TRIPLE "SLIDE-OUT"			3	
. NS	642059	. . . GASKET VALVE BODY / RECTANGULAR			1	
62D	641995	. . SOLENOID VALVE 5/2 ASSY / W/DOUBLE COIL 2 / W/QUAD "SLIDE-OUT"			4	
62D	641995	. . SOLENOID VALVE 5/2 ASSY / W/DOUBLE COIL 2 / W/QUAD "SLIDE-OUT"			4	
62D	641995	. . SOLENOID VALVE 5/2 ASSY / W/DOUBLE COIL 2 / W/QUAD "SLIDE-OUT"			4	
62D	641995	. . SOLENOID VALVE 5/2 ASSY / W/DOUBLE COIL 2 / W/QUAD "SLIDE-OUT"			4	
. NS	642059	. . . GASKET VALVE BODY / RECTANGULAR			1	
63	641997	. . SOLENOID VALVE 5/2 ASSY / W/SIMPLE COIL 2			2	
. NS	642059	. . . GASKET VALVE BODY / RECTANGULAR			1	
64	641332	. MALE CONNECTOR / PUSH-IN FITTING / #4x1/4NPT-M BR			1	
65	501332	. STREET ELBOW 90° / PIPE FITTING / 1/4NPT-Mx1/4NPT-F BR			2	
66	Call order desk	. NIPPLE / PIPE FITTING / 1/4NPT-Mx1/4NPT-Mx2 1/2			1	P
67	642052	. MALE ELBOW 90° / PUSH-IN FITTING / #2x3/8NPT-M PLAS			1	
68	642051	. MALE ELBOW 90° / PUSH-IN FITTING / #6x1/4NPT-M PLAS			1	
69	503402	. TUBE, NYLON 1/4 O.D. / BLACK S.L.			AR	
70	503404	. TUBE, NYLON 3/8 O.D. / BLACK S.L.			AR	
71	647891	. PRESSURE REGULATOR			1	
72	641331	. MALE CONNECTOR / PUSH-IN FITTING / #6x1/4NPT-M BR			2	
73	501800	. PLUG HEXS / PIPE FITTING / 1/4NPT-M STL			7	
75	501894	. MALE BRANCHE TEE / PIPE FITTING / 1/4NPT-Fx1/4NPT-Fx1/4NPT-M BR			1	
NS	680098	. THREAD SEALANT LOCTITE #567 / WHITE / 250ml			AR	
76	642050	. AIR REGULATOR			1	
77	501027	. MALE CONNECTOR / SAE 45° FITTING / #4FL-Mx1/4NPT-M BR			1	
78	642165	. MALE ELBOW 90° NON-SWIVEL / PUSH-IN FITTING / #8x1/4NPT-M BR			1	
79	642166	. VACUUM GENERATORS			1	
80	503021	. HOSE FLEXIBLE / AIR DUCT 1 3/4" I.D. X 25'/LINEN RUBBER	1	1	1	
81	501329	. STREET ELBOW 45° / PIPE FITTING / 1/4NPT-Mx1/4NPT-F BR			1	
81	642170	. MALE ELBOW 90° / PIPE FITTING / 1/4NPT-Mx1/8NPT-M BR			1	
82	642048	. SILENCER / MUFFLER / 1/8NPT-M			1	
83	501072	. PLUG HEXS / PIPE FITTING / 1/8NPT-M STL			1	
84	641926	. SILENCER / MUFFLER / 1/4NPT-M			1	
85	501338	. MALE RUN TEE / PIPE FITTING / 1/4NPT-Mx1/4NPT-Fx1/4NPT-F BR			1	
86	642047	. MALE BRANCH "Y" / PUSH-IN FITTING / #4X#4X1/4NPT-M PLAS			1	
87	690351	. PORT RELIEVING SHUT-OFF VALVE			1	
88	504637	. CABLE TIE / 3/16" x 13"			1	
90A	642053	. MALE ELBOW 90° / PUSH-IN FITTING / #2x1/4NPT-M PLAS			1	
90B	641920	. MALE RUN TEE / PUSH-IN FITTING / #2x#2x1/4NPT-M PLAS			1	
		A) WITH PANTOGRAPH DOOR OPTION (UNITED COACHWORKS)				
		P) CALL ORDER DESK FOR SPECIFIC APPLICATION (V.I.N.)				

From 7-0671 To J-0287

Date:10/2022

PAGE:H7-2390-20

## "SLIDE-OUT" - FRONT MECHANISM - INSTALLATION / STREET SIDE

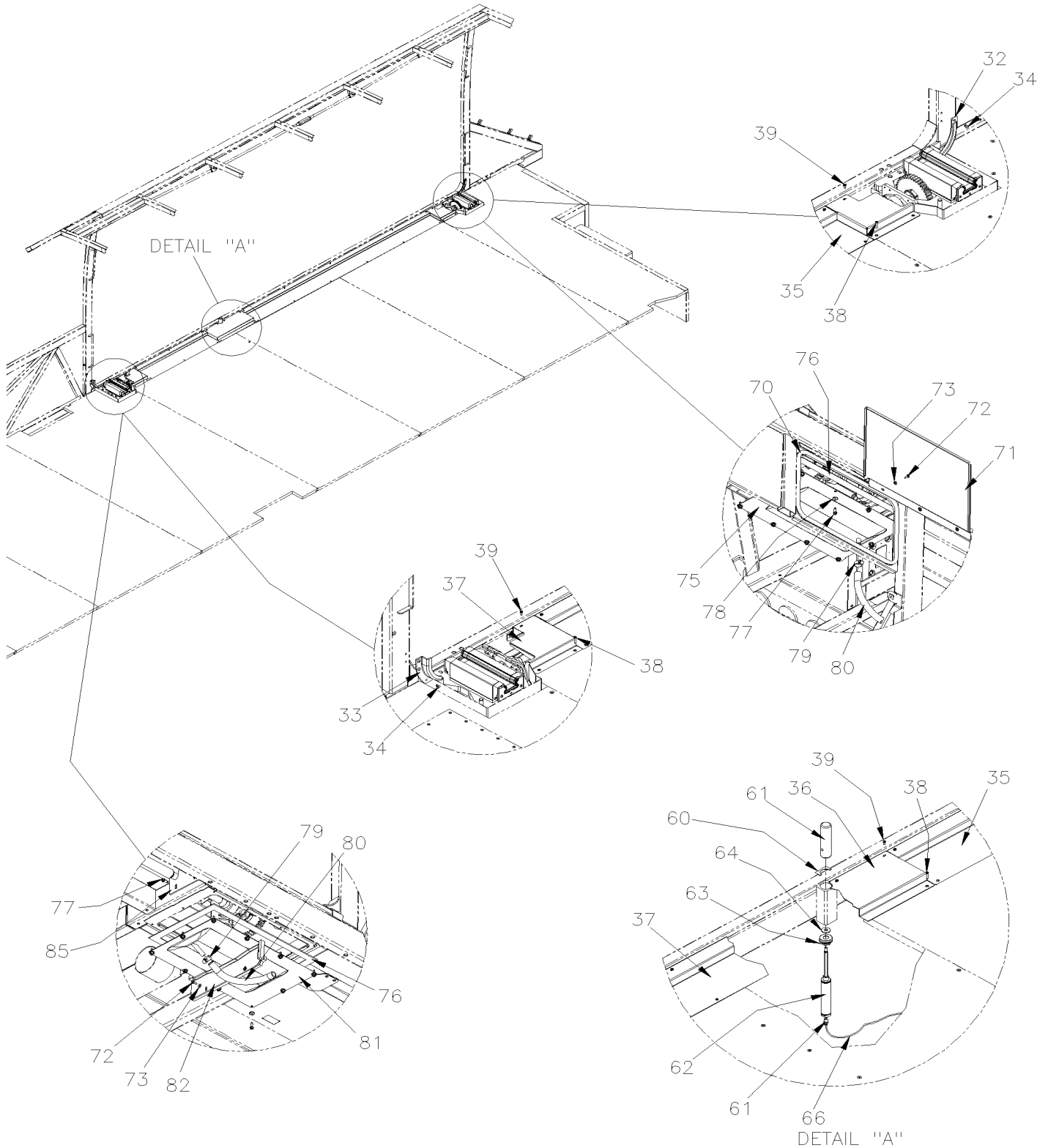


From 7-0671 To J-0287

Date:10/2022

PAGE:H7-2390-20

"SLIDE-OUT" - FRONT MECHANISM - INSTALLATION / STREET SIDE



From 7-0671 To J-0287 Date:10/2022 PAGE:H7-2390-20

**"SLIDE-OUT" - FRONT MECHANISM - INSTALLATION / STREET SIDE**

Item#	Part	Description	H 3 4 1	H 3 4 5	V I P 4 5	N O T E S
1	066651	MOTOR 24V ASSY W/CONNECTOR			1	
. NS	563936	. MOTOR 24V ASSY W/GEAR-BOX			1	
. . NS	563937	. . MOTOR 24V			1	
. . NS	563938	. . GEAR BOX RATIO 738/1			1	
. NS	561944	. CONNECTOR / CPC SERIES 3 / PH 3C / AMP 206426-1			1	
. NS	561655	. CABLE CLAMP / CPC / #17 / AMP 206070-8			1	
. NS	561698	. PIN TERMINAL 16-12 / POWER CONTACT / AMP 66261-4			2	
2	563936	. MOTOR 24V ASSY W/GEAR-BOX			1	
. NS	563937	. . MOTOR 24V			1	
. NS	563938	. . GEAR BOX RATIO 738/1			1	
3	563938	. . GEAR BOX RATIO 738/1			1	
4	505533	. . KEY 6MM x 6MM x 40MM			2	
5	5001450	SCREW CAP HEX M8-1.25x20 G10.9 DP			4	
6	500035	WASHER LO SPT .317x.586x.078 SS			4	
7	505530	COUPLING SHAFT DRIVE 20MM I.D. / TYPE GS 28 To H-3542			2	
7	505004	COUPLING SHAFT DRIVE 20MM I.D. From H-3543			1	
8	505529	SPIDER RUBBER / TYPE GS 28 To H-3542			2	
8	505009	SPIDER RUBBER From H-3543			2	
9	505528	COUPLING SHAFT DRIVE 1 1/8" I.D. / TYPE GS 28 To H-3542			2	
9	505005	COUPLING SHAFT DRIVE 1 1/8" I.D. From H-3543			2	
10	505527	KEY SQUARE 1/4" x 1/4" x 1 3/4"			2	
11	470135	SHAFT 1192MM STREET			1	
12	470134	SHAFT 2578MM STREET			1	
13	470129	PLATE TORQUE			2	
14	470128	SPACER 3/16"			2	
15	507641	PILLOW BEARING ASSY			2	
16	470116	PILLOW BEARING ASSY			2	
16	501490	GREASE FITTING / 1/8 NPT			1	
17	5001620	SCREW CAP HEXS M10-1.5X35 G10.9 G500			4	
18	502616	WASHER LO SPT 10.2x18.1x2.2 SS			8	
19	5001616	SCREW CAP HEXS M10-1.5X25 G10.9 DP			4	
20	470118	COUPLING TORQUE			2	
21	470119	GEAR 5 1/4" W/40TH			2	
22	477753	BASE GUIDE ASSY BACKWARD To J-0293			1	
22	471089	BASE GUIDE ASSY BACKWARD From J-0294			1	
23	477752	BASE GUIDE ASSY FORWARD To J-0293			1	
23	471094	BASE GUIDE ASSY FORWARD From J-0294			1	
24	470107	GUIDE To B-1772			2	
24	476761	GUIDE From B-1773 To E-2645			2	E
24	478827	GUIDE From E-2646			2	
24	479623	SLIDE-OUT LINEAR BEARING AND GUIDE KIT To E-2645			2	E
NS	507642	DUMMY RAIL GUIDE LINEAR BEARING 254MM / USE WITH 470107 ONLY To B-1772			AR	W



From 7-0671 To J-0287	Date:10/2022	PAGE:H7-2390-20
<b>"SLIDE-OUT" - FRONT MECHANISM - INSTALLATION / STREET SIDE</b>		

Item#	Part	Description	H 3 4 1	H 3 4 5	V I P 4 5	N O T E S
NS	504758	DUMMY RAIL GUIDE LINEAR BEARING 254MM / USE WITH 476761 & 478827 ONLY From B-1773			AR	W
NS	685232	RAIL GUIDE EXTENSION TOOL L.H.			AR	T
NS	685233	RAIL GUIDE EXTENSION TOOL R.H.			AR	T
24A	478823	GUIDE SPACER From E-2646			2	
25	5001615	SCREW CAP BUT HEXS M12-1.75x30 G10.9 G500 To E-2645			8	
25	5001928	SCREW CAP BUT HEXS M12-1.75x35 G10.9 N500 From E-2646			8	
26	500944	WASHER LO SPT .506x.873x.125 N500			16	
27	684420	SCREW MARKER LOCK 90ml To H-3512			AR	
27	685353	TORQUE SEAL From H-3513			AR	
28	5001621	SCREW CAP HEXS M12-1.75x55 G10.9 DP			8	
29	500958	WASHER FL .531x1.062x.095 SS			8	
30	5001622	SCREW CAP HEXS M12-1.75x40 G10.9 DP			8	
31	5001623	NUT HEX JAM M12x1.75 SS			8	
32	477747	GUTTER MOULDING FORWARD			1	
33	477748	GUTTER MOULDING BACKWARD			1	
34	504379	RIVET POP DOME OE 3/16x1/4 SS			6	
35	328248	PROTECTOR PLATE FORWARD			1	
NS	506227	TAPE RUB ADH1 CC POL 1/16" x 3/4" x 100' / GREY 2520			AR	
36	328628	PROTECTOR PLATE CENTER			1	
37	328250	PROTECTOR PLATE BACKWARD			1	
NS	506227	TAPE RUB ADH1 CC POL 1/16" x 3/4" x 100' / GREY 2520			AR	
38	5001349	SCREW WO TR PH #8x7/8			13	
39	500799	SCREW TC PAN PH #8-32x3/8 N500			AR	
NS	680532	SEALANT SIKA #221 / GREY / 310ml CARTRIDGE			AR	
40	470115	SUPPORT To J-0293			1	
40	471095	SUPPORT, FLANGE BEARING From J-0294			1	
41	066852	LIMITING REED SWITCH ASSY W/LED S.P.D.T. / W/SLIDE OUT To 9-1403			2	
. NS	563426	. HALL EFFECT SENSOR To 9-1403			1	
. NS	563452	. LED GREEN / 5VOLTS To 9-1403			1	
. NS	562477	. CONNECTOR / DT SERIES / SH 4C / GRAY / DEUTSCH DT06-4S To 9-1403			1	
41	067588	LIMITING REED SWITCH ASSY W/2 LEDS S.P.D.T. / W/SLIDE OUT From 9-1404			1	
. NS	563426	. HALL EFFECT SENSOR From 9-1404			2	
. NS	563452	. LED GREEN / 5VOLTS From 9-1404			2	
. NS	562477	. CONNECTOR / DT SERIES / SH 4C / GRAY / DEUTSCH DT06-4S From 9-1404			1	
42	477829	SUPPORT LIMITING READ SWITCH To J-0293			1	
42	471096	SUPPORT LIMITING READ SWITCH From J-0294			1	
43	5001146	SCREW CAP HEX M5-0.8x20 SS BK			4	
44	500914	WASHER LO SPT .193x.334x.047 N500			4	
45	500804	WASHER FL .203x.500x.047 N500			4	
46	470124	SUPPORT MAGNET / ALUMINIUM			2	
47	562949	MAGNET ROUND .200x.700 DIA			4	
48	5001614	SCREW CAP FL HEXS M4-0.7x16 SS EMN			4	



From 7-0671 To J-0287 Date:10/2022 PAGE:H7-2390-20

**"SLIDE-OUT" - FRONT MECHANISM - INSTALLATION / STREET SIDE**

Item#	Part	Description	H 3 4 1	H 3 4 5	V I P 4 5	N O T E S
55	478251	DECAL "SEAL MUST BE DEFLATED..."			1	
56	477987	DECAL " ON OVERRIDE MUST BE LOW TORQUE..."			1	
57	477990	DECAL "THIS SLIDE-OUT PLATE IS FACTORY.."			1	
60	328224	GASKET JOINT			1	
61	470133	SAFETY PIN 1 1/4" O.D. x 120MM To 8-1070			1	
61	470182	SAFETY PIN 1 1/4" O.D. x 116MM From 8-1071			1	
62	642027	CYLINDER 1 1/16"			1	
63	470183	ADAPTOR CYLINDER 5/8-18 x M36-2 From 8-1071			1	
64	507345	O-RING / ORS FITTING / #16 NEO To 8-1070			1	
NS	502220	WASHER FL .375x1.000x.125 RUB From 8-1071			1	
65	641126	MALE CONNECTOR / PUSH-IN FITTING / #2x1/8NPT-M BR			1	
66	503536	TUBE, NYLON 1/8 O.D. / BLACK S.L.			AR	
70	478242	SEAL 1250MM			1	
70	680459	ADHESIVE CYANOACRYLATE LOCTITE 404 Quick Set(TM)			AR	
70	680532	SEALANT SIKA #221 / GREY / 310ml CARTRIDGE			AR	
71	476554	ACCESS PANEL SIDE / AUX A/C			1	
72	502868	SCREW TC TR PH #10-16x1/2 N500			5	
73	500855	WASHER FL .188x.438x.049 N500			5	
75	476527	ACCESS PANEL ASSY			1	
76	478123	GASKET			2	
77	500526	SCREW TP CAP HEXW #12x3/4 N500			20	
78	5001686	WASHER FL SEAL .218x.625x20GA SS			20	
79	504230	HOSE CLAMP / 3/8"-7/8" SS / HS-6			2	
80	503707	HOSE / PVC REINFORCED 1/2" I.D. 100' / S.L.			AR	
80	684517	ADHESIVE SIMSON #ISR 70-03 / GREY / 310ml CARTRIDGE			AR	
81	476535	ACCESS PANEL			1	
82	485568	CLOSING PANEL / SIDE WALL			1	
NS	506268	. TAPE RUB ADH1 URE 3/8" x 1/2" x 25' / GREY 1820			AR	
85	476591	CLOSING PLATE			1	
		E) WHEN YOU REPLACE THE OLD LINEAR BEARING 476761 YOU NEED 478827 AND 2 SLIDE-OUT RAIL SEE PAGE X3VIP-1854-95				
		T) THOSE RAIL EXTENTION TOOLS ARE FOR EASY REMOVED SLIDE-OUT FROM STRUCTURE				
		W) WARNING YOUR REQUIRE 2 OF THIS DUMMY BEFORE REMOVE THE SLIDE-OUT FROM STRUCTURE				

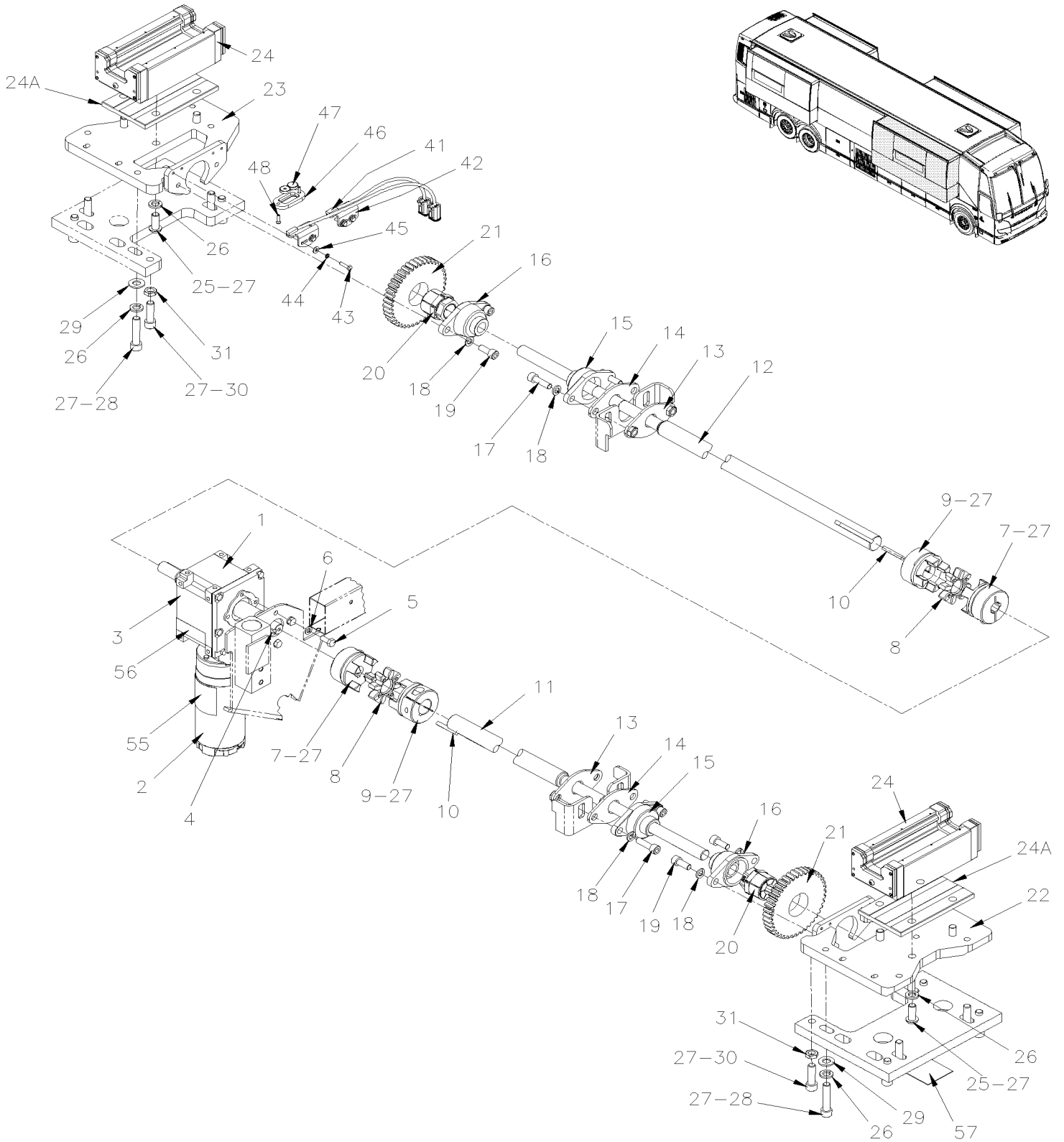


From 9-1404 To H-3644

Date:10/2022

PAGE:H7-2390-25

## "SLIDE-OUT" - FRONT MECHANISM - INSTALLATION / CURBSIDE

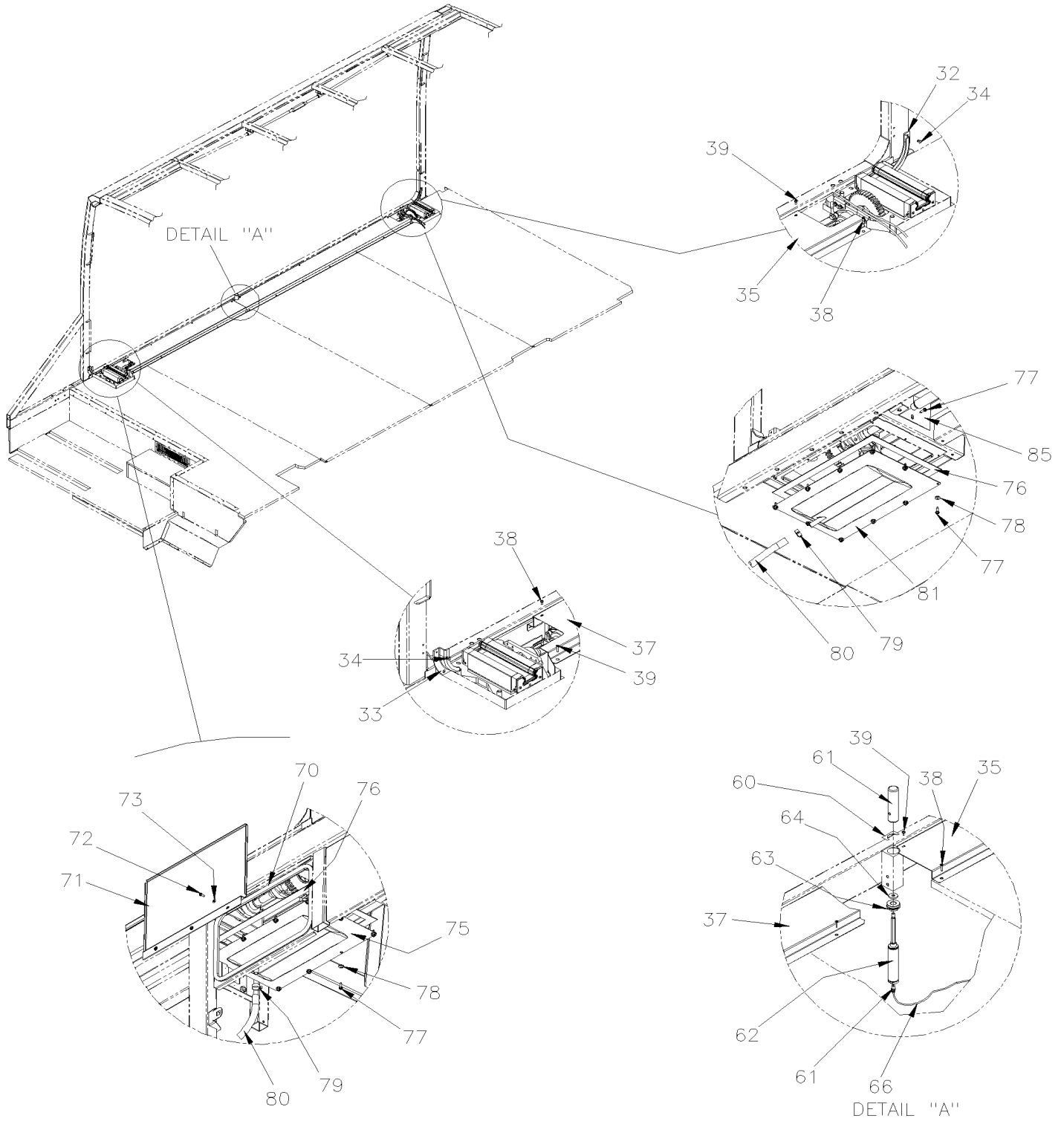


From 9-1404 To H-3644

Date:10/2022

PAGE:H7-2390-25

## "SLIDE-OUT" - FRONT MECHANISM - INSTALLATION / CURBSIDE



From 9-1404 To H-3644 Date:10/2022 PAGE:H7-2390-25

**"SLIDE-OUT" - FRONT MECHANISM - INSTALLATION / CURBSIDE**

Item#	Part	Description	H 3 4 1	H 3 4 5	V I P 4 5	N O T E S
1	067323	MOTOR 24V ASSY W/CONNECTOR			1	
. NS	564091	. MOTOR 24V ASSY W/GEAR-BOX			1	
. . NS	563937	. . MOTOR 24V			1	
. . NS	563938	. . GEAR BOX RATIO 738/1			1	
. . NS	505533	. . KEY 6MM x 6MM x 40MM			2	
. NS	563764	. CONNECTOR / CPC SERIES 3 / PH 3C / PED 15300002			1	
. NS	561655	. CABLE CLAMP / CPC / #17 / AMP 206070-8			1	
. NS	563763	. PIN TERMINAL / 14-12 / PED 12129497			2	
2	564091	. MOTOR 24V ASSY W/GEAR-BOX			1	
. NS	563937	. . MOTOR 24V			1	
. NS	563938	. . GEAR BOX RATIO 738/1			1	
. NS	505533	. . KEY 6MM x 6MM x 40MM			2	
3	563938	. . GEAR BOX RATIO 738/1			1	
4	505533	. . KEY 6MM x 6MM x 40MM			2	
5	5001450	SCREW CAP HEX M8-1.25x20 G10.9 DP			4	
6	500035	WASHER LO SPT .317x.586x.078 SS			4	
7	505530	COUPLING SHAFT DRIVE 20MM I.D. / TYPE GS 28 To H-3542			2	
7	505004	COUPLING SHAFT DRIVE 20MM I.D. From H-3543			2	
8	505529	SPIDER RUBBER / TYPE GS 28 To H-3542			2	
8	505009	SPIDER RUBBER From H-3543			2	
9	505528	COUPLING SHAFT DRIVE 1 1/8" I.D. / TYPE GS 28 To H-3542			2	
9	505005	COUPLING SHAFT DRIVE 1 1/8" I.D. From H-3543			2	
10	505527	KEY SQUARE 1/4" x 1/4" x 1 3/4"			2	
11	478738	SHAFT 1332MM			1	
12	478737	SHAFT 1879.5MM			1	12
12	478739	SHAFT 863.5MM			1	9
13	470129	PLATE TORQUE			2	
14	470128	SPACER 3/16"			2	
15	507641	PILLOW BEARING ASSY			2	
16	470116	PILLOW BEARING ASSY			2	
16	501490	GREASE FITTING / 1/8 NPT			1	
17	5001620	SCREW CAP HEXS M10-1.5X35 G10.9 G500			4	
18	502616	WASHER LO SPT 10.2x18.1x2.2 SS			8	
19	5001616	SCREW CAP HEXS M10-1.5X25 G10.9 DP			4	
20	470118	COUPLING TORQUE			2	
21	470119	GEAR 5 1/4" W/40TH			2	
22	477753	BASE GUIDE ASSY BACKWARD			1	
23	477752	BASE GUIDE ASSY FORWARD			1	
24	470107	GUIDE To B-1772			2	
24	476761	GUIDE From B-1773 To E-2645			2	E
24	478827	GUIDE From E-2646			2	
24	479623	SLIDE-OUT LINEAR BEARING AND GUIDE KIT To E-2645			2	E

From 9-1404 To H-3644	Date:10/2022	PAGE:H7-2390-25
<b>"SLIDE-OUT" - FRONT MECHANISM - INSTALLATION / CURBSIDE</b>		

Item#	Part	Description	H 3 4 1	H 3 4 5	V I P 4 5	N O T E S
NS	507642	DUMMY RAIL GUIDE LINEAR BEARING 254MM / USE WITH 470107 ONLY To B-1772			AR	W
NS	504758	DUMMY RAIL GUIDE LINEAR BEARING 254MM / USE WITH 476761 & 478827 ONLY From B-1773			AR	W
NS	685232	RAIL GUIDE EXTENSION TOOL L.H.			AR	T
NS	685233	RAIL GUIDE EXTENSION TOOL R.H.			AR	T
24A	478823	GUIDE SPACER From E-2646			2	
25	5001615	SCREW CAP BUT HEXS M12-1.75x30 G10.9 G500 To E-2645			8	
25	5001928	SCREW CAP BUT HEXS M12-1.75x35 G10.9 N500 From E-2646			8	
26	500944	WASHER LO SPT .506x.873x.125 N500			16	
27	684420	SCREW MARKER LOCK 90ml To H-3512			AR	
27	685353	TORQUE SEAL From H-3513			AR	
28	5001621	SCREW CAP HEXS M12-1.75x55 G10.9 DP			8	
29	500958	WASHER FL .531x1.062x.095 SS			8	
30	5001622	SCREW CAP HEXS M12-1.75x40 G10.9 DP			8	
31	5001623	NUT HEX JAM M12x1.75 SS			8	
32	477747	GUTTER MOULDING FORWARD			1	
33	477748	GUTTER MOULDING BACKWARD			1	
34	504379	RIVET POP DOME OE 3/16x1/4 SS			6	
35	326657	PROTECTOR PLATE BACKWARD			1	12
35	326656	PROTECTOR PLATE BACKWARD			1	9
NS	506227	TAPE RUB ADH1 CC POL 1/16" x 3/4" x 100' / GREY 2520			AR	
37	328421	PROTECTOR PLATE FORWARD 1374MM			1	
NS	506227	TAPE RUB ADH1 CC POL 1/16" x 3/4" x 100' / GREY 2520			AR	
38	5001349	SCREW WO TR PH #8x7/8			13	
39	500799	SCREW TC PAN PH #8-32x3/8 N500			AR	
NS	680532	SEALANT SIKA #221 / GREY / 310ml CARTRIDGE			AR	
41	067588	LIMITING REED SWITCH ASSY W/2 LEDS S.P.D.T. / W/SLIDE OUT			1	
. NS	563426	. HALL EFFECT SENSOR			2	
. NS	563452	. LED GREEN / 5VOLTS			2	
. NS	562477	. CONNECTOR / DT SERIES / SH 4C / GRAY / DEUTSCH DT06-4S			1	
42	477829	SUPPORT LIMITING READ SWITCH			1	
43	5001146	SCREW CAP HEX M5-0.8x20 SS BK			4	
44	500914	WASHER LO SPT .193x.334x.047 N500			4	
45	500804	WASHER FL .203x.500x.047 N500			4	
46	470124	SUPPORT MAGNET / ALUMINUM			2	
47	562949	MAGNET ROUND .200x.700 DIA			4	
48	5001614	SCREW CAP FL HEXS M4-0.7x16 SS EMN			4	
55	478251	DECAL "SEAL MUST BE DEFLATED..."			1	
56	477987	DECAL " ON OVERRIDE MUST BE LOW TORQUE..."			1	
57	477990	DECAL "THIS SLIDE-OUT PLATE IS FACTORY.."			1	
60	328224	GASKET JOINT			1	
61	470182	SAFETY PIN 1 1/4" O.D. x 116MM			1	
62	642027	CYLINDER 1 1/16"			1	

From 9-1404 To H-3644	Date:10/2022	PAGE:H7-2390-25
<b>"SLIDE-OUT" - FRONT MECHANISM - INSTALLATION / CURBSIDE</b>		

Item#	Part	Description	H 3 4 1	H 3 4 5	V I P 4 5	N O T E S
63	470183	ADAPTOR CYLINDER 5/8-18 x M36-2			1	
64	502220	WASHER FL .375x1.000x.125 RUB			1	
65	641126	MALE CONNECTOR / PUSH-IN FITTING / #2x1/8NPT-M BR			1	
66	503536	TUBE, NYLON 1/8 O.D. / BLACK S.L.			AR	
70	478242	SEAL 1250MM			1	
70	680459	ADHESIVE CYANOACRYLATE LOCTITE 404 Quick Set(TM)			AR	
70	680532	SEALANT SIKA #221 / GREY / 310ml CARTRIDGE			AR	
71	476554	ACCESS PANEL SIDE / AUX A/C			1	
72	502868	SCREW TC TR PH #10-16x1/2 N500			5	
73	500855	WASHER FL .188x.438x.049 N500			5	
75	476527	ACCESS PANEL ASSY			1	
76	478123	GASKET			2	
77	500526	SCREW TP CAP HEXW #12x3/4 N500			AR	
78	5001686	WASHER FL SEAL .218x.625x20GA SS			AR	
79	504230	HOSE CLAMP / 3/8"-7/8" SS / HS-6			2	
80	503707	HOSE / PVC REINFORCED 1/2" I.D. 100' / S.L.			AR	
80	684517	ADHESIVE SIMSON #ISR 70-03 / GREY / 310ml CARTRIDGE			AR	
81	476599	ACCESS PANEL ASSY			1	
85	470057	CLOSING PLATE			2	
		12) USE WITH 12 FEET SLIDE-OUT ONLY				
		9) USE WITH 9 FEET SLIDE-OUT ONLY				
		E) WHEN YOU REPLACE THE OLD LINEAR BEARING 476761 YOU NEED 478827 AND 2 SLIDE-OUT RAIL SEE PAGE X3VIP-1854-95				
		T) THOSE RAIL EXTENTION TOOLS ARE FOR EASY REMOVED SLIDE-OUT FROM STRUCTURE				
		W) WARNING YOUR REQUIRE 2 OF THIS DUMMY BEFORE REMOVE THE SLIDE-OUT FROM STRUCTURE				



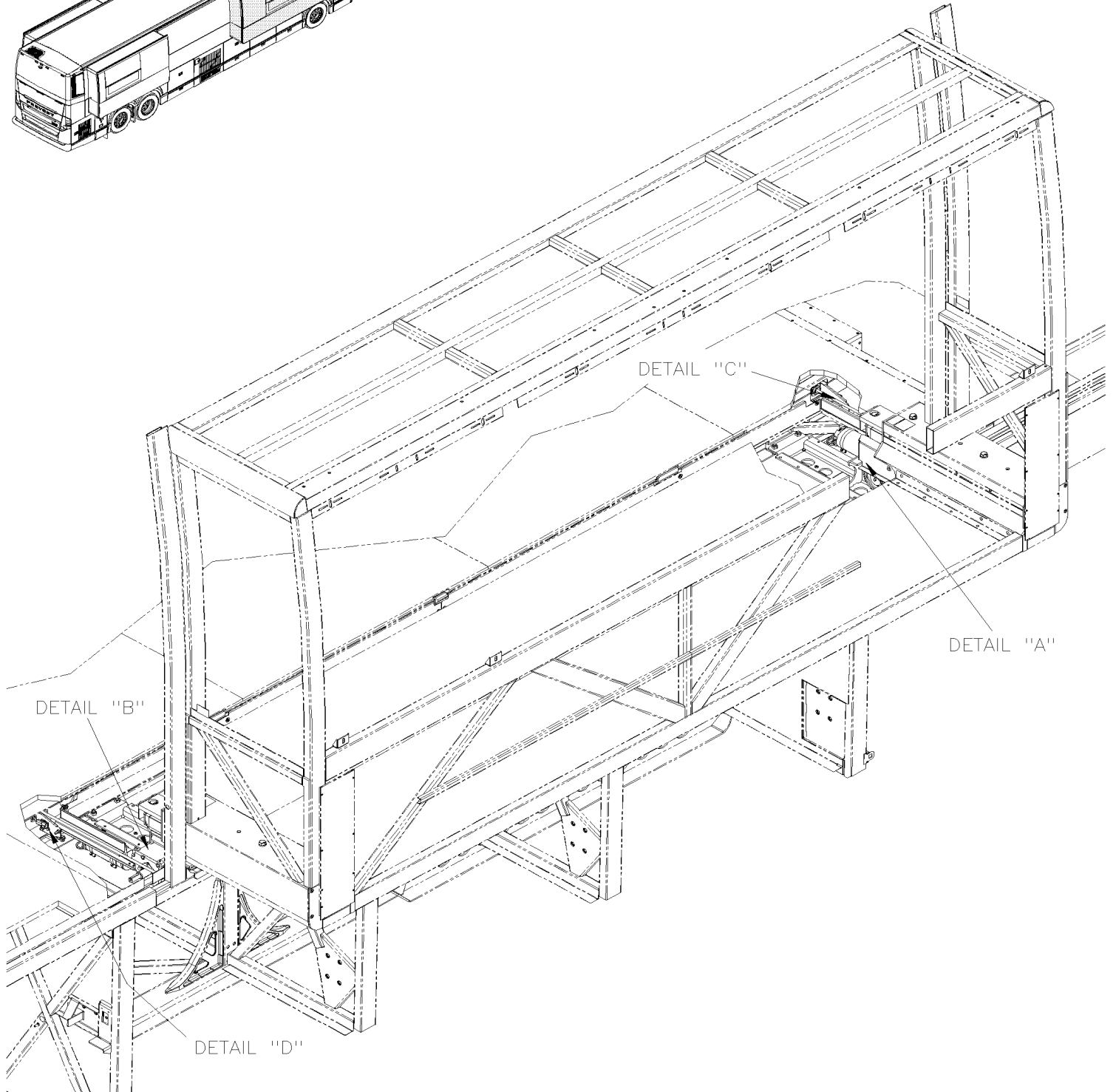
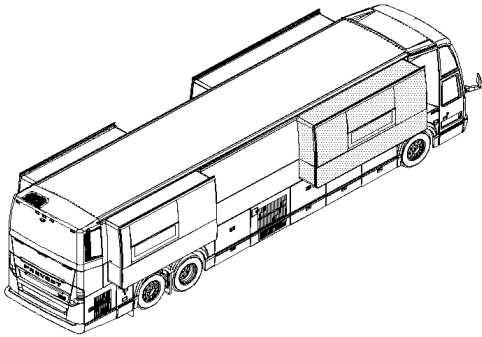


From H-3645 To J-0287

Date:10/2022

PAGE:H7-2390-26

## "SLIDE-OUT" - FRONT MECHANISM - INSTALLATION / CURBSIDE



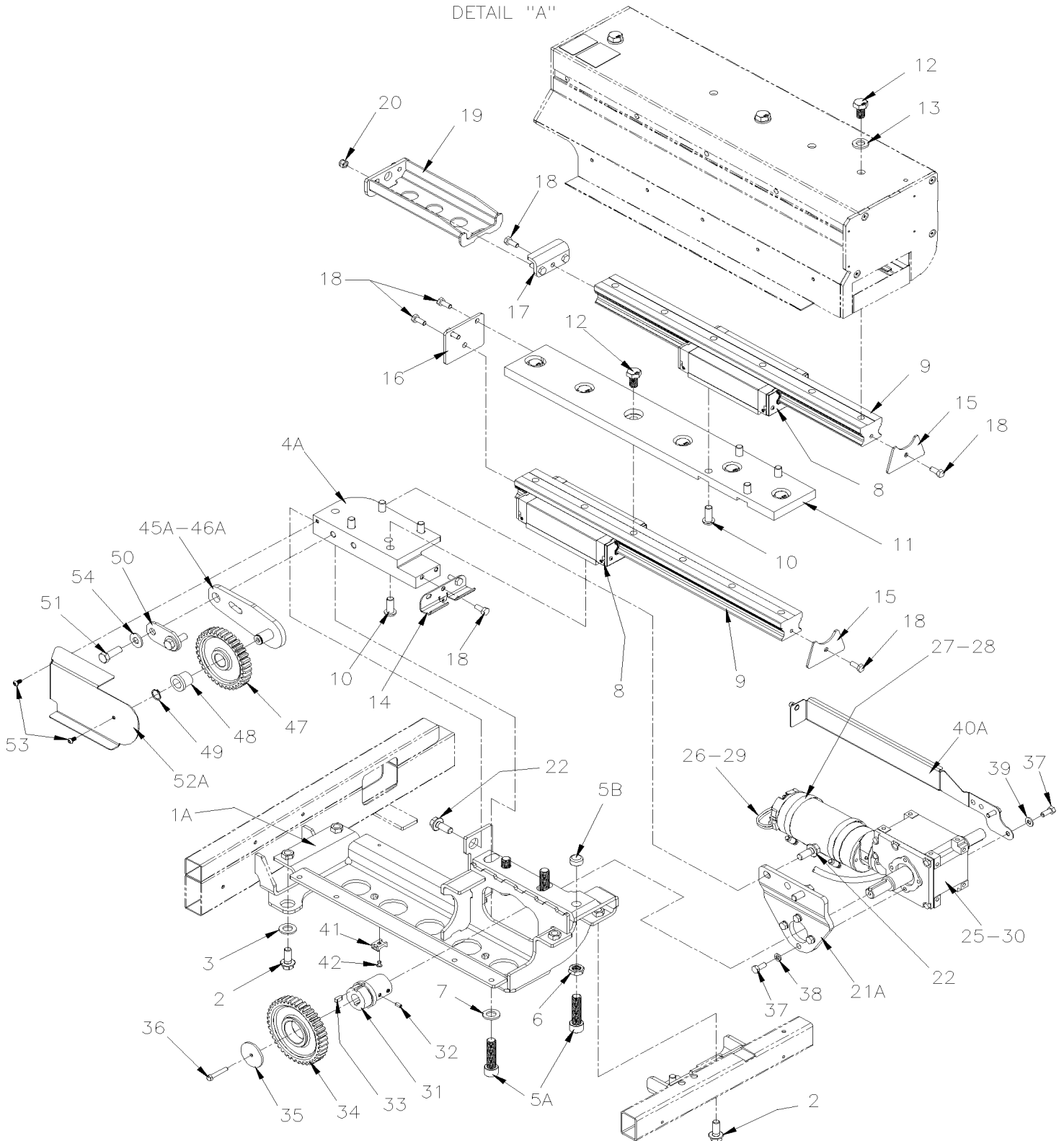
From H-3645 To J-0287

Date:10/2022

PAGE:H7-2390-26

## "SLIDE-OUT" - FRONT MECHANISM - INSTALLATION / CURBSIDE

DETAIL "A"

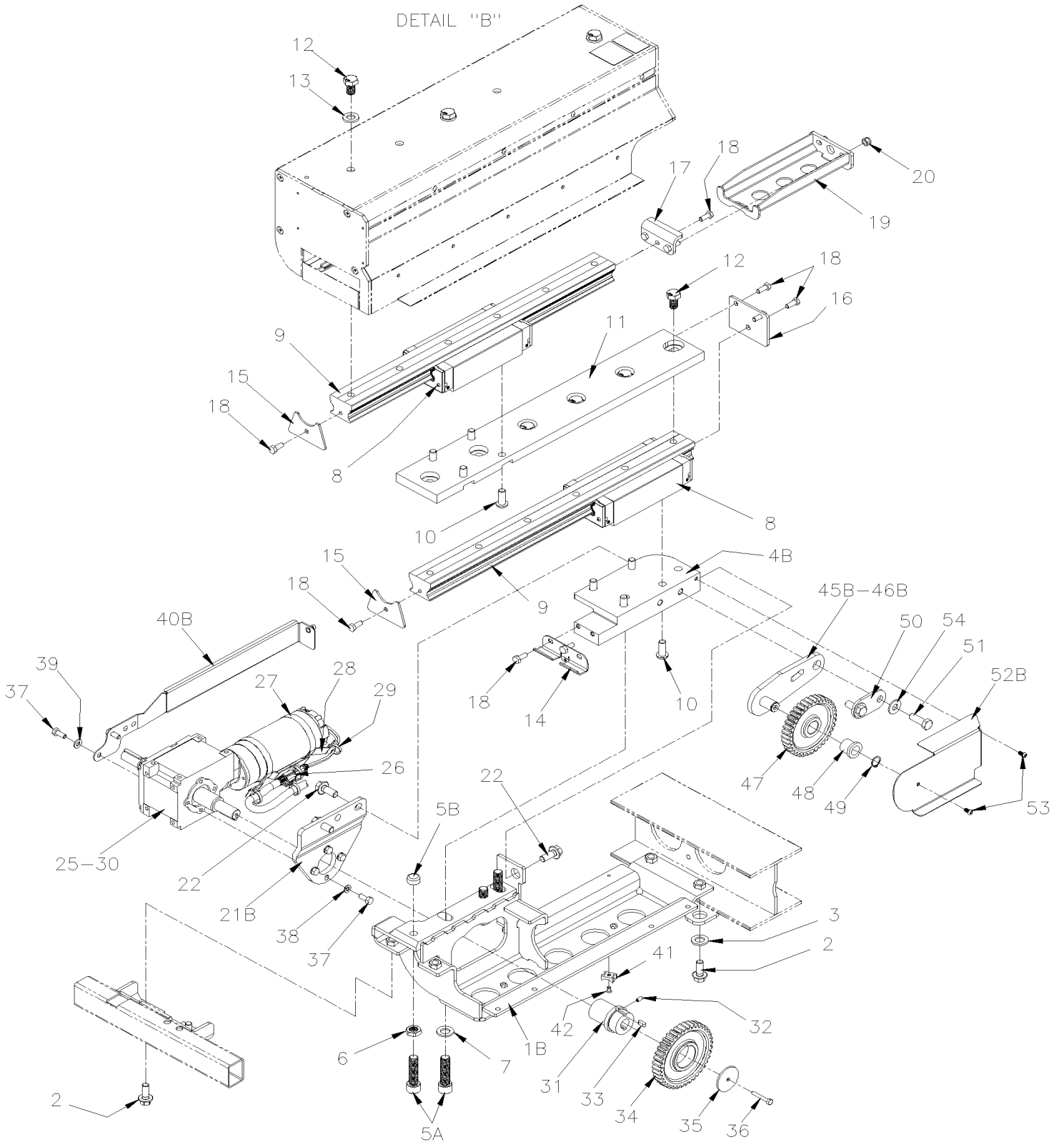


From H-3645 To J-0287

Date:10/2022

PAGE:H7-2390-26

## "SLIDE-OUT" - FRONT MECHANISM - INSTALLATION / CURBSIDE

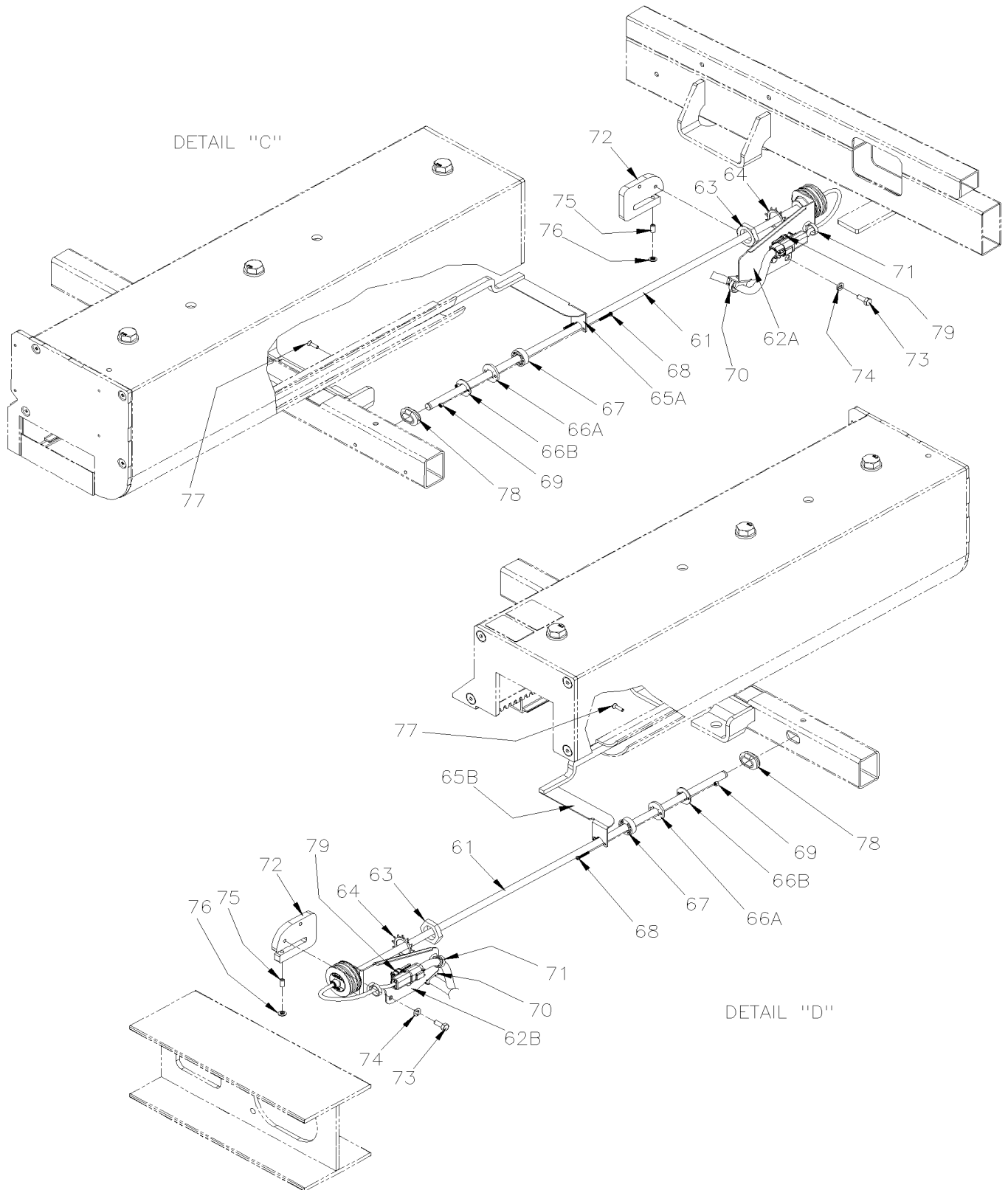


From H-3645 To J-0287

Date:10/2022

PAGE:H7-2390-26

## "SLIDE-OUT" - FRONT MECHANISM - INSTALLATION / CURBSIDE



From H-3645 To J-0287 Date:10/2022 PAGE:H7-2390-26

**"SLIDE-OUT" - FRONT MECHANISM - INSTALLATION / CURBSIDE**

Item#	Part	Description	H 3 4 1	H 3 4 5	V I P 4 5	N O T E S
1A	490091	MECHANIC IN-OUT, FRONT			1	
1A	470507	DECAL "CAUTION THIS SLIDE OUT SUPPORT..."			1	
1A	470507	DECAL "CAUTION THIS SLIDE OUT SUPPORT..."			1	
1B	490090	MECHANIC IN-OUT, REAR			1	
1B	470507	DECAL "CAUTION THIS SLIDE OUT SUPPORT..."			1	
1B	470507	DECAL "CAUTION THIS SLIDE OUT SUPPORT..."			1	
2	5001786	SCREW CAP HEXF M12-1.75x30 G8.8 N500			8	
3	5001150	WASHER FL 17.0x30.0x3.0 N500			4	
4A	491281	ANCHOR RAIL/MOTOR FRONT			1	
4B	491276	ANCHOR RAIL/MOTOR REAR			1	
5A	5002081	SCREW CAP HEXS M16-2.0x60 G12.9 N500			8	
5B	491320	ADJUSTEMENT PAD			2	
6	5000330	NUT HEX JAM M16-2.0 SS			4	
7	5002082	WASHER BEL SPR 16.3x31.0x2.0 N500			4	
8	478827	GUIDE			4	
9	490240	RAIL GUIDE LINEAR BEARING 650MM			4	
10	5001615	SCREW CAP BUT HEXS M12-1.75x30 G10.9 G500			16	
11	490130	REINFORCMENT RAIL			2	
12	5000329	SCREW CAP HEX M14-2.0x25 G10.9 N500			18	
13	5001995	WASHER FL 15.0x28.0x3.5 N500			6	
14	490125	BRACKET, RAIL GUARD			2	
15	490131	STOPPER RAIL			4	
16	490139	STOPPER RAIL/REINFORCMENT			2	
17	490195	STOPPER UPPER RAIL			2	
18	502862	SCREW CAP HEX M8-1.25x20 G8.8 N500			16	
19	490145	STOPPER SLIDING			2	
20	5001787	NUT HEX NYRT M8-1.25 SS			4	
21A	490122	PLATE MOTOR SUPPORT FRONT			1	
21B	490121	PLATE MOTOR SUPPORT REAR			1	
22	5001786	SCREW CAP HEXF M12-1.75x30 G8.8 N500			6	
NS	680038	THREAD LOCKER LOCTITE #243 / BLUE / 50ml			AR	
25	060241P	MOTOR 24V ASSY W/CONNECTOR			2	
25	560055	. MOTOR 24V ASSY W/GEAR-BOX			1	
25	505533	. . KEY 6MM x 6MM x 40MM			1	
26	563764	. CONNECTOR / CPC SERIES 3 / PH 3C / PED 15300002			1	
26	563763	. PIN TERMINAL / 14-12 / PED 12129497			2	
26	561840	. CABLE SEAL / BLUE / PED 15324981			2	
26	562388	. SECONDARY LOCK / METRI-PACK 280 / 2C / BLUE / PED 15300014			1	
27	504025	. HOSE CLAMP / 2"5/16-3"1/4 SS / HS-44			2	
28	060230	. SUPPORT WIRING MOTOR			1	
29	504013	. TIE MOUNT / 1/4" X 1/4" I.D.			3	

From H-3645 To J-0287	Date:10/2022	PAGE:H7-2390-26
<b>"SLIDE-OUT" - FRONT MECHANISM - INSTALLATION / CURBSIDE</b>		

Item#	Part	Description	H 3 4 1	H 3 4 5	V I P 4 5	N O T E S
29	504379	. RIVET POP DOME OE 3/16x1/4 SS			3	
29	504637	. CABLE TIE / 3/16" x 13"			3	
30	470511	DECAL "CAUTION SEAL MUST BE DEFLATED..."			1	
30	477987	DECAL " ON OVERRIDE MUST BE LOW TORQUE..."			4	
31	490177	ADAPTOR, GEAR FREE			2	
32	5001634	SCREW SET HEXS CUP M6-1.0X12MM Z050			6	
33	505010	KEY 6MM x 6MM x 16MM			2	
34	490171	GEAR DRIVE			2	
35	490173	PLATE FIXING			2	
36	5000310	SCREW CAP HEX M6-1.0x40 BK			2	
37	5001450	SCREW CAP HEX M8-1.25x20 G10.9 DP			12	
38	500035	WASHER LO SPT .317x.586x.078 SS			8	
39	5001736	WASHER FL 8.4x18.0x2.0 N500			4	
40A	490671	SIDE PROTECTOR PANEL / FRONT			1	
40B	491254	SIDE PROTECTOR PANEL / REAR			1	
41	504013	TIE MOUNT / 1/4" X 1/4" I.D.			4	
42	504379	RIVET POP DOME OE 3/16x1/4 SS			4	
45A	Call order desk	GEAR FREE ASSY / FRONT			1	P
45B	Call order desk	GEAR FREE ASSY / REAR			1	P
46A	491282	. SUPPORT GEAR / FRONT			1	
46B	491277	. SUPPORT GEAR / REAR			1	
47	490164	. GEAR FREE			1	
48	507015	. BUSHING OIL FLANGE .752 x 1.000 x 1.000			1	
49	504036	. RING RETAINER / EXT .750 x .704 x .042" / SS			1	
50	491280	PUSH PLATE			2	
51	500806	SCREW CAP HEX M12-1.75X35 G10.9 G500			4	
52A	491283	GEAR COVER / FRONT			1	
52B	491279	GEAR COVER / REAR			1	
53	5000353	SCREW CAP BUT HEXS M6-1.0x12 N500			4	
54	500967	WASHER BEL SPR .512x1.142x.098 N500			4	
61	060246P	SENSOR, LINEAR POSITION ASS			2	
. NS	562479	. CONNECTOR / DT SERIES / PH 4C / GRAY / DEUTSCH DT04-4P-C015			1	
. NS	562286	. PIN TERMINAL / 18-16 / DEUTSCH 0460-202-16141			3	
. NS	561996	. SEALING PLUG TYPE 12 & 16 / DEUTSCH 114017			1	
. NS	562480	. SECONDARY LOCK / DT SERIES / PH 4C / DEUTSCH W4P			1	
62A	490466	SUPPORT, POSITION SENSOR / FRONT			1	
62B	490447	SUPPORT, POSITION SENSOR / REAR			1	
63	5000345	NUT HEX THN M24-1.5 Z050			2	
64	5000346	WASHER LO EXT 25.0x38.0x1.5 Z050			2	
65A	490352	SUPPORT FRONT, POSITION SENSOR To K-0190			1	

From H-3645 To J-0287	Date:10/2022	PAGE:H7-2390-26
<b>"SLIDE-OUT" - FRONT MECHANISM - INSTALLATION / CURBSIDE</b>		

Item#	Part	Description	H 3 4 1	H 3 4 5	V I P 4 5	N O T E S
65A	491685	SUPPORT FRONT, POSITION SENSOR From K-0191			1	
65B	490342	SUPPORT REAR, POSITION SENSOR To K-0190			1	
65B	491684	SUPPORT REAR, POSITION SENSOR From K-0191			1	
66A	490467	DAMPING RING, POSITION SENSOR			2	
66B	490340	PLATE, POSITION SENSOR			2	
67	560073	RING POSITION MARKER			2	
68	5000339	SCREW MA PAN PH M3-0.5x20 SS			2	
69	5000340	NUT HEX NYRT M3-0.5 SS			2	
70	504013	TIE MOUNT / 1/4" X 1/4" I.D.			2	
70	504379	RIVET POP DOME OE 3/16x1/4 SS			2	
70	504637	CABLE TIE / 3/16" x 13"			2	
71	509815	TIE MOUNT / ATTACHMENT W/TREE MOUNT			2	
71	504637	CABLE TIE / 3/16" x 13"			2	
72	490448	ANCHOR, POSITION SENSOR			2	
73	5001744	SCREW CAP HEX M6-1.0x16 G8.8 N500			4	
74	502570	WASHER LO SPT 6.1x11.8x1.6 SS			4	
75	5001634	SCREW SET HEXS CUP M6-1.0X12MM Z050			2	
76	504034	PLUG BUTTON / .250 O.D. / NYL			2	
77	5001414	SCREW MA FL PH M4-0.7x16 BK			2	
78	504421	GROMMET / .625x.875x.187x.437x1.125			2	
79	564108	SELF MOUNTING STUD // DEUTSCH 1011-310-0205			2	
90	<b>H7-2390-61</b>	<b>"SLIDE-OUT" - INSTALLATION / FRONT CURBSIDE</b>				
		P) CALL ORDER DESK FOR SPECIFIC APPLICATION (V.I.N.)				



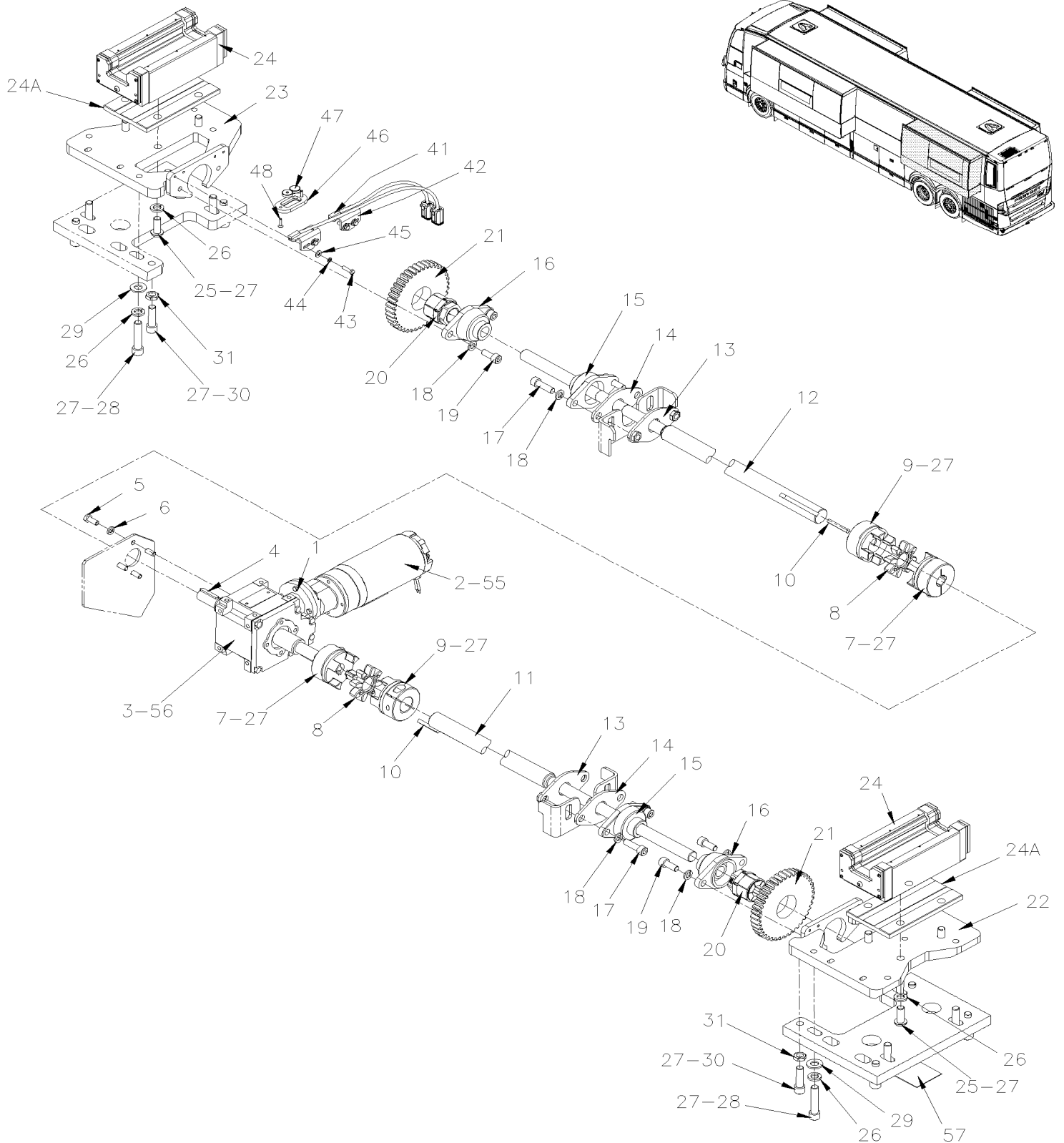


From 7-0671 To J-0287

Date:10/2022

PAGE:H7-2390-30

## "SLIDE-OUT" - REAR MECHANISM - INSTALLATION / STREET SIDE



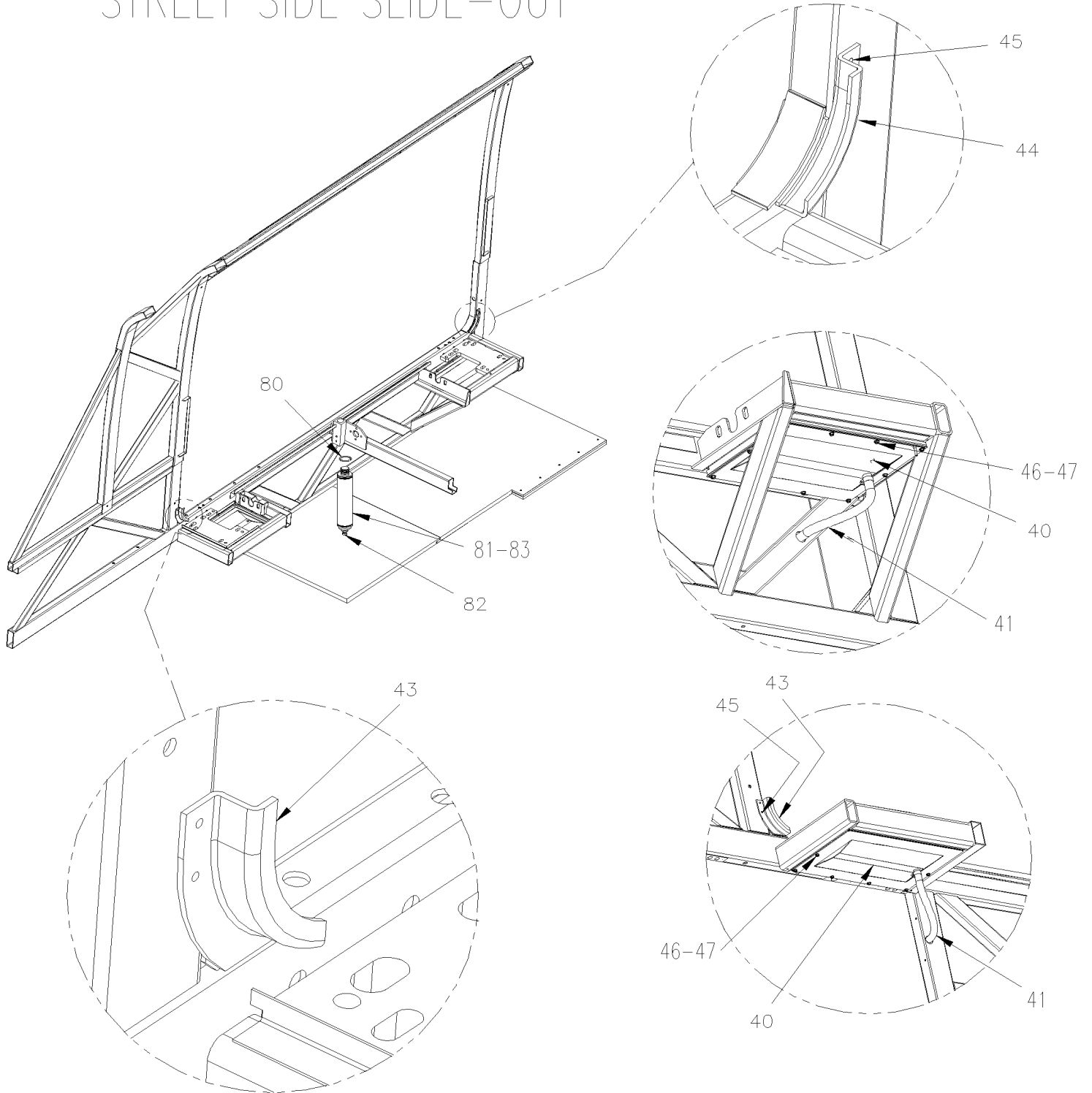
From 7-0671 To J-0287

Date:10/2022

PAGE:H7-2390-30

"SLIDE-OUT" - REAR MECHANISM - INSTALLATION / STREET SIDE

# STREET SIDE SLIDE-OUT



<b>From 7-0671 To J-0287</b>	<b>Date:10/2022</b>	<b>PAGE:H7-2390-30</b>
<b>"SLIDE-OUT" - REAR MECHANISM - INSTALLATION / STREET SIDE</b>		

Item#	Part	Description	H 3 4 1	H 3 4 5	V I P 4 5	N O T E S
1	066969	MOTOR 24V ASSY W/CONNECTOR STREET SIDE To 8-1301			1	
. NS	564036	. MOTOR 24V ASSY W/GEAR-BOX To 8-1301			1	
. . NS	563937	. . MOTOR 24V To 8-1301			1	
. . NS	563938	. . GEAR BOX RATIO 738/1 To 8-1301			1	
. NS	561944	. CONNECTOR / CPC SERIES 3 / PH 3C / AMP 206426-1 To 8-1301			1	
. NS	561655	. CABLE CLAMP / CPC / #17 / AMP 206070-8 To 8-1301			1	
. NS	561698	. PIN TERMINAL 16-12 / POWER CONTACT / AMP 66261-4 To 8-1301			2	
1	067323	MOTOR 24V ASSY W/CONNECTOR STREET SIDE From 8-1302			1	
. NS	564091	. MOTOR 24V ASSY W/GEAR-BOX From 8-1302			1	
. . NS	563937	. . MOTOR 24V From 8-1302			1	
. . NS	563938	. . GEAR BOX RATIO 738/1 From 8-1302			1	
. . NS	505533	. . KEY 6MM x 6MM x 40MM From 8-1302			2	
. NS	563764	. CONNECTOR / CPC SERIES 3 / PH 3C / PED 15300002 From 8-1302			1	
. NS	561655	. CABLE CLAMP / CPC / #17 / AMP 206070-8 From 8-1302			1	
. NS	563763	. PIN TERMINAL / 14-12 / PED 12129497 From 8-1302			2	
2	564036	. MOTOR 24V ASSY W/GEAR-BOX STREET SIDE To 8-1301			1	
. NS	563937	. . MOTOR 24V To 8-1301			1	
. NS	563938	. . GEAR BOX RATIO 738/1 To 8-1301			1	
2	564091	. MOTOR 24V ASSY W/GEAR-BOX STREET SIDE From 8-1302			1	
. NS	563937	. . MOTOR 24V From 8-1302			1	
. NS	563938	. . GEAR BOX RATIO 738/1 From 8-1302			1	
. NS	505533	. . KEY 6MM x 6MM x 40MM From 8-1302			2	
3	563938	. GEAR BOX RATIO 738/1			1	
4	505533	. KEY 6MM x 6MM x 40MM			2	
5	5001450	SCREW CAP HEX M8-1.25x20 G10.9 DP			4	
6	500035	WASHER LO SPT .317x.586x.078 SS			4	
7	505530	COUPLING SHAFT DRIVE 20MM I.D. / TYPE GS 28 To H-3542			2	
7	505004	COUPLING SHAFT DRIVE 20MM I.D. From H-3543			2	
8	505529	SPIDER RUBBER / TYPE GS 28 To H-3542			2	
8	505009	SPIDER RUBBER From H-3543			2	
9	505528	COUPLING SHAFT DRIVE 1 1/8" I.D. / TYPE GS 28 To H-3542			2	
9	505005	COUPLING SHAFT DRIVE 1 1/8" I.D. From H-3543			2	
10	505527	KEY SQUARE 1/4" x 1/4" x 1 3/4"			2	
11	476544	SHAFT 1326MM			1	10.5
11	470144	SHAFT 859MM / BACKWARD			1	7.5
12	476544	SHAFT 1326MM			1	10.5
12	470141	SHAFT 776MM / FORWARD			1	7.5
13	470129	PLATE TORQUE			2	
14	470128	SPACER 3/16"			2	
15	507641	PILLOW BEARING ASSY			2	
NS	501499	GREASE FITTING 45° / 1/4-28			2	
NS	684754	GREASE OPTIMOL OLISTA / CARTRIGE 14Oz			AR	

<b>From 7-0671 To J-0287</b>	<b>Date:10/2022</b>	<b>PAGE:H7-2390-30</b>
------------------------------	---------------------	------------------------

**"SLIDE-OUT" - REAR MECHANISM - INSTALLATION / STREET SIDE**

Item#	Part	Description	H 3 4 1	H 3 4 5	V I P 4 5	N O T E S
16	470116	PILLOW BEARING ASSY			2	
17	5001620	SCREW CAP HEXS M10-1.5X35 G10.9 G500			4	
18	502616	WASHER LO SPT 10.2x18.1x2.2 SS			8	
19	5001616	SCREW CAP HEXS M10-1.5X25 G10.9 DP			4	
20	470118	COUPLING TORQUE			2	
21	470119	GEAR 5 1/4" W/40TH			2	
22	477753	BASE GUIDE ASSY BACKWARD To J-0293			1	
22	471089	BASE GUIDE ASSY BACKWARD From J-0294			1	
23	477752	BASE GUIDE ASSY FORWARD To J-0293			1	
23	471094	BASE GUIDE ASSY FORWARD From J-0294			1	
24	470107	GUIDE To B-1772			2	
24	476761	GUIDE From B-1773 To E-2645			2	E
24	478827	GUIDE From E-2646			2	
24	479623	SLIDE-OUT LINEAR BEARING AND GUIDE KIT To E-2645			2	E
NS	507642	DUMMY RAIL GUIDE LINEAR BEARING 254MM / USE WITH 470107 ONLY To B-1772			AR	W
NS	504758	DUMMY RAIL GUIDE LINEAR BEARING 254MM / USE WITH 476761 & 478827 ONLY From B-1773			AR	W
NS	685232	RAIL GUIDE EXTENSION TOOL L.H.			AR	T
NS	685233	RAIL GUIDE EXTENSION TOOL R.H.			AR	T
24A	478823	GUIDE SPACER From E-2646			2	
25	5001615	SCREW CAP BUT HEXS M12-1.75x30 G10.9 G500 To E-2645			8	
25	5001928	SCREW CAP BUT HEXS M12-1.75x35 G10.9 N500 From E-2646			8	
26	500944	WASHER LO SPT .506x.873x.125 N500			16	
27	684420	SCREW MARKER LOCK 90ml To H-3512			AR	
27	685353	TORQUE SEAL From H-3513			AR	
28	5001621	SCREW CAP HEXS M12-1.75x55 G10.9 DP			8	
29	500958	WASHER FL .531x1.062x.095 SS			8	
30	5001622	SCREW CAP HEXS M12-1.75x40 G10.9 DP			8	
31	5001623	NUT HEX JAM M12x1.75 SS			8	
40	470115	SUPPORT To J-0293			1	
40	471095	SUPPORT, FLANGE BEARING From J-0294			1	
41	066852	LIMITING REED SWITCH ASSY W/LED S.P.D.T. / W/SLIDE OUT To 8-1429			2	
. NS	563426	. HALL EFFECT SENSOR To 8-1429			1	
. NS	563452	. LED GREEN / 5VOLTS To 8-1429			1	
. NS	562477	. CONNECTOR / DT SERIES / SH 4C / GRAY / DEUTSCH DT06-4S To 8-1429			1	
41	067588	LIMITING REED SWITCH ASSY W/2 LEDS S.P.D.T. / W/SLIDE OUT From 8-1430			2	
. NS	563426	. HALL EFFECT SENSOR From 8-1430			2	
. NS	563452	. LED GREEN / 5VOLTS From 8-1430			2	
. NS	562477	. CONNECTOR / DT SERIES / SH 4C / GRAY / DEUTSCH DT06-4S From 8-1430			1	
42	470120	SUPPORT LIMITING READ SWITCH To J-0293			2	
42	471097	SUPPORT LIMITING READ SWITCH From J-0294			1	
43	5001146	SCREW CAP HEX M5-0.8x20 SS BK			4	
NS	500914	WASHER LO SPT .193x.334x.047 N500			4	

From 7-0671 To J-0287 Date:10/2022 PAGE:H7-2390-30

**"SLIDE-OUT" - REAR MECHANISM - INSTALLATION / STREET SIDE**

Item#	Part	Description	H 3 4 1	H 3 4 5	V I P 4 5	N O T E S
45	500804	WASHER FL .203x.500x.047 N500			4	
55	478251	DECAL "SEAL MUST BE DEFLATED..."			1	
56	477987	DECAL " ON OVERRIDE MUST BE LOW TORQUE..."			1	
57	477990	DECAL "THIS SLIDE-OUT PLATE IS FACTORY.."			1	
NS	470133	SAFETY PIN 1 1/4" O.D. x 120MM To 8-1070			1	
61	470182	SAFETY PIN 1 1/4" O.D. x 116MM From 8-1071			1	
62	642027	CYLINDER 1 1/16"			1	
NS	470183	ADAPTOR CYLINDER 5/8-18 x M36-2 From 8-1071			1	
64	507345	O-RING / ORS FITTING / #16 NEO To 8-1070			1	
64	502220	WASHER FL .375x1.000x.125 RUB From 8-1071			1	
65	641126	MALE CONNECTOR / PUSH-IN FITTING / #2x1/8NPT-M BR			1	
66	503536	TUBE, NYLON 1/8 O.D. / BLACK S.L.			AR	
71	477747	GUTTER MOULDING FORWARD			1	
72	477748	GUTTER MOULDING BACKWARD			1	
73	504379	RIVET POP DOME OE 3/16x1/4 SS			4	
NS	680532	SEALANT SIKA #221 / GREY / 310ml CARTRIDGE			AR	
NS	684517	ADHESIVE SIMSON #ISR 70-03 / GREY / 310ml CARTRIDGE			AR	
75	Call order desk	ACCESS PANEL ASSY W/DRAIN To 7-0943			2	P
75	Call order desk	ACCESS PANEL ASSY W/DRAIN From 7-0944			2	P
75	477888	. ACCESS PANEL To 7-0943			1	
75	476935	. ACCESS PANEL ASSY W/DRAIN From 7-0944			1	
NS	477889	. GASKET			2	
78	503707	. HOSE / PVC REINFORCED 1/2" I.D. 100' / S.L.			AR	
NS	504230	. HOSE CLAMP / 3/8"-7/8" SS / HS-6			2	
80	500526	SCREW TP CAP HEXW #12x3/4 N500			16	
81	5001686	WASHER FL SEAL .218x.625x20GA SS			16	
		10.5) USE WITH 10.5 FEET SLIDE-OUT ONLY				
		7.5) USE WITH 7.5 FEET SLIDE-OUT ONLY				
		E) WHEN YOU REPLACE THE OLD LINEAR BEARING 476761 YOU NEED 478827 AND 2 SLIDE-OUT RAIL SEE PAGE H7-1854-95				
		T) THOSE RAIL EXTENTION TOOLS ARE FOR EASY REMOVED SLIDE-OUT FROM STRUCTURE				
		W) "WARNING" YOU REQUIRE 2 OF THIS DUMMY BEFORE REMOVE SLIDE-OUT FROM STRUCTURE				
		P) CALL ORDER DESK FOR SPECIFIC APPLICATION (V.I.N.)				

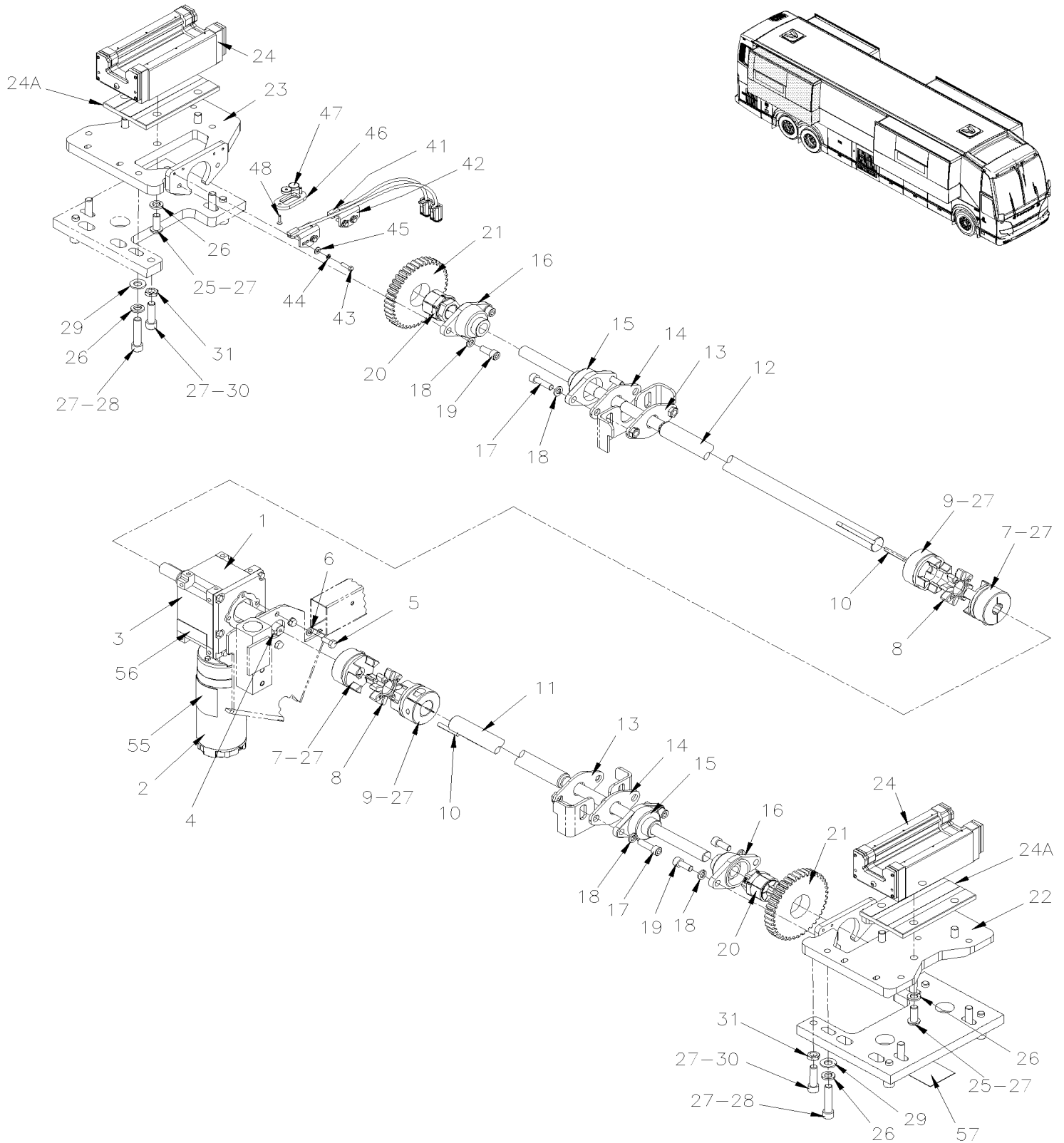


From 9-1404 To J-0287

Date:10/2022

PAGE:H7-2390-35

## "SLIDE-OUT" - REAR MECHANISM - INSTALLATION / CURBSIDE

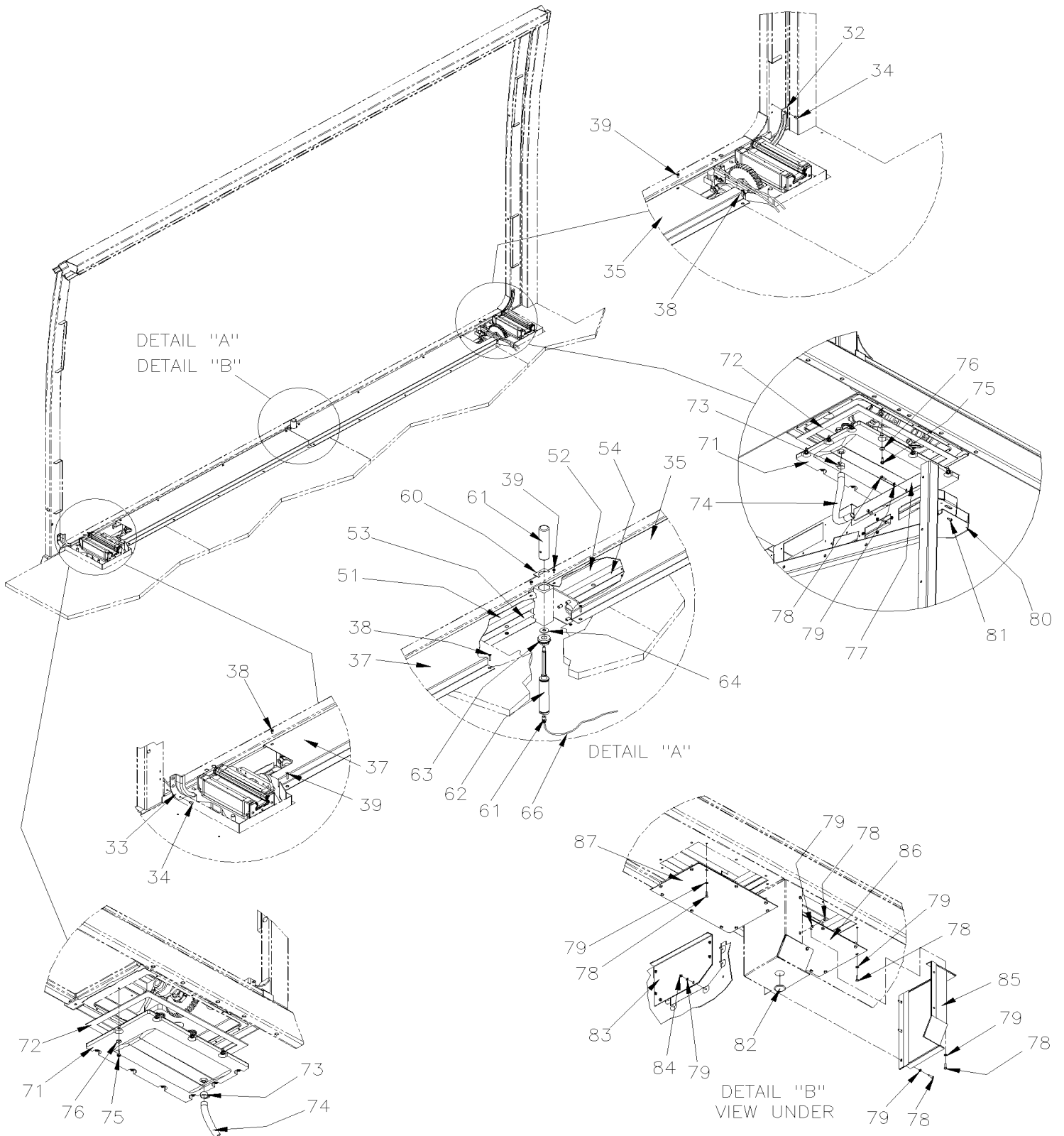


From 9-1404 To J-0287

Date:10/2022

PAGE:H7-2390-35

## "SLIDE-OUT" - REAR MECHANISM - INSTALLATION / CURBSIDE





From 9-1404 To J-0287	Date:10/2022	PAGE:H7-2390-35
-----------------------	--------------	-----------------

**"SLIDE-OUT" - REAR MECHANISM - INSTALLATION / CURBSIDE**

Item#	Part	Description	H 3 4 1	H 3 4 5	V I P 4 5	N O T E S
1	066651	MOTOR 24V ASSY W/CONNECTOR			1	
. NS	563936	. MOTOR 24V ASSY W/GEAR-BOX			1	
. . NS	563937	. . MOTOR 24V			1	
. . NS	563938	. . GEAR BOX RATIO 738/1			1	
. NS	561944	. CONNECTOR / CPC SERIES 3 / PH 3C / AMP 206426-1			1	
. NS	561655	. CABLE CLAMP / CPC / #17 / AMP 206070-8			1	
. NS	561698	. PIN TERMINAL 16-12 / POWER CONTACT / AMP 66261-4			2	
2	564091	. MOTOR 24V ASSY W/GEAR-BOX			1	
. NS	563937	. . MOTOR 24V			1	
. NS	563938	. . GEAR BOX RATIO 738/1			1	
. NS	505533	. . KEY 6MM x 6MM x 40MM			2	
3	563938	. . GEAR BOX RATIO 738/1			1	
4	505533	. . KEY 6MM x 6MM x 40MM			2	
5	5001450	SCREW CAP HEX M8-1.25x20 G10.9 DP			4	
6	500035	WASHER LO SPT .317x.586x.078 SS			4	
7	505530	COUPLING SHAFT DRIVE 20MM I.D. / TYPE GS 28 To H-3542			2	
7	505004	COUPLING SHAFT DRIVE 20MM I.D. From H-3543			2	
8	505529	SPIDER RUBBER / TYPE GS 28 To H-3542			2	
8	505009	SPIDER RUBBER From H-3543			2	
9	505528	COUPLING SHAFT DRIVE 1 1/8" I.D. / TYPE GS 28 To H-3542			2	
9	505005	COUPLING SHAFT DRIVE 1 1/8" I.D. From H-3543			2	
10	505527	KEY SQUARE 1/4" x 1/4" x 1 3/4"			2	
11	470141	SHAFT 776MM / FORWARD			1	7.5
11	476544	SHAFT 1326MM			1	10.5
12	470144	SHAFT 859MM / BACKWARD			1	7.5
12	476544	SHAFT 1326MM			1	10.5
13	470129	PLATE TORQUE			2	
14	470128	SPACER 3/16"			2	
15	507641	PILLOW BEARING ASSY			2	
16	470116	PILLOW BEARING ASSY			2	
16	501490	GREASE FITTING / 1/8 NPT			1	
17	5001620	SCREW CAP HEXS M10-1.5X35 G10.9 G500			4	
18	502616	WASHER LO SPT 10.2x18.1x2.2 SS			8	
19	5001616	SCREW CAP HEXS M10-1.5X25 G10.9 DP			4	
20	470118	COUPLING TORQUE			2	
21	470119	GEAR 5 1/4" W/40TH			2	
22	477753	BASE GUIDE ASSY BACKWARD To J-0293			1	
22	471089	BASE GUIDE ASSY BACKWARD From J-0294			1	
23	477752	BASE GUIDE ASSY FORWARD To J-0293			1	
23	471094	BASE GUIDE ASSY FORWARD From J-0294			1	
24	470107	GUIDE To B-1772			2	
24	476761	GUIDE From B-1773 To E-2645			2	E

From 9-1404 To J-0287	Date:10/2022	PAGE:H7-2390-35
-----------------------	--------------	-----------------

**"SLIDE-OUT" - REAR MECHANISM - INSTALLATION / CURBSIDE**

Item#	Part	Description	H 3 4 1	H 3 4 5	V I P 4 5	N O T E S
24	478827	GUIDE From E-2646			2	
24	479623	SLIDE-OUT LINEAR BEARING AND GUIDE KIT To E-2645			2	E
NS	507642	DUMMY RAIL GUIDE LINEAR BEARING 254MM / USE WITH 470107 ONLY To B-1772			AR	W
NS	504758	DUMMY RAIL GUIDE LINEAR BEARING 254MM / USE WITH 476761 & 478827 ONLY From B-1773			AR	W
NS	685232	RAIL GUIDE EXTENSION TOOL L.H.			AR	T
NS	685233	RAIL GUIDE EXTENSION TOOL R.H.			AR	T
24A	478823	GUIDE SPACER From E-2646			2	
25	5001615	SCREW CAP BUT HEXS M12-1.75x30 G10.9 G500 To E-2645			8	
25	5001928	SCREW CAP BUT HEXS M12-1.75x35 G10.9 N500 From E-2646			8	
26	500944	WASHER LO SPT .506x.873x.125 N500			16	
27	684420	SCREW MARKER LOCK 90ml To H-3512			AR	
27	685353	TORQUE SEAL From H-3513			AR	
28	5001621	SCREW CAP HEXS M12-1.75x55 G10.9 DP			8	
29	500958	WASHER FL .531x1.062x.095 SS			8	
30	5001622	SCREW CAP HEXS M12-1.75x40 G10.9 DP			8	
31	5001623	NUT HEX JAM M12x1.75 SS			8	
32	477747	GUTTER MOULDING FORWARD			1	
33	477748	GUTTER MOULDING BACKWARD			1	
34	504379	RIVET POP DOME OE 3/16x1/4 SS			6	
35	328457	PROTECTOR PLATE BACKWARD 931MM			1	7.5
35	328422	PROTECTOR PLATE BACKWARD 1398MM			1	10.5
NS	506227	TAPE RUB ADH1 CC POL 1/16" x 3/4" x 100' / GREY 2520			AR	
37	328456	PROTECTOR PLATE FORWARD 826MM			1	7.5
37	328421	PROTECTOR PLATE FORWARD 1374MM			1	10.5
NS	506227	TAPE RUB ADH1 CC POL 1/16" x 3/4" x 100' / GREY 2520			AR	
38	5001349	SCREW WO TR PH #8x7/8			13	
39	500799	SCREW TC PAN PH #8-32x3/8 N500			AR	
NS	680532	SEALANT SIKA #221 / GREY / 310ml CARTRIDGE			AR	
40	470115	SUPPORT To J-0293			1	
40	471095	SUPPORT, FLANGE BEARING From J-0294			1	
41	067588	LIMITING REED SWITCH ASSY W/2 LEDS S.P.D.T. / W/SLIDE OUT			1	
. NS	563426	. HALL EFFECT SENSOR			2	
. NS	563452	. LED GREEN / 5VOLTS			2	
. NS	562477	. CONNECTOR / DT SERIES / SH 4C / GRAY / DEUTSCH DT06-4S			1	
42	477829	SUPPORT LIMITING READ SWITCH To J-0293			1	
42	471096	SUPPORT LIMITING READ SWITCH From J-0294			1	
43	5001146	SCREW CAP HEX M5-0.8x20 SS BK			4	
44	500914	WASHER LO SPT .193x.334x.047 N500			4	
45	500804	WASHER FL .203x.500x.047 N500			4	
46	470124	SUPPORT MAGNET / ALUMINUM			2	
47	562949	MAGNET ROUND .200x.700 DIA			4	
48	5001614	SCREW CAP FL HEXS M4-0.7x16 SS EMN			4	

From 9-1404 To J-0287	Date:10/2022	PAGE:H7-2390-35
-----------------------	--------------	-----------------

**"SLIDE-OUT" - REAR MECHANISM - INSTALLATION / CURBSIDE**

Item#	Part	Description	H 3 4 1	H 3 4 5	V I P 4 5	N O T E S
51	351905	INSULATING 1" / FORWARD 667.5MM			1	7.5
51	351870	INSULATING 1" / FORWARD 1219MM			1	10.5
52	351903	INSULATING 1" / BACKWARD 643MM			1	7.5
52	351871	INSULATING 1" / BACKWARD 1112MM			1	10.5
53	351906	INSULATING 1/16" / FORWARD 667MM			1	7.5
53	351896	INSULATING 1/16" / FORWARD 1219MM			1	10.5
54	351904	INSULATING 1/16" / FORWARD 643MM			1	7.5
54	351897	INSULATING 1/16" / BACKWARD 1112MM			1	10.5
55	478251	DECAL "SEAL MUST BE DEFLATED..."			1	
56	477987	DECAL " ON OVERRIDE MUST BE LOW TORQUE..."			1	
57	477990	DECAL "THIS SLIDE-OUT PLATE IS FACTORY.."			1	
60	328224	GASKET JOINT			1	
61	470182	SAFETY PIN 1 1/4" O.D. x 116MM			1	
62	642027	CYLINDER 1 1/16"			1	
63	470183	ADAPTOR CYLINDER 5/8-18 x M36-2			1	
64	502220	WASHER FL .375x1.000x.125 RUB			1	
65	641126	MALE CONNECTOR / PUSH-IN FITTING / #2x1/8NPT-M BR			1	
66	503536	TUBE, NYLON 1/8 O.D. / BLACK S.L.			AR	
71	476880P	ACCESS PANEL ASSY			1	
. NS	476881	. ACCESS PANEL			1	
. NS	486892	. INSULATING			1	
71	476881	. ACCESS PANEL			1	
71	476892	. INSULATION			1	
71	684654	. GLUE CONTACT "SCOTCH-GRIP" / 3M #1357-NEUTRAL 18.9 LITERS			AR	
72	478123	. GASKET			2	
73	504230	. HOSE CLAMP / 3/8"-7/8" SS / HS-6			2	
74	503707	. HOSE / PVC REINFORCED 1/2" I.D. 100' / S.L.			AR	
74	680532	. SEALANT SIKA #221 / GREY / 310ml CARTRIDGE			AR	
75	500526	SCREW TP CAP HEXW #12x3/4 N500			AR	
76	5001686	WASHER FL SEAL .218x.625x20GA SS			AR	
77	485585	CLOSING PANEL			1	
78	502799	SCREW CAP HEX M4-0.7X16 G8.8 N500			AR	
79	500834	WASHER LO INT .168x.340x.023 N500			AR	
80	210463	HINGE COVER			1	
81	502868	SCREW TC TR PH #10-16x1/2 N500			4	
82	504433	SNAP-IN PLUG / 1.090 O.D.			1	
83	Call order desk	ACCESS PANEL ASSY			1	P 7.5
. NS	476972	. ACCESS PANEL			1	7.5
. NS	506227	. TAPE RUB ADH1 CC POL 1/16" x 3/4" x 100' / GREY 2520			AR	7.5
84	500539	NUT HEX NYRT M4-0.7 N500			6	7.5
85	Call order desk	COVER ASSY / PROTECTOR MOTOR BOX			1	P
. NS	476939	. COVER PANEL / PROTECTOR MOTOR BOX			1	

From 9-1404 To J-0287	Date:10/2022	PAGE:H7-2390-35
<b>"SLIDE-OUT" - REAR MECHANISM - INSTALLATION / CURBSIDE</b>		

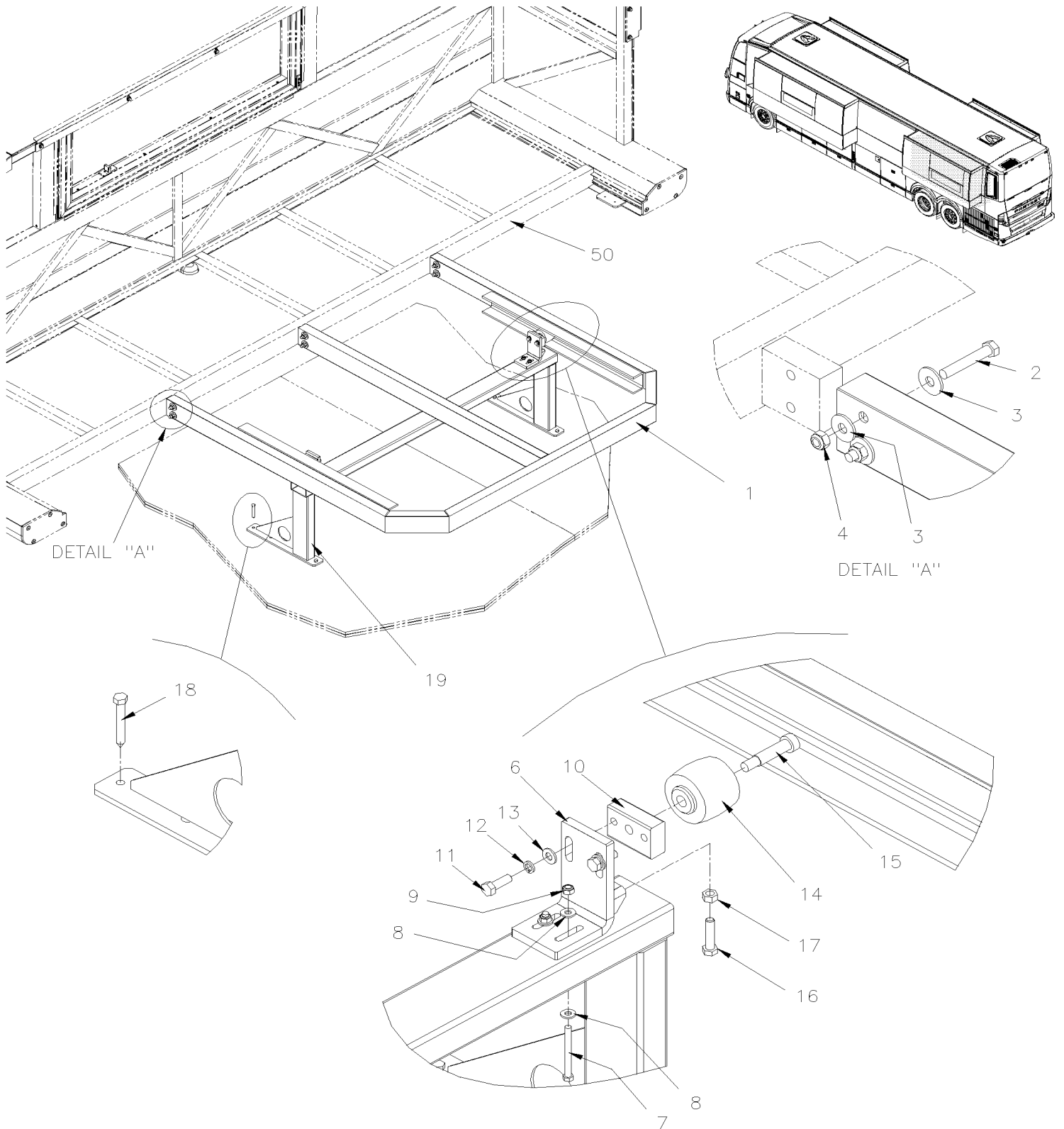
Item#	Part	Description	H 3 4 1	H 3 4 5	V I P 4 5	N O T E S
. NS	476953	. GASKET			1	
. NS	506001	. TAPE RUB ADH1 CC POL 1/8" x 3/4" x 50' / GREY 2520X			AR	
. NS	684517	. ADHESIVE SIMSON #ISR 70-03 / GREY / 310ml CARTRIDGE			AR	
86	476942P	ACCESS PANEL ASSY/ FORWARD			1	
. NS	476938	. ACCESS PANEL / FORWARD			1	
. NS	351900	. INSULATING 1"			1	
. NS	351901	. INSULATING 1/16"			1	
. NS	506001	. TAPE RUB ADH1 CC POL 1/8" x 3/4" x 50' / GREY 2520X			AR	
87	Call order desk	ACCESS PANEL ASSY / BACKWARD			1	P
. NS	476940	. ACCESS PANEL / BACKWARD			1	
. NS	351902	. INSULATING 1"			1	
. NS	506001	. TAPE RUB ADH1 CC POL 1/8" x 3/4" x 50' / GREY 2520X			AR	
		10.5) USE WITH 10.5 FEET SLIDE-OUT ONLY				
		7.5) USE WITH 7.5 FEET SLIDE-OUT ONLY				
		E) WHEN YOU REPLACE THE OLD LINEAR BEARING 476761 YOU NEED 478827 AND 2 SLIDE-OUT RAIL SEE PAGE X3VIP-1854-95				
		T) THOSE RAIL EXTENTION TOOLS ARE FOR EASY REMOVED SLIDE-OUT FROM STRUCTURE				
		W) WARNING YOUR REQUIRE 2 OF THIS DUMMY BEFORE REMOVE THE SLIDE-OUT FROM STRUCTURE				
		P) CALL ORDER DESK FOR SPECIFIC APPLICATION (V.I.N.)				

From 7-0671 To J-0287

Date:10/2022

PAGE:H7-2390-40

## "SLIDE-OUT" - BED SUPPORT



From 7-0671 To J-0287	Date:10/2022	PAGE:H7-2390-40
<b>"SLIDE-OUT" - BED SUPPORT</b>		

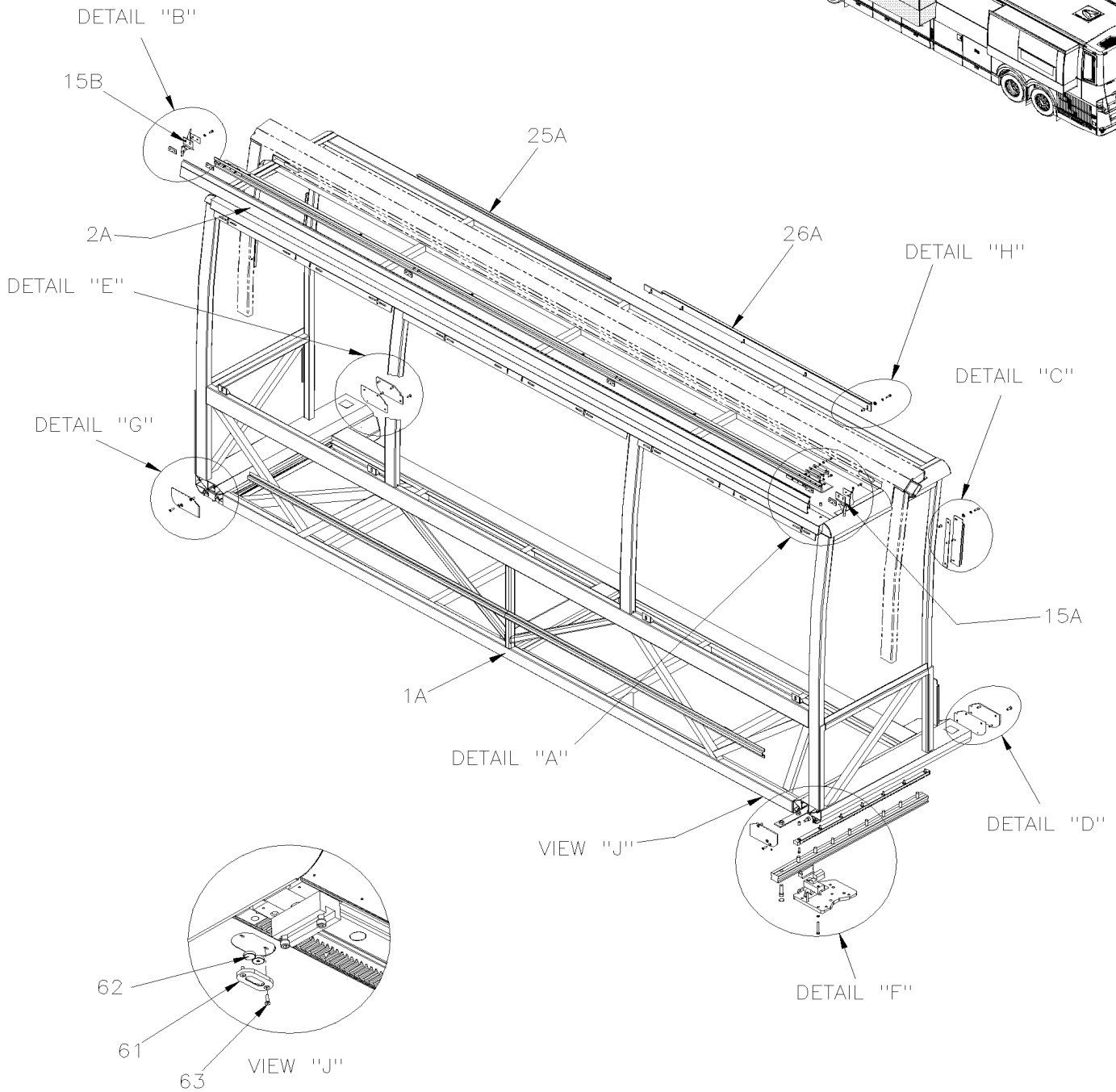
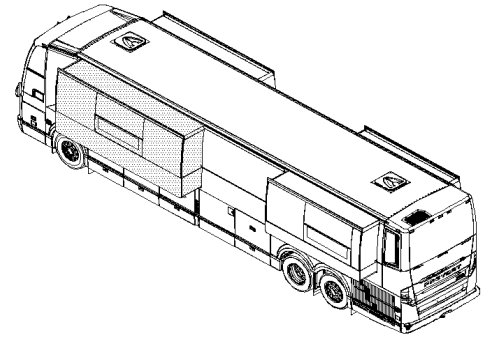
Item#	Part	Description	H 3 4 1	H 3 4 5	V I P 4 5	N O T E S
1	407525	SUPPORT REAR BED			1	
2	5001485	SCREW CAP HEX M10-1.5x60 G8.8 Z050			6	
3	502644	WASHER FL 10.5x30.0x2.5 Z050			12	
4	502847	NUT HEX NYRT M8-1.25 N500			6	
6	476178	ANGLE SUPPORT To 7-0771			2	
6	477815	ANGLE SUPPORT From 7-0772			2	
7	509839	SCREW CAP HEX M6-1.0x60 G8.8 ZP			4	
8	502573	WASHER FL 6.4x12.5x1.6 SS To 7-0771			8	
8	500877	WASHER FL .250x.562x.065 N500 From 7-0772			8	
9	502511	NUT HEX NYRT M6-1.0 Z050 To 7-0771			4	
9	502681	NUT HEX NYRT M6-1.0 N500 G8 From 7-0772			4	
10	476177	PLATE			2	
11	502589	SCREW CAP HEX M8-1.25x25 G8.8 Z050 To 7-0771			4	
11	5001745	SCREW CAP HEX M8-1.25x25 G8.8 N500 From 7-0772			4	
12	5001003	WASHER LO SPT 8.1x12.7x2.0 Z050 To 7-0771			4	
12	500942	WASHER LO SPT 8.1x14.8x2.0 N500 From 7-0772			4	
13	500874	WASHER FL 8.4x17.0x1.6 Z050 To 7-0771			4	
13	5001736	WASHER FL 8.4x18.0x2.0 N500 From 7-0772			4	
14	476181	WHEEL			2	
15	5001064	SCREW SHR HEXS 12x40 (M10-1.5			2	
NS	680038	THREAD LOCKER LOCTITE #243 / BLUE / 50ml			AR	
16	500544	SCREW CAP HEX M8-1.25x30 G8.8 Z050 To 7-0771			2	
16	502836	SCREW CAP HEX M8-1.25x35 G8.8 N500 From 7-0772			2	
17	502543	NUT HEX M8-1.25 Z050 To 7-0771			2	
17	502851	NUT HEX M8-1.25 N500 From 7-0772			2	
18	500918	SCREW TP CAP HEX 5/16-12x2 1/4 Z050			4	
19	226909P	SUPPORT REAR BED ASSY To 7-0771			1	
19	476546	SUPPORT REAR BED ASSY From 7-0772 To C-1936			1	
19	478541	SUPPORT REAR BED ASSY From C-1937			1	
50	<b>H7-2390-65</b>	<b>"SLIDE-OUT" - INSTALLATION / REAR CURBSIDE</b>				

From 7-0671 To J-0287

Date:10/2022

PAGE:H7-2390-50

## "SLIDE-OUT" - INSTALLATION / FRONT STREET SIDE

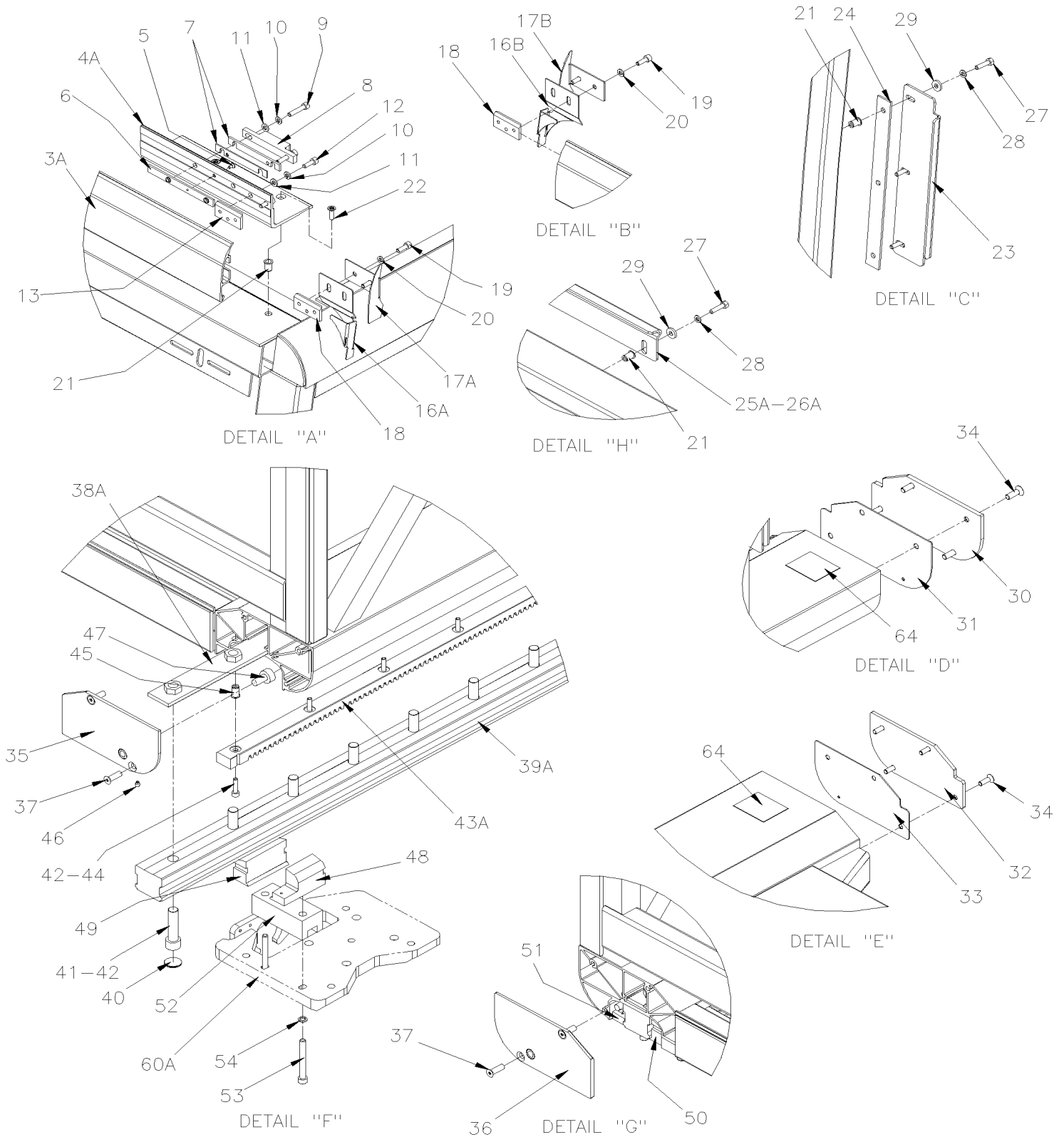


From 7-0671 To J-0287

Date:10/2022

PAGE:H7-2390-50

## "SLIDE-OUT" - INSTALLATION / FRONT STREET SIDE





From 7-0671 To J-0287	Date:10/2022	PAGE:H7-2390-50
<b>"SLIDE-OUT" - INSTALLATION / FRONT STREET SIDE</b>		

Item#	Part	Description	H 3 4 1	H 3 4 5	V I P 4 5	N O T E S
2A	Call order desk	EXTRUSION & STOPPER ASSY / 4426MM To H-3644			1	P
2A	Call order desk	KEY OUTSIDE ROOF ASSY 4426MM From H-3645			1	P
3A	478013	. KEY ROOF 4426MM To H-3644			1	
3A	470440	. KEY ROOF 4422MM From H-3645			1	
NS	506236	. TAPE RUB ADH1 CC POL 1/16" x 1/2" x 100' / GREY 2520			AR	
4A	478060	. SUPPORT KEY ROOF 4281MM To H-3644			1	
4A	470407	. SUPPORT KEY ROOF 4281MM From H-3645			1	
NS	506191	. TAPE RUB ADH1 CC POL 1/8" x 1/4" x 50' / GREY 2520X			AR	
5	5001612	. SCREW CAP FL HEXS M4-0.7x8 SS EMN			2	
6	477778	. ANCHOR PLATE W/THREAD			2	
7	477725	. SHIM 12.7MM x 101MM x 11GA			AR	
7	477807	. SHIM 12.7MM x 101MM x 16GA			AR	
8	478012	. STOPPER BLOCK To H-3644			2	
8	470412	. STOPPER BLOCK From H-3645			2	
9	5001610	. SCREW CAP HEXS M6-1.0x25 SS EMN To H-3644			4	
9	5001611	. SCREW CAP HEXS M6-1.0x30 SS BK To H-3644			4	
9	5001641	. SCREW CAP HEXS M6-1.0x35 SS EMN To H-3644			4	
9	5001768	. SCREW MA FL TORX M6-1.0x20 G8.8 Z050 From H-3645			4	
10	502570	. WASHER LO SPT 6.1x11.8x1.6 SS To H-3644			12	
11	502573	. WASHER FL 6.4x12.5x1.6 SS To H-3644			12	
NS	470439	. BLOCK From H-3645			1	
11	5001768	. SCREW MA FL TORX M6-1.0x20 G8.8 Z050 From H-3645			4	
12	5001648	. SCREW CAP HEXS M6-1.0x18 SS BK To H-3644			8	
12	5001768	. SCREW MA FL TORX M6-1.0x20 G8.8 Z050 From H-3645			8	
13	478011	. PLATE ATTACHMENT 51MM			4	
15A	476625P	CLOSING END ASSY / RH			1	
15B	476624P	CLOSING END ASSY / LH			1	
16A	474702	. LOWER CAP R.H. / "U" SHAPE			1	
16B	474700	. LOWER CAP L.H. / "U" SHAPE			1	
17A	474703	. UPPER CAP R.H. ANGLE			1	
17B	474701	. UPPER CAP L.H. ANGLE			1	
18	478011	. PLATE ATTACHMENT 51MM			1	
19	5001648	. SCREW CAP HEXS M6-1.0x18 SS BK			2	
20	502570	. WASHER LO SPT 6.1x11.8x1.6 SS			2	
21	502511	NUT HEX NYRT M6-1.0 Z050 To 8-1301			AR	
21	502842	NUT INS TYPE "A-L" OE M6-1.0 0.7-4.2 Z050 From 8-1302			AR	
22	5001768	SCREW MA FL TORX M6-1.0x20 G8.8 Z050			8	
NS	685124	ADHESIVE SIMSON #ISR 70-03 / BLACK / 600ml SAUSAGE			AR	
23	476176	SIDE KEY STOPPER 300MM			4	
24	476180	SPACER			AR	
25A	479224	PLATE TOP STOPPER 1354MM X 54.2MM HIGHT To 7-0943			1	

<b>From 7-0671 To J-0287</b>	<b>Date:10/2022</b>	<b>PAGE:H7-2390-50</b>
<b>"SLIDE-OUT" - INSTALLATION / FRONT STREET SIDE</b>		

Item#	Part	Description	H 3 4 1	H 3 4 5	V I P 4 5	N O T E S
25A	479251	PLATE TOP STOPPER 1354MM X 59.8MM From 7-0944 To F-2720			1	
25A	479251	PLATE TOP STOPPER 1354MM X 59.8MM From F-2721 To H-3644			1	
25A	470437	PLATE TOP STOPPER 1354MM X 62.1MM From H-3645			1	
26A	479223	PLATE TOP STOPPER 1600MM X 54.2MM HIGHT To 7-0943			1	
26A	479252	PLATE TOP STOPPER 1600MM X 59.8MM From 7-0944 To F-2720			1	
26A	479566	PLATE TOP STOPPER 1600MM X 59.8MM From F-2721 To H-3644			1	
27	5001209	SCREW CAP HEX M6-1.0x25 G8.8 Z050			21	
28	502564	WASHER LO SPT 6.1x11.8x1.6 Z050			21	
29	5001586	WASHER FL 6.4x17.0x3.0 Z050			21	
30	477681	CLOSING PLATE / BACKWARD			1	
31	477790	GASKET CLOSING PLATE / BACKWARD			1	
32	477879	CLOSING PLATE / FORWARD			1	
33	477744	GASKET CLOSING PLATE / FORWARD			1	
34	5001517	SCREW CAP FL HEXS M8-1.25x25 G8.8 Z050			8	
35	477677	CLOSING PLATE / BACKWARD			1	
36	477676	CLOSING PLATE / FORWARD			1	
37	502576	SCREW MA FL PH M8-1.25x25 Z050			4	
38A	470104	ATTACHMENT STRIP 1020MM			2	
39A	470108	RAIL GUIDE LINEAR BEARING 1058MM To B-1772			2	
39A	476759	RAIL GUIDE LINEAR BEARING 1058MM From B-1773 To E-2645			2	
39A	478826	RAIL GUIDE LINEAR BEARING 1058MM From E-2646			2	
39Z	507642	DUMMY RAIL GUIDE LINEAR BEARING 254MM / USE WITH 470107 ONLY To B-1772			2	W
NS	504758	DUMMY RAIL GUIDE LINEAR BEARING 254MM / USE WITH 476761 & 478827 ONLY From B-1773			2	W
NS	685232	RAIL GUIDE EXTENSION TOOL L.H.			1	T
NS	685233	RAIL GUIDE EXTENSION TOOL R.H.			1	T
40	504721	FINISHING PLUG / RAIL GUIDE To B-1772			AR	
40	504757	FINISHING PLUG / RAIL GUIDE From B-1773			AR	
41	5001617	SCREW CAP HEXS M14-2.0x55 G10.9 DP			18	
42	680038	THREAD LOCKER LOCTITE #243 / BLUE / 50ml			AR	
43A	470125	BOTTOM RACK 935MM			2	
44	5001610	SCREW CAP HEXS M6-1.0x25 SS EMN			14	
45	502839	NUT INS TYPE "A-L" OE M6-1.0 4.2-6.6 Z050			14	
46	5001602	SCREW SET HEXS FLAT M6-1.0x6 SS			2	
47	5001603	SCREW CAP HEXS M10-1.5x20 SS EMN			2	
48	476416	SEALING BLOCK 77MM To B-1772			1	
48	476763	SEALING BLOCK 81MM From B-1773 To E-2645			1	
48	478821	SEALING BLOCK 75MM From E-2646 To H-3440			1	
48	470433	SEALING BLOCK 75MM From H-3441			1	
49	476415	SEALING BLOCK 77MM To B-1772			1	
49	476762	SEALING BLOCK 81MM From B-1773 To E-2645			1	
49	478822	SEALING BLOCK 75MM From E-2646 To H-3440			1	
49	470434	SEALING BLOCK 75MM From H-3441			1	

From 7-0671 To J-0287	Date:10/2022	PAGE:H7-2390-50
-----------------------	--------------	-----------------

**"SLIDE-OUT" - INSTALLATION / FRONT STREET SIDE**

Item#	Part	Description	H 3 4 1	H 3 4 5	V I P 4 5	N O T E S
50	476415	SEALING BLOCK 77MM To B-1772			1	
50	476762	SEALING BLOCK 81MM From B-1773 To E-2645			1	
50	478821	SEALING BLOCK 75MM From E-2646 To H-3440			1	
50	470433	SEALING BLOCK 75MM From H-3441			1	
51	476436	SEALING BLOCK 77MM To B-1772			1	
51	476764	SEALING BLOCK 81MM From B-1773 To E-2645			1	
51	478822	SEALING BLOCK 75MM From E-2646 To H-3440			1	
51	470434	SEALING BLOCK 75MM From H-3441			1	
52	470114	SPACER NYLON 100MM x 41MM x 35MM To E-2645			2	
52	478820	SPACER ACETALE 100MM x 36MM x 35.5MM From E-2646 To H-3440			2	
52	470432	SPACER ACETALE 100MM x 36MM x 35.5MM From H-3441			2	
53	5001604	SCREW CAP HEXS M8-1.25x70 G8.8 G500			4	
54	500942	WASHER LO SPT 8.1x14.8x2.0 N500			4	
60A	<b>H7-2390-20</b>	<b>"SLIDE-OUT" - FRONT MECHANISM - INSTALLATION / STREET SIDE</b>	1	1	1	
61	470124	SUPPORT MAGNET / ALUMINUM			2	
61	476473	GASKET MAGNET SUPPORT			2	
62	562949	MAGNET ROUND .200x.700 DIA			4	
63	5001614	SCREW CAP FL HEXS M4-0.7x16 SS EMN			4	
64	477991	DECAL "CAUTION" DO NOT MAKE ANY MODI.."			1	
NS	479248	KIT STOPPER FRONT SLIDE-OUT "LIBERTY COACH"			1	L
NS	479249	KIT STOPPER REAR L SLIDE-OUT "LIBERTY COACH"			1	L
NS	479250	KIT STOPPER REAR 7 SLIDE-OUT "LIBERTY COACH"			1	L
		L) USE ONLY WITH "LIBERTY COACH" CONVERTER'S				
		T) THOSE RAIL EXTENTION TOOLS ARE FOR EASY REMOVED SLIDE-OUT FROM STRUCTURE				
		W) WARNING YOUR REQUIRE 2 OF THIS DUMMY BEFORE REMOVE THE SLIDE-OUT FROM STRUCTURE				
		P) CALL ORDER DESK FOR SPECIFIC APPLICATION (V.I.N.)				

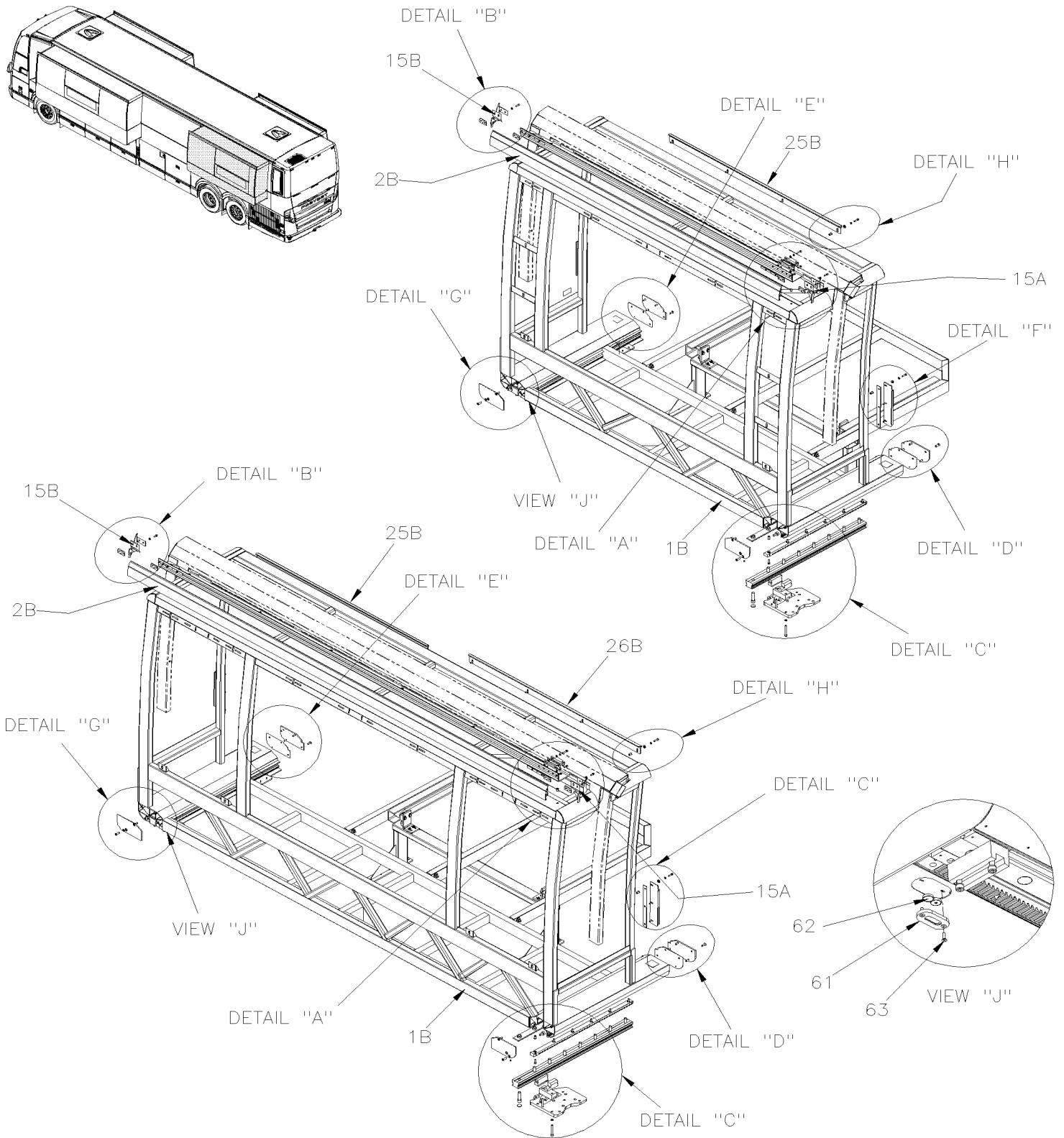


From 9-1404 To J-0287

Date:10/2022

PAGE:H7-2390-55

## "SLIDE-OUT" - INSTALLATION / REAR STREET SIDE

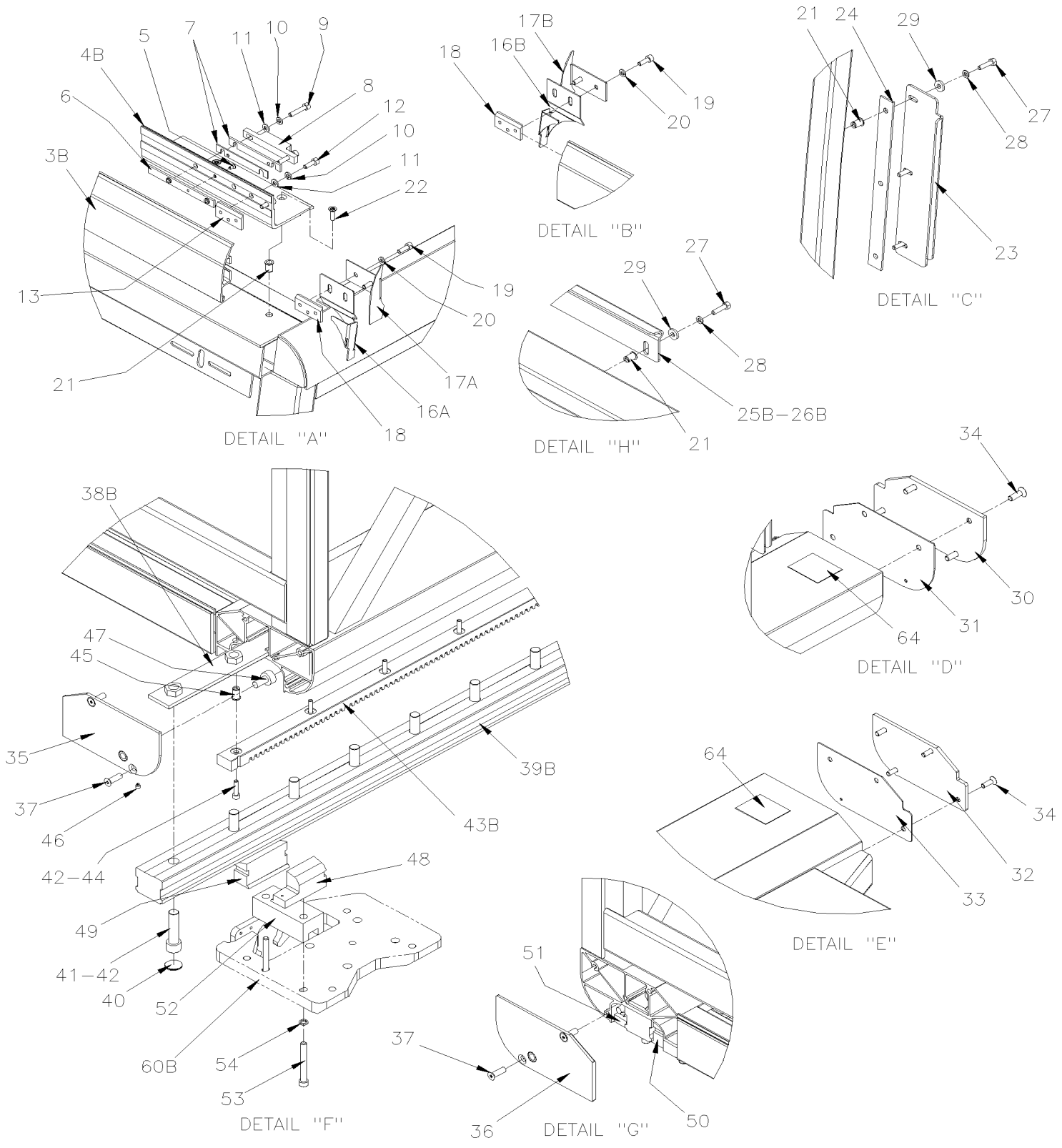


From 9-1404 To J-0287

Date:10/2022

PAGE:H7-2390-55

## "SLIDE-OUT" - INSTALLATION / REAR STREET SIDE



From 9-1404 To J-0287 Date:10/2022 PAGE:H7-2390-55

**"SLIDE-OUT" - INSTALLATION / REAR STREET SIDE**

Item#	Part	Description	H 3 4 1	H 3 4 5	V I P 4 5	N O T E S
2B	Call order desk	KEY OUTSIDE ROOF ASSY 3309MM To H-3644			1	P 10.5
2B	Call order desk	KEY OUTSIDE ROOF ASSY 3309MM From H-3645			1	P 10.5
2B	Call order desk	KEY OUTSIDE ROOF ASSY 2295MM To H-3644			1	P 7.5
2B	Call order desk	KEY OUTSIDE ROOF ASSY 2295MM From H-3645			1	P 7.5
3B	478036	. KEY ROOF 3309MM			1	10.5
3B	478219	. KEY ROOF 2295MM			1	7.5
NS	506236	. TAPE RUB ADH1 CC POL 1/16" x 1/2" x 100' / GREY 2520			AR	
4B	478078	. SUPPORT KEY ROOF 3164MM To H-3644			1	10.5
4B	470408	. SUPPORT KEY ROOF 3164MM From H-3645			1	10.5
4B	478061	. SUPPORT KEY ROOF 2148MM To H-3644			1	7.5
4B	470409	. SUPPORT KEY ROOF 2148MM From H-3645			1	7.5
NS	506191	. TAPE RUB ADH1 CC POL 1/8" x 1/4" x 50' / GREY 2520X			AR	
5	5001612	. SCREW CAP FL HEXS M4-0.7x8 SS EMN			2	
6	477778	. ANCHOR PLATE W/THREAD			2	
7	477725	. SHIM 12.7MM x 101MM x 11GA			AR	
7	477807	. SHIM 12.7MM x 101MM x 16GA			AR	
8	478012	. STOPPER BLOCK To H-3644			2	
8	470412	. STOPPER BLOCK From H-3645			2	
9	5001610	. SCREW CAP HEXS M6-1.0x25 SS EMN To H-3644			4	
9	5001611	. SCREW CAP HEXS M6-1.0x30 SS BK To H-3644			4	
9	5001641	. SCREW CAP HEXS M6-1.0x35 SS EMN To H-3644			4	
9	5001768	. SCREW MA FL TORX M6-1.0x20 G8.8 Z050 From H-3645			4	
10	502570	. WASHER LO SPT 6.1x11.8x1.6 SS To H-3644			12	
11	502573	. WASHER FL 6.4x12.5x1.6 SS To H-3644			12	
12	5001648	. SCREW CAP HEXS M6-1.0x18 SS BK To H-3644			8	
12	5001768	. SCREW MA FL TORX M6-1.0x20 G8.8 Z050 From H-3645			8	
13	478011	. PLATE ATTACHMENT 51MM			4	
15A	476625P	CLOSING END ASSY / RH			1	
15B	476624P	CLOSING END ASSY / LH			1	
16A	474702	. LOWER CAP R.H. / "U" SHAPE			1	
16B	474700	. LOWER CAP L.H. / "U" SHAPE			1	
17A	474703	. UPPER CAP R.H. ANGLE			1	
17B	474701	. UPPER CAP L.H. ANGLE			1	
18	478011	. PLATE ATTACHMENT 51MM			1	
19	5001648	. SCREW CAP HEXS M6-1.0x18 SS BK			2	
20	502570	. WASHER LO SPT 6.1x11.8x1.6 SS			2	
21	502511	NUT HEX NYRT M6-1.0 Z050 To 8-1301			AR	
21	502842	NUT INS TYPE "A-L" OE M6-1.0 0.7-4.2 Z050 From 8-1302			AR	
22	5001768	SCREW MA FL TORX M6-1.0x20 G8.8 Z050			8	
NS	685124	ADHESIVE SIMSON #ISR 70-03 / BLACK / 600ml SAUSAGE			AR	
23	476176	SIDE KEY STOPPER 300MM			4	

<b>From 9-1404 To J-0287</b>	<b>Date:10/2022</b>	<b>PAGE:H7-2390-55</b>
<b>"SLIDE-OUT" - INSTALLATION / REAR STREET SIDE</b>		

Item#	Part	Description	H 3 4 1	H 3 4 5	V I P 4 5	N O T E S
24	476180	SPACER			AR	
25B	479224	PLATE TOP STOPPER 1354MM X 54.2MM HIGHT To 7-0943			1	
25B	479251	PLATE TOP STOPPER 1354MM X 59.8MM From 7-0944 To H-3644			1	
25B	470437	PLATE TOP STOPPER 1354MM X 62.1MM From H-3645			1	
26B	479224	PLATE TOP STOPPER 1354MM X 54.2MM HIGHT To 7-0943			1	10.5
26B	479251	PLATE TOP STOPPER 1354MM X 59.8MM From 7-0944 To H-3644			1	10.5
27	5001209	SCREW CAP HEX M6-1.0x25 G8.8 Z050			21	
28	502564	WASHER LO SPT 6.1x11.8x1.6 Z050			21	
29	5001586	WASHER FL 6.4x17.0x3.0 Z050			21	
30	477681	CLOSING PLATE / BACKWARD			1	
31	477790	GASKET CLOSING PLATE / BACKWARD			1	
32	477879	CLOSING PLATE / FORWARD			1	
33	477744	GASKET CLOSING PLATE / FORWARD			1	
34	5001517	SCREW CAP FL HEXS M8-1.25x25 G8.8 Z050			8	
35	477677	CLOSING PLATE / BACKWARD			1	
36	477676	CLOSING PLATE / FORWARD			1	
37	502576	SCREW MA FL PH M8-1.25x25 Z050			4	
38B	477901	ATTACHMENT STRIP 900MM			2	
39B	470126	RAIL GUIDE LINEAR BEARING 904MM To B-1772			2	
39B	476758	RAIL GUIDE LINEAR BEARING 904MM From B-1773 To E-2645			2	
39B	478825	RAIL GUIDE LINEAR BEARING 904MM From E-2646			2	
NS	507642	DUMMY RAIL GUIDE LINEAR BEARING 254MM / USE WITH 470107 ONLY To B-1772			2	W
NS	504758	DUMMY RAIL GUIDE LINEAR BEARING 254MM / USE WITH 476761 & 478827 ONLY From B-1773			2	W
NS	685232	RAIL GUIDE EXTENSION TOOL L.H.			1	T
NS	685233	RAIL GUIDE EXTENSION TOOL R.H.			1	T
40	504721	FINISHING PLUG / RAIL GUIDE To B-1772			AR	
40	504757	FINISHING PLUG / RAIL GUIDE From B-1773			AR	
41	5001617	SCREW CAP HEXS M14-2.0x55 G10.9 DP			18	
42	680038	THREAD LOCKER LOCTITE #243 / BLUE / 50ml			AR	
43B	470127	BOTTOM RACK 785MM			2	
44	5001610	SCREW CAP HEXS M6-1.0x25 SS EMN			14	
45	502839	NUT INS TYPE "A-L" OE M6-1.0 4.2-6.6 Z050			14	
46	5001602	SCREW SET HEXS FLAT M6-1.0x6 SS			2	
47	5001603	SCREW CAP HEXS M10-1.5x20 SS EMN			2	
48	476416	SEALING BLOCK 77MM To B-1772			1	
48	476763	SEALING BLOCK 81MM From B-1773 To E-2645			1	
48	478821	SEALING BLOCK 75MM From E-2646 To H-3440			1	
48	470433	SEALING BLOCK 75MM From H-3441			1	
49	476415	SEALING BLOCK 77MM To B-1772			1	
49	476762	SEALING BLOCK 81MM From B-1773 To E-2645			1	
49	478822	SEALING BLOCK 75MM From E-2646 To H-3440			1	
49	470434	SEALING BLOCK 75MM From H-3441			1	



From 9-1404 To J-0287	Date:10/2022	PAGE:H7-2390-55
-----------------------	--------------	-----------------

**"SLIDE-OUT" - INSTALLATION / REAR STREET SIDE**

Item#	Part	Description	H 3 4 1	H 3 4 5	V I P 4 5	N O T E S
50	476415	SEALING BLOCK 77MM To B-1772			1	
50	476762	SEALING BLOCK 81MM From B-1773 To E-2645			1	
50	478821	SEALING BLOCK 75MM From E-2646 To H-3440			1	
50	470433	SEALING BLOCK 75MM From H-3441			1	
51	476436	SEALING BLOCK 77MM To B-1772			1	
51	476764	SEALING BLOCK 81MM From B-1773 To E-2645			1	
51	478822	SEALING BLOCK 75MM From E-2646 To H-3440			1	
51	470434	SEALING BLOCK 75MM From H-3441			1	
52	470114	SPACER NYLON 100MM x 41MM x 35MM To E-2645			2	
52	478820	SPACER ACETALE 100MM x 36MM x 35.5MM From E-2646 To H-3440			2	
52	470432	SPACER ACETALE 100MM x 36MM x 35.5MM From H-3441			2	
53	5001604	SCREW CAP HEXS M8-1.25x70 G8.8 G500			4	
54	500942	WASHER LO SPT 8.1x14.8x2.0 N500			4	
60B	<b>H7-2390-30</b>	<b>"SLIDE-OUT" - REAR MECHANISM - INSTALLATION / STREET SIDE</b>	1	1	1	
61	470124	SUPPORT MAGNET / ALUMINUM			2	
61	476473	GASKET MAGNET SUPPORT			2	
62	562949	MAGNET ROUND .200x.700 DIA			4	
63	5001614	SCREW CAP FL HEXS M4-0.7x16 SS EMN			4	
64	477991	DECAL "CAUTION" DO NOT MAKE ANY MODI.."			1	
NS	479248	KIT STOPPER FRONT SLIDE-OUT "LIBERTY COACH"			1	L
NS	479249	KIT STOPPER REAR L SLIDE-OUT "LIBERTY COACH"			1	L
NS	479250	KIT STOPPER REAR 7 SLIDE-OUT "LIBERTY COACH"			1	L
		10.5) WITH 10.5 FEET SLIDE-OUT ONLY				
		7.5) USE WITH 7.5 FEET SLIDE-OUT ONLY				
		L) USE ONLY WITH "LIBERTY COACH" CONVERTER'S				
		T) THOSE RAIL EXTENTION TOOLS ARE FOR EASY REMOVED SLIDE-OUT FROM STRUCTURE				
		W) WARNING YOUR REQUIRE 2 OF THIS DUMMY BEFORE REMOVE THE SLIDE-OUT FROM STRUCTURE				
		P) CALL ORDER DESK FOR SPECIFIC APPLICATION (V.I.N.)				

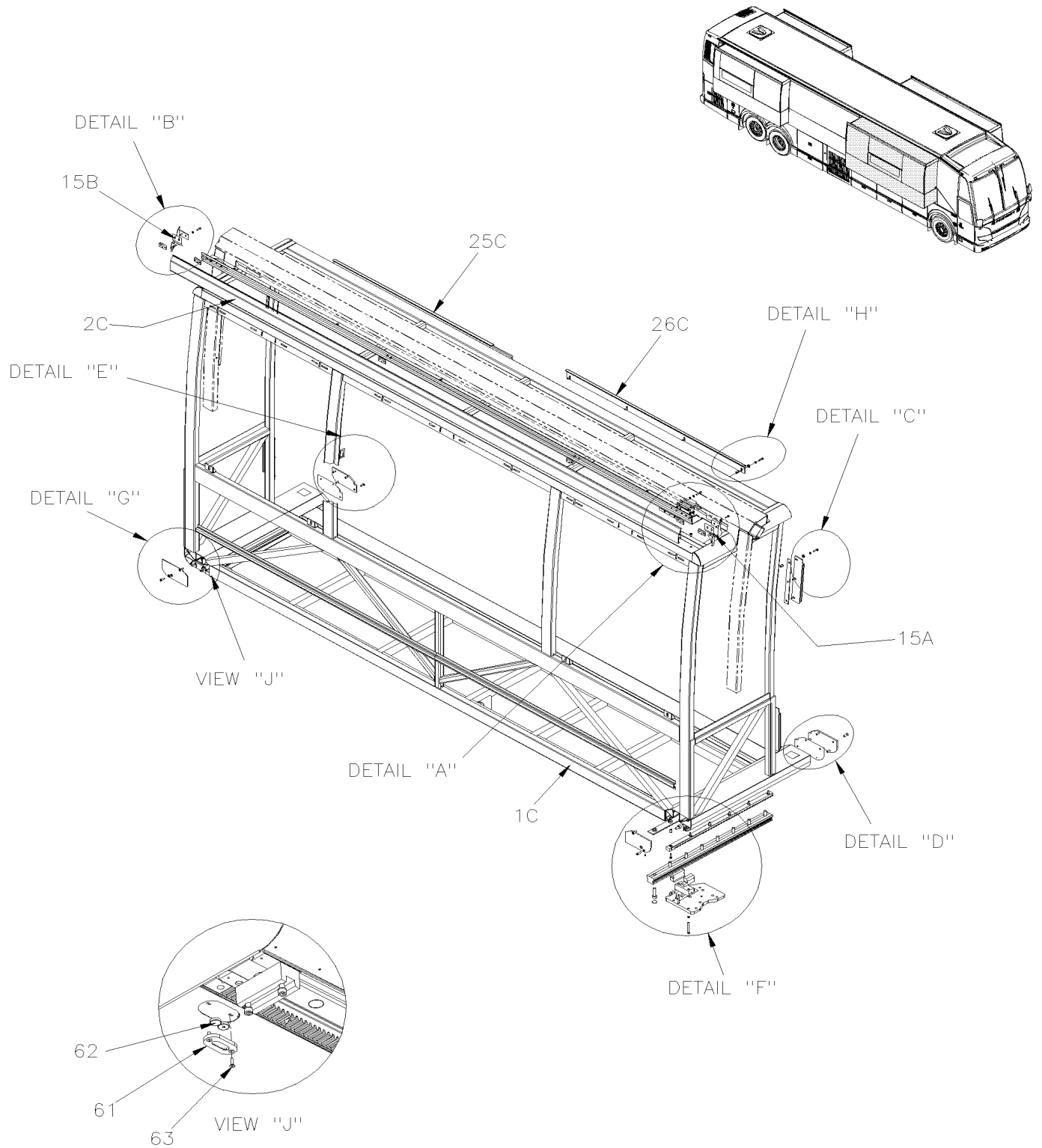


From 7-0671 To H-3644

Date:10/2022

PAGE:H7-2390-60

## "SLIDE-OUT" - INSTALLATION / FRONT CURBSIDE

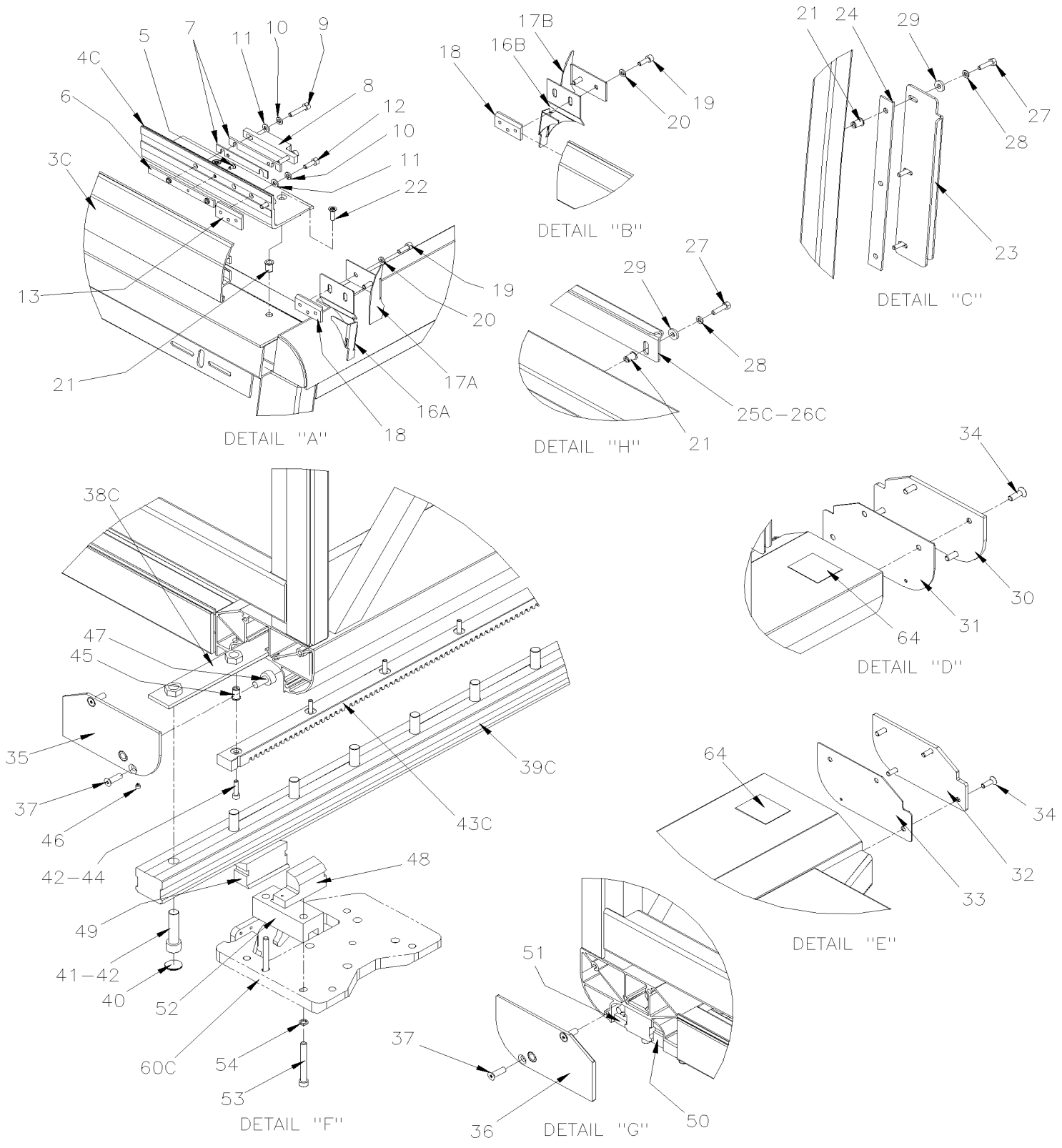


From 7-0671 To H-3644

Date:10/2022

PAGE:H7-2390-60

## "SLIDE-OUT" - INSTALLATION / FRONT CURBSIDE



<b>From 7-0671 To H-3644</b>	<b>Date:10/2022</b>	<b>PAGE:H7-2390-60</b>
<b>"SLIDE-OUT" - INSTALLATION / FRONT CURBSIDE</b>		

Item#	Part	Description	H 3 4 1	H 3 4 5	V I P 4 5	N O T E S
2C	Call order desk	EXTRUSION & STOPPER ASSY / 3863MM From 9-1404			1	P 12
2C	Call order desk	EXTRUSION & STOPPER ASSY / 2847MM From 9-1404			1	P 9
3C	478743	. MOLDING ROOF / 3863MM From 9-1404			1	12
3C	478745	. MOLDING ROOF / 2847MM From 9-1404			1	9
NS	506236	. TAPE RUB ADH1 CC POL 1/16" x 1/2" x 100' / GREY 2520			AR	
4C	478740	. EXTRUSION ROOF 3722MM From 9-1404			1	12
4C	478744	. EXTRUSION ROOF 2706MM From 9-1404			1	9
NS	506191	. TAPE RUB ADH1 CC POL 1/8" x 1/4" x 50' / GREY 2520X			AR	
5	5001612	. SCREW CAP FL HEXS M4-0.7x8 SS EMN			2	
6	477778	. ANCHOR PLATE W/THREAD			2	
7	477725	. SHIM 12.7MM x 101MM x 11GA			AR	
7	477807	. SHIM 12.7MM x 101MM x 16GA			AR	
8	478012	. STOPPER BLOCK To H-3644			2	
8	470412	. STOPPER BLOCK From H-3645			2	
9	5001610	. SCREW CAP HEXS M6-1.0x25 SS EMN To H-3644			4	
9	5001611	. SCREW CAP HEXS M6-1.0x30 SS BK To H-3644			4	
9	5001641	. SCREW CAP HEXS M6-1.0x35 SS EMN To H-3644			4	
9	5001768	. SCREW MA FL TORX M6-1.0x20 G8.8 Z050 From H-3645			4	
10	502570	. WASHER LO SPT 6.1x11.8x1.6 SS To H-3644			12	
11	502573	. WASHER FL 6.4x12.5x1.6 SS To H-3644			12	
12	5001648	. SCREW CAP HEXS M6-1.0x18 SS BK To H-3644			8	
12	5001768	. SCREW MA FL TORX M6-1.0x20 G8.8 Z050 From H-3645			8	
13	478011	. PLATE ATTACHMENT 51MM			4	
15A	476625P	CLOSING END ASSY / RH			1	
15B	476624P	CLOSING END ASSY / LH			1	
16A	474702	. LOWER CAP R.H. / "U" SHAPE			1	
16B	474700	. LOWER CAP L.H. / "U" SHAPE			1	
17A	474703	. UPPER CAP R.H. ANGLE			1	
17B	474701	. UPPER CAP L.H. ANGLE			1	
18	478011	. PLATE ATTACHMENT 51MM			1	
19	5001648	. SCREW CAP HEXS M6-1.0x18 SS BK			2	
20	502570	. WASHER LO SPT 6.1x11.8x1.6 SS			2	
21	502511	NUT HEX NYRT M6-1.0 Z050 To 8-1301			AR	
21	502842	NUT INS TYPE "A-L" OE M6-1.0 0.7-4.2 Z050 From 8-1302			AR	
22	5001768	SCREW MA FL TORX M6-1.0x20 G8.8 Z050			8	
NS	685124	ADHESIVE SIMSON #ISR 70-03 / BLACK / 600ml SAUSAGE			AR	
23	476176	SIDE KEY STOPPER 300MM			4	
24	476180	SPACER			AR	
25C	479251	PLATE TOP STOPPER 1354MM X 59.8MM From 9-1404 To F-2720			1	12
25C	479563	PLATE TOP STOPPER 1354MM /W CLEARANCE From F-2721			1	12
25C	470047	PLATE TOP STOPPER 2224MM W/ NARROW S/O From 9-1404 To F-2720			1	9

From 7-0671 To H-3644	Date:10/2022	PAGE:H7-2390-60
<b>"SLIDE-OUT" - INSTALLATION / FRONT CURBSIDE</b>		

Item#	Part	Description	H 3 4 1	H 3 4 5	V I P 4 5	N O T E S
25C	479564	PLATE TOP STOPPER 2224MM W/ NARROW S/O From F-2721			1	9
26C	479251	PLATE TOP STOPPER 1354MM X 59.8MM From 9-1404			1	12
27	5001209	SCREW CAP HEX M6-1.0x25 G8.8 Z050			21	
28	502564	WASHER LO SPT 6.1x11.8x1.6 Z050			21	
29	5001586	WASHER FL 6.4x17.0x3.0 Z050			21	
30	477681	CLOSING PLATE / BACKWARD			1	
31	477790	GASKET CLOSING PLATE / BACKWARD			1	
32	477879	CLOSING PLATE / FORWARD			1	
33	477744	GASKET CLOSING PLATE / FORWARD			1	
34	5001517	SCREW CAP FL HEXS M8-1.25x25 G8.8 Z050			8	
35	477677	CLOSING PLATE / BACKWARD			1	
36	477676	CLOSING PLATE / FORWARD			1	
37	502576	SCREW MA FL PH M8-1.25x25 Z050			4	
38C	477901	ATTACHMENT STRIP 900MM From 9-1404			2	C
38C	470104	ATTACHMENT STRIP 1020MM From 9-1404			2	D
39C	470126	RAIL GUIDE LINEAR BEARING 904MM From 9-1404 To B-1772			2	C
39C	476758	RAIL GUIDE LINEAR BEARING 904MM From B-1773 To E-2645			2	C
39C	478825	RAIL GUIDE LINEAR BEARING 904MM From E-2646			2	C
39C	470108	RAIL GUIDE LINEAR BEARING 1058MM From 9-1404 To B-1772			2	D
39C	476759	RAIL GUIDE LINEAR BEARING 1058MM From B-1773 To E-2645			2	D
39C	478826	RAIL GUIDE LINEAR BEARING 1058MM From E-2646			2	D
NS	507642	DUMMY RAIL GUIDE LINEAR BEARING 254MM / USE WITH 470107 ONLY To B-1772			2	W
NS	504758	DUMMY RAIL GUIDE LINEAR BEARING 254MM / USE WITH 476761 & 478827 ONLY From B-1773			2	W
NS	685232	RAIL GUIDE EXTENSION TOOL L.H.			1	T
NS	685233	RAIL GUIDE EXTENSION TOOL R.H.			1	T
40	504721	FINISHING PLUG / RAIL GUIDE To B-1772			AR	
40	504757	FINISHING PLUG / RAIL GUIDE From B-1773			AR	
41	5001617	SCREW CAP HEXS M14-2.0x55 G10.9 DP			18	
42	680038	THREAD LOCKER LOCTITE #243 / BLUE / 50ml			AR	
43C	470127	BOTTOM RACK 785MM From 9-1404			2	C
43C	470125	BOTTOM RACK 935MM From 9-1404			2	D
44	5001610	SCREW CAP HEXS M6-1.0x25 SS EMN			14	
45	502839	NUT INS TYPE "A-L" OE M6-1.0 4.2-6.6 Z050			14	
46	5001602	SCREW SET HEXS FLAT M6-1.0x6 SS			2	
47	5001603	SCREW CAP HEXS M10-1.5x20 SS EMN			2	
48	476416	SEALING BLOCK 77MM To B-1772			1	
48	476763	SEALING BLOCK 81MM From B-1773 To E-2645			1	
48	478821	SEALING BLOCK 75MM From E-2646 To H-3440			1	
48	470433	SEALING BLOCK 75MM From H-3441			1	
49	476415	SEALING BLOCK 77MM To B-1772			1	
49	476762	SEALING BLOCK 81MM From B-1773 To E-2645			1	
49	478822	SEALING BLOCK 75MM From E-2646 To H-3440			1	

From 7-0671 To H-3644	Date:10/2022	PAGE:H7-2390-60
<b>"SLIDE-OUT" - INSTALLATION / FRONT CURBSIDE</b>		

Item#	Part	Description	H 3 4 1	H 3 4 5	V I P 4 5	N O T E S
49	470434	SEALING BLOCK 75MM From H-3441			1	
50	476415	SEALING BLOCK 77MM To B-1772			1	
50	476762	SEALING BLOCK 81MM From B-1773 To E-2645			1	
50	478821	SEALING BLOCK 75MM From E-2646 To H-3440			1	
50	470433	SEALING BLOCK 75MM From H-3441			1	
51	476436	SEALING BLOCK 77MM To B-1772			1	
51	476764	SEALING BLOCK 81MM From B-1773 To E-2645			1	
51	478822	SEALING BLOCK 75MM From E-2646 To H-3440			1	
51	470434	SEALING BLOCK 75MM From H-3441			1	
52	470114	SPACER NYLON 100MM x 41MM x 35MM To E-2645			2	
52	478820	SPACER ACETALE 100MM x 36MM x 35.5MM From E-2646 To H-3440			2	
52	470432	SPACER ACETALE 100MM x 36MM x 35.5MM From H-3441			2	
53	5001604	SCREW CAP HEXS M8-1.25x70 G8.8 G500			4	
54	500942	WASHER LO SPT 8.1x14.8x2.0 N500			4	
60C	<b>H7-2390-25</b>	<b>"SLIDE-OUT" - FRONT MECHANISM - INSTALLATION / CURBSIDE</b>	1	1	1	
61	470124	SUPPORT MAGNET / ALUMINUM			2	
61	476473	GASKET MAGNET SUPPORT			2	
62	562949	MAGNET ROUND .200x.700 DIA			4	
63	5001614	SCREW CAP FL HEXS M4-0.7x16 SS EMN			4	
64	477991	DECAL "CAUTION" DO NOT MAKE ANY MODI.."			1	
NS	479248	KIT STOPPER FRONT SLIDE-OUT "LIBERTY COACH"			1	L
NS	479249	KIT STOPPER REAR L SLIDE-OUT "LIBERTY COACH"			1	L
NS	479250	KIT STOPPER REAR 7 SLIDE-OUT "LIBERTY COACH"			1	L
		12) USE WITH 12 FEET SLIDE-OUT ONLY				
		9) USE WITH 9 FEET SLIDE-OUT ONLY				
		C) WITH 2 FEET DEPTH SLIDE OUT				
		D) WITH 2.5 FEET DEPTH SLIDE OUT				
		L) USE ONLY WITH "LIBERTY COACH" CONVERTER'S				
		T) THOSE RAIL EXTENTION TOOLS ARE FOR EASY REMOVED SLIDE-OUT FROM STRUCTURE				
		W) WARNING YOUR REQUIRE 2 OF THIS DUMMY BEFORE REMOVE THE SLIDE-OUT FROM STRUCTURE				
		P) CALL ORDER DESK FOR SPECIFIC APPLICATION (V.I.N.)				



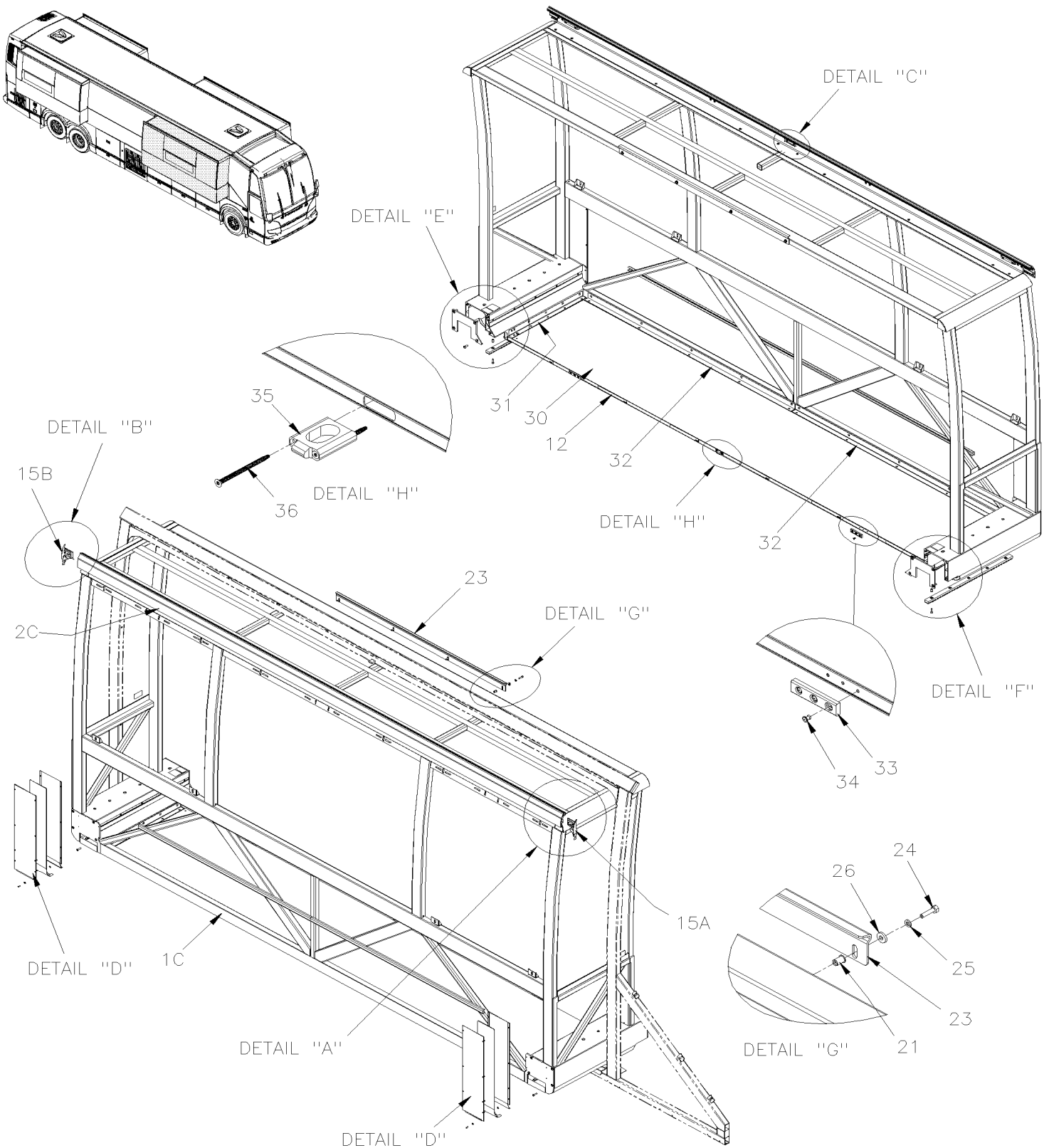


From H-3645 To J-0287

Date:10/2022

PAGE:H7-2390-61

## "SLIDE-OUT" - INSTALLATION / FRONT CURBSIDE

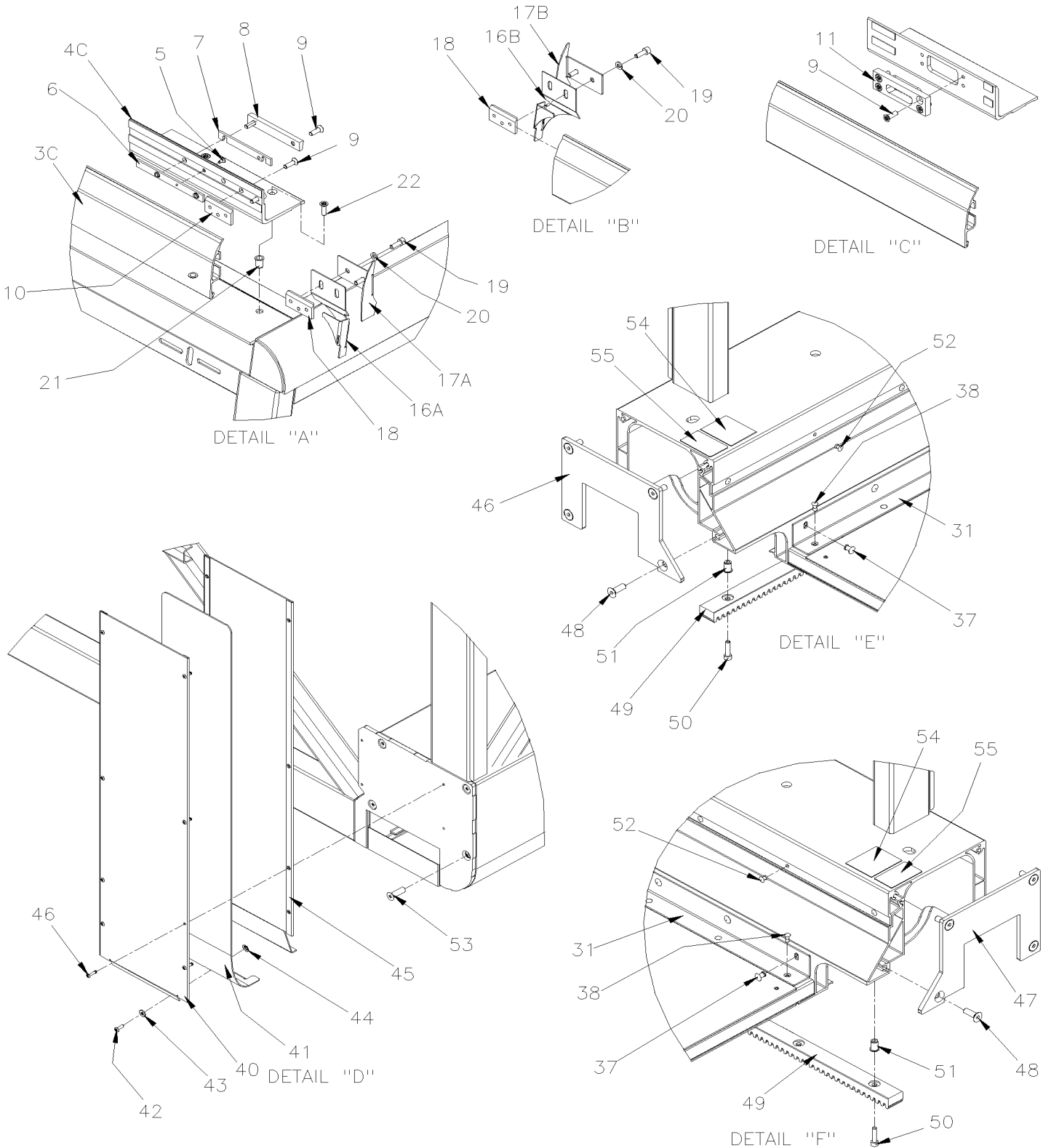


From H-3645 To J-0287

Date:10/2022

PAGE:H7-2390-61

## "SLIDE-OUT" - INSTALLATION / FRONT CURBSIDE



From H-3645 To J-0287	Date:10/2022	PAGE:H7-2390-61
<b>"SLIDE-OUT" - INSTALLATION / FRONT CURBSIDE</b>		

Item#	Part	Description	H 3 4 1	H 3 4 5	V I P 4 5	N O T E S
2C	Call order desk	KEY OUTSIDE ROOF ASSY 3863MM			1	P
3C	470443	. KEY ROOF 3863MM			1	
NS	506236	. TAPE RUB ADH1 CC POL 1/16" x 1/2" x 100' / GREY 2520			AR	
4C	470410	. SUPPORT KEY ROOF 3722MM			1	
NS	506236	. TAPE RUB ADH1 CC POL 1/16" x 1/2" x 100' / GREY 2520			AR	
5	5001612	. SCREW CAP FL HEXS M4-0.7x8 SS EMN			2	
6	477778	. ANCHOR PLATE W/THREAD			2	
7	477725	. SHIM 12.7MM x 101MM x 11GA			AR	
7	477807	. SHIM 12.7MM x 101MM x 16GA			AR	
8	470412	. STOPPER BLOCK			2	
9	5001768	. SCREW MA FL TORX M6-1.0x20 G8.8 Z050			16	
10	478011	. PLATE ATTACHMENT 51MM			4	
11	470439	. BLOCK			1	
12	470620	DECAL / RED & WHITE			1	
15A	476625P	CLOSING END ASSY / RH			1	
15B	476624P	CLOSING END ASSY / LH			1	
16A	474702	. LOWER CAP R.H. / "U" SHAPE			1	
16B	474700	. LOWER CAP L.H. / "U" SHAPE			1	
17A	474703	. UPPER CAP R.H. ANGLE			1	
17B	474701	. UPPER CAP L.H. ANGLE			1	
18	478011	. PLATE ATTACHMENT 51MM			1	
19	5001648	. SCREW CAP HEXS M6-1.0x18 SS BK			2	
20	502570	. WASHER LO SPT 6.1x11.8x1.6 SS			2	
21	502842	NUT INS TYPE "A-L" OE M6-1.0 0.7-4.2 Z050			AR	
22	5001768	SCREW MA FL TORX M6-1.0x20 G8.8 Z050			10	
NS	685124	ADHESIVE SIMSON #ISR 70-03 / BLACK / 600ml SAUSAGE			AR	
23	470437	PLATE TOP STOPPER 1354MM X 62.1MM			1	
24	5001209	SCREW CAP HEX M6-1.0x25 G8.8 Z050			4	
25	502564	WASHER LO SPT 6.1x11.8x1.6 Z050			4	
26	5001586	WASHER FL 6.4x17.0x3.0 Z050			4	
30	470221	FLOOR EXTENTION (GLUED)			1	
30	506869	TAPE RUB ADH2 POL .031" x 1/4" x 300' / BLACK			AR	
30	684743	GLUE METHACRYLATE PLEXUS MA832GB 380 ml			AR	
31	490237	ANGULAR / EXTENSION FLOOR 590MM			2	
32	490239	ANGULAR / EXTENSION FLOOR 1655MM			2	
33	491188	STOPPER, EXTENSION FLOOR			2	
33	491300	SHIM / STOPPER, EXTENSION FLOOR			AR	
34	504487	RIVET MGLP PRDG 3/16x7/16 SS			6	
35	491253	STOPPER VERTICAL, EXTENSION			1	
36	5000337	SCREW TC FL TORX 1/4-20x4			1	
37	504459	RIVET MGLP PRDG 1/4x3/8 SS			20	

From H-3645 To J-0287	Date:10/2022	PAGE:H7-2390-61
<b>"SLIDE-OUT" - INSTALLATION / FRONT CURBSIDE</b>		

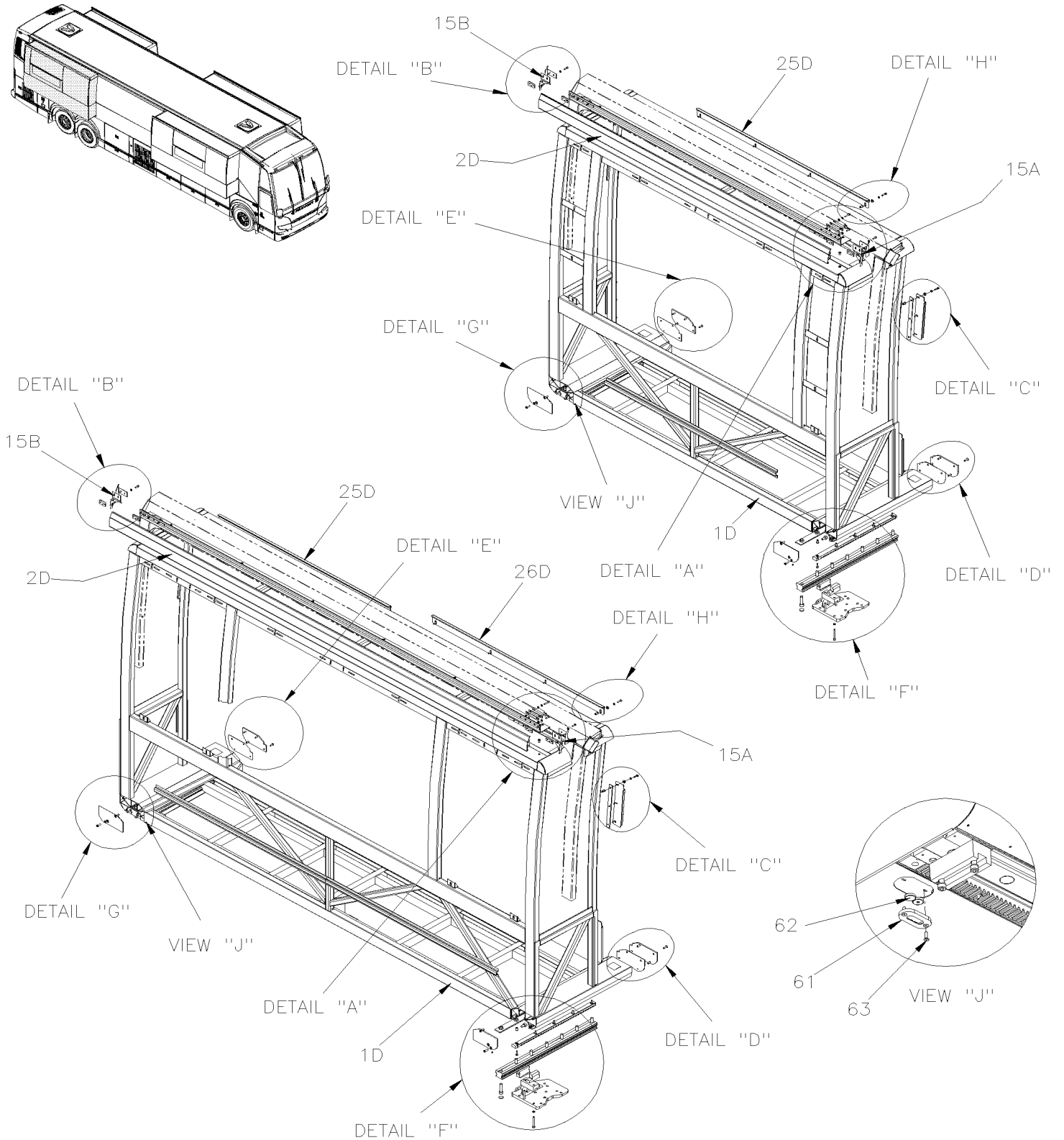
Item#	Part	Description	H 3 4 1	H 3 4 5	V I P 4 5	N O T E S
38	504035	RIVET CHY CK 3/16x1/4 SS			20	
40	490221	GUIDE RAIL GUARD			2	
41	490226	GUARD, RAIL 704MM			2	
42	5001996	SCREW MA PAN PH M4-0.7x12 N500			2	
43	504357	WASHER FL .187x.437x.050 SS			2	
44	5000341	NUT PUSH RND 5/32 ZP			2	
45	490220	GUIDE RAIL GUARD			2	
46	470459	END CAP			1	
47	470460	END CAP			1	
48	5001417	WASHER FL 11.0x34.0x3.0 SS			8	
49	490178	RACK 674MM			2	
50	5001610	SCREW CAP HEXS M6-1.0x25 SS EMN			10	
51	502842	NUT INS TYPE "A-L" OE M6-1.0 0.7-4.2 Z050			10	
52	504379	RIVET POP DOME OE 3/16x1/4 SS			12	
53	502576	SCREW MA FL PH M8-1.25x25 Z050			8	
54	477991	DECAL "CAUTION" DO NOT MAKE ANY MODI.."			2	
55	476130	DECAL " KEEP HANDS & FINGERS AWAY.."			2	
56	470920	DECAL "KEEP ACCESS TO THESE..."			1	
		P) CALL ORDER DESK FOR SPECIFIC APPLICATION (V.I.N.)				

From 9-1404 To J-0287

Date:10/2022

PAGE:H7-2390-65

## "SLIDE-OUT" - INSTALLATION / REAR CURBSIDE

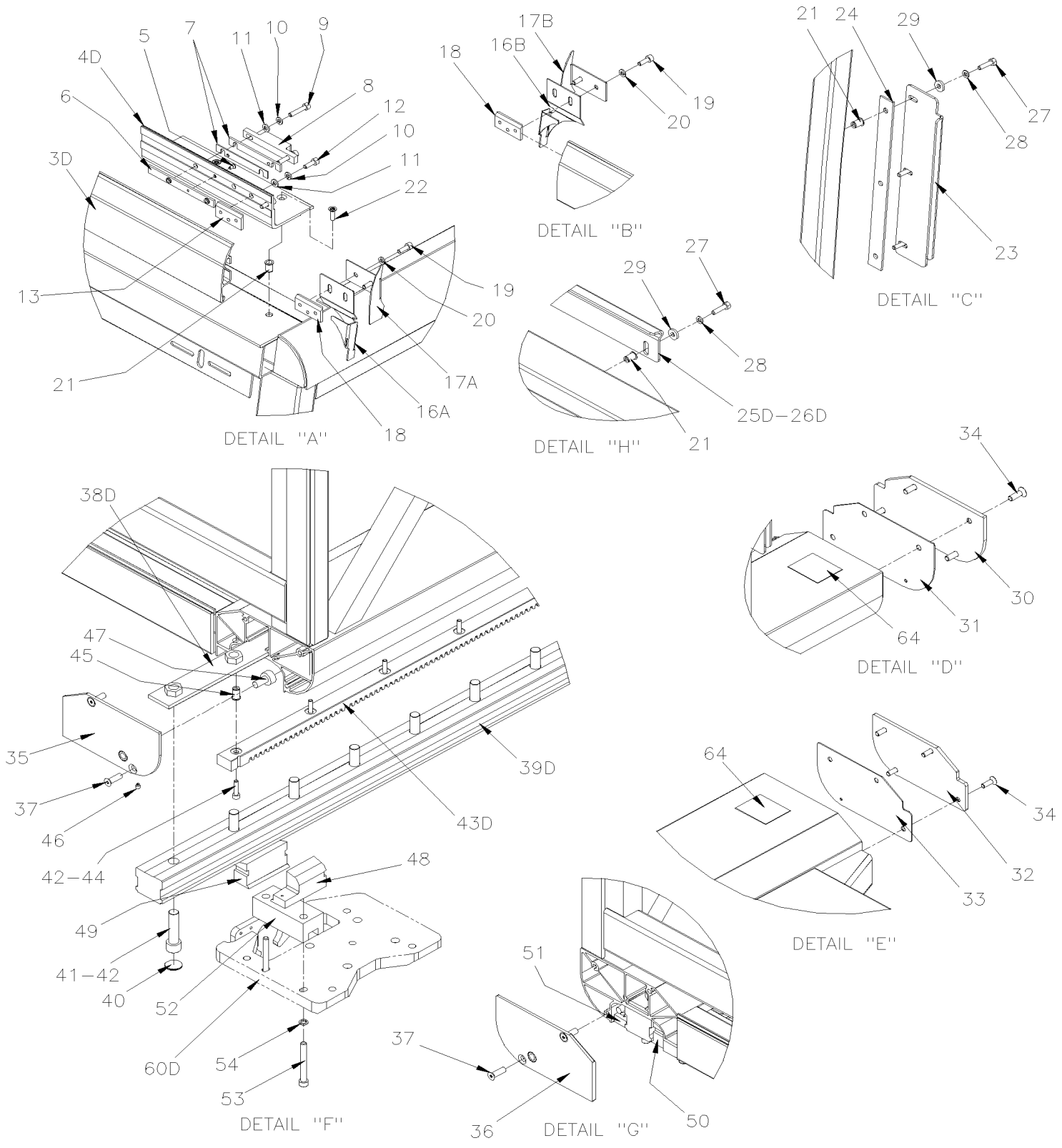


From 9-1404 To J-0287

Date:10/2022

PAGE:H7-2390-65

## "SLIDE-OUT" - INSTALLATION / REAR CURBSIDE



From 9-1404 To J-0287	Date:10/2022	PAGE:H7-2390-65
-----------------------	--------------	-----------------

**"SLIDE-OUT" - INSTALLATION / REAR CURBSIDE**

Item#	Part	Description	H 3 4 1	H 3 4 5	V I P 4 5	N O T E S
2D	Call order desk	KEY OUTSIDE ROOF ASSY 3309MM From 9-1404 To H-3644			1	P 10.5
2D	Call order desk	KEY OUTSIDE ROOF ASSY 3309MM From H-3645			1	P 10.5
2D	Call order desk	KEY OUTSIDE ROOF ASSY 2295MM From 9-1404 To H-3644			1	P 7.5
2D	Call order desk	KEY OUTSIDE ROOF ASSY 2295MM From H-3645			1	P 7.5
3D	478036	. KEY ROOF 3309MM From 9-1404			1	10.5
3D	478219	. KEY ROOF 2295MM From 9-1404			1	7.5
NS	506236	. TAPE RUB ADH1 CC POL 1/16" x 1/2" x 100' / GREY 2520			AR	
4D	478078	. SUPPORT KEY ROOF 3164MM From 9-1404 To H-3644			1	10.5
4D	470408	. SUPPORT KEY ROOF 3164MM From H-3645			1	10.5
4D	478061	. SUPPORT KEY ROOF 2148MM From 9-1404 To H-3644			1	7.5
4D	470409	. SUPPORT KEY ROOF 2148MM From H-3645			1	7.5
NS	506191	. TAPE RUB ADH1 CC POL 1/8" x 1/4" x 50' / GREY 2520X			AR	
5	5001612	. SCREW CAP FL HEXS M4-0.7x8 SS EMN			2	
6	477778	. ANCHOR PLATE W/THREAD			2	
7	477725	. SHIM 12.7MM x 101MM x 11GA			AR	
7	477807	. SHIM 12.7MM x 101MM x 16GA			AR	
8	478012	. STOPPER BLOCK To H-3644			2	
8	470412	. STOPPER BLOCK From H-3645			2	
9	5001610	. SCREW CAP HEXS M6-1.0x25 SS EMN To H-3644			4	
9	5001611	. SCREW CAP HEXS M6-1.0x30 SS BK To H-3644			4	
9	5001641	. SCREW CAP HEXS M6-1.0x35 SS EMN To H-3644			4	
9	5001768	. SCREW MA FL TORX M6-1.0x20 G8.8 Z050 From H-3645			4	
10	502570	. WASHER LO SPT 6.1x11.8x1.6 SS To H-3644			12	
11	502573	. WASHER FL 6.4x12.5x1.6 SS To H-3644			12	
12	5001648	. SCREW CAP HEXS M6-1.0x18 SS BK To H-3644			8	
12	5001768	. SCREW MA FL TORX M6-1.0x20 G8.8 Z050 From H-3645			8	
13	478011	. PLATE ATTACHMENT 51MM			4	
15A	476625P	CLOSING END ASSY / RH			1	
15B	476624P	CLOSING END ASSY / LH			1	
16A	474702	. LOWER CAP R.H. / "U" SHAPE			1	
16B	474700	. LOWER CAP L.H. / "U" SHAPE			1	
17A	474703	. UPPER CAP R.H. ANGLE			1	
17B	474701	. UPPER CAP L.H. ANGLE			1	
18	478011	. PLATE ATTACHMENT 51MM			1	
19	5001648	. SCREW CAP HEXS M6-1.0x18 SS BK			2	
20	502570	. WASHER LO SPT 6.1x11.8x1.6 SS			2	
21	502511	NUT HEX NYRT M6-1.0 Z050 To 8-1301			AR	
21	502842	NUT INS TYPE "A-L" OE M6-1.0 0.7-4.2 Z050 From 8-1302			AR	
22	5001768	SCREW MA FL TORX M6-1.0x20 G8.8 Z050			8	
NS	685124	ADHESIVE SIMSON #ISR 70-03 / BLACK / 600ml SAUSAGE			AR	
23	476176	SIDE KEY STOPPER 300MM			4	



From 9-1404 To J-0287	Date:10/2022	PAGE:H7-2390-65
<b>"SLIDE-OUT" - INSTALLATION / REAR CURBSIDE</b>		

Item#	Part	Description	H 3 4 1	H 3 4 5	V I P 4 5	N O T E S
24	476180	SPACER			AR	
25D	479251	PLATE TOP STOPPER 1354MM X 59.8MM From 9-1404 To H-3644			1	
25D	470437	PLATE TOP STOPPER 1354MM X 62.1MM From H-3645			1	
26D	479251	PLATE TOP STOPPER 1354MM X 59.8MM From 9-1404 To H-3644			1	10.5
27	5001209	SCREW CAP HEX M6-1.0x25 G8.8 Z050			21	
28	502564	WASHER LO SPT 6.1x11.8x1.6 Z050			21	
29	5001586	WASHER FL 6.4x17.0x3.0 Z050			21	
30	477681	CLOSING PLATE / BACKWARD			1	
31	477790	GASKET CLOSING PLATE / BACKWARD			1	
32	477879	CLOSING PLATE / FORWARD			1	
33	477744	GASKET CLOSING PLATE / FORWARD			1	
34	5001517	SCREW CAP FL HEXS M8-1.25x25 G8.8 Z050			8	
35	477677	CLOSING PLATE / BACKWARD			1	
36	477676	CLOSING PLATE / FORWARD			1	
37	502576	SCREW MA FL PH M8-1.25x25 Z050			4	
38D	476616	ATTACHMENT STRIP 750MM From 9-1404			2	
39D	476618	RAIL GUIDE LINEAR BEARING 753MM From 9-1404 To B-1772			2	
39D	476760	RAIL GUIDE LINEAR BEARING 753MM From B-1773 To E-2645			2	
39D	478824	RAIL GUIDE LINEAR BEARING 753MM From E-2646			2	
NS	507642	DUMMY RAIL GUIDE LINEAR BEARING 254MM / USE WITH 470107 ONLY To B-1772			2	W
NS	504758	DUMMY RAIL GUIDE LINEAR BEARING 254MM / USE WITH 476761 & 478827 ONLY From B-1773			2	W
NS	685232	RAIL GUIDE EXTENSION TOOL L.H.			1	T
NS	685233	RAIL GUIDE EXTENSION TOOL R.H.			1	T
40	504721	FINISHING PLUG / RAIL GUIDE To B-1772			AR	
40	504757	FINISHING PLUG / RAIL GUIDE From B-1773			AR	
41	5001617	SCREW CAP HEXS M14-2.0x55 G10.9 DP			18	
42	680038	THREAD LOCKER LOCTITE #243 / BLUE / 50ml			AR	
43D	476617	BOTTOM RACK 635MM From 9-1404			2	
44	5001610	SCREW CAP HEXS M6-1.0x25 SS EMN			14	
45	502839	NUT INS TYPE "A-L" OE M6-1.0 4.2-6.6 Z050			14	
46	5001602	SCREW SET HEXS FLAT M6-1.0x6 SS			2	
47	5001603	SCREW CAP HEXS M10-1.5x20 SS EMN			2	
48	476416	SEALING BLOCK 77MM To B-1772			1	
48	476763	SEALING BLOCK 81MM From B-1773 To E-2645			1	
48	478821	SEALING BLOCK 75MM From E-2646 To H-3440			1	
48	470433	SEALING BLOCK 75MM From H-3441			1	
49	476415	SEALING BLOCK 77MM To B-1772			1	
49	476762	SEALING BLOCK 81MM From B-1773 To E-2645			1	
49	478822	SEALING BLOCK 75MM From E-2646 To H-3440			1	
49	470434	SEALING BLOCK 75MM From H-3441			1	
50	476415	SEALING BLOCK 77MM To B-1772			1	
50	476762	SEALING BLOCK 81MM From B-1773 To E-2645			1	



From 9-1404 To J-0287	Date:10/2022	PAGE:H7-2390-65
<b>"SLIDE-OUT" - INSTALLATION / REAR CURBSIDE</b>		

Item#	Part	Description	H 3 4 1	H 3 4 5	V I P 4 5	N O T E S
50	478821	SEALING BLOCK 75MM From E-2646 To H-3440			1	
50	470433	SEALING BLOCK 75MM From H-3441			1	
51	476436	SEALING BLOCK 77MM To B-1772			1	
51	476764	SEALING BLOCK 81MM From B-1773 To E-2645			1	
51	478822	SEALING BLOCK 75MM From E-2646 To H-3440			1	
51	470434	SEALING BLOCK 75MM From H-3441			1	
52	470114	SPACER NYLON 100MM x 41MM x 35MM To E-2645			2	
52	478820	SPACER ACETALE 100MM x 36MM x 35.5MM From E-2646 To H-3440			2	
52	470432	SPACER ACETALE 100MM x 36MM x 35.5MM From H-3441			2	
53	5001604	SCREW CAP HEXS M8-1.25x70 G8.8 G500			4	
54	500942	WASHER LO SPT 8.1x14.8x2.0 N500			4	
60D	<b>H7-2390-35</b>	<b>"SLIDE-OUT" - REAR MECHANISM - INSTALLATION / CURBSIDE</b>	1	1	1	
61	470124	SUPPORT MAGNET / ALUMINUM			2	
61	476473	GASKET MAGNET SUPPORT			2	
62	562949	MAGNET ROUND .200x.700 DIA			4	
63	5001614	SCREW CAP FL HEXS M4-0.7x16 SS EMN			4	
64	477991	DECAL "CAUTION" DO NOT MAKE ANY MODI.."			1	
NS	479248	KIT STOPPER FRONT SLIDE-OUT "LIBERTY COACH"			1	L
NS	479249	KIT STOPPER REAR L SLIDE-OUT "LIBERTY COACH"			1	L
NS	479250	KIT STOPPER REAR 7 SLIDE-OUT "LIBERTY COACH"			1	L
		10.5) WITH 10.5 FEET SLIDE-OUT ONLY				
		7.5) USE WITH 7.5 FEET SLIDE-OUT ONLY				
		L) USE ONLY WITH "LIBERTY COACH" CONVERTER'S				
		T) THOSE RAIL EXTENTION TOOLS ARE FOR EASY REMOVED SLIDE-OUT FROM STRUCTURE				
		W) WARNING YOUR REQUIRE 2 OF THIS DUMMY BEFORE REMOVE THE SLIDE-OUT FROM STRUCTURE				
		P) CALL ORDER DESK FOR SPECIFIC APPLICATION (V.I.N.)				

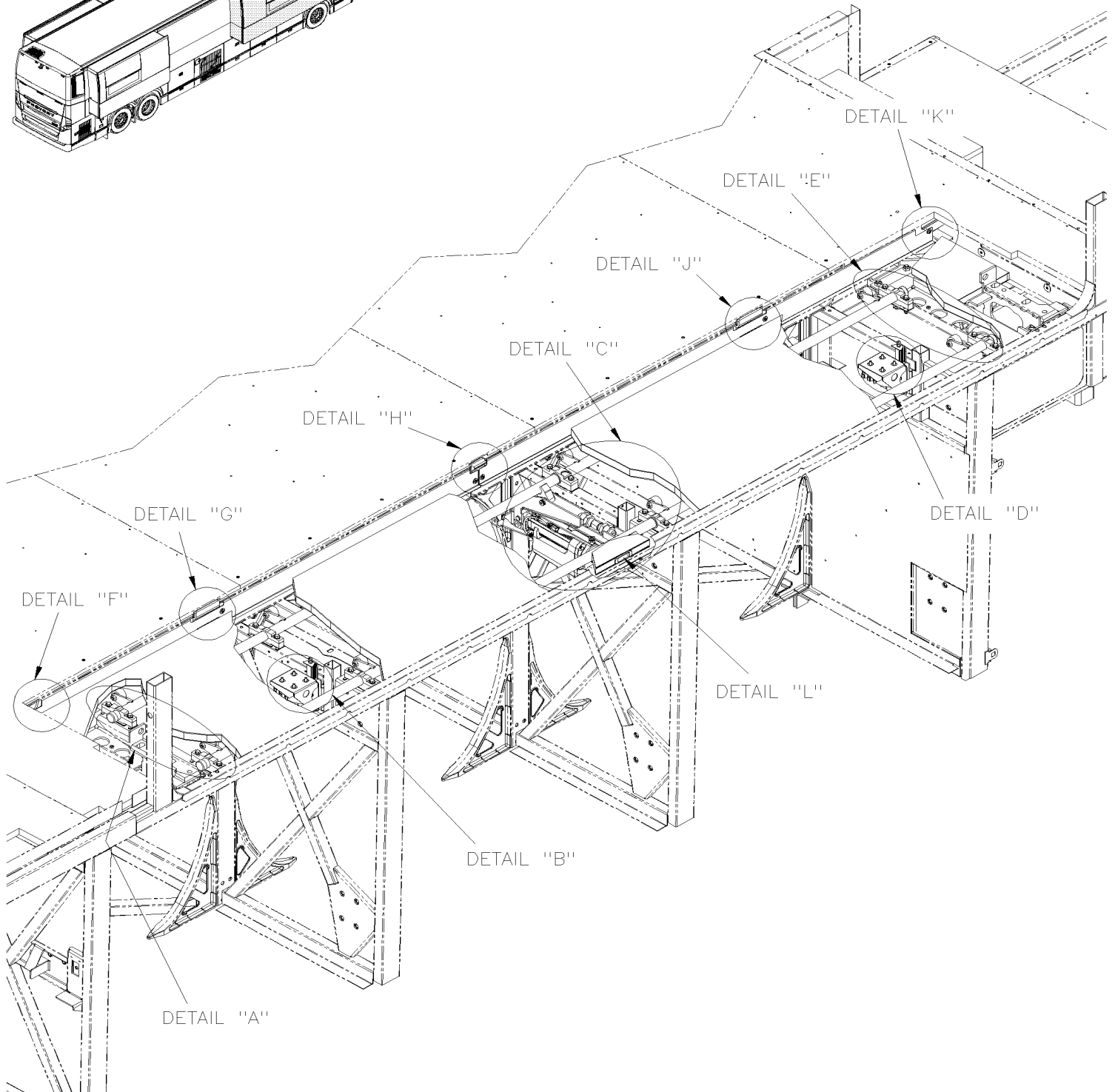
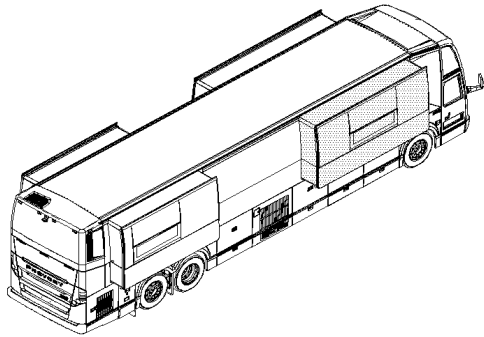


From H-3645 To J-0287

Date:10/2022

PAGE:H7-2390-70

## "SLIDE-OUT" - MECHANISM MOBILE FLOOR INSTALLATION / FRONT CURBSIDE

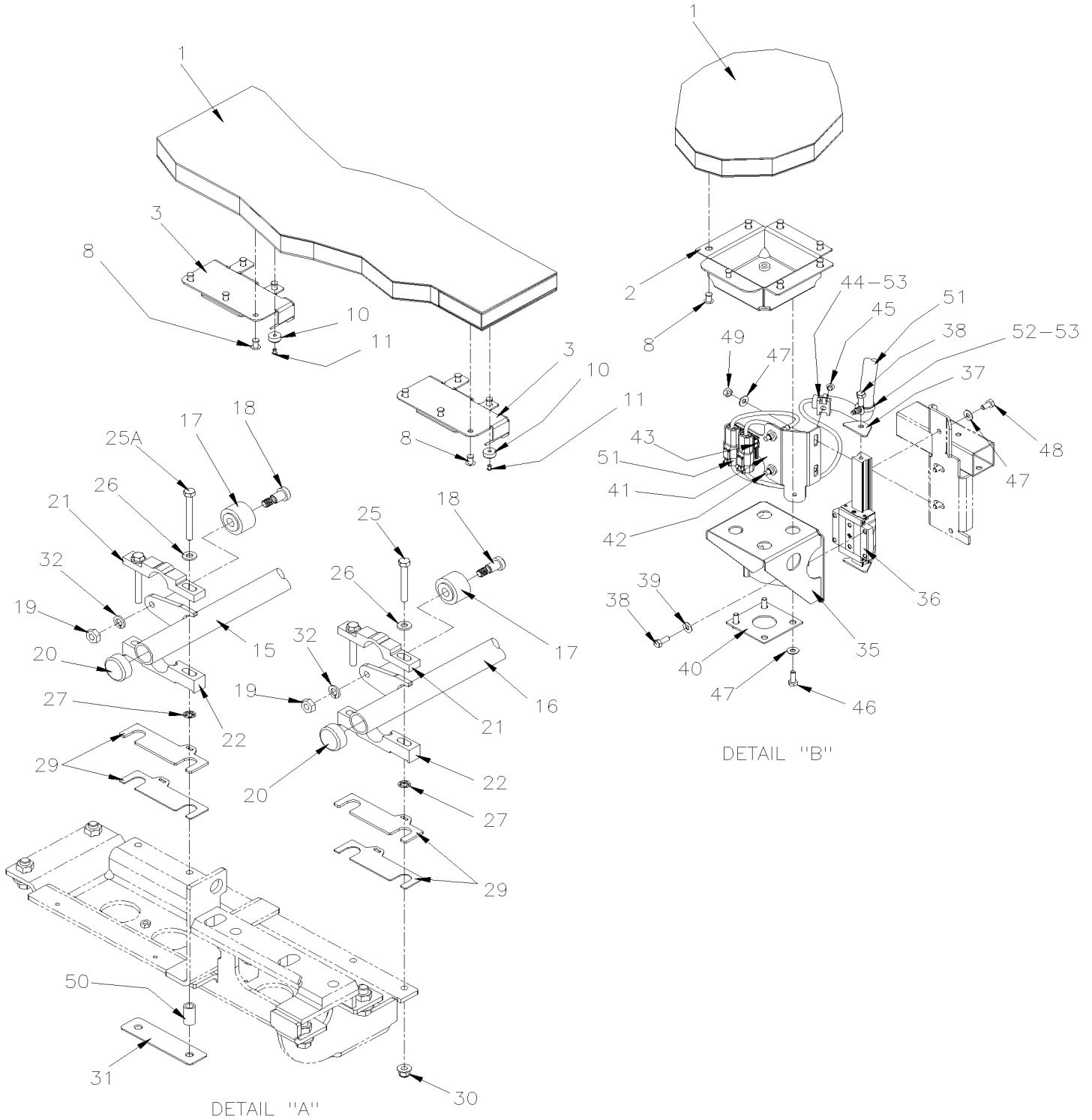


From H-3645 To J-0287

Date:10/2022

PAGE:H7-2390-70

## "SLIDE-OUT" - MECHANISM MOBILE FLOOR INSTALLATION / FRONT CURBSIDE

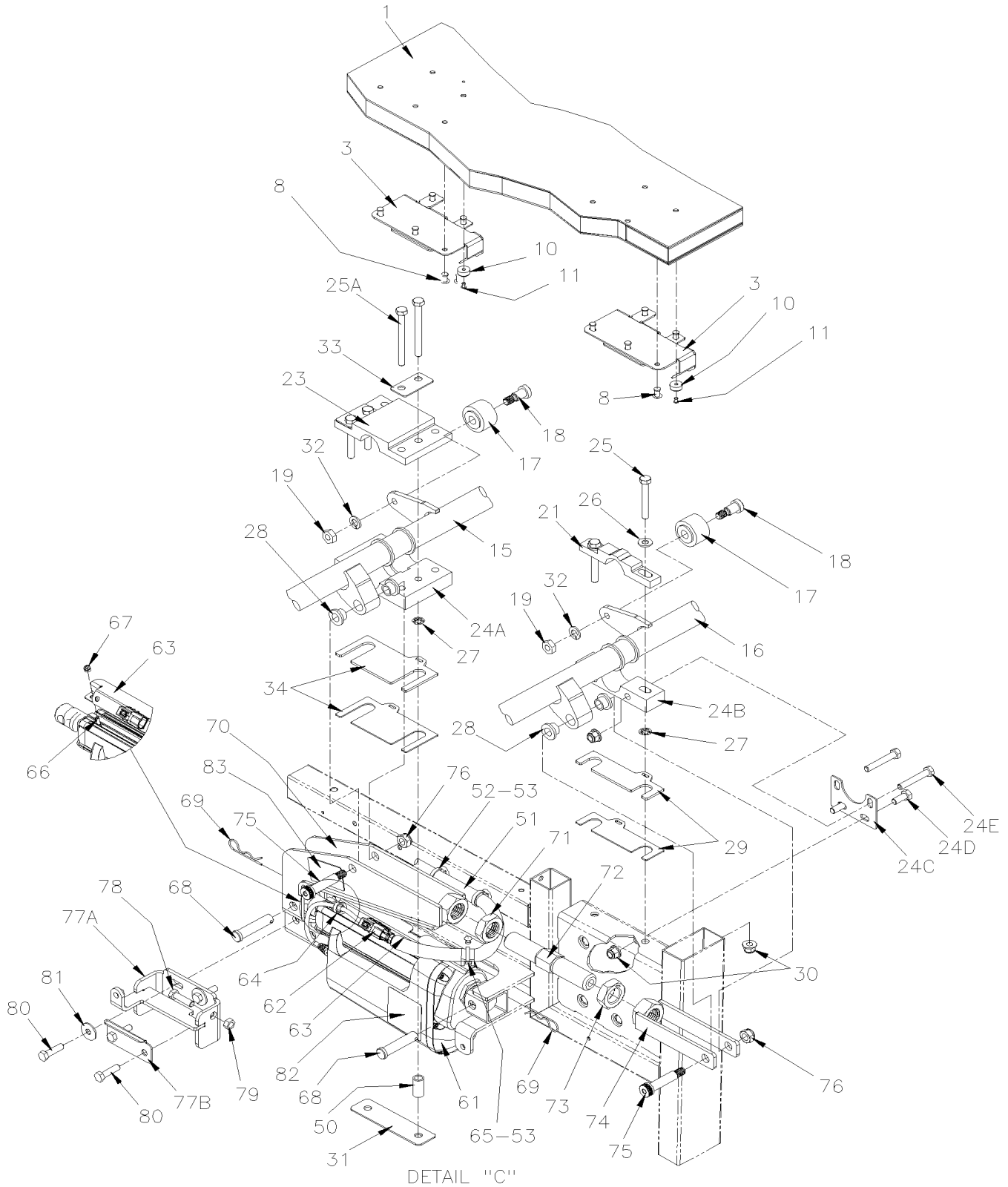


From H-3645 To J-0287

Date:10/2022

PAGE:H7-2390-70

## "SLIDE-OUT" - MECHANISM MOBILE FLOOR INSTALLATION / FRONT CURBSIDE

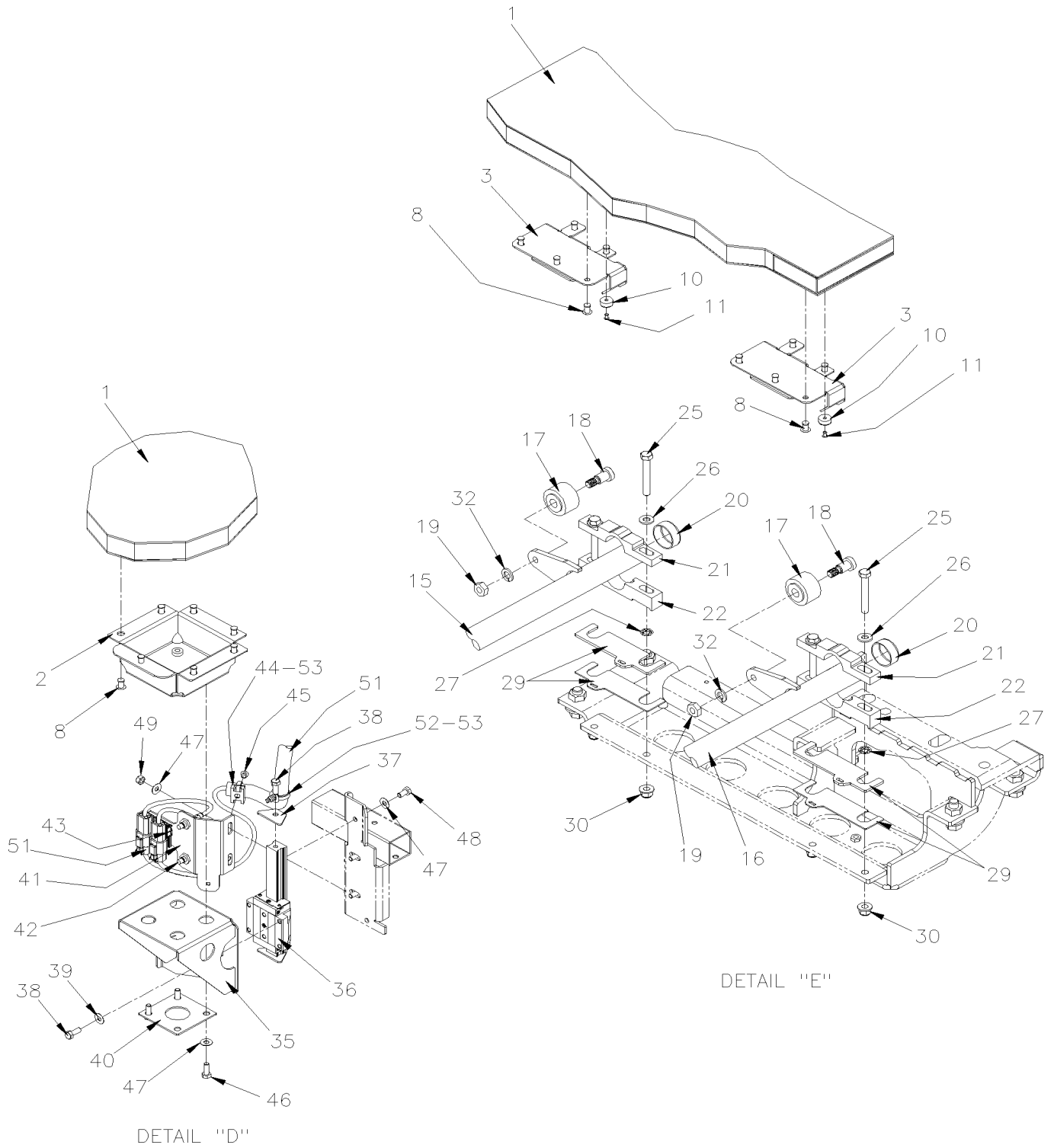


From H-3645 To J-0287

Date:10/2022

PAGE:H7-2390-70

## "SLIDE-OUT" - MECHANISM MOBILE FLOOR INSTALLATION / FRONT CURBSIDE

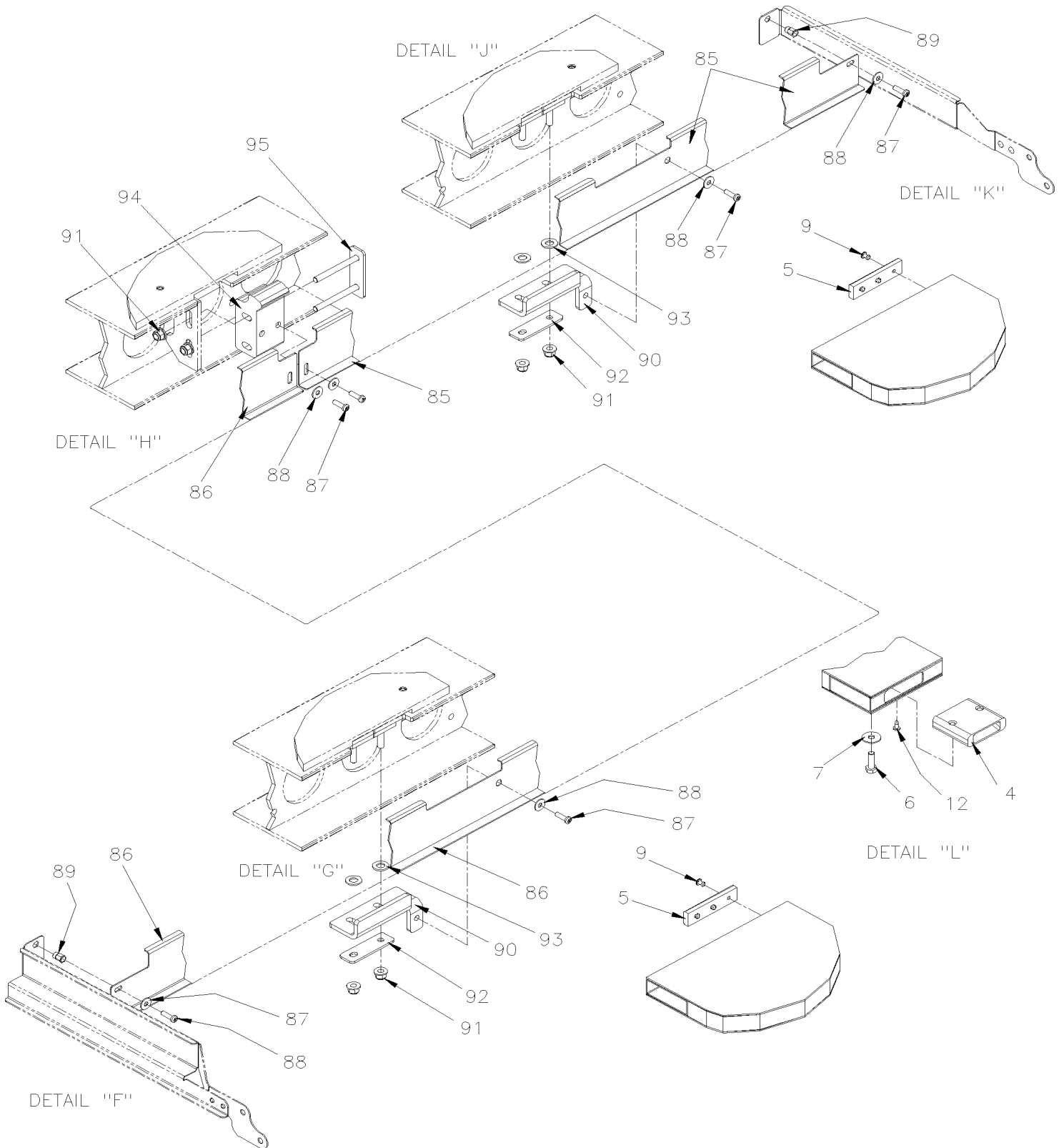


From H-3645 To J-0287

Date:10/2022

PAGE:H7-2390-70

## "SLIDE-OUT" - MECHANISM MOBILE FLOOR INSTALLATION / FRONT CURBSIDE



<b>From H-3645 To J-0287</b>	<b>Date:10/2022</b>	<b>PAGE:H7-2390-70</b>
<b>"SLIDE-OUT" - MECHANISM MOBILE FLOOR INSTALLATION / FRONT CURBSIDE</b>		

Item#	Part	Description	H 3 4 1	H 3 4 5	V I P 4 5	N O T E S
1	Call order desk	MOBILE FLOOR ASSY			1	P
1	320993	. MOBILE FLOOR			1	
2	490110	. BRACKET, MOBILE FLOOR GUIDE			2	
3	490115	. GUIDE WHEEL, MOBILE FLOOR			8	
4	490228	. SOCKET, STOPPER VERTICAL MOVABLE FLOOR			1	
5	491188	. STOPPER, EXTENSION FLOOR			2	
5	491300	SHIM / STOPPER, EXTENSION FLOOR			AR	
6	502780	. SCREW CAP HEX M8-1.25x25 SS BK			2	
7	500381	. WASHER FL 8.4x25.0x2.0 N500			2	
8	504459	. RIVET MGLP PRDG 1/4x3/8 SS			AR	
9	504487	. RIVET MGLP PRDG 3/16x7/16 SS			6	
10	5001393	. BUMPER RUBBER / .625 OD x .281 TH x .125 HOLE			8	
11	504340	. RIVET POP DOME OE 1/8x3/16 SS			8	
12	500952	SCREW TP BDG PH #8x1/2 SS			1	
15	491290	SHAFT, MOBILE FLOOR			1	
16	491290	SHAFT, MOBILE FLOOR			1	
17	490019	WHEEL, MOBILE FLOOR			8	
18	5000315	SCREW SHR HEXS 12x16 {M10-1.5 SS			8	
19	502567	NUT HEX M10-1.5 SS			8	
20	504027	CAP, MOBILE FLOOR			4	
21	491291	FLANGE UPPER, MOBILE FLOOR			7	
22	491289	FLANGE LOWER, MOBILE FLOOR			6	
NS	683652	GREASE SYNTHETIC / RED BOX 50 TUBE			AR	
23	491293	FLANGE UPPER, MOBILE FLOOR			1	
24A	491292	FLANGE LOWER, MOBILE FLOOR			1	
24B	491316	FLANGE LOWER, MOBILE FLOOR			1	
24C	491317	BRACE PILLOW BLOC EXTERNAL			1	
24D	502862	SCREW CAP HEX M8-1.25x20 G8.8 N500			2	
24E	502927	SCREW CAP HEX M8-1.25x50 G8.8 N500			2	
NS	680038	THREAD LOCKER LOCTITE #243 / BLUE / 50ml			AR	
25	5001178	SCREW CAP HEX M8-1.25x60 SS BK To J-0232			18	
25	5001178	SCREW CAP HEX M8-1.25x60 SS BK From J-0233			14	
25A	5001186	SCREW CAP HEX M8-1.25x90 SS BK From J-0233			4	
26	5001699	WASHER BEL SPR 8.2x22x1.4 N500			14	
27	500622	NUT PUSH RND 5/16			18	
28	507012	BUSHING FLANGE 12MM ID x 16MM OD x 12MM			4	
29	490030	SHIM 1/8"			AR	
29	490031	SHIM 1/16"			AR	
29	491713	SHIM .025"			AR	
30	5001931	NUT HEXF NYRT M8-1.25 G8.8 N500 To J-0232			20	
30	5001931	NUT HEXF NYRT M8-1.25 G8.8 N500			18	



From H-3645 To J-0287	Date:10/2022	PAGE:H7-2390-70
-----------------------	--------------	-----------------

**"SLIDE-OUT" - MECHANISM MOBILE FLOOR INSTALLATION / FRONT CURBSIDE**

Item#	Part	Description	H 3 4 1	H 3 4 5	V I P 4 5	N O T E S
31	5001692	NUT INS FL HEX M8-1.25 0.5-3.0 SS To J-0232			2	
31	491633	NUT PLATE 123 x 33 mm From J-0233			2	
32	502616	WASHER LO SPT 10.2x18.1x2.2 SS To J-0047			8	
32	680038	THREAD LOCKER LOCTITE #243 / BLUE / 50ml From J-0048			AR	
33	491313	TIGHTENING PLATE			2	
34	491314	SHIM 1/16"			1	
34	491315	SHIM 1/8"			1	
34	491712	SHIM .025"			1	
35	490071	BRACKET, MOBILE FLOOR			2	
36	490574	CARRIAGE AND GUIDEWAY ASSY			2	
37	490083	STOPPER, VERTICAL RAIL			4	
38	5001744	SCREW CAP HEX M6-1.0x16 G8.8 N500			6	
38	680038	THREAD LOCKER LOCTITE #243 / BLUE / 50ml			AR	
39	5001608	WASHER BEL SPR 6.2x15.0x0.7 G500			4	
40	490070	FIXING PLATE			2	
41	490072	SUPPORT, MICRO SWITCH			2	
42	060247	SENSOR, FF PROXIMITY ASSY			4	
. NS	564176	. SWITCH PROXIMITY / S.P.D.T. / W/3 WIRES W/LED			1	
. NS	562479	. CONNECTOR / DT SERIES / PH 4C / GRAY / DEUTSCH DT04-4P-C015			1	
. NS	562286	. PIN TERMINAL / 18-16 / DEUTSCH 0460-202-16141			3	
. NS	562480	. SECONDARY LOCK / DT SERIES / PH 4C / DEUTSCH W4P			1	
. NS	561996	. SEALING PLUG TYPE 12 & 16 / DEUTSCH 114017			1	
. NS	560784	. SHRINK TUBING / .250" - .080" / BLACK / ALPHA FIT-300-1/4-4B			AR	
43	564108	SELF MOUNTING STUD // DEUTSCH 1011-310-0205			4	
44	504013	TIE MOUNT / 1/4" X 1/4" I.D.			2	
45	504379	RIVET POP DOME OE 3/16x1/4 SS			2	
46	5001744	SCREW CAP HEX M6-1.0x16 G8.8 N500			8	
47	5001608	WASHER BEL SPR 6.2x15.0x0.7 G500			18	
48	5001982	SCREW CAP HEX M6-1.0x12 SS BK			6	
49	502681	NUT HEX NYRT M6-1.0 N500 G8			4	
50	491673	REINFORCMENT SLEEVE From J-0233			2	
51	067515	WIRING HARNESS SLIDE-OUT FRONT RIGHT			1	
52	509815	TIE MOUNT / ATTACHMENT W/TREE MOUNT			AR	
53	504637	CABLE TIE / 3/16" x 13"			AR	
NS	504273	CABLE TIE / 1/8" X 3"1/2			AR	
NS	562679	4 WAY ADH. BACKED MOUNTS 1.000 x 1.000 x .160			AR	
61	060208	LINEAR ACTUATOR, MOBILE FLOOR ASSY			1	
61	560041	. LINEAR ACTUATOR, MOBILE FLOOR			1	
62	562486	. CONNECTOR / DT SERIES / PH 2C / GRAY / DEUTSCH DT04-2P			1	
62	562481	. PIN TERMINAL / 16-14 / DEUTSCH 0460-215-16141			2	

<b>From H-3645 To J-0287</b>	<b>Date:10/2022</b>	<b>PAGE:H7-2390-70</b>
<b>"SLIDE-OUT" - MECHANISM MOBILE FLOOR INSTALLATION / FRONT CURBSIDE</b>		

Item#	Part	Description	H 3 4 1	H 3 4 5	V I P 4 5	N O T E S
62	562487	. SECONDARY LOCK / DT SERIES / PH 2C / DEUTSCH W2P			1	
62	560785	. SHRINK TUBING / .375" - .187" / BLACK / ALPHA FIT-300-3/8-4B			AR	
63	060229	SUPPORT WIRING ACTUATOR			1	
63	564108	SELF MOUNTING STUD // DEUTSCH 1011-310-0205			1	
64	509815	TIE MOUNT / ATTACHMENT W/TREE MOUNT			1	
64	504637	CABLE TIE / 3/16" x 13"			1	
65	504013	TIE MOUNT / 1/4" X 1/4" I.D.			1	
65	504379	RIVET POP DOME OE 3/16x1/4 SS			1	
66	5001689	SCREW CAP HEX #8-32x1/2 SS			2	
67	5001480	NUT HEX NYRT #8-32 SS			2	
68	502011	PIN, CLEVIS 1/2 x 2 SS			2	
69	5000349	. PIN, COTTER 1/8 x 5/8			2	
70	490042	ACTUATOR			1	
71	5000318	NUT HEX JAM M24-3.0 N500			1	
72	490060	THREADED LINK, ACTUATOR			1	
73	5000319	NUT HEX JAM LH M24-3.0 N500			1	
74	490057	ACTUATOR YOKE			1	
75	5000320	SCREW SHR HEXS 12x45 (M10-1.5			2	
76	502859	NUT HEX NYRT M10-1.5 N500			2	
77A	490087	STOPPER, ACTUATOR			1	
77B	491298	ACTUATOR GUIDE			1	
78	5001738	SCREW CAP HEX M8-1.25x30 G8.8 N500			1	
79	502851	NUT HEX M8-1.25 N500			1	
80	5001738	SCREW CAP HEX M8-1.25x30 G8.8 N500			4	
81	500381	WASHER FL 8.4x25.0x2.0 N500			2	
82	470509	DECAL "CAUTION MOBILE FLOOR MUST BE...."			1	
83	476130	DECAL " KEEP HANDS & FINGERS AWAY.."			1	
85	490669	PROTECTOR PANEL FRONT			1	
86	490577	PROTECTOR PANEL REAR			1	
87	5001507	SCREW MA PAN PH M6-1.0x20 SS To H-3968			6	
87	5001961	SCREW MA FL PH M6-1.0x20 Z050 From H-3969			6	
NS	680038	THREAD LOCKER LOCTITE #243 / BLUE / 50ml			1	
88	5001833	WASHER BEL SPR 6.1x18x1.27 SS To H-3968			6	
88	5001448	WASHER FL .343x.875x.062 SS18-8 From H-3969			6	
89	5001344	NUT INS FL HEX M6-1.0 0.5-3.0 SS			2	
90	491257	STOPPER HORIZONTAL, EXTENSION			2	
91	5001931	NUT HEXF NYRT M8-1.25 G8.8 N500			6	
92	490232	TIGHTENING PLATE			2	
93	491260	GRIPPING DISC 3/8"			4	
94	491256	MID STOPPER OF FLOOR			1	
95	491297	STOPPER PLATE VERTICAL			2	

From H-3645 To J-0287	Date:10/2022	PAGE:H7-2390-70
-----------------------	--------------	-----------------

**"SLIDE-OUT" - MECHANISM MOBILE FLOOR INSTALLATION / FRONT CURBSIDE**

Item#	Part	Description	H 3 4 1	H 3 4 5	V I P 4 5	N O T E S
		P) CALL ORDER DESK FOR SPECIFIC APPLICATION (V.I.N.)				

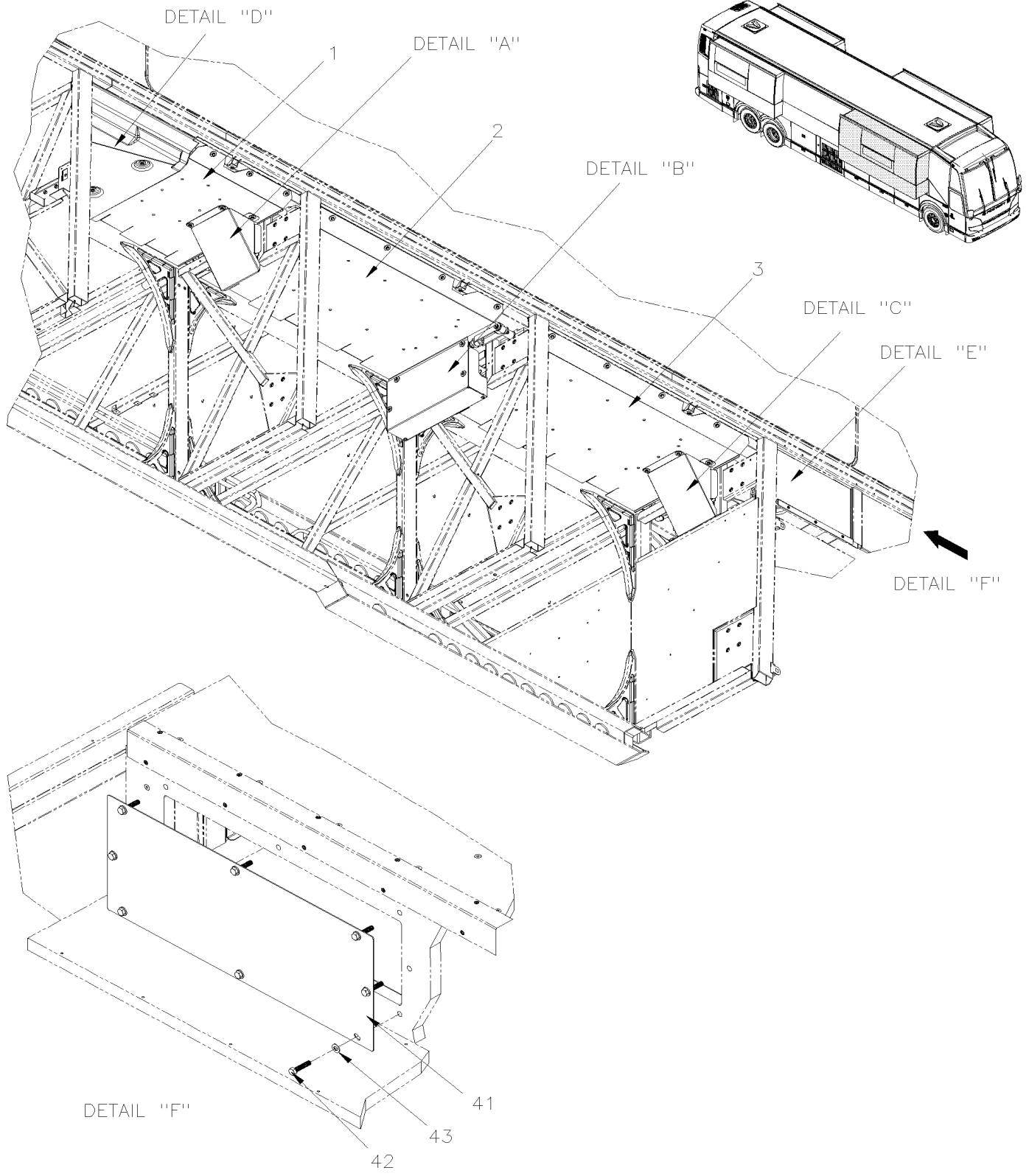


From H-3645 To J-0287

Date:10/2022

PAGE:H7-2390-85

**ACCESS PANELS - FRONT "SLIDE-OUT" - INSTALLATION CURBSIDE**

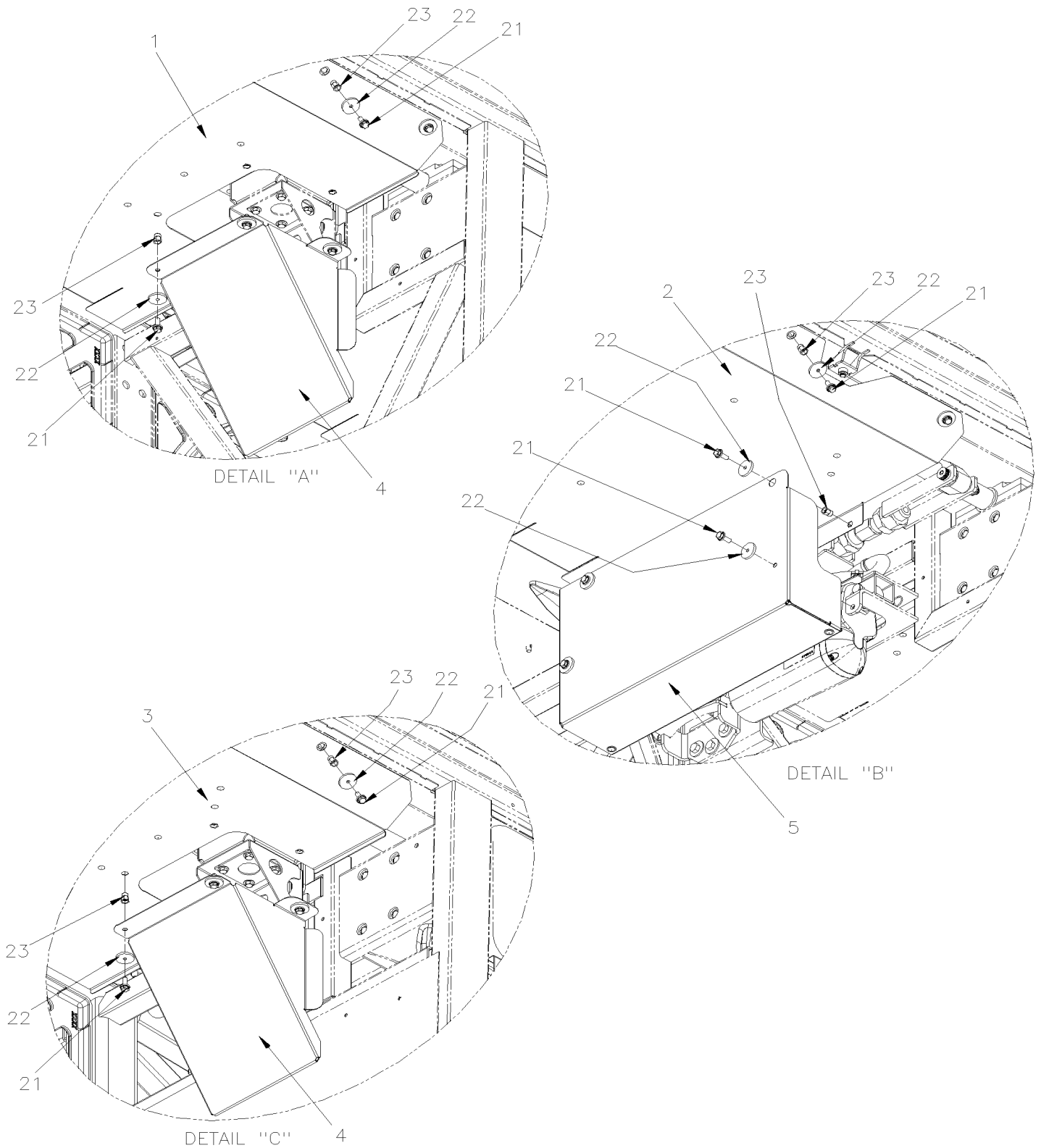


From H-3645 To J-0287

Date:10/2022

PAGE:H7-2390-85

## ACCESS PANELS - FRONT "SLIDE-OUT" - INSTALLATION CURBSIDE

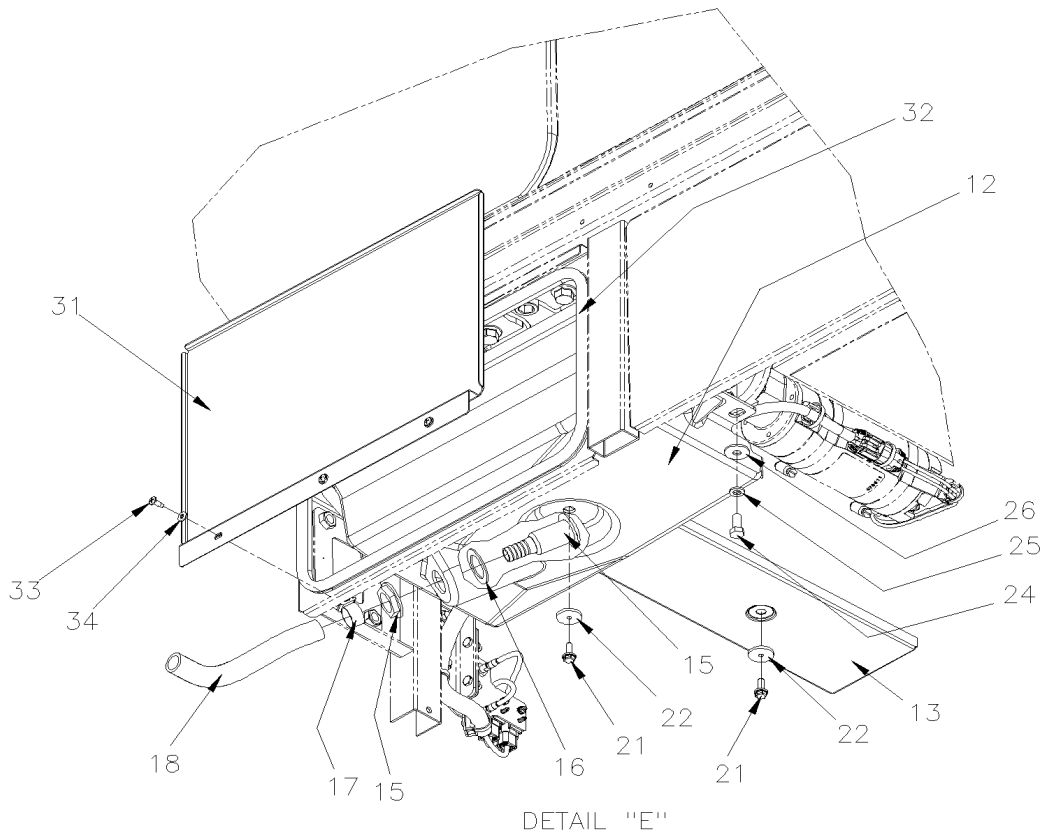
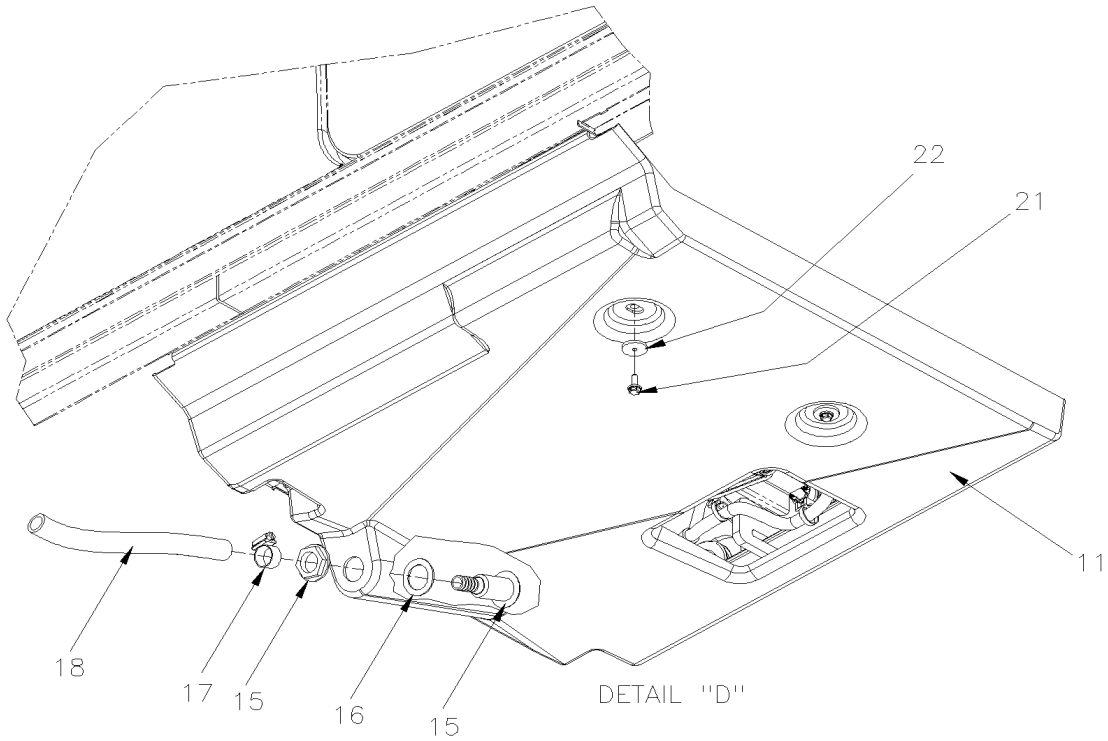


From H-3645 To J-0287

Date:10/2022

PAGE:H7-2390-85

## ACCESS PANELS - FRONT "SLIDE-OUT" - INSTALLATION CURBSIDE



From H-3645 To J-0287 Date:10/2022 PAGE:H7-2390-85

**ACCESS PANELS - FRONT "SLIDE-OUT" - INSTALLATION CURBSIDE**

Item#	Part	Description	H 3 4 1	H 3 4 5	V I P 4 5	N O T E S
1	491266	PANEL, LUGGAGE CEILING			1	
2	491265	PANEL, LUGGAGE CEILING			1	A
2	491268	PANEL, LUGGAGE CEILING			1	
3	491263	PANEL, LUGGAGE CEILING			1	A
3	491270	PANEL, LUGGAGE CEILING			1	
4	490573	GUIDE PROTECTOR To H-3790			2	
4	491342	GUIDE PROTECTOR From H-3791			2	
5	491264	ACTUATOR PROTECTOR			1	
11	490512	GUTTER TANK			1	
12	490513	GUTTER TANK			1	
13	491309	GUTTER TANK			1	
15	900280	THRU HULL, CONNECTOR / PLASTIC			2	
16	409038	GASKET			2	
17	504019	HOSE CLAMP / 9/16"-1"1/16 SS / HS-10			2	
18	900220	TUBE PVC / 5/8" I.D. / S.L.			AR	
21	5001730	SCREW CAP HEXF M6-1.0x16 G10.9 N500			AR	
22	502820	WASHER FL .187x1.000x.125 RUB BK			AR	
23	5001344	NUT INS FL HEX M6-1.0 0.5-3.0 SS			AR	
24	502862	SCREW CAP HEX M8-1.25x20 G8.8 N500			2	
25	500942	WASHER LO SPT 8.1x14.8x2.0 N500			2	
26	500381	WASHER FL 8.4x25.0x2.0 N500			2	
31	476554	ACCESS PANEL SIDE / AUX A/C			1	
32	478242	SEAL 1250MM			1	
33	502868	SCREW TC TR PH #10-16x1/2 N500			3	
34	500855	WASHER FL .188x.438x.049 N500			3	
41	Call order desk	TRAP DOOR ASSY			1	P
41	470891	. DECAL "KEEP ACCESS TO REMOVE..."			1	
42	5001992	SCREW CAP HEX SLO 5/16-18x1 1/2 SS			8	
43	5001341	WASHER FL 8.4x17.0x1.6 SS			8	
		A) USE WITH LATERAL PANTOGRAPH BAGGAGE DOOR (SPECIAL REQUEST)				
		P) CALL ORDER DESK FOR SPECIFIC APPLICATION (V.I.N.)				



Date:10/2022

PAGE:ABBREVIATIONS

**ABBREVIATIONS**

Item#	Part	Description	QTY	Notes
A	ABS	ANTILOCK BRAKING SYSTEM		
A	ADH1	ONE SIDE ADHESIVE		
A	ADH2	TWO SIDE ADHESIVE		
A	AR	AS REQUIRED		
A	ASSY	ASSEMBLY		
B	BDG	BINDING		
B	BEL	BELLEVILLE		
B	BOW	BOWED		
B	BR	BRASS		
B	BRAZ	BRAZIER		
B	BRZ	BRONZE		
B	BUT	BUTTON		
B	BZC	BRIGHT ZINC CHROMATE		
C	C.E.	COMMUTATOR END		
C	C.T.	CONSTANT TORQUE		
C	C/C	CENTER/CENTER		
C	CC	CLOSED CELL		
C	CCW	COUNTERCLOCKWISE		
C	CEB	CUFF END BELLOW		
C	CHE	CHEESE		
C	CHR	CHROME		
C	CHY	CHERRY		
C	CK	COUNTERSUNK		
C	CKD	CLOSED KEYED		
C	CKF	COUNTERSUNK FLUSH		
C	CKS	CLOSED KEYLESS		
C	CLE	CLOSE END		
C	CON	CONCAVE		
C	CONV	CONVOLUTED TUBING		
C	COP	COPPER		
C	CP	CADMIUM PLATED		
C	CPG	COUPLING		
C	CPV	CAPTIVE		
C	CRG	CARRIAGE		
C	CRS	COLD ROLLED STEEL		
C	CSL	CASTLE		
C	CT	CONSTANT TORQUE		
C	CW	CLOCKWISE		
C	CYL.	CYLINDER		
D	D.E.	DRIVE END		
D	D.P.D.T.	DOUBLE POLE DOUBLE THROW		
D	DIA.	DIAMETER		
D	DIFF	DIFFERENTIAL		
D	DOB	DIAMETER OVER BALLS		
D	DR	DRILL		
D	DRV	DRIVE		
D	DW	DOUBLE WAVE		
E	ECU	ELECTRONIC CONTROL UNIT		
E	EFF	EFFECTIVE		
E	EMN	EMRALON		

Date:10/2022

PAGE:ABBREVIATIONS

**ABBREVIATIONS**

Item#	Part	Description	QTY	Notes
E	ENG.	ENGINE		
E	EXT	EXTERNAL		
F	F	FEMALE		
F	FER	FERRULE		
F	FFB	FLAT FACE BOWED		
F	FH	FITTING HOSE		
F	FIB	FIBER		
F	FIL	FILLISTER		
F	FL	FLAT		
F	FLRET	FLOATING RETAINER		
F	FN	FINISHING		
F	FORM	FORMICA		
F	FRT	FRONT		
F	FT	FULLY THREADED		
G	G500	MAGNI 565 GRAY / 500 HOURS SALT SPRAY		
G	GAL	GALVANISED		
G	GND	GROUND		
H	H.P.	HIGH PRESSURE		
H	HD	HEAVY DUTY		
H	HEX	HEXAGONAL		
H	HEXF	HEXAGONAL FLANGE		
H	HEXH	HEXAGONAL HEAVY		
H	HEXS	HEXAGONAL SOCKET		
H	HEXW	HEXAGONAL WASHER		
H	HI	HIGH		
H	HK	HOOK		
H	HRS	HOT ROLLED STEEL		
H	HVAC	HEATING, VENTILATION & AIR CONDITIONING		
H	HYD	HYDRAULIC		
I	I.D.	INSIDE DIAMETER		
I	INS	INSERT		
I	INT	INTERNAL		
J	JCT	JUNCTION		
L	L.P.	LOW PRESSURE		
L	LED	LIGHT-EMITTING DIODE		
L	LGE	LARGE		
L	LH	LEFT HAND		
L	LO	LOCK		
L	LUGG.	LUGGAGE		
M	M	MALE		
M	M & F	MALE & FEMALE		
M	MA	MACHINE		
M	MAX	MAXIMUM		
M	MGLP	MAGNA-LOK		
M	MIN	MINIMUM		
M	MNB	MONOBOLT		
M	MNL	MONEL		
N	N.C.	NORMALY CLOSE		
N	N.O.	NORMALY OPEN		
N	N.P.N.	NO PARTS NUMBER		

**ABBREVIATIONS**

Item#	Part	Description	QTY	Notes
N	N.S.P.	NOT SOLD AT PREVOST		
N	N.S.S.	NOT SOLD SEPARATELY		
N	N/A	NOT AVAILABLE		
N	N500	MAGNI 565 BLACK / 500 HOURS SALT SPRAY		
N	NEG.	NEGATIVE		
N	NEO	NEOPRENE		
N	NERB	NEOPRENE & BRASS		
N	NIT	NITRILE		
N	NP	NICKEL PLATED		
N	NPT	NATIONAL PIPE THREAD		
N	NS	NOT SHOWN		
N	NYAL	NYLON & ALUMINIUM		
N	NYL	NYLON		
N	NYRT	NYLON INSERT		
O	O.D.	OUTSIDE DIAMETER		
O	O.S.	OVERSIZE		
O	OE	OPEN END		
O	OKD	OPEN KEYED		
O	OKS	OPEN KEYLESS		
O	OPT.	OPTION		
O	OV	OVAL		
P	PH	PHILIPS		
P	PHB	PHOSPHOR BRONZE		
P	PHC	PHOSPHATE COATING		
P	PLAS	PLASTIC		
P	PLEX	PLEXIGLASS		
P	PO	PUSH-ON		
P	POL	POLYETHYLENE		
P	POLCAR	POLYCARBONATE		
P	POLY	POLYPROPYLENE		
P	POLYA	POLYAMIDE		
P	POLYP	POLYPROPYLENE		
P	POS.	POSITIVE		
P	PRDG	PROTRUDING		
P	PROT	PROTECTIVE		
P	PT	PARTIALLY THREADED		
R	RBP	RUBBER BUMPER		
R	RCT	RECEPTACLE		
R	REC	RECTANGULAR		
R	RES	RECESS		
R	RET	RETANING / RETAINER		
R	RH	RIGHT HAND		
R	RND	ROUND		
R	RR	REAR		
R	RUB	RUBBER		
R	RVT	RIVET		
S	S.C.C.	SPECIFY COLOR CODE		
S	S.D.	SPECIFY DIMENSION		
S	S.L.	SPECIFY LENGHT		
S	S.P.D.T	SINGLE POLE DOUBLE THROW		

**ABBREVIATIONS**

Item#	Part	Description	QTY	Notes
S	S.P.S.T	SINGLE POLE SINGLE THROW		
S	SB	SATIN BLEND		
S	SCT	SECTION		
S	SERR	SERRATED		
S	SG	SPRING GUARD		
S	SHR	SHOULDER		
S	SLE	SLEEVE		
S	SLO	SELF LOCKING		
S	SLT	SLOTTED		
S	SM	SMALL		
S	SOL	SOLID		
S	SPE	SPECIAL		
S	SPR	SPRING		
S	SPT	SPLIT		
S	SQ	SQUARE		
S	SQS	SQUARE SOCKET		
S	SS	STAINLESS STEEL		
S	STD	STANDARD		
S	STL	STEEL		
S	STO	STOVER		
S	SW	SWIVEL		
S	SWL FITT.	SWIVEL FITT		
T	TC	THREAD CUTTING		
T	TH	THICKNESS		
T	TP	TAPPING		
T	TPG	TAPPING		
T	TR	TRUSS		
T	TRANS.	TRANSMISSION		
T	TWAY	TWO WAY LOCK		
T	TXV	THERMAL EXPANSION VALVE		
U	U.S.	UNDERSIZE		
V	VAC	VEHICLE ACCELERATION CONTROL		
W	W	WITH		
W	W.S.	WAVE SEAL		
W	W/O	WITHOUT		
W	WD	WELDED		
W	WIND.	WINDOW		
W	WO	WOOD		
W	WOC	WITHOUT CERAMIC		
X	XX-XXXX-XX	SEE PAGE		
Y	YZP	YELLOW ZINC PLATED		
Z	Z050	ZINC PLATED		
Z	ZG603	ZINC IRON BLACK		
Z	ZP	ZINC PLATED		
N	N_A	NOT AVAILABLE		
W	W_O	WITHOUT		
C	C_C	CENTER/CENTER		
A	ABBREVIATIC	ABBREVIATIONS		