

(X) = QUANTITY
SHEET 1 OF 2

ISRI® 
ISRINGHAUSEN

05/92
(REV 5/22/01)

BACK ASM-LH-AL

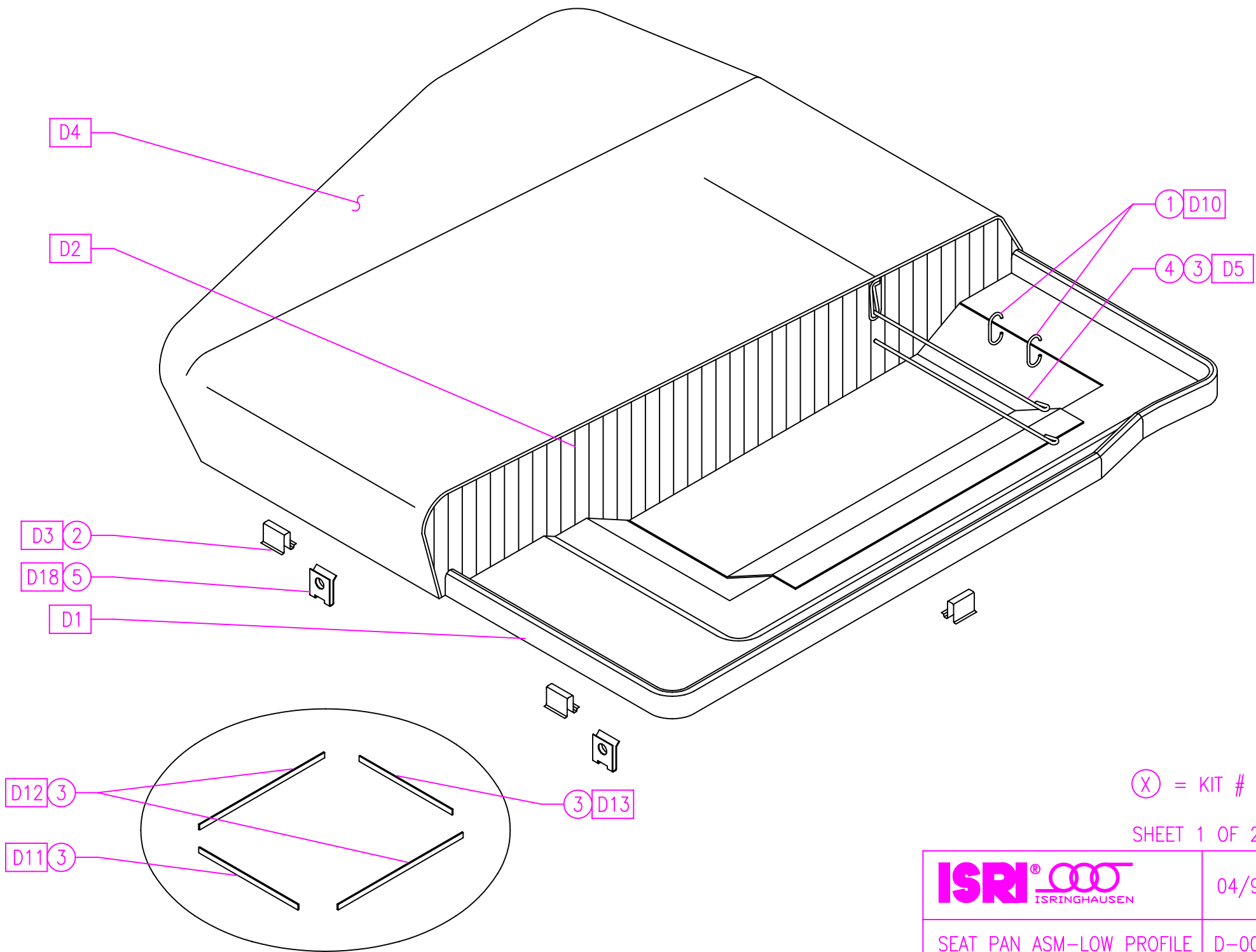
C-024

KIT #	P/N	ITEM NO. IN KIT	ITEM
1	C3	C8, C24	AIR LUMBAR BAG – KIT
2	C24	C7, C20, C21, C22	AIR LUMBAR BAG – ASM
3	C25	C5, C18, C23	UPH HDW KIT–BACK–NUDE
4	C27	C5, C18	UPH HDW KIT–BACK–RETRO

SHEET 2 OF 2

 ISRI [®] ISRINGHAUSEN	05/92 (REV 5/22/01)
	KIT DESCRIPTION

C-024



⊗ = KIT #

SHEET 1 OF 2

ISRI [®]  ISRINGHAUSEN	04/91
SEAT PAN ASM—LOW PROFILE	D-008

KIT #	P/N	ITEM NO. IN KIT	ITEM
1	D14	D10	HOG RING KIT
2	D15	D3	UPH CLIP KIT
3	D16	D5,D11,D12,D13,D14,D15	UPH HDW KIT – NUDE
4	D17	D5, D14, D15	UPH HDW KIT – RETRO
5	D19	D18	SEAT PAN CLIP KIT

SHEET 2 OF 2

	04/91
	D-008



SERVICE PARTS LIST

ISRI P/N: 02371-02 Description: Seat Frame-515-LH-AL/MV(RH)
 ISRI Illus. No.: E-059
 Customer: Prevost Car Customer P/N: 861099

Specification: LH controls, double swivel bolt, controls – black w/symbol,
 Air lumbar/Manual valve-RH (IPS 5)

ILLUS NO.	DESCRIPTION	ISRI P/N	CUSTOMER P/N
E1	Side Plate Kit	95733-03	860487
E3	Valve Kit – Air Lumbar/MV	917471-04	861096
E4	Valve Asm – Air Lumbar/MV	* 35270-01	
E5	Torsion Bar Kit	95739-01	861091
E7	Spring Kit – Height/Slope	95619-04	860755
E8	Bushing Kit – Height/Slope	95773-01	860753
E9	Bushing / Hdw Kit – H/S	95847-01	860754
E13	Tooth Plate Kit	914209-05	
E14	Swivel Bolt / Clip Kit	914204-02	860757
E50	Cover – Seat Frame – Rear	See E1	
E51	Hose–Lumbar Upper-Rubber	See E4	
E52	Cover – Side Plate – RH	See E1	
E54	Handle – H/S – Front	* 47270-02	
E55	Cap – Side Plate	See E1	
E56	Handle – Backrest	* 43537-02	
E57	Cover – Side Plate – LH	See E1	
E58	Hose-Lumbar Supply-PU3	See E4	
E59	Cap – Torsion Bar	See E5	
E60	Bar – Torsion	See E5	
E61	Lock – Torsion Bar	See E5	
E62	Pad – Felt	* 42258	
E63	Seat Frame w/o Covers	917673D	
E65	Screw – Hose Guide	See E3	
E66	Hose Guide	See E3	
E67	Hose-Lumbar Lower-Rubber	See E4	
E70	Nut – Tee	See E3	
E73	Bushing	See E8 or E9	
E74	Link-Pivot-H/S-Opp Control	See E63	
E75	Ring – Retaining	See E14	
E76	Bolt – Swivel	See E14	

*** PART OF KIT**



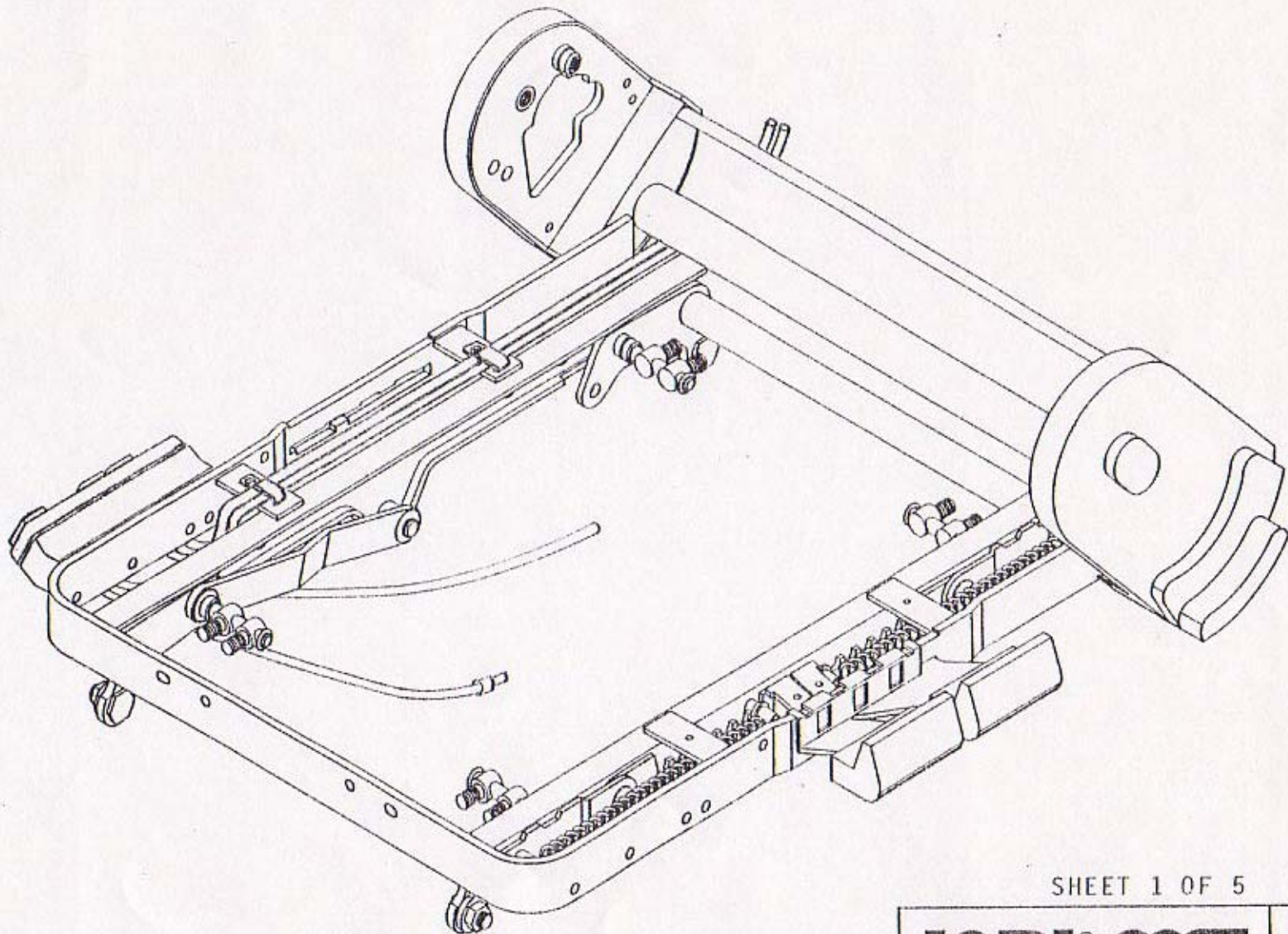
SERVICE PARTS LIST

ISRI P/N: 02371-02 Description: Seat Frame-515-LH-AL/MV(RH)
 ISRI Illus. No.: E-059
 Customer: Prevost Car Customer P/N: 861099

Specification: LH controls, double swivel bolt, controls – black w/symbol,
 Air lumbar/Manual valve-RH (IPS 5)

ILLUS NO.	DESCRIPTION	ISRI P/N	CUSTOMER P/N
E77	Bolt – Shoulder – M8	See E9	
E78	Bushing	See E8 or E9	
E79	Link-Pivot-H/S-Control	See E63	
E80	Lever – Backrest Adjust	41509D	
E81	Ring – Retaining	See E1	
E82	Spring – Tension – Backrest	41552D	860751
E83	Plate – Latch – H/S – Rear	35865J	
E84	Pin – Pivot – Latch	40647N	
E85	Ring – Retaining	60020	
E86	Guide – H/S	42962	
E88	Spring – Tension	See E7	
E89	Lever – H/S – Front	43012D	860588
E90	Spring – Tension	See E7	
E91	Spring – Tension	See E7	
E92	Plate – Latch – H/S – Front	47275D	860756
E93	Ring – Retaining	60020	
E94	Nut – Hex – Crimp Lock – M8	See E9	
E95	Linkage – H/S – Rear – DS	See E63	
E96	Ring – Retaining	60047	
E97	Link	See E63	
E98	Plate – Tooth – Seat Frame	See E13	
E99	Ring – Retaining	See E13	
E100	Ring – Retaining	60020	
E102	Bushing	See E8	
E103	Ring – Retaining	60020	
E104	Clip – U	60186	
E105	Linkage – H/S – Front – DS	See E63	
E138	Hose-PU3 (MV/Air Spring)	See E3	
E139	Housing – AL/MV	* 24111-02	
E140	Screw-Mtg-AL/MV Housing	See E3	
E141	Cover – Rocker – AL – Lower	* 45480-24	861094

*** PART OF KIT**



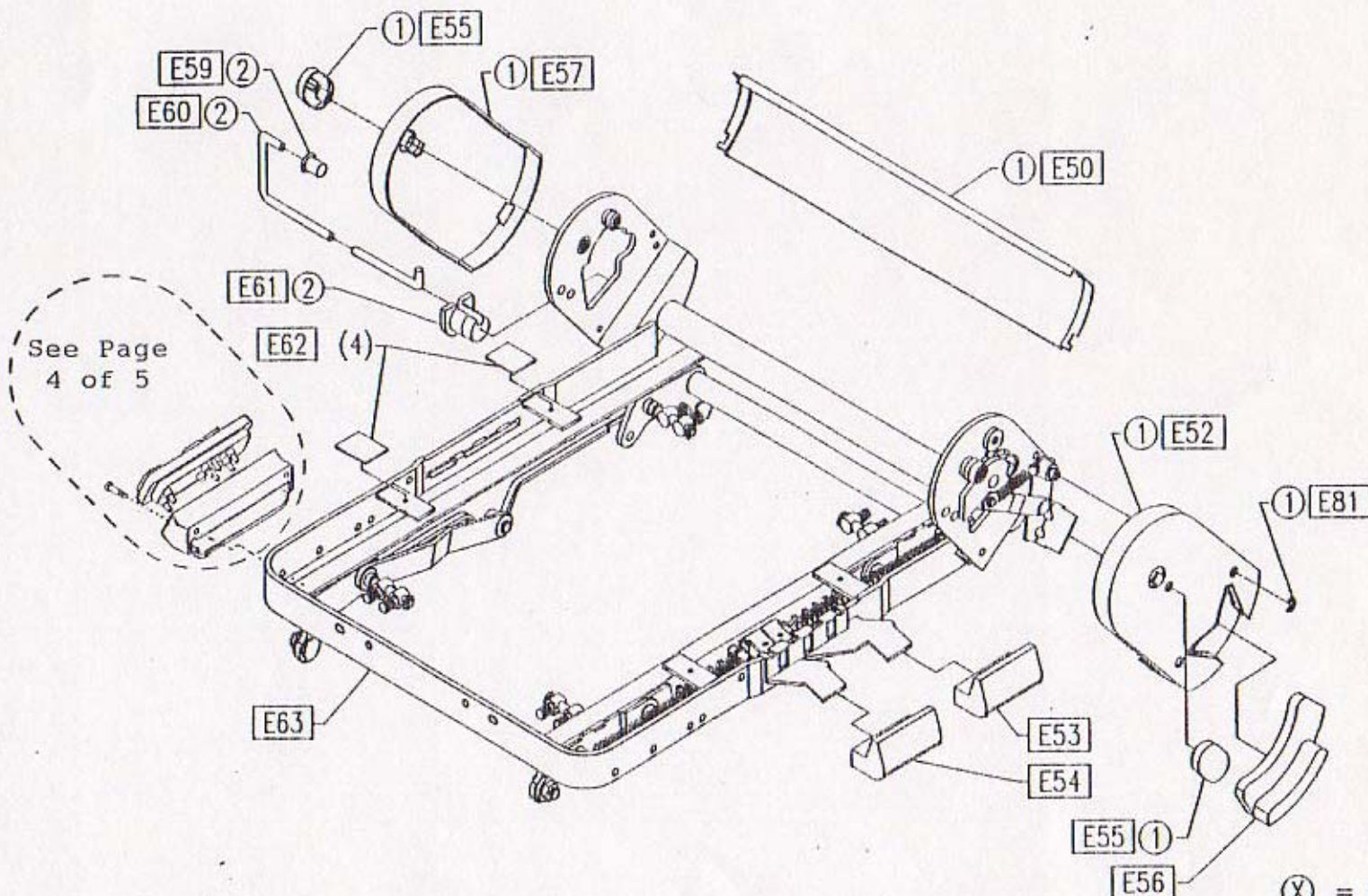
SHEET 1 OF 5

ISRI[®] 
ISRINGHAUSEN

12/95

SEAT FRAME-515-LH

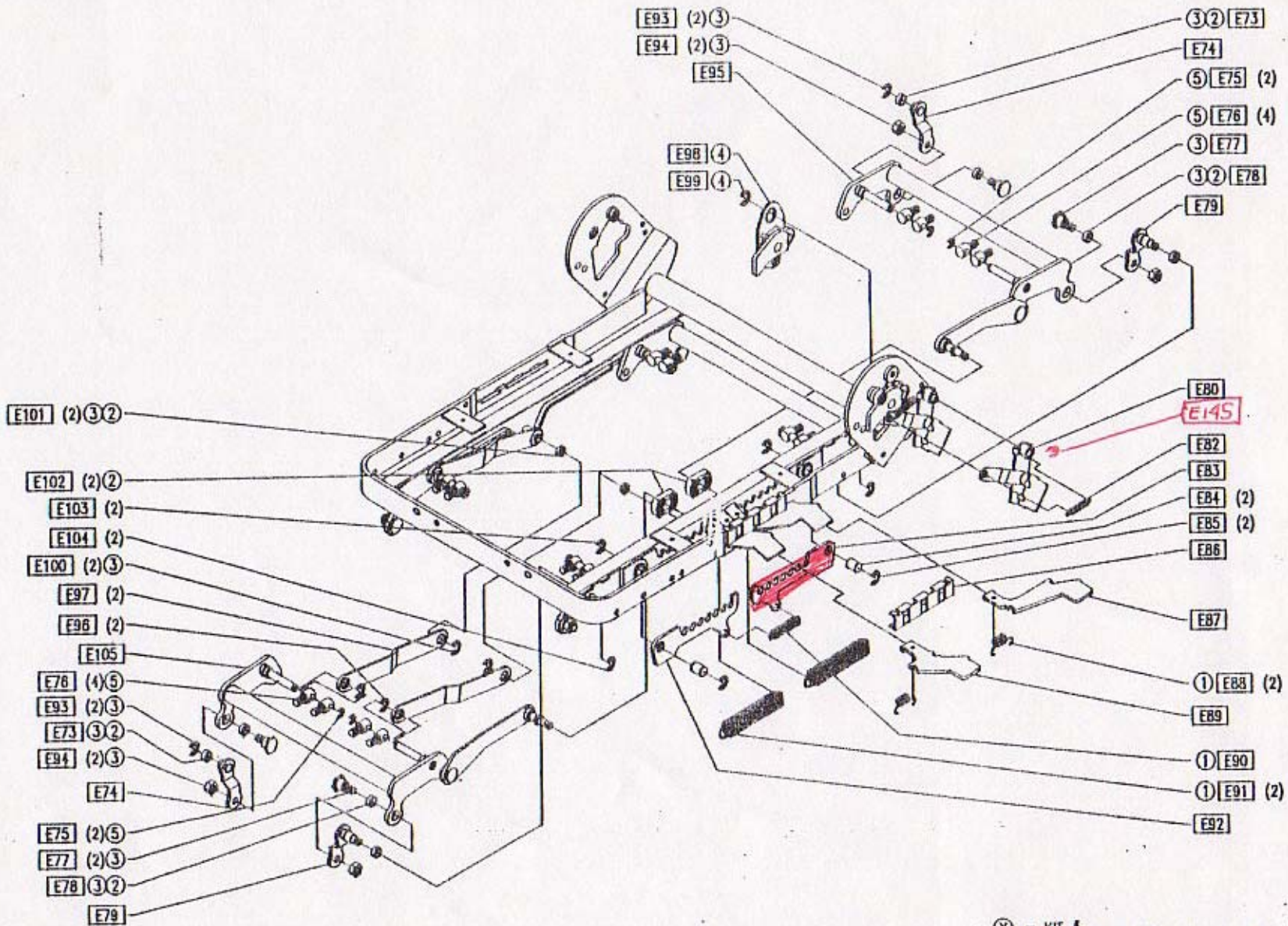
E-059



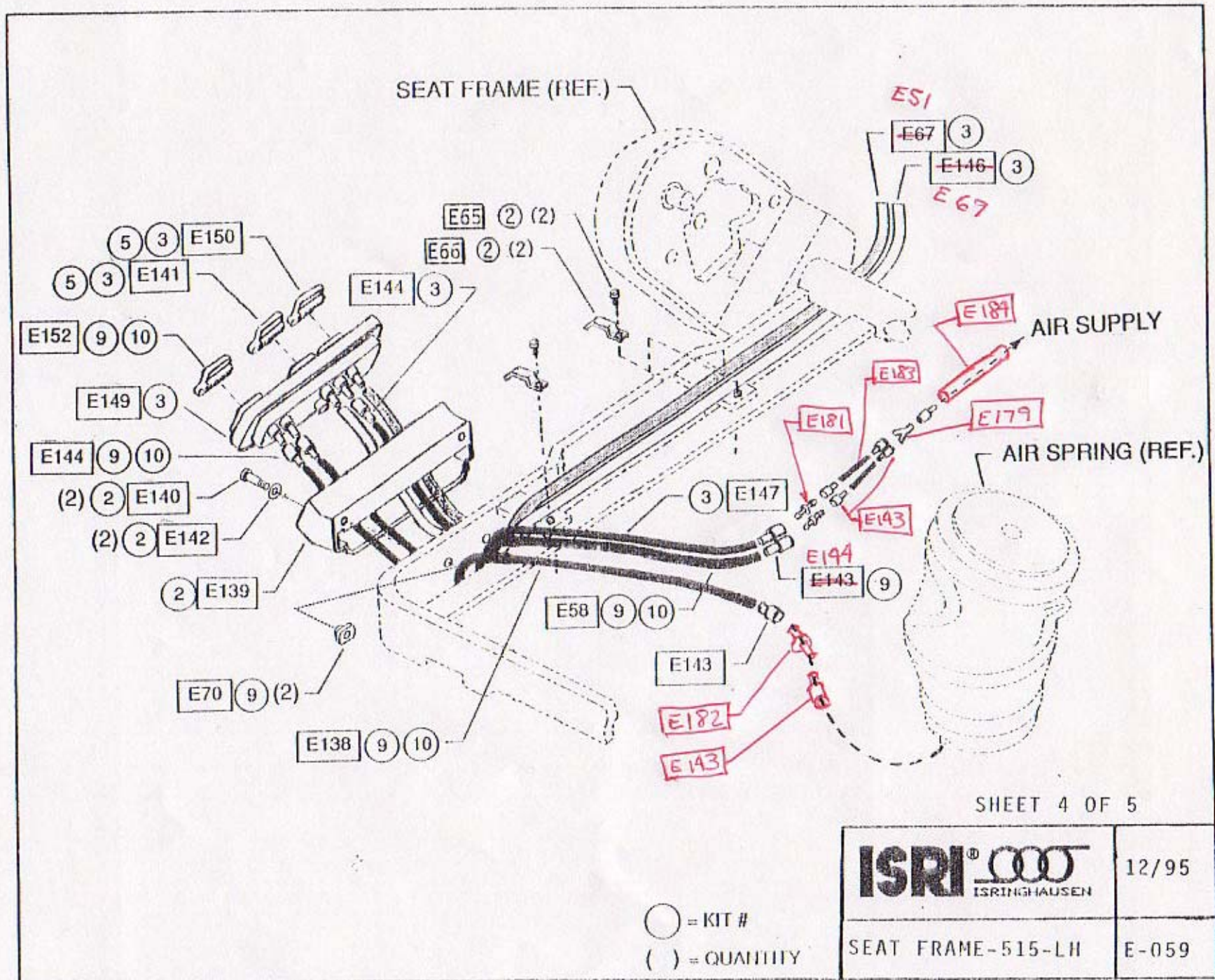
SHEET 2 OF 5

KIT #	P/N	ITEM NO. IN KIT	ITEM
1	E1	E50, E52, E55, E57, E81	SIDE PLATE KIT
2	E5	E59, E60, E61	TORSION BAR KIT

ISRI <small>TSRIRIGHAUSEN</small>	12/95
	E-059



⊗ = KIT /
 (X) = QUANTITY SHEET 3 OF 5



KIT #	P/N	ITEM NO. IN KIT	ITEM
1	E1	E50, E52, E55, E57, E81	SIDE PLATE KIT
2	E3	E4, E70, E139, E140, E142, E143	VALVE KIT-AL/MV
3	E4	E51, E67, E141, E144, E146, E147, E149, E150	VALVE ASM-AL/MV
4	E5	E59, E60, E61	TORSION BAR KIT
5	E6	E54, E56, E141, E150, E152	HANDLE KIT-SF-AL/MV
6	E7	E88, E90, E91	SPRING KIT-H/S
7	E8	E73, E78, E102	BUSHING KIT-H/S
8	E9	E73, E77, E78, E93, E94, E100	BUSHING/HDW KIT-H/S
9	E13	E98, E99	TOOTHPLATE KIT
10	E14	E75, E76	SWIVEL BOLT/CLIP KIT

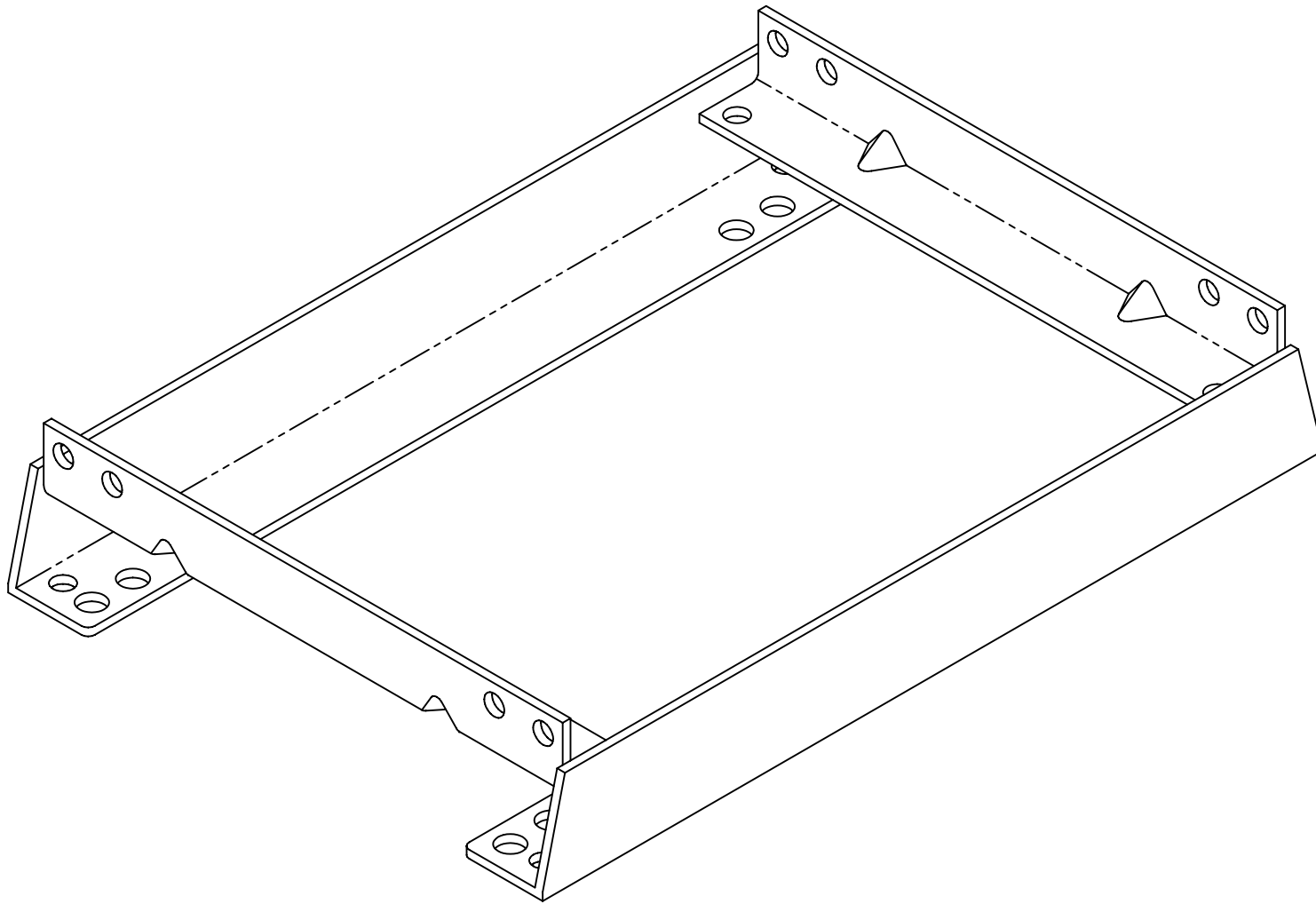
SHEET 5 OF 5

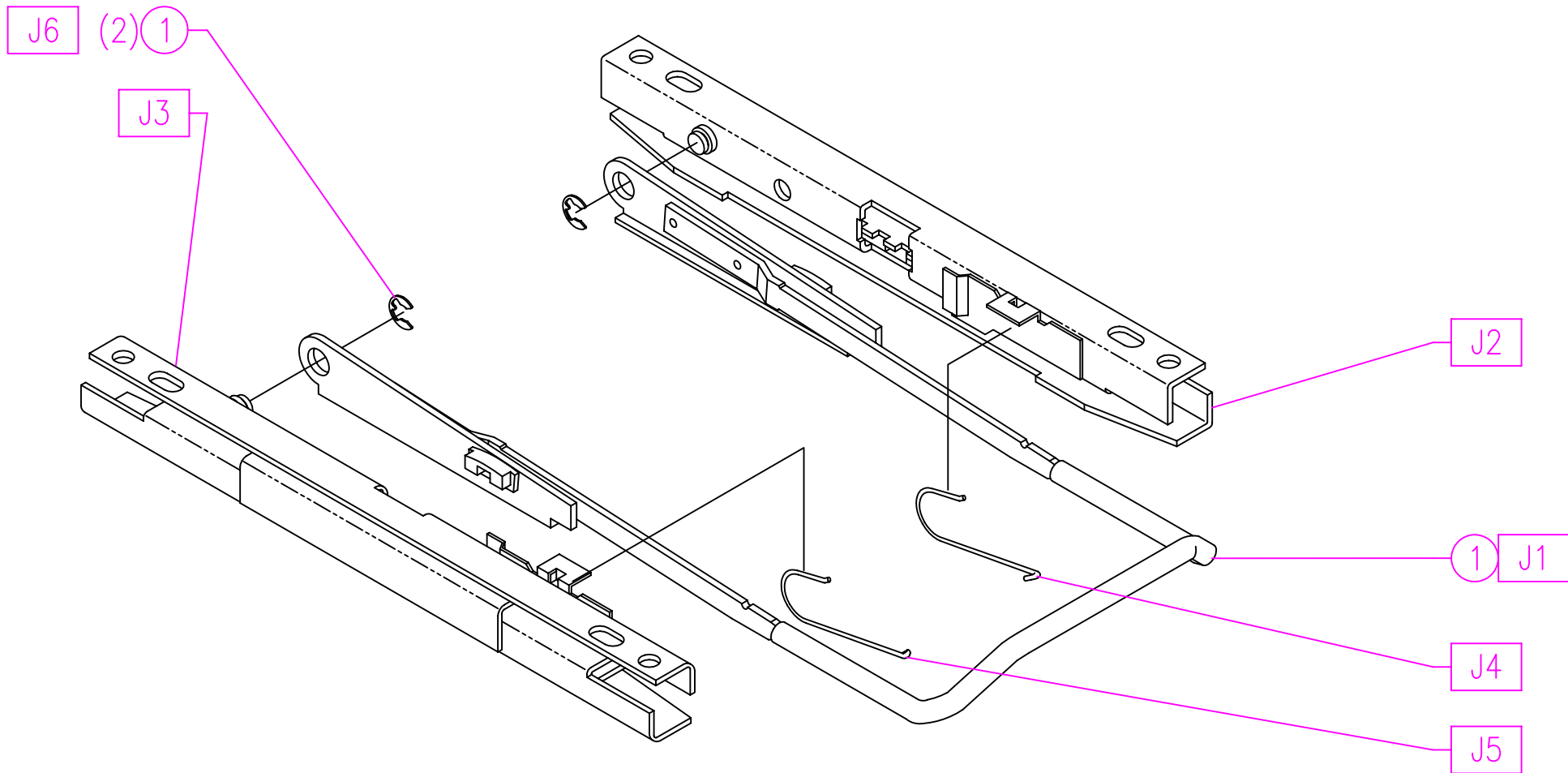
ISRI® 
ISRINGHAUSEN

12/95

KIT LIST

E-059





ISRI[®] 
ISRINGHAUSEN

04/91

KIT #	P/N	ITEM NO. IN KIT	ITEM
1	J8	J1, J6	HANDLE KIT

SLIDE SET

J-006

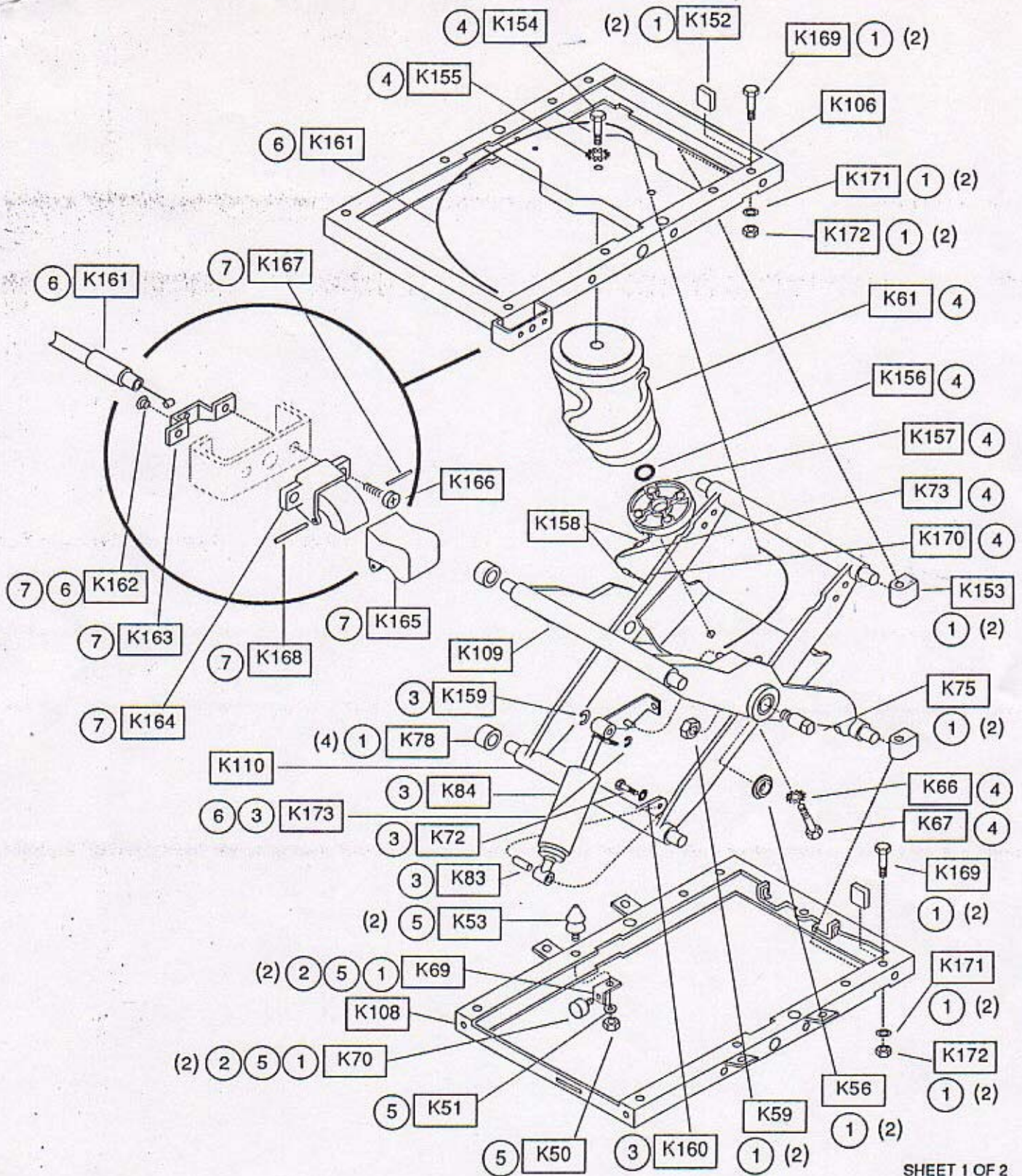


SERVICE PARTS LIST

ISRI P/N: 17259-01 Description: Susp–Air
 ISRI Illus. No.: K-019
 Customer: Prevost Car Customer P/N:
 Specification: Manual air, 100 mm stroke, Adjustable shock

ILLUS NO.	DESCRIPTION	ISRI P/N	CUSTOMER P/N
K2	Suspension Hdw Kit	95477-03	860770
K3	Bumper / Bracket Asm	See K12	
K5	Shock Kit	914410	860766
K6	Air Spring Kit	95474-02	
K12	Bumper Kit	913934-05	860769
K19	Shock Cable Kit	914411	860767
K20	Shock Handle Kit	914412-01	861105
K50	Nut – Hex – M8	See K12	
K51	Washer – Split Lock – B8	See K12	
K53	Bumper – Cone Shape	See K12	
K56	Bushing – Flange	See K2	
K59	Nut–Hex–Crimp Lock-M10	See K2	
K61	Spring – Air	See K6	
K66	Washer – Flat – A6.4	See K6	
K67	Screw – Air Spring Mtg - Lwr	See K6	
K69	Bracket – Bumper Stop	See K3	
K70	Bumper – Up Stop	See K3	
K72	Bolt – Shock Mtg - Lower	See K5	
K73	Hose–MV / Air Spring	See K16	
K75	Bolt – Shoulder – M10	See K2	
K78	Roller	See K2	
K83	Bushing – Shock - Lower	See K5	
K84	Shock Absorber	See K5	
K106	Frame – Upper	N/A Separate	
K108	Frame – Lower	N/A Separate	
K109	Scissor – Outer	N/A Separate	
K110	Scissor – Inner	N/A Separate	
K125	Cable Tie	See K5 or K9	
K152	Spacer Block	See K2	
K153	Bearing Block	See K2	
K154	Bolt – Air Spring Mtg – Upr	See K6	

***PART OF KIT**



SHEET 1 OF 2

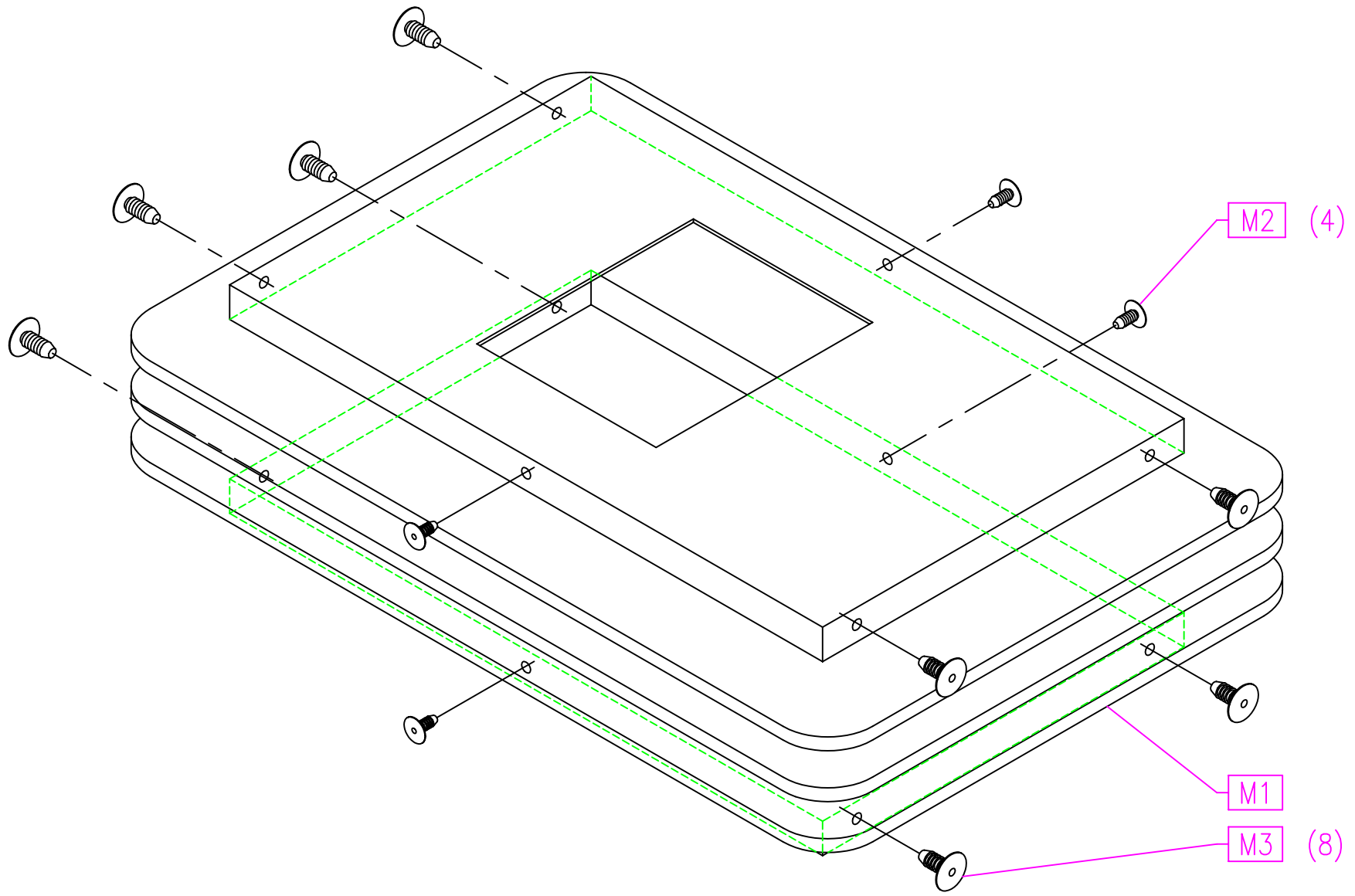
 ISRI [®] ISRINGHAUSEN	5/92
	Susp Asm - Air K-019

○ = KIT #
 () = QUANTITY

Kit No.	P/N	Item No. In Kit	Description
1	K2	K12, K56, K59, K75, K78, K152, K153, K169, K171, K172	Susp. HDW Kit
2	K3	K69, K70	Bumper/Bracket Assembly
3	K5	K72, K83, K84, K159, K160, K173	Shock Kit
4	K6	K61, K66, K67, K73, K154, K155, K156, K157, K170	Air Spring Kit
5	K12	K50, K51, K53	Bumper Kit

SHEET 2 OF 2

	7/92
Susp Asm - Air	K-019



(X) = QUANTITY

 <p>ISRI[®] ISRINGHAUSEN</p>	10/90
AIR SUSP BOOT KIT	M-001