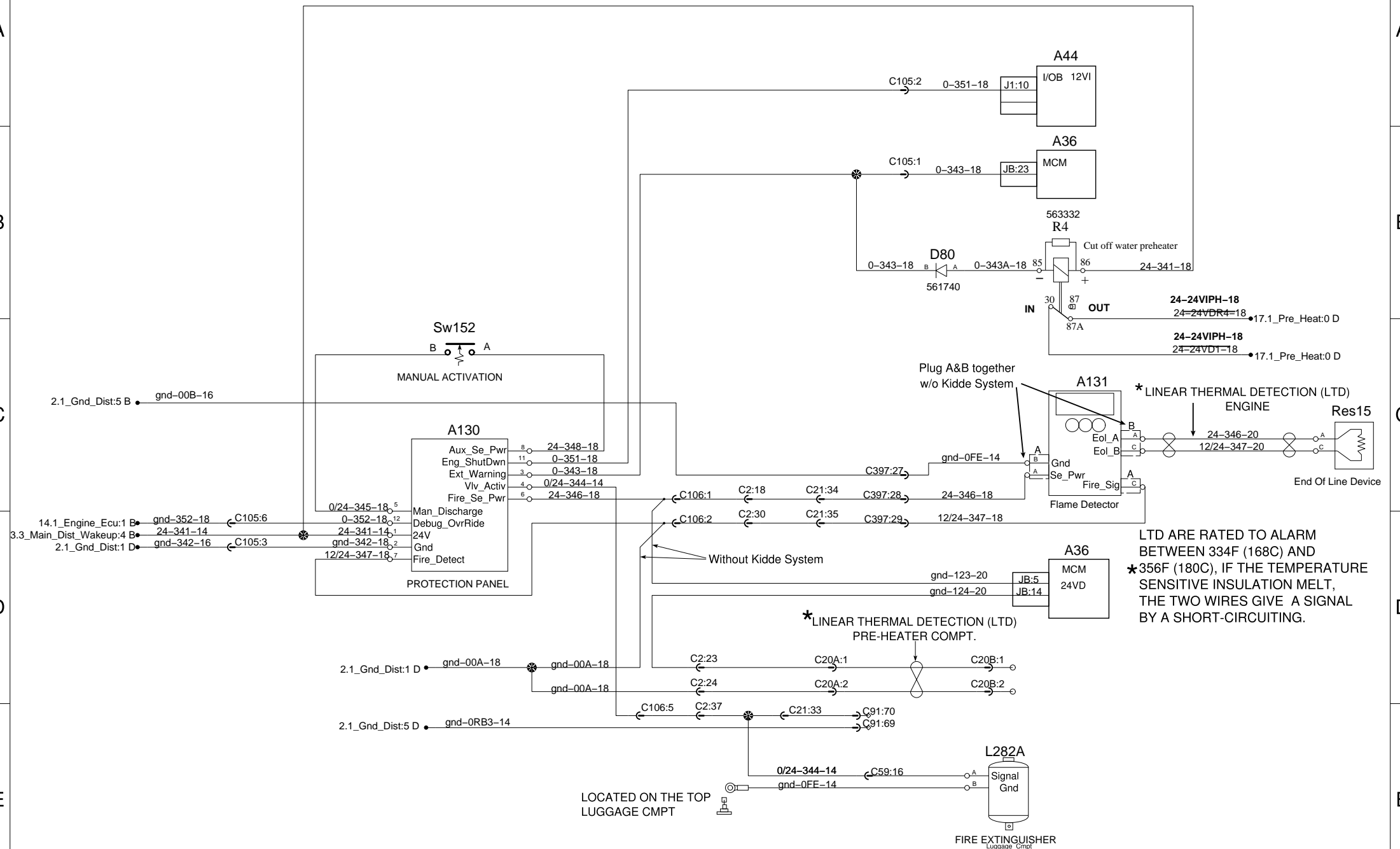


Automatic Fire Suppression System



LTD ARE RATED TO ALARM BETWEEN 334F (168C) AND *356F (180C), IF THE TEMPERATURE SENSITIVE INSULATION MELT, THE TWO WIRES GIVE A SIGNAL BY A SHORT-CIRCUITING.

LOCATED ON THE TOP LUGGAGE CMPT