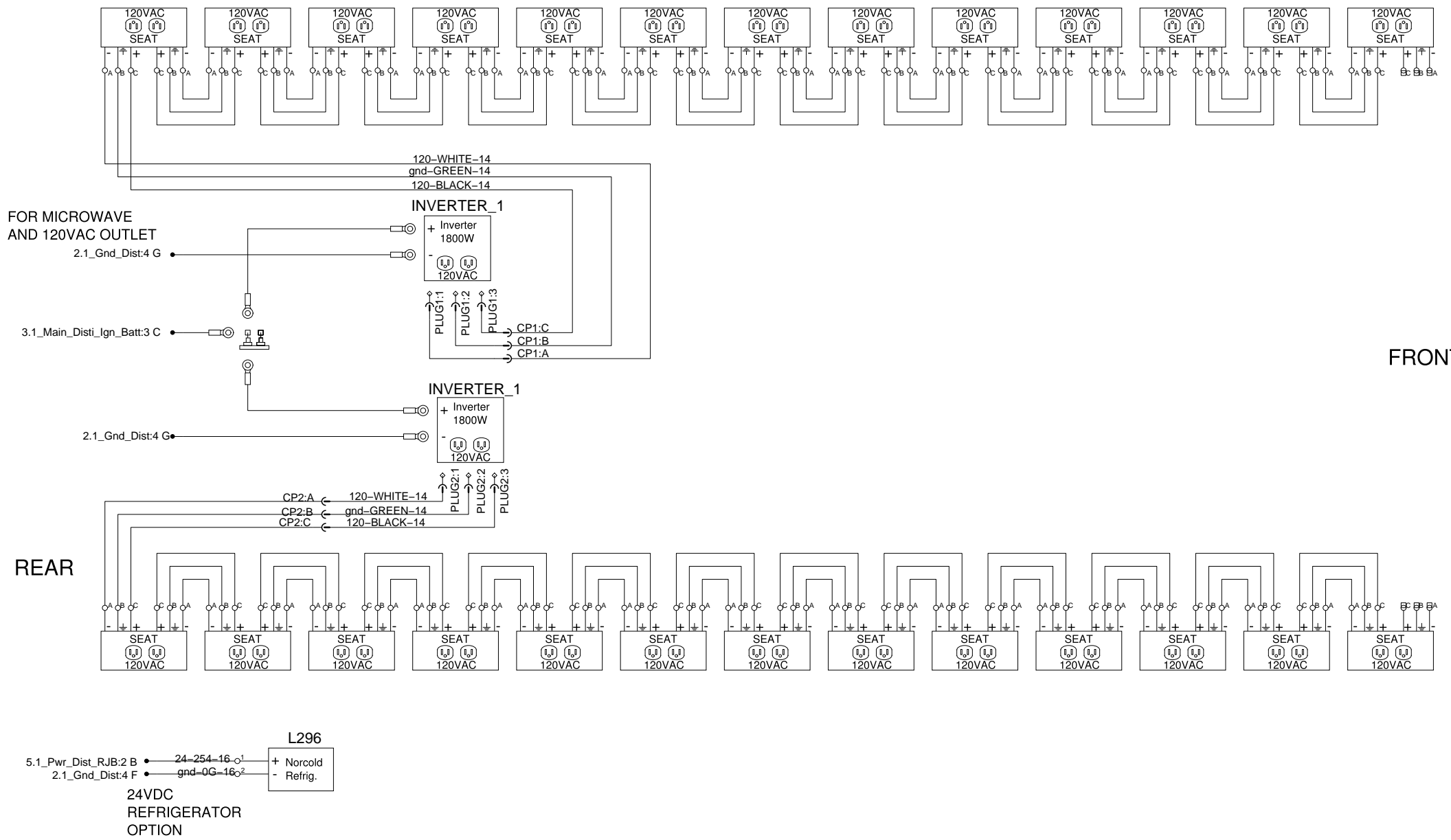


# GALLEY AND 120VAC OUTLET



FRONT

REAR