

# SECTION 22: HEATING AND AIR CONDITIONING

## CONTENTS

<b>1. HEATING AND AIR CONDITIONING</b> .....	<b>5</b>
<b>2. AIR CIRCULATION WITH CENTRAL HVAC SYSTEM</b> .....	<b>5</b>
2.1 DRIVER'S AREA .....	5
2.1.1 <i>Coaches only</i> .....	5
2.1.2 <i>VIP only</i> .....	5
2.2 PASSENGER'S (CABIN) AREA .....	5
<b>3. AIR CIRCULATION WITH SMALL HVAC SYSTEM</b> .....	<b>7</b>
3.1 AUXILIARY UNIT.....	7
<b>4. SMALL HVAC SYSTEM OPERATION</b> .....	<b>7</b>
4.1 DRIVER'S UNIT OPERATION.....	7
4.2 AUXILIARY UNIT OPERATION.....	7
<b>5. CENTRAL HVAC SYSTEM OPERATION</b> .....	<b>7</b>
5.1 DRIVER'S UNIT.....	7
5.2 PASSENGER'S UNIT .....	8
5.3 OVERHEAD COMPARTMENT UNIT (H3 COACHES) .....	9
<b>6. HVAC UNIT MAINTENANCE</b> .....	<b>10</b>
6.1 COIL CLEANING .....	10
6.2 DRIVER'S UNIT AIR FILTERS .....	11
6.3 PASSENGER'S UNIT AIR FILTER.....	11
6.4 OVERHEAD COMPARTMENTS FAN AIR FILTER.....	12
<b>7. HVAC SYSTEM PARTICULARITIES, TESTING AND TROUBLESHOOTING</b> .....	<b>12</b>
7.1 HVAC SYSTEM AND TEST MODE FOR SWITCHES AND SENSORS .....	12
7.2 HVAC SYSTEM AND TEST MODE FOR ELECTRIC MOTORS .....	13
7.3 PARTICULARITIES.....	13
7.4 HVAC SYSTEM TROUBLESHOOTING.....	14
<b>8. CENTRAL HVAC SYSTEM - AIR CONDITIONING</b> .....	<b>15</b>
8.1 A/C CYCLE .....	15
8.2 REFRIGERANT .....	16
8.2.1 <i>Procurement</i> .....	16
8.2.2 <i>Precautions in Handling Refrigerant</i> .....	16
8.2.3 <i>Treatment in Case of Injury</i> .....	16
8.2.4 <i>Precautions in Handling Refrigerant Lines</i> .....	16
8.3 REFRIGERANT SYSTEM CLEAN-OUT AFTER COMPRESSOR FAILURE.....	17
8.3.1 <i>Determining Severity of Failure</i> .....	17
8.3.2 <i>Clean-out after Minor Compressor Failure</i> .....	17
8.3.3 <i>Clean-out After Major Compressor Failure</i> .....	18
8.4 PUMPING DOWN.....	18
8.5 ADDING REFRIGERANT (VAPOR STATE).....	21
8.5.1 <i>Verification</i> .....	21
8.5.2 <i>Refrigerant addition</i> .....	21
8.6 EVACUATING SYSTEM.....	22
8.6.1 <i>Double Sweep Evacuation Procedure</i> .....	22
8.7 CHARGING SYSTEM.....	23
<b>9. CENTRAL HVAC SYSTEM – AIR CONDITIONING COMPONENTS</b> .....	<b>24</b>
9.1 COMPRESSOR.....	24
9.1.1 <i>Belt Replacement</i> .....	24

## Section 22: HEATING AND AIR CONDITIONING

---

9.1.2	Belt Tension Adjustment .....	25
9.1.3	Compressor Maintenance .....	25
9.1.4	Troubleshooting Guide .....	25
9.2	MAGNETIC CLUTCH .....	26
9.2.1	HVAC Control Unit and Clutch Operation .....	26
9.3	BRUSHLESS EVAPORATOR MOTOR.....	27
9.3.1	Removal .....	27
9.3.2	Installation .....	27
9.4	CONDENSER.....	27
9.4.1	Condenser Fan Motors.....	27
9.4.2	Condenser Fan Motor Removal.....	28
9.5	RECEIVER TANK.....	28
9.6	FILTER DRYER.....	28
9.6.1	Replacement .....	29
9.6.2	Moisture Indicator.....	29
9.7	LIQUID REFRIGERANT SOLENOID VALVE .....	29
9.7.1	Manual Bypass.....	30
9.7.2	Coil Replacement.....	30
9.7.3	Valve Disassembly .....	30
9.7.4	Valve Reassembly.....	30
9.8	EXPANSION VALVE .....	30
9.8.1	Central system .....	30
9.8.2	Driver's System .....	33
9.9	TORCH BRAZING .....	33
9.10	TROUBLESHOOTING .....	34
9.10.1	Expansion Valve.....	34
9.10.2	A/C Compressor.....	35
9.11	TEMPERATURES & PRESSURES.....	37
9.12	LEAK TESTING .....	38
<b>10.</b>	<b>SMALL HVAC SYSTEM – AIR CONDITIONING COMPONENTS.....</b>	<b>38</b>
10.1	COMPRESSOR.....	38
10.2	COMPRESSOR REMOVAL .....	38
10.2.1	When the compressor is operational.....	38
10.2.2	Refrigerant Recovery .....	38
10.2.3	When the compressor is inoperable.....	38
10.2.4	Evacuating System prior Addition of Refrigerant (Driver's or Auxiliary System) .....	38
10.3	OIL ADDITION.....	39
10.4	COMPRESSOR OIL CONTAMINATION.....	39
10.5	OIL RETURN OPERATION.....	39
<b>11.</b>	<b>HEATING SYSTEM .....</b>	<b>43</b>
11.1	SMALL HVAC SYSTEM .....	43
11.2	CENTRAL HVAC SYSTEM .....	43
11.3	DRAINING HEATING SYSTEM.....	43
11.3.1	Draining Driver's Unit Heater Core.....	43
11.3.2	Draining Passenger's Unit Heater Core.....	43
11.4	FILLING HEATING SYSTEM.....	44
11.5	BLEEDING HEATING SYSTEM .....	45
11.6	SOLDERING.....	45
11.7	DRIVER'S UNIT HOT WATER PNEUMATIC VALVE.....	45
11.8	PASSENGER'S UNIT HOT WATER PNEUMATIC VALVE ASSEMBLY .....	45
11.8.1	Description .....	45
11.8.2	Hot Water Pneumatic Valve Disassembly.....	46
11.8.3	Hot Water Pneumatic Valve Reassembly.....	46
11.8.4	Pilot Solenoid Valve .....	46
11.8.5	Valve Troubleshooting.....	46

11.9	HOT WATER RECIRCULATING PUMP.....	46
11.9.1	<i>Removal</i> .....	47
11.9.2	<i>Disassembly</i> .....	47
11.9.3	<i>Brushes</i> .....	47
11.9.4	<i>Assembly</i> .....	48
11.9.5	<i>Installation</i> .....	48
11.10	BYPASS SOLENOID WATER VALVE (OPTIONAL).....	48
11.10.1	<i>Improper Operation</i> .....	48
11.10.2	<i>To Remove or Change the Coil</i> .....	48
11.10.3	<i>Valve disassembly and Reassembly</i> .....	49
<b>12.</b>	<b>PREHEATING SYSTEM (OPTIONAL ON COACHES ONLY).....</b>	<b>49</b>
12.1	PREHEATER FUEL FILTER.....	50
12.2	OPERATION.....	50
12.3	PREHEATING SYSTEM TIMER.....	50
12.3.1	<i>Timer operating instructions (Spheros)</i> .....	51
12.4	TROUBLESHOOTING AND MAINTENANCE.....	52
<b>13.</b>	<b>SPECIFICATIONS.....</b>	<b>54</b>

**ILLUSTRATIONS**

FIGURE 1: DRIVER'S UNIT AIR CIRCULATION ..... 5  
FIGURE 2: CENTRAL HVAC SYSTEM – PASSENGER'S UNIT AIR CIRCULATION (COACH) ..... 6  
FIGURE 3: OVERHEAD COMPARTMENT VENTILATION SYSTEM ..... 7  
FIGURE 4: CONTROL UNIT - SMALL HVAC SYST ..... 7  
FIGURE 5: CONTROL UNIT - CENTRAL HVAC SYST ..... 7  
FIGURE 6: MAIN BREAKERS – SEATED COACH ..... 9  
FIGURE 7: HVAC CONTROL PANEL ..... 9  
FIGURE 8: PASSENGER'S OVERHEAD COMPARTMENT UNIT ..... 10  
FIGURE 9: PASSENGER'S UNIT EVAPORATOR COIL ..... 10  
FIGURE 10: PASSENGER'S UNIT EVAPORATOR COIL (VIP WITH CENTRAL HVAC SYSTEM ONLY) ..... 10  
FIGURE 11: PASSENGER'S UNIT CONDENSER COIL ..... 11  
FIGURE 12: R.H CONSOLE AIR FILTER ACCESS GRILL (COACHES) ..... 11  
FIGURE 13: R.H. CONSOLE AIR FILTER ACCESS GRILL (VIP) ..... 11  
FIGURE 14: DRIVER'S UNIT AIR FILTERS ..... 11  
FIGURE 15: PASSENGER'S UNIT 2-PART AIR FILTER ..... 12  
FIGURE 16: PASSENGER'S UNIT 2-PART AIR FILTER ACCESS PANEL ..... 12  
FIGURE 17: PARCEL RACK FAN AIR FILTER ..... 12  
FIGURE 18: CENTRAL HVAC SYSTEM – AIR CONDITIONING ..... 20  
FIGURE 19: DOUBLE SWEEP EVACUATION SET-UP ..... 23  
FIGURE 20: STANDARD BELT LAYOUT WITH CENTRAL HVAC SYSTEM ..... 24  
FIGURE 21: BELT LAYOUT WITH 3RD ALTERNATOR ..... 24  
FIGURE 22: TENSIONER ON STANDARD BELT ARRANGEMENT ..... 25  
FIGURE 23: TENSIONER ON THREE ALTERNATOR BELT ARRANGEMENT ..... 25  
FIGURE 24: TENSIONING VALVE ..... 25  
FIGURE 25: SHAFT SEAL OIL COLLECTING TUBE ..... 25  
FIGURE 26: EVAPORATOR COMPARTMENT ..... 27  
FIGURE 27: EVAPORATOR MOTOR ASSEMBLY ..... 27  
FIGURE 28: CONDENSER FAN SPEED IN RELATION WITH HIGH SIDE PRESSURE ..... 28  
FIGURE 29: CONDENSER FANS ..... 28  
FIGURE 30: A/C CONDENSER COMPARTMENT ..... 28  
FIGURE 31: A QUICK CHECK OF THE MOISTURE INDICATOR AND THE RECEIVER TANK SIGHT GLASS ..... 29  
FIGURE 32: REFRIGERANT SOLENOID VALVE ..... 30  
FIGURE 33: EXPANSION VALVE ..... 31  
FIGURE 34: SUPERHEAT ADJUST. INSTALLATION ..... 32  
FIGURE 35: HIGH & LOW SWING TEMPERATURE AT REMOTE BULB ..... 32  
FIGURE 36: BELT LAYOUT WITH SMALL A/C COMPRESSOR ..... 39  
FIGURE 37: BELT LAYOUT WITH SMALL A/C COMPRESSOR ..... 39  
FIGURE 38: SMALL HVAC SYSTEM - AIR CONDITIONING ..... 40  
FIGURE 39: SMALL HVAC SYSTEM - DRIVER'S AND AUXILIARY UNIT ..... 40  
FIGURE 40: SMALL HVAC SYSTEM ..... 41  
FIGURE 41: CENTRAL HVAC SYSTEM – HEATING ..... 42  
FIGURE 42: DRIVER'S UNIT AIR MIXING BOX ..... 43  
FIGURE 43: PASSENGER'S UNIT HEATER CORE (H3 COACHES) ..... 44  
FIGURE 44: HEATER CORE INSIDE EVAPORATOR COMPARTMENT (H3 COACHES) ..... 44  
FIGURE 45: HEATER LINE SHUTOFF VALVES (CENTRAL HVAC SYSTEM) ..... 44  
FIGURE 46: HEATER LINE SHUTOFF VALVES (SMALL HVAC SYSTEM) ..... 44  
FIGURE 47: HEATER LINE SHUTOFF VALVES (WITH VOLVO D13 ENGINE) ..... 45  
FIGURE 48: PASSENGER'S UNIT HOT WATER PNEUMATIC VALVE ASSEMBLY ..... 45  
FIGURE 49: PASSENGER'S UNIT HOT WATER PNEUMATIC VALVE ..... 46  
FIGURE 50: HOT WATER RECIRCULATING PUMP INSTALLATION (CENTRAL HVAC SYSTEM) ..... 47  
FIGURE 51: HOT WATER RECIRCULATING PUMP INSTALLATION (SMALL HVAC SYSTEM) ..... 47  
FIGURE 52: HOT WATER RECIRCULATING PUMP ..... 48  
FIGURE 53: BYPASS HOT WATER SOLENOID VALVE ..... 49  
FIGURE 54: COOLANT HEATER (104,000 BTU) ..... 49  
FIGURE 55: COOLANT TIMER ..... 51

**1. HEATING AND AIR CONDITIONING**

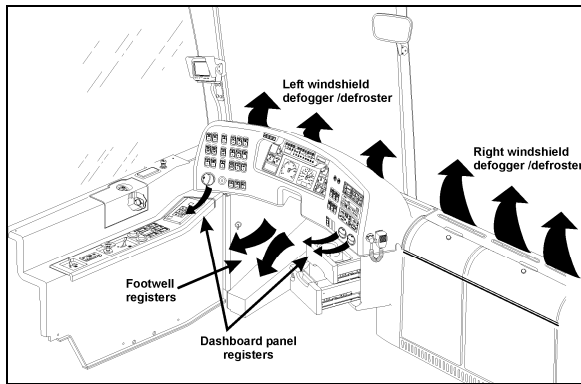
The coach's interior is pressurized by its Heating, Ventilation, and Air Conditioning (HVAC) system. Air flow and controls divide the vehicle in two areas: driver's area and passenger's (cabin) area. The interior of vehicle should always be slightly pressurized to prevent dust and moisture from entering vehicle. Each section has its own fresh air, returning air and discharge air ducting. The exhaust is mainly done through the lavatory ventilator and through normal air-tightness losses.

**2. AIR CIRCULATION WITH CENTRAL HVAC SYSTEM**

**2.1 DRIVER'S AREA**

Fresh air is taken from behind the R.H. side headlights assembly and enters the mixing box through an ON/OFF damper. Return air is taken through the right console into the mixing box. Mixed air goes through cooling and heating coils, fans and discharge ducts.

Both right and left discharge ducts defrost one half of the windshield. The driver can also divert his air flow to the dashboard, from which he can direct vent to his upper body with adjustable HVAC register and to his feet with the appropriate button (see figure 1 and Operator's manual or Owner's manual).



**FIGURE 1: DRIVER'S UNIT AIR CIRCULATION** 22291

**2.1.1 Coaches only**

Two additional air outlets are located in the front area but supplied by the passenger's (cabin) unit ducting system. One is located in the stepwell for step de-icing (Figure 2). The air flow outlet comes from the left side and is drawn from the first step riser. The other air outlet is located behind the driver, on his L.H. side. The air outlets can be rotated to direct Air flow.

Optionally, the coach may be equipped with a defogger/defroster system in the windshield upper-section, refer to paragraph: "Central Heating System" for more information.

**2.1.2 VIP only**

VIP vehicles equipped with the Central HVAC System have two additional registers called Navigator's registers located near the entrance door, at bottom of first lateral window.

**2.2 PASSENGER'S (CABIN) AREA**

Fresh air is taken from the left side of vehicle through a two-position damper located at the left of the evaporator compartment. The thermal control damper can be fully opened for normal operation or partially closed for extreme weather or highly polluted areas. The recirculation REC button is located on the HVAC control unit. Press down the button to partially close the fresh air damper.

**NOTE**  
Opening the entrance door also partially closes the fresh air damper.

Return air is drawn through the first entrance step riser (coaches only), last entrance step riser and from the lower section of the floor ducts in two locations: one in the rear section of vehicle and the other in the front section of vehicle on the L.H. side (figure 2).

A double blower fan unit, which is activated by the evaporator motor, draws mixed air through an air filter, cooling and heating coils, then forces this air in the ventilation ducts (upper section) along the walls, and finally exhausts it at the bottom of the windows.

On coaches, the Central HVAC system includes an overhead compartment ventilation system equipped with adjustable registers in the passenger's overhead console to control air flow for the passenger seats. Direct air flow by pointing or rotating register. Open or close register to adjust air flow (figure 3). Also on coaches, the lavatory ventilator acts as the main exhaust for the whole vehicle, eliminates odors, and finally heats or cools the lavatory with the vehicle's ambient air.

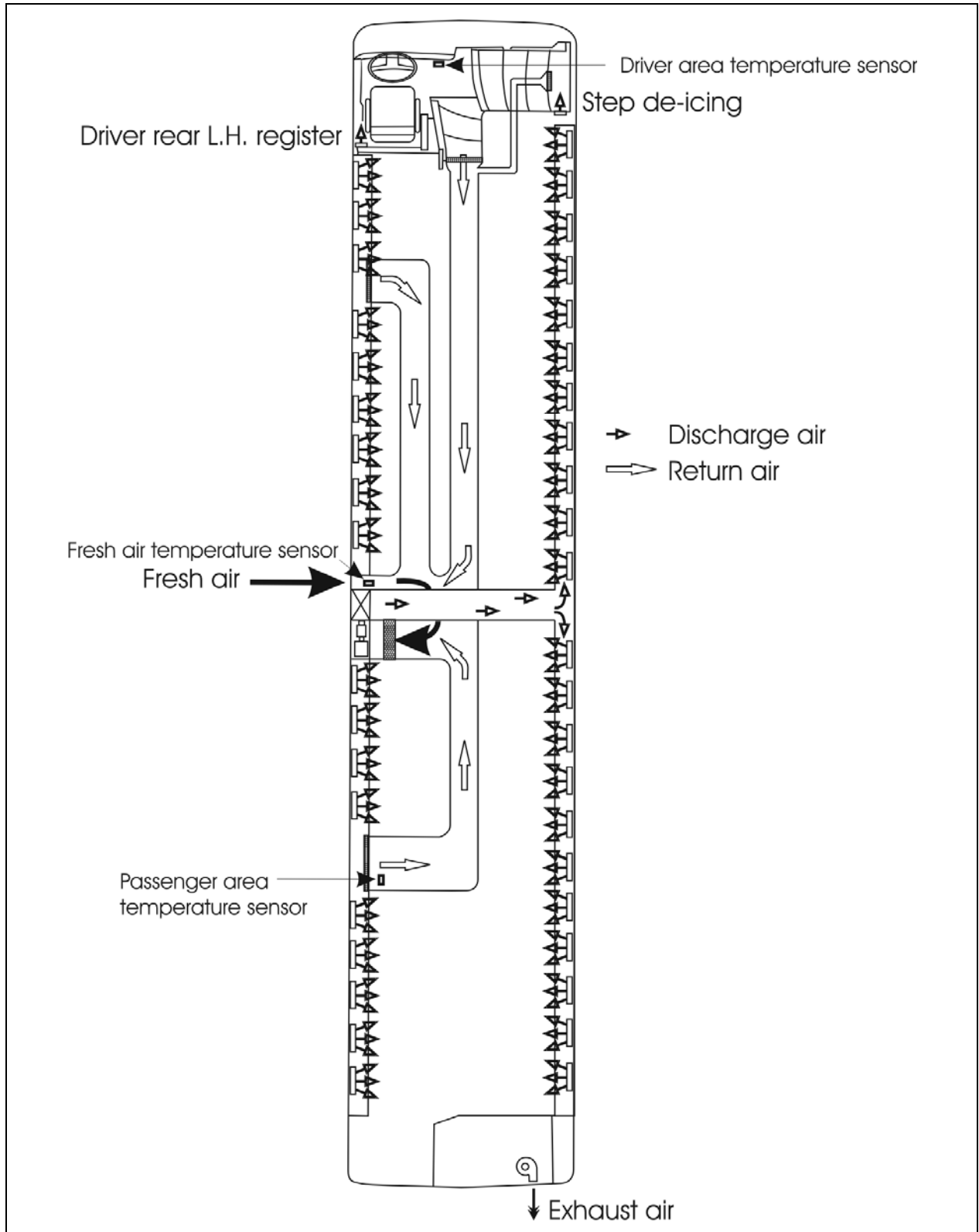


FIGURE 2: CENTRAL HVAC SYSTEM – PASSENGER'S UNIT AIR CIRCULATION (COACH)

22264

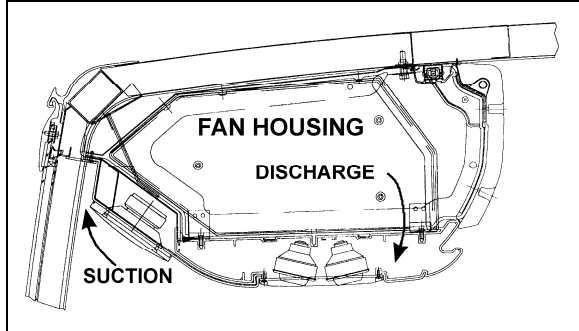


FIGURE 3: OVERHEAD COMPARTMENT VENTILATION SYSTEM 22211

### 3. AIR CIRCULATION WITH SMALL HVAC SYSTEM

Fresh air is taken from behind from behind the R.H. side headlights assembly and enters the mixing box through an adjustable damper. Returning air is taken through the right console into the mixing box. The recirculation REC button is located on the HVAC control unit (figure 4). Mixed air goes through cooling and heating coils, fans and discharge ducts.

Both right and left discharge ducts defrost/defog one half of the windshield. The driver can divert his air flow to the dashboard, from which he can direct vent to his upper body with adjustable HVAC register and to his feet with the appropriate button (see figure 1 and Owner's manual).

#### 3.1 AUXILIARY UNIT

VIP vehicles with small HVAC system are equipped with an auxiliary system that provides five additional registers. Three are located behind the driver's seat and the other two are located near the entrance door, at bottom of first lateral window. The auxiliary unit comes with cooling and heating coils, fan and discharge ducts.

### 4. SMALL HVAC SYSTEM OPERATION

#### 4.1 DRIVER'S UNIT OPERATION

The temperature control in the driver's area is provided directly by the HVAC control unit mounted on the dashboard R.H. side.

Using the Up/Down type switch sets the fan speed and the speed chosen is displayed on the HVAC control unit.

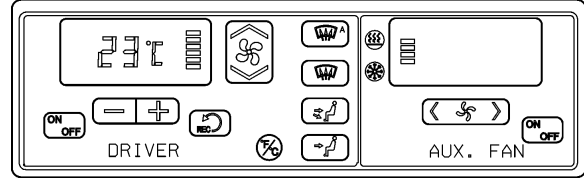


FIGURE 4: CONTROL UNIT - SMALL HVAC SYST. 22286

#### 4.2 AUXILIARY UNIT OPERATION

The temperature control is provided by the small system HVAC control unit. The R.H. portion of the HVAC control unit enables to actuate the Auxiliary Unit and to regulate the fan speed. Using the < > type switch sets the fan speed and the speed chosen is illustrated on the window display.

### 5. CENTRAL HVAC SYSTEM OPERATION

To operate the air conditioning system when coach is stationary, engine should run at fast idle. During operation of the air conditioning system, windows should be kept closed and door not left open longer than necessary. In order to prevent battery discharge, HVAC system will not operate if vehicle charging system is not working properly.

#### 5.1 DRIVER'S UNIT

The temperature control in the driver's area is provided directly by the L.H. portion of the HVAC control unit.

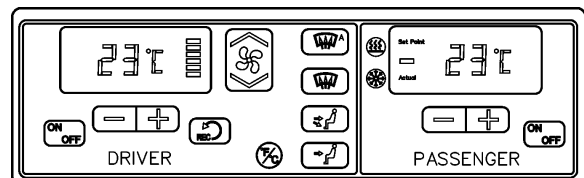


FIGURE 5: CONTROL UNIT - CENTRAL HVAC SYST 22276

The driver's unit piping is paralleled with the passenger's unit piping. Both units use the same refrigerant and coolant, and are linked to the same condenser and compressor, even if they are individually controlled. It requires the passenger's unit to engage the A/C compressor magnetic clutch; consequently, the driver's unit cannot be operated alone in the air conditioning mode.

**NOTE**

The driver's HVAC section turns on automatically at starting of the engine and uses the settings that were kept in memory before turning off of the system.

The A/C compressor starts automatically when the two following conditions are satisfied:

## Section 22: HEATING AND AIR CONDITIONING

1. The outside temperature is above 32°F (0°C).
2. The passenger's area temperature has reached 7°F (4°C) under the set point.

### NOTE

Upon starting, if the outside temperature is above 32°F (0°C) and then drops below 32°F (0°C), the compressor will keep running up to a temperature of 15°F (-9°C) to prevent condensation from forming on the windows.

### NOTE

To perform a test of the driver's section windshield defroster, it is possible to run the system without running the engine.

### NOTE

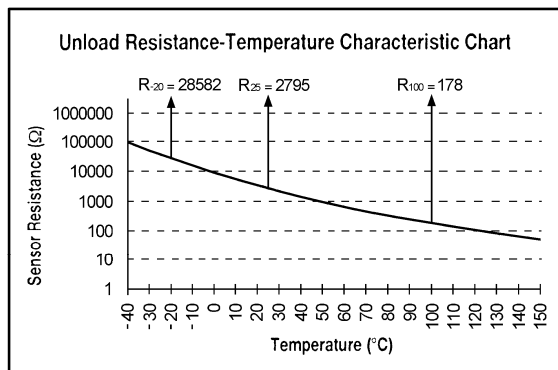
VIP vehicles equipped with Small HVAC System have two air temperature sensors; the driver's area temperature sensor (same place as coaches) and the exterior temperature sensor located behind the reclining bumper.

The following table can be used for troubleshooting the following temperature sensors:

- 1) Driver area temperature sensor (SE21);
- 2) Passenger area temperature sensor (SE25);
- 3) Outside air temperature sensor (SE20).

The table values are for unloaded, disconnected temperature sensor (thermistor) probed at the temperature sensor connector pins.

If the temperature sensor resistance value is measured at the multiplex module inputs, the measured value includes a parallel 33 kohms resistor.



TEMPERATURE SENSOR		
Temp °C	Temp °F	Resistance Ohms (temperature sensor disconnected)
-40	-40	100865
-35	-31	72437
-30	-22	52594
-25	-13	38583
-20	-4	28582
-15	5	21371
-10	14	16120
-5	23	12261
0	32	9399
5	41	7263
10	50	5658
15	59	4441
20	68	3511
25	77	2795
30	86	2240
35	95	1806
40	104	1465
45	113	1195
50	122	980
55	131	808
60	140	670
65	149	559
70	158	468
75	167	394
80	176	333
85	185	283
90	194	241
95	203	207
100	212	178
105	221	153
110	230	133
115	239	115
120	248	100
125	257	88
130	266	77
135	275	68
140	284	60
145	293	53
150	302	47

Using the Up/Down type switch sets the fan speed and the speed chosen is illustrated on the window display.

## 5.2 PASSENGER'S UNIT

The passenger section of the HVAC control unit enables the selection of the temperature in the passenger's section (Refer to the VIP Owner's manual or H3 Operator's Manual for details).

Temperature control is provided in conjunction with a thermistor sensor located inside return duct, on L.H. side of vehicle (figure 2).

The flow of water to the passenger's unit heater core is controlled by a pneumatic water valve which varies the cycling rate depending on selected temperature. A red LED indicator, located on the HVAC control unit, illuminates



when the heating mode is one. A green LED indicator illuminates when compressor clutch is in operation.

The evaporator motor is located in the evaporator compartment on the L.H. side of vehicle is protected by a 90 amp, with manual-reset (CB3) circuit breaker mounted in the main power compartment (refer to Section 06, "Electrical System" in this manual for details).

The condenser coil mounted on the opposite side of the evaporator is ventilated by four brushless axial fans. The fan motors are protected by a manual-reset 70 amp circuit breaker (CB 7) mounted in the main power compartment on rear R.H. side of vehicle (figure 6). Furthermore, the following relays, diodes and multiplex modules are located in the evaporator compartment (figure 7). They are mounted on the HVAC components panel located on the R.H. side wall when facing the compartment.

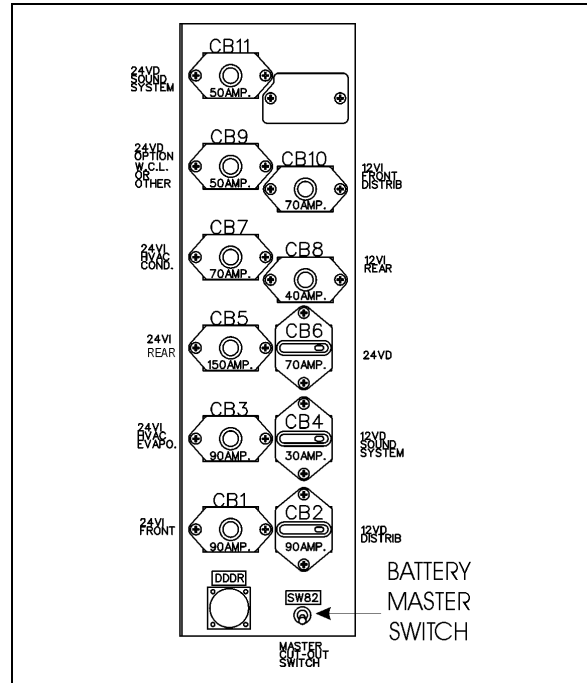


FIGURE 6: MAIN BREAKERS – SEATED COACH 06582A

Multiplex Module (evaporator compartment)	
A54	I/O-B
Relays (evaporator compartment)	
R10	24V Condenser fans
R12	24V Evaporator fan
R20	Water pump
R26	Pre-heating
Diodes (evaporator compartment)	
D9	Pre-heating
D10	Pre-heating
D16	Baggage compartment -3
D17	Baggage compartment -5
D19	Baggage compartment -2
D20	Baggage compartment -1
DXX	Not used

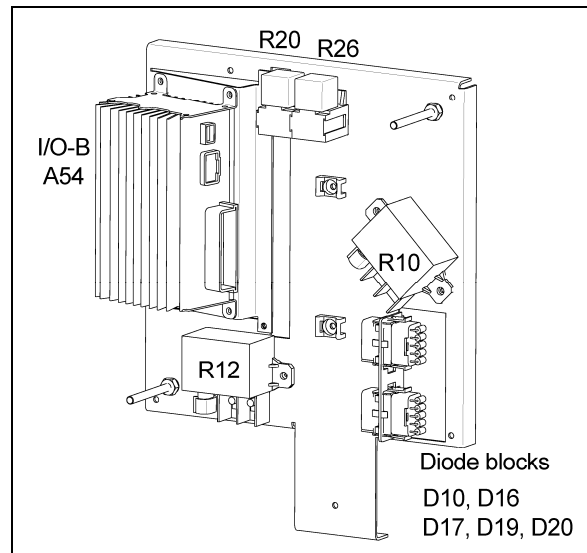


FIGURE 7: HVAC CONTROL PANEL 06596

### 5.3 OVERHEAD COMPARTMENT UNIT (H3 COACHES)

Optional evaporator coils may be added to both overhead compartment air systems. This air conditioning unit permits a wider temperature range in the passenger's area.

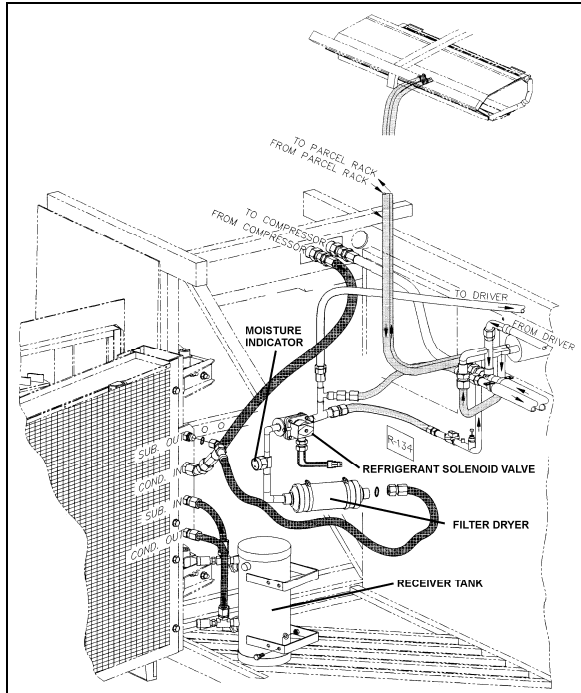


FIGURE 8: PASSENGER'S OVERHEAD COMPARTMENT UNIT 22221

## 6. HVAC UNIT MAINTENANCE

No special maintenance is required on the passenger's and driver's units, with the exception of cleaning their respective coil air filters.

### NOTE

*Squeeze rubber hose located under the concerned compartment, to eliminate water and dirt when you make routine maintenance.*

### 6.1 COIL CLEANING

Check the external surface of the coil at regular intervals for dirt or any foreign matter.

For the driver's HVAC unit, remove the grill and the access panels and back flush the evaporator coil from inside (figure 14).

For the optional windshield upper section defogger/defroster, remove the bottom access panel, remove the six bolts fixing the blower motor assembly. Use low air pressure to clean the coil.



## MAINTENANCE

For the passenger's unit evaporator coil, back flush the coil (figure 9) every 12,500 miles (20 000 km) or once a year whichever comes first and for the condenser, back flush the coil (figure 11) every 6,250 miles (10 000 km) or twice a year, whichever comes first.

Use a water jet or water mixed with low air pressure to clean the coil.

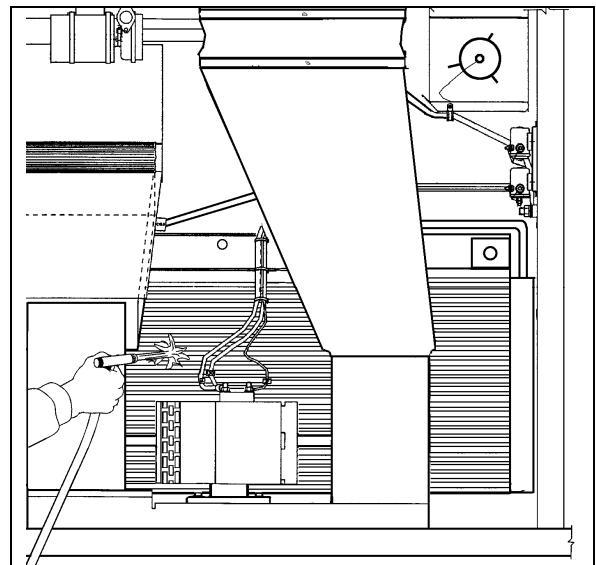


FIGURE 9: PASSENGER'S UNIT EVAPORATOR COIL 22226

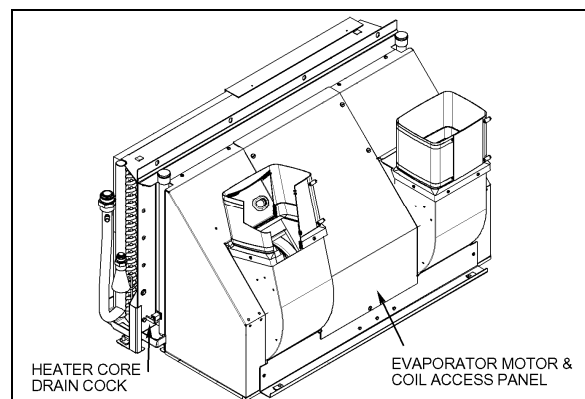


FIGURE 10: PASSENGER'S UNIT EVAPORATOR COIL (VIP WITH CENTRAL HVAC SYSTEM ONLY) 22332

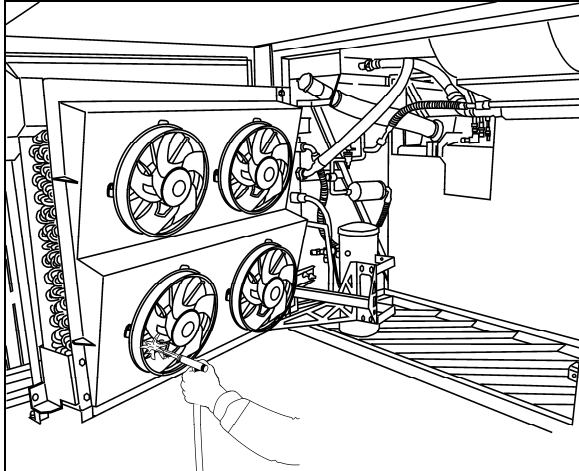


FIGURE 11: PASSENGER'S UNIT CONDENSER COIL 22362



**CAUTION**

Direct the pressure straight through the coil to prevent bending of fins and do not use extremely high pressure. Do not use hot water, steam or caustic soap.

6.2 DRIVER'S UNIT AIR FILTERS

The driver's unit is located behind the R.H. console panel. To gain access to the air filters, unscrew the R.H. console's grill located in the entrance stepwell. Slide out the recirculating air filter.



**MAINTENANCE**

To clean filter back flush with water, then dry with air, every 12,500 miles (20 000 km) or once a year, whichever comes first.

The fresh air intake is located behind the R.H. side headlights assembly. Clean the steel wire screen as required.

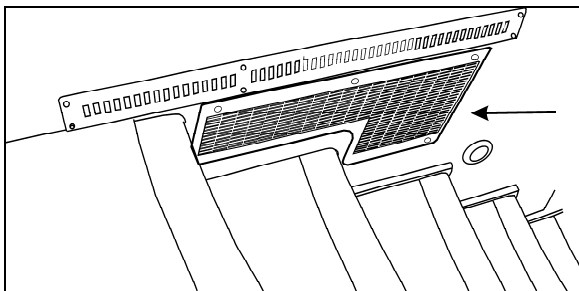


FIGURE 12: R.H CONSOLE AIR FILTER ACCESS GRILL (COACHES) 18505

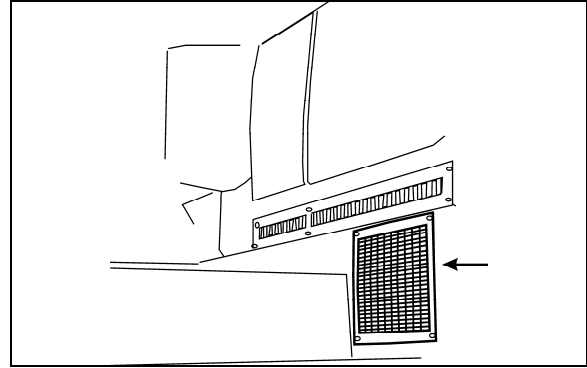


FIGURE 13: R.H. CONSOLE AIR FILTER ACCESS GRILL (VIP) 22232

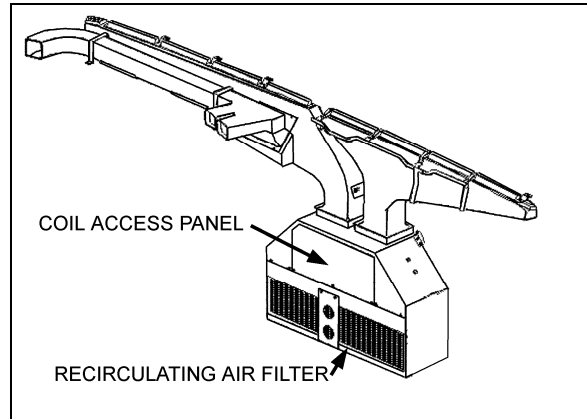


FIGURE 14: DRIVER'S UNIT AIR FILTERS 22171

6.3 PASSENGER'S UNIT AIR FILTER

The passenger's unit 2-part air filter is located in the evaporator compartment (figure 15). To access the filter, locate the access panel in the baggage compartment at the left of the evaporator compartment. Open panels by turning the three screws of either panel ¼ of a turn, unsnap both fasteners on top of filter, and slide out filter.



**MAINTENANCE**

To clean filter, back flush with water or soapy water, then dry with air every 12,500 miles (20 000 km) or once a year, whichever comes first.



**CAUTION**

Do not use high pressure water jet to avoid damaging filter.

 **CAUTION**  
Be sure not to reverse filter upon installation.

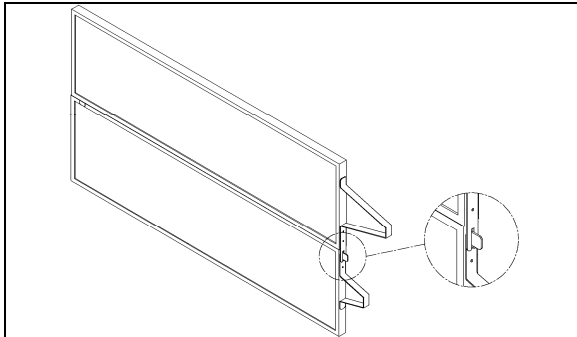


FIGURE 15: PASSENGER'S UNIT 2-PART AIR FILTER

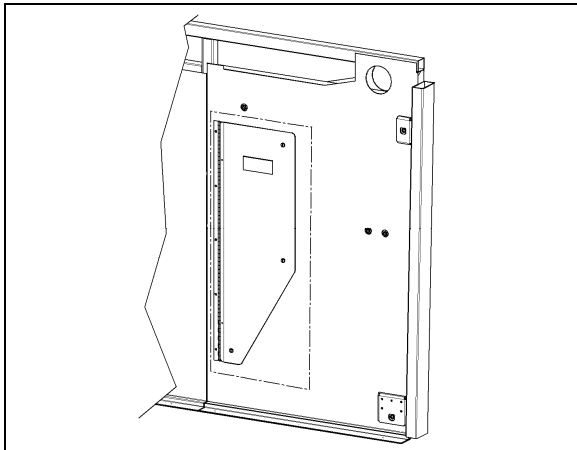



FIGURE 16: PASSENGER'S UNIT 2-PART AIR FILTER ACCESS PANEL

#### 6.4 OVERHEAD COMPARTMENTS FAN AIR FILTER

Air conditioning evaporator coils may be installed in both overhead compartment air systems. Only the air filters are serviceable. The air filters are accessible from inside the overhead compartments (figure 17).

 **MAINTENANCE**  
Slide out the filters, then back flush with water, dry with air and replace. This procedure should be done every 12,500 miles (20,000 km) or once a year, whichever comes first.

For air conditioning unit, ball valves are added on supply and return lines in the condenser compartment. They have service port to evacuate the A/C parcel rack circuit. When work has to be done on an evaporator coil unit, it will be easier to remove it and repair it on a bench.

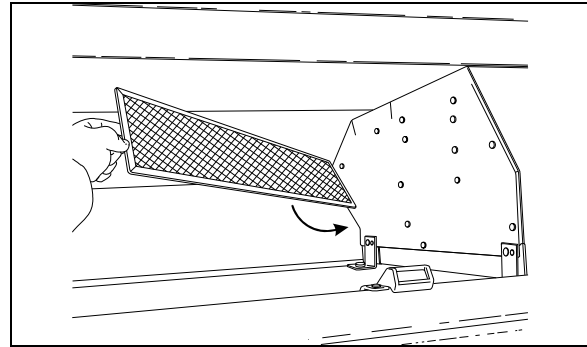


FIGURE 17: PARCEL RACK FAN AIR FILTER 22201

### 7. HVAC SYSTEM PARTICULARITIES, TESTING AND TROUBLESHOOTING

Before undertaking any troubleshooting on the HVAC system, study the appropriate wiring diagrams to get a complete understanding of the HVAC components circuitry, read and understand section 06:ELECTRICAL of this manual under "Troubleshooting And Testing The Multiplex Vehicles" and "Test Mode For Switches And Sensors". The information included in these paragraphs is necessary for troubleshooting the HVAC system on Multiplex vehicles.

#### 7.1 HVAC SYSTEM AND TEST MODE FOR SWITCHES AND SENSORS

When in switch/sensor test mode (see Section 06: ELECTRICAL for complete information), the A/C compressor HI and LO pressure values are displayed one after the other instead of the outside temperature in the telltale panel LCD display. This feature can be used when the vehicle is traveling to check the A/C compressor pressure values.

**NOTE**

*When starting the A/C compressor wait 5 seconds before checking pressures in order to give the system a chance to build its pressure. During the first 5 seconds after startup, the compressor is active on 6 cylinders and the A/C valve is open regardless of the pressure readings.*

In test mode, with the parking brake applied and the passenger set point set to a value higher than 64°F (18°C), the hot water circulating pump is not set to OFF as it would normally do when the outside temperature gets above 50°F (10°C). This feature allows verification of the pump when inside a garage. This is also useful when working on the heating system to remove air pockets trapped in the system.

When performing an A/C cooling test and having the water pump shut off in switch/sensor test mode is required, just set the passenger set point temperature to the minimum 64°F (18°C) to shut off the pump.

pump, hot water solenoid valve and overhead compartment air register fans.

**7.2 HVAC SYSTEM AND TEST MODE FOR ELECTRIC MOTORS**

The test mode allows testing the motors and electric contactors without the need to have the engine running (see Section 06: ELECTRICAL under "TEST MODE FOR ELECTRICAL MOTORS" for complete information).

Use this test mode for testing of the condenser motors, the A/C compressor clutch activation, left and right unloaders, evaporator motor, water

**7.3 PARTICULARITIES**

<p>Conditions for engaging the 2<sup>nd</sup> speed on the evaporator motor (cooling demand).</p>	<p>The 2<sup>nd</sup> speed engages if the passenger's area temperature is 1 degree above the set point and it revert to speed 1 if the temperature gets equal or below the set point.</p>
<p>Conditions for hot water recirculating pump activation (heating demand).</p>	<p>The pump turns to OFF if the outside temperature is above 50°F (10°C), when there is less demand for heating.                   Note: To test a working pump, it is possible to keep it active even if the outside temperature is above 50°F (10°C). See paragraph 5.2 HVAC SYSTEM AND TEST MODE FOR SWITCHES AND SENSORS.</p>
<p>The compressor unloaders are working based on pressure and also on the difference between the passenger's area temperature and the set point.</p>	<p><b>2 left compressor cylinders:</b>                   Stop if: Passenger's area temperature is at less than 0.4°C degree above the set point or if the compressor output is above 280 psi, or if the compressor input is below 26 psi.                   Restart if: Passenger's area temperature is 0.9°C or more above the set point and the compressor pressure output is less than 220 psi and the compressor pressure input is above 34 psi.   <b>2 right compressor cylinders:</b>                   Stop if: Passenger's area temperature is at less than 0.2°C above the set point or if the compressor input falls below 23 psi.                   Restart if: Passenger's area temperature is 0.7°C or more above the set point and the compressor input pressure is above 32 psi.</p>
<p>The A/C deactivation pressure is 320 psi.</p>	<p>In case of high pressure, the analog pressure sensor connected to the Multiplex module deactivates the compressor.                   There is also a « Pressure switch » adjusted to 350 PSI that acts to stop the compressor in the instance that the Multiplex module fails.</p>

## Section 22: HEATING AND AIR CONDITIONING

### 7.4 HVAC SYSTEM TROUBLESHOOTING

Problem/Symptom	Probable Causes	Actions
No temperature control in the passenger area  Passenger temperature display indicates two dashes "--"	Problem with the temperature sensor located in the passenger's area return air duct or the sensor wiring	1. Instruct the driver to manually control the temperature by playing with the passenger set point. Set above 22°C (72°F) to heat and below 22° C (72°F) to cool
Defroster fan not functioning	Module A47 is not powered or is faulty	1. Check the SYSTEM DIAGNOSTIC menu of the message center display (MCD). Select FAULT DIAGNOSTIC and ELECTRICAL SYSTEM. The message "Voltage Module A47, Value too Low, Active" confirms a power problem on the module  2. Check / reset circuit breaker CB6 3. Check / replace fuse F5 4. Use the air release valves near the entrance door and in the front service compartment to lock / unlock the door
HVAC condenser fans not functioning in speed 1	Circuit breaker CB7 was manually tripped and not reset  Seized bearing  Bad wiring	1. Check / reset circuit breaker CB7
HVAC condenser fans not functioning in speed 1	Circuit breaker CB7 was manually tripped and not reset  Module A53 is faulty	1. Check the SYSTEM DIAGNOSTIC menu of the message center display (MCD). Select FAULT DIAGNOSTIC and ELECTRICAL SYSTEM. The message "Voltage Module A53, Value too Low, Active" confirms a power problem on the module  2. Check / reset circuit breaker CB7
HVAC condenser fans not functioning in speed 2	Circuit breaker CB7 was manually tripped and not reset  Module A53 is not powered or is faulty  Seized bearing  Bad wiring	1. Check the SYSTEM DIAGNOSTIC menu of the message center display (MCD). Select FAULT DIAGNOSTIC and ELECTRICAL SYSTEM. The message "Voltage Module A53, Value too Low, Active" confirms a power problem on the module  2. Check / reset circuit breaker CB7
Defroster fan is functioning but no heat or cooling available in the driver area	Module A46 is not powered or is faulty  Faulty speed control  Bad wiring	1. Check the SYSTEM DIAGNOSTIC menu of the message center display (MCD). Select FAULT DIAGNOSTIC and ELECTRICAL SYSTEM. The message "Voltage Module A46, Value too Low, Active" confirms a power problem on the module  2. Check / reset circuit breaker CB1 3. Check / replace fuse F12

Problem/Symptom	Probable Causes	Actions
The A/C compressor clutch does not engage	Module A52 is not powered or is faulty	<ol style="list-style-type: none"> <li>1. Check the SYSTEM DIAGNOSTIC menu of the message center display (MCD). Select FAULT DIAGNOSTIC and ELECTRICAL SYSTEM. The message "Voltage Module A52, Value too Low, Active" confirms a power problem on the module</li> <li>2. Check / reset circuit breaker CB5</li> <li>3. Check / replace fuse F65</li> </ol>
Evaporator fan not functioning	Circuit breaker CB3 tripped  Module A54 is not powered or is faulty  Brush problem	<ol style="list-style-type: none"> <li>1. Check / reset circuit breaker CB3</li> <li>2. Check the SYSTEM DIAGNOSTIC menu of the message center display (MCD). Select FAULT DIAGNOSTIC and ELECTRICAL SYSTEM. The message "Voltage Module A54, Value too Low, Active" confirms a power problem on the module</li> <li>3. Check / reset circuit breaker CB5</li> <li>4. Check / replace fuse F67 , F68</li> </ol>

**8. CENTRAL HVAC SYSTEM - AIR CONDITIONING**

The central system is equipped with 4-cylinder 4NFCY Bitzer compressor with an air conditioning capacity of 7½ tons. The receiver tank and filter dryer are mounted inside the condenser compartment.

**8.1 A/C CYCLE**

Refrigeration may be defined as "the transfer of heat from a place where it is not wanted to a place where it is unobjectionable". Components required for a closed circuit refrigeration system are shown in Figure 18.

The air conditioning system used in the H3 series vehicle is the "Closed" type using R134a refrigerant.

1. The refrigerant flowing to the compressor is compressed to high pressure and reaches a temperature higher than the surrounding air. It is passed through the air-cooled fins and tubes of the condenser causing the hot, high pressure gas to be condensed into a liquid form.
2. The liquid refrigerant flows to the receiver tank, then back to the condenser sub-

cooler. It leaves the condenser and passes through a filter dryer where moisture, acids and dirt are removed and then through a moisture indicator which indicates if any moisture is present in the system.

3. By its own pressure, the liquid refrigerant flows through a thermal expansion valve where the pressure drop causes the refrigerant to vaporize in a vapor-liquid state at a low temperature pressure.
4. The cold low pressure refrigerant passes through the passenger's and driver's unit evaporator coils which absorb heat from the air passing over the fins and tubes, and changes into gas. In this form, the refrigerant is drawn into the compressor to repeat the air conditioning cycle.
5. The success of the air conditioning system depends on retaining the conditioned air within the vehicle. All windows and intake vents should be closed. An opening of approximately 8 in<sup>2</sup> (5162 mm<sup>2</sup>) could easily neutralize the total capacity of the system.
6. Other causes of inadequate cooling are dirty coils or filter. Dirt acts as insulation and is also serves as a restriction to the air flow.

## Section 22: HEATING AND AIR CONDITIONING

7. The refrigeration load is not constant and varies. It is also affected by outside temperature, relative humidity, passenger load, compressor speed, the number of stops, etc.
8. The compressor will load depending on operating conditions.

### 8.2 REFRIGERANT

The A/C system of this vehicle has been designed to use Refrigerant 134a as a medium. Regardless of the brand, only R-134a must be used in this system. The chemical name for this refrigerant is Ethane, 1, 1, 1, 2-Tetrafluoro.



#### WARNING

Refrigerant in itself is nonflammable, but if it comes in contact with an open flame, it will decompose.

#### 8.2.1 Procurement

Refrigerant is shipped and stored in metal cylinders. It is serviced in 30 and 100 pound (13,6 and 45 kg) cylinders. Approximately 25 pounds (11, 4 kg) are used in the central system.

It will be impossible to draw the entire refrigerant out of the cylinder. However, the use of warm water when charging the system will assure the extraction of a maximum amount of refrigerant from the cylinder.

#### 8.2.2 Precautions in Handling Refrigerant

1. Do not leave refrigerant cylinder uncapped.
2. Do not subject cylinder to high temperatures, do not weld or steam clean near system or cylinder.
3. Do not fill cylinder completely.
4. Do not discharge vapor into an area where a flame is exposed.
5. Do not expose the eyes to liquid refrigerant.

All refrigerant cylinders are shipped with a heavy metal screw cap. The purpose of the cap is to protect the valve and safety plug from damage. It is a good practice to replace the cap after each use of the cylinder for the same reason. If the cylinder is exposed to the sun's radiant heat pressure increase resulting may cause release of the safety plug or the cylinder may burst.

For the same reason, the refrigerant cylinder should never be subjected to excessive temperature when charging a system. The refrigerant cylinder should be heated for charging purposes by placing it in 125°F (52°C) water. Never heat above 125°F (52°C) or use a blowtorch, radiator, or stove to heat the cylinder.

Welding or steam cleaning on or near any refrigerant line or components of the A/C system could build up dangerous and damaging pressures in the system.

If a small cylinder is ever filled from a large one, never fill the cylinder completely. Space should always be allowed above the liquid for expansion. Weighing cylinders before and during the transfer will determine the fullness of the cylinders.



#### WARNING

One of the most important precautions when handling refrigerant consists in protecting the eyes. Any liquid refrigerant which may accidentally escape is approximately -40°F (-40°C). If refrigerant comes in contact with the eyes, serious injury could result. Always wear goggles to protect the eyes when opening refrigerant connections.

#### 8.2.3 Treatment in Case of Injury

If liquid refrigerant comes in contact with the skin, treat the injury as if the skin was frost-bitten or frozen. If liquid refrigerant comes in contact with the eyes, consult an eye specialist or doctor immediately. Give the following first aid treatment:


1. Do not rub the eyes. Splash eyes with cold water to gradually bring the temperature above the freezing point.
2. Apply drops of sterile mineral oil (obtainable at any drugstore) in the eyes to reduce the possibility of infection. The mineral oil will also help in absorbing the refrigerant.

#### 8.2.4 Precautions in Handling Refrigerant Lines

1. All metal tubing lines should be free of kinks, because of the resulting restrictions on the flow of refrigerant. A single kink can greatly reduce the refrigeration capacity of the entire system.



2. The flexible hose lines should never be allowed to come within a distance of 2-1/2" (6,3 cm) from the exhaust manifold.
3. Use only sealed lines from parts stock.
4. When disconnecting any fitting in the refrigeration system, the system must first be discharged of all refrigerant. However, proceed very cautiously, regardless of gauge readings. If there happens to be liquid refrigerant in the line, disconnect fittings very slowly, keeping face and hands away so that no injury can occur. If pressure is noticed when fitting is loosened, allow it to bleed off very slowly.

	<b>WARNING</b>
Always wear safety goggles when opening refrigerant lines.	

5. In the event that any line is opened to the atmosphere, it should be immediately capped to prevent entrance of moisture and dirt.
6. The use of the proper wrenches when making connections on O-ring fittings is important. The use of improper wrenches may damage the connection. The opposing fitting should always be backed up with a wrench to prevent distortion of connection lines or components. When connecting the flexible hose connections, it is important that the swaged fitting and the flare nut, as well as the coupling to which it is attached, be held at the same time using three different wrenches to prevent turning the fitting and damaging the ground seat.
7. The O-rings and seats must be in perfect condition. The slightest burr or piece of dirt may cause a leak.
8. O-rings should be coated with refrigeration oil and installed on the line before the line is inserted into the fitting to prevent damaging the O-ring. If leaks are encountered at the couplings or connectors, no attempt should be made to correct the leaks by tightening the connections beyond the recommended torque. The O-rings are designed to seal at the specified torque and overtightening the connection does not result in a satisfactory and permanently sealed connection. The connection must be disassembled and the cause of the leak (damaged O-ring,

defective lines, etc.) corrected. Use new O-ring.

### 8.3 REFRIGERANT SYSTEM CLEAN-OUT AFTER COMPRESSOR FAILURE

Although the vast majority of reciprocating refrigerant compressors manufactured today are extremely reliable, a small percentage do fail. These failures usually result in minor or extensive system contamination depending on the severity of the failure. When an open type compressor becomes damaged internally, this provokes small particles of bearings, steel, brass, copper, and aluminum and, in severe cases, carbonized oil, which could contaminate the system. To prevent repeated failures, the problem which caused the failure should be corrected, and depending upon the severity of the failure, the system should be thoroughly cleaned out using one of the cleanout procedures mentioned.

#### 8.3.1 Determining Severity of Failure

The severity of compressor failure can be categorized as minor or major. A failure is considered minor when the contamination is limited to the compressor with little or no system contamination. A major failure, or burnout, results in extensive system contamination as well as compressor damage. Extensive system contamination can be determined by withdrawing a small sample of compressor oil and checking its color, odor and acidity. A Virginia Chemical "TKO" one step acid test kit is one of several compressor oil test kits that may be used. A high acid content would indicate a major failure or burnout. A small amount of refrigerant gas may be discharged. A characteristic burned odor would also indicate severe system contamination.

#### 8.3.2 Clean-out after Minor Compressor Failure

1. Be sure to correct the problem which caused the failure.
2. Change liquid line filter dryer.
3. Run the unit for 2 hours on high speed cool only.
4. Check compressor oil level to ensure compressor is not overcharged with oil. Sometimes a significant amount of oil is pumped out of the compressor to other parts of the system when a compressor

fails. This oil will return to the replacement compressor when it is started, causing an overcharge of oil in the sump of the replacement compressor. In this case, it is important that the oil level be adjusted to the proper level.

5. Withdraw a sample of the compressor oil and check its color, odor, and acidity, using instructions supplied above. If the oil is contaminated, change the oil and filter dryer, and repeat the procedure until the system is clean.


**8.3.3 Clean-out After Major Compressor Failure**

1. Reclaim the refrigerant into a refrigerant bottle through a filter dryer to filter out contaminants.
2. Remove the failed compressor and repair it if possible.
3. Install new or repaired compressor.
4. Change the filter dryer.
5. Circulate clean R-134a with the reclaimer to clean out many of the contaminants collected in the coil valves, TXV (Thermal Expansion Valve), solenoid valves, check valves, and any other mechanical component that may have collected contaminants.
6. Evacuate and charge the system normally.
7. Run the unit for 8 hours and monitor the pressure drop across the filter dryer. Also check the liquid line dryer for signs of restriction. If the pressure drop across the filter dryer exceeds 12 to 14 psig (82,75 to 96,5 kPa) with a 40°F (5°C) evaporator coil temperature, stop the unit and change the liquid line and suction line filter dryer. After 4 or 5 hours of operation, stop the unit and replace the filter dryer.
8. After 8 hours of operation, stop the unit and remove a sample of the compressor oil and check its color, odor, and acidity, using instructions supplied above. If the oil is contaminated, replace the oil and repeat step 7. If the oil is not contaminated, change the filter dryer again and replace the moisture-liquid indicator.
9. After approximately 7 days of operation, recheck the compressor oil for cleanliness and acidity.

**8.4 PUMPING DOWN**

This procedure is intended to reduce refrigerant loss by isolating it in the compressor and the receiver tank, as well as in their connecting line, in order to carry out repairs on other sections of the air conditioning system (lines and components).

**NOTE**  
*Before attempting any repair between compressor and receiver tank, use a recovery unit to remove refrigerant from the system.*

 **WARNING**  
When air conditioning system must be opened, refer to previous paragraph "Precautions In Handling Refrigerant" to prevent any injury.

**NOTE**  
*To ease purging and refilling of refrigerant, it is possible to open the passenger's and overhead compartment system liquid solenoid valves. To do so, connect both male and female connector housing of C24 together for the passenger's area (located in evaporator compartment). During normal use, both male and female housings of connector C24 are kept unplugged. They are connected only for refrigerant refilling and pumping down procedure.*

**Procedure**

1. Open the solenoid valves by connecting both male and female connector housing of C24 together.
2. Run the system for 10 minutes, shut it OFF, then close the receiver tank outlet valve by turning it clockwise, backseat the suction service valve on the compressor, install an appropriate pressure gauge set, and turn the valve forward ¼ turn to enable a visual check of the suction pressure.
3. Disconnect the "Low Pressure Switch" connector (mounted near the A/C compressor).
4. Start the engine, press the HVAC control unit Passenger ON/OFF switch then the A/C switch, and adjust A/C temperature set point to coldest to increase cooling load.

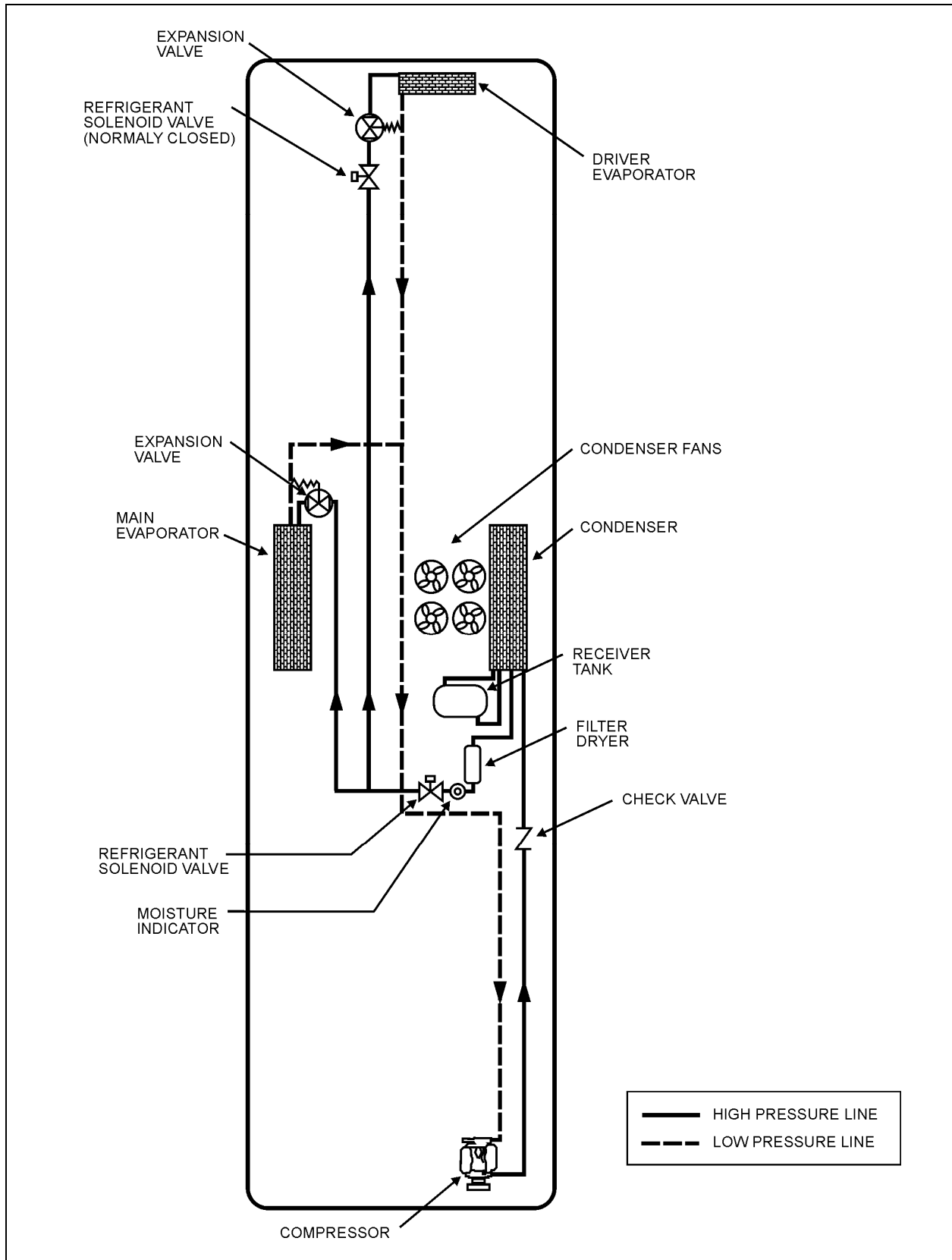
5. Run the compressor until pressure reaches 1-2 psi (7-14 kPa).

***NOTE***

*During this operation, care must be taken not to fill the receiver tank over the upper sight glass. If so, stop process immediately. Always allow refrigerant piping and units to warm up to the ambient air temperature before opening system or sweating will take place inside the lines.*

5. Stop engine, and close compressor outlet valve by turning it clockwise until valve is properly seated.
6. Close compressor suction valve by turning it clockwise until it is properly seated.
7. Wait until pressure gauge reaches 1 to 2 psi (7 to 14 kPa). To accelerate procedure, lightly open compressor suction valve until pressure reaches this value.
8. Connect the "Low Pressure Switch" connector and disconnect C24.

**Section 22: HEATING AND AIR CONDITIONING**



**FIGURE 18: CENTRAL HVAC SYSTEM – AIR CONDITIONING**

22220

8.5 ADDING REFRIGERANT (VAPOR STATE)

Addition of vapor state refrigerant is carried-out to compensate for hose permeation and shaft seal losses over a long period.

A typical sign of refrigerant low charge would be A/C lower performance experienced by the user.

Perform the usual leak inspection and correct any leaks before adding refrigerant.

8.5.1 Verification

Perform the following verifications:

- 1- A vehicle stopped for more than 4 hours should show the lower receiver tank sight glass full at room temperature or with some level if ambient temperature is high. This method is less accurate when ambient temperature gets high.
- 2- With the AC on for at least 10 minutes, the moisture indicator sight glass should be clear, not milky. The filter-dryer nearby should be near constant temperature, less than 5°F differential between inlet and outlet. A partially blocked filter will make some flash gas and give a “milky” sight glass.
- 3- At fast idle, the high side pressure should be near the following calculation: add 30° F to the ambient temperature in Fahrenheit. In the refrigerant chart, find this temperature and the corresponding saturation pressure and add 10 psi for the pressure drop between compressor and condenser.

**NOTE**

Calculation example:

At 70°F outside, add 30°F. In the chart, find the pressure value for a temperature of 100°F. For 134a refrigerant gas, you will find a value of 124psi. Add 10psi to this value for the compressor to condenser line, this result gives 134 psi. So a high side pressure value between 129 to 139 psi should be OK

8.5.2 Refrigerant addition

1. Install a heated refrigerant bottle at the back of the vehicle, on a scale, straight up.

Refer to section “Precautions in Handling Refrigerant” for the proper heating method.

**NOTE**

Use a bottle that is more than half full.

Always charge the system with the cylinder upright and the valve on top to avoid drawing liquid out of the cylinder.

2. Connect the yellow hose of your manifold gage set to the red (vapor) valve on the bottle. Connect the blue valve of the gage set on the suction side of the compressor. Connect the red valve of the gage set to the discharge side. Hoses should be purged of air at installation.



**WARNING**

Secure manifold gage hoses so they will not be damaged by engine belts and pulley.

3. Open the suction and discharge valve to mid-point.
4. In order to speed up the charging, unplug unloaders to keep all compressor cylinders active.
5. Let the door and hatches open and maybe open side windows to prevent cooling down the coach too rapidly. Preferably, the interior would be hot, at least over 68 F.
6. Open the condenser door, if not already done.



**WARNING**

If discharge pressure is above 138 psig, the condenser fans will be running. Keep hands clear of fans

7. Start engine.
8. Switch to fast idle for faster fill and battery protection.
9. Open the blue gage valve. The suction pressure should go up meaning the compressor is sucking from the tank also. If there is almost no pressure rise, the tank is too low or too cold.
10. Check the moisture indicator sight glass and the discharge pressure to meet the criteria described above.
11. When the sight glass gets clear, you can add some reserve, up to 2 pounds, as long as the high pressure does not move up.
12. When finished, close gage valves and bottle valve.

## Section 22: HEATING AND AIR CONDITIONING

---

13. Before stopping the engine, check the compressor oil level and note it in the repair book as well as the amount of refrigerant added.
14. Shut down engine and backseat suction and discharge valves.
15. Remove gages and replace caps.
16. Perform a road test for final verification.

### 8.6 EVACUATING SYSTEM

1. Open both receiver valves by turning “out” (normal position).
2. Remove the caps from the two 90° adapters on the suction, discharge valves and connect two hoses to the vacuum.
3. Place the two compressor valves, suction and discharge, in neutral position by turning each one 3 to 4 turns “in” from the “out” position.
4. Open the solenoid valves by connecting together both male and female connector housing of C24 (located in evaporator compartment) and C44 (located on the ceiling of the spare wheel compartment).
5. Start the vacuum pump. Open the large (suction) shutoff valve and close the small vacuum gauge valve.
6. The pressure will drop to approximately 29 inches vacuum (14.2 psi or 97,9 kPa) (the dial gauge only gives a general idea of the absolute system pressure).
7. Backseat the compressor valves by turning “out” all the way.
8. Shut down the vacuum pump.
9. Remove the hoses.
10. Reinstall the caps at the suction valve take-off points.

#### 8.6.1 Double Sweep Evacuation Procedure

1. Remove any remaining refrigerant from the system using a refrigerant recovery machine.

2. Connect the evacuation manifold, vacuum pump, hoses and micron gauge to the unit.
3. With the unit service valves closed (back seated) and the vacuum pump and the thermistor valves open, start the pump and draw the manifold and hoses into a very deep vacuum. Shut the vacuum pump off and see if the vacuum holds. This is to check the setup for leaks.
4. Midseat the system service valves.
5. Open the vacuum pump and the thermistor valves. Start the pump and evacuate to a system pressure of 2000 microns.
6. Close the vacuum pump and the thermistor valves, turn off the vacuum pump (closing the thermistor valve protect the valve from damage).
7. Break the vacuum with clean refrigerant (or dry nitrogen) and raise the pressure to approximately 2 PSIG. Monitor the pressure with the compound gauge.
8. Remove the refrigerant with the recovery machine.
9. Repeat steps #5 – 8 one time.
10. After the second “sweep”, change the filter drier (if you have not done so) and evacuate to 500 microns.
11. Evacuating the system below 500 microns on systems using the compressor may risk drawing air into the system past the shaft seal.
12. Check to insure that vacuum holds. (If the pressure continues to rise, it indicates a leak or moisture in the system).
13. Charge the system with the proper amount of refrigerant using recommended charging procedures.

<b><i>NOTE</i></b>
<i>This method will aid in preventing unnecessary system failures by ensuring that the refrigeration system is free of contaminants.</i>

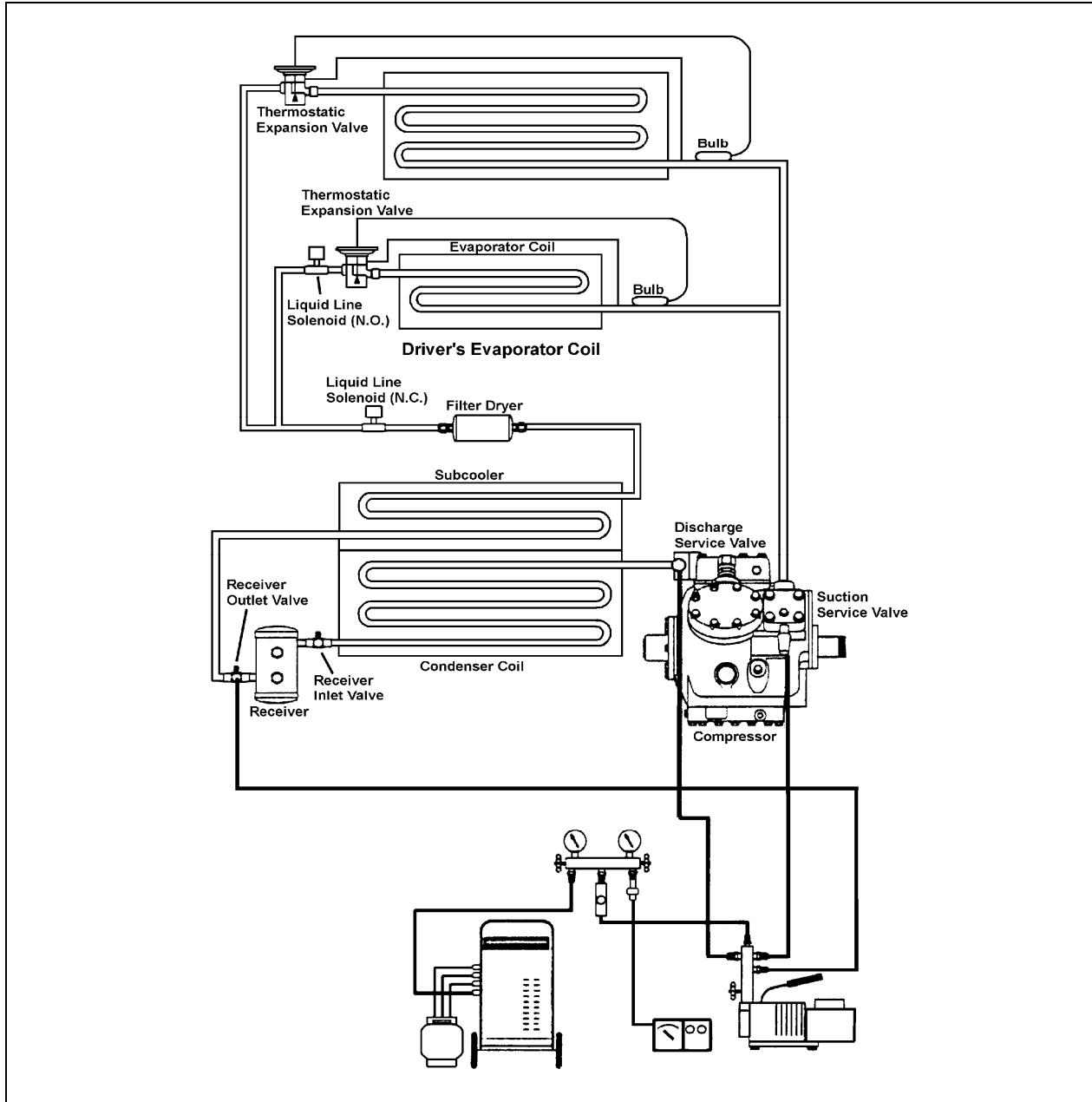


FIGURE 19: DOUBLE SWEEP EVACUATION SET-UP

### 8.7 CHARGING SYSTEM

When a system has been opened or if there are any questions about the air or moisture in the system, evacuate the system. Charging of an evacuated system may be accomplished by forcing liquid R-134a directly into the receiver tank.

When charging an empty system, weigh the amount of refrigerant put into the system.

This will eliminate any possibility of overfilling. A nominal charge requires 24 pounds (10,9 kg).

1. Backseat the two compressor shutoff valves ("out").
2. Install the test gauges at the shutoff valves noting that the 400 psi (2758 kPa) gauge is connected to the discharge.
3. Turn in the two shutoff valves 3 to 4 turns.
4. Open the lower receiver valve by turning "out" all the way.
5. Backseat the upper receiver valve by turning out all the way.

## Section 22: HEATING AND AIR CONDITIONING

6. Remove the cover cap from the service fitting in the top receiver valve.
7. Attach a charging hose to the R-134a tank. Open the tank valve slightly permitting R-134a to escape thus purging the hose of air.
8. Connect the charging hose to the service fitting.
9. Open the R-134a tank valve.
10. To build up pressure in the receiver tank, heat the receiver tank with a heating blanket.
11. Turn in the upper receiver valve several turns. The R-134a will now enter the system.
12. The proper charge of R-134a is 24 lbs (10.89 kg). When the scale indicates this amount of charge, backseat the receiver valve and close the R-134a tank valve.
13. Disconnect the charging hose. Replace the cover caps.
14. The system is now ready for operation.



### CAUTION

The evacuation of the system must be made by authorized and qualified personnel only. Refer to local laws for R-134a recuperation.

## 9. CENTRAL HVAC SYSTEM – AIR CONDITIONING COMPONENTS

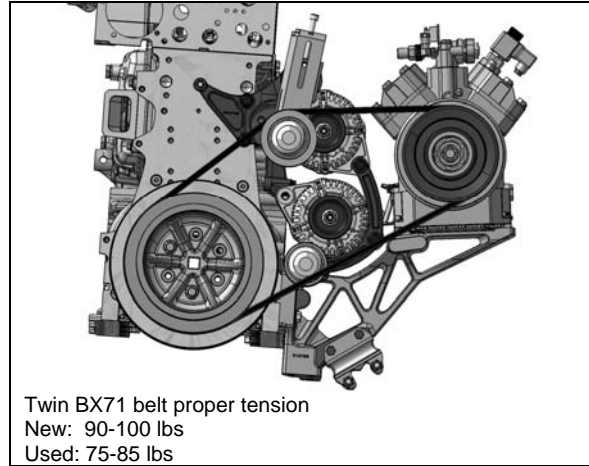
### 9.1 COMPRESSOR

The central system is equipped with a 4 cylinder, 4NFCY Bitzer compressor. Refer to the “Specifications” section at the end of this chapter.

#### 9.1.1 Belt Replacement

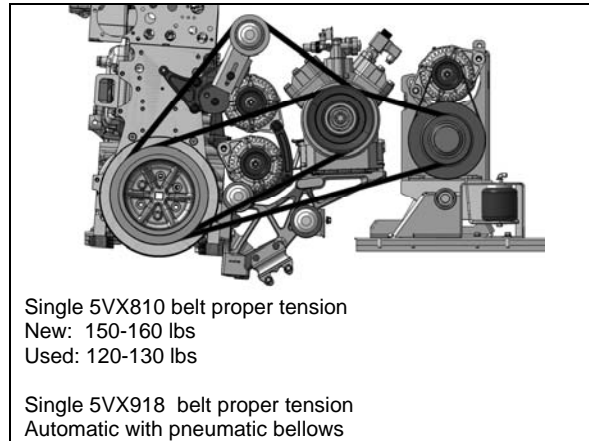
1. Open engine compartment rear doors and locate A/C compressor drive belt tensioner. Loosen tensioner screw to release belt tension.
2. For vehicles equipped with a 3<sup>rd</sup> alternator, belt tensioning is also applied through air bellows. Turn the belt tensioner two-way control valve counterclockwise to release bellows pressure.
3. Remove the radiator fan drive belt (refer to Section 05 COOLING).

4. Slip the old compressor belts off and the new ones on.



Twin BX71 belt proper tension  
New: 90-100 lbs  
Used: 75-85 lbs

FIGURE 20: STANDARD BELT LAYOUT WITH CENTRAL HVAC SYSTEM



Single 5VX810 belt proper tension  
New: 150-160 lbs  
Used: 120-130 lbs

Single 5VX918 belt proper tension  
Automatic with pneumatic bellows

FIGURE 21: BELT LAYOUT WITH 3RD ALTERNATOR



### DANGER

Set the main battery disconnect switch to the “Off” position. For greater safety, set the engine starter selector switch in engine compartment to the “Off” position.

#### NOTE

*Both belts must always be replaced simultaneously to ensure an equal distribution of load on each of them.*

#### NOTE

*Belts specifications may vary. For proper belt selection, always consult your vehicle Coach Final Record.*



9.1.2 Belt Tension Adjustment

On the mechanical tensioner, slightly slack lock bolt (A). Adjust tension by turning adjustment screw (B). Tighten the lock bolt (A) to 43 lbf-ft. to preserve adjustment.

Should the idler bearing need to be serviced, tighten shoulder bolt (C) to 74 lbf-ft. at reassembly.

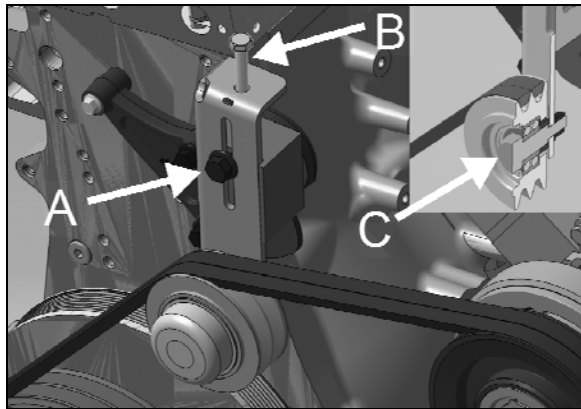


FIGURE 22: TENSIONER ON STANDARD BELT ARRANGEMENT

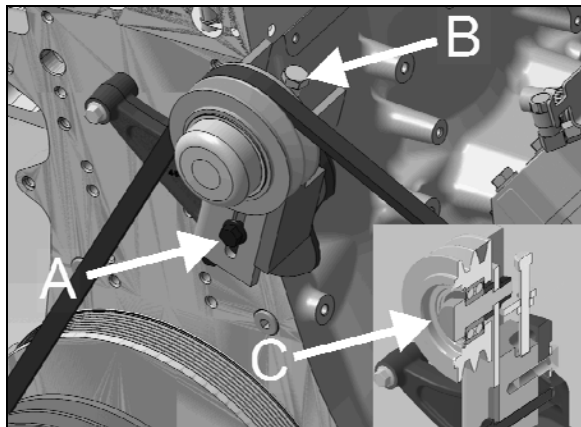


FIGURE 23: TENSIONER ON THREE ALTERNATOR BELT ARRANGEMENT

For vehicles equipped with a 3<sup>rd</sup> alternator, belt tensioning is also applied through air bellows which is adjusted by an air pressure regulating valve (Fig 24). The correct pressure of 45 psi (310 kPa) is set at the factory. Periodically verify the pressure at the regulating valve using a pressure gauge and correct if required.

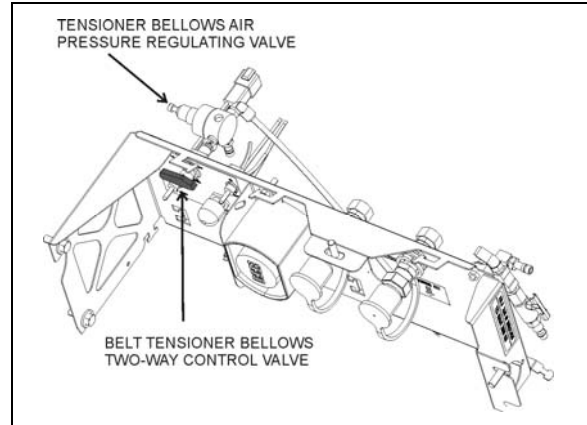


FIGURE 24: TENSIONING VALVE

12219

9.1.3 Compressor Maintenance

For the maintenance of the A/C compressor, see the manufacturer's instructions included at the end of this section.

**CAUTION**

Use only Bitzer BSE55 (POE) oil with refrigerant 134a.

Once every 6 months empty the shaft seal oil collecting tube. This tube collects oil seeping through the felt shaft seal.



FIGURE 25: SHAFT SEAL OIL COLLECTING TUBE

During the 250 hour run-in period of the shaft seal, an increased oil leak rate may occur.

9.1.4 Troubleshooting Guide

A preliminary check may be made by simply feeling the cylinder heads with the unit in operation at ambient temperatures of 35 °F (2°C) and over. The cylinder heads are internally divided into suction and discharge valves. The lower half of the cylinder head is the suction side, and it should be relatively cool to the touch,

## Section 22: HEATING AND AIR CONDITIONING

---

as opposed to the hot upper discharge side. If a valve plate or head gasket is blown, or a compressor unloader is stuck open, partially compressed refrigerant vapor will be circulated between the suction and discharge sides of the head. The affected cylinder head will then have a relatively even temperature across its surface and be neither as hot as the normal discharge temperature nor as cool as the normal suction temperature.

### Blown Head Gaskets

#### Symptom:

- Loss of unit capacity at low temperature.
- Even cylinder head temperature.

#### Cause:

- Improperly torqued cylinder head bolts.
- Improperly positioned gasket at assembly.
- Warped cylinder head.
- Severe liquid refrigerant floodback.

### Blown Valve Plate Gaskets

#### Symptom:

- Loss of unit capacity at medium and low temperatures.
- Very hot cylinder head surface.
- Higher than normal suction pressure.

#### Cause:

- Improperly torqued cylinder head bolts.
- Severe liquid refrigerant floodback.
- Oil slugging caused by an overcharge of oil or flood starts.
- Discharge valves not seated properly (liquid drainback during shutdown).

### Broken Suction Valves

#### Symptom:

- Loss of unit capacity at all temperatures.
- Compressor unable to pull extremely low vacuum with suction service valve frontseated.

#### Cause:

- Repeated liquid refrigerant floodback.

- Flooded starts.
- Overcharge of oil.
- Discharge valves not seated properly (liquid drainback during shutdown).
  - Expansion valve not controlling properly.

### Unloader Valve Stuck Open

#### Symptom:

- Loss of unit capacity at all temperatures.
- Higher than normal suction pressure.
- Even cylinder head temperature.

#### Cause:

- Unloader body stem bent.
- Foreign material binding unloader piston or plunger.

## 9.2 MAGNETIC CLUTCH

Refer to Bitzer Maintenance Instruction KW-540-1 at the end of this section for the description and maintenance of the magnetic clutch.


### 9.2.1 HVAC Control Unit and Clutch Operation


The A/C compressor starts automatically when the two following conditions are satisfied:

1. The outside temperature is above 30°F (-1°C).
2. The passenger's area temperature has reached 7°F (4°C) under the set point.

#### **NOTE**

*Upon starting, if the outside temperature is above 30°F (-1°C) and then drops below 30°F (-1°C), the compressor will keep running up to a temperature of 15°F (-9°C) to prevent condensation from forming on the windows.*

When A/C compressor clutch engages, the corresponding A/C ON indicator LED  turns on.

The A/C ON indicator LED  will also turn off and the clutch will disengage if a low pressure (5 psi cut-out, 30 psi cut-in) or a high pressure (350 psi cut-out, 245 psi cut-in) condition is present.

### 9.3 BRUSHLESS EVAPORATOR MOTOR

The brushless evaporator motor is installed in the evaporator compartment (L.H. side of vehicle) (figure 27). It is a 27.5 volt, 2HP (1,5 kW) motor which activates a double blower fan unit.

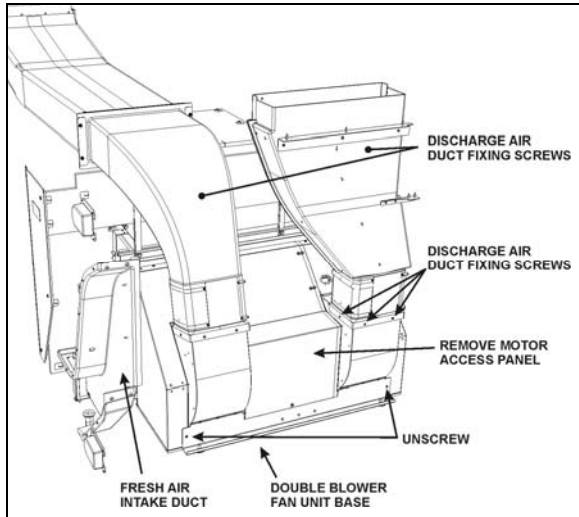


FIGURE 26: EVAPORATOR COMPARTMENT

#### 9.3.1 Removal

1. Set the battery safety switch to the "OFF" position.
2. Open the last L.H. side baggage compartment door. Pull the black release button located on the L.H. side in order to unlock and open the evaporator compartment door.
3. Identify the discharge ducts inside compartment and remove the Phillips head screws fixing the air duct to blower fan unit.
4. Remove the motor access panel.
5. Disconnect electrical motor speed control wire (white wire, circuit 2F), power cable and ground cable from motor terminals.
6. From under the vehicle, remove the eight bolts fixing the double blower fan unit base. Remove the complete unit from the evaporator compartment (figure 27).



### CAUTION

Never support evaporator motor assembly by its output shafts while moving it. Always use double blower fan unit base.

7. Install the complete unit on a work bench, unfasten the fan square head set screws, the Phillips head screws retaining cages to base and slide out the assemblies from the evaporator motor output shaft.
8. Remove motor from double blower fan unit base.

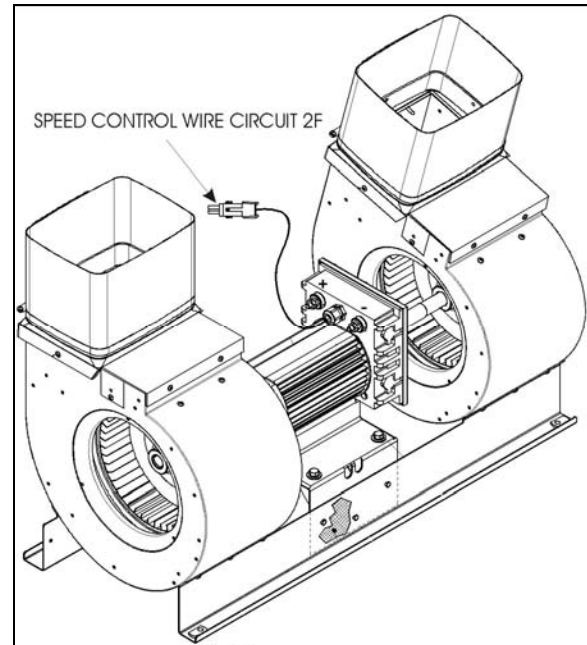


FIGURE 27: EVAPORATOR MOTOR ASSEMBLY

#### 9.3.2 Installation

To reinstall the evaporator motor, reverse "Evaporator Motor Removal" procedure.

### 9.4 CONDENSER

The central A/C system condenser coil is hinge mounted on the R.H. side of the vehicle on the condenser compartment door. Since condenser's purpose is to dissipate heat from the hot refrigerant, it is important to keep the cooling coils and fins clean. A clogged coil will cause high discharge pressure and insufficient cooling.

#### 9.4.1 Condenser Fan Motors

Four brushless fan motors are installed in condenser compartment on R.H. side of vehicle in order to ventilate the condenser coil. The fans pull outside air through the condenser coil and discharge it through an opening at bottom of compartment. Depending on pressure in receiver tank (figure 30), the fan motors may be operated at full speed, half speed or not operated at all. With low pressure in receiver

## Section 22: HEATING AND AIR CONDITIONING

tank, fan motors operate at half speed and, with a high pressure in receiver tank, fan motors operate at full speed. Removing 24-volt applied to terminal 5-LOW will reduce fan speed to half speed, applying 24-volt to terminal 5-LOW engages full speed. For details about electrical wiring, refer to “A/C and Heat system” in the master wiring diagram.

### NOTE

During normal conditions, fan motors function according to the following specifications:

Half speed: 3100cfm, 5.8A at 28 VDC

Full speed: 6200cfm, 37A at 28 VDC

Fan motor speed: 2950 rpm at full speed

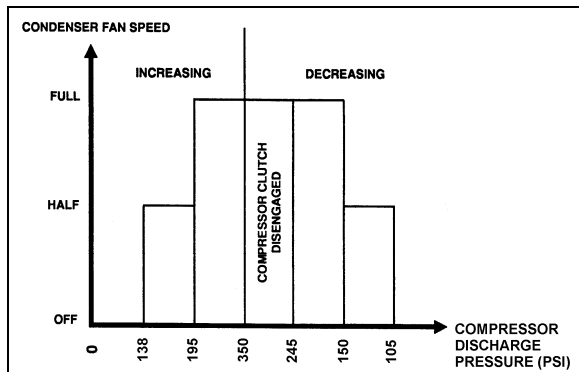


FIGURE 28: CONDENSER FAN SPEED IN RELATION WITH HIGH SIDE PRESSURE

22041

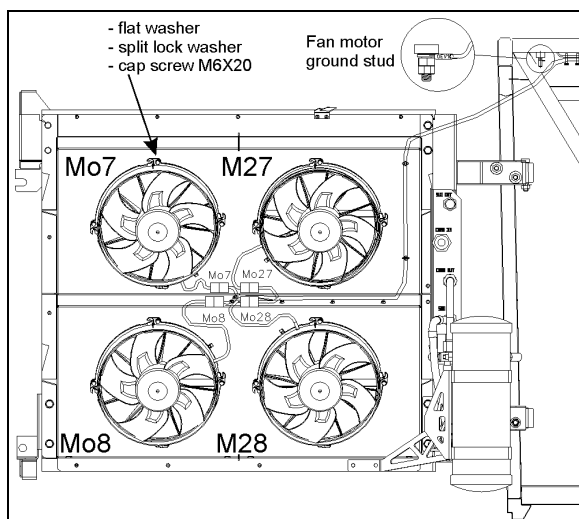


FIGURE 29: CONDENSER FANS

22363

### 9.4.2 Condenser Fan Motor Removal

1. Set the main battery disconnect switch to the “Off” position.
2. Unplug the fan motor harness connector.

3. Remove the four hexagonal head cap screws retaining the fan motor assembly to the shroud.
4. Remove the motor.

### 9.5 RECEIVER TANK

The receiver tank is located in the condenser compartment (figure 30). The function of the receiver tank is to store the liquid refrigerant. During normal operation, the level of the refrigerant should be approximately at the mid-point of the lower sight glass.

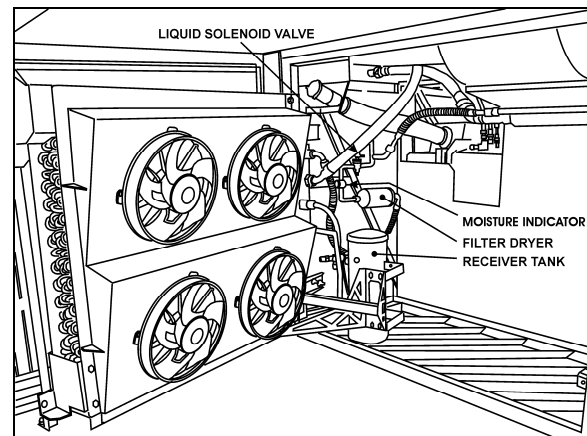


FIGURE 30: A/C CONDENSER COMPARTMENT

22362A

In case of extreme pressure there will be a rise in the liquid receiver tank. A pressure relief valve will break at 450 psi (3103 kPa) and relieve the receiver tank pressure.

The receiver tank incorporates an inlet valve on the inlet side (upper section) which allows the tank to be isolated or serviced. An outlet valve on the outlet side (lower section) permits complete isolation from the rest of the system.

### 9.6 FILTER DRYER

A filter dryer, also located in the A/C condenser compartment, is installed on the liquid refrigerant line (near the receiver tank). It is used to absorb moisture and foreign matter from refrigerant before it reaches the expansion valves.


The filter should be replaced if the system has been opened to prolonged exposure as shown by the moisture indicator sight glass.


A filter dryer, located in the engine compartment near the radiator is installed on vehicles equipped with a small HVAC system only. Its function is similar to that of filter used on main systems. Replace only when system is opened or a problem occurs.

9.6.1 Replacement

The filter is of the disposable type. When replacement is required, remove and discard the complete unit and replace with a new unit of the same type according to this procedure:

1. Isolate the refrigerant in the receiver tank by following the "Pumping Down" procedure explained in this section
2. Change the filter dryer as a unit.
3. Add a small quantity of refrigerant R-134a to the low side of the system. Check for leaks. Return the system to normal operation.

 <b style="font-size: 1.2em; margin-left: 10px;">CAUTION</b>
<p>Do not use carbon tetrachloride or similar solvents to clean parts. Do not use steam gun. Use mineral spirits or naphtha. All parts should be thoroughly cleaned. Use a stiff brush to wash dirt from grooves, holes, etc.</p>

 <b style="font-size: 1.2em; margin-left: 10px;">DANGER</b>
<p>Cleaning products are flammable and may explode under certain conditions. Always handle in a well ventilated area.</p>

9.6.2 Moisture Indicator

The moisture sensitive element consists of a color changing ring which is reversible from yellow to green and vice versa as the moisture content in the refrigerant changes. Yellow indicates a wet refrigerant, yellow green (caution) and green indicates a dry refrigerant.

Since temperature changes affect the solubility, color change will also vary with the refrigerant temperature. The following table shows the color change for R-134a at various moisture levels and liquid line refrigerant temperatures.

COLOR INDICATOR			
Temperature	BLUE (ppm)	LIGHT VIOLET (ppm)	PINK (ppm)
75°F (24°C)	Below 5	5-15	Above 15
100°F (38°C)	Below 10	10-30	Above 30
125°F (52°C)	Below 15	15-45	Above 45
p.p.m.= parts per million (moisture content)			

A moisture level of less than 15 p.p.m. for R-134a indicated in the blue color range of the above table is generally considered dry and safe. A color indication of light blue to light violet indicates the caution range of moisture level. For positive protection, the drying of the system should be continued until the color of the element turns to deep blue.

The liquid refrigerant is readily visible through the center opening of the moisture element where the presence of bubbles indicates a shortage of refrigerant or restriction in line.

Moisture is one of the main causes of chemical instability or contamination in air conditioning systems. If moisture is present, it can corrode the valves, condenser and evaporator coils, compressor and other components causing a malfunction and eventually failure of the system. Uncontrolled moisture in the system can result in expensive multiple component replacements if not corrected at an early stage. The moisture indicator permits an early detection of moisture in the system and when corrected by a desiccant charge, system contamination is greatly minimized.

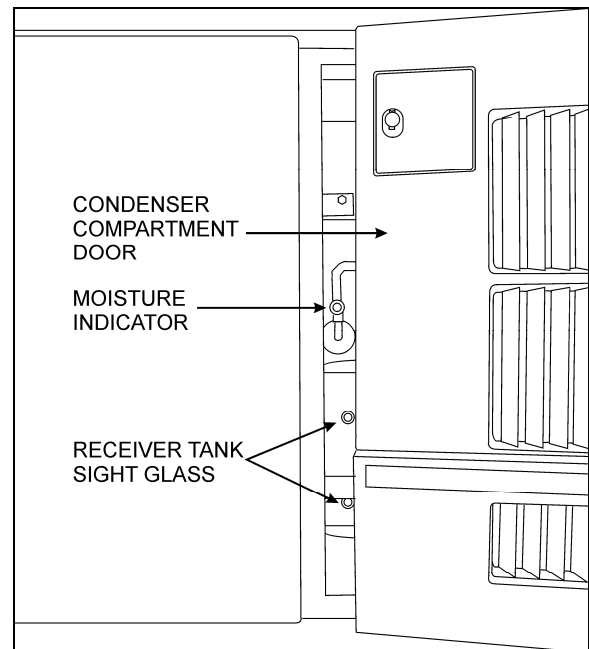


FIGURE 31: A QUICK CHECK OF THE MOISTURE INDICATOR AND THE RECEIVER TANK SIGHT GLASS  
06364

9.7 LIQUID REFRIGERANT SOLENOID VALVE

The flow of liquid refrigerant to both driver's and passenger's evaporators is controlled by a normally-closed solenoid valve. The driver's solenoid valve is located on the ceiling of the spare wheel compartment and is accessible

## Section 22: HEATING AND AIR CONDITIONING

through the reclining bumper while the central HVAC system solenoid valve is located in the condenser compartment.

### 9.7.1 Manual Bypass

To ease purging, pumping down and refilling of refrigerant, it is possible to open the driver's, passengers and overhead compartment system liquid solenoid valves. To do so, connect either male and female connector housing of C24 together for the passenger's area (located in evaporator compartment) or C44 for the driver's area (located on the ceiling of the spare wheel compartment). During normal use, both male and female housings of connector C24 & C44 are kept unplugged.

### 9.7.2 Coil Replacement

1. Disconnect connector from the coil connector.
2. Take out the retaining screw at the top of the coil housing. The entire coil assembly can then be lifted off the enclosing tube.
3. Place the new coil and yoke assembly on the enclosing tube. Lay data identification plate in place.
4. Insert the coil retaining screw, rotate housing to proper position and tighten screw securely.
5. Connect connector from coil connector.

### 9.7.3 Valve Disassembly

1. Remove the coil as stated previously.
2. Pump down the system as stated earlier in this section.
3. Remove the four socket head screws which hold the body and bonnet together (figure 32).
4. Carefully lift off the bonnet assembly (upper part of the valve) so that plunger will not fall out. The diaphragm can now be lifted out.

#### **NOTE**

*The previous procedure must be followed before brazing solder-type bodies into the line.*

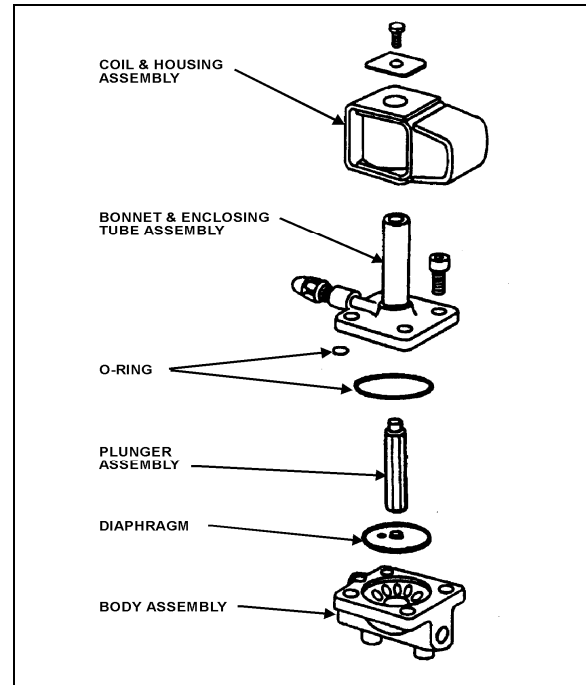


FIGURE 32: REFRIGERANT SOLENOID VALVE 22044



#### **CAUTION**

Be careful not to damage the machined faces while the valve is apart.

### 9.7.4 Valve Reassembly

1. Place the diaphragm in the body with the pilot port extension up.
2. Hold the plunger with the synthetic seat against the pilot port.
3. Make sure the bonnet O-rings are in place. Lower the bonnet assembly over the plunger, making sure that the locating sleeve in the bonnet enters the mating hole in the body.
4. Insert the four socket head screws and tighten evenly.
5. Replace the coil as stated previously.
6. Add a small quantity of refrigerant R-134a to the low side of the system. Check for leaks. Return the system to normal operation.

## 9.8 EXPANSION VALVE

### 9.8.1 Central system

The expansion valve for the main system is a thermo-sensitive valve with a remote control bulb head attached to the evaporator outlet line and is accessible by the evaporator filter access

door. The valve regulates the flow of refrigerant liquid into the evaporator coils and is controlled by the suction gas temperature leaving the evaporator. The bulb head senses the refrigerant gas temperature as it leaves the evaporator. High temperature will cause expansion and pressure on the power head and spring. Such action causes the assembly valve to open, allowing a flow of refrigerant liquid into the evaporator.

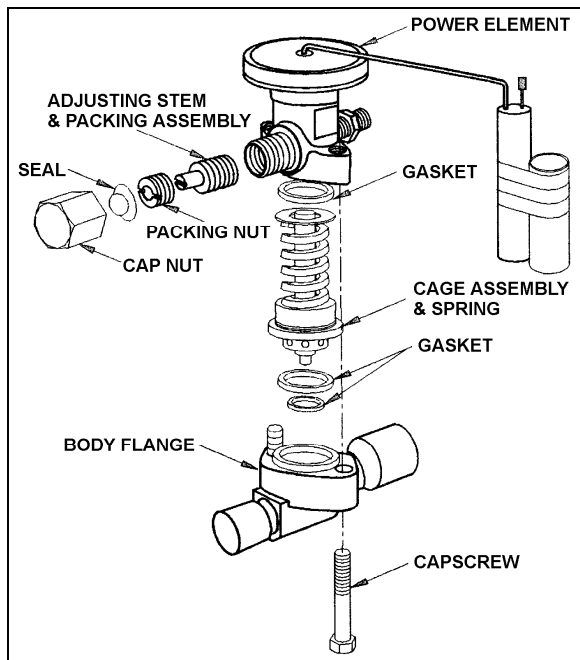


FIGURE 33: EXPANSION VALVE

22215

The remote bulb and power assembly is a closed system. The pressure within the remote bulb and power assembly corresponds to the saturation pressure of the refrigerant temperature leaving the evaporator and moves the valve pin in the opening direction. Opposed to this force, on the under side of the diaphragm and acting in the closing direction, is the force exerted by the superheat spring. As the temperature of the refrigerant gas at the evaporator outlet increases above the saturation temperature corresponding to the evaporator pressure, it becomes superheated. The pressure thus generated in the remote bulb and power assembly surpasses the combined pressures of the evaporator pressure and the superheat spring, causing the valve pin to move in the opening direction. Conversely, as the temperature of the refrigerant gas leaving the evaporator decreases, the pressure in the remote bulb and power assembly also decreases and the combined evaporator and spring pressures cause the valve pin to move in the closing position.

As the operating superheat is raised, the evaporator capacity decreases, since more of the evaporator surface is required to produce the superheat necessary to open the valve. It is obvious, then, that it is most important to adjust the operating superheat correctly and that a minimum change in superheat to move the valve pin to full open position, is of vital importance because it provides savings in both initial evaporator cost of operation. Accurate and sensitive control of the refrigerant liquid flowing to the evaporator is necessary to provide maximum evaporator capacity under load conditions. The spring is adjusted to give 12 to 16° F (-11.1 to -8.8 ° C) of superheat at the evaporator outlet. This ensures that the refrigerant leaving the evaporator is in a completely gaseous state when drawn into the suction side of the compressor. Liquid would damage the compressor valve, piston and heads if allowed to return in the suction line.

A vapor is said to be superheated when its temperature is higher than the saturation temperature corresponding to its pressure. The amount of the superheat is, of course, the temperature increase above the saturation temperature at the existing pressure.

As the refrigerant moves along in the evaporator, the liquid boils off into a vapor and the amount of liquid decreases until all the liquid has evaporated due to the absorption of a quantity of heat from the surrounding atmosphere equal to the latent heat of vaporization of the refrigerant. The gas continues along in the evaporator and remains at the same pressure. However, its temperature increases due to the continued absorption of heat from the surrounding atmosphere. The degree to which the gas refrigerant is superheated is related to the amount of refrigerant being fed to the evaporator and the load to which the evaporator is exposed.

### Superheat Adjustment

The easiest method of adjusting the superheat is to unscrew completely the main evaporator expansion valve adjusting screw, and screw in 13 turns clockwise for 134A (figure 34). If this method does not provide an accurate superheat, the following procedure should be followed:

1. Operate coach for at least one-half hour at fast idle with temperature control set at 82°F (27,7°C), Then set temperature to minimum to keep the compressor on 6 cylinders.

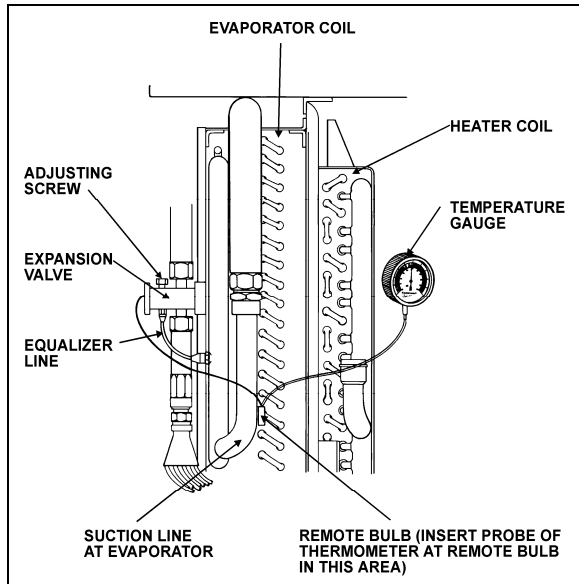


FIGURE 34: SUPERHEAT ADJUST. INSTALLATION 22046

2. Install pressure gauge at the evaporator suction header. You may install the pressure gauge at compressor suction, but then add 3 psi to reading.
3. Install a remote reading thermometer to the evaporator outlet line near the existing remote bulb (figure 34).
4. Apply thermostatic tape around the bulb and evaporator outlet line to get a true reading of the line temperature.
5. Block condenser if necessary to keep pressure over 150 psi.
6. Check approximately 5 readings of pressure at 2-minute intervals and convert to temperature using the vapor-pressure table (page 37). Likewise check the temperature reading at the remote bulb at the same 2-minute intervals and record the low and high swing readings of the needle (refer to figure 35).

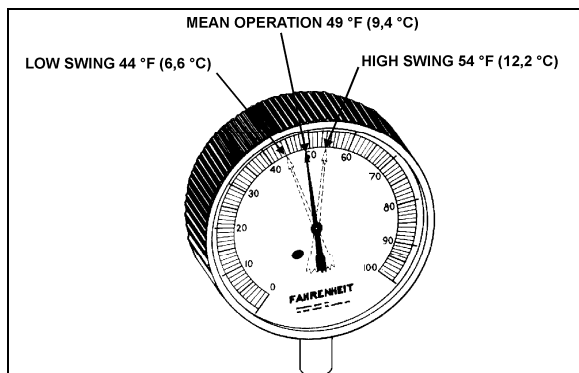


FIGURE 35: HIGH & LOW SWING TEMPERATURE AT REMOTE BULB 22047

A/C pressure gauge converted to temperature at expansion valve fitting	Temperature on remote bulb	
40°F (4,4°C)	Low-swing 44°F (6,6°C)	High swing 54°F (12,2°C)
Formula for superheat 49°F-40°F=9°F (9,4°C-4,4°C = 5°C)	Average of low and high swing is 49°F (9,4°C)	

**NOTE**

The low swing of the superheat should be a minimum of 4°F (2,2°C) higher at the remote bulb and have an average of 12 to 16°F (4 to 6°C) higher range at the bulb than the fitting at the expansion valve.

**NOTE**

To reduce the superheat, flow of refrigerant is increased by turning adjusting screw of expansion valve lower evaporator temperature counterclockwise. To increase temperature or increase superheat, flow of refrigerant is reduced by turning adjustment screw of expansion valve clockwise.

7. Regulate suction pressure to temperature reading according to temperature chart or to the R-134a temperature scale on the pressure gauge.

**Example:** Suction pressure 30 psi (207 kPa) converted to 32°F (0°C) on chart. If temperature reading is 40°F (4,4°C), subtract 32°F (0°C) and the result will be 8°F (4,4°C) of superheat.

**CAUTION**

Before proceeding with the expansion valve adjustment, check for restriction on suction side for plugged filter dryer and partially open valves. These conditions will give a high superheat.

**Maintenance**

1. Pump down the system as previously indicated in this section.
2. Disconnect the external equalizer line from the under side of the power head, and unclamp the remote control bulb from the evaporator coil outlet line.



3. Remove the two cap screws holding the power assembly to the valve body flange. Lift off the power assembly and remove the cage assembly.
4. When reassembling, replace with the new gaskets in proper location. Make sure the two lugs on the cage assembly fit into grooves provided in the power assembly. Do not force the valves together. The cage must fit properly before tightening the body flange. Tighten bolts evenly.
5. Check for leaks.

**Safety Instructions**

1. Make sure the valve is installed with the flow arrow on the valve body corresponding to the flow direction through the piping system.
2. Before opening any system, make sure the pressure in the system is brought to and remains at the atmospheric pressure. Failure to comply may result in system damage and/or personal injury.

9.8.2 Driver's System


The function and operation of the expansion valve for the driver's system are similar to the central system, but no superheat adjustment is required (see figure 33).

9.9 TORCH BRAZING


Use electrode containing 35% silver.

**NOTE**

*A 3.5% silver low temperature brazing electrode can be used on low side pressure and liquid high side.*

 **CAUTION**

When using heat near a valve, wrap with water saturated rag to prevent overheating of vital parts.

 **DANGER**

Before welding any part of refrigeration system, make sure the area is well ventilated.

## Section 22: HEATING AND AIR CONDITIONING

### 9.10 TROUBLESHOOTING

#### 9.10.1 Expansion Valve

PROBABLE CAUSE	PROBABLE REMEDY
<b>LOW SUCTION PRESSURE-HIGH SUPERHEAT</b>	
EXPANSION VALVE LIMITING FLOW:	
Gas in liquid line due to pressure drop in the line or insufficient refrigerant charge.	Locate cause of line flash and correct by use of any of the following methods. Add R-134a. Replace or clean filter dryer.
Inlet pressure too low from excessive low condensing temperature. Resulting pressure difference across valve too small.	Increase head pressure. Verify pressure switch for fan speed control.
Superheat adjustment too high.	Adjust superheat as outlined under "Superheat Adjustment".
Power assembly failure or partial loss of charge.	Replace power assembly or replace valve.
Air filter screen clogged.	Clean or replace air filter screen.
Plugged lines.	Clean, repair or replace lines.
<b>LOW SUCTION PRESSURE-LOW SUPERHEAT</b>	
Uneven or inadequate evaporator loading due to poor air distribution or liquid flow.	Balance evaporator load distribution by providing correct air or liquid distribution.
<b>HIGH SUCTION PRESSURE-HIGH SUPERHEAT</b>	
Compressor discharge valve leaking.	Replace or repair valve.
<b>HIGH SUCTION PRESSURE-LOW SUPERHEAT (DEFECTIVE UNLOADER)</b>	
Valve superheat setting too low.	Adjust superheat as outlined under "Superheat Adjustment".
Compressor discharge valves leaking.	Replace or repair discharge valve.
Incorrect superheat adjustment.	Superheat adjustment 12 to 16°F.
<b>FLUCTUATING DISCHARGE PRESSURE</b>	
Insufficient charge.	Add R-134a to system.
<b>HIGH DISCHARGE PRESSURE</b>	
Air or non-condensable gases in condenser.	Purge and recharge system.
Overcharge or refrigerant.	Bleed to proper charge.
Condenser dirty.	Clean condenser.

9.10.2 A/C Compressor

TROUBLE	CAUSE
Low suction pressure and frosting at dryer outlet.	Clogged filter.
Low Oil Level.	Check for oil leaks and for leaking oil seal. Do not attempt to check oil level unless system has been stabilized at least 20 minutes. See oil level verification.
Excessively cold suction line.	Loss of contact between the expansion valve bulb and the suction line or sticking of the expansion valve.  Check for foreign matter and clean, repair or replace the valve.
Excessively cold suction line and noisy compressor.	Check superheat adjustment. Check remote bulb contact. Check expansion valve for sticking.
Compressor squeaks or squeals when running.	Check oil level. Replace oil seal.
Noisy or knocking compressor.	Check for broken internal parts. Overhaul if required.
Compressor vibrates.	Check and tighten compressor mounting bolts and belt tension.
Low refrigerant level	Check for refrigerant leaks and add refrigerant if required.
Suction pressure rises faster than 5 pounds per minute after shutdown.	Check compressor valve for breakage or damage.
Insufficient cooling.	Check for refrigerant leaks. Check condition of air filter and motors.
Insufficient air flow.	Dirty or iced evaporator. Dirty air filter. Blowers inactive. Clogged ducts.
No flow of refrigerant through expansion valve.	Filter dryer is clogged. Remote bulb has lost charge or expansion valve is defective.
Expansion valve hisses. Bubbles in moisture and liquid indicator.	Gas in liquid line. Add refrigerant.
Loss of capacity  Superheat too high.	Clogged filter. Obstructed or defective expansion valve.  Reset superheat adjustment. Check for clogged external equalizer line, or filter dryer.
Reduced air flow: a. Dirty or clogged air filter; b. Evaporator motor inoperative; or c. Plugged return air ducts.	Dirty or iced evaporator coil. Clean air filter screen. Check return ducts for obstructions. Check blower motor.
Frequent startings and stoppings on low pressure control switch.	Lack of refrigerant. Check for leaks. Recharge.
Compressor intermittently starts and stops.	Intermittent contact in electrical control circuit. Compressor valves not in operating position.
Non-condensable in the refrigeration system.	Leak on system, system in vacuum in low temp. Specific symptom, pressure in system will not correspond to ambient temperature on shutdown. Only non-condensable will cause this.  (Example: Pressure of idle R-134a system in 80°F (26.6°C) room should be 86.4 psi (595.7 kPa). See temperature chart in this section.)

**Section 22: HEATING AND AIR CONDITIONING**

TROUBLE	CAUSE
	<p>An evaporator just does a proper cooling job without sufficient air. Shortage of air can be caused by the following:</p> <ul style="list-style-type: none"> <li>○ Dirty filters; or</li> <li>○ Dirty coils.</li> </ul>
<p>Testing condenser pressure.</p> <p>Note: R-134A pressure is function of the temperature variation.</p> <p>Example, for an exterior temperature of 100°F.            Exterior temperature (100°F) + 40°F = 140°F. Refer to paragraph "9.11 Temperatures &amp; Pressures".            Note the corresponding pressure for a temperature of 140°F., 230.5 psi.            Read the condenser pressure, example 171.9 psi.            171.9 psi 199.8 psi, the pressure in the condenser is inferior to the pressure corresponding to the exterior temperature, and then condenser pressure may be too low. Check for refrigerant leaks and add refrigerant if necessary. If the pressure corresponding to the condenser temperature is superior to the pressure corresponding to the exterior temperature, then air cooled condenser pressure may be too high. Most frequent causes are:</p> <p>Reduced air quantity. This may be due to:</p> <ul style="list-style-type: none"> <li>○ Non-condensable in system;</li> <li>○ Dirt on the coil;</li> <li>○ Restricted air inlet or outlet;</li> <li>○ Dirty fan blades;</li> <li>○ Incorrect rotation of fan;</li> <li>○ Fan speed too low;</li> <li>○ Fan motor going out on overload; or</li> <li>○ Prevailing winds.</li> <li>○ Too much refrigerant in system. Remove refrigerant if necessary.</li> </ul>	

## 9.11 TEMPERATURES &amp; PRESSURES

VAPOR-PRESSURE			
TEMPERATURE		PRESSURE	
°F	°C	psi	kPa
-100	-73.3	27.8	191.7
-90	-67.8	26.9	185.5
-80	-62.2	25.6	176.5
-70	-56.7	23.8	164.1
-60	-51.1	21.5	148.2
-50	-45.6	18.5	127.6
-40	-40.0	14.7	101.4
-30	-34.4	9.8	67.6
-20	-29	3.8	26.2
-10	-23	1.8	12.4
0	-18	6.3	43.4
10	-12	11.6	80
20	-7	18.0	124.1
30	-1	25.6	176.5
40	4	34.5	237.9
50	10	44.9	309.6
60	16	56.9	392.3
70	21.1	70.7	487.5
80	27	86.4	595.7
90	32.2	104.2	718.5
100	38	124.3	857.0
110	43.3	146.8	1012.2
120	49	171.9	1185.3
130	54.4	199.8	1377.6
140	60	230.5	1589.3
150	65.6	264.4	1823.0
160	71	301.5	2078.8
170	76.7	342.0	2358.1
180	82.2	385.9	2660.8
190	87.8	433.6	2989.7
200	93.3	485.0	3344.1
210	98.9	540.3	3725.4

9.12 LEAK TESTING

Some methods such as nitrogen pressure and soap, and electronic sniffer can be used for leak testing. However, the most common method used is a "Halide" torch consisting of an acetylene tank, a burner and a suction test hose. Proceed as follows:



**DANGER**  
Do not inhale fumes from leak detector.

The flow of acetylene to the burner causes a depression in the test line. Any gas refrigerant present will be drawn through the hose and into the burner where it decomposes into free acids.

These acids come in contact with the hot copper reaction plate in the burner, causing color reaction in the flame. A small concentration is indicated by a green tint and a large concentration by an intense blue. Do not confuse this change in color with the change caused by shutting off the air supply through the hose by holding the end too close to an object.

The procedure for testing is:


1. Adjust flame so that the top of the cone is approximately level or within one-half inch above the plate.
2. Probe end of suction test tube around all joints, valves, etc. When a leak has been found at a soldered joint, this specific section of the system must be pumped down. Do not solder as pressure will force hot solder out. If the system is empty, it is more economical to put in just enough R-134a to produce about 15 psi (103 kPa). The pressure can be raised to about 150 psi (1034 kPa) with dry nitrogen.

**NOTE**  
*This gas is put into the suction and discharge shutoff valves at the compressor. The receiver valves must be opened. If no leaks are found, dump this mixture, evacuate the system and fill with refrigerant.*

**10. SMALL HVAC SYSTEM – AIR CONDITIONING COMPONENTS**

10.1 COMPRESSOR

Consult the small Compressor Service Manual included at the end of this section.



**WARNING**  
Read the cautionary information in the small Compressor Service Manual included at the end of this section.

10.2 COMPRESSOR REMOVAL

10.2.1 When the compressor is operational

- Perform the "OIL RETURN OPERATION" (Refer to paragraph 10.5).

10.2.2 Refrigerant Recovery

Some air conditioning system refrigerant compounds are chlorofluorocarbons, and therefore may be damaging the earth's ozone layer. Consequently, the release of refrigerant into the atmosphere must be avoided. Whenever refrigerant is to be released from the air conditioning system, a refrigerant recovery unit must be used to recover the refrigerant. This refrigerant can then be recycled and reused, which is both environmentally safe and economical.

For complete system recovery, any of the High and Low service ports can be used. Energize liquid solenoid valve and measure the quantity of oil recovered. For the compressor only, use the service valve port and close the valves. The service valves open permits full flow of refrigerant to service port. Service valve closed permits flow of refrigerant from compressor to service port.

**NOTE**  
*Belts specifications may vary. For proper belt selection, always consult your vehicle Coach Final Record.*

10.2.3 When the compressor is inoperable

- Perform the "Refrigerant Recovery" operation (paragraph 10.2.2).
- Slacken bolts fixing small compressor.
- Remove the compressor.

10.2.4 Evacuating System prior Addition of Refrigerant (Driver's or Auxiliary System)

When a system has been opened for repairs, change the filter dryer and evacuate the system. VIPs equipped with a driver's system must use high-pressure service port located on the other

side of check valve and low-pressure port located alongside rear truss (figure 38). It would be good practice to open the solenoid valve.

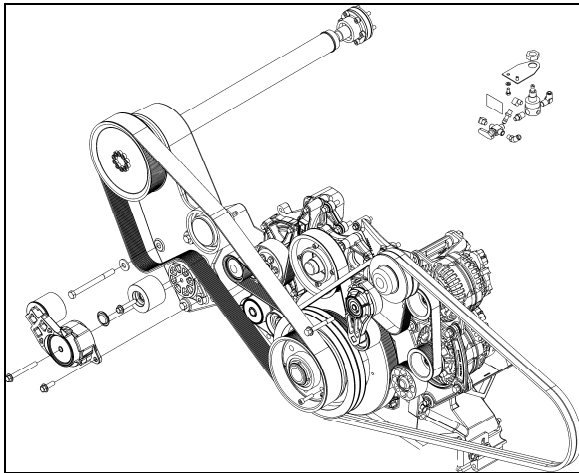


FIGURE 36: BELT LAYOUT WITH SMALL A/C COMPRESSOR

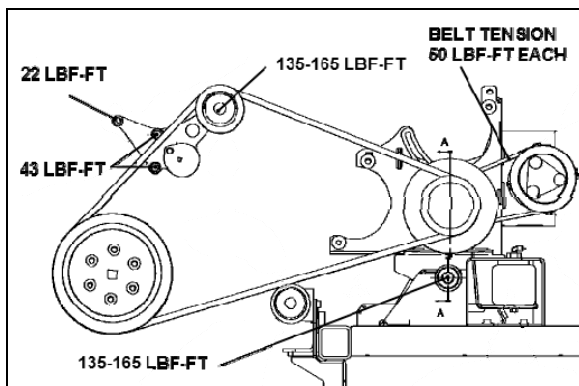


FIGURE 37: BELT LAYOUT WITH SMALL A/C COMPRESSOR

1. Connect two hoses equipped with a micron gauge between the high-pressure service port, the low-pressure service port and the vacuum pump.
2. With the unit service valves open and the vacuum pump valves open, start the pump and draw the manifold and hoses into a very deep vacuum (700 microns).
3. Close manifold valve
4. Shut down the vacuum pump.
5. Check to insure that vacuum holds. (If the pressure continues to rise, it indicates a leak or moisture in the system).
6. Charge the system with the proper amount of refrigerant through the service port near the check valve using recommended charging procedures.
7. Remove the hoses.

### 10.3 OIL ADDITION

The chart below shows the approximate amount of oil to be added to the system when replacing a component.

Component replaced	Typical amount of oil
Evaporator	50 cm <sup>3</sup> (1.7 ozs)
Condenser	30 cm <sup>3</sup> (1.0 ozs)
Filter-Dryer	10 cm <sup>3</sup> (0.3 ozs)

The amount of oil recovered with the refrigerant recovery should be added at the same time.

### 10.4 COMPRESSOR OIL CONTAMINATION

Unlike engine oil, no cleaning agent is added to the compressor oil. Even if the compressor is run for a long time, the oil never becomes turbid as long as there is nothing wrong with the compressor or its method of use. Inspect the extracted oil for any of the following conditions:

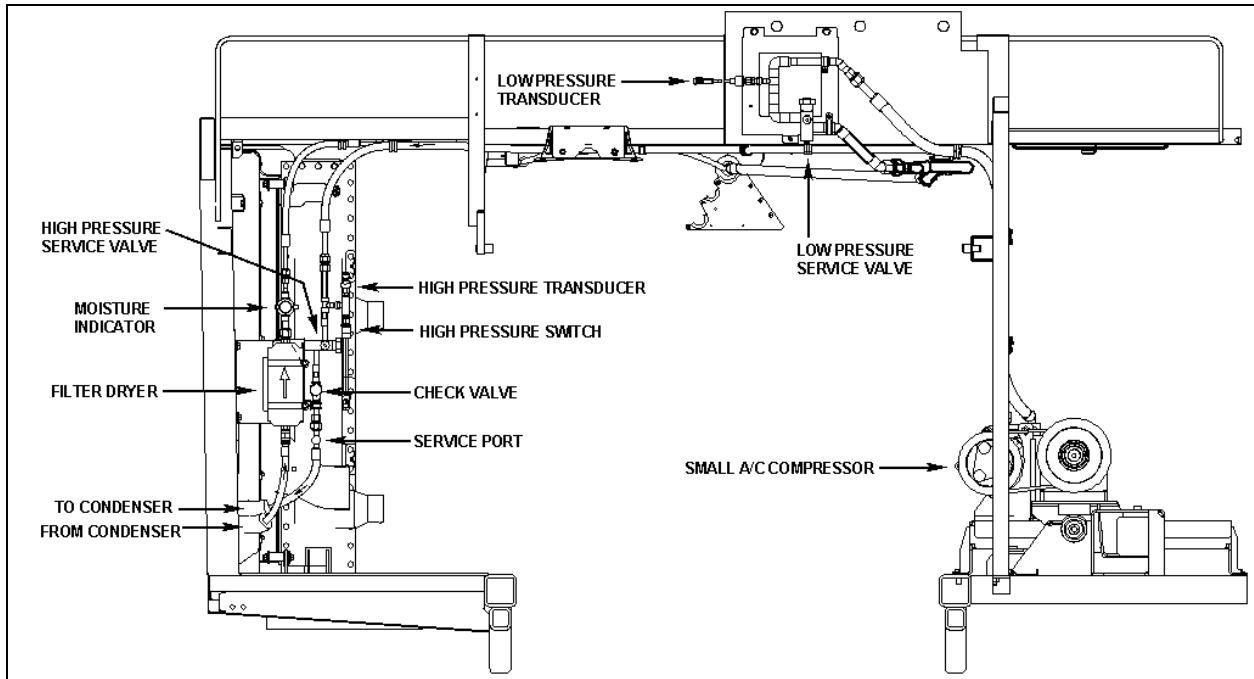
- Dirt in the oil.
- Change to a varnish color.
- Presence of foreign substance, metal shavings, etc. in the oil. When the oil extracted from the compressor is as described above, replace the oil as follows:
  1. Clean the interior of the system with approved method.
  2. Replace the filter-dryer.
  3. Supply with new oil as specified in small Compressor Service Manual included at the end of this section

### 10.5 OIL RETURN OPERATION

There is a close affinity between oil and refrigerant. During normal operation, part of the oil recirculates with the refrigerant in the system. Therefore, when checking the amount of oil in the system or replacing any system component, the compressor must be run in advance to ensure return. This procedure is as follows:

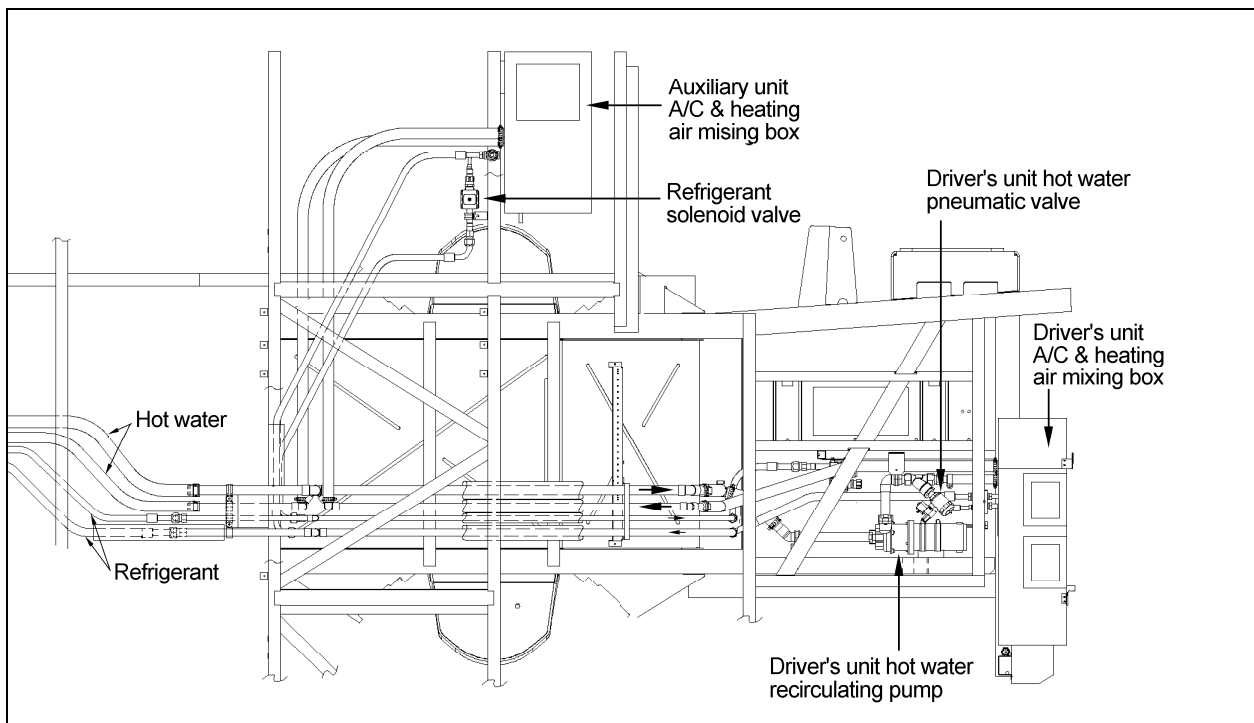
- If the amount of refrigerant in the system has decreased, charge to the proper amount.
- Start the engine and select fast idle.
- Set the fan speed to full air/full A/C and let run for 20 minutes.

**Section 22: HEATING AND AIR CONDITIONING**



**FIGURE 38: SMALL HVAC SYSTEM - AIR CONDITIONING**

22344



**FIGURE 39: SMALL HVAC SYSTEM - DRIVER'S AND AUXILIARY UNIT**

22290



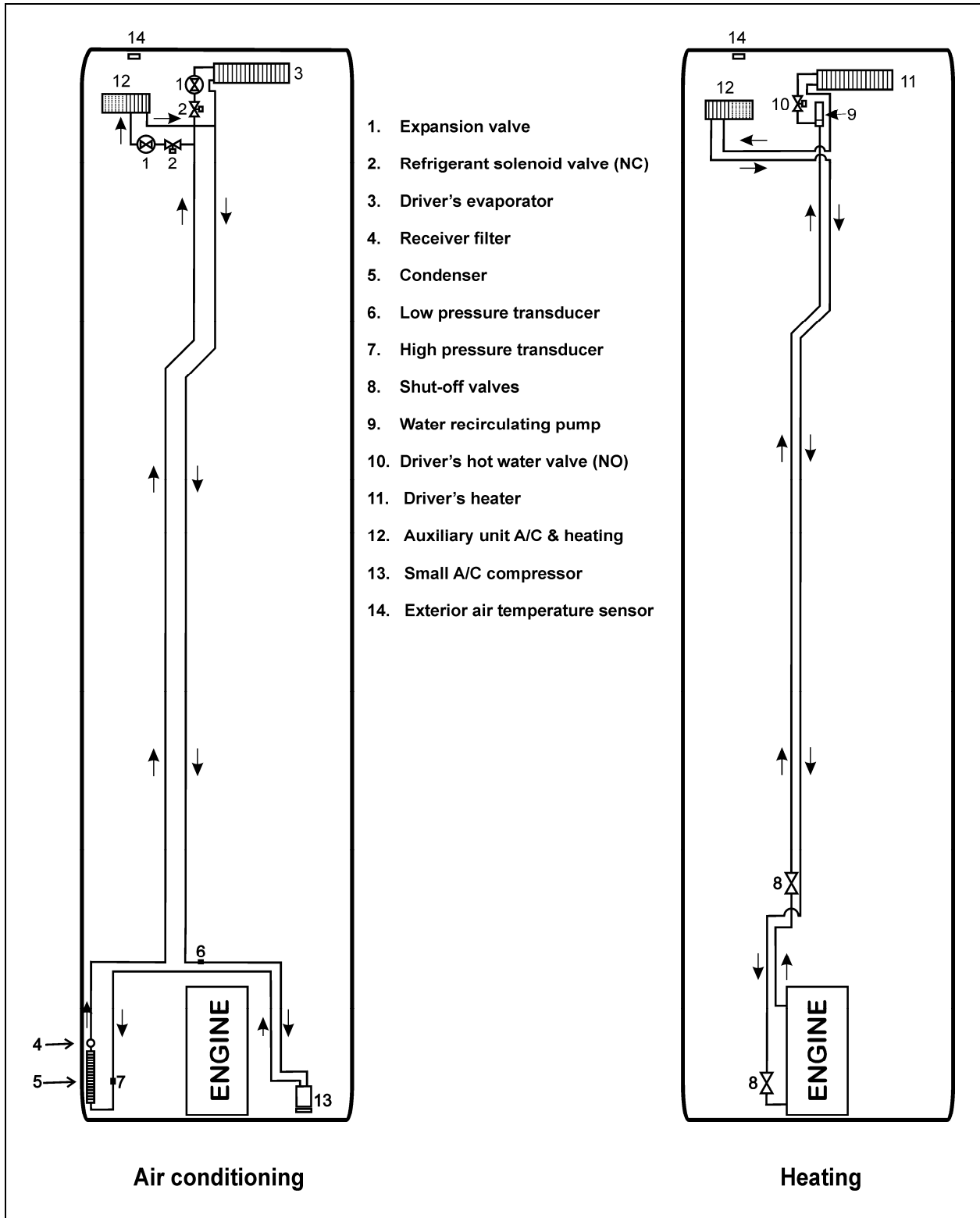
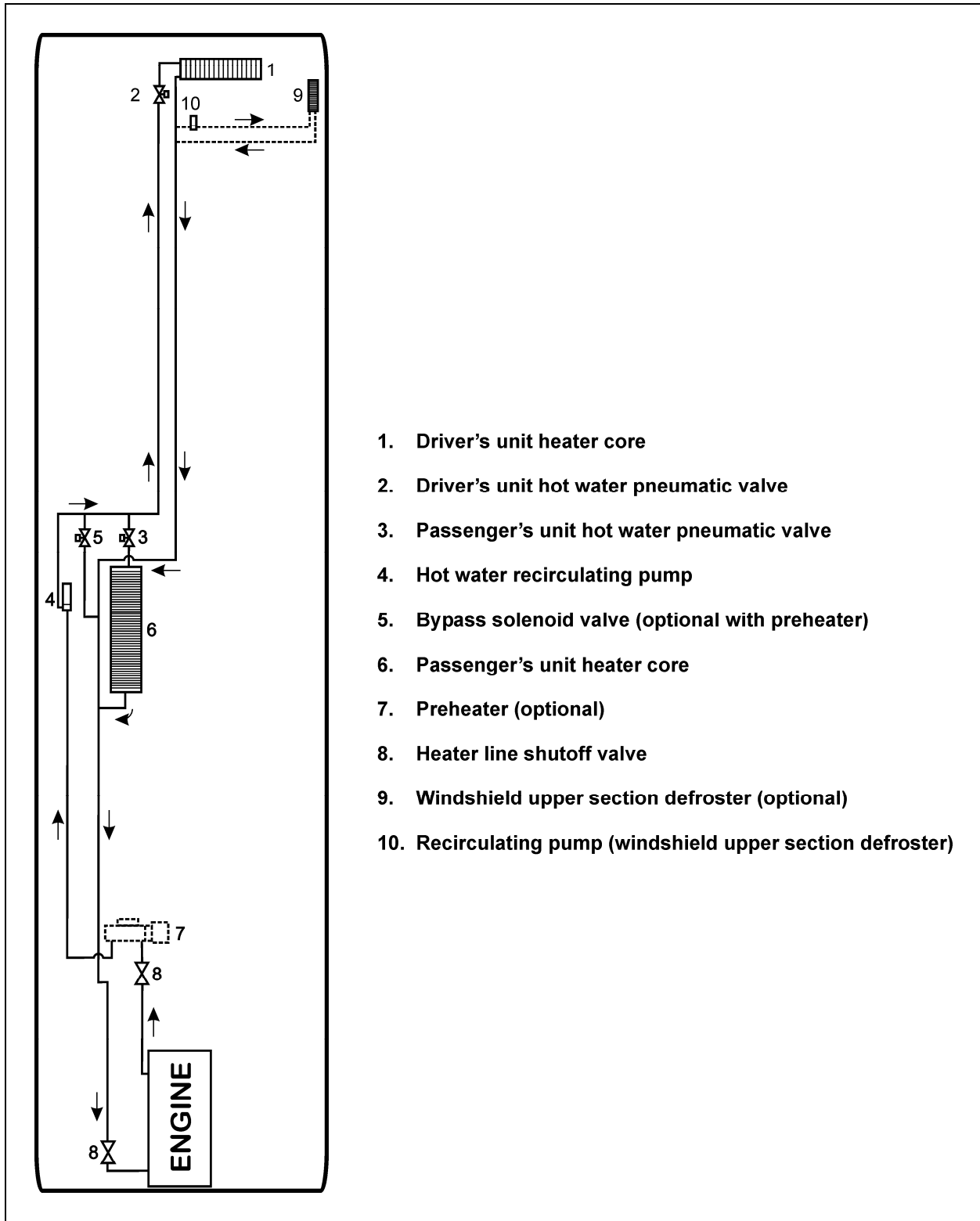


FIGURE 40: SMALL HVAC SYSTEM

22345



1. Driver's unit heater core
2. Driver's unit hot water pneumatic valve
3. Passenger's unit hot water pneumatic valve
4. Hot water recirculating pump
5. Bypass solenoid valve (optional with preheater)
6. Passenger's unit heater core
7. Preheater (optional)
8. Heater line shutoff valve
9. Windshield upper section defroster (optional)
10. Recirculating pump (windshield upper section defroster)

FIGURE 41: CENTRAL HVAC SYSTEM – HEATING

22262

## 11. HEATING SYSTEM

The schematics of figure 39 & 40 show respectively, the small HVAC system heating and air conditioning arrangement and the central HVAC system heating arrangement.

In addition to the normal heating provided by the engine, a preheating system (104,000 Btu/hr) (optional on coaches only) may have been installed in the vehicle.

### 11.1 SMALL HVAC SYSTEM

The small HVAC system driver's unit is similar to the driver's unit of the central HVAC system, except that the recirculating pump is located on the ceiling of the spare wheel compartment (figure 39).

Furthermore, an auxiliary unit is added in series on the return line of the small system, it increases the whole system heating capacity and gives the driver more options.

### 11.2 CENTRAL HVAC SYSTEM

The schematic of figure 41 shows the central HVAC system heating arrangement.

On coaches only, in addition to the normal heating provided by the engine, an optional preheating system (104,000 Btu/hr) may have been installed above the rear wheelhousing on the L.H. side.

### 11.3 DRAINING HEATING SYSTEM

To drain the entire system, refer to Section 05, "Cooling". If only the driver's unit heater core or passenger's unit heater core must be drained, refer to the following instructions.

#### 11.3.1 Draining Driver's Unit Heater Core

1. Stop engine and allow engine coolant to cool.
2. Locate the normally open hot water pneumatic valve on the ceiling of the spare wheel compartment (figure 39), disconnect its wiring connector, and then connect a 24-volt external power source, using jumper cables, to close valve.



### WARNING

Before proceeding with the following steps, check that coolant has cooled down.

3. Loosen hose clamp, install an appropriate container to recover coolant, and disconnect silicone hose from hot water pneumatic valve.
4. From inside of vehicle, remove the grill and the access panels. Open the purge valve located inside the driver's unit (figure 42) to ensure an efficient draining.

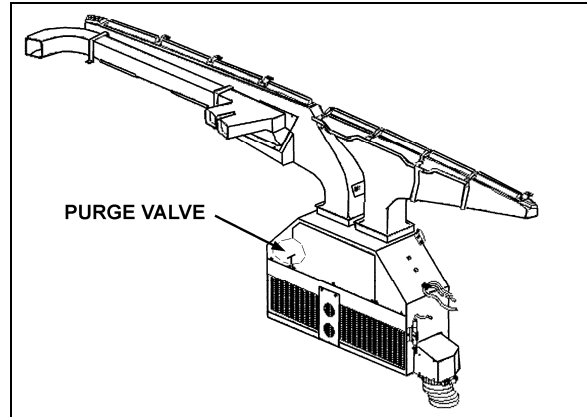


FIGURE 42: DRIVER'S UNIT AIR MIXING BOX 22171PV

#### 11.3.2 Draining Passenger's Unit Heater Core

1. Stop engine and allow engine coolant to cool.
2. Close both heater line shutoff valves (figure 45 & 46). One is located in the engine compartment under the radiator fan gearbox, while the other one is located behind the L.H. hinged rear fender near the preheater. Refer to "Preheater System" in this section to gain access to the heater line shutoff valve.
3. Open the last L.H. side baggage compartment door and then pull the black release button located on the L.H. side in order to unlock and open the evaporator compartment door.



### WARNING

Before proceeding with the following step, check that coolant has cooled down.

4. Open drain cock in bottom of heater core, then open purge valve located on top of heater core (figure 43) in order to allow air to enter while draining.

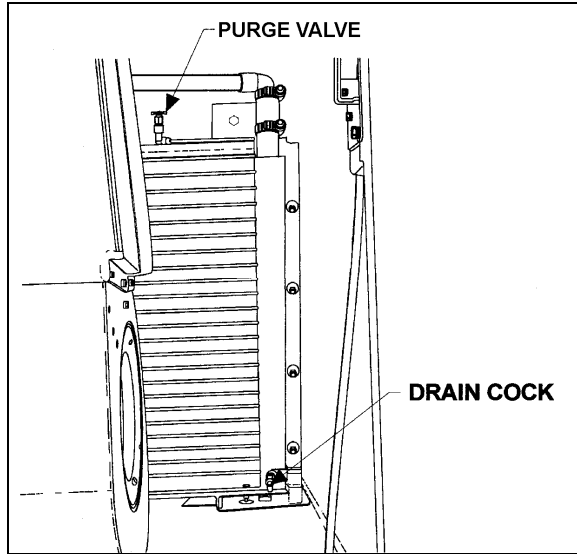


FIGURE 43: PASSENGER'S UNIT HEATER CORE (H3 COACHES) 22229

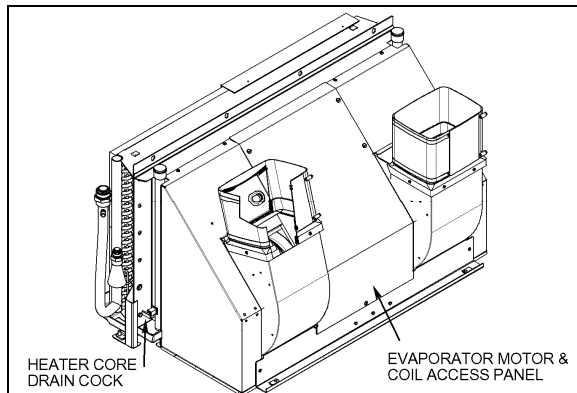


FIGURE 44: HEATER CORE INSIDE EVAPORATOR COMPARTMENT (H3 COACHES) 22332

#### 11.4 FILLING HEATING SYSTEM

1. Ensure that the drain hose is reconnected and the purge valves and drain cock are closed.
2. Open the surge tank filler cap and slowly fill the system to level of filler neck.
3. After initial filling, the water valves should be open and the water recirculating pump should be energized to assist in circulating coolant through the heating system. To perform this operation, start the engine, switch on the HVAC control unit, both driver and passenger sections, and set temperature to their maximum positions in order to request the heating mode in each of these sections.
4. When coolant level drops below the surge tank filler neck, slowly fill the system to level of filler neck.

5. If vehicle is equipped with a windshield upper section defroster, open front baggage compartment R.H. side door. Locate recirculating pump on top of front wheelhousing, momentarily pinch the hose located between the recirculating pump suction and the defroster outlet connector to ensure windshield upper section defroster complete filling.
6. Once the level has been stabilized, replace cap.

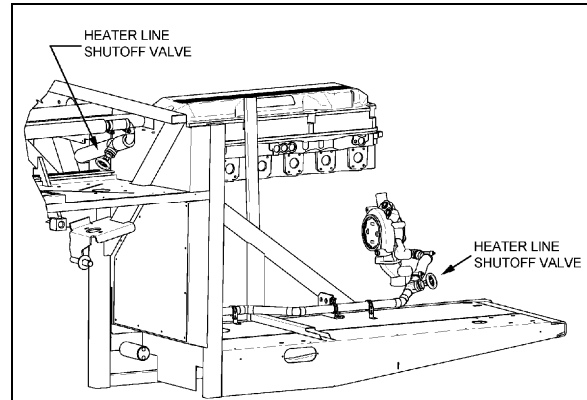


FIGURE 45: HEATER LINE SHUTOFF VALVES (CENTRAL HVAC SYSTEM)

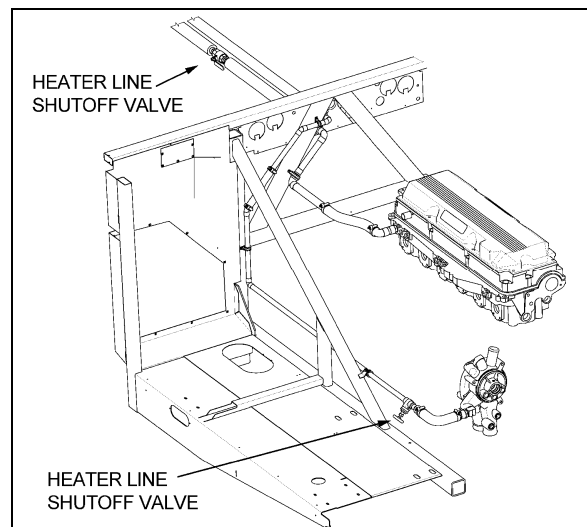


FIGURE 46: HEATER LINE SHUTOFF VALVES (SMALL HVAC SYSTEM)

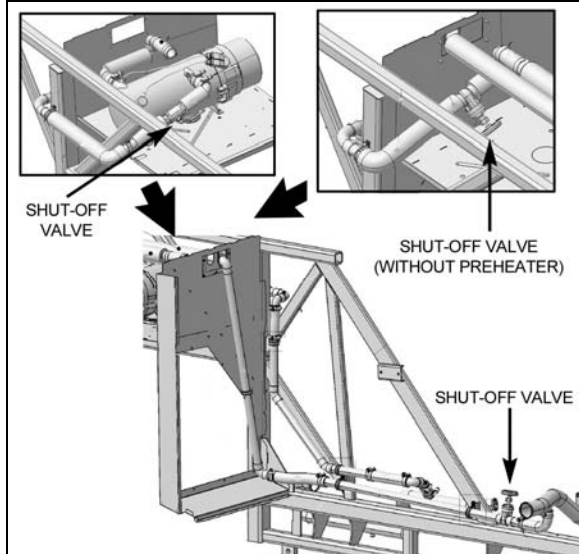


FIGURE 47: HEATER LINE SHUTOFF VALVES (WITH VOLVO D13 ENGINE) 05144

11.5 BLEEDING HEATING SYSTEM

Whenever the heating system has been drained and refilled, or the system has run low on coolant and coolant has been added, it is necessary to bleed air from heating system. Locate the purge valve illustrated in figure 42 & 43, and open them momentarily until no air escapes from the lines.

**NOTE**

*In test mode (see paragraph 7.1 HVAC SYSTEM AND TEST MODE FOR SWITCHES AND SENSORS), with the parking brake applied and the passenger set point set to a value higher than 64°F (18°C), the hot water circulating pump is not set to OFF as it would normally do when the outside temperature gets above 50°F (10°C). This feature is useful when working on the heating system to remove air pockets trapped in the system.*

11.6 SOLDERING

Before soldering any part of the system, make sure the area is well ventilated. Use (stay clean) flux sparingly and apply solder (95-5 round wire 1/8 inch [3,1 mm]). After completing repairs, test for leaks.

When using heat at or near a valve, wrap with a rag saturated of water to prevent overheating of vital parts.

11.7 DRIVER'S UNIT HOT WATER PNEUMATIC VALVE

The flow of hot water to the driver's unit heater core is controlled by a pneumatic valve like the passenger's unit hot water pneumatic valve. It is mounted on the coolant inlet line of the driver's heater core, and is accessible through the spare wheel compartment (see figure 40, 41 & 51). For more information, refer to paragraph 11.8.

11.8 PASSENGER'S UNIT HOT WATER PNEUMATIC VALVE ASSEMBLY

11.8.1 Description

The flow of hot water to the vehicle's central heater core is controlled by a NO pneumatic water valve assembly (figure 48). The valve, located in the evaporator compartment, is designed so that the pilot solenoid valve, which is part of the assembly, opens and closes a port which directs air pressure to the actuator casing, thereby opening or closing the valve.

When the vehicle is operating with no current to the pilot solenoid valve, no air pressure is admitted to the actuator casing, the cylinder spring pushes up against the cylinder, thereby keeping the water valve open.

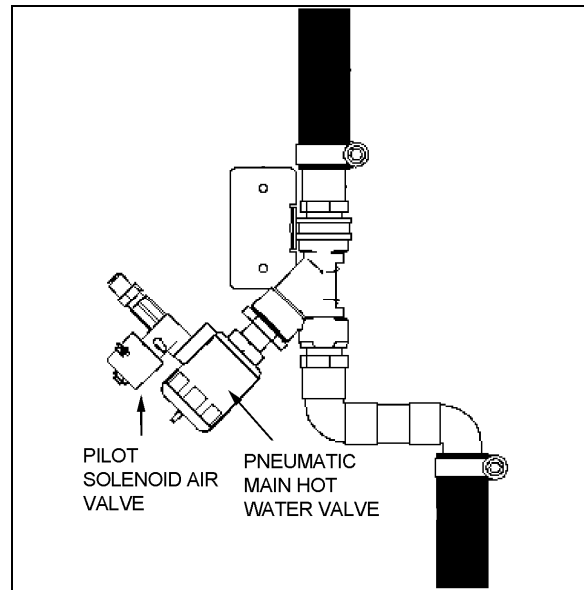


FIGURE 48: PASSENGER'S UNIT HOT WATER PNEUMATIC VALVE ASSEMBLY 22240

The passenger's unit heater water valve requires a minimum amount of maintenance. The valve should be free of dirt sediment that might interfere with its operation. No other maintenance is needed unless a malfunction occurs.

## Section 22: HEATING AND AIR CONDITIONING

### 11.8.2 Hot Water Pneumatic Valve Disassembly

1. Assemble Shut off air supply pressure and electrical current to the pilot solenoid valve. Disconnect wires.
2. The water valve need not be removed from the line. Unscrew nipple, the actuator casing, tube, spindle and closure member can be removed (figure 49).
3. Remove the snap ring using a pair of pliers.
4. You can now access all seals for replacement.

Pneumatic water valve replacement seal kits:

- Water Side: 871311
- Actuator Side: 871312

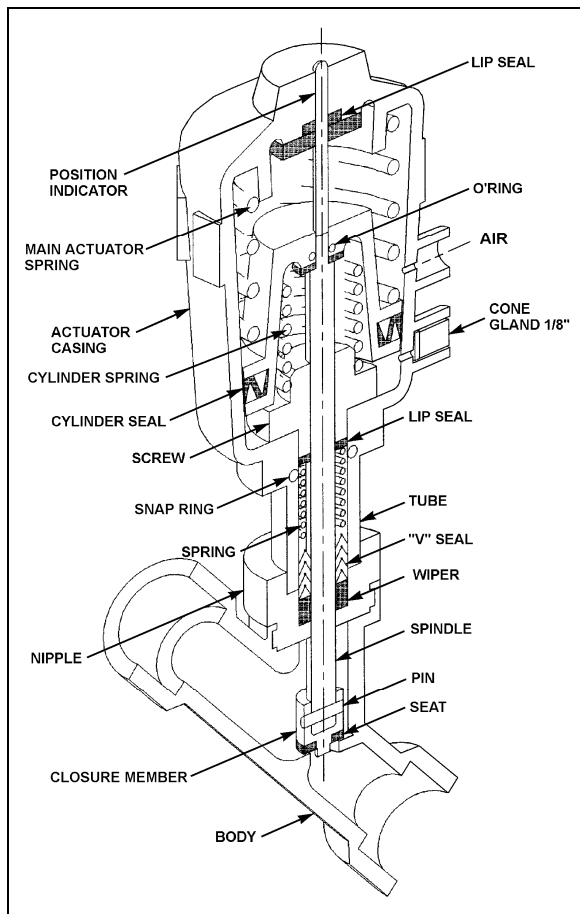


FIGURE 49: PASSENGER'S UNIT HOT WATER PNEUMATIC VALVE

22241

### 11.8.3 Hot Water Pneumatic Valve Reassembly

1. Assemble the actuator casing, tube, nipple, spindle and closure member.

2. Tighten the nipple in place in the body cavity as per Figure 49. Fasten pilot solenoid valve to the pneumatic water valve. Reconnect air supply pressure and electrical current to the pilot solenoid valve.
3. Check for proper operation.

### 11.8.4 Pilot Solenoid Valve

1. No maintenance is needed unless a malfunction occurs.
2. A pilot solenoid valve replacement seal kit is available: 871311.

### 11.8.5 Valve Troubleshooting

PROBLEM	PROCEDURE
Valve fails to close	<ol style="list-style-type: none"> <li>1. Check electrical supply with a voltmeter. It should agree with nameplate rating.</li> <li>2. Check pressure at pilot solenoid valve inlet. It must be at least equal to the minimum pressure stamped on the nameplate. It should not go below minimum while valve is operating.</li> </ol>
Valve fails to open	<ol style="list-style-type: none"> <li>1. Check that the closure member assembly, and that main actuator and cylinder springs are free to travel.</li> <li>2. Check that there is no restriction to the air escaping from the actuator casing.</li> <li>3. Make sure that pilot solenoid valve operates properly.</li> </ol>

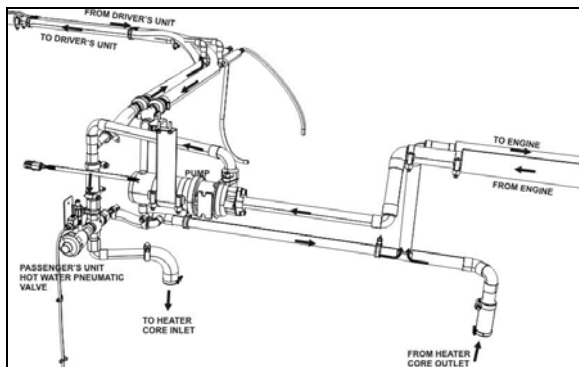
### 11.9 HOT WATER RECIRCULATING PUMP

This vehicle is provided with a water recirculating pump which is located in the evaporator compartment (figure 50) or on the ceiling of the spare wheel compartment for vehicles equipped with a small HVAC (figure 51). The water recirculating pump consists of a

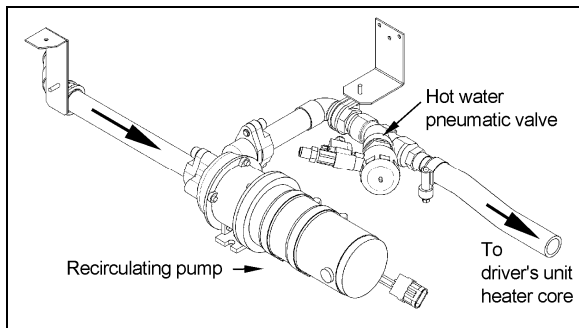
centrifugal pump and an electric motor which are mounted in a compact assembly.

The motor is equipped with pre-lubricated sealed ball bearings which require no maintenance. The pump requires no periodic maintenance other than replacement of motor brushes. Replacement of motor brushes can be performed without removing the pump assembly.

Inspection of the pump, to determine to determine if the pump is working properly, should be made while the pump is in operation. If there is evidence that the pump is not operating as per specifications, the unit must be disassembled for corrective measures. Disassembly of the pump will be necessary only in the case of impeller failure or motor failure.



**FIGURE 50: HOT WATER RECIRCULATING PUMP INSTALLATION (CENTRAL HVAC SYSTEM)**



**FIGURE 51: HOT WATER RECIRCULATING PUMP INSTALLATION (SMALL HVAC SYSTEM)**

22292

### 11.9.1 Removal

1. Stop engine and allow engine coolant to cool.
2. Close shutoff valves on the heater line. Refer to "Preheater System" in this section to gain access to the heater line shutoff valve.
3. Disconnect the electrical wiring from the motor.



## WARNING

Before proceeding with the following steps, check that coolant has cooled down.

4. Disconnect water lines from the pump at the flange connections.
5. Remove the two clamps holding the pump motor to its mounting bracket. Remove the pump with the motor as an assembly.

### 11.9.2 Disassembly

Refer to figure 52.

1. Separate the housing from the adapter by first removing the 4 capscrews. Remove housing carefully to prevent damaging the O-ring.
2. Remove rotor assembly, washers and shaft from the adapter.



## CAUTION

Do not scratch or mark the sealing surface of this seat, as its sealing feature will be affected, thus resulting in continuous leakage.

### Inspection

Components removed from the recirculating pump and motor assembly should be compared with new parts to determine the degree of wear.

### 11.9.3 Brushes

- 1) When removing brushes, note the position of the brush in the tube. Brush life is shortened if the brushes are not replaced properly.
- 2) Examine brushes for the following:
  - a) Wear

Replace the brushes if less than 25% of the usable brush is left (less than 0.300 inch (8 mm)).

- b) Chipped edges

Chips can be caused by improper handling or installation. Badly chipped brushes should be replaced regardless of their length.

- c) Annealed brush spring

This can be detected by noting the resiliency of the spring. Annealing is caused by failing to tighten the brush caps properly, thus not providing a good low resistance contact

## Section 22: HEATING AND AIR CONDITIONING

between the terminal and the brush tube. Replace brushes showing evidence of annealed springs.

### d) Frayed or broken pigtail

An improperly installed brush may have the pigtail (shunt) pinched under the terminal or between the coils of the spring. If the pigtail is badly frayed or broken, replace the brush.

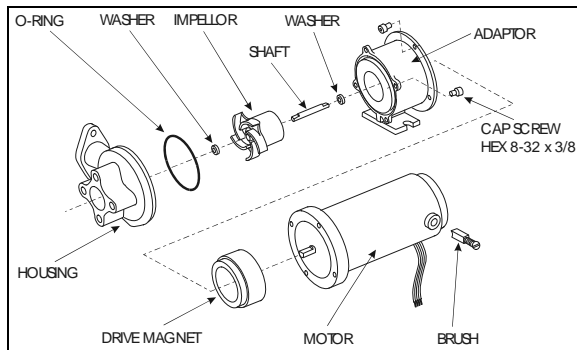


FIGURE 52: HOT WATER RECIRCULATING PUMP

### 3) Observe the following factors when replacing brushes

- The face of a new brush is carefully cut to cause proper seating during the "wear-in" period.
- Improper installation can harm both the brush and the commutator.
- Replacement brushes should be of the proper grade.
- Brush performance will be affected if the spring and terminal are not properly placed in the brush tube. The spring should be free over its entire length and the terminal should make good contact with the metal brush tube insert.

#### 11.9.4 Assembly

Refer to figure 52.

- Install washer, shaft and rotor assembly into adapter.
- Install O-ring into housing and assemble housing to the adapter.
- Secure housing to adapter using 4 cap screws.

#### 11.9.5 Installation

- Apply gasket cement to the pump body line adapter and to the line flanges, put the two gaskets in place, and connect water lines from the pump at the flange connections. Position the pump and motor assembly on

the mounting bracket. Position the mounting clamps over the motor and secure with mounting bolts.

- Connect electrical wiring to the pump motor.
- Open both shutoff valves. Refer to "Preheater System" in this section to gain access to the heater line shutoff valves.
- Fill the cooling system as previously instructed in this section under "Filling Heating System" and then bleed the system as previously instructed in this section under "Bleeding Heating System".

#### 11.10 BYPASS SOLENOID WATER VALVE (OPTIONAL)

This valve is optional and is installed on the vehicle equipped with a preheater. The valve is located in the evaporator compartment (Figure 50). Refer to figure 54 for part names.

22277

##### 11.10.1 Improper Operation

- Faulty control circuit: Check the electric system by energizing the solenoid. A metallic clicking noise indicates that the solenoid is operating. Absence of clicking indicates a loss of power or a defective solenoid. Check for open breaker, open-circuited or grounded coil, broken lead wires.
- Burned-out coil: Check for open-circuited coil. Replace coil if necessary.
- Low voltage: Check voltage across the coil leads. Voltage must be at least 85% of nameplate rating.
- Excessive leakage: Disassemble valve and clean all parts. Replace worn or damaged parts with a complete repair kit for best results.

##### 11.10.2 To Remove or Change the Coil

- Stop engine and allow engine coolant to cool.
- Close shutoff valve on the line located in the rear electric compartment. Refer to "Preheater System" in this section to gain access to the heater line shutoff valve.

##### To remove the solenoid coil:

First take out the retaining screw at the top of the coil housing. The entire coil assembly can be lifted off the enclosing tube.

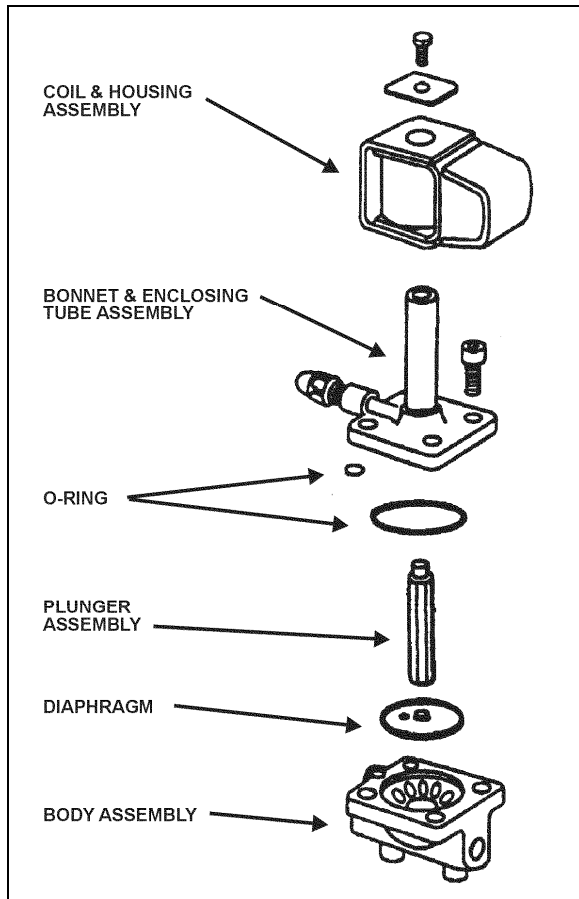


To reassemble:

Make sure that the parts are placed on the enclosing tube in the following order:

Be sure to change electrical data plate according to coil specifications change.

1. Place coil and yoke assembly on the enclosing tube. Lay data identification plate in place.



**FIGURE 53: BYPASS HOT WATER SOLENOID VALVE**  
22044

2. Insert the coil retaining screw, rotate housing to proper position and tighten screw securely.

11.10.3 Valve disassembly and Reassembly

Disassembly:

This valve may be taken apart by removing the socket head screws which hold the body and bonnet together. After removing the screws, carefully lift off the bonnet assembly (upper part of the valve). Don't drop the plunger. The diaphragm can now be lifted out. Be careful not to damage the machined faces while the valve is apart.

**NOTE**

*The above procedure must be followed before brazing solder type bodies into the line.*

Reassembly:

Place the diaphragm in the body with the pilot port extension up. Hold the plunger with the synthetic seat against the pilot port. Make sure the bonnet O-rings are in place, the bonnet assembly over the plunger, and that the locating sleeve in the bonnet enters the mating hole in the body. Insert body screws and tighten uniformly.

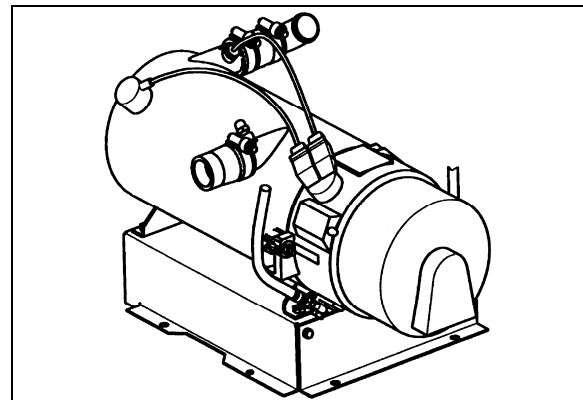
**12. PREHEATING SYSTEM (OPTIONAL ON COACHES ONLY)**

The coolant heater is located above the rear wheelhousing, behind the vehicle's L.H. side rear fender.

To gain access to the preheater and the heater line shutoff valve next to it (figure 45), remove the L.H side rear fender.

This Auxiliary Preheating System is used for preheating and retaining the heat of water-cooled engines. It can be used before starting the engine to ease its starting and to provide immediate inside heat upon operation of the heating system. It can also be used with engine running to maintain coolant heat and maintain the set temperature inside vehicle.

The heater operates independently from the vehicle engine. It is connected to the cooling and heating circuits, the fuel system and the electrical system of the vehicle.



**FIGURE 54: COOLANT HEATER (104,000 BTU)** 22224

The pilot lamp turns on when the heater is switched on. Combustion air flows in to flush out the combustion chamber and the water circulation pump is put into operation. The fuel metering pump conveys fuel in precise doses to

## Section 22: HEATING AND AIR CONDITIONING

the combustion chamber where fuel and combustion air form a combustible mixture which is ignited by the glow plug.

Once the flame sensor has signaled to the control unit that combustion has taken place correctly, the glow spark plug and ignition coil are switched off.

The hot combustion gases are diverted at the end of the flame pipe, then pass through the indirect heating surfaces of the heat exchanger and transmit their heat to the water passing through the heat exchanger.

The heat is thermostatically controlled and operates intermittently, i.e. the switched-on times of the burner vary depending on the heat requirement. The water temperature depends on the setting of the built-in water thermostat.


The water circulation pump remains in operation as long as the heater is operating, even in the regulation intervals and during the delayed cutout of the switched-off heater. The pump can also be operated independently from the heater by means of an appropriate circuit. The heater can be switched on at any time, even during the delayed cutout period. Ignition takes place once this delay time is over.

When the heater is switched off, the fuel supply is interrupted. The flame goes out, and at the same time a delayed cutout of some 2.5 minutes begins. The combustion air still flowing flushes the remaining combustion gases out of the chamber and cools off the hot parts on the exhaust side of the heat exchanger, while the water circulation pump, still running, transmits the heat present in the heat exchanger, thus preventing local overheats. Once the delayed cutout time is over, both the combustion air blower and the water circulation pump switch off automatically.

A cutout will take place in case of any failure of the preheater.

### 12.1 PREHEATER FUEL FILTER

The preheater fuel filter is located beside the preheater above the rear wheelhousing, behind the vehicle's L.H. side rear fender.

	<b>MAINTENANCE</b>
Replace preheater fuel filter every 50,000 miles (80 000 km) or once a year, whichever comes first.	

### 12.2 OPERATION


Switch on the heater. The operation indicator lamp comes on and the heater motor and circulating pump begin to run. After about 10-25 seconds the solenoid valve opens and fuel is sprayed into the combustion chamber. At the same time, the electronic ignition unit produces high voltage (8000 V) and the mixture of fuel and air in the combustion chamber is ignited by the spark on the ignition electrodes. The flame is indicated by the flame detector, then the electronic ignition unit stops producing high voltage and combustion continues by itself (spark on electrodes is required only to ignite the flame). At this moment, the heater is working and producing heat.


If the heater is switched off by the on/off switch, the solenoid valve interrupts fuel supply, combustion stops and indicator lamp turns off. Combustion air fan still blows air, cleaning the combustion chamber of any fumes and cooling down the combustion chamber. Coolant circulation pumps coolant, making a purge cycle for approximately 2-3 minutes, thus protecting the heater against overheating.

If the heater is not switched off by the on/off switch, the control thermostat will switch off the heater when coolant temperature reaches  $165^{\circ} \pm 6^{\circ}\text{F}$  ( $75^{\circ} \pm 3^{\circ}\text{C}$ ) and turns it on at  $154^{\circ} \pm 9^{\circ}\text{F}$  ( $68^{\circ} \pm 5^{\circ}\text{C}$ ). During this time, the heater (combustion) is off and the indication lamp and coolant pump are on. Combustion air fan blows air for 2-3 minutes and then turns off.

### 12.3 PREHEATING SYSTEM TIMER

The timer, located on L.H. lateral console is used to program the starting and stopping time of the preheating system. The system indicator light, located on the timer, illuminates when the system is functional.

	<b>CAUTION</b>
The preheating system should not operate for more than one hour before starting engine as this could discharge batteries.	

	<b>WARNING</b>
Preheating system must not operate when vehicle is parked inside or during fuel fill stops.	

**NOTE**

*Preheating system uses the same fuel as the engine.*

*In case of failure:*

1. Shut off and turn on again.
2. Check main circuit breaker and overheat fuse.
3. Have system repaired in a specialized shop.

12.3.1 Timer operating instructions (Spheros)

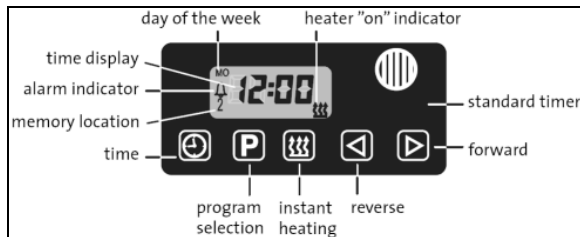


FIGURE 55: COOLANT TIMER 22223

These instructions refer to the timer illustrated in figure 55. They are the same instructions provided in the Spheros instruction booklet, provided with your vehicle.

**Remaining Operating Time**

The remaining operating time refers to the period of time the heater still continues to remain in operation. It may be changed while the heater is in operation.

**Setting the Digital Timer**

After the power has been connected, all symbols on the digital display are flashing. The time of the day and the day of the week must be set.

All flashing symbols of the timer can be set by means of the Forward (9) or Reverse (8) buttons.

When buttons (8) and (9) are pressed for more than 2 seconds, the quick digit advance mode is activated.

**Setting the Time and Day of the Week**

1. Press button (5) for more than 2 seconds (time display flashes).
2. Press (8) or (9) button to set the time of day.
3. Wait 5 seconds. The time of day is stored (time of week flashes).
4. Press (8) or (9) button to set the correct day of week.

5. Wait 5 seconds. The day of week is stored.

**Viewing the Time (Ignition ON)**

Continuous display of current time and day of the week.

**Viewing the Time (Ignition OFF)**

Briefly press button (5) to display current time and day for 5 seconds.

**Switching Heater ON (Instant Heating)**

**With Ignition ON:**

Press button (7). Heater is switched on (continuous operation) and continues to operate until button (7) is pressed again or ignition is switched off.

**NOTE**

*If the ignition is switched off while heater is in operation, the remaining operating time of 5 minutes flashes on the display and the heater will continue to operate for this period of time.*

**With Ignition OFF:**

Press button (7). Heater is switched on for preset operating time (the factory-set heater operating duration is 60 minutes).

**Switching Heater OFF**

Press button (7). The heater starts its after-run cycle and switches off thereafter.

**Presetting Operating Duration**

1. Press button (6). Memory location number flashes.

**NOTE**

*By repeatedly pressing button (6), starting time 2 or 3 can be preset.*

2. Press button (8) or (9) until correct startup time is set.
3. Wait 5 seconds. Preset starting time is stored and day of week flashes.
4. Press button (8) or (9) to select the correct startup day of week.
5. Wait 5 seconds. The startup day of week is stored.

The number of memory location remains on the display. The timer is now in the programmed mode and will switch the heater in at the preset time.

## Section 22: HEATING AND AIR CONDITIONING

### **NOTE**

We recommend that memory locations 1 and 2 be used for presetting times within 24 hours of setting the timer. Memory location 3 can be used for a starting time within the next 7 days of setting the timer.

### **Recalling Preset Times**

Press (6) repeatedly until the desired memory location number and preset time are displayed.

### **Canceling Preset Time**

Press button (6) repeatedly until no more memory location number is visible on the display.

### **Setting Operating Time**

1. With heater off, press button (8). Operating time flashes.
2. Press button (8) or (9) to set the operating time (between 1 and 120 minutes).
3. Wait 5 seconds. Operating time is stored.

The heater remains in operation for the preset time (except for continuous operation).

### **Setting the Remaining Operating Time**

1. With heater in operation, press button (8). Remaining operating time flashes.
2. Set remaining time with button (8) or (9).
3. Wait 5 seconds. Remaining operating time is stored.

### **Operational Failure Symptoms via Fault/Flash code**

On heaters equipped with a fault diagnosis system using coded light signals, the equipment-on indicator/operation indicator flashes. Refer to the following table.

#### 12.4 TROUBLESHOOTING AND MAINTENANCE

Refer to the Spheros manual for more information.

### **NOTE**

If there are no heater faults, the heater will go through a normal start cycle and regulate based on thermostat setting.

### **NOTE**

Switch on the preheating system briefly about once a month, even during the warm season.



### **CAUTION**

When welding on the vehicle, disconnect the preheater module connector in order to protect this system from voltage surges.



### **CAUTION**

To avoid running down the batteries, do not turn on the preheating system for more than one hour before starting the engine.



### **WARNING**

The preheating system uses the same fuel as the engine. Do not operate in a building or while refueling. Operate only in a well-ventilated area.

## Section 22: HEATING AND AIR CONDITIONING

Failure Symptom	Probable Cause	Check and Correct
<b>1X Flash (F 01)</b> No combustion after completion of startup sequence.	<ul style="list-style-type: none"> <li>- Fuel system</li> <li>- Combustion air</li> <li>- Electronic ignition</li> </ul>	<ul style="list-style-type: none"> <li>- Fuel level</li> <li>- Type of fuel being used</li> <li>- Fuel filter</li> <li>- Fuel line connections (air bubbles in fuel lines)</li> <li>- Fuel nozzle plugged</li> <li>- Air intake or exhaust, restricted or plugged</li> <li>- Incorrect electrode gap</li> </ul>
<b>2X Flashes (F 02)</b> Flame out during burner operation no restart possible	<ul style="list-style-type: none"> <li>- Fuel supply (shortage of fuel)</li> </ul>	<ul style="list-style-type: none"> <li>- Restriction in the fuel system</li> <li>- Fuel filter</li> <li>- Fuel line connections (air bubbles in fuel lines)</li> <li>- Type of fuel being used</li> </ul>
<b>3X Flashes (F 03)</b> Low voltage for more than 20 seconds	<ul style="list-style-type: none"> <li>- Electrical system</li> </ul>	<ul style="list-style-type: none"> <li>- Load test batteries</li> <li>- Corrosion at connections</li> <li>- Loose connections</li> </ul>
<b>4X Flashes (F 04)</b> Flame detector recognizes false flame signal during pre-start or shut-down cycle	<ul style="list-style-type: none"> <li>- Defective flame detector</li> </ul>	<ul style="list-style-type: none"> <li>- Replace flame detector</li> </ul>
<b>5X Flashes (F 05)</b> Flame detector	<ul style="list-style-type: none"> <li>- Wiring</li> <li>- Defective flame detector</li> </ul>	<ul style="list-style-type: none"> <li>- Damaged wiring, open or short circuit</li> <li>- Replace flame detector</li> </ul>
<b>6X Flashes (F 06)</b> Temperature sensor	<ul style="list-style-type: none"> <li>- Wiring</li> <li>- Defective temperature sensor</li> </ul>	<ul style="list-style-type: none"> <li>- Damaged wiring, open or short circuit</li> <li>- Replace temperature sensor</li> </ul>
<b>7X Flashes (F 07)</b> Fuel solenoid valve	<ul style="list-style-type: none"> <li>- Wiring</li> <li>- Defective solenoid valve</li> </ul>	<ul style="list-style-type: none"> <li>- Damaged or corroded wiring, open or short circuit</li> <li>- Replace solenoid valve</li> </ul>
<b>8X Flashes (F 08)</b> Combustion air fan motor	<ul style="list-style-type: none"> <li>- Wiring</li> <li>- Wrong RPM</li> <li>- Defective combustion air fan motor</li> </ul>	<ul style="list-style-type: none"> <li>- Damaged wiring, open or short circuit</li> <li>- Replace combustion air fan</li> <li>- Replace combustion air fan</li> </ul>
<b>9X Flashes (F 09)</b> Circulation pump motor	<ul style="list-style-type: none"> <li>- Wiring</li> <li>- Defective circulation pump motor</li> </ul>	<ul style="list-style-type: none"> <li>- Damaged wiring, open or short circuit</li> <li>- Replace circulation pump motor</li> </ul>
<b>10X Flashes (F 10)</b> Temperature limiter	<ul style="list-style-type: none"> <li>- Overheat condition</li> <li>- Coolant flow</li> <li>- Wiring</li> <li>- Defective temperature limiter</li> </ul>	<ul style="list-style-type: none"> <li>- Reset temperature limiter</li> <li>- Coolant level or flow restriction</li> <li>- Air trapped in coolant circuit</li> <li>- Damaged or corroded wiring, open or short circuit</li> <li>- Replace temperature limiter</li> </ul>
<b>11X Flashes (F 11)</b> Electronic ignition coil	<ul style="list-style-type: none"> <li>- Wiring</li> <li>- Defective electronic ignition coil</li> </ul>	<ul style="list-style-type: none"> <li>- Damaged wiring, open or short circuit</li> <li>- Replace electronic ignition coil</li> </ul>
<b>12X Flashes (F 12)</b> Heater lock out	<ul style="list-style-type: none"> <li>- 3 repeated faults/flame-outs or 5 repeated start attempts</li> </ul>	<ul style="list-style-type: none"> <li>- Reinitialize control unit by switching heater on and disconnecting power.</li> </ul>

**13. SPECIFICATIONS**

**Passenger's unit evaporator motor**

Make..... AMETEK ROTRON  
Type ..... BRUSHLESS DC MICROPROCESSOR CONTROLLED  
Voltage ..... 27.6 V DC  
Current draw ..... 68 amps  
Horsepower..... 2  
Revolution ..... 1400 & 1700 rpm  
Insulation ..... Class F  
Motor Prevost number..... 563586

**Passenger's unit condenser fan motors**

Make..... EBMPAPST  
Type ..... 12" AXIAL BRUSHLESS  
Voltage ..... 24 V DC  
Qty ..... 4  
Prevost number ..... 563461

**Passenger's unit evaporator air filter**

Make..... Permatron Corp.  
Type ..... Washable 1" X 23 3/8" X 43 1/2" Polypropylene filter  
Prevost number ..... 871383

**Driver's unit evaporator motors**

Make..... MCC  
Voltage ..... 24 V DC  
Quantity ..... 2  
Prevost number ..... 871135

**Driver's unit evaporator air filter**

Make..... MCC  
TYPE ..... Recirculating air 6-1/4" x 28" Washable  
Prevost number ..... 871147

Make..... MCC  
TYPE ..... Fresh air 3-5/8" X 5-1/4" Washable  
Prevost number ..... 871144

**Refrigerant**

Type ..... R-134a  
 Quantity (standard) ..... 24 lbs (10.89 Kg)  
 Quantity (with A/C unities Parcel Rack) ..... 26 lbs (11.82 Kg)

**Compressor (Central HVAC system)**

Make..... Bitzer  
 Displacement ..... 41 CFM  
 Model, R-134a..... 4NFCY  
 No. of cylinders ..... 4  
 Cylinder volume ..... 39 in<sup>3</sup> (647 cm<sup>3</sup>)  
 Operating speed..... 500 to 3500 rpm  
 Oil capacity..... 0.66 U.S. gal (2,5 liters)  
 Weight ..... 74 lbs (33 kg)  
 Approved oil  
 Bitzer ..... BSE55 (POE)  
 Prevost number ..... 950001

**Magnetic clutch**

Make..... Linnig  
 Type ..... LA16  
 Voltage ..... 24 V DC

**A/C Compressor (Small HVAC system)**

Make..... ICE (International Components Engineering)  
 Model..... TM-16HD  
 Prevost number ..... 950436  
Approved oil ..... OIL-ICE (PAG)  
 Prevost number ..... 950382

**Condenser coil**

Make..... Carrier Transicold  
Aluminum  
 Prevost number ..... 452968  
Copper  
 Prevost number ..... 453013

**Receiver tank (with sight glasses)**

Make..... HENRY or PARKER  
 Maximum pressure..... 450 psig

## Section 22: HEATING AND AIR CONDITIONING

---

Prevost number ..... 950261

### Filter Dryer assembly

Make..... ALCO

Prevost number ..... 950332

### Moisture indicator

Make..... ALCO

Prevost number ..... 950333

### Driver's refrigerant liquid solenoid valve

Make..... Parker

Type ..... Normally closed with manual bypass

Voltage ..... 24 V DC

Amperage draw ..... 0.67 amps

Watts ..... 16

Prevost number (without coil) ..... 95-0054

Coil Prevost number..... 950055

Repair kit Prevost number ..... 950056

### Driver's & passenger's hot water pneumatic valve

Make..... BURKERT

Type ..... Normally open

Voltage ..... 24 V DC

Pressure range..... 0 to 230 psi

Max. temperature ..... 356°F

Prevost number ..... 871252

### Hot Water recirculating pump

Make..... M.P. pumps

Voltage ..... 24 V DC

Prevost number ..... 871342

### Driver's expansion valve

Prevost number ..... 950221

### Main expansion valve

Make..... CARRIER

Prevost number ..... 950316



**Bypass solenoid water valve**

Make..... Parker Hannifin  
Bypass Previst number ..... 870886  
Coil Previst number..... 870886  
Repair kit Previst number ..... 870980

**Preheating system**

Make..... SPHEROS  
Model..... THERMO 300  
Capacity ..... 104 000 Btu/h (30 kW)  
Heating medium ..... Coolant  
Rated voltage ..... 24 V DC  
Operating voltage ..... 20-28 V DC  
Electric power consumption (without coolant recirc. pump) ..... 110 watts  
Fuel consumption..... 1,2 US gallons/hr (4,5 liters/hr)  
Previst number ..... 871202