

Le Mirage XL III

PARTS MANUAL

PREVOST
COACH MANUFACTURER

PARTS MANUAL



PA1152

10-2022

PARTS MANUAL

General information

A. Vehicle Identification Number (V.I.N.)

Each time spare parts have to be ordered, you must refer to your vehicle identification number serial number. In order to understand the meaning of this number, please refer to the following:

2 P C X 3 3 4 9 5 Y 1 0 2 6951

X = VEHICLE MODEL
9 = VEHICLE LENGHT
Y = MODEL YEAR
6951 = SEQUENCE NUMBER

Vehicle Model

This manual covers vehicle model XL coaches and MTH bus shells.

| | |
|----------|---------------------------|
| X | XL-II coaches |
| W | MTH bus shell |
| Y | MTH bus shell Entertainer |

Vehicle Length

| | | | |
|----------|---------|----------|---------|
| 0 | 40 feet | 9 | 45 feet |
|----------|---------|----------|---------|

Model Year

| YEAR | CODE | YEAR | CODE | YEAR | CODE | YEAR | CODE |
|------|------|------|------|------|------|------|------|
| 1999 | X | 2002 | 2 | 2005 | 5 | 2008 | 8 |
| 2000 | Y | 2003 | 3 | 2006 | 6 | 2009 | 9 |
| 2001 | 1 | 2004 | 4 | 2007 | 7 | 2010 | A |

Sequence Number

This number represents the sequence the vehicle has followed on the assembly line. Since 1996 model year, the sequence number is represented by the last four digits

B. Effectivity

This manual covers information for vehicles from the Y-7046 to present.

The heading of each page in this manual refers to an effectivity serial number and in the parts description, you may find additional information on the effectivity of a specific part to a serial number (refer to FROM:).

In the description, you may also remark the expression UP TO which means that a component is effective to the vehicles manufactured up to the specified serial number (refer to UP TO:).

PARTS MANUAL

C. Illustrations

An exploded view is conveniently located at the beginning of each section and is meant to assist the user in identifying parts and components.

The illustrations show the typical construction of the different assemblies and , in all cases, may not reproduced the full detail or exact shape of parts shown, however, they represent parts which have same or similar function.

D. General

The information, illustrations and components/system descriptions contained in this manual are correct at time of publication. Prévost Car Inc., however, maintains a policy of continuous improvement of its product without imposing upon itself any obligation to install them on products previously manufactured.

Prévost Car Inc., reserves the right at any time to discontinue or change specifications, designs, features, models or equipment without incurring obligation.

PARTS MANUAL

E. Parts and Service Center

CANADA

| | | | |
|---|---|---|---|
| Canadian Parts Customer Service 2955-A Watt Street Québec, Québec Canada, G1X 3W1 | Toll free phone: 1 (800) 463-8876 Tel.: (418) 654-0174 Fax: (800) 939-0133 Fax: (418) 658-1723 | Service Center British Columbia 11911 No. 5 Road Richmond, British Columbia Canada, V7A 4E9 | Tel.: (604) 940-3306 Fax: (604) 940-3384 |
| Service Center 850 Chemin Olivier Saint-Nicolas, Quebec Canada G7A 2N1 | Toll free phone: 1 866 870-2046 Tel.: (418) 831-2046 Fax: (418) 831-7432 | Service Ontario 8301-A Keele Street Vaughan, Ontario Canada, L4K 1Z6 | Tel.: (905) 738-0881 Fax: (905) 738-0891 |
| Service Center Alberta 292 MacDonald Crescent Fort McMurray, Alberta Canada T9H 4B6 | Tel.: (780) 792-9526 Fax: (780) 743-0983 | | |

UNITED STATES

| | | | |
|--|--|--|--|
| US Parts Customer Service 2250 Point Blvd., Suite 410 Elgin, IL USA, 60123 | Toll free phone 1 800 799-9938 Main office (847) 844-7680 Parts 1 800 621-5519 | Prevost Parts & Service Center 800 South Cartwright Street Goodlettsville, TN USA, 37072 | Toll free phone 1 877 299-8881 Main office (615) 299-8881 Fax: (615) 299-8816 After-Hours (615) 519-1372 Parts Emergency |
| Prevost Parts & Service Center 3384 De Forest Circle Mira Loma, CA USA, 91752 | Toll free phone 1 800 421-9958 Main office (951) 360-2550 Fax: (951) 360-2560 After-Hours (951) 314-0226 Parts Emergency | Prevost Parts & Service Center 201 South Avenue South Plainfield, NJ USA, 07080 | Toll free phone 1 800 223-0830 Main office (908) 222-7211 Fax: (908) 222-7304 Fax parts (908) 222-7305 After-Hours (201) 315-4064 Parts Emergency |
| Prevost Parts & Service Center 6821 Central Avenue, Newark, CA USA, 94560 | Main office (310) 283-1852 After-Hours: (951) 314-0226 Parts Emergency | Prevost Parts & Service Center 15200 Frye Road Fort Worth, TX USA, 76155-2702 | Service/Parts 1 866 773-8678 Main office (817) 685-0250 Fax : (817) 685-0460 After-Hours (817) 271-8653 Parts Emergency |
| Prevost Parts & Service Center 6931 Business Park Blvd North Jacksonville, FL USA, 32256 | Toll free phone 1 800 874-7740 Main office (904) 886-4555 Fax: (904) 886-0092 After-Hours (904) 412-8023 Parts Emergency | Prevost Parts & Service Center 11851 Cutten Road Houston, TX USA, 77066 | Service/Parts 1 877 602-0273 Main office (713) 849-8562 Fax: (281) 315-1571 After-Hours (346) 333-5520 Parts Emergency |
| Prevost Parts & Service Center 1300 Green Forest Court Winter Garden, FL USA, 34787 | Toll free phone 1 866 726-6235 Main office (407) 554-0196 After-Hours: (407) 259-5720 Parts Emergency | Prevost Parts & Service Center 3715 N. Carnation St. Franklin Park, IL USA, 60131 | Main office (847) 778-7475 Fax: (847) 737-2242 After-Hours 1 800 463-7738 Parts Emergency |

PARTS MANUAL

KEY & ABBREVIATIONS

| | | | |
|------------------------|--|------------------------|--|
| (XXXX-XX) | SEE PAGE | N/A | NOT AVAILABLE |
| <> | BETWEEN | NEG. | NEGATIVE |
| ° | DEGREE | N.O. | NORMALLY OPEN |
| # | NUMBER | N.C. | NORMALLY CLOSE |
| ?? | INFORMATION NOT AVAILABLE AT TIME OF PUBLICATION | N.P.N. | NO PARTS NUMBER |
| ABS | ANTILOCK BRAKING SYSTEM | NPT | NATIONAL PIPE THREAD |
| AR | AS REQUIRED | NS | NOT SHOWN |
| ASSY | ASSEMBLY | N.S.P. | NOT SOLD AT PREVOST (SEE MANUFACTURING PART NUMBER AT THE END OF DESCRIPTION LINE) |
| CCW | COUNTERCLOCKWISE | N.S.S. | NOT SOLD SEPARATELY |
| C.E. | COMMUTATOR END | O.D. | OUTSIDE DIAMETER |
| CHR | CHROME | OPT. | OPTION |
| CW | CLOCKWISE | O.S. | OVERSIZE |
| CYL. | CYLINDER | PH | PHILLIPS |
| C/C | CENTER/CENTER | POS. | POSITIVE |
| D.E. | DRIVE END | RR | REAR |
| DIA. | DIAMETER | S.C.C. | SPECIFY COLOR CODE |
| DIFF. | DIFFERENTIAL | SCT | SECTION |
| D.P.D.T. | DOUBLE POLE DOUBLE THROW | S.D. | SPECIFY DIMENSION |
| ECU | ELECTRONIC CONTROL UNIT | S.L. | SPECIFY LENGHT |
| EDU | ELECTRONIC DISTRIBUTOR UNIT | SM | SMALL |
| EFF | EFFECTIVE | S.P.S.T. | SINGLE POLE SINGLE THROW |
| ENG. | ENGINE | S.P.D.T. | SINGLE POLE DOUBLE THROW |
| EXT | EXTERNAL | S.Q. | SPECIFY QUANTITY |
| FR | FRONT | SS | STAINLESS STEEL |
| GND | GROUND | STD | STANDARD |
| HD | HEAD | STO | STOVER |
| HEX | HEXAGONAL | SW | SWIVEL |
| H.P. | HIGH PRESSURE | SWL FITT. | SWIVEL FITTING |
| HVAC | HEATING, VENTILATION & AIR CONDITIONING | TPG | TAPING |
| HYD | HYDRAULIC | TH | THICKNESS |
| I.D. | INSIDE DIAMETER | TRANS. | TRANSMISSION |
| INT | INTERNAL | TXV | THERMAL EXPANSION VALVE |
| JCT | JUNCTION | U.S. | UNDERSIZE |
| LED | LIGHT-EMITTING DIODE | W | WITH |
| L.P. | LOW PRESSURE | W/O | WITHOUT |
| LUGG. | LUGGAGE | WIND. | WINDOW |
| M & F | MALE & FEMALE | ZP | ZINC PLATED |

PARTS MANUAL

MEASUREMENT EQUIVALENTS

Fraction - Inches (dec.) - Millimeter

25.4mm = 1 inch

1mm = .03937 inch

| fraction | decimal | mm | fraction | decimal | mm |
|-----------------|----------------|-----------|-----------------|----------------|-----------|
| 1/64 | 0.0156 | 0.397 | 33/64 | 0.5156 | 13.097 |
| 1/32 | 0.0313 | 0.794 | 17/32 | 0.5313 | 13.494 |
| - | 0.0394 | 1 | 35/64 | 0.5469 | 13.891 |
| 3/64 | 0.0469 | 1.191 | - | 0.5512 | 14 |
| 1/16 | 0.0625 | 1.588 | 9/16 | 0.5625 | 14.288 |
| 5/64 | 0.0781 | 1.984 | 37/64 | 0.5781 | 14.684 |
| - | 0.0787 | 2 | - | 0.5906 | 15 |
| 3/32 | 0.0938 | 2.381 | 19/32 | 0.5938 | 15.081 |
| 7/64 | 0.1093 | 2.778 | 39/64 | 0.6094 | 15.478 |
| - | 0.1181 | 3 | 5/8 | 0.6250 | 15.875 |
| 1/8 | 0.1250 | 3.175 | - | 0.6299 | 16 |
| 9/64 | 0.1406 | 3.572 | 41/64 | 0.6406 | 16.272 |
| 5/32 | 0.1563 | 3.969 | 21/32 | 0.6563 | 16.669 |
| - | 0.1575 | 4 | - | 0.6693 | 17 |
| 11/64 | 0.1719 | 4.366 | 43/64 | 0.6719 | 17.066 |
| 3/16 | 0.1875 | 4.762 | 11/16 | 0.6875 | 17.462 |
| - | 0.1969 | 5 | 45/64 | 0.7031 | 17.859 |
| 13/64 | 0.2031 | 5.159 | - | 0.7087 | 18 |
| 7/32 | 0.2188 | 5.556 | 23/32 | 0.7188 | 18.256 |
| 15/64 | 0.2344 | 5.953 | 47/64 | 0.7344 | 18.653 |
| - | 0.2362 | 6 | - | 0.7480 | 19 |
| 1/4 | 0.2500 | 6.350 | 3/4 | 0.7500 | 19.050 |
| 17/64 | 0.2656 | 6.747 | 49/64 | 0.7656 | 19.447 |
| - | 0.2756 | 7 | 25/32 | 0.7813 | 19.844 |
| 9/32 | 0.2813 | 7.144 | - | 0.7874 | 20 |
| 19/64 | 0.2969 | 7.541 | 51/64 | 0.7969 | 20.241 |
| 5/16 | 0.3125 | 7.938 | 13/16 | 0.8125 | 20.638 |
| - | 0.3150 | 8 | - | 0.8268 | 21 |
| 21/64 | 0.3281 | 8.334 | 53/64 | 0.8281 | 21.034 |
| 11/32 | 0.3438 | 8.731 | 27/32 | 0.8438 | 21.431 |
| - | 0.3543 | 9 | 55/64 | 0.8594 | 21.828 |
| 23/64 | 0.3594 | 9.128 | - | 0.8661 | 22 |
| 3/8 | 0.3750 | 9.525 | 7/8 | 0.8750 | 22.225 |
| 25/64 | 0.3906 | 9.922 | 57/64 | 0.8096 | 22.622 |
| - | 0.3937 | 10 | - | 0.9055 | 23 |
| 13/32 | 0.4063 | 10.319 | 29/32 | 0.9063 | 23.019 |
| 27/64 | 0.4219 | 10.716 | 59/64 | 0.9219 | 23.416 |
| - | 0.4331 | 11 | 15/16 | 0.9375 | 23.812 |
| 7/16 | 0.4375 | 11.112 | - | 0.9449 | 24 |
| 29/64 | 0.4531 | 11.509 | 61/64 | 0.9531 | 24.209 |
| 15/32 | 0.4688 | 11.906 | 31/32 | 0.9688 | 24.606 |
| - | 0.4724 | 12 | - | 0.9843 | 25 |
| 31/64 | 0.4844 | 12.303 | 63/64 | 0.9844 | 25.003 |
| 12 | 0.5000 | 12.700 | 1/1 | 1 | 25.400 |
| - | 0.5118 | 13 | - | - | - |

PARTS MANUAL

TABLE OF CONTENTS

| | |
|----------------------------|----|
| GENERAL | 00 |
| ENGINE | 01 |
| CLUTCH | 02 |
| FUEL | 03 |
| EXHAUST | 04 |
| COOLING | 05 |
| ELECTRICAL | 06 |
| TRANSMISSION | 07 |
| PROPELLER SHAFT | 09 |
| FRONT AXLE | 10 |
| REAR AXLE | 11 |
| BRAKE | 12 |
| WHEEL, HUBS & TIRES | 13 |
| STEERING | 14 |
| SUSPENSION | 16 |
| BODY | 18 |
| HEATING & AIR CONDITIONING | 22 |
| ACCESSORIES | 23 |
| WHEEL CHAIR LIFT | 25 |

PARTS MANUAL

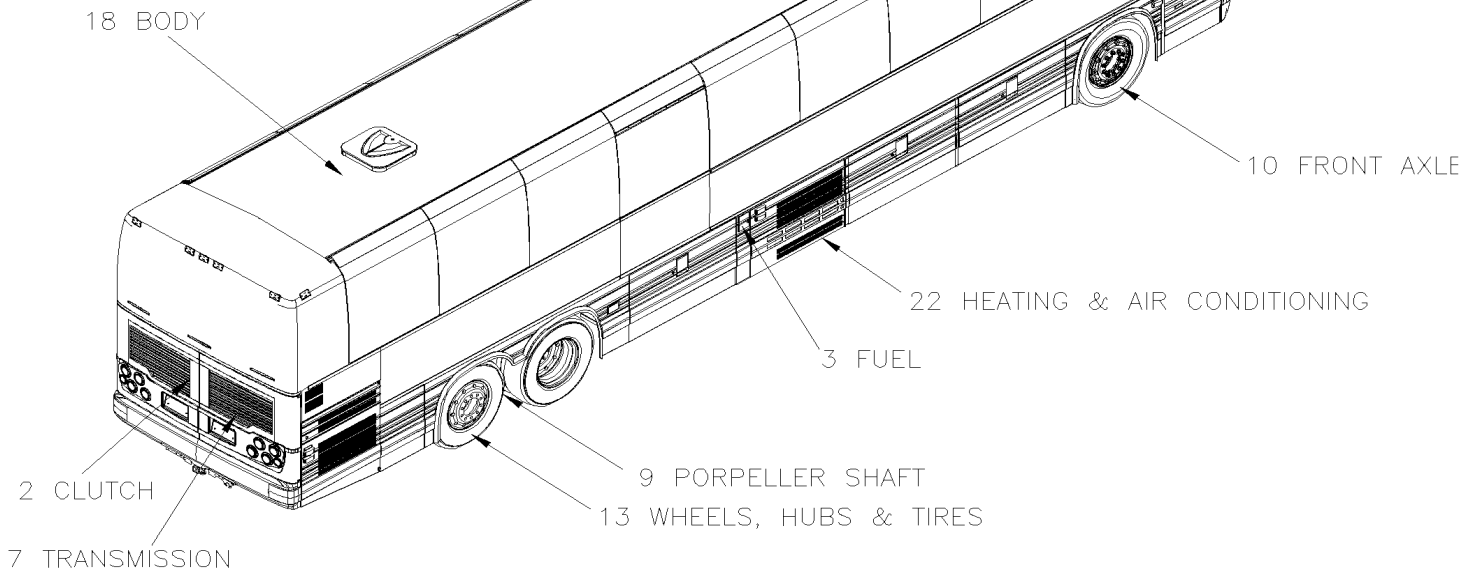
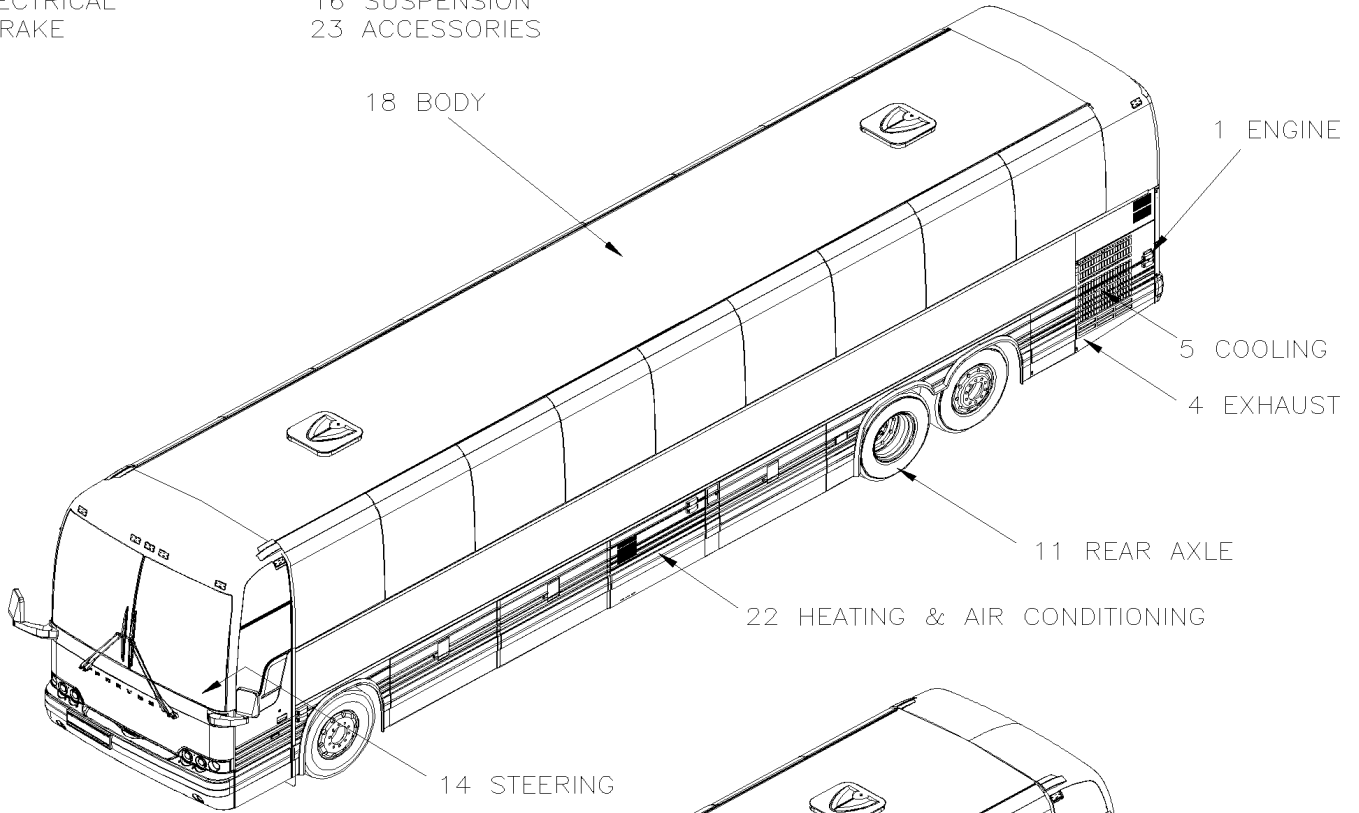
To have more information about fast moving parts, place an order for the book PA-1105 to your nearest parts order desk.

Thank you!

| | | |
|---|--------------|-------------|
| | Date:10/2022 | PAGE:_XL-II |
| XL-II / BUS & MTH / 2000 - 2006 / VIN FROM Y-7046 TO 8-9339 | | |

6 ELECTRICAL
12 BRAKE

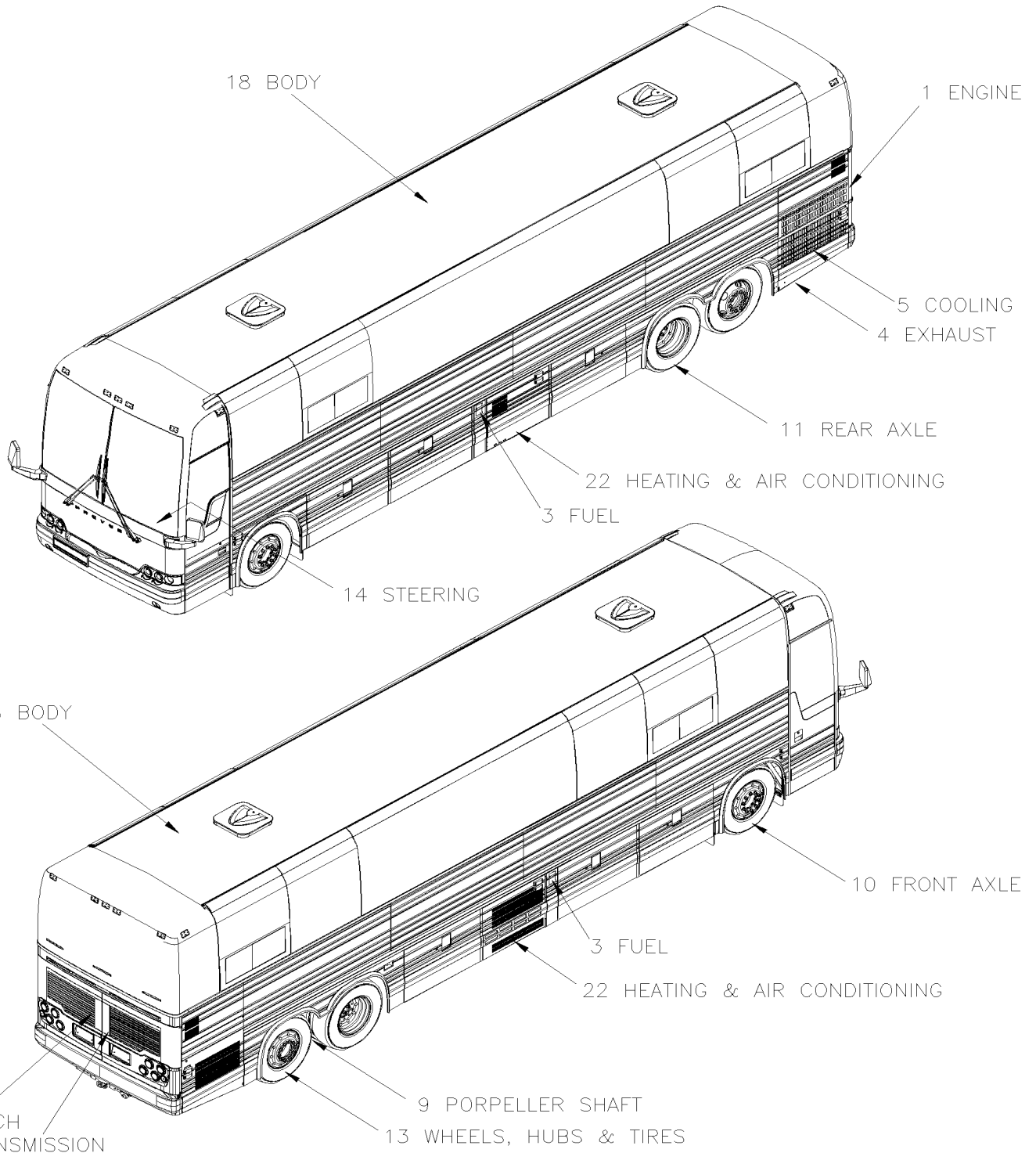
16 SUSPENSION
23 ACCESSORIES



| | | |
|---|--------------|-------------|
| | Date:10/2022 | PAGE:_XL-II |
| XL-II / BUS & MTH / 2000 - 2006 / VIN FROM Y-7046 TO 8-9339 | | |

6 ELECTRICAL
12 BRAKE

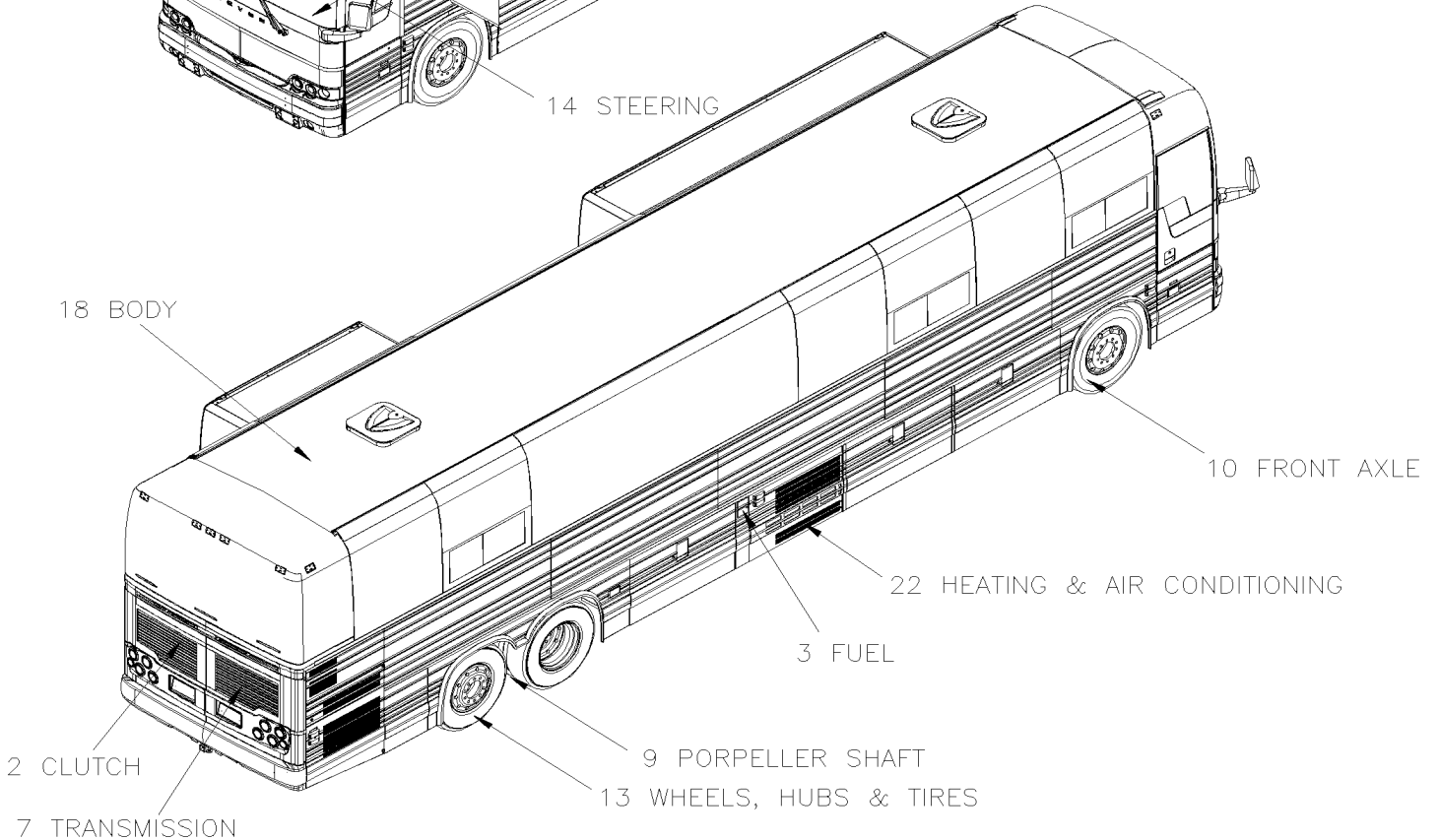
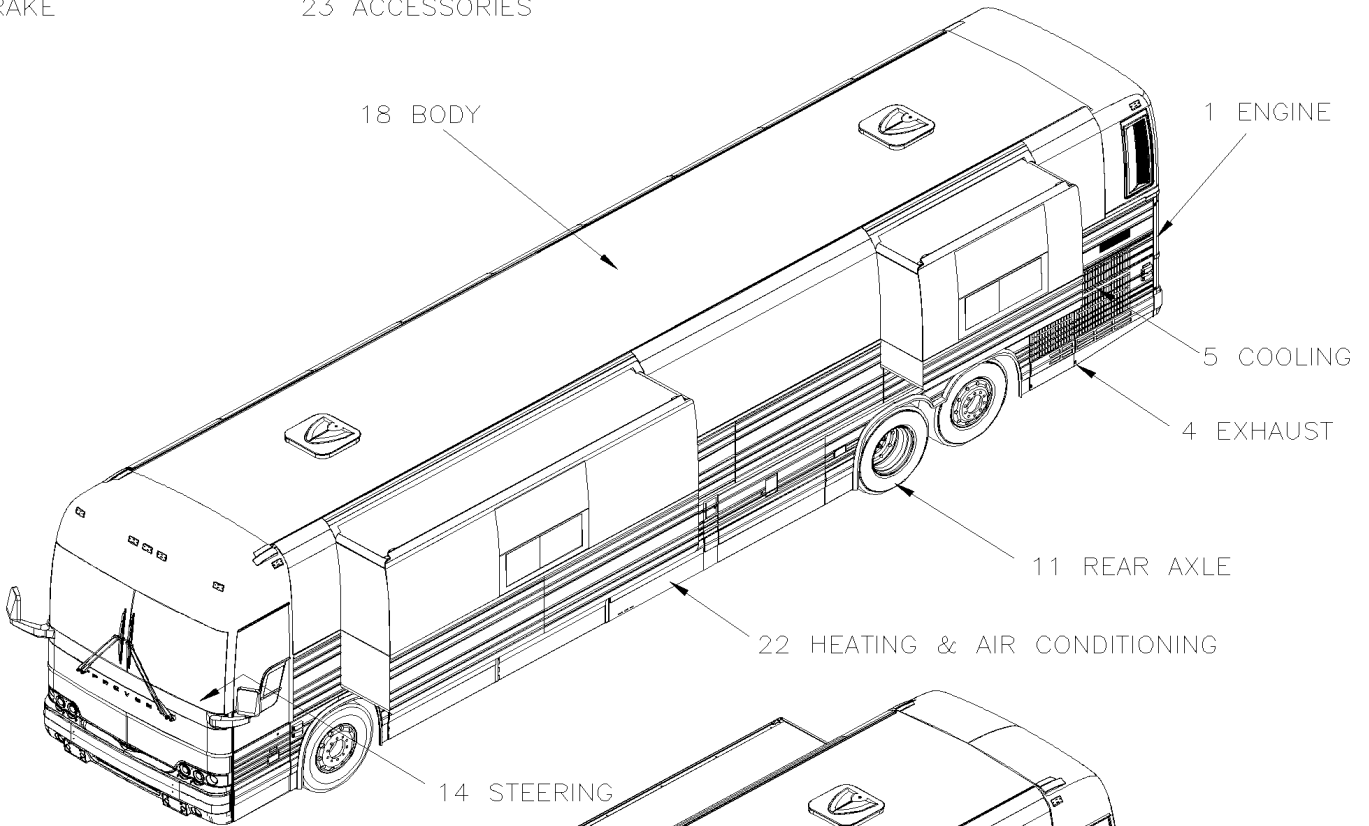
16 SUSPENSION
23 ACCESSORIES



| | | |
|---|--------------|-------------|
| | Date:10/2022 | PAGE: XL-II |
| XL-II / BUS & MTH / 2000 - 2006 / VIN FROM Y-7046 TO 8-9339 | | |

6 ELECTRICAL
12 BRAKE

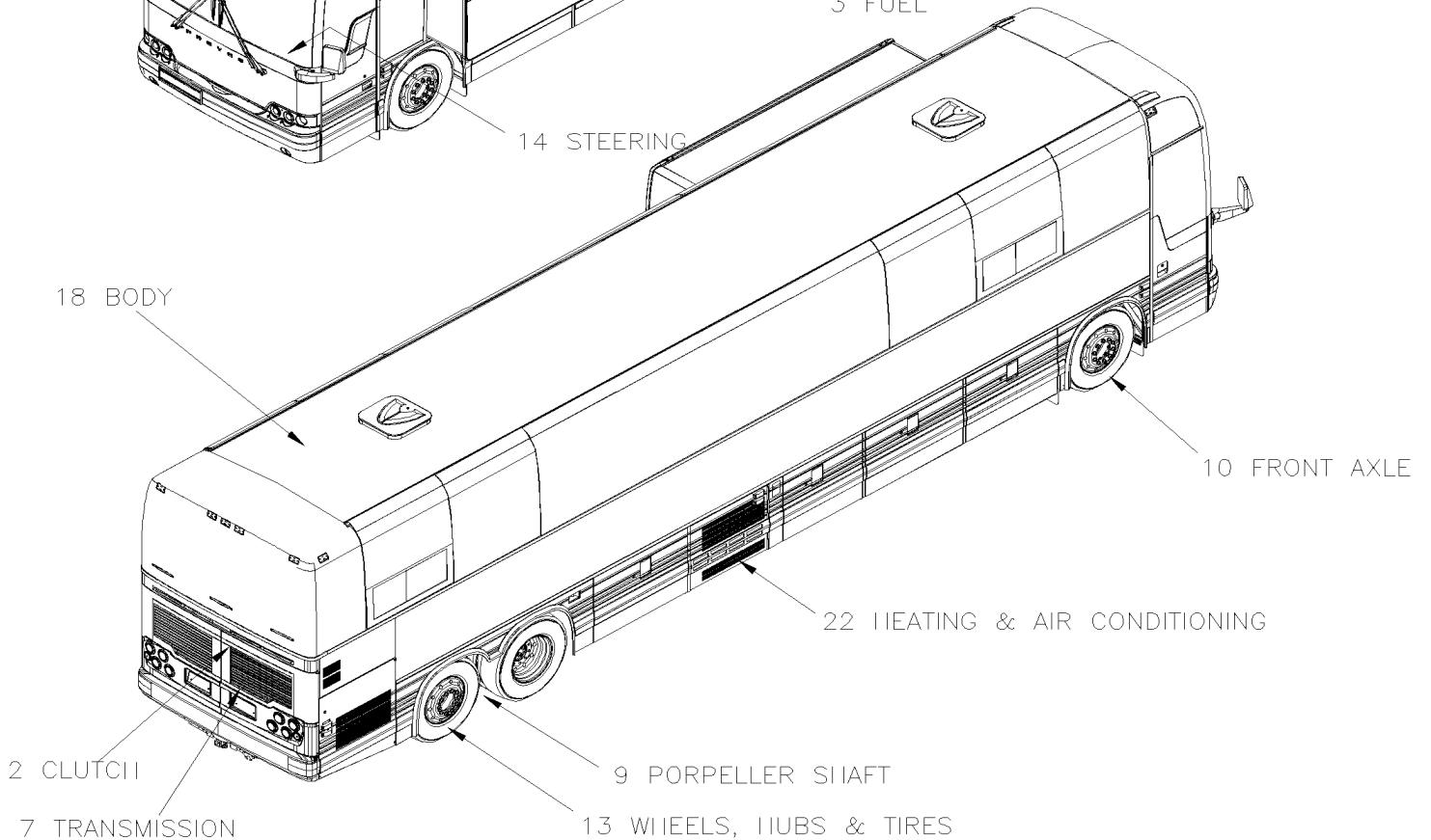
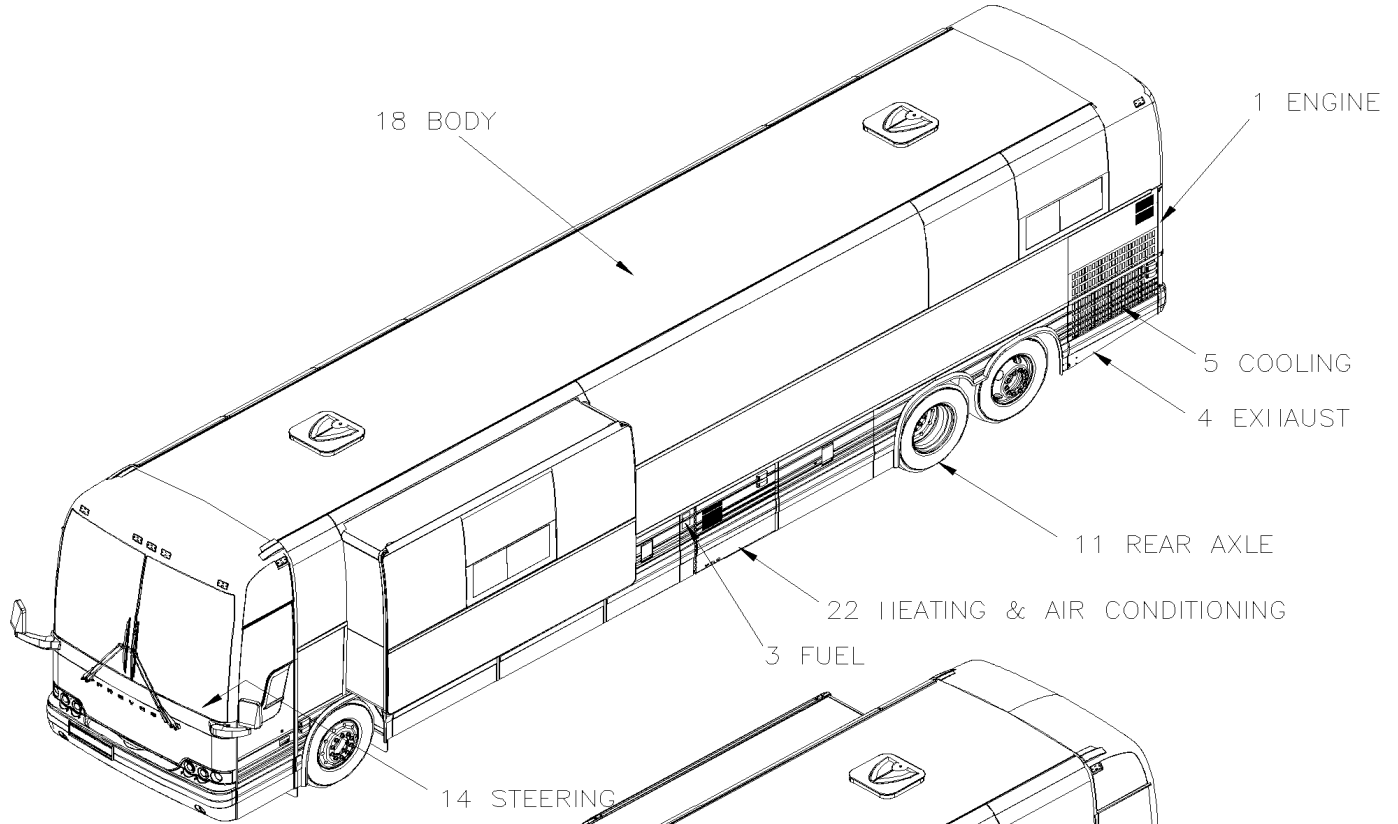
16 SUSPENSION
23 ACCESSORIES



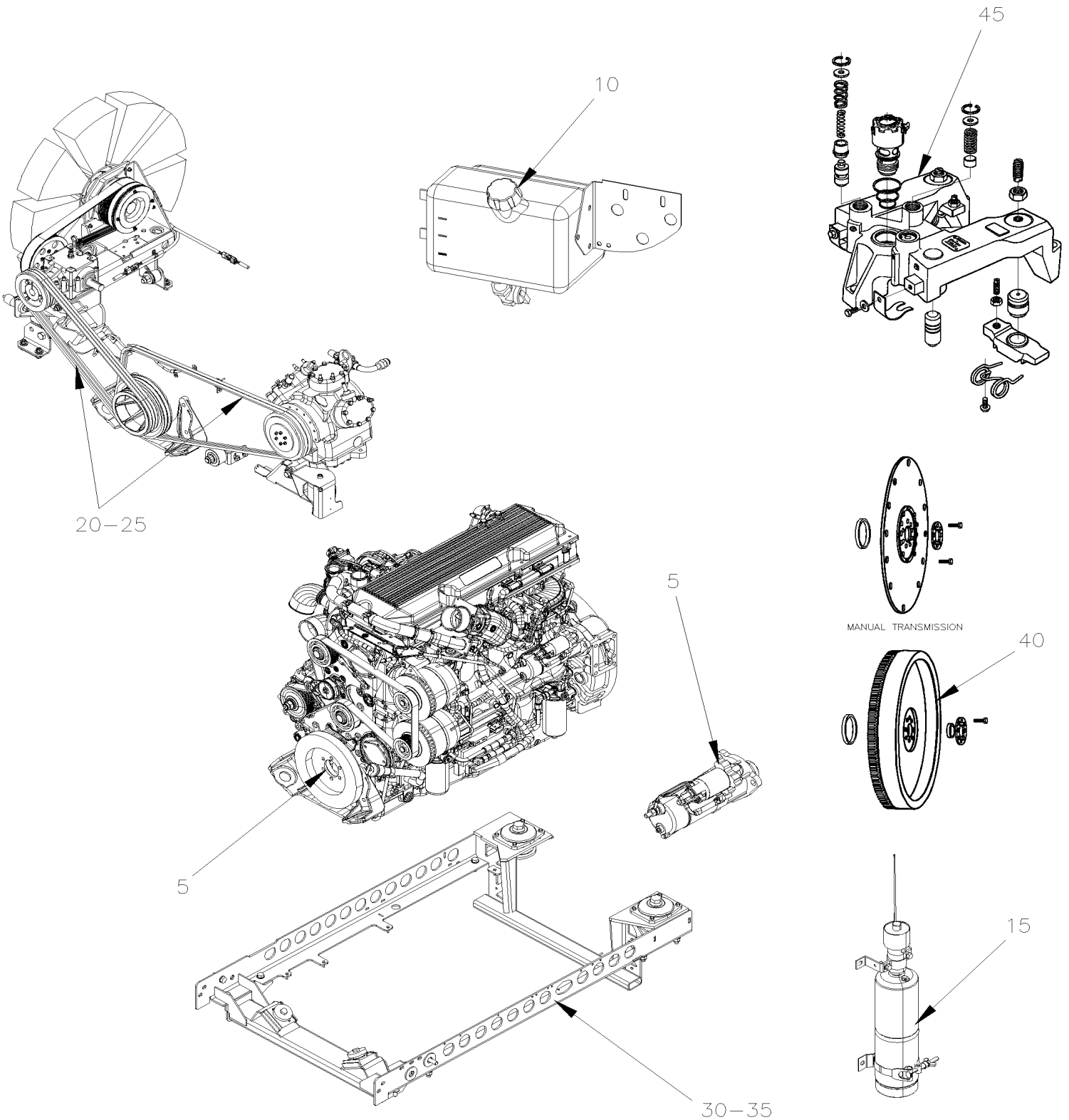
| | | |
|---|--------------|-------------|
| | Date:10/2022 | PAGE:_XL-II |
| XL-II / BUS & MTH / 2000 - 2006 / VIN FROM Y-7046 TO 8-9339 | | |

6 ELECTRICAL
12 BRAKE

16 SUSPENSION
23 ACCESSORIES



| | | |
|--------|--------------|-------|
| | Date:10/2022 | Y2-01 |
| ENGINE | | |



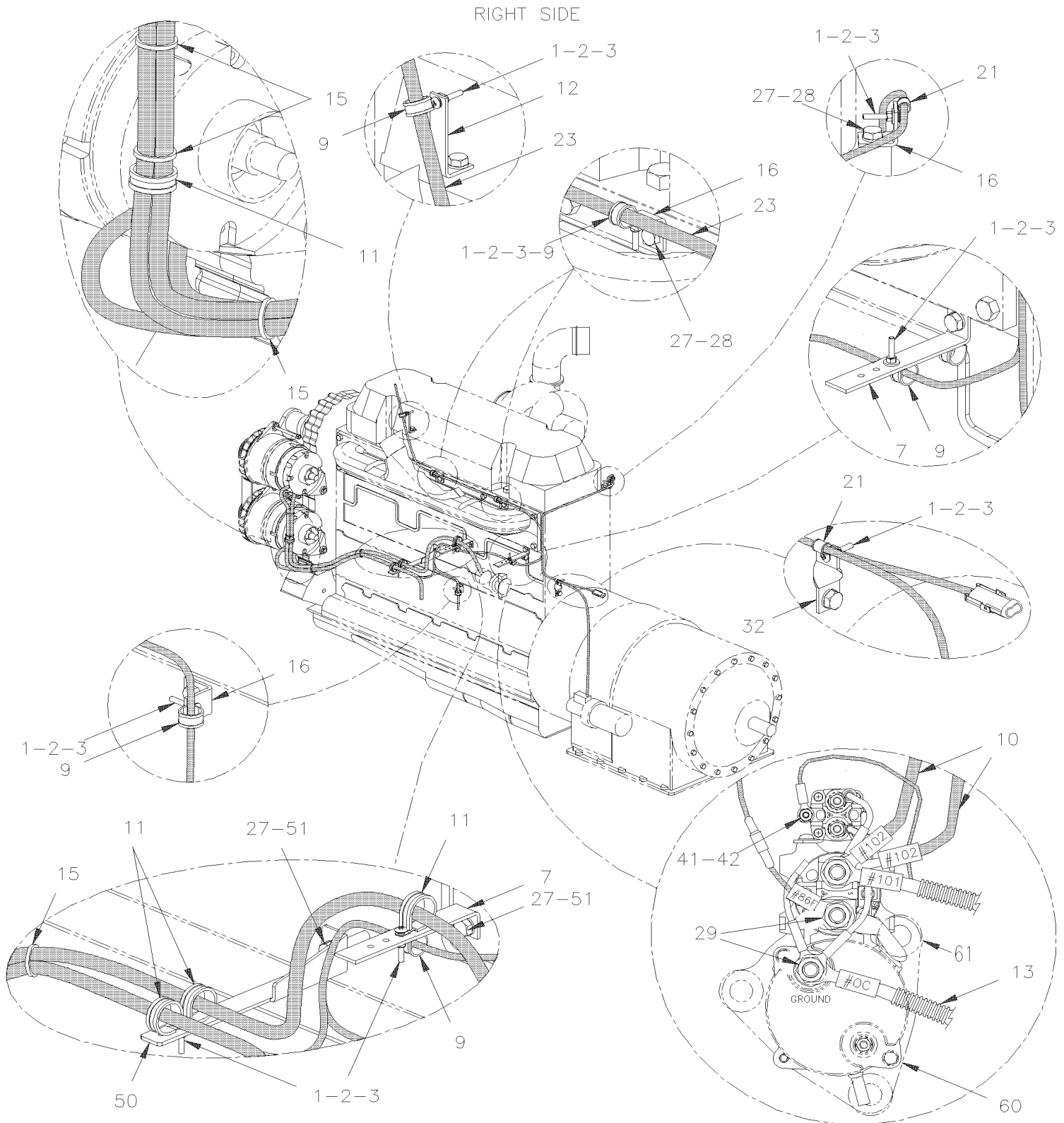
| | | Date:10/2022 | Y2-01 | | | | |
|--------|------------|---|----------------------------|---|---|--|-------|
| ENGINE | | | | | | | |
| Item# | Part | Description | X L I I 4 5 | X L I I M T H 4 0 | X L I I M T H 4 5 | X L I I M T H 4 5 E | NOTES |
| 5 | Y2-0100-00 | ENGINE WIRING HARNESS - INSTALLATION From Y-7046 To 8-9339 | | | | | |
| 10 | Y2-0105-00 | ENGINE OIL RESERVOIR - PLASTIC From Y-7046 To 8-9339 | | | | | |
| 12 | Y2-0115-00 | VPODS HOSE INSTALLATION From 4-8165 To 8-9339 | | | | | |
| 15 | Y2-0116-00 | STARTING AID - INSTALLATION From Y-7046 To 8-9339 | | | | | |
| 20 | Y2-0120-00 | DRIVE PULLEY & BELTS - BUS & MTH From Y-7046 To 8-9339 | | | | | |
| 20 | Y2-0120-50 | DRIVE PULLEY & BELTS - MTH From Y-7046 To 8-9339 | | | | | |
| 25 | Y2-0125-00 | BELTS TENSIONERS - WITH DETROIT S-60 From Y-7046 To 3-8164 | | | | | |
| 25 | Y2-0125-01 | BELTS TENSIONERS - WITH DETROIT S-60 From 4-8165 To 8-9339 | | | | | |
| 30 | Y2-0150-00 | ENGINE CRADLE - WITH DETROIT S-60 From Y-7046 To 4-8345 | | | | | |
| 30 | Y2-0150-01 | ENGINE CRADLE - WITH DETROIT S-60 From 4-8346 To 8-9339 | | | | | |
| 35 | Y2-0155-10 | ENGINE TRANSMISSION GUARD & AIR SHIELD DETROIT S-60 From Y-7046 To 8-9339 | | | | | |
| 40 | Y2-0160-00 | FLYWHEEL - WITH MANUAL TRANS From Y-7462 To 8-9339 | | | | | |
| 45 | Y2-0165-00 | JACOB'S - ENGINE BRAKE - WITH DETROIT S-60 From Y-7046 To 8-9339 | | | | | |

From Y-7046 To 8-9339

Date:10/2022

PAGE:Y2-0100-00

ENGINE WIRING HARNESS - INSTALLATION



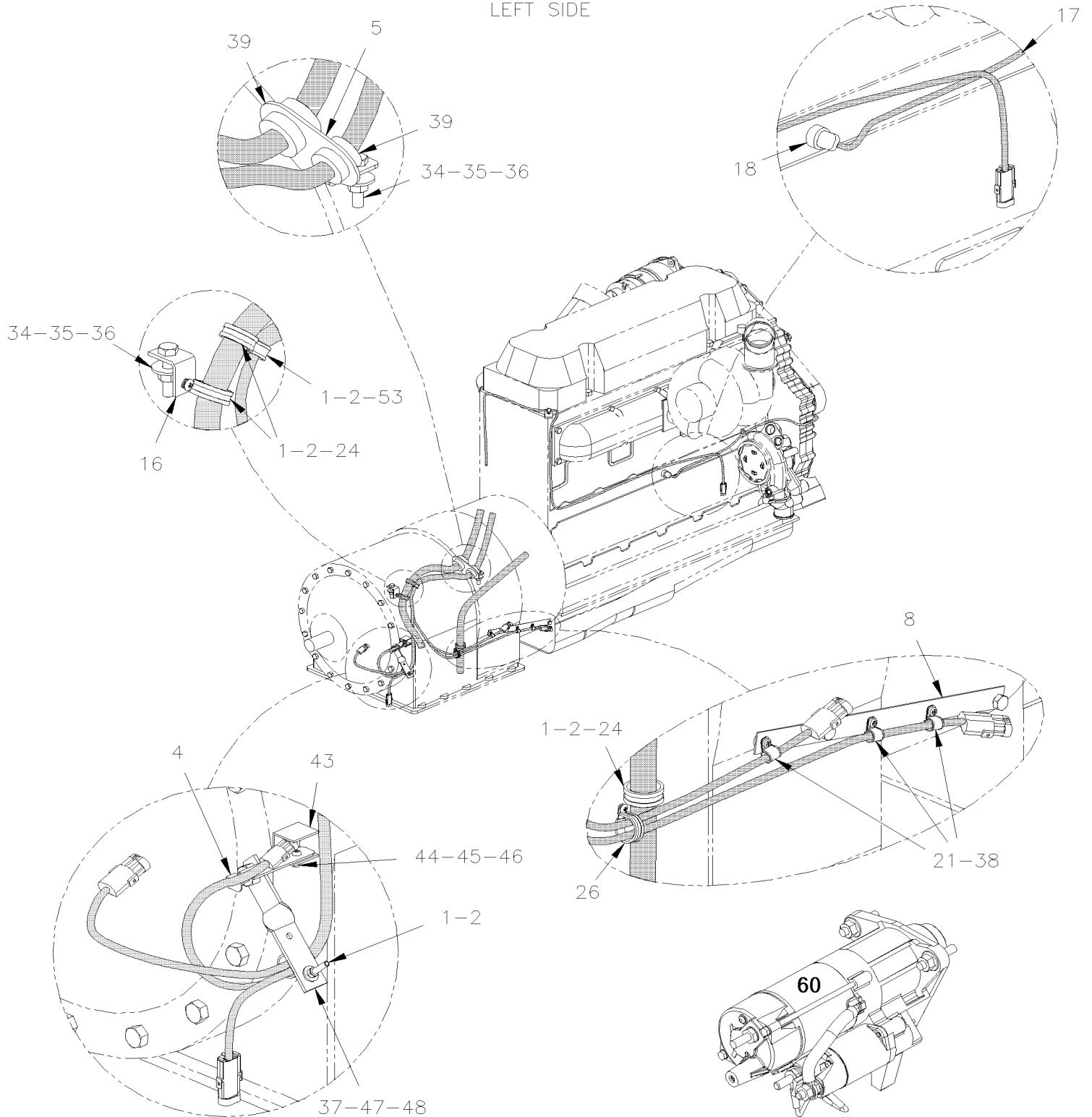
From Y-7046 To 8-9339

Date:10/2022

PAGE:Y2-0100-00

ENGINE WIRING HARNESS - INSTALLATION

LEFT SIDE



| | | |
|---|--------------|-----------------|
| From Y-7046 To 8-9339 | Date:10/2022 | PAGE:Y2-0100-00 |
| ENGINE WIRING HARNESS - INSTALLATION | | |

| Item# | Part | Description | X L I I 4 5 | X L I I M T H 4 0 | X L I I M T H 4 5 | X L I I M T H 4 5 E | N O T E S |
|-------|---------|--|----------------------------|---|---|--|-----------------------|
| 1 | 500574 | SCREW MA TR PH #10-24x1 1/4 SS | AR | AR | AR | AR | |
| 2 | 500786 | NUT HEX #10-24 Z050 | AR | AR | AR | AR | |
| 3 | 500440 | WASHER FL .250x.562x.065 Z050 | AR | AR | AR | AR | |
| 4 | 504637 | CABLE TIE / 3/16" x 13" | AR | AR | AR | AR | |
| 5 | 071035 | SUPPORT CABLE HARNESS / W/2 HOLES / WTEC III To 7-9000 | 1 | 1 | 1 | 1 | |
| 5 | 071403 | SUPPORT CABLE HARNESS / W/1 HOLE & 1 STUD / GEN IV From 7-9001 | 1 | 1 | 1 | 1 | |
| 6 | 065697 | SUPPORT HARNESS / LONG | 1 | 1 | 1 | 1 | |
| 7 | 010667 | SUPPORT | 2 | 2 | 2 | 2 | |
| 8 | 071029 | SUPPORT CABLE / STRAP 298MM | 1 | 1 | 1 | 1 | |
| 9 | 952631 | CLAMP / 3/4" I.D. | 6 | 6 | 6 | 6 | |
| 10 | 064740 | CABLE ASSY W/ALTERNATOR # 102-2/0 | 2 | | | 2 | |
| 11 | 952637 | CLAMP / 1"1/16 I.D. | 3 | 3 | 3 | 3 | |
| 12 | 070368 | SUPPORT | 1 | 1 | 1 | 1 | |
| 13 | 062214 | CABLE ASSY # 0C | 1 | 1 | 1 | 1 | |
| NS | 062212 | CABLE ASSY # 0B | 1 | 1 | 1 | 1 | |
| 15 | 504016 | CABLE TIE / 5/16" X 14"1/2 | 1 | 1 | 1 | 1 | |
| 16 | 061025 | SUPPORT | 1 | 1 | 1 | 1 | |
| 17 | 063295 | CABLE ASSY / 110V BLOCK HEATER ENGINE SECTION | 1 | 1 | 1 | 1 | |
| 18 | 560410 | BLOCK HEATER | 1 | 1 | 1 | 1 | |
| 19 | 5002254 | WASHER FL .500X.750X.062, SS302 | AR | AR | AR | AR | |
| 20 | 684013 | RUBBER PROTECTOR / COLOR GUARD 14.5oz | AR | AR | AR | AR | |
| 21 | 952625 | CLAMP / 3/8" I.D. | 2 | 2 | 2 | 2 | |
| 22 | 065027 | CABLE GROUND ALT "BOSCH" | 2 | | | 2 | |
| 23 | 064881 | CABLE ASSY / ENGINE ACCESSORIES To 2-7823 | 1 | 1 | 1 | 1 | |
| 23 | 065598 | CABLE ASSY / ENGINE ACCESSORIES From 2-7824 To 3-8164 | 1 | 1 | 1 | 1 | |
| 23 | 065786 | CABLE ASSY / ENGINE ACCESSORIES From 4-8165 To 4-8279 | 1 | 1 | 1 | 1 | |
| 23 | 066008 | CABLE ASSY / ENGINE ACCESSORIES From 4-8280 To 5-8425 | 1 | 1 | 1 | 1 | |
| 23 | 066200 | CABLE ASSY / ENGINE ACCESSORIES From 5-8426 To 7-9000 | 1 | 1 | 1 | 1 | |
| 23 | 066848 | CABLE ASSY / ENGINE ACCESSORIES From 7-9001 | | 1 | 1 | 1 | |
| 24 | 952635 | CLAMP / 1" I.D. | 3 | 3 | 3 | 3 | |
| 25 | 500257 | WASHER LO SPT 10.2x18.1x2.2 Z050 | AR | AR | AR | AR | |
| 26 | 060025 | CLAMP / 5/8" I.D / W/HOLE 13/32" To 3-8164 | 1 | 1 | 1 | 1 | |
| NS | 952629 | CLAMP / 5/8" I.D. To 3-8164 | 1 | 1 | 1 | 1 | |
| 26 | 952629 | CLAMP / 5/8" I.D. From 4-8165 | 2 | 2 | 2 | 2 | |
| 27 | 502559 | SCREW CAP HEX M10-1.5x25 G8.8 Z050 | AR | AR | AR | AR | |
| 28 | 500441 | WASHER FL .312x.734x.065 Z050 | AR | AR | AR | AR | |
| 29 | 500482 | WASHER LO SPT .506x.873x.125 Z050 | AR | AR | AR | AR | |
| 30 | 500857 | WASHER LO INT .512x.900x.045 Z050 | AR | AR | AR | AR | |
| 31 | 500850 | SCREW CAP HEX M12-1.75X25 G8.8 Z050 | AR | AR | AR | AR | |
| 32 | 061027 | SUPPORT 2"1/2 LG | 1 | 1 | 1 | 1 | |
| 33 | 500860 | NUT HEX M12-1.75 Z050 | AR | AR | AR | AR | |
| 34 | 502549 | SCREW CAP HEX M10-1.5x35 G8.8 Z050 | AR | AR | AR | AR | |

| | | |
|---|--------------|-----------------|
| From Y-7046 To 8-9339 | Date:10/2022 | PAGE:Y2-0100-00 |
| ENGINE WIRING HARNESS - INSTALLATION | | |

| Item# | Part | Description | X L I I 4 5 | X L I I M T H 4 0 | X L I I M T H 4 5 | X L I I M T H 4 5 E | N O T E S |
|--------|-------------------|--|----------------------------|---|---|--|-----------------------|
| 35 | 500680 | NUT HEX STO M10-1.5 Z050 | AR | AR | AR | AR | |
| 36 | 502644 | WASHER FL 10.5x30.0x2.5 Z050 | AR | AR | AR | AR | |
| 37 | 061129 | SUPPORT FLAT TWISTED / TUBE DIPSTICK | 1 | 1 | 1 | 1 | |
| 38 | 5001036 | SCREW MA PAN PH M4-0.7x10 Z050 | AR | AR | AR | AR | |
| 39 | 064716 | CABLE ASSY / TRANS & SPEED SWITCH To Y-7364 | 1 | 1 | 1 | 1 | R |
| 39 | 065330 | CABLE ASSY / TRANS & SPEED SWITCH / W/RETARDER From Y-7365 To 3-7984 | 1 | 1 | 1 | 1 | R |
| 39 | 065750 | CABLE ASSY / TRANS & SPEED SWITCH / W/RETARDER From 3-7985 | 1 | 1 | 1 | 1 | R |
| 39 | 064716 | CABLE ASSY / TRANS & SPEED SWITCH To Y-7351 | 1 | 1 | 1 | 1 | O |
| 39 | 065331 | CABLE ASSY / TRANS & SPEED SWITCH / W/O RETARDER From Y-7352 To 3-7984 | 1 | 1 | 1 | 1 | O |
| 39 | 065751 | CABLE ASSY / TRANS & SPEED SWITCH / W/O RETARDER From 3-7985 | 1 | 1 | 1 | 1 | O |
| 40 | 064942 | CABLE ASSY / W/2 "BOSCH" 140 AMPS To 5-8425 | 1 | | | 1 | |
| 41 | 502561 | NUT HEX M5-0.8 Z050 | AR | AR | AR | AR | |
| 42 | 504601 | CLAMP / 5/16" I.D. x .375 HOLE | 1 | 1 | 1 | 1 | R |
| 43 | 065398 | SUPPORT RETARDER TEMPERATURE SENSOR | 1 | 1 | 1 | 1 | R |
| 44 | 500344 | SCREW MA RND PH M4-0.7x12 Z050 | AR | AR | AR | AR | R |
| 45 | 502524 | NUT HEX M4-0.7 Z050 | AR | AR | AR | AR | R |
| 46 | 502636 | WASHER LO SPT 4.1x7.6x0.9 Z050 | AR | AR | AR | AR | R |
| 47 | 071097 | PROTECTOR SUPPORT SS 102MM X 90MM | 1 | 1 | 1 | 1 | R |
| 48 | 071096 | PROTECTOR SUPPORT SS ANGLE SHAPE 61MM X 73MM To 7-9240 | 1 | 1 | 1 | 1 | O |
| 49 | 071440 | PROTECTOR SUPPORT SS "V" SHAPE 80MM HIGH From 7-9241 | | 1 | 1 | 1 | O |
| 50 | 065697 | SUPPORT HARNESS / LONG To 3-8164 | 1 | 1 | 1 | 1 | |
| 50 | 382033 | PROTECTOR "E.C.M." / PLASTIC From 4-8165 | 1 | 1 | 1 | 1 | |
| 50 | 952627 | CLAMP / 1/2" I.D. | 3 | 3 | 3 | 3 | |
| 50 | Y2-0155-10 | ENGINE TRANSMISSION GUARD & AIR SHIELD DETROIT S-60 | | | | | |
| 51 | 500257 | WASHER LO SPT 10.2x18.1x2.2 Z050 To 3-8164 | AR | AR | AR | AR | |
| 51 | 502862 | SCREW CAP HEX M8-1.25x20 G8.8 N500 From 4-8165 | AR | AR | AR | AR | |
| NS | 500381 | WASHER FL 8.4x25.0x2.0 N500 From 4-8165 | AR | AR | AR | AR | |
| 60 | 510485 | STARTER MOTOR / 24V 42MT "DELCO" To 3-8119 | 1 | 1 | 1 | 1 | F |
| 60 | 510752 | STARTER MOTOR / W/RELAY From 3-8120 | 1 | 1 | 1 | 1 | |
| . NS | 510888 | . SOLENOID KIT From 3-8120 | 1 | 1 | 1 | 1 | |
| . . NS | IS752SOL | . . INSTRUCTION SHEET / SOLENOID REPLACEMENT From 3-8120 | 1 | 1 | 1 | 1 | |
| . NS | 510889 | . SMALL STARTOR RELAY KIT / WITH CABLES From 3-8120 | 1 | 1 | 1 | 1 | |
| . . NS | 564095 | . . SMALL STARTOR RELAY From 3-8120 | 1 | 1 | 1 | 1 | |
| . . NS | IS752MAG | . . INSTRUCTION SHEET / MAGNETIC SWITCH REPLACEMENT From 3-8120 | 1 | 1 | 1 | 1 | |
| 60 | 510004 | STARTER MOTOR / W/RELAY From 3-8120 | 1 | 1 | 1 | 1 | |
| . NS | 510011 | . RELAY KIT From 3-8120 | 1 | 1 | 1 | 1 | |
| . NS | 510015 | . SOLENOID KIT From 3-8120 | 1 | 1 | 1 | 1 | |
| 61 | 5001668 | SCREW CB 12POINT 5/8-11x2 1/4 | 3 | 3 | 3 | 3 | |
| NS | 502884 | WASHER LO SPT 16.2x27.4x3.5 N500 | 3 | 3 | 3 | 3 | |
| NS | 061025 | SUPPORT To 2-7407 | 1 | 1 | 1 | 1 | A |
| NS | 561012 | PROTECTOR, TRANS. SWITCH To 2-7407 | 1 | | | | A |
| NS | 064765 | CABLE ASSY BACK-UP To 2-7407 | 1 | | | | A |

From Y-7046 To 8-9339 Date:10/2022 PAGE:Y2-0100-00

ENGINE WIRING HARNESS - INSTALLATION

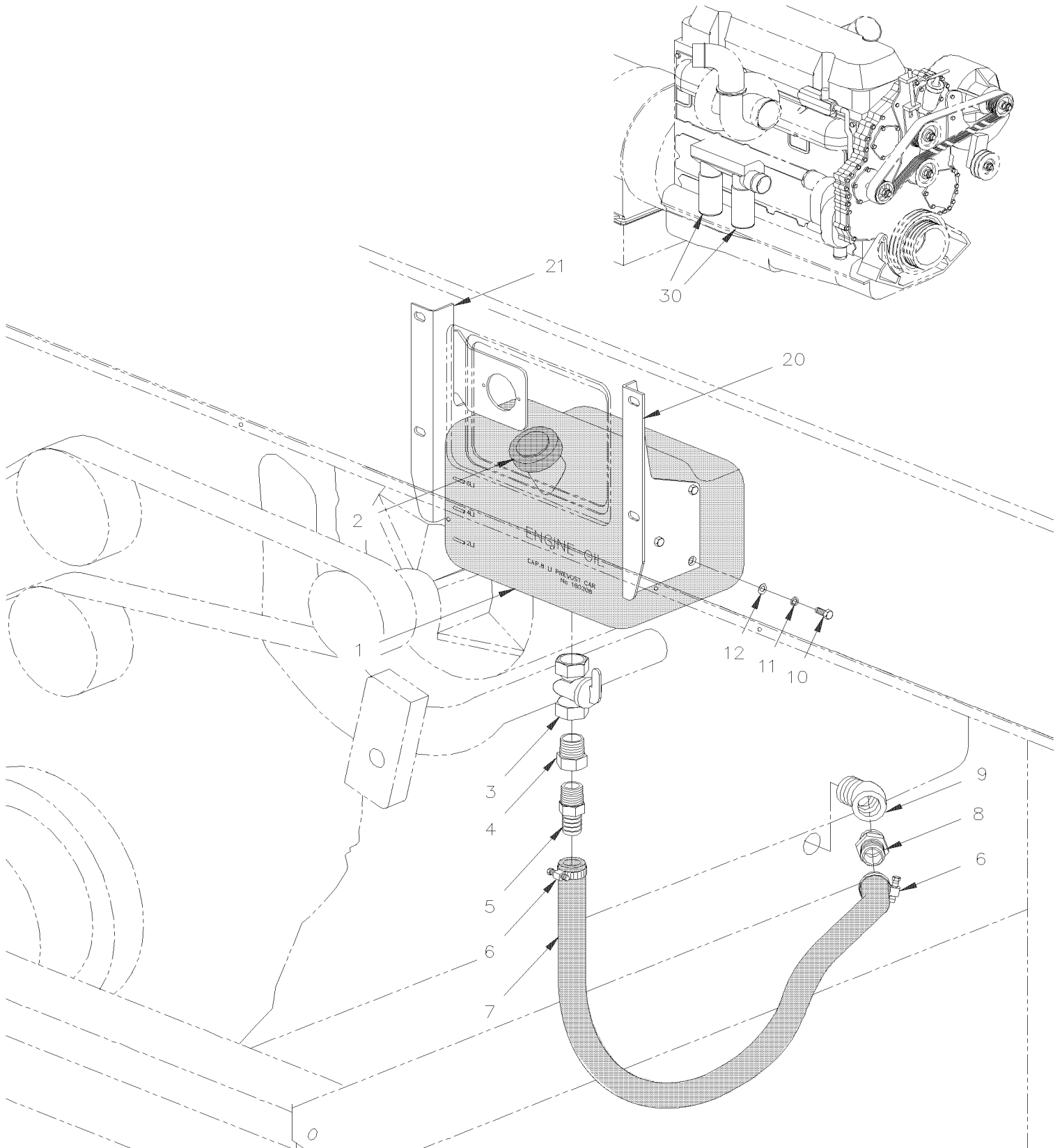
| Item# | Part | Description | X L I I 4 5 | X L I I M T H 4 0 | X L I I M T H 4 5 | X L I I M T H 4 5 E | N O T E S |
|-------|-----------|---|----------------------------|---|---|--|-----------------------|
| NS | 684013 | RUBBER PROTECTOR / COLOR GUARD 14.5oz To 2-7407 | AR | | | | A |
| NS | 070368 | SUPPORT To 2-7407 | 1 | | | | A |
| NS | 012260 | KIT, RETROFIT STARTOR "MELCO" | 1 | 1 | 1 | 1 | |
| . NS | IS-02053C | . SEE INSTRUCTION SHEET | 1 | 1 | 1 | 1 | |
| | | | | | | | |
| | | A) WITH "EATON TRANS" | | | | | |
| | | F) FOR PRODUCT IMPROVEMENT, ASK KIT #012260 AND SEE INSTRUCTION SHEET | | | | | |
| | | O) W/O RETARDER | | | | | |
| | | R) WITH RETARDER | | | | | |

From Y-7046 To 8-9339

Date:10/2022

PAGE:Y2-0105-00

ENGINE OIL RESERVOIR - PLASTIC



| | | |
|---------------------------------------|--------------|-----------------|
| From Y-7046 To 8-9339 | Date:10/2022 | PAGE:Y2-0105-00 |
| ENGINE OIL RESERVOIR - PLASTIC | | |

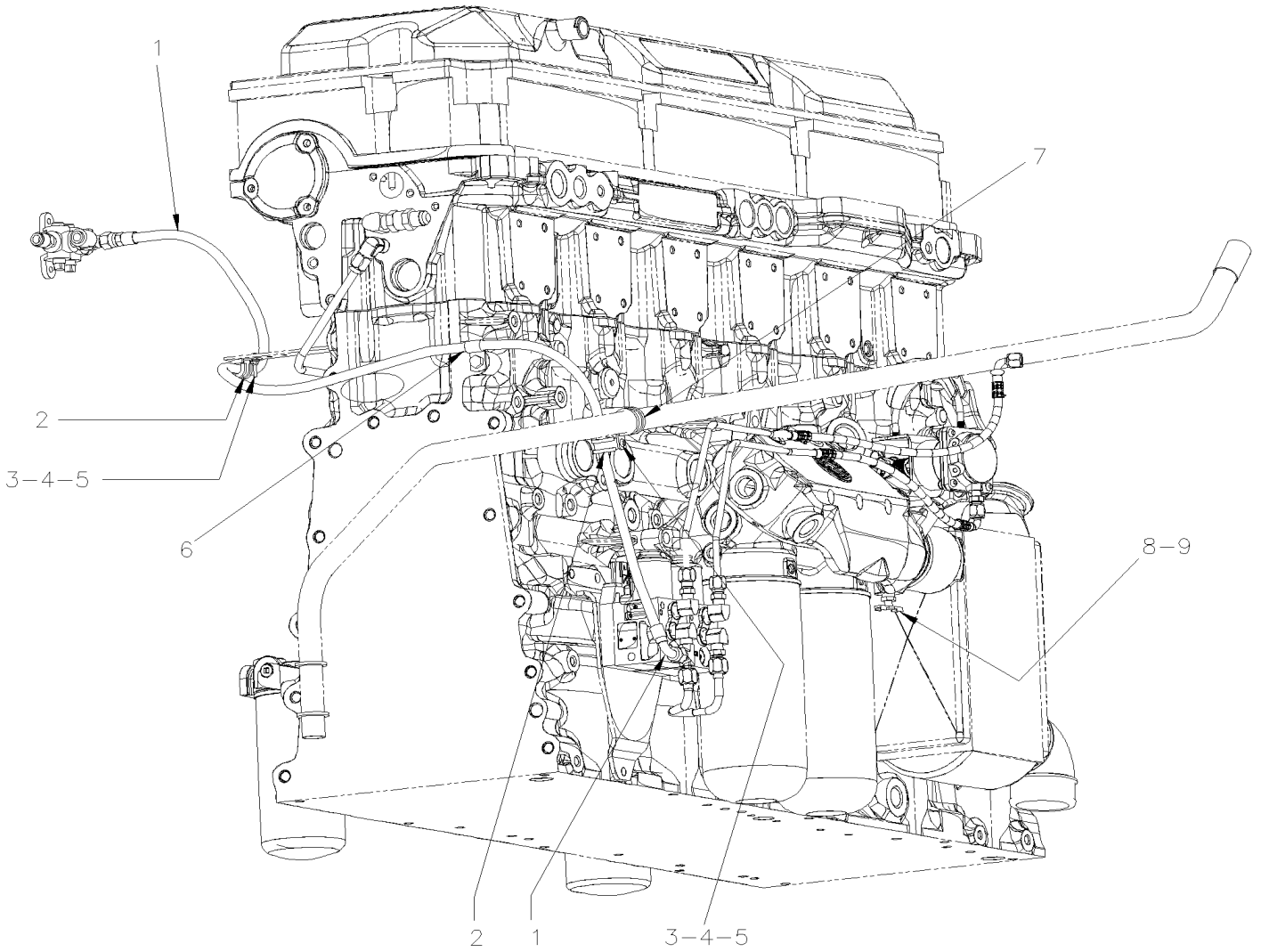
| Item# | Part | Description | X L I I 4 5 | X L I I M T H 4 0 | X L I I M T H 4 5 | X L I I M T H 4 5 E | N O T E S |
|-------|---------|--|----------------------------|---|---|--|-----------------------|
| 1 | 180208 | TANK OIL | 1 | 1 | 1 | 1 | |
| 2 | 683477 | CAP | 1 | 1 | 1 | 1 | |
| 3 | 5011045 | VALVE 3/4" | 1 | 1 | 1 | 1 | |
| 4 | 501462 | BUSHING REDUCER / PIPE FITTING / 3/4NPT-Mx1/2NPT-F BR | 1 | 1 | 1 | 1 | |
| 5 | 507605 | MALE CONNECTOR / HOSE BARB FITTING / #12x1/2NPT-M BR | 1 | 1 | 1 | 1 | |
| 6 | 504020 | HOSE CLAMP / 9/16"-1"1/4 SS / HS-12 | 2 | 2 | 2 | 2 | |
| 7 | 180196 | HOSE #12 1853MM | 1 | 1 | 1 | 1 | |
| 7 | 503547 | . HOSE / RUBBER #12 / S.L. | AR | AR | AR | AR | |
| 8 | 507605 | MALE CONNECTOR / HOSE BARB FITTING / #12x1/2NPT-M BR | 1 | 1 | 1 | 1 | |
| NS | 501462 | BUSHING REDUCER / PIPE FITTING / 3/4NPT-Mx1/2NPT-F BR | 1 | 1 | 1 | 1 | |
| 9 | 5011051 | STREET ELBOW 45° / PIPE FITTING / 3/4NPT-Mx3/4NPT-F BR | 1 | 1 | 1 | 1 | |
| 9 | 501528 | STREET ELBOW 45° / PIPE FITTING / 1/2NPT-Mx1/2NPT-F BR | | 1 | 1 | 1 | |
| 10 | 502531 | SCREW CAP HEX M6-1.0x16 G8.8 Z050 | 6 | 6 | 6 | 6 | |
| NS | 502564 | WASHER LO SPT 6.1x11.8x1.6 Z050 | 6 | 6 | 6 | 6 | |
| NS | 403536 | DECAL "OIL SPEC" / ENGLISH & FRANCAIS To 3-8164 | 1 | 1 | 1 | 1 | |
| 11 | 012182 | DECAL "OIL SPEC" 15W/40 / ENGLISH & FRANCAIS From 4-8165 | 1 | 1 | 1 | 1 | |
| 11 | 012261 | DECAL "OIL SPEC" 15W/40 / ENGLISH & SPANISH From 4-8165 | 1 | 1 | 1 | 1 | |
| 12 | 500411 | WASHER FL .260x.697x.050 SS | 6 | 6 | 6 | 6 | |
| 20 | 213960 | SUPPORT L.H. / OIL RESERVOIR To 2-7888 | 1 | 1 | 1 | 1 | |
| 20 | 180239 | SUPPORT L.H. / OIL RESERVOIR From 2-7889 | 1 | 1 | 1 | 1 | |
| 21 | 213268 | SUPPORT R.H. / OIL RESERVOIR To 2-7888 | 1 | 1 | 1 | 1 | |
| 21 | 180240 | SUPPORT R.H. / OIL RESERVOIR From 2-7889 | 1 | 1 | 1 | 1 | |
| 21 | 502862 | SCREW CAP HEX M8-1.25x20 G8.8 N500 | 4 | 4 | 4 | 4 | A |
| 21 | 502889 | WASHER LO SPT 8.1x12.7x2.0 N500 | 4 | 4 | 4 | 4 | A |
| 21 | 192288 | WASHER FL 8.4x18.0x2.0 ZG603 | 4 | 4 | 4 | 4 | A |
| 30 | 510458 | OIL FILTER, CARTRIDGE / PF-2100 / ENGINE / W/SERIES 60 | 2 | 2 | 2 | 2 | |
| | | | | | | | |
| | | | | | | | |
| | | | | | | | |
| | | | | | | | |
| | | A) TO FIX AT STRUCTURE | | | | | |

From 4-8165 To 8-9339

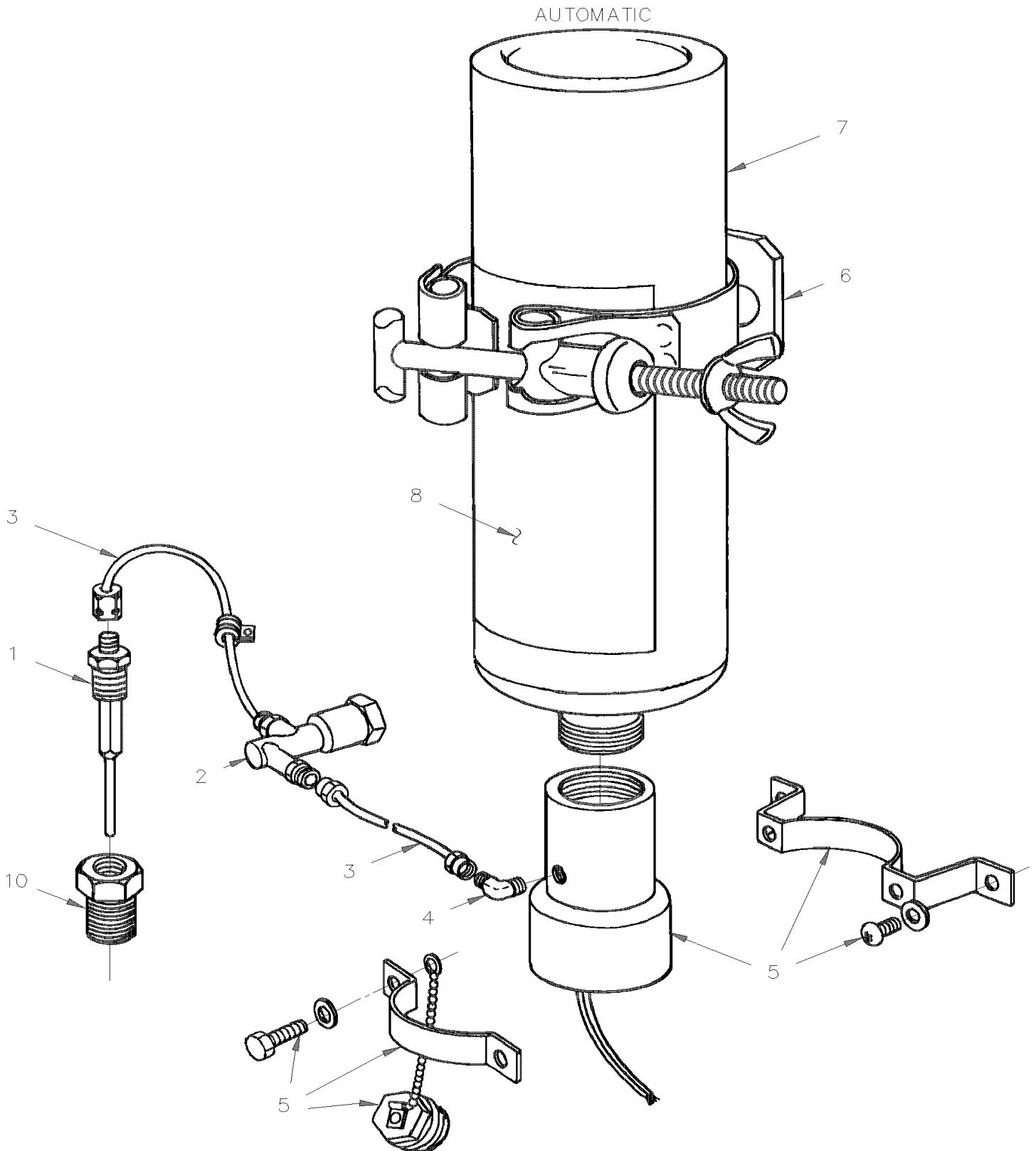
Date:10/2022

PAGE:Y2-0115-00

VPODS HOSE INSTALLATION



STARTING AID - INSTALLATION

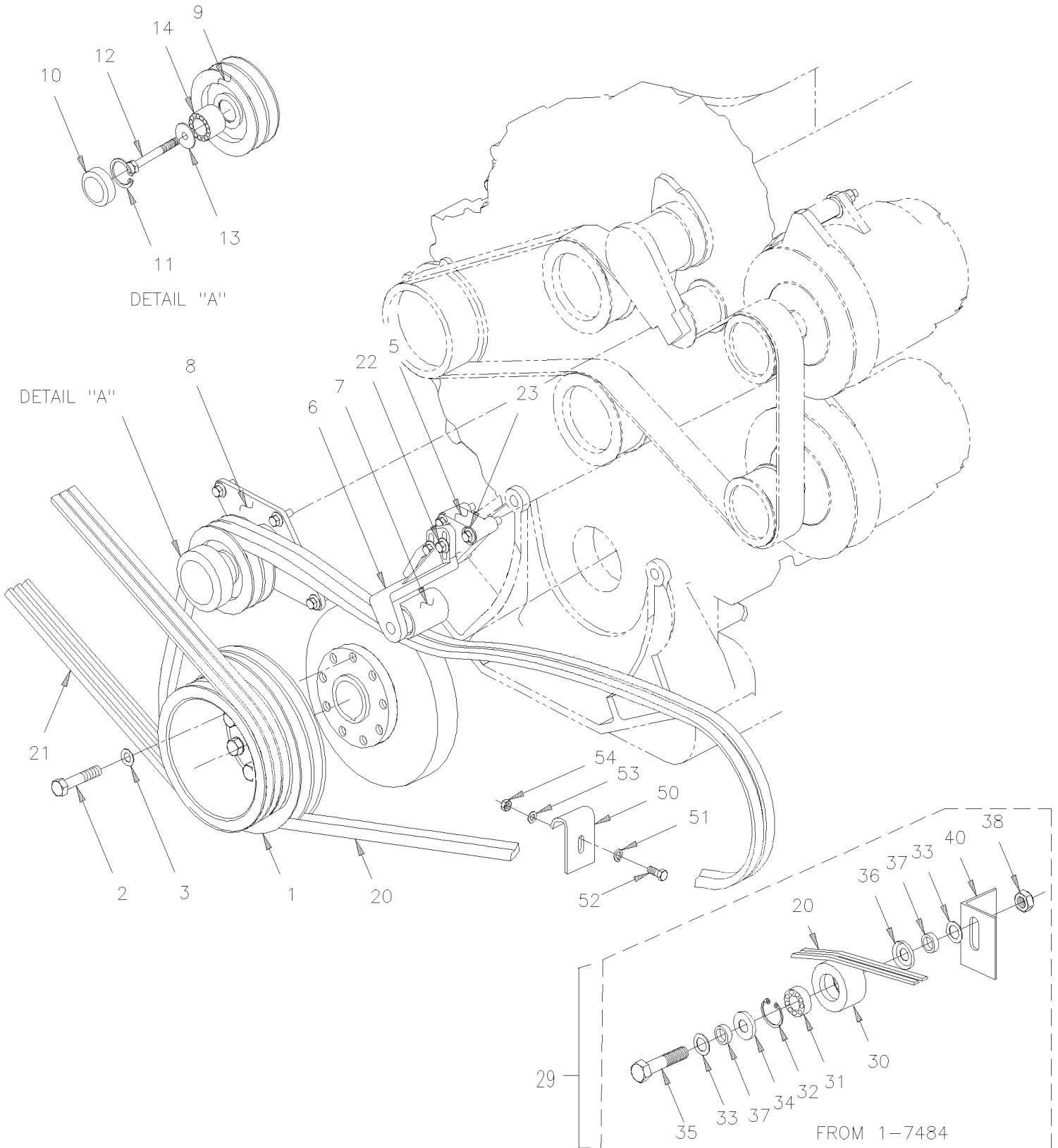


From Y-7046 To 8-9339

Date:10/2022

PAGE:Y2-0120-00

DRIVE PULLEY & BELTS - BUS & MTH



| | | |
|---|--------------|-----------------|
| From Y-7046 To 8-9339 | Date:10/2022 | PAGE:Y2-0120-00 |
| DRIVE PULLEY & BELTS - BUS & MTH | | |

| Item# | Part | Description | X L I I 4 5 | X L I I M T H 4 0 | X L I I M T H 4 5 | X L I I M T H 4 5 E | N O T E S |
|-------|-----------|---|----------------------------|---|---|--|-----------------------|
| 1 | 011584 | PULLEY W/60 (2V X 11" O.D. + 3V X 8" O.D. / BOLTED ON HUB To 5-8412 | 1 | | | 1 | |
| 1 | 012267 | PULLEY W/60 (2V X 11" O.D. + 3V X 8" O.D. BOL From 5-8413 | 1 | | | 1 | |
| 2 | N.S.P. | BOLT 9/16-18 X 2"1/2 / (8929222) | 9 | | | 9 | 2 |
| 3 | N.S.P. | WASHER SPECIAL 9/16" / (5133981) | 9 | | | 9 | 2 |
| 5 | 012064 | ADAPTOR SNUBBER MOUNTING To 3-8164 | 1 | | | 1 | |
| 5 | 012191 | ADAPTOR SNUBBER MOUNTING From 4-8165 To 5-8412 | 1 | | | 1 | |
| 5 | 012265 | ADAPTOR SNUBBER MOUNTING From 5-8413 To 7-9226 | 1 | | | 1 | |
| 5 | 012455 | ADAPTOR SNUBBER MOUNTING From 8-9251 | 1 | | | 1 | |
| 6 | 012063 | SNUBBER ASSY To 5-8412 | 1 | | | 1 | |
| 6 | 012268 | SNUBBER ASSY From 5-8413 To 8-9250 | 1 | | | 1 | |
| 6 | 012467 | SNUBBER ASSY From 8-9251 | | | | 1 | |
| 6 | | . SUPPORT To 8-9250 | 1 | | | 1 | |
| 6 | 012453 | . SUPPORT From 8-9251 | 1 | | | 1 | |
| 7 | N.S.P. | . ROLLER To 8-9250 | 1 | | | 1 | 2 |
| 7 | 012456 | . ROLLER 48MM O.D. x 64MM From 8-9251 | 1 | | | 1 | |
| 7 | N.S.P. | . BEARING To 8-9250 | 1 | | | 1 | 2 |
| 7 | 012458 | . BEARING MODIFIED PREVOST From 8-9251 | 1 | | | 1 | |
| 7 | 5006768 | . SCREW DRV RND #14x5/8 Z050 | 1 | | | 1 | |
| 8 | 012058 | PULLEY ASSY IDLER To 3-8164 | 1 | | | 1 | |
| 8 | 012269 | PULLEY ASSY IDLER From 4-8165 To 8-9250 | 1 | | | 1 | |
| 8 | 012466 | PULLEY ASSY IDLER From 8-9251 | 1 | | | 1 | |
| 9 | N.S.P. | . PULLEY To 8-9250 | 1 | | | 1 | 2 |
| 9 | 012459 | . PULLEY 116MM O.D. x 53.5MM From 8-9251 | 1 | | | 1 | |
| 10 | N.S.P. | . PROTECTOR CAP / (05107293) To 8-9250 | 1 | | | 1 | 2 |
| 10 | 510798 | . PROTECTOR CAP / "PREVOST" | 1 | | | 1 | A |
| 11 | N.S.P. | . SNAP RING / (23518223) To 8-9250 | 1 | | | 1 | 2 |
| 11 | 504040 | . RING RETAINER / INT 2.440 x 1.860 x 0.078 STL BLK From 8-9251 | 1 | | | 1 | |
| 12 | 5001308 | . SCREW CAP HEXF M10-1.5x40 G10.9 N500 To 8-9250 | 1 | | | 1 | |
| 12 | 500829 | . SCREW CAP HEX M10-1.5x40 G8.8 From 8-9251 | 1 | | | 1 | |
| 13 | N.S.P. | . WASHER / (23518224) | 1 | | | 1 | 2 |
| 13 | 012062 | . WASHER FL 10.2 x38.1x5 ST | 1 | | | 1 | |
| 14 | 510618 | . BALL BEARING DBL ROW / 30MM x 62MM x 27 W | 1 | | | 1 | |
| 14 | 507371 | . SEAL From 8-9251 | 1 | | | 1 | |
| 20 | 506864 | V-BELT / BX-100 / SET OF 2 9212-0404 | 1 | | | 1 | |
| 20 | 506681 | V-BELT / BX-100 9013-2100 From 2-7908 | | | | 1 | B |
| 21 | 506691 | V-BELT / AX-73 9012-2073 | | | | 3 | |
| 21 | 506691 | V-BELT / AX-73 9012-2073 To 3-8164 | 3 | | | | |
| 21 | 505522 | V-BELT / AX-71 9012-2071 From 4-8165 | 3 | | | | |
| 22 | 955297 | SCREW CAP HEX M8-1.25x25 G8.8 ZG603 | 2 | | | 2 | |
| 23 | 975102 | SCREW CAP HEXF M10-1.5x60 G10.9 PHC | 3 | | | 3 | |
| NS | 453630 | KIT, PULLEY ASSY W/ANGLE SUPPORT To 1-7483 | 1 | | | 1 | |
| . NS | IS-96114A | . SEE INSTRUCTION SHEET To 1-7483 | 1 | | | 1 | |

| | | |
|---|--------------|-----------------|
| From Y-7046 To 8-9339 | Date:10/2022 | PAGE:Y2-0120-00 |
| DRIVE PULLEY & BELTS - BUS & MTH | | |

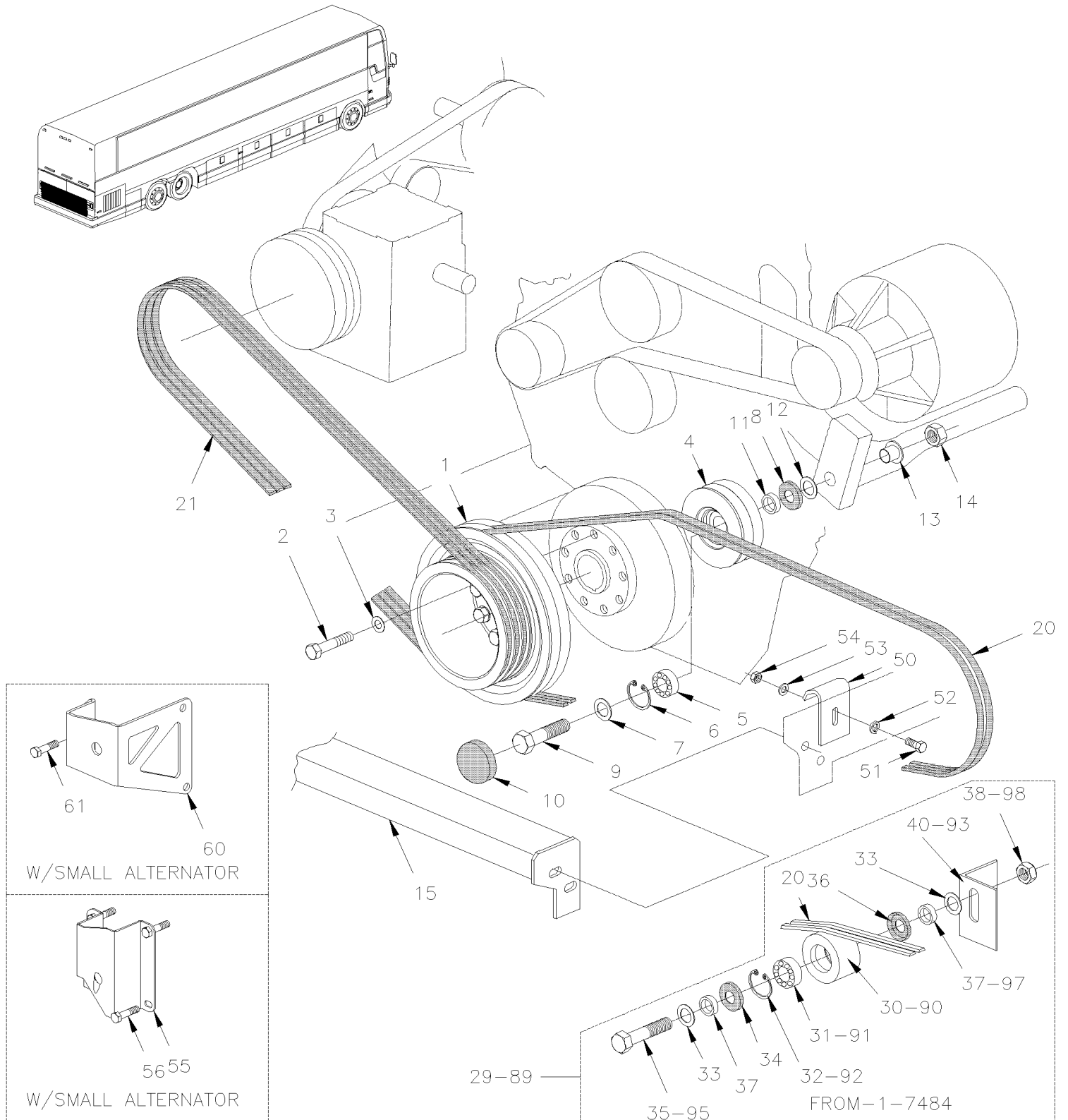
| Item# | Part | Description | X L I I 4 5 | X L I I M T H 4 0 | X L I I M T H 4 5 | X L I I M T H 4 5 E | N O T E S |
|-------|---------|---|----------------------------|---|---|--|-----------------------|
| 29 | 454187 | KIT, PULLEY ASSY W/ANGLE SUPPORT / SERIES "XL" From 1-7484 | 1 | | | 1 | |
| 30 | 052208 | . PULLEY ASSY W/BEARING & SEAL / 43MM x 78MM From 1-7484 | 1 | | | 1 | |
| 30 | 052207 | .. PULLEY BELT TENSIONER / 43MM x 78MM O.D. From 1-7484 To 5-8412 | 1 | | | 1 | |
| 30 | 052594 | .. PULLEY BELT TENSIONER / 43MM x 78MM O.D. From 5-8413 | 1 | | | 1 | |
| 31 | 507340 | .. BALL BEARING 20 ID x 52 OD x 22.2 W From 1-7484 | 1 | | | 1 | |
| 32 | 504095 | .. RING RETAINER / INT 2.00 x 2.12 x .062 From 1-7484 | 1 | | | 1 | |
| 33 | 5001205 | .. WASHER FL .875x1.375x.047 From 1-7484 | AR | | | AR | |
| 34 | 507361 | .. SEAL From 1-7484 | 1 | | | 1 | |
| 35 | 5001124 | .. SCREW CAP HEX M20-2.5x80 G8.8 ZP From 1-7484 | 1 | | | 1 | |
| 36 | 507360 | .. SEAL From 1-7484 | 1 | | | 1 | |
| 37 | 051895 | .. SPACER 20MM I.D. X 9MM TH From 1-7484 | 1 | | | 1 | |
| 37 | 052205 | .. SPACER 20MM I.D. X 12.5MM TH From 1-7484 | 2 | | | 2 | |
| 38 | 500809 | .. NUT HEX STO M20-2.5 N500 From 1-7484 | 1 | | | 1 | |
| 40 | 052393 | . ANGLE SUPPORT / BOLTED TO ENGINE CRADLE To 1-7483 | 1 | | | 1 | |
| 40 | 454185 | . ANGLE SUPPORT / BOLTED TO ENGINE CRADLE / SERIES "XL" From 1-7484 | 1 | | | 1 | |
| 40 | 011623 | ANGLE SUPPORT / (WELDED TO ENGINE CRADLE) | 1 | | | 1 | |
| 50 | 453077 | BELT PROTECTOR To 1-7483 | 1 | | | 1 | C |
| 51 | 500445 | WASHER FL .437x1.000x.083 Z050 To 1-7483 | 2 | | | 2 | |
| 52 | 502559 | SCREW CAP HEX M10-1.5x25 G8.8 Z050 To 1-7483 | 1 | | | 1 | |
| 53 | 500257 | WASHER LO SPT 10.2x18.1x2.2 Z050 To 1-7483 | 1 | | | 1 | |
| 54 | 500256 | NUT HEX M10-1.5 Z050 To 1-7483 | 1 | | | 1 | |
| | | | | | | | |
| | | | | | | | |
| | | | | | | | |
| | | A) FIT ONLY WITH PULLEY "PREVOST" | | | | | |
| | | B) "MOUNTED WITH " 2 BOSCH ALTERNATOR | | | | | |
| | | C) FOR PRODUCT IMPROVEMENT USE KIT #453630 & SEE INSTRUCTION SHEET | | | | | |
| | | 2) NOT SOLD BY PREVOST (SEE MANUFACTURING PART NUMBER AT END OF DESCRIPTION LINE) | | | | | |

From Y-7046 To 8-9339

Date:10/2022

PAGE:Y2-0120-50

DRIVE PULLEY & BELTS - MTH



| | | |
|---------------------------------------|--------------|-----------------|
| From Y-7046 To 8-9339 | Date:10/2022 | PAGE:Y2-0120-50 |
| DRIVE PULLEY & BELTS - MTH | | |

| Item# | Part | Description | X L I I 4 5 | X L I I M T H 4 0 | X L I I M T H 4 5 | X L I I M T H 4 5 E | N O T E S |
|-------|-------------------|---|----------------------------|---|---|--|-----------------------|
| 1 | 011584 | PULLEY W/60 (2V X 11" O.D. + 3V X 8" O.D. / BOLTED ON HUB | | 1 | | 1 | |
| 1 | 012267 | PULLEY W/60 (2V X 11" O.D. + 3V X 8" O.D. BOL From 5-8413 | | 1 | | 1 | |
| 1 | 011584 | PULLEY W/60 (2V X 11" O.D. + 3V X 8" O.D. / BOLTED ON HUB To 3-8164 | | | 1 | | |
| 1 | 019206 | PULLEY W/60 (2V X 11" O.D. + 3V X 8" O.D. From 4-8165 To 5-8412 | | | 1 | | |
| 1 | 012266 | PULLEY W/60 (2V X 11" O.D. + 3V X 8" O.D. From 5-8413 | | | 1 | | |
| 2 | N.S.P. | BOLT 9/16-18 X 2 1/2" / (8929222) | | 9 | 9 | 9 | 2 |
| 3 | N.S.P. | WASHER SPECIAL 9/16" / (5133981) | | 9 | 9 | 9 | 2 |
| 4 | 453078 | PULLEY ASSY W/BEARING & SEAL / 5" O.D. X 2V | | 1 | 1 | 1 | |
| 4 | 453075 | . PULLEY / 5" O.D. X 2V To 5-8412 | | 1 | 1 | 1 | |
| 4 | 454182 | . PULLEY / 5" O.D. X 2V From 5-8413 | | 1 | 1 | 1 | |
| 5 | 507340 | . BALL BEARING 20 ID x 52 OD x 22.2 W | | 1 | 1 | 1 | |
| 6 | 504095 | . RING RETAINER / INT 2.00 x 2.12 x .062 | | 1 | 1 | 1 | |
| 7 | 502558 | WASHER FL 21.0x37.0x3.0 G500 | | 1 | 1 | 1 | |
| 8 | 507360 | SEAL | | 1 | 1 | 1 | |
| NS | 680500 | GREASE MERITOR / 400GR | | 1 | 1 | 1 | |
| 9 | 5001124 | SCREW CAP HEX M20-2.5x80 G8.8 ZP | | 1 | 1 | 1 | |
| 10 | 453076 | CAP, DUST | | 1 | 1 | 1 | |
| 11 | 052205 | SPACER 20MM I.D. X 12.5MM TH | | 1 | 1 | 1 | |
| 12 | 5001205 | WASHER FL .875x1.375x.047 | | AR | AR | AR | |
| 13 | 452276 | CENTERING BUSHING, FLANGE | | 1 | 1 | 1 | |
| 14 | 500809 | NUT HEX STO M20-2.5 N500 | | 1 | 1 | 1 | |
| 15 | Y2-0150-00 | ENGINE CRADLE - WITH DETROIT S-60 | | | | | |
| 20 | 506664 | V-BELT / BX-97 / SET OF 2 9212-0390 | | 2 | 2 | 2 | |
| 20 | 506864 | V-BELT / BX-100 / SET OF 2 9212-0404 | | 1 | 1 | 1 | |
| 21 | 506690 | V-BELT / AX-74 9012-2074 To 3-8164 | | 3 | 3 | 3 | |
| 21 | 509822 | SUPER V-BELT / 3BX-77 From 4-8165 | | | 1 | | |
| 21 | 506691 | V-BELT / AX-73 9012-2073 From 4-8165 | | 1 | | 1 | |
| NS | 453630 | KIT, PULLEY ASSY W/ANGLE SUPPORT To 1-7483 | | 1 | 1 | 1 | |
| . NS | IS-96114A | . SEE INSTRUCTION SHEET To 1-7483 | | 1 | 1 | 1 | |
| 29 | 453709 | KIT, PULLEY ASSY W/ANGLE SUPPORT From 1-7485 To 4-8320 | | 1 | 1 | 1 | |
| 29 | 454187 | KIT, PULLEY ASSY W/ANGLE SUPPORT / SERIES "XL" From 4-8321 | | 1 | 1 | 1 | |
| 30 | 052208 | . PULLEY ASSY W/BEARING & SEAL / 43MM x 78MM From 1-7484 | | 1 | 1 | 1 | |
| 30 | 052207 | . . PULLEY BELT TENSIONER / 43MM x 78MM O.D. From 1-7484 To 5-8412 | | 1 | 1 | 1 | |
| 30 | 052594 | . . PULLEY BELT TENSIONER / 43MM x 78MM O.D. From 5-8413 | | 1 | 1 | 1 | |
| 31 | 507340 | . . BALL BEARING 20 ID x 52 OD x 22.2 W From 1-7484 | | 1 | 1 | 1 | |
| 32 | 504095 | . . RING RETAINER / INT 2.00 x 2.12 x .062 From 1-7484 | | 1 | 1 | 1 | |
| 33 | 5001205 | . . WASHER FL .875x1.375x.047 From 1-7484 | | AR | AR | AR | |
| 34 | 507361 | . . SEAL From 1-7484 | | 1 | 1 | 1 | |
| 35 | 5001124 | . SCREW CAP HEX M20-2.5x80 G8.8 ZP From 1-7484 | | 1 | 1 | 1 | |
| 36 | 507360 | . SEAL From 1-7484 | | 1 | 1 | 1 | |
| 37 | 051895 | . SPACER 20MM I.D. X 9MM TH From 1-7484 | | 1 | 1 | 1 | |
| 37 | 052205 | . SPACER 20MM I.D. X 12.5MM TH From 1-7484 | | 2 | 2 | 2 | |

| | | |
|---------------------------------------|--------------|-----------------|
| From Y-7046 To 8-9339 | Date:10/2022 | PAGE:Y2-0120-50 |
| DRIVE PULLEY & BELTS - MTH | | |

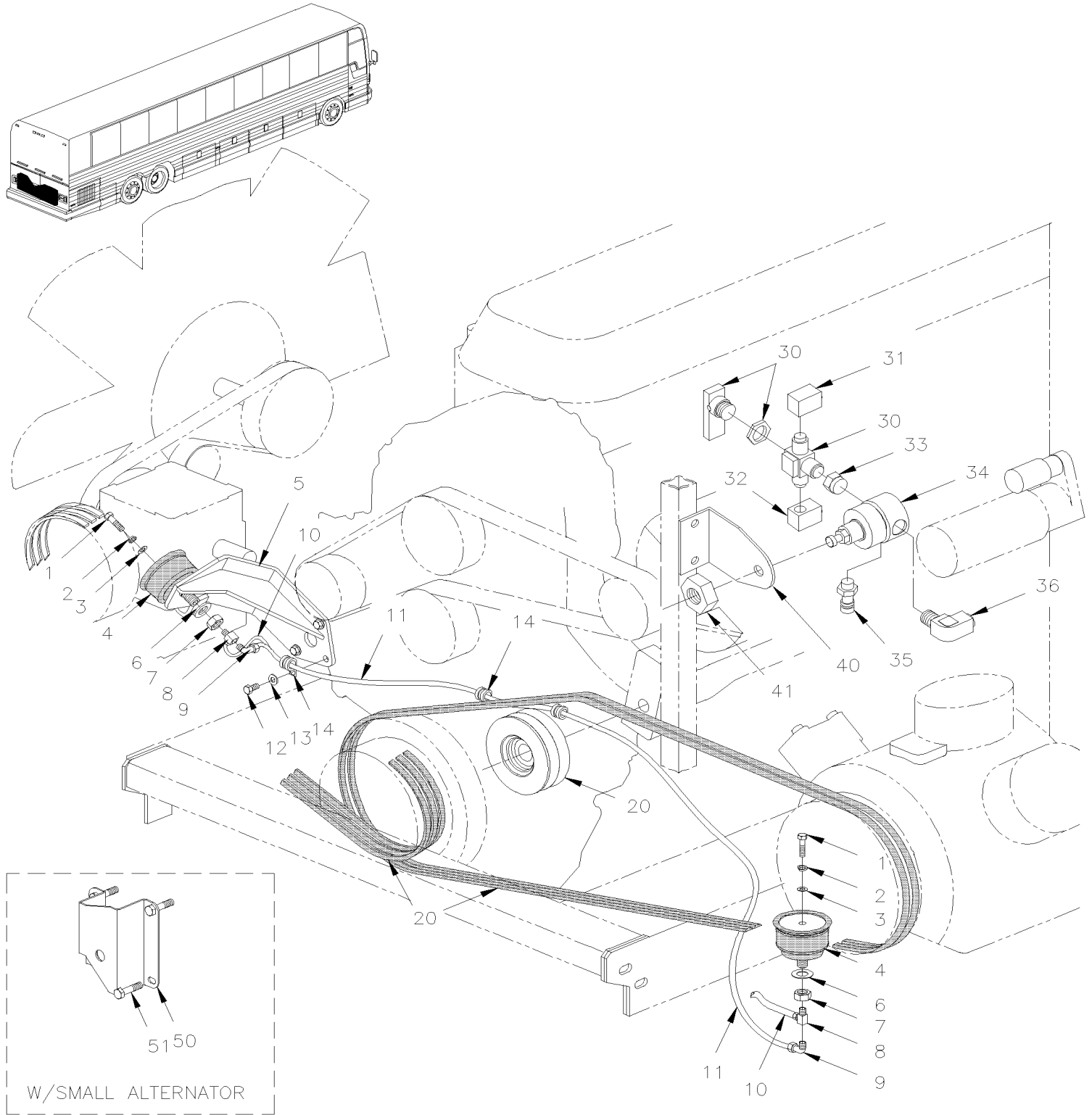
| Item# | Part | Description | X L I I 4 5 | X L I I M T H 4 0 | X L I I M T H 4 5 | X L I I M T H 4 5 E | N O T E S |
|-------|--------|---|----------------------------|---|---|--|-----------------------|
| 38 | 500809 | . NUT HEX STO M20-2.5 N500 From 1-7484 | | 1 | 1 | 1 | |
| 40 | 052393 | . ANGLE SUPPORT / BOLTED TO ENGINE CRADLE From 1-7484 To 4-8320 | | 1 | 1 | 1 | B |
| 401 | 454185 | . ANGLE SUPPORT / BOLTED TO ENGINE CRADLE / SERIES "XL" From 4-8321 | | 1 | 1 | 1 | C |
| 50 | 453077 | BELT PROTECTOR To 1-7483 | | 1 | 1 | 1 | A |
| 51 | 502559 | SCREW CAP HEX M10-1.5x25 G8.8 Z050 To 1-7483 | | 1 | 1 | 1 | |
| 52 | 500445 | WASHER FL .437x1.000x.083 Z050 To 1-7483 | | 2 | 2 | 2 | |
| 53 | 500257 | WASHER LO SPT 10.2x18.1x2.2 Z050 To 1-7483 | | 1 | 1 | 1 | |
| 54 | 500256 | NUT HEX M10-1.5 Z050 To 1-7483 | | 1 | 1 | 1 | |
| 55 | 453307 | SUPPORT IDLER PULLEY / STEEL / W/SMALL A/C | | 1 | 1 | 1 | |
| 56 | 500080 | SCREW CAP HEX 7/16-20x4 1/2 G5 Z050 | | 2 | 2 | 2 | |
| 60 | 453795 | SUPPORT IDLER PULLEY / W/SMALL A/C | | 1 | 1 | 1 | |
| 61 | 502705 | SCREW CAP HEX M12-1.75X25 G8.8 N500 | | 2 | 2 | 2 | |
| NS | 500747 | WASHER LO SPT 12.2x21.1x2.5 N500 | | 2 | 2 | 2 | |
| | | | | | | | |
| | | | | | | | |
| | | A) FOR PRODUCT IMPROVEMENT USE KIT #453630 & SEE INSTRUCTION SHEET | | | | | |
| | | B) INCLUDE IN KIT # 453709 | | | | | |
| | | C) INCLUDE IN KIT # 454187 | | | | | |
| | | 2) NOT SOLD BY PREVOST (SEE MANUFACTURING PART NUMBER AT END OF DESCRIPTION LINE) | | | | | |

From Y-7046 To 3-8164

Date:10/2022

PAGE:Y2-0125-00

BELTS TENSIONERS - WITH DETROIT S-60



| | | |
|---|--------------|-----------------|
| From Y-7046 To 3-8164 | Date:10/2022 | PAGE:Y2-0125-00 |
| BELTS TENSIONERS - WITH DETROIT S-60 | | |

| Item# | Part | Description | X L I I 4 5 | X L I I M T H 4 0 | X L I I M T H 4 5 | X L I I M T H 4 5 E | N O T E S |
|-------|-------------------|---|----------------------------|---|---|--|-----------------------|
| 1 | 500179 | SCREW CAP HEX 5/16-18x3/4 G5 Z050 | 2 | 2 | 2 | 2 | |
| 2 | 500482 | WASHER LO SPT .506x.873x.125 Z050 | 2 | 2 | 2 | 2 | |
| 3 | 500441 | WASHER FL .312x.734x.065 Z050 | 2 | 2 | 2 | 2 | |
| 4 | 950208 | BELLOW ASSY / BELT TENSIONER / 3" O.D. | 1 | 1 | 1 | 1 | |
| . NS | 504695 | . HOSE CLAMP STEPLESS SPRING SS / OETIKER / 2.9-3.3 | 1 | 1 | 1 | 1 | |
| 5 | 052050 | SUPPORT BELLOW TENTIONER To 2-7809 | 1 | 1 | 1 | 1 | |
| 5 | 059055 | SUPPORT BELLOW TENSIONER From 2-7810 | 1 | 1 | 1 | 1 | |
| 6 | 5001150 | WASHER FL 17.0x30.0x3.0 N500 | 2 | 2 | 2 | 2 | |
| 7 | 500792 | NUT HEX 5/8-11 Z050 | 1 | 1 | 1 | 1 | |
| 8 | 501707 | ADAPTER TEE / SAE 45° FITTING / #4FL-Mx1/8NPT-Mx1/8NPT-F BR | 1 | 1 | 1 | 1 | |
| 9 | 640996 | MALE ELBOW 90° / NTA FITTING / #4x1/8NPT-M BR | 1 | 1 | 1 | 1 | |
| 9 | 641127 | MALE ELBOW 45° / NTA FITTING / #4x1/8NPT-M BR | 2 | 2 | 2 | 2 | |
| 10 | 503402 | TUBE, NYLON 1/4 O.D. / BLACK S.L. | AR | AR | AR | AR | |
| 11 | 052317 | HOSE ASSY TEFLON #4 1217MM | 1 | | | | |
| 11 | 052041 | HOSE ASSY TEFLON #4 1230MM | | 1 | 1 | 1 | |
| 11 | 142080 | HOSE ASSY TEFLON #4 1990MM | | 1 | 1 | 1 | A |
| 12 | 500069 | SCREW CAP HEX M8-1.25x16 G10.9 DP | 3 | 3 | 3 | 3 | |
| 13 | 500874 | WASHER FL 8.4x17.0x1.6 Z050 | 3 | 3 | 3 | 3 | |
| 14 | 504601 | CLAMP / 5/16" I.D. x .375 HOLE | 3 | 3 | 3 | 3 | |
| 20 | Y2-0120-00 | DRIVE PULLEY & BELTS - BUS & MTH | | | | | |
| 20 | Y2-0120-50 | DRIVE PULLEY & BELTS - MTH | | | | | |
| 30 | 641417 | VALVE, 3 WAYS 1/8NPT-Fx1/8NPT-Fx1/8NPT-F BR | 1 | 1 | 1 | 1 | |
| . NS | 642014 | . HANDLE / RED | 1 | 1 | 1 | 1 | |
| 30 | 642161 | VALVE, 3 WAYS 1/8NPT-Fx1/8NPT-Fx1/8NPT-F BR / SERVICE | 1 | 1 | 1 | 1 | |
| . NS | 642014 | . HANDLE / RED | 1 | 1 | 1 | 1 | |
| 31 | 641369 | MALE ELBOW 90° NON-SWIVEL / PUSH-IN FITTING / #4x1/8NPT-M BR | 1 | 1 | 1 | 1 | |
| 32 | 501331 | STREET ELBOW 90° / PIPE FITTING / 1/8NPT-Mx1/8NPT-F BR | 1 | 1 | 1 | 1 | |
| 33 | 501650 | NIPPLE REDUCER HEX / PIPE FITTING / 1/4NPT-Mx1/8NPT-Mx1 3/16 BR | 2 | 2 | 2 | 2 | |
| 34 | 641472 | AIR PRESSURE REGULATOR 1/4" NPT / COPPER | 1 | 1 | 1 | 1 | |
| 35 | 640488 | VALVE, AIR FILL 1/8" NPT | 1 | 1 | 1 | 1 | |
| . NS | 650164 | . CAP VALVE / CHROME | 1 | 1 | 1 | 1 | |
| 36 | 641371 | MALE ELBOW 90° NON-SWIVEL / PUSH-IN FITTING / #4x1/4NPT-M BR | 1 | 1 | 1 | 1 | |
| 36 | 501037 | MALE ELBOW 90° / SAE 45° FITTING / #4FL-Mx1/4NPT-M BR | | 1 | 1 | 1 | A |
| 40 | 142065 | SUPPORT AIR REGULATOR To 2-7888 | 1 | 1 | 1 | 1 | |
| 40 | 142454 | SUPPORT AIR REGULATOR / FLAT STYLE From 2-7889 | 1 | 1 | 1 | 1 | |
| 41 | 500734 | NUT HEX JAM 3/4-16 Z050 | 1 | 1 | 1 | 1 | |
| 50 | 453307 | SUPPORT IDLER PULLEY / STEEL / W/SMALL A/C | | 1 | 1 | 1 | |
| NS | 452280 | SPACER / SUPPORT & ENGINE | | AR | AR | AR | |
| 51 | 500080 | SCREW CAP HEX 7/16-20x4 1/2 G5 Z050 | | 2 | 2 | 2 | |
| NS | 500480 | WASHER LO SPT .443x.779x.109 Z050 | | 2 | 2 | 2 | |
| NS | 500445 | WASHER FL .437x1.000x.083 Z050 | | 2 | 2 | 2 | |
| NS | 500709 | NUT HEX 7/16-20 Z050 | | 2 | 2 | 2 | |

| | | |
|---|--------------|-----------------|
| From Y-7046 To 3-8164 | Date:10/2022 | PAGE:Y2-0125-00 |
| BELTS TENSIONERS - WITH DETROIT S-60 | | |

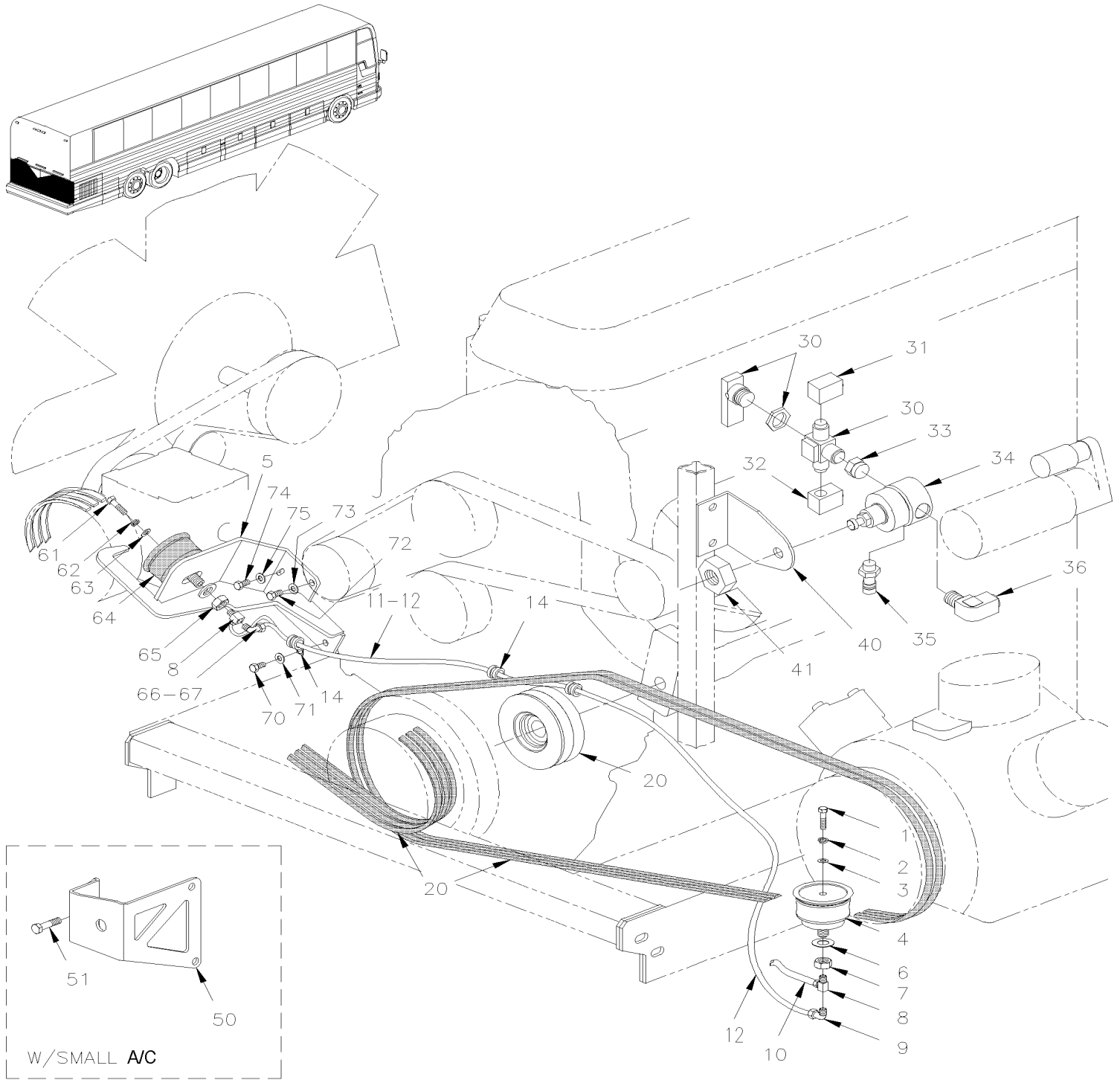
| Item# | Part | Description | X L I I 4 5 | X L I I M T H 4 0 | X L I I M T H 4 5 | X L I I M T H 4 5 E | N O T E S |
|-------|--------|------------------------|----------------------------|---|---|--|-----------------------|
| NS | 011894 | DECAL "BELT TENSIONER" | 1 | 1 | 1 | 1 | |
| | | | | | | | |
| | | | | | | | |
| | | A) W/ SMALL A/C SYSTEM | | | | | |

From 4-8165 To 8-9339

Date:10/2022

PAGE:Y2-0125-01

BELTS TENSIONERS - WITH DETROIT S-60

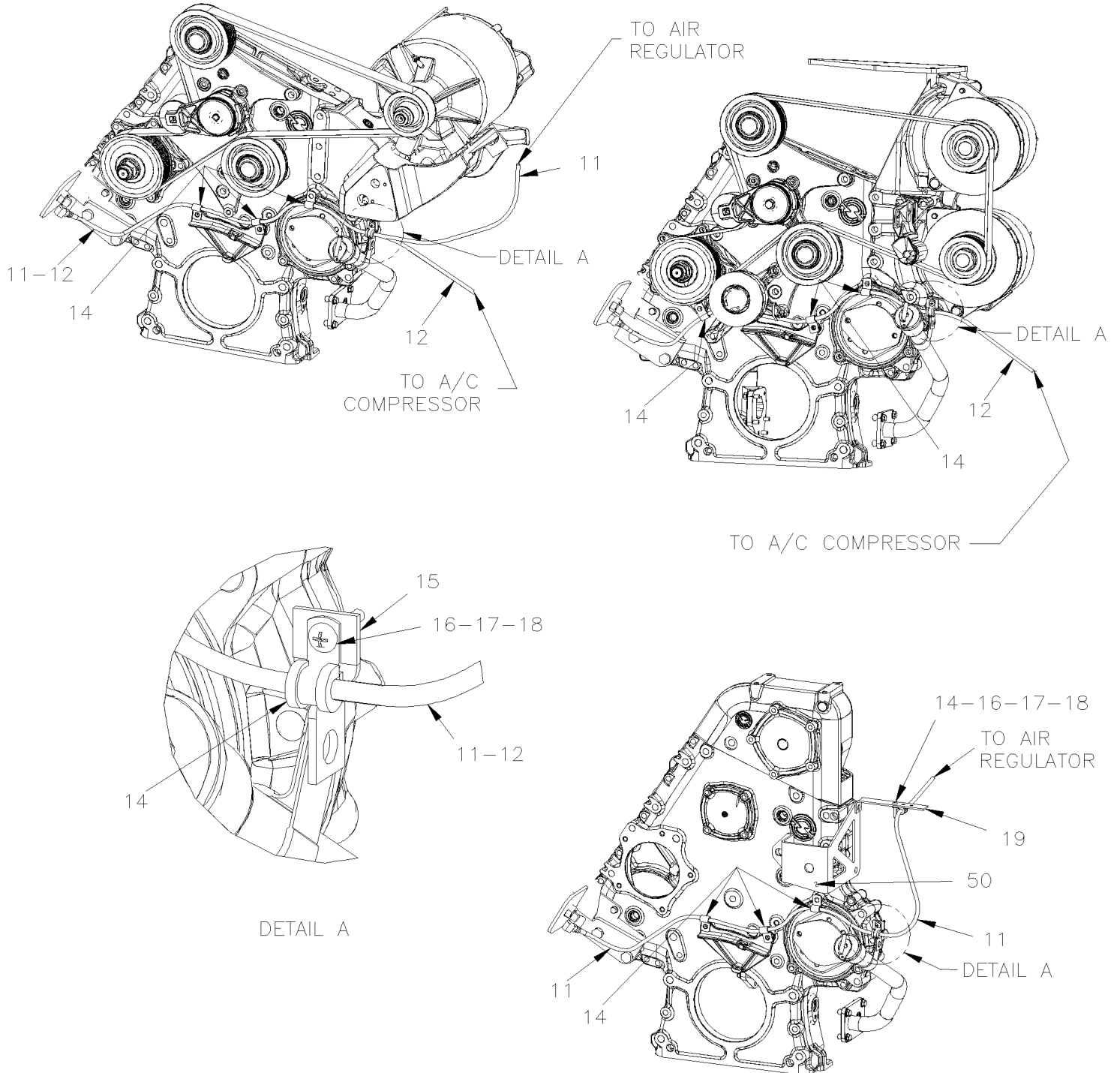


From 4-8165 To 8-9339

Date:10/2022

PAGE:Y2-0125-01

BELTS TENSIONERS - WITH DETROIT S-60



| | | |
|---|--------------|-----------------|
| From 4-8165 To 8-9339 | Date:10/2022 | PAGE:Y2-0125-01 |
| BELTS TENSIONERS - WITH DETROIT S-60 | | |

| Item# | Part | Description | X L I I 4 5 | X L I I M T H 4 0 | X L I I M T H 4 5 | X L I I M T H 4 5 E | N O T E S |
|-------|----------|---|----------------------------|---|---|--|-----------------------|
| 1 | 500836 | SCREW CAP HEX 5/16-18x3/4 G5 N500 To 5-8392 | 2 | 2 | | 2 | |
| 1 | 500836 | SCREW CAP HEX 5/16-18x3/4 G5 N500 To 5-8392 | | | 1 | | |
| 1 | 502916 | SCREW CAP HEX 3/8-16x3/4 G8 N500 From 5-8393 | | | 1 | | |
| 2 | 500942 | WASHER LO SPT 8.1x14.8x2.0 N500 To 5-8392 | 2 | 2 | | 2 | |
| 2 | 500942 | WASHER LO SPT 8.1x14.8x2.0 N500 To 5-8392 | | | 1 | | |
| 2 | 500218 | WASHER LO SPT .380x.683x.098 DP320 From 5-8393 | | | 1 | | |
| 3 | 3852162 | WASHER FL .312x.734x.065 ZG603 To 5-8392 | 2 | 2 | | 2 | |
| 3 | 3852162 | WASHER FL .312x.734x.065 ZG603 To 5-8392 | | | 1 | | |
| 3 | 500832 | WASHER FL .406x.812x.065 N500 From 5-8393 | | | 1 | | |
| 4 | 950208 | BELLOW ASSY / BELT TENSIONER / 3" O.D. To 5-8392 | 1 | 1 | 1 | 1 | |
| . NS | 504695 | . HOSE CLAMP STEPLESS SPRING SS / OETIKER / 2.9-3.3 To 5-8392 | 1 | 1 | 1 | 1 | |
| 4 | 550840 | BELLOW ASSY / BELT TENSIONER / 4" O.D. From 5-8393 | 1 | 1 | 1 | 1 | |
| 5 | 052488 | SUPPORT BELLOW TENTIONER To 5-8440 | | | 1 | | F |
| . NS | WB04-05C | . SEE WARRANTY BULLETIN To 5-8440 | | | 1 | | F |
| 5 | 052240 | SUPPORT BELLOW TENTIONER From 5-8441 To 5-8489 | | | 1 | | F |
| . NS | WB04-05C | . SEE WARRANTY BULLETIN From 5-8441 To 5-8489 | | | 1 | | F |
| 5 | 053441 | SUPPORT BELLOW TENTIONER From 5-8490 To 6-8878 | | | 1 | | F |
| . NS | WB04-05C | . SEE WARRANTY BULLETIN From 5-8490 To 6-8878 | | | 1 | | F |
| 5 | 052707 | SUPPORT BELLOW TENTIONER From 6-8879 | | | 1 | | |
| 5 | 052491 | SUPPORT BELLOW TENSIONER / W/3" BELLOW To 5-8392 | 1 | 1 | | 1 | |
| 5 | 052589 | SUPPORT BELLOW TENSIONER / W/4" BELLOW From 5-8393 To 5-8622 | 1 | | | | D |
| . NS | WB04-05C | . SEE WARRANTY BULLETIN From 5-8393 To 5-8622 | 1 | | | | D |
| 5 | 052641 | SUPPORT BELLOW TENSIONER / W/4" BELLOW From 5-8623 To 6-8878 | 1 | | | | D |
| . NS | WB04-05C | . SEE WARRANTY BULLETIN From 5-8623 To 6-8878 | 1 | | | | D |
| 5 | 052708 | SUPPORT BELLOW TENTIONER / W/4" BELLOW From 6-8879 | 1 | | | | |
| 5 | 052607 | SUPPORT BELLOW TENSIONER / W/4" BELLOW From 5-8393 To 5-8622 | | 1 | | 1 | |
| . NS | WB04-05C | . SEE WARRANTY BULLETIN From 5-8393 To 5-8622 | | 1 | | 1 | |
| 5 | 052646 | SUPPORT BELLOW TENSIONER / W/4" BELLOW From 5-8623 To 6-8878 | | 1 | | 1 | E |
| 5 | 052706 | SUPPORT BELLOW TENTIONER / W/4" BELLOW From 6-8879 | | | | 1 | |
| 6 | 5001150 | WASHER FL 17.0x30.0x3.0 N500 | 2 | 2 | | 2 | |
| 6 | 5001150 | WASHER FL 17.0x30.0x3.0 N500 | | | 1 | | |
| 7 | 500792 | NUT HEX 5/8-11 Z050 | 1 | 1 | 1 | 1 | |
| 8 | 501707 | ADAPTER TEE / SAE 45° FITTING / #4FL-Mx1/8NPT-Mx1/8NPT-F BR | 1 | 1 | 1 | 1 | |
| 9 | 640996 | MALE ELBOW 90° / NTA FITTING / #4x1/8NPT-M BR | 1 | 1 | 1 | 1 | |
| 9 | 641127 | MALE ELBOW 45° / NTA FITTING / #4x1/8NPT-M BR | 2 | 2 | 2 | 2 | |
| 10 | 503402 | TUBE, NYLON 1/4 O.D. / BLACK S.L. | AR | AR | AR | AR | |
| 11 | 142080 | HOSE ASSY TEFLON #4 1990MM | | 1 | 1 | 1 | |
| 12 | 052317 | HOSE ASSY TEFLON #4 1217MM To 5-8392 | 1 | | | | |
| 12 | 052041 | HOSE ASSY TEFLON #4 1230MM To 5-8392 | | 1 | 1 | 1 | |
| 12 | 052570 | HOSE ASSY TEFLON #4 1750MM From 5-8373 | 1 | 1 | 1 | 1 | |
| NS | 012245 | HOSE ASSY TEFLON #6 1200MM To 7-9095 | 1 | 1 | | 1 | B |
| NS | 012185 | HOSE ASSY TEFLON #6 1600MM From 7-9096 | | | 1 | | B |

| | | |
|---|--------------|-----------------|
| From 4-8165 To 8-9339 | Date:10/2022 | PAGE:Y2-0125-01 |
| BELTS TENSIONERS - WITH DETROIT S-60 | | |

| Item# | Part | Description | X L I I 4 5 | X L I I M T H 4 0 | X L I I M T H 4 5 | X L I I M T H 4 5 E | N O T E S |
|-------|-------------------|---|----------------------------|---|---|--|-----------------------|
| 12 | 141720 | HOSE ASSY TEFLON #6 1400MM From 7-9096 | | | 1 | 1 | |
| 14 | 952624 | CLAMP / 1/4" I.D. | 4 | 4 | 4 | 4 | |
| 15 | 061129 | SUPPORT FLAT TWISTED / TUBE DIPSTICK | 1 | 1 | 1 | 1 | |
| 16 | 500574 | SCREW MA TR PH #10-24x1 1/4 SS | AR | AR | AR | AR | |
| 17 | 500914 | WASHER LO SPT .193x.334x.047 N500 | AR | AR | AR | AR | |
| 18 | 502882 | NUT HEX #10-24 N500 | AR | AR | AR | AR | |
| 19 | 010667 | SUPPORT | | 1 | 1 | 1 | |
| 20 | Y2-0120-00 | DRIVE PULLEY & BELTS - BUS & MTH | | | | | |
| 20 | Y2-0120-50 | DRIVE PULLEY & BELTS - MTH | | | | | |
| 30 | 641417 | VALVE, 3 WAYS 1/8NPT-Fx1/8NPT-Fx1/8NPT-F BR | 1 | 1 | 1 | 1 | |
| . NS | 642014 | . HANDLE / RED | 1 | 1 | 1 | 1 | |
| 30 | 642161 | VALVE, 3 WAYS 1/8NPT-Fx1/8NPT-Fx1/8NPT-F BR / SERVICE | 1 | 1 | 1 | 1 | |
| . NS | 642014 | . HANDLE / RED | 1 | 1 | 1 | 1 | |
| 31 | 641369 | MALE ELBOW 90° NON-SWIVEL / PUSH-IN FITTING / #4x1/8NPT-M BR | 1 | 1 | 1 | 1 | |
| 32 | 501331 | STREET ELBOW 90° / PIPE FITTING / 1/8NPT-Mx1/8NPT-F BR | 1 | 1 | 1 | 1 | |
| 33 | 501650 | NIPPLE REDUCER HEX / PIPE FITTING / 1/4NPT-Mx1/8NPT-Mx1 3/16 BR | 2 | 2 | 2 | 2 | |
| 34 | 641472 | AIR PRESSURE REGULATOR 1/4" NPT / COPPER | 1 | 1 | 1 | 1 | |
| 34 | 012222 | DECAL "BELT TENSIONER" 45 PSI | | | 1 | | |
| 34 | 012247 | DECAL "BELT TENSIONER" 50 PSI To 5-8392 | 1 | 1 | | 1 | |
| 34 | 012123 | DECAL "BELT TENSIONER" 35 PSI From 5-8393 | 1 | 1 | | 1 | |
| 35 | 640488 | VALVE, AIR FILL 1/8" NPT | 1 | 1 | 1 | 1 | |
| . NS | 650164 | . CAP VALVE / CHROME | 1 | 1 | 1 | 1 | |
| 36 | 641371 | MALE ELBOW 90° NON-SWIVEL / PUSH-IN FITTING / #4x1/4NPT-M BR | 1 | 1 | 1 | 1 | |
| 36 | 501037 | MALE ELBOW 90° / SAE 45° FITTING / #4FL-Mx1/4NPT-M BR | | 1 | 1 | 1 | A |
| 40 | 142454 | SUPPORT AIR REGULATOR / FLAT STYLE | 1 | 1 | 1 | 1 | |
| 41 | 500734 | NUT HEX JAM 3/4-16 Z050 | 1 | 1 | 1 | 1 | |
| 50 | 453795 | SUPPORT IDLER PULLEY / W/SMALL A/C | | 1 | 1 | 1 | |
| 51 | 502705 | SCREW CAP HEX M12-1.75X25 G8.8 N500 | | 2 | 2 | 2 | |
| NS | 500747 | WASHER LO SPT 12.2x21.1x2.5 N500 | | 2 | 2 | 2 | |
| 61 | 502916 | SCREW CAP HEX 3/8-16x3/4 G8 N500 | | | 1 | | |
| 61 | 500836 | SCREW CAP HEX 5/16-18x3/4 G5 N500 To 5-8392 | 1 | 1 | | 1 | |
| 61 | 502916 | SCREW CAP HEX 3/8-16x3/4 G8 N500 From 5-8393 | 1 | 1 | | 1 | |
| 62 | 500218 | WASHER LO SPT .380x.683x.098 DP320 | | | 1 | | |
| 62 | 500942 | WASHER LO SPT 8.1x14.8x2.0 N500 To 5-8392 | 1 | 1 | | 1 | |
| 62 | 500218 | WASHER LO SPT .380x.683x.098 DP320 From 5-8393 | 1 | 1 | | 1 | |
| 63 | 500832 | WASHER FL .406x.812x.065 N500 | | | 1 | | |
| 63 | 3852162 | WASHER FL .312x.734x.065 ZG603 To 5-8392 | 1 | 1 | | 1 | |
| 63 | 500832 | WASHER FL .406x.812x.065 N500 From 5-8393 | 1 | 1 | | 1 | |
| 64 | 550840 | BELLOW ASSY / BELT TENSIONER / 4" O.D. | | | 1 | | |
| 64 | 950208 | BELLOW ASSY / BELT TENSIONER / 3" O.D. To 5-8392 | 1 | 1 | | 1 | |
| . NS | 504695 | . HOSE CLAMP STEPLESS SPRING SS / OETIKER / 2.9-3.3 To 5-8392 | 1 | 1 | | 1 | |
| 64 | 550840 | BELLOW ASSY / BELT TENSIONER / 4" O.D. From 5-8393 | 1 | 1 | | 1 | |

| | | |
|---|--------------|-----------------|
| From 4-8165 To 8-9339 | Date:10/2022 | PAGE:Y2-0125-01 |
| BELTS TENSIONERS - WITH DETROIT S-60 | | |

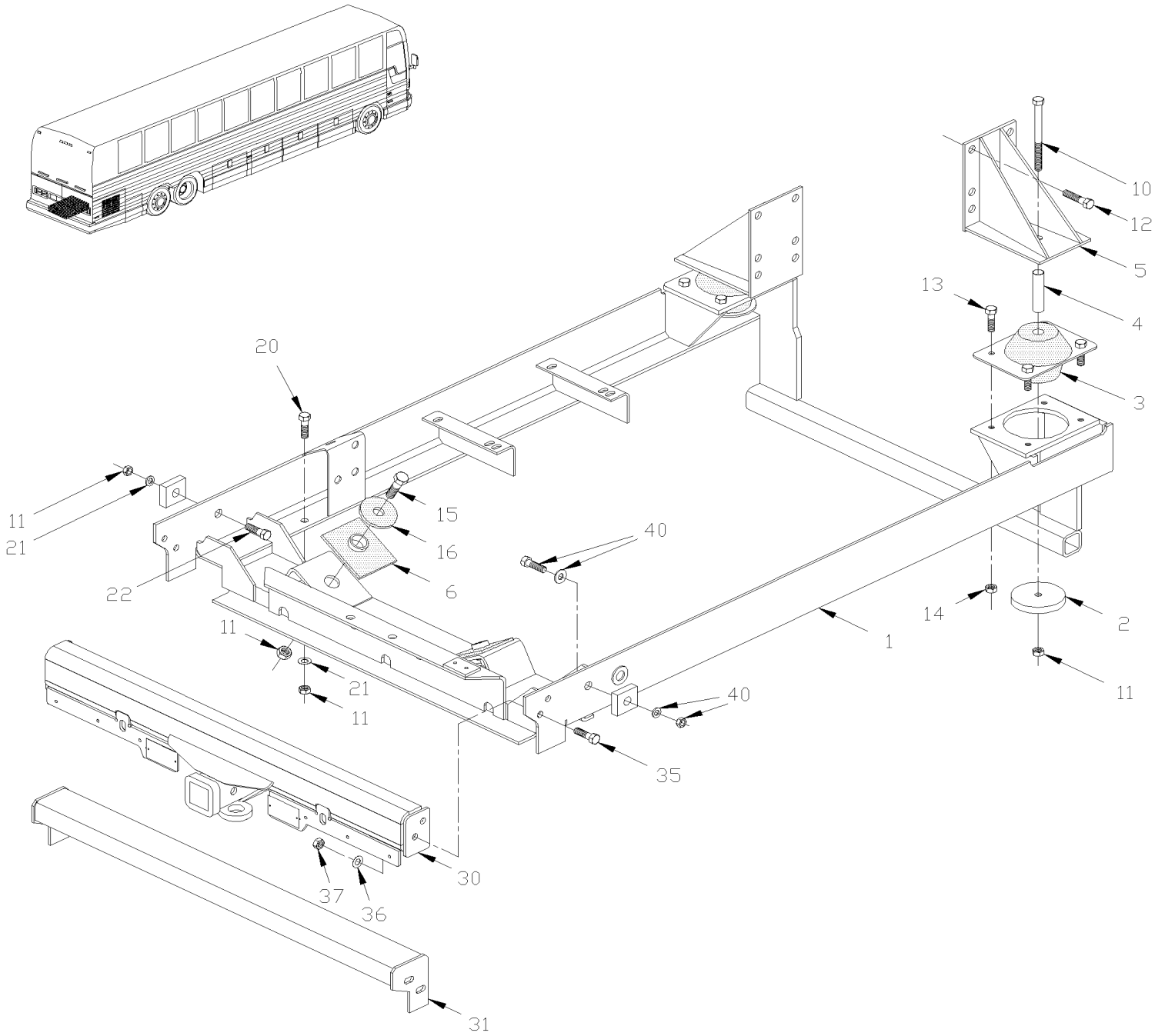
| Item# | Part | Description | X L I I 4 5 | X L I I M T H 4 0 | X L I I M T H 4 5 | X L I I M T H 4 5 E | N O T E S |
|-------|--------|---|----------------------------|---|---|--|-----------------------|
| 65 | 502917 | NUT HEX JAM 3/4-16 G2 N500 | | | 1 | | |
| 65 | 500792 | NUT HEX 5/8-11 Z050 To 5-8392 | 1 | 1 | | 1 | |
| 65 | 502917 | NUT HEX JAM 3/4-16 G2 N500 From 5-8393 | 1 | 1 | | 1 | |
| 66 | 501036 | MALE ELBOW 90° / SAE 45° FITTING / #4FL-Mx1/8NPT-M BR | | | 1 | | |
| 67 | 031054 | HOSE ASSY TEFLON #4 770MM To 5-8392 | | | 1 | | |
| 67 | 052535 | HOSE ASSY TEFLON #4 662MM To 5-8392 | | 1 | | 1 | |
| 67 | 052590 | HOSE ASSY TEFLON #4 830MM From 5-8393 | | 1 | 1 | 1 | |
| 70 | 502914 | SCREW CAP HEX M12-1.75x60 G8.8 N500 | 1 | 1 | 1 | 1 | |
| 71 | 500944 | WASHER LO SPT .506x.873x.125 N500 | 2 | 2 | 2 | 2 | |
| 72 | 500820 | SCREW CAP HEX M8-1.25x16 G10.9 N500 | 1 | 1 | 1 | 1 | |
| 73 | 500942 | WASHER LO SPT 8.1x14.8x2.0 N500 | 1 | 1 | 1 | 1 | |
| 74 | 970978 | SCREW CAP HEX M12-1.75x70 G8.8 ZG603 | 1 | 1 | 1 | 1 | |
| 75 | 500211 | WASHER FL .531x1.250x.125 N500 | 1 | 1 | 1 | 1 | |
| NS | 052646 | SUPPORT BELLOW TENSIONER / W/4" BELLOW | | | | 1 | |
| | | | | | | | |
| | | | | | | | |
| | | A) W/ SMALL A/C SYSTEM | | | | | |
| | | B) FROM REAR MANIFOLD TO VPOD ON ENGINE STREET SIDE | | | | | |
| | | D) FOR PRODUCT IMPROVEMENT, ASK PART #052708 AND SEE WARRANTY BULLETIN WB05-03B | | | | | |
| | | E) FOR PRODUCT IMPROVEMENT, ASK PART #052706 AND SEE WARRANTY BULLETIN WB05-03B | | | | | |
| | | F) FOR PRODUCT IMPROVEMENT, ASK PART #052707 AND SEE WARRANTY BULLETIN WB04-05B | | | | | |

From Y-7046 To 4-8345

Date:10/2022

PAGE:Y2-0150-00

ENGINE CRADLE - WITH DETROIT S-60



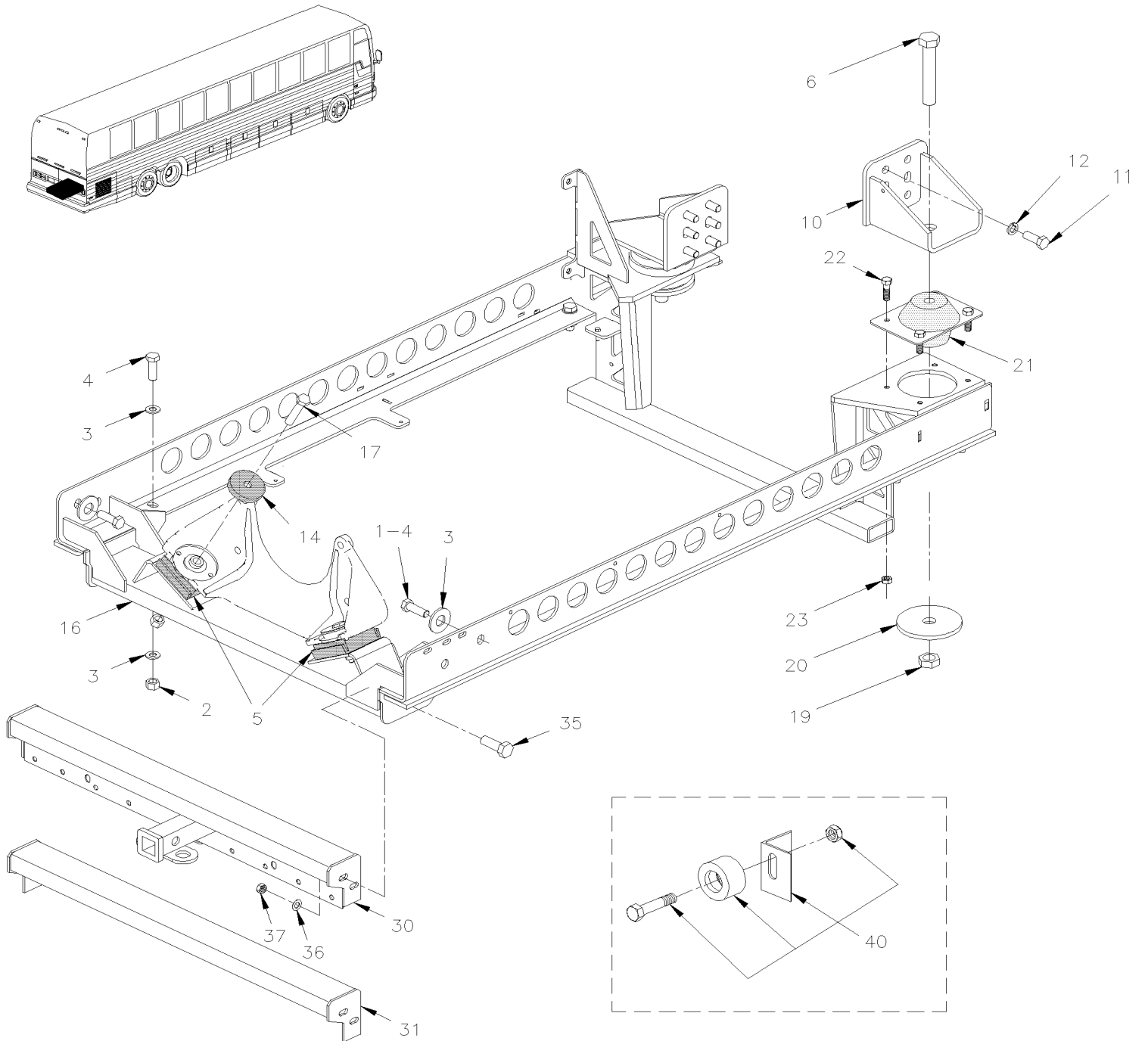
| | | |
|--|--------------|-----------------|
| From Y-7046 To 4-8345 | Date:10/2022 | PAGE:Y2-0150-00 |
| ENGINE CRADLE - WITH DETROIT S-60 | | |

| Item# | Part | Description | X L I I 4 5 | X L I I M T H 4 0 | X L I I M T H 4 5 | X L I I M T H 4 5 E | N O T E S |
|-------|-------------------|---|----------------------------|---|---|--|-----------------------|
| 1 | 012029P | CRADLE ASSY / WTRAILER HITCH | 1 | 1 | 1 | 1 | |
| 1 | 015994 | . ENGINE CRADLE FIXING / | 1 | 1 | 1 | 1 | |
| 2 | 011662 | WASHER, INSULATOR / R.H. & L.H. | 2 | 2 | 2 | 2 | |
| 3 | 510456 | INSULATOR, RUBBER | 2 | 2 | 2 | 2 | |
| 4 | 011629 | SPACER BUSHING | 2 | 2 | 2 | 2 | |
| 5 | 011585 | SUPPORT, L.H. | 1 | 1 | 1 | 1 | |
| 5 | 011585 | SUPPORT, L.H. | 1 | | | | |
| 5 | 011785 | SUPPORT, L.H. / W/S-50 & AUTOMATIC TRANSMISSION | 1 | | | | |
| 5 | 011586 | SUPPORT, R.H. / W/S-60 | 1 | 1 | 1 | 1 | |
| 5 | 011772 | SUPPORT, R.H. / W/S-50 & MANUAL TRANSMISSION | 1 | | | | |
| 5 | 011790 | SUPPORT, R.H. / W/S-50 & AUTOMATIC TRANSMISSION | 1 | | | | |
| 6 | 510484 | INSULATOR, RUBBER MOUNT SQUARE To 3-8007 | 2 | 2 | 2 | 2 | |
| 6 | 510427 | INSULATOR, RUBBER MOUNT SQUARE From 3-3008 | 2 | 2 | 2 | 2 | |
| 10 | 5001051 | SCREW CAP HEX M16-2.0x160 G8.8 Z050 | 2 | 2 | 2 | 2 | |
| 11 | 500781 | NUT HEX STO M16-2.0 DP | 2 | 2 | 2 | 2 | |
| 12 | 500817 | SCREW CAP HEX 5/8-11x1 3/4 G5 Z050 | 12 | | | | |
| 12 | 502544 | SCREW CAP HEX M16-2.0x40 G8.8 Z050 | 12 | 12 | 12 | 12 | |
| 13 | 502549 | SCREW CAP HEX M10-1.5x35 G8.8 Z050 | 8 | 8 | 8 | 8 | |
| 14 | 500680 | NUT HEX STO M10-1.5 Z050 | AR | AR | AR | AR | |
| NS | 502644 | WASHER FL 10.5x30.0x2.5 Z050 | 8 | 8 | 8 | 8 | |
| 15 | 502545 | SCREW CAP HEX M16-2.0x80 G8.8 Z050 | 2 | 2 | 2 | 2 | |
| 16 | 510428 | INSULATOR, RUBBER MOUNT ROUND | 2 | 2 | 2 | 2 | |
| 16 | 012153 | SPACER SHIM 1/8" From 1-7713 | | AR | AR | AR | D |
| 16 | 012154 | SPACER SHIM 1/16" From 1-7713 | | AR | AR | AR | D |
| 20 | 502544 | SCREW CAP HEX M16-2.0x40 G8.8 Z050 | 2 | 2 | 2 | 2 | |
| 21 | 500846 | WASHER FL 17.0x50.0x3.0 Z050 | 6 | 6 | 6 | 6 | |
| 22 | 500776 | SCREW CAP HEX M16-2.0x110 G8.8 Z050 | 2 | 2 | 2 | 2 | |
| 30 | 410732 | PROTECTOR ASSY / W/TRAILER HITCH To Y-7278 | | 1 | 1 | 1 | A |
| 30 | 410778 | PROTECTOR ASSY / W/TRAILER HITCH From Y-7279 | | 1 | 1 | 1 | E |
| 31 | 410733 | PROTECTOR ASSY To Y-7278 | 1 | 1 | | 1 | |
| 31 | 410807 | PROTECTOR ASSY From Y-7279 | 1 | 1 | | 1 | |
| 35 | 502731 | SCREW CAP HEX M12-1.75x40 G8.8 Z050 | 4 | 4 | 4 | 4 | |
| 35 | 502544 | SCREW CAP HEX M16-2.0x40 G8.8 Z050 | | 4 | 4 | 4 | |
| 36 | 500446 | WASHER FL .531x1.250x.125 Z050 | 4 | 4 | 4 | 4 | |
| 36 | 5001150 | WASHER FL 17.0x30.0x3.0 N500 | | 4 | 4 | 4 | |
| 37 | 500811 | NUT HEX STO M12-1.75 G500 | 4 | 4 | 4 | 4 | |
| 37 | 500781 | NUT HEX STO M16-2.0 DP | | 4 | 4 | 4 | |
| 40 | Y2-0120-00 | DRIVE PULLEY & BELTS - BUS & MTH | | | | | |
| 40 | Y2-0120-50 | DRIVE PULLEY & BELTS - MTH | | | | | |
| | | FOR RETROFIT A 10000LBS TRAILER HITCH | | | | | |
| | | YOU NEED NEXT FOLLOWING ITEMS | | | | | |

| | | |
|--|--------------|-----------------|
| From Y-7046 To 4-8345 | Date:10/2022 | PAGE:Y2-0150-00 |
| ENGINE CRADLE - WITH DETROIT S-60 | | |

| Item# | Part | Description | X L I I 4 5 | X L I I M T H 4 0 | X L I I M T H 4 5 | X L I I M T H 4 5 E | N O T E S |
|-------|-----------|--|----------------------------|---|---|--|-----------------------|
| NS | 500446 | WASHER FL .531x1.250x.125 Z050 | | 4 | 4 | 4 | |
| NS | 500781 | NUT HEX STO M16-2.0 DP | | 4 | 4 | 4 | |
| NS | 500811 | NUT HEX STO M12-1.75 G500 | | 4 | 4 | 4 | |
| NS | 502731 | SCREW CAP HEX M12-1.75x40 G8.8 Z050 | | 4 | 4 | 4 | |
| NS | 502744 | NUT HEX STO M8-1.25 Z050 | | 4 | 4 | 4 | |
| NS | 910006 | NAME PLATE "CERTIFICATION HITCH PLATE" | | 1 | 1 | 1 | A |
| NS | 502627 | SCREW DRV RND #2x1/4 ZP | | 2 | 2 | 2 | |
| NS | 211484 | SPACER / EACH SIDE OF ENGINE CRADLE | | 2 | 2 | 2 | B |
| NS | 410575 | ANGLE / TRAILER HITCH SUPPORT | | 1 | 1 | 1 | B |
| NS | 410804 | KIT TRAILER HITCH / UPGRADE TO 20000LBS | | AR | | AR | |
| . NS | IS-99092A | . SEE INSTRUCTION SHEET | | 1 | | 1 | |
| NS | 410805 | KIT TRAILER HITCH / UPGRADE TO 20000LBS | | | AR | | |
| . NS | IS-99092A | . SEE INSTRUCTION SHEET | | | 1 | | |
| NS | 012155 | KIT, SPACER FOR ENGINE MOUNT | AR | AR | AR | AR | |
| . NS | IS-01108 | . SEE INSTRUCTION SHEET | 1 | 1 | 1 | 1 | |
| | | | | | | | |
| | | | | | | | |
| | | | | | | | |
| | | A) 10,000 LBS CERTIFIED | | | | | |
| | | B) THIS ITEM NEED TO BE WELDED AT THE ENGINE CRADLE 10000LBS | | | | | |
| | | D) FOR PRODUCT IMPROVEMENT UP TO SN 1-7712 ASK FOR KIT #012155 | | | | | |
| | | E) REQUIRE ENGINE CRADLE # 012029P | | | | | |

| | | |
|-----------------------------------|--------------|-----------------|
| From 4-8346 To 8-9339 | Date:10/2022 | PAGE:Y2-0150-01 |
| ENGINE CRADLE - WITH DETROIT S-60 | | |



| | | |
|--|--------------|-----------------|
| From 4-8346 To 8-9339 | Date:10/2022 | PAGE:Y2-0150-01 |
| ENGINE CRADLE - WITH DETROIT S-60 | | |

| Item# | Part | Description | X L I I 4 5 | X L I I M T H 4 0 | X L I I M T H 4 5 | X L I I M T H 4 5 E | N O T E S |
|-------|-------------------|---|----------------------------|---|---|--|-----------------------|
| 1 | 500776 | SCREW CAP HEX M16-2.0x110 G8.8 Z050 | 2 | 2 | 2 | 2 | |
| 2 | 500781 | NUT HEX STO M16-2.0 DP | 8 | 8 | 8 | 8 | |
| 3 | 5001150 | WASHER FL 17.0x30.0x3.0 N500 | 14 | 14 | 14 | 14 | |
| 4 | 5001372 | SCREW CAP HEX M16-2.0x50 G10.9 N500 | 8 | 8 | 8 | 8 | |
| 5 | 510427 | INSULATOR, RUBBER MOUNT SQUARE | 2 | 2 | 2 | 2 | |
| 6 | 500571 | SCREW CAP HEX M24-3.0x150 G10.9 N500 | 2 | 2 | 2 | 2 | |
| 10 | 012194 | SUPPORT REAR | 2 | 2 | 2 | 2 | |
| NS | 012282 | SUPPORT REAR R.H. W/"ZF" TRANS | 1 | | | | Z |
| NS | 012278 | SUPPORT REAR L.H. W/"ZF" TRANS | 1 | | | | Z |
| 11 | 5001590 | SCREW CAP HEX M16-2.0x40 G10.9 N500 | 12 | 12 | 12 | 12 | |
| 11 | 501591 | MALE CONNECTOR / JIC 37° FITTING / #6JIC-Mx1/2NPT-M STL | 8 | | | | Z |
| 12 | 502894 | SCREW CAP HEX M8-1.25x120 G8.8 ZG603 | 12 | 12 | 12 | 12 | |
| 13 | 5001150 | WASHER FL 17.0x30.0x3.0 N500 | 12 | 12 | 12 | 12 | |
| 14 | 510428 | INSULATOR, RUBBER MOUNT ROUND | 2 | 2 | 2 | 2 | |
| 16 | 012376 | ENGINE CRADLE / "ZF" TRANS | 1 | | | | |
| 16 | 012379 | ENGINE CRADLE / W/WORLD, W/O RETARDER | 1 | 1 | 1 | 1 | |
| 16 | 012378 | ENGINE CRADLE / W/WORLD, W/RETARDER & TRAILER HITCH | | 1 | 1 | 1 | |
| 16 | 012837 | ENGINE CRADLE / W/WORLD, W/O RETARDER & W/TRAILER HITCH | | 1 | 1 | 1 | |
| 16 | 012386 | ENGINE CRADLE / W/WORLD, W/RETARDER | 1 | 1 | 1 | 1 | |
| 16 | Call order desk | ENGINE CRADLE | 1 | | | | P T |
| 16 | 015994 | . ENGINE CRADLE FIXING / | 1 | 1 | 1 | 1 | |
| 17 | 5001501 | SCREW CAP HEX M16-2.0x90 G10.9 Z050 | 2 | 2 | 2 | 2 | |
| 19 | 500570 | NUT HEX STO M24-3.0 GR.10 N500 | 2 | 2 | 2 | 2 | |
| 20 | 012178 | WASHER, INSULATOR | 2 | 2 | 2 | 2 | |
| 21 | 510456 | INSULATOR, RUBBER | 2 | 2 | 2 | 2 | |
| 22 | 5001308 | SCREW CAP HEXF M10-1.5x40 G10.9 N500 | 8 | 8 | 8 | 8 | |
| 23 | 5001758 | NUT HEX STO M10-1.5 N500 | 8 | 8 | 8 | 8 | |
| 30 | 410778 | PROTECTOR ASSY / W/TRAILER HITCH | 1 | 1 | 1 | 1 | |
| 31 | 410807 | PROTECTOR ASSY | 1 | 1 | 1 | 1 | |
| 35 | 502731 | SCREW CAP HEX M12-1.75x40 G8.8 Z050 | 4 | 4 | 4 | 4 | |
| 35 | 502544 | SCREW CAP HEX M16-2.0x40 G8.8 Z050 | 4 | 4 | 4 | 4 | |
| 36 | 500446 | WASHER FL .531x1.250x.125 Z050 | 4 | 4 | 4 | 4 | |
| 36 | 5001150 | WASHER FL 17.0x30.0x3.0 N500 | 4 | 4 | 4 | 4 | |
| 37 | 500811 | NUT HEX STO M12-1.75 G500 | 4 | 4 | 4 | 4 | |
| 37 | 500781 | NUT HEX STO M16-2.0 DP | 4 | 4 | 4 | 4 | |
| 40 | Y2-0120-00 | DRIVE PULLEY & BELTS - BUS & MTH | | | | | |
| 40 | Y2-0120-50 | DRIVE PULLEY & BELTS - MTH | | | | | |
| | | | | | | | |
| | | | | | | | |
| | | | | | | | |
| | | | | | | | |
| | | T) WITH TRAILER HITCH 10,000 LBS | | | | | |
| | | Z) WITH "ZF" TRANSMISSION | | | | | |

| | | |
|-----------------------|--------------|-----------------|
| From 4-8346 To 8-9339 | Date:10/2022 | PAGE:Y2-0150-01 |
|-----------------------|--------------|-----------------|

ENGINE CRADLE - WITH DETROIT S-60

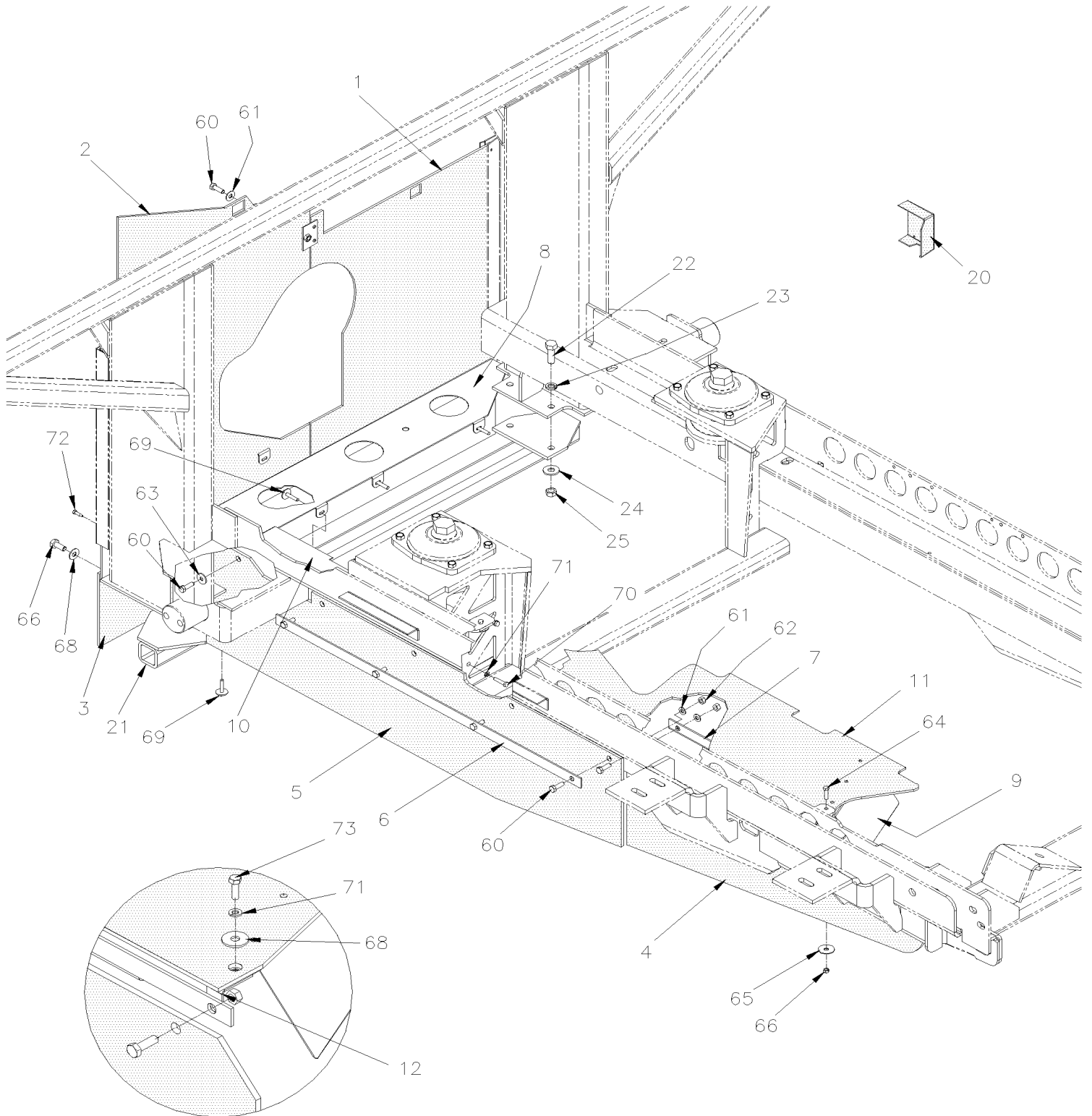
| Item# | Part | Description | X L I I 4 5 | X L I I M T H 4 0 | X L I I M T H 4 5 | X L I I M T H 4 5 E | N O T E S |
|-------|------|--|----------------------------|---|---|--|-----------------------|
| | | P) CALL ORDER DESK FOR SPECIFIC APPLICATION (V.I.N.) | | | | | |

From Y-7046 To 8-9339

Date:10/2022

PAGE:Y2-0155-10

ENGINE TRANSMISSION GUARD & AIR SHIELD DETROIT S-60



WITH "ZF" TRANSMISSION

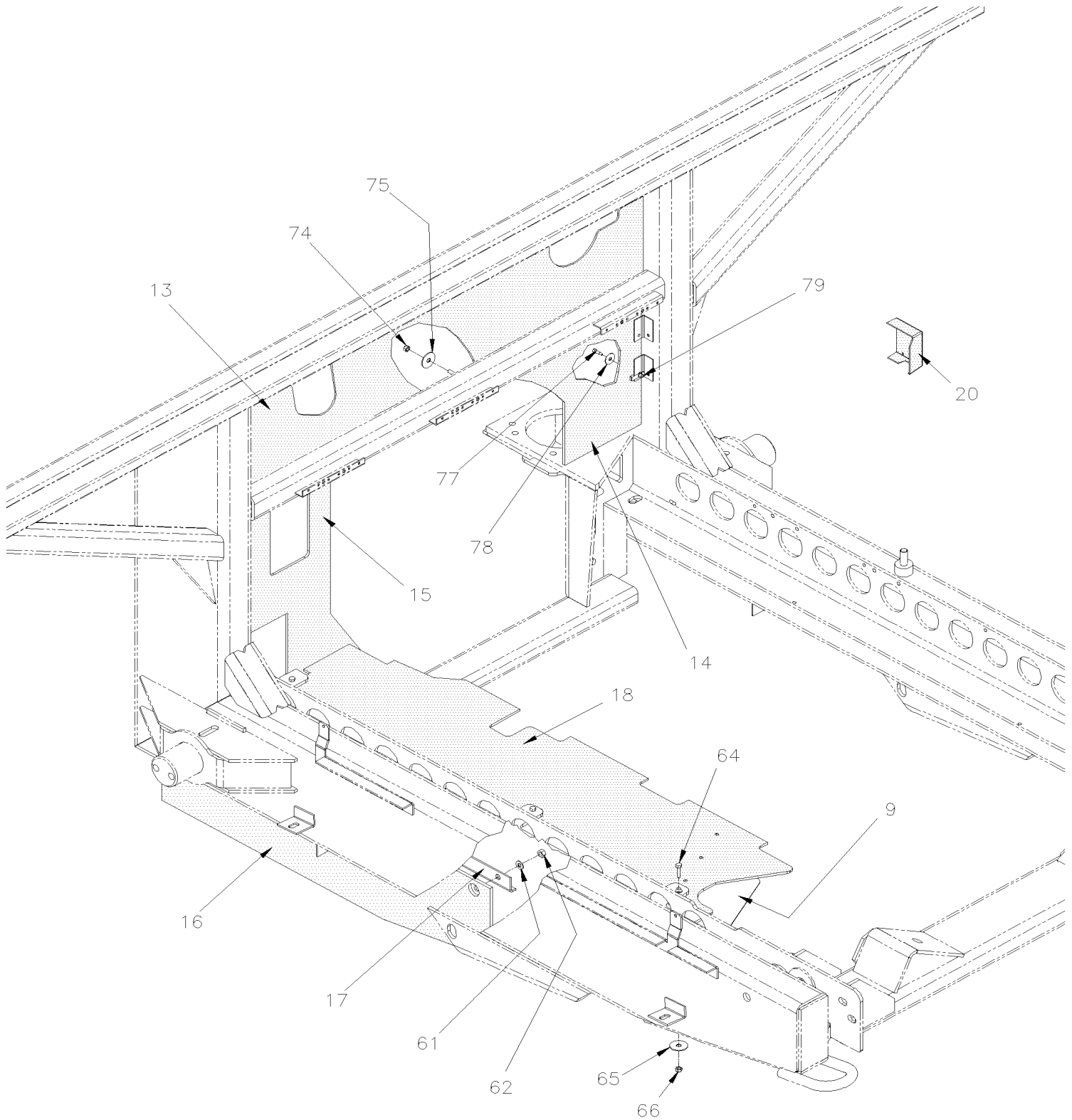
WITH BUS & MTH-45

From Y-7046 To 8-9339

Date:10/2022

PAGE:Y2-0155-10

ENGINE TRANSMISSION GUARD & AIR SHIELD DETROIT S-60



WITH MTH-40 & MTH-45E

| | | |
|--|--------------|-----------------|
| From Y-7046 To 8-9339 | Date:10/2022 | PAGE:Y2-0155-10 |
| ENGINE TRANSMISSION GUARD & AIR SHIELD DETROIT S-60 | | |

| Item# | Part | Description | X L I I 4 5 | X L I I M T H 4 0 | X L I I M T H 4 5 | X L I I M T H 4 5 E | N O T E S |
|-------|--------|--|----------------------------|---|---|--|-----------------------|
| 1 | 071101 | PROTECTOR R.H. | 1 | | 1 | | S |
| . NS | 071109 | . PLATE ASSY W/WEDL-NUT M8-1.25 | 2 | | 2 | | S |
| . NS | 504379 | . RIVET POP DOME OE 3/16x1/4 SS | 4 | | 4 | | S |
| 1 | 071101 | PROTECTOR R.H. To 1-7413 | 1 | | 1 | | R |
| . NS | 071109 | . PLATE ASSY W/WEDL-NUT M8-1.25 To 1-7413 | 2 | | 2 | | R |
| . NS | 504379 | . RIVET POP DOME OE 3/16x1/4 SS To 1-7413 | 4 | | 4 | | R |
| 1 | 071223 | PROTECTOR R.H. / W/RETARDER From 1-7414 | 1 | | 1 | | AR |
| 2 | 071102 | PROTECTOR L.H. | 1 | | | | SZF |
| 2 | 071130 | PROTECTOR L.H. To 8-9331 | | | 1 | | S |
| 2 | 071464 | PROTECTOR L.H. / W/O RETARDER From 8-9332 | | | 1 | | S |
| 2 | 071130 | PROTECTOR L.H. To 1-7413 | 1 | | 1 | | R |
| 2 | 071224 | PROTECTOR L.H. From 1-7414 To 4-8345 | 1 | | 1 | | R |
| 2 | 071370 | PROTECTOR L.H. From 4-8346 To 8-9331 | 1 | | 1 | | R |
| 2 | 071465 | PROTECTOR L.H. / W/RETARDER From 8-9332 | | | 1 | | R |
| 3 | 071103 | PROTECTOR LOWER 186MM x 1094MM | 1 | | 1 | | |
| 4 | 052369 | AIR SHIELD BACKWARD | 1 | | 1 | | |
| 5 | 052368 | AIR SHIELD FORWARD | 1 | | 1 | | |
| 6 | 052371 | PLATE ATTACHMENT | 1 | | 1 | | |
| 7 | 052370 | ANGLE ATTACHMENT | 1 | | 1 | | |
| 8 | 071131 | SUPPORT, LOWER To 5-8369 | 1 | | 1 | | |
| 8 | 071365 | SUPPORT, LOWER From 5-8370 | 1 | | 1 | | |
| 9 | 012301 | DEFLECTOR PROTECTOR SS 110MM x 215MM / ENGINE COOLANT PIPE From 5-8797 | 1 | 1 | 1 | 1 | |
| 9 | 504339 | RIVET POP DOME OE 1/8x3/8 SS From 5-8797 | 3 | 3 | 3 | 3 | |
| 10 | 052327 | AIR SHIELD BOX SS To 4-8345 | 1 | | 1 | | |
| 10 | 052540 | AIR SHIELD BOX SS From 4-8346 | 1 | | 1 | | |
| 10 | 012226 | AIR SHIELD BOX SS / W/"ZF" TRANS From 4-8165 To 4-8345 | 1 | | | | |
| 10 | 012275 | AIR SHIELD BOX SS / W/"ZF" TRANS From 4-8346 | 1 | | | | |
| 11 | 011999 | AIR SHIELD To 4-8345 | 1 | | 1 | | |
| 11 | 012173 | AIR SHIELD To 4-8345 | 1 | | 1 | | |
| 11 | 012184 | AIR SHIELD / W/RETARDER From 4-8346 | 1 | | 1 | | A |
| 11 | 012201 | AIR SHIELD / W/O RETARDER From 4-8346 | 1 | | 1 | | |
| 11 | 012227 | AIR SHIELD / W/"ZF" TRANS From 4-8165 To 4-8345 | 1 | | | | |
| 11 | 012272 | AIR SHIELD / W/"ZF" TRANS From 4-8346 | 1 | | | | |
| 12 | 012228 | AIR SHIELD ANGLE SUPPORT / W/"ZF" TRANS From 4-8165 | 1 | | | | |
| 13 | 011704 | GUARD UPPER | | 1 | | 1 | |
| 14 | 011706 | GUARD LOWER R.H. To 4-8345 | | 1 | | 1 | A |
| 14 | 012198 | GUARD LOWER R.H. / W/RETARDER From 4-8346 | | 1 | | 1 | |
| 14 | 012252 | GUARD LOWER R.H. / W/O RETARDER From 4-8346 | | 1 | | 1 | |
| 15 | 011705 | GUARD LOWER L.H. To 3-8164 | | 1 | | 1 | A |
| 15 | 012170 | GUARD LOWER L.H. W/MODINE From 4-8165 To 4-8345 | | 1 | | 1 | |
| 15 | 012251 | GUARD LOWER L.H. / W/O RETARDER From 4-8346 | | 1 | | 1 | |
| 16 | 052373 | AIR SHIELD To 4-8345 | | 1 | | 1 | |

| | | |
|--|--------------|-----------------|
| From Y-7046 To 8-9339 | Date:10/2022 | PAGE:Y2-0155-10 |
| ENGINE TRANSMISSION GUARD & AIR SHIELD DETROIT S-60 | | |

| Item# | Part | Description | X L I I 4 5 | X L I I M T H 4 0 | X L I I M T H 4 5 | X L I I M T H 4 5 E | N O T E S |
|-------|---------|--|----------------------------|---|---|--|-----------------------|
| 16 | 052563 | AIR SHIELD From 4-8346 | | 1 | | 1 | |
| 17 | 052372 | ANGLE ATTACHMENT To 4-8345 | | 1 | | 1 | |
| 17 | 052564 | ANGLE ATTACHMENT 743MM From 4-8346 | | 1 | | 1 | |
| 18 | 011999 | AIR SHIELD o To 3-8164 | | 1 | | 1 | |
| 18 | 012173 | AIR SHIELD From 4-8165 To 4-8345 | | 1 | | 1 | |
| 18 | 012201 | AIR SHIELD / W/O RETARDER From 4-8346 To 8-9276 | | | | 1 | A |
| 18 | 012428 | AIR SHIELD / W/O RETARDER From 8-9277 | | | | 1 | |
| 18 | 012184 | AIR SHIELD / W/RETARDER From 4-8346 | | | | 1 | |
| 20 | 382033 | PROTECTOR "E.C.M." / PLASTIC From 4-8165 To 4-8358 | 1 | 1 | 1 | 1 | |
| 21 | 171605 | BAR, TRANSMISSION PROTECTOR | 1 | | 1 | | |
| 22 | 502731 | SCREW CAP HEX M12-1.75x40 G8.8 Z050 | 4 | | 4 | | |
| 23 | 500482 | WASHER LO SPT .506x.873x.125 Z050 | 4 | | 4 | | |
| 24 | 500446 | WASHER FL .531x1.250x.125 Z050 | 4 | | 4 | | |
| 25 | 500860 | NUT HEX M12-1.75 Z050 | 4 | | 4 | | |
| 60 | 502780 | SCREW CAP HEX M8-1.25x25 SS BK | 10 | 10 | 10 | 10 | |
| 61 | 500874 | WASHER FL 8.4x17.0x1.6 Z050 | 10 | 10 | 10 | 10 | |
| 61 | 5001341 | WASHER FL 8.4x17.0x1.6 SS | AR | AR | AR | AR | |
| 62 | 502744 | NUT HEX STO M8-1.25 Z050 | 8 | 8 | 8 | 8 | |
| 63 | 500381 | WASHER FL 8.4x25.0x2.0 N500 | 1 | 1 | 1 | 1 | |
| 64 | 502737 | SCREW CAP HEX M6-1.0x25 SS BK | 3 | 3 | 3 | 3 | |
| 65 | 5001467 | WASHER FL .343x1.250x.062 SS18-8 | 3 | 3 | 3 | 3 | |
| 66 | 502511 | NUT HEX NYRT M6-1.0 Z050 | 3 | 3 | 3 | 3 | |
| 67 | 5001231 | SCREW CAP HEX M10-1.5x25 SS | 6 | 6 | 6 | 6 | |
| 68 | 500270 | WASHER FL .406x1.000x.063 SS | 6 | 6 | 6 | 6 | |
| 69 | 502810 | SCREW TP CAP HEXW FL M6.3-1.81x30 PHC | 6 | 6 | 6 | 6 | |
| 70 | 502686 | SCREW CAP HEX M6-1.0x30 SS BK | 2 | 2 | 2 | 2 | |
| 71 | 502853 | WASHER LO SPT 6.1x11.8x1.6 N500 | 2 | 2 | 2 | 2 | |
| 72 | 5001169 | SCREW TP CAP HEXW #12x3/4 SS410 | 2 | 2 | 2 | 2 | |
| 73 | 502622 | SCREW CAP HEX M6-1.0x20 SS BK | 1 | 1 | 1 | 1 | |
| 74 | 502621 | NUT HEX STO M6-1.0 Z050 | | AR | | AR | |
| 75 | 500468 | WASHER FL .281x1.250x.065 Z050 | | AR | | AR | |
| 77 | 500535 | SCREW TP CAP HEX #14x3/4 Z050 | 2 | 2 | 2 | 2 | |
| 77 | 502818 | SCREW CAP HEX M6-1.0x35 G8.8 Z050 | AR | AR | AR | AR | |
| 78 | 502573 | WASHER FL 6.4x12.5x1.6 SS | 2 | 2 | 2 | 2 | |
| 78 | 500468 | WASHER FL .281x1.250x.065 Z050 | AR | AR | AR | AR | |
| 79 | 502764 | NUT SPR J #14A .035-.046 | 2 | 2 | 2 | 2 | |
| 79 | 502621 | NUT HEX STO M6-1.0 Z050 | AR | AR | AR | AR | |
| NS | 052375 | DECAL / "WARNING WARRANTY....." / ENGLISH & FRANCAIS | 1 | 1 | 1 | 1 | |
| NS | 052576 | DECAL / "WARNING WARRANTY....." / ENGLISH & SPANISH | 1 | 1 | 1 | 1 | |
| | | | | | | | |
| | | | | | | | |
| | | | | | | | |

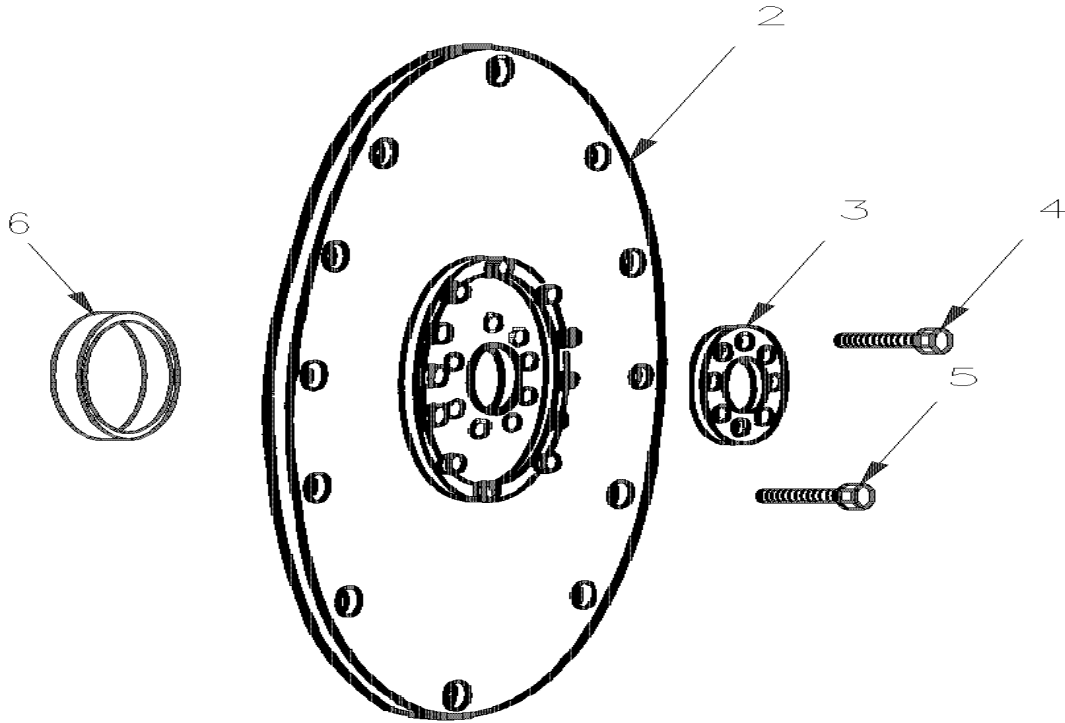
| | | |
|-----------------------|--------------|-----------------|
| From Y-7046 To 8-9339 | Date:10/2022 | PAGE:Y2-0155-10 |
|-----------------------|--------------|-----------------|

ENGINE TRANSMISSION GUARD & AIR SHIELD DETROIT S-60

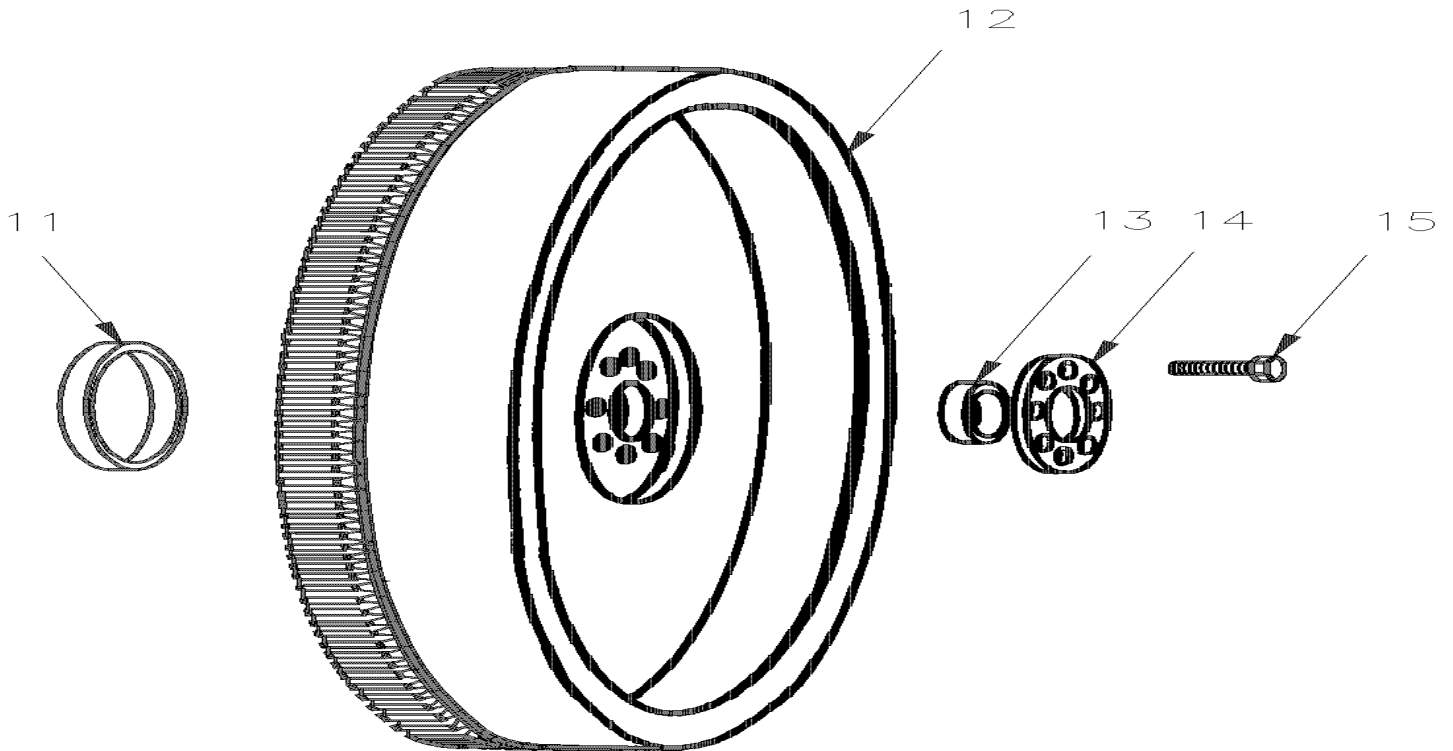
| Item# | Part | Description | X L I I 4 5 | X L I I M T H 4 0 | X L I I M T H 4 5 | X L I I M T H 4 5 E | N O T E S |
|-------|------|----------------------------|--------------------------------|---|---|--|-----------------------|
| | | A) AS SHOWN | | | | | |
| | | R) WITH RETARDER | | | | | |
| | | S) WITHOUT RETARDER | | | | | |
| | | ZF) WITH "ZF" TRANSMISSION | | | | | |

| | | |
|------------------------------|--------------|-----------------|
| From Y-7462 To 8-9339 | Date:10/2022 | PAGE:Y2-0160-00 |
| FLYWHEEL - WITH MANUAL TRANS | | |

AUTOMATIC TRANSMISSION



MANUAL TRANSMISSION



| | | |
|-------------------------------------|--------------|-----------------|
| From Y-7462 To 8-9339 | Date:10/2022 | PAGE:Y2-0160-00 |
| FLYWHEEL - WITH MANUAL TRANS | | |

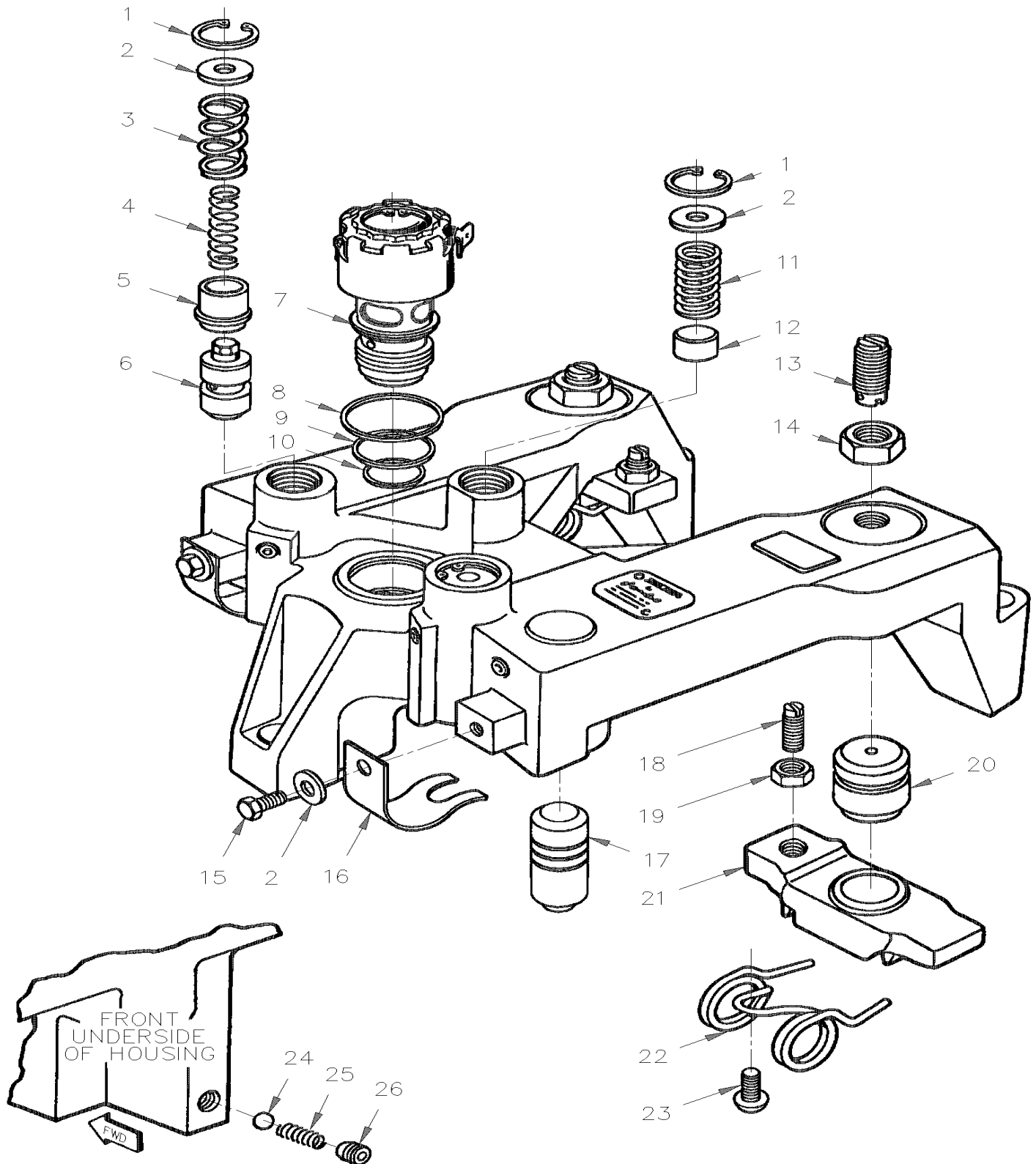
| Item# | Part | Description | X L I I 4 5 | X L I I M T H 4 0 | X L I I M T H 4 5 | X L I I M T H 4 5 E | NOTES |
|-------|-----------|---|----------------------------|---|---|--|-------|
| | | SERIES 60 WITH AUTOMATIC TRANSMISSION | | | | | |
| | 571728 | KIT AUTO TRANS ADAPTOR FOR SERIES 60 | 1 | 1 | 1 | 1 | |
| | 510363 | KIT AUTO TRANS ADAPTOR FOR SERIES 60 | 1 | 1 | 1 | 1 | |
| 2 | N.S.P. | . PLATE FLEXIBLE 29513005 | 3 | 3 | 3 | 3 | 2 |
| 3 | N.S.P. | . WEARPLATE 29514029 | 1 | 1 | 1 | 1 | 2 |
| 4 | 510476 | . SCREW CAP HEX / FLEX PLATE / 9/16-18 X 1 3/4" | 12 | 12 | 12 | 12 | |
| 4 | | . HUB ADAPTOR 29510823 | 1 | 1 | 1 | 1 | |
| NS | 510937 | . SCREW PATCH LOCK M5-0.8x14 | 2 | 2 | 2 | 2 | |
| NS | 295131006 | RING GEAR ADAPTOR ASSY / W/AUTOMATIC TRANS | 1 | 1 | 1 | 1 | |
| 5 | 5001217 | SCREW CAP HEX M8-1.25x20 G10.9 | 12 | 12 | 12 | 12 | |
| 6 | N.S.P. | SEAL OIL / FORMER ENGINE (BELOW 430XXX APROX) 23516969 | 1 | 1 | 1 | 1 | 2 |
| 6 | N.S.P. | SEAL OIL 23519651 | 1 | 1 | 1 | 1 | 2 |
| | | SERIES 60 WITH "ZF" TRANSMISSION | | | | | |
| 11 | N.S.P. | SEAL OIL 23519651 | 1 | | | | 2 |
| 12 | N.S.P. | FLYWHEEL 23529418 | 1 | | | | 2 |
| 13 | 507113 | BALL BEARING | 1 | | | | |
| 14 | 510225 | PLATE SCUFF | 1 | | | | |
| 15 | 510476 | SCREW CAP HEX / FLEX PLATE / 9/16-18 X 1 3/4" | 12 | | | | |
| | | 2) NOT SOLD BY PREVOST (SEE MANUFACTURING PART NUMBER AT END OF DESCRIPTION LINE) | | | | | |

From Y-7046 To 8-9339

Date:10/2022

PAGE:Y2-0165-00

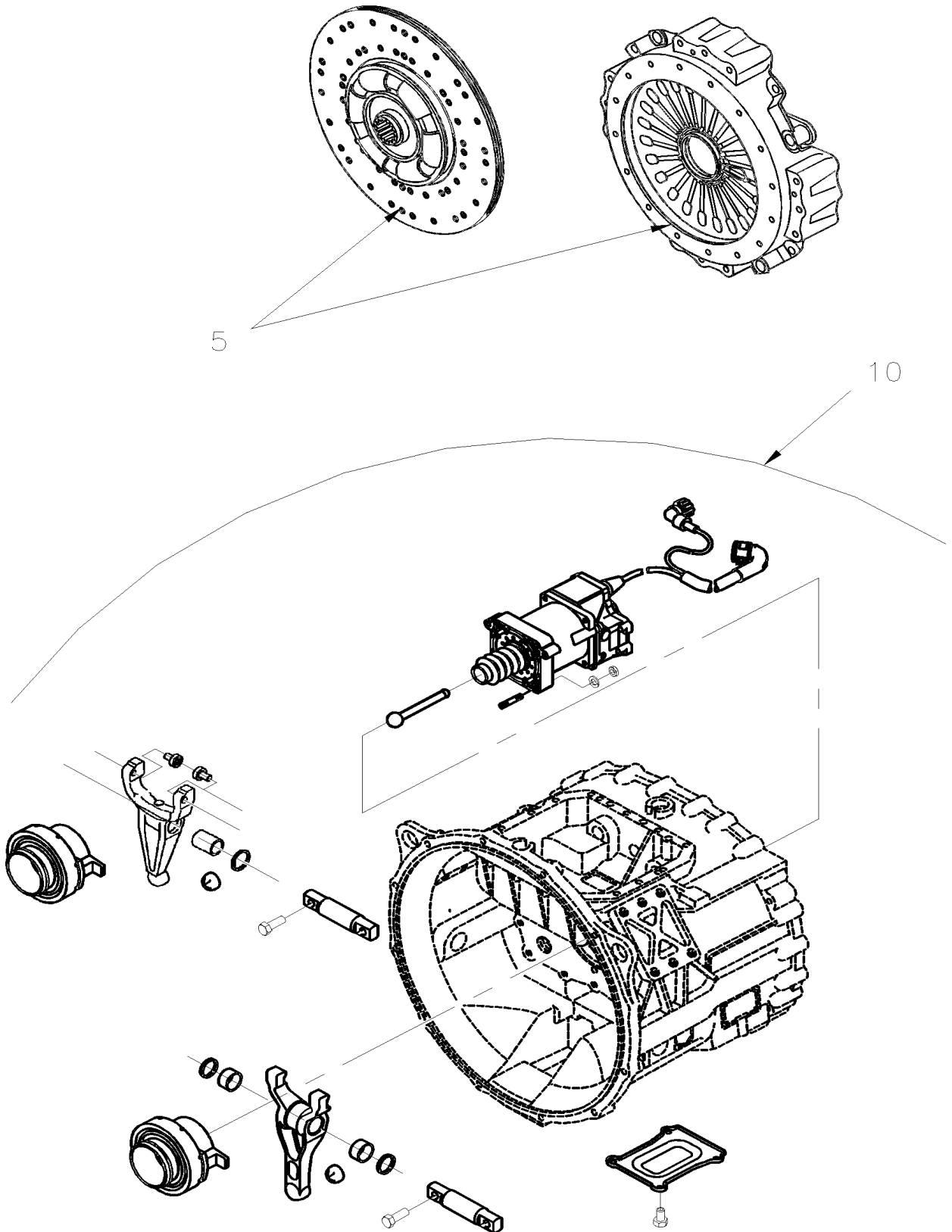
JACOB'S - ENGINE BRAKE - WITH DETROIT S-60



| | | |
|---|--------------|-----------------|
| From Y-7046 To 8-9339 | Date:10/2022 | PAGE:Y2-0165-00 |
| JACOB'S - ENGINE BRAKE - WITH DETROIT S-60 | | |

| Item# | Part | Description | X L I I 4 5 | X L I I M T H 4 0 | X L I I M T H 4 5 | X L I I M T H 4 5 E | N O T E S |
|-------|--------|---|----------------------------|---|---|--|-----------------------|
| | 510507 | KIT JACOB'S 11.1 LITER | 1 | 1 | 1 | 1 | |
| | 510508 | KIT JACOB'S 12.7 LITER | 1 | 1 | 1 | 1 | |
| | N.S.P. | HOUSING ASSY - 12 VOLTS (#017122) | 3 | 3 | 3 | 3 | 2 |
| 1 | N.S.P. | . RETAINING RING (#012991) | 3 | 3 | 3 | 3 | 2 |
| 2 | N.S.P. | . COVER (#016505) | 5 | 5 | 5 | 5 | 2 |
| 3 | N.S.P. | . STOP SPRING (#001519) | 2 | 2 | 2 | 2 | 2 |
| 4 | N.S.P. | . SPRING (GREEN) (#001518) | 2 | 2 | 2 | 2 | 2 |
| 5 | N.S.P. | . COLLAR (#016557) | 2 | 2 | 2 | 2 | 2 |
| 6 | N.S.P. | . CONTROL VALVE (011930) | 2 | 2 | 2 | 2 | 2 |
| 7 | N.S.P. | . SOLENOID VALVE (#016440) | 1 | 1 | 1 | 1 | 2 |
| 8 | 510411 | . SEAL RING / UPPER | 1 | 1 | 1 | 1 | |
| 9 | 510412 | . SEAL RING / CENTER | 1 | 1 | 1 | 1 | |
| 10 | 510413 | . SEAL RING / LOWER | 1 | 1 | 1 | 1 | |
| 11 | N.S.P. | . SPRING (#012990) | 1 | 1 | 1 | 1 | 2 |
| 12 | N.S.P. | . PISTON - ACCUMULATOR (#012983) | 1 | 1 | 1 | 1 | 2 |
| 13 | N.S.P. | . POWER LASH SCREW ASSY (#020382) | 2 | 2 | 2 | 2 | 2 |
| 14 | N.S.P. | . HEX NUT (#011395) | 2 | 2 | 2 | 2 | 2 |
| 15 | N.S.P. | . SCREW (#001492) | 2 | 2 | 2 | 2 | 2 |
| 16 | N.S.P. | . FLAT SPRING (#016535) | 2 | 2 | 2 | 2 | 2 |
| 17 | N.S.P. | . MASTER PISTON (#012981) | 2 | 2 | 2 | 2 | 2 |
| 18 | N.S.P. | . ADJUSTING SCREW (#011426) | 2 | 2 | 2 | 2 | 2 |
| 19 | N.S.P. | . HEX NUT (#001026) | 2 | 2 | 2 | 2 | 2 |
| 20 | N.S.P. | . SLAVE PISTON (#017048) | 2 | 2 | 2 | 2 | 2 |
| 21 | N.S.P. | . BRIDGE (#016771) | 2 | 2 | 2 | 2 | 2 |
| 22 | N.S.P. | . TORSION SPRING (#019576) | 2 | 2 | 2 | 2 | 2 |
| 23 | N.S.P. | . BUTTONHEAD SCREW (#0190741) | 2 | 2 | 2 | 2 | 2 |
| 24 | N.S.P. | . BALL (#001021) | 2 | 2 | 2 | 2 | 2 |
| 25 | N.S.P. | . BALL CHECK SPRING (#011720) | 1 | 1 | 1 | 1 | 2 |
| 26 | N.S.P. | . PIPE PLUG (#008888) | 1 | 1 | 1 | 1 | 2 |
| 26 | N.S.P. | SOLONOID HARNESS EXTERNAL (#017393) | 1 | 1 | 1 | 1 | 2 |
| 26 | N.S.P. | SOLONOID HARNESS INTERNAL (#017392) | 1 | 1 | 1 | 1 | 2 |
| 26 | N.S.P. | FILLER GAUGE .040 LASH / TO USE W/11.1 LITER (#017277) | AR | AR | AR | AR | 2 |
| 26 | N.S.P. | FILLER GAUGE .020 LASH / TO USE W/12.7 LITER (#017278) | AR | AR | AR | AR | 2 |
| | | 2) NOT SOLD BY PREVOST (SEE MANUFACTURING PART NUMBER AT END OF DESCRIPTION LINE) | | | | | |

| | | |
|--------|--------------|-------|
| | Date:10/2022 | Y2-02 |
| CLUTCH | | |



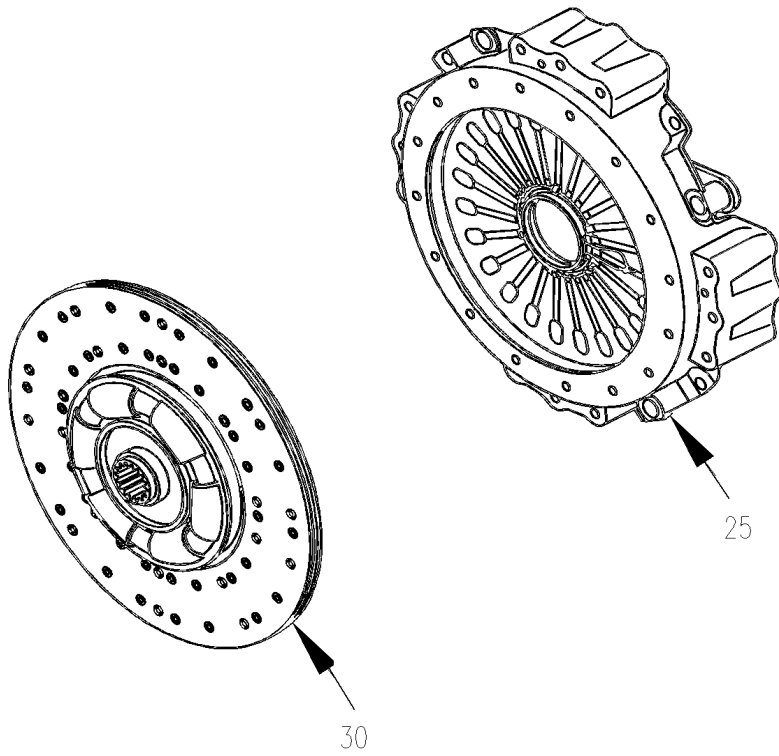
| | | Date:10/2022 | Y2-02 | | | | |
|--------|------------|---|----------------------------|---|---|--|-------|
| CLUTCH | | | | | | | |
| Item# | Part | Description | X L I I 4 5 | X L I I M T H 4 0 | X L I I M T H 4 5 | X L I I M T H 4 5 E | NOTES |
| 5 | Y2-0205-00 | CLUTCH PRESSURE PLATE WITH "ZF" TRANS From Y-7462 To 6-8906 | 1 | | | | |
| 10 | Y2-0215-00 | CLUTCH CONTROL REAR SECTION WITH "ZF" TRANS From Y-7462 To 6-8906 | 1 | | | | |

From Y-7462 To 6-8906

Date:10/2022

PAGE:Y2-0205-00

CLUTCH PRESSURE PLATE WITH "ZF" TRANS

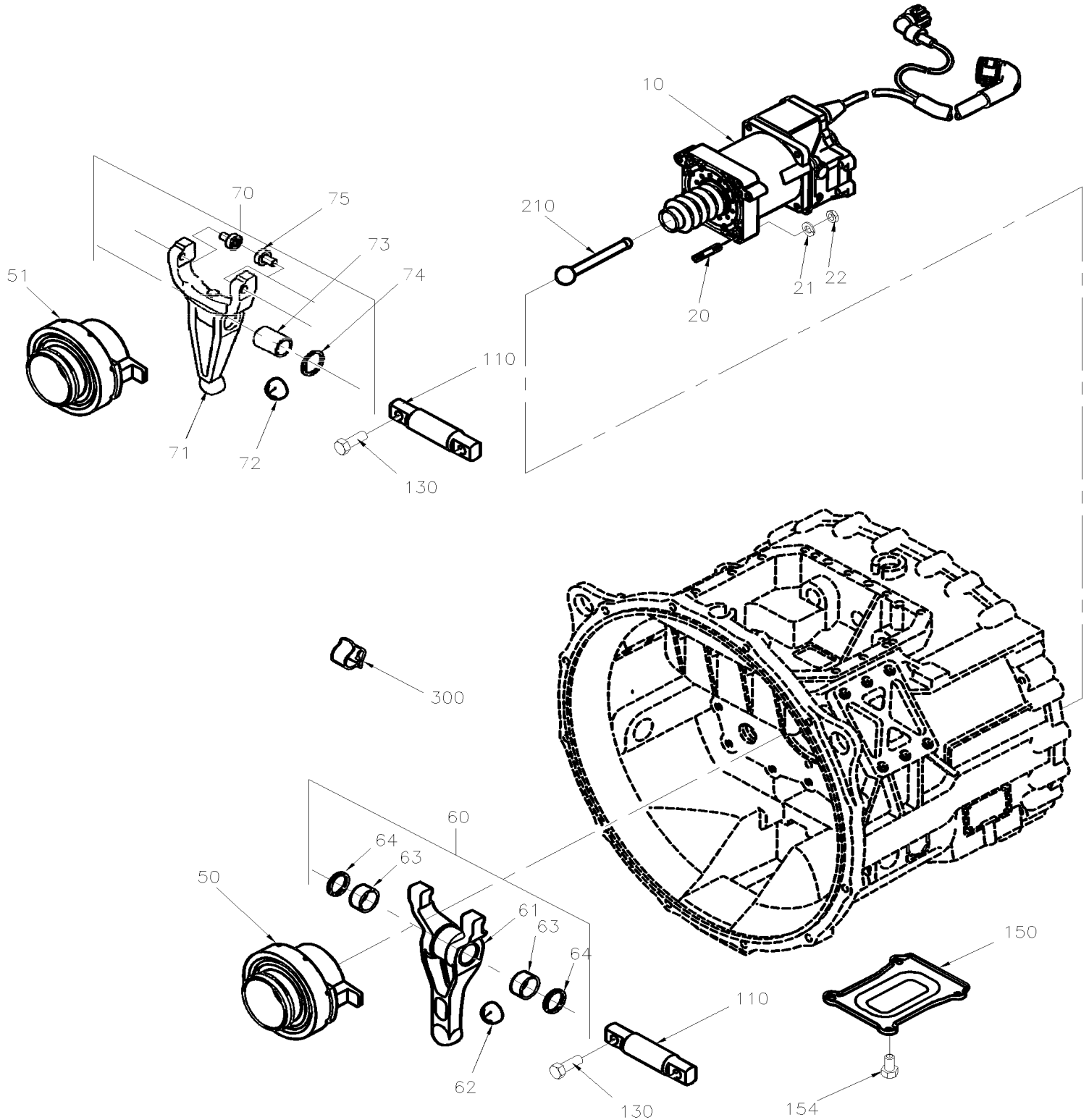


From Y-7462 To 6-8906

Date:10/2022

PAGE:Y2-0215-00

CLUTCH CONTROL REAR SECTION WITH "ZF" TRANS



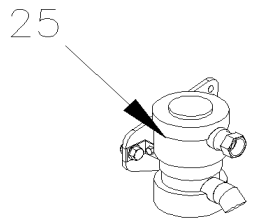
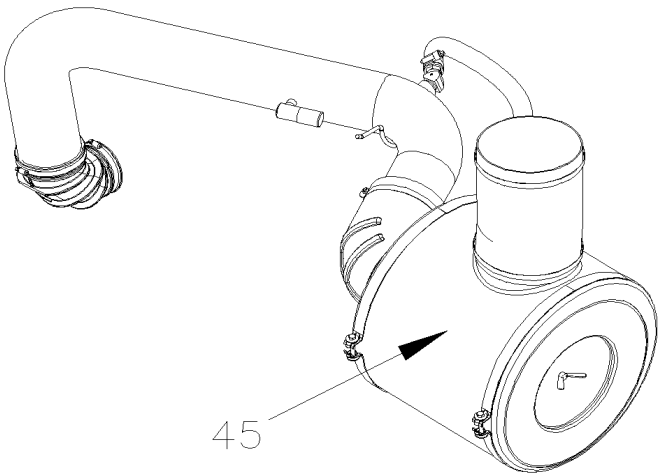
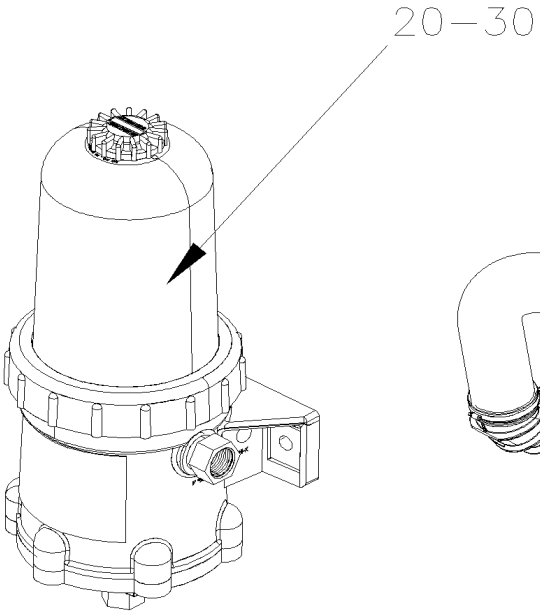
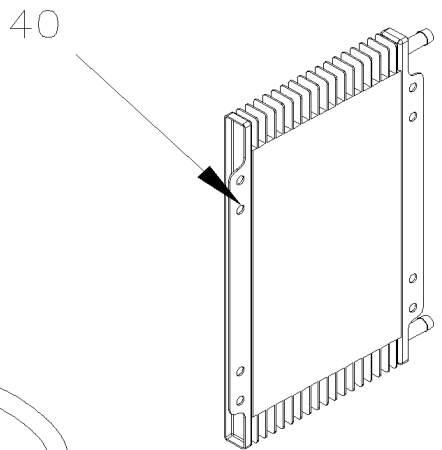
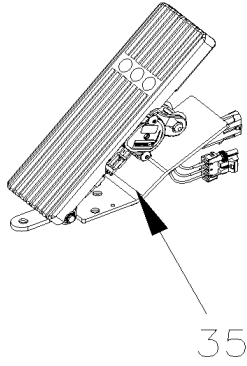
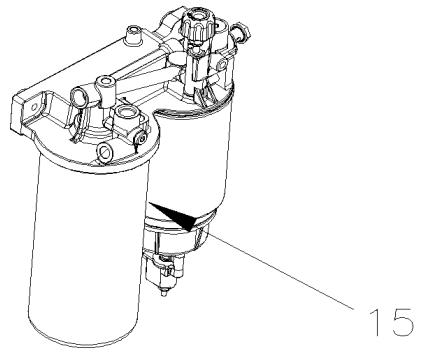
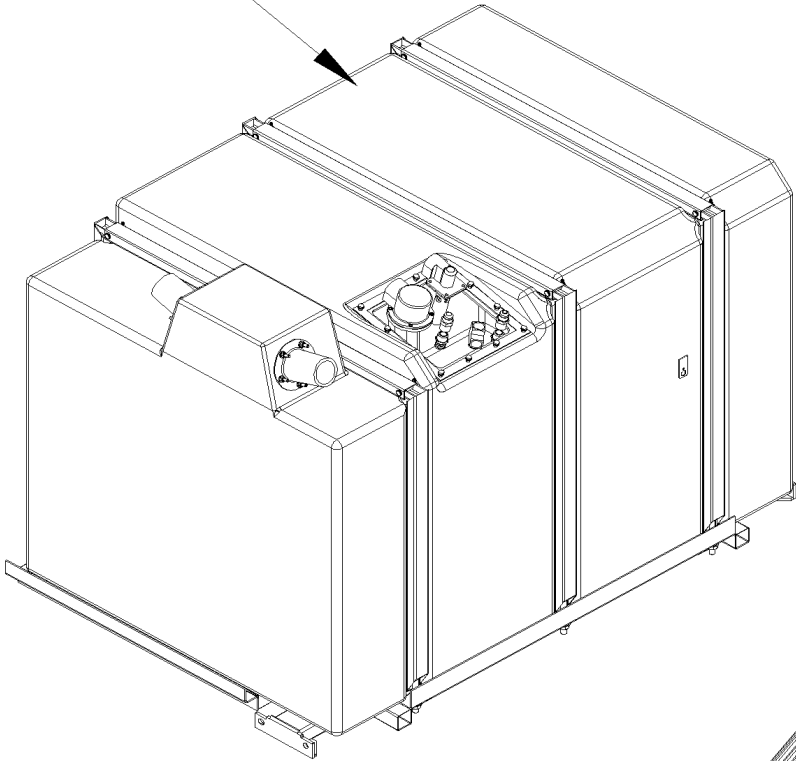
From Y-7462 To 6-8906 Date:10/2022 PAGE:Y2-0215-00

CLUTCH CONTROL REAR SECTION WITH "ZF" TRANS

| Item# | Part | Description | X L I I 4 5 | X L I I M T H 4 0 | X L I I M T H 4 5 | X L I I M T H 4 5 E | NOTES |
|-------|----------|--|----------------------------|---|---|--|-------|
| | MI06-06 | SEE MAINTENANCE INFORMATION | | | | | |
| 10 | 572005 | CLUTCH ACTUATOR ASSY WITH CABLE HARNESS / TO GS3 SHIFTER | 1 | | | | |
| . NS | 572135 | . CHECK VALVE FILTER IN LINE CONNECTOR | 1 | | | | |
| . NS | MI06-06 | . SEE MAINTENANCE INFORMATION | 1 | | | | |
| 10 | 85109289 | CLUTCH ACTUATOR ASSY WITH CABLE HARNESS / TO GS3 SHIFTER | 1 | | | | |
| 20 | 572007 | STUD M8x45 8.8 DIN 835 | 4 | | | | |
| 21 | 500874 | WASHER FL 8.4x17.0x1.6 Z050 | 4 | | | | |
| 22 | 572006 | NUT HEX M8 | 4 | | | | |
| 50 | 572008 | RELEASE BEARING | 1 | | | | |
| 51 | 572088 | RELEASE BEARING | 1 | | | | |
| 60 | 572009 | RELEASE FORK ASSY | 1 | | | | |
| 61 | 572010 | . RELEASE FORK | 1 | | | | |
| 62 | 572011 | . BALL CUP | 1 | | | | |
| 63 | 572012 | . BUSHING | 2 | | | | |
| 64 | 572013 | . SHAFT SEAL | 2 | | | | |
| | | NEXT RELEASE FORK ASSY MAY BE ALSO | | | | | |
| | | USE IN RETROFIT ASK PART NUMBER 572039 | | | | | |
| 70 | 572089 | RELEASE FORK ASSY | 1 | | | | |
| 71 | 572090 | RELEASE FORK | 1 | | | | |
| 72 | 572011 | BALL CUP | 1 | | | | |
| 73 | 572091 | BUSHING | 1 | | | | |
| 74 | 572013 | SHAFT SEAL | 2 | | | | |
| 75 | 572092 | CAM FOLLOWER | 2 | | | | |
| 110 | 572014 | RELEASE SHAFT | 1 | | | | |
| 130 | 572015 | SCREW CAP HEX M12x50 G10.9 DIN 933 | 2 | | | | |
| 150 | 572016 | COVER | 1 | | | | |
| 154 | 502790 | SCREW CAP HEX M8-1.25x20 G8.8 Z050 | 4 | | | | |
| 210 | 572017 | PRESSING ROD | 1 | | | | |
| 300 | 572018 | CABLE CLIP | 1 | | | | |
| 300 | 572019 | CABLE CLIP | 1 | | | | |
| 400 | 572039 | KIT RETROFIT NEW FORK & BEARING RELEASE | 1 | | | | |
| . NS | 572089 | . RELEASE FORK ASSY | 1 | | | | |
| . NS | 572090 | . RELEASE FORK | 1 | | | | |
| . NS | 572011 | . BALL CUP | 1 | | | | |
| . NS | 572091 | . BUSHING | 1 | | | | |
| . NS | 572013 | . SHAFT SEAL | 2 | | | | |
| . NS | 572092 | . CAM FOLLOWER | 2 | | | | |

| | | |
|------|--------------|-------|
| | Date:10/2022 | Y2-03 |
| FUEL | | |

5 Fuel Hose – Installation 10



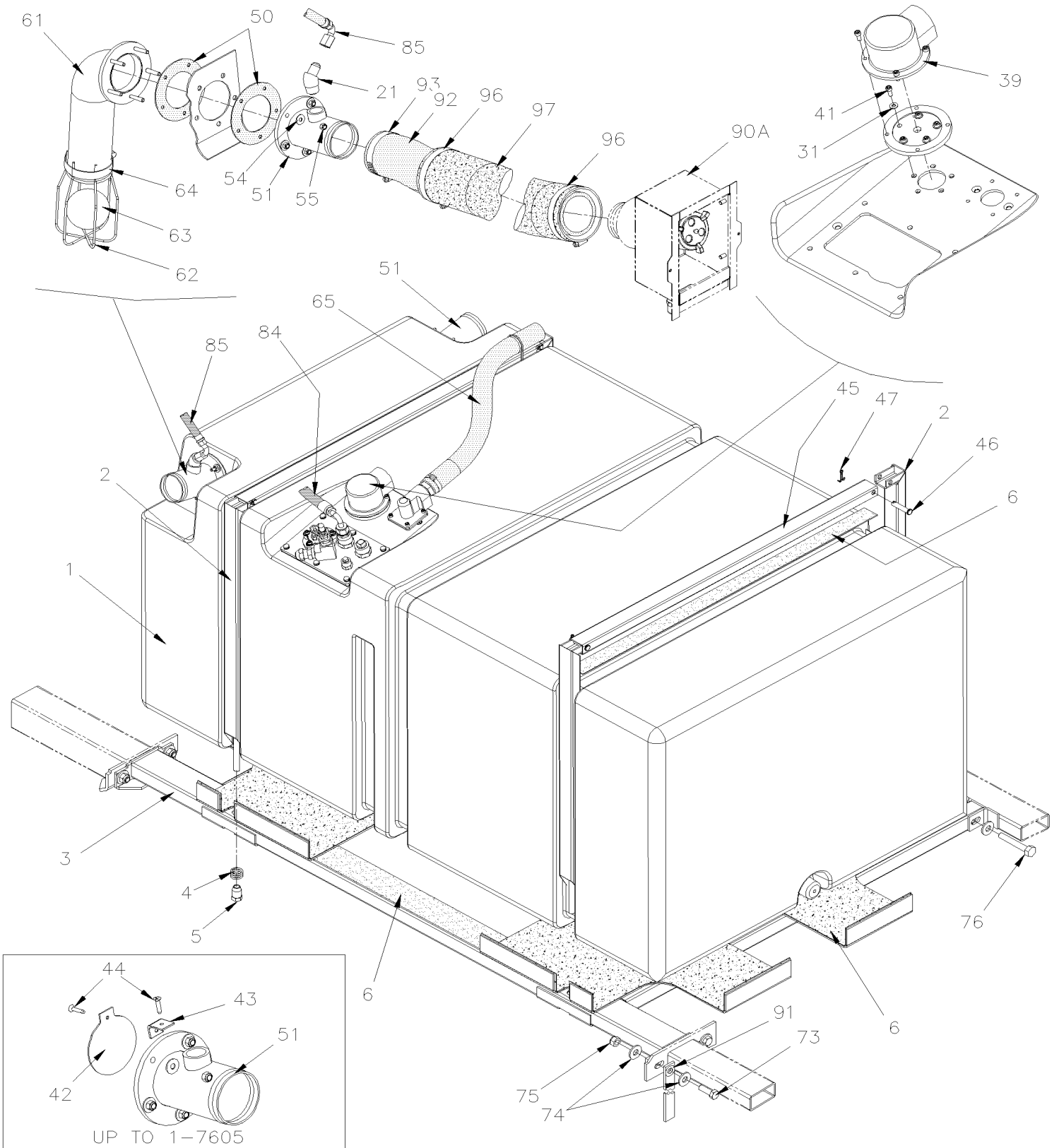
| | | Date:10/2022 | Y2-03 | | | | |
|-------|------------|--|----------------------------|---|---|--|-------|
| FUEL | | | | | | | |
| Item# | Part | Description | X L I I 4 5 | X L I I M T H 4 0 | X L I I M T H 4 5 | X L I I M T H 4 5 E | NOTES |
| 5 | Y2-0305-00 | FUEL TANK PLASTIC 208 GALLONS From Y-7046 To 8-9339 | | | | | |
| 5 | Y2-0305-01 | FUEL TANK PLASTIC 180 & 70 GALLONS From Y-7046 To 8-9339 | | | | | |
| 10 | Y2-0310-00 | FUEL HOSE - INSTALLATION From Y-7046 To 8-9339 | | | | | |
| 15 | Y2-0311-00 | FUEL FILTER - PRIMARY & SECONDARY From Y-7046 To 8-9339 | | | | | |
| 20 | Y2-0311-15 | FUEL FILTER / "PRO 382" From Y-7046 To 8-9339 | | | | | |
| 25 | Y2-0312-00 | FUEL PUMP - AUXILIARY From Y-7046 To 8-9339 | | | | | |
| 30 | Y2-0312-10 | FUEL PRO - INSTALLATION From Y-7046 To 3-8164 | | | | | |
| 30 | Y2-0312-11 | FUEL PRO - INSTALLATION From 4-8165 To 8-9339 | | | | | |
| 35 | Y2-0315-10 | ACCELERATOR PEDAL - ELECTRONIC From Y-7046 To 8-9339 | | | | | |
| 40 | Y2-0316-00 | FUEL COOLER - INSTALLATION From Y-7046 To 3-8164 | | | | | |
| 40 | Y2-0316-01 | FUEL COOLER - INSTALLATION From 4-8165 To 8-9339 | | | | | |
| 45 | Y2-0330-00 | AIR FILTER & INTAKE - INSTALLATION WITH DETROIT S-60 From Y-7046 To 8-9339 | | | | | |

From Y-7046 To 8-9339

Date:10/2022

PAGE:Y2-0305-00

FUEL TANK PLASTIC 208 GALLONS

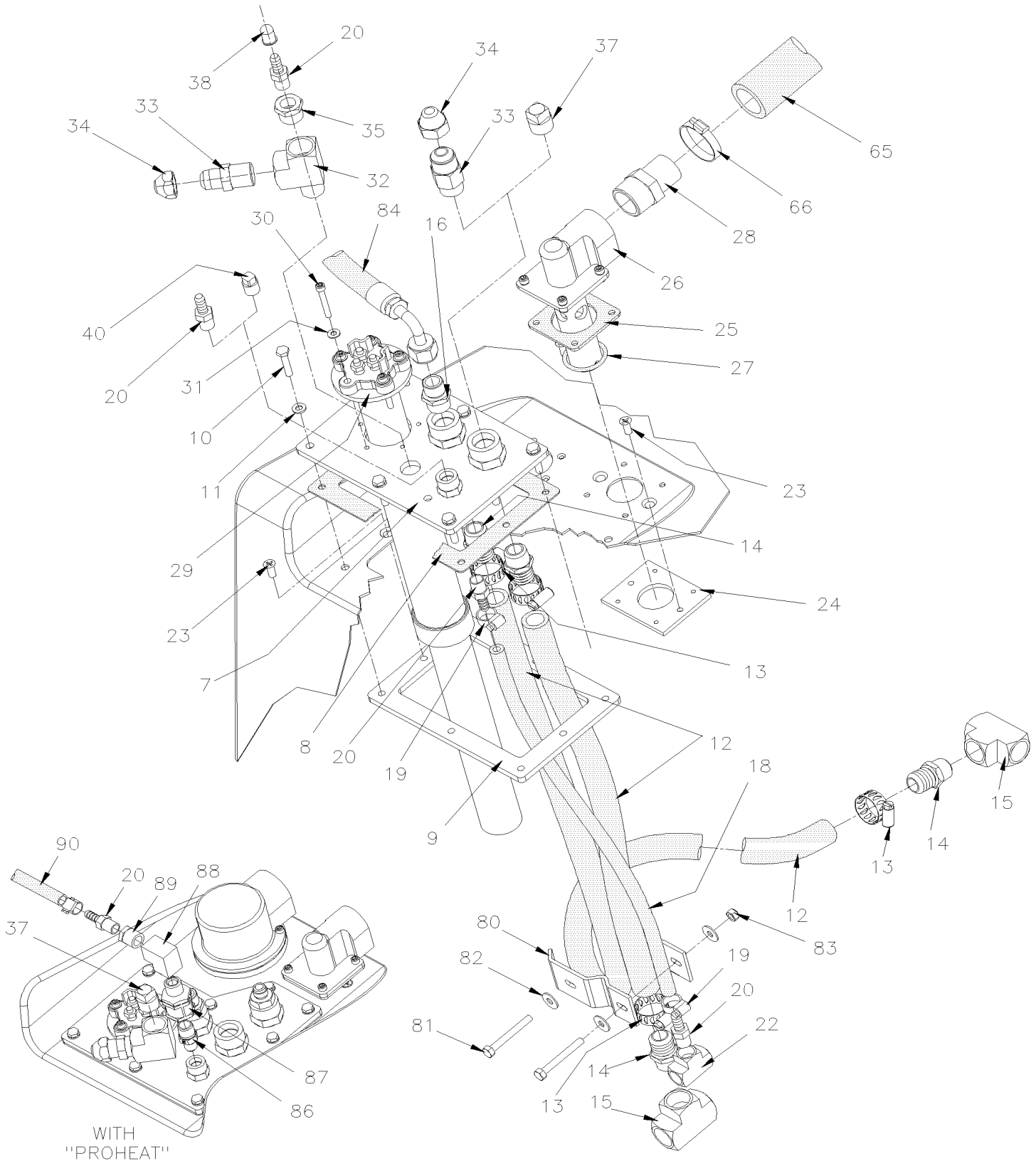


From Y-7046 To 8-9339

Date:10/2022

PAGE:Y2-0305-00

FUEL TANK PLASTIC 208 GALLONS



| | | |
|--------------------------------------|--------------|-----------------|
| From Y-7046 To 8-9339 | Date:10/2022 | PAGE:Y2-0305-00 |
| FUEL TANK PLASTIC 208 GALLONS | | |

| Item# | Part | Description | X L I I 4 5 | X L I I M T H 4 0 | X L I I M T H 4 5 | X L I I M T H 4 5 E | N O T E S |
|-------|-----------------|---|----------------------------|---|---|--|-----------------------|
| | Call order desk | FUEL TANK ASSY | 1 | | 1 | | P |
| | Call order desk | FUEL TANK ASSY | 1 | | 1 | | P |
| 1 | 031794 | . FUEL TANK / 208 GALLONS US / W/TWO INLET HOLES To 1-7603 | 1 | | 1 | | |
| 1 | 032455 | . FUEL TANK / 208 GALLONS US / W/TWO INLET HOLES From 1-7604 | 1 | | 1 | | |
| 2 | 031846 | . STRAP ASSY To 3-7990 | 2 | | 2 | | |
| 2 | 032463 | . ATTACHMENT POST ASSY / 689MM From 3-7991 | 4 | | 4 | | |
| 3 | 031814 | . REMOVABLE FLOOR ASSY | 1 | | 1 | | |
| 3 | 032465 | . REMOVABLE FLOOR ASSY | 1 | | | | B |
| 3 | 032447 | . SHIM 197MM x 40MM SS | AR | | AR | | |
| 4 | 502210 | . SPRING COMPRESSION / .975 O.D. x 1.250 x .125 To 5-8574 | 1 | | 1 | | |
| 4 | 502932 | . SPRING COMPRESSION / SS .975 O.D. x 1.250 x .125 From 5-8575 | AR | | AR | | |
| 5 | 031930 | . NUT HEX SPECIAL M12-1.75 ST To 5-8574 | 4 | | 4 | | |
| 5 | 032607 | . NUT HEX SPECIAL M12-1.75 SS From 5-8575 | 4 | | 4 | | |
| NS | 680038 | . THREAD LOCKER LOCTITE #243 / BLUE / 50ml | AR | | AR | | |
| 6 | 506758 | . TAPE RUB ADH1 NEO 1/16"X 1 1/2"X50' | AR | | AR | | |
| 6 | 031857 | . RUBBER / ON THE CORNER OF TANK 418MM x 549MM | 4 | | 4 | | |
| 6 | 031861 | . RUBBER / ON THE RIGHT SIDE OF TANK 70MM x 480MM | 1 | | 1 | | |
| 6 | 031859 | . RUBBER / ON TOP OF TANK 30MM x 480MM | 3 | | 3 | | |
| 6 | 031860 | . RUBBER / BOTH SIDE OF TANK 30MM x 152MM | 2 | | 2 | | |
| NS | 506007 | . TAPE RUB ADH1 CC NEO 3/4" x 1" x 10' / BLACK 1220 | AR | | AR | | |
| 7 | 032189 | . MAIN PLATE | 1 | | 1 | | |
| 7 | 032826 | . MAIN PLATE SERVICE | 1 | | 1 | | |
| 8 | 031849 | . GASKET | 1 | | 1 | | |
| 9 | 031851 | . INTERIOR FRAME ASSY | 1 | | 1 | | |
| 10 | 502686 | . SCREW CAP HEX M6-1.0x30 SS BK | 8 | | 8 | | |
| 11 | 5001392 | . WASHER FL 6.0x12.0x1.5 COP | 8 | | 8 | | |
| 12 | 531417 | . HOSE / 2556 / #10 X 48" | 3 | | 3 | | |
| 13 | 504019 | . HOSE CLAMP / 9/16"-1"1/16 SS / HS-10 | 6 | | 6 | | |
| 14 | 501942 | . MALE CONNECTOR / PUSH-LOK FITTING / 1/2NPT-Mx#10 BR | 3 | | 3 | | |
| 15 | 501472 | . FEMALE UNION TEE / PIPE FITTING / 1/2NPT-Fx1/2NPT-Fx1/2NPT-F BR | 3 | | 3 | | |
| 16 | 501739 | . MALE CONNECTOR / JIC 37° FITTING / #8JIC-Mx1/2NPT-M STL | 1 | | 1 | | |
| 18 | 531444 | . HOSE / 2556 / #4 X 18 1/2" | 1 | | 1 | | |
| 19 | 504014 | . HOSE CLAMP / 1/4"-5/8" SS / HM-4 | 2 | | 2 | | |
| 20 | 507602 | . MALE CONNECTOR / PUSH-LOK FITTING / 1/4NPT-Mx#4 BR | 4 | | 4 | | |
| 21 | 5011159 | . MALE ELBOW 45° / JIC 37° FITTING / #6JIC-Mx1/2NPT-M STL | 1 | | 1 | | |
| 22 | 501337 | . FEMALE UNION TEE / PIPE FITTING / 1/4NPT-Fx1/4NPT-Fx1/4NPT-F BR | 1 | | 1 | | |
| 23 | 5001198 | . SCREW MA FL PH M6-1.0x16 Z050 | 8 | | 8 | | |
| 24 | 031899 | . INTERIOR FRAME | 1 | | 1 | | |
| 25 | 531443 | . GASKET / VALVE CONTROL LEVEL | 1 | | 1 | | |
| 26 | 530099 | . VALVE, FUEL TANK LEVEL CONTROL To 1-7603 | 1 | | 1 | | |
| 26 | 504701 | . VALVE, FUEL TANK LEVEL CONTROL From 1-7604 | 1 | | 1 | | |
| NS | 531459 | . VALVE, FUEL TANK LEVEL CONTROL EMCO | 1 | | | | B |

| | | |
|--------------------------------------|--------------|-----------------|
| From Y-7046 To 8-9339 | Date:10/2022 | PAGE:Y2-0305-00 |
| FUEL TANK PLASTIC 208 GALLONS | | |

| Item# | Part | Description | X L I I 4 5 | X L I I M T H 4 0 | X L I I M T H 4 5 | X L I I M T H 4 5 E | N O T E S |
|-------|---------|--|----------------------------|---|---|--|-----------------------|
| . NS | 530212 | . . GASKET / VALVE CONTROL LEVEL | 1 | | | | B |
| NS | 531410 | . WHISTLE | 1 | | | | B |
| 27 | 507356 | . O-RING | 1 | | 1 | | |
| 28 | 501605 | . BUSHING REDUCER / PIPE FITTING / 1NPT-Mx1/2NPT-F STL To 1-7603 | 1 | | 1 | | |
| 28 | 501205 | . ADAPTER / COPPER @ PIPE / 1Mx1NPT-M From 1-7604 | 1 | | 1 | | |
| 28 | 030827 | . NIPPLE To 1-7603 | 1 | | 1 | | |
| 29 | 531387 | . SENSOR, FUEL LEVEL / 24" | 1 | | 1 | | |
| 30 | 5011135 | . SCREW CAP HEXS #10-24x1 1/2 N500 | 10 | | 10 | | |
| 31 | 500593 | . WASHER FL .200x.437x.036 BR | 10 | | 10 | | |
| 32 | 501473 | . MALE RUN TEE / PIPE FITTING / 1/2NPT-Mx1/2NPT-Fx1/2NPT-F BR | 1 | | 1 | | |
| 33 | 501616 | . MALE CONNECTOR / SAE 45° FITTING / #8FL-Mx1/2NPT-M BR | 1 | | 1 | | |
| 34 | 501053 | . CAP NUT / SAE 45° FITTING / #8FL-F BR | 1 | | 1 | | |
| 35 | 501316 | . BUSHING REDUCER / PIPE FITTING / 1/2NPT-Mx1/4NPT-F BR | 1 | | 1 | | |
| 37 | 501306 | . PLUG SQUARE HEAD / PIPE FITTING / 1/2NPT-M BR | 1 | | 1 | | |
| 38 | 680733 | . CAP PROTECTOR (NO-THREADED) | 1 | | 1 | | |
| 39 | 530156 | . VALVE PRESSURE | 1 | | 1 | | |
| . NS | 531427 | . . GASKET / (SMALL) | 1 | | 1 | | |
| . NS | 531428 | . . GASKET / (LARGE) | 1 | | 1 | | |
| 39 | 531414 | . VALVE PRESSURE | 1 | | | | B |
| 40 | 501304 | . PLUG SQUARE HEAD / PIPE FITTING / 1/4NPT-M BR | 1 | | 1 | | |
| 41 | 500143 | . SCREW CAP HEXS #10-24x1/2 N500 | 5 | | 5 | | |
| 42 | 031898 | . VALVE To 1-7603 | 1 | | 1 | | |
| 43 | 031897 | . ANGLE To 1-7603 | 1 | | 1 | | |
| 44 | 500260 | . SCREW TC FL PH #8-32x3/4 BK To 1-7603 | 2 | | 2 | | |
| 45 | 032443 | . TRANSVERSAL CROSS BAR / 833.5 MM From 3-7991 | 2 | | 2 | | |
| 46 | 502121 | . PIN, CLEVIS 3/8 x 1.625 BZC From 3-7991 | 4 | | 4 | | |
| 47 | 502102 | . PIN, COTTER 1/8 x 1 From 3-7991 | 4 | | 4 | | |
| 50 | 031804 | . GASKET | 4 | | 4 | | |
| 50 | 032938 | . GASKET | 2 | | 2 | | |
| 51 | 031800 | . FILLING HOSE ADAPTOR ASSY / R.H. WITH FUEL HOSE RETURN | 1 | | 1 | | |
| 51 | 031896 | . FILLING HOSE ADAPTOR ASSY / L.H. | 2 | | 2 | | |
| 54 | 502686 | . SCREW CAP HEX M6-1.0x30 SS BK To 1-7605 | 10 | | 10 | | A |
| 54 | 502511 | . NUT HEX NYRT M6-1.0 Z050 | 10 | | 10 | | |
| 55 | 500411 | . WASHER FL .260x.697x.050 SS | 10 | | 10 | | |
| 61 | 031850 | . INTERIOR FRAME To 1-7605 | 2 | | 2 | | A |
| 61 | 032437 | . TUBE BALL RETAINER From 1-7606 | 2 | | 2 | | |
| 61 | 032914 | . TUBE BALL RETAINER | 2 | | 2 | | |
| 62 | 032438 | . BASKET From 1-7606 | 2 | | 2 | | |
| 63 | 032657 | . BALL 70MM O.D. From 1-7606 | 2 | | 2 | | |
| 63 | 032871 | . BALL 77MM O.D. | 2 | | 2 | | S |
| 64 | 504293 | . HOSE CLAMP / 2"5/16-3"1/4 SS / E.T. 44 From 1-7606 | 2 | | 2 | | |
| 65 | 031474 | . HOSE #12 27" To 1-7603 | 1 | | 1 | | |

| | | |
|--------------------------------------|--------------|-----------------|
| From Y-7046 To 8-9339 | Date:10/2022 | PAGE:Y2-0305-00 |
| FUEL TANK PLASTIC 208 GALLONS | | |

| Item# | Part | Description | X L I I 4 5 | X L I I M T H 4 0 | X L I I M T H 4 5 | X L I I M T H 4 5 E | N O T E S |
|-------|-------------------|--|----------------------------|---|---|--|-----------------------|
| 65 | 032415 | . HOSE #16 X 28" LG From 1-7604 | 2 | | 2 | | |
| . NS | 503579 | . . HOSE 1" I.D. X 50' / "GREEN STRIPE" From 1-7604 | AR | | AR | | |
| NS | 504637 | . CABLE TIE / 3/16" x 13" | AR | | AR | | |
| 66 | 504021 | . HOSE CLAMP / 11/16"-1"1/2 SS / HS-16 | 1 | | 1 | | |
| 73 | 500806 | . SCREW CAP HEX M12-1.75X35 G10.9 G500 | 4 | | 4 | | |
| 74 | 500211 | . WASHER FL .531x1.250x.125 N500 | 12 | | 12 | | |
| 75 | 500811 | . NUT HEX STO M12-1.75 G500 | 6 | | 6 | | |
| 76 | 5001609 | . SCREW CAP HEX M12-1.75x80 G10.9 DP | 2 | | 2 | | |
| 80 | 032240 | . HOLDING PLATE / TO HOLD TUBE | 2 | | 2 | | |
| 81 | 502656 | . SCREW CAP HEX M6-1.0x50 SS | 2 | | 2 | | |
| 82 | 500411 | . WASHER FL .260x.697x.050 SS | 4 | | 4 | | |
| 83 | 502511 | . NUT HEX NYRT M6-1.0 Z050 | 4 | | 4 | | |
| 84 | 032579 | HOSE ASSY / #8 6125MM | 1 | | 1 | | |
| 84 | 032652 | HOSE ASSY / #8 6500MM | 1 | | 1 | | |
| 85 | 032097 | HOSE ASSY / #6 7991MM | 1 | | 1 | | |
| 86 | 501749 | NIPPLE REDUCER HEX / PIPE FITTING / 3/8NPT-Mx1/4NPT-Mx1 13/32 BR | 1 | | | | |
| 87 | 530042 | CHECK VALVE 3/8 NPT | 4 | | | | |
| 88 | 509863 | FEMALE ELBOW 90° / PIPE FITTING / 3/8NPT-Fx3/8NPT-F BR | 1 | | | | |
| 89 | 501314 | BUSHING REDUCER / PIPE FITTING / 3/8NPT-Mx1/4NPT-F BR | 1 | | | | |
| 90 | Y2-2350-10 | WATER HEATER - INSTALLATION | | | | | |
| 90A | Y2-1875-00 | FUEL TANK FILLING DOOR | | | | | |
| 91 | 505056 | ANTISTATIC STRAP / UNDER STRUCTURE | 1 | | 1 | | |
| NS | 031161 | DECAL / FUEL RECOMMENDATIONS / FRENCH | 1 | | 1 | | |
| NS | 031162 | DECAL / FUEL RECOMMENDATIONS / ENGLISH | 1 | | 1 | | |
| NS | 031164 | DECAL / CERTIFICATION | 1 | | 1 | | |
| NS | 400137 | DECAL / DIESEL FUEL BLACK | 1 | | 1 | | |
| NS | 403747 | DECAL / INSTRUCTION FOR FILLING TANK /208 GAL BLACK | 1 | | 1 | | |
| 92 | 031956 | FILLING HOSE #40 652MM | 1 | | 1 | | |
| 92 | 031855 | FILLING HOSE #40 937MM | 1 | | 1 | | |
| 93 | 504381 | HOSE CLAMP / 2"3/4-3"5/8 SS / HT-350 | 2 | | 2 | | |
| 96 | 504235 | HOSE CLAMP / 3"9/16"-4"1/2 SS / HS-64 | 4 | | 4 | | |
| 97 | 032569 | HOSE 3 1/2" I.D. X 610MM | 1 | | 1 | | |
| 97 | 032289 | HOSE 3 1/2" I.D. X 750MM W/SLIDE-OUT From 6-8806 | | | 1 | | |
| 97 | 032570 | HOSE 3 1/2" I.D. X 915MM | 1 | | 1 | | |
| 100 | 032413 | KIT, FUEL SPILLWAY RETROFIT From Y-7046 To 1-7605 | 1 | | 1 | | C |
| . NS | IS-98080 | . SEE INSTRUCTION SHEET From Y-7046 To 1-7605 | | | | | C |
| 101 | 032504 | KIT, RETROFIT FUEL TANK STRAP From Y-7046 To 3-7990 | 1 | | 1 | | D |
| . NS | IS-02059 | . SEE INSTRUCTION SHEET From Y-7046 To 3-7990 | 1 | | 1 | | D |

| | | |
|--------------------------------------|--------------|-----------------|
| From Y-7046 To 8-9339 | Date:10/2022 | PAGE:Y2-0305-00 |
| FUEL TANK PLASTIC 208 GALLONS | | |

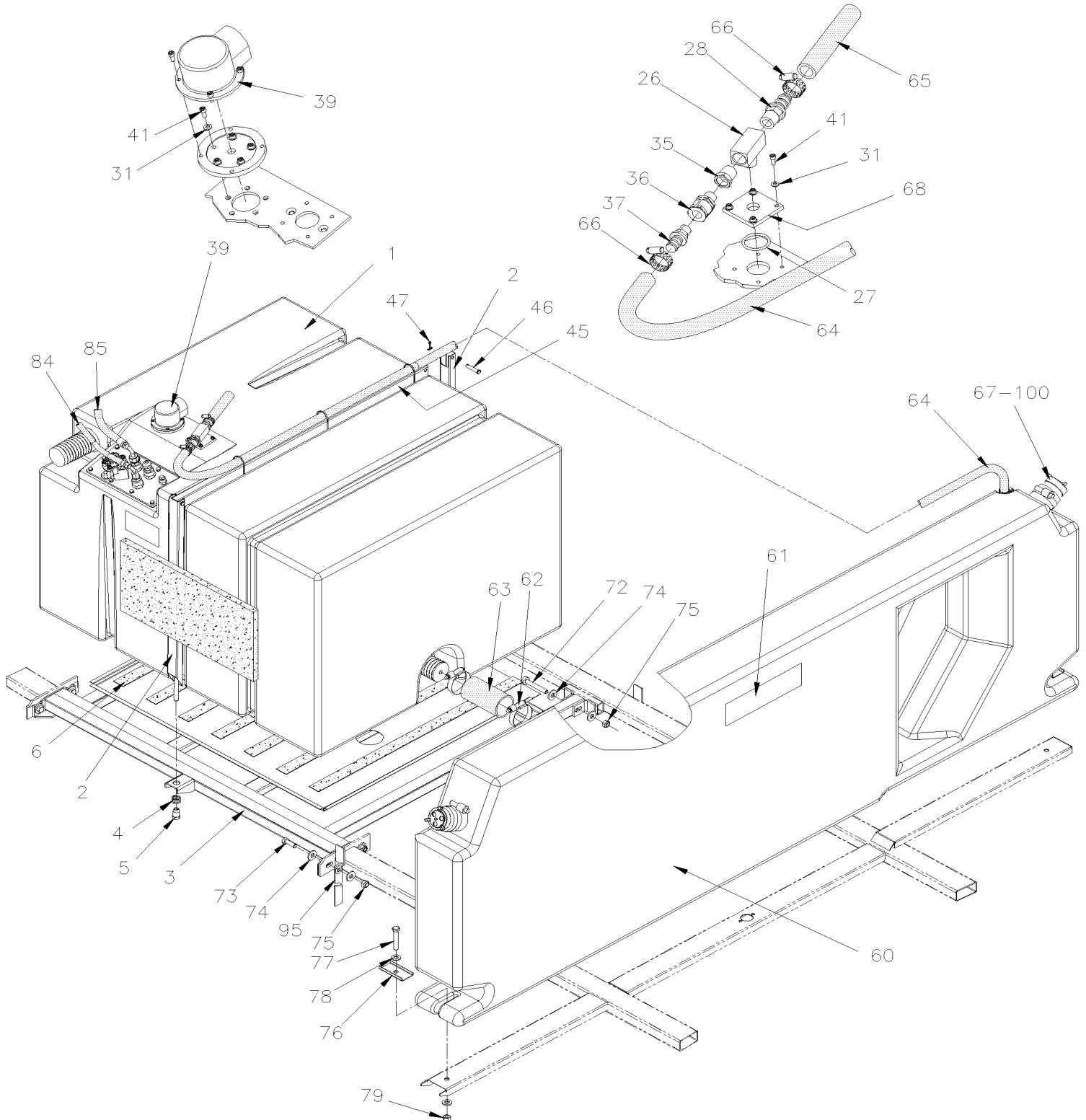
| Item# | Part | Description | X L I I 4 5 | X L I I M T H 4 0 | X L I I M T H 4 5 | X L I I M T H 4 5 E | N O T E S |
|-------|------|---|--------------------------------|---|---|--|-----------------------|
| | | A) FOR PRODUCT IMPROVEMENT OF SPILLWAY USE KIT # 032413 FOR VIN FROM Y-7046 TO 1-7605 | | | | | |
| | | B) WITH "EMCO WHEATON" FUEL CAP | | | | | |
| | | C) INCLUDE ITEMS 8, 26, 28, 50, 54, 55, 61 to 66 | | | | | |
| | | D) INCLUDE ITEMS 2, 45 to 46 | | | | | |
| | | S) SERVICE | | | | | |
| | | P) CALL ORDER DESK FOR SPECIFIC APPLICATION (V.I.N.) | | | | | |

From Y-7046 To 8-9339

Date:10/2022

PAGE:Y2-0305-01

FUEL TANK PLASTIC 180 & 70 GALLONS

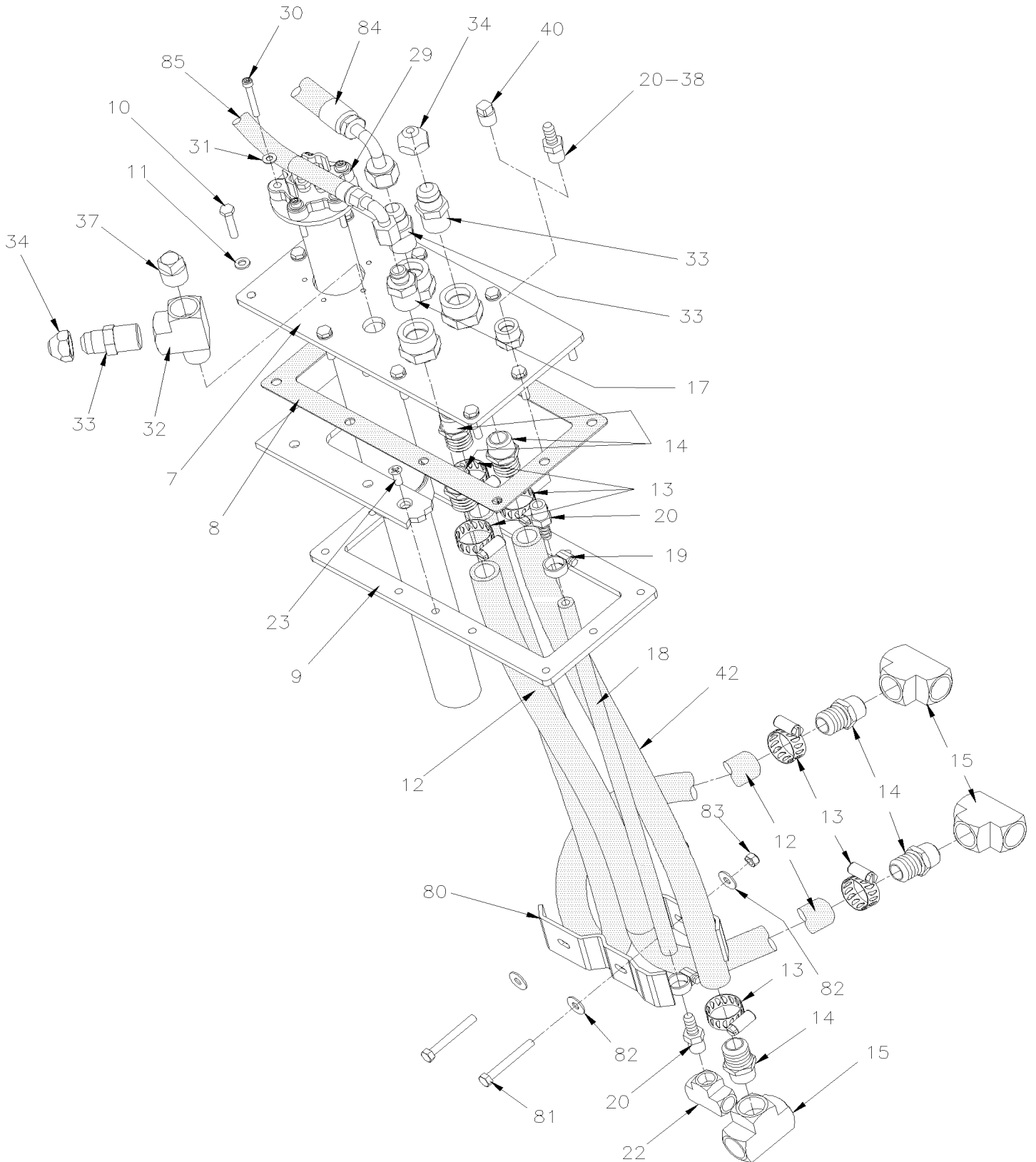


From Y-7046 To 8-9339

Date:10/2022

PAGE:Y2-0305-01

FUEL TANK PLASTIC 180 & 70 GALLONS



| | | |
|---|--------------|-----------------|
| From Y-7046 To 8-9339 | Date:10/2022 | PAGE:Y2-0305-01 |
| FUEL TANK PLASTIC 180 & 70 GALLONS | | |

| Item# | Part | Description | X L I I 4 5 | X L I I M T H 4 0 | X L I I M T H 4 5 | X L I I M T H 4 5 E | N O T E S |
|-------|---------|---|----------------------------|---|---|--|-----------------------|
| 1 | 032015 | FUEL TANK / 180 GALLONS US To 2-7739 | | 1 | | 1 | |
| . NS | 032361 | . ADAPTOR DRAIN PLUG To 2-7739 | | 1 | | 1 | |
| . NS | 032362 | . O-RING DRAIN PLUG To 2-7739 | | 1 | | 1 | |
| 1 | 032480 | FUEL TANK / 180 GALLONS US From 2-7740 | | 1 | | 1 | |
| 2 | 032095 | HOLDING STRAP To 3-7990 | | 2 | | 2 | A |
| 2 | 032506 | ATTACHMENT ASSY 722MM From 3-7991 | | 2 | | 2 | |
| 3 | 032017 | REMOVABLE FLOOR To 5-8607 | | 1 | | 1 | |
| 3 | 032608 | REMOVABLE FLOOR From 5-8608 | | | | 1 | |
| NS | 032091 | BOTTOM PANEL | | 1 | | 1 | |
| 4 | 502210 | SPRING COMPRESSION / .975 O.D. x 1.250 x .125 To 5-8574 | | 2 | | 2 | |
| 4 | 502932 | SPRING COMPRESSION / SS .975 O.D. x 1.250 x .125 From 5-8575 | | | | 2 | |
| 5 | 031930 | NUT HEX SPECIAL M12-1.75 ST To 5-8574 | | 2 | | 2 | |
| 5 | 032607 | NUT HEX SPECIAL M12-1.75 SS From 5-8575 | | | | 2 | |
| 6 | 506758 | TAPE RUB ADH1 NEO 1/16"X 1 1/2"X50' | | AR | | AR | |
| NS | 506757 | TAPE RUB ADH1 NEO 3/4" x 10" x 25 1/2" / BLACK 1220 | | 1 | | 1 | |
| NS | 506007 | TAPE RUB ADH1 CC NEO 3/4" x 1" x 10' / BLACK 1220 | | AR | | AR | |
| 7 | 032090 | MAIN PLATE | | 1 | | 1 | |
| 8 | 032096 | GASKET | | 1 | | 1 | |
| 9 | 032092 | INTERIOR FRAME | | 1 | | 1 | |
| 10 | 502686 | SCREW CAP HEX M6-1.0x30 SS BK | | 10 | | 10 | |
| 11 | 5001392 | WASHER FL 6.0x12.0x1.5 COP | | 10 | | 10 | |
| 12 | 531417 | HOSE / 2556 / #10 X 48" | | 1 | | 1 | |
| 13 | 504019 | HOSE CLAMP / 9/16"-1"1/16 SS / HS-10 | | 2 | | 2 | |
| 14 | 501942 | MALE CONNECTOR / PUSH-LOK FITTING / 1/2NPT-Mx#10 BR | | 2 | | 2 | |
| 15 | 501472 | FEMALE UNION TEE / PIPE FITTING / 1/2NPT-Fx1/2NPT-Fx1/2NPT-F BR | | 1 | | 1 | |
| 17 | 501930 | MALE CONNECTOR / JIC 37° FITTING / #6JIC-Mx1/2NPT-M STL | | 1 | | 1 | |
| 18 | 531444 | HOSE / 2556 / #4 X 18 1/2" | | 1 | | 1 | |
| 19 | 504014 | HOSE CLAMP / 1/4"-5/8" SS / HM-4 | | 2 | | 2 | |
| 20 | 507602 | MALE CONNECTOR / PUSH-LOK FITTING / 1/4NPT-Mx#4 BR | | 4 | | 4 | |
| 22 | 501337 | FEMALE UNION TEE / PIPE FITTING / 1/4NPT-Fx1/4NPT-Fx1/4NPT-F BR | | 1 | | 1 | |
| 23 | 5001198 | SCREW MA FL PH M6-1.0x16 Z050 | | 2 | | 2 | |
| 25 | 531443 | GASKET / VALVE CONTROL LEVEL | | 1 | | 1 | |
| 26 | 507556 | MALE BRANCHE TEE / PIPE FITTING / 1/2NPT-Fx1/2NPT-Fx1/2NPT-M BR | | 1 | | 1 | |
| 27 | 507356 | O-RING | | 1 | | 1 | |
| 28 | 507605 | MALE CONNECTOR / HOSE BARB FITTING / #12x1/2NPT-M BR | | 1 | | 1 | |
| 29 | 531387 | SENSOR, FUEL LEVEL / 24" | | 1 | | 1 | |
| 30 | 5011135 | SCREW CAP HEXS #10-24x1 1/2 N500 | | 5 | | 5 | |
| 31 | 500593 | WASHER FL .200x.437x.036 BR | | 5 | | 5 | |
| 32 | 501473 | MALE RUN TEE / PIPE FITTING / 1/2NPT-Mx1/2NPT-Fx1/2NPT-F BR | | 1 | | 1 | |
| 33 | 501616 | MALE CONNECTOR / SAE 45° FITTING / #8FL-Mx1/2NPT-M BR | | 2 | | 2 | |
| 34 | 501053 | CAP NUT / SAE 45° FITTING / #8FL-F BR | | 1 | | 1 | |
| 35 | 501534 | BUSHING REDUCER / PIPE FITTING / 1/2NPT-Mx3/8NPT-F BR | | 1 | | 1 | |

| | | |
|---|--------------|-----------------|
| From Y-7046 To 8-9339 | Date:10/2022 | PAGE:Y2-0305-01 |
| FUEL TANK PLASTIC 180 & 70 GALLONS | | |

| Item# | Part | Description | X L I I 4 5 | X L I I M T H 4 0 | X L I I M T H 4 5 | X L I I M T H 4 5 E | N O T E S |
|-------|---------|---|----------------------------|---|---|--|-----------------------|
| 36 | 530042 | CHECK VALVE 3/8 NPT | | 1 | | 1 | |
| 37 | 501949 | MALE CONNECTOR / PUSH-LOK FITTING / 3/8NPT-Mx#8 BR | | 1 | | 1 | |
| 38 | 5011064 | MALE CONNECTOR / HOSE BARB FITTING / #3x1/4NPT-M BR | | 1 | | 1 | |
| 39 | 530156 | VALVE PRESSURE | | 1 | | 1 | |
| . NS | 531427 | . GASKET / (SMALL) | | 1 | | 1 | |
| . NS | 531428 | . GASKET / (LARGE) | | 1 | | 1 | |
| 41 | 500143 | SCREW CAP HEXS #10-24x1/2 N500 | | 5 | | 5 | |
| 42 | 531445 | HOSE / 2556 / #10 X 18 1/2" | | 1 | | 1 | |
| 45 | 032508 | TRANSVERSAL BAR 985MM From 3-7991 | | 1 | | 1 | |
| 46 | 502121 | PIN, CLEVIS 3/8 x 1.625 BZC From 3-7991 | | 2 | | 2 | |
| 47 | 502102 | PIN, COTTER 1/8 x 1 From 3-7991 | | 2 | | 2 | |
| 60 | 032194 | FUEL TANK / 70 GALLONS US To 6-8805 | | 1 | | 1 | |
| . NS | 032147 | . FILLING TUBE STRAIGHT To 6-8805 | | 2 | | 2 | |
| 60 | 032605 | FUEL TANK / 70 GALLONS US From 6-8806 To 7-9035 | | | | 1 | |
| . NS | 032147 | . FILLING TUBE STRAIGHT From 6-8806 To 7-9035 | | | | 2 | |
| 60 | 032705 | FUEL TANK / 70 GALLONS US From 7-9036 | | | | 1 | |
| . NS | 032147 | . FILLING TUBE STRAIGHT From 7-9036 | | | | 1 | |
| . NS | 030003 | . FILLING TUBE WITH 145 DEG / BEND From 7-9036 | | | | 1 | |
| 61 | 032178 | DECAL "CAUTION" | | 1 | | 1 | |
| 62 | 504562 | HOSE CLAMP / 2"3/4-3"5/8 / C.T. 350 | | 2 | | 2 | |
| 63 | 032177 | HOSE #40 150MM | | 1 | | 1 | |
| 64 | 032210 | HOSE #8 1090MM | | 1 | | 1 | |
| 65 | 032166 | HOSE #12 120" | | 1 | | 1 | |
| NS | 504637 | CABLE TIE / 3/16" x 13" | | 4 | | 4 | |
| 66 | 504021 | HOSE CLAMP / 11/16"-1"1/2 SS / HS-16 | | 1 | | 1 | |
| 67 | 531424 | FUEL FILLING CAP / SCREW TYPE CAP | | 2 | | 2 | |
| 68 | 032204 | SPIRACLE PLATE | | 1 | | 1 | |
| 68 | 531443 | GASKET / VALVE CONTROL LEVEL | | 1 | | 1 | |
| 69 | 501316 | BUSHING REDUCER / PIPE FITTING / 1/2NPT-Mx1/4NPT-F BR | | 1 | | 1 | |
| 70 | 502737 | SCREW CAP HEX M6-1.0x25 SS BK | | 2 | | 2 | |
| 71 | 502570 | WASHER LO SPT 6.1x11.8x1.6 SS | | 2 | | 2 | |
| 72 | 5001862 | SCREW CAP HEX M12-1.75x70 G10.9 N500 | | 2 | | 2 | |
| 73 | 500806 | SCREW CAP HEX M12-1.75X35 G10.9 G500 | | 8 | | 8 | |
| 74 | 500211 | WASHER FL .531x1.250x.125 N500 | | 16 | | 16 | |
| 75 | 500811 | NUT HEX STO M12-1.75 G500 | | 8 | | 8 | |
| 76 | 032149 | FIXING PLATE | | 2 | | 2 | |
| 77 | 5001392 | WASHER FL 6.0x12.0x1.5 COP | | 10 | | 10 | |
| 78 | 500958 | WASHER FL .531x1.062x.095 SS | | 2 | | 2 | |
| 79 | 500875 | NUT HEX M12-1.75 SS | | 2 | | 2 | |
| 80 | 032240 | HOLDING PLATE / TO HOLD TUBE | | 2 | | 2 | |
| 81 | 502656 | SCREW CAP HEX M6-1.0x50 SS | | 2 | | 2 | |
| 82 | 500411 | WASHER FL .260x.697x.050 SS | | 2 | | 2 | |

| | | |
|---|--------------|-----------------|
| From Y-7046 To 8-9339 | Date:10/2022 | PAGE:Y2-0305-01 |
| FUEL TANK PLASTIC 180 & 70 GALLONS | | |

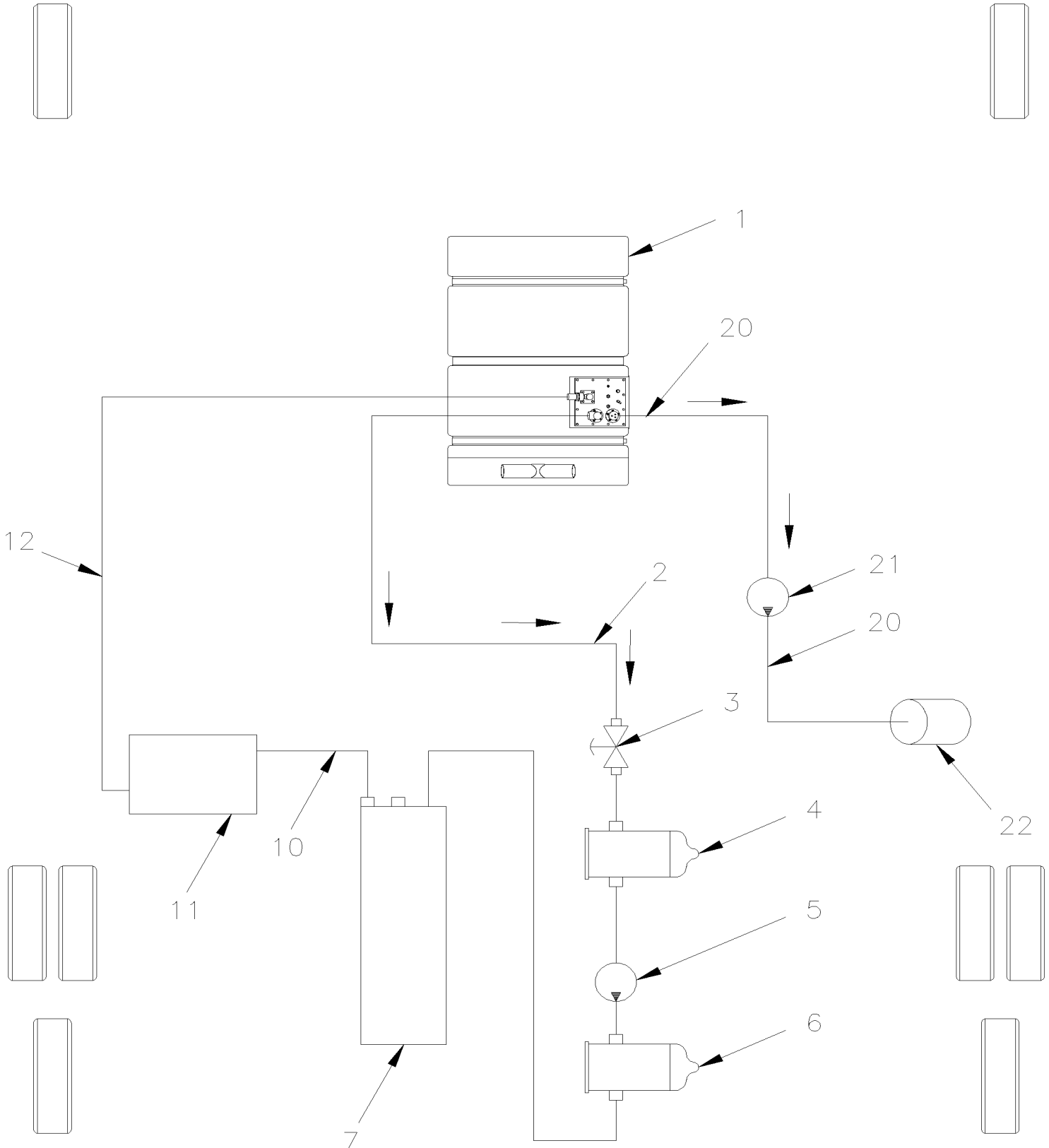
| Item# | Part | Description | X L I I 4 5 | X L I I M T H 4 0 | X L I I M T H 4 5 | X L I I M T H 4 5 E | N O T E S |
|-------|-------------------|---|----------------------------|---|---|--|-----------------------|
| 83 | 502511 | NUT HEX NYRT M6-1.0 Z050 | | 2 | | 2 | |
| 84 | 032183 | HOSE ASSY / #8 5982MM To 3-8164 | | 1 | | 1 | |
| 84 | 032511 | HOSE ASSY / #8 5150MM From 4-8165 To 4-8346 | | 1 | | 1 | |
| 84 | 032554 | HOSE ASSY / #8 5225MM From 5-8346 To 7-8932 | | 1 | | 1 | |
| 84 | 032699 | HOSE ASSY / #8 5764MM From 7-8933 | | 1 | | 1 | |
| 85 | 032184 | HOSE ASSY / TO FUEL TANK / #6 7440MM | | 1 | | 1 | |
| 95 | 505056 | ANTISTATIC STRAP / UNDER STRUCTURE | | 1 | | 1 | |
| 96 | 401877 | DECAL / FUEL CAPACITY 250 U.S. / INST. FILLIN | | 1 | | 1 | |
| 100 | Y2-1875-00 | FUEL TANK FILLING DOOR | | | | | |
| NS | 032509 | KIT, RETROFIT FUEL TANK STRAP From Y-7046 To 3-7990 | | 1 | | 1 | |
| . NS | IS-02059 | . SEE INSTRUCTION SHEET From Y-7046 To 3-7990 | | 1 | | 1 | |
| | | | | | | | |
| | | | | | | | |
| | | | | | | | |
| | | A) FOR PRODUCT IMPROVMENT USE KIT #032509 FOR VEHICULE Up to 3-7990 | | | | | |

From Y-7046 To 8-9339

Date:10/2022

PAGE:Y2-0310-00

FUEL HOSE - INSTALLATION



| | | |
|-----------------------|--------------|-----------------|
| From Y-7046 To 8-9339 | Date:10/2022 | PAGE:Y2-0310-00 |
|-----------------------|--------------|-----------------|

FUEL HOSE - INSTALLATION

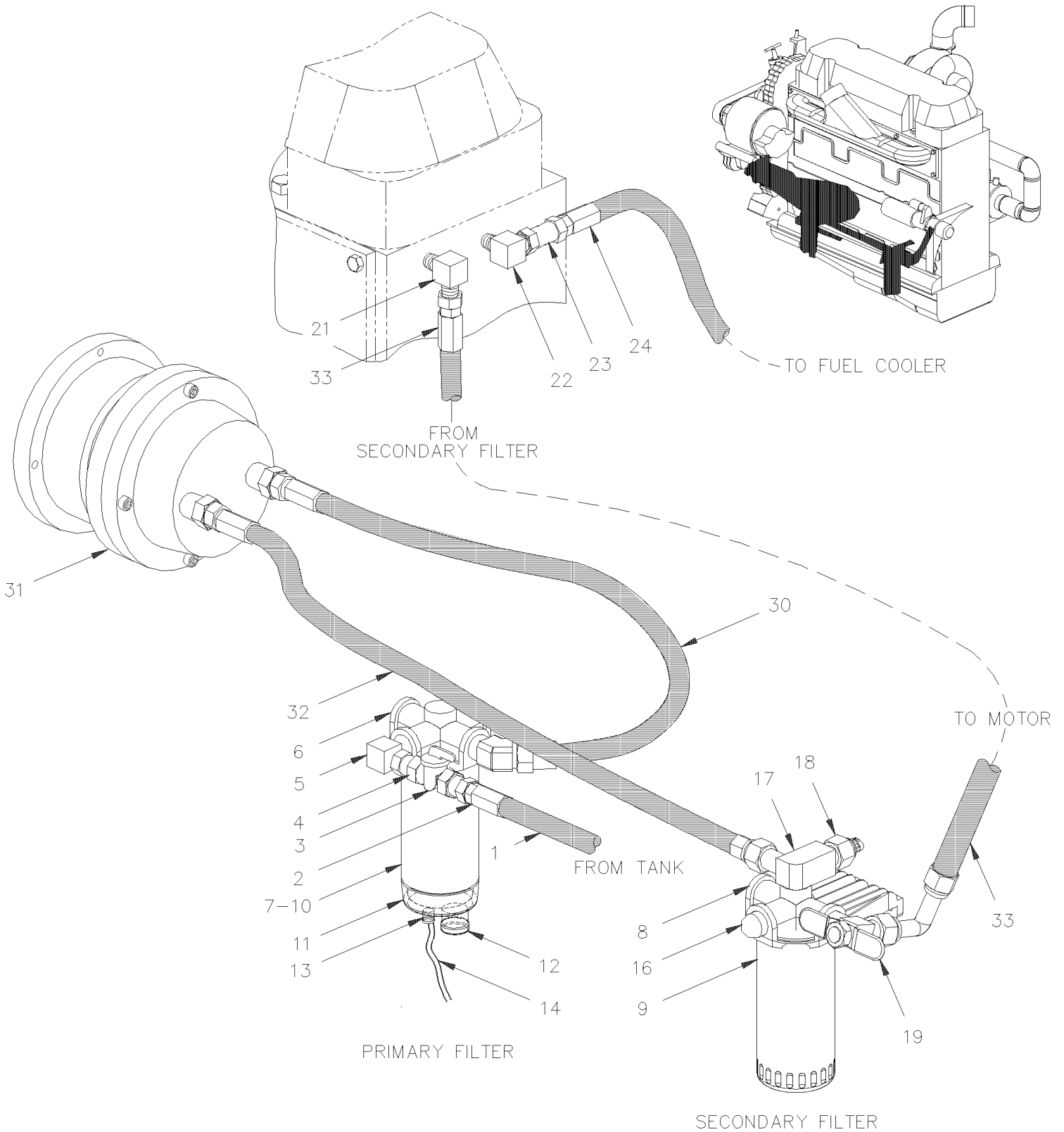
| Item# | Part | Description | X L I I 4 5 | X L I I M T H 4 0 | X L I I M T H 4 5 | X L I I M T H 4 5 E | N O T E S |
|-------|------------|---|----------------------------|---|---|--|-----------------------|
| 1 | Y2-0305-00 | FUEL TANK PLASTIC 208 GALLONS | | | | | |
| 1 | Y2-0305-01 | FUEL TANK PLASTIC 180 & 70 GALLONS | | | | | |
| 2 | 032183 | HOSE ASSY / #8 5982MM | | 1 | | 1 | |
| 2 | 032098 | HOSE ASSY / #8 6632MM | 1 | | 1 | | |
| 3 | 530096 | BALL VALVE 1/2" NPT 1/2 NPT F x 1/2 NPT F | 1 | 1 | 1 | 1 | |
| 4 | 530052 | FILTER ASSY PRIMARY | 1 | 1 | 1 | 1 | |
| 5 | N.S.P. | FUEL PUMP / SUPPLY W/MOTOR | 1 | | | | 2 |
| 6 | 530051 | FILTER ASSY SECONDARY | 1 | 1 | 1 | 1 | |
| | | ENGINE CYLINDER HEAD | | | | | |
| 10 | 032137 | HOSE ASSY / FROM CYLINDER HEAD / #6 2009MM | 1 | | 1 | | |
| 10 | 032185 | HOSE ASSY / FROM CYLINDER HEAD / #6 1910MM | | 1 | | 1 | |
| 11 | Y2-0316-00 | FUEL COOLER - INSTALLATION | | | | | |
| 11 | Y2-0316-01 | FUEL COOLER - INSTALLATION | | | | | |
| 12 | 032097 | HOSE ASSY / #6 7991MM | 1 | | 1 | | |
| 12 | 032184 | HOSE ASSY / TO FUEL TANK / #6 7440MM | | 1 | | 1 | |
| | | ... FOLLOWING PARTS ARE USED WITH | | | | | |
| | | ... WATER HEATER | | | | | |
| 20 | 503411 | HOSE / 2556 / #4 X 50' | AR | | | | |
| NS | 504230 | HOSE CLAMP / 3/8"-7/8" SS / HS-6 | 4 | | | | |
| 21 | 871037 | FILTER, FUEL | 1 | | | | |
| NS | 871038 | SUPPORT, FILTER FUEL | 1 | | | | |
| 22 | 871036 | WATER HEATER - "WEBASTO" 80,000 B.T.U. | | | | | |
| 22 | 871085 | WATER HEATER - "WEBASTO" 45,000 B.T.U. | | | | | |
| 22 | 871097 | WATER HEATER - "ESPAR" 41,000 B.T.U. | | | | | |
| 22 | 871202 | WATER HEATER - "SPHEROS" 100,000 B.T.U. | | | | | |
| 22 | 871100 | WATER HEATER - "PROHEAT" 80,000 B.T.U. | | | | | |
| 22 | 871329 | WATER HEATER - "PROHEAT" 80,000 B.T.U. | | | | | |
| | | 2) NOT SOLD BY PREVOST (SEE MANUFACTURING PART NUMBER AT END OF DESCRIPTION LINE) | | | | | |

From Y-7046 To 8-9339

Date:10/2022

PAGE:Y2-0311-00

FUEL FILTER - PRIMARY & SECONDARY



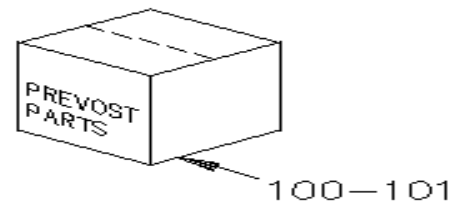
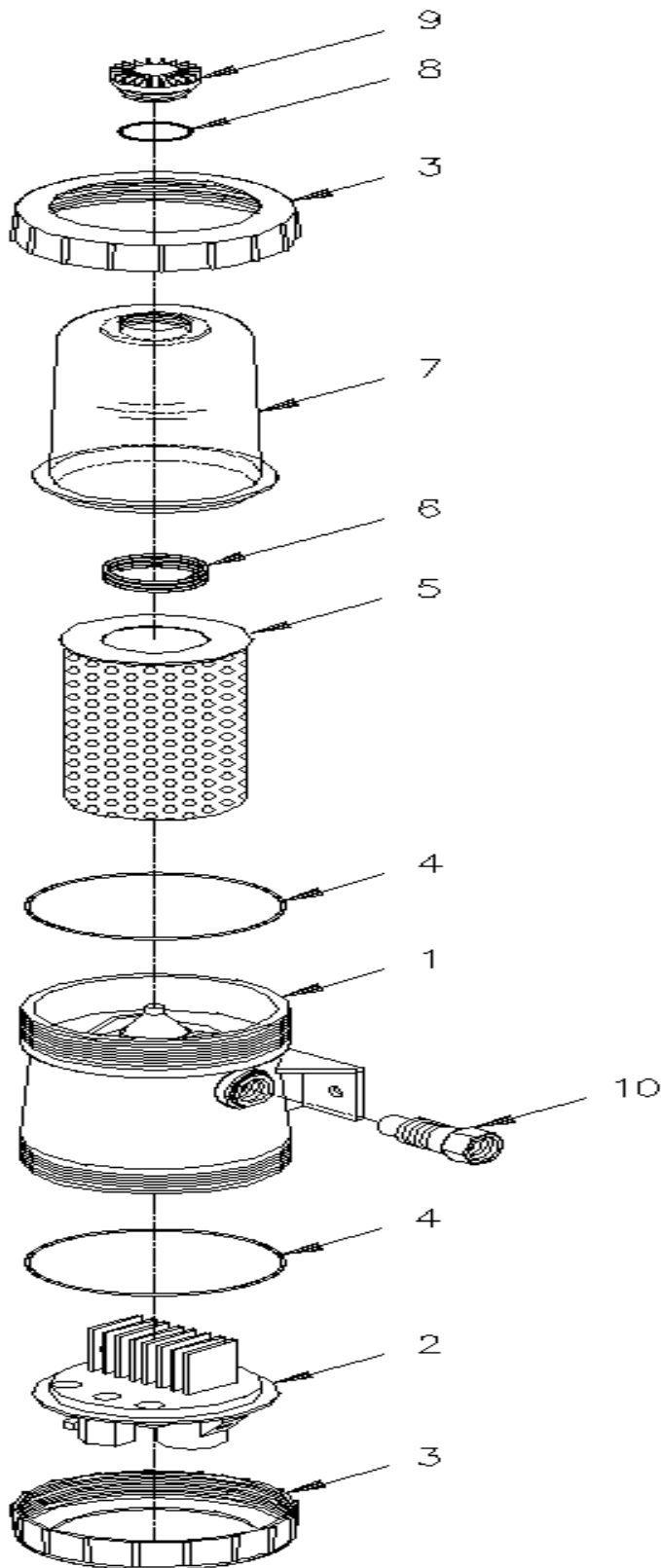
| | | |
|--|--------------|-----------------|
| From Y-7046 To 8-9339 | Date:10/2022 | PAGE:Y2-0311-00 |
| FUEL FILTER - PRIMARY & SECONDARY | | |

| Item# | Part | Description | X L I I 4 5 | X L I I M T H 4 0 | X L I I M T H 4 5 | X L I I M T H 4 5 E | N O T E S |
|-------|---------|--|----------------------------|---|---|--|-----------------------|
| 1 | 032098 | HOSE ASSY / #8 6632MM To 3-8164 | 1 | | 1 | | A |
| 1 | 032499 | HOSE ASSY / #8 6000MM From 4-8165 To 4-8345 | 1 | | 1 | | A |
| 1 | 032579 | HOSE ASSY / #8 6125MM From 5-8346 To 7-8932 | 1 | | 1 | | A |
| 1 | 032652 | HOSE ASSY / #8 6500MM From 7-8933 | | | 1 | | |
| 1 | 032183 | HOSE ASSY / #8 5982MM To 3-8164 | | 1 | | 1 | A |
| 1 | 032511 | HOSE ASSY / #8 5150MM From 4-8165 To 4-8345 | | 1 | | 1 | |
| 1 | 032554 | HOSE ASSY / #8 5225MM From 5-8346 To 7-8932 | | 1 | | 1 | |
| 1 | 032699 | HOSE ASSY / #8 5764MM From 7-8933 | | | | 1 | |
| 2 | 501034 | MALE CONNECTOR / SAE 45° FITTING / #10FL-Mx1/2NPT-M BR To 3-8164 | 1 | 1 | 1 | 1 | |
| 2 | 501612 | MALE ELBOW 90° / SAE 45° FITTING / #8FL-Mx1/2NPT-M BR From 4-8165 | 1 | 1 | 1 | 1 | |
| 3 | 530096 | BALL VALVE 1/2" NPT 1/2 NPT F x 1/2 NPT F | 1 | 1 | 1 | 1 | |
| 4 | 501322 | NIPPLE HEX / PIPE FITTING / 3/8NPT-Mx3/8NPT-Mx1 13/32 BR | 1 | 1 | 1 | 1 | |
| NS | 501534 | BUSHING REDUCER / PIPE FITTING / 1/2NPT-Mx3/8NPT-F BR | 1 | 1 | 1 | 1 | |
| 5 | 501333 | STREET ELBOW 90° / PIPE FITTING / 3/8NPT-Mx3/8NPT-F BR To 3-8164 | 1 | 1 | 1 | 1 | H |
| 5 | 5011260 | FEMALE CONNECTOR SWIVEL / PUSH-LOK FITTING / #8FL-Fx#6 BR From 4-8165 | 1 | 1 | 1 | 1 | H |
| NS | 501305 | PLUG SQUARE HEAD / PIPE FITTING / 3/8NPT-M BR | AR | AR | AR | AR | |
| 6 | 530052 | FILTER ASSY PRIMARY | 1 | 1 | 1 | 1 | |
| NS | 510157 | . COVER / W/PRIMARY FILTER | 1 | 1 | 1 | 1 | |
| 7 | 510137 | . FUEL FILTER, CARTRIDGE / T-915 / PRIMARY | 1 | 1 | 1 | 1 | |
| 8 | 530051 | FILTER ASSY SECONDARY | 1 | 1 | 1 | 1 | |
| 8 | 510344 | . COVER / W/SECONDARY FILTER | 1 | 1 | 1 | 1 | |
| 9 | 510128 | . FUEL FILTER, CARTRIDGE / TP-916 / SECONDARY To 5-8358 | 1 | 1 | 1 | 1 | |
| 9 | 510794 | . FUEL FILTER, CARTRIDGE // SECONDARY From 5-8359 | 1 | 1 | 1 | 1 | |
| 10 | 531390 | CARTRIDGE / W/WATER SEPARATOR FILTER | 1 | 1 | 1 | 1 | C |
| 11 | 531389 | BOWL PLASTIC | 1 | 1 | 1 | 1 | |
| 12 | 531397 | . DRAIN VALVE & SEAL | 1 | 1 | 1 | 1 | |
| NS | 531398 | . O-RING | 1 | 1 | 1 | 1 | |
| 13 | 531391 | . SENSOR / WATER LEVEL | 1 | 1 | 1 | 1 | |
| 14 | 063715 | CABLE ASSY / ENGINE ACC. & WATER SEPARATOR | 1 | 1 | 1 | 1 | |
| NS | 561566 | . CONNECTOR / WEATHER PACK / PH 2C / BLACK / PED 12010973 | 1 | 1 | 1 | 1 | |
| NS | 561565 | . CABLE SEAL / GREEN / PED 15324982 | 2 | 2 | 2 | 2 | |
| NS | 561567 | . PIN TERMINAL / 20-18 / PED 12089040 | 2 | 2 | 2 | 2 | |
| NS | 560483 | CLAMP / 7/8" I.D. | 1 | 1 | 1 | 1 | G |
| 16 | 950249 | SCHRADER VALVE 1/4NPT-M To 3-8031 | 1 | 1 | 1 | 1 | |
| 16 | 504706 | NIPPLE / QUICK DISCONNECT "SAE J1502" / #4x1/4NPT-M STL W/DUST CAP From 3-8032 | 1 | 1 | 1 | 1 | |
| NS | 195533 | . DUST CAP / QUICK DISCONNECT "SAE J1502" / #4 From 3-8032 | 1 | 1 | 1 | 1 | |
| 17 | N.S.P. | ELBOW ADAPTOR FUEL PRESSURE / (23505246-247) To 3-8164 | 1 | 1 | 1 | 1 | 2 |
| 18 | N.S.P. | FUEL TEMP SENSOR / (23518092) To 3-8164 | 1 | 1 | 1 | 1 | 2 |
| 19 | N.S.P. | ELBOW BALL VALVE / (235.....) To 3-8164 | 1 | 1 | 1 | 1 | 2 |
| 21 | N.S.P. | ELBOW / (23513205) To 3-8164 | 1 | 1 | 1 | 1 | 2 |
| 22 | N.S.P. | ELBOW / RESTRICTION / (8929725) | 1 | 1 | 1 | 1 | 2 |
| 23 | 531415 | CHECK VALVE To 3-8164 | 1 | 1 | 1 | 1 | |

| | | |
|--|--------------|-----------------|
| From Y-7046 To 8-9339 | Date:10/2022 | PAGE:Y2-0311-00 |
| FUEL FILTER - PRIMARY & SECONDARY | | |

| Item# | Part | Description | X L I I 4 5 | X L I I M T H 4 0 | X L I I M T H 4 5 | X L I I M T H 4 5 E | N O T E S |
|-------|-------------------|---|----------------------------|---|---|--|-----------------------|
| 23 | 7770472 | CHECK VALVE From 4-8165 | 1 | 1 | 1 | 1 | |
| 24 | Y2-0316-00 | FUEL COOLER - INSTALLATION To 3-8164 | | | | | |
| 24 | Y2-0316-01 | FUEL COOLER - INSTALLATION From 4-8165 | | | | | |
| 30 | N.S.P. | HOSE ASSY / PRIMARY & FUEL PUMP / (23509154) To 3-8164 | 1 | 1 | 1 | 1 | 2 |
| 31 | N.S.P. | FUEL PUMP / SUPPLY W/MOTOR (23517845) To 3-8164 | 1 | 1 | 1 | 1 | 2 |
| 32 | N.S.P. | HOSE ASSY / FUEL PUMP & SECONDARY/ (23505202) To 3-8164 | 1 | 1 | 1 | 1 | 2 |
| 33 | N.S.P. | HOSE ASSY / SECONDARY & ENGINE / (8929841) To 3-8164 | 1 | 1 | 1 | 1 | 2 |
| | | | | | | | |
| | | | | | | | |
| | | A) THOSE HOSES COME FROM BULKHEAD CONNECTOR TO FUEL TANK | | | | | |
| | | C) FOR FILTER CARTRIDGE WATER SPERATOR W/O PROB SENSOR & PLASTIC BOWL USE PART # 531407 | | | | | |
| | | G) FOR CABLE | | | | | |
| | | H) W/PRIMARY | | | | | |
| | | 2) NOT SOLD BY PREVOST (SEE MANUFACTURING PART NUMBER AT END OF DESCRIPTION LINE) | | | | | |

| | | |
|-------------------------|--------------|-----------------|
| From Y-7046 To 8-9339 | Date:10/2022 | PAGE:Y2-0311-15 |
| FUEL FILTER / "PRO 382" | | |



| | | |
|--------------------------------|--------------|-----------------|
| From Y-7046 To 8-9339 | Date:10/2022 | PAGE:Y2-0311-15 |
| FUEL FILTER / "PRO 382" | | |

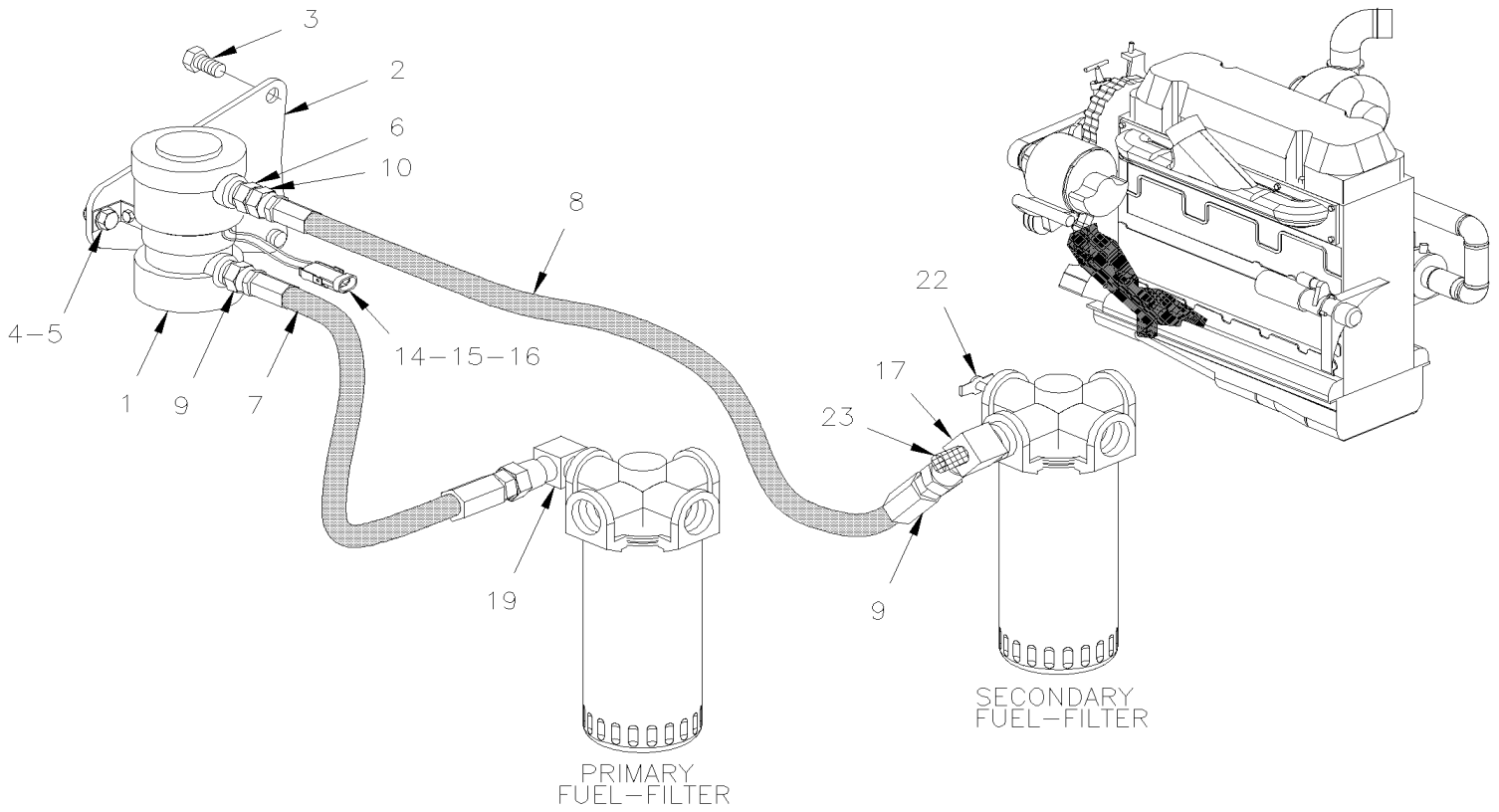
| Item# | Part | Description | X L I I 4 5 | X L I I M T H 4 0 | X L I I M T H 4 5 | X L I I M T H 4 5 E | N O T E S |
|-------|-----------|---|----------------------------|---|---|--|-----------------------|
| | 531448 | FILTER ASSY "FUEL PRO 382" / W/HEATER ELEMENT To 4-8341 | 1 | 1 | 1 | 1 | |
| | 531468 | FILTER ASSY "FUEL PRO 382" / WITHOUT HEATER ELEMENT From 4-8342 | 1 | 1 | 1 | 1 | |
| 1 | N.S.S. | . BODY CASTING | 1 | 1 | 1 | 1 | 1 |
| 2 | N.S.S. | . FLUID HEATER BASE | 1 | 1 | 1 | 1 | 1 |
| 3 | 531441 | . COLLAR, COVER | 2 | 2 | 2 | 2 | |
| 4 | N.S.S. | . SEAL COVER | 2 | 2 | 2 | 2 | 1 |
| 5 | 531437 | . FILTER FUEL ELEMENT / To 5-8358 | 1 | 1 | 1 | 1 | |
| 5 | 510795 | . FILTER FUEL, ELEMENT / W/"PRO FILTER" From 5-8359 | 1 | 1 | 1 | 1 | |
| 6 | 531440 | . SPRING | 1 | 1 | 1 | 1 | |
| 7 | 531438 | . COVER, FILTER ELEMENT | 1 | 1 | 1 | 1 | |
| 8 | N.S.S. | . SEAL CAP VENT | 1 | 1 | 1 | 1 | 1 |
| 9 | 531439 | . CAP VENT | 1 | 1 | 1 | 1 | |
| 10 | N.S.P. | . CHECK VALVE / (23518325) | 1 | 1 | 1 | 1 | 2 |
| NS | 500190 | SCREW CAP HEX 3/8-16x3/4 G5 Z050 | 2 | 2 | 2 | 2 | |
| NS | 5001396 | NUT SPR FL REC 3/8-16 .69x.91 | 2 | 2 | 2 | 2 | |
| NS | 500935 | WASHER FL .390x1.500x.083 | 2 | 2 | 2 | 2 | |
| NS | 500265 | NUT HEX STO 3/8-16 Z050 | 2 | 2 | 2 | 2 | |
| NS | 032478 | REINFORCEMENT "U" SHAPE 381MM From 1-7709 | 2 | | | | B |
| 100 | 531442 | O-RING SET | 1 | 1 | 1 | 1 | A |
| . A | DAV380048 | . ANTI TAMPER SEAL | 1 | 1 | 1 | 1 | A |
| . B | 3946027 | . O-RING | 1 | 1 | 1 | 1 | A |
| 101 | N.S.P. | CHECK VALVE REPAIR KIT / (23518326) | 1 | 1 | 1 | 1 | 2 |
| | | | | | | | |
| | | | | | | | |
| | | A) INCLUDES ITEMS # 4 AND 8 | | | | | |
| | | B) LOCATED IN BATTERIES COMPARTMENT | | | | | |
| | | 1) NOT SOLD SEPARATELY | | | | | |
| | | 2) NOT SOLD BY PREVOST (SEE MANUFACTURING PART NUMBER AT END OF DESCRIPTION LINE) | | | | | |

From Y-7046 To 8-9339

Date:10/2022

PAGE:Y2-0312-00

FUEL PUMP - AUXILIARY



| | | |
|------------------------------|--------------|-----------------|
| From Y-7046 To 8-9339 | Date:10/2022 | PAGE:Y2-0312-00 |
| FUEL PUMP - AUXILIARY | | |

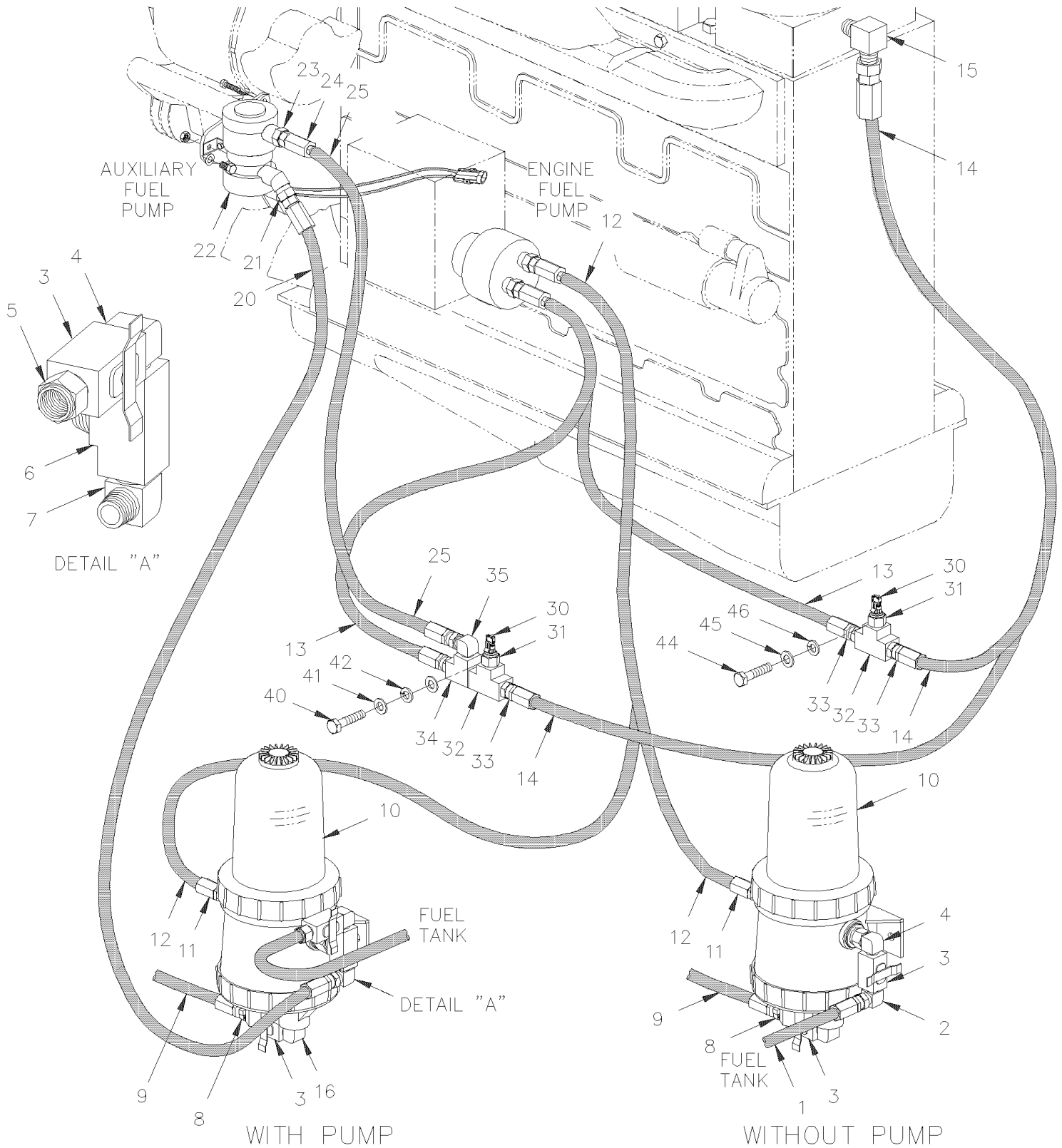
| Item# | Part | Description | X L I I 4 5 | X L I I M T H 4 0 | X L I I M T H 4 5 | X L I I M T H 4 5 E | N O T E S |
|-------|----------|--|----------------------------|---|---|--|-----------------------|
| 1 | 531388 | FUEL PUMP ELECTRICAL | 1 | 1 | 1 | 1 | |
| 2 | 032254 | SUPPORT To 3-8164 | 1 | 1 | 1 | 1 | |
| 3 | 502790 | SCREW CAP HEX M8-1.25x20 G8.8 Z050 To 3-8164 | 2 | 2 | 2 | 2 | |
| 3 | 502651 | SCREW CAP HEX M8-1.25x35 G8.8 Z050 To 3-8164 | 2 | 2 | 2 | 2 | |
| 3 | 502830 | SCREW CAP HEX M6-1.0x20 G8.8 N500 From 4-8165 | 2 | 2 | 2 | 2 | |
| 4 | 500874 | WASHER FL 8.4x17.0x1.6 Z050 To 3-8164 | 4 | 4 | 4 | 4 | |
| 4 | 502889 | WASHER LO SPT 8.1x12.7x2.0 N500 From 4-8165 | 4 | 4 | 4 | 4 | |
| 4 | 500877 | WASHER FL .250x.562x.065 N500 From 4-8165 | 4 | 4 | 4 | 4 | |
| 5 | 500868 | NUT HEX NYRT M8-1.25 Z050 To 3-8164 | 4 | 4 | 4 | 4 | |
| 5 | 500232 | NUT HEX M6-1.0 ZG603 From 4-8165 | 4 | 4 | 4 | 4 | |
| 6 | 501749 | NIPPLE REDUCER HEX / PIPE FITTING / 3/8NPT-Mx1/4NPT-Mx1 13/32 BR To 3-8164 | 1 | 1 | 1 | 1 | |
| 6 | 5011253 | SWIVEL NUT MALE CONNECTOR / JIC 37° FITTING / #6JIC-Fx1/4NPT-M STL From 4-8165 | 1 | 1 | 1 | 1 | |
| 7 | 032266 | HOSE ASSY / #6 267MM To 3-8164 | 1 | 1 | 1 | 1 | |
| 7 | 030971 | HOSE ASSY / #6 220MM From 4-8165 | 1 | 1 | 1 | 1 | |
| 8 | 032002 | HOSE ASSY / #8 320MM To 3-8164 | 1 | 1 | 1 | 1 | |
| 8 | 032021 | HOSE ASSY / #8 212MM To 3-8164 | 1 | 1 | 1 | 1 | |
| 8 | 032267 | HOSE ASSY / #6 756MM To 3-8164 | 1 | 1 | 1 | 1 | |
| 8 | 032275 | HOSE ASSY / #6 756MM To 3-8164 | 1 | 1 | 1 | 1 | |
| 8 | 030972 | HOSE ASSY / #6 255MM From 4-8165 | 1 | 1 | 1 | 1 | |
| 9 | 501687 | MALE CONNECTOR / JIC 37° FITTING / #6JIC-Mx1/4NPT-M STL | 1 | 1 | 1 | 1 | |
| 10 | 531415 | CHECK VALVE | 1 | 1 | 1 | 1 | |
| 14 | 561566 | CONNECTOR / WEATHER PACK / PH 2C / BLACK / PED 12010973 | 1 | 1 | 1 | 1 | |
| 15 | 561568 | PIN TERMINAL / 16-14 / PED 12089305 | 2 | 2 | 2 | 2 | |
| 16 | 561565 | CABLE SEAL / GREEN / PED 15324982 | 2 | 2 | 2 | 2 | |
| 17 | 501338 | MALE RUN TEE / PIPE FITTING / 1/4NPT-Mx1/4NPT-Fx1/4NPT-F BR To 3-8164 | 1 | 1 | 1 | 1 | |
| 17 | 501695 | MALE ELBOW 90° / JIC 37° FITTING / #6JIC-Mx1/4NPT-M STL From 4-8165 | 1 | 1 | 1 | 1 | |
| 19 | 5011066 | MALE ELBOW 90° / JIC 37° FITTING / #6JIC-Mx3/8NPT-M STL | 1 | 1 | 1 | 1 | |
| 22 | 501129 | EXTERNAL SEAL DRAIN 1/4 NPT | 1 | 1 | 1 | 1 | |
| NS | 032258 | KIT INSTALLATION FUEL PUMP TO USE W/FUEL PRO FILTER To 3-8164 | 1 | 1 | 1 | 1 | |
| . NS | IS-97114 | . SEE INSTRUCTION SHEET To 3-8164 | 1 | 1 | 1 | 1 | |
| NS | 032257 | KIT INSTALLATION FUEL PUMP To 3-8164 | 1 | 1 | 1 | 1 | |
| . NS | IS-97114 | . SEE INSTRUCTION SHEET To 3-8164 | | | | | |
| NS | 064825 | KIT INSTALLATION PRIMER PUMP SWITCH To 3-8164 | 1 | 1 | 1 | 1 | |
| . NS | IS-97114 | . SEE INSTRUCTION SHEET To 3-8164 | 1 | 1 | 1 | 1 | |
| 23 | 504706 | NIPPLE / QUICK DISCONNECT "SAE J1502" / #4x1/4NPT-M STL W/DUST CAP From 3-8032 | 1 | 1 | 1 | 1 | |
| . NS | 195533 | . DUST CAP / QUICK DISCONNECT "SAE J1502" / #4 From 3-8032 | 1 | 1 | 1 | 1 | |
| 23 | 950249 | SCHRADER VALVE 1/4NPT-M To 3-8031 | 1 | 1 | 1 | 1 | |
| 24 | 032833 | KIT, RETROFIT AUX FUEL PUMP | 1 | 1 | 1 | 1 | |
| . NS | IS-08003 | . SEE INSTRUCTION SHEET | 1 | 1 | 1 | 1 | |
| | | | | | | | |
| | | | | | | | |
| | | | | | | | |

From Y-7046 To 3-8164

Date:10/2022

PAGE:Y2-0312-10

FUEL PRO - INSTALLATION



| | | |
|--------------------------------|--------------|-----------------|
| From Y-7046 To 3-8164 | Date:10/2022 | PAGE:Y2-0312-10 |
| FUEL PRO - INSTALLATION | | |

| Item# | Part | Description | X L I I 4 5 | X L I I M T H 4 0 | X L I I M T H 4 5 | X L I I M T H 4 5 E | N O T E S |
|-------|-------------------|--|----------------------------|---|---|--|-----------------------|
| 1 | 032144 | HOSE ASSY / #8 6402MM | 1 | 1 | 1 | 1 | |
| 2 | 5011061 | MALE ELBOW 90° / JIC 37° FITTING / #8JIC-Mx1/2NPT-M STL To 1-7721 | 1 | 1 | 1 | 1 | |
| 2 | 501719 | MALE ELBOW 90° / JIC 37° FITTING / #8JIC-Mx1/2NPT-M BR From 1-7722 | 1 | 1 | 1 | 1 | |
| 3 | 530096 | BALL VALVE 1/2" NPT 1/2 NPT F x 1/2 NPT F | 1 | 1 | 1 | 1 | |
| 4 | 501908 | MALE ELBOW 90° / PIPE FITTING / 1/2NPT-Mx1/2NPT-M STL To 1-7721 | 1 | 1 | 1 | 1 | |
| 4 | 501713 | MALE ELBOW 90° / PIPE FITTING / 1/2NPT-Mx1/2NPT-M BR From 1-7722 | 1 | 1 | 1 | 1 | |
| 5 | 501616 | MALE CONNECTOR / SAE 45° FITTING / #8FL-Mx1/2NPT-M BR | 1 | 1 | 1 | 1 | |
| 6 | 507556 | MALE BRANCHE TEE / PIPE FITTING / 1/2NPT-Fx1/2NPT-Fx1/2NPT-M BR | 1 | 1 | 1 | 1 | |
| 7 | 5011056 | MALE ELBOW 90° / JIC 37° FITTING / #6JIC-Mx1/2NPT-M STL To 1-7721 | 1 | 1 | 1 | 1 | |
| 7 | 501716 | MALE ELBOW 90° / JIC 37° FITTING / #6JIC-Mx1/2NPT-M BR From 1-7722 | 1 | 1 | 1 | 1 | |
| 8 | 507557 | STREET ELBOW 90° / PIPE FITTING / 1/2NPT-Mx1/2NPT-F BR | 1 | 1 | 1 | 1 | |
| 9 | 032133 | HOSE ASSY / #6 740MM | 1 | 1 | 1 | 1 | |
| 9 | 507557 | . STREET ELBOW 90° / PIPE FITTING / 1/2NPT-Mx1/2NPT-F BR | 1 | 1 | 1 | 1 | |
| 10 | Y2-0311-15 | FUEL FILTER / "PRO 382" | 1 | 1 | 1 | 1 | |
| 11 | 501739 | MALE CONNECTOR / JIC 37° FITTING / #8JIC-Mx1/2NPT-M STL | 1 | 1 | 1 | 1 | |
| 12 | 160381 | HOSE ASSY / #8 737MM | | 1 | | 1 | |
| 12 | 032270 | HOSE ASSY / #8 1100MM | 1 | | 1 | | |
| 13 | N.S.P. | HOSE ASSY / FUEL PUMP & JUCTION / (23505202) | 1 | 1 | 1 | 1 | 2 |
| 14 | N.S.P. | HOSE ASSY / JUNCTION & ENGINE / (8929841) | 1 | 1 | 1 | 1 | 2 |
| 15 | N.S.P. | ELBOW 90° / (23513205) | 1 | 1 | 1 | 1 | 2 |
| 16 | 501618 | MALE CONNECTOR / SAE 45° FITTING / #6FL-Mx1/2NPT-M BR | 1 | 1 | 1 | 1 | |
| 20 | 032276 | HOSE ASSY / #6 1220MM | 1 | 1 | 1 | 1 | |
| 21 | 501687 | MALE CONNECTOR / JIC 37° FITTING / #6JIC-Mx1/4NPT-M STL | 1 | 1 | 1 | 1 | |
| 22 | Y2-0312-00 | FUEL PUMP - AUXILIARY | 1 | 1 | 1 | 1 | |
| 23 | 501749 | NIPPLE REDUCER HEX / PIPE FITTING / 3/8NPT-Mx1/4NPT-Mx1 13/32 BR | 1 | 1 | 1 | 1 | |
| 24 | 531415 | CHECK VALVE | 1 | 1 | 1 | 1 | |
| 25 | 032275 | HOSE ASSY / #6 756MM | 1 | 1 | 1 | 1 | |
| 30 | N.S.P. | FUEL TEMP SENSOR / (23518092) | 1 | 1 | 1 | 1 | 2 |
| 31 | 501314 | BUSHING REDUCER / PIPE FITTING / 3/8NPT-Mx1/4NPT-F BR | 1 | 1 | 1 | 1 | |
| 32 | 501527 | FEMALE UNION TEE / PIPE FITTING / 3/8NPT-Fx3/8NPT-Fx3/8NPT-F BR | 1 | 1 | 1 | 1 | |
| 33 | 501617 | MALE CONNECTOR / SAE 45° FITTING / #6FL-Mx3/8NPT-M BR | 1 | 1 | 1 | 1 | |
| 34 | 501699 | MALE RUN TEE / PIPE FITTING / 3/8NPT-Mx3/8NPT-Fx3/8NPT-F BR | 1 | 1 | 1 | 1 | |
| 35 | 5011066 | MALE ELBOW 90° / JIC 37° FITTING / #6JIC-Mx3/8NPT-M STL | 1 | 1 | 1 | 1 | |
| 40 | 502559 | SCREW CAP HEX M10-1.5x25 G8.8 Z050 | 1 | 1 | 1 | 1 | |
| 41 | 500257 | WASHER LO SPT 10.2x18.1x2.2 Z050 | 1 | 1 | 1 | 1 | |
| 42 | 500935 | WASHER FL .390x1.500x.083 | 1 | 1 | 1 | 1 | |
| NS | 070368 | SUPPORT | 1 | 1 | 1 | 1 | |
| NS | 560481 | CLAMP / 5/8" I.D. | 1 | 1 | 1 | 1 | |
| NS | 500774 | NUT WING 1/4-20 ZP | 1 | 1 | 1 | 1 | |
| NS | 500786 | NUT HEX #10-24 Z050 | 1 | 1 | 1 | 1 | |
| NS | 500470 | WASHER LO SPT .193x.334x.047 Z050 | 1 | 1 | 1 | 1 | |
| 44 | 500072 | SCREW CAP HEX M10-1.5x45 G10.9 Z050 | 1 | 1 | 1 | 1 | |

| | | |
|--------------------------------|--------------|-----------------|
| From Y-7046 To 3-8164 | Date:10/2022 | PAGE:Y2-0312-10 |
| FUEL PRO - INSTALLATION | | |

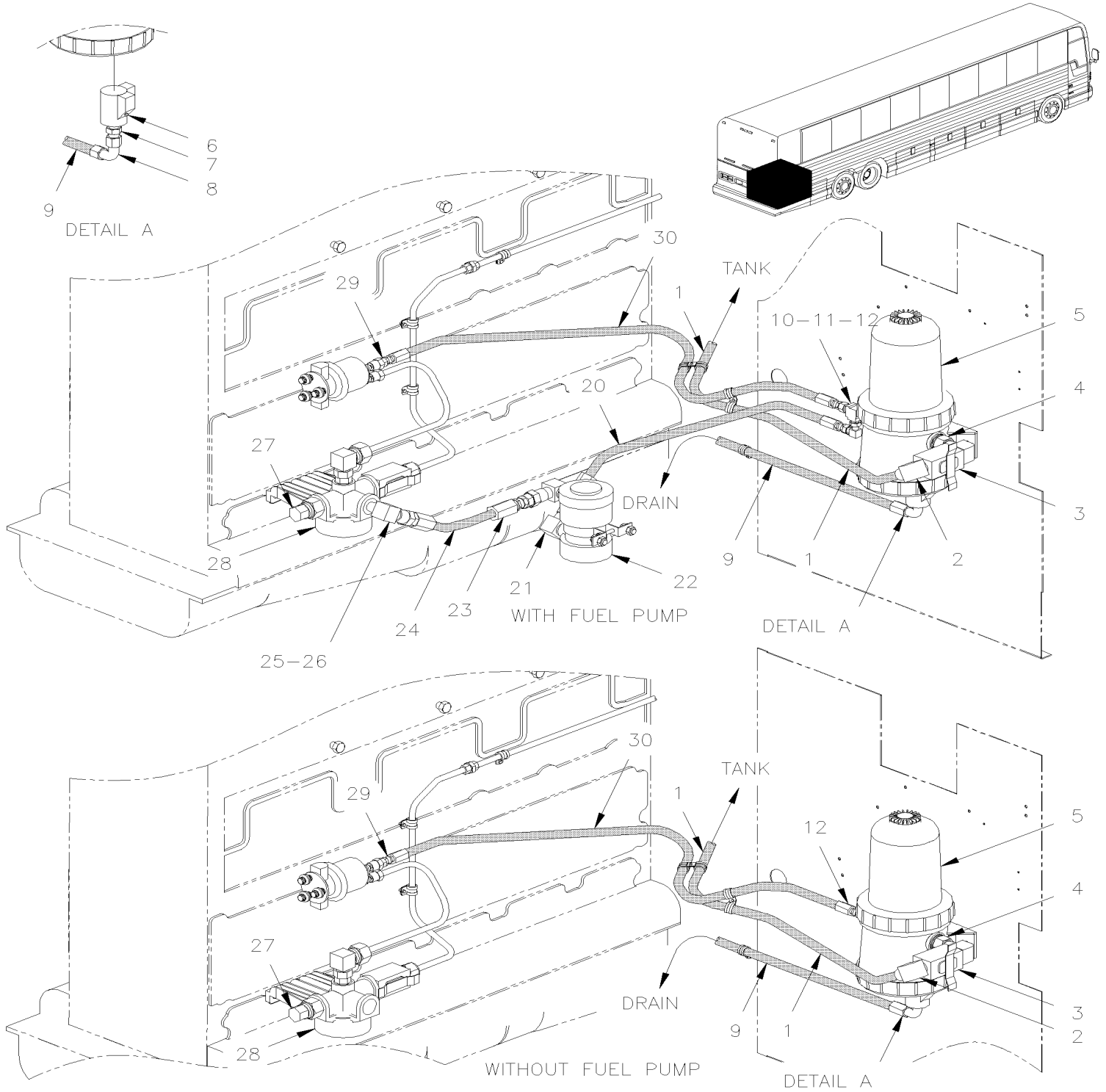
| Item# | Part | Description | X L I I 4 5 | X L I I M T H 4 0 | X L I I M T H 4 5 | X L I I M T H 4 5 E | N O T E S |
|-------|----------|---|----------------------------|---|---|--|-----------------------|
| 45 | 500257 | WASHER LO SPT 10.2x18.1x2.2 Z050 | 1 | 1 | 1 | 1 | |
| 46 | 500935 | WASHER FL .390x1.500x.083 | 1 | 1 | 1 | 1 | |
| NS | 500446 | WASHER FL .531x1.250x.125 Z050 | 1 | 1 | 1 | 1 | |
| NS | 032258 | KIT INSTALLATION FUEL PUMP TO USE W/FUEL PRO FILTER | 1 | 1 | 1 | 1 | |
| . NS | IS-97114 | . SEE INSTRUCTION SHEET | 1 | 1 | 1 | 1 | |
| NS | 064825 | KIT INSTALLATION PRIMER PUMP SWITCH | 1 | 1 | 1 | 1 | |
| . NS | IS-97114 | . SEE INSTRUCTION SHEET | 1 | 1 | 1 | 1 | |
| | | | | | | | |
| | | | | | | | |
| | | 2) NOT SOLD BY PREVOST (SEE MANUFACTURING PART NUMBER AT END OF DESCRIPTION LINE) | | | | | |

From 4-8165 To 8-9339

Date:10/2022

PAGE:Y2-0312-11

FUEL PRO - INSTALLATION



| | | |
|--------------------------------|--------------|-----------------|
| From 4-8165 To 8-9339 | Date:10/2022 | PAGE:Y2-0312-11 |
| FUEL PRO - INSTALLATION | | |

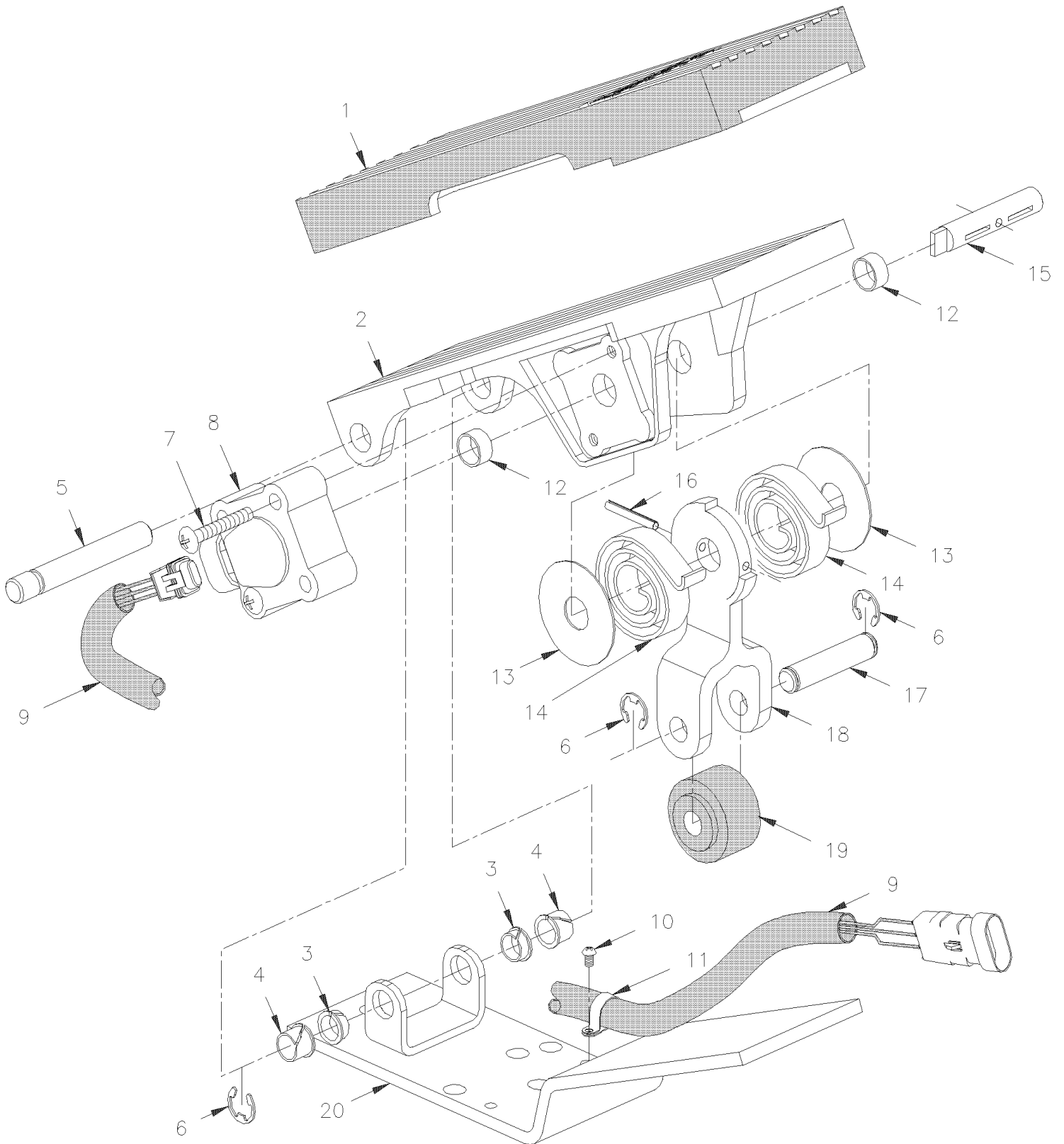
| Item# | Part | Description | X L I I 4 5 | X L I I M T H 4 0 | X L I I M T H 4 5 | X L I I M T H 4 5 E | N O T E S |
|-------|-------------------|--|----------------------------|---|---|--|-----------------------|
| 1 | 032183 | HOSE ASSY / #8 5982MM | | 1 | | 1 | |
| 1 | 032098 | HOSE ASSY / #8 6632MM | 1 | | 1 | | |
| 2 | 501612 | MALE ELBOW 90° / SAE 45° FITTING / #8FL-Mx1/2NPT-M BR | 1 | 1 | 1 | 1 | |
| 3 | 530096 | BALL VALVE 1/2" NPT 1/2 NPT F x 1/2 NPT F | 1 | 1 | 1 | 1 | |
| 4 | 501713 | MALE ELBOW 90° / PIPE FITTING / 1/2NPT-Mx1/2NPT-M BR | 1 | 1 | 1 | 1 | |
| 5 | Y2-0311-15 | FUEL FILTER / "PRO 382" | | | | | |
| 6 | 501305 | PLUG SQUARE HEAD / PIPE FITTING / 3/8NPT-M BR | 2 | 2 | 2 | 2 | |
| 7 | 507557 | STREET ELBOW 90° / PIPE FITTING / 1/2NPT-Mx1/2NPT-F BR | 1 | 1 | 1 | 1 | |
| 8 | 501618 | MALE CONNECTOR / SAE 45° FITTING / #6FL-Mx1/2NPT-M BR | 1 | 1 | 1 | 1 | |
| 9 | 032133 | HOSE ASSY / #6 740MM | 1 | 1 | 1 | 1 | |
| 10 | 501473 | MALE RUN TEE / PIPE FITTING / 1/2NPT-Mx1/2NPT-Fx1/2NPT-F BR | 1 | 1 | 1 | 1 | A |
| 11 | 501716 | MALE ELBOW 90° / JIC 37° FITTING / #6JIC-Mx1/2NPT-M BR | 1 | 1 | 1 | 1 | A |
| 12 | 501739 | MALE CONNECTOR / JIC 37° FITTING / #8JIC-Mx1/2NPT-M STL | 1 | 1 | 1 | 1 | |
| 20 | 032520 | HOSE ASSY / #6 730MM | 1 | | | | |
| 20 | 032536 | HOSE ASSY / #6 480MM | | 1 | 1 | 1 | |
| 21 | 501695 | MALE ELBOW 90° / JIC 37° FITTING / #6JIC-Mx1/4NPT-M STL | 1 | 1 | 1 | 1 | |
| 22 | Y2-0312-00 | FUEL PUMP - AUXILIARY | | | | | |
| 23 | 531415 | CHECK VALVE | 1 | 1 | 1 | 1 | |
| 24 | 030972 | HOSE ASSY / #6 255MM | 1 | 1 | 1 | 1 | |
| 25 | 501687 | MALE CONNECTOR / JIC 37° FITTING / #6JIC-Mx1/4NPT-M STL | 1 | 1 | 1 | 1 | |
| 26 | 501338 | MALE RUN TEE / PIPE FITTING / 1/4NPT-Mx1/4NPT-Fx1/4NPT-F BR | 1 | 1 | 1 | 1 | |
| 27 | 504706 | NIPPLE / QUICK DISCONNECT "SAE J1502" / #4x1/4NPT-M STL W/DUST CAP | 1 | 1 | 1 | 1 | |
| NS | 195533 | . DUST CAP / QUICK DISCONNECT "SAE J1502" / #4 | 1 | 1 | 1 | 1 | |
| 28 | 531465 | COVER "BY-PASS" / SECONDARY FILTER | 1 | 1 | 1 | 1 | |
| 29 | 5011247 | MALE CONNECTOR / JIC 37° FITTING / #8JIC-MxM16-1.5 ORB-M STL | 1 | 1 | 1 | 1 | |
| 30 | 032270 | HOSE ASSY / #8 1100MM | 1 | | | | |
| 30 | 032535 | HOSE ASSY / #8 680MM | | 1 | 1 | 1 | |
| | | | | | | | |
| | | | | | | | |
| | | | | | | | |
| | | | | | | | |
| | | A) WITH FUEL PUMP ONLY | | | | | |

From Y-7046 To 8-9339

Date:10/2022

PAGE:Y2-0315-10

ACCELERATOR PEDAL - ELECTRONIC



| | | |
|---------------------------------------|--------------|-----------------|
| From Y-7046 To 8-9339 | Date:10/2022 | PAGE:Y2-0315-10 |
| ACCELERATOR PEDAL - ELECTRONIC | | |

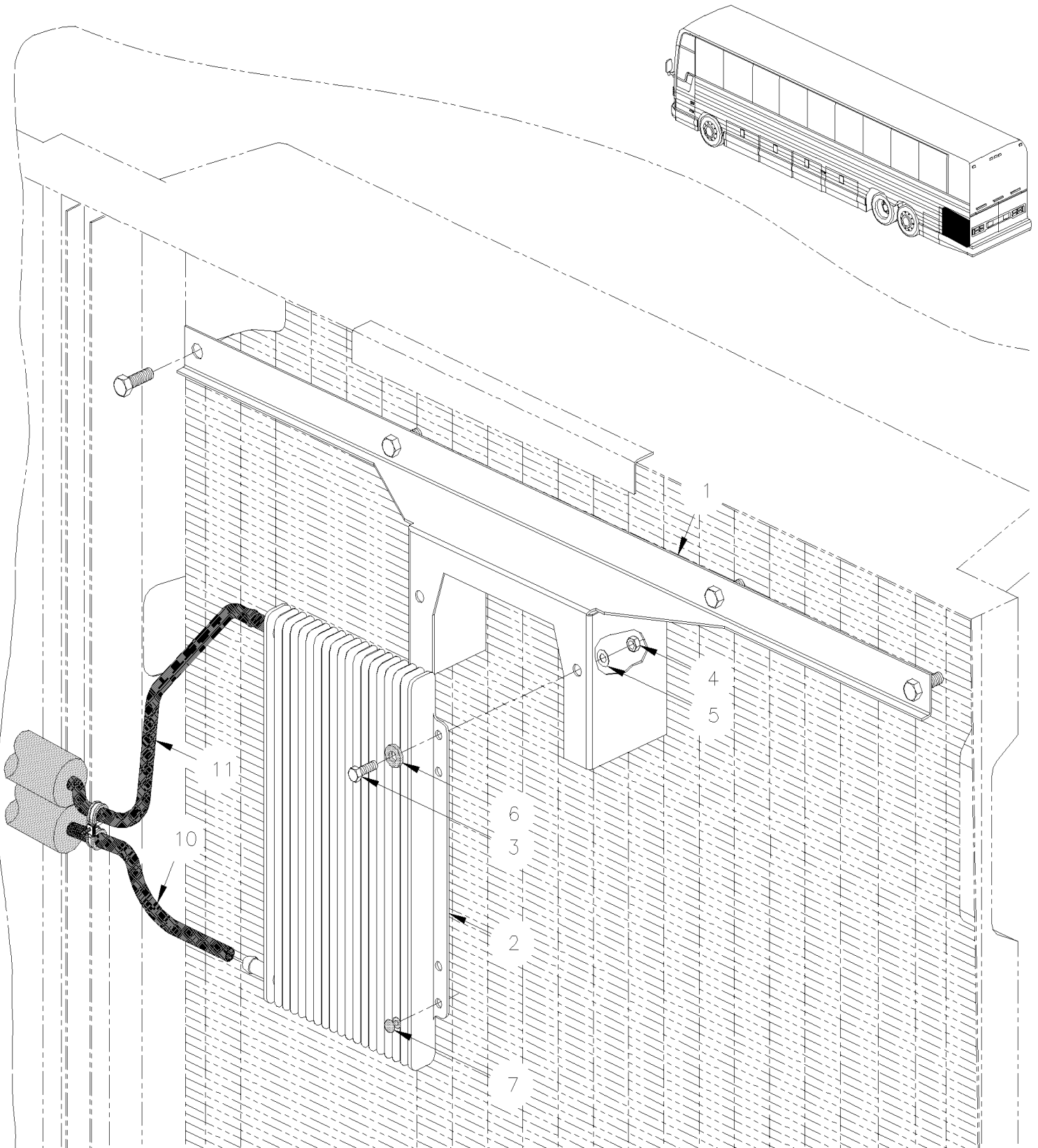
| Item# | Part | Description | X L I I 4 5 | X L I I M T H 4 0 | X L I I M T H 4 5 | X L I I M T H 4 5 E | N O T E S |
|-------|----------|--|----------------------------|---|---|--|-----------------------|
| | 531455 | ACCELERATOR PEDAL ASSY | 1 | 1 | 1 | 1 | |
| 1 | 531401 | . THREADLE COVER | 1 | 1 | 1 | 1 | |
| 2 | N.S.S. | . THREADLE | 1 | 1 | 1 | 1 | 1 |
| 3 | N.S.S. | . BUSHING, INNER | 2 | 2 | | | 1 |
| 3 | N.S.S. | . BUSHING, INNER | | | 1 | 1 | 1 |
| 4 | 507260 | . BUSHING NYLINER W/SHOULDER .375x.437x.375x.594 | 2 | 2 | 2 | 2 | |
| 5 | N.S.S. | . PIN, THREADLE | 1 | 1 | 1 | 1 | 1 |
| 6 | N.S.S. | . RING, SNAP 5/16" I.D. | 3 | 3 | 3 | 3 | 1 |
| 7 | 500427 | . SCREW MA RND PH #10-32x1 1/4 ZP | 2 | 2 | 2 | 2 | |
| 8 | 531402 | . POTENTIOMETER PEDAL SENSOR 0-5V | 1 | 1 | 1 | 1 | |
| 9 | N8887087 | . WIRE HARNESS | 1 | 1 | 1 | 1 | |
| 10 | 500883 | . . SCREW TC PAN PH #8-32x3/8 Z050 | 2 | 2 | 2 | 2 | |
| 11 | N.S.S. | . . CLIP | 2 | 2 | 2 | 2 | 1 |
| 12 | N.S.S. | . BUSHING, GARLOCK | 2 | 2 | 2 | 2 | 1 |
| 13 | N.S.S. | . THRUST, WASHER-OUTER | 2 | 2 | 2 | 2 | 1 |
| 13 | N.S.S. | . THRUST, WASHER-INNER | 2 | 2 | 2 | 2 | 1 |
| 14 | N.S.S. | . SPRING | 2 | 2 | 2 | 2 | 1 |
| 15 | N.S.S. | . SHAFT SENSOR DRIVE | 1 | 1 | 1 | 1 | 1 |
| 16 | 505208 | . SPRING, PIN 1/8 X 7/8 | 1 | 1 | 1 | 1 | |
| 17 | N.S.S. | . ROLLER, PIN | 1 | 1 | 1 | 1 | 1 |
| 18 | N.S.S. | . LEVER, THREADLE | 1 | 1 | 1 | 1 | 1 |
| 19 | N.S.S. | . ROLLER | 1 | 1 | 1 | 1 | 1 |
| 20 | 531462 | . BASE PLATE / (includes item #5) | 1 | 1 | 1 | 1 | |
| NS | 531393 | KIT REPAIR / LOWER THREADLE PIN | 1 | 1 | 1 | 1 | A |
| NS | 531394 | KIT REPAIR / ROLLER | 1 | 1 | 1 | 1 | B |
| | | | | | | | |
| | | A) INCLUDES ITEMS #3-4-5-6 | | | | | |
| | | B) INCLUDES ITEMS 6, 18, 19 | | | | | |
| | | 1) NOT SOLD SEPARATELY | | | | | |

From Y-7046 To 3-8164

Date:10/2022

PAGE:Y2-0316-00

FUEL COOLER - INSTALLATION

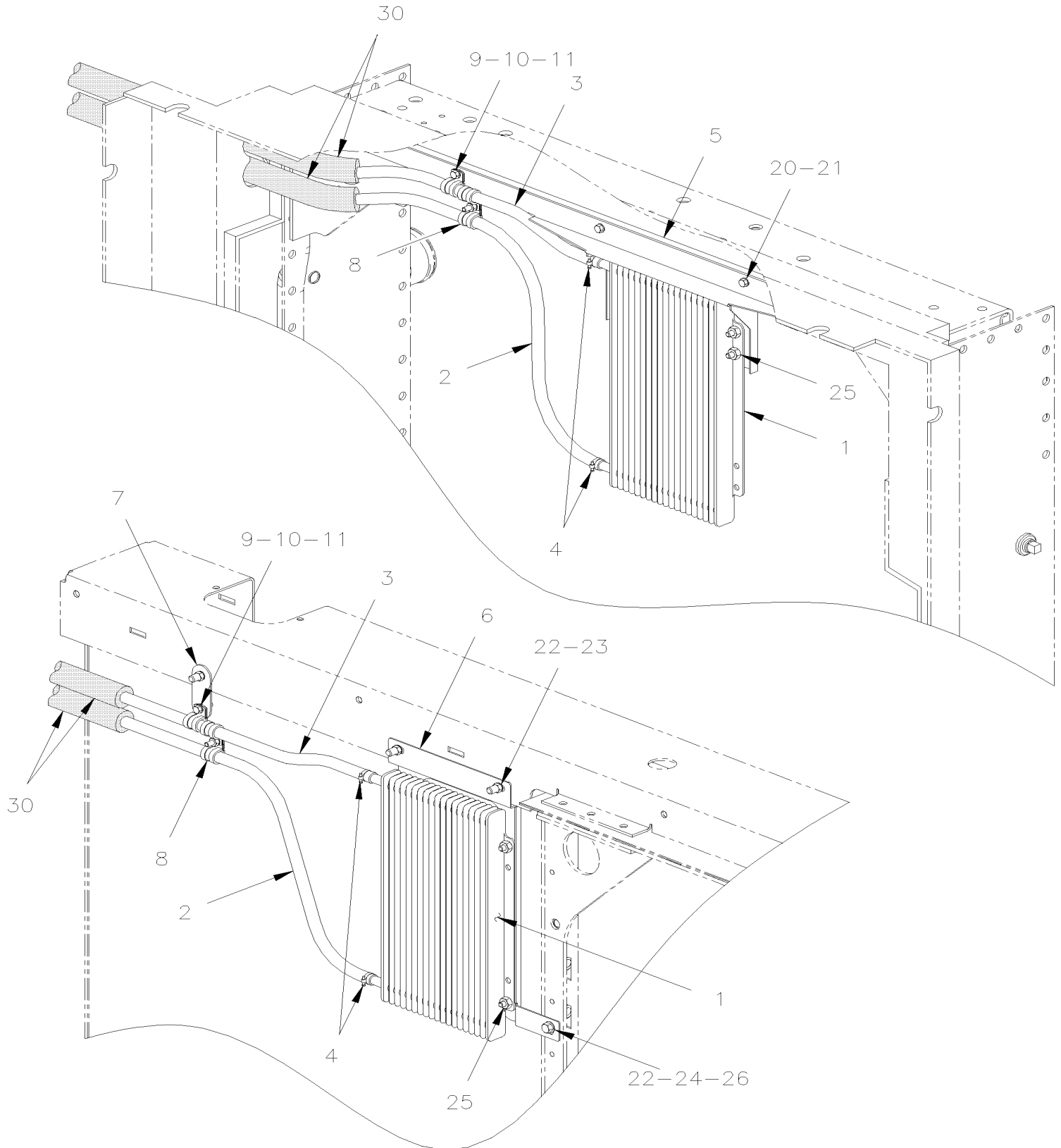


From 4-8165 To 8-9339

Date:10/2022

PAGE:Y2-0316-01

FUEL COOLER - INSTALLATION



| | | |
|-----------------------------------|--------------|-----------------|
| From 4-8165 To 8-9339 | Date:10/2022 | PAGE:Y2-0316-01 |
| FUEL COOLER - INSTALLATION | | |

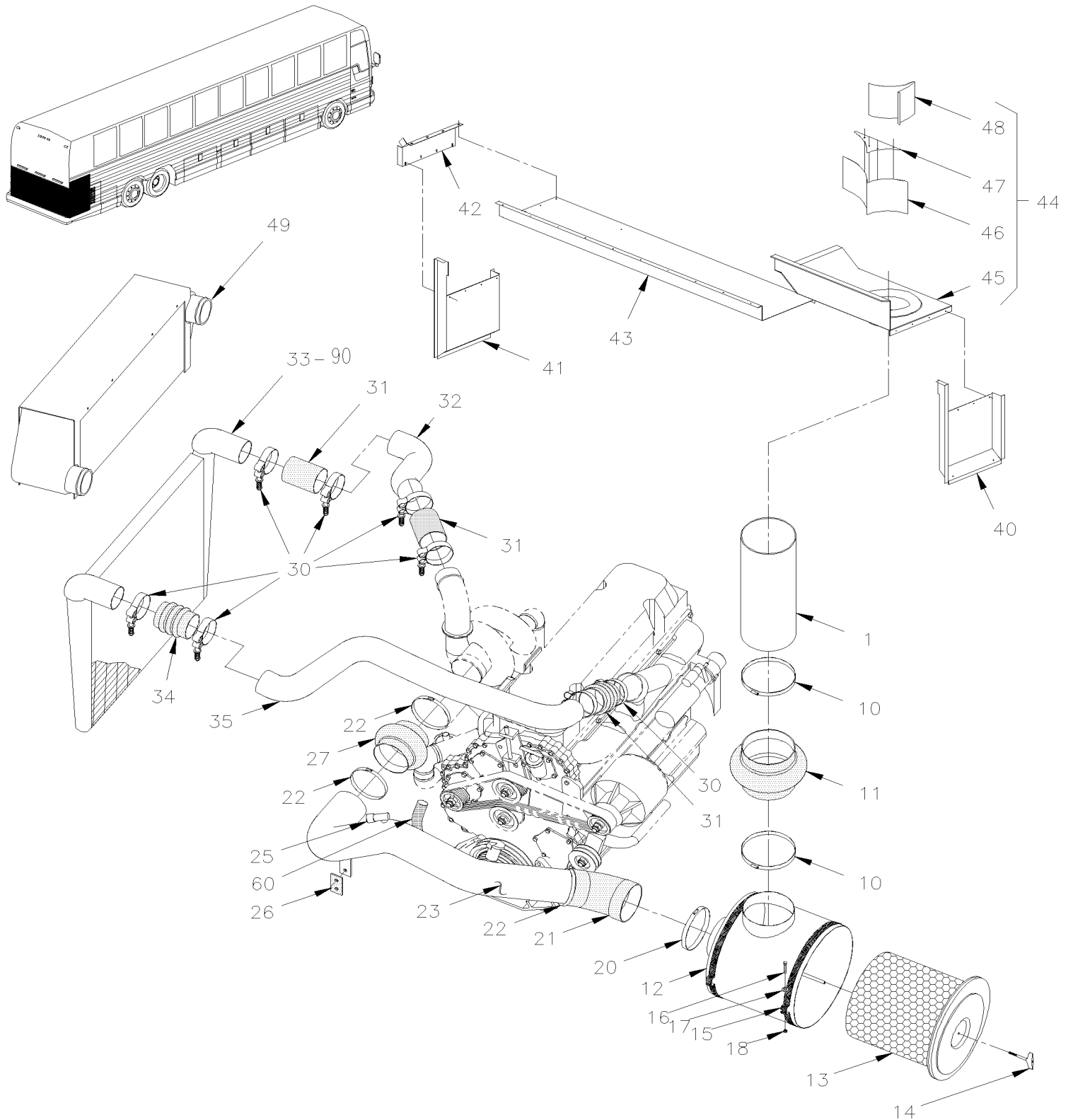
| Item# | Part | Description | X L I I 4 5 | X L I I M T H 4 0 | X L I I M T H 4 5 | X L I I M T H 4 5 E | N O T E S |
|-------|---------|---|----------------------------|---|---|--|-----------------------|
| 1 | 531422 | FUEL COOLER | 1 | 1 | 1 | 1 | |
| 2 | 032531 | HOSE ASSY / FROM CYLINDER HEAD / #6 2060MM To 5-8358 | | 1 | | 1 | |
| 2 | 032565 | HOSE ASSY / FROM CYLINDER HEAD / #6 2650MM From 5-8359 | | 1 | | 1 | |
| 2 | 032530 | HOSE ASSY / FROM CYLINDER HEAD / #6 2650MM To 5-8358 | | | 1 | | |
| 2 | 032498 | HOSE ASSY / FROM CYLINDER HEAD / #6 2060MM From 5-8359 | | | 1 | | |
| 2 | 032097 | HOSE ASSY / #6 7991MM | 1 | | | | |
| NS | 5011260 | FEMALE CONNECTOR SWIVEL / PUSH-LOK FITTING / #8FL-Fx#6 BR From 5-8359 | 1 | 1 | 1 | 1 | |
| 3 | 032183 | HOSE ASSY / #8 5982MM | | 1 | | 1 | |
| 3 | 032500 | HOSE ASSY / TO FUEL TANK / #6 7440MM | | | 1 | | |
| 3 | 032530 | HOSE ASSY / FROM CYLINDER HEAD / #6 2650MM To 5-8358 | 1 | | | | |
| 3 | 032498 | HOSE ASSY / FROM CYLINDER HEAD / #6 2060MM From 5-8359 | 1 | | | | |
| 3 | 032184 | HOSE ASSY / TO FUEL TANK / #6 7440MM From 5-8359 | | 1 | | 1 | |
| 4 | 504230 | HOSE CLAMP / 3/8"-7/8" SS / HS-6 | AR | AR | AR | AR | |
| 5 | 032477 | SUPPORT FUEL COOLER | 1 | 1 | | 1 | |
| 6 | 032502 | SUPPORT FUEL COOLER | | | 1 | | |
| 7 | 031701 | SUPPORT HOSE FUEL | | | 1 | | |
| 8 | 952629 | CLAMP / 5/8" I.D. | AR | AR | AR | AR | |
| 9 | 500574 | SCREW MA TR PH #10-24x1 1/4 SS | AR | AR | | AR | |
| 10 | 500914 | WASHER LO SPT .193x.334x.047 N500 | AR | AR | | AR | |
| 11 | 502882 | NUT HEX #10-24 N500 | 1 | 1 | | 1 | |
| 20 | 502830 | SCREW CAP HEX M6-1.0x20 G8.8 N500 | 5 | 5 | | 5 | |
| 21 | 502853 | WASHER LO SPT 6.1x11.8x1.6 N500 | 1 | 1 | | 1 | |
| 22 | 192288 | WASHER FL 8.4x18.0x2.0 ZG603 | | | 3 | | |
| 23 | 502902 | NUT HEXF NYRT 5/16-18 N500 | | | 3 | | |
| 24 | 500942 | WASHER LO SPT 8.1x14.8x2.0 N500 | | | 1 | | |
| 25 | 500836 | SCREW CAP HEX 5/16-18x3/4 G5 N500 | | | 1 | | |
| 26 | 502681 | NUT HEX NYRT M6-1.0 N500 G8 | | | 3 | | |
| 30 | 506216 | PIPE INSULATING / 5/8" I.D. X 1/2" TH. X 72 / APT05812 | | | AR | | |
| | | | | | | | |
| | | | | | | | |
| | | | | | | | |

From Y-7046 To 8-9339

Date:10/2022

PAGE:Y2-0330-00

AIR FILTER & INTAKE - INSTALLATION WITH DETROIT S-60

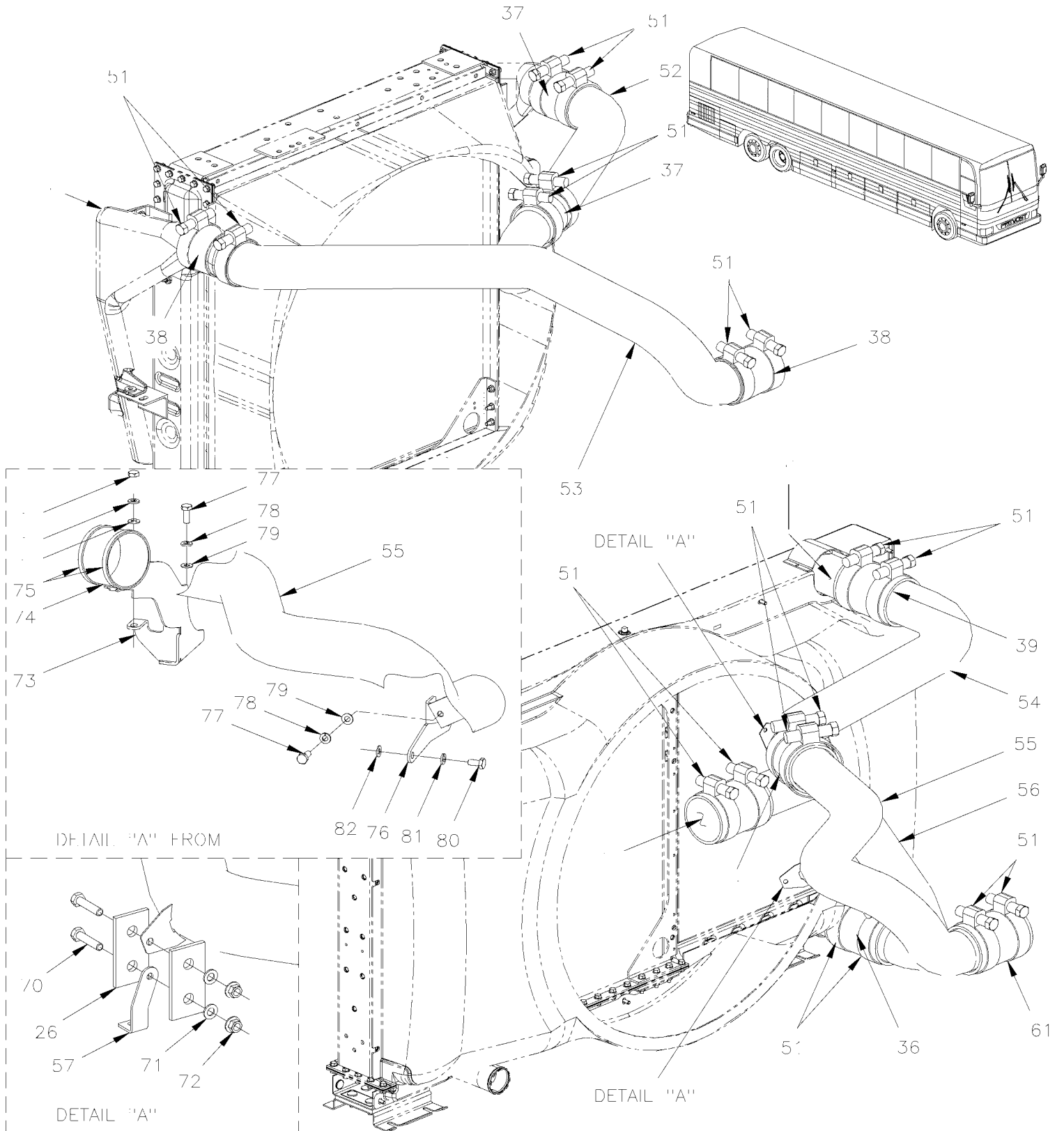


From Y-7046 To 8-9339

Date:10/2022

PAGE:Y2-0330-00

AIR FILTER & INTAKE - INSTALLATION WITH DETROIT S-60



| | | |
|-----------------------|--------------|-----------------|
| From Y-7046 To 8-9339 | Date:10/2022 | PAGE:Y2-0330-00 |
|-----------------------|--------------|-----------------|

AIR FILTER & INTAKE - INSTALLATION WITH DETROIT S-60

| Item# | Part | Description | X L I I 4 5 | X L I I M T H 4 0 | X L I I M T H 4 5 | X L I I M T H 4 5 E | N O T E S |
|-------|---------|--|----------------------------|---|---|--|-----------------------|
| 1 | 032392 | TUBE 8" O.D. X 5 3/4" | 1 | | | | |
| 1 | 031777 | TUBE 8" O.D. X 8 5/16" / MTH 83" | | 1 | 1 | 1 | |
| 10 | 504415 | HOSE CLAMP / 7"1/4-9"1/4 SS / HS-152 | 2 | 2 | 2 | 2 | |
| 11 | 530210 | HOSE FLEXIBLE / 8" O.D. x 125MM | | 1 | 1 | 1 | |
| 11 | 531403 | HOSE 8" I.D. 3" | 1 | | | | |
| 12 | 530206 | FILTER AIR 18" | 1 | 1 | 1 | 1 | |
| 13 | 530197 | . ELEMENT AIR FILTER 18" | 1 | 1 | 1 | 1 | |
| 14 | 531420 | . NUT WING 1/2-13 NY | 1 | 1 | 1 | 1 | |
| 15 | 031465 | STRAP MOUNTING / W/18" AIR FILTER | 2 | 2 | 2 | 2 | |
| 16 | 500183 | SCREW CAP HEX 5/16-18x1 1/2 G5 PT Z050 | 2 | 2 | 2 | 2 | |
| 17 | 500441 | WASHER FL .312x.734x.065 Z050 | 2 | 2 | 2 | 2 | |
| 18 | 500777 | NUT HEX STO 5/16-18 Z050 | 2 | 2 | 2 | 2 | |
| 20 | 504229 | HOSE CLAMP / 6"1/2-8"1/2 SS / HS-100 | 1 | 1 | 1 | 1 | |
| 21 | 530169 | ELBOW 45° DEGRES / REDUCER 7" X 6" | 1 | 1 | 1 | 1 | |
| 22 | 504324 | HOSE CLAMP / 4"1/2-6"1/2 SS / HS-96 | 3 | 3 | 3 | 3 | |
| 23 | 032269 | PIPE 5 1/2" O.D. / AIR FILTER & TURBO To 2-7799 | 1 | 1 | 1 | 1 | |
| 23 | 032466 | PIPE 5 1/2" O.D. / AIR FILTER & TURBO From 2-7800 To 3-8164 | 1 | 1 | 1 | 1 | |
| 23 | 032538 | PIPE 5 1/2" O.D. / AIR FILTER & TURBO From 4-8165 To 4-8358 | 1 | 1 | 1 | 1 | |
| 23 | 032562 | PIPE 5 1/2" O.D. / AIR FILTER & TURBO From 5-8359 | 1 | 1 | 1 | 1 | |
| NS | 563275 | HUMIDITY SENSOR 1/2" NPT / FIXED AT PIPE NEAR TURBO To 4-8358 | 1 | 1 | 1 | 1 | |
| NS | 510848 | HUMIDITY SENSOR 3/8" NPT / FIXED AT PIPE NEAR TURBO From 5-8359 | 1 | 1 | 1 | 1 | |
| NS | 563404 | CONNECTOR / APEX 2.8MM / SH 2C / BLACK / FCI 54200206 From 5-8359 | 1 | 1 | 1 | 1 | |
| NS | 563276 | SOCKET TERMINAL / FCI J5-1811-66AU From 5-8359 | 2 | 2 | 2 | 2 | |
| 25 | 530161 | GAUGE AIR RESTRICTION 20" H2O 1/8" NPT | AR | AR | AR | AR | |
| 25 | 530193 | GAUGE AIR RESTRICTION 15" H2O / (AS SHOWN) 1/8" NPT | AR | AR | AR | AR | |
| NS | 530121 | GAUGE AIR RESTRICTION INDICATOR 1/8" NPT WITH HOSE | 1 | 1 | 1 | 1 | |
| NS | 031904 | SUPPORT / TO FIX GAUGE RESTRICTION | 1 | 1 | 1 | 1 | |
| 26 | 040535 | MUFFLER CONNECTION To 7-8966 | | | AR | | |
| NS | 032540 | SPACER 1/2" O.D.X 12MM SS From 4-8262 To 7-8966 | | | 2 | | |
| 27 | 530102 | REDUCER RUBBER / 5 1/2" X 5" DIA. | 1 | 1 | 1 | 1 | |
| 30 | 531386 | HOSE CLAMP SPRING LOAD / HEAVY DUTY 4"1/8-4"7/16 To 3-8164 | 8 | 8 | 8 | 8 | |
| 31 | 531396 | HOSE 4" I.D. 6 1/4" To 3-8164 | 3 | 3 | 3 | 3 | F |
| 32 | 032261 | PIPE 4" O.D. / AIR COOLER & TURBO To 3-8164 | | 1 | 1 | 1 | |
| 32 | 031954 | PIPE 4" O.D. / AIR COOLER & TURBO To 3-8164 | 1 | | | | |
| 33 | 550801 | AIR COOLER ASSY To 3-8164 | 1 | | | | |
| NS | M106-02 | . SEE MAINTENANCE INFORMATION To 3-8164 | 1 | | | | |
| 34 | 531385 | HOSE / W/3 RING / 4" I.D. 6" To 3-8164 | 1 | 1 | 1 | 1 | |
| 35 | 032262 | PIPE 4" O.D. / AIR COOLER & MANIFOLD To 3-8164 | | 1 | 1 | 1 | |
| 35 | 031928 | PIPE 4" O.D. / AIR COOLER & MANIFOLD W/O AIR RESTRICTION GAUGE W/O RESTRICTION GAUGE To 3-8164 | 1 | | | | |
| 35 | 031827 | PIPE 4" O.D. / AIR COOLER & MANIFOLD W/AIR RESTRICTION GAUGE W/AIR RESTRICTION GAUGE To 3-8164 | 1 | | | | |
| 36 | 531396 | HOSE 4" I.D. 6 1/4" From 4-8165 To 7-8966 | | | 1 | | |
| 36 | 531471 | HOSE SILICONE 4" I.D. 6 1/2" / 500F° From 7-8967 | | | 1 | | |

From Y-7046 To 8-9339 Date:10/2022 PAGE:Y2-0330-00

AIR FILTER & INTAKE - INSTALLATION WITH DETROIT S-60

| Item# | Part | Description | X L I I 4 5 | X L I I M T H 4 0 | X L I I M T H 4 5 | X L I I M T H 4 5 E | NOTES |
|-------|---------|--|----------------------------|---|---|--|-------|
| 37 | 531467 | HOSE / W/2 RING / 4" I.D. 7" / 500F° From 4-8165 | 2 | 2 | | 2 | |
| 38 | 531469 | HOSE / W/2 RING / 4" I.D. 8" / 500°F From 4-8165 | 2 | 2 | | 2 | |
| 39 | 531469 | HOSE / W/2 RING / 4" I.D. 8" / 500°F From 4-8165 To 7-8966 | | | 3 | | F |
| 39 | 531471 | HOSE SILICONE 4" I.D. 6 1/2" / 500F° From 7-8967 | | | 3 | | |
| 40 | 032385 | AIR INTAKE R.H. To 4-8234 | 1 | | | | |
| 40 | 215302 | AIR INTAKE R.H. From 4-8235 | 1 | | | | |
| 40 | 032360 | AIR INTAKE R.H. / MTH 86" To 4-8234 | | 1 | 1 | 1 | |
| 40 | 215305 | AIR INTAKE R.H. / MTH 86" From 4-8235 | | 1 | 1 | 1 | |
| 40 | 032486 | AIR INTAKE R.H. / MTH 89" From 2-7908 To 4-8234 | | | | 1 | A |
| 40 | 215347 | AIR INTAKE R.H. / MTH 89" From 4-8235 | | | | 1 | A |
| 40 | 032424 | AIR INTAKE To 2-7907 | | | | 1 | |
| 41 | 032358 | AIR INTAKE L.H. / MTH 83" | | 1 | 1 | | |
| 41 | 032386 | AIR INTAKE L.H. To 4-8234 | 1 | | | | |
| 41 | 215303 | AIR INTAKE L.H. From 4-8235 | 1 | | | | |
| 41 | 215304 | AIR INTAKE L.H. / MTH From 4-8235 | | 1 | 1 | | |
| 41 | 032423 | AIR INTAKE To 2-7907 | | | | 1 | |
| 42 | 031760 | ANGLE CLOSING L.H. DUCT | 1 | 1 | 1 | 1 | |
| 43 | 032384 | DUCT CENTER PART 1622MM To 4-8234 | 1 | 1 | 1 | 1 | |
| 43 | 215320 | DUCT CENTER PART 1622MM From 4-8235 | 1 | 1 | 1 | 1 | |
| 44 | 031767P | BOX ASSY / FIBERGLASS | 1 | 1 | 1 | 1 | |
| 45 | 031754 | . FIBERGLASS BOX | 1 | 1 | 1 | 1 | |
| 46 | 031769 | . DEFLECTOR FRONT | 1 | 1 | 1 | 1 | |
| 47 | 031775 | . COVER FRONT DEFLECTOR | 1 | 1 | 1 | 1 | |
| 48 | 031757 | . DEFLECTOR REAR | 1 | 1 | 1 | 1 | |
| NS | 504528 | HOLE PLUG BUTTON / .437 O.D. BLACK | | 3 | 3 | 3 | |
| NS | 500642 | SCREW TP PAN PH #10x3/4 Z050 | AR | AR | AR | AR | |
| NS | 500641 | SCREW TP PAN PH #8x3/4 Z050 | AR | AR | AR | AR | |
| 49 | 550772 | AIR COOLER ASSY / OVER COOLANT RADIATOR To 3-8164 | | 1 | 1 | 1 | |
| . NS | M106-02 | . SEE MAINTENANCE INFORMATION To 3-8164 | | 1 | 1 | 1 | |
| 51 | 550851 | CLAMP JO SS/HD/CT/PS/SL 4.25" From 4-8165 To 4-8226 | 8 | 8 | 8 | 8 | |
| 51 | 531386 | HOSE CLAMP SPRING LOAD / HEAVY DUTY 4"1/8-4"7/16 From 4-8227 To 4-8239 | 8 | 8 | 8 | 8 | |
| 51 | 032543 | HOSE CLAMP SPRING LOAD / MODIFIED "PREVOST" / 4"1/8-4"7/16 From 4-8240 | AR | AR | AR | AR | F |
| . NS | 531386 | . HOSE CLAMP SPRING LOAD / HEAVY DUTY 4"1/8-4"7/16 From 4-8240 | 1 | 1 | 1 | 1 | F |
| . NS | 502930 | . SPRING COMPRESSION / .975 O.D. x 1.5 x .225 From 4-8240 | 1 | 1 | 1 | 1 | F |
| . NS | 500401 | . WASHER FL .343x.875x.125 N500 From 4-8240 | 1 | 1 | 1 | 1 | F |
| . NS | 500897 | . WASHER FL .437x1.000x.083 N500 From 4-8240 | 2 | 2 | 2 | 2 | F |
| 52 | 032473 | PIPE 4" O.D. / AIR COOLER & TURBO From 4-8165 To 4-8358 | 1 | 1 | | 1 | |
| 52 | 052580 | PIPE 4" O.D. / AIR COOLER & TURBO From 5-8359 | 1 | 1 | | 1 | |
| 53 | 032472 | PIPE 4" O.D. / AIR COOLER & MANIFOLD From 4-8165 | 1 | 1 | | 1 | F |
| 54 | 052466 | PIPE 4" O.D. / AIR COOLER SIDE From 4-8165 To 7-8966 | | | 1 | | C |
| 54 | 052568 | PIPE 4" O.D. / AIR COOLER SIDE From 4-8165 To 7-8966 | | | 1 | | C |
| 54 | 052568 | PIPE 4" O.D. / AIR COOLER SIDE From 7-8967 | | | 1 | | |

From Y-7046 To 8-9339 Date:10/2022 PAGE:Y2-0330-00

AIR FILTER & INTAKE - INSTALLATION WITH DETROIT S-60

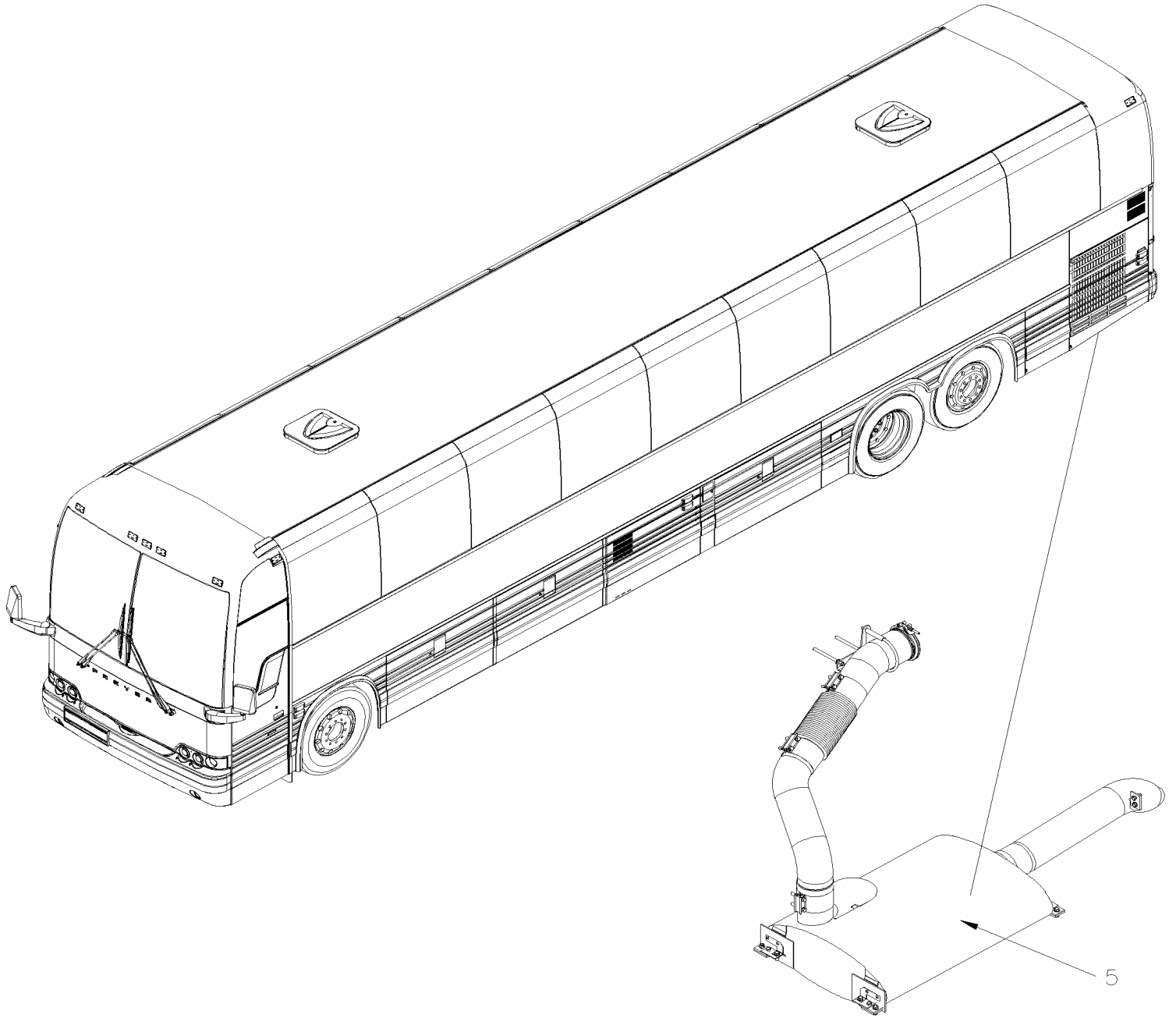
| Item# | Part | Description | X L I I 4 5 | X L I I M T H 4 0 | X L I I M T H 4 5 | X L I I M T H 4 5 E | NOTES |
|-------|---------|---|----------------------------|---|---|--|-------|
| 55 | 052467 | PIPE 4" O.D. / MANIFOLD SIDE From 4-8165 To 7-8966 | | | 1 | | C |
| 55 | 052567 | PIPE 4" O.D. / MANIFOLD SIDE From 4-8165 To 7-8966 | | | 1 | | C |
| 55 | 052567 | PIPE 4" O.D. / MANIFOLD SIDE From 7-8967 | | | 1 | | |
| 56 | 052465 | PIPE 4" O.D. / AIR COOLER & TURBO From 4-8165 To 4-8358 | | | 1 | | |
| 56 | 052581 | PIPE 4" O.D. / AIR COOLER & TURBO From 5-8359 | | | 1 | | |
| 57 | 052516 | ANGLE SUPPORT, UPPER PIPE From 4-8165 To 7-8966 | | | 1 | | |
| 58 | 531467 | HOSE / W/2 RING / 4" I.D. 7" / 500F° From 4-8165 To 4-8358 | | | 1 | | F |
| 58 | 531469 | HOSE / W/2 RING / 4" I.D. 8" / 500°F From 5-8359 | | | 1 | | |
| 60 | 142290 | HOSE / (SUCTION AIR COMPRESSOR) / #16 870MM From 4-8165 | 1 | 1 | 1 | 1 | B |
| NS | 5011240 | MALE CONNECTOR / BEADED HOSE BARB / #16x3/4NPT-M BR From 4-8165 | 1 | 1 | 1 | 1 | |
| NS | 952641 | CLAMP / 1 5/16" I.D. From 4-8165 | 1 | 1 | 1 | 1 | |
| NS | 500659 | SCREW TC PAN PH #10-32x1 Z050 From 4-8165 | 1 | 1 | 1 | 1 | |
| 61 | 531469 | HOSE / W/2 RING / 4" I.D. 8" / 500°F From 4-8165 To 7-8966 | | | 1 | | |
| 61 | 531463 | HOSE 4" I.D. 4.33" / 500F° From 7-8967 | | | 1 | | |
| 62 | 531467 | HOSE / W/2 RING / 4" I.D. 7" / 500F° From 4-8165 | | | 1 | | |
| 70 | 940142 | SCREW CAP HEX M8-1.25x30 G8.8 ZG603 To 7-8966 | | | 2 | | |
| 71 | 500381 | WASHER FL 8.4x25.0x2.0 N500 To 7-8966 | | | 4 | | |
| 72 | 502847 | NUT HEX NYRT M8-1.25 N500 To 7-8966 | | | 2 | | |
| 73 | 052614 | SUPPORT From 7-8967 | | | 1 | | |
| 74 | 531470 | PROTECTOR SILICONE 4" I.D. X 1 3/4" WIDE From 7-8967 | | | 1 | | |
| 75 | 531386 | HOSE CLAMP SPRING LOAD / HEAVY DUTY 4"1/8-4"7/16 From 7-8967 | | | 1 | | |
| 76 | 052615 | SUPPORT "Y" SHAPE From 7-8967 | | | 1 | | |
| 77 | 955297 | SCREW CAP HEX M8-1.25x25 G8.8 ZG603 From 7-8967 | | | 2 | | |
| 78 | 500942 | WASHER LO SPT 8.1x14.8x2.0 N500 From 7-8967 | | | 2 | | |
| 79 | 192288 | WASHER FL 8.4x18.0x2.0 ZG603 From 7-8967 | | | 3 | | |
| 80 | 502804 | SCREW CAP HEX M10-1.5x25 G8.8 N500 From 7-8967 | | | 2 | | |
| 81 | 3852496 | WASHER LO SPT 10.2x18.1x2.2 ZG603 From 7-8967 | | | 3 | | |
| 82 | 960143 | WASHER FL 10.5x26.0x2.0 ZP From 7-8967 | | | 3 | | |
| 83 | 500847 | NUT HEX M10-1.5 N500 From 7-8967 | | | 1 | | |
| 90 | 550845 | AIR COOLER ASSY From 4-8165 | 1 | 1 | | 1 | |
| . NS | M106-02 | . SEE MAINTENANCE INFORMATION From 4-8165 | 1 | 1 | | 1 | |
| 90 | 550968 | AIR COOLER ASSY TitanX From 4-8165 | 1 | 1 | | 1 | |
| 90 | 550978 | AIR COOLER ASSY Dura-Lite From 4-8165 | 1 | 1 | | 1 | |
| 91 | 550847 | AIR COOLER ASSY / SIDE BY SIDE MODEL From 4-8165 | | | 1 | | |
| . NS | M106-02 | . SEE MAINTENANCE INFORMATION From 4-8165 | | | 1 | | |
| 91 | 550976 | AIR COOLER ASSY / "duralite" / SIDE BY SIDE MODEL Dura-Lite From 4-8165 | | | 1 | | |
| NS | WB04-04 | SEE WARRANTY BULLETIN | 1 | 1 | 1 | 1 | |
| 102 | 032719 | KIT RETROFIT, AIR COOLER ATTACHMENT To 7-8966 | | | 1 | | |
| . NS | 052614 | . SUPPORT To 7-8966 | | | 1 | | |
| . NS | 052615 | . SUPPORT "Y" SHAPE To 7-8966 | | | 1 | | |
| . NS | 192288 | . WASHER FL 8.4x18.0x2.0 ZG603 To 7-8966 | | | 2 | | |

| | | |
|-----------------------|--------------|-----------------|
| From Y-7046 To 8-9339 | Date:10/2022 | PAGE:Y2-0330-00 |
|-----------------------|--------------|-----------------|

AIR FILTER & INTAKE - INSTALLATION WITH DETROIT S-60

| Item# | Part | Description | X L I I 4 5 | X L I I M T H 4 0 | X L I I M T H 4 5 | X L I I M T H 4 5 E | N O T E S |
|-------|----------|---|--------------------------------|---|---|--|-----------------------|
| . NS | 3852496 | . WASHER LO SPT 10.2x18.1x2.2 ZG603 To 7-8966 | | | 3 | | |
| . NS | 500847 | . NUT HEX M10-1.5 N500 To 7-8966 | | | 1 | | |
| . NS | 502889 | . WASHER LO SPT 8.1x12.7x2.0 N500 To 7-8966 | | | 2 | | |
| . NS | 960143 | . WASHER FL 10.5x26.0x2.0 ZP To 7-8966 | | | 3 | | |
| . NS | 955297 | . SCREW CAP HEX M8-1.25x25 G8.8 ZG603 To 7-8966 | | | 2 | | |
| . NS | 502804 | . SCREW CAP HEX M10-1.5x25 G8.8 N500 To 7-8966 | | | 2 | | |
| . NS | 531396 | . HOSE 4" I.D. 6 1/4" To 7-8966 | | | 1 | | |
| . NS | IS-03071 | . SEE INSTRUCTION SHEET To 7-8966 | | | 1 | | |
| | | | | | | | |
| | | | | | | | |
| | | A) MTH WITH "BOSCH" ALTERNATOR | | | | | |
| | | B) TO AIR COMPRESSOR | | | | | |
| | | C) FOR PRODUCT IMPROVEMENT, USE WITH KIT 032719 AND 052568 AND 052567 | | | | | |
| | | F) FOR PRODUCT IMPROVEMENT, SEE WARRANTY BULLETIN WB04-04 | | | | | |

| | | |
|---------|--------------|-------|
| | Date:10/2022 | Y2-04 |
| EXHAUST | | |



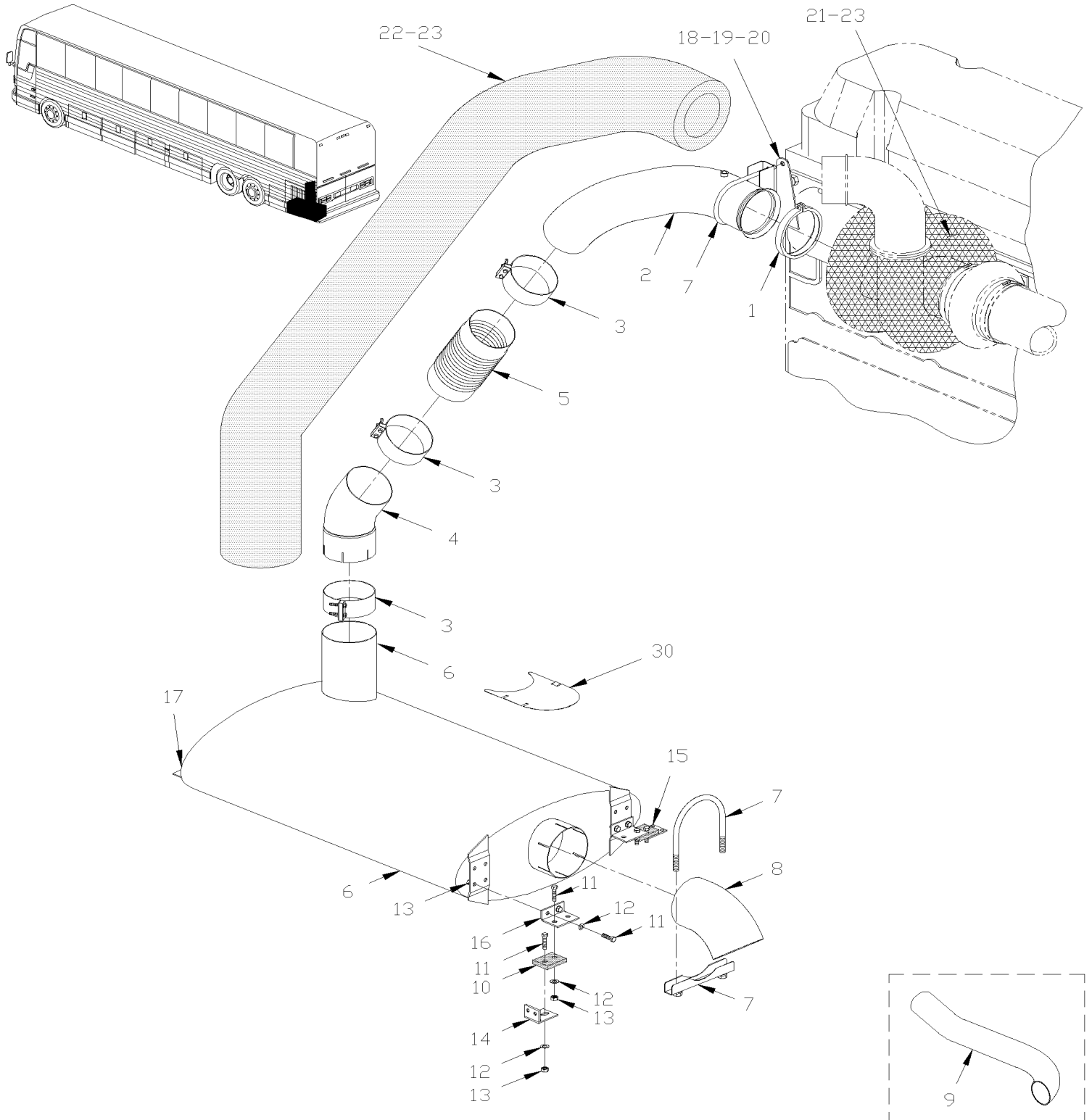
| | | Date:10/2022 | Y2-04 | | | | |
|---------|------------|--|----------------------------|---|---|--|-------|
| EXHAUST | | | | | | | |
| Item# | Part | Description | X L I I 4 5 | X L I I M T H 4 0 | X L I I M T H 4 5 | X L I I M T H 4 5 E | NOTES |
| 5 | Y2-0405-00 | MUFFLER - INSTALLATION WITH DETROIT S-60 From Y-7046 To 8-9339 | | | | | |

From Y-7046 To 8-9339

Date:10/2022

PAGE:Y2-0405-00

MUFFLER - INSTALLATION WITH DETROIT S-60



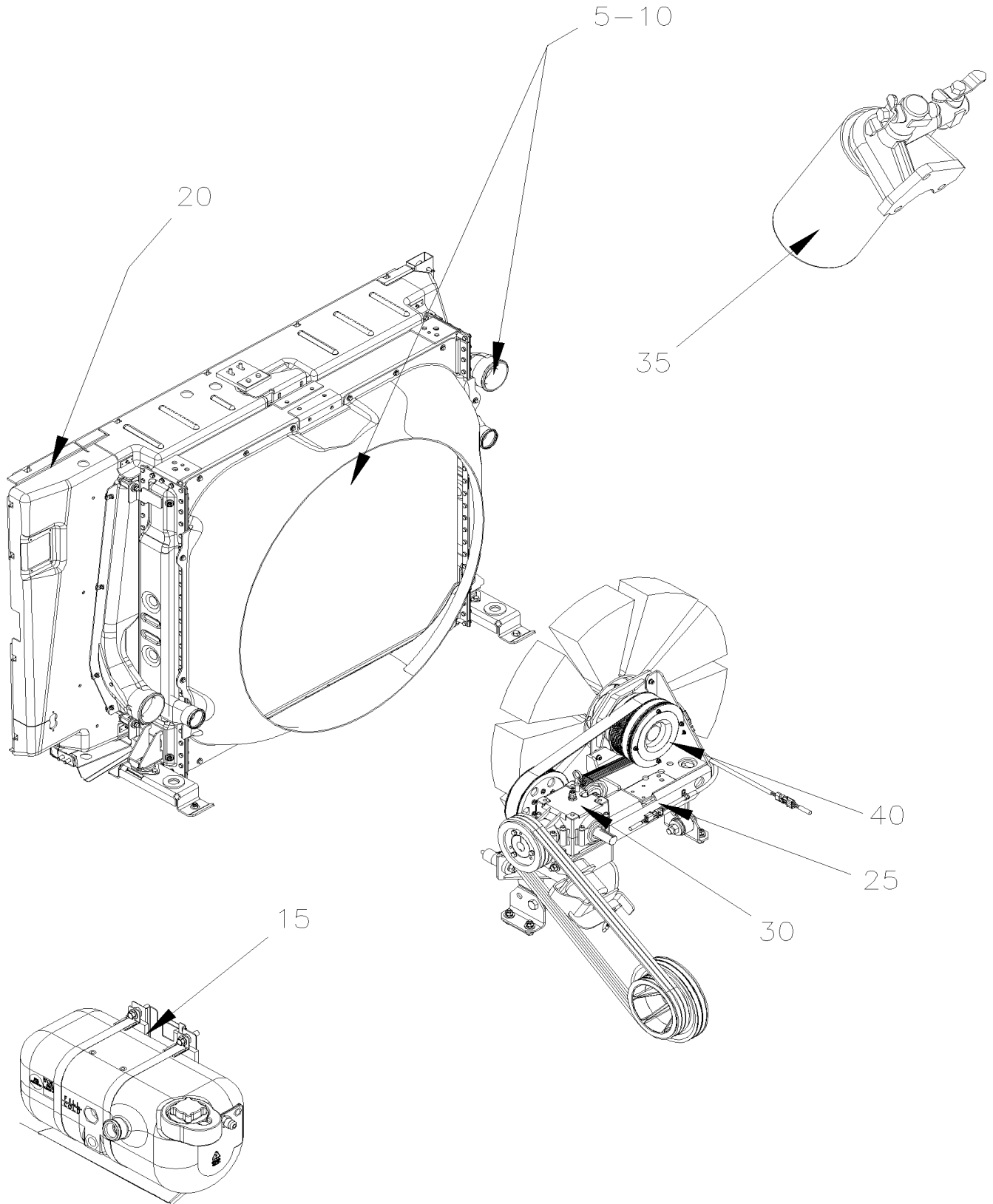
| | | |
|---|--------------|-----------------|
| From Y-7046 To 8-9339 | Date:10/2022 | PAGE:Y2-0405-00 |
| MUFFLER - INSTALLATION WITH DETROIT S-60 | | |

| Item# | Part | Description | X L I I 4 5 | X L I I M T H 4 0 | X L I I M T H 4 5 | X L I I M T H 4 5 E | N O T E S |
|-------|--------|---|----------------------------|---|---|--|-----------------------|
| 1 | 540047 | V-CLAMP / 5.588" I.D. To 4-8242 | 1 | 1 | 1 | 1 | |
| 1 | 540056 | V-CLAMP / 5.588" I.D. From 4-8243 | 1 | 1 | 1 | 1 | |
| 2 | 040521 | PIPE / W/SERIES 60 To 3-8164 | | 1 | | 1 | |
| 2 | 040531 | PIPE / W/SERIES 60 / STANLESS STEEL To 3-8164 | | 1 | | 1 | |
| 2 | 040523 | PIPE / W/SERIES 60 To 3-8164 | 1 | | 1 | | |
| 2 | 040545 | PIPE / W/SERIES 60 From 4-8165 | 1 | | 1 | | |
| 2 | 040542 | PIPE / W/SERIES 60 From 4-8165 | | 1 | | 1 | |
| 3 | 540024 | CLAMP BAND SEAL / BUTT JOINT / 5" I.D.x3" | | 2 | | 2 | |
| 3 | 540024 | CLAMP BAND SEAL / BUTT JOINT / 5" I.D.x3" | 3 | | 3 | | |
| 4 | 040488 | PIPE, ELBOW To 3-8164 | 1 | | 1 | | |
| 4 | 040520 | PIPE ELBOW / W/SERIES 60 To 3-8164 | | 1 | | 1 | |
| 4 | 040532 | PIPE ELBOW / W/SERIES 60 / STAINLESS STEEL To 3-8164 | | 1 | | 1 | |
| 4 | 040546 | PIPE, ELBOW From 4-8165 | 1 | | 1 | | |
| 4 | 040543 | PIPE, ELBOW From 4-8165 | | 1 | | 1 | |
| 5 | 540031 | BELLOWS - EXHAUST 5" I.D. x 11.87" | 1 | 1 | 1 | 1 | |
| 6 | 540045 | MUFFLER SERIES 50 & 60 | 1 | 1 | 1 | 1 | |
| NS | 503008 | . NUT SPR U M8-1.25 0.6-4.0 | 16 | 16 | 16 | 16 | |
| 6 | 540053 | MUFFLER SERIES 50 & 60 / STAINLESS | 1 | 1 | 1 | 1 | |
| 7 | 540018 | U-CLAMP / (GUILLOTINE TYPE) / 5" I.D. | 1 | 1 | 1 | 1 | |
| 8 | 040467 | PIPE, TAIL To 3-8164 | | 1 | | 1 | |
| 8 | 040563 | PIPE, TAIL From 4-8165 | | 1 | | 1 | |
| 8 | 040534 | PIPE, TAIL / STAINLESS STEEL To 3-8164 | | 1 | | 1 | |
| 9 | 040498 | PIPE, TAIL To 3-8164 | 1 | | 1 | | |
| 9 | 040558 | PIPE, TAIL / STAINLESS STEEL To 3-8164 | 1 | | 1 | | |
| 9 | 040552 | PIPE, TAIL From 4-8165 | 1 | | 1 | | |
| 10 | 040988 | MUFFLER CONNECTION | 8 | 8 | 8 | 8 | S |
| 11 | 502549 | SCREW CAP HEX M10-1.5x35 G8.8 Z050 | 8 | 8 | 8 | 8 | |
| 12 | 502510 | WASHER FL .375x.875x.083 | | 8 | | 8 | |
| 13 | 500680 | NUT HEX STO M10-1.5 Z050 | 8 | 8 | 8 | 8 | |
| 14 | 260632 | SUPPORT, ANGLE / MUFFLER (WELDED) | 2 | 2 | 2 | 2 | |
| 14 | 212573 | SUPPORT, ANGLE / MUFFLER (WELDED) | 1 | | 1 | | |
| 14 | 260632 | SUPPORT, ANGLE / MUFFLER (WELDED) To 2-7848 | | 2 | | 2 | |
| 14 | 260913 | SUPPORT, ANGLE / MUFFLER (WELDED) From 2-7849 To 3-8164 | | 2 | | 2 | |
| 14 | 260936 | SUPPORT, ANGLE / MUFFLER (WELDED) From 4-8165 | | 1 | | 1 | |
| 14 | 260934 | SUPPORT, ANGLE / MUFFLER (WELDED) From 4-8165 | | 1 | | 1 | |
| NS | 211564 | SUPPORT, ANGLE / MUFFLER (WELDED) To 3-8164 | | 2 | | 2 | |
| NS | 217912 | SUPPORT, ANGLE / MUFFLER (WELDED) From 4-8165 | | 2 | | 2 | |
| 15 | 040465 | SUPPORT ANGLE 30MM x 54MM x 72MM | | 4 | | 4 | |
| 15 | 260689 | ANGLE MUFFLER SUPPORT / BACKWARD / 28 5/8" To 3-8164 | 1 | | 1 | | |
| 15 | 260864 | ANGLE MUFFLER SUPPORT 755MM BACKWARD From 4-8165 | 1 | | 1 | | |
| 15 | 260662 | ANGLE MUFFLER SUPPORT / FORWARD / 28 5/8" To 3-8164 | 1 | | 1 | | |
| 15 | 260947 | SUPPORT MUFFLE "U" SHAPE 727MM / FORWARD From 4-8165 | 1 | | 1 | | |

| | | |
|---|--------------|-----------------|
| From Y-7046 To 8-9339 | Date:10/2022 | PAGE:Y2-0405-00 |
| MUFFLER - INSTALLATION WITH DETROIT S-60 | | |

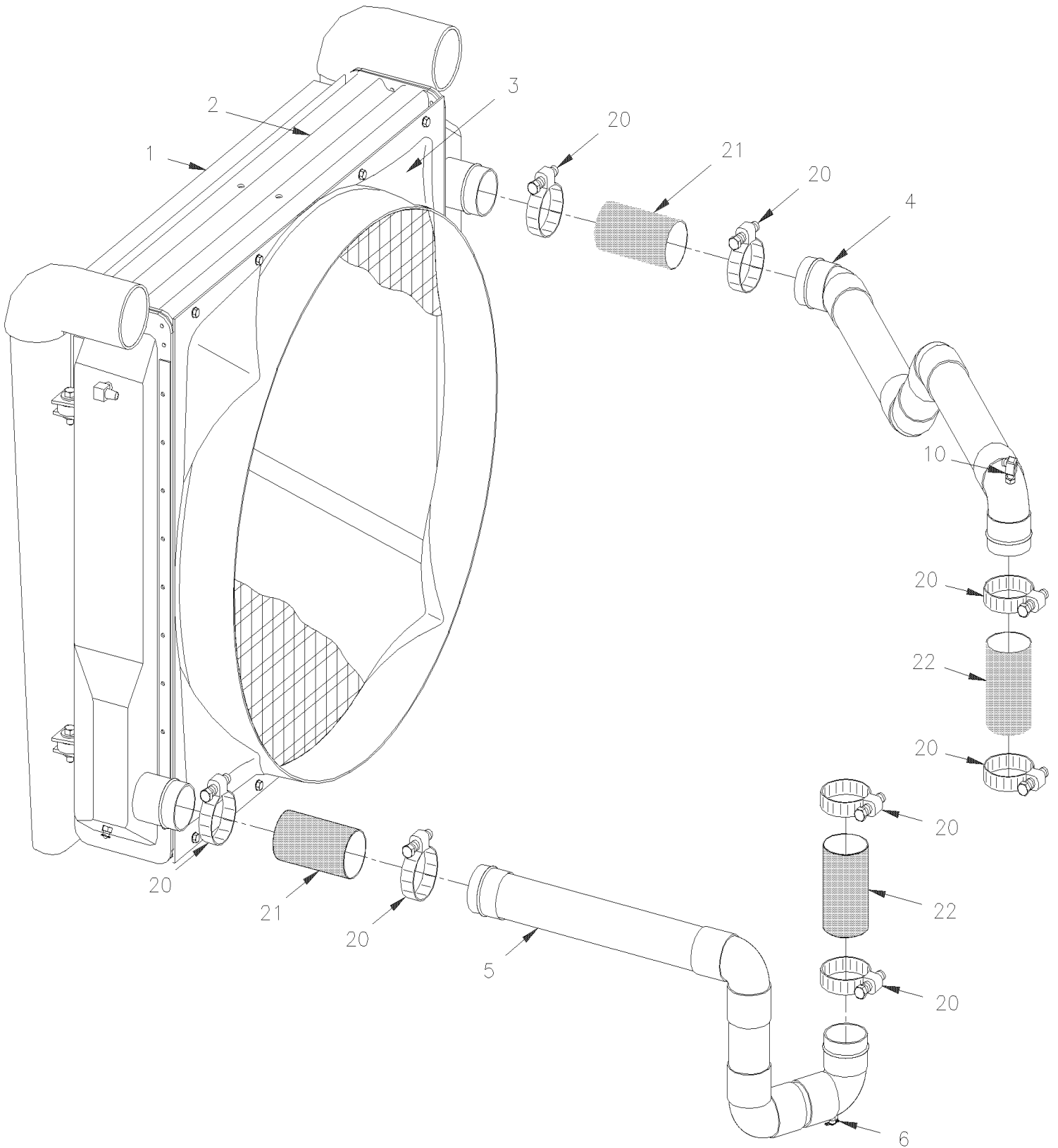
| Item# | Part | Description | X L I I 4 5 | X L I I M T H 4 0 | X L I I M T H 4 5 | X L I I M T H 4 5 E | N O T E S |
|-------|----------|--|----------------------------|---|---|--|-----------------------|
| 16 | 040465 | SUPPORT ANGLE 30MM x 54MM x 72MM | 1 | 1 | 1 | 1 | |
| 17 | 040489 | SUPPORT, ANGLE / 1 7/16" x 4" x 2 11/32" | | 1 | | 1 | |
| 17 | 040489 | SUPPORT, ANGLE / 1 7/16" x 4" x 2 11/32" | 4 | | 4 | | |
| NS | 502790 | SCREW CAP HEX M8-1.25x20 G8.8 Z050 | 8 | 8 | 8 | 8 | |
| 17 | 502528 | SCREW CAP HEX M8-1.25x20 G8.8 EMN | 8 | 8 | 8 | 8 | |
| NS | 500874 | WASHER FL 8.4x17.0x1.6 Z050 | 8 | 8 | 8 | 8 | |
| 17 | 5001161 | WASHER LO SPT 8.1x14.8x2.0 SS-304 | 8 | 8 | 8 | 8 | |
| NS | 502744 | NUT HEX STO M8-1.25 Z050 | 8 | 8 | 8 | 8 | |
| 18 | 040517 | SUPPORT, PIPE To 1-7566 | 1 | 1 | 1 | 1 | A |
| 18 | 040541 | SUPPORT, PIPE From 1-7567 To 3-8164 | 1 | 1 | 1 | 1 | |
| 18 | 040561 | SUPPORT, PIPE From 4-8165 | 1 | 1 | 1 | 1 | |
| NS | 040560 | KIT SUPPORT To 1-7566 | 1 | 1 | 1 | 1 | |
| NS | IS-00142 | . SEE INSTRUCTION SHEET To 1-7566 | 1 | 1 | 1 | 1 | |
| 19 | 510626 | STUD M10-1.5 x 120 From 1-7567 | 2 | 2 | 2 | 2 | |
| 20 | 500680 | NUT HEX STO M10-1.5 Z050 From 1-7567 | 2 | 2 | 2 | 2 | |
| 21 | 040526 | INSULATED BLANKET / TURBO To 1-7646 | | 1 | 1 | 1 | |
| 21 | 040548 | INSULATED BLANKET / TURBO From 1-7647 To 3-8164 | | 1 | 1 | 1 | |
| 21 | 040557 | INSULATING BLANKET / TURBO From 4-8165 To 5-8652 | | 1 | 1 | 1 | |
| 22 | 040528 | INSULATED BLANKET / PIPE & BELLOW To 1-7646 | | 1 | | 1 | |
| 22 | 040549 | INSULATED BLANKET / PIPE & BELLOW From 1-7647 To 3-8164 | | 1 | | 1 | |
| 22 | 040537 | INSULATED BLANKET / PIPE To 3-8164 | | | 1 | | |
| 22 | 040553 | INSULATING BLANKET / PIPE & BELLOW / UPPER SECTION From 4-8165 | | | 1 | | |
| 22 | 040564 | INSULATING BLANKET / PIPE & BELLOW / LOWER SECTION From 4-8165 | | | 1 | | |
| 22 | 040565 | INSULATING BLANKET / PIPE & BELLOW From 4-8165 To 7-9192 | | 1 | | 1 | |
| 22 | 040652 | INSULATING BLANKET / PIPE & BELLOW From 7-9193 | | 1 | | 1 | |
| 23 | 509754 | WIRE LACING SS / TO FIX BLANKET RL 25' | | 1 | 1 | 1 | |
| 30 | 040562 | CLOSING PLATE From 4-8165 | | 1 | | 1 | |
| 30 | 040559 | CLOSING PLATE From 4-8165 | | 1 | | 1 | |
| | | | | | | | |
| | | | | | | | |
| | | | | | | | |
| | | A) FOR PRODUCT IMPROVMENT YOUR REQUIRE KIT#040560 | | | | | |
| | | S) SERVICE | | | | | |

| | | |
|---------|--------------|-------|
| | Date:10/2022 | Y2-05 |
| COOLING | | |



| | | Date:10/2022 | Y2-05 | | | | |
|---------|------------|--|----------------------------|---|---|--|-------|
| COOLING | | | | | | | |
| Item# | Part | Description | X L I I 4 5 | X L I I M T H 4 0 | X L I I M T H 4 5 | X L I I M T H 4 5 E | NOTES |
| 5 | Y2-0500-00 | COOLANT PIPING WITH DETROIT S-60 From Y-7046 To 3-8164 | | | | | |
| 5 | Y2-0500-01 | COOLANT PIPING WITH DETROIT S-60 From 4-8165 To 8-9339 | | | | | |
| 10 | Y2-0505-00 | RADIATOR ASSY - BUS From Y-7046 To 1-7604 | | | | | |
| 10 | Y2-0505-01 | RADIATOR ASSY - BUS From 1-7605 To 3-8164 | | | | | |
| 10 | Y2-0505-02 | RADIATOR ASSY - BUS, MTH 40' & MTH 45E From 4-8165 To 8-9339 | | | | | |
| 10 | Y2-0505-50 | RADIATOR ASSY - MTH From Y-7046 To 3-8164 | | | | | |
| 10 | Y2-0505-51 | RADIATOR ASSY - MTH 45' From 4-8165 To 8-9339 | | | | | |
| 15 | Y2-0510-00 | SURGE TANK From Y-7046 To 8-9339 | | | | | |
| 20 | Y2-0518-00 | RADIATOR SEALING FRAME From Y-7046 To 3-8164 | | | | | |
| 20 | Y2-0518-01 | RADIATOR SEALING FRAME - BUS, MTH 40' & MTH-45E From 4-8165 To 8-9339 | | | | | |
| 20 | Y2-0518-50 | RADIATOR SEALING FRAME - MTH 45' From 4-8165 To 8-9339 | | | | | |
| 25 | Y2-0520-00 | FAN DRIVE - INSTALLATION - SHORT From Y-7046 To 3-8164 | | | | | |
| 25 | Y2-0520-01 | FAN DRIVE - INSTALLATION - SHORT From 4-8165 To 6-8814 | | | | | |
| 25 | Y2-0520-02 | FAN DRIVE - INSTALLATION - SHORT From 6-8815 To 8-9339 | | | | | |
| 25 | Y2-0520-50 | FAN DRIVE - INSTALLATION - LONG From 4-8165 To 6-8814 | | | | | |
| 25 | Y2-0520-51 | FAN DRIVE - INSTALLATION - LONG From 6-8815 To 8-9339 | | | | | |
| 25 | Y2-0520-98 | FAN DRIVE - INSTALLATION - SHORT / "RETROFIT" From Y-7046 To 3-8164 | | | | | |
| 25 | Y2-0520-99 | FAN DRIVE - INSTALLATION - SHORT / "RETROFIT" From 4-8165 To 6-8814 | | | | | |
| 30 | Y2-0525-00 | GEARBOX "SUPERIOR" - #550789, 550810 & 550897 From Y-7046 To 8-9339 | | | | | |
| 35 | Y2-0530-00 | COOLANT FILTER - INSTALLATION WITH DETROIT S-60 From Y-7046 To 3-8164 | | | | | |
| 35 | Y2-0530-01 | COOLANT FILTER - INSTALLATION WITH DETROIT S-60 From 4-8165 To 8-9339 | | | | | |
| 40 | Y2-0540-00 | FAN CLUTCH ASSY - #550803 - BUS From Y-7046 To 3-7940 | | | | | |
| 40 | Y2-0540-01 | FAN CLUTCH ASSY - #550837 - BUS From 3-7941 To 3-8164 | | | | | |
| 40 | Y2-0540-02 | FAN CLUTCH ASSY - #550836 - BUS, MTH 40' & MTH-45E From 4-8165 To 6-8805 | | | | | |
| 40 | Y2-0540-03 | FAN CLUTCH ASSY - #550839 - BUS, MTH 40' & MTH-45E From 6-8806 To 8-9339 | | | | | |
| 40 | Y2-0540-50 | FAN CLUTCH ASSY - #550802 - MTH From Y-7046 To 2-7837 | | | | | |
| 40 | Y2-0540-51 | FAN CLUTCH ASSY - #550836 - MTH From 2-7838 To 3-8164 | | | | | |
| 40 | Y2-0540-52 | FAN CLUTCH ASSY - #550839 - MTH 45' From 4-8165 To 8-9339 | | | | | |

| | | |
|----------------------------------|--------------|-----------------|
| From Y-7046 To 3-8164 | Date:10/2022 | PAGE:Y2-0500-00 |
| COOLANT PIPING WITH DETROIT S-60 | | |

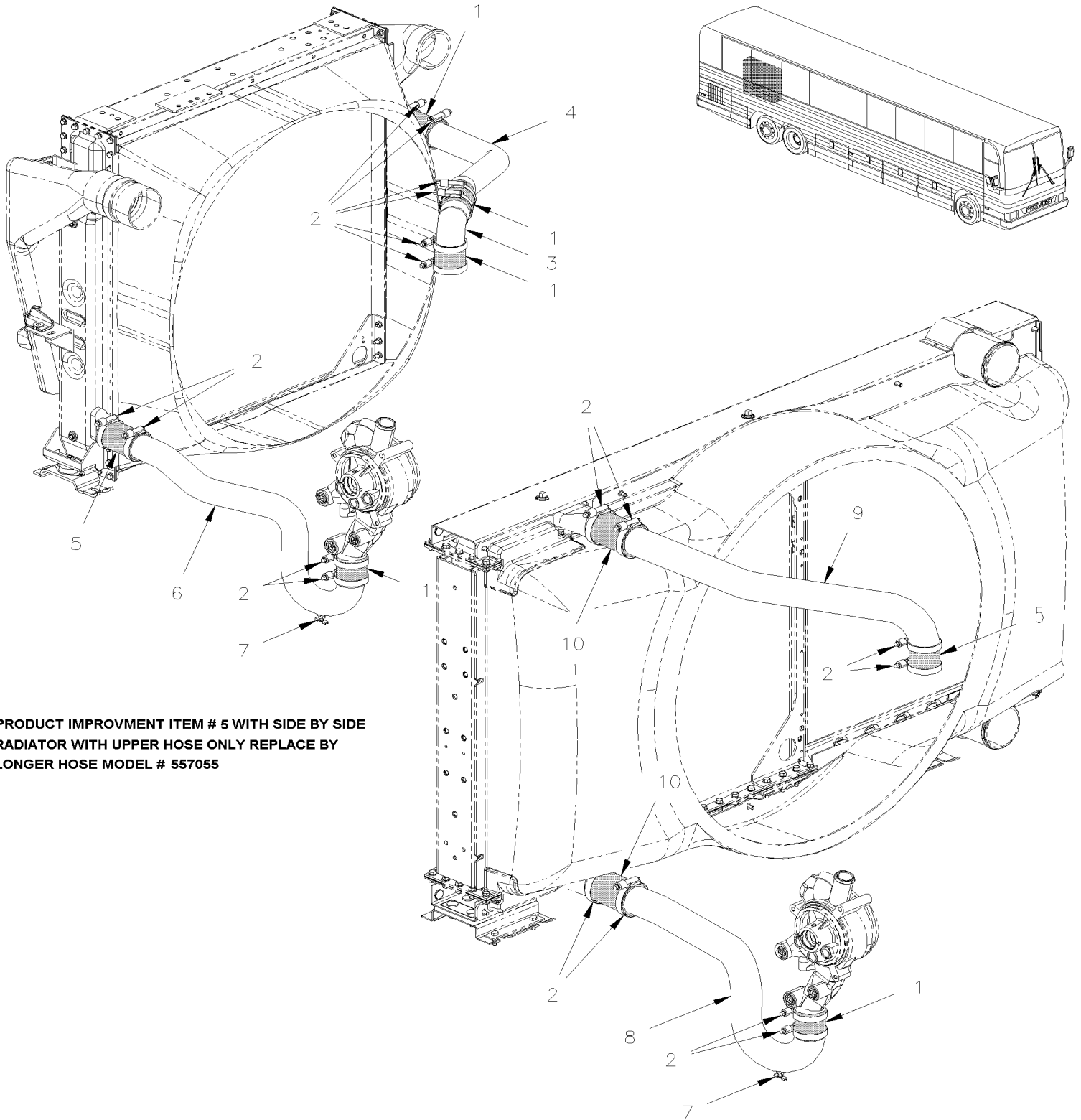


From 4-8165 To 8-9339

Date:10/2022

PAGE:Y2-0500-01

COOLANT PIPING WITH DETROIT S-60



PRODUCT IMPROVMENT ITEM # 5 WITH SIDE BY SIDE RADIATOR WITH UPPER HOSE ONLY REPLACE BY LONGER HOSE MODEL # 557055

| | | |
|-----------------------|--------------|-----------------|
| From 4-8165 To 8-9339 | Date:10/2022 | PAGE:Y2-0500-01 |
|-----------------------|--------------|-----------------|

COOLANT PIPING WITH DETROIT S-60

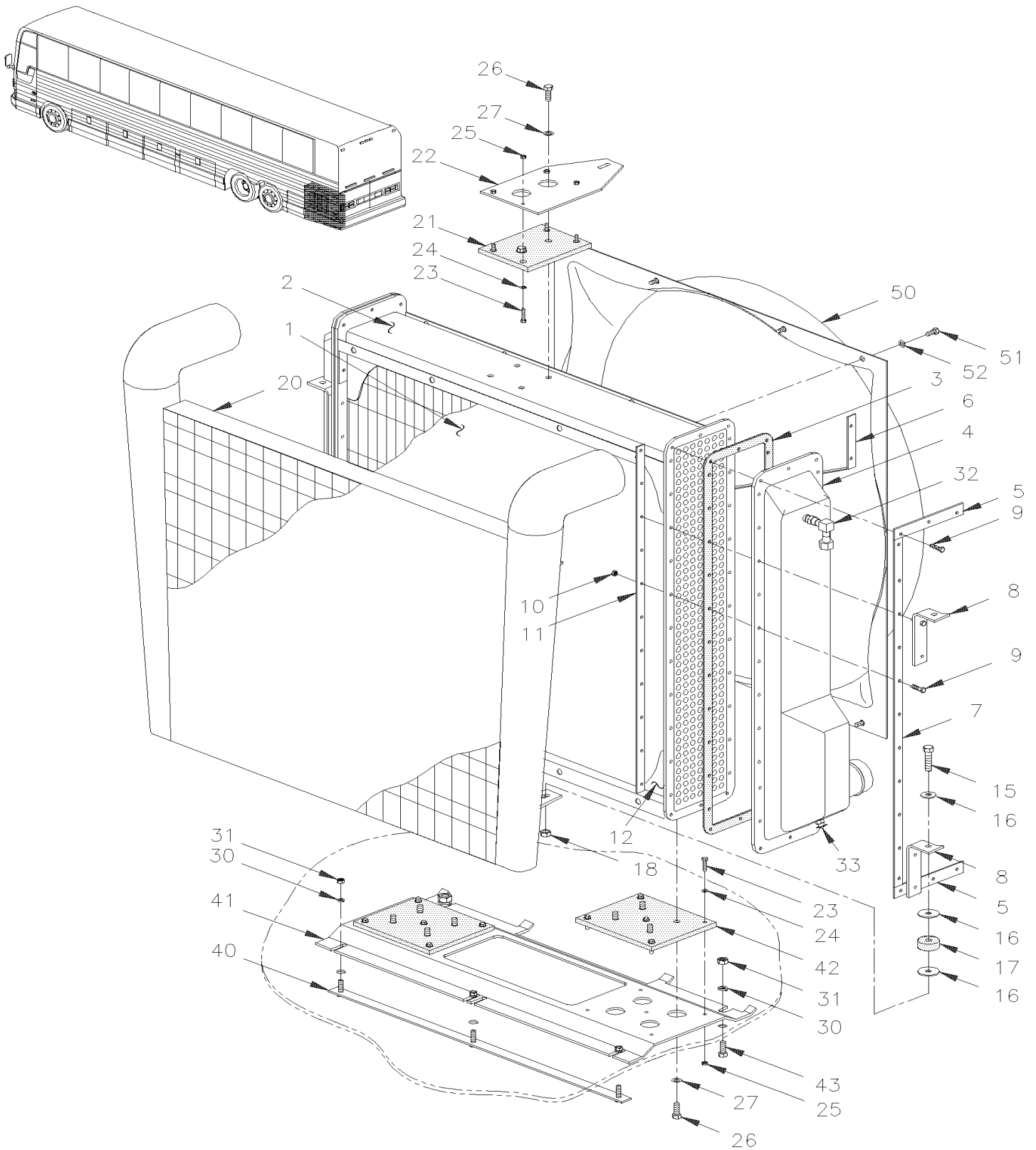
| Item# | Part | Description | X L I I 4 5 | X L I I M T H 4 0 | X L I I M T H 4 5 | X L I I M T H 4 5 E | N O T E S |
|-------|--------|--|----------------------------|---|---|--|-----------------------|
| 1 | 052415 | HOSE 2 1/2" I.D. 76MM | 3 | 3 | | 3 | |
| 1 | 052415 | HOSE 2 1/2" I.D. 76MM | | | 2 | | A |
| 2 | 504562 | HOSE CLAMP / 2"3/4-3"5/8 / C.T. 350 | 10 | 10 | | 10 | |
| 2 | 504562 | HOSE CLAMP / 2"3/4-3"5/8 / C.T. 350 | | | 8 | | |
| 3 | 052447 | PIPE, ELBOW 2 1/2" O.D. To 4-8358 | 1 | 1 | | 1 | |
| 3 | 052599 | ELBOW 90° X 2 1/2" I.D. / 118MM x 118MM C/C / SILICONE From 5-8359 To 8-9293 | 1 | 1 | | 1 | |
| 3 | 052897 | ELBOW 90° X 2 1/2" I.D. / 118MM x 118MM C/C / SILICONE From 8-9294 | | | 1 | 1 | |
| 4 | 052431 | PIPE / THERMOSTAT HOUSING SIDE To 4-8358 | 1 | 1 | | 1 | |
| 4 | 052601 | PIPE / THERMOSTAT HOUSING SIDE From 5-8359 | 1 | 1 | | 1 | |
| 5 | 052416 | HOSE 2 1/2" I.D. 105MM | 2 | 2 | | 2 | |
| 5 | 557055 | HOSE / W/HUMP 2 1/2" I.D. x 4" SERVICE | 2 | 2 | | 2 | |
| 6 | 052432 | PIPE / RADIATOR & ENGINE WATER PUMP To 6-8807 | 1 | 1 | | 1 | |
| 6 | 053522 | PIPE / RADIATOR & ENGINE WATER PUMP SS SERVICE To 6-8807 | 1 | 1 | | 1 | |
| 6 | 052704 | PIPE / RADIATOR & ENGINE WATER PUMP From 6-8808 | 1 | 1 | | 1 | |
| 6 | 053523 | PIPE / RADIATOR & ENGINE WATER PUMP SS SERVICE From 6-8808 | 1 | 1 | | 1 | |
| 7 | 501129 | EXTERNAL SEAL DRAIN 1/4 NPT | 1 | 1 | 1 | 1 | |
| 8 | 052420 | PIPE / RADIATOR & ENGINE WATER PUMP | | | 1 | | |
| 8 | 053530 | PIPE / RADIATOR & ENGINE WATER PUMP SS SERVICE | | | 1 | | |
| 9 | 052419 | PIPE / THERMOSTAT HOUSING SIDE | | | 1 | | |
| 10 | 052480 | HOSE 2 1/2" I.D. 152MM | | | 2 | | |
| | | | | | | | |
| | | | | | | | |
| | | A) FOR PRODUCT IMPROVEMENT SEE NOTE ON DRAWING | | | | | |

From Y-7046 To 1-7604

Date:10/2022

PAGE:Y2-0505-00

RADIATOR ASSY - BUS



| | | |
|----------------------------|--------------|-----------------|
| From Y-7046 To 1-7604 | Date:10/2022 | PAGE:Y2-0505-00 |
| RADIATOR ASSY - BUS | | |

| Item# | Part | Description | X L I I 4 5 | X L I I M T H 4 0 | X L I I M T H 4 5 | X L I I M T H 4 5 E | N O T E S |
|-------|-------------------|---|----------------------------|---|---|--|-----------------------|
| | N.S.A. | RADIATOR ASSY / WATER & AIR COOLER | 1 | | | | 3 |
| | 550800 | . RADIATOR ASSY / WATER | 1 | | | | |
| 1 | 550707 | .. CORE | 1 | | | | |
| 2 | 550796 | .. SUPPORT ASSY TOP | 1 | | | | |
| 3 | 550562 | .. GASKET, HALF | 4 | | | | |
| 4 | 550798 | .. TANK / RADIATOR FRONT | 1 | | | | |
| 4 | 550799 | .. TANK / RADIATOR REAR | 1 | | | | |
| 5 | 051704 | .. STRIP / EXTERIOR 7" | 4 | | | | |
| NS | 550705 | .. STRIP / INTERIOR 5.44" | 4 | | | | |
| 6 | 550753 | .. REINFORCEMENT STRIP "Z" SHAPE / FRONT | 1 | | | | |
| 6 | 550754 | .. REINFORCEMENT STRIP "Z" SHAPE / REAR | 1 | | | | |
| 7 | 550702 | .. STRIP / EXTERIOR 35.06" | 4 | | | | |
| 8 | N.P.N. | .. ANGLE | 1 | | | | 4 |
| 9 | 500029 | .. SCREW CAP HEX 5/16-24x1 1/2 G5 ZP | AR | | | | |
| 10 | 500699 | .. NUT HEX 5/16-24 Z050 | AR | | | | |
| NS | 500826 | .. WASHER LO EXT .320x.610x.034 ZP | AR | | | | |
| 11 | 550703 | .. STRIP / INTERIOR 33.44" | 4 | | | | |
| 12 | 550797 | .. SUPPORT ASSY BOTTOM | 1 | | | | |
| 15 | 500831 | SCREW CAP HEX 3/8-16x2 G5 ZP | 4 | | | | |
| 16 | 500446 | WASHER FL .531x1.250x.125 Z050 | 8 | | | | |
| 17 | 550685 | BUSHING INSULATOR / RADIATORS | 4 | | | | |
| 18 | 500265 | NUT HEX STO 3/8-16 Z050 | 4 | | | | |
| 20 | Y2-0330-00 | AIR FILTER & INTAKE - INSTALLATION WITH DETROIT S-60 | | | | | |
| 21 | 052060 | RUBBER PAD / SUPPORT & RADIATOR 165MM x 127MM W/6 HOLES | 1 | | | | |
| 22 | 052076 | PLATE SUPPORT UPPER RADIATOR | 1 | | | | |
| 23 | 502737 | SCREW CAP HEX M6-1.0x25 SS BK | 12 | | | | |
| 24 | 500468 | WASHER FL .281x1.250x.065 Z050 | 15 | | | | |
| 25 | 502621 | NUT HEX STO M6-1.0 Z050 | 15 | | | | |
| 26 | 500191 | SCREW CAP HEX 3/8-16x1 G5 Z050 | 12 | | | | |
| 27 | 500445 | WASHER FL .437x1.000x.083 Z050 | 15 | | | | |
| 28 | 052058 | ATTACHMENT, ANGLE 55.50MM X 72.50 X 50.80MM | 2 | | | | |
| 30 | 502584 | WASHER LO SERR 8.2x26.3x1.8 Z050 | AR | | | | |
| 31 | 502543 | NUT HEX M8-1.25 Z050 | AR | | | | |
| 32 | 501332 | STREET ELBOW 90° / PIPE FITTING / 1/4NPT-Mx1/4NPT-F BR | 1 | | | | |
| NS | 501308 | ADAPTER / PIPE FITTING / 1/4NPT-Fx1/4NPT-M BR | 1 | | | | |
| NS | 501027 | MALE CONNECTOR / SAE 45° FITTING / #4FL-Mx1/4NPT-M BR | 1 | | | | |
| 33 | 501129 | EXTERNAL SEAL DRAIN 1/4 NPT | AR | | | | |
| 40 | 052224 | ATTACHMENT, STRIP 768MM W/3 STUDS / TO FIX SUPPORT 364/364c/c | 1 | | | | |
| 41 | 052201 | PLATE SUPPORT LOWER RADIATOR | 1 | | | | |
| 42 | 051836 | RUBBER PAD / SUPPORT & RADIATOR 242MM x 165MM W/9 HOLES | 1 | | | | |
| 43 | 502780 | SCREW CAP HEX M8-1.25x25 SS BK | 2 | | | | |
| 50 | 051837 | SHROUD / W/32" FAN BLADE | 1 | | | | |

| | | |
|----------------------------|--------------|-----------------|
| From Y-7046 To 1-7604 | Date:10/2022 | PAGE:Y2-0505-00 |
| RADIATOR ASSY - BUS | | |

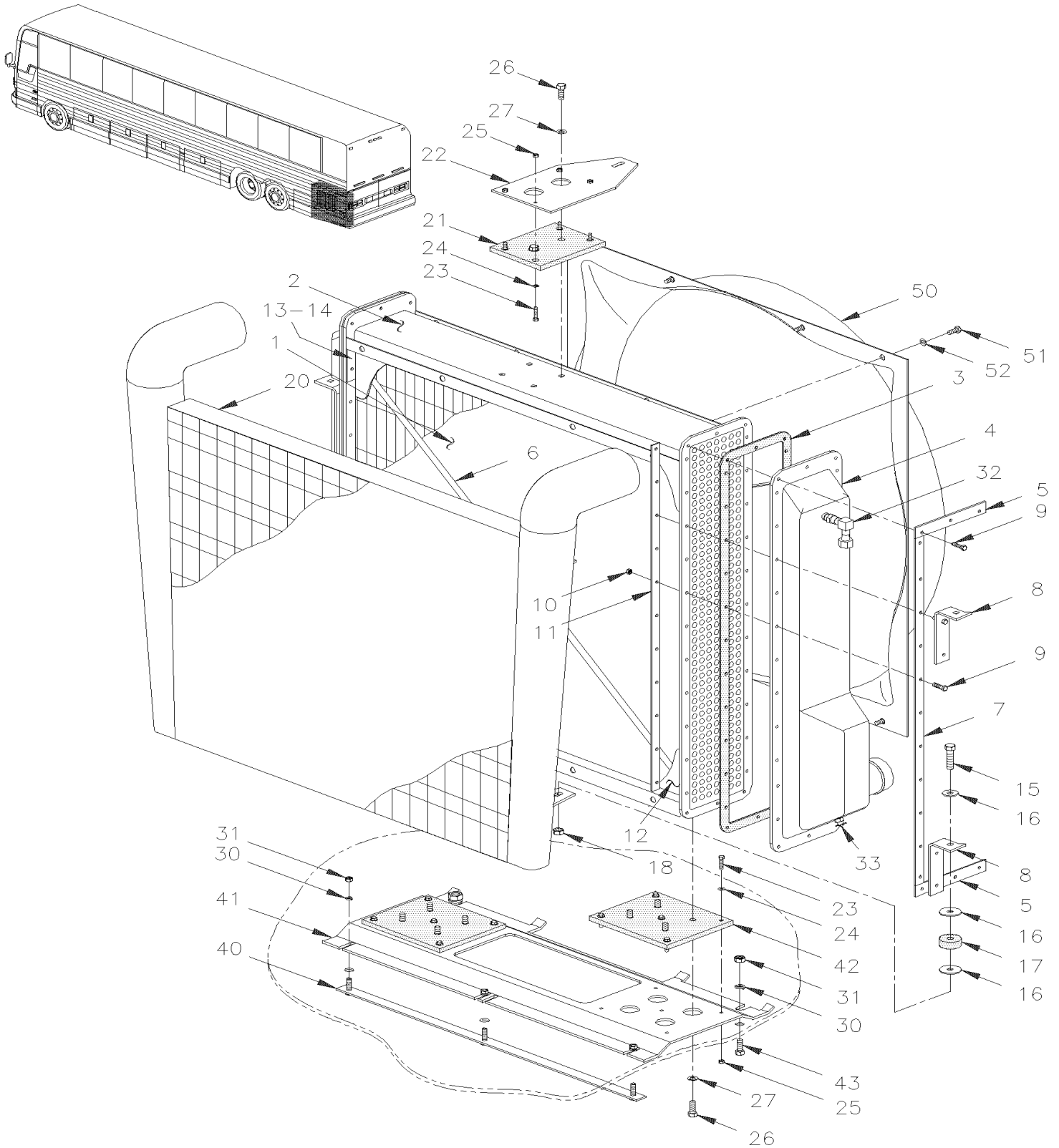
| Item# | Part | Description | X L I I 4 5 | X L I I M T H 4 0 | X L I I M T H 4 5 | X L I I M T H 4 5 E | N O T E S |
|-------|--------|---|----------------------------|---|---|--|-----------------------|
| 51 | 500179 | SCREW CAP HEX 5/16-18x3/4 G5 Z050 | 8 | | | | |
| 52 | 500476 | WASHER LO SPT .317x.586x.078 Z050 | 8 | | | | |
| NS | 506001 | TAPE RUB ADH1 CC POL 1/8" x 3/4" x 50' / GREY 2520X | AR | | | | |
| | | | | | | | |
| | | 3) NOT SOLD ASSEMBLY | | | | | |
| | | 4) NO PARTS NUMBER | | | | | |

From 1-7605 To 3-8164

Date:10/2022

PAGE:Y2-0505-01

RADIATOR ASSY - BUS



| | | |
|----------------------------|--------------|-----------------|
| From 1-7605 To 3-8164 | Date:10/2022 | PAGE:Y2-0505-01 |
| RADIATOR ASSY - BUS | | |

| Item# | Part | Description | X L I I 4 5 | X L I I M T H 4 0 | X L I I M T H 4 5 | X L I I M T H 4 5 E | N O T E S |
|-------|-------------------|---|----------------------------|---|---|--|-----------------------|
| | N.S.A. | RADIATOR ASSY / WATER & AIR COOLER | 1 | | | | 3 |
| | 550824 | . RADIATOR ASSY / WATER | 1 | | | | |
| 1 | 550707 | .. CORE | 1 | | | | |
| 2 | 550827 | .. SUPPORT ASSY TOP | 1 | | | | |
| 3 | 550815 | .. GASKET (ONE PIECE) | 2 | | | | |
| 4 | 550798 | .. TANK / RADIATOR FRONT | 1 | | | | |
| 4 | 550799 | .. TANK / RADIATOR REAR | 1 | | | | |
| 5 | 051704 | .. STRIP / EXTERIOR 7" | 4 | | | | |
| NS | 550705 | .. STRIP / INTERIOR 5.44" | 4 | | | | |
| 6 | 550829 | .. REINFORCEMENT ROD 3/8" x 41" | 2 | | | | |
| 7 | 550702 | .. STRIP / EXTERIOR 35.06" | 4 | | | | |
| 8 | N.P.N. | .. ANGLE | 1 | | | | 4 |
| 9 | 500182 | .. SCREW CAP HEX 5/16-18x1 1/4 G5 PT Z050 | AR | | | | |
| 10 | 500701 | .. NUT HEX 5/16-18 ZP | AR | | | | |
| NS | 500826 | .. WASHER LO EXT .320x.610x.034 ZP | AR | | | | |
| 11 | 550703 | .. STRIP / INTERIOR 33.44" | 4 | | | | |
| 12 | 550828 | .. SUPPORT ASSY BOTTOM | 1 | | | | |
| 13 | 550830 | .. TIE BAR / UPPER & LOWER SUPPORT | 2 | | | | |
| NS | 550770 | .. BUSHING | 4 | | | | |
| 14 | 500265 | .. NUT HEX STO 3/8-16 Z050 | 4 | | | | |
| 15 | 500831 | SCREW CAP HEX 3/8-16x2 G5 ZP | 4 | | | | |
| 16 | 500446 | WASHER FL .531x1.250x.125 Z050 | 8 | | | | |
| 17 | 550685 | BUSHING INSULATOR / RADIATORS | 4 | | | | |
| 18 | 500265 | NUT HEX STO 3/8-16 Z050 | 4 | | | | |
| 20 | Y2-0330-00 | AIR FILTER & INTAKE - INSTALLATION WITH DETROIT S-60 | | | | | |
| 21 | 052060 | RUBBER PAD / SUPPORT & RADIATOR 165MM x 127MM W/6 HOLES | 1 | | | | |
| 22 | 052076 | PLATE SUPPORT UPPER RADIATOR | 1 | | | | |
| 23 | 502737 | SCREW CAP HEX M6-1.0x25 SS BK | 12 | | | | |
| 24 | 500468 | WASHER FL .281x1.250x.065 Z050 | 15 | | | | |
| 25 | 502621 | NUT HEX STO M6-1.0 Z050 | 15 | | | | |
| 26 | 500191 | SCREW CAP HEX 3/8-16x1 G5 Z050 | 12 | | | | |
| 27 | 500445 | WASHER FL .437x1.000x.083 Z050 | 15 | | | | |
| 28 | 052058 | ATTACHMENT, ANGLE 55.50MM X 72.50 X 50.80MM | 2 | | | | |
| 30 | 502584 | WASHER LO SERR 8.2x26.3x1.8 Z050 | AR | | | | |
| 31 | 502543 | NUT HEX M8-1.25 Z050 | AR | | | | |
| 32 | 501332 | STREET ELBOW 90° / PIPE FITTING / 1/4NPT-Mx1/4NPT-F BR | 1 | | | | |
| NS | 501308 | ADAPTER / PIPE FITTING / 1/4NPT-Fx1/4NPT-M BR | 1 | | | | |
| NS | 501027 | MALE CONNECTOR / SAE 45° FITTING / #4FL-Mx1/4NPT-M BR | 1 | | | | |
| 33 | 501129 | EXTERNAL SEAL DRAIN 1/4 NPT | AR | | | | |
| 40 | 052224 | ATTACHMENT, STRIP 768MM W/3 STUDS / TO FIX SUPPORT 364/364c/c | 1 | | | | |
| 41 | 052201 | PLATE SUPPORT LOWER RADIATOR | 1 | | | | |
| 42 | 051836 | RUBBER PAD / SUPPORT & RADIATOR 242MM x 165MM W/9 HOLES | 1 | | | | |

| | | |
|----------------------------|--------------|-----------------|
| From 1-7605 To 3-8164 | Date:10/2022 | PAGE:Y2-0505-01 |
| RADIATOR ASSY - BUS | | |

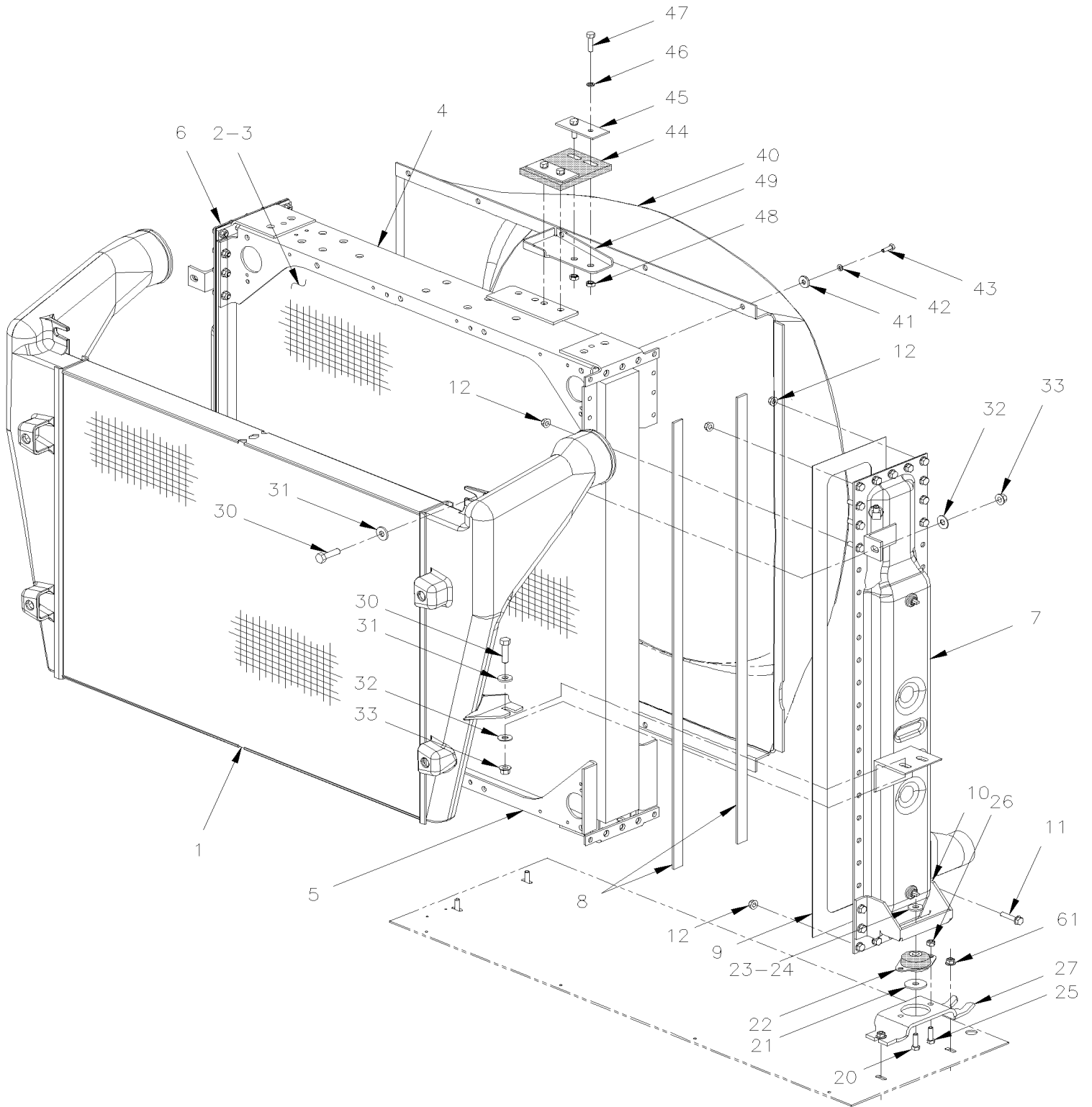
| Item# | Part | Description | X L I I 4 5 | X L I I M T H 4 0 | X L I I M T H 4 5 | X L I I M T H 4 5 E | N O T E S |
|-------|--------|---|----------------------------|---|---|--|-----------------------|
| 43 | 502780 | SCREW CAP HEX M8-1.25x25 SS BK | 2 | | | | |
| 50 | 051837 | SHROUD / W/32" FAN BLADE | 1 | | | | |
| 51 | 500179 | SCREW CAP HEX 5/16-18x3/4 G5 Z050 | 8 | | | | |
| 52 | 500476 | WASHER LO SPT .317x.586x.078 Z050 | 8 | | | | |
| NS | 506001 | TAPE RUB ADH1 CC POL 1/8" x 3/4" x 50' / GREY 2520X | AR | | | | |
| | | | | | | | |
| | | | | | | | |
| | | 3) NOT SOLD ASSEMBLY | | | | | |
| | | 4) NO PARTS NUMBER | | | | | |

From 4-8165 To 8-9339

Date:10/2022

PAGE:Y2-0505-02

RADIATOR ASSY - BUS, MTH 40' & MTH 45E



| | | |
|---|--------------|-----------------|
| From 4-8165 To 8-9339 | Date:10/2022 | PAGE:Y2-0505-02 |
| RADIATOR ASSY - BUS, MTH 40' & MTH 45E | | |

| Item# | Part | Description | X L I I 4 5 | X L I I M T H 4 0 | X L I I M T H 4 5 | X L I I M T H 4 5 E | N O T E S |
|-------|----------|---|----------------------------|---|---|--|-----------------------|
| | 550820 | RADIATOR ASSY W/AIR CHARGER / SANDWICH | 1 | 1 | | 1 | |
| 1 | 550845 | . AIR COOLER ASSY | 1 | 1 | | 1 | |
| . NS | MI06-02 | .. SEE MAINTENANCE INFORMATION | 1 | 1 | | 1 | |
| 1 | 550968 | . AIR COOLER ASSY TitanX | 1 | 1 | | 1 | |
| 1 | 550978 | . AIR COOLER ASSY Dura-Lite | 1 | 1 | | 1 | |
| 2 | 550844 | . RADIATOR ASSY | 1 | 1 | | 1 | |
| 3 | 550852 | .. CORE | 1 | 1 | | 1 | |
| 4 | 550855 | .. SUPPORT UPPER | 1 | 1 | | 1 | |
| 5 | 550856 | .. SUPPORT LOWER | 1 | 1 | | 1 | |
| 6 | 550853 | .. TANK FRONT | 1 | 1 | | 1 | |
| 7 | 550854 | .. TANK REAR | 1 | 1 | | 1 | |
| 8 | 550859 | .. REINFORCEMENT STRIP | 4 | 4 | | 4 | |
| 9 | 550857 | .. GASKET | 2 | 2 | | 2 | |
| 9 | 550952 | .. GASKET | 2 | 2 | | 2 | |
| 10 | 550860 | .. SUPPORT BOTTOM | 2 | 2 | | 2 | |
| 11 | 500179 | .. SCREW CAP HEX 5/16-18x3/4 G5 Z050 | 62 | 62 | | 62 | |
| 11 | 500181 | .. SCREW CAP HEX 5/16-18x1 G5 Z050 | 27 | 27 | | 27 | |
| 11 | 500183 | .. SCREW CAP HEX 5/16-18x1 1/2 G5 PT Z050 | 8 | 8 | | 8 | |
| 12 | 5001083 | .. NUT HEXF NYRT 5/16-18 Z050 | 88 | 88 | | 88 | |
| 20 | 500195 | . SCREW CAP HEX 3/8-16x2 1/2 G5 Z050 | 2 | 2 | | 2 | |
| 21 | 550825 | . WASHER SPECIAL | 2 | 2 | | 2 | |
| 22 | 550826 | . INSULATOR MOUNTING | 2 | 2 | | 2 | |
| 23 | N.P.N. | . WASHER / (1320875) | 2 | 2 | | 2 | 4 |
| 24 | 500301 | . NUT HEXF STO 3/8-16 Z050 | 2 | 2 | | 2 | |
| 25 | 500179 | . SCREW CAP HEX 5/16-18x3/4 G5 Z050 | 4 | 4 | | 4 | |
| 26 | 5001083 | . NUT HEXF NYRT 5/16-18 Z050 | 4 | 4 | | 4 | |
| 27 | 550858 | . BRACKET MOUNTING | 2 | 2 | | 2 | |
| 30 | 502527 | . SCREW CAP HEX M8-1.25x50 G8.8 Z050 | 4 | 4 | | 4 | |
| 31 | N.P.N. | . WASHER / (132866) | 1 | 1 | | 1 | 4 |
| 31 | N.P.N. | . WASHERT SP / (132873) | 1 | 1 | | 1 | 4 |
| 32 | N.P.N. | . WASHER FL NYL .443X.750X.125 / (132813) | 1 | 1 | | 1 | 4 |
| 33 | 502692 | . NUT HEXF STO M8-1.25 Z050 | 4 | 4 | | 4 | |
| 40 | 052428 | SHROUD | 1 | 1 | | 1 | |
| 40 | 506001 | TAPE RUB ADH1 CC POL 1/8" x 3/4" x 50' / GREY 2520X | AR | AR | | AR | |
| 41 | 502838 | NUT HEX TWAY M8-1.25 N500 | 10 | 10 | | 10 | |
| 42 | 502853 | WASHER LO SPT 6.1x11.8x1.6 N500 | 10 | 10 | | 10 | |
| 43 | 502830 | SCREW CAP HEX M6-1.0x20 G8.8 N500 | 10 | 10 | | 10 | |
| 44 | 052441 | RUBBER PAD 100MM X 123MM | 1 | 1 | | 1 | |
| 44 | 21185073 | RUBBER PAD 100MM X 123MM | 1 | 1 | | 1 | |
| 45 | 052473 | PLATE / UPPER RADIATOR 40MM X 90MM | 2 | 2 | | 2 | |
| 47 | 940142 | SCREW CAP HEX M8-1.25x30 G8.8 ZG603 | 4 | 4 | | 4 | |
| 61 | 5001745 | SCREW CAP HEX M8-1.25x25 G8.8 N500 | 3 | 3 | | 3 | |

| | | |
|---|--------------|-----------------|
| From 4-8165 To 8-9339 | Date:10/2022 | PAGE:Y2-0505-02 |
| RADIATOR ASSY - BUS, MTH 40' & MTH 45E | | |

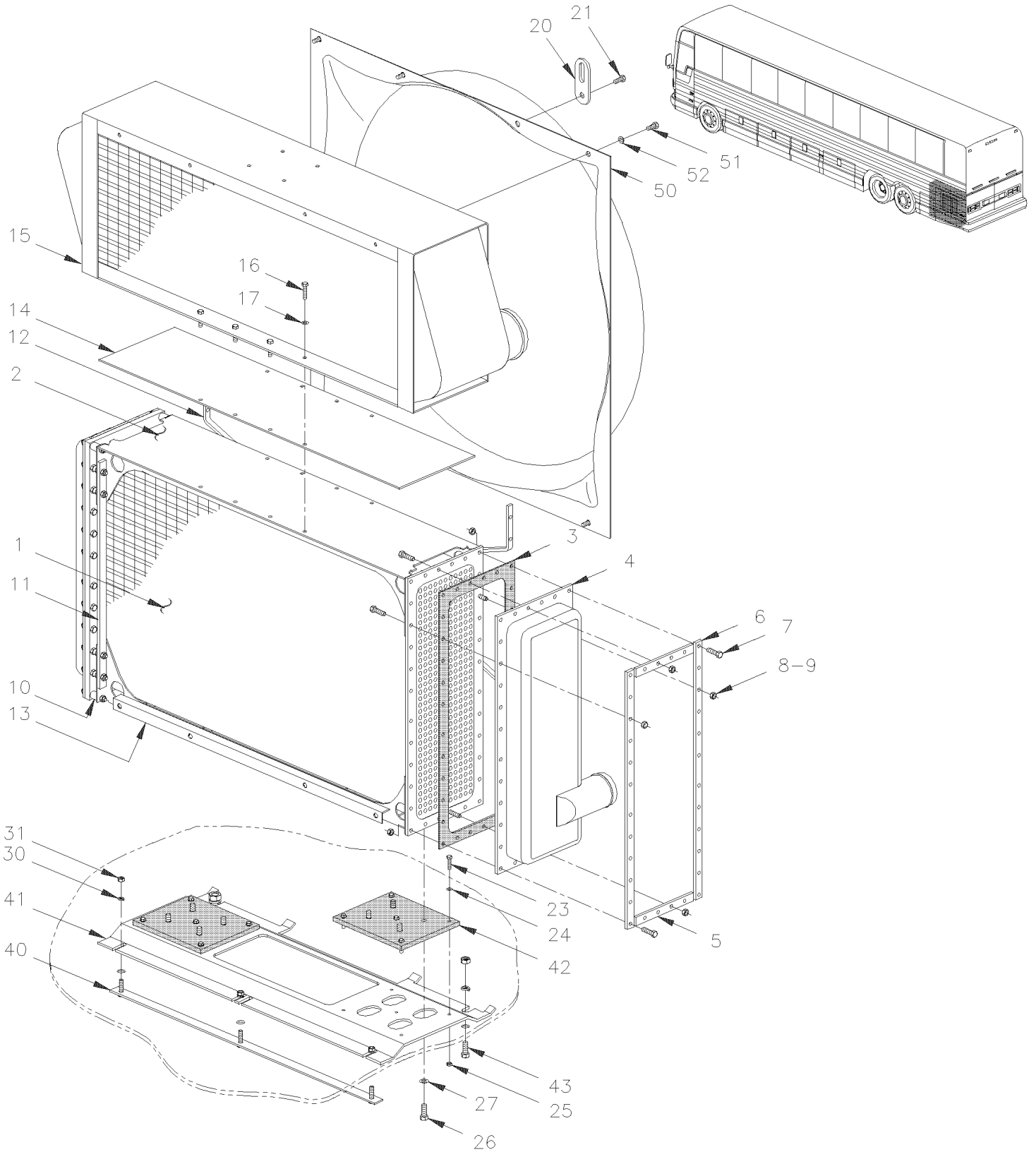
| Item# | Part | Description | X L I I 4 5 | X L I I M T H 4 0 | X L I I M T H 4 5 | X L I I M T H 4 5 E | N O T E S |
|-------|---------|-----------------------------|----------------------------|---|---|--|-----------------------|
| 61 | 5001736 | WASHER FL 8.4x18.0x2.0 N500 | 3 | 3 | | 3 | |
| 61 | 502837 | NUT HEXF STO M8-1.25 N500 | 3 | 3 | | 3 | |
| | | | | | | | |
| | | | | | | | |
| | | 4) NO PARTS NUMBER | | | | | |

From Y-7046 To 3-8164

Date:10/2022

PAGE:Y2-0505-50

RADIATOR ASSY - MTH



| | | |
|----------------------------|--------------|-----------------|
| From Y-7046 To 3-8164 | Date:10/2022 | PAGE:Y2-0505-50 |
| RADIATOR ASSY - MTH | | |

| Item# | Part | Description | X L I I 4 5 | X L I I M T H 4 0 | X L I I M T H 4 5 | X L I I M T H 4 5 E | N O T E S |
|-------|-------------------|---|----------------------------|---|---|--|-----------------------|
| | N.S.A. | RADIATOR ASSY / WATER & AIR COOLER | | 1 | 1 | 1 | 3 |
| | 550759 | . RADIATOR ASSY / WATER | | 1 | 1 | 1 | |
| 1 | 550760 | .. CORE | | 1 | 1 | 1 | |
| 2 | 550764 | .. SUPPORT ASSY TOP | | 1 | 1 | 1 | |
| 3 | 550768 | .. GASKET, HALF | | 4 | 4 | 4 | |
| 4 | 550761 | .. TANK / RADIATOR FRONT | | 1 | 1 | 1 | |
| 4 | 550762 | .. TANK / RADIATOR REAR | | 1 | 1 | 1 | |
| 5 | 550766 | .. STRIP / EXTERIOR & INTERIOR 6 1/2" | | 8 | 8 | 8 | |
| 6 | 550767 | .. STRIP / EXTERIOR & INTERIOR 22 1/2" | | 8 | 8 | 8 | |
| 7 | 500029 | .. SCREW CAP HEX 5/16-24x1 1/2 G5 ZP | | AR | AR | AR | |
| 8 | 500778 | .. NUT HEX 5/16-18 N500 | | 68 | 68 | 68 | |
| 9 | 500446 | .. WASHER FL .531x1.250x.125 Z050 | | 72 | 72 | 72 | |
| 10 | 550770 | .. BUSHING | | 4 | 4 | 4 | |
| NS | 500183 | .. SCREW CAP HEX 5/16-18x1 1/2 G5 PT Z050 | | 4 | 4 | 4 | |
| NS | 500185 | .. SCREW CAP HEX 5/16-18x2 1/4 G5 Z050 | | 4 | 4 | 4 | |
| NS | 502600 | .. NUT HEX NYRT 5/16-18 Z050 | | 4 | 4 | 4 | |
| 11 | 550771 | .. STRIP, TIE BAR 20" | | 1 | 1 | 1 | |
| 12 | 550763 | .. REINFORCEMENT STRIP "Z" SHAPE | | 1 | 1 | 1 | |
| 13 | 550765 | .. SUPPORT ASSY BOTTOM | | 1 | 1 | 1 | |
| NS | 550103 | .. RUBBER PAD 10FT LG. | | AR | AR | AR | |
| 14 | 550769 | .. STRIP, PLASTIC | | 1 | 1 | 1 | |
| NS | 500826 | .. WASHER LO EXT .320x.610x.034 ZP | | 8 | 8 | 8 | |
| NS | 500181 | .. SCREW CAP HEX 5/16-18x1 G5 Z050 | | 8 | 8 | 8 | |
| NS | 500985 | .. WASHER FL .343x.875x.125 Z050 | | 8 | 8 | 8 | |
| 15 | Y2-0330-00 | AIR FILTER & INTAKE - INSTALLATION WITH DETROIT S-60 | | | | | |
| 16 | 500191 | SCREW CAP HEX 3/8-16x1 G5 Z050 | | AR | AR | AR | |
| 17 | 500445 | WASHER FL .437x1.000x.083 Z050 | | AR | AR | AR | |
| 20 | 052199 | PLATE "OBLON" / TO FIX RADIATOR UPPER | | 1 | 1 | 1 | |
| 21 | 500195 | SCREW CAP HEX 3/8-16x2 1/2 G5 Z050 | | 1 | 1 | 1 | B |
| NS | 500935 | WASHER FL .390x1.500x.083 | | 2 | 2 | 2 | B |
| NS | 505217 | SPACER 7/16" X 1 1/4" | | 1 | 1 | 1 | B |
| NS | 661074 | BUSHING / RUBBER 3/4" x 5/8" I.D. | | 2 | 2 | 2 | B |
| NS | 500265 | NUT HEX STO 3/8-16 Z050 | | 1 | 1 | 1 | B |
| 23 | 502737 | SCREW CAP HEX M6-1.0x25 SS BK | | 12 | 12 | 12 | |
| 24 | 500468 | WASHER FL .281x1.250x.065 Z050 | | 15 | 15 | 15 | |
| 25 | 502621 | NUT HEX STO M6-1.0 Z050 | | 12 | 12 | 12 | |
| 26 | 500191 | SCREW CAP HEX 3/8-16x1 G5 Z050 | | 12 | 12 | 12 | |
| 27 | 500445 | WASHER FL .437x1.000x.083 Z050 | | AR | AR | AR | |
| 30 | 502584 | WASHER LO SERR 8.2x26.3x1.8 Z050 | | AR | AR | AR | |
| 31 | 502543 | NUT HEX M8-1.25 Z050 | | 3 | 3 | 3 | |
| 32 | 501332 | STREET ELBOW 90° / PIPE FITTING / 1/4NPT-Mx1/4NPT-F BR | | 1 | 1 | 1 | |
| NS | 501308 | ADAPTER / PIPE FITTING / 1/4NPT-Fx1/4NPT-M BR | | 1 | 1 | 1 | |

| | | |
|----------------------------|--------------|-----------------|
| From Y-7046 To 3-8164 | Date:10/2022 | PAGE:Y2-0505-50 |
| RADIATOR ASSY - MTH | | |

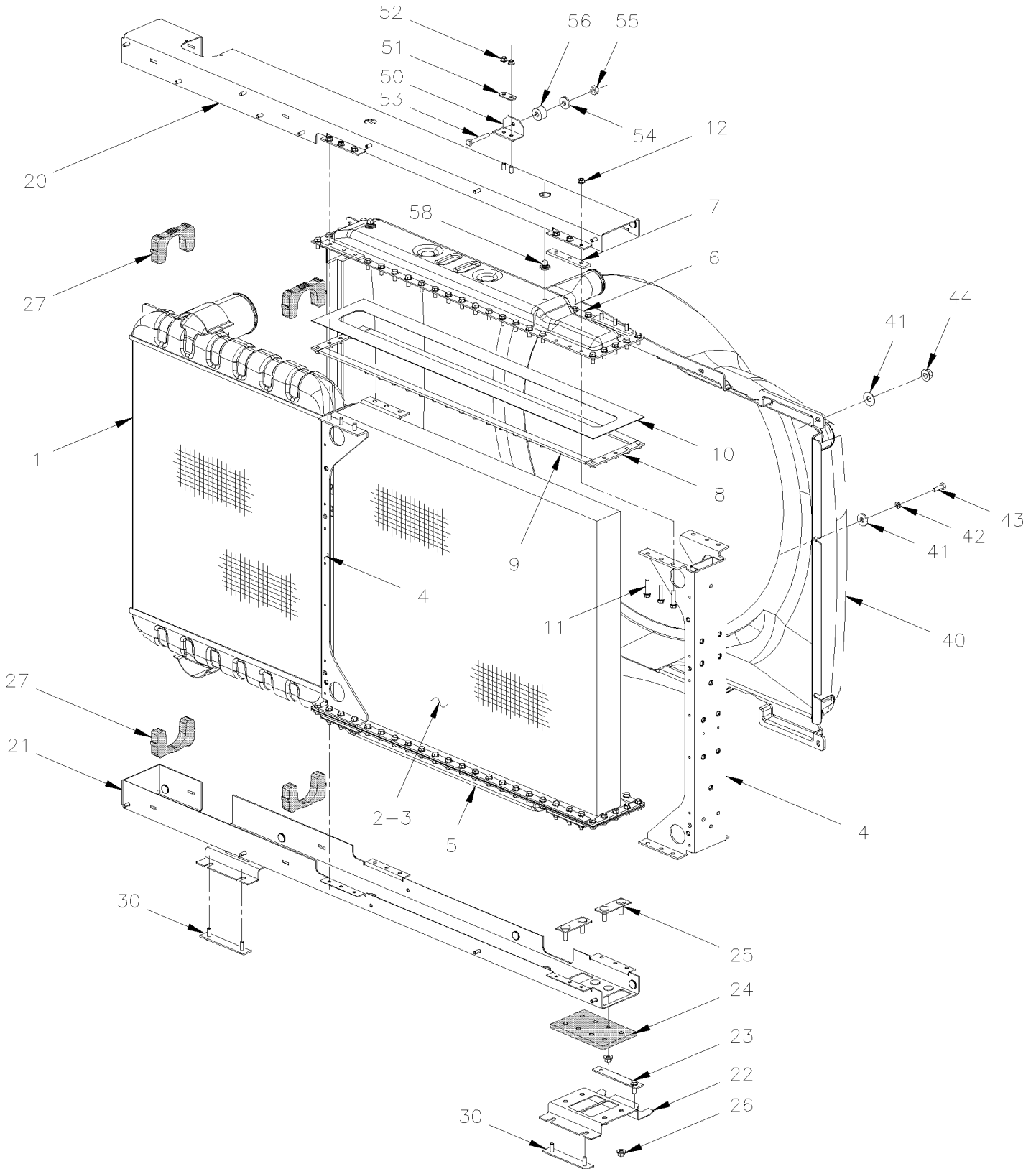
| Item# | Part | Description | X L I I 4 5 | X L I I M T H 4 0 | X L I I M T H 4 5 | X L I I M T H 4 5 E | N O T E S |
|-------|---------|---|----------------------------|---|---|--|-----------------------|
| NS | 501027 | MALE CONNECTOR / SAE 45° FITTING / #4FL-Mx1/4NPT-M BR | | 1 | 1 | 1 | |
| 33 | 501129 | EXTERNAL SEAL DRAIN 1/4 NPT | | 1 | 1 | 1 | |
| NS | 501329 | STREET ELBOW 45° / PIPE FITTING / 1/4NPT-Mx1/4NPT-F BR | | 1 | 1 | 1 | |
| 40 | 052224 | ATTACHMENT, STRIP 768MM W/3 STUDS / TO FIX SUPPORT 364/364c/c | | 1 | 1 | 1 | |
| 41 | 052201 | PLATE SUPPORT LOWER RADIATOR | | 1 | 1 | 1 | |
| 42 | 051836 | RUBBER PAD / SUPPORT & RADIATOR 242MM x 165MM W/9 HOLES | | 2 | 2 | 2 | |
| 43 | 502780 | SCREW CAP HEX M8-1.25x25 SS BK | | 2 | 2 | 2 | |
| 50 | 052197 | SHROUD / W/36" FAN BLADE | | 1 | 1 | 1 | |
| 51 | 5001040 | SCREW TC PAN PH #6-32x3/4 SS | | 4 | 4 | 4 | |
| 52 | 500157 | WASHER FL .125x.375x.032 SS | | 4 | 4 | 4 | |
| NS | 506001 | TAPE RUB ADH1 CC POL 1/8" x 3/4" x 50' / GREY 2520X | | AR | AR | AR | |
| 60 | 052110 | ATTACHMENT / UPPER RADIATOR | | 1 | 1 | 1 | |
| 61 | 660253 | BUSHING / RUBBER / (ONE PIECE) 1 1/2" x 5/8" I.D. | | 1 | 1 | 1 | |
| 62 | 505217 | SPACER 7/16" X 1 1/4" | | 1 | 1 | 1 | |
| 63 | 500935 | WASHER FL .390x1.500x.083 | | 2 | 2 | 2 | |
| 64 | 500195 | SCREW CAP HEX 3/8-16x2 1/2 G5 Z050 | | 1 | 1 | 1 | |
| 65 | 500265 | NUT HEX STO 3/8-16 Z050 | | 1 | 1 | 1 | |
| 66 | 500191 | SCREW CAP HEX 3/8-16x1 G5 Z050 | | 2 | 2 | 2 | |
| 67 | 500478 | WASHER LO SPT .380x.683x.094 Z050 | | 2 | 2 | 2 | |
| | | | | | | | |
| | | | | | | | |
| | | | | | | | |
| | | B) TO FIX RADIATOR PLATE UPPER | | | | | |
| | | 3) NOT SOLD ASSEMBLY | | | | | |

From 4-8165 To 8-9339

Date:10/2022

PAGE:Y2-0505-51

RADIATOR ASSY - MTH 45'



| | | |
|--------------------------------|--------------|-----------------|
| From 4-8165 To 8-9339 | Date:10/2022 | PAGE:Y2-0505-51 |
| RADIATOR ASSY - MTH 45' | | |

| Item# | Part | Description | X L I I 4 5 | X L I I M T H 4 0 | X L I I M T H 4 5 | X L I I M T H 4 5 E | N O T E S |
|-------|---------|---|----------------------------|---|---|--|-----------------------|
| | 550819 | RADIATOR & AIR COOLER / SIDE/SIDE | | | 1 | | A |
| 1 | 550847 | . AIR COOLER ASSY / SIDE BY SIDE MODEL | | | 1 | | |
| . NS | MI06-02 | .. SEE MAINTENANCE INFORMATION | | | 1 | | |
| 1 | 550976 | . AIR COOLER ASSY / "duralite" / SIDE BY SIDE MODEL | | | 1 | | |
| 1 | 550959 | . AIR COOLER ASSY / "TitanX" / SIDE BY SIDE MODEL | | | 1 | | |
| 2 | 550846 | . RADIATOR ASSY | | | 1 | | |
| 3 | 550863 | .. CORE | | | 1 | | |
| 4 | 550866 | .. SIDE MEMBER | | | 2 | | |
| 5 | 550865 | .. TANK BOTTOM | | | 1 | | |
| 6 | 550864 | .. TANK TOP | | | 1 | | |
| 7 | 550867 | .. REINFORCEMENT STRIP (TAPPED) | | | 8 | | |
| 8 | 550868 | .. REINFORCEMENT STRIP | | | 4 | | |
| 9 | 550859 | .. REINFORCEMENT STRIP | | | 1 | | |
| 10 | 550857 | .. GASKET | | | 2 | | |
| 10 | 550952 | .. GASKET | | | 2 | | |
| 11 | 500179 | .. SCREW CAP HEX 5/16-18x3/4 G5 Z050 | | | 74 | | |
| 11 | 500183 | .. SCREW CAP HEX 5/16-18x1 1/2 G5 PT Z050 | | | 24 | | |
| 12 | 5001083 | .. NUT HEXF NYRT 5/16-18 Z050 | | | 76 | | |
| 20 | 550869 | . SUPPORT UPPER | | | 1 | | |
| 21 | 550870 | . SUPPORT LOWER STEEL | | | 1 | | A |
| 21 | 053525 | . SUPPORT LOWER STAINLESS STEEL | | | 1 | | B |
| 22 | 550861 | . SUPPORT LOWER STEEL | | | 2 | | A |
| 22 | 053529 | . SUPPORT LOWER STAINLESS STEEL | | | 1 | | B |
| 23 | 550862 | . SUPPORT LOWER ASSY | | | 4 | | |
| 24 | 550872 | . RUBBER PAD | | | 2 | | |
| 25 | 550871 | . INSIDE STRIP SUPPORT | | | 4 | | |
| 26 | 500301 | . NUT HEXF STO 3/8-16 Z050 | | | 16 | | |
| 27 | 550873 | . INSULATOR MOUNTING | | | 24 | | |
| 30 | 052497 | ATTACHMENT STRIP 150MM W/2 STUDS | | | 4 | | |
| 40 | 052464 | SHROUD / W/36" FAN BLADE | | | 1 | | |
| 41 | 500831 | SCREW CAP HEX 3/8-16x2 G5 ZP | | | AR | | |
| 42 | 500942 | WASHER LO SPT 8.1x14.8x2.0 N500 | | | AR | | |
| 43 | 500836 | SCREW CAP HEX 5/16-18x3/4 G5 N500 | | | AR | | |
| 44 | 502902 | NUT HEXF NYRT 5/16-18 N500 | | | AR | | |
| 50 | 052525 | ANGLE SUPPORT, UPPER RADIATOR | | | 1 | | |
| 51 | 052557 | PLATE HOLDING / W/2 HOLES 1" C/C | | | 1 | | |
| 52 | 502902 | NUT HEXF NYRT 5/16-18 N500 | | | 4 | | |
| 53 | 500207 | SCREW CAP HEX 3/8-16x2 1/2 G5 N500 | | | 1 | | |
| 54 | 500832 | WASHER FL .406x.812x.065 N500 | | | 1 | | |
| 55 | 500208 | NUT HEX STO 3/8-16 N500 | | | 1 | | |
| 56 | 661074 | BUSHING / RUBBER 3/4" x 5/8" I.D. | | | 2 | | |
| 57 | 505217 | SPACER 7/16" X 1 1/4" | | | 1 | | |

| | | |
|--------------------------------|--------------|-----------------|
| From 4-8165 To 8-9339 | Date:10/2022 | PAGE:Y2-0505-51 |
| RADIATOR ASSY - MTH 45' | | |

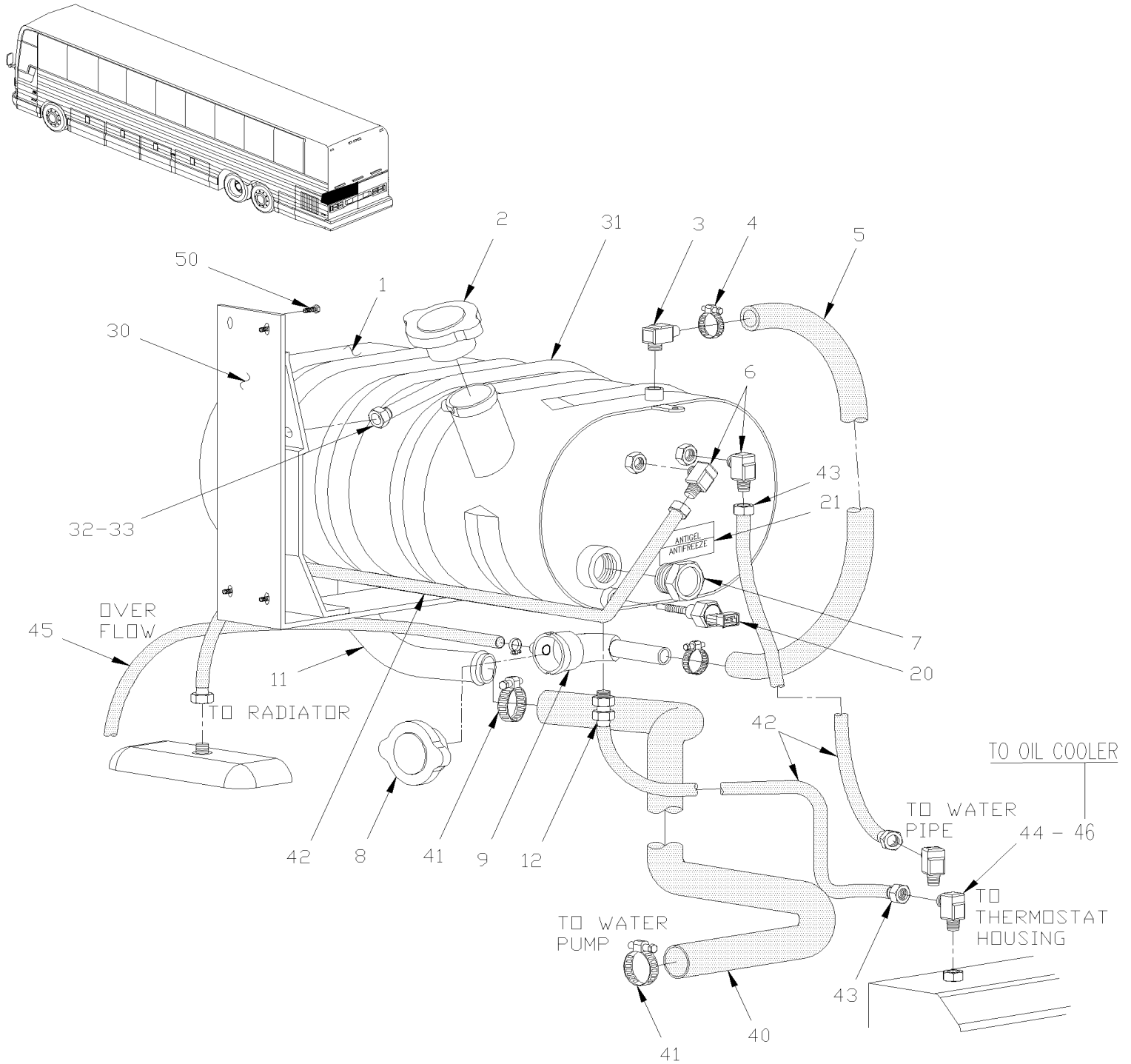
| Item# | Part | Description | X L I I 4 5 | X L I I M T H 4 0 | X L I I M T H 4 5 | X L I I M T H 4 5 E | N O T E S |
|-------|--------|--|----------------------------|---|---|--|-----------------------|
| 58 | 501037 | MALE ELBOW 90° / SAE 45° FITTING / #4FL-Mx1/4NPT-M BR | | | 1 | | |
| 59 | 052936 | KIT LOWER SUPPORT RADIATOR STAINLESS STEEL | | | 1 | | |
| . NS | 053525 | . SUPPORT LOWER STAINLESS STEEL | | | 1 | | |
| . NS | 053529 | . SUPPORT LOWER STAINLESS STEEL | | | 1 | | |
| | | | | | | | |
| | | | | | | | |
| | | A) FOR PRODUCT IMPROVMENT FOR LOWER STAINLESS SUPPORT ASK FOR KIT # 052936 | | | | | |
| | | B) THIS PART IT NOT INCLUDE WITH # 550819 | | | | | |

From Y-7046 To 8-9339

Date:10/2022

PAGE:Y2-0510-00

SURGE TANK



| | | |
|-----------------------|--------------|-----------------|
| From Y-7046 To 8-9339 | Date:10/2022 | PAGE:Y2-0510-00 |
| SURGE TANK | | |

| Item# | Part | Description | X L I I 4 5 | X L I I M T H 4 0 | X L I I M T H 4 5 | X L I I M T H 4 5 E | N O T E S |
|-------|-----------------|--|----------------------------|---|---|--|-----------------------|
| | 052287P | TANK ASSY (S.S.) To 3-8164 | 1 | 1 | 1 | 1 | |
| | Call order desk | TANK ASSY (S.S.) From 4-8165 | 1 | 1 | 1 | 1 | P |
| 1 | 052286 | . TANK (S.S.) To 3-8164 | 1 | 1 | 1 | 1 | |
| 1 | 052528 | . TANK (S.S.) From 4-8165 | 1 | 1 | 1 | 1 | |
| 2 | 052355 | . . CAP FILLER | 1 | 1 | 1 | 1 | |
| 3 | 5011025 | . MALE ELBOW 90° / BEADED HOSE BARB / #10x1/4NPT-M | 1 | 1 | 1 | 1 | |
| 4 | 504019 | . HOSE CLAMP / 9/16"-1"1/16 SS / HS-10 | 2 | 2 | 2 | 2 | |
| 5 | 051554 | . HOSE #10 560MM | 1 | 1 | 1 | 1 | |
| 6 | 501037 | . MALE ELBOW 90° / SAE 45° FITTING / #4FL-Mx1/4NPT-M BR | 2 | 2 | 2 | 2 | |
| 7 | 550618 | . SIGHT GLASS 1" NPT To 3-8164 | 1 | 1 | 1 | 1 | |
| 7 | 550850 | . SIGHT GLASS 1/2" NPT From 4-8165 | 1 | 1 | 1 | 1 | |
| . NS | N8881803 | . . BODY ½ NPT From 4-8165 | 1 | 1 | 1 | 1 | |
| . NS | N8881804 | . . NUT BODY TO FIX GLASS From 4-8165 | 1 | 1 | 1 | 1 | |
| . NS | N8881805 | . . GLASS From 4-8165 | 1 | 1 | 1 | 1 | |
| . NS | N8881806 | . . O-RING From 4-8165 | 1 | 1 | 1 | 1 | |
| 8 | 550606 | . CAP PRESSURE / OVER 14 LBS | 1 | 1 | 1 | 1 | |
| 9 | 051495 | . PIPE ASSY | 1 | 1 | 1 | 1 | |
| 11 | 5011036 | . MALE ELBOW 90° / COLLAR FITTING / 1NPT-Mx#16 STL | 1 | 1 | 1 | 1 | |
| 12 | 501027 | . MALE CONNECTOR / SAE 45° FITTING / #4FL-Mx1/4NPT-M BR | 1 | 1 | 1 | 1 | |
| 20 | 562395 | . SENSOR PROBE "LOW LEVEL COOLANT" / 1/4" NPT | 1 | 1 | 1 | 1 | |
| 21 | 050682 | . DECAL / ANTIFREEZE / ENGLISH & FRANCAIS To 5-8404 | 1 | 1 | 1 | 1 | |
| 21 | 052574 | . DECAL / ANTIFREEZE / ENGLISH & SPANISH To 5-8404 | 1 | 1 | 1 | 1 | |
| 21 | 052635 | . DECAL SPEC / ANTIFREEZE / W/ "DETROIT" ENGINE / ENGLISH & FRANCAIS From 5-8405 | 1 | 1 | 1 | 1 | |
| 30 | 052250 | . SUPPORT EXPANSION TANK ASSY To 2-7888 | 1 | 1 | 1 | 1 | |
| 30 | 052483 | . SUPPORT EXPANSION TANK ASSY From 2-7889 To 3-8164 | 1 | 1 | 1 | 1 | |
| 30 | 052501 | . SUPPORT EXPANSION TANK ASSY From 4-8165 To 4-8229 | 1 | 1 | 1 | 1 | |
| 30 | 052565 | . SUPPORT EXPANSION TANK ASSY From 4-8230 | 1 | 1 | 1 | 1 | |
| 31 | 052245 | . ROD | 1 | 1 | 1 | 1 | |
| 32 | 502543 | . NUT HEX M8-1.25 Z050 | 2 | 2 | 2 | 2 | |
| 33 | 500868 | . NUT HEX NYRT M8-1.25 Z050 | 2 | 2 | 2 | 2 | |
| 40 | 052342 | HOSE 1" I.D. 1574MM To Y-7280 | 1 | 1 | 1 | 1 | |
| 40 | 052388 | HOSE 1" I.D. 1345MM From Y-7281 To 3-8164 | 1 | 1 | 1 | 1 | |
| 40 | 052510 | HOSE 1" I.D. X 1194MM From 4-8165 | 1 | 1 | 1 | 1 | |
| 40 | 503579 | . HOSE 1" I.D. X 50' / "GREEN STRIPE" | AR | AR | AR | AR | |
| NS | 5011147 | FEMALE CONNECTOR SWIVEL / COLLAR FITTING / #16JIC-Fx#16 STL | 1 | 1 | 1 | 1 | |
| NS | 5011255 | MALE ELBOW 90° / JIC 37° FITTING / #16JIC-MxM33-2.0 ORB-M STL | 1 | 1 | 1 | 1 | |
| 41 | 504658 | HOSE CLAMP / 13/16"-1"3/4 / C.T. 9420 | 2 | 2 | 2 | 2 | |
| 42 | 052333 | HOSE ASSY / #4 990MM To 3-8164 | 3 | 3 | 3 | 3 | |
| 42 | 052507 | HOSE ASSY / TO RADIATOR / #4 655MM From 4-8165 | 1 | 1 | 1 | 1 | |
| 42 | 052508 | HOSE ASSY / TO THERMOSTAT / #4 956MM From 4-8165 | 1 | 1 | 1 | 1 | |
| 42 | 503692 | . HOSE / (SAFETY STRIPE) / 1/4" I.D. 50' / S.L. | AR | AR | AR | AR | |
| 43 | 501347 | . FEMALE CONNECTOR SWIVEL / PUSH-LOK FITTING #4JIC-Fx#4 BR | 2 | 2 | 2 | 2 | |

| | | |
|-----------------------|--------------|-----------------|
| From Y-7046 To 8-9339 | Date:10/2022 | PAGE:Y2-0510-00 |
| SURGE TANK | | |

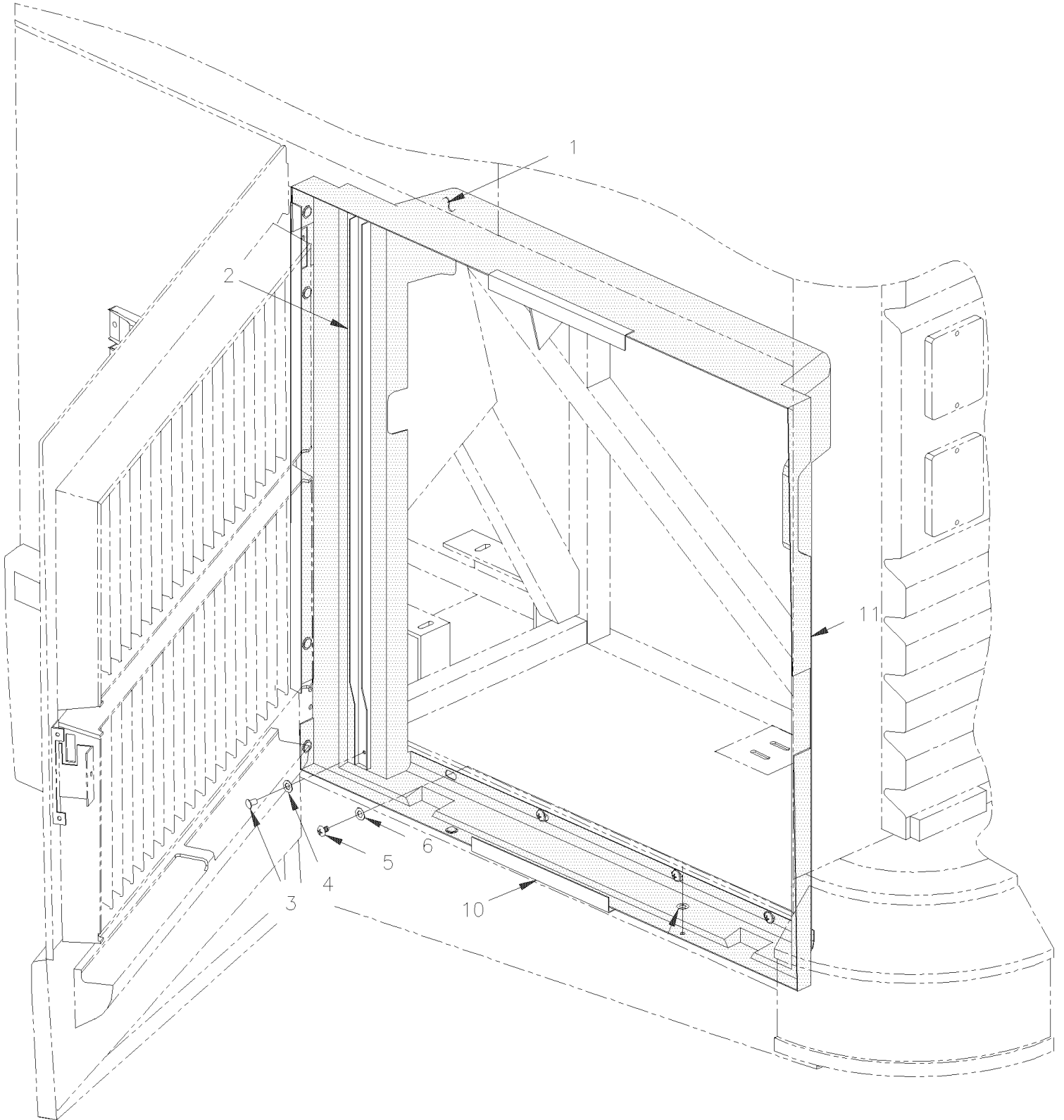
| Item# | Part | Description | X L I I 4 5 | X L I I M T H 4 0 | X L I I M T H 4 5 | X L I I M T H 4 5 E | N O T E S |
|-------|---------|---|--------------------------------|---|---|--|-----------------------|
| 44 | 501037 | MALE ELBOW 90° / SAE 45° FITTING / #4FL-Mx1/4NPT-M BR | 1 | 1 | 1 | 1 | |
| 45 | 503047 | HOSE / RUBBER #6 / S.L. | AR | AR | AR | AR | |
| 46 | 052509 | HOSE ASSY TEFLON #4 1170MM From 4-8165 | 1 | 1 | 1 | 1 | |
| 50 | 500417 | SCREW TP PAN PH #6x3/8 Z050 | 4 | 4 | 4 | 4 | |
| NS | 685125 | ANTIFREEZE / ETHYLENE GLYCOL / SPEC #7SE298 & TMC RP-329, T | AR | AR | AR | AR | |
| . NS | MI04-06 | . SEE MAINTENANCE INFORMATION | 1 | 1 | 1 | 1 | |
| | | | | | | | |
| | | | | | | | |
| | | | | | | | |
| | | | | | | | |
| | | P) CALL ORDER DESK FOR SPECIFIC APPLICATION (V.I.N.) | | | | | |

From Y-7046 To 3-8164

Date:10/2022

PAGE:Y2-0518-00

RADIATOR SEALING FRAME

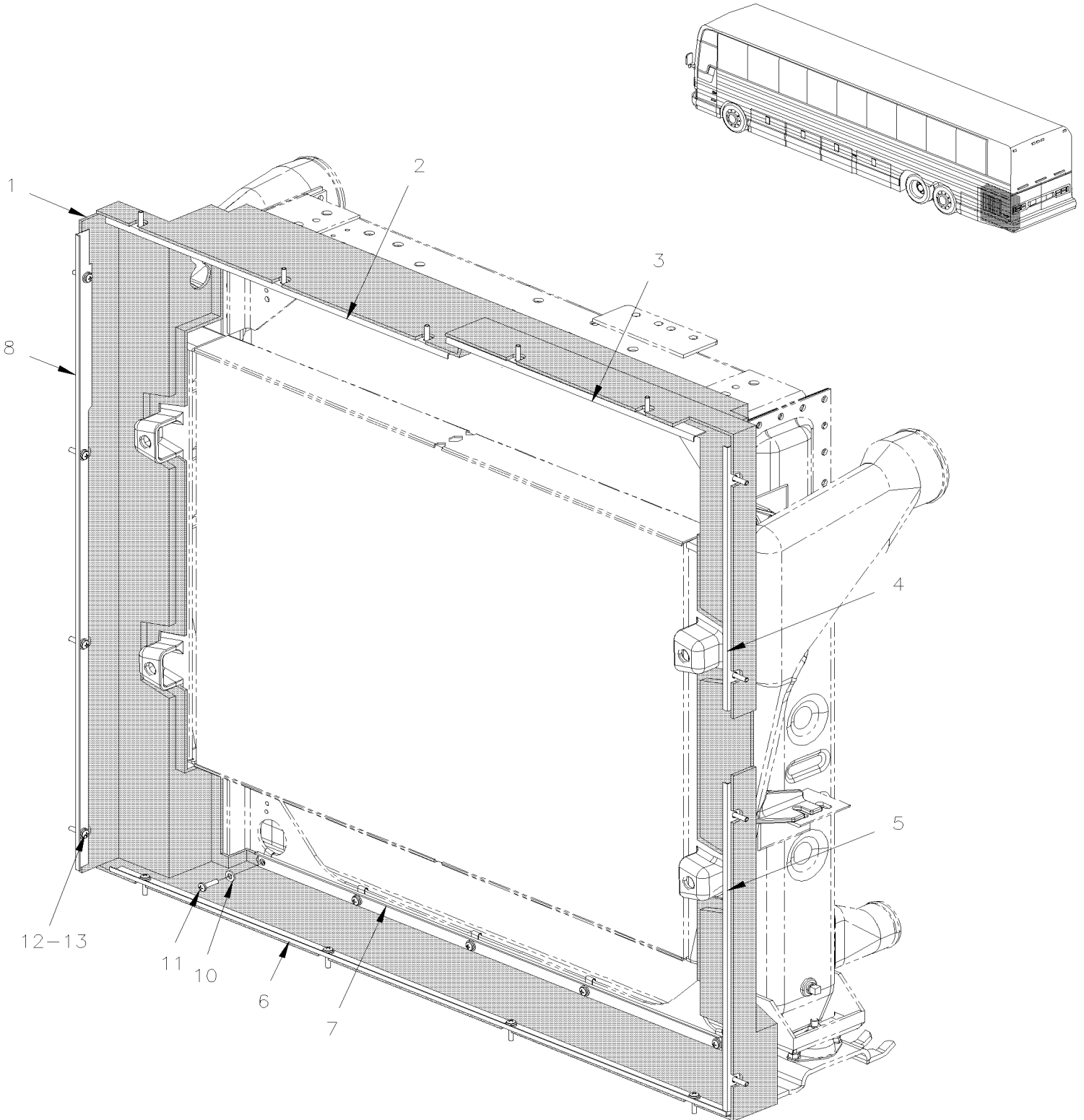


From 4-8165 To 8-9339

Date:10/2022

PAGE:Y2-0518-01

RADIATOR SEALING FRAME - BUS, MTH 40' & MTH-45E

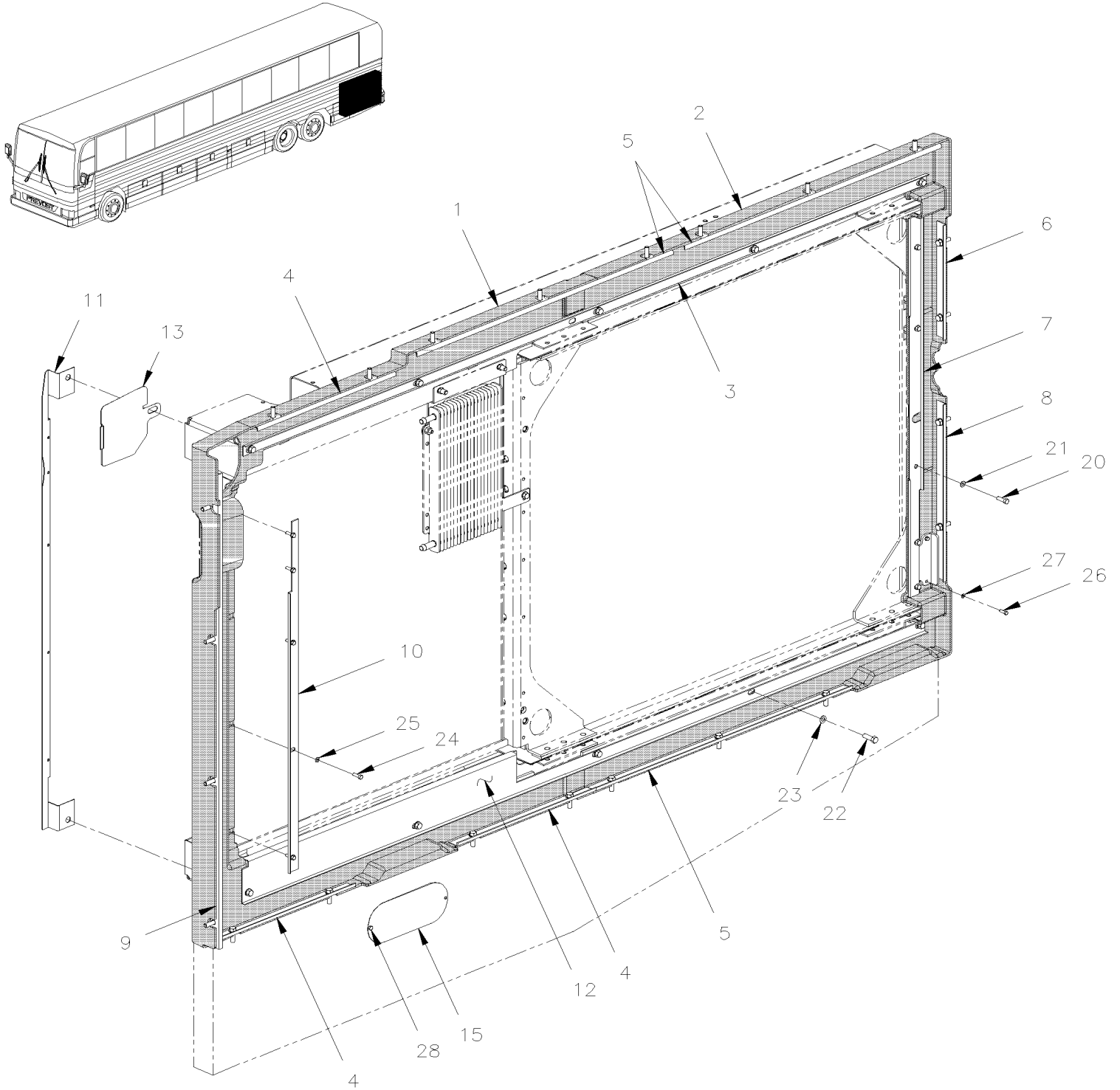


From 4-8165 To 8-9339

Date:10/2022

PAGE:Y2-0518-50

RADIATOR SEALING FRAME - MTH 45'



| | | |
|---|--------------|-----------------|
| From 4-8165 To 8-9339 | Date:10/2022 | PAGE:Y2-0518-50 |
| RADIATOR SEALING FRAME - MTH 45' | | |

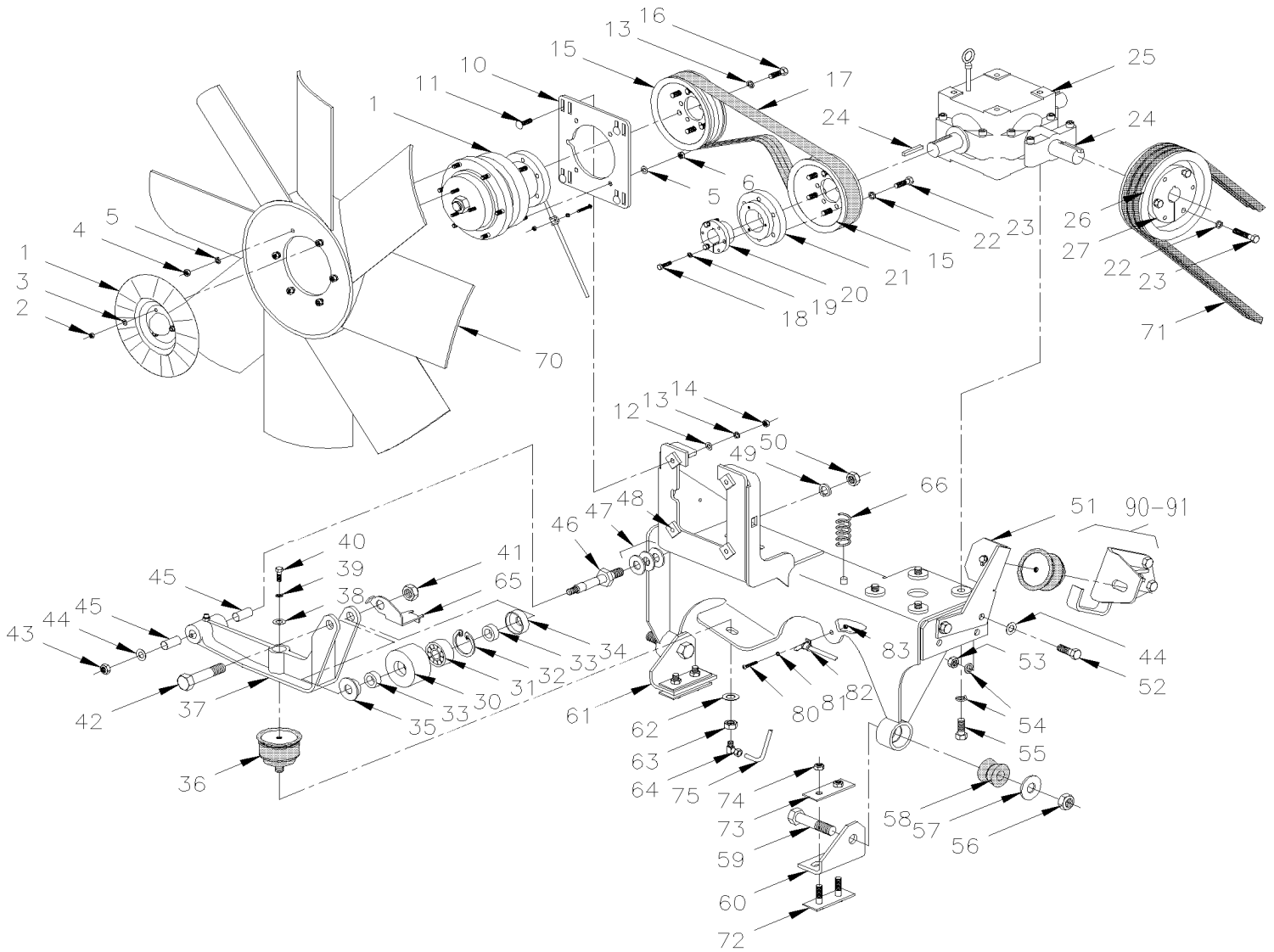
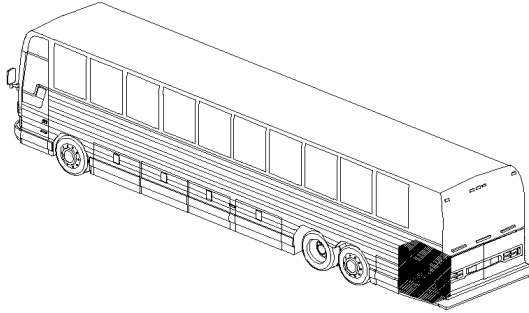
| Item# | Part | Description | X L I I 4 5 | X L I I M T H 4 0 | X L I I M T H 4 5 | X L I I M T H 4 5 E | NOTES |
|-------|---------|---|----------------------------|---|---|--|-------|
| 1 | 052546 | FRAME, SEALING / FORWARD To 5-8805 | | | 1 | | |
| 1 | 052622 | FRAME, SEALING / FORWARD TOP SECTION From 5-8806 | | | 1 | | |
| 2 | 052505 | FRAME, SEALING / BACKWARD To 5-8805 | | | 1 | | |
| 2 | 052623 | FRAME, SEALING / FORWARD BOTTOM SECTION From 5-8806 | | | 1 | | |
| NS | 506001 | TAPE RUB ADH1 CC POL 1/8" x 3/4" x 50' / GREY 2520X | | | AR | | |
| NS | 506004 | TAPE RUB ADH1 CC POL 3/8" x 1/2" x 20' / GREY 2520X | | | AR | | |
| NS | 506302 | RUBBER EXTRUSION TRIM SEAL / GRIP .024 / 7/16" HOLLOW BULB C.T.L. | | | AR | | |
| 3 | 052513 | ANGLE REINFORCEMENT 1628.4MM To 5-8805 | | | 1 | | |
| 3 | 052638 | ANGLE REINFORCEMENT 800MM From 5-8806 | | | 1 | | |
| 4 | 052457 | ANGLE REINFORCEMENT 442MM | | | 3 | | |
| 5 | 052458 | ANGLE REINFORCEMENT 611MM | | | 2 | | |
| 6 | 052549 | ANGLE REINFORCEMENT 230MM | | | 1 | | |
| 7 | 052521 | ANGLE REINFORCEMENT 760MM | | | 1 | | |
| 8 | 052548 | ANGLE REINFORCEMENT 355MM | | | 1 | | |
| 9 | 052459 | ANGLE REINFORCEMENT 957MM To 5-8805 | | | 1 | | |
| 9 | 052637 | ANGLE REINFORCEMENT 850MM From 5-8806 | | | 1 | | |
| 10 | 052519 | ANGLE REINFORCEMENT 700MM | | | 1 | | |
| 11 | 052537 | ANGLE REINFORCEMENT 915MM | | | 1 | | |
| 12 | 052543 | ANGLE REINFORCEMENT 1613.4MM | | | 1 | | |
| 13 | 052544 | CLOSING PANEL ACCESS TRAP To 5-8805 | | | 1 | | |
| 13 | 052639 | ANGLE REINFORCEMENT 860MM From 5-8806 | | | 1 | | |
| 15 | 052200 | CLOSING PLATE 80MM X 190MM | | | 1 | | |
| 20 | 502848 | SCREW TC CAP HEXF 1/4-20x3/4 N500 | | | 6 | | |
| 21 | 955920 | WASHER LO SPT 6.5x11.5x1.6 ZP | | | 6 | | |
| 22 | 502902 | NUT HEXF NYRT 5/16-18 N500 | | | 10 | | |
| 23 | 192288 | WASHER FL 8.4x18.0x2.0 ZG603 | | | 10 | | |
| 24 | 500526 | SCREW TP CAP HEXW #12x3/4 N500 | | | 38 | | |
| 25 | 500877 | WASHER FL .250x.562x.065 N500 | | | 38 | | |
| 26 | 504339 | RIVET POP DOME OE 1/8x3/8 SS | | | AR | | |
| 27 | 5001067 | WASHER FL .128x.312x.032 SS | | | AR | | |
| | | | | | | | |
| | | | | | | | |
| | | | | | | | |

From Y-7046 To 3-8164

Date:10/2022

PAGE:Y2-0520-00

FAN DRIVE - INSTALLATION - SHORT



| | | |
|---|--------------|-----------------|
| From Y-7046 To 3-8164 | Date:10/2022 | PAGE:Y2-0520-00 |
| FAN DRIVE - INSTALLATION - SHORT | | |

| Item# | Part | Description | X L I I 4 5 | X L I I M T H 4 0 | X L I I M T H 4 5 | X L I I M T H 4 5 E | N O T E S |
|-------|-------------------|--|----------------------------|---|---|--|-----------------------|
| | 052006P | FAN DRIVE ASSY | 1 | 1 | 1 | 1 | |
| 1 | Y2-0540-00 | . FAN CLUTCH ASSY - #550803 - BUS | | | | | |
| 1 | Y2-0540-50 | . FAN CLUTCH ASSY - #550802 - MTH | | | | | |
| 2 | 502511 | .. NUT HEX NYRT M6-1.0 Z050 | 3 | 3 | 3 | 3 | |
| 3 | 502573 | .. WASHER FL 6.4x12.5x1.6 SS | 3 | 3 | 3 | 3 | |
| 4 | 502543 | .. NUT HEX M8-1.25 Z050 | 6 | 6 | 6 | 6 | |
| 5 | 500874 | .. WASHER FL 8.4x17.0x1.6 Z050 | 8 | 8 | 8 | 8 | |
| NS | 502644 | .. WASHER FL 10.5x30.0x2.5 Z050 | | 8 | 8 | 8 | |
| 6 | 502744 | .. NUT HEX STO M8-1.25 Z050 | 4 | 4 | 4 | 4 | |
| NS | 500680 | .. NUT HEX STO M10-1.5 Z050 | | 4 | 4 | 4 | |
| 10 | 052196 | . PLATE TRANSITION / FAN CLUTCH & SUPPORT | | 1 | 1 | 1 | |
| 11 | 5001208 | . SCREW CRG M8-1.25x30 G8.8 Z050 | 4 | 4 | 4 | 4 | |
| 12 | 500874 | . WASHER FL 8.4x17.0x1.6 Z050 | 8 | 8 | 8 | 8 | |
| 13 | 5001003 | . WASHER LO SPT 8.1x12.7x2.0 Z050 | 10 | 10 | 10 | 10 | |
| 14 | 502543 | . NUT HEX M8-1.25 Z050 | 4 | 4 | 4 | 4 | |
| 15 | 051830 | . PULLEY / W/10RIB X 6.10" DIA | 2 | 2 | 2 | 2 | |
| 16 | 502528 | . SCREW CAP HEX M8-1.25x20 G8.8 EMN | 6 | 6 | 6 | 6 | |
| 17 | 506688 | . MULTI V-BELT / 10 RIB 51" 5100510-51 | 1 | 1 | 1 | 1 | |
| 18 | 500177 | . SCREW CAP HEX 1/4-20x1 G8 ZP | 3 | 3 | 3 | 3 | |
| 19 | 500473 | . WASHER LO SPT .262x.489x.062 Z050 | 3 | 3 | 3 | 3 | |
| 20 | 550690 | . CONE BUSHING 1 1/4 I.D X 1 13/16 O.D. X 2 5 | 1 | 1 | 1 | 1 | |
| 21 | 050907 | . COUPLING FAN / TO FIX PULLEY | 3 | 3 | 3 | 3 | |
| 22 | 500478 | . WASHER LO SPT .380x.683x.094 Z050 | 6 | 6 | 6 | 6 | |
| 23 | 500048 | . SCREW CAP HEX 3/8-24x1 1/4 G5 ZP | 6 | 6 | 6 | 6 | |
| 24 | 550186 | . KEY 1/4" X 1/4" X 1 1/4" | 2 | 2 | 2 | 2 | |
| 25 | Y2-0525-00 | . GEARBOX "SUPERIOR" - #550789, 550810 & 550897 | | | | | |
| 26 | 051603 | . PULLEY (3V X 7.40 DIA) | 1 | 1 | 1 | 1 | |
| 27 | 550691 | . CONE BUSHING 1 1/4 I.D X 3 O.D. X 4 5/8 O.D | 1 | 1 | 1 | 1 | |
| 30 | 052208 | . PULLEY ASSY W/BEARING & SEAL / 43MM x 78MM | 1 | 1 | 1 | 1 | |
| 30 | 052676 | . PULLEY ASSY W/BEARING & SEAL / 54MM x 75MM | 1 | 1 | 1 | 1 | A |
| 30 | 052207 | .. PULLEY BELT TENSIONER / 43MM x 78MM O.D. | 1 | 1 | 1 | 1 | |
| 30 | 052677 | .. PULLEY / 54MM WIDE x 75MM O.D. | 1 | 1 | 1 | 1 | A |
| 31 | 507340 | .. BALL BEARING 20 ID x 52 OD x 22.2 W | 1 | 1 | 1 | 1 | |
| 31 | 510618 | .. BALL BEARING DBL ROW / 30MM x 62MM x 27 W | 1 | 1 | 1 | 1 | A |
| 32 | 504095 | .. RING RETAINER / INT 2.00 x 2.12 x .062 | 1 | 1 | 1 | 1 | |
| 32 | 504040 | .. RING RETAINER / INT 2.440 x 1.860 x 0.078 STL BLK | 1 | 1 | 1 | 1 | A |
| 33 | 052205 | .. SPACER 20MM I.D. X 12.5MM TH | 2 | 2 | 2 | 2 | |
| 33 | 052627 | .. BUSHING TRANSFER FAN | 2 | 2 | 2 | 2 | A |
| 34 | 507361 | .. SEAL | 1 | 1 | 1 | 1 | |
| 34 | 507371 | .. SEAL | 1 | 1 | 1 | 1 | A |
| 35 | 507360 | .. SEAL | 1 | 1 | 1 | 1 | |
| 35 | 507371 | .. SEAL | 1 | 1 | 1 | 1 | A |

| | | |
|---|--------------|-----------------|
| From Y-7046 To 3-8164 | Date:10/2022 | PAGE:Y2-0520-00 |
| FAN DRIVE - INSTALLATION - SHORT | | |

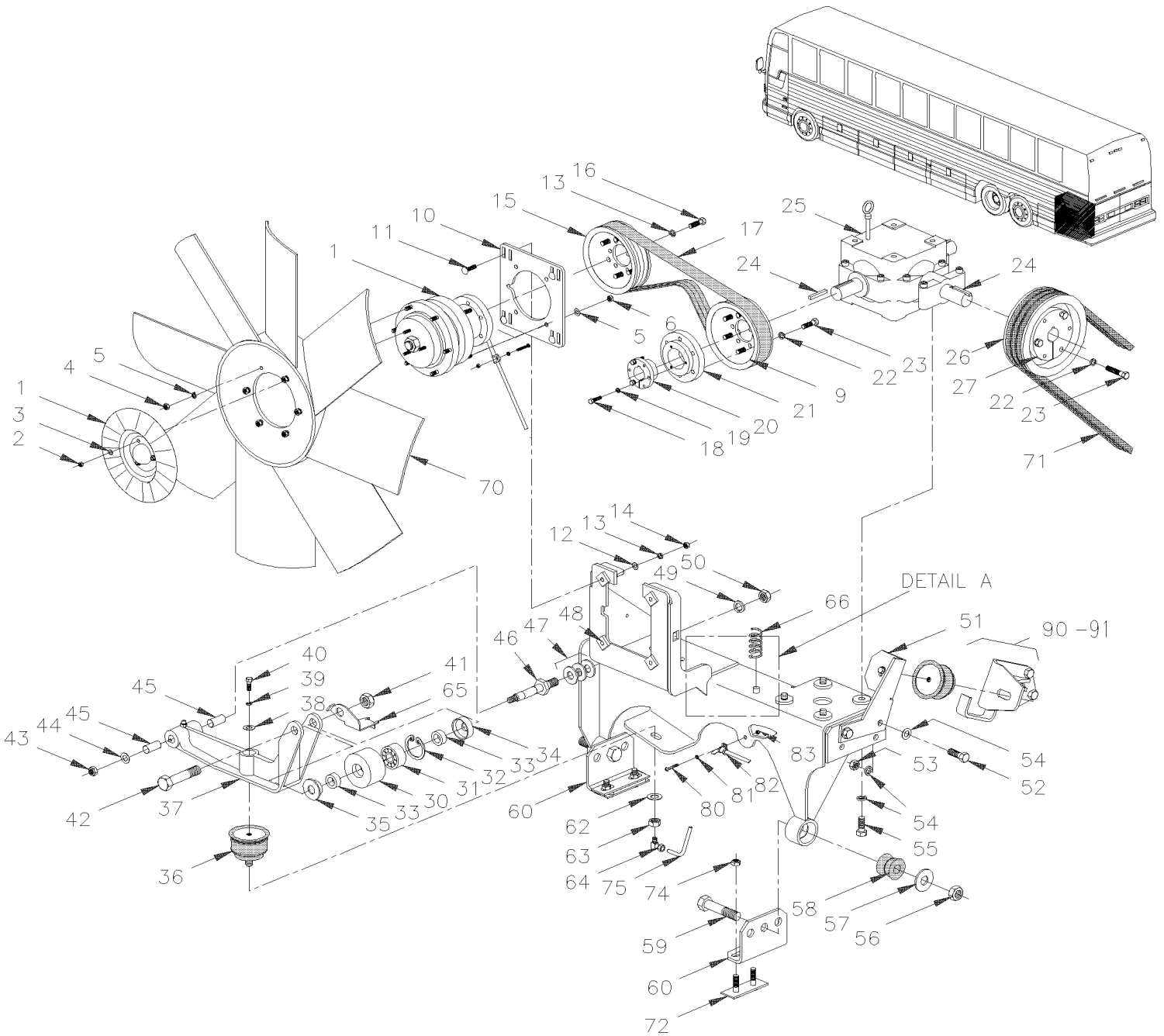
| Item# | Part | Description | X L I I 4 5 | X L I I M T H 4 0 | X L I I M T H 4 5 | X L I I M T H 4 5 E | N O T E S |
|-------|---------|---|----------------------------|---|---|--|-----------------------|
| NS | 680500 | . . GREASE MERITOR / 400GR | AR | AR | AR | AR | |
| NS | 680752 | . . GREASE LITHIUM / BLUE | AR | AR | AR | AR | A |
| 36 | 950208 | . BELLOW ASSY / BELT TENSIONER / 3" O.D. | 2 | 2 | 2 | 2 | |
| NS | 504695 | . . HOSE CLAMP STEPLESS SPRING SS / OETIKER / 2.9-3.3 | 1 | 1 | 1 | 1 | |
| 37 | 051991 | . ARM, BELT TENSIONER / IRON USE W 45MM WIDE PULLEY | 1 | 1 | 1 | 1 | B |
| 37 | 052624 | . ARM, BELT TENSIONER / IRON USE W 54MM WIDE PULLEY | 1 | 1 | 1 | 1 | A |
| 38 | 500985 | . WASHER FL .343x.875x.125 Z050 | 1 | 1 | 1 | 1 | |
| 39 | 500476 | . WASHER LO SPT .317x.586x.078 Z050 | 1 | 1 | 1 | 1 | |
| 40 | 5001132 | . SCREW CAP HEX 5/16-18x7/8 G5 Z050 | 1 | 1 | 1 | 1 | |
| 41 | 500735 | . NUT HEX STO 3/4-16 ZP | 3 | 3 | 3 | 3 | |
| 42 | 500145 | . SCREW CAP HEX 3/4-16x3 1/2 G5 Z050 | 3 | 3 | 3 | 3 | |
| 42 | 983296 | . SCREW CAP HEX M20-2.5x90 G10.9 ZP | 1 | 1 | 1 | 1 | AS |
| 43 | 500811 | . NUT HEX STO M12-1.75 G500 | 1 | 1 | 1 | 1 | |
| 43 | 5001628 | . NUT HEX NYRT M10-1.5 SS | 1 | 1 | 1 | 1 | S |
| 44 | 500446 | . WASHER FL .531x1.250x.125 Z050 | 1 | 1 | 1 | 1 | |
| 44 | 500270 | . WASHER FL .406x1.000x.063 SS | 1 | 1 | 1 | 1 | S |
| 45 | 507293 | . BUSHING NYLINED .625x.750x.750 | 2 | 2 | 2 | 2 | |
| 46 | 052003 | . PIVOT / TO FIX TENSIONER TO SUPPORT | 1 | 1 | 1 | 1 | |
| 46 | 052670 | . PIVOT / TO FIX TENSIONER TO SUPPORT | 1 | 1 | 1 | 1 | |
| 46 | 501497 | . GREASE FITTING / 1/4-28 | 1 | 1 | 1 | 1 | |
| 47 | 500449 | . WASHER FL .625x1.500 SS | AR | AR | AR | AR | |
| 48 | 052198 | . SUPPORT FAN CLUTCH & GEAR BOX / SHORT To 2-7809 | 1 | 1 | 1 | 1 | |
| 48 | 059056 | . SUPPORT FAN CLUTCH & GEAR BOX / SHORT From 2-7810 | 1 | 1 | 1 | 1 | |
| 49 | 500802 | . WASHER LO SPT 16.2x37.4x3.5 Z050 | 1 | 1 | 1 | 1 | |
| 50 | 502588 | . NUT HEX M16-2.0 ZP | 1 | 1 | 1 | 1 | |
| 51 | 052346 | SUPPORT / BELLOW TENSIONNER To 2-7809 | 1 | | | | |
| 51 | 059050 | SUPPORT / BELLOW TENSIONNER From 2-7810 | 1 | | | | |
| 51 | 052066 | SUPPORT / BELLOW TENSIONNER To 2-7809 | | 1 | 1 | 1 | |
| 51 | 059049 | SUPPORT / BELLOW TENSIONNER From 2-7810 | | 1 | 1 | 1 | |
| 52 | 500088 | SCREW CAP HEX 1/2-20x1 1/2 G5 ZP | 2 | 2 | 2 | 2 | |
| 53 | 500716 | NUT HEX 1/2-20 Z050 | 2 | 2 | 2 | 2 | |
| 54 | 500482 | WASHER LO SPT .506x.873x.125 Z050 | 6 | 6 | 6 | 6 | |
| 55 | 500214 | SCREW CAP HEX 1/2-13x1 1/4 G5 Z050 | 4 | 4 | 4 | 4 | |
| 57 | 500451 | WASHER FL .812x2.000x.148 ZP | 2 | 2 | 2 | 2 | |
| 58 | 630002 | BUSHING / RUBBER / (TWO PIECES) 1" x 1.005" I.D. | 2 | 2 | 2 | 2 | |
| NS | 507347 | SPACER / BUSHING | 2 | 2 | 2 | 2 | |
| 60 | 052347 | SUPPORT, ANGLE / FRONT To 2-7809 | 1 | | | | |
| 60 | 059054 | SUPPORT, ANGLE / FRONT From 2-7810 | 1 | | | | |
| 60 | 052123 | SUPPORT, ANGLE / FRONT To 2-7809 | | 1 | 1 | 1 | |
| 60 | 059053 | SUPPORT, ANGLE / FRONT From 2-7810 | | 1 | 1 | 1 | |
| 61 | 052348 | SUPPORT, ANGLE / REAR To 2-7809 | 1 | | | | |
| 61 | 059052 | SUPPORT, ANGLE / REAR From 2-7810 | 1 | | | | |

| | | |
|-----------------------|--------------|-----------------|
| From Y-7046 To 3-8164 | Date:10/2022 | PAGE:Y2-0520-00 |
|-----------------------|--------------|-----------------|

FAN DRIVE - INSTALLATION - SHORT

| Item# | Part | Description | X L I I 4 5 | X L I I M T H 4 0 | X L I I M T H 4 5 | X L I I M T H 4 5 E | N O T E S |
|-------|-------------------|--|----------------------------|---|---|--|-----------------------|
| 61 | 052124 | SUPPORT, ANGLE / REAR To 2-7809 | | 1 | 1 | 1 | |
| 61 | 059051 | SUPPORT, ANGLE / REAR From 2-7810 | | 1 | 1 | 1 | |
| 62 | 5001150 | WASHER FL 17.0x30.0x3.0 N500 | 1 | 1 | 1 | 1 | |
| 63 | 500792 | NUT HEX 5/8-11 Z050 | 1 | 1 | 1 | 1 | |
| 64 | 501808 | MALE ELBOW 45° / SAE 45° FITTING / #4FL-Mx1/8NPT-M BR | 1 | 1 | 1 | 1 | |
| 65 | 052206 | SPRING ATTACHMENT W/45MM WIDE PULLEY | 1 | 1 | 1 | 1 | |
| 66 | 502247 | SPRING COMPRESSION / 1.250 O.D. x 2.5 x .125 | 1 | 1 | 1 | 1 | |
| 70 | 550686 | FAN ASSY / CW 32" / 9 BLADES PLASTIC | 1 | | | | |
| 70 | 550757 | FAN ASSY / CW 36" / 8 BLADES PLASTIC | | 1 | 1 | 1 | |
| 71 | 506691 | V-BELT / AX-73 9012-2073 | 3 | 3 | 3 | 3 | |
| 72 | 051779 | ATTACHMENT PLATE ASSY / TO FIX ANGLE TO FLOOR | 2 | 2 | 2 | 2 | |
| 73 | 050706 | SPACER 3/8" TH | AR | AR | AR | AR | |
| 73 | 050705 | SPACER 1/4" TH | AR | AR | AR | AR | |
| 74 | 500714 | NUT HEX STO 7/16-20 Z050 | 4 | 4 | 4 | 4 | |
| NS | 500666 | NUT SPR FL REC 7/16-20 .69x.91 | 4 | 4 | 4 | 4 | |
| 75 | 031145 | HOSE ASSY TEFLON #4 611MM | 1 | 1 | 1 | 1 | |
| 80 | 500574 | SCREW MA TR PH #10-24x1 1/4 SS | 1 | 1 | 1 | 1 | |
| 81 | 500470 | WASHER LO SPT .193x.334x.047 Z050 | 2 | 2 | 2 | 2 | |
| 82 | 560503 | CLAMP / 1/4" I.D. | 1 | 1 | 1 | 1 | |
| 83 | 500786 | NUT HEX #10-24 Z050 | 1 | 1 | 1 | 1 | |
| 90 | 052050 | SUPPORT BELLOW TENTIONER To 2-7809 | 1 | 1 | 1 | 1 | |
| 90 | 059055 | SUPPORT BELLOW TENSIONER From 2-7810 | 1 | 1 | 1 | 1 | |
| 91 | Y2-0125-00 | BELTS TENSIONERS - WITH DETROIT S-60 | | | | | |
| NS | 052689 | KIT, RETROFIT ARM W/54MM PULLEY | 1 | 1 | 1 | 1 | |
| | | | | | | | |
| | | | | | | | |
| | | A) THIS PART ARE INCLUDE WITH NEW ARM ASSY # 052689 | | | | | |
| | | B) THIS ARM IT SUPPERSEDED BY # 052689 ARM ASSY W/PULLEY | | | | | |
| | | S) SERVICE | | | | | |

| | | |
|----------------------------------|--------------|-----------------|
| From 4-8165 To 6-8814 | Date:10/2022 | PAGE:Y2-0520-01 |
| FAN DRIVE - INSTALLATION - SHORT | | |



| | | |
|---|--------------|-----------------|
| From 4-8165 To 6-8814 | Date:10/2022 | PAGE:Y2-0520-01 |
| FAN DRIVE - INSTALLATION - SHORT | | |

| Item# | Part | Description | X L I I 4 5 | X L I I M T H 4 0 | X L I I M T H 4 5 | X L I I M T H 4 5 E | N O T E S |
|-------|-------------------|---|----------------------------|---|---|--|-----------------------|
| | N.S.A. | FAN DRIVE ASSY | 1 | 1 | | 1 | 3 |
| 1 | Y2-0540-02 | . FAN CLUTCH ASSY - #550836 - BUS, MTH 40' & MTH-45E | | | | | |
| 2 | 502511 | .. NUT HEX NYRT M6-1.0 Z050 | 3 | 3 | | 3 | |
| 3 | 502573 | .. WASHER FL 6.4x12.5x1.6 SS | 3 | 3 | | 3 | |
| 4 | 502543 | .. NUT HEX M8-1.25 Z050 | 6 | 6 | | 6 | |
| 5 | 500897 | .. WASHER FL .437x1.000x.083 N500 | 8 | 8 | | 8 | |
| 6 | 5001758 | .. NUT HEX STO M10-1.5 N500 | 4 | 4 | | 4 | |
| 9 | 051830 | . PULLEY / W/10RIB X 6.10" DIA To 5-8412 | 1 | 1 | | 1 | |
| 9 | 052587 | . PULLEY / W/10RIB X 6.10" DIA From 5-8413 | 1 | 1 | | 1 | |
| 10 | 052437 | . PLATE TRANSITION / FAN CLUTCH & SUPPORT | 1 | 1 | | 1 | |
| 11 | 5001208 | . SCREW CRG M8-1.25x30 G8.8 Z050 | 4 | 4 | | 4 | |
| 12 | 500874 | . WASHER FL 8.4x17.0x1.6 Z050 | 8 | 8 | | 8 | |
| 13 | 502889 | . WASHER LO SPT 8.1x12.7x2.0 N500 | 10 | 10 | | 10 | |
| 14 | 502543 | . NUT HEX M8-1.25 Z050 | 4 | 4 | | 4 | |
| 15 | 051830 | . PULLEY / W/10RIB X 6.10" DIA To 5-8412 | 1 | 1 | | 1 | |
| 15 | 052587 | . PULLEY / W/10RIB X 6.10" DIA From 5-8413 | 1 | 1 | | 1 | |
| 16 | 502528 | . SCREW CAP HEX M8-1.25x20 G8.8 EMN | 6 | 6 | | 6 | |
| 17 | 506684 | . MULTI V-BELT / 10 RIB 55" 550K10 | 1 | 1 | | 1 | |
| 18 | 500171 | . SCREW CAP HEX 1/4-20x1 G5 N500 | 3 | 3 | | 3 | |
| 19 | 955920 | . WASHER LO SPT 6.5x11.5x1.6 ZP | 3 | 3 | | 3 | |
| 20 | 550690 | . CONE BUSHING 1 1/4 I.D X 1 13/16 O.D. X 2 5 To 5-8412 | 1 | 1 | | 1 | |
| 20 | 550879 | . CONE BUSHING 1 1/4 I.D X 1 13/16 O.D. X 2 5 From 5-8413 | 1 | 1 | | 1 | |
| 21 | 050907 | . COUPLING FAN / TO FIX PULLEY To 5-8412 | 1 | 1 | | 1 | |
| 21 | 052593 | . COUPLING FAN / TO FIX PULLEY From 5-8413 | 1 | 1 | | 1 | |
| 22 | 500218 | . WASHER LO SPT .380x.683x.098 DP320 | 6 | 6 | | 6 | |
| 23 | 502906 | . SCREW CAP HEX 3/8-24x1 1/4 G5 N500 | 6 | 6 | | 6 | |
| 24 | 550186 | . KEY 1/4" X 1/4" X 1 1/4" | 2 | 2 | | 2 | |
| 25 | Y2-0525-00 | . GEARBOX "SUPERIOR" - #550789, 550810 & 550897 | | | | | |
| 26 | 052500 | . PULLEY (3V X 6.92 DIA) To 5-8412 | 1 | 1 | | 1 | |
| 26 | 052585 | . PULLEY (3V X 6.92 DIA) From 5-8413 | 1 | 1 | | 1 | |
| 27 | 550691 | . CONE BUSHING 1 1/4 I.D X 3 O.D. X 4 5/8 O.D To 5-8412 | 1 | 1 | | 1 | |
| 27 | 550878 | . CONE BUSHING 1 1/4 I.D X 3 O.D. X 4 5/8 O.D From 5-8413 | 1 | 1 | | 1 | |
| 30 | 052277 | . PULLEY ASSY W/BEARING & SEAL / 45MM x 78MM | 1 | 1 | | 1 | |
| 30 | 052676 | . PULLEY ASSY W/BEARING & SEAL / 54MM x 75MM | 1 | 1 | | 1 | A |
| 30 | 052499 | .. PULLEY / 45MM x 78MM O.D. To 5-8412 | 1 | 1 | | 1 | |
| 30 | 052595 | .. PULLEY / 45MM x 78MM O.D. From 5-8413 | 1 | 1 | | 1 | |
| 30 | 052677 | .. PULLEY / 54MM WIDE x 75MM O.D. | 1 | 1 | | 1 | A |
| 31 | 507340 | .. BALL BEARING 20 ID x 52 OD x 22.2 W | 1 | 1 | | 1 | |
| 31 | 510618 | .. BALL BEARING DBL ROW / 30MM x 62MM x 27 W | 1 | 1 | | 1 | A |
| 32 | 504095 | .. RING RETAINER / INT 2.00 x 2.12 x .062 | 1 | 1 | | 1 | |
| 32 | 504040 | .. RING RETAINER / INT 2.440 x 1.860 x 0.078 STL BLK | 1 | 1 | | 1 | A |
| 33 | 052205 | .. SPACER 20MM I.D. X 12.5MM TH | 2 | 2 | | 2 | |

| | | |
|---|--------------|-----------------|
| From 4-8165 To 6-8814 | Date:10/2022 | PAGE:Y2-0520-01 |
| FAN DRIVE - INSTALLATION - SHORT | | |

| Item# | Part | Description | X L I I 4 5 | X L I I M T H 4 0 | X L I I M T H 4 5 | X L I I M T H 4 5 E | N O T E S |
|-------|----------|--|----------------------------|---|---|--|-----------------------|
| 33 | 052627 | .. BUSHING TRANSFER FAN | 2 | 2 | | 2 | A |
| 34 | 507361 | .. SEAL | 1 | 1 | | 1 | |
| 34 | 507371 | .. SEAL | 1 | 1 | | 1 | A |
| 35 | 507360 | .. SEAL | 1 | 1 | | 1 | |
| 35 | 507371 | .. SEAL | 1 | 1 | | 1 | A |
| NS | 680500 | .. GREASE MERITOR / 400GR | AR | AR | | AR | |
| NS | 680752 | .. GREASE LITHIUM / BLUE | AR | AR | | AR | A |
| 36 | 950208 | . BELLOW ASSY / BELT TENSIONER / 3" O.D. To 5-8392 | 1 | 1 | | 1 | |
| NS | 504695 | .. HOSE CLAMP STEPLESS SPRING SS / OETIKER / 2.9-3.3 To 5-8392 | 1 | 1 | | 1 | |
| 36 | 550840 | . BELLOW ASSY / BELT TENSIONER / 4" O.D. From 5-8393 | 1 | 1 | | 1 | |
| 37 | 051991 | . ARM, BELT TENSIONER / IRON USE W 45MM WIDE PULLEY | 1 | 1 | | 1 | D |
| 37 | 052624 | . ARM, BELT TENSIONER / IRON USE W 54MM WIDE PULLEY | 1 | 1 | | 1 | A |
| 38 | 3852162 | . WASHER FL .312x.734x.065 ZG603 To 5-8392 | 1 | 1 | | 1 | |
| 38 | 500444 | . WASHER FL .406x.812x.065 Z050 From 5-8393 | 1 | 1 | | 1 | |
| 39 | 500942 | . WASHER LO SPT 8.1x14.8x2.0 N500 To 5-8392 | 1 | 1 | | 1 | |
| 39 | 500478 | . WASHER LO SPT .380x.683x.094 Z050 From 5-8393 | 1 | 1 | | 1 | |
| 40 | 500836 | . SCREW CAP HEX 5/16-18x3/4 G5 N500 To 5-8392 | 1 | 1 | | 1 | |
| 40 | 500191 | . SCREW CAP HEX 3/8-16x1 G5 Z050 From 5-8393 | 1 | 1 | | 1 | |
| 41 | 500735 | . NUT HEX STO 3/4-16 ZP | 1 | 1 | | 1 | |
| 41 | 5001252 | . NUT HEX STO M20-2.5 DP | 1 | 1 | | 1 | A |
| NS | 502558 | . WASHER FL 21.0x37.0x3.0 G500 | 1 | 1 | | 1 | |
| 42 | 500145 | . SCREW CAP HEX 3/4-16x3 1/2 G5 Z050 | 1 | 1 | | 1 | |
| 42 | 983296 | . SCREW CAP HEX M20-2.5x90 G10.9 ZP | 1 | 1 | | 1 | A |
| 43 | 500811 | . NUT HEX STO M12-1.75 G500 | 1 | 1 | | 1 | |
| 43 | 5001628 | . NUT HEX NYRT M10-1.5 SS | 1 | 1 | | 1 | S |
| 44 | 500446 | . WASHER FL .531x1.250x.125 Z050 | 1 | 1 | | 1 | |
| 44 | 500270 | . WASHER FL .406x1.000x.063 SS | 1 | 1 | | 1 | S |
| 45 | 507293 | . BUSHING NYLINED .625x.750x.750 | 2 | 2 | | 2 | |
| 46 | 052485 | . PIVOT / TO FIX TENSIONER TO SUPPORT | 1 | 1 | | 1 | |
| 46 | 052670 | . PIVOT / TO FIX TENSIONER TO SUPPORT | 1 | 1 | | 1 | S |
| NS | 501497 | . GREASE FITTING / 1/4-28 | 1 | 1 | | 1 | |
| 47 | 500449 | . WASHER FL .625x1.500 SS | AR | AR | | AR | |
| 48 | 052433 | . SUPPORT FAN CLUTCH & GEAR BOX / SHORT To 5-8392 | 1 | 1 | | 1 | |
| 48 | 052588 | . SUPPORT FAN CLUTCH & GEAR BOX / SHORT From 5-8393 | 1 | 1 | | 1 | |
| 49 | 500802 | . WASHER LO SPT 16.2x37.4x3.5 Z050 | 1 | 1 | | 1 | |
| 50 | 502588 | . NUT HEX M16-2.0 ZP | 1 | 1 | | 1 | |
| 51 | 052558 | . BELLOW TENSIONER / W/3" BELLOW To 5-8392 | 1 | | | | |
| 51 | 052606 | . BELLOW TENSIONER / W/4" BELLOW From 5-8393 To 5-8622 | 1 | | | | B |
| NS | WB04-05C | .. SEE WARRANTY BULLETIN From 5-8393 To 5-8622 | 1 | | | | B |
| 51 | 052644 | . BELLOW TENSIONER / W/4" BELLOW From 5-8623 | 1 | | | | S |
| 51 | 052556 | . BELLOW TENSIONER / W/3" BELLOW To 5-8392 | | 1 | | 1 | |
| 51 | 052606 | . BELLOW TENSIONER / W/4" BELLOW From 5-8393 To 5-8622 | | 1 | | 1 | B |

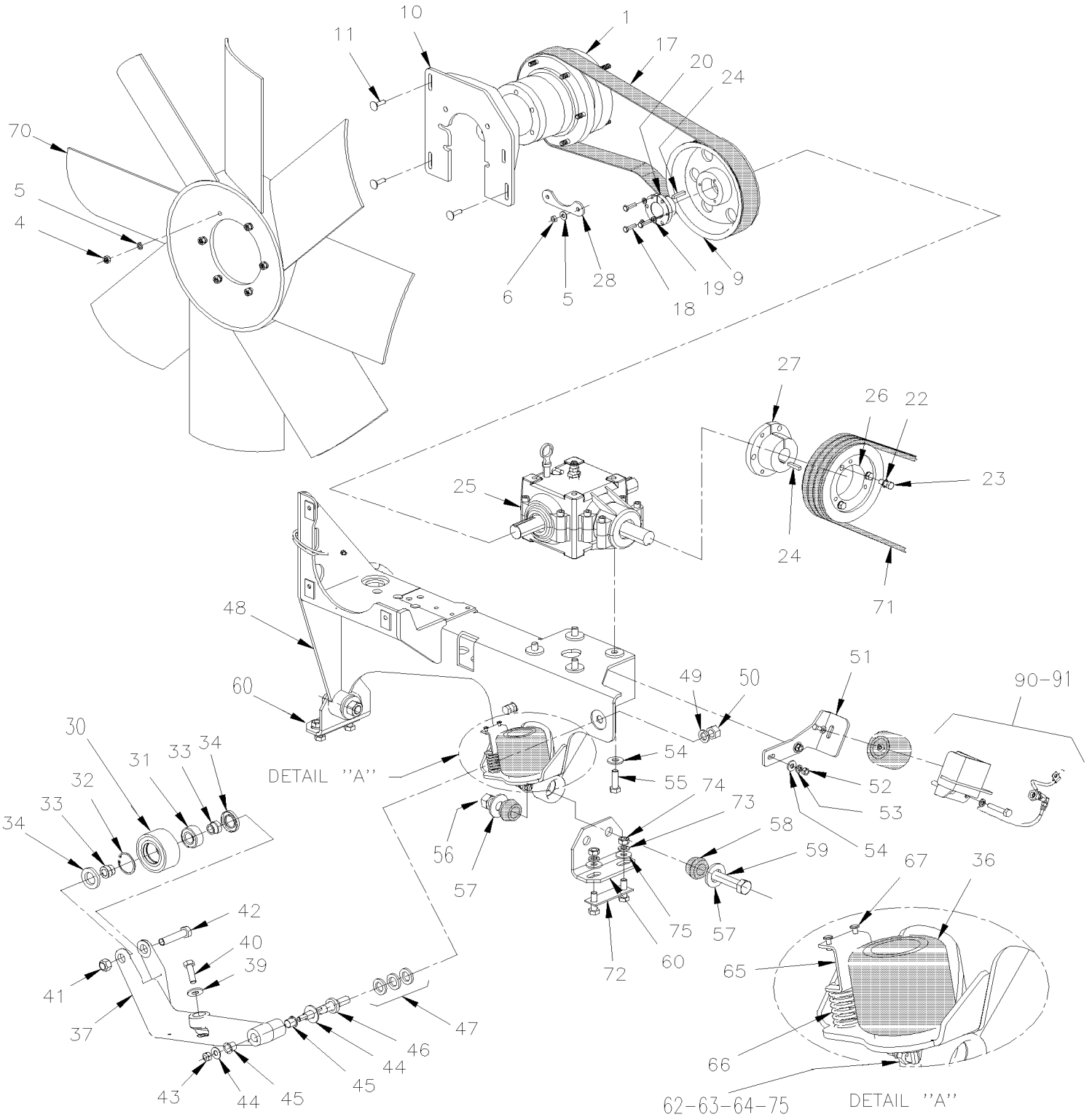
| | | |
|---|--------------|-----------------|
| From 4-8165 To 6-8814 | Date:10/2022 | PAGE:Y2-0520-01 |
| FAN DRIVE - INSTALLATION - SHORT | | |

| Item# | Part | Description | X L I I 4 5 | X L I I M T H 4 0 | X L I I M T H 4 5 | X L I I M T H 4 5 E | N O T E S |
|-------|-------------------|--|----------------------------|---|---|--|-----------------------|
| . NS | WB04-05C | . . SEE WARRANTY BULLETIN From 5-8393 To 5-8622 | | 1 | | 1 | B |
| 51 | 052645 | . BELLOW TENSIONER / W/4" BELLOW From 5-8623 | | 1 | | 1 | S |
| 53 | 971072 | . NUT HEX M12-1.75 ZG603 | 2 | 2 | | 2 | |
| 54 | 500944 | . WASHER LO SPT .506x.873x.125 N500 | 6 | 6 | | 6 | |
| 55 | 500214 | . SCREW CAP HEX 1/2-13x1 1/4 G5 Z050 | 4 | 4 | | 4 | |
| 56 | 500735 | . NUT HEX STO 3/4-16 ZP | 2 | 2 | | 2 | |
| 57 | 500451 | . WASHER FL .812x2.000x.148 ZP | 2 | 2 | | 2 | |
| 58 | 630002 | . BUSHING / RUBBER / (TWO PIECES) 1" x 1.005" I.D. | 4 | 4 | | 4 | |
| NS | 507347 | . SPACER / BUSHING | 2 | 2 | | 2 | |
| 59 | 500145 | . SCREW CAP HEX 3/4-16x3 1/2 G5 Z050 | 2 | 2 | | 2 | |
| 60 | 052494 | . SUPPORT, ANGLE | 2 | | | | |
| 60 | 052555 | . SUPPORT, ANGLE | | 2 | | 2 | |
| 62 | 502901 | . WASHER FL .625x1.469x.109 N500 | 1 | 1 | | 1 | |
| 63 | 502915 | . NUT HEX 5/8-11 N500 To 5-8392 | 1 | 1 | | 1 | |
| 63 | 502917 | . NUT HEX JAM 3/4-16 G2 N500 From 5-8393 | 1 | 1 | | 1 | |
| 64 | 501036 | . MALE ELBOW 90° / SAE 45° FITTING / #4FL-Mx1/8NPT-M BR | 1 | 1 | | 1 | |
| 65 | 052206 | . SPRING ATTACHMENT W/45MM WIDE PULLEY | 1 | 1 | | 1 | |
| 66 | 502247 | . SPRING COMPRESSION / 1.250 O.D. x 2.5 x .125 | 1 | 1 | | 1 | |
| 70 | 550832 | FAN ASSY / CW 34" / 9 BLADES PLASTIC | 1 | 1 | | 1 | |
| 71 | Y2-0120-00 | DRIVE PULLEY & BELTS - BUS & MTH | | | | | |
| 71 | Y2-0120-50 | DRIVE PULLEY & BELTS - MTH | | | | | |
| 72 | 052310 | ATTACHMENT PLATE ASSY / TO FIX ANGLE TO FLOOR | 2 | 2 | | 2 | |
| 74 | 971072 | NUT HEX M12-1.75 ZG603 | 4 | 4 | | 4 | |
| NS | 5001568 | NUT PUSH RND M12 ZP | 4 | 4 | | 4 | |
| 75 | 052535 | HOSE ASSY TEFLON #4 662MM To 5-8392 | 1 | 1 | | 1 | |
| 75 | 052590 | HOSE ASSY TEFLON #4 830MM From 5-8393 | 1 | 1 | | 1 | |
| 80 | 500606 | SCREW MA TR PH #10-24x3/4 SS | 1 | 1 | | 1 | |
| 81 | 500914 | WASHER LO SPT .193x.334x.047 N500 | 2 | 2 | | 2 | |
| 82 | 952624 | CLAMP / 1/4" I.D. | 1 | 1 | | 1 | |
| 83 | 502882 | NUT HEX #10-24 N500 | 1 | 1 | | 1 | |
| 90 | 052491 | SUPPORT BELLOW TENSIONER / W/3" BELLOW To 5-8392 | 1 | | | | |
| 90 | 052589 | SUPPORT BELLOW TENSIONER / W/4" BELLOW From 5-8393 To 5-8622 | 1 | | | | |
| . NS | WB04-05C | . SEE WARRANTY BULLETIN From 5-8393 To 5-8622 | 1 | | | | |
| 90 | 052641 | SUPPORT BELLOW TENSIONER / W/4" BELLOW From 5-8623 | 1 | | | | |
| . NS | WB04-05C | . SEE WARRANTY BULLETIN From 5-8623 | 1 | | | | |
| 90 | 052708 | SUPPORT BELLOW TENTIONER / W/4" BELLOW | 1 | | | | S |
| 90 | 052491 | SUPPORT BELLOW TENSIONER / W/3" BELLOW To 5-8392 | | 1 | | 1 | |
| 90 | 052607 | SUPPORT BELLOW TENSIONER / W/4" BELLOW From 5-8393 To 5-8622 | | 1 | | 1 | |
| . NS | WB04-05C | . SEE WARRANTY BULLETIN From 5-8393 To 5-8622 | | 1 | | 1 | |
| 90 | 052646 | SUPPORT BELLOW TENSIONER / W/4" BELLOW From 5-8623 | | 1 | | 1 | |
| 90 | 052706 | SUPPORT BELLOW TENTIONER / W/4" BELLOW | | 1 | | 1 | S |
| 91 | Y2-0125-01 | BELTS TENSIONERS - WITH DETROIT S-60 | | | | | |

| | | |
|---|--------------|-----------------|
| From 4-8165 To 6-8814 | Date:10/2022 | PAGE:Y2-0520-01 |
| FAN DRIVE - INSTALLATION - SHORT | | |

| Item# | Part | Description | XL 45 | XL MTH 40 | XL MTH 45 | XL MTH 45E | NOTES |
|-------|------|--|----------|-----------------|-----------------|------------------|-------|
| | | | | | | | |
| | | A) THIS PART ARE INCLUDE WITH NEW ARM ASSY # 052689 | | | | | |
| | | B) FOR PRODUCT IMPROVEMENT, ASK PART #052644 FOR XL-45 AND PART #052645 FOR XL-40 & MTH-45S. SEE WARRANTY BULLETIN WB05-03 | | | | | |
| | | D) THIS ARM IS SUPERSEDED BY #052689 "ARM ASSY PULLEY" | | | | | |
| | | S) SERVICE | | | | | |
| | | 3) NOT SOLD ASSEMBLY | | | | | |

| | | |
|---|--------------|-----------------|
| From 6-8815 To 8-9339 | Date:10/2022 | PAGE:Y2-0520-02 |
| FAN DRIVE - INSTALLATION - SHORT | | |



| | | |
|---|--------------|-----------------|
| From 6-8815 To 8-9339 | Date:10/2022 | PAGE:Y2-0520-02 |
| FAN DRIVE - INSTALLATION - SHORT | | |

| Item# | Part | Description | X L I I 4 5 | X L I I M T H 4 0 | X L I I M T H 4 5 | X L I I M T H 4 5 E | N O T E S |
|-------|-------------------|--|----------------------------|---|---|--|-----------------------|
| 1 | Y2-0540-52 | FAN CLUTCH ASSY - #550839 - MTH 45' | | | | | |
| 4 | 502543 | . NUT HEX M8-1.25 Z050 | 6 | 6 | | 6 | |
| 5 | 502644 | . WASHER FL 10.5x30.0x2.5 Z050 | 8 | 8 | | 8 | |
| 6 | 5001758 | . NUT HEX STO M10-1.5 N500 | 4 | 4 | | 4 | |
| 9 | 052584 | PULLEY / W/12RIB X 8.582" DIA | 1 | 1 | | 1 | |
| 10 | 052596 | PLATE TRANSITION / FAN CLUTCH & SUPPORT | 1 | 1 | | 1 | |
| 11 | 502891 | SCREW CRG M8-1.25x40 G8.8 Z050 | 4 | 4 | | 4 | |
| 12 | 500874 | WASHER FL 8.4x17.0x1.6 Z050 | 3 | 3 | | 3 | |
| 13 | 502889 | WASHER LO SPT 8.1x12.7x2.0 N500 | 3 | 3 | | 3 | |
| 13 | 955920 | WASHER LO SPT 6.5x11.5x1.6 ZP | 3 | 3 | | 3 | |
| 14 | 502543 | NUT HEX M8-1.25 Z050 | 3 | 3 | | 3 | |
| 17 | 5060073 | MULTI V-BELT / 12 RIB 61.41" (1560MM) VBR614K12 | 1 | 1 | | 1 | |
| 17 | 5002112 | MULTI V-BELT / 12 RIB 62.40" (1585MM) | 1 | 1 | | 1 | A |
| 18 | 500171 | SCREW CAP HEX 1/4-20x1 G5 N500 | 3 | 3 | | 3 | |
| 19 | 955920 | WASHER LO SPT 6.5x11.5x1.6 ZP | 3 | 3 | | 3 | |
| 20 | 550879 | CONE BUSHING 1 1/4 I.D X 1 13/16 O.D. X 2 5 | 1 | 1 | | 1 | |
| 22 | 500546 | WASHER LO EXT .384x.694x.040 Z050 | 6 | 6 | | 6 | |
| 23 | 502906 | SCREW CAP HEX 3/8-24x1 1/4 G5 N500 | 6 | 6 | | 6 | |
| 24 | 550186 | KEY 1/4" X 1/4" X 1 1/4" | 2 | 2 | | 2 | |
| 25 | Y2-0525-00 | GEARBOX "SUPERIOR" - #550789, 550810 & 550897 | | | | | |
| 26 | 052585 | PULLEY (3V X 6.92 DIA) | 1 | 1 | | 1 | |
| 27 | 550878 | CONE BUSHING 1 1/4 I.D X 3 O.D. X 4 5/8 O.D | 1 | 1 | | 1 | |
| 28 | 052492 | PLATE | 1 | 1 | | 1 | |
| 30 | 052673 | PULLEY ASSY W/BEARING & SEAL / 54MM x 117MM | 1 | 1 | | 1 | |
| 30 | 052896 | . PULLEY ASSY W/BEARING / 54MM x 117MM O.D. | 1 | 1 | | 1 | |
| 30 | 052625 | . . PULLEY / 54MM x 117MM O.D. | 1 | 1 | | 1 | |
| 31 | 510618 | . . BALL BEARING DBL ROW / 30MM x 62MM x 27 W | 1 | 1 | | 1 | |
| 32 | 504040 | . . RING RETAINER / INT 2.440 x 1.860 x 0.078 STL BLK | 1 | 1 | | 1 | |
| 33 | 052627 | . BUSHING TRANSFER FAN | 2 | 2 | | 2 | |
| 34 | 507371 | . SEAL | 2 | 2 | | 2 | |
| NS | 680752 | . GREASE LITHIUM / BLUE | AR | AR | | AR | |
| 36 | 550840 | BELLOW ASSY / BELT TENSIONER / 4" O.D. | 1 | 1 | | 1 | |
| 37 | 052624 | ARM, BELT TENSIONER / IRON USE W 54MM WIDE PULLEY | 1 | 1 | | 1 | |
| 39 | 500218 | WASHER LO SPT .380x.683x.098 DP320 | 1 | 1 | | 1 | |
| NS | 500832 | WASHER FL .406x.812x.065 N500 | 1 | 1 | | 1 | |
| 40 | 502926 | SCREW CAP HEX 3/8-16x7/8 G5 N500 | 1 | 1 | | 1 | |
| 41 | 5001252 | NUT HEX STO M20-2.5 DP | 1 | 1 | | 1 | |
| NS | 502558 | WASHER FL 21.0x37.0x3.0 G500 | 1 | 1 | | 1 | |
| 42 | 983296 | SCREW CAP HEX M20-2.5x90 G10.9 ZP | 1 | 1 | | 1 | |
| 43 | 502617 | NUT HEX NYRT M10-1.5 Z050 | 1 | 1 | | 1 | |
| 44 | 500270 | WASHER FL .406x1.000x.063 SS | 1 | 1 | | 1 | |
| 45 | 507293 | BUSHING NYLINED .625x.750x.750 | 2 | 2 | | 2 | |

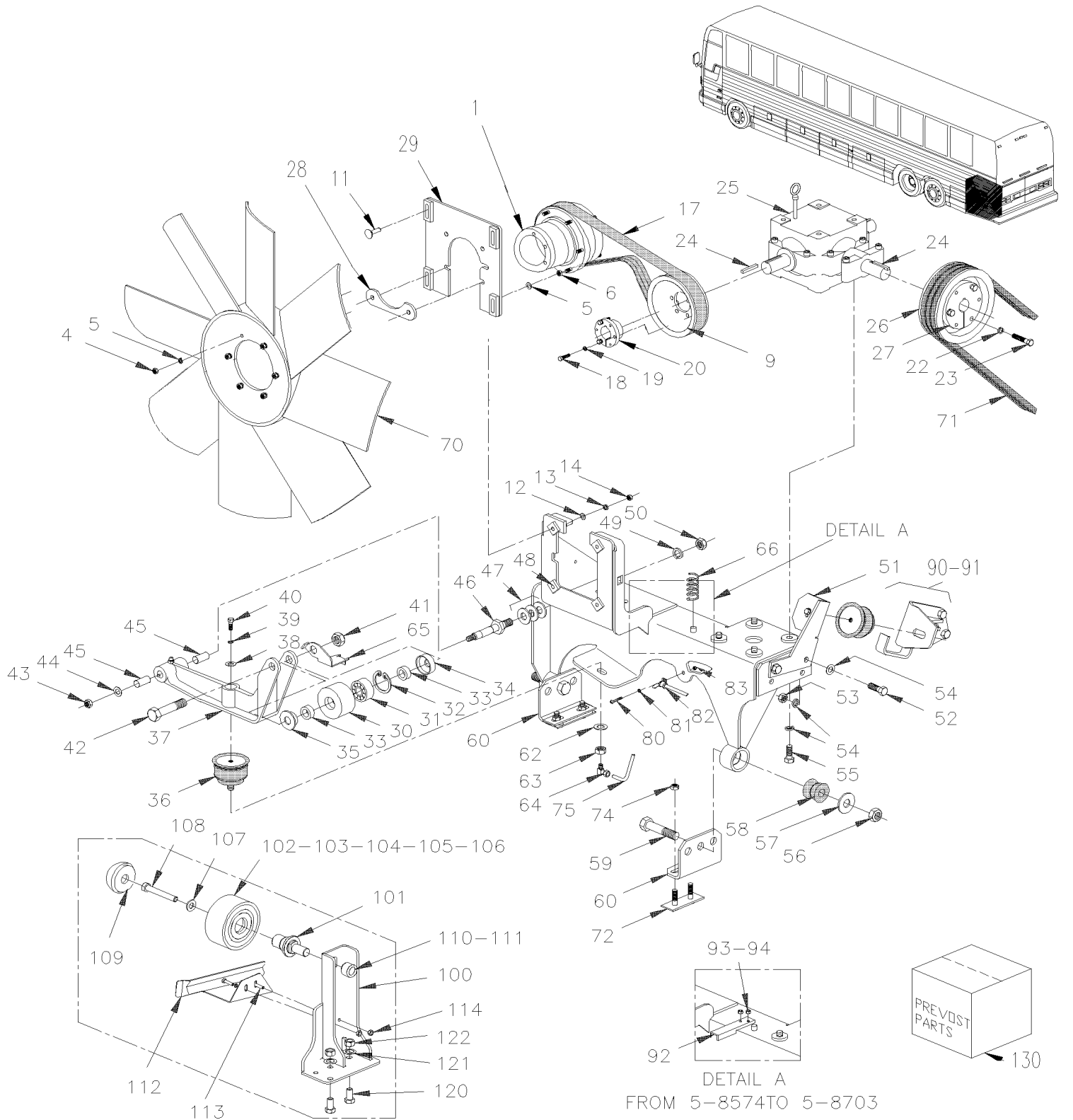
| | | |
|---|--------------|-----------------|
| From 6-8815 To 8-9339 | Date:10/2022 | PAGE:Y2-0520-02 |
| FAN DRIVE - INSTALLATION - SHORT | | |

| Item# | Part | Description | X L I I 4 5 | X L I I M T H 4 0 | X L I I M T H 4 5 | X L I I M T H 4 5 E | N O T E S |
|-------|-------------------|---|----------------------------|---|---|--|-----------------------|
| 46 | 052670 | PIVOT / TO FIX TENSIONER TO SUPPORT | 1 | 1 | | 1 | |
| NS | 501497 | GREASE FITTING / 1/4-28 | 1 | 1 | | 1 | |
| 47 | 500449 | WASHER FL .625x1.500 SS | AR | AR | | AR | |
| 48 | 052571 | SUPPORT FAN CLUTCH & GEAR BOX / SHORT | 1 | 1 | | 1 | |
| 49 | 500802 | WASHER LO SPT 16.2x37.4x3.5 Z050 | 1 | 1 | | 1 | |
| 50 | 502588 | NUT HEX M16-2.0 ZP | 1 | 1 | | 1 | |
| 51 | 052644 | BELLOW TENSIONER / W/4" BELLOW | 1 | | | | |
| 51 | 052645 | BELLOW TENSIONER / W/4" BELLOW | | 1 | | 1 | |
| 52 | 502875 | SCREW CAP HEX M12-1.75x40 G8.8 N50 | 2 | 2 | | 2 | |
| 53 | 500811 | NUT HEX STO M12-1.75 G500 | 2 | 2 | | 2 | |
| 54 | 500944 | WASHER LO SPT .506x.873x.125 N500 | 6 | 6 | | 6 | |
| NS | 500211 | WASHER FL .531x1.250x.125 N500 | 2 | 2 | | 2 | |
| 55 | 500214 | SCREW CAP HEX 1/2-13x1 1/4 G5 Z050 | 4 | 4 | | 4 | |
| 56 | 500735 | NUT HEX STO 3/4-16 ZP | 2 | 2 | | 2 | |
| 57 | 500451 | WASHER FL .812x2.000x.148 ZP | 2 | 2 | | 2 | |
| 58 | 630002 | BUSHING / RUBBER / (TWO PIECES) 1" x 1.005" I.D. | 2 | 2 | | 2 | |
| NS | 507347 | SPACER / BUSHING | 2 | 2 | | 2 | |
| 59 | 500145 | SCREW CAP HEX 3/4-16x3 1/2 G5 Z050 | 2 | 2 | | 2 | |
| 60 | 052494 | SUPPORT, ANGLE | 2 | | | | |
| 60 | 052555 | SUPPORT, ANGLE | | 2 | | 2 | |
| 62 | 502901 | WASHER FL .625x1.469x.109 N500 | 1 | 1 | | 1 | |
| 63 | 502917 | NUT HEX JAM 3/4-16 G2 N500 | 1 | 1 | | 1 | |
| 64 | 501036 | MALE ELBOW 90° / SAE 45° FITTING / #4FL-Mx1/8NPT-M BR | 1 | 1 | | 1 | |
| 65 | 052688 | SPRING ATTACHMENT W/54MM WIDE PULLEY | 1 | 1 | | 1 | |
| 66 | 502247 | SPRING COMPRESSION / 1.250 O.D. x 2.5 x .125 | 1 | 1 | | 1 | |
| 67 | 504487 | RIVET MGLP PRDG 3/16x7/16 SS | 2 | 2 | | 2 | |
| 70 | 550832 | FAN ASSY / CW 34" / 9 BLADES PLASTIC | 1 | 1 | | 1 | |
| 71 | Y2-0120-00 | DRIVE PULLEY & BELTS - BUS & MTH | | | | | |
| 71 | Y2-0120-50 | DRIVE PULLEY & BELTS - MTH | | | | | |
| 72 | 052310 | ATTACHMENT PLATE ASSY / TO FIX ANGLE TO FLOOR | 2 | 2 | | 2 | |
| 73 | 5001568 | NUT PUSH RND M12 ZP | 4 | 4 | | 4 | |
| 74 | 971072 | NUT HEX M12-1.75 ZG603 | 4 | 4 | | 4 | |
| 75 | 052590 | HOSE ASSY TEFLON #4 830MM | 1 | 1 | | 1 | |
| NS | 500606 | SCREW MA TR PH #10-24x3/4 SS | 1 | 1 | | 1 | |
| NS | 500914 | WASHER LO SPT .193x.334x.047 N500 | 2 | 2 | | 2 | |
| NS | 952624 | CLAMP / 1/4" I.D. | 1 | 1 | | 1 | |
| NS | 502882 | NUT HEX #10-24 N500 | 1 | 1 | | 1 | |
| 90 | 052641 | SUPPORT BELLOW TENSIONER / W/4" BELLOW To 6-8878 | 1 | | | | |
| NS | WB04-05C | . SEE WARRANTY BULLETIN To 6-8878 | 1 | | | | |
| 90 | 052708 | SUPPORT BELLOW TENTIONER / W/4" BELLOW From 6-8879 | 1 | | | | S |
| 90 | 052646 | SUPPORT BELLOW TENSIONER / W/4" BELLOW To 6-8878 | | 1 | | 1 | |
| 90 | 052706 | SUPPORT BELLOW TENTIONER / W/4" BELLOW From 6-8879 | | 1 | | 1 | S |

| | | |
|---|--------------|-----------------|
| From 6-8815 To 8-9339 | Date:10/2022 | PAGE:Y2-0520-02 |
| FAN DRIVE - INSTALLATION - SHORT | | |

| Item# | Part | Description | X L I I 4 5 | X L I I M T H 4 0 | X L I I M T H 4 5 | X L I I M T H 4 5 E | N O T E S |
|-------|------------|--------------------------------------|--------------------------------|---|---|--|-----------------------|
| 91 | Y2-0125-01 | BELTS TENSIONERS - WITH DETROIT S-60 | | | | | |
| | | | | | | | |
| | | | | | | | |
| | | A) USE WITH FAN CLUTCH 550057 | | | | | |
| | | S) SERVICE | | | | | |

| | | |
|--|--------------|-----------------|
| From 4-8165 To 6-8814 | Date:10/2022 | PAGE:Y2-0520-50 |
| FAN DRIVE - INSTALLATION - LONG | | |

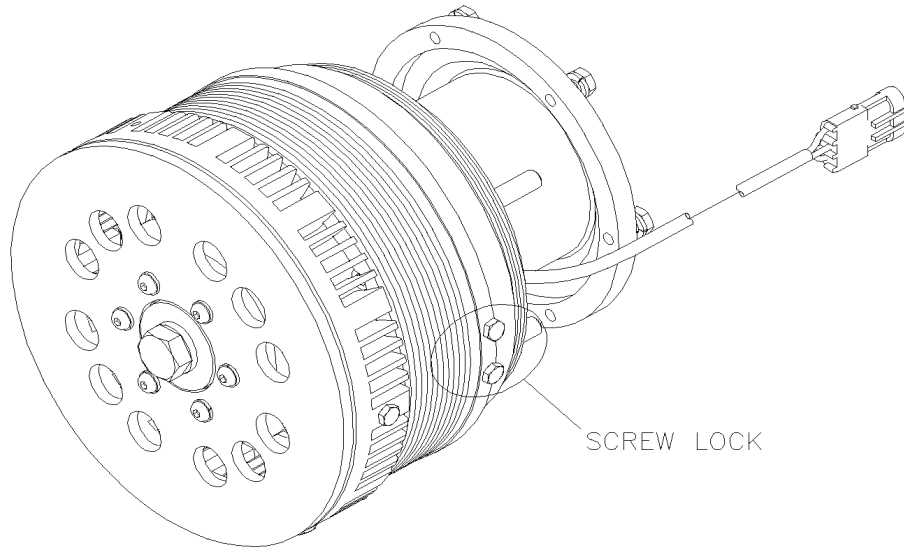


From 4-8165 To 6-8814

Date:10/2022

PAGE:Y2-0520-50

FAN DRIVE - INSTALLATION - LONG



| | | |
|--|--------------|-----------------|
| From 4-8165 To 6-8814 | Date:10/2022 | PAGE:Y2-0520-50 |
| FAN DRIVE - INSTALLATION - LONG | | |

| Item# | Part | Description | X L I I 4 5 | X L I I M T H 4 0 | X L I I M T H 4 5 | X L I I M T H 4 5 E | N O T E S |
|-------|-------------------|--|----------------------------|---|---|--|-----------------------|
| | N.S.A. | FAN DRIVE ASSY | | | 1 | | 3 |
| 1 | Y2-0540-52 | . FAN CLUTCH ASSY - #550839 - MTH 45' | | | | | |
| 4 | 502543 | .. NUT HEX M8-1.25 Z050 | | | 6 | | |
| 5 | 500897 | .. WASHER FL .437x1.000x.083 N500 | | | 8 | | |
| 6 | 5001758 | .. NUT HEX STO M10-1.5 N500 | | | 4 | | |
| 9 | 059057 | . PULLEY / W/12RIB X 8.582" DIA To 5-8412 | | | 1 | | |
| 9 | 052584 | . PULLEY / W/12RIB X 8.582" DIA From 5-8413 | | | 1 | | |
| 11 | 502891 | . SCREW CRG M8-1.25x40 G8.8 Z050 | | | 4 | | |
| 12 | 500874 | . WASHER FL 8.4x17.0x1.6 Z050 | | | 8 | | |
| 13 | 5001003 | . WASHER LO SPT 8.1x12.7x2.0 Z050 | | | 10 | | |
| 14 | 502543 | . NUT HEX M8-1.25 Z050 | | | 4 | | |
| 15 | 500897 | . WASHER FL .437x1.000x.083 N500 | | | 4 | | |
| 16 | 500680 | . NUT HEX STO M10-1.5 Z050 | | | 4 | | |
| 17 | 507627 | . MULTI V-BELT / 12 RIB 82 41/64" (2100) 827K12BU | | | 1 | | C J |
| 17 | 506064 | . MULTI V-BELT / 12 RIB 83 1/2" (2121) | | | 1 | | E |
| 18 | 500171 | . SCREW CAP HEX 1/4-20x1 G5 N500 | | | 3 | | |
| 19 | 955920 | . WASHER LO SPT 6.5x11.5x1.6 ZP | | | 3 | | |
| 20 | 550690 | . CONE BUSHING 1 1/4 I.D X 1 13/16 O.D. X 2 5 To 5-8412 | | | 1 | | |
| 20 | 550879 | . CONE BUSHING 1 1/4 I.D X 1 13/16 O.D. X 2 5 From 5-8413 | | | 1 | | |
| 22 | 500218 | . WASHER LO SPT .380x.683x.098 DP320 | | | 6 | | |
| 23 | 502906 | . SCREW CAP HEX 3/8-24x1 1/4 G5 N500 | | | 6 | | |
| 24 | 550186 | . KEY 1/4" X 1/4" X 1 1/4" | | | 2 | | |
| 25 | Y2-0525-00 | GEARBOX "SUPERIOR" - #550789, 550810 & 550897 | | | | | |
| 26 | 059059 | . PULLEY (3V X 7.40 DIA) To 5-8412 | | | 1 | | |
| 26 | 052586 | . PULLEY (3V X 7.40 DIA) From 5-8413 | | | 1 | | |
| 27 | 550691 | . CONE BUSHING 1 1/4 I.D X 3 O.D. X 4 5/8 O.D To 5-8412 | | | 1 | | |
| 27 | 550878 | . CONE BUSHING 1 1/4 I.D X 3 O.D. X 4 5/8 O.D From 5-8413 | | | 1 | | |
| 28 | 052492 | . PLATE | | | 1 | | |
| 29 | 052476 | . PLATE TRANSITION / FAN CLUTCH & SUPPORT | | | 1 | | |
| 30 | 052277 | . PULLEY ASSY W/BEARING & SEAL / 45MM x 78MM To 6-8809 | | | 1 | | |
| 30 | 052676 | . PULLEY ASSY W/BEARING & SEAL / 54MM x 75MM | | | 1 | | B |
| 30 | 052499 | .. PULLEY / 45MM x 78MM O.D. To 5-8412 | | | 1 | | |
| 30 | 052595 | .. PULLEY / 45MM x 78MM O.D. From 5-8413 To 6-8809 | | | 1 | | |
| 30 | 052677 | .. PULLEY / 54MM WIDE x 75MM O.D. | | | 1 | | B |
| 31 | 507340 | .. BALL BEARING 20 ID x 52 OD x 22.2 W To 6-8809 | | | 1 | | |
| 31 | 510618 | .. BALL BEARING DBL ROW / 30MM x 62MM x 27 W From 6-8810 | | | 1 | | B |
| 32 | 504095 | .. RING RETAINER / INT 2.00 x 2.12 x .062 To 6-8809 | | | 1 | | |
| 32 | 504040 | .. RING RETAINER / INT 2.440 x 1.860 x 0.078 STL BLK From 6-8810 | | | 1 | | B |
| 33 | 052205 | .. SPACER 20MM I.D. X 12.5MM TH To 6-8809 | | | 2 | | |
| 33 | 052627 | .. BUSHING TRANSFER FAN From 6-8810 | | | 2 | | B |
| 34 | 507361 | .. SEAL To 6-8809 | | | 1 | | |
| 34 | 507371 | .. SEAL From 6-8810 | | | 1 | | B |

| | | |
|--|--------------|-----------------|
| From 4-8165 To 6-8814 | Date:10/2022 | PAGE:Y2-0520-50 |
| FAN DRIVE - INSTALLATION - LONG | | |

| Item# | Part | Description | X L I I 4 5 | X L I I M T H 4 0 | X L I I M T H 4 5 | X L I I M T H 4 5 E | N O T E S |
|-------|----------|---|----------------------------|---|---|--|-----------------------|
| 35 | 507360 | . . SEAL To 6-8809 | | | 1 | | |
| 35 | 507371 | . . SEAL From 6-8810 | | | 1 | | B |
| NS | 680500 | . . GREASE MERITOR / 400GR To 6-8809 | | | AR | | |
| NS | 680752 | . . GREASE LITHIUM / BLUE From 6-8810 | | | AR | | B |
| 36 | 550840 | . BELLOW ASSY / BELT TENSIONER / 4" O.D. | | | 1 | | |
| 37 | 051991 | . ARM, BELT TENSIONER / IRON USE W 45MM WIDE PULLEY To 6-8809 | | | 1 | | D |
| 37 | 052624 | . ARM, BELT TENSIONER / IRON USE W 54MM WIDE PULLEY From 6-8810 | | | 1 | | B |
| 38 | 500444 | . WASHER FL .406x.812x.065 Z050 | | | 1 | | |
| 39 | 500478 | . WASHER LO SPT .380x.683x.094 Z050 | | | 1 | | |
| 40 | 500191 | . SCREW CAP HEX 3/8-16x1 G5 Z050 | | | 1 | | |
| 41 | 500735 | . NUT HEX STO 3/4-16 ZP To 6-8809 | | | 1 | | |
| 41 | 5001252 | . NUT HEX STO M20-2.5 DP From 6-8810 | | | 1 | | B |
| NS | 502558 | . WASHER FL 21.0x37.0x3.0 G500 | | | 1 | | |
| 42 | 500145 | . SCREW CAP HEX 3/4-16x3 1/2 G5 Z050 To 6-8809 | | | 1 | | |
| 42 | 983296 | . SCREW CAP HEX M20-2.5x90 G10.9 ZP | | | 1 | | B S |
| 43 | 500811 | . NUT HEX STO M12-1.75 G500 To 5-8692 | | | 1 | | |
| 43 | 5001628 | . NUT HEX NYRT M10-1.5 SS From 5-8693 | | | 1 | | S |
| 44 | 500446 | . WASHER FL .531x1.250x.125 Z050 To 5-8692 | | | 1 | | |
| 44 | 500270 | . WASHER FL .406x1.000x.063 SS From 5-8693 | | | 1 | | S |
| 45 | 507293 | . BUSHING NYLINED .625x.750x.750 | | | 2 | | |
| 46 | 052485 | . PIVOT / TO FIX TENSIONER TO SUPPORT To 5-8692 | | | 1 | | |
| 46 | 052670 | . PIVOT / TO FIX TENSIONER TO SUPPORT From 5-8693 | | | 1 | | S |
| NS | 501497 | . GREASE FITTING / 1/4-28 | | | 1 | | |
| 47 | 500449 | . WASHER FL .625x1.500 SS | | | AR | | |
| 48 | 052539 | . SUPPORT FAN CLUTCH & GEAR BOX / LONG To 4-8325 | | | 1 | | |
| 48 | 052578 | . SUPPORT FAN CLUTCH & GEAR BOX / LONG From 4-8326 | | | 1 | | |
| 49 | 500802 | . WASHER LO SPT 16.2x37.4x3.5 Z050 | | | 1 | | |
| 50 | 502588 | . NUT HEX M16-2.0 ZP | | | 1 | | |
| 51 | 052427 | . BELLOW TENSIONER To 5-8440 | | | 1 | | F |
| NS | WB04-05C | . . SEE WARRANTY BULLETIN To 5-8440 | | | 1 | | F |
| 51 | 052621 | . BELLOW TENSIONER From 5-8441 | | | 1 | | S |
| 52 | 502875 | . SCREW CAP HEX M12-1.75x40 G8.8 N50 | | | 2 | | |
| 53 | 971072 | . NUT HEX M12-1.75 ZG603 | | | 2 | | |
| 54 | 500944 | . WASHER LO SPT .506x.873x.125 N500 | | | 6 | | |
| NS | 500211 | . WASHER FL .531x1.250x.125 N500 | | | 2 | | |
| 55 | 500214 | . SCREW CAP HEX 1/2-13x1 1/4 G5 Z050 | | | 4 | | |
| 56 | 500735 | . NUT HEX STO 3/4-16 ZP | | | 2 | | |
| 57 | 500451 | . WASHER FL .812x2.000x.148 ZP | | | 2 | | |
| 58 | 630002 | . BUSHING / RUBBER / (TWO PIECES) 1" x 1.005" I.D. | | | 2 | | |
| NS | 507347 | . SPACER / BUSHING | | | 2 | | |
| 59 | 500145 | . SCREW CAP HEX 3/4-16x3 1/2 G5 Z050 | | | 2 | | |
| 60 | 052429 | . SUPPORT, ANGLE | | | 2 | | |

| | | |
|--|--------------|-----------------|
| From 4-8165 To 6-8814 | Date:10/2022 | PAGE:Y2-0520-50 |
| FAN DRIVE - INSTALLATION - LONG | | |

| Item# | Part | Description | X L I I 4 5 | X L I I M T H 4 0 | X L I I M T H 4 5 | X L I I M T H 4 5 E | N O T E S |
|-------|-------------------|--|----------------------------|---|---|--|-----------------------|
| 62 | 502901 | . WASHER FL .625x1.469x.109 N500 | | | 1 | | |
| 63 | 502917 | . NUT HEX JAM 3/4-16 G2 N500 | | | 1 | | |
| 64 | 501036 | . MALE ELBOW 90° / SAE 45° FITTING / #4FL-Mx1/8NPT-M BR | | | 1 | | |
| 65 | 052477 | . SPRING ATTACHMENT From 4-8465 To 6-8814 | | | 1 | | |
| 65 | 052688 | . SPRING ATTACHMENT W/54MM WIDE PULLEY From 6-8815 | | | 1 | | |
| NS | 504487 | . RIVET MGLP PRDG 3/16x7/16 SS From 6-8815 | | | 1 | | H |
| NS | 502903 | . SCREW TC FL PH #10-24x1 1/4 N500 | | | 1 | | G |
| 66 | 502247 | . SPRING COMPRESSION / 1.250 O.D. x 2.5 x .125 | | | 1 | | |
| 70 | 550838 | FAN ASSY / CW 36" / 9 BLADES PLASTIC | | | 1 | | |
| 71 | Y2-0120-50 | DRIVE PULLEY & BELTS - MTH | | | | | |
| 72 | 052310 | ATTACHMENT PLATE ASSY / TO FIX ANGLE TO FLOOR | | | 2 | | |
| NS | 050706 | SPACER 3/8" TH | | | AR | | |
| NS | 050705 | SPACER 1/4" TH | | | AR | | |
| 74 | 971072 | NUT HEX M12-1.75 ZG603 | | | 4 | | |
| NS | 5001568 | NUT PUSH RND M12 ZP | | | 4 | | |
| 75 | 031054 | HOSE ASSY TEFLON #4 770MM To 6-8809 | | | 1 | | |
| 75 | 052361 | HOSE ASSY TEFLON #4 950MM From 6-8810 | | | 1 | | |
| 80 | 500606 | SCREW MA TR PH #10-24x3/4 SS | | | 1 | | |
| 81 | 500914 | WASHER LO SPT .193x.334x.047 N500 | | | 2 | | |
| 82 | 952624 | CLAMP / 1/4" I.D. | | | 1 | | |
| 83 | 502882 | NUT HEX #10-24 N500 | | | 1 | | |
| 90 | 052488 | SUPPORT BELLOW TENTIONER To 5-8440 | | | 1 | | |
| . NS | WB04-05C | . SEE WARRANTY BULLETIN To 5-8440 | | | 1 | | |
| 90 | 052240 | SUPPORT BELLOW TENTIONER From 5-8441 To 5-8489 | | | 1 | | |
| . NS | WB04-05C | . SEE WARRANTY BULLETIN From 5-8441 To 5-8489 | | | 1 | | |
| 90 | 053441 | SUPPORT BELLOW TENTIONER From 5-8490 | | | 1 | | |
| . NS | WB04-05C | . SEE WARRANTY BULLETIN From 5-8490 | | | 1 | | |
| 90 | 052707 | SUPPORT BELLOW TENTIONER | | | 1 | | S |
| 91 | Y2-0125-01 | BELTS TENSIONERS - WITH DETROIT S-60 | | | | | |
| 92 | 052631 | STOPPER TENSIONER ARM / "U" SHAPE 40MM X 1 From 5-8574 To 5-8692 | | | 1 | | A |
| 93 | 5001338 | SCREW CAP HEX M12-1.75x45 G10.9 N500 From 5-8574 To 5-8692 | | | 2 | | A |
| 94 | 500811 | NUT HEX STO M12-1.75 G500 From 5-8574 To 5-8692 | | | 2 | | A |
| 100 | 052661 | SUPPORT UPPER PULLEY TENSIONER From 5-8693 | | | 1 | | |
| 101 | 052626 | SHAFT UPPER PULLEY TENSIONER From 5-8693 | | | 1 | | |
| 102 | 052672 | PULLEY ASSY W/BEARING & SHAFT / 54MM x 117MM From 5-8693 | | | 1 | | |
| 103 | 052896 | . PULLEY ASSY W/BEARING / 54MM x 117MM O.D. From 5-8693 | | | 1 | | |
| 103 | 052625 | . . PULLEY / 54MM x 117MM O.D. From 5-8693 | | | 1 | | |
| 104 | 507371 | . SEAL From 5-8693 | | | 1 | | |
| 105 | 504040 | . RING RETAINER / INT 2.440 x 1.860 x 0.078 STL BLK From 5-8693 | | | 1 | | |
| 106 | 510618 | . BALL BEARING DBL ROW / 30MM x 62MM x 27 W From 5-8693 | | | 1 | | |
| 107 | 012062 | WASHER FL 10.2 x38.1x5 ST From 5-8693 | | | 1 | | |
| 108 | 500829 | SCREW CAP HEX M10-1.5x40 G8.8 From 5-8693 | | | 1 | | |

| | | |
|--|--------------|-----------------|
| From 4-8165 To 6-8814 | Date:10/2022 | PAGE:Y2-0520-50 |
| FAN DRIVE - INSTALLATION - LONG | | |

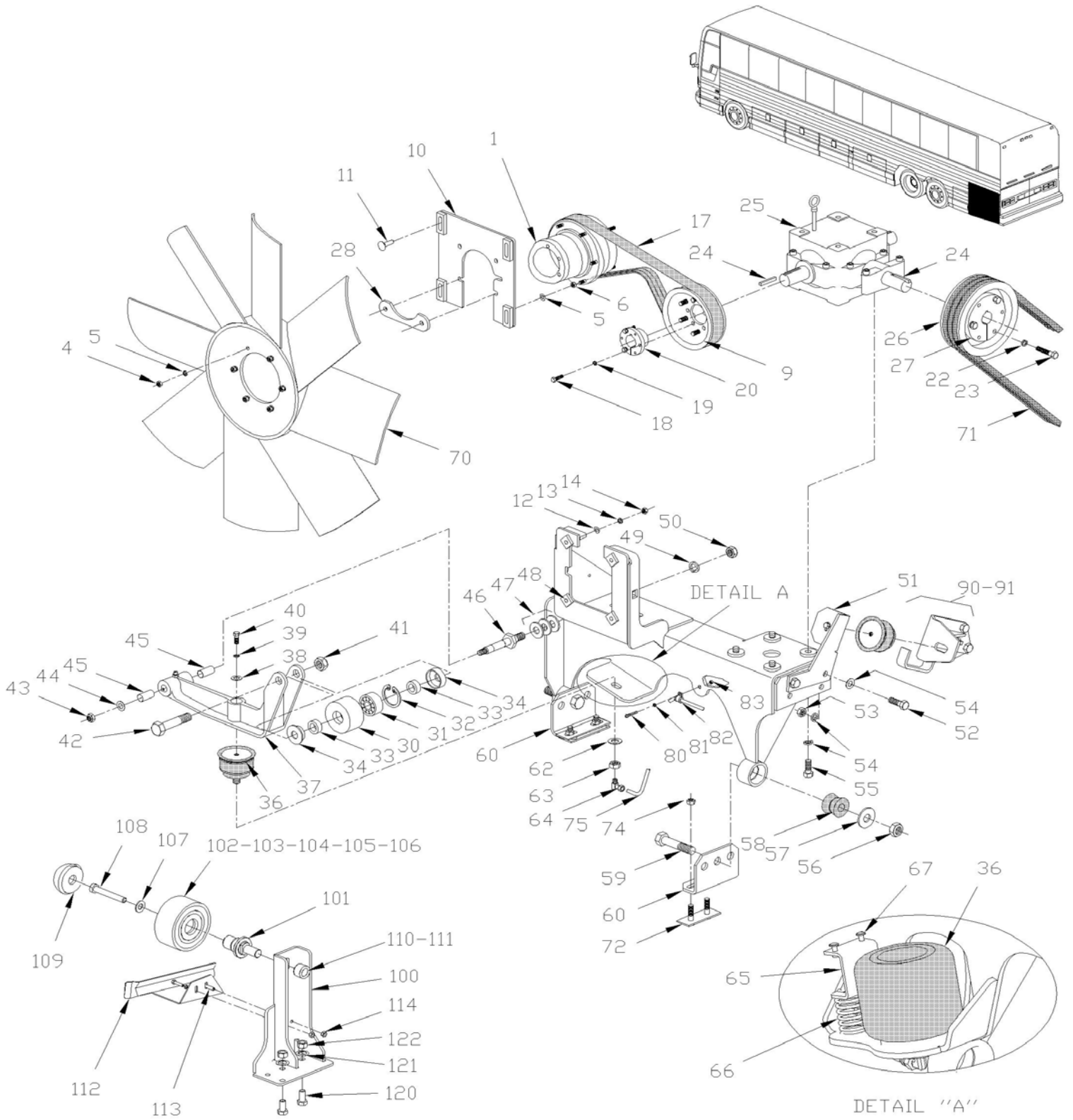
| Item# | Part | Description | X L I I 4 5 | X L I I M T H 4 0 | X L I I M T H 4 5 | X L I I M T H 4 5 E | NOTES |
|-------|----------|--|----------------------------|---|---|--|-------|
| 109 | 510798 | PROTECTOR CAP / "PREVOST" From 5-8693 | | | 1 | | |
| 110 | 5001252 | NUT HEX STO M20-2.5 DP From 5-8693 | | | 1 | | |
| 111 | 502558 | WASHER FL 21.0x37.0x3.0 G500 From 5-8693 | | | 1 | | |
| 112 | 052666 | AIR DEFLECTOR / BELT From 5-8693 | | | 1 | | |
| 113 | 5001433 | SCREW CAP HEX M6-1.0x25 SS From 5-8693 | | | 2 | | |
| 114 | 5001182 | NUT HEX NYRT M6-1.0 SS From 5-8693 | | | 2 | | |
| 120 | 500806 | SCREW CAP HEX M12-1.75X35 G10.9 G500 From 5-8693 | | | 1 | | |
| 120 | 500065 | SCREW CAP HEX M10-1.5x30 G10.9 DP From 5-8693 | | | 3 | | |
| NS | 500270 | WASHER FL .406x1.000x.063 SS From 5-8693 | | | 3 | | |
| 121 | 500958 | WASHER FL .531x1.062x.095 SS From 5-8693 | | | 1 | | |
| 121 | 502616 | WASHER LO SPT 10.2x18.1x2.2 SS From 5-8693 | | | 1 | | |
| 122 | 500811 | NUT HEX STO M12-1.75 G500 From 5-8693 | | | 1 | | |
| 130 | 052675 | KIT, RETROFIT UPPER TENSIONER & AIR DEFLEC / W/LONG FAN CLUTCH SUPPORT From 4-8165 To 5-8691 | | | 1 | | |
| NS | WB05-05C | SEE WARRANTY BULLETIN From 4-8165 To 5-8691 | | | 1 | | |
| | | A) FOR PRODUCT IMPROVEMENT, INSTALL THOSE PARTS UP TO 5-8593 | | | | | |
| | | B) THIS PART ARE INCLUDE WITH NEW ARM ASSY #052689 | | | | | |
| | | C) FOR PRODUCT IMPROVEMENT, ASK KIT #052675 | | | | | |
| | | D) THIS ARM IS SUPERSEDED BY #052689 "ARM ASSY PULLEY" WHO INCLUDE ALLS PARTS WITH NOTE "B" | | | | | |
| | | E) USE WITH CURRENT FAN CLUTCH #550966 WITH TAB LOCK SEE IMAGE | | | | | |
| | | F) FOR PRODUCT IMPROVEMENT, ASK PART #052621 AND SEE WARRANTY BULLETIN WB04-05A | | | | | |
| | | G) TO FIX SPRING | | | | | |
| | | H) TO FIX SPRING ATTACHMENT TO ARM | | | | | |
| | | J) USE WITH FORMER FAN CLUTCH #550966 WITH SCREW LOCK SEE IMAGE | | | | | |
| | | S) SERVICE | | | | | |
| | | 3) NOT SOLD ASSEMBLY | | | | | |

From 6-8815 To 8-9339

Date:10/2022

PAGE:Y2-0520-51

FAN DRIVE - INSTALLATION - LONG

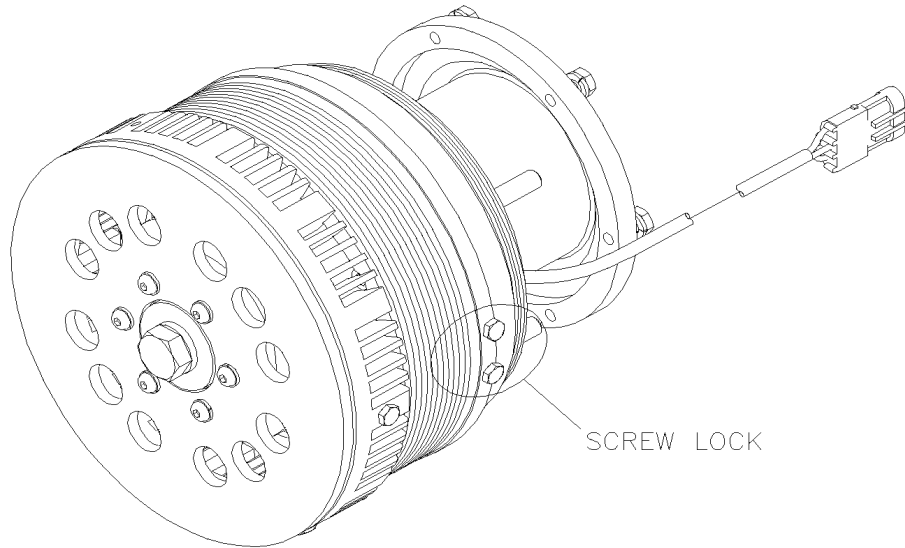


From 6-8815 To 8-9339

Date:10/2022

PAGE:Y2-0520-51

FAN DRIVE - INSTALLATION - LONG



| | | |
|--|--------------|-----------------|
| From 6-8815 To 8-9339 | Date:10/2022 | PAGE:Y2-0520-51 |
| FAN DRIVE - INSTALLATION - LONG | | |

| Item# | Part | Description | X L I I 4 5 | X L I I M T H 4 0 | X L I I M T H 4 5 | X L I I M T H 4 5 E | N O T E S |
|-------|-------------------|--|----------------------------|---|---|--|-----------------------|
| | Call order desk | FAN DRIVE ASSY | | | 1 | | P |
| 1 | Y2-0540-52 | FAN CLUTCH ASSY - #550839 - MTH 45' | | | 1 | | |
| 4 | 502543 | . . . NUT HEX M8-1.25 Z050 | | | 6 | | |
| 5 | 500897 | . . . WASHER FL .437x1.000x.083 N500 | | | 8 | | |
| 6 | 5001758 | . . . NUT HEX STO M10-1.5 N500 | | | 4 | | |
| 9 | 052584 | . PULLEY / W/12RIB X 8.582" DIA | | | 1 | | |
| 10 | 052476 | . PLATE TRANSITION / FAN CLUTCH & SUPPORT | | | 1 | | |
| 11 | 502891 | . SCREW CRG M8-1.25x40 G8.8 Z050 | | | 4 | | |
| 12 | 500874 | . WASHER FL 8.4x17.0x1.6 Z050 | | | 8 | | |
| 13 | 5001003 | . WASHER LO SPT 8.1x12.7x2.0 Z050 | | | 10 | | |
| 14 | 502543 | . NUT HEX M8-1.25 Z050 | | | 4 | | |
| 15 | 500897 | . WASHER FL .437x1.000x.083 N500 | | | 4 | | |
| 16 | 500680 | . NUT HEX STO M10-1.5 Z050 | | | 4 | | |
| 17 | 507627 | . MULTI V-BELT / 12 RIB 82 41/64" (2100) 827K12BU | | | 1 | | F |
| 17 | 506064 | . MULTI V-BELT / 12 RIB 83 1/2" (2121) | | | 1 | | C |
| 18 | 500171 | . SCREW CAP HEX 1/4-20x1 G5 N500 | | | 3 | | |
| 19 | 955920 | . WASHER LO SPT 6.5x11.5x1.6 ZP | | | 3 | | |
| 20 | 550879 | . CONE BUSHING 1 1/4 I.D X 1 13/16 O.D. X 2 5 | | | 1 | | |
| 22 | 500218 | . WASHER LO SPT .380x.683x.098 DP320 | | | 6 | | |
| 23 | 502906 | . SCREW CAP HEX 3/8-24x1 1/4 G5 N500 | | | 6 | | |
| 24 | 550186 | . KEY 1/4" X 1/4" X 1 1/4" | | | 2 | | |
| 25 | Y2-0525-00 | . GEARBOX "SUPERIOR" - #550789, 550810 & 550897 | | | | | |
| 26 | 052586 | . PULLEY (3V X 7.40 DIA) | | | 1 | | |
| 27 | 550878 | . CONE BUSHING 1 1/4 I.D X 3 O.D. X 4 5/8 O.D | | | 1 | | |
| 28 | 052492 | . PLATE | | | 1 | | |
| 30 | 052673 | . PULLEY ASSY W/BEARING & SEAL / 54MM x 117MM | | | 1 | | |
| 30 | 052896 | . . . PULLEY ASSY W/BEARING / 54MM x 117MM O.D. | | | 1 | | |
| 30 | 052625 | . . . PULLEY / 54MM x 117MM O.D. | | | 1 | | |
| 31 | 510618 | . . . BALL BEARING DBL ROW / 30MM x 62MM x 27 W | | | 1 | | |
| 32 | 504040 | . . . RING RETAINER / INT 2.440 x 1.860 x 0.078 STL BLK | | | 1 | | |
| 33 | 052627 | . . BUSHING TRANSFER FAN | | | 2 | | |
| 34 | 507371 | . . SEAL | | | 2 | | |
| NS | 680752 | . . GREASE LITHIUM / BLUE | | | | AR | |
| 36 | 550840 | . BELLOW ASSY / BELT TENSIONER / 4" O.D. | | | 1 | | |
| 37 | 052624 | . ARM, BELT TENSIONER / IRON USE W 54MM WIDE PULLEY | | | 1 | | |
| 38 | 500444 | . WASHER FL .406x.812x.065 Z050 | | | 1 | | |
| 39 | 500478 | . WASHER LO SPT .380x.683x.094 Z050 | | | 1 | | |
| 40 | 500191 | . SCREW CAP HEX 3/8-16x1 G5 Z050 | | | 1 | | |
| 41 | 5001252 | . NUT HEX STO M20-2.5 DP | | | 1 | | |
| NS | 502558 | . WASHER FL 21.0x37.0x3.0 G500 | | | 1 | | |
| 42 | 983296 | . SCREW CAP HEX M20-2.5x90 G10.9 ZP | | | 1 | | |
| 43 | 5001628 | . NUT HEX NYRT M10-1.5 SS | | | 1 | | |

| | | |
|--|--------------|-----------------|
| From 6-8815 To 8-9339 | Date:10/2022 | PAGE:Y2-0520-51 |
| FAN DRIVE - INSTALLATION - LONG | | |

| Item# | Part | Description | X L I I 4 5 | X L I I M T H 4 0 | X L I I M T H 4 5 | X L I I M T H 4 5 E | N O T E S |
|-------|-------------------|---|----------------------------|---|---|--|-----------------------|
| 44 | 500270 | . WASHER FL .406x1.000x.063 SS | | | 1 | | |
| 45 | 507293 | . BUSHING NYLINED .625x.750x.750 | | | 2 | | |
| 46 | 052670 | . PIVOT / TO FIX TENSIONER TO SUPPORT | | | 1 | | |
| NS | 501497 | . GREASE FITTING / 1/4-28 | | | 1 | | |
| 47 | 500449 | . WASHER FL .625x1.500 SS | | | AR | | |
| 48 | 052664 | . SUPPORT FAN CLUTCH & GEAR BOX / LONG | | | 1 | | |
| 49 | 500802 | . WASHER LO SPT 16.2x37.4x3.5 Z050 | | | 1 | | |
| 50 | 502588 | . NUT HEX M16-2.0 ZP | | | 1 | | |
| 51 | 052621 | . BELLOW TENSIONER | | | 1 | | |
| 52 | 502875 | . SCREW CAP HEX M12-1.75x40 G8.8 N50 | | | 2 | | |
| 53 | 971072 | . NUT HEX M12-1.75 ZG603 | | | 2 | | |
| 54 | 500944 | . WASHER LO SPT .506x.873x.125 N500 | | | 6 | | |
| NS | 500211 | . WASHER FL .531x1.250x.125 N500 | | | 2 | | |
| 55 | 500214 | . SCREW CAP HEX 1/2-13x1 1/4 G5 Z050 | | | 4 | | |
| 56 | 500735 | . NUT HEX STO 3/4-16 ZP | | | 2 | | |
| 57 | 500451 | . WASHER FL .812x2.000x.148 ZP | | | 2 | | |
| 58 | 630002 | . BUSHING / RUBBER / (TWO PIECES) 1" x 1.005" I.D. | | | 2 | | |
| NS | 507347 | . SPACER / BUSHING | | | 2 | | |
| 59 | 500145 | . SCREW CAP HEX 3/4-16x3 1/2 G5 Z050 | | | 2 | | |
| 60 | 052429 | . SUPPORT, ANGLE | | | 2 | | |
| 62 | 502901 | . WASHER FL .625x1.469x.109 N500 | | | 1 | | |
| 63 | 502917 | . NUT HEX JAM 3/4-16 G2 N500 | | | 1 | | |
| 64 | 501036 | . MALE ELBOW 90° / SAE 45° FITTING / #4FL-Mx1/8NPT-M BR | | | 1 | | |
| 65 | 052688 | . SPRING ATTACHMENT W/54MM WIDE PULLEY | | | 1 | | |
| NS | 502903 | . SCREW TC FL PH #10-24x1 1/4 N500 | | | 1 | | |
| 66 | 502247 | . SPRING COMPRESSION / 1.250 O.D. x 2.5 x .125 | | | 1 | | |
| 67 | 504487 | . RIVET MGLP PRDG 3/16x7/16 SS | | | 2 | | |
| 70 | 550838 | FAN ASSY / CW 36" / 9 BLADES PLASTIC | | | 1 | | |
| 71 | Y2-0120-50 | DRIVE PULLEY & BELTS - MTH | 1 | 1 | 1 | 1 | |
| 72 | 052310 | ATTACHMENT PLATE ASSY / TO FIX ANGLE TO FLOOR | | | 2 | | |
| 74 | 971072 | NUT HEX M12-1.75 ZG603 | | | 4 | | |
| NS | 5001568 | NUT PUSH RND M12 ZP | | | 4 | | |
| 75 | 052361 | HOSE ASSY TEFLON #4 950MM | | | 1 | | |
| 80 | 500606 | SCREW MA TR PH #10-24x3/4 SS | | | 1 | | |
| 81 | 500914 | WASHER LO SPT .193x.334x.047 N500 | | | 2 | | |
| 82 | 952624 | CLAMP / 1/4" I.D. | | | 1 | | |
| 83 | 502882 | NUT HEX #10-24 N500 | | | 1 | | |
| 90 | 053441 | SUPPORT BELLOW TENTIONER To 6-8878 | | | 1 | | |
| NS | WB04-05C | . SEE WARRANTY BULLETIN To 6-8878 | | | 1 | | |
| 90 | 052707 | SUPPORT BELLOW TENTIONER From 6-8879 | | | 1 | | S |
| 91 | Y2-0125-01 | BELTS TENSIONERS - WITH DETROIT S-60 | | | | | |
| 100 | 052661 | SUPPORT UPPER PULLEY TENSIONER | | | 1 | | |

| | | |
|--|--------------|-----------------|
| From 6-8815 To 8-9339 | Date:10/2022 | PAGE:Y2-0520-51 |
| FAN DRIVE - INSTALLATION - LONG | | |

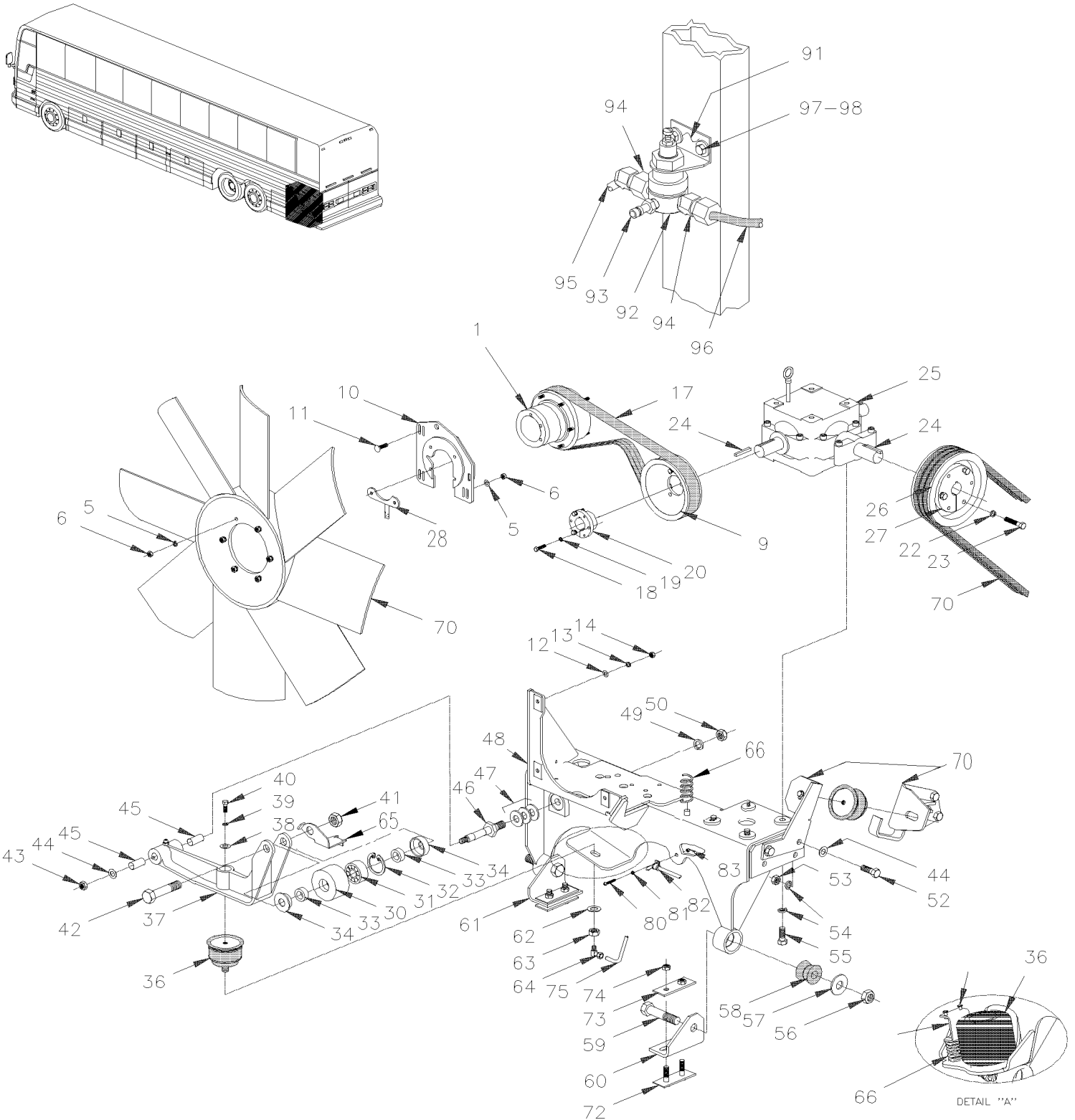
| Item# | Part | Description | X L I I 4 5 | X L I I M T H 4 0 | X L I I M T H 4 5 | X L I I M T H 4 5 E | NOTES |
|-------|---------|---|----------------------------|---|---|--|-------|
| 101 | 052626 | SHAFT UPPER PULLEY TENSIONER | | | 1 | | |
| 102 | 052672 | PULLEY ASSY W/BEARING & SHAFT / 54MM x 117MM | | | 1 | | |
| 103 | 052896 | . PULLEY ASSY W/BEARING / 54MM x 117MM O.D. | | | 1 | | |
| 103 | 052625 | . . PULLEY / 54MM x 117MM O.D. | | | 1 | | |
| 104 | 507371 | . SEAL | | | 1 | | |
| 105 | 504040 | . RING RETAINER / INT 2.440 x 1.860 x 0.078 STL BLK | | | 1 | | |
| 106 | 510618 | . BALL BEARING DBL ROW / 30MM x 62MM x 27 W | | | 1 | | |
| 107 | 012062 | WASHER FL 10.2 x38.1x5 ST | | | 1 | | |
| 108 | 500829 | SCREW CAP HEX M10-1.5x40 G8.8 | | | 1 | | |
| 109 | 510798 | PROTECTOR CAP / "PREVOST" | | | 1 | | |
| 110 | 5001252 | NUT HEX STO M20-2.5 DP | | | 1 | | |
| 111 | 502558 | WASHER FL 21.0x37.0x3.0 G500 | | | 1 | | |
| 112 | 052666 | AIR DEFLECTOR / BELT | | | 1 | | |
| 113 | 5001433 | SCREW CAP HEX M6-1.0x25 SS | | | 2 | | |
| 114 | 5001182 | NUT HEX NYRT M6-1.0 SS | | | 2 | | |
| 120 | 500806 | SCREW CAP HEX M12-1.75X35 G10.9 G500 | | | 1 | | |
| 120 | 500065 | SCREW CAP HEX M10-1.5x30 G10.9 DP | | | 3 | | |
| 120 | 500270 | WASHER FL .406x1.000x.063 SS | | | 3 | | |
| 121 | 500958 | WASHER FL .531x1.062x.095 SS | | | 1 | | |
| 121 | 502616 | WASHER LO SPT 10.2x18.1x2.2 SS | | | 1 | | |
| 122 | 500811 | NUT HEX STO M12-1.75 G500 | | | 1 | | |
| | | | | | | | |
| | | | | | | | |
| | | | | | | | |
| | | | | | | | |
| | | C) USE WITH CURRENT FAN CLUTCH #550966 WITH TAB LOCK SEE IMAGE | | | | | |
| | | F) USE WITH FORMER FAN CLUTCH #550966 WITH SCREW LOCK SEE IMAGE | | | | | |
| | | S) SERVICE | | | | | |
| | | P) CALL ORDER DESK FOR SPECIFIC APPLICATION (V.I.N.) | | | | | |

From Y-7046 To 3-8164

Date:10/2022

PAGE:Y2-0520-98

FAN DRIVE - INSTALLATION - SHORT / "RETROFIT"

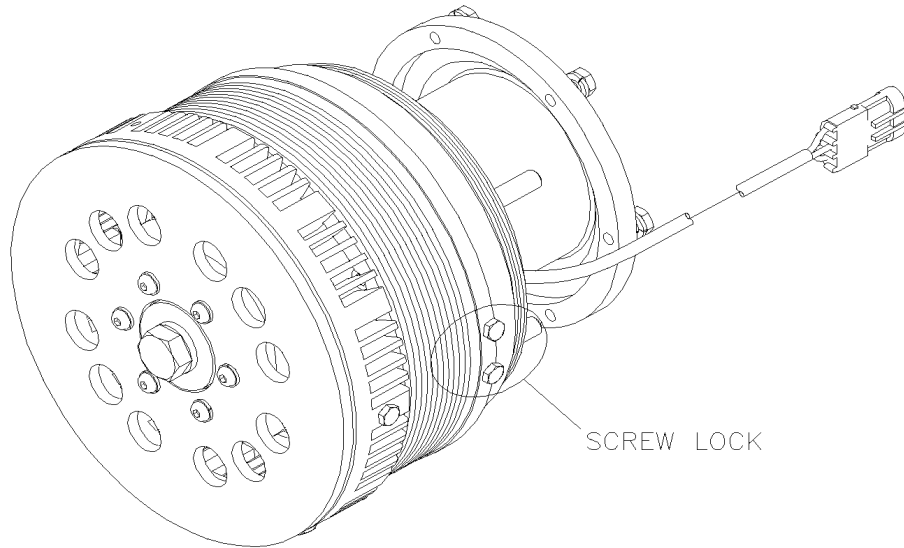


From Y-7046 To 3-8164

Date:10/2022

PAGE:Y2-0520-98

FAN DRIVE - INSTALLATION - SHORT / "RETROFIT"



| | | |
|--|--------------|-----------------|
| From Y-7046 To 3-8164 | Date:10/2022 | PAGE:Y2-0520-98 |
| FAN DRIVE - INSTALLATION - SHORT / "RETROFIT" | | |

| Item# | Part | Description | X L I I 4 5 | X L I I M T H 4 0 | X L I I M T H 4 5 | X L I I M T H 4 5 E | N O T E S |
|-------|-------------------|--|----------------------------|---|---|--|-----------------------|
| | | NEXT KIT ARE USE ONLY WITH | | | | | |
| | | 3" BELLOW TENSIONER W/O.E.M. INSTALLATION | 1 | 1 | 1 | 1 | |
| NS | 052665 | KIT, UPGRADE ONLY / SMALL TO LARGE FAN CLUTCH | | 1 | | 1 | |
| . NS | IS-04106A | . SEE INSTRUCTION SHEET | | 1 | | 1 | |
| | | NEXT KIT ARE USE ONLY WITH | | | | | |
| | | 4" BELLOW TENSIONER W/O.E.M. INSTALLATION | 1 | 1 | 1 | 1 | |
| | 052674 | FAN DRIVE ASSY W/LARGE FAN CLUTCH 550839 | | | | | A |
| 1 | Y2-0540-52 | . FAN CLUTCH ASSY - #550839 - MTH 45' | | | | | |
| 4 | 502543 | .. NUT HEX M8-1.25 Z050 | 6 | 6 | 6 | 6 | |
| 5 | 502644 | .. WASHER FL 10.5x30.0x2.5 Z050 | 8 | 8 | 8 | 8 | |
| 6 | 5001758 | .. NUT HEX STO M10-1.5 N500 | 4 | 4 | 4 | 4 | |
| 9 | 052584 | . PULLEY / W/12RIB X 8.582" DIA | 1 | 1 | 1 | 1 | |
| 10 | 052652 | . PLATE TRANSITION / FAN CLUTCH & SUPPORT / W/550839 RETROFIT ONLY | 1 | 1 | 1 | 1 | |
| 11 | 502891 | . SCREW CRG M8-1.25x40 G8.8 Z050 | 3 | 3 | 3 | 3 | |
| 12 | 500874 | . WASHER FL 8.4x17.0x1.6 Z050 | 3 | 3 | 3 | 3 | |
| 13 | 502889 | . WASHER LO SPT 8.1x12.7x2.0 N500 | 3 | 3 | 3 | 3 | |
| 13 | 955920 | . WASHER LO SPT 6.5x11.5x1.6 ZP | 3 | 3 | 3 | 3 | |
| 14 | 502543 | . NUT HEX M8-1.25 Z050 | 3 | 3 | 3 | 3 | |
| 17 | 5060071 | . MULTI V-BELT / 12 RIB 57.48" (1460MM) | 1 | 1 | 1 | 1 | F |
| 17 | 506060 | . MULTI V-BELT / 12 RIB 58.39" (1483MM) | 1 | 1 | 1 | 1 | C |
| 18 | 500171 | . SCREW CAP HEX 1/4-20x1 G5 N500 | 3 | 3 | 3 | 3 | |
| 19 | 955920 | . WASHER LO SPT 6.5x11.5x1.6 ZP | 3 | 3 | 3 | 3 | |
| 20 | 550879 | . CONE BUSHING 1 1/4 I.D X 1 13/16 O.D. X 2 5 | 1 | 1 | 1 | 1 | |
| 22 | 500218 | . WASHER LO SPT .380x.683x.098 DP320 | 3 | 3 | 3 | 3 | |
| 23 | 502906 | . SCREW CAP HEX 3/8-24x1 1/4 G5 N500 | 3 | 3 | 3 | 3 | |
| 24 | 550186 | . KEY 1/4" X 1/4" X 1 1/4" | 2 | 2 | 2 | 2 | |
| 25 | Y2-0525-00 | . GEARBOX "SUPERIOR" - #550789, 550810 & 550897 | | | | | |
| 26 | 051603 | . PULLEY (3V X 7.40 DIA) | 1 | 1 | 1 | 1 | |
| 27 | 550878 | . CONE BUSHING 1 1/4 I.D X 3 O.D. X 4 5/8 O.D. | 1 | 1 | 1 | 1 | |
| 28 | 052691 | . PLATE ASSY / W/RETAINER CABLE | 1 | 1 | 1 | 1 | |
| 30 | 052676 | . PULLEY ASSY W/BEARING & SEAL / 54MM x 75MM | 1 | 1 | 1 | 1 | |
| 30 | 052677 | .. PULLEY / 54MM WIDE x 75MM O.D. | 1 | 1 | 1 | 1 | |
| 31 | 510618 | .. BALL BEARING DBL ROW / 30MM x 62MM x 27 W | 1 | 1 | 1 | 1 | |
| 32 | 504040 | .. RING RETAINER / INT 2.440 x 1.860 x 0.078 STL BLK | 1 | 1 | 1 | 1 | |
| 33 | 052627 | .. BUSHING TRANSFER FAN | 2 | 2 | 2 | 2 | |

| | | |
|--|--------------|-----------------|
| From Y-7046 To 3-8164 | Date:10/2022 | PAGE:Y2-0520-98 |
| FAN DRIVE - INSTALLATION - SHORT / "RETROFIT" | | |

| Item# | Part | Description | X L I I 4 5 | X L I I M T H 4 0 | X L I I M T H 4 5 | X L I I M T H 4 5 E | N O T E S |
|-------|-------------------|--|----------------------------|---|---|--|-----------------------|
| 34 | 507371 | . . SEAL | 2 | 2 | 2 | 2 | |
| NS | 680752 | . . GREASE LITHIUM / BLUE | AR | AR | AR | AR | |
| 36 | 550840 | . BELLOW ASSY / BELT TENSIONER / 4" O.D. | 1 | 1 | 1 | 1 | |
| 37 | 051991 | . ARM, BELT TENSIONER / IRON USE W 45MM WIDE PULLEY | 1 | 1 | 1 | 1 | |
| 38 | 500444 | . WASHER FL .406x.812x.065 Z050 | 1 | 1 | 1 | 1 | |
| 39 | 500478 | . WASHER LO SPT .380x.683x.094 Z050 | 1 | 1 | 1 | 1 | |
| 40 | 500191 | . SCREW CAP HEX 3/8-16x1 G5 Z050 | 1 | 1 | 1 | 1 | |
| 41 | 5001252 | . NUT HEX STO M20-2.5 DP | 1 | 1 | 1 | 1 | |
| NS | 502558 | . WASHER FL 21.0x37.0x3.0 G500 | 1 | 1 | 1 | 1 | |
| 42 | 983296 | . SCREW CAP HEX M20-2.5x90 G10.9 ZP | 1 | 1 | 1 | 1 | |
| 43 | 5001628 | . NUT HEX NYRT M10-1.5 SS | 1 | 1 | 1 | 1 | |
| 44 | 500446 | . WASHER FL .531x1.250x.125 Z050 | 1 | 1 | 1 | 1 | |
| 45 | 507293 | . BUSHING NYLINED .625x.750x.750 | 2 | 2 | 2 | 2 | |
| 46 | 052670 | . PIVOT / TO FIX TENSIONER TO SUPPORT | 1 | 1 | 1 | 1 | |
| NS | 501497 | . GREASE FITTING / 1/4-28 | 1 | 1 | 1 | 1 | |
| 47 | 500449 | . WASHER FL .625x1.500 SS | AR | AR | AR | AR | |
| 48 | 052649 | . SUPPORT FAN CLUTCH & GEAR BOX / SHORT / W/550839 RETROFIT ONLY | 1 | 1 | 1 | 1 | |
| 49 | 500802 | . WASHER LO SPT 16.2x37.4x3.5 Z050 | 1 | 1 | 1 | 1 | |
| 50 | 502588 | . NUT HEX M16-2.0 ZP | 1 | 1 | 1 | 1 | |
| 52 | 502875 | . SCREW CAP HEX M12-1.75x40 G8.8 N50 | 2 | 2 | 2 | 2 | |
| 53 | 500811 | . NUT HEX STO M12-1.75 G500 | 2 | 2 | 2 | 2 | |
| 54 | 500944 | . WASHER LO SPT .506x.873x.125 N500 | 6 | 6 | 6 | 6 | |
| NS | 500211 | . WASHER FL .531x1.250x.125 N500 | 6 | 6 | 6 | 6 | |
| 55 | 500214 | . SCREW CAP HEX 1/2-13x1 1/4 G5 Z050 | 4 | 4 | 4 | 4 | |
| 56 | 500735 | . NUT HEX STO 3/4-16 ZP | 2 | 2 | 2 | 2 | |
| 57 | 500451 | . WASHER FL .812x2.000x.148 ZP | 2 | 2 | 2 | 2 | |
| 58 | 630002 | . BUSHING / RUBBER / (TWO PIECES) 1" x 1.005" I.D. | 2 | 2 | 2 | 2 | |
| NS | 507347 | . SPACER / BUSHING | 2 | 2 | 2 | 2 | |
| 59 | 500145 | . SCREW CAP HEX 3/4-16x3 1/2 G5 Z050 | 2 | 2 | 2 | 2 | |
| 60 | 059053 | . SUPPORT, ANGLE / FRONT | 1 | 1 | 1 | 1 | |
| 61 | 059051 | . SUPPORT, ANGLE / REAR | 1 | 1 | 1 | 1 | |
| 62 | 502901 | . WASHER FL .625x1.469x.109 N500 | 1 | 1 | 1 | 1 | |
| 63 | 502917 | . NUT HEX JAM 3/4-16 G2 N500 | 1 | 1 | 1 | 1 | |
| 64 | 501036 | . MALE ELBOW 90° / SAE 45° FITTING / #4FL-Mx1/8NPT-M BR | 1 | 1 | 1 | 1 | |
| 65 | 052655 | SPRING ATTACHMENT | 1 | 1 | 1 | 1 | |
| 66 | 502247 | SPRING COMPRESSION / 1.250 O.D. x 2.5 x .125 | 1 | 1 | 1 | 1 | |
| 67 | 504487 | RIVET MGLP PRDG 3/16x7/16 SS | 2 | 2 | 2 | 2 | |
| 70 | Y2-0520-00 | FAN DRIVE - INSTALLATION - SHORT | | | | | |
| 72 | 051779 | ATTACHMENT PLATE ASSY / TO FIX ANGLE TO FLOOR | 2 | 2 | 2 | 2 | |
| 73 | 050706 | SPACER 3/8" TH | AR | AR | AR | AR | |
| 73 | 050705 | SPACER 1/4" TH | AR | AR | AR | AR | |
| 74 | 971072 | NUT HEX M12-1.75 ZG603 | 4 | 4 | 4 | 4 | |

| | | |
|--|--------------|-----------------|
| From Y-7046 To 3-8164 | Date:10/2022 | PAGE:Y2-0520-98 |
| FAN DRIVE - INSTALLATION - SHORT / "RETROFIT" | | |

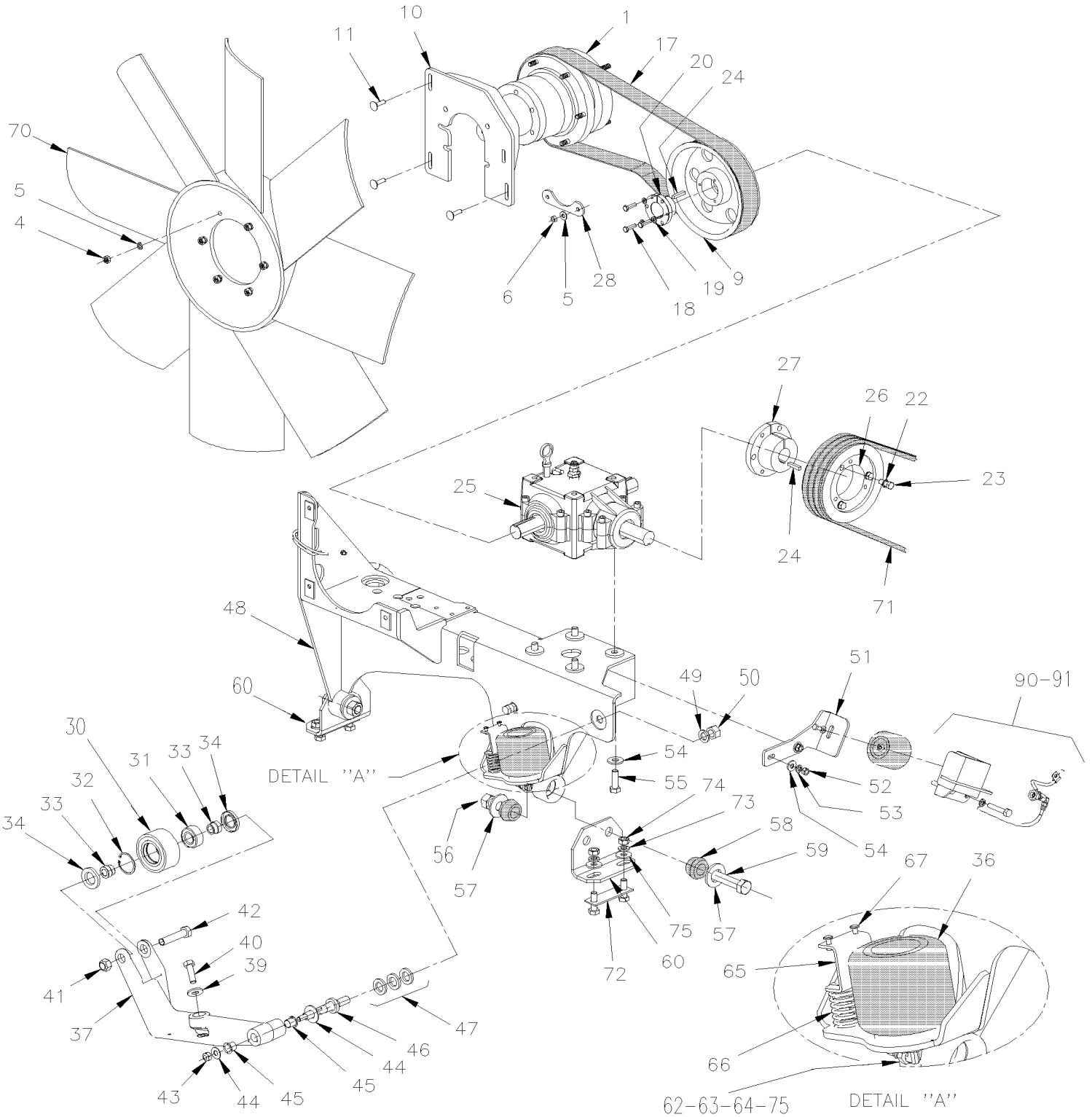
| Item# | Part | Description | X L I I 4 5 | X L I I M T H 4 0 | X L I I M T H 4 5 | X L I I M T H 4 5 E | N O T E S |
|-------|---------|---|----------------------------|---|---|--|-----------------------|
| NS | 5001568 | NUT PUSH RND M12 ZP | 4 | 4 | 4 | 4 | |
| 75 | 031054 | HOSE ASSY TEFLON #4 770MM | 1 | 1 | 1 | 1 | |
| 75 | 052535 | HOSE ASSY TEFLON #4 662MM | 1 | 1 | 1 | 1 | |
| 80 | 500606 | SCREW MA TR PH #10-24x3/4 SS | 1 | 1 | 1 | 1 | |
| 81 | 500914 | WASHER LO SPT .193x.334x.047 N500 | 2 | 2 | 2 | 2 | |
| 82 | 952624 | CLAMP / 1/4" I.D. | 1 | 1 | 1 | 1 | |
| 83 | 502882 | NUT HEX #10-24 N500 | 1 | 1 | 1 | 1 | |
| 91 | 142013 | SUPPORT AIR REGULATOR / ANGLE 90DEG STYLE | 1 | 1 | 1 | 1 | |
| 92 | 641472 | AIR PRESSURE REGULATOR 1/4" NPT / COPPER | 1 | 1 | 1 | 1 | |
| 93 | 640488 | VALVE, AIR FILL 1/8" NPT | 1 | 1 | 1 | 1 | |
| . NS | 650164 | . CAP VALVE / CHROME | 1 | 1 | 1 | 1 | |
| 94 | 501027 | MALE CONNECTOR / SAE 45° FITTING / #4FL-Mx1/4NPT-M BR | 2 | 2 | 2 | 2 | |
| 95 | 052667 | HOSE ASSY TEFLON #4 1524MM | 1 | 1 | 1 | 1 | |
| 96 | 052668 | HOSE ASSY TEFLON #4 1524MM | 1 | 1 | 1 | 1 | |
| NS | 509815 | TIE MOUNT / ATTACHMENT W/TREE MOUNT | 3 | 3 | 3 | 3 | |
| | | | | | | | |
| | | | | | | | |
| | | A) FAN DRIVE ASSY SUPPERSEEDE FORMER MODEL ASSY 052006P | | | | | |
| | | C) USE WITH FAN CLUTCH #550057 | | | | | |
| | | F) USE WITH FORMER FAN CLUTCH #550966 WITH SCREW LOCK SEE IMAGE | | | | | |

From 4-8165 To 6-8814

Date:10/2022

PAGE:Y2-0520-99

FAN DRIVE - INSTALLATION - SHORT / "RETROFIT"



| | | |
|--|--------------|-----------------|
| From 4-8165 To 6-8814 | Date:10/2022 | PAGE:Y2-0520-99 |
| FAN DRIVE - INSTALLATION - SHORT / "RETROFIT" | | |

| Item# | Part | Description | X L I I 4 5 | X L I I M T H 4 0 | X L I I M T H 4 5 | X L I I M T H 4 5 E | N O T E S |
|-------|-------------------|---|----------------------------|---|---|--|-----------------------|
| | | NEXT KIT ARE USE ONLY WITH | 1 | 1 | 1 | 1 | |
| | | 3" BELLOW TENSIONER W/O.E.M. INSTALLATION | 1 | 1 | 1 | 1 | |
| | 052788 | KIT, UPGRADE ONLY / SMALL TO LARGE FAN CLUTCH From 4-8165 To 4-8392 | 1 | 1 | 1 | 1 | |
| . NS | IS-04019 | . SEE INSTRUCTION SHEET From 4-8165 To 4-8392 | 1 | 1 | 1 | 1 | |
| | | NEXT KIT ARE USE ONLY WITH | 1 | 1 | 1 | 1 | |
| | | 4" BELLOW TENSIONER W/O.E.M. INSTALLATION | 1 | 1 | 1 | 1 | |
| | 052705 | KIT, UPGRADE ONLY / SMALL TO LARGE FAN CLUTCH W/O.E.M. INSTALLATION From 4-8393 To 6-8809 | 1 | 1 | 1 | 1 | |
| . NS | IS-04019 | . SEE INSTRUCTION SHEET From 4-8393 To 6-8809 | 1 | 1 | 1 | 1 | |
| 1 | Y2-0540-03 | FAN CLUTCH ASSY - #550839 - BUS, MTH 40' & MTH-45E | | | | | |
| 4 | 502543 | . NUT HEX M8-1.25 Z050 | 6 | 6 | 6 | 6 | |
| 5 | 502644 | . WASHER FL 10.5x30.0x2.5 Z050 | 8 | 8 | 8 | 8 | |
| 6 | 5001758 | . NUT HEX STO M10-1.5 N500 | 4 | 4 | 4 | 4 | |
| 9 | 052584 | PULLEY / W/12RIB X 8.582" DIA | 1 | 1 | 1 | 1 | |
| 10 | 052596 | PLATE TRANSITION / FAN CLUTCH & SUPPORT | 1 | 1 | 1 | 1 | |
| 11 | 502891 | SCREW CRG M8-1.25x40 G8.8 Z050 | 4 | 4 | 4 | 4 | |
| 12 | 500874 | WASHER FL 8.4x17.0x1.6 Z050 | 3 | 3 | 3 | 3 | |
| 13 | 502889 | WASHER LO SPT 8.1x12.7x2.0 N500 | 3 | 3 | 3 | 3 | |
| 13 | 955920 | WASHER LO SPT 6.5x11.5x1.6 ZP | 3 | 3 | 3 | 3 | |
| 14 | 502543 | NUT HEX M8-1.25 Z050 | 3 | 3 | 3 | 3 | |
| 17 | 5060073 | MULTI V-BELT / 12 RIB 61.41" (1560MM) VBR614K12 | 1 | 1 | 1 | 1 | |
| 17 | 5002112 | MULTI V-BELT / 12 RIB 62.40" (1585MM) | 1 | 1 | 1 | 1 | A |
| 18 | 500171 | SCREW CAP HEX 1/4-20x1 G5 N500 | 3 | 3 | 3 | 3 | |
| 19 | 955920 | WASHER LO SPT 6.5x11.5x1.6 ZP | 3 | 3 | 3 | 3 | |
| 20 | 550879 | CONE BUSHING 1 1/4 I.D X 1 13/16 O.D. X 2 5 | 1 | 1 | 1 | 1 | |
| 22 | 500546 | WASHER LO EXT .384x.694x.040 Z050 | 6 | 6 | 6 | 6 | |
| 23 | 502906 | SCREW CAP HEX 3/8-24x1 1/4 G5 N500 | 6 | 6 | 6 | 6 | |
| 24 | 550186 | KEY 1/4" X 1/4" X 1 1/4" | 2 | 2 | 2 | 2 | |
| 25 | Y2-0525-00 | GEARBOX "SUPERIOR" - #550789, 550810 & 550897 | | | | | |
| 26 | 052585 | PULLEY (3V X 6.92 DIA) | 1 | 1 | 1 | 1 | |
| 27 | 550878 | CONE BUSHING 1 1/4 I.D X 3 O.D. X 4 5/8 O.D | 1 | 1 | 1 | 1 | |
| 28 | 052492 | PLATE | 1 | 1 | 1 | 1 | |
| 30 | 052673 | PULLEY ASSY W/BEARING & SEAL / 54MM x 117MM | 1 | 1 | 1 | 1 | |
| 30 | 052896 | . PULLEY ASSY W/BEARING / 54MM x 117MM O.D. | 1 | 1 | 1 | 1 | |
| 30 | 052625 | . . PULLEY / 54MM x 117MM O.D. | 1 | 1 | 1 | 1 | |
| 31 | 510618 | . . BALL BEARING DBL ROW / 30MM x 62MM x 27 W | 1 | 1 | 1 | 1 | |
| 32 | 504040 | . . RING RETAINER / INT 2.440 x 1.860 x 0.078 STL BLK | 1 | 1 | 1 | 1 | |
| 33 | 052627 | . BUSHING TRANSFER FAN | 2 | 2 | 2 | 2 | |
| 34 | 507371 | . SEAL | 2 | 2 | 2 | 2 | |

| | | |
|--|--------------|-----------------|
| From 4-8165 To 6-8814 | Date:10/2022 | PAGE:Y2-0520-99 |
| FAN DRIVE - INSTALLATION - SHORT / "RETROFIT" | | |

| Item# | Part | Description | X L I I 4 5 | X L I I M T H 4 0 | X L I I M T H 4 5 | X L I I M T H 4 5 E | NOTES |
|-------|-------------------|---|----------------------------|---|---|--|-------|
| NS | 680752 | . GREASE LITHIUM / BLUE | AR | AR | AR | AR | |
| 36 | 550840 | BELLOW ASSY / BELT TENSIONER / 4" O.D. | 1 | 1 | 1 | 1 | |
| 37 | 052624 | ARM, BELT TENSIONER / IRON USE W 54MM WIDE PULLEY | 1 | 1 | 1 | 1 | |
| 39 | 500218 | WASHER LO SPT .380x.683x.098 DP320 | 1 | 1 | 1 | 1 | |
| NS | 500832 | WASHER FL .406x.812x.065 N500 | 1 | 1 | 1 | 1 | |
| 40 | 502926 | SCREW CAP HEX 3/8-16x7/8 G5 N500 | 1 | 1 | 1 | 1 | |
| 41 | 5001252 | NUT HEX STO M20-2.5 DP | 1 | 1 | 1 | 1 | |
| NS | 502558 | WASHER FL 21.0x37.0x3.0 G500 | 1 | 1 | 1 | 1 | |
| 42 | 983296 | SCREW CAP HEX M20-2.5x90 G10.9 ZP | 1 | 1 | 1 | 1 | |
| 43 | 502617 | NUT HEX NYRT M10-1.5 Z050 | 1 | 1 | 1 | 1 | |
| 44 | 500270 | WASHER FL .406x1.000x.063 SS | 1 | 1 | 1 | 1 | |
| 45 | 507293 | BUSHING NYLINED .625x.750x.750 | 2 | 2 | 2 | 2 | |
| 46 | 052670 | PIVOT / TO FIX TENSIONER TO SUPPORT | 1 | 1 | 1 | 1 | |
| NS | 501497 | GREASE FITTING / 1/4-28 | 1 | 1 | 1 | 1 | |
| 47 | 500449 | WASHER FL .625x1.500 SS | AR | AR | AR | AR | |
| 48 | 052571 | SUPPORT FAN CLUTCH & GEAR BOX / SHORT | 1 | 1 | 1 | 1 | |
| 49 | 500802 | WASHER LO SPT 16.2x37.4x3.5 Z050 | 1 | 1 | 1 | 1 | |
| 50 | 502588 | NUT HEX M16-2.0 ZP | 1 | 1 | 1 | 1 | |
| 51 | 052645 | BELLOW TENSIONER / W/4" BELLOW | 1 | 1 | 1 | 1 | |
| 52 | 502875 | SCREW CAP HEX M12-1.75x40 G8.8 N50 | 2 | 2 | 2 | 2 | |
| 53 | 500811 | NUT HEX STO M12-1.75 G500 | 2 | 2 | 2 | 2 | |
| 54 | 500944 | WASHER LO SPT .506x.873x.125 N500 | 6 | 6 | 6 | 6 | |
| NS | 500211 | WASHER FL .531x1.250x.125 N500 | 2 | 2 | 2 | 2 | |
| 55 | 500214 | SCREW CAP HEX 1/2-13x1 1/4 G5 Z050 | 4 | 4 | 4 | 4 | |
| 56 | 500735 | NUT HEX STO 3/4-16 ZP | 2 | 2 | 2 | 2 | |
| 57 | 500451 | WASHER FL .812x2.000x.148 ZP | 2 | 2 | 2 | 2 | |
| 58 | 630002 | BUSHING / RUBBER / (TWO PIECES) 1" x 1.005" I.D. | 2 | 2 | 2 | 2 | |
| NS | 507347 | SPACER / BUSHING | 2 | 2 | 2 | 2 | |
| 59 | 500145 | SCREW CAP HEX 3/4-16x3 1/2 G5 Z050 | 2 | 2 | 2 | 2 | |
| 60 | 052494 | SUPPORT, ANGLE | 2 | 2 | 2 | 2 | |
| 62 | 502901 | WASHER FL .625x1.469x.109 N500 | 1 | 1 | 1 | 1 | |
| 63 | 502917 | NUT HEX JAM 3/4-16 G2 N500 | 1 | 1 | 1 | 1 | |
| 64 | 501036 | MALE ELBOW 90° / SAE 45° FITTING / #4FL-Mx1/8NPT-M BR | 1 | 1 | 1 | 1 | |
| 65 | 052688 | SPRING ATTACHMENT W/54MM WIDE PULLEY | 1 | 1 | 1 | 1 | |
| 66 | 502247 | SPRING COMPRESSION / 1.250 O.D. x 2.5 x .125 | 1 | 1 | 1 | 1 | |
| 67 | 504487 | RIVET MGLP PRDG 3/16x7/16 SS | 2 | 2 | 2 | 2 | |
| 70 | 550832 | FAN ASSY / CW 34" / 9 BLADES PLASTIC | 1 | 1 | 1 | 1 | |
| 71 | Y2-0120-00 | DRIVE PULLEY & BELTS - BUS & MTH | | | | | |
| 72 | 052310 | ATTACHMENT PLATE ASSY / TO FIX ANGLE TO FLOOR | 2 | 2 | 2 | 2 | |
| 73 | 5001568 | NUT PUSH RND M12 ZP | 4 | 4 | 4 | 4 | |
| 74 | 971072 | NUT HEX M12-1.75 ZG603 | 4 | 4 | 4 | 4 | |
| 75 | 052590 | HOSE ASSY TEFLON #4 830MM | 1 | 1 | 1 | 1 | |

| | | |
|-----------------------|--------------|-----------------|
| From 4-8165 To 6-8814 | Date:10/2022 | PAGE:Y2-0520-99 |
|-----------------------|--------------|-----------------|

FAN DRIVE - INSTALLATION - SHORT / "RETROFIT"

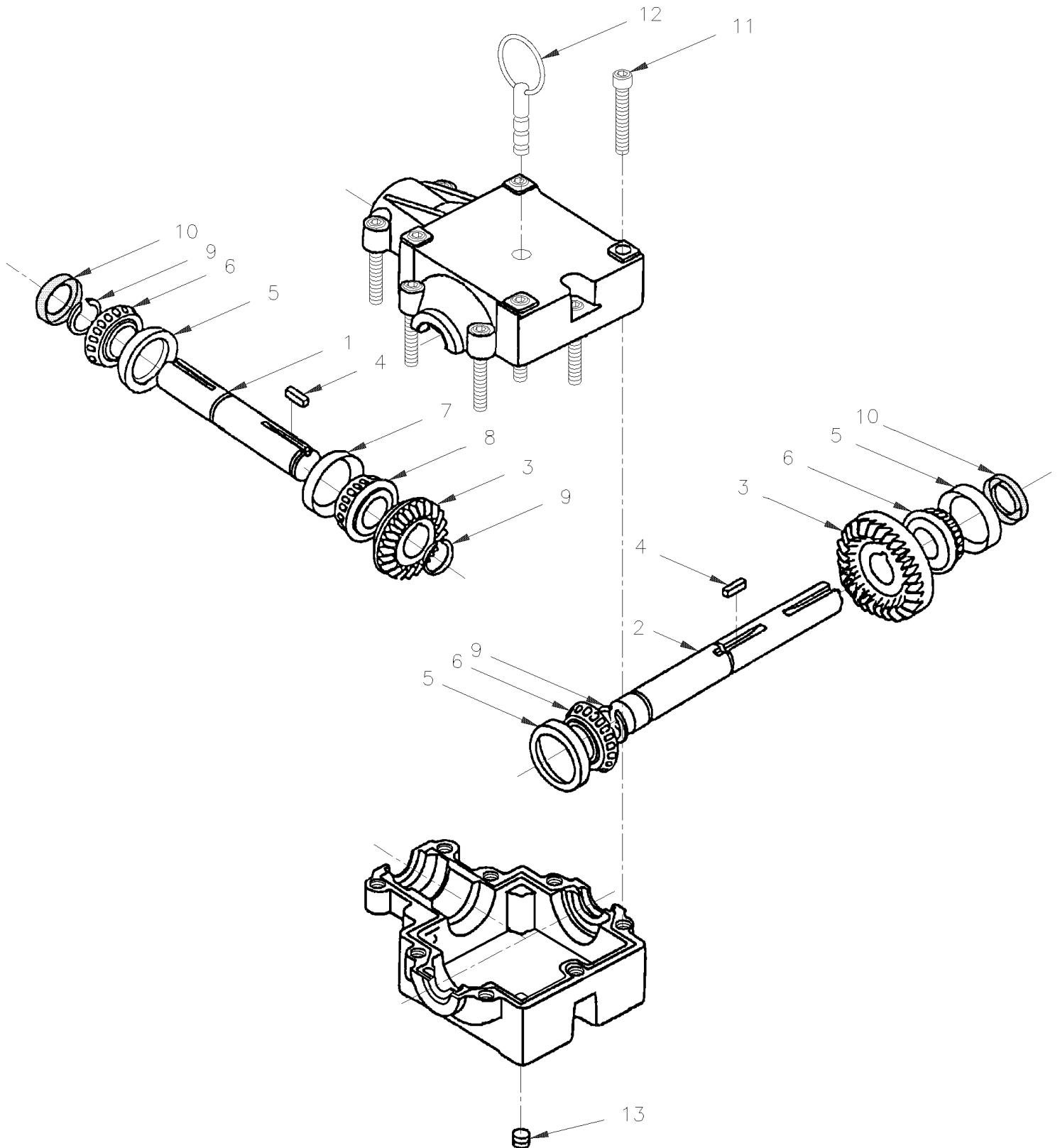
| Item# | Part | Description | X L I I 4 5 | X L I I M T H 4 0 | X L I I M T H 4 5 | X L I I M T H 4 5 E | N O T E S |
|-------|-------------------|---|----------------------------|---|---|--|-----------------------|
| NS | 500606 | SCREW MA TR PH #10-24x3/4 SS | 1 | 1 | 1 | 1 | |
| NS | 500914 | WASHER LO SPT .193x.334x.047 N500 | 2 | 2 | 2 | 2 | |
| NS | 952624 | CLAMP / 1/4" I.D. | 1 | 1 | 1 | 1 | |
| NS | 502882 | NUT HEX #10-24 N500 | 1 | 1 | 1 | 1 | |
| 90 | 052706 | SUPPORT BELLOWS TENSIONER / W/4" BELLOWS | 1 | 1 | 1 | 1 | |
| 91 | Y2-0125-01 | BELTS TENSIONERS - WITH DETROIT S-60 | | | | | |
| | | | | | | | |
| | | | | | | | |
| | | | | | | | |
| | | A) USE WITH FAN CLUTCH 550057 | | | | | |

From Y-7046 To 8-9339

Date:10/2022

PAGE:Y2-0525-00

GEARBOX "SUPERIOR" - #550789, 550810 & 550897



| | | |
|--|--------------|-----------------|
| From Y-7046 To 8-9339 | Date:10/2022 | PAGE:Y2-0525-00 |
| GEARBOX "SUPERIOR" - #550789, 550810 & 550897 | | |

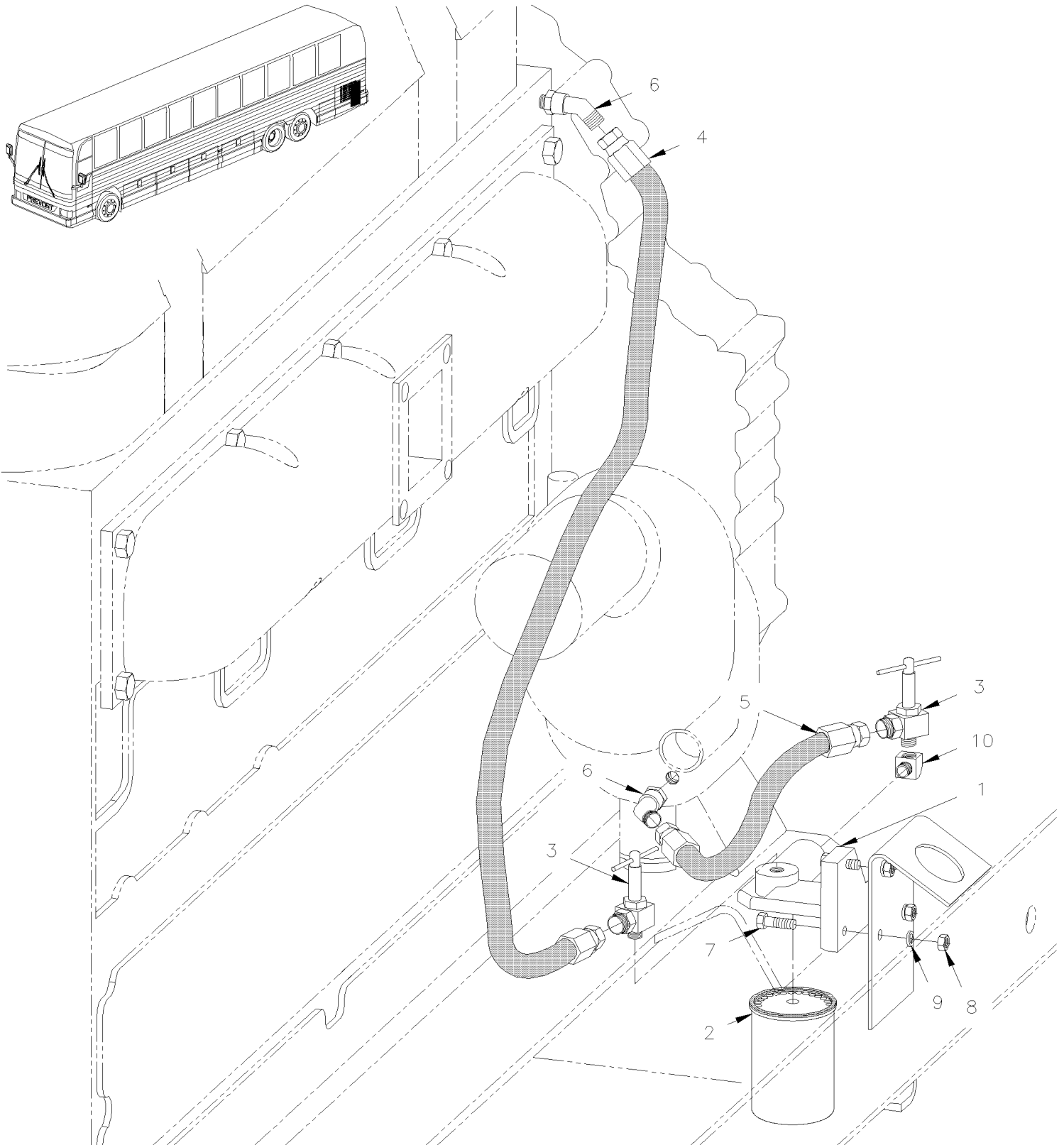
| Item# | Part | Description | X L I I 4 5 | X L I I M T H 4 0 | X L I I M T H 4 5 | X L I I M T H 4 5 E | NOTES |
|-------|----------|---|----------------------------|---|---|--|-------|
| | 550789 | GEARBOX ASSY (CW) To 4-7304 | 1 | 1 | 1 | 1 | A |
| | 550810 | GEARBOX ASSY (CW) From 4-7305 To 5-8512 | 1 | 1 | 1 | 1 | |
| | 550897 | GEARBOX ASSY (CW) From 5-8513 | 1 | 1 | 1 | 1 | |
| 1 | 550732 | . PINION SHAFT ASSY / INPUT 1 1/4" O.D. To 5-8512 | 1 | 1 | 1 | 1 | |
| 1 | 550880 | . PINION SHAFT ASSY / INPUT 1 1/4" O.D. From 5-8513 | 1 | 1 | 1 | 1 | |
| 2 | 550733 | . CROSS SHAFT ASSY / OUTPUT 1 1 1/4" O.D. To 5-8512 | 1 | 1 | 1 | 1 | |
| 2 | 550881 | . CROSS SHAFT ASSY / OUTPUT 1 1 1/4" O.D. From 5-8513 | 1 | 1 | 1 | 1 | |
| 3 | N.S.P. | . GEAR / (SOLD ASSY W/SHAFT) | 2 | 2 | 2 | 2 | 2 |
| 4 | N.S.P. | . KEY | 2 | 2 | 2 | 2 | 2 |
| 5 | 550697 | . CUP BEARING | 3 | 3 | 3 | 3 | |
| 6 | 550696 | . CONE BEARING | 3 | 3 | 3 | 3 | |
| 7 | 550735 | . CUP BEARING | 1 | 1 | 1 | 1 | |
| 8 | 550734 | . CONE BEARING | 1 | 1 | 1 | 1 | |
| 9 | 550698 | . RETAINING RING / GEAR | 2 | 2 | 2 | 2 | |
| 10 | 550695 | . SEAL 1 1/4" I.D. / (200 X 125 X 31) | 3 | 3 | 3 | 3 | |
| 11 | N.S.A. | . SCREW 3/8-16 X 2 1/4" | 9 | 9 | 9 | 9 | 3 |
| 12 | 550773 | . DIPSTICK To 4-7304 | 1 | 1 | 1 | 1 | A |
| 12 | 550812 | . DIPSTICK From 4-7305 | 1 | 1 | 1 | 1 | |
| 13 | 504599 | MAGNETIC DRAIN PLUG 1/4 NPT | 1 | 1 | 1 | 1 | |
| NS | 550790 | DECAL | 1 | 1 | 1 | 1 | |
| NS | 180217 | OIL SYNTHETIC SCH 630 (1 LITER) | AR | AR | AR | AR | |
| NS | 683666 | OIL SYNTHETIC SCH 630 (19 LITERS) | AR | AR | AR | AR | |
| NS | 052387 | KIT, FAN GEARBOX BREATHER | AR | AR | AR | AR | |
| . NS | IS-00049 | . SEE INSTRUCTION SHEET | | | | | |
| | | | | | | | |
| | | | | | | | |
| | | A) FOR PRODUCT IMPROVMENT ASK FOR KIT #052387 | | | | | |
| | | 2) NOT SOLD BY PREVOST (SEE MANUFACTURING PART NUMBER AT END OF DESCRIPTION LINE) | | | | | |
| | | 3) NOT SOLD ASSEMBLY | | | | | |

From Y-7046 To 3-8164

Date:10/2022

PAGE:Y2-0530-00

COOLANT FILTER - INSTALLATION WITH DETROIT S-60



| | | | |
|--|--|--------------|-----------------|
| From Y-7046 To 3-8164 | | Date:10/2022 | PAGE:Y2-0530-00 |
| COOLANT FILTER - INSTALLATION WITH DETROIT S-60 | | | |

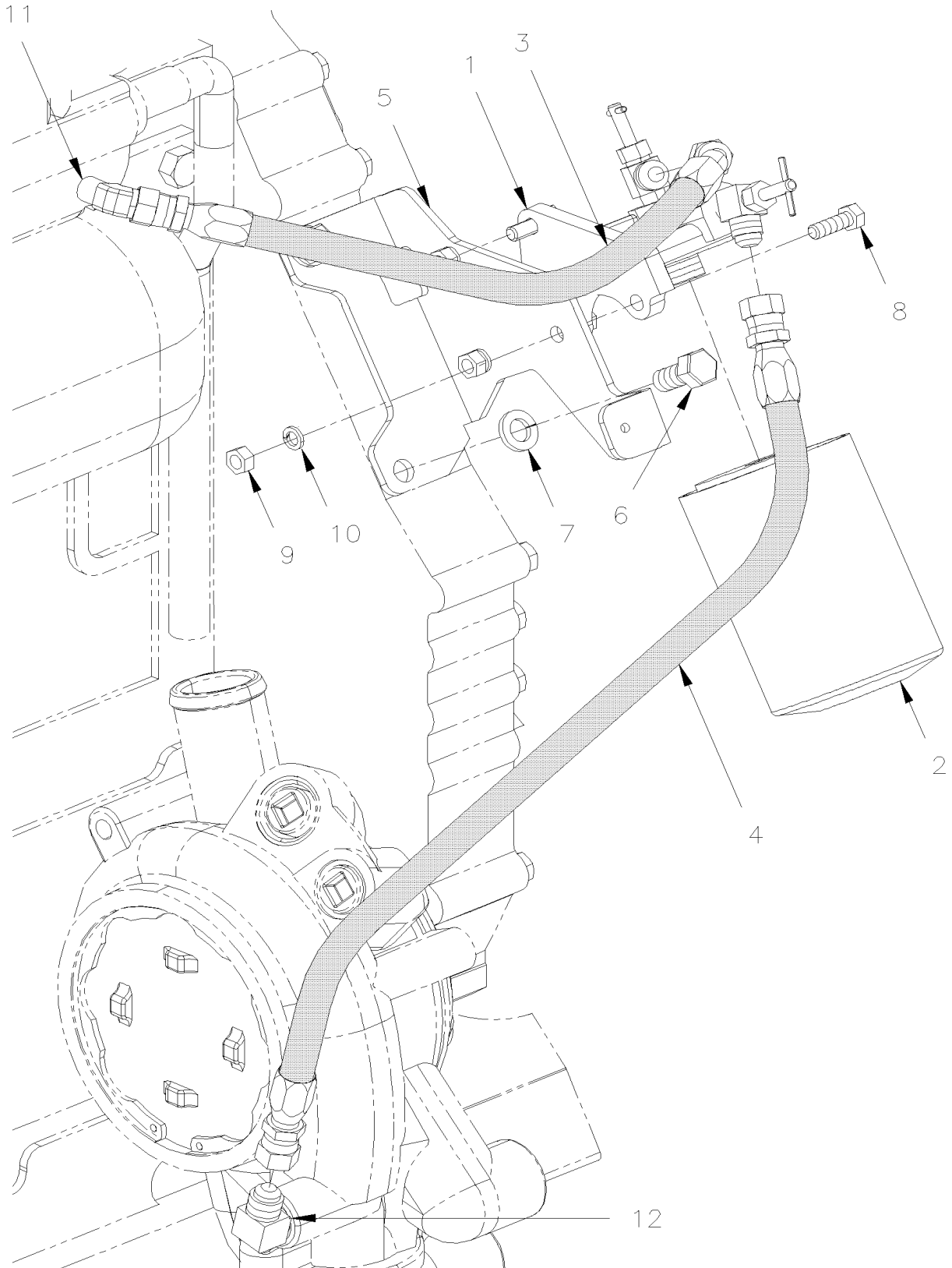
| Item# | Part | Description | X L I I 4 5 | X L I I M T H 4 0 | X L I I M T H 4 5 | X L I I M T H 4 5 E | N O T E S |
|-------|---------|---|--------------------------------|---|---|--|-----------------------|
| 1 | 550645 | ADAPTOR HEAD, COOLANT FILTER | 1 | 1 | 1 | 1 | |
| 1 | 550804 | ADAPTOR HEAD, COOLANT FILTER | 1 | 1 | 1 | 1 | |
| 2 | 550630 | CARTRIGE "MAINTENANCE" "NALCOOL" 3000 | 1 | 1 | 1 | 1 | |
| 3 | N.S.P. | VALVE, SHUTT-OFF 1/4 X 3/8 NPT (#330) W/HEATER HEAD | 1 | 1 | 1 | 1 | 2 |
| 4 | 051902 | HOSE ASSY / #6 865MM | 1 | 1 | 1 | 1 | |
| 5 | 051903 | HOSE ASSY / #6 300MM | 1 | 1 | 1 | 1 | |
| NS | 503582 | . HOSE #FC-300 HYDRAULIC / #6 S.L. | AR | AR | AR | AR | |
| NS | 501836 | . FEMALE CONNECTOR SWIVEL / SAE 45° FITTING / #6FL-Fx#6 STL | 2 | 2 | 2 | 2 | |
| 6 | 5011034 | MALE ELBOW 45° / SAE 45° FITTING / #6FL-Mx1/4NPT-M BR | 2 | 2 | 2 | 2 | |
| 7 | 502589 | SCREW CAP HEX M8-1.25x25 G8.8 Z050 | 3 | 3 | 3 | 3 | |
| 8 | 502543 | NUT HEX M8-1.25 Z050 | 3 | 3 | 3 | 3 | |
| 9 | 5001003 | WASHER LO SPT 8.1x12.7x2.0 Z050 | 3 | 3 | 3 | 3 | |
| 10 | 501333 | STREET ELBOW 90° / PIPE FITTING / 3/8NPT-Mx3/8NPT-F BR | 1 | 1 | 1 | 1 | |
| 11 | 011632 | SUPPORT / WELD TO CRADLE | 1 | 1 | 1 | 1 | |
| | | | | | | | |
| | | | | | | | |
| | | | | | | | |
| | | 2) NOT SOLD BY PREVOST (SEE MANUFACTURING PART NUMBER AT END OF DESCRIPTION LINE) | | | | | |

From 4-8165 To 8-9339

Date:10/2022

PAGE:Y2-0530-01

COOLANT FILTER - INSTALLATION WITH DETROIT S-60

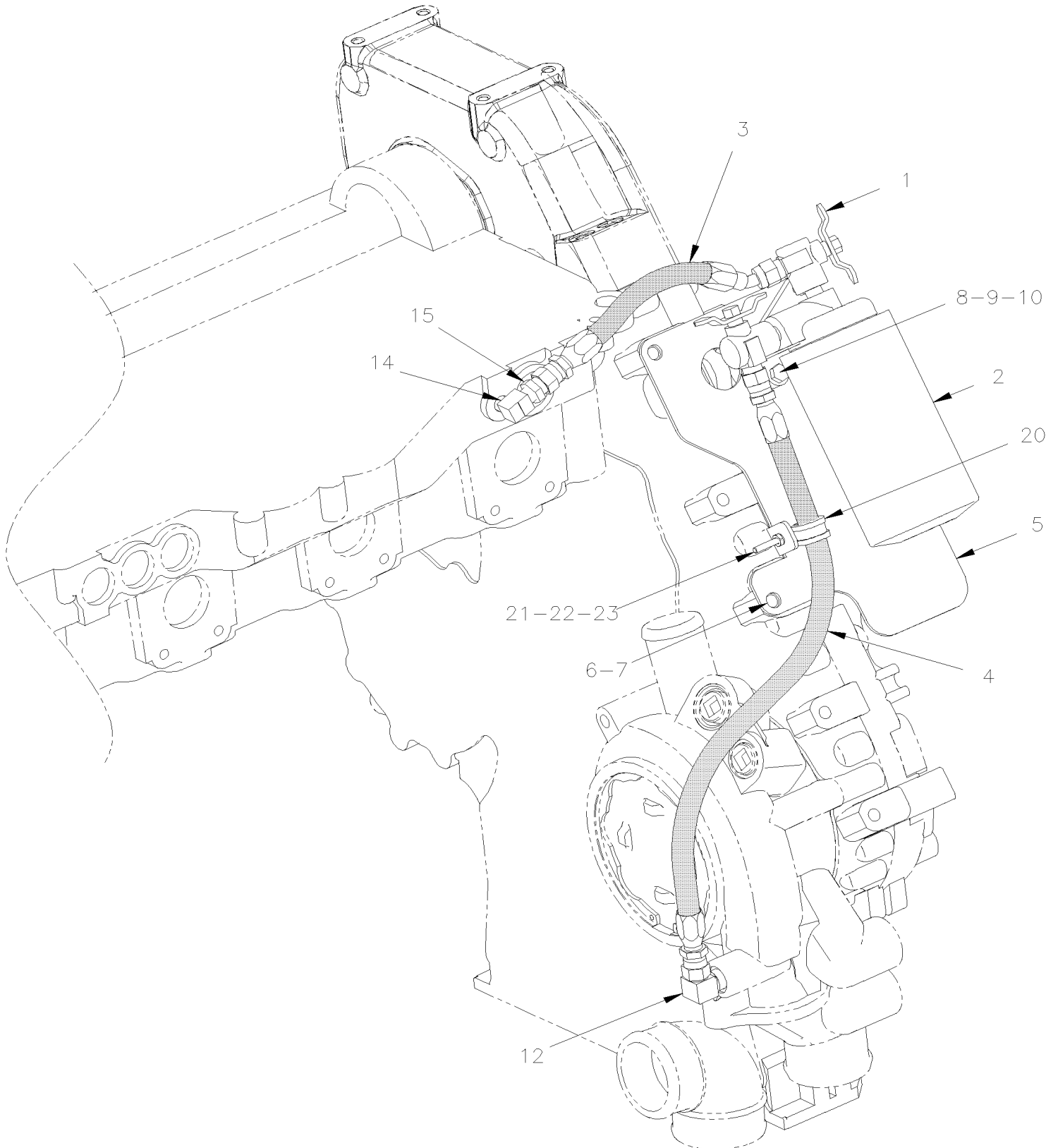


From 4-8165 To 8-9339

Date:10/2022

PAGE:Y2-0530-01

COOLANT FILTER - INSTALLATION WITH DETROIT S-60



| | | |
|--|--------------|-----------------|
| From 4-8165 To 8-9339 | Date:10/2022 | PAGE:Y2-0530-01 |
| COOLANT FILTER - INSTALLATION WITH DETROIT S-60 | | |

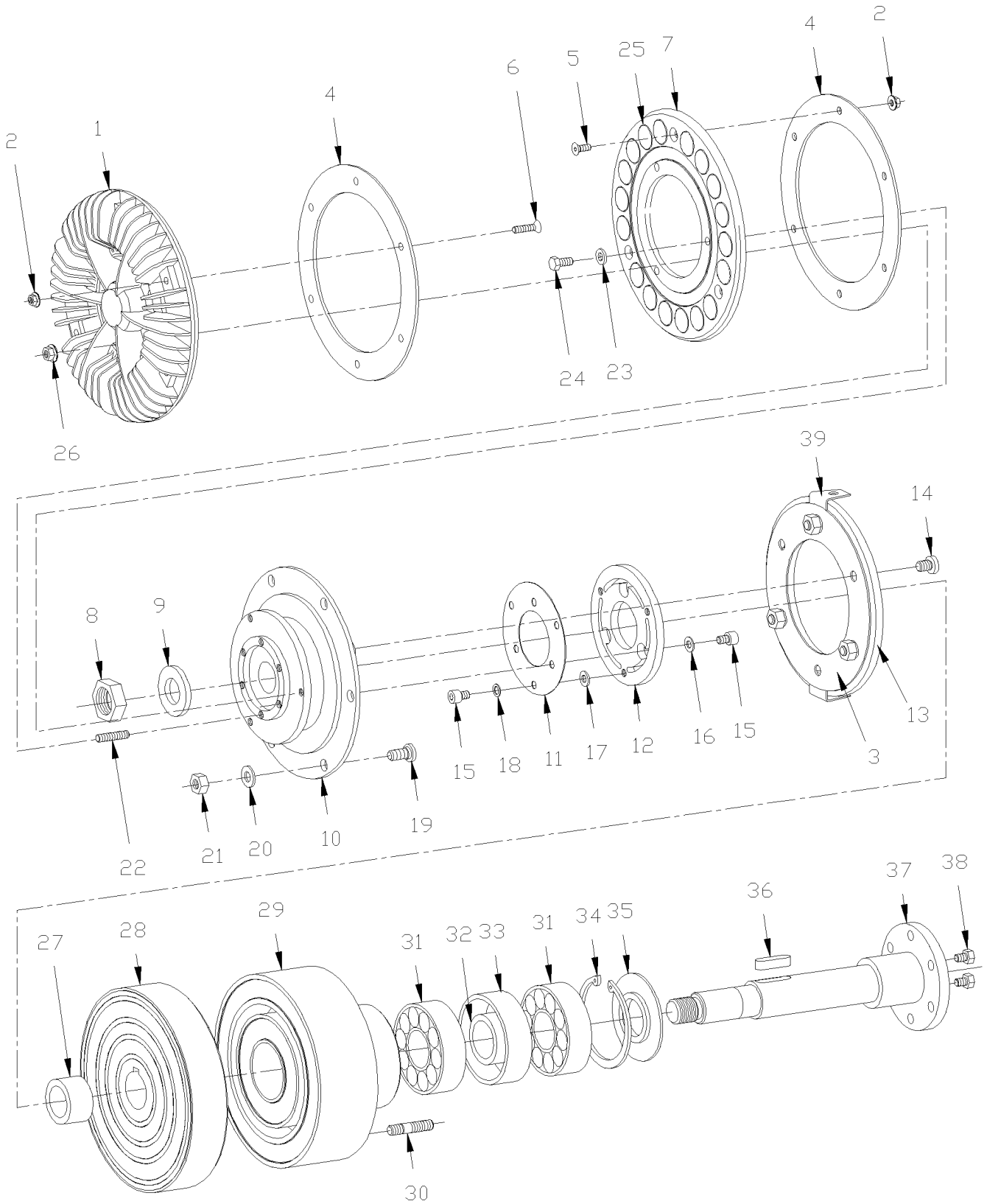
| Item# | Part | Description | X L I I 4 5 | X L I I M T H 4 0 | X L I I M T H 4 5 | X L I I M T H 4 5 E | NOTES |
|-------|---------|--|----------------------------|---|---|--|-------|
| 1 | 550804 | ADAPTOR HEAD, COOLANT FILTER To 4-8267 | 1 | 1 | 1 | 1 | |
| 1 | 550874 | ADAPTOR HEAD, COOLANT FILTER From 4-8268 | 1 | 1 | 1 | 1 | |
| 1 | 550061 | VALVE From 4-8268 | 2 | 2 | 2 | 2 | |
| 2 | 550630 | CARTRIGE "MAINTENANCE" "NALCOOL" 3000 | 1 | 1 | 1 | 1 | |
| 3 | 052472 | HOSE ASSY / #6 270MM To 4-8267 | 1 | 1 | 1 | 1 | |
| 3 | 052561 | HOSE ASSY / #6 172MM From 4-8268 To 4-8308 | 1 | 1 | 1 | 1 | |
| 3 | 052609 | HOSE ASSY / #6 151MM From 4-8309 | 1 | 1 | 1 | 1 | |
| 4 | 052471 | HOSE ASSY / #6 540MM To 4-8267 | 1 | 1 | 1 | 1 | |
| 4 | 052562 | HOSE ASSY / #6 465MM From 4-8268 | 1 | 1 | 1 | 1 | |
| 5 | 052438 | SUPPORT, COOLANT FILTER To 4-8267 | 1 | 1 | 1 | 1 | |
| 5 | 052560 | SUPPORT, COOLANT FILTER From 4-8268 | 1 | 1 | 1 | 1 | |
| 6 | 502705 | SCREW CAP HEX M12-1.75X25 G8.8 N500 | 2 | 2 | 2 | 2 | |
| 7 | 500747 | WASHER LO SPT 12.2x21.1x2.5 N500 | 2 | 2 | 2 | 2 | |
| 8 | 955297 | SCREW CAP HEX M8-1.25x25 G8.8 ZG603 | 3 | 3 | 3 | 3 | |
| 9 | 502851 | NUT HEX M8-1.25 N500 | 3 | 3 | 3 | 3 | |
| 10 | 502889 | WASHER LO SPT 8.1x12.7x2.0 N500 | 3 | 3 | 3 | 3 | |
| 11 | 5011034 | MALE ELBOW 45° / SAE 45° FITTING / #6FL-Mx1/4NPT-M BR To 4-8267 | 1 | 1 | 1 | 1 | |
| 12 | 501042 | MALE ELBOW 90° / SAE 45° FITTING / #6FL-Mx3/8NPT-M BR | AR | AR | AR | AR | |
| 14 | 501332 | STREET ELBOW 90° / PIPE FITTING / 1/4NPT-Mx1/4NPT-F BR From 4-8268 | 1 | 1 | 1 | 1 | |
| 15 | 501029 | MALE CONNECTOR / SAE 45° FITTING / #6FL-Mx1/4NPT-M BR From 4-8268 To 4-8308 | 1 | 1 | 1 | 1 | |
| 15 | 5011266 | MALE CONNECTOR LONG / JIC 37° FITTING / #6JIC-Mx1/4NPT-Mx2 1/4 STL From 4-8309 | 1 | 1 | 1 | 1 | |
| 20 | 952629 | CLAMP / 5/8" I.D. From 4-8268 | 1 | 1 | 1 | 1 | |
| 21 | 500574 | SCREW MA TR PH #10-24x1 1/4 SS From 4-8268 | 1 | 1 | 1 | 1 | |
| 22 | 502882 | NUT HEX #10-24 N500 From 4-8268 | 1 | 1 | 1 | 1 | |
| 23 | 500914 | WASHER LO SPT .193x.334x.047 N500 From 4-8268 | 1 | 1 | 1 | 1 | |
| | | | | | | | |
| | | | | | | | |
| | | | | | | | |

From Y-7046 To 3-7940

Date:10/2022

PAGE:Y2-0540-00

FAN CLUTCH ASSY - #550803 - BUS



| | | |
|--|--------------|-----------------|
| From Y-7046 To 3-7940 | Date:10/2022 | PAGE:Y2-0540-00 |
| FAN CLUTCH ASSY - #550803 - BUS | | |

| Item# | Part | Description | X L I I I 4 5 | X L I I I M T H 4 0 | X L I I I M T H 4 5 | X L I I I M T H 4 5 E | NOTES |
|-------|---------|---|---------------------------------|--|--|---|-------|
| | 550803 | FAN CLUTCH ASSY / | 1 | | | | |
| 1 | 550792 | . COOLING FAN | 1 | | | | |
| 2 | 502782 | . NUT HEX NYRT M5-0.8 Z050 | 9 | | | | |
| 3 | 550667 | . SPRING PLATE | 1 | | | | |
| 4 | 550659 | . DISC | 2 | | | | |
| 5 | 502639 | . SCREW MA FL PH M5-0.8X12 ZP | 3 | | | | |
| 6 | N.P.N. | . SCREW, M5-0.8 X 25MM FLAT HEAD | 6 | | | | 4 |
| 7 | 550779 | . MAGNET PLATE SUPPORT | 1 | | | | |
| 8 | 502767 | . NUT HEX JAM M20-1.5 ZP | 2 | | | | |
| 9 | 502558 | . WASHER FL 21.0x37.0x3.0 G500 | 2 | | | | |
| 10 | 550780 | . FLANGE DRIVEN ASSY W/BEARING | 1 | | | | |
| NS | 550664 | . . BEARING ASSY | 1 | | | | |
| 11 | 550781 | . SPRING PLATE | 1 | | | | |
| 12 | 550782 | . ARMATURE DISC / 1ST SPEED | 1 | | | | |
| 13 | 550783 | . ARMATURE DISC / 2ND SPEED | 1 | | | | |
| 14 | N.P.N. | . SOCKET HEAD CAP SCREW, M8-1.25 X 16MM (50-2755) | 3 | | | | 4 |
| 15 | N.P.N. | . SOCKET HEAD CAP SCREW, M6-1.0 X 8MM (50-01025) | 6 | | | | 4 |
| 16 | N.P.N. | . WASHER SHIM .05MM | 3 | | | | 4 |
| 17 | N.P.N. | . WASHER | 3 | | | | 4 |
| 18 | 502564 | . WASHER LO SPT 6.1x11.8x1.6 Z050 | 3 | | | | |
| 19 | 550669 | . STUD M8-1.25 X 19MM | 6 | | | | B |
| 20 | 500874 | . WASHER FL 8.4x17.0x1.6 Z050 | 6 | | | | |
| 21 | 502744 | . NUT HEX STO M8-1.25 Z050 | 6 | | | | C |
| 22 | N.P.N. | . SET SCREW, M6-1.0 X 20MM | 3 | | | | 4 |
| 23 | N.P.N. | . WASHER | 3 | | | | 4 |
| 24 | 5001106 | . SCREW CAP HEX M6-1.0x10 G8.8 Z050 | 3 | | | | |
| 25 | 550661 | . MAGNET | 18 | | | | |
| 26 | 502511 | . NUT HEX NYRT M6-1.0 Z050 | 3 | | | | |
| 27 | N.P.N. | . SPACER | 1 | | | | 4 |
| 28 | 550784 | . ROTOR | 1 | | | | |
| 29 | 550785 | . MAGNETIC COIL ASSY | 1 | | | | |
| 30 | 550675 | . STUD M8-1.25 X 35MM | 4 | | | | |
| 31 | 507113 | . BALL BEARING | 2 | | | | |
| 32 | N.P.N. | . SPACER SMALL | 1 | | | | 4 |
| 33 | N.P.N. | . SPACER LARGE | 1 | | | | 4 |
| 34 | N.P.N. | . RETAINER RING (72 X 2.5) | 1 | | | | 4 |
| 35 | N.P.N. | . DEFLECTOR | 1 | | | | 4 |
| 36 | 550671 | . KEY (8 X 7 X 28) | 1 | | | | |
| 37 | 550786 | . SHAFT | 1 | | | | |
| 38 | 5001106 | . SCREW CAP HEX M6-1.0x10 G8.8 Z050 | 2 | | | | D |
| NS | 561781 | . CONNECTOR / WEATHER PACK / PH 3C / BLACK / PED 12010717 | 1 | | | | |
| NS | 561567 | . PIN TERMINAL / 20-18 / PED 12089040 | 3 | | | | |

| | | |
|--|--------------|-----------------|
| From Y-7046 To 3-7940 | Date:10/2022 | PAGE:Y2-0540-00 |
| FAN CLUTCH ASSY - #550803 - BUS | | |

| Item# | Part | Description | X L I I I 4 5 | X L I I I M T H 4 0 | X L I I I M T H 4 5 | X L I I I M T H 4 5 E | N O T E S |
|-------|---------------|--|---------------------------------|--|--|---|-----------------------|
| NS | 561565 | . CABLE SEAL / GREEN / PED 15324982 | 3 | | | | |
| 39 | 550713 | . ANGLE | 2 | | | | A |
| NS | 502744 | NUT HEX STO M8-1.25 Z050 | 4 | | | | |
| NS | 500874 | WASHER FL 8.4x17.0x1.6 Z050 | 4 | | | | |
| 46 | 550965 | FAN CLUTCH ASSY / ALTERNATIVE PART / FIRST INSTALLATION SEE MI11-26 | 1 | | | | |
| . NS | 551002 | . COOLING RING | 1 | | | | |
| . NS | 550062 | . LOCKING TABS | 1 | | | | |
| | | A) (EMERGENCY) | | | | | |
| | | B) TO FIX FAN BLADE | | | | | |
| | | C) TO FIX FAN CLUTCH TO SUPPORT | | | | | |
| | | D) EMERGENCY USE ONLY | | | | | |
| | | 4) NO PARTS NUMBER | | | | | |

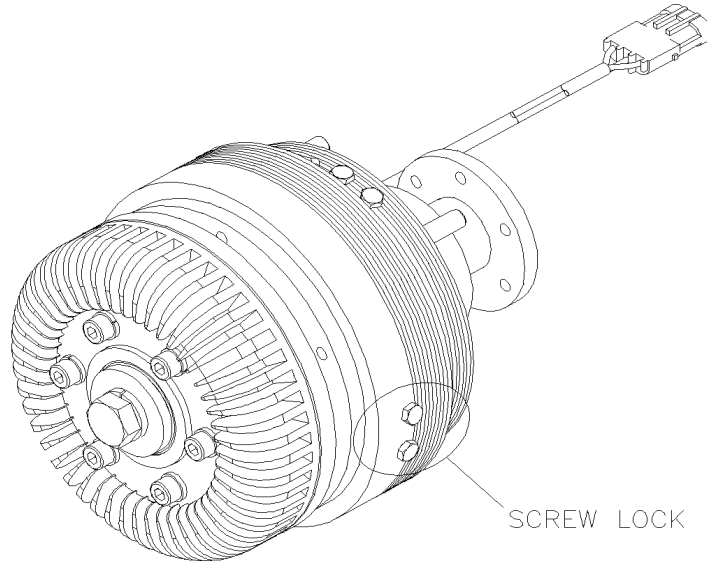
From Y-7046 To 3-7940

Date:10/2022

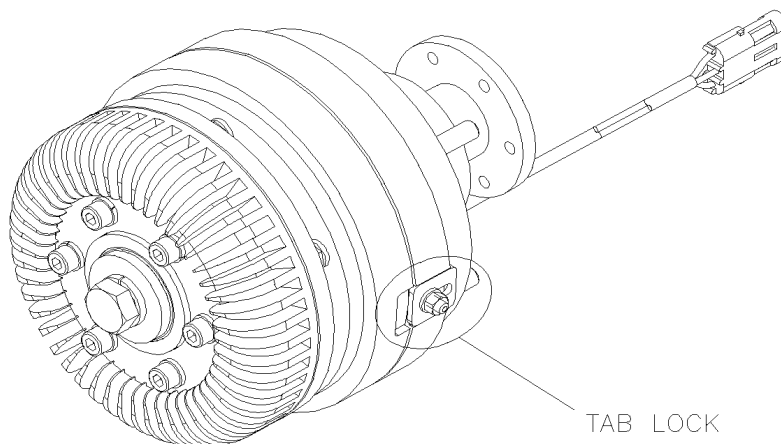
PAGE:550965

FAN CLUTCH ASSY / ALTERNATIVE PART / FIRST INSTALLATION SEE MI11-26

FORMER



CURRENT

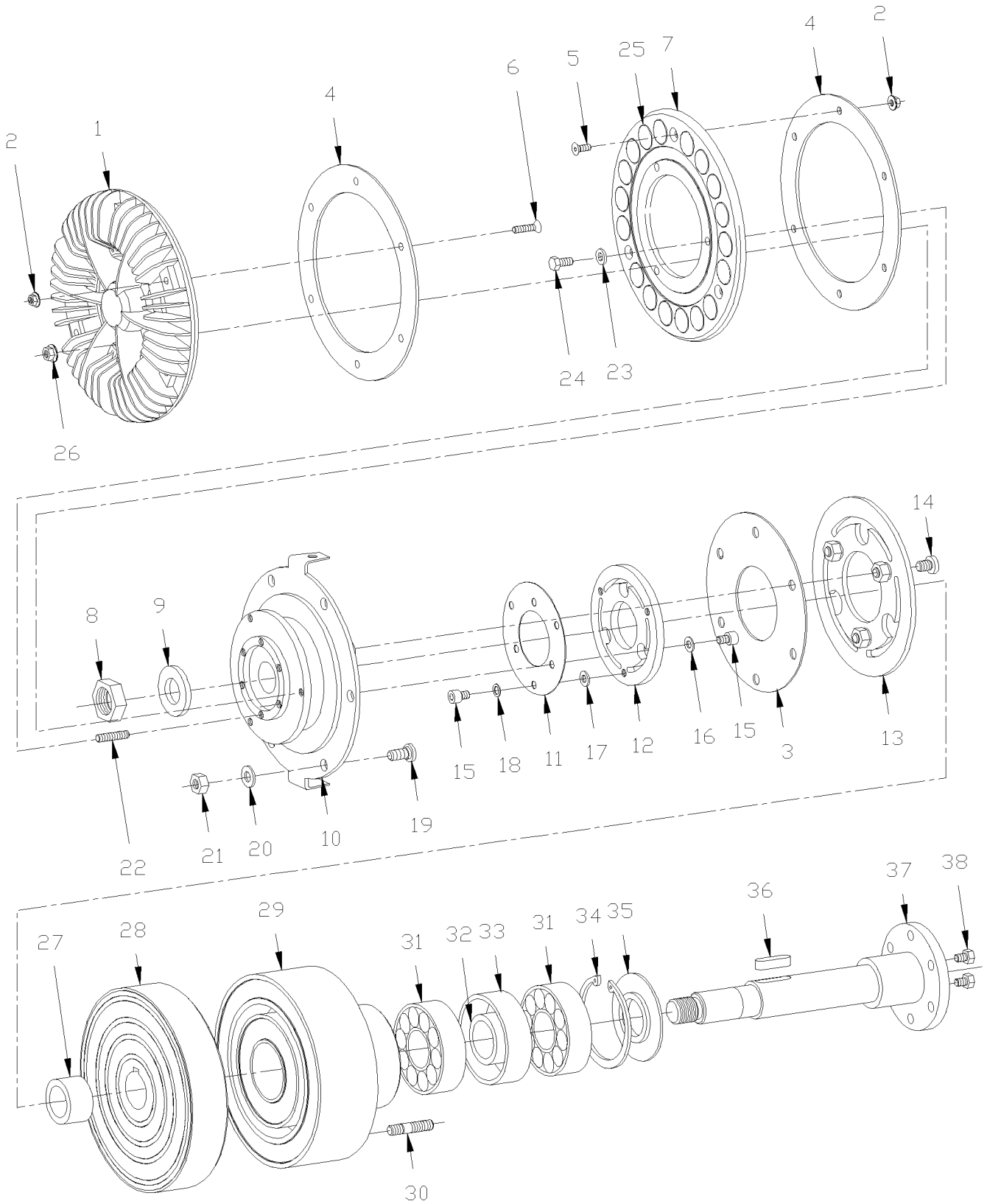


From 3-7941 To 3-8164

Date:10/2022

PAGE:Y2-0540-01

FAN CLUTCH ASSY - #550837 - BUS



| | | |
|--|--------------|-----------------|
| From 3-7941 To 3-8164 | Date:10/2022 | PAGE:Y2-0540-01 |
| FAN CLUTCH ASSY - #550837 - BUS | | |

| Item# | Part | Description | X L I I 4 5 | X L I I M T H 4 0 | X L I I M T H 4 5 | X L I I M T H 4 5 E | NOTES |
|-------|---------|---|----------------------------|---|---|--|-------|
| | 550837 | FAN CLUTCH ASSY / | 1 | | | | |
| . NS | 550977 | . REPAIR KIT | 1 | | | | |
| 1 | 550835 | . COOLING FAN | 1 | | | | |
| 2 | 502782 | . NUT HEX NYRT M5-0.8 Z050 | 9 | | | | |
| 3 | 550667 | . SPRING PLATE | 1 | | | | |
| 4 | 550659 | . DISC | 2 | | | | |
| 5 | 502639 | . SCREW MA FL PH M5-0.8X12 ZP | 3 | | | | |
| 6 | N.P.N. | . SCREW, MA FL PH ZP M5-0.8 X 25MM | 6 | | | | 4 |
| 7 | 550779 | . MAGNET PLATE SUPPORT | 1 | | | | |
| 8 | 502767 | . NUT HEX JAM M20-1.5 ZP | 1 | | | | |
| 9 | 502558 | . WASHER FL 21.0x37.0x3.0 G500 | 1 | | | | |
| 10 | 550848 | . FLANGE DRIVEN ASSY W/BEARING | 1 | | | | |
| . NS | 550664 | . . BEARING ASSY | 1 | | | | |
| 11 | 550842 | . SPRING PLATE | 1 | | | | |
| 12 | 550843 | . ARMATURE DISC / 1ST SPEED | 1 | | | | |
| 13 | 550849 | . ARMATURE DISC / 2ND SPEED | 1 | | | | |
| 14 | N.P.N. | . . SOCKET HEAD CAP SCREW, M8-1.25 X 16MM (50-2755) | 3 | | | | 4 |
| 15 | N.P.N. | . SOCKET HEAD CAP SCREW, M6-1.0 X 8MM (50-01025) | 6 | | | | 4 |
| 16 | N.P.N. | . WASHER, SHIM .05MM | 3 | | | | 4 |
| 17 | 502573 | . WASHER FL 6.4x12.5x1.6 SS | 3 | | | | |
| 18 | 502564 | . WASHER LO SPT 6.1x11.8x1.6 Z050 | 3 | | | | |
| 19 | 550669 | . STUD M8-1.25 X 19MM | 6 | | | | |
| 20 | 500874 | . WASHER FL 8.4x17.0x1.6 Z050 | 6 | | | | |
| 21 | 502744 | . NUT HEX STO M8-1.25 Z050 | 6 | | | | |
| 22 | N.P.N. | . SET SCREW, M6-1.0 X 20MM | 3 | | | | 4 |
| 23 | N.P.N. | . WASHER | 3 | | | | 4 |
| 24 | 5001106 | . SCREW CAP HEX M6-1.0x10 G8.8 Z050 | 3 | | | | |
| 25 | 550661 | . MAGNET | 18 | | | | |
| 26 | 502511 | . NUT HEX NYRT M6-1.0 Z050 | 3 | | | | |
| 27 | N.P.N. | . SPACER | 1 | | | | 4 |
| 28 | 550776 | . ROTOR | 1 | | | | |
| 29 | 550777 | . MAGNETIC COIL ASSY | 1 | | | | |
| 30 | 550788 | . STUD M10-1.5 X 35MM | 4 | | | | |
| 31 | 507113 | . BALL BEARING | 2 | | | | |
| 32 | N.P.N. | . SPACER SMALL | 1 | | | | 4 |
| 33 | N.P.N. | . SPACER LARGE | 1 | | | | 4 |
| 34 | N.P.N. | . RETAINER RING (72 X 2.5) | 1 | | | | 4 |
| 35 | N.P.N. | . DEFLECTOR | 1 | | | | 4 |
| 36 | 550671 | . KEY (8 X 7 X 28) | 1 | | | | |
| 37 | 550786 | . SHAFT | 1 | | | | |
| 38 | 5001106 | . SCREW CAP HEX M6-1.0x10 G8.8 Z050 | 4 | | | | A |
| NS | 561781 | CONNECTOR / WEATHER PACK / PH 3C / BLACK / PED 12010717 | 1 | | | | |

| | | |
|--|--------------|-----------------|
| From 3-7941 To 3-8164 | Date:10/2022 | PAGE:Y2-0540-01 |
| FAN CLUTCH ASSY - #550837 - BUS | | |

| Item# | Part | Description | X L I I 4 5 | X L I I M T H 4 0 | X L I I M T H 4 5 | X L I I M T H 4 5 E | N O T E S |
|-------|---------------|--|----------------------------|---|---|--|-----------------------|
| NS | 561567 | PIN TERMINAL / 20-18 / PED 12089040 | 3 | | | | |
| NS | 561565 | CABLE SEAL / GREEN / PED 15324982 | 3 | | | | |
| | | | | | | | |
| 46 | 550965 | FAN CLUTCH ASSY / ALTERNATIVE PART / FIRST INSTALLATION SEE MI11-26 | 1 | | | | |
| . NS | 551002 | . COOLING RING | 1 | | | | |
| . NS | 550062 | . LOCKING TABS | 1 | | | | |
| | | | | | | | |
| | | | | | | | |
| | | A) EMERGENCY USE | | | | | |
| | | 4) NO PARTS NUMBER | | | | | |

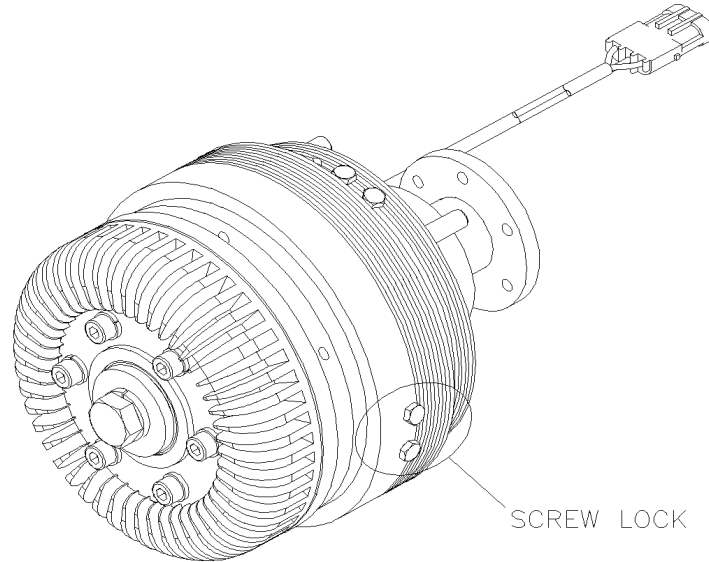
From 3-7941 To 3-8164

Date:10/2022

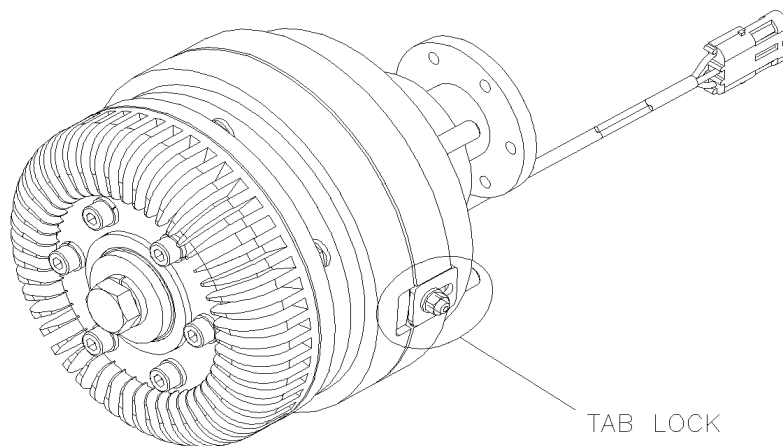
PAGE:550965

FAN CLUTCH ASSY / ALTERNATIVE PART / FIRST INSTALLATION SEE MI11-26

FORMER



CURRENT

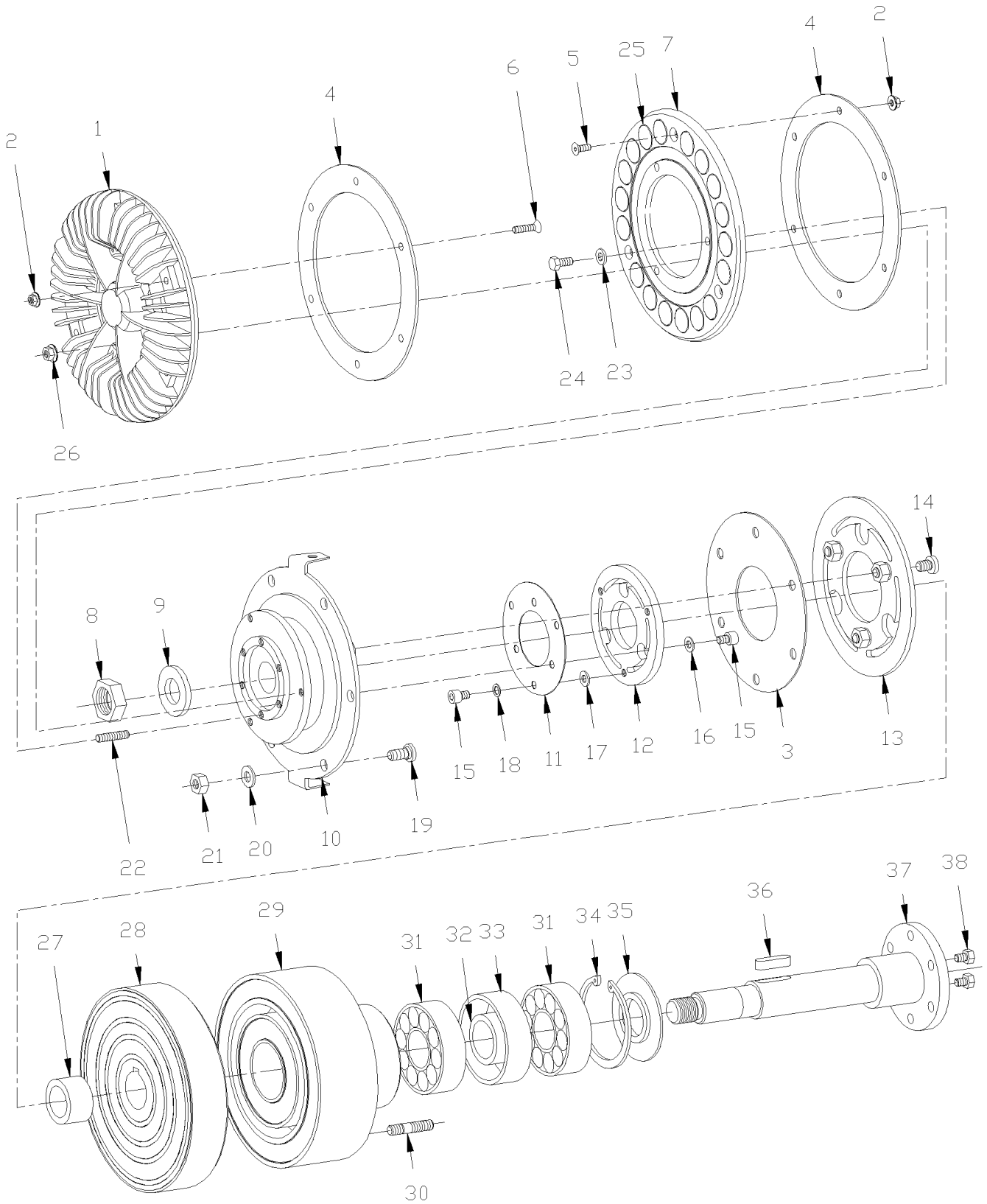


From 4-8165 To 6-8805

Date:10/2022

PAGE:Y2-0540-02

FAN CLUTCH ASSY - #550836 - BUS, MTH 40' & MTH-45E



| | | |
|---|--------------|-----------------|
| From 4-8165 To 6-8805 | Date:10/2022 | PAGE:Y2-0540-02 |
| FAN CLUTCH ASSY - #550836 - BUS, MTH 40' & MTH-45E | | |

| Item# | Part | Description | X L I I 4 5 | X L I I M T H 4 0 | X L I I M T H 4 5 | X L I I M T H 4 5 E | N O T E S |
|-------|---------|---|----------------------------|---|---|--|-----------------------|
| | 550836 | FAN CLUTCH ASSY / | 1 | 1 | | 1 | |
| 1 | 550835 | . COOLING FAN | 1 | 1 | | 1 | |
| 2 | 502782 | . NUT HEX NYRT M5-0.8 Z050 | 9 | 9 | | 9 | |
| 3 | 550667 | . SPRING PLATE | 1 | 1 | | 1 | |
| 4 | 550659 | . DISC | 2 | 2 | | 2 | |
| 5 | 502639 | . SCREW MA FL PH M5-0.8X12 ZP | 3 | 3 | | 3 | |
| 6 | N.P.N. | . SCREW, MA FL PH ZP M5-0.8 X 25MM | 6 | 6 | | 6 | 4 |
| 7 | 550779 | . MAGNET PLATE SUPPORT | 1 | 1 | | 1 | |
| 8 | 502767 | . NUT HEX JAM M20-1.5 ZP | 1 | 1 | | 1 | |
| 9 | 502558 | . WASHER FL 21.0x37.0x3.0 G500 | 1 | 1 | | 1 | |
| 10 | 550841 | . FLANGE DRIVEN ASSY W/BEARING | 1 | 1 | | 1 | |
| 11 | 550842 | . SPRING PLATE | 1 | 1 | | 1 | |
| 12 | 550843 | . ARMATURE DISC / 1ST SPEED | 1 | 1 | | 1 | |
| 13 | 550783 | . ARMATURE DISC / 2ND SPEED | 1 | 1 | | 1 | |
| 14 | N.P.N. | . . SOCKET HEAD CAP SCREW, M8-1.25 X 16MM (50-2755) | 3 | 3 | | 3 | 4 |
| 15 | N.P.N. | . SOCKET HEAD CAP SCREW, M6-1.0 X 8MM (50-01025) | 6 | 6 | | 6 | 4 |
| 16 | N.P.N. | . WASHER, SHIM .05MM | 3 | 3 | | 3 | 4 |
| 17 | 502573 | . WASHER FL 6.4x12.5x1.6 SS | 3 | 3 | | 3 | |
| 18 | 502564 | . WASHER LO SPT 6.1x11.8x1.6 Z050 | 3 | 3 | | 3 | |
| 19 | 550669 | . STUD M8-1.25 X 19MM | 6 | 6 | | 6 | |
| 20 | 500874 | . WASHER FL 8.4x17.0x1.6 Z050 | 6 | 6 | | 6 | |
| 21 | 502744 | . NUT HEX STO M8-1.25 Z050 | 6 | 6 | | 6 | |
| 22 | N.P.N. | . SET SCREW, M6-1.0 X 20MM | 3 | 3 | | 3 | 4 |
| 23 | N.P.N. | . WASHER | 3 | 3 | | 3 | 4 |
| 24 | 5001106 | . SCREW CAP HEX M6-1.0x10 G8.8 Z050 | 3 | 3 | | 3 | |
| 25 | 550661 | . MAGNET | 18 | 18 | | 18 | |
| 26 | 502511 | . NUT HEX NYRT M6-1.0 Z050 | 3 | 3 | | 3 | |
| 27 | N.P.N. | . SPACER | 1 | 1 | | 1 | 4 |
| 28 | 550776 | . ROTOR | 1 | 1 | | 1 | |
| 29 | 550777 | . MAGNETIC COIL ASSY | 1 | 1 | | 1 | |
| 30 | 550788 | . STUD M10-1.5 X 35MM | 4 | 4 | | 4 | |
| 31 | 507113 | . BALL BEARING | 2 | 2 | | 2 | |
| 32 | N.P.N. | . SPACER SMALL | 1 | 1 | | 1 | 4 |
| 33 | N.P.N. | . SPACER LARGE | 1 | 1 | | 1 | 4 |
| 34 | N.P.N. | . RETAINER RING (72 X 2.5) | 1 | 1 | | 1 | 4 |
| 35 | N.P.N. | . DEFLECTOR | 1 | 1 | | 1 | 4 |
| 36 | 550671 | . KEY (8 X 7 X 28) | 1 | 1 | | 1 | |
| 37 | 550786 | . SHAFT | 1 | 1 | | 1 | |
| 38 | 5001106 | . SCREW CAP HEX M6-1.0x10 G8.8 Z050 | 4 | 4 | | 4 | A |
| NS | 561781 | CONNECTOR / WEATHER PACK / PH 3C / BLACK / PED 12010717 | 1 | 1 | | 1 | |
| NS | 561567 | PIN TERMINAL / 20-18 / PED 12089040 | 3 | 3 | | 3 | |
| NS | 561565 | CABLE SEAL / GREEN / PED 15324982 | 3 | 3 | | 3 | |

| | | |
|---|--------------|-----------------|
| From 4-8165 To 6-8805 | Date:10/2022 | PAGE:Y2-0540-02 |
| FAN CLUTCH ASSY - #550836 - BUS, MTH 40' & MTH-45E | | |

| Item# | Part | Description | X L I I 4 5 | X L I I M T H 4 0 | X L I I M T H 4 5 | X L I I M T H 4 5 E | N O T E S |
|-------|--------|---|----------------------------|---|---|--|-----------------------|
| 51 | 550965 | FAN CLUTCH ASSY / ALTERNATIVE PART / FIRST INSTALLATION SEE MI11-26 | 1 | 1 | | 1 | |
| . NS | 551002 | . COOLING RING | 1 | 1 | | 1 | |
| . NS | 550062 | . LOCKING TABS | 1 | 1 | | 1 | |
| | | | | | | | |
| | | | | | | | |
| | | A) EMERGENCY USE | | | | | |
| | | 4) NO PARTS NUMBER | | | | | |

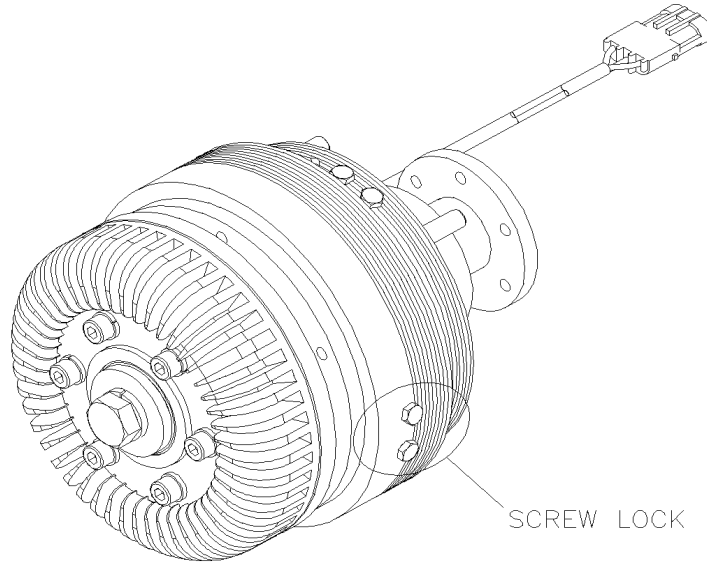
From 4-8165 To 6-8805

Date:10/2022

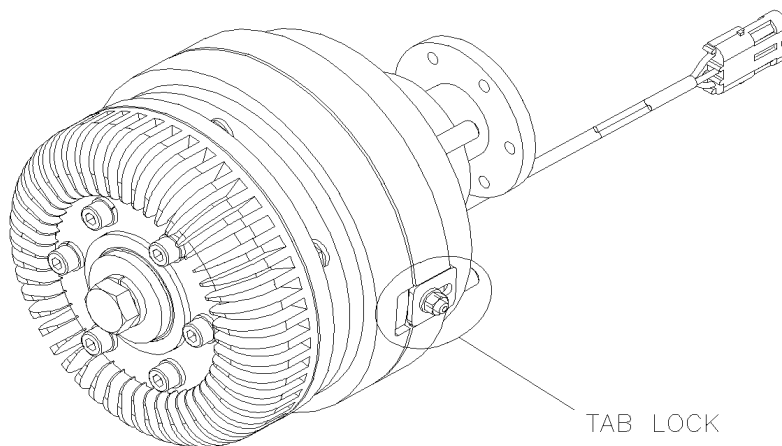
PAGE:550965

FAN CLUTCH ASSY / ALTERNATIVE PART / FIRST INSTALLATION SEE MI11-26

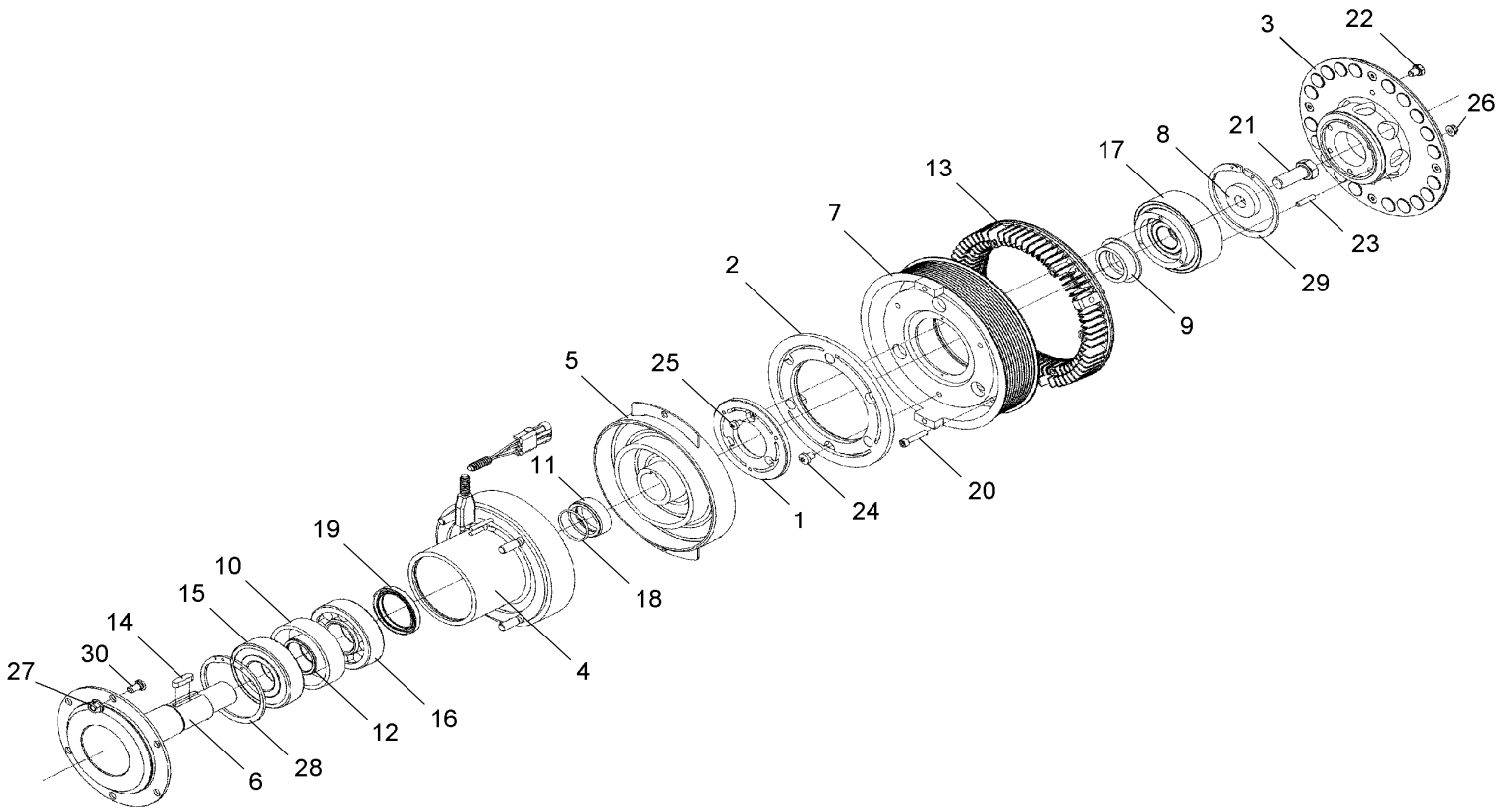
FORMER



CURRENT



| | | |
|--|--------------|-----------------|
| From 6-8806 To 8-9339 | Date:10/2022 | PAGE:Y2-0540-03 |
| FAN CLUTCH ASSY - #550839 - BUS, MTH 40' & MTH-45E | | |



| | | |
|---|--------------|-----------------|
| From 6-8806 To 8-9339 | Date:10/2022 | PAGE:Y2-0540-03 |
| FAN CLUTCH ASSY - #550839 - BUS, MTH 40' & MTH-45E | | |

| Item# | Part | Description | X L I I 4 5 | X L I I M T H 4 0 | X L I I M T H 4 5 | X L I I M T H 4 5 E | N O T E S |
|-------|---------------|--|----------------------------|---|---|--|-----------------------|
| | 550839 | FAN CLUTCH ASSY / | 1 | 1 | | 1 | |
| . NS | IS-EB0140 A | . SEE INSTRUCTION SHEET | 1 | 1 | | 1 | |
| 1 | | . ARMATURE DISC | 1 | 1 | | 1 | |
| 2 | | . ARMATURE DISC | 1 | 1 | | 1 | |
| 3 | 550882 | . MAGNET RING ASSY | 1 | 1 | | 1 | |
| 4 | 550883 | . MAGNETIC COIL ASSY | 1 | 1 | | 1 | |
| 5 | 550884 | . ROTOR | 1 | 1 | | 1 | |
| 6 | 550885 | . SHAFT | 1 | 1 | | 1 | |
| 7 | 550890 | . PULLEY ASSY WBEARING & DISC | 1 | 1 | | 1 | A |
| 8 | 550887 | . WASHER | 1 | 1 | | 1 | |
| 9 | 550888 | . BUSHING FLANGE | 1 | 1 | | 1 | |
| 10 | N.P.N. | . SPACER | 1 | 1 | | 1 | 4 |
| 11 | 550893 | . BUSHING W/GROOVE | 1 | 1 | | 1 | |
| 12 | N.P.N. | . SPACER | 1 | 1 | | 1 | 4 |
| 13 | 550889 | . COOLING RING | 1 | 1 | | 1 | |
| 14 | 550671 | . KEY (8 X 7 X 28) | 1 | 1 | | 1 | |
| 15 | 550895 | . BALL BEARING | 1 | 1 | | 1 | |
| 16 | 550894 | . ROLLER BEARING | 1 | 1 | | 1 | |
| 17 | 550886 | . BEARING ASSY | 1 | 1 | | 1 | |
| 18 | 550891 | . O-RING 40 X 2.5 | 1 | 1 | | 1 | |
| 19 | 550892 | . SEAL 50 X 65 X 8 | 1 | 1 | | 1 | |
| 20 | N.P.N. | . SCREW CAP HEX S.ZP MG X 30 G8.8 | 6 | 6 | | 6 | 4 |
| 21 | N.P.N. | . SCREW CAP HEX M16 X 40 G10.9 | 1 | 1 | | 1 | 4 |
| 22 | 500069 | . SCREW CAP HEX M8-1.25x16 G10.9 DP | 2 | 2 | | 2 | B |
| 23 | N.S.S. | . INSERT | 3 | 3 | | 3 | 1 |
| 24 | N.S.S. | . INSERT | 3 | 3 | | 3 | 1 |
| 25 | | . SCREW M6 X 8 | 6 | 6 | | 6 | |
| 26 | 502744 | . NUT HEX STO M8-1.25 Z050 | 4 | 4 | | 4 | |
| 27 | 500680 | . NUT HEX STO M10-1.5 Z050 | 6 | 6 | | 6 | |
| 28 | N.P.N. | . RETAINER RING (90 X 3) | 1 | 1 | | 1 | 4 |
| 29 | N.P.N. | . RETAINER RING (100 X 3) | 1 | 1 | | 1 | 4 |
| 30 | N.P.N. | . INSERT | 4 | 4 | | 4 | 4 |
| 32 | 550966 | FAN CLUTCH ASSY / ALTERNATIVE PART | 1 | 1 | | 1 | |
| . NS | 550062 | . LOCKING TABS | 1 | 1 | | 1 | |
| 32 | 550057 | FAN CLUTCH ASSY / ALTERNATIVE PART / SEE MI16-08 | 1 | 1 | | 1 | |
| . NS | 550062 | . LOCKING TABS | 1 | 1 | | 1 | |
| 34 | IS17908 | 550057 FAN CLUTCH FIRST INSTALLATION / WITH LONG FAN DRIVE WITH LONG FAN DRIVE | 1 | 1 | | 1 | |
| . NS | 550057 | . FAN CLUTCH ASSY / ALTERNATIVE PART / SEE MI16-08 | 1 | 1 | | 1 | |
| . NS | 550062 | . . LOCKING TABS | 1 | 1 | | 1 | |
| . NS | 506064 | . MULTI V-BELT / 12 RIB 83 1/2" (2121) | 1 | 1 | | 1 | |

| | | |
|---|--------------|-----------------|
| From 6-8806 To 8-9339 | Date:10/2022 | PAGE:Y2-0540-03 |
| FAN CLUTCH ASSY - #550839 - BUS, MTH 40' & MTH-45E | | |

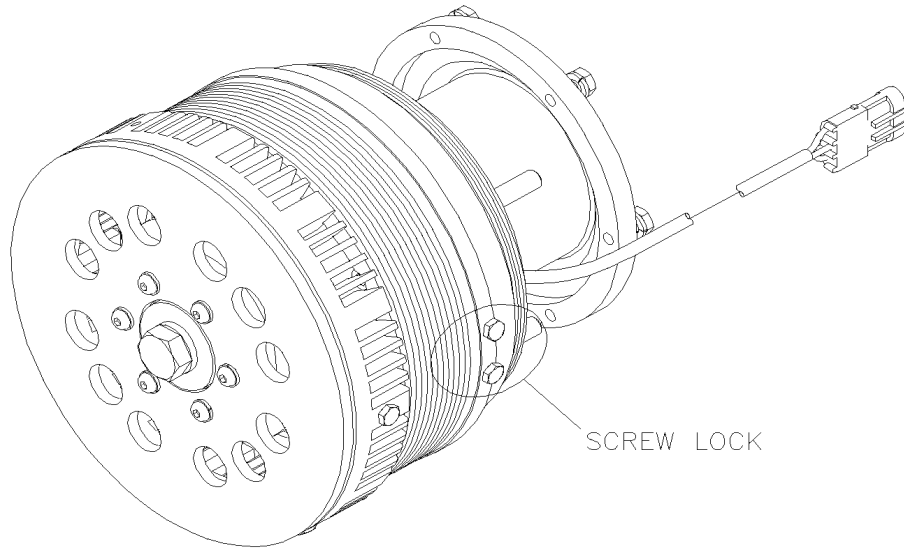
| Item# | Part | Description | X L I I 4 5 | X L I I M T H 4 0 | X L I I M T H 4 5 | X L I I M T H 4 5 E | NOTES |
|--------|---------------|--|----------------------------|---|---|--|-------|
| . NS | 5001758 | . NUT HEX STO M10-1.5 N500 | 4 | 4 | | 4 | |
| . NS | 500897 | . WASHER FL .437x1.000x.083 N500 | 4 | 4 | | 4 | |
| . NS | IS-17908 | . SEE INSTRUCTION SHEET | 1 | 1 | | 1 | |
| 34 | 550057 | FAN CLUTCH ASSY / ALTERNATIVE PART / SEE MI16-08 WITH SHORT FAN DRIVE To 3-8164 | 1 | 1 | | 1 | |
| . NS | 550062 | . LOCKING TABS To 3-8164 | 1 | 1 | | 1 | |
| 34 | 506060 | MULTI V-BELT / 12 RIB 58.39" (1483MM) WITH SHORT FAN DRIVE To 3-8164 | 1 | 1 | | 1 | |
| 34 | IS17909 | 550057 FAN CLUTCH FIRST INSTALLATION / WITH SHORT FAN DRIVE WITH SHORT FAN DRIVE From 4-8165 | 1 | 1 | | 1 | |
| . NS | 550057 | . FAN CLUTCH ASSY / ALTERNATIVE PART / SEE MI16-08 From 4-8165 | 1 | 1 | | 1 | |
| . . NS | 550062 | . . LOCKING TABS From 4-8165 | 1 | 1 | | 1 | |
| . NS | 5002112 | . MULTI V-BELT / 12 RIB 62.40" (1585MM) From 4-8165 | 2 | 2 | | 2 | |
| . NS | 502692 | . NUT HEXF STO M8-1.25 Z050 From 4-8165 | 3 | 3 | | 3 | |
| . NS | 502891 | . SCREW CRG M8-1.25x40 G8.8 Z050 From 4-8165 | 3 | 3 | | 3 | |
| . NS | 500874 | . WASHER FL 8.4x17.0x1.6 Z050 From 4-8165 | 3 | 3 | | 3 | |
| . NS | 502644 | . WASHER FL 10.5x30.0x2.5 Z050 From 4-8165 | 4 | 4 | | 4 | |
| . NS | 5001758 | . NUT HEX STO M10-1.5 N500 From 4-8165 | 4 | 4 | | 4 | |
| . NS | 5001654 | . WASHER FL 6.4x17.0x3.0 SS From 4-8165 | 6 | 6 | | 6 | |
| . NS | 502843 | . SCREW CAP HEX M6-1.0x45 G8.8 N500 From 4-8165 | 1 | 1 | | 1 | |
| . NS | 502621 | . NUT HEX STO M6-1.0 Z050 From 4-8165 | 1 | 1 | | 1 | |
| . NS | IS-17909 | . SEE INSTRUCTION SHEET From 4-8165 | 1 | 1 | | 1 | |
| | | | | | | | |
| | | | | | | | |
| | | A) INCLUDES ITEMS #1, 2, 17, 23, 24, 25 & 29 | | | | | |
| | | B) USE IN EMERGENCY ONLY | | | | | |
| | | 1) NOT SOLD SEPARATELY | | | | | |
| | | 4) NO PARTS NUMBER | | | | | |

From 6-8806 To 8-9339

Date:10/2022

PAGE:550966

FAN CLUTCH ASSY / ALTERNATIVE PART

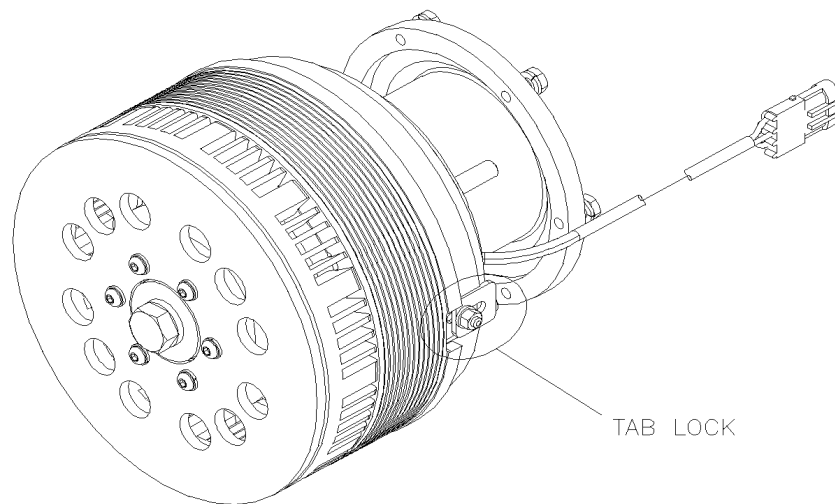


From 6-8806 To 8-9339

Date:10/2022

PAGE:550057

FAN CLUTCH ASSY / ALTERNATIVE PART / SEE MI16-08

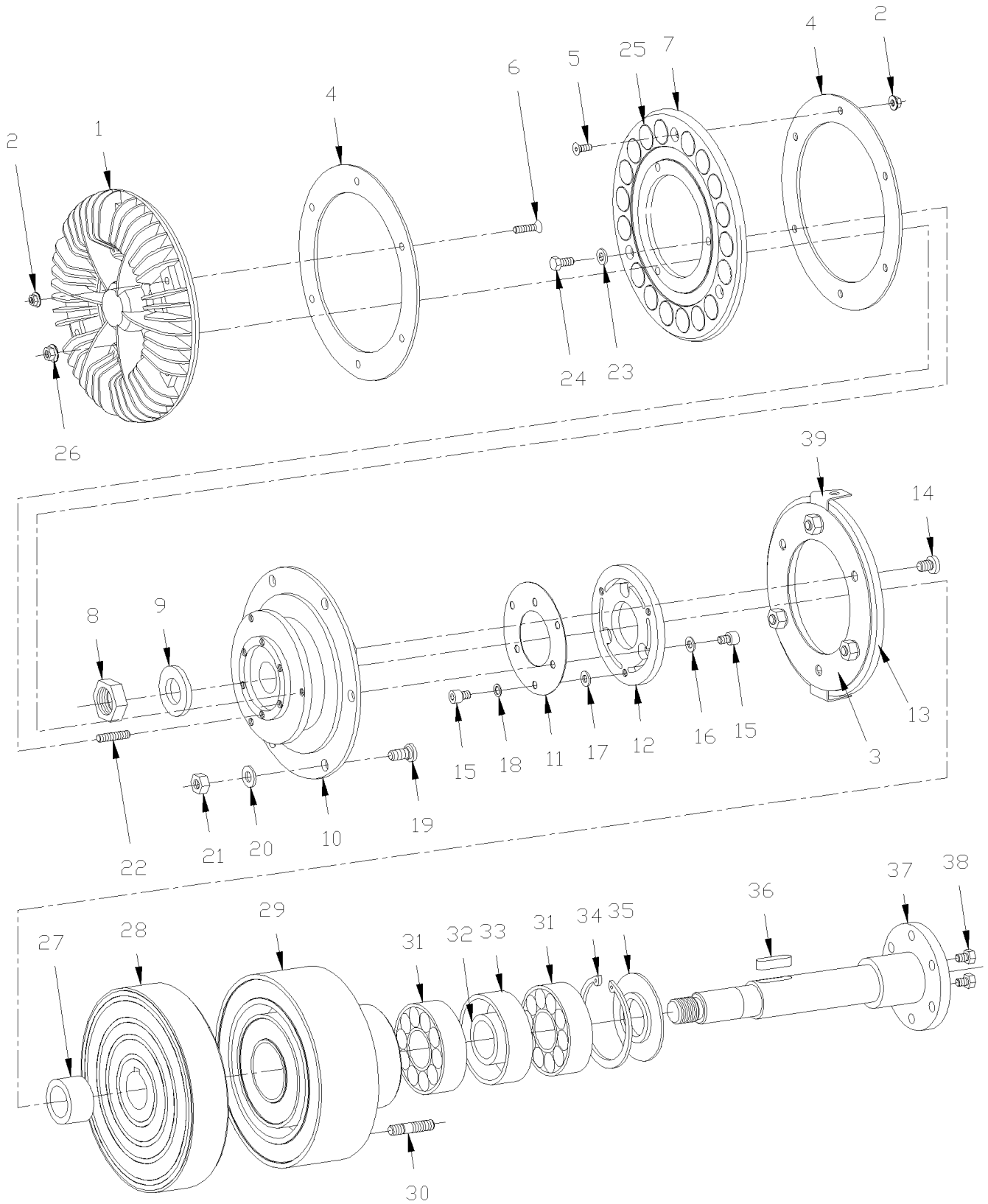


From Y-7046 To 2-7837

Date:10/2022

PAGE:Y2-0540-50

FAN CLUTCH ASSY - #550802 - MTH



| | | |
|--|--------------|-----------------|
| From Y-7046 To 2-7837 | Date:10/2022 | PAGE:Y2-0540-50 |
| FAN CLUTCH ASSY - #550802 - MTH | | |

| Item# | Part | Description | X L I I 4 5 | X L I I M T H 4 0 | X L I I M T H 4 5 | X L I I M T H 4 5 E | NOTES |
|-------|---------|---|----------------------------|---|---|--|-------|
| | 550802 | FAN CLUTCH ASSY / | | 1 | 1 | 1 | |
| 1 | 550774 | . COOLING FAN | | 1 | 1 | 1 | |
| 2 | 502782 | . NUT HEX NYRT M5-0.8 Z050 | | 9 | 9 | 9 | |
| 3 | 550667 | . . SPRING PLATE | | 1 | 1 | 1 | |
| 4 | 550659 | . DISC | | 2 | 2 | 2 | |
| 5 | 502639 | . SCREW MA FL PH M5-0.8X12 ZP | | 3 | 3 | 3 | |
| 6 | N.P.N. | . SCREW, MA FL PH ZP M5-0.8 X 25MM | | 6 | 6 | 6 | 4 |
| 7 | 550779 | . MAGNET PLATE SUPPORT | | 1 | 1 | 1 | |
| 8 | 502767 | . NUT HEX JAM M20-1.5 ZP | | 1 | 1 | 1 | |
| 9 | 502558 | . WASHER FL 21.0x37.0x3.0 G500 | | 1 | 1 | 1 | |
| 10 | 550780 | . FLANGE DRIVEN ASSY W/BEARING | | 1 | 1 | 1 | |
| NS | 550664 | . . BEARING ASSY | | 1 | 1 | 1 | |
| 11 | 550781 | . SPRING PLATE | | 1 | 1 | 1 | |
| 12 | 550782 | . ARMATURE DISC / 1ST SPEED | | 1 | 1 | 1 | |
| 13 | 550783 | . ARMATURE DISC / 2ND SPEED | | 1 | 1 | 1 | |
| 14 | N.P.N. | . . SOCKET HEAD CAP SCREW, M8-1.25 X 16MM (50-2755) | | 3 | 3 | 3 | 4 |
| 15 | N.P.N. | . SOCKET HEAD CAP SCREW, M6-1.0 X 8MM (50-01025) | | 6 | 6 | 6 | 4 |
| 16 | N.P.N. | . WASHER, SHIM .05MM | | 3 | 3 | 3 | 4 |
| 17 | 502573 | . WASHER FL 6.4x12.5x1.6 SS | | 3 | 3 | 3 | |
| 18 | 502564 | . WASHER LO SPT 6.1x11.8x1.6 Z050 | | 3 | 3 | 3 | |
| 19 | 550669 | . STUD M8-1.25 X 19MM | | 6 | 6 | 6 | |
| 20 | 500874 | . WASHER FL 8.4x17.0x1.6 Z050 | | 6 | 6 | 6 | |
| 21 | 502744 | . NUT HEX STO M8-1.25 Z050 | | 6 | 6 | 6 | |
| 22 | N.P.N. | . SET SCREW, M6-1.0 X 20MM | | 3 | 3 | 3 | 4 |
| 23 | N.P.N. | . WASHER | | 3 | 3 | 3 | 4 |
| 24 | 5001106 | . SCREW CAP HEX M6-1.0x10 G8.8 Z050 | | 3 | 3 | 3 | |
| 25 | 550661 | . MAGNET | | 18 | 18 | 18 | |
| 26 | 502511 | . NUT HEX NYRT M6-1.0 Z050 | | 3 | 3 | 3 | |
| 27 | N.P.N. | . SPACER | | 1 | 1 | 1 | 4 |
| 28 | 550776 | . ROTOR | | 1 | 1 | 1 | |
| 29 | 550777 | . MAGNETIC COIL ASSY | | 1 | 1 | 1 | |
| 30 | 550788 | . STUD M10-1.5 X 35MM | | 4 | 4 | 4 | |
| 31 | 507113 | . BALL BEARING | | 2 | 2 | 2 | |
| 32 | N.P.N. | . SPACER SMALL | | 1 | 1 | 1 | 4 |
| 33 | N.P.N. | . SPACER LARGE | | 1 | 1 | 1 | 4 |
| 34 | N.P.N. | . RETAINER RING (72 X 2.5) | | 1 | 1 | 1 | 4 |
| 35 | N.P.N. | . DEFLECTOR | | 1 | 1 | 1 | 4 |
| 36 | 550671 | . KEY (8 X 7 X 28) | | 1 | 1 | 1 | |
| 37 | 550786 | . SHAFT | | 1 | 1 | 1 | |
| 38 | 5001106 | . SCREW CAP HEX M6-1.0x10 G8.8 Z050 | | 2 | 2 | 2 | A |
| 39 | 550713 | . ANGLE | | 2 | 2 | 2 | A |
| NS | 561781 | CONNECTOR / WEATHER PACK / PH 3C / BLACK / PED 12010717 | | 1 | 1 | 1 | |

| | | |
|--|--------------|-----------------|
| From Y-7046 To 2-7837 | Date:10/2022 | PAGE:Y2-0540-50 |
| FAN CLUTCH ASSY - #550802 - MTH | | |

| Item# | Part | Description | X L I I 4 5 | X L I I M T H 4 0 | X L I I M T H 4 5 | X L I I M T H 4 5 E | N O T E S |
|-------|---------------|--|----------------------------|---|---|--|-----------------------|
| NS | 561567 | PIN TERMINAL / 20-18 / PED 12089040 | | 3 | 3 | 3 | |
| NS | 561565 | CABLE SEAL / GREEN / PED 15324982 | | 3 | 3 | 3 | |
| 51 | 550965 | FAN CLUTCH ASSY / ALTERNATIVE PART / FIRST INSTALLATION SEE MI11-26 | | 1 | 1 | 1 | |
| . NS | 551002 | . COOLING RING | | 1 | 1 | 1 | |
| . NS | 550062 | . LOCKING TABS | | 1 | 1 | 1 | |
| | | | | | | | |
| | | A) EMERGENCY USE | | | | | |
| | | 4) NO PARTS NUMBER | | | | | |

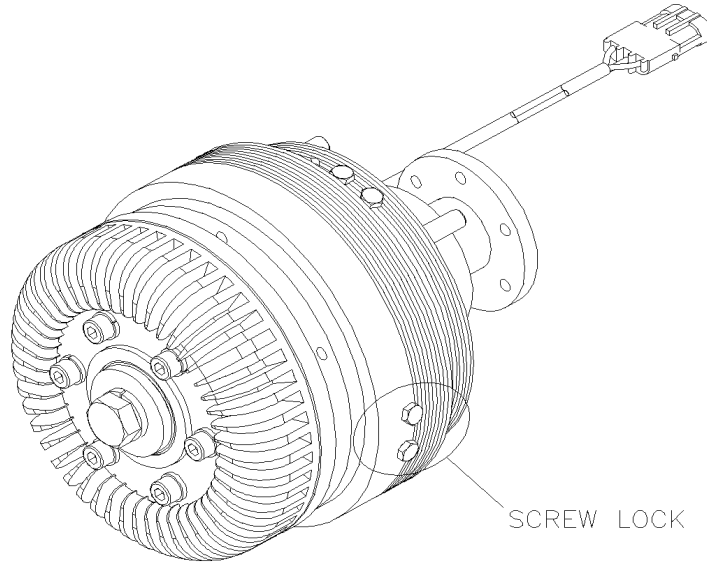
From Y-7046 To 2-7837

Date:10/2022

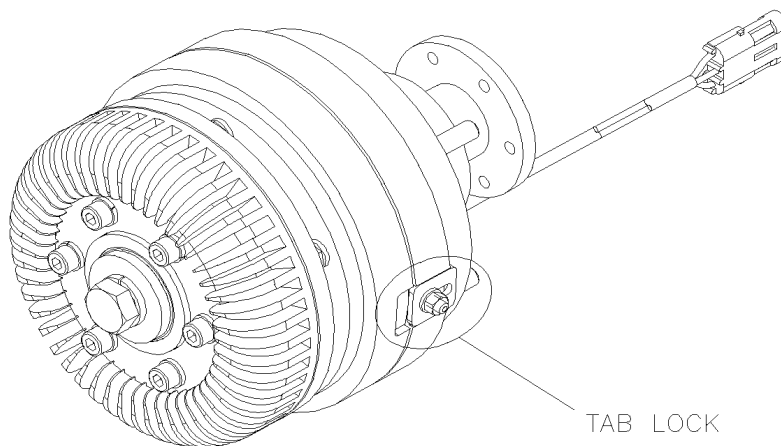
PAGE:550965

FAN CLUTCH ASSY / ALTERNATIVE PART / FIRST INSTALLATION SEE MI11-26

FORMER



CURRENT



From Y-7046 To 2-7837 Date:10/2022 PAGE:550965

FAN CLUTCH ASSY / ALTERNATIVE PART / FIRST INSTALLATION SEE MI11-26

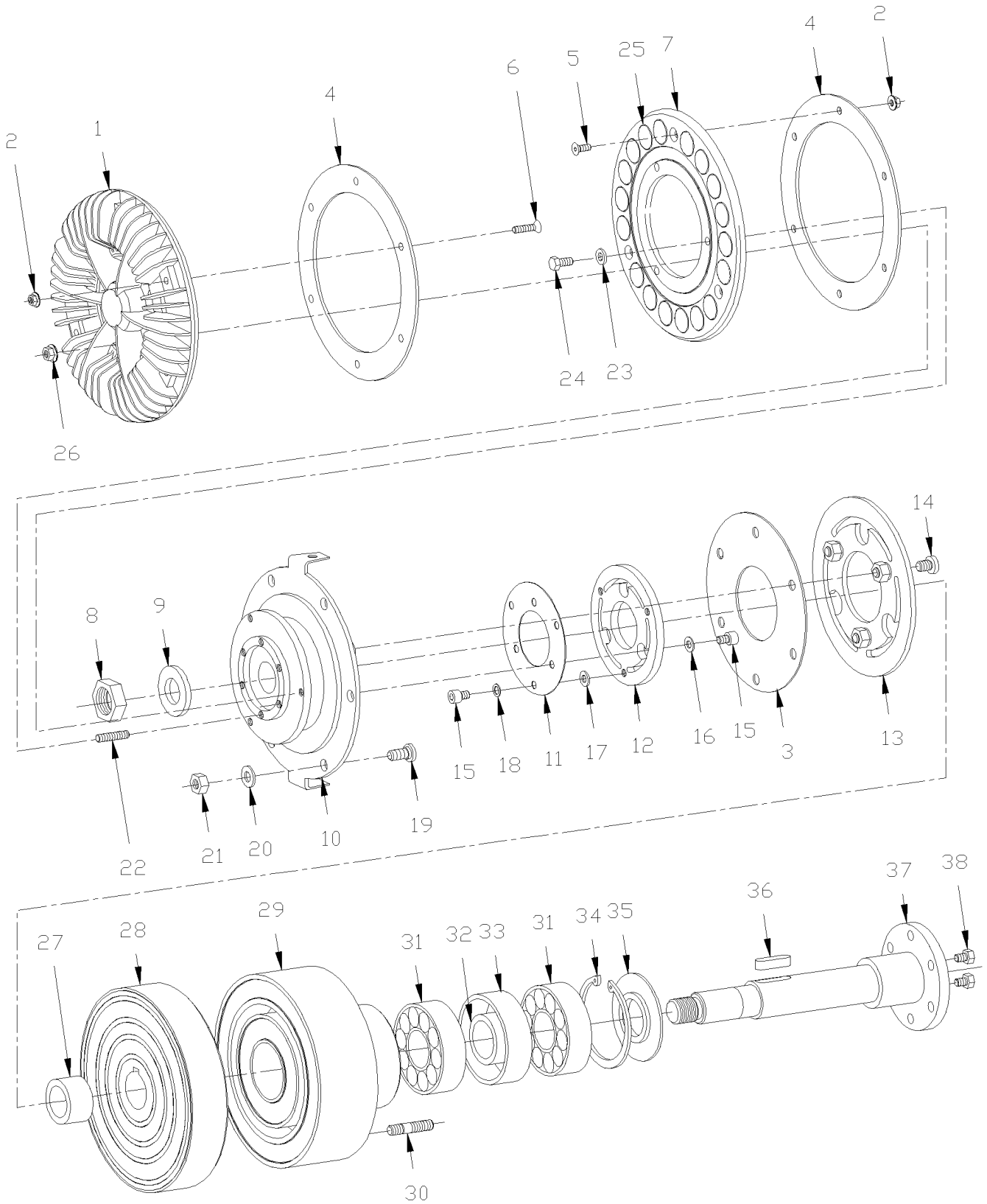
| Item# | Part | Description | X L I I 4 5 | X L I I M T H 4 0 | X L I I M T H 4 5 | X L I I M T H 4 5 E | N O T E S |
|-------|------|------------------------|--------------------------------|---|---|--|-----------------------|
| 1 | | FORMER WITH SCREW LOCK | 1 | 1 | 1 | 1 | |
| 2 | | CURRENT WITH TAB LOCK | 1 | 1 | 1 | 1 | |
| | | | | | | | |
| | | | | | | | |
| | | | | | | | |

From 2-7838 To 3-8164

Date:10/2022

PAGE:Y2-0540-51

FAN CLUTCH ASSY - #550836 - MTH



| | | |
|--|--------------|-----------------|
| From 2-7838 To 3-8164 | Date:10/2022 | PAGE:Y2-0540-51 |
| FAN CLUTCH ASSY - #550836 - MTH | | |

| Item# | Part | Description | X L I I 4 5 | X L I I M T H 4 0 | X L I I M T H 4 5 | X L I I M T H 4 5 E | N O T E S |
|-------|---------|---|----------------------------|---|---|--|-----------------------|
| | 550836 | FAN CLUTCH ASSY / | | 1 | 1 | 1 | |
| 1 | 550835 | . COOLING FAN | | 1 | 1 | 1 | |
| 2 | 502782 | . NUT HEX NYRT M5-0.8 Z050 | | 9 | 9 | 9 | |
| 3 | 550667 | . SPRING PLATE | | 1 | 1 | 1 | |
| 4 | 550659 | . DISC | | 2 | 2 | 2 | |
| 5 | 502639 | . SCREW MA FL PH M5-0.8X12 ZP | | 3 | 3 | 3 | |
| 6 | N.P.N. | . SCREW, MA FL PH ZP M5-0.8 X 25MM | | 6 | 6 | 6 | 4 |
| 7 | 550779 | . MAGNET PLATE SUPPORT | | 1 | 1 | 1 | |
| 8 | 502767 | . NUT HEX JAM M20-1.5 ZP | | 1 | 1 | 1 | |
| 9 | 502558 | . WASHER FL 21.0x37.0x3.0 G500 | | 1 | 1 | 1 | |
| 10 | 550841 | . FLANGE DRIVEN ASSY W/BEARING | | 1 | 1 | 1 | |
| 11 | 550842 | . SPRING PLATE | | 1 | 1 | 1 | |
| 12 | 550843 | . ARMATURE DISC / 1ST SPEED | | 1 | 1 | 1 | |
| 13 | 550783 | . ARMATURE DISC / 2ND SPEED | | 1 | 1 | 1 | |
| 14 | N.P.N. | . . SOCKET HEAD CAP SCREW, M8-1.25 X 16MM (50-2755) | | 3 | 3 | 3 | 4 |
| 15 | N.P.N. | . SOCKET HEAD CAP SCREW, M6-1.0 X 8MM (50-01025) | | 6 | 6 | 6 | 4 |
| 16 | N.P.N. | . WASHER, SHIM .05MM | | 3 | 3 | 3 | 4 |
| 17 | 502573 | . WASHER FL 6.4x12.5x1.6 SS | | 3 | 3 | 3 | |
| 18 | 502564 | . WASHER LO SPT 6.1x11.8x1.6 Z050 | | 3 | 3 | 3 | |
| 19 | 550669 | . STUD M8-1.25 X 19MM | | 6 | 6 | 6 | |
| 20 | 500874 | . WASHER FL 8.4x17.0x1.6 Z050 | | 6 | 6 | 6 | |
| 21 | 502744 | . NUT HEX STO M8-1.25 Z050 | | 6 | 6 | 6 | |
| 22 | N.P.N. | . SET SCREW, M6-1.0 X 20MM | | 3 | 3 | 3 | 4 |
| 23 | N.P.N. | . WASHER | | 3 | 3 | 3 | 4 |
| 24 | 5001106 | . SCREW CAP HEX M6-1.0x10 G8.8 Z050 | | 3 | 3 | 3 | |
| 25 | 550661 | . MAGNET | | 18 | 18 | 18 | |
| 26 | 502511 | . NUT HEX NYRT M6-1.0 Z050 | | 3 | 3 | 3 | |
| 27 | N.P.N. | . SPACER | | 1 | 1 | 1 | 4 |
| 28 | 550776 | . ROTOR | | 1 | 1 | 1 | |
| 29 | 550777 | . MAGNETIC COIL ASSY | | 1 | 1 | 1 | |
| 30 | 550788 | . STUD M10-1.5 X 35MM | | 4 | 4 | 4 | |
| 31 | 507113 | . BALL BEARING | | 2 | 2 | 2 | |
| 32 | N.P.N. | . SPACER SMALL | | 1 | 1 | 1 | 4 |
| 33 | N.P.N. | . SPACER LARGE | | 1 | 1 | 1 | 4 |
| 34 | N.P.N. | . RETAINER RING (72 X 2.5) | | 1 | 1 | 1 | 4 |
| 35 | N.P.N. | . DEFLECTOR | | 1 | 1 | 1 | 4 |
| 36 | 550671 | . KEY (8 X 7 X 28) | | 1 | 1 | 1 | |
| 37 | 550786 | . SHAFT | | 1 | 1 | 1 | |
| 38 | 5001106 | . SCREW CAP HEX M6-1.0x10 G8.8 Z050 | | 4 | 4 | 4 | A |
| NS | 561781 | CONNECTOR / WEATHER PACK / PH 3C / BLACK / PED 12010717 | | 1 | 1 | 1 | |
| NS | 561567 | PIN TERMINAL / 20-18 / PED 12089040 | | 3 | 3 | 3 | |
| NS | 561565 | CABLE SEAL / GREEN / PED 15324982 | | 3 | 3 | 3 | |

| | | |
|--|--------------|-----------------|
| From 2-7838 To 3-8164 | Date:10/2022 | PAGE:Y2-0540-51 |
| FAN CLUTCH ASSY - #550836 - MTH | | |

| Item# | Part | Description | X L I I 4 5 | X L I I M T H 4 0 | X L I I M T H 4 5 | X L I I M T H 4 5 E | N O T E S |
|-------|--------|---|----------------------------|---|---|--|-----------------------|
| 46 | 550965 | FAN CLUTCH ASSY / ALTERNATIVE PART / FIRST INSTALLATION SEE MI11-26 | | 1 | 1 | 1 | |
| . NS | 551002 | . COOLING RING | | 1 | 1 | 1 | |
| . NS | 550062 | . LOCKING TABS | | 1 | 1 | 1 | |
| | | | | | | | |
| | | | | | | | |
| | | A) EMERGENCY USE | | | | | |
| | | 4) NO PARTS NUMBER | | | | | |

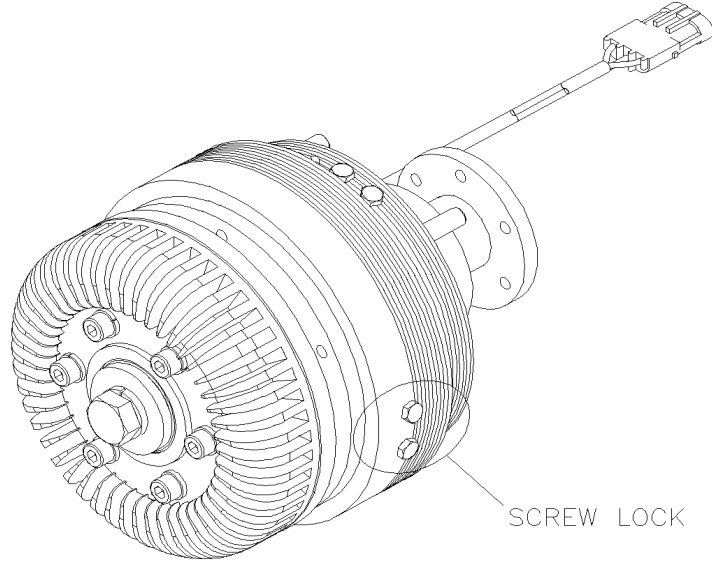
From 2-7838 To 3-8164

Date:10/2022

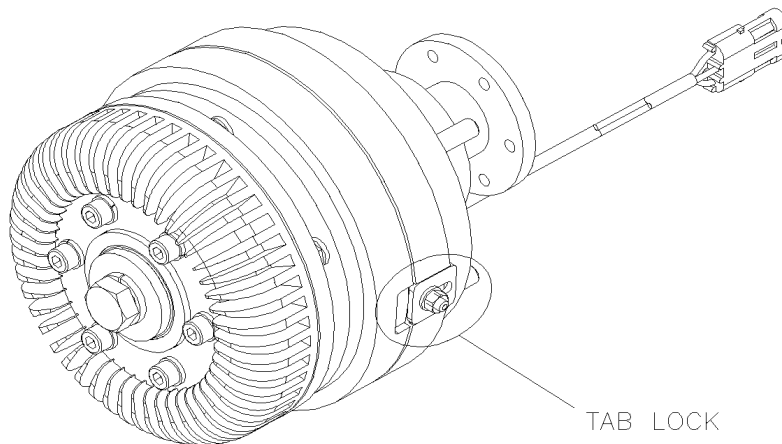
PAGE:550965

FAN CLUTCH ASSY / ALTERNATIVE PART / FIRST INSTALLATION SEE MI11-26

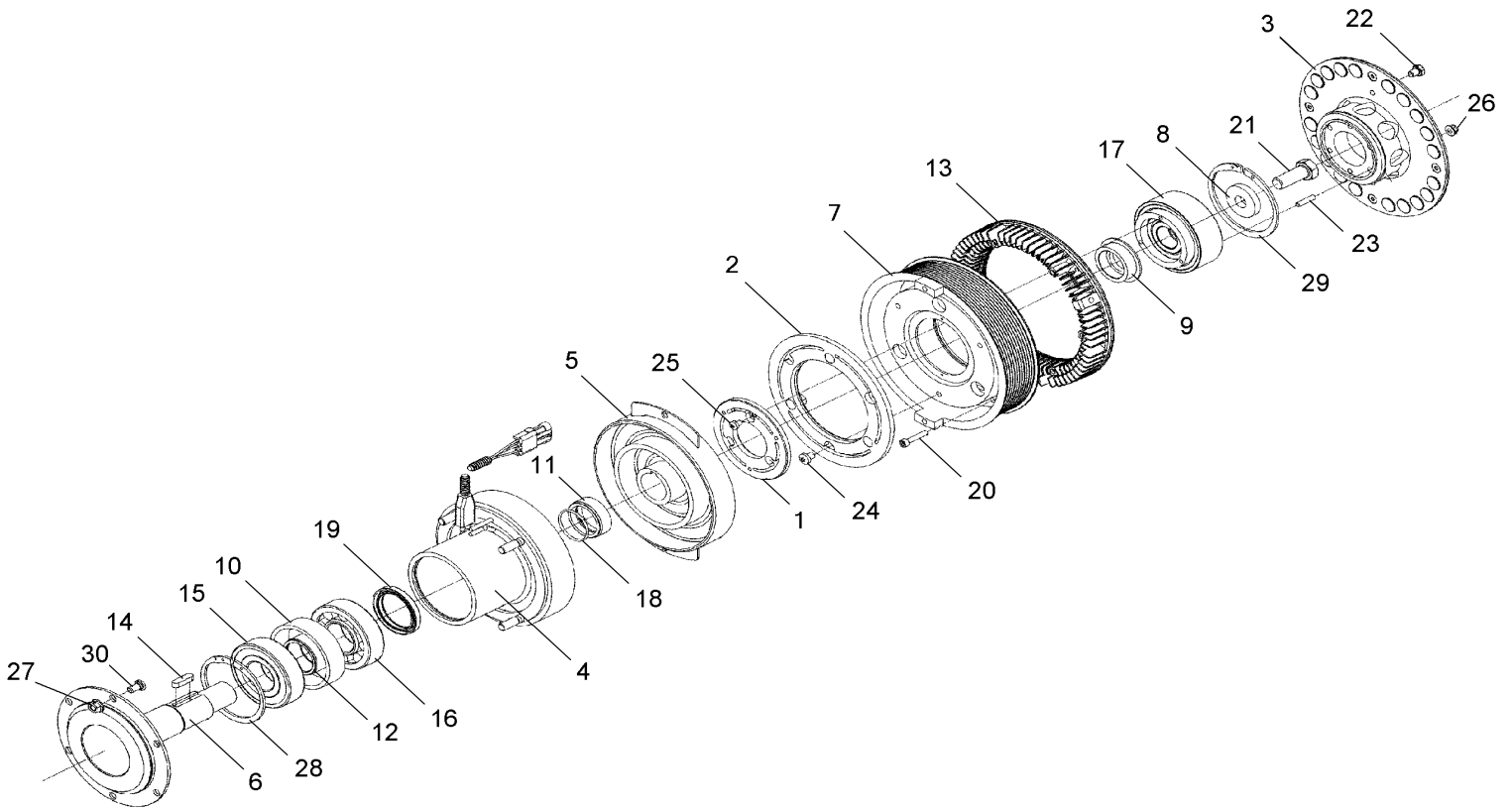
FORMER



CURRENT



| | | |
|-------------------------------------|--------------|-----------------|
| From 4-8165 To 8-9339 | Date:10/2022 | PAGE:Y2-0540-52 |
| FAN CLUTCH ASSY - #550839 - MTH 45' | | |



| | | |
|--|--------------|-----------------|
| From 4-8165 To 8-9339 | Date:10/2022 | PAGE:Y2-0540-52 |
| FAN CLUTCH ASSY - #550839 - MTH 45' | | |

| Item# | Part | Description | X L I I 4 5 | X L I I M T H 4 0 | X L I I M T H 4 5 | X L I I M T H 4 5 E | N O T E S |
|--------|---------------|--|----------------------------|---|---|--|-----------------------|
| | 550839 | FAN CLUTCH ASSY / | | | 1 | | |
| . NS | IS-EB0140 A | . SEE INSTRUCTION SHEET | | | 1 | | |
| 1 | | . ARMATURE DISC | | | 1 | | |
| 2 | | . ARMATURE DISC | | | 1 | | |
| 3 | 550882 | . MAGNET RING ASSY | | | 1 | | |
| 4 | 550883 | . MAGNETIC COIL ASSY | | | 1 | | |
| 5 | 550884 | . ROTOR | | | 1 | | |
| 6 | 550885 | . SHAFT | | | 1 | | |
| 7 | 550890 | . PULLEY ASSY WBEARING & DISC | | | 1 | | A |
| 8 | 550887 | . WASHER | | | 1 | | |
| 9 | 550888 | . BUSHING FLANGE | | | 1 | | |
| 10 | N.P.N. | . SPACER | | | 1 | | 4 |
| 11 | 550893 | . BUSHING W/GROOVE | | | 1 | | |
| 12 | N.P.N. | . SPACER | | | 1 | | 4 |
| 13 | 550889 | . COOLING RING | | | 1 | | |
| 14 | 550671 | . KEY (8 X 7 X 28) | | | 1 | | |
| 15 | 550895 | . BALL BEARING | | | 1 | | |
| 16 | 550894 | . ROLLER BEARING | | | 1 | | |
| 17 | 550886 | . BEARING ASSY | | | 1 | | |
| 18 | 550891 | . O-RING 40 X 2.5 | | | 1 | | |
| 19 | 550892 | . SEAL 50 X 65 X 8 | | | 1 | | |
| 20 | N.P.N. | . SCREW CAP HEX S.ZP MG X 30 G8.8 | | | 6 | | 4 |
| 21 | N.P.N. | . SCREW CAP HEX M16 X 40 G10.9 | | | 1 | | 4 |
| 22 | 500069 | . SCREW CAP HEX M8-1.25x16 G10.9 DP | | | 2 | | B |
| 23 | N.S.S. | . INSERT | | | 3 | | 1 |
| 24 | N.S.S. | . INSERT | | | 3 | | 1 |
| 25 | | . SCREW M6 X 8 | | | 6 | | |
| 26 | 502744 | . NUT HEX STO M8-1.25 Z050 | | | 4 | | |
| 27 | 500680 | . NUT HEX STO M10-1.5 Z050 | | | 6 | | |
| 28 | N.P.N. | . RETAINER RING (90 X 3) | | | 1 | | 4 |
| 29 | N.P.N. | . RETAINER RING (100 X 3) | | | 1 | | 4 |
| 30 | N.P.N. | . INSERT | | | 4 | | 4 |
| 32 | 550966 | FAN CLUTCH ASSY / ALTERNATIVE PART | | | 1 | | |
| . NS | 550062 | . LOCKING TABS | | | 1 | | |
| 32 | 550057 | FAN CLUTCH ASSY / ALTERNATIVE PART / SEE MI16-08 | | | 1 | | |
| . NS | 550062 | . LOCKING TABS | | | 1 | | |
| 33 | IS17908 | 550057 FAN CLUTCH FIRST INSTALLATION / WITH LONG FAN DRIVE | | | 1 | | |
| . NS | 550057 | . FAN CLUTCH ASSY / ALTERNATIVE PART / SEE MI16-08 | | | 1 | | |
| . . NS | 550062 | . . LOCKING TABS | | | 1 | | |
| . NS | 506064 | . MULTI V-BELT / 12 RIB 83 1/2" (2121) | | | 1 | | |
| . NS | 5001758 | . NUT HEX STO M10-1.5 N500 | | | 4 | | |

| | | |
|--|--------------|-----------------|
| From 4-8165 To 8-9339 | Date:10/2022 | PAGE:Y2-0540-52 |
| FAN CLUTCH ASSY - #550839 - MTH 45' | | |

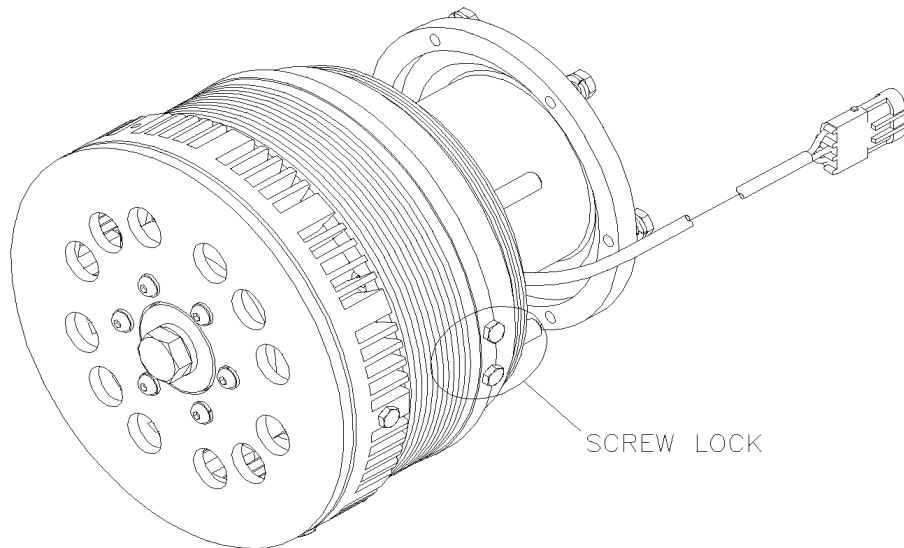
| Item# | Part | Description | X L I I 4 5 | X L I I M T H 4 0 | X L I I M T H 4 5 | X L I I M T H 4 5 E | N O T E S |
|--------|---------------|---|----------------------------|---|---|--|-----------------------|
| . NS | 500897 | . WASHER FL .437x1.000x.083 N500 | | | 4 | | |
| . NS | IS-17908 | . SEE INSTRUCTION SHEET | | | 1 | | |
| 34 | IS17909 | 550057 FAN CLUTCH FIRST INSTALLATION / WITH SHORT FAN DRIVE | | | 1 | | |
| . NS | 550057 | . FAN CLUTCH ASSY / ALTERNATIVE PART / SEE MI16-08 | | | 1 | | |
| . . NS | 550062 | . . LOCKING TABS | | | 1 | | |
| . NS | 5002112 | . MULTI V-BELT / 12 RIB 62.40" (1585MM) | | | 2 | | |
| . NS | 502692 | . NUT HEXF STO M8-1.25 Z050 | | | 3 | | |
| . NS | 502891 | . SCREW CRG M8-1.25x40 G8.8 Z050 | | | 3 | | |
| . NS | 500874 | . WASHER FL 8.4x17.0x1.6 Z050 | | | 3 | | |
| . NS | 502644 | . WASHER FL 10.5x30.0x2.5 Z050 | | | 4 | | |
| . NS | 5001758 | . NUT HEX STO M10-1.5 N500 | | | 4 | | |
| . NS | 5001654 | . WASHER FL 6.4x17.0x3.0 SS | | | 6 | | |
| . NS | 502843 | . SCREW CAP HEX M6-1.0x45 G8.8 N500 | | | 1 | | |
| . NS | 502621 | . NUT HEX STO M6-1.0 Z050 | | | 1 | | |
| . NS | IS-17909 | . SEE INSTRUCTION SHEET | | | 1 | | |
| | | | | | | | |
| | | | | | | | |
| | | A) INCLUDES ITEMS #1, 2, 17, 23, 24, 25 & 29 | | | | | |
| | | B) USE IN EMERGENCY ONLY | | | | | |
| | | 1) NOT SOLD SEPARATELY | | | | | |
| | | 4) NO PARTS NUMBER | | | | | |

From 4-8165 To 8-9339

Date:10/2022

PAGE:550966

FAN CLUTCH ASSY / ALTERNATIVE PART

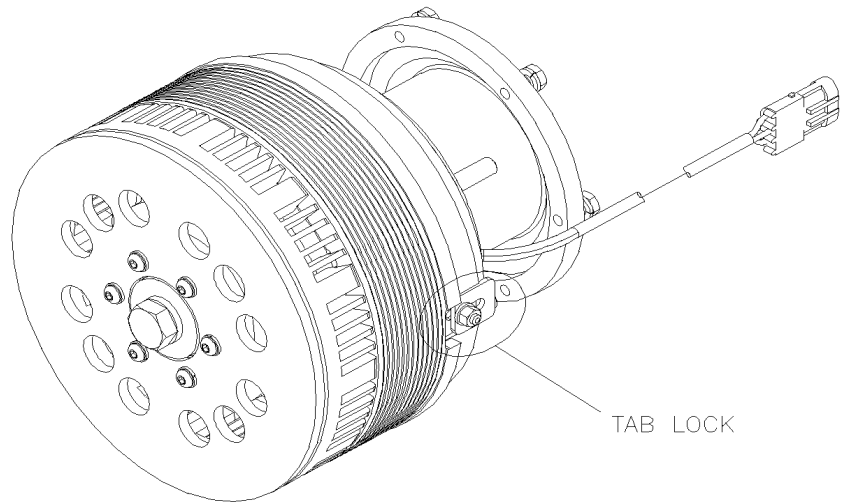


From 4-8165 To 8-9339

Date:10/2022

PAGE:550057

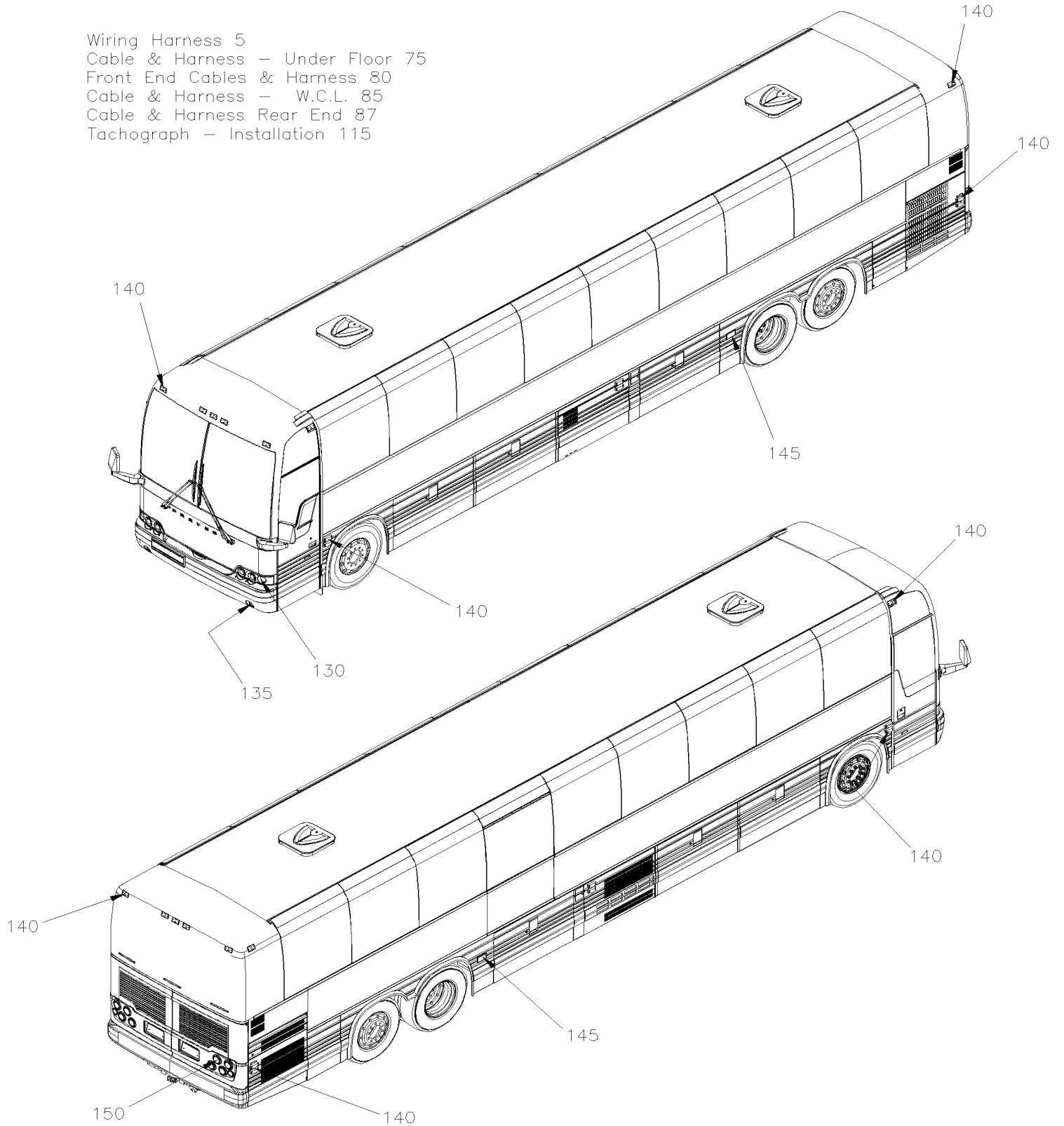
FAN CLUTCH ASSY / ALTERNATIVE PART / SEE MI16-08



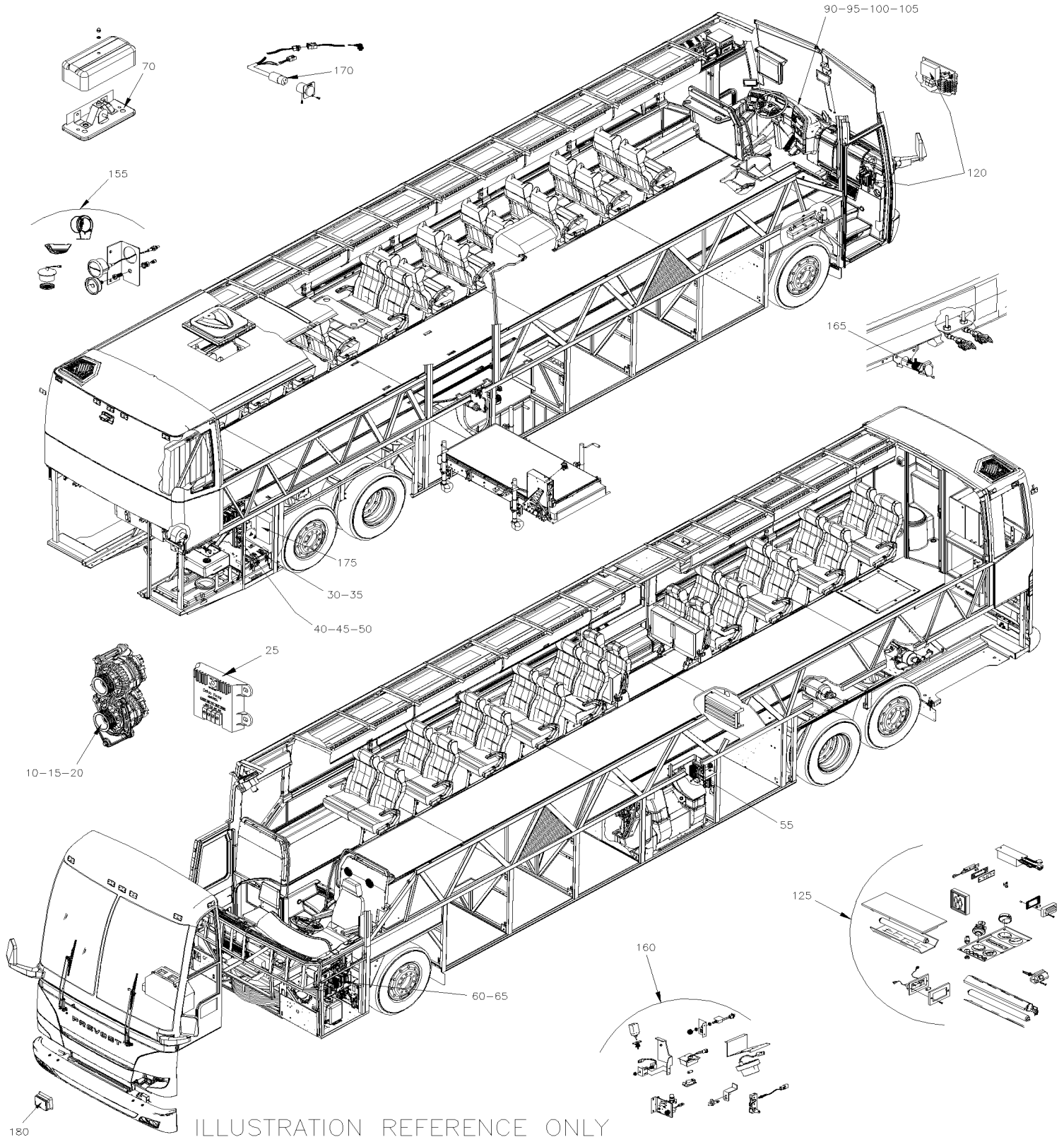
TAB LOCK

| | | |
|------------|--------------|-------|
| | Date:10/2022 | Y2-06 |
| ELECTRICAL | | |

Wiring Harness 5
Cable & Harness – Under Floor 75
Front End Cables & Harness 80
Cable & Harness – W.C.L. 85
Cable & Harness Rear End 87
Tachograph – Installation 115



| | | |
|------------|--------------|-------|
| | Date:10/2022 | Y2-06 |
| ELECTRICAL | | |



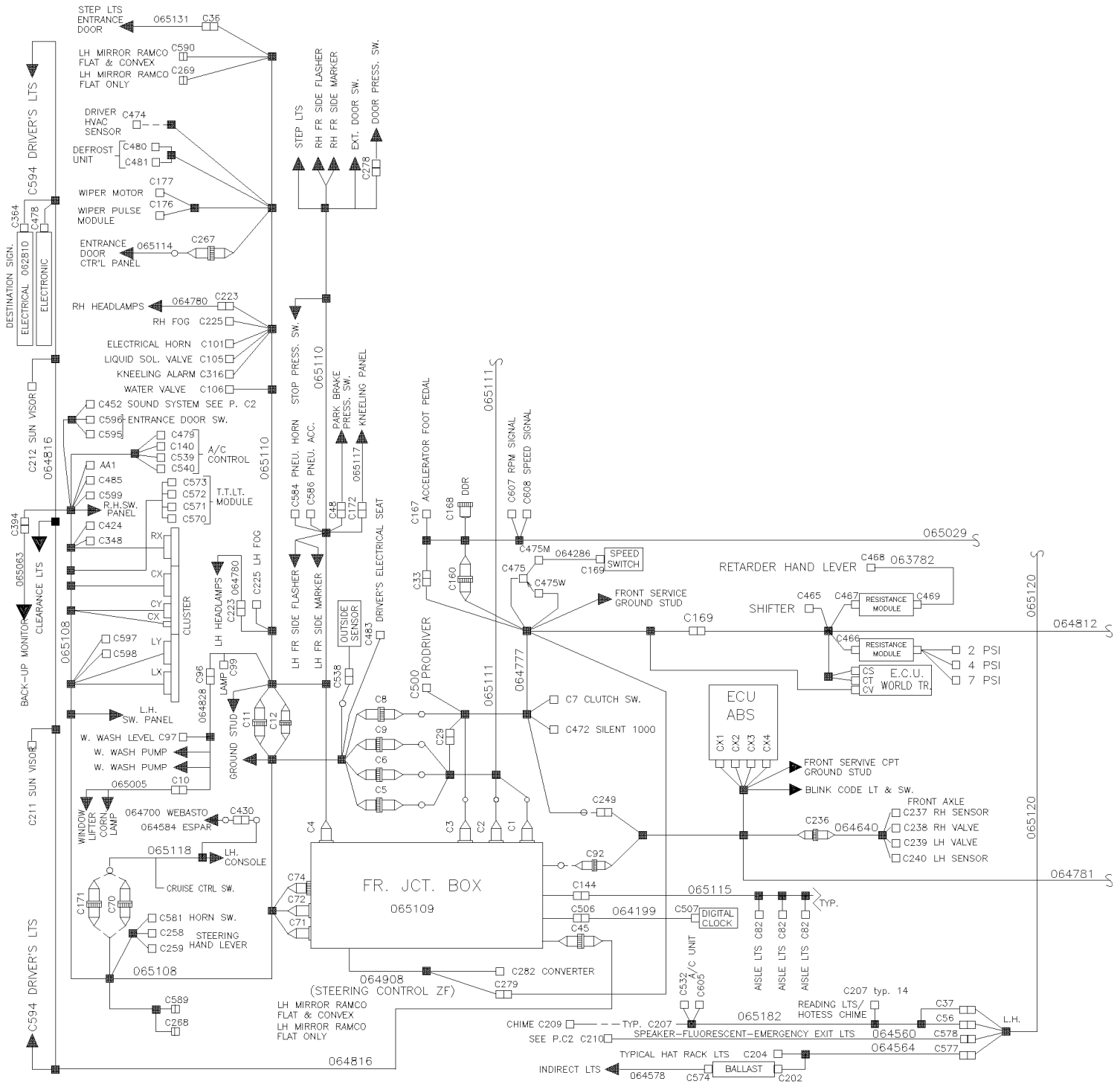
| | | | | | | |
|------------|--|--------------|-------|--|--|--|
| | | Date:10/2022 | Y2-06 | | | |
| ELECTRICAL | | | | | | |

| Item# | Part | Description | X L I I 4 5 | X L I I M T H 4 0 | X L I I M T H 4 5 | X L I I M T H 4 5 E | N O T E S |
|-------|------------|---|----------------------------|---|---|--|-----------------------|
| 5 | Y2-0600-00 | WIRING HARNESS - BUS 45' DIAGRAM D-060938 From Y-7046 To 6-8906 | | | | | |
| 5 | Y2-0600-50 | WIRING HARNESS - MTH 40' & MTH 45' DIAGRAM D-060921 From Y-7046 To 7-9095 | | | | | |
| 5 | Y2-0600-52 | WIRING HARNESS - MTH W/MUX DIAGRAM D-061080 From 7-9096 To 8-9339 | | | | | |
| 10 | Y2-0605-00 | ALTERNATOR 24V/140 AMPS / "BOSCH" From Y-7046 To 8-9339 | | | | | |
| 10 | Y2-0605-51 | ALTERNATOR 24V/270 AMPS / "DELCO" #562235 From Y-7046 To 8-9339 | | | | | |
| 10 | Y2-0605-52 | ALTERNATOR 12V/300 AMPS / "DELCO" #562355 From Y-7046 To 8-9339 | | | | | |
| 15 | Y2-0610-00 | ALTERNATOR MOUNTING / "BOSCH" WITH DETROIT S-60 From Y-7046 To 3-8164 | | | | | |
| 15 | Y2-0610-01 | ALTERNATOR MOUNTING / "BOSCH" WITH DETROIT S-60 From 4-8165 To 8-9339 | | | | | |
| 20 | Y2-0610-50 | ALTERNATOR MOUNTING / "DELCO" WITH DETROIT S-60 From Y-7046 To 3-8164 | | | | | |
| 20 | Y2-0610-51 | ALTERNATOR MOUNTING / 12V & 24V - MTH From Y-7046 To 8-9339 | | | | | |
| 20 | Y2-0610-52 | ALTERNATOR MOUNTING / 12V & 24V - MTH / GEARBOX INSTAL From Y-7046 To 8-9339 | | | | | |
| 20 | Y2-0610-54 | ALTERNATOR MOUNTING / "BOSCH" - 24V/140A / GEARBOX INSTAL From 6-8864 To 8-9339 | | | | | |
| 20 | Y2-0610-55 | ALTERNATOR MOUNTING / "DELCO" WITH DETROIT S-60 From 4-8165 To 8-9339 | | | | | |
| 25 | Y2-0610-60 | VOLTAGE REGULATOR - 24 VOLTS W/270 AMPS From Y-7046 To 8-9339 | | | | | |
| 30 | Y2-0615-00 | BATTERIES INSTALLATION - BUS From Y-7046 To 6-8906 | | | | | |
| 30 | Y2-0615-10 | BATTERIES COMPARTMENT PANEL From Y-7046 To 6-8906 | | | | | |
| 35 | Y2-0615-50 | BATTERIES INSTALLATION - MTH40' & MTH-45' ENT From Y-7046 To 7-9095 | | | | | |
| 35 | Y2-0615-51 | BATTERIES INSTALLATION - MTH WITH / MUX From 7-9096 To 8-9339 | | | | | |
| 35 | Y2-0615-60 | BATTERIES INSTALLATION - MTH-45' From Y-7046 To 7-9095 | | | | | |
| 40 | Y2-0616-00 | JUNCTION BOX COMPONENTS, RELAY & BREAKER From Y-7046 To 7-9095 | | | | | |
| 40 | Y2-0616-01 | JUNCTION BOX COMPONENTS, RELAY & BREAKER / MUX From 7-9096 To 8-9339 | | | | | |
| 45 | Y2-0616-10 | BREAKER PANEL - BUS From Y-7046 To 6-8906 | | | | | |
| 45 | Y2-0616-50 | BREAKER PANEL - MTH From Y-7046 To 7-9095 | | | | | |
| 50 | Y2-0620-00 | REAR JUNCTION BOX ASSY From Y-7046 To 7-9095 | | | | | |
| 50 | Y2-0620-05 | REAR JUNCTION BOX FAN - INSTALLATION From 7-9096 To 8-9339 | | | | | |
| 50 | Y2-0620-50 | REAR JUNCTION BOX ASSY - MTH WITH MUX (D380244) From 7-9096 To 8-9339 | | | | | |
| 55 | Y2-0621-00 | A/C JUNCTION BOX ASSY From Y-7046 To 7-9095 | | | | | |
| 55 | Y2-0621-10 | CABLE & HARNESS EVAPO. & CONDENSOR - INST From Y-7046 To 7-9095 | | | | | |
| 55 | Y2-0621-50 | A/C CONDENSOR MOTOR RELAY From 7-9096 To 8-9339 | | | | | |
| 60 | Y2-0625-00 | FRONT JUNCTION PANEL From Y-7046 To 7-9095 | | | | | |
| 60 | Y2-0625-01 | FRONT JUNCTION PANEL / MUX From 7-9096 To 8-9339 | | | | | |
| 65 | Y2-0625-10 | FRONT JUNCTION BOX - INSTALLATION From Y-7046 To 7-9095 | | | | | |
| 65 | Y2-0625-11 | FRONT JUNCTION BOX - INSTALLATION From 7-9096 To 8-9339 | | | | | |
| 70 | Y2-0628-00 | CHIME BELL - INSTALLATION From Y-7046 To 6-8906 | | | | | |
| 75 | Y2-0630-00 | CABLE & HARNESS - UNDER FLOOR - BUS From Y-7046 To 6-8906 | | | | | |
| 75 | Y2-0630-50 | CABLE & HARNESS - UNDER FLOOR - MTH-40' & MTH-45' ENT From Y-7046 To 7-9095 | | | | | |
| 75 | Y2-0630-51 | CABLE & HARNESS - UNDER FLOOR - MTH WITH / MUX From 7-9096 To 8-9339 | | | | | |
| 75 | Y2-0630-60 | CABLE & HARNESS - UNDER FLOOR - MTH-45' From Y-7046 To 7-9095 | | | | | |
| 80 | Y2-0640-00 | CABLE & HARNESS - FRONT END INSTALLATION - BUS From Y-7046 To 6-8906 | | | | | |
| 80 | Y2-0640-50 | CABLE & HARNESS - FRONT END INSTALLATION - MTH From Y-7046 To 7-9095 | | | | | |
| 80 | Y2-0640-51 | CABLE & HARNESS - FRONT END INSTALLATION - MTH / MUX // D061083 From 7-9096 To 8-9339 | | | | | |
| 85 | Y2-0640-80 | CABLE & HARNESS - W.C.L. From Y-7046 To 6-8906 | | | | | |

| | | Date:10/2022 | Y2-06 | | | | |
|------------|------------|---|----------------------------|---|---|--|-------|
| ELECTRICAL | | | | | | | |
| Item# | Part | Description | X L I I 4 5 | X L I I M T H 4 0 | X L I I M T H 4 5 | X L I I M T H 4 5 E | NOTES |
| 87 | Y2-0641-00 | CABLE & HARNESS - REAR END INSTALLATION - BUS From Y-7046 To 6-8906 | | | | | |
| 90 | Y2-0645-00 | SWITCHES L.H. CONSOLE - BUS From Y-7046 To 6-8906 | | | | | |
| 90 | Y2-0645-05 | SWITCHES L.H. CONSOLE - MTH From Y-7046 To 8-9339 | | | | | |
| 95 | Y2-0645-10 | L.H. DASHBOARD PANEL From Y-7046 To 8-9339 | | | | | |
| 100 | Y2-0645-20 | CENTER DASHBOARD PANEL From Y-7046 To 8-9339 | | | | | |
| 105 | Y2-0645-30 | R.H. DASHBOARD PANEL From Y-7046 To 8-9339 | | | | | |
| 115 | Y2-0650-10 | TACHOGRAPH - INSTALLATION From Y-7046 To 6-8906 | | | | | |
| 120 | Y2-0650-50 | KEYLESS MODULE From Y-7046 To 7-9095 | | | | | |
| 125 | Y2-0655-00 | INTERIOR LIGHTING From Y-7046 To 8-9339 | | | | | |
| 130 | Y2-0660-00 | HEADLAMP & FRONT DIRECTIONAL LAMPS RECTANGULAR "HALOGENE" From Y-7046 To 4-8358 | | | | | |
| 130 | Y2-0660-01 | HEADLAMP & FRONT DIRECTIONAL LAMPS ROUND "HALOGENE" & "XENON" From 5-8359 To 8-9339 | | | | | |
| 135 | Y2-0661-00 | FOG LAMP From Y-7046 To 4-8358 | | | | | |
| 135 | Y2-0661-01 | FOG LAMP From 5-8359 To 8-9339 | | | | | |
| 140 | Y2-0662-00 | CLEARANCE & MARKER LIGHT From Y-7046 To 8-9339 | | | | | |
| 145 | Y2-0663-00 | DOCK & CORNERING LIGHT From Y-7046 To 8-9339 | | | | | |
| 150 | Y2-0664-00 | REAR EXTERIOR LIGHTS & PLATE HOLDER From Y-7046 To 3-8164 | | | | | |
| 150 | Y2-0664-01 | REAR EXTERIOR LIGHTS & PLATE HOLDER From 4-8165 To 8-9339 | | | | | |
| 155 | Y2-0665-00 | ENGINE COMPARTMENT - ELECTRIC COMPONENTS From Y-7046 To 8-9339 | | | | | |
| 160 | Y2-0665-10 | SWITCHES, LIGHTS, AJAR - UNDER FLOOR From Y-7046 To 8-9339 | | | | | |
| 165 | Y2-0665-20 | CABLE TRAILER - INSTALLATION - BUS From Y-7046 To 6-8906 | | | | | |
| 170 | Y2-0666-00 | BLOCK HEATER RECEPTACLE From Y-7046 To 8-9339 | | | | | |
| 175 | Y2-0670-10 | BATTERIES CHARGER - INSTALLATION From Y-7046 To 6-8906 | | | | | |
| 180 | Y2-0675-00 | SYSTEM - "VORAD" From Y-7046 To 8-9339 | | | | | |

WIRING HARNESS - BUS 45' DIAGRAM D-060938

A



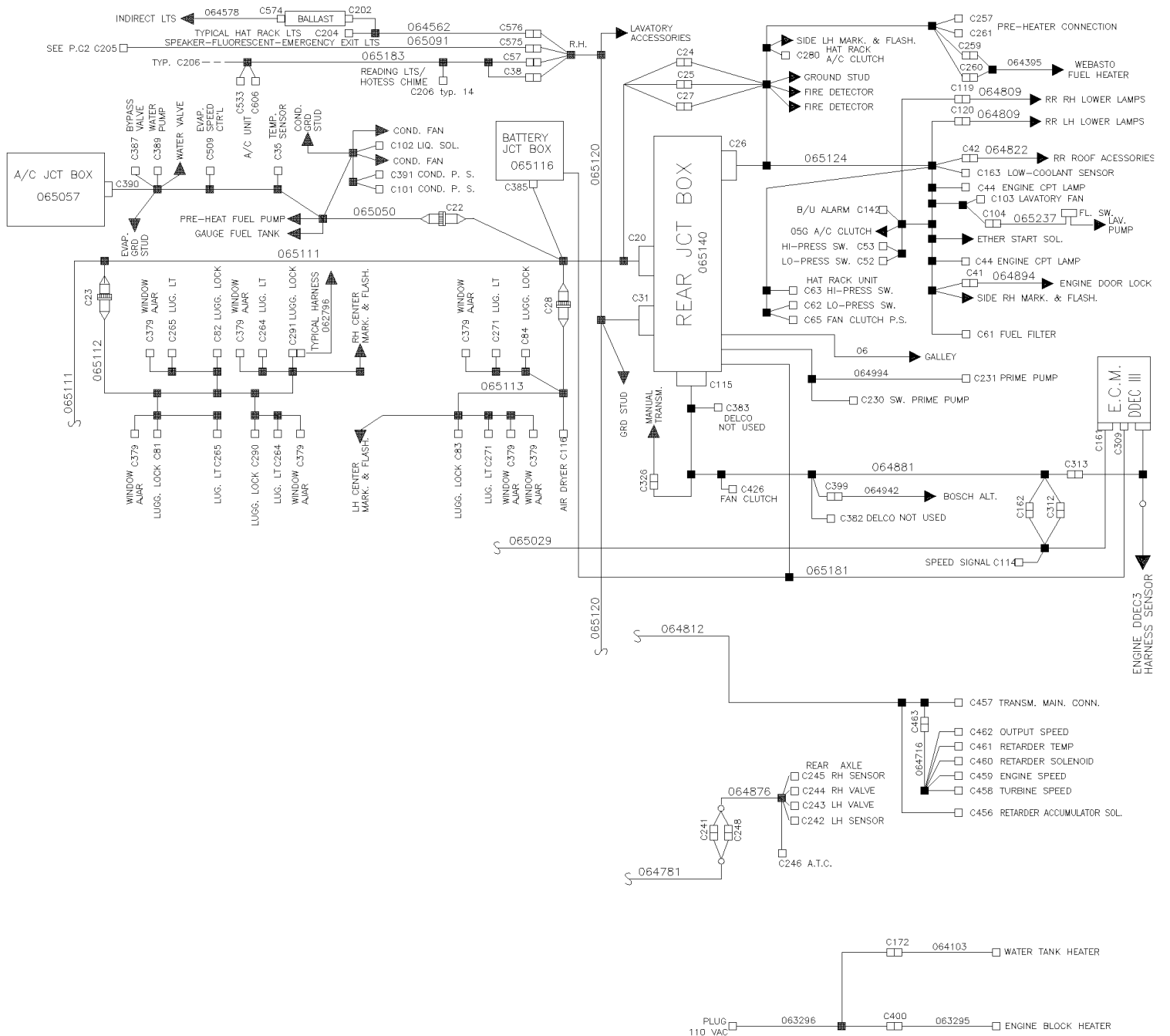
From Y-7046 To 6-8906

Date:10/2022

PAGE:Y2-0600-00

WIRING HARNESS - BUS 45' DIAGRAM D-060938

B



| | | |
|--|--------------|-----------------|
| From Y-7046 To 6-8906 | Date:10/2022 | PAGE:Y2-0600-00 |
| WIRING HARNESS - BUS 45' DIAGRAM D-060938 | | |

| Item# | Part | Description | X L I I 4 5 | X L I I M T H 4 0 | X L I I M T H 4 5 | X L I I M T H 4 5 E | N O T E S |
|-------|--------|---|----------------------------|---|---|--|-----------------------|
| | | IN BATTERIES COMPARTMENT | | | | | |
| 1 | 063592 | CABLE ASSY / B - TO GROUND | 1 | | | | |
| 1 | 064255 | CABLE ASSY / B - TO GROUND | 1 | | | | |
| 2 | 062371 | CABLE ASSY / B + TO B + | 2 | | | | |
| 3 | 061180 | CABLE ASSY / B - TO B - | 2 | | | | D |
| 3 | 063903 | CABLE ASSY / B + TO B - | 1 | | | | |
| 4 | 061036 | CABLE ASSY / B - TO B - | 2 | | | | |
| 5 | 063591 | CABLE ASSY / RELAY BATTERY & BATTERY #24 | 1 | | | | |
| 5 | 064256 | CABLE ASSY / RELAY BATTERY & BATTERY #24 | 1 | | | | D |
| 6 | 063595 | CABLE ASSY / TO BOOSTER BLOCK #24 | 1 | | | | |
| 7 | 063588 | CABLE ASSY / #0VA | 1 | | | | |
| 7 | 065819 | CABLE ASSY / #0VA | 1 | | | | |
| 7 | 063897 | CABLE ASSY / #0VA | 1 | | | | D |
| 7 | 065821 | CABLE ASSY / #0VA | 1 | | | | D |
| 8 | 063636 | CABLE ASSY / #12VA | 1 | | | | |
| 8 | 065825 | WIRING HARNESS | 1 | | | | |
| 8 | 063898 | CABLE ASSY / #12VA | 1 | | | | D |
| 8 | 065822 | CABLE ASSY / #12VA | 1 | | | | D |
| 9 | 064046 | CABLE ASSY / #24VA | 1 | | | | |
| 9 | 065826 | CABLE ASSY #24VA | 1 | | | | |
| 9 | 064257 | CABLE ASSY #24VA | 1 | | | | D |
| 9 | 065824 | CABLE ASSY #24VA | 1 | | | | D |
| 10 | 064047 | CABLE ASSY / BATTERY BOOSTER BLOCK / #0 | 1 | | | | |
| 11 | 064045 | CABLE ASSY #12P | 1 | | | | |
| 11 | 064258 | CABLE ASSY / W/8D BATTERIES #12 | 1 | | | | D |
| 12 | 065116 | WIRING HARNESS, BATTERIES COMPARTMENT ACCES | 1 | | | | |
| 13 | 063911 | CABLE ASSY / #12 | 1 | | | | |
| 14 | 064042 | CABLE ASSY #24E | 1 | | | | |
| 15 | 063999 | CABLE ASSY #101 | 1 | | | | |
| 17 | 064740 | CABLE ASSY W/ALTERNATOR # 102-2/0 | 2 | | | | |
| 18 | 062214 | CABLE ASSY # 0C | 1 | | | | |
| 19 | 062212 | CABLE ASSY # 0B | 1 | | | | |
| 20 | 062849 | CABLE ASSY # 0-8 | 1 | | | | |
| 22 | 063403 | CABLE ASSY / #90 | 1 | | | | |
| 24 | 065088 | CABLE ASSY #102 | 1 | | | | |
| 25 | 064044 | CABLE ASSY / #00A | 1 | | | | |
| 25 | 063908 | CABLE ASSY / #00A | 1 | | | | D |

| | | |
|--|--------------|-----------------|
| From Y-7046 To 6-8906 | Date:10/2022 | PAGE:Y2-0600-00 |
| WIRING HARNESS - BUS 45' DIAGRAM D-060938 | | |

| Item# | Part | Description | X L I I 4 5 | X L I I M T H 4 0 | X L I I M T H 4 5 | X L I I M T H 4 5 E | N O T E S |
|-------|--------|--|----------------------------|---|---|--|-----------------------|
| | | INSIDE BATTERIES JUNCTION BOX | | | | | |
| 31 | 065116 | WIRING HARNESS, BATTERIES COMPARTMENT ACCES | 1 | | | | |
| 31 | 065345 | WIRING HARNESS, BATTERIES COMPARTMENT ACCES | 1 | | | | |
| 31 | 065336 | WIRING HARNESS, W.C.L. | 1 | | | | |
| 32 | 065344 | CABLE ASSY / W.C.L. ACCESSORIES DOOR | 1 | | | | |
| 33 | 065916 | CABLE ASSY / W.C.L. ACCESSORIES DOOR | 1 | | | | |
| 33 | 066468 | CABLE ASSY / W.C.L. ACCESSORIES DOOR | 1 | | | | |
| 34 | 065343 | WIRING HARNESS INTERFACE RICON | 1 | | | | |
| 34 | 065917 | WIRING HARNESS INTERFACE RICON | 1 | | | | |
| 34 | 066107 | CABLE ASSY / POWER / W.C.L. "RICON" | 1 | | | | |
| 34 | 066307 | CABLE ASSY / POWER / W.C.L. "RICON" | 1 | | | | |
| 35 | 065857 | CABLE ASSY / POWER / W.C.L. "RICON" | 1 | | | | |
| | | FROM BATTERIES JUNCTION COMPARTMENT TO COMPONENTS | | | | | |
| 41 | 065050 | CABLE ASSY / TO A/C BOX & FUEL TANK | 1 | | | | |
| 41 | 066440 | CABLE ASSY / ENGINE COMPT ACCESSORIES | 1 | | | | |
| 42 | 065057 | CABLE ASSY / A/C JCT BOX | 1 | | | | |
| 42 | 065768 | CABLE ASSY / A/C JCT BOX | 1 | | | | |
| | | INSIDE REAR JUNCTION BOX | | | | | |
| 51 | 065140 | CABLE ASSY / FOR MAJOR COMPONENTS | 1 | | | | |
| 51 | 065447 | CABLE ASSY / FOR MAJOR COMPONENTS | 1 | | | | |
| 51 | 065533 | CABLE ASSY / FOR MAJOR COMPONENTS | 1 | | | | |
| 51 | 065570 | CABLE ASSY / FOR MAJOR COMPONENTS | 1 | | | | |
| 51 | 065599 | CABLE ASSY / FOR MAJOR COMPONENTS | 1 | | | | |
| 51 | 065935 | CABLE ASSY / FOR MAJOR COMPONENTS | 1 | | | | |
| 51 | 065978 | CABLE ASSY / FOR MAJOR COMPONENTS | 1 | | | | |
| 51 | 066441 | CABLE ASSY / FOR MAJOR COMPONENTS | 1 | | | | |
| | | FROM REAR JUNCTION BOX TO REAR ENGINE COMPARTMENT | | | | | |
| 61 | 065124 | CABLE ASSY / ENGINE COMPT ACCESSORIES | 1 | | | | |
| 61 | 065286 | CABLE ASSY / ENGINE COMPT ACCESSORIES | 1 | | | | |
| 61 | 065571 | CABLE ASSY / ENGINE COMPT ACCESSORIES | 1 | | | | |
| 61 | 065665 | CABLE ASSY / ENGINE COMPT ACCESSORIES | 1 | | | | |
| 61 | 065469 | CABLE ASSY / ENGINE COMPT ACCESSORIES | 1 | | | | |
| 61 | 065827 | CABLE ASSY / ENGINE COMPT ACCESSORIES | 1 | | | | |

| | | | |
|--|--|--------------|-----------------|
| From Y-7046 To 6-8906 | | Date:10/2022 | PAGE:Y2-0600-00 |
| WIRING HARNESS - BUS 45' DIAGRAM D-060938 | | | |

| Item# | Part | Description | X L I I 4 5 | X L I I M T H 4 0 | X L I I M T H 4 5 | X L I I M T H 4 5 E | N O T E S |
|-------|--------|---|----------------------------|---|---|--|-----------------------|
| 61 | 065767 | CABLE ASSY / ENGINE COMPT ACCESSORIES | 1 | | | | |
| 61 | 065975 | CABLE ASSY / ENGINE COMPT ACCESSORIES | 1 | | | | |
| 61 | 066567 | CABLE ASSY / ENGINE COMPT ACCESSORIES | 1 | | | | |
| 62 | 064395 | CABLE ASSY / W/"WEBASTO" | 1 | | | | |
| 63 | 064809 | CABLE / ENGINE DOOR REAR LAMP W/BULB | 2 | | | | |
| 63 | 065712 | CABLE / ENGINE DOOR REAR LAMP W/LEDS | 1 | | | | |
| 64 | 064822 | CABLE HARNESS / REAR ROOF | 1 | | | | |
| 64 | 066117 | CABLE HARNESS / REAR ROOF | 1 | | | | |
| 65 | 065237 | CABLE ASSY / TIMER FLUSH PUMP | 1 | | | | |
| 65 | 065470 | CABLE ASSY / TIMER FLUSH PUMP | 1 | | | | |
| 65 | 065813 | CABLE ASSY / TIMER FLUSH PUMP | 1 | | | | |
| 66 | 064894 | CABLE ASSY / COMPRESSOR DOOR LOCK | 1 | | | | |
| 67 | 065395 | CABLE ASSY / W/GALLEY | 1 | | | | |
| 67 | 065705 | CABLE ASSY / W/REAR GALLEY RELAY | 1 | | | | |
| 68 | 064994 | CABLE ASSY / FUEL PUMP ELECTRIC | 1 | | | | |
| 69 | 064881 | CABLE ASSY / ENGINE ACCESSORIES To 2-7823 | 1 | | | | |
| 69 | 065598 | CABLE ASSY / ENGINE ACCESSORIES From 2-7824 To 3-8164 | 1 | | | | |
| 69 | 065786 | CABLE ASSY / ENGINE ACCESSORIES From 4-8165 To 4-8279 | 1 | | | | |
| 69 | 066008 | CABLE ASSY / ENGINE ACCESSORIES From 4-8280 To 5-8358 | 1 | | | | |
| 69 | 065976 | CABLE ASSY / ENGINE ACCESSORIES From 5-8359 To 5-8425 | 1 | | | | |
| 69 | 066200 | CABLE ASSY / ENGINE ACCESSORIES From 5-8426 | 1 | | | | |
| 70 | 064942 | CABLE ASSY / W/2 "BOSCH" 140 AMPS | 1 | | | | |
| 71 | 065181 | CABLE ASSY / ECU & REAR JCT BOX | 1 | | | | |
| 72 | 065789 | CABLE ASSY / ECU & REAR JCT BOX | 1 | | | | |
| 72 | 065977 | CABLE ASSY / ECU & REAR JCT BOX | 1 | | | | |
| 72 | 065977 | CABLE ASSY / ECU & REAR JCT BOX | 1 | | | | |
| | | FROM REAR JUNCTION BOX | | | | | |
| | | TO PARCEL RACK & LAVATORY | | | | | |
| 81 | 065120 | CABLE ASSY / PARCEL RACK & LAVATORY | 1 | | | | |
| 81 | 065249 | CABLE ASSY / PARCEL RACK & LAVATORY | 1 | | | | |
| 81 | 065911 | CABLE ASSY / PARCEL RACK & LAVATORY | 1 | | | | |
| 82 | 064562 | CABLE HARNESS / IND LIGHT R.H. / W/DOOR | 1 | | | | |
| 83 | 064578 | CABLE HARNESS / IND LIGHT BALLAST | 2 | | | | |
| 84 | 065091 | CABLE ASSY / DIRECT LIGHT & SPEAKER R.H. | 1 | | | | |
| 84 | 065498 | CABLE ASSY / DIRECT LIGHT & SPEAKER R.H. | 1 | | | | |
| 85 | 065183 | CABLE ASSY / READING LIGHT CURBSIDE | 1 | | | | |
| 86 | 064564 | CABLE HARNESS / IND LIGHT L.H. / W/DOOR | 1 | | | | |
| 87 | 064560 | CABLE ASSY / DIRECT LIGHT & SPEAKER L.H. | 1 | | | | |
| 87 | 065494 | CABLE ASSY / DIRECT LIGHT & SPEAKER L.H. | 1 | | | | |
| 88 | 065182 | CABLE ASSY / READING LIGHT STREETSIDE | 1 | | | | |

| | | |
|--|--------------|-----------------|
| From Y-7046 To 6-8906 | Date:10/2022 | PAGE:Y2-0600-00 |
| WIRING HARNESS - BUS 45' DIAGRAM D-060938 | | |

| Item# | Part | Description | X L I I 4 5 | X L I I M T H 4 0 | X L I I M T H 4 5 | X L I I M T H 4 5 E | N O T E S |
|-------|--------|--|----------------------------|---|---|--|-----------------------|
| | | FROM REAR JUNCTION BOX | | | | | |
| | | TO COMPARTMENT UNDER FLOOR | | | | | |
| 101 | 065111 | CABLE ASSY / FRT JCT BOX & REAR JCT BOX | 1 | | | | |
| 101 | 065337 | CABLE ASSY / FRT JCT BOX & REAR JCT BOX | 1 | | | | |
| 101 | 065405 | CABLE ASSY / FRT JCT BOX & REAR JCT BOX | 1 | | | | |
| 101 | 065594 | CABLE ASSY / FRT JCT BOX & REAR JCT BOX | 1 | | | | |
| 101 | 066439 | CABLE ASSY / FRT JCT BOX & REAR JCT BOX | 1 | | | | |
| 101 | 066590 | CABLE ASSY / FRT JCT BOX & REAR JCT BOX | 1 | | | | |
| 102 | 065112 | CABLE ASSY / FRONT BAGGAGE COMPARTMENT | 1 | | | | |
| 103 | 062796 | CABLE ASSY / ACTUATOR POWER / EACH DOOR | 6 | | | | |
| 104 | 065113 | CABLE ASSY / REAR BAGGAGE COMPARTMENT | 1 | | | | |
| 104 | 065577 | CABLE ASSY / REAR BAGGAGE COMPARTMENT | 1 | | | | |
| | | VEHICLE WITH "WORLD" TRANSMISSION | | | | | |
| 111 | 064777 | CABLE, FRONT INTERFACE | 1 | | | | |
| 111 | 065348 | CABLE, FRONT INTERFACE | 1 | | | | |
| 111 | 065448 | CABLE, FRONT INTERFACE | 1 | | | | |
| 111 | 065596 | CABLE, FRONT INTERFACE | 1 | | | | |
| 111 | 065860 | CABLE, FRONT INTERFACE | 1 | | | | |
| 112 | 063782 | CABLE ASSY / RESISTANCE MODULE & SWITCH | 1 | | | | |
| 113 | 064716 | CABLE ASSY / TRANS & SPEED SWITCH | 1 | | | | |
| 114 | 064812 | CABLE ASSY / TRANS & E.C.U. MODULE | 1 | | | | |
| 115 | 065330 | CABLE ASSY / TRANS & SPEED SWITCH / W/RETARDER | 1 | | | | |
| 115 | 065750 | CABLE ASSY / TRANS & SPEED SWITCH / W/RETARDER | 1 | | | | |
| 116 | 065331 | CABLE ASSY / TRANS & SPEED SWITCH / W/O RETARDER | 1 | | | | |
| 116 | 065751 | CABLE ASSY / TRANS & SPEED SWITCH / W/O RETARDER | 1 | | | | |
| 117 | 065029 | CABLE ASSY / E.C.M. & ACCELERATOR PEDAL | 1 | | | | |
| 117 | 065404 | CABLE ASSY / E.C.M. & ACCELERATOR PEDAL | 1 | | | | |
| 117 | 065446 | CABLE ASSY / E.C.M. & ACCELERATOR PEDAL | 1 | | | | |
| 117 | 065597 | CABLE ASSY / E.C.M. & ACCELERATOR PEDAL | 1 | | | | |
| 117 | 065787 | CABLE ASSY / E.C.M. & ACCELERATOR PEDAL | 1 | | | | |
| 117 | 065979 | CABLE ASSY / E.C.M. & ACCELERATOR PEDAL | 1 | | | | |
| 118 | 064286 | CABLE ASSY / SPEED SWITCH | 1 | | | | |
| 119 | 065410 | CABLE ASSY / SPEED SENSOR | 1 | | | | |
| | | VEHICLE WITH "EATON" TRANSMISSION | | | | | |
| 121 | 065402 | CABLE ASSY / ECU & FRONT SHIFTER | 1 | | | | |
| 121 | 065848 | CABLE ASSY "ZF" TRANSMISSION | 1 | | | | |

| | | |
|--|--------------|-----------------|
| From Y-7046 To 6-8906 | Date:10/2022 | PAGE:Y2-0600-00 |
| WIRING HARNESS - BUS 45' DIAGRAM D-060938 | | |

| Item# | Part | Description | X L I I 4 5 | X L I I M T H 4 0 | X L I I M T H 4 5 | X L I I M T H 4 5 E | N O T E S |
|-------|--------|---|----------------------------|---|---|--|-----------------------|
| 121 | 066124 | CABLE ASSY "ZF" TRANSMISSION | 1 | | | | |
| 121 | 066592 | CABLE ASSY "ZF" TRANSMISSION | 1 | | | | |
| 122 | 065408 | CABLE ASSY / "EATON" | 1 | | | | |
| 122 | 065833 | CABLE ASSY / ECU & TRANS CONTROL "ZF" | 1 | | | | |
| | | INSIDE FRONT JUNCTION BOX | | | | | |
| 141 | 065109 | WIRING HARNESS FRONT JUNCTION BOX | 1 | | | | |
| 141 | 065347 | WIRING HARNESS FRONT JUNCTION BOX | 1 | | | | |
| 141 | 065403 | WIRING HARNESS FRONT JUNCTION BOX | 1 | | | | |
| 141 | 065449 | WIRING HARNESS FRONT JUNCTION BOX | 1 | | | | |
| 141 | 065575 | WIRING HARNESS FRONT JUNCTION BOX | 1 | | | | |
| 141 | 065595 | WIRING HARNESS FRONT JUNCTION BOX | 1 | | | | |
| 141 | 065648 | WIRING HARNESS FRONT JUNCTION BOX | 1 | | | | |
| 141 | 065762 | WIRING HARNESS FRONT JUNCTION BOX | 1 | | | | |
| 141 | 065854 | WIRING HARNESS FRONT JUNCTION BOX | 1 | | | | |
| 141 | 065716 | WIRING HARNESS FRONT JUNCTION BOX | 1 | | | | |
| 141 | 066229 | WIRING HARNESS FRONT JUNCTION BOX | 1 | | | | |
| 141 | 066438 | WIRING HARNESS FRONT JUNCTION BOX | 1 | | | | |
| 141 | 066591 | WIRING HARNESS FRONT JUNCTION BOX | 1 | | | | |
| 142 | 064908 | CABLE ASSY TO STEERING SPEED SIGNAL ECU / W/"ZF" STEERING | 1 | | | | |
| 143 | 064199 | CABLE ASSY / CLOCK & FRONT JCT PANEL | 1 | | | | |
| 144 | 065115 | CABLE ASSY / MAIN AISLE LAMP | 1 | | | | |
| | | FROM FRONT JUNCTION BOX | | | | | |
| | | TO "ABS" MODULE | | | | | |
| 161 | 064781 | CABLE ASSY / ABS MODULE TO FRONT & REAR CABLE | 1 | | | | |
| 161 | 065631 | CABLE ASSY / ABS MODULE TO FRONT & REAR CABLE | 1 | | | | |
| 162 | 064640 | CABLE ASSY / FRONT "ABS" SENSOR & VALVE | 1 | | | | |
| 162 | 065632 | CABLE ASSY / FRONT "ABS" SENSOR & VALVE | 1 | | | | |
| 163 | 064876 | CABLE ASSY / REAR "ABS" SENSOR & VALVE | 1 | | | | |
| 163 | 065634 | CABLE ASSY / REAR "ABS" SENSOR & VALVE | 1 | | | | |
| | | FROM FRONT JUNCTION BOX | | | | | |
| | | TO FORWARD VEHICULE | | | | | |
| 173 | 065110 | CABLE ASSY / FRONT LOWER END | 1 | | | | |
| 173 | 065346 | CABLE ASSY / FRONT LOWER END | 1 | | | | |
| 173 | 065379 | CABLE ASSY / FRONT LOWER END | 1 | | | | |
| 173 | 065562 | CABLE ASSY / FRONT LOWER END | 1 | | | | |
| 173 | 065742 | CABLE ASSY / FRONT LOWER END | 1 | | | | |

| | | |
|--|--------------|-----------------|
| From Y-7046 To 6-8906 | Date:10/2022 | PAGE:Y2-0600-00 |
| WIRING HARNESS - BUS 45' DIAGRAM D-060938 | | |

| Item# | Part | Description | X L I I 4 5 | X L I I M T H 4 0 | X L I I M T H 4 5 | X L I I M T H 4 5 E | N O T E S |
|-------|--------|---|----------------------------|---|---|--|-----------------------|
| 173 | 065718 | CABLE ASSY / FRONT LOWER END | 1 | | | | |
| 173 | 066097 | CABLE ASSY / FRONT LOWER END | 1 | | | | |
| 174 | 064816 | CABLE HARNESS / FRONT ROOF | 1 | | | | |
| 174 | 065761 | CABLE HARNESS / FRONT ROOF | 1 | | | | |
| 175 | 065108 | WIRING HARNESS DASHBOARD CENTRAL MODULE | 1 | | | | |
| 175 | 065325 | WIRING HARNESS DASHBOARD CENTRAL MODULE | 1 | | | | |
| 175 | 065561 | WIRING HARNESS DASHBOARD CENTRAL MODULE | 1 | | | | |
| 175 | 065763 | WIRING HARNESS DASHBOARD CENTRAL MODULE | 1 | | | | |
| 175 | 066093 | WIRING HARNESS DASHBOARD CENTRAL MODULE | 1 | | | | |
| 175 | 066096 | WIRING HARNESS DASHBOARD CENTRAL MODULE | 1 | | | | |
| 175 | 066437 | WIRING HARNESS DASHBOARD CENTRAL MODULE | 1 | | | | |
| 179 | 062810 | CABLE / FROM DESTINATION SIGN TO HARNESS | 1 | | | | |
| | | CABLE / CONNECTED AT HARNESS / # 173 | | | | | |
| | | FROM CABLE ASSY FRONT LOWER END | | | | | |
| 181 | 065117 | CABLE ASSY / "KNEELING PANEL" | 1 | | | | |
| 181 | 065349 | CABLE ASSY / "KNEELING PANEL" | 1 | | | | |
| 181 | 066092 | CABLE ASSY / "KNEELING PANEL" | 1 | | | | |
| 181 | 066225 | CABLE ASSY / "KNEELING PANEL" | 1 | | | | |
| 182 | 065131 | CABLE ASSY / ENTRANCE DOOR | 1 | | | | |
| 183 | 065114 | CABLE ASSY / ENTRANCE DOOR CONTROL PANEL | 1 | | | | |
| 184 | 064780 | CABLE ASSY / HEADLAMP | 2 | | | | |
| 184 | 065929 | CABLE ASSY / W/"HALOGENE" LAMPS / W/XL-II | 1 | | | | |
| 184 | 065930 | CABLE ASSY / W/"XENON" LAMPS / W/XL-II | 1 | | | | |
| 185 | 064828 | CABLE ASSY / WINDSHIELD WASHER PUMP | 1 | | | | |
| 186 | 065005 | CABLE ASSY / SERVICE DOOR | 1 | | | | |
| 187 | 065222 | CABLE ASSY / PARKING BRAKE PRESSURE | 1 | | | | |
| | | CABLE / CONNECTED AT HARNESS / # 175 | | | | | |
| | | FROM CABLE ASSY DASHBOARD PANEL | | | | | |
| 191 | 065063 | CABLE ASSY / BACK-UP MONITOR | 1 | | | | |
| . NS | 990335 | . CABLE MONITOR "CLARION" | 1 | | | | |
| . NS | 560851 | . CONNECTOR / COM. MATE-N-LOCK / PH 4C / AMP 1-480426-0 | 1 | | | | |
| . NS | 504397 | . GROMMET / .750x1.062x.062x.375x1.375 | 1 | | | | |
| . NS | N.P.N. | . CABLE ASSY / BACK-UP MONITOR | AR | | | | 4 |
| 192 | 065118 | WIRING HARNESS DASHBOARD LEFT MODULE | 1 | | | | |
| 192 | 065339 | WIRING HARNESS DASHBOARD LEFT MODULE | 1 | | | | |
| 192 | 065406 | WIRING HARNESS DASHBOARD LEFT MODULE | 1 | | | | |
| 192 | 065568 | WIRING HARNESS DASHBOARD LEFT MODULE | 1 | | | | |
| 193 | 064584 | WIRING HARNESS / W/ "ESPAR" PREHEATER | 1 | | | | |

| | | |
|-----------------------|--------------|-----------------|
| From Y-7046 To 6-8906 | Date:10/2022 | PAGE:Y2-0600-00 |
|-----------------------|--------------|-----------------|

WIRING HARNESS - BUS 45' DIAGRAM D-060938

| Item# | Part | Description | X L I I 4 5 | X L I I M T H 4 0 | X L I I M T H 4 5 | X L I I M T H 4 5 E | N O T E S |
|-------|--------|---|----------------------------|---|---|--|-----------------------|
| 193 | 065572 | WIRING HARNESS / W/ "WEBASTO" PREHEATER | 1 | | | | |
| 193 | 064700 | WIRING HARNESS / W/ "WEBASTO" PREHEATER | 1 | | | | |
| | | MISCELLANEOUS CABLES | | | | | |
| 201 | 063296 | CABLE ASSY / 110V BLOCK HEATER | 1 | | | | |
| 201 | 065517 | CABLE ASSY / 110V BLOCK HEATER | 1 | | | | |
| 202 | 063295 | CABLE ASSY / 110V BLOCK HEATER ENGINE SECTION | 1 | | | | |
| 203 | 064103 | CABLE ASSY / 110V WATER HEATER LAVATORY TANK | 1 | | | | |
| | | D) WITH 8D BATTERIES "OPTION" | | | | | |
| | | 4) NO PARTS NUMBER | | | | | |

| | | | |
|---|--|--------------|-----------------|
| From Y-7046 To 7-9095 | | Date:10/2022 | PAGE:Y2-0600-50 |
| WIRING HARNESS - MTH 40' & MTH 45' DIAGRAM D-060921 | | | |

**DRAWING NOT
AVAILABLE**

| | | |
|--|--------------|-----------------|
| From Y-7046 To 7-9095 | Date:10/2022 | PAGE:Y2-0600-50 |
| WIRING HARNESS - MTH 40' & MTH 45' DIAGRAM D-060921 | | |

| Item# | Part | Description | X L I I 4 5 | X L I I M T H 4 0 | X L I I M T H 4 5 | X L I I M T H 4 5 E | N O T E S |
|-------|--------|--|----------------------------|---|---|--|-----------------------|
| | | IN BATTERIES COMPARTMENT | | | | | |
| 1 | 061329 | CABLE ASSY / B - TO GROUND | | 1 | 1 | 1 | |
| 1 | 063410 | CABLE ASSY / B - TO GROUND | | 1 | 1 | 1 | |
| 1 | 063406 | CABLE ASSY / B - TO BOOSTER BLOCK | | 1 | 1 | 1 | |
| 2 | 062371 | CABLE ASSY / B + TO B + | | 2 | 2 | 2 | |
| 3 | 061180 | CABLE ASSY / B - TO B - | | AR | AR | AR | |
| 4 | 064887 | CABLE ASSY POWER | | 1 | 1 | 1 | |
| 6 | 063412 | CABLE ASSY 24-2/0 | | 1 | 1 | 1 | |
| 7 | 061036 | CABLE ASSY / B - TO B - | | 1 | 1 | 1 | |
| 8 | 063411 | CABLE ASSY / #0VA | | 1 | 1 | 1 | |
| 9 | 063415 | CABLE ASSY / #12VA | | 1 | 1 | 1 | |
| 10 | 063414 | CABLE ASSY / #24VA | | 1 | 1 | 1 | |
| 15 | 060717 | CABLE ASSY / ALT & GROUND | | 1 | 1 | 1 | |
| 16 | 063894 | CABLE ASSY #101 | | 1 | 1 | 1 | |
| 16 | 063409 | CABLE ASSY #101 | | 1 | 1 | 1 | |
| 17 | 063297 | CABLE ASSY # 102-2/0 | | 1 | 1 | 1 | |
| 18 | 062214 | CABLE ASSY # 0C | | 1 | 1 | 1 | |
| 19 | 062212 | CABLE ASSY # 0B | | 1 | 1 | 1 | |
| 20 | 063432 | CABLE ASSY #24G-2 | | 1 | 1 | 1 | |
| 24 | 065088 | CABLE ASSY #102 | | 1 | 1 | 1 | |
| 28 | 064930 | CABLE ASSY #24B | | 1 | 1 | 1 | |
| | | FROM REAR & BATTERIES JUNCTION BOX TO A/C COMPARTMENT | | | | | |
| 41 | 065050 | CABLE ASSY / TO A/C BOX & FUEL TANK | | 1 | 1 | 1 | |
| 41 | 065636 | CABLE ASSY / TO A/C BOX & FUEL TANK | | 1 | 1 | 1 | |
| 41 | 065769 | CABLE ASSY / TO A/C BOX & FUEL TANK | | 1 | 1 | 1 | |
| 41 | 066004 | CABLE ASSY / TO A/C BOX & FUEL TANK | | 1 | 1 | 1 | |
| 41 | 066472 | CABLE ASSY / TO A/C BOX & FUEL TANK | | 1 | 1 | 1 | |
| 41 | 066392 | CABLE ASSY / TO A/C BOX & FUEL TANK SEE DRAWING | | 1 | 1 | 1 | |
| 42 | 065768 | CABLE ASSY / A/C JCT BOX | | 1 | 1 | 1 | |
| 43 | 064883 | CABLE ASSY / FUEL TANK | | 1 | 1 | 1 | |
| 43 | 065699 | CABLE ASSY / FUEL TANK | | 1 | 1 | 1 | |
| | | INSIDE REAR JUNCTION BOX | | | | | |
| 51 | 064827 | CABLE ASSY / FOR MAJOR COMPONENTS | | 1 | 1 | 1 | |
| 51 | 065452 | CABLE ASSY / FOR MAJOR COMPONENTS | | 1 | 1 | 1 | |
| 51 | 065666 | CABLE ASSY / FOR MAJOR COMPONENTS | | 1 | 1 | 1 | |

| | | |
|--|--------------|-----------------|
| From Y-7046 To 7-9095 | Date:10/2022 | PAGE:Y2-0600-50 |
| WIRING HARNESS - MTH 40' & MTH 45' DIAGRAM D-060921 | | |

| Item# | Part | Description | X L I I 4 5 | X L I I | X L I I | X L I I | N O T E S |
|-------|--------|---|----------------------------|-----------------------|-----------------------|----------------------------|-----------------------|
| | | | | M T H 4 0 | M T H 4 5 | M T H 4 5 E | |
| 51 | 065947 | CABLE ASSY / FOR MAJOR COMPONENTS | | 1 | 1 | 1 | |
| 51 | 065974 | CABLE ASSY / FOR MAJOR COMPONENTS | | 1 | 1 | 1 | |
| 51 | 066349 | CABLE ASSY / FOR MAJOR COMPONENTS | | 1 | 1 | 1 | |
| | | FROM REAR JUNCTION BOX | | | | | |
| | | TO REAR ENGINE COMPARTMENT | | | | | |
| 61 | 064793 | WIRING HARNESS ENGINE COMPARTMENT | | 1 | 1 | 1 | |
| 61 | 065285 | WIRING HARNESS ENGINE COMPARTMENT | | 1 | 1 | 1 | |
| 61 | 065667 | WIRING HARNESS ENGINE COMPARTMENT | | 1 | 1 | 1 | |
| 61 | 065766 | WIRING HARNESS ENGINE COMPARTMENT | | 1 | 1 | 1 | |
| 61 | 065970 | WIRING HARNESS ENGINE COMPARTMENT | | 1 | 1 | 1 | |
| 61 | 065350 | WIRING HARNESS ENGINE COMPARTMENT SEE DRAWING | | 1 | 1 | 1 | |
| 64 | 064822 | CABLE HARNESS / REAR ROOF | | 1 | 1 | 1 | |
| 64 | 066117 | CABLE HARNESS / REAR ROOF | | 1 | 1 | 1 | |
| 66 | 064894 | CABLE ASSY / COMPRESSOR DOOR LOCK | | 1 | 1 | 1 | |
| 68 | 064994 | CABLE ASSY / FUEL PUMP ELECTRIC | | 1 | 1 | 1 | |
| 69 | 064881 | CABLE ASSY / ENGINE ACCESSORIES | | 1 | 1 | 1 | |
| 69 | 065598 | CABLE ASSY / ENGINE ACCESSORIES | | 1 | 1 | 1 | |
| 69 | 065786 | CABLE ASSY / ENGINE ACCESSORIES | | 1 | 1 | 1 | |
| 69 | 066008 | CABLE ASSY / ENGINE ACCESSORIES | | 1 | 1 | 1 | |
| 69 | 065976 | CABLE ASSY / ENGINE ACCESSORIES | | 1 | 1 | 1 | |
| 69 | 066200 | CABLE ASSY / ENGINE ACCESSORIES | | 1 | 1 | 1 | |
| 69 | 066848 | CABLE ASSY / ENGINE ACCESSORIES | | 1 | 1 | 1 | |
| 70 | 064942 | CABLE ASSY / W/2 "BOSCH" 140 AMPS | | 1 | 1 | 1 | |
| 71 | 062723 | CABLE ASSY / W/"DELCO" 75 AMPS | | 1 | 1 | 1 | |
| 71 | 065013 | CABLE ASSY / W/"DELCO" 300 AMPS | | 1 | 1 | 1 | |
| 72 | 064886 | CABLE ASSY / ACCESSORY BATTERY | | 1 | 1 | 1 | |
| 72 | 065421 | CABLE ASSY / ACCESSORY BATTERY | | 1 | 1 | 1 | |
| 72 | 065790 | CABLE ASSY / ACCESSORY BATTERY | | 1 | 1 | 1 | |
| 72 | 065973 | CABLE ASSY / ACCESSORY BATTERY SEE DRAWING | | . | . | . | |
| | | FROM REAR JUNCTION BOX | | | | | |
| | | TO COMPARTMENT UNDER FLOOR | | | | | |
| 101 | 065195 | CABLE ASSY / FRT JCT BOX & REAR JCT BOX | | 1 | | | |
| 101 | 066025 | CABLE ASSY / FRT JCT BOX & REAR JCT BOX | | 1 | | | |
| 101 | 066351 | CABLE ASSY / FRT JCT BOX & REAR JCT BOX | | 1 | | | |
| 101 | 064804 | CABLE ASSY / FRT JCT BOX & REAR JCT BOX | | | 1 | | |
| 101 | 066026 | CABLE ASSY / FRT JCT BOX & REAR JCT BOX | | | 1 | | |
| 101 | 066345 | CABLE ASSY / FRT JCT BOX & REAR JCT BOX | | | 1 | | |
| 101 | 065298 | CABLE ASSY / FRT JCT BOX & REAR JCT BOX | | | | 1 | |

| | | |
|--|--------------|-----------------|
| From Y-7046 To 7-9095 | Date:10/2022 | PAGE:Y2-0600-50 |
| WIRING HARNESS - MTH 40' & MTH 45' DIAGRAM D-060921 | | |

| Item# | Part | Description | X L I I 4 5 | X L I I M T H 4 0 | X L I I M T H 4 5 | X L I I M T H 4 5 E | NOTES |
|-------|--------|--|----------------------------|---|---|--|-------|
| 101 | 066027 | CABLE ASSY / FRT JCT BOX & REAR JCT BOX | | | | 1 | |
| 101 | 066351 | CABLE ASSY / FRT JCT BOX & REAR JCT BOX | | | | 1 | |
| 102 | 064872 | CABLE ASSY / FRONT BAGGAGE COMPARTMENT | | 1 | | 1 | |
| 102 | 066024 | CABLE ASSY / FRONT BAGGAGE COMPARTMENT | | 1 | | 1 | |
| 102 | 065196 | CABLE ASSY / FRONT BAGGAGE COMPARTMENT | | | 1 | | |
| 102 | 066023 | CABLE ASSY / FRONT BAGGAGE COMPARTMENT | | | 1 | | |
| 104 | 064873 | CABLE ASSY / REAR BAGGAGE COMPARTMENT | | 1 | 1 | 1 | |
| 104 | 065578 | CABLE ASSY / REAR BAGGAGE COMPARTMENT | | 1 | 1 | 1 | |
| 104 | 066022 | CABLE ASSY / REAR BAGGAGE COMPARTMENT | | 1 | 1 | 1 | |
| 104 | 066390 | CABLE ASSY / REAR BAGGAGE COMPARTMENT | | 1 | 1 | 1 | |
| | | VEHICLE WITH "WORLD" TRANSMISSION | | | | | |
| 111 | 064777 | CABLE, FRONT INTERFACE | | 1 | 1 | 1 | |
| 111 | 065348 | CABLE, FRONT INTERFACE | | 1 | 1 | 1 | |
| 111 | 065596 | CABLE, FRONT INTERFACE | | 1 | 1 | 1 | |
| 111 | 066387 | CABLE, FRONT INTERFACE | | 1 | 1 | 1 | |
| 111 | 066842 | CABLE, FRONT INTERFACE | | 1 | 1 | 1 | |
| 112 | 063782 | CABLE ASSY / RESISTANCE MODULE & SWITCH | | 1 | 1 | 1 | |
| 114 | 064812 | CABLE ASSY / TRANS & E.C.U. MODULE | | 1 | 1 | 1 | |
| 114 | 065260 | CABLE ASSY / TRANS & E.C.U. MODULE | | 1 | 1 | 1 | |
| 115 | 065330 | CABLE ASSY / TRANS & SPEED SWITCH / W/RETARDER | | 1 | 1 | 1 | |
| 115 | 065750 | CABLE ASSY / TRANS & SPEED SWITCH / W/RETARDER | | 1 | 1 | 1 | |
| 116 | 065331 | CABLE ASSY / TRANS & SPEED SWITCH / W/O RETARDER | | 1 | 1 | 1 | |
| 116 | 065751 | CABLE ASSY / TRANS & SPEED SWITCH / W/O RETARDER | | 1 | 1 | 1 | |
| 117 | 065261 | CABLE ASSY / E.C.M. & ACCELERATOR PEDAL | | 1 | | | |
| 117 | 065427 | CABLE ASSY / E.C.M. & ACCELERATOR PEDAL | | 1 | | | |
| 117 | 065451 | CABLE ASSY / E.C.M. & ACCELERATOR PEDAL | | 1 | | | |
| 117 | 065788 | CABLE ASSY / E.C.M. & ACCELERATOR PEDAL | | 1 | | | |
| 117 | 065972 | CABLE ASSY / E.C.M. & ACCELERATOR PEDAL | | 1 | | | |
| 117 | 066845 | CABLE ASSY / E.C.M. & ACCELERATOR PEDAL | | 1 | | | |
| 117 | 065029 | CABLE ASSY / E.C.M. & ACCELERATOR PEDAL | | | 1 | 1 | |
| 117 | 065404 | CABLE ASSY / E.C.M. & ACCELERATOR PEDAL | | | 1 | 1 | |
| 117 | 065446 | CABLE ASSY / E.C.M. & ACCELERATOR PEDAL | | | 1 | 1 | |
| 117 | 065597 | CABLE ASSY / E.C.M. & ACCELERATOR PEDAL | | | 1 | 1 | |
| 117 | 065787 | CABLE ASSY / E.C.M. & ACCELERATOR PEDAL | | | 1 | 1 | |
| 117 | 065979 | CABLE ASSY / E.C.M. & ACCELERATOR PEDAL | | | 1 | 1 | |
| 117 | 066846 | CABLE ASSY / E.C.M. & ACCELERATOR PEDAL | | | 1 | 1 | |
| | | INSIDE FRONT JUNCTION BOX | | | | | |
| 141 | 064815 | WIRING HARNESS FRONT JUNCTION BOX | | 1 | 1 | 1 | |

| | | |
|--|--------------|-----------------|
| From Y-7046 To 7-9095 | Date:10/2022 | PAGE:Y2-0600-50 |
| WIRING HARNESS - MTH 40' & MTH 45' DIAGRAM D-060921 | | |

| Item# | Part | Description | X L I I 4 5 | X L I I M T H 4 0 | X L I I M T H 4 5 | X L I I M T H 4 5 E | NOTES |
|-------|--------|---|----------------------------|---|---|--|-------|
| 141 | 065425 | WIRING HARNESS FRONT JUNCTION BOX | | 1 | 1 | 1 | |
| 141 | 065450 | WIRING HARNESS FRONT JUNCTION BOX | | 1 | 1 | 1 | |
| 141 | 065551 | WIRING HARNESS FRONT JUNCTION BOX | | 1 | 1 | 1 | |
| 141 | 065640 | WIRING HARNESS FRONT JUNCTION BOX | | 1 | 1 | 1 | |
| 141 | 065688 | WIRING HARNESS FRONT JUNCTION BOX | | | | 1 | |
| 141 | 065764 | WIRING HARNESS FRONT JUNCTION BOX | | | | 1 | |
| 141 | 065711 | WIRING HARNESS FRONT JUNCTION BOX | | 1 | 1 | 1 | |
| 141 | 066231 | WIRING HARNESS FRONT JUNCTION BOX | | 1 | 1 | 1 | |
| 141 | 066470 | WIRING HARNESS FRONT JUNCTION BOX | | 1 | 1 | 1 | |
| 141 | 066384 | WIRING HARNESS FRONT JUNCTION BOX | | 1 | 1 | 1 | |
| 141 | 065713 | WIRING HARNESS FRONT JUNCTION BOX | | 1 | 1 | 1 | |
| 141 | 066232 | WIRING HARNESS FRONT JUNCTION BOX | | 1 | 1 | 1 | |
| 141 | 066471 | WIRING HARNESS FRONT JUNCTION BOX | | 1 | 1 | 1 | |
| 141 | 066385 | WIRING HARNESS FRONT JUNCTION BOX | | 1 | 1 | 1 | |
| 142 | 064908 | CABLE ASSY TO STEERING SPEED SIGNAL ECU / W/"ZF" STEERING | | 1 | 1 | 1 | |
| 143 | 066837 | CABLE ASSY / HEADLAMP WASHER RELAY | | 1 | 1 | 1 | |
| 144 | 066838 | CABLE ASSY / SWITCH HEADLAMP WASHER PUMP / "H" SERIES | | 1 | 1 | 1 | |
| | | | | | | | |
| | | FROM FRONT JUNCTION BOX | | | | | |
| | | TO "ABS" MODULE | | | | | |
| | | | | | | | |
| 161 | 064781 | CABLE ASSY / ABS MODULE TO FRONT & REAR CABLE | | 1 | 1 | 1 | |
| 161 | 065631 | CABLE ASSY / ABS MODULE TO FRONT & REAR CABLE | | 1 | 1 | 1 | |
| 162 | 064640 | CABLE ASSY / FRONT "ABS" SENSOR & VALVE | | 1 | 1 | 1 | |
| 162 | 065632 | CABLE ASSY / FRONT "ABS" SENSOR & VALVE | | 1 | 1 | 1 | |
| 163 | 064876 | CABLE ASSY / REAR "ABS" SENSOR & VALVE | | 1 | 1 | 1 | |
| 163 | 065634 | CABLE ASSY / REAR "ABS" SENSOR & VALVE | | 1 | 1 | 1 | |
| | | | | | | | |
| | | FROM FRONT JUNCTION BOX | | | | | |
| | | TO FORWARD VEHICULE | | | | | |
| | | | | | | | |
| 173 | 064779 | CABLE ASSY / FRONT LOWER END | | 1 | 1 | 1 | |
| 173 | 065439 | CABLE ASSY / FRONT LOWER END | | 1 | 1 | 1 | |
| 173 | 065564 | CABLE ASSY / FRONT LOWER END | | 1 | 1 | 1 | |
| 173 | 065550 | CABLE ASSY / FRONT LOWER END | | 1 | 1 | 1 | |
| 173 | 065783 | CABLE ASSY / FRONT LOWER END | | 1 | 1 | 1 | |
| 173 | 065715 | CABLE ASSY / FRONT LOWER END | | 1 | 1 | 1 | |
| 173 | 066099 | CABLE ASSY / FRONT LOWER END | | 1 | 1 | 1 | |
| 173 | 066388 | CABLE ASSY / FRONT LOWER END | | 1 | 1 | 1 | |
| 174 | 064816 | CABLE HARNESS / FRONT ROOF | | 1 | 1 | 1 | |
| 174 | 065761 | CABLE HARNESS / FRONT ROOF | | 1 | 1 | 1 | |
| 174 | 066116 | CABLE HARNESS / FRONT ROOF | | 1 | 1 | 1 | |

| | | |
|--|--------------|-----------------|
| From Y-7046 To 7-9095 | Date:10/2022 | PAGE:Y2-0600-50 |
| WIRING HARNESS - MTH 40' & MTH 45' DIAGRAM D-060921 | | |

| Item# | Part | Description | X L I I 4 5 | X L I I M T H 4 0 | X L I I M T H 4 5 | X L I I M T H 4 5 E | N O T E S |
|-------|--------|---|----------------------------|---|---|--|-----------------------|
| 175 | 064849 | WIRING HARNESS DASHBOARD CENTRAL MODULE | | 1 | 1 | 1 | |
| 175 | 065324 | WIRING HARNESS DASHBOARD CENTRAL MODULE | | 1 | 1 | 1 | |
| 175 | 065428 | WIRING HARNESS DASHBOARD CENTRAL MODULE | | 1 | 1 | 1 | |
| 175 | 065563 | WIRING HARNESS DASHBOARD CENTRAL MODULE | | 1 | 1 | 1 | |
| 175 | 065765 | WIRING HARNESS DASHBOARD CENTRAL MODULE | | 1 | 1 | 1 | |
| 175 | 065855 | WIRING HARNESS DASHBOARD CENTRAL MODULE | | 1 | 1 | 1 | |
| 175 | 066098 | WIRING HARNESS DASHBOARD CENTRAL MODULE | | 1 | 1 | 1 | |
| 175 | 066339 | WIRING HARNESS DASHBOARD CENTRAL MODULE | | 1 | 1 | 1 | |
| 175 | 066386 | WIRING HARNESS DASHBOARD CENTRAL MODULE | | 1 | 1 | 1 | |
| | | CABLE / CONNECTED AT HARNESS / # 173 | | | | | |
| | | FROM CABLE ASSY FRONT LOWER END | | | | | |
| 182 | 064829 | CABLE ASSY / ENTRANCE DOOR | | 1 | 1 | 1 | |
| 183 | 064817 | WIRING HARNESS KEYLESS MODULE | | 1 | 1 | 1 | |
| 183 | 065382 | WIRING HARNESS KEYLESS MODULE | | 1 | 1 | 1 | |
| 183 | 065549 | WIRING HARNESS KEYLESS MODULE | | 1 | 1 | 1 | |
| 184 | 064780 | CABLE ASSY / HEADLAMP | | 1 | 1 | 1 | |
| 184 | 065929 | CABLE ASSY / W/"HALOGENE" LAMPS / W/XL-II | | 1 | 1 | 1 | |
| 184 | 065930 | CABLE ASSY / W/"XENON" LAMPS / W/XL-II | | 1 | 1 | 1 | |
| 185 | 066516 | CABLE ASSY / WINDSHIELD WASHER PUMP | | 1 | 1 | 1 | |
| 186 | 065005 | CABLE ASSY / SERVICE DOOR | | 1 | 1 | 1 | |
| 187 | 065222 | CABLE ASSY / PARKING BRAKE PRESSURE | | 1 | 1 | 1 | |
| | | CABLE / CONNECTED AT HARNESS / # 175 | | | | | |
| | | FROM CABLE ASSY DASHBOARD PANEL | | | | | |
| 192 | 064871 | WIRING HARNESS DASHBOARD LEFT MODULE | | 1 | 1 | 1 | |
| 192 | 065338 | WIRING HARNESS DASHBOARD LEFT MODULE | | 1 | 1 | 1 | |
| 193 | 064521 | WIRING HARNESS / W/ "ESPAR" PREHEATER | | 1 | 1 | 1 | |
| 193 | 064726 | WIRING HARNESS / W/ "WEBASTO" PREHEATER | | 1 | 1 | 1 | |
| | | MISCELLANEOUS CABLE | | | | | |
| 201 | 063296 | CABLE ASSY / 110V BLOCK HEATER | | 1 | 1 | 1 | |
| 201 | 065517 | CABLE ASSY / 110V BLOCK HEATER | | 1 | 1 | 1 | |
| 202 | 063295 | CABLE ASSY / 110V BLOCK HEATER ENGINE SECTION | | 1 | 1 | 1 | |

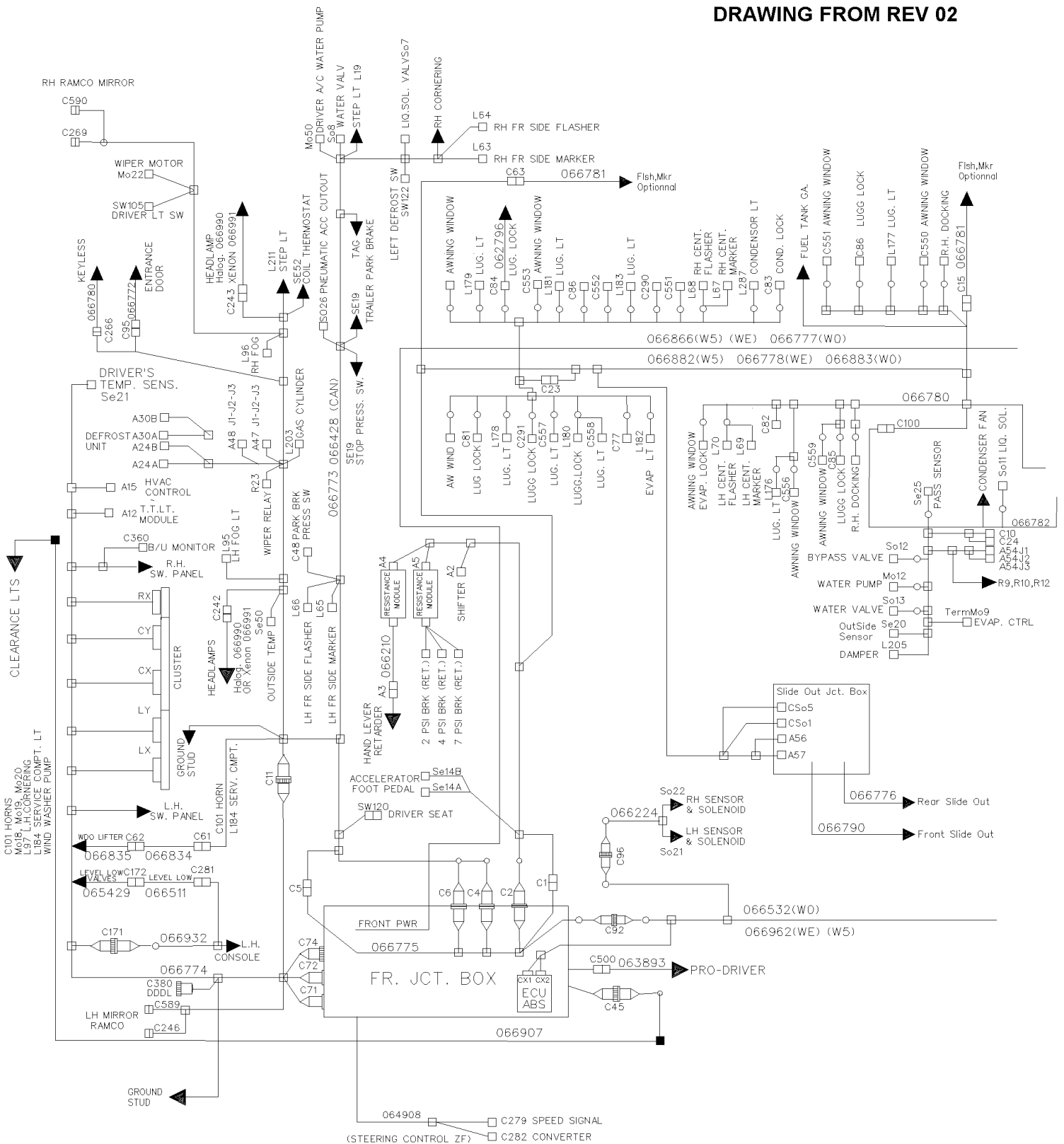
From 7-9096 To 8-9339

Date:10/2022

PAGE:Y2-0600-52

WIRING HARNESS - MTH W/MUX DIAGRAM D-061080

DRAWING FROM REV 02

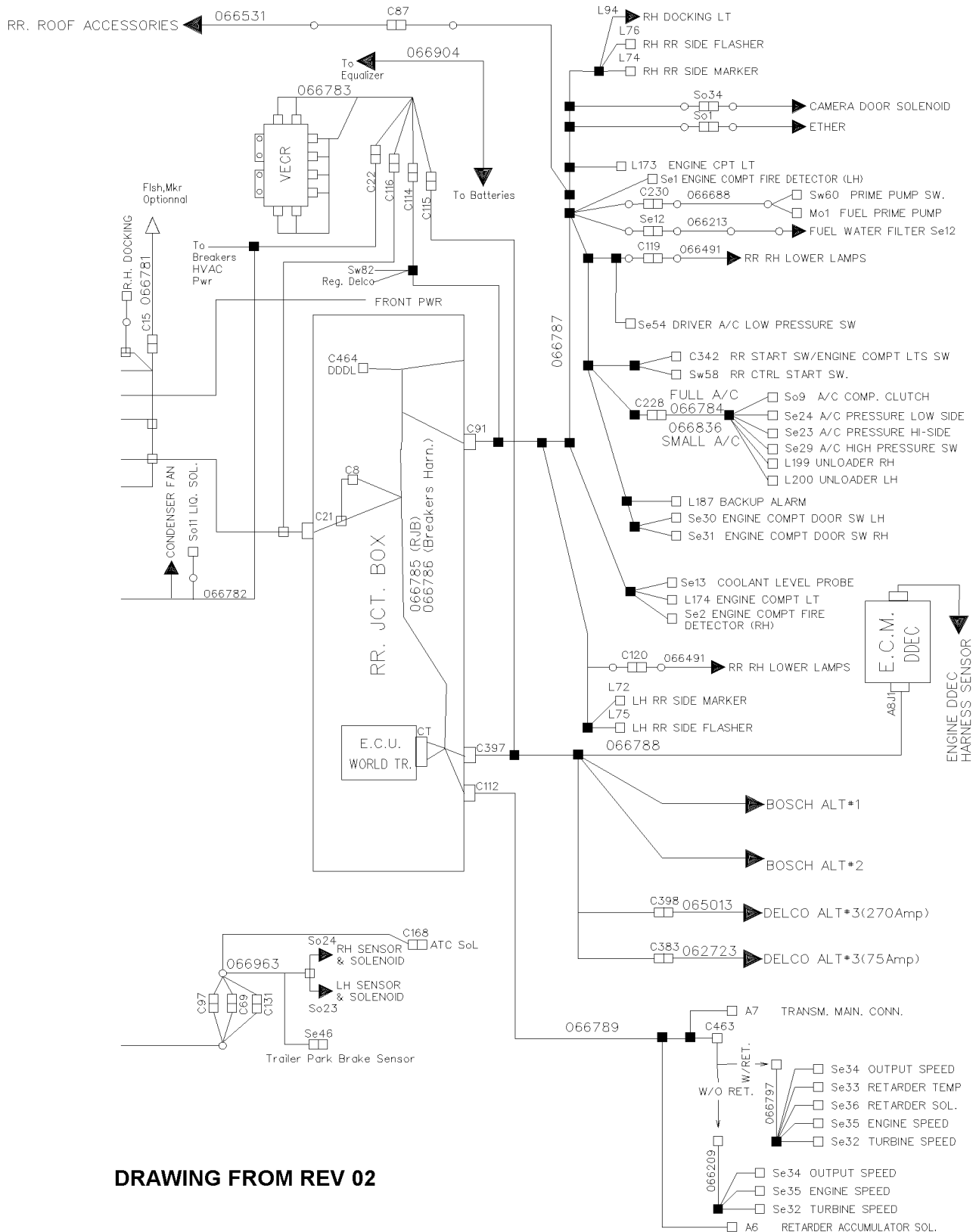


From 7-9096 To 8-9339

Date: 10/2022

PAGE: Y2-0600-52

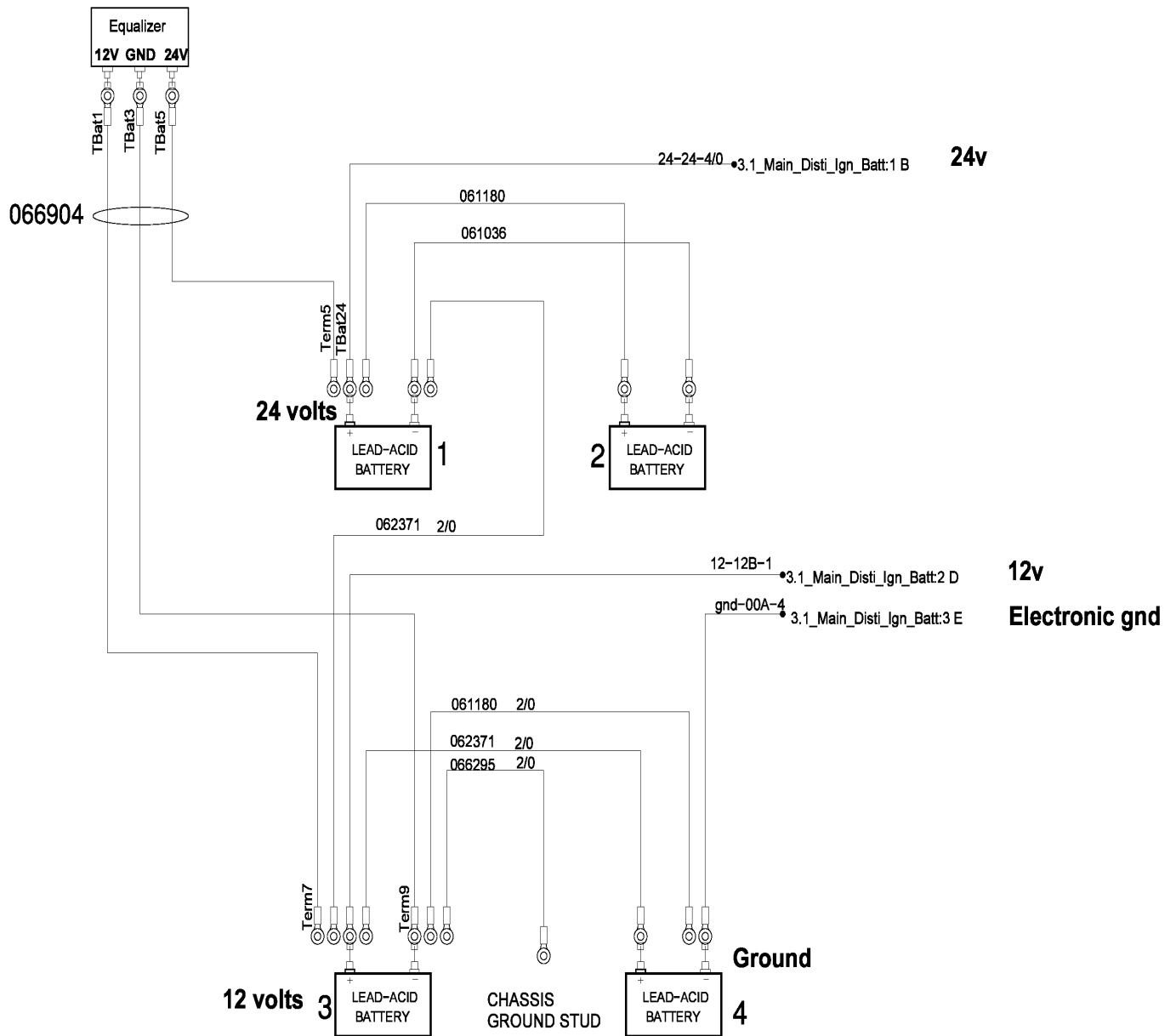
WIRING HARNESS - MTH W/MUX DIAGRAM D-061080



DRAWING FROM REV 02

| | | |
|---|--------------|-----------------|
| From 7-9096 To 8-9339 | Date:10/2022 | PAGE:Y2-0600-52 |
| WIRING HARNESS - MTH W/MUX DIAGRAM D-061080 | | |

BATTERIES STANDARD



| | | |
|--|--------------|-----------------|
| From 7-9096 To 8-9339 | Date:10/2022 | PAGE:Y2-0600-52 |
| WIRING HARNESS - MTH W/MUX DIAGRAM D-061080 | | |

| Item# | Part | Description | X L I I 4 5 | X L I I M T H 4 0 | X L I I M T H 4 5 | X L I I M T H 4 5 E | N O T E S |
|-------|--------|--|----------------------------|---|---|--|-----------------------|
| | | IN BATTERIES COMPARTMENT | | | | | |
| 1 | 066295 | CABLE ASSY / TO GROUND | | | 1 | 1 | |
| 2 | 062371 | CABLE ASSY / B + TO B + | | | 1 | 1 | |
| 3 | 061180 | CABLE ASSY / B - TO B - | | | 1 | 1 | |
| 4 | 061036 | CABLE ASSY / B - TO B - | | | 1 | 1 | |
| 7 | 066904 | CABLE HARNESS / EQUALIZER / MUX | | | 1 | 1 | |
| | | FROM REAR JUNCTION BOX | | | | | |
| | | TO E.C.U. & ENGINE ACCESSORIES | | | | | |
| 42 | 066788 | CABLE ASSY / ECU & REAR JCT BOX | | | 1 | 1 | |
| 47 | 066461 | CABLE ASSY / ECU & "DELCO" 50DN | | | 1 | 1 | |
| 47 | 065013 | CABLE ASSY / W/"DELCO" 300 AMPS | | | 1 | 1 | |
| 48 | 062723 | CABLE ASSY / W/"DELCO" 75 AMPS | | | 1 | 1 | |
| | | INSIDE REAR JUNCTION BOX | | | | | |
| 51 | 066785 | CABLE HARNESS / REAR JUNCTION BOX | | | 1 | 1 | |
| 53 | 066786 | CABLE POWER / BREAKERS & HVAC | | | 1 | 1 | |
| | | FROM REAR JUNCTION BOX | | | | | |
| | | TO ENGINE COMPARTMENT | | | | | |
| 61 | 066787 | CABLE HARNESS / ENGINE ACCESSORIES / W/MUX | | | 1 | 1 | |
| 62 | 066531 | CABLE ASSY / RH ROOF ACCESSORIES | | | 1 | 1 | |
| 63 | 066491 | CABLE / ENGINE DOOR REAR LAMP W/LEDS | | | 2 | 2 | |
| 64 | 066783 | CABLE ASSY TO REAR "VEC" | | | 1 | 1 | |
| 65 | 066213 | CABLE ASSY / FUEL WATER FILTER | | | 1 | 1 | |
| 68 | 066784 | CABLE ASSY / A/C COMPRESSOR 05G | | | 1 | 1 | |
| 68 | 066836 | CABLE ASSY / A/C COMPRESSOR W/SMALL SYSTEM | | | 1 | 1 | |
| 69 | 066688 | CABLE ASSY / FUEL PUMP PRIMER | | | 1 | 1 | |
| | | FROM REAR JUNCTION BOX | | | | | |
| | | TO COMPARTMENT UNDER FLOOR | | | | | |
| 101 | 066777 | CABLE ASSY / FRT JCT BOX & REAR JCT BOX | | | | 1 | |
| 101 | 066886 | CABLE ASSY / FRT JCT BOX & REAR JCT BOX | | | 1 | | |
| 102 | 066883 | CABLE ASSY / POWER TO FRONT ACCESSORIES WO | | 1 | | | |
| 102 | 066882 | CABLE ASSY / POWER TO FRONT ACCESSORIES | | | 1 | | |
| 102 | 066778 | CABLE ASSY / POWER TO FRONT ACCESSORIES | | | | 1 | |
| 103 | 062796 | CABLE ASSY / ACTUATOR POWER / EACH DOOR | | | 1 | 1 | |

| | | |
|--|--------------|-----------------|
| From 7-9096 To 8-9339 | Date:10/2022 | PAGE:Y2-0600-52 |
| WIRING HARNESS - MTH W/MUX DIAGRAM D-061080 | | |

| Item# | Part | Description | X L I I 4 5 | X L I I M T H 4 0 | X L I I M T H 4 5 | X L I I M T H 4 5 E | NOTES |
|-------|--------|---|----------------------------|---|---|--|-------|
| 104 | 066780 | CABLE ASSY / KEYLESS ENTRANCE DOOR | | | 1 | 1 | |
| 105 | 066781 | CABLE ASSY / SIDE MARKER "ADDITIONAL" | | | 1 | 1 | |
| 106 | 066782 | CABLE ASSY / EVAPORATOR ACCESSORIES COMPARTMENT | | | 1 | 1 | |
| 107 | 066776 | WIRING HARNESS SLIDE-OUT REAR LEFT | | | 1 | | |
| 108 | 066790 | WIRING HARNESS SLIDE-OUT FRONT LEFT | | | 1 | 1 | |
| | | FROM REAR JUNCTION BOX | | | | | |
| | | OF VEHICLE WITH "WORLD" TRANSMISSION | | | | | |
| 112 | 066210 | CABLE ASSY / RESISTANCE MODULE & SWITCH / MUX | | | 1 | 1 | |
| 114 | 066789 | CABLE ASSY / E.C.U. & TRANS SPEED SWITCH / MUX | | | 1 | 1 | |
| 115 | 066797 | CABLE HARNESS / SENSOR WTEC W/RETARDER / MUX | | | 1 | 1 | |
| 116 | 066209 | CABLE HARNESS / SENSOR WTEC W/OUT RETARDER / MUX | | | 1 | 1 | |
| | | INSIDE FRONT JUNCTION BOX | | | | | |
| 141 | 066775 | WIRING HARNESS FRONT JUNCTION BOX / W/MUX | | | 1 | 1 | |
| 142 | 064908 | CABLE ASSY TO STEERING SPEED SIGNAL ECU / W/"ZF" STEERING To 7-9095 | | | 1 | 1 | |
| 142 | 066570 | CABLE ASSY TO STEERING SPEED SIGNAL ECU From 7-9096 | | | 1 | 1 | |
| | | FROM FRONT JUNCTION BOX | | | | | |
| | | TO "ABS" MODULE | | | | | |
| 161 | 066532 | CABLE ASSY / FJB TO "ABS" & CABLE FRT & RR | | | | 1 | |
| 161 | 066962 | CABLE ASSY / FJB TO "ABS" & CABLE FRT & RR | | | 1 | | |
| 162 | 066224 | CABLE ASSY / FRONT "ABS" SENSOR & VALVE / MUX | | | 1 | 1 | |
| 163 | 066550 | CABLE ASSY / REAR "ABS" SENSOR & VALVE / MUX | | | 1 | 1 | |
| 163 | 066963 | CABLE ASSY / REAR "ABS" SENSOR & VALVE / MUX | | | 1 | 1 | |
| | | FROM FRONT JUNCTION BOX | | | | | |
| | | TO FORWARD VEHICULE | | | | | |
| 173 | 066773 | CABLE ASSY / FRONT LOWER END / MUX | | | 1 | 1 | |
| 173 | 066428 | CABLE ASSY CAN POWER LOGIC | | | 1 | 1 | |
| 174 | 066907 | CABLE ASSY / FRONT ROOF / MUX | | | 1 | 1 | |
| 175 | 066774 | WIRING HARNESS DASHBOARD CENTRAL MODULE | | | 1 | 1 | |
| 176 | 066834 | CABLE ASSY FRT SERVICE COMPARTMENT / MUX | | | 1 | 1 | |
| 177 | 066835 | CABLE ASSY FRONT SERVICE DOOR / MUX | | | 1 | 1 | |
| | | CABLE / CONNECTED AT HARNESS / # 175 | | | | | |
| | | FROM DASHBOARD CENTRAL MODULE | | | | | |

| | | |
|--|--------------|-----------------|
| From 7-9096 To 8-9339 | Date:10/2022 | PAGE:Y2-0600-52 |
| WIRING HARNESS - MTH W/MUX DIAGRAM D-061080 | | |

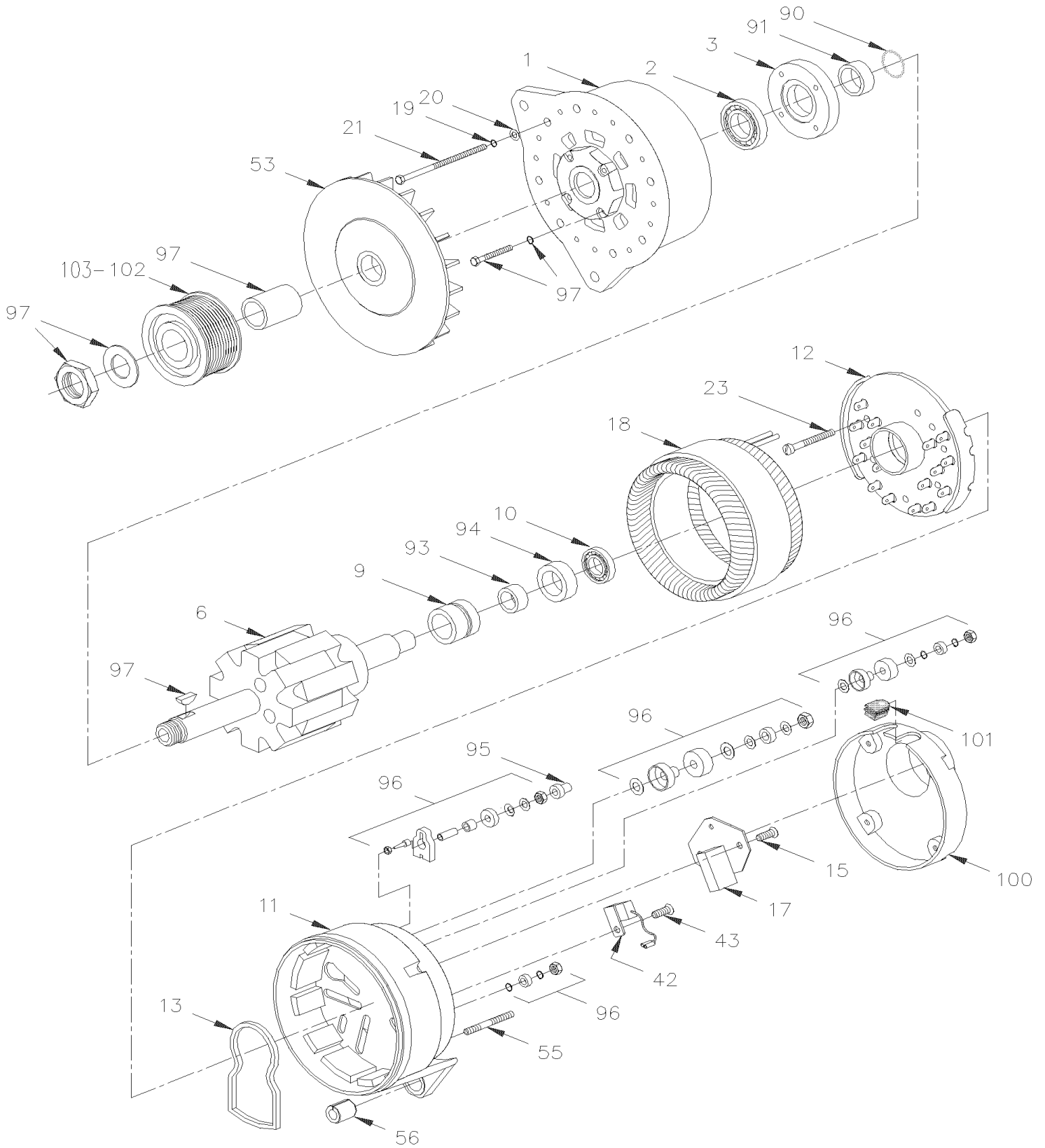
| Item# | Part | Description | X L I I 4 5 | X L I I M T H 4 0 | X L I I M T H 4 5 | X L I I M T H 4 5 E | NOTES |
|-------|--------|--|----------------------------|---|---|--|-------|
| 181 | 066932 | WIRING HARNESS DASHBOARD LEFT MODULE | | | 1 | 1 | |
| 182 | 066511 | CABLE HARNESS / CLEAR. LIGHT REAR IN DEFLECTOR / MUX | | | 1 | 1 | |
| 183 | 065429 | CABLE ASSY / VALVE "LEVEL-LOW" | | | 1 | 1 | |
| | | CABLE / CONNECTED AT HARNESS / # 173 | | | | | |
| | | FROM CABLE ASS FRONT LOWER END | | | | | |
| 191 | 066772 | CABLE ASSY / ENTRANCE DOOR MODULE / MUX To 7-9263 | | | 1 | 1 | |
| 191 | 067176 | CABLE ASSY / ENTRANCE DOOR MODULE / MUX From 7-9264 | | | 1 | 1 | |
| 192 | 066780 | CABLE ASSY / KEYLESS ENTRANCE DOOR | | | 1 | 1 | |
| 194 | 066990 | CABLE ASSY / W/"HALOGENE" LAMPS / MUX | | | 2 | 2 | |
| 195 | 066991 | CABLE ASSY / W/"XENON" LAMPS / MUX | | | 2 | 2 | |
| | | MISCELLANEOUS CABLE | | | | | |
| 201 | 063296 | CABLE ASSY / 110V BLOCK HEATER | | | 1 | 1 | |
| 201 | 065517 | CABLE ASSY / 110V BLOCK HEATER | | | 1 | 1 | |
| 202 | 063295 | CABLE ASSY / 110V BLOCK HEATER ENGINE SECTION | | | 1 | 1 | |

From Y-7046 To 8-9339

Date:10/2022

PAGE:Y2-0605-00

ALTERNATOR 24V/140 AMPS / "BOSCH"



| | | |
|--|--------------|-----------------|
| From Y-7046 To 8-9339 | Date:10/2022 | PAGE:Y2-0605-00 |
| ALTERNATOR 24V/140 AMPS / "BOSCH" | | |

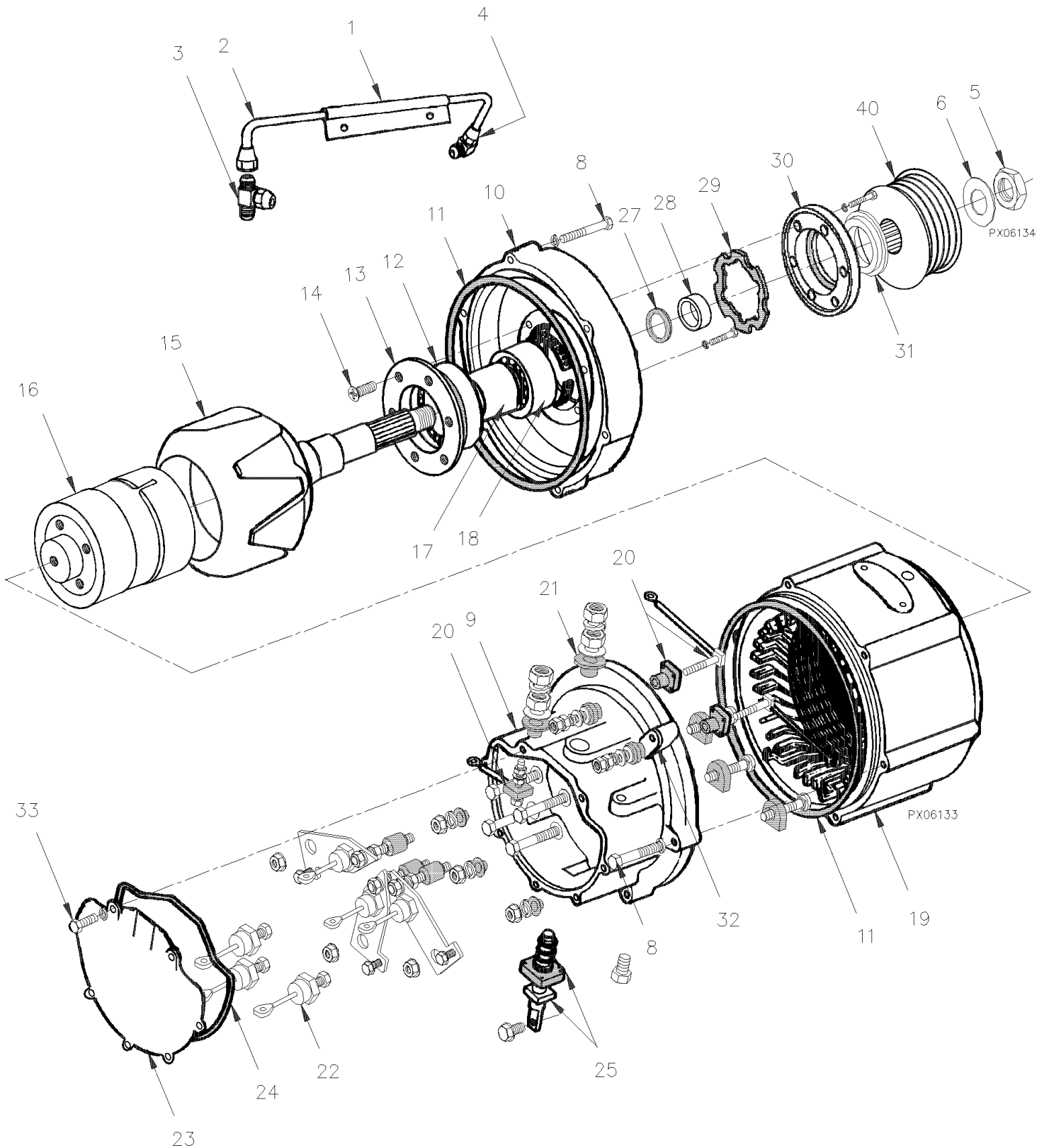
| Item# | Part | Description | X L I I 4 5 | X L I I M T H 4 0 | X L I I M T H 4 5 | X L I I M T H 4 5 E | N O T E S |
|-------|-------------------|--|----------------------------|---|---|--|-----------------------|
| | 562752 | ALTERNATOR ASSY 24V/140 AMPS | 2 | | | | |
| | 562752 | ALTERNATOR ASSY 24V/140 AMPS From 2-7908 | | | | 2 | |
| | 562752 | ALTERNATOR ASSY 24V/140 AMPS From 5-8756 | | | 1 | | |
| 1 | 562971 | . DRIVE END SHIELD | 1 | | 1 | 1 | |
| 2 | 562972 | . BALL BEARING | 1 | | 1 | 1 | |
| 3 | 562973 | . COVER PLATE / (1 120 033 009) | 1 | | 1 | 1 | |
| 6 | 562974 | . ROTOR / (1 124 037 004) | 1 | | 1 | 1 | |
| 9 | 562975 | . . COLLECTOR-RING | 1 | | 1 | 1 | |
| 10 | 562976 | . CYLINDER ROLLER BEARING | 1 | | 1 | 1 | |
| NS | 684922 | . . GREASE "POLYREX" EM / TO USE W/"BOSCH" ALTERNATOR | AR | | AR | AR | |
| 11 | 562977 | . COLLECTOR-RING END SHIELD | 1 | | 1 | 1 | |
| 12 | 562978 | . RECTIFIER PLATE ASSY / (1 127 320 973) | 1 | | 1 | 1 | |
| 13 | 562979 | . . SEAL | 1 | | 1 | 1 | |
| 15 | 562980 | . WASHER-AND-SCREW ASSEMBLY | 3 | | 3 | 3 | |
| 17 | 562981 | . TRANSISTOR REGULATOR | 1 | | 1 | 1 | |
| 17 | 562982 | . . COMPRESSION SPRING | 2 | | 2 | 2 | |
| 17 | 562983 | . . BRUSH SET | 2 | | 2 | 2 | |
| 17 | 562984 | . GASKET | 1 | | 1 | 1 | |
| 18 | 562985 | . STATOR ASSY | 1 | | 1 | 1 | |
| 19 | 562986 | . WASHER LOCK SPRING 6MM | 4 | | 4 | 4 | |
| 20 | 562987 | . PLAIN WASHER | 4 | | 4 | 4 | |
| 21 | 562988 | . OVAL-HEAD SCREW | 4 | | 4 | 4 | |
| 23 | 562989 | . WASHER-AND-SCREW ASSEMBLY | 3 | | 3 | 3 | |
| 42 | 562990 | . SUPPRESSION CAPACITOR | 1 | | 1 | 1 | |
| 43 | 562991 | . OVAL-HEAD SCREW M6 X 10-5.8 | 1 | | 1 | 1 | |
| 53 | 562992 | . FAN | 1 | | 1 | 1 | |
| 55 | 562993 | . STUD M6 X 35-5.6 / (2 912 212 207) | 4 | | 4 | 4 | |
| 56 | 562994 | . EXPANSION BUSHING / (1 120 300 018) | 1 | | 1 | 1 | |
| 90 | 562995 | . RETAINER DIN 9045-30 / (2916 600 016) | 1 | | 1 | 1 | |
| 91 | 562996 | . SUPPORT RING / (1 120 114 002) | 1 | | 1 | 1 | |
| 93 | 562997 | . SPACER RING | 1 | | 1 | 1 | |
| 94 | 562998 | . RADIAL SEAL | 1 | | 1 | 1 | |
| 95 | 562999 | . PROTECTIVE CAP | 1 | | 1 | 1 | |
| 96 | 563000 | . PARTS SET TERMINAL B+,B-,D+,W / | 1 | | 1 | 1 | |
| 97 | 563001 | . KIT NUT & WASHER M24-1.5 YC | 1 | | 1 | 1 | |
| 100 | 562851 | AIR-INTAKE COVER | 1 | | 1 | 1 | |
| 101 | 563002 | GROMMET / (1 120 312 000) | 1 | | 1 | 1 | |
| 101 | 504421 | GROMMET / .625x.875x.187x.437x1.125 | 1 | | 1 | 1 | |
| 102 | 065465 | PULLEY ALTERNATOR / "BOSCH" / 12 RIB To 3-8164 | 1 | | | 1 | |
| 102 | 065835 | PULLEY ALTERNATOR / "BOSCH" / 10 RIB From 4-8165 To 5-8412 | 1 | | | 1 | |
| 102 | 066062 | PULLEY ALTERNATOR / "BOSCH" / 10 RIB From 5-8413 | 1 | | 1 | 1 | |
| 103 | Y2-0610-00 | ALTERNATOR MOUNTING / "BOSCH" WITH DETROIT S-60 To 3-8164 | | | | | |

From Y-7046 To 8-9339

Date:10/2022

PAGE:Y2-0605-51

ALTERNATOR 24V/270 AMPS / "DELCO" #562235



| | | |
|--|--------------|-----------------|
| From Y-7046 To 8-9339 | Date:10/2022 | PAGE:Y2-0605-51 |
| ALTERNATOR 24V/270 AMPS / "DELCO" #562235 | | |

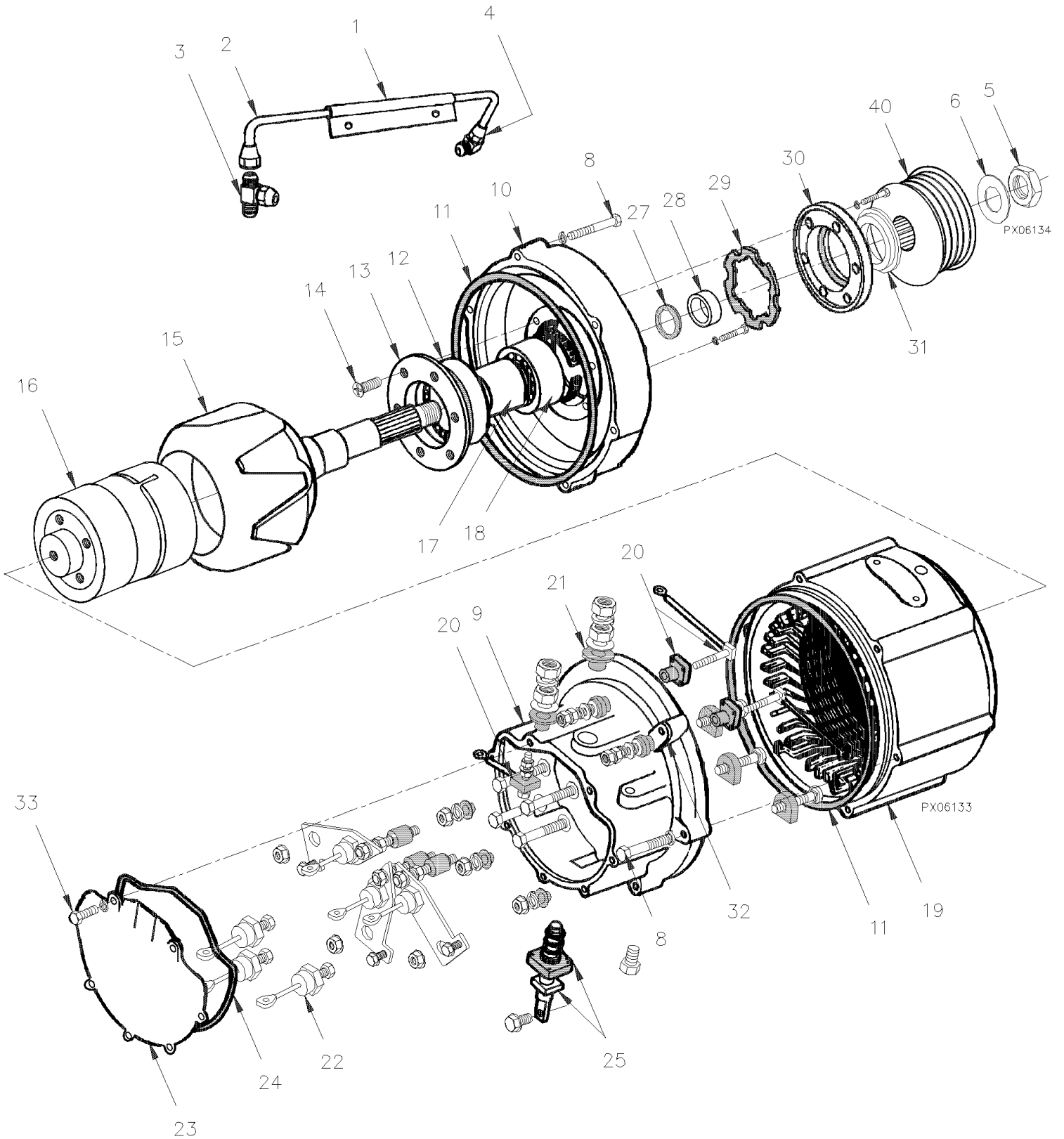
| Item# | Part | Description | X L I I 4 5 | X L I I M T H 4 0 | X L I I M T H 4 5 | X L I I M T H 4 5 E | N O T E S |
|-------|----------|---|----------------------------|---|---|--|-----------------------|
| | 562235 | ALTERNATOR ASSY 24V/270 AMPS To 4-8313 | | 1 | 1 | 1 | |
| | 563437 | ALTERNATOR ASSY 24V/270 AMPS From 4-8314 | | 1 | 1 | 1 | |
| 1 | 561169 | . CLAMP / OIL LINE TUBE | | 1 | 1 | 1 | |
| 2 | 562238 | . OIL LINE TUBE | | 1 | 1 | 1 | |
| 3 | 561171 | . TEE | | 1 | 1 | 1 | |
| 4 | 561170 | . ELBOW 90° | | 1 | 1 | 1 | |
| 5 | 562457 | . NUT, DRIVE END | | 1 | 1 | 1 | |
| 6 | 560973 | . WASHER / PINION | | 1 | 1 | 1 | |
| 8 | 500170 | . SCREW CAP HEX 1/4-20x2 G5 PT Z050 | | 12 | 12 | 12 | |
| NS | 500473 | . WASHER LO SPT .262x.489x.062 Z050 | | 12 | 12 | 12 | |
| 9 | N8885614 | . FRAME RECTIFIER END To 4-8313 | | 1 | 1 | 1 | |
| 9 | 563440 | . FRAME RECTIFIER END From 4-8314 | | 1 | 1 | 1 | |
| 10 | 562241 | . FRAME D.E. | | 1 | 1 | 1 | |
| . NS | 562509 | . . OIL SEAL 2.247" O.D. | | 1 | 1 | 1 | |
| 10 | 10523585 | . FRAME D.E. | | 1 | 1 | 1 | |
| 11 | 562196 | . O-RING | | 2 | 2 | 2 | |
| 12 | 562186 | . BEARING INNER D.E. | | 1 | 1 | 1 | |
| 13 | N8885671 | . RETAINER BEARING (1941060) | | 1 | 1 | 1 | |
| 14 | 500371 | . SCREW MA FL PH M4-0.7x8 N500 | | 6 | 6 | 6 | |
| 15 | 562240 | . ROTOR | | 1 | 1 | 1 | |
| 16 | 562182 | . FIELD ASSY | | 1 | 1 | 1 | |
| 18 | 562184 | . BEARING OUTER D.E. | | 1 | 1 | 1 | |
| 19 | 562694 | . STATOR ASSY / W/FLEX LEAD To 4-8313 | | 1 | 1 | 1 | |
| 19 | 563438 | . STATOR ASSY / W/FLEX LEAD & INSULATOR From 4-8314 | | 1 | 1 | 1 | |
| 20 | 560724 | . STUD TERMINAL FIELD | | 2 | 2 | 2 | |
| 21 | 560846 | . SLEEVE INSULATOR DC+ STUD | | 1 | 1 | 1 | |
| 22 | 562193 | . DIODE (NEGATIF) / ALTERNATOR 50 DN | | 6 | 6 | 6 | |
| 23 | 562466 | . COVER / RECTIFIER END / ALUMINUM DIE CAST | | 1 | 1 | 1 | |
| 24 | 562467 | . . O-RING | | 1 | 1 | 1 | |
| 25 | 562450 | . STUD TERMINAL DC + | | 1 | 1 | 1 | |
| 27 | 562242 | . O-RING / SPACER COLLAR & BEARING | | 1 | 1 | 1 | |
| 28 | 562245 | . SPACER COLLAR D.E. | | 1 | 1 | 1 | |
| 29 | 562243 | . GASKET PLATE DRIVE END | | 1 | 1 | 1 | |
| 30 | 562244 | . RETAINER BEARING D.E. | | 1 | 1 | 1 | |
| 31 | 562509 | . . OIL SEAL 2.247" O.D. | | 1 | 1 | 1 | |
| 31 | N8896697 | . OIL SEAL W/FLANGE 30375" O.D. | | 1 | 1 | 1 | |
| . NS | N8885631 | . . O-RING / SPACER COLLAR & BEARING | | 1 | 1 | 1 | |
| . NS | N8893250 | . . SPACER COLLAR D.E. | | 1 | 1 | 1 | |
| 32 | 562386 | . STRAP / FIELD TERMINAL & GROUND | | 1 | 1 | 1 | |
| 33 | 500163 | . SCREW CAP HEX 1/4-20x3/4 G5 Z050 | | 6 | 6 | 6 | |
| 40 | 510439 | PULLEY ALTERNATOR 12 RIB To 3-8164 | | 1 | 1 | 1 | |
| 40 | 510926 | PULLEY ALTERNATOR 10 RIB From 4-8165 | | 1 | 1 | 1 | |

From Y-7046 To 8-9339

Date:10/2022

PAGE:Y2-0605-52

ALTERNATOR 12V/300 AMPS / "DELCO" #562355

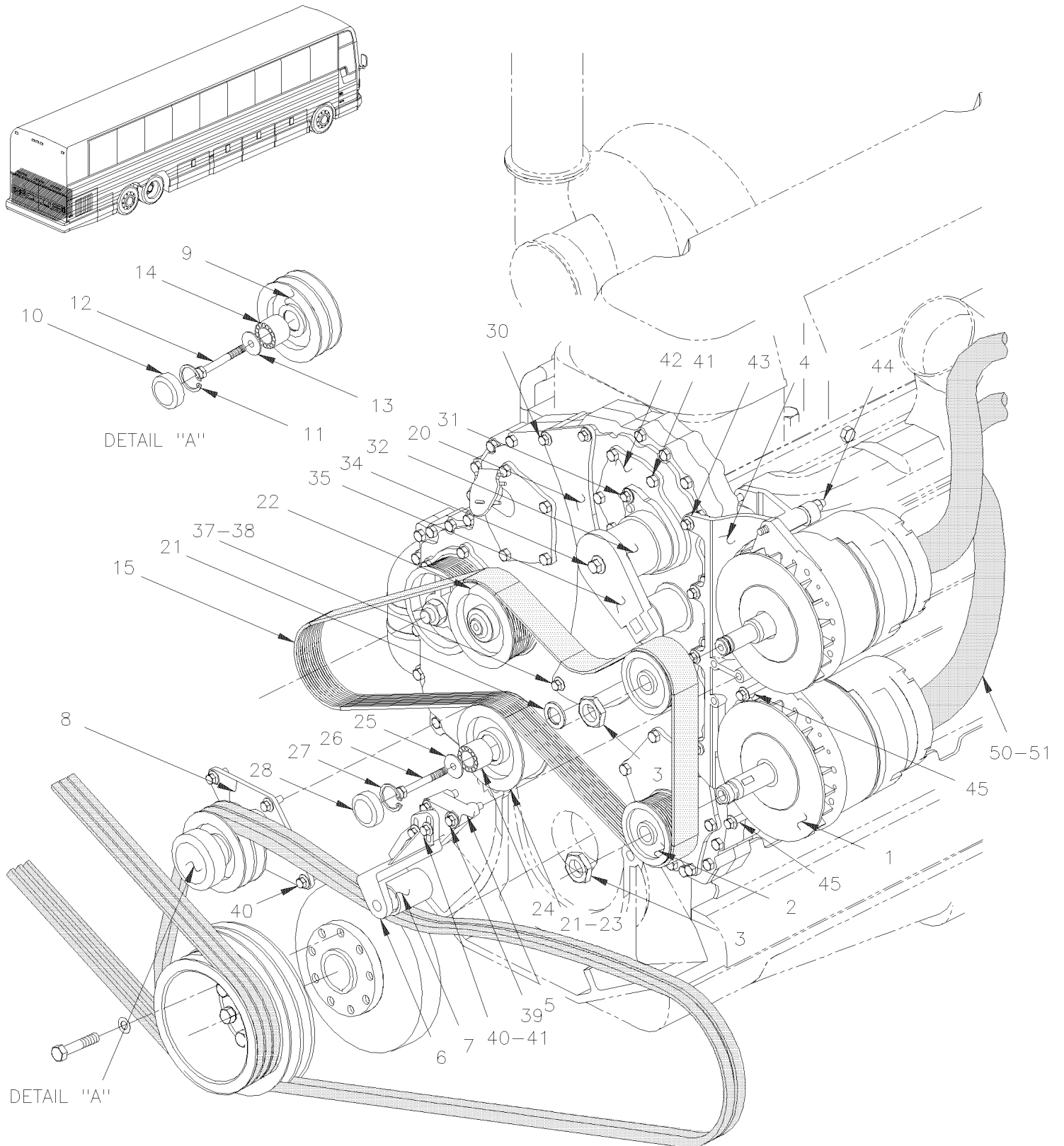


From Y-7046 To 3-8164

Date:10/2022

PAGE:Y2-0610-00

ALTERNATOR MOUNTING / "BOSCH" WITH DETROIT S-60



| | | |
|--|--------------|-----------------|
| From Y-7046 To 3-8164 | Date:10/2022 | PAGE:Y2-0610-00 |
| ALTERNATOR MOUNTING / "BOSCH" WITH DETROIT S-60 | | |

| Item# | Part | Description | X L I I 4 5 | X L I I M T H 4 0 | X L I I M T H 4 5 | X L I I M T H 4 5 E | N O T E S |
|-------|---------|---|----------------------------|---|---|--|-----------------------|
| 1 | 562752 | ALTERNATOR ASSY 24V/140 AMPS | 2 | | | | |
| 1 | 562752 | ALTERNATOR ASSY 24V/140 AMPS From 2-7908 | | | | 2 | |
| 2 | 065465 | PULLEY ALTERNATOR / "BOSCH" / 12 RIB | 2 | | | 2 | |
| 3 | N.S.P. | NUT | 1 | | | 1 | 2 |
| 4 | 510663 | SUPPORT ALTERNATOR MOUNTING | 1 | | | 1 | |
| 5 | 012064 | ADAPTOR SNUBBER MOUNTING | 1 | | | 1 | |
| 6 | 012063 | SNUBBER ASSY | 1 | | | 1 | |
| 6 | N.S.P. | . SUPPORT / (23522973) | 1 | | | 1 | 2 |
| 7 | N.S.P. | . ROLLER / (23512825) | 1 | | | 1 | 2 |
| 7 | N.S.P. | . BEARING / (907394) | 1 | | | 1 | 2 |
| 8 | 012058 | PULLEY ASSY IDLER | 1 | | | 1 | |
| 8 | N.S.P. | . SUPPORT / (23521658) | 1 | | | 1 | 2 |
| 9 | N.S.P. | . PULLEY / (23519390) | 1 | | | 1 | 2 |
| 10 | N.S.P. | . PROTECTOR CAP / (05107293) | 1 | | | 1 | 2 |
| 10 | 510798 | PROTECTOR CAP / "PREVOST" | 1 | | | 1 | B |
| 11 | N.S.P. | . SNAP RING / (23518223) | 1 | | | 1 | 2 |
| 12 | 5001308 | . SCREW CAP HEXF M10-1.5x40 G10.9 N500 | 1 | | | 1 | |
| 13 | N.S.P. | . WASHER / (23518224) | 1 | | | 1 | 2 |
| 13 | N.S.P. | SEAL / (23520961) | 1 | | | 1 | 2 |
| 14 | 510618 | . BALL BEARING DBL ROW / 30MM x 62MM x 27 W | 1 | | | 1 | |
| 15 | 506865 | MULTI V-BELT / 12 RIB 81 1/2" 208585 | 1 | | | 1 | |
| 15 | 506669 | MULTI V-BELT / 12 RIB 72" (1830) 23521337 | 1 | | | 1 | A |
| 20 | 012065 | IDLER PULLEY ASSY | 1 | | | 1 | |
| 21 | N.S.P. | . SEAL / (CR 14960) / (23521013) | 2 | | | 2 | 2 |
| 22 | N.S.P. | . PULLEY IDLER 12G / 5"1/4 O.D. / (23520994) | 1 | | | 1 | 2 |
| 23 | N.S.P. | . PULLEY BELT TENSIONER / 5 1/4 O.D. / (23520999) | 2 | | | 2 | 2 |
| 24 | N.S.P. | . BALL BEARING DBL ROW / 30MM x 62MM x 27 W | 1 | | | 1 | 2 |
| 25 | N.S.P. | . WASHER / (23518224) | 1 | | | 1 | 2 |
| 26 | 5001308 | . SCREW CAP HEXF M10-1.5x40 G10.9 N500 | 2 | | | 2 | |
| 26 | 510627 | . BOLT M10-1.5 X 45MM LH G10.9 | 1 | | | 1 | |
| 27 | N.S.P. | . BEARING DBL ROW / (30BGS1D53) / (23518189) | 1 | | | 1 | 2 |
| 28 | N.S.P. | . PROTECTOR CAP / 05107293) | 2 | | | 2 | 2 |
| 28 | 510798 | PROTECTOR CAP / "PREVOST" | 1 | | | 1 | B |
| 30 | 975104 | SCREW CAP HEXF M10-1.5x85 G10.9 PHC | 2 | | | 2 | |
| 31 | 969445 | SCREW CAP HEXF M10-1.5x30 G10.9 PHC | 1 | | | 1 | |
| 32 | 012103 | AUTOMATIC TENSIONER ASSY | 1 | | | 1 | |
| 32 | N.S.S. | . SPRING | 2 | | | 2 | 1 |
| 33 | N.S.S. | . PROTECTOR CAP | 1 | | | 1 | 1 |
| 34 | 975104 | . SCREW CAP HEXF M10-1.5x85 G10.9 PHC | 1 | | | 1 | |
| 35 | N.S.S. | . LEVER | 1 | | | 1 | 1 |
| 36 | N.S.S. | . PULLEY | 1 | | | 1 | 1 |
| 36 | N.S.S. | . BEARING | 1 | | | 1 | 1 |

| | | |
|--|--------------|-----------------|
| From Y-7046 To 3-8164 | Date:10/2022 | PAGE:Y2-0610-00 |
| ALTERNATOR MOUNTING / "BOSCH" WITH DETROIT S-60 | | |

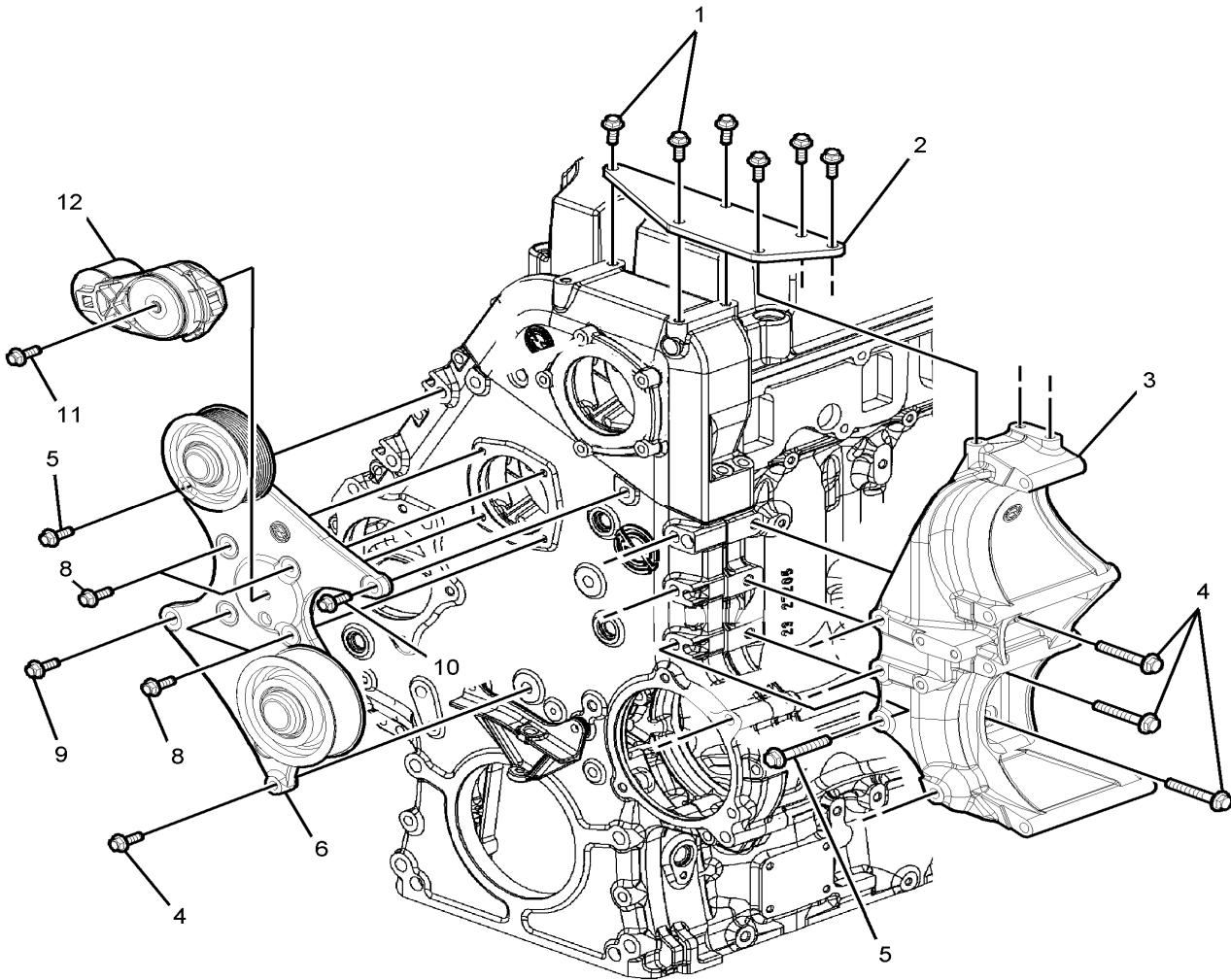
| Item# | Part | Description | X L I I 4 5 | X L I I M T H 4 0 | X L I I M T H 4 5 | X L I I M T H 4 5 E | N O T E S |
|-------|---------|---|----------------------------|---|---|--|-----------------------|
| 36 | N.S.S. | . PROTECTOR CAP | 1 | | | 1 | 1 |
| 37 | 975121 | SCREW CAP HEXF M14-2.0x50 G10.9 PHC | 1 | | | 1 | |
| 38 | 975124 | SCREW CAP HEXF M14-2.0x80 G10.9 PHC | 1 | | | 1 | |
| 38 | 510642 | STUD M14-2.0 X 92MM GR 10.9 | 1 | | | 1 | |
| NS | 510643 | NUT HEXF M14-2.0 ZP | 1 | | | 1 | |
| 39 | 5001595 | SCREW CAP HEXF M10-1.5x60 G8.8 G500 | 3 | | | 3 | |
| 40 | 955297 | SCREW CAP HEX M8-1.25x25 G8.8 ZG603 | 3 | | | 3 | |
| 41 | 510641 | SCREW CAP HEXF M8-1.25x30 G10.9 | 5 | | | 5 | |
| 42 | 012104 | TENSIONER, MOUNTING PLATE | 1 | | | 1 | |
| 42 | N.S.P. | O-RING / (8929253) | 1 | | | 1 | 2 |
| 43 | 510635 | SCREW CAP HEXF 7/16-14x5.50 ZP | 4 | | | 4 | |
| NS | 510636 | NUT HEXF 7/16-14 ZP | 4 | | | 4 | |
| 44 | 510639 | BOLT M12-1.5 X 80MM | 1 | | | 1 | |
| 44 | 5001584 | SCREW CAP HEX M12-1.5x150 G10.9 DP | 1 | | | 1 | |
| 45 | 510637 | BOLT M12-1.5 X 50MM | 4 | | | 4 | |
| NS | 5001585 | WASHER FL 13.5x27x2.46-4.5 DP | 6 | | | 6 | |
| NS | 975111 | SCREW CAP HEXF M12-1.75x50MM G10.9 PHC | 1 | | | 1 | |
| 50 | 064981 | HOSE FLEXIBLE / 2 3/4" I.D. X 1524MM | 2 | | | 2 | |
| 51 | 504025 | HOSE CLAMP / 2"5/16-3"1/4 SS / HS-44 | 4 | | | 4 | |
| | | | | | | | |
| | | | | | | | |
| | | A) EMERGENCY USE ONLY W/ONE ALTERNATOR | | | | | |
| | | B) FIT ONLY WITH PULLEY SOLD BY "PREVOST" | | | | | |
| | | 1) NOT SOLD SEPARATELY | | | | | |
| | | 2) NOT SOLD BY PREVOST (SEE MANUFACTURING PART NUMBER AT END OF DESCRIPTION LINE) | | | | | |

From 4-8165 To 8-9339

Date:10/2022

PAGE:Y2-0610-01

ALTERNATOR MOUNTING / "BOSCH" WITH DETROIT S-60

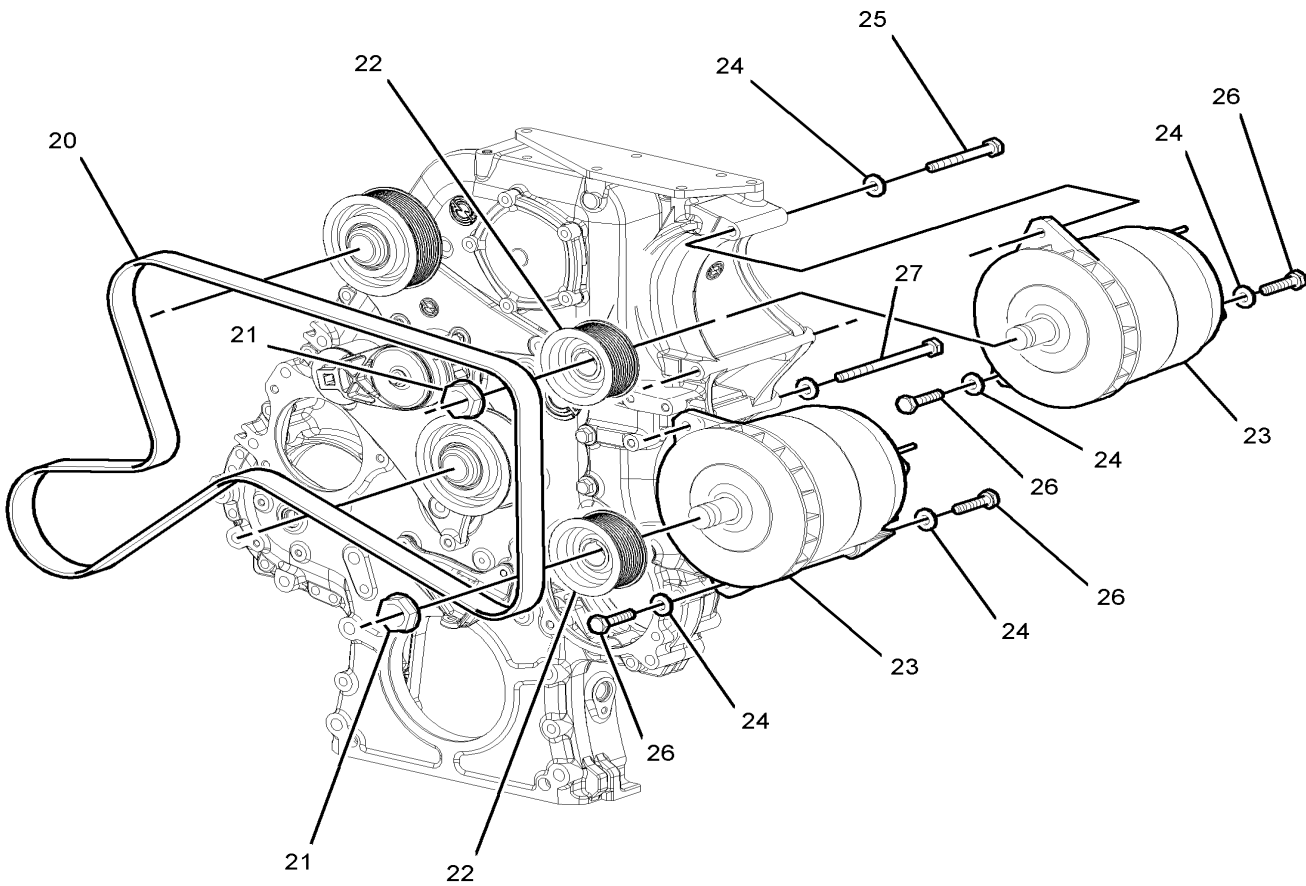


From 4-8165 To 8-9339

Date:10/2022

PAGE:Y2-0610-01

ALTERNATOR MOUNTING / "BOSCH" WITH DETROIT S-60

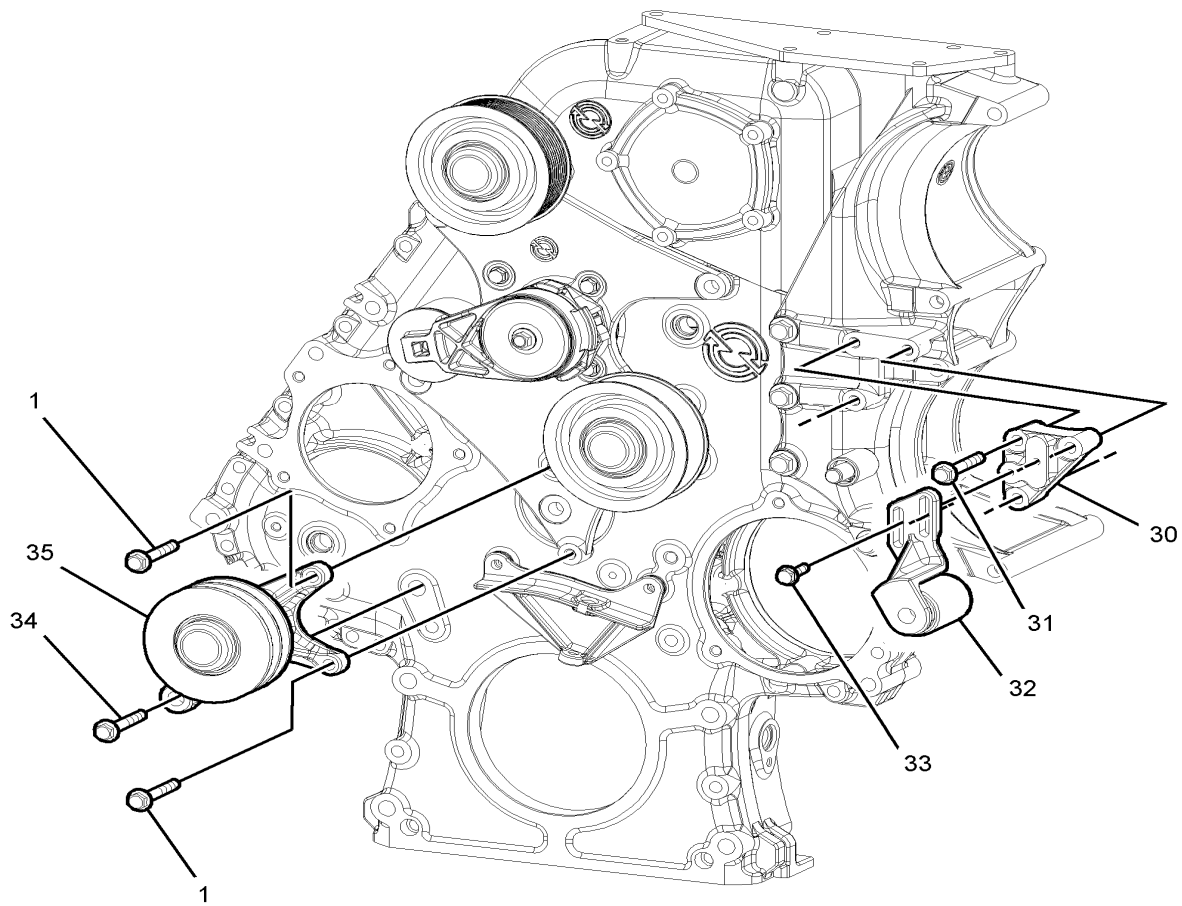


From 4-8165 To 8-9339

Date:10/2022

PAGE:Y2-0610-01

ALTERNATOR MOUNTING / "BOSCH" WITH DETROIT S-60



| | | |
|--|--------------|-----------------|
| From 4-8165 To 8-9339 | Date:10/2022 | PAGE:Y2-0610-01 |
| ALTERNATOR MOUNTING / "BOSCH" WITH DETROIT S-60 | | |

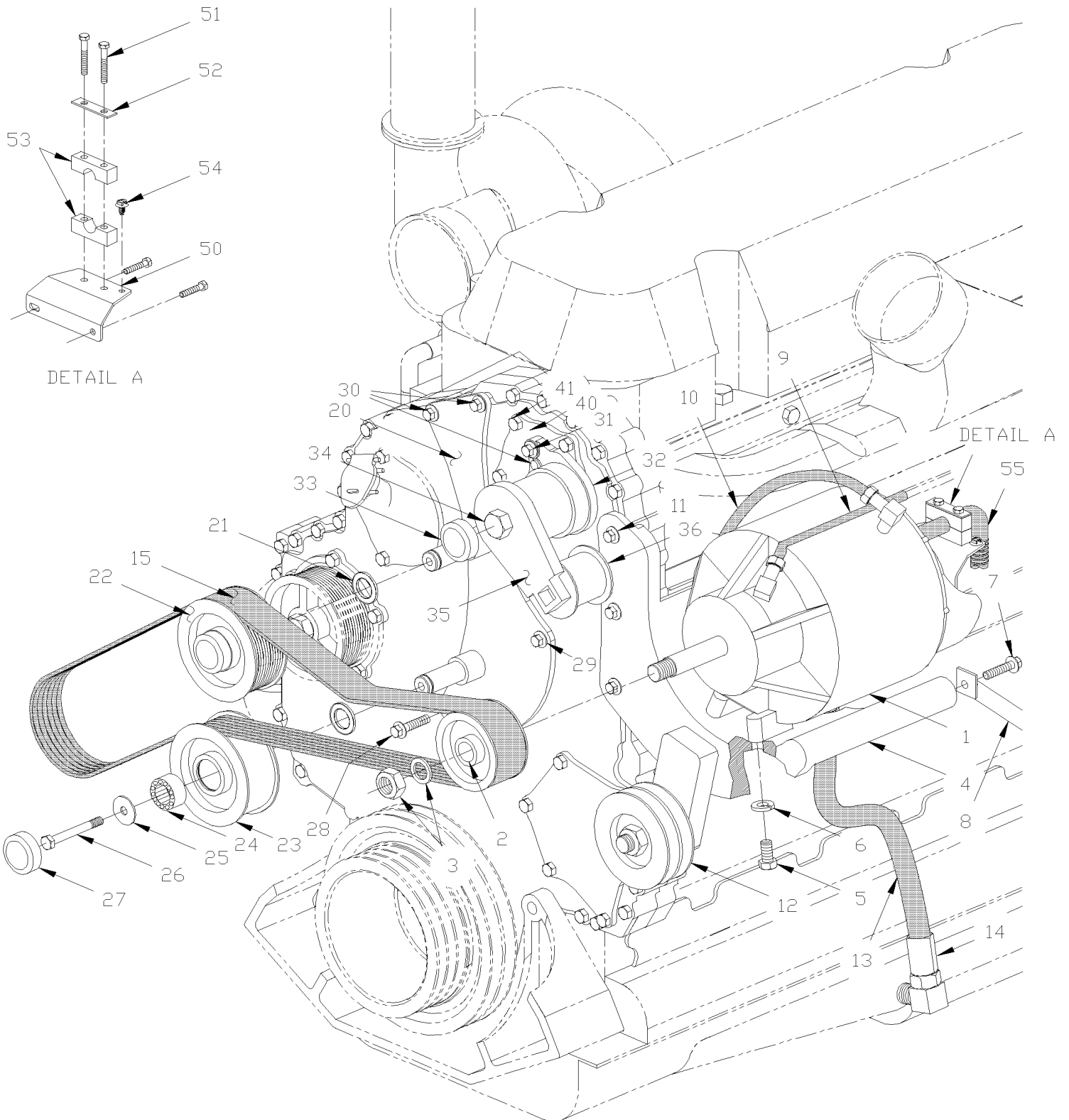
| Item# | Part | Description | X L I I 4 5 | X L I I M T H 4 0 | X L I I M T H 4 5 | X L I I M T H 4 5 E | N O T E S |
|-------|-------------------|--|----------------------------|---|---|--|-----------------------|
| 1 | 5001644 | SCREW CAP HEXF M10-1.5x30 G8.8 G500 | 8 | | | 8 | |
| 2 | 23527310 | STRAP | 1 | | | 1 | |
| 3 | 23530258 | BRACKET | 1 | | | 1 | |
| 4 | 23528697 | SCREW CAP HEXF M12-1.75x60 G10.9 | 4 | | | 4 | |
| 5 | 23528406 | SCREW CAP HEXF M12-1.75x80 G10.9 | 6 | | | 6 | |
| 6 | 23530231 | PULLEY ASSY FORMER | 1 | | | 1 | |
| 6 | 23534290 | PULLEY ASSY CURRENT | 1 | | | 1 | |
| 8 | 11504822 | SCREW CAP HEXF M9-1.25x30 G10.9 | 4 | | | 4 | |
| 9 | 23528698 | SCREW CAP HEX M14-2.00x130 G10.9 | 1 | | | 1 | |
| 10 | 23528406 | SCREW CAP HEXF M12-1.75x80 G10.9 | 2 | | | 2 | |
| 11 | 11503669 | SCREW CAP HEX M10-1.50x80 G10.9 | 1 | | | 1 | |
| 12 | 012329 | AUTOMATIC TENSIONER ASSY | 1 | | | 1 | |
| 20 | 5060055 | MULTI V-BELT / 10 RIB 87 7/8" (2232) 23530281 | 1 | | | 1 | |
| 20 | 5060056 | MULTI V-BELT / 10 RIB 78 3/4" (2000) 23530282 | 1 | | | 1 | A |
| 21 | 563001 | KIT NUT & WASHER M24-1.5 YC | 2 | | | 2 | |
| 22 | 065835 | PULLEY ALTERNATOR / "BOSCH" / 10 RIB To 4-4952 | 2 | | | 2 | |
| 22 | 066062 | PULLEY ALTERNATOR / "BOSCH" / 10 RIB From 4-4953 | 2 | | | 2 | |
| 23 | Y2-0605-00 | ALTERNATOR 24V/140 AMPS / "BOSCH" | | | | | |
| 24 | 23509483 | WASHER | 6 | | | 6 | |
| 25 | 23528696 | SCREW CAP HEX M12-1.50x100 | 1 | | | 1 | |
| 26 | 23523176 | SCREW CAP HEX M12-1.75x50 | 4 | | | 4 | |
| 27 | 23523490 | SCREW CAP HEX M12-1.50x150 | 1 | | | 1 | |
| 30 | 012265 | ADAPTOR SNUBBER MOUNTING To 8-9250 | 1 | | | 1 | |
| 30 | 012455 | ADAPTOR SNUBBER MOUNTING From 8-9251 | 1 | | | 1 | |
| 31 | 5001595 | SCREW CAP HEXF M10-1.5x60 G8.8 G500 | 3 | | | 3 | |
| 32 | 012268 | SNUBBER ASSY To 8-9250 | 1 | | | 1 | |
| 32 | 012467 | SNUBBER ASSY From 8-9251 | 1 | | | 1 | D |
| 33 | 5001643 | SCREW CAP HEXF M8-1.25x25 G8.8 G500 | 2 | | | 2 | |
| 34 | 5001596 | SCREW CAP HEXF M14-2.0x90 G8.8 MAGNI 565 | 1 | | | 1 | |
| 35 | 012269 | PULLEY ASSY IDLER To 8-9250 | 1 | | | 1 | |
| 35 | 012466 | PULLEY ASSY IDLER From 8-9251 | 1 | | | 1 | D |
| | | | | | | | |
| | | | | | | | |
| | | | | | | | |
| | | | | | | | |
| | | A) EMERGENCY USE ONLY WITH ONE ALTERNATOR | | | | | |
| | | D) SEE DETAIL AT PAGE Y2-0120-00 | | | | | |

From Y-7046 To 3-8164

Date:10/2022

PAGE:Y2-0610-50

ALTERNATOR MOUNTING / "DELCO" WITH DETROIT S-60



| | | |
|--|--------------|-----------------|
| From Y-7046 To 3-8164 | Date:10/2022 | PAGE:Y2-0610-50 |
| ALTERNATOR MOUNTING / "DELCO" WITH DETROIT S-60 | | |

| Item# | Part | Description | X L I I 4 5 | X L I I M T H 4 0 | X L I I M T H 4 5 | X L I I M T H 4 5 E | N O T E S |
|-------|-------------------|--|----------------------------|---|---|--|-----------------------|
| 1 | 562235 | ALTERNATOR ASSY 24V/270 AMPS To 4-8313 | | 1 | 1 | 1 | |
| NS | 562355 | ALTERNATOR ASSY 12V/300 AMPS / | | 1 | 1 | 1 | |
| 1 | 563437 | ALTERNATOR ASSY 24V/270 AMPS From 4-8314 | | 1 | 1 | 1 | |
| 2 | 510439 | PULLEY ALTERNATOR 12 RIB | | 1 | 1 | 1 | |
| 3 | Y2-0605-51 | ALTERNATOR 24V/270 AMPS / "DELCO" #562235 | | | | | |
| 4 | N.S.P. | SUPPORT ALTERNATOR MOUNTING / (23521128) | | 1 | 1 | 1 | 2 |
| 4 | N.S.P. | KEY, WOODRUFF 3/16" X 7/8" / (120502) | | 2 | 2 | 2 | 2 |
| 5 | N.S.P. | BOLT 1/2-13 X 2.00" / (00455001) | | 2 | 2 | 2 | 2 |
| 5 | N.S.P. | BOLT 1/2-13 X 2.25" / (00186631) | | 2 | 2 | 2 | 2 |
| 6 | N.S.P. | WASHER LO SPT ZP / (5132715) | | 4 | 4 | 4 | 2 |
| 7 | N.S.P. | BOLT FLG M12-1.75 X 30MM / TO FIX BRACE / (11509528) | | 4 | 4 | 4 | 2 |
| 7 | N.S.P. | BRACKET ALTERNATOR SUPPORT / ON BLOCK / (23511744) | | 1 | 1 | 1 | 2 |
| 7 | N.S.P. | BOLT FLG M10-1.5 X 30MM / TO FIX SUPPORT ON BLOCK (11505299) | | 3 | 3 | 3 | 2 |
| 8 | N.S.P. | BRACE ALTERNATOR SUPPORT / (23511743) | | 1 | 1 | 1 | 2 |
| 9 | N.S.P. | HOSE ASSY 25.25" / #5 TEFLON OIL SUPPLY / (23504343) | | 1 | 1 | 1 | 2 |
| 10 | N.S.P. | HOSE ASSY 21" / #4 ALT VENT TOP OF ALTERNATOR / (5133163) | | 1 | 1 | 1 | 2 |
| 11 | N.S.P. | BOLT FLG 7/16-14 X 5.75 / (23521130) | | 2 | 2 | 2 | 2 |
| 11 | N.S.P. | BOLT FLG 7/16-14 X 5.50 / (23521132) | | 1 | 1 | 1 | 2 |
| 11 | N.S.P. | NUT FLG 7/16-14 / (23521131) | | 3 | 3 | 3 | 2 |
| 12 | Y2-0120-50 | DRIVE PULLEY & BELTS - MTH | | | | | |
| 13 | N.S.P. | HOSE ASSY 23.40" / #16 OIL DRAIN / (23517561) | | 1 | 1 | 1 | 2 |
| 13 | N.S.P. | CONNECTOR 1" NPT 1" TUBE / OIL DRAIN / (09402713) | | 1 | 1 | 1 | 2 |
| 14 | N.S.P. | ELBOW 90° 3/4" NPT 1" TUBE / OIL DRAIN / (02492119) | | 1 | 1 | 1 | 2 |
| 15 | 506782 | MULTI V-BELT / 12 RIB 73" (1854) 23521000 | | 1 | 1 | 1 | |
| 20 | N.S.P. | IDLER PULLEY ASSY / (23520959) | | 1 | 1 | 1 | 2 |
| 21 | N.S.P. | . SEAL / (CR 14960) / (23521013) | | 2 | 2 | 2 | 2 |
| 22 | N.S.P. | . PULLEY IDLER 12G / 5 1/4" O.D. / (23520994) | | 1 | 1 | 1 | 2 |
| 23 | N.S.P. | . PULLEY BELT TENSIONER / 5 1/4 O.D. / (23520999) | | 1 | 1 | 1 | 2 |
| 24 | N.S.P. | . BEARING DBL ROW / (30BGS1D53) / (23518189) | | 1 | 1 | 1 | 2 |
| 25 | N.S.P. | . WASHER / (23518224) | | 2 | 2 | 2 | 2 |
| 26 | N.S.P. | . BOLT M10-1.5 X 45MM G10.9 / (23518303) | | 2 | 2 | 2 | 2 |
| 26 | 510627 | . BOLT M10-1.5 X 45MM LH G10.9 | | 1 | 1 | 1 | |
| 27 | N.S.P. | . PROTECTOR CAP / (05107293) | | 2 | 2 | 2 | 2 |
| 28 | N.S.P. | BOLT FLG M14-2.0 X 50MM / (23511779) | | 1 | 1 | 1 | 2 |
| 29 | N.S.P. | BOLT FLG M14-2.0 X 80MM / (23511257) | | 2 | 2 | 2 | 2 |
| 30 | N.S.P. | BOLT FLG M10-1.5 X 85MM / (23505050) | | 3 | 3 | 3 | 2 |
| 31 | N.S.P. | BOLT FLG M10-1.5 X 30MM / (23511786) | | 1 | 1 | 1 | 2 |
| 32 | N.S.P. | AUTOMATIC TENSIONER / (23521020) | | 1 | 1 | 1 | 2 |
| 32 | N.S.S. | . SPRING | | 2 | 2 | 2 | 1 |
| 33 | N.S.S. | . PROTECTOR CAP | | 1 | 1 | 1 | 1 |
| 34 | N.S.S. | . BOLT | | 1 | 1 | 1 | 1 |
| 35 | N.S.S. | . LEVER | | 1 | 1 | 1 | 1 |

| | | | |
|--|--|--------------|-----------------|
| From Y-7046 To 3-8164 | | Date:10/2022 | PAGE:Y2-0610-50 |
| ALTERNATOR MOUNTING / "DELCO" WITH DETROIT S-60 | | | |

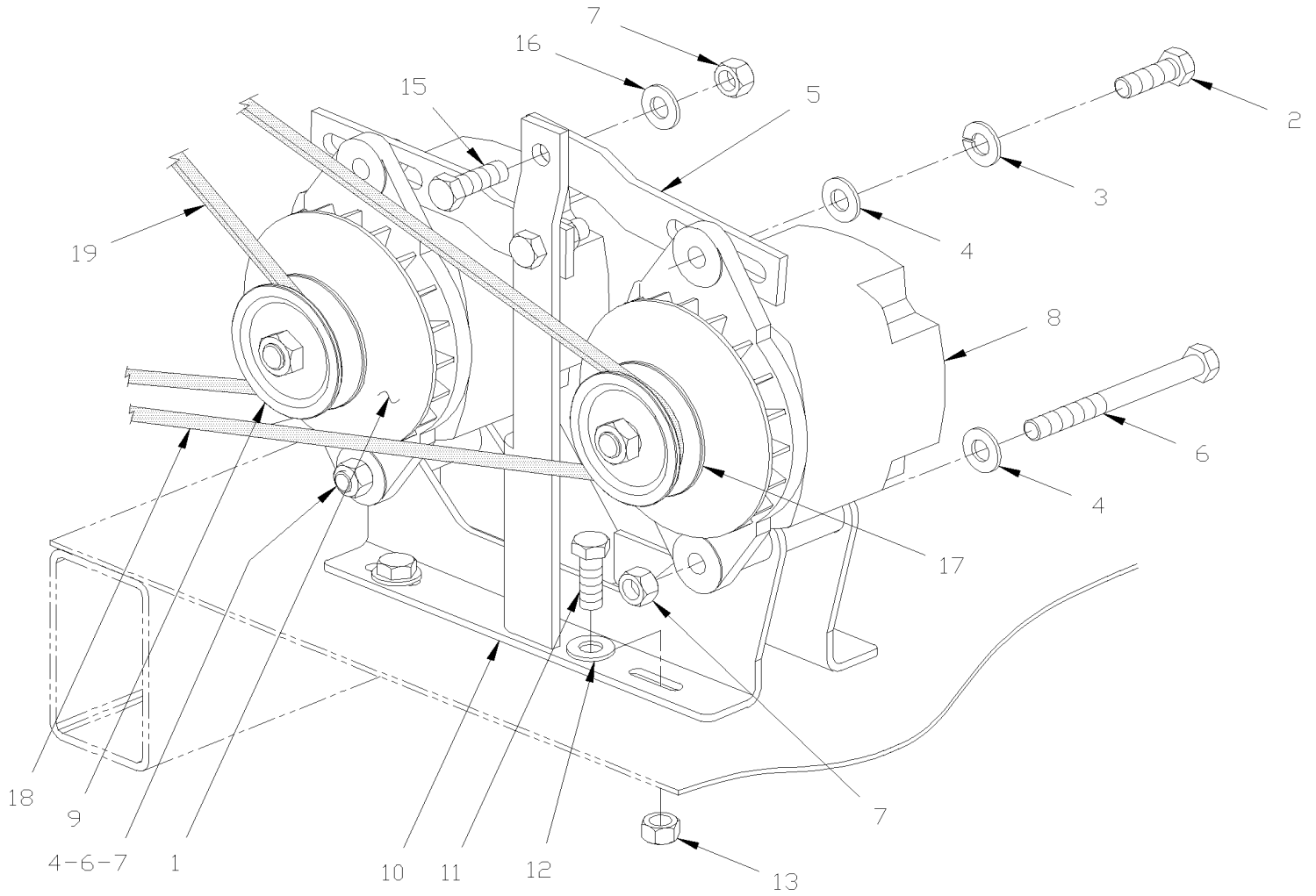
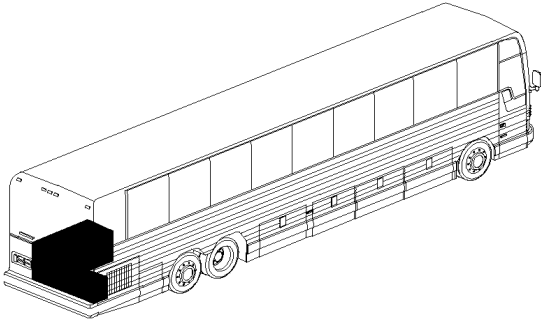
| Item# | Part | Description | X L I I 4 5 | X L I I M T H 4 0 | X L I I M T H 4 5 | X L I I M T H 4 5 E | N O T E S |
|-------|--------|---|----------------------------|---|---|--|-----------------------|
| 36 | N.S.S. | . PULLEY | | 1 | 1 | 1 | 1 |
| 36 | N.S.S. | . BEARING | | 1 | 1 | 1 | 1 |
| 36 | N.S.S. | PROTECTOR CAP | | 1 | 1 | 1 | 1 |
| 40 | N.S.P. | TENSIONNER, MOUNTED / (23520920) | | 1 | 1 | 1 | 2 |
| 40 | N.S.P. | O-RING / (8929253) | | 1 | 1 | 1 | 2 |
| 41 | N.S.P. | BOLT FLG M8-1.25X30 / (11504822) | | 5 | 5 | 5 | 2 |
| 50 | 065693 | SUPPORT, DELCO ALT HARNESS From 2-7891 | | 1 | 1 | 1 | A |
| 51 | 500170 | SCREW CAP HEX 1/4-20x2 G5 PT Z050 From 2-7891 | | 2 | 2 | 2 | A |
| 52 | 504614 | PLATE RETAINING / COLLAR From 2-7891 | | 1 | 1 | 1 | A |
| 53 | 504703 | COLLAR 1/2" I.D. / TO FIX HOSE From 2-7891 | | 1 | 1 | 1 | A |
| 54 | 509815 | TIE MOUNT / ATTACHMENT W/TREE MOUNT From 2-7891 | | 2 | 2 | 2 | A |
| NS | 504637 | CABLE TIE / 3/16" x 13" From 2-7891 | | AR | AR | AR | A |
| 55 | 065701 | CABLE ASSY #102 From 2-7891 | | 1 | 1 | 1 | A |
| NS | 065696 | KIT, RETROFIT HARNESS SUPPORT W/"DELCO" ALT To 2-7890 | | AR | AR | AR | |
| | | | | | | | |
| | | | | | | | |
| | | A) FOR PRODUCT IMPROVEMENT ASK FOR KIT #065696 INCLUDE ALL THOSE PARTS | | | | | |
| | | 1) NOT SOLD SEPARATELY | | | | | |
| | | 2) NOT SOLD BY PREVOST (SEE MANUFACTURING PART NUMBER AT END OF DESCRIPTION LINE) | | | | | |

From Y-7046 To 8-9339

Date:10/2022

PAGE:Y2-0610-51

ALTERNATOR MOUNTING / 12V & 24V - MTH



| | | |
|------------------------------|---------------------|------------------------|
| From Y-7046 To 8-9339 | Date:10/2022 | PAGE:Y2-0610-51 |
|------------------------------|---------------------|------------------------|

ALTERNATOR MOUNTING / 12V & 24V - MTH

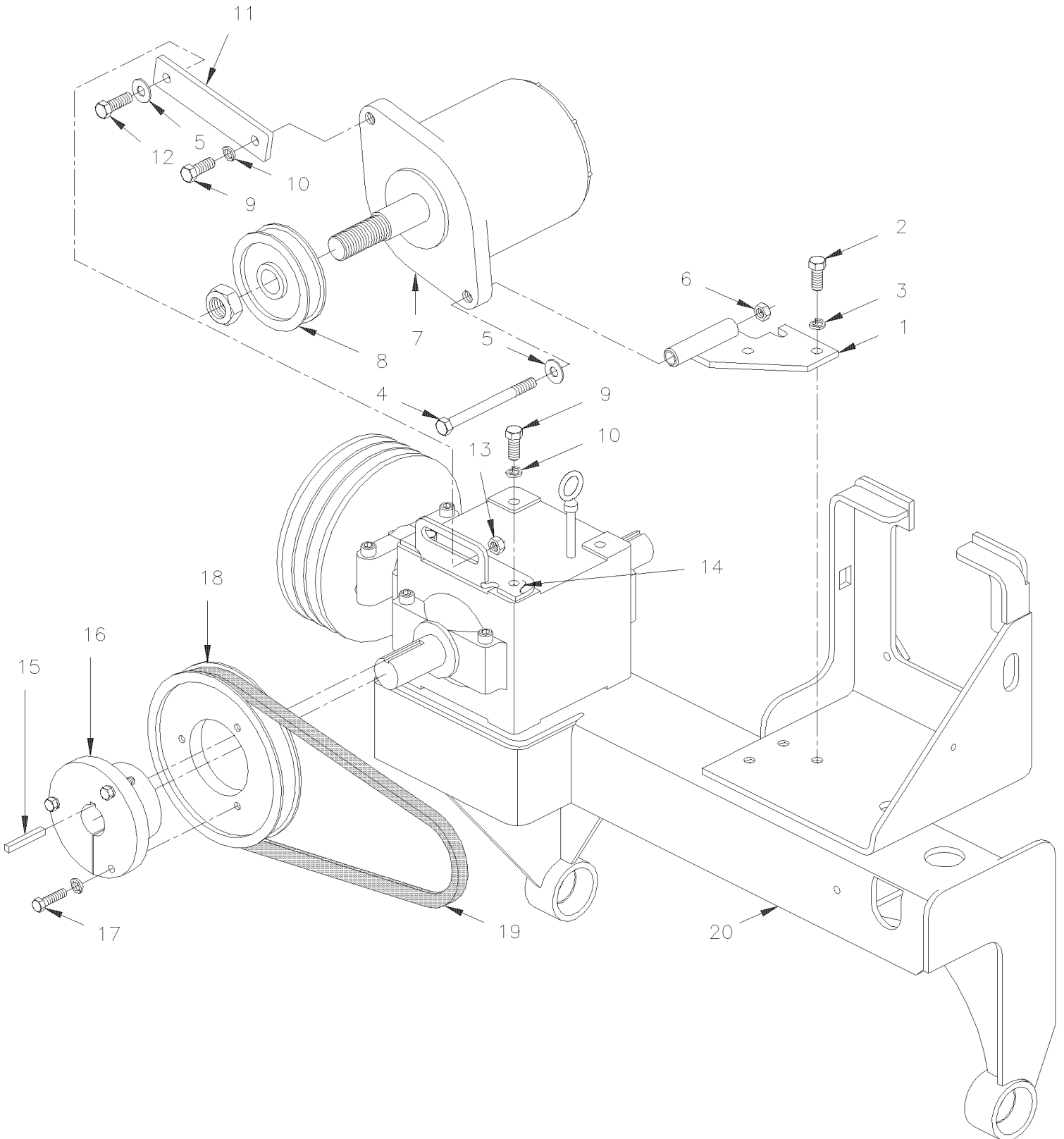
| Item# | Part | Description | X L I I 4 5 | X L I I M T H 4 0 | X L I I M T H 4 5 | X L I I M T H 4 5 E | N O T E S |
|-------|---------|---|----------------------------|---|---|--|-----------------------|
| 1 | 562326 | ALTERNATOR ASSY 24V/75 AMPS | | 1 | 1 | 1 | |
| NS | 562612 | ALTERNATOR ASSY 24V/100 AMPS / PRESTOLITE | | | | 1 | |
| 2 | 500214 | SCREW CAP HEX 1/2-13x1 1/4 G5 Z050 | | 2 | 2 | 2 | |
| 3 | 500482 | WASHER LO SPT .506x.873x.125 Z050 | | 2 | 2 | 2 | |
| 4 | 500547 | WASHER FL .484x.750x.031 ZP | | 2 | 2 | 2 | |
| 5 | 061531 | TENSIONNER | | 2 | 2 | 2 | |
| 6 | 500106 | SCREW CAP HEX 1/2-20x6 G5 PT Z050 | | 2 | 2 | 2 | |
| 7 | 500718 | NUT HEX STO 1/2-20 Z050 | | 3 | 3 | 3 | |
| 8 | 562911 | ALTERNATOR ASSY 12V/145 AMPS / LEECE-NEVILLE | | 1 | 1 | 1 | |
| 8 | 563523 | ALTERNATOR ASSY 14V/160 AMPS / PRESTOLITE | | 1 | 1 | 1 | |
| 9 | 062418 | PULLEY ALTERNATOR / W/1V x 3 1/4" O.D. To 4-4952 | | 1 | 1 | 1 | |
| 9 | 066065 | PULLEY ALTERNATOR / W/1V x 3 1/4" O.D. From 4-4953 | | 1 | 1 | 1 | |
| 9 | 562926 | PULLEY 3.3" O.D. / W/ "LEECE-NEVILLE" | | 1 | 1 | 1 | |
| NS | 500420 | WASHER FL .938x1.750x.134 ZP | | 1 | 1 | 1 | |
| NS | 5001426 | WASHER FL .875x1.375x.047 STL KEYWAY | | 3 | 3 | 3 | |
| 10 | 064455 | SUPPORT / ALTERNATOR To 2-7809 | | 1 | 1 | 1 | |
| 10 | 065616 | SUPPORT / ALTERNATOR From 2-7810 To 4-8220 | | 1 | 1 | 1 | |
| 10 | 065887 | SUPPORT / ALTERNATOR From 4-8221 | | 1 | 1 | 1 | |
| NS | 505213 | SHIM 1/16" THICK | | AR | AR | AR | |
| NS | 062362 | SHIM / .067" THICK | | AR | AR | AR | |
| NS | 062361 | SHIM / .082" THICK | | AR | AR | AR | |
| 11 | 955535 | SCREW CAP HEX 3/8-16x1 1/4 G5 ZG603 | | 4 | 4 | 4 | |
| 12 | 500832 | WASHER FL .406x.812x.065 N500 | | 8 | 8 | 8 | |
| 13 | 500208 | NUT HEX STO 3/8-16 N500 | | 4 | 4 | 4 | |
| 15 | 500088 | SCREW CAP HEX 1/2-20x1 1/2 G5 ZP | | 1 | 1 | 1 | |
| 16 | 500446 | WASHER FL .531x1.250x.125 Z050 | | 1 | 1 | 1 | |
| 17 | 060697 | PULLEY ALTERNATOR / W/1V x 4" O.D. | | 1 | 1 | 1 | |
| 18 | 506760 | V-BELT / BX-97 9013-2097 | | 1 | 1 | 1 | |
| 19 | 506680 | V-BELT / BX-80 9013-2080 | | 1 | 1 | 1 | E |
| 19 | 506708 | V-BELT / BX-77 9013-2077 | | 1 | 1 | 1 | D |
| | | | | | | | |
| | | | | | | | |
| | | | | | | | |
| | | D) USE WITH PULLEY MOUNTED ON ALTERNATOR SUPPORT "DELCO" MODEL 50DN MOUNTED ON ENGINE "OPTION". (NEIHOFF) | | | | | |
| | | E) USE WITH PULLEY MOUNTED ON SMALL SUPPORT FIXED AT ENGINE. | | | | | |

From Y-7046 To 8-9339

Date:10/2022

PAGE:Y2-0610-52

ALTERNATOR MOUNTING / 12V & 24V - MTH / GEARBOX INSTAL



From Y-7046 To 8-9339 Date:10/2022 PAGE:Y2-0610-52

ALTERNATOR MOUNTING / 12V & 24V - MTH / GEARBOX INSTAL

| Item# | Part | Description | X L I I 4 5 | X L I I M T H 4 0 | X L I I M T H 4 5 | X L I I M T H 4 5 E | NOTES |
|-------|------------|--|----------------------------|---|---|--|-------|
| 1 | 063777 | PIVOT ASSY / SUPPORT | | 1 | 1 | 1 | |
| NS | 063855 | SPACER SS 16GA / BETWEN GEAR BOX & PIVOT | | 1 | 1 | 1 | |
| NS | 067526 | SUPPORT PIVOT ALTERNATOR | | 1 | 1 | 1 | RF |
| NS | 067529 | SUPPORT ALTERNATOR LOWER "BOSCH" 12V | | 1 | 1 | 1 | RF |
| NS | 067524 | SUPPORT ALTERNATOR UPPER "BOSCH" 12V | | 1 | 1 | 1 | RF |
| 2 | 502559 | SCREW CAP HEX M10-1.5x25 G8.8 Z050 | | 3 | 3 | 3 | |
| 3 | 500257 | WASHER LO SPT 10.2x18.1x2.2 Z050 | | 3 | 3 | 3 | |
| NS | 502525 | WASHER FL .484x.750x.031 Z050 | | 3 | 3 | 3 | |
| 4 | 500106 | SCREW CAP HEX 1/2-20x6 G5 PT Z050 | | 1 | 1 | 1 | |
| 5 | 571351 | WASHER, 1/2" I.D. FLAT | | 2 | 2 | 2 | |
| 6 | 500718 | NUT HEX STO 1/2-20 Z050 | | 1 | 1 | 1 | |
| 7 | 562612 | ALTERNATOR ASSY 24V/100 AMPS / PRESTOLITE | | 1 | 1 | 1 | |
| 7 | 562911 | ALTERNATOR ASSY 12V/145 AMPS / LEECE-NEVILLE | | 1 | 1 | 1 | R |
| 7 | 563523 | ALTERNATOR ASSY 14V/160 AMPS / PRESTOLITE | | 1 | 1 | 1 | |
| 7 | 563734 | ALTERNATOR ASSY 12V/200AMPS / HD10E 200A 14V | | 1 | 1 | 1 | RF |
| 8 | 562926 | PULLEY 3.3" O.D. / W/ "LEECE-NEVILLE" | | 1 | 1 | 1 | |
| 8 | 5001426 | WASHER FL .875x1.375x.047 STL KEYWAY | | 1 | 1 | 1 | |
| 8 | 067065 | PULLEY ALTERNATOR "BOSCH" / W/ 2V x 82.5MM OD | | 1 | 1 | 1 | RF |
| NS | 067208 | PROTECTOR PULLEY PLASTIC BLACK | | 1 | 1 | 1 | RF |
| 9 | 500213 | SCREW CAP HEX 1/2-13x1 G5 Z050 | | 3 | 3 | 3 | |
| 10 | 500482 | WASHER LO SPT .506x.873x.125 Z050 | | 3 | 3 | 3 | |
| 11 | 063779 | TENSIONER 154MM C/C To 3-8164 | | 1 | 1 | 1 | |
| 11 | 065995 | TENSIONER 254MM C/C From 4-8165 | | 1 | 1 | 1 | |
| 11 | 067523 | TENSIONER 77.3 MM C/C | | 1 | 1 | 1 | RF |
| 12 | 500214 | SCREW CAP HEX 1/2-13x1 1/4 G5 Z050 | | 1 | 1 | 1 | |
| 13 | 500968 | NUT HEX STO 1/2-13 Z050 | | 3 | 3 | 3 | |
| 14 | 452443 | TENSIONER BRACKET / GEARBOX | | 1 | 1 | 1 | RF |
| 15 | 550186 | KEY 1/4" X 1/4" X 1 1/4" | | 1 | 1 | 1 | |
| 15 | 550293 | KEY 1/4" X 1/4" X 1 13/16" | | 1 | 1 | 1 | RF |
| 16 | 950230 | CONE BUSHING 1 1/4 I.D X 2 1/8 O.D. X 3 5/16 To 4-4952 | | 1 | 1 | 1 | |
| 16 | 950387 | CONE BUSHING 1 1/4 I.D X 2 1/8 O.D. X 3 5/16 From 4-4953 | | 1 | 1 | 1 | |
| 16 | 950389 | CONE BUSHING 1 1/4 I.D X 2 1/8 O.D. X 3 5/16 | | 1 | 1 | 1 | RF |
| 17 | 500167 | SCREW CAP HEX 1/4-20x1 1/4 G5 PT Z050 | | 3 | 3 | 3 | |
| NS | 500473 | WASHER LO SPT .262x.489x.062 Z050 | | 3 | 3 | 3 | |
| 18 | 950211 | PULLEY DRIVE 7.15 O.D. / SINGLE "V" To 4-4952 | | 1 | 1 | 1 | |
| 18 | 950386 | PULLEY DRIVE 7.15 O.D. / SINGLE "V" From 4-4953 | | 1 | 1 | 1 | |
| 18 | 950392 | PULLEY DRIVE 7.25 O.D. / DOUBLE "V" | | 1 | 1 | 1 | RF |
| 19 | 506683 | V-BELT / BX-31 9013-2031 To 3-8164 | | 1 | 1 | 1 | |
| 19 | 5060058 | V-BELT / BX-35 9013-2035 From 4-8165 | | 1 | 1 | 1 | |
| 19 | 5060100 | V-BELT / AX-32 9012-2032 | | 1 | 1 | 1 | RF |
| 20 | Y2-0520-00 | FAN DRIVE - INSTALLATION - SHORT To 3-8164 | | | | | |
| 20 | Y2-0520-01 | FAN DRIVE - INSTALLATION - SHORT From 4-8165 | | | | | |

| | | |
|-----------------------|--------------|-----------------|
| From Y-7046 To 8-9339 | Date:10/2022 | PAGE:Y2-0610-52 |
|-----------------------|--------------|-----------------|

ALTERNATOR MOUNTING / 12V & 24V - MTH / GEARBOX INSTAL

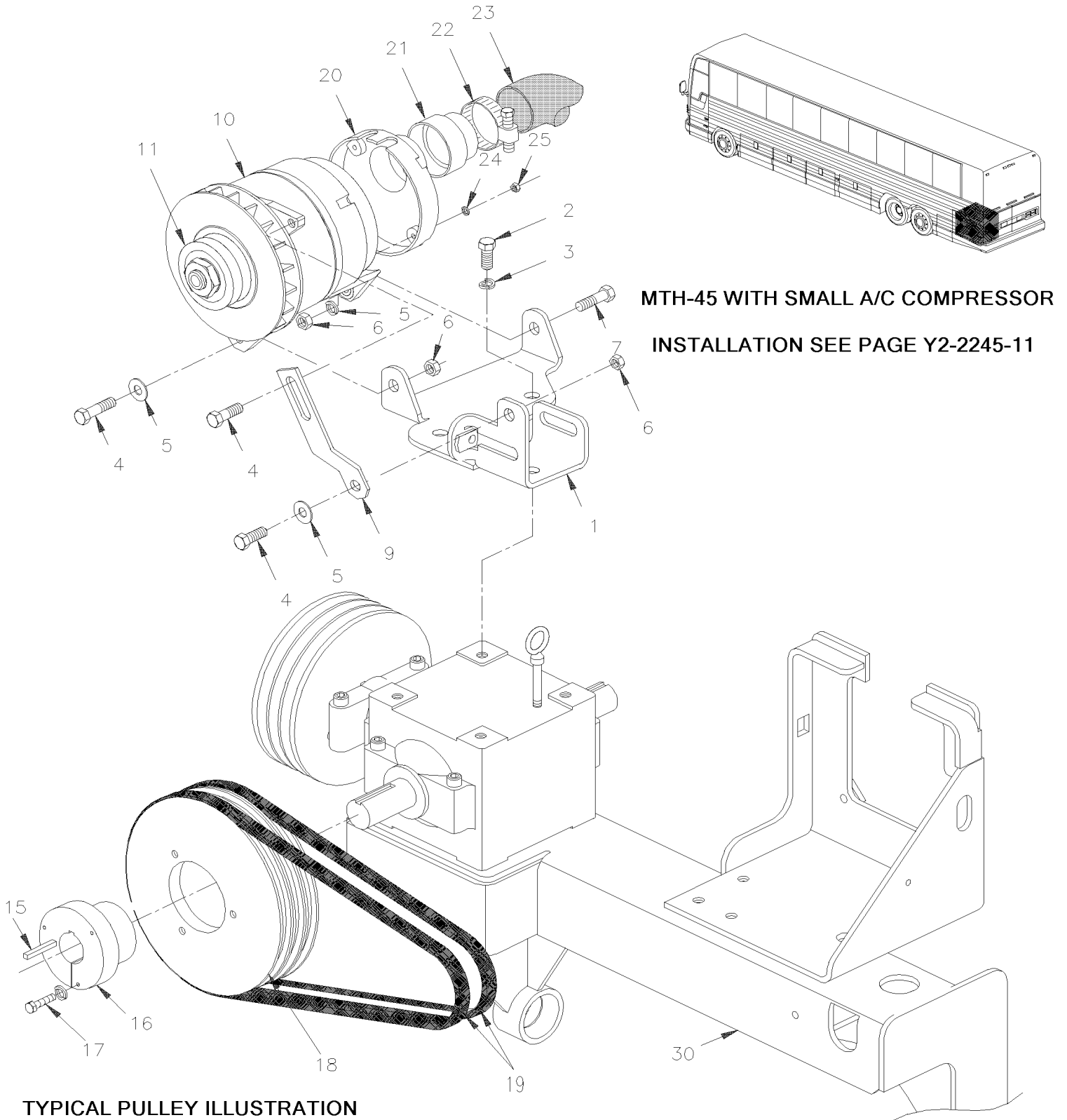
| Item# | Part | Description | X L I I 4 5 | X L I I M T H 4 0 | X L I I M T H 4 5 | X L I I M T H 4 5 E | N O T E S |
|-------|----------|---|----------------------------|---|---|--|-----------------------|
| 30 | 067513 | KIT, RETROFIT 12V-200AMPS ALTERNATOR | | 1 | 1 | 1 | |
| NS | IS-07038 | . SEE INSTRUCTION SHEET | | 1 | 1 | 1 | |
| 31 | IS-07038 | SEE INSTRUCTION SHEET | | 1 | 1 | 1 | RF |
| | | | | | | | |
| | | | | | | | |
| | | R) FOR PRODUCT IMPROVEMENT ASK FOR KIT # 067513 KIT 12V-200AMPS "BOSCH" | | | | | |
| | | RF) THIS PARTS ARE INCLUDE IN RETROFIT KIT # 067513 | | | | | |

From 6-8864 To 8-9339

Date:10/2022

PAGE:Y2-0610-54

ALTERNATOR MOUNTING / "BOSCH" - 24V/140A / GEARBOX INSTAL



From 6-8864 To 8-9339 Date:10/2022 PAGE:Y2-0610-54

ALTERNATOR MOUNTING / "BOSCH" - 24V/140A / GEARBOX INSTAL

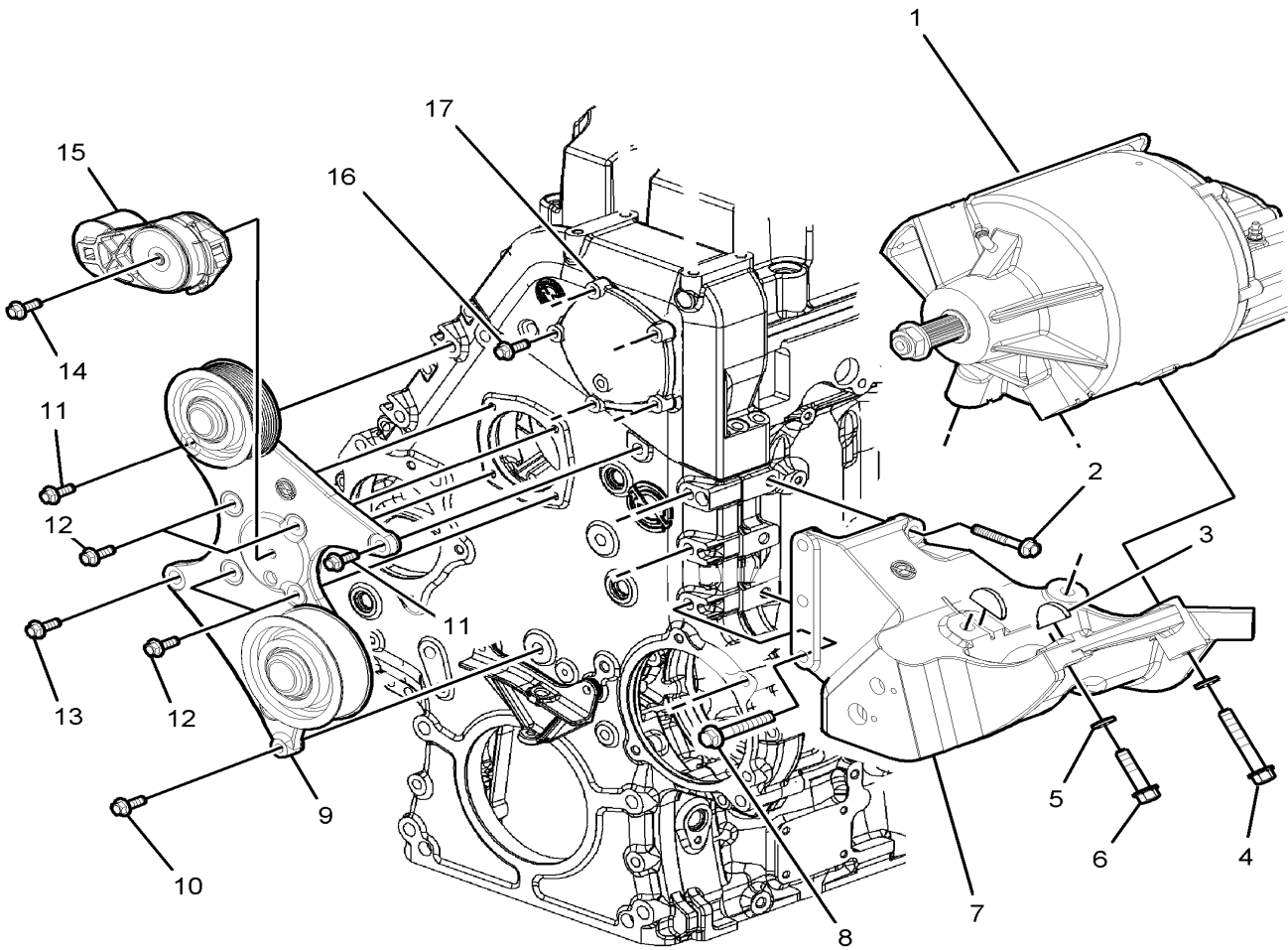
| Item# | Part | Description | X L I I I 4 5 | X L I I I M T H 4 0 | X L I I I M T H 4 5 | X L I I I M T H 4 5 E | NOTES |
|-------|-------------------|--|---------------------------------|--|--|---|-------|
| 1 | 066496 | SUPPORT ALTERNATOR & A/C COMPRESSOR | | | 1 | | S |
| NS | 066184 | SPACER 35MM X 25.4 O.D. x 12.7 I.D. | | | 3 | | A |
| 2 | 500217 | SCREW CAP HEX 1/2-13x2 1/2 G5 CP | | | 3 | | |
| 3 | 500482 | WASHER LO SPT .506x.873x.125 Z050 | | | 3 | | |
| 4 | 502731 | SCREW CAP HEX M12-1.75x40 G8.8 Z050 | | | 3 | | |
| 5 | 500958 | WASHER FL .531x1.062x.095 SS | | | 4 | | |
| 6 | 500811 | NUT HEX STO M12-1.75 G500 | | | 4 | | |
| 7 | 5001043 | SCREW CAP HEX M12-1.75x50 G8.8 Z050 | | | 1 | | |
| 9 | 066495 | TENSIONNER | | | 1 | | |
| 10 | Y2-0605-00 | ALTERNATOR 24V/140 AMPS / "BOSCH" | | | | | |
| 11 | 064543 | PULLEY ALTERNATOR "BOSCH" / W/ 1Vx 88.9MM O.D. | | | 1 | | |
| 13 | 500968 | NUT HEX STO 1/2-13 Z050 | | | 1 | | |
| 15 | 550293 | KEY 1/4" X 1/4" X 1 13/16" | | | 1 | | |
| 16 | 950398 | CONE BUSHING 1 1/4 I.D X 2 1/8 O.D. X 3 5/16 | | | 1 | | |
| 17 | 500167 | SCREW CAP HEX 1/4-20x1 1/4 G5 PT Z050 | | | 3 | | |
| 18 | 950397 | PULLEY DRIVE 7.15 O.D. / TRIPLE "V" | | | 1 | | |
| 19 | 5060072 | V-BELT / B-33 / SET OF 3 9003-2033 | | | AR | | |
| 20 | 562851 | AIR-INTAKE COVER | | | 1 | | |
| NS | 504421 | GROMMET / .625x.875x.187x.437x1.125 | | | 2 | | |
| 21 | 064552 | ADAPTOR | | | 1 | | |
| 22 | 504025 | HOSE CLAMP / 2"5/16-3"1/4 SS / HS-44 | | | 1 | | |
| 23 | 503674 | HOSE FLEXIBLE / AIR DUCT 2 1/2" I.D. X 25' | | | AR | | |
| NS | 454149 | SUPPORT HOSE | | | 1 | | |
| NS | 502622 | SCREW CAP HEX M6-1.0x20 SS BK | | | 2 | | B |
| NS | 5001608 | WASHER BEL SPR 6.2x15.0x0.7 G500 | | | 2 | | B |
| 24 | 502570 | WASHER LO SPT 6.1x11.8x1.6 SS | | | 4 | | |
| 25 | 502565 | NUT HEX M6-1.0 SS | | | 4 | | |
| 30 | Y2-0520-50 | FAN DRIVE - INSTALLATION - LONG To 6-8814 | | | | | |
| 30 | Y2-0520-51 | FAN DRIVE - INSTALLATION - LONG From 6-8815 | | | | | |
| 31 | Y2-2245-11 | A/C COMPRESSOR SMALL - INSTALLATION | | | | | |
| | | | | | | | |
| | | A) BETWEEN SUPPORT & GEARBOX | | | | | |
| | | B) TO FIX HOSE SUPPORT | | | | | |
| | | S) AS SHOWN | | | | | |

From 4-8165 To 8-9339

Date:10/2022

PAGE:Y2-0610-55

ALTERNATOR MOUNTING / "DELCO" WITH DETROIT S-60

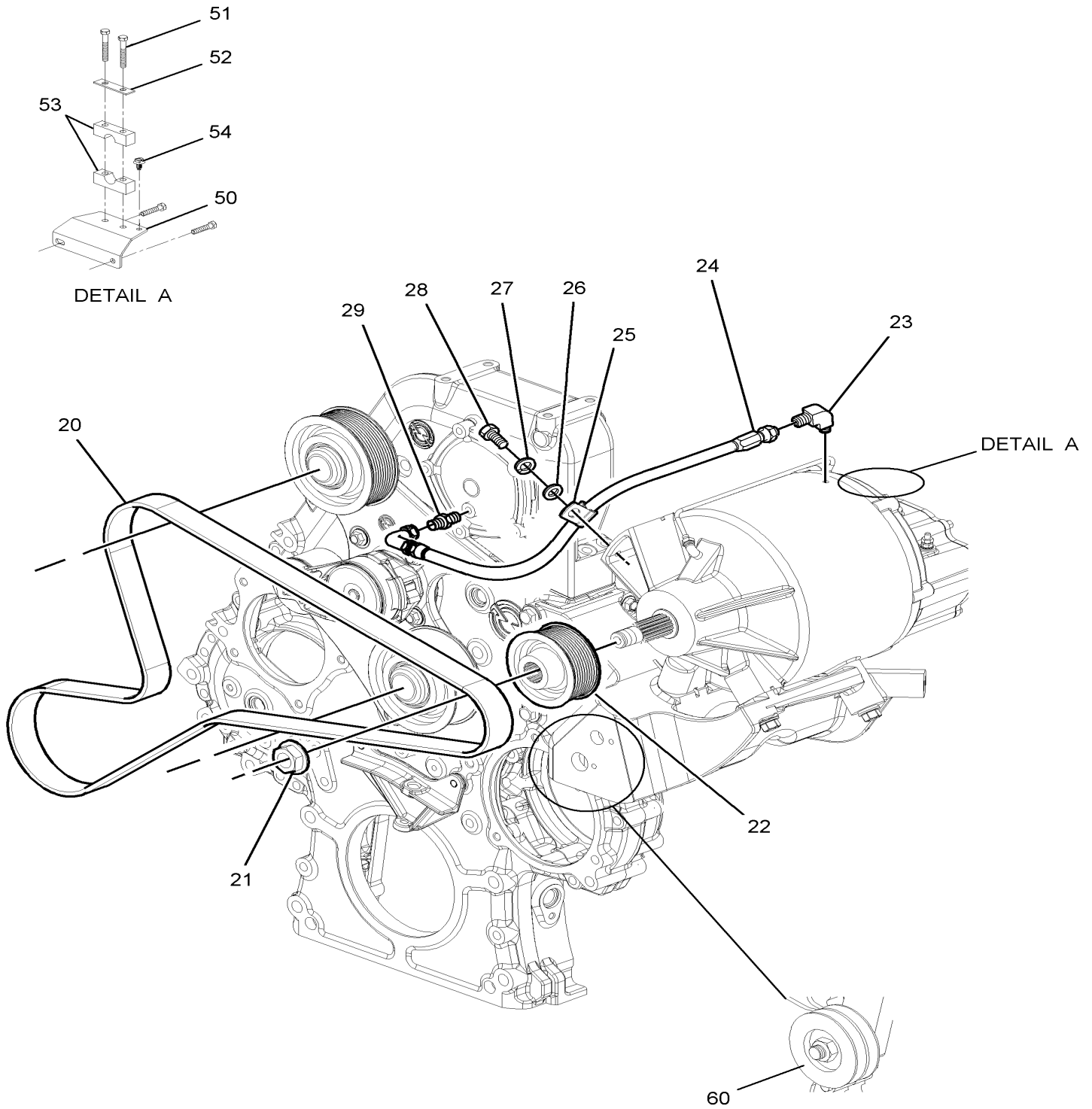


From 4-8165 To 8-9339

Date:10/2022

PAGE:Y2-0610-55

ALTERNATOR MOUNTING / "DELCO" WITH DETROIT S-60

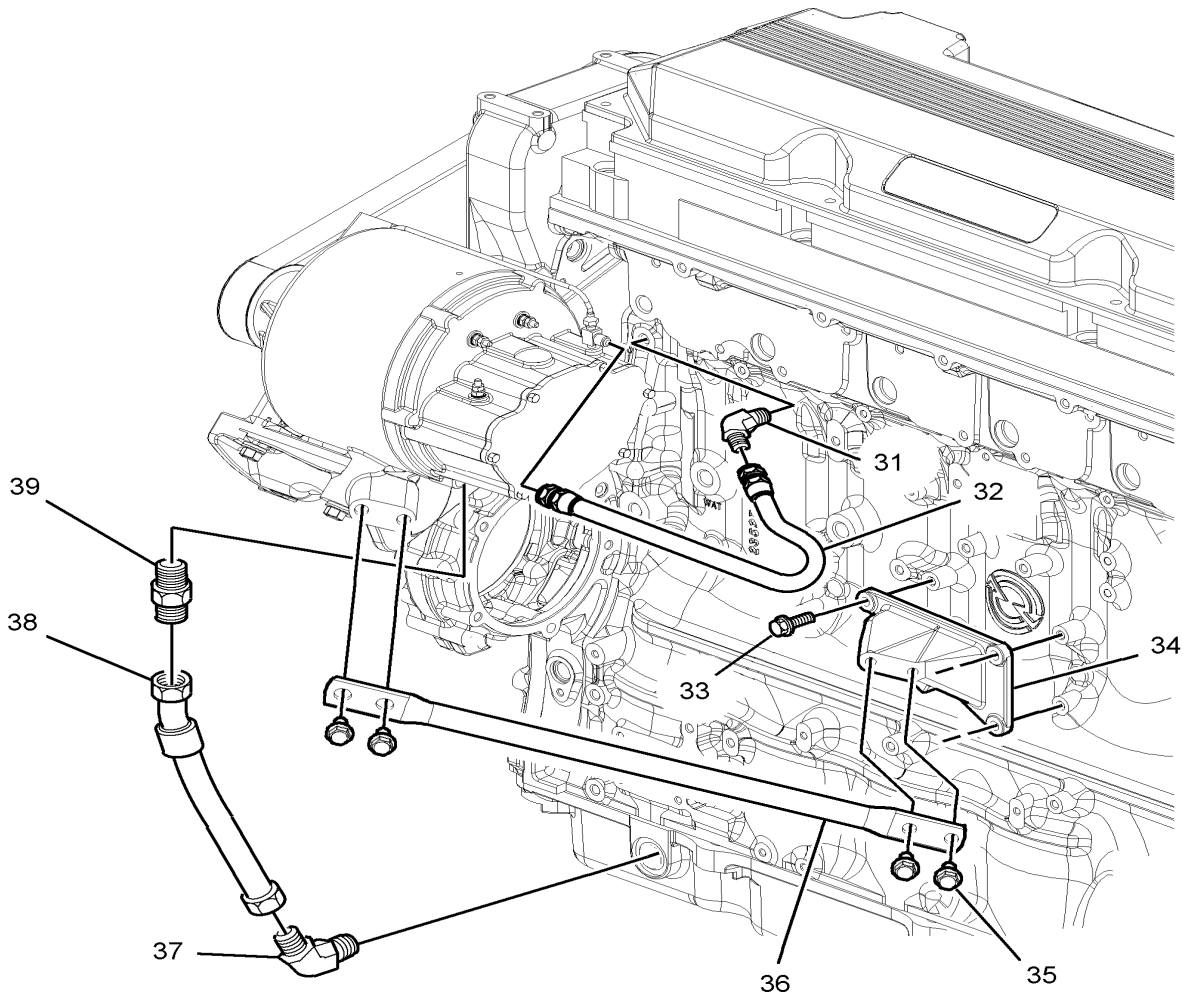


From 4-8165 To 8-9339

Date:10/2022

PAGE:Y2-0610-55

ALTERNATOR MOUNTING / "DELCO" WITH DETROIT S-60



| | | |
|--|--------------|-----------------|
| From 4-8165 To 8-9339 | Date:10/2022 | PAGE:Y2-0610-55 |
| ALTERNATOR MOUNTING / "DELCO" WITH DETROIT S-60 | | |

| Item# | Part | Description | X L I I 4 5 | X L I I M T H 4 0 | X L I I M T H 4 5 | X L I I M T H 4 5 E | NOTES |
|-------|------------|--|----------------------------|---|---|--|-------|
| 1 | Y2-0605-51 | ALTERNATOR 24V/270 AMPS / "DELCO" #562235 | | | | | |
| 1 | Y2-0605-52 | ALTERNATOR 12V/300 AMPS / "DELCO" #562355 | | | | | |
| 2 | 23509520 | SCREW CAP HEXF M12-1.75x47 | | 2 | 2 | 2 | |
| 3 | 00120502 | KEY, WOODRUFF 3/16" X 7/8" | | 2 | 2 | 2 | |
| 4 | 179893 | SCREW CAP HEX 1/2-13x3.00 | | 1 | 1 | 1 | |
| 5 | 5132715 | WASHER | | 4 | 4 | 4 | |
| 6 | 0455001 | SCREW CAP HEX 1/2-13x2 G8 ZP | | 3 | 3 | 3 | |
| 7 | 23530336 | SUPPORT | | 1 | 1 | 1 | |
| 8 | 23528406 | SCREW CAP HEXF M12-1.75x80 G10.9 | | 3 | 3 | 3 | |
| 9 | 23530231 | PULLEY ASSY FORMER | | 1 | 1 | 1 | |
| 9 | 23534290 | PULLEY ASSY CURRENT | | 1 | 1 | 1 | |
| 10 | 23528697 | SCREW CAP HEXF M12-1.75x60 G10.9 | | 1 | 1 | 1 | |
| 11 | 23519770 | SCREW CAP HEXF M12-1.75x75 G10.9 | | 2 | 2 | 2 | |
| 12 | 5249900304 | SCREW CAP HEXF M12-1.75x75 G10.9 | | 4 | 4 | 4 | |
| 13 | 23528696 | SCREW CAP HEX M12-1.50x100 | | 1 | 1 | 1 | |
| 14 | 11503669 | SCREW CAP HEX M10-1.50x80 G10.9 | | 1 | 1 | 1 | |
| 15 | 012329 | AUTOMATIC TENSIONER ASSY | | 1 | 1 | 1 | |
| 16 | 11504822 | SCREW CAP HEXF M9-1.25x30 G10.9 | | 5 | 5 | 5 | |
| 17 | 23530576 | COVER | | 1 | 1 | 1 | |
| 20 | 5060056 | MULTI V-BELT / 10 RIB 78 3/4" (2000) 23530282 | | 1 | 1 | 1 | |
| 21 | 562457 | NUT, DRIVE END | | 1 | 1 | 1 | |
| 22 | 510926 | PULLEY ALTERNATOR 10 RIB | | 1 | 1 | 1 | |
| 23 | 8924998 | ELBOW 1/4 NPT X 3/8 TUBE | | 1 | 1 | 1 | |
| 24 | HAHU0185 | HOSE | | 1 | 1 | 1 | |
| 25 | 23528937 | CLIP | | 1 | 1 | 1 | |
| 26 | 500985 | WASHER FL .343x.875x.125 Z050 | | 1 | 1 | 1 | |
| 27 | 500480 | WASHER LO SPT .443x.779x.109 Z050 | | 1 | 1 | 1 | |
| 28 | 500305 | SCREW CAP HEX 3/8-16x7/8 G5 Z050 | | 1 | 1 | 1 | |
| 29 | 8929833 | CONNECTOR 1/4 NPT X 1/4 TUBE | | 1 | 1 | 1 | |
| 31 | 23523489 | ELBOW 1/4 NPT X 3/8 TUBE | | 1 | 1 | 1 | |
| 32 | FKHH0182 | HOSE ASSY #5 X 20.50" | | 1 | 1 | 1 | |
| 34 | 23511744 | SUPPORT | | 1 | 1 | 1 | |
| 35 | 11509528 | SCREW CAP HEX M12-1.75x30 G10.9 | | 4 | 4 | 4 | |
| 36 | 23530558 | BRACE | | 1 | 1 | 1 | |
| 37 | 9402830 | ELBOW 1" NPT X 1" TUBE | | 1 | 1 | 1 | |
| 38 | BELM0194 | HOSE ASSY / | | 1 | 1 | 1 | |
| 39 | 9402713 | MALE CONNECTOR / JIC 37° FITTING / #16JIC-Mx1NPT-M STL | | 1 | 1 | 1 | |
| 50 | 065693 | SUPPORT, DELCO ALT HARNESS | | 1 | 1 | 1 | |
| 51 | 500170 | SCREW CAP HEX 1/4-20x2 G5 PT Z050 | | 2 | 2 | 2 | |
| 52 | 504614 | PLATE RETAINING / COLLAR | | 1 | 1 | 1 | |
| 53 | 504703 | COLLAR 1/2" I.D. / TO FIX HOSE | | 1 | 1 | 1 | |
| 54 | 509815 | TIE MOUNT / ATTACHMENT W/TREE MOUNT | | 2 | 2 | 2 | |

From 4-8165 To 8-9339 Date:10/2022 PAGE:Y2-0610-55

ALTERNATOR MOUNTING / "DELCO" WITH DETROIT S-60

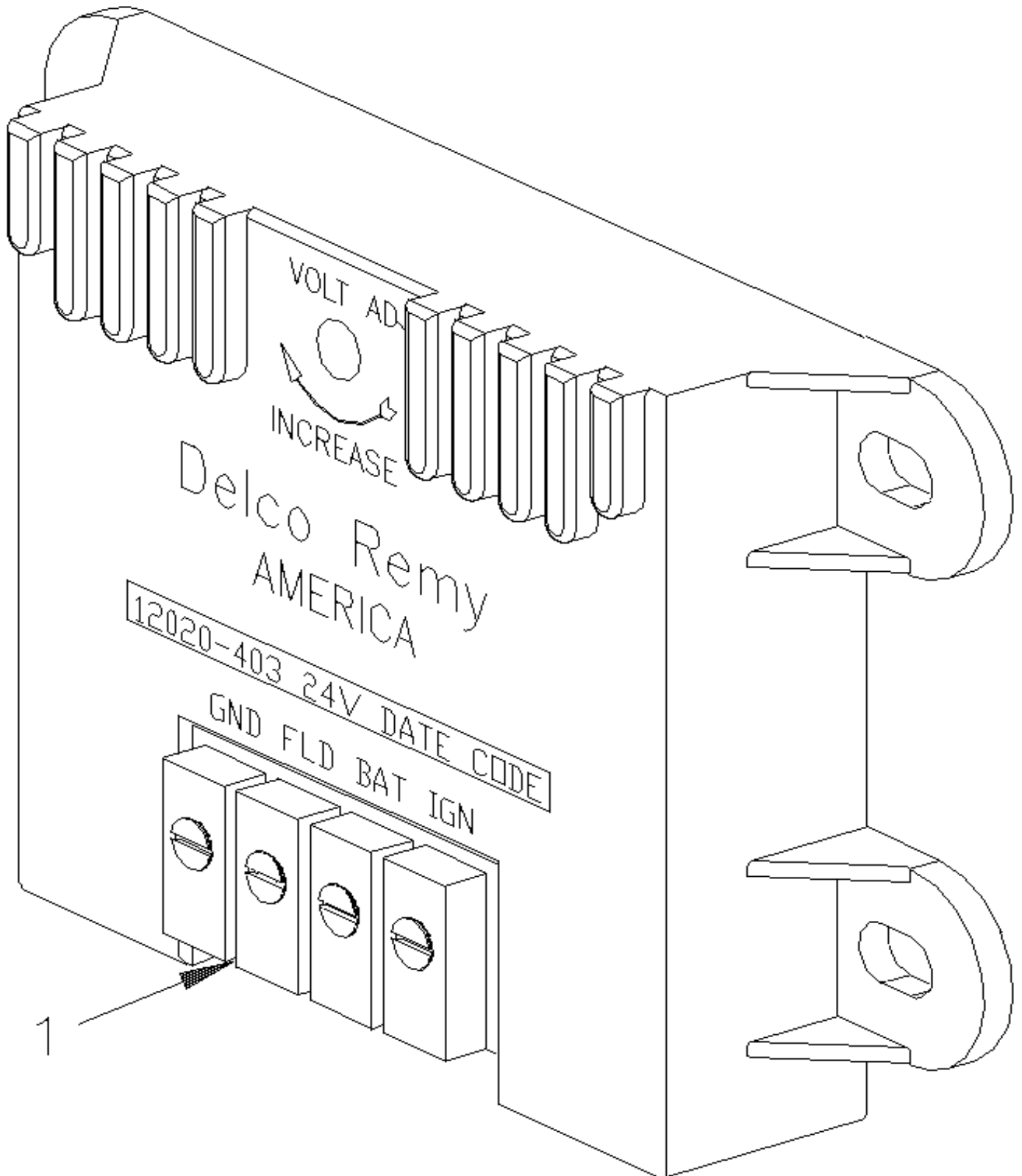
| Item# | Part | Description | X L I I 4 5 | X L I I M T H 4 0 | X L I I M T H 4 5 | X L I I M T H 4 5 E | N O T E S |
|-------|------------|----------------------------|--------------------------------|---|---|--|-----------------------|
| 60 | Y2-0120-50 | DRIVE PULLEY & BELTS - MTH | | | | | |
| | | | | | | | |
| | | | | | | | |

From Y-7046 To 8-9339

Date:10/2022

PAGE:Y2-0610-60

VOLTAGE REGULATOR - 24 VOLTS W/270 AMPS

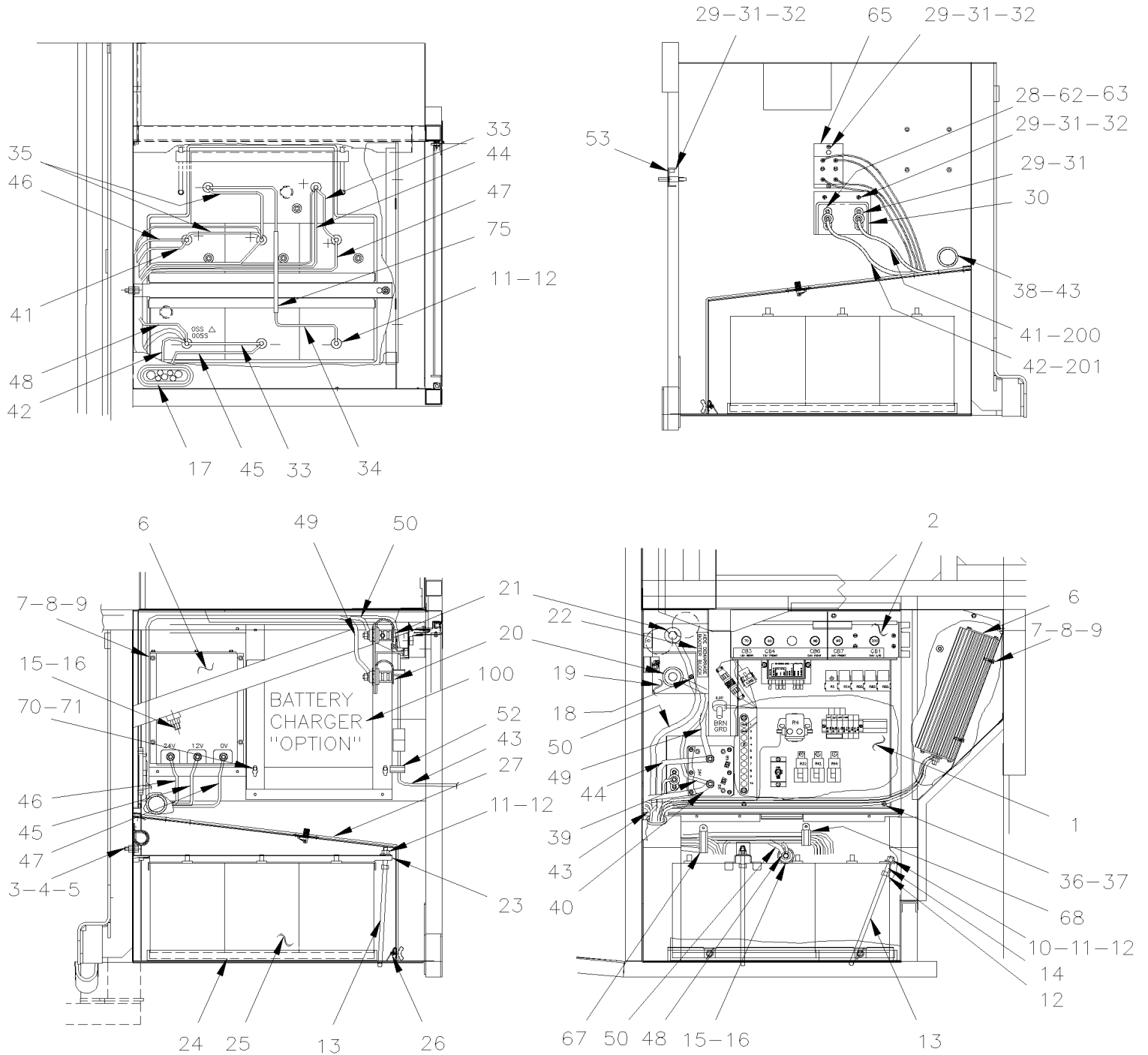


From Y-7046 To 6-8906

Date:10/2022

PAGE:Y2-0615-00

BATTERIES INSTALLATION - BUS

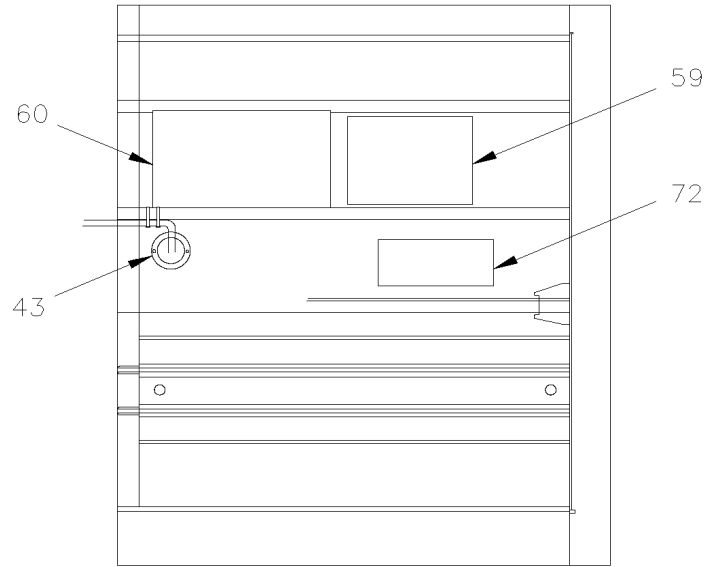
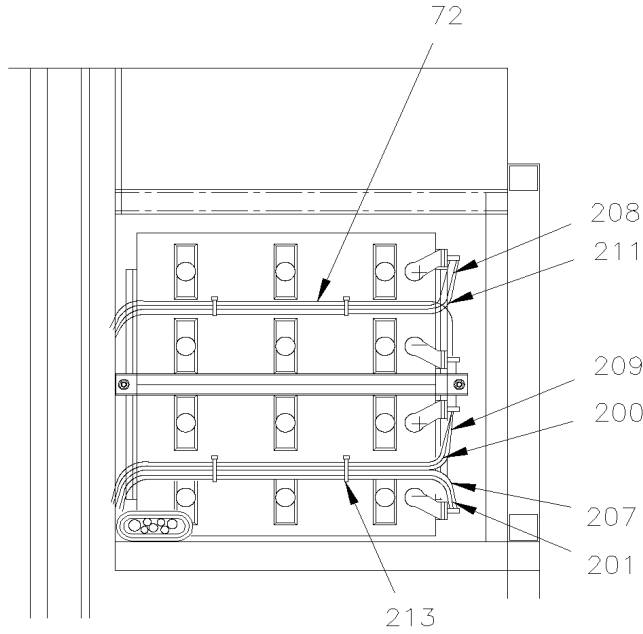


From Y-7046 To 6-8906

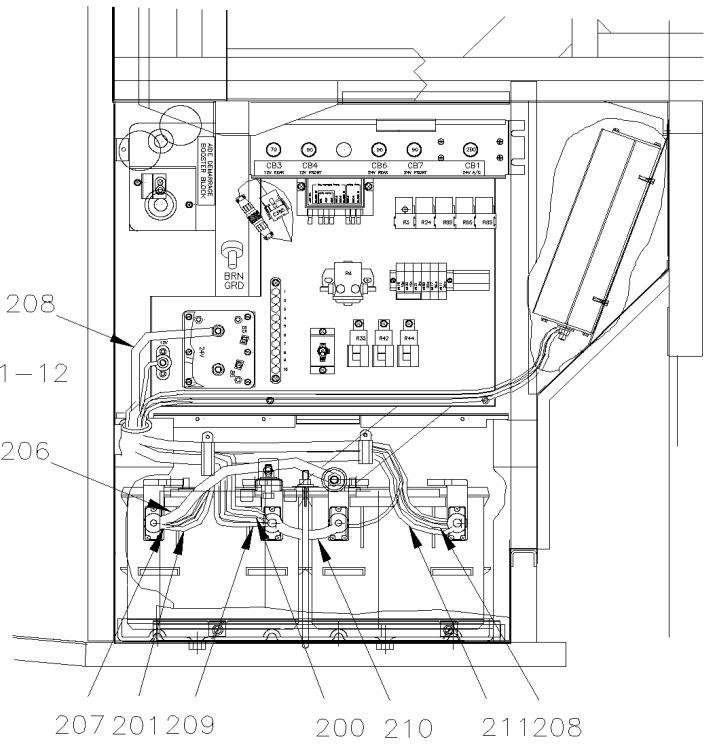
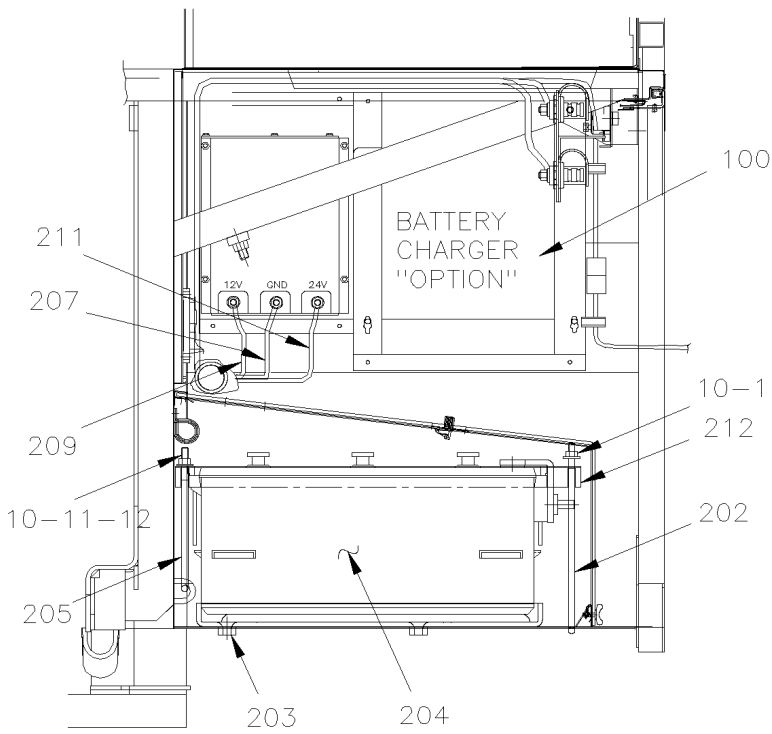
Date:10/2022

PAGE:Y2-0615-00

BATTERIES INSTALLATION - BUS



WITH 8D BATTERIES

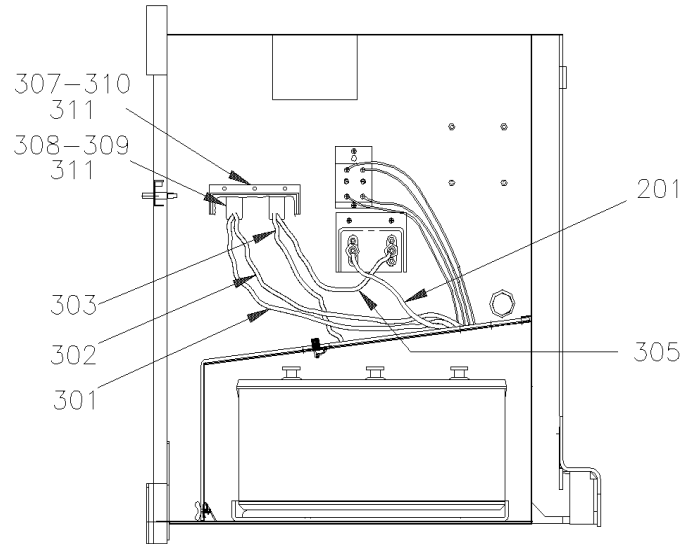
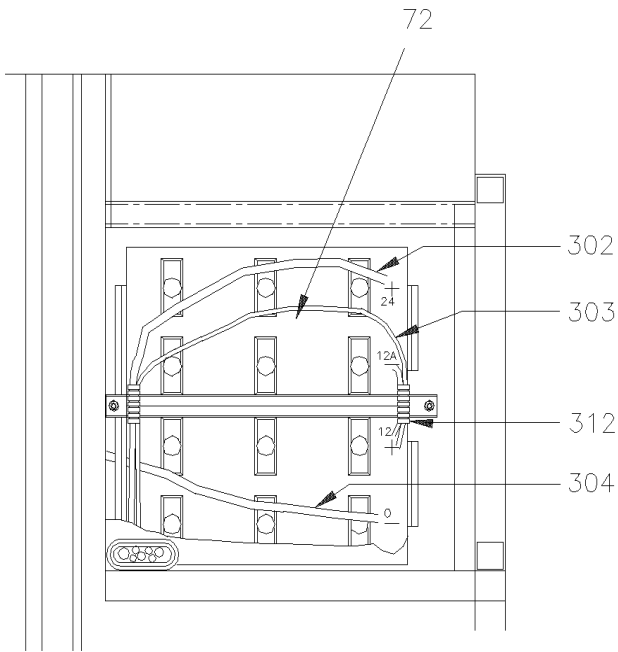


From Y-7046 To 6-8906

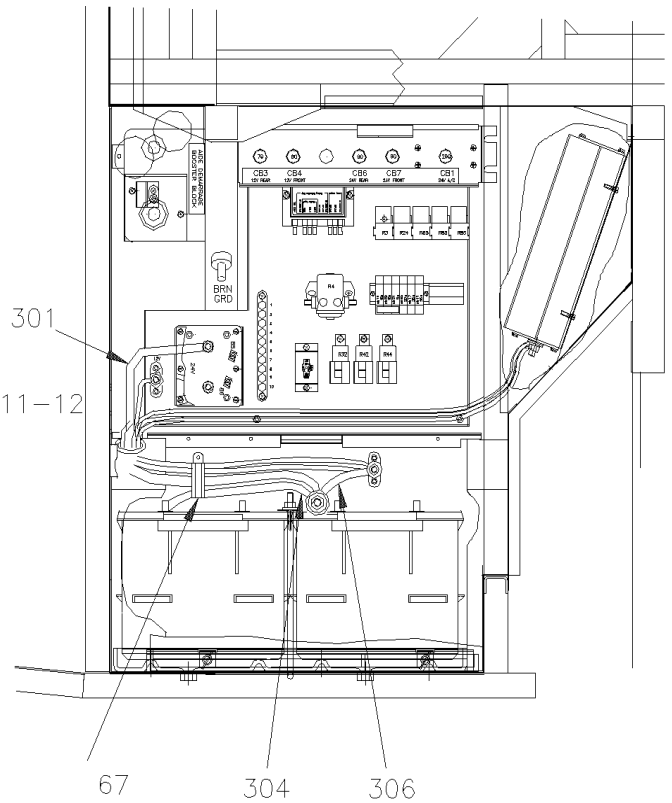
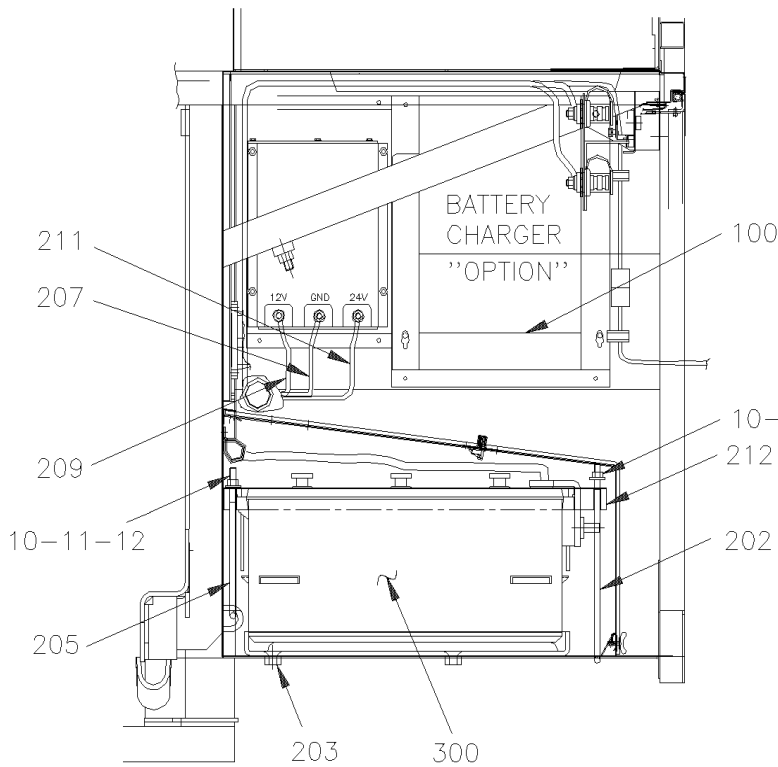
Date:10/2022

PAGE:Y2-0615-00

BATTERIES INSTALLATION - BUS



WITH 8D
BATTERIES TOP
POST



| | | |
|-------------------------------------|--------------|-----------------|
| From Y-7046 To 6-8906 | Date:10/2022 | PAGE:Y2-0615-00 |
| BATTERIES INSTALLATION - BUS | | |

| Item# | Part | Description | X L I I 4 5 | X L I I M T H 4 0 | X L I I M T H 4 5 | X L I I M T H 4 5 E | N O T E S |
|-------|------------|--|----------------------------|---|---|--|-----------------------|
| 1 | Y2-0615-10 | BATTERIES COMPARTMENT PANEL | | | | | |
| 2 | Y2-0616-10 | BREAKER PANEL - BUS | | | | | |
| 3 | 502790 | SCREW CAP HEX M8-1.25x20 G8.8 Z050 | 1 | | | | |
| 4 | 500874 | WASHER FL 8.4x17.0x1.6 Z050 | 1 | | | | |
| 5 | 5001003 | WASHER LO SPT 8.1x12.7x2.0 Z050 | 1 | | | | |
| 6 | 562970 | EQUALIZER "VANNER" 100AMPS To 1-7407 | 1 | | | | |
| 6 | 563130 | EQUALIZER "VANNER" 100AMPS From 1-7408 To 3-8109 | 1 | | | | |
| 6 | 563334 | EQUALIZER "VANNER" 100AMPS From 3-8110 | 1 | | | | |
| 7 | 500786 | NUT HEX #10-24 Z050 | 4 | | | | |
| 8 | 500964 | WASHER FL .203x.500x.047 Z050 | 4 | | | | |
| 9 | 500470 | WASHER LO SPT .193x.334x.047 Z050 | 4 | | | | |
| 10 | 500445 | WASHER FL .437x1.000x.083 Z050 | 2 | | | | |
| 11 | 500257 | WASHER LO SPT 10.2x18.1x2.2 Z050 | 11 | | | | |
| 12 | 500102 | NUT HEX 3/8-16 SS | 14 | | | | |
| 13 | 381660 | BATTERY SUP. HOOK 38-16x280MM SS | 3 | | | | |
| 14 | 381602 | RACK BATTERIES | 1 | | | | |
| 15 | 500998 | NUT HEX 1/2-13 BR | 2 | | | | |
| 16 | 500482 | WASHER LO SPT .506x.873x.125 Z050 | 2 | | | | |
| 17 | 504606 | GROMMET / 3.000x3.500x.062x.500x4.000 | 1 | | | | |
| 18 | 504118 | RIVET POP DOME OE 3/16x3/8 AL | 2 | | | | |
| 19 | 381210 | SEPARATOR / FIBERGLASS RED | 1 | | | | |
| 20 | 561856 | BOOSTER BLOCK, REMOTE / RED | 1 | | | | |
| 21 | 561857 | BOOSTER BLOCK, REMOTE / BLACK | 1 | | | | |
| 22 | 062682 | DECAL / "BOOSTER BLOCK" / ENGLISH & FRANCAIS | 1 | | | | |
| 22 | 066045 | DECAL / "BOOSTER BLOCK" / ENGLISH & SPANISH | 1 | | | | |
| 23 | 381600 | BATTERIES SUPPORT | 1 | | | | |
| 24 | 380671 | TRAY, BATTERIES | 1 | | | | |
| 25 | 563030 | BATTERY 12V/930 CCA / GR31 | 4 | | | | |
| 26 | 214400 | NUT SPR U 1/4-20 .064-.125 YC | 2 | | | | |
| . NS | 500837 | . NUT SPR U 1/4-20 .064-.125 | 1 | | | | |
| 27 | 381970 | COVER BATTERIES ASSY / W/2 LATCH To 1-7590 | 1 | | | | |
| . NS | 381671 | . COVER PANEL To 1-7590 | 1 | | | | |
| . NS | 504203 | . SPRING LATCH / KNURLED STEEL KNOB To 1-7590 | 2 | | | | |
| . NS | 5001302 | . SCREW TH SHR 1/4-20x3/4 SS To 1-7590 | 2 | | | | |
| . NS | 504699 | . RING RETAINER / EXT .250 x .207 x .025" / SS To 1-7590 | 2 | | | | |
| . NS | 500411 | . WASHER FL .260x.697x.050 SS To 1-7590 | 2 | | | | |
| . NS | 504339 | . RIVET POP DOME OE 1/8x3/8 SS To 1-7590 | 4 | | | | |
| . NS | 160295 | . DECAL / "IT FORBIDDEN TO STOCK ANYTING IN TH. / ENGLISH & FRANCAIS To 1-7590 | 1 | | | | |
| 27 | 381983 | COVER BATTERIES ASSY / W/2 LATCH From 1-7591 | 1 | | | | |
| 27 | 504203 | . SPRING LATCH / KNURLED STEEL KNOB From 1-7591 | 2 | | | | |
| 27 | 504717 | . RIVET POP DOME OE 1/8x1/4 SS From 1-7591 | 4 | | | | |
| 27 | 381982 | . COVER PANEL From 1-7591 | 1 | | | | |

| | | |
|-------------------------------------|--------------|-----------------|
| From Y-7046 To 6-8906 | Date:10/2022 | PAGE:Y2-0615-00 |
| BATTERIES INSTALLATION - BUS | | |

| Item# | Part | Description | X L I I 4 5 | X L I I M T H 4 0 | X L I I M T H 4 5 | X L I I M T H 4 5 E | N O T E S |
|-------|-------------------|--|----------------------------|---|---|--|-----------------------|
| 27 | 506738 | . TAPE RUB ADH1 CC POL 1/8" x 1" x 50' / GREY 2520 From 1-7591 | AR | | | | |
| 27 | 160295 | . DECAL / "IT FORBIDDEN TO STOCK ANYTING IN TH. / ENGLISH & FRANCAIS From 1-7591 | 1 | | | | |
| 27 | 161191 | DECAL / "IT FORBIDDEN TO STOCK ANYTING IN TH. / ENGLISH & SPANISH | 1 | | | | |
| 28 | 560422 | BLOCK, TERMINAL / 1 STUD 3/8-16 / BLACK | 2 | | | | |
| 29 | 502698 | SCREW MA PAN PH M4-0.7x16 SS BK | 8 | | | | |
| 30 | 381223 | COVER PROTECTOR | 1 | | | | |
| 31 | 502636 | WASHER LO SPT 4.1x7.6x0.9 Z050 | 8 | | | | |
| 32 | 500438 | WASHER FL .187x.437x.050 Z050 | 4 | | | | |
| 33 | 061180 | CABLE ASSY / B - TO B - | 2 | | | | |
| 34 | 061036 | CABLE ASSY / B - TO B - | 1 | | | | |
| 35 | 062371 | CABLE ASSY / B + TO B + | 2 | | | | |
| 36 | 502565 | NUT HEX M6-1.0 SS | 4 | | | | |
| 37 | 502564 | WASHER LO SPT 6.1x11.8x1.6 Z050 | 4 | | | | |
| 38 | 504059 | GROMMET / 1.250x1.500x.094x.375x1.875 | 1 | | | | |
| 39 | 064042 | CABLE ASSY #24E | 1 | | | | |
| 40 | 063999 | CABLE ASSY #101 To 3-8128 | 1 | | | | |
| 40 | 065914 | CABLE ASSY #101 From 3-8129 | 1 | | | | |
| 41 | 063911 | CABLE ASSY / #12 | 1 | | | | |
| 42 | 064044 | CABLE ASSY / #00A | 1 | | | | |
| NS | 680532 | SEALANT SIKA #221 / GREY / 310ml CARTRIDGE | 1 | | | | |
| 43 | 562967 | BATTERY CHARGER 24V | 1 | | | | |
| 44 | Call order desk | CABLE ASSY / RELAY BATTERY & BATTERY #24 | 1 | | | | P |
| 45 | 063588 | CABLE ASSY / #0VA To 3-8146 | 1 | | | | |
| 45 | 065819 | CABLE ASSY / #0VA From 3-8147 | 1 | | | | |
| 46 | 063636 | CABLE ASSY / #12VA To 3-8146 | 1 | | | | |
| 46 | 065825 | WIRING HARNESS From 3-8147 | 1 | | | | |
| 47 | 064046 | CABLE ASSY / #24VA To 3-8146 | 1 | | | | |
| 47 | 065826 | CABLE ASSY #24VA From 3-8147 | 1 | | | | |
| 48 | 063592 | CABLE ASSY / B - TO GROUND | 1 | | | | |
| 49 | 063595 | CABLE ASSY / TO BOOSTER BLOCK #24 | 1 | | | | |
| 50 | 064047 | CABLE ASSY / BATTERY BOOSTER BLOCK / #0 | 1 | | | | |
| 52 | 952631 | CLAMP / 3/4" I.D. | 2 | | | | |
| 53 | Y2-0665-10 | SWITCHES, LIGHTS, AJAR - UNDER FLOOR | | | | | |
| NS | 064052 | CABLE BATTERIES COMPARTMENT LIGHT | 1 | | | | |
| 59 | 065308 | DECAL BATTERIE DELCO | 1 | | | | |
| 59 | 065309 | DECAL BATTERIES 8D | 1 | | | | |
| 60 | 065374 | DECAL BATTERIES COMPARTMENT | 1 | | | | |
| 60 | 065185 | DECAL BATTERIES COMPARTMENT | 1 | | | | |
| 62 | 500379 | NUT HEX 3/8-16 BR | 2 | | | | |
| 63 | 500478 | WASHER LO SPT .380x.683x.094 Z050 | 2 | | | | |
| 65 | 381758 | BASE, BREAKER | 1 | | | | |
| 65 | 870690 | BREAKER 30AMPS / 24V / | 2 | | | | |

| | | |
|-------------------------------------|--------------|-----------------|
| From Y-7046 To 6-8906 | Date:10/2022 | PAGE:Y2-0615-00 |
| BATTERIES INSTALLATION - BUS | | |

| Item# | Part | Description | X L I I 4 5 | X L I I M T H 4 0 | X L I I M T H 4 5 | X L I I M T H 4 5 E | N O T E S |
|-------|-------------------|---|----------------------------|---|---|--|-----------------------|
| 67 | 504458 | CLAMP / 1 5/8" I.D. | 1 | | | | |
| 68 | 952635 | CLAMP / 1" I.D. | 1 | | | | |
| 70 | 502565 | NUT HEX M6-1.0 SS | 4 | | | | |
| 71 | 502570 | WASHER LO SPT 6.1x11.8x1.6 SS | 4 | | | | |
| 72 | 061325 | DECAL "CAUTION" ALWAYS FIRST.... / ENGLISH & FRANCAIS | 1 | | | | |
| 72 | 061325 | DECAL "CAUTION" ALWAYS FIRST.... / ENGLISH & FRANCAIS | 1 | | | | |
| 75 | 562053 | CONVOLUTED TUBING / UNSLIT / BLACK / 1.000" | AR | | | | |
| 100 | Y2-0670-10 | BATTERIES CHARGER - INSTALLATION | | | | | |
| 200 | 063909 | CABLE ASSY / #12 | 1 | | | | |
| 201 | 063908 | CABLE ASSY / #00A | 1 | | | | |
| 202 | 381660 | BATTERY SUP. HOOK 38-16x280MM SS | 1 | | | | |
| 203 | 381670 | TRAY, BATTERIES 8D | 1 | | | | |
| 204 | 562434 | BATTERY 12V/8D / W/SIDE POSTS / WET | 2 | | | | |
| NS | 563065 | BATTERY KIT, SIDE POSTS / FOR 8D BATTERIES | AR | | | | |
| 205 | 381513 | J-HOOK / 209.55MM / 3/8-16 SS | 1 | | | | |
| 206 | 064255 | CABLE ASSY / B - TO GROUND | 1 | | | | |
| 207 | 063897 | CABLE ASSY / #0VA To 3-8146 | 1 | | | | |
| 207 | 065821 | CABLE ASSY / #0VA From 3-8147 | 1 | | | | |
| 208 | 064256 | CABLE ASSY / RELAY BATTERY & BATTERY #24 | 1 | | | | |
| 209 | 063898 | CABLE ASSY / #12VA To 3-8146 | 1 | | | | |
| 209 | 065822 | CABLE ASSY / #12VA From 3-8147 | 1 | | | | |
| 210 | 063903 | CABLE ASSY / B + TO B - | 1 | | | | |
| 211 | 064257 | CABLE ASSY #24VA To 3-8146 | 1 | | | | |
| 211 | 065824 | CABLE ASSY #24VA From 3-8147 | 1 | | | | |
| 212 | 381669 | RACK BATTERIES | 1 | | | | |
| 213 | 504637 | CABLE TIE / 3/16" x 13" | 4 | | | | |
| 300 | 562665 | BATTERY 12V/8D / W/TOP POSTS / WET To 1-7503 | 2 | | | | |
| 300 | 562628 | BATTERY 12V/8D / W/TOP POSTS / GEL | 2 | | | | |
| 300 | 563031 | BATTERY 12V/8D / W/TOP POSTS | 1 | | | | |
| 301 | 065234 | CABLE ASSY #24 | 1 | | | | |
| 302 | 064376 | CABLE ASSY / #24V | 1 | | | | |
| 303 | 064380 | CABLE ASSY / #12V | 1 | | | | |
| 304 | 065184 | CABLE ASSY #0 | 1 | | | | |
| 305 | 065434 | CABLE 12VOLT ASSY | 1 | | | | |
| 306 | 065435 | CABLE ASSY #0 | 1 | | | | |
| 307 | 381780 | PROTECTOR BOUNDS | 1 | | | | |
| 308 | 500658 | SCREW TC PAN PH #10-24x3/4 Z050 | 10 | | | | |
| 309 | 560177 | BLOCK, TERMINAL / 1 STUD 1/2-13 / BLACK | 2 | | | | |
| 310 | 500964 | WASHER FL .203x.500x.047 Z050 | 3 | | | | |
| 311 | 500470 | WASHER LO SPT .193x.334x.047 Z050 | 15 | | | | |
| 312 | 561683 | CONVOLUTED TUBING / SLIT / BLACK & GRAY / .500" | AR | | | | |
| NS | 065462 | CABLE ASSY / 110V BATTERIES WARMER INSTALL | 1 | | | | A |

| | | |
|-----------------------|--------------|-----------------|
| From Y-7046 To 6-8906 | Date:10/2022 | PAGE:Y2-0615-00 |
|-----------------------|--------------|-----------------|

BATTERIES INSTALLATION - BUS

| Item# | Part | Description | X L I I 4 5 | X L I I M T H 4 0 | X L I I M T H 4 5 | X L I I M T H 4 5 E | N O T E S |
|-------|--------|--|----------------------------|---|---|--|-----------------------|
| NS | 562501 | BATTERY WARMER 160 WATTS | 2 | | | | A |
| NS | 065445 | DECAL / BATTERY HEATING & WARMER 164MM x 30MM | 1 | | | | A |
| | | | | | | | |
| | | | | | | | |
| | | A) USE WITH BATTERY WARMER 110V. | | | | | |
| | | P) CALL ORDER DESK FOR SPECIFIC APPLICATION (V.I.N.) | | | | | |

| | | |
|-----------------------|--------------|-----------------|
| From Y-7046 To 6-8906 | Date:10/2022 | PAGE:Y2-0615-10 |
|-----------------------|--------------|-----------------|

BATTERIES COMPARTMENT PANEL

| Item# | Part | Description | X L I I 4 5 | X L I I M T H 4 0 | X L I I M T H 4 5 | X L I I M T H 4 5 E | N O T E S |
|-------|--------|---|----------------------------|---|---|--|-----------------------|
| 1 | 504006 | RIVET POP CK OE 1/8x5/16 AL | 2 | | | | |
| 2 | 380905 | RAIL SUPPORT / 150MM | 1 | | | | |
| 3 | 561729 | STOPPER | 2 | | | | |
| 4 | 561795 | BREAKER 25AMPS / 24V / | 2 | | | | |
| 5 | 381813 | BUS BAR / W/2 HOLES 25MM | 1 | | | | |
| 6 | 381814 | BUS BAR / W/3 HOLES 38MM | 1 | | | | |
| 7 | 561790 | BREAKER 6AMPS / 24V / | 1 | | | | |
| 8 | 561793 | BREAKER 15AMPS / 24V / | 2 | | | | |
| 10 | 065116 | WIRING HARNESS, BATTERIES COMPARTMENT ACCES To Y-7310 | 1 | | | | |
| 10 | 065345 | WIRING HARNESS, BATTERIES COMPARTMENT ACCES From Y-7311 To 1-7479 | 1 | | | | |
| 10 | 065420 | WIRING HARNESS, BATTERIES COMPARTMENT ACCES From 1-7480 | 1 | | | | |
| 11 | 381834 | BATTERIES COMPARTMENT BOARD To Y-7310 | 1 | | | | |
| 11 | 381966 | BATTERIES COMPARTMENT BOARD From Y-7311 To Y-7376 | 1 | | | | |
| 11 | 381976 | BATTERIES COMPARTMENT BOARD From Y-7311 To Y-7376 | 1 | | | | |
| 12 | 502565 | NUT HEX M6-1.0 SS | 8 | | | | |
| 13 | 502573 | WASHER FL 6.4x12.5x1.6 SS | 8 | | | | |
| 14 | 502570 | WASHER LO SPT 6.1x11.8x1.6 SS | 8 | | | | |
| 15 | 563032 | MONITOR / BATTERY EQUALIZER | 1 | | | | |
| 16 | 500654 | SCREW TC BDG PH #8-32x1/2 Z050 | 18 | | | | |
| 17 | 500022 | WASHER LO INT .168x.340x.023 Z050 | 18 | | | | |
| 18 | 504013 | TIE MOUNT / 1/4" X 1/4" I.D. | 5 | | | | |
| 19 | 504637 | CABLE TIE / 3/16" x 13" | 5 | | | | |
| 20 | 504114 | RIVET POP DOME OE 3/16x1/4 AL | 5 | | | | |
| 21 | 562364 | RELAY 24V S.P.S.T. / 300 AMPS N.O. // BATTERY DISCONNECT | 1 | | | | |
| 22 | 562173 | JUNCTION BLOCK W/10 STUDS | 1 | | | | |
| 23 | 500438 | WASHER FL .187x.437x.050 Z050 | 4 | | | | |
| 24 | 560422 | BLOCK, TERMINAL / 1 STUD 3/8-16 / BLACK | 1 | | | | |
| 25 | 500478 | WASHER LO SPT .380x.683x.094 Z050 | 1 | | | | |
| 26 | 500379 | NUT HEX 3/8-16 BR | 1 | | | | |
| 27 | 381594 | SUPPORT, SWITCH | 1 | | | | |
| 28 | 562394 | PLATE, INDICATING (ON/OFF) | 1 | | | | |
| 29 | 560256 | SWITCH / OFF-ON / S.P.S.T. | 1 | | | | |
| 30 | 561991 | RELAY 24V S.P.S.T. / 70 AMPS N.O. | 3 | | | | |
| 31 | 561740 | DIODE / 3AMPS | 1 | | | | |
| 34 | 561005 | SWITCH MAGNETIC / 24V S.P.S.T. / 200AMPS N.O. | 1 | | | | |
| 35 | 060798 | DIODE ASSY | 1 | | | | |
| 36 | 500765 | NUT HEX #10-32 BR | 6 | | | | |
| 37 | 500438 | WASHER FL .187x.437x.050 Z050 | 4 | | | | |
| 38 | 064045 | CABLE ASSY #12P | 1 | | | | |
| 38 | 064258 | CABLE ASSY / W/8D BATTERIES #12 | 1 | | | | |
| NS | 064577 | JUMPER, WIRE | 1 | | | | |
| 40 | 064048 | WIRE NO:86 ASSY | 1 | | | | |

| | | |
|------------------------------------|--------------|-----------------|
| From Y-7046 To 6-8906 | Date:10/2022 | PAGE:Y2-0615-10 |
| BATTERIES COMPARTMENT PANEL | | |

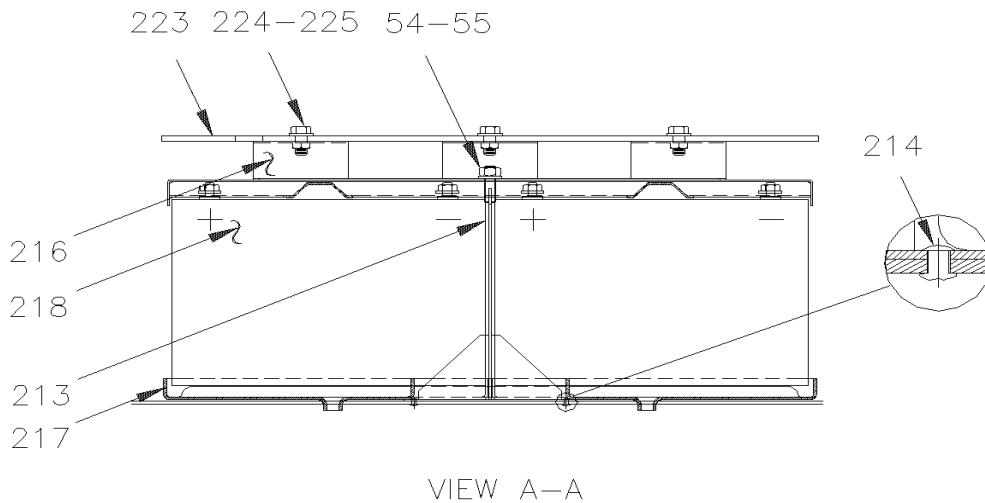
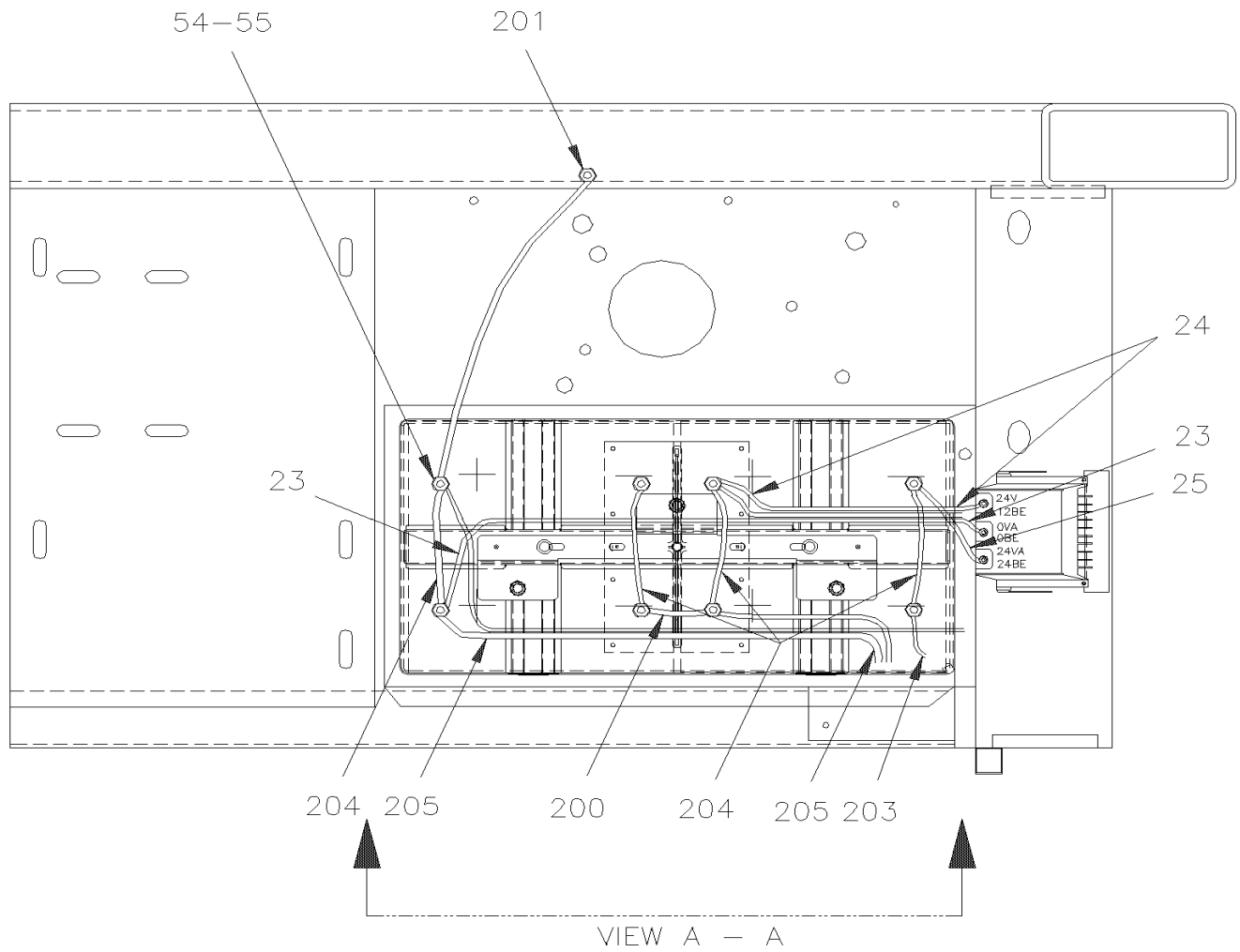
| Item# | Part | Description | X L I I 4 5 | X L I I M T H 4 0 | X L I I M T H 4 5 | X L I I M T H 4 5 E | N O T E S |
|-------|-------------------|--|----------------------------|---|---|--|-----------------------|
| 41 | 506338 | RUBBER CHANNEL / 1/16" x 1/4" INT "U" SHAPE / ROUND C.T.L. | AR | | | | |
| NS | 680066 | ADHESIVE / ADBOND #5014 / 23.6ML BOTTLE | AR | | | | |
| 42 | 065336 | WIRING HARNESS, W.C.L. From Y-7311 To 5-8605 | 1 | | | | |
| 42 | 066467 | WIRING HARNESS, W.C.L. From 5-8606 | 1 | | | | |
| 43 | 561707 | RELAY 24V S.P.D.T. W/RESISTOR / From Y-7377 To 5-8577 | 5 | | | | |
| 43 | 563332 | RELAY 24V S.P.D.T. W/RESISTOR / "VOLVO" (20374662) From 5-8578 | 5 | | | | |
| 44 | 065368 | WIRING HARNESS, WATER HEATER | 1 | | | | |
| 51 | 065737 | CABLE ASSY / BREAKER TO SWITCH | 1 | | | | I |
| 52 | 500510 | SCREW MA BDG PH #10-32x3/4 SS EMN | 4 | | | | I |
| 53 | 560838 | BREAKER 200AMPS / 24V / | 1 | | | | I |
| 54 | 382025 | SUPPORT, BREAKER | 1 | | | | I |
| 55 | 060798 | DIODE ASSY | 1 | | | | |
| NS | 060793 | DECAL | 1 | | | | I |
| NS | 063595 | CABLE ASSY / TO BOOSTER BLOCK #24 | 1 | | | | I |
| NS | 560815 | RING TERMINAL #10 / 22-18 / INSULATED / AMP 42037-2 | 1 | | | | I |
| NS | 562590 | WIRE CABLE 18 / RED / TXL | AR | | | | I |
| NS | 562587 | WIRE CABLE 18 / BLACK / TXL | AR | | | | I |
| 62 | 065738 | CABLE ASSY / SWITCH TO INVERTER / # 24P2 | 1 | | | | I |
| NS | 065739 | CABLE ASSY / BATTERIES TO INVERTER / 0A | 1 | | | | I |
| NS | Y2-2345-41 | POWERVERTER - 24/110 VOLTS - 5000 WATTS | | | | | |
| | | | | | | | |
| | | | | | | | |
| | | | | | | | |
| | | I) USE WITH INVERTER #562567 SEE PAGE Y2-2345-41 | | | | | |

From Y-7046 To 7-9095

Date:10/2022

PAGE:Y2-0615-50

BATTERIES INSTALLATION - MTH40' & MTH-45' ENT

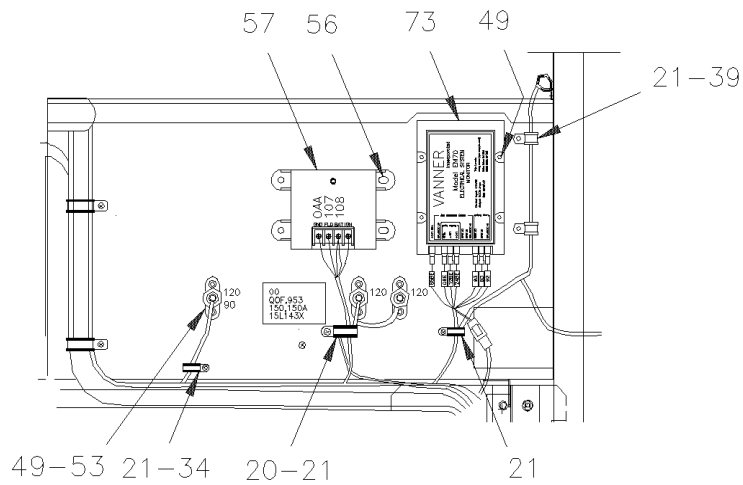
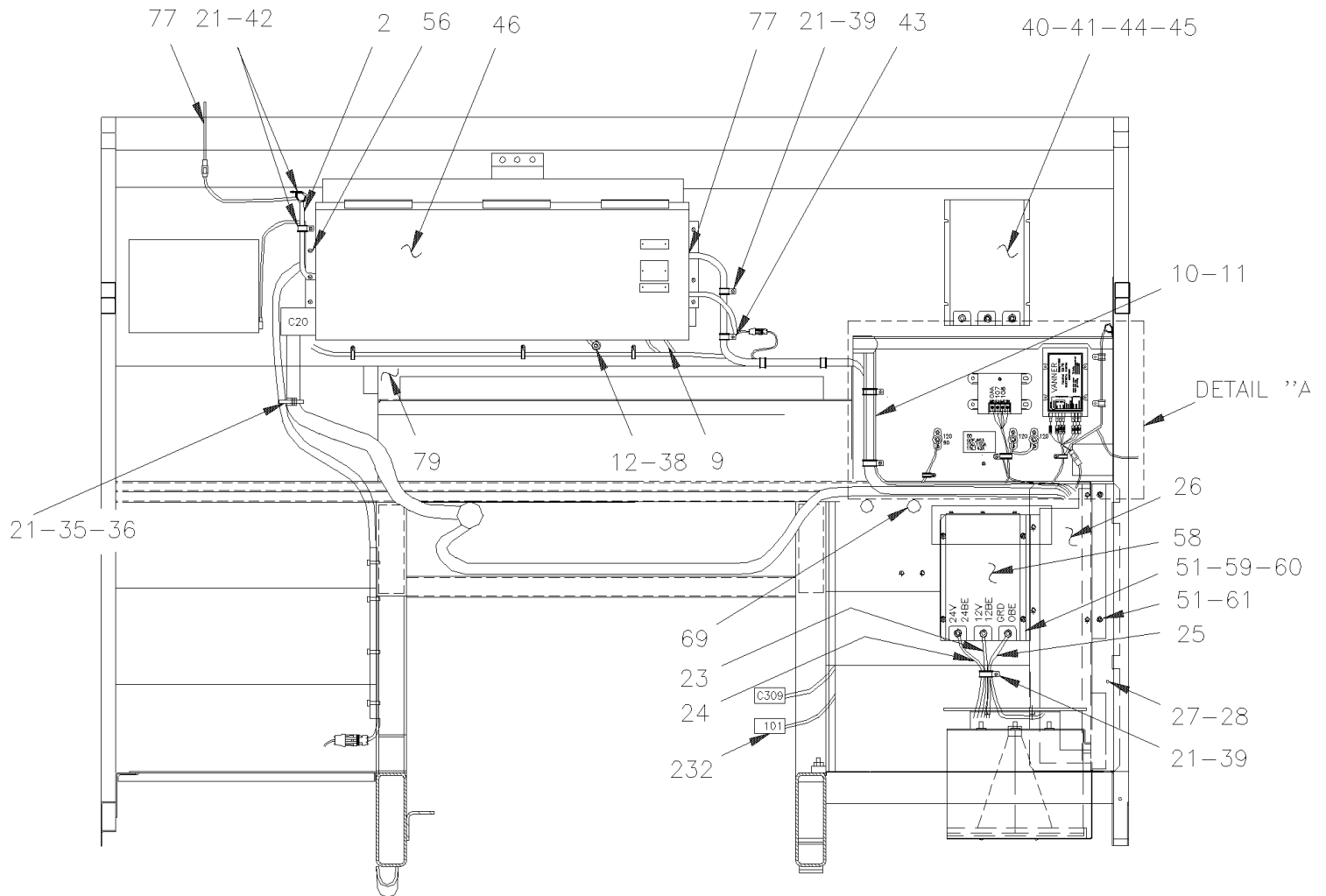


From Y-7046 To 7-9095

Date:10/2022

PAGE:Y2-0615-50

BATTERIES INSTALLATION - MTH40' & MTH-45' ENT



DETAIL "A"

| | | |
|--|--------------|-----------------|
| From Y-7046 To 7-9095 | Date:10/2022 | PAGE:Y2-0615-50 |
| BATTERIES INSTALLATION - MTH40' & MTH-45' ENT | | |

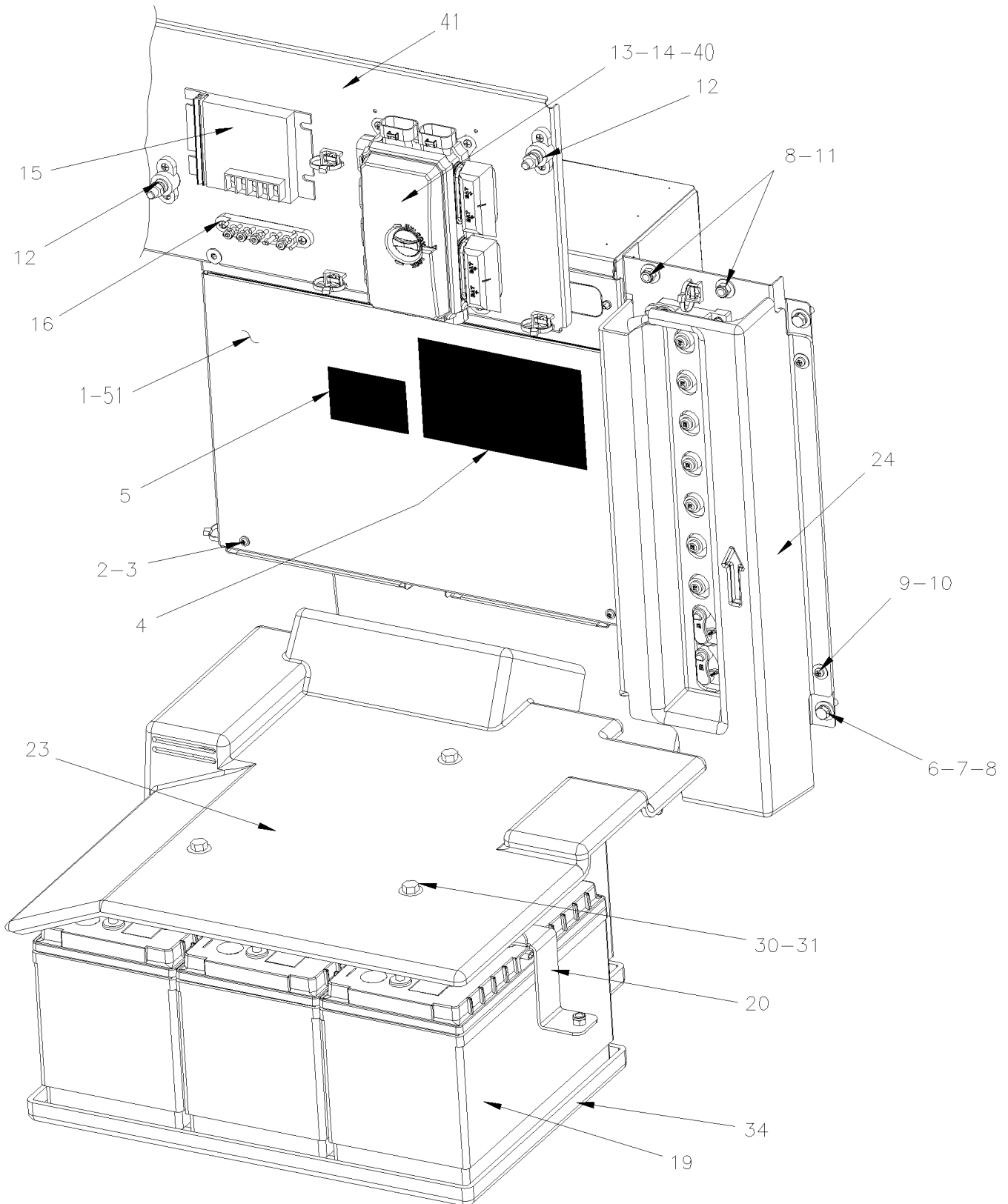
| Item# | Part | Description | X L I I 4 5 | X L I I M T H 4 0 | X L I I M T H 4 5 | X L I I M T H 4 5 E | N O T E S |
|-------|-------------------|---|----------------------------|---|---|--|-----------------------|
| 2 | 064793 | WIRING HARNESS ENGINE COMPARTMENT To 2-7229 | | 1 | | 1 | |
| 2 | 065285 | WIRING HARNESS ENGINE COMPARTMENT From 2-7230 To 2-7843 | | 1 | | 1 | |
| 2 | 065667 | WIRING HARNESS ENGINE COMPARTMENT From 2-7844 To 3-8164 | | 1 | | 1 | |
| 2 | 065766 | WIRING HARNESS ENGINE COMPARTMENT From 4-8165 To 5-8358 | | 1 | | 1 | |
| 2 | 065970 | WIRING HARNESS ENGINE COMPARTMENT From 5-8359 To 5-8644 | | 1 | | 1 | |
| 2 | 066350 | WIRING HARNESS ENGINE COMPARTMENT From 5-8645 | | 1 | | 1 | |
| 9 | 561916 | NUT, SPEED | | 2 | | 2 | |
| 10 | 064925 | CABLE ASSY #12VR | | 1 | | 1 | |
| 11 | 063416 | CABLE ASSY #24VR | | 1 | | 1 | |
| 12 | 062849 | CABLE ASSY # 0-8 | | 1 | | 1 | |
| 20 | 952625 | CLAMP / 3/8" I.D. | | 4 | | 4 | |
| 21 | 500879 | SCREW TP PAN PH #10x1 Z050 | | 45 | | 45 | |
| 23 | 065197 | CABLE ASSY #0VA | | 1 | | 1 | |
| 24 | 065198 | CABLE ASSY #12VA | | 1 | | 1 | |
| 25 | 063666 | CABLE ASSY / #24VA | | 1 | | 1 | |
| 26 | 381944 | BREAKER PROTECTOR | | 1 | | 1 | |
| 27 | 502500 | SCREW TC BDG PH #8-32x1/2 CJ | | 5 | | 5 | |
| 28 | 500593 | WASHER FL .200x.437x.036 BR | | 5 | | 5 | |
| 34 | 952629 | CLAMP / 5/8" I.D. | | 1 | | 1 | |
| 35 | 980464 | TIE CABLE BK 385 X 7.6 | | 13 | | 13 | |
| 36 | 504013 | TIE MOUNT / 1/4" X 1/4" I.D. | | 9 | | 9 | |
| 38 | 500968 | NUT HEX STO 1/2-13 Z050 | | 2 | | 2 | |
| 39 | 952631 | CLAMP / 3/4" I.D. | | 16 | | 16 | |
| 40 | 562969 | EQUALIZER "VANNER" 60AMPS To 1-7407 | | 1 | | 1 | |
| 40 | 563129 | EQUALIZER "VANNER" 60AMPS From 1-7408 | | 1 | | 1 | |
| 41 | 500642 | SCREW TP PAN PH #10x3/4 Z050 | | 4 | | 4 | |
| 42 | 560484 | CLAMP / 1" I.D. | | 3 | | 3 | |
| 43 | 504637 | CABLE TIE / 3/16" x 13" | | 20 | | 20 | |
| 44 | 500470 | WASHER LO SPT .193x.334x.047 Z050 | | 4 | | 4 | |
| 45 | 500964 | WASHER FL .203x.500x.047 Z050 | | 4 | | 4 | |
| 46 | Y2-0620-00 | REAR JUNCTION BOX ASSY | | | | | |
| 49 | 500641 | SCREW TP PAN PH #8x3/4 Z050 | | 26 | | 26 | |
| 51 | 500473 | WASHER LO SPT .262x.489x.062 Z050 | | 6 | | 6 | |
| 53 | 560422 | BLOCK, TERMINAL / 1 STUD 3/8-16 / BLACK | | 3 | | 3 | |
| 54 | 502616 | WASHER LO SPT 10.2x18.1x2.2 SS | | 8 | | 8 | |
| 55 | 500102 | NUT HEX 3/8-16 SS | | 8 | | 8 | |
| 56 | 500642 | SCREW TP PAN PH #10x3/4 Z050 | | 6 | | 6 | |
| 57 | 562775 | REGULATOR ASSY 24V / W/4 SCREWS To 3-8164 | | 1 | | 1 | |
| 57 | 563439 | REGULATOR ASSY 24V / W/5 SCREWS From 4-8165 | | 1 | | 1 | |
| 57 | 564017 | NOISE SUPPRESSOR CONDENSATOR / STAMPED | | 1 | | 1 | |
| . NS | M106-04 | . SEE MAINTENANCE INFORMATION | | 1 | | 1 | |
| 58 | 562970 | EQUALIZER "VANNER" 100AMPS To 1-7407 | | 1 | | 1 | |

From 7-9096 To 8-9339

Date:10/2022

PAGE:Y2-0615-51

BATTERIES INSTALLATION - MTH WITH / MUX

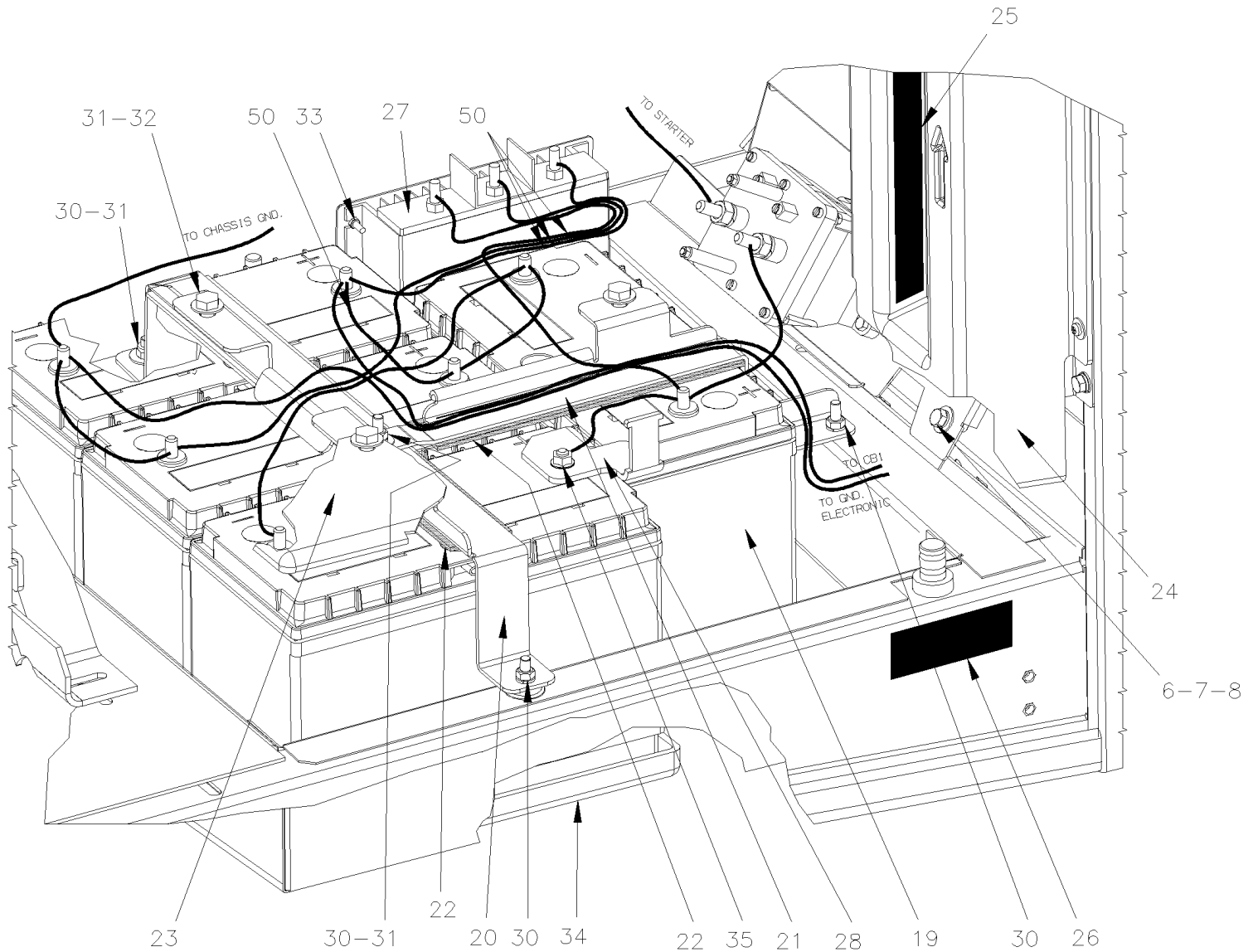


From 7-9096 To 8-9339

Date:10/2022

PAGE:Y2-0615-51

BATTERIES INSTALLATION - MTH WITH / MUX

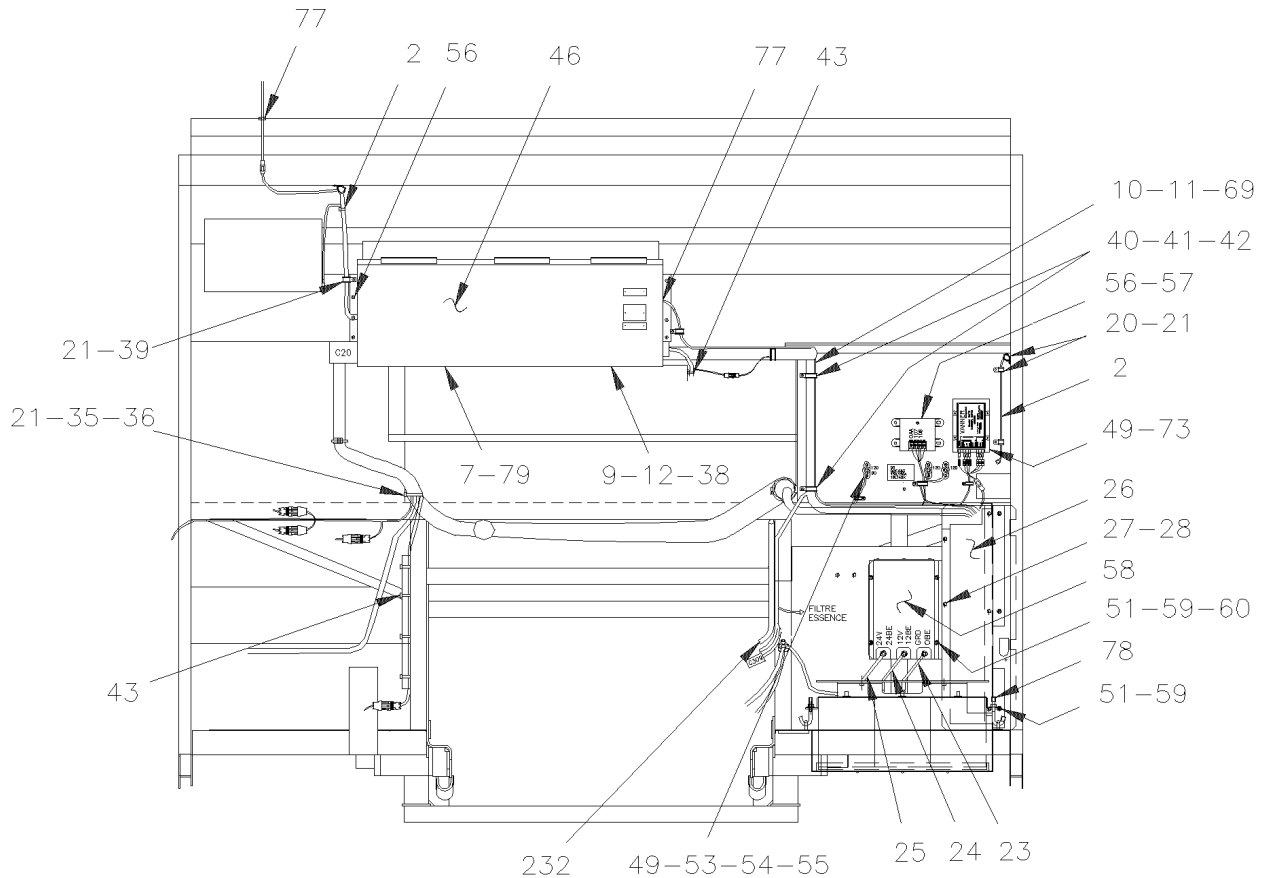
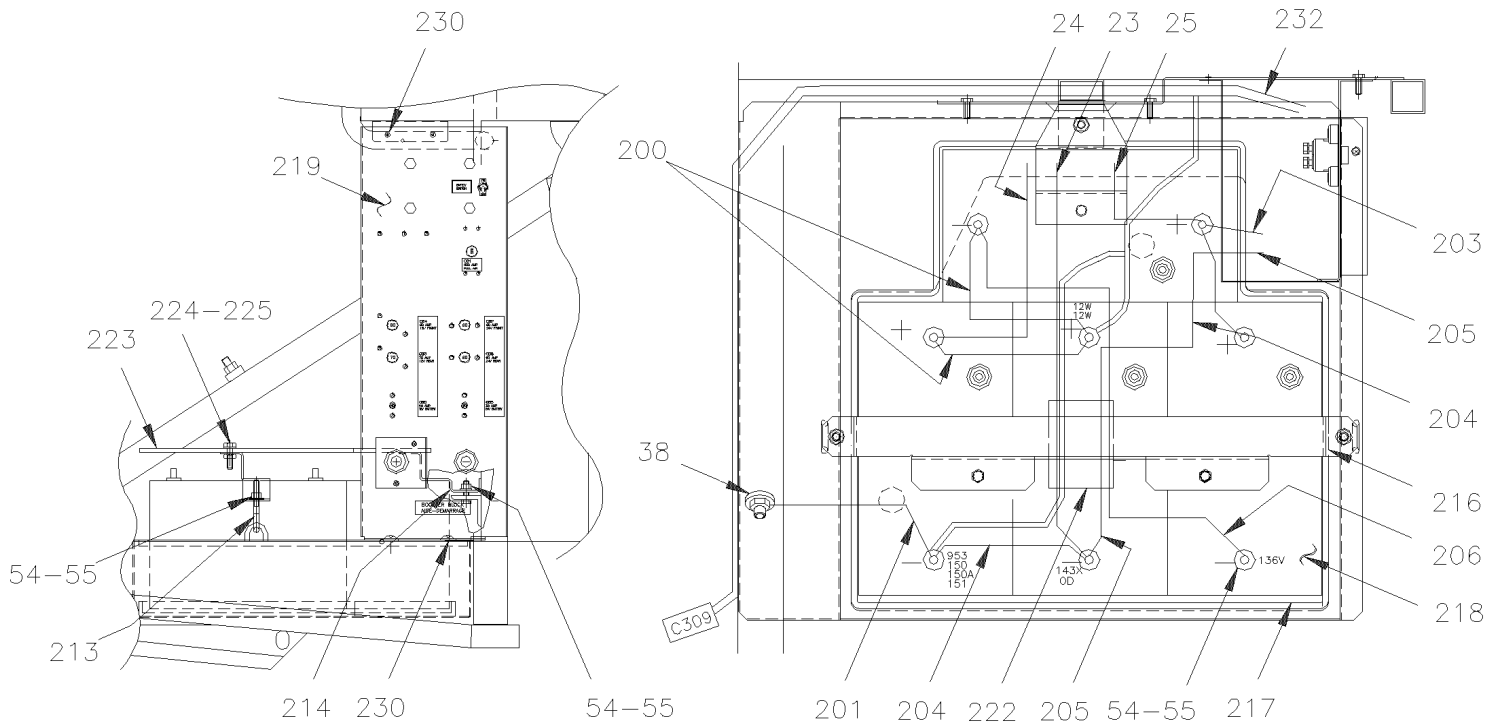


| | | |
|-----------------------|--------------|-----------------|
| From 7-9096 To 8-9339 | Date:10/2022 | PAGE:Y2-0615-51 |
|-----------------------|--------------|-----------------|

BATTERIES INSTALLATION - MTH WITH / MUX

| Item# | Part | Description | X L I I 4 5 | X L I I M T H 4 0 | X L I I M T H 4 5 | X L I I M T H 4 5 E | N O T E S |
|-------|----------|---|----------------------------|---|---|--|-----------------------|
| 1 | 382226 | COVER REAR JCT BOX | | | 1 | 1 | |
| 2 | 502698 | SCREW MA PAN PH M4-0.7x16 SS BK | | | 3 | 3 | |
| 3 | 504357 | WASHER FL .187x.437x.050 SS | | | 3 | 3 | |
| 4 | 066913 | DECAL / REAR JCT BOX COMPONENTS CONN, | | | 1 | 1 | |
| 5 | 066155 | DECAL PIN OUT / JCT BOX W/MUX | | | 1 | 1 | |
| 6 | 502780 | SCREW CAP HEX M8-1.25x25 SS BK | | | 4 | 4 | |
| 7 | 5001161 | WASHER LO SPT 8.1x14.8x2.0 SS-304 | | | 4 | 4 | |
| 8 | 5001448 | WASHER FL .343x.875x.062 SS18-8 | | | 8 | 8 | |
| 9 | 502568 | SCREW MA PAN PH M6-1.0x20 EMN | | | 2 | 2 | |
| 10 | 500411 | WASHER FL .260x.697x.050 SS | | | 2 | 2 | |
| 11 | 966171 | NUT HEX NYRT M8x1.25 SS | | | 4 | 4 | |
| 12 | 560422 | BLOCK, TERMINAL / 1 STUD 3/8-16 / BLACK | | | 1 | 1 | |
| 13 | 067035 | DECAL / VEC REAR | | | 1 | 1 | |
| 14 | 563698 | VEC DISTRIBUTION MODULE / REAR JCT BOX | | | 1 | 1 | |
| . NS | 564104 | . COVER / VEC BOX | | | 1 | 1 | |
| . NS | 563269 | . RELAY 24V S.P.D.T. W/RESISTOR / | | | 3 | 3 | |
| . NS | 563004 | . FUSE / ATM 2 AMPS GREY | | | 1 | 1 | |
| . NS | 563279 | . FUSE / ATM 3 AMPS VIOLET | | | 1 | 1 | |
| . NS | 563005 | . FUSE / ATM 7.5 AMPS BROWN | | | 1 | 1 | |
| . NS | 563283 | . FUSE / ATM 10 AMPS RED | | | 12 | 12 | |
| . NS | 563284 | . FUSE / ATM 15 AMPS BLUE | | | 11 | 11 | |
| . NS | 563282 | . FUSE / ATM 20 AMPS YELLOW | | | 9 | 9 | |
| . NS | 563153 | . FUSE / ATM 25 AMPS NATURAL | | | 6 | 6 | |
| . NS | 563165 | . FUSE / ATM 30 AMPS GREEN | | | 1 | 1 | |
| . NS | 564464 | . MINI BREAKER / 20 AMPS / SERIES 223 | | | 1 | 1 | |
| . NS | 563181 | . CONNECTOR / SH 8C / YELLOW / BUSSMANN 32006-E21 | | | 1 | 1 | |
| . NS | 563182 | . CONNECTOR / SH 8C / ORANGE / BUSSMANN 32006-G21 | | | 1 | 1 | |
| . NS | 563183 | . CONNECTOR / SH 8C / RED / BUSSMANN 32006-F21 | | | 1 | 1 | |
| . NS | 563184 | . CONNECTOR / SH 8C / GREEN / BUSSMANN 32006-C21 | | | 1 | 1 | |
| . NS | 563185 | . CONNECTOR / SH 8C / BLACK / BUSSMANN 32006-A21 | | | 1 | 1 | |
| . NS | 563186 | . CONNECTOR / SH 8C / GREY / BUSSMANN 32006-B21 | | | 1 | 1 | |
| . NS | 563187 | . CONNECTOR / SH 8C / BROWN / BUSSMANN 32006-H21 | | | 1 | 1 | |
| . NS | 563448 | . CONNECTOR / SH 8C / BLUE / BUSSMANN 32006-D21 | | | 1 | 1 | |
| . NS | 19518268 | . COVER RUBBER RED | | | 2 | 2 | |
| 15 | 563439 | REGULATOR ASSY 24V / W/5 SCREWS | | | 1 | 1 | |
| 16 | 563218 | JUNCTION BLOCK W/5 STUDS | | | 1 | 1 | |
| 19 | 563030 | BATTERY 12V/930 CCA / GR31 | | | 4 | 4 | |
| 20 | 382216 | ATTACHMENT BATTERIES LONG | | | 1 | 1 | |
| 21 | 382217 | ATTACHMENT BATTERIES SHORT | | | 1 | 1 | |
| 22 | 5060074 | TAPE RUB ADH1 URE 3/8" X 2" X 30' / GREY 1820 | | | AR | AR | |
| 23 | 382192 | COVER PROTECTOR BATTERIES | | | 1 | 1 | |
| 24 | 382215 | COVER PROTECTOR BREAKERS | | | 1 | 1 | |

| | | |
|---|--------------|-----------------|
| From Y-7046 To 7-9095 | Date:10/2022 | PAGE:Y2-0615-60 |
| BATTERIES INSTALLATION - MTH-45' | | |



| | | |
|---|--------------|-----------------|
| From Y-7046 To 7-9095 | Date:10/2022 | PAGE:Y2-0615-60 |
| BATTERIES INSTALLATION - MTH-45' | | |

| Item# | Part | Description | X L I I 4 5 | X L I I M T H 4 0 | X L I I M T H 4 5 | X L I I M T H 4 5 E | N O T E S |
|-------|-------------------|---|----------------------------|---|---|--|-----------------------|
| 2 | 064793 | WIRING HARNESS ENGINE COMPARTMENT To 2-7229 | | | 1 | | |
| 2 | 065285 | WIRING HARNESS ENGINE COMPARTMENT From 2-7230 To 2-7843 | | | 1 | | |
| 2 | 065667 | WIRING HARNESS ENGINE COMPARTMENT From 2-7844 To 3-8164 | | | 1 | | |
| 2 | 065766 | WIRING HARNESS ENGINE COMPARTMENT From 4-8165 To 5-8358 | | | 1 | | |
| 2 | 065970 | WIRING HARNESS ENGINE COMPARTMENT From 5-8359 To 5-8644 | | | 1 | | |
| 2 | 066350 | WIRING HARNESS ENGINE COMPARTMENT From 5-8645 | | | 1 | | |
| 7 | 5001204 | SCREW TP FL PH #6x1 1/4 Z050 | | | 4 | | |
| 9 | 561916 | NUT, SPEED | | | 2 | | |
| 10 | 064925 | CABLE ASSY #12VR | | | 1 | | |
| 11 | 063416 | CABLE ASSY #24VR | | | 1 | | |
| 12 | 062849 | CABLE ASSY # 0-8 | | | 1 | | |
| 20 | 952625 | CLAMP / 3/8" I.D. | | | 13 | | |
| 21 | 500879 | SCREW TP PAN PH #10x1 Z050 | | | 45 | | |
| 23 | 063411 | CABLE ASSY / #0VA To 3-8146 | | | 1 | | |
| 23 | 065815 | CABLE ASSY #0VA From 3-8147 | | | 1 | | |
| 24 | 063415 | CABLE ASSY / #12VA To 3-8146 | | | 1 | | |
| 24 | 065817 | CABLE ASSY #12VA From 3-8147 | | | 1 | | |
| 25 | 063414 | CABLE ASSY / #24VA To 3-8146 | | | 1 | | |
| 25 | 065816 | CABLE ASSY #24VA From 3-8147 | | | 1 | | |
| 26 | 381881 | BREAKER PROTECTOR | | | 1 | | |
| 27 | 502500 | SCREW TC BDG PH #8-32x1/2 CJ | | | 5 | | |
| 28 | 500593 | WASHER FL .200x.437x.036 BR | | | 5 | | |
| 35 | 980464 | TIE CABLE BK 385 X 7.6 | | | 13 | | |
| 36 | 504013 | TIE MOUNT / 1/4" X 1/4" I.D. | | | 9 | | |
| 38 | 500968 | NUT HEX STO 1/2-13 Z050 | | | 2 | | |
| 39 | 952631 | CLAMP / 3/4" I.D. | | | 7 | | |
| 40 | 952629 | CLAMP / 5/8" I.D. | | | 5 | | |
| 41 | 952627 | CLAMP / 1/2" I.D. | | | 4 | | |
| 42 | 952635 | CLAMP / 1" I.D. | | | 7 | | |
| 43 | 504637 | CABLE TIE / 3/16" x 13" | | | 20 | | |
| 46 | Y2-0620-00 | REAR JUNCTION BOX ASSY | | | | | |
| 49 | 500641 | SCREW TP PAN PH #8x3/4 Z050 | | | 26 | | |
| 51 | 500473 | WASHER LO SPT .262x.489x.062 Z050 | | | 6 | | |
| 53 | 560422 | BLOCK, TERMINAL / 1 STUD 3/8-16 / BLACK | | | 3 | | |
| 54 | 502616 | WASHER LO SPT 10.2x18.1x2.2 SS | | | 8 | | |
| 55 | 500102 | NUT HEX 3/8-16 SS | | | 8 | | |
| 56 | 500642 | SCREW TP PAN PH #10x3/4 Z050 | | | 6 | | |
| 57 | 562775 | REGULATOR ASSY 24V / W/4 SCREWS To 3-8164 | | | 1 | | |
| 57 | 563439 | REGULATOR ASSY 24V / W/5 SCREWS From 4-8165 | | | 1 | | |
| 57 | 564017 | NOISE SUPPRESSOR CONDENSATOR / STAMPED | | | 1 | | |
| NS | M106-04 | . SEE MAINTENANCE INFORMATION | | | 1 | | |
| 58 | 562970 | EQUALIZER "VANNER" 100AMPS To 1-7407 | | | 1 | | |

| | | |
|-----------------------|--------------|-----------------|
| From Y-7046 To 7-9095 | Date:10/2022 | PAGE:Y2-0615-60 |
|-----------------------|--------------|-----------------|

BATTERIES INSTALLATION - MTH-45'

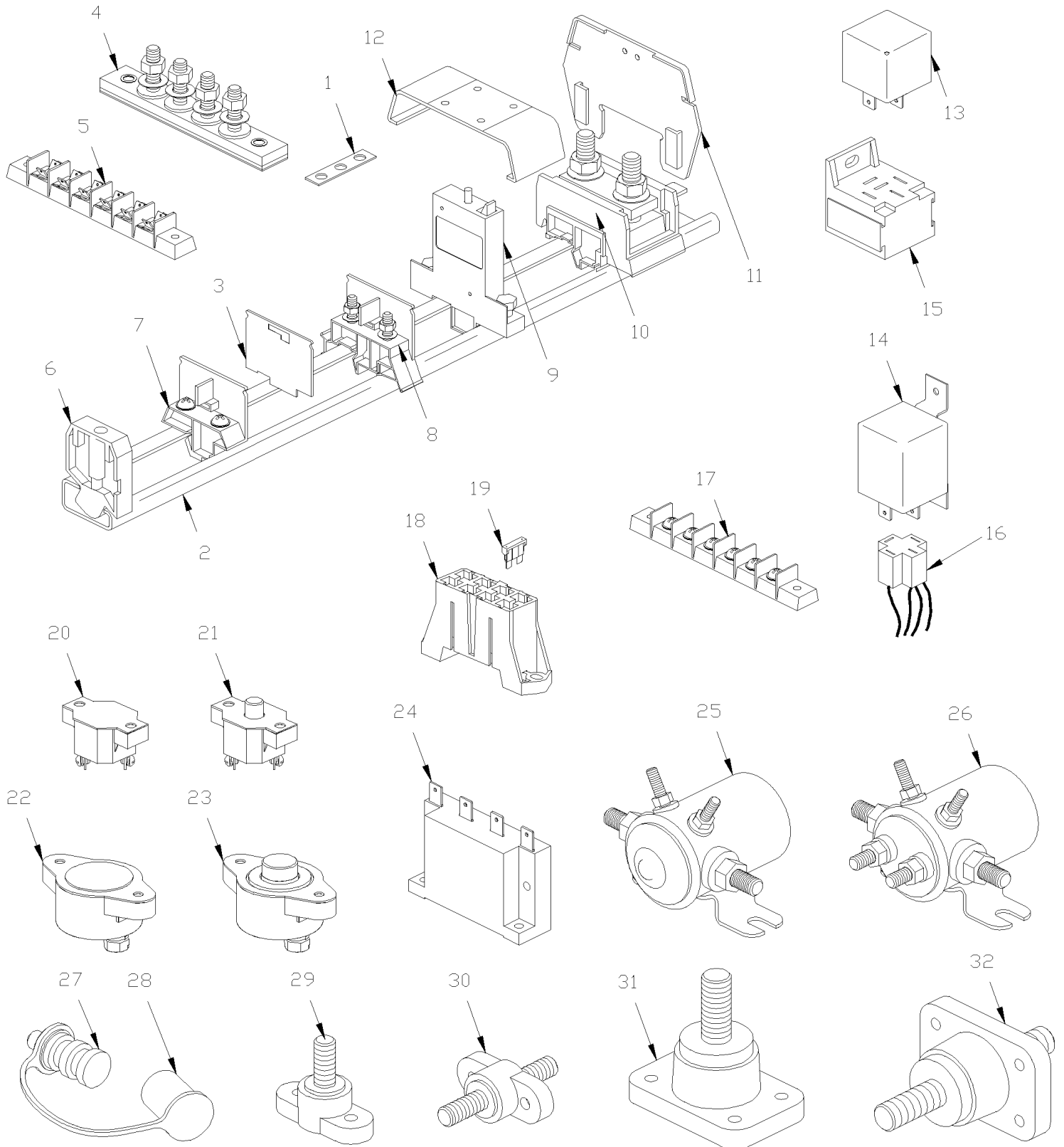
| Item# | Part | Description | X L I I 4 5 | X L I I M T H 4 0 | X L I I M T H 4 5 | X L I I M T H 4 5 E | N O T E S |
|-------|-------------------|--|--------------------------------|---|---|--|-----------------------|
| 58 | 563130 | EQUALIZER "VANNER" 100AMPS From 1-7408 To 3-8109 | | | 1 | | |
| 58 | 563334 | EQUALIZER "VANNER" 100AMPS From 3-8110 | | | 1 | | |
| 59 | 500769 | NUT HEX 1/4-20 Z050 | | | 4 | | |
| 60 | 500441 | WASHER FL .312x.734x.065 Z050 | | | 4 | | |
| 69 | 562333 | TIE MOUNT BAR / 5/8" X 8" (5 TIE HOLDER) | | | 2 | | |
| 73 | 563032 | MONITOR / BATTERY EQUALIZER | | | 1 | | |
| 77 | 680025 | CAULKING STRIP 3/16" O.D. X 14' | | | 1 | | |
| 78 | 504645 | PROTECTOR CAP / BLACK / .313 I.D. x .500 | | | 2 | | |
| 79 | 065290 | HEAT DETECTOR "THERMO-DISK" | | | 2 | | |
| 200 | 062371 | CABLE ASSY / B + TO B + | | | 2 | | |
| 201 | 063410 | CABLE ASSY / B - TO GROUND | | | 1 | | |
| 203 | 064929 | CABLE ASSY #24 | | | 1 | | |
| 204 | 061180 | CABLE ASSY / B - TO B - | | | 2 | | |
| 205 | 063406 | CABLE ASSY / B - TO BOOSTER BLOCK | | | 1 | | |
| 206 | 061036 | CABLE ASSY / B - TO B - | | | 1 | | |
| 213 | 381755 | FIXATION ROD | | | 2 | | |
| 214 | 381756 | HOLDING BRACKET | | | 1 | | |
| 216 | 381753 | HOLDING BRACKET | | | 1 | | |
| 217 | 380671 | TRAY, BATTERIES | | | 1 | | |
| 218 | 563030 | BATTERY 12V/930 CCA / GR31 | | | 4 | | |
| 219 | Y2-0616-50 | BREAKER PANEL - MTH | | | | | |
| 222 | Call order desk | INSULATING TUBE 4" | | | 1 | | P |
| 223 | 381510 | BATTERIES PROTECTOR | | | 1 | | |
| 224 | 502655 | SCREW CAP HEX M10-1.5x25 SS BK | | | 3 | | |
| 225 | 500270 | WASHER FL .406x1.000x.063 SS | | | 3 | | |
| 230 | 502526 | SCREW TC BDG PH #12-24x3/4 Z050 | | | 2 | | |
| 232 | 063894 | CABLE ASSY #101 To 3-8120 | | | 1 | | |
| 232 | 065913 | CABLE ASSY #101 From 3-8121 | | | 1 | | |
| | | | | | | | |
| | | | | | | | |
| | | | | | | | |
| | | P) CALL ORDER DESK FOR SPECIFIC APPLICATION (V.I.N.) | | | | | |

From Y-7046 To 7-9095

Date:10/2022

PAGE:Y2-0616-00

JUNCTION BOX COMPONENTS, RELAY & BREAKER



| | | |
|---|--------------|-----------------|
| From Y-7046 To 7-9095 | Date:10/2022 | PAGE:Y2-0616-00 |
| JUNCTION BOX COMPONENTS, RELAY & BREAKER | | |

| Item# | Part | Description | X L I I I 4 5 | X L I I I M T H 4 0 | X L I I I M T H 4 5 | X L I I I M T H 4 5 E | N O T E S |
|-------|--------|-------------------------------|-------------------------------------|--|--|---|-----------------------|
| 1 | 381813 | BUS BAR / W/2 HOLES 25MM | AR | AR | AR | AR | |
| 1 | 381814 | BUS BAR / W/3 HOLES 38MM | AR | AR | AR | AR | |
| 1 | 381815 | BUS BAR / W/4 HOLES 51MM | AR | AR | AR | AR | |
| 1 | 381816 | BUS BAR / W/4 HOLES 64MM | AR | AR | AR | AR | |
| 1 | 381818 | BUS BAR / W/4 HOLES 103MM | AR | AR | AR | AR | |
| 1 | 381817 | BUS BAR / W/6 HOLES 77MM | AR | AR | AR | AR | |
| 1 | 381819 | BUS BAR / W/8 HOLES 103MM | AR | AR | AR | AR | |
| 1 | 381820 | BUS BAR / W/9 HOLES 117MM | AR | AR | AR | AR | |
| 1 | 880027 | BUS BAR / W/10 HOLES 128MM | AR | AR | AR | AR | |
| 2 | 880026 | RAIL SUPPORT / 2 METERS | AR | AR | AR | AR | |
| 2 | 381300 | RAIL SUPPORT / 45MM | AR | AR | AR | AR | |
| 2 | 380927 | RAIL SUPPORT / 72MM | AR | AR | AR | AR | |
| 2 | 380904 | RAIL SUPPORT / 80MM | AR | AR | AR | AR | |
| 2 | 381203 | RAIL SUPPORT / 100MM | AR | AR | AR | AR | |
| 2 | 380905 | RAIL SUPPORT / 150MM | AR | AR | AR | AR | |
| 2 | 381249 | RAIL SUPPORT / 155MM | AR | AR | AR | AR | |
| 2 | 380964 | RAIL SUPPORT / 171MM | AR | AR | AR | AR | |
| 2 | 380839 | RAIL SUPPORT / 180MM | AR | AR | AR | AR | |
| 2 | 380883 | RAIL SUPPORT / 200MM | AR | AR | AR | AR | |
| 2 | 381638 | RAIL SUPPORT / 209MM | AR | AR | AR | AR | |
| 2 | 380885 | RAIL SUPPORT / 225MM | AR | AR | AR | AR | |
| 2 | 380793 | RAIL SUPPORT / 230MM | AR | AR | AR | AR | |
| 2 | 380751 | RAIL SUPPORT / 280MM | AR | AR | AR | AR | |
| 2 | 380756 | RAIL SUPPORT / 290MM | AR | AR | AR | AR | |
| 2 | 380712 | RAIL SUPPORT / 315MM | AR | AR | AR | AR | |
| 2 | 380838 | RAIL SUPPORT / 320MM | AR | AR | AR | AR | |
| 2 | 380937 | RAIL SUPPORT / 324MM | AR | AR | AR | AR | |
| 2 | 380914 | RAIL SUPPORT / 350MM | AR | AR | AR | AR | |
| 2 | 380884 | RAIL SUPPORT / 360MM | AR | AR | AR | AR | |
| 2 | 381124 | RAIL SUPPORT / 460MM | AR | AR | AR | AR | |
| 2 | 381123 | RAIL SUPPORT / 525MM | AR | AR | AR | AR | |
| 2 | 380713 | RAIL SUPPORT / 605MM | AR | AR | AR | AR | |
| 2 | 380752 | RAIL SUPPORT / 1050MM | AR | AR | AR | AR | |
| 3 | 561728 | END CLOSING | AR | AR | AR | AR | |
| 4 | 560112 | JUNCTION BLOCK W/2 STUDS | AR | AR | AR | AR | |
| 4 | 560113 | JUNCTION BLOCK W/4 STUDS | AR | AR | AR | AR | |
| 4 | 562504 | JUNCTION BLOCK W/6 STUDS | AR | AR | AR | AR | |
| 4 | 560291 | JUNCTION BLOCK W/8 STUDS | AR | AR | AR | AR | |
| 4 | 560116 | JUNCTION BLOCK W/10 STUDS | AR | AR | AR | AR | |
| 5 | 562373 | CONNECTOR, MULTIPLE BLADE | AR | AR | AR | AR | |
| 6 | 561729 | STOPPER | AR | AR | AR | AR | |
| NS | 500583 | . SCREW TP PAN PH #6x1/2 Z050 | 1 | 1 | 1 | 1 | |

| | | |
|-----------------------|--------------|-----------------|
| From Y-7046 To 7-9095 | Date:10/2022 | PAGE:Y2-0616-00 |
|-----------------------|--------------|-----------------|

JUNCTION BOX COMPONENTS, RELAY & BREAKER

| Item# | Part | Description | X L I I 4 5 | X L I I M T H 4 0 | X L I I M T H 4 5 | X L I I M T H 4 5 E | N O T E S |
|-------|--------|--|----------------------------|---|---|--|-----------------------|
| 7 | 381236 | DUMMY ASSY W/SCREW | AR | AR | AR | AR | |
| NS | 562198 | . BLOCK JUNCTION | 1 | 1 | 1 | 1 | |
| NS | 500583 | . SCREW TP PAN PH #6x1/2 Z050 | 2 | 2 | 2 | 2 | |
| NS | 500438 | . WASHER FL .187x.437x.050 Z050 | 2 | 2 | 2 | 2 | |
| 8 | 561726 | BLOCK JUNCTION | AR | AR | AR | AR | |
| 9 | 690356 | BREAKER 1AMP / 24V / | AR | AR | AR | AR | |
| 9 | 563382 | BREAKER 1AMP / 24V / | AR | AR | AR | AR | |
| 9 | 561797 | BREAKER 3AMPS / 24V / | AR | AR | AR | AR | |
| 9 | 561790 | BREAKER 6AMPS / 24V / | AR | AR | AR | AR | |
| 9 | 561791 | BREAKER 8AMPS / 24V / | AR | AR | AR | AR | |
| 9 | 561792 | BREAKER 10AMPS / 24V / | AR | AR | AR | AR | |
| 9 | 561793 | BREAKER 15AMPS / 24V / | AR | AR | AR | AR | |
| 9 | 561794 | BREAKER 20AMPS / 24V / | AR | AR | AR | AR | |
| 9 | 561795 | BREAKER 25AMPS / 24V / | AR | AR | AR | AR | |
| NS | 502660 | . SCREW QUARTER TURN | 2 | 2 | 2 | 2 | |
| 10 | 561727 | SCREW MA PAN PH | AR | AR | AR | AR | |
| NS | 500615 | . NUT HEX M8-1.25 BR | 2 | 2 | 2 | 2 | |
| 11 | 561731 | COVER SUPPORT | AR | AR | AR | AR | |
| 12 | 561730 | COVER / PROTECTOR / 1 BLOCK | AR | AR | AR | AR | |
| 12 | 561732 | COVER / PROTECTOR / 2 BLOCKS | AR | AR | AR | AR | |
| 12 | 562024 | COVER / PROTECTOR / 3 BLOCKS | AR | AR | AR | AR | |
| | | | | | | | |
| | | FOR RELAY IDENTIFICATION, SEE NUMBER | | | | | |
| | | STAMPED ON / BOSCH # / POTTER BRUMFIELD # | | | | | |
| | | | | | | | |
| 13 | 562751 | RELAY 6V S.P.D.T. | AR | AR | AR | AR | |
| 13 | 561538 | RELAY 12V S.P.D.T. V 415 F11 | AR | AR | AR | AR | |
| 13 | 561706 | RELAY 12V S.P.D.T. W/DIODE / | AR | AR | AR | AR | |
| 13 | 562092 | RELAY 12V S.P.D.T. W/DIODE / To 5-8577 | AR | AR | AR | AR | |
| 13 | 563337 | RELAY 12V S.P.D.T. W/RESISTOR / From 5-8578 | AR | AR | AR | AR | |
| 13 | 561182 | RELAY 24V S.P.S.T. N.O. VF4-11H11 | AR | AR | AR | AR | |
| 13 | 561230 | RELAY 24V S.P.D.T. VF4-15H | AR | AR | AR | AR | |
| 13 | 561557 | RELAY 24V S.P.D.T. N.O. | AR | AR | AR | AR | |
| 13 | 561707 | RELAY 24V S.P.D.T. W/RESISTOR / To 5-8577 | AR | AR | AR | AR | |
| 13 | 563332 | RELAY 24V S.P.D.T. W/RESISTOR / "VOLVO" (20374662) From 5-8578 | AR | AR | AR | AR | |
| 14 | 561928 | RELAY 12V S.P.D.T. / 50 AMPS N.O. VF7-41F | AR | AR | AR | AR | |
| 14 | 561991 | RELAY 24V S.P.S.T. / 70 AMPS N.O. | AR | AR | AR | AR | |
| 15 | 561183 | RELAY BASE / TAB TERMINAL / BOSCH 3334485008 | AR | AR | AR | AR | |
| 16 | 562367 | CONNECTOR / TAB HOUSING 4C / POTTER BRUMFIELD VCF7-1000 | AR | AR | AR | AR | |
| 16 | 561908 | TAB RECEPTACLE TERMINAL / 22-18 / AMP 60295-2 | AR | AR | AR | AR | |
| 16 | 561108 | TAB RECEPTACLE TERMINAL / 18-14 / AMP 42238-2 | AR | AR | AR | AR | |
| 16 | 561181 | TAB RECEPTACLE TERMINAL / 12 / AMP 60508-2 | AR | AR | AR | AR | |

| | | |
|-----------------------|--------------|-----------------|
| From Y-7046 To 7-9095 | Date:10/2022 | PAGE:Y2-0616-00 |
|-----------------------|--------------|-----------------|

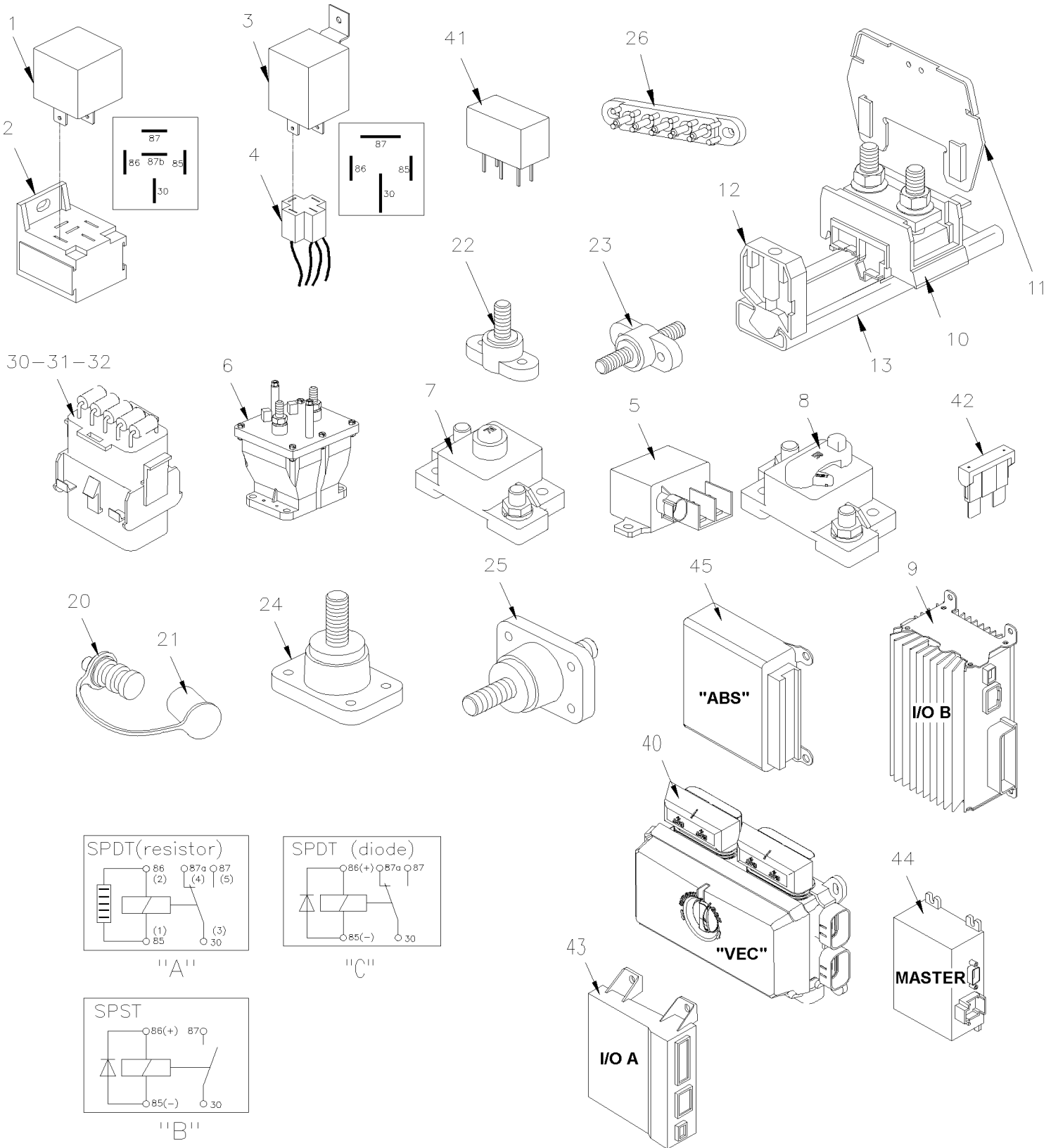
JUNCTION BOX COMPONENTS, RELAY & BREAKER

| Item# | Part | Description | X L I I 4 5 | X L I I M T H 4 0 | X L I I M T H 4 5 | X L I I M T H 4 5 E | NOTES |
|-------|--------|--|----------------------------|---|---|--|-------|
| 16 | 562368 | TAB TERMINAL / 12-8 / AMP 280756-4 | AR | AR | AR | AR | |
| 17 | 562173 | JUNCTION BLOCK W/10 STUDS | AR | AR | AR | AR | |
| 17 | 560116 | JUNCTION BLOCK W/10 STUDS | AR | AR | AR | AR | |
| 17 | 560291 | JUNCTION BLOCK W/8 STUDS | AR | AR | AR | AR | |
| 17 | 562504 | JUNCTION BLOCK W/6 STUDS | AR | AR | AR | AR | |
| 17 | 560113 | JUNCTION BLOCK W/4 STUDS | AR | AR | AR | AR | |
| 17 | 560112 | JUNCTION BLOCK W/2 STUDS | AR | AR | AR | AR | |
| 18 | 562621 | FUSE BLOCK W/4 LEDS & WIRES | AR | AR | AR | AR | |
| NS | 381960 | . PROTECTOR COVER FUSE HOLDER 49MM x 62MM "OPTION SPECIAL" | AR | AR | AR | AR | |
| 19 | 562597 | FUSE / ATO 1AMP BLACK | AR | AR | AR | AR | |
| 19 | 562598 | FUSE / ATO 2 AMPS GREY | AR | AR | AR | AR | |
| 19 | 562599 | FUSE / ATO 3 AMPS VIOLET | AR | AR | AR | AR | |
| 19 | 562600 | FUSE / ATO 4 AMPS PINK | AR | AR | AR | AR | |
| 19 | 562259 | FUSE / ATO 5 AMPS AMBER | AR | AR | AR | AR | |
| 19 | 562602 | FUSE / ATO 7.5 AMPS BROWN | AR | AR | AR | AR | |
| 19 | 562407 | FUSE / ATO 10 AMPS RED | AR | AR | AR | AR | |
| 19 | 562604 | FUSE / ATO 15 AMPS BLUE | AR | AR | AR | AR | |
| 19 | 562605 | FUSE / ATO 20 AMPS YELLOW | AR | AR | AR | AR | |
| 19 | 562606 | FUSE / ATO 25 AMPS NATURAL | AR | AR | AR | AR | |
| 19 | 562396 | FUSE / ATO 30 AMPS GREEN | AR | AR | AR | AR | |
| 19 | 562608 | FUSE / ATO 35 AMPS BLUE-GREEN | AR | AR | AR | AR | |
| 19 | 562609 | FUSE / ATC 40 AMPS ORANGE | AR | AR | AR | AR | |
| 20 | 560295 | BREAKER 6AMPS / 24V / | AR | AR | AR | AR | |
| 20 | 560296 | BREAKER 10AMPS / 24V / | AR | AR | AR | AR | |
| 20 | 560297 | BREAKER 20AMPS / 24V / | AR | AR | AR | AR | |
| 21 | 870690 | BREAKER 30AMPS / 24V / | AR | AR | AR | AR | |
| 21 | 870093 | BREAKER 40AMPS / 24V / | AR | AR | AR | AR | |
| 22 | 560794 | BREAKER 90AMPS / 24V / | AR | AR | AR | AR | |
| 22 | 560308 | BREAKER 150AMPS / 24V / | AR | AR | AR | AR | |
| 23 | 560703 | BREAKER 40AMPS / 24V / | AR | AR | AR | AR | |
| 23 | 562686 | BREAKER 40AMPS / 24V / | AR | AR | AR | AR | |
| 23 | 561767 | BREAKER 70AMPS / 24V / | AR | AR | AR | AR | |
| 23 | 562687 | BREAKER 70AMPS / 24V / | AR | AR | AR | AR | |
| 23 | 560298 | BREAKER 90AMPS / 24V / | AR | AR | AR | AR | |
| 23 | 562683 | BREAKER 90AMPS / 24V / | AR | AR | AR | AR | |
| 23 | 560465 | BREAKER 105AMPS / 24V / | AR | AR | AR | AR | |
| 23 | 562685 | BREAKER 105AMPS / 24V / | AR | AR | AR | AR | |
| 23 | 562397 | BREAKER 120AMPS / 24V / | AR | AR | AR | AR | |
| 23 | 562688 | BREAKER 120AMPS / 24V / | AR | AR | AR | AR | |
| 23 | 560299 | BREAKER 150AMPS / 24V / | AR | AR | AR | AR | |
| 23 | 562684 | BREAKER 150AMPS / 24V / | AR | AR | AR | AR | |
| NS | 560838 | BREAKER 200AMPS / 24V / | AR | AR | AR | AR | |

| | | |
|---|--------------|-----------------|
| From Y-7046 To 7-9095 | Date:10/2022 | PAGE:Y2-0616-00 |
| JUNCTION BOX COMPONENTS, RELAY & BREAKER | | |

| Item# | Part | Description | X L I I 4 5 | X L I I M T H 4 0 | X L I I M T H 4 5 | X L I I M T H 4 5 E | N O T E S |
|-------|--------|---|--------------------------------|---|---|--|-----------------------|
| 24 | 560772 | TIME DELAY RELAY | AR | AR | AR | AR | |
| 25 | 560407 | SWITCH MAGNETIC / 24V S.P.S.T. / 50AMPS N.O. | AR | AR | AR | AR | |
| 25 | 561005 | SWITCH MAGNETIC / 24V S.P.S.T. / 200AMPS N.O. | AR | AR | AR | AR | |
| 26 | 561014 | SWITCH MAGNETIC / 24V D.P.S.T. / 200AMPS N.O. | AR | AR | AR | AR | |
| 27 | 561856 | BOOSTER BLOCK, REMOTE / RED | 1 | 1 | 1 | 1 | |
| 27 | 561857 | BOOSTER BLOCK, REMOTE / BLACK | 1 | 1 | 1 | 1 | |
| 28 | 562691 | . PROTECTOR CAP / RED | 1 | 1 | 1 | 1 | |
| 28 | 562692 | . PROTECTOR CAP / BLACK | 1 | 1 | 1 | 1 | |
| NS | 381210 | SEPARATOR / FIBERGLASS RED | AR | AR | AR | AR | |
| 29 | 560422 | BLOCK, TERMINAL / 1 STUD 3/8-16 / BLACK | AR | AR | AR | AR | |
| 30 | 561102 | BLOCK, JUNCTION / 2 STUD 3/8-16 / BLACK | AR | AR | AR | AR | |
| 31 | 560177 | BLOCK, TERMINAL / 1 STUD 1/2-13 / BLACK | AR | AR | AR | AR | |
| 32 | 560176 | BLOCK, JUNCTION / 2 STUD 1/2-13 / RED | AR | AR | AR | AR | |
| | | | | | | | |
| | | | | | | | |
| | | | | | | | |

| | | |
|---|--------------|-----------------|
| From 7-9096 To 8-9339 | Date:10/2022 | PAGE:Y2-0616-01 |
| JUNCTION BOX COMPONENTS, RELAY & BREAKER / MUX | | |



From 7-9096 To 8-9339 Date:10/2022 PAGE:Y2-0616-01

JUNCTION BOX COMPONENTS, RELAY & BREAKER / MUX

| Item# | Part | Description | X L I I 4 5 | X L I I M T H 4 0 | X L I I M T H 4 5 | X L I I M T H 4 5 E | NOTES |
|-------|---------|--|----------------------------|---|---|--|-------|
| 1 | 563332 | RELAY 24V S.P.D.T. W/RESISTOR / "VOLVO" (20374662) | | | AR | AR | A |
| 1 | 561707 | RELAY 24V S.P.D.T. W/RESISTOR / | | | 1 | 1 | C |
| 1 | 563337 | RELAY 12V S.P.D.T. W/RESISTOR / | | | AR | AR | A |
| 2 | 561183 | RELAY BASE / TAB TERMINAL / BOSCH 3334485008 | | | AR | AR | |
| 3 | 561991 | RELAY 24V S.P.S.T. / 70 AMPS N.O. | | | AR | AR | B |
| 4 | 562367 | CONNECTOR / TAB HOUSING 4C / POTTER BRUMFIELD VCF7-1000 | | | AR | AR | |
| 5 | 563348 | RELAY POWER 24V 200 AMPS / S.P.S.T. N.O. | | | AR | AR | |
| . NS | 5001182 | . NUT HEX NYRT M6-1.0 SS | | | 1 | 1 | |
| . NS | 502573 | . WASHER FL 6.4x12.5x1.6 SS | | | 1 | 1 | |
| . NS | 563409 | . CONNECTOR / SUPERSEAL 1.5 SERIES / SH 2C / AMP 282080-1 | | | 1 | 1 | |
| . NS | 562607 | . SOCKET TERMINAL / 20-16 / AMP 183025-1 | | | 1 | 1 | |
| 6 | 562364 | RELAY 24V S.P.S.T. / 300 AMPS N.O. // BATTERY DISCONNECT | | | 1 | 1 | |
| 7 | 563704 | BREAKER 35AMPS / 24V / | | | AR | AR | |
| 7 | 563705 | BREAKER 40AMPS / 24V / | | | AR | AR | |
| 7 | 563706 | BREAKER 60AMPS / 24V / | | | AR | AR | |
| 7 | 563707 | BREAKER 70AMPS / 24V / | | | AR | AR | |
| 7 | 563708 | BREAKER 90AMPS / 24V / | | | AR | AR | |
| 8 | 563710 | BREAKER 50AMPS / 24V / | | | AR | AR | |
| 8 | 563709 | BREAKER 150AMPS / 24V / | | | AR | AR | |
| 9 | 563273 | I/O B-MODULE VOLVO MULTIPLEX / ALUMINUM To 7-9116 | | | AR | AR | |
| . NS | 563132 | . CONNECTOR / SH 2C / YAZAKI 7283-6458-40 To 7-9116 | | | 1 | 1 | |
| . NS | 563133 | . CONNECTOR / JUNIOR POWER TIMER / SH 29C / AMP 1-963449-2 To 7-9116 | | | 1 | 1 | |
| . NS | 562957 | . CONNECTOR / SH 5C / GREEN / JAE IL-AG5-5S-S3C1 To 7-9116 | | | 1 | 1 | |
| 9 | 565865 | I/O B-MODULE VOLVO MULTIPLEX / ALUMINUM From 7-9117 | | | AR | AR | |
| . NS | 563132 | . CONNECTOR / SH 2C / YAZAKI 7283-6458-40 From 7-9117 | | | 1 | 1 | |
| . NS | 563133 | . CONNECTOR / JUNIOR POWER TIMER / SH 29C / AMP 1-963449-2 From 7-9117 | | | 1 | 1 | |
| . NS | 562957 | . CONNECTOR / SH 5C / GREEN / JAE IL-AG5-5S-S3C1 From 7-9117 | | | 1 | 1 | |
| 10 | 561727 | SCREW MA PAN PH | | | AR | AR | |
| 11 | 561731 | COVER SUPPORT | | | AR | AR | |
| NS | 562024 | COVER / PROTECTOR / 3 BLOCKS | | | 1 | 1 | |
| 12 | 562645 | STOPPER "U" RAIL | | | AR | AR | |
| 13 | 382184 | RAIL SUPPORT "U" SHAPE 112MM | | | AR | AR | |
| 13 | 382187 | RAIL SUPPORT "U" SHAPE 400MM | | | AR | AR | |
| 20 | 561856 | BOOSTER BLOCK, REMOTE / RED | | | AR | AR | |
| 20 | 561857 | BOOSTER BLOCK, REMOTE / BLACK | | | AR | AR | |
| 21 | 562691 | . PROTECTOR CAP / RED | | | 1 | 1 | |
| 21 | 562692 | . PROTECTOR CAP / BLACK | | | 1 | 1 | |
| 22 | 560422 | BLOCK, TERMINAL / 1 STUD 3/8-16 / BLACK | | | AR | AR | |
| 23 | 561102 | BLOCK, JUNCTION / 2 STUD 3/8-16 / BLACK | | | AR | AR | |
| 24 | 560177 | BLOCK, TERMINAL / 1 STUD 1/2-13 / BLACK | | | AR | AR | |
| NS | 562024 | COVER / PROTECTOR / 3 BLOCKS | | | AR | AR | |
| 25 | 560176 | BLOCK, JUNCTION / 2 STUD 1/2-13 / RED | | | AR | AR | |

From 7-9096 To 8-9339 Date:10/2022 PAGE:Y2-0616-01

JUNCTION BOX COMPONENTS, RELAY & BREAKER / MUX

| Item# | Part | Description | X L I I 4 5 | X L I I M T H 4 0 | X L I I M T H 4 5 | X L I I M T H 4 5 E | NOTES |
|-------|----------|---|----------------------------|---|---|--|-------|
| 26 | 563218 | JUNCTION BLOCK W/5 STUDS | | | | AR | AR |
| NS | 500765 | NUT HEX #10-32 BR | | | | AR | AR |
| 30 | 381145 | DIODE ASSY / W/5 3AMPS | | | | AR | AR |
| 31 | 382097 | DIODE ASSY / W/3 3AMPS & 2 RESISTORS 270 OHMS | | | | AR | AR |
| 32 | 382175 | DIODE ASSY / W/3 3AMPS & 2 RESISTORS 100 OHMS | | | | AR | AR |
| 40 | 563698 | VEC DISTRIBUTION MODULE / REAR JCT BOX | | | | 1 | 1 |
| NS | 564104 | COVER / VEC BOX | | | | 1 | 1 |
| NS | 563269 | RELAY 24V S.P.D.T. W/RESISTOR / | | | | 3 | 3 |
| NS | 563004 | FUSE / ATM 2 AMPS GREY | | | | 1 | 1 |
| NS | 563279 | FUSE / ATM 3 AMPS VIOLET | | | | 1 | 1 |
| NS | 563005 | FUSE / ATM 7.5 AMPS BROWN | | | | 1 | 1 |
| NS | 563283 | FUSE / ATM 10 AMPS RED | | | | 12 | 12 |
| NS | 563284 | FUSE / ATM 15 AMPS BLUE | | | | 11 | 11 |
| NS | 563282 | FUSE / ATM 20 AMPS YELLOW | | | | 9 | 9 |
| NS | 563153 | FUSE / ATM 25 AMPS NATURAL | | | | 6 | 6 |
| NS | 563165 | FUSE / ATM 30 AMPS GREEN | | | | 1 | 1 |
| NS | 564464 | MINI BREAKER / 20 AMPS / SERIES 223 | | | | 1 | 1 |
| NS | 563181 | CONNECTOR / SH 8C / YELLOW / BUSSMANN 32006-E21 | | | | 1 | 1 |
| NS | 563182 | CONNECTOR / SH 8C / ORANGE / BUSSMANN 32006-G21 | | | | 1 | 1 |
| NS | 563183 | CONNECTOR / SH 8C / RED / BUSSMANN 32006-F21 | | | | 1 | 1 |
| NS | 563184 | CONNECTOR / SH 8C / GREEN / BUSSMANN 32006-C21 | | | | 1 | 1 |
| NS | 563185 | CONNECTOR / SH 8C / BLACK / BUSSMANN 32006-A21 | | | | 1 | 1 |
| NS | 563186 | CONNECTOR / SH 8C / GREY / BUSSMANN 32006-B21 | | | | 1 | 1 |
| NS | 563187 | CONNECTOR / SH 8C / BROWN / BUSSMANN 32006-H21 | | | | 1 | 1 |
| NS | 563448 | CONNECTOR / SH 8C / BLUE / BUSSMANN 32006-D21 | | | | 1 | 1 |
| NS | 19518268 | COVER RUBBER RED | | | | 2 | 2 |
| 40 | 563674 | VEC DISTRIBUTION MODULE / FRONT JCT BOX | | | | 1 | 1 |
| NS | 564104 | COVER / VEC BOX | | | | 1 | 1 |
| NS | 563004 | FUSE / ATM 2 AMPS GREY | | | | 1 | 1 |
| NS | 563279 | FUSE / ATM 3 AMPS VIOLET | | | | 14 | 14 |
| NS | 563280 | FUSE / ATM 5 AMPS AMBER | | | | 2 | 2 |
| NS | 563005 | FUSE / ATM 7.5 AMPS BROWN | | | | 3 | 3 |
| NS | 563283 | FUSE / ATM 10 AMPS RED | | | | 6 | 6 |
| NS | 563284 | FUSE / ATM 15 AMPS BLUE | | | | 9 | 9 |
| NS | 563282 | FUSE / ATM 20 AMPS YELLOW | | | | 6 | 6 |
| NS | 563153 | FUSE / ATM 25 AMPS NATURAL | | | | 1 | 1 |
| NS | 563165 | FUSE / ATM 30 AMPS GREEN | | | | 3 | 3 |
| NS | 564464 | MINI BREAKER / 20 AMPS / SERIES 223 | | | | 1 | 1 |
| NS | 563181 | CONNECTOR / SH 8C / YELLOW / BUSSMANN 32006-E21 | | | | 1 | 1 |
| NS | 563182 | CONNECTOR / SH 8C / ORANGE / BUSSMANN 32006-G21 | | | | 1 | 1 |
| NS | 563183 | CONNECTOR / SH 8C / RED / BUSSMANN 32006-F21 | | | | 1 | 1 |
| NS | 563184 | CONNECTOR / SH 8C / GREEN / BUSSMANN 32006-C21 | | | | 1 | 1 |

| | | |
|---|--------------|-----------------|
| From 7-9096 To 8-9339 | Date:10/2022 | PAGE:Y2-0616-01 |
| JUNCTION BOX COMPONENTS, RELAY & BREAKER / MUX | | |

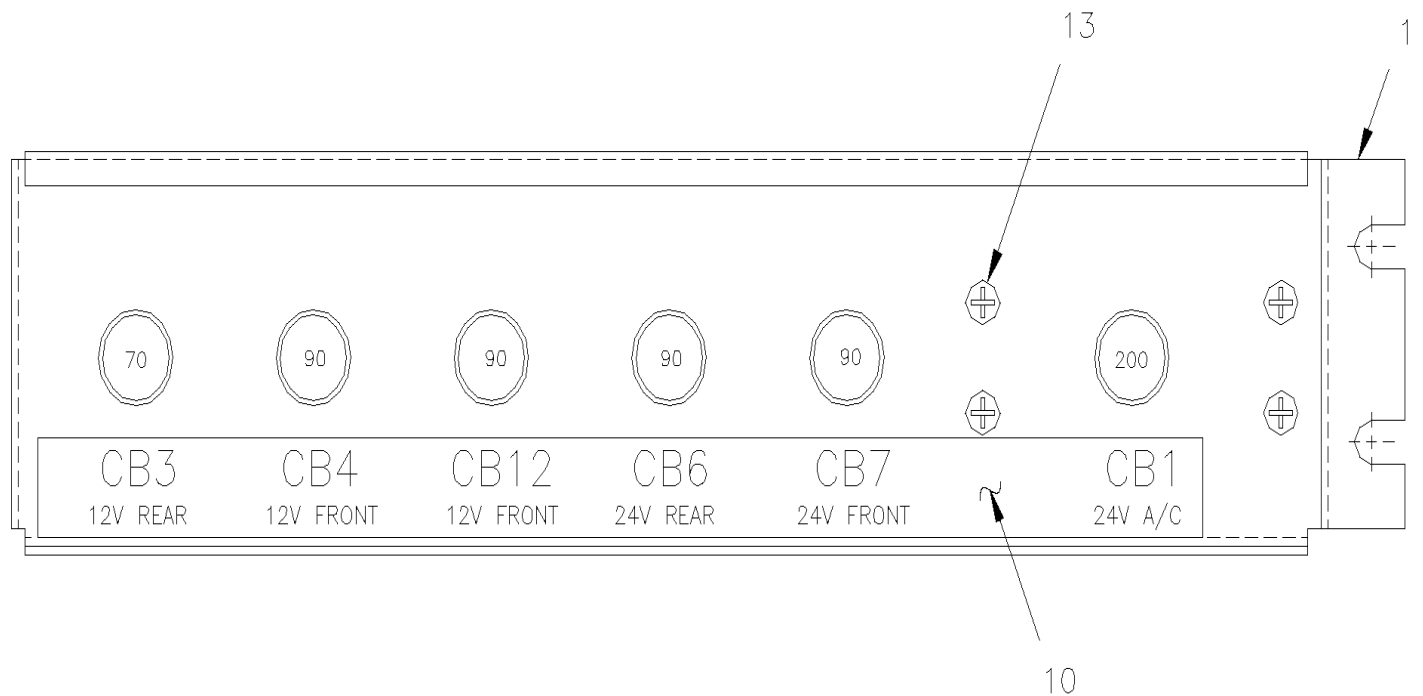
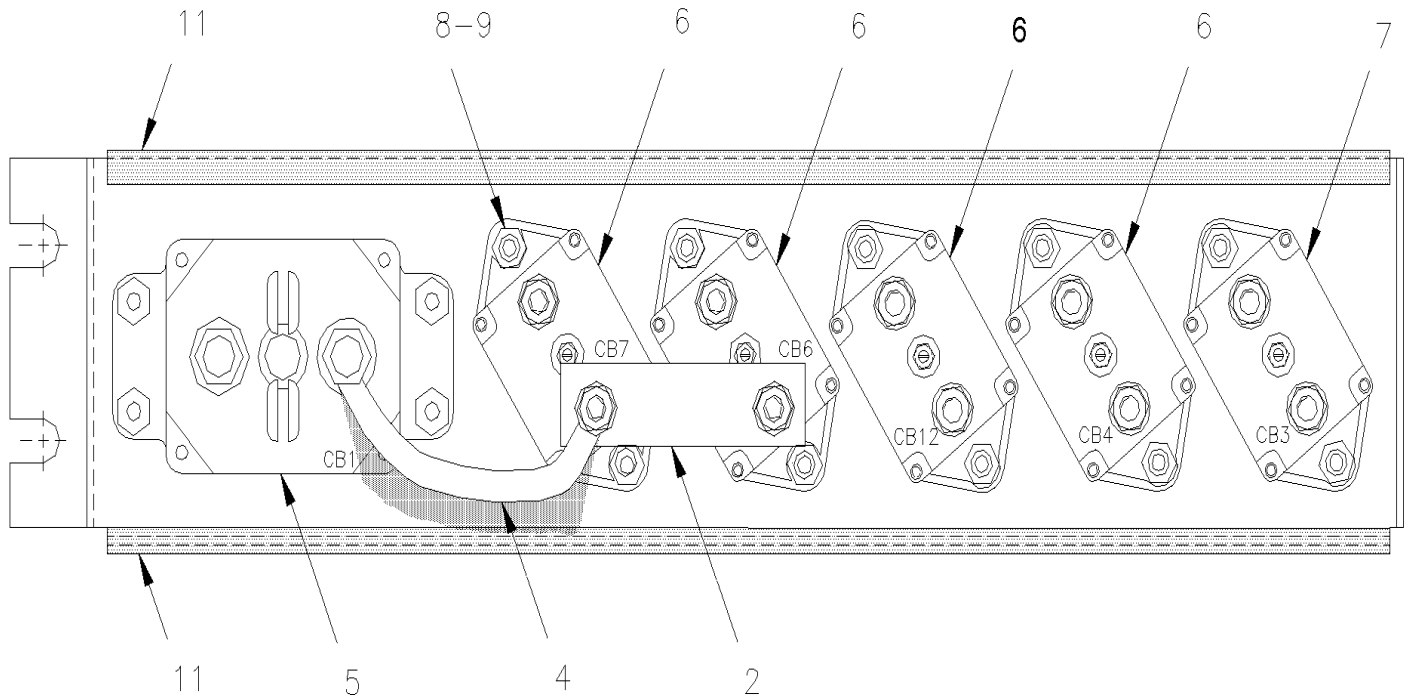
| Item# | Part | Description | X L I I 4 5 | X L I I M T H 4 0 | X L I I M T H 4 5 | X L I I M T H 4 5 E | N O T E S |
|-------|----------|--|----------------------------|---|---|--|-----------------------|
| . NS | 563185 | . CONNECTOR / SH 8C / BLACK / BUSSMANN 32006-A21 | | | 1 | 1 | |
| . NS | 563186 | . CONNECTOR / SH 8C / GREY / BUSSMANN 32006-B21 | | | 1 | 1 | |
| . NS | 563187 | . CONNECTOR / SH 8C / BROWN / BUSSMANN 32006-H21 | | | 1 | 1 | |
| . NS | 563448 | . CONNECTOR / SH 8C / BLUE / BUSSMANN 32006-D21 | | | 1 | 1 | |
| . NS | 19518268 | . COVER RUBBER RED | | | 2 | 2 | |
| 40 | 563449 | VEC DISTRIBUTION MODULE / W/SLIDE-OUT | | | 1 | 1 | |
| . NS | 564104 | . COVER / VEC BOX | | | 1 | 1 | |
| . NS | 563004 | . FUSE / ATM 2 AMPS GREY | | | 1 | 1 | |
| . NS | 563279 | . FUSE / ATM 3 AMPS VIOLET | | | 1 | 1 | |
| . NS | 563280 | . FUSE / ATM 5 AMPS AMBER | | | 1 | 1 | |
| . NS | 563005 | . FUSE / ATM 7.5 AMPS BROWN | | | 1 | 1 | |
| . NS | 563284 | . FUSE / ATM 15 AMPS BLUE | | | 1 | 1 | |
| . NS | 563282 | . FUSE / ATM 20 AMPS YELLOW | | | 1 | 1 | |
| . NS | 563153 | . FUSE / ATM 25 AMPS NATURAL | | | 1 | 1 | |
| . NS | 563165 | . FUSE / ATM 30 AMPS GREEN | | | 1 | 1 | |
| . NS | 563181 | . CONNECTOR / SH 8C / YELLOW / BUSSMANN 32006-E21 | | | 1 | 1 | |
| . NS | 563182 | . CONNECTOR / SH 8C / ORANGE / BUSSMANN 32006-G21 | | | 1 | 1 | |
| . NS | 563183 | . CONNECTOR / SH 8C / RED / BUSSMANN 32006-F21 | | | 1 | 1 | |
| . NS | 563184 | . CONNECTOR / SH 8C / GREEN / BUSSMANN 32006-C21 | | | 1 | 1 | |
| . NS | 563185 | . CONNECTOR / SH 8C / BLACK / BUSSMANN 32006-A21 | | | 1 | 1 | |
| . NS | 563186 | . CONNECTOR / SH 8C / GREY / BUSSMANN 32006-B21 | | | 1 | 1 | |
| . NS | 563187 | . CONNECTOR / SH 8C / BROWN / BUSSMANN 32006-H21 | | | 1 | 1 | |
| . NS | 563448 | . CONNECTOR / SH 8C / BLUE / BUSSMANN 32006-D21 | | | 1 | 1 | |
| . NS | 19518268 | . COVER RUBBER RED | | | 2 | 2 | |
| 41 | 563269 | . RELAY 24V S.P.D.T. W/RESISTOR / | | | AR | AR | A V |
| 42 | 563004 | . FUSE / ATM 2 AMPS GREY | | | AR | AR | V |
| 42 | 563279 | . FUSE / ATM 3 AMPS VIOLET | | | AR | AR | V |
| 42 | 563280 | . FUSE / ATM 5 AMPS AMBER | | | AR | AR | V |
| 42 | 563005 | . FUSE / ATM 7.5 AMPS BROWN | | | AR | AR | V |
| 42 | 563283 | . FUSE / ATM 10 AMPS RED | | | AR | AR | V |
| 42 | 563284 | . FUSE / ATM 15 AMPS BLUE | | | AR | AR | V |
| 42 | 563282 | . FUSE / ATM 20 AMPS YELLOW | | | AR | AR | V |
| 42 | 563153 | . FUSE / ATM 25 AMPS NATURAL | | | AR | AR | V |
| 42 | 563165 | . FUSE / ATM 30 AMPS GREEN | | | AR | AR | V |
| 43 | 563272 | I/O A-MODULE VOLVO MULTIPLEX / BLACK To 7-9116 | | | AR | AR | |
| . NS | 562767 | . CONNECTOR / SH 30C / GREEN / JAE IL-AG5-30S-D3C1 To 7-9116 | | | 1 | 1 | |
| . NS | 562957 | . CONNECTOR / SH 5C / GREEN / JAE IL-AG5-5S-S3C1 To 7-9116 | | | 1 | 1 | |
| . NS | 563132 | . CONNECTOR / SH 2C / YAZAKI 7283-6458-40 To 7-9116 | | | 1 | 1 | |
| 43 | 565864 | I/O A-MODULE VOLVO MULTIPLEX / BLACK From 7-9117 | | | AR | AR | |
| . NS | 562767 | . CONNECTOR / SH 30C / GREEN / JAE IL-AG5-30S-D3C1 From 7-9117 | | | 1 | 1 | |
| . NS | 562957 | . CONNECTOR / SH 5C / GREEN / JAE IL-AG5-5S-S3C1 From 7-9117 | | | 1 | 1 | |
| . NS | 563132 | . CONNECTOR / SH 2C / YAZAKI 7283-6458-40 From 7-9117 | | | 1 | 1 | |

From 7-9096 To 8-9339 Date:10/2022 PAGE:Y2-0616-01

JUNCTION BOX COMPONENTS, RELAY & BREAKER / MUX

| Item# | Part | Description | X L I I 4 5 | X L I I M T H 4 0 | X L I I M T H 4 5 | X L I I M T H 4 5 E | NOTES |
|-------|----------|---|----------------------------|---|---|--|-------|
| 44 | 563295 | MASTER ID-MODULE VOLVO MULTIPLEX | | | 1 | 1 | |
| . NS | 562794 | . CONNECTOR / JUNIOR POWER TIMER / SH 9C / AMP 964561-4 | | | 1 | 1 | |
| 44 | 069538 | "MASTER ID" REPLACEMENT WITH "MCM" MODULE | | | 1 | 1 | |
| . NS | 069420 | . HARNESS MCM | | | 1 | 1 | |
| . NS | IS-11003 | . SEE INSTRUCTION SHEET | | | 1 | 1 | |
| 45 | 7770363 | CONTROL UNIT 12V / ABS 4 CH / UNPROGRAMMED | | | 1 | 1 | |
| 45 | 641948P | CONTROL UNIT 12V / ABS 4 CH / PROGRAMMED | | | 1 | 1 | |
| | | | | | | | |
| | | | | | | | |
| | | A) SEE CONTACT CONFIGURATION "A" | | | | | |
| | | B) SEE CONTACT CONFIGURATION "B" | | | | | |
| | | C) SEE CONTACT CONFIGURATION "C" | | | | | |
| | | V) INSIDE OF "VEC" | | | | | |

| | | |
|----------------------------|--------------|-----------------|
| From Y-7046 To 6-8906 | Date:10/2022 | PAGE:Y2-0616-10 |
| BREAKER PANEL - BUS | | |

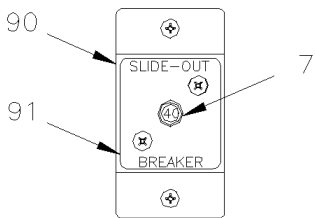
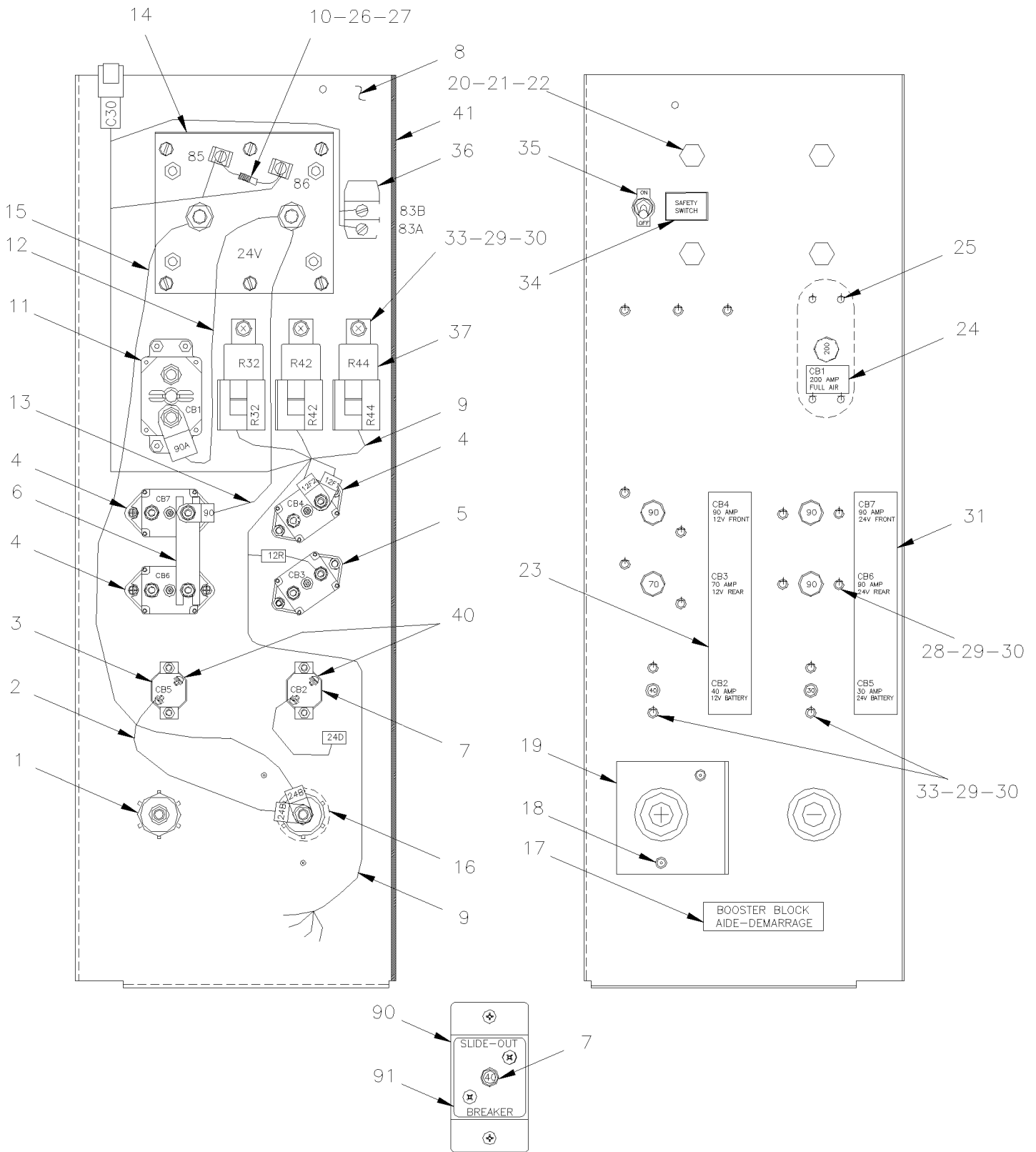


From Y-7046 To 7-9095

Date:10/2022

PAGE:Y2-0616-50

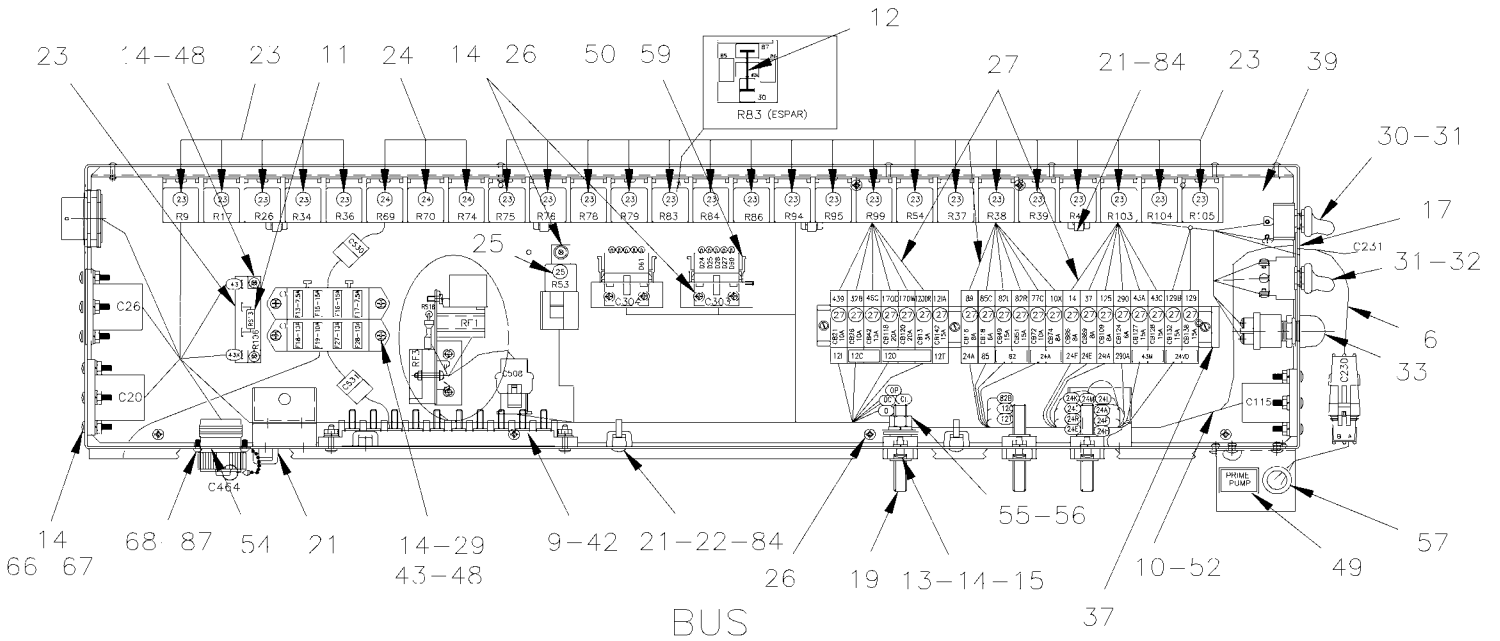
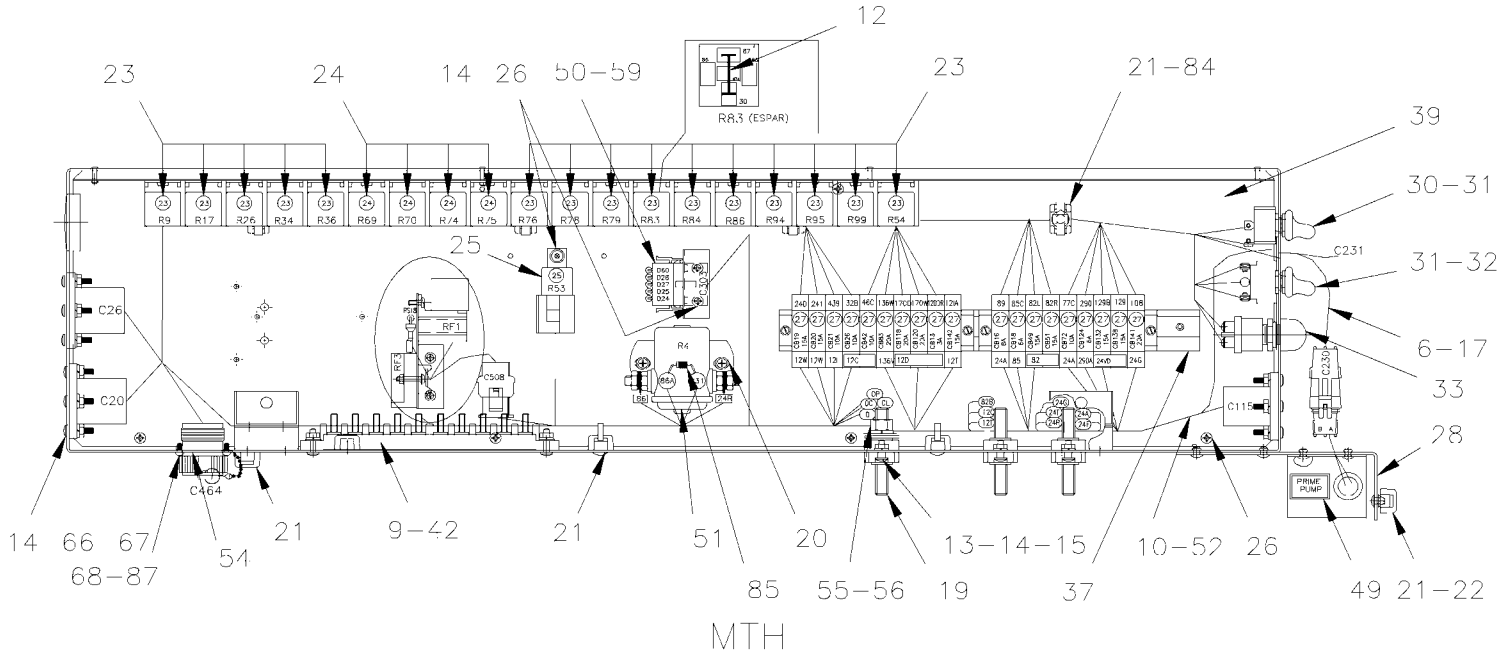
BREAKER PANEL - MTH



| | | |
|----------------------------|--------------|-----------------|
| From Y-7046 To 7-9095 | Date:10/2022 | PAGE:Y2-0616-50 |
| BREAKER PANEL - MTH | | |

| Item# | Part | Description | X L I I 4 5 | X L I I M T H 4 0 | X L I I M T H 4 5 | X L I I M T H 4 5 E | N O T E S |
|-------|---------|--|----------------------------|---|---|--|-----------------------|
| | 381903P | BREAKER'S PANEL ASSY | | 1 | 1 | 1 | |
| 1 | 561857 | . BOOSTER BLOCK, REMOTE / BLACK | | 1 | 1 | 1 | |
| 2 | 064926 | . CABLE ASSY #24D | | 1 | 1 | 1 | |
| 3 | 870690 | . BREAKER 30AMPS / 24V / | | 1 | 1 | 1 | |
| 4 | 562683 | . BREAKER 90AMPS / 24V / | | 3 | 3 | 3 | |
| 5 | 562687 | . BREAKER 70AMPS / 24V / | | 1 | 1 | 1 | |
| 6 | 380059 | . BUS BAR / W/2 SLOTS / 3 3/8" C/C | | 1 | 1 | 1 | |
| 7 | 870093 | . BREAKER 40AMPS / 24V / | | 1 | 1 | 1 | |
| 8 | 381963 | . BREAKER SUPPORT | | 1 | 1 | 1 | |
| 9 | 064924 | . WIRING HARNESS RELAY 12V (BATTERIES) | | 1 | 1 | 1 | |
| 10 | 561740 | . DIODE / 3AMPS | | 1 | 1 | 1 | |
| 11 | 560838 | . BREAKER 200AMPS / 24V / | | 1 | 1 | 1 | |
| 12 | 064928 | . CABLE ASSY #90A | | 1 | 1 | 1 | |
| 13 | 064927 | . CABLE ASSY #90 | | 1 | 1 | 1 | |
| NS | 063894 | . CABLE ASSY #101 To 3-8120 | | 1 | 1 | 1 | |
| NS | 065913 | . CABLE ASSY #101 From 3-8121 | | 1 | 1 | 1 | |
| 14 | 562364 | . RELAY 24V S.P.S.T. / 300 AMPS N.O. // BATTERY DISCONNECT | | 1 | 1 | 1 | |
| 15 | 064930 | . CABLE ASSY #24B | | 1 | 1 | 1 | |
| NS | 064929 | . CABLE ASSY #24 | | 1 | 1 | 1 | |
| 16 | 561856 | . BOOSTER BLOCK, REMOTE / RED | | 1 | 1 | 1 | |
| 17 | 062682 | . DECAL / "BOOSTER BLOCK" / ENGLISH & FRANCAIS | | 1 | 1 | 1 | |
| 18 | 504347 | . RIVET POP DOME OE 3/16x1/4 AL | | 2 | 2 | 2 | |
| 19 | 381210 | . SEPARATOR / FIBERGLASS RED | | 1 | 1 | 1 | |
| 20 | 5001190 | . SCREW CAP HEX 1/4-20x3/4 SS BK | | 4 | 4 | 4 | |
| 21 | 500770 | . NUT HEX STO 1/4-20 Z050 | | 4 | 4 | 4 | |
| 22 | 500473 | . WASHER LO SPT .262x.489x.062 Z050 | | 4 | 4 | 4 | |
| 23 | 064960 | . DECAL | | 1 | 1 | 1 | |
| 24 | 063422 | . DECAL-CBI FULL AIR | | 1 | 1 | 1 | |
| 25 | 500510 | . SCREW MA BDG PH #10-32x3/4 SS EMN | | 1 | 1 | 1 | |
| 25 | 381516 | . CLOSING PLATE | | 1 | 1 | 1 | |
| 26 | 560082 | . RING TERMINAL #10 / 16-14 / INSULATED / AMP 626033-2 | | 2 | 2 | 2 | |
| 27 | 560382 | . PLASTIC TUBING / 1/4" / CLEAR | | AR | AR | AR | |
| 28 | 500387 | . SCREW MA RND PH #10-24x3/4 Z050 | | 8 | 8 | 8 | |
| 29 | 500470 | . WASHER LO SPT .193x.334x.047 Z050 | | 15 | 15 | 15 | |
| 30 | 500786 | . NUT HEX #10-24 Z050 | | 15 | 15 | 15 | |
| 31 | 064961 | . DECAL | | 1 | 1 | 1 | |
| 33 | 500386 | . SCREW MA RND PH #10-24x1/2 Z050 | | 7 | 7 | 7 | |
| 34 | 065306 | . DECAL "SAFETY SWITCH" | | 1 | 1 | 1 | |
| 35 | 562394 | . PLATE, INDICATING (ON/OFF) | | 1 | 1 | 1 | |
| 36 | 562942 | . SWITCH / OFF-ON / S.P.S.T. | | 1 | 1 | 1 | |
| 37 | 561991 | . RELAY 24V S.P.S.T. / 70 AMPS N.O. | | 3 | 3 | 3 | |
| 38 | 500102 | . NUT HEX 3/8-16 SS | | 2 | 2 | 2 | |

| | | |
|-------------------------------|--------------|-----------------|
| From Y-7046 To 7-9095 | Date:10/2022 | PAGE:Y2-0620-00 |
| REAR JUNCTION BOX ASSY | | |

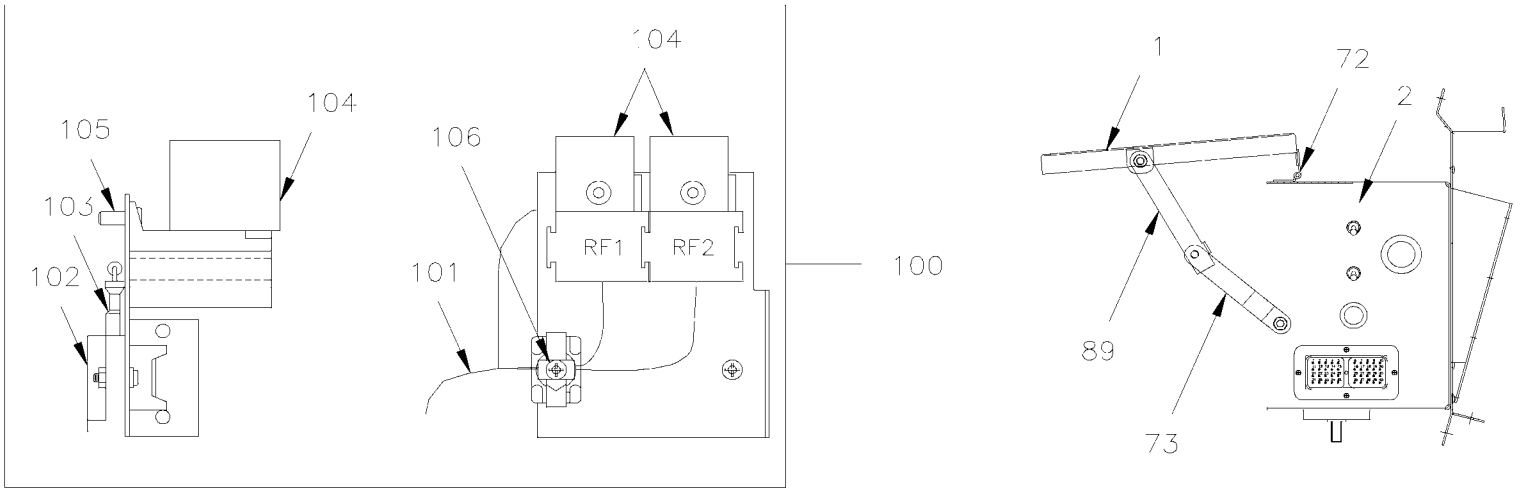


From Y-7046 To 7-9095

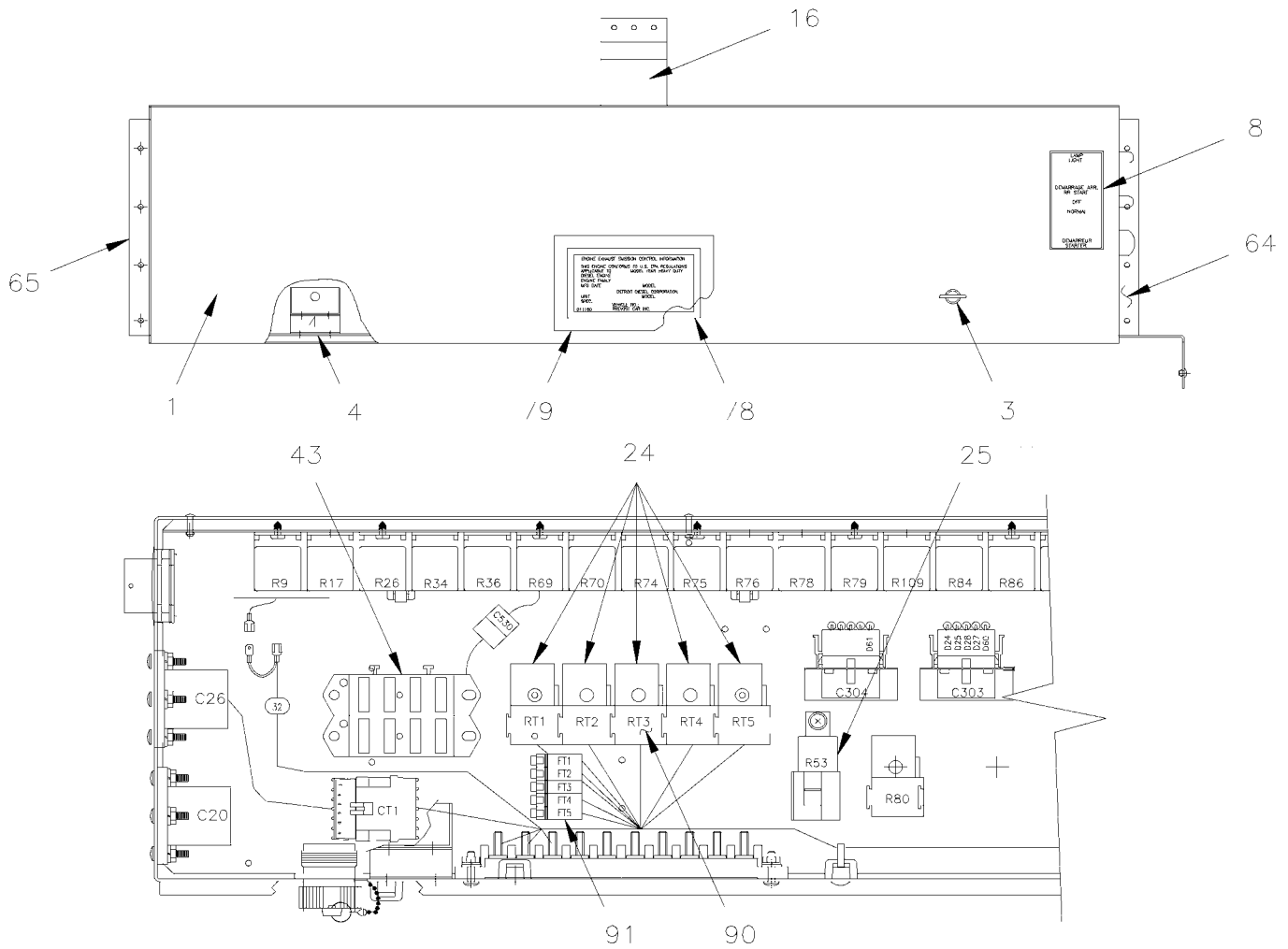
Date:10/2022

PAGE:Y2-0620-00

REAR JUNCTION BOX ASSY



DETAIL "A"



| | | |
|-------------------------------|--------------|-----------------|
| From Y-7046 To 7-9095 | Date:10/2022 | PAGE:Y2-0620-00 |
| REAR JUNCTION BOX ASSY | | |

| Item# | Part | Description | X L I I 4 5 | X L I I M T H 4 0 | X L I I M T H 4 5 | X L I I M T H 4 5 E | N O T E S |
|-------|--------|--|----------------------------|---|---|--|-----------------------|
| 1 | 381917 | DOOR ASSY | 1 | 1 | 1 | 1 | |
| 2 | 381869 | BOX ASSY W/O DOOR & COMPONENTS | 1 | 1 | 1 | 1 | |
| 3 | 504276 | SCREW FST WI #17 12.3x22.3 STL | 2 | 2 | 2 | 2 | |
| 4 | 380649 | BRACKET / DOOR LOCK | 2 | 2 | 2 | 2 | |
| . NS | 504275 | . MOUNTING, FASTENER SIDE MOUNT # 17 SCREW NUT | 1 | 1 | 1 | 1 | |
| . NS | 380619 | . SUPPORT "Z" SHAPE | 1 | 1 | 1 | 1 | |
| . NS | 504104 | . RIVET POP DOME OE 1/8x1/8 SS | 2 | 2 | 2 | 2 | |
| 6 | 064994 | CABLE ASSY / FUEL PUMP ELECTRIC | 1 | 1 | 1 | 1 | |
| 8 | 381915 | DECAL / LAMP..NORMAL..START.. | 1 | 1 | 1 | 1 | |
| 9 | 500765 | NUT HEX #10-32 BR | AR | AR | AR | AR | |
| 10 | 065181 | CABLE ASSY / ECU & REAR JCT BOX To 3-8164 | 1 | | | | |
| 10 | 065789 | CABLE ASSY / ECU & REAR JCT BOX From 4-8165 To 4-8358 | 1 | | | | |
| 10 | 065977 | CABLE ASSY / ECU & REAR JCT BOX From 5-8359 | 1 | | | | |
| 10 | 064886 | CABLE ASSY / ACCESSORY BATTERY To 1-7461 | | 1 | 1 | 1 | |
| 10 | 065421 | CABLE ASSY / ACCESSORY BATTERY From 1-7462 To 3-8164 | | 1 | 1 | 1 | |
| 10 | 065790 | CABLE ASSY / ACCESSORY BATTERY From 4-8165 To 4-8358 | | 1 | 1 | 1 | |
| 10 | 065976 | CABLE ASSY / ENGINE ACCESSORIES From 5-8359 To 5-8425 | | 1 | 1 | 1 | |
| 10 | 066200 | CABLE ASSY / ENGINE ACCESSORIES From 5-8426 To 7-9000 | | 1 | 1 | 1 | |
| 10 | 066848 | CABLE ASSY / ENGINE ACCESSORIES From 7-9001 | | 1 | 1 | 1 | |
| 10 | 063297 | CABLE ASSY # 102-2/0 To 2-7890 | | 1 | 1 | 1 | AB |
| 10 | 065701 | CABLE ASSY #102 From 2-7891 | | 1 | 1 | 1 | AC |
| 11 | 061962 | RESISTOR ASSY 470 OHMS 1/2W | 1 | 1 | | | |
| 11 | 560805 | . RESISTOR / 470 OHMS / 1/2W | 1 | 1 | | | |
| 11 | 561539 | . TAB RECEPTACLE TERMINAL INSUL. NYLON / 16 / AMP 3-520141-2 | 1 | 1 | | | |
| 12 | 063643 | WIRE ASSY | 1 | 1 | 1 | 1 | |
| 13 | 500786 | NUT HEX #10-24 Z050 | 6 | 6 | 6 | 6 | |
| 14 | 500470 | WASHER LO SPT .193x.334x.047 Z050 | AR | AR | AR | AR | |
| 15 | 500386 | SCREW MA RND PH #10-24x1/2 Z050 | 6 | 6 | 6 | 6 | |
| 16 | 381954 | SUPPORT CENTER | 1 | | | | |
| 16 | 381505 | SUPPORT, CENTRAL | | | 1 | | |
| 16 | 381686 | SUPPORT, CENTRAL | | 1 | | 1 | |
| 16 | 382026 | SUPPORT, CENTRAL From 4-8165 | 1 | 1 | 1 | 1 | |
| 17 | 504059 | GROMMET / 1.250x1.500x.094x.375x1.875 | 1 | 1 | 1 | 1 | |
| 19 | 561102 | BLOCK, JUNCTION / 2 STUD 3/8-16 / BLACK | 3 | 3 | 3 | 3 | |
| 20 | 500622 | NUT PUSH RND 5/16 | 2 | 2 | 2 | 2 | |
| 21 | 504013 | TIE MOUNT / 1/4" X 1/4" I.D. | 7 | 7 | 7 | 7 | |
| 22 | 502637 | WASHER FL .200x.437x.037 SS | 7 | 7 | 7 | 7 | |
| 23 | 561707 | RELAY 24V S.P.D.T. W/RESISTOR / To 5-8577 | AR | AR | AR | AR | |
| 23 | 563332 | RELAY 24V S.P.D.T. W/RESISTOR / "VOLVO" (20374662) From 5-8578 To 7-9094 | AR | AR | AR | AR | W |
| 23 | 561707 | RELAY 24V S.P.D.T. W/RESISTOR / From 5-8578 | AR | AR | AR | AR | |
| 24 | 562092 | RELAY 12V S.P.D.T. W/DIODE / To 5-8577 | AR | AR | AR | AR | |
| 24 | 563337 | RELAY 12V S.P.D.T. W/RESISTOR / From 5-8578 | AR | AR | AR | AR | |

| | | |
|-------------------------------|--------------|-----------------|
| From Y-7046 To 7-9095 | Date:10/2022 | PAGE:Y2-0620-00 |
| REAR JUNCTION BOX ASSY | | |

| Item# | Part | Description | X L I I 4 5 | X L I I M T H 4 0 | X L I I M T H 4 5 | X L I I M T H 4 5 E | N O T E S |
|-------|-------------------|--|----------------------------|---|---|--|-----------------------|
| 25 | 561991 | RELAY 24V S.P.S.T. / 70 AMPS N.O. | 1 | 1 | 1 | 1 | |
| 26 | 500582 | SCREW TP PAN PH #8x3/8 Z050 | AR | AR | AR | AR | |
| 27 | 561790 | BREAKER 6AMPS / 24V / | AR | AR | AR | AR | |
| 27 | 561791 | BREAKER 8AMPS / 24V / | AR | AR | AR | AR | |
| 27 | 561792 | BREAKER 10AMPS / 24V / | AR | AR | AR | AR | |
| 27 | 561793 | BREAKER 15AMPS / 24V / | AR | AR | AR | AR | |
| 27 | 561794 | BREAKER 20AMPS / 24V / | AR | AR | AR | AR | |
| 27 | 561795 | BREAKER 25AMPS / 24V / | AR | AR | AR | AR | |
| 27 | 561796 | BREAKER 30AMPS / 24V / | AR | AR | AR | AR | |
| 27 | 561797 | BREAKER 3AMPS / 24V / | AR | AR | AR | AR | |
| 28 | 381761 | CABLE SUPPORT | 1 | | | | |
| 29 | 562602 | FUSE / ATO 7.5 AMPS BROWN | AR | | | | |
| 29 | 562604 | FUSE / ATO 15 AMPS BLUE | 2 | | | | |
| 29 | 562407 | FUSE / ATO 10 AMPS RED | 4 | | | | |
| 30 | 560256 | SWITCH / OFF-ON / S.P.S.T. | 1 | 1 | 1 | 1 | |
| 31 | 560241 | RUBBER PROTECTOR, TOGGLE SWITCH | 2 | 2 | 2 | 2 | |
| 32 | 560330 | SWITCH / ON-OFF-ON / D.P.D.T. | 1 | 1 | 1 | 1 | |
| 33 | 560267 | SWITCH, PUSH BUTTON S.P.S.T. / N.O. | 1 | 1 | 1 | 1 | |
| . NS | 561891 | . CAP RUBBER | 1 | 1 | 1 | 1 | |
| 37 | Y2-0616-00 | JUNCTION BOX COMPONENTS, RELAY & BREAKER | | | | | |
| 39 | 381874 | BOARD, MOUNTING / LAMINATED | 1 | 1 | 1 | 1 | |
| 42 | 562173 | JUNCTION BLOCK W/10 STUDS | 1 | 1 | 1 | 1 | |
| 43 | 562797 | FUSE BLOCK W/4 LEDS & WIRES | 2 | | | | |
| . NS | 381960 | . PROTECTOR COVER FUSE HOLDER 49MM x 62MM "OPTION SPECIAL" | AR | | | | |
| 48 | 500641 | SCREW TP PAN PH #8x3/4 Z050 | 1 | | | | |
| 49 | 064099 | DECAL "PRIME PUMP" / ENGLISH | 1 | | | | |
| 49 | 066049 | DECAL "PRIME PUMP" / ENGLISH & SPANISH | 1 | | | | |
| 50 | 381518 | SUPPORT / FOR 10 PINS CONNECTOR | 2 | | | | |
| 50 | 381518 | SUPPORT / FOR 10 PINS CONNECTOR | | 1 | 1 | 1 | |
| 51 | 561005 | SWITCH MAGNETIC / 24V S.P.S.T. / 200AMPS N.O. | | 1 | 1 | 1 | |
| 52 | 065140 | CABLE ASSY / FOR MAJOR COMPONENTS To 1-7524 | 1 | | | | |
| 52 | 065447 | CABLE ASSY / FOR MAJOR COMPONENTS From 1-7525 To 1-7686 | 1 | | | | |
| 52 | 064827 | CABLE ASSY / FOR MAJOR COMPONENTS To 1-7531 | | 1 | 1 | 1 | |
| 52 | 065452 | CABLE ASSY / FOR MAJOR COMPONENTS From 1-7532 To 2-7843 | | 1 | 1 | 1 | |
| 52 | 065666 | CABLE ASSY / FOR MAJOR COMPONENTS From 2-7844 To 4-8251 | | 1 | 1 | 1 | |
| 52 | 065947 | CABLE ASSY / FOR MAJOR COMPONENTS From 4-8252 To 4-8358 | | 1 | 1 | 1 | |
| 52 | 065974 | CABLE ASSY / FOR MAJOR COMPONENTS From 5-8359 To 5-8644 | | 1 | 1 | 1 | |
| 52 | 066349 | CABLE ASSY / FOR MAJOR COMPONENTS From 5-8645 To 7-9000 | | 1 | 1 | 1 | |
| 52 | 066847 | CABLE ASSY / FOR MAJOR COMPONENTS From 7-9001 | | 1 | 1 | 1 | |
| 52 | 065533 | CABLE ASSY / FOR MAJOR COMPONENTS From 1-7687 To 2-7764 | 1 | | | | |
| 52 | 065570 | CABLE ASSY / FOR MAJOR COMPONENTS From 2-7765 To 2-7823 | 1 | | | | |
| 52 | 065599 | CABLE ASSY / FOR MAJOR COMPONENTS From 2-7824 To 4-8244 | 1 | | | | |

| | | |
|-------------------------------|--------------|-----------------|
| From Y-7046 To 7-9095 | Date:10/2022 | PAGE:Y2-0620-00 |
| REAR JUNCTION BOX ASSY | | |

| Item# | Part | Description | X L I I 4 5 | X L I I M T H 4 0 | X L I I M T H 4 5 | X L I I M T H 4 5 E | N O T E S |
|-------|-------------------|--|----------------------------|---|---|--|-----------------------|
| 52 | 065935 | CABLE ASSY / FOR MAJOR COMPONENTS From 4-8245 To 4-8358 | 1 | | | | |
| 52 | 065978 | CABLE ASSY / FOR MAJOR COMPONENTS From 5-8359 To 5-8644 | 1 | | | | |
| 52 | 066441 | CABLE ASSY / FOR MAJOR COMPONENTS From 5-8645 To 6-8758 | 1 | | | | |
| 52 | 066566 | CABLE ASSY / FOR MAJOR COMPONENTS From 6-8759 | 1 | | | | |
| 52 | 066589 | CABLE ASSY / FOR MAJOR COMPONENTS / O.C.2004089 From 6-8606 | 1 | | | | |
| 54 | 562360 | CONNECTOR / HD10 SERIES / PH 6C / BLACK / DEUTSCH HD10-6-12P-BLACK | 1 | 1 | 1 | 1 | |
| 55 | 500379 | NUT HEX 3/8-16 BR | 3 | 3 | 3 | 3 | |
| 56 | 500478 | WASHER LO SPT .380x.683x.094 Z050 | 3 | 3 | 3 | 3 | |
| 57 | Y2-0665-10 | SWITCHES, LIGHTS, AJAR - UNDER FLOOR | | | | | |
| 59 | 381145 | DIODE ASSY / W/5 3AMPS | 2 | | | | |
| 59 | 381145 | DIODE ASSY / W/5 3AMPS | | 1 | 1 | 1 | |
| 59 | 560931 | . DIODE / 3AMPS | | 5 | 5 | 5 | |
| 59 | 561986 | . CONNECTOR / UNIVERSAL MATE-N-LOK / SH 15C / AMP 1-480710-0 | | 1 | 1 | 1 | |
| 59 | 561514 | . SOCKET TERMINAL / 20-14 / AMP 350537-3 | | 10 | 10 | 10 | |
| 64 | 381566 | SUPPORT / R.H. | 2 | | | | |
| 64 | 381503 | SUPPORT / R.H. | | 1 | 1 | 1 | |
| 65 | 381504 | SUPPORT / L.H. | | 1 | 1 | 1 | |
| 66 | 500873 | SCREW MA RND PH #8-32x3/4 SS BK | 14 | 14 | 14 | 14 | |
| 67 | 500764 | NUT HEX #8-32 Z050 | 14 | 14 | 14 | 14 | |
| 68 | 500518 | SCREW MA BDG PH #4-40x1/2 Z050 | 4 | 4 | 4 | 4 | |
| 72 | 381737 | HINGE | 3 | 3 | 3 | 3 | |
| 73 | 063459 | ARM, STRAIGHT SECTION / DOOR RETAINING | 1 | 1 | 1 | 1 | |
| 73 | 500010 | SCREW CAP HEX 1/4-28x1 G5 PT ZP | 1 | 1 | 1 | 1 | |
| 73 | 500440 | WASHER FL .250x.562x.065 Z050 | 2 | 2 | 2 | 2 | |
| 73 | 500473 | WASHER LO SPT .262x.489x.062 Z050 | 1 | 1 | 1 | 1 | |
| 73 | 500162 | SCREW CAP HEX 1/4-20x1/2 G5 Z050 | 2 | 2 | 2 | 2 | |
| 73 | 500770 | NUT HEX STO 1/4-20 Z050 | 2 | 2 | 2 | 2 | |
| 78 | 011166 | DECAL / V.I.N. | 1 | 1 | 1 | 1 | |
| 79 | 681277 | PROTECTOR TAPE / C.T.L. | AR | AR | AR | AR | |
| 84 | 504637 | CABLE TIE / 3/16" x 13" | 7 | 7 | 7 | 7 | |
| 85 | 060798 | DIODE ASSY | | 1 | 1 | 1 | |
| 87 | 561821 | NUT, RING #17 & 20 / 1.500" I.D W/4 4-40 | 1 | 1 | 1 | 1 | |
| 89 | 064051 | ARM, W/OFFSET SECTION / DOOR RETAINING | 1 | 1 | 1 | 1 | |
| 90 | 065812 | CABLE ASSY / W/TRAILER | 1 | | | | D |
| 91 | 562602 | FUSE / ATO 7.5 AMPS BROWN | 5 | 5 | 5 | 5 | |
| NS | 065187 | DECAL / REAR JCT BOX COMPONENTS To 1-7524 | 1 | | | | |
| NS | 065453 | DECAL / REAR JCT BOX COMPONENTS From 1-7525 To 2-7764 | 1 | | | | |
| NS | 065574 | DECAL / REAR JCT BOX COMPONENTS From 2-7765 To 2-7823 | 1 | | | | |
| NS | 065601 | DECAL / REAR JCT BOX COMPONENTS From 2-7824 To 4-8270 | 1 | | | | |
| NS | 065946 | DECAL / REAR JCT BOX COMPONENTS From 4-8271 | 1 | | | | |
| NS | 064912 | DECAL / REAR JCT BOX COMPONENTS To 1-7531 | | 1 | 1 | 1 | |
| NS | 065454 | DECAL / REAR JCT BOX COMPONENTS From 1-7532 To 4-8251 | | 1 | 1 | 1 | |

| | | |
|-------------------------------|--------------|-----------------|
| From Y-7046 To 7-9095 | Date:10/2022 | PAGE:Y2-0620-00 |
| REAR JUNCTION BOX ASSY | | |

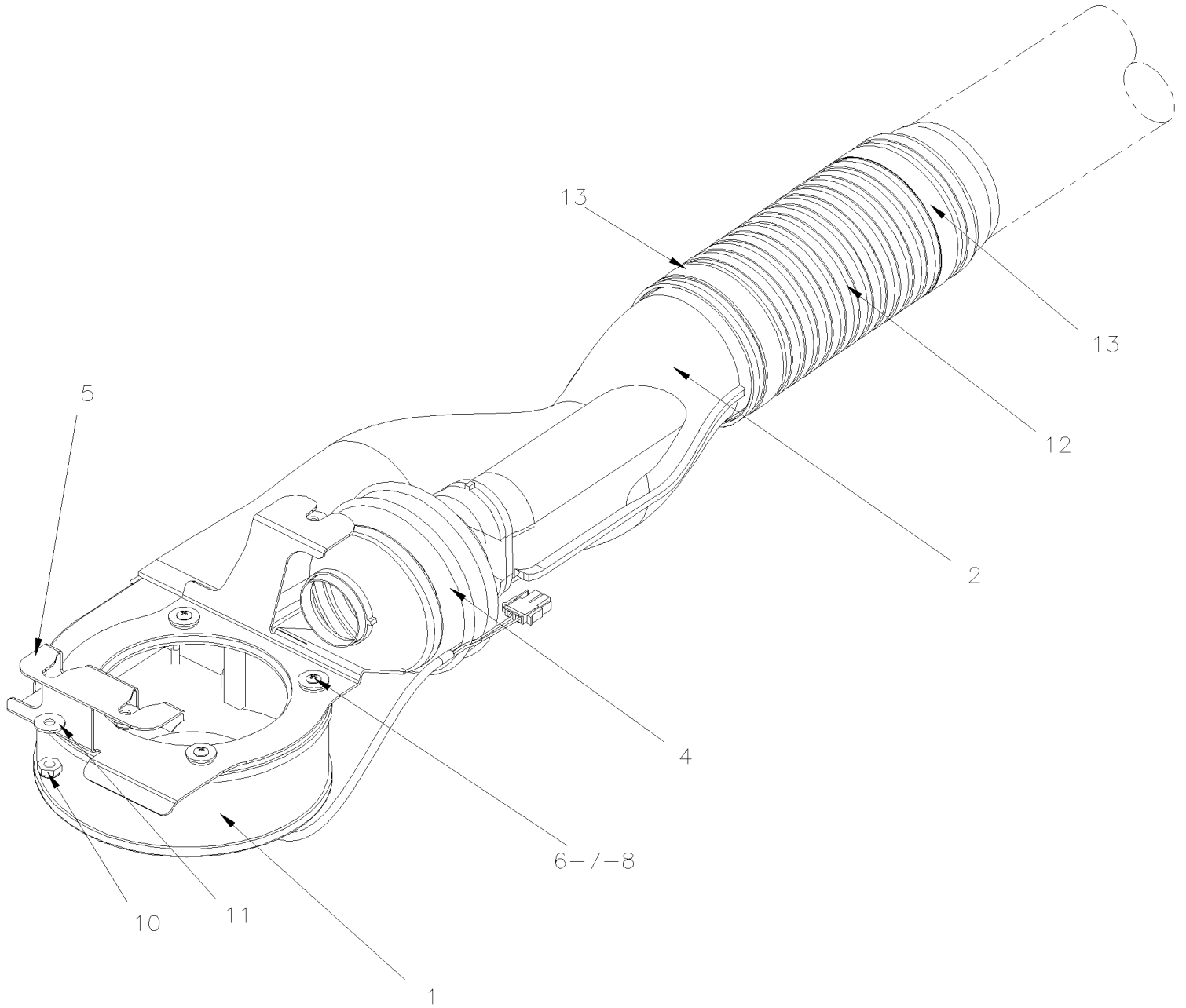
| Item# | Part | Description | X L I I 4 5 | X L I I M T H 4 0 | X L I I M T H 4 5 | X L I I M T H 4 5 E | N O T E S |
|-------|---------|--|----------------------------|---|---|--|-----------------------|
| NS | 065948 | DECAL / REAR JCT BOX COMPONENTS From 4-8252 | | 1 | 1 | 1 | |
| NS | 064206 | FAN CLUTCH, MODULE ASSY | 1 | 1 | 1 | 1 | |
| 100 | 064207 | . SUPPORT | 1 | 1 | 1 | 1 | |
| 101 | 064209 | . CABLE ASSY | 1 | 1 | 1 | 1 | |
| 102 | 560772 | . TIME DELAY RELAY | 1 | 1 | 1 | 1 | |
| 103 | 064208 | . RESISTOR ASSY 75K OHMS / 1/4 W | 1 | 1 | 1 | 1 | |
| 104 | 561707 | . RELAY 24V S.P.D.T. W/RESISTOR / To 5-8577 | 2 | 2 | 2 | 2 | |
| 104 | 563332 | . RELAY 24V S.P.D.T. W/RESISTOR / "VOLVO" (20374662) From 5-8578 | 2 | 2 | 2 | 2 | |
| 105 | 500883 | . SCREW TC PAN PH #8-32x3/8 Z050 | 2 | 2 | 2 | 2 | |
| 106 | 504013 | . TIE MOUNT / 1/4" X 1/4" I.D. | 1 | 1 | 1 | 1 | |
| 106 | 500378 | . SCREW MA RND SLT #5-40x3/4 ZP | 2 | 2 | 2 | 2 | |
| 106 | 502630 | . WASHER FL .156x.375x.049 Z050 | 1 | 1 | 1 | 1 | |
| 106 | 500766 | . NUT HEX #5-40 ZP | 2 | 2 | 2 | 2 | |
| 106 | 504273 | . CABLE TIE / 1/8" X 3"1/2 | 1 | 1 | 1 | 1 | |
| 106 | 502691 | . WASHER LO SPT 3.6x6.7x0.8 Z050 | 2 | 2 | 2 | 2 | |
| 110 | 066757 | KIT, LAVATORY FAN POWER W/"ZF" TRANS From 3-7962 To 5-8682 | 1 | 1 | 1 | 1 | |
| . NS | WB06-03 | . SEE WARRANTY BULLETIN From 3-7962 To 5-8682 | | | | | |
| | | | | | | | |
| | | | | | | | |
| | | A) WITH ALTERNATOR 24VOLTS 270 AMPS | | | | | |
| | | B) FOR PRODUCT IMPROVMENT ASK FOR KIT #065696 | | | | | |
| | | C) THOSE PARTS ARE INCLUDE IN KIT #065696 | | | | | |
| | | D) USE WITHOUT RETARDER & WITHOUT A/C IN PARCEL RACK | | | | | |
| | | W) SEE WB-0608 WARRANTY BULLETIN | | | | | |

From 7-9096 To 8-9339

Date:10/2022

PAGE:Y2-0620-05

REAR JUNCTION BOX FAN - INSTALLATION

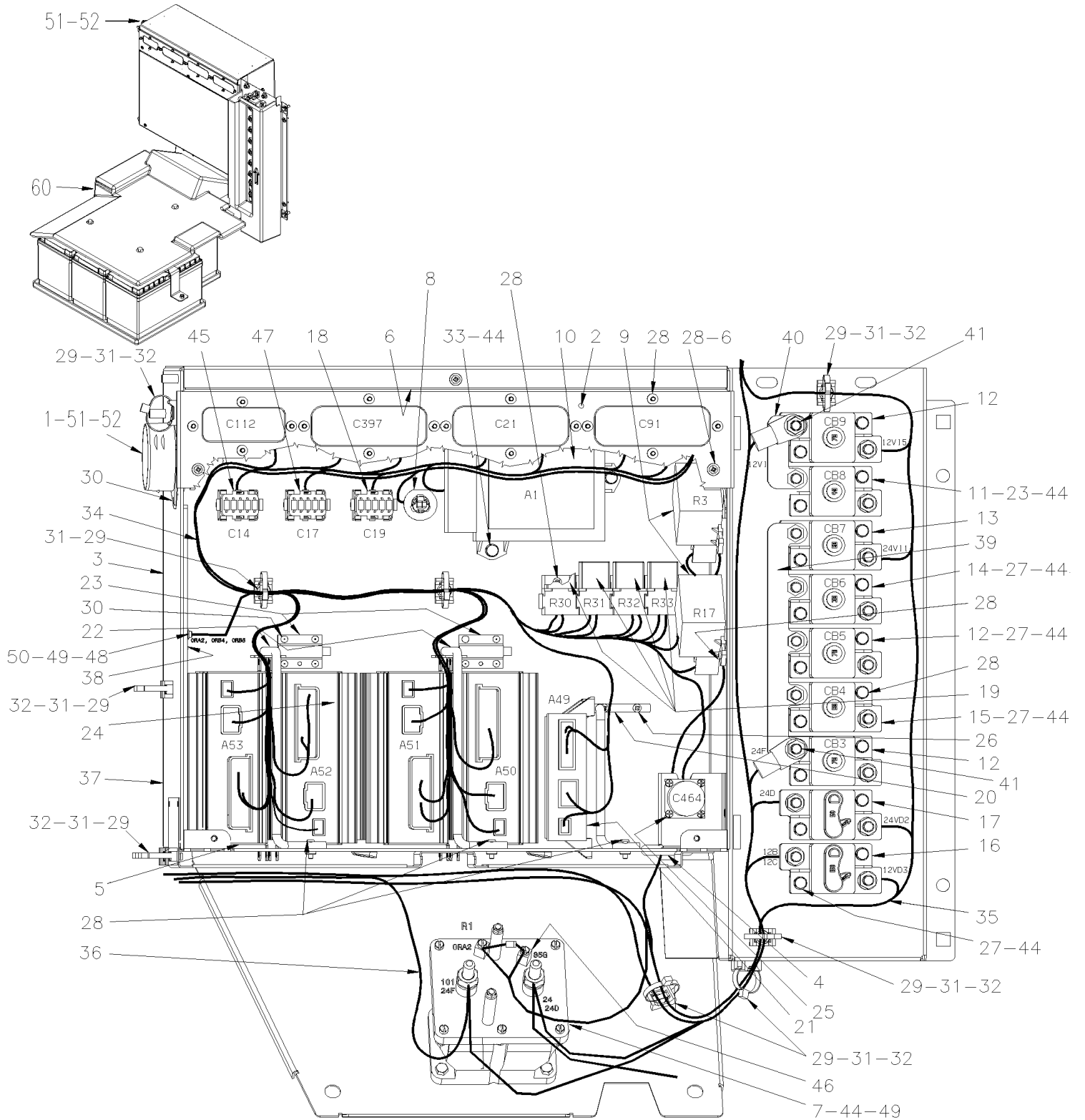


From 7-9096 To 8-9339 Date:10/2022 PAGE:Y2-0620-05

REAR JUNCTION BOX FAN - INSTALLATION

| Item# | Part | Description | X L I I 4 5 | X L I I M T H 4 0 | X L I I M T H 4 5 | X L I I M T H 4 5 E | N O T E S |
|-------|-----------------|--|----------------------------|---|---|--|-----------------------|
| | Call order desk | FAN ASSY / REAR JUNCTION BOX, W/MUX | | | 1 | 1 | P |
| 1 | 454539 | . FAN ASSY 24V W/CONNECTOR | | | 1 | 1 | |
| 2 | 950438 | . ADAPTOR "Y" FAN & CABLE TUBE | | | 1 | 1 | |
| 3 | 504024 | . HOSE CLAMP / 1"13/16"-2"3/4 SS / HS-36 | | | 1 | 1 | |
| 4 | 504533 | . CUFF END BELLOW / 2 3/8" I.D. x 2 3/8" x 4" | | | 1 | 1 | |
| 5 | 454521 | . SUPPORT | | | 1 | 1 | |
| 6 | 500642 | . SCREW TP PAN PH #10x3/4 Z050 | | | 8 | 8 | |
| 7 | 5001462 | . WASHER FL 6.4x18.0x1.6 Z050 | | | 4 | 4 | |
| 8 | 500950 | . WASHER FL .187x.625x.094 RUB | | | 8 | 8 | |
| 10 | 502716 | NUT HEX NYRT 1/4-20 | | | 4 | 4 | |
| 11 | 5001462 | WASHER FL 6.4x18.0x1.6 Z050 | | | 4 | 4 | |
| 12 | 454522 | HOSE FLEXIBLE 3 1/2 I.D X 200MM | | | 1 | 1 | |
| NS | 503746 | . HOSE FLEXIBLE / AIR DUCT 3 1/2" I.D. X 12' / PLASTIC | | | AR | AR | |
| 13 | 504026 | HOSE CLAMP / 2"13/16-3"3/4 SS / HS-52 | | | 2 | 2 | |
| | | | | | | | |
| | | | | | | | |
| | | | | | | | |
| | | P) CALL ORDER DESK FOR SPECIFIC APPLICATION (V.I.N.) | | | | | |

| | | |
|---|--------------|-----------------|
| From 7-9096 To 8-9339 | Date:10/2022 | PAGE:Y2-0620-50 |
| REAR JUNCTION BOX ASSY - MTH WITH MUX (D380244) | | |



| | | |
|--|--------------|-----------------|
| From 7-9096 To 8-9339 | Date:10/2022 | PAGE:Y2-0620-50 |
| REAR JUNCTION BOX ASSY - MTH WITH MUX (D380244) | | |

| Item# | Part | Description | X L I I 4 5 | X L I I M T H 4 0 | X L I I M T H 4 5 | X L I I M T H 4 5 E | N O T E S |
|-------|---------|--|----------------------------|---|---|--|-----------------------|
| 1 | 329119 | HOSE ADAPTOR 2 1/2" O.D. | | | 1 | 1 | |
| 2 | 382199 | CONECTOR PANEL SUPPORT | | | 1 | 1 | |
| NS | 382226 | COVER REAR JCT BOX | | | 1 | 1 | |
| 3 | 382203 | BOX ASSY | | | 1 | 1 | |
| 4 | 502681 | NUT HEX NYRT M6-1.0 N500 G8 | | | 3 | 3 | |
| 5 | 5060074 | TAPE RUB ADH1 URE 3/8" X 2" X 30' / GREY 1820 | | | AR | AR | |
| 6 | 504357 | WASHER FL .187x.437x.050 SS | | | 3 | 3 | |
| 7 | 562364 | RELAY 24V S.P.S.T. / 300 AMPS N.O. // BATTERY DISCONNECT | | | 1 | 1 | |
| 8 | 563335 | SENSOR THERMISTOR ASSY / OUTSIDE // PED 15416387 | | | 1 | 1 | |
| 9 | 563348 | RELAY POWER 24V 200 AMPS / S.P.S.T. N.O. | | | 2 | 2 | |
| . NS | 5001182 | . NUT HEX NYRT M6-1.0 SS | | | 1 | 1 | |
| . NS | 502573 | . WASHER FL 6.4x12.5x1.6 SS | | | 1 | 1 | |
| . NS | 563409 | . CONNECTOR / SUPERSEAL 1.5 SERIES / SH 2C / AMP 282080-1 | | | 1 | 1 | |
| . NS | 562607 | . SOCKET TERMINAL / 20-16 / AMP 183025-1 | | | 1 | 1 | |
| 10 | 572037 | E.C.U. HD4060R / GEN IV To 7-9146 | | | 1 | | |
| 10 | 572045 | E.C.U. HD4000MG / GEN IV To 7-9143 | | | 1 | | |
| 10 | 572028 | E.C.U. B500 / GEN IV To 7-9146 | | | | 1 | |
| 10 | 572044 | E.C.U. B500 / GEN IV From 7-9144 | | | | 1 | |
| 11 | 563705 | BREAKER 40AMPS / 24V / | | | 1 | 1 | |
| 12 | 563707 | BREAKER 70AMPS / 24V / | | | 1 | 1 | |
| 13 | 563706 | BREAKER 60AMPS / 24V / | | | 1 | 1 | |
| 14 | 563704 | BREAKER 35AMPS / 24V / | | | 1 | 1 | |
| 15 | 563708 | BREAKER 90AMPS / 24V / | | | 1 | 1 | |
| 16 | 563709 | BREAKER 150AMPS / 24V / | | | 1 | 1 | |
| 17 | 563710 | BREAKER 50AMPS / 24V / | | | 1 | 1 | |
| 18 | 381145 | DIODE ASSY / W/5 3AMPS | | | 1 | 1 | |
| 19 | 563332 | RELAY 24V S.P.D.T. W/RESISTOR / "VOLVO" (20374662) | | | 4 | 4 | |
| 20 | 382179 | ROD ATTACHMENT / I/O A MODULE | | | 1 | 1 | |
| 21 | 563272 | I/O A-MODULE VOLVO MULTIPLEX / BLACK To 7-9116 | | | 1 | 1 | |
| . NS | 562767 | . CONNECTOR / SH 30C / GREEN / JAE IL-AG5-30S-D3C1 To 7-9116 | | | 1 | 1 | |
| . NS | 562957 | . CONNECTOR / SH 5C / GREEN / JAE IL-AG5-5S-S3C1 To 7-9116 | | | 1 | 1 | |
| . NS | 563132 | . CONNECTOR / SH 2C / YAZAKI 7283-6458-40 To 7-9116 | | | 1 | 1 | |
| 21 | 565864 | I/O A-MODULE VOLVO MULTIPLEX / BLACK From 7-9117 | | | 1 | 1 | |
| . NS | 562767 | . CONNECTOR / SH 30C / GREEN / JAE IL-AG5-30S-D3C1 From 7-9117 | | | 1 | 1 | |
| . NS | 562957 | . CONNECTOR / SH 5C / GREEN / JAE IL-AG5-5S-S3C1 From 7-9117 | | | 1 | 1 | |
| . NS | 563132 | . CONNECTOR / SH 2C / YAZAKI 7283-6458-40 From 7-9117 | | | 1 | 1 | |
| 22 | 382166 | ROD ATTACHMENT / I/O B MODULE | | | 2 | 2 | |
| 23 | 382169 | HINGE ROD ATTACHMENT | | | 2 | 2 | |
| 24 | 563273 | I/O B-MODULE VOLVO MULTIPLEX / ALUMINUM To 7-9116 | | | 4 | 4 | |
| . NS | 563132 | . CONNECTOR / SH 2C / YAZAKI 7283-6458-40 To 7-9116 | | | 1 | 1 | |
| . NS | 563133 | . CONNECTOR / JUNIOR POWER TIMER / SH 29C / AMP 1-963449-2 To 7-9116 | | | 1 | 1 | |
| . NS | 562957 | . CONNECTOR / SH 5C / GREEN / JAE IL-AG5-5S-S3C1 To 7-9116 | | | 1 | 1 | |

| | | |
|--|--------------|-----------------|
| From 7-9096 To 8-9339 | Date:10/2022 | PAGE:Y2-0620-50 |
| REAR JUNCTION BOX ASSY - MTH WITH MUX (D380244) | | |

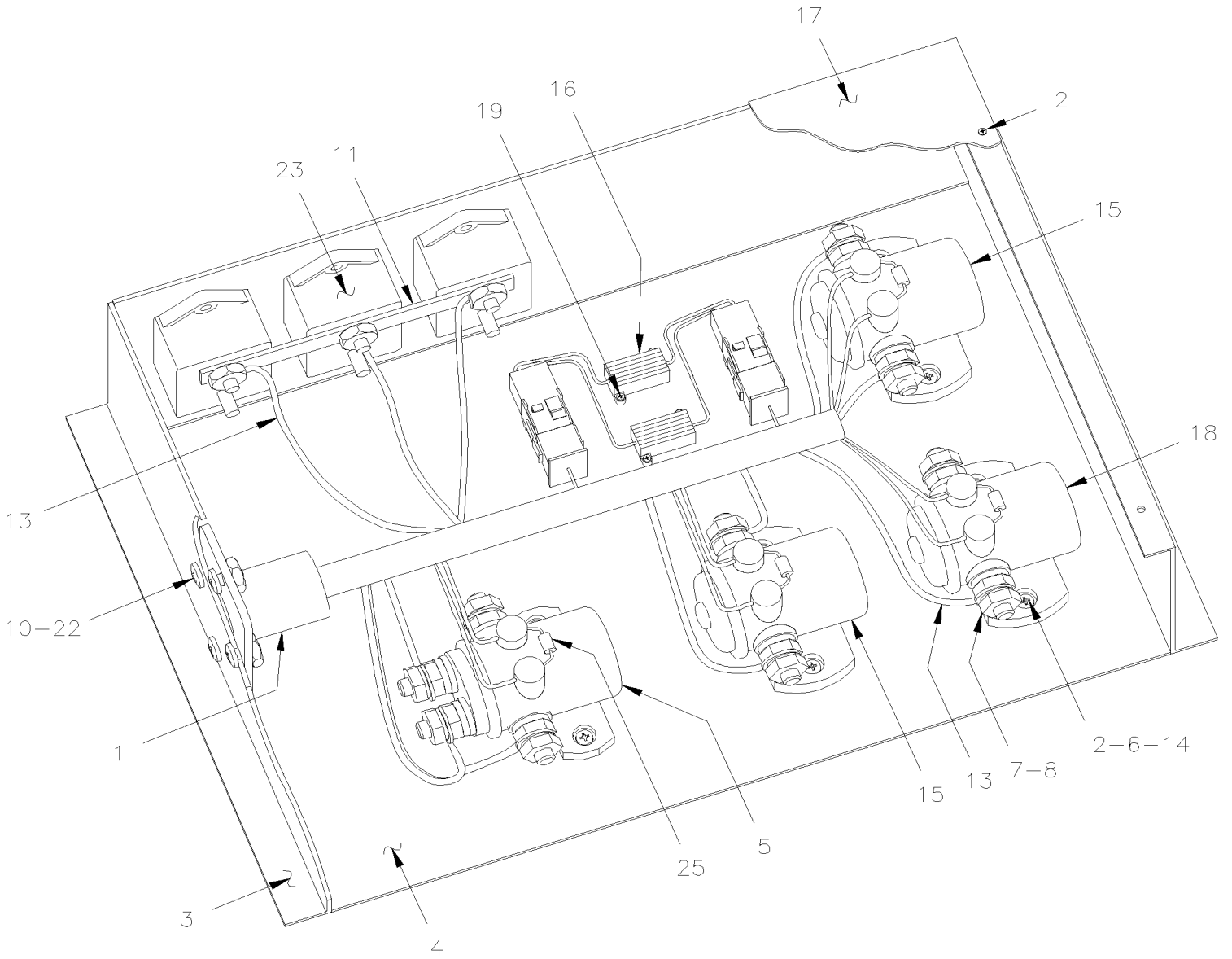
| Item# | Part | Description | X L I I 4 5 | X L I I M T H 4 0 | X L I I M T H 4 5 | X L I I M T H 4 5 E | N O T E S |
|-------|-------------------|--|----------------------------|---|---|--|-----------------------|
| 24 | 565865 | I/O B-MODULE VOLVO MULTIPLEX / ALUMINUM From 7-9117 | | | 4 | 4 | |
| . NS | 563132 | . CONNECTOR / SH 2C / YAZAKI 7283-6458-40 From 7-9117 | | | 1 | 1 | |
| . NS | 563133 | . CONNECTOR / JUNIOR POWER TIMER / SH 29C / AMP 1-963449-2 From 7-9117 | | | 1 | 1 | |
| . NS | 562957 | . CONNECTOR / SH 5C / GREEN / JAE IL-AG5-5S-S3C1 From 7-9117 | | | 1 | 1 | |
| 25 | 500601 | SCREW TC PAN PH #6-32x3/8 N500 | | | 4 | 4 | |
| 26 | 500965 | SCREW TC BDG PH #8-32x1/2 N500 | | | 2 | 2 | |
| 27 | 502622 | SCREW CAP HEX M6-1.0x20 SS BK | | | 22 | 22 | |
| 28 | 502698 | SCREW MA PAN PH M4-0.7x16 SS BK | | | 30 | 30 | |
| 29 | 504013 | TIE MOUNT / 1/4" X 1/4" I.D. | | | 10 | 10 | |
| 30 | 504340 | RIVET POP DOME OE 1/8x3/16 SS | | | 12 | 12 | |
| 31 | 504379 | RIVET POP DOME OE 3/16x1/4 SS | | | 10 | 10 | |
| 32 | 504637 | CABLE TIE / 3/16" x 13" | | | AR | AR | |
| 33 | 955269 | SCREW CAP HEX M6-1.0x12 G8.8 ZG603 | | | 3 | 3 | |
| 34 | 066785 | CABLE HARNESS / REAR JUNCTION BOX | | | 1 | 1 | |
| 35 | 066786 | CABLE POWER / BREAKERS & HVAC | | | 1 | 1 | |
| 36 | 066833 | CABLE STARTER W/MUX | | | 1 | 1 | |
| 37 | 066918 | INSULATED PAD | | | 1 | 1 | |
| 38 | 066938 | INSULATED PAD | | | 1 | 1 | |
| 39 | 382211 | BUS BAR 5 HOLES | | | 1 | 1 | |
| 40 | 382212 | BUS BAR 2 HOLES | | | 1 | 1 | |
| 41 | 5001522 | NUT HEXF LO 3/8-16 SS | | | 2 | 2 | |
| 44 | 502570 | WASHER LO SPT 6.1x11.8x1.6 SS | | | 21 | 21 | |
| 45 | 382175 | DIODE ASSY / W/3 3AMPS & 2 RESISTORS 100 OHMS | | | 1 | 1 | |
| 46 | 064792 | DIODE ASSY | | | 1 | 1 | |
| . NS | 561740 | . DIODE / 3AMPS | | | 1 | 1 | |
| . NS | 560082 | . RING TERMINAL #10 / 16-14 / INSULATED / AMP 626033-2 | | | 1 | 1 | |
| . NS | 560815 | . RING TERMINAL #10 / 22-18 / INSULATED / AMP 42037-2 | | | 1 | 1 | |
| . NS | 562499 | . SHRINK TUBING / .250" - .125" / CLEAR / ALPHA FIT 221-1/4 | | | AR | AR | |
| 47 | 382097 | DIODE ASSY / W/3 3AMPS & 2 RESISTORS 270 OHMS | | | 1 | 1 | |
| 48 | 502681 | NUT HEX NYRT M6-1.0 N500 G8 | | | 1 | 1 | |
| 49 | 500877 | WASHER FL .250x.562x.065 N500 | | | 1 | 1 | |
| 50 | 5001182 | NUT HEX NYRT M6-1.0 SS | | | 4 | 4 | |
| 51 | 503031 | HOSE FLEXIBLE / AIR DUCT 2 1/2" I.D. X 12' / RUBBER | | | AR | AR | |
| NS | 5060085 | PIPE INSULATING / 2 5/8" I.D. X 1/2" TH. X 72 | | | AR | AR | |
| 52 | 504023 | HOSE CLAMP / 1"5/16-2"1/4 SS / HS-28 | | | 1 | 1 | |
| 60 | Y2-0615-51 | BATTERIES INSTALLATION - MTH WITH / MUX | 1 | 1 | 1 | 1 | |
| | | | | | | | |
| | | | | | | | |
| | | | | | | | |

From Y-7046 To 7-9095

Date:10/2022

PAGE:Y2-0621-00

A/C JUNCTION BOX ASSY



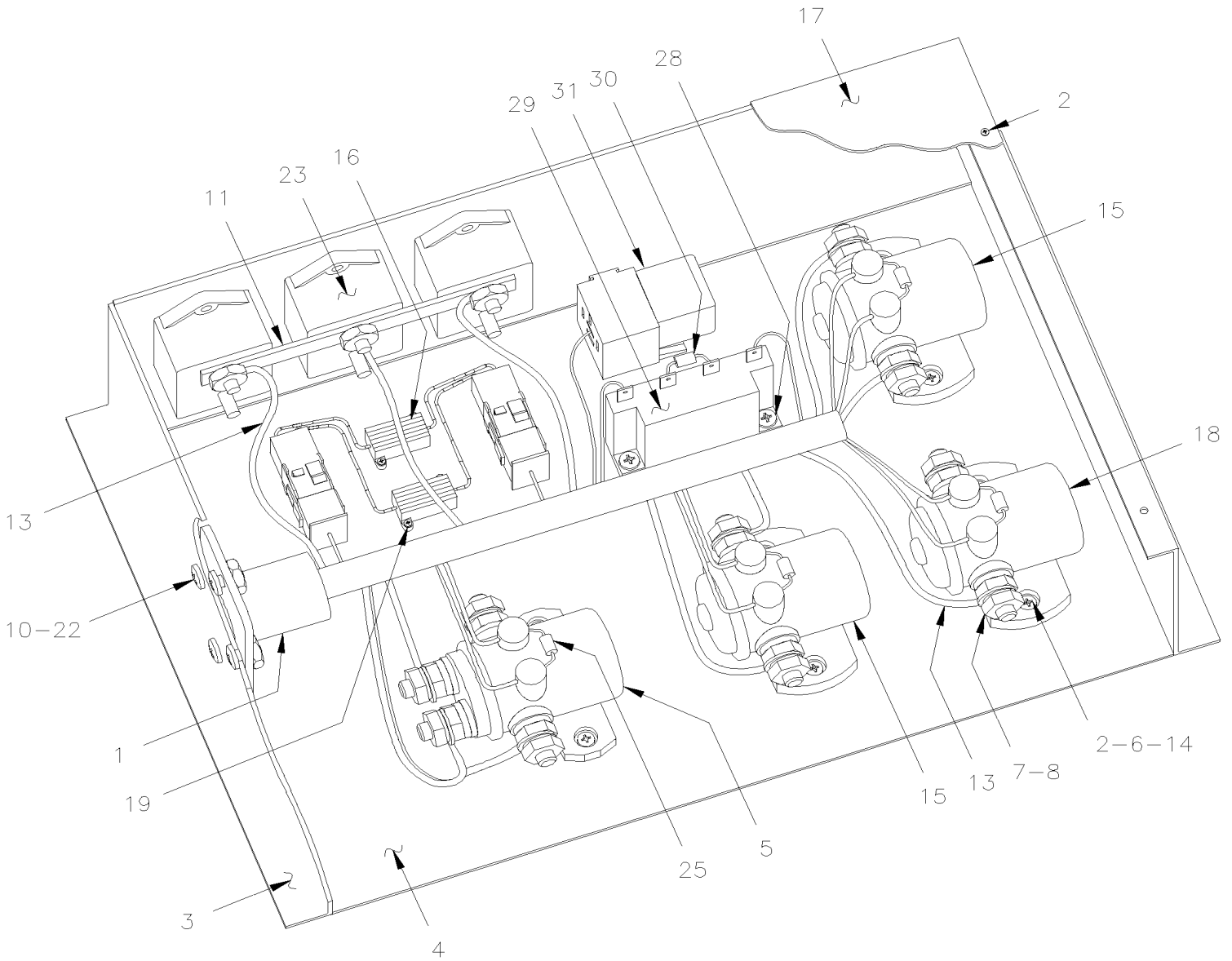
UP TO 3-8101

From Y-7046 To 7-9095

Date:10/2022

PAGE:Y2-0621-00

A/C JUNCTION BOX ASSY



FROM 3-8102

| | | |
|------------------------------|--------------|-----------------|
| From Y-7046 To 7-9095 | Date:10/2022 | PAGE:Y2-0621-00 |
| A/C JUNCTION BOX ASSY | | |

| Item# | Part | Description | X L I I 4 5 | X L I I M T H 4 0 | X L I I M T H 4 5 | X L I I M T H 4 5 E | N O T E S |
|-------|-----------------|---|----------------------------|---|---|--|-----------------------|
| | 382029 | A/C JUNCTION BOX ASSY / W/RELAY To 3-8101 | 1 | 1 | 1 | 1 | |
| | Call order desk | A/C JUNCTION BOX ASSY / W/RELAY From 3-8102 | 1 | | | | P |
| | Call order desk | A/C JUNCTION BOX ASSY / W/RELAY From 3-8102 To 6-8805 | | 1 | 1 | 1 | P |
| | Call order desk | A/C JUNCTION BOX ASSY / W/RELAY From 6-8806 | | 1 | 1 | 1 | P D |
| 1 | 065057 | . CABLE ASSY / A/C JCT BOX To 3-8101 | 1 | 1 | 1 | 1 | |
| 1 | 065768 | . CABLE ASSY / A/C JCT BOX From 3-8102 | 1 | 1 | 1 | 1 | |
| 2 | 500632 | . SCREW TP OV PH #8x1 1/2 Z050 | 2 | | | | |
| 2 | 500638 | . SCREW TP PAN PH #8x1/2 Z050 | 8 | 8 | 8 | 8 | |
| 3 | 381919 | . A/C FRAME BOX | 1 | 1 | 1 | 1 | |
| 3 | 381919 | . A/C FRAME BOX To 6-8805 | | 1 | 1 | 1 | |
| 3 | 382140 | . A/C FRAME BOX From 6-8806 | | 1 | 1 | 1 | D |
| 4 | 381921 | . BOX BOTTOM | 1 | | | | |
| 5 | 561014 | . SWITCH MAGNETIC / 24V D.P.S.T. / 200AMPS N.O. | 1 | 1 | 1 | 1 | |
| 6 | 500438 | . WASHER FL .187x.437x.050 Z050 | 2 | | | | |
| 6 | 500438 | . WASHER FL .187x.437x.050 Z050 | 12 | 12 | 12 | 12 | |
| 7 | 500699 | . NUT HEX 5/16-24 Z050 | 8 | 8 | 8 | 8 | |
| 8 | 500476 | . WASHER LO SPT .317x.586x.078 Z050 | 8 | 8 | 8 | 8 | |
| 9 | 502677 | . SCREW MA RND PH M4-0.7x25 SS | 6 | 6 | 6 | 6 | |
| 10 | 500590 | . NUT HEX NYRT M4-0.7 Z050 | 10 | 10 | 10 | 10 | |
| 11 | 381047 | . BUS BAR / W/3 HOLES / 60MM C/C | 1 | 1 | 1 | 1 | |
| 12 | 562688 | . BREAKER 120AMPS / 24V / | 1 | 1 | 1 | 1 | |
| 13 | 065133 | . CABLE ASSY #130A | 1 | | | | |
| 14 | 500470 | . WASHER LO SPT .193x.334x.047 Z050 | 2 | | | | |
| 14 | 500470 | . WASHER LO SPT .193x.334x.047 Z050 | 6 | 6 | 6 | 6 | |
| 15 | 561005 | . SWITCH MAGNETIC / 24V S.P.S.T. / 200AMPS N.O. | 2 | 2 | 2 | 2 | |
| 16 | 064907 | . RESISTOR ASSY | 1 | 1 | 1 | 1 | |
| 17 | 381920 | . BOX COVER | 1 | 1 | 1 | 1 | |
| NS | 065058 | . DECAL A/C JCT BOX | 1 | 1 | 1 | 1 | |
| 18 | 561005 | . SWITCH MAGNETIC / 24V S.P.S.T. / 200AMPS N.O. | 1 | | | | |
| 19 | 500798 | . SCREW TP PAN PH #4-3/8 ZP | 4 | 4 | 4 | 4 | |
| 20 | 504068 | . GROMMET / .500x.750x.062x.312x1.062 | 1 | 1 | 1 | 1 | |
| 21 | 504264 | . GROMMET / .750x1.250x.062x.250x1.625 | 1 | 1 | 1 | 1 | |
| 22 | 502698 | . SCREW MA PAN PH M4-0.7x16 SS BK | 4 | 4 | 4 | 4 | |
| 23 | 562686 | . BREAKER 40AMPS / 24V / | 2 | 2 | 2 | 2 | |
| NS | Call order desk | . DECAL To 3-8101 | 1 | 1 | 1 | 1 | P |
| NS | 065770 | . DECAL From 3-8102 | 1 | 1 | 1 | 1 | |
| 25 | 060798 | . DIODE ASSY | 3 | 3 | 3 | 3 | |
| 26 | 506071 | . TAPE RUB ADH1 CC POL 1/8" x 1/2" x 50' / GREY 2520X | AR | AR | AR | AR | |
| 28 | 500583 | . SCREW TP PAN PH #6x1/2 Z050 From 3-8102 | 2 | 2 | 2 | 2 | |
| 29 | 560772 | . TIME DELAY RELAY From 3-8102 | 1 | 1 | 1 | 1 | |
| 30 | 065755 | . RESISTOR ASSY 330K/OHMS / 1/2 W From 3-8102 | 1 | | | | |
| 30 | 065613 | . RESISTOR ASSY 30K OHMS / 1/4 W From 3-8102 | | 1 | 1 | 1 | |

| | | |
|------------------------------|--------------|-----------------|
| From Y-7046 To 7-9095 | Date:10/2022 | PAGE:Y2-0621-00 |
| A/C JUNCTION BOX ASSY | | |

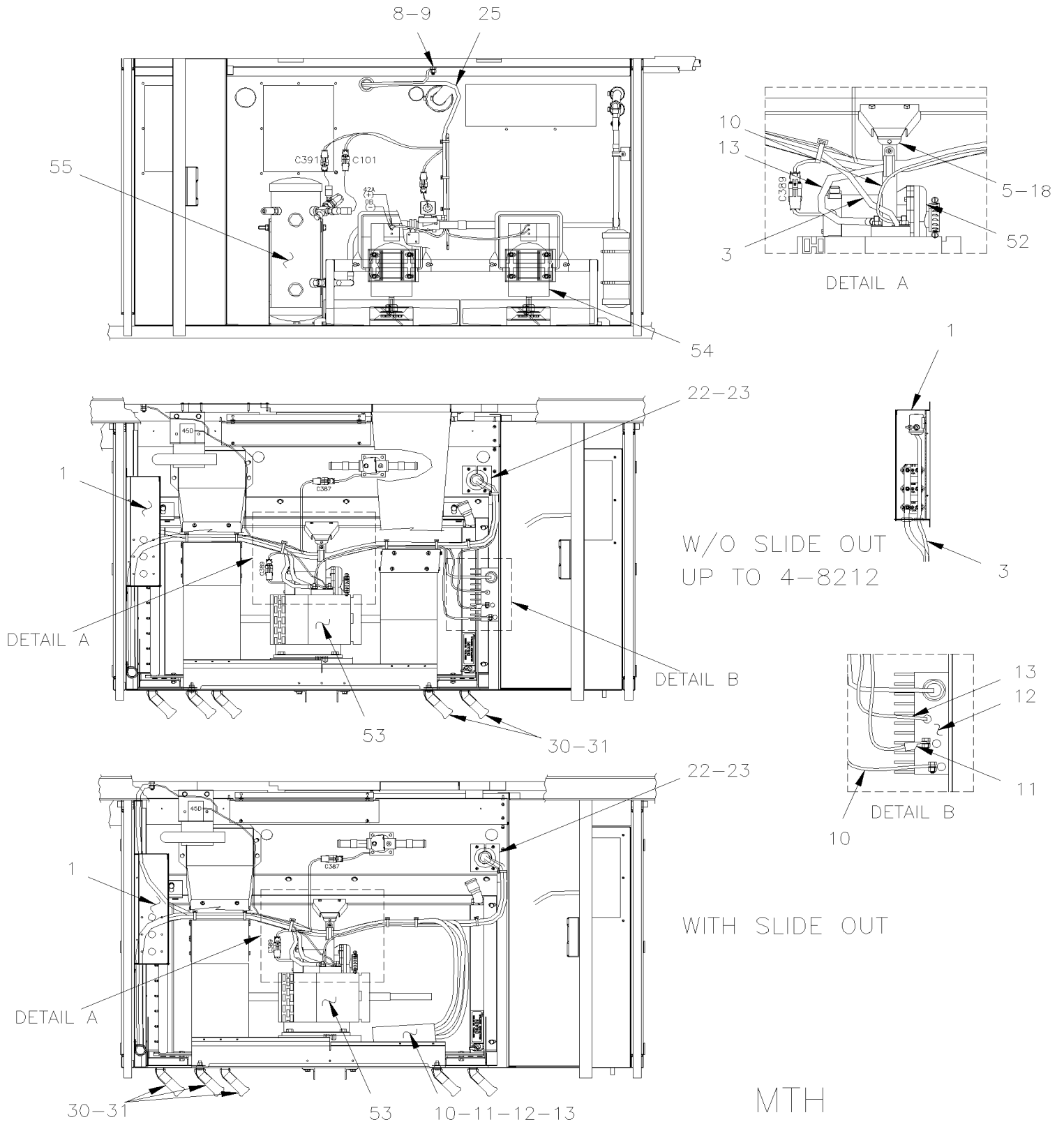
| Item# | Part | Description | X L I I 4 5 | X L I I M T H 4 0 | X L I I M T H 4 5 | X L I I M T H 4 5 E | N O T E S |
|-------|--------|--|----------------------------|---|---|--|-----------------------|
| 31 | 561707 | . RELAY 24V S.P.D.T. W/RESISTOR / From 3-8102 To 5-8577 | 1 | 1 | 1 | 1 | |
| 31 | 563332 | . RELAY 24V S.P.D.T. W/RESISTOR / "VOLVO" (20374662) From 5-8578 | 1 | 1 | 1 | 1 | |
| | | | | | | | |
| | | | | | | | |
| | | D) FIXED ON EVAPORATOR DOOR | | | | | |
| | | P) CALL ORDER DESK FOR SPECIFIC APPLICATION (V.I.N.) | | | | | |

From Y-7046 To 7-9095

Date:10/2022

PAGE:Y2-0621-10

CABLE & HARNESS EVAPO. & CONDENSOR - INST

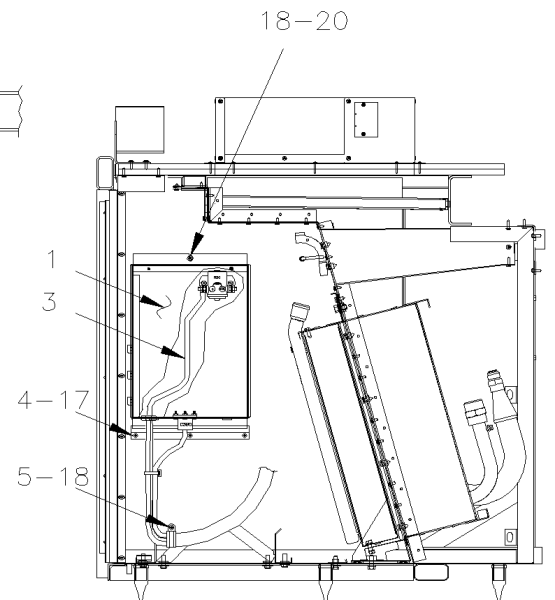
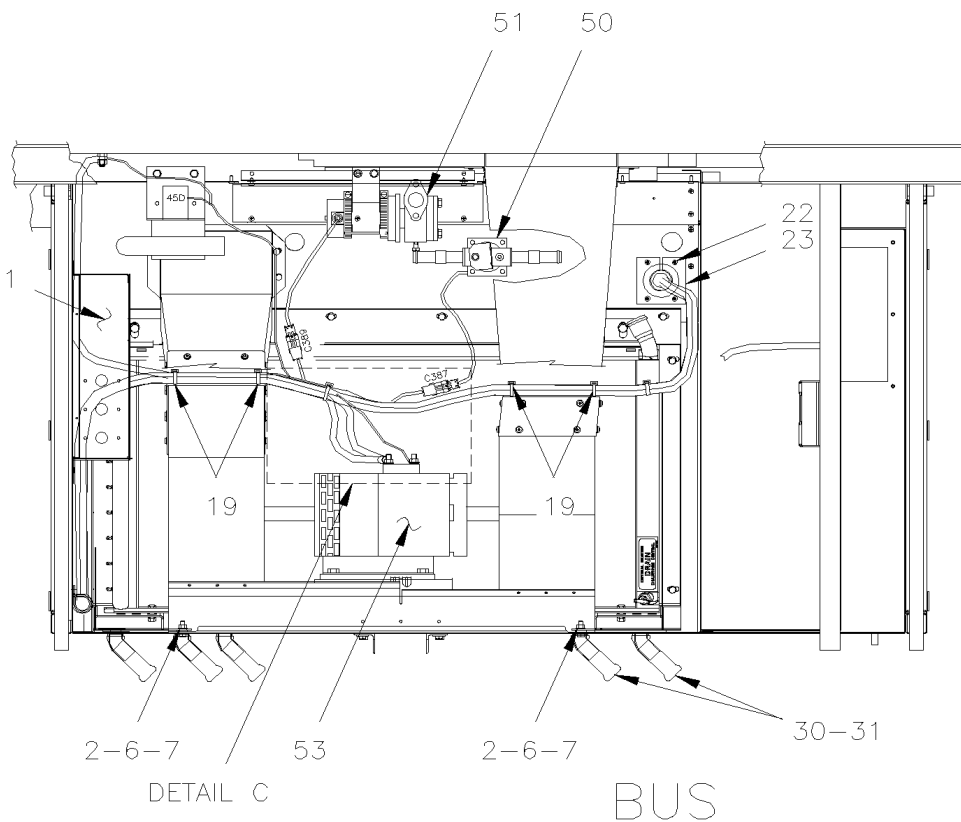
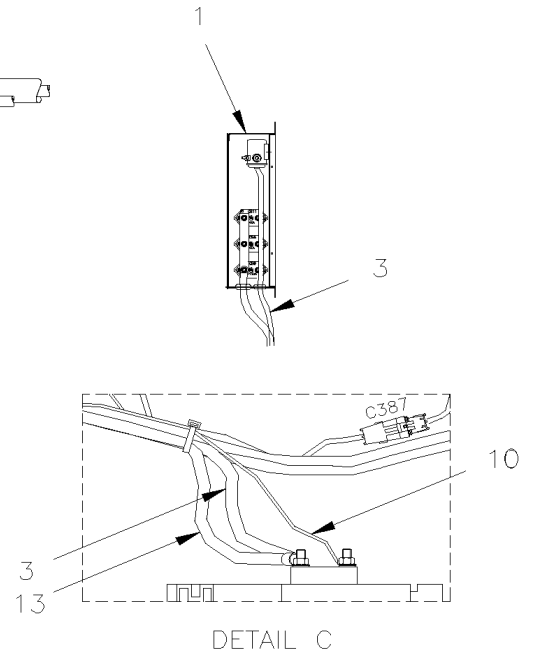
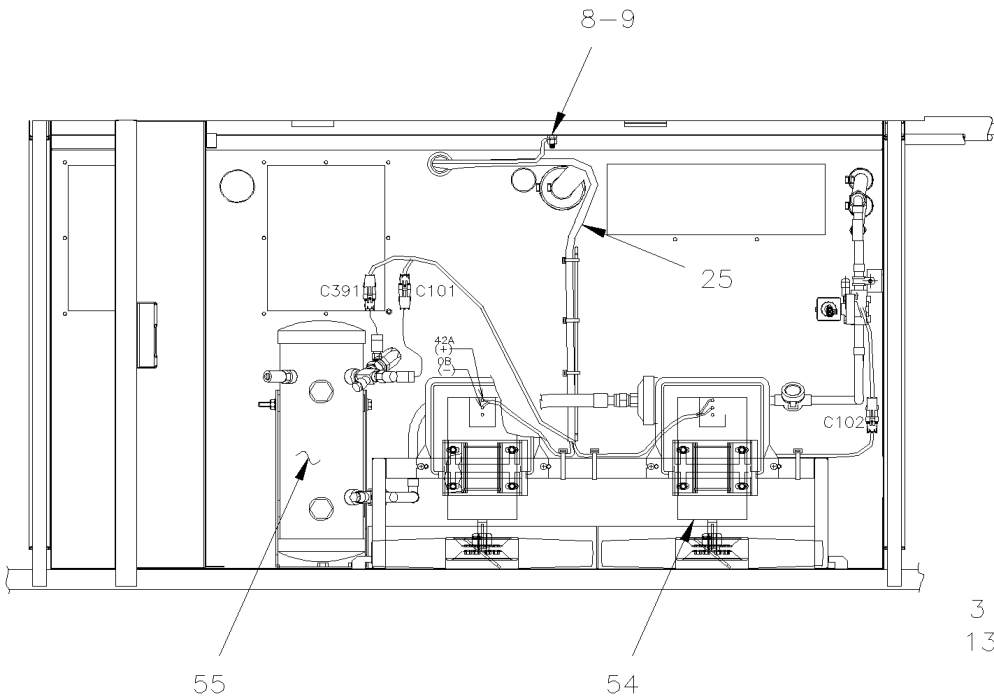


From Y-7046 To 7-9095

Date:10/2022

PAGE:Y2-0621-10

CABLE & HARNESS EVAPO. & CONDENSOR - INST



From Y-7046 To 7-9095 Date:10/2022 PAGE:Y2-0621-10**CABLE & HARNESS EVAPO. & CONDENSOR - INST**

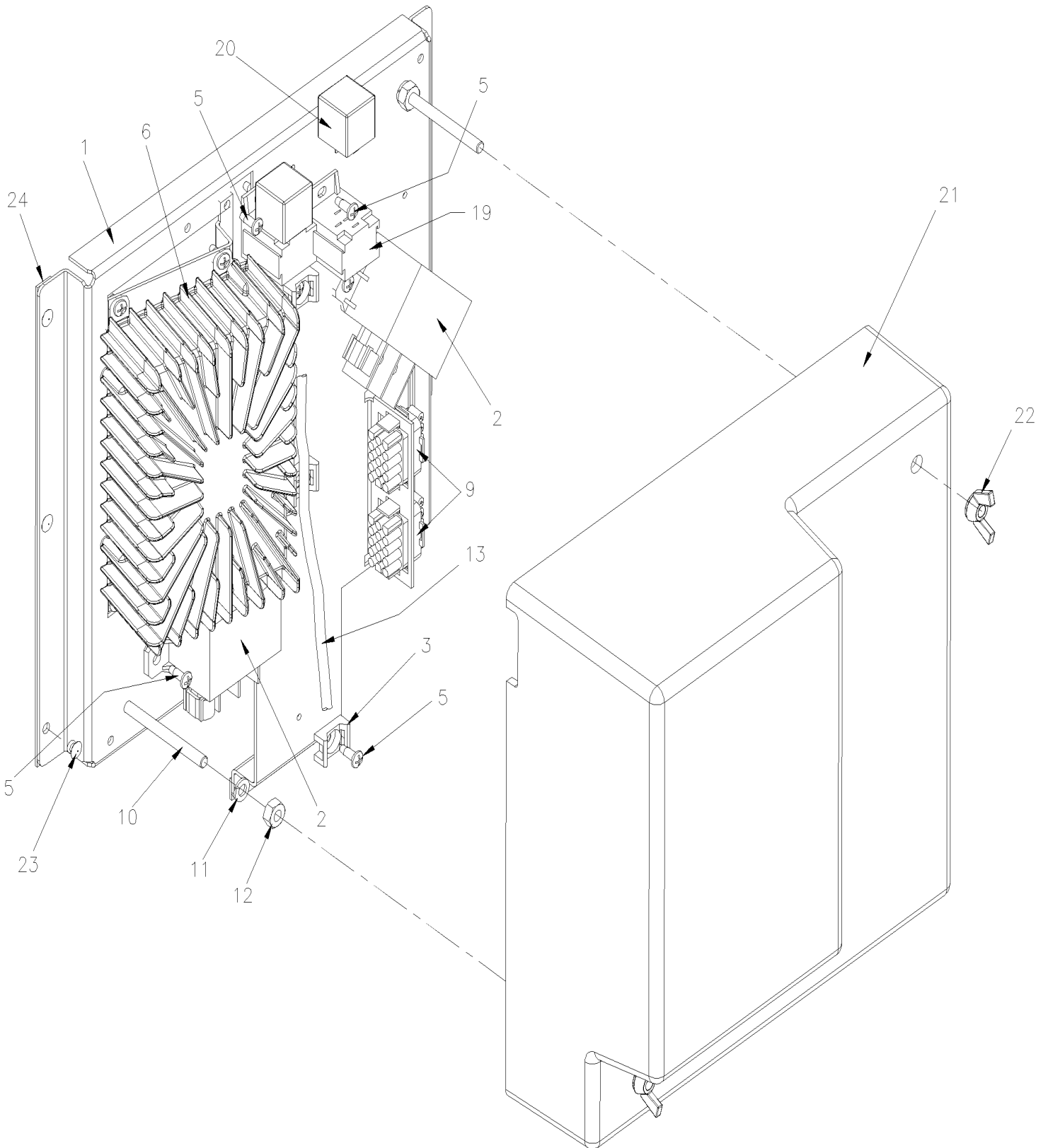
| Item# | Part | Description | X L I I 4 5 | X L I I M T H 4 0 | X L I I M T H 4 5 | X L I I M T H 4 5 E | N O T E S |
|-------|------------|--|----------------------------|---|---|--|-----------------------|
| 1 | Y2-0621-00 | A/C JUNCTION BOX ASSY | | | | | |
| 3 | 065134 | CABLE ASSY #130 | 1 | | | | |
| 3 | 065087 | CABLE ASSY #130 To 4-8212 | | 1 | 1 | 1 | |
| 3 | 065134 | CABLE ASSY #130 To 4-8212 | | | 1 | | |
| 3 | 065888 | CABLE ASSY / W/SLIDE-OUT / #130 From 4-8213 | | | 1 | | |
| 4 | 381929 | SUPPORT A/C BOX | 1 | 1 | 1 | 1 | |
| 5 | 952641 | CLAMP / 1 5/16" I.D. | 1 | 1 | 1 | 1 | |
| 6 | 502909 | NUT HEX 5/16-24 ZG603 | 2 | 2 | 2 | 2 | |
| 7 | 500476 | WASHER LO SPT .317x.586x.078 Z050 | 2 | 2 | 2 | 2 | |
| 8 | 500379 | NUT HEX 3/8-16 BR | 1 | 1 | 1 | 1 | |
| 9 | 500478 | WASHER LO SPT .380x.683x.094 Z050 | 1 | 1 | 1 | 1 | |
| 10 | 063840 | CABLE / SPEED CONTROL & MOTOR #166B To 4-8212 | | 1 | 1 | 1 | |
| 11 | 063625 | CABLE / GROUND & SPEED CONTROL #0 | | 1 | 1 | 1 | |
| 12 | 871086 | CONTROL SPEED To 4-8212 | | 1 | 1 | 1 | |
| 13 | 063841 | CABLE / SPEED CONTROL & MOTOR #0A To 4-8212 | | | 1 | | |
| 13 | 061073 | CABLE GROUND To 4-8212 | | | 1 | | |
| 14 | 502531 | SCREW CAP HEX M6-1.0x16 G8.8 Z050 To 4-8212 | | 3 | 3 | 3 | |
| 15 | 502621 | NUT HEX STO M6-1.0 Z050 To 4-8212 | | 3 | 3 | 3 | |
| 16 | 500446 | WASHER FL .531x1.250x.125 Z050 To 4-8212 | | 3 | 3 | 3 | |
| 17 | 504105 | RIVET POP DOME OE 1/8x3/16 AL | 3 | 3 | 3 | 3 | |
| 18 | 500946 | SCREW TP BDG PH #8x1/2 N500 | 6 | 6 | 6 | 6 | |
| 19 | 504637 | CABLE TIE / 3/16" x 13" | 10 | 10 | 10 | 10 | |
| 20 | 500940 | SCREW TP FL PH #10x2 Z050 | 1 | 1 | 1 | 1 | |
| 21 | 500535 | SCREW TP CAP HEX #14x3/4 Z050 | 4 | 4 | 4 | 4 | |
| 22 | 500948 | SCREW TC CAP HEX 1/4-20x1 Z050 | 4 | 4 | 4 | 4 | |
| 23 | 065179 | PLATE CLOSING | 1 | 1 | 1 | 1 | |
| 24 | 684013 | RUBBER PROTECTOR / COLOR GUARD 14.5oz | AR | AR | AR | AR | |
| 30 | 590284 | DRAIN BOOT 1" I.D. X 5" / FLAT | 6 | 6 | 6 | 6 | |
| 31 | 504021 | HOSE CLAMP / 11/16"-1"1/2 SS / HS-16 | 6 | 6 | 6 | 6 | |
| 50 | Y2-2207-20 | WATER VALVE - BYPASS W/WATER HEATER | | | | | |
| 51 | Y2-2206-00 | WATER PUMP #871052 & #871204 To 4-8205 | | | | | |
| 51 | Y2-2206-01 | WATER PUMP #871342 SEALLESS From 4-8206 | | | | | |
| 52 | Y2-2206-50 | WATER PUMP #871032 | | | | | |
| 53 | Y2-2265-00 | MOTOR - EVAPORATOR - "PREVOST" - T-17 | | | | | |
| 53 | Y2-2265-01 | MOTOR - EVAPORATOR - "PREVOST" - T-17 - 2 SPEEDS | | | | | |
| 54 | Y2-2265-50 | MOTOR - CONDENSOR - "PREVOST" - TF-12 To 2-7825 | | | | | |
| 54 | Y2-2265-51 | MOTOR - CONDENSOR - "PREVOST" - T11G From 2-7826 | | | | | |
| 55 | Y2-2270-00 | RECEIVER TANK & FILTER DRYER | | | | | |
| | | | | | | | |
| | | | | | | | |
| | | | | | | | |
| | | | | | | | |

From 7-9096 To 8-9339

Date:10/2022

PAGE:Y2-0621-50

A/C CONDENSOR MOTOR RELAY

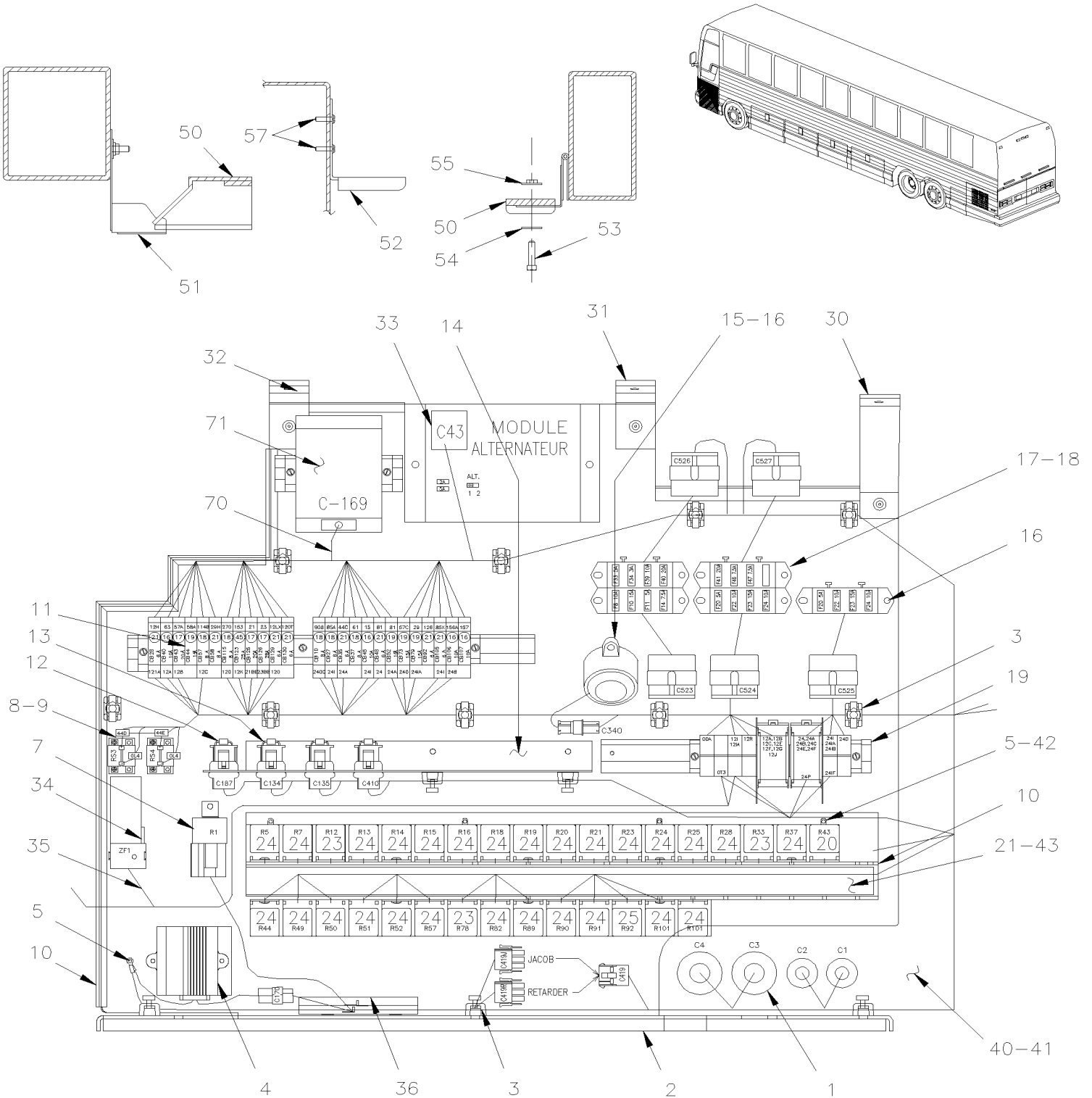


From Y-7046 To 7-9095

Date:10/2022

PAGE:Y2-0625-00

FRONT JUNCTION PANEL

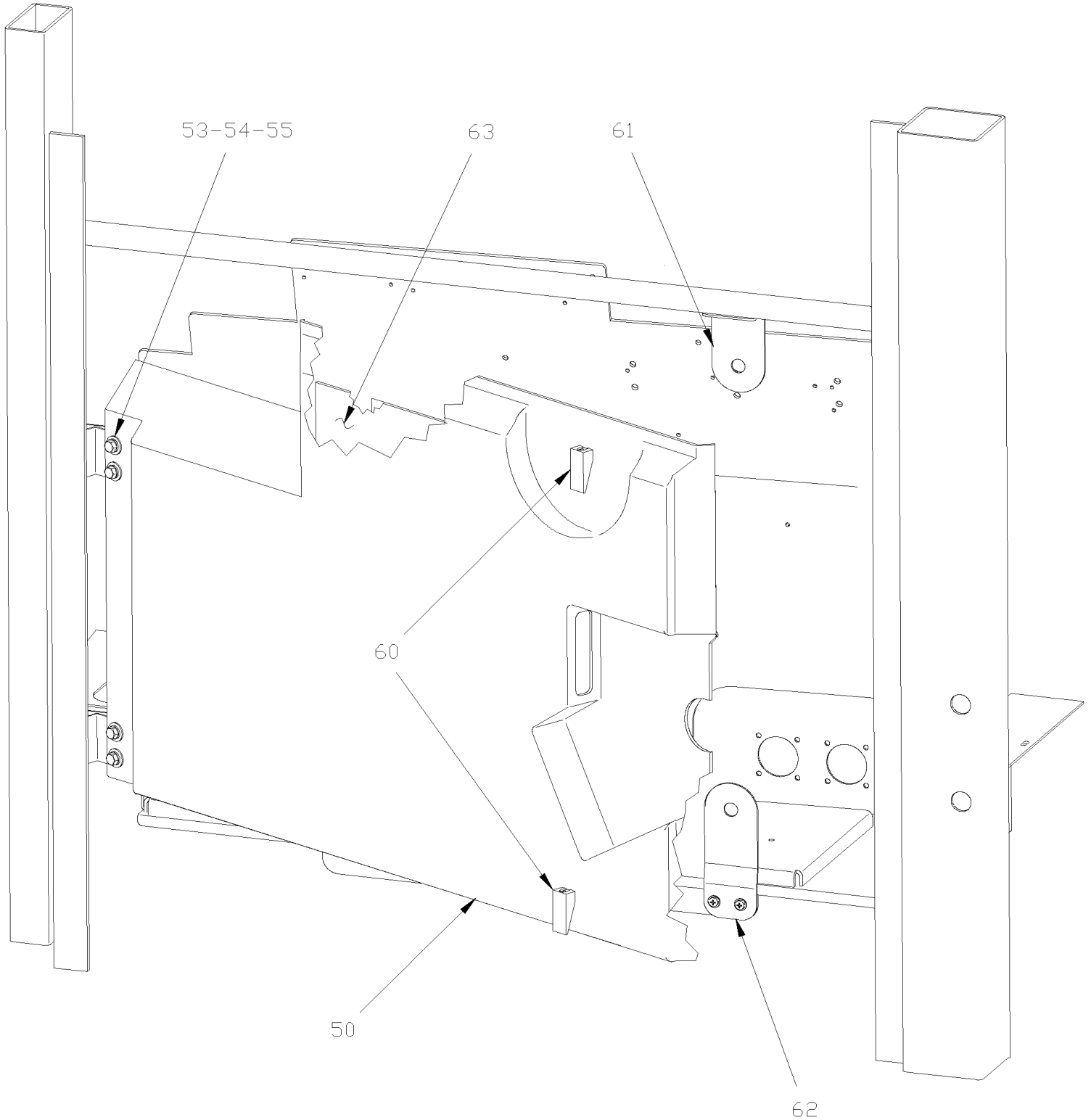


From Y-7046 To 7-9095

Date:10/2022

PAGE:Y2-0625-00

FRONT JUNCTION PANEL



| | | | |
|-----------------------|--|--------------|-----------------|
| From Y-7046 To 7-9095 | | Date:10/2022 | PAGE:Y2-0625-00 |
|-----------------------|--|--------------|-----------------|

FRONT JUNCTION PANEL

| Item# | Part | Description | X L I I 4 5 | X L I I M T H 4 0 | X L I I M T H 4 5 | X L I I M T H 4 5 E | N O T E S |
|-------|--------|--|----------------------------|---|---|--|-----------------------|
| 1 | 065109 | WIRING HARNESS FRONT JUNCTION BOX To 1-7310 | 1 | | | | |
| 1 | 065347 | WIRING HARNESS FRONT JUNCTION BOX From Y-7311 To Y-7376 | 1 | | | | |
| 1 | 065403 | WIRING HARNESS FRONT JUNCTION BOX From Y-7377 To 1-7524 | 1 | | | | |
| 1 | 065449 | WIRING HARNESS FRONT JUNCTION BOX From 1-7525 To 2-7799 | 1 | | | | |
| 1 | 065575 | WIRING HARNESS FRONT JUNCTION BOX From 2-7800 To 2-7824 | 1 | | | | |
| 1 | 065595 | WIRING HARNESS FRONT JUNCTION BOX From 2-7825 To 2-7832 | 1 | | | | |
| 1 | 065648 | WIRING HARNESS FRONT JUNCTION BOX From 2-7833 To 2-8130 | 1 | | | | |
| 1 | 065762 | WIRING HARNESS FRONT JUNCTION BOX From 3-8131 To 3-8164 | 1 | | | | C |
| 1 | 065854 | WIRING HARNESS FRONT JUNCTION BOX From 4-8165 To 4-8359 | 1 | | | | |
| 1 | 065716 | WIRING HARNESS FRONT JUNCTION BOX From 5-8359 To 5-8469 | 1 | | | | |
| 1 | 066229 | WIRING HARNESS FRONT JUNCTION BOX From 5-8470 To 5-8644 | 1 | | | | |
| 1 | 066438 | WIRING HARNESS FRONT JUNCTION BOX From 5-8645 To 6-8605 | 1 | | | | |
| 1 | 066591 | WIRING HARNESS FRONT JUNCTION BOX From 6-8606 | 1 | | | | |
| 1 | 064815 | WIRING HARNESS FRONT JUNCTION BOX To 1-7411 | | 1 | 1 | 1 | |
| 1 | 065425 | WIRING HARNESS FRONT JUNCTION BOX From 1-7412 To 1-7530 | | 1 | 1 | 1 | |
| 1 | 065450 | WIRING HARNESS FRONT JUNCTION BOX From 1-7531 To 2-7799 | | 1 | 1 | 1 | |
| 1 | 065551 | WIRING HARNESS FRONT JUNCTION BOX From 2-7800 To 2-7832 | | 1 | 1 | 1 | |
| 1 | 065640 | WIRING HARNESS FRONT JUNCTION BOX From 2-7833 To 4-8359 | | 1 | 1 | 1 | |
| 1 | 065711 | WIRING HARNESS FRONT JUNCTION BOX From 5-8359 To 5-8469 | | 1 | 1 | 1 | |
| 1 | 066231 | WIRING HARNESS FRONT JUNCTION BOX From 5-8470 To 5-8644 | | 1 | 1 | 1 | |
| 1 | 066470 | WIRING HARNESS FRONT JUNCTION BOX From 5-8645 | | 1 | 1 | 1 | |
| 1 | 065688 | WIRING HARNESS FRONT JUNCTION BOX From 2-7908 To 3-8130 | | | | 1 | D |
| 1 | 065764 | WIRING HARNESS FRONT JUNCTION BOX From 3-8131 To 4-8359 | | | | 1 | D |
| 1 | 065713 | WIRING HARNESS FRONT JUNCTION BOX From 5-8359 To 5-8469 | | | | 1 | D |
| 1 | 066232 | WIRING HARNESS FRONT JUNCTION BOX From 5-8470 To 5-8644 | | | | 1 | |
| 1 | 066471 | WIRING HARNESS FRONT JUNCTION BOX From 5-8645 | | | | 1 | |
| 2 | 381941 | FRONT PANEL BOX | | 1 | 1 | 1 | |
| 2 | 381909 | FRONT PANEL BOX | 1 | | | | |
| 3 | 504013 | TIE MOUNT / 1/4" X 1/4" I.D. | AR | AR | AR | AR | |
| NS | 504347 | RIVET POP DOME OE 3/16x1/4 AL | AR | AR | AR | AR | |
| NS | 504637 | CABLE TIE / 3/16" x 13" | AR | AR | AR | AR | |
| 4 | 064421 | FLASHER UNIT 12V ASSY W/CONNECTOR | 4 | 4 | 4 | 4 | |
| 5 | 500638 | SCREW TP PAN PH #8x1/2 Z050 | AR | AR | AR | AR | |
| 7 | 561991 | RELAY 24V S.P.S.T. / 70 AMPS N.O. | 1 | 1 | 1 | 1 | |
| 8 | 061976 | RESISTOR ASSY 1 OHM 10 W | 4 | 4 | 4 | 4 | |
| NS | 380923 | INSULATOR | 2 | 2 | 2 | 2 | |
| NS | 066001 | RESISTOR ASSY 0.2 OHM 12.5 WATTS W/CONNECTOR From 5-8359 | 1 | 1 | 1 | 1 | H |
| 9 | 500583 | SCREW TP PAN PH #6x1/2 Z050 | 8 | 8 | 8 | 8 | |
| 10 | 506025 | RUBBER CHANNEL / 1/18" x 5/16" INT "U" SHAPE / SQUARE C.T.L. | AR | AR | AR | AR | |
| NS | 680066 | ADHESIVE / ADBOND #5014 / 23.6ML BOTTLE | AR | AR | AR | AR | |
| 11 | 561790 | BREAKER 6AMPS / 24V / | AR | AR | AR | AR | |
| 11 | 561791 | BREAKER 8AMPS / 24V / | AR | AR | AR | AR | |

| | | |
|-----------------------------|--------------|-----------------|
| From Y-7046 To 7-9095 | Date:10/2022 | PAGE:Y2-0625-00 |
| FRONT JUNCTION PANEL | | |

| Item# | Part | Description | X L I I 4 5 | X L I I M T H 4 0 | X L I I M T H 4 5 | X L I I M T H 4 5 E | N O T E S |
|-------|-------------------|--|----------------------------|---|---|--|-----------------------|
| 11 | 561792 | BREAKER 10AMPS / 24V / | AR | AR | AR | AR | |
| 11 | 561793 | BREAKER 15AMPS / 24V / | AR | AR | AR | AR | |
| 11 | 561794 | BREAKER 20AMPS / 24V / | AR | AR | AR | AR | |
| NS | 381802 | FRONT BOX CLIP | 1 | 1 | 1 | 1 | |
| NS | 504106 | RIVET POP DOME OE 1/8x1/4 AL | 1 | 1 | 1 | 1 | |
| 12 | 063286 | RESISTOR CONNECTOR ASSY (FAST IDLE) | 1 | 1 | 1 | 1 | |
| 13 | 381145 | DIODE ASSY / W/5 3AMPS | 6 | 6 | 6 | 6 | |
| 14 | 381880 | DIODE SUPPORT | 1 | 1 | 1 | 1 | |
| 15 | 064094 | FIRE & KNEELING / ALARM ASSY / SERVICE | 1 | 1 | 1 | 1 | |
| 16 | 500641 | SCREW TP PAN PH #8x3/4 Z050 | 14 | 14 | 14 | 14 | |
| 17 | 562797 | FUSE BLOCK W/4 LEDS & WIRES To 4-8244 | 6 | 6 | 6 | 6 | |
| NS | 381960 | . PROTECTOR COVER FUSE HOLDER 49MM x 62MM "OPTION SPECIAL" To 4-8244 | AR | AR | AR | AR | |
| 17 | 563535 | FUSE BLOCK W/4 LEDS & WIRES From 4-8245 | 6 | 6 | 6 | 6 | |
| NS | 381960 | . PROTECTOR COVER FUSE HOLDER 49MM x 62MM "OPTION SPECIAL" From 4-8245 | AR | AR | AR | AR | |
| 18 | 562599 | FUSE / ATO 3 AMPS VIOLET | AR | AR | AR | AR | |
| 18 | 562259 | FUSE / ATO 5 AMPS AMBER | AR | AR | AR | AR | |
| 18 | 562602 | FUSE / ATO 7.5 AMPS BROWN | AR | AR | AR | AR | |
| 18 | 562407 | FUSE / ATO 10 AMPS RED | AR | AR | AR | AR | |
| 18 | 562604 | FUSE / ATO 15 AMPS BLUE | AR | AR | AR | AR | |
| 18 | 562605 | FUSE / ATO 20 AMPS YELLOW | AR | AR | AR | AR | |
| 19 | Y2-0616-00 | JUNCTION BOX COMPONENTS, RELAY & BREAKER | | | | | |
| 20 | 562622 | DAYTIME RUN LTS MODULE 12V W/LOW BEAM | 1 | 1 | 1 | 1 | |
| 21 | 064910 | DECAL FRONT JUNCTION BOX RELAY To 2-7832 | | 1 | 1 | 1 | |
| 21 | 065647 | DECAL FRONT JUNCTION BOX RELAY From 2-7833 | | 1 | 1 | 1 | |
| 21 | 065139 | DECAL FRONT JUNCTION BOX RELAY To 2-7832 | 1 | | | | |
| 21 | 065646 | DECAL FRONT JUNCTION BOX RELAY From 2-7833 To 3-7992 | 1 | | | | |
| 21 | 065759 | DECAL FRONT JUNCTION BOX RELAY From 3-7993 | 1 | | | | |
| 21 | 064911 | DECAL FRONT JUNCTION BOX RELAY To 1-7411 | | 1 | 1 | 1 | |
| 21 | 065426 | DECAL FRONT JUNCTION BOX RELAY From 1-7412 To 2-7799 | | 1 | 1 | 1 | |
| 21 | 065579 | DECAL FRONT JUNCTION BOX RELAY From 2-7800 To 2-7832 | | 1 | 1 | 1 | |
| 21 | 065643 | DECAL FRONT JUNCTION BOX RELAY From 2-7833 To 3-7992 | | 1 | 1 | 1 | |
| 21 | 065759 | DECAL FRONT JUNCTION BOX RELAY From 3-7993 To 3-8130 | | 1 | 1 | 1 | |
| 21 | 065760 | DECAL FRONT JUNCTION BOX RELAY From 3-8131 To 4-8164 | | 1 | 1 | 1 | |
| 21 | 065901 | DECAL FRONT JUNCTION BOX RELAY From 4-8165 To 5-8358 | | 1 | 1 | 1 | |
| 21 | 065714 | DECAL FRONT JUNCTION BOX RELAY From 5-8359 To 5-8469 | | 1 | 1 | 1 | |
| 21 | 066233 | DECAL FRONT JUNCTION BOX RELAY From 5-8470 | | 1 | 1 | 1 | |
| 23 | 562092 | RELAY 12V S.P.D.T. W/DIODE / To 5-8577 | 3 | 3 | 3 | 3 | |
| 23 | 563337 | RELAY 12V S.P.D.T. W/RESISTOR / From 5-8578 | 3 | 3 | 3 | 3 | |
| 24 | 561707 | RELAY 24V S.P.D.T. W/RESISTOR / To 5-8577 | AR | AR | AR | AR | |
| 24 | 563332 | RELAY 24V S.P.D.T. W/RESISTOR / "VOLVO" (20374662) From 5-8578 | AR | AR | AR | AR | |
| 25 | 561538 | RELAY 12V S.P.D.T. V 415 F11 | 1 | 1 | 1 | 1 | |
| 30 | 381912 | ATTACHMENT BACKWARD | 1 | 1 | 1 | 1 | |

| | | | |
|-----------------------|--|--------------|-----------------|
| From Y-7046 To 7-9095 | | Date:10/2022 | PAGE:Y2-0625-00 |
|-----------------------|--|--------------|-----------------|

FRONT JUNCTION PANEL

| Item# | Part | Description | X L I I 4 5 | X L I I M T H 4 0 | X L I I M T H 4 5 | X L I I M T H 4 5 E | N O T E S |
|-------|--------|--|----------------------------|---|---|--|-----------------------|
| 31 | 381911 | ATTACHMENT CENTER | 1 | 1 | 1 | 1 | |
| 32 | 381914 | ATTACHMENT FORWARD | 1 | 1 | 1 | 1 | |
| 33 | 562947 | CONTROL MODULE BOX / W / 2 "BOSCH" ALTERNATOR | 1 | | | 1 | |
| 34 | 563033 | E.C.U. / W/STEERING ASSIST (STP 272 or 330) ((77//125)) | 1 | 1 | 1 | 1 | |
| 34 | 563465 | E.C.U. / W/STEERING ASSIST W/"ZF" TRANS ONLY (STP 146) | 1 | 1 | 1 | 1 | |
| 35 | 064908 | CABLE ASSY TO STEERING SPEED SIGNAL ECU / W/"ZF" STEERING | 1 | 1 | 1 | 1 | |
| 36 | 064505 | SPARE FUSE BOX | 1 | 1 | 1 | 1 | |
| 40 | 381999 | SUPPORT HARNESS & FRONT PANEL BOX To 4-8269 | 1 | | | | |
| 40 | 382043 | SUPPORT HARNESS & FRONT PANEL BOX From 4-8270 | 1 | | | | |
| 40 | 381988 | SUPPORT HARNESS & FRONT PANEL BOX To 4-8274 | | 1 | 1 | 1 | |
| 40 | 382042 | SUPPORT HARNESS & FRONT PANEL BOX From 4-8275 | | 1 | 1 | 1 | |
| 41 | 064428 | DECAL CONNECTOR / C1,C2,C3,C4 | 1 | 1 | 1 | 1 | |
| 42 | 286228 | PROTECTOR RELAY | 1 | 1 | 1 | 1 | |
| 43 | 381779 | RELAY SUPPORT | 1 | 1 | 1 | 1 | |
| 50 | 286967 | PROTECTOR FRONT ELECTRIC COMPARTMENT | 1 | 1 | 1 | 1 | |
| 51 | 287019 | LATCH UPPER To Y-7299 | 1 | 1 | 1 | 1 | |
| 51 | 289230 | LATCH UPPER From Y-7300 To 2-7820 | 1 | 1 | 1 | 1 | |
| 52 | 287088 | LATCH LOWER To 2-7820 | 1 | 1 | 1 | 1 | |
| 53 | 502531 | SCREW CAP HEX M6-1.0x16 G8.8 Z050 | 4 | 4 | 4 | 4 | |
| 54 | 500411 | WASHER FL .260x.697x.050 SS | 10 | 10 | 10 | 10 | |
| NS | 502570 | WASHER LO SPT 6.1x11.8x1.6 SS | 6 | 6 | 6 | 6 | |
| 55 | 287210 | ATTACHMENT PLATE W/NUT | 2 | 2 | 2 | 2 | |
| 57 | 500641 | SCREW TP PAN PH #8x3/4 Z050 | 2 | 2 | 2 | 2 | |
| NS | 065389 | CABLE ASSY / "JACOB'S" & RETARDER | 1 | 1 | 1 | 1 | A |
| NS | 561707 | RELAY 24V S.P.D.T. W/RESISTOR / To 5-8577 | 1 | 1 | 1 | 1 | A |
| 59 | 563332 | RELAY 24V S.P.D.T. W/RESISTOR / "VOLVO" (20374662) From 5-8578 | 1 | 1 | 1 | 1 | A |
| 60 | 901052 | LATCH RUBBER From 2-7821 | 2 | 2 | 2 | 2 | |
| 61 | 384286 | RETAINER UPPER From 2-7821 | 1 | 1 | 1 | 1 | |
| 62 | 384287 | RETAINER LOWER From 2-7821 | 1 | 1 | 1 | 1 | |
| 63 | 065375 | DECAL "FRT JCT BOX" COMPONENTS To 2-7799 | 1 | | | | |
| 63 | 065580 | DECAL "FRT JCT BOX" COMPONENTS From 2-7800 To 2-7823 | 1 | | | | |
| 63 | 065649 | DECAL "FRT JCT BOX" COMPONENTS From 2-7824 To 3-7992 | 1 | | | | |
| 63 | 065758 | DECAL "FRT JCT BOX" COMPONENTS From 3-7993 To 3-8130 | 1 | | | | |
| 63 | 065756 | DECAL "FRT JCT BOX" COMPONENTS From 3-8131 To 4-8164 | 1 | | | | |
| 63 | 065856 | DECAL "FRT JCT BOX" COMPONENTS From 4-8165 To 5-8358 | 1 | | | | |
| 63 | 065717 | DECAL "FRT JCT BOX" COMPONENTS From 5-8359 To 5-8469 | 1 | | | | |
| 63 | 066230 | DECAL "FRT JCT BOX" COMPONENTS From 5-8470 | 1 | | | | |
| 70 | 065407 | CABLE ASSY / SPEED SWITCH W/ "EATON" TRANS | 1 | | | | B |
| 71 | 381250 | SWITCH, PROGRAMMABLE SPEED | 1 | | | | B |
| | | | | | | | |
| | | | | | | | |
| | | | | | | | |

| | | |
|-----------------------|--------------|-----------------|
| From Y-7046 To 7-9095 | Date:10/2022 | PAGE:Y2-0625-00 |
|-----------------------|--------------|-----------------|

FRONT JUNCTION PANEL

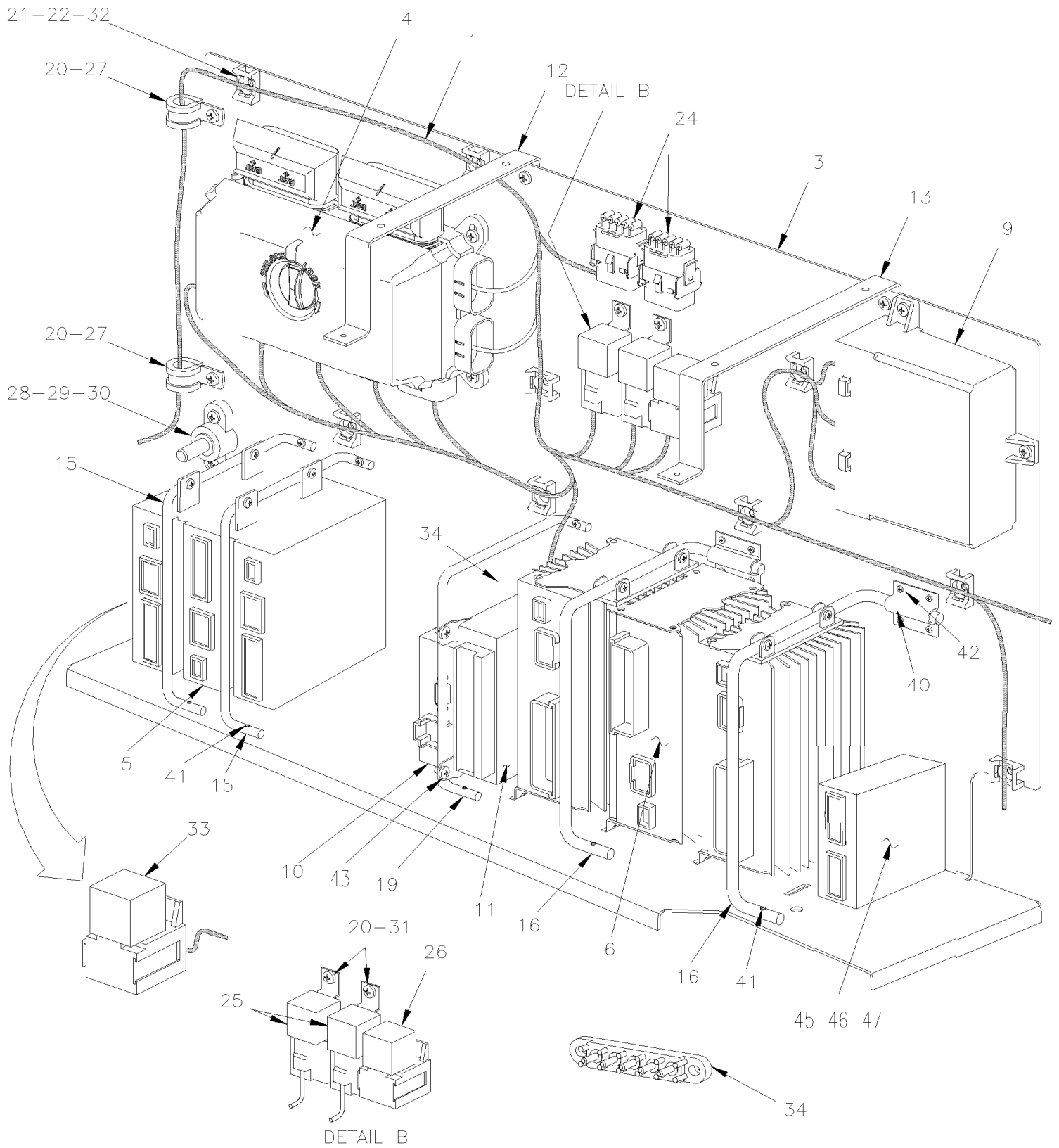
| Item# | Part | Description | X L I I 4 5 | X L I I M T H 4 0 | X L I I M T H 4 5 | X L I I M T H 4 5 E | N O T E S |
|-------|------|---|----------------------------|---|---|--|-----------------------|
| | | A) VEHICLE EQUIPPED WITH DUAL OPTION "JACOB" & RETARDER | | | | | |
| | | B) WITH "EATON" TRANSMISSION ONLY | | | | | |
| | | C) WITH UPPER DEFROSTER | | | | | |
| | | D) WITH TWIN ALTERNATOR "BOSCH" | | | | | |
| | | H) USE ONLY WITH "HALOGENE" LAMP | | | | | |

From 7-9096 To 8-9339

Date:10/2022

PAGE:Y2-0625-01

FRONT JUNCTION PANEL / MUX

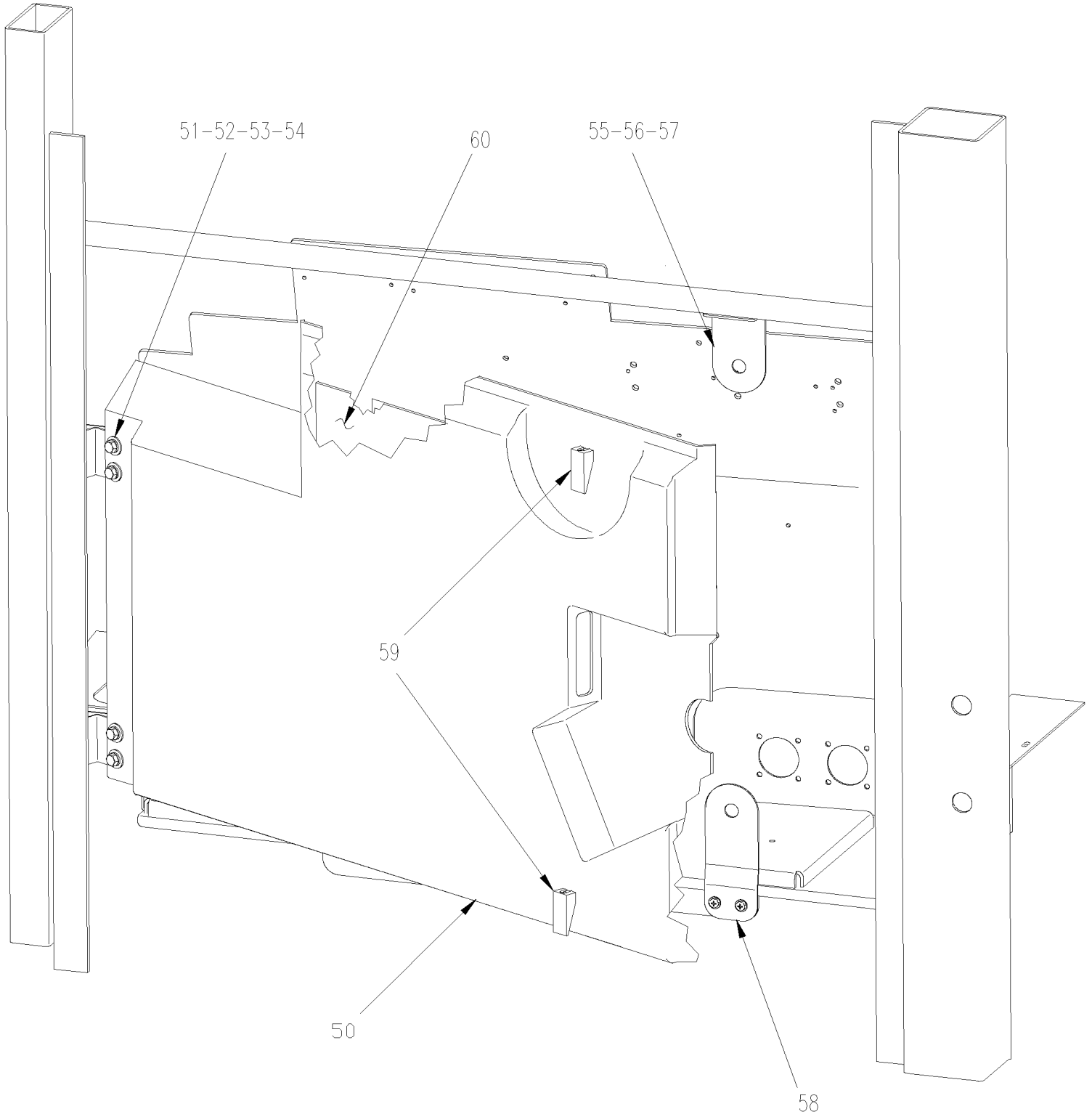


From 7-9096 To 8-9339

Date:10/2022

PAGE:Y2-0625-01

FRONT JUNCTION PANEL / MUX



| | | | |
|-----------------------------------|--|--------------|-----------------|
| From 7-9096 To 8-9339 | | Date:10/2022 | PAGE:Y2-0625-01 |
| FRONT JUNCTION PANEL / MUX | | | |

| Item# | Part | Description | X L I I 4 5 | X L I I M T H 4 0 | X L I I M T H 4 5 | X L I I M T H 4 5 E | N O T E S |
|-------|----------|---|----------------------------|---|---|--|-----------------------|
| 1 | 066775 | WIRING HARNESS FRONT JUNCTION BOX / W/MUX | | | 1 | 1 | |
| 3 | 382160 | FRONT PANEL BOX To 8-9278 | | | 1 | 1 | |
| 3 | 382374 | FRONT PANEL BOX From 8-9279 | | | 1 | 1 | |
| 4 | 563361 | VEC DISTRIBUTION MODULE / FRONT JCT BOX To 7-9116 | | | 1 | 1 | P |
| . NS | 564104 | . COVER / VEC BOX To 7-9116 | | | 1 | 1 | P |
| . NS | 563269 | . RELAY 24V S.P.D.T. W/RESISTOR / To 7-9116 | | | 1 | 1 | P |
| . NS | 563004 | . FUSE / ATM 2 AMPS GREY To 7-9116 | | | 1 | 1 | P |
| . NS | 563279 | . FUSE / ATM 3 AMPS VIOLET To 7-9116 | | | 14 | 14 | P |
| . NS | 563280 | . FUSE / ATM 5 AMPS AMBER To 7-9116 | | | 2 | 2 | P |
| . NS | 563005 | . FUSE / ATM 7.5 AMPS BROWN To 7-9116 | | | 5 | 5 | P |
| . NS | 563283 | . FUSE / ATM 10 AMPS RED To 7-9116 | | | 6 | 6 | P |
| . NS | 563284 | . FUSE / ATM 15 AMPS BLUE To 7-9116 | | | 4 | 4 | P |
| . NS | 563282 | . FUSE / ATM 20 AMPS YELLOW To 7-9116 | | | 7 | 7 | P |
| . NS | 563153 | . FUSE / ATM 25 AMPS NATURAL To 7-9116 | | | 2 | 2 | P |
| . NS | 563165 | . FUSE / ATM 30 AMPS GREEN To 7-9116 | | | 3 | 3 | P |
| . NS | 564464 | . MINI BREAKER / 20 AMPS / SERIES 223 To 7-9116 | | | 1 | 1 | P |
| . NS | 563181 | . CONNECTOR / SH 8C / YELLOW / BUSSMANN 32006-E21 To 7-9116 | | | 1 | 1 | P |
| . NS | 563182 | . CONNECTOR / SH 8C / ORANGE / BUSSMANN 32006-G21 To 7-9116 | | | 1 | 1 | P |
| . NS | 563183 | . CONNECTOR / SH 8C / RED / BUSSMANN 32006-F21 To 7-9116 | | | 1 | 1 | P |
| . NS | 563184 | . CONNECTOR / SH 8C / GREEN / BUSSMANN 32006-C21 To 7-9116 | | | 1 | 1 | P |
| . NS | 563185 | . CONNECTOR / SH 8C / BLACK / BUSSMANN 32006-A21 To 7-9116 | | | 1 | 1 | P |
| . NS | 563186 | . CONNECTOR / SH 8C / GREY / BUSSMANN 32006-B21 To 7-9116 | | | 1 | 1 | P |
| . NS | 563187 | . CONNECTOR / SH 8C / BROWN / BUSSMANN 32006-H21 To 7-9116 | | | 1 | 1 | P |
| . NS | 563448 | . CONNECTOR / SH 8C / BLUE / BUSSMANN 32006-D21 To 7-9116 | | | 1 | 1 | P |
| . NS | 19518268 | . COVER RUBBER RED To 7-9116 | | | 2 | 2 | P |
| 4 | 563674 | VEC DISTRIBUTION MODULE / FRONT JCT BOX SERVICE From 7-9117 | | | 1 | 1 | |
| . NS | 564104 | . COVER / VEC BOX From 7-9117 | | | 1 | 1 | |
| . NS | 563004 | . FUSE / ATM 2 AMPS GREY From 7-9117 | | | 1 | 1 | |
| . NS | 563279 | . FUSE / ATM 3 AMPS VIOLET From 7-9117 | | | 14 | 14 | |
| . NS | 563280 | . FUSE / ATM 5 AMPS AMBER From 7-9117 | | | 2 | 2 | |
| . NS | 563005 | . FUSE / ATM 7.5 AMPS BROWN From 7-9117 | | | 3 | 3 | |
| . NS | 563283 | . FUSE / ATM 10 AMPS RED From 7-9117 | | | 6 | 6 | |
| . NS | 563284 | . FUSE / ATM 15 AMPS BLUE From 7-9117 | | | 9 | 9 | |
| . NS | 563282 | . FUSE / ATM 20 AMPS YELLOW From 7-9117 | | | 6 | 6 | |
| . NS | 563153 | . FUSE / ATM 25 AMPS NATURAL From 7-9117 | | | 1 | 1 | |
| . NS | 563165 | . FUSE / ATM 30 AMPS GREEN From 7-9117 | | | 3 | 3 | |
| . NS | 564464 | . MINI BREAKER / 20 AMPS / SERIES 223 From 7-9117 | | | 1 | 1 | |
| . NS | 563181 | . CONNECTOR / SH 8C / YELLOW / BUSSMANN 32006-E21 From 7-9117 | | | 1 | 1 | |
| . NS | 563182 | . CONNECTOR / SH 8C / ORANGE / BUSSMANN 32006-G21 From 7-9117 | | | 1 | 1 | |
| . NS | 563183 | . CONNECTOR / SH 8C / RED / BUSSMANN 32006-F21 From 7-9117 | | | 1 | 1 | |
| . NS | 563184 | . CONNECTOR / SH 8C / GREEN / BUSSMANN 32006-C21 From 7-9117 | | | 1 | 1 | |
| . NS | 563185 | . CONNECTOR / SH 8C / BLACK / BUSSMANN 32006-A21 From 7-9117 | | | 1 | 1 | |

| | | |
|-----------------------|--------------|-----------------|
| From 7-9096 To 8-9339 | Date:10/2022 | PAGE:Y2-0625-01 |
|-----------------------|--------------|-----------------|

FRONT JUNCTION PANEL / MUX

| Item# | Part | Description | X L I I 4 5 | X L I I M T H 4 0 | X L I I M T H 4 5 | X L I I M T H 4 5 E | N O T E S |
|-------|----------|--|----------------------------|---|---|--|-----------------------|
| . NS | 563186 | . CONNECTOR / SH 8C / GREY / BUSSMANN 32006-B21 From 7-9117 | | | 1 | 1 | |
| . NS | 563187 | . CONNECTOR / SH 8C / BROWN / BUSSMANN 32006-H21 From 7-9117 | | | 1 | 1 | |
| . NS | 563448 | . CONNECTOR / SH 8C / BLUE / BUSSMANN 32006-D21 From 7-9117 | | | 1 | 1 | |
| . NS | 19518268 | . COVER RUBBER RED From 7-9117 | | | 2 | 2 | |
| 5 | 563272 | I/O A-MODULE VOLVO MULTIPLEX / BLACK To 7-9116 | | | 3 | 3 | |
| . NS | 562767 | . CONNECTOR / SH 30C / GREEN / JAE IL-AG5-30S-D3C1 To 7-9116 | | | 1 | 1 | |
| . NS | 562957 | . CONNECTOR / SH 5C / GREEN / JAE IL-AG5-5S-S3C1 To 7-9116 | | | 1 | 1 | |
| . NS | 563132 | . CONNECTOR / SH 2C / YAZAKI 7283-6458-40 To 7-9116 | | | 1 | 1 | |
| 5 | 565864 | I/O A-MODULE VOLVO MULTIPLEX / BLACK From 7-9117 | | | 3 | 3 | |
| . NS | 562767 | . CONNECTOR / SH 30C / GREEN / JAE IL-AG5-30S-D3C1 From 7-9117 | | | 1 | 1 | |
| . NS | 562957 | . CONNECTOR / SH 5C / GREEN / JAE IL-AG5-5S-S3C1 From 7-9117 | | | 1 | 1 | |
| . NS | 563132 | . CONNECTOR / SH 2C / YAZAKI 7283-6458-40 From 7-9117 | | | 1 | 1 | |
| 6 | 563273 | I/O B-MODULE VOLVO MULTIPLEX / ALUMINUM To 7-9116 | | | 3 | 3 | |
| . NS | 563132 | . CONNECTOR / SH 2C / YAZAKI 7283-6458-40 To 7-9116 | | | 1 | 1 | |
| . NS | 563133 | . CONNECTOR / JUNIOR POWER TIMER / SH 29C / AMP 1-963449-2 To 7-9116 | | | 1 | 1 | |
| . NS | 562957 | . CONNECTOR / SH 5C / GREEN / JAE IL-AG5-5S-S3C1 To 7-9116 | | | 1 | 1 | |
| 6 | 565865 | I/O B-MODULE VOLVO MULTIPLEX / ALUMINUM From 7-9117 | | | 3 | 3 | |
| . NS | 563132 | . CONNECTOR / SH 2C / YAZAKI 7283-6458-40 From 7-9117 | | | 1 | 1 | |
| . NS | 563133 | . CONNECTOR / JUNIOR POWER TIMER / SH 29C / AMP 1-963449-2 From 7-9117 | | | 1 | 1 | |
| . NS | 562957 | . CONNECTOR / SH 5C / GREEN / JAE IL-AG5-5S-S3C1 From 7-9117 | | | 1 | 1 | |
| 9 | 563274 | CECM VOLVO MULTIPLEX MODULE | | | 1 | 1 | |
| 10 | 563295 | MASTER ID-MODULE VOLVO MULTIPLEX | | | 1 | 1 | |
| . NS | 562794 | . CONNECTOR / JUNIOR POWER TIMER / SH 9C / AMP 964561-4 | | | 1 | 1 | |
| 10 | 069538 | "MASTER ID" REPLACEMENT WITH "MCM" MODULE | | | 1 | 1 | |
| . NS | 069420 | . HARNESS MCM | | | 1 | 1 | |
| . NS | IS-11003 | . SEE INSTRUCTION SHEET | | | 1 | 1 | |
| 10 | 066009 | CABLE ADAPTOR / INTERFACE PC TO MASTER ID (3Meter) | | | 1 | 1 | |
| . NS | 562650 | . CONNECTOR / HDP-20 / SH 9C / AMP 205203-1 | | | 2 | 2 | |
| 11 | 7770363 | CONTROL UNIT 12V / ABS 4 CH / UNPROGRAMMED | | | 1 | 1 | |
| 11 | 641948P | CONTROL UNIT 12V / ABS 4 CH / PROGRAMMED | | | 1 | 1 | |
| 12 | 382126 | SUPPORT FRONT PANEL UPPER FORWARD | | | 1 | 1 | |
| 13 | 382129 | SUPPORT FRONT PANEL UPPER BACKWARD | | | 1 | 1 | |
| 15 | 382179 | ROD ATTACHMENT / I/O A MODULE | | | 2 | 2 | |
| 16 | 382166 | ROD ATTACHMENT / I/O B MODULE | | | 2 | 2 | |
| 19 | 382167 | ROD ATTACHMENT CABLE | | | 1 | 1 | |
| 20 | 500945 | SCREW TC BDG PH #10-24x1/2 G500 | | | AR | AR | |
| 21 | 504013 | TIE MOUNT / 1/4" X 1/4" I.D. | | | AR | AR | |
| 22 | 504347 | RIVET POP DOME OE 3/16x1/4 AL | | | AR | AR | |
| 24 | 381145 | DIODE ASSY / W/5 3AMPS | | | 2 | 2 | |
| 25 | 561991 | RELAY 24V S.P.S.T. / 70 AMPS N.O. | | | 2 | 2 | |
| 27 | 952627 | CLAMP / 1/2" I.D. | | | 2 | 2 | |
| 28 | 560422 | BLOCK, TERMINAL / 1 STUD 3/8-16 / BLACK | | | 1 | 1 | |

| | | |
|-----------------------------------|--------------|-----------------|
| From 7-9096 To 8-9339 | Date:10/2022 | PAGE:Y2-0625-01 |
| FRONT JUNCTION PANEL / MUX | | |

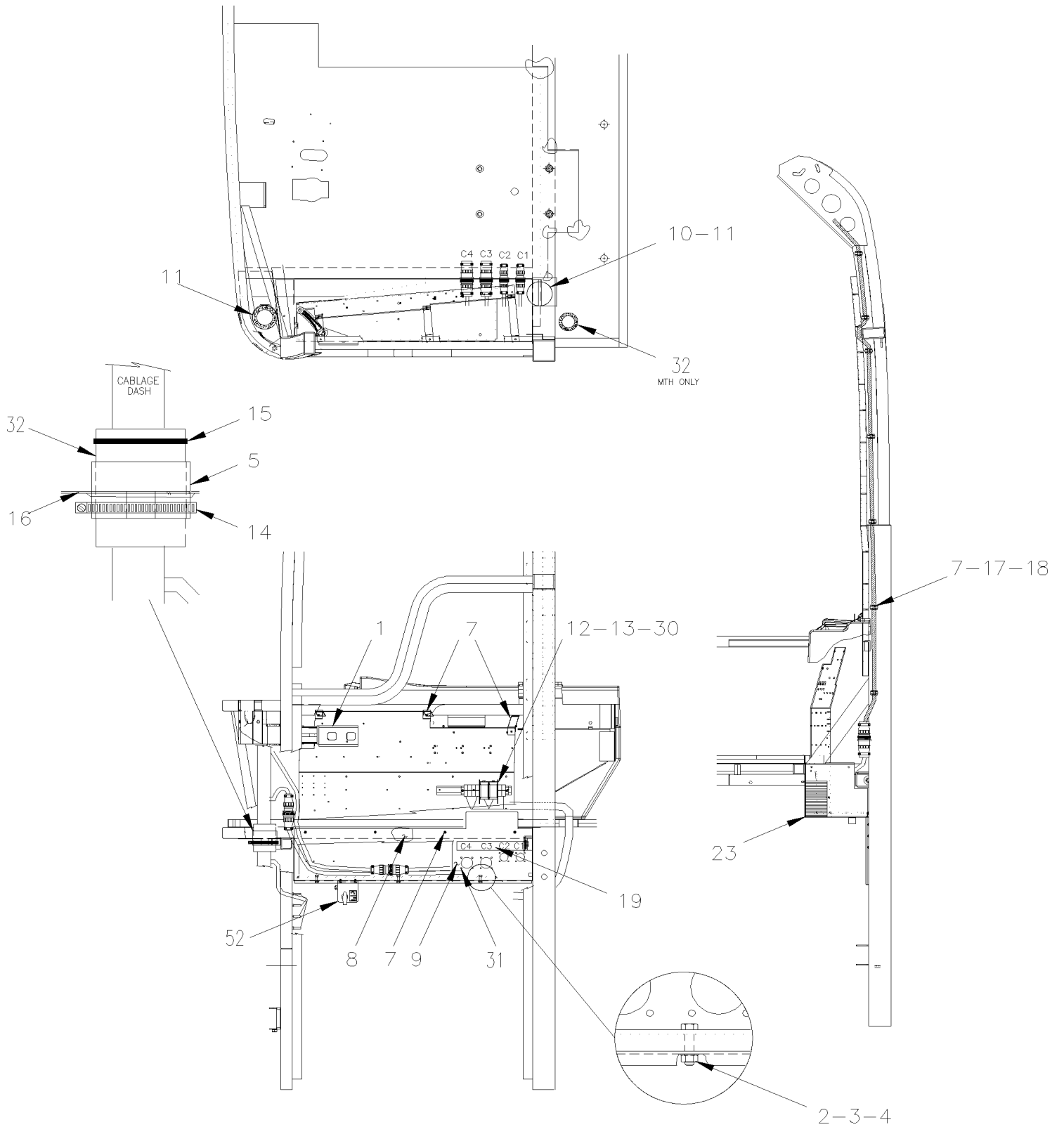
| Item# | Part | Description | X L I I 4 5 | X L I I M T H 4 0 | X L I I M T H 4 5 | X L I I M T H 4 5 E | N O T E S |
|-------|--------|---|----------------------------|---|---|--|-----------------------|
| 29 | 500478 | WASHER LO SPT .380x.683x.094 Z050 | | | 1 | 1 | |
| 30 | 500379 | NUT HEX 3/8-16 BR | | | 1 | 1 | |
| 31 | 500623 | SCREW TC PAN PH #10-24x3/4 N500 | | | 1 | 1 | |
| 32 | 504637 | CABLE TIE / 3/16" x 13" | | | AR | AR | |
| 33 | 563033 | E.C.U. / W/STEERING ASSIST (STP 272 or 330) ((77//125)) | | | 1 | 1 | |
| 34 | 563218 | JUNCTION BLOCK W/5 STUDS | | | 1 | 1 | |
| NS | 500765 | NUT HEX #10-32 BR | | | AR | AR | |
| 40 | 382169 | HINGE ROD ATTACHMENT | | | 5 | 5 | |
| 41 | 509827 | SCREW MA RND PH M4-0.7x20 SS | | | 9 | 9 | |
| 42 | 504340 | RIVET POP DOME OE 1/8x3/16 SS | | | 12 | 12 | |
| 43 | 502868 | SCREW TC TR PH #10-16x1/2 N500 | | | AR | AR | |
| 44 | 500965 | SCREW TC BDG PH #8-32x1/2 N500 | | | AR | AR | |
| 45 | 563541 | KEYLESS MODULE / 350' RANGE | | | 1 | 1 | |
| 46 | 382162 | SUPPORT UPPER KEYLESS MODULE | | | 1 | 1 | |
| 47 | 382163 | SUPPORT LOWER KEYLESS MODULE | | | 1 | 1 | |
| 50 | 286967 | PROTECTOR FRONT ELECTRIC COMPARTMENT | | | 1 | 1 | |
| 51 | 502531 | SCREW CAP HEX M6-1.0x16 G8.8 Z050 | | | 4 | 4 | |
| 52 | 500411 | WASHER FL .260x.697x.050 SS | | | 10 | 10 | |
| 53 | 502570 | WASHER LO SPT 6.1x11.8x1.6 SS | | | 6 | 6 | |
| 54 | 287210 | ATTACHMENT PLATE W/NUT | | | 2 | 2 | |
| 55 | 500641 | SCREW TP PAN PH #8x3/4 Z050 | | | 4 | 4 | |
| 56 | 500438 | WASHER FL .187x.437x.050 Z050 | | | 4 | 4 | |
| 57 | 384286 | RETAINER UPPER | | | 1 | 1 | |
| 58 | 382360 | RETAINER LOWER | | | 1 | 1 | |
| 59 | 901052 | LATCH RUBBER | | | 2 | 2 | |
| 60 | 066584 | DECAL "FRT JCT BOX" COMPONENTS | | | 1 | 1 | |
| 60 | 067013 | DECAL "FRT JCT BOX" COMPONENTS | | | 1 | 1 | |
| 61 | 066155 | DECAL PIN OUT / JCT BOX W/MUX | | | 1 | 1 | |
| | | | | | | | |
| | | | | | | | |
| | | | | | | | |
| | | | | | | | |
| | | P) FOR PRODUCT IMPROVEMENT FUSE F82 MAY BE REPLACE BY MINI BREAKER # 564464 WITH NEW DECAL # 382408 | | | | | |

From Y-7046 To 7-9095

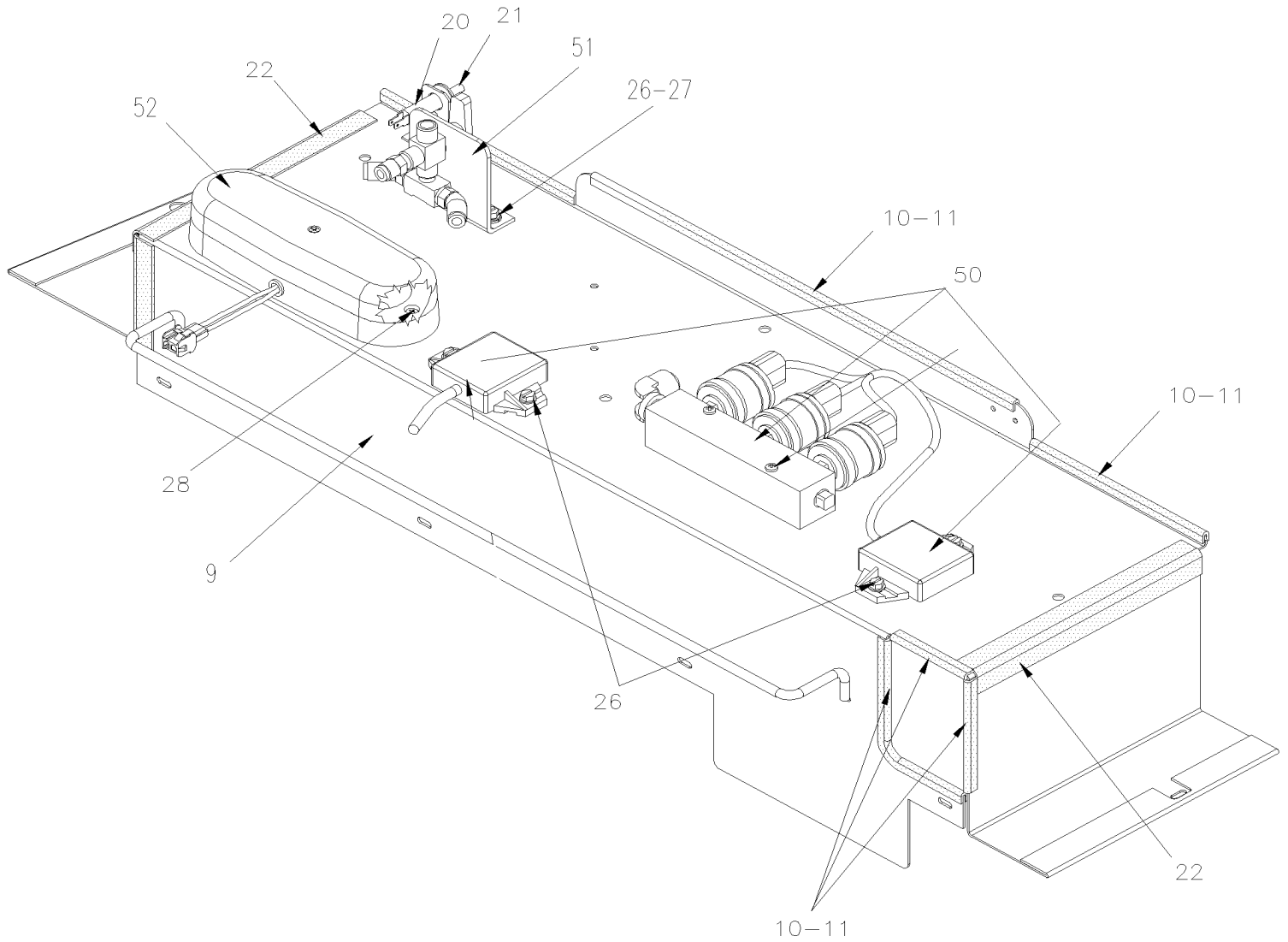
Date:10/2022

PAGE:Y2-0625-10

FRONT JUNCTION BOX - INSTALLATION



| | | |
|-----------------------------------|--------------|-----------------|
| From Y-7046 To 7-9095 | Date:10/2022 | PAGE:Y2-0625-10 |
| FRONT JUNCTION BOX - INSTALLATION | | |



| | | |
|--|--------------|-----------------|
| From Y-7046 To 7-9095 | Date:10/2022 | PAGE:Y2-0625-10 |
| FRONT JUNCTION BOX - INSTALLATION | | |

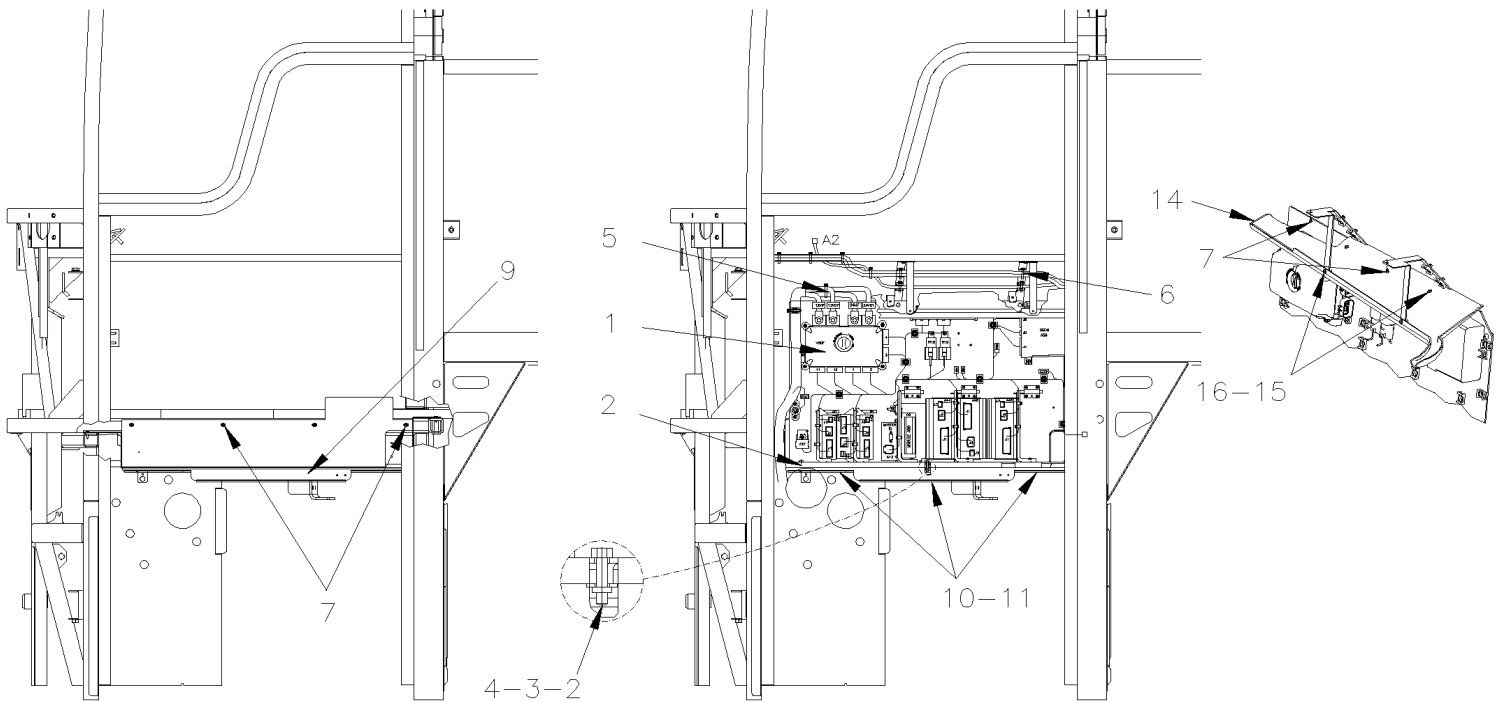
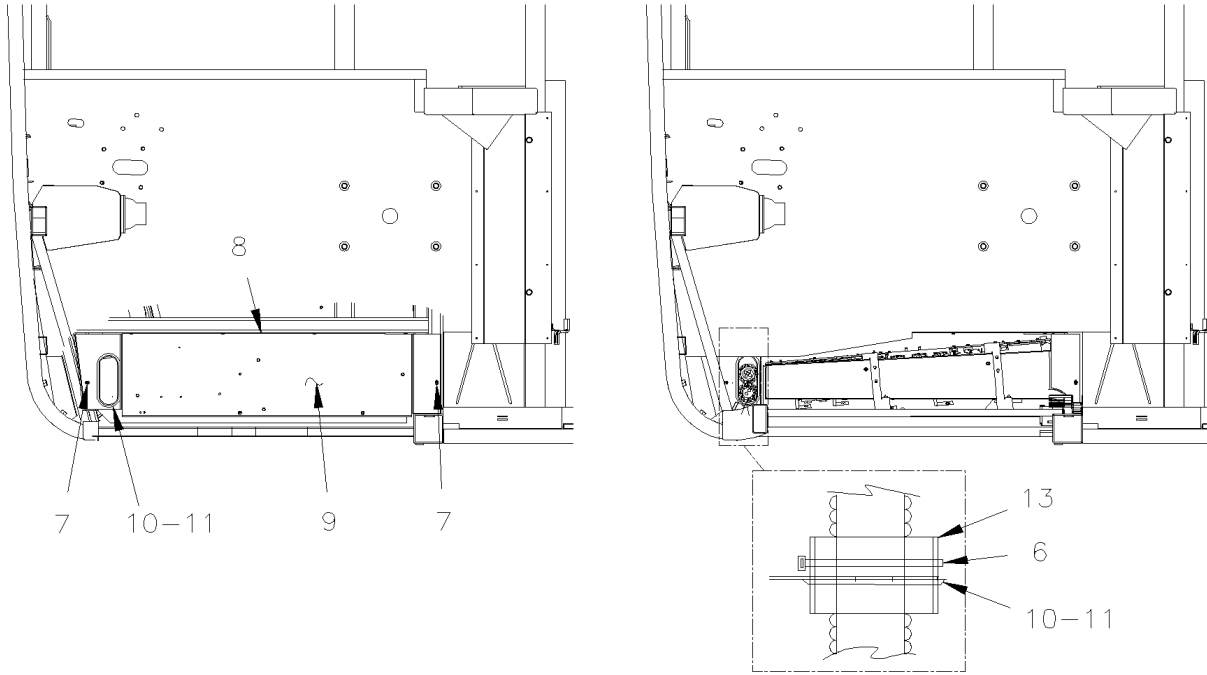
| Item# | Part | Description | X L I I 4 5 | X L I I M T H 4 0 | X L I I M T H 4 5 | X L I I M T H 4 5 E | N O T E S |
|-------|------------|--|----------------------------|---|---|--|-----------------------|
| 1 | Y2-0625-00 | FRONT JUNCTION PANEL | 1 | 1 | 1 | 1 | |
| 2 | 502511 | NUT HEX NYRT M6-1.0 Z050 | 3 | 3 | 3 | 3 | |
| 3 | 502564 | WASHER LO SPT 6.1x11.8x1.6 Z050 | 3 | 3 | 3 | 3 | |
| 4 | 502737 | SCREW CAP HEX M6-1.0x25 SS BK | 3 | 3 | 3 | 3 | |
| 5 | 065035 | TUBE PVC / 3" X 50MM | | 1 | 1 | 1 | |
| 7 | 500641 | SCREW TP PAN PH #8x3/4 Z050 | 16 | 16 | 16 | 16 | |
| 8 | 680532 | SEALANT SIKA #221 / GREY / 310ml CARTRIDGE | AR | AR | AR | AR | |
| 9 | 381940 | SUPPORT FRONT BOX | | 1 | 1 | 1 | |
| 90 | 381906 | SUPPORT FRONT BOX To 6-8906 | 1 | | | | |
| 10 | 506338 | RUBBER CHANNEL / 1/16" x 1/4" INT "U" SHAPE / ROUND C.T.L. | 3 | 3 | 3 | 3 | |
| 11 | 680066 | ADHESIVE / ADBOND #5014 / 23.6ML BOTTLE | AR | AR | AR | AR | |
| 12 | 500615 | NUT HEX M8-1.25 BR | 1 | 1 | 1 | 1 | |
| 13 | 064993 | CABLE ASSY / 12Volt "CB" DELIVERY | | 1 | 1 | 1 | |
| 14 | 504026 | HOSE CLAMP / 2"13/16-3"3/4 SS / HS-52 | | 1 | 1 | 1 | |
| 15 | 504637 | CABLE TIE / 3/16" x 13" | | 4 | 4 | 4 | |
| 16 | 680067 | SEALANT TAPE BUTYL / BLACK / 1/8"x3/4"x25' / 75211E760 | | AR | AR | AR | |
| 17 | 504013 | TIE MOUNT / 1/4" X 1/4" I.D. | 7 | 7 | 7 | 7 | |
| 18 | 504637 | CABLE TIE / 3/16" x 13" | 7 | 7 | 7 | 7 | |
| 19 | 064428 | DECAL CONNECTOR / C1,C2,C3,C4 | 1 | 1 | 1 | 1 | |
| 20 | 066638 | SWITCH SUPPORT / FRONT SERVICE DOOR | 1 | 1 | 1 | 1 | |
| 21 | 563464 | SWITCH / S.P.S.T. / N.C. / W/RUBBER BOOT | 1 | 1 | 1 | 1 | |
| 22 | 382402 | FRONT PANEL BOX | 2 | 2 | 2 | 2 | |
| 23 | 350980 | INSULATION | 1 | 1 | 1 | 1 | |
| 25 | 500508 | SCREW TC PAN PH #10-32x1 1/2 Z050 | 1 | 1 | 1 | 1 | |
| 26 | 5001245 | SCREW TC CAP HEXW SLT #12-24x1/2 Z050 To 6-8906 | 2 | | | | |
| 27 | 500473 | WASHER LO SPT .262x.489x.062 Z050 To 6-8906 | 2 | | | | |
| 28 | 500430 | SCREW TC PAN PH #8-32x1 1/4 SS BK | 2 | 2 | 2 | 2 | |
| 30 | 062963 | CABLE ASSY / 12V POWER C.B. To 6-8906 | 1 | | | | |
| 31 | 500124 | SCREW TP TR PH #8x1/2 SS | 16 | 16 | 16 | 16 | |
| 32 | 371600 | INSULATING PAD 76.2MM x 374.7MM | | 2 | 2 | 2 | |
| 50 | Y2-0750-00 | AUTOMATIC TRANSMISSION - "WORLD" WITH DETROIT S-60 | 1 | 1 | 1 | 1 | |
| 51 | Y2-0665-10 | SWITCHES, LIGHTS, AJAR - UNDER FLOOR | 1 | 1 | 1 | 1 | |
| 52 | Y2-1802-00 | ENTRANCE DOOR CONTROL | 1 | | | | |
| | | | | | | | |
| | | | | | | | |
| | | | | | | | |

From 7-9096 To 8-9339

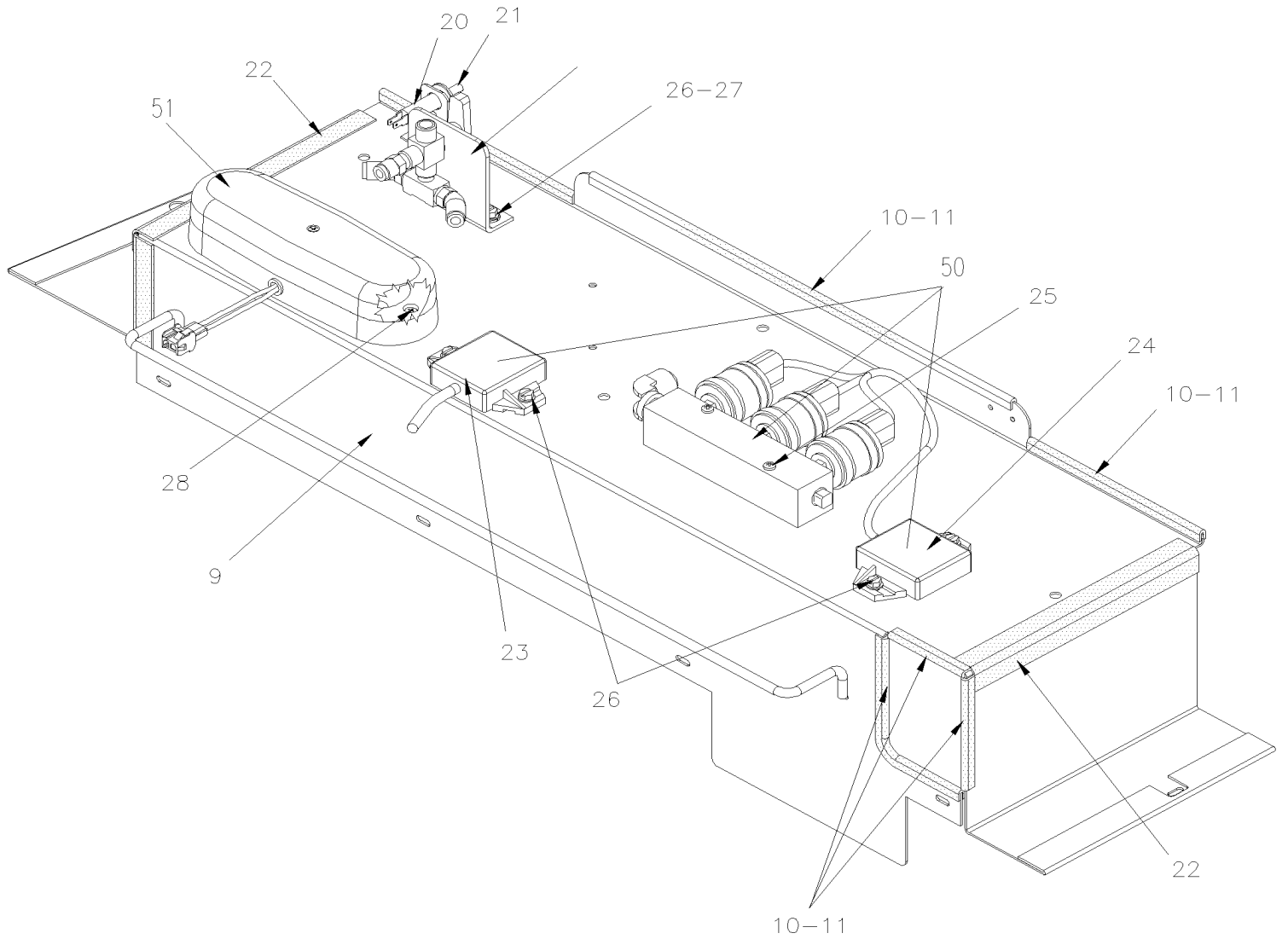
Date:10/2022

PAGE:Y2-0625-11

FRONT JUNCTION BOX - INSTALLATION



| | | |
|-----------------------------------|--------------|-----------------|
| From 7-9096 To 8-9339 | Date:10/2022 | PAGE:Y2-0625-11 |
| FRONT JUNCTION BOX - INSTALLATION | | |



| | | |
|--|--------------|-----------------|
| From 7-9096 To 8-9339 | Date:10/2022 | PAGE:Y2-0625-11 |
| FRONT JUNCTION BOX - INSTALLATION | | |

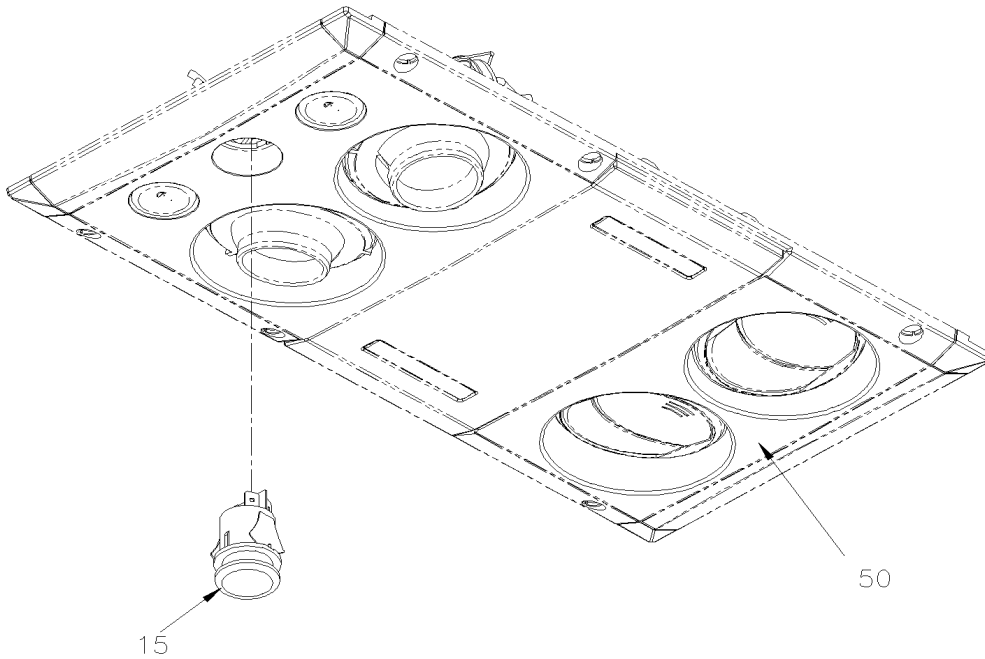
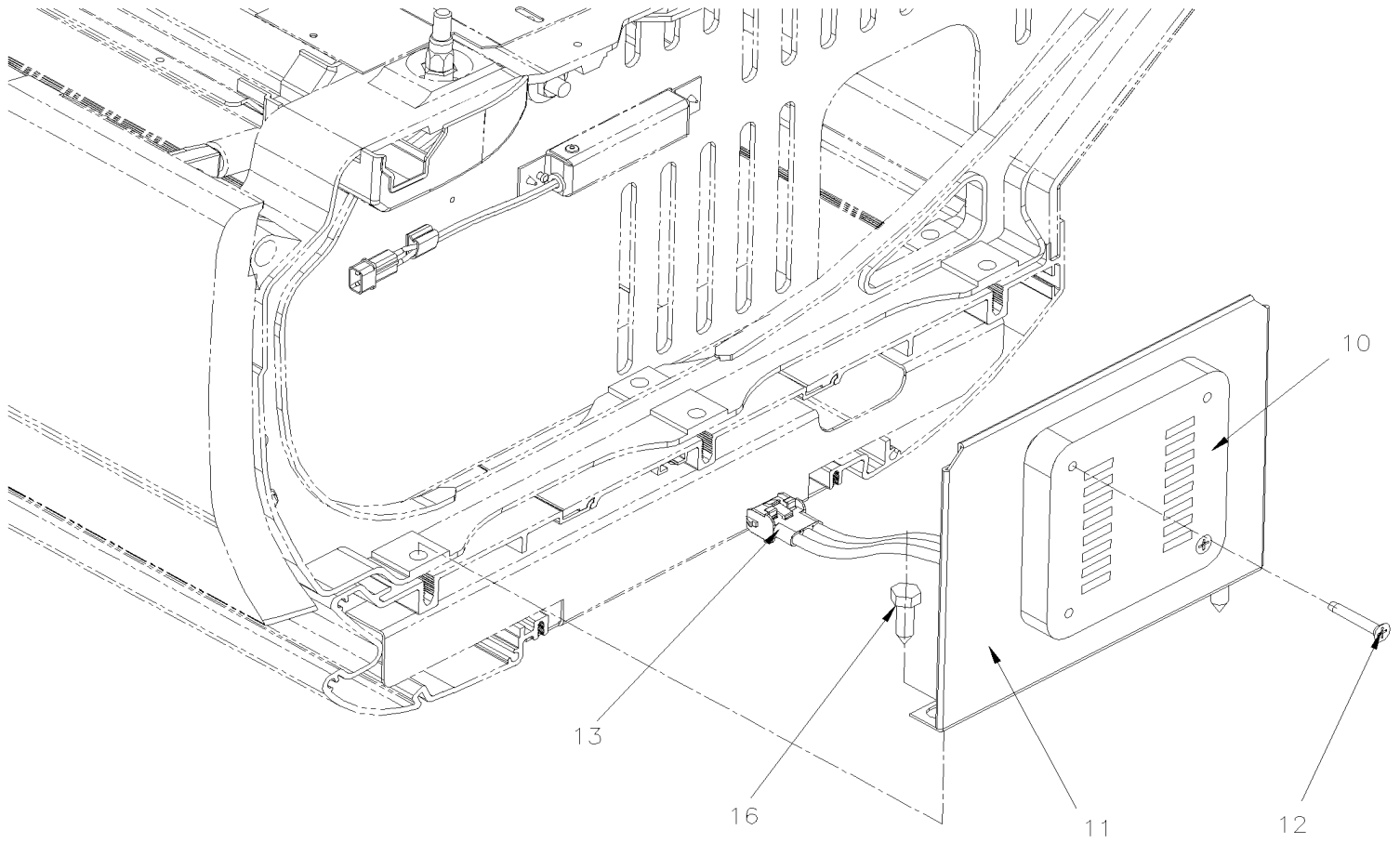
| Item# | Part | Description | X L I I 4 5 | X L I I M T H 4 0 | X L I I M T H 4 5 | X L I I M T H 4 5 E | N O T E S |
|-------|------------|--|----------------------------|---|---|--|-----------------------|
| 1 | Y2-0625-01 | FRONT JUNCTION PANEL / MUX | 1 | 1 | 1 | 1 | |
| 2 | 502565 | NUT HEX M6-1.0 SS | | | 4 | 4 | |
| 3 | 502564 | WASHER LO SPT 6.1x11.8x1.6 Z050 | | | 4 | 4 | |
| 4 | 502737 | SCREW CAP HEX M6-1.0x25 SS BK | | | 1 | 1 | |
| 5 | 504016 | CABLE TIE / 5/16" X 14"1/2 | | | AR | AR | |
| 6 | 504637 | CABLE TIE / 3/16" x 13" | | | AR | AR | |
| 7 | 500641 | SCREW TP PAN PH #8x3/4 Z050 | | | 6 | 6 | |
| 8 | 680532 | SEALANT SIKA #221 / GREY / 310ml CARTRIDGE | | | AR | AR | |
| 9 | 382188 | SUPPORT FRONT JCT BOX To 7-9232 | | | 1 | 1 | |
| 9 | 382378 | SUPPORT FRONT JCT BOX From 7-9233 | | | 1 | 1 | |
| 10 | 506338 | RUBBER CHANNEL / 1/16" x 1/4" INT "U" SHAPE / ROUND C.T.L. | | | AR | AR | |
| 11 | 680066 | ADHESIVE / ADBOND #5014 / 23.6ML BOTTLE | | | AR | AR | |
| 12 | 500615 | NUT HEX M8-1.25 BR | | | 12 | 12 | |
| 13 | 371600 | INSULATING PAD 76.2MM x 374.7MM | | | 1 | 1 | |
| 14 | 382135 | DRIP PAN FRONT JCT BOX | | | 1 | 1 | |
| 15 | 502556 | WASHER FL 4.3x9.0x0.8 SS | | | 4 | 4 | |
| 16 | 502698 | SCREW MA PAN PH M4-0.7x16 SS BK | | | 4 | 4 | |
| NS | 5001182 | NUT HEX NYRT M6-1.0 SS | | | 1 | 1 | |
| NS | 500964 | WASHER FL .203x.500x.047 Z050 | | | 1 | 1 | |
| NS | 064993 | CABLE ASSY / 12Volt "CB" DELIVERY | | | 1 | 1 | |
| 20 | 066638 | SWITCH SUPPORT / FRONT SERVICE DOOR | | | 1 | 1 | |
| 21 | 563464 | SWITCH / S.P.S.T. / N.C. / W/RUBBER BOOT | | | 1 | 1 | |
| 22 | 506758 | TAPE RUB ADH1 NEO 1/16"X 1 1/2"X50' | | | AR | AR | |
| 23 | 562357 | RESISTANCE MODULE | | | 1 | 1 | |
| 24 | 562381 | RESISTANCE MODULE | | | 1 | 1 | |
| 25 | 500508 | SCREW TC PAN PH #10-32x1 1/2 Z050 | | | AR | AR | |
| 26 | 5001245 | SCREW TC CAP HEXW SLT #12-24x1/2 Z050 | | | AR | AR | |
| 27 | 500473 | WASHER LO SPT .262x.489x.062 Z050 | | | AR | AR | |
| 28 | 500430 | SCREW TC PAN PH #8-32x1 1/4 SS BK | | | AR | AR | |
| 50 | Y2-0750-01 | AUTOMATIC TRANSMISSION - "WORLD" WITH DETROIT S-60 | | | | | |
| 51 | Y2-0665-10 | SWITCHES, LIGHTS, AJAR - UNDER FLOOR | | | | | |
| | | | | | | | |
| | | | | | | | |
| | | | | | | | |

From Y-7046 To 6-8906

Date:10/2022

PAGE:Y2-0628-00

CHIME BELL - INSTALLATION

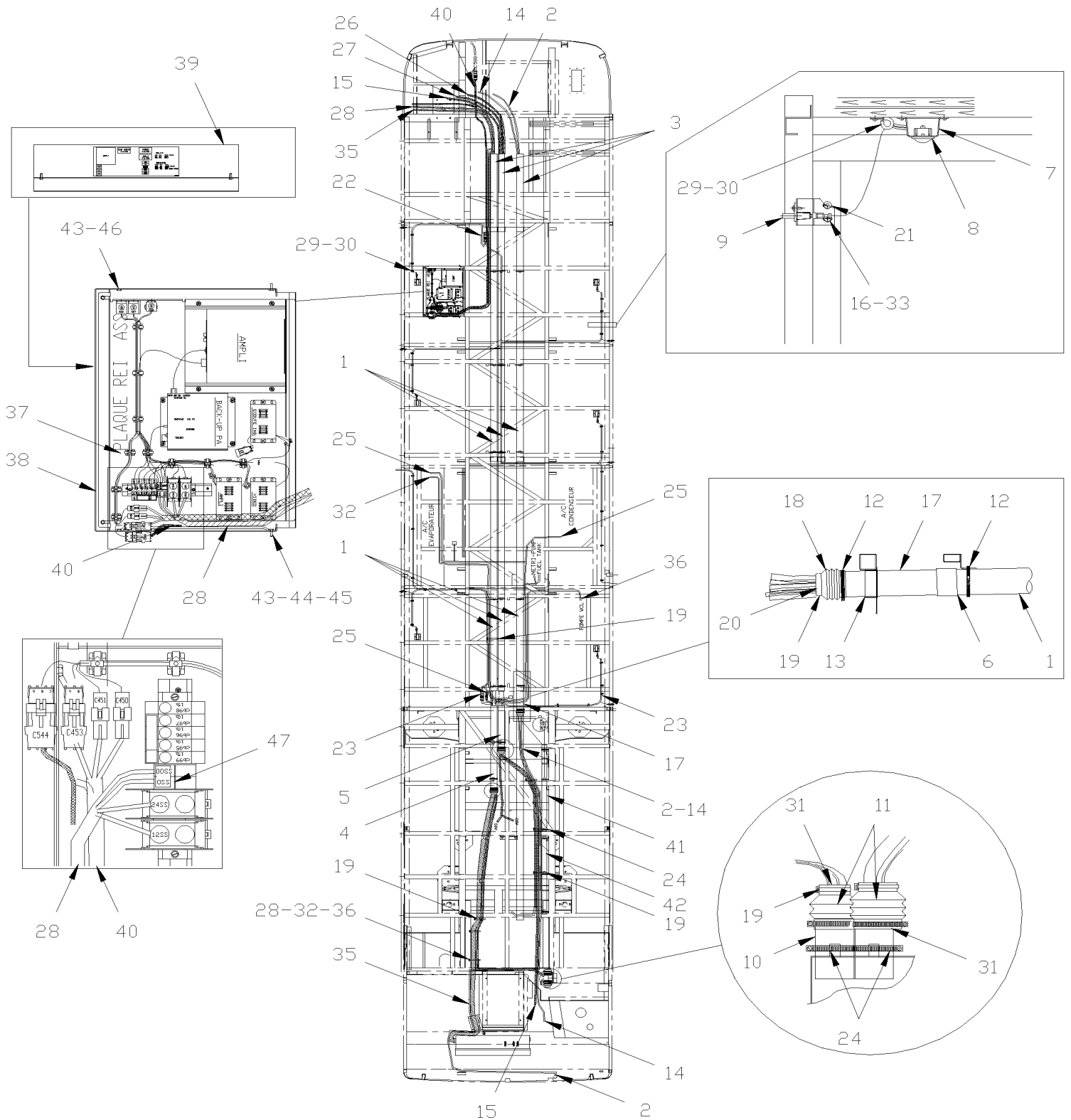


From Y-7046 To 6-8906

Date:10/2022

PAGE:Y2-0630-00

CABLE & HARNESS - UNDER FLOOR - BUS



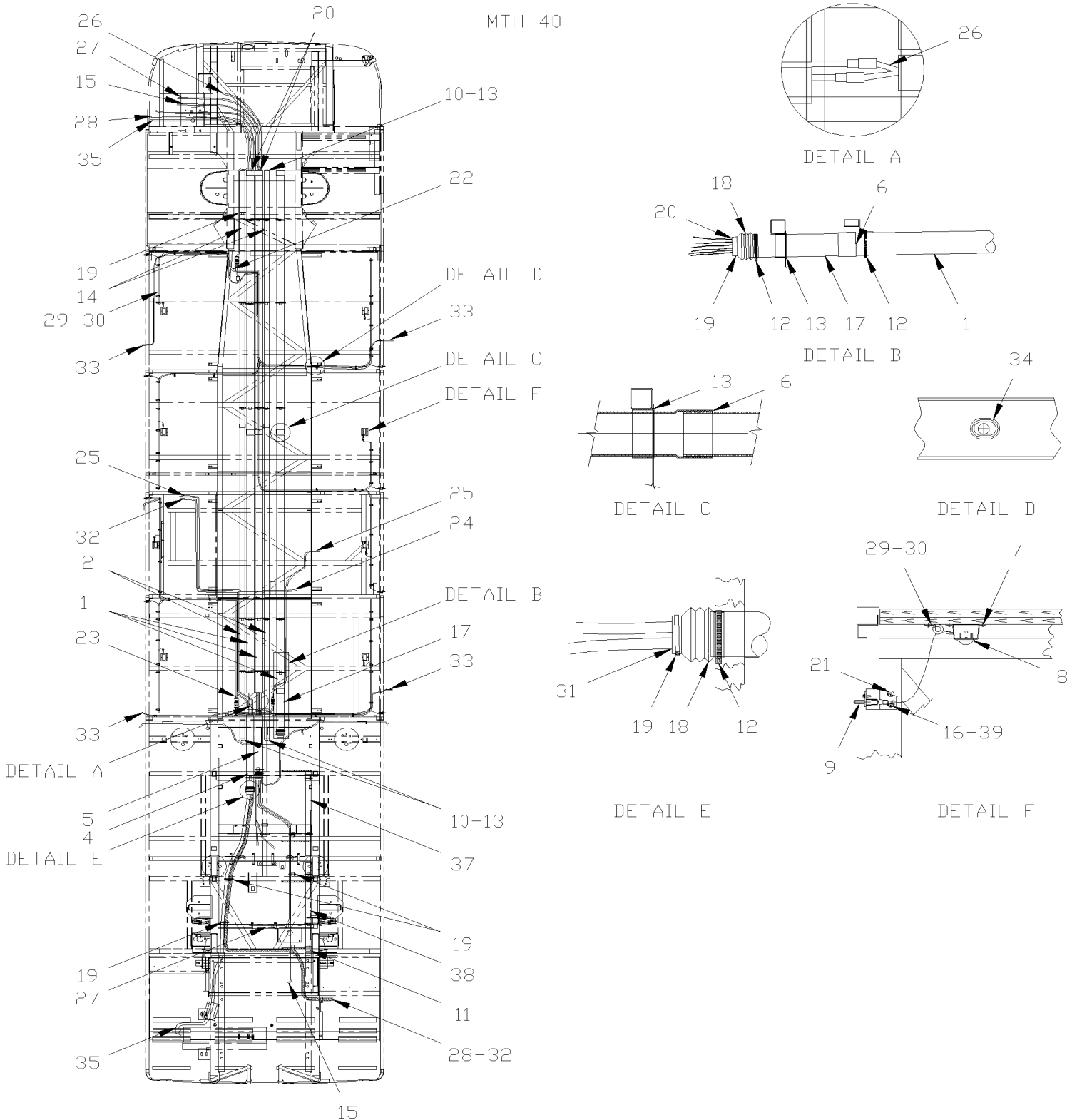
| | | |
|--|--------------|-----------------|
| From Y-7046 To 6-8906 | Date:10/2022 | PAGE:Y2-0630-00 |
| CABLE & HARNESS - UNDER FLOOR - BUS | | |

| Item# | Part | Description | X L I I 4 5 | X L I I M T H 4 0 | X L I I M T H 4 5 | X L I I M T H 4 5 E | N O T E S |
|-------|-------------------|--|----------------------------|---|---|--|-----------------------|
| 1 | 503390 | TUBE / PVC PIPE / 3"x10' WHITE PVC | 6 | | | | |
| 2 | 064410 | CABLE ASSY / BACK-UP CAMERA VIDEO / CAMERA & MONITOR B&W / 60' | 1 | | | | |
| . NS | 990288 | . CABLE BACK-UP CAMERA 60' | 1 | | | | |
| . NS | 561681 | . CONVOLUTED TUBING / SLIT / BLACK & GRAY / .350" | 25 | | | | |
| 3 | 063384 | TUBE PVC / 3" X 1020MM | 3 | | | | |
| 4 | 063386 | TUBE PVC / 3" X 1090MM | 1 | | | | |
| 5 | 063760 | TUBE PVC / 3" X 560MM | 1 | | | | |
| 6 | 680290 | ADHESIVE PVC / 946ml | AR | | | | |
| 7 | 500235 | SCREW TP BDG PH #6x3/4 N500 | 12 | | | | |
| 8 | Y2-0655-00 | INTERIOR LIGHTING | | | | | |
| 9 | Y2-0665-10 | SWITCHES, LIGHTS, AJAR - UNDER FLOOR | | | | | |
| 10 | 380692 | TUBE ABS | 2 | | | | |
| 11 | 504533 | CUFF END BELLOW / 2 3/8" I.D. x 2 3/8" x 4" | 2 | | | | |
| 12 | 504026 | HOSE CLAMP / 2"13/16-3"3/4 SS / HS-52 | AR | | | | |
| 13 | 680096 | SEALANT BUTYL ALUM / GREY / 310ml CARTRIDGE | AR | | | | |
| 14 | 404460 | CABLE ASSY MICRO OUTPUT | 1 | | | | |
| 15 | 065597 | CABLE ASSY / E.C.M. & ACCELERATOR PEDAL To 3-8164 | 1 | | | | |
| 15 | 065787 | CABLE ASSY / E.C.M. & ACCELERATOR PEDAL From 4-8165 | 1 | | | | |
| 16 | 500432 | SCREW TC PAN PH #8-32x3/4 Z050 | 12 | | | | |
| 17 | 141843 | TUBE PVC / 3" X 490MM W/F | 17 | | | | |
| 18 | 504499 | CUFF END BELLOW / 2 7/8" I.D. x 3 5/8" x 4 7/16 | 3 | | | | |
| 19 | 504016 | CABLE TIE / 5/16" X 14"1/2 | 9 | | | | |
| 20 | 371600 | INSULATING PAD 76.2MM x 374.7MM | 3 | | | | |
| 21 | 504357 | WASHER FL .187x.437x.050 SS | 24 | | | | |
| 22 | 065112 | CABLE ASSY / FRONT BAGGAGE COMPARTMENT To 4-8358 | 1 | | | | |
| 22 | 066042 | CABLE ASSY FRT BAG COMP From 5-8359 | 1 | | | | |
| 23 | 065577 | CABLE ASSY / REAR BAGGAGE COMPARTMENT To 4-8358 | 1 | | | | |
| 23 | 066041 | CABLE ASSY REAR BAG COMP From 5-8359 | 1 | | | | |
| 24 | 504024 | HOSE CLAMP / 1"13/16"-2"3/4 SS / HS-36 | 10 | | | | |
| 25 | 065636 | CABLE ASSY / TO A/C BOX & FUEL TANK To 3-8101 | 1 | | | | |
| 25 | 065769 | CABLE ASSY / TO A/C BOX & FUEL TANK From 3-8102 To 5-8644 | 1 | | | | |
| 25 | 066440 | CABLE ASSY / ENGINE COMPT ACCESSORIES From 5-8645 To 6-8855 | 1 | | | | |
| 25 | 066679 | CABLE ASSY / ENGINE COMPT ACCESSORIES From 6-8856 | 1 | | | | |
| 26 | 065631 | CABLE ASSY / ABS MODULE TO FRONT & REAR CABLE | 1 | | | | |
| 27 | 064812 | CABLE ASSY / TRANS & E.C.U. MODULE | 1 | | | | |
| 27 | 065848 | CABLE ASSY "ZF" TRANSMISSION To 4-8358 | 1 | | | | |
| 27 | 066124 | CABLE ASSY "ZF" TRANSMISSION From 5-8359 To 5-8605 | 1 | | | | |
| 27 | 066592 | CABLE ASSY "ZF" TRANSMISSION From 5-8606 | 1 | | | | |
| 28 | 065097 | CABLE ASSY POWER | 1 | | | | |
| 29 | 952631 | CLAMP / 3/4" I.D. | AR | | | | |
| 30 | 500244 | SCREW TP BDG PH #8x3/4 N500 | AR | | | | |
| 31 | 680096 | SEALANT BUTYL ALUM / GREY / 310ml CARTRIDGE | AR | | | | |

| | | |
|--|--------------|-----------------|
| From Y-7046 To 6-8906 | Date:10/2022 | PAGE:Y2-0630-00 |
| CABLE & HARNESS - UNDER FLOOR - BUS | | |

| Item# | Part | Description | X L I I 4 5 | X L I I M T H 4 0 | X L I I M T H 4 5 | X L I I M T H 4 5 E | N O T E S |
|-------|-------------------|---|----------------------------|---|---|--|-----------------------|
| 32 | 065088 | CABLE ASSY #102 | 1 | | | | |
| 33 | 500834 | WASHER LO INT .168x.340x.023 N500 | 12 | | | | |
| 34 | 504534 | GROMMET / .875x1.250x.187x.562x1.625 | 6 | | | | |
| 35 | 065594 | CABLE ASSY / FRT JCT BOX & REAR JCT BOX To 5-8644 | 1 | | | | |
| 35 | 066439 | CABLE ASSY / FRT JCT BOX & REAR JCT BOX From 5-8645 To 6-8802 | 1 | | | | |
| 35 | 066590 | CABLE ASSY / FRT JCT BOX & REAR JCT BOX From 6-8803 | 1 | | | | |
| 36 | 065341 | CABLE ASSY #24WC | 1 | | | | |
| 37 | Y2-2315-00 | SOUND SYSTEM & ACCESSORIES - "R.E.I." | | | | | |
| 38 | 404402 | SUPPORT / PLATE ASSY | 1 | | | | |
| 39 | 404579 | DECAL "SOUND SYSTEM" | 1 | | | | |
| 40 | 405315 | CABLE ASSY / DASH & PLATE IN BAGGAGE | 1 | | | | |
| 41 | 142117 | TUBE PVC / 2" X MM 1118MM | 1 | | | | |
| 42 | 142071 | TUBE PVC / 2" X 1016MM W/ 1 HOLE | 1 | | | | |
| 43 | 500473 | WASHER LO SPT .262x.489x.062 Z050 | 6 | | | | |
| 44 | 500441 | WASHER FL .312x.734x.065 Z050 | 4 | | | | |
| 45 | 500769 | NUT HEX 1/4-20 Z050 | 4 | | | | |
| 46 | 500602 | SCREW TH SHR 1/4-20x3/4 | 2 | | | | |
| 47 | 500765 | NUT HEX #10-32 BR | 2 | | | | |
| 48 | 680532 | SEALANT SIKA #221 / GREY / 310ml CARTRIDGE | AR | | | | |
| | | | | | | | |
| | | | | | | | |
| | | | | | | | |
| | | | | | | | |

| | | |
|--|--------------|-----------------|
| From Y-7046 To 7-9095 | Date:10/2022 | PAGE:Y2-0630-50 |
| CABLE & HARNESS - UNDER FLOOR - MTH-40' & MTH-45' ENT | | |

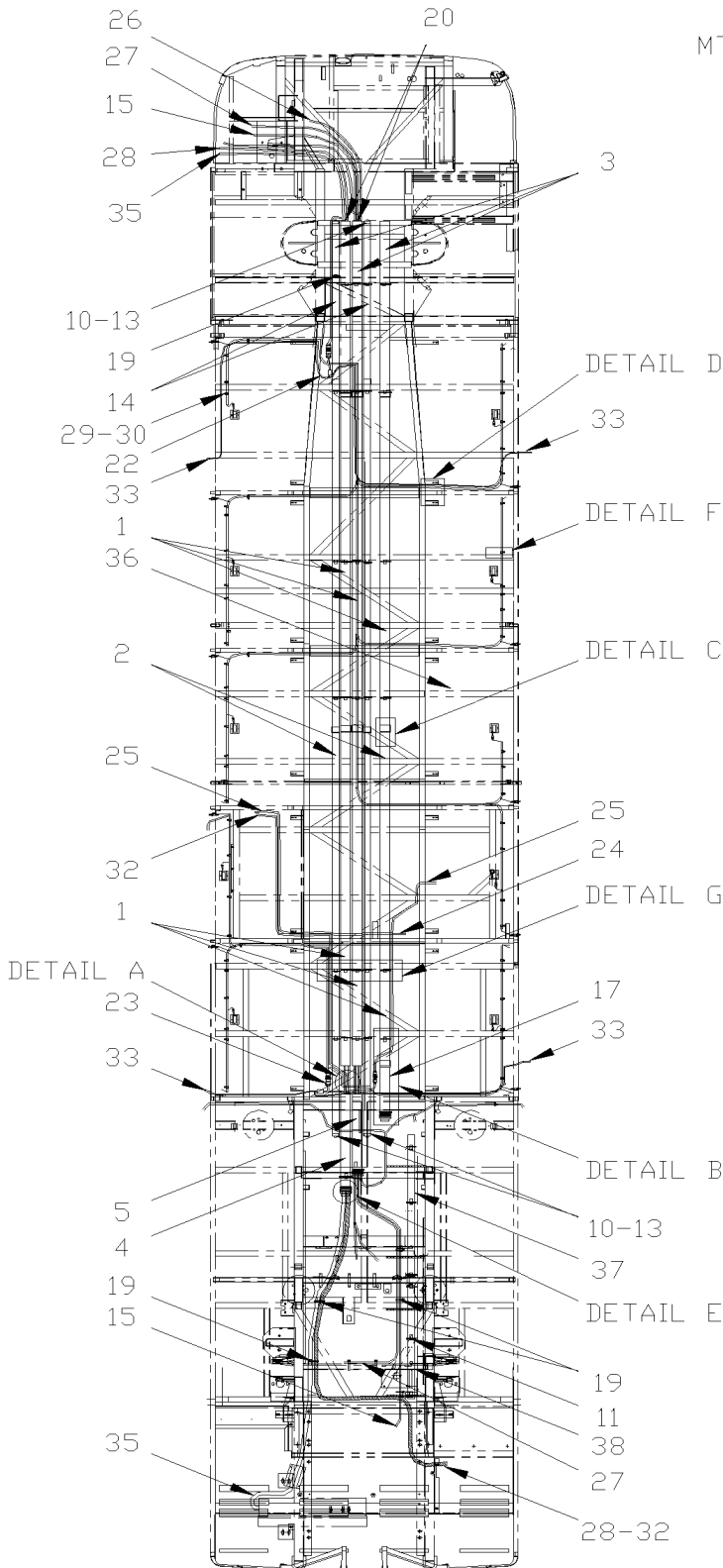


From Y-7046 To 7-9095

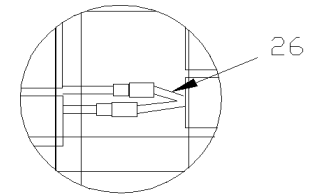
Date:10/2022

PAGE:Y2-0630-50

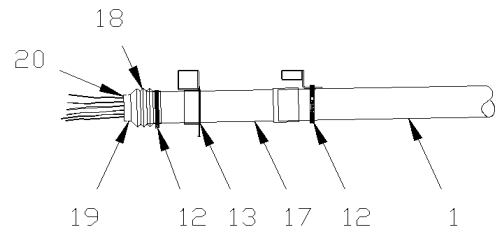
CABLE & HARNESS - UNDER FLOOR - MTH-40' & MTH-45' ENT



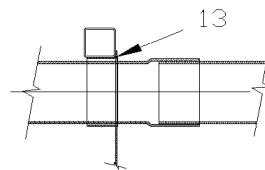
MTH-45E



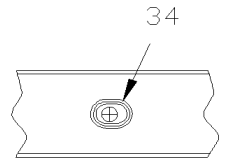
DETAIL A



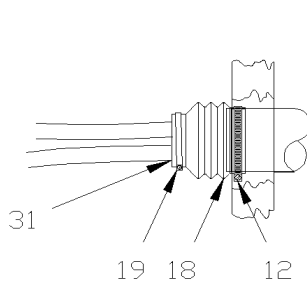
DETAIL B



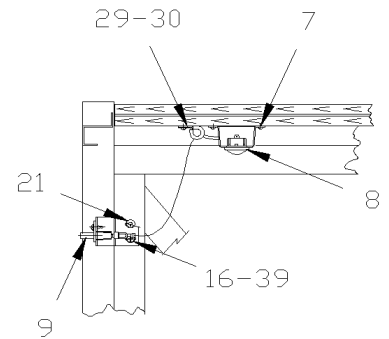
DETAIL C



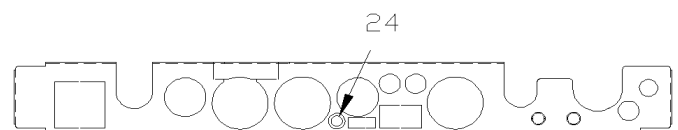
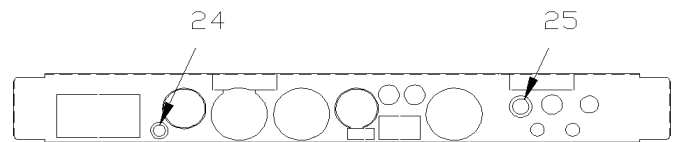
DETAIL D



DETAIL E



DETAIL F



DETAIL G

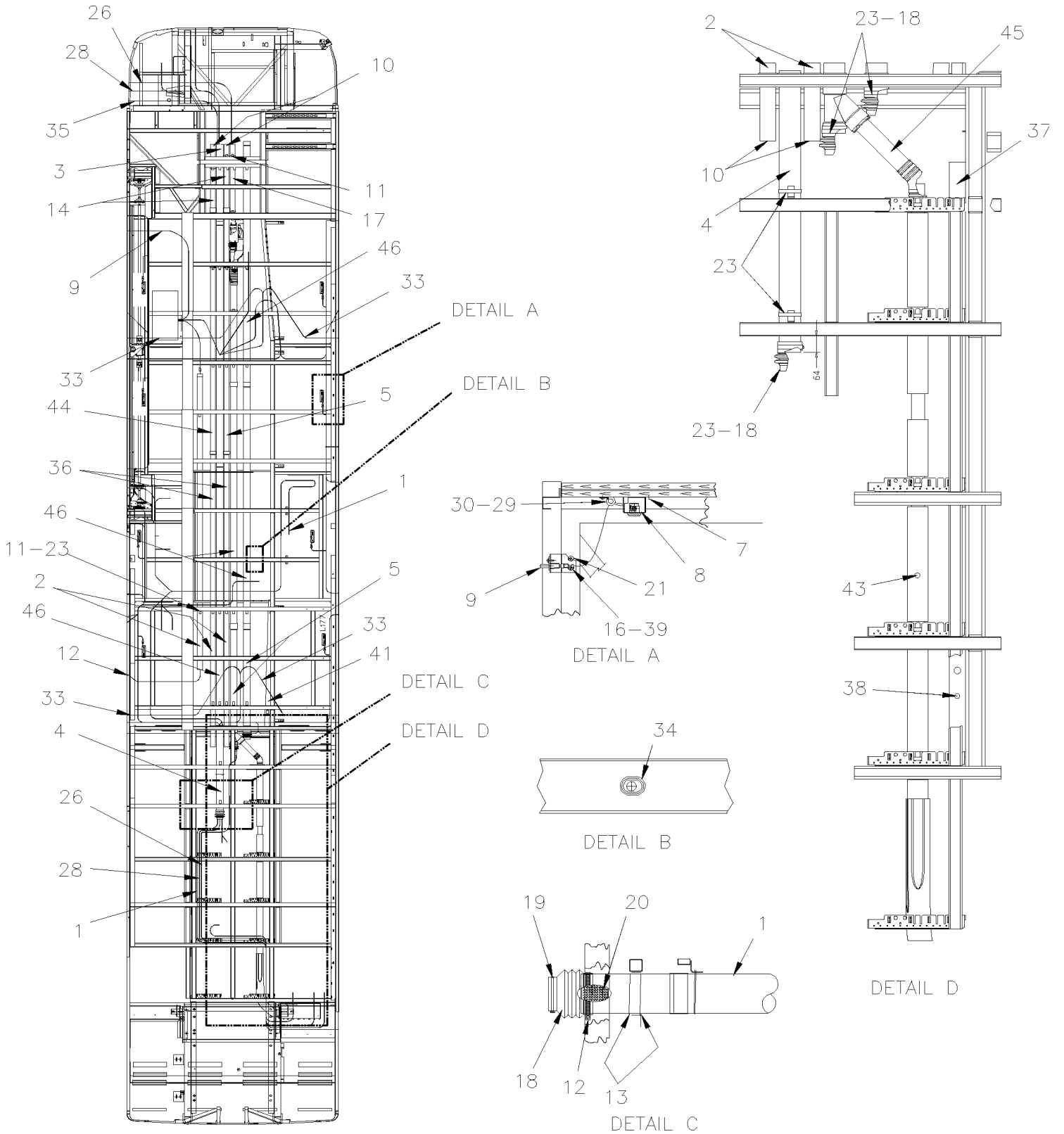
| | | |
|--|--------------|-----------------|
| From Y-7046 To 7-9095 | Date:10/2022 | PAGE:Y2-0630-50 |
| CABLE & HARNESS - UNDER FLOOR - MTH-40' & MTH-45' ENT | | |

| Item# | Part | Description | X L I I 4 5 | X L I I M T H 4 0 | X L I I M T H 4 5 | X L I I M T H 4 5 E | N O T E S |
|-------|-------------------|---|----------------------------|---|---|--|-----------------------|
| 1 | 503390 | TUBE / PVC PIPE / 3"x10' WHITE PVC | | 6 | | 6 | |
| 2 | 065443 | TUBE PVC / 2" X 3660MM W/F | | 2 | | 2 | |
| 3 | 063796 | TUBE PVC / 3" X 1575MM | | | | 3 | |
| 4 | 063550 | TUBE PVC / 3" X 870MM | | 1 | | 1 | |
| 5 | 063938 | TUBE PVC / 3" X 680MM | | 1 | | 1 | |
| 6 | 680290 | ADHESIVE PVC / 946ml | | AR | | AR | |
| 7 | 500235 | SCREW TP BDG PH #6x3/4 N500 | | AR | | AR | |
| 8 | Y2-0655-00 | INTERIOR LIGHTING | | | | | |
| 9 | Y2-0665-10 | SWITCHES, LIGHTS, AJAR - UNDER FLOOR | | | | | |
| 10 | 504489 | PLUG | | 4 | | 4 | |
| 11 | 504024 | HOSE CLAMP / 1"13/16"-2"3/4 SS / HS-36 | | 18 | | 18 | |
| 12 | 504026 | HOSE CLAMP / 2"13/16-3"3/4 SS / HS-52 | | 29 | | 29 | |
| 13 | 680532 | SEALANT SIKA #221 / GREY / 310ml CARTRIDGE | | AR | | AR | |
| 14 | 065442 | TUBE PVC / 2" X 2971MM | | 2 | | | |
| 14 | 065459 | TUBE PVC / 2" X 1453MM | | | | 2 | |
| 15 | 065451 | CABLE ASSY / E.C.M. & ACCELERATOR PEDAL To 3-8164 | | 1 | | | |
| 15 | 065788 | CABLE ASSY / E.C.M. & ACCELERATOR PEDAL From 4-8165 | | 1 | | | |
| 15 | 065597 | CABLE ASSY / E.C.M. & ACCELERATOR PEDAL To 3-8164 | | | | 1 | |
| 15 | 065787 | CABLE ASSY / E.C.M. & ACCELERATOR PEDAL From 4-8165 | | | | 1 | |
| 16 | 500432 | SCREW TC PAN PH #8-32x3/4 Z050 | | AR | | AR | |
| 17 | 141843 | TUBE PVC / 3" X 490MM W/F | | 1 | | 1 | |
| 18 | 504499 | CUFF END BELLOW / 2 7/8" I.D. x 3 5/8" x 4 7/16 | | 3 | | 3 | |
| 19 | 504016 | CABLE TIE / 5/16" X 14"1/2 | | 9 | | 9 | |
| 20 | 371600 | INSULATING PAD 76.2MM x 374.7MM | | 3 | | 3 | |
| 21 | 504357 | WASHER FL .187x.437x.050 SS | | AR | | AR | |
| 22 | 064872 | CABLE ASSY / FRONT BAGGAGE COMPARTMENT To 5-8379 | | 1 | | | |
| 22 | 066024 | CABLE ASSY / FRONT BAGGAGE COMPARTMENT From 5-8380 | | 1 | | | |
| 22 | 065196 | CABLE ASSY / FRONT BAGGAGE COMPARTMENT To 5-8379 | | | | 1 | |
| 22 | 066023 | CABLE ASSY / FRONT BAGGAGE COMPARTMENT From 5-8380 | | | | 1 | |
| 23 | 065578 | CABLE ASSY / REAR BAGGAGE COMPARTMENT To 5-8379 | | 1 | | 1 | |
| 23 | 066022 | CABLE ASSY / REAR BAGGAGE COMPARTMENT From 5-8380 | | 1 | | 1 | |
| 24 | 065699 | CABLE ASSY / FUEL TANK | | 1 | | 1 | |
| 25 | 065636 | CABLE ASSY / TO A/C BOX & FUEL TANK To 4-8212 | | 1 | | 1 | |
| 25 | 065769 | CABLE ASSY / TO A/C BOX & FUEL TANK From 4-8213 To 4-8226 | | 1 | | 1 | |
| 25 | 066004 | CABLE ASSY / TO A/C BOX & FUEL TANK From 4-8227 To 5-8644 | | 1 | | 1 | |
| 25 | 066472 | CABLE ASSY / TO A/C BOX & FUEL TANK From 5-8645 | | 1 | | 1 | |
| 26 | 065631 | CABLE ASSY / ABS MODULE TO FRONT & REAR CABLE | | 1 | | 1 | |
| 27 | 065260 | CABLE ASSY / TRANS & E.C.U. MODULE To 7-9000 | | 1 | | | |
| 27 | 066844 | CABLE ASSY "WORLD" TRANSMISSION From 7-9001 | | 1 | | | |
| 27 | 064812 | CABLE ASSY / TRANS & E.C.U. MODULE To 7-9000 | | | | 1 | |
| 27 | Call order desk | CABLE ASSY "WORLD" TRANSMISSION From 7-9001 | | | | 1 | P |
| 28 | 065299 | CABLE ASSY POWER | | 1 | | | |

| | | |
|--|--------------|-----------------|
| From Y-7046 To 7-9095 | Date:10/2022 | PAGE:Y2-0630-50 |
| CABLE & HARNESS - UNDER FLOOR - MTH-40' & MTH-45' ENT | | |

| Item# | Part | Description | X L I I 4 5 | X L I I M T H 4 0 | X L I I M T H 4 5 | X L I I M T H 4 5 E | N O T E S |
|-------|--------|---|----------------------------|---|---|--|-----------------------|
| 28 | 064887 | CABLE ASSY POWER | | | | 1 | |
| 29 | 952631 | CLAMP / 3/4" I.D. | | AR | | AR | |
| 30 | 500244 | SCREW TP BDG PH #8x3/4 N500 | | AR | | AR | |
| 31 | 680096 | SEALANT BUTYL ALUM / GREY / 310ml CARTRIDGE | | AR | | AR | |
| 32 | 065088 | CABLE ASSY #102 | | 1 | | 1 | |
| 33 | 064888 | CABLE ASSY / AUXILIARY SIDE MARKER LIGHT To 5-8358 | | 2 | | 2 | |
| 33 | 066038 | CABLE ASSY / AUXILIARY SIDE MARKER LIGHT From 5-8359 | | 2 | | 2 | |
| 34 | 504534 | GROMMET / .875x1.250x.187x.562x1.625 | | 6 | | 6 | |
| 35 | 065298 | CABLE ASSY / FRT JCT BOX & REAR JCT BOX To 5-8358 | | 1 | | 1 | |
| 35 | 066027 | CABLE ASSY / FRT JCT BOX & REAR JCT BOX From 5-8359 To 5-8644 | | 1 | | 1 | |
| 35 | 066351 | CABLE ASSY / FRT JCT BOX & REAR JCT BOX From 5-8645 | | 1 | | 1 | |
| 36 | 503715 | TUBE / PVC PIPE / 2"x10' GRAY PVC | | 2 | | 2 | |
| 37 | 142116 | TUBE PVC / 2" X MM 973MM | | 1 | | 1 | |
| 38 | 142071 | TUBE PVC / 2" X 1016MM W/ 1 HOLE | | 1 | | 1 | |
| 39 | 500834 | WASHER LO INT .168x.340x.023 N500 | | AR | | AR | |
| | | | | | | | |
| | | | | | | | |
| | | P) CALL ORDER DESK FOR SPECIFIC APPLICATION (V.I.N.) | | | | | |

| | | |
|---|--------------|-----------------|
| From 7-9096 To 8-9339 | Date:10/2022 | PAGE:Y2-0630-51 |
| CABLE & HARNESS - UNDER FLOOR - MTH WITH / MUX | | |



| | | |
|---|--------------|-----------------|
| From 7-9096 To 8-9339 | Date:10/2022 | PAGE:Y2-0630-51 |
| CABLE & HARNESS - UNDER FLOOR - MTH WITH / MUX | | |

| Item# | Part | Description | X L I I 4 5 | X L I I M T H 4 0 | X L I I M T H 4 5 | X L I I M T H 4 5 E | N O T E S |
|-------|---------|---|----------------------------|---|---|--|-----------------------|
| 1 | 067012 | CABLE ASSY / POWER HVAC | | | 1 | | |
| 1 | 066782 | CABLE ASSY / EVAPORATOR ACCESSORIES COMPARTMENT | | | | 1 | |
| 2 | 065443 | TUBE PVC / 2" X 3660MM W/F | | | AR | AR | |
| 3 | 063384 | TUBE PVC / 3" X 1020MM | | | 1 | | |
| 3 | 063796 | TUBE PVC / 3" X 1575MM | | | | 1 | |
| 4 | 063386 | TUBE PVC / 3" X 1090MM | | | 1 | | |
| 4 | 066983 | TUBE PVC / 3" X 456MM | | 1 | | | |
| 4 | 066698 | TUBE PVC / 3" X 1980MM | | | | 1 | |
| 5 | 066929 | TUBE PVC / 3" X 1350MM | | | 1 | | |
| 6 | 066170 | TUBE PVC / 2" X 1450MM | | | | 1 | |
| NS | 680290 | ADHESIVE PVC / 946ml | | | AR | | |
| 7 | 5001452 | SCREW TP PAN PH #8x1 1/2 SS | | | AR | | |
| 8 | 330372 | LAMP ASSY 24V / BAGGAGE COMPARTMENT LAMP W/2 BULBS 5W To 7-9224 | | | AR | AR | |
| 8 | 330224 | LAMP ASSY 24V / BAGGAGE COMPARTMENT LAMP W/2 BULBS G4-10W From 7-9225 | | | 1 | 1 | |
| NS | 330396 | BULB / 10 WATTS -28VOLTS / SAE# G4-28 From 7-9225 | | | 2 | 2 | |
| 9 | 066533 | SWITCH ASSY / BAGGAGE COMPARTMENT | | | AR | AR | |
| 10 | 504489 | PLUG | | | 4 | 4 | |
| 11 | 504024 | HOSE CLAMP / 1"13/16"-2"3/4 SS / HS-36 | | | 23 | 23 | |
| 12 | 504023 | HOSE CLAMP / 1"5/16"-2"1/4 SS / HS-28 | | | 20 | 20 | |
| 13 | 680532 | SEALANT SIKA #221 / GREY / 310ml CARTRIDGE | | | AR | AR | |
| 14 | 065460 | TUBE PVC / 2" X 845MM | | | 2 | | |
| 14 | 065459 | TUBE PVC / 2" X 1453MM | | | | 2 | |
| 16 | 500432 | SCREW TC PAN PH #8-32x3/4 Z050 | | | AR | AR | |
| 17 | 066919 | TUBE PVC / 2" X 900MM | | | 1 | 1 | |
| 18 | 504499 | CUFF END BELLOW / 2 7/8" I.D. x 3 5/8" x 4 7/16 | | | 3 | 3 | |
| 19 | 504016 | CABLE TIE / 5/16" X 14"1/2 | | | 9 | 9 | |
| 20 | 371600 | INSULATING PAD 76.2MM x 374.7MM | | | AR | AR | |
| 21 | 504357 | WASHER FL .187x.437x.050 SS | | | AR | AR | |
| 22 | 066779 | CABLE FRONT BAGGAGE COMPARTMENT | | | | 1 | |
| 23 | 504026 | HOSE CLAMP / 2"13/16"-3"3/4 SS / HS-52 | | | AR | AR | |
| 26 | 066962 | CABLE ASSY / FJB TO "ABS" & CABLE FRT & RR | | | 1 | 1 | |
| 28 | 066886 | CABLE ASSY / FRT JCT BOX & REAR JCT BOX | | | 1 | 1 | |
| 29 | 952631 | CLAMP / 3/4" I.D. | | | AR | AR | |
| 30 | 500641 | SCREW TP PAN PH #8x3/4 Z050 | | | AR | AR | |
| 33 | 066781 | CABLE ASSY / SIDE MARKER "ADDITIONAL" | | | AR | AR | |
| 34 | 504534 | GROMMET / .875x1.250x.187x.562x1.625 | | | 6 | 6 | |
| 35 | 066778 | CABLE ASSY / POWER TO FRONT ACCESSORIES | | | | 1 | |
| 36 | 503715 | TUBE / PVC PIPE / 2"x10' GRAY PVC | | | 2 | | |
| 37 | 142070 | TUBE PVC / 2" X 1270MM | | | 1 | | |
| 37 | 144849 | TUBE PVC / 2" X 1320MM | | | | 1 | |
| 38 | 142071 | TUBE PVC / 2" X 1016MM W/ 1 HOLE | | | 1 | | |
| 380 | 144850 | TUBE PVC / 2" X 1000MM W/ 1 HOLE | | | | 1 | |

From 7-9096 To 8-9339 Date:10/2022 PAGE:Y2-0630-51

CABLE & HARNESS - UNDER FLOOR - MTH WITH / MUX

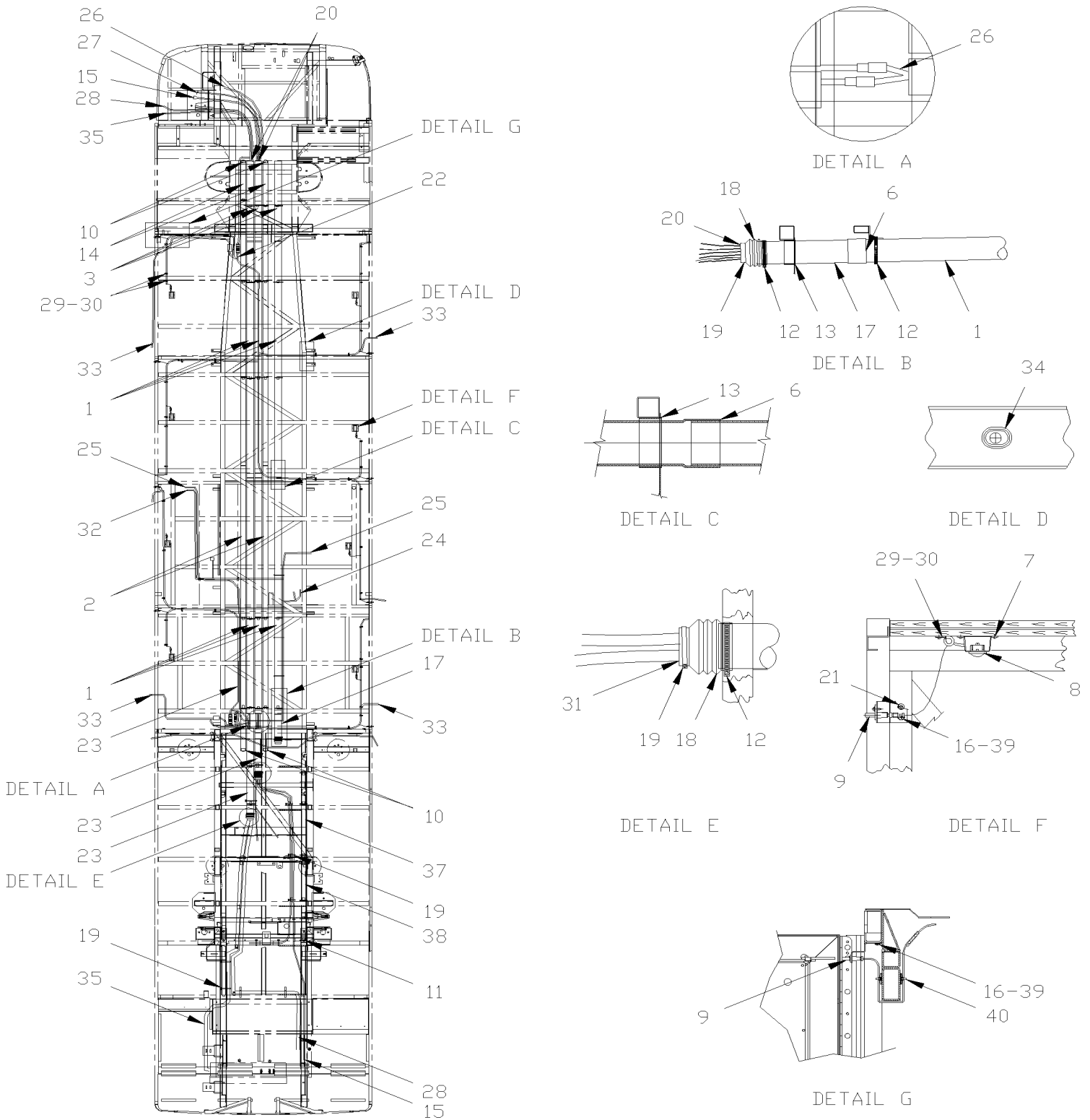
| Item# | Part | Description | X L I I 4 5 | X L I I M T H 4 0 | X L I I M T H 4 5 | X L I I M T H 4 5 E | N O T E S |
|-------|-------------------|--|----------------------------|---|---|--|-----------------------|
| 39 | 500834 | WASHER LO INT .168x.340x.023 N500 | | | 12 | | |
| NS | 500022 | WASHER LO INT .168x.340x.023 Z050 | | | 4 | | |
| 40 | 562679 | 4 WAY ADH. BACKED MOUNTS 1.000 x 1.000 x .160 | | | 1 | | |
| 41 | 066112 | TUBE PVC / 2" X 1575MM | | | 1 | | |
| 42 | Y2-0620-05 | REAR JUNCTION BOX FAN - INSTALLATION | | | | | |
| 43 | Call order desk | TUBE PVC 2" X VEHICULE ASSY W/INSULATED NOT FO SALE | | | 1 | | P |
| 44 | 066947 | TUBE PVC / 3" X 3048MM | | | 1 | | |
| 45 | Call order desk | TUBE PVC Y 3" X 3" X 3" ASSY NOT FO SALE | | | 1 | | P |
| 46 | 503390 | TUBE / PVC PIPE / 3"x10' WHITE PVC | | | AR | | |
| | | | | | | | |
| | | | | | | | |
| | | | | | | | |
| | | P) CALL ORDER DESK FOR SPECIFIC APPLICATION (V.I.N.) | | | | | |

From Y-7046 To 7-9095

Date:10/2022

PAGE:Y2-0630-60

CABLE & HARNESS - UNDER FLOOR - MTH-45'



| | | |
|-----------------------|--------------|-----------------|
| From Y-7046 To 7-9095 | Date:10/2022 | PAGE:Y2-0630-60 |
|-----------------------|--------------|-----------------|

CABLE & HARNESS - UNDER FLOOR - MTH-45'

| Item# | Part | Description | X L I I 4 5 | X L I I M T H 4 0 | X L I I M T H 4 5 | X L I I M T H 4 5 E | NOTES |
|-------|-------------------|---|----------------------------|---|---|--|-------|
| 1 | 503390 | TUBE / PVC PIPE / 3"x10' WHITE PVC | | | 6 | | |
| 2 | 065443 | TUBE PVC / 2" X 3660MM W/F | | | 2 | | |
| 3 | 063384 | TUBE PVC / 3" X 1020MM | | | 3 | | |
| 4 | 063386 | TUBE PVC / 3" X 1090MM | | | 1 | | |
| 5 | 063760 | TUBE PVC / 3" X 560MM | | | 1 | | |
| 6 | 680290 | ADHESIVE PVC / 946ml | | | AR | | |
| 7 | 500235 | SCREW TP BDG PH #6x3/4 N500 | | | AR | | |
| 8 | Y2-0655-00 | INTERIOR LIGHTING | | | | | |
| 9 | Y2-0665-10 | SWITCHES, LIGHTS, AJAR - UNDER FLOOR | | | | | |
| 10 | 504489 | PLUG | | | 4 | | |
| 11 | 504024 | HOSE CLAMP / 1"13/16"-2"3/4 SS / HS-36 | | | 18 | | |
| 12 | 504026 | HOSE CLAMP / 2"13/16"-3"3/4 SS / HS-52 | | | 29 | | |
| 13 | 680532 | SEALANT SIKA #221 / GREY / 310ml CARTRIDGE | | | AR | | |
| 14 | 065460 | TUBE PVC / 2" X 845MM | | | 2 | | |
| 15 | 065597 | CABLE ASSY / E.C.M. & ACCELERATOR PEDAL To 3-8164 | | | 1 | | |
| 15 | 065787 | CABLE ASSY / E.C.M. & ACCELERATOR PEDAL From 4-8165 | | | 1 | | |
| 16 | 500654 | SCREW TC BDG PH #8-32x1/2 Z050 | | | AR | | |
| 17 | 141843 | TUBE PVC / 3" X 490MM W/F | | | 1 | | |
| 18 | 504499 | CUFF END BELLOW / 2 7/8" I.D. x 3 5/8" x 4 7/16 | | | 3 | | |
| 19 | 504016 | CABLE TIE / 5/16" X 14"1/2 | | | 9 | | |
| 20 | 371600 | INSULATING PAD 76.2MM x 374.7MM | | | 3 | | |
| 21 | 504357 | WASHER FL .187x.437x.050 SS | | | AR | | |
| 22 | 064872 | CABLE ASSY / FRONT BAGGAGE COMPARTMENT To 5-8379 | | | 1 | | |
| 22 | 066024 | CABLE ASSY / FRONT BAGGAGE COMPARTMENT From 5-8380 | | | 1 | | |
| 23 | 065578 | CABLE ASSY / REAR BAGGAGE COMPARTMENT | | | 1 | | |
| 23 | 066022 | CABLE ASSY / REAR BAGGAGE COMPARTMENT From 5-8380 | | | 1 | | |
| 24 | 065699 | CABLE ASSY / FUEL TANK | | | 1 | | |
| 25 | 065636 | CABLE ASSY / TO A/C BOX & FUEL TANK To 4-8212 | | | 1 | | |
| 25 | 065769 | CABLE ASSY / TO A/C BOX & FUEL TANK From 4-8213 To 4-8226 | | | 1 | | |
| 25 | 066004 | CABLE ASSY / TO A/C BOX & FUEL TANK From 4-8227 To 5-8644 | | | 1 | | |
| 25 | 066472 | CABLE ASSY / TO A/C BOX & FUEL TANK From 5-8645 | | | 1 | | |
| 26 | 065631 | CABLE ASSY / ABS MODULE TO FRONT & REAR CABLE | | | 1 | | |
| 27 | 064812 | CABLE ASSY / TRANS & E.C.U. MODULE To 7-9000 | | | 1 | | |
| 27 | Call order desk | CABLE ASSY "WORLD" TRANSMISSION From 7-9001 | | | 1 | | P |
| 28 | 064887 | CABLE ASSY POWER | | | 1 | | |
| 29 | 952631 | CLAMP / 3/4" I.D. | | | AR | | |
| 30 | 500641 | SCREW TP PAN PH #8x3/4 Z050 | | | AR | | |
| 31 | 680123 | SEALANT BUTYL ALUM / GREY / 50GI U.S. | | | AR | | |
| 32 | 065088 | CABLE ASSY #102 | | | 1 | | |
| 33 | 064888 | CABLE ASSY / AUXILIARY SIDE MARKER LIGHT To 5-8358 | | | 2 | | |
| 33 | 066038 | CABLE ASSY / AUXILIARY SIDE MARKER LIGHT From 5-8359 | | | 2 | | |
| 34 | 504534 | GROMMET / .875x1.250x.187x.562x1.625 | | | 6 | | |

| | | |
|-----------------------|--------------|-----------------|
| From Y-7046 To 7-9095 | Date:10/2022 | PAGE:Y2-0630-60 |
|-----------------------|--------------|-----------------|

CABLE & HARNESS - UNDER FLOOR - MTH-45'

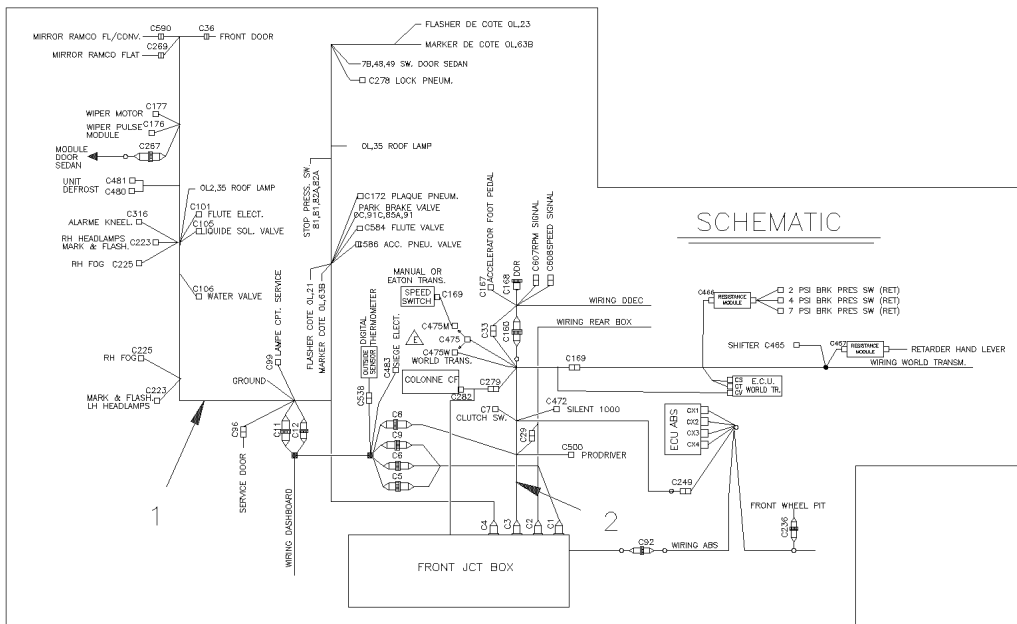
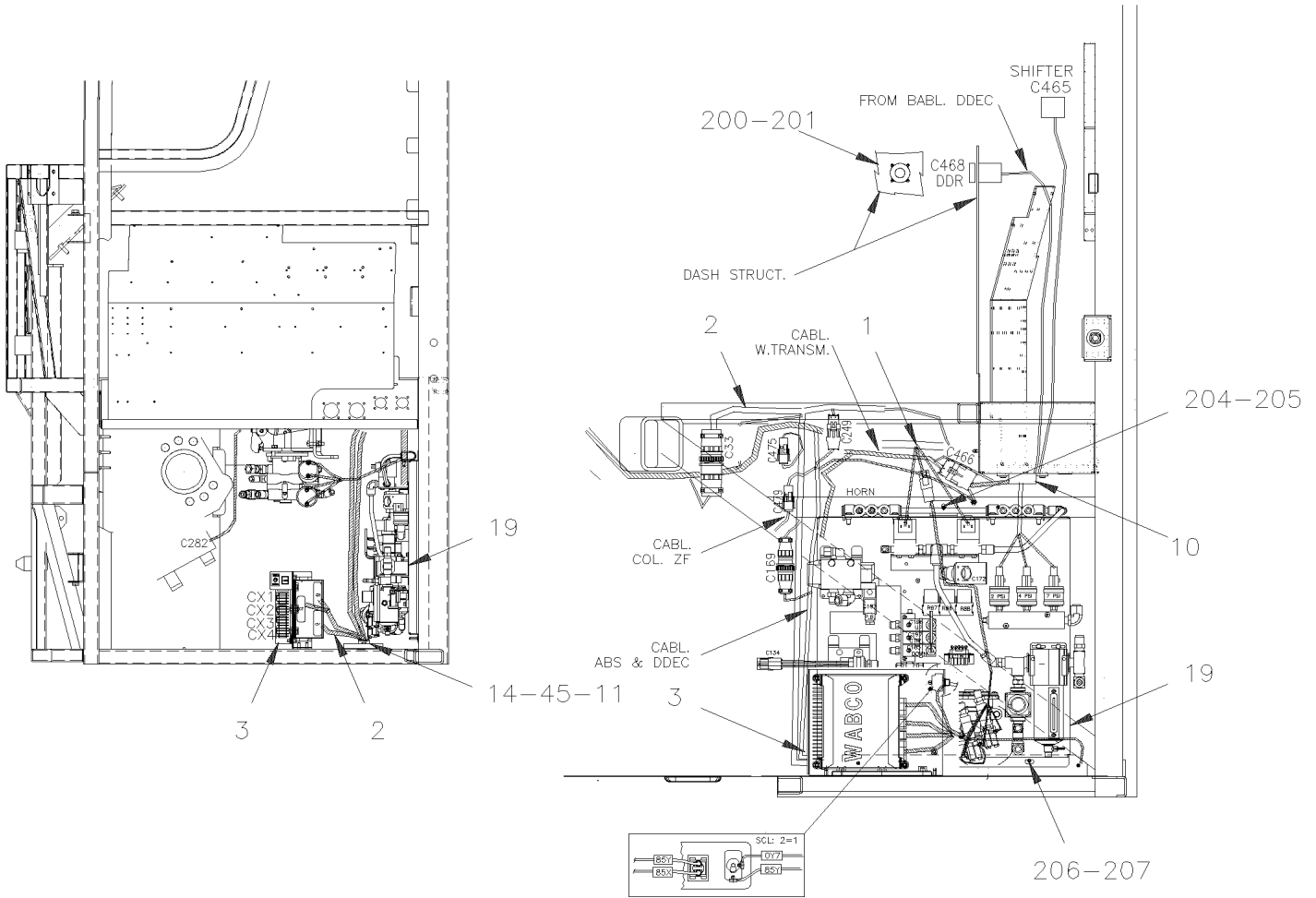
| Item# | Part | Description | X L I I 4 5 | X L I I M T H 4 0 | X L I I M T H 4 5 | X L I I M T H 4 5 E | NOTES |
|-------|--------|---|----------------------------|---|---|--|-------|
| 35 | 064804 | CABLE ASSY / FRT JCT BOX & REAR JCT BOX To 5-8379 | | | 1 | | |
| 35 | 066026 | CABLE ASSY / FRT JCT BOX & REAR JCT BOX From 5-8380 To 5-8644 | | | 1 | | |
| 35 | 066345 | CABLE ASSY / FRT JCT BOX & REAR JCT BOX From 5-8645 | | | 1 | | |
| 36 | 503715 | TUBE / PVC PIPE / 2"x10' GRAY PVC | | | 2 | | |
| 37 | 142070 | TUBE PVC / 2" X 1270MM | | | 1 | | |
| 38 | 142071 | TUBE PVC / 2" X 1016MM W/ 1 HOLE | | | 1 | | |
| 39 | 500834 | WASHER LO INT .168x.340x.023 N500 | | | AR | | |
| 40 | 562679 | 4 WAY ADH. BACKED MOUNTS 1.000 x 1.000 x .160 | | | 6 | | |
| | | | | | | | |
| | | | | | | | |
| | | | | | | | |
| | | P) CALL ORDER DESK FOR SPECIFIC APPLICATION (V.I.N.) | | | | | |

From Y-7046 To 6-8906

Date:10/2022

PAGE:Y2-0640-00

CABLE & HARNESS - FRONT END INSTALLATION - BUS

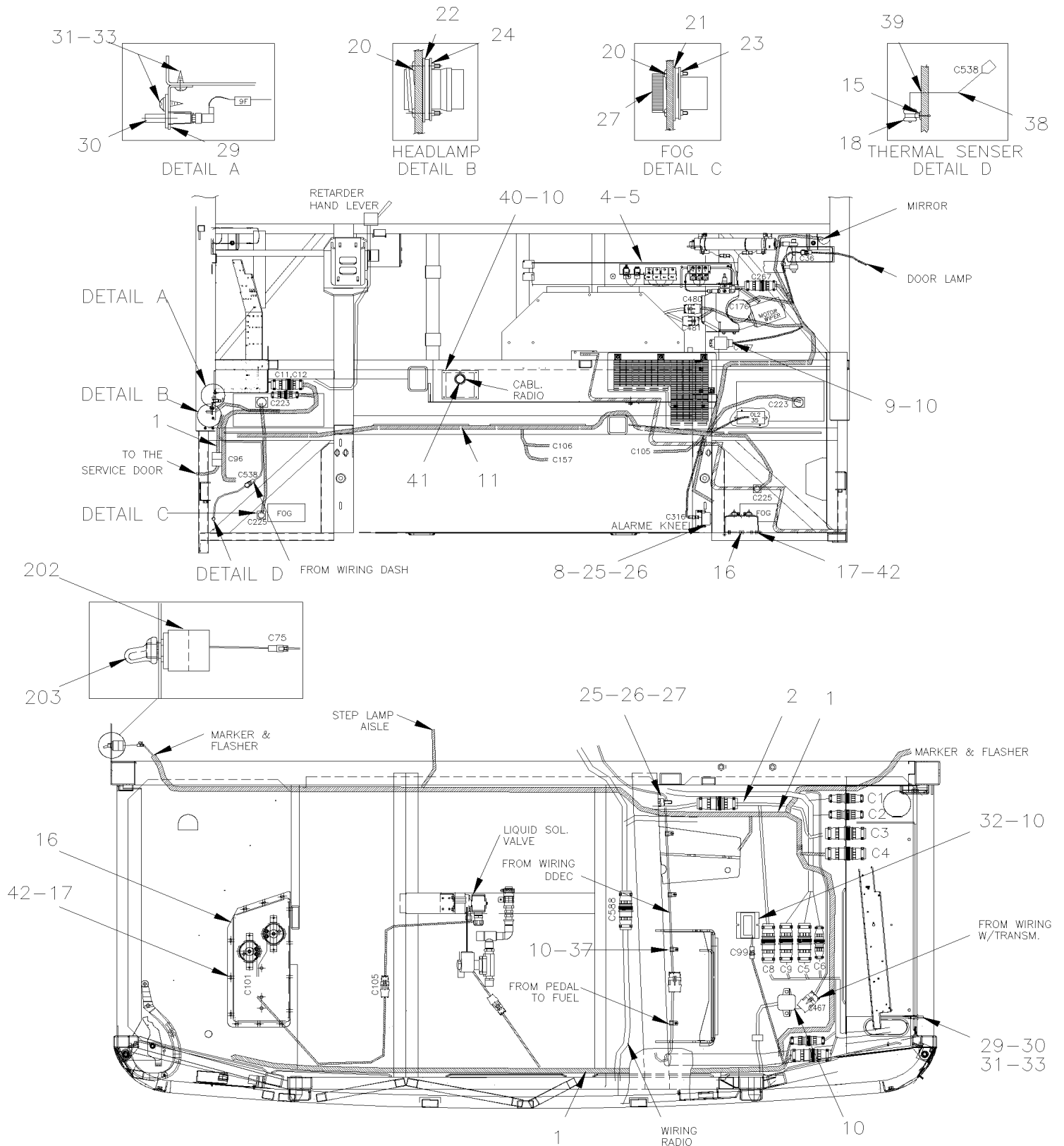


From Y-7046 To 6-8906

Date:10/2022

PAGE:Y2-0640-00

CABLE & HARNESS - FRONT END INSTALLATION - BUS

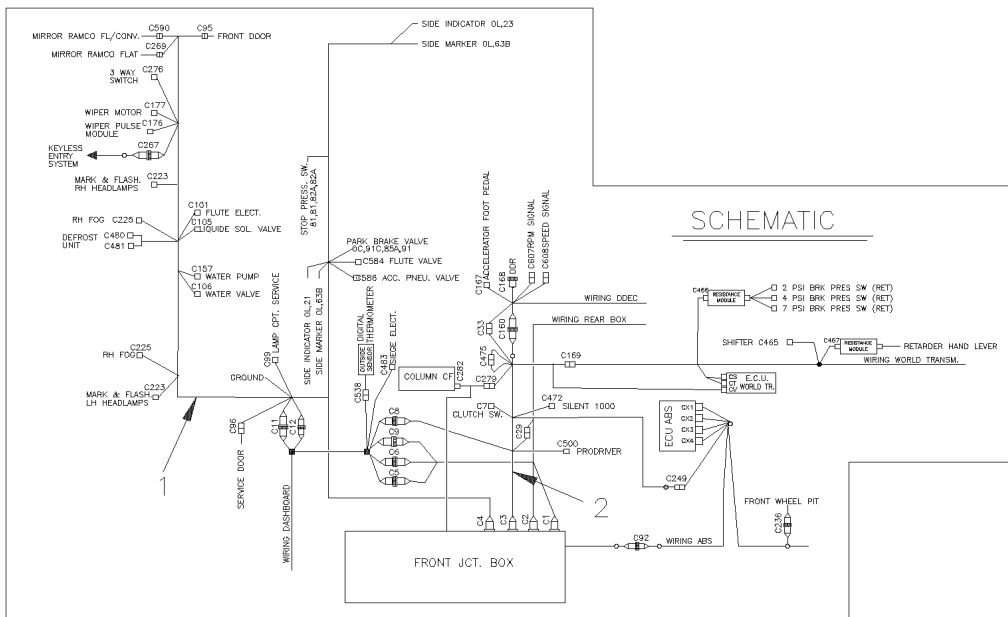
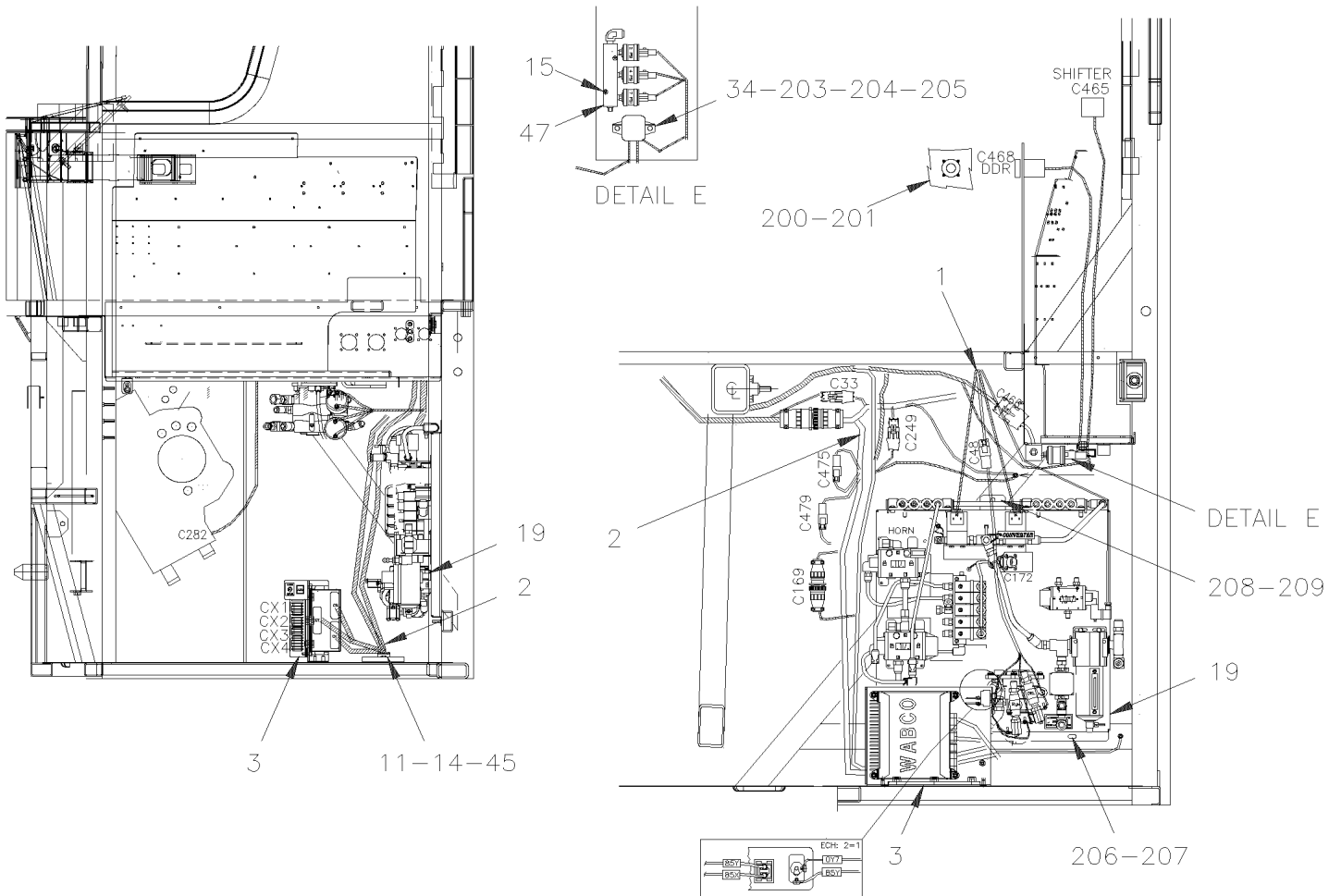


| | | |
|-----------------------|--------------|-----------------|
| From Y-7046 To 6-8906 | Date:10/2022 | PAGE:Y2-0640-00 |
|-----------------------|--------------|-----------------|

CABLE & HARNESS - FRONT END INSTALLATION - BUS

| Item# | Part | Description | X L I I 4 5 | X L I I M T H 4 0 | X L I I M T H 4 5 | X L I I M T H 4 5 E | N O T E S |
|-------|-------------------|---|----------------------------|---|---|--|-----------------------|
| 1 | 065110 | CABLE ASSY / FRONT LOWER END To Y-7310 | 1 | | | | |
| 1 | 065346 | CABLE ASSY / FRONT LOWER END From Y-7311 To Y-7524 | 1 | | | | |
| 1 | 065379 | CABLE ASSY / FRONT LOWER END From Y-7525 To 2-7764 | 1 | | | | |
| 1 | 065562 | CABLE ASSY / FRONT LOWER END From 2-7765 To 3-8077 | 1 | | | | |
| 1 | 065742 | CABLE ASSY / FRONT LOWER END From 3-8078 To 5-8358 | 1 | | | | |
| 1 | 065718 | CABLE ASSY / FRONT LOWER END From 5-8359 To 5-8469 | 1 | | | | |
| 1 | 066097 | CABLE ASSY / FRONT LOWER END From 5-8470 | 1 | | | | |
| 2 | 064777 | CABLE, FRONT INTERFACE To Y-7310 | 1 | | | | |
| 2 | 065348 | CABLE, FRONT INTERFACE From Y-7311 To Y-7524 | 1 | | | | |
| 2 | 065448 | CABLE, FRONT INTERFACE From Y-7525 To 2-7823 | 1 | | | | |
| 2 | 065596 | CABLE, FRONT INTERFACE From 2-7824 To 5-8358 | 1 | | | | |
| 2 | 065860 | CABLE, FRONT INTERFACE From 5-8359 | 1 | | | | |
| 3 | Y2-1250-00 | ANTI-LOCK BRAKING SYSTEM | | | | | |
| 4 | Y2-1802-00 | ENTRANCE DOOR CONTROL | | | | | |
| 5 | 064094 | FIRE & KNEELING / ALARM ASSY / SERVICE | 1 | | | | |
| 8 | 500588 | SCREW CAP HEX M4-0.7x20 G8.8 Z050 | 2 | | | | |
| 9 | 800293 | GENERATOR, PULSE / FOR WIPER MOTOR | AR | | | | |
| 10 | Y2-0750-00 | AUTOMATIC TRANSMISSION - "WORLD" WITH DETROIT S-60 | | | | | |
| 11 | 504637 | CABLE TIE / 3/16" x 13" | 25 | | | | |
| 14 | 504347 | RIVET POP DOME OE 3/16x1/4 AL | 3 | | | | |
| 15 | 500952 | SCREW TP BDG PH #8x1/2 SS | 1 | | | | |
| 16 | Y2-2310-00 | HORN - INSTALLATION | | | | | |
| 17 | 500964 | WASHER FL .203x.500x.047 Z050 | 13 | | | | |
| 18 | 952625 | CLAMP / 3/8" I.D. | 1 | | | | |
| 19 | Y2-1630-00 | FRONT KNEELING - CONTROL PANEL | | | | | |
| 20 | 5001454 | SCREW MA BDG PH #4-40x1/2 SS | 16 | | | | |
| 21 | 562945 | GASKET MOUNTING / HD10 SERIES / 3C / DEUTSCH HD10-3-GKT | 2 | | | | |
| 22 | 562946 | GASKET MOUNTING / HD10 SERIES / 5C / DEUTSCH HD10-5-GKT | 2 | | | | |
| 23 | 062268 | NUT, RING #11 / .940" I.D. W/4 4-40 | 2 | | | | |
| 24 | 561820 | NUT, RING #13 / 1.125" I.D. W/4 4-40 | 2 | | | | |
| 25 | 502524 | NUT HEX M4-0.7 Z050 | 2 | | | | |
| 26 | 502636 | WASHER LO SPT 4.1x7.6x0.9 Z050 | 2 | | | | |
| 27 | 562904 | PROTECTIVE CAP / HD10 SERIES / 3C / DEUTSCH HDC16-3 | 2 | | | | |
| 29 | 064434 | SUPPORT / LIGHT SWITCH | 1 | | | | |
| 30 | 562303 | SWITCH / S.P.S.T. / N.C. To 5-8788 | 1 | | | | |
| 30 | 563464 | SWITCH / S.P.S.T. / N.C. / W/RUBBER BOOT From 5-8789 | 1 | | | | |
| 31 | 500022 | WASHER LO INT .168x.340x.023 Z050 | 2 | | | | |
| 32 | Y2-0655-00 | INTERIOR LIGHTING | | | | | |
| 32 | Y2-0665-10 | SWITCHES, LIGHTS, AJAR - UNDER FLOOR | | | | | |
| 33 | 500657 | SCREW TC TR PH #10-24x1/2 Z050 | 3 | | | | |
| 37 | 952625 | CLAMP / 3/8" I.D. | 4 | | | | |
| 38 | 562636 | SENSOR / PASSENGER'S TEMP. CONTROL To 1-7493 | 1 | | | | |

| | | |
|---|--------------|-----------------|
| From Y-7046 To 7-9095 | Date:10/2022 | PAGE:Y2-0640-50 |
| CABLE & HARNESS - FRONT END INSTALLATION - MTH | | |

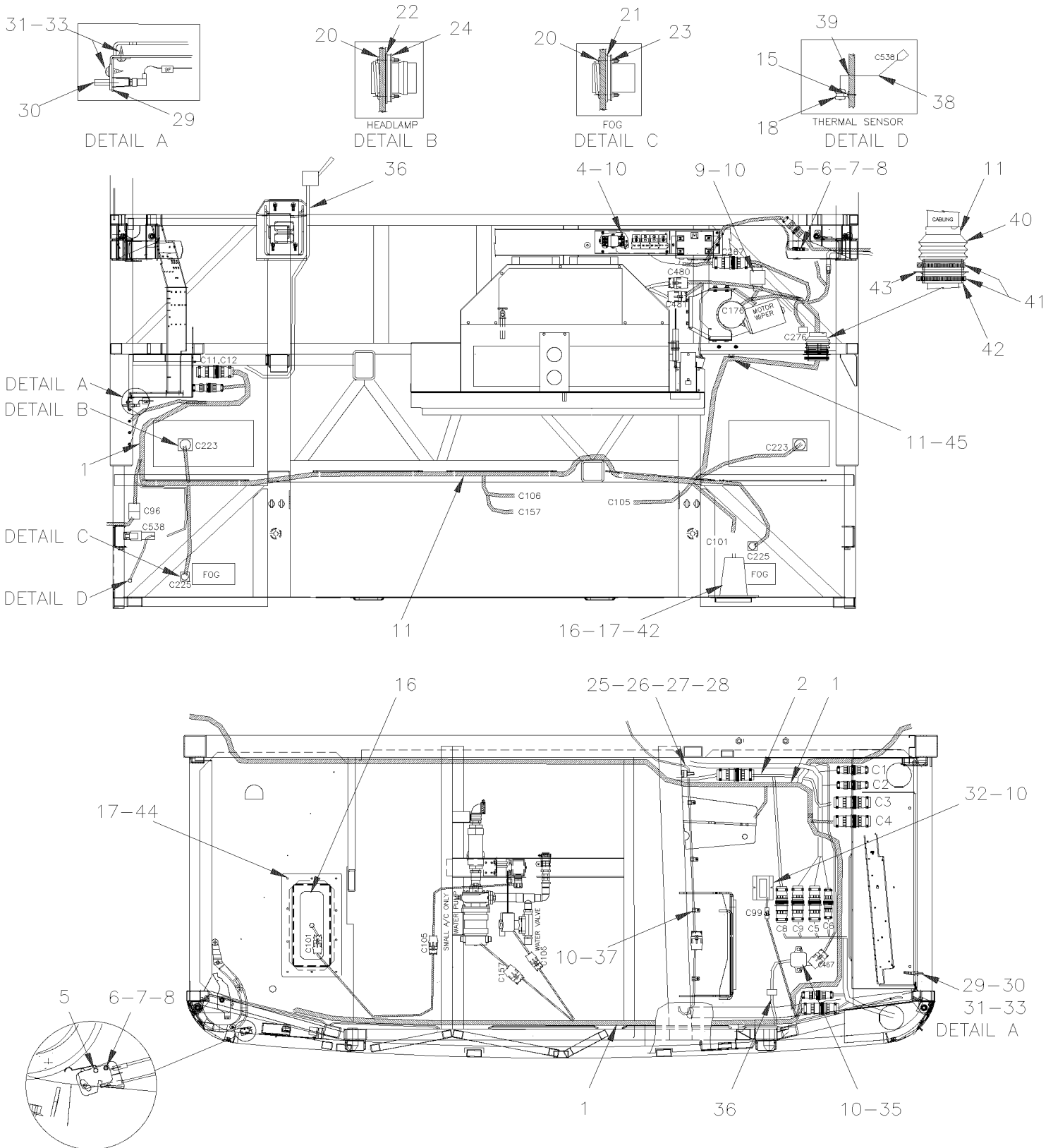


From Y-7046 To 7-9095

Date:10/2022

PAGE:Y2-0640-50

CABLE & HARNESS - FRONT END INSTALLATION - MTH



| | | |
|---|--------------|-----------------|
| From Y-7046 To 7-9095 | Date:10/2022 | PAGE:Y2-0640-50 |
| CABLE & HARNESS - FRONT END INSTALLATION - MTH | | |

| Item# | Part | Description | X L I I 4 5 | X L I I M T H 4 0 | X L I I M T H 4 5 | X L I I M T H 4 5 E | N O T E S |
|-------|-------------------|---|----------------------------|---|---|--|-----------------------|
| 1 | 064779 | CABLE ASSY / FRONT LOWER END To Y-7493 | | 1 | 1 | 1 | |
| 1 | 065439 | CABLE ASSY / FRONT LOWER END From Y-7494 To 2-7764 | | 1 | 1 | 1 | |
| 1 | 065564 | CABLE ASSY / FRONT LOWER END From 2-7765 To 2-7799 | | 1 | 1 | 1 | |
| 1 | 065550 | CABLE ASSY / FRONT LOWER END From 2-7800 To 3-7957 | | 1 | 1 | 1 | |
| 1 | 065783 | CABLE ASSY / FRONT LOWER END From 3-7958 To 4-8379 | | 1 | 1 | 1 | |
| 1 | 065715 | CABLE ASSY / FRONT LOWER END From 5-8380 To 5-8469 | | 1 | 1 | 1 | |
| 1 | 066099 | CABLE ASSY / FRONT LOWER END From 5-8470 | | 1 | 1 | 1 | |
| 2 | 064777 | CABLE, FRONT INTERFACE To Y-7310 | | 1 | 1 | 1 | |
| 2 | 065348 | CABLE, FRONT INTERFACE From Y-7311 To Y-7531 | | 1 | 1 | 1 | |
| 2 | 065448 | CABLE, FRONT INTERFACE From Y-7532 To 2-7823 | | 1 | 1 | 1 | |
| 2 | 065596 | CABLE, FRONT INTERFACE From 2-7824 To 4-8358 | | 1 | 1 | 1 | |
| 2 | 065860 | CABLE, FRONT INTERFACE From 5-8359 | | 1 | 1 | 1 | |
| 3 | Y2-1250-00 | ANTI-LOCK BRAKING SYSTEM | | | | | |
| 4 | Y2-0650-50 | KEYLESS MODULE | | | | | |
| 5 | 562096 | MICRO SWITCH | | 1 | 1 | 1 | |
| 6 | 502577 | SCREW MA PAN PH M3-0.5x16 ZP | | 2 | 2 | 2 | |
| 7 | 502579 | NUT HEX M3-0.5 NP | | 2 | 2 | 2 | |
| 8 | 5001407 | WASHER LO EXT 3.2x6.0x0.4 SS | | 2 | 2 | 2 | |
| 9 | 800293 | GENERATOR, PULSE / FOR WIPER MOTOR | | 1 | 1 | 1 | |
| 10 | 500638 | SCREW TP PAN PH #8x1/2 Z050 | | 6 | 6 | 6 | |
| 11 | 504637 | CABLE TIE / 3/16" x 13" | | 25 | 25 | 25 | |
| 15 | 500952 | SCREW TP BDG PH #8x1/2 SS | | 1 | 1 | 1 | |
| 16 | Y2-2310-00 | HORN - INSTALLATION | | | | | |
| 17 | 500658 | SCREW TC PAN PH #10-24x3/4 Z050 | | 10 | 10 | 10 | |
| 18 | 952625 | CLAMP / 3/8" I.D. | | 1 | 1 | 1 | |
| 19 | Y2-1640-51 | LEVEL-LOW - CONTROL PANEL & VALVES | | | | | |
| 20 | 5001454 | SCREW MA BDG PH #4-40x1/2 SS | | 16 | 16 | 16 | |
| 21 | 562945 | GASKET MOUNTING / HD10 SERIES / 3C / DEUTSCH HD10-3-GKT | | 2 | 2 | 2 | |
| 22 | 562946 | GASKET MOUNTING / HD10 SERIES / 5C / DEUTSCH HD10-5-GKT | | 2 | 2 | 2 | |
| 23 | 062268 | NUT, RING #11 / .940" I.D. W/4 4-40 | | 2 | 2 | 2 | |
| 24 | 561820 | NUT, RING #13 / 1.125" I.D. W/4 4-40 | | 2 | 2 | 2 | |
| 25 | 560422 | BLOCK, TERMINAL / 1 STUD 3/8-16 / BLACK | | 1 | 1 | 1 | |
| 26 | 500641 | SCREW TP PAN PH #8x3/4 Z050 | | 2 | 2 | 2 | |
| 27 | 502616 | WASHER LO SPT 10.2x18.1x2.2 SS | | 1 | 1 | 1 | |
| 28 | 500102 | NUT HEX 3/8-16 SS | | 1 | 1 | 1 | |
| 29 | 064434 | SUPPORT / LIGHT SWITCH | | 1 | 1 | 1 | |
| 30 | 562303 | SWITCH / S.P.S.T. / N.C. To 5-8788 | | 1 | 1 | 1 | |
| 30 | 563464 | SWITCH / S.P.S.T. / N.C. / W/RUBBER BOOT From 5-8789 | | 1 | 1 | 1 | |
| 31 | 500022 | WASHER LO INT .168x.340x.023 Z050 | | 2 | 2 | 2 | |
| 32 | Y2-0665-10 | SWITCHES, LIGHTS, AJAR - UNDER FLOOR | | | | | |
| 33 | 500657 | SCREW TC TR PH #10-24x1/2 Z050 | | 3 | 3 | 3 | |
| 34 | 562381 | RESISTANCE MODULE | | 1 | 1 | 1 | |

| | | |
|---|--------------|-----------------|
| From Y-7046 To 7-9095 | Date:10/2022 | PAGE:Y2-0640-50 |
| CABLE & HARNESS - FRONT END INSTALLATION - MTH | | |

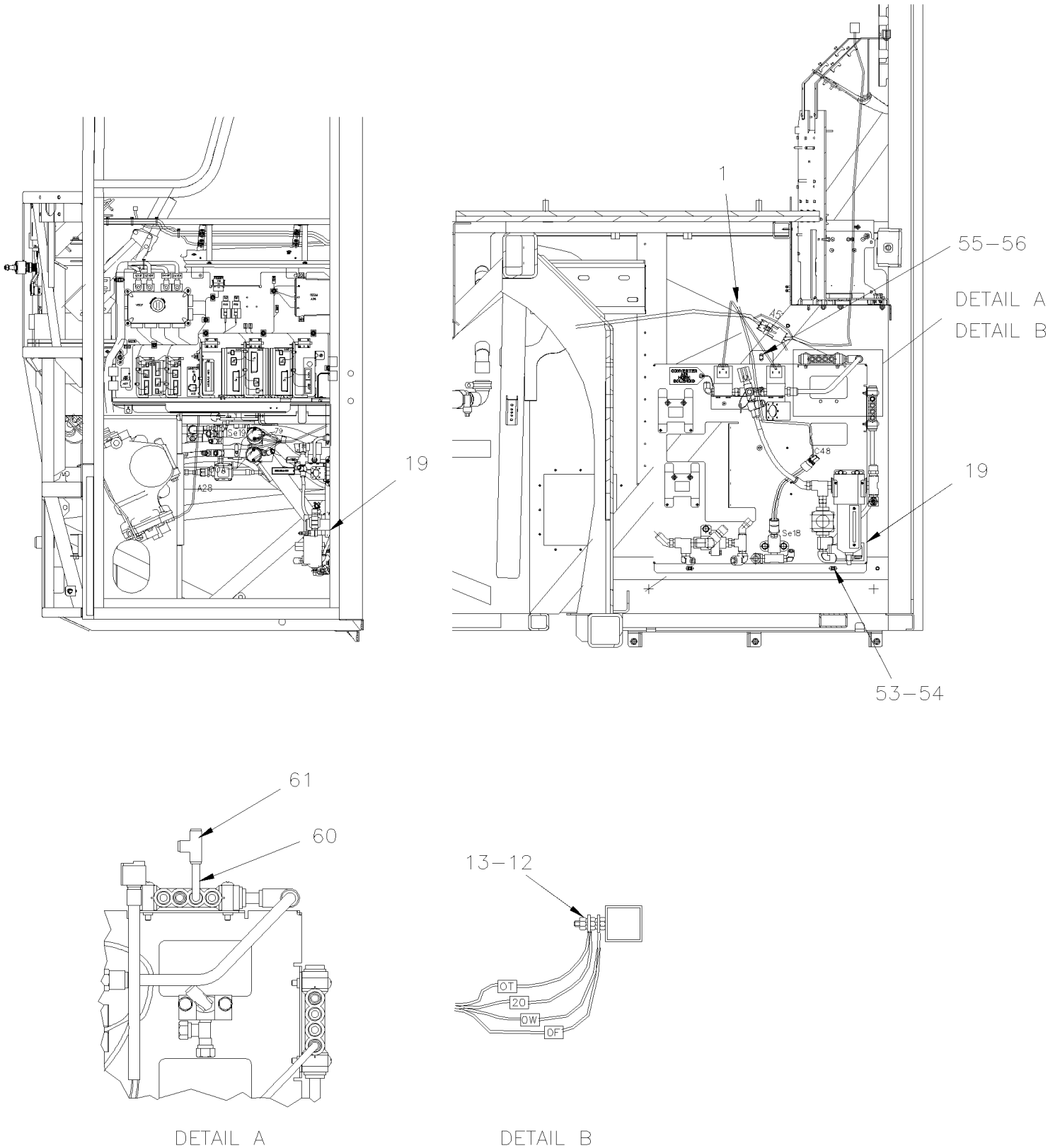
| Item# | Part | Description | X L I I 4 5 | X L I I M T H 4 0 | X L I I M T H 4 5 | X L I I M T H 4 5 E | N O T E S |
|-------|-------------------|---|----------------------------|---|---|--|-----------------------|
| 35 | 562357 | RESISTANCE MODULE | | 1 | 1 | 1 | |
| 36 | 063782 | CABLE ASSY / RESISTANCE MODULE & SWITCH | | 1 | 1 | 1 | |
| 37 | 952625 | CLAMP / 3/8" I.D. | | 4 | 4 | 4 | |
| 38 | 562636 | SENSOR / PASSENGER'S TEMP. CONTROL To 1-7493 | | 1 | 1 | 1 | |
| 38 | 563066 | SENSOR THERMISTOR ASSY ("DALLAS") From 1-7494 | | 1 | 1 | 1 | |
| 39 | 682176 | SEALANT SIKA #221 / BLACK / 310ml CARTRIDGE | | AR | AR | AR | |
| 40 | 504533 | CUFF END BELLOW / 2 3/8" I.D. x 2 3/8" x 4" | | 1 | 1 | 1 | |
| 41 | 504024 | HOSE CLAMP / 1"13/16"-2"3/4 SS / HS-36 | | 2 | 2 | 2 | |
| 42 | 380692 | TUBE ABS | | 1 | 1 | 1 | |
| 43 | 680067 | SEALANT TAPE BUTYL / BLACK / 1/8"x3/4"x25' / 75211E760 | | AR | AR | AR | |
| 44 | 500989 | WASHER FL .219x.875x.062 Z050 | | 10 | 10 | 10 | |
| 45 | 504013 | TIE MOUNT / 1/4" X 1/4" I.D. | | 1 | 1 | 1 | |
| 47 | Y2-0750-00 | AUTOMATIC TRANSMISSION - "WORLD" WITH DETROIT S-60 | | | | | |
| 200 | 500518 | SCREW MA BDG PH #4-40x1/2 Z050 | | 4 | 4 | 4 | |
| 201 | 561821 | NUT, RING #17 & 20 / 1.500" I.D W/4 4-40 | | 1 | 1 | 1 | |
| 203 | 502564 | WASHER LO SPT 6.1x11.8x1.6 Z050 | | 2 | 2 | 2 | |
| 204 | 502737 | SCREW CAP HEX M6-1.0x25 SS BK | | 2 | 2 | 2 | |
| 205 | 502511 | NUT HEX NYRT M6-1.0 Z050 | | 2 | 2 | 2 | |
| 206 | 502573 | WASHER FL 6.4x12.5x1.6 SS | | 3 | 3 | 3 | |
| 207 | 500609 | NUT HEX M6-1.0 Z050 | | 3 | 3 | 3 | |
| 208 | 500476 | WASHER LO SPT .317x.586x.078 Z050 | | 3 | 3 | 3 | |
| 209 | 502790 | SCREW CAP HEX M8-1.25x20 G8.8 Z050 | | 7 | 7 | 7 | |
| | | | | | | | |
| | | | | | | | |
| | | | | | | | |

From 7-9096 To 8-9339

Date:10/2022

PAGE:Y2-0640-51

CABLE & HARNESS - FRONT END INSTALLATION - MTH / MUX // D061083

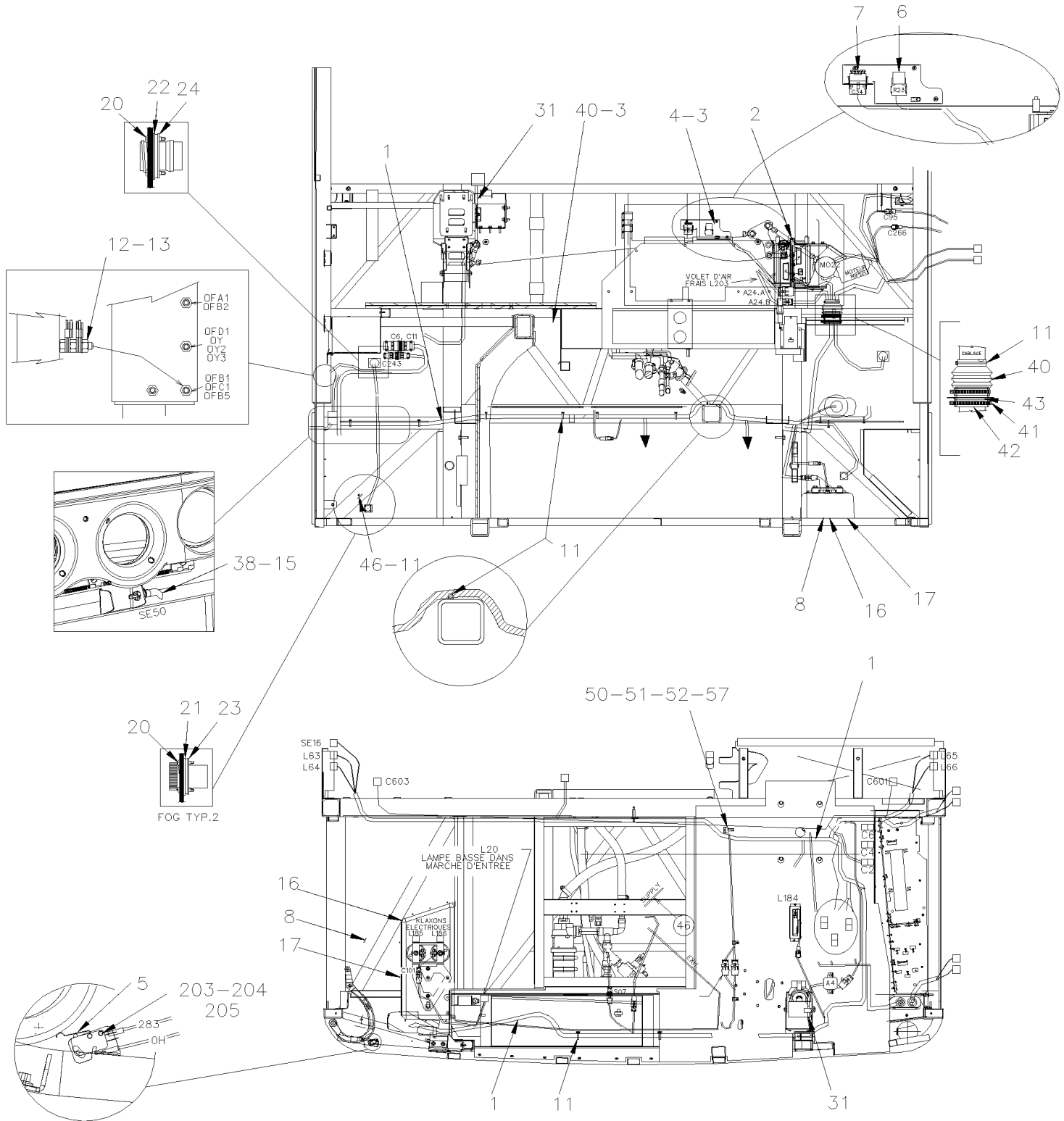


From 7-9096 To 8-9339

Date:10/2022

PAGE:Y2-0640-51

CABLE & HARNESS - FRONT END INSTALLATION - MTH / MUX // D061083



| | | |
|--|--------------|-----------------|
| From 7-9096 To 8-9339 | Date:10/2022 | PAGE:Y2-0640-51 |
| CABLE & HARNESS - FRONT END INSTALLATION - MTH / MUX // D061083 | | |

| Item# | Part | Description | X L I I 4 5 | X L I I M T H 4 0 | X L I I M T H 4 5 | X L I I M T H 4 5 E | NOTES |
|-------|-------------------|---|----------------------------|---|---|--|-------|
| 1 | 066773 | CABLE ASSY / FRONT LOWER END / MUX | | | 1 | 1 | |
| 2 | Call order desk | I/O B-MODULE VOLVO MULTIPLEX ASSY | | | 1 | 1 | P |
| 3 | 500638 | SCREW TP PAN PH #8x1/2 Z050 | | | 3 | 3 | |
| 4 | 288821 | SUPPORT & RELAY ASSY | | | 1 | 1 | |
| 5 | 562096 | MICRO SWITCH | | | 1 | 1 | |
| 6 | 563332 | RELAY 24V S.P.D.T. W/RESISTOR / "VOLVO" (20374662) | | | 1 | 1 | |
| 7 | 381145 | DIODE ASSY / W/5 3AMPS | | | 1 | 1 | |
| 8 | 5001407 | WASHER LO EXT 3.2x6.0x0.4 SS | | | 2 | 2 | |
| 11 | 504637 | CABLE TIE / 3/16" x 13" | | | AR | AR | |
| 12 | 502565 | NUT HEX M6-1.0 SS | | | 15 | 15 | |
| 13 | 502570 | WASHER LO SPT 6.1x11.8x1.6 SS | | | 8 | 8 | |
| 14 | 500167 | SCREW CAP HEX 1/4-20x1 1/4 G5 PT Z050 | | | 3 | 3 | |
| 15 | 502716 | NUT HEX NYRT 1/4-20 | | | 3 | 3 | |
| 16 | 562387 | CONVOLUTED TUBING / SLIT / BLACK / .250" | | | AR | AR | |
| 17 | Y2-2310-00 | HORN - INSTALLATION | | | | | |
| 18 | 500658 | SCREW TC PAN PH #10-24x3/4 Z050 | | | 10 | 10 | |
| 19 | Y2-1640-52 | LEVEL-LOW - CONTROL PANEL & VALVES | | | | | |
| 20 | 5001454 | SCREW MA BDG PH #4-40x1/2 SS | | | 16 | 16 | |
| 21 | 562945 | GASKET MOUNTING / HD10 SERIES / 3C / DEUTSCH HD10-3-GKT | | | 2 | 2 | |
| 22 | 563096 | GASKET MOUNTING / HD10 SERIES / 6C / DEUTSCH HD10-6-GKT | | | 2 | 2 | |
| 23 | 562381 | RESISTANCE MODULE | | | 1 | 1 | |
| 24 | 062268 | NUT, RING #11 / .940" I.D. W/4 4-40 | | | 2 | 2 | |
| 25 | 500642 | SCREW TP PAN PH #10x3/4 Z050 | | | 4 | 4 | |
| 26 | 561821 | NUT, RING #17 & 20 / 1.500" I.D W/4 4-40 | | | 2 | 2 | |
| 30 | 562357 | RESISTANCE MODULE | | | 1 | 1 | |
| 31 | 063782 | CABLE ASSY / RESISTANCE MODULE & SWITCH | | | 1 | 1 | |
| 34 | 500411 | WASHER FL .260x.697x.050 SS | | | 6 | 6 | |
| 38 | 563335 | SENSOR THERMISTOR ASSY / OUTSIDE // PED 15416387 | | | 1 | 1 | |
| 40 | 504499 | CUFF END BELLOW / 2 7/8" I.D. x 3 5/8" x 4 7/16 | | | 1 | 1 | |
| 41 | 504026 | HOSE CLAMP / 2"13/16-3"3/4 SS / HS-52 | | | 2 | 2 | |
| 42 | 065035 | TUBE PVC / 3" X 50MM | | | 1 | 1 | |
| 43 | 680067 | SEALANT TAPE BUTYL / BLACK / 1/8"x3/4"x25' / 75211E760 | | | 1 | 1 | |
| 46 | 562679 | 4 WAY ADH. BACKED MOUNTS 1.000 x 1.000 x .160 | | | 1 | 1 | |
| 50 | 500102 | NUT HEX 3/8-16 SS | | | 1 | 1 | |
| 51 | 502616 | WASHER LO SPT 10.2x18.1x2.2 SS | | | 1 | 1 | |
| 52 | 500641 | SCREW TP PAN PH #8x3/4 Z050 | | | 2 | 2 | |
| 53 | 502573 | WASHER FL 6.4x12.5x1.6 SS | | | 1 | 1 | |
| 54 | 502854 | NUT HEX M6-1.0 N500 | | | 2 | 2 | |
| 55 | 500942 | WASHER LO SPT 8.1x14.8x2.0 N500 | | | 1 | 1 | |
| 56 | 502862 | SCREW CAP HEX M8-1.25x20 G8.8 N500 | | | 1 | 1 | |
| 57 | 560422 | BLOCK, TERMINAL / 1 STUD 3/8-16 / BLACK | | | 1 | 1 | |
| 58 | 952624 | CLAMP / 1/4" I.D. | | | 1 | 1 | |

| | | |
|-----------------------|--------------|-----------------|
| From 7-9096 To 8-9339 | Date:10/2022 | PAGE:Y2-0640-51 |
|-----------------------|--------------|-----------------|

CABLE & HARNESS - FRONT END INSTALLATION - MTH / MUX // D061083

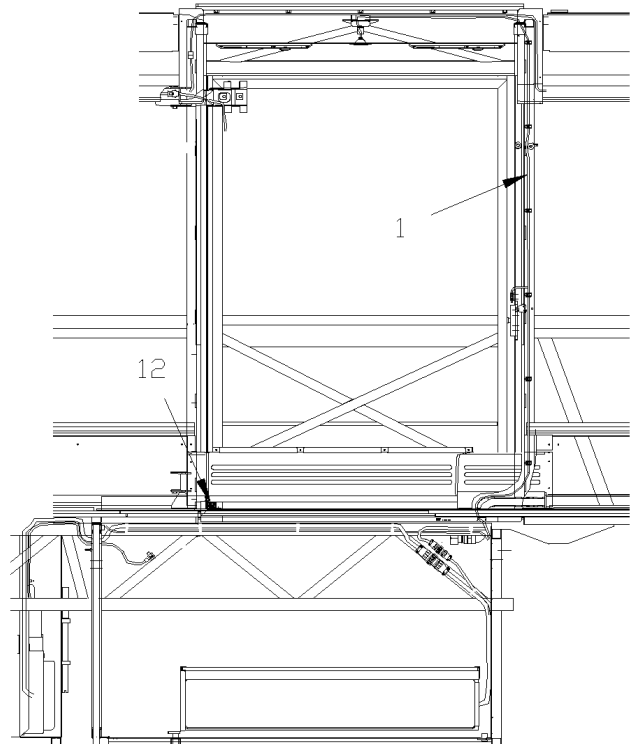
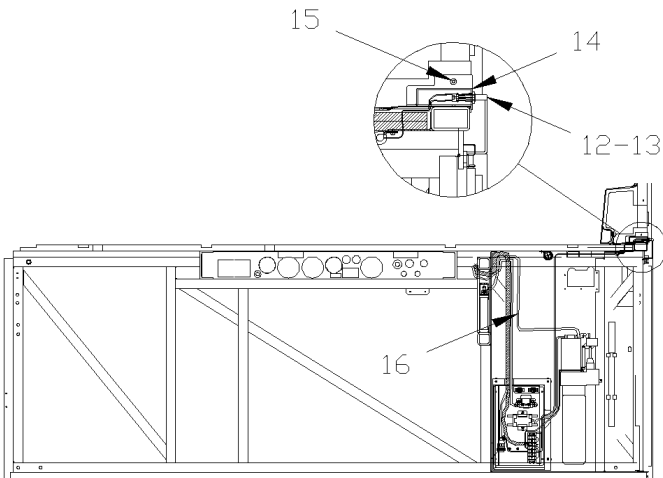
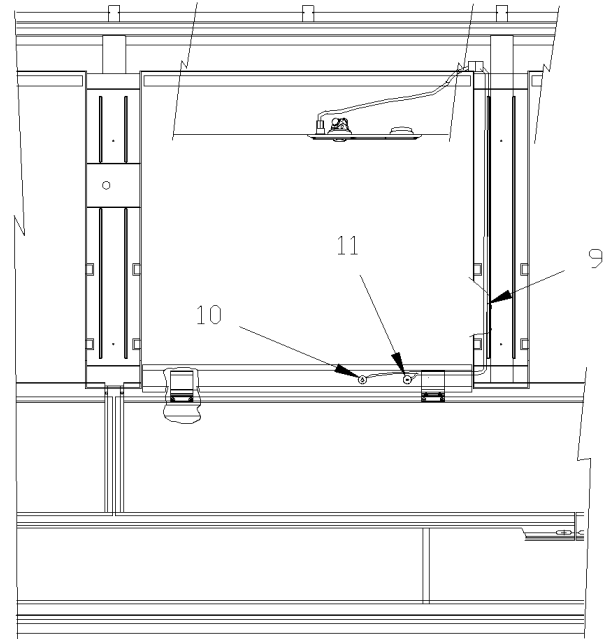
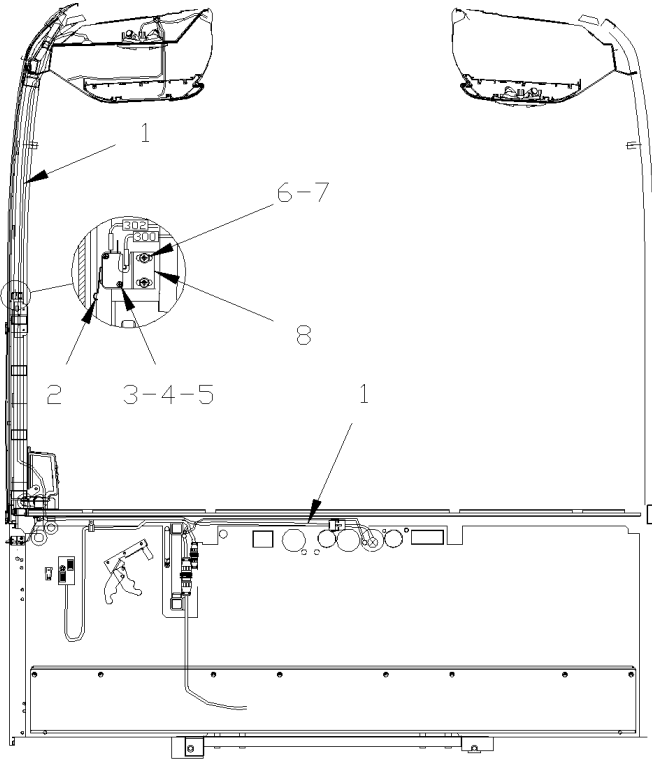
| Item# | Part | Description | X L I I 4 5 | X L I I M T H 4 0 | X L I I M T H 4 5 | X L I I M T H 4 5 E | N O T E S |
|-------|--------|--|----------------------------|---|---|--|-----------------------|
| 59 | 684685 | ADHESIVE SIMSON #ISR 70-03 / 310ml CARTRIDGE | | | AR | AR | |
| 60 | 503402 | TUBE, NYLON 1/4 O.D. / BLACK S.L. | | | AR | AR | |
| 61 | 641955 | UNION TEE / PUSH-IN FITTING / #4x#4x#4 BR | | | 1 | 1 | |
| 62 | 502526 | SCREW TC BDG PH #12-24x3/4 Z050 | | | 10 | 10 | |
| | | | | | | | |
| | | | | | | | |
| | | | | | | | |
| | | P) CALL ORDER DESK FOR SPECIFIC APPLICATION (V.I.N.) | | | | | |

From Y-7046 To 6-8906

Date:10/2022

PAGE:Y2-0640-80

CABLE & HARNESS - W.C.L.



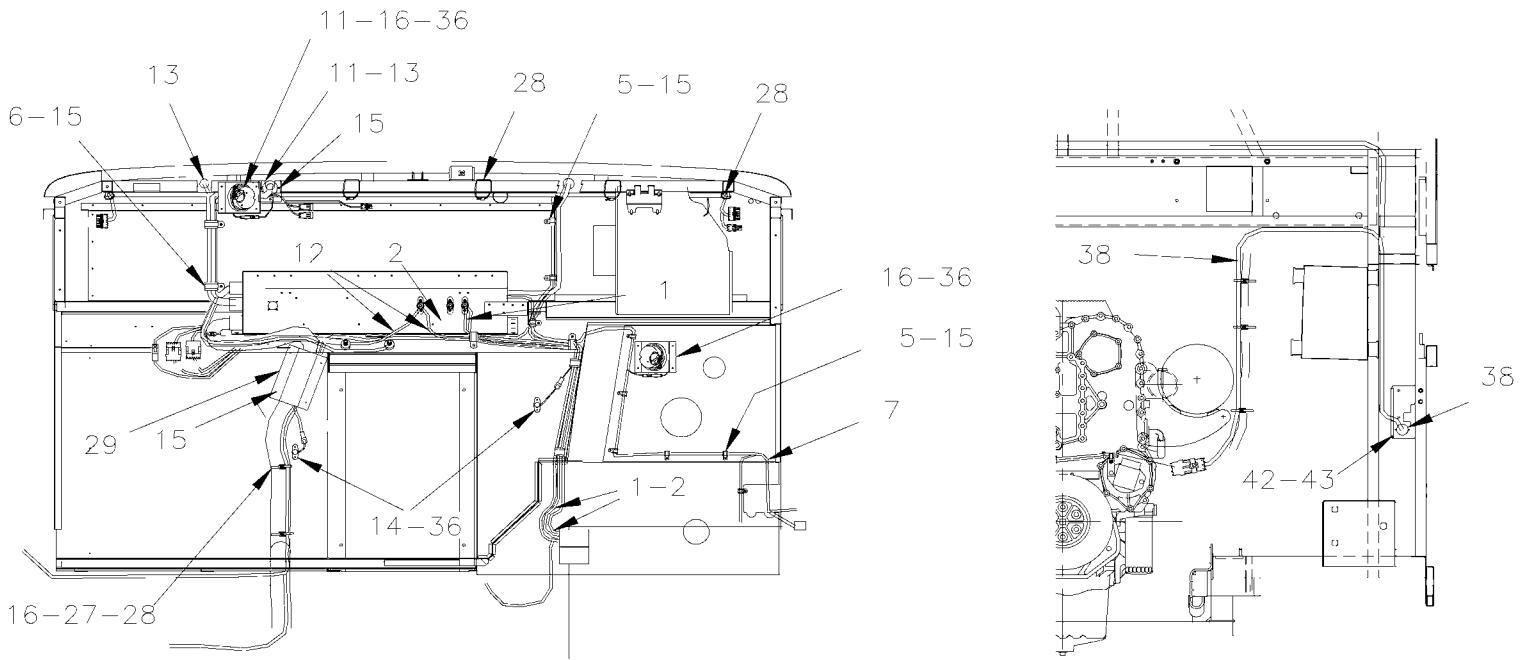
WCL DOOR INTERIOR VIEW

From Y-7046 To 6-8906

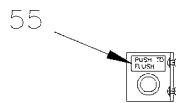
Date:10/2022

PAGE:Y2-0641-00

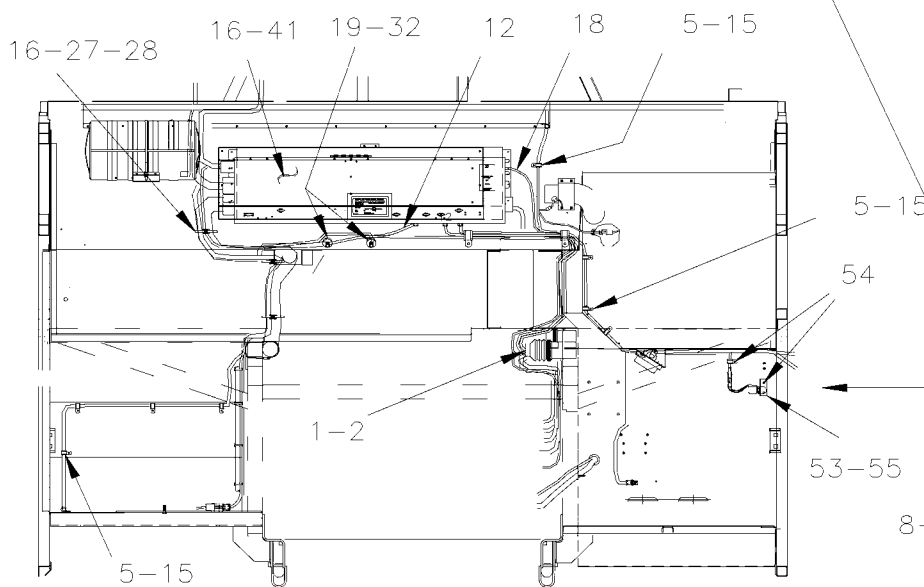
CABLE & HARNESS - REAR END INSTALLATION - BUS



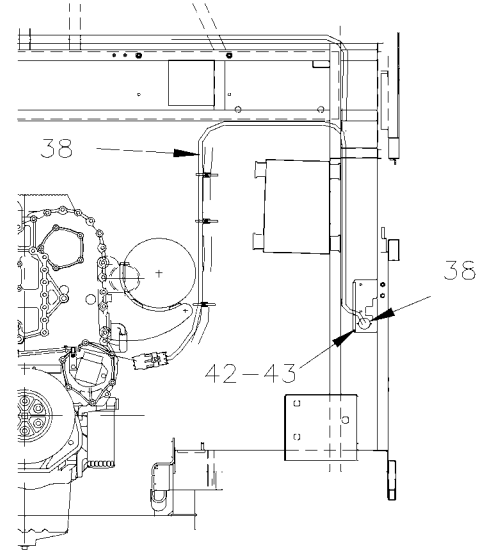
UP TO 3-8164



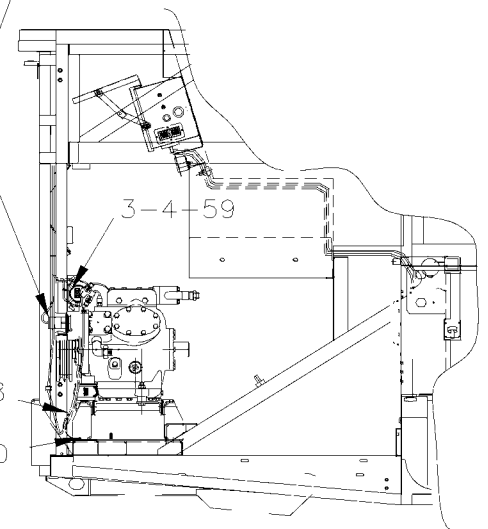
DETAIL BOUTON



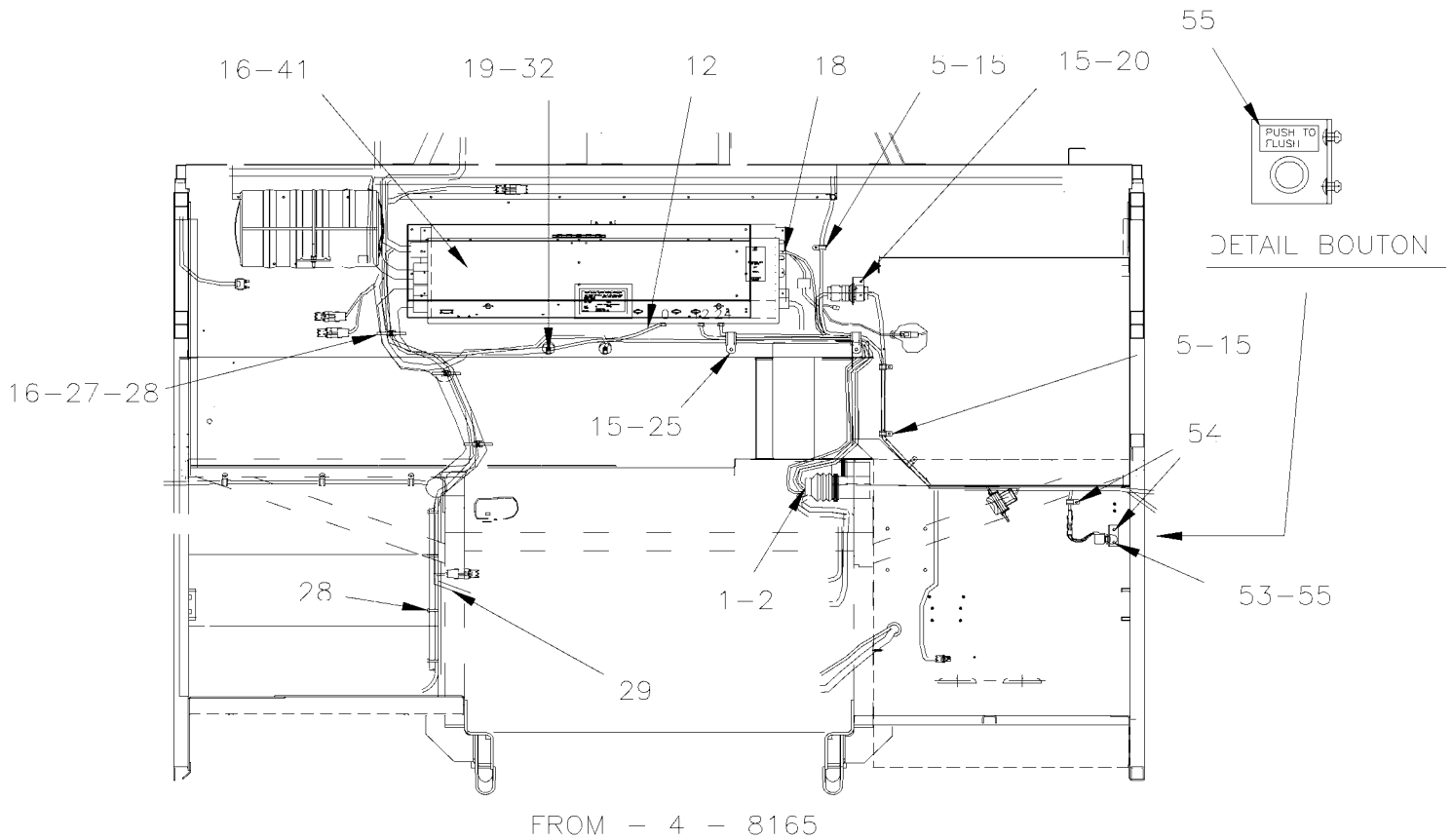
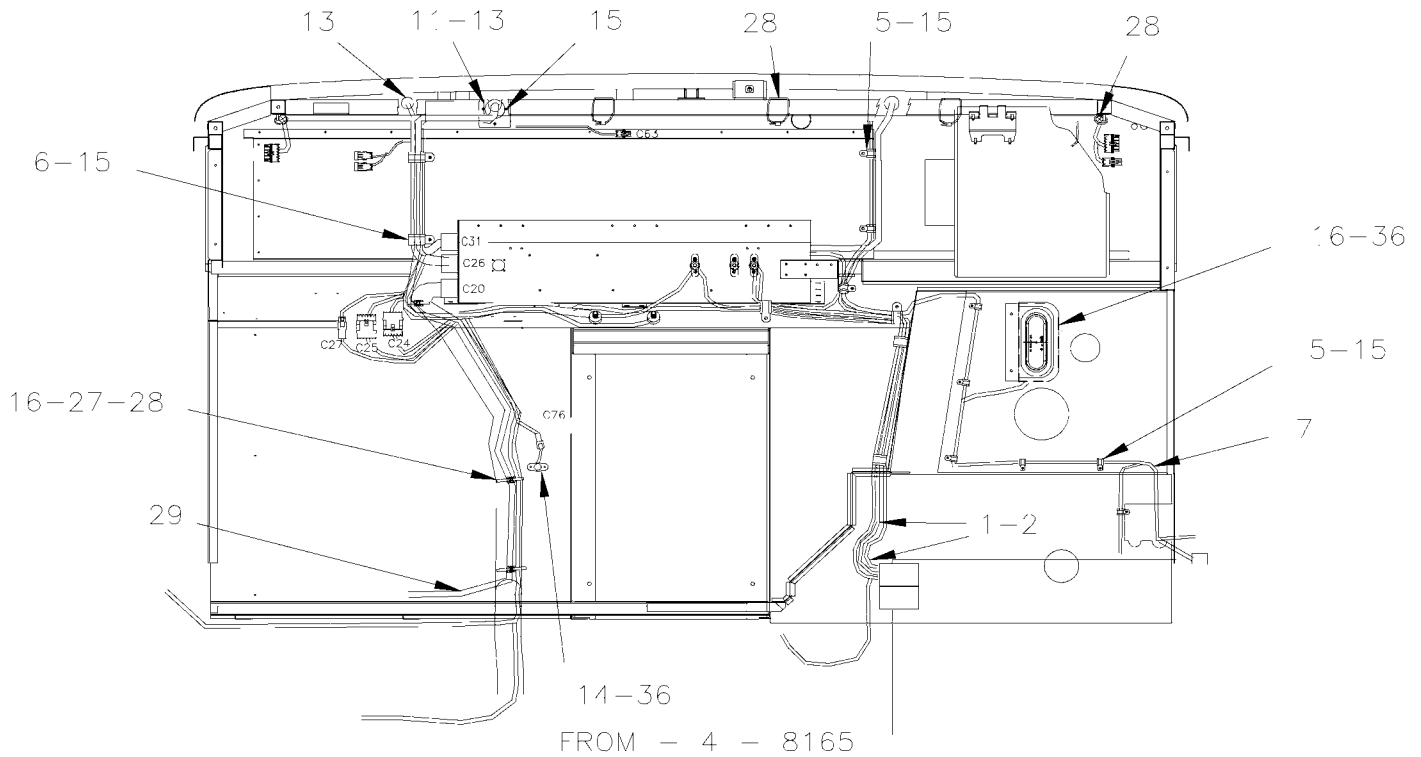
UP TO 3-8164



38-39



| | | |
|--|--------------|-----------------|
| From Y-7046 To 6-8906 | Date:10/2022 | PAGE:Y2-0641-00 |
| CABLE & HARNESS - REAR END INSTALLATION - BUS | | |



| | | |
|-----------------------|--------------|-----------------|
| From Y-7046 To 6-8906 | Date:10/2022 | PAGE:Y2-0641-00 |
|-----------------------|--------------|-----------------|

CABLE & HARNESS - REAR END INSTALLATION - BUS

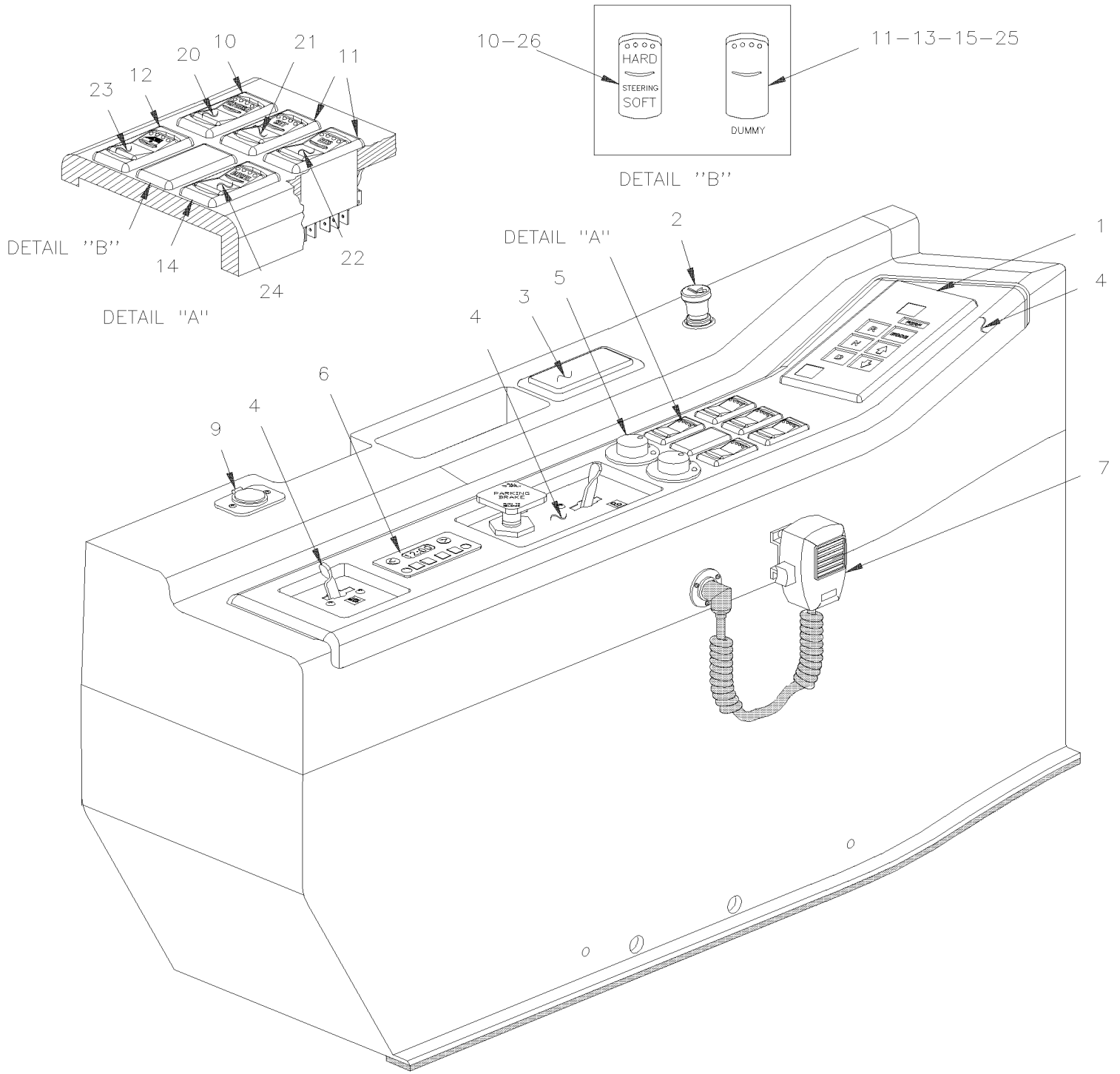
| Item# | Part | Description | X L I I 4 5 | X L I I M T H 4 0 | X L I I M T H 4 5 | X L I I M T H 4 5 E | N O T E S |
|-------|-------------------|--|----------------------------|---|---|--|-----------------------|
| 1 | 063416 | CABLE ASSY #24VR | 1 | | | | |
| 2 | 063413 | CABLE ASSY # 12VR | 1 | | | | |
| 3 | 563199 | BACK-UP ALARM "ECCO" / 12-36vdc / 107db | 1 | | | | |
| 4 | 5001524 | WASHER FL .625x.812x.100 NYL | 2 | | | | |
| 5 | 952625 | CLAMP / 3/8" I.D. | 15 | | | | |
| 6 | 952639 | CLAMP / 1"1/4 I.D. | 2 | | | | |
| 7 | 065124 | CABLE ASSY / ENGINE COMPT ACCESSORIES To Y-7229 | 1 | | | | |
| 7 | 065286 | CABLE ASSY / ENGINE COMPT ACCESSORIES From Y-7230 To 2-7764 | 1 | | | | |
| 7 | 065571 | CABLE ASSY / ENGINE COMPT ACCESSORIES From 2-7765 To 2-7842 | 1 | | | | |
| 7 | 065665 | CABLE ASSY / ENGINE COMPT ACCESSORIES From 2-7843 To 3-8020 | 1 | | | | |
| 7 | 065469 | CABLE ASSY / ENGINE COMPT ACCESSORIES From 3-8021 To 3-8057 | 1 | | | | |
| 7 | 065827 | CABLE ASSY / ENGINE COMPT ACCESSORIES From 3-8058 To 3-8164 | 1 | | | | |
| 7 | 065767 | CABLE ASSY / ENGINE COMPT ACCESSORIES From 4-8165 To 4-8379 | 1 | | | | |
| 7 | 065975 | CABLE ASSY / ENGINE COMPT ACCESSORIES From 5-8380 To 6-8758 | 1 | | | | |
| 7 | 066567 | CABLE ASSY / ENGINE COMPT ACCESSORIES From 6-8759 | 1 | | | | |
| 8 | 500786 | NUT HEX #10-24 Z050 | 1 | | | | |
| 9 | 500470 | WASHER LO SPT .193x.334x.047 Z050 | 1 | | | | |
| 10 | 500574 | SCREW MA TR PH #10-24x1 1/4 SS | 1 | | | | |
| 11 | 065236 | CLOSING PLATE 80MM X 75.4MM | 1 | | | | |
| 12 | 062849 | CABLE ASSY # 0-8 | 1 | | | | |
| 13 | 680532 | SEALANT SIKA #221 / GREY / 310ml CARTRIDGE | AR | | | | |
| 14 | 5001204 | SCREW TP FL PH #6x1 1/4 Z050 | 4 | | | | |
| 15 | 500244 | SCREW TP BDG PH #8x3/4 N500 | AR | | | | |
| 16 | 500965 | SCREW TC BDG PH #8-32x1/2 N500 | AR | | | | |
| 18 | 680025 | CAULKING STRIP 3/16" O.D. X 14' | AR | | | | |
| 19 | 500968 | NUT HEX STO 1/2-13 Z050 | 2 | | | | |
| 20 | 382027 | BRACKET CONNECTOR | 1 | | | | |
| 21 | 500478 | WASHER LO SPT .380x.683x.094 Z050 | 3 | | | | |
| 22 | 500379 | NUT HEX 3/8-16 BR | 3 | | | | |
| 25 | 952635 | CLAMP / 1" I.D. | AR | | | | |
| 27 | 504013 | TIE MOUNT / 1/4" X 1/4" I.D. | AR | | | | |
| 28 | 504016 | CABLE TIE / 5/16" X 14"1/2 | AR | | | | |
| 29 | 063788 | PROTECTOR CABLE / 200MM AL To 1-7657 | 1 | | | | |
| 29 | 065566 | PROTECTOR CABLE / 200MM SS From 1-7658 To 3-8164 | 1 | | | | |
| 32 | 500482 | WASHER LO SPT .506x.873x.125 Z050 | 2 | | | | |
| 33 | 561916 | NUT, SPEED | 2 | | | | |
| 36 | Y2-0665-00 | ENGINE COMPARTMENT - ELECTRIC COMPONENTS | | | | | |
| 38 | Y2-0666-00 | BLOCK HEATER RECEPTACLE | | | | | |
| 39 | 500965 | SCREW TC BDG PH #8-32x1/2 N500 | 2 | | | | |
| 41 | Y2-0620-00 | REAR JUNCTION BOX ASSY | | | | | |
| 42 | 506025 | RUBBER CHANNEL / 1/18" x 5/16" INT "U" SHAPE / SQUARE C.T.L. | AR | | | | |
| 43 | 680066 | ADHESIVE / ADBOND #5014 / 23.6ML BOTTLE | AR | | | | |

From Y-7046 To 6-8906

Date:10/2022

PAGE:Y2-0645-00

SWITCHES L.H. CONSOLE - BUS



| | | |
|------------------------------------|--------------|-----------------|
| From Y-7046 To 6-8906 | Date:10/2022 | PAGE:Y2-0645-00 |
| SWITCHES L.H. CONSOLE - BUS | | |

| Item# | Part | Description | X L I I 4 5 | X L I I M T H 4 0 | X L I I M T H 4 5 | X L I I M T H 4 5 E | NOTES |
|-------|-------------------|---|----------------------------|---|---|--|-------|
| 1 | 571718 | SHIFTER, SELECTOR "WORLD" / WTEC III | 1 | | | | |
| 1 | 571759 | SHIFTER, SELECTOR "EATON" To 1-7461 | 1 | | | | |
| 1 | 571760 | DISPLAY MODULE "EATON" To 1-7461 | 1 | | | | |
| 1 | 571773 | SHIFTER SELECTOR "ZF" | 1 | | | | |
| 1 | 071562 | DECAL / USE ELECTRONIC...PROXI...MAY CAUSE... / ENGLISH | 1 | | | | ZF |
| 1 | 071563 | DECAL / USE ELECTRONIC...PROXI...MAY CAUSE... / FRENCH / ENGLISH | 1 | | | | ZF |
| 1 | 071564 | DECAL / USE ELECTRONIC...PROXI...MAY CAUSE... / ENGLISH / SPANISH | 1 | | | | ZF |
| NS | 071300 | SUPPORT / SHIFTER SELECTOR "ZF" | 2 | | | | |
| NS | 500423 | NUT HEX NYRT #10-32 SS | 2 | | | | |
| NS | 065118 | WIRING HARNESS DASHBOARD LEFT MODULE To Y-7264 | 1 | | | | |
| NS | 065339 | WIRING HARNESS DASHBOARD LEFT MODULE From Y-7265 To Y-7376 | 1 | | | | |
| 1 | 065568 | WIRING HARNESS DASHBOARD LEFT MODULE From 2-7765 | 1 | | | | |
| 1 | 065406 | WIRING HARNESS DASHBOARD LEFT MODULE From Y-7377 To 2-7764 | 1 | | | | |
| 2 | 561491 | LIGHTER ASSY / 12V | 1 | | | | |
| 2 | 561492 | . POP OUT 12V | 1 | | | | |
| 2 | 562944 | . BASE LIGHTER | 1 | | | | |
| 3 | 890006 | ASHTRAY | 1 | | | | |
| 4 | Y2-1806-10 | L.H. CONSOLE - BUS | | | | | |
| 5 | 562748 | SWITCH, MIRROR / ROUND | AR | | | | |
| 5 | | CLIP RETAINER / MIRROR SWITCH (R2000-1372P) | 2 | | | | |
| NS | 562749 | CONNECTOR / SH 8C / EURAMTEC W-RT8-200 | 2 | | | | |
| NS | 507295 | HOLE PLUG BUTTON / 1.375 O.D. BLACK | AR | | | | |
| 6 | 562680 | TIMER ASSY / W/"ESPAR" PREHEATER / 7 DAYS To 2-7764 | 1 | | | | |
| 6 | 871160 | TIMER ASSY / W/"WEBASTO" PREHEATER To 2-7764 | 1 | | | | |
| NS | 871102 | . BULB / 1.4WATT-24 VOLTS To 2-7764 | 1 | | | | |
| 6 | 871250 | TIMER ASSY / W/"WEBASTO" PREHEATER From 2-7765 | 1 | | | | |
| 6 | 871101 | TIMER ASSY / W/"PROHEAT" PREHEATER | 1 | | | | |
| NS | 064584 | WIRING HARNESS / W/ "ESPAR" PREHEATER To 2-7764 | 1 | | | | |
| NS | 064700 | WIRING HARNESS / W/ "WEBASTO" PREHEATER To 2-7764 | 1 | | | | |
| NS | 065572 | WIRING HARNESS / W/ "WEBASTO" PREHEATER From 2-7765 | 1 | | | | |
| NS | 065392 | WIRING HARNESS / W/ "PROHEAT" PREHEATER | 1 | | | | |
| NS | 391968 | DUMMY / W/O TIMER | 1 | | | | |
| 7 | Y2-2315-00 | SOUND SYSTEM & ACCESSORIES - "R.E.I." | | | | | |
| 9 | 562796 | 12 VOLTS POWER OUTLET | 1 | | | | |
| 10 | 562697 | SWITCH / ON-ON / D.P.D.T. / CH-OVER / W/RED & GREEN LED | 1 | | | | A |
| 11 | 562698 | SWITCH / OFF-M/ON / D.P.S.T. / W/GREEN LED | 3 | | | | |
| 12 | 562699 | SWITCH / M/ON-OFF-M/ON / D.P.D.T. / W/GREEN LED | AR | | | | |
| 13 | 562773 | SWITCH / "DUMMY" / PLUG | 1 | | | | |
| 14 | 562855 | SWITCH / OFF-M/ON / D.P.S.T. / W/RED LED | 1 | | | | |
| NS | 562763 | CONNECTOR RH 10C / SWITCH / NGR 28-5637-2 | AR | | | | |
| NS | 562768 | SOCKET TERMINAL / 16-14 / PED 12015870 | AR | | | | |
| 15 | 563376 | SWITCH / ON-M/ON / D.P.S.T. / NOMALY CLOSE 1-2 / 4-5 From 4-8181 | 1 | | | | B |

| | | |
|------------------------------------|--------------|-----------------|
| From Y-7046 To 6-8906 | Date:10/2022 | PAGE:Y2-0645-00 |
| SWITCHES L.H. CONSOLE - BUS | | |

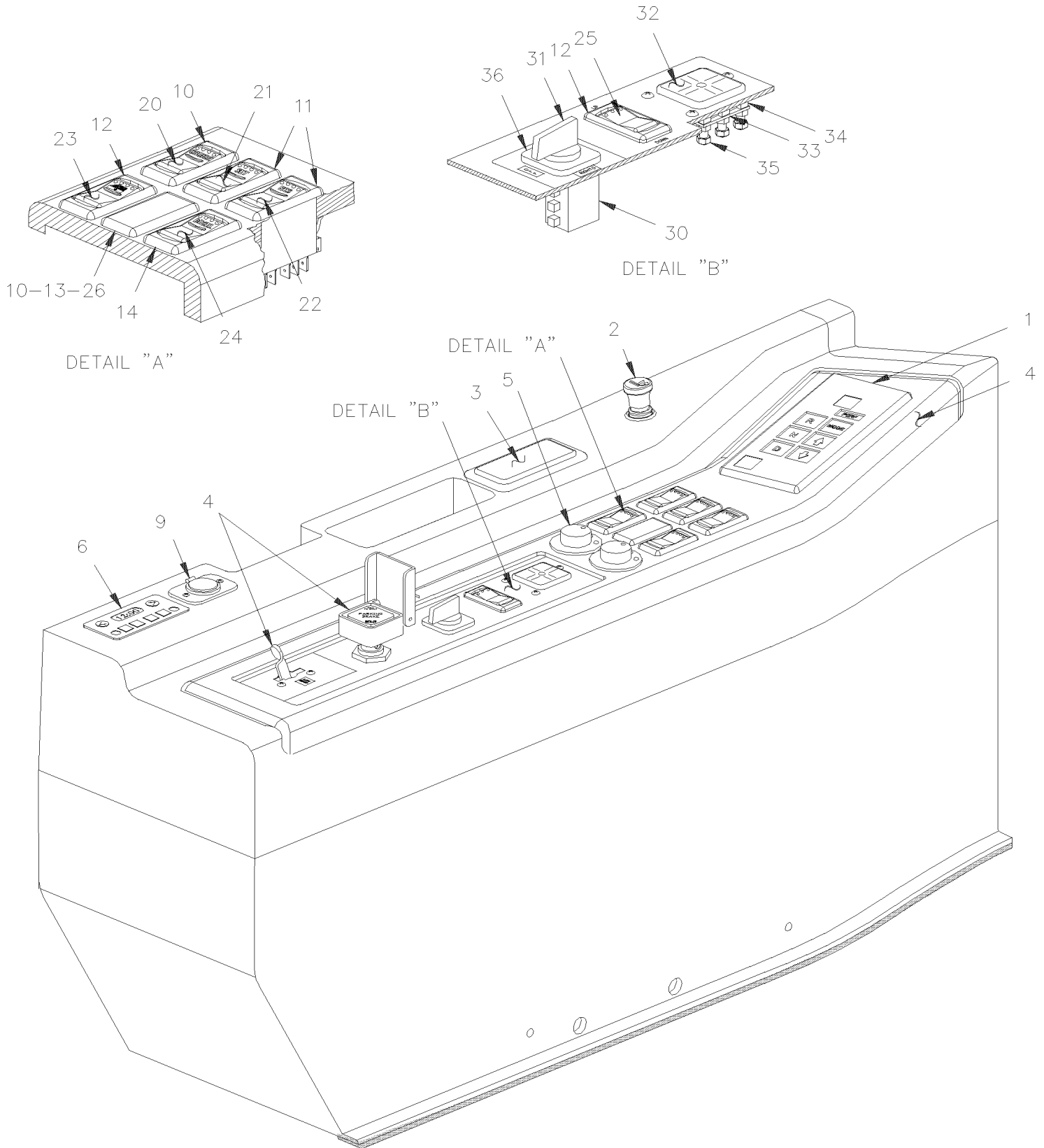
| Item# | Part | Description | X L I I 4 5 | X L I I M T H 4 0 | X L I I M T H 4 5 | X L I I M T H 4 5 E | N O T E S |
|-------|--------|--|----------------------------|---|---|--|-----------------------|
| 20 | 562724 | CAP / CRUISE CONTROL | 1 | | | | |
| 21 | 562725 | CAP / SET / CRUISE CONTROL | 1 | | | | |
| 22 | 562726 | CAP / RESUME / CRUISE CONTROL | 1 | | | | |
| 23 | 562740 | CAP / WINDOW DRIVER'S | 1 | | | | |
| 24 | 562787 | CAP / DECEL / CRUISE CONTROL | 1 | | | | |
| 25 | 562714 | CAP / PLAIN (W/O DESCRIPTION) | 1 | | | | B |
| NS | 065479 | CABLE ASSY / SAFETY SWITCH / PARKING BRAKE (BETWEN SWITCH & RELAY) To 4-8180 | 1 | | | | B C |
| 26 | 562940 | CAP / POWER STEERING / HARD-SOFT | 1 | | | | A |
| NS | 065951 | KIT, RETROFIT PARKING BRAKE RELEASE SWITCH | AR | | | | |
| | | | | | | | |
| | | | | | | | |
| | | A) WITH STEERING ASSIST | | | | | |
| | | B) WITH SAFETY SWITCH PARKING BRAKE | | | | | |
| | | C) FOR PRODUCT IMPROVMENT ASK KIT #065951 | | | | | |
| | | ZF) WITH "ZF" TRANSMISION | | | | | |

From Y-7046 To 8-9339

Date:10/2022

PAGE:Y2-0645-05

SWITCHES L.H. CONSOLE - MTH



| | | |
|------------------------------------|--------------|-----------------|
| From Y-7046 To 8-9339 | Date:10/2022 | PAGE:Y2-0645-05 |
| SWITCHES L.H. CONSOLE - MTH | | |

| Item# | Part | Description | X L I I 4 5 | X L I I M T H 4 0 | X L I I M T H 4 5 | X L I I M T H 4 5 E | N O T E S |
|-------|-------------------|--|----------------------------|---|---|--|-----------------------|
| 1 | 571718 | SHIFTER, SELECTOR "WORLD" / WTEC III To 7-9000 | | 1 | 1 | 1 | |
| 1 | 572031 | SHIFTER, SELECTOR "WORLD" / GEN IV From 7-9001 | | 1 | 1 | 1 | |
| NS | 064871 | WIRING HARNESS DASHBOARD LEFT MODULE To Y-7264 | | 1 | 1 | 1 | |
| NS | 065338 | WIRING HARNESS DASHBOARD LEFT MODULE From Y-7265 To 5-8644 | | 1 | 1 | 1 | |
| 1 | 066353 | WIRING HARNESS DASHBOARD LEFT MODULE From 5-8645 To 7-9095 | | 1 | 1 | 1 | |
| 1 | 066932 | WIRING HARNESS DASHBOARD LEFT MODULE From 7-9096 | | | 1 | 1 | |
| 2 | 561491 | LIGHTER ASSY / 12V | | 1 | 1 | 1 | |
| 2 | 561492 | . POP OUT 12V | | 1 | 1 | 1 | |
| 2 | 562944 | . BASE LIGHTER | | 1 | 1 | 1 | |
| NS | 392043 | DUMMY PLUG LIGHTER | | AR | AR | AR | |
| 3 | 890006 | ASHTRAY | | 1 | 1 | 1 | |
| 4 | Y2-1806-50 | L.H. CONSOLE - MTH | | | | | |
| 5 | 562748 | SWITCH, MIRROR / ROUND | | AR | AR | AR | |
| 5 | | CLIP RETAINER / MIRROR SWITCH (R2000-1372P) | | 2 | 2 | 2 | |
| NS | 562749 | CONNECTOR / SH 8C / EURAMTEC W-RT8-200 | | 2 | 2 | 2 | |
| NS | 507295 | HOLE PLUG BUTTON / 1.375 O.D. BLACK | | AR | AR | AR | |
| NS | 562799 | DUMMY PLUG MIRROR | | AR | AR | AR | |
| 6 | 562680 | TIMER ASSY / W/"ESPAR" PREHEATER / 7 DAYS To 2-7764 | | 1 | 1 | 1 | |
| 6 | 871160 | TIMER ASSY / W/"WEBASTO" PREHEATER To 2-7764 | | 1 | 1 | 1 | |
| . NS | 871102 | . BULB / 1.4WATT-24 VOLTS To 2-7764 | | 1 | 1 | 1 | |
| 6 | 871250 | TIMER ASSY / W/"WEBASTO" PREHEATER From 2-7765 | | 1 | 1 | 1 | |
| NS | 064521 | WIRING HARNESS / W/ "ESPAR" PREHEATER To 2-7764 | | 1 | 1 | 1 | |
| NS | 064726 | WIRING HARNESS / W/ "WEBASTO" PREHEATER To 2-7764 | | 1 | 1 | 1 | |
| 6 | 065572 | WIRING HARNESS / W/ "WEBASTO" PREHEATER From 2-7765 | | 1 | 1 | 1 | |
| 9 | 562796 | 12 VOLTS POWER OUTLET | | 1 | 1 | 1 | |
| 10 | 562697 | SWITCH / ON-ON / D.P.D.T. / CH-OVER / W/RED & GREEN LED | | 1 | 1 | 1 | |
| 11 | 562698 | SWITCH / OFF-M/ON / D.P.S.T. / W/GREEN LED | | 3 | 3 | 3 | |
| 12 | 562699 | SWITCH / M/ON-OFF-M/ON / D.P.D.T. / W/GREEN LED | | AR | AR | AR | |
| 13 | 562773 | SWITCH / "DUMMY" / PLUG | | 1 | 1 | 1 | |
| 14 | 562855 | SWITCH / OFF-M/ON / D.P.S.T. / W/RED LED | | 1 | 1 | 1 | |
| 20 | 562724 | CAP / CRUISE CONTROL | | 1 | 1 | 1 | |
| 21 | 562725 | CAP / SET / CRUISE CONTROL | | 1 | 1 | 1 | |
| 22 | 562726 | CAP / RESUME / CRUISE CONTROL | | 1 | 1 | 1 | |
| 23 | 562740 | CAP / WINDOW DRIVER'S | | 1 | 1 | 1 | |
| 24 | 562787 | CAP / DECEL / CRUISE CONTROL | | 1 | 1 | 1 | |
| 25 | 562738 | CAP / UP-DOWN | | 1 | 1 | 1 | |
| 26 | 562940 | CAP / POWER STEERING / HARD-SOFT | | 1 | 1 | 1 | |
| 30 | 562517 | SWITCH / 10 AMPS 4 POSITIONS 90° To 6-8931 | | 1 | 1 | 1 | A |
| 30 | 563086 | SWITCH / 10 AMPS 4 POSITIONS 90° From 6-8932 | | 1 | 1 | 1 | |
| 31 | 561855 | . KNOB To 6-8931 | | 1 | 1 | 1 | |
| NS | 064657 | CABLE ASSY / W/"LEVEL LOW" To 6-8931 | | 1 | 1 | 1 | |
| NS | 066510 | CABLE ASSY / W/"LEVEL LOW" / MUX From 6-8932 | | | 1 | 1 | |

| | | |
|------------------------------------|--------------|-----------------|
| From Y-7046 To 8-9339 | Date:10/2022 | PAGE:Y2-0645-05 |
| SWITCHES L.H. CONSOLE - MTH | | |

| Item# | Part | Description | X L I I 4 5 | X L I I M T H 4 0 | X L I I M T H 4 5 | X L I I M T H 4 5 E | N O T E S |
|-------|----------|--|----------------------------|---|---|--|-----------------------|
| 32 | 630075 | LEVEL 5 WAYS | | 1 | 1 | 1 | |
| 33 | 391827 | BRACKET / TO FIX LEVEL | | 1 | 1 | 1 | |
| 34 | 502162 | SPRING COMPRESSION / .240 O.D. x .312 x .026 | | 3 | 3 | 3 | |
| 35 | 500670 | NUT HEX NYRT #8-32 Z050 | | 3 | 3 | 3 | |
| 36 | 391994 | DECAL "LEVEL LOW" To 6-8931 | | 1 | 1 | 1 | |
| 36 | 392317 | PLATE PLASTIC "LEVEL LOW" From 6-8932 | | | 1 | 1 | |
| NS | 065381 | KIT, SWITCH LEVEL LOW To 6-8931 | | 1 | 1 | 1 | |
| . NS | 391994 | . DECAL "LEVEL LOW" To 6-8931 | | 1 | 1 | 1 | |
| . NS | 392317 | . PLATE PLASTIC "LEVEL LOW" To 6-8931 | | 1 | 1 | 1 | |
| . NS | 561457 | . SPRING SPADE TERMINAL #6 / 22-16 / AMP 52929 To 6-8931 | | 7 | 7 | 7 | |
| . NS | 563086 | . SWITCH / 10 AMPS 4 POSITIONS 90° To 6-8931 | | 1 | 1 | 1 | |
| . NS | D390096 | . DIAGRAM, DASHBOARD, LEFT MODULE, MTH To 6-8931 | | 1 | 1 | 1 | |
| . NS | D390113 | . DIAGRAM, DASHBOARD, LEFT MODULE, VIP MUX To 6-8931 | | 1 | 1 | 1 | |
| . NS | IS-06020 | . INSTRUCTION SHEET To 6-8931 | | 1 | 1 | 1 | |
| . NS | FI-06020 | . FEUILLE D'INSTRUCTION To 6-8931 | | 1 | 1 | 1 | |
| | | | | | | | |
| | | | | | | | |
| | | A) THIS SWITCH IT SUPPERSEDED BY KIT # 065381 | | | | | |

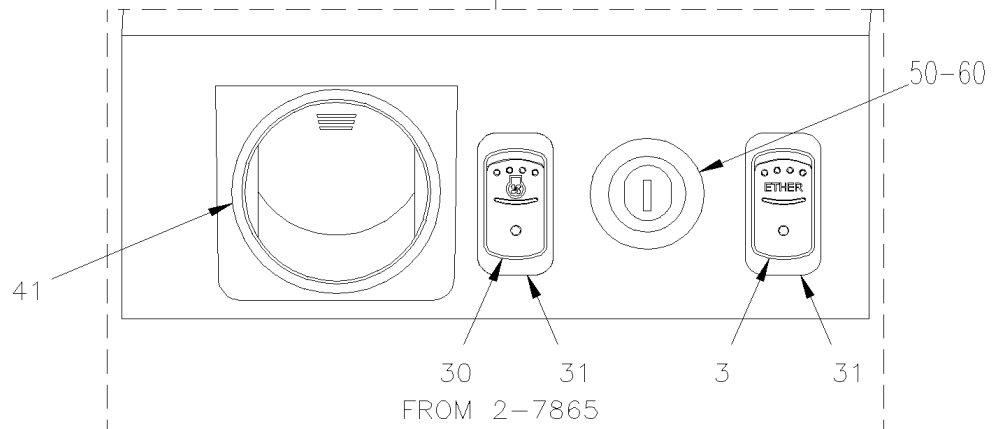
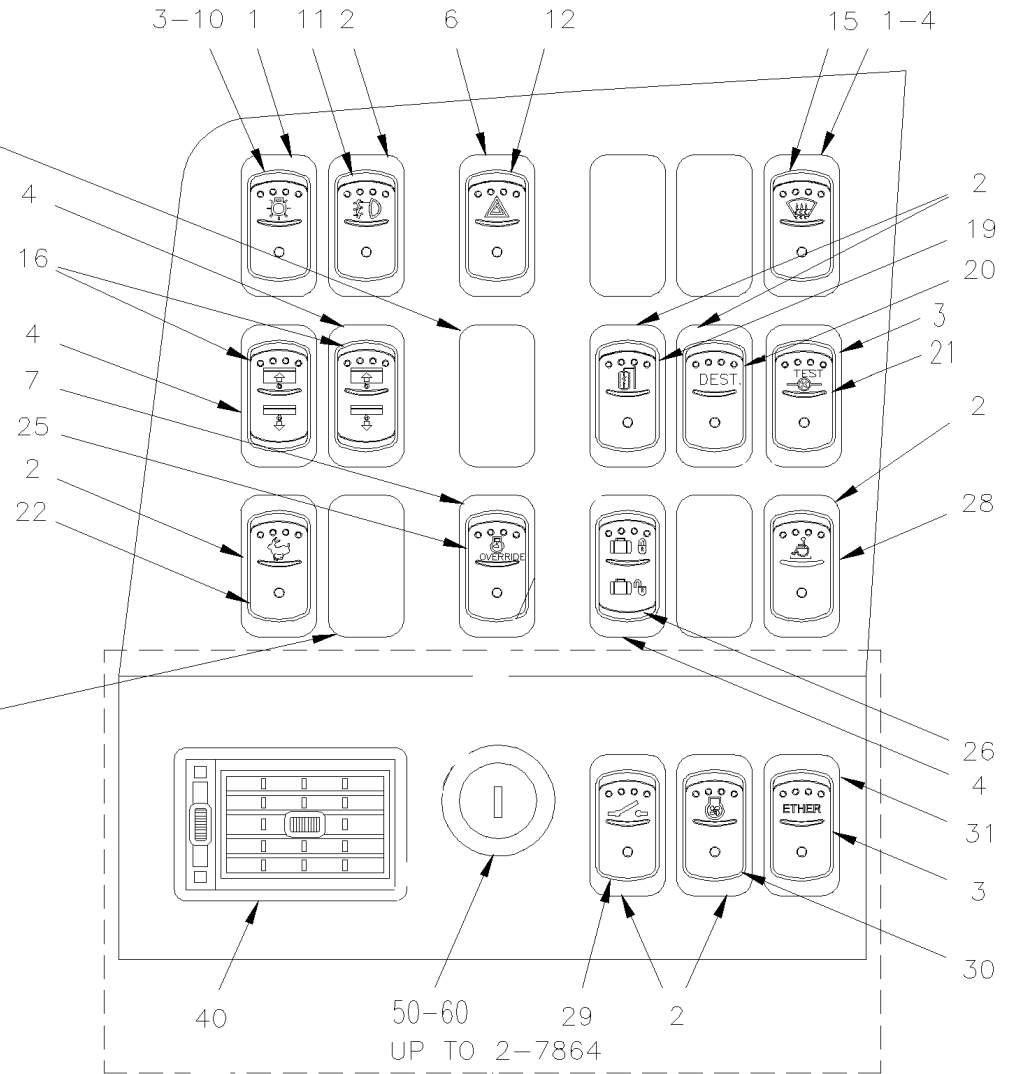
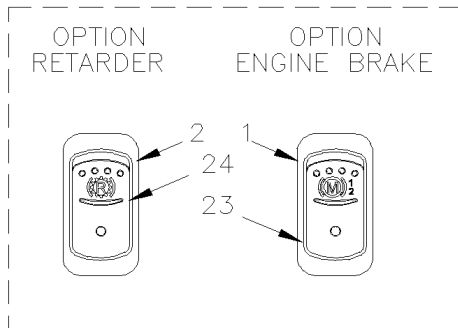
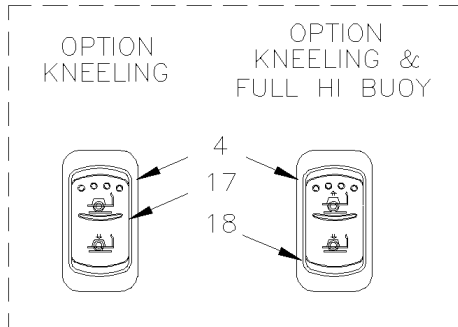
From Y-7046 To 8-9339

Date:10/2022

PAGE:Y2-0645-10

L.H. DASHBOARD PANEL

BUS



From Y-7046 To 8-9339

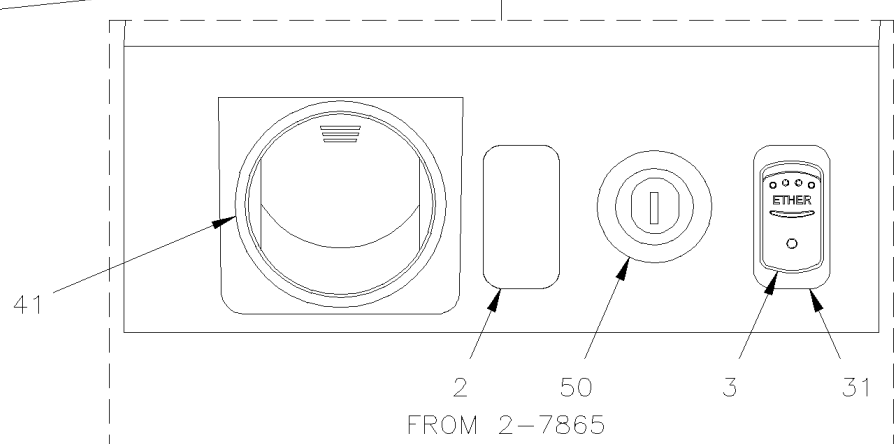
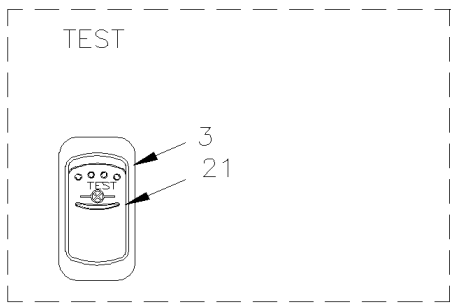
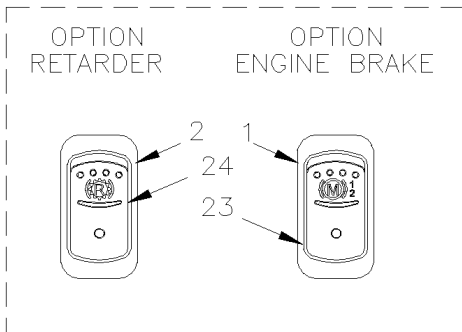
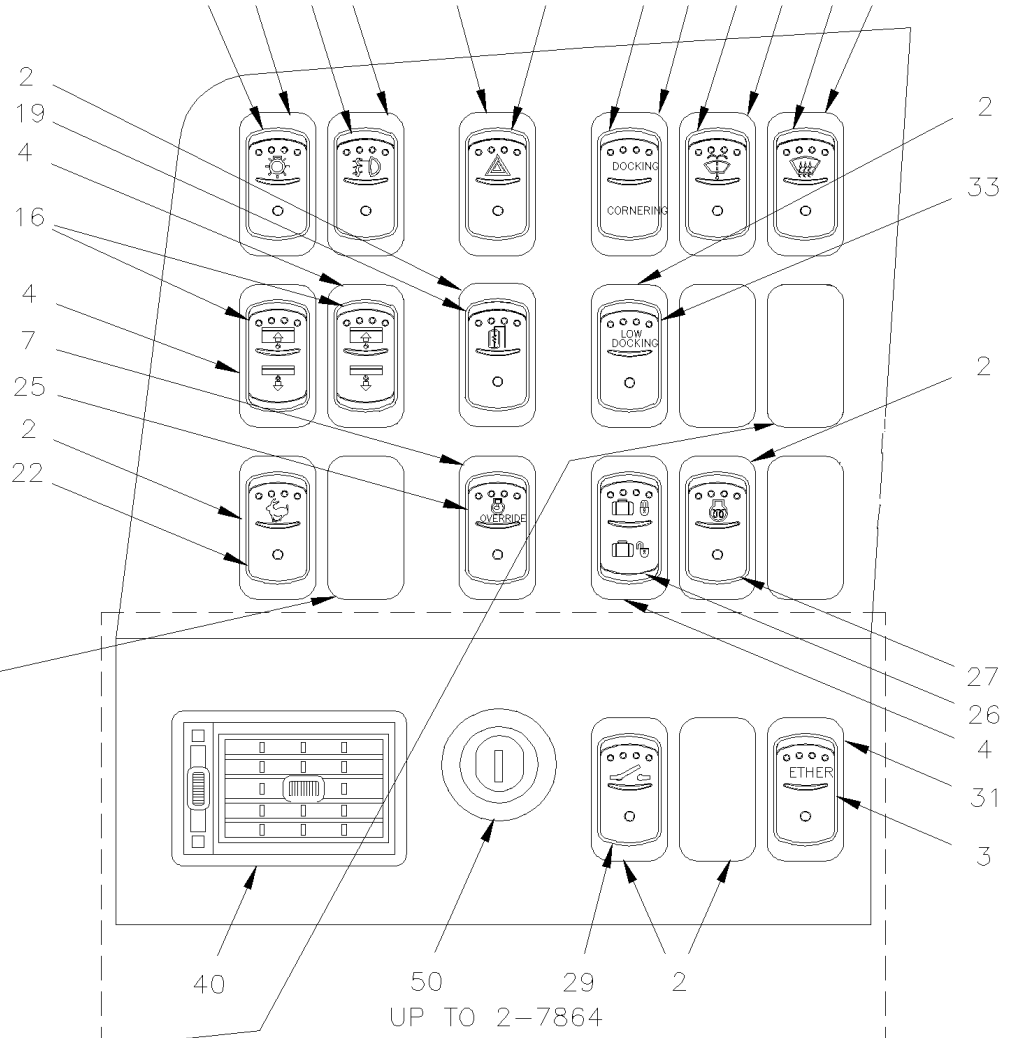
Date:10/2022

PAGE:Y2-0645-10

L.H. DASHBOARD PANEL

M.T.H.

3-10 1 11 2 6 12 32 5 14 3 15 2-7



| | | | |
|-----------------------------|--|--------------|-----------------|
| From Y-7046 To 8-9339 | | Date:10/2022 | PAGE:Y2-0645-10 |
| L.H. DASHBOARD PANEL | | | |

| Item# | Part | Description | X L I I 4 5 | X L I I M T H 4 0 | X L I I M T H 4 5 | X L I I M T H 4 5 E | N O T E S |
|-------|--------|--|----------------------------|---|---|--|-----------------------|
| 1 | 562696 | SWITCH / OFF-ON-ON SERIES S.P.D.T. / W/RED & GREEN LED | 4 | 4 | 4 | 4 | |
| 2 | 562697 | SWITCH / ON-ON / D.P.D.T. / CH-OVER / W/RED & GREEN LED | AR | AR | AR | AR | |
| 3 | 562698 | SWITCH / OFF-M/ON / D.P.S.T. / W/GREEN LED | 1 | 1 | 1 | 1 | |
| 4 | 562699 | SWITCH / M/ON-OFF-M/ON / D.P.D.T. / W/GREEN LED | 3 | 3 | 3 | 3 | |
| 5 | 562700 | SWITCH / ON-OFF-ON / D.P.D.T. / W/GREEN LED | 1 | 1 | 1 | 1 | |
| 6 | 562854 | SWITCH / ON-ON / D.P.D.T. / CH-OVER / W/RED LED | 1 | 1 | 1 | 1 | |
| 7 | 562855 | SWITCH / OFF-M/ON / D.P.S.T. / W/RED LED | 1 | 1 | 1 | 1 | |
| NS | 562773 | SWITCH / "DUMMY" / PLUG | AR | AR | AR | AR | |
| NS | 562763 | CONNECTOR RH 10C / SWITCH / NGR 28-5637-2 | AR | AR | AR | AR | |
| NS | 562768 | SOCKET TERMINAL / 16-14 / PED 12015870 | AR | AR | AR | AR | |
| 10 | 562708 | CAP / HEADLIGHT | 1 | 1 | 1 | 1 | |
| 11 | 562709 | CAP / FOG | 1 | 1 | 1 | 1 | |
| 12 | 562710 | CAP / WARNING LIGHT HAZARD | 1 | 1 | 1 | 1 | |
| 13 | 562711 | CAP / WIPER (UPPER) | 1 | 1 | 1 | 1 | |
| 14 | 562715 | CAP / WINDSHIELD WASHER (UPPER) | 1 | 1 | 1 | 1 | |
| 15 | 562712 | CAP / DEFOGGER | 1 | 1 | 1 | 1 | |
| 16 | 562739 | CAP / ROLLER BLIND | 2 | 2 | 2 | 2 | |
| 17 | 562737 | CAP / KNEELING | 1 | 1 | 1 | 1 | |
| 18 | 562738 | CAP / UP-DOWN | 1 | 1 | 1 | 1 | |
| 19 | 562713 | CAP / MIRROR HEATER | 1 | 1 | 1 | 1 | |
| 20 | 562743 | CAP / DESTINATION SIGN | 1 | 1 | 1 | 1 | |
| 21 | 562741 | CAP / TELL TALE TEST | 1 | 1 | 1 | 1 | |
| NS | 064673 | CABLE ASSY / ANTI-THEF | 1 | | | | B |
| NS | 065053 | CABLE ASSY SWITCH READING LIGHT | 1 | | | | D |
| 22 | 562723 | CAP / FAST IDLE | 1 | 1 | 1 | 1 | |
| 23 | 562728 | CAP / "JACOB'S" | 1 | 1 | 1 | 1 | |
| 24 | 562729 | CAP / "RETARDER" | 1 | 1 | 1 | 1 | |
| 25 | 562727 | CAP / ENGINE OVERRIDE | 1 | 1 | 1 | 1 | |
| NS | 064819 | DIODE DOUBLE ASSY | | 1 | 1 | 1 | E |
| NS | 065389 | CABLE ASSY / "JACOB'S" & RETARDER | | 1 | 1 | 1 | E |
| NS | 562697 | SWITCH / ON-ON / D.P.D.T. / CH-OVER / W/RED & GREEN LED | | 1 | 1 | 1 | E |
| NS | 561707 | RELAY 24V S.P.D.T. W/RESISTOR / To 5-8577 | | 1 | 1 | 1 | E |
| NS | 563332 | RELAY 24V S.P.D.T. W/RESISTOR / "VOLVO" (20374662) From 5-8578 | | 1 | 1 | 1 | E |
| 26 | 562736 | CAP / LUGGAGE DOOR LOCK | 1 | 1 | 1 | 1 | |
| 27 | 562722 | CAP / PRE-HEATER | 1 | | | | |
| 28 | 562774 | CAP / W.C.L. | 1 | | | | |
| 29 | 562742 | CAP / MASTER CUT-OFF | 1 | 1 | 1 | 1 | |
| 30 | 562735 | CAP / RADIATOR FAN | 1 | 1 | 1 | 1 | |
| 31 | 562734 | CAP / ETHER | AR | AR | AR | AR | |
| 32 | 562733 | CAP / DOCKING & CORNERING | 1 | 1 | 1 | 1 | |
| 33 | 562732 | CAP / LIGHT LOW DOCKING | 1 | 1 | 1 | 1 | |
| 34 | 562731 | CAP / BACK-UP ALARM | 1 | 1 | 1 | 1 | |

From Y-7046 To 8-9339 Date:10/2022 PAGE:Y2-0645-10

L.H. DASHBOARD PANEL

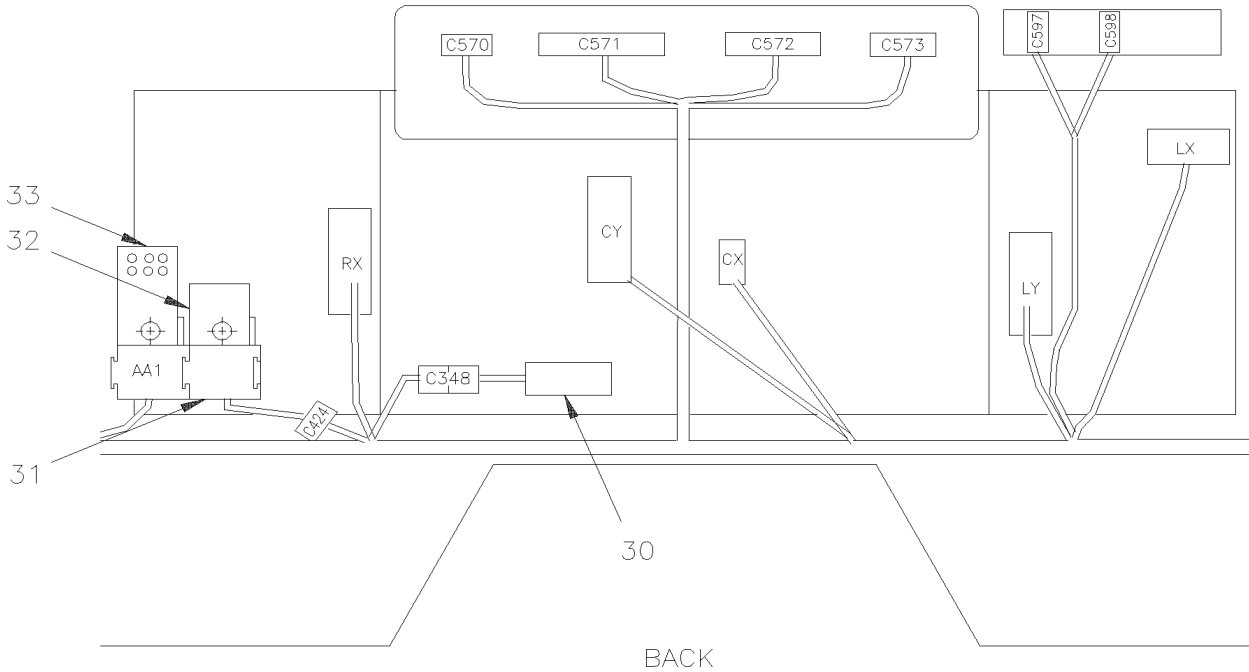
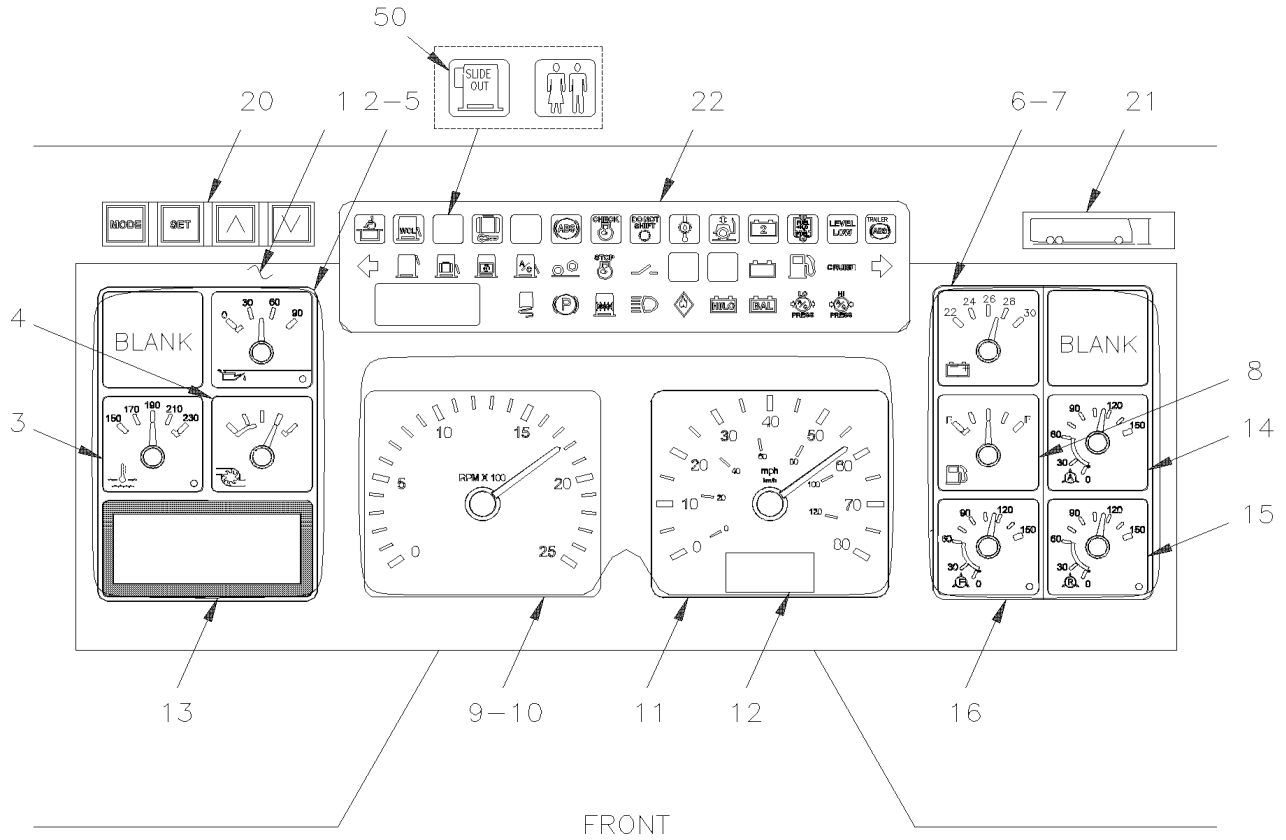
| Item# | Part | Description | X L I I 4 5 | X L I I M T H 4 0 | X L I I M T H 4 5 | X L I I M T H 4 5 E | N O T E S |
|-------|----------|--|----------------------------|---|---|--|-----------------------|
| 40 | 871106 | LOUVER, ADJUSTABLE To 2-7864 | 1 | 1 | 1 | 1 | |
| 41 | 871314 | LOUVER, ADJUSTABLE / ROUND 2 5/8" O.D. From 2-7865 | 1 | 1 | 1 | 1 | |
| 50 | 562147 | SWITCH, IGNITION / CODE 801 | 1 | 1 | 1 | 1 | |
| . NS | 780003 | . KEY, IGNITION SWITCH CODE 801 | 1 | 1 | 1 | 1 | |
| 50 | 562148 | SWITCH, IGNITION / CODE 802 | 1 | 1 | 1 | 1 | |
| . NS | 780004 | . KEY, IGNITION SWITCH CODE 802 | 1 | 1 | 1 | 1 | |
| 50 | 562151 | SWITCH, IGNITION / CODE 803 | 1 | 1 | 1 | 1 | |
| . NS | 780006 | . KEY, IGNITION SWITCH CODE 803 | 1 | 1 | 1 | 1 | |
| 50 | 562150 | SWITCH, IGNITION / CODE 804 | 1 | 1 | 1 | 1 | |
| . NS | 780007 | . KEY, IGNITION SWITCH CODE 804 | 1 | 1 | 1 | 1 | |
| 50 | 562152 | SWITCH, IGNITION / CODE 805 | 1 | 1 | 1 | 1 | |
| . NS | 780008 | . KEY, IGNITION SWITCH CODE 805 | 1 | 1 | 1 | 1 | |
| 50 | 562149 | SWITCH, IGNITION / CODE 806 | 1 | 1 | 1 | 1 | |
| . NS | 780009 | . KEY, IGNITION SWITCH CODE 806 | 1 | 1 | 1 | 1 | |
| 50 | 562146 | SWITCH, IGNITION / KEYLESS (ACC-OFF-IGN-START) | 1 | 1 | 1 | 1 | |
| 50 | 562296 | KEY / IGNITION BLANCK UNCUT | AR | AR | AR | AR | |
| NS | 562674 | KEYLESS / TRANSMITTER KEY RING / W/DESCRIPT To 4-8295 | | 1 | 1 | 1 | S |
| . NS | IS-03103 | . SEE INSTRUCTION SHEET To 4-8295 | | 1 | 1 | 1 | S |
| NS | 563542 | KEYLESS / TRANSMITTER KEY RING / W/PICTOGRA From 4-8296 | | 1 | 1 | 1 | |
| NS | 064436 | CABLE ASSY / BETWEN IGN SWITCH & RELAY | 1 | | | | C |
| NS | 064437 | CABLE ASSY / BETWEN REAR SWITCH & HARNESS | 1 | | | | C |
| NS | 561707 | RELAY 24V S.P.D.T. W/RESISTOR / To 5-8577 | 1 | | | | C |
| NS | 563332 | RELAY 24V S.P.D.T. W/RESISTOR / "VOLVO" (20374662) From 5-8578 | 1 | | | | C |
| | | | | | | | |
| | | NEXT ITEMS USED WITH "FORD" IGNITION SWITCH | | | | | |
| | | | | | | | |
| 60 | 065512 | CYLINDER IGNITION / CODE FA 0000 | 1 | | | | A |
| 60 | 065658 | CYLINDER IGNITION / CODE FA 0001 | 1 | | | | A |
| NS | 064902 | CYLINDER IGNITION / CODE FA 0013 | 1 | | | | A |
| 60 | 065590 | CYLINDER IGNITION / CODE FA 0055 | 1 | | | | A |
| 60 | 065409 | CYLINDER IGNITION / CODE FA 0107 | 1 | | | | A |
| 60 | 065851 | CYLINDER IGNITION / CODE FA 0109 | 1 | | | | A |
| 60 | 065396 | CYLINDER IGNITION / CODE FA 0113 | 1 | | | | A |
| 60 | 065397 | CYLINDER IGNITION / CODE FA 0206 | 1 | | | | A |
| 60 | 065878 | CYLINDER IGNITION / CODE FA 0208 | 1 | | | | A |
| 60 | 064417 | CYLINDER IGNITION / CODE FA 0528 | 1 | | | | A |
| 60 | 065043 | CYLINDER IGNITION / CODE FA 0528 | 1 | | | | A |
| 60 | 065500 | CYLINDER IGNITION / CODE FA 0704 | 1 | | | | A |
| 60 | 065607 | CYLINDER IGNITION / CODE FA 0714 | 1 | | | | A |
| 60 | 065501 | CYLINDER IGNITION / CODE FA 1343 | 1 | | | | A |
| NS | 562654 | SWITCH & CABLE / SWITCH | 1 | | | | A |
| NS | 562655 | NUT / TO FIX SWITCH | 1 | | | | A |

From Y-7046 To 8-9339 Date:10/2022 PAGE:Y2-0645-10

L.H. DASHBOARD PANEL

| Item# | Part | Description | X L I I 4 5 | X L I I M T H 4 0 | X L I I M T H 4 5 | X L I I M T H 4 5 E | N O T E S |
|-------|--------|---|----------------------------|---|---|--|-----------------------|
| NS | 391904 | SPACER / SWITCH & MOUNTING PLATE | 1 | | | | A |
| NS | 064419 | CABLE ASSY / RELAY AND SWITCH | 1 | | | | A |
| NS | 561707 | RELAY 24V S.P.D.T. W/RESISTOR / To 5-8577 | 1 | | | | A |
| NS | 563332 | RELAY 24V S.P.D.T. W/RESISTOR / "VOLVO" (20374662) From 5-8578 | 1 | | | | A |
| 61 | 780645 | KEY CODE A | 1 | | | | A |
| 61 | 780654 | KEY CODE / FA 0001 | 1 | | | | A |
| 61 | 780604 | KEY CODE / FA 0013 | 1 | | | | A |
| 61 | 780651 | KEY CODE / FA 0055 | 1 | | | | A |
| 61 | 780634 | KEY CODE / FA 0107 | 1 | | | | A |
| 61 | 780656 | KEY CODE / FA 0109 | 1 | | | | A |
| 61 | 780627 | KEY CODE / FA 0113 | 1 | | | | A |
| 61 | 780631 | KEY CODE / FA 0206 | 1 | | | | A |
| 61 | 780659 | KEY CODE / FA 0208 | 1 | | | | A |
| 61 | 780579 | KEY CODE / FA 0528 | 1 | | | | A |
| 61 | 780639 | KEY CODE / FA 0704 | 1 | | | | A |
| 61 | 780608 | KEY CODE / FA 0714 | 1 | | | | A |
| 61 | 780644 | KEY CODE / FA 1343 | 1 | | | | A |
| | | A) THOSE ITEMS ARE USED WITH "FORD" IGNITION KEY. SEE DIAGRAM D060950 FOR MORE INFORMATION | | | | | |
| | | B) COACH EQUIPPED WITH THIEF PROTECTOR ON "TELL TALE TEST" | | | | | |
| | | C) COACH EQUIPPED WITH 3 MINUTES IDLE TIME DELAY | | | | | |
| | | D) COACH EQUIPPED WITH READING LIGHT TEST (DIAGRAM D060938 PAGE 11.4 SP2) | | | | | |
| | | E) VEHICLE EQUIPPED WITH "JACOB" & "RETARDER" | | | | | |
| | | S) WHEN YOU REPLACE KEYLESS 562674 WITH THE NEW 563542 YOU NEED TO REPLACE MODULE 562673 BY THE NEW 563541 / SEE INSTRUCTION SHEET IS-03103 | | | | | |

| | | |
|-------------------------------|--------------|-----------------|
| From Y-7046 To 8-9339 | Date:10/2022 | PAGE:Y2-0645-20 |
| CENTER DASHBOARD PANEL | | |



| | | |
|-------------------------------|--------------|-----------------|
| From Y-7046 To 8-9339 | Date:10/2022 | PAGE:Y2-0645-20 |
| CENTER DASHBOARD PANEL | | |

| Item# | Part | Description | X L I I 4 5 | X L I I M T H 4 0 | X L I I M T H 4 5 | X L I I M T H 4 5 E | N O T E S |
|-------|----------|---|----------------------------|---|---|--|-----------------------|
| 1 | 065126 | CLUSTER, MPH To 5-8373 | 1 | 1 | 1 | 1 | |
| 1 | 066071 | CLUSTER, MPH From 5-8374 To 5-8619 | 1 | 1 | 1 | 1 | |
| 1 | 563560 | CLUSTER, MPH From 5-8620 | 1 | 1 | 1 | 1 | |
| 1 | 065128 | CLUSTER, MPH From 1-7377 To 1-7461 | 1 | | | | B |
| 1 | 065127 | CLUSTER, KPH To 5-8367 | 1 | 1 | 1 | 1 | |
| 1 | 066072 | CLUSTER, KPH From 5-8368 To 5-8619 | 1 | 1 | 1 | 1 | |
| 1 | 563559 | CLUSTER, KPH From 5-8620 | 1 | | | | |
| 1 | 065129 | CLUSTER, KPH From 1-7377 To 1-7461 | 1 | | | | B |
| 1 | 065944 | CLUSTER, MPH / W/"ZF" TRANS To 5-8373 | 1 | | | | |
| 1 | 066073 | CLUSTER, MPH / W/"ZF" TRANS From 5-8374 To 5-8619 | 1 | | | | |
| 1 | 563561 | CLUSTER, MPH / W/"ZF" TRANS From 5-8620 | 1 | | | | |
| 1 | 065945 | CLUSTER, KPH / W/"ZF" TRANS To 5-8367 | 1 | | | | |
| 1 | 066074 | CLUSTER, KPH / W/"ZF" TRANS From 4-8165 To 5-8619 | 1 | | | | |
| 1 | 563562 | CLUSTER, KPH / W/"ZF" TRANS From 5-8620 | 1 | | | | |
| NS | 065703 | KIT, CLUSTER "POLLACK" GLASS REPLACEMENT | 1 | 1 | 1 | 1 | |
| . NS | IS-02038 | . SEE INSTRUCTION SHEET | | | | | |
| 2 | 563573 | . GAUGES LEFT SIDE ASSY / 3 GAUGES | 1 | 1 | 1 | 1 | |
| 3 | N.P.N. | .. GAUGE WATER TEMPERATURE | 1 | 1 | 1 | 1 | 4 |
| 4 | N.P.N. | .. GAUGE BOOSTER | 1 | 1 | 1 | 1 | 4 |
| 5 | N.P.N. | .. GAUGE OIL PRESSURE | 1 | 1 | 1 | 1 | 4 |
| 6 | 563574 | . GAUGES RIGHT SIDE ASSY / 2 GAUGES | 1 | 1 | 1 | 1 | |
| 7 | N.P.N. | .. GAUGE VOLTAGE | 1 | 1 | 1 | 1 | 4 |
| 8 | N.P.N. | .. GAUGE FUEL LEVEL | 1 | 1 | 1 | 1 | 4 |
| 9 | 563566 | . TACHO & SPEEDOMETER ASSY / MILES | 1 | 1 | 1 | 1 | |
| 9 | 563567 | . TACHO & SPEEDOMETER ASSY / KM | 1 | 1 | 1 | 1 | |
| 10 | N.P.N. | .. TACHOMETER | 1 | 1 | 1 | 1 | 4 |
| 11 | N.P.N. | .. SPEEDOMETER MILES | 1 | 1 | 1 | 1 | 4 |
| 11 | N.P.N. | .. SPEEDOMETER KM | 1 | 1 | 1 | 1 | 4 |
| 12 | N.P.N. | .. ODO LCD | 1 | 1 | 1 | 1 | 4 |
| 13 | 066075 | . KIT, GRAPHIC DISPLAY "POLLACK" | 1 | 1 | 1 | 1 | |
| . NS | 563539 | .. GRAPHIC DISPLAY "POLLACK" | 1 | 1 | 1 | 1 | |
| . NS | 564586 | .. GRAPHIC DISPLAY MODULE "POLLACK" CURRENT | 1 | 1 | 1 | 1 | |
| . NS | IS-17903 | .. SEE INSTRUCTION SHEET | 1 | 1 | 1 | 1 | |
| 13 | IS17910 | . KIT, GRAPHIC DISPLAY "POLLACK" | 1 | 1 | 1 | 1 | |
| . NS | 19519274 | .. GRAPHIC DISPLAY | 1 | 1 | 1 | 1 | |
| . NS | IS-17910 | .. SEE INSTRUCTION SHEET | 1 | 1 | 1 | 1 | |
| NS | 562838 | . BULB / .50WATT-12VOLTS / SAE #2721MFX | AR | AR | AR | AR | A |
| NS | 562909 | TOOL / CLUSTER BULB REMOVER | 1 | 1 | 1 | 1 | |
| . NS | M103-14A | . SEE MAINTENANCE INFORMATION | 1 | 1 | 1 | 1 | |
| NS | 392009 | MOUNTING PLATE / CLUSTER | 2 | 2 | 2 | 2 | |
| NS | 5001402 | SCREW MA CHE PH M4-0.7x25 Z050 | 5 | 5 | 5 | 5 | |
| 14 | 563565 | . GAUGE AIR APPLICATION | 1 | 1 | 1 | 1 | |

| | | |
|-------------------------------|--------------|-----------------|
| From Y-7046 To 8-9339 | Date:10/2022 | PAGE:Y2-0645-20 |
| CENTER DASHBOARD PANEL | | |

| Item# | Part | Description | X L I I 4 5 | X L I I M T H 4 0 | X L I I M T H 4 5 | X L I I M T H 4 5 E | N O T E S |
|-------|-------------------|---|----------------------------|---|---|--|-----------------------|
| 15 | 563564 | . GAUGE AIR REAR | 1 | 1 | 1 | 1 | |
| 16 | 563563 | . GAUGE AIR FRONT | 1 | 1 | 1 | 1 | |
| NS | 563575 | . BUZZER | 1 | 1 | 1 | 1 | |
| NS | 563576 | . CPU BOARD SPARE | 1 | 1 | 1 | 1 | |
| NS | 641447 | UNION ELBOW 90° / PUSH-IN FITTING / #4x#4 BR | 3 | 3 | 3 | 3 | |
| 20 | 563017 | CLUSTER SWITCH ASSY "POLLACK" | 1 | 1 | 1 | 1 | |
| NS | 392011 | MOUNTING PLATE / CLUSTER SWITCH | 1 | 1 | 1 | 1 | |
| NS | 5001412 | SCREW MA CHE PH M3-0.5x20 EMN | 2 | 2 | 2 | 2 | |
| NS | 5001408 | NUT HEX STO M3-0.5 ZP | 2 | 2 | 2 | 2 | |
| 21 | 402469 | DECAL / VEHICLE HEIGHT 11' 8" / MTH 83" | 1 | 1 | 1 | | |
| 21 | 402468 | DECAL / VEHICLE HEIGHT 11' 11" / MTH 86" | | 1 | 1 | 1 | |
| 21 | 405108 | DECAL / VEHICLE HEIGHT 12' 2" / MTH 89" | | | | 1 | |
| 22 | 562907 | TELLTALE MODULE ASSY | 1 | | | | |
| . NS | 563672 | . FACE PLACE INSERT RETAINER | AR | | | | |
| 22 | 562907 | TELLTALE MODULE ASSY To 7-9095 | | 1 | 1 | 1 | |
| . NS | 563672 | . FACE PLACE INSERT RETAINER To 7-9095 | | AR | AR | AR | |
| 22 | 563333 | TELLTALE MODULE ASSY From 7-9096 | | 1 | 1 | 1 | |
| . NS | 563720 | . FACE PLACE INSERT RETAINER From 7-9096 | | 1 | 1 | 1 | |
| NS | 392010 | ATTACHMENT ANGLE / TO FIX TELLTALE | 1 | 1 | 1 | 1 | |
| NS | 5001401 | SCREW MA CHE PH M4-0.7x8 ZP | 4 | 4 | 4 | 4 | |
| NS | 5001397 | SCREW MA CHE PH M3-0.5x8 SS | 4 | 4 | 4 | 4 | |
| NS | 5001407 | WASHER LO EXT 3.2x6.0x0.4 SS | 4 | 4 | 4 | 4 | |
| 30 | 064474 | ALARM ASSY / WATER IN FUEL / (C-348) | 1 | 1 | 1 | 1 | |
| . NS | 561479 | . PIN TERMINAL / 24-18 / MOLEX 02-06-2103 | 1 | 1 | 1 | 1 | |
| . NS | 562070 | . CONNECTOR / (.062) / PH 6C / MOLEX 03-06-2061 | 1 | 1 | 1 | 1 | |
| . NS | 561479 | . PIN TERMINAL / 24-18 / MOLEX 02-06-2103 | 5 | 5 | 5 | 5 | |
| NS | Y2-1806-00 | CENTRAL DASHBOARD PANEL | | | | | |
| 31 | 063070 | HARNESS ASSY / ALARM | 1 | | | | |
| 31 | 063070 | HARNESS ASSY / ALARM To 7-9095 | | 1 | 1 | 1 | |
| 32 | 561706 | RELAY 12V S.P.D.T. W/DIODE / | 1 | | | | |
| 32 | 561706 | RELAY 12V S.P.D.T. W/DIODE / To 7-9095 | | 1 | 1 | 1 | |
| 33 | 562117 | ALARM BUZZER To 4-8165 | 2 | 2 | 2 | 2 | |
| 33 | 563161 | ALARM BUZZER From 4-8166 | 2 | 2 | 2 | 2 | |
| 50 | FM-00IM-00 | INSERT - "MEGATECH" | | | | | |
| | | | | | | | |
| | | | | | | | |
| | | A) TOOL TO REMOVE BULB #562909 | | | | | |
| | | B) WITH MANUAL TRANSMISSION | | | | | |
| | | 4) NO PARTS NUMBER | | | | | |

| | | |
|-----------------------|--------------|-----------------|
| From Y-7046 To 8-9339 | Date:10/2022 | PAGE:FM-00IM-00 |
| INSERT - "MEGATECH" | | |

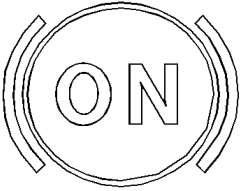
| | | | | |
|---|---|---|---|---|
| <p>10000 – AC0354</p>  <p>563384</p> | <p>10001 – AC0355</p>  <p>563385</p> | <p>10002 – AC0356</p>  <p>563386</p> | <p>10003 – AC0357</p>  <p>563387</p> | <p>10004 – AC0358</p>  <p>563388</p> |
| <p>10005 – AC0359</p>  <p>563389</p> | <p>10006 – AC0360</p>  <p>563390</p> | <p>10007 – AC0361</p>  <p>563391</p> | <p>10008 – AC0362</p>  <p>563392</p> | <p>10009 – AC0363</p>  <p>562958</p> |
| <p>10010 – AC0364</p>  <p>563393</p> | <p>10011 – AC0365</p>  <p>563394</p> | <p>10012 – AC0410</p>  <p>563395</p> | <p>10013 – AC0367</p>  <p>563396</p> | <p>10014 – AC0530</p>  <p>562966</p> |
| <p>10015 – AC1148</p>  <p>563397</p> | <p>10016 – AC1151</p>  <p>563016</p> | <p>10017 – AC1152</p>  <p>563178</p> | <p>10018 – AC1153</p>  <p>563179</p> |  <p>563427</p> |
|  <p>563428</p> |  <p>563655</p> |  <p>565860</p> |  <p>563469</p> |  <p>564480</p> |

From Y-7046 To 8-9339

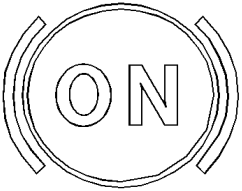
Date:10/2022

PAGE:FM-00IM-00

INSERT - "MEGATECH"



564481

| | | | | |
|--|--|--|--|--|
|  564481 | | | | |
| | | | | |
| | | | | |
| | | | | |
| | | | | |

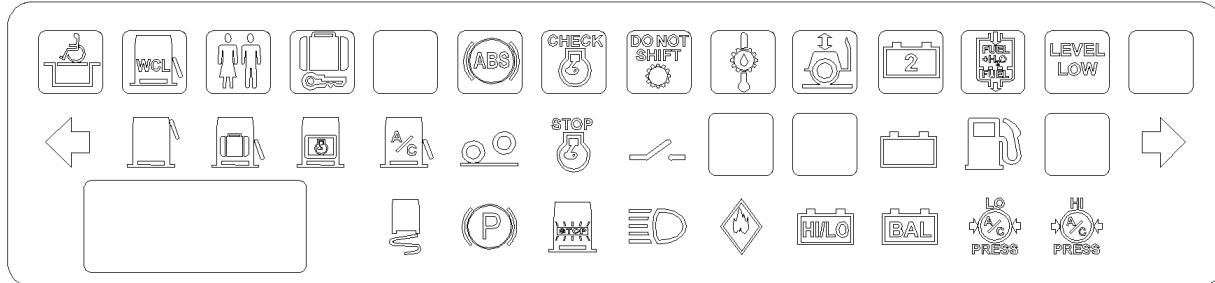
From Y-7046 To 8-9339

Date:10/2022

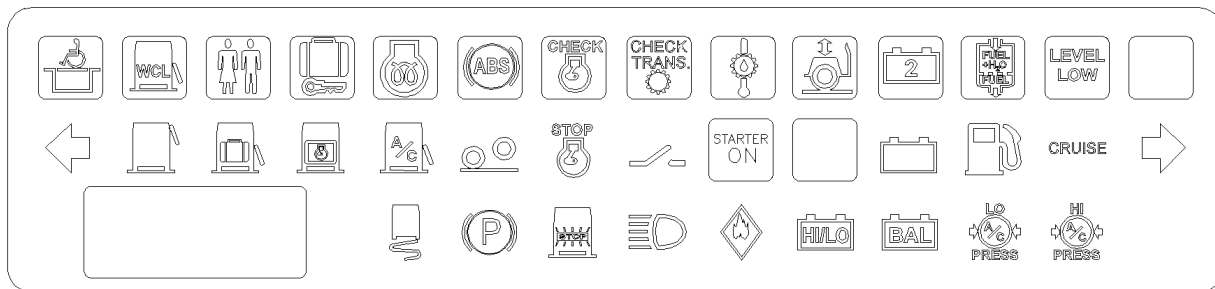
PAGE:FM-00IM-00

INSERT - "MEGATECH"

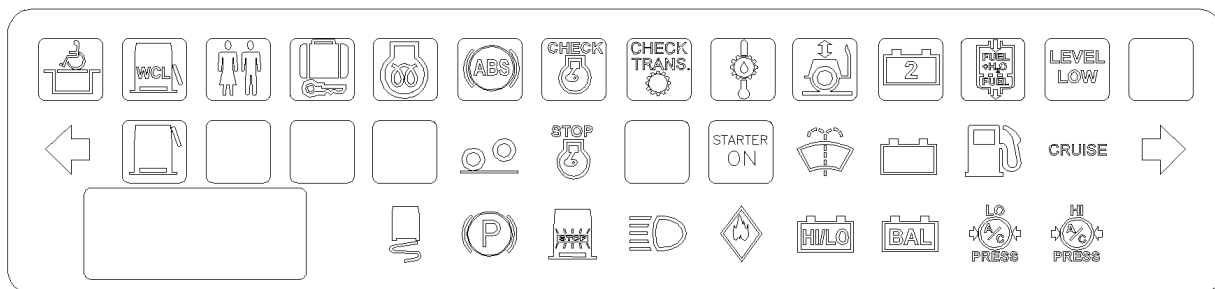
A



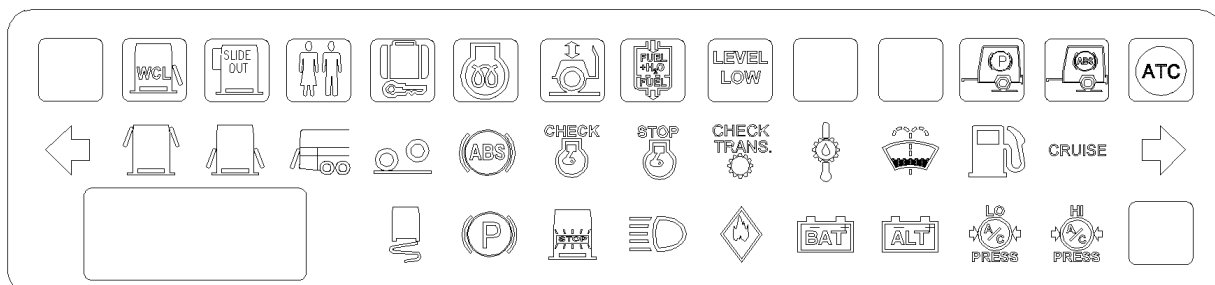
B



C



D



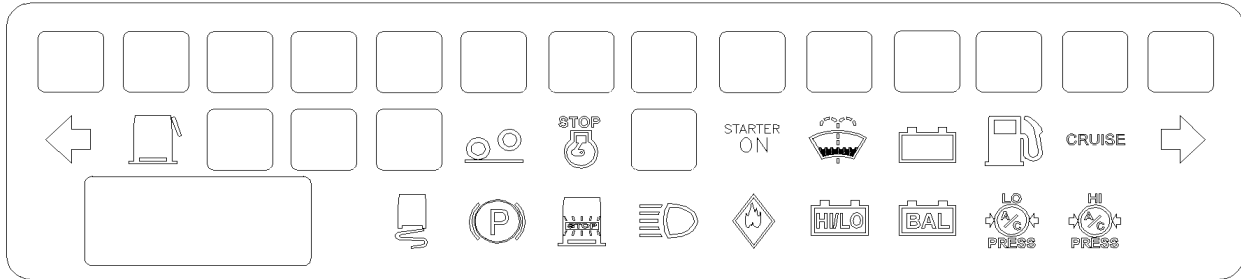
From Y-7046 To 8-9339

Date:10/2022

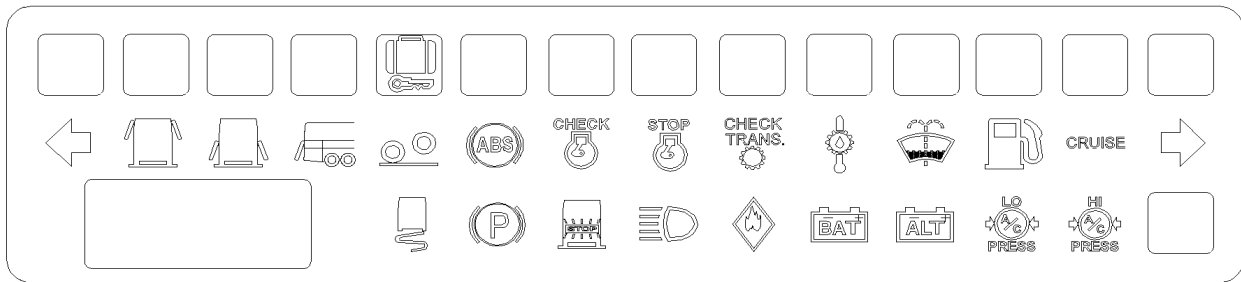
PAGE:FM-00IM-00

INSERT - "MEGATECH"

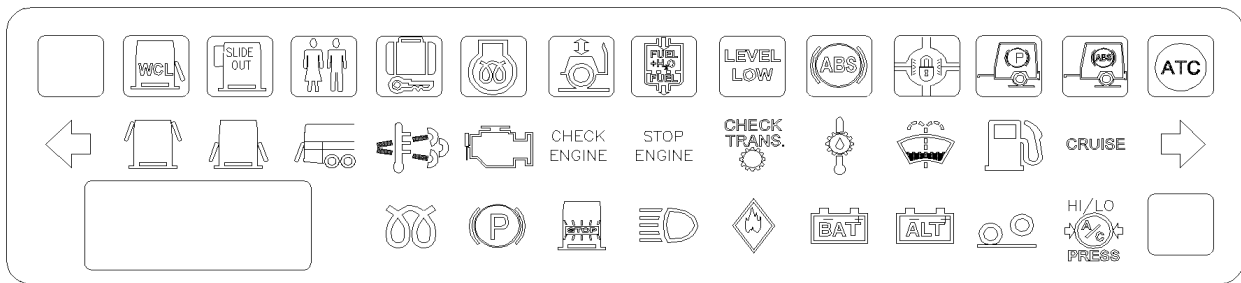
E



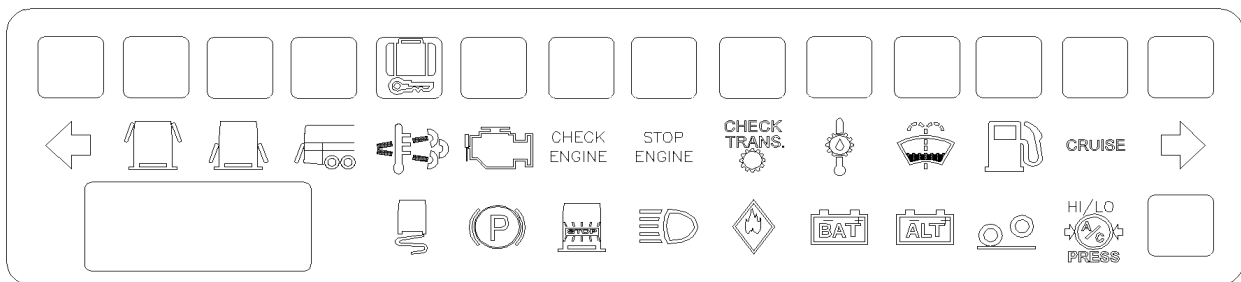
F



G



H

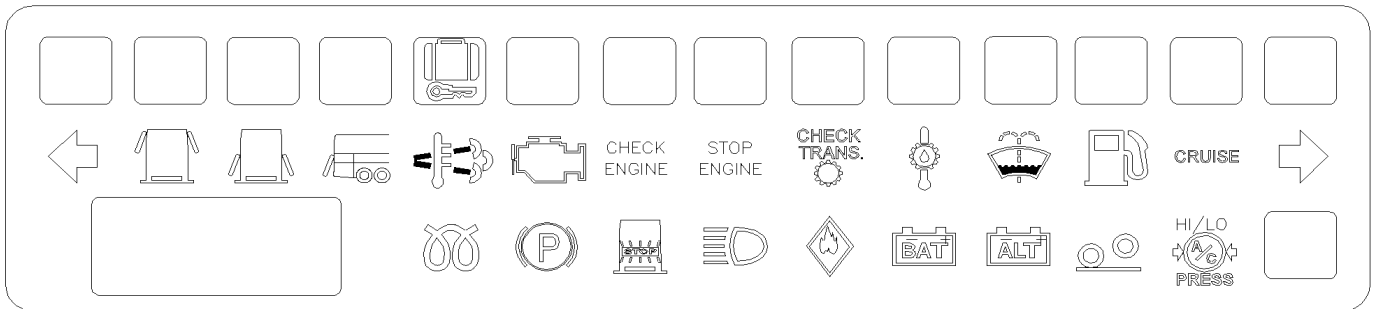
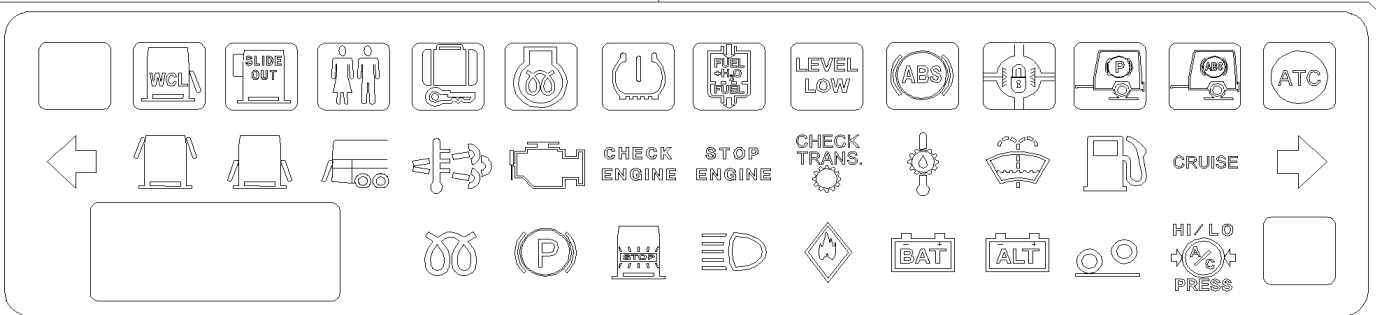


From Y-7046 To 8-9339

Date:10/2022

PAGE:FM-00IM-00

INSERT - "MEGATECH"



| | | |
|-----------------------|--------------|-----------------|
| From Y-7046 To 8-9339 | Date:10/2022 | PAGE:FM-00IM-00 |
|-----------------------|--------------|-----------------|

INSERT - "MEGATECH"

| Item# | Part | Description | X L I I 4 5 | X L I I M T H 4 0 | X L I I M T H 4 5 | X L I I M T H 4 5 E | N O T E S |
|-------|------|---|----------------------------|---|---|--|-----------------------|
| | | B) TO FIX ANY INSERT ABOVE TO TELLS TALES MODULE 563333 | | | | | |

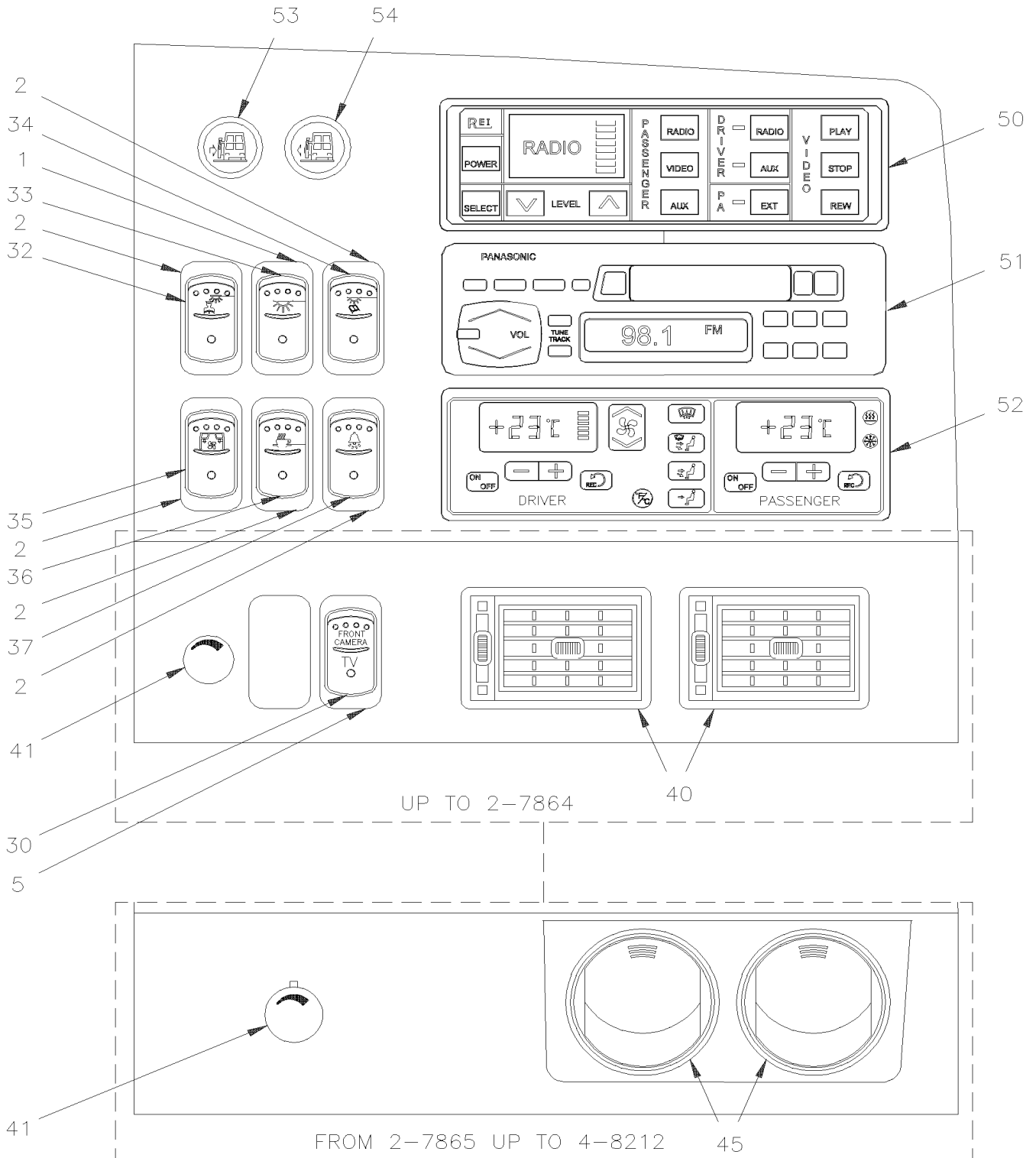
From Y-7046 To 8-9339

Date:10/2022

PAGE:Y2-0645-30

R.H. DASHBOARD PANEL

BUS



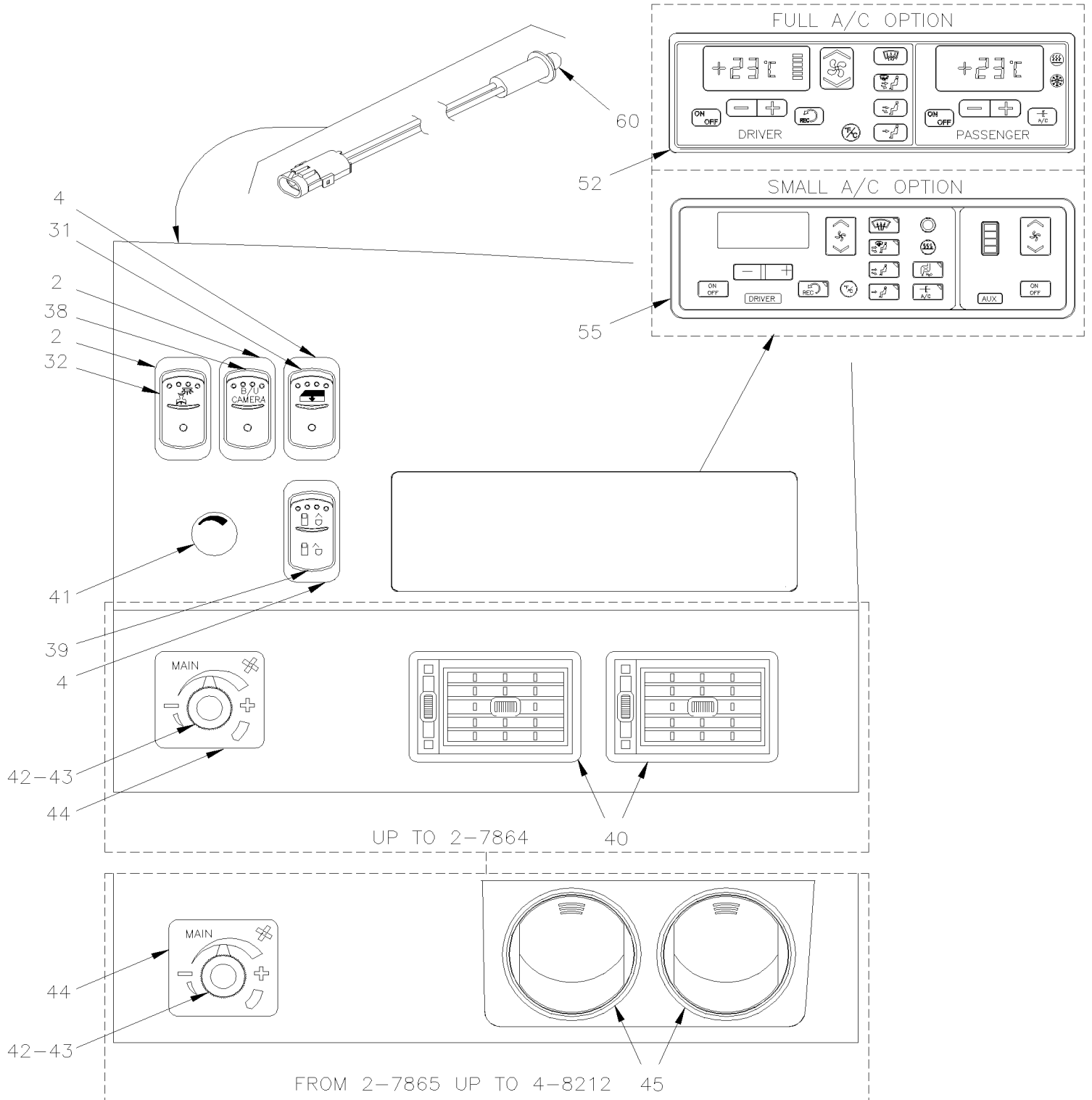
From Y-7046 To 8-9339

Date:10/2022

PAGE:Y2-0645-30

R.H. DASHBOARD PANEL

M.T.H.



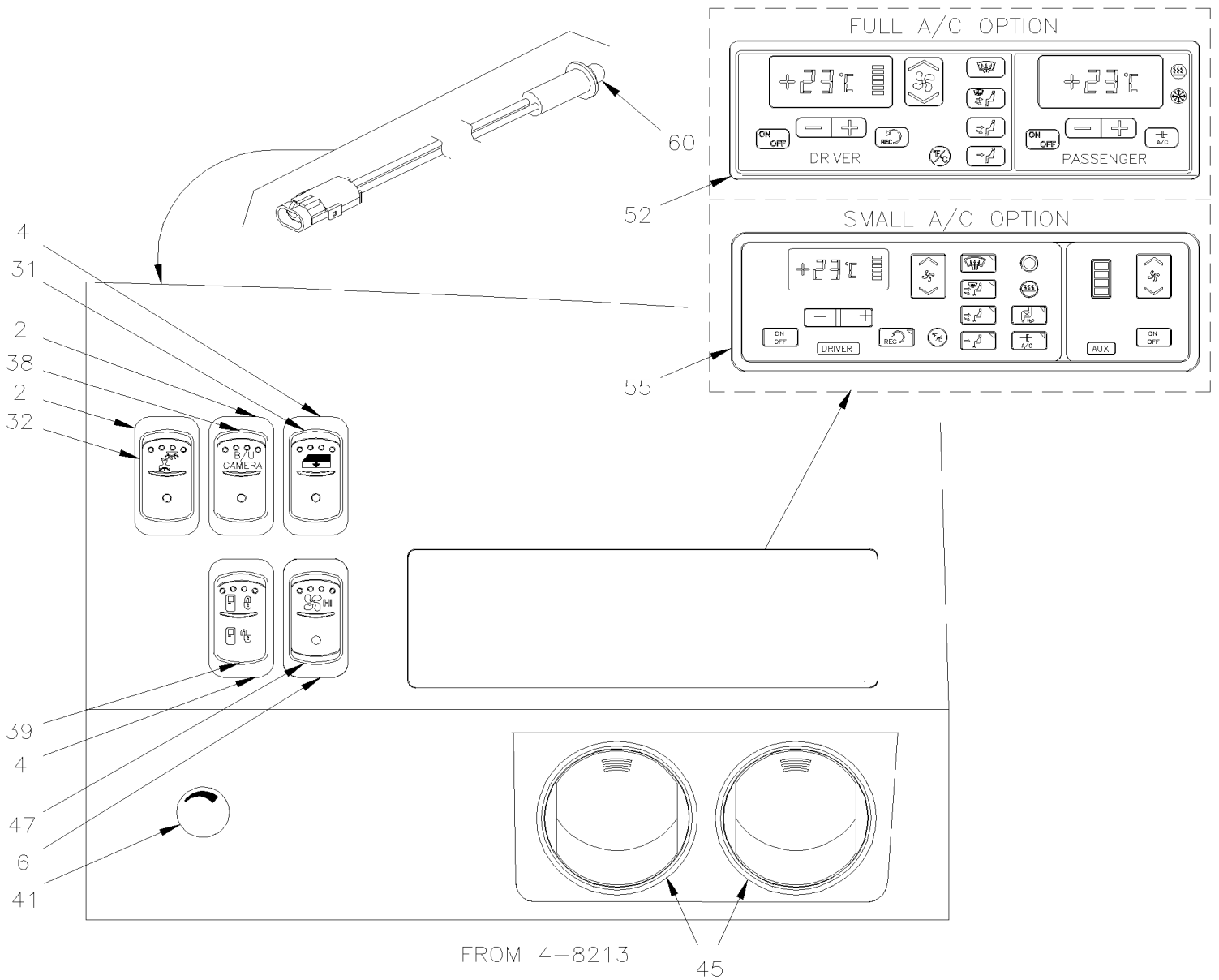
From Y-7046 To 8-9339

Date:10/2022

PAGE:Y2-0645-30

R.H. DASHBOARD PANEL

M.T.H.



| | | |
|-----------------------------|--------------|-----------------|
| From Y-7046 To 8-9339 | Date:10/2022 | PAGE:Y2-0645-30 |
| R.H. DASHBOARD PANEL | | |

| Item# | Part | Description | X L I I 4 5 | X L I I M T H 4 0 | X L I I M T H 4 5 | X L I I M T H 4 5 E | N O T E S |
|--------|-------------------|---|----------------------------|---|---|--|-----------------------|
| 1 | 562696 | SWITCH / OFF-ON-ON SERIES S.P.D.T. / W/RED & GREEN LED | AR | AR | AR | AR | |
| 2 | 562697 | SWITCH / ON-ON / D.P.D.T. / CH-OVER / W/RED & GREEN LED | AR | AR | AR | AR | |
| 4 | 562699 | SWITCH / M/ON-OFF-M/ON / D.P.D.T. / W/GREEN LED | 1 | 1 | 1 | 1 | |
| NS | 562773 | SWITCH / "DUMMY" / PLUG | AR | AR | AR | AR | |
| NS | 562763 | CONNECTOR RH 10C / SWITCH / NGR 28-5637-2 | AR | AR | AR | AR | |
| NS | 562768 | SOCKET TERMINAL / 16-14 / PED 12015870 | AR | AR | AR | AR | |
| 5 | 563012 | SWITCH / ON-ON / D.P.D.T. / CH-OVER / W/GREEN LED | 1 | | | | |
| 6 | 562854 | SWITCH / ON-ON / D.P.D.T. / CH-OVER / W/RED LED From 4-8213 | | 1 | 1 | 1 | |
| 30 | 562941 | CAP / FRONT CAMERA | 1 | | | | |
| 31 | 562740 | CAP / WINDOW DRIVER'S | | 1 | 1 | 1 | |
| 32 | 562716 | CAP / DRIVER'S LAMP | 1 | 1 | 1 | 1 | |
| 33 | 562717 | CAP / INTERIOR LIGHT | 1 | | | | |
| 34 | 562718 | CAP / READING LAMP | 1 | | | | |
| 35 | 562720 | CAP / PARCEL RACK VENTILATION | 1 | | | | A |
| 36 | 562721 | CAP / GALLEY | 1 | | | | |
| 37 | 562719 | CAP / HOSTESS BELL | 1 | | | | |
| 38 | 562786 | CAP / BACK-UP CAMERA | 1 | | | | |
| 39 | 562831 | CAP / DOOR LOCK | 1 | 1 | 1 | 1 | |
| 40 | 871106 | LOUVER, ADJUSTABLE To 2-7864 | 2 | 2 | 2 | 2 | |
| 41 | 562846 | KNOB / DASH ILLUMINATION | 1 | 1 | 1 | 1 | |
| NS | 562845 | RHEOSTAT / DASH ILLUMINATION | 1 | 1 | 1 | 1 | |
| NS | 1212770 | . NUT RND SLT BK M8-.75 | 1 | 1 | 1 | 1 | |
| 42 | 063661 | RHEOSTAT BLOWER SPEED CONTROL To 4-8212 | | 1 | 1 | 1 | |
| 43 | 505306 | KNOB, POINTER To 4-8212 | | 1 | 1 | 1 | |
| 44 | 392021 | DECAL FAN EVAPORATOR SPEED To 4-8212 | | 1 | 1 | 1 | |
| 45 | 871314 | LOUVER, ADJUSTABLE / ROUND 2 5/8" O.D. From 2-7865 | 1 | | | 1 | |
| 45 | 871315 | LOUVER, ADJUSTABLE / ROUND 2 1/8" O.D. From 2-7865 | | 1 | 1 | | |
| 47 | 563278 | CAP / HI SPEED MAIN VENTILATION From 4-8213 | | 1 | 1 | 1 | |
| 50 | 900803 | CONTROL HEAD / "R.E.I." SYSTEM 2000 | 1 | | | | |
| . NS | 563064 | . BULB (CONTROL HEAD GREEN) / 12VOLTS / 2700 | 1 | | | | |
| NS | 563064 | . BULB (CONTROL HEAD GREEN) / 12VOLTS / 2700 | AR | | | | |
| NS | 404571 | CABLE ASSY / DASH & PARCEL RACK To 6-8797 | 1 | | | | |
| NS | 409149 | CABLE ASSY / DASH & PARCEL RACK / AUDIO From 6-8798 | 1 | | | | |
| 51 | Y2-2315-00 | SOUND SYSTEM & ACCESSORIES - "R.E.I." | | | | | |
| 52 | 871171 | A/C CONTROL MODULE To Y-7267 | 1 | 1 | 1 | 1 | |
| 52 | 871200 | A/C CONTROL MODULE From Y-7268 To 1-7493 | 1 | 1 | 1 | 1 | C |
| 52 | 871201 | KIT RETROFIT SENSOR BOX W/PROTECTOR WITH LARGE A/C SYSTEM XL-II To 1-7493 | 1 | 1 | 1 | 1 | |
| . NS | 871214 | . A/C CONTROL MODULE To 1-7493 | 1 | 1 | 1 | 1 | |
| . . NS | M104-14C | . . SEE MAINTENANCE INFORMATION To 1-7493 | 1 | 1 | 1 | 1 | |
| . NS | 065328 | . CABLE ASSY To 1-7493 | 1 | 1 | 1 | 1 | |
| . NS | 563063 | . SENSOR THERMISTOR ASSY / TEMPERATURE / ("DELPHI") To 1-7493 | 1 | 1 | 1 | 1 | |
| . NS | 373792 | . BOX SENSOR PROTECTOR To 1-7493 | 1 | 1 | 1 | 1 | |

From Y-7046 To 8-9339 Date:10/2022 PAGE:Y2-0645-30

R.H. DASHBOARD PANEL

| Item# | Part | Description | X L I I 4 5 | X L I I M T H 4 0 | X L I I M T H 4 5 | X L I I M T H 4 5 E | NOTES |
|-------|----------------|---|----------------------------|---|---|--|-------|
| . NS | 373793 | . ADAPTOR SENSOR BOX To 1-7493 | 1 | 1 | 1 | 1 | |
| . NS | 373802 | . HOSE To 1-7493 | 1 | 1 | 1 | 1 | |
| . NS | 065302 | . CABLE ASSY SENSOR EXTENTION To 1-7493 | 1 | 1 | 1 | 1 | |
| . NS | 500638 | . SCREW TP PAN PH #8x1/2 Z050 To 1-7493 | 4 | 4 | 4 | 4 | |
| . NS | 504637 | . CABLE TIE / 3/16" x 13" To 1-7493 | 4 | 4 | 4 | 4 | |
| 52 | 871214 | A/C CONTROL MODULE From 1-7494 To 5-8487 | 1 | 1 | 1 | 1 | |
| . NS | MI04-14C | . SEE MAINTENANCE INFORMATION From 1-7494 To 5-8487 | 1 | 1 | 1 | 1 | |
| 52 | 871373 | A/C CONTROL MODULE From 5-8488 | 1 | | | | |
| 52 | 871373 | A/C CONTROL MODULE From 5-8488 To 7-9095 | | 1 | 1 | 1 | |
| 52 | 871350 | A/C CONTROL MODULE / W/MUX From 7-9096 | | | 1 | 1 | |
| 52 | 563026 | SENSOR THERMISTOR ASSY ("KEYSTONE") To 1-7493 | 2 | 2 | 2 | 2 | B |
| 52 | 563063 | SENSOR THERMISTOR ASSY / TEMPERATURE / ("DELPHI") From 1-7494 | 2 | 2 | 2 | 2 | B |
| 52 | IS19923 | HVAC MODULE REPLACEMENT To 7-9095 | 1 | 1 | 1 | 1 | |
| 53 | 562801 | SWITCH / DOOR CLOSE To Y-7178 | 1 | | | | |
| 53 | 563043 | SWITCH / DOOR CLOSE From Y-7179 To 3-7926 | 1 | | | | |
| 53 | 563084 | SWITCH / DOOR CLOSE From 3-7927 To 5-8578 | 1 | | | | |
| 53 | 563578 | SWITCH / DOOR CLOSE From 5-8579 | 1 | | | | |
| 53 | 562810 | INSERT / DOOR CLOSE | 1 | | | | |
| 54 | 562802 | SWITCH / DOOR OPEN To Y-7178 | 1 | | | | |
| 54 | 563044 | SWITCH / DOOR OPEN From Y-7179 To 3-7926 | 1 | | | | |
| 54 | 563085 | SWITCH / DOOR OPEN From 3-7927 To 5-8578 | 1 | | | | |
| 54 | 563579 | SWITCH / DOOR OPEN From 5-8579 | 1 | | | | |
| 54 | 562830 | INSERT / DOOR OPEN | 1 | | | | |
| 55 | 871170 | A/C CONTROL MODULE / W/SMALL A/C SYSTEM To 1-7547 | | 1 | 1 | 1 | D |
| 55 | 871248 | KIT RETROFIT SENSOR BOX W/PROTECTOR WITH SMALL A/C SYSTEM XL-II To 1-7457 | | AR | AR | AR | |
| . NS | IS-00093 | . SEE INSTRUCTION SHEET To 1-7457 | | 1 | 1 | 1 | |
| . NS | 871212 | . A/C CONTROL MODULE / W/SMALL A/C SYSTEM To 1-7457 | | 1 | 1 | 1 | |
| . NS | 065328 | . CABLE ASSY To 1-7457 | | 1 | 1 | 1 | |
| . NS | 563063 | . SENSOR THERMISTOR ASSY / TEMPERATURE / ("DELPHI") To 1-7457 | | 1 | 1 | 1 | |
| . NS | 373792 | . BOX SENSOR PROTECTOR To 1-7457 | | 1 | 1 | 1 | |
| . NS | 373793 | . ADAPTOR SENSOR BOX To 1-7457 | | 1 | 1 | 1 | |
| . NS | 373802 | . HOSE To 1-7457 | | 1 | 1 | 1 | |
| . NS | 065302 | . CABLE ASSY SENSOR EXTENTION To 1-7457 | | 1 | 1 | 1 | |
| . NS | 500638 | . SCREW TP PAN PH #8x1/2 Z050 To 1-7457 | | 4 | 4 | 4 | |
| . NS | 504637 | . CABLE TIE / 3/16" x 13" To 1-7457 | | 4 | 4 | 4 | |
| 55 | 871212 | A/C CONTROL MODULE / W/SMALL A/C SYSTEM From 1-7548 To 7-9095 | | 1 | 1 | 1 | |
| 55 | 871417 | A/C CONTROL MODULE / W/SMALL A/C SYSTEM From 7-9096 | | | 1 | 1 | |
| 60 | 330238P | TELLTALE ASSY / RED | | 1 | 1 | 1 | |
| | | | | | | | |
| | | | | | | | |
| | | | | | | | |
| | | | | | | | |
| | | A) WE USE #562699 SWITCH AND RESISTOR #562908 | | | | | |

| | | |
|-----------------------|--------------|-----------------|
| From Y-7046 To 8-9339 | Date:10/2022 | PAGE:Y2-0645-30 |
|-----------------------|--------------|-----------------|

R.H. DASHBOARD PANEL

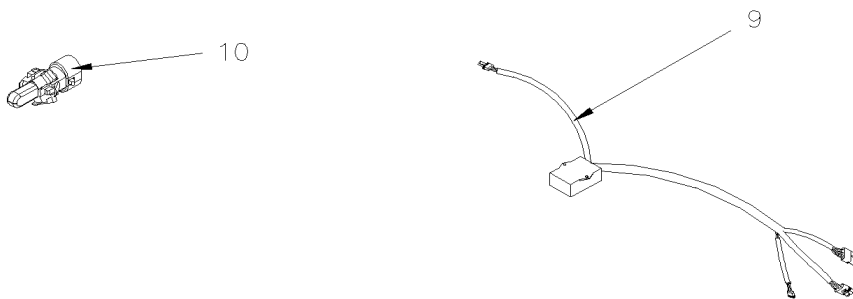
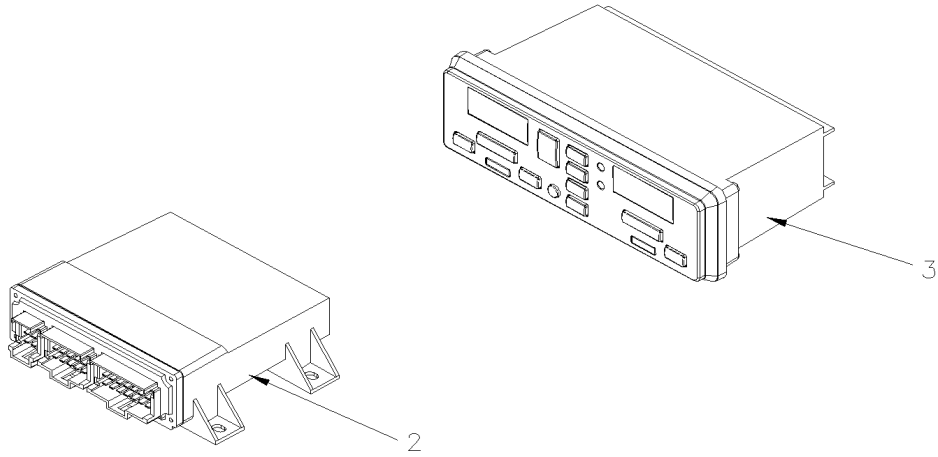
| Item# | Part | Description | X L I I 4 5 | X L I I M T H 4 0 | X L I I M T H 4 5 | X L I I M T H 4 5 E | N O T E S |
|-------|------|---|----------------------------|---|---|--|-----------------------|
| | | B) USE IN PASSENGER'S RETURN AIR BOX UNDER PASSENGER'S SEAT & DRIVER'S KNEE | | | | | |
| | | C) FOR PRODUCT IMPROVMENT ASK FOR KIT #871201 | | | | | |
| | | D) FOT PRODUCT IMPROVMENT ASK FOR KIT #871248 (SEE WB0034) | | | | | |

To 7-9095

Date:10/2022

PAGE:IS19923

HVAC MODULE REPLACEMENT



From Y-7046 To 6-8906

Date:10/2022

PAGE:Y2-0650-10

TACHOGRAPH - INSTALLATION

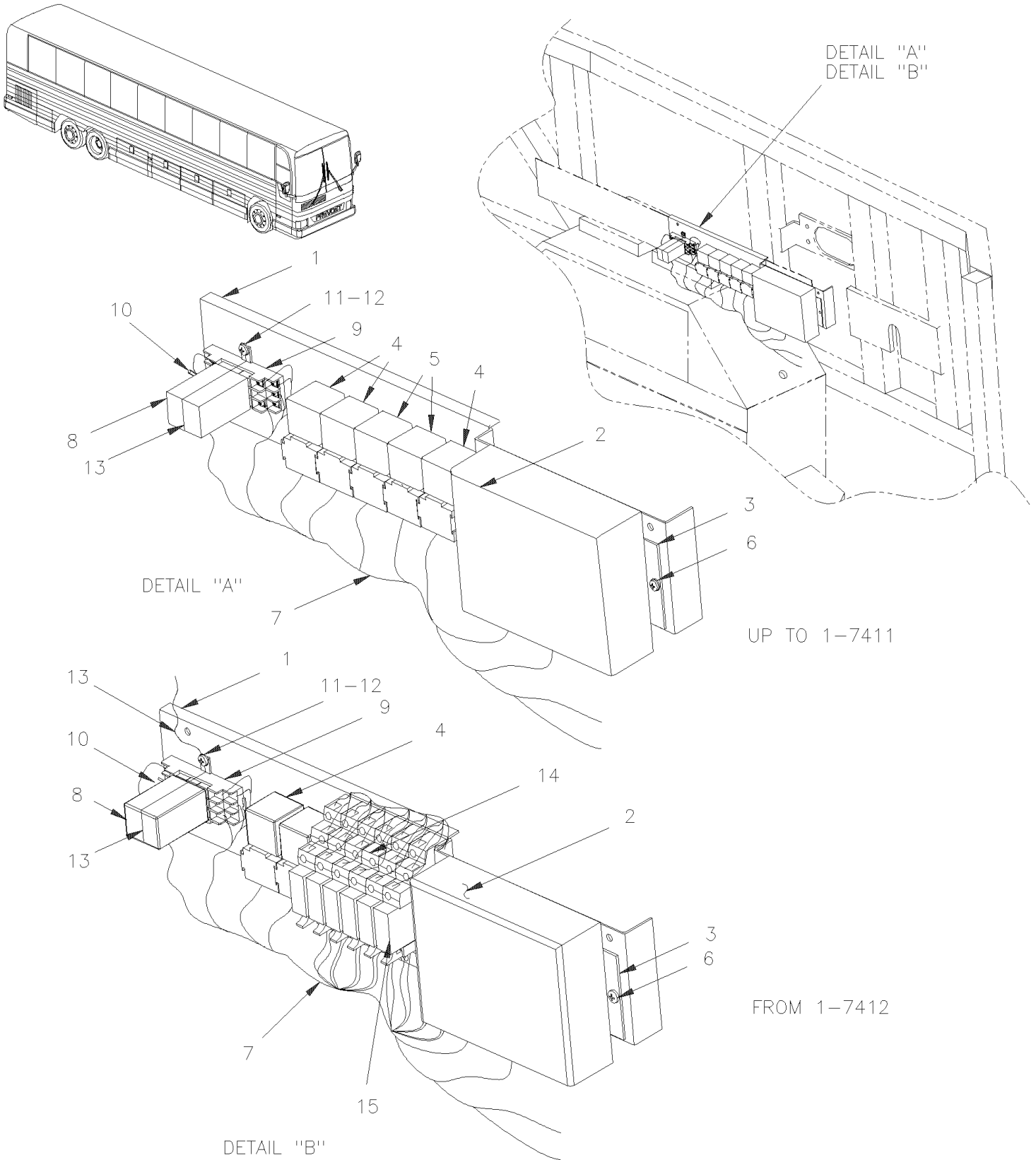


From Y-7046 To 7-9095

Date:10/2022

PAGE:Y2-0650-50

KEYLESS MODULE



| | | | |
|-----------------------|--|--------------|-----------------|
| From Y-7046 To 7-9095 | | Date:10/2022 | PAGE:Y2-0650-50 |
|-----------------------|--|--------------|-----------------|

KEYLESS MODULE

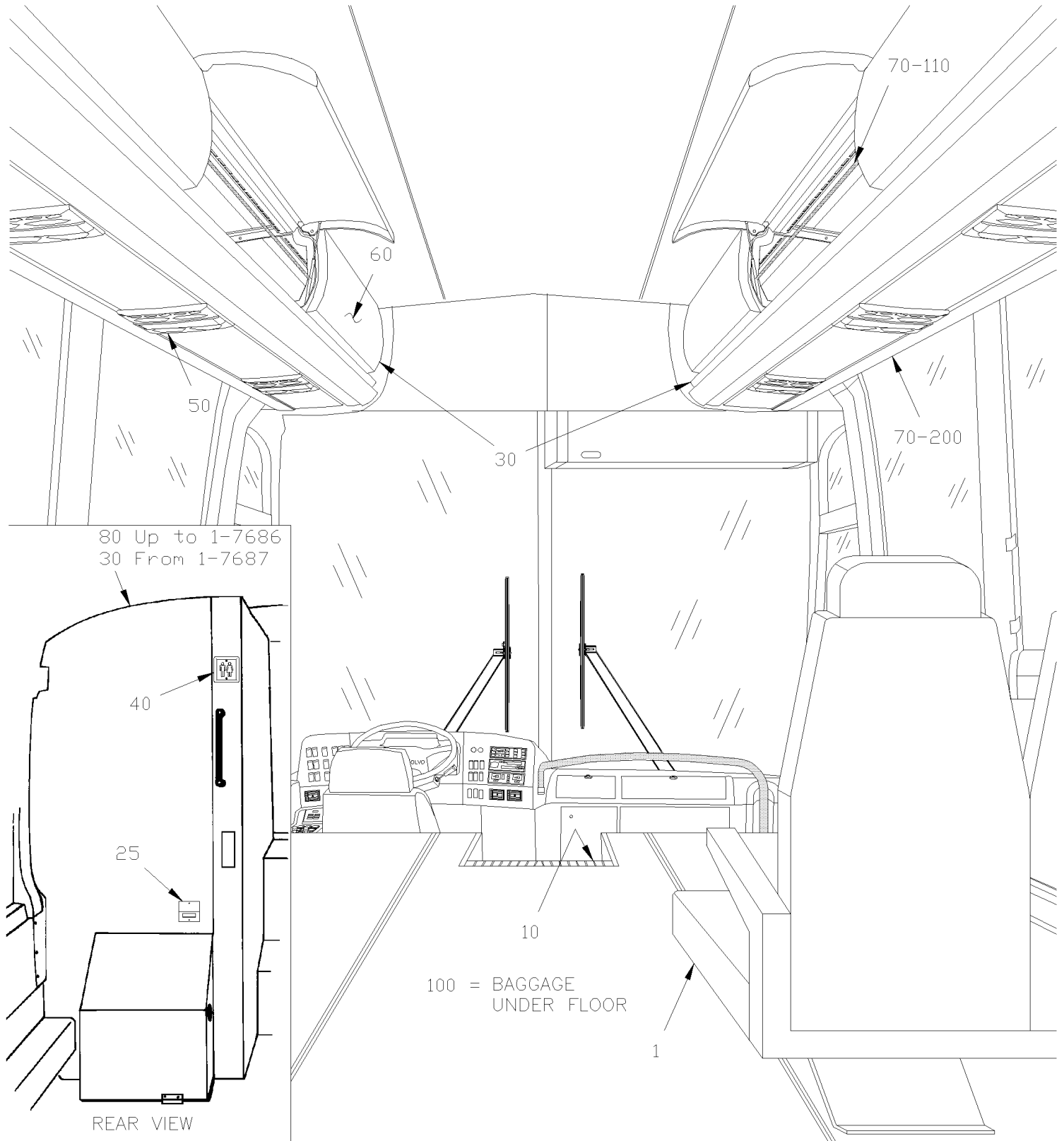
| Item# | Part | Description | X L I I 4 5 | X L I I M T H 4 0 | X L I I M T H 4 5 | X L I I M T H 4 5 E | N O T E S |
|-------|-----------|---|----------------------------|---|---|--|-----------------------|
| | 381907 | KEYLESS MODULE ASSY To 1-7411 | | 1 | 1 | 1 | |
| | 381973 | KEYLESS MODULE ASSY / MTH XL From 1-7412 To 4-8285 | | 1 | 1 | 1 | |
| | 382319 | KEYLESS MODULE ASSY / MTH XL From 4-8286 To 5-8517 | | 1 | 1 | 1 | |
| | 382327 | KEYLESS MODULE ASSY / MTH XL From 5-8518 | | 1 | 1 | 1 | |
| 1 | 381930 | . SUPPORT KEYLESS MODULE To 1-7411 | | 1 | 1 | 1 | |
| 1 | 381974 | . SUPPORT KEYLESS MODULE From 1-7412 | | 1 | 1 | 1 | |
| 2 | 562673 | . KEYLESS MODULE / 50' RANGE To 4-8285 | | 1 | 1 | 1 | S |
| . NS | IS-03103 | .. SEE INSTRUCTION SHEET To 4-8285 | | 1 | 1 | 1 | S |
| 2 | 563541 | . KEYLESS MODULE / 350' RANGE From 4-8286 | | 1 | 1 | 1 | |
| 3 | 064494 | . SUPPORT MODULE | | 2 | 2 | 2 | |
| 4 | 562092 | . RELAY 12V S.P.D.T. W/DIODE / To 5-8577 | | 3 | 3 | 3 | |
| 4 | 563337 | . RELAY 12V S.P.D.T. W/RESISTOR / From 5-8578 | | 3 | 3 | 3 | |
| 5 | 561707 | . RELAY 24V S.P.D.T. W/RESISTOR / To 5-0142 | | 2 | 2 | 2 | |
| 5 | 563332 | . RELAY 24V S.P.D.T. W/RESISTOR / "VOLVO" (20374662) From 5-0143 | | 2 | 2 | 2 | |
| 6 | 500582 | . SCREW TP PAN PH #8x3/8 Z050 | | 4 | 4 | 4 | |
| 7 | 064817 | . WIRING HARNESS KEYLESS MODULE To 1-7411 | | 1 | 1 | 1 | |
| 7 | 065382 | . WIRING HARNESS KEYLESS MODULE From 1-7412 To 2-7799 | | 1 | 1 | 1 | |
| 7 | 065549 | . WIRING HARNESS KEYLESS MODULE From 2-7800 To 5-8517 | | 1 | 1 | 1 | |
| 7 | 066399 | . WIRING HARNESS KEYLESS MODULE From 5-8518 To 5-8609 | | 1 | 1 | 1 | |
| 7 | 066309 | . WIRING HARNESS KEYLESS MODULE From 5-8610 | | 1 | 1 | 1 | |
| 8 | 562341 | . RELAY, TIME DELAY RELAY - OFF To 5-8517 | | 1 | 1 | 1 | |
| 8 | 067982 | . KIT RETROFIT TIME DELAY RELAY To 5-8517 | | | | | |
| . NS | 563584 | .. RELAY, TIME DELAY RELAY - OFF / 30 SEC To 5-8517 | | 1 | 1 | 1 | |
| . NS | 561183 | .. RELAY BASE / TAB TERMINAL / BOSCH 3334485008 To 5-8517 | | 1 | 1 | 1 | |
| . NS | 561108 | .. TAB RECEPTACLE TERMINAL / 18-14 / AMP 42238-2 To 5-8517 | | 4 | 4 | 4 | |
| 8 | 563584 | . RELAY, TIME DELAY RELAY - OFF / 30 SEC From 5-8518 | | 1 | 1 | 1 | R |
| 9 | 562340 | . BASE SOCKET | | 1 | 1 | 1 | |
| 10 | 560805 | . RESISTOR / 470 OHMS / 1/2W | | 2 | 2 | 2 | |
| 11 | 500640 | . SCREW TP PAN PH #6x3/4 Z050 | | 2 | 2 | 2 | |
| 12 | 502630 | . WASHER FL .156x.375x.049 Z050 | | 2 | 2 | 2 | |
| 13 | 560920 | . SPRING HOLDER | | 1 | 1 | 1 | |
| 14 | 563055 | . BASE RELAY From 1-7412 | | 7 | 7 | 7 | |
| 15 | 563054 | . RELAY 12V S.P.D.T. From 1-7412 | | 7 | 7 | 7 | |
| NS | 065541 | KIT KEYLESS MODULE To 1-7411 | | AR | AR | AR | |
| . NS | IS-00053A | . SEE INSTRUCTION SHEET To 1-7411 | | 1 | 1 | 1 | |
| | | | | | | | |
| | | | | | | | |
| | | | | | | | |
| | | R) SEE ATTACHMENT DOCUMENT 2004093 | | | | | |
| | | S) WHEN YOU REPLACE MODULE 562673 BY THE NEW 563541 YOU NEED TO REPLACE KEYLESS 562674 WITH THE NEW 563542 / SEE INSTRUCTION SHEET IS-03103 | | | | | |

From Y-7046 To 8-9339

Date:10/2022

PAGE:Y2-0655-00

INTERIOR LIGHTING

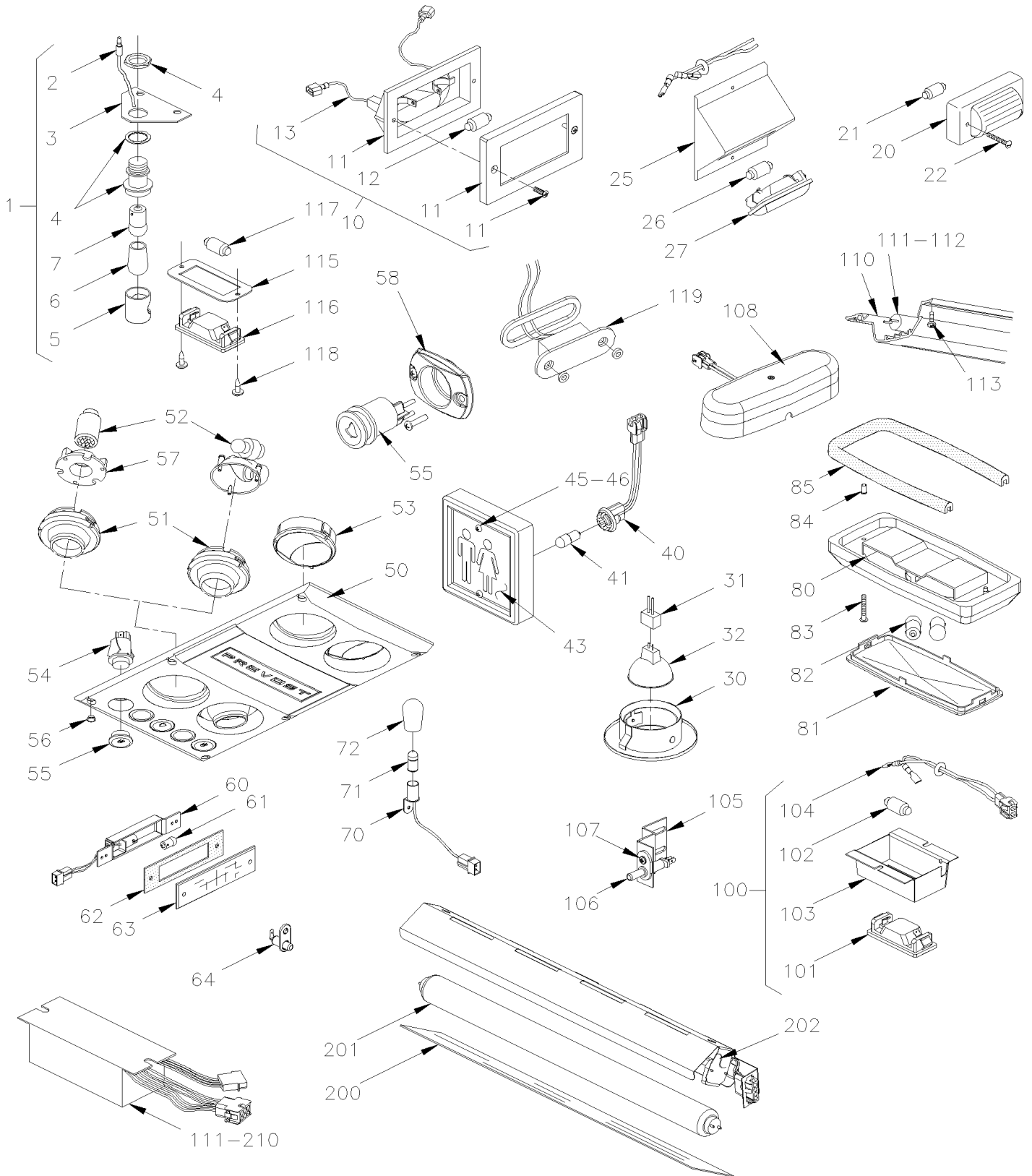


From Y-7046 To 8-9339

Date:10/2022

PAGE:Y2-0655-00

INTERIOR LIGHTING



| | | |
|--------------------------|--------------|-----------------|
| From Y-7046 To 8-9339 | Date:10/2022 | PAGE:Y2-0655-00 |
| INTERIOR LIGHTING | | |

| Item# | Part | Description | X L I I 4 5 | X L I I M T H 4 0 | X L I I M T H 4 5 | X L I I M T H 4 5 E | N O T E S |
|-------|--------|--|----------------------------|---|---|--|-----------------------|
| | | AISLE LAMP - UNDER PASSENGER'S SEAT | | | | | |
| 1 | 330146 | LAMP ASSY / UNDER SEAT W/BULB To 5-8416 | AR | | | | |
| 1 | 330367 | LAMP ASSY / UNDER SEAT W/LED From 5-8417 | AR | | | | |
| 2 | 560098 | . TERMINAL SNAP PLUG / 16-14 / INSULATED / AMP 2-324225-1 | 1 | | | | |
| 3 | 361343 | . SUPPORT | 1 | | | | |
| 4 | 830096 | . LAMP | 1 | | | | |
| 5 | 830113 | . . CAP PROTECTOR | 1 | | | | |
| 6 | 560940 | . BULB COVERING / BLUE To 5-8416 | 1 | | | | |
| 7 | 560141 | . BULB / 3WATT-24VOLTS / SAE# 1251 To 5-8416 | 1 | | | | |
| 7 | 563546 | . BULB / 7 LEDS BLUE / UNDER SEAT / #B607-2PB-028W From 5-8417 | 1 | | | | |
| 7 | 564100 | . BULB / 7 LEDS BLUE / UNDER SEAT / #270015 | 1 | | | | |
| NS | 061310 | CABLE ASSY / LIGHT & MAIN CABLE | AR | | | | |
| | | STEPWELL LAMP | | | | | |
| 10 | 330279 | LAMP ASSY 24V W/BULB | 2 | | | | |
| . NS | 830142 | . LAMP | 1 | | | | |
| . NS | 562278 | . BULB / 10WATT-24VOLTS / SAE# 6429 | 1 | | | | |
| 10 | 830197 | LAMP ASSY 24V LEDS | 2 | | | | |
| NS | 068140 | CABLE INTERFACE 330279 TO 830197 | AR | | | | |
| 12 | 562278 | . BULB / 10WATT-24VOLTS / SAE# 6429 | 1 | | | | |
| 13 | 561904 | TAB TERMINAL INSULATION NYLON / 22-18 / AMP 2-520103-2 | 2 | | | | |
| NS | 500148 | SCREW MA RND PH #6-32x1/2 SS | AR | | | | |
| NS | 500422 | NUT SPR U #6-32 .110-.120 SS | AR | | | | |
| | | GALLEY & WASTE CONTAINER LAMP | | | | | |
| 20 | 830124 | LAMP ASSY | 1 | | | | |
| 21 | 562278 | BULB / 10WATT-24VOLTS / SAE# 6429 | 1 | | | | |
| 21 | 562305 | BULB / 5WATT-12VOLTS / SAE# 6413 | AR | | | | |
| 22 | 500613 | SCREW TP PAN PH #10x1/2 Z050 | 2 | | | | |
| 25 | 327378 | LAMP SUPPORT To 5-8592 | 1 | | | | |
| 26 | 562278 | BULB / 10WATT-24VOLTS / SAE# 6429 To 5-8592 | 1 | | | | |
| 27 | 830139 | LAMP ASSY / W/ONE BULB To 5-8592 | 1 | | | | |
| 27 | 066480 | KIT, REPLACEMENT WASTE CONTAINER NIGHT LIGHT | 1 | | | | |
| 27 | 065350 | WIRING HARNESS ENGINE COMPARTMENT To 5-8592 | 1 | | | | |
| | | LAVATORY LAMP / FROM 1-7687 | | | | | |
| | | DRIVER'S LAMP | | | | | |
| 30 | 830150 | LAMP BASE To 2-7892 | 2 | 2 | 2 | 2 | |

| | | | |
|-----------------------|--|--------------|-----------------|
| From Y-7046 To 8-9339 | | Date:10/2022 | PAGE:Y2-0655-00 |
|-----------------------|--|--------------|-----------------|

INTERIOR LIGHTING

| Item# | Part | Description | X L I I 4 5 | X L I I M T H 4 0 | X L I I M T H 4 5 | X L I I M T H 4 5 E | N O T E S |
|-------|---------|---|----------------------------|---|---|--|-----------------------|
| 30 | 830179 | LAMP BASE From 2-7893 | 2 | 2 | 2 | 2 | |
| 31 | 562803 | CONNECTOR / SOCKET HOUSING ASSY / LEECRAFT QBL-12 | 1 | 1 | 1 | 1 | |
| 32 | 830151 | BULB / 35 WATTS12V/SAE# Q35MR16/SP20D To 1-7686 | 2 | 2 | 2 | 2 | |
| 32 | 830176 | BULB / 20 WATTS-12V/SAE#Q20MR16/FL40D From 1-7687 | 1 | 1 | 1 | 1 | |
| | | LAVATORY LAMP (OCCUPIED) | | | | | |
| 40 | 330342 | BASE ASSY W/SOCKET & BULB 24V / LIGHT GREY To 2-7922 | 1 | 1 | 1 | 1 | |
| 40 | 330360 | BASE ASSY W/SOCKET & BULB 12V / LIGHT GREY From 2-7923 | 1 | 1 | 1 | 1 | |
| NS | 330265 | . SOCKET ASSY W/CONNECTOR / W2.1x9.Dd | 1 | | | | |
| . NS | 562295 | . . SOCKET BULB / PLASTIC W/WIRE / W2.1x9.5d | 1 | | | | |
| . NS | 561248 | . . CONNECTOR / UNIVERSAL MATE-N-LOK / PH 2C / AMP 1-480699-0 | 1 | | | | |
| . NS | 562122 | . . PIN TERMINAL / 20-14 / AMP 350547-1 | 2 | | | | |
| 41 | 561166 | . BULB / 3WATT-24VOLTS / SAE# 464 To 2-7922 | 1 | | | | |
| 41 | 563108 | . BULB / 3WATT-12VOLTS / SAE# 168 From 2-7923 | 1 | | | | |
| 42 | 330341 | . BASE BOX, LAMP / LIGHT GREY | 1 | | | | |
| 43 | 403137 | LENS | 1 | | | | |
| 45 | 500504 | SCREW TC OV PH #6-32x1/2 BK | 2 | | | | |
| 46 | 500422 | NUT SPR U #6-32 .110-.120 SS | 2 | | | | |
| | | READING LIGHT | | | | | |
| 50 | 830149 | MODULE ASSY WITH LAMP AND AIR DIFFUSOR To 2-7770 | AR | | | | BS |
| 50 | 830174 | MODULE ASSY WITH LAMP AND AIR DIFFUSOR From 2-7771 To 2-7879 | 1 | | | | BS |
| 50 | 830178 | MODULE ASSY WITH LAMP AND AIR DIFFUSOR From 2-7880 | 1 | | | | BS |
| 50 | 330366 | MODULE ASSY WITH LEDS LAMP, AIR DIFFUSOR From 4-8291 | 1 | | | | |
| 50 | 830170 | MODULE ASSY W/OUT LAMP AND W/AIR DIFFUSOR To 2-7770 | 1 | | | | B |
| 50 | 830175 | MODULE ASSY W/OUT LAMP AND W/AIR DIFFUSOR From 2-7771 | 1 | | | | B |
| NS | 065387 | CABLE | 1 | | | | B |
| 51 | 830156 | . READING LAMP ASSY W/REFLECTOR LENS & CLIP | 2 | | | | C |
| NS | 830172 | . . REFLECTOR ASSY W/CLIP | 1 | | | | C |
| NS | 830169 | . . . CLIP SOKET RETAINER | 1 | | | | C |
| 52 | 563073 | . BULB / 7 WATT-24VOLTS / SAE# 64479 To 2-7879 | 2 | | | | C |
| 52 | 563260 | . BULB / 6WATT-24VOLTS / SAE# 303 From 2-7880 | 1 | | | | C |
| 52 | 563349 | . BULB / 12 LEDS / READING LIGHT 24VOLTS / #B612-0WW-024S | 1 | | | | |
| 52 | 563630 | . BULB / 12 LEDS / READING LIGHT 24VOLTS / #270017 | 1 | | | | |
| 53 | 830157 | . AIR DIFFUSOR | 2 | | | | |
| 54 | 830158 | . SWITCH / OFF-ON / S.P.S.T. / READING LIGHT | 2 | | | | WCL |
| 55 | 830159 | . SWITCH / OFF-M/ON / S.P.S.T. / CHIME | 1 | | | | WCL |
| 56 | 830160 | . PLUG COVER SCREW | 6 | | | | |
| 56 | 065044 | DIODE ASSY | 1 | | | | A |
| NS | 5001439 | SCREW TP OV PH #6x5/8 BK | 4 | | | | |

| | | | |
|--------------------------|--|--------------|-----------------|
| From Y-7046 To 8-9339 | | Date:10/2022 | PAGE:Y2-0655-00 |
| INTERIOR LIGHTING | | | |

| Item# | Part | Description | X L I I 4 5 | X L I I M T H 4 0 | X L I I M T H 4 5 | X L I I M T H 4 5 E | N O T E S |
|-------|--------|--|----------------------------|---|---|--|-----------------------|
| NS | 830164 | TOOL / LENS REMOVER READING LIGHT | AR | | | | |
| 57 | 830180 | SUPPORT / 12 LEDS BULB | 2 | | | | |
| 58 | 409259 | PROTECTOR SWITCH / CAP | AR | | | | WCL |
| NS | 288728 | . REINFORCMENT FOR SCREW PROTECTOR CAP | 1 | | | | WCL |
| 58 | 500814 | SCREW TP BDG PH #6x3/4 BK | 2 | | | | WCL |
| | | PARCEL RACK - INTERIOR LIGHT | | | | | |
| 60 | 430314 | LAMP ASSY | AR | | | | |
| 60 | 430313 | . BOX | 1 | | | | |
| 60 | 561556 | . SOCKET BULB / METAL W/2 WIRES / BA9s / LEECRAFT B22Q2 | 1 | | | | |
| 60 | 504462 | . SNAP BUSHING / .187x.375x.312 | 1 | | | | |
| 60 | 560853 | . PIN TERMINAL / 24-18 / AMP 60618-1 | 2 | | | | |
| 60 | 560900 | . CONNECTOR / COM. MATE-N-LOCK / PH 2C / AMP 1-480319-0 | 1 | | | | |
| 60 | 504109 | . RIVET POP DOME OE 5/32x3/16 AL | 2 | | | | |
| 61 | 560144 | BULB / 1.6WATT-24VOLTS / SAE# 1820 | AR | | | | |
| 62 | 430316 | SEAL | 1 | | | | |
| 63 | 430312 | LENS | 2 | | | | |
| NS | 500124 | SCREW TP TR PH #8x1/2 SS | 1 | | | | |
| 64 | 561563 | SWITCH / S.P.S.T. / N.C. | 1 | | | | |
| | | EMERGENCY EXIT LAMP - LOCATED UPPER OF SIDE WINDOW | | | | | |
| 70 | 330217 | SOCKET ASSY | AR | | | | |
| 71 | 560601 | BULB / 2WATT-24VOLTS / SAE# 456 | AR | | | | |
| 71 | 560623 | BULB / 3.5WATT-24VOLTS / SAE# 313 | AR | | | | |
| 72 | 560942 | BULB COVERING / BLUE | AR | | | | |
| NS | 500648 | SCREW TC BDG PH #6-32x1/4 ZP | AR | | | | |
| NS | 500438 | WASHER FL .187x.437x.050 Z050 | AR | | | | |
| | | LAVATORY LAMP / UP TO 1-7686 | | | | | |
| 80 | 830110 | LAMP ASSY | 1 | | | | |
| 81 | 830125 | LENS | 1 | | | | |
| 82 | 563010 | BULB / 16WATT-24VOLTS / SAE# 1308 | 1 | | | | |
| 83 | 500654 | SCREW TC BDG PH #8-32x1/2 Z050 | 1 | | | | |
| 84 | 500678 | NUT WELL #8-32x.450 | 1 | | | | |
| 85 | 506025 | RUBBER CHANNEL / 1/18" x 5/16" INT "U" SHAPE / SQUARE C.T.L. | 1 | | | | |
| | | BAGGAGE & SERVICE DOOR | | | | | |

| | | | |
|-----------------------|--|--------------|-----------------|
| From Y-7046 To 8-9339 | | Date:10/2022 | PAGE:Y2-0655-00 |
|-----------------------|--|--------------|-----------------|

INTERIOR LIGHTING

| Item# | Part | Description | X L I I 4 5 | X L I I M T H 4 0 | X L I I M T H 4 5 | X L I I M T H 4 5 E | N O T E S |
|-------|--------|---|----------------------------|---|---|--|-----------------------|
| 100 | 330268 | LAMP ASSY 24V / BAGGAGE COMPARTMENT LAMP / W/ONE BULB 10W To 5-8421 | AR | AR | AR | AR | |
| 100 | 330370 | LAMP ASSY 24V / BAGGAGE COMPARTMENT LAMP / W/2 BULB 10W From 5-8422 To 5-8673 | AR | AR | AR | AR | |
| 100 | 330372 | LAMP ASSY 24V / BAGGAGE COMPARTMENT LAMP W/2 BULBS 5W From 5-8674 To 7-9224 | AR | AR | AR | AR | |
| 101 | 830139 | . LAMP ASSY / W/ONE BULB To 5-8421 | 1 | 1 | 1 | 1 | |
| 101 | 830183 | . LAMP ASSY / W/2 BULBS From 5-8422 To 7-9224 | 1 | 1 | 1 | 1 | |
| 102 | 562278 | . BULB / 10WATT-24VOLTS / SAE# 6429 To 5-8421 | AR | AR | AR | AR | |
| 102 | 562411 | . BULB / 5WATT-24VOLTS / SAE # 6424 From 5-8422 To 7-9224 | 2 | 2 | 2 | 2 | |
| 103 | 330267 | . SUPPORT / SS / TO FIX LAMP / W/ONE BULB To 5-8421 | 1 | 1 | 1 | 1 | |
| 103 | 330369 | . SUPPORT / SS / TO FIX LAMP / W/2 BULBS From 5-8422 To 7-9224 | 1 | 1 | 1 | 1 | |
| 104 | 063435 | . CABLE ASSY / W/ONE BULB To 5-8421 | 1 | 1 | 1 | 1 | |
| 104 | 066271 | . CABLE ASSY / W/2 BULBS From 5-8422 To 7-9224 | 1 | 1 | 1 | 1 | |
| NS | 504273 | . CABLE TIE / 1/8" X 3"1/2 To 7-9224 | 1 | 1 | 1 | 1 | |
| 105 | 064278 | CABLE ASSY / TO ADD MORE LAMP IN BAGGAGE COMPARTMENT | 8 | 8 | 8 | 8 | |
| 105 | 064167 | SWITCH ASSY / BAGGAGE COMPARTMENT To 5-8788 | 1 | 1 | 1 | 1 | |
| 105 | 066533 | SWITCH ASSY / BAGGAGE COMPARTMENT From 5-8789 | 1 | 1 | 1 | 1 | |
| 105 | 063434 | SWITCH SUPPORT / W/BAGGAGE DOORS STD To 5-8788 | 1 | 1 | 1 | 1 | |
| 105 | 066639 | SWITCH SUPPORT / W/BAGGAGE DOORS STD From 5-8789 | 1 | 1 | 1 | 1 | |
| 106 | 562303 | SWITCH / S.P.S.T. / N.C. To 5-8788 | 1 | 1 | 1 | 1 | |
| 106 | 563464 | SWITCH / S.P.S.T. / N.C. / W/RUBBER BOOT From 5-8789 | 1 | 1 | 1 | 1 | |
| 107 | 500613 | SCREW TP PAN PH #10x1/2 Z050 | 1 | 1 | 1 | 1 | |
| 107 | 500022 | WASHER LO INT .168x.340x.023 Z050 | 1 | 1 | 1 | 1 | |
| 108 | 330224 | LAMP ASSY 24V / BAGGAGE COMPARTMENT LAMP W/2 BULBS G4-10W From 7-9225 | AR | AR | AR | AR | |
| . NS | 330396 | . BULB / 10 WATTS -28VOLTS / SAE# G4-28 From 7-9225 | 2 | 2 | 2 | 2 | |
| | | | | | | | |
| | | FRONT PARCEL RACK FLUORESCENT | | | | | |
| | | | | | | | |
| 110 | 312445 | LIGHTING MODULE / W/TUBE 1590MM | 12 | | | | D |
| 110 | 312450 | LIGHTING MODULE / "DUMMY" 779.5MM | 2 | | | | |
| 110 | 313256 | LIGHTING MODULE / "DUMMY" 1318MM | 1 | | | | |
| 110 | 313257 | LIGHTING MODULE / "DUMMY" / W/W.C.L. "RICON" / 609MM | 1 | | | | |
| 110 | 313460 | LIGHTING MODULE / "DUMMY" / W/W.C.L. "RICON" / 424MM | 1 | | | | |
| 111 | 830154 | BALLAST / 24 VOLTS / TO USE W/830152 | AR | | | | |
| NS | 562850 | . FUSE / 4 AMPS / GMA-4A | 1 | | | | |
| NS | 562784 | . SOCKET / BIPIN HOLDER / LEVITON 420 | AR | | | | |
| 112 | 830152 | TUBE / 13WATT / F13T5CW - 21" / G5 MINI BIPIN | AR | | | | |
| 113 | 500583 | SCREW TP PAN PH #6x1/2 Z050 | AR | | | | |
| | | | | | | | |
| | | LAVATORY SAFETY LAMP | | | | | |
| | | | | | | | |
| 115 | 324944 | PLATE To 5-8592 | 1 | | | | |
| 116 | 830139 | LAMP ASSY / W/ONE BULB To 5-8592 | 1 | | | | |
| 117 | 562278 | BULB / 10WATT-24VOLTS / SAE# 6429 To 5-8592 | 1 | | | | |

| | | |
|--------------------------|--------------|-----------------|
| From Y-7046 To 8-9339 | Date:10/2022 | PAGE:Y2-0655-00 |
| INTERIOR LIGHTING | | |

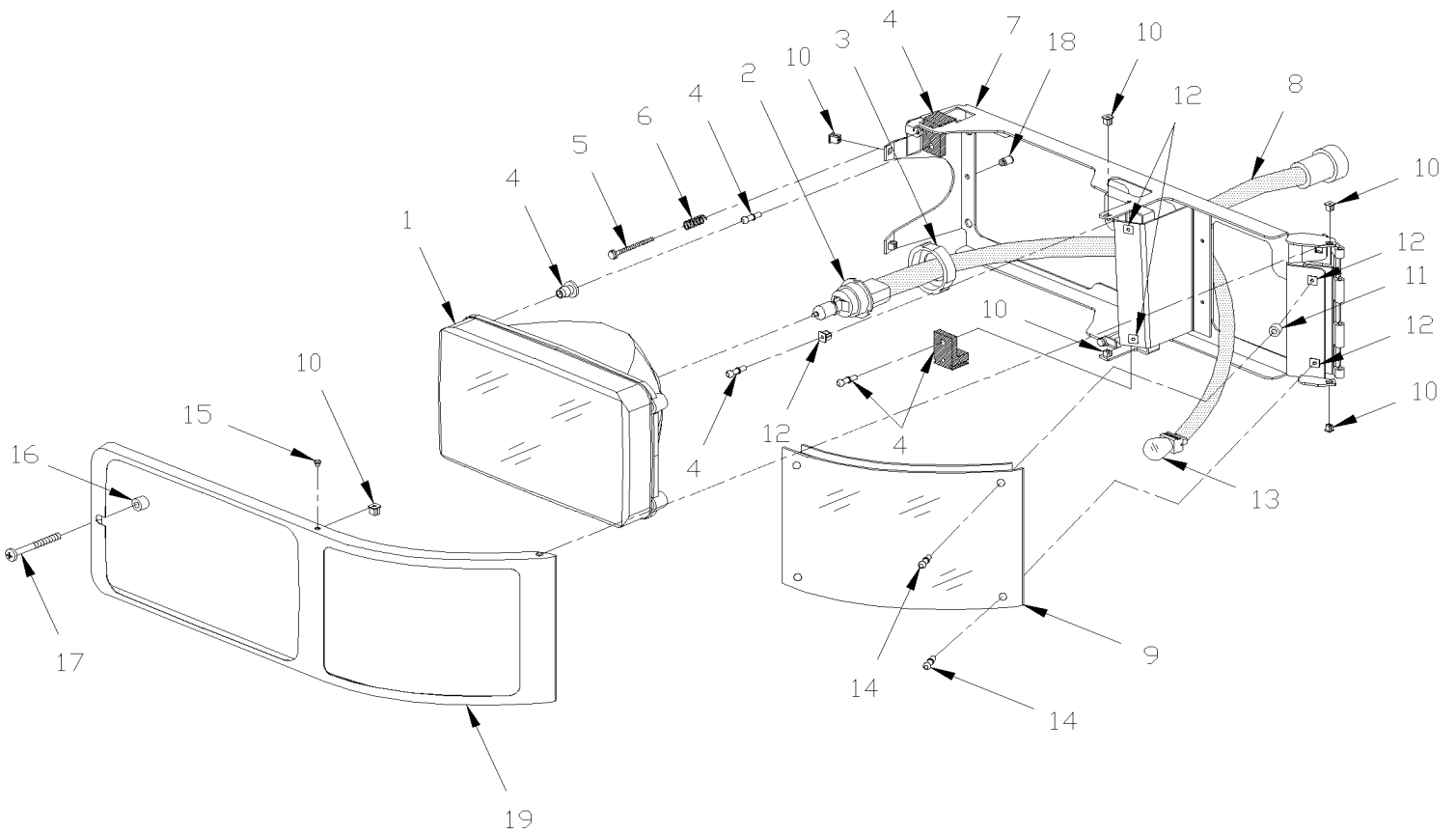
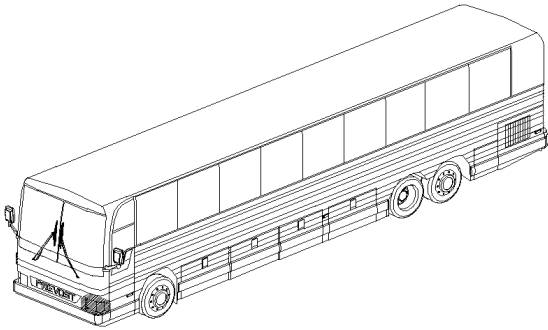
| Item# | Part | Description | X L I I 4 5 | X L I I M T H 4 0 | X L I I M T H 4 5 | X L I I M T H 4 5 E | N O T E S |
|-------|--------|---|----------------------------|---|---|--|-----------------------|
| NS | 064031 | CABLE ASSY To 5-8592 | 1 | | | | |
| 118 | 500641 | SCREW TP PAN PH #8x3/4 Z050 To 5-8592 | 2 | | | | |
| 119 | 066401 | KIT, REPLACEMENT LAVATORY NIGHT LIGHT To 5-8592 | 1 | | | | |
| 119 | 563460 | LAMP ASSY "LED" From 5-8593 | 1 | | | | |
| | | FLUORESCENT UNDER PARCEL RACK | | | | | |
| 200 | 312502 | LENS 470MM | 1 | | | | |
| 200 | 312503 | LENS 831MM | 1 | | | | |
| 200 | 312501 | LENS 1235MM | 12 | | | | |
| 200 | 313344 | LENS 411MM / W/A/C | 1 | | | | |
| 200 | 313345 | LENS 800MM / W/A/C | 1 | | | | |
| 200 | 313346 | LENS 637MM / W/A/C | 1 | | | | |
| 200 | 313347 | LENS 574MM / W/A/C | 1 | | | | |
| 201 | 830153 | TUBE / 32WATT / F32T8SPX41 - 48" | AR | | | | |
| 202 | 330340 | SOCKET / TUBE | 2 | | | | |
| 202 | 561247 | . CONNECTOR / UNIVERSAL MATE-N-LOK / SH 2C / AMP 1-480698-0 | 1 | | | | |
| 202 | 561514 | . SOCKET TERMINAL / 20-14 / AMP 350537-3 | 2 | | | | |
| 202 | 830145 | . SOCKET / BIPIN HOLDER | 1 | | | | |
| 210 | 830155 | BALLAST / 24 VOLTS / TO USE W/830153 | AR | | | | |
| 210 | 562850 | . FUSE / 4 AMPS / GMA-4A | 1 | | | | |
| | | A) ONLY ON COACH WITH READING LIGHT TEST SWITCH | | | | | |
| | | B) ONLY ON COACH W/O READING LAMP ON FIRST SEAT | | | | | |
| | | BS) BULB SOCKET IT NOT AVAILABLE FOR REPLACEMENT ASK FOR CHEAPER MODULE # 830178 | | | | | |
| | | C) FOR PRODUCT IMPROVMENT USE 563349 WITH 830180 | | | | | |
| | | D) INCLUDE ITEMS # 70 & 111 | | | | | |
| | | WCL) THIS SWITCH IT ALSO INSTALL ON LOWER WINDOW MOULDING WITH PROTECTOR # 409259 FOR IMPROVEMENT | | | | | |

From Y-7046 To 4-8358

Date:10/2022

PAGE:Y2-0660-00

HEADLAMP & FRONT DIRECTIONAL LAMPS RECTANGULAR "HALOGENE"



| | | | |
|--|--|--------------|-----------------|
| From Y-7046 To 4-8358 | | Date:10/2022 | PAGE:Y2-0660-00 |
| HEADLAMP & FRONT DIRECTIONAL LAMPS RECTANGULAR "HALOGENE" | | | |

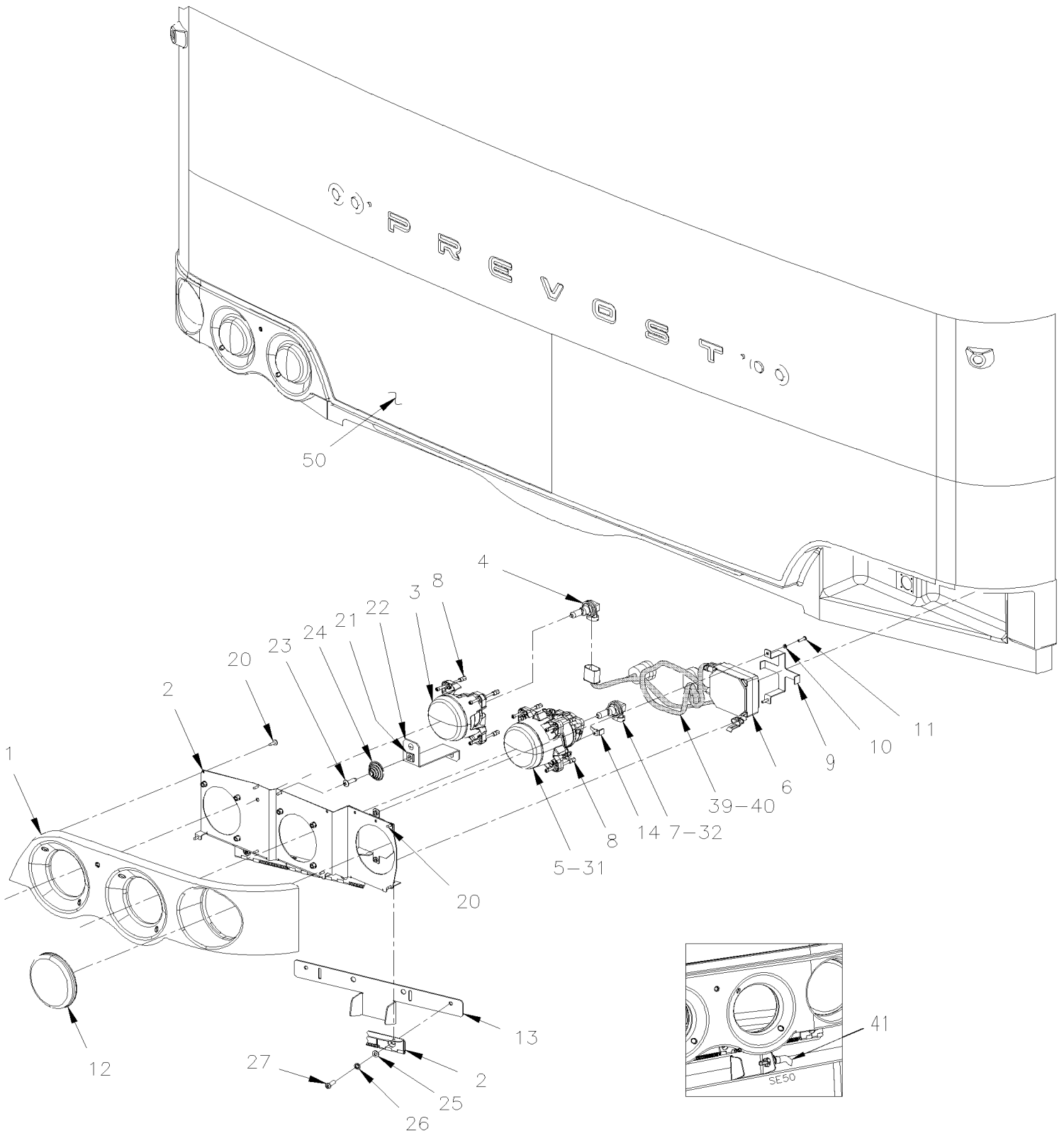
| Item# | Part | Description | X L I I 4 5 | X L I I M T H 4 0 | X L I I M T H 4 5 | X L I I M T H 4 5 E | N O T E S |
|-------|----------|--|----------------------------|---|---|--|-----------------------|
| | 430496P | HEADLAMP & FLASHER ASSY LH | | | | | |
| | 430503P | HEADLAMP & FLASHER ASSY RH | | | | | |
| 1 | 930328 | . HEADLAMP ASSY WITH BULB | 1 | 1 | 1 | 1 | |
| 1 | 21077000 | . HEADLAMP ASSY | 1 | 1 | 1 | 1 | B |
| 1 | 930354 | . . HEADLAMP INSERT | 1 | 1 | 1 | 1 | |
| 2 | 930291 | . . BULB / 65/45WATT-12VOLTS / SAE# 9004 | 1 | 1 | 1 | 1 | |
| 2 | 930385 | . . BULB / 65/45WATT-12VOLTS / SAE#9004XL | 1 | 1 | 1 | 1 | |
| 3 | 930355 | . . RETAINER RING | 1 | 1 | 1 | 1 | |
| 4 | 930356 | . . PIVOT ADJUSTER ASSY | 3 | 3 | 3 | 3 | |
| 5 | 930357 | . . ADJUSTER SCREW | 2 | 2 | 2 | 2 | |
| 6 | 502169 | . SPRING COMPRESSION / .240 O.D. x 1.5 x .032 | 2 | 2 | 2 | 2 | |
| 7 | 430479 | . SUPPORT ASSY L.H. (WELDED) To Y-7139 | 1 | 1 | 1 | 1 | |
| 7 | 430544 | . SUPPORT ASSY L.H. (WELDED) From Y-7140 | 1 | 1 | 1 | 1 | |
| 7 | 430502 | . SUPPORT ASSY R.H. (WELDED) To Y-7139 | 1 | 1 | 1 | 1 | |
| 7 | 430539 | . SUPPORT ASSY R.H. (WELDED) From Y-7140 | 1 | 1 | 1 | 1 | |
| 8 | 064780 | . CABLE ASSY / HEADLAMP | 1 | 1 | 1 | 1 | |
| NS | 504637 | . CABLE TIE / 3/16" x 13" | 3 | 3 | 3 | 3 | |
| 9 | 930329 | . FLASHER L.H. | 1 | 1 | 1 | 1 | |
| 9 | 930333 | . FLASHER R.H. | 1 | 1 | 1 | 1 | |
| 10 | 502741 | . NUT AN #8 NYL | 6 | 6 | 6 | 6 | |
| 11 | 430537 | . SPACER | 1 | 1 | 1 | 1 | |
| 12 | 5001052 | . NUT AN #10 NYL | 5 | 5 | 5 | 5 | |
| 13 | 562135 | . BULB / 32/3WATT-12VOLTS / SAE# 3057 | 1 | 1 | 1 | 1 | |
| 14 | 5001042 | . SCREW MA RND PH #10-32x1 1/4 SS | 4 | 4 | 4 | 4 | |
| 15 | 500028 | . SCREW TC TR PH #8-32x3/8 SS | 6 | 6 | 6 | 6 | |
| 16 | 430508 | . SPACER | 1 | 1 | 1 | 1 | |
| 17 | 5001508 | . SCREW CAP BUT HEXS M6-1.0x40 SS | 1 | 1 | 1 | 1 | |
| NS | 5001507 | . SCREW MA PAN PH M6-1.0x20 SS | 6 | 6 | 6 | 6 | A |
| 18 | 5001416 | . BUMPER RUBBER / 11/16x1/2x3/32 | 2 | 2 | 2 | 2 | |
| 19 | 430488 | . HEADLAMP BEZEL | 1 | 1 | 1 | 1 | |
| | | | | | | | |
| | | | | | | | |
| | | | | | | | |
| | | A) TO FIX LAMP TO FRONTCAP | | | | | |
| | | B) WITH THIS REPLACEMENT HEADLAMP YOU MUST KEEP ONLY THE LENS AND BULB AND DISCARD ALL OTHER PARTS | | | | | |

From 5-8359 To 8-9339

Date:10/2022

PAGE:Y2-0660-01

HEADLAMP & FRONT DIRECTIONAL LAMPS ROUND "HALOGENE" & "XENON"



| | | | |
|--|--|--------------|-----------------|
| From 5-8359 To 8-9339 | | Date:10/2022 | PAGE:Y2-0660-01 |
| HEADLAMP & FRONT DIRECTIONAL LAMPS ROUND "HALOGENE" & "XENON" | | | |

| Item# | Part | Description | X L I I 4 5 | X L I I M T H 4 0 | X L I I M T H 4 5 | X L I I M T H 4 5 E | N O T E S |
|-------|-------------------|--|--------------------------------|---|---|--|-----------------------|
| | 430615 | LAMP ASSY L.H. "XENON" W/BEZEL XL-II W/O CABLE ASSY | 1 | 1 | 1 | 1 | |
| | 430619 | LAMP ASSY L.H. "HALOGENE" W/BEZEL XL-II W/O CABLE ASSY | 1 | 1 | 1 | 1 | |
| | 430616 | LAMP ASSY R.H. "XENON" W/BEZEL XL-II W/O CABLE ASSY | 1 | 1 | 1 | 1 | |
| | 430620 | LAMP ASSY R.H. "HALOGENE" W/BEZEL XL-II W/O CABLE ASSY | 1 | 1 | 1 | 1 | |
| 1 | 476210 | . HEADLAMP BEZEL, R.H. / CURBE SIDE | 1 | 1 | 1 | 1 | |
| 1 | 476211 | . HEADLAMP BEZEL, L.H. / STREET SIDE | 1 | 1 | 1 | 1 | |
| 2 | 430575 | . SUPPORT R.H. | 1 | 1 | 1 | 1 | |
| 2 | 430587 | . SUPPORT L.H. | 1 | 1 | 1 | 1 | |
| 3 | 930359 | . LAMP ASSY / HIGH | 1 | 1 | 1 | 1 | |
| 4 | 563092 | . . BULB / 65WATT-12VOLTS / SAE# H9 | 1 | 1 | 1 | 1 | |
| 5 | 930388 | . LAMP ASSY "XENON" / W/BALLAST | 1 | 1 | 1 | 1 | |
| 5 | 930389 | . . LAMP ASSY "XENON" / W/OUT BALLAST & W/OUT BULB To 7-9095 | 1 | 1 | 1 | 1 | |
| 5 | 930389 | . . LAMP ASSY "XENON" / W/OUT BALLAST & W/OUT BULB From 7-9096 | 1 | 1 | 1 | 1 | |
| 6 | 930390 | . . BALLAST "XENON" LOW BEAM 12Volt Power | 1 | 1 | 1 | 1 | |
| 7 | 563365 | . . BULB / 35WATT / SAE D2S / 85122 | 1 | 1 | 1 | 1 | |
| 8 | 930373 | . . KIT, BOLTS ADJUSTMENT (3 BOLTS) | 1 | 1 | 1 | 1 | |
| 9 | 930434 | . . SUPPORT "XENON" BALLAST BLACK | 1 | 1 | 1 | 1 | |
| 10 | 502698 | . SCREW MA PAN PH M4-0.7x16 SS BK | 4 | 4 | 4 | 4 | |
| 11 | 502834 | . WASHER LO SPT 4.1x7.6x0.9 N500 | 4 | 4 | 4 | 4 | |
| 12 | 930364 | . LED AMBER 4" / DIRECTIONAL / FRONT 12Volt / 60L (PREVOST) | 1 | 1 | 1 | 1 | |
| 13 | 430576 | . HOLDER LAMP | 1 | 1 | 1 | 1 | |
| 14 | 430604 | . BULB STOPPER / "SAFETY FAILURE STRESS" / SS | 2 | 2 | 2 | 2 | |
| 20 | 5001536 | . SCREW PTR BDG PH M4x12 SS | 8 | 8 | 8 | 8 | |
| 21 | 5001009 | . NUT AN 1/4 NYL | 1 | 1 | 1 | 1 | |
| 22 | 430572 | . SUPPORT CENTRAL | 1 | 1 | 1 | 1 | |
| 23 | 504249 | . RIVET CHY Q PRDG 3/16x3/8 SS | AR | AR | AR | AR | |
| 24 | 930369 | . SPRING CONICAL | 1 | 1 | 1 | 1 | |
| 25 | 502573 | . WASHER FL 6.4x12.5x1.6 SS | 4 | 4 | 4 | 4 | |
| 26 | 5001432 | . WASHER LO INT .256x.478x.028 SS 410 | 4 | 4 | 4 | 4 | |
| 27 | 5001507 | . SCREW MA PAN PH M6-1.0x20 SS | 4 | 4 | 4 | 4 | |
| 31 | 930360 | . LAMP ASSY / LOW | 1 | 1 | 1 | 1 | H A |
| 32 | 563092 | . BULB / 65WATT-12VOLTS / SAE# H9 | 1 | 1 | 1 | 1 | H |
| 39 | 065929 | CABLE ASSY / W/"HALOGENE" LAMPS / W/XL-II To 7-9095 | 1 | 1 | 1 | 1 | H |
| 39 | 066990 | CABLE ASSY / W/"HALOGENE" LAMPS / MUX From 7-9096 | | | 1 | 1 | H |
| 40 | 065930 | CABLE ASSY / W/"XENON" LAMPS / W/XL-II To 7-9095 | 1 | 1 | 1 | 1 | |
| 40 | 066991 | CABLE ASSY / W/"XENON" LAMPS / MUX From 7-9096 | | | 1 | 1 | |
| 41 | 563335 | SENSOR THERMISTOR ASSY / OUTSIDE // PED 15416387 From 7-9096 | | 1 | 1 | 1 | |
| NS | 430602 | KIT RETROFIT "XENON" FROM HALOGENE "XL-II" | 1 | 1 | 1 | 1 | |
| 50 | Y2-1851-00 | FRONT CAP - INSTALLATION | | | | | |
| | | | | | | | |
| | | | | | | | |
| | | | | | | | |

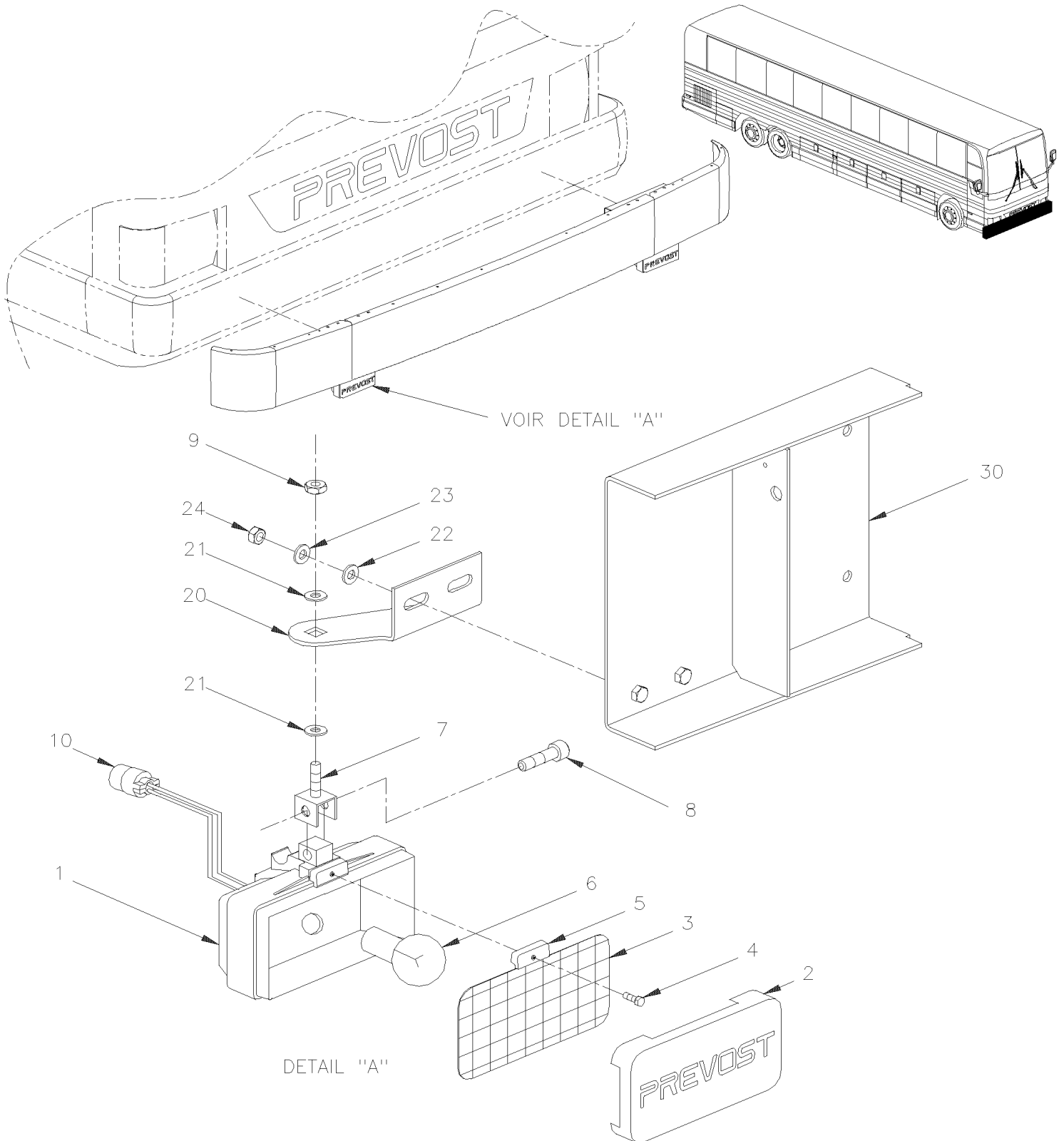
| From 5-8359 To 8-9339 | | Date:10/2022 | | PAGE:Y2-0660-01 | | | |
|---|------|--|--------------------------------|---|---|--|-----------------------|
| HEADLAMP & FRONT DIRECTIONAL LAMPS ROUND "HALOGENE" & "XENON" | | | | | | | |
| Item# | Part | Description | X L I I 4 5 | X L I I M T H 4 0 | X L I I M T H 4 5 | X L I I M T H 4 5 E | N O T E S |
| | | A) TO CONVERT HALOGENE TO XENON, ASK KIT #430603 | | | | | |
| | | H) USE WITH HALOGENE ONLY | | | | | |

From Y-7046 To 4-8358

Date:10/2022

PAGE:Y2-0661-00

FOG LAMP



| | | |
|-----------------------|--------------|-----------------|
| From Y-7046 To 4-8358 | Date:10/2022 | PAGE:Y2-0661-00 |
| FOG LAMP | | |

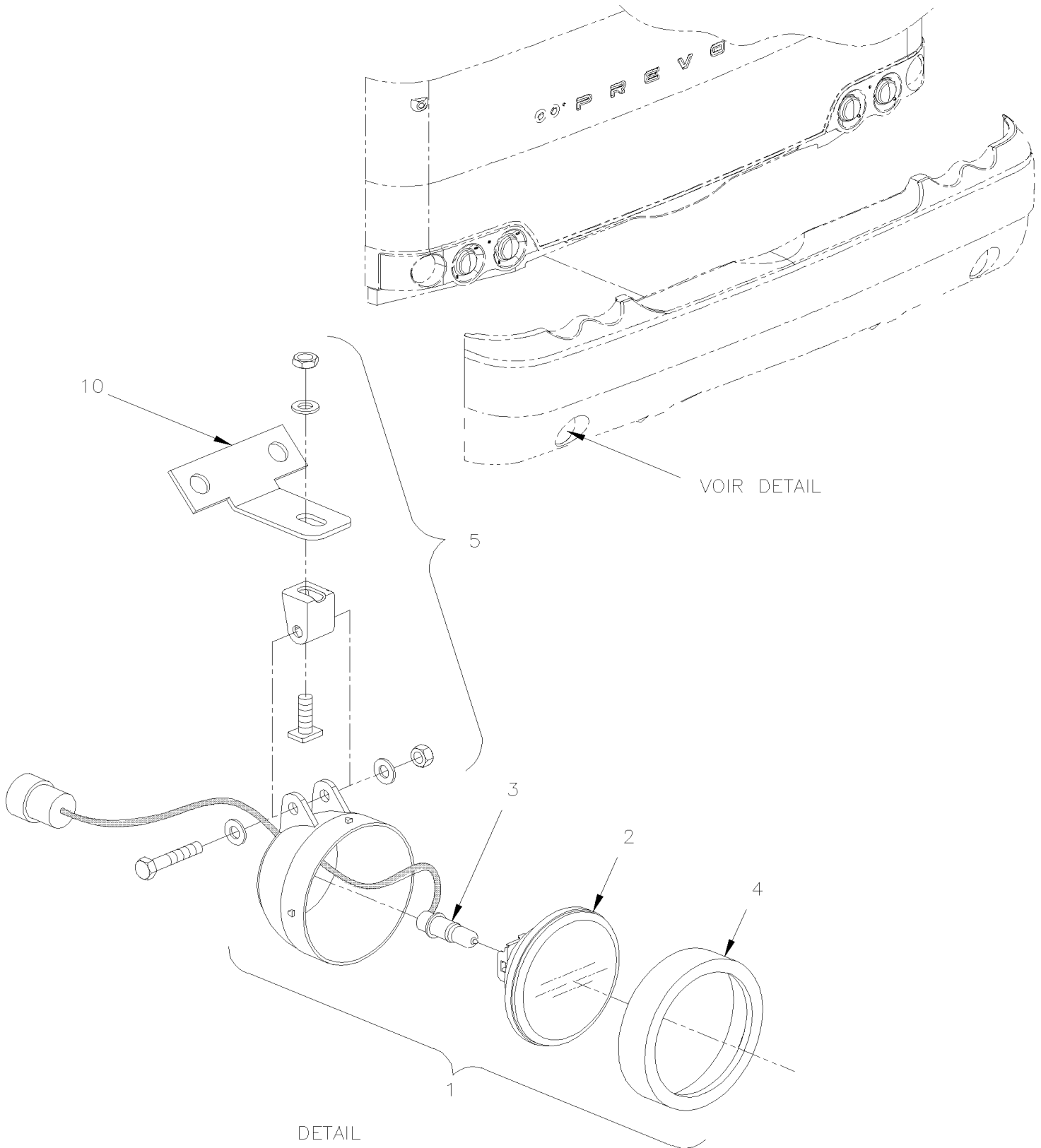
| Item# | Part | Description | X L I I 4 5 | X L I I M T H 4 0 | X L I I M T H 4 5 | X L I I M T H 4 5 E | N O T E S |
|-------|-------------------|---|----------------------------|---|---|--|-----------------------|
| | 430499 | FOG LAMP 12 V / "BOSCH" TOURING 170 / W/CONNECTOR "DEUTSCH" | 1 | 1 | 1 | 1 | |
| | 430563 | DRIVING LAMP ASSY | 1 | 1 | 1 | 1 | A |
| 1 | N.S.S. | . HOUSING | 1 | 1 | 1 | 1 | 1 |
| 2 | 930246 | . COVER FOG / "BOSH" TOURING | 1 | 1 | 1 | 1 | |
| 3 | 930241 | . LAMP UNIT / FOG | 1 | 1 | 1 | 1 | |
| 3 | 930381 | . LAMP UNIT / DRIVING LAMP | 1 | 1 | 1 | 1 | A |
| 4 | 930243 | . SCREW | 1 | 1 | 1 | 1 | |
| 5 | 930242 | . RETAINER | 1 | 1 | 1 | 1 | |
| 6 | 561882 | . BULB / 55WATT-12VOLTS / SAE# H3 / 64151 | 1 | 1 | 1 | 1 | |
| 7 | 930244 | . BRACKET KIT | 1 | 1 | 1 | 1 | |
| 8 | 502527 | . . SCREW CAP HEX M8-1.25x50 G8.8 Z050 | 1 | 1 | 1 | 1 | |
| 9 | 5001006 | . NUT HEX JAM M10-1.0 ZP | 1 | 1 | 1 | 1 | |
| 10 | 562901 | CONNECTOR / HD10 SERIES / SH 3C / DEUTSCH HD16-3-96S | 1 | 1 | 1 | 1 | |
| NS | 562482 | SOCKET TERMINAL / 16-14 / DEUTSCH 0462-209-16141 | 2 | 2 | 2 | 2 | |
| NS | 562387 | CONVOLUTED TUBING / SLIT / BLACK / .250" | AR | AR | AR | AR | |
| NS | 561996 | SEALING PLUG TYPE 12 & 16 / DEUTSCH 114017 | 1 | 1 | 1 | 1 | |
| 20 | 410666 | SUPPORT L.H. FOG LAMP | 1 | 1 | 1 | 1 | |
| 20 | 410722 | SUPPORT R.H. FOG LAMP | 1 | 1 | 1 | 1 | |
| 21 | 500445 | WASHER FL .437x1.000x.083 Z050 | 2 | 2 | 2 | 2 | |
| 22 | 500441 | WASHER FL .312x.734x.065 Z050 | 2 | 2 | 2 | 2 | |
| 23 | 500476 | WASHER LO SPT .317x.586x.078 Z050 | 2 | 2 | 2 | 2 | |
| 24 | 500778 | NUT HEX 5/16-18 N500 | 2 | 2 | 2 | 2 | |
| 30 | Y2-1850-00 | BUMPER FRONT | | | | | |
| | | | | | | | |
| | | | | | | | |
| | | A) USE IN "OPTION" DRIVING LAMP | | | | | |
| | | 1) NOT SOLD SEPARATELY | | | | | |

From 5-8359 To 8-9339

Date:10/2022

PAGE:Y2-0661-01

FOG LAMP

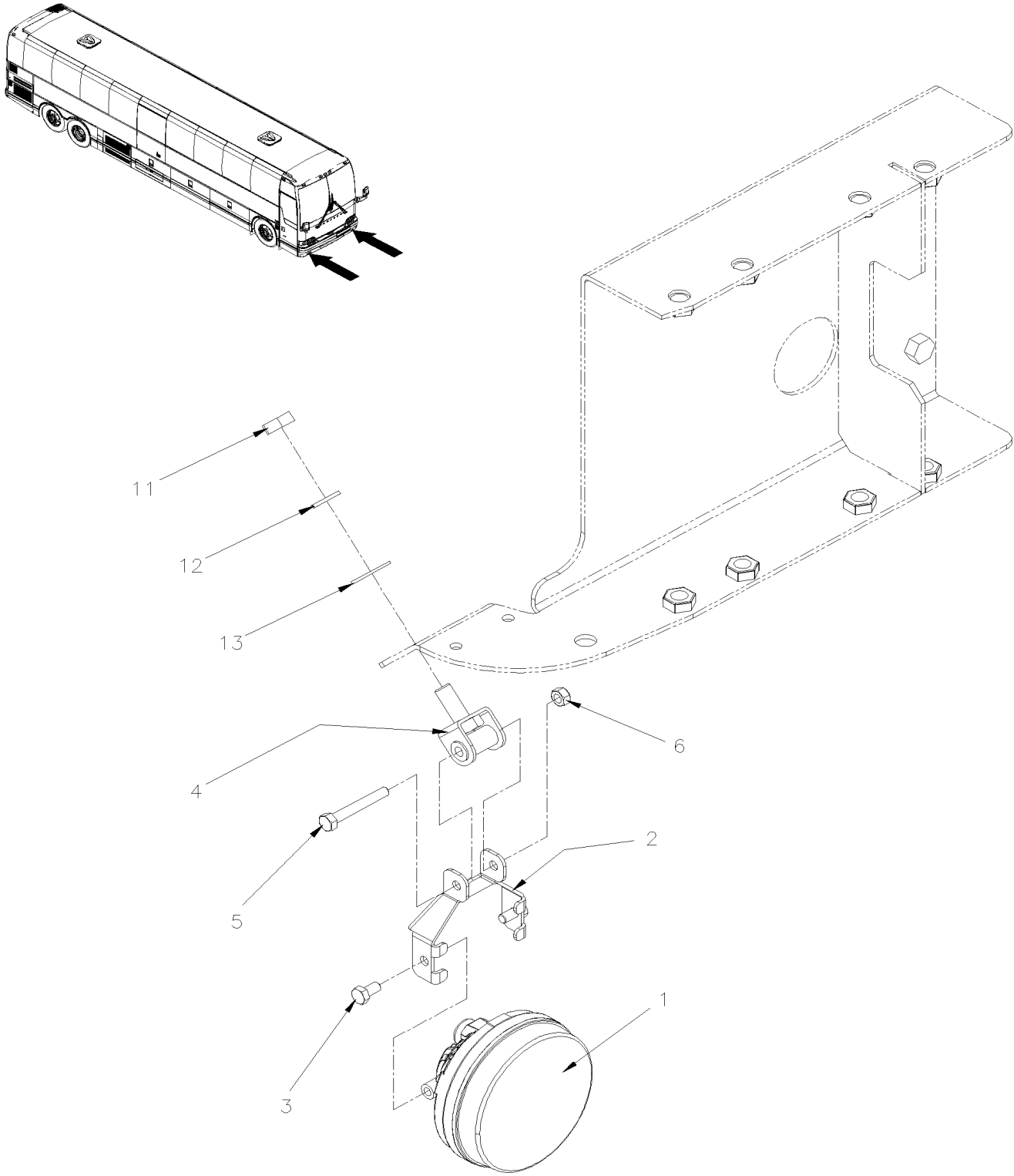


From 5-8359 To 8-9339

Date:10/2022

PAGE:430220

FOG LAMP / REPLACEMENT KIT 2 LAMPS / "XL-II" & "X3" & "H3" & "VIP" / BASIC KIT

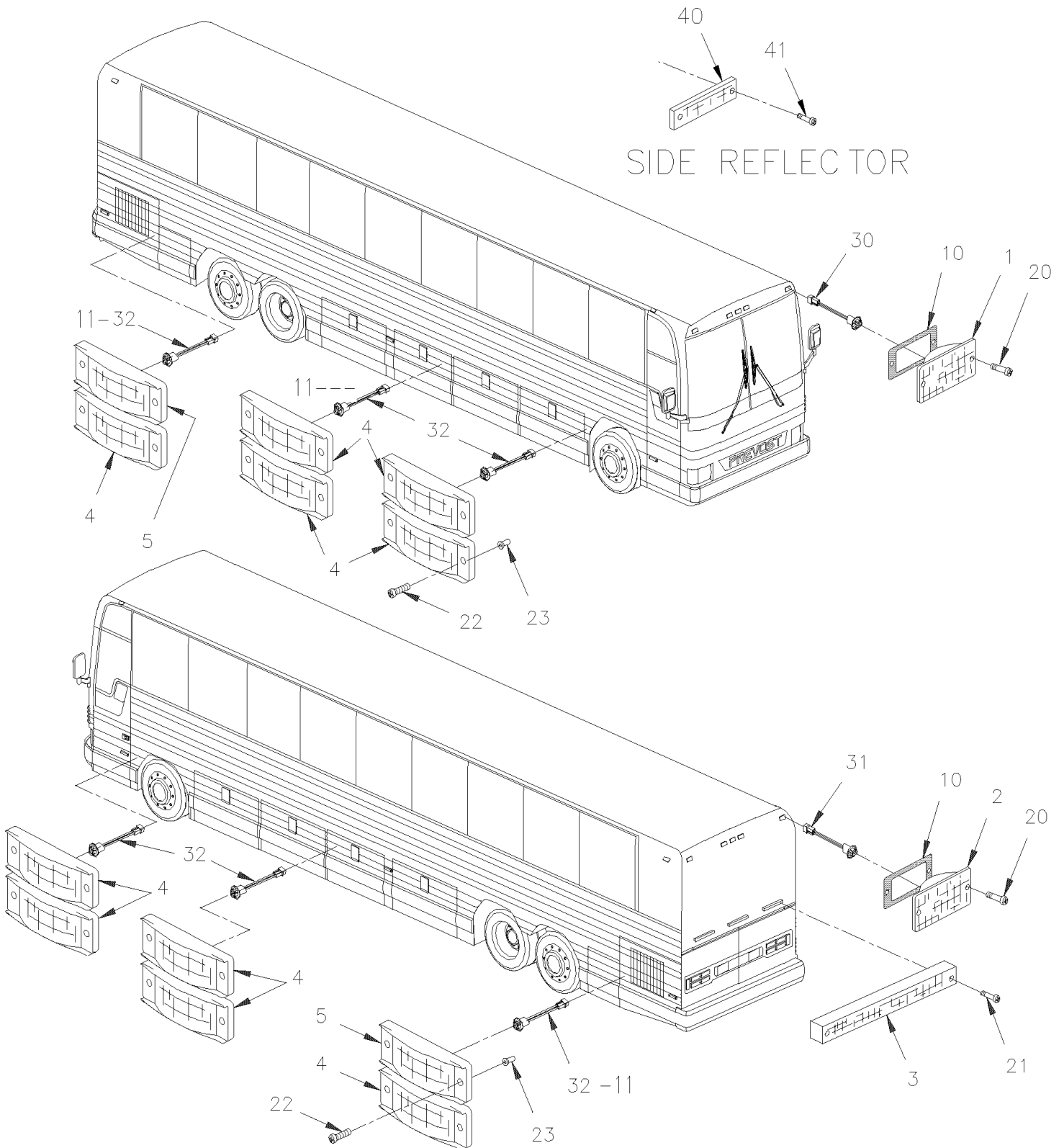


From Y-7046 To 8-9339

Date:10/2022

PAGE:Y2-0662-00

CLEARANCE & MARKER LIGHT



| | | |
|-------------------------------------|--------------|-----------------|
| From Y-7046 To 8-9339 | Date:10/2022 | PAGE:Y2-0662-00 |
| CLEARANCE & MARKER LIGHT | | |

| Item# | Part | Description | X L I I 4 5 | X L I I M T H 4 0 | X L I I M T H 4 5 | X L I I M T H 4 5 E | N O T E S |
|-------|--------|--|----------------------------|---|---|--|-----------------------|
| 1 | 930337 | LAMP ID & CLEAR -LED AMBER / 6 LEDS To 5-8407 | 7 | 7 | 7 | 7 | |
| 1 | 930416 | LAMP ID & CLEAR -LED AMBER / 3 LEDS To 5-8407 | 7 | 7 | 7 | 7 | |
| 1 | 066123 | LAMP ID & CLEAR -6 LED AMBER / "JIFFI SPLICE" From 5-8408 | 7 | 7 | 7 | 7 | |
| . NS | 930337 | . LAMP ID & CLEAR -LED AMBER / 6 LEDS From 5-8408 | 1 | 1 | 1 | 1 | |
| . NS | 430630 | . SEAL LAMP BLACK 1/8" THICK From 5-8408 | 1 | 1 | 1 | 1 | |
| . NS | 562286 | . PIN TERMINAL / 18-16 / DEUTSCH 0460-202-16141 From 5-8408 | 1 | 1 | 1 | 1 | |
| . NS | 561608 | . SOCKET TERMINAL / 18-16 / DEUTSCH 0462-201-16141 From 5-8408 | 1 | 1 | 1 | 1 | |
| 1 | 066527 | LAMP ID & CLEAR -3 LED AMBER / "JIFFI SPLICE" From 5-8408 | 7 | 7 | 7 | 7 | |
| . NS | 930416 | . LAMP ID & CLEAR -LED AMBER / 3 LEDS From 5-8408 | 1 | 1 | 1 | 1 | |
| . NS | 430630 | . SEAL LAMP BLACK 1/8" THICK From 5-8408 | 1 | 1 | 1 | 1 | |
| . NS | 562286 | . PIN TERMINAL / 18-16 / DEUTSCH 0460-202-16141 From 5-8408 | 1 | 1 | 1 | 1 | |
| . NS | 561608 | . SOCKET TERMINAL / 18-16 / DEUTSCH 0462-201-16141 From 5-8408 | 1 | 1 | 1 | 1 | |
| NS | 563545 | SPLICE / JIFFI SPLICE / 16G / DEUTSCH JS16-00 From 5-8408 | AR | AR | AR | AR | |
| 2 | 930334 | LAMP ID & CLEAR -LED RED / 6 LEDS To 5-8407 | 7 | 7 | 7 | 7 | |
| 2 | 930415 | LAMP ID & CLEAR -LED RED / 3 LEDS To 5-8407 | 7 | 7 | 7 | 7 | |
| 2 | 066122 | LAMP ID & CLEAR -6 LED RED / "JIFFI SPLICE" From 5-8408 | 7 | 7 | 7 | 7 | |
| . NS | 930334 | . LAMP ID & CLEAR -LED RED / 6 LEDS From 5-8408 | 1 | 1 | 1 | 1 | |
| . NS | 430630 | . SEAL LAMP BLACK 1/8" THICK From 5-8408 | 1 | 1 | 1 | 1 | |
| . NS | 562286 | . PIN TERMINAL / 18-16 / DEUTSCH 0460-202-16141 From 5-8408 | 1 | 1 | 1 | 1 | |
| . NS | 561608 | . SOCKET TERMINAL / 18-16 / DEUTSCH 0462-201-16141 From 5-8408 | 1 | 1 | 1 | 1 | |
| 2 | 066526 | LAMP ID & CLEAR -3 LED RED / "JIFFI SPLICE" From 5-8408 | 7 | 7 | 7 | 7 | |
| . NS | 930415 | . LAMP ID & CLEAR -LED RED / 3 LEDS From 5-8408 | 1 | 1 | 1 | 1 | |
| . NS | 430630 | . SEAL LAMP BLACK 1/8" THICK From 5-8408 | 1 | 1 | 1 | 1 | |
| . NS | 562286 | . PIN TERMINAL / 18-16 / DEUTSCH 0460-202-16141 From 5-8408 | 1 | 1 | 1 | 1 | |
| . NS | 561608 | . SOCKET TERMINAL / 18-16 / DEUTSCH 0462-201-16141 From 5-8408 | 1 | 1 | 1 | 1 | |
| NS | 563545 | SPLICE / JIFFI SPLICE / 16G / DEUTSCH JS16-00 From 5-8408 | AR | AR | AR | AR | |
| 3 | 930330 | CYCLOP LAMP | 3 | 3 | 3 | 3 | |
| . NS | 930353 | . CAP PLUG SCREW | 2 | 2 | 2 | 2 | |
| NS | 506191 | TAPE RUB ADH1 CC POL 1/8" x 1/4" x 50' / GREY 2520X | AR | AR | AR | AR | |
| 4 | 930341 | SIDE MARKER ASSY / AMBER / W/2 LED To 5-8700 | 10 | 10 | 10 | 10 | |
| 4 | 930376 | SIDE MARKER ASSY / AMBER / W/6 LED To 5-8700 | 10 | | | | A |
| 4 | 930401 | SIDE MARKER ASSY / AMBER / W/6 LED W/REFLECTOR From 5-8701 | 10 | 10 | 10 | 10 | |
| 4 | 930443 | SIDE MARKER ASSY / AMBER / W/2 LED W/REFLECTOR From 5-8701 | 10 | 10 | 10 | 10 | S |
| NS | 477482 | GROMMET 2 HOLESx1.6x23.5MMx2.0MMx8.0MMx25MM From 5-8701 | 10 | 10 | 10 | 10 | |
| NS | 562155 | CONNECTOR ASSY SEALED 2C / GROTE 6618-G8 From 5-8701 | 10 | 10 | 10 | 10 | |
| 5 | 930340 | SIDE MARKER ASSY / RED / W/2 LED To 5-8700 | 2 | 2 | 2 | 2 | |
| 5 | 930380 | SIDE MARKER ASSY / RED / W/6 LED To 5-8700 | 2 | | | | A |
| 5 | 930400 | SIDE MARKER ASSY / RED / W/6 LED W/REFLECTOR From 5-8701 | 2 | 2 | 2 | 2 | |
| 5 | 930444 | SIDE MARKER ASSY / RED / W/2 LED W/REFLECTOR From 5-8701 | 2 | 2 | 2 | 2 | S |
| NS | 477482 | GROMMET 2 HOLESx1.6x23.5MMx2.0MMx8.0MMx25MM From 5-8701 | 2 | 2 | 2 | 2 | |
| NS | 562155 | CONNECTOR ASSY SEALED 2C / GROTE 6618-G8 From 5-8701 | 2 | 2 | 2 | 2 | |
| 10 | 930344 | SEAL LAMP BLACK 1/8" THICK To 6-9021 | 14 | 14 | 14 | 14 | |

| | | |
|-------------------------------------|--------------|-----------------|
| From Y-7046 To 8-9339 | Date:10/2022 | PAGE:Y2-0662-00 |
| CLEARANCE & MARKER LIGHT | | |

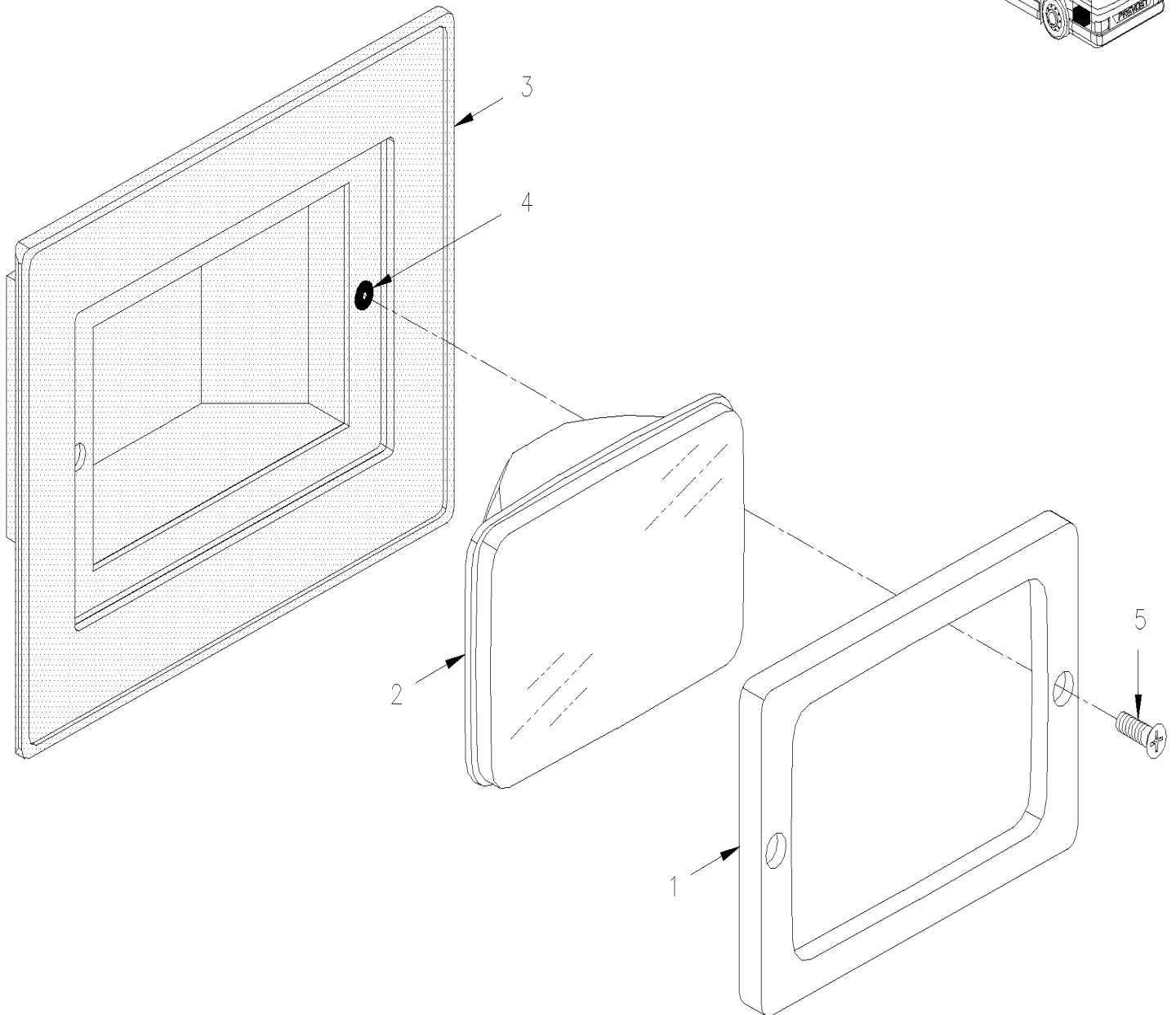
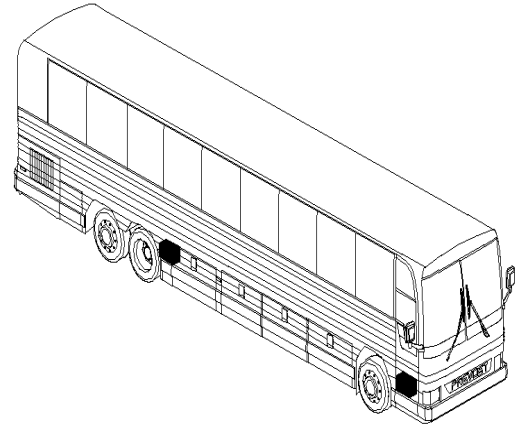
| Item# | Part | Description | X L I I 4 5 | X L I I M T H 4 0 | X L I I M T H 4 5 | X L I I M T H 4 5 E | N O T E S |
|-------|---------|---|----------------------------|---|---|--|-----------------------|
| 10 | 430630 | SEAL LAMP BLACK 1/8" THICK From 6-9022 | | 14 | 14 | 14 | |
| 11 | 064990 | CABLE ASSY / SIDE MARKER LAMP FOR DOORS | 1 | 1 | 1 | 1 | |
| . NS | 473832 | . GROMMET 2 HOLESx1.6x11.0MMx2.0MMx8.0MMx16MM | 1 | 1 | 1 | 1 | |
| 11 | 067207 | CABLE ASSY / SIDE MARKER LAMP FOR DOORS | 1 | 1 | 1 | 1 | |
| . NS | 473832 | . GROMMET 2 HOLESx1.6x11.0MMx2.0MMx8.0MMx16MM | 1 | 1 | 1 | 1 | |
| 20 | 5001364 | SCREW PTR TR PH M4x20 ZP | 2 | 2 | 2 | 2 | |
| 21 | 502665 | SCREW TP OV PH #6x3/4 SS EMN | 2 | 2 | 2 | 2 | |
| 22 | 5001042 | SCREW MA RND PH #10-32x1 1/4 SS | 2 | 2 | 2 | 2 | |
| 23 | 502774 | NUT WELL #10-32x.625 | 2 | 2 | 2 | 2 | |
| 30 | 064816 | CABLE HARNESS / FRONT ROOF To 3-8130 | 1 | 1 | 1 | 1 | |
| 30 | 065761 | CABLE HARNESS / FRONT ROOF From 3-8131 To 5-8407 | 1 | 1 | 1 | 1 | |
| 30 | 066116 | CABLE HARNESS / FRONT ROOF From 5-8408 | 1 | 1 | 1 | 1 | |
| 31 | 064822 | CABLE HARNESS / REAR ROOF To 5-8407 | 1 | 1 | 1 | 1 | |
| 31 | 066117 | CABLE HARNESS / REAR ROOF From 5-8408 | 1 | 1 | 1 | 1 | |
| 32 | 064990 | CABLE ASSY / SIDE MARKER LAMP FOR DOORS To 4-8358 | AR | AR | AR | AR | |
| . NS | 473832 | . GROMMET 2 HOLESx1.6x11.0MMx2.0MMx8.0MMx16MM To 4-8358 | 1 | 1 | 1 | 1 | |
| 40 | 930212 | REFLECTOR AMBER 1 1/8" x 4 3/8" | AR | AR | AR | AR | |
| 41 | 500124 | SCREW TP TR PH #8x1/2 SS | AR | AR | AR | AR | |
| | | | | | | | |
| | | | | | | | |
| | | A) OPTION "ORLEANS" | | | | | |
| | | S) SERVICE | | | | | |

From Y-7046 To 8-9339

Date:10/2022

PAGE:Y2-0663-00

DOCK & CORNERING LIGHT



From Y-7046 To 8-9339 Date:10/2022 PAGE:Y2-0663-00

DOCK & CORNERING LIGHT

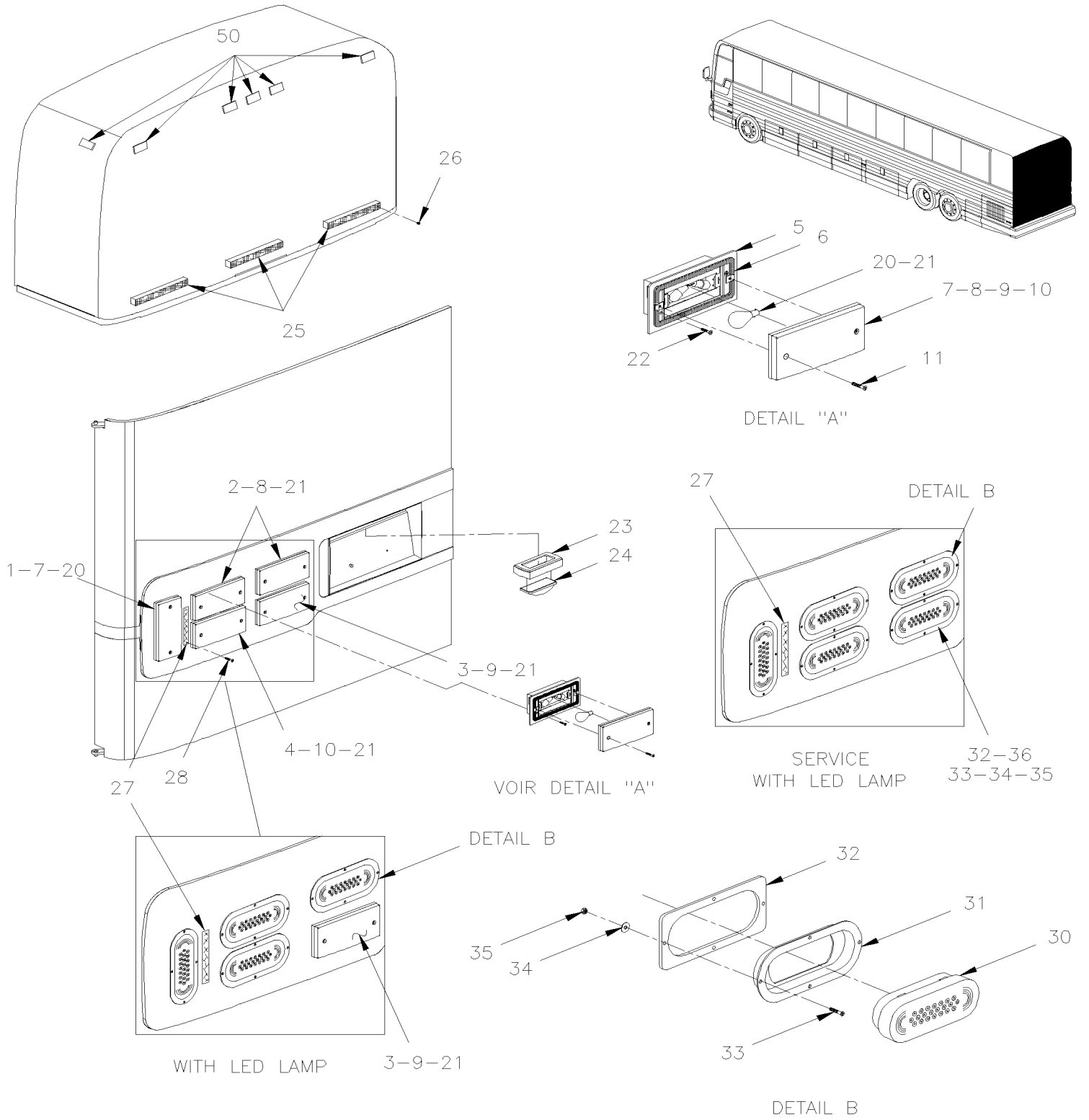
| Item# | Part | Description | X L I I 4 5 | X L I I M T H 4 0 | X L I I M T H 4 5 | X L I I M T H 4 5 E | N O T E S |
|-------|---------|--|----------------------------|---|---|--|-----------------------|
| 1 | 286400 | BEZEL | 4 | 4 | 4 | 4 | |
| 1 | 473424 | BEZEL | AR | | | | A |
| NS | 287147 | SPACER ¼" / BLACK PLASTIC | AR | | | | A |
| 2 | 930319 | SEAL BEAM / 37.5WATT-12V / SAE# H9415 | 4 | 4 | 4 | 4 | |
| 3 | 490879 | BOX / FIXED ON REAR FENDER | 1 | 1 | 1 | 1 | |
| 4 | 500589 | . NUT WELL M4-0.7x13.5 | 2 | 2 | 2 | 2 | |
| 4 | 5001055 | NUT WELL M4-0.7x14.5 | 1 | 1 | 1 | 1 | |
| 5 | 502530 | SCREW MA OV PH M4-0.7x40 SS | AR | AR | AR | AR | |
| NS | 065358 | CABLE ASSY | 1 | | | | A |
| NS | 561707 | RELAY 24V S.P.D.T. W/RESISTOR / | 2 | | | | A |
| | | | | | | | |
| | | | | | | | |
| | | A) THOSE ITEMS ARE USE WITH COACH CORNERING LIGHT SEE DIAGRAM D060953 FOR MORE INFORMATION | | | | | |

From Y-7046 To 3-8164

Date:10/2022

PAGE:Y2-0664-00

REAR EXTERIOR LIGHTS & PLATE HOLDER



| | | |
|--|--------------|-----------------|
| From Y-7046 To 3-8164 | Date:10/2022 | PAGE:Y2-0664-00 |
| REAR EXTERIOR LIGHTS & PLATE HOLDER | | |

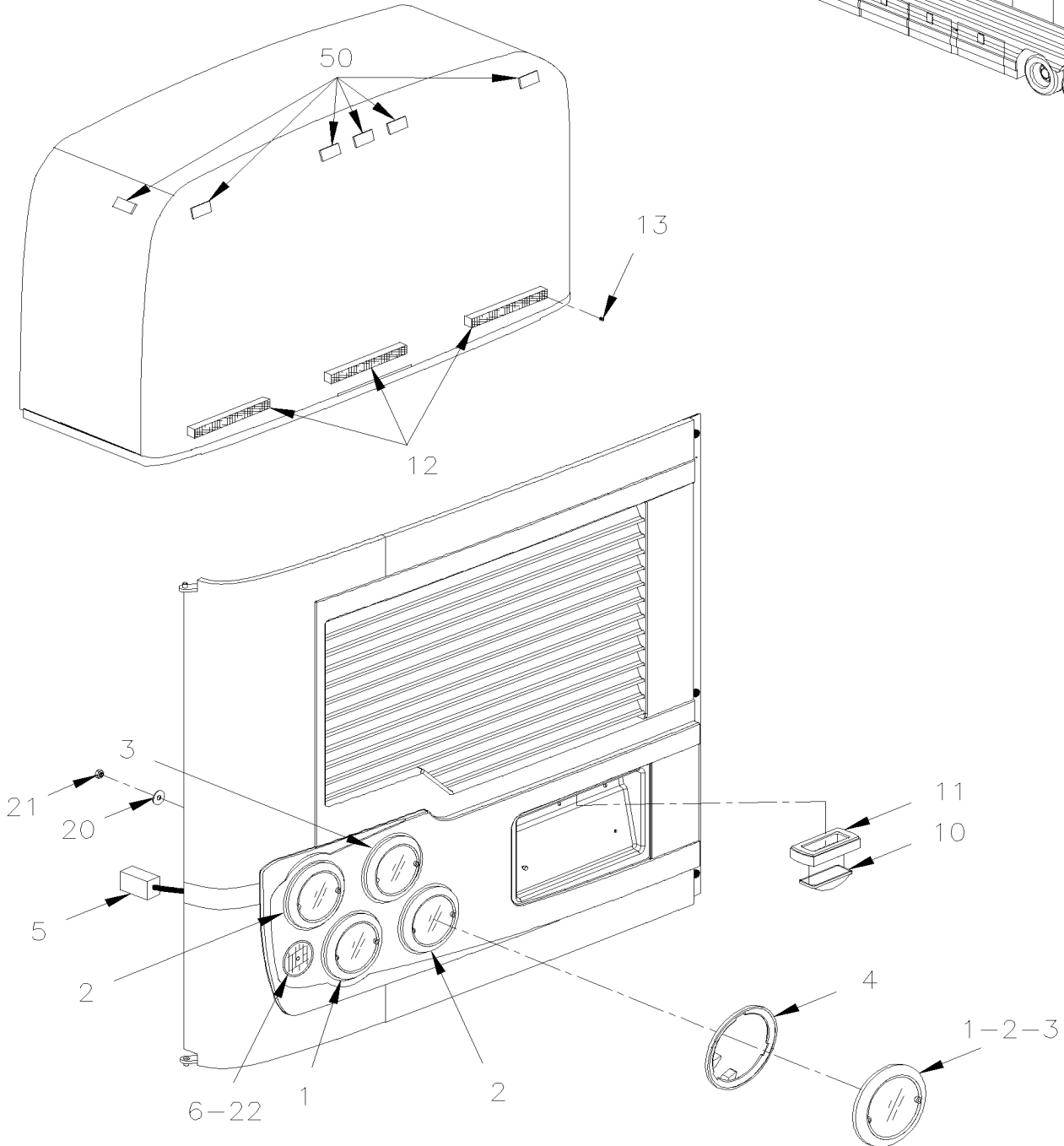
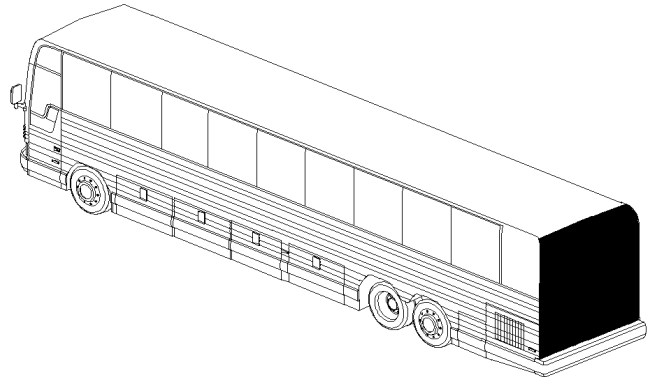
| Item# | Part | Description | X L I I 4 5 | X L I I M T H 4 0 | X L I I M T H 4 5 | X L I I M T H 4 5 E | N O T E S |
|-------|-------------------|---|----------------------------|---|---|--|-----------------------|
| 1 | 930310 | . LAMP ASSY TAIL | 1 | 1 | 1 | 1 | |
| 2 | 930308 | . LAMP ASSY / STOP | 2 | 2 | 2 | 2 | |
| 3 | 930311 | . LAMP ASSY BACK UP | 1 | 1 | 1 | 1 | |
| 4 | 930309 | . LAMP ASSY TURN SIGNAL | 1 | 1 | 1 | 1 | |
| 5 | N.S.S. | .. HOUSING | 1 | 1 | 1 | 1 | 1 |
| 6 | 930300 | .. GASKET | 1 | 1 | 1 | 1 | |
| 7 | 930314 | .. LENS / RED (TAIL) | AR | AR | AR | AR | |
| 8 | 930312 | .. LENS / RED (STOP) | AR | AR | AR | AR | |
| 9 | 930315 | .. LENS / CLEAR | AR | AR | AR | AR | |
| 10 | 930313 | .. LENS / AMBER | AR | AR | AR | AR | |
| 11 | N.P.N. | .. SCREW | 2 | 2 | 2 | 2 | 4 |
| 20 | 560123 | . BULB / 4WATT-12VOLTS / SAE# 67 | 4 | 4 | 4 | 4 | |
| 21 | 560589 | . BULB / 32WATT-12VOLTS / SAE# 1156 | 10 | 10 | 10 | 10 | |
| NS | 948702 | TIE CABLE BK 85 X 2.5 | 1 | 1 | 1 | 1 | |
| NS | 064809 | CABLE / ENGINE DOOR REAR LAMP W/BULB | 1 | 1 | 1 | 1 | |
| 22 | 502698 | SCREW MA PAN PH M4-0.7x16 SS BK | 2 | 2 | 2 | 2 | |
| 23 | 930208 | GROMMET RUBBER RETAINER / LICENCE LAMP TL 15700 | 1 | 1 | 1 | 1 | |
| 24 | 930266 | SEAL BULB / 2WATT - 12VOLTS / TL-15206 | 2 | 2 | 2 | 2 | |
| 24 | 930358 | SEAL LEDS / LEDS - 12VOLTS | 2 | | | | |
| 25 | 930330 | CYCLOP LAMP | 3 | 3 | 3 | 3 | |
| NS | 930353 | . CAP PLUG SCREW | 2 | 2 | 2 | 2 | |
| 26 | 502665 | SCREW TP OV PH #6x3/4 SS EMN | 2 | 2 | 2 | 2 | |
| NS | 506191 | TAPE RUB ADH1 CC POL 1/8" x 1/4" x 50' / GREY 2520X | AR | AR | AR | AR | |
| 27 | 930320 | REFLECTOR RED 1 3/16" x 4 7/16" | 1 | 1 | 1 | 1 | |
| 28 | 5001087 | SCREW TP BDG PH #10x1/2 SS | 2 | 2 | 2 | 2 | |
| 30 | 930377 | LAMP ASSY RED "LED" / TAIL / STOP / DIRECT | 2 | | | | L |
| 30 | 191712 | LAMP ASSY AMBER "LED" / DIRECT | 2 | | | | L |
| 31 | 430565 | MOUNTING BRACKET | 4 | | | | L |
| 32 | 287376 | ADAPTOR MOUNTING PLATE | 4 | | | | L |
| 33 | 5001027 | SCREW MA PAN PH #10-32x1 SS EMN | 16 | | | | L |
| 34 | 5001137 | WASHER FL .203x.438x.050 SS | 16 | | | | L |
| 35 | 500423 | NUT HEX NYRT #10-32 SS | 16 | | | | L |
| NS | 065655 | CABLE / ENGINE DOOR REAR LAMP W/LEDS | 2 | | | | L |
| 36 | 930002 | LAMP ASSY BACK UP "LED" WITH GROMMET | 2 | | | | L |
| 50 | Y2-0662-00 | CLEARANCE & MARKER LIGHT | | | | | |
| | | | | | | | |
| | | | | | | | |
| | | | | | | | |
| | | L) VEHICLE EQUIPED WITH "LED" LAMP ON DOOR | | | | | |
| | | 1) NOT SOLD SEPARATELY | | | | | |
| | | 4) NO PARTS NUMBER | | | | | |

From 4-8165 To 8-9339

Date:10/2022

PAGE:Y2-0664-01

REAR EXTERIOR LIGHTS & PLATE HOLDER



| | | |
|-----------------------|--------------|-----------------|
| From 4-8165 To 8-9339 | Date:10/2022 | PAGE:Y2-0664-01 |
|-----------------------|--------------|-----------------|

REAR EXTERIOR LIGHTS & PLATE HOLDER

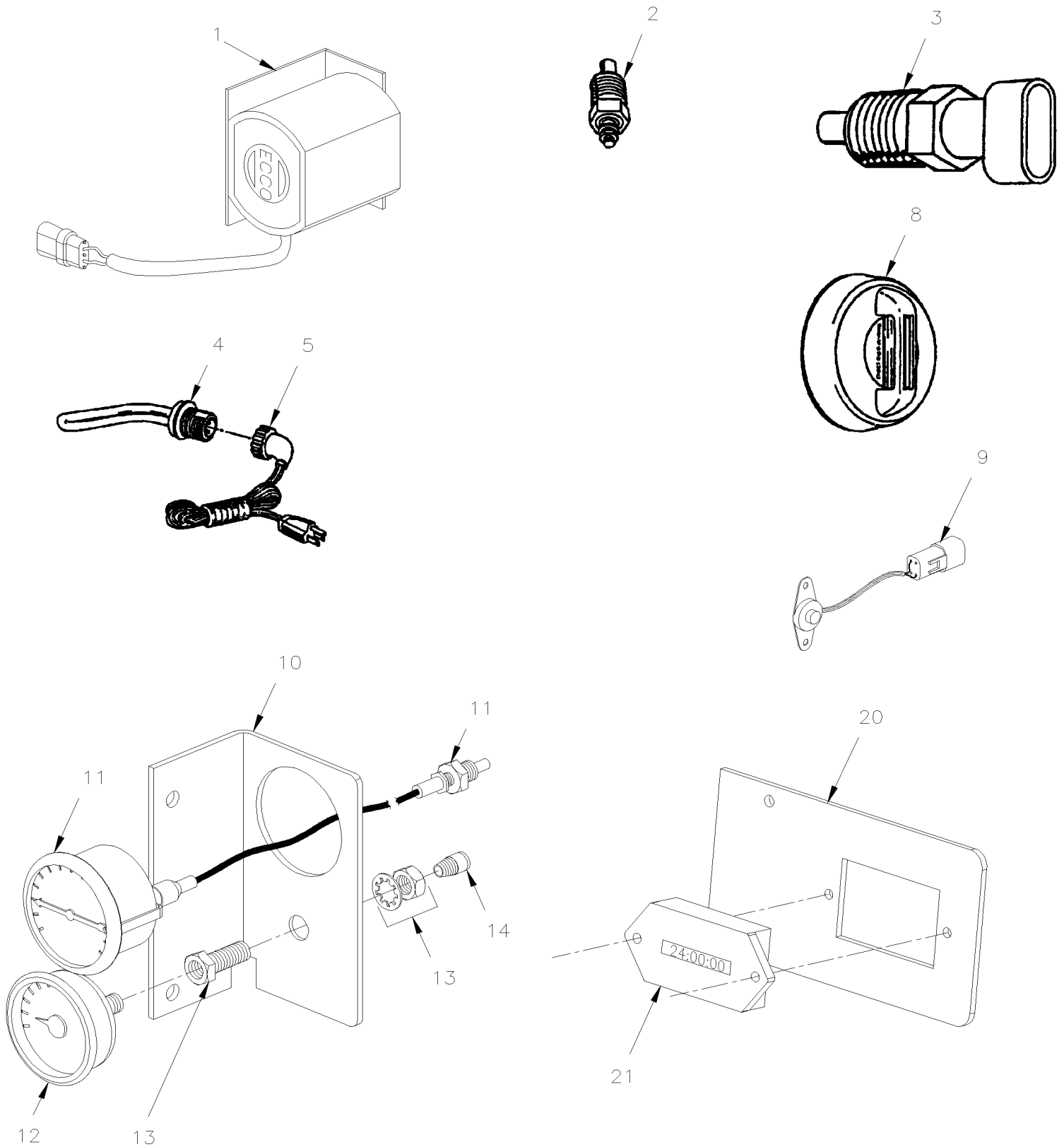
| Item# | Part | Description | X L I I 4 5 | X L I I M T H 4 0 | X L I I M T H 4 5 | X L I I M T H 4 5 E | N O T E S |
|-------|------------|--|----------------------------|---|---|--|-----------------------|
| 1 | 930365 | LED AMBER 4" / DIRECTIONAL / REAR 12Volt / 42L (PREVOST) | 1 | 1 | 1 | 1 | |
| 2 | 930366 | LED STOP & TAIL 4" 12Volt / 6L (PREVOST) | 2 | 2 | 2 | 2 | |
| 3 | 930367 | LAMP BACK-UP 4" 12Volt / Sealed | 1 | 1 | 1 | 1 | A |
| 4 | 430554 | SUPPORT LAMP | 4 | 4 | 4 | 4 | |
| 5 | 065712 | CABLE / ENGINE DOOR REAR LAMP W/LEDS To 7-9095 | 1 | 1 | 1 | 1 | |
| 5 | 066491 | CABLE / ENGINE DOOR REAR LAMP W/LEDS From 7-9096 | 1 | 1 | 1 | 1 | |
| 5 | 066003 | CABLE ADAPTOR / N.J. D.O.T / TAIL & STOP / SEPARATED TAIL & STOP | 2 | 2 | 2 | 2 | N |
| 6 | 930384 | REFLECTOR RED 3" O.D. / W/SCREW HOLE CENTER To 5-8473 | 1 | 1 | 1 | 1 | |
| 6 | 930391 | REFLECTOR RED 3 3/16" O.D. / W/ADH From 5-8474 | 1 | 1 | 1 | 1 | |
| 10 | 930368 | SEAL LEDS / W/CONNECTOR LEDS - 12VOLTS | 1 | 1 | 1 | 1 | |
| . NS | 12015378 | . CONNECTOR / WEATHER PACK / SH 2C / GRAY / PED 12015378 | 1 | 1 | 1 | 1 | |
| . NS | N.P.N. | . SEAL LEDS / W/CONNECTOR | | | | | 4 |
| . NS | 562348 | . CONNECTOR / WEATHER PACK / PH 2C / GRAY / PED 12034074 | 1 | 1 | 1 | 1 | |
| . NS | 561786 | . CABLE SEAL / GRAY / PED 15324980 | 2 | 2 | 2 | 2 | |
| . NS | 561568 | . PIN TERMINAL / 16-14 / PED 12089305 | 2 | 2 | 2 | 2 | |
| 11 | 930208 | GROMMET RUBBER RETAINER / LICENCE LAMP TL 15700 | 1 | 1 | 1 | 1 | |
| 11 | 930408 | GROMMET RUBBER RETAINER / LICENCE LAMP TL 150702 SERVICE | 1 | 1 | 1 | 1 | |
| 12 | 930330 | CYCLOP LAMP | 3 | 3 | 3 | 3 | |
| . NS | 930353 | . CAP PLUG SCREW | 2 | 2 | 2 | 2 | |
| 13 | 502665 | SCREW TP OV PH #6x3/4 SS EMN | 6 | 6 | 6 | 6 | |
| 20 | 5001547 | SCREW PTR TR PH M4x20 G500 | 8 | 8 | 8 | 8 | |
| 21 | 504357 | WASHER FL .187x.437x.050 SS | 8 | 8 | 8 | 8 | |
| 22 | 500414 | SCREW TP BDG PH #10x3/4 SS To 5-8473 | 1 | 1 | 1 | 1 | |
| NS | 192215 | LED BACK-UP 4" / W/CABLE ADAPTOR & GROMMET 12Volt / 27L | 1 | 1 | 1 | 1 | |
| . A | 194114 | . LED BACK-UP 4" 12Volt / 27L | 1 | 1 | 1 | 1 | |
| . B | G1076517 | . GROMMET 4" I.D, BLACK TL 40700 | 1 | 1 | 1 | 1 | |
| . C | N.P.N. | . LED BACK-UP 4" / W/CABLE ADAPTOR & GROMMET | 1 | 1 | 1 | 1 | 4 |
| NS | G1093246 | ADAPTOR HARNESS ASSY / 2 WIRES / TRUCK-LITE 94789 | 1 | 1 | 1 | 1 | |
| . NS | 562601 | . CONNECTOR / SUPERSEAL 1.5 SERIES / SH 3C / AMP 282087-1 | 1 | 1 | 1 | 1 | |
| NS | 430040 | KIT, HEAT SHIELD PROTECTOR 4" O.D. LAMP | AR | AR | AR | AR | |
| . A | 430041 | . INSULATING PAD | 1 | 1 | 1 | 1 | |
| . B | 430042 | . PROTECTOR PLATE | 1 | 1 | 1 | 1 | |
| 50 | Y2-0662-00 | CLEARANCE & MARKER LIGHT | | | | | |
| | | | | | | | |
| | | | | | | | |
| | | A) FOR REPLACE BULB LAMP TO "LEDS" ASK FOR 1 x 192215 + 1 x G1093246 | | | | | |
| | | N) USE WITH "NEW JERSEY" DOT REGULATION | | | | | |
| | | 4) NO PARTS NUMBER | | | | | |

From Y-7046 To 8-9339

Date:10/2022

PAGE:Y2-0665-00

ENGINE COMPARTMENT - ELECTRIC COMPONENTS



| | | |
|---|---------------|------------------|
| From Y-7046 To 8-9339 | Date: 10/2022 | PAGE: Y2-0665-00 |
| ENGINE COMPARTMENT - ELECTRIC COMPONENTS | | |

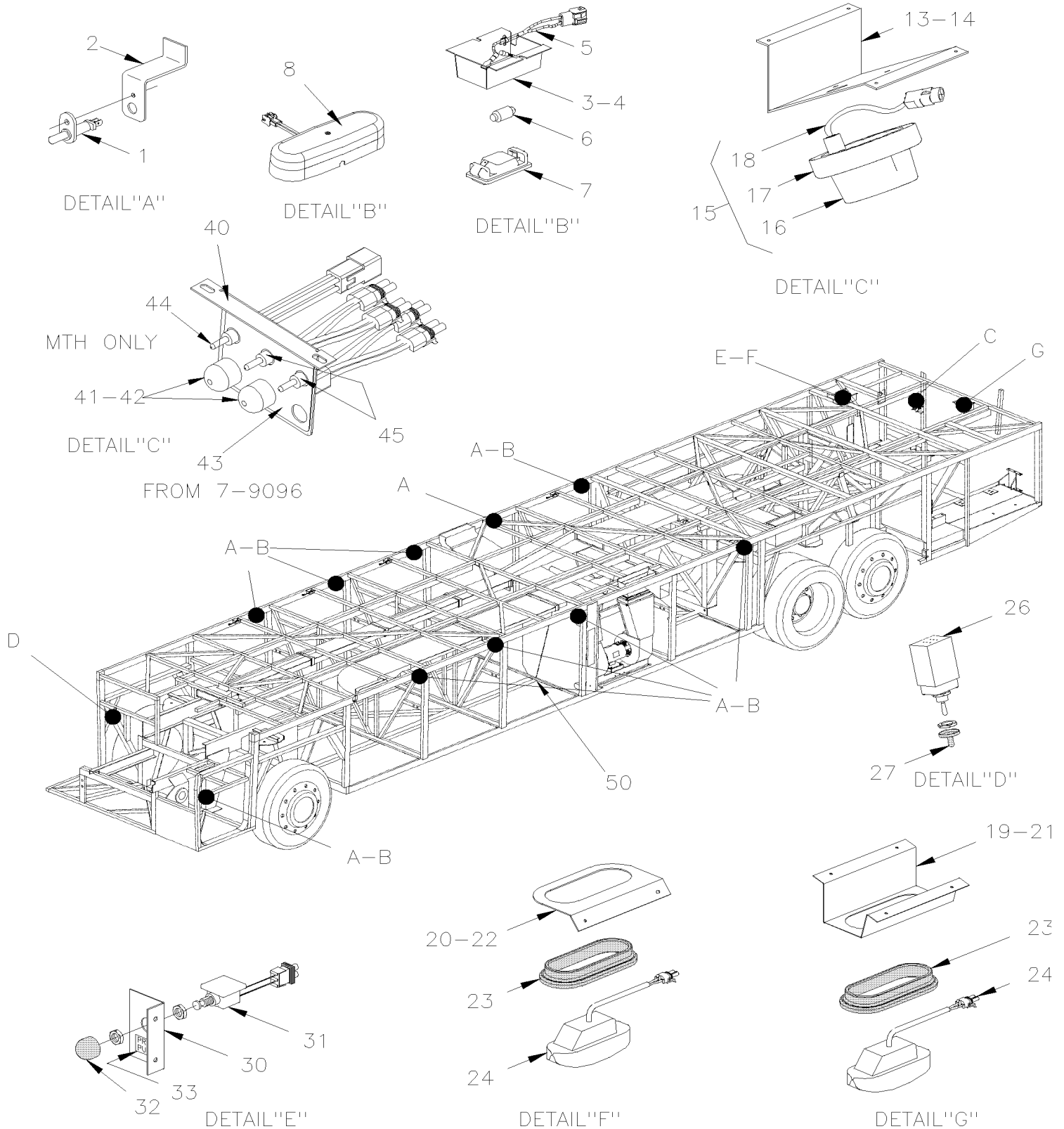
| Item# | Part | Description | X L I I 4 5 | X L I I M T H 4 0 | X L I I M T H 4 5 | X L I I M T H 4 5 E | N O T E S |
|-------|-------------------|---|--------------------------------|---|---|--|-----------------------|
| 1 | 563027 | BACK-UP ALARM "ECCO" / 12-24vdc / 82-107db | 1 | 1 | 1 | 1 | |
| 1 | 563199 | BACK-UP ALARM "ECCO" / 12-36vdc / 107db From 2-7809 | 1 | 1 | 1 | 1 | |
| 2 | 562829 | SENSOR / OIL TEMPERATURE / (DASHBOARD) | 1 | | | | A |
| 3 | 562395 | SENSOR PROBE "LOW LEVEL COOLANT" / 1/4" NPT | 1 | 1 | 1 | 1 | |
| 4 | 560410 | BLOCK HEATER | 1 | 1 | 1 | 1 | |
| 5 | Y2-0666-00 | BLOCK HEATER RECEPTACLE | | | | | |
| 6 | 381216 | BACK-UP ALARM ASSY / "DAP" To 2-7808 | 1 | 1 | 1 | 1 | |
| 6 | 561488 | . ALARM / "DAP" To 2-7808 | 1 | 1 | 1 | 1 | |
| 6 | 561566 | . CONNECTOR / WEATHER PACK / PH 2C / BLACK / PED 12010973 To 2-7808 | 1 | 1 | 1 | 1 | |
| 6 | 561568 | . PIN TERMINAL / 16-14 / PED 12089305 To 2-7808 | 2 | 2 | 2 | 2 | |
| 6 | 561565 | . CABLE SEAL / GREEN / PED 15324982 To 2-7808 | 2 | 2 | 2 | 2 | |
| 6 | 500163 | . SCREW CAP HEX 1/4-20x3/4 G5 Z050 To 2-7808 | 2 | 2 | 2 | 2 | |
| 6 | 560381 | . PLASTIC TUBING / 3/16" / CLEAR To 2-7808 | AR | AR | AR | AR | |
| 6 | 065722 | KIT, BACK-UP ALARM / SERIE "XL" | 1 | 1 | 1 | 1 | |
| . NS | IS-01155 | . SEE INSTRUCTION SHEET | 1 | 1 | 1 | 1 | |
| 8 | 562402 | DETECTOR / FIRE To Y-7229 | 2 | 2 | 2 | 2 | |
| NS | 065323 | KIT, FIRE DETECTOR REPLACEMENT To Y-7229 | AR | AR | AR | AR | |
| . NS | IS-99091 | . SEE INSTRUCTION SHEET To Y-7229 | 1 | 1 | 1 | 1 | |
| 9 | 065290 | HEAT DETECTOR "THERMO-DISK" From Y-7230 | 2 | 2 | 2 | 2 | |
| 10 | 011952 | SUPPORT | AR | AR | AR | AR | |
| 11 | 562331 | GAUGE WATER TEMPERATURE / MECHANICAL (CURRENT) | AR | AR | AR | AR | |
| 12 | 510481 | GAUGE, OIL PRESSURE / MECHANICAL (CURRENT) | AR | AR | AR | AR | |
| 13 | 501711 | BULKHEAD COUPLING / PIPE FITTING / 1/4NPT-Fx1/4NPT-Fx1 1/2 BR | AR | AR | AR | AR | |
| 14 | 501037 | MALE ELBOW 90° / SAE 45° FITTING / #4FL-Mx1/4NPT-M BR | AR | AR | AR | AR | |
| NS | 011617 | HOSE ASSY TEFLON #4 2615MM | AR | AR | AR | AR | |
| 20 | 011538 | HOURLMETER SUPPORT / TOP MOUNT / 93MM X 60MM | 1 | 1 | 1 | 1 | |
| 20 | 017328 | HOURLMETER SUPPORT / SIDE MOUNT / 100MM X 54MM | 1 | 1 | 1 | 1 | |
| 21 | 560366 | HOURLMETER 4-40VOLT DC | 1 | 1 | 1 | 1 | |
| | | | | | | | |
| | | | | | | | |
| | | | | | | | |
| | | | | | | | |
| | | A) WITH "EATON" TRANSMISSION | | | | | |

From Y-7046 To 8-9339

Date:10/2022

PAGE:Y2-0665-10

SWITCHES, LIGHTS, AJAR - UNDER FLOOR



| | | |
|---|--------------|-----------------|
| From Y-7046 To 8-9339 | Date:10/2022 | PAGE:Y2-0665-10 |
| SWITCHES, LIGHTS, AJAR - UNDER FLOOR | | |

| Item# | Part | Description | X L I I 4 5 | X L I I M T H 4 0 | X L I I M T H 4 5 | X L I I M T H 4 5 E | N O T E S |
|-------|--------|---|----------------------------|---|---|--|-----------------------|
| 1 | 562303 | SWITCH / S.P.S.T. / N.C. To 5-8788 | AR | AR | AR | AR | |
| 1 | 563464 | SWITCH / S.P.S.T. / N.C. / W/RUBBER BOOT From 5-8789 | AR | AR | AR | AR | |
| 2 | 063434 | SWITCH SUPPORT / W/BAGGAGE DOORS STD To 5-8788 | AR | AR | AR | AR | |
| NS | 065192 | SWITCH SUPPORT / BATTERIES COMPARTMENT DOOR To 5-8788 | 1 | | | | |
| NS | 066586 | SWITCH SUPPORT / BATTERIES COMPARTMENT DOOR From 5-8789 | 1 | | | | |
| NS | 065728 | SWITCH SUPPORT / W/BAGGAGE DOORS HINGED To 5-8788 | | 1 | 1 | 1 | |
| 2 | 066535 | SWITCH SUPPORT / W/BAGGAGE DOORS HINGED From 5-8789 | | 1 | 1 | 1 | |
| 2 | 066639 | SWITCH SUPPORT / W/BAGGAGE DOORS STD From 5-8789 | 1 | 1 | 1 | 1 | |
| 3 | 330268 | LAMP ASSY 24V / BAGGAGE COMPARTMENT LAMP / W/ONE BULB 10W To 5-8421 | AR | AR | AR | AR | |
| 3 | 330370 | LAMP ASSY 24V / BAGGAGE COMPARTMENT LAMP / W/2 BULB 10W From 5-8422 To 5-8673 | AR | AR | AR | AR | |
| 3 | 330372 | LAMP ASSY 24V / BAGGAGE COMPARTMENT LAMP W/2 BULBS 5W From 5-8674 To 7-9224 | AR | AR | AR | AR | |
| 4 | 330267 | . SUPPORT / SS / TO FIX LAMP / W/ONE BULB To 5-8421 | 1 | 1 | 1 | 1 | |
| 4 | 330369 | . SUPPORT / SS / TO FIX LAMP / W/2 BULBS From 5-8422 To 7-9224 | 1 | 1 | 1 | 1 | |
| 5 | 063435 | . CABLE ASSY / W/ONE BULB To 5-8421 | 1 | 1 | 1 | 1 | |
| 5 | 066271 | . CABLE ASSY / W/2 BULBS From 5-8422 To 7-9224 | 1 | 1 | 1 | 1 | |
| 6 | 562278 | . BULB / 10WATT-24VOLTS / SAE# 6429 To 5-8421 | AR | AR | AR | AR | |
| 6 | 562411 | . BULB / 5WATT-24VOLTS / SAE # 6424 From 5-8422 To 7-9224 | 2 | 2 | 2 | 2 | |
| 7 | 830139 | . LAMP ASSY / W/ONE BULB To 5-8421 | 1 | 1 | 1 | 1 | |
| 7 | 830183 | . LAMP ASSY / W/2 BULBS From 5-8422 To 7-9224 | 1 | 1 | 1 | 1 | |
| 8 | 330224 | LAMP ASSY 24V / BAGGAGE COMPARTMENT LAMP W/2 BULBS G4-10W From 7-9225 | AR | AR | AR | AR | |
| . NS | 330396 | . BULB / 10 WATTS -28VOLTS / SAE# G4-28 From 7-9225 | 2 | 2 | 2 | 2 | |
| 13 | 430467 | LAMP ASSY W/CONNECTOR To 3-8164 | AR | AR | AR | AR | |
| 14 | 430468 | . SUPPORT To 3-8164 | 1 | 1 | 1 | 1 | |
| 15 | 930168 | . LAMP ASSY BACK-UP To 3-8164 | 1 | 1 | 1 | 1 | |
| 16 | 930170 | . . LENS To 3-8164 | 1 | 1 | 1 | 1 | |
| 17 | 930171 | . . RING / CHROME To 3-8164 | 1 | 1 | 1 | 1 | |
| 17 | 560136 | . BULB / 15WATT-12VOLTS / SAE# 1003 To 3-8164 | 1 | 1 | 1 | 1 | |
| 18 | 561605 | . CONNECTOR / WEATHER PACK / PH 1C / BLACK / PED 12010996 To 3-8164 | 1 | 1 | 1 | 1 | |
| 18 | 561567 | . PIN TERMINAL / 20-18 / PED 12089040 To 3-8164 | 2 | 2 | 2 | 2 | |
| 18 | 561565 | . CABLE SEAL / GREEN / PED 15324982 To 3-8164 | 2 | 2 | 2 | 2 | |
| NS | 430534 | SUPPORT LAMP / OVER REAR JUNCTION BOX | 1 | 1 | 1 | 1 | |
| 19 | 430567 | LAMP ASSY W/CONNECTOR / "U" SHAPE From 4-8165 | AR | AR | AR | AR | |
| 20 | 430568 | LAMP ASSY W/CONNECTOR / "L" SHAPE From 4-8165 To 4-8229 | AR | | | | |
| 21 | 052503 | . SUPPORT LAMP / "U" SHAPE From 4-8165 | 1 | 1 | 1 | 1 | |
| 22 | 430456 | . SUPPORT LAMP / "L" SHAPE From 4-8165 To 4-8229 | 1 | 1 | 1 | 1 | |
| NS | 506338 | . RUBBER CHANNEL / 1/16" x 1/4" INT "U" SHAPE / ROUND C.T.L. From 4-8165 | 1 | 1 | 1 | 1 | |
| 23 | 930382 | . GROMMET OBLONG, BLACK From 4-8165 | 1 | 1 | 1 | 1 | |
| 24 | 930383 | . LAMP ASSY CLEAR SEALED / BACK-UP 12V From 4-8165 | 1 | 1 | 1 | 1 | |
| 26 | 562253 | SWITCH / M/ON-OFF-M/ON / S.P.S.T. To Y-7396 | 1 | | | | C |
| 26 | 563047 | SWITCH ASSY / WATERPROOF From Y-7397 | 1 | | | | |
| 27 | 560241 | RUBBER PROTECTOR, TOGGLE SWITCH | 1 | | | | |
| 30 | 064856 | SUPPORT SWITCH | 1 | | | | A |

| | | |
|---|--------------|-----------------|
| From Y-7046 To 8-9339 | Date:10/2022 | PAGE:Y2-0665-10 |
| SWITCHES, LIGHTS, AJAR - UNDER FLOOR | | |

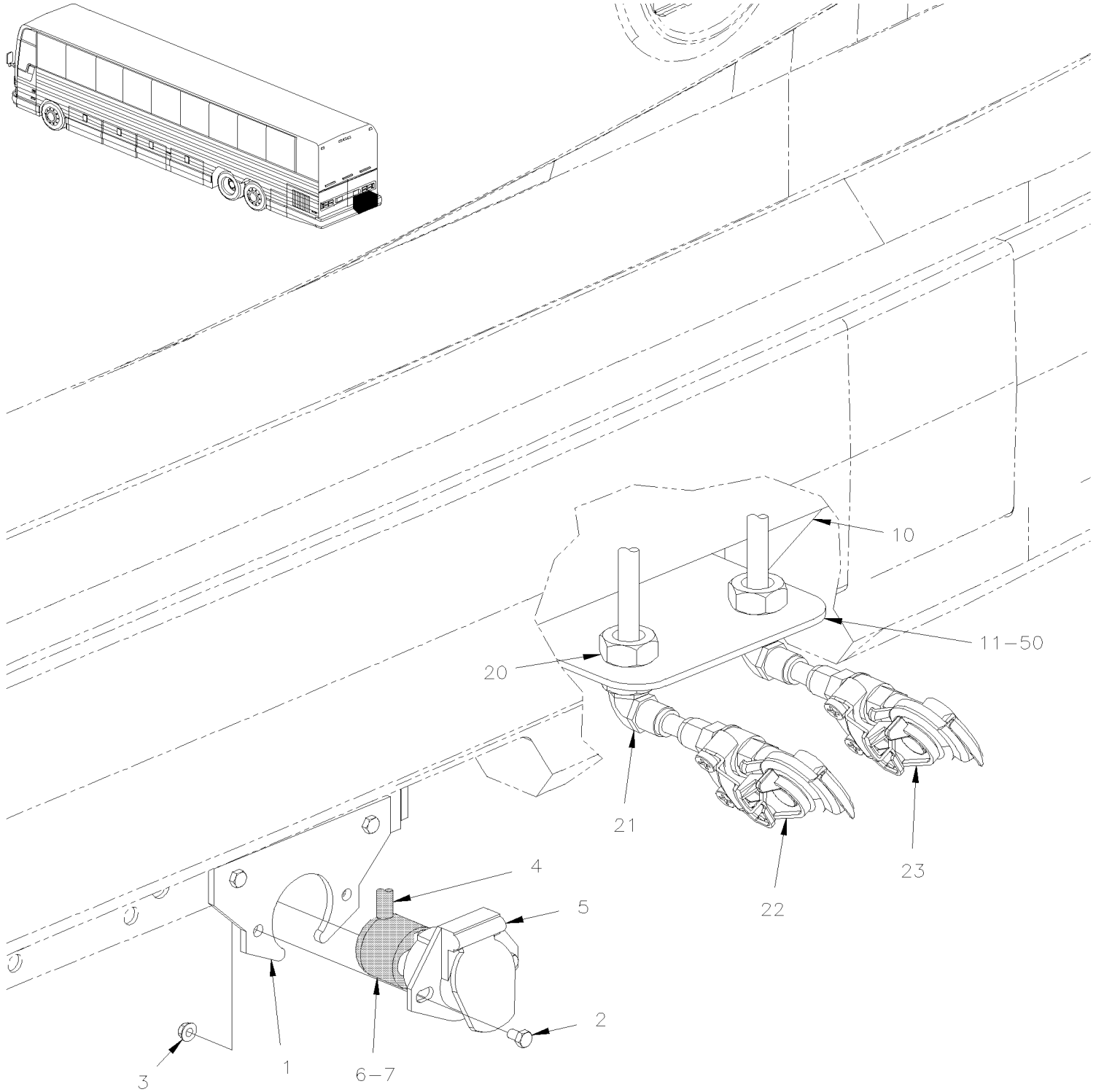
| Item# | Part | Description | X L I I 4 5 | X L I I M T H 4 0 | X L I I M T H 4 5 | X L I I M T H 4 5 E | N O T E S |
|-------|----------|---|----------------------------|---|---|--|-----------------------|
| 31 | 064554 | SWITCH ASSY W/CONECTOR | 1 | | | | A |
| 31 | 562484 | . SWITCH S.P.S.T. / N.C. | 1 | | | | |
| NS | 561690 | . CONNECTOR / WEATHER PACK / SH 2C / BLACK / PED 12015792 | 1 | | | | |
| NS | 561565 | . CABLE SEAL / GREEN / PED 15324982 | 2 | | | | |
| NS | 561578 | . SOCKET TERMINAL / 16-14 / PED 12010182 | 2 | | | | |
| 32 | 561891 | . . CAP RUBBER | 1 | | | | |
| 33 | 064099 | DECAL "PRIME PUMP" / ENGLISH | 1 | | | | |
| 33 | 066049 | DECAL "PRIME PUMP" / ENGLISH & SPANISH | 1 | | | | |
| NS | 064994 | CABLE ASSY / FUEL PUMP ELECTRIC | 1 | | | | |
| 34 | 065466 | DECAL / LAVATORY PUMP FLUSH / ENGLISH & FRANCAIS From 3-8021 | 1 | | | | B |
| 34 | 066050 | DECAL / LAVATORY PUMP FLUSH / ENGLISH & SPANISH | 1 | | | | |
| 34 | 067576 | DECAL / LAVATORY PUMP FLUSH / ENGLISH & SPANISH | 1 | | | | |
| 40 | 066300 | SUPPORT ASSY W/SWITCHES | | 1 | 1 | 1 | |
| 40 | 066365 | . SUPPORT REAR ENGINE SWITCHES | | 1 | 1 | 1 | |
| 41 | 064554 | . SWITCH ASSY W/CONECTOR | | 1 | 1 | 1 | |
| 41 | 562484 | . . SWITCH S.P.S.T. / N.C. | | 1 | 1 | 1 | |
| 41 | 561690 | . . CONNECTOR / WEATHER PACK / SH 2C / BLACK / PED 12015792 | | 1 | 1 | 1 | |
| 41 | 561565 | . . CABLE SEAL / GREEN / PED 15324982 | | 2 | 2 | 2 | |
| 41 | 561578 | . . SOCKET TERMINAL / 16-14 / PED 12010182 | | 2 | 2 | 2 | |
| 42 | 561891 | . . CAP RUBBER | | 1 | 1 | 1 | |
| 43 | 066376 | . DECAL REAR ENGINE START.... | | 1 | 1 | 1 | |
| 44 | 064362 | . SWITCH ASSY / WATERPROOF | | 1 | 1 | 1 | |
| 45 | 563609 | . SWITCH / OFF-ON / S.P.S.T. / SEALED WWIRES ASSY | | 1 | 1 | 1 | |
| 50 | 505056 | ANTISTATIC STRAP / UNDER STRUCTURE | 1 | | | | |
| NS | 065749 | KIT SWITCH LAVATORY PUMP INSTALLATION | 1 | | | | |
| 57 | 065380 | KIT ENTRANCE DOOR SWITCH To Y-7396 | 1 | | | | |
| NS | 065757 | KIT ENGINE COMPARTMENT LAMP | 1 | 1 | 1 | 1 | |
| . NS | 430568 | . LAMP ASSY W/CONNECTOR / "L" SHAPE | 1 | 1 | 1 | 1 | |
| . NS | 064821 | . PIGTAIL ASSY | 1 | 1 | 1 | 1 | |
| . NS | 5001040 | . SCREW TC PAN PH #6-32x3/4 SS | 2 | 2 | 2 | 2 | |
| . NS | 502637 | . WASHER FL .200x.437x.037 SS | 2 | 2 | 2 | 2 | |
| . NS | IS-00090 | . SEE INSTRUCTION SHEET | 1 | 1 | 1 | 1 | |
| | | | | | | | |
| | | | | | | | |
| | | | | | | | |
| | | A) USE WITH FUEL PUMP AND LAVATORY PUMP | | | | | |
| | | B) FOR PRODUCT IMPROVMENT ASK KIT #065749 FOR VEHICULE Up to 3-8020 | | | | | |
| | | C) FOR PRODUCT IMPROVMENT ASK KIT #065380 FOR VEHICULE Up to Y-7396 | | | | | |

From Y-7046 To 6-8906

Date:10/2022

PAGE:Y2-0665-20

CABLE TRAILER - INSTALLATION - BUS

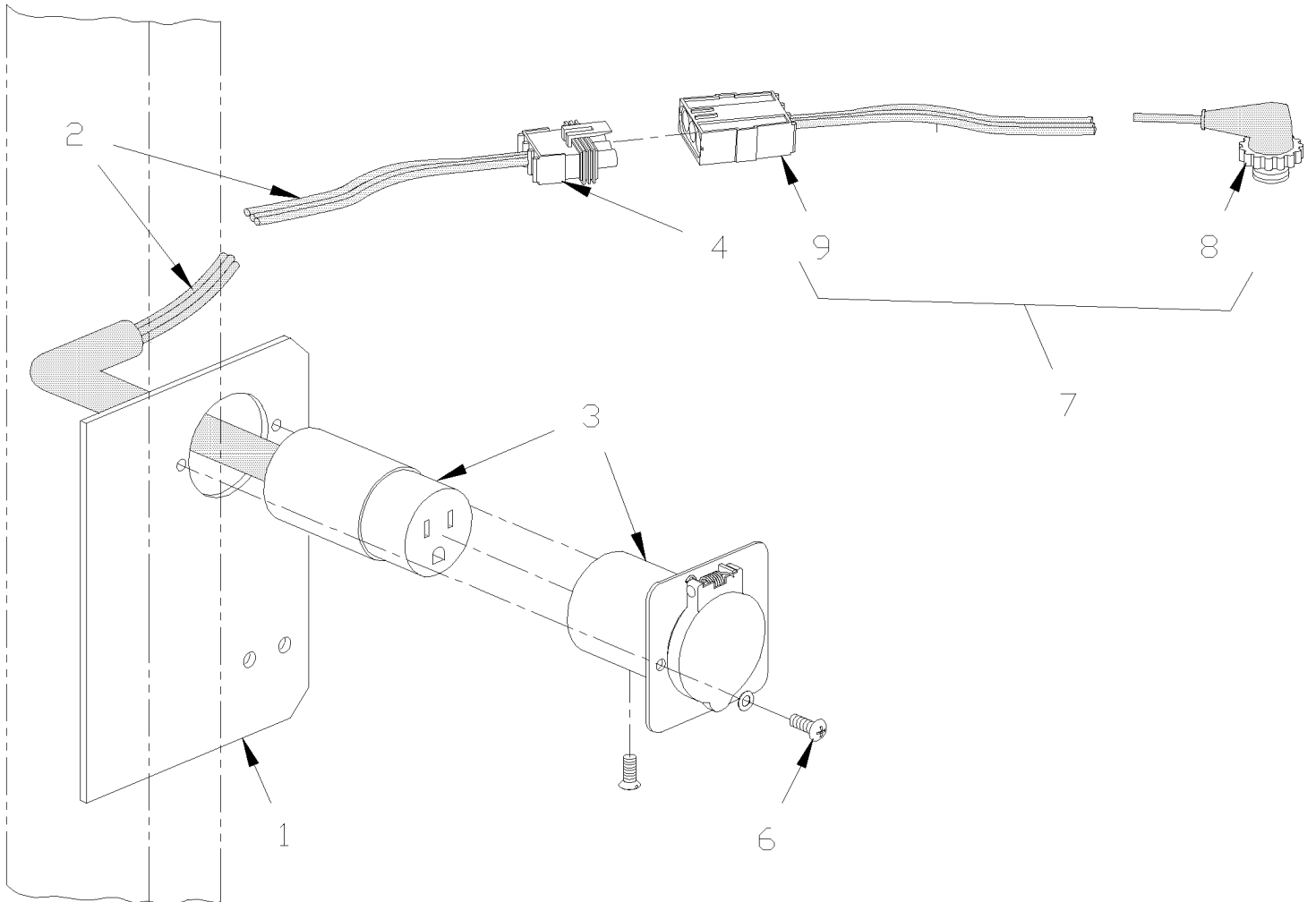
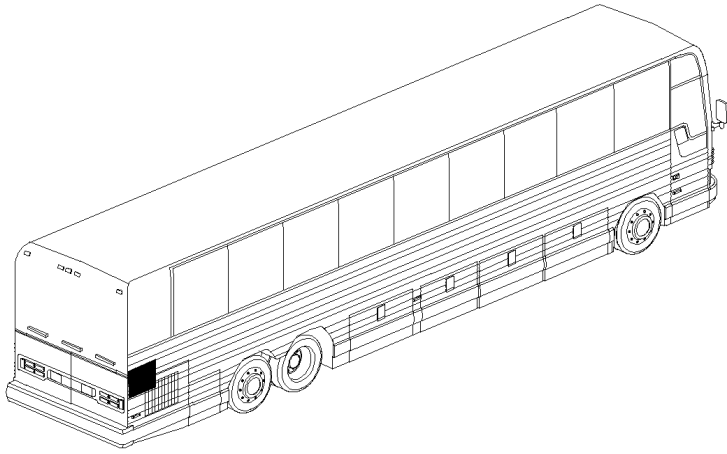


From Y-7046 To 8-9339

Date:10/2022

PAGE:Y2-0666-00

BLOCK HEATER RECEPTACLE

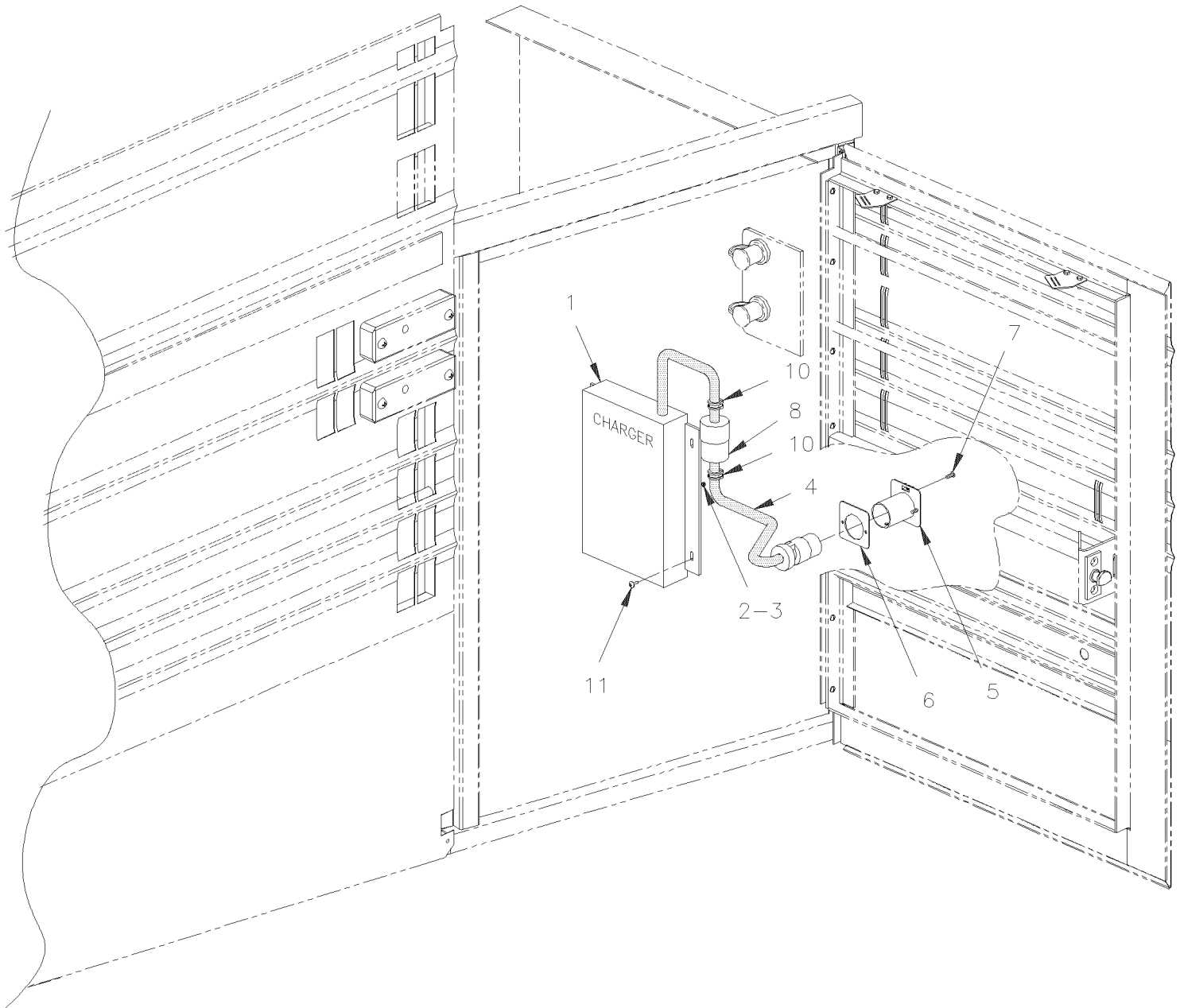
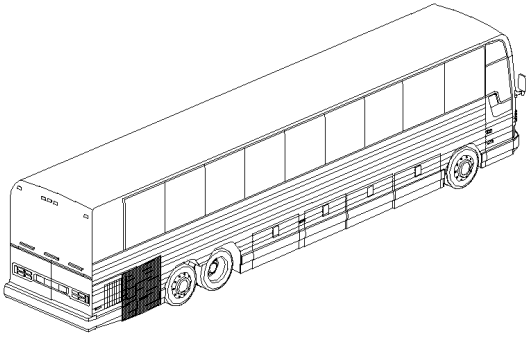


From Y-7046 To 6-8906

Date:10/2022

PAGE:Y2-0670-10

BATTERIES CHARGER - INSTALLATION



| | | |
|---|--------------|-----------------|
| From Y-7046 To 6-8906 | Date:10/2022 | PAGE:Y2-0670-10 |
| BATTERIES CHARGER - INSTALLATION | | |

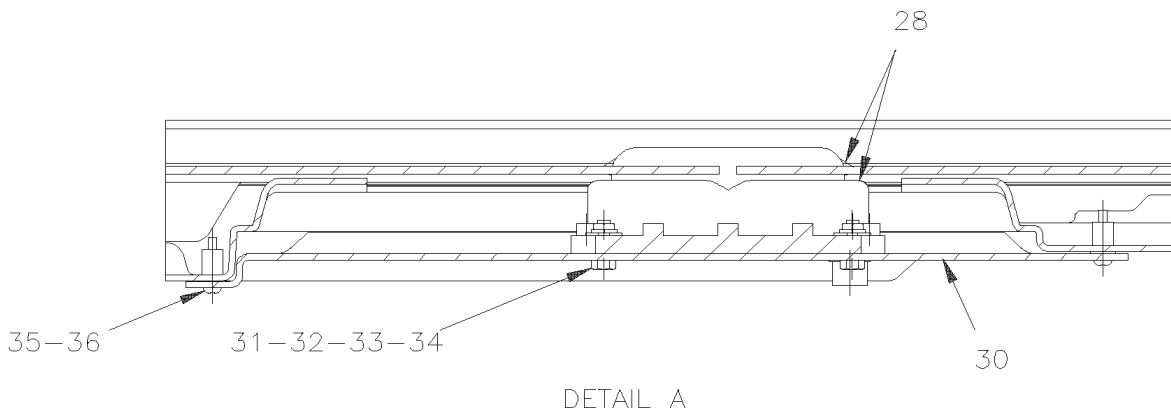
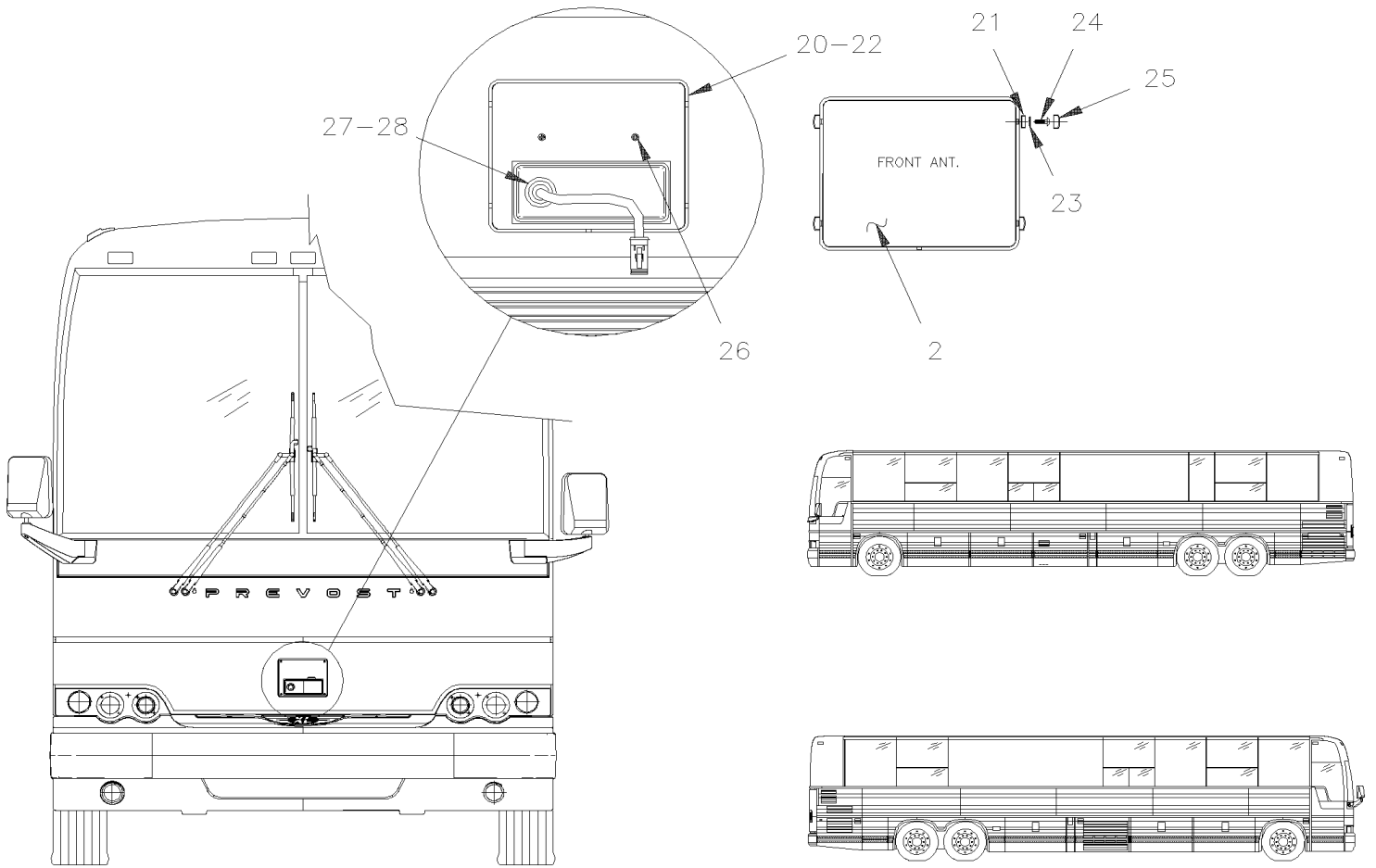
| Item# | Part | Description | X L I I I 4 5 | X L I I I M T H 4 0 | X L I I I M T H 4 5 | X L I I I M T H 4 5 E | N O T E S |
|-------|--------|---|---------------------------------|--|--|---|-----------------------|
| 1 | 562967 | BATTERY CHARGER 24V | 1 | | | | |
| 2 | 502565 | NUT HEX M6-1.0 SS | 4 | | | | |
| 3 | 502570 | WASHER LO SPT 6.1x11.8x1.6 SS | 4 | | | | |
| 4 | 065297 | CABLE ASSY / 110V BATTERIES CHARGER | 1 | | | | |
| 4 | 065462 | CABLE ASSY / 110V BATTERIES WARMER INSTALL | 1 | | | | A |
| 5 | 561572 | . RECEPTACLE ASSY W/CORD | 1 | | | | |
| 6 | 064388 | . FIXATION RING | 1 | | | | |
| 7 | 502677 | . SCREW MA RND PH M4-0.7x25 SS | 4 | | | | |
| 8 | 561932 | . CONNECTOR / 15 AMPS / HUBBELL 5269-C | 1 | | | | |
| 10 | 952631 | CLAMP / 3/4" I.D. | 2 | | | | |
| 11 | 504637 | CABLE TIE / 3/16" x 13" | 2 | | | | |
| NS | 065445 | DECAL / BATTERY HEATING & WARMER 164MM x 30MM | 1 | | | | A |
| | | | | | | | |
| | | | | | | | |
| | | A) USE WITH BATTERIES WARMER | | | | | |

From Y-7046 To 8-9339

Date:10/2022

PAGE:Y2-0675-00

SYSTEM - "VORAD"

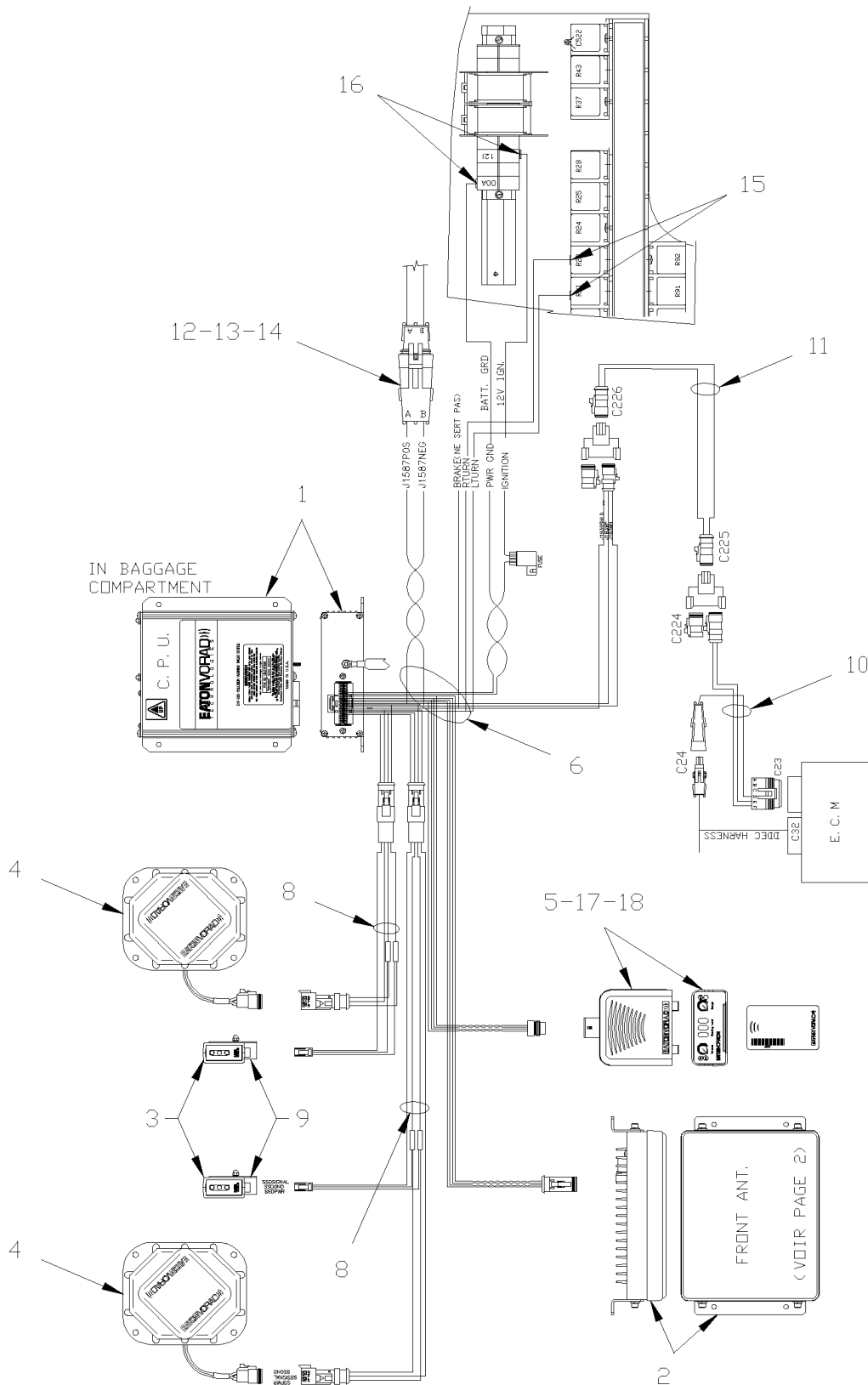


From Y-7046 To 8-9339

Date:10/2022

PAGE:Y2-0675-00

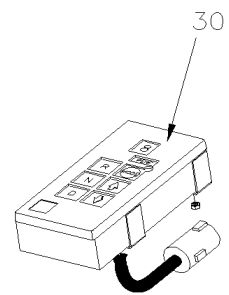
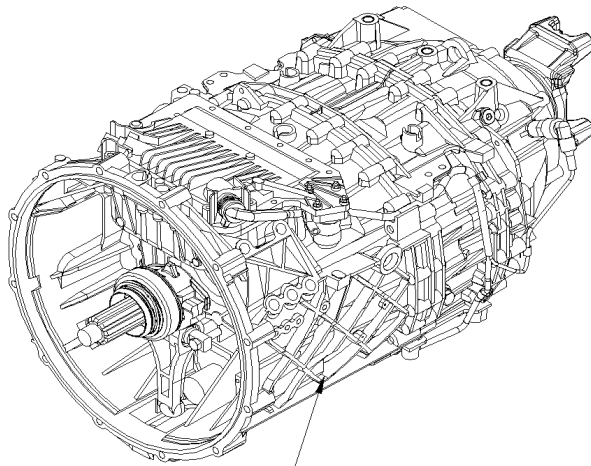
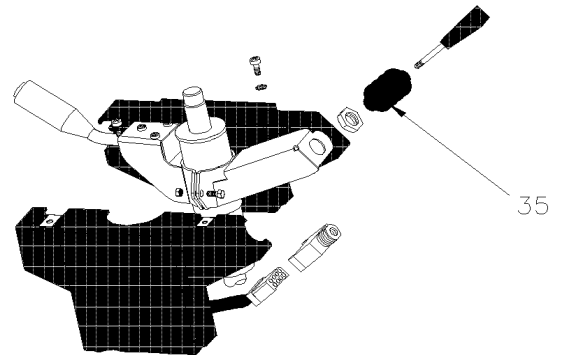
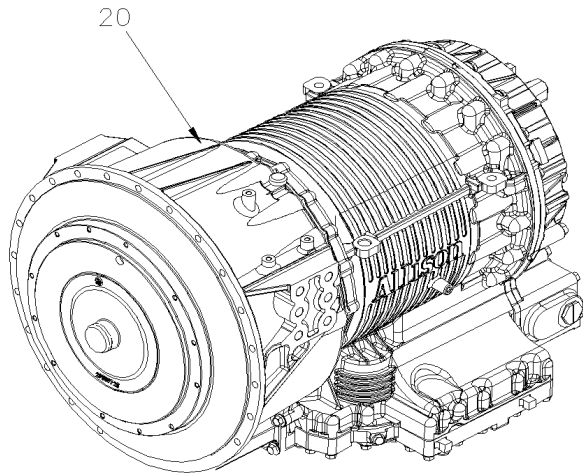
SYSTEM - "VORAD"



| | | |
|-------------------------|--------------|-----------------|
| From Y-7046 To 8-9339 | Date:10/2022 | PAGE:Y2-0675-00 |
| SYSTEM - "VORAD" | | |

| Item# | Part | Description | X L I I 4 5 | X L I I M T H 4 0 | X L I I M T H 4 5 | X L I I M T H 4 5 E | N O T E S |
|-------|---------|--|----------------------------|---|---|--|-----------------------|
| 1 | 563192 | MODULE CONTROL "VORAD" | | | 1 | | |
| NS | 382326 | SUPPORT, MODULE CONTROL | | | 1 | | |
| 2 | 563188 | FRONT SENSOR ANTENNA | | | 1 | | |
| 3 | 563189 | FRONT SENSOR & DISPLAY | | | 2 | | |
| 4 | 563191 | SIDE SENSOR ANTENNA | | | 2 | | |
| 5 | 563190 | DRIVER'S DISPLAY | | | 1 | | |
| 6 | 065608 | CABLE ASSY / MAIN | | | 1 | | |
| 8 | 065609 | CABLE ASSY / SIDE ANTENNA | | | 2 | | |
| 9 | 7770276 | BRACKET FRONT SENSOR, LH | | | 1 | | |
| 9 | 7770277 | BRACKET FRONT SENSOR, RH | | | 1 | | |
| 10 | 065988 | CABLE ASSY / ECM | | | 1 | | |
| 11 | 065592 | CABLE ASSY / J1939 | | | 1 | | |
| 12 | 561566 | CONNECTOR / WEATHER PACK / PH 2C / BLACK / PED 12010973 | | | 1 | | |
| 13 | 561568 | PIN TERMINAL / 16-14 / PED 12089305 | | | 2 | | |
| 14 | 561565 | CABLE SEAL / GREEN / PED 15324982 | | | 2 | | |
| 15 | 561181 | TAB RECEPTACLE TERMINAL / 12 / AMP 60508-2 | | | 2 | | |
| 16 | 561700 | SPRING SPADE TERMINAL #8 / 16-14 / AMP 52936 | | | 2 | | |
| 17 | 382008 | SUPPORT, DRIVER'S DISPLAY | | | 1 | | |
| 18 | 5001479 | SCREW TP BDG PH #6x3/8 SS EMN | | | 8 | | |
| 20 | 382009 | BOX , FRONT ANTENNA | | | 1 | | |
| 21 | 504399 | WASHER RETAINER SNAP CAP #10 | | | 4 | | |
| 22 | 506785 | TAPE RUB ADH2 CC POL 1/16" x 1/4" x 200' / BLACK I1C-N-A | | | AR | | |
| 23 | 5001544 | WASHER LO EXT .195x.410x.025 SS | | | 4 | | |
| 24 | 5001543 | SCREW MA PAN PH #10-32x1/2 SS | | | 4 | | |
| 25 | 504403 | SNAP CAP #8 FINISHING BLACK | | | 4 | | |
| 26 | 500952 | SCREW TP BDG PH #8x1/2 SS | | | 2 | | |
| 27 | 504671 | GROMMET / .687x1.000x.125x.437x1.312 | | | 1 | | |
| 28 | 682462 | ADHESIVE SIKA #252 / BLACK / 310ml CARTRIDGE | | | AR | | |
| 30 | 382325 | SUPPORT, SIDE SENSOR ANTENNA | | | 2 | | |
| 31 | 502622 | SCREW CAP HEX M6-1.0x20 SS BK | | | 12 | | |
| 32 | 500411 | WASHER FL .260x.697x.050 SS | | | 8 | | |
| 33 | 502570 | WASHER LO SPT 6.1x11.8x1.6 SS | | | 12 | | |
| 34 | 502565 | NUT HEX M6-1.0 SS | | | 12 | | |
| 35 | 500589 | NUT WELL M4-0.7x13.5 | | | 8 | | |
| 36 | 502677 | SCREW MA RND PH M4-0.7x25 SS | | | 8 | | |
| NS | 563193 | VDO CASSETTE DRIVER'S TRAINING "VORAD CRUISE" | | | AR | | |
| NS | 563213 | DECAL "SMART CRUISE" | | | 1 | | |
| | | | | | | | |
| | | | | | | | |
| | | | | | | | |

| | | |
|--------------|--------------|-------|
| | Date:10/2022 | Y2-07 |
| TRANSMISSION | | |



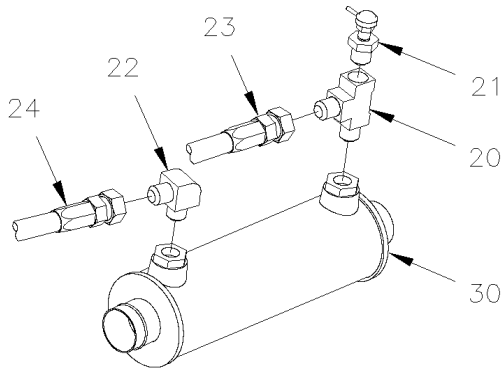
| | | Date:10/2022 | Y2-07 | | | | |
|--------------|------------|--|----------------------------|---|---|--|-------|
| TRANSMISSION | | | | | | | |
| Item# | Part | Description | X L I I 4 5 | X L I I M T H 4 0 | X L I I M T H 4 5 | X L I I M T H 4 5 E | NOTES |
| 5 | Y2-0700-00 | TRANSMISSION "EATON" - INSTALLATION From 1-7377 To 1-7461 | | | | | |
| 5 | Y2-0700-01 | TRANSMISSION "ZF" - INSTALLATION From Y-7462 To 6-8906 | | | | | |
| 10 | Y2-0700-05 | TRANSMISSION "ZF" - AIR SYSTEM From Y-7462 To 6-8906 | | | | | |
| 15 | Y2-0705-00 | TRANSMISSION "ZF-ASTRONIC" From Y-7462 To 6-8906 | | | | | |
| 15 | Y2-0705-05 | GEARBOX HOUSING From 4-8165 To 6-8906 | | | | | |
| 15 | Y2-0705-10 | INPUT SHAFT From 4-8165 To 6-8906 | | | | | |
| 15 | Y2-0705-15 | LAYSHAFT From 4-8165 To 6-8906 | | | | | |
| 15 | Y2-0705-20 | MAIN SHAFT From 4-8165 To 6-8906 | | | | | |
| 15 | Y2-0705-25 | REVERSE GEAR From 4-8165 To 6-8906 | | | | | |
| 15 | Y2-0705-30 | GEAR SHIFT SYSTEM From 4-8165 To 6-8906 | | | | | |
| 15 | Y2-0705-35 | OUTPUT HOUSING From 4-8165 To 6-8906 | | | | | |
| 15 | Y2-0705-40 | OUTPUT FLANGE & PLANETARY DRIVE From 4-8165 To 6-8906 | | | | | |
| 15 | Y2-0705-45 | SYNCHRONIZER ASSY From 4-8165 To 6-8906 | | | | | |
| 20 | Y2-0750-00 | AUTOMATIC TRANSMISSION - "WORLD" WITH DETROIT S-60 From Y-7046 To 3-8164 | | | | | |
| 20 | Y2-0750-01 | AUTOMATIC TRANSMISSION - "WORLD" WITH DETROIT S-60 From 4-8165 To 8-9339 | | | | | |
| 30 | Y2-0755-15 | SHIFTER ELECTRONIC - "WORLD" TRANSMISSION From Y-7046 To 8-9339 | | | | | |
| 35 | Y2-0760-00 | RETARDER SELECTOR SWITCH - "WORLD" From Y-7046 To 8-9339 | | | | | |

From 1-7377 To 1-7461

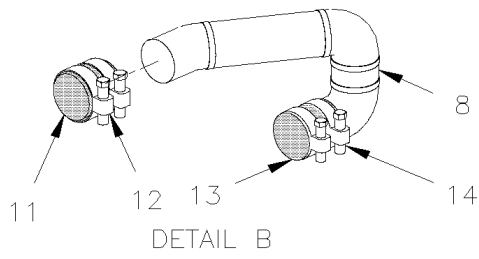
Date:10/2022

PAGE:Y2-0700-00

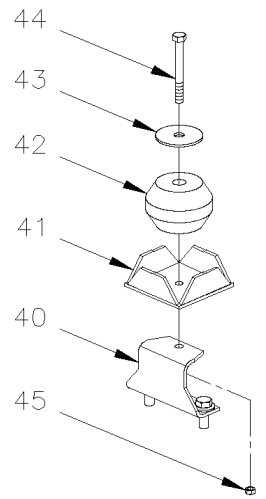
TRANSMISSION "EATON" - INSTALLATION



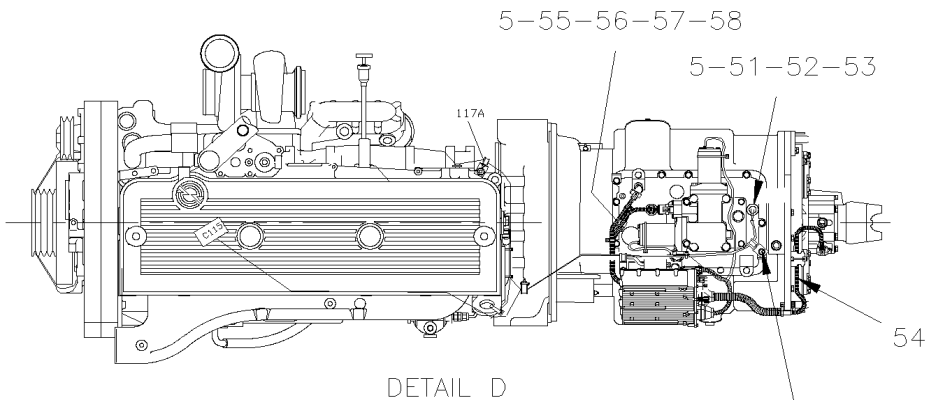
DETAIL A



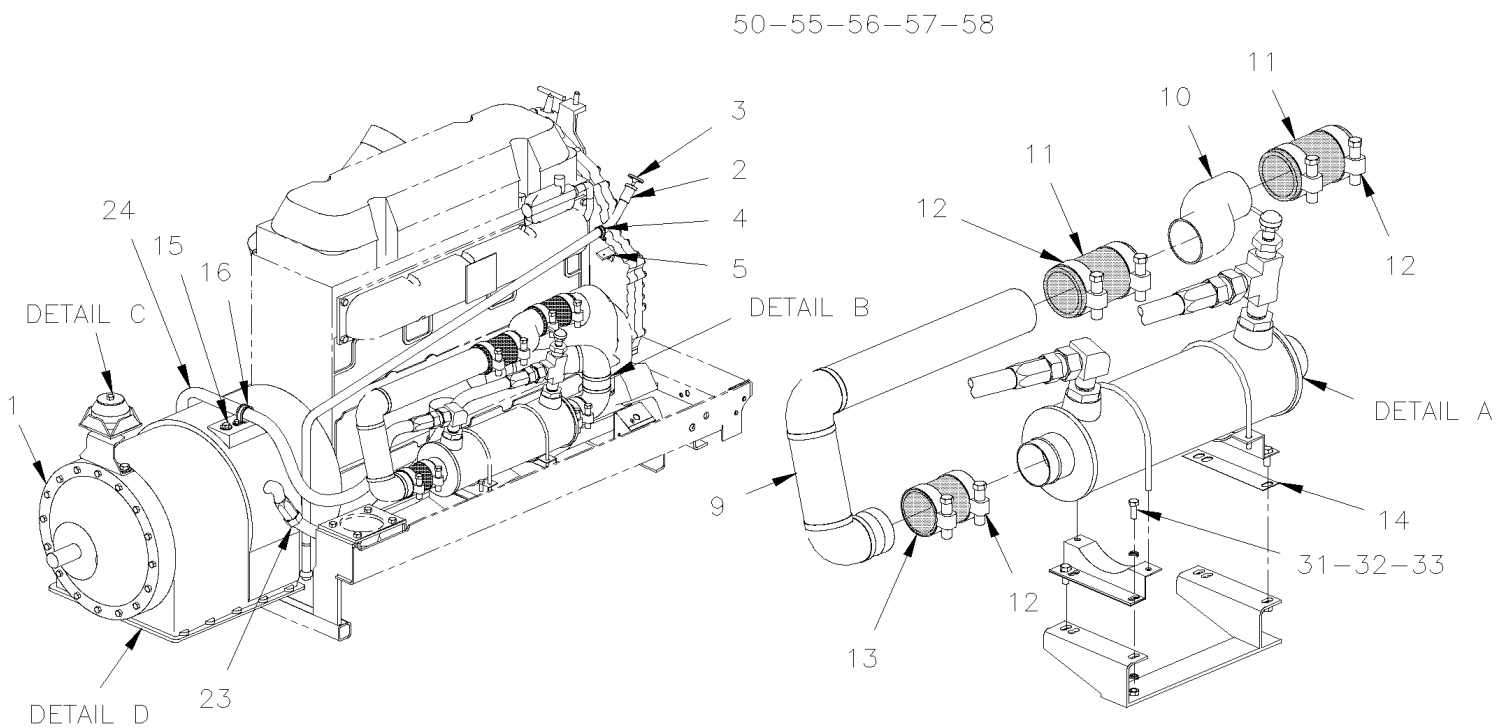
DETAIL B



DETAIL C



DETAIL D



DETAIL D

DETAIL B

DETAIL A

| | | |
|-----------------------|--------------|-----------------|
| From 1-7377 To 1-7461 | Date:10/2022 | PAGE:Y2-0700-00 |
|-----------------------|--------------|-----------------|

TRANSMISSION "EATON" - INSTALLATION

| Item# | Part | Description | X L I I 4 5 | X L I I M T H 4 0 | X L I I M T H 4 5 | X L I I M T H 4 5 E | N O T E S |
|-------|---------|---|----------------------------|---|---|--|-----------------------|
| 1 | 571758 | TRANSMISSION "EATON" AST | 1 | | | | |
| NS | 571762 | KIT DRIVE RING AST | 1 | | | | |
| NS | 684016 | OIL TRANSYND TRANSMISSION "WORLD" | 42 | | | | |
| NS | 5001427 | SCREW CAP HEX 7/16-14x1 3/8 G5 Z050 | 12 | | | | |
| NS | 500853 | WASHER LO EXT .437x.760x.036 Z050 | 12 | | | | |
| 2 | 071210 | OIL GAUGE TUBE | 1 | | | | |
| NS | 5011219 | . SLEEVE / JIC 37° FITTING / #16 STL | 1 | | | | |
| NS | 5011220 | . NUT / JIC 37° FITTING / #16JIC-F STL | 1 | | | | |
| 3 | 571764 | TRANS DIPSTICK 2030.3MM | 1 | | | | |
| 4 | 952635 | CLAMP / 1" I.D. | 1 | | | | |
| 5 | 070368 | SUPPORT | 1 | | | | |
| 6 | 500069 | SCREW CAP HEX M8-1.25x16 G10.9 DP | 1 | | | | |
| NS | 5001003 | WASHER LO SPT 8.1x12.7x2.0 Z050 | 1 | | | | |
| 8 | 070890 | PIPE ASSY | 1 | | | | |
| 9 | 051854 | PIPE ASSY | 1 | | | | |
| 10 | N.S.P. | PIPE ASSY / WATER PUMP & COOLER / (23005899) | 1 | | | | 2 |
| 11 | 051604 | HOSE 2 3/4" I.D. 130MM | 2 | | | | |
| NS | 503395 | . HOSE SILICONE 4PLY 2 3/4" I.D. x 3' | AR | | | | |
| 12 | 504562 | HOSE CLAMP / 2"3/4-3"5/8 / C.T. 350 | 2 | | | | |
| 13 | 070969 | HOSE 3" I.D. 140MM | 1 | | | | |
| 14 | 070892 | SHIM / ENGINE CRADLE & OIL COOLER SUPPORT 26x166x1/4" / 140c/c | 2 | | | | |
| 15 | 060840 | SUPPORT HARNESS | 1 | | | | |
| NS | 500270 | WASHER FL .406x1.000x.063 SS | 1 | | | | |
| 16 | 952637 | CLAMP / 1"1/16 I.D. | 4 | | | | |
| 16 | 952639 | CLAMP / 1"1/4 I.D. | 2 | | | | |
| NS | 502677 | SCREW MA RND PH M4-0.7x25 SS | 4 | | | | |
| NS | 502524 | NUT HEX M4-0.7 Z050 | 4 | | | | |
| NS | 502636 | WASHER LO SPT 4.1x7.6x0.9 Z050 | 6 | | | | |
| 19 | 070968 | HOSE 3" I.D. 185MM | 2 | | | | |
| 20 | 5011083 | ADAPTER TEE / SAE 45° FITTING / #16FL-Mx1/2NPT-Fx#16ORB-M TO USED W/TEMP SENDER | 1 | | | | |
| 21 | 562829 | SENSOR / OIL TEMPERATURE / (DASHBOARD) | 1 | | | | |
| 22 | 5011223 | MALE ELBOW 90° / JIC 37° FITTING / #12JIC-Mx#16ORB-M STL | 1 | | | | |
| 23 | 071213 | HOSE ASSY / #16 1118MM | 1 | | | | |
| 24 | 071214 | HOSE ASSY / #12 1880MM | 1 | | | | |
| 30 | 550708 | OIL COOLER W/1" NPT / (2950137) | | | | | |
| 31 | 502589 | SCREW CAP HEX M8-1.25x25 G8.8 Z050 | 4 | | | | |
| 32 | 502543 | NUT HEX M8-1.25 Z050 | 4 | | | | |
| 33 | 5001003 | WASHER LO SPT 8.1x12.7x2.0 Z050 | 8 | | | | |
| 40 | 071212 | SUPPORT | 1 | | | | |
| 41 | 070950 | GUIDE REAR | 1 | | | | |
| 42 | 630118 | RUBBER BUMPPER | 1 | | | | |
| 43 | 550642 | WASHER | 1 | | | | |

| | | |
|-----------------------|--------------|-----------------|
| From 1-7377 To 1-7461 | Date:10/2022 | PAGE:Y2-0700-00 |
|-----------------------|--------------|-----------------|

TRANSMISSION "EATON" - INSTALLATION

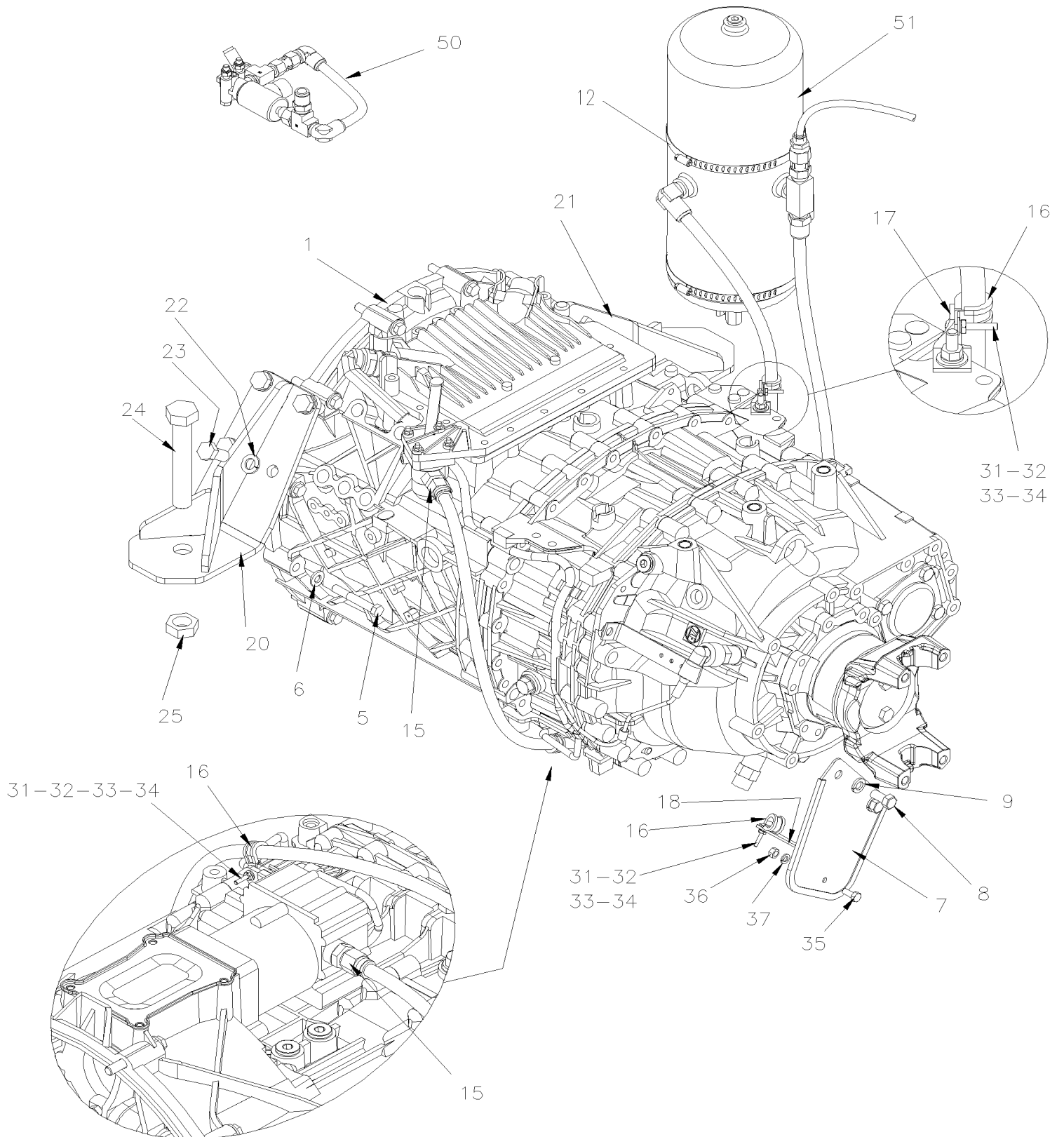
| Item# | Part | Description | X L I I 4 5 | X L I I M T H 4 0 | X L I I M T H 4 5 | X L I I M T H 4 5 E | N O T E S |
|-------|--------|---|----------------------------|---|---|--|-----------------------|
| 44 | 500106 | SCREW CAP HEX 1/2-20x6 G5 PT Z050 | 1 | | | | |
| 45 | 500718 | NUT HEX STO 1/2-20 Z050 | 1 | | | | |
| NS | 500958 | WASHER FL .531x1.062x.095 SS | 1 | | | | |
| NS | 065402 | CABLE ASSY / ECU & FRONT SHIFTER | 1 | | | | |
| 50 | 061025 | SUPPORT | 1 | | | | |
| 51 | 561012 | PROTECTOR, TRANS. SWITCH | 1 | | | | |
| 52 | 064765 | CABLE ASSY BACK-UP | 1 | | | | |
| 53 | 684013 | RUBBER PROTECTOR / COLOR GUARD 14.5oz | AR | | | | |
| 54 | 065410 | CABLE ASSY / SPEED SENSOR | 1 | | | | |
| 55 | 500574 | SCREW MA TR PH #10-24x1 1/4 SS | 2 | | | | |
| 56 | 500786 | NUT HEX #10-24 Z050 | 2 | | | | |
| 57 | 500440 | WASHER FL .250x.562x.065 Z050 | 2 | | | | |
| 58 | 952631 | CLAMP / 3/4" I.D. | 2 | | | | |
| NS | 071216 | DECAL "EATON FULLER TRANSMISSIONS" | 1 | | | | |
| | | | | | | | |
| | | | | | | | |
| | | 2) NOT SOLD BY PREVOST (SEE MANUFACTURING PART NUMBER AT END OF DESCRIPTION LINE) | | | | | |

From Y-7462 To 6-8906

Date:10/2022

PAGE:Y2-0700-01

TRANSMISSION "ZF" - INSTALLATION



| | | |
|---|--------------|-----------------|
| From Y-7462 To 6-8906 | Date:10/2022 | PAGE:Y2-0700-01 |
| TRANSMISSION "ZF" - INSTALLATION | | |

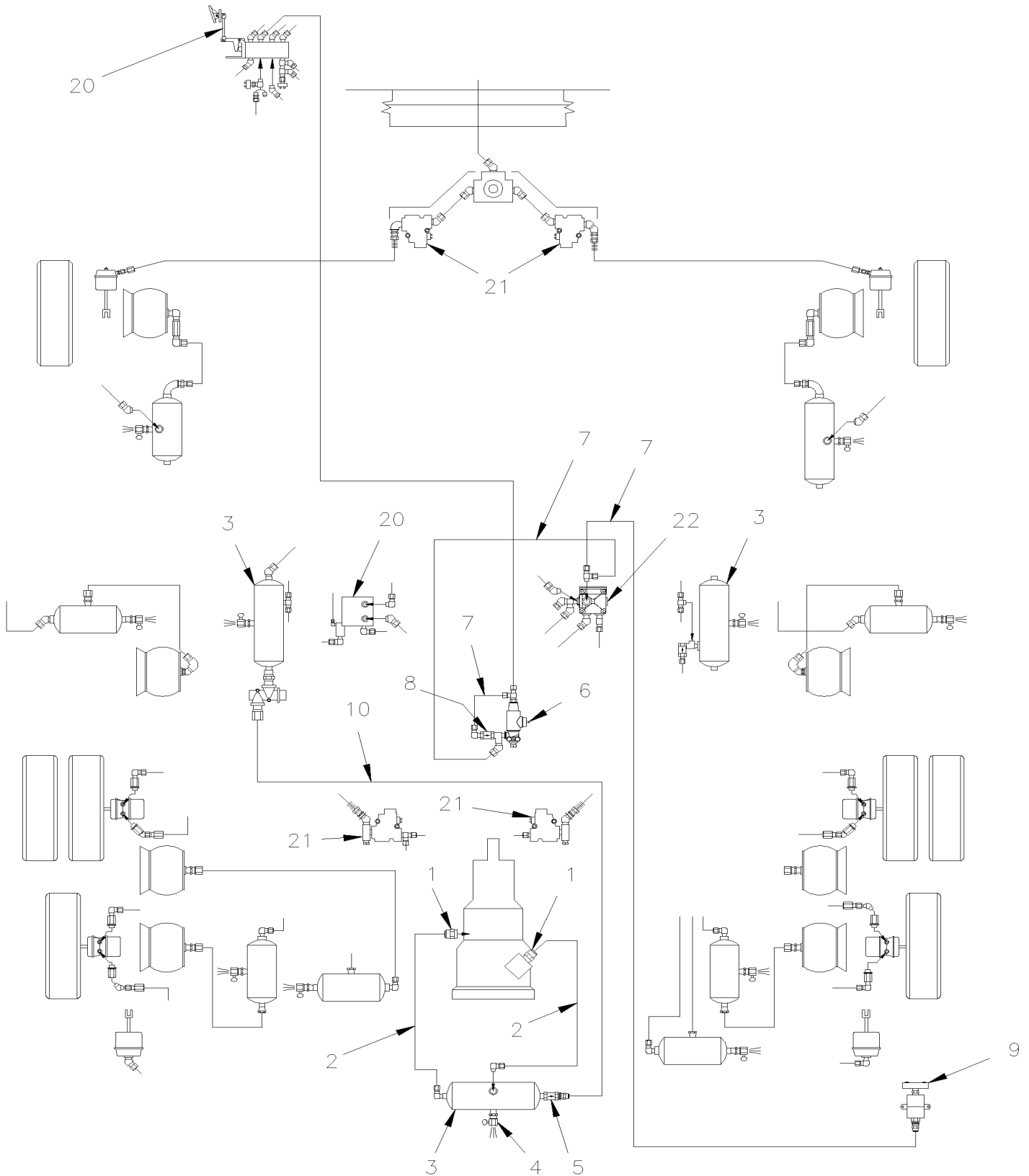
| Item# | Part | Description | X L I I 4 5 | X L I I M T H 4 0 | X L I I M T H 4 5 | X L I I M T H 4 5 E | N O T E S |
|-------|-------------------|---|----------------------------|---|---|--|-----------------------|
| 1 | 571772 | TRANSMISSION "ZF" W/O INTARDER / W10 SPEEDS | 1 | | | | |
| 1 | 571775 | CLUTCH ASSY | 1 | | | | |
| 1 | 571776 | PRESSURE PLATE | 1 | | | | |
| 1 | 507113 | BALL BEARING | 1 | | | | |
| 5 | 955554 | SCREW CAP HEX 7/16-14x3 G8 ZP | 24 | | | | |
| 6 | 5001567 | WASHER FL .474x.937x.112 CP STP | 12 | | | | |
| 7 | 071293 | PROTECTOR CABLE RUBBER | 1 | | | | |
| 8 | 500850 | SCREW CAP HEX M12-1.75X25 G8.8 Z050 | 2 | | | | |
| 9 | 500482 | WASHER LO SPT .506x.873x.125 Z050 | 2 | | | | |
| 12 | 504649 | HOSE CLAMP / 4"5/8-7"1/2 SS | 1 | | | | |
| 15 | 641977 | MALE CONNECTOR / PUSH-IN FITTING / #4xM16NPT-M BR | 1 | | | | |
| 16 | 952629 | CLAMP / 5/8" I.D. | 3 | | | | |
| 17 | 061027 | SUPPORT 2"1/2 LG | 2 | | | | |
| 18 | 070368 | SUPPORT | 3 | | | | |
| 20 | 012282 | SUPPORT REAR R.H. W/"ZF" TRANS | 1 | | | | |
| 21 | 012278 | SUPPORT REAR L.H. W/"ZF" TRANS | 1 | | | | |
| 22 | 502884 | WASHER LO SPT 16.2x27.4x3.5 N500 | 8 | | | | |
| 23 | 5001591 | SCREW CAP HEX M16-1.5x35 G10.9 DP | 8 | | | | |
| 24 | 500571 | SCREW CAP HEX M24-3.0x150 G10.9 N500 | 2 | | | | |
| 25 | 500570 | NUT HEX STO M24-3.0 GR.10 N500 | 2 | | | | |
| 31 | 500574 | SCREW MA TR PH #10-24x1 1/4 SS | 3 | | | | |
| 32 | 500786 | NUT HEX #10-24 Z050 | 3 | | | | |
| 33 | 500470 | WASHER LO SPT .193x.334x.047 Z050 | 3 | | | | |
| 34 | 500964 | WASHER FL .203x.500x.047 Z050 | 3 | | | | |
| 35 | 502862 | SCREW CAP HEX M8-1.25x20 G8.8 N500 | 1 | | | | |
| 36 | 502851 | NUT HEX M8-1.25 N500 | 1 | | | | |
| 37 | 500942 | WASHER LO SPT 8.1x14.8x2.0 N500 | 1 | | | | |
| 50 | Y2-0700-05 | TRANSMISSION "ZF" - AIR SYSTEM | | | | | |
| 51 | Y2-1203-01 | AIR TANK - INSTALLATION | | | | | |
| | | | | | | | |
| | | | | | | | |
| | | | | | | | |

From Y-7462 To 6-8906

Date:10/2022

PAGE:Y2-0700-05

TRANSMISSION "ZF" - AIR SYSTEM



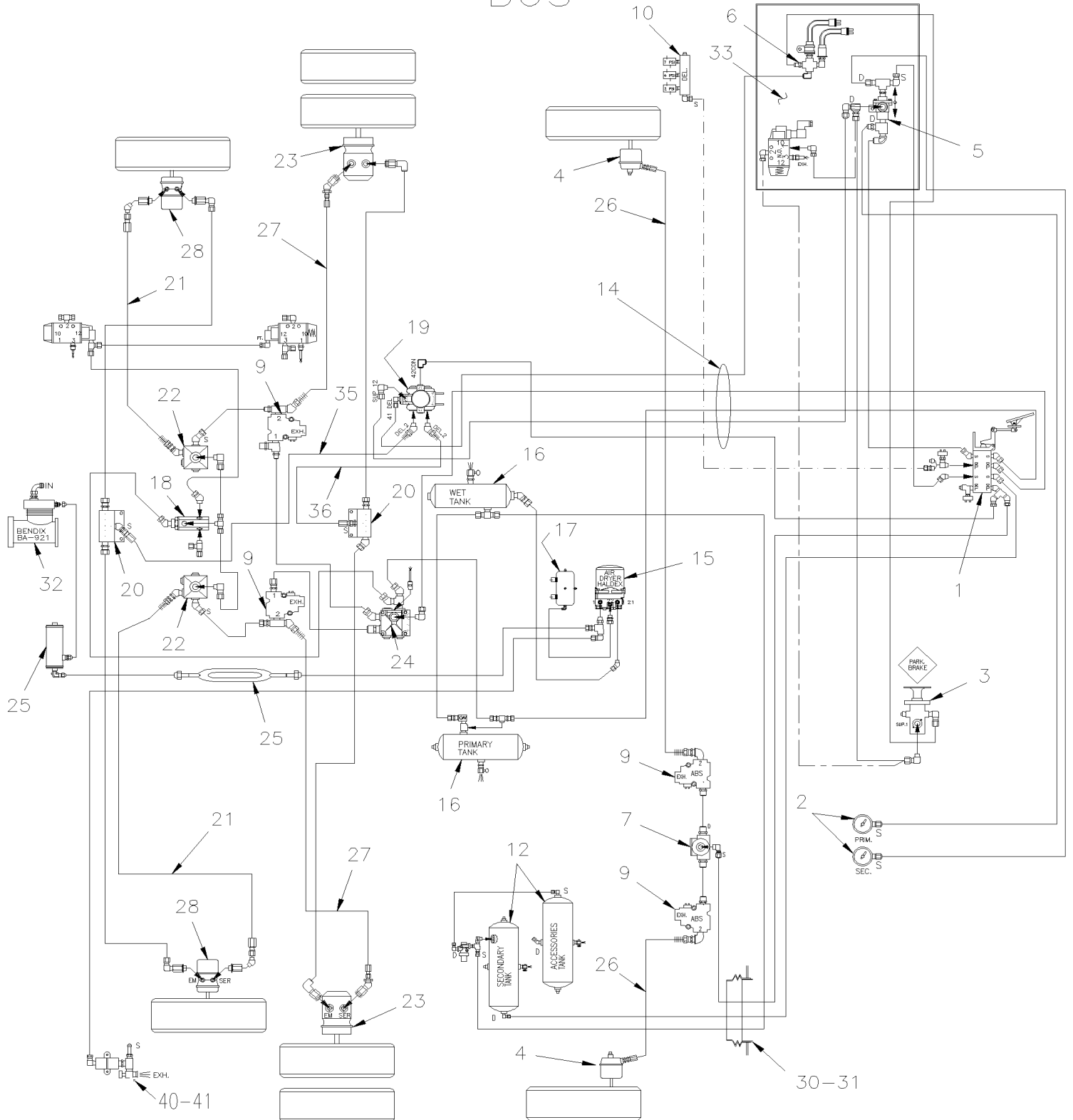
From Y-7462 To 6-8906

Date:10/2022

PAGE:Y2-1200-00

BRAKE AIR SYSTEM

BUS



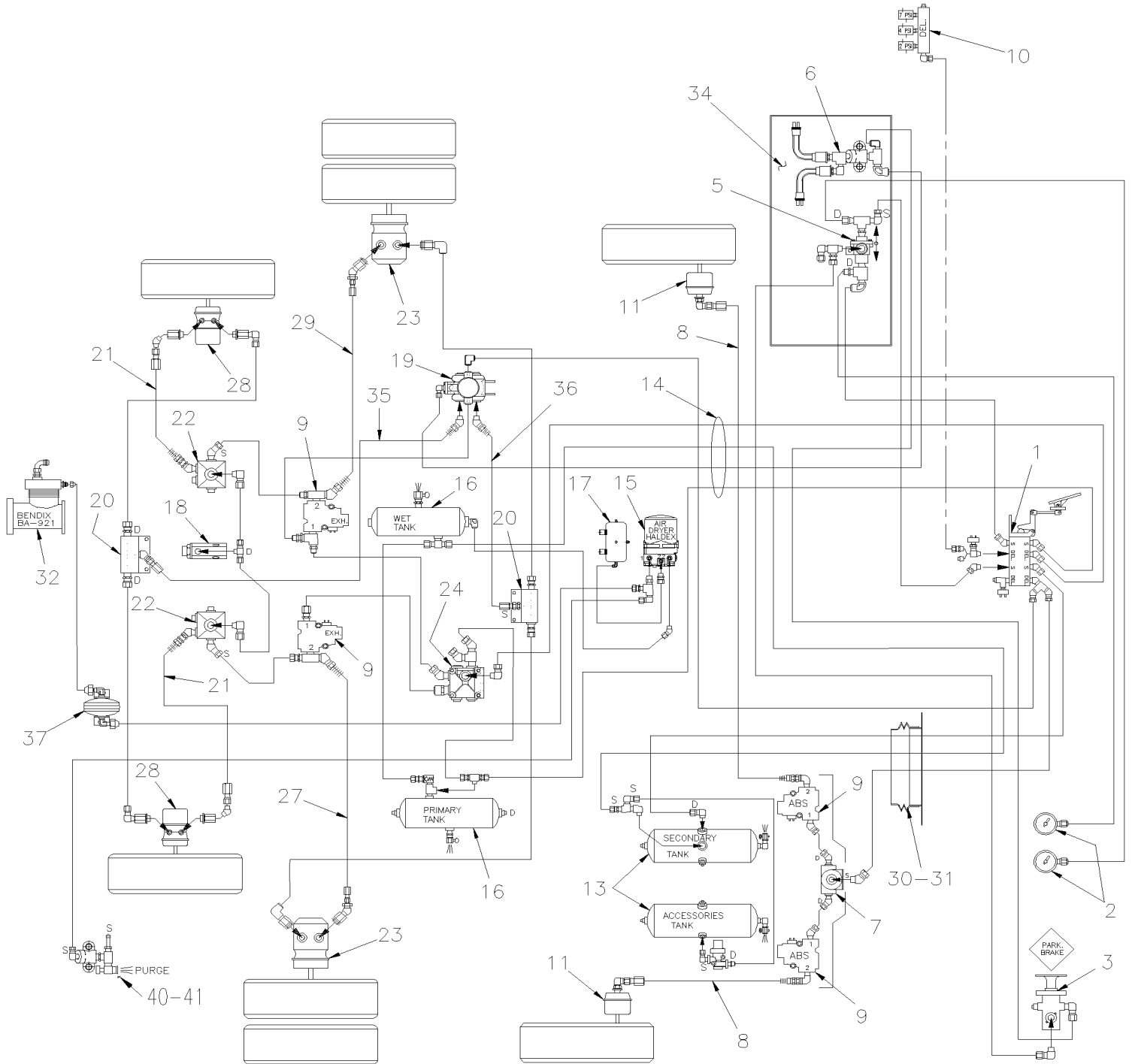
From Y-7462 To 6-8906

Date:10/2022

PAGE:Y2-1200-00

BRAKE AIR SYSTEM

MTH



| | | |
|-------------------------|--------------|-----------------|
| From Y-7462 To 6-8906 | Date:10/2022 | PAGE:Y2-1200-00 |
| BRAKE AIR SYSTEM | | |

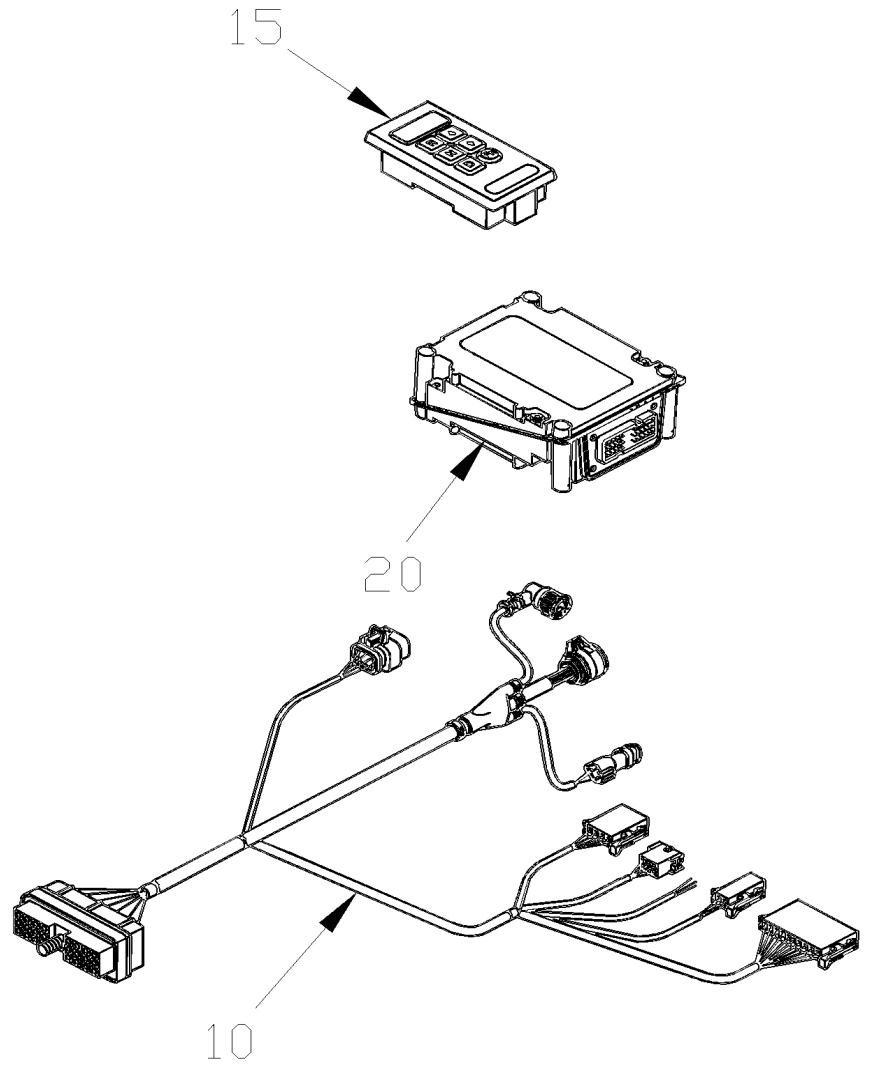
| Item# | Part | Description | X L I I 4 5 | X L I I M T H 4 0 | X L I I M T H 4 5 | X L I I M T H 4 5 E | N O T E S |
|-------|------------|---|----------------------------|---|---|--|-----------------------|
| 1 | Y2-1220-10 | BRAKE PEDAL VALVE - "BENDIX" | | | | | |
| 2 | Y2-0645-20 | CENTER DASHBOARD PANEL | | | | | |
| 3 | 641128 | VALVE, CONTROL VALVE PP-1 / 40PSI | 1 | 1 | 1 | 1 | |
| . NS | 641154 | . REPAIR KIT / PP-1 & RD-3 | 1 | 1 | 1 | 1 | |
| 4 | Y2-1225-10 | BRAKE CHAMBER - FRONT AXLE TYPE 22 | | | | | |
| 4 | Y2-1225-11 | BRAKE CHAMBER - FRONT AXLE TYPE 24 | | | | | |
| 4 | Y2-1225-12 | BRAKE CHAMBER - FRONT AXLE TYPE 27 | | | | | |
| 5 | 641564 | VALVE, DOUBLE CHECK DC-4 | 1 | 1 | 1 | 1 | |
| 6 | 640870 | VALVE / SPRING BRAKE SR-1 To 5-8358 | 1 | 1 | 1 | 1 | |
| . NS | 640921 | . REPAIR KIT / SR-1 To 5-8358 | 1 | 1 | 1 | 1 | |
| 6 | 287234 | PRESSURE SWITCH N.C. 30-10 20PS001AB030E010E From 5-8359 | 2 | 2 | 2 | 2 | |
| 7 | 641429 | VALVE, QUICK RELEASE QR-1 / 3/8NPTx3/8NPTx3/8NPT | 1 | 1 | 1 | 1 | |
| . NS | 640924 | . REPAIR KIT / QR-1 | 1 | 1 | 1 | 1 | |
| 8 | 641903 | HOSE BRAKE #8 1090MM (43") | | | 2 | | |
| 9 | 641951 | VALVE, "ABS" 12VOLT | 4 | 4 | 4 | 4 | |
| 10 | Y2-0750-01 | AUTOMATIC TRANSMISSION - "WORLD" WITH DETROIT S-60 | | | | | |
| 11 | Y2-1225-11 | BRAKE CHAMBER - FRONT AXLE TYPE 24 | | | | | |
| 11 | Y2-1225-12 | BRAKE CHAMBER - FRONT AXLE TYPE 27 | | | | | |
| 12 | 641583 | AIR TANK / 1508 IN° / 9" 1/2 O.D. X 24" | 2 | | | | |
| 13 | 141834 | AIR TANK / 1303 IN° / 8" O.D. X 27"1/2 | | | 2 | | |
| 14 | Y2-1202-00 | TUBES PLASTIC / AIR D.O.T. | | | | | |
| 15 | Y2-1215-10 | AIR DRYER - "HALDEX" - INSTALLATION | | | | | |
| 16 | 140869 | AIR TANK / 1791 IN° / 9 1/2" O.D. X 27" | 2 | 2 | 2 | 2 | |
| 17 | 70307176 | AIR TANK / 281 IN° / 6" O.D. X 12" | 1 | 1 | 1 | 1 | |
| 18 | 640442 | VALVE, INVERSION TR-2 | 1 | 1 | 1 | 1 | |
| 19 | 641120 | VALVE, RELAY R-14 HORIZONTAL PORT To 5-8358 | 1 | 1 | 1 | 1 | |
| . NS | 10508267 | . KIT, REPAIR To 5-8358 | 1 | 1 | 1 | 1 | |
| 19 | 642015 | VALVE / SPRING BRAKE SR-7 From 5-8359 | 1 | 1 | 1 | 1 | |
| 19 | 643385 | KIT CHECK VALVE CONVERSION SR-7 | 1 | 1 | 1 | 1 | |
| 19 | 643384 | VALVE / SPRING BRAKE SR-7 | 1 | 1 | 1 | 1 | |
| . NS | 642119 | . VALVE / SPRING BRAKE SR-7 | 1 | 1 | 1 | 1 | |
| 20 | 641136 | ANCHOR TEE / PIPE FITTING / 3/8NPT-Fx3/8NPT-Fx3/8NPT-F ZP | 2 | 2 | 2 | 2 | |
| 21 | 641903 | HOSE BRAKE #8 1090MM (43") | 2 | 2 | 2 | 2 | |
| 22 | 642067 | VALVE, RELAY R-12 HORIZONTAL PORT | 2 | 2 | 2 | 2 | |
| 23 | Y2-1235-10 | BRAKE CHAMBER - DRIVE AXLE "KNORR-BREMSE" | | | | | |
| 24 | 642013 | VALVE, RELAY R-12 DC To 5-8358 | 1 | 1 | 1 | 1 | |
| 24 | 641991 | VALVE, RELAY R-14 "WABCO" From 5-8359 | 1 | 1 | 1 | 1 | |
| 25 | Y2-1215-12 | AIR DRYER - INSTALLATION | | | | | |
| 26 | 641908 | HOSE BRAKE #8 1300MM (51") | 2 | | | | |
| 27 | 641305 | HOSE BRAKE #8 718MM (28 1/4") | 1 | | | | |
| 27 | 641305 | HOSE BRAKE #8 718MM (28 1/4") | | | 2 | | |
| 28 | Y2-1245-10 | BRAKE CHAMBER - TAG AXLE TYPE 16/16 | | | | | |

From Y-7462 To 6-8906

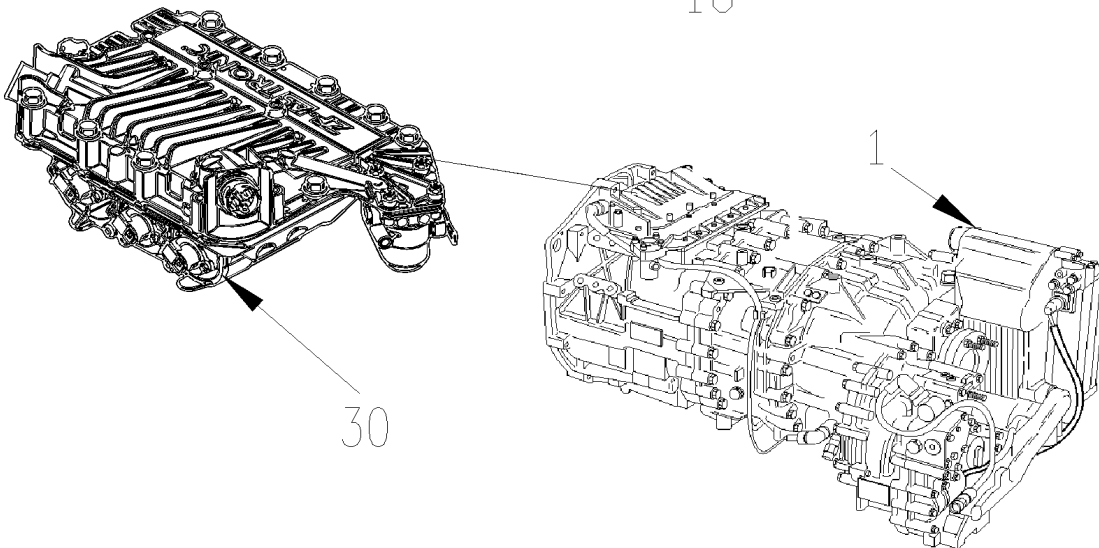
Date:10/2022

PAGE:Y2-0705-00

TRANSMISSION "ZF-ASTRONIC"



SEE DETAIL "A" PAGE OVER



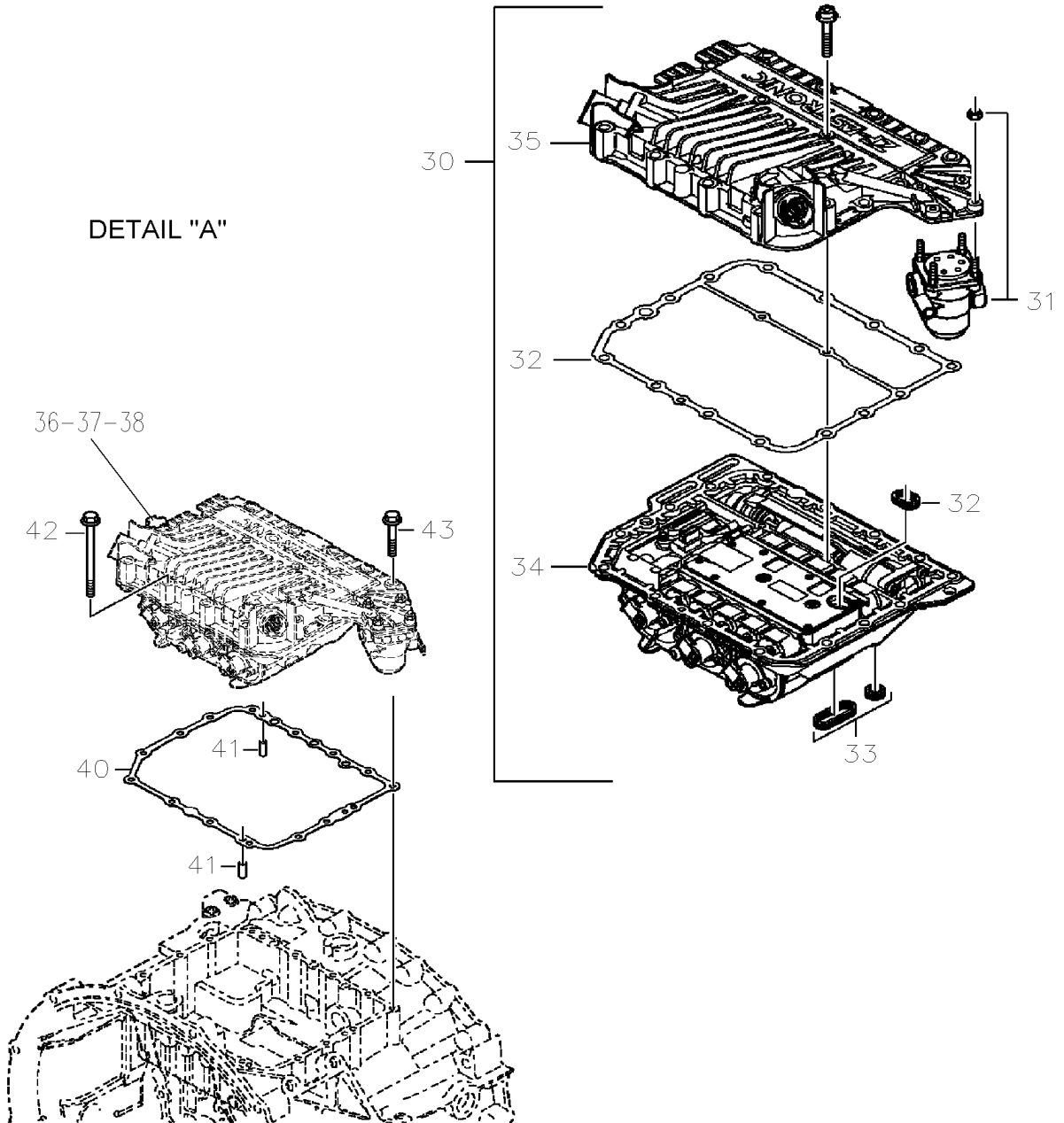
From Y-7462 To 6-8906

Date:10/2022

PAGE:Y2-0705-00

TRANSMISSION "ZF-ASTRONIC"

DETAIL "A"



| | | |
|-----------------------------------|--------------|-----------------|
| From Y-7462 To 6-8906 | Date:10/2022 | PAGE:Y2-0705-00 |
| TRANSMISSION "ZF-ASTRONIC" | | |

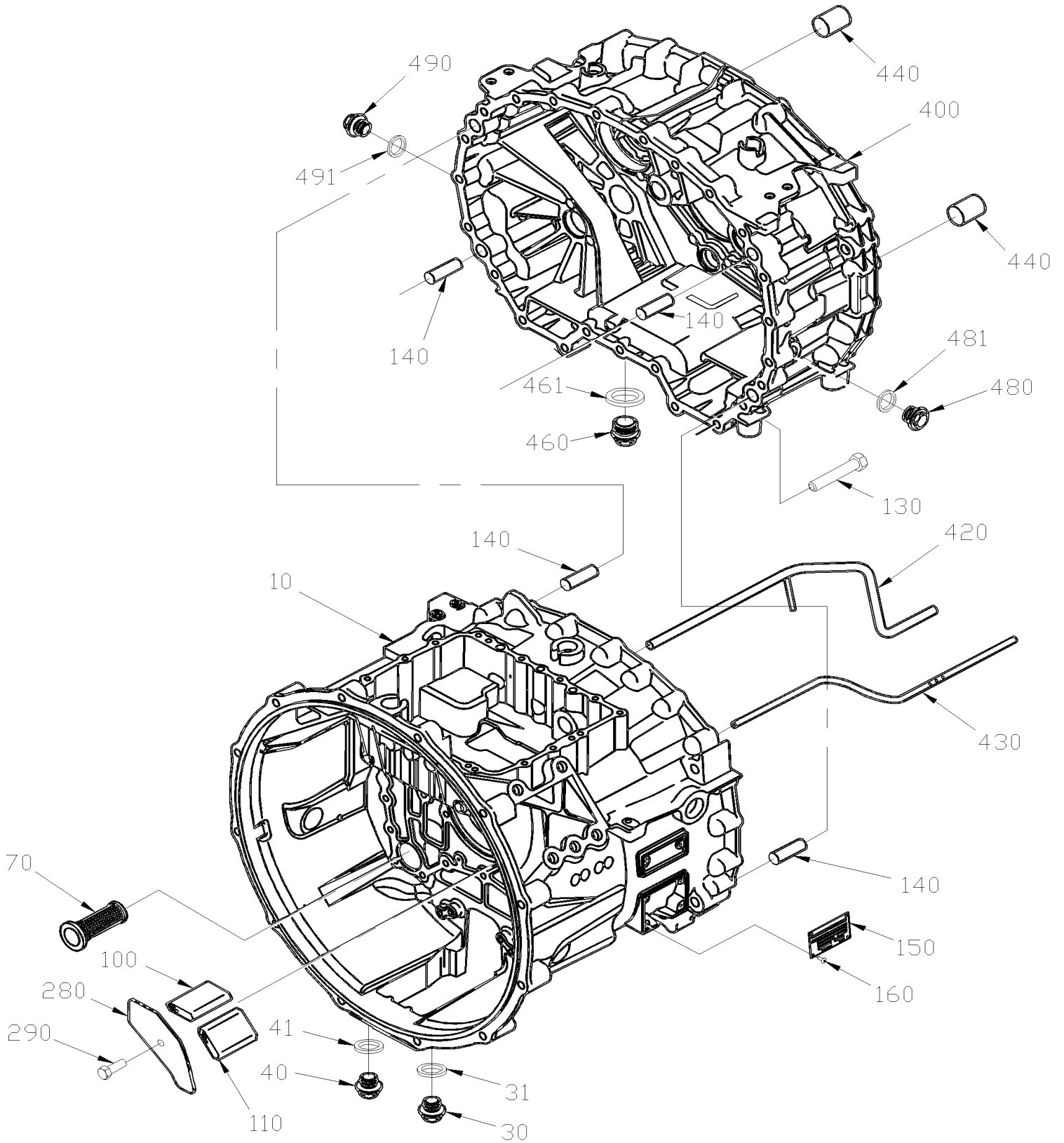
| Item# | Part | Description | X L I I 4 5 | X L I I M T H 4 0 | X L I I M T H 4 5 | X L I I M T H 4 5 E | N O T E S |
|-------|-----------------|---|----------------------------|---|---|--|-----------------------|
| 1 | 571772 | TRANSMISSION "ZF" W/O INTARDER / W10 SPEEDS | 1 | | | | |
| NS | 684516 | OIL TRANSYND TRANSMISSION "ZF" CASTROL / 75W/85 AP1 GL4 / (25 LITERS) | AR | | | | |
| NS | 684911 | OIL TRANSYND TRANSMISSION "ZF" TOTAL EXON / 75W/80 AP1 GL4 / (20 LITERS) | AR | | | | |
| 10 | 572020 | WIRING HARNESS ADAPTOR RETROFIT "XL SERIES" From 3-7962 To 3-7962 | 1 | | | | |
| 10 | 065833 | CABLE ASSY / ECU & TRANS CONTROL "ZF" To 6-8753 | 1 | | | | |
| 10 | 066636 | CABLE ASSY / FRT SELECTOR & RR "ZMTec" From 6-8754 | 1 | | | | |
| . NS | 563340 | . CONNECTOR / SEAL CIRC. 2.5 SERIES / SH 4C / AMP 1-967325-1 From 6-8754 | 1 | | | | |
| . NS | 562877 | . CONNECTOR / DT SERIES / PH 3C / GRAY / DEUTSCH DT04-3P-E008 From 6-8754 | 1 | | | | |
| 15 | 571773 | SHIFTER SELECTOR "ZF" | 1 | | | | |
| 20 | 571774 | MODULE "ZF" ZMTEC / W10 SPEEDS | 1 | | | | |
| 30 | 572022 | . TRANSMISSION ACTUATOR GS 3 / 10 speeds | 1 | | | | |
| 31 | 19504975 | . PRESSURE REDUCER VALVE | 1 | | | | |
| 32 | 570003 | . SEAL KIT | 1 | | | | |
| 33 | Call order desk | . . SEAL KIT | 1 | | | | P |
| 34 | N.S.P. | . BOTTOM ACTUATOR 6009.274.058 | 1 | | | | 2 |
| 35 | N.S.P. | . UPPER PART ACTUATOR 6009.397.074 | 1 | | | | 2 |
| 36 | 572131 | . BREATHER | 1 | | | | |
| 37 | 572132 | . ELBOW 90° | 1 | | | | |
| 38 | 572133 | . ADAPTOR | 1 | | | | |
| 40 | 572024 | GASKET / TRANS ACTUATOR & HOUSING | 1 | | | | |
| 41 | N.S.P. | CYLINDER PIN 0631.306.863 | 1 | | | | 2 |
| 42 | 502797 | SCREW CAP HEX M8-1.25x70 G10.9 G500 | 6 | | | | |
| 43 | | SCREW CAP HEX M8-1.25x45 G10.9 DP | 9 | | | | |
| 44 | N.S.P. | ANGLE PIECE 0501.315.796 | 1 | | | | 2 |
| | | | | | | | |
| | | | | | | | |
| | | 2) NOT SOLD BY PREVOST (SEE MANUFACTURING PART NUMBER AT END OF DESCRIPTION LINE) | | | | | |
| | | P) CALL ORDER DESK FOR SPECIFIC APPLICATION (V.I.N.) | | | | | |

From 4-8165 To 6-8906

Date:10/2022

PAGE:Y2-0705-05

GEARBOX HOUSING

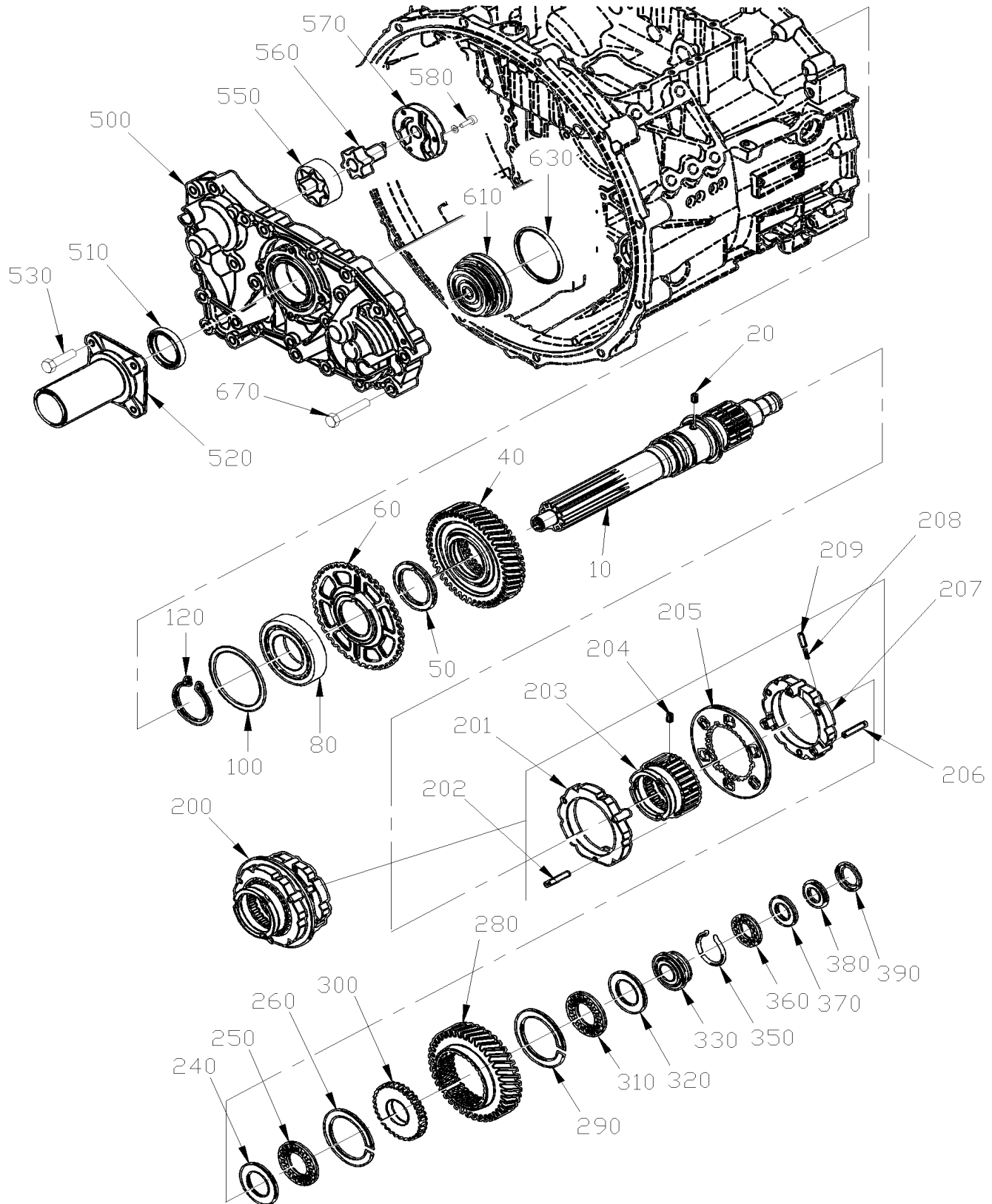


From 4-8165 To 6-8906

Date:10/2022

PAGE:Y2-0705-10

INPUT SHAFT



| | | |
|-----------------------|--------------|-----------------|
| From 4-8165 To 6-8906 | Date:10/2022 | PAGE:Y2-0705-10 |
| INPUT SHAFT | | |

| Item# | Part | Description | X L I I 4 5 | X L I I M T H 4 0 | X L I I M T H 4 5 | X L I I M T H 4 5 E | NOTES |
|-------|--------|-----------------------|----------------------------|---|---|--|-------|
| 10 | 571804 | INPUT SHAFT | 1 | | | | |
| 20 | 571805 | PIN | 1 | | | | |
| 40 | 571806 | HELICAL GEAR | 1 | | | | |
| 50 | 571807 | THRUST WASHER | 1 | | | | |
| 60 | 571808 | COUNTING RING | 1 | | | | |
| 80 | 571809 | BALL BEARING | 1 | | | | |
| 100 | 571810 | SHIM 1.40MM | AR | | | | |
| 100 | 571811 | SHIM 1.45MM | AR | | | | |
| 100 | 571812 | SHIM 1.50MM | AR | | | | |
| 100 | 571813 | SHIM 1.55MM | AR | | | | |
| 100 | 571814 | SHIM 1.60MM | AR | | | | |
| 100 | 571815 | SHIM 1.65MM | AR | | | | |
| 100 | 571816 | SHIM 1.70MM | AR | | | | |
| 100 | 571817 | SHIM 1.75MM | AR | | | | |
| 100 | 571818 | SHIM 1.80MM | AR | | | | |
| 100 | 571819 | SHIM 1.85MM | AR | | | | |
| 100 | 571820 | SHIM 1.90MM | AR | | | | |
| 100 | 571821 | SHIM 1.95MM | AR | | | | |
| 100 | 571822 | SHIM 2.00MM | AR | | | | |
| 120 | 571823 | RETAINING RING 3.25MM | AR | | | | |
| 120 | 571824 | RETAINING RING 3.30MM | AR | | | | |
| 120 | 571825 | RETAINING RING 3.35MM | AR | | | | |
| 120 | 571826 | RETAINING RING 3.40MM | AR | | | | |
| 120 | 571827 | RETAINING RING 3.45MM | AR | | | | |
| 120 | 571828 | RETAINING RING 3.50MM | AR | | | | |
| 120 | 571829 | RETAINING RING 3.55MM | AR | | | | |
| 120 | 571830 | RETAINING RING 3.60MM | AR | | | | |
| 120 | 571831 | RETAINING RING 3.65MM | AR | | | | |
| 120 | 571832 | RETAINING RING 3.70MM | AR | | | | |
| 120 | 571833 | RETAINING RING 3.75MM | AR | | | | |
| 120 | 571834 | RETAINING RING 3.80MM | AR | | | | |
| 120 | 571835 | RETAINING RING 3.85MM | AR | | | | |
| 120 | 571836 | RETAINING RING 3.90MM | AR | | | | |
| 120 | 571837 | RETAINING RING 3.95MM | AR | | | | |
| 120 | 571838 | RETAINING RING 4.00MM | AR | | | | |
| 200 | 571839 | SYNCHRONIZER ASSY | 1 | | | | |
| 201 | 571840 | . SYNCHRONIZER RING | 1 | | | | |
| 202 | 571841 | . PIN | 3 | | | | |
| 203 | 571842 | . GEAR SHIFT SLEEVE | 1 | | | | |
| 204 | 571805 | . PIN | 1 | | | | |
| 205 | 571843 | . PLATE | 1 | | | | |
| 206 | 571844 | . PIN | 3 | | | | |

| | | |
|-----------------------|--------------|-----------------|
| From 4-8165 To 6-8906 | Date:10/2022 | PAGE:Y2-0705-10 |
|-----------------------|--------------|-----------------|

INPUT SHAFT

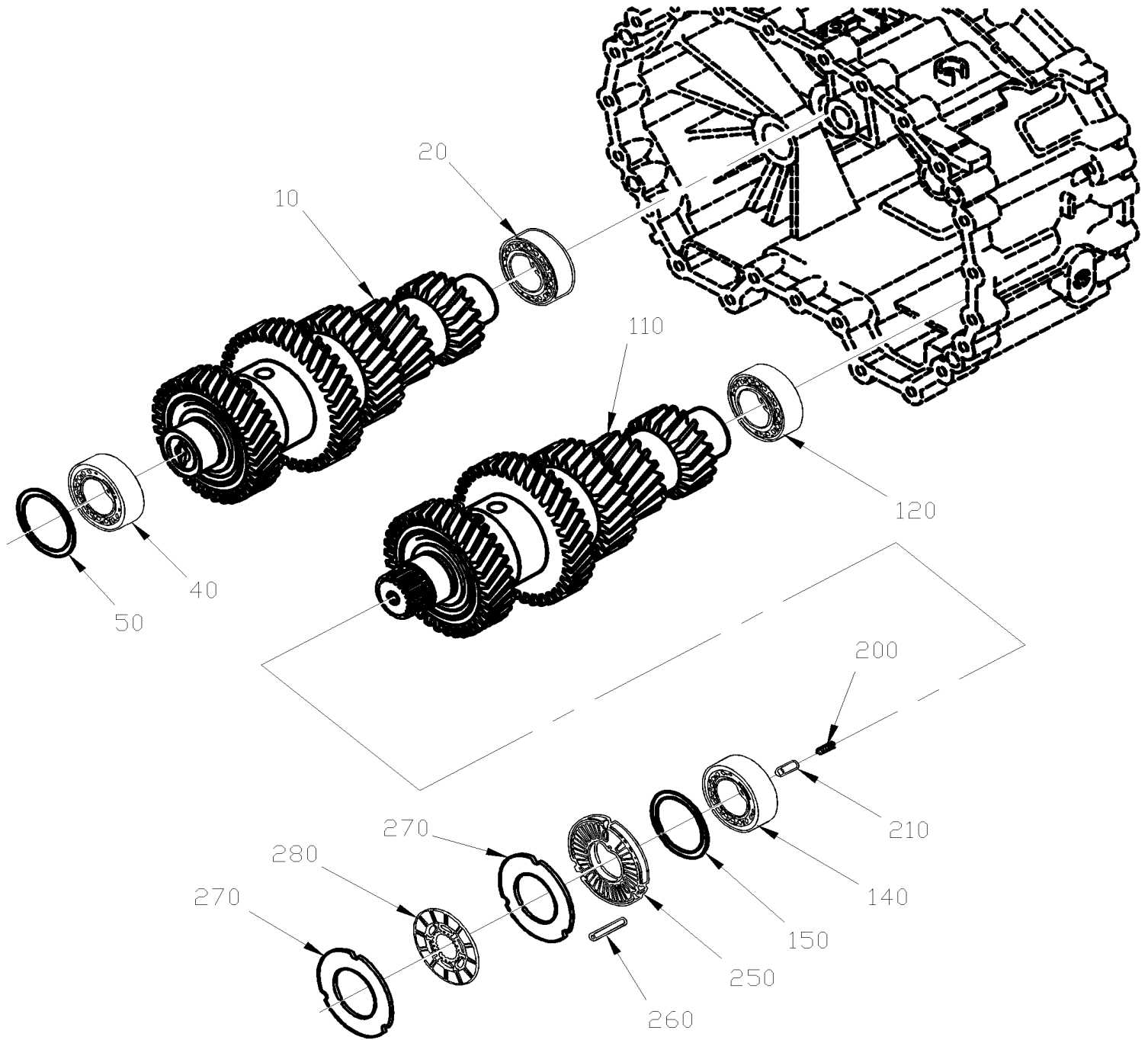
| Item# | Part | Description | X L I I 4 5 | X L I I M T H 4 0 | X L I I M T H 4 5 | X L I I M T H 4 5 E | N O T E S |
|-------|--------|------------------------------------|----------------------------|---|---|--|-----------------------|
| 207 | 571845 | . SYNCHRONIZER RING | 1 | | | | |
| 208 | 571846 | . COMPRESSION SPRING | 3 | | | | |
| 209 | 571847 | . CYLINDER ROLLER 7X10 DIN 5402 | 3 | | | | |
| 240 | 571848 | WASHER | 1 | | | | |
| 250 | 571849 | AXLE NEEDLE CAGE | 1 | | | | |
| 260 | 571850 | SNAP RING | 1 | | | | |
| 280 | 571851 | HELICAL GEAR | 1 | | | | |
| 290 | 571850 | SNAP RING | 1 | | | | |
| 300 | 571852 | BEARING DISC | 1 | | | | |
| 310 | 571849 | AXLE NEEDLE CAGE | 1 | | | | |
| 320 | 571848 | WASHER | 1 | | | | |
| 330 | 571853 | BEARING RING | 1 | | | | |
| 350 | 571854 | RETAINING RING | 1 | | | | |
| 360 | 571855 | AXLE ROLLER CAGE | 1 | | | | |
| 370 | 571856 | WASHER / 5MM | 1 | | | | |
| 380 | 571857 | SPLIT RING | 1 | | | | |
| 390 | 571858 | RETAINING RING | 1 | | | | |
| 500 | 571859 | CONNECTING PLATE | 1 | | | | |
| 510 | 571860 | SHAFT SEAL | 1 | | | | |
| 520 | 571861 | RELEASE FLANGE | 1 | | | | |
| 530 | 502589 | SCREW CAP HEX M8-1.25x25 G8.8 Z050 | 4 | | | | |
| 550 | 571862 | ROTOR | 1 | | | | |
| 560 | 571863 | PUMP SHAFT | 1 | | | | |
| 570 | 571864 | PUMP COVER | 1 | | | | |
| 580 | 571865 | SCREW CAP HEXS TORX M6-1.0x25 | 3 | | | | |
| 610 | 571866 | PISTON | 1 | | | | |
| 630 | 571867 | U-RING | 1 | | | | |
| 670 | 571868 | SCREW CAP HEX M10-1.5x60 G10.9 | 22 | | | | |
| | | | | | | | |
| | | | | | | | |
| | | | | | | | |

From 4-8165 To 6-8906

Date:10/2022

PAGE:Y2-0705-15

LAYSHAFT



| | | |
|-----------------------|--------------|-----------------|
| From 4-8165 To 6-8906 | Date:10/2022 | PAGE:Y2-0705-15 |
|-----------------------|--------------|-----------------|

LAYSHAFT

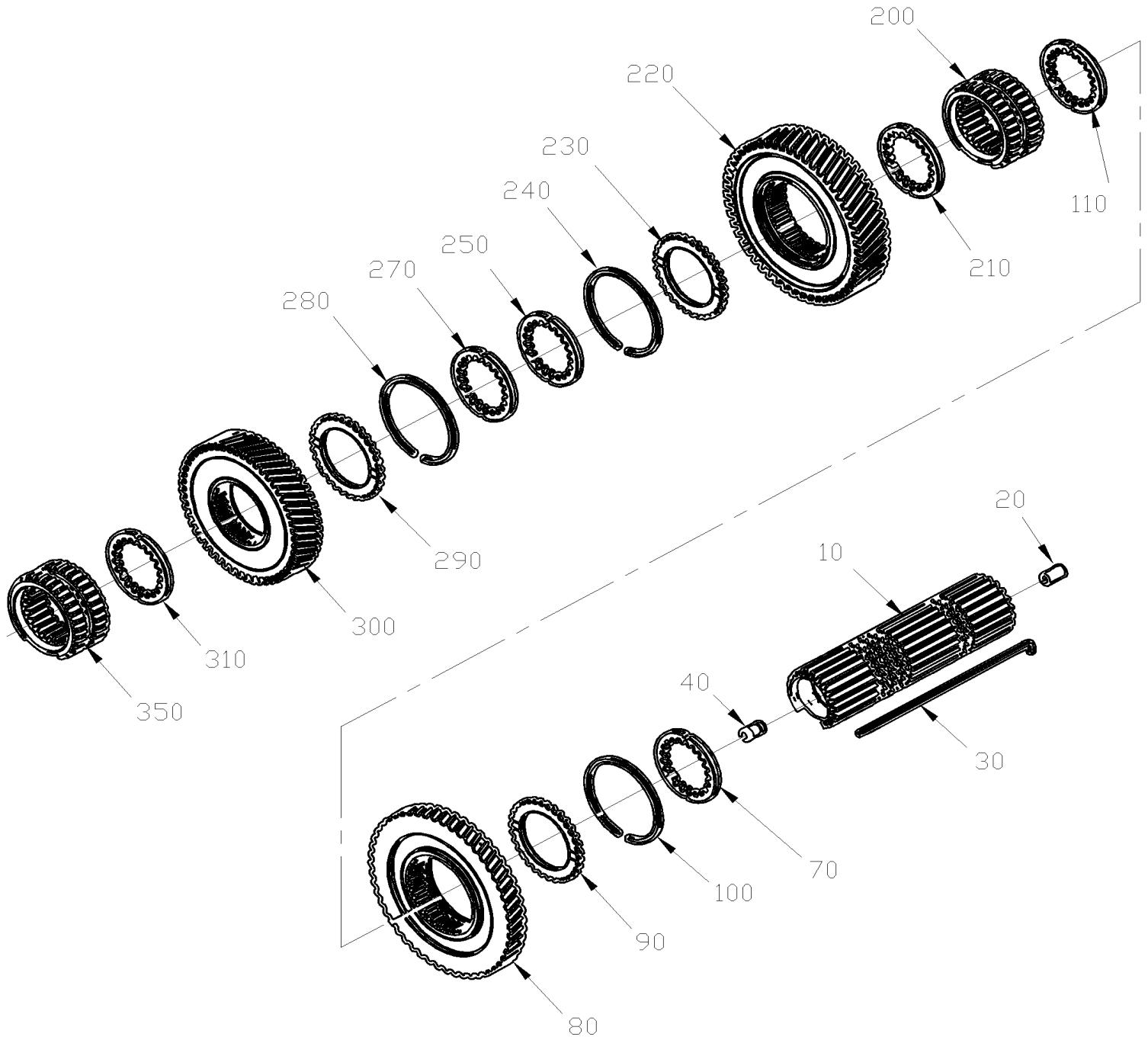
| Item# | Part | Description | X L I I 4 5 | X L I I M T H 4 0 | X L I I M T H 4 5 | X L I I M T H 4 5 E | NOTES |
|-------|--------|----------------|----------------------------|---|---|--|-------|
| 10 | 571869 | LAYSHAFT | 1 | | | | |
| 20 | 571870 | ROLLER BEARING | 1 | | | | |
| 40 | 571870 | ROLLER BEARING | 1 | | | | |
| 50 | 571871 | SHIM 1.70MM | AR | | | | |
| 50 | 571872 | SHIM 1.75MM | AR | | | | |
| 50 | 571873 | SHIM 1.80MM | AR | | | | |
| 50 | 571874 | SHIM 1.85MM | AR | | | | |
| 50 | 571875 | SHIM 1.90MM | AR | | | | |
| 50 | 571876 | SHIM 1.95MM | AR | | | | |
| 50 | 571877 | SHIM 2.00MM | AR | | | | |
| 50 | 571878 | SHIM 2.05MM | AR | | | | |
| 50 | 571879 | SHIM 2.10MM | AR | | | | |
| 50 | 571880 | SHIM 2.15MM | AR | | | | |
| 50 | 571881 | SHIM 2.20MM | AR | | | | |
| 50 | 571882 | SHIM 2.25MM | AR | | | | |
| 50 | 571883 | SHIM 2.30MM | AR | | | | |
| 50 | 571884 | SHIM 2.35MM | AR | | | | |
| 50 | 571885 | SHIM 2.40MM | AR | | | | |
| 50 | 571886 | SHIM 2.45MM | AR | | | | |
| 50 | 571887 | SHIM 2.50MM | AR | | | | |
| 50 | 571888 | SHIM 2.55MM | AR | | | | |
| 50 | 571889 | SHIM 2.60MM | AR | | | | |
| 50 | 571890 | SHIM 2.65MM | AR | | | | |
| 50 | 571891 | SHIM 2.70MM | AR | | | | |
| 50 | 571892 | SHIM 2.75MM | AR | | | | |
| 50 | 571893 | SHIM 2.80MM | AR | | | | |
| 110 | 571894 | LAYSHAFT | 1 | | | | |
| 120 | 571870 | ROLLER BEARING | 1 | | | | |
| 140 | 571870 | ROLLER BEARING | 1 | | | | |
| 150 | 571871 | SHIM 1.70MM | AR | | | | |
| 150 | 571872 | SHIM 1.75MM | AR | | | | |
| 150 | 571873 | SHIM 1.80MM | AR | | | | |
| 150 | 571874 | SHIM 1.85MM | AR | | | | |
| 150 | 571875 | SHIM 1.90MM | AR | | | | |
| 150 | 571876 | SHIM 1.95MM | AR | | | | |
| 150 | 571877 | SHIM 2.00MM | AR | | | | |
| 150 | 571878 | SHIM 2.05MM | AR | | | | |
| 150 | 571879 | SHIM 2.10MM | AR | | | | |
| 150 | 571880 | SHIM 2.15MM | AR | | | | |
| 150 | 571881 | SHIM 2.20MM | AR | | | | |
| 150 | 571882 | SHIM 2.25MM | AR | | | | |
| 150 | 571883 | SHIM 2.30MM | AR | | | | |

| | | |
|-----------------------|--------------|-----------------|
| From 4-8165 To 6-8906 | Date:10/2022 | PAGE:Y2-0705-15 |
|-----------------------|--------------|-----------------|

LAYSHAFT

| Item# | Part | Description | X L I I 4 5 | X L I I M T H 4 0 | X L I I M T H 4 5 | X L I I M T H 4 5 E | N O T E S |
|-------|--------|-----------------------|----------------------------|---|---|--|-----------------------|
| 150 | 571884 | SHIM 2.35MM | AR | | | | |
| 150 | 571885 | SHIM 2.40MM | AR | | | | |
| 150 | 571886 | SHIM 2.45MM | AR | | | | |
| 150 | 571887 | SHIM 2.50MM | AR | | | | |
| 150 | 571888 | SHIM 2.55MM | AR | | | | |
| 150 | 571889 | SHIM 2.60MM | AR | | | | |
| 150 | 571890 | SHIM 2.65MM | AR | | | | |
| 150 | 571891 | SHIM 2.70MM | AR | | | | |
| 150 | 571892 | SHIM 2.75MM | AR | | | | |
| 150 | 571893 | SHIM 2.80MM | AR | | | | |
| 200 | 571895 | COMPRESSION SPRING | 1 | | | | |
| 210 | 571896 | DETENT PIN | 1 | | | | |
| 250 | 571897 | BRAKE COVER | 1 | | | | |
| 260 | 571898 | CYLINDRICAL PIN M6x50 | 3 | | | | |
| 270 | 571899 | OUT CLUTCH DISC | 4 | | | | |
| 280 | 571900 | LINNIG CLUTCH DISC | 2 | | | | |
| | | | | | | | |
| | | | | | | | |
| | | | | | | | |

| | | |
|-----------------------|--------------|-----------------|
| From 4-8165 To 6-8906 | Date:10/2022 | PAGE:Y2-0705-20 |
| MAIN SHAFT | | |



| | | |
|-----------------------|--------------|-----------------|
| From 4-8165 To 6-8906 | Date:10/2022 | PAGE:Y2-0705-20 |
|-----------------------|--------------|-----------------|

MAIN SHAFT

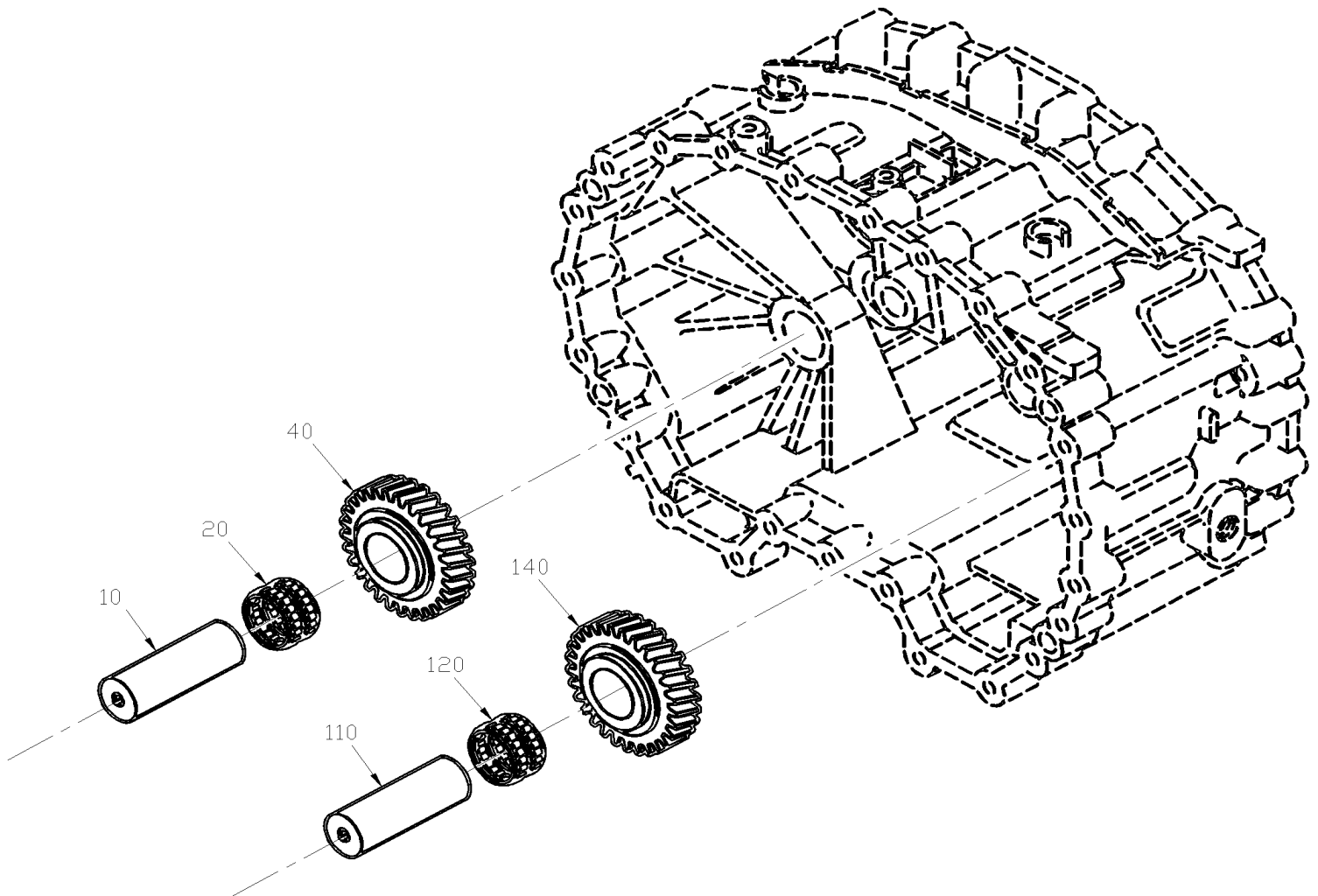
| Item# | Part | Description | X L I I I 4 5 | X L I I I M T H 4 0 | X L I I I M T H 4 5 | X L I I I M T H 4 5 E | N O T E S |
|-------|--------|----------------|---------------------------------|--|--|---|-----------------------|
| 10 | 571901 | MAIN SHAFT | 1 | | | | |
| 20 | 571902 | OIL TUBE | 1 | | | | |
| 30 | 571903 | KEY | 1 | | | | |
| 40 | 571904 | OIL TUBE | 1 | | | | |
| 70 | 571905 | WASHER | 1 | | | | |
| 80 | 571906 | HELICAL GEAR | 1 | | | | |
| 90 | 571907 | WASHER | 1 | | | | |
| 100 | 571850 | SNAP RING | 1 | | | | |
| 110 | 571905 | WASHER | 1 | | | | |
| 200 | 571908 | SLIDING SLEEVE | 1 | | | | |
| 210 | 571905 | WASHER | 1 | | | | |
| 220 | 571909 | HELICAL GEAR | 1 | | | | |
| 230 | 571907 | WASHER | 1 | | | | |
| 240 | 571850 | SNAP RING | 1 | | | | |
| 250 | 571905 | WASHER | 1 | | | | |
| 270 | 571905 | WASHER | 1 | | | | |
| 280 | 571850 | SNAP RING | 1 | | | | |
| 290 | 571907 | WASHER | 1 | | | | |
| 300 | 571910 | HELICAL GEAR | 1 | | | | |
| 310 | 571905 | WASHER | 1 | | | | |
| 350 | 571908 | SLIDING SLEEVE | 1 | | | | |
| | | | | | | | |
| | | | | | | | |
| | | | | | | | |

From 4-8165 To 6-8906

Date:10/2022

PAGE:Y2-0705-25

REVERSE GEAR

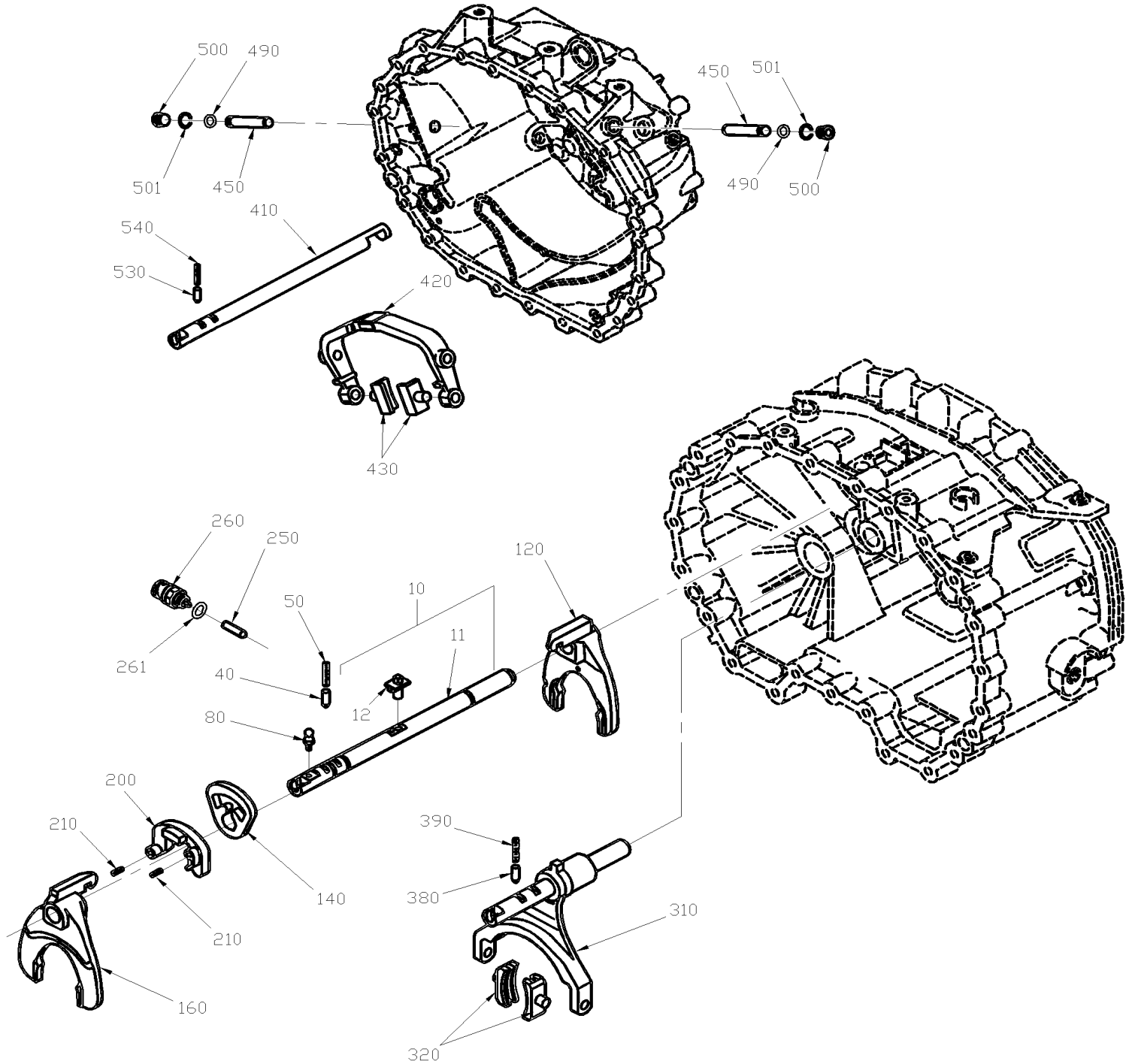


From 4-8165 To 6-8906

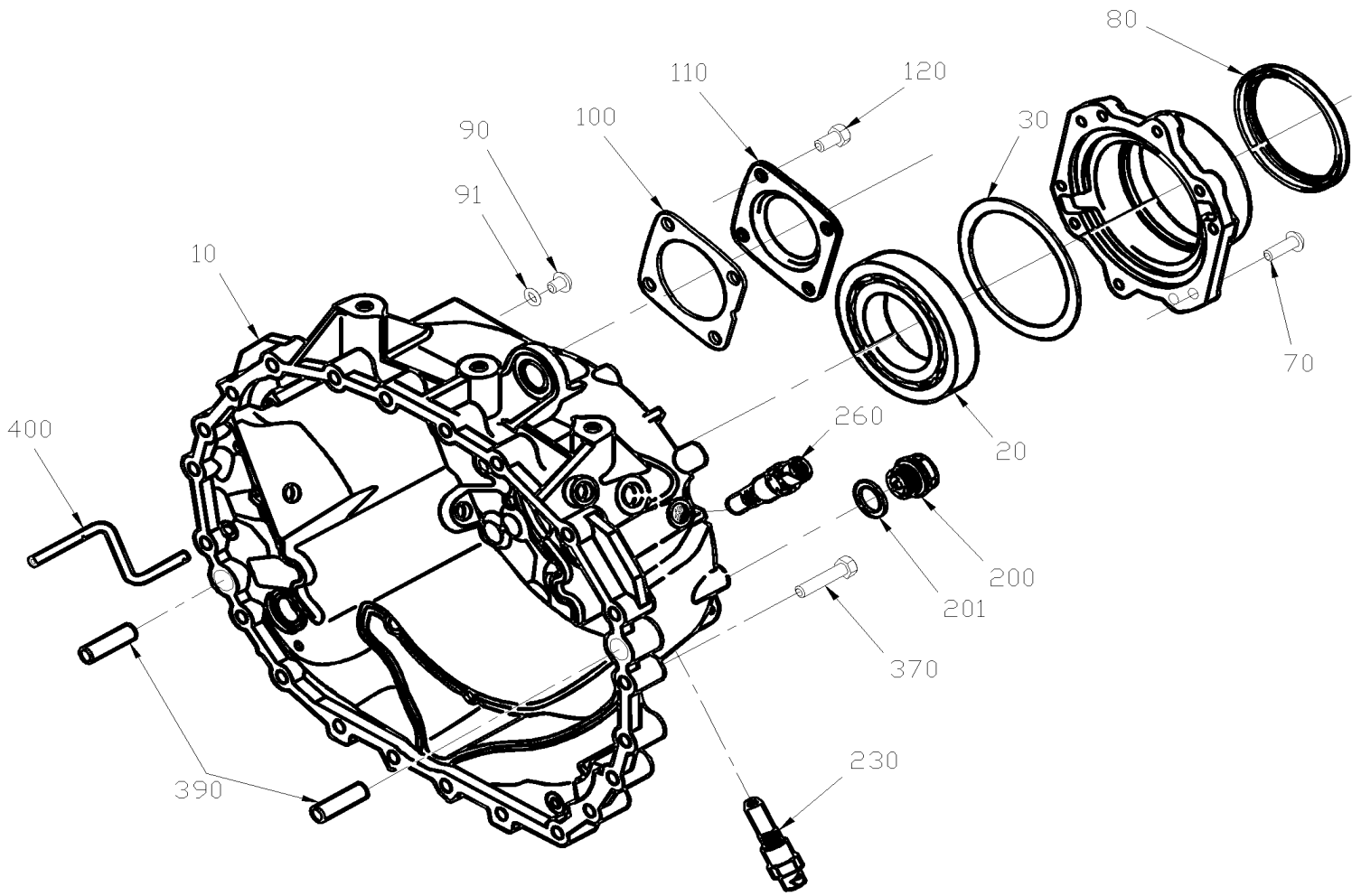
Date:10/2022

PAGE:Y2-0705-30

GEAR SHIFT SYSTEM



| | | |
|-----------------------|--------------|-----------------|
| From 4-8165 To 6-8906 | Date:10/2022 | PAGE:Y2-0705-35 |
| OUTPUT HOUSING | | |



| | | |
|-----------------------|--------------|-----------------|
| From 4-8165 To 6-8906 | Date:10/2022 | PAGE:Y2-0705-35 |
|-----------------------|--------------|-----------------|

OUTPUT HOUSING

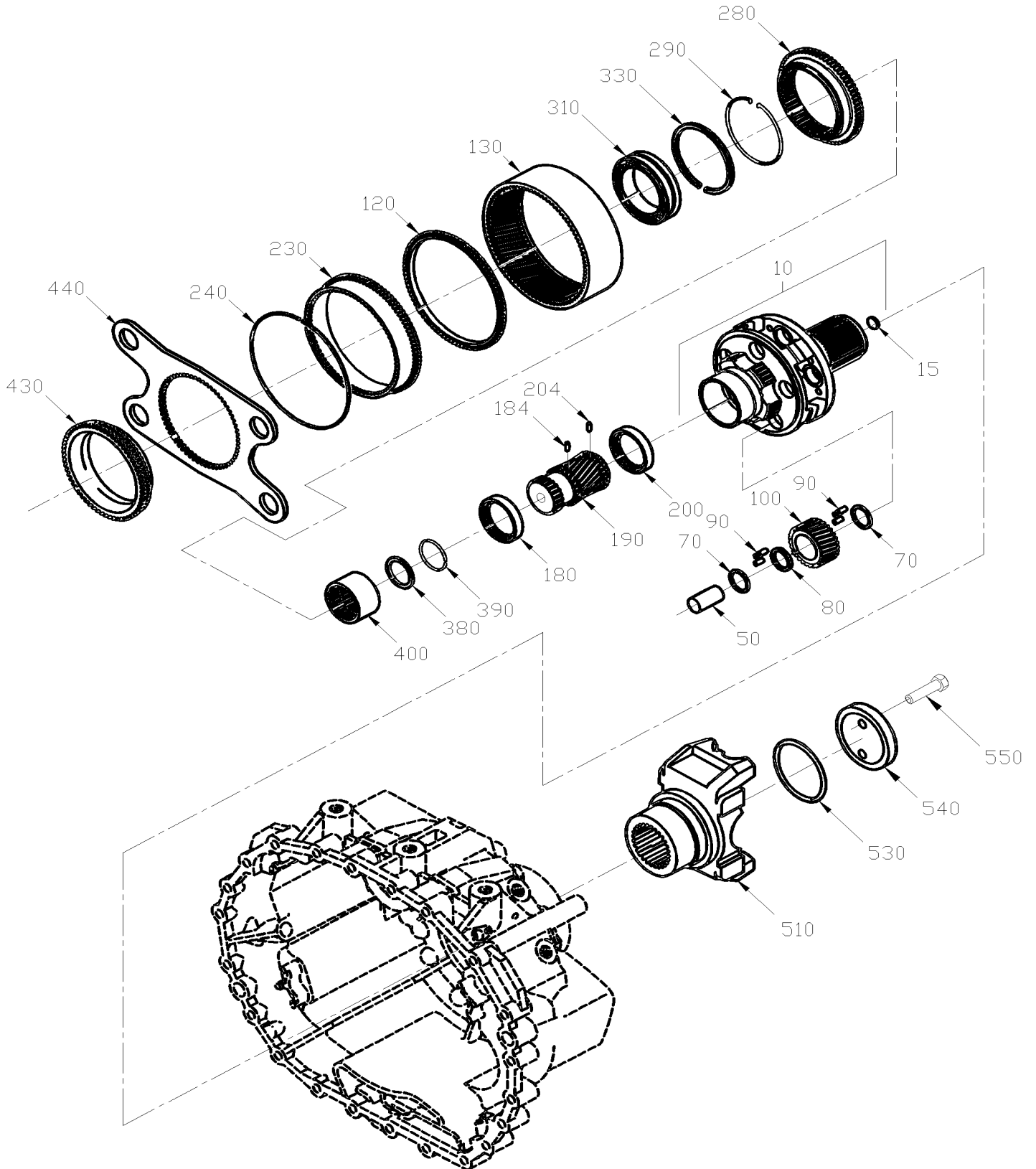
| Item# | Part | Description | X L I I I 4 5 | X L I I I M T H 4 0 | X L I I I M T H 4 5 | X L I I I M T H 4 5 E | NOTES |
|-------|--------|-------------------------------------|-------------------------------------|--|--|---|-------|
| 10 | 571928 | HOUSING | 1 | | | | |
| 20 | 571929 | BALL BEARING | 1 | | | | |
| 30 | 571930 | SHIM 0.20MM | AR | | | | |
| 30 | 571931 | SHIM 0.30MM | AR | | | | |
| 30 | 571932 | SHIM 0.40MM | AR | | | | |
| 30 | 571933 | SHIM 0.50MM | AR | | | | |
| 30 | 571934 | SHIM 0.60MM | AR | | | | |
| 50 | 571935 | COVER | 1 | | | | |
| 70 | 500829 | SCREW CAP HEX M10-1.5x40 G8.8 | 10 | | | | |
| 80 | 571936 | SHAFT SEAL | 1 | | | | |
| 90 | 571937 | SCREW PLUG M10x1.0 DIN 908 | 1 | | | | |
| 91 | 571938 | SEALING RING | 1 | | | | |
| 100 | 571939 | GASKET | 1 | | | | |
| 110 | 571940 | COVER | 1 | | | | |
| 120 | 500850 | SCREW CAP HEX M12-1.75X25 G8.8 Z050 | 4 | | | | |
| 200 | 571801 | SCREW PLUG | 1 | | | | |
| 201 | 571802 | SEALING RING | 1 | | | | |
| 230 | 571941 | PULSE SENSOR | 1 | | | | |
| 260 | 571941 | PULSE SENSOR | 1 | | | | |
| 370 | 571792 | SCREW CAP HEX M101.5x60 G10.9 | 22 | | | | |
| 390 | 571793 | CYLINDRICAL PIN | 2 | | | | |
| 400 | 571942 | SPRAY TUBE | 1 | | | | |
| | | | | | | | |
| | | | | | | | |
| | | | | | | | |

From 4-8165 To 6-8906

Date:10/2022

PAGE:Y2-0705-40

OUTPUT FLANGE & PLANETARY DRIVE



| | | |
|--|--------------|-----------------|
| From 4-8165 To 6-8906 | Date:10/2022 | PAGE:Y2-0705-40 |
| OUTPUT FLANGE & PLANETARY DRIVE | | |

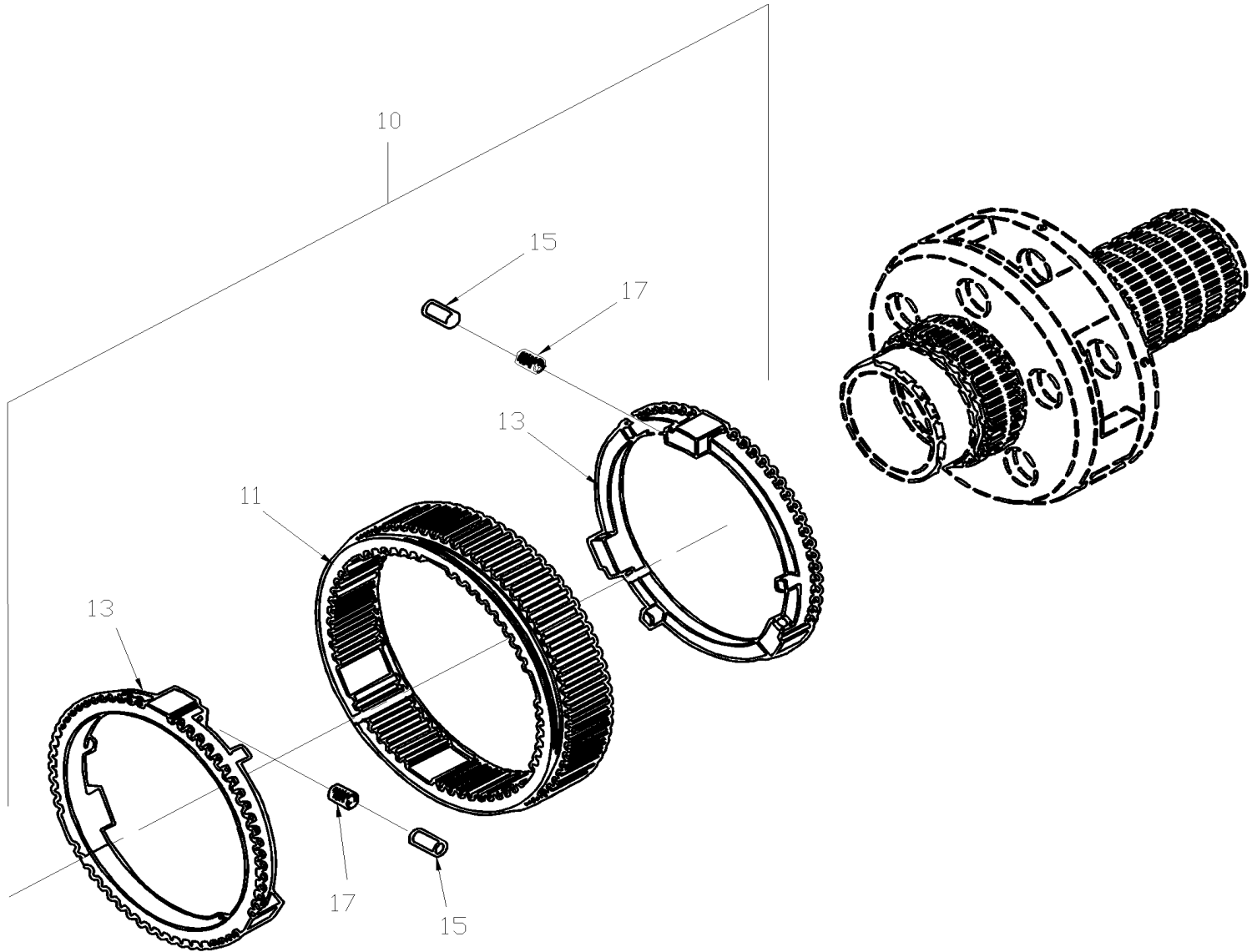
| Item# | Part | Description | X L I I 4 5 | X L I I M T H 4 0 | X L I I M T H 4 5 | X L I I M T H 4 5 E | NOTES |
|-------|--------|----------------------------|----------------------------|---|---|--|-------|
| 10 | 571943 | PLANET CARRIER | 1 | | | | |
| 15 | 571944 | . SEALING CAP | 1 | | | | |
| 50 | 571945 | PLANET SHAFT | 5 | | | | |
| 70 | 571946 | WASHER | 10 | | | | |
| 80 | 571947 | WASHER | 5 | | | | |
| 90 | 571948 | ROLLER | 140 | | | | |
| 100 | 571949 | PLANET GEAR SET | 1 | | | | |
| 120 | 571950 | THRUST RING | 1 | | | | |
| 130 | 571951 | RING GEAR | 1 | | | | |
| 180 | 571952 | PRESSURE DISC | 1 | | | | |
| 184 | 571953 | DRIVING PIN | 1 | | | | |
| 190 | 571954 | SUN GEAR | 1 | | | | |
| 200 | 571952 | PRESSURE DISC | 1 | | | | |
| 204 | 571953 | DRIVING PIN | 1 | | | | |
| 230 | 571955 | RING GEAR CARRIER | 1 | | | | |
| 240 | 571956 | LOCKING WIRE | 1 | | | | |
| 280 | 571957 | CLUTCH BODY | 1 | | | | |
| 290 | 571958 | RETAINING RING | 1 | | | | |
| 310 | 571959 | CYLINDRICAL ROLLER BEARING | 1 | | | | |
| 330 | 571960 | SNAP RING | 1 | | | | |
| 380 | 571961 | SHIM 1.00MM | AR | | | | |
| 380 | 571962 | SHIM 1.10MM | AR | | | | |
| 380 | 571963 | SHIM 1.20MM | AR | | | | |
| 380 | 571964 | SHIM 1.30MM | AR | | | | |
| 380 | 571965 | SHIM 1.40MM | AR | | | | |
| 380 | 571966 | SHIM 1.50MM | AR | | | | |
| 380 | 571967 | SHIM 1.60MM | AR | | | | |
| 380 | 571968 | SHIM 1.70MM | AR | | | | |
| 380 | 571969 | SHIM 1.80MM | AR | | | | |
| 380 | 571970 | SHIM 1.90MM | AR | | | | |
| 380 | 571971 | SHIM 2.00MM | AR | | | | |
| 380 | 571972 | SHIM 2.10MM | AR | | | | |
| 380 | 571973 | SHIM 2.20MM | AR | | | | |
| 380 | 571974 | SHIM 2.30MM | AR | | | | |
| 380 | 571975 | SHIM 2.40MM | AR | | | | |
| 380 | 571976 | SHIM 2.50MM | AR | | | | |
| 380 | 571977 | SHIM 2.60MM | AR | | | | |
| 380 | 571978 | SHIM 2.70MM | AR | | | | |
| 380 | 571979 | SHIM 2.80MM | AR | | | | |
| 380 | 571980 | SHIM 2.90MM | AR | | | | |
| 380 | 571981 | SHIM 3.00MM | AR | | | | |
| 380 | 571982 | SHIM 3.10MM | AR | | | | |

From 4-8165 To 6-8906

Date:10/2022

PAGE:Y2-0705-45

SYNCHRONIZER ASSY

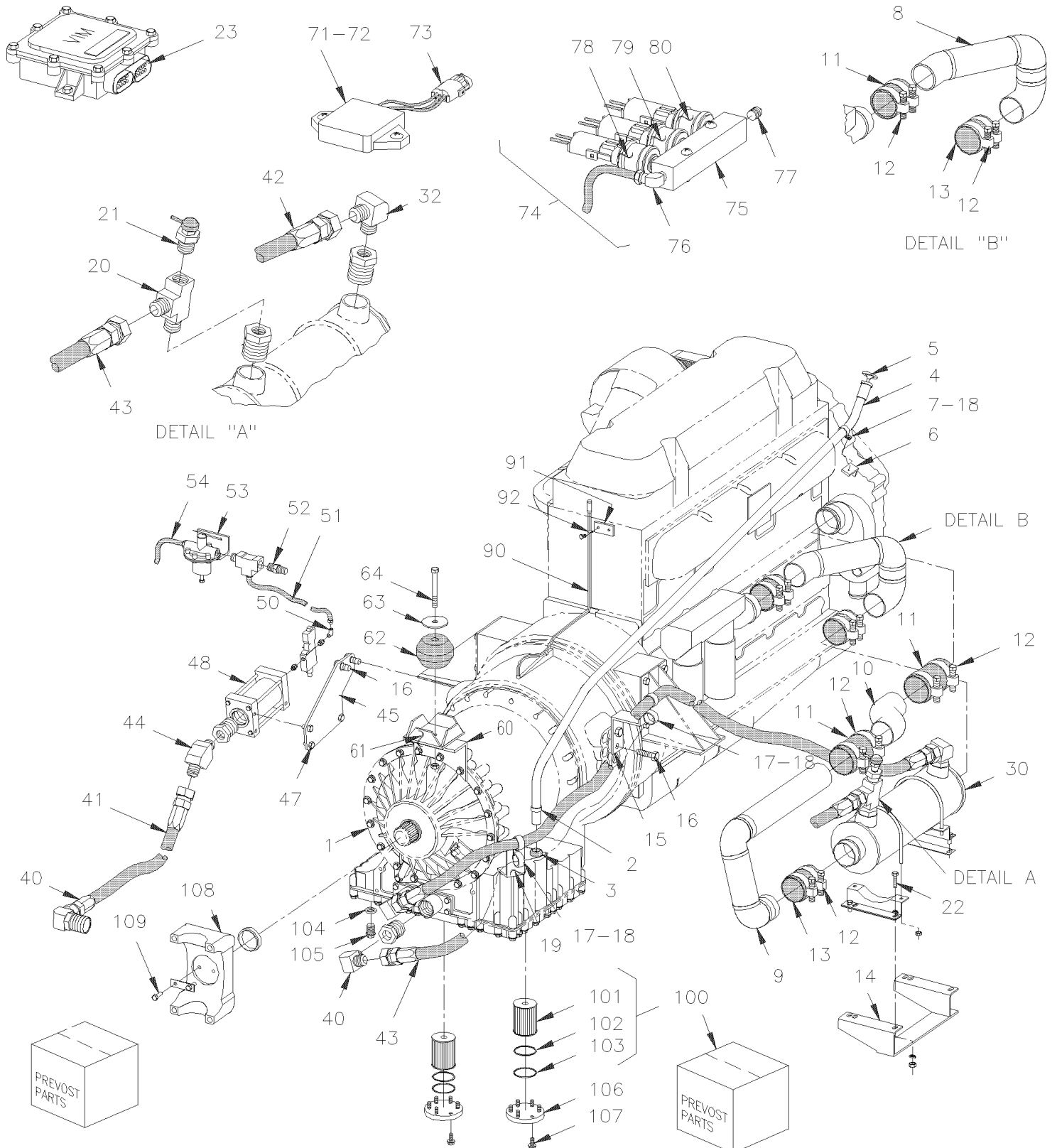


From Y-7046 To 3-8164

Date:10/2022

PAGE:Y2-0750-00

AUTOMATIC TRANSMISSION - "WORLD" WITH DETROIT S-60



| | | |
|---|--------------|-----------------|
| From Y-7046 To 3-8164 | Date:10/2022 | PAGE:Y2-0750-00 |
| AUTOMATIC TRANSMISSION - "WORLD" WITH DETROIT S-60 | | |

| Item# | Part | Description | X L I I 4 5 | X L I I M T H 4 0 | X L I I M T H 4 5 | X L I I M T H 4 5 E | N O T E S |
|-------|--------|---|----------------------------|---|---|--|-----------------------|
| | | "WARNING" - "WARNING" - "WARNING" | | | | | |
| | | FROM VIN 3-7976 SOME VEHICLES HAVE "O.E.M." INSTALL INSTALLATION AS SHOWN AT PAGE Y2-0750-99 | | | | | |
| | | THE NEXT FOLLOWING TRANSMISSION W/O RETARDER ARE USED WITH 11.1 LITERS | | | | | |
| | 571680 | TRANSMISSION ASSY B500 / WTEC III | 1 | | | | |
| | 571742 | E.C.U. B500 / WTEC III | | | | | |
| | | THE NEXT FOLLOWING TRANSMISSION W/RETARDER ARE USED WITH 11.1 LITERS | | | | | |
| | 571720 | TRANSMISSION ASSY B500R | 1 | | | | |
| | 571742 | E.C.U. B500 / WTEC III | | | | | |
| | | THE NEXT FOLLOWING TRANSMISSION W/O RETARDER ARE USED WITH 12.7 LITERS | | | | | |
| | 571702 | TRANSMISSION ASSY B500 / WTEC III | 1 | | | | |
| | 571726 | TRANSMISSION ASSY HD4060 To Y-7164 | | 1 | 1 | 1 | |
| | 571756 | TRANSMISSION ASSY HD4060 / WTEC III From Y-7165 | | 1 | 1 | 1 | |
| | 571743 | E.C.U. HD4060R / WTEC III | | | | | |
| | | THE NEXT FOLLOWING TRANSMISSION W/RETARDER ARE USED WITH 12.7 LITERS | | | | | |
| | 571719 | TRANSMISSION ASSY B500R | 1 | | | | |
| | 571725 | TRANSMISSION ASSY HD4060 To Y-7164 | | 1 | 1 | 1 | |
| | 571757 | TRANSMISSION ASSY HD4060 From Y-7165 | | 1 | 1 | 1 | |
| | 571743 | E.C.U. HD4060R / WTEC III | 1 | 1 | 1 | 1 | |
| | | TRANSMISSION ASSY / SEE ABOVE | | | | | |
| 2 | 504602 | . CLAMP / 1" I.D. X .375 HOLE | 1 | 1 | 1 | 1 | |
| NS | 502513 | . SCREW TP CAP HEX 5/16x1 Z050 | 1 | 1 | 1 | 1 | |
| 3 | 571662 | . GROMMET RUBBER / TUBE & TRANS | 1 | 1 | 1 | 1 | |
| 4 | 070864 | TUBE DIPSTICK | 1 | 1 | 1 | 1 | |
| 5 | 571567 | TRANS DIPSTICK 2134.9MM | 1 | 1 | 1 | 1 | |
| NS | 070945 | DECAL "DEXRON III OIL ONLY" To 2-7825 | 1 | 1 | 1 | 1 | |
| NS | 071249 | DECAL "TranSynd OIL ONLY" / ENGLISH & FRANCAIS From 2-7826 | 1 | 1 | 1 | 1 | |
| NS | 071364 | DECAL "TranSynd OIL ONLY" / ENGLISH & SPANISH From 2-7826 | 1 | 1 | 1 | 1 | |
| 6 | 061129 | SUPPORT FLAT TWISTED / TUBE DIPSTICK | 1 | 1 | 1 | 1 | |

| | | |
|---|--------------|-----------------|
| From Y-7046 To 3-8164 | Date:10/2022 | PAGE:Y2-0750-00 |
| AUTOMATIC TRANSMISSION - "WORLD" WITH DETROIT S-60 | | |

| Item# | Part | Description | X L I I 4 5 | X L I I M T H 4 0 | X L I I M T H 4 5 | X L I I M T H 4 5 E | N O T E S |
|-------|---------|---|----------------------------|---|---|--|-----------------------|
| 6 | 070887 | SUPPORT ANGLE / TUBE DIPSTICK | 1 | 1 | 1 | 1 | |
| 6 | 070368 | SUPPORT | 1 | 1 | 1 | 1 | |
| 6 | 070938 | SUPPORT | 1 | 1 | 1 | 1 | |
| NS | 5001003 | WASHER LO SPT 8.1x12.7x2.0 Z050 | 1 | 1 | 1 | 1 | |
| NS | 500069 | SCREW CAP HEX M8-1.25x16 G10.9 DP | 1 | 1 | 1 | 1 | |
| 7 | 560484 | CLAMP / 1" I.D. | 1 | 1 | 1 | 1 | |
| 8 | 070890 | PIPE ASSY | 1 | 1 | 1 | 1 | |
| 9 | 051854 | PIPE ASSY | 1 | 1 | 1 | 1 | |
| 10 | N.S.P. | PIPE ASSY / WATER PUMP & PIPE / (23005899) | 1 | 1 | 1 | 1 | 2 |
| 11 | 051604 | HOSE 2 3/4" I.D. 130MM | 2 | 2 | 2 | 2 | |
| NS | 503395 | . HOSE SILICONE 4PLY 2 3/4" I.D. x 3' | AR | AR | AR | AR | |
| 11 | 051094 | HOSE 2 3/4" I.D. 3 1/8" | 1 | 1 | 1 | 1 | |
| NS | 503395 | . HOSE SILICONE 4PLY 2 3/4" I.D. x 3' | AR | AR | AR | AR | |
| 11 | 503395 | . HOSE SILICONE 4PLY 2 3/4" I.D. x 3' | AR | AR | AR | AR | |
| 12 | 504562 | HOSE CLAMP / 2"3/4-3"5/8 / C.T. 350 | AR | AR | AR | AR | |
| 13 | 070968 | HOSE 3" I.D. 185MM | 1 | 1 | 1 | 1 | |
| 13 | 070969 | HOSE 3" I.D. 140MM | 1 | 1 | 1 | 1 | |
| 13 | 503396 | . HOSE SILICONE 3" I.D. x 3' | AR | AR | AR | AR | |
| 14 | 070892 | SHIM / ENGINE CRADLE & OIL COOLER SUPPORT 26x166x1/4" / 140c/c | 2 | 2 | 2 | 2 | C |
| 15 | 070884 | SUPPORT "Z" SHAPE | 1 | 1 | 1 | 1 | |
| 16 | 500813 | SCREW CAP HEX M16-2.0x35 G8.8 ZP | 3 | 3 | 3 | 3 | |
| NS | 500802 | WASHER LO SPT 16.2x37.4x3.5 Z050 | 3 | 3 | 3 | 3 | |
| 17 | 560912 | CLAMP / 1"1/4 I.D. | 4 | 4 | 4 | 4 | |
| 18 | 502698 | SCREW MA PAN PH M4-0.7x16 SS BK | 3 | 3 | 3 | 3 | |
| NS | 500590 | NUT HEX NYRT M4-0.7 Z050 | 3 | 3 | 3 | 3 | |
| 19 | 070944 | SUPPORT / HOSES | 1 | 1 | 1 | 1 | |
| NS | 502644 | WASHER FL 10.5x30.0x2.5 Z050 | 1 | 1 | 1 | 1 | |
| NS | 502549 | SCREW CAP HEX M10-1.5x35 G8.8 Z050 | 1 | 1 | 1 | 1 | |
| 20 | 5011083 | ADAPTER TEE / SAE 45° FITTING / #16FL-Mx1/2NPT-Fx#16ORB-M TO USED W/TEMP SENDER | 1 | 1 | 1 | 1 | |
| 20 | 5011074 | ADAPTER TEE / SAE 45° FITTING / #20FL-Mx1/2NPT-Fx#20ORB-M TO USED W/TEMP SENDER | 1 | 1 | 1 | 1 | |
| 21 | 561097 | SENSOR, TEMPERATURE / WATER & OIL | 1 | 1 | 1 | 1 | |
| 22 | 502559 | SCREW CAP HEX M10-1.5x25 G8.8 Z050 | 4 | 4 | 4 | 4 | |
| NS | 500257 | WASHER LO SPT 10.2x18.1x2.2 Z050 | 8 | 8 | 8 | 8 | |
| NS | 500256 | NUT HEX M10-1.5 Z050 | 4 | 4 | 4 | 4 | |
| NS | 502589 | SCREW CAP HEX M8-1.25x25 G8.8 Z050 | 4 | 4 | 4 | 4 | C |
| NS | 5001003 | WASHER LO SPT 8.1x12.7x2.0 Z050 | 8 | 8 | 8 | 8 | |
| NS | 502543 | NUT HEX M8-1.25 Z050 | 4 | 4 | 4 | 4 | |
| 23 | 571542 | MODULE INTERFACE | 1 | 1 | 1 | 1 | |
| NS | 064716 | CABLE ASSY / TRANS & SPEED SWITCH To Y-7351 | 1 | 1 | 1 | 1 | E A |
| 23 | 065752 | CABLE ASSY / TRANS & SPEED SWITCH / SERVICE To Y-7351 | 1 | 1 | 1 | 1 | E |
| NS | 065331 | CABLE ASSY / TRANS & SPEED SWITCH / W/O RETARDER From Y-7352 To 3-7984 | 1 | 1 | 1 | 1 | C |
| 23 | 065751 | CABLE ASSY / TRANS & SPEED SWITCH / W/O RETARDER From 3-7985 | 1 | 1 | 1 | 1 | C |

| | | |
|---|--------------|-----------------|
| From Y-7046 To 3-8164 | Date:10/2022 | PAGE:Y2-0750-00 |
| AUTOMATIC TRANSMISSION - "WORLD" WITH DETROIT S-60 | | |

| Item# | Part | Description | X L I I 4 5 | X L I I M T H 4 0 | X L I I M T H 4 5 | X L I I M T H 4 5 E | N O T E S |
|-------|------------|--|----------------------------|---|---|--|-----------------------|
| NS | 065330 | CABLE ASSY / TRANS & SPEED SWITCH / W/RETARDER From Y-7365 To 3-7984 | 1 | 1 | 1 | 1 | E |
| 23 | 065750 | CABLE ASSY / TRANS & SPEED SWITCH / W/RETARDER From 3-7985 | 1 | 1 | 1 | 1 | E |
| NS | 071035 | SUPPORT CABLE HARNESS / W/2 HOLES / WTEC III | 1 | 1 | 1 | 1 | |
| 30 | 550708 | OIL COOLER W/1" NPT / (2950137) | 2 | 2 | 2 | 2 | C |
| 30 | 550795 | OIL COOLER W/ #20 ORB (1" STRAIGHT THREAD) | 1 | 1 | 1 | 1 | EF |
| NS | 550948 | SUPPORT | 1 | 1 | 1 | 1 | EF |
| NS | 550949 | SUPPORT | 1 | 1 | 1 | 1 | EF |
| NS | 550950 | U-BOLT 3/8-16 | 2 | 2 | 2 | 2 | EF |
| NS | 502510 | WASHER FL .375x.875x.083 | 4 | 4 | 4 | 4 | EF |
| NS | 500265 | NUT HEX STO 3/8-16 Z050 | 4 | 4 | 4 | 4 | EF |
| 30 | Y2-0750-99 | OIL COOLER "MODINE" - "RETROFIT" | | | | | |
| NS | 550806 | CORE ASSY OIL COOLER | 1 | 1 | 1 | 1 | |
| NS | 550807 | O-RING 5.859 DIA x .140 | 1 | 1 | 1 | 1 | |
| NS | 550808 | O-RING 6.234 DIA x .140 | 1 | 1 | 1 | 1 | |
| 32 | 5011065 | MALE ELBOW 90° / JIC 37° FITTING / #20JIC-Mx#20ORB-M STL VITON | 2 | 2 | 2 | 2 | |
| NS | 501523 | MALE ELBOW 90° / JIC 37° FITTING / #16JIC-Mx#16ORB-M STL | 2 | 2 | 2 | 2 | |
| 40 | 5011065 | MALE ELBOW 90° / JIC 37° FITTING / #20JIC-Mx#20ORB-M STL VITON | 4 | 4 | 4 | 4 | |
| 41 | 070880 | HOSE ASSY / #20 310MM | 1 | 1 | 1 | 1 | |
| 42 | 070965 | HOSE ASSY / #16 1890MM | 1 | 1 | 1 | 1 | C |
| NS | 070885 | HOSE ASSY / #20 2018MM To 1-7413 | 1 | 1 | 1 | 1 | E |
| 42 | 071221 | HOSE ASSY / #20 2018MM From 1-7414 | 1 | 1 | 1 | 1 | E |
| 43 | 070939 | HOSE ASSY / #16 1505MM | 1 | 1 | 1 | 1 | C |
| NS | 051688 | HOSE ASSY / #20 1505MM To 1-7413 | 1 | 1 | 1 | 1 | E |
| 43 | 071220 | HOSE ASSY / #20 1560MM From 1-7414 | 1 | 1 | 1 | 1 | E |
| NS | 503423 | HOSE #FC-300 HYDRAULIC / #16 S.L. | AR | AR | AR | AR | |
| NS | 501343 | FEMALE CONNECTOR SWIVEL / JIC 37° FITTING / #20JIC-Fx#20 ZP | 2 | 2 | 2 | 2 | |
| NS | 503516 | HOSE #FC-300 HYDRAULIC / #20 S.L. | AR | AR | AR | AR | |
| NS | 501608 | FEMALE CONNECTOR SWIVEL / JIC 37° FITTING / #16JIC-Fx#16 STL | 2 | 2 | 2 | 2 | |
| NS | 071027 | PROTECTOR RUBBER / FIXED END OF HOSE 204MM X 311MM | 1 | 1 | 1 | 1 | |
| NS | 071096 | PROTECTOR SUPPORT SS ANGLE SHAPE 61MM X 73MM | 1 | 1 | 1 | 1 | C |
| NS | 071097 | PROTECTOR SUPPORT SS 102MM X 90MM | 1 | 1 | 1 | 1 | E |
| NS | 502559 | SCREW CAP HEX M10-1.5x25 G8.8 Z050 | 1 | 1 | 1 | 1 | B |
| NS | 502644 | WASHER FL 10.5x30.0x2.5 Z050 | 1 | 1 | 1 | 1 | B |
| 44 | 501575 | MALE CONNECTOR / JIC 37° FITTING / #20JIC-Mx#20ORB-M STL VITON | 1 | 1 | 1 | 1 | |
| 44 | 507558 | MALE ELBOW 45° / JIC 37° FITTING / #20JIC-Mx#20ORB-M STL VITON | 1 | 1 | 1 | 1 | |
| | | FOLLOWING PARTS ARE RELATED WITH | | | | | |
| | | TRANSMISSION WITH RETARDER ONLY | | | | | |
| 45 | 071014 | SUPPORT / TRANS & ACUMULATOR / WTEC III | 1 | 1 | 1 | 1 | |
| 47 | 502790 | SCREW CAP HEX M8-1.25x20 G8.8 Z050 | 4 | 4 | 4 | 4 | |
| NS | 5001003 | WASHER LO SPT 8.1x12.7x2.0 Z050 | 3 | 3 | 3 | 3 | |

| | | |
|---|--------------|-----------------|
| From Y-7046 To 3-8164 | Date:10/2022 | PAGE:Y2-0750-00 |
| AUTOMATIC TRANSMISSION - "WORLD" WITH DETROIT S-60 | | |

| Item# | Part | Description | X L I I 4 5 | X L I I M T H 4 0 | X L I I M T H 4 5 | X L I I M T H 4 5 E | N O T E S |
|-------|---------|---|----------------------------|---|---|--|-----------------------|
| NS | 502543 | NUT HEX M8-1.25 Z050 | 4 | 4 | 4 | 4 | |
| 48 | 571745 | ACCUMULATOR & SOLENOID / WTEC III | 1 | 1 | 1 | 1 | |
| . NS | 571707 | . ACCUMULATOR | 1 | 1 | 1 | 1 | |
| . NS | 571708 | . VALVE SOLENOID 12V | 1 | 1 | 1 | 1 | |
| 50 | 5011112 | FEMALE ELBOW 90° / JIC 37° FITTING / #6JIC-Mx3/8NPT-F STL | 1 | 1 | 1 | 1 | |
| 51 | 140376 | HOSE ASSY TEFLON #6 686MM | 1 | 1 | 1 | 1 | |
| NS | 070882 | HOSE ASSY TEFLON #6 570MM | 1 | 1 | 1 | 1 | |
| NS | 141787 | HOSE ASSY TEFLON #6 902MM | 1 | 1 | 1 | 1 | |
| NS | 503065 | . HOSE TEFLON #6 / S.L. | AR | AR | AR | AR | |
| NS | 501595 | . FEMALE CONNECTOR SWIVEL / JIC 37° FITTING / TEFLON / #6JIC-Fx#6 STL | 2 | 2 | 2 | 2 | |
| 52 | 640488 | VALVE, AIR FILL 1/8" NPT | 1 | 1 | 1 | 1 | |
| . NS | 650164 | . CAP VALVE / CHROME | 1 | 1 | 1 | 1 | |
| 53 | 641437 | AIR PRESSURE REGULATOR 1/4" NPT / PLASTIC | 1 | 1 | 1 | 1 | |
| 54 | 503404 | TUBE, NYLON 3/8 O.D. / BLACK S.L. | AR | AR | AR | AR | H |
| NS | 560479 | CLAMP / 3/8" I.D. | 1 | 1 | 1 | 1 | |
| NS | 500613 | SCREW TP PAN PH #10x1/2 Z050 | 1 | 1 | 1 | 1 | |
| 60 | N.S.P. | SUPPORT REAR / (29507888) | 1 | | 1 | | 2 |
| NS | 070964 | SUPPORT REAR | | 1 | | 1 | |
| 61 | 070950 | GUIDE REAR | 1 | 1 | 1 | 1 | |
| 62 | 630118 | RUBBER BUMPPER | 1 | 1 | 1 | 1 | |
| 63 | 550642 | WASHER | 1 | 1 | 1 | 1 | |
| NS | 571351 | WASHER, 1/2" I.D. FLAT | 1 | 1 | 1 | 1 | |
| 64 | 500106 | SCREW CAP HEX 1/2-20x6 G5 PT Z050 | 1 | 1 | 1 | 1 | |
| 65 | 500718 | NUT HEX STO 1/2-20 Z050 | 1 | 1 | 1 | 1 | |
| 71 | 562357 | RESISTANCE MODULE | 1 | 1 | 1 | 1 | |
| 72 | 562381 | RESISTANCE MODULE | 1 | 1 | 1 | 1 | |
| 73 | 063782 | CABLE ASSY / RESISTANCE MODULE & SWITCH | 1 | 1 | 1 | 1 | |
| 74 | 070902 | PRESSURES SWITCH ASSY W/MANIFOLD | 1 | 1 | 1 | 1 | |
| 75 | 070903 | . MANIFOLD | 1 | 1 | 1 | 1 | |
| 76 | 640999 | . MALE ELBOW 90° / NTA FITTING / #6x1/4NPT-M BR | 1 | 1 | 1 | 1 | |
| 77 | 501304 | . PLUG SQUARE HEAD / PIPE FITTING / 1/4NPT-M BR | 1 | 1 | 1 | 1 | |
| 78 | 562358 | . PRESSURE SWITCH N.O. 2PSI / 1/8NPT | 1 | 1 | 1 | 1 | |
| 79 | 562384 | . PRESSURE SWITCH N.O. 4PSI / 1/8NPT | 1 | 1 | 1 | 1 | |
| 80 | 562385 | . PRESSURE SWITCH N.O. 7PSI / 1/8NPT | 1 | 1 | 1 | 1 | |
| | | | | | | | |
| 90 | 071170 | HOSE ASSY / #4 24" | 1 | 1 | 1 | 1 | |
| . A | 071167 | . FEMALE CONNECTOR / HOSE BARB @ METRIC / #4x M10-1.5-F BR | 1 | 1 | 1 | 1 | |
| . B | 071166 | . MALE CONNECTOR / HOSE BARB @ METRIC / #4x M10-1.5-M BR | 1 | 1 | 1 | 1 | |
| 91 | 061025 | SUPPORT | 1 | 1 | 1 | 1 | |
| NS | 504601 | CLAMP / 5/16" I.D. x .375 HOLE | 1 | 1 | 1 | 1 | |
| 92 | 571763 | BREATHER | 1 | 1 | 1 | 1 | |
| 100 | 571709 | TRANSMISSION FILTER / MAINTENANCE KIT | AR | AR | AR | AR | I |

| | | |
|---|--------------|-----------------|
| From Y-7046 To 3-8164 | Date:10/2022 | PAGE:Y2-0750-00 |
| AUTOMATIC TRANSMISSION - "WORLD" WITH DETROIT S-60 | | |

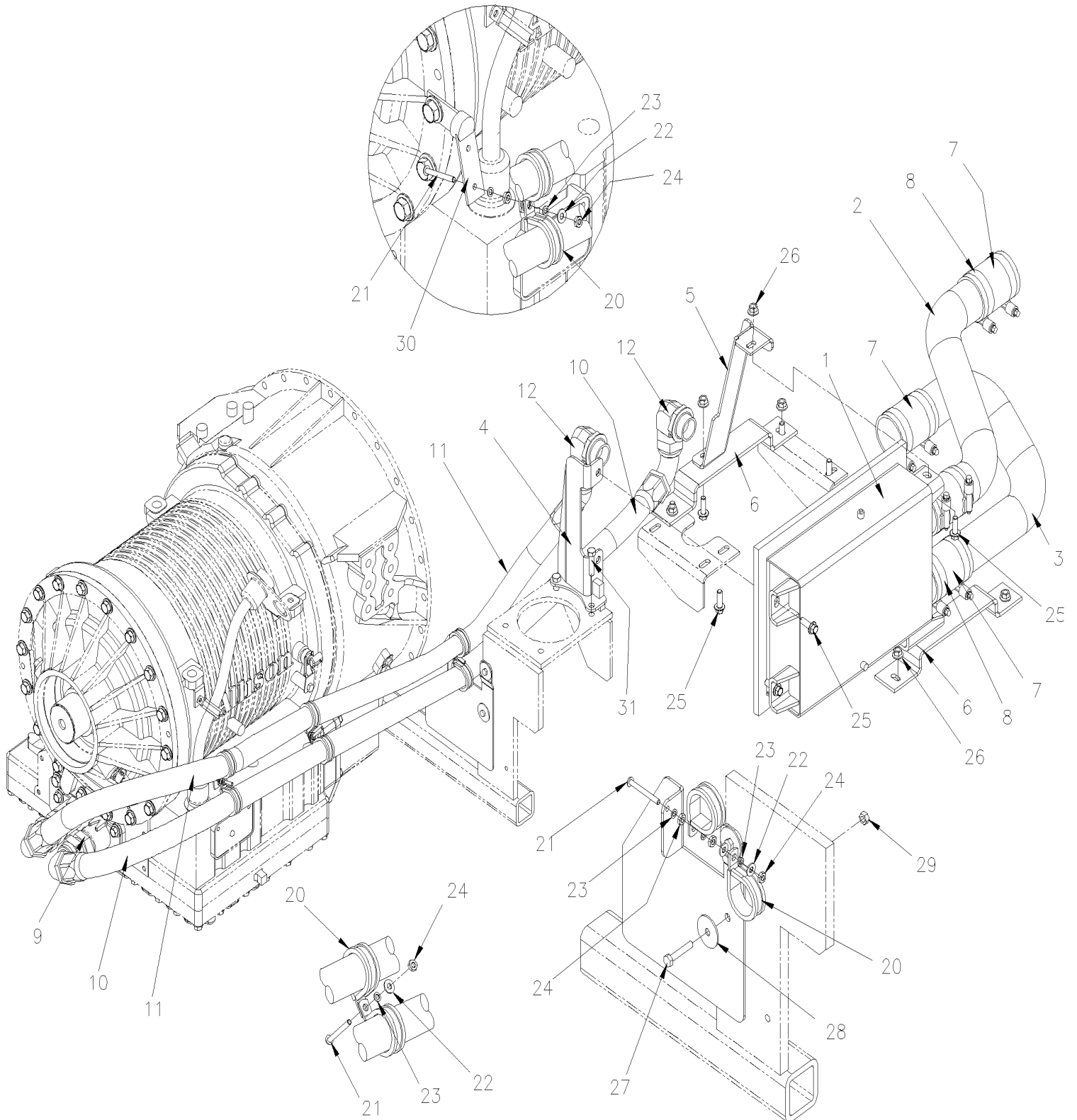
| Item# | Part | Description | X L I I 4 5 | X L I I M T H 4 0 | X L I I M T H 4 5 | X L I I M T H 4 5 E | NOTES |
|-------|---------------|---|----------------------------|---|---|--|-------|
| 101 | N.S.S. | . FILTER | 2 | 2 | 2 | 2 | 1 |
| 102 | 571692 | . O-RING / (LARGE SQUARE CUT) | 2 | 2 | 2 | 2 | |
| 103 | 571693 | . O-RING / (SMALL) | 2 | 2 | 2 | 2 | |
| 104 | 571694 | . O-RING / DRAIN PLUG | 2 | 2 | 2 | 2 | |
| 105 | 571695 | DRAIN PLUG ASSY W/O-RING | 1 | 1 | 1 | 1 | |
| NS | 682507 | OIL, DEXRON III / TRANS (VRAC) To 2-7825 | 1 | 1 | 1 | 1 | |
| NS | 684016 | OIL TRANSYND TRANSMISSION "WORLD" From 2-7826 | 1 | 1 | 1 | 1 | |
| 106 | N.S.P. | COVER FILTER / (29507434) | 2 | 2 | 2 | 2 | 2 |
| 107 | N.S.P. | BOLT M10-1.5 x 55M / (2954186) | AR | AR | AR | AR | 2 |
| 108 | N.S.P. | YOKE (1810) HALF ROUND(29511516/6.5-4-4521-1) | 1 | 1 | 1 | 1 | 2 |
| 108 | N.S.P. | STRAP LOCK PLATE | 1 | 1 | 1 | 1 | 2 |
| 108 | N.S.P. | BOLT M10-1.5 X 30MM GR 10.9 | 2 | 2 | 2 | 2 | 2 |
| 108 | N.S.P. | SEAL OUTPUT / (29515621) | 1 | 1 | 1 | 1 | 2 |
| 109 | N.P.N. | BOLT M10-1.5 X 30MM GR10.9 | 1 | 1 | 1 | 1 | 4 |
| NS | 683904 | TESTING FOR GLYCOL CONTAMINATION IN TRANSMISSION OIL | 1 | 1 | 1 | 1 | |
| . NS | IS-99901A | . SEE INSTRUCTION SHEET | 1 | 1 | 1 | 1 | |
| 200 | 071269 | OIL COOLER " WORLD" TRANSMISSION "MODINE" - / "RETROFIT" From Y-7046 To 3-8164 | | | | | |
| | | | | | | | |
| | | A) FOR PRODUCT IMPROVMENT USE CABLE #065752 | | | | | |
| | | B) TO FIX PROTECTOR | | | | | |
| | | C) W/O RETARDER | | | | | |
| | | E) W/RETARDER | | | | | |
| | | F) FOR PRODUCT IMPROVEMENT ASK FOR KIT #071269 | | | | | |
| | | H) REGULATOR & MANIFOLD | | | | | |
| | | I) (29526899) | | | | | |
| | | 1) NOT SOLD SEPARATELY | | | | | |
| | | 2) NOT SOLD BY PREVOST (SEE MANUFACTURING PART NUMBER AT END OF DESCRIPTION LINE) | | | | | |
| | | 4) NO PARTS NUMBER | | | | | |

From Y-7046 To 3-8164

Date:10/2022

PAGE:071269

OIL COOLER " WORLD" TRANSMISSION "MODINE" - / "RETROFIT"

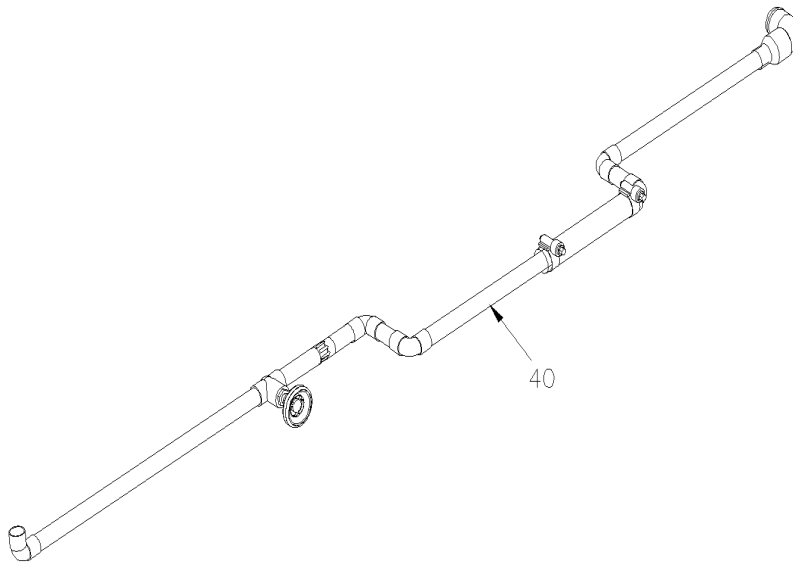


From Y-7046 To 3-8164

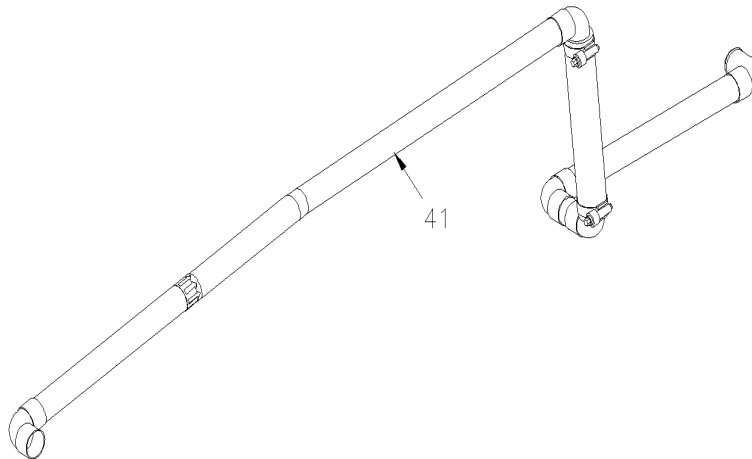
Date:10/2022

PAGE:071269

OIL COOLER " WORLD" TRANSMISION "MODINE" - / "RETROFIT"



WITH MTH-45 WITH SMALL A/C
NOT INCLUDE WITH 071269



WITH MTH-45 & XL-45 WITH LARGE A/C
NOT INCLUDE WITH 071269

From Y-7046 To 3-8164 Date:10/2022 PAGE:071269

OIL COOLER " WORLD" TRANSMISION "MODINE" - / "RETROFIT"

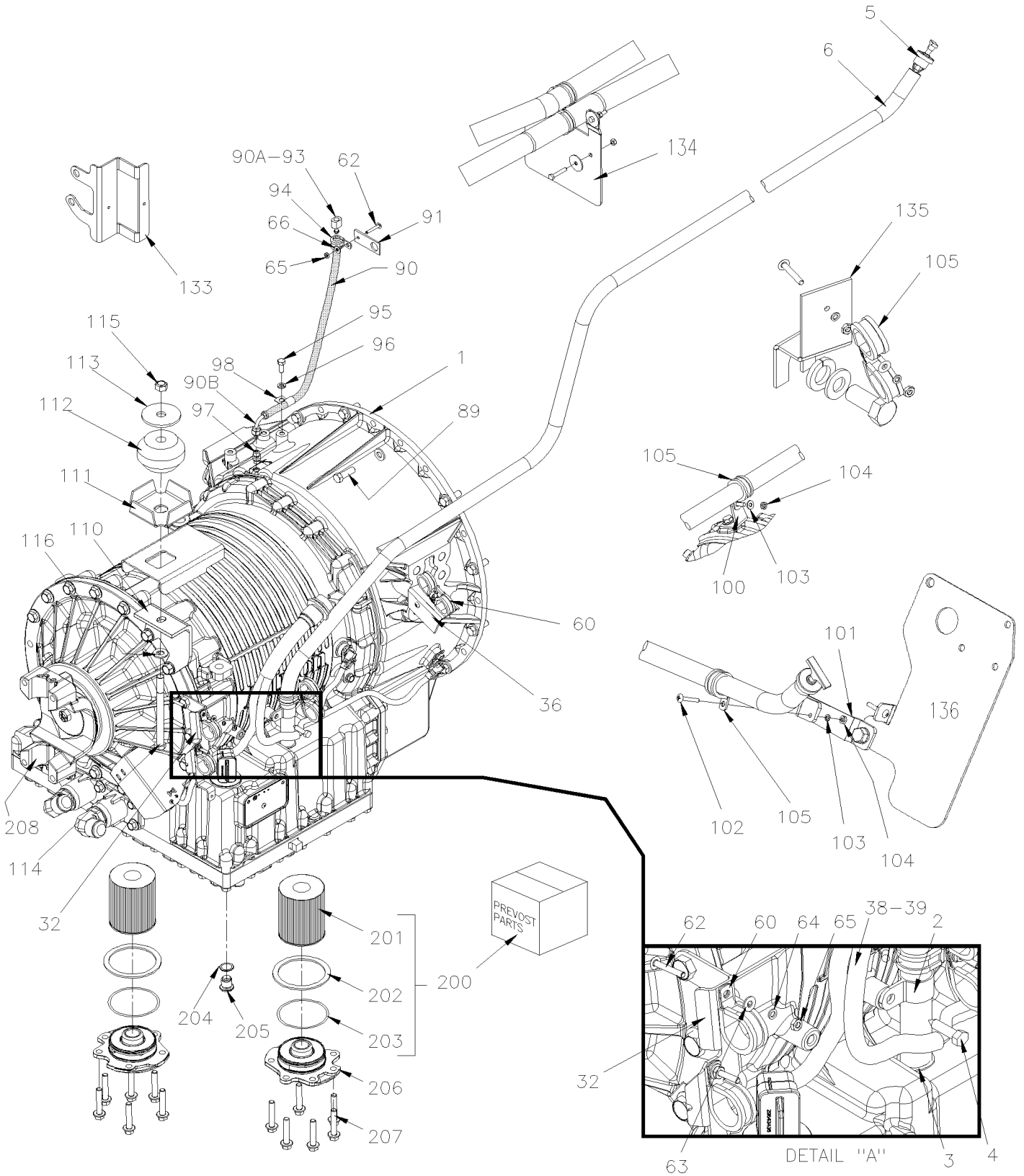
| Item# | Part | Description | X L I I 4 5 | X L I I M T H 4 0 | X L I I M T H 4 5 | X L I I M T H 4 5 E | NOTES |
|-------|----------|---|----------------------------|---|---|--|-------|
| | | PRODUCT IMPROVEMENT WITH TRANS WITH RETARDER | | | | | |
| 1 | 571779 | . OIL COOLER "MODINE" / SINGLE | 1 | 1 | 1 | 1 | |
| . NS | G1091499 | . . GASKET | 1 | 1 | 1 | 1 | |
| . NS | G1091503 | . . BOLTING BAR SHORT | 2 | 2 | 2 | 2 | |
| . NS | G1091502 | . . BOLTING BAR LONG | 2 | 2 | 2 | 2 | |
| 2 | 071256 | . PIPE COOLER | 1 | 1 | 1 | 1 | |
| 3 | 071255 | . PIPE COOLER | 1 | 1 | 1 | 1 | |
| 4 | 071258 | . SUPPORT TRANS SIDE | 1 | 1 | 1 | 1 | |
| 5 | 071254 | . SUPPORT WATER PUMP SIDE | 1 | 1 | 1 | 1 | |
| 6 | 071265 | . ADAPTOR SUPPORT | 2 | 2 | 2 | 2 | |
| 7 | 071250 | . HOSE 2 3/4" I.D. X 100MM | 4 | 4 | 4 | 4 | |
| 7 | 503395 | . . HOSE SILICONE 4PLY 2 3/4" I.D. x 3' | AR | AR | AR | AR | |
| 8 | 504562 | . HOSE CLAMP / 2"3/4-3"5/8 / C.T. 350 | 8 | 8 | 8 | 8 | |
| 9 | 501575 | . MALE CONNECTOR / JIC 37° FITTING / #20JIC-Mx#20ORB-M STL VITON | 2 | 2 | 2 | 2 | |
| 10 | 071266 | . HOSE ASSY / #20 1555MM | 1 | 1 | 1 | 1 | |
| 11 | 071267 | . HOSE ASSY / #20 1481MM | 1 | 1 | 1 | 1 | |
| 12 | 5011065 | . MALE ELBOW 90° / JIC 37° FITTING / #20JIC-Mx#20ORB-M STL VITON | 2 | 2 | 2 | 2 | |
| 13 | 071260 | . SUPPORT, HOSE | 1 | 1 | 1 | 1 | |
| 20 | 952641 | . CLAMP / 1 5/16" I.D. | 4 | 4 | 4 | 4 | |
| 21 | 500579 | . SCREW MA RND PH #10-24x1 3/4 Z050 | 2 | 2 | 2 | 2 | |
| 22 | 500470 | . WASHER LO SPT .193x.334x.047 Z050 | 6 | 6 | 6 | 6 | |
| 23 | 500964 | . WASHER FL .203x.500x.047 Z050 | 4 | 4 | 4 | 4 | |
| 24 | 500786 | . NUT HEX #10-24 Z050 | 6 | 6 | 6 | 6 | |
| 25 | 946472 | . SCREW CAP HEXF M10-1.5x30 G8.8 ZG603 | 9 | 9 | 9 | 9 | |
| 26 | 971098 | . NUT HEXF STO M10-1.5 G8 ZP | 2 | 2 | 2 | 2 | |
| 27 | 502818 | . SCREW CAP HEX M6-1.0x35 G8.8 Z050 | 2 | 2 | 2 | 2 | |
| 28 | 500468 | . WASHER FL .281x1.250x.065 Z050 | 2 | 2 | 2 | 2 | |
| 29 | 502621 | . NUT HEX STO M6-1.0 Z050 | 2 | 2 | 2 | 2 | |
| 30 | 061129 | . SUPPORT FLAT TWISTED / TUBE DIPSTICK | 1 | 1 | 1 | 1 | |
| 31 | 500829 | . SCREW CAP HEX M10-1.5x40 G8.8 | 2 | 2 | 2 | 2 | |
| 40 | 373895 | PIPE RETURN / ENGINE WATER PUMP | 1 | | 1 | | B |
| 41 | 373903 | PIPE RETURN / ENGINE WATER PUMP | | | 1 | | C |
| | | B) REQUIRE FOR BUS & MTH-45 WITH LARGE A/C SYSTEM AND IT NOT INCLUDE WITH KIT # 071269 | | | | | |
| | | C) USE ONLY WITH MTH-45 WITH SMALL AC SYSTEM WITH RETARDER AND IT NOT INCLUDE WITH KIT # 071269 | | | | | |

From 4-8165 To 8-9339

Date:10/2022

PAGE:Y2-0750-01

AUTOMATIC TRANSMISSION - "WORLD" WITH DETROIT S-60

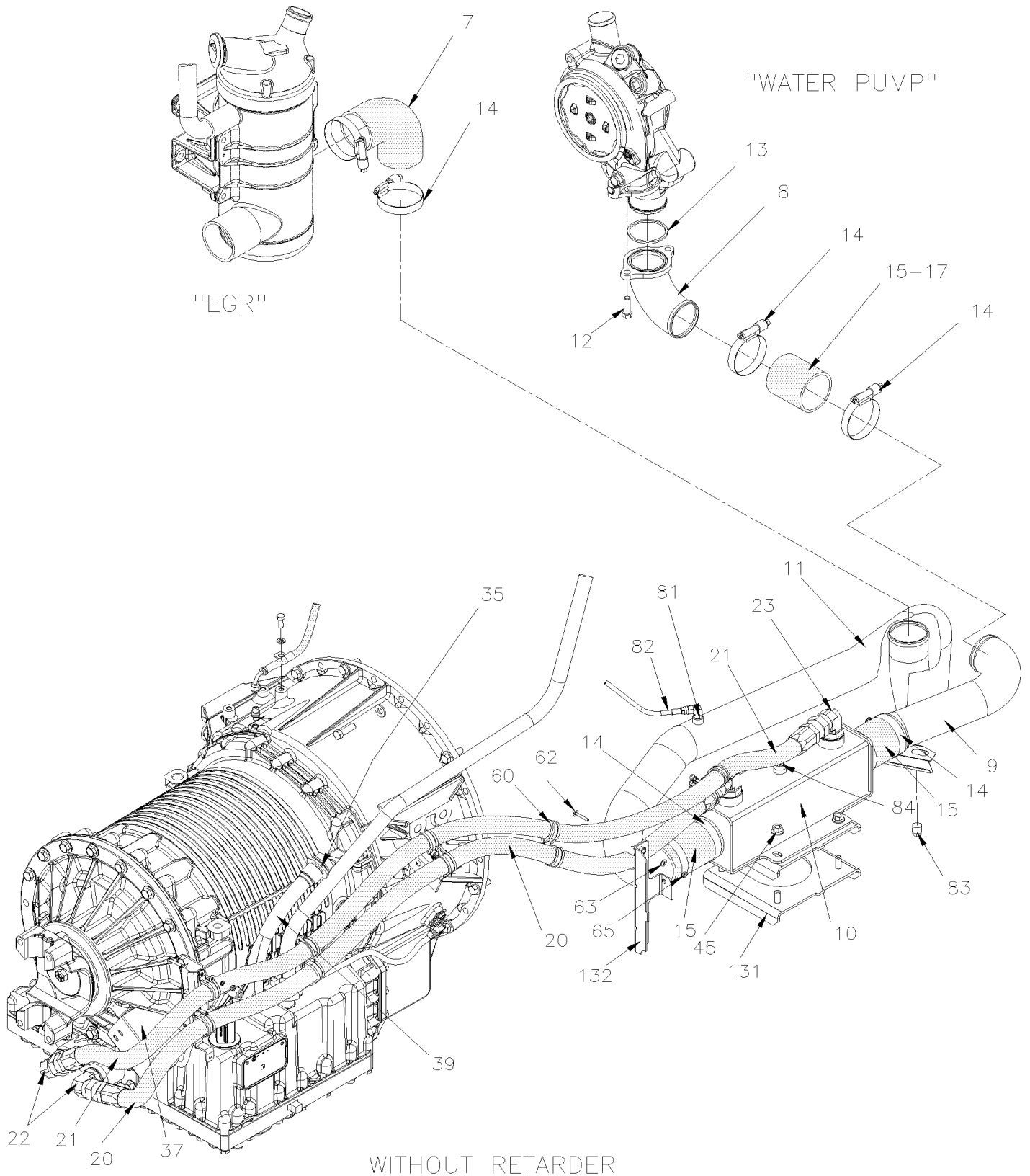


From 4-8165 To 8-9339

Date:10/2022

PAGE:Y2-0750-01

AUTOMATIC TRANSMISSION - "WORLD" WITH DETROIT S-60

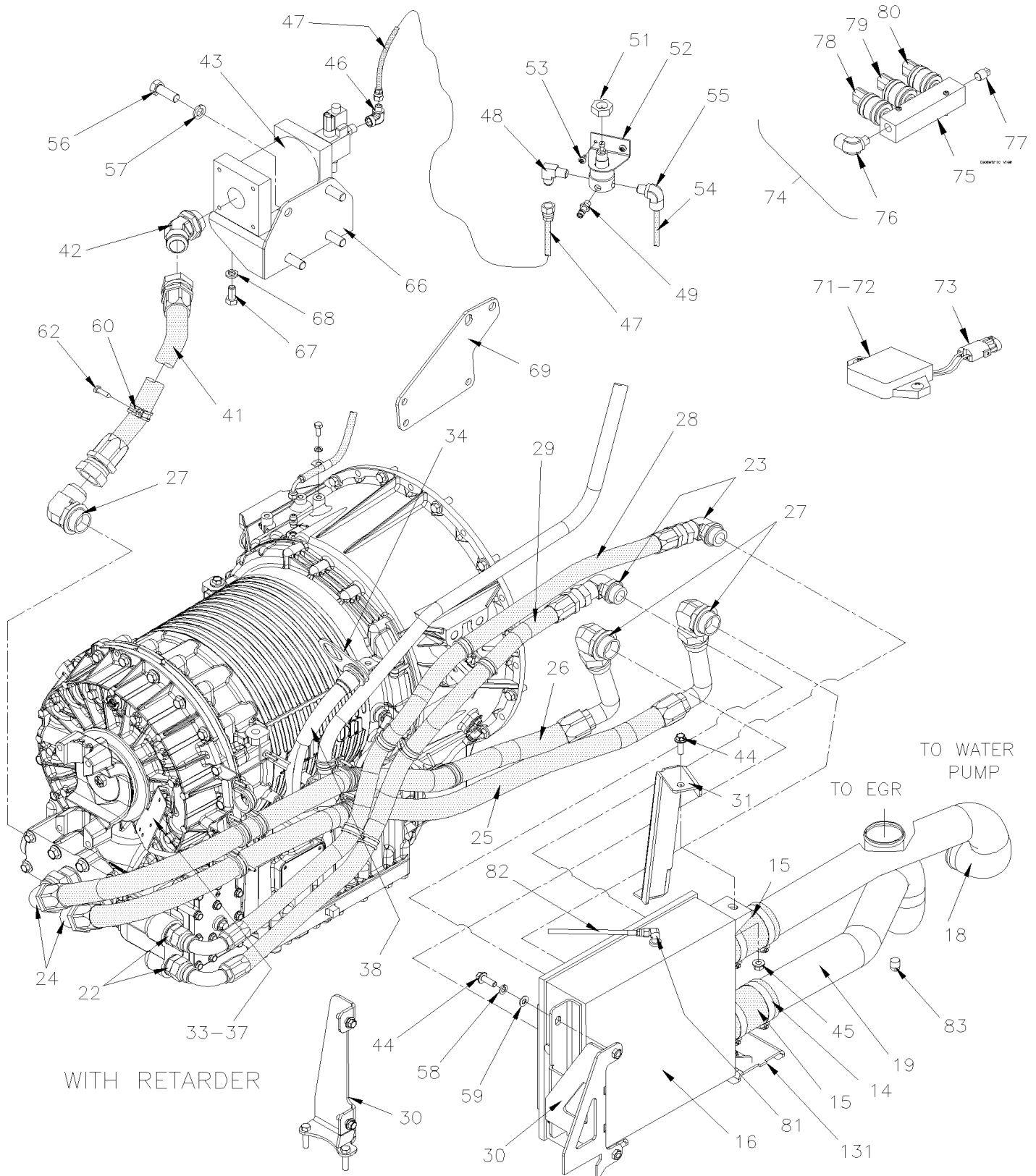


From 4-8165 To 8-9339

Date:10/2022

PAGE:Y2-0750-01

AUTOMATIC TRANSMISSION - "WORLD" WITH DETROIT S-60



| | | |
|---|--------------|-----------------|
| From 4-8165 To 8-9339 | Date:10/2022 | PAGE:Y2-0750-01 |
| AUTOMATIC TRANSMISSION - "WORLD" WITH DETROIT S-60 | | |

| Item# | Part | Description | X L I I 4 5 | X L I I M T H 4 0 | X L I I M T H 4 5 | X L I I M T H 4 5 E | N O T E S |
|-------|---------|---|----------------------------|---|---|--|-----------------------|
| | | THE NEXT FOLLOWING TRANSMISSION W/O RETARDER | 1 | 1 | 1 | 1 | |
| | | ARE USED WITH 12.7 LITERS / 350HP | | | | | |
| | 571680 | TRANSMISSION ASSY B500 / WTEC III To 6-8906 | 1 | | | | |
| | 571742 | E.C.U. B500 / WTEC III To 6-8906 | 1 | | | | |
| | | THE NEXT FOLLOWING TRANSMISSION W/RETARDER | | | | | |
| | | ARE USED WITH 12.7 LITERS / 350HP | | | | | |
| | 571781 | TRANSMISSION ASSY B500R / WTEC III To 6-8906 | 1 | | | | |
| | 571742 | E.C.U. B500 / WTEC III To 6-8906 | 1 | | | | |
| | | THE NEXT FOLLOWING TRANSMISSION W/O RETARDER | | | | | |
| | | ARE USED WITH 12.7 LITERS / 400HP | | | | | |
| | 571702 | TRANSMISSION ASSY B500 / WTEC III To 6-8906 | 1 | | | | |
| | 571756 | TRANSMISSION ASSY HD4060 / WTEC III To 7-9043 | | 1 | 1 | 1 | |
| | 572033 | TRANSMISSION ASSY 4000MH / GEN IV From 7-9044 | | | 1 | 1 | |
| | 571743 | E.C.U. HD4060R / WTEC III To 7-9043 | 1 | 1 | 1 | 1 | |
| | 572037 | E.C.U. HD4060R / GEN IV From 7-9044 | | | 1 | 1 | |
| | | THE NEXT FOLLOWING TRANSMISSION W/RETARDER | | | | | |
| | | ARE USED WITH 12.7 LITERS / 400HP | | | | | |
| | 571719 | TRANSMISSION ASSY B500R To 6-8906 | 1 | | | | |
| | 571780 | TRANSMISSION ASSY B500R / WTEC III To 6-8906 | 1 | | | | |
| | 571757 | TRANSMISSION ASSY HD4060 | | 1 | 1 | 1 | |
| | 571782 | TRANSMISSION ASSY HD4060 / WTEC III To 7-9043 | | 1 | 1 | 1 | |
| | 572034 | TRANSMISSION ASSY 4000MH / GEN IV From 7-9044 | | | 1 | 1 | |
| | 571743 | E.C.U. HD4060R / WTEC III To 7-9043 | 1 | 1 | 1 | 1 | |
| | 572037 | E.C.U. HD4060R / GEN IV From 7-9044 | | | 1 | 1 | |
| | | TRANSMISSION ASSY / SEE ABOVE | | | | | |
| NS | 683276 | GREASE LOW TEMPERATURE 450GR | AR | AR | AR | AR | |
| 2 | 504602 | CLAMP / 1" I.D. X .375 HOLE | 1 | 1 | 1 | 1 | |
| 3 | 571662 | GROMMET RUBBER / TUBE & TRANS | 1 | 1 | 1 | 1 | |
| 4 | 5001473 | SCREW CAP HEXS 5/16-18x3/4 NYRT | 1 | 1 | 1 | 1 | |
| 5 | 571778 | TRANS DIPSTICK 2211.7MM To 4-8267 | 1 | 1 | 1 | 1 | |
| 5 | 572023 | TRANS DIPSTICK 2261.7MM From 4-8268 | 1 | 1 | 1 | 1 | |
| 6 | 071241 | TUBE DIPSTICK To 4-8267 | 1 | 1 | 1 | 1 | |
| 6 | 071326 | TUBE DIPSTICK From 4-8268 | 1 | 1 | 1 | 1 | |

| | | |
|---|--------------|-----------------|
| From 4-8165 To 8-9339 | Date:10/2022 | PAGE:Y2-0750-01 |
| AUTOMATIC TRANSMISSION - "WORLD" WITH DETROIT S-60 | | |

| Item# | Part | Description | X L I I 4 5 | X L I I M T H 4 0 | X L I I M T H 4 5 | X L I I M T H 4 5 E | N O T E S |
|-------|---------|--|----------------------------|---|---|--|-----------------------|
| 7 | 052600 | ELBOW 90° X 2 3/4" I.D. / 110MM x 110MM C/C / SILICONE To 8-9293 | 1 | 1 | 1 | 1 | |
| 7 | 052898 | ELBOW 90° X 2 3/4" I.D. / 110MM x 110MM C/C / SILICONE From 8-9294 | 1 | 1 | 1 | 1 | |
| 8 | 071231 | ELBOW 90° | 1 | 1 | 1 | 1 | |
| 9 | 071240 | PIPE WATER PUMP TO OIL COOLER / W/O RETARDER | 1 | 1 | 1 | 1 | |
| 10 | 571769 | OIL COOLER "MODINE" / SINGLE | 1 | 1 | 1 | 1 | |
| 11 | 071239 | PIPE OIL COOLER TO EGR / W/O RETARDER | 1 | 1 | 1 | 1 | |
| 11 | 071543 | PIPE OIL COOLER TO EGR / SS / W/O RETARDER SERVICE | 1 | 1 | 1 | 1 | |
| 12 | 510779 | BOLT / TO FIX ELBOW | 2 | 2 | 2 | 2 | |
| 13 | 510778 | O-RING 2.612 I.D. | 1 | 1 | 1 | 1 | |
| 14 | 504562 | HOSE CLAMP / 2"3/4-3"5/8 / C.T. 350 | 8 | 8 | 8 | 8 | |
| 15 | 071250 | HOSE 2 3/4" I.D. X 100MM | 2 | 2 | 2 | 2 | |
| 15 | 503395 | . HOSE SILICONE 4PLY 2 3/4" I.D. x 3' | AR | AR | AR | AR | |
| 16 | 571770 | OIL COOLER "MODINE" / DOUBLE | 1 | 1 | 1 | 1 | |
| 17 | 071268 | HOSE SILICONE 4 PLY 2 3/4" I.D X 84MM | 1 | 1 | 1 | 1 | |
| 17 | 503395 | . HOSE SILICONE 4PLY 2 3/4" I.D. x 3' | AR | AR | AR | AR | |
| 18 | 071234 | PIPE WATER PUMP TO OIL COOLER To 4-8345 | 1 | 1 | 1 | 1 | |
| 18 | 071338 | PIPE WATER PUMP TO OIL COOLER From 4-8346 | 1 | 1 | 1 | 1 | |
| 19 | 071233 | PIPE OIL COOLER TO EGR To 4-8345 | 1 | 1 | 1 | 1 | |
| 19 | 071541 | PIPE OIL COOLER TO EGR / SS SERVICE To 4-8345 | 1 | 1 | 1 | 1 | |
| 19 | 071339 | PIPE OIL COOLER TO EGR From 4-8346 | 1 | 1 | 1 | 1 | |
| 19 | 071542 | PIPE OIL COOLER TO EGR / SS SERVICE From 4-8346 | 1 | 1 | 1 | 1 | |
| 20 | 071262 | HOSE ASSY / #16 1480MM | 1 | 1 | 1 | 1 | C |
| 20 | 079024 | HOSE ASSY / #16 1520MM | 1 | 1 | 1 | 1 | |
| 21 | 071261 | HOSE ASSY / #16 1795MM | 1 | 1 | 1 | 1 | B |
| 21 | 079023 | HOSE ASSY / #16 1840MM | 1 | 1 | 1 | 1 | |
| 22 | 501573 | MALE CONNECTOR / JIC 37° FITTING / #16JIC-Mx#16ORB-M STL | 2 | 2 | 2 | 2 | O |
| 22 | 501523 | MALE ELBOW 90° / JIC 37° FITTING / #16JIC-Mx#16ORB-M STL | 2 | 2 | 2 | 2 | O |
| 22 | 501573 | MALE CONNECTOR / JIC 37° FITTING / #16JIC-Mx#16ORB-M STL | 2 | 2 | 2 | 2 | R |
| 23 | 501523 | MALE ELBOW 90° / JIC 37° FITTING / #16JIC-Mx#16ORB-M STL | 2 | 2 | 2 | 2 | |
| 24 | 501575 | MALE CONNECTOR / JIC 37° FITTING / #20JIC-Mx#20ORB-M STL VITON | 2 | 2 | 2 | 2 | |
| 25 | 071246 | HOSE ASSY / #20 1590MM To 4-8345 | 1 | 1 | 1 | 1 | |
| 25 | 071332 | HOSE ASSY / #20 1385MM From 4-8346 | 1 | 1 | 1 | 1 | |
| 26 | 071245 | HOSE ASSY / #20 1492MM To 4-8345 | 1 | 1 | 1 | 1 | |
| 26 | 071331 | HOSE ASSY / #20 1287MM From 4-8346 | 1 | 1 | 1 | 1 | |
| 27 | 5011065 | MALE ELBOW 90° / JIC 37° FITTING / #20JIC-Mx#20ORB-M STL VITON | 2 | 2 | 2 | 2 | |
| 28 | 071247 | HOSE ASSY / #16 1385MM To 4-8345 | 1 | 1 | 1 | 1 | |
| 28 | 071333 | HOSE ASSY / #16 1240MM From 4-8346 | 1 | 1 | 1 | 1 | |
| 29 | 071248 | HOSE ASSY / #16 1141MM To 4-8345 | 1 | 1 | 1 | 1 | |
| 29 | 071334 | HOSE ASSY / #16 996MM From 4-8346 | 1 | 1 | 1 | 1 | |
| 30 | 071232 | ATTACHMENT / 305MM HIGHT To 4-8345 | 1 | 1 | 1 | 1 | |
| 30 | 071343 | ATTACHMENT / 255MM HIGHT From 4-8346 | 1 | 1 | 1 | 1 | |
| 31 | 071244 | ATTACHMENT To 4-8345 | 1 | 1 | 1 | 1 | |

| | | |
|---|--------------|-----------------|
| From 4-8165 To 8-9339 | Date:10/2022 | PAGE:Y2-0750-01 |
| AUTOMATIC TRANSMISSION - "WORLD" WITH DETROIT S-60 | | |

| Item# | Part | Description | X L I I 4 5 | X L I I M T H 4 0 | X L I I M T H 4 5 | X L I I M T H 4 5 E | N O T E S |
|-------|---------|--|----------------------------|---|---|--|-----------------------|
| 31 | 071328 | ATTACHMENT From 4-8346 | 1 | 1 | 1 | 1 | |
| 32 | 071259 | SUPPORT, HOSE To 7-9043 | 1 | 1 | 1 | 1 | |
| 32 | 071407 | SUPPORT HOSE From 7-9044 | 1 | 1 | 1 | 1 | |
| 33 | 071096 | PROTECTOR SUPPORT SS ANGLE SHAPE 61MM X 73MM To 7-9241 | 1 | 1 | 1 | 1 | OS |
| 33 | 071097 | PROTECTOR SUPPORT SS 102MM X 90MM To 7-9241 | 1 | 1 | 1 | 1 | RS |
| 34 | 071035 | SUPPORT CABLE HARNESS / W/2 HOLES / WTEC III To 7-9000 | 1 | 1 | 1 | 1 | |
| 35 | 071403 | SUPPORT CABLE HARNESS / W/1 HOLE & 1 STUD / GEN IV From 7-9001 | 1 | 1 | 1 | 1 | |
| 36 | 070884 | SUPPORT "Z" SHAPE To 4-8345 | 1 | 1 | 1 | 1 | |
| 36 | 071305 | SUPPORT "J" SHAPE From 4-8346 | 1 | 1 | 1 | 1 | |
| 37 | 071440 | PROTECTOR SUPPORT SS "V" SHAPE 80MM HIGH From 7-9044 | 1 | 1 | 1 | 1 | |
| 37 | 079022 | PROTECTOR SUPPORT SS "V" SHAPE 74MM HIGH From 7-9044 | 1 | 1 | 1 | 1 | |
| 38 | 066208 | CABLE HARNESS / SENSOR WTEC W/RETARDER / MUX From 7-9096 | 1 | 1 | 1 | 1 | |
| 39 | 066209 | CABLE HARNESS / SENSOR WTEC W/OUT RETARDER / MUX From 7-9096 | 1 | 1 | 1 | 1 | |
| NS | 061129 | SUPPORT FLAT TWISTED / TUBE DIPSTICK To 7-9043 | 1 | 1 | 1 | 1 | |
| 39 | 071028 | PROTECTOR RUBBER CABLE HARNESS / FIXED HOSE & TRANS To 4-8345 | 1 | 1 | 1 | 1 | |
| NS | 071341 | PROTECTOR RUBBER CABLE HARNESS & HOSES From 4-8346 To 7-9043 | 1 | 1 | 1 | 1 | |
| NS | 071408 | PROTECTOR RUBBER CABLE HARNESS & HOSES From 7-9044 | 1 | 1 | 1 | 1 | O |
| NS | 071404 | PROTECTOR RUBBER CABLE HARNESS & HOSES From 7-9044 | 1 | 1 | 1 | 1 | R |
| 41 | 070880 | HOSE ASSY / #20 310MM To 4-8345 | | | | | |
| 41 | 071335 | HOSE ASSY / #20 770MM From 4-8346 | 1 | 1 | 1 | 1 | |
| 42 | 507558 | MALE ELBOW 45° / JIC 37° FITTING / #20JIC-Mx#20ORB-M STL VITON | 1 | 1 | 1 | 1 | |
| 43 | 571745 | ACCUMULATOR & SOLENOID / WTEC III | 1 | 1 | 1 | 1 | |
| NS | 571707 | . ACCUMULATOR | 1 | 1 | 1 | 1 | |
| NS | 571708 | . VALVE SOLENOID 12V | 1 | 1 | 1 | 1 | |
| 43 | 572030 | ACCUMULATOR & SOLENOID / GEN IV | 1 | 1 | 1 | 1 | |
| 43 | 571708 | . VALVE SOLENOID 12V | 1 | 1 | 1 | 1 | |
| 44 | 5001741 | SCREW CAP HEXF M10-1.5x30 G8.8 N500 | 5 | 5 | 5 | 5 | |
| 45 | 5001760 | NUT HEXF STO M10-1.5 G8 ZP | 5 | 5 | 5 | 5 | |
| 46 | 5011112 | FEMALE ELBOW 90° / JIC 37° FITTING / #6JIC-Mx3/8NPT-F STL | 1 | 1 | 1 | 1 | |
| 47 | 140376 | HOSE ASSY TEFLON #6 686MM To 6-8906 | 1 | 1 | 1 | 1 | |
| 47 | 142486 | HOSE ASSY TEFLON #6 610MM From 4-8346 | 1 | 1 | 1 | 1 | |
| 47 | 142483 | HOSE ASSY TEFLON #6 450MM From 4-8346 | 1 | 1 | 1 | 1 | |
| 48 | 501687 | MALE CONNECTOR / JIC 37° FITTING / #6JIC-Mx1/4NPT-M STL | 1 | 1 | 1 | 1 | |
| 49 | 640488 | VALVE, AIR FILL 1/8" NPT | 1 | 1 | 1 | 1 | |
| NS | 650164 | . CAP VALVE / CHROME | 1 | 1 | 1 | 1 | |
| 50 | 641472 | AIR PRESSURE REGULATOR 1/4" NPT / COPPER | 1 | 1 | 1 | 1 | |
| 51 | 500734 | NUT HEX JAM 3/4-16 Z050 | 1 | 1 | 1 | 1 | |
| 52 | 142013 | SUPPORT AIR REGULATOR / ANGLE 90DEG STYLE | 1 | 1 | 1 | 1 | |
| 53 | 500535 | SCREW TP CAP HEX #14x3/4 Z050 | 2 | 2 | 2 | 2 | |
| NS | 500473 | WASHER LO SPT .262x.489x.062 Z050 | 2 | 2 | 2 | 2 | |
| 54 | 503404 | TUBE, NYLON 3/8 O.D. / BLACK S.L. | AR | AR | AR | AR | |
| 55 | 641372 | MALE ELBOW 90° NON-SWIVEL / PUSH-IN FITTING / #6x1/4NPT-M BR | 1 | 1 | 1 | 1 | |

| | | |
|---|--------------|-----------------|
| From 4-8165 To 8-9339 | Date:10/2022 | PAGE:Y2-0750-01 |
| AUTOMATIC TRANSMISSION - "WORLD" WITH DETROIT S-60 | | |

| Item# | Part | Description | X L I I 4 5 | X L I I M T H 4 0 | X L I I M T H 4 5 | X L I I M T H 4 5 E | NOTES |
|-------|---------|--|----------------------------|---|---|--|-------|
| 56 | 500225 | SCREW CAP HEX 5/8-11x1 G5 Z050 | 3 | 3 | 3 | 3 | |
| 56 | 500817 | SCREW CAP HEX 5/8-11x1 3/4 G5 Z050 | 3 | 3 | 3 | 3 | |
| 57 | 500484 | WASHER LO SPT .635x1.079x.156 Z050 | 3 | 3 | 3 | 3 | |
| 57 | 500802 | WASHER LO SPT 16.2x37.4x3.5 Z050 | 3 | 3 | 3 | 3 | |
| 58 | 3852496 | WASHER LO SPT 10.2x18.1x2.2 ZG603 | 2 | 2 | 2 | 2 | |
| 59 | 500832 | WASHER FL .406x.812x.065 N500 | 2 | 2 | 2 | 2 | |
| 60 | 952637 | CLAMP / 1"1/16 I.D. | AR | AR | AR | AR | |
| 60 | 952641 | CLAMP / 1 5/16" I.D. | AR | AR | AR | AR | |
| 62 | 500574 | SCREW MA TR PH #10-24x1 1/4 SS | AR | AR | AR | AR | |
| 63 | 500964 | WASHER FL .203x.500x.047 Z050 | AR | AR | AR | AR | |
| 64 | 500470 | WASHER LO SPT .193x.334x.047 Z050 | AR | AR | AR | AR | |
| 65 | 500786 | NUT HEX #10-24 Z050 | AR | AR | AR | AR | |
| 66 | 071329 | SUPPORT / TRANS & ACUMULATOR / WTEC III (168mm c/c holes) | 1 | 1 | 1 | 1 | |
| 66 | 071400 | SUPPORT / TRANS & ACUMULATOR / GEN IV (155mm c/c holes) | 1 | 1 | 1 | 1 | |
| 67 | 500213 | SCREW CAP HEX 1/2-13x1 G5 Z050 | 4 | 4 | 4 | 4 | |
| 68 | 500482 | WASHER LO SPT .506x.873x.125 Z050 | 4 | 4 | 4 | 4 | |
| 69 | 071014 | SUPPORT / TRANS & ACUMULATOR / WTEC III To 4-8345 | 1 | 1 | 1 | 1 | |
| 71 | 562357 | RESISTANCE MODULE | 1 | 1 | 1 | 1 | |
| 72 | 562381 | RESISTANCE MODULE | 1 | 1 | 1 | 1 | |
| 73 | 063782 | CABLE ASSY / RESISTANCE MODULE & SWITCH | 1 | 1 | 1 | 1 | |
| 74 | 070902 | PRESSURES SWITCH ASSY W/MANIFOLD | 1 | 1 | 1 | 1 | |
| 75 | 070903 | . MANIFOLD | 1 | 1 | 1 | 1 | |
| 76 | 640999 | . MALE ELBOW 90° / NTA FITTING / #6x1/4NPT-M BR | 1 | 1 | 1 | 1 | |
| 77 | 501304 | . PLUG SQUARE HEAD / PIPE FITTING / 1/4NPT-M BR | 1 | 1 | 1 | 1 | |
| 78 | 562358 | . PRESSURE SWITCH N.O. 2PSI / 1/8NPT | 1 | 1 | 1 | 1 | |
| 79 | 562384 | . PRESSURE SWITCH N.O. 4PSI / 1/8NPT | 1 | 1 | 1 | 1 | |
| 80 | 562385 | . PRESSURE SWITCH N.O. 7PSI / 1/8NPT To A-9625 | 1 | 1 | 1 | 1 | |
| 81 | 501037 | MALE ELBOW 90° / SAE 45° FITTING / #4FL-Mx1/4NPT-M BR | 1 | 1 | 1 | 1 | |
| 81 | 501027 | MALE CONNECTOR / SAE 45° FITTING / #4FL-Mx1/4NPT-M BR | 1 | 1 | 1 | 1 | |
| 82 | 052509 | HOSE ASSY TEFLON #4 1170MM | 1 | 1 | 1 | 1 | |
| 83 | 501129 | EXTERNAL SEAL DRAIN 1/4 NPT To 8-9293 | 1 | 1 | 1 | 1 | |
| 83 | 501449 | PLUG HEXS / PIPE FITTING / 3/8NPT-M STL From 8-9294 | 1 | 1 | 1 | 1 | |
| 84 | 501304 | PLUG SQUARE HEAD / PIPE FITTING / 1/4NPT-M BR | 1 | 1 | 1 | 1 | |
| 85 | 061025 | SUPPORT | 1 | 1 | 1 | 1 | |
| 88 | 502719 | SCREW CAP HEX M10-1.5x20 SS EMN | 1 | 1 | 1 | 1 | |
| 89 | 5001427 | SCREW CAP HEX 7/16-14x1 3/8 G5 Z050 | 12 | 12 | 12 | 12 | A |
| NS | 500853 | WASHER LO EXT .437x.760x.036 Z050 | 12 | 12 | 12 | 12 | A |
| 90 | 071170 | HOSE ASSY / #4 24" | 1 | 1 | 1 | 1 | |
| . A | 071167 | . FEMALE CONNECTOR / HOSE BARB @ METRIC / #4x M10-1.5-F BR | 1 | 1 | 1 | 1 | |
| . B | 071166 | . MALE CONNECTOR / HOSE BARB @ METRIC / #4x M10-1.5-M BR | 1 | 1 | 1 | 1 | |
| 91 | 060840 | SUPPORT HARNESS | 1 | 1 | 1 | 1 | |
| 92 | 504601 | CLAMP / 5/16" I.D. x .375 HOLE | 1 | 1 | 1 | 1 | |

| | | |
|---|--------------|-----------------|
| From 4-8165 To 8-9339 | Date:10/2022 | PAGE:Y2-0750-01 |
| AUTOMATIC TRANSMISSION - "WORLD" WITH DETROIT S-60 | | |

| Item# | Part | Description | X L I I 4 5 | X L I I M T H 4 0 | X L I I M T H 4 5 | X L I I M T H 4 5 E | N O T E S |
|-------|-------------------|--|----------------------------|---|---|--|-----------------------|
| 93 | 571763 | BREATHER | 1 | 1 | 1 | 1 | |
| 94 | 952627 | CLAMP / 1/2" I.D. | 1 | 1 | 1 | 1 | |
| 95 | 502862 | SCREW CAP HEX M8-1.25x20 G8.8 N500 | 1 | 1 | 1 | 1 | |
| 96 | 500942 | WASHER LO SPT 8.1x14.8x2.0 N500 | 1 | 1 | 1 | 1 | |
| 97 | 071166 | MALE CONNECTOR / HOSE BARB @ METRIC / #4x M10-1.5-M BR | 1 | 1 | 1 | 1 | |
| 97 | 071497 | MALE CONNECTOR / SAE 45° @ METRIC / #4FL-Mx M10-1.5 M BR | 1 | 1 | 1 | 1 | |
| 98 | 504601 | CLAMP / 5/16" I.D. x .375 HOLE | 1 | 1 | 1 | 1 | |
| 100 | 071392 | SUPPORT / TUBE DIPSTICK / ANGLE W/STUD To 8-9276 | 1 | 1 | 1 | 1 | |
| 101 | 071363 | SUPPORT / TUBE DIPSTICK / "U" SHAPE 132MM To 8-9276 | 1 | 1 | 1 | 1 | |
| 102 | 500574 | SCREW MA TR PH #10-24x1 1/4 SS To 8-9276 | 1 | 1 | 1 | 1 | |
| 103 | 500470 | WASHER LO SPT .193x.334x.047 Z050 To 8-9276 | 1 | 1 | 1 | 1 | |
| 104 | 500786 | NUT HEX #10-24 Z050 To 8-9276 | 1 | 1 | 1 | 1 | |
| 105 | 952635 | CLAMP / 1" I.D. To 8-9276 | 1 | 1 | 1 | 1 | |
| 110 | N.S.P. | SUPPORT REAR / (29507888) To 4-8345 | 1 | 1 | 1 | 1 | 2 |
| 110 | 070964 | SUPPORT REAR To 4-8345 | 1 | 1 | 1 | 1 | |
| 111 | 070950 | GUIDE REAR To 4-8345 | 1 | 1 | 1 | 1 | |
| 112 | 630118 | RUBBER BUMPPER To 4-8345 | 1 | 1 | 1 | 1 | |
| 113 | 550642 | WASHER To 4-8345 | 1 | 1 | 1 | 1 | |
| 114 | 500106 | SCREW CAP HEX 1/2-20x6 G5 PT Z050 To 4-8345 | 1 | 1 | 1 | 1 | |
| 115 | 500718 | NUT HEX STO 1/2-20 Z050 | 1 | 1 | 1 | 1 | |
| 116 | 500958 | WASHER FL .531x1.062x.095 SS | 1 | 1 | 1 | 1 | |
| 120 | 502830 | SCREW CAP HEX M6-1.0x20 G8.8 N500 | AR | AR | AR | AR | |
| 121 | 500877 | WASHER FL .250x.562x.065 N500 | AR | AR | AR | AR | |
| 122 | 952635 | CLAMP / 1" I.D. | AR | AR | AR | AR | |
| 131 | Y2-0150-00 | ENGINE CRADLE - WITH DETROIT S-60 | | | | | |
| 133 | 071259 | SUPPORT, HOSE From 3-7976 To 4-8345 | 1 | 1 | 1 | 1 | |
| 134 | 071260 | SUPPORT, HOSE From 3-7976 To 4-8345 | 1 | 1 | 1 | 1 | |
| 135 | 070884 | SUPPORT "Z" SHAPE To 4-8345 | 1 | 1 | 1 | 1 | |
| 136 | 052560 | SUPPORT, COOLANT FILTER From 4-8268 | 1 | 1 | 1 | 1 | |
| NS | 683904 | TESTING FOR GLYCOL CONTAMINATION IN TRANSMISSION OIL | 1 | 1 | 1 | 1 | |
| . NS | IS-99901A | . SEE INSTRUCTION SHEET | 1 | 1 | 1 | 1 | |
| 200 | 571709 | TRANSMISSION FILTER / MAINTENANCE KIT | 1 | 1 | 1 | 1 | |
| 200 | 572050 | TRANSMISSION FILTER / MAINTENANCE KIT | AR | AR | AR | AR | |
| . NS | 571692 | . O-RING / (LARGE SQUARE CUT) | 2 | 2 | 2 | 2 | |
| . NS | 571693 | . O-RING / (SMALL) | 2 | 2 | 2 | 2 | |
| . NS | 571694 | . O-RING / DRAIN PLUG | 2 | 2 | 2 | 2 | |
| . NS | 571695 | . DRAIN PLUG ASSY W/O-RING | 1 | 1 | 1 | 1 | |
| 201 | N.S.S. | . FILTER | 2 | 2 | 2 | 2 | 1 |
| 202 | 571692 | . O-RING / (LARGE SQUARE CUT) | 2 | 2 | 2 | 2 | |
| 203 | 571693 | . O-RING / (SMALL) | 2 | 2 | 2 | 2 | |

| | | |
|---|--------------|-----------------|
| From 4-8165 To 8-9339 | Date:10/2022 | PAGE:Y2-0750-01 |
| AUTOMATIC TRANSMISSION - "WORLD" WITH DETROIT S-60 | | |

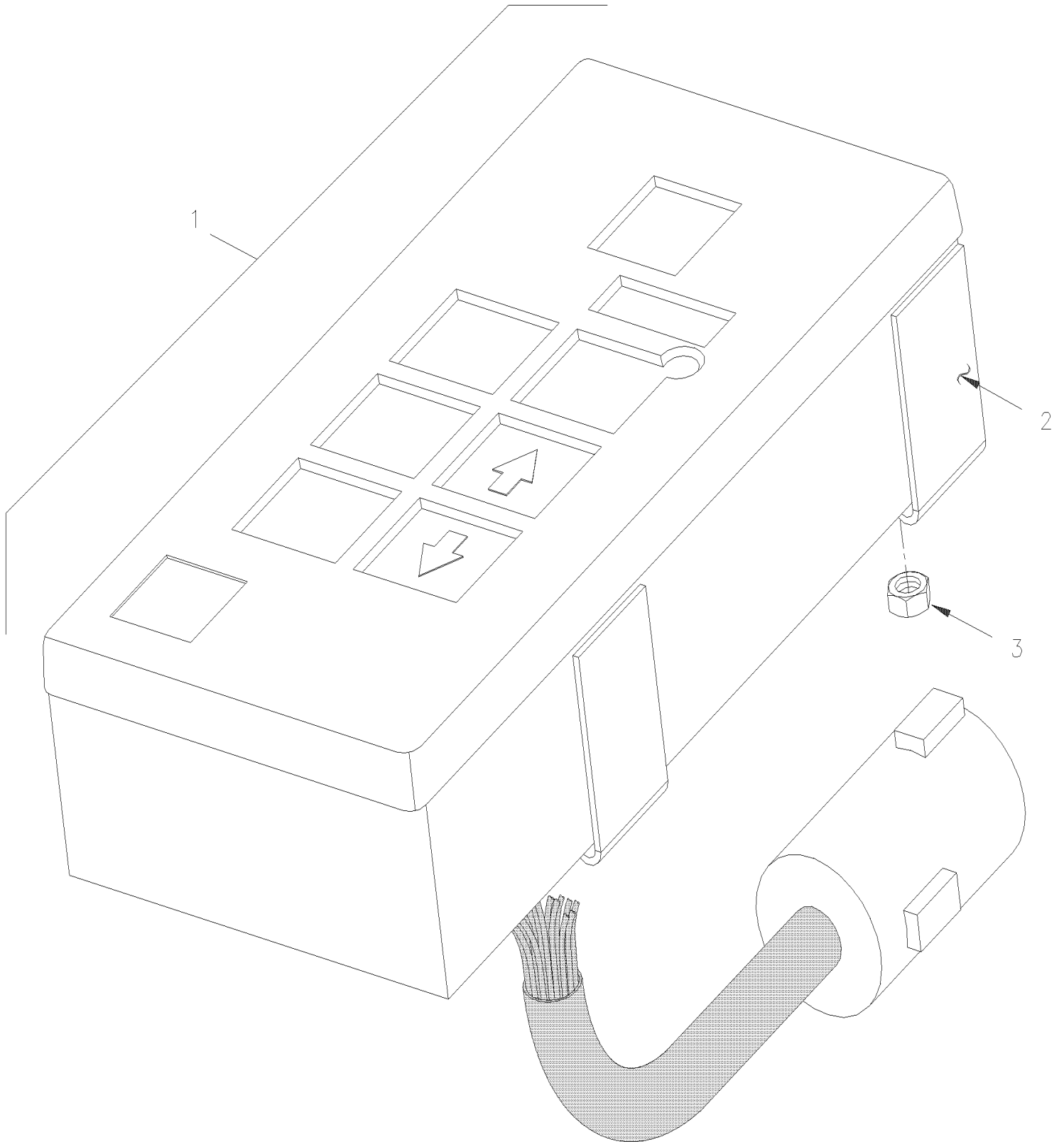
| Item# | Part | Description | X L I I 4 5 | X L I I M T H 4 0 | X L I I M T H 4 5 | X L I I M T H 4 5 E | NOTES |
|-------|--------|---|----------------------------|---|---|--|-------|
| 204 | 571694 | . O-RING / DRAIN PLUG | 2 | 2 | 2 | 2 | |
| 205 | 571695 | DRAIN PLUG ASSY W/O-RING | 1 | 1 | 1 | 1 | |
| NS | 071249 | DECAL "TranSynd OIL ONLY" / ENGLISH & FRANCAIS | 1 | 1 | 1 | 1 | |
| NS | 071364 | DECAL "TranSynd OIL ONLY" / ENGLISH & SPANISH | 1 | 1 | 1 | 1 | |
| NS | 684016 | OIL TRANSYND TRANSMISSION "WORLD" | 1 | 1 | 1 | 1 | |
| 206 | N.S.P. | COVER FILTER / (29507434) | 2 | 2 | 2 | 2 | 2 |
| 207 | N.S.P. | BOLT M10-1.5 x 55M / (2954186) | AR | AR | AR | AR | 2 |
| 208 | N.S.P. | YOKE (1810) HALF ROUND(29511516/6.5-4-4521-1) | 1 | 1 | 1 | 1 | 2 |
| 208 | N.S.P. | STRAP LOCK PLATE | 1 | 1 | 1 | 1 | 2 |
| 208 | N.S.P. | BOLT M10-1.5 X 30MM GR 10.9 | 2 | 2 | 2 | 2 | 2 |
| 208 | N.S.P. | SEAL OUTPUT / (29515621) | 1 | 1 | 1 | 1 | 2 |
| 209 | N.P.N. | BOLT M10-1.5 X 30MM GR10.9 | 1 | 1 | 1 | 1 | 4 |
| | | | | | | | |
| | | | | | | | |
| | | A) TO FIX TRANSMISSION TO ENGINE | | | | | |
| | | B) PRODUCT IMPROVEMENT CORRODING HOSE FITTING, CHANGE FOR HOSE # 079023 WITH 1 FITTING # 501523 | | | | | |
| | | C) PRODUCT IMPROVEMENT CORRODING HOSE CHANGE FOR HOSE # 079024 WITH 1 FITTING # 501523 | | | | | |
| | | O) WITHOUT RETARDER | | | | | |
| | | R) WITH RETARDER | | | | | |
| | | S) AS SHOWN | | | | | |
| | | 1) NOT SOLD SEPARATELY | | | | | |
| | | 2) NOT SOLD BY PREVOST (SEE MANUFACTURING PART NUMBER AT END OF DESCRIPTION LINE) | | | | | |
| | | 4) NO PARTS NUMBER | | | | | |

From Y-7046 To 8-9339

Date:10/2022

PAGE:Y2-0755-15

SHIFTER ELECTRONIC - "WORLD" TRANSMISSION



| | | |
|--|--------------|-----------------|
| From Y-7046 To 8-9339 | Date:10/2022 | PAGE:Y2-0755-15 |
| SHIFTER ELECTRONIC - "WORLD" TRANSMISSION | | |

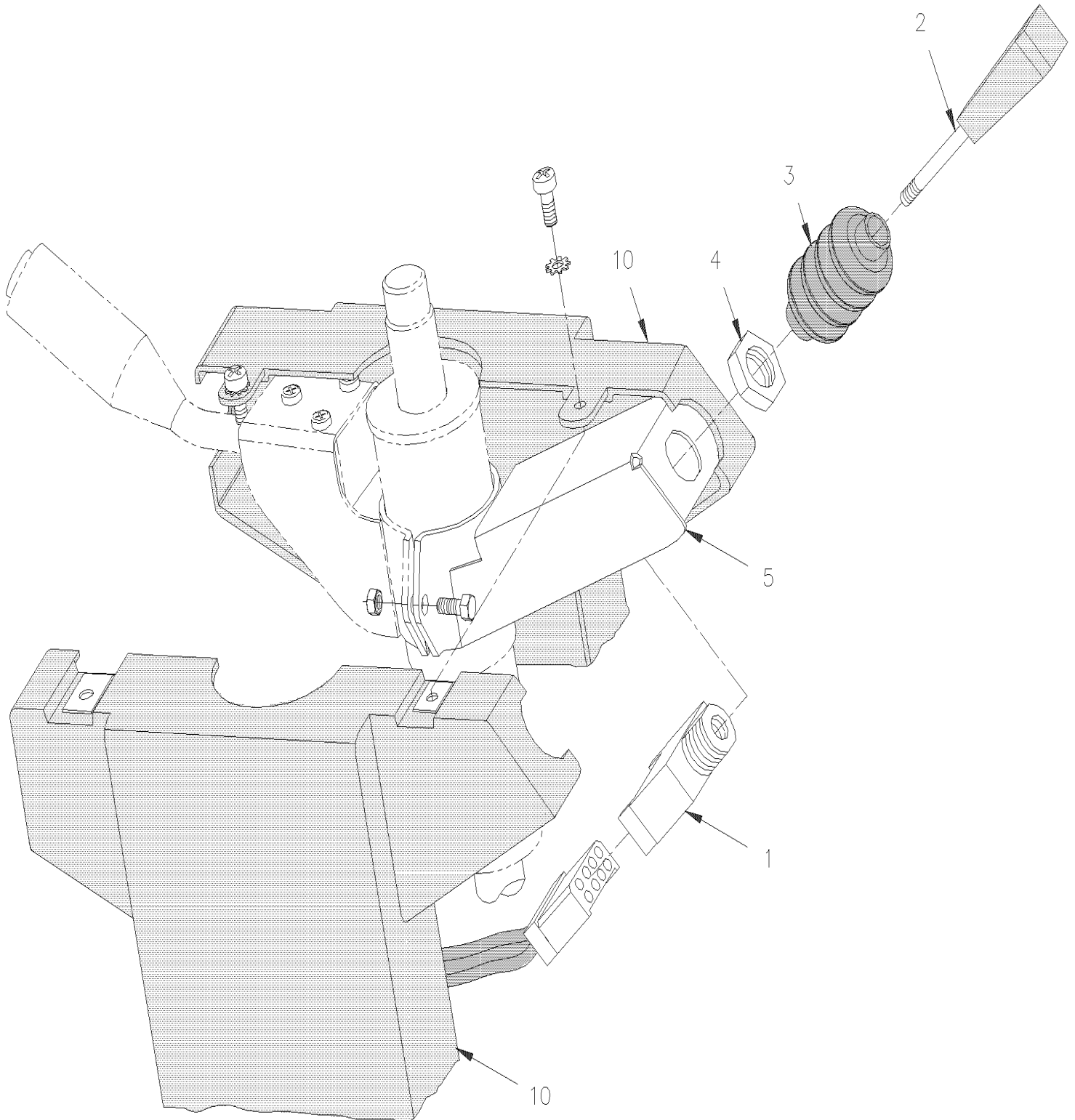
| Item# | Part | Description | X L I I 4 5 | X L I I M T H 4 0 | X L I I M T H 4 5 | X L I I M T H 4 5 E | N O T E S |
|-------|--------|---|----------------------------|---|---|--|-----------------------|
| 1 | 571718 | SHIFTER, SELECTOR "WORLD" / WTEC III To 7-9000 | 1 | 1 | 1 | 1 | |
| 1 | 572031 | SHIFTER, SELECTOR "WORLD" / GEN IV From 7-9001 | | | 1 | 1 | |
| 2 | N.S.P. | . BRACKET | 2 | 2 | 2 | 2 | 2 |
| 3 | 500423 | . NUT HEX NYRT #10-32 SS | 4 | 4 | 4 | 4 | |
| | | | | | | | |
| | | | | | | | |
| | | 2) NOT SOLD BY PREVOST (SEE MANUFACTURING PART NUMBER AT END OF DESCRIPTION LINE) | | | | | |

From Y-7046 To 8-9339

Date:10/2022

PAGE:Y2-0760-00

RETARDER SELECTOR SWITCH - "WORLD"

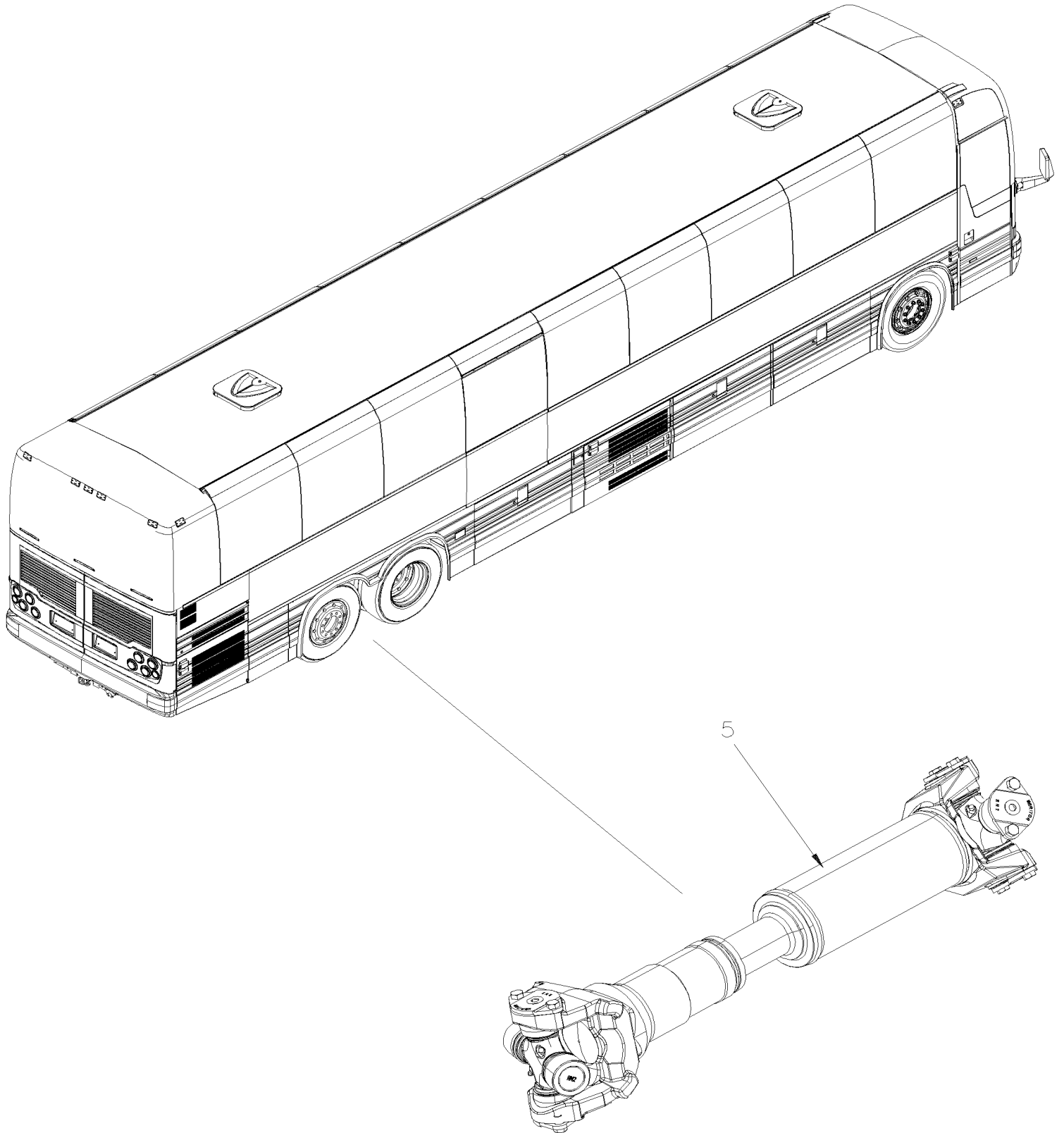


From Y-7046 To 8-9339 Date:10/2022 PAGE:Y2-0760-00

RETARDER SELECTOR SWITCH - "WORLD"

| Item# | Part | Description | X L I I 4 5 | X L I I M T H 4 0 | X L I I M T H 4 5 | X L I I M T H 4 5 E | NOTES |
|-------|-------------------|---|----------------------------|---|---|--|-------|
| 1 | 562356 | SWITCH ASSY / W/LEVER & BOOT / 6 POSITIONS | 1 | 1 | 1 | 1 | |
| 2 | N.S.S. | . LEVER | 1 | 1 | 1 | 1 | 1 |
| 3 | N.S.S. | . BOOT | 1 | 1 | 1 | 1 | 1 |
| 4 | N.S.S. | . NUT JAM | 1 | 1 | 1 | 1 | 1 |
| 5 | N.P.N. | SUPPORT CONTROL SWITCH | 1 | 1 | 1 | 1 | 4 |
| 10 | Y2-1407-00 | STEERING COLUMN & COVER - INSTALLATION | | | | | |
| | | | | | | | |
| | | | | | | | |
| | | 1) NOT SOLD SEPARATELY | | | | | |
| | | 4) NO PARTS NUMBER | | | | | |

| | | |
|-----------------|--------------|-------|
| | Date:10/2022 | Y2-09 |
| PROPELLER SHAFT | | |



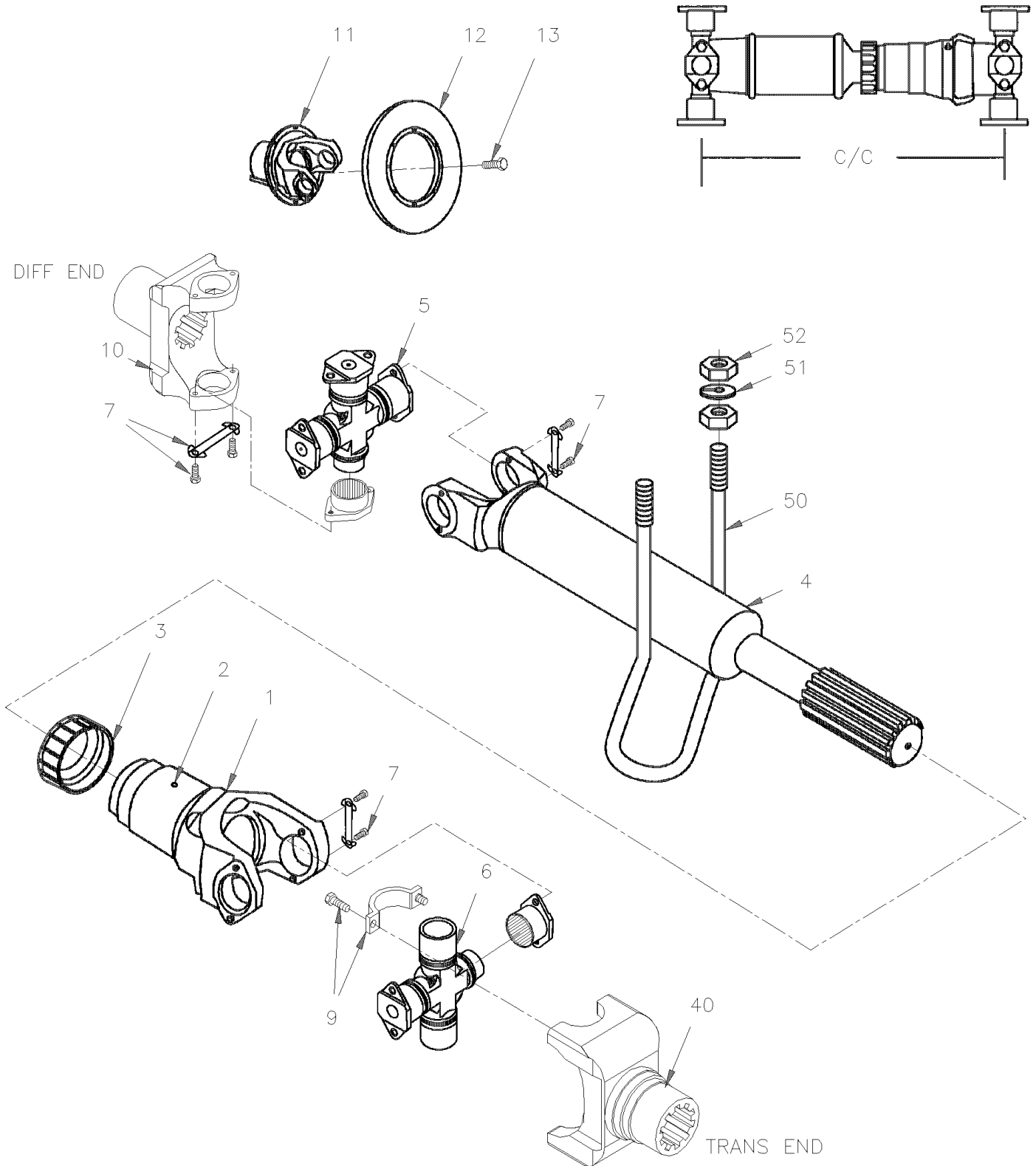
| | | Date:10/2022 | Y2-09 | | | | |
|-----------------|------------|---------------------------------------|----------------------------|---|---|--|-------|
| PROPELLER SHAFT | | | | | | | |
| Item# | Part | Description | X L I I 4 5 | X L I I M T H 4 0 | X L I I M T H 4 5 | X L I I M T H 4 5 E | NOTES |
| 5 | Y2-0905-00 | PROPELLER SHAFT From Y-7046 To 8-9339 | | | | | |

From Y-7046 To 8-9339

Date:10/2022

PAGE:Y2-0905-00

PROPELLER SHAFT



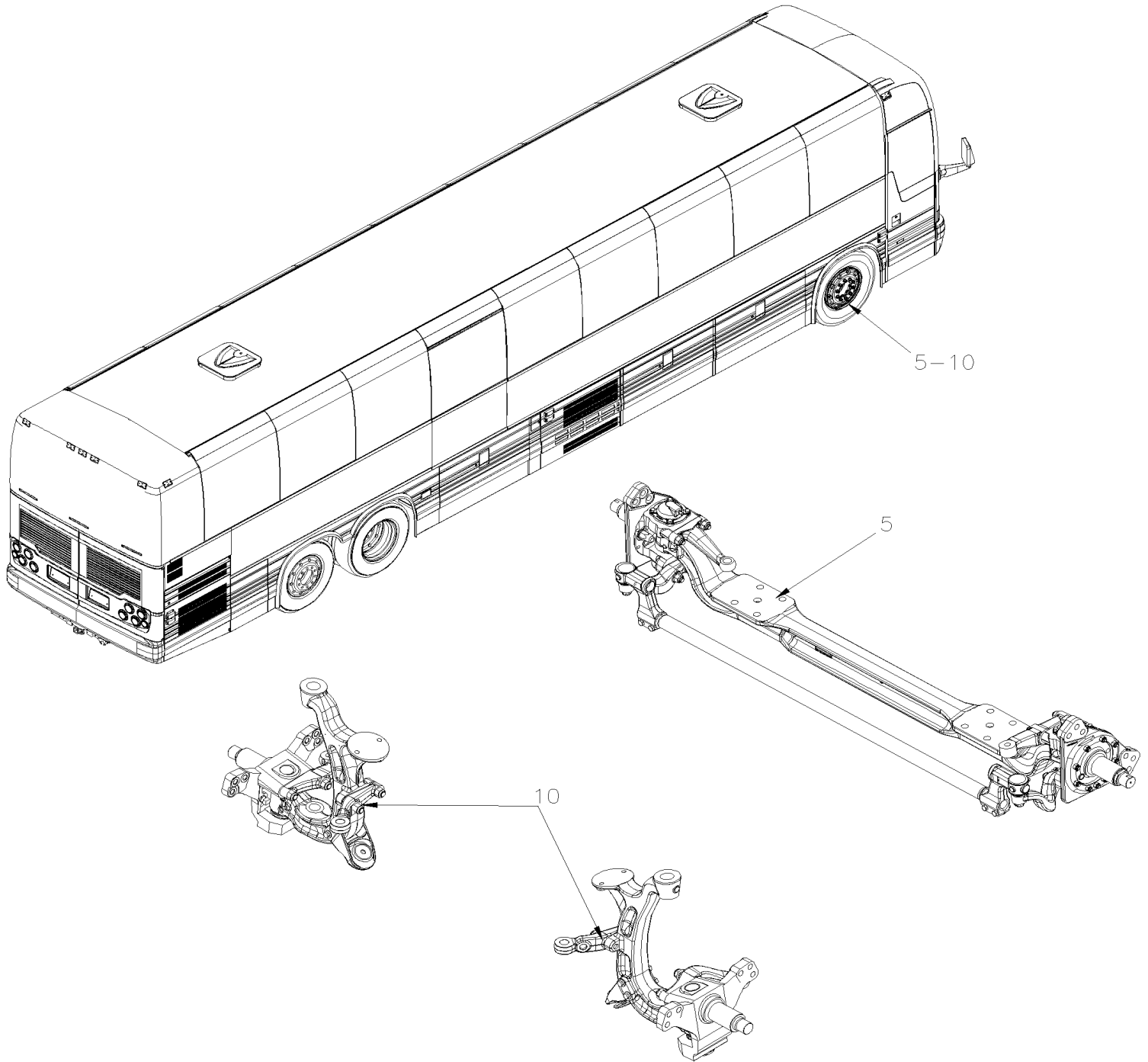
| | | |
|------------------------|--------------|-----------------|
| From Y-7046 To 8-9339 | Date:10/2022 | PAGE:Y2-0905-00 |
| PROPELLER SHAFT | | |

| Item# | Part | Description | X L I I 4 5 | X L I I M T H 4 0 | X L I I M T H 4 5 | X L I I M T H 4 5 E | N O T E S |
|-------|----------|--|----------------------------|---|---|--|-----------------------|
| | | MESURE FROM C/C OF BEARING CAP W/MINIMUM COLLAPSED | | | | | |
| | | PROPELLER SHAFT SERIES 1810 USED WITH SERIES 60 ENGINE | | | | | |
| NS | 580070 | SHAFT ASSY 39" C/C | 1 | | 1 | | |
| | 580075 | SHAFT ASSY 14" C/C To 7-9095 | | 1 | | 1 | |
| | 580083 | SHAFT ASSY 17.937" C/C From 7-9096 | | | | 1 | |
| | 580080 | SHAFT ASSY 33" C/C W/MANUAL TRANSMISSION | 1 | | | | Z M |
| 1 | 580065 | . SLIP YOKE | 1 | | 1 | | A |
| . NS | 580078 | . . WELSH PLUG / PLASTIC BLUE 3 1/4" O.D. THIN | 1 | | 1 | | A |
| 1 | 580066 | . SLIP YOKE | | 1 | | 1 | B |
| . NS | 580084 | . . WELSH PLUG / PLASTIC BLUE 3 1/4" O.D. DEEP | | 1 | | 1 | B |
| 2 | 501491 | . . GREASE FITTING / 1/8 NPTx3/4" | 1 | 1 | 1 | 1 | |
| 3 | 580052 | . DUST CAP KIT / W/1800 SERIES | 1 | 1 | 1 | 1 | |
| 5 | 580043 | . KIT, CROSS & BEARING / W/1800 FULL ROUND | | 1 | | 1 | |
| 5 | 580043 | . KIT, CROSS & BEARING / W/1800 FULL ROUND | 1 | | 1 | | |
| 6 | 580062 | . KIT, CROSS & BEARING / W/1800 HALF ROUND | 1 | 1 | 1 | 1 | |
| NS | 580067 | . . BEARING END (1810) W/QUICK DISCONNECT | 2 | 2 | 2 | 2 | |
| 7 | 580071 | . . SCREW CAP HEX 3/8-24 x 5/8 G8 | 4 | 4 | 4 | 4 | |
| 9 | 580063 | KIT STRAP & BOLT | 2 | 2 | 2 | 2 | |
| . NS | N8893184 | . SCREW CB 12POINT (SET OF 4) 1/2-20 x 1" G8 | 4 | 4 | 4 | 4 | |
| | | NEXT FOLLOWING YOKE ARE PARTS OF REAR AXLE | | | | | |
| 10 | 621403 | YOKE (1810) FULL ROUND (46 SPL) | 1 | 1 | 1 | 1 | |
| . NS | 621501 | . DEFLECTOR, OIL | 1 | 1 | 1 | 1 | |
| . NS | 621492 | . SPEEDY SLEEVE 3.250" I.D. / TO REPAIR OIL LEAK ON YOKE | 1 | 1 | 1 | 1 | |
| 11 | 621507 | YOKE (1810) FULL ROUND (46 SPL) W/FLYWHEEL ADAPTOR ONE PIECE | 1 | | | | |
| . NS | 621492 | . SPEEDY SLEEVE 3.250" I.D. / TO REPAIR OIL LEAK ON YOKE | 1 | | | | |
| 12 | 121242 | FLYWHEEL | 1 | | | | |
| 13 | 500074 | SCREW CAP HEX 7/16-20x2 G5 Z050 | 8 | | | | |
| 13 | 500714 | NUT HEX STO 7/16-20 Z050 | 8 | | | | |
| | | FOLLOWING YOKE ARE PARTS OF AUTOMATIC TRANSMISSION | | | | | |
| 40 | N.S.P. | YOKE (1810) HALF ROUND / W/"WORLD" TRANS (29511516) | 1 | 1 | 1 | 1 | 2 |
| 40 | 571989 | YOKE (1810) HALF ROUND / "ZF" TRANS | 1 | | | | Z |

| | | |
|------------------------|--------------|-----------------|
| From Y-7046 To 8-9339 | Date:10/2022 | PAGE:Y2-0905-00 |
| PROPELLER SHAFT | | |

| Item# | Part | Description | X L I I 4 5 | X L I I M T H 4 0 | X L I I M T H 4 5 | X L I I M T H 4 5 E | N O T E S |
|-------|--------|---|----------------------------|---|---|--|-----------------------|
| 50 | 121440 | PROTECTOR GUARD PROPELLER SHAFT 424MM x 140MM | 1 | 1 | 1 | 1 | |
| 51 | 500488 | WASHER LO SPT .760x1.271x.188 Z050 | 2 | 2 | 2 | 2 | |
| 52 | 500733 | NUT HEX 3/4-16 Z050 | 2 | 2 | 2 | 2 | |
| | | | | | | | |
| | | A) WITH SHAFT ASSY #580070 & 580080 | | | | | |
| | | B) WITH SHAFT ASSY #580075 | | | | | |
| | | M) WITH MANUAL TRANSMISSION "EATON" | | | | | |
| | | Z) WITH "ZF" TRANSMISSION | | | | | |
| | | 2) NOT SOLD BY PREVOST (SEE MANUFACTURING PART NUMBER AT END OF DESCRIPTION LINE) | | | | | |

| | | |
|------------|--------------|-------|
| | Date:10/2022 | Y2-10 |
| FRONT AXLE | | |



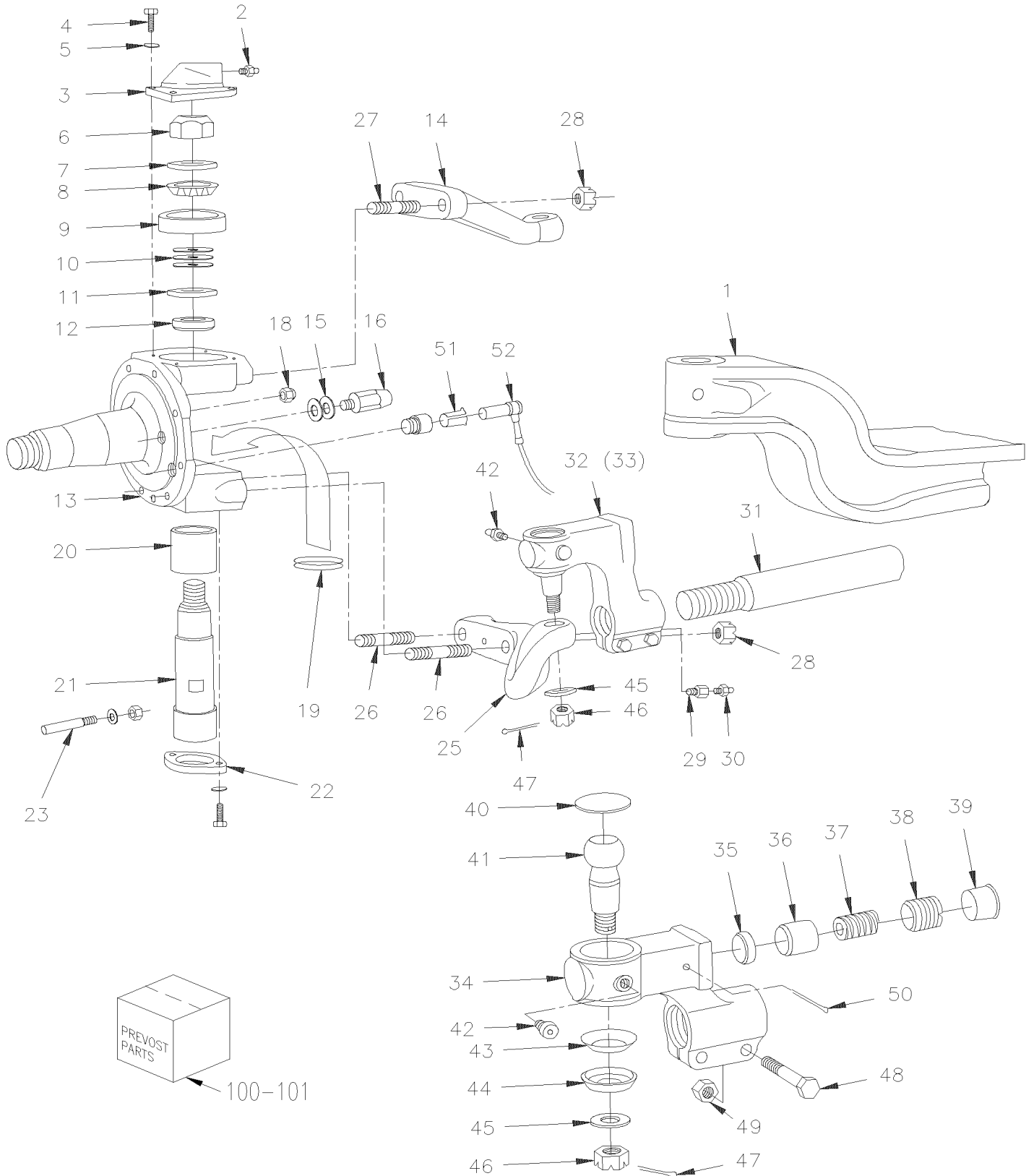
| | | Date:10/2022 | Y2-10 | | | | |
|------------|------------|--|----------------------------|---|---|--|-------|
| FRONT AXLE | | | | | | | |
| Item# | Part | Description | X L I I 4 5 | X L I I M T H 4 0 | X L I I M T H 4 5 | X L I I M T H 4 5 E | NOTES |
| 5 | Y2-1005-00 | FRONT AXLE - I BEAM RIGID MODEL "S-84" From Y-7046 To 3-8164 | | | | | |
| 5 | Y2-1005-01 | FRONT AXLE - I BEAM RIGID MODEL "NSD80" From 1-7455 To 1-7455 | | | | | |
| 5 | Y2-1005-02 | FRONT AXLE - I BEAM RIGID MODEL "S84U" From 4-8165 To 6-8906 | | | | | |
| 10 | Y2-1005-50 | FRONT AXLE - INDEPENDENT MODEL "IS-84" / 16500LBS From Y-7046 To 3-8164 | | | | | |
| 10 | Y2-1005-51 | FRONT AXLE - INDEPENDENT MODEL "NDIFS80P" / 18000LBS From 4-8165 To 8-9339 | | | | | |

From Y-7046 To 3-8164

Date:10/2022

PAGE:Y2-1005-00

FRONT AXLE - I BEAM RIGID MODEL "S-84"



| | | |
|---|--------------|-----------------|
| From Y-7046 To 3-8164 | Date:10/2022 | PAGE:Y2-1005-00 |
| FRONT AXLE - I BEAM RIGID MODEL "S-84" | | |

| Item# | Part | Description | X L I I 4 5 | X L I I M T H 4 0 | X L I I M T H 4 5 | X L I I M T H 4 5 E | N O T E S |
|-------|---------|--|----------------------------|---|---|--|-----------------------|
| | 611231 | AXLE ASSY W/ABS To Y-7146 | 1 | | | | |
| | 611453 | AXLE ASSY W/ABS From Y-7147 To Y-7338 | 1 | | | | |
| | 611460 | AXLE ASSY W/ABS From Y-7339 To 2-7766 | 1 | | | | |
| | 611256 | AXLE ASSY W/ABS From 2-7767 | 1 | | | | |
| 1 | 611151 | . AXLE BEAM To Y-7146 | 1 | | | | |
| 1 | 611454 | . AXLE BEAM From Y-7147 | 1 | | | | |
| 2 | 501491 | . GREASE FITTING / 1/8 NPTx3/4" | 2 | | | | |
| NS | 504615 | . PROTECTOR CAP / BLACK / .313 I.D. x .500 | 2 | | | | |
| 3 | 611008 | . CAP COVER | 2 | | | | |
| 4 | 500067 | . SCREW CAP HEX 7/16-20x1 G5 Z050 | 4 | | | | |
| 4 | 680404 | . . CAP PLUG | 1 | | | | |
| 5 | 500447 | . WASHER FL .562x1.375x.109 ZP | 4 | | | | |
| 6 | 611153 | . NUT HEX STO 1 3/8"-12 | 2 | | | | |
| 7 | 611010 | . WASHER 38.23x69.85x7 | 2 | | | | |
| 8 | 611011 | . CONE BEARING | 2 | | | | |
| 9 | 611012 | . CUP BEARING | 2 | | | | |
| 10 | 611017 | . WASHER SHIM / .015" | AR | | | | |
| 10 | 611016 | . WASHER SHIM / .010" | AR | | | | |
| 10 | 611015 | . WASHER SHIM / .008" | AR | | | | |
| 10 | 611014 | . WASHER SHIM / .006" | AR | | | | |
| 10 | 611013 | . WASHER SHIM / .005" | AR | | | | |
| 11 | 611145 | . OIL SEAL | 2 | | | | |
| 12 | 611154 | . SLEEVE | 2 | | | | |
| 13 | 611147 | . KNUCKLE R.H. | 1 | | | | |
| 13 | 611146 | . KNUCKLE L.H. | 1 | | | | |
| 13 | 611289 | KNUCKLE L.H. STREET SIDE | 1 | | | | R |
| 13 | 611290 | KNUCKLE R.H. CURBSIDE | 1 | | | | R |
| 14 | 611031 | . STEERING ARM UPPER L.H. STREET SIDE | 1 | | | | |
| 14 | 161033 | . STEERING ARM UPPER R.H. CURBSIDE | 1 | | | | |
| 15 | 611042 | . WASHER SHIM / 1/32" TH | AR | | | | |
| 15 | 611041 | . WASHER SHIM / 1/16" TH | AR | | | | |
| 15 | 611040 | . WASHER SHIM / 1/8" TH | AR | | | | |
| 16 | 611159 | . SWIVEL STOP SCREW / REAR / 38MM | 2 | | | | |
| NS | 611149 | . SWIVEL STOP SCREW / FRONT / 48MM | 1 | | | | |
| NS | 611150 | . SWIVEL STOP SCREW / FRONT / 60MM | 1 | | | | |
| 18 | 5007001 | . NUT HEX STO 1/2-20 Z050 G "C" | 16 | | | | |
| 19 | 611020 | . V-SEAL | 2 | | | | |
| NS | 611152 | . SEAL RING | 2 | | | | |
| 20 | 611144 | . BUSHING LOWER KING PIN | 2 | | | | |
| 21 | 611148 | . KING PIN | 2 | | | | |
| 22 | 611155 | . CAP LOWER / KING PIN | 2 | | | | |
| NS | 611156 | . O-RING | 2 | | | | |

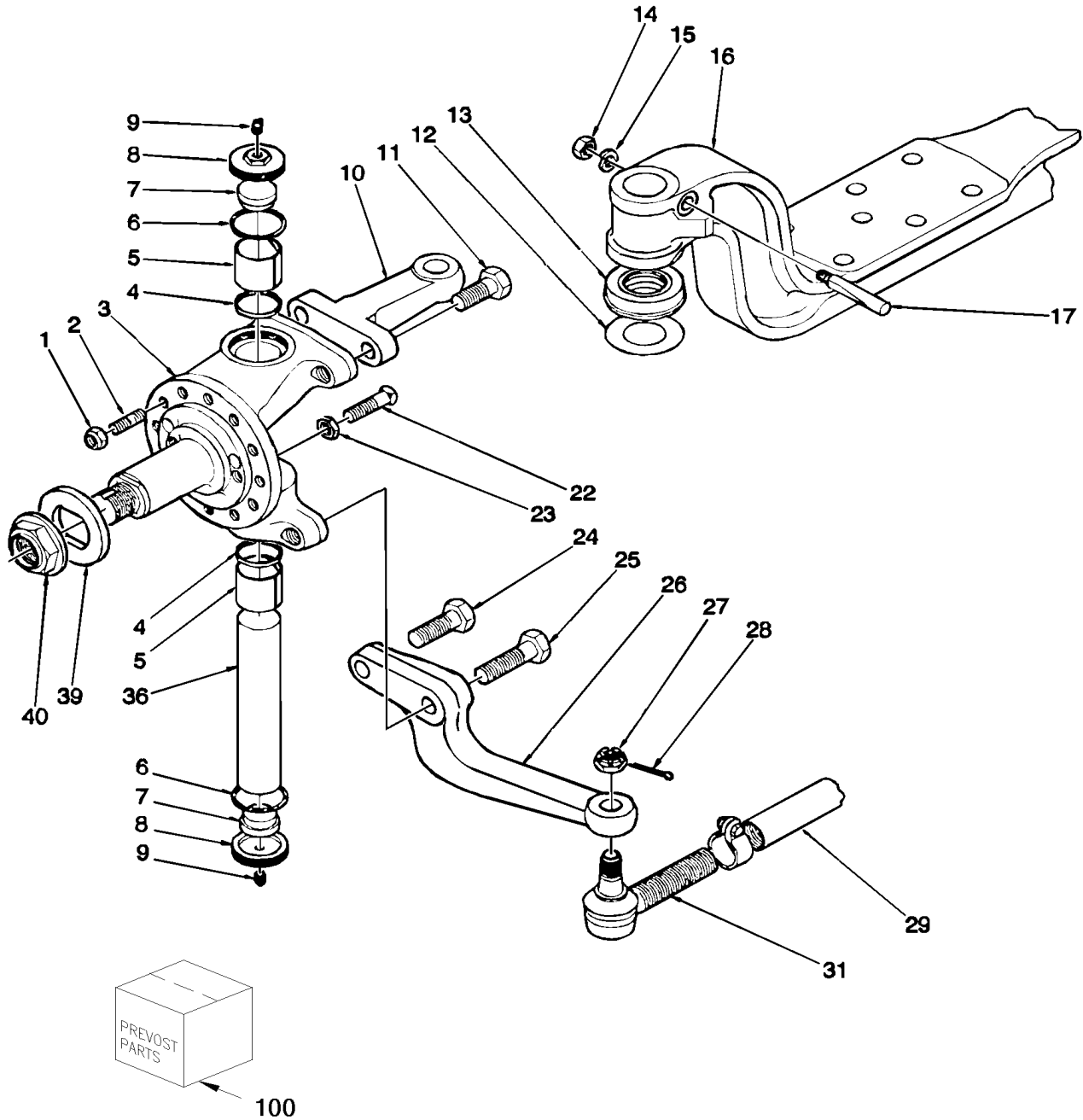
| | | |
|---|--------------|-----------------|
| From Y-7046 To 3-8164 | Date:10/2022 | PAGE:Y2-1005-00 |
| FRONT AXLE - I BEAM RIGID MODEL "S-84" | | |

| Item# | Part | Description | X L I I 4 5 | X L I I M T H 4 0 | X L I I M T H 4 5 | X L I I M T H 4 5 E | N O T E S |
|-------|---------|--|----------------------------|---|---|--|-----------------------|
| 22 | 612364 | . SCREW 3/8-24 | 4 | | | | |
| 22 | 612363 | . WASHER | 4 | | | | |
| 23 | 611258 | . SWIVEL PIN LOCK | 2 | | | | |
| 25 | 611032 | . STEERING ARM LOWER L.H. STREET SIDE | 1 | | | | |
| NS | 611033 | . STEERING ARM LOWER R.H. CURBSIDE | 1 | | | | |
| 26 | 611028 | . STUD / STREET SIDE / 3/4-16 X 3" | 2 | | | | |
| 26 | 611029 | . STUD / TO FIX LOWER ARM 3/4-16 X 3 5/8" | 2 | | | | |
| 27 | 611027 | . STUD / TO FIX UPPER ARM 3/4-16 X 2 3/4" | 4 | | | | |
| 28 | 5001196 | . NUT HEX SLT 3/4-16 | 8 | | | | |
| 29 | 611062 | . ADAPTER / BSP FITTING / 1/8BSP-Mx1/8NPT-F | 2 | | | | |
| 30 | 501493 | . GREASE FITTING 45° / 1/8 NPT | 2 | | | | |
| NS | 504615 | . PROTECTOR CAP / BLACK / .313 I.D. x .500 | 2 | | | | |
| 31 | 611026 | . TIE ROD | 1 | | | | |
| 32 | 611024 | . TIE ROD ASSY / 5" OFFSET / R.H. THREAD M48-2 CURB SIDE | 1 | | | | |
| 33 | 611025 | . TIE ROD ASSY / 5" OFFSET / L.H. THREAD M48-2 STREET SIDE | 1 | | | | |
| 34 | N.S.S. | .. HOUSING / OFFSET L.H. THREAD | 1 | | | | 1 |
| 34 | N.S.S. | .. HOUSING / OFFSET R.H. THREAD | 1 | | | | 1 |
| 35 | N.S.P. | .. RUBBING PAD / (7157/156) | 1 | | | | 2 |
| 36 | N.S.P. | .. THRUST CUP / (7157/153) | 1 | | | | 2 |
| 37 | N.S.P. | .. COMPRESSION SPRING / (5443/4) | 1 | | | | 2 |
| 38 | N.S.P. | .. ADJUSTER PIECE / (5443/154) | 1 | | | | 2 |
| 39 | 680404 | .. CAP PLUG | 1 | | | | |
| 40 | N.S.P. | .. PLUG / (5247/155) | 1 | | | | 2 |
| 40 | N.S.P. | .. SNAP RING / (ML7544/55N) | 1 | | | | 2 |
| 41 | N.S.P. | .. BALL STUD / (F4223/11) | 1 | | | | 2 |
| 42 | 501495 | .. GREASE FITTING 90° / 1/8 NPT | 2 | | | | |
| 43 | 611056 | .. DIRT SEAL PRESSING | 1 | | | | |
| 44 | 611057 | .. RUBBER SEAL BOOT | 1 | | | | |
| 45 | 500420 | .. WASHER FL .938x1.750x.134 ZP | 1 | | | | |
| 46 | 5001196 | .. NUT HEX SLT 3/4-16 | 1 | | | | |
| 47 | 502111 | .. PIN, COTTER 1/8 x 1 1/2 SS | 1 | | | | |
| 48 | 5001861 | .. SCREW CAP HEX M12-1.75x60 G10.9 N500 | 2 | | | | |
| 49 | 500811 | .. NUT HEX STO M12-1.75 G500 | 2 | | | | |
| 50 | 502115 | .. PIN, COTTER 3/16 x 2 1/2 | 1 | | | | |
| 51 | 641096 | . CLIP, SPRING / TO FIX SENSOR | 2 | | | | |
| 52 | 641288 | . SENSOR ABS (ON FRONT AXLE) 90° ANGLE | 2 | | | | |
| 100 | 611162 | KIT REPAIR / STEERING KNUCKLE BUSHING (PARALLEL) / (REQUIRES 2 KITS) | AR | | | | B |
| . NS | 611008 | . CAP COVER | 1 | | | | B |
| . NS | 611153 | . NUT HEX STO 1 3/8"-12 | 1 | | | | B |
| . NS | 611010 | . WASHER 38.23x69.85x7 | 1 | | | | B |
| . NS | 611011 | . CONE BEARING | 1 | | | | B |

| | | |
|---|--------------|-----------------|
| From Y-7046 To 3-8164 | Date:10/2022 | PAGE:Y2-1005-00 |
| FRONT AXLE - I BEAM RIGID MODEL "S-84" | | |

| Item# | Part | Description | X L I I 4 5 | X L I I M T H 4 0 | X L I I M T H 4 5 | X L I I M T H 4 5 E | N O T E S |
|-------|----------|---|----------------------------|---|---|--|-----------------------|
| . NS | 611012 | . CUP BEARING | 1 | | | | B |
| . NS | 611017 | . WASHER SHIM / .015" | 4 | | | | B |
| . NS | 611016 | . WASHER SHIM / .010" | 4 | | | | B |
| . NS | 611015 | . WASHER SHIM / .008" | 2 | | | | B |
| . NS | 611014 | . WASHER SHIM / .006" | 2 | | | | B |
| . NS | 611013 | . WASHER SHIM / .005" | 2 | | | | B |
| . NS | 611145 | . OIL SEAL | 1 | | | | B |
| . NS | 611154 | . SLEEVE | 1 | | | | B |
| . NS | 611294 | . V-SEAL | 1 | | | | B |
| . NS | 611144 | . BUSHING LOWER KING PIN | 1 | | | | B |
| . NS | 611148 | . KING PIN | 1 | | | | B |
| . NS | 611155 | . CAP LOWER / KING PIN | 1 | | | | B |
| . NS | 611156 | . O-RING | 1 | | | | B |
| . NS | 611258 | . SWIVEL PIN LOCK | 1 | | | | B |
| . NS | 610029 | . NUT 7/16 UNF | 1 | | | | B |
| . NS | 5001200 | . WASHER FL .453x.875x.090 | 1 | | | | B |
| 101 | 611101 | KIT REPAIR / TIE ROD END | 2 | | | | A |
| 102 | IS18091 | TIE ROD 610052 FIRST INSTALLATION INSTRUCTIONS | 1 | | | | |
| . NS | 610052 | . TIE ROD ASSY | 1 | | | | |
| . NS | 610051 | . NUT HEX SLO / SINGLE USE M24-1.5 | 2 | | | | |
| . NS | IS-18091 | . SEE INSTRUCTION SHEET | 1 | | | | |
| . NS | FI-18091 | . VOIR FEUILLE D'INSTRUCTION | 1 | | | | |
| | | | | | | | |
| | | | | | | | |
| | | | | | | | |
| | | A) INCLUDING ITEMS #35 TO 50 | | | | | |
| | | B) INCLUDING ITEMS # 3 TO 12, 19 TO 23 | | | | | |
| | | R) USE ONLY WITH RETROFIT HUB "UNITISED" BEARING # 611328 (PAGE Y2-1300-99) | | | | | |
| | | 1) NOT SOLD SEPARATELY | | | | | |
| | | 2) NOT SOLD BY PREVOST (SEE MANUFACTURING PART NUMBER AT END OF DESCRIPTION LINE) | | | | | |

| | | |
|---|--------------|-----------------|
| From 1-7455 To 1-7455 | Date:10/2022 | PAGE:Y2-1005-01 |
| FRONT AXLE - I BEAM RIGID MODEL "NSD80" | | |



| | | |
|--|--------------|-----------------|
| From 1-7455 To 1-7455 | Date:10/2022 | PAGE:Y2-1005-01 |
| FRONT AXLE - I BEAM RIGID MODEL "NSD80" | | |

| Item# | Part | Description | X L I I I 4 5 | X L I I I M T H 4 0 | X L I I I M T H 4 5 | X L I I I M T H 4 5 E | NOTES |
|-------|---------|--|---------------------------------|--|--|---|-------|
| | 611466 | AXLE ASSY / MODEL "NSD80" | 1 | | | | |
| 1 | 5007001 | NUT HEX STO 1/2-20 Z050 G "C" | 10 | | | | |
| 2 | 611030 | STUD 1/2-20 X 1 11/16" | 10 | | | | |
| 3 | 611935 | KNUCKEL L.H. & R.H. | 2 | | | | |
| 4 | 611936 | OIL SEAL | 2 | | | | |
| 5 | 611937 | BUSHING (STD) | 2 | | | | |
| 6 | 611938 | O-RING | 2 | | | | |
| 7 | 611939 | FOAM INSERT | 2 | | | | |
| 8 | 611940 | CAP | 2 | | | | |
| 9 | 501490 | GREASE FITTING / 1/8 NPT | 2 | | | | |
| 10 | N.S.P. | TOP STEERING LEVER / F4872/9 | 1 | | | | 2 |
| 11 | N.P.N. | SCREW CAP HEX DP M14X50 G10.9 PT | 2 | | | | 4 |
| 11 | 5001328 | SCREW CAP HEX M14-2.0x90 G10.9 DP | 2 | | | | |
| 12 | 611956 | SHIM 0.013 | 1 | | | | |
| 12 | 611957 | SHIM 0.025 | 1 | | | | |
| 12 | 611958 | SHIM 0.050 | 1 | | | | |
| 12 | 611959 | SHIM 0.020 | 1 | | | | |
| 13 | 611941 | BEARING THRUST | 1 | | | | |
| 14 | 5007001 | NUT HEX STO 1/2-20 Z050 G "C" | 1 | | | | |
| 15 | N.P.N. | LOCK WASHER / SL242/6 | 1 | | | | 4 |
| 16 | N.P.N. | AXLE BEAM / F4872/1 | 1 | | | | 4 |
| 17 | 611942 | PIN COTTER | 2 | | | | |
| 22 | 611943 | LOCKSTOP SCREW | 2 | | | | |
| 22 | 611944 | LOCKSTOP SCREW | 1 | | | | |
| 23 | N.P.N. | JAM NUT / SL244/8 | 3 | | | | 4 |
| 24 | N.P.N. | SCREW CAP HEX DP M14X65 G10.9 | 2 | | | | 4 |
| 25 | 5001327 | SCREW CAP HEX M14-2.0x80 G10.9 DP | 2 | | | | |
| 26 | 611945 | STEERING ARM LOWER R.H. | 1 | | | | |
| 26 | 611946 | STEERING ARM LOWER L.H. | 1 | | | | |
| 27 | 5001193 | SCREW CAP HEX M20-2.5x65 G10.9 ZP | 2 | | | | |
| 28 | 502111 | PIN, COTTER 1/8 x 1 1/2 SS | 2 | | | | |
| 29 | N.P.N. | ROD / F4560/12 | 1 | | | | 4 |
| 31 | 611024 | TIE ROD ASSY / 5" OFFSET / R.H. THREAD M48-2 CURB SIDE | 1 | | | | |
| 31 | 611025 | TIE ROD ASSY / 5" OFFSET / L.H. THREAD M48-2 STREET SIDE | 1 | | | | |
| 32 | 501490 | GREASE FITTING / 1/8 NPT | 2 | | | | |
| 36 | 611947 | KING PIN WITH SINGLE LOCK PIN | 2 | | | | |
| 36 | N.P.N. | KEY DRAW | 1 | | | | 4 |
| 39 | 611948 | THRUST WASHER | 2 | | | | |
| 40 | 611949 | HUB NUT 1 3/4-8 | 2 | | | | |
| 100 | 611962 | KIT REPAIR / STEERING KNUCKLE BUSHING (STD) / (REQUIRE 2 KITS) | 1 | | | | |
| 101 | IS18091 | TIE ROD 610052 FIRST INSTALLATION INSTRUCTIONS | 1 | | | | |
| .NS | 610052 | . TIE ROD ASSY | 1 | | | | |

| | | |
|--|--------------|-----------------|
| From 1-7455 To 1-7455 | Date:10/2022 | PAGE:Y2-1005-01 |
| FRONT AXLE - I BEAM RIGID MODEL "NSD80" | | |

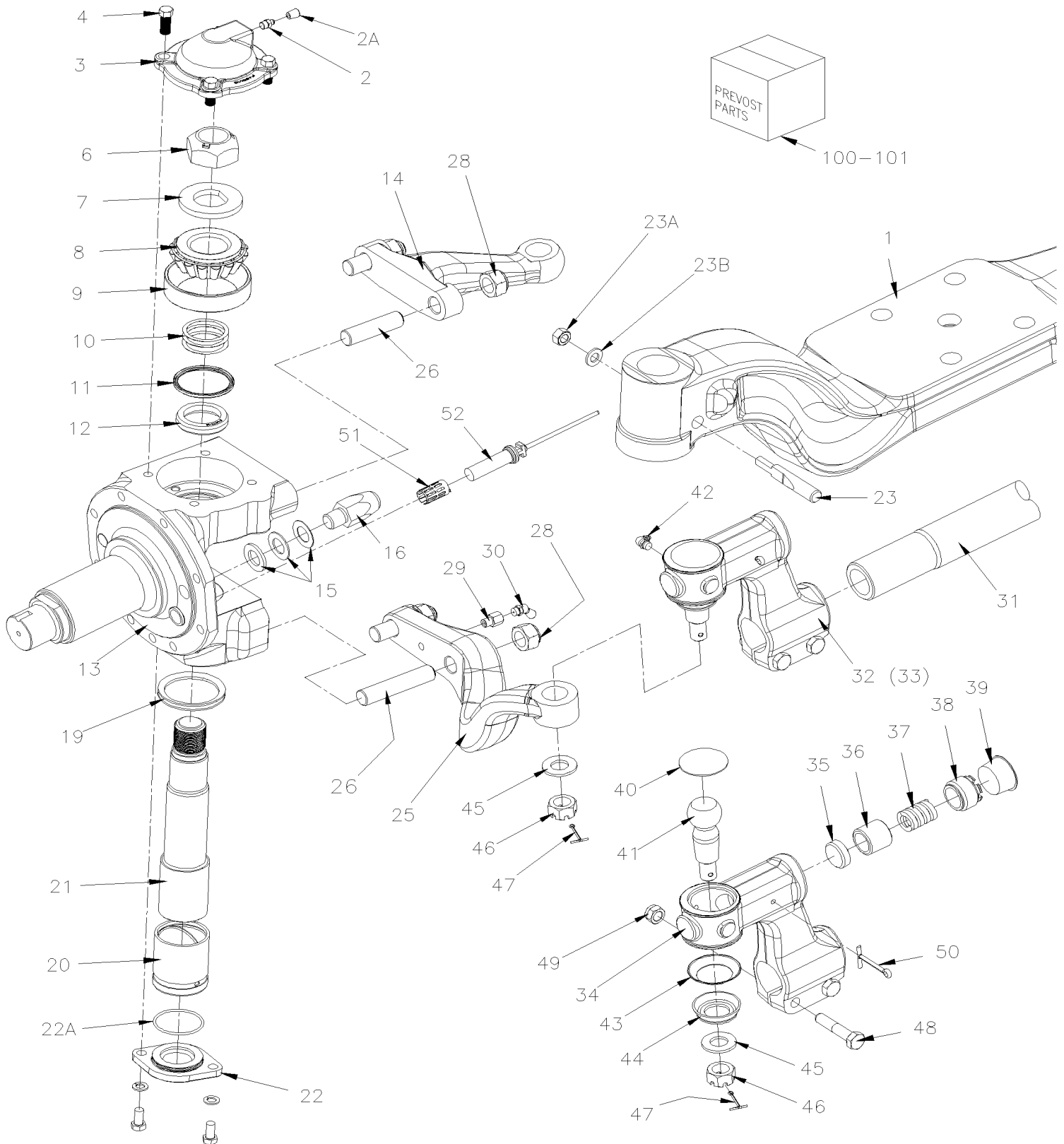
| Item# | Part | Description | X L I I 4 5 | X L I I M T H 4 0 | X L I I M T H 4 5 | X L I I M T H 4 5 E | N O T E S |
|-------|----------|---|----------------------------|---|---|--|-----------------------|
| . NS | 610051 | . NUT HEX SLO / SINGLE USE M24-1.5 | 2 | | | | |
| . NS | IS-18091 | . SEE INSTRUCTION SHEET | 1 | | | | |
| . NS | FI-18091 | . VOIR FEUILLE D'INSTRUCTION | 1 | | | | |
| | | | | | | | |
| | | | | | | | |
| | | 2) NOT SOLD BY PREVOST (SEE MANUFACTURING PART NUMBER AT END OF DESCRIPTION LINE) | | | | | |
| | | 4) NO PARTS NUMBER | | | | | |

From 4-8165 To 6-8906

Date:10/2022

PAGE:Y2-1005-02

FRONT AXLE - I BEAM RIGID MODEL "S84U"



| | | |
|---|--------------|-----------------|
| From 4-8165 To 6-8906 | Date:10/2022 | PAGE:Y2-1005-02 |
| FRONT AXLE - I BEAM RIGID MODEL "S84U" | | |

| Item# | Part | Description | X L I I 4 5 | X L I I M T H 4 0 | X L I I M T H 4 5 | X L I I M T H 4 5 E | N O T E S |
|-------|---------|--|----------------------------|---|---|--|-----------------------|
| | 611269 | AXLE ASSY W/ABS / MODEL "S84U" W/TYPE 27 BOOSTER To 6-8906 | 1 | | | | |
| | 612350 | AXLE ASSY W/ABS / MODEL "S84U" W/TYPE 24 BOOSTER | 1 | | | | |
| 1 | 611454 | . AXLE BEAM | 1 | | | | |
| 2 | 501491 | . GREASE FITTING / 1/8 NPTx3/4" | 2 | | | | |
| 2A | 504615 | . PROTECTOR CAP / BLACK / .313 I.D. x .500 | 2 | | | | |
| 3 | 611008 | . CAP COVER | 2 | | | | |
| 4 | 500067 | . SCREW CAP HEX 7/16-20x1 G5 Z050 | 4 | | | | |
| 4 | 680404 | . . CAP PLUG | 1 | | | | |
| 4 | 500447 | . WASHER FL .562x1.375x.109 ZP | 4 | | | | |
| 6 | 611153 | . NUT HEX STO 1 3/8"-12 | 2 | | | | |
| 7 | 611010 | . WASHER 38.23x69.85x7 | 2 | | | | |
| 8 | 611011 | . CONE BEARING | 2 | | | | |
| 9 | 611012 | . CUP BEARING | 2 | | | | |
| 10 | 611017 | . WASHER SHIM / .015" | AR | | | | |
| 10 | 611016 | . WASHER SHIM / .010" | AR | | | | |
| 10 | 611015 | . WASHER SHIM / .008" | AR | | | | |
| 10 | 611014 | . WASHER SHIM / .006" | AR | | | | |
| 10 | 611013 | . WASHER SHIM / .005" | AR | | | | |
| 11 | 611145 | . OIL SEAL | 2 | | | | |
| 12 | 611154 | . SLEEVE | 2 | | | | |
| 13 | 611290 | . KNUCKLE R.H. CURBSIDE | 1 | | | | |
| 13 | 611289 | . KNUCKLE L.H. STREET SIDE | 1 | | | | |
| 14 | 611031 | . STEERING ARM UPPER L.H. STREET SIDE | 1 | | | | |
| 14 | 161033 | . STEERING ARM UPPER R.H. CURBSIDE | 1 | | | | |
| 15 | 611042 | . WASHER SHIM / 1/32" TH | AR | | | | |
| 15 | 611041 | . WASHER SHIM / 1/16" TH | AR | | | | |
| 15 | 611040 | . WASHER SHIM / 1/8" TH | AR | | | | |
| 16 | 611170 | . SWIVEL STOP SCREW 43MM | 2 | | | | |
| NS | 611296 | . SWIVEL STOP SCREW 54MM | 2 | | | | |
| 19 | 611020 | . V-SEAL | 2 | | | | |
| NS | 611152 | . SEAL RING | 2 | | | | |
| 20 | 611144 | . BUSHING LOWER KING PIN | 2 | | | | |
| 21 | 611148 | . KING PIN | 2 | | | | |
| 22 | 611155 | . CAP LOWER / KING PIN | 2 | | | | |
| 22 | 612364 | . SCREW 3/8-24 | 4 | | | | |
| 22 | 612363 | . WASHER | 4 | | | | |
| 22A | 611156 | . O-RING | 2 | | | | |
| 23 | 611258 | . SWIVEL PIN LOCK | 2 | | | | |
| 23A | 610029 | . NUT 7/16 UNF | 1 | | | | |
| 23B | 5001200 | . WASHER FL .453x.875x.090 | 1 | | | | |
| 25 | 611032 | . STEERING ARM LOWER L.H. STREET SIDE | 1 | | | | |
| NS | 611033 | . STEERING ARM LOWER R.H. CURBSIDE | 1 | | | | |

| | | |
|---|--------------|-----------------|
| From 4-8165 To 6-8906 | Date:10/2022 | PAGE:Y2-1005-02 |
| FRONT AXLE - I BEAM RIGID MODEL "S84U" | | |

| Item# | Part | Description | X L I I 4 5 | X L I I M T H 4 0 | X L I I M T H 4 5 | X L I I M T H 4 5 E | N O T E S |
|-------|----------|--|----------------------------|---|---|--|-----------------------|
| 26 | 611291 | . STUD 3/4-16 X 4" | 4 | | | | |
| 26 | 611028 | . STUD / STREET SIDE / 3/4-16 X 3" | 2 | | | | |
| 26 | 611029 | . STUD / TO FIX LOWER ARM 3/4-16 X 3 5/8" | 2 | | | | |
| 28 | 5001196 | . NUT HEX SLT 3/4-16 | 8 | | | | |
| 29 | 611062 | . ADAPTER / BSP FITTING / 1/8BSP-Mx1/8NPT-F | 2 | | | | |
| 30 | 501493 | . GREASE FITTING 45° / 1/8 NPT | 2 | | | | |
| NS | 504615 | . PROTECTOR CAP / BLACK / .313 I.D. x .500 | 2 | | | | |
| 31 | 611292 | . ROD | 1 | | | | |
| 32 | 611024 | . TIE ROD ASSY / 5" OFFSET / R.H. THREAD M48-2 CURB SIDE | 1 | | | | |
| 33 | 611025 | . TIE ROD ASSY / 5" OFFSET / L.H. THREAD M48-2 STREET SIDE | 1 | | | | |
| 34 | N.S.S. | .. HOUSING / OFFSET L.H. THREAD | 1 | | | | 1 |
| 34 | N.S.S. | .. HOUSING / OFFSET R.H. THREAD | 1 | | | | 1 |
| 35 | N.S.P. | .. RUBBING PAD / (7157/156) | 1 | | | | 2 |
| 36 | N.S.P. | .. THRUST CUP / (7157/153) | 1 | | | | 2 |
| 37 | N.S.P. | .. COMPRESSION SPRING / (5443/4) | 1 | | | | 2 |
| 38 | N.S.P. | .. ADJUSTER PIECE / (5443/154) | 1 | | | | 2 |
| 39 | 680404 | .. CAP PLUG | 1 | | | | |
| 40 | N.S.P. | .. PLUG / (5247/155) | 1 | | | | 2 |
| 40 | N.S.P. | .. SNAP RING / (ML7544/55N) | 1 | | | | 2 |
| 41 | N.S.P. | .. BALL STUD / (F4223/11) | 1 | | | | 2 |
| 42 | 501495 | .. GREASE FITTING 90° / 1/8 NPT | 2 | | | | |
| 43 | 611056 | .. DIRT SEAL PRESSING | 1 | | | | |
| 44 | 611057 | .. RUBBER SEAL BOOT | 1 | | | | |
| 45 | 500420 | .. WASHER FL .938x1.750x.134 ZP | 1 | | | | |
| 46 | 5001196 | .. NUT HEX SLT 3/4-16 | 1 | | | | |
| 47 | 502111 | .. PIN, COTTER 1/8 x 1 1/2 SS | 1 | | | | |
| 48 | 5001861 | .. SCREW CAP HEX M12-1.75x60 G10.9 N500 | 2 | | | | |
| 49 | 500811 | .. NUT HEX STO M12-1.75 G500 | 2 | | | | |
| 50 | 502115 | .. PIN, COTTER 3/16 x 2 1/2 | 1 | | | | |
| 51 | 641096 | . CLIP, SPRING / TO FIX SENSOR | 2 | | | | |
| 52 | 641288 | . SENSOR ABS (ON FRONT AXLE) 90° ANGLE | 2 | | | | |
| 100 | 611966 | KIT REPAIR / STEERING KNUCKLE BUSHING (PARALLEL) / (REQUIRES 2 KITS) | AR | | | | B |
| 101 | 611101 | KIT REPAIR / TIE ROD END | 2 | | | | A |
| 102 | IS18091 | TIE ROD 610052 FIRST INSTALLATION INSTRUCTIONS | 1 | | | | |
| . NS | 610052 | . TIE ROD ASSY | 1 | | | | |
| . NS | 610051 | . NUT HEX SLO / SINGLE USE M24-1.5 | 2 | | | | |
| . NS | IS-18091 | . SEE INSTRUCTION SHEET | 1 | | | | |
| . NS | FI-18091 | . VOIR FEUILLE D'INSTRUCTION | 1 | | | | |

| | | |
|-----------------------|--------------|-----------------|
| From 4-8165 To 6-8906 | Date:10/2022 | PAGE:Y2-1005-02 |
|-----------------------|--------------|-----------------|

FRONT AXLE - I BEAM RIGID MODEL "S84U"

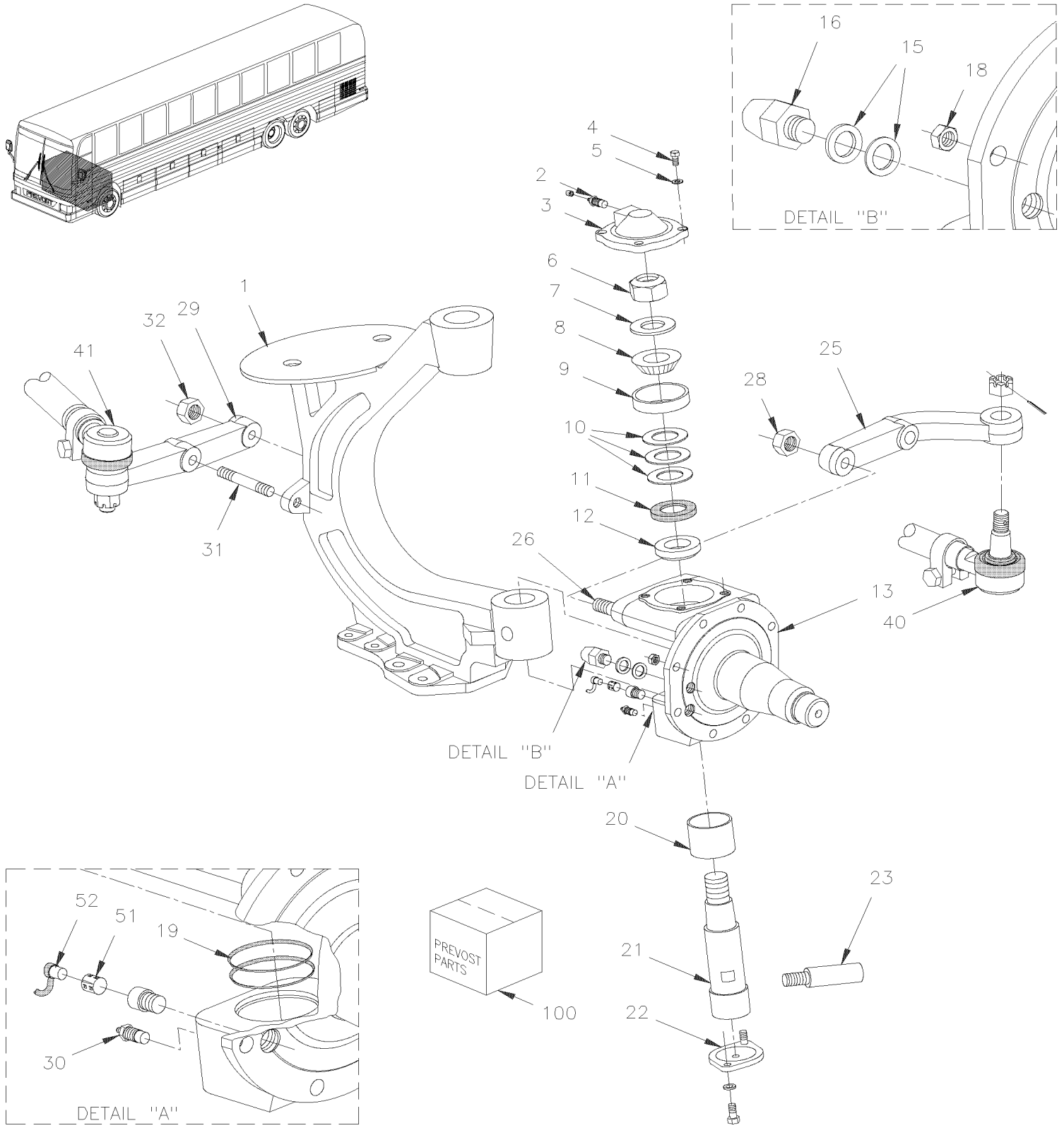
| Item# | Part | Description | X L I I 4 5 | X L I I M T H 4 0 | X L I I M T H 4 5 | X L I I M T H 4 5 E | N O T E S |
|-------|------|---|--------------------------------|---|---|--|-----------------------|
| | | A) INCLUDING ITEMS #35 TO 50 | | | | | |
| | | B) INCLUDING ITEMS # 4 TO 12 & # 19 TO 21 & 23 | | | | | |
| | | 1) NOT SOLD SEPARATELY | | | | | |
| | | 2) NOT SOLD BY PREVOST (SEE MANUFACTURING PART NUMBER AT END OF DESCRIPTION LINE) | | | | | |

From Y-7046 To 3-8164

Date:10/2022

PAGE:Y2-1005-50

FRONT AXLE - INDEPENDENT MODEL "IS-84" / 16500LBS



| | | |
|--|--------------|-----------------|
| From Y-7046 To 3-8164 | Date:10/2022 | PAGE:Y2-1005-50 |
| FRONT AXLE - INDEPENDENT MODEL "IS-84" / 16500LBS | | |

| Item# | Part | Description | X L I I 4 5 | X L I I M T H 4 0 | X L I I M T H 4 5 | X L I I M T H 4 5 E | N O T E S |
|-------|---------|---|----------------------------|---|---|--|-----------------------|
| | 611209 | AXLE ASSY L.H. & R.H. To Y-7373 | 1 | 1 | 1 | 1 | |
| | 611461 | AXLE ASSY L.H. & R.H. From Y-7374 To 1-7806 | 1 | 1 | 1 | 1 | |
| | 611257 | AXLE ASSY L.H. & R.H. From 1-7807 To 2-7851 | 1 | 1 | 1 | 1 | |
| | 611262 | AXLE ASSY L.H. & R.H. From 2-7852 | 1 | 1 | 1 | 1 | D |
| 1 | 611160 | . AXLE L.H. / W/PARALLEL KING PIN & BELLOW To 2-7851 | 1 | 1 | 1 | 1 | |
| 1 | 611161 | . AXLE R.H. / W/PARALLEL KING PIN & BELLOW To 2-7851 | 1 | 1 | 1 | 1 | |
| 1 | 611265 | . AXLE L.H. / W/PARALLEL KING PIN & BELLOW From 2-7852 | 1 | 1 | 1 | 1 | D |
| 1 | 611266 | . AXLE R.H. / W/PARALLEL KING PIN & BELLOW From 2-7852 | 1 | 1 | 1 | 1 | D |
| 2 | 501491 | . GREASE FITTING / 1/8 NPTx3/4" | 2 | 2 | 2 | 2 | |
| NS | 504615 | . PROTECTOR CAP / BLACK / .313 I.D. x .500 | 2 | 2 | 2 | 2 | |
| 3 | 611008 | . CAP COVER | 2 | 2 | 2 | 2 | |
| 4 | 500067 | . SCREW CAP HEX 7/16-20x1 G5 Z050 | 4 | 4 | 4 | 4 | |
| 5 | 500447 | . WASHER FL .562x1.375x.109 ZP | 4 | 4 | 4 | 4 | |
| 6 | 611153 | . NUT HEX STO 1 3/8"-12 | 2 | 2 | 2 | 2 | |
| 7 | 611010 | . WASHER 38.23x69.85x7 | 2 | 2 | 2 | 2 | |
| 8 | 611011 | . CONE BEARING | 2 | 2 | 2 | 2 | B |
| 9 | 611012 | . CUP BEARING | 2 | 2 | 2 | 2 | B |
| 10 | 611013 | . WASHER SHIM / .005" | AR | AR | AR | AR | |
| 10 | 611014 | . WASHER SHIM / .006" | AR | AR | AR | AR | |
| 10 | 611015 | . WASHER SHIM / .008" | AR | AR | AR | AR | |
| 10 | 611016 | . WASHER SHIM / .010" | AR | AR | AR | AR | |
| 10 | 611017 | . WASHER SHIM / .015" | AR | AR | AR | AR | |
| 11 | 611145 | . OIL SEAL | 2 | 2 | 2 | 2 | |
| 12 | 611154 | . SLEEVE | 2 | 2 | 2 | 2 | |
| 13 | 611157 | . KNUCKLE L.H. / W/PARALLEL KING PIN | 1 | 1 | 1 | 1 | |
| 13 | 611158 | . KNUCKLE R.H. / W/PARALLEL KING PIN | 1 | 1 | 1 | 1 | |
| 13 | 611334 | KNUCKLE L.H. / W/PARALLEL KING PIN ONLY W/RETROFIT UNITISED | 1 | 1 | 1 | 1 | R |
| 13 | 611335 | KNUCKLE R.H. / W/PARALLEL KING PIN ONLY W/RETROFIT UNITISED | 1 | 1 | 1 | 1 | R |
| 15 | 611042 | . WASHER SHIM / 1/32" TH | AR | AR | AR | AR | |
| 15 | 611041 | . WASHER SHIM / 1/16" TH | AR | AR | AR | AR | |
| 15 | 611040 | . WASHER SHIM / 1/8" TH | AR | AR | AR | AR | |
| 16 | 611159 | . SWIVEL STOP SCREW / REAR / 38MM | 2 | 2 | 2 | 2 | |
| NS | 611149 | . SWIVEL STOP SCREW / FRONT / 48MM | 1 | 1 | 1 | 1 | |
| NS | 611150 | . SWIVEL STOP SCREW / FRONT / 60MM | 1 | 1 | 1 | 1 | |
| 18 | 5007001 | . NUT HEX STO 1/2-20 Z050 G "C" | 16 | 16 | 16 | 16 | |
| NS | 500091 | . SCREW CAP HEX 1/2-20x1 3/4 G5 ZP | 6 | 6 | 6 | 6 | |
| 19 | 611020 | . V-SEAL | 2 | 2 | 2 | 2 | |
| NS | 611152 | . SEAL RING | 2 | 2 | 2 | 2 | |
| 20 | 611144 | . BUSHING LOWER KING PIN | 2 | 2 | 2 | 2 | |
| 21 | 611148 | . KING PIN | 2 | 2 | 2 | 2 | |
| 22 | 611155 | . CAP LOWER / KING PIN | 2 | 2 | 2 | 2 | |
| NS | 611156 | . O-RING | 2 | 2 | 2 | 2 | |

| | | |
|--|--------------|-----------------|
| From Y-7046 To 3-8164 | Date:10/2022 | PAGE:Y2-1005-50 |
| FRONT AXLE - INDEPENDENT MODEL "IS-84" / 16500LBS | | |

| Item# | Part | Description | X L I I 4 5 | X L I I M T H 4 0 | X L I I M T H 4 5 | X L I I M T H 4 5 E | N O T E S |
|-------|-------------------|--|----------------------------|---|---|--|-----------------------|
| 22 | 612364 | . SCREW 3/8-24 | 4 | 4 | 4 | 4 | |
| 22 | 612363 | . WASHER | 4 | 4 | 4 | 4 | |
| 23 | 611258 | . SWIVEL PIN LOCK | 2 | 2 | 2 | 2 | |
| 25 | 611172 | . STEERING ARM L.H. | 1 | 1 | 1 | 1 | |
| NS | 611171 | . STEERING ARM R.H. | 1 | 1 | 1 | 1 | |
| 26 | 611167 | . STUD 3/4-16 X 4 1/2" | 2 | 2 | 2 | 2 | |
| NS | 611166 | . STUD 3/4-16 X 3 1/4" | 2 | 2 | 2 | 2 | |
| 28 | 500735 | . NUT HEX STO 3/4-16 ZP | 8 | 8 | 8 | 8 | |
| 29 | 661072 | . UPRIGHT ARM R.H. / W/56 Deg | 1 | 1 | 1 | 1 | |
| NS | 661071 | . UPRIGHT ARM L.H. / W/56 Deg | 1 | 1 | 1 | 1 | |
| 30 | 501493 | . GREASE FITTING 45° / 1/8 NPT | 2 | 2 | 2 | 2 | |
| NS | 504615 | . PROTECTOR CAP / BLACK / .313 I.D. x .500 | 2 | 2 | 2 | 2 | |
| 31 | 611248 | . STUD M16 | 1 | 1 | 1 | 1 | |
| 31 | 611249 | . STUD M16 | 1 | 1 | 1 | 1 | |
| 32 | 500781 | . NUT HEX STO M16-2.0 DP | 2 | 2 | 2 | 2 | |
| 40 | Y2-1410-50 | STEERING RODS - INSTALLATION W/INDEPENDENT "IS-84" / 16500LBS | | | | | |
| 41 | Y2-1605-50 | FRONT AXLE - INSTALL W/INDEPENDENT "IS-84" / 16500LBS | | | | | |
| 51 | 641096 | CLIP, SPRING / TO FIX SENSOR | 2 | 2 | 2 | 2 | |
| 52 | 641288 | SENSOR ABS (ON FRONT AXLE) 90° ANGLE | 2 | 2 | 2 | 2 | |
| 100 | 611162 | KIT REPAIR / STEERING KNUCKLE BUSHING (PARALLEL) / (REQUIRES 2 KITS) | AR | AR | AR | AR | C |
| NS | 611008 | . CAP COVER | 1 | 1 | 1 | 1 | C |
| NS | 611153 | . NUT HEX STO 1 3/8"-12 | 1 | 1 | 1 | 1 | C |
| NS | 611010 | . WASHER 38.23x69.85x7 | 1 | 1 | 1 | 1 | C |
| NS | 611011 | . CONE BEARING | 1 | 1 | 1 | 1 | C |
| NS | 611012 | . CUP BEARING | 1 | 1 | 1 | 1 | C |
| NS | 611017 | . WASHER SHIM / .015" | 4 | 4 | 4 | 4 | C |
| NS | 611016 | . WASHER SHIM / .010" | 4 | 4 | 4 | 4 | C |
| NS | 611015 | . WASHER SHIM / .008" | 2 | 2 | 2 | 2 | C |
| NS | 611014 | . WASHER SHIM / .006" | 2 | 2 | 2 | 2 | C |
| NS | 611013 | . WASHER SHIM / .005" | 2 | 2 | 2 | 2 | C |
| NS | 611145 | . OIL SEAL | 1 | 1 | 1 | 1 | C |
| NS | 611154 | . SLEEVE | 1 | 1 | 1 | 1 | C |
| NS | 611294 | . V-SEAL | 1 | 1 | 1 | 1 | C |
| NS | 611144 | . BUSHING LOWER KING PIN | 1 | 1 | 1 | 1 | C |
| NS | 611148 | . KING PIN | 1 | 1 | 1 | 1 | C |
| NS | 611155 | . CAP LOWER / KING PIN | 1 | 1 | 1 | 1 | C |
| NS | 611156 | . O-RING | 1 | 1 | 1 | 1 | C |
| NS | 611258 | . SWIVEL PIN LOCK | 1 | 1 | 1 | 1 | C |
| NS | 610029 | . NUT 7/16 UNF | 1 | 1 | 1 | 1 | C |
| NS | 5001200 | . WASHER FL .453x.875x.090 | 1 | 1 | 1 | 1 | C |

| | | |
|-----------------------|--------------|-----------------|
| From Y-7046 To 3-8164 | Date:10/2022 | PAGE:Y2-1005-50 |
|-----------------------|--------------|-----------------|

FRONT AXLE - INDEPENDENT MODEL "IS-84" / 16500LBS

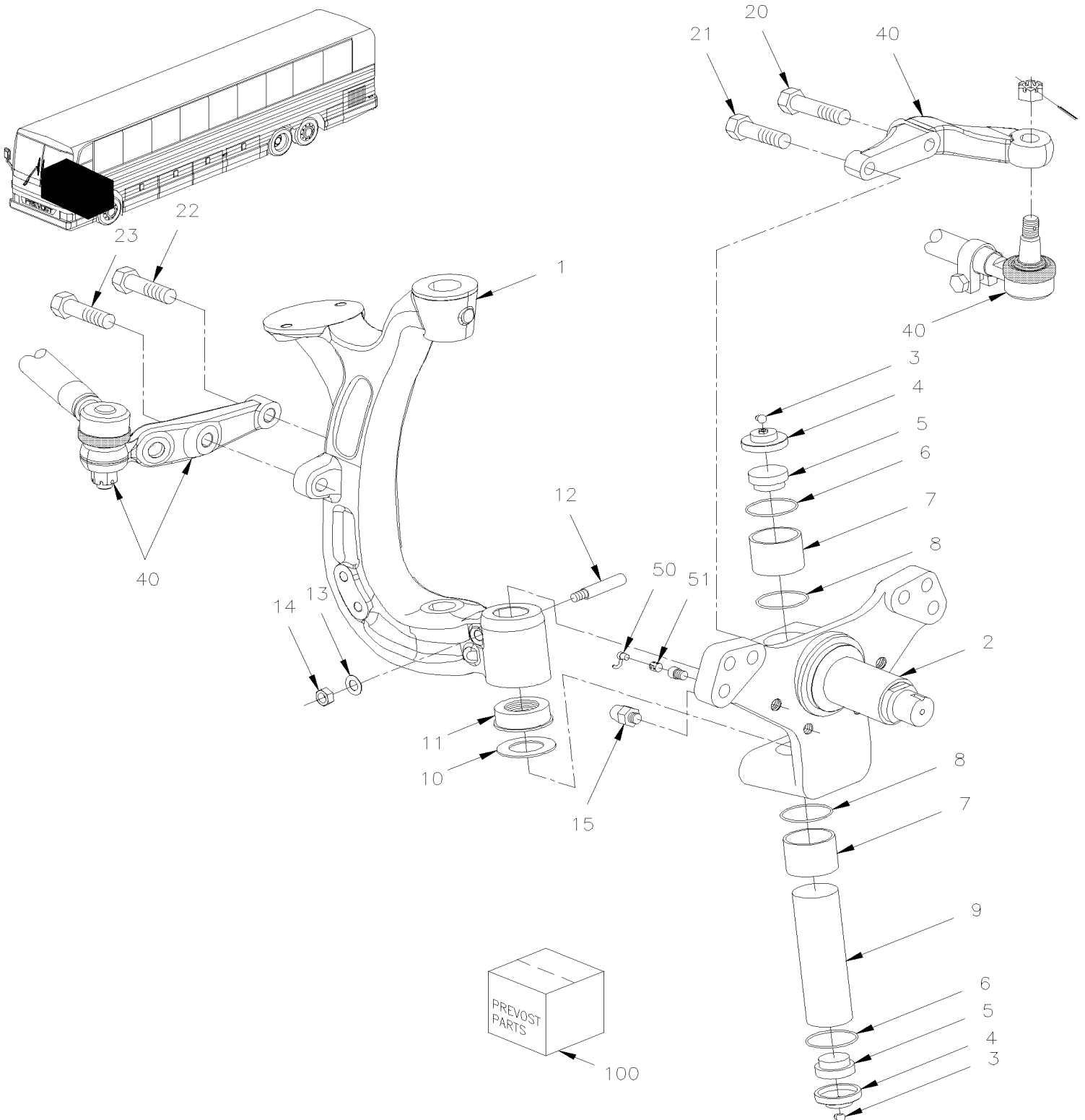
| Item# | Part | Description | X L I I 4 5 | X L I I M T H 4 0 | X L I I M T H 4 5 | X L I I M T H 4 5 E | N O T E S |
|-------|------|---|----------------------------|---|---|--|-----------------------|
| | | | | | | | |
| | | B) OUTER WHEEL BEARING | | | | | |
| | | C) INCLUDING ITEM # 3 TO 12, # 19 TO 23 | | | | | |
| | | D) USE WITH AXLE 3° CASTER | | | | | |
| | | R) USE ONLY WITH RETROFIT HUB "UNITISED" BEARING # 611329 (PAGE Y2-1300-99) | | | | | |

From 4-8165 To 8-9339

Date:10/2022

PAGE:Y2-1005-51

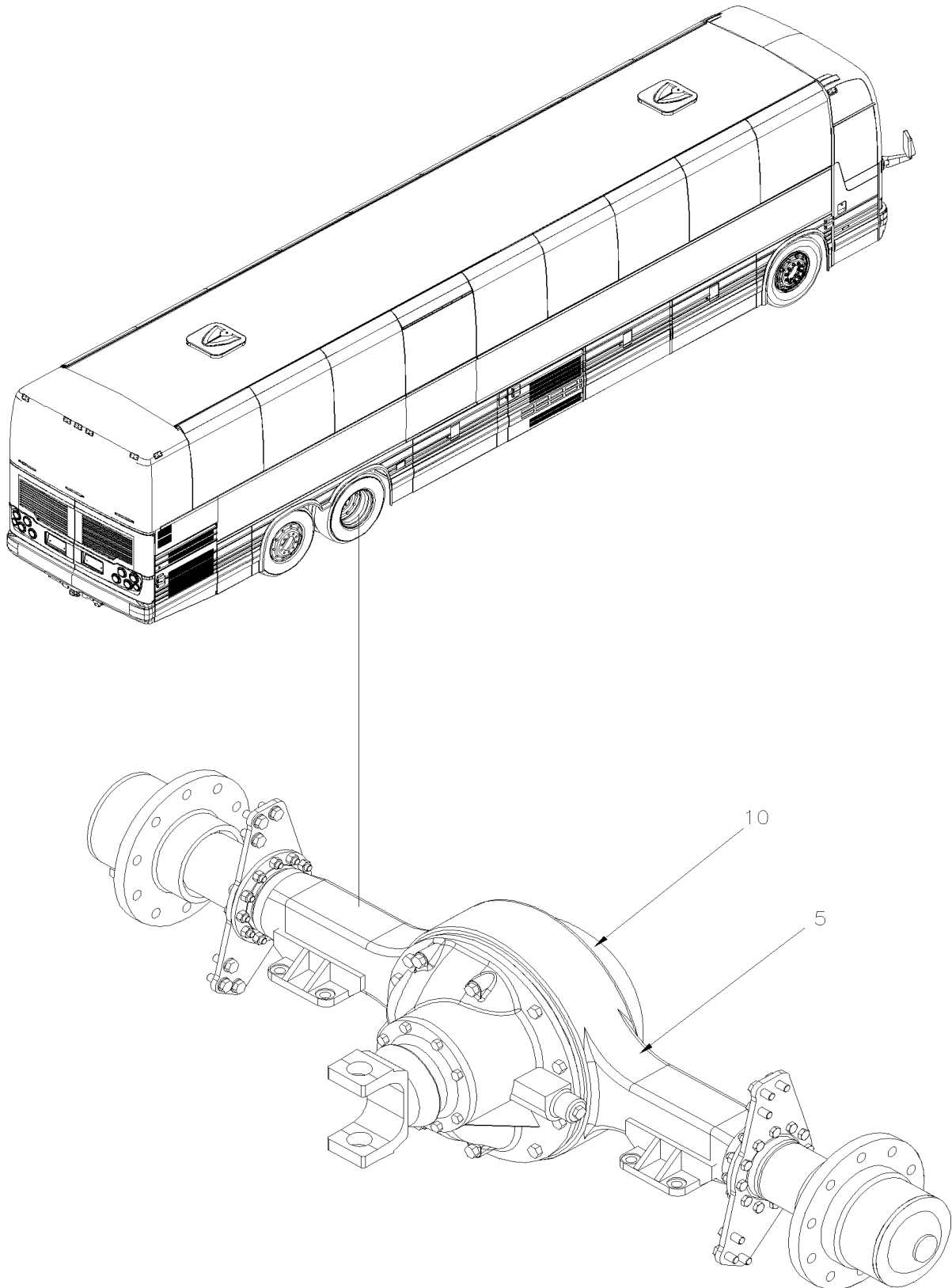
FRONT AXLE - INDEPENDENT MODEL "NDIFS80P" / 18000LBS



FRONT AXLE - INDEPENDENT MODEL "NDIFS80P" / 18000LBS

| Item# | Part | Description | X | X | X | X | NOTES |
|---|-------------------|--|----|----|----|----|-------|
| | | | L | L | L | L | |
| | | | I | I | I | I | |
| | | | 4 | 4 | 4 | 4 | |
| | | | 5 | 5 | 5 | 5 | |
| | | | M | M | M | M | |
| | | | T | T | T | T | |
| | | | H | H | H | H | |
| | | | 0 | 0 | 0 | 0 | |
| | | | 4 | 4 | 4 | 4 | |
| | | | 5 | 5 | 5 | 5 | |
| | 611254 | AXLE ASSY L.H. & R.H. / NDIFS80P / W/56 Deg To 6-8832 | 1 | 1 | 1 | 1 | |
| | 611345 | AXLE ASSY L.H. & R.H. / NDIFS80P / W/58 Deg From 6-8833 To 7-9159 | 1 | | 1 | 1 | |
| | 612351 | AXLE ASSY L.H. & R.H. / NDIFS80P / W/58 Deg From 7-9160 To 8-9262 | 1 | | 1 | 1 | |
| | 612355 | AXLE ASSY L.H. & R.H. / NDIFS80P / W/58 Deg From 8-9263 | 1 | | 1 | 1 | |
| 1 | 612325 | . AXLE L.H. To 8-9262 | 1 | 1 | 1 | 1 | |
| 1 | 612370 | . AXLE L.H. / W/DOUBLE LOCK ON KING PIN From 8-9263 | 1 | | 1 | 1 | |
| 1 | 612327 | . AXLE R.H. To 8-9262 | 1 | 1 | 1 | 1 | |
| 1 | 612369 | . AXLE R.H. / W/DOUBLE LOCK ON KING PIN From 8-9263 | 1 | | 1 | 1 | |
| 2 | 611280 | . KNUCKLE L.H. & R.H. | 2 | 2 | 2 | 2 | |
| 3 | 501490 | . GREASE FITTING / 1/8 NPT | 2 | 2 | 2 | 2 | |
| 4 | 611283 | . CAP UPPER & LOWER | 2 | 2 | 2 | 2 | |
| 5 | 611939 | . FOAM INSERT | 2 | 2 | 2 | 2 | |
| 6 | 611284 | . SNAP RING, EXT 2400-55 | 2 | 2 | 2 | 2 | |
| 7 | 611937 | . BUSHING (STD) | 2 | 2 | 2 | 2 | |
| 8 | 611936 | . OIL SEAL | 2 | 2 | 2 | 2 | |
| 9 | 611947 | . KING PIN WITH SINGLE LOCK PIN To 8-9262 | 1 | 1 | 1 | 1 | |
| 10 | 611956 | . SHIM 0.013 | AR | AR | AR | AR | |
| 10 | 611957 | . SHIM 0.025 | AR | AR | AR | AR | |
| 10 | 611958 | . SHIM 0.050 | AR | AR | AR | AR | |
| 10 | 611959 | . SHIM 0.020 | AR | AR | AR | AR | |
| 11 | 611941 | . BEARING THRUST | 1 | 1 | 1 | 1 | |
| 13 | 500446 | . WASHER FL .531x1.250x.125 Z050 | 1 | 1 | 1 | 1 | |
| 14 | 500716 | . NUT HEX 1/2-20 Z050 | 1 | 1 | 1 | 1 | |
| 15 | 611287 | . LOCKSTOP SCREW FRONT | 1 | 1 | 1 | 1 | |
| NS | 611288 | . LOCKSTOP SCREW BACK | 1 | 1 | 1 | 1 | |
| 20 | 611308 | . SCREW CAP HEX M20-2.5x100 G12.9 | 1 | 1 | 1 | 1 | |
| 21 | 611306 | . SCREW CAP HEX M20-2.5x65 G12.9 | 1 | 1 | 1 | 1 | |
| 22 | 611305 | . SCREW CAP HEX M20-2.5x60 G12.9 | 1 | 1 | 1 | 1 | |
| 23 | 611307 | . SCREW CAP HEX M20-2.5x80 G12.9 | 1 | 1 | 1 | 1 | |
| 40 | Y2-1410-51 | STEERING RODS - INSTALLATION W/INDEPENDENT "NDIFS80P" / 18000LBS | | | | | |
| 50 | 641288 | SENSOR ABS (ON FRONT AXLE) 90° ANGLE To 8-9278 | 1 | 1 | 1 | 1 | |
| 50 | 642084 | SENSOR ABS 90° ANGLE - OEM From 8-9279 | 1 | 1 | 1 | 1 | |
| 51 | 641096 | CLIP, SPRING / TO FIX SENSOR | 1 | 1 | 1 | 1 | |
| 100 | 611962 | KIT REPAIR / STEERING KNUCKLE BUSHING (STD) / (REQUIRE 2 KITS) To 8-9262 | 2 | 2 | 2 | 2 | |
| 100 | 611131 | KIT REPAIR / STEERING KNUCKLE BUSHING (UNDER SIZED) / (REQUIRE 2 KITS) From 8-9263 | 1 | | 1 | 1 | T |
| . NS | SB07_03 | . NSDIFS80P - KINGPIN KITS From 8-9263 | 1 | | 1 | 1 | T |
| 100 | 611132 | KIT REPAIR / STEERING KNUCKLE BUSHING (STD) / (REQUIRE 2 KITS) From 8-9263 | 1 | | 1 | 1 | |
| . NS | SB07_03 | . NSDIFS80P - KINGPIN KITS From 8-9263 | 1 | | 1 | 1 | |
| T) WITH THIS KITS YOU REQUIRE REAMER TOOL TO REPAIR | | | | | | | |

| | | |
|-----------|--------------|-------|
| | Date:10/2022 | Y2-11 |
| REAR AXLE | | |



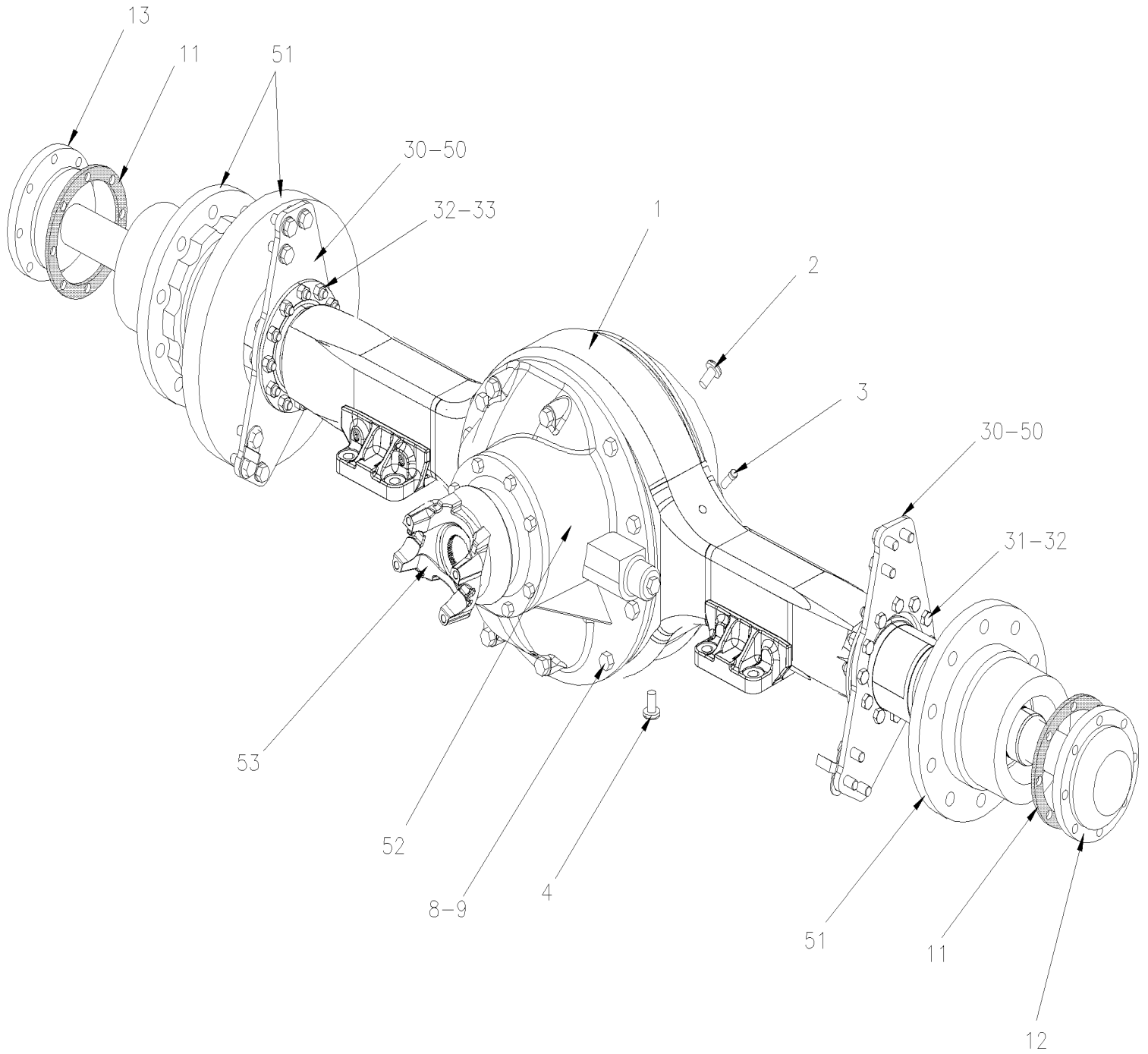
| | | Date:10/2022 | Y2-11 | | | | |
|-----------|------------|---|----------------------------|---|---|--|-------|
| REAR AXLE | | | | | | | |
| Item# | Part | Description | X L I I 4 5 | X L I I M T H 4 0 | X L I I M T H 4 5 | X L I I M T H 4 5 E | NOTES |
| 5 | Y2-1105-00 | REAR AXLE - MODEL "RC23160" From Y-7046 To 8-9339 | | | | | |
| 10 | Y2-1110-00 | CARRIER ASSY From Y-7046 To 8-9339 | | | | | |

From Y-7046 To 8-9339

Date:10/2022

PAGE:Y2-1105-00

REAR AXLE - MODEL "RC23160"



| | | |
|------------------------------------|--------------|-----------------|
| From Y-7046 To 8-9339 | Date:10/2022 | PAGE:Y2-1105-00 |
| REAR AXLE - MODEL "RC23160" | | |

| Item# | Part | Description | X L I I 4 5 | X L I I M T H 4 0 | X L I I M T H 4 5 | X L I I M T H 4 5 E | N O T E S |
|-------|--------|--|----------------------------|---|---|--|-----------------------|
| | | AXLE ASSY WITHOUT WHEELS STUD | | | | | |
| | 621660 | REAR AXLE ASSY / 3.07 RATIO To Y-7335 | 1 | 1 | 1 | 1 | B |
| | 621674 | REAR AXLE ASSY / 3.07 RATIO From Y-7336 To 2-7822 | 1 | 1 | 1 | 1 | C |
| | 621661 | REAR AXLE ASSY / 3.21 RATIO To Y-7335 | 1 | 1 | 1 | 1 | B |
| | 621675 | REAR AXLE ASSY / 3.21 RATIO From Y-7336 To 2-7822 | 1 | 1 | 1 | 1 | C |
| | 621769 | REAR AXLE ASSY / 3.42 RATIO From 5-8536 To 7-9160 | 1 | 1 | 1 | 1 | |
| | 621791 | REAR AXLE ASSY / 3.42 RATIO From 7-9159 | 1 | 1 | 1 | 1 | |
| | 621770 | REAR AXLE ASSY / 3.42 RATIO / SUPER SINGLE From 5-8536 To 7-9160 | 1 | 1 | 1 | 1 | |
| | 621792 | REAR AXLE ASSY / 3.42 RATIO / SUPER SINGLE From 7-9159 | | | 1 | 1 | |
| | 621760 | REAR AXLE ASSY / 3.58 RATIO From 5-8536 To 7-9160 | 1 | 1 | 1 | 1 | |
| | 621789 | REAR AXLE ASSY / 3.58 RATIO From 7-9159 | | | 1 | 1 | |
| | 621768 | REAR AXLE ASSY / 3.58 RATIO / SUPER SINGLE From 5-8536 To 7-9160 | 1 | 1 | 1 | 1 | |
| | 621790 | REAR AXLE ASSY / 3.58 RATIO / SUPER SINGLE From 7-9159 | | | 1 | 1 | |
| | 621662 | REAR AXLE ASSY / 3.73 RATIO To Y-7335 | 1 | 1 | 1 | 1 | B |
| | 621676 | REAR AXLE ASSY / 3.73 RATIO From Y-7336 To 4-8176 | 1 | 1 | 1 | 1 | C |
| | 621708 | REAR AXLE ASSY / 3.73 RATIO From 4-8177 To 4-8306 | 1 | 1 | 1 | 1 | D |
| | 621736 | REAR AXLE ASSY / 3.73 RATIO From 4-8307 To 5-8535 | 1 | 1 | 1 | 1 | |
| | 621749 | REAR AXLE ASSY / 3.73 RATIO From 5-8536 To 7-9160 | 1 | 1 | 1 | 1 | |
| | 621788 | REAR AXLE ASSY / 3.73 RATIO From 7-9159 | | | 1 | 1 | |
| | 621742 | REAR AXLE ASSY / 3.73 RATIO / SUPER SINGLE From 5-8536 To 7-9160 | 1 | 1 | 1 | 1 | |
| | 621782 | REAR AXLE ASSY / 3.73 RATIO / SUPER SINGLE From 7-9159 | | | 1 | 1 | |
| | 621685 | REAR AXLE ASSY / 4.10 RATIO From Y-7336 To 2-7822 | 1 | 1 | 1 | 1 | |
| | 621349 | REAR AXLE ASSY / 4.10 RATIO From 2-7823 To 4-8176 | 1 | 1 | 1 | 1 | |
| | 621703 | REAR AXLE ASSY / 4.10 RATIO From 4-8177 To 4-8306 | 1 | 1 | 1 | 1 | D |
| | 621732 | REAR AXLE ASSY / 4.10 RATIO From 4-8307 To 5-8535 | 1 | 1 | 1 | 1 | |
| | 621744 | REAR AXLE ASSY / 4.10 RATIO From 5-8536 To 7-9160 | 1 | 1 | 1 | 1 | |
| | 621784 | REAR AXLE ASSY / 4.10 RATIO From 7-9159 | | | 1 | 1 | |
| | 621740 | REAR AXLE ASSY / 4.10 RATIO / SUPER SINGLE From 5-8536 To 7-9160 | 1 | 1 | 1 | 1 | |
| | 621781 | REAR AXLE ASSY / 4.10 RATIO / SUPER SINGLE From 7-9159 | | | 1 | 1 | |
| | 621663 | REAR AXLE ASSY / 4.30 RATIO To Y-7335 | 1 | 1 | 1 | 1 | B |
| | 621677 | REAR AXLE ASSY / 4.30 RATIO From Y-7336 To 2-7822 | 1 | 1 | 1 | 1 | C |
| | 621697 | REAR AXLE ASSY / 4.30 RATIO From 2-7823 To 4-8176 | 1 | 1 | 1 | 1 | |
| | 621704 | REAR AXLE ASSY / 4.30 RATIO From 4-8177 To 4-8306 | 1 | 1 | 1 | 1 | D |
| | 621733 | REAR AXLE ASSY / 4.30 RATIO From 4-8307 To 5-8535 | 1 | 1 | 1 | 1 | |
| | 621745 | REAR AXLE ASSY / 4.30 RATIO From 5-8536 To 7-9160 | 1 | 1 | 1 | 1 | |
| | 621785 | REAR AXLE ASSY / 4.30 RATIO From 7-9159 | | | 1 | 1 | |
| | 621739 | REAR AXLE ASSY / 4.30 RATIO / SUPER SINGLE From 5-8536 To 7-9160 | 1 | 1 | 1 | 1 | |
| | 621780 | REAR AXLE ASSY / 4.30 RATIO / SUPER SINGLE From 7-9159 | | | 1 | 1 | |
| | 621690 | REAR AXLE ASSY / 4.56 RATIO / W/DIFF LOCK From Y-7336 To 2-7822 | 1 | 1 | 1 | 1 | |
| | 621700 | REAR AXLE ASSY / 4.56 RATIO / W/DIFF LOCK From Y-7823 To 4-8176 | 1 | 1 | 1 | 1 | |

| | | |
|------------------------------------|--------------|-----------------|
| From Y-7046 To 8-9339 | Date:10/2022 | PAGE:Y2-1105-00 |
| REAR AXLE - MODEL "RC23160" | | |

| Item# | Part | Description | X L I I 4 5 | X L I I M T H 4 0 | X L I I M T H 4 5 | X L I I M T H 4 5 E | N O T E S |
|-------|---------|--|----------------------------|---|---|--|-----------------------|
| | 621707 | REAR AXLE ASSY / 4.56 RATIO / W/DIFF LOCK From 4-8177 To 4-8306 | 1 | 1 | 1 | 1 | D |
| | 621737 | REAR AXLE ASSY / 4.56 RATIO / W/DIFF LOCK From 4-8307 To 5-8535 | 1 | 1 | 1 | 1 | |
| | 621748 | REAR AXLE ASSY / 4.56 RATIO / W/DIFF LOCK From 5-8536 To 7-9160 | 1 | 1 | 1 | 1 | |
| | 621741 | REAR AXLE ASSY / 4.56 RATIO / W/DIFF LOCK & SUPER SINGLE From 5-8536 To 7-9160 | 1 | 1 | 1 | 1 | |
| | 621664 | REAR AXLE ASSY / 4.56 RATIO To Y-7335 | 1 | 1 | 1 | 1 | B |
| | 621678 | REAR AXLE ASSY / 4.56 RATIO From Y-7336 To 2-7822 | 1 | 1 | 1 | 1 | C |
| | 621698 | REAR AXLE ASSY / 4.56 RATIO From 2-7823 To 4-8176 | 1 | 1 | 1 | 1 | |
| | 621705 | REAR AXLE ASSY / 4.56 RATIO From 4-8177 To 4-8306 | 1 | 1 | 1 | 1 | D |
| | 621734 | REAR AXLE ASSY / 4.56 RATIO From 4-8307 To 5-8535 | 1 | 1 | 1 | 1 | |
| | 621746 | REAR AXLE ASSY / 4.56 RATIO From 5-8536 To 7-9160 | 1 | 1 | 1 | 1 | |
| | 621786 | REAR AXLE ASSY / 4.56 RATIO From 7-9159 | | | 1 | 1 | |
| | 621738 | REAR AXLE ASSY / 4.56 RATIO / SUPER SINGLE From 5-8536 To 7-9160 | 1 | 1 | 1 | 1 | |
| | 621779 | REAR AXLE ASSY / 4.56 RATIO / SUPER SINGLE From 7-9159 | | | 1 | 1 | |
| | 621665 | REAR AXLE ASSY / 4.88 RATIO To Y-7335 | 1 | 1 | 1 | 1 | B |
| | 621679 | REAR AXLE ASSY / 4.88 RATIO From Y-7336 To 2-7822 | 1 | 1 | 1 | 1 | C |
| | 621699 | REAR AXLE ASSY / 4.88 RATIO From 2-7823 To 4-8176 | 1 | 1 | 1 | 1 | |
| | 621706 | REAR AXLE ASSY / 4.88 RATIO From 4-8177 To 4-8306 | 1 | 1 | 1 | 1 | D |
| | 621735 | REAR AXLE ASSY / 4.88 RATIO From 4-8307 To 5-8535 | 1 | 1 | 1 | 1 | |
| | 621747 | REAR AXLE ASSY / 4.89 RATIO From 5-8536 To 7-9160 | 1 | 1 | 1 | 1 | |
| | 621787 | REAR AXLE ASSY / 4.89 RATIO From 7-9159 | | | 1 | 1 | |
| | 621743 | REAR AXLE ASSY / 4.89 RATIO / SUPER SINGLE From 5-8536 To 7-9160 | 1 | 1 | 1 | 1 | |
| | 621783 | REAR AXLE ASSY / 4.89 RATIO / SUPER SINGLE From 7-9159 | | | 1 | 1 | |
| | | | | | | | |
| 1 | 621614 | HOUSING ASSY W/BRACKET WELDED To 5-8535 | 1 | 1 | 1 | 1 | E |
| 1 | 621754 | HOUSING ASSY W/BRACKET WELDED From 5-8536 | 1 | 1 | 1 | 1 | |
| 1 | 621752 | HOUSING ASSY W/BRACKET WELDED / SUPER SINGLE | 1 | 1 | 1 | 1 | |
| NS | 680053 | . SILICONE TUBE RTV103 / BLACK / 3 oz | 2 | 2 | 2 | 2 | |
| 2 | 621142 | . PLUG FILLER | 1 | 1 | 1 | 1 | |
| 3 | 620442 | . BREATHER / (CURRENT 1 PIECE) | 2 | 2 | 2 | 2 | |
| 3 | 621871 | . BREATHER AND TUBE | 1 | 1 | 1 | 1 | S |
| 4 | 621615 | . PLUG MAGNETIC | 1 | 1 | 1 | 1 | |
| 8 | 5001422 | . SCREW CAP HEX 5/8-11x2 1/2 G8 ZP | 12 | 12 | 12 | 12 | |
| 8 | 5001423 | . SCREW CAP HEX 5/8-11x4 G8 ZP | 4 | 4 | 4 | 4 | |
| 8 | 621221 | . SCREW CAP HEX 5/8-11x1 3/4 G8 ZP | AR | AR | AR | AR | |
| 9 | 620474 | . WASHER HARDENED / 5/8" I.D. | 18 | 18 | 18 | 18 | |
| 10 | 500742 | . NUT HEX STO 7/8-14 ZP | 18 | 18 | 18 | 18 | |
| 11 | 620351 | . GASKET / AXLE SHAFT W/8 STUDS | 2 | 2 | 2 | 2 | |
| 12 | 621626 | . SHAFT, AXLE / 42" (stp 1537) (INSTALL RH CURBSIDE) | 1 | 1 | 1 | 1 | E |
| 12 | 621755 | . SHAFT, AXLE / 46.30" (stp 1998) / SUPER SINGLE (INSTALL RH CURBSIDE) | 1 | 1 | 1 | 1 | F |
| 12 | 621692 | . SHAFT, AXLE / (stp 9645) / W/DIFF LOCK | 1 | 1 | 1 | 1 | E |
| 13 | 621625 | . SHAFT, AXLE / 40 1/8" (stp 1536) (INSTALL LH STREET SIDE) | 1 | 1 | 1 | 1 | E |
| 13 | 621756 | . SHAFT, AXLE / 44.37"(stp 1999) / SUPER SINGLE (INSTALL LH STREET SIDE) | 1 | 1 | 1 | 1 | F |

| | | |
|------------------------------------|--------------|-----------------|
| From Y-7046 To 8-9339 | Date:10/2022 | PAGE:Y2-1105-00 |
| REAR AXLE - MODEL "RC23160" | | |

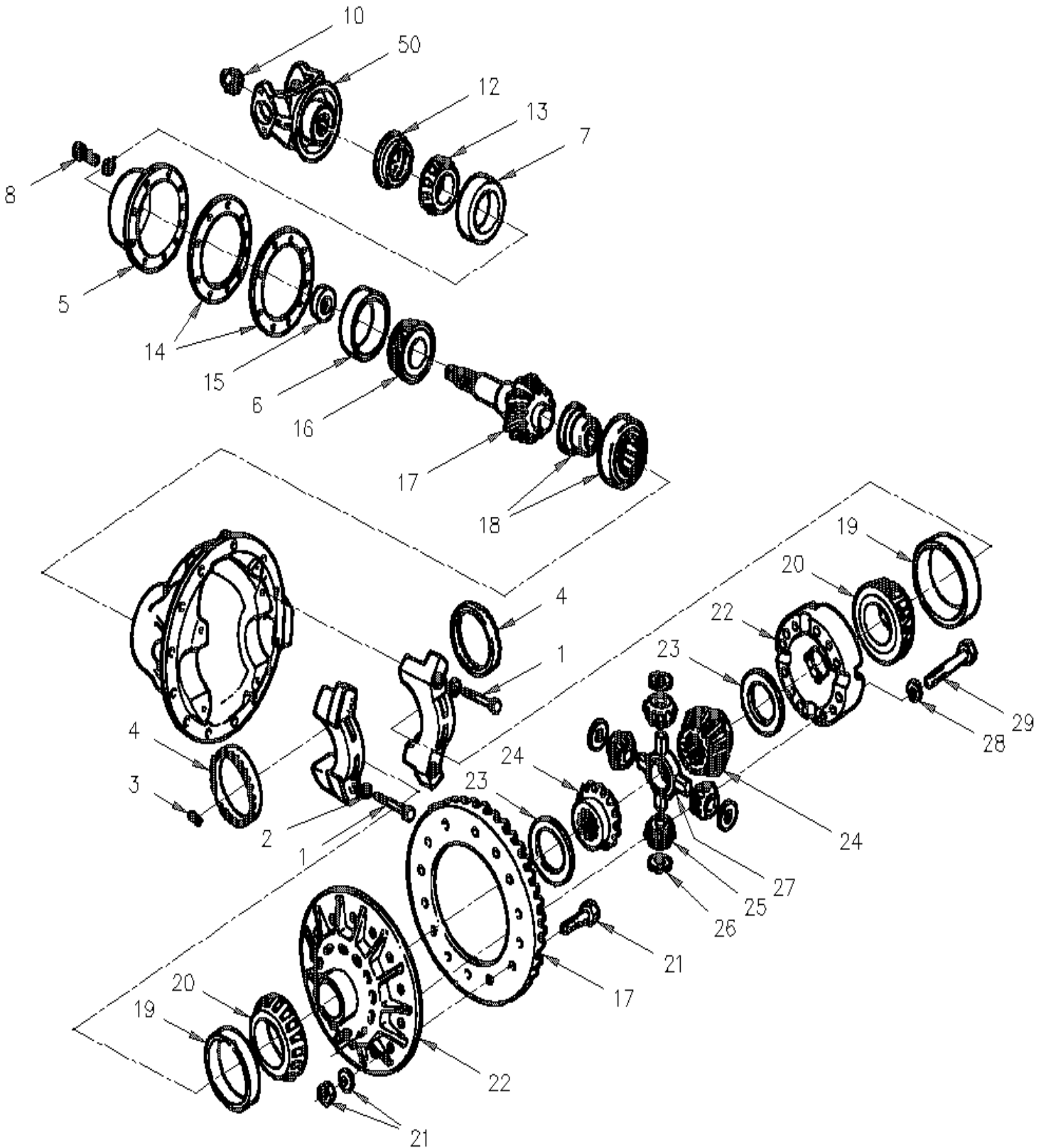
| Item# | Part | Description | X L I I 4 5 | X L I I M T H 4 0 | X L I I M T H 4 5 | X L I I M T H 4 5 E | N O T E S |
|-------|-------------------|---|----------------------------|---|---|--|-----------------------|
| 13 | 621692 | . SHAFT, AXLE / (stp 9645) / W/DIFF LOCK | 1 | 1 | 1 | 1 | E |
| NS | 689949 | OIL DIFERENTIAL S.A.E. 140 GL5 85-140W (VRAC) | AR | AR | AR | AR | |
| | | NEXT FOLLOWING ITEMS ARE RELATED WITH "OPTION" DIFFERENTIAL LOCK | | | | | |
| NS | 624216 | DECAL "CAUTION" DIFFERENTIAL LOCK..." | 1 | 1 | 1 | 1 | |
| NS | 562697 | SWITCH / ON-ON / D.P.D.T. / CH-OVER / W/RED & GREEN LED | 1 | 1 | 1 | 1 | |
| NS | 564013 | CAP / DIFFERENTIAL LOCK | 1 | 1 | 1 | 1 | |
| NS | 142198 | HOSE ASSY / DIFF & STRUCTURE / #6 875MM | 1 | 1 | 1 | 1 | |
| NS | 172589 | SUPPORT HOSE / (WELDED TO STRUCTURE) | 1 | 1 | 1 | 1 | |
| NS | 641937 | VALVE, 3 WAYS, 2 POSITIONS N.C. / W/MAN OVERRIDE | 1 | 1 | 1 | 1 | |
| . NS | 641929 | . COIL 24V | 1 | 1 | 1 | 1 | |
| . NS | 641385 | . CONNECTOR / SOCKET HOUSING ASSY 3C / PNEUMAC 54934-01 | 1 | 1 | 1 | 1 | |
| NS | 641934 | SILENCER / MUFFLER / 3/8NPT-M | 1 | 1 | 1 | 1 | |
| NS | 260862 | PANEL TO FIX VALVE AT REAR COMPARTMENT | | | 1 | | |
| 30 | 621669 | CALIPER MOUNTING BRACKET L.H. & R.H. To 7-9158 | 2 | 2 | 2 | 2 | |
| . NS | 621709 | . CALIPER MOUNTING BRACKET L.H. & R.H. W/OUT BUSHING To 7-9158 | 1 | 1 | 1 | 1 | |
| . NS | 621684 | . BUSHING ABS SENSOR MOUNTING DRIVE AXLE To 7-9158 | 1 | 1 | 1 | 1 | |
| 30 | 621868 | CALIPER MOUNTING BRACKET L.H. & R.H. W/OUT BUSHING From 7-9159 | 2 | 2 | 2 | 2 | |
| 30 | 621869 | BUSHING - ABS SENSOR From 7-9159 | 2 | 2 | 2 | 2 | |
| 31 | 621365 | WASHER (HARD) .59IDX.97ODX.09 | 12 | 12 | 12 | 12 | |
| 32 | 621365 | WASHER (HARD) .59IDX.97ODX.09 | 24 | 24 | 24 | 24 | |
| 33 | 621638 | NUT HEX 9/16-18 GR8 | 12 | 12 | 12 | 12 | |
| 50 | Y2-1235-00 | BRAKE PARTS - DRIVE AXLE "MERITOR" W/DISCS / SB7 SERIES | | | | | |
| 50 | Y2-1225-01 | BRAKE PARTS "KNORR-BREMSE" SN7 SERIES | | | | | |
| 51 | Y2-1305-00 | HUB & ROTOR - DRIVE AXLE | | | | | |
| 52 | Y2-1110-00 | CARRIER ASSY | | | | | |
| 53 | Y2-0905-00 | PROPELLER SHAFT | | | | | |
| | | B) W/ABS ON DRIVE WHEEL END / PLAIN DISC | | | | | |
| | | C) W/ABS ON DRIVE WHEEL END / VENTED DISC | | | | | |
| | | D) W/ABS PROTECTOR SHIELD | | | | | |
| | | E) WITH DOUBLE WHEEL ONLY | | | | | |
| | | F) WITH SUPER SINGLE ONLY | | | | | |
| | | S) PRODUCT IMPROVEMENT | | | | | |

From Y-7046 To 8-9339

Date:10/2022

PAGE:Y2-1110-00

CARRIER ASSY



| | | |
|-----------------------|--------------|-----------------|
| From Y-7046 To 8-9339 | Date:10/2022 | PAGE:Y2-1110-00 |
| CARRIER ASSY | | |

| Item# | Part | Description | X L I I 4 5 | X L I I M T H 4 0 | X L I I M T H 4 5 | X L I I M T H 4 5 E | N O T E S |
|-------|--------|---|----------------------------|---|---|--|-----------------------|
| | 621549 | CARRIER ASSY / 3.07 RATIO To 2-7822 | 1 | | | | |
| | 621714 | CARRIER ASSY / 3.07 RATIO From 2-7823 | 1 | | | | |
| | 621550 | CARRIER ASSY / 3.21 RATIO To 2-7822 | 1 | | | | |
| | 621715 | CARRIER ASSY / 3.21 RATIO From 2-7823 | 1 | | | | |
| | 621551 | CARRIER ASSY / 3.42 RATIO To 2-7822 | | | | | |
| | 621722 | CARRIER ASSY / 3.42 RATIO From 2-7823 | 1 | 1 | 1 | 1 | |
| | 621547 | CARRIER ASSY / 3.58 RATIO To 2-7822 | 1 | 1 | 1 | 1 | |
| | 621728 | CARRIER ASSY / 3.58 RATIO From 2-7823 | 1 | 1 | 1 | 1 | |
| | 621548 | CARRIER ASSY / 3.73 RATIO To 2-7822 | 1 | 1 | 1 | 1 | |
| | 621723 | CARRIER ASSY / 3.73 RATIO From 2-7823 | 1 | 1 | 1 | 1 | |
| | 621552 | CARRIER ASSY / 4.10 RATIO To 2-7822 | 1 | 1 | 1 | 1 | |
| | 621724 | CARRIER ASSY / 4.10 RATIO From 2-7823 | 1 | 1 | 1 | 1 | |
| | 621555 | CARRIER ASSY / 4.30 RATIO To 2-7822 | 1 | 1 | 1 | 1 | |
| | 621725 | CARRIER ASSY / 4.30 RATIO From 2-7823 | 1 | 1 | 1 | 1 | |
| | 621553 | CARRIER ASSY / 4.56 RATIO To 2-7822 | 1 | 1 | 1 | 1 | |
| | 621726 | CARRIER ASSY / 4.56 RATIO From 2-7823 | 1 | 1 | 1 | 1 | |
| | 621691 | CARRIER ASSY / 4.56 RATIO To 2-7822 | 1 | 1 | 1 | 1 | B |
| | 621729 | CARRIER ASSY / 4.56 RATIO / W/DIFF LOCK From 2-7823 | 1 | 1 | 1 | 1 | B |
| | 621554 | CARRIER ASSY / 4.89 RATIO To 2-7822 | 1 | 1 | 1 | 1 | |
| | 621727 | CARRIER ASSY / 4.89 RATIO From 2-7823 | 1 | 1 | 1 | 1 | |
| | N.S.S. | . CASE CARRIER | 1 | 1 | 1 | 1 | 1 |
| 1 | 621418 | . . SCREW, CAP | 2 | 2 | 2 | 2 | |
| 2 | 621417 | . . WASHER | 4 | 4 | 4 | 4 | |
| 3 | 505128 | . SPRING, PIN 1/4 X 2 | 2 | 2 | 2 | 2 | |
| 4 | 621479 | . RING, ADJUSTING / W/MODEL 3200-P-1706 | 2 | 2 | 2 | 2 | |
| 5 | 621419 | . CASE & CUP ASSY / PINION BEARING | 1 | 1 | 1 | 1 | |
| 6 | 621420 | . . CUP BEARING / INNER BEARING | 1 | 1 | 1 | 1 | |
| 7 | 621421 | . . CUP BEARING / OUTER BEARING | 1 | 1 | 1 | 1 | |
| 8 | 621439 | . SCREW, CAP | 8 | 8 | 8 | 8 | |
| 10 | 621418 | . SCREW, CAP | 4 | 4 | 4 | 4 | |
| NS | 621445 | . NUT / DRIVE PINION | 1 | 1 | 1 | 1 | |
| 12 | 621424 | . SEAL, OIL | 1 | 1 | 1 | 1 | |
| NS | 195671 | SEAL INSTALLER TOOL / CARRIER DRIVE PINION (2731T1) | 1 | 1 | 1 | 1 | I |
| 13 | 621423 | . CONE BEARING / OUTER | 1 | 1 | 1 | 1 | |
| 14 | 621438 | . SHIM 0.020 | AR | AR | AR | AR | |
| 14 | 621437 | . SHIM 0.008 | AR | AR | AR | AR | |
| 14 | 621436 | . SHIM 0.005 | AR | AR | AR | AR | |
| 14 | 621435 | . SHIM 0.003 | AR | AR | AR | AR | |
| 15 | 621434 | . SPACER .263 | AR | AR | AR | AR | |
| 15 | 621433 | . SPACER .262 | AR | AR | AR | AR | |
| 15 | 621432 | . SPACER .261 | AR | AR | AR | AR | |
| 15 | 621431 | . SPACER .260 | AR | AR | AR | AR | |

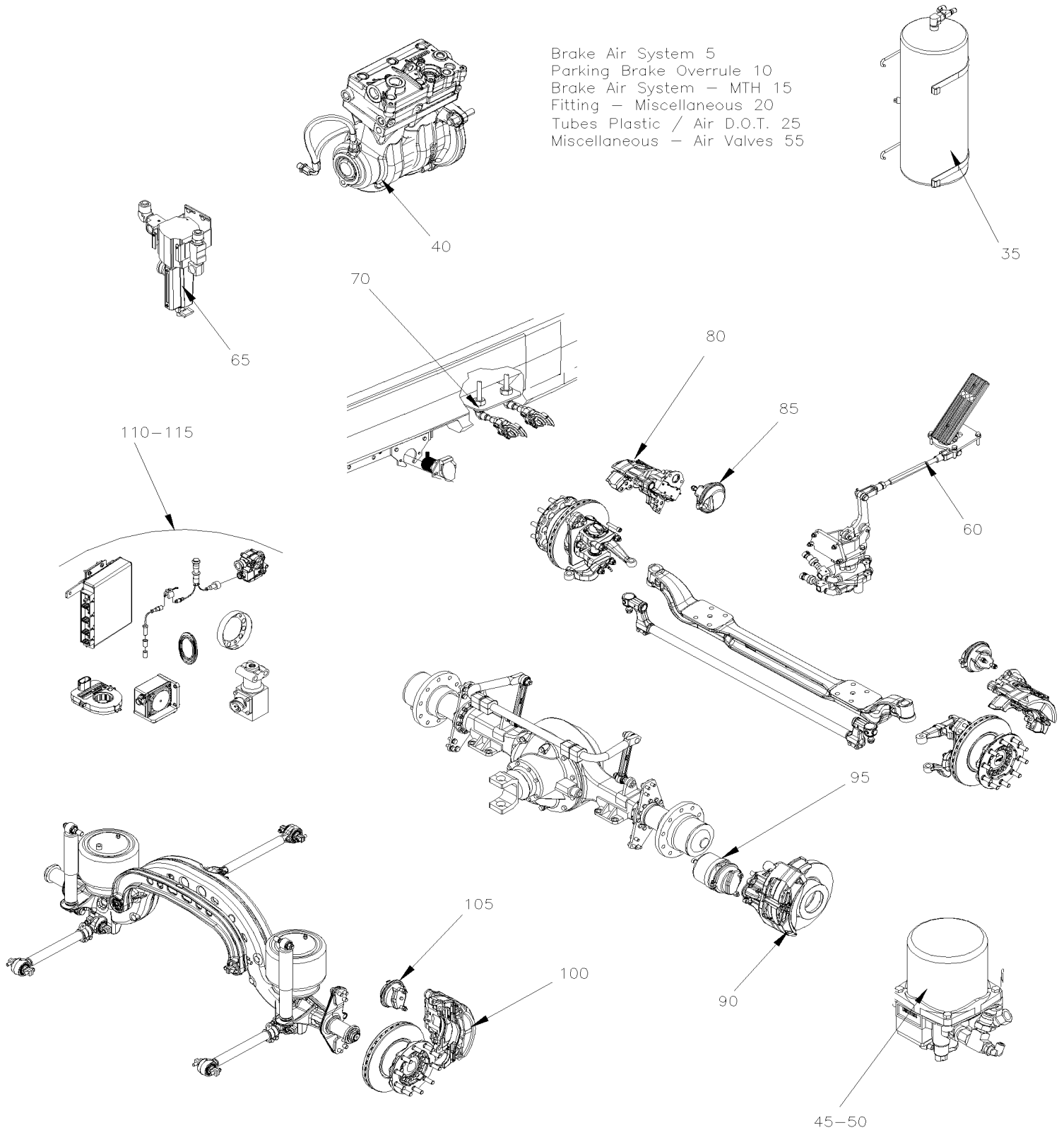
| | | |
|-----------------------|--------------|-----------------|
| From Y-7046 To 8-9339 | Date:10/2022 | PAGE:Y2-1110-00 |
| CARRIER ASSY | | |

| Item# | Part | Description | X L I I 4 5 | X L I I M T H 4 0 | X L I I M T H 4 5 | X L I I M T H 4 5 E | N O T E S |
|-------|--------|---|----------------------------|---|---|--|-----------------------|
| 15 | 621430 | . SPACER .256 | AR | AR | AR | AR | |
| 15 | 621429 | . SPACER .254 | AR | AR | AR | AR | |
| 15 | 621428 | . SPACER .253 | AR | AR | AR | AR | |
| 15 | 621427 | . SPACER .252 | AR | AR | AR | AR | |
| 15 | 621426 | . SPACER .251 | AR | AR | AR | AR | |
| 15 | 621425 | . SPACER .250 | AR | AR | AR | AR | |
| 16 | 621422 | . CONE BEARING / INNER | 1 | 1 | 1 | 1 | |
| 17 | 621485 | . SET, GEAR DRIVE & PINION / 3.07 RATIO To 2-7822 | 1 | 1 | 1 | 1 | |
| 17 | 621717 | . SET, GEAR DRIVE & PINION / 3.07 RATIO From 2-7823 | 1 | 1 | 1 | 1 | |
| 17 | 621474 | . SET, GEAR DRIVE & PINION / 3.21 RATIO To 2-7822 | 1 | 1 | 1 | 1 | |
| 17 | 621721 | . SET, GEAR DRIVE & PINION / 3.21 RATIO From 2-7823 | 1 | 1 | 1 | 1 | |
| 17 | 621472 | . SET, GEAR DRIVE & PINION / 3.42 RATIO To 2-7822 | 1 | 1 | 1 | 1 | |
| 17 | 621712 | . SET, GEAR DRIVE & PINION / 3.42 RATIO From 2-7823 | 1 | 1 | 1 | 1 | |
| 17 | 621483 | . SET, GEAR DRIVE & PINION / 3.58 RATIO To 2-7822 | 1 | 1 | 1 | 1 | |
| 17 | 621718 | . SET, GEAR DRIVE & PINION / 3.58 RATIO From 2-7823 | 1 | 1 | 1 | 1 | |
| 17 | 621484 | . SET, GEAR DRIVE & PINION / 3.73 RATIO To 2-7822 | 1 | 1 | 1 | 1 | |
| 17 | 621713 | . SET, GEAR DRIVE & PINION / 3.73 RATIO From 2-7823 | 1 | 1 | 1 | 1 | |
| 17 | 621487 | . SET, GEAR DRIVE & PINION / 4.10 RATIO To 2-7822 | 1 | 1 | 1 | 1 | |
| 17 | 621710 | . SET, GEAR DRIVE & PINION / 4.10 RATIO From 2-7823 | 1 | 1 | 1 | 1 | |
| 17 | 621646 | . SET, GEAR DRIVE & PINION / 4.30 RATIO To 2-7822 | 1 | 1 | 1 | 1 | |
| 17 | 621720 | . SET, GEAR DRIVE & PINION / 4.30 RATIO From 2-7823 | 1 | 1 | 1 | 1 | |
| 17 | 621538 | . SET, GEAR DRIVE & PINION / 4.56 RATIO To 2-7822 | 1 | 1 | 1 | 1 | |
| 17 | 621716 | . SET, GEAR DRIVE & PINION / 4.56 RATIO From 2-7823 | 1 | 1 | 1 | 1 | |
| 17 | 621541 | . SET, GEAR DRIVE & PINION / 4.89 RATIO To 2-7822 | 1 | 1 | 1 | 1 | |
| 17 | 621719 | . SET, GEAR DRIVE & PINION / 4.89 RATIO From 2-7823 | 1 | 1 | 1 | 1 | |
| 18 | 621481 | . BEARING SPIGOT / INNER & OUTER / W/3200-P-1706 | 1 | 1 | 1 | 1 | |
| NS | 621482 | . RING, SNAP / TO FIX SPIGOT BEARING | 1 | 1 | 1 | 1 | |
| 19 | 621210 | . CUP BEARING | 2 | 2 | 2 | 2 | A |
| 20 | 621209 | . CONE BEARING | 2 | 2 | 2 | 2 | A |
| 21 | 621444 | . BOLT, NUT & WASHER / (KIT OF 12) | 1 | 1 | 1 | 1 | |
| 22 | 621480 | . CASE ASSY W/RATIO 3.07, 3.21, 3.42& 3.73 | 1 | 1 | 1 | 1 | |
| 22 | 621488 | . CASE ASSY / W/RATIO 3.91, 4.10, 4.30 & 4.56 | 1 | 1 | 1 | 1 | |
| 22 | 621539 | . CASE ASSY / W/RATIO 4.89 | 1 | 1 | 1 | 1 | |
| 23 | 621449 | . . WASHER, THRUST / SIDE GEAR | 2 | 2 | 2 | 2 | |
| 24 | 621450 | . . GEAR, SIDE | 2 | 2 | 2 | 2 | |
| 25 | 621452 | . . GEAR, PINION | 4 | 4 | 4 | 4 | |
| 26 | 621453 | . . WASHER, GEAR PINION | 4 | 4 | 4 | 4 | |
| 27 | 621451 | . . SPIDER | 1 | 1 | 1 | 1 | |
| 28 | 621447 | . . WASHER | 12 | 12 | 12 | 12 | |
| 29 | 621448 | . . SCREW, CAP | 12 | 12 | 12 | 12 | |
| NS | 621653 | KIT, CUP & CONE | 1 | 1 | 1 | 1 | A |
| 50 | 621403 | YOKE (1810) FULL ROUND (46 SPL) | 1 | 1 | 1 | 1 | |

| | | |
|-----------------------|--------------|-----------------|
| From Y-7046 To 8-9339 | Date:10/2022 | PAGE:Y2-1110-00 |
| CARRIER ASSY | | |

| Item# | Part | Description | X L I I 4 5 | X L I I M T H 4 0 | X L I I M T H 4 5 | X L I I M T H 4 5 E | N O T E S |
|-------|--------|---|----------------------------|---|---|--|-----------------------|
| . NS | 621501 | . DEFLECTOR, OIL | 1 | 1 | 1 | 1 | |
| . NS | 621492 | . SPEEDY SLEEVE 3.250" I.D. / TO REPAIR OIL LEAK ON YOKE | 1 | 1 | 1 | 1 | |
| NS | 621501 | . DEFLECTOR, OIL | 1 | 1 | 1 | 1 | |
| NS | 621492 | SPEEDY SLEEVE 3.250" I.D. / TO REPAIR OIL LEAK ON YOKE | 1 | 1 | 1 | 1 | |
| | | | | | | | |
| | | A) ALSO SOLD IN KIT #621653 | | | | | |
| | | B) CARRIER WITH DIFFERENTIAL LOCK | | | | | |
| | | I) THIS TOOL INSTALLER ARE USE WITH NEW SEAL STAMPED A1205A2731 | | | | | |
| | | 1) NOT SOLD SEPARATELY | | | | | |

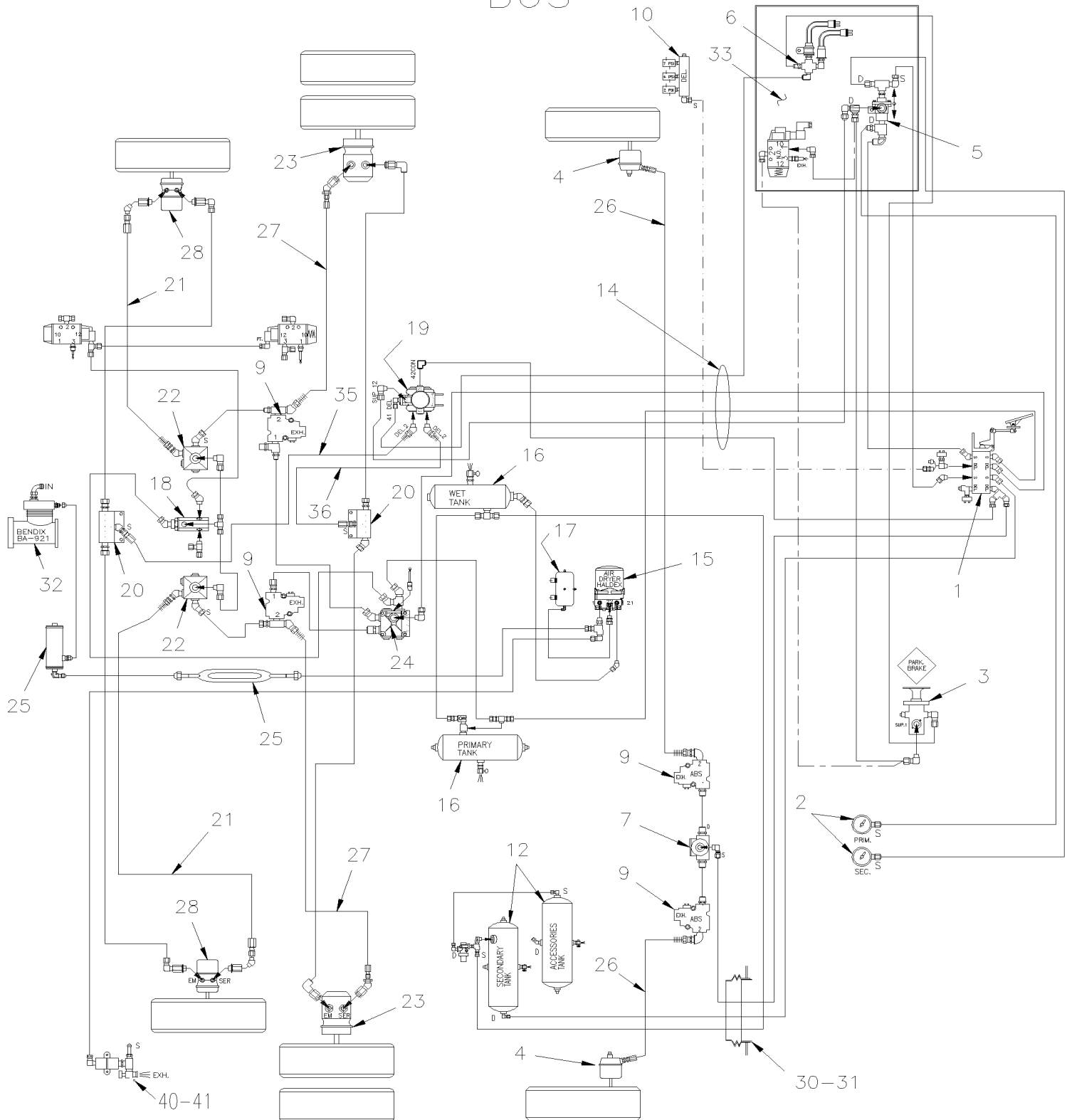
| | | |
|--------------|--------------|-------|
| | Date:10/2022 | Y2-12 |
| BRAKE | | |



| | | Date: 10/2022 | Y2-12 | | | | |
|-------|------------|--|----------------------------|---|---|--|-------|
| BRAKE | | | | | | | |
| Item# | Part | Description | X L I I 4 5 | X L I I M T H 4 0 | X L I I M T H 4 5 | X L I I M T H 4 5 E | NOTES |
| 5 | Y2-1200-00 | BRAKE AIR SYSTEM From Y-7046 To 7-9095 | | | | | |
| 10 | Y2-1200-05 | PARKING BRAKE OVERRULE From Y-7046 To 6-8906 | | | | | |
| 15 | Y2-1200-50 | BRAKE AIR SYSTEM - MTH From 7-9096 To 8-9339 | | | | | |
| 20 | Y2-1201-00 | FITTING - MISCELLANEOUS From Y-7046 To 8-9339 | | | | | |
| 25 | Y2-1202-00 | TUBES PLASTIC / AIR D.O.T. From Y-7046 To 8-9339 | | | | | |
| 35 | Y2-1203-00 | AIR TANK - INSTALLATION From Y-7046 To 2-7799 | | | | | |
| 35 | Y2-1203-01 | AIR TANK - INSTALLATION From 2-7800 To 8-9339 | | | | | |
| 40 | Y2-1205-10 | AIR COMPRESSOR - "TU-FLO 750" - WITH DETROIT S-60 From Y-7046 To 3-8164 | | | | | |
| 40 | Y2-1205-11 | AIR COMPRESSOR - "BA921" - WITH DETROIT S-60 From 4-8165 To 8-9339 | | | | | |
| 45 | Y2-1215-00 | AIR DRYER - "BENDIX" AD-9 From Y-7046 To 2-7799 | | | | | |
| 45 | Y2-1215-01 | AIR DRYER - "ROCKWELL WABCO" From Y-7046 To 2-7799 | | | | | |
| 45 | Y2-1215-02 | AIR DRYER - "HALDEX" From 2-7800 To 3-7992 | | | | | |
| 45 | Y2-1215-03 | AIR DRYER - "ROCKWELL WABCO" From 3-7993 To 3-8164 | | | | | |
| 45 | Y2-1215-04 | AIR DRYER - "HALDEX" From 4-8165 To 8-9339 | | | | | |
| 50 | Y2-1215-10 | AIR DRYER - "HALDEX" - INSTALLATION From 2-7800 To 8-9339 | | | | | |
| 50 | Y2-1215-11 | AIR DRYER TUBE - INSTALLATION From 2-7800 To 3-8164 | | | | | |
| 50 | Y2-1215-12 | AIR DRYER - INSTALLATION From 4-8165 To 6-8906 | | | | | |
| 50 | Y2-1215-15 | CHECK VALVE INSTALLATION WITH "WABCO" & AD-9 From 4-8165 To 6-8906 | | | | | |
| 55 | Y2-1220-00 | MISCELLANEOUS AIR VALVE From Y-7046 To 8-9339 | | | | | |
| 60 | Y2-1220-10 | BRAKE PEDAL VALVE - "BENDIX" From Y-7046 To 8-9339 | | | | | |
| 65 | Y2-1220-15 | AIR FILTER - ACCESSORIES From Y-7046 To 8-9339 | | | | | |
| 70 | Y2-1220-50 | TRAILER VALVE INSTALLATION From Y-7046 To 8-9339 | | | | | |
| 80 | Y2-1225-00 | BRAKE PARTS - FRONT AXLE - W/"KNORR-BREMSE" / SB7 SERIES From Y-7046 To 7-9159 | | | | | |
| 80 | Y2-1225-01 | BRAKE PARTS "KNORR-BREMSE" SN7 SERIES From 7-9160 To 8-9339 | | | | | |
| 80 | Y2-1225-02 | BRAKE PARTS "KNORR-BREMSE" SN7 SERIES W/NEW SLIDE PINS From Y-7046 To 8-9339 | | | | | |
| 85 | Y2-1225-10 | BRAKE CHAMBER - FRONT AXLE TYPE 22 From Y-7046 To 3-8164 | | | | | |
| 85 | Y2-1225-11 | BRAKE CHAMBER - FRONT AXLE TYPE 24 From Y-7046 To 8-9339 | | | | | |
| 85 | Y2-1225-12 | BRAKE CHAMBER - FRONT AXLE TYPE 27 From 4-8165 To 8-9339 | | | | | |
| 90 | Y2-1235-00 | BRAKE PARTS - DRIVE AXLE "MERITOR" W/DISCS / SB7 SERIES From Y-7046 To 7-9159 | | | | | |
| 95 | Y2-1235-10 | BRAKE CHAMBER - DRIVE AXLE "KNORR-BREMSE" From Y-7046 To 8-9339 | | | | | |
| 100 | Y2-1245-00 | BRAKE PARTS - TAG AXLE - W/"KNORR-BREMSE" / SB7 SERIES From Y-7046 To 7-9159 | | | | | |
| 105 | Y2-1245-10 | BRAKE CHAMBER - TAG AXLE TYPE 16/16 From Y-7046 To 3-8164 | | | | | |
| 105 | Y2-1245-11 | BRAKE CHAMBER - TAG AXLE TYPE 14/16 From 4-8165 To 8-9278 | | | | | |
| 105 | Y2-1245-12 | BRAKE CHAMBER - TAG AXLE TYPE 14 & 16 From 8-9279 To 8-9339 | | | | | |
| 110 | Y2-1250-00 | ANTI-LOCK BRAKING SYSTEM From Y-7046 To 8-9278 | | | | | |
| 115 | Y2-1250-10 | ABS BRAKE VALVE INSTALLATION From 4-8165 To 8-9339 | | | | | |

BRAKE AIR SYSTEM

BUS



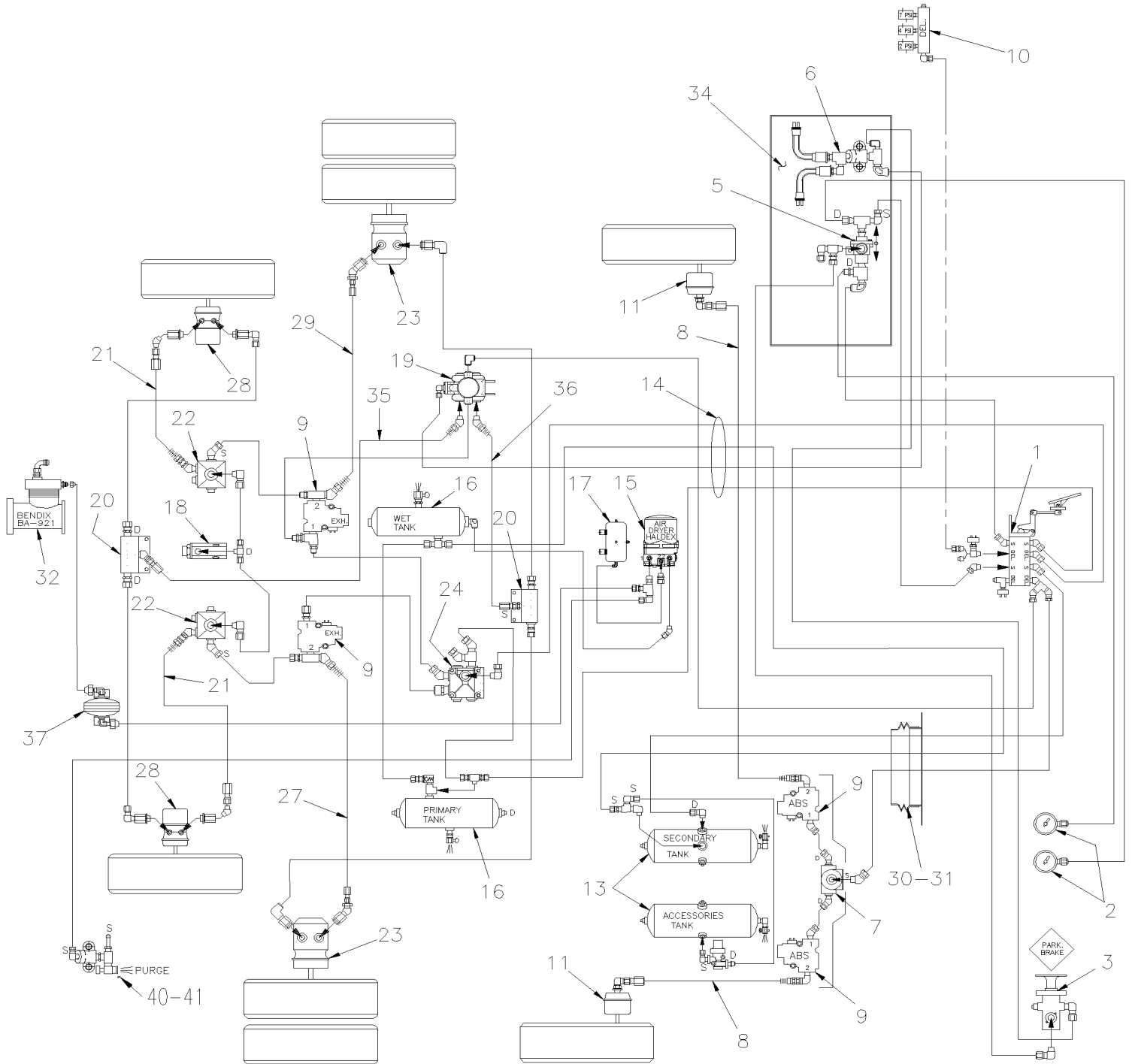
From Y-7046 To 7-9095

Date:10/2022

PAGE:Y2-1200-00

BRAKE AIR SYSTEM

MTH



| | | |
|-------------------------|--------------|-----------------|
| From Y-7046 To 7-9095 | Date:10/2022 | PAGE:Y2-1200-00 |
| BRAKE AIR SYSTEM | | |

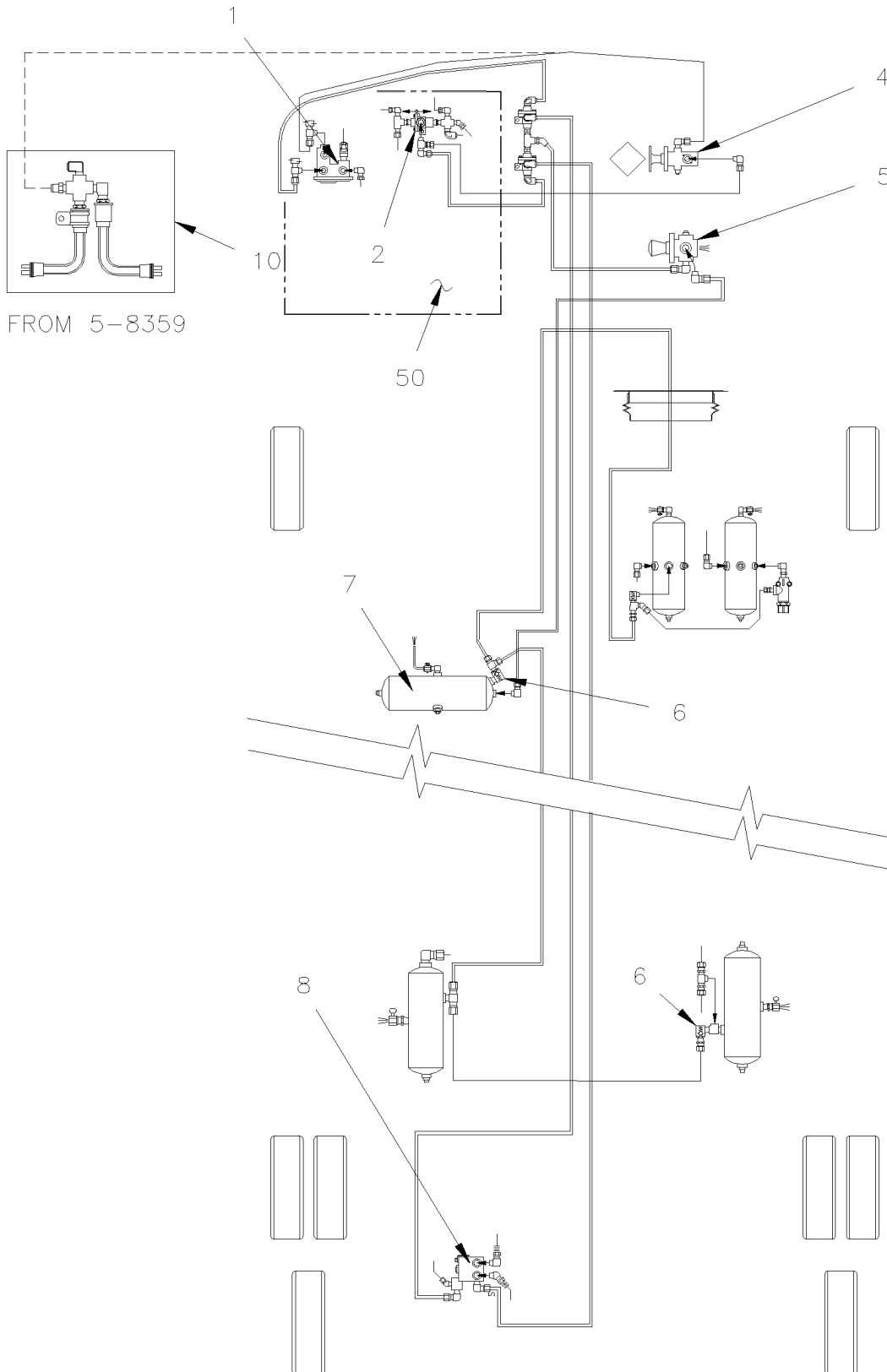
| Item# | Part | Description | X L I I 4 5 | X L I I M T H 4 0 | X L I I M T H 4 5 | X L I I M T H 4 5 E | N O T E S |
|-------|------------|---|----------------------------|---|---|--|-----------------------|
| 1 | Y2-1220-10 | BRAKE PEDAL VALVE - "BENDIX" | | | | | |
| 2 | Y2-0645-20 | CENTER DASHBOARD PANEL | | | | | |
| 3 | 641128 | VALVE, CONTROL VALVE PP-1 / 40PSI | 1 | 1 | 1 | 1 | |
| . NS | 641154 | . REPAIR KIT / PP-1 & RD-3 | 1 | 1 | 1 | 1 | |
| 4 | Y2-1225-10 | BRAKE CHAMBER - FRONT AXLE TYPE 22 | | | | | |
| 4 | Y2-1225-11 | BRAKE CHAMBER - FRONT AXLE TYPE 24 | | | | | |
| 4 | Y2-1225-12 | BRAKE CHAMBER - FRONT AXLE TYPE 27 | | | | | |
| 5 | 641564 | VALVE, DOUBLE CHECK DC-4 | 1 | 1 | 1 | 1 | |
| 6 | 640870 | VALVE / SPRING BRAKE SR-1 To 5-8358 | 1 | 1 | 1 | 1 | |
| . NS | 640921 | . REPAIR KIT / SR-1 To 5-8358 | 1 | 1 | 1 | 1 | |
| 6 | 287234 | PRESSURE SWITCH N.C. 30-10 20PS001AB030E010E From 5-8359 | 2 | 2 | 2 | 2 | |
| 7 | 641429 | VALVE, QUICK RELEASE QR-1 / 3/8NPTx3/8NPTx3/8NPT | 1 | 1 | 1 | 1 | |
| . NS | 640924 | . REPAIR KIT / QR-1 | 1 | 1 | 1 | 1 | |
| 8 | 641903 | HOSE BRAKE #8 1090MM (43") | | | 2 | | |
| 9 | 641951 | VALVE, "ABS" 12VOLT | 4 | 4 | 4 | 4 | |
| 10 | Y2-0750-01 | AUTOMATIC TRANSMISSION - "WORLD" WITH DETROIT S-60 | | | | | |
| 11 | Y2-1225-11 | BRAKE CHAMBER - FRONT AXLE TYPE 24 | | | | | |
| 11 | Y2-1225-12 | BRAKE CHAMBER - FRONT AXLE TYPE 27 | | | | | |
| 12 | 641583 | AIR TANK / 1508 IN° / 9" 1/2 O.D. X 24" | 2 | | | | |
| 13 | 141834 | AIR TANK / 1303 IN° / 8" O.D. X 27"1/2 | | | 2 | | |
| 14 | Y2-1202-00 | TUBES PLASTIC / AIR D.O.T. | | | | | |
| 15 | Y2-1215-10 | AIR DRYER - "HALDEX" - INSTALLATION | | | | | |
| 16 | 140869 | AIR TANK / 1791 IN° / 9 1/2" O.D. X 27" | 2 | 2 | 2 | 2 | |
| 17 | 70307176 | AIR TANK / 281 IN° / 6" O.D. X 12" | 1 | 1 | 1 | 1 | |
| 18 | 640442 | VALVE, INVERSION TR-2 | 1 | 1 | 1 | 1 | |
| 19 | 641120 | VALVE, RELAY R-14 HORIZONTAL PORT To 5-8358 | 1 | 1 | 1 | 1 | |
| . NS | 10508267 | . KIT, REPAIR To 5-8358 | 1 | 1 | 1 | 1 | |
| 19 | 642015 | VALVE / SPRING BRAKE SR-7 From 5-8359 | 1 | 1 | 1 | 1 | |
| 19 | 643385 | KIT CHECK VALVE CONVERSION SR-7 | 1 | 1 | 1 | 1 | |
| 19 | 643384 | VALVE / SPRING BRAKE SR-7 | 1 | 1 | 1 | 1 | |
| . NS | 642119 | . VALVE / SPRING BRAKE SR-7 | 1 | 1 | 1 | 1 | |
| 20 | 641136 | ANCHOR TEE / PIPE FITTING / 3/8NPT-Fx3/8NPT-Fx3/8NPT-F ZP | 2 | 2 | 2 | 2 | |
| 21 | 641903 | HOSE BRAKE #8 1090MM (43") | 2 | 2 | 2 | 2 | |
| 22 | 642067 | VALVE, RELAY R-12 HORIZONTAL PORT | 2 | 2 | 2 | 2 | |
| 23 | Y2-1235-10 | BRAKE CHAMBER - DRIVE AXLE "KNORR-BREMSE" | | | | | |
| 24 | 642013 | VALVE, RELAY R-12 DC To 5-8358 | 1 | 1 | 1 | 1 | |
| 24 | 641991 | VALVE, RELAY R-14 "WABCO" From 5-8359 | 1 | 1 | 1 | 1 | |
| 25 | Y2-1215-12 | AIR DRYER - INSTALLATION | | | | | |
| 26 | 641908 | HOSE BRAKE #8 1300MM (51") | 2 | | | | |
| 27 | 641305 | HOSE BRAKE #8 718MM (28 1/4") | 1 | | | | |
| 27 | 641305 | HOSE BRAKE #8 718MM (28 1/4") | | | 2 | | |
| 28 | Y2-1245-10 | BRAKE CHAMBER - TAG AXLE TYPE 16/16 | | | | | |

From Y-7046 To 6-8906

Date:10/2022

PAGE:Y2-1200-05

PARKING BRAKE OVERRULE

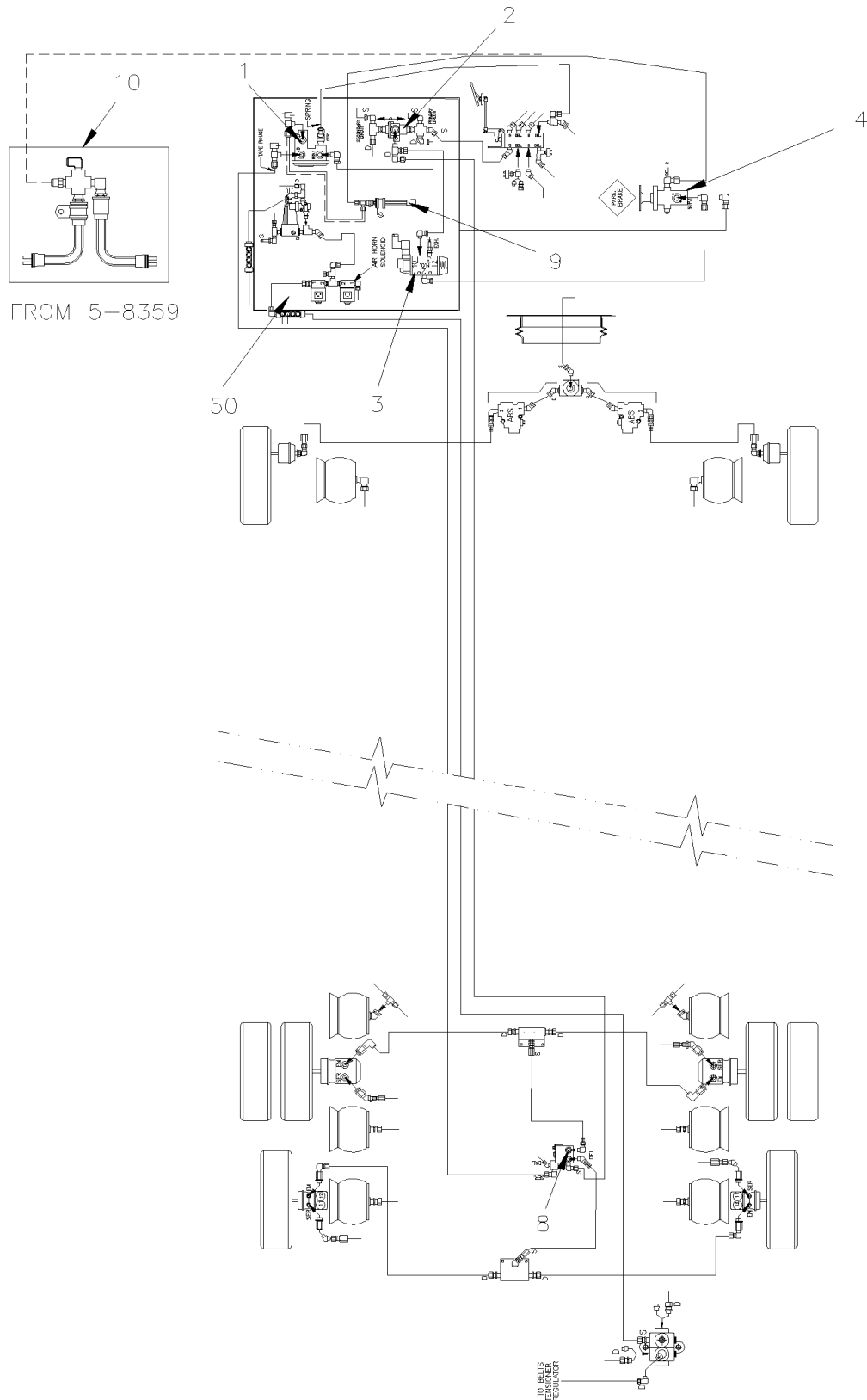


From Y-7046 To 6-8906

Date:10/2022

PAGE:Y2-1200-05

PARKING BRAKE OVERRULE

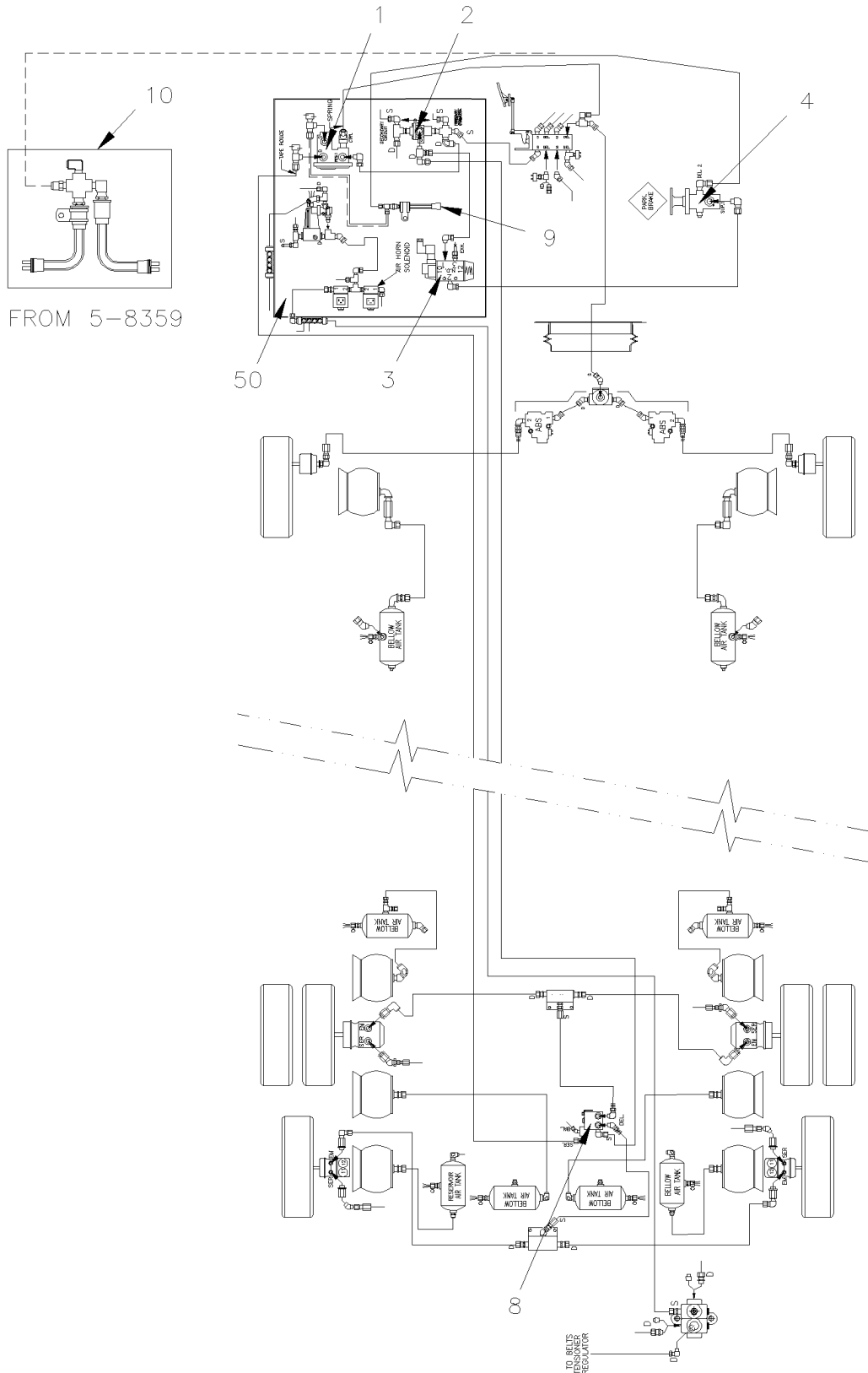


From Y-7046 To 6-8906

Date:10/2022

PAGE:Y2-1200-05

PARKING BRAKE OVERRULE



| | | |
|-----------------------|--------------|-----------------|
| From Y-7046 To 6-8906 | Date:10/2022 | PAGE:Y2-1200-05 |
|-----------------------|--------------|-----------------|

PARKING BRAKE OVERRULE

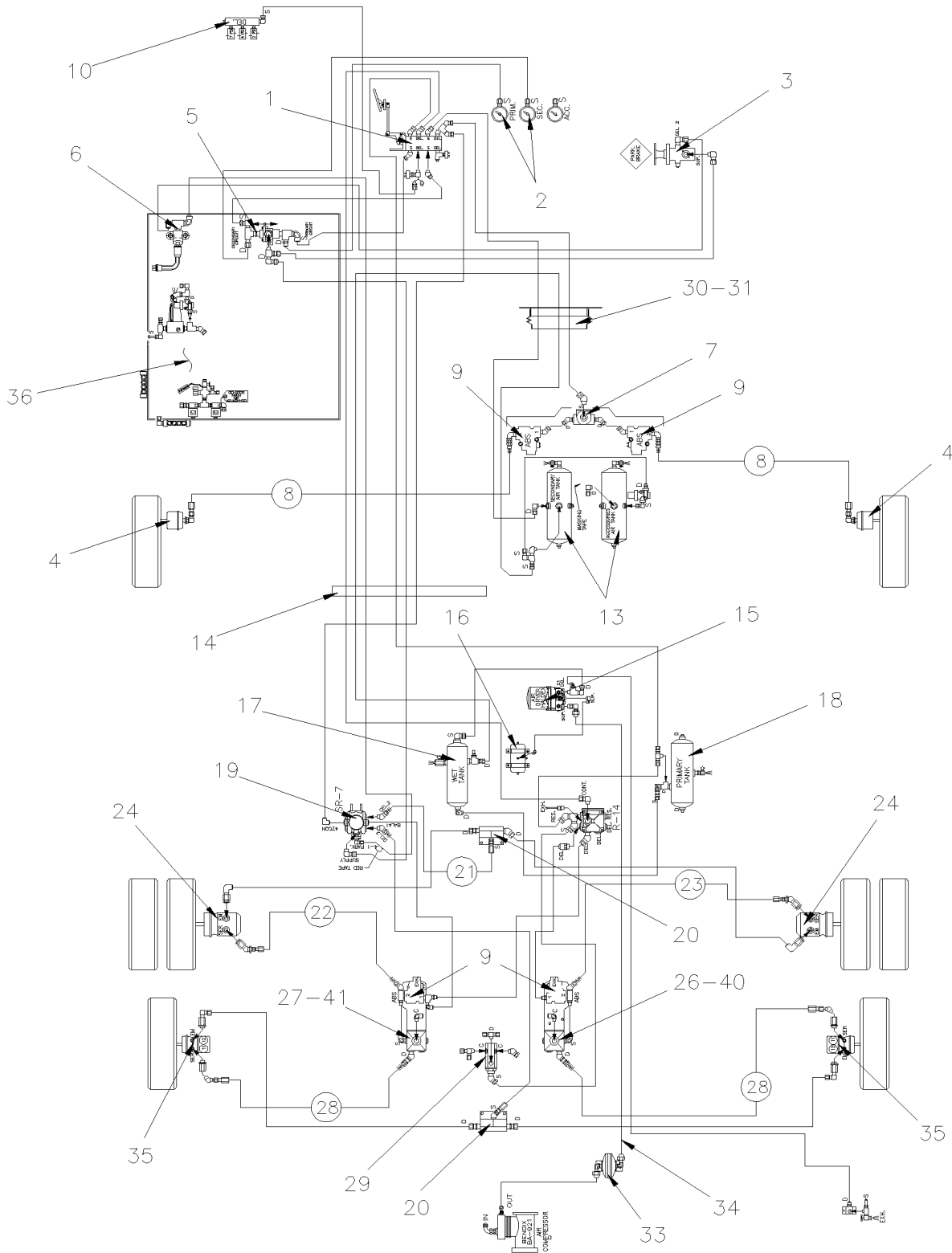
| Item# | Part | Description | X L I I 4 5 | X L I I M T H 4 0 | X L I I M T H 4 5 | X L I I M T H 4 5 E | N O T E S |
|-------|-------------------|---|----------------------------|---|---|--|-----------------------|
| 1 | 640870 | VALVE / SPRING BRAKE SR-1 To 5-8358 | 1 | | | | |
| . NS | 640921 | . REPAIR KIT / SR-1 To 5-8358 | 1 | | | | |
| 2 | 641564 | VALVE, DOUBLE CHECK DC-4 | 1 | | | | |
| 3 | 641528 | VALVE, 3 WAYS, 2 POSITIONS N.O. | 1 | | | | |
| . NS | 641929 | . COIL 24V | 1 | | | | |
| . NS | 641169 | . SPOOL | 1 | | | | |
| . NS | 641385 | . CONNECTOR / SOCKET HOUSING ASSY 3C / PNEUMAC 54934-01 | 1 | | | | |
| 4 | 641128 | VALVE, CONTROL VALVE PP-1 / 40PSI | 1 | | | | |
| . NS | 641154 | . REPAIR KIT / PP-1 & RD-3 | 1 | | | | |
| 5 | 640472 | VALVE, CONTROL / RD-3 | 1 | | | | |
| . NS | 641154 | . REPAIR KIT / PP-1 & RD-3 | 1 | | | | |
| 6 | 641172 | VALVE, CHECK ELBOW 90° 1/2 NPT | 2 | | | | |
| 7 | 641411 | AIR TANK / 2370 IN° / 12" O.D. X 24" | 1 | | | | |
| 7 | 641583 | AIR TANK / 1508 IN° / 9" 1/2 O.D. X 24" | 1 | | | | |
| 8 | 641120 | VALVE, RELAY R-14 HORIZONTAL PORT To 5-8358 | 1 | | | | |
| . NS | 10508267 | . KIT, REPAIR To 5-8358 | 1 | | | | |
| 8 | 642015 | VALVE / SPRING BRAKE SR-7 From 5-8359 | 1 | | | | |
| 8 | 643385 | KIT CHECK VALVE CONVERSION SR-7 | 1 | | | | |
| 8 | 643384 | VALVE / SPRING BRAKE SR-7 | 1 | | | | |
| . NS | 642119 | . VALVE / SPRING BRAKE SR-7 | 1 | | | | |
| 9 | 452082 | PRESSURE SWITCH N.O. 30-15 20SP001AA030C015C To 5-8358 | 1 | | | | |
| 10 | 287234 | PRESSURE SWITCH N.C. 30-10 20PS001AB030E010E From 5-8359 | 1 | | | | |
| 50 | Y2-1630-00 | FRONT KNEELING - CONTROL PANEL To 2-7799 | | | | | |
| 50 | Y2-1630-01 | FRONT KNEELING - CONTROL PANEL From 2-7800 To 5-8558 | | | | | |
| 50 | Y2-1630-02 | FRONT KNEELING - CONTROL PANEL From 5-8559 | | | | | |
| | | | | | | | |
| | | | | | | | |
| | | | | | | | |
| | | | | | | | |

From 7-9096 To 8-9339

Date:10/2022

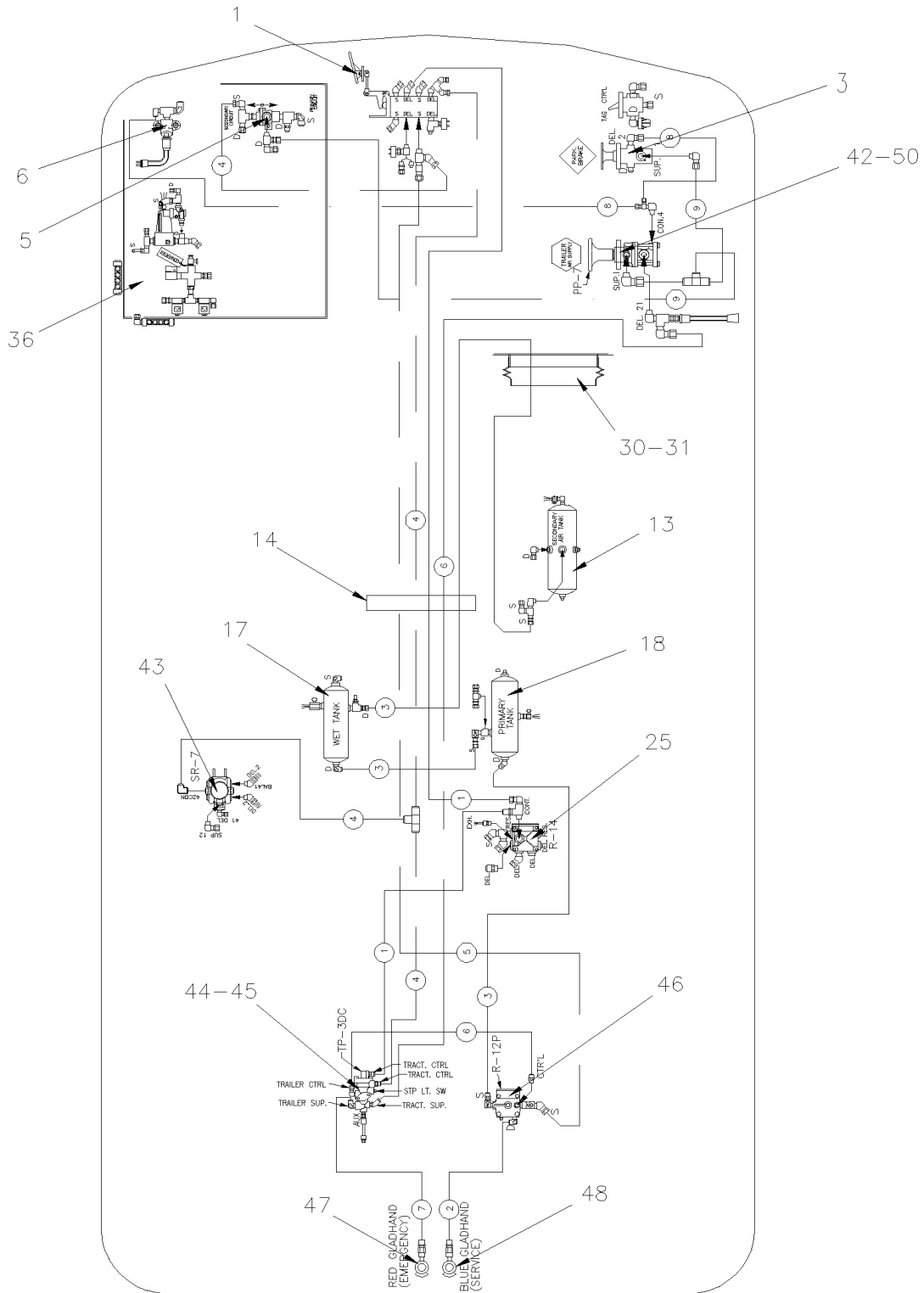
PAGE:Y2-1200-50

BRAKE AIR SYSTEM - MTH



BUS SHELL WE & WO 2006 BRAKES SYSTEM

BRAKE AIR SYSTEM - MTH



MTH-40' & MTH 45 ENT
WITH OPTION TRAILER HITCH AIR BRAKE

| | | |
|-------------------------------|--------------|-----------------|
| From 7-9096 To 8-9339 | Date:10/2022 | PAGE:Y2-1200-50 |
| BRAKE AIR SYSTEM - MTH | | |

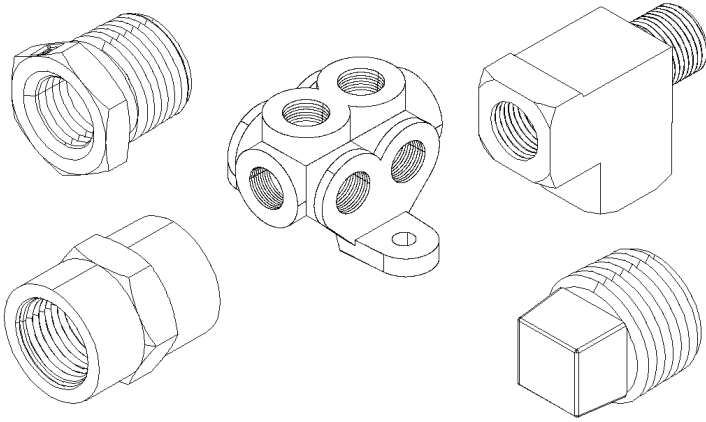
| Item# | Part | Description | X L I I 4 5 | X L I I M T H 4 0 | X L I I M T H 4 5 | X L I I M T H 4 5 E | N O T E S |
|-------|------------|---|----------------------------|---|---|--|-----------------------|
| 1 | Y2-1220-10 | BRAKE PEDAL VALVE - "BENDIX" | | | | | |
| 2 | Y2-0645-20 | CENTER DASHBOARD PANEL | | | | | |
| 3 | 641128 | VALVE, CONTROL VALVE PP-1 / 40PSI | | 1 | | 1 | |
| . NS | 641154 | . REPAIR KIT / PP-1 & RD-3 | | 1 | | 1 | |
| 4 | Y2-1225-12 | BRAKE CHAMBER - FRONT AXLE TYPE 27 | | | | | |
| 5 | 641564 | VALVE, DOUBLE CHECK DC-4 | | 1 | | 1 | |
| 6 | 287234 | PRESSURE SWITCH N.C. 30-10 20PS001AB030E010E | | 1 | | 1 | |
| 7 | 641429 | VALVE, QUICK RELEASE QR-1 / 3/8NPTx3/8NPTx3/8NPT | | 1 | | 1 | |
| . NS | 640924 | . REPAIR KIT / QR-1 | | 1 | | 1 | |
| 8 | 641903 | HOSE BRAKE #8 1090MM (43") | | 2 | | 2 | |
| 9 | 641951 | VALVE, "ABS" 12VOLT | | 4 | | 4 | |
| 10 | Y2-0750-01 | AUTOMATIC TRANSMISSION - "WORLD" WITH DETROIT S-60 | | | | | |
| 11 | Y2-1225-12 | BRAKE CHAMBER - FRONT AXLE TYPE 27 | | | | | |
| 12 | 641583 | AIR TANK / 1508 IN° / 9" 1/2 O.D. X 24" | | 1 | | 1 | |
| 13 | 141834 | AIR TANK / 1303 IN° / 8" O.D. X 27"1/2 | | 1 | | 1 | |
| 14 | Y2-1202-00 | TUBES PLASTIC / AIR D.O.T. | | | | | |
| 15 | Y2-1215-10 | AIR DRYER - "HALDEX" - INSTALLATION | | | | | |
| 16 | 70307176 | AIR TANK / 281 IN° / 6" O.D. X 12" | | 1 | | 1 | |
| 17 | 144848 | AIR TANK / 1791 IN° / 9 1/2" O.D. X 27" | | 1 | | 1 | |
| 18 | 140869 | AIR TANK / 1791 IN° / 9 1/2" O.D. X 27" | | 1 | | 1 | |
| 19 | 642015 | VALVE / SPRING BRAKE SR-7 | | 1 | | 1 | |
| 19 | 643385 | KIT CHECK VALVE CONVERSION SR-7 | | 1 | | 1 | |
| 192 | 643384 | VALVE / SPRING BRAKE SR-7 | | 1 | | 1 | |
| . NS | 642119 | . VALVE / SPRING BRAKE SR-7 | | 1 | | 1 | |
| 20 | 641136 | ANCHOR TEE / PIPE FITTING / 3/8NPT-Fx3/8NPT-Fx3/8NPT-F ZP | | 1 | | 1 | |
| 21 | 642019 | HOSE BRAKE #8 718MM (28 1/4") | | 1 | | 1 | |
| 22 | 641302 | HOSE BRAKE #8 610MM (24") | | 1 | | 1 | |
| 23 | 641305 | HOSE BRAKE #8 718MM (28 1/4") | | 1 | | 1 | |
| 24 | Y2-1235-10 | BRAKE CHAMBER - DRIVE AXLE "KNORR-BREMSE" | | | | | |
| 25 | 641991 | VALVE, RELAY R-14 "WABCO" | | 1 | | 1 | |
| 26 | 641088 | VALVE, RELAY R-12 HORIZONTAL PORT | | 1 | | 1 | |
| 26 | 642067 | VALVE, RELAY R-12 HORIZONTAL PORT | | 1 | | 1 | |
| 27 | 642068 | VALVE, RELAY R-12 HORIZONTAL PORT / W/OUT SUPPORT | | 1 | | 1 | |
| 28 | 641902 | HOSE BRAKE #8 737MM (29") | | 2 | | 2 | |
| 29 | 640442 | VALVE, INVERSION TR-2 | | 1 | | 1 | |
| 30 | 504499 | CUFF END BELLOW / 2 7/8" I.D. x 3 5/8" x 4 7/16 | | 1 | | 1 | |
| 31 | 141567 | PROTECTOR RUBBER 100MM | | 1 | | 1 | |
| 32 | Y2-1205-11 | AIR COMPRESSOR - "BA921" - WITH DETROIT S-60 | | | | | |
| 33 | 032428 | AIR TANK / 61 IN° / 6" O.D. X 4" | | 1 | | 1 | |
| 34 | 142550 | HOSE ASSY TEFLON #12 2593MM TO VERIFIED | | 1 | | 1 | |
| 35 | Y2-1245-11 | BRAKE CHAMBER - TAG AXLE TYPE 14/16 To 8-9278 | | | | | |
| 35 | Y2-1245-12 | BRAKE CHAMBER - TAG AXLE TYPE 14 & 16 From 8-9279 | | | | | |

From Y-7046 To 8-9339

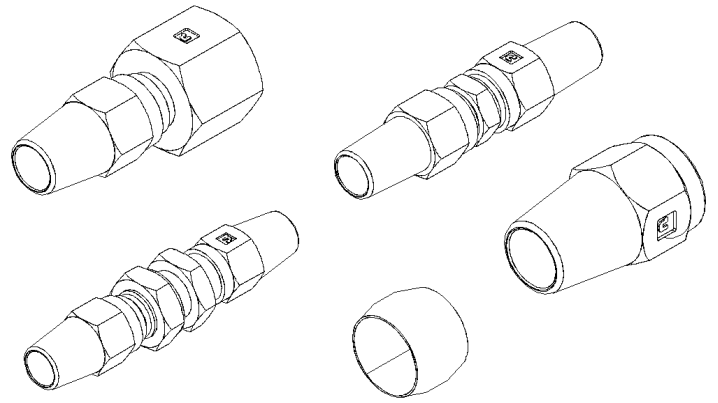
Date:10/2022

PAGE:Y2-1201-00

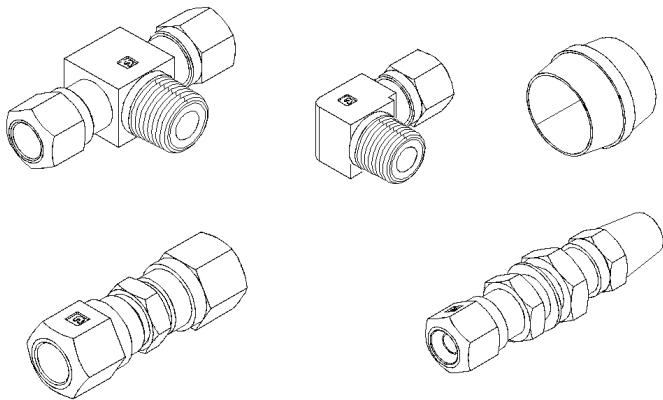
FITTING - MISCELLANEOUS



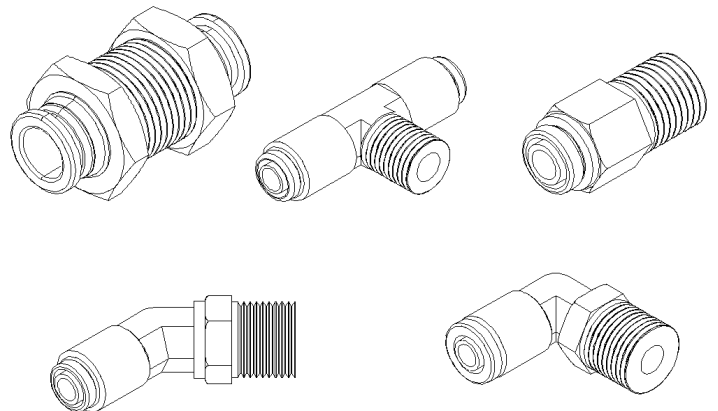
FITTING PIPE "NPT"
1



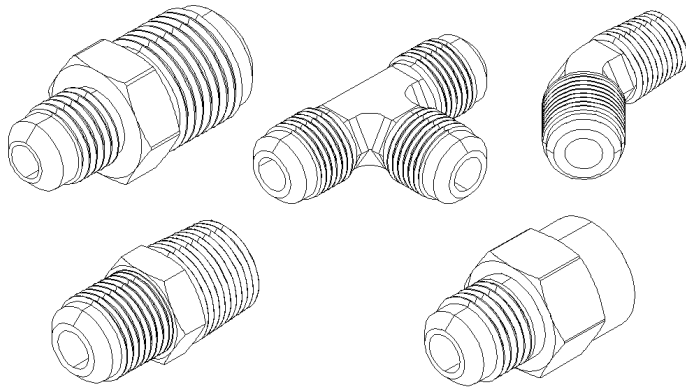
FITTING BRAKE "AB"
2



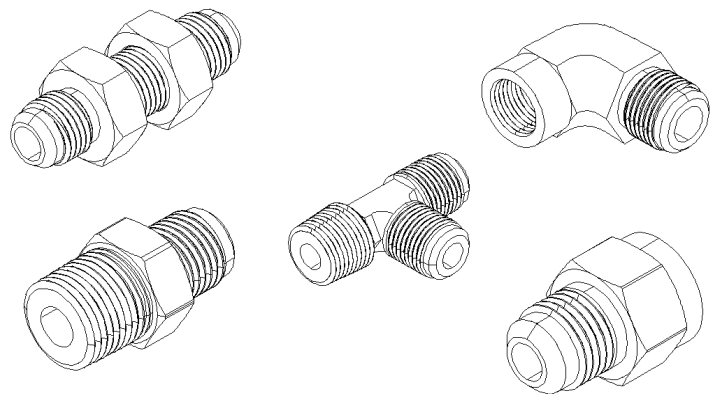
FITTING BRAKE "NTA"
3



FITTING BRAKE "PUSH-IN"
4



FITTING "SAE 45°"
5



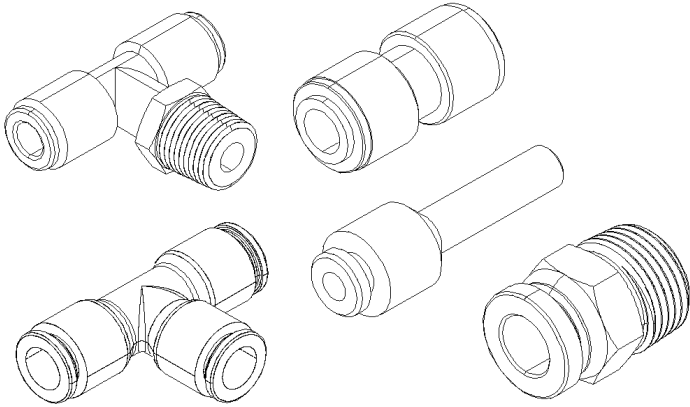
FITTING "JIC 37°"
6

From Y-7046 To 8-9339

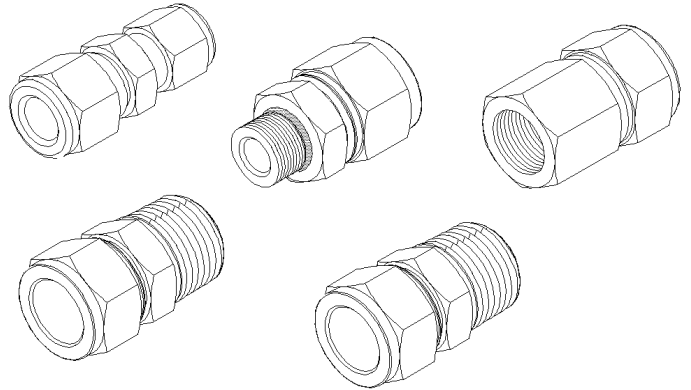
Date:10/2022

PAGE:Y2-1201-00

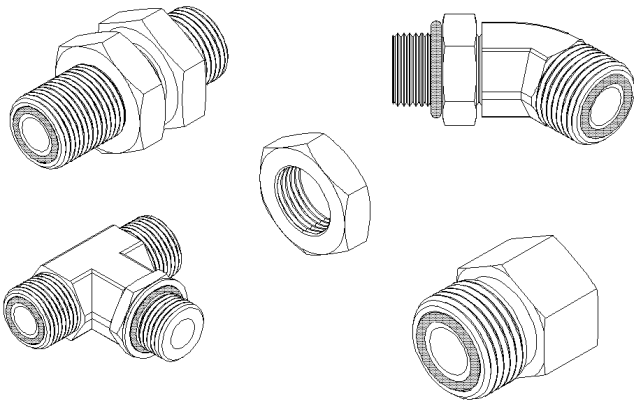
FITTING - MISCELLANEOUS



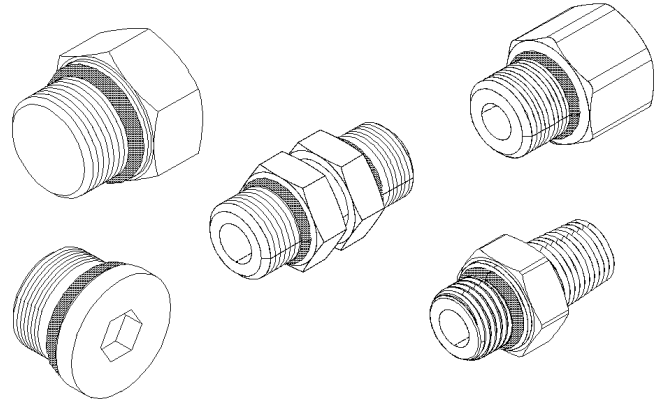
FITTING "PUSH-IN"
7



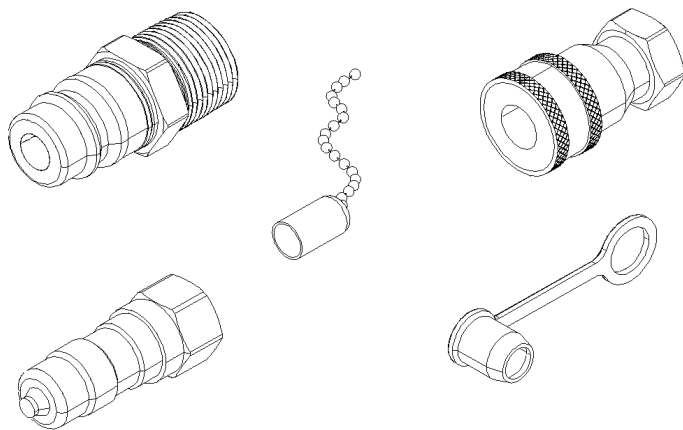
FITTING "A-LOK"
8



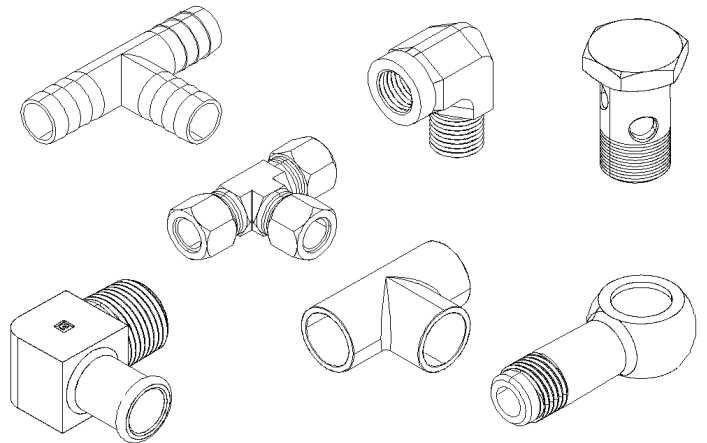
FITTING "ORS"
9



FITTING "ORB"
10



FITTING "QUICK DISCONNECT"
11



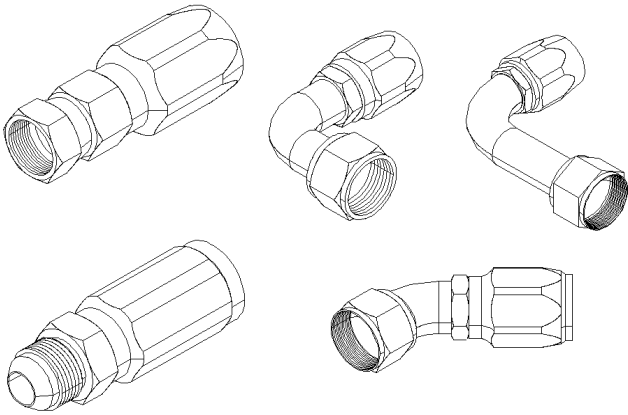
FITTING "MISCELANOUS"
12

From Y-7046 To 8-9339

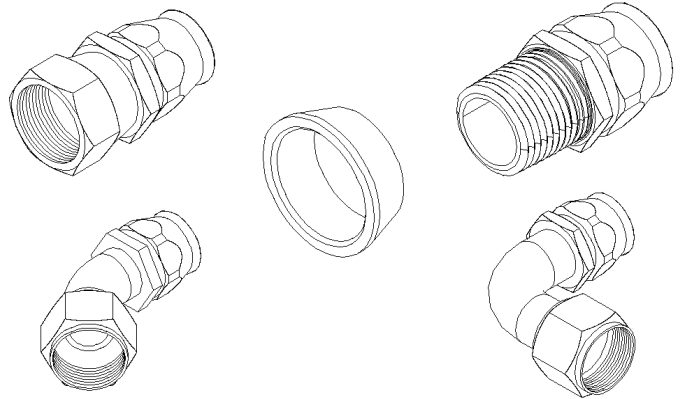
Date:10/2022

PAGE:Y2-1201-00

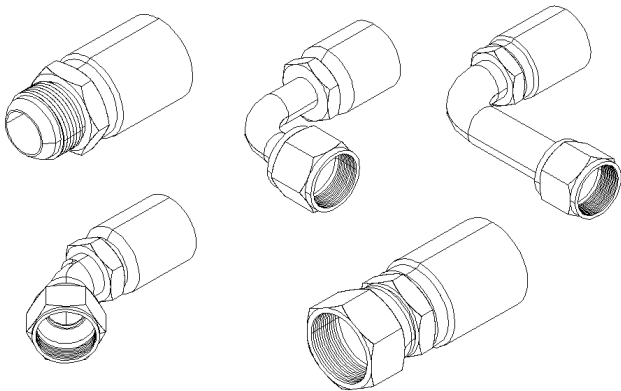
FITTING - MISCELLANEOUS



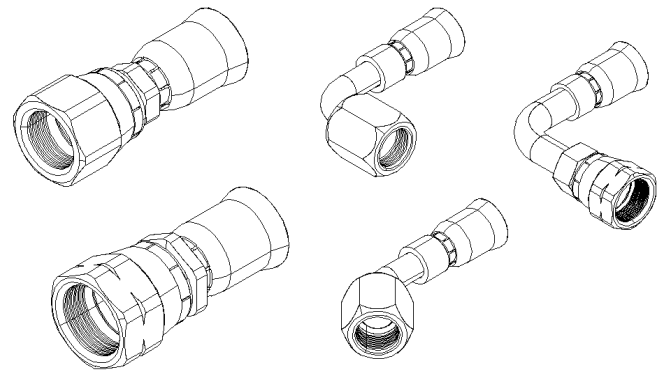
FITTING "HOSE END REUSABLE"
13



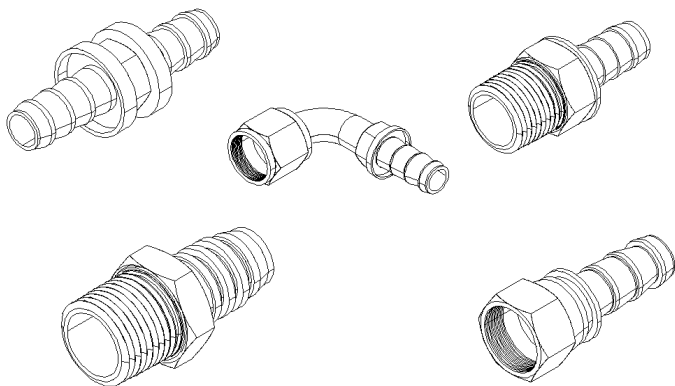
FITTING "HOSE END REUSABLE"
TEFLON
14



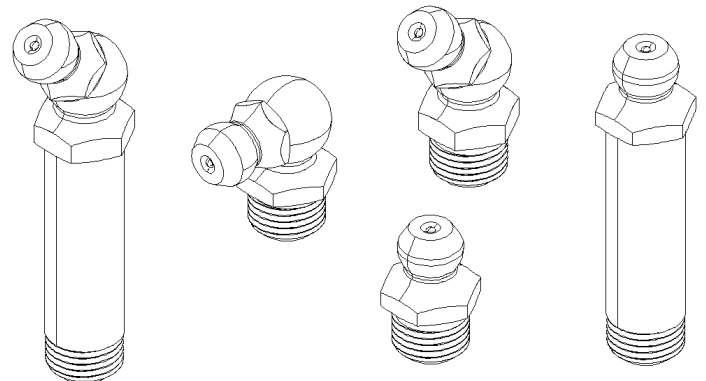
FITTING "HOSE END CRIMP"
15



FITTING "HOSE END CRIMP"
TEFLON
16



FITTING "HOSE END"
"PUSH-LOK & COLLAR"
17



FITTING "GREASE"
30

| | | |
|--------------------------------|--------------|-----------------|
| From Y-7046 To 8-9339 | Date:10/2022 | PAGE:Y2-1201-00 |
| FITTING - MISCELLANEOUS | | |

| Item# | Part | Description | X L I I 4 5 | X L I I M T H 4 0 | X L I I M T H 4 5 | X L I I M T H 4 5 E | N O T E S |
|-------|------------|--|----------------------------|---|---|--|-----------------------|
| | | ... BRAKE | | | | | |
| 1 | FM-00FM-00 | FITTING NPT PIPE - MISCELANOUS | | | | | |
| 2 | FM-00FM-01 | FITTING BRAKE "AB" - MISCELANOUS (D.O.T.) | | | | | |
| 3 | FM-00FM-02 | FITTING BRAKE "NTA" - MISCELANOUS (D.O.T.) | | | | | |
| 4 | FM-00FM-03 | FITTING BRAKE "PUSH-IN" - MISCELANOUS (D.O.T.) | | | | | |
| | | ... SAE & JIC | | | | | |
| 5 | FM-00FM-04 | FITTING "SAE 45°" - MISCELANOUS | | | | | |
| 6 | FM-00FM-05 | FITTING "JIC 37°" - MISCELANOUS | | | | | |
| 7 | FM-00FM-06 | FITTING "PUSH-IN" - MISCELANOUS | | | | | |
| 8 | FM-00FM-07 | FITTING "A-LOK" - MISCELANOUS (SWAGLELOK) | | | | | |
| | | ... ORS & ORB | | | | | |
| 9 | FM-00FM-08 | FITTING "ORS" - MISCELANOUS | | | | | |
| 10 | FM-00FM-09 | FITTING "ORB" - MISCELANOUS | | | | | |
| | | ... QUICK DISCONNECT | | | | | |
| 11 | FM-00FM-10 | FITTING "QUICK DISCONNECT" - MISCELANOUS | | | | | |
| 12 | FM-00FM-11 | FITTING "MISCELANOUS" | | | | | |
| | | ... HOSE END FITTING | | | | | |
| 13 | FM-00FM-12 | FITTING "HOSE END REUSABLE" - MISCELANOUS | | | | | |
| 14 | FM-00FM-13 | FITTING "HOSE END REUSABLE TEFLON" - MISCELANOUS | | | | | |
| 15 | FM-00FM-14 | FITTING "HOSE END CRIMP" - MISCELANOUS | | | | | |
| 16 | FM-00FM-15 | FITTING "HOSE END CRIMP TEFLON" - MISCELANOUS | | | | | |
| 17 | FM-00FM-16 | FITTING "HOSE END" - "PUSH-LOK & COLLAR" | | | | | |
| 30 | FM-00GF-00 | GREASE FITTING | | | | | |

| | | | |
|----------------------------|--|--------------|-----------------|
| From Y-7046 To 8-9339 | | Date:10/2022 | PAGE:Y2-1202-00 |
| TUBES PLASTIC / AIR D.O.T. | | | |

ILLUSTRATION NOT
AVAILABLE AT TIME OF
PRINTING

| | | |
|-----------------------------------|--------------|-----------------|
| From Y-7046 To 8-9339 | Date:10/2022 | PAGE:Y2-1202-00 |
| TUBES PLASTIC / AIR D.O.T. | | |

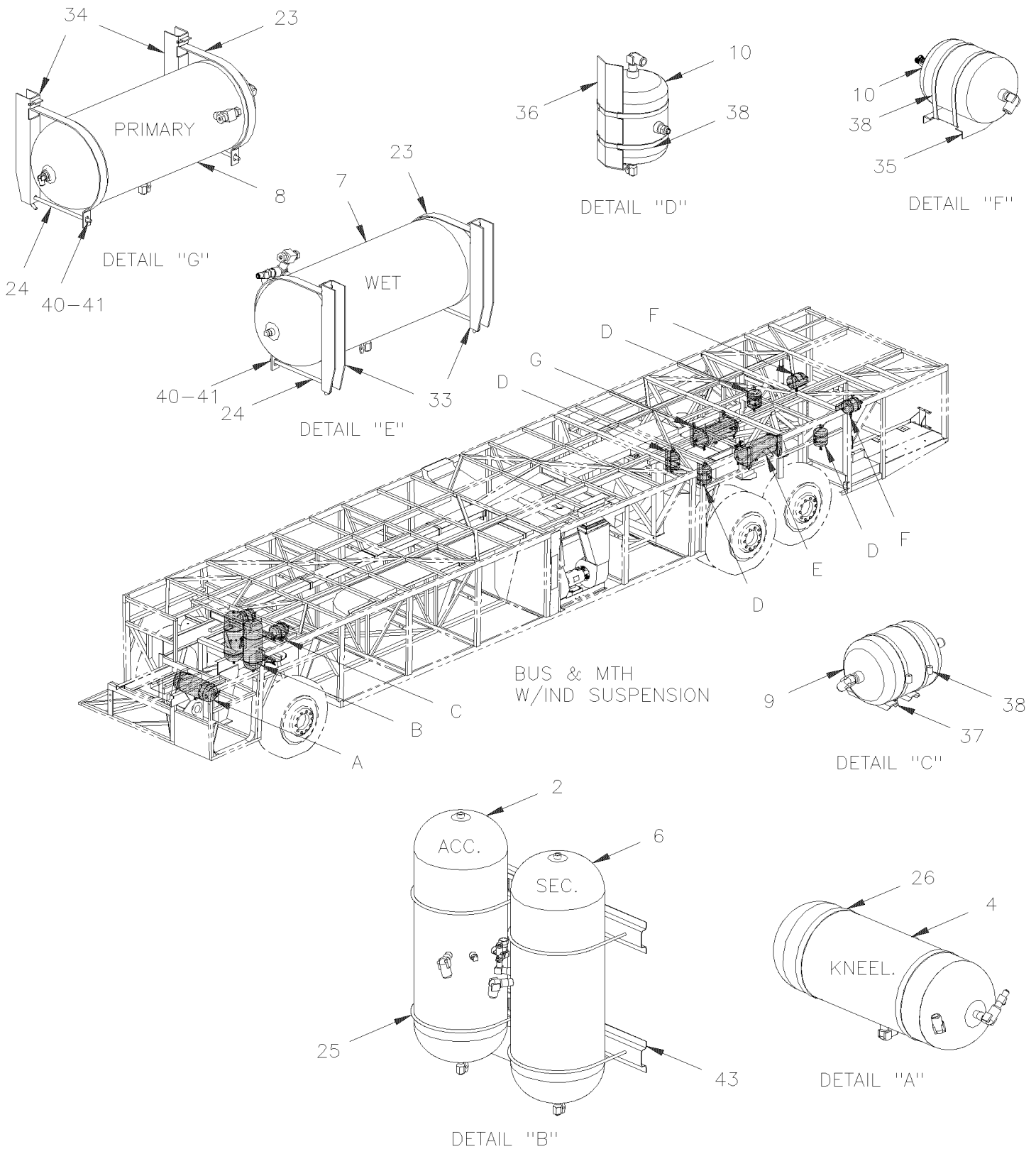
| Item# | Part | Description | X L I I 4 5 | X L I I M T H 4 0 | X L I I M T H 4 5 | X L I I M T H 4 5 E | N O T E S |
|-------|----------|--|----------------------------|---|---|--|-----------------------|
| | | | | | | | |
| | 503747 | TUBE, NYLON 6MM O.D. / BLACK S.L. | | | | | |
| | 503529 | TUBE, NYLON 8MM O.D. / BLACK S.L. | | | | | |
| | | | | | | | |
| | 503563 | TUBE, NYLON 6MM O.D. / WHITE S.L. | | | | | |
| | | | | | | | |
| | 503566 | TUBE, NYLON 1/4 O.D. / BLUE S.L. | | | | | |
| | 503471 | TUBE, NYLON 3/8 O.D. / BLUE S.L. | | | | | |
| | 503517 | TUBE, NYLON 1/2 O.D. / BLUE S.L. | | | | | |
| | | | | | | | |
| | 503536 | TUBE, NYLON 1/8 O.D. / BLACK S.L. | | | | | |
| | 503402 | TUBE, NYLON 1/4 O.D. / BLACK S.L. | | | | | |
| | 503404 | TUBE, NYLON 3/8 O.D. / BLACK S.L. | | | | | |
| | 503488 | TUBE, NYLON 1/2 O.D. / BLACK S.L./ | | | | | |
| | 503540 | TUBE, NYLON 5/8 O.D. / BLACK S.L. | | | | | |
| | 503541 | TUBE, NYLON 3/4" O.D. / BLACK S.L | | | | | |
| | | | | | | | |
| | 503548 | TUBE, NYLON 1/4 O.D. / YELLOW S.L. | | | | | |
| | 503470 | TUBE, NYLON 3/8 O.D. / YELLOW S.L. | | | | | |
| | 503533 | TUBE, NYLON 1/2 O.D. / YELLOW S.L. | | | | | |
| NS | 19514092 | . TUBE, NYLON 1/2 O.D. / YELLOW / 100FT ROLL | | | | | |
| | | | | | | | |
| | 503466 | TUBE, NYLON 1/4 O.D. / RED S.L. | | | | | |
| | 503467 | TUBE, NYLON 3/8 O.D. / RED S.L. | | | | | |
| | 503468 | TUBE, NYLON 1/2 O.D. / RED S.L. | | | | | |
| | 503469 | TUBE, NYLON 5/8 O.D. / RED S.L. | | | | | |
| | | | | | | | |
| | 503464 | TUBE, NYLON 1/4 O.D. / GREEN S.L. | | | | | |
| | 503463 | TUBE, NYLON 3/8 O.D. / GREEN S.L. | | | | | |
| | 503406 | TUBE, NYLON 1/2 O.D. / GREEN S.L. | | | | | |
| | 503408 | TUBE, NYLON 5/8 O.D. / GREEN S.L. | | | | | |
| | 503465 | TUBE, NYLON 3/4 O.D. / GREEN S.L. | | | | | |
| | | | | | | | |
| | 503472 | TUBE, NYLON 3/8 O.D. / GREY S.L. | | | | | |
| | | | | | | | |
| | 503638 | TUBE, NYLON 1/2 O.D. / BROWN S.L. | | | | | |
| | | | | | | | |
| NS | 683355 | TOOL PLASTIC TUBE CUTTER / PLASTIC | 1 | 1 | 1 | 1 | |
| NS | 681625 | TOOL PLASTIC TUBE CUTTER / METAL | 1 | 1 | 1 | 1 | |
| | | | | | | | |
| | | | | | | | |

From Y-7046 To 2-7799

Date:10/2022

PAGE:Y2-1203-00

AIR TANK - INSTALLATION

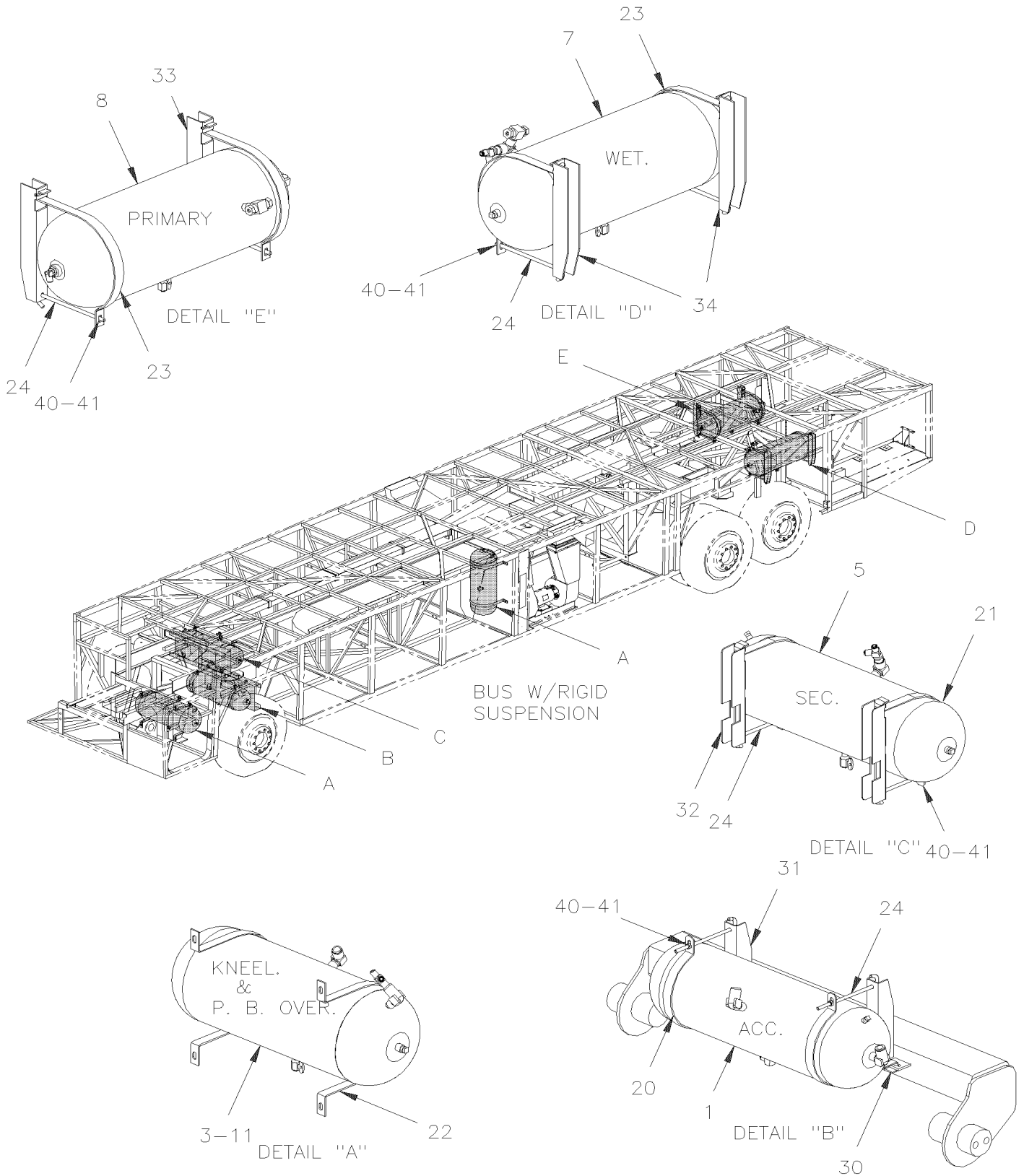


From Y-7046 To 2-7799

Date:10/2022

PAGE:Y2-1203-00

AIR TANK - INSTALLATION



| | | |
|--------------------------------|--------------|-----------------|
| From Y-7046 To 2-7799 | Date:10/2022 | PAGE:Y2-1203-00 |
| AIR TANK - INSTALLATION | | |

| Item# | Part | Description | X L I I 4 5 | X L I I M T H 4 0 | X L I I M T H 4 5 | X L I I M T H 4 5 E | N O T E S |
|-------|--------|---|----------------------------|---|---|--|-----------------------|
| | | ACCESSORIES AIR TANK | | | | | |
| 1 | 641583 | AIR TANK / 1508 IN° / 9" 1/2 O.D. X 24" | 1 | | | | |
| 2 | 141834 | AIR TANK / 1303 IN° / 8" O.D. X 27"1/2 | 1 | 1 | 1 | 1 | |
| NS | 641137 | VALVE, PRESSURE PROTECTION TYPE PR-4 70PSI | 1 | 1 | 1 | 1 | |
| | | KNEELING AIR TANK | | | | | |
| 3 | 641411 | AIR TANK / 2370 IN° / 12" O.D. X 24" | 1 | | | | |
| 4 | 140868 | AIR TANK / W/END LOWER DRAIN 1228 IN° / 8" O.D. X 26" To Y-7235 | 1 | | | | |
| 4 | 641583 | AIR TANK / 1508 IN° / 9" 1/2 O.D. X 24" From Y-7236 | 1 | | | | |
| | | SECONDARY AIR TANK | | | | | |
| 5 | 641583 | AIR TANK / 1508 IN° / 9" 1/2 O.D. X 24" | 1 | | | | |
| 6 | 141834 | AIR TANK / 1303 IN° / 8" O.D. X 27"1/2 | 1 | 1 | 1 | 1 | |
| | | WET AIR TANK | | | | | |
| 7 | 140869 | AIR TANK / 1791 IN° / 9 1/2" O.D. X 27" | 1 | 1 | 1 | 1 | |
| | | PRIMARY AIR TANK | | | | | |
| 8 | 140869 | AIR TANK / 1791 IN° / 9 1/2" O.D. X 27" | 1 | 1 | 1 | 1 | |
| | | AIR BELLOW EXPANSION TANK | | | | | |
| 9 | 131403 | AIR TANK / 434 IN° / 7" O.D. X 13 1/4" | 2 | 2 | 2 | 2 | |
| 10 | 641424 | AIR TANK / 288 IN° / 7" O.D. X 9 1/4" / W/(3) 1/2" NPT | | 6 | 6 | 6 | |
| | | PARKING BRAKE OVERULE | | | | | |
| 11 | 641583 | AIR TANK / 1508 IN° / 9" 1/2 O.D. X 24" | 1 | | | | |
| 20 | 142100 | STRAP / TO USE W/9" O.D. TANK / "J" SHAPE | 2 | | | | |
| 21 | 142029 | STRAP / TO USE W/9"1/2 O.D. TANK / "J" SHAPE | 2 | | | | |
| 22 | 131590 | STRAP / TO USE W/12" O.D. TANK / "U" SHAPE | 2 | 2 | 2 | 2 | |
| 23 | 141816 | STRAP / TO USE W/9"1/2 O.D. TANK / "J" SHAPE | 4 | 4 | 4 | 4 | |
| 24 | 141409 | J-HOOK / 220 MM / M8-1.25 SS | 4 | 4 | 4 | 4 | |
| 25 | 141835 | ROD / TO USE W/8" O.D. TANK / "U" SHAPE | 4 | | | | |
| 26 | 131523 | STRAP / TO USE W/8" O.D. TANK / "O" SHAPE To Y-7235 | 2 | | | | |
| 26 | 131610 | STRAP / TO USE W/9"1/2 O.D. TANK / "O" SHAPE From Y-7236 | 2 | | | | |

| | | |
|--------------------------------|--------------|-----------------|
| From Y-7046 To 2-7799 | Date:10/2022 | PAGE:Y2-1203-00 |
| AIR TANK - INSTALLATION | | |

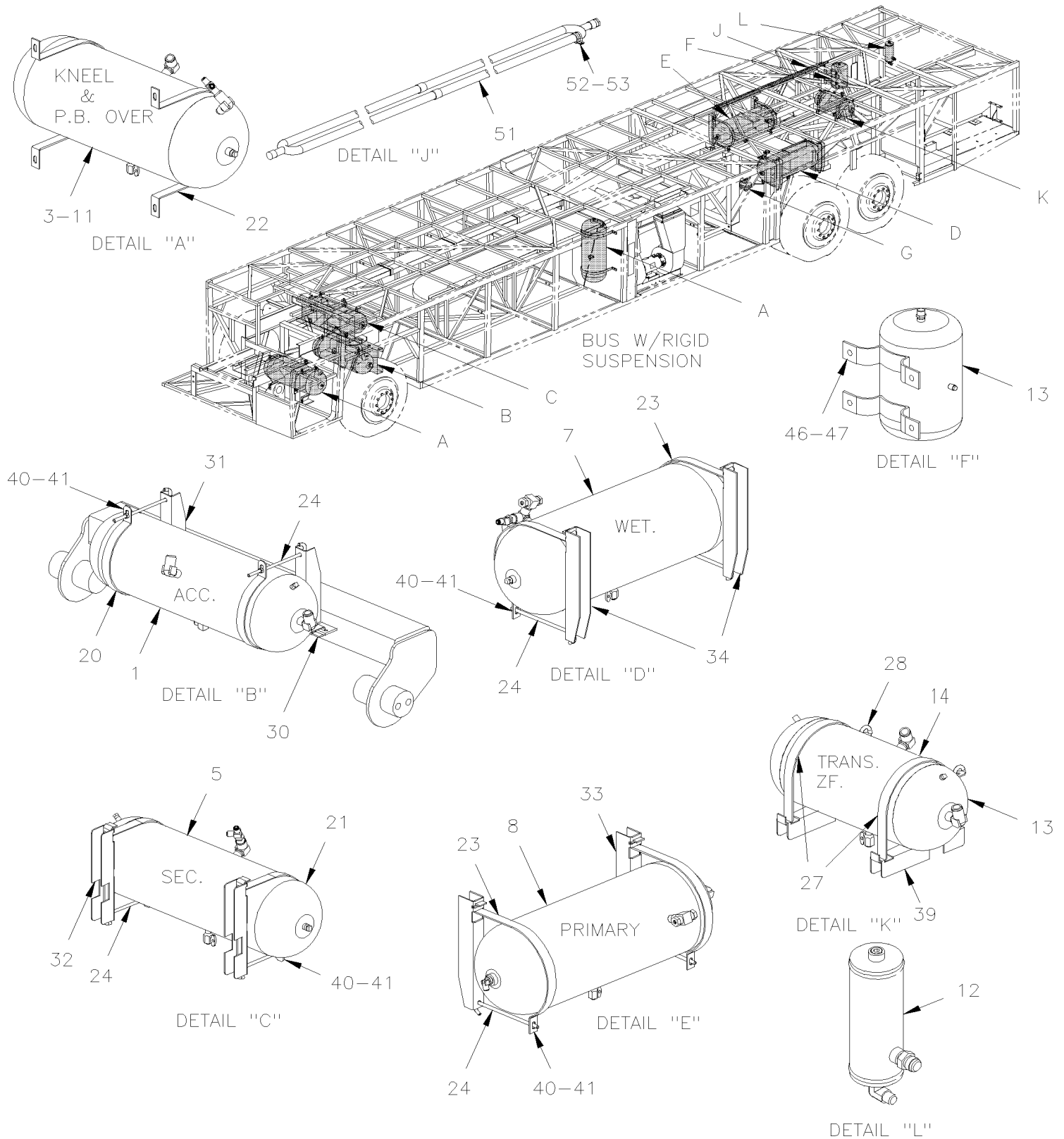
| Item# | Part | Description | X L I I 4 5 | X L I I M T H 4 0 | X L I I M T H 4 5 | X L I I M T H 4 5 E | N O T E S |
|-------|---------|---|----------------------------|---|---|--|-----------------------|
| 30 | 141649 | ATTACHMENT / (WELDED TO FRAME) | 2 | | | | |
| 31 | 172489 | SUPPORT AIR TANK / WELDED TO STRUCTURE | 2 | | | | |
| 32 | 172478 | SUPPORT / SECONDAIRY AIR TANK / (WELDED TO FRAME) | 2 | | | | |
| 33 | 172147 | SUPPORT "U" / AIR TANK / 263MM | 2 | 2 | 2 | 2 | |
| 34 | 171600 | SUPPORT "U" / AIR TANK / 250MM | 2 | 2 | 2 | 2 | |
| 35 | 171974 | SUPPORT / (WELDED TO FRAME) | 2 | 2 | 2 | 2 | |
| 36 | 171973 | SUPPORT AIR TANK | 2 | 2 | 2 | 2 | |
| 37 | 131378 | SUPPORT / (WELDED TO FRAME) | 2 | 2 | 2 | 2 | |
| 38 | 504649 | HOSE CLAMP / 4"5/8-7"1/2 SS | 4 | 4 | 4 | 4 | |
| 40 | 500868 | NUT HEX NYRT M8-1.25 Z050 | 2 | 2 | 2 | 2 | |
| 41 | 500874 | WASHER FL 8.4x17.0x1.6 Z050 | AR | AR | AR | AR | |
| 42 | 502600 | NUT HEX NYRT 5/16-18 Z050 | AR | AR | AR | AR | |
| 43 | 500778 | NUT HEX 5/16-18 N500 | AR | AR | AR | AR | |
| 44 | 500476 | WASHER LO SPT .317x.586x.078 Z050 | AR | AR | AR | AR | |
| 45 | 5001319 | SCREW CAP HEX M8-1.25x40 SS | 2 | | | | |
| | | | | | | | |
| | | | | | | | |
| | | | | | | | |

From 2-7800 To 8-9339

Date:10/2022

PAGE:Y2-1203-01

AIR TANK - INSTALLATION

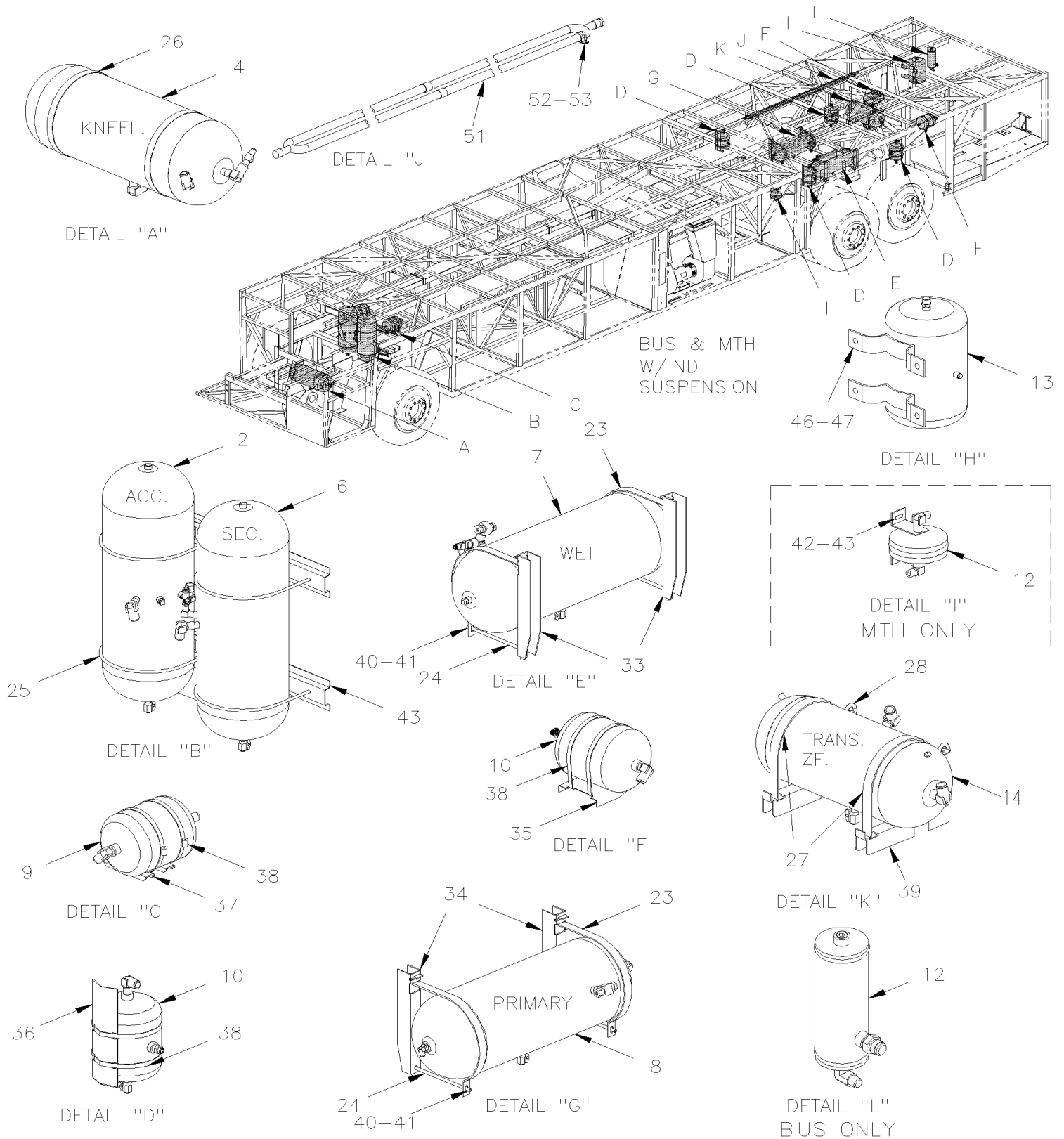


From 2-7800 To 8-9339

Date:10/2022

PAGE:Y2-1203-01

AIR TANK - INSTALLATION



| | | |
|-----------------------|--------------|-----------------|
| From 2-7800 To 8-9339 | Date:10/2022 | PAGE:Y2-1203-01 |
|-----------------------|--------------|-----------------|

AIR TANK - INSTALLATION

| Item# | Part | Description | X L I I 4 5 | X L I I M T H 4 0 | X L I I M T H 4 5 | X L I I M T H 4 5 E | N O T E S |
|-------|--------|---|----------------------------|---|---|--|-----------------------|
| | | ACCESSORIES AIR TANK | | | | | |
| 1 | 641583 | AIR TANK / 1508 IN° / 9" 1/2 O.D. X 24" | 1 | | | | |
| 2 | 141834 | AIR TANK / 1303 IN° / 8" O.D. X 27"1/2 | 1 | 1 | 1 | 1 | |
| NS | 641137 | VALVE, PRESSURE PROTECTION TYPE PR-4 70PSI | 1 | 1 | 1 | 1 | |
| | | KNEELING AIR TANK | | | | | |
| 3 | 641411 | AIR TANK / 2370 IN° / 12" O.D. X 24" | 1 | | | | |
| 4 | 641583 | AIR TANK / 1508 IN° / 9" 1/2 O.D. X 24" | 1 | | | | |
| | | SECONDARY AIR TANK | | | | | |
| 5 | 641583 | AIR TANK / 1508 IN° / 9" 1/2 O.D. X 24" | 1 | | | | |
| 6 | 141834 | AIR TANK / 1303 IN° / 8" O.D. X 27"1/2 | 1 | 1 | 1 | 1 | |
| | | WET AIR TANK | | | | | |
| 7 | 140869 | AIR TANK / 1791 IN° / 9 1/2" O.D. X 27" | 1 | | 1 | | |
| 7 | 140869 | AIR TANK / 1791 IN° / 9 1/2" O.D. X 27" To 7-9095 | | 1 | | 1 | |
| 7 | 144848 | AIR TANK / 1791 IN° / 9 1/2" O.D. X 27" From 7-9096 | | 1 | | 1 | |
| NS | 642022 | SAFETY VALVE 150 PSI X 3/8 NPT / ST-3 | 1 | 1 | 1 | 1 | |
| | | PRIMARY AIR TANK | | | | | |
| 8 | 140869 | AIR TANK / 1791 IN° / 9 1/2" O.D. X 27" | 1 | 1 | 1 | 1 | |
| | | AIR BELLOW EXPANSION TANK | | | | | |
| 9 | 131403 | AIR TANK / 434 IN° / 7" O.D. X 13 1/4" | 2 | 2 | 2 | 2 | |
| 10 | 641424 | AIR TANK / 288 IN° / 7" O.D. X 9 1/4" / W/(3) 1/2" NPT | | 6 | 6 | 6 | |
| 10 | 642110 | AIR TANK / 290 IN° / 6" O.D. X 12" / W/(3) 1/2" NPT From 7-9096 | | | | 6 | |
| | | PARKING BRAKE OVERULE | | | | | |
| 11 | 641583 | AIR TANK / 1508 IN° / 9" 1/2 O.D. X 24" | 1 | | | | |
| | | PING AIR TANK | | | | | |
| 12 | 032428 | AIR TANK / 61 IN° / 6" O.D. X 4" | | 1 | 1 | 1 | |
| NS | 142221 | HOSE ASSY TEFLON #12 1805MM | | | 1 | | A |

| | | |
|--------------------------------|--------------|-----------------|
| From 2-7800 To 8-9339 | Date:10/2022 | PAGE:Y2-1203-01 |
| AIR TANK - INSTALLATION | | |

| Item# | Part | Description | X L I I 4 5 | X L I I M T H 4 0 | X L I I M T H 4 5 | X L I I M T H 4 5 E | N O T E S |
|-------|-------------------|---|----------------------------|---|---|--|-----------------------|
| 12 | 142222 | HOSE ASSY TEFLON #12 1175MM | | 1 | | 1 | A |
| 12 | 142277 | HOSE ASSY TEFLON #12 970MM From 4-8165 | 1 | | | | A |
| 12 | 641982 | AIR TANK / 96 IN° / 3 1/2" O.D. X 10" From 4-8165 | 1 | | | | |
| | | PURGE TANK | | | | | |
| 13 | 70307176 | AIR TANK / 281 IN° / 6" O.D. X 12" | 1 | 1 | 1 | 1 | |
| NS | 142195 | HOSE ASSY TEFLON #12 3275MM | 1 | 1 | 1 | 1 | B |
| 13 | Y2-1215-10 | AIR DRYER - "HALDEX" - INSTALLATION | | | | | |
| | | MANUAL TRANSMISSION "ZF" AIR TANK | | | | | |
| 14 | 641978 | AIR TANK / 610 IN° / 7" O.D.X 18" | 1 | | | | |
| 20 | 142100 | STRAP / TO USE W/9" O.D. TANK / "J" SHAPE | 2 | | | | |
| 21 | 142029 | STRAP / TO USE W/9"1/2 O.D. TANK / "J" SHAPE | 2 | | | | |
| 22 | 131590 | STRAP / TO USE W/12" O.D. TANK / "U" SHAPE | 2 | 2 | 2 | 2 | |
| 23 | 141816 | STRAP / TO USE W/9"1/2 O.D. TANK / "J" SHAPE | 4 | 4 | 4 | 4 | |
| 24 | 141409 | J-HOOK / 220 MM / M8-1.25 SS | 4 | 4 | 4 | 4 | |
| 25 | 141835 | ROD / TO USE W/8" O.D. TANK / "U" SHAPE | 4 | | | | |
| 26 | 131610 | STRAP / TO USE W/9"1/2 O.D. TANK / "O" SHAPE | 2 | | | | |
| 27 | 141859 | STRAP / TO USE W/8" O.D. TANK / "J" SHAPE | 2 | | | | |
| 28 | 141815 | J-HOOK / 194 MM / M8-1.25 SS | 2 | | | | |
| 30 | 141649 | ATTACHMENT / (WELDED TO FRAME) | 2 | | | | |
| 31 | 172489 | SUPPORT AIR TANK / WELDED TO STRUCTURE | 2 | | | | |
| 32 | 172478 | SUPPORT / SECONDARY AIR TANK / (WELDED TO FRAME) | 2 | | | | |
| 33 | 172147 | SUPPORT "U" / AIR TANK / 263MM | 2 | 2 | 2 | 2 | |
| 34 | 171600 | SUPPORT "U" / AIR TANK / 250MM | 2 | 2 | 2 | 2 | |
| 35 | 171974 | SUPPORT / (WELDED TO FRAME) | | 2 | 2 | 2 | |
| 36 | 171973 | SUPPORT AIR TANK | | 2 | 2 | 2 | |
| 37 | 131378 | SUPPORT / (WELDED TO FRAME) To 3-8164 | | 2 | 2 | 2 | |
| 37 | 131746 | SUPPORT AIR TANK / BELLOW From 4-8165 To 5-8805 | | 2 | 2 | 2 | |
| 37 | Call order desk | SUPPORT CURBSIDE From 5-8806 | | 1 | 1 | 1 | P |
| 37 | Call order desk | SUPPORT STREET SIDE From 5-8806 | | 1 | 1 | 1 | P |
| 38 | 504649 | HOSE CLAMP / 4"5/8-7"1/2 SS | | 4 | 4 | 4 | |
| 38 | 504324 | HOSE CLAMP / 4"1/2-6"1/2 SS / HS-96 From 7-9096 | | | | 4 | |
| 39 | 172727 | SUPPORT / (WELDED TO FRAME) To 5-8369 | 2 | | | | |
| 39 | 172976 | SUPPORT / (WELDED TO FRAME) From 5-8370 | 2 | | | | |
| 40 | 500868 | NUT HEX NYRT M8-1.25 Z050 | 2 | 2 | 2 | 2 | |
| 41 | 500874 | WASHER FL 8.4x17.0x1.6 Z050 | AR | AR | AR | AR | |
| 42 | 502600 | NUT HEX NYRT 5/16-18 Z050 | AR | AR | AR | AR | |
| 43 | 500778 | NUT HEX 5/16-18 N500 | AR | AR | AR | AR | |

| | | |
|--------------------------------|--------------|-----------------|
| From 2-7800 To 8-9339 | Date:10/2022 | PAGE:Y2-1203-01 |
| AIR TANK - INSTALLATION | | |

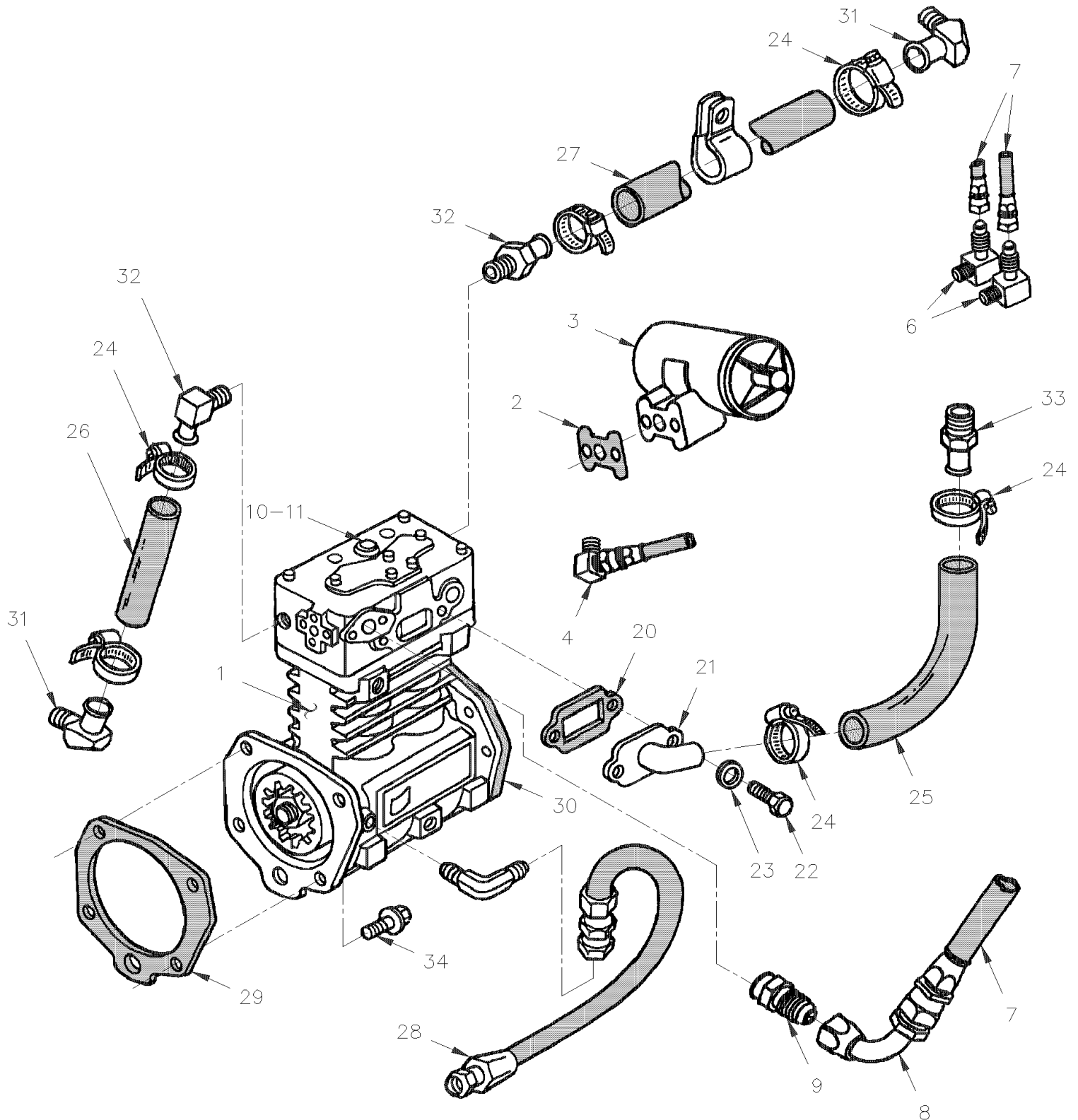
| Item# | Part | Description | X L I I 4 5 | X L I I M T H 4 0 | X L I I M T H 4 5 | X L I I M T H 4 5 E | N O T E S |
|-------|-------------------|--|----------------------------|---|---|--|-----------------------|
| 44 | 500476 | WASHER LO SPT .317x.586x.078 Z050 | AR | AR | AR | AR | |
| 45 | 5001319 | SCREW CAP HEX M8-1.25x40 SS | 2 | | | | |
| 46 | 500476 | WASHER LO SPT .317x.586x.078 Z050 | 4 | 4 | 4 | 4 | |
| 47 | 500778 | NUT HEX 5/16-18 N500 | 4 | 4 | 4 | 4 | |
| NS | 5001164 | WASHER FL 8.4x25.0x2.0 Z050 | 4 | 4 | 4 | 4 | |
| 51 | 142279P | AIR DRYER TUBE ASSY To 3-8164 | 1 | | | | |
| 51 | 142342P | AIR DRYER TUBE ASSY From 4-8165 | 1 | | | | |
| 52 | 500613 | SCREW TP PAN PH #10x1/2 Z050 | AR | | | | |
| 53 | 952633 | CLAMP / 7/8" I.D. | 6 | | | | |
| 60 | Y2-1215-10 | AIR DRYER - "HALDEX" - INSTALLATION | | | | | |
| | | | | | | | |
| | | A) TO AIR COMPRESSOR | | | | | |
| | | B) BETWEEN PING & PURGE TANK | | | | | |
| | | P) CALL ORDER DESK FOR SPECIFIC APPLICATION (V.I.N.) | | | | | |

From Y-7046 To 3-8164

Date:10/2022

PAGE:Y2-1205-10

AIR COMPRESSOR - "TU-FLO 750" - WITH DETROIT S-60



| | | | |
|--|--|--------------|-----------------|
| From Y-7046 To 3-8164 | | Date:10/2022 | PAGE:Y2-1205-10 |
| AIR COMPRESSOR - "TU-FLO 750" - WITH DETROIT S-60 | | | |

| Item# | Part | Description | X L I I 4 5 | X L I I M T H 4 0 | X L I I M T H 4 5 | X L I I M T H 4 5 E | N O T E S |
|-------|-------------------|--|----------------------------|---|---|--|-----------------------|
| 1 | 641362 | COMPRESSOR, AIR (SUPPLY W/ENGINE) | 1 | 1 | 1 | 1 | |
| NS | 641335 | KIT REPAIR, UNLOADER | 1 | 1 | 1 | 1 | |
| 2 | 640638 | GASKET, AIR GOVERNOR | 1 | 1 | 1 | 1 | |
| 3 | 640964 | GOVERNOR, AIR / D-2 / (105/125PSI) | 1 | | | | |
| . NS | 640965 | . REPAIR KIT / GOVERNOR D-2 | 1 | | | | |
| . NS | 640638 | . GASKET, AIR GOVERNOR | 1 | | | | |
| . NS | 500187 | . SCREW CAP HEX 5/16-18x3 G5 Z050 | 2 | | | | |
| . NS | 500942 | . WASHER LO SPT 8.1x14.8x2.0 N500 | 2 | | | | |
| 3 | 641933 | GOVERNOR, AIR / D-2 / (110/130PSI) | | 1 | 1 | 1 | |
| . NS | 640965 | . REPAIR KIT / GOVERNOR D-2 | | 1 | 1 | 1 | |
| . NS | 640638 | . GASKET, AIR GOVERNOR | | 1 | 1 | 1 | |
| . NS | 500187 | . SCREW CAP HEX 5/16-18x3 G5 Z050 | | 2 | 2 | 2 | |
| . NS | 500942 | . WASHER LO SPT 8.1x14.8x2.0 N500 | | 2 | 2 | 2 | |
| NS | 640965 | REPAIR KIT / GOVERNOR D-2 | 1 | 1 | 1 | 1 | |
| NS | 500187 | SCREW CAP HEX 5/16-18x3 G5 Z050 | 2 | 2 | 2 | 2 | |
| NS | 500476 | WASHER LO SPT .317x.586x.078 Z050 | 2 | 2 | 2 | 2 | |
| 4 | 640996 | MALE ELBOW 90° / NTA FITTING / #4x1/8NPT-M BR | 1 | 1 | 1 | 1 | |
| 6 | 501036 | MALE ELBOW 90° / SAE 45° FITTING / #4FL-Mx1/8NPT-M BR | 2 | 2 | 2 | 2 | |
| 7 | Y2-1215-00 | AIR DRYER - "BENDIX" AD-9 | | | | | |
| 7 | Y2-1215-01 | AIR DRYER - "ROCKWELL WABCO" | | | | | |
| 8 | 507544 | SWIVEL NUT ELBOW 90° SHORT / JIC 37° FITTING/ #12JIC-Fx#12JIC-Mx1.82 STL | 1 | 1 | 1 | 1 | |
| 9 | 501600 | MALE CONNECTOR / JIC 37° FITTING / #12JIC-Mx1/2NPT-M STL | 1 | 1 | 1 | 1 | |
| 10 | 501316 | BUSHING REDUCER / PIPE FITTING / 1/2NPT-Mx1/4NPT-F BR | 1 | 1 | 1 | 1 | |
| 11 | 501037 | MALE ELBOW 90° / SAE 45° FITTING / #4FL-Mx1/4NPT-M BR | 1 | 1 | 1 | 1 | |
| 20 | 640256 | GASKET, ADAPTOR AIR INLET | 1 | 1 | 1 | 1 | A |
| 21 | N.S.P. | ADAPTOR AIR INLET / (23506346) | 1 | 1 | 1 | 1 | 2 A |
| 22 | 500179 | SCREW CAP HEX 5/16-18x3/4 G5 Z050 | 2 | 2 | 2 | 2 | A |
| 23 | 500476 | WASHER LO SPT .317x.586x.078 Z050 | 2 | 2 | 2 | 2 | A |
| 24 | 504019 | HOSE CLAMP / 9/16"-1"1/16 SS / HS-10 | 6 | 6 | 6 | 6 | A |
| 25 | N.S.P. | HOSE SILICONE 75MM X 18" / (23508340) | 1 | 1 | 1 | 1 | 2 A |
| 26 | N.S.P. | HOSE SILICONE 3/4" X 3.1/2" / (8929764) | 1 | 1 | 1 | 1 | 2 A |
| 27 | N.S.P. | HOSE SILICONE 3/4" X 28" / (23509550) | 1 | 1 | 1 | 1 | 2 A |
| NS | 503523 | HOSE SILICONE 1PLY 3/4" I.D. x 100' / S.L. | AR | AR | AR | AR | A |
| 28 | N.S.P. | HOSE ASSY 14 7/8" / OIL FEED FROM GALLERY / (23505202) | 1 | 1 | 1 | 1 | 2 A |
| 28 | N.S.P. | HOSE ASSY TEFLON / OIL TO ALTERNATOR / (23504343) | 1 | 1 | 1 | 1 | 2 A |
| 29 | 510615 | GASKET COMPRESSOR | 1 | 1 | 1 | 1 | A |
| 30 | N.S.P. | GASKET / COMPRESSOR & FUEL PUMP / (23505248) | 1 | 1 | 1 | 1 | 2 A |
| 31 | N.S.P. | ELBOW 45° 3/4" HOSE / (23505202) | 2 | 2 | 2 | 2 | 2 A |
| 32 | N.S.P. | ELBOW 90° 3/4 TUBE 1/2" NPT / (8929749) | 2 | 2 | 2 | 2 | 2 A |
| 33 | N.S.P. | CONNECTOR / (23506345) | 1 | 1 | 1 | 1 | 2 A |
| 34 | N.S.P. | BOLT M12-1.75 X 47MM FLANGE HEAD | 4 | 4 | 4 | 4 | 2 A |

| | | |
|--|--------------|-----------------|
| From Y-7046 To 3-8164 | Date:10/2022 | PAGE:Y2-1205-10 |
| AIR COMPRESSOR - "TU-FLO 750" - WITH DETROIT S-60 | | |

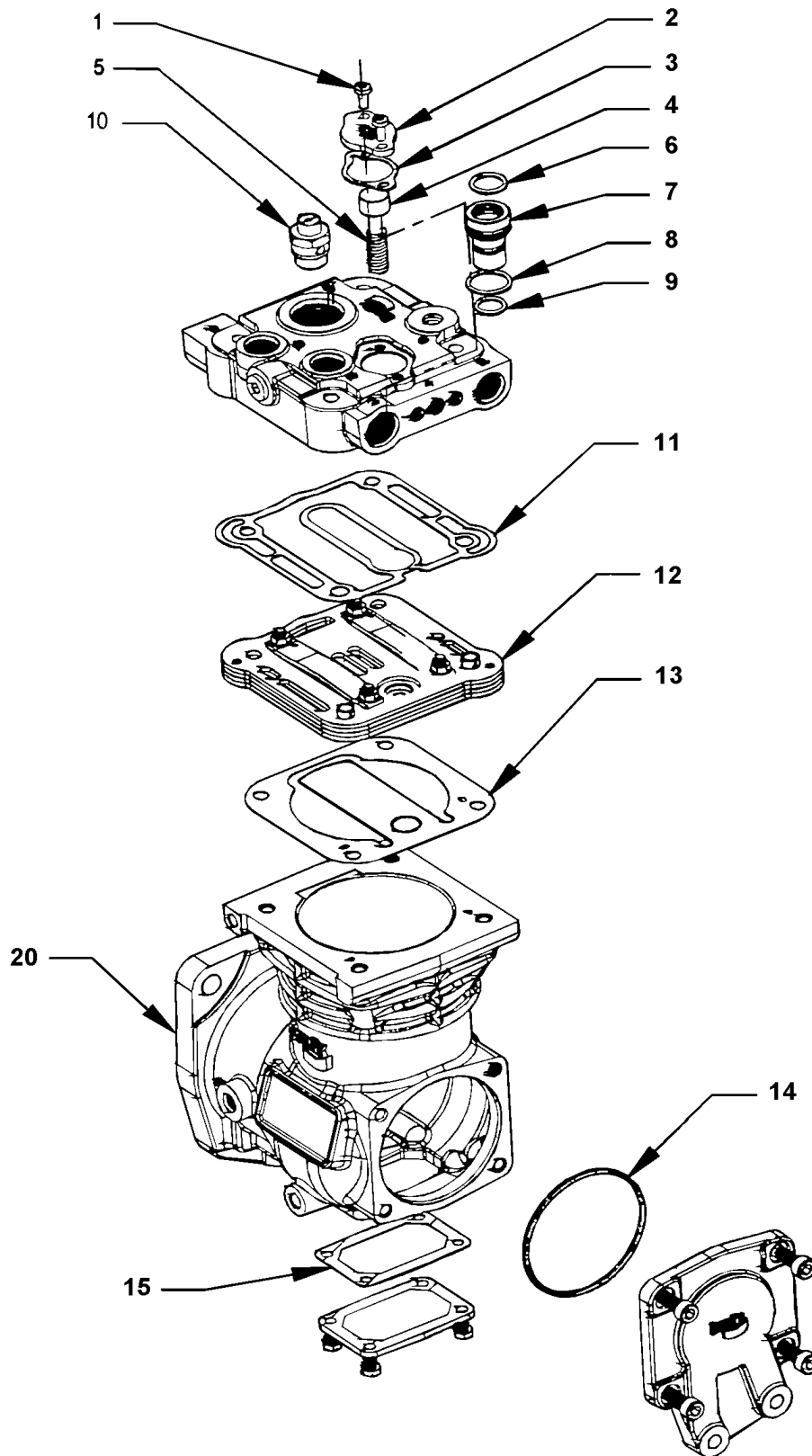
| Item# | Part | Description | X L I I 4 5 | X L I I M T H 4 0 | X L I I M T H 4 5 | X L I I M T H 4 5 E | N O T E S |
|-------|------|---|--------------------------------|---|---|--|-----------------------|
| | | | | | | | |
| | | A) THOSE ITEMS ARE SUPPLIED WITH ENGINE ASSY SEE YOUR DETROIT DIESEL DEALER FOR INFORMATIONS. | | | | | |
| | | 2) NOT SOLD BY PREVOST (SEE MANUFACTURING PART NUMBER AT END OF DESCRIPTION LINE) | | | | | |

From 4-8165 To 8-9339

Date:10/2022

PAGE:Y2-1205-11

AIR COMPRESSOR - "BA921" - WITH DETROIT S-60



| | | |
|---|--------------|-----------------|
| From 4-8165 To 8-9339 | Date:10/2022 | PAGE:Y2-1205-11 |
| AIR COMPRESSOR - "BA921" - WITH DETROIT S-60 | | |

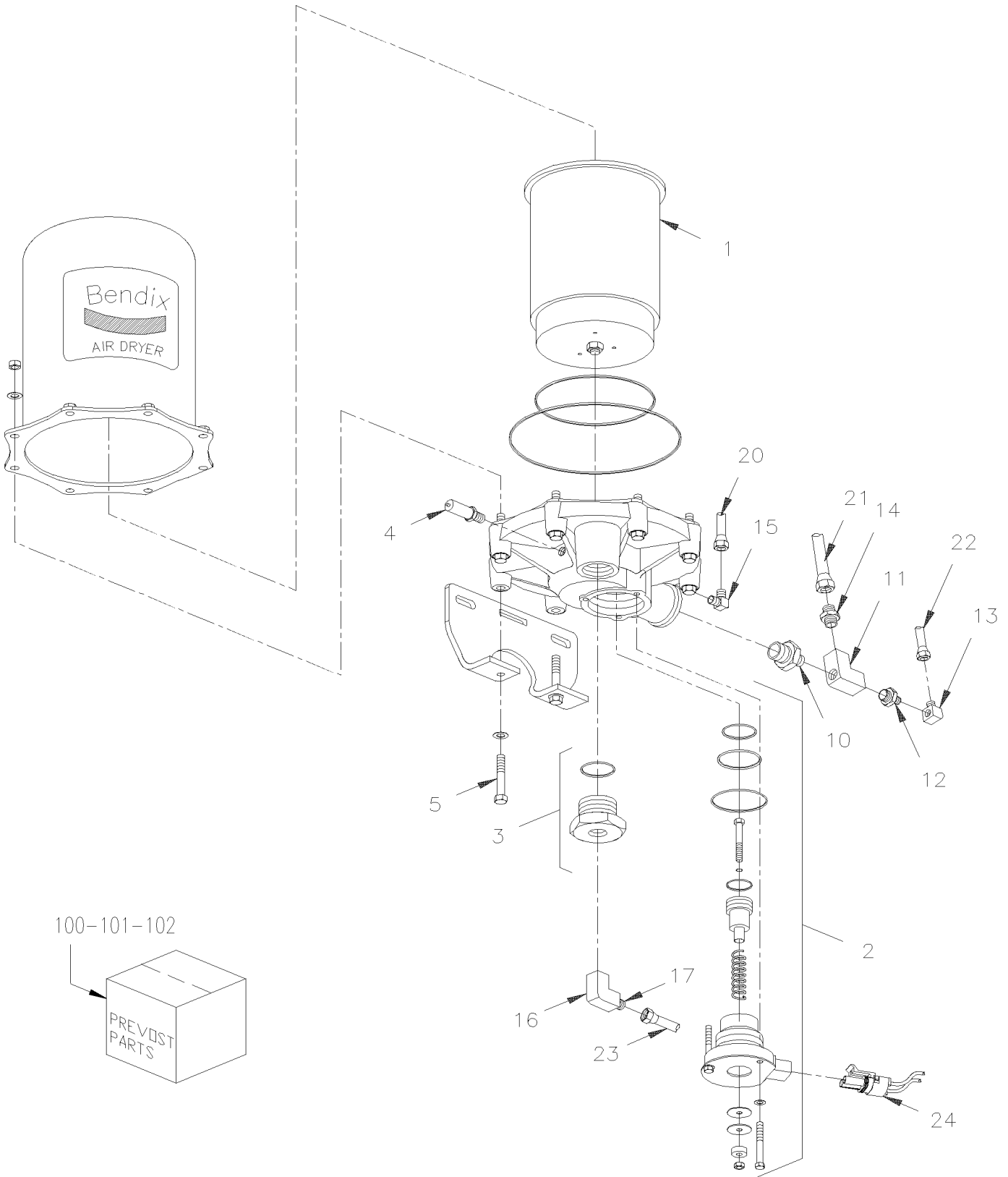
| Item# | Part | Description | X L I I 4 5 | X L I I M T H 4 0 | X L I I M T H 4 5 | X L I I M T H 4 5 E | N O T E S |
|-------|--------|---|----------------------------|---|---|--|-----------------------|
| 1 | 641990 | COMPRESSOR, AIR (SUPPLY W/ENGINE) | 1 | 1 | 1 | 1 | |
| 2 | N.S.S. | . COVER | 1 | 1 | 1 | 1 | 1 A |
| 3 | N.S.S. | . GASKET | 1 | 1 | 1 | 1 | 1 A |
| 4 | N.S.S. | . BALANCE PISTON | 1 | 1 | 1 | 1 | 1 A |
| 5 | N.S.S. | . SPRING | 1 | 1 | 1 | 1 | 1 A |
| 6 | N.S.S. | . O-RING | 1 | 1 | 1 | 1 | 1 A |
| 7 | N.S.S. | . PISTON | 1 | 1 | 1 | 1 | 1 A |
| 8 | N.S.S. | . O-RING | 1 | 1 | 1 | 1 | 1 A |
| 9 | N.S.S. | . O-RING | 1 | 1 | 1 | 1 | 1 A |
| 10 | 641989 | . SAFETY VALVE ST-A / M16x1.5 | 1 | 1 | 1 | 1 | |
| 11 | 641986 | . CYLINER HEAD SEAL KIT | 1 | 1 | 1 | 1 | B |
| 12 | | . REED VALVE ASSY | 1 | 1 | 1 | 1 | |
| 13 | | . INLET REED VALVE GASKET | 1 | 1 | 1 | 1 | |
| 14 | 641987 | . COMPRESSOR SEAL KIT | 1 | 1 | 1 | 1 | C |
| 15 | | . BOTTOM COVER | 1 | 1 | 1 | 1 | |
| 20 | 641988 | . ENGINE INTERFACE SEAL KIT | 1 | 1 | 1 | 1 | D |
| | | | | | | | |
| | | | | | | | |
| | | A) NOT REQUIRE WITH AIR DRYER "HALDEX" | | | | | |
| | | B) INCLUDES ITEMS# 11 & 13 | | | | | |
| | | C) INCLUDES ITEMS# 14 & 20 | | | | | |
| | | D) USE ONLY WITH VEHICLE EQUIPPED WITH AIR DRYER AD-9 | | | | | |
| | | 1) NOT SOLD SEPARATELY | | | | | |

From Y-7046 To 2-7799

Date:10/2022

PAGE:Y2-1215-00

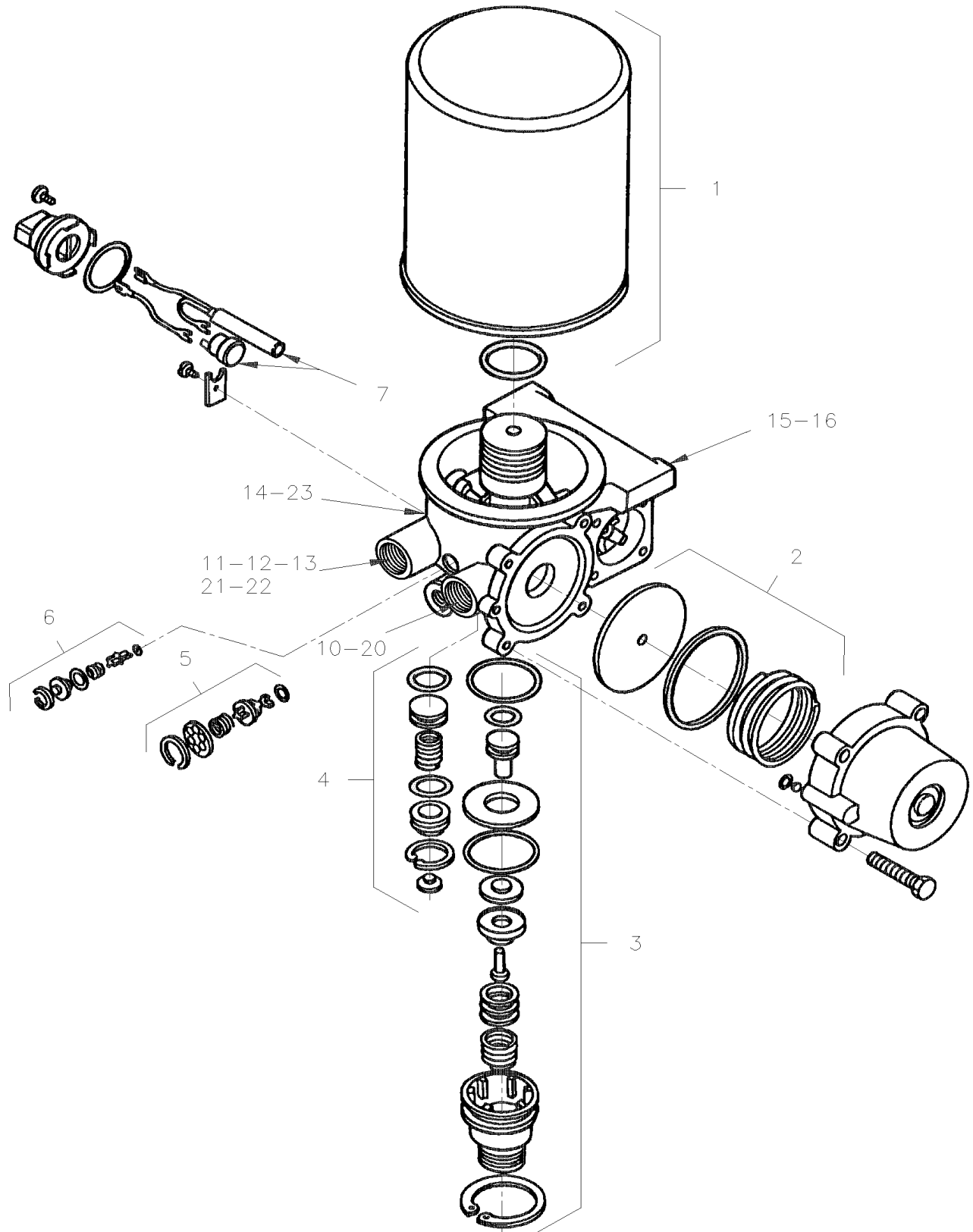
AIR DRYER - "BENDIX" AD-9



| | | |
|----------------------------------|--------------|-----------------|
| From Y-7046 To 2-7799 | Date:10/2022 | PAGE:Y2-1215-00 |
| AIR DRYER - "BENDIX" AD-9 | | |

| Item# | Part | Description | X L I I 4 5 | X L I I M T H 4 0 | X L I I M T H 4 5 | X L I I M T H 4 5 E | N O T E S |
|-------|---------|---|----------------------------|---|---|--|-----------------------|
| | 641243 | AIR DRYER ASSY AD-9 24 VOLTS | 1 | | | | |
| 1 | 641244 | . DESICANT CARTRIDGE / "BENDIX" AD-9 | 1 | | | | |
| . NS | MI04-12 | . . SEE MAINTENANCE INFORMATION | 1 | | | | |
| 2 | 641245 | . PURGE VALVE ASSY W/HEATER | 1 | | | | |
| 3 | 641246 | . CHECK VALVE MAINTENANCE KIT 3/4 NPT | 1 | | | | |
| 4 | N.S.P. | . SAFETY VALVE (285849) | 1 | | | | 2 |
| 5 | 5001173 | . SCREW CAP HEX 5/16-18x4 1/2 G8 ZP | 2 | | | | |
| 10 | 501462 | BUSHING REDUCER / PIPE FITTING / 3/4NTP-Mx1/2NPT-F BR | 1 | | | | |
| 11 | 507556 | MALE BRANCHE TEE / PIPE FITTING / 1/2NPT-Fx1/2NPT-Fx1/2NPT-M BR | 1 | | | | |
| 12 | 501316 | BUSHING REDUCER / PIPE FITTING / 1/2NPT-Mx1/4NPT-F BR | 1 | | | | |
| 13 | 641371 | MALE ELBOW 90° NON-SWIVEL / PUSH-IN FITTING / #4x1/4NPT-M BR | 1 | | | | |
| 14 | 501600 | MALE CONNECTOR / JIC 37° FITTING / #12JIC-Mx1/2NPT-M STL | 1 | | | | |
| 15 | 501037 | MALE ELBOW 90° / SAE 45° FITTING / #4FL-Mx1/4NPT-M BR | 1 | | | | |
| 16 | 507339 | STREET ELBOW 90° / PIPE FITTING / 3/4NPT-Mx3/4NPT-F BR | 1 | | | | |
| 17 | 641029 | MALE CONNECTOR / NTA FITTING / #12x3/4NPT-M BR | 1 | | | | |
| 20 | 141888 | HOSE ASSY TEFLON #4 4431MM | 1 | | | | A |
| 21 | 141830 | HOSE ASSY TEFLON #12 4157MM | 1 | | | | C |
| 22 | 503402 | TUBE, NYLON 1/4 O.D. / BLACK S.L. | AR | | | | |
| 23 | 503465 | TUBE, NYLON 3/4 O.D. / GREEN S.L. | AR | | | | |
| 24 | 562251 | CONNECTOR / METRI-PACK 280 / SH 2C / PED 12020599 | 1 | | | | |
| NS | 562287 | SECONDARY LOCK / METRI-PACK 280 / 2C / BLACK / PED 12034446 | 1 | | | | |
| NS | 562101 | SOCKET TERMINAL / 14-12 / PED 12129493 | 2 | | | | |
| NS | 562106 | SEAL CONNECTOR / METRI-PACK / 3C / BLACK / PED 12048370 | 2 | | | | |
| 100 | 641464 | PURGE VALVE ASSY W/HEATER 24V | 1 | | | | |
| . NS | 109579 | . HEATER ELEMENT 24V -109579 | 1 | | | | |
| 101 | 109579 | HEATER ELEMENT 24V -109579 | 1 | | | | |
| 102 | 641358 | KIT REPAIR / PURGE VALVE | 1 | | | | |
| | | | | | | | |
| | | | | | | | |
| | | A) DRYER & GOVERNOR | | | | | |
| | | C) DRYER & COMPRESSOR | | | | | |
| | | 2) NOT SOLD BY PREVOST (SEE MANUFACTURING PART NUMBER AT END OF DESCRIPTION LINE) | | | | | |

| | | |
|-------------------------------------|--------------|-----------------|
| From Y-7046 To 2-7799 | Date:10/2022 | PAGE:Y2-1215-01 |
| AIR DRYER - "ROCKWELL WABCO" | | |



| | | |
|-------------------------------------|--------------|-----------------|
| From Y-7046 To 2-7799 | Date:10/2022 | PAGE:Y2-1215-01 |
| AIR DRYER - "ROCKWELL WABCO" | | |

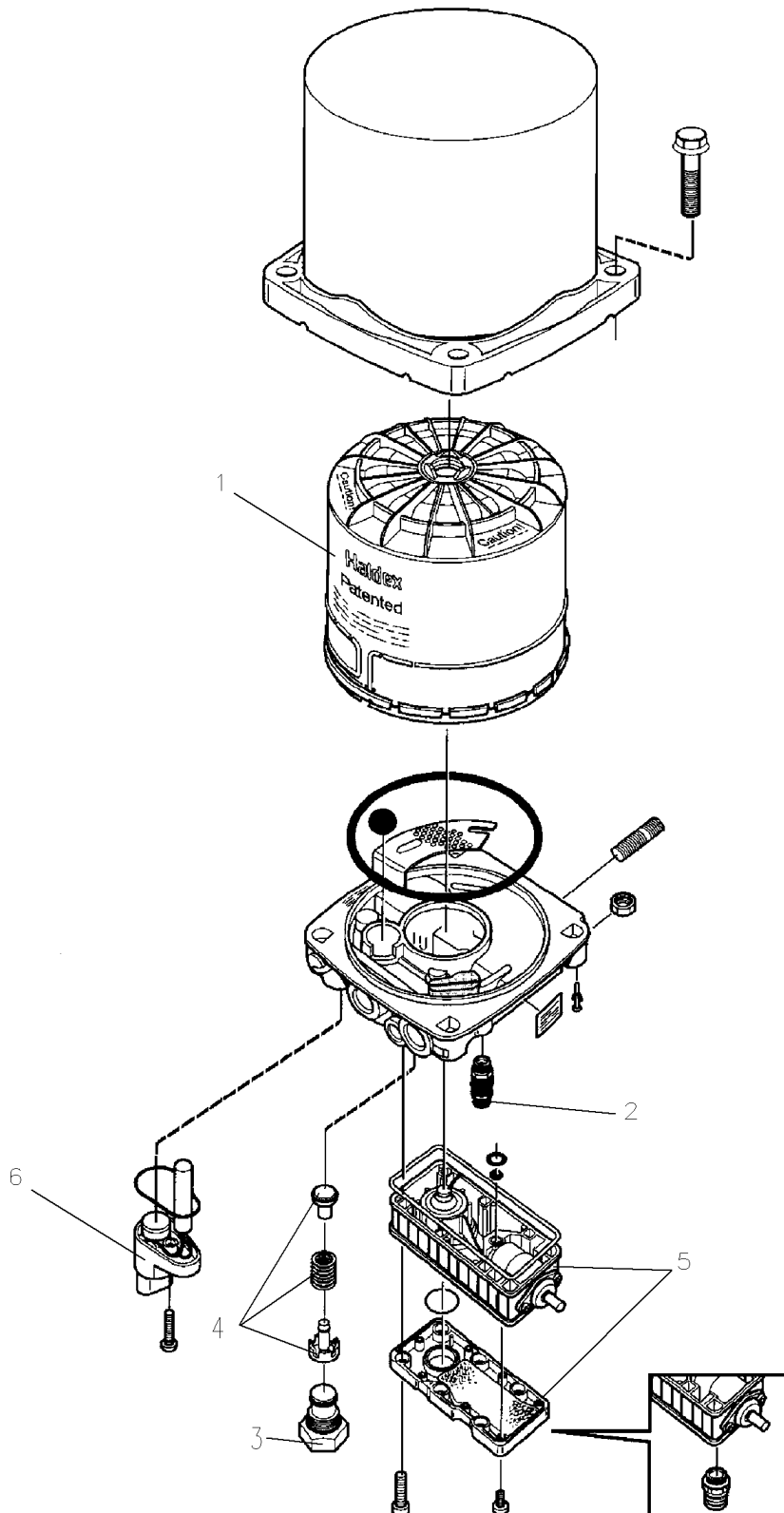
| Item# | Part | Description | X L I I 4 5 | X L I I M T H 4 0 | X L I I M T H 4 5 | X L I I M T H 4 5 E | N O T E S |
|-------|---------|---|----------------------------|---|---|--|-----------------------|
| | 641337 | AIR DRYER "WABCO" / S-1200 / 24V HEATER | | 1 | 1 | 1 | |
| 1 | 641278 | . DESICANT CARTRIDGE / "WABCO" | | 1 | 1 | 1 | |
| . NS | MI04-12 | . . SEE MAINTENANCE INFORMATION | | 1 | 1 | 1 | |
| 2 | 641284 | . REGENERATION VALVE KIT | | 1 | 1 | 1 | |
| 3 | 641283 | . PURGE VALVE KIT | | 1 | 1 | 1 | |
| 4 | 641282 | . TURBO CUT-OFF VALVE KIT | | 1 | 1 | 1 | |
| 5 | 641281 | . OUTLET CHECK VALVE KIT | | 1 | 1 | 1 | |
| 6 | 641280 | . BY-PASS VALVE KIT | | 1 | 1 | 1 | |
| 7 | 641279 | . HEATER ASSY KIT 24 VOLTS | | 1 | 1 | 1 | |
| . NS | 562251 | . . CONNECTOR / METRI-PACK 280 / SH 2C / PED 12020599 | | 1 | 1 | 1 | |
| . NS | 562101 | . . SOCKET TERMINAL / 14-12 / PED 12129493 | | 2 | 2 | 2 | |
| 10 | 641134 | MALE ELBOW 90° / NTA FITTING / #12x1/2NPT-M BR | | 1 | 1 | 1 | |
| 11 | 507556 | MALE BRANCHE TEE / PIPE FITTING / 1/2NPT-Fx1/2NPT-Fx1/2NPT-M BR | | 1 | 1 | 1 | |
| 12 | 501600 | MALE CONNECTOR / JIC 37° FITTING / #12JIC-Mx1/2NPT-M STL | | 1 | 1 | 1 | |
| NS | 501316 | BUSHING REDUCER / PIPE FITTING / 1/2NPT-Mx1/4NPT-F BR | | 1 | 1 | 1 | |
| 13 | 641371 | MALE ELBOW 90° NON-SWIVEL / PUSH-IN FITTING / #4x1/4NPT-M BR | | 1 | 1 | 1 | |
| 14 | 501037 | MALE ELBOW 90° / SAE 45° FITTING / #4FL-Mx1/4NPT-M BR | | 1 | 1 | 1 | |
| 15 | 500214 | SCREW CAP HEX 1/2-13x1 1/4 G5 Z050 | | 3 | 3 | 3 | |
| NS | 500482 | WASHER LO SPT .506x.873x.125 Z050 | | 3 | 3 | 3 | |
| 16 | 141877 | SUPPORT AIR DRYER "WABCO" | | 1 | 1 | 1 | |
| 20 | 503465 | TUBE, NYLON 3/4 O.D. / GREEN S.L. | | AR | AR | AR | |
| 21 | 503402 | TUBE, NYLON 1/4 O.D. / BLACK S.L. | | AR | AR | AR | |
| 22 | 141889 | HOSE ASSY TEFLON /DRYER&COMPRESSOR / #12 5698MM | | | 1 | | |
| 22 | 141891 | HOSE ASSY TEFLON /DRYER&COMPRESSOR / #12 5013MM | | 1 | | 1 | |
| 23 | 141890 | HOSE ASSY TEFLON #4 5875MM | | | 1 | | |
| 23 | 141892 | HOSE ASSY TEFLON #4 5190MM | | 1 | | 1 | |
| NS | 141888 | HOSE ASSY TEFLON #4 4431MM | | | 1 | | A |
| NS | 141887 | HOSE ASSY TEFLON #4 3607MM | | 1 | | 1 | A |
| | | | | | | | |
| | | | | | | | |
| | | | | | | | |
| | | A) BETWEEN GOVERNOR & WET TANK | | | | | |

From 2-7800 To 3-7992

Date:10/2022

PAGE:Y2-1215-02

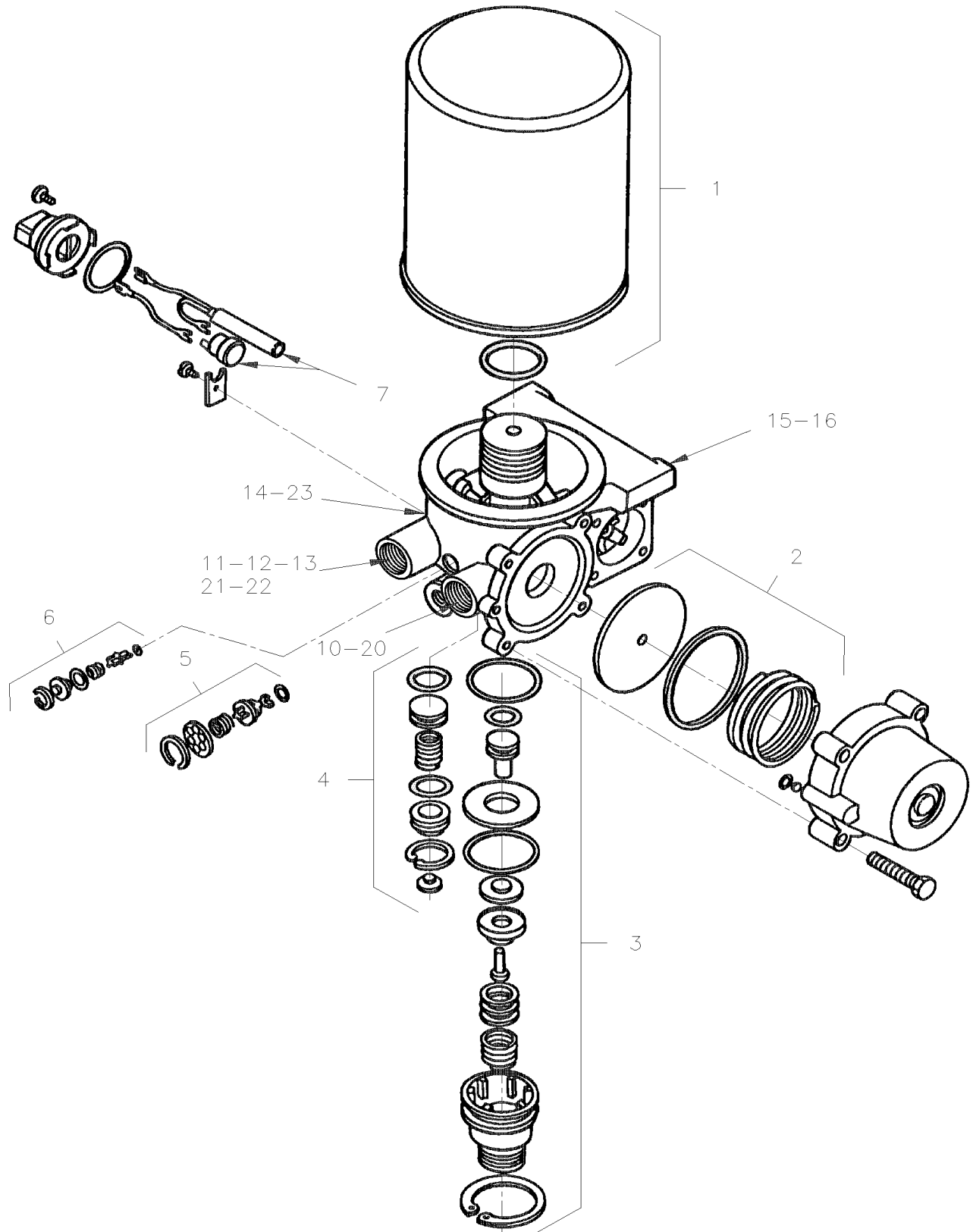
AIR DRYER - "HALDEX"



| | | |
|-----------------------------|--------------|-----------------|
| From 2-7800 To 3-7992 | Date:10/2022 | PAGE:Y2-1215-02 |
| AIR DRYER - "HALDEX" | | |

| Item# | Part | Description | X L I I 4 5 | X L I I M T H 4 0 | X L I I M T H 4 5 | X L I I M T H 4 5 E | N O T E S |
|-------|----------|---|--------------------------------|---|---|--|-----------------------|
| | 70303498 | AIR DRYER "HALDEX" / WITH GOVERNOR | 1 | 1 | 1 | 1 | A |
| | 642001 | AIR DRYER "HALDEX" / WITH GOVERNOR / 24V HEATER | 1 | 1 | 1 | 1 | |
| 1 | 3097369 | . DESICANT CARTRIDGE / "HALDEX" | 1 | 1 | 1 | 1 | |
| 2 | 641953 | . SAFETY VALVE | 1 | 1 | 1 | 1 | |
| 3 | N8885277 | . REGENERATION VALVE BLACK PLASTIC M22-1.5 | 1 | 1 | 1 | 1 | |
| 4 | N8894693 | . . KIT CHECK VALVE | 1 | 1 | 1 | 1 | |
| 5 | 641954 | . VALVE PACK / W/INTEGRATED GOVERNOR 8.5BAR | 1 | 1 | 1 | 1 | |
| 6 | N8882161 | HEATER ELEMENT 24VOLT / W/ PIG TAIL CONNECTOR | 1 | 1 | 1 | 1 | C |
| . NS | 562251 | . CONNECTOR / METRI-PACK 280 / SH 2C / PED 12020599 | 1 | 1 | 1 | 1 | C |
| . NS | 141949 | KIT, RETROFIT "HALDEX" / "XL-II" SERIES | 1 | | 1 | | |
| . NS | WB04-01 | . SEE WARRANTY BULLETIN | 1 | | 1 | | |
| . NS | 141950 | KIT, RETROFIT "HALDEX" / "XL-II" SERIES | | 1 | | 1 | |
| . NS | WB04-01 | . SEE WARRANTY BULLETIN | | 1 | | 1 | |
| . NS | 141951 | . HOSE ASSY TEFLON #4 5100MM | | 1 | | 1 | B |
| . NS | 141952 | . HOSE ASSY TEFLON #4 5500MM | 1 | | 1 | | B |
| | | | | | | | |
| | | | | | | | |
| | | A) FOR PRODUCT IMPROVEMENT SEE KIT 141949 & 141950 | | | | | |
| | | B) USE ONLY WITH KIT 141949 OR 141950 | | | | | |
| | | C) USE ONLY WITH 642001 | | | | | |

| | | |
|-------------------------------------|--------------|-----------------|
| From 3-7993 To 3-8164 | Date:10/2022 | PAGE:Y2-1215-03 |
| AIR DRYER - "ROCKWELL WABCO" | | |



From 3-7993 To 3-8164 Date:10/2022 PAGE:Y2-1215-03

AIR DRYER - "ROCKWELL WABCO"

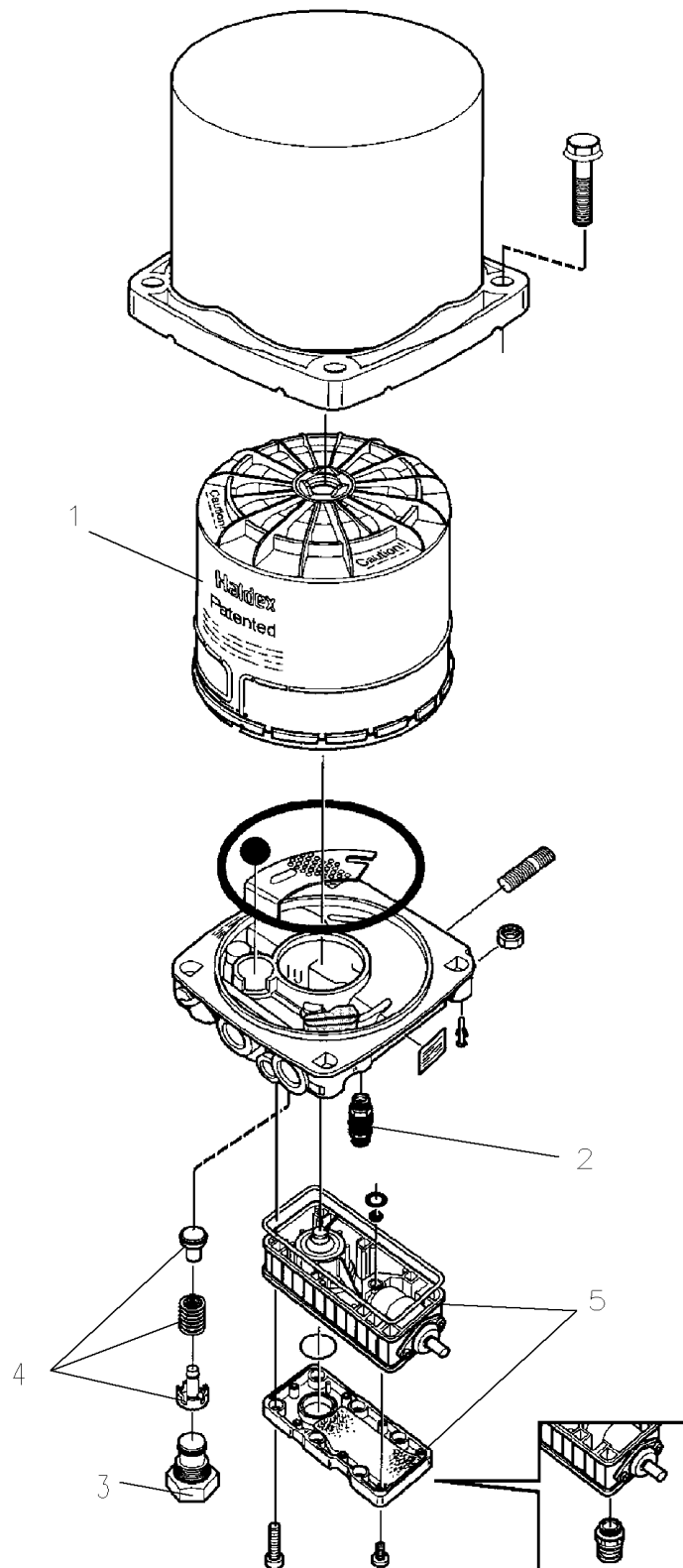
| Item# | Part | Description | X L I I 4 5 | X L I I M T H 4 0 | X L I I M T H 4 5 | X L I I M T H 4 5 E | NOTES |
|-------|---------|---|----------------------------|---|---|--|-------|
| | | | | | | | |
| | 641337 | AIR DRYER "WABCO" / S-1200 / 24V HEATER | 1 | 1 | 1 | 1 | |
| 1 | 641278 | . DESICANT CARTRIDGE / "WABCO" | 1 | 1 | 1 | 1 | |
| . NS | M104-12 | . . SEE MAINTENANCE INFORMATION | 1 | 1 | 1 | 1 | |
| 2 | 641284 | . REGENERATION VALVE KIT | 1 | 1 | 1 | 1 | |
| 3 | 641283 | . PURGE VALVE KIT | 1 | 1 | 1 | 1 | |
| 4 | 641282 | . TURBO CUT-OFF VALVE KIT | 1 | 1 | 1 | 1 | |
| 5 | 641281 | . OUTLET CHECK VALVE KIT | 1 | 1 | 1 | 1 | |
| 6 | 641280 | . BY-PASS VALVE KIT | 1 | 1 | 1 | 1 | |
| 7 | 641279 | . HEATER ASSY KIT 24 VOLTS | 1 | 1 | 1 | 1 | |
| . NS | 562251 | . . CONNECTOR / METRI-PACK 280 / SH 2C / PED 12020599 | 1 | 1 | 1 | 1 | |
| . NS | 562101 | . . SOCKET TERMINAL / 14-12 / PED 12129493 | 2 | 2 | 2 | 2 | |
| NS | 641319 | SNUBBLER AIR DISCHARGE / BLACK PLASTIC | 1 | 1 | 1 | 1 | |
| 10 | 641134 | MALE ELBOW 90° / NTA FITTING / #12x1/2NPT-M BR | 1 | 1 | 1 | 1 | |
| NS | 501473 | MALE RUN TEE / PIPE FITTING / 1/2NPT-Mx1/2NPT-Fx1/2NPT-F BR | 1 | 1 | 1 | 1 | |
| 11 | 507556 | MALE BRANCHE TEE / PIPE FITTING / 1/2NPT-Fx1/2NPT-Fx1/2NPT-M BR | | 1 | 1 | 1 | |
| 12 | 501600 | MALE CONNECTOR / JIC 37° FITTING / #12JIC-Mx1/2NPT-M STL | 1 | 1 | 1 | 1 | |
| NS | 501316 | BUSHING REDUCER / PIPE FITTING / 1/2NPT-Mx1/4NPT-F BR | | 1 | 1 | 1 | |
| 13 | 641371 | MALE ELBOW 90° NON-SWIVEL / PUSH-IN FITTING / #4x1/4NPT-M BR | | 1 | 1 | 1 | |
| 14 | 501037 | MALE ELBOW 90° / SAE 45° FITTING / #4FL-Mx1/4NPT-M BR | | 1 | 1 | 1 | |
| 15 | 500214 | SCREW CAP HEX 1/2-13x1 1/4 G5 Z050 | 3 | 3 | 3 | 3 | |
| NS | 500482 | WASHER LO SPT .506x.873x.125 Z050 | 3 | 3 | 3 | 3 | |
| 16 | 141877 | SUPPORT AIR DRYER "WABCO" | | 1 | 1 | 1 | |
| NS | 500086 | SCREW CAP HEX 1/2-20x1 1/4 G5 Z050 | 2 | 2 | 2 | 2 | |
| NS | 500718 | NUT HEX STO 1/2-20 Z050 | 2 | 2 | 2 | 2 | |
| 20 | 503465 | TUBE, NYLON 3/4 O.D. / GREEN S.L. | | AR | AR | AR | |
| 21 | 503404 | TUBE, NYLON 3/8 O.D. / BLACK S.L. | | AR | AR | AR | |
| 22 | 141889 | HOSE ASSY TEFLON / DRYER & COMPRESSOR / #12 5698MM | | | 1 | | |
| 22 | 141891 | HOSE ASSY TEFLON / DRYER & COMPRESSOR / #12 5013MM | | 1 | | 1 | |
| NS | 142277 | HOSE ASSY TEFLON #12 970MM | 1 | | | | O |
| NS | 142278 | HOSE ASSY / DRYER TUBE & AIR DRYER / #12 1050MM | 1 | | | | O |
| NS | 142279P | AIR DRYER TUBE ASSY | 1 | | | | O |
| 23 | 141890 | HOSE ASSY TEFLON #4 5875MM | 1 | | 1 | | |
| 23 | 141892 | HOSE ASSY TEFLON #4 5190MM | | 1 | | 1 | |
| NS | 141888 | HOSE ASSY TEFLON #4 4431MM | 1 | | 1 | | |
| NS | 141887 | HOSE ASSY TEFLON #4 3607MM | | 1 | | 1 | |
| | | | | | | | |
| | | | | | | | |
| | | O) OPTION | | | | | |

From 4-8165 To 8-9339

Date:10/2022

PAGE:Y2-1215-04

AIR DRYER - "HALDEX"

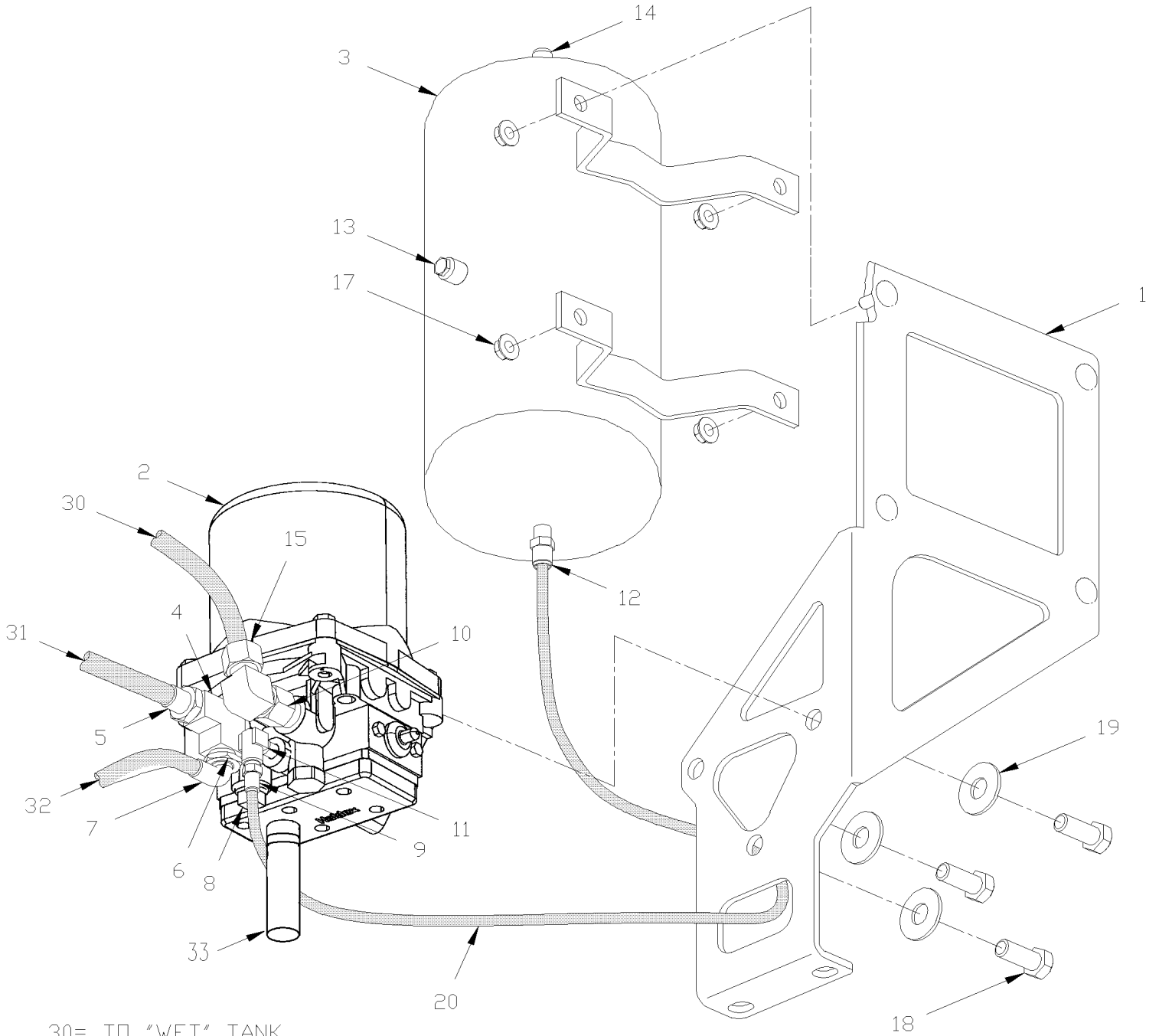


From 2-7800 To 8-9339

Date:10/2022

PAGE:Y2-1215-10

AIR DRYER - "HALDEX" - INSTALLATION



30= TO "WET" TANK
31= FROM "PING" TANK
32= FROM "FILL VALVE"

| | | |
|-----------------------|--------------|-----------------|
| From 2-7800 To 8-9339 | Date:10/2022 | PAGE:Y2-1215-10 |
|-----------------------|--------------|-----------------|

AIR DRYER - "HALDEX" - INSTALLATION

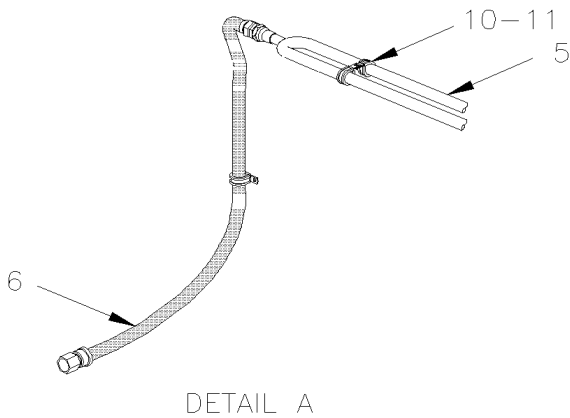
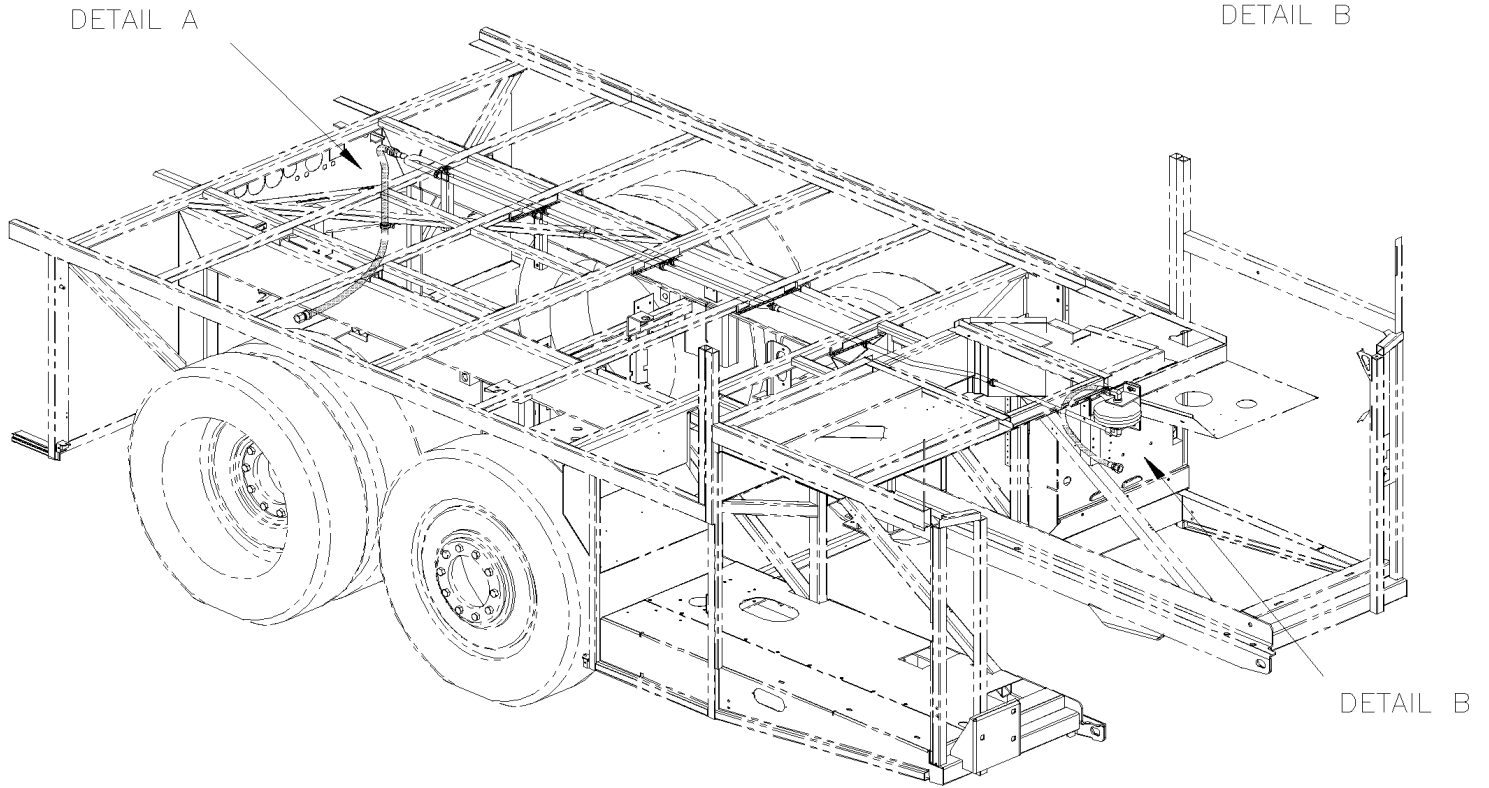
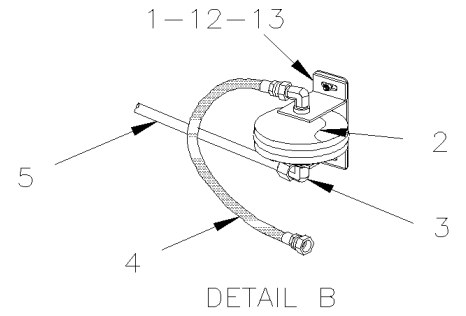
| Item# | Part | Description | X L I I 4 5 | X L I I M T H 4 0 | X L I I M T H 4 5 | X L I I M T H 4 5 E | N O T E S |
|-------|-------------------|--|----------------------------|---|---|--|-----------------------|
| 1 | 142188 | SUPPORT, AIR DRYER | 1 | 1 | 1 | 1 | |
| 2 | Y2-1215-02 | AIR DRYER - "HALDEX" | | | | | |
| 2 | Y2-1215-04 | AIR DRYER - "HALDEX" | | | | | |
| 3 | 70307176 | AIR TANK / 281 IN° / 6" O.D. X 12" | 1 | 1 | 1 | 1 | |
| 4 | 501473 | MALE RUN TEE / PIPE FITTING / 1/2NPT-Mx1/2NPT-Fx1/2NPT-F BR | 1 | 1 | 1 | 1 | |
| 5 | 501600 | MALE CONNECTOR / JIC 37° FITTING / #12JIC-Mx1/2NPT-M STL | 1 | 1 | 1 | 1 | |
| 6 | 501316 | BUSHING REDUCER / PIPE FITTING / 1/2NPT-Mx1/4NPT-F BR | 1 | 1 | 1 | 1 | |
| 7 | 641371 | MALE ELBOW 90° NON-SWIVEL / PUSH-IN FITTING / #4x1/4NPT-M BR | 1 | 1 | 1 | 1 | |
| 8 | 501517 | PLUG SQUARE HEAD / PIPE FITTING / 3/4NPT-M BR | 1 | 1 | 1 | 1 | |
| 9 | 641366 | MALE ELBOW 45° NON-SWIVEL / PUSH-IN FITTING / #6x1/4NPT-M BR | 1 | 1 | 1 | 1 | |
| 10 | 5011119 | ADAPTER / PIPE FITTING / 1/2NPT-Fx1/2NPT-M BR | 1 | 1 | 1 | 1 | |
| 11 | 501332 | STREET ELBOW 90° / PIPE FITTING / 1/4NPT-Mx1/4NPT-F BR | 1 | 1 | 1 | 1 | |
| 12 | 641331 | MALE CONNECTOR / PUSH-IN FITTING / #6x1/4NPT-M BR | 1 | 1 | 1 | 1 | |
| 13 | 501800 | PLUG HEXS / PIPE FITTING / 1/4NPT-M STL | 2 | 2 | 2 | 2 | |
| 14 | 501449 | PLUG HEXS / PIPE FITTING / 3/8NPT-M STL | 1 | 1 | 1 | 1 | |
| 15 | 641134 | MALE ELBOW 90° / NTA FITTING / #12x1/2NPT-M BR | 1 | 1 | 1 | 1 | |
| 17 | 5001083 | NUT HEXF NYRT 5/16-18 Z050 | 2 | 2 | 2 | 2 | |
| 18 | 500850 | SCREW CAP HEX M12-1.75X25 G8.8 Z050 | 3 | 3 | 3 | 3 | |
| 19 | 500482 | WASHER LO SPT .506x.873x.125 Z050 | 3 | 3 | 3 | 3 | |
| 20 | 503472 | TUBE, NYLON 3/8 O.D. / GREY S.L. | AR | AR | AR | AR | |
| 30 | 503465 | TUBE, NYLON 3/4 O.D. / GREEN S.L. | AR | AR | AR | AR | |
| 31 | 142271 | HOSE ASSY / W/COIL / #12 3275MM To 3-8164 | 1 | | | | |
| 31 | 142271 | HOSE ASSY / W/COIL / #12 3275MM To 7-9095 | | | 1 | | |
| 31 | 144868 | HOSE ASSY / W/COIL / #12 3275MM From 7-9096 | | | 1 | | |
| NS | 142221 | HOSE ASSY TEFLON #12 1805MM | 1 | | 1 | | A |
| NS | 142222 | HOSE ASSY TEFLON #12 1175MM | | 1 | | 1 | A |
| 32 | 503402 | TUBE, NYLON 1/4 O.D. / BLACK S.L. | AR | AR | AR | AR | |
| 33 | 503523 | HOSE SILICONE 1PLY 3/4" I.D. x 100' / S.L. From 5-8415 | AR | AR | AR | AR | B |
| NS | 504018 | HOSE CLAMP / 7/16"-1" SS / HS-8 From 5-8415 | 1 | 1 | 1 | 1 | B |
| | | | | | | | |
| | | | | | | | |
| | | | | | | | |
| | | A) FROM "PING TANK" TO COMPRESSOR | | | | | |
| | | B) FIXED AT "EXHAUST" | | | | | |

From 2-7800 To 3-8164

Date:10/2022

PAGE:Y2-1215-11

AIR DRYER TUBE - INSTALLATION



| | | |
|--------------------------------------|--------------|-----------------|
| From 2-7800 To 3-8164 | Date:10/2022 | PAGE:Y2-1215-11 |
| AIR DRYER TUBE - INSTALLATION | | |

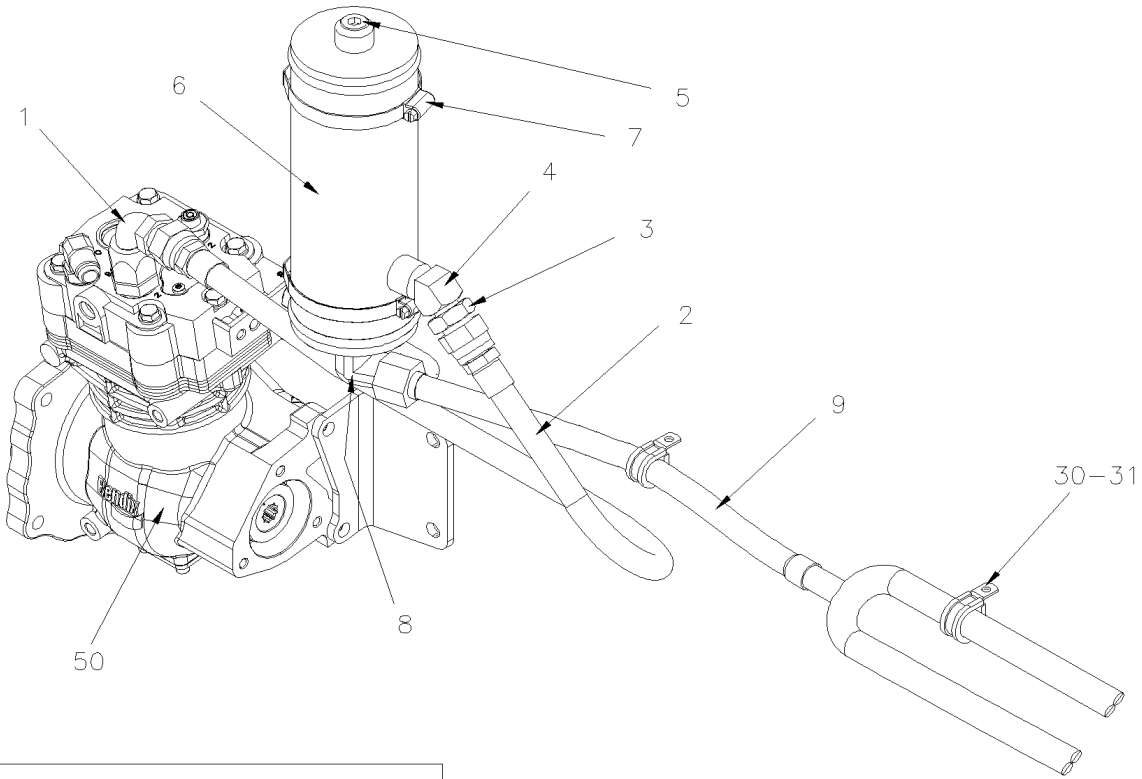
| Item# | Part | Description | X L I I 4 5 | X L I I M T H 4 0 | X L I I M T H 4 5 | X L I I M T H 4 5 E | N O T E S |
|-------|---------|---|----------------------------|---|---|--|-----------------------|
| 1 | 142280 | SUPPORT PING AIR TANK To 3-8164 | 1 | | | | O |
| 1 | 142280 | SUPPORT PING AIR TANK | | 1 | 1 | 1 | |
| 2 | 032428 | AIR TANK / 61 IN° / 6" O.D. X 4" To 3-8164 | 1 | | | | O |
| 2 | 032428 | AIR TANK / 61 IN° / 6" O.D. X 4" | | 1 | 1 | 1 | |
| 3 | 5011233 | MALE ELBOW 90° / JIC 37° FITTING / #12JIC-Mx1/2NPT-M SS To 3-8164 | 2 | | | | O |
| 3 | 5011233 | MALE ELBOW 90° / JIC 37° FITTING / #12JIC-Mx1/2NPT-M SS | | 1 | 1 | 1 | |
| 4 | 142277 | HOSE ASSY TEFLON #12 970MM | 1 | | | | O |
| 4 | 142221 | HOSE ASSY TEFLON #12 1805MM From 2-7800 To 3-7992 | 1 | | 1 | | |
| 4 | 142222 | HOSE ASSY TEFLON #12 1175MM From 2-7800 To 3-7992 | | 1 | | 1 | |
| 4 | 142221 | HOSE ASSY TEFLON #12 1805MM From 4-8165 | | | 1 | | |
| 4 | 142222 | HOSE ASSY TEFLON #12 1175MM From 4-8165 | | 1 | | 1 | |
| 5 | 142279P | AIR DRYER TUBE ASSY To 3-8164 | 1 | | | | O |
| 5 | 142271 | HOSE ASSY / W/COIL / #12 3275MM From 2-7800 To 3-7992 | | 1 | 1 | 1 | |
| 6 | 142278 | HOSE ASSY / DRYER TUBE & AIR DRYER / #12 1050MM To 3-8164 | 1 | | | | O |
| 6 | 142300 | HOSE ASSY / #12 1390MM | 1 | | | | |
| 10 | 952631 | CLAMP / 3/4" I.D. | AR | | | | |
| 10 | 952633 | CLAMP / 7/8" I.D. | AR | | | | |
| 11 | 500613 | SCREW TP PAN PH #10x1/2 Z050 | AR | | | | |
| NS | 500964 | WASHER FL .203x.500x.047 Z050 | AR | | | | |
| 12 | 5001083 | NUT HEXF NYRT 5/16-18 Z050 | 2 | | | | |
| 13 | 5011215 | WASHER FL .328x.875x.062 Z050 | 2 | | | | |
| | | | | | | | |
| | | | | | | | |
| | | | | | | | |
| | | O) OPTION SPECIAL ON BUS | | | | | |

From 4-8165 To 6-8906

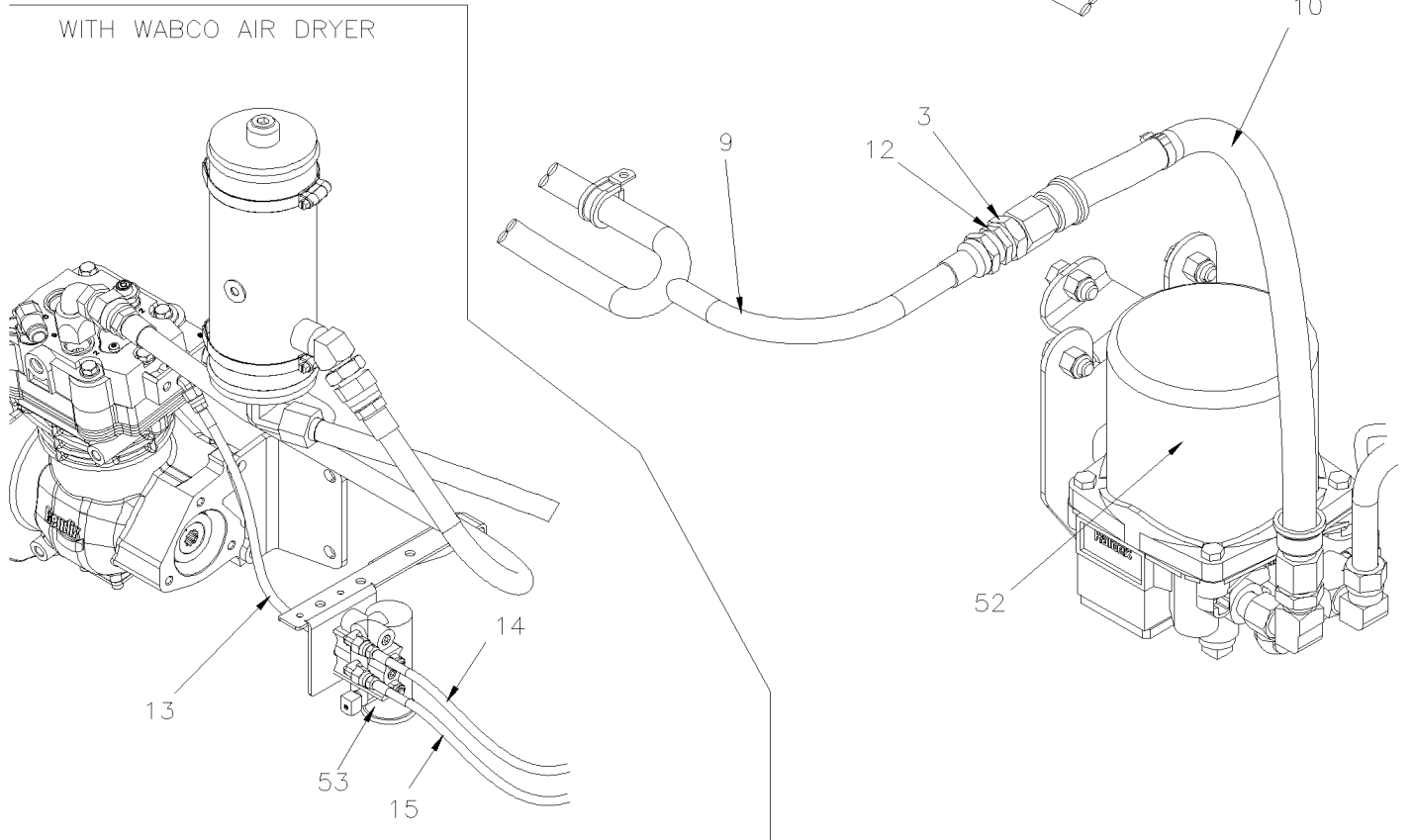
Date:10/2022

PAGE:Y2-1215-12

AIR DRYER - INSTALLATION



WITH WABCO AIR DRYER



| | | |
|-----------------------|--------------|-----------------|
| From 4-8165 To 6-8906 | Date:10/2022 | PAGE:Y2-1215-12 |
|-----------------------|--------------|-----------------|

AIR DRYER - INSTALLATION

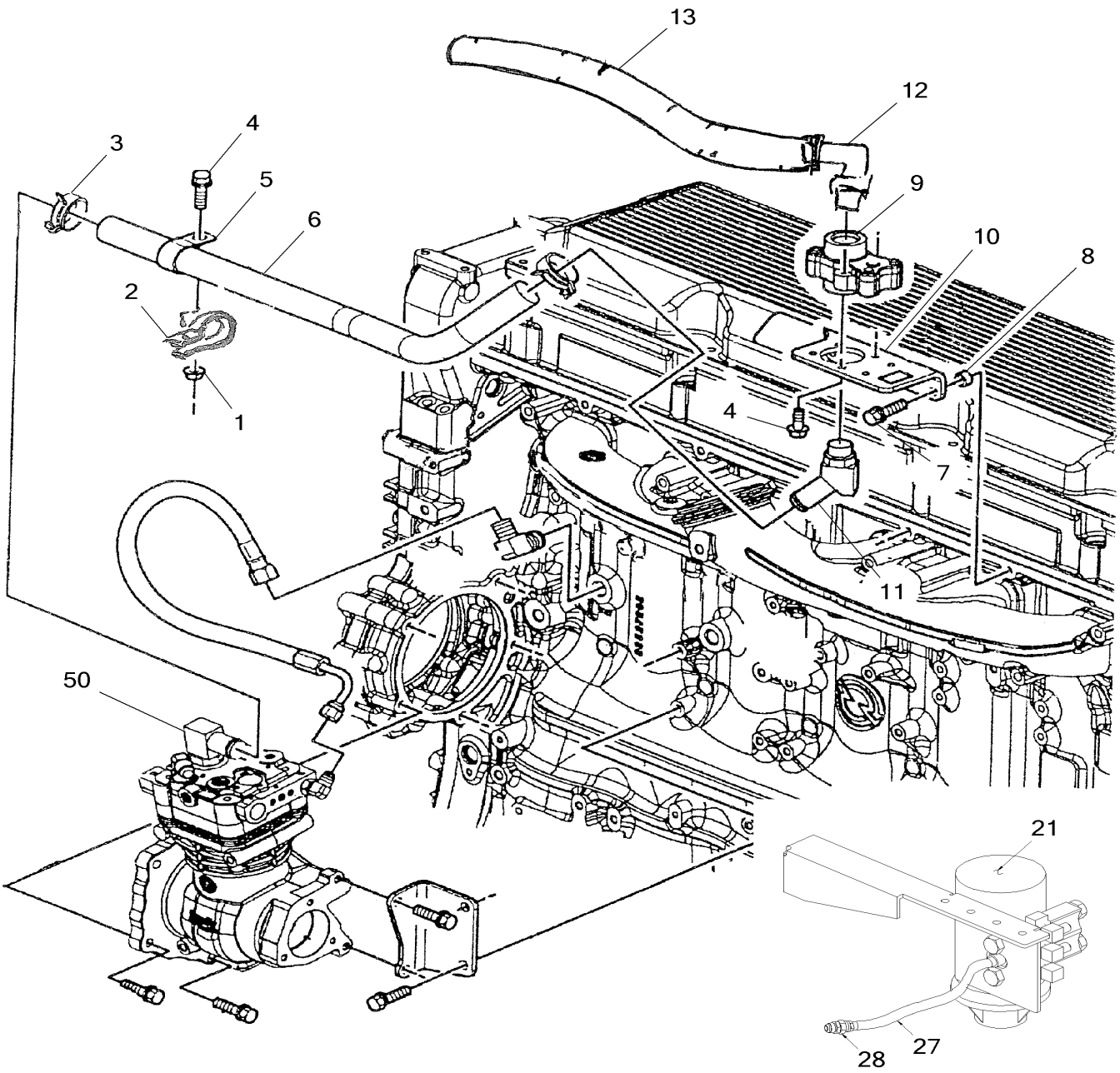
| Item# | Part | Description | X L I I 4 5 | X L I I M T H 4 0 | X L I I M T H 4 5 | X L I I M T H 4 5 E | N O T E S |
|-------|-------------------|---|----------------------------|---|---|--|-----------------------|
| 1 | 5011257 | MALE CONNECTOR / JIC 37° FITTING / #12JIC-MxM22-1.5-M STL | 1 | | | | |
| . NS | N.P.N. | . O-RING | 1 | | | | 4 |
| . NS | 507341 | . WASHER RET M22x1.5 | 1 | | | | |
| 2 | 142277 | HOSE ASSY TEFLON #12 970MM | 1 | | | | |
| 3 | 501600 | MALE CONNECTOR / JIC 37° FITTING / #12JIC-Mx1/2NPT-M STL | 2 | | | | |
| 4 | 501528 | STREET ELBOW 45° / PIPE FITTING / 1/2NPT-Mx1/2NPT-F BR | 1 | | | | |
| 5 | 501966 | PLUG HEXS / PIPE FITTING / 1/2NPT-M STL | 1 | | | | |
| 6 | 641982 | AIR TANK / 96 IN° / 3 1/2" O.D. X 10" | 1 | | | | |
| 7 | 504235 | HOSE CLAMP / 3"9/16"-4"1/2 SS / HS-64 | 2 | | | | |
| 9 | 142342P | AIR DRYER TUBE ASSY | 1 | | | | |
| 10 | 142278 | HOSE ASSY / DRYER TUBE & AIR DRYER / #12 1050MM | 1 | | | | |
| 13 | 148039 | HOSE ASSY TEFLON #4 290MM | | | | | |
| 14 | 141890 | HOSE ASSY TEFLON #4 5875MM | 1 | | | | |
| 15 | 141888 | HOSE ASSY TEFLON #4 4431MM | 1 | | | | |
| 30 | 952631 | CLAMP / 3/4" I.D. | 3 | | | | |
| 30 | 952633 | CLAMP / 7/8" I.D. | 6 | | | | |
| 31 | 500613 | SCREW TP PAN PH #10x1/2 Z050 | AR | | | | |
| 50 | Y2-1205-11 | AIR COMPRESSOR - "BA921" - WITH DETROIT S-60 | | | | | |
| 52 | Y2-1215-04 | AIR DRYER - "HALDEX" | | | | | |
| 52 | Y2-1215-10 | AIR DRYER - "HALDEX" - INSTALLATION | | | | | |
| | | | | | | | |
| | | | | | | | |
| | | 4) NO PARTS NUMBER | | | | | |

From 4-8165 To 6-8906

Date:10/2022

PAGE:Y2-1215-15

CHECK VALVE INSTALLATION WITH "WABCO" & AD-9

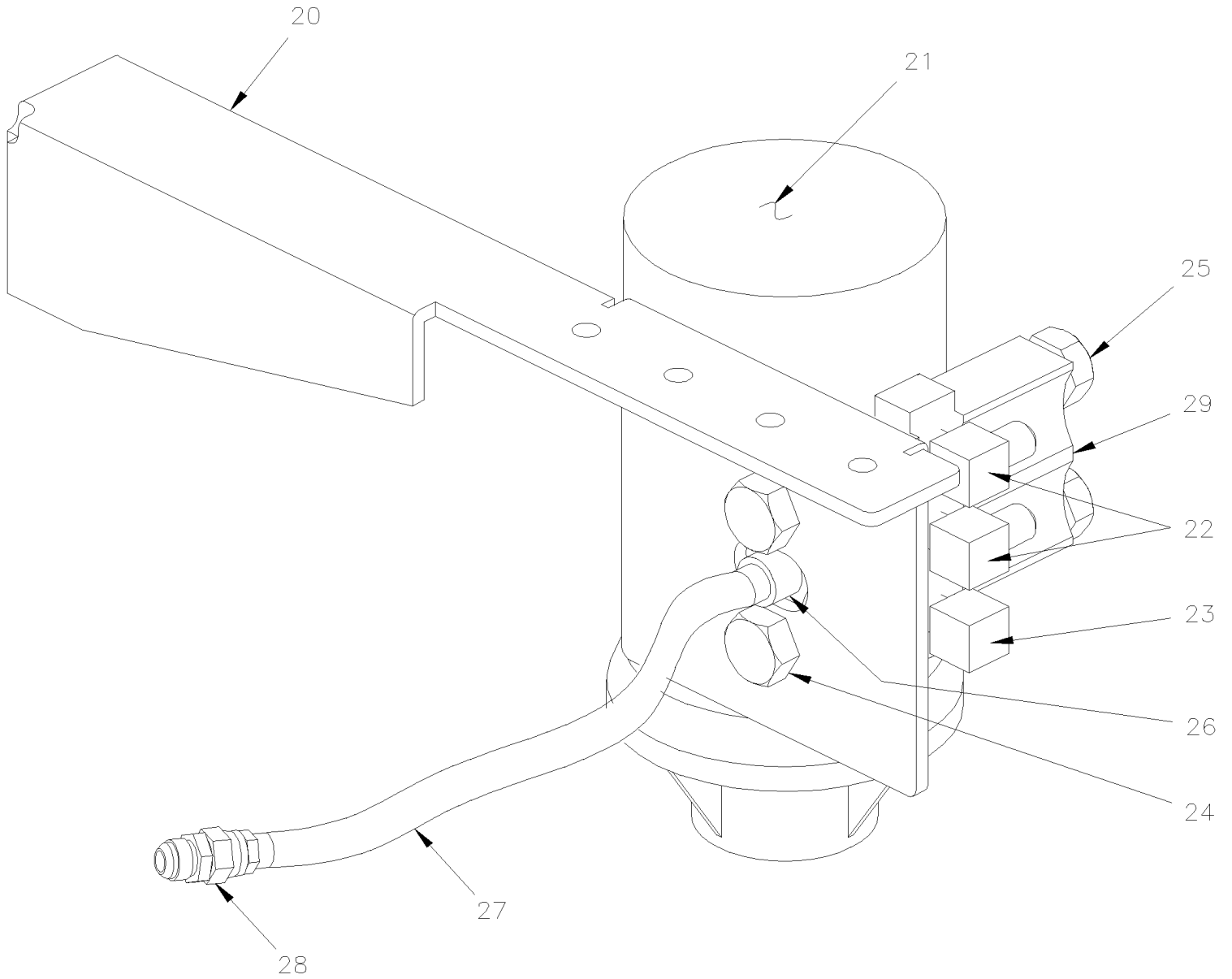


From 4-8165 To 6-8906

Date:10/2022

PAGE:Y2-1215-15

CHECK VALVE INSTALLATION WITH "WABCO" & AD-9

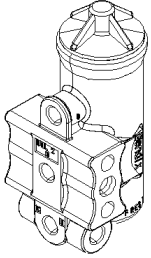


From Y-7046 To 8-9339

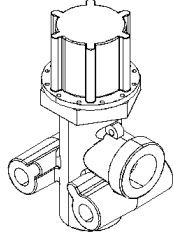
Date:10/2022

PAGE:Y2-1220-00

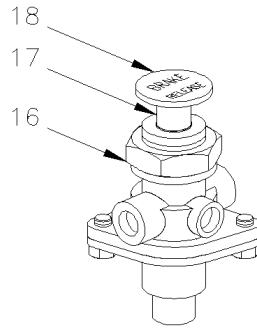
MISCELLANEOUS AIR VALVE



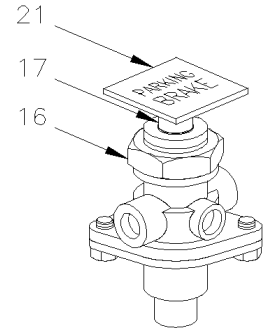
5



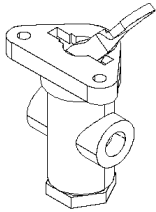
10



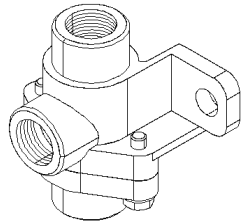
15



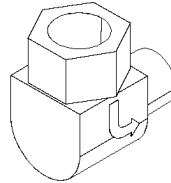
20



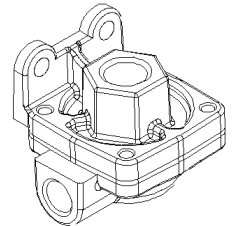
25



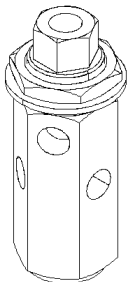
30



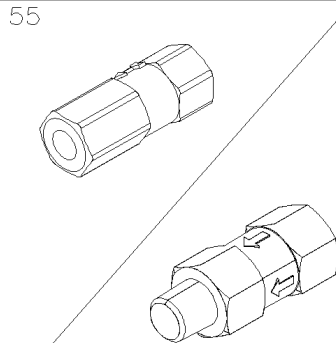
35



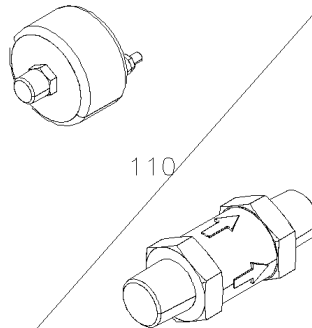
40



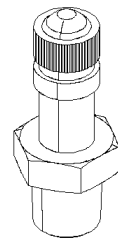
45



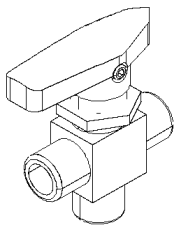
50



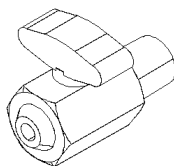
60



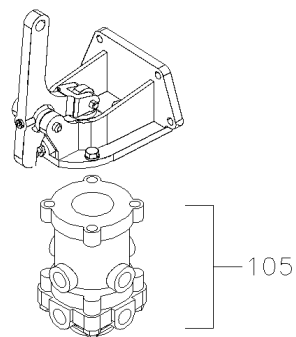
70



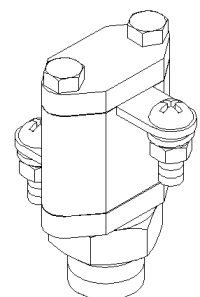
75



90



100



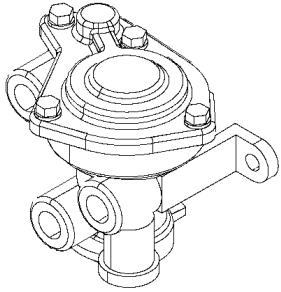
85

From Y-7046 To 8-9339

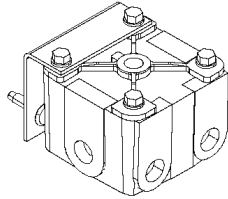
Date:10/2022

PAGE:Y2-1220-00

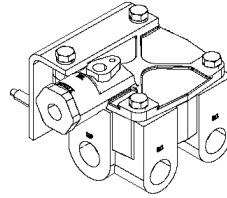
MISCELLANEOUS AIR VALVE



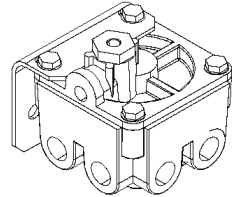
140



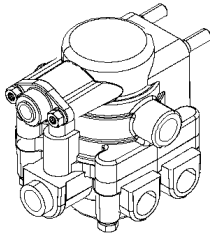
125



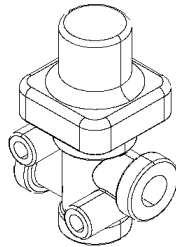
130



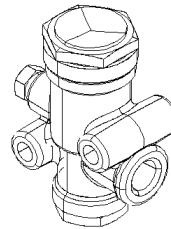
135



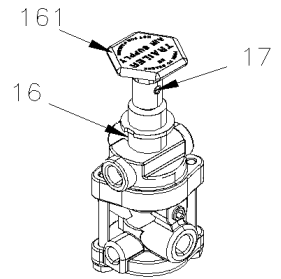
145



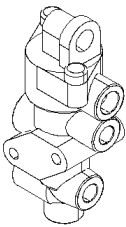
150



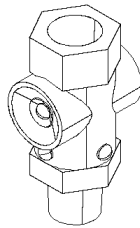
155



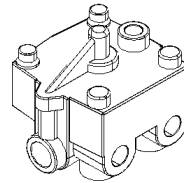
160



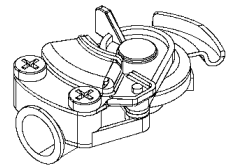
170



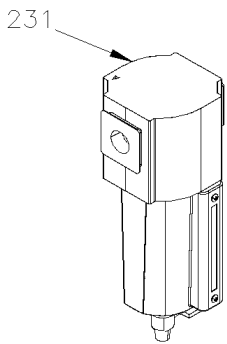
175



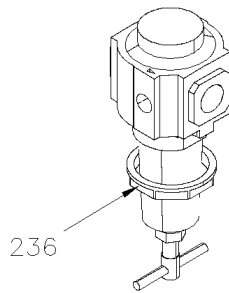
180



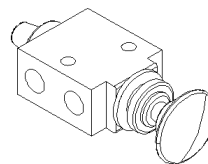
185



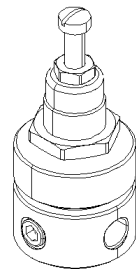
230



235



240



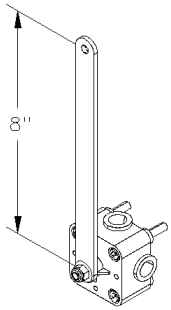
245

From Y-7046 To 8-9339

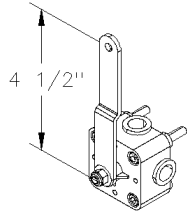
Date:10/2022

PAGE:Y2-1220-00

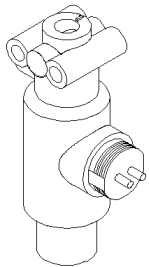
MISCELLANEOUS AIR VALVE



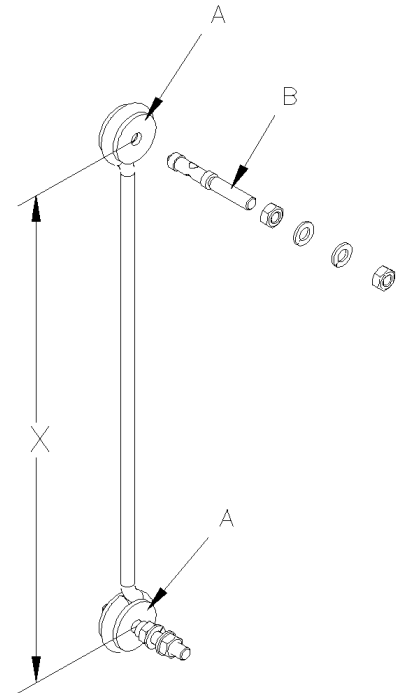
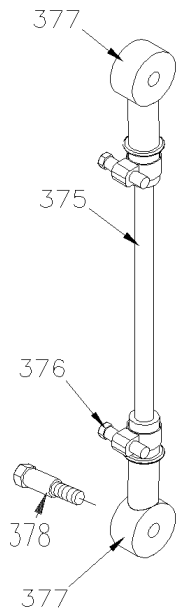
350



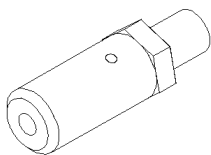
355



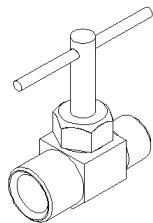
305



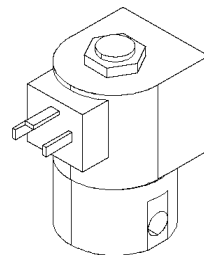
385



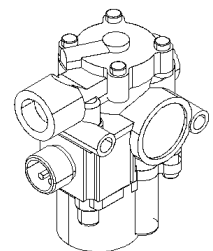
250



260



275



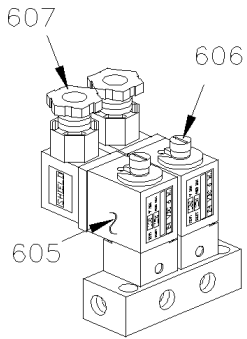
300

From Y-7046 To 8-9339

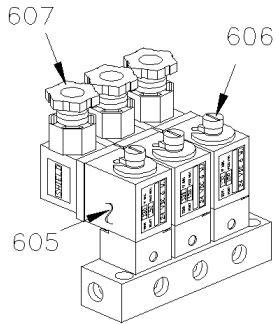
Date:10/2022

PAGE:Y2-1220-00

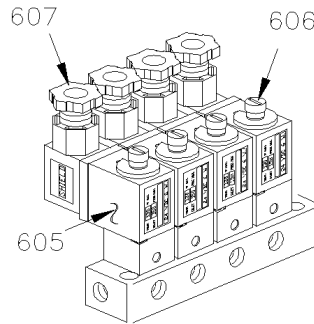
MISCELLANEOUS AIR VALVE



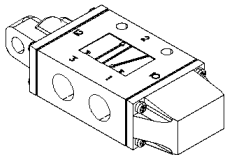
600



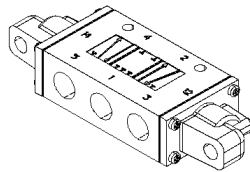
601



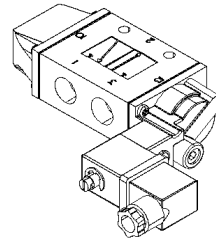
602



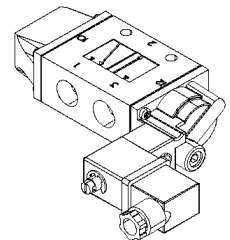
610



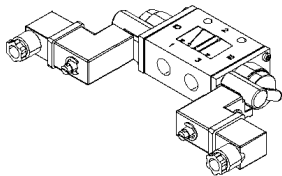
615



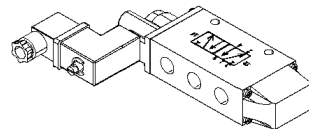
620



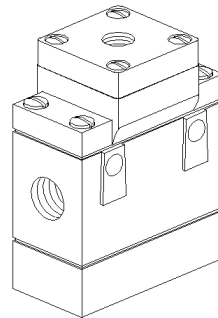
625



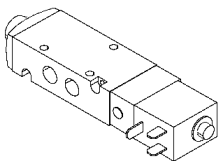
630



635



640



650

| | | |
|-----------------------|--------------|-----------------|
| From Y-7046 To 8-9339 | Date:10/2022 | PAGE:Y2-1220-00 |
|-----------------------|--------------|-----------------|

MISCELLANEOUS AIR VALVE

| Item# | Part | Description | X L I I 4 5 | X L I I M T H 4 0 | X L I I M T H 4 5 | X L I I M T H 4 5 E | N O T E S |
|-------|----------|---|----------------------------|---|---|--|-----------------------|
| 5 | 641933 | GOVERNOR, AIR / D-2 / (110/130PSI) | 1 | 1 | 1 | 1 | |
| . NS | 640965 | . REPAIR KIT / GOVERNOR D-2 | 1 | 1 | 1 | 1 | |
| . NS | 640638 | . GASKET, AIR GOVERNOR | 1 | 1 | 1 | 1 | |
| . NS | 500187 | . SCREW CAP HEX 5/16-18x3 G5 Z050 | 2 | 2 | 2 | 2 | |
| . NS | 500942 | . WASHER LO SPT 8.1x14.8x2.0 N500 | 2 | 2 | 2 | 2 | |
| 10 | 640439 | VALVE, PRESSURE PROTECTION / PR-2 75PSI | 1 | 1 | 1 | 1 | |
| 15 | 640472 | VALVE, CONTROL / RD-3 | 1 | 1 | 1 | 1 | |
| . NS | 641154 | . REPAIR KIT / PP-1 & RD-3 | 1 | 1 | 1 | 1 | |
| 16 | 640297 | NUT | 1 | 1 | 1 | 1 | |
| 17 | 640286 | PIN ROLLER | 1 | 1 | 1 | 1 | |
| 18 | 641155 | BUTTON, OVERRULE ROUND BLACK | 1 | 1 | 1 | 1 | |
| NS | 640394 | BUTTON, PARKING BRAKE ROUND BLACK / 1" | 1 | 1 | 1 | 1 | |
| 20 | 641128 | VALVE, CONTROL VALVE PP-1 / 40PSI | 1 | 1 | 1 | 1 | |
| . NS | 641154 | . REPAIR KIT / PP-1 & RD-3 | 1 | 1 | 1 | 1 | |
| 21 | 641149 | BUTTON, PARKING BRAKE DIAMOND YELLOW / 1" | 1 | 1 | 1 | 1 | |
| 25 | 640136 | VALVE, CONTROL TW-1 | 1 | 1 | 1 | 1 | |
| . NS | 641156 | . REPAIR KIT / TW-1 | 1 | 1 | 1 | 1 | |
| 30 | 641015 | VALVE, DOUBLE CHECK DC-4 | 1 | 1 | 1 | 1 | |
| 30 | 641564 | VALVE, DOUBLE CHECK DC-4 | 1 | 1 | 1 | 1 | |
| 35 | 641172 | VALVE, CHECK ELBOW 90° 1/2 NPT | 1 | 1 | 1 | 1 | |
| 40 | 641429 | VALVE, QUICK RELEASE QR-1 / 3/8NPTx3/8NPTx3/8NPT | 1 | 1 | 1 | 1 | |
| . NS | 640924 | . REPAIR KIT / QR-1 | 1 | 1 | 1 | 1 | |
| 45 | 640442 | VALVE, INVERSION TR-2 | 1 | 1 | 1 | 1 | |
| 50 | 640135 | VALVE, CHECK 1/4 NPT | 1 | 1 | 1 | 1 | |
| 55 | 640123 | VALVE, CHECK 1/2 NPT SC-1 | 1 | 1 | 1 | 1 | |
| . NS | 641401 | . VALVE, CHECK 1/2 NPT SC-1 | 1 | 1 | 1 | 1 | |
| 55 | 641401 | VALVE, CHECK 1/2 NPT SC-1 | 1 | 1 | 1 | 1 | |
| 60 | 530175 | VALVE, CHECK 1/8 NPT | 1 | 1 | 1 | 1 | |
| 70 | 640488 | VALVE, AIR FILL 1/8" NPT | 1 | 1 | 1 | 1 | |
| . NS | 650164 | . CAP VALVE / CHROME | 1 | 1 | 1 | 1 | |
| 75 | 641417 | VALVE, 3 WAYS 1/8NPT-Fx1/8NPT-Fx1/8NPT-F BR | 1 | 1 | 1 | 1 | |
| . NS | 642014 | . HANDLE / RED | 1 | 1 | 1 | 1 | |
| 75 | 642161 | VALVE, 3 WAYS 1/8NPT-Fx1/8NPT-Fx1/8NPT-F BR / SERVICE | 1 | 1 | 1 | 1 | |
| . NS | 642014 | . HANDLE / RED | 1 | 1 | 1 | 1 | |
| 85 | 640975 | PRESSURE SWITCH N.C. 66PSI / 1/4NPT LP-3 | 1 | 1 | 1 | 1 | |
| 85 | 641174 | PRESSURE SWITCH N.C. 30PSI / 1/4NPT LP-2 | 1 | 1 | 1 | 1 | |
| 90 | 641043 | DRAIN VALVE 1/4 NPT M | 1 | 1 | 1 | 1 | |
| 100 | 641856 | BRAKE VALVE ASSY W/BACKET / MODEL E-10P | 1 | 1 | 1 | 1 | |
| . NS | 19507993 | . BOOT PLUNGER | 1 | 1 | 1 | 1 | |
| . NS | 19510779 | . PLUNGER | 1 | 1 | 1 | 1 | |
| . NS | 2222120 | . MOUNTING BRACKET COUPLING D-1 | 1 | 1 | 1 | 1 | |
| 105 | 641925 | . VALVE SUB ASSY / MODEL E-10P | 1 | 1 | 1 | 1 | |

| | | |
|-----------------------|--------------|-----------------|
| From Y-7046 To 8-9339 | Date:10/2022 | PAGE:Y2-1220-00 |
|-----------------------|--------------|-----------------|

MISCELLANEOUS AIR VALVE

| Item# | Part | Description | X L I I 4 5 | X L I I M T H 4 0 | X L I I M T H 4 5 | X L I I M T H 4 5 E | N O T E S |
|-------|----------|---|----------------------------|---|---|--|-----------------------|
| 110 | 641462 | PRESSURE SWITCH N.O. 4PSI / 1/4NPT W/10-32 / SL-5 BRAKE | 1 | 1 | 1 | 1 | |
| 125 | 641088 | VALVE, RELAY R-12 HORIZONTAL PORT | 1 | 1 | 1 | 1 | |
| 125 | 642068 | VALVE, RELAY R-12 HORIZONTAL PORT / W/OUT SUPPORT | 1 | 1 | 1 | 1 | |
| 130 | 641120 | VALVE, RELAY R-14 HORIZONTAL PORT 4psi Crack | 1 | 1 | 1 | 1 | |
| . NS | 10508267 | . KIT, REPAIR | 1 | 1 | 1 | 1 | |
| 135 | 641991 | VALVE, RELAY R-14 "WABCO" | 1 | 1 | 1 | 1 | |
| 140 | 640870 | VALVE / SPRING BRAKE SR-1 | 1 | 1 | 1 | 1 | |
| . NS | 640921 | . REPAIR KIT / SR-1 | 1 | 1 | 1 | 1 | |
| 145 | 642015 | VALVE / SPRING BRAKE SR-7 | 1 | 1 | 1 | 1 | |
| 145 | 643384 | VALVE / SPRING BRAKE SR-7 | 1 | 1 | 1 | 1 | |
| . NS | 642119 | . VALVE / SPRING BRAKE SR-7 | 1 | 1 | 1 | 1 | |
| 150 | 641137 | VALVE, PRESSURE PROTECTION TYPE PR-4 70PSI | 1 | 1 | 1 | 1 | |
| 155 | 640471 | VALVE, INVERSION TR-3 25-40LBS | 1 | 1 | 1 | 1 | |
| 160 | 641397 | TRAILER SUPPLY VALVE PP-7 | 1 | 1 | 1 | 1 | |
| 161 | 641935 | BUTTON RED / FOR TRAILER VALVE PP-7 | 1 | 1 | 1 | 1 | |
| 170 | 641495 | TRACTOR PROTECTION VALVE TP-3 DC | 1 | 1 | 1 | 1 | |
| 175 | 642088 | VALVE, QUICK RELEASE QR-L / IN LINE | 1 | 1 | 1 | 1 | |
| 180 | 641399 | VALVE, RELAY R-12 P SUPPERSEDED 642097 | 1 | 1 | 1 | 1 | |
| 185 | 641939 | GLANDHAND W/DUST COVER "BLUE" | 1 | 1 | 1 | 1 | |
| 185 | 641938 | GLANDHAND W/DUST COVER "RED" | 1 | 1 | 1 | 1 | |
| 230 | 641338 | AIR FILTER ASSY | 1 | 1 | 1 | 1 | |
| 231 | 641339 | SUPPORT / AIR FILTER | 1 | 1 | 1 | 1 | |
| 235 | 641352 | AIR PRESSURE REGULATOR 1/2" NPT | 1 | 1 | 1 | 1 | |
| 236 | 641506 | NUT RING / AIR REGULATOR RETAINING | 1 | 1 | 1 | 1 | |
| NS | 142025 | SUPPORT / AIR REGULATOR | 1 | 1 | 1 | 1 | A |
| 240 | 641445 | VALVE, 3 WAYS, 2 POSITIONS MECHANICAL | 1 | 1 | 1 | 1 | |
| . NS | 641992 | . KNOB | 1 | 1 | 1 | 1 | |
| 245 | 641472 | AIR PRESSURE REGULATOR 1/4" NPT / COPPER | 1 | 1 | 1 | 1 | |
| 250 | 642022 | SAFETY VALVE 150 PSI X 3/8 NPT / ST-3 | 1 | 1 | 1 | 1 | |
| 260 | 501354 | NEEDLE VALVE 1/8 NPT M x 1/8 NPT F | 1 | 1 | 1 | 1 | |
| 275 | 562804 | VALVE, 2 WAYS N.C. | 1 | 1 | 1 | 1 | |
| . NS | 562848 | . CONNECTOR / SOCKET HOUSING ASSY 3C / PNEUMAC 54933-05 | 1 | 1 | 1 | 1 | |
| 300 | 641537 | VALVE, "ABS" 24VOLT To 2-7832 | 1 | 1 | 1 | 1 | |
| 300 | 641951 | VALVE, "ABS" 12VOLT From 2-7833 | 1 | 1 | 1 | 1 | |
| 305 | 641460 | VALVE, "ATC" 24VOLT To 2-7832 | 1 | 1 | 1 | 1 | |
| 305 | 641950 | VALVE, "ATC" 12VOLT From 2-7833 | 1 | 1 | 1 | 1 | |
| 350 | 630156 | VALVE, HEIGHT CONTROL "BARKSDALE" 8" | 1 | 1 | 1 | 1 | |
| 355 | 630157 | VALVE, HEIGHT CONTROL "BARKSDALE" / FRONT 4 1/2" | 1 | 1 | 1 | 1 | |
| 355 | 630237 | VALVE, HEIGHT CONTROL "BARKSDALE" / FRONT 4 1/2" | 1 | 1 | 1 | 1 | |
| 375 | 131351 | ROD LINK / 140MM | 1 | 1 | 1 | 1 | |
| 376 | 504014 | HOSE CLAMP / 1/4"-5/8" SS / HM-4 | AR | AR | AR | AR | |
| 377 | 630117 | ROD END / BLACK RUBBER 5/16" I.D. | AR | AR | AR | AR | |

| | | |
|-----------------------|--------------|-----------------|
| From Y-7046 To 8-9339 | Date:10/2022 | PAGE:Y2-1220-00 |
|-----------------------|--------------|-----------------|

MISCELLANEOUS AIR VALVE

| Item# | Part | Description | X L I I 4 5 | X L I I M T H 4 0 | X L I I M T H 4 5 | X L I I M T H 4 5 E | N O T E S |
|-------|----------|--|----------------------------|---|---|--|-----------------------|
| 378 | 630137 | SCREW SHR CAP HEX 5/16" I.D. x 1/4-20 | AR | AR | AR | AR | |
| 385 | 630231 | LINK ASSY 185MM C/C 7 1/4" | 1 | 1 | 1 | 1 | |
| . A | N8889244 | . GROMMET / LINK | 2 | 2 | 2 | 2 | |
| . B | 630250 | . STUD RETAINER 1/4-20 X 1" | 2 | 2 | 2 | 2 | |
| . C | 500247 | . NUT HEX 1/4-20 N500 | 4 | 4 | 4 | 4 | |
| . D | 500473 | . WASHER LO SPT .262x.489x.062 Z050 | 4 | 4 | 4 | 4 | |
| 385 | 630232 | LINK ASSY 265MM C/C 10 1/2" | 1 | 1 | 1 | 1 | |
| . A | N8889244 | . GROMMET / LINK | 2 | 2 | 2 | 2 | |
| . B | 630250 | . STUD RETAINER 1/4-20 X 1" | 2 | 2 | 2 | 2 | |
| . NS | 500479 | . WASHER LO INT .448x.789x.040 Z050 | 4 | 4 | 4 | 4 | |
| . NS | 500473 | . WASHER LO SPT .262x.489x.062 Z050 | 4 | 4 | 4 | 4 | |
| 385 | 630263 | LINK ASSY 317MM C/C 11 1/2" | 1 | 1 | 1 | 1 | |
| . A | N8889244 | . GROMMET / LINK | 2 | 2 | 2 | 2 | |
| . B | 630250 | . STUD RETAINER 1/4-20 X 1" | 2 | 2 | 2 | 2 | |
| . NS | 500769 | . NUT HEX 1/4-20 Z050 | 4 | 4 | 4 | 4 | |
| . NS | 500473 | . WASHER LO SPT .262x.489x.062 Z050 | 4 | 4 | 4 | 4 | |
| 600 | 641130 | MANIFOLD VALVE / W/2 SOLENOID | 1 | 1 | 1 | 1 | |
| 600 | 641412 | MANIFOLD VALVE / W/2 SOLENOID | 1 | 1 | 1 | 1 | |
| . NS | 641107 | . COIL 24V | 2 | 2 | 2 | 2 | |
| 601 | 641180 | MANIFOLD VALVE / W/3 SOLENOID | 1 | 1 | 1 | 1 | |
| . NS | 641928 | . KIT, MANIFOLD REPAIR / N.C. | 3 | 3 | 3 | 3 | |
| . NS | 641107 | . COIL 24V | 1 | 1 | 1 | 1 | |
| 602 | 641906 | MANIFOLD VALVE / W/4 SOLENOID | 1 | 1 | 1 | 1 | |
| . NS | 641927 | . KIT, MANIFOLD REPAIR / N.O. | 1 | 1 | 1 | 1 | |
| . NS | 641928 | . KIT, MANIFOLD REPAIR / N.C. | 3 | 3 | 3 | 3 | |
| . NS | 641107 | . COIL 24V | 1 | 1 | 1 | 1 | |
| . NS | 642213 | . MALE ELBOW 90° SWIVEL / PUSH-IN FITTING / #2x10-32 NP | 1 | 1 | 1 | 1 | |
| . NS | 990143 | . MALE CONNECTOR / PUSH-IN FITTING / W/O-RING / #2x#10-32-M BR | 1 | 1 | 1 | 1 | |
| . NS | 641385 | . CONNECTOR / SOCKET HOUSING ASSY 3C / PNEUMAC 54934-01 | 1 | 1 | 1 | 1 | |
| . NS | 641455 | . REDUCER STEM / PUSH-IN FITTING / #2x#4 PLAS | 1 | 1 | 1 | 1 | |
| 605 | 641107 | . COIL 24V | AR | AR | AR | AR | |
| 606 | 641353 | . PLUNGER REPAIR KIT / MANIFOLD VALVE (1) | AR | AR | AR | AR | |
| 607 | 641385 | . CONNECTOR / SOCKET HOUSING ASSY 3C / PNEUMAC 54934-01 | AR | AR | AR | AR | |
| 610 | 641274 | VALVE, 3 WAYS, 2 POSITIONS N.C. | 1 | 1 | 1 | 1 | |
| 615 | 641531 | VALVE, 5 WAYS, 3 POSITIONS | 1 | 1 | 1 | 1 | |
| . NS | 641186 | . SPOOL | 1 | 1 | 1 | 1 | |
| 620 | 641937 | VALVE, 3 WAYS, 2 POSITIONS N.C. / W/MAN OVERRIDE | 1 | 1 | 1 | 1 | |
| . NS | 641929 | . COIL 24V | 1 | 1 | 1 | 1 | |
| . NS | 641385 | . CONNECTOR / SOCKET HOUSING ASSY 3C / PNEUMAC 54934-01 | 1 | 1 | 1 | 1 | |
| 625 | 641528 | VALVE, 3 WAYS, 2 POSITIONS N.O. | 1 | 1 | 1 | 1 | |
| . NS | 641929 | . COIL 24V | 1 | 1 | 1 | 1 | |
| . NS | 641169 | . SPOOL | 1 | 1 | 1 | 1 | |

| | | |
|-----------------------|--------------|-----------------|
| From Y-7046 To 8-9339 | Date:10/2022 | PAGE:Y2-1220-00 |
|-----------------------|--------------|-----------------|

MISCELLANEOUS AIR VALVE

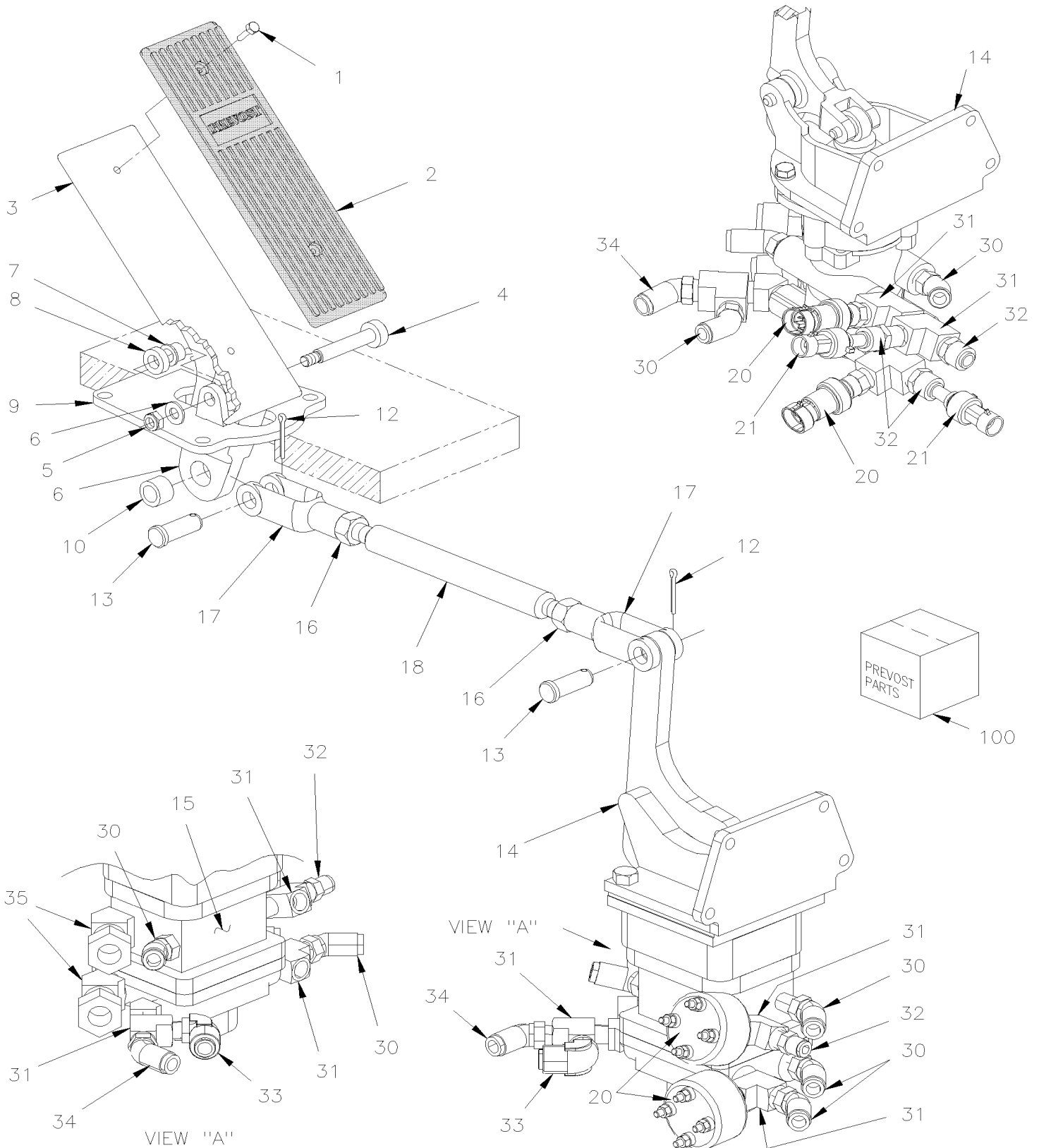
| Item# | Part | Description | X L I I 4 5 | X L I I M T H 4 0 | X L I I M T H 4 5 | X L I I M T H 4 5 E | NOTES |
|-------|--------|---|----------------------------|---|---|--|-------|
| . NS | 641385 | . CONNECTOR / SOCKET HOUSING ASSY 3C / PNEUMAC 54934-01 | 1 | 1 | 1 | 1 | |
| 630 | 641530 | VALVE, 3 WAYS, 2 POSITIONS / 2 SOLONIDS | 1 | 1 | 1 | 1 | |
| . NS | 641929 | . COIL 24V | 1 | 1 | 1 | 1 | |
| . NS | 641169 | . SPOOL | 1 | 1 | 1 | 1 | |
| . NS | 641385 | . CONNECTOR / SOCKET HOUSING ASSY 3C / PNEUMAC 54934-01 | 1 | 1 | 1 | 1 | |
| 635 | 641527 | VALVE, 4 WAYS, 2 POSITIONS | 1 | 1 | 1 | 1 | |
| . NS | 641929 | . COIL 24V | 1 | 1 | 1 | 1 | |
| . NS | 641186 | . SPOOL | 1 | 1 | 1 | 1 | |
| . NS | 641385 | . CONNECTOR / SOCKET HOUSING ASSY 3C / PNEUMAC 54934-01 | 1 | 1 | 1 | 1 | |
| 640 | 641357 | VALVE, 3 WAYS, 2 POSITIONS N.C. / W/SPRING | 1 | 1 | 1 | 1 | |
| 640 | 641356 | VALVE, 3 WAYS, 2 POSITIONS N.O. / W/SPRING | 1 | 1 | 1 | 1 | |
| 650 | 642023 | VALVE, 5 WAYS, 2 POSITIONS 24V / MODEL V19 | 1 | 1 | 1 | 1 | |
| . NS | 641385 | . CONNECTOR / SOCKET HOUSING ASSY 3C / PNEUMAC 54934-01 | 1 | 1 | 1 | 1 | |
| | | | | | | | |
| | | | | | | | |
| | | | | | | | |
| | | A) LOCATED IN SPARE COMPARTMENT NEAR DRIVER'S FLOOR | | | | | |

From Y-7046 To 8-9339

Date:10/2022

PAGE:Y2-1220-10

BRAKE PEDAL VALVE - "BENDIX"



| | | |
|-------------------------------------|--------------|-----------------|
| From Y-7046 To 8-9339 | Date:10/2022 | PAGE:Y2-1220-10 |
| BRAKE PEDAL VALVE - "BENDIX" | | |

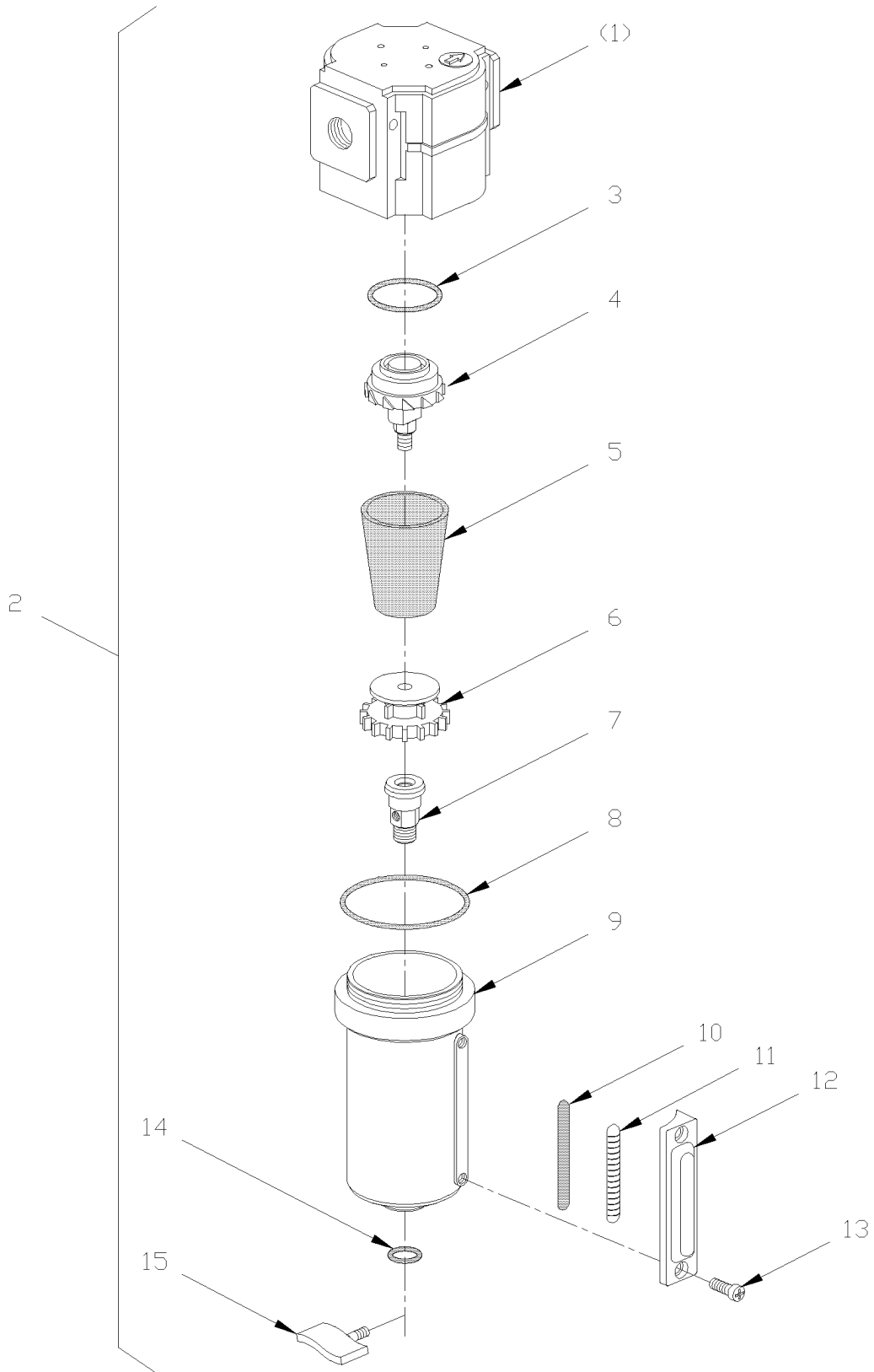
| Item# | Part | Description | X L I I 4 5 | X L I I M T H 4 0 | X L I I M T H 4 5 | X L I I M T H 4 5 E | N O T E S |
|-------|----------|--|----------------------------|---|---|--|-----------------------|
| 1 | 500416 | . SCREW MA PAN PH #10-32x1/2 BK | 2 | 2 | 2 | 2 | |
| 2 | 141212 | . THREADLE COVER / W/STEEL BACKING | 1 | 1 | 1 | 1 | |
| 3 | 141207 | . PEDAL BRAKE | 1 | 1 | 1 | 1 | |
| 4 | 502575 | . SCREW SHR HEXS 10x50 {M8-1.25 | 1 | 1 | 1 | 1 | |
| 5 | 500868 | . NUT HEX NYRT M8-1.25 Z050 | 1 | 1 | 1 | 1 | |
| 6 | 500874 | . WASHER FL 8.4x17.0x1.6 Z050 | 1 | 1 | 1 | 1 | |
| 7 | 507297 | . FLANGE BUSHING | 2 | 2 | 2 | 2 | |
| 8 | 141211 | . SPACER | 1 | 1 | 1 | 1 | |
| 9 | 141996 | . SUPPORT ASSY / TO FIX BRAKE PEDAL | 1 | 1 | 1 | 1 | |
| 10 | 507307 | . BUSHING OIL 1/2 I.D. X 3/4 O.D. X 1/2 | 1 | 1 | 1 | 1 | |
| 12 | 502102 | PIN, COTTER 1/8 x 1 | 1 | 1 | 1 | 1 | |
| 13 | 502035 | PIN, CLEVIS 1/2 x 1 3/8 Z050 | 1 | 1 | 1 | 1 | |
| 14 | 641856 | BRAKE VALVE ASSY W/BRACKET / MODEL E-10P | 1 | 1 | 1 | 1 | |
| . NS | 19507993 | . BOOT PLUNGER | 1 | 1 | 1 | 1 | |
| . NS | 19510779 | . PLUNGER | 1 | 1 | 1 | 1 | |
| . NS | 2222120 | . MOUNTING BRACKET COUPLING D-1 | 1 | 1 | 1 | 1 | |
| 15 | 641925 | . VALVE SUB ASSY / MODEL E-10P | 1 | 1 | 1 | 1 | |
| 16 | 500716 | NUT HEX 1/2-20 Z050 | 2 | 2 | 2 | 2 | |
| 17 | 020317 | YOKE 1/2-20x1 15/16 C/Lx9/16Wx1/2 | 2 | 2 | 2 | 2 | |
| 18 | 141178 | SHAFT THREADED W/R.H. THREAD 260MM | 1 | 1 | 1 | 1 | |
| 20 | 641462 | PRESSURE SWITCH N.O. 4PSI / 1/4NPT W/10-32 / SL-5 BRAKE | 2 | 2 | 2 | 2 | |
| 31 | 501699 | MALE RUN TEE / PIPE FITTING / 3/8NPT-Mx3/8NPT-Fx3/8NPT-F BR | AR | AR | AR | AR | |
| 32 | 641330 | MALE CONNECTOR / PUSH-IN FITTING / #6x3/8NPT-M BR | AR | AR | AR | AR | |
| 33 | 641375 | MALE ELBOW 90° NON-SWIVEL / PUSH-IN FITTING / #6x3/8NPT-M BR | AR | AR | AR | AR | |
| 34 | 641368 | MALE ELBOW 45° NON-SWIVEL / PUSH-IN FITTING / #8x3/8NPT-M BR | AR | AR | AR | AR | |
| 35 | 641602 | MALE CONNECTOR / PUSH-IN FITTING / #10x3/8NPT-M BR | AR | AR | AR | AR | |
| 36 | 501330 | STREET ELBOW 45° / PIPE FITTING / 3/8NPT-Mx3/8NPT-F BR | AR | AR | AR | AR | |
| 37 | 501305 | PLUG SQUARE HEAD / PIPE FITTING / 3/8NPT-M BR | 1 | 1 | 1 | 1 | |
| 1000 | 640949 | KIT, REPAIR / BRAKE VALVE E-10 | 1 | 1 | 1 | 1 | |
| | | | | | | | |
| | | | | | | | |
| | | | | | | | |

From Y-7046 To 8-9339

Date:10/2022

PAGE:Y2-1220-15

AIR FILTER - ACCESSORIES



| | | |
|-----------------------|--------------|-----------------|
| From Y-7046 To 8-9339 | Date:10/2022 | PAGE:Y2-1220-15 |
|-----------------------|--------------|-----------------|

AIR FILTER - ACCESSORIES

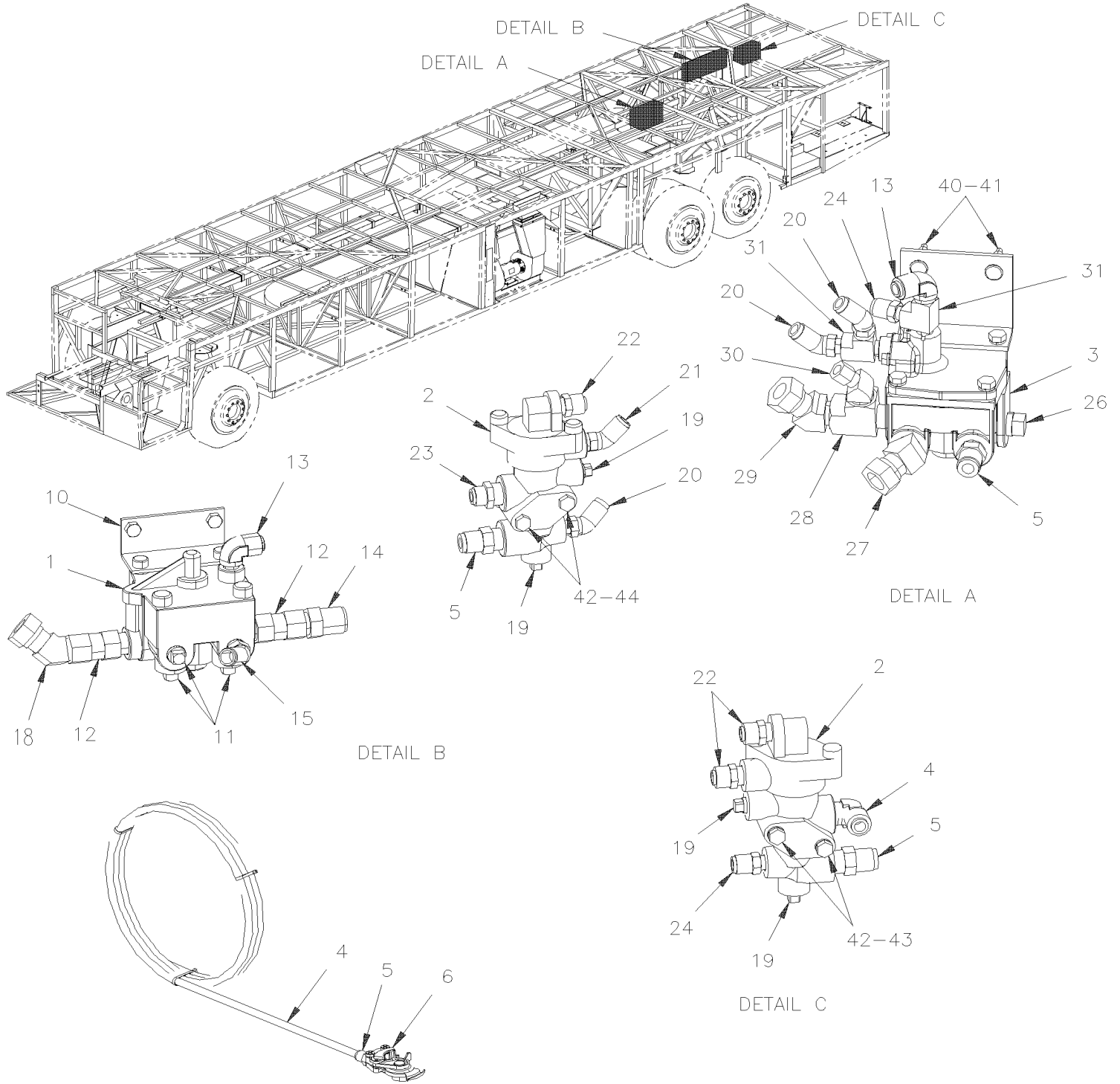
| Item# | Part | Description | X L I I 4 5 | X L I I M T H 4 0 | X L I I M T H 4 5 | X L I I M T H 4 5 E | N O T E S |
|-------|---------|--------------------------------|----------------------------|---|---|--|-----------------------|
| 1 | 641339 | SUPPORT / AIR FILTER | 1 | 1 | 1 | 1 | |
| 2 | 641338 | AIR FILTER ASSY | 1 | 1 | 1 | 1 | |
| 3 | N.S.S. | . O-RING / UPPER CENTER POST | 1 | 1 | 1 | 1 | 1 |
| 4 | 641969 | . CENTER POST | 1 | 1 | 1 | 1 | |
| 5 | 641340 | . FILTER ELEMENT | 1 | 1 | 1 | 1 | |
| 6 | 641970 | . SCREW BAFFLE | 1 | 1 | 1 | 1 | |
| 7 | 641971 | . DRAIN VALVE BODY | 1 | 1 | 1 | 1 | |
| 8 | N.S.S. | . O-RING / UPPER BOWL | 1 | 1 | 1 | 1 | 1 |
| 9 | N.S.S. | . BOWL METAL | 1 | 1 | 1 | 1 | 1 |
| 10 | N.S.S. | . INDICATOR FILTER | 1 | 1 | 1 | 1 | 1 |
| 11 | N.S.S. | . GLASS / INDICATOR | 1 | 1 | 1 | 1 | 1 |
| 12 | N.S.S. | . RETAINER / GLASS | 1 | 1 | 1 | 1 | 1 |
| 13 | N.S.S. | . SCREW / TO FIX RETAINER | 2 | 2 | 2 | 2 | 1 |
| 14 | N.S.S. | . O-RING / LOWER BOWL | 1 | 1 | 1 | 1 | 1 |
| 15 | 641972 | . DRAIN VALVE | 1 | 1 | 1 | 1 | |
| 16 | N.S.S. | . NUT RETAINER / DRAIN VALVE | 1 | 1 | 1 | 1 | 1 |
| NS | 641354 | KIT, O-RING | AR | AR | AR | AR | A |
| NS | 641355 | KIT, LEVEL INDICATOR | AR | AR | AR | AR | B |
| NS | 7770058 | KIT, DRAIN VALVE | AR | AR | AR | AR | C |
| | | | | | | | |
| | | | | | | | |
| | | | | | | | |
| | | A) INCLUDE ITEMS #3,8 & 14 | | | | | |
| | | B) INCLUDE ITEMS #8,10,11 & 13 | | | | | |
| | | C) INCLUDE ITEMS #7,14 & 15 | | | | | |
| | | 1) NOT SOLD SEPARATELY | | | | | |

From Y-7046 To 8-9339

Date:10/2022

PAGE:Y2-1220-50

TRAILER VALVE INSTALLATION

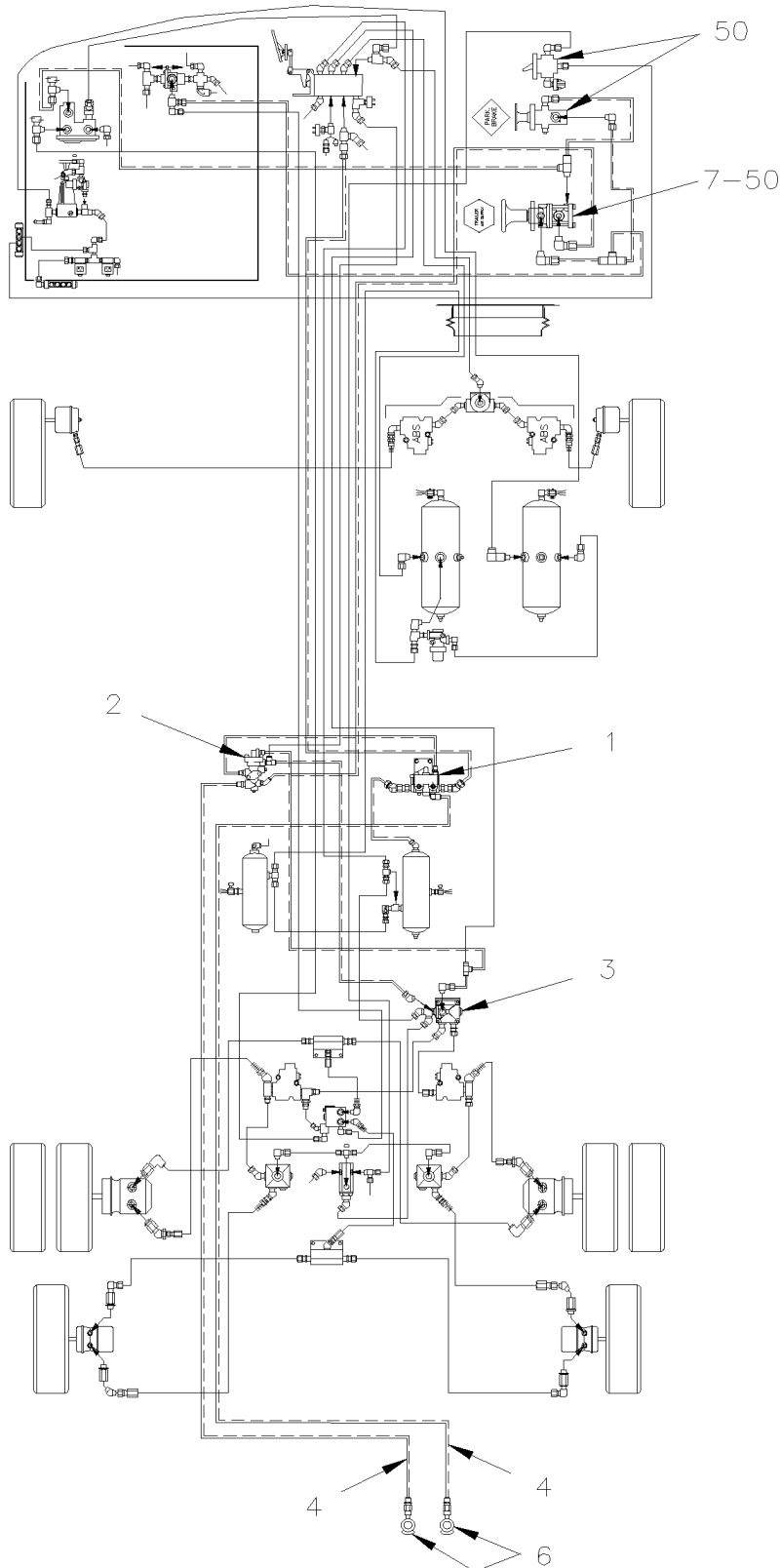


From Y-7046 To 8-9339

Date:10/2022

PAGE:Y2-1220-50

TRAILER VALVE INSTALLATION



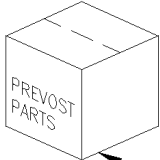
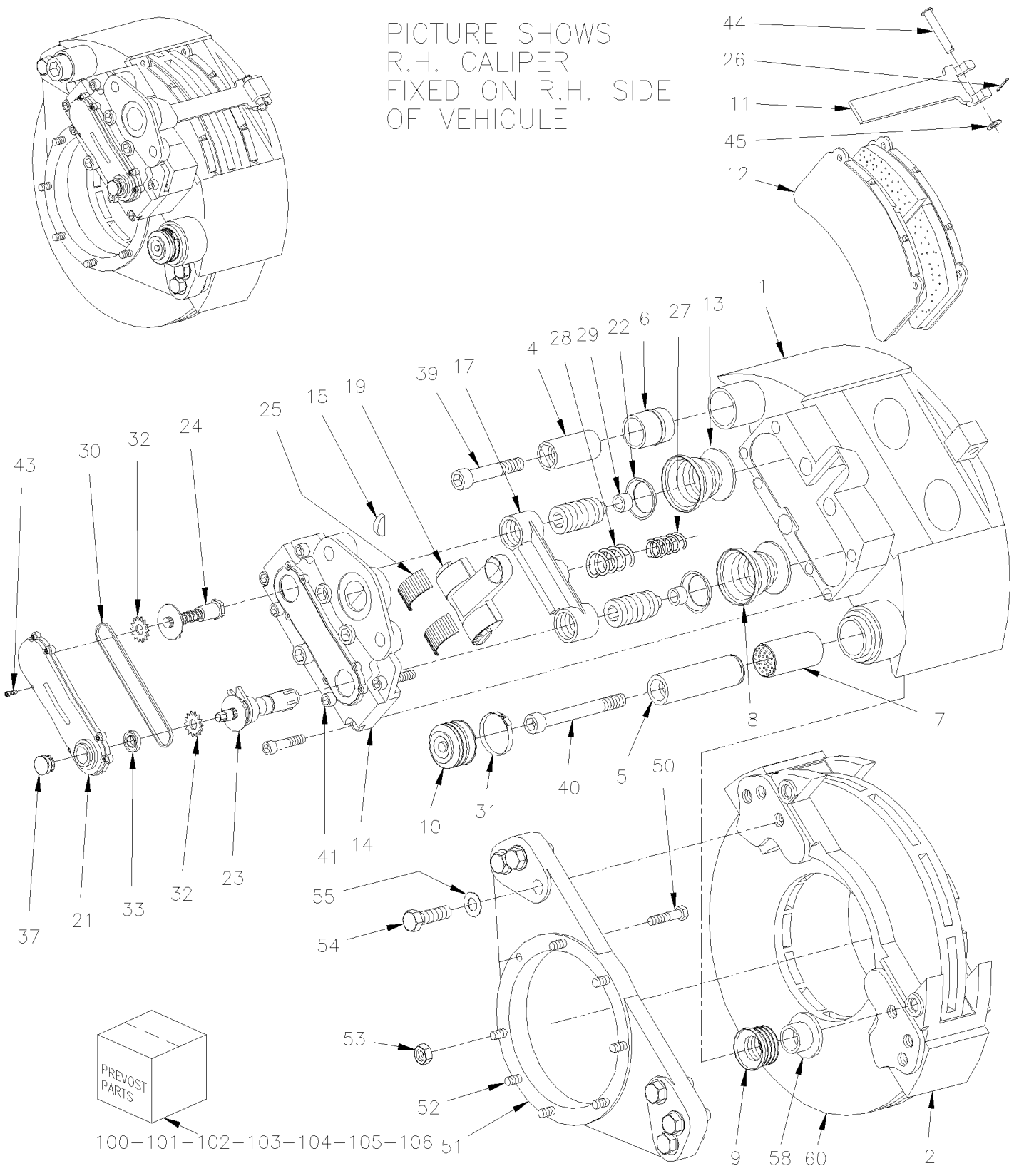
| | | |
|-----------------------|--------------|-----------------|
| From Y-7046 To 8-9339 | Date:10/2022 | PAGE:Y2-1220-50 |
|-----------------------|--------------|-----------------|

TRAILER VALVE INSTALLATION

| Item# | Part | Description | X L I I 4 5 | X L I I M T H 4 0 | X L I I M T H 4 5 | X L I I M T H 4 5 E | N O T E S |
|-------|------|---|--------------------------------|---|---|--|-----------------------|
| | | A) WITH VALVE LOCATED SIDE OF AIR DRYER | | | | | |

| | | |
|--|--------------|-----------------|
| From Y-7046 To 7-9159 | Date:10/2022 | PAGE:Y2-1225-00 |
| BRAKE PARTS - FRONT AXLE - W/"KNORR-BREMSE" / SB7 SERIES | | |

PICTURE SHOWS
R.H. CALIPER
FIXED ON R.H. SIDE
OF VEHICLE



100-101-102-103-104-105-106 51

From Y-7046 To 7-9159 Date:10/2022 PAGE:Y2-1225-00

BRAKE PARTS - FRONT AXLE - W/"KNORR-BREMSE" / SB7 SERIES

| Item# | Part | Description | X L I I 4 5 | X L I I M T H 4 0 | X L I I M T H 4 5 | X L I I M T H 4 5 E | N O T E S |
|-------|--------|--|----------------------------|---|---|--|-----------------------|
| | N.S.A. | CALIPER ASSY R.H. / W/BOOSTER TYPE 24 / (SB7703) | 1 | 1 | 1 | 1 | 3 |
| | N.S.A. | CALIPER ASSY L.H. / W/BOOSTER TYPE 24 / (SB7713) | 1 | 1 | 1 | 1 | 3 |
| NS | 611184 | . CALIPER ASSY R.H. / W/O BOOSTER / SB7 | 1 | 1 | 1 | 1 | A |
| NS | 611185 | . CALIPER ASSY L.H. / W/O BOOSTER / SB7 | 1 | 1 | 1 | 1 | A |
| 1 | N.S.S. | .. CALIPER HOUSING | 1 | 1 | 1 | 1 | 1 |
| 2 | 611340 | .. BRAKE CARRIER / W/6 HOLES BOLT RETAINERS M20-2.5 | 1 | 1 | 1 | 1 | |
| 4 | N.S.S. | .. GUIDE BUSHING / SHORT | 1 | 1 | 1 | 1 | 1 |
| 5 | N.S.S. | .. GUIDE BUSHING / LONG | 1 | 1 | 1 | 1 | 1 |
| 6 | 611245 | .. GUIDE SLEEVE / RUBBER SB 7 SERIES | 1 | 1 | 1 | 1 | |
| 7 | 611107 | .. BUSHING / BRASS | 1 | 1 | 1 | 1 | |
| 8 | N.S.S. | .. BOOT RUBBER / WHITE | 2 | 2 | 2 | 2 | 1 |
| 9 | N.S.S. | .. BELLOW GUIDE BUSHING / RED | 1 | 1 | 1 | 1 | 1 |
| 10 | 641421 | .. BELLOW CAP / RUBBER | 1 | 1 | 1 | 1 | |
| 11 | N.S.S. | .. BRAKE PAD BRACKET | 1 | 1 | 1 | 1 | 1 |
| 12 | 611049 | .. LINING SET STD / | 1 | 1 | 1 | 1 | B |
| . 11 | N.S.S. | .. . BRAKE PAD BRACKET | 1 | 1 | 1 | 1 | 1 B |
| . 26 | N.S.S. | .. . SPRING SPLIT PIN | 1 | 1 | 1 | 1 | 1 B |
| . 37 | 641313 | .. . PLUG CAP / ADJUSTING DEVICE / PLASTIC INTERIOR GRIP | 1 | 1 | 1 | 1 | B |
| . 44 | N.S.S. | .. . CLEVIS PIN | 1 | 1 | 1 | 1 | 1 B |
| . 45 | N.S.S. | .. . WASHER | 1 | 1 | 1 | 1 | 1 B |
| . 61 | N.S.S. | .. . SHEAR ADAPTER | 1 | 1 | 1 | 1 | 1 B |
| 13 | N.S.S. | .. THRUST MEMBER / INCLUDED ITEM #8 | 2 | 2 | 2 | 2 | 1 |
| 14 | N.S.S. | .. SYNCHRONIZING HOUSING | 1 | 1 | 1 | 1 | 1 |
| 15 | N.S.S. | .. PLUG HALF / RUBBER | 1 | 1 | 1 | 1 | 1 |
| 17 | N.S.S. | .. BEAM | 1 | 1 | 1 | 1 | 1 |
| 18 | N.S.S. | .. O-RING | 1 | 1 | 1 | 1 | 1 |
| 19 | N.S.S. | .. LEVER | 1 | 1 | 1 | 1 | 1 |
| 21 | N.S.S. | .. COVER SYNCHRONIZING HOUSING | 1 | 1 | 1 | 1 | 1 |
| 22 | N.S.S. | .. BOOT | 2 | 2 | 2 | 2 | 1 |
| 23 | N.S.S. | .. CLEARANCE ADJUSTER | 1 | 1 | 1 | 1 | 1 |
| 24 | N.S.S. | .. DRIVER | 1 | 1 | 1 | 1 | 1 |
| 25 | N.S.S. | .. LEVER BEARING | 1 | 1 | 1 | 1 | 1 |
| 26 | N.S.S. | .. SPRING SPLINT PIN | 1 | 1 | 1 | 1 | 1 |
| 27 | N.S.S. | .. COMPRESSION SPRING | 1 | 1 | 1 | 1 | 1 |
| 28 | N.S.S. | .. COMPRESSION SPRING | 1 | 1 | 1 | 1 | 1 |
| 29 | N.S.S. | .. RING RETAINING | 2 | 2 | 2 | 2 | 1 |
| 30 | N.S.S. | .. ROLLER CHAIN | 1 | 1 | 1 | 1 | 1 |
| 31 | 641420 | .. PERFORATED CLIP | 1 | 1 | 1 | 1 | |
| 32 | N.S.S. | .. CHAIN DRIVE WHEEL | 2 | 2 | 2 | 2 | 1 |
| 33 | N.S.S. | .. SHAFT SEALING RING | 1 | 1 | 1 | 1 | 1 |
| 37 | 641313 | .. PLUG CAP / ADJUSTING DEVICE / PLASTIC INTERIOR GRIP | 1 | 1 | 1 | 1 | |
| 38 | N.S.S. | .. DOWEL | 4 | 4 | 4 | 4 | 1 |

From Y-7046 To 7-9159 Date:10/2022 PAGE:Y2-1225-00

BRAKE PARTS - FRONT AXLE - W/"KNORR-BREMSE" / SB7 SERIES

| Item# | Part | Description | X L I I 4 5 | X L I I M T H 4 0 | X L I I M T H 4 5 | X L I I M T H 4 5 E | NOTES |
|-------|---------------------|---|----------------------------|---|---|--|-------|
| 39 | N.S.S. | .. SCREW CAP HEXS M16-1.5x140 G10.9 ZP | 1 | 1 | 1 | 1 | 1 |
| 40 | N.S.S. | .. SCREW CAP HEXS M16-1.5x90 G10.9 ZP | 1 | 1 | 1 | 1 | 1 |
| 41 | N.S.S. | .. SOCKET HEAD CAP SCREW M14 X 60MM GR 12.9 | 3 | 3 | 3 | 3 | 1 |
| 43 | N.S.S. | .. SOCKET HEAD CAP SCREW M5 X 12MM | 8 | 8 | 8 | 8 | 1 |
| 44 | N.S.S. | .. CLEVIS PIN | 1 | 1 | 1 | 1 | 1 |
| 45 | N.S.S. | .. WASHER | 1 | 1 | 1 | 1 | 1 |
| 50 | 500091 | SCREW CAP HEX 1/2-20x1 3/4 G5 ZP To 3-8164 | 3 | 3 | 3 | 3 | O |
| 51 | 611097 | CALIPER MOUNTING BRACKET L.H. To 3-8164 | 1 | 1 | 1 | 1 | |
| NS | 611098 | CALIPER MOUNTING BRACKET R.H. To 3-8164 | 1 | 1 | 1 | 1 | |
| 51 | Y2-1005-02 | FRONT AXLE - I BEAM RIGID MODEL "S84U" | | | | | |
| 51 | Y2-1005-51 | FRONT AXLE - INDEPENDENT MODEL "NDIFS80P" / 18000LBS | | | | | |
| 52 | 611030 | STUD 1/2-20 X 1 11/16" To 3-8164 | 5 | 5 | 5 | 5 | O |
| 53 | 500718 | NUT HEX STO 1/2-20 Z050 To 3-8164 | 8 | 8 | 8 | 8 | O |
| 54 | 5001193 | SCREW CAP HEX M20-2.5x65 G10.9 ZP | 6 | 6 | 6 | 6 | |
| 54 | 611309 | SCREW CAP HEX M20-2.5x60 G10.9 DP From 4-8165 | | 2 | 2 | 2 | |
| 55 | 502558 | WASHER FL 21.0x37.0x3.0 G500 | 6 | 6 | 6 | 6 | |
| 58 | N.S.P. | BOOT RETAINER | 1 | 1 | 1 | 1 | 2 |
| 60 | Y2-1300-00 | HUB & ROTOR - FRONT AXLE MODEL "S-84" & "IS84" To 3-8164 | | | | | |
| 60 | Y2-1300-02 | HUB & ROTOR - FRONT AXLE MODEL "S84U" & "NDIFS80P" From 4-8165 | | | | | |
| 70 | 110786 | BRAKE WEAR INDICATOR MECHANICAL / 44MM | AR | AR | AR | AR | |
| 99 | FMBS-0BPK-10 | BRAKE PARTS - "KNORR-BREMSE" / SB7 & SN7 "AFTERMARKET" | | | | | |
| 100 | 611054 | KIT, TAPPET W/BOOT | AR | AR | AR | AR | D |
| .08 | N.S.S. | . BOOT RUBBER / WHITE | 2 | 2 | 2 | 2 | 1 D |
| .13 | N.S.S. | . TAPPET | 2 | 2 | 2 | 2 | 1 D |
| 101 | 611168 | KIT, GUIDANCE PINS & BELLOW | AR | AR | AR | AR | E |
| .04 | N.S.S. | . GUIDE BUSHING / SHORT | 1 | 1 | 1 | 1 | 1 E |
| .05 | N.S.S. | . GUIDE BUSHING / LONG | 1 | 1 | 1 | 1 | 1 E |
| .06 | 611245 | . GUIDE SLEEVE / RUBBER SB 7 SERIES | 1 | 1 | 1 | 1 | E |
| .07 | 611107 | . BUSHING / BRASS | 1 | 1 | 1 | 1 | E |
| .09 | N.S.S. | . BELLOW GUIDE BUSHING / RUBBER RED | 1 | 1 | 1 | 1 | 1 E |
| .10 | 641421 | . BELLOW CAP / RUBBER | 1 | 1 | 1 | 1 | E |
| .31 | 641420 | . PERFORATED CLIP | 1 | 1 | 1 | 1 | E |
| .39 | N.S.S. | . SCREW CAP HEXS | 1 | 1 | 1 | 1 | 1 E |
| .40 | N.S.S. | . SCREW CAP HEXS | 1 | 1 | 1 | 1 | 1 E |
| .58 | N.S.S. | . PLASTIC RING / BOOT RETAINER | 1 | 1 | 1 | 1 | 1 E |
| 102 | 611177 | KIT, BOOT PROTECTOR & TAPPET | AR | AR | AR | AR | F |
| .08 | N.S.S. | . BOOT RUBBER / WHITE | 1 | 1 | 1 | 1 | 1 F |
| .13 | N.S.S. | . TAPPET | 1 | 1 | 1 | 1 | 1 F |
| .29 | N.S.S. | . RING RETAINING / TAPPET | 1 | 1 | 1 | 1 | 1 F |
| 103 | 611179 | KIT, CARRIER & GUIDING PIN | AR | AR | AR | AR | G |
| .02 | 611340 | . BRAKE CARRIER / W/6 HOLES BOLT RETAINERS M20-2.5 | 1 | 1 | 1 | 1 | G |
| .04 | N.S.S. | . GUIDE BUSHING / SHORT | 1 | 1 | 1 | 1 | 1 G |

From Y-7046 To 7-9159 Date:10/2022 PAGE:Y2-1225-00

BRAKE PARTS - FRONT AXLE - W/"KNORR-BREMSE" / SB7 SERIES

| Item# | Part | Description | X L I I 4 5 | X L I I M T H 4 0 | X L I I M T H 4 5 | X L I I M T H 4 5 E | NOTES |
|-------|--------|---|----------------------------|---|---|--|-------|
| . 05 | N.S.S. | . GUIDE BUSHING / LONG | 1 | 1 | 1 | 1 | 1 G |
| . 39 | N.S.S. | . SCREW CAP HEXS | 1 | 1 | 1 | 1 | 1 G |
| . 40 | N.S.S. | . SCREW CAP HEXS | 1 | 1 | 1 | 1 | 1 G |
| 104 | 641402 | KIT, PAD HOLDER | AR | AR | AR | AR | H |
| . 26 | N.S.S. | . SPRING SPLIT PIN | 1 | 1 | 1 | 1 | 1 H |
| . 44 | N.S.S. | . CLEVIS PIN | 1 | 1 | 1 | 1 | 1 H |
| . 45 | N.S.S. | . WASHER | 1 | 1 | 1 | 1 | 1 H |
| 105 | 611199 | KIT, BOOT & SEAL | AR | AR | AR | AR | I |
| . 09 | N.S.S. | . BELLOW GUIDE BUSHING / RUBBER RED | 1 | 1 | 1 | 1 | 1 I |
| . 10 | 641421 | . BELLOW CAP / RUBBER | 1 | 1 | 1 | 1 | I |
| . 31 | 641420 | . PERFORATED CLIP | 1 | 1 | 1 | 1 | I |
| . 37 | 641313 | . PLUG CAP / ADJUSTING DEVICE / PLASTIC INTERIOR GRIP | 1 | 1 | 1 | 1 | I |
| . 58 | N.S.S. | . PLASTIC RING / BOOT RETAINER | 1 | 1 | 1 | 1 | 1 I |
| 105 | 683344 | GREASE GREEN / 5GR | AR | AR | AR | AR | J |
| 105 | 641931 | GREASE GREEN / 500GR | AR | AR | AR | AR | J |
| 105 | 683345 | GREASE WHITE / 5GR | AR | AR | AR | AR | K |
| 105 | 641930 | GREASE WHITE / 500GR | AR | AR | AR | AR | K |
| 105 | 641321 | TOOL / THRUST MEMBER W/BELLOW | AR | AR | AR | AR | L |
| 105 | 641322 | TOOL / CALIPER INNER BELLOW | AR | AR | AR | AR | M |
| 105 | 641323 | TOOL / BUSHING INSTALLER / SERIES SB | AR | AR | AR | AR | N |
| 105 | 641444 | TOOL / GROOVING BUSHING | AR | AR | AR | AR | N |
| 105 | 641435 | TOOL / FORK (FOR BELLOW CAP) | AR | AR | AR | AR | L |
| 106 | 611246 | KIT, GUIDANCE PIN & RUBBER BUSHING / SHORT PIN | AR | AR | AR | AR | C |
| . 04 | N.S.S. | . GUIDE BUSHING / SHORT | 1 | 1 | 1 | 1 | 1 C |
| . 06 | 611245 | . GUIDE SLEEVE / RUBBER SB 7 SERIES | 1 | 1 | 1 | 1 | C |
| . 39 | N.S.S. | . SCREW CAP HEXS | 1 | 1 | 1 | 1 | 1 C |
| 107 | 641427 | KIT BOOT & CLIP | AR | AR | AR | AR | P |
| . 10 | 641421 | . BELLOW CAP / RUBBER | 1 | 1 | 1 | 1 | P |
| . 31 | 641420 | . PERFORATED CLIP | 1 | 1 | 1 | 1 | P |
| | | | | | | | |
| | | | | | | | |
| | | A) INCLUDES ITEM #2 BUT NOT ITEM # 12 | | | | | |
| | | B) INCLUDES ITEMS #11, 26, 37, 44, 45 & 61 | | | | | |
| | | C) INCLUDE ITEMS #4,6 & 39 | | | | | |
| | | D) INCLUDE 2 OF ITEMS #8 & 13 | | | | | |
| | | E) INCLUDE ITEMS #4,5,6,7,9,10,31,39,40 & 58 | | | | | |
| | | F) INCLUDE ITEMS #8,13 & 29 | | | | | |
| | | G) INCLUDE ITEMS #2,4,5,39 & 40 | | | | | |
| | | H) INCLUDES ITEMS #11,26,44 & 45 | | | | | |
| | | I) INCLUDE ITEMS #9,10,31,37 & 58 | | | | | |
| | | J) FOR ITEM #4 & 6 | | | | | |

| | | |
|-----------------------|--------------|-----------------|
| From Y-7046 To 7-9159 | Date:10/2022 | PAGE:Y2-1225-00 |
|-----------------------|--------------|-----------------|

BRAKE PARTS - FRONT AXLE - W/"KNORR-BREMSE" / SB7 SERIES

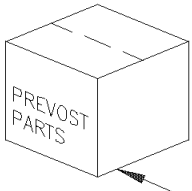
| Item# | Part | Description | X L I I 4 5 | X L I I M T H 4 0 | X L I I M T H 4 5 | X L I I M T H 4 5 E | NOTES |
|-------|------|---|----------------------------|---|---|--|-------|
| | | K) FOR ITEMS #5 & 7 | | | | | |
| | | L) TO USE W/ITEMS #8 & 13 | | | | | |
| | | M) TO USE W/ITEM #9 | | | | | |
| | | N) TO USE W/ITEM #7 | | | | | |
| | | O) TO FIX SPIDER | | | | | |
| | | P) INCLUDE ITEM #10 & 31 | | | | | |
| | | 1) NOT SOLD SEPARATELY | | | | | |
| | | 2) NOT SOLD BY PREVOST (SEE MANUFACTURING PART NUMBER AT END OF DESCRIPTION LINE) | | | | | |
| | | 3) NOT SOLD ASSEMBLY | | | | | |
| | | 1) NOT SOLD SEPARATELY | | | | | |

From 7-9160 To 8-9339

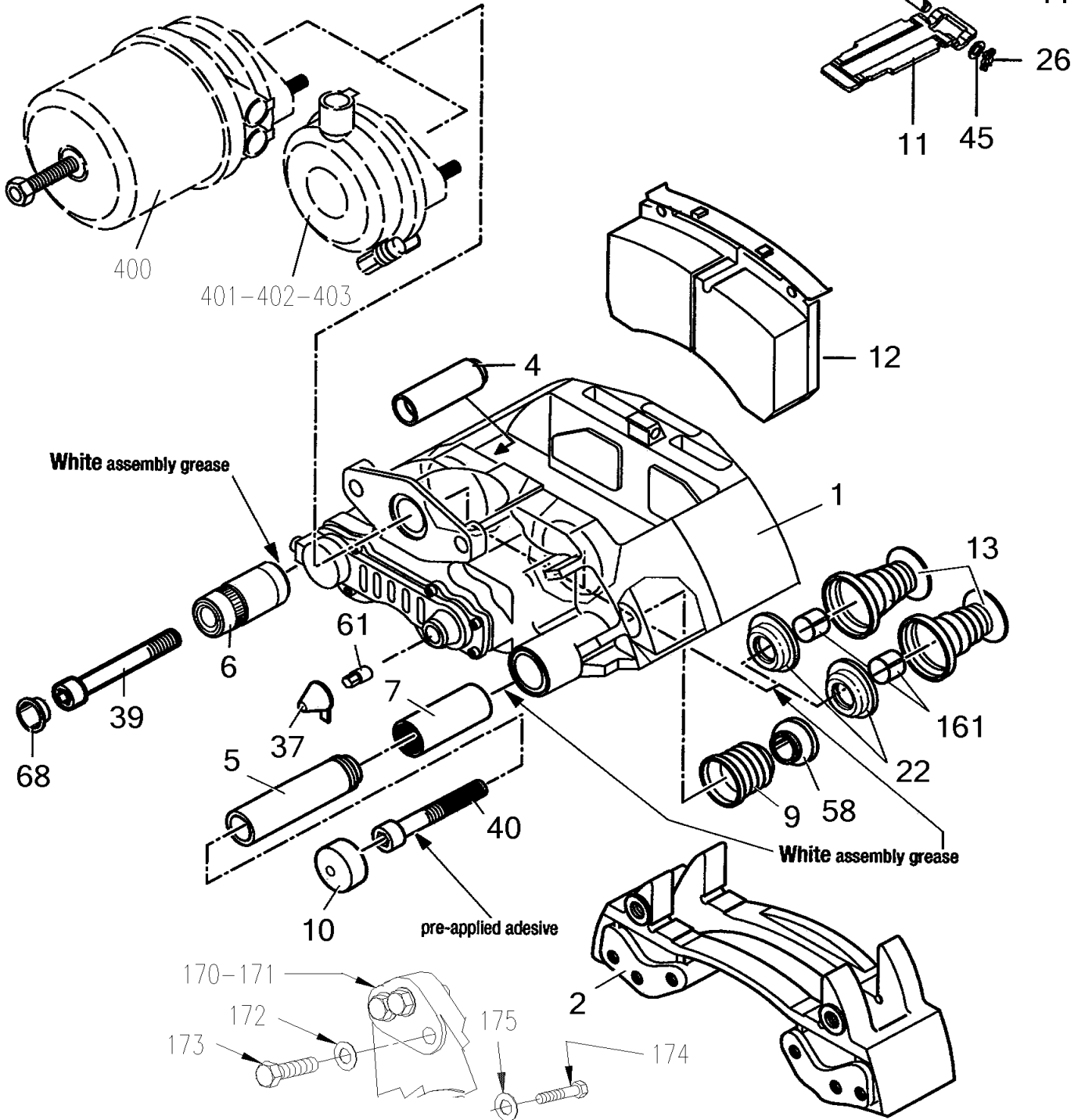
Date:10/2022

PAGE:Y2-1225-01

BRAKE PARTS "KNORR-BREMSE" SN7 SERIES



200-201-202-203-204-205



| | | |
|-----------------------|--------------|-----------------|
| From 7-9160 To 8-9339 | Date:10/2022 | PAGE:Y2-1225-01 |
|-----------------------|--------------|-----------------|

BRAKE PARTS "KNORR-BREMSE" SN7 SERIES

| Item# | Part | Description | X L I I 4 5 | X L I I M T H 4 0 | X L I I M T H 4 5 | X L I I M T H 4 5 E | N O T E S |
|-------|---------------------|---|----------------------------|---|---|--|-----------------------|
| | 611341 | CALIPER ASSY R.H. / W/O BOOSTER / SN7 | 1 | 1 | 1 | 1 | A |
| | 611342 | CALIPER ASSY L.H. / W/O BOOSTER / SN7 | 1 | 1 | 1 | 1 | A |
| 1 | N.S.S. | . CALIPER HOUSING | 1 | 1 | 1 | 1 | 1 |
| 2 | 611960 | . BRAKE CARRIER / W/6 HOLES BOLT RETAINERS M20-1.5 | 1 | 1 | 1 | 1 | |
| 4 | N.S.S. | . . GUIDE BUSHING / SHORT | 1 | 1 | 1 | 1 | 1 |
| 5 | N.S.S. | . . GUIDE BUSHING / LONG | 1 | 1 | 1 | 1 | 1 |
| 6 | N.S.S. | . . GUIDE SLEEVE | 1 | 1 | 1 | 1 | 1 |
| 7 | 611107 | . . BUSHING / BRASS | 1 | 1 | 1 | 1 | |
| 8 | N.S.S. | . . BOOT RUBBER / WHITE | 2 | 2 | 2 | 2 | 1 |
| 9 | N.S.S. | . . BELLOW GUIDE BUSHING / RED | 1 | 1 | 1 | 1 | 1 |
| 10 | N.S.S. | . . STEEL CAP | 1 | 1 | 1 | 1 | 1 |
| 11 | N.S.S. | . . BRAKE PAD BRACKET | 1 | 1 | 1 | 1 | 1 |
| 12 | 611049 | . . LINING SET STD / | 1 | 1 | 1 | 1 | B |
| . 11 | N.S.S. | . . . BRAKE PAD BRACKET | 1 | 1 | 1 | 1 | 1 B |
| . 26 | N.S.S. | . . . SPRING SPLIT PIN | 1 | 1 | 1 | 1 | 1 B |
| . 37 | 641313 | . . . PLUG CAP / ADJUSTING DEVICE / PLASTIC INTERIOR GRIP | 1 | 1 | 1 | 1 | B |
| . 44 | N.S.S. | . . . CLEVIS PIN | 1 | 1 | 1 | 1 | 1 B |
| . 45 | N.S.S. | . . . WASHER | 1 | 1 | 1 | 1 | 1 B |
| . 61 | N.S.S. | . . . SHEAR ADAPTER | 1 | 1 | 1 | 1 | 1 B |
| 13 | N.S.S. | . . TAPPET WITH BOOT ASSY | 2 | 2 | 2 | 2 | 1 |
| 22 | N.S.S. | . . BOOT | 2 | 2 | 2 | 2 | 1 |
| 26 | N.S.S. | . . SPRING SPLINT PIN | 1 | 1 | 1 | 1 | 1 |
| 37 | N.S.S. | . . PLUG CAP / ADJUSTING DEVICE | 1 | 1 | 1 | 1 | 1 |
| 39 | N.S.S. | . . SCREW CAP HEXS ZP M16-1.5 GR10.9 | 1 | 1 | 1 | 1 | 1 |
| 40 | N.S.S. | . . SCREW CAP HEXS ZP M16-1.5 GR10.9 | 1 | 1 | 1 | 1 | 1 |
| 44 | N.S.S. | . . CLEVIS PIN | 1 | 1 | 1 | 1 | 1 |
| 45 | N.S.S. | . . WASHER | 1 | 1 | 1 | 1 | 1 |
| 58 | N.S.S. | . . RING | 1 | 1 | 1 | 1 | 1 |
| 61 | N.S.S. | . . SHEAR ADAPTER | 1 | 1 | 1 | 1 | 1 |
| 68 | N.S.S. | . . CAP | 1 | 1 | 1 | 1 | 1 |
| 70 | 110786 | BRAKE WEAR INDICATOR MECHANICAL / 44MM | AR | AR | AR | AR | |
| 99 | FMBS-0BPK-10 | BRAKE PARTS - "KNORR-BREMSE" / SB7 & SN7 "AFTERMARKET" | | | | | |
| 161 | N.S.S. | . RING RETAINING | 2 | 2 | 2 | 2 | 1 |
| 170 | Y2-1005-00 | FRONT AXLE - I BEAM RIGID MODEL "S-84" To 3-8164 | | | | | |
| 170 | Y2-1005-01 | FRONT AXLE - I BEAM RIGID MODEL "NSD80" From 1-7455 To 1-7455 | | | | | |
| 170 | Y2-1005-02 | FRONT AXLE - I BEAM RIGID MODEL "S84U" From 4-8165 | | | | | |
| 170 | Y2-1005-50 | FRONT AXLE - INDEPENDENT MODEL "IS-84" / 16500LBS To 3-8164 | | | | | |
| 170 | Y2-1005-51 | FRONT AXLE - INDEPENDENT MODEL "NDIFS80P" / 18000LBS From 4-8165 | | | | | |
| 170 | Y2-1105-00 | REAR AXLE - MODEL "RC23160" | | | | | |
| 170 | Y2-1615-00 | TAG AXLE - INSTALL SUSPENSION | | | | | |
| 171 | 621709 | CALIPER MOUNTING BRACKET L.H. & R.H. W/OUT BUSHING | 1 | 1 | 1 | 1 | D |
| 172 | 502558 | WASHER FL 21.0x37.0x3.0 G500 | 6 | 6 | 6 | 6 | |

| | | |
|-----------------------|--------------|-----------------|
| From 7-9160 To 8-9339 | Date:10/2022 | PAGE:Y2-1225-01 |
|-----------------------|--------------|-----------------|

BRAKE PARTS "KNORR-BREMSE" SN7 SERIES

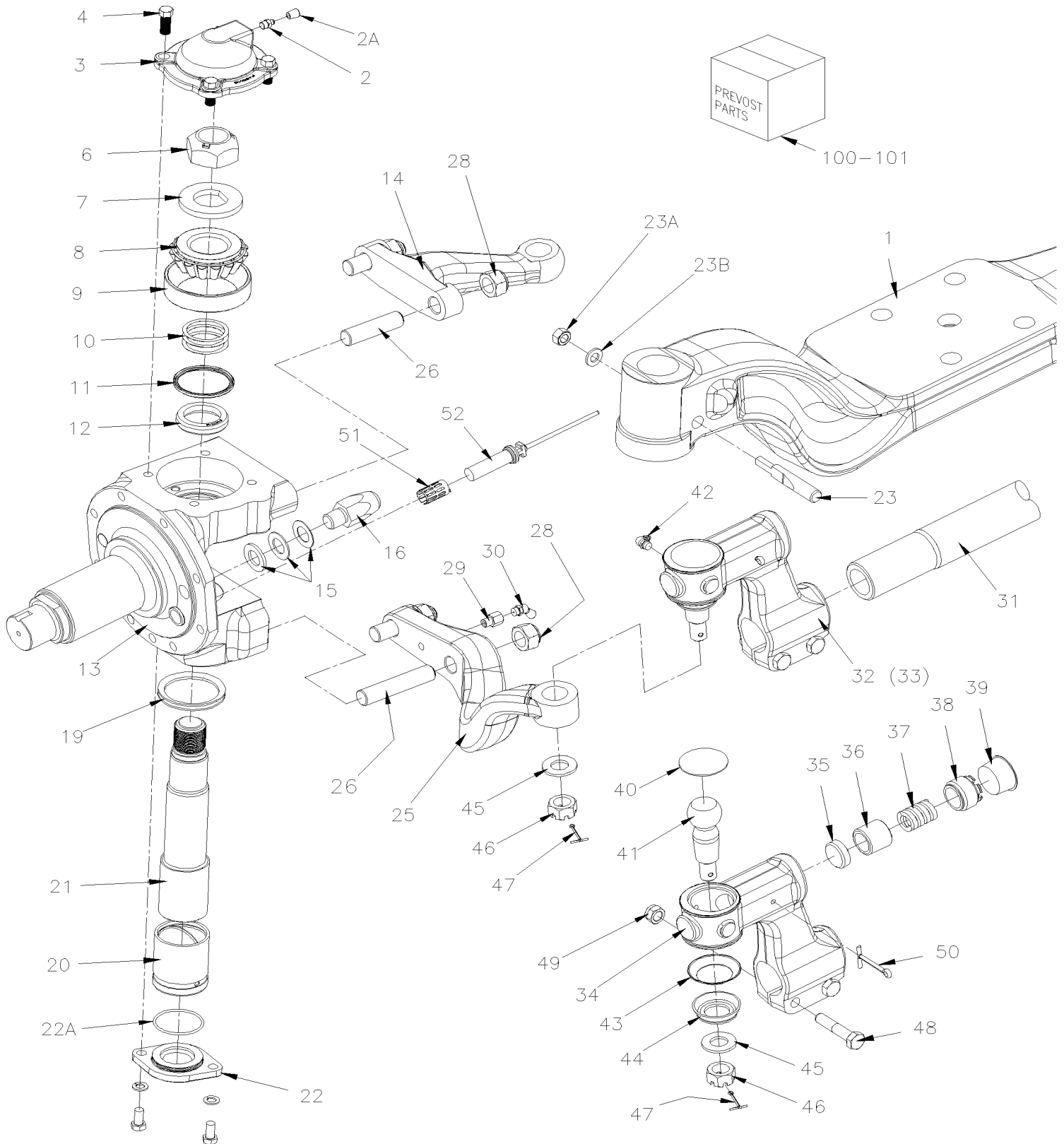
| Item# | Part | Description | X L I I 4 5 | X L I I M T H 4 0 | X L I I M T H 4 5 | X L I I M T H 4 5 E | N O T E S |
|-------|-------------------|--|----------------------------|---|---|--|-----------------------|
| 173 | 5001529 | SCREW CAP HEX M20-1.5x60 G10.9 G500 | 6 | 6 | 6 | 6 | |
| 174 | 621636 | SCREW CAP HEX / TO FIX BRACKET TO AXLE 9/16-18 X 2 GR 8 | 24 | 24 | 24 | 24 | D |
| 175 | 621365 | WASHER (HARD) .59IDX.97ODX.09 | 24 | 24 | 24 | 24 | D |
| 200 | 642032 | KIT, TAPPET W/BOOT | AR | AR | AR | AR | C |
| 201 | 642031 | KIT, GUIDANCE PINS & BELLOW / SN W/39MM BUSHING END | AR | AR | AR | AR | E |
| 202 | 642034 | KIT, PLUG CAP W/AJUSTING DEVICE (PACK of 10x #37, #37a & 61) | AR | AR | AR | AR | S |
| 203 | 641402 | KIT, PAD HOLDER | AR | AR | AR | AR | H |
| . 26 | N.S.S. | . SPRING SPLIT PIN | 1 | 1 | 1 | 1 | 1 H |
| . 44 | N.S.S. | . CLEVIS PIN | 1 | 1 | 1 | 1 | 1 H |
| . 45 | N.S.S. | . WASHER | 1 | 1 | 1 | 1 | 1 H |
| 205 | 683345 | GREASE WHITE / 5GR | AR | AR | AR | AR | K |
| 205 | 641930 | GREASE WHITE / 500GR | AR | AR | AR | AR | K |
| NS | 641321 | TOOL / THRUST MEMBER W/BELLOW | AR | AR | AR | AR | L |
| NS | 641322 | TOOL / CALIPER INNER BELLOW | AR | AR | AR | AR | M |
| NS | 642074 | TOOL / BUSHING INSTALLER / SERIES SN | AR | AR | AR | AR | N |
| NS | 641435 | TOOL / FORK (FOR BELLOW CAP) | AR | AR | AR | AR | L |
| NS | 641993 | TOOL / PRESS IN COVER | AR | AR | AR | AR | X |
| NS | 641994 | TOOL / BUSHING - INSTALLER | AR | AR | AR | AR | Y |
| NS | 641998 | TOOL / RUBBER BUSHING - INSTALLER | AR | AR | AR | AR | Z |
| NS | 642035 | KIT TOOL BOX "KNORR BREMSE" SERIE SN7 | AR | AR | AR | AR | |
| 400 | Y2-1235-10 | BRAKE CHAMBER - DRIVE AXLE "KNORR-BREMSE" | | | | | |
| 401 | Y2-1225-11 | BRAKE CHAMBER - FRONT AXLE TYPE 24 | | | | | |
| 402 | Y2-1245-12 | BRAKE CHAMBER - TAG AXLE TYPE 14 & 16 | | | | | |
| 500 | Y006471_000_EN | MAINTENANCE MANUAL / ENGLISH KNORR-BREMSE | | | | | |
| NS | Y006471_000_FF | MANUEL D'ENTRETIEN / FRANÇAIS KNORR-BREMSE | | | | | |
| | | | | | | | |
| | | | | | | | |
| | | A) DO NOT INCLUDE ITEM #2 & #12 | | | | | |
| | | B) INCLUDES ITEMS #11, 26, 37, 44, 45 & 61 | | | | | |
| | | C) INCLUDES 2 OF ITEMS #13, 22 & 161 | | | | | |
| | | D) ON DRIVE AXLE ONLY | | | | | |
| | | E) INCLUDES ITEMS #4, 5, 6, 7, 9, 10, 39, 40, 58 & 68 | | | | | |
| | | H) INCLUDES ITEMS #11,26,44 & 45 | | | | | |
| | | K) FOR ITEMS #5 & 7 | | | | | |
| | | L) TO USE W/ITEMS #13 | | | | | |
| | | M) TO USE W/ITEM #9 | | | | | |
| | | N) TO USE W/ITEM #7 | | | | | |
| | | S) INCLUDES 10 ITEMS #37 AND 61 | | | | | |
| | | X) TO USE WITH ITEM #10 | | | | | |
| | | Y) TO USE WITH ITEM 6 | | | | | |
| | | Z) TO USE WITH ITEM #68 | | | | | |

| | | |
|-----------------------|--------------|-----------------|
| From 7-9160 To 8-9339 | Date:10/2022 | PAGE:Y2-1225-01 |
|-----------------------|--------------|-----------------|

BRAKE PARTS "KNORR-BREMSE" SN7 SERIES

| Item# | Part | Description | X L I I 4 5 | X L I I M T H 4 0 | X L I I M T H 4 5 | X L I I M T H 4 5 E | N O T E S |
|-------|------|------------------------|--------------------------------|---|---|--|-----------------------|
| | | 1) NOT SOLD SEPARATELY | | | | | |
| | | 1) NOT SOLD SEPARATELY | | | | | |

| | | |
|--|--------------|-----------------|
| From 7-9160 To 8-9339 | Date:10/2022 | PAGE:Y2-1005-02 |
| FRONT AXLE - I BEAM RIGID MODEL "S84U" | | |



| | | |
|---|--------------|-----------------|
| From 7-9160 To 8-9339 | Date:10/2022 | PAGE:Y2-1005-02 |
| FRONT AXLE - I BEAM RIGID MODEL "S84U" | | |

| Item# | Part | Description | X L I I 4 5 | X L I I M T H 4 0 | X L I I M T H 4 5 | X L I I M T H 4 5 E | N O T E S |
|-------|---------|--|----------------------------|---|---|--|-----------------------|
| | 611269 | AXLE ASSY W/ABS / MODEL "S84U" W/TYPE 27 BOOSTER To 6-8906 | 1 | | | | |
| | 612350 | AXLE ASSY W/ABS / MODEL "S84U" W/TYPE 24 BOOSTER | 1 | | | | |
| 1 | 611454 | . AXLE BEAM | 1 | | | | |
| 2 | 501491 | . GREASE FITTING / 1/8 NPTx3/4" | 2 | | | | |
| 2A | 504615 | . PROTECTOR CAP / BLACK / .313 I.D. x .500 | 2 | | | | |
| 3 | 611008 | . CAP COVER | 2 | | | | |
| 4 | 500067 | . SCREW CAP HEX 7/16-20x1 G5 Z050 | 4 | | | | |
| 4 | 680404 | . . CAP PLUG | 1 | | | | |
| 4 | 500447 | . WASHER FL .562x1.375x.109 ZP | 4 | | | | |
| 6 | 611153 | . NUT HEX STO 1 3/8"-12 | 2 | | | | |
| 7 | 611010 | . WASHER 38.23x69.85x7 | 2 | | | | |
| 8 | 611011 | . CONE BEARING | 2 | | | | |
| 9 | 611012 | . CUP BEARING | 2 | | | | |
| 10 | 611017 | . WASHER SHIM / .015" | AR | | | | |
| 10 | 611016 | . WASHER SHIM / .010" | AR | | | | |
| 10 | 611015 | . WASHER SHIM / .008" | AR | | | | |
| 10 | 611014 | . WASHER SHIM / .006" | AR | | | | |
| 10 | 611013 | . WASHER SHIM / .005" | AR | | | | |
| 11 | 611145 | . OIL SEAL | 2 | | | | |
| 12 | 611154 | . SLEEVE | 2 | | | | |
| 13 | 611290 | . KNUCKLE R.H. CURBSIDE | 1 | | | | |
| 13 | 611289 | . KNUCKLE L.H. STREET SIDE | 1 | | | | |
| 14 | 611031 | . STEERING ARM UPPER L.H. STREET SIDE | 1 | | | | |
| 14 | 161033 | . STEERING ARM UPPER R.H. CURBSIDE | 1 | | | | |
| 15 | 611042 | . WASHER SHIM / 1/32" TH | AR | | | | |
| 15 | 611041 | . WASHER SHIM / 1/16" TH | AR | | | | |
| 15 | 611040 | . WASHER SHIM / 1/8" TH | AR | | | | |
| 16 | 611170 | . SWIVEL STOP SCREW 43MM | 2 | | | | |
| NS | 611296 | . SWIVEL STOP SCREW 54MM | 2 | | | | |
| 19 | 611020 | . V-SEAL | 2 | | | | |
| NS | 611152 | . SEAL RING | 2 | | | | |
| 20 | 611144 | . BUSHING LOWER KING PIN | 2 | | | | |
| 21 | 611148 | . KING PIN | 2 | | | | |
| 22 | 611155 | . CAP LOWER / KING PIN | 2 | | | | |
| 22 | 612364 | . SCREW 3/8-24 | 4 | | | | |
| 22 | 612363 | . WASHER | 4 | | | | |
| 22A | 611156 | . O-RING | 2 | | | | |
| 23 | 611258 | . SWIVEL PIN LOCK | 2 | | | | |
| 23A | 610029 | . NUT 7/16 UNF | 1 | | | | |
| 23B | 5001200 | . WASHER FL .453x.875x.090 | 1 | | | | |
| 25 | 611032 | . STEERING ARM LOWER L.H. STREET SIDE | 1 | | | | |
| NS | 611033 | . STEERING ARM LOWER R.H. CURBSIDE | 1 | | | | |

| | | |
|---|--------------|-----------------|
| From 7-9160 To 8-9339 | Date:10/2022 | PAGE:Y2-1005-02 |
| FRONT AXLE - I BEAM RIGID MODEL "S84U" | | |

| Item# | Part | Description | X L I I 4 5 | X L I I M T H 4 0 | X L I I M T H 4 5 | X L I I M T H 4 5 E | N O T E S |
|-------|----------|--|----------------------------|---|---|--|-----------------------|
| 26 | 611291 | . STUD 3/4-16 X 4" | 4 | | | | |
| 26 | 611028 | . STUD / STREET SIDE / 3/4-16 X 3" | 2 | | | | |
| 26 | 611029 | . STUD / TO FIX LOWER ARM 3/4-16 X 3 5/8" | 2 | | | | |
| 28 | 5001196 | . NUT HEX SLT 3/4-16 | 8 | | | | |
| 29 | 611062 | . ADAPTER / BSP FITTING / 1/8BSP-Mx1/8NPT-F | 2 | | | | |
| 30 | 501493 | . GREASE FITTING 45° / 1/8 NPT | 2 | | | | |
| NS | 504615 | . PROTECTOR CAP / BLACK / .313 I.D. x .500 | 2 | | | | |
| 31 | 611292 | . ROD | 1 | | | | |
| 32 | 611024 | . TIE ROD ASSY / 5" OFFSET / R.H. THREAD M48-2 CURB SIDE | 1 | | | | |
| 33 | 611025 | . TIE ROD ASSY / 5" OFFSET / L.H. THREAD M48-2 STREET SIDE | 1 | | | | |
| 34 | N.S.S. | .. HOUSING / OFFSET L.H. THREAD | 1 | | | | 1 |
| 34 | N.S.S. | .. HOUSING / OFFSET R.H. THREAD | 1 | | | | 1 |
| 35 | N.S.P. | .. RUBBING PAD / (7157/156) | 1 | | | | 2 |
| 36 | N.S.P. | .. THRUST CUP / (7157/153) | 1 | | | | 2 |
| 37 | N.S.P. | .. COMPRESSION SPRING / (5443/4) | 1 | | | | 2 |
| 38 | N.S.P. | .. ADJUSTER PIECE / (5443/154) | 1 | | | | 2 |
| 39 | 680404 | .. CAP PLUG | 1 | | | | |
| 40 | N.S.P. | .. PLUG / (5247/155) | 1 | | | | 2 |
| 40 | N.S.P. | .. SNAP RING / (ML7544/55N) | 1 | | | | 2 |
| 41 | N.S.P. | .. BALL STUD / (F4223/11) | 1 | | | | 2 |
| 42 | 501495 | .. GREASE FITTING 90° / 1/8 NPT | 2 | | | | |
| 43 | 611056 | .. DIRT SEAL PRESSING | 1 | | | | |
| 44 | 611057 | .. RUBBER SEAL BOOT | 1 | | | | |
| 45 | 500420 | .. WASHER FL .938x1.750x.134 ZP | 1 | | | | |
| 46 | 5001196 | .. NUT HEX SLT 3/4-16 | 1 | | | | |
| 47 | 502111 | .. PIN, COTTER 1/8 x 1 1/2 SS | 1 | | | | |
| 48 | 5001861 | .. SCREW CAP HEX M12-1.75x60 G10.9 N500 | 2 | | | | |
| 49 | 500811 | .. NUT HEX STO M12-1.75 G500 | 2 | | | | |
| 50 | 502115 | .. PIN, COTTER 3/16 x 2 1/2 | 1 | | | | |
| 51 | 641096 | . CLIP, SPRING / TO FIX SENSOR | 2 | | | | |
| 52 | 641288 | . SENSOR ABS (ON FRONT AXLE) 90° ANGLE | 2 | | | | |
| 100 | 611966 | KIT REPAIR / STEERING KNUCKLE BUSHING (PARALLEL) / (REQUIRES 2 KITS) | AR | | | | B |
| 101 | 611101 | KIT REPAIR / TIE ROD END | 2 | | | | A |
| 102 | IS18091 | TIE ROD 610052 FIRST INSTALLATION INSTRUCTIONS | 1 | | | | |
| . NS | 610052 | . TIE ROD ASSY | 1 | | | | |
| . NS | 610051 | . NUT HEX SLO / SINGLE USE M24-1.5 | 2 | | | | |
| . NS | IS-18091 | . SEE INSTRUCTION SHEET | 1 | | | | |
| . NS | FI-18091 | . VOIR FEUILLE D'INSTRUCTION | 1 | | | | |

| | | |
|-----------------------|--------------|-----------------|
| From 7-9160 To 8-9339 | Date:10/2022 | PAGE:Y2-1005-02 |
|-----------------------|--------------|-----------------|

FRONT AXLE - I BEAM RIGID MODEL "S84U"

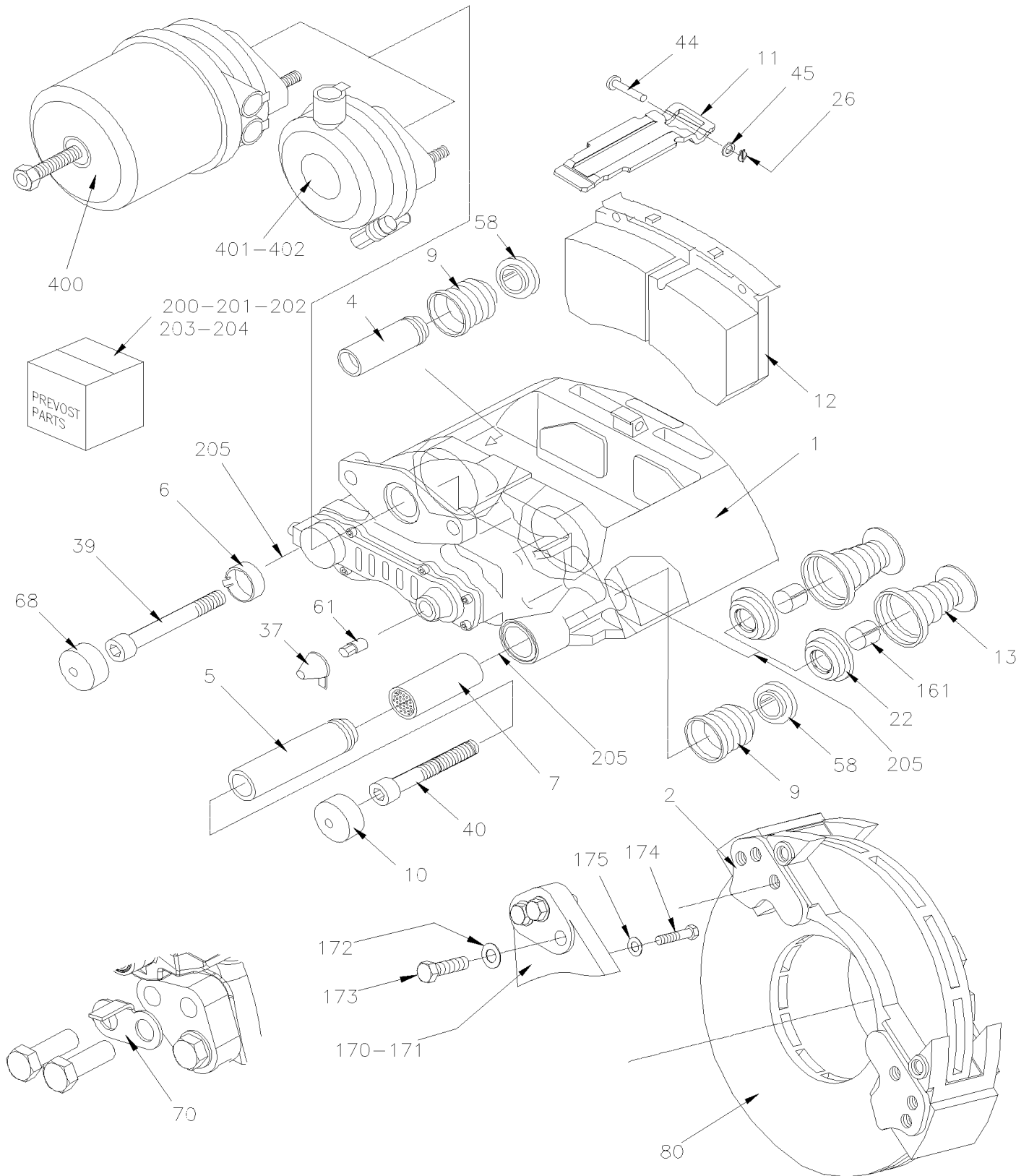
| Item# | Part | Description | X L I I 4 5 | X L I I M T H 4 0 | X L I I M T H 4 5 | X L I I M T H 4 5 E | N O T E S |
|-------|------|---|--------------------------------|---|---|--|-----------------------|
| | | A) INCLUDING ITEMS #35 TO 50 | | | | | |
| | | B) INCLUDING ITEMS # 4 TO 12 & # 19 TO 21 & 23 | | | | | |
| | | 1) NOT SOLD SEPARATELY | | | | | |
| | | 2) NOT SOLD BY PREVOST (SEE MANUFACTURING PART NUMBER AT END OF DESCRIPTION LINE) | | | | | |

From Y-7046 To 8-9339

Date:10/2022

PAGE:Y2-1225-02

BRAKE PARTS "KNORR-BREMSE" SN7 SERIES W/NEW SLIDE PINS



From Y-7046 To 8-9339 Date:10/2022 PAGE:Y2-1225-02

BRAKE PARTS "KNORR-BREMSE" SN7 SERIES W/NEW SLIDE PINS

| Item# | Part | Description | X L I I 4 5 | X L I I M T H 4 0 | X L I I M T H 4 5 | X L I I M T H 4 5 E | NOTES |
|-------|------------|--|----------------------------|---|---|--|-------|
| | 642134 | CALIPER ASSY R.H. FRONT & TAG OR L.H. DRIVE AXLE / W/O BOOSTER SN7 | 1 | 1 | 1 | 1 | |
| | 642139 | CALIPER ASSY L.H. FRONT & TAG OR R.H. DRIVE AXLE / W/O BOOSTER SN7 | 1 | 1 | 1 | 1 | |
| 1 | N.S.S. | . CALIPER HOUSING | 1 | 1 | 1 | 1 | 1 |
| 2 | 611960 | . BRAKE CARRIER / W/6 HOLES BOLT RETAINERS M20-1.5 | 1 | 1 | 1 | 1 | |
| 4 | N.S.S. | . . GUIDE BUSHING / SHORT | 1 | 1 | 1 | 1 | 1 |
| 5 | N.S.S. | . . GUIDE BUSHING / LONG | 1 | 1 | 1 | 1 | 1 |
| 6 | N.S.S. | . . GUIDE BUSHING / DU | 1 | 1 | 1 | 1 | 1 |
| 7 | | . . BUSHING / BRASS | 1 | 1 | 1 | 1 | |
| 8 | N.S.S. | . . BOOT RUBBER / WHITE | 2 | 2 | 2 | 2 | 1 |
| 9 | N.S.S. | . . BELLOW GUIDE BUSHING / RED | 2 | 2 | 2 | 2 | 1 |
| 10 | N.S.S. | . . STEEL CAP | 1 | 1 | 1 | 1 | 1 |
| 11 | N.S.S. | . . BRAKE PAD BRACKET | 1 | 1 | 1 | 1 | 1 |
| 12 | 611049 | . . LINING SET STD / | 1 | 1 | 1 | 1 | B |
| . 11 | N.S.S. | . . . BRAKE PAD BRACKET | 1 | 1 | 1 | 1 | 1 B |
| . 26 | N.S.S. | . . . SPRING SPLIT PIN | 1 | 1 | 1 | 1 | 1 B |
| . 37 | 641313 | . . . PLUG CAP / ADJUSTING DEVICE / PLASTIC INTERIOR GRIP | 1 | 1 | 1 | 1 | B |
| . 44 | N.S.S. | . . . CLEVIS PIN | 1 | 1 | 1 | 1 | 1 B |
| . 45 | N.S.S. | . . . WASHER | 1 | 1 | 1 | 1 | 1 B |
| . 61 | N.S.S. | . . . SHEAR ADAPTER | 1 | 1 | 1 | 1 | 1 B |
| 13 | N.S.S. | . . TAPPET WITH BOOT ASSY | 2 | 2 | 2 | 2 | 1 |
| 22 | N.S.S. | . . BOOT | 2 | 2 | 2 | 2 | 1 |
| 26 | N.S.S. | . . SPRING SPLINT PIN | 1 | 1 | 1 | 1 | 1 |
| 37 | N.S.S. | . . PLUG CAP / ADJUSTING DEVICE | 1 | 1 | 1 | 1 | 1 |
| 39 | N.S.S. | . . SCREW CAP HEXS ZP M16-1.5 GR10.9 | 1 | 1 | 1 | 1 | 1 |
| 40 | N.S.S. | . . SCREW CAP HEXS ZP M16-1.5 GR10.9 | 1 | 1 | 1 | 1 | 1 |
| 44 | N.S.S. | . . CLEVIS PIN | 1 | 1 | 1 | 1 | 1 |
| 45 | N.S.S. | . . WASHER | 1 | 1 | 1 | 1 | 1 |
| 58 | N.S.S. | . . RING | 2 | 2 | 2 | 2 | 1 |
| 61 | N.S.S. | . . SHEAR ADAPTER | 1 | 1 | 1 | 1 | 1 |
| 68 | N.S.S. | . . CAP | 1 | 1 | 1 | 1 | 1 |
| 70 | 110786 | BRAKE WEAR INDICATOR MECHANICAL / 44MM | AR | AR | AR | AR | |
| 80 | Y2-1300-00 | HUB & ROTOR - FRONT AXLE MODEL "S-84" & "IS84" From Y-7046 To 3-8164 | | | | | |
| 80 | Y2-1300-01 | HUB & ROTOR - FRONT AXLE MODEL "NSD80" From 1-7455 To 1-7455 | | | | | |
| 80 | Y2-1300-02 | HUB & ROTOR - FRONT AXLE MODEL "S84U" & "NDIFS80P" From 4-8165 To 8-9339 | | | | | |
| 80 | Y2-1305-00 | HUB & ROTOR - DRIVE AXLE | | | | | |
| 80 | Y2-1310-00 | HUB & ROTOR - TAG AXLE TYPE TS6 | | | | | |
| 161 | N.S.S. | . RING RETAINING | 2 | 2 | 2 | 2 | 1 |
| 170 | Y2-1005-00 | FRONT AXLE - I BEAM RIGID MODEL "S-84" To 3-8164 | | | | | |
| 170 | Y2-1005-01 | FRONT AXLE - I BEAM RIGID MODEL "NSD80" From 1-7455 To 1-7455 | | | | | |
| 170 | Y2-1005-02 | FRONT AXLE - I BEAM RIGID MODEL "S84U" From 4-8165 | 1 | 1 | 1 | 1 | |
| 170 | Y2-1005-50 | FRONT AXLE - INDEPENDENT MODEL "IS-84" / 16500LBS To 3-8164 | | | | | |

From Y-7046 To 8-9339 Date:10/2022 PAGE:Y2-1225-02

BRAKE PARTS "KNORR-BREMSE" SN7 SERIES W/NEW SLIDE PINS

| Item# | Part | Description | X L I I I 4 5 | X L I I I M T H 4 0 | X L I I I M T H 4 5 | X L I I I M T H 4 5 E | NOTES |
|-------|----------------|--|---------------------------------|--|--|---|-------|
| 170 | Y2-1005-51 | FRONT AXLE - INDEPENDENT MODEL "NDIFS80P" / 18000LBS From 4-8165 | | | | | |
| 170 | Y2-1105-00 | REAR AXLE - MODEL "RC23160" | | | | | |
| 170 | Y2-1615-00 | TAG AXLE - INSTALL SUSPENSION | | | | | |
| 171 | 621709 | CALIPER MOUNTING BRACKET L.H. & R.H. W/OUT BUSHING | 1 | 1 | 1 | 1 | D |
| 172 | 502558 | WASHER FL 21.0x37.0x3.0 G500 | 6 | 6 | 6 | 6 | |
| 173 | 5001529 | SCREW CAP HEX M20-1.5x60 G10.9 G500 | 6 | 6 | 6 | 6 | |
| 174 | 621636 | SCREW CAP HEX / TO FIX BRACKET TO AXLE 9/16-18 X 2 GR 8 | 24 | 24 | 24 | 24 | D |
| 175 | 621365 | WASHER (HARD) .59IDX.97ODX.09 | 24 | 24 | 24 | 24 | D |
| 200 | 642032 | KIT, TAPPET W/BOOT | AR | AR | AR | AR | C |
| 201 | 642141 | KIT, GUIDANCE PINS & BELLOW / SN W/ GUIDE SLEEVE BUSHING END | AR | AR | AR | AR | E |
| 202 | 642034 | KIT, PLUG CAP W/AJUSTING DEVICE (PACK of 10x #37, #37a & 61) | AR | AR | AR | AR | S |
| 203 | 641402 | KIT, PAD HOLDER | AR | AR | AR | AR | H |
| . 26 | N.S.S. | . SPRING SPLIT PIN | 1 | 1 | 1 | 1 | 1 H |
| . 44 | N.S.S. | . CLEVIS PIN | 1 | 1 | 1 | 1 | 1 H |
| . 45 | N.S.S. | . WASHER | 1 | 1 | 1 | 1 | 1 H |
| 205 | 683345 | GREASE WHITE / 5GR | AR | AR | AR | AR | K |
| 205 | 641930 | GREASE WHITE / 500GR | AR | AR | AR | AR | K |
| NS | 641321 | TOOL / THRUST MEMBER W/BELLOW | AR | AR | AR | AR | L |
| NS | 641322 | TOOL / CALIPER INNER BELLOW | AR | AR | AR | AR | M |
| NS | 19400416 | TOOL / PUSH-IN INNER BOOT (9) | AR | AR | AR | AR | M |
| NS | 642074 | TOOL / BUSHING INSTALLER / SERIES SN | AR | AR | AR | AR | N |
| NS | 641435 | TOOL / FORK (FOR BELLOW CAP) | AR | AR | AR | AR | L |
| 305 | N.P.N. | TOOL / PRESS IN COVER / K015825 | AR | AR | AR | AR | 4 X |
| 306 | N.P.N. | TOOL / BUSHING - INSTALLER & REMOVER KIT / K005986 | AR | AR | AR | AR | 4 Y |
| 307 | N.P.N. | TOOL / RUBBER BUSHING - INSTALLER / K016743 | AR | AR | AR | AR | 4 Z |
| NS | 642035 | KIT TOOL BOX "KNORR BREMSE" SERIE SN7 | AR | AR | AR | AR | |
| 400 | Y2-1235-10 | BRAKE CHAMBER - DRIVE AXLE "KNORR-BREMSE" | | | | | |
| 401 | Y2-1225-10 | BRAKE CHAMBER - FRONT AXLE TYPE 22 From Y-7046 To 3-8164 | | | | | |
| 401 | Y2-1225-11 | BRAKE CHAMBER - FRONT AXLE TYPE 24 From Y-7046 To 8-9339 | | | | | |
| 401 | Y2-1225-12 | BRAKE CHAMBER - FRONT AXLE TYPE 27 From 4-8165 To 8-9339 | | | | | |
| 402 | Y2-1245-10 | BRAKE CHAMBER - TAG AXLE TYPE 16/16 From Y-7046 To 3-8164 | | | | | |
| 402 | Y2-1245-11 | BRAKE CHAMBER - TAG AXLE TYPE 14/16 From 4-8165 To 8-9278 | | | | | |
| 402 | Y2-1245-12 | BRAKE CHAMBER - TAG AXLE TYPE 14 & 16 From 8-9279 To 8-9339 | | | | | |
| 500 | Y006471_000_EN | MAINTENANCE MANUAL / ENGLISH KNORR-BREMSE | | | | | |
| NS | Y006471_000_FF | MANUEL D'ENTRETIEN / FRANÇAIS KNORR-BREMSE | | | | | |
| | | | | | | | |
| | | B) INCLUDES ITEMS #11, 26, 37, 44, 45 & 61 | | | | | |
| | | C) INCLUDES 2 OF ITEMS #13, 22 & 161 | | | | | |
| | | D) ON DRIVE AXLE ONLY | | | | | |
| | | E) INCLUDES ITEMS #4, 5, 6, 7, 9, 10, 39, 40, 58 & 68 | | | | | |

| | | |
|-----------------------|--------------|-----------------|
| From Y-7046 To 8-9339 | Date:10/2022 | PAGE:Y2-1225-02 |
|-----------------------|--------------|-----------------|

BRAKE PARTS "KNORR-BREMSE" SN7 SERIES W/NEW SLIDE PINS

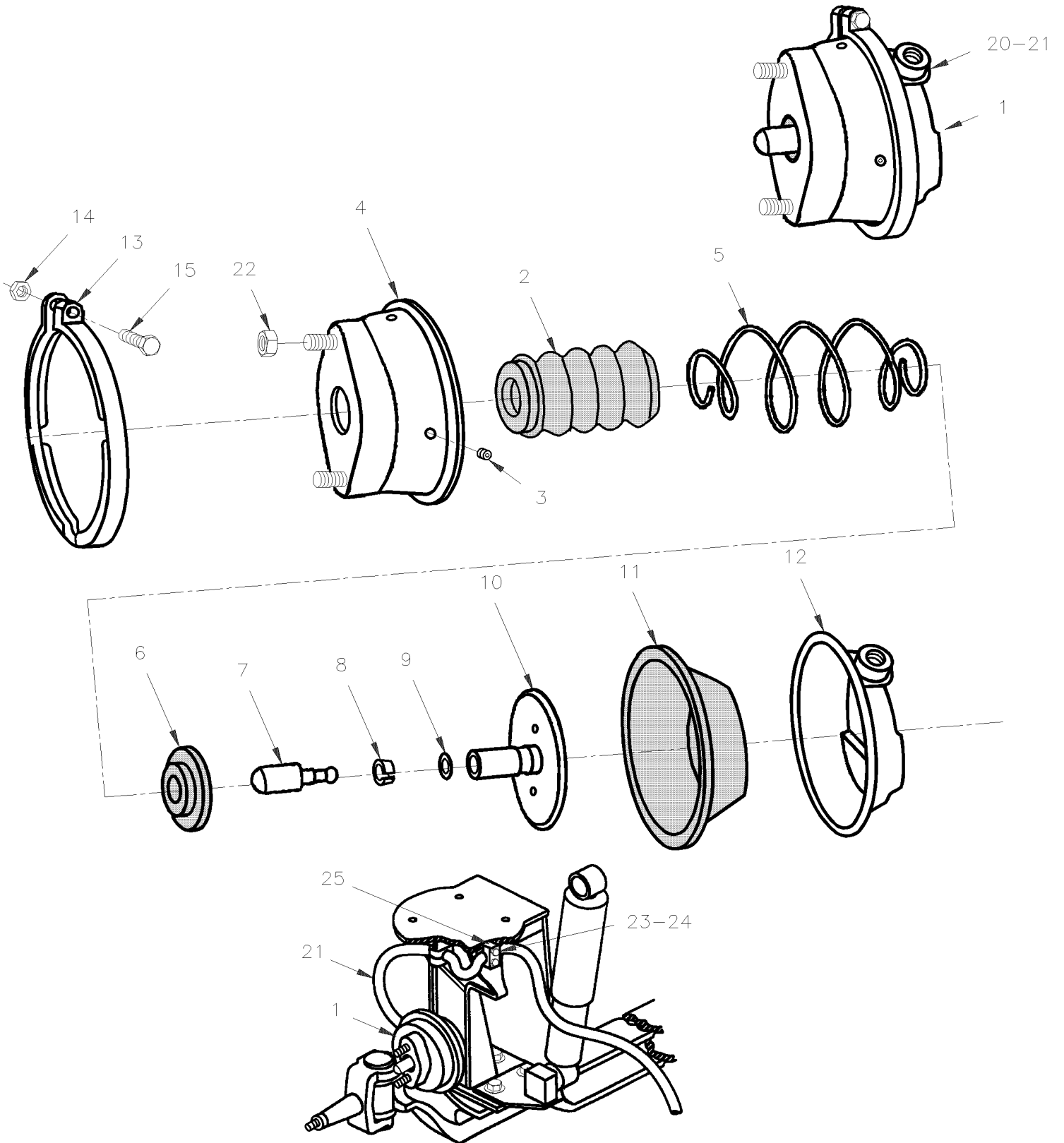
| Item# | Part | Description | X L I I 4 5 | X L I I M T H 4 0 | X L I I M T H 4 5 | X L I I M T H 4 5 E | N O T E S |
|-------|------|----------------------------------|----------------------------|---|---|--|-----------------------|
| | | H) INCLUDES ITEMS #11,26,44 & 45 | | | | | |
| | | K) FOR ITEMS #5 & 7 | | | | | |
| | | L) TO USE W/ITEMS #13 | | | | | |
| | | M) TO USE W/ITEM #9 | | | | | |
| | | N) TO USE W/ITEM #7 | | | | | |
| | | S) INCLUDES 10 ITEMS #37 AND 61 | | | | | |
| | | X) TO USE WITH ITEM #10 | | | | | |
| | | Y) TO USE WITH ITEM 6 | | | | | |
| | | Z) TO USE WITH ITEM #68 | | | | | |
| | | 1) NOT SOLD SEPARATELY | | | | | |
| | | 4) NO PARTS NUMBER | | | | | |
| | | 1) NOT SOLD SEPARATELY | | | | | |

From Y-7046 To 3-8164

Date:10/2022

PAGE:Y2-1225-10

BRAKE CHAMBER - FRONT AXLE TYPE 22



From Y-7046 To 3-8164 Date:10/2022 PAGE:Y2-1225-10

BRAKE CHAMBER - FRONT AXLE TYPE 22

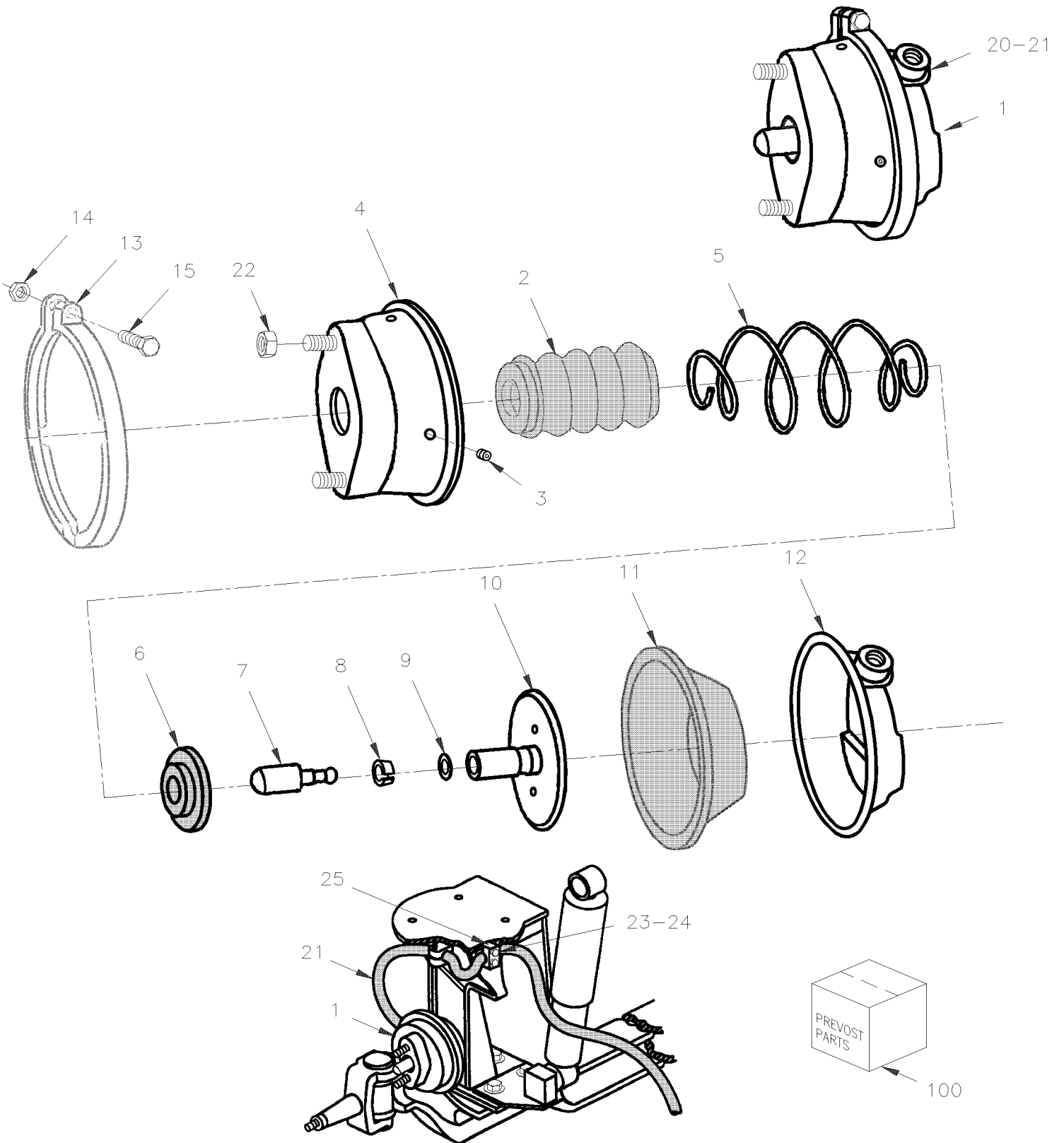
| Item# | Part | Description | X L I I 4 5 | X L I I M T H 4 0 | X L I I M T H 4 5 | X L I I M T H 4 5 E | N O T E S |
|-------|---------|--|----------------------------|---|---|--|-----------------------|
| 1 | 641414 | BRAKE CHAMBER ASSY R.H. / TYPE 22 | 1 | | | | |
| NS | 641413 | BRAKE CHAMBER ASSY L.H. / TYPE 22 | 1 | | | | |
| 2 | N.S.S. | . BOOT | 1 | | | | 1 |
| 3 | N.S.S. | . HOLE PLUG | 1 | | | | 1 |
| 4 | N.S.S. | . CHAMBER , NO-PRESSURE | 1 | | | | 1 |
| 5 | N.S.S. | . SPRING | 1 | | | | 1 |
| 6 | N.S.S. | . SPRING SEAT | 1 | | | | 1 |
| 7 | N.S.S. | . PUSH ROD END | 1 | | | | 1 |
| 8 | N.S.S. | . RETAINER | 1 | | | | 1 |
| 9 | N.S.S. | . RING | 1 | | | | 1 |
| 10 | N.S.S. | . PUSH ROD | 1 | | | | 1 |
| 11 | N.S.S. | . DIAPHRAMG / TYPE 22 | 1 | | | | 1 |
| 12 | N.S.S. | . CHAMBER PRESSURE PLATE | 1 | | | | 1 |
| 13 | N.S.S. | . CLAMP W/BOLT & NUT | 1 | | | | 1 |
| 14 | 502543 | . . NUT HEX M8-1.25 Z050 | 1 | | | | |
| 15 | 5001021 | . . SCREW CAP HEXS M8-1.25x60 G8.8 PT | 1 | | | | |
| NS | 641423 | KIT REPAIR / TYPE 22 | 1 | | | | |
| 20 | 641294 | MALE CONNECTOR / JIC 37° FITTING / #8JIC-MxM16-1.5-M STL | AR | | | | |
| . NS | 641297 | . O-RING 13.1MM I.D. X 2.6 TH | 1 | | | | |
| . NS | 641298 | . WASHER FL 17MM I.D x 22MM O.D. x 1.5MM | 1 | | | | |
| 21 | 641908 | HOSE BRAKE #8 1300MM (51") | 2 | | | | |
| 22 | 5001253 | NUT HEX STO M16-1.5 G500 | 1 | | | | |
| 23 | 504612 | COLLAR 13/16" I.D. / TO FIX HOSE | 2 | | | | |
| 24 | 504614 | PLATE RETAINING / COLLAR | 2 | | | | |
| 25 | 110738 | HOSE SUPPORT L.H. & R.H. / FIXED AT SHOCK END / | 2 | | | | |
| | | | | | | | |
| | | | | | | | |
| | | 1) NOT SOLD SEPARATELY | | | | | |

From Y-7046 To 8-9339

Date:10/2022

PAGE:Y2-1225-11

BRAKE CHAMBER - FRONT AXLE TYPE 24



| | | |
|-----------------------|--------------|-----------------|
| From Y-7046 To 8-9339 | Date:10/2022 | PAGE:Y2-1225-11 |
|-----------------------|--------------|-----------------|

BRAKE CHAMBER - FRONT AXLE TYPE 24

| Item# | Part | Description | X L I I 4 5 | X L I I M T H 4 0 | X L I I M T H 4 5 | X L I I M T H 4 5 E | N O T E S |
|-------|---------|--|----------------------------|---|---|--|-----------------------|
| 1 | 641309 | BRAKE CHAMBER ASSY R.H. / TYPE 24 To 3-8164 | | 1 | 1 | 1 | C |
| NS | 641312 | BRAKE CHAMBER ASSY L.H. / TYPE 24 To 3-8164 | | 1 | 1 | 1 | C |
| 1 | 641309 | BRAKE CHAMBER ASSY R.H. / TYPE 24 From 4-8165 To 8-9278 | 1 | | | | B |
| 1 | 641312 | BRAKE CHAMBER ASSY L.H. / TYPE 24 From 4-8165 To 8-9278 | 1 | | | | B |
| 1 | 612353 | BRAKE CHAMBER ASSY R.H. / TYPE 24 From 8-9279 | | 1 | 1 | 1 | |
| 1 | 612354 | BRAKE CHAMBER ASSY L.H. / TYPE 24 From 8-9279 | | 1 | 1 | 1 | |
| 2 | N.S.S. | . BOOT | 1 | 1 | 1 | 1 | 1 |
| 3 | N.S.S. | . HOLE PLUG | 1 | 1 | 1 | 1 | 1 |
| 4 | N.S.S. | . CHAMBER , NO-PRESSURE | 1 | 1 | 1 | 1 | 1 |
| 5 | 640231 | . SPRING, COMP. | 1 | 1 | 1 | 1 | |
| 6 | N.S.S. | . SPRING SEAT | 1 | 1 | 1 | 1 | 1 |
| 7 | N.S.S. | . PUSH ROD END | 1 | 1 | 1 | 1 | 1 |
| 8 | N.S.S. | . RETAINER | 1 | 1 | 1 | 1 | 1 |
| 9 | N.S.S. | . RING | 1 | 1 | 1 | 1 | 1 |
| 10 | N.S.S. | . PUSH ROD | 1 | 1 | 1 | 1 | 1 |
| 11 | 640229 | . DIAPHRAGM / TYPE 24 | 1 | 1 | 1 | 1 | |
| 12 | N.S.S. | . CHAMBER PRESSURE PLATE | 1 | 1 | 1 | 1 | 1 |
| 13 | N.S.S. | . CLAMP W/BOLT & NUT | 1 | 1 | 1 | 1 | 1 |
| 14 | 502543 | . . NUT HEX M8-1.25 Z050 | 1 | 1 | 1 | 1 | |
| 15 | 5001021 | . . SCREW CAP HEXS M8-1.25x60 G8.8 PT | 1 | 1 | 1 | 1 | |
| 20 | 641294 | MALE CONNECTOR / JIC 37° FITTING / #8JIC-MxM16-1.5-M STL To 3-8164 | 1 | 1 | 1 | 1 | |
| . NS | 641297 | . O-RING 13.1MM I.D. X 2.6 TH To 3-8164 | 1 | 1 | 1 | 1 | |
| . NS | 641298 | . WASHER FL 17MM I.D x 22MM O.D. x 1.5MM To 3-8164 | 1 | 1 | 1 | 1 | |
| 20 | 660914 | MALE ELBOW 90° / JIC 37° FITTING / #8JIC-MxM16-1.5-M STL From 3-8165 | 1 | | | | |
| . NS | 641297 | . O-RING 13.1MM I.D. X 2.6 TH From 3-8165 | 1 | | | | |
| . NS | 641298 | . WASHER FL 17MM I.D x 22MM O.D. x 1.5MM From 3-8165 | 1 | | | | |
| 21 | 641908 | HOSE BRAKE #8 1300MM (51") | 1 | | | | B |
| 21 | 141836 | HOSE BRAKE #8 864MM (34") To Y-7220 | 1 | 1 | 1 | 1 | C |
| 21 | 641905 | HOSE BRAKE #8 952MM (37 1/2") From Y-7221 To 3-8164 | 1 | 1 | 1 | 1 | C |
| 22 | 5001253 | NUT HEX STO M16-1.5 G500 | 2 | 2 | 2 | 2 | |
| 23 | 504612 | COLLAR 13/16" I.D. / TO FIX HOSE | 2 | 2 | 2 | 2 | |
| 24 | 504614 | PLATE RETAINING / COLLAR | 2 | 2 | 2 | 2 | |
| 25 | 110765 | HOSE SUPPORT L.H. & R.H. / FIXED AT SHOCK END / | 2 | 2 | 2 | 2 | B |
| NS | 500169 | SCREW CAP HEX 1/4-20x1 1/2 G5 PT ZP | 4 | 4 | 4 | 4 | B |
| 25 | 141837 | HOSE SUPPORT L.H. To 3-8164 | 1 | 1 | 1 | 1 | C |
| NS | 502656 | SCREW CAP HEX M6-1.0x50 SS To 3-8164 | 4 | 4 | 4 | 4 | C |
| 25 | 141845 | HOSE SUPPORT R.H. To 3-8164 | 1 | 1 | 1 | 1 | C |
| NS | 502570 | WASHER LO SPT 6.1x11.8x1.6 SS To 3-8164 | 4 | 4 | 4 | 4 | C |
| NS | 502565 | NUT HEX M6-1.0 SS To 3-8164 | 4 | 4 | 4 | 4 | C |
| 100 | 641422 | KIT REPAIR / TYPE 24 | 1 | 1 | 1 | 1 | A |
| | | | | | | | |
| | | | | | | | |

| | | |
|---|--------------|-----------------|
| From Y-7046 To 8-9339 | Date:10/2022 | PAGE:Y2-1225-11 |
| BRAKE CHAMBER - FRONT AXLE TYPE 24 | | |

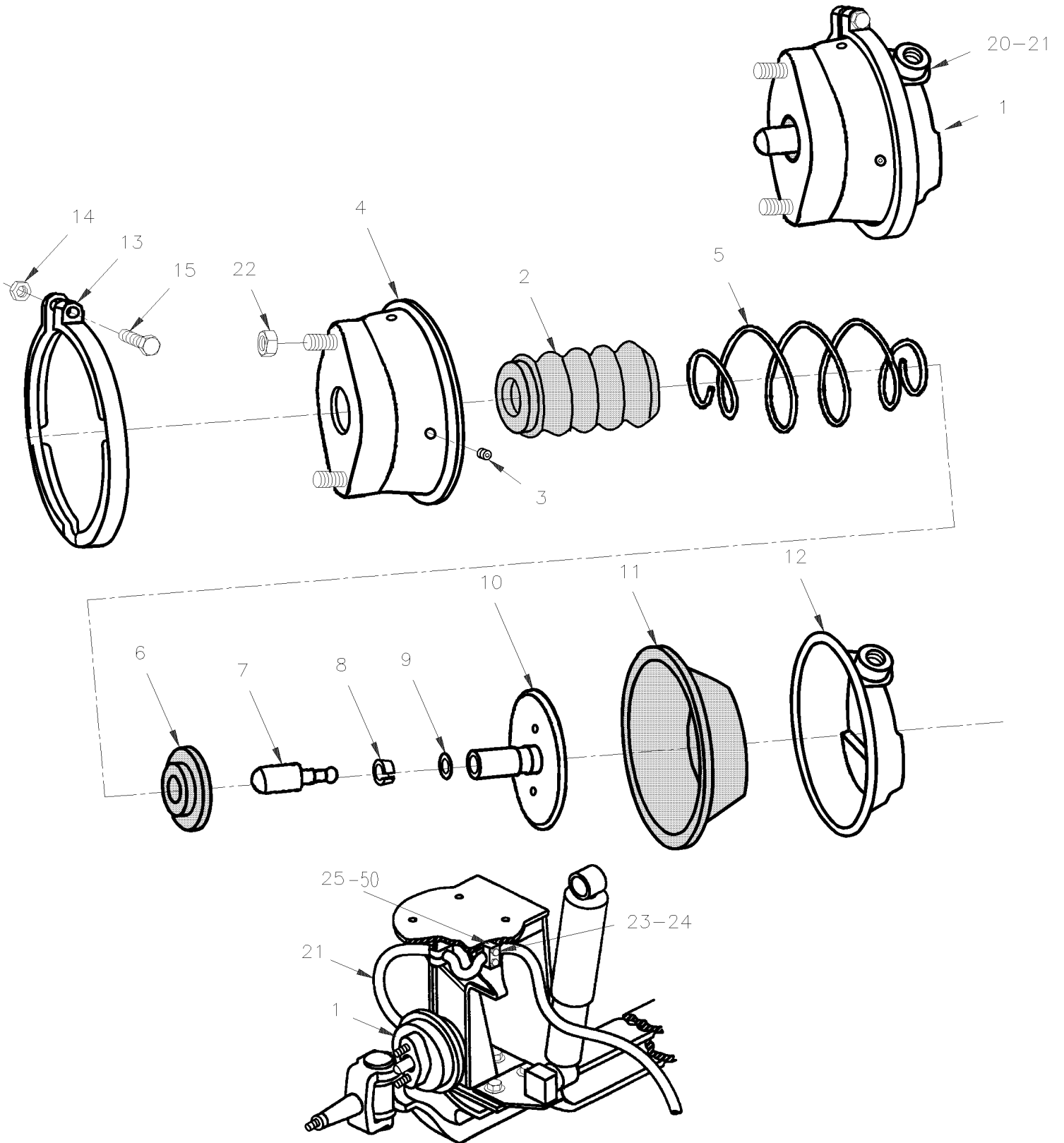
| Item# | Part | Description | X L I I 4 5 | X L I I M T H 4 0 | X L I I M T H 4 5 | X L I I M T H 4 5 E | N O T E S |
|-------|------|-----------------------------------|----------------------------|---|---|--|-----------------------|
| | | A) INCLUDED ITEMS #2,3,6,8,9 & 11 | | | | | |
| | | B) WITH I BEAM RIGID SUSPENSION | | | | | |
| | | C) WITH INDEPENDANTE SUSPENSION | | | | | |
| | | 1) NOT SOLD SEPARATELY | | | | | |

From 4-8165 To 8-9339

Date:10/2022

PAGE:Y2-1225-12

BRAKE CHAMBER - FRONT AXLE TYPE 27



| | | |
|---|--------------|-----------------|
| From 4-8165 To 8-9339 | Date:10/2022 | PAGE:Y2-1225-12 |
| BRAKE CHAMBER - FRONT AXLE TYPE 27 | | |

| Item# | Part | Description | X L I I 4 5 | X L I I M T H 4 0 | X L I I M T H 4 5 | X L I I M T H 4 5 E | N O T E S |
|-------|-------------------|--|----------------------------|---|---|--|-----------------------|
| 1 | 611276 | BRAKE CHAMBER ASSY R.H. / TYPE 27 | | 1 | 1 | 1 | |
| NS | 611277 | BRAKE CHAMBER ASSY L.H. / TYPE 27 | | 1 | 1 | 1 | |
| 2 | N.S.S. | . BOOT | | 1 | 1 | 1 | 1 |
| 3 | N.S.S. | . HOLE PLUG | | 1 | 1 | 1 | 1 |
| 4 | N.S.S. | . CHAMBER , NO-PRESSURE | | 1 | 1 | 1 | 1 |
| 5 | N.S.S. | . SPRING | | 1 | 1 | 1 | 1 |
| 6 | N.S.S. | . SPRING SEAT | | 1 | 1 | 1 | 1 |
| 7 | N.S.S. | . PUSH ROD END | | 1 | 1 | 1 | 1 |
| 8 | N.S.S. | . RETAINER | | 1 | 1 | 1 | 1 |
| 9 | N.S.S. | . RING | | 1 | 1 | 1 | 1 |
| 10 | N.S.S. | . PUSH ROD | | 1 | 1 | 1 | 1 |
| 11 | N.S.S. | . DIAPHRAMG / TYPE 27 | | 1 | 1 | 1 | 1 |
| 12 | N.S.S. | . CHAMBER PRESSURE PLATE | | 1 | 1 | 1 | 1 |
| 13 | N.S.S. | . CLAMP W/BOLT & NUT | | 1 | 1 | 1 | 1 |
| 14 | 502543 | . . NUT HEX M8-1.25 Z050 | | 1 | 1 | 1 | |
| 15 | 5001021 | . . SCREW CAP HEXS M8-1.25x60 G8.8 PT | | 1 | 1 | 1 | |
| 15 | N.S.S. | KIT REPAIR / TYPE 27 | | 1 | 1 | 1 | 1 |
| 20 | 660914 | MALE ELBOW 90° / JIC 37° FITTING / #8JIC-MxM16-1.5-M STL | | AR | AR | AR | |
| . NS | 641297 | . O-RING 13.1MM I.D. X 2.6 TH | | 1 | 1 | 1 | |
| . NS | 641298 | . WASHER FL 17MM I.D x 22MM O.D. x 1.5MM | | 1 | 1 | 1 | |
| 21 | 641903 | HOSE BRAKE #8 1090MM (43") | | 2 | 2 | 2 | |
| 22 | 5001253 | NUT HEX STO M16-1.5 G500 | | 1 | 1 | 1 | |
| 23 | 504612 | COLLAR 13/16" I.D. / TO FIX HOSE | | 2 | 2 | 2 | |
| 24 | 504614 | PLATE RETAINING / COLLAR | | 2 | 2 | 2 | |
| 25 | 142305 | HOSE SUPPORT L.H. To 4-8193 | | 1 | 1 | 1 | |
| 25 | 142306 | HOSE SUPPORT R.H. To 4-8193 | | 1 | 1 | 1 | |
| 25 | 142352 | HOSE SUPPORT R.H. From 4-8194 | | 1 | 1 | 1 | |
| 25 | 142353 | HOSE SUPPORT L.H. From 4-8194 | | 1 | 1 | 1 | |
| 50 | Y2-1250-10 | ABS BRAKE VALVE INSTALLATION | | | | | |
| | | | | | | | |
| | | | | | | | |
| | | | | | | | |
| | | 1) NOT SOLD SEPARATELY | | | | | |

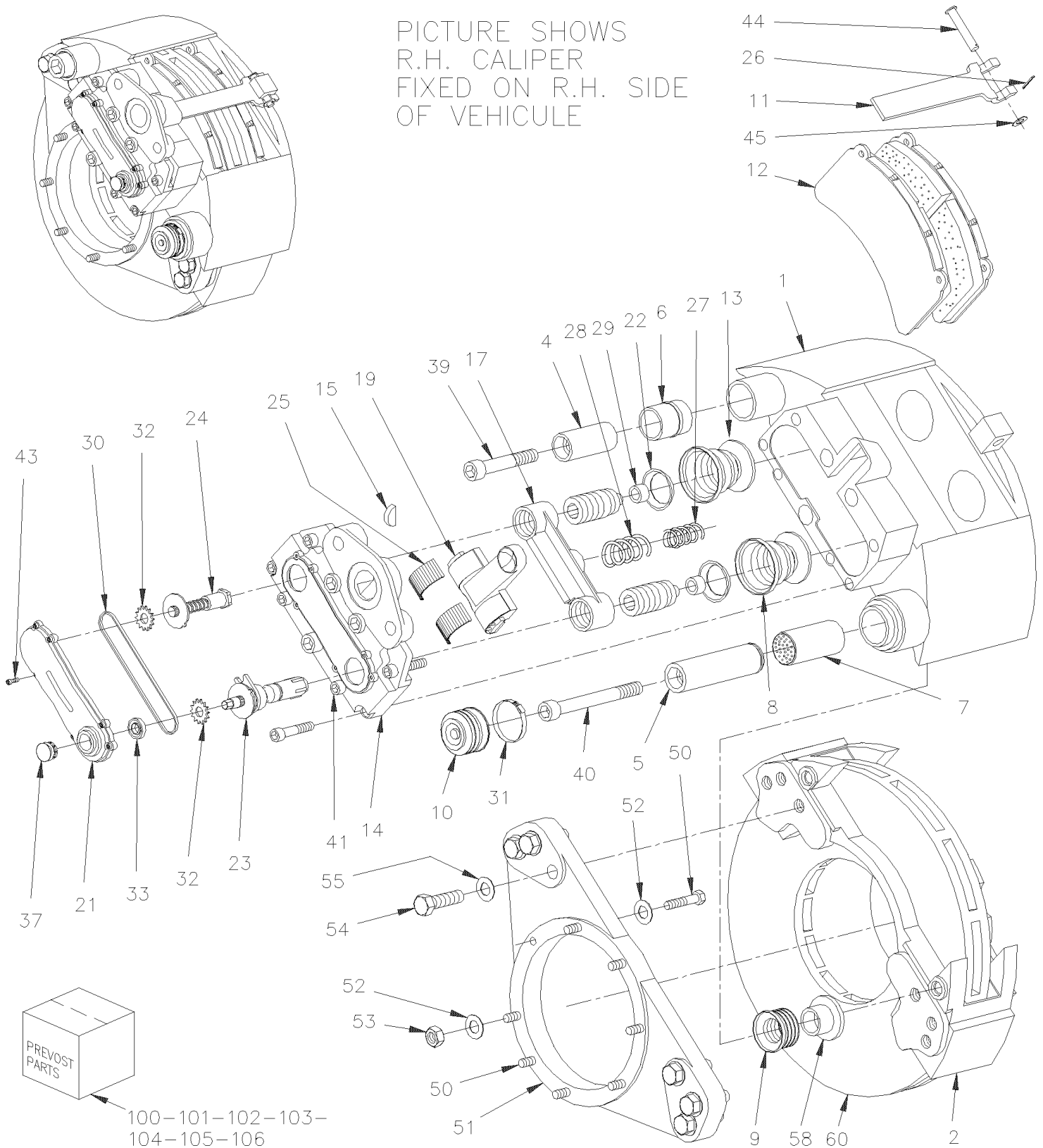
From Y-7046 To 7-9159

Date:10/2022

PAGE:Y2-1235-00

BRAKE PARTS - DRIVE AXLE "MERITOR" W/DISCS / SB7 SERIES

PICTURE SHOWS
R.H. CALIPER
FIXED ON R.H. SIDE
OF VEHICLE



| | | |
|--|--------------|-----------------|
| From Y-7046 To 7-9159 | Date:10/2022 | PAGE:Y2-1235-00 |
| BRAKE PARTS - DRIVE AXLE "MERITOR" W/DISCS / SB7 SERIES | | |

| Item# | Part | Description | X L I I 4 5 | X L I I M T H 4 0 | X L I I M T H 4 5 | X L I I M T H 4 5 E | N O T E S |
|-------|--------|---|----------------------------|---|---|--|-----------------------|
| | 621631 | CALIPER ASSY R.H. / W/BOOSTER TYPE 24/24 / SB7 | 1 | 1 | 1 | 1 | |
| | 621630 | CALIPER ASSY L.H. / W/BOOSTER TYPE 24/24 / SB7 | 1 | 1 | 1 | 1 | |
| | 611184 | . CALIPER ASSY R.H. / W/O BOOSTER / SB7 | 1 | 1 | 1 | 1 | A |
| | 611185 | . CALIPER ASSY L.H. / W/O BOOSTER / SB7 | 1 | 1 | 1 | 1 | A |
| 1 | N.S.S. | .. CALIPER HOUSING | 1 | 1 | 1 | 1 | 1 |
| 2 | 611340 | .. BRAKE CARRIER / W/6 HOLES BOLT RETAINERS M20-2.5 | 1 | 1 | 1 | 1 | |
| 4 | N.S.S. | .. GUIDE BUSHING / SHORT | 1 | 1 | 1 | 1 | 1 |
| 5 | N.S.S. | .. GUIDE BUSHING / LONG | 1 | 1 | 1 | 1 | 1 |
| 6 | 611245 | .. GUIDE SLEEVE / RUBBER SB 7 SERIES | 1 | 1 | 1 | 1 | |
| 7 | 611107 | .. BUSHING / BRASS | 1 | 1 | 1 | 1 | |
| 8 | N.S.S. | .. BOOT RUBBER / WHITE | 2 | 2 | 2 | 2 | 1 |
| 9 | N.S.S. | .. BELLOW GUIDE BUSHING / RED | 1 | 1 | 1 | 1 | 1 |
| 10 | 641421 | .. BELLOW CAP / RUBBER | 1 | 1 | 1 | 1 | |
| 11 | N.S.S. | .. BRAKE PAD BRACKET | 1 | 1 | 1 | 1 | 1 |
| 12 | 611105 | .. LINING SET STD / (FERODO) | 1 | 1 | 1 | 1 | B |
| . 11 | N.S.S. | ... BRAKE PAD BRACKET | 1 | 1 | 1 | 1 | 1B |
| . 26 | N.S.S. | ... SPRING SPLIT PIN | 1 | 1 | 1 | 1 | 1B |
| . 37 | 641313 | ... PLUG CAP / ADJUSTING DEVICE / PLASTIC INTERIOR GRIP | 1 | 1 | 1 | 1 | B |
| . 44 | N.S.S. | ... CLEVIS PIN | 1 | 1 | 1 | 1 | 1B |
| . 45 | N.S.S. | ... WASHER | 1 | 1 | 1 | 1 | 1B |
| . 61 | N.S.S. | ... SHEAR ADAPTER | 1 | 1 | 1 | 1 | 1B |
| 12 | 611049 | .. LINING SET STD / | 1 | 1 | 1 | 1 | B |
| . 11 | N.S.S. | ... BRAKE PAD BRACKET | 1 | 1 | 1 | 1 | 1B |
| . 26 | N.S.S. | ... SPRING SPLIT PIN | 1 | 1 | 1 | 1 | 1B |
| . 37 | 641313 | ... PLUG CAP / ADJUSTING DEVICE / PLASTIC INTERIOR GRIP | 1 | 1 | 1 | 1 | B |
| . 44 | N.S.S. | ... CLEVIS PIN | 1 | 1 | 1 | 1 | 1B |
| . 45 | N.S.S. | ... WASHER | 1 | 1 | 1 | 1 | 1B |
| . 61 | N.S.S. | ... SHEAR ADAPTER | 1 | 1 | 1 | 1 | 1B |
| 13 | N.S.S. | .. TAPPET | 2 | 2 | 2 | 2 | 1 |
| 14 | N.S.S. | .. SYNCHRONIZING HOUSING | 1 | 1 | 1 | 1 | 1 |
| 15 | N.S.S. | .. PLUG HALF / RUBBER | 1 | 1 | 1 | 1 | 1 |
| 17 | N.S.S. | .. BEAM | 1 | 1 | 1 | 1 | 1 |
| 18 | N.S.S. | .. O-RING | 1 | 1 | 1 | 1 | 1 |
| 19 | N.S.S. | .. LEVER | 1 | 1 | 1 | 1 | 1 |
| 21 | N.S.S. | .. COVER SYNCHRONIZING HOUSING | 1 | 1 | 1 | 1 | 1 |
| 22 | N.S.S. | .. BOOT | 2 | 2 | 2 | 2 | 1 |
| 23 | N.S.S. | .. CLEARANCE ADJUSTER | 1 | 1 | 1 | 1 | 1 |
| 24 | N.S.S. | .. DRIVER | 1 | 1 | 1 | 1 | 1 |
| 25 | N.S.S. | .. LEVER BEARING | 1 | 1 | 1 | 1 | 1 |
| 26 | N.S.S. | .. SPRING SPLINT PIN | 1 | 1 | 1 | 1 | 1 |
| 27 | N.S.S. | .. COMPRESSION SPRING | 1 | 1 | 1 | 1 | 1 |
| 28 | N.S.S. | .. COMPRESSION SPRING | 1 | 1 | 1 | 1 | 1 |

| | | |
|--|--------------|-----------------|
| From Y-7046 To 7-9159 | Date:10/2022 | PAGE:Y2-1235-00 |
| BRAKE PARTS - DRIVE AXLE "MERITOR" W/DISCS / SB7 SERIES | | |

| Item# | Part | Description | X L I I 4 5 | X L I I M T H 4 0 | X L I I M T H 4 5 | X L I I M T H 4 5 E | N O T E S |
|-------|---------------------|---|----------------------------|---|---|--|-----------------------|
| 29 | N.S.S. | .. RING RETAINING / TAPPET | 2 | 2 | 2 | 2 | 1 |
| 30 | N.S.S. | .. ROLLER CHAIN | 1 | 1 | 1 | 1 | 1 |
| 31 | 641420 | .. PERFORATED CLIP | 1 | 1 | 1 | 1 | |
| 32 | N.S.S. | .. CHAIN DRIVE WHEEL | 2 | 2 | 2 | 2 | 1 |
| 33 | N.S.S. | .. SHAFT SEALING RING | 1 | 1 | 1 | 1 | 1 |
| 37 | 641313 | .. PLUG CAP / ADJUSTING DEVICE / PLASTIC INTERIOR GRIP | 1 | 1 | 1 | 1 | |
| 38 | N.S.S. | .. DOWEL | 4 | 4 | 4 | 4 | 1 |
| 39 | N.S.S. | .. SCREW CAP HEXS M16-1.5x140 G10.9 ZP | 1 | 1 | 1 | 1 | 1 |
| 40 | N.S.S. | .. SCREW CAP HEXS M16-1.5x90 G10.9 ZP | 1 | 1 | 1 | 1 | 1 |
| 41 | N.S.S. | .. SOCKET HEAD CAP SCREW M14 X 60MM GR 12.9 | 3 | 3 | 3 | 3 | 1 |
| 43 | N.S.S. | .. SOCKET HEAD CAP SCREW M5 X 12MM | 8 | 8 | 8 | 8 | 1 |
| 44 | N.S.S. | .. CLEVIS PIN | 1 | 1 | 1 | 1 | 1 |
| 45 | N.S.S. | .. WASHER | 1 | 1 | 1 | 1 | 1 |
| NS | Y2-1235-10 | . BRAKE CHAMBER - DRIVE AXLE "KNORR-BREMSE" | | | | | |
| 50 | 621636 | SCREW CAP HEX / TO FIX BRACKET TO AXLE 9/16-18 X 2 GR 8 | 12 | 12 | 12 | 12 | |
| 51 | 621669 | CALIPER MOUNTING BRACKET L.H. & R.H. | 2 | 2 | 2 | 2 | |
| . NS | 621709 | . CALIPER MOUNTING BRACKET L.H. & R.H. W/OUT BUSHING | 1 | 1 | 1 | 1 | |
| . NS | 621684 | . BUSHING ABS SENSOR MOUNTING DRIVE AXLE | 1 | 1 | 1 | 1 | |
| 52 | 621365 | WASHER (HARD) .59IDX.97ODX.09 | 24 | 24 | 24 | 24 | |
| 53 | 621638 | NUT HEX 9/16-18 GR8 | 12 | 12 | 12 | 12 | |
| 54 | 5001358 | SCREW CAP HEX M20-2.5x50 G10.9 ZP | 6 | 6 | 6 | 6 | |
| 54 | 611309 | SCREW CAP HEX M20-2.5x60 G10.9 DP | 6 | 6 | 6 | 6 | |
| 55 | N8889049 | WASHER | 6 | 6 | 6 | 6 | |
| 58 | N.S.S. | PLASTIC RING, BOOT RETAINER | 1 | 1 | 1 | 1 | 1 |
| 60 | Y2-1305-00 | HUB & ROTOR - DRIVE AXLE | | | | | |
| 70 | 110786 | BRAKE WEAR INDICATOR MECHANICAL / 44MM | AR | AR | AR | AR | |
| 99 | FMBS-0BPK-10 | BRAKE PARTS - "KNORR-BREMSE" / SB7 & SN7 "AFTERMARKET" | | | | | |
| 100 | 611054 | KIT, TAPPET W/BOOT | AR | AR | AR | AR | C |
| . 08 | N.S.S. | . BOOT RUBBER / WHITE | 2 | 2 | 2 | 2 | 1 C |
| . 13 | N.S.S. | . TAPPET | 2 | 2 | 2 | 2 | 1 C |
| 101 | 611168 | KIT, GUIDANCE PINS & BELLOW | AR | AR | AR | AR | D |
| . 04 | N.S.S. | . GUIDE BUSHING / SHORT | 1 | 1 | 1 | 1 | 1 D |
| . 05 | N.S.S. | . GUIDE BUSHING / LONG | 1 | 1 | 1 | 1 | 1 D |
| . 06 | 611245 | . GUIDE SLEEVE / RUBBER SB 7 SERIES | 1 | 1 | 1 | 1 | D |
| . 07 | 611107 | . BUSHING / BRASS | 1 | 1 | 1 | 1 | D |
| . 09 | N.S.S. | . BELLOW GUIDE BUSHING / RUBBER RED | 1 | 1 | 1 | 1 | 1 D |
| . 10 | 641421 | . BELLOW CAP / RUBBER | 1 | 1 | 1 | 1 | D |
| . 31 | 641420 | . PERFORATED CLIP | 1 | 1 | 1 | 1 | D |
| . 39 | N.S.S. | . SCREW CAP HEXS | 1 | 1 | 1 | 1 | 1 D |
| . 40 | N.S.S. | . SCREW CAP HEXS | 1 | 1 | 1 | 1 | 1 D |
| . 58 | N.S.S. | . PLASTIC RING / BOOT RETAINER | 1 | 1 | 1 | 1 | 1 D |

From Y-7046 To 7-9159 Date:10/2022 PAGE:Y2-1235-00

BRAKE PARTS - DRIVE AXLE "MERITOR" W/DISCS / SB7 SERIES

| Item# | Part | Description | X L I I 4 5 | X L I I M T H 4 0 | X L I I M T H 4 5 | X L I I M T H 4 5 E | NOTES |
|-------|--------|---|----------------------------|---|---|--|-------|
| 102 | 611177 | KIT, BOOT PROTECTOR & TAPPET | AR | AR | AR | AR | E |
| .08 | N.S.S. | . BOOT RUBBER / WHITE | 1 | 1 | 1 | 1 | 1E |
| .13 | N.S.S. | . TAPPET | 1 | 1 | 1 | 1 | 1E |
| .29 | N.S.S. | . RING RETAINING / TAPPET | 1 | 1 | 1 | 1 | 1E |
| 103 | 611179 | KIT, CARRIER & GUIDING PIN | AR | AR | AR | AR | F |
| .02 | 611340 | . BRAKE CARRIER / W/6 HOLES BOLT RETAINERS M20-2.5 | 1 | 1 | 1 | 1 | F |
| .04 | N.S.S. | . GUIDE BUSHING / SHORT | 1 | 1 | 1 | 1 | 1F |
| .05 | N.S.S. | . GUIDE BUSHING / LONG | 1 | 1 | 1 | 1 | 1F |
| .39 | N.S.S. | . SCREW CAP HEXS | 1 | 1 | 1 | 1 | 1F |
| .40 | N.S.S. | . SCREW CAP HEXS | 1 | 1 | 1 | 1 | 1F |
| 104 | 641402 | KIT, PAD HOLDER | AR | AR | AR | AR | G |
| .26 | N.S.S. | . SPRING SPLIT PIN | 1 | 1 | 1 | 1 | 1G |
| .44 | N.S.S. | . CLEVIS PIN | 1 | 1 | 1 | 1 | 1G |
| .45 | N.S.S. | . WASHER | 1 | 1 | 1 | 1 | 1G |
| 104 | 641444 | TOOL / GROOVING BUSHING | AR | AR | AR | AR | M |
| 105 | 611199 | KIT, BOOT & SEAL | AR | AR | AR | AR | H |
| .09 | N.S.S. | . BELLOW GUIDE BUSHING / RUBBER RED | 1 | 1 | 1 | 1 | 1H |
| .10 | 641421 | . BELLOW CAP / RUBBER | 1 | 1 | 1 | 1 | H |
| .31 | 641420 | . PERFORATED CLIP | 1 | 1 | 1 | 1 | H |
| .37 | 641313 | . PLUG CAP / ADJUSTING DEVICE / PLASTIC INTERIOR GRIP | 1 | 1 | 1 | 1 | H |
| .58 | N.S.S. | . PLASTIC RING / BOOT RETAINER | 1 | 1 | 1 | 1 | 1H |
| 105 | 683344 | GREASE GREEN / 5GR | AR | AR | AR | AR | I |
| 105 | 641931 | GREASE GREEN / 500GR | AR | AR | AR | AR | I |
| 105 | 683345 | GREASE WHITE / 5GR | AR | AR | AR | AR | J |
| 105 | 641930 | GREASE WHITE / 500GR | AR | AR | AR | AR | J |
| 105 | 641321 | TOOL / THRUST MEMBER W/BELLOW | AR | AR | AR | AR | K |
| 105 | 641322 | TOOL / CALIPER INNER BELLOW | AR | AR | AR | AR | L |
| 105 | 641323 | TOOL / BUSHING INSTALLER / SERIES SB | AR | AR | AR | AR | M |
| 105 | 641435 | TOOL / FORK (FOR BELLOW CAP) | AR | AR | AR | AR | N |
| 106 | 611246 | KIT, GUIDANCE PIN & RUBBER BUSHING / SHORT PIN | AR | AR | AR | AR | O |
| .04 | N.S.S. | . GUIDE BUSHING / SHORT | 1 | 1 | 1 | 1 | 1O |
| .06 | 611245 | . GUIDE SLEEVE / RUBBER SB 7 SERIES | 1 | 1 | 1 | 1 | O |
| .39 | N.S.S. | . SCREW CAP HEXS | 1 | 1 | 1 | 1 | 1O |
| 107 | 641427 | KIT BOOT & CLIP | AR | AR | AR | AR | P |
| .10 | 641421 | . BELLOW CAP / RUBBER | 1 | 1 | 1 | 1 | P |
| .31 | 641420 | . PERFORATED CLIP | 1 | 1 | 1 | 1 | P |
| | | | | | | | |
| | | A) INCLUDES ITEM #2 BUT NOT ITEM # 12 | | | | | |
| | | B) INCLUDES ITEMS #11, 26, 37, 44, 45 & 61 | | | | | |
| | | C) INCLUDES 2 OF ITEMS #8 & 13 | | | | | |

| | | |
|-----------------------|--------------|-----------------|
| From Y-7046 To 7-9159 | Date:10/2022 | PAGE:Y2-1235-00 |
|-----------------------|--------------|-----------------|

BRAKE PARTS - DRIVE AXLE "MERITOR" W/DISCS / SB7 SERIES

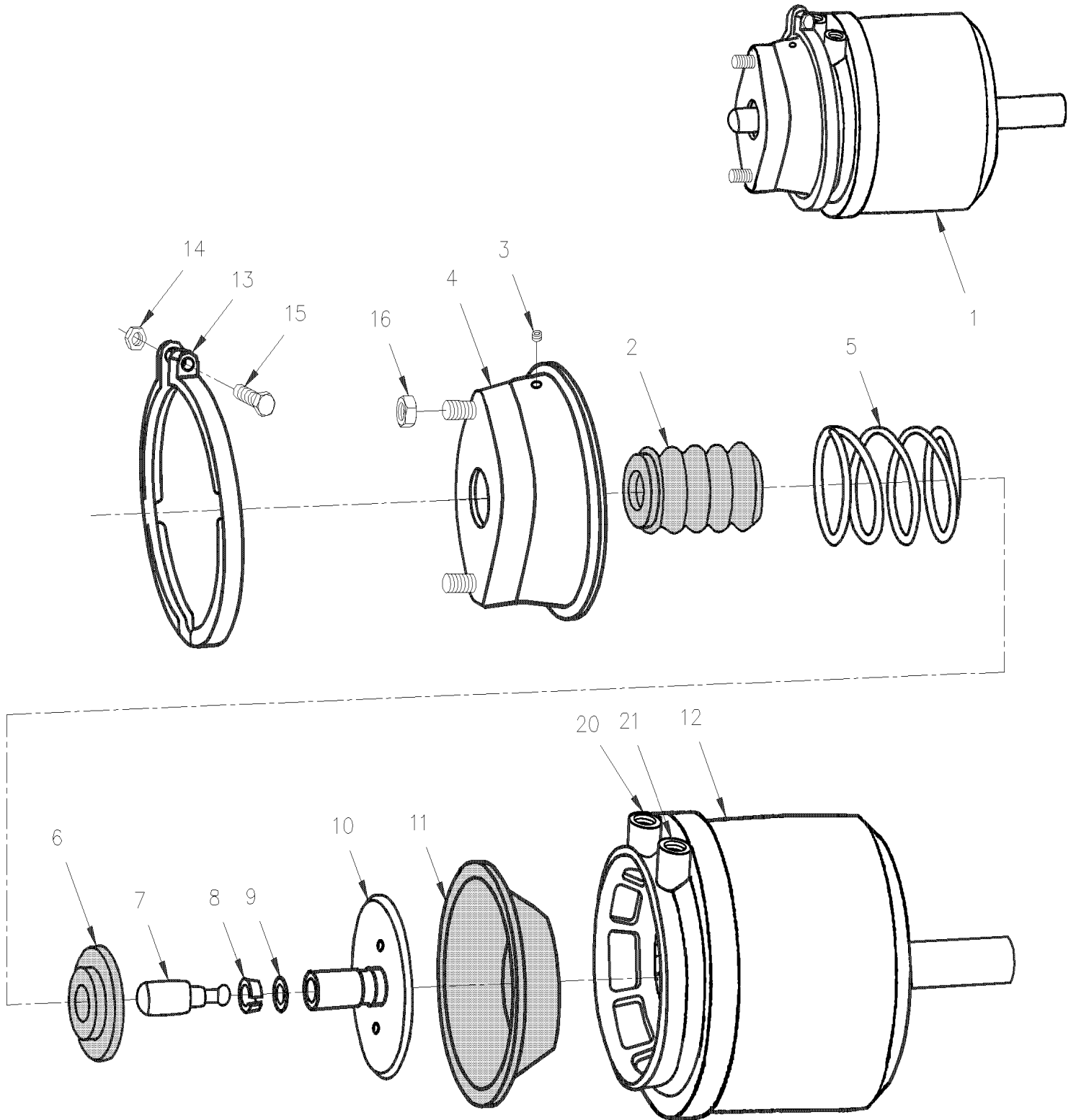
| Item# | Part | Description | X L I I 4 5 | X L I I M T H 4 0 | X L I I M T H 4 5 | X L I I M T H 4 5 E | N O T E S |
|-------|------|---|----------------------------|---|---|--|-----------------------|
| | | D) INCLUDES ITEMS #4,5,6,7,9,10,31,39,40 & 58 | | | | | |
| | | E) INCLUDES ITEMS #8,13 & 29 | | | | | |
| | | F) INCLUDES ITEMS #2,4,5,39 & 40 | | | | | |
| | | G) INCLUDES ITEMS #11,26,44 & 45 | | | | | |
| | | H) INCLUDES ITEMS 39,10,31,37 & 58 | | | | | |
| | | I) FOR ITEMS #4 & 6 | | | | | |
| | | J) FOR ITEMS #5 & 7 | | | | | |
| | | K) TO USE W/ITEMS #8 & 13 | | | | | |
| | | L) TO USE W/ITEM #9 | | | | | |
| | | M) TO USE W/ITEM #7 | | | | | |
| | | N) TO USE W/ITEMS #8 & 13 | | | | | |
| | | O) INCLUDES ITEMS #4,6 & 39 | | | | | |
| | | P) INCLUDES ITEM #10 & 31 | | | | | |
| | | 1) NOT SOLD SEPARATELY | | | | | |
| | | 1) NOT SOLD SEPARATELY | | | | | |

From Y-7046 To 8-9339

Date:10/2022

PAGE:Y2-1235-10

BRAKE CHAMBER - DRIVE AXLE "KNORR-BREMSE"



| | | |
|--|--------------|-----------------|
| From Y-7046 To 8-9339 | Date:10/2022 | PAGE:Y2-1235-10 |
| BRAKE CHAMBER - DRIVE AXLE "KNORR-BREMSE" | | |

| Item# | Part | Description | X L I I I 4 5 | X L I I I M T H 4 0 | X L I I I M T H 4 5 | X L I I I M T H 4 5 E | N O T E S |
|-------|---------|---|---------------------------------|--|--|---|-----------------------|
| 1 | 641432 | BRAKE CHAMBER ASSY L.H. & R.H. / TYPE 24/24 To 7-9159 | 2 | 2 | 2 | 2 | |
| 1 | 642057 | BRAKE CHAMBER ASSY L.H. / TYPE 24/24 (SEALED) From 7-9160 | | | 1 | 1 | |
| 1 | 642058 | BRAKE CHAMBER ASSY R.H. / TYPE 24/24 (SEALED) From 7-9160 | | | 1 | 1 | |
| 2 | N.S.S. | . BOOT | 1 | 1 | 1 | 1 | 1 |
| 3 | N.S.S. | . HOLE PLUG | 1 | 1 | 1 | 1 | 1 |
| 4 | N.S.S. | . CHAMBER , NO-PRESSURE | 1 | 1 | 1 | 1 | 1 |
| 5 | N.S.S. | . SPRING | 1 | 1 | 1 | 1 | 1 |
| 6 | N.S.S. | . SPRING SEAT | 1 | 1 | 1 | 1 | 1 |
| 7 | N.S.S. | . PUSH ROD END | 1 | 1 | 1 | 1 | 1 |
| 8 | N.S.S. | . RETAINER | 1 | 1 | 1 | 1 | 1 |
| 9 | N.S.S. | . RING | 1 | 1 | 1 | 1 | 1 |
| 10 | N.S.S. | . PUSH ROD | 1 | 1 | 1 | 1 | 1 |
| 11 | 640229 | . DIAPHRAGM / TYPE 24 To 7-9159 | 1 | 1 | 1 | 1 | |
| 12 | 641433 | . CHAMBER SUB ASSY / TYPE 24/24 To 7-9159 | 1 | 1 | 1 | 1 | |
| 13 | N.S.S. | . CLAMP W/BOLT & NUT To 7-9159 | 1 | 1 | 1 | 1 | 1 |
| 14 | 502543 | . . NUT HEX M8-1.25 Z050 To 7-9159 | 1 | 1 | 1 | 1 | |
| 15 | 5001021 | . . SCREW CAP HEXS M8-1.25x60 G8.8 PT To 7-9159 | 1 | 1 | 1 | 1 | |
| 16 | 5001253 | NUT HEX STO M16-1.5 G500 | 2 | 2 | 2 | 2 | |
| NS | 641443 | KIT REPAIR / TYPE 24/24 To 7-9159 | AR | AR | AR | AR | B |
| | | HOSE SERVICE BRAKE | | | | | |
| 20 | 641303 | HOSE BRAKE #8 914MM (36") | 2 | 2 | 2 | 2 | A |
| NS | 501842 | ADAPTER / AIR BRAKE HOSE FITTING / 3/4-20-Mx3/8NPT-M STL | 1 | 1 | 1 | 1 | |
| NS | 501330 | STREET ELBOW 45° / PIPE FITTING / 3/8NPT-Mx3/8NPT-F BR | 1 | 1 | 1 | 1 | |
| | | HOSE EMERGENCY BRAKE | | | | | |
| 21 | 503488 | TUBE, NYLON 1/2 O.D. / BLACK S.L./ | AR | AR | AR | AR | |
| NS | 641010 | MALE ELBOW 45° / NTA FITTING / #8x3/8NPT-M BR | 1 | 1 | 1 | 1 | |
| NS | 141804 | HOSE BRAKE #8 895MM To Y-7220 | 1 | 1 | 1 | 1 | |
| 21 | 641901 | HOSE BRAKE #8 952MM (37 1/2") From Y-7221 | 1 | 1 | 1 | 1 | |
| NS | 5011205 | FEMALE CONNECTOR / PIPE @ METRIC / 3/8NPT-FxM16-1.5-M ZP | 2 | 2 | 2 | 2 | |
| . NS | 641297 | . O-RING 13.1MM I.D. X 2.6 TH | 1 | 1 | 1 | 1 | |
| . NS | 641298 | . WASHER FL 17MM I.D x 22MM O.D. x 1.5MM | 1 | 1 | 1 | 1 | |
| NS | 641297 | O-RING 13.1MM I.D. X 2.6 TH | 2 | 2 | 2 | 2 | |
| NS | 641298 | WASHER FL 17MM I.D x 22MM O.D. x 1.5MM | 2 | 2 | 2 | 2 | |
| | | A) L.H. & R.H. | | | | | |

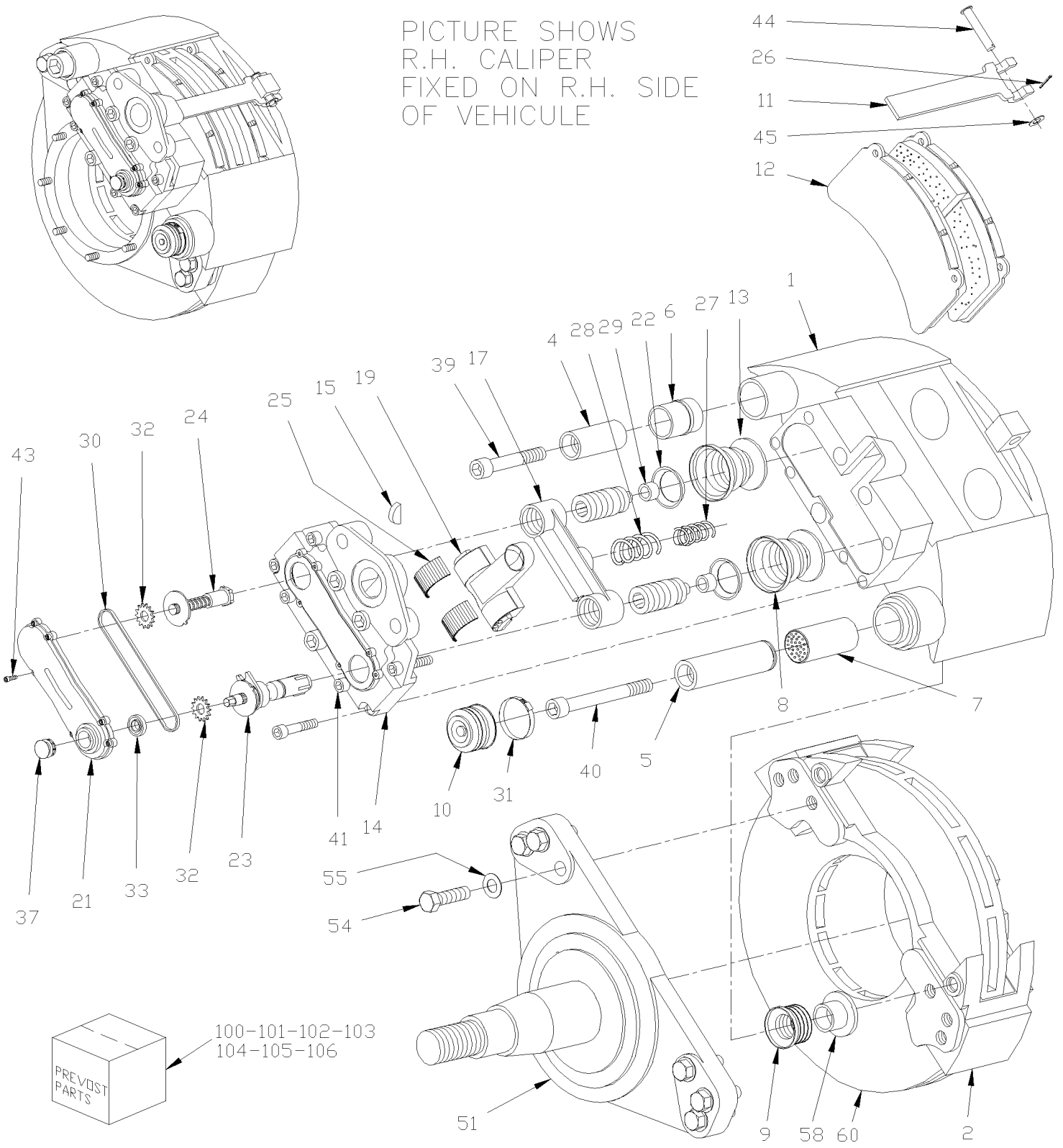
| | | |
|-----------------------|--------------|-----------------|
| From Y-7046 To 8-9339 | Date:10/2022 | PAGE:Y2-1235-10 |
|-----------------------|--------------|-----------------|

BRAKE CHAMBER - DRIVE AXLE "KNORR-BREMSE"

| Item# | Part | Description | X L I I 4 5 | X L I I M T H 4 0 | X L I I M T H 4 5 | X L I I M T H 4 5 E | N O T E S |
|-------|------|----------------------------------|----------------------------|---|---|--|-----------------------|
| | | B) INCLUDING ITEM 2,4,6,8,9 & 11 | | | | | |
| | | 1) NOT SOLD SEPARATELY | | | | | |

| | | |
|--|--------------|-----------------|
| From Y-7046 To 7-9159 | Date:10/2022 | PAGE:Y2-1245-00 |
| BRAKE PARTS - TAG AXLE - W/"KNORR-BREMSE" / SB7 SERIES | | |

PICTURE SHOWS
R.H. CALIPER
FIXED ON R.H. SIDE
OF VEHICLE



| | | |
|---|--------------|-----------------|
| From Y-7046 To 7-9159 | Date:10/2022 | PAGE:Y2-1245-00 |
| BRAKE PARTS - TAG AXLE - W/"KNORR-BREMSE" / SB7 SERIES | | |

| Item# | Part | Description | X L I I 4 5 | X L I I M T H 4 0 | X L I I M T H 4 5 | X L I I M T H 4 5 E | N O T E S |
|-------|--------|--|----------------------------|---|---|--|-----------------------|
| | N.S.A. | CALIPER ASSY R.H. / W/BOOSTER TYPE 16/16 / (SB7704) | 1 | 1 | 1 | 1 | 3 |
| | N.S.A. | CALIPER ASSY L.H. / W/BOOSTER TYPE 16/16 / (SB7714) | 1 | 1 | 1 | 1 | 3 |
| NS | 611184 | . CALIPER ASSY R.H. / W/O BOOSTER / SB7 | 1 | 1 | 1 | 1 | A |
| NS | 611185 | . CALIPER ASSY L.H. / W/O BOOSTER / SB7 | 1 | 1 | 1 | 1 | A |
| 1 | N.S.S. | .. CALIPER HOUSING | 1 | 1 | 1 | 1 | 1 |
| 2 | 611340 | .. BRAKE CARRIER / W/6 HOLES BOLT RETAINERS M20-2.5 | 1 | 1 | 1 | 1 | |
| 4 | N.S.S. | .. GUIDE BUSHING / SHORT | 1 | 1 | 1 | 1 | 1 |
| 5 | N.S.S. | .. GUIDE BUSHING / LONG | 1 | 1 | 1 | 1 | 1 |
| 6 | 611245 | .. GUIDE SLEEVE / RUBBER SB 7 SERIES | 1 | 1 | 1 | 1 | |
| 7 | 611107 | .. BUSHING / BRASS | 1 | 1 | 1 | 1 | |
| 8 | N.S.S. | .. BOOT RUBBER / WHITE | 2 | 2 | 2 | 2 | 1 |
| 9 | N.S.S. | .. BELLOW GUIDE BUSHING / RUBBER RED | 1 | 1 | 1 | 1 | 1 |
| 10 | 641421 | .. BELLOW CAP / RUBBER | 1 | 1 | 1 | 1 | |
| 11 | N.S.S. | .. BRAKE PAD BRACKET | 1 | 1 | 1 | 1 | 1 |
| 12 | 611049 | .. LINING SET STD / | 1 | 1 | 1 | 1 | B |
| . 11 | N.S.S. | .. . BRAKE PAD BRACKET | 1 | 1 | 1 | 1 | 1 B |
| . 26 | N.S.S. | .. . SPRING SPLIT PIN | 1 | 1 | 1 | 1 | 1 B |
| . 37 | 641313 | .. . PLUG CAP / ADJUSTING DEVICE / PLASTIC INTERIOR GRIP | 1 | 1 | 1 | 1 | B |
| . 44 | N.S.S. | .. . CLEVIS PIN | 1 | 1 | 1 | 1 | 1 B |
| . 45 | N.S.S. | .. . WASHER | 1 | 1 | 1 | 1 | 1 B |
| . 61 | N.S.S. | .. . SHEAR ADAPTER | 1 | 1 | 1 | 1 | 1 B |
| 13 | N.S.S. | .. TAPPET | 2 | 2 | 2 | 2 | 1 |
| 14 | N.S.S. | .. SYNCHRONIZING HOUSING | 1 | 1 | 1 | 1 | 1 |
| 15 | N.S.S. | .. PLUG HALF / RUBBER | 1 | 1 | 1 | 1 | 1 |
| 17 | N.S.S. | .. BEAM | 1 | 1 | 1 | 1 | 1 |
| 18 | N.S.S. | .. O-RING | 1 | 1 | 1 | 1 | 1 |
| 19 | N.S.S. | .. LEVER | 1 | 1 | 1 | 1 | 1 |
| 21 | N.S.S. | .. COVER SYNCHRONIZING HOUSING | 1 | 1 | 1 | 1 | 1 |
| 22 | N.S.S. | .. BOOT | 2 | 2 | 2 | 2 | 1 |
| 23 | N.S.S. | .. CLEARANCE ADJUSTER | 1 | 1 | 1 | 1 | 1 |
| 24 | N.S.S. | .. DRIVER | 1 | 1 | 1 | 1 | 1 |
| 25 | N.S.S. | .. LEVER BEARING | 2 | 2 | 2 | 2 | 1 |
| 26 | N.S.S. | .. SPRING SPLINT PIN | 1 | 1 | 1 | 1 | 1 |
| 27 | N.S.S. | .. COMPRESSION SPRING | 1 | 1 | 1 | 1 | 1 |
| 28 | N.S.S. | .. COMPRESSION SPRING | 1 | 1 | 1 | 1 | 1 |
| 29 | N.S.S. | .. RING RETAINING / TAPPET | 2 | 2 | 2 | 2 | 1 |
| 30 | N.S.S. | .. ROLLER CHAIN | 1 | 1 | 1 | 1 | 1 |
| 31 | 641420 | .. PERFORATED CLIP | 1 | 1 | 1 | 1 | |
| 32 | N.S.S. | .. CHAIN DRIVE WHEEL | 2 | 2 | 2 | 2 | 1 |
| 33 | N.S.S. | .. SHAFT SEALING RING | 1 | 1 | 1 | 1 | 1 |
| 37 | 641313 | .. PLUG CAP / ADJUSTING DEVICE / PLASTIC INTERIOR GRIP | 1 | 1 | 1 | 1 | |
| 38 | N.S.S. | .. DOWEL | 4 | 4 | 4 | 4 | 1 |

From Y-7046 To 7-9159 Date:10/2022 PAGE:Y2-1245-00

BRAKE PARTS - TAG AXLE - W/"KNORR-BREMSE" / SB7 SERIES

| Item# | Part | Description | X L I I 4 5 | X L I I M T H 4 0 | X L I I M T H 4 5 | X L I I M T H 4 5 E | N O T E S |
|-------|---------------------|---|----------------------------|---|---|--|-----------------------|
| 39 | N.S.S. | .. SCREW CAP HEXS M16-1.5x140 G10.9 ZP | 1 | 1 | 1 | 1 | 1 |
| 40 | N.S.S. | .. SCREW CAP HEXS M16-1.5x90 G10.9 ZP | 1 | 1 | 1 | 1 | 1 |
| 41 | N.S.S. | .. SOCKET HEAD CAP SCREW M14 X 60MM GR 12.9 | 3 | 3 | 3 | 3 | 1 |
| 43 | N.S.S. | .. SOCKET HEAD CAP SCREW M5 X 12MM | 8 | 8 | 8 | 8 | 1 |
| 44 | N.S.S. | .. CLEVIS PIN | 1 | 1 | 1 | 1 | 1 |
| 45 | N.S.S. | .. WASHER | 1 | 1 | 1 | 1 | 1 |
| 51 | 611216 | SPINDLE / WITH MODEL "G.K.N." (TS6) To 3-8164 | 2 | 2 | 2 | 2 | |
| 51 | 611302 | SPINDLE / WITH MODEL "G.K.N." (TS8U UNITISED) From 4-8165 | 2 | 2 | 2 | 2 | |
| NS | 611048 | STUD / M16-2.0 x 60MM | 8 | 8 | 8 | 8 | |
| 54 | 5001193 | SCREW CAP HEX M20-2.5x65 G10.9 ZP | 6 | 6 | 6 | 6 | |
| 55 | 502558 | WASHER FL 21.0x37.0x3.0 G500 | 6 | 6 | 6 | 6 | |
| 58 | N.S.S. | PLASTIC RING, BOOT RETAINER | 1 | 1 | 1 | 1 | 1 |
| 60 | Y2-1310-00 | HUB & ROTOR - TAG AXLE TYPE TS6 To 3-8164 | | | | | |
| 60 | Y2-1310-01 | HUB & ROTOR - TAG AXLE TYPE TS8U From 4-8165 | | | | | |
| 70 | 110786 | BRAKE WEAR INDICATOR MECHANICAL / 44MM | AR | AR | AR | AR | |
| 99 | FMBS-0BPK-10 | BRAKE PARTS - "KNORR-BREMSE" / SB7 & SN7 "AFTERMARKET" | | | | | |
| 100 | 611054 | KIT, TAPPET W/BOOT | AR | AR | AR | AR | C |
| .08 | N.S.S. | . BOOT RUBBER / WHITE | 2 | 2 | 2 | 2 | 1 C |
| .13 | N.S.S. | . TAPPET | 2 | 2 | 2 | 2 | 1 C |
| 101 | 611168 | KIT, GUIDANCE PINS & BELLOW | AR | AR | AR | AR | D |
| .04 | N.S.S. | . GUIDE BUSHING / SHORT | 1 | 1 | 1 | 1 | 1 D |
| .05 | N.S.S. | . GUIDE BUSHING / LONG | 1 | 1 | 1 | 1 | 1 D |
| .06 | 611245 | . GUIDE SLEEVE / RUBBER SB 7 SERIES | 1 | 1 | 1 | 1 | D |
| .07 | 611107 | . BUSHING / BRASS | 1 | 1 | 1 | 1 | D |
| .09 | N.S.S. | . BELLOW GUIDE BUSHING / RUBBER RED | 1 | 1 | 1 | 1 | 1 D |
| .10 | 641421 | . BELLOW CAP / RUBBER | 1 | 1 | 1 | 1 | D |
| .31 | 641420 | . PERFORATED CLIP | 1 | 1 | 1 | 1 | D |
| .39 | N.S.S. | . SCREW CAP HEXS | 1 | 1 | 1 | 1 | 1 D |
| .40 | N.S.S. | . SCREW CAP HEXS | 1 | 1 | 1 | 1 | 1 D |
| .58 | N.S.S. | . PLASTIC RING / BOOT RETAINER | 1 | 1 | 1 | 1 | 1 D |
| 102 | 611177 | KIT, BOOT PROTECTOR & TAPPET | AR | AR | AR | AR | E |
| .08 | N.S.S. | . BOOT RUBBER / WHITE | 1 | 1 | 1 | 1 | 1 E |
| .13 | N.S.S. | . TAPPET | 1 | 1 | 1 | 1 | 1 E |
| .29 | N.S.S. | . RING RETAINING / TAPPET | 1 | 1 | 1 | 1 | 1 E |
| 103 | 611179 | KIT, CARRIER & GUIDING PIN | AR | AR | AR | AR | F |
| .02 | 611340 | . BRAKE CARRIER / W/6 HOLES BOLT RETAINERS M20-2.5 | 1 | 1 | 1 | 1 | F |
| .04 | N.S.S. | . GUIDE BUSHING / SHORT | 1 | 1 | 1 | 1 | 1 F |
| .05 | N.S.S. | . GUIDE BUSHING / LONG | 1 | 1 | 1 | 1 | 1 F |
| .39 | N.S.S. | . SCREW CAP HEXS | 1 | 1 | 1 | 1 | 1 F |
| .40 | N.S.S. | . SCREW CAP HEXS | 1 | 1 | 1 | 1 | 1 F |
| 104 | 641402 | KIT, PAD HOLDER | AR | AR | AR | AR | G |

From Y-7046 To 7-9159 Date:10/2022 PAGE:Y2-1245-00

BRAKE PARTS - TAG AXLE - W/"KNORR-BREMSE" / SB7 SERIES

| Item# | Part | Description | X L I I 4 5 | X L I I M T H 4 0 | X L I I M T H 4 5 | X L I I M T H 4 5 E | NOTES |
|-------|--------|---|----------------------------|---|---|--|-------|
| . 26 | N.S.S. | . SPRING SPLIT PIN | 1 | 1 | 1 | 1 | 1 G |
| . 44 | N.S.S. | . CLEVIS PIN | 1 | 1 | 1 | 1 | 1 G |
| . 45 | N.S.S. | . WASHER | 1 | 1 | 1 | 1 | 1 G |
| 105 | 611199 | KIT, BOOT & SEAL | AR | AR | AR | AR | H |
| . 09 | N.S.S. | . BELLOW GUIDE BUSHING / RUBBER RED | 1 | 1 | 1 | 1 | 1 H |
| . 10 | 641421 | . BELLOW CAP / RUBBER | 1 | 1 | 1 | 1 | H |
| . 31 | 641420 | . PERFORATED CLIP | 1 | 1 | 1 | 1 | H |
| . 37 | 641313 | . PLUG CAP / ADJUSTING DEVICE / PLASTIC INTERIOR GRIP | 1 | 1 | 1 | 1 | H |
| . 58 | N.S.S. | . PLASTIC RING / BOOT RETAINER | 1 | 1 | 1 | 1 | 1 H |
| 105 | 683344 | GREASE GREEN / 5GR | AR | AR | AR | AR | I |
| 105 | 641931 | GREASE GREEN / 500GR | AR | AR | AR | AR | I |
| 105 | 683345 | GREASE WHITE / 5GR | AR | AR | AR | AR | J |
| 105 | 641930 | GREASE WHITE / 500GR | AR | AR | AR | AR | J |
| 105 | 641321 | TOOL / THRUST MEMBER W/BELLOW | AR | AR | AR | AR | K |
| 105 | 641322 | TOOL / CALIPER INNER BELLOW | AR | AR | AR | AR | L |
| 105 | 641323 | TOOL / BUSHING INSTALLER / SERIES SB | AR | AR | AR | AR | N |
| 105 | 641435 | TOOL / FORK (FOR BELLOW CAP) | AR | AR | AR | AR | O |
| 105 | 641444 | TOOL / GROOVING BUSHING | AR | AR | AR | AR | N |
| 106 | 611246 | KIT, GUIDANCE PIN & RUBBER BUSHING / SHORT PIN | AR | AR | AR | AR | P |
| . 04 | N.S.S. | . GUIDE BUSHING / SHORT | 1 | 1 | 1 | 1 | 1 P |
| . 06 | 611245 | . GUIDE SLEEVE / RUBBER SB 7 SERIES | 1 | 1 | 1 | 1 | P |
| . 39 | N.S.S. | . SCREW CAP HEXS | 1 | 1 | 1 | 1 | 1 P |
| 107 | 641427 | KIT BOOT & CLIP | AR | AR | AR | AR | Q |
| . 10 | 641421 | . BELLOW CAP / RUBBER | 1 | 1 | 1 | 1 | Q |
| . 31 | 641420 | . PERFORATED CLIP | 1 | 1 | 1 | 1 | Q |
| | | | | | | | |
| | | A) INCLUDES ITEM #2 BUT NOT ITEM # 12 | | | | | |
| | | B) INCLUDES ITEMS #11, 26, 37, 44, 45 & 61 | | | | | |
| | | C) INCLUDES 2 OF ITEMS #8 & 13 | | | | | |
| | | D) INCLUDE ITEMS #4,5,6,7,9,10,31,39,40 & 58 | | | | | |
| | | E) INCLUDE ITEMS #8, 13 & 29 | | | | | |
| | | F) INCLUDE ITEMS #2,4,5,39,40 & 58 | | | | | |
| | | G) INCLUDE ITEMS #11,26,44 & 45 | | | | | |
| | | H) INCLUDE ITEMS #9,10,31,37 & 58 | | | | | |
| | | I) FOR ITEMS #4 & 6 | | | | | |
| | | J) FOR ITEMS #5 & 7 | | | | | |
| | | K) TO USE W/ITEMS #8 & 13 | | | | | |
| | | L) TO USE W/ITEMS #9 | | | | | |
| | | N) TO USE W/ITEM #7 | | | | | |
| | | O) TO USE WITH ITEMS #8 & 13 | | | | | |

| | | |
|-----------------------|--------------|-----------------|
| From Y-7046 To 7-9159 | Date:10/2022 | PAGE:Y2-1245-00 |
|-----------------------|--------------|-----------------|

BRAKE PARTS - TAG AXLE - W/"KNORR-BREMSE" / SB7 SERIES

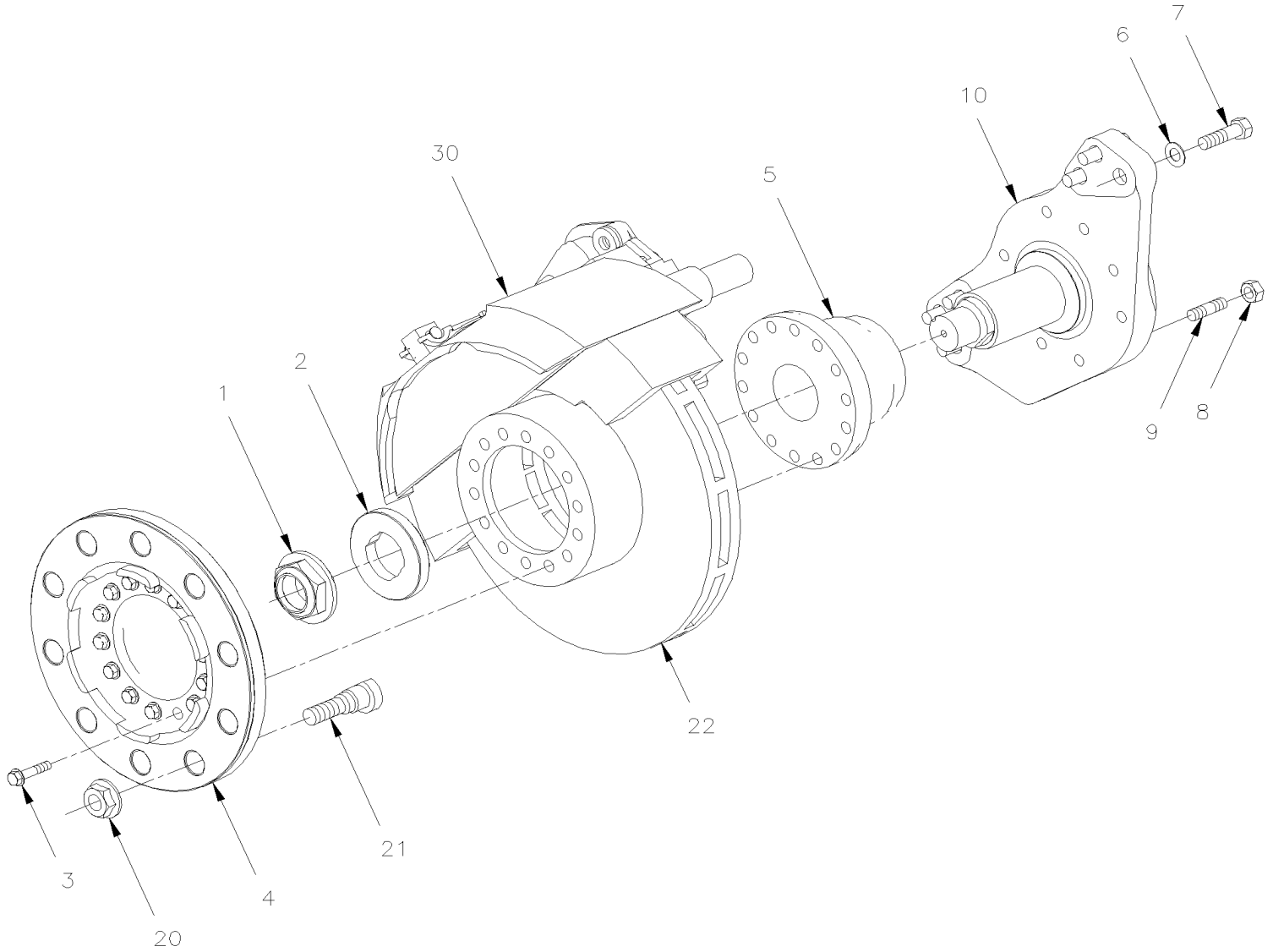
| Item# | Part | Description | X L I I 4 5 | X L I I M T H 4 0 | X L I I M T H 4 5 | X L I I M T H 4 5 E | N O T E S |
|-------|------|----------------------------|----------------------------|---|---|--|-----------------------|
| | | P) INCLUDE ITEMS #4,6 & 39 | | | | | |
| | | Q) INCLUDE ITEM #10 & 31 | | | | | |
| | | 1) NOT SOLD SEPARATELY | | | | | |
| | | 3) NOT SOLD ASSEMBLY | | | | | |
| | | 1) NOT SOLD SEPARATELY | | | | | |

From Y-7046 To 7-9159

Date:10/2022

PAGE:Y2-1310-01

HUB & ROTOR - TAG AXLE TYPE TS8U



| | | |
|---|--------------|-----------------|
| From Y-7046 To 7-9159 | Date:10/2022 | PAGE:Y2-1310-01 |
| HUB & ROTOR - TAG AXLE TYPE TS8U | | |

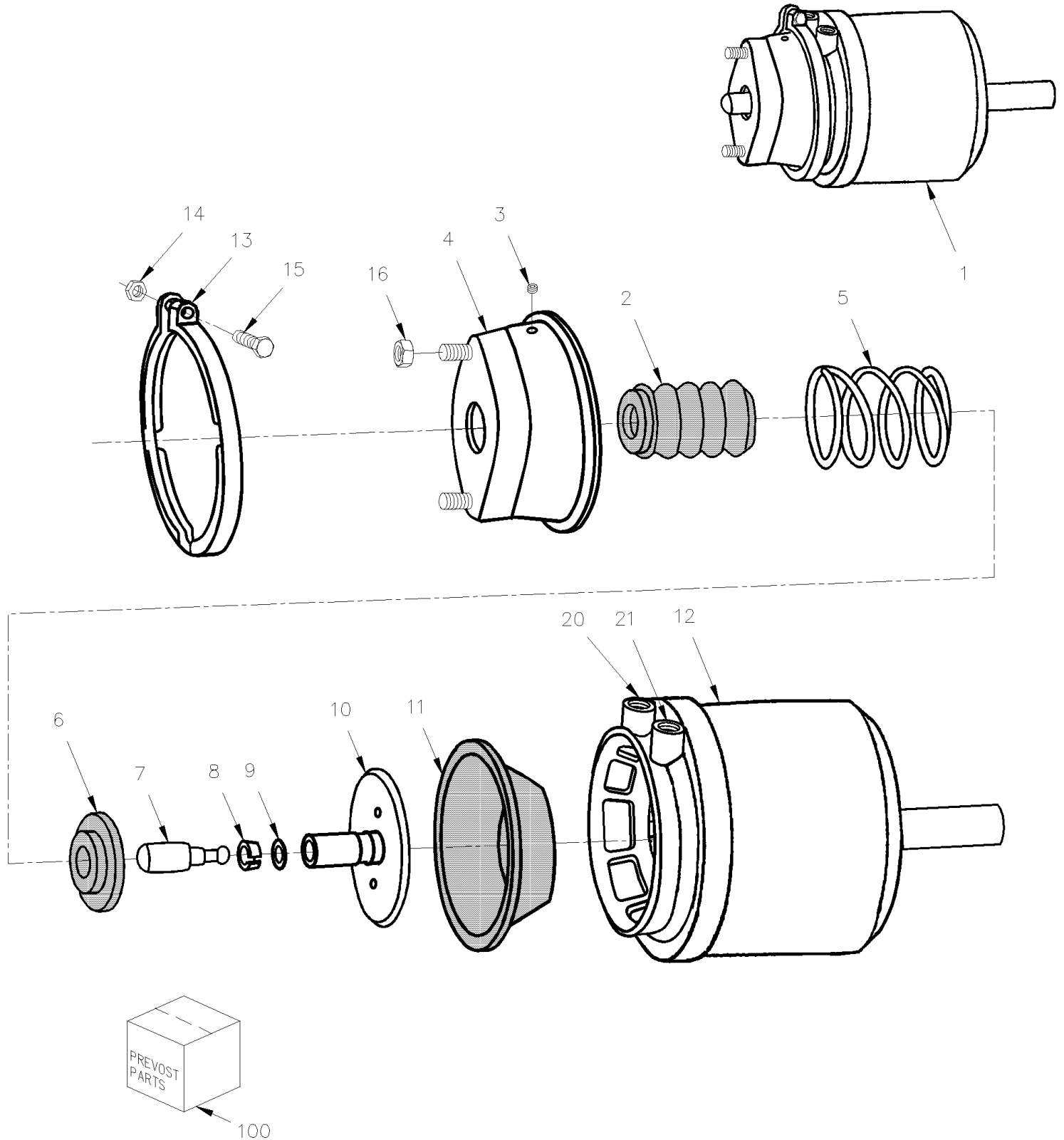
| Item# | Part | Description | X L I I 4 5 | X L I I M T H 4 0 | X L I I M T H 4 5 | X L I I M T H 4 5 E | N O T E S |
|-------|-------------------|--|----------------------------|---|---|--|-----------------------|
| 1 | 611949 | HUB NUT 1 3/4-8 | 1 | 1 | 1 | 1 | |
| 2 | 611948 | THRUST WASHER | 1 | 1 | 1 | 1 | |
| 3 | 611955 | SCREW CAP HEXF M14-1.5x78 G12.9 N500 | 14 | 14 | 14 | 14 | S |
| 4 | 611301 | HUB FLANGE | 1 | 1 | 1 | 1 | |
| 5 | 611953 | HUB ASSY / UNITISED L.H. & R.H. "TIMKEN" | 1 | 1 | 1 | 1 | S |
| 5 | 611471 | HUB ASSY / UNITISED L.H. & R.H. "FAG" ASSY W/"ABS" RING SERVICE | 1 | 1 | 1 | 1 | S |
| . NS | N.S.S. | . TOOTH WHEEL | 1 | 1 | 1 | 1 | 1 S |
| . NS | 509939 | . SCREW DRV RND #4x1/4 SS | 3 | 3 | 3 | 3 | S |
| NS | 491115 | TOOL, HUB INSTALLER W/UNITISED BEARING / 70MM | 1 | 1 | 1 | 1 | |
| . NS | NDS8 | . MAINTENANCE INSTRUCTION | 1 | 1 | 1 | 1 | |
| 6 | 611044 | WASHER FL HARD 21.0x37.0x3.0 N500 | 1 | 1 | 1 | 1 | |
| 7 | 5001193 | SCREW CAP HEX M20-2.5x65 G10.9 ZP To 7-9159 | 6 | 6 | 6 | 6 | |
| 8 | 502588 | NUT HEX M16-2.0 ZP | 8 | 8 | 8 | 8 | |
| NS | 502584 | WASHER LO SERR 8.2x26.3x1.8 Z050 | 8 | 8 | 8 | 8 | |
| 9 | 611048 | STUD / M16-2.0 x 60MM | 8 | 8 | 8 | 8 | |
| 10 | 611302 | SPINDLE / WITH MODEL "G.K.N." (TS8U UNITISED) | 1 | 1 | 1 | 1 | |
| 20 | 20434082 | NUT R.H. / W/HUB-MOUNT WHEEL M22-1.5 / 27 MM TH | 10 | 10 | 10 | 10 | |
| 21 | 611207 | STUD / R.H. / W/HUB-MOUNT WHEEL M22-1.5 x 81MM | 10 | 10 | 10 | 10 | |
| 22 | 611300 | ROTOR VENTED | 10 | 10 | 10 | 10 | |
| 30 | Y2-1245-00 | BRAKE PARTS - TAG AXLE - W/"KNORR-BREMSE" / SB7 SERIES To 7-9159 | | | | | |
| 30 | Y2-1225-01 | BRAKE PARTS "KNORR-BREMSE" SN7 SERIES From 7-9160 | | | | | |
| 30 | Y2-1225-02 | BRAKE PARTS "KNORR-BREMSE" SN7 SERIES W/NEW SLIDE PINS | | | | | |
| NS | MI08-04 | SEE MAINTENANCE INFORMATION | 1 | 1 | 1 | 1 | |
| | | | | | | | |
| | | | | | | | |
| | | | | | | | |
| | | S) REPLACED ALL BOLTS EACH TIME WHEN YOU DISASSEMBLED OR UNSCREWED THE HUB | | | | | |
| | | 1) NOT SOLD SEPARATELY | | | | | |

From Y-7046 To 3-8164

Date:10/2022

PAGE:Y2-1245-10

BRAKE CHAMBER - TAG AXLE TYPE 16/16



| | | |
|--|--------------|-----------------|
| From Y-7046 To 3-8164 | Date:10/2022 | PAGE:Y2-1245-10 |
| BRAKE CHAMBER - TAG AXLE TYPE 16/16 | | |

| Item# | Part | Description | X L I I 4 5 | X L I I M T H 4 0 | X L I I M T H 4 5 | X L I I M T H 4 5 E | N O T E S |
|-------|---------|--|----------------------------|---|---|--|-----------------------|
| 1 | 641308 | BRAKE CHAMBER ASSY L.H. & R.H / TYPE 16/16 | 2 | 2 | 2 | 2 | |
| 2 | N.S.S. | . BOOT | 1 | 1 | 1 | 1 | 1 |
| 3 | N.S.S. | . HOLE PLUG | 1 | 1 | 1 | 1 | 1 |
| 4 | N.S.S. | . CHAMBER , NO-PRESSURE | 1 | 1 | 1 | 1 | 1 |
| 5 | N.S.S. | . SPRING | 1 | 1 | 1 | 1 | 1 |
| 6 | N.S.S. | . SPRING SEAT | 1 | 1 | 1 | 1 | 1 |
| 7 | N.S.S. | . PUSH ROD END | 1 | 1 | 1 | 1 | 1 |
| 8 | N.S.S. | . RETAINER | 1 | 1 | 1 | 1 | 1 |
| 9 | N.S.S. | . RING | 1 | 1 | 1 | 1 | 1 |
| 10 | N.S.S. | . PUSH ROD | 1 | 1 | 1 | 1 | 1 |
| 11 | 641046 | . DIAPHRAGM / TYPE 16 | 1 | 1 | 1 | 1 | |
| 12 | 641431 | . CHAMBER SUB ASSY / TYPE 16/16 | 1 | 1 | 1 | 1 | |
| 13 | N.S.S. | . CLAMP W/BOLT & NUT | 1 | 1 | 1 | 1 | 1 |
| 14 | 502543 | . NUT HEX M8-1.25 Z050 | 1 | 1 | 1 | 1 | |
| 15 | 5001021 | . SCREW CAP HEXS M8-1.25x60 G8.8 PT | 1 | 1 | 1 | 1 | |
| 16 | 5001253 | NUT HEX STO M16-1.5 G500 | 2 | 2 | 2 | 2 | |
| | | HOSE SERVICE BRAKE | | | | | |
| 20 | 141812 | HOSE BRAKE #8 1012MM (40") To Y-7220 | 1 | 1 | 1 | 1 | A |
| 20 | 641903 | HOSE BRAKE #8 1090MM (43") From Y-7221 | 1 | 1 | 1 | 1 | |
| NS | 501291 | MALE ELBOW 45° / JIC 37° FITTING / #8JIC-Mx3/8NPT-M STL | 1 | 1 | 1 | 1 | A |
| | | HOSE EMERGENCY BRAKE | | | | | |
| 21 | 503488 | TUBE, NYLON 1/2 O.D. / BLACK S.L./ | AR | AR | AR | AR | |
| NS | 641381 | MALE CONNECTOR / PUSH-IN FITTING / #8x3/8NPT-M BR | 1 | 1 | 1 | 1 | |
| NS | 141804 | HOSE BRAKE #8 895MM To Y-7220 | 1 | 1 | 1 | 1 | |
| 21 | 641901 | HOSE BRAKE #8 952MM (37 1/2") From Y-7221 | 1 | 1 | 1 | 1 | |
| NS | 5011205 | FEMALE CONNECTOR / PIPE @ METRIC / 3/8NPT-FxM16-1.5-M ZP | 2 | 2 | 2 | 2 | |
| . NS | 641297 | . O-RING 13.1MM I.D. X 2.6 TH | 1 | 1 | 1 | 1 | |
| . NS | 641298 | . WASHER FL 17MM I.D x 22MM O.D. x 1.5MM | 1 | 1 | 1 | 1 | |
| NS | 641297 | O-RING 13.1MM I.D. X 2.6 TH | 2 | 2 | 2 | 2 | B |
| NS | 641298 | WASHER FL 17MM I.D x 22MM O.D. x 1.5MM | 2 | 2 | 2 | 2 | B |
| 100 | 641430 | KIT REPAIR | 1 | 1 | 1 | 1 | C |
| | | A) SERVICE | | | | | |
| | | B) SERVICE & EMERGENCY | | | | | |
| | | C) INCLUDING ITEMS #2,3,6,8,9 & 11 | | | | | |

| | | |
|-----------------------|--------------|-----------------|
| From Y-7046 To 3-8164 | Date:10/2022 | PAGE:Y2-1245-10 |
|-----------------------|--------------|-----------------|

BRAKE CHAMBER - TAG AXLE TYPE 16/16

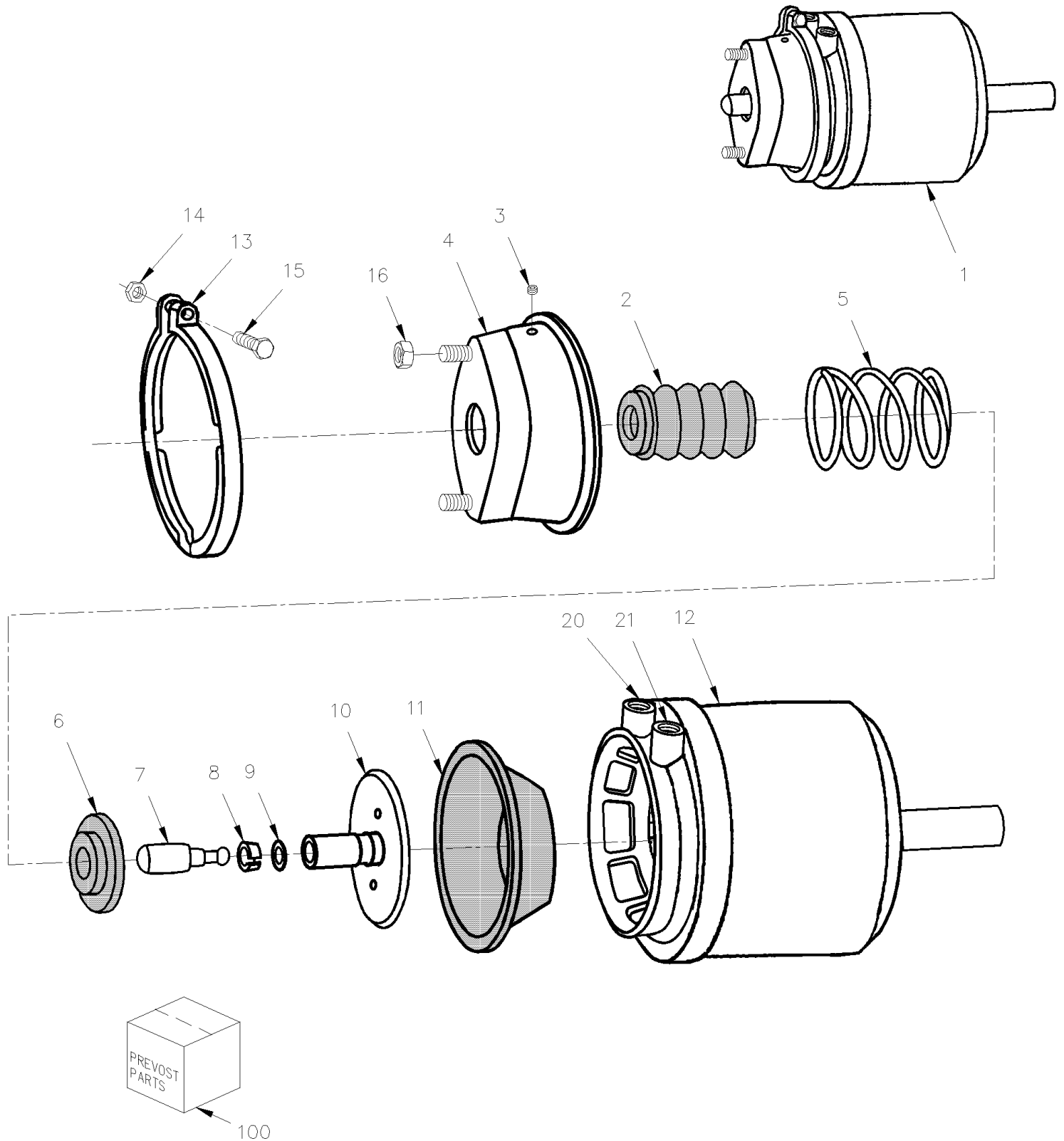
| Item# | Part | Description | X L I I 4 5 | X L I I M T H 4 0 | X L I I M T H 4 5 | X L I I M T H 4 5 E | N O T E S |
|-------|------|------------------------|----------------------------|---|---|--|-----------------------|
| | | 1) NOT SOLD SEPARATELY | | | | | |

From 4-8165 To 8-9278

Date:10/2022

PAGE:Y2-1245-11

BRAKE CHAMBER - TAG AXLE TYPE 14/16



| | | |
|--|--------------|-----------------|
| From 4-8165 To 8-9278 | Date:10/2022 | PAGE:Y2-1245-11 |
| BRAKE CHAMBER - TAG AXLE TYPE 14/16 | | |

| Item# | Part | Description | X L I I 4 5 | X L I I M T H 4 0 | X L I I M T H 4 5 | X L I I M T H 4 5 E | N O T E S |
|-------|---------|--|----------------------------|---|---|--|-----------------------|
| 1 | 641980 | BRAKE CHAMBER ASSY L.H. & R.H / TYPE 14/16 | 2 | 2 | 2 | 2 | |
| 2 | N.S.S. | . BOOT | 1 | 1 | 1 | 1 | 1 |
| 3 | N.S.S. | . HOLE PLUG | 1 | 1 | 1 | 1 | 1 |
| 4 | N.S.S. | . CHAMBER , NO-PRESSURE | 1 | 1 | 1 | 1 | 1 |
| 5 | N.S.S. | . SPRING | 1 | 1 | 1 | 1 | 1 |
| 6 | N.S.S. | . SPRING SEAT | 1 | 1 | 1 | 1 | 1 |
| 7 | N.S.S. | . PUSH ROD END | 1 | 1 | 1 | 1 | 1 |
| 8 | N.S.S. | . RETAINER | 1 | 1 | 1 | 1 | 1 |
| 9 | N.S.S. | . RING | 1 | 1 | 1 | 1 | 1 |
| 10 | N.S.S. | . PUSH ROD | 1 | 1 | 1 | 1 | 1 |
| 11 | N.P.N. | . DIAPHRAGM / TYPE 14 | 1 | 1 | 1 | 1 | 4 |
| 12 | N.P.N. | . CHAMBER SUB ASSY / TYPE 14/16 | 1 | 1 | 1 | 1 | 4 |
| 13 | N.S.S. | . CLAMP W/BOLT & NUT | 1 | 1 | 1 | 1 | 1 |
| 14 | 502543 | . NUT HEX M8-1.25 Z050 | 1 | 1 | 1 | 1 | |
| 15 | 5001021 | . SCREW CAP HEXS M8-1.25x60 G8.8 PT | 1 | 1 | 1 | 1 | |
| 16 | 5001253 | NUT HEX STO M16-1.5 G500 | 2 | 2 | 2 | 2 | |
| | | HOSE SERVICE BRAKE | | | | | |
| 20 | 641903 | HOSE BRAKE #8 1090MM (43") | 1 | 1 | 1 | 1 | |
| NS | 501291 | MALE ELBOW 45° / JIC 37° FITTING / #8JIC-Mx3/8NPT-M STL | 1 | 1 | 1 | 1 | A |
| | | HOSE EMERGENCY BRAKE | | | | | |
| 21 | 503488 | TUBE, NYLON 1/2 O.D. / BLACK S.L./ | AR | AR | AR | AR | |
| NS | 641381 | MALE CONNECTOR / PUSH-IN FITTING / #8x3/8NPT-M BR | 1 | 1 | 1 | 1 | |
| 21 | 641901 | HOSE BRAKE #8 952MM (37 1/2") | 1 | 1 | 1 | 1 | |
| NS | 5011205 | FEMALE CONNECTOR / PIPE @ METRIC / 3/8NPT-FxM16-1.5-M ZP | 2 | 2 | 2 | 2 | |
| . NS | 641297 | . O-RING 13.1MM I.D. X 2.6 TH | 1 | 1 | 1 | 1 | |
| . NS | 641298 | . WASHER FL 17MM I.D x 22MM O.D. x 1.5MM | 1 | 1 | 1 | 1 | |
| NS | 641297 | O-RING 13.1MM I.D. X 2.6 TH | 2 | 2 | 2 | 2 | B |
| NS | 641298 | WASHER FL 17MM I.D x 22MM O.D. x 1.5MM | 2 | 2 | 2 | 2 | B |
| | | A) SERVICE | | | | | |
| | | B) SERVICE & EMERGENCY | | | | | |
| | | 1) NOT SOLD SEPARATELY | | | | | |
| | | 4) NO PARTS NUMBER | | | | | |

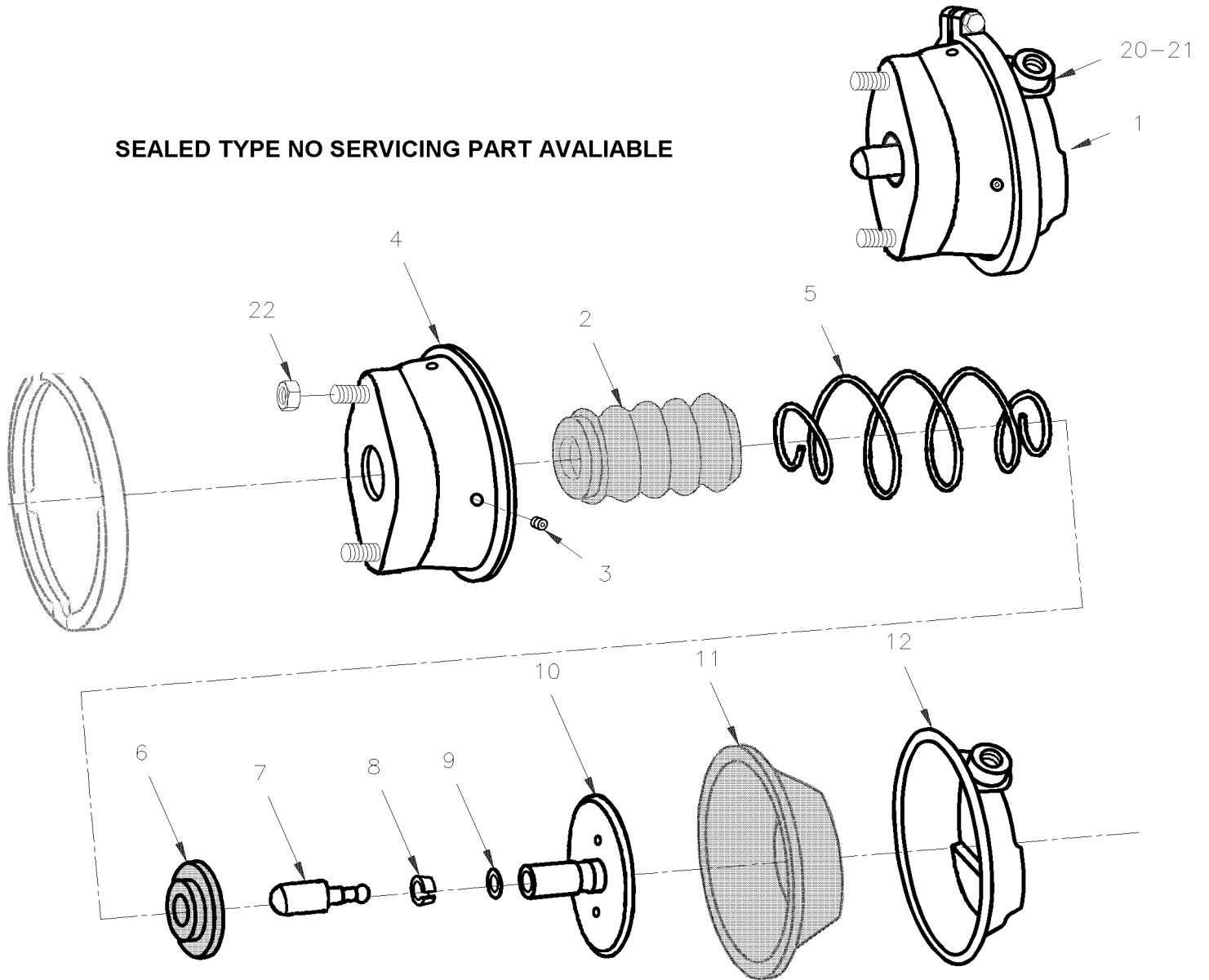
From 8-9279 To 8-9339

Date:10/2022

PAGE:Y2-1245-12

BRAKE CHAMBER - TAG AXLE TYPE 14 & 16

SEALED TYPE NO SERVICING PART AVAILIABLE



| | | |
|--|--------------|-----------------|
| From 8-9279 To 8-9339 | Date:10/2022 | PAGE:Y2-1245-12 |
| BRAKE CHAMBER - TAG AXLE TYPE 14 & 16 | | |

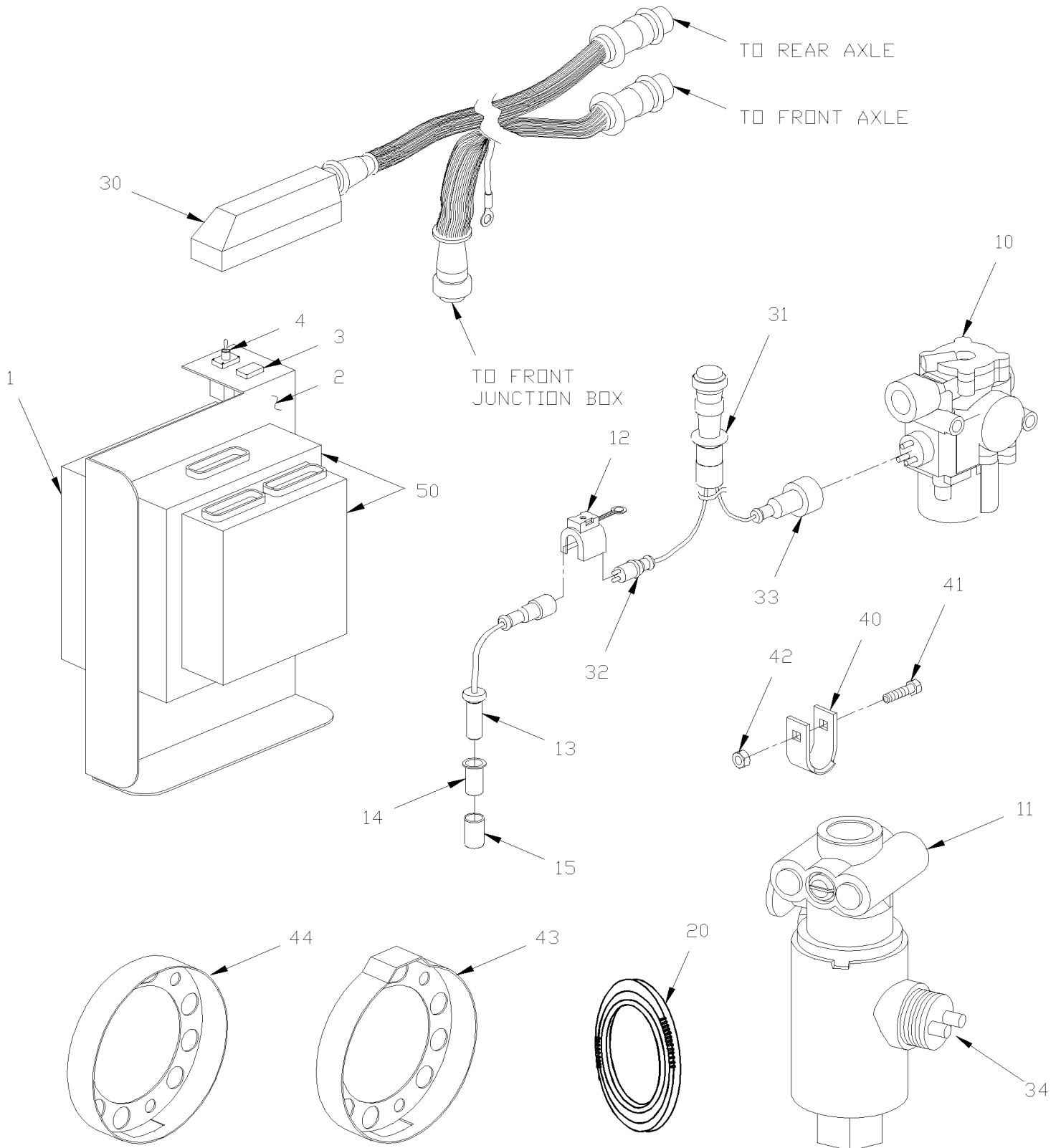
| Item# | Part | Description | X L I I 4 5 | X L I I M T H 4 0 | X L I I M T H 4 5 | X L I I M T H 4 5 E | NOTES |
|-------|---------|--|----------------------------|---|---|--|-------|
| 1 | 642087 | BRAKE CHAMBER ASSY / TYPE 14 / SEALED | | | 2 | 2 | ABS |
| 1 | 642086 | BRAKE CHAMBER ASSY / TYPE 16 / SEALED | | | 2 | 2 | ESP |
| 2 | N.S.S. | . BOOT | | | 1 | 1 | 1 |
| 3 | N.S.S. | . HOLE PLUG | | | 1 | 1 | 1 |
| 4 | N.S.S. | . CHAMBER , NO-PRESSURE | | | 1 | 1 | 1 |
| 5 | N.S.S. | . SPRING, COMP. | | | 1 | 1 | 1 |
| 6 | N.S.S. | . SPRING SEAT | | | 1 | 1 | 1 |
| 7 | N.S.S. | . PUSH ROD END | | | 1 | 1 | 1 |
| 8 | N.S.S. | . RETAINER | | | 1 | 1 | 1 |
| 9 | N.S.S. | . RING | | | 1 | 1 | 1 |
| 10 | N.S.S. | . PUSH ROD | | | 1 | 1 | 1 |
| 11 | N.S.S. | . DIAPHRAGM / TYPE 16 | | | 1 | 1 | 1 |
| 12 | N.S.S. | . CHAMBER PRESSURE PLATE | | | 1 | 1 | 1 |
| 13 | N.S.S. | . CLAMP W/BOLT & NUT | | | 1 | 1 | 1 |
| 20 | 660914 | MALE ELBOW 90° / JIC 37° FITTING / #8JIC-MxM16-1.5-M STL | | | 1 | 1 | |
| . NS | 641297 | . O-RING 13.1MM I.D. X 2.6 TH | | | 1 | 1 | |
| . NS | 641298 | . WASHER FL 17MM I.D x 22MM O.D. x 1.5MM | | | 1 | 1 | |
| 21 | 641903 | HOSE BRAKE #8 1090MM (43") | | | 1 | 1 | |
| 22 | 5001253 | NUT HEX STO M16-1.5 G500 | | | 2 | 2 | |
| | | | | | | | |
| | | ABS) WITH "ABS" | | | | | |
| | | ESP) WITH "ESP" | | | | | |
| | | 1) NOT SOLD SEPARATELY | | | | | |

From Y-7046 To 8-9278

Date:10/2022

PAGE:Y2-1250-00

ANTI-LOCK BRAKING SYSTEM



| | | |
|---------------------------------|--------------|-----------------|
| From Y-7046 To 8-9278 | Date:10/2022 | PAGE:Y2-1250-00 |
| ANTI-LOCK BRAKING SYSTEM | | |

| Item# | Part | Description | X L I I 4 5 | X L I I M T H 4 0 | X L I I M T H 4 5 | X L I I M T H 4 5 E | N O T E S |
|-------|---------|--|----------------------------|---|---|--|-----------------------|
| 1 | 641446 | CONTROL UNIT 24V / ABS 4 CH To 1-7648 | 1 | 1 | 1 | 1 | |
| 1 | 641940 | CONTROL UNIT 24V / ABS 4 CH From 1-7649 To 2-7832 | 1 | 1 | 1 | 1 | |
| 1 | 642164 | CONTROL UNIT 24V / ABS 4 CH To 2-7832 | 1 | 1 | 1 | 1 | |
| 1 | 7770363 | CONTROL UNIT 12V / ABS 4 CH / UNPROGRAMMED From 2-7833 | 1 | 1 | 1 | 1 | |
| 1 | 641948P | CONTROL UNIT 12V / ABS 4 CH / PROGRAMMED From 2-7833 | 1 | 1 | 1 | 1 | |
| 1 | 641947 | CONTROL UNIT 12V / ABS 4 CH From 2-7833 | AR | | | | C |
| 1 | 641947 | CONTROL UNIT 12V / ABS 4 CH From 2-7833 | | 1 | 1 | 1 | C |
| 1 | 502511 | NUT HEX NYRT M6-1.0 Z050 | 7 | 7 | 7 | 7 | |
| 1 | 502573 | WASHER FL 6.4x12.5x1.6 SS | 7 | 7 | 7 | 7 | |
| 2 | 064891 | SUPPORT / MODULE To 1-7722 | 1 | 1 | 1 | 1 | |
| 2 | 065573 | SUPPORT / MODULE From 1-7723 To 2-7738 | 1 | 1 | 1 | 1 | |
| 2 | 065584 | SUPPORT / MODULE From 2-7739 To 2-7832 | 1 | 1 | 1 | 1 | |
| 2 | 065650 | SUPPORT / MODULE From 2-7833 To 3-8164 | 1 | 1 | 1 | 1 | |
| 2 | 065852 | SUPPORT / MODULE From 4-8165 To 7-9043 | 1 | 1 | 1 | 1 | |
| 2 | 066839 | SUPPORT / MODULE From 7-9044 | | 1 | 1 | 1 | |
| 3 | 562113 | TELLTALE ASSY / 24V SHORT To 2-7738 | 1 | 1 | 1 | 1 | |
| NS | 391672 | INSERT / RED / "ABS" To 2-7738 | 1 | 1 | 1 | 1 | |
| 4 | 560254 | SWITCH / OFF-M/ON / S.P.S.T. | 1 | 1 | 1 | 1 | |
| NS | 063373 | DECAL ABS SYSTEM | 1 | 1 | 1 | 1 | |
| 10 | 641537 | VALVE, "ABS" 24VOLT To 2-7832 | 4 | 4 | 4 | 4 | |
| 10 | 641951 | VALVE, "ABS" 12VOLT From 2-7833 | 4 | 4 | 4 | 4 | |
| 11 | 641460 | VALVE, "ATC" 24VOLT To 2-7832 | 2 | 2 | 2 | 2 | |
| 11 | 641950 | VALVE, "ATC" 12VOLT From 2-7833 | 2 | 2 | 2 | 2 | |
| 12 | 561115 | CLAMP W/ 3 & 4 / ITT CANNON 029-0262-000 | 4 | 4 | 4 | 4 | |
| 13 | 641095 | SENSOR ABS (ON FRONT & DRIVE AXLE) To 2-7832 | 2 | 2 | 2 | 2 | |
| 13 | 641099 | SENSOR ABS (ON FRONT & DRIVE AXLE) From 2-7833 To 3-8164 | 2 | 2 | 2 | 2 | R |
| 13 | 641099 | SENSOR ABS (ON FRONT & DRIVE AXLE) From 3-8165 | 2 | 2 | 2 | 2 | I |
| 13 | 641288 | SENSOR ABS (ON FRONT AXLE) 90° ANGLE To 2-7832 | 2 | 2 | 2 | 2 | |
| 13 | 641946 | SENSOR ABS (ON FRONT AXLE) 90° ANGLE From 2-7833 To 3-8164 | 2 | 2 | 2 | 2 | |
| 13 | 641946 | SENSOR ABS (ON FRONT AXLE) 90° ANGLE From 4-8165 | 2 | 2 | 2 | 2 | R |
| 14 | 641096 | CLIP, SPRING / TO FIX SENSOR | 2 | 2 | 2 | 2 | |
| 15 | 621684 | BUSHING ABS SENSOR MOUNTING DRIVE AXLE To 7-9158 | 1 | 1 | 1 | 1 | A |
| 15 | 621869 | BUSHING - ABS SENSOR From 7-9159 | 1 | 1 | 1 | 1 | A |
| 20 | 611255 | TOOTH WHEEL / FRONT AXLE W/DISC "G.K.N." To 3-8164 | 2 | 2 | 2 | 2 | |
| 20 | 611304 | TOOTH WHEEL / FRONT AXLE W/ "TIMKEN" 138.89MM I.D. From 4-8165 | | 1 | 1 | 1 | I |
| 20 | 611473 | TOOTH WHEEL / FRONT AXLE & TAG W/ "FAG" 143.90MM I.D. SERVICE | 1 | 1 | 1 | 1 | ID |
| NS | 611457 | ROTOR VENTED (W/TOOTH WHEEL / DRIVE AXLE) | 1 | 1 | 1 | 1 | |
| NS | 562279 | TOOL / BOX CONNECTOR 54 PINS | 1 | 1 | 1 | 1 | |
| 31 | 064640 | CABLE ASSY / FRONT "ABS" SENSOR & VALVE To 2-7832 | 1 | 1 | 1 | 1 | |
| 31 | 065632 | CABLE ASSY / FRONT "ABS" SENSOR & VALVE From 2-7833 | 1 | 1 | 1 | 1 | |
| 31 | 064876 | CABLE ASSY / REAR "ABS" SENSOR & VALVE To 2-7832 | 1 | 1 | 1 | 1 | |
| 31 | 065634 | CABLE ASSY / REAR "ABS" SENSOR & VALVE From 2-7833 | 1 | 1 | 1 | 1 | |

| | | |
|---------------------------------|--------------|-----------------|
| From Y-7046 To 8-9278 | Date:10/2022 | PAGE:Y2-1250-00 |
| ANTI-LOCK BRAKING SYSTEM | | |

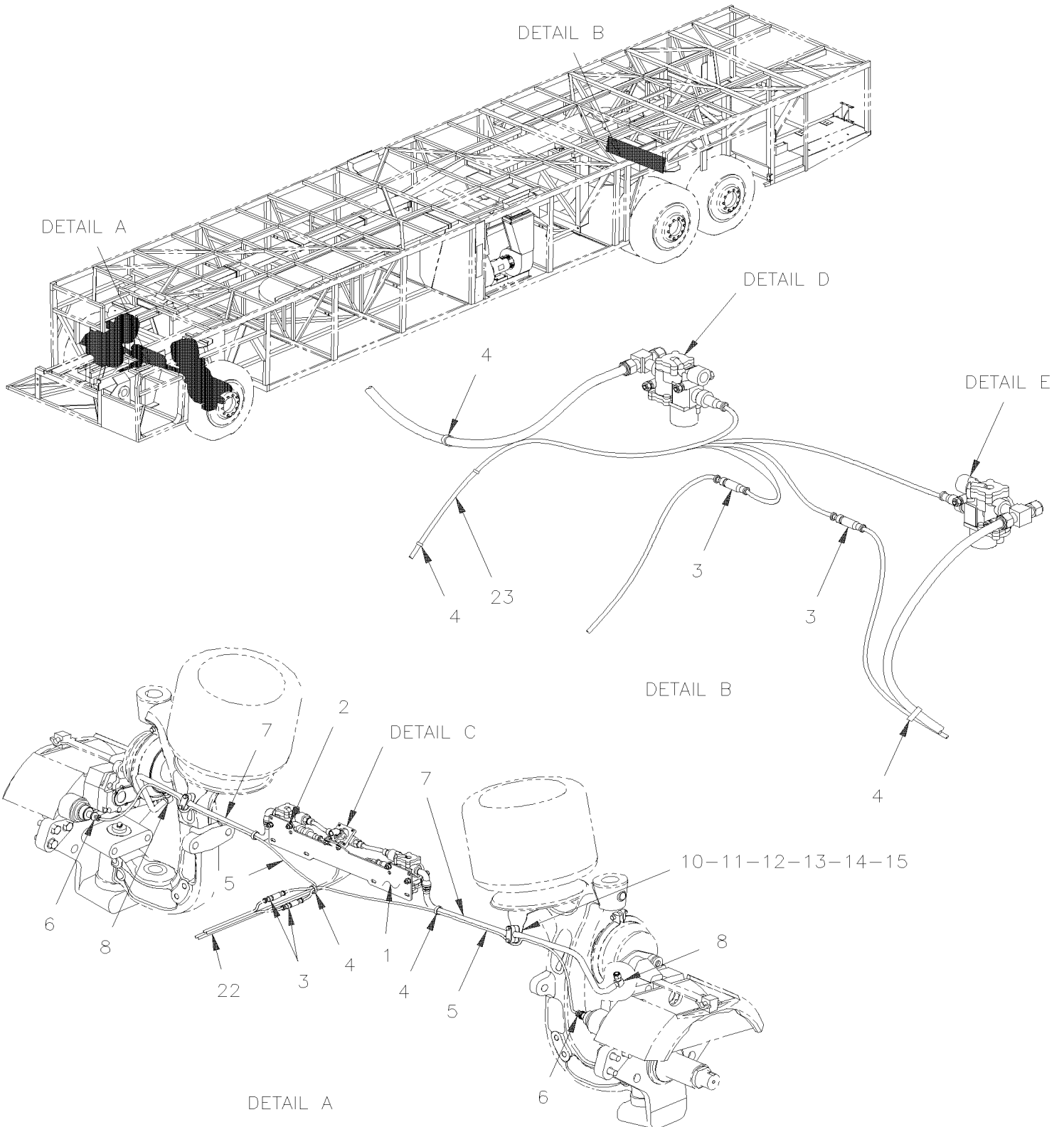
| Item# | Part | Description | X L I I 4 5 | X L I I M T H 4 0 | X L I I M T H 4 5 | X L I I M T H 4 5 E | NOTES |
|-------|-------------------|---|----------------------------|---|---|--|-------|
| 32 | 641132 | . CONNECTOR / MALE W2 WIRES x 3 METER / WABCO 8945900102 | AR | AR | AR | AR | |
| 33 | 641098 | . CONNECTOR / FEMALE W3 WIRES x 3 METER / WABCO 8946010102 | AR | AR | AR | AR | |
| 34 | 641461 | CONNECTOR / FEMALE W2 WIRES x 15 METER / WABCO 4495211500 To 2-7832 | AR | AR | AR | AR | C |
| NS | 140412 | DUST PROTECTOR SENSOR KIT To 4-8172 | 1 | 1 | 1 | 1 | |
| 40 | 140409 | . PROTECTOR "U" SHAPE / SS To 4-8172 | 2 | 2 | 2 | 2 | |
| 41 | 5001539 | . SCREW CRG 1/4-20x1 1/2 SS To 4-8172 | 2 | 2 | 2 | 2 | |
| 42 | 5001105 | . NUT HEXF 1/4-20 Z050 To 4-8172 | 2 | 2 | 2 | 2 | |
| 43 | 148977 | . ABS SHIELD PROTECTOR W/BULGE To 4-8172 | 1 | | | | B |
| 44 | 621711 | . ABS SHIELD PROTECTOR From 4-8173 | 1 | | | | |
| 50 | Y2-0750-00 | AUTOMATIC TRANSMISSION - "WORLD" WITH DETROIT S-60 | | | | | |
| 52 | Y2-0750-01 | AUTOMATIC TRANSMISSION - "WORLD" WITH DETROIT S-60 | | | | | |
| | | | | | | | |
| | | | | | | | |
| | | A) DRIVE AXLE ONLY | | | | | |
| | | B) OPTION "ORLEANS" | | | | | |
| | | C) USE WITH "ATC" VALVE OR WITH TRAILER EQUIPPED WITH "ABS" | | | | | |
| | | D) WITH HUB "FAG" ONLY | | | | | |
| | | I) WITH INDEPENDANT FRONT AXLE | | | | | |
| | | R) WITH I BEAM RIGID FRONT AXLE | | | | | |

From 4-8165 To 8-9339

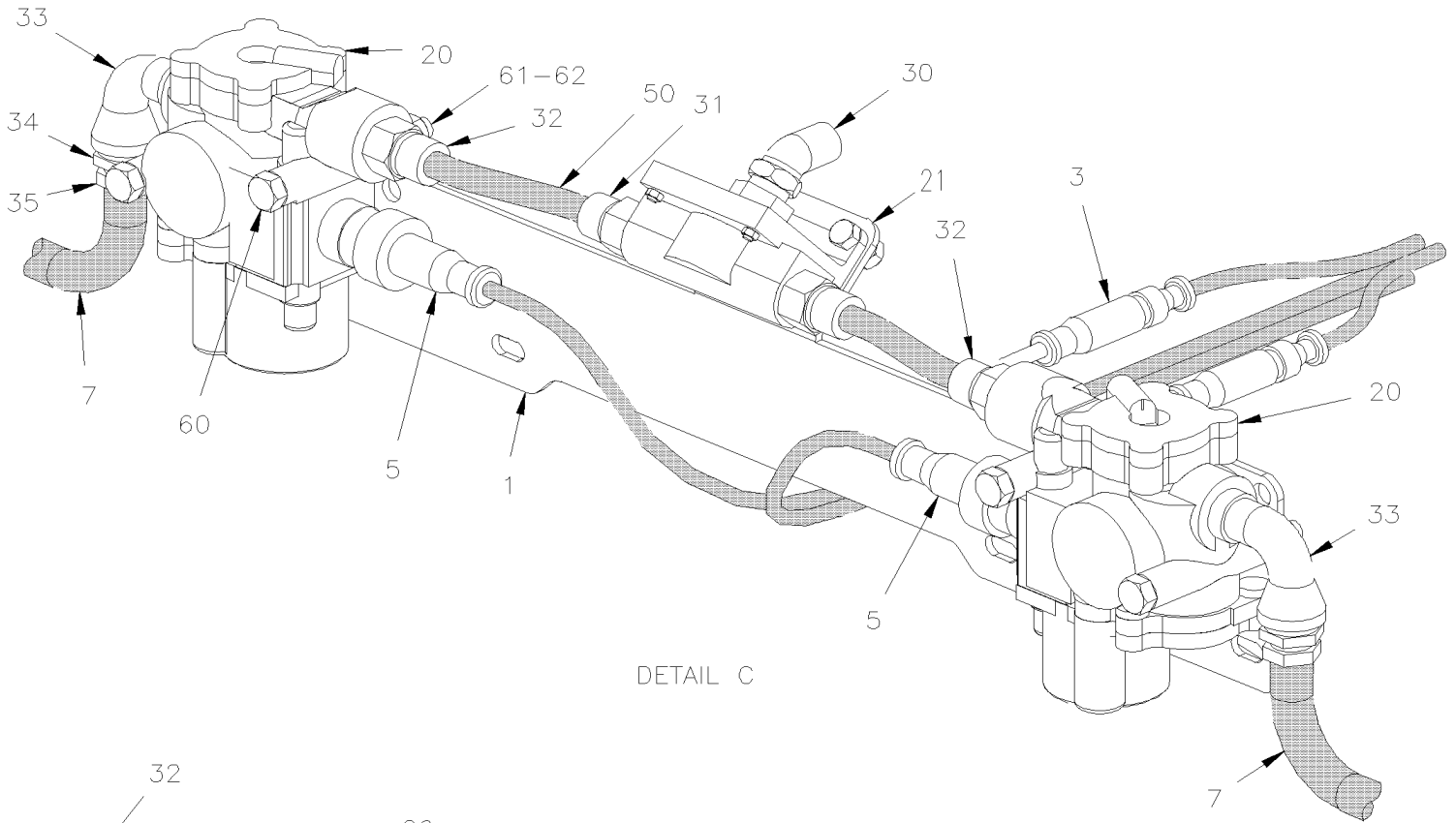
Date:10/2022

PAGE:Y2-1250-10

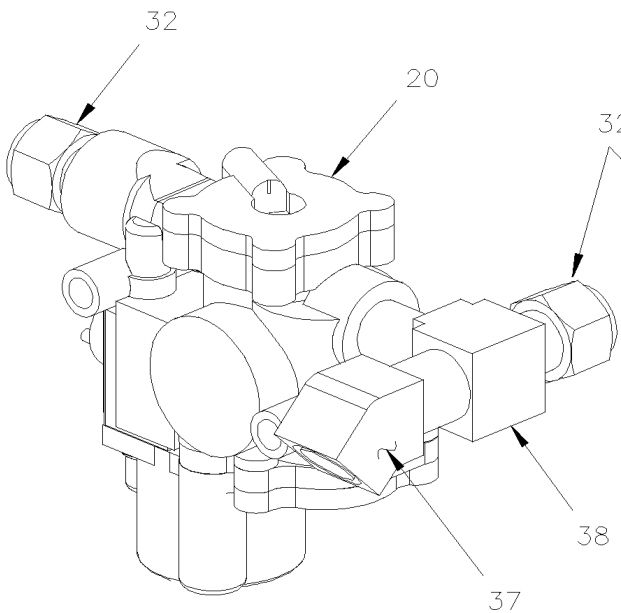
ABS BRAKE VALVE INSTALLATION



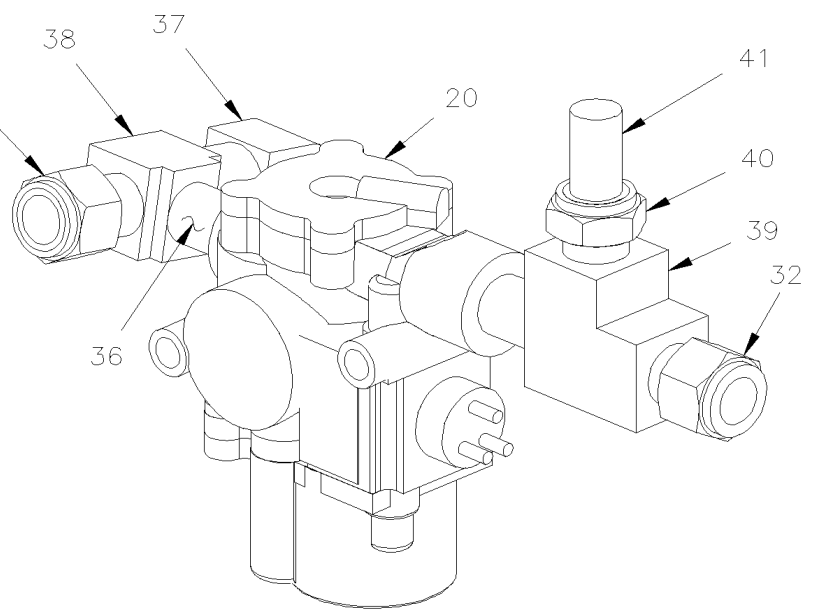
| | | |
|-------------------------------------|--------------|-----------------|
| From 4-8165 To 8-9339 | Date:10/2022 | PAGE:Y2-1250-10 |
| ABS BRAKE VALVE INSTALLATION | | |



DETAIL C



DETAIL D

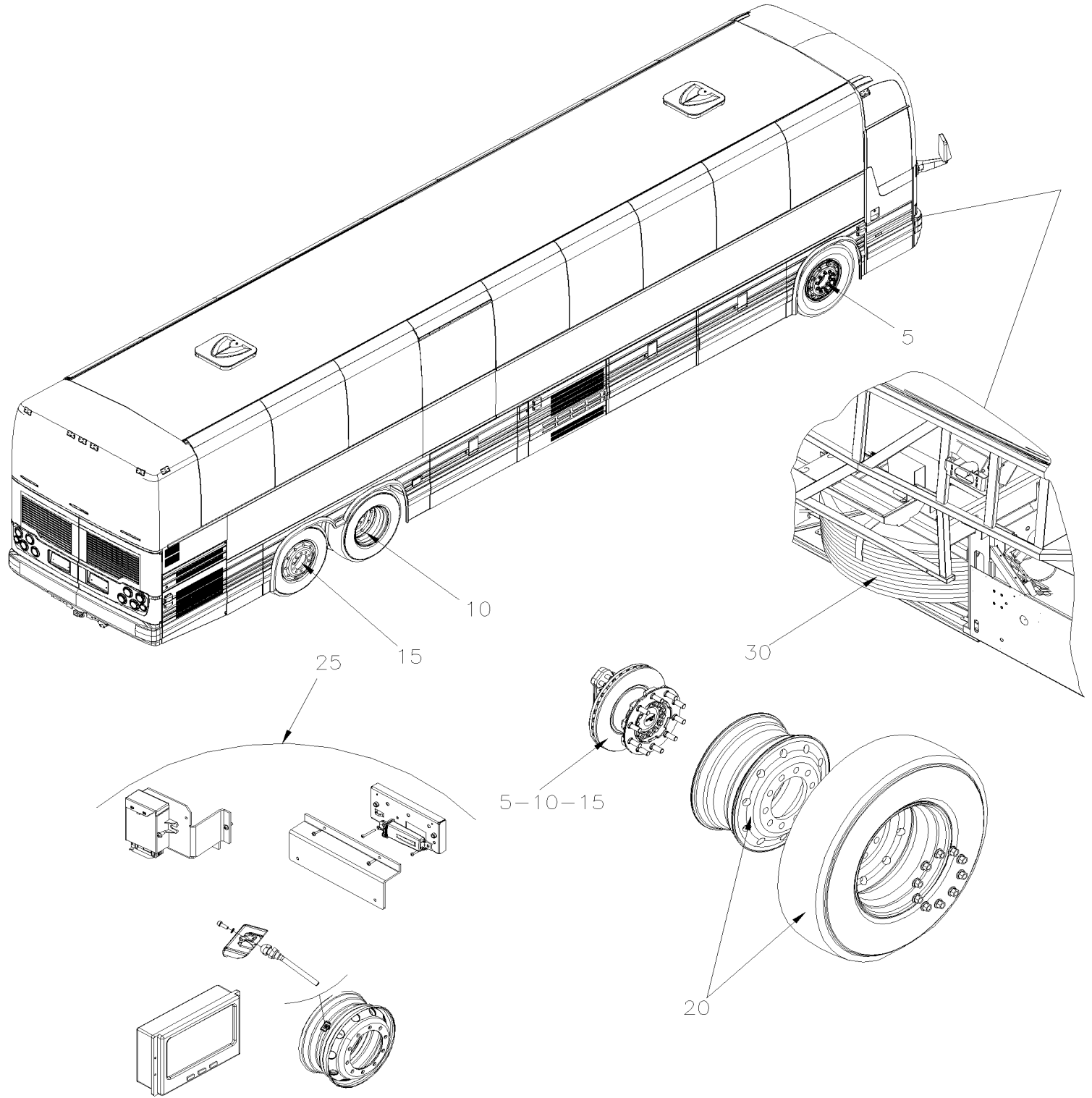


DETAIL E

| | | |
|-------------------------------------|--------------|-----------------|
| From 4-8165 To 8-9339 | Date:10/2022 | PAGE:Y2-1250-10 |
| ABS BRAKE VALVE INSTALLATION | | |

| Item# | Part | Description | X L I I 4 5 | X L I I M T H 4 0 | X L I I M T H 4 5 | X L I I M T H 4 5 E | N O T E S |
|-------|-------------------|---|----------------------------|---|---|--|-----------------------|
| 1 | 142303 | SUPPORT | | 1 | 1 | 1 | |
| 2 | 502565 | NUT HEX M6-1.0 SS | | 4 | 4 | 4 | |
| NS | 502570 | WASHER LO SPT 6.1x11.8x1.6 SS | | 4 | 4 | 4 | |
| NS | 502573 | WASHER FL 6.4x12.5x1.6 SS | | 4 | 4 | 4 | |
| 3 | 561115 | CLAMP W/ 3 & 4 / ITT CANNON 029-0262-000 | | 4 | 4 | 4 | |
| 4 | 504637 | CABLE TIE / 3/16" x 13" | | AR | AR | AR | |
| 5 | 641099 | SENSOR ABS (ON FRONT & DRIVE AXLE) To 8-9278 | | 2 | 2 | 2 | |
| 5 | 642085 | SENSOR ABS - OEM From 8-9279 | | | 2 | 2 | |
| 5 | 642184 | SENSOR ABS - AFTER MARKET | | | 2 | 2 | |
| 6 | 641096 | CLIP, SPRING / TO FIX SENSOR | | 4 | 4 | 4 | |
| 7 | 641903 | HOSE BRAKE #8 1090MM (43") | | 2 | 2 | 2 | |
| 8 | 660914 | MALE ELBOW 90° / JIC 37° FITTING / #8JIC-MxM16-1.5-M STL | | 2 | 2 | 2 | |
| . NS | 641297 | . O-RING 13.1MM I.D. X 2.6 TH | | 1 | 1 | 1 | |
| . NS | 641298 | . WASHER FL 17MM I.D x 22MM O.D. x 1.5MM | | 1 | 1 | 1 | |
| 10 | 142352 | HOSE SUPPORT R.H. | | 1 | 1 | 1 | |
| 10 | 142353 | HOSE SUPPORT L.H. | | 1 | 1 | 1 | |
| 11 | 504612 | COLLAR 13/16" I.D. / TO FIX HOSE | | 4 | 4 | 4 | |
| 12 | 504614 | PLATE RETAINING / COLLAR | | 4 | 4 | 4 | |
| 13 | 502656 | SCREW CAP HEX M6-1.0x50 SS | | 4 | 4 | 4 | |
| 14 | 502570 | WASHER LO SPT 6.1x11.8x1.6 SS | | 4 | 4 | 4 | |
| 15 | 502565 | NUT HEX M6-1.0 SS | | 4 | 4 | 4 | |
| 20 | 641951 | VALVE, "ABS" 12VOLT | 4 | 4 | 4 | 4 | |
| 21 | 641429 | VALVE, QUICK RELEASE QR-1 / 3/8NPTx3/8NPTx3/8NPT | 4 | 4 | 4 | 4 | |
| . NS | 640924 | . REPAIR KIT / QR-1 | 1 | 1 | 1 | 1 | |
| 22 | 065632 | CABLE ASSY / FRONT "ABS" SENSOR & VALVE | 1 | 1 | 1 | 1 | |
| 23 | 065634 | CABLE ASSY / REAR "ABS" SENSOR & VALVE | 1 | 1 | 1 | 1 | |
| 30 | 641368 | MALE ELBOW 45° NON-SWIVEL / PUSH-IN FITTING / #8x3/8NPT-M BR | | 1 | 1 | 1 | |
| 31 | 641381 | MALE CONNECTOR / PUSH-IN FITTING / #8x3/8NPT-M BR | | 2 | 2 | 2 | |
| 32 | 641383 | MALE CONNECTOR / PUSH-IN FITTING / #8x1/2NPT-M BR | 2 | 2 | 2 | 2 | |
| 33 | 501406 | STREET ELBOW 90° / PIPE FITTING / 1/2NPT-Mx1/2NPT-F BR | | 2 | 2 | 2 | |
| 34 | 501534 | BUSHING REDUCER / PIPE FITTING / 1/2NPT-Mx3/8NPT-F BR | | 2 | 2 | 2 | |
| 35 | 501842 | ADAPTER / AIR BRAKE HOSE FITTING / 3/4-20-Mx3/8NPT-M STL | | 2 | 2 | 2 | |
| 36 | 5011067 | NIPPLE HEX / PIPE FITTING / 1/2NPT-Mx1/2NPT-Mx1 13/16 BR | | 2 | 2 | 2 | |
| 37 | 501528 | STREET ELBOW 45° / PIPE FITTING / 1/2NPT-Mx1/2NPT-F BR | | 2 | 2 | 2 | |
| 38 | 501472 | FEMALE UNION TEE / PIPE FITTING / 1/2NPT-Fx1/2NPT-Fx1/2NPT-F BR | | 2 | 2 | 2 | |
| 39 | 501473 | MALE RUN TEE / PIPE FITTING / 1/2NPT-Mx1/2NPT-Fx1/2NPT-F BR | | 1 | 1 | 1 | |
| 40 | 501316 | BUSHING REDUCER / PIPE FITTING / 1/2NPT-Mx1/4NPT-F BR | | 1 | 1 | 1 | |
| 41 | 641332 | MALE CONNECTOR / PUSH-IN FITTING / #4x1/4NPT-M BR | | 1 | 1 | 1 | |
| 50 | Y2-1202-00 | TUBES PLASTIC / AIR D.O.T. | | | | | |
| 60 | 500187 | SCREW CAP HEX 5/16-18x3 G5 Z050 | | AR | AR | AR | |
| 61 | 500476 | WASHER LO SPT .317x.586x.078 Z050 | | AR | AR | AR | |
| 62 | 500778 | NUT HEX 5/16-18 N500 | | AR | AR | AR | |

| | | |
|----------------------|--------------|-------|
| | Date:10/2022 | Y2-13 |
| WHEELS, HUBS & TIRES | | |



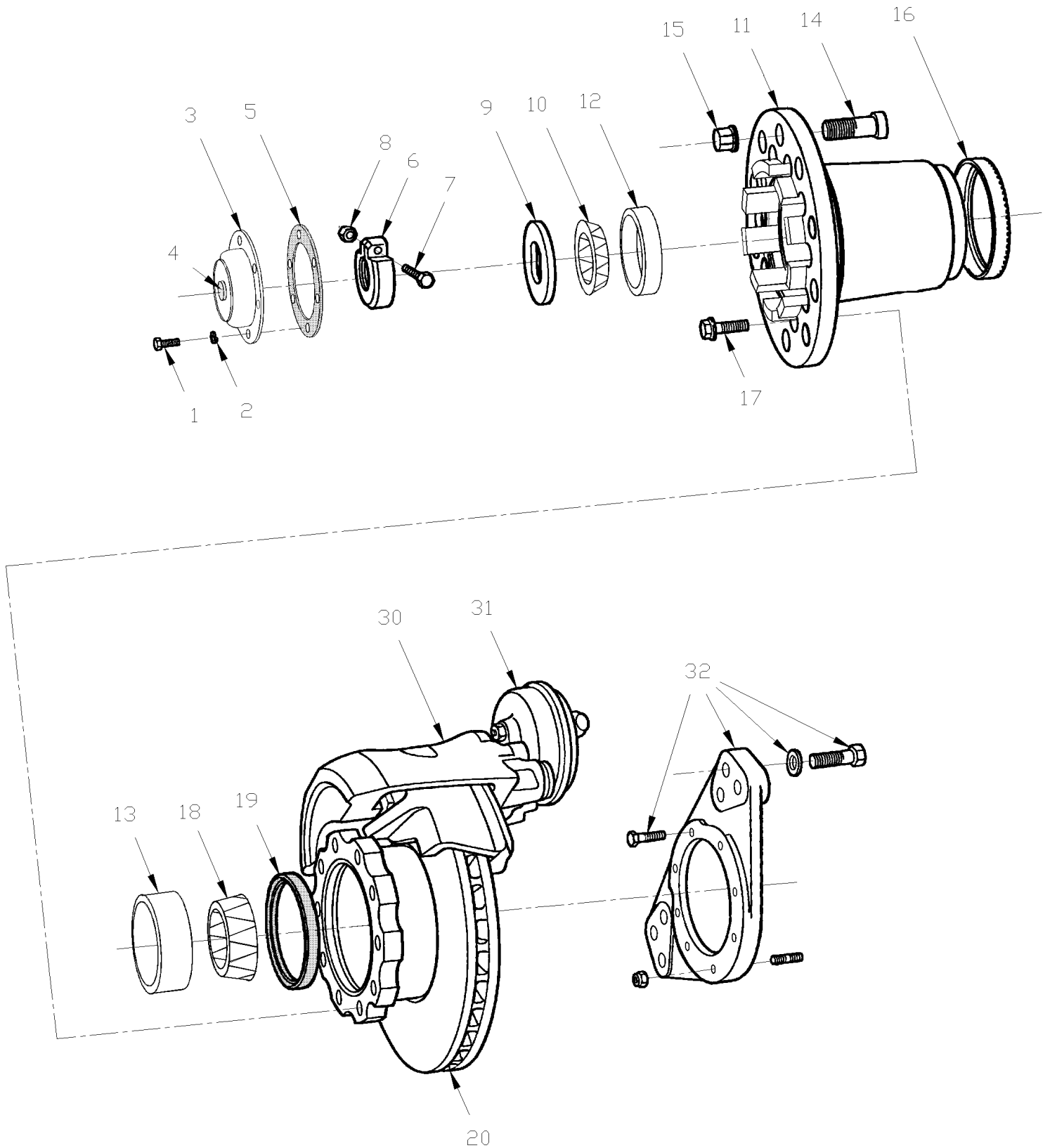
| | | Date:10/2022 | Y2-13 | | | | |
|----------------------|------------|--|----------------------------|---|---|--|-------|
| WHEELS, HUBS & TIRES | | | | | | | |
| Item# | Part | Description | X L I I 4 5 | X L I I M T H 4 0 | X L I I M T H 4 5 | X L I I M T H 4 5 E | NOTES |
| 5 | Y2-1300-00 | HUB & ROTOR - FRONT AXLE MODEL "S-84" & "IS84" From Y-7046 To 3-8164 | | | | | |
| 5 | Y2-1300-01 | HUB & ROTOR - FRONT AXLE MODEL "NSD80" From 1-7455 To 1-7455 | | | | | |
| 5 | Y2-1300-02 | HUB & ROTOR - FRONT AXLE MODEL "S84U" & "NDIFS80P" From 4-8165 To 8-9339 | | | | | |
| 5 | Y2-1300-99 | HUB & ROTOR - FRONT AXLE MODEL "S84U" & "NDIFS80P" From Y-7046 To 3-8164 | | | | | |
| 10 | Y2-1305-00 | HUB & ROTOR - DRIVE AXLE From Y-7046 To 8-9339 | | | | | |
| 10 | Y2-1305-99 | ROTOR (SPLINED DISC) PRODUCT IMPROVMENT From Y-7046 To 8-9339 | | | | | |
| 15 | Y2-1310-00 | HUB & ROTOR - TAG AXLE TYPE TS6 From Y-7046 To 3-8164 | | | | | |
| 15 | Y2-1310-01 | HUB & ROTOR - TAG AXLE TYPE TS8U From 4-8165 To 8-9339 | | | | | |
| 15 | Y2-1310-99 | HUB & ROTOR - TAG AXLE TYPE TS8U RETROFIT "UNITISED" BEARING From Y-7046 To 3-8164 | | | | | |
| 20 | Y2-1318-00 | WHEELS & COMPONENTS - BUS MOUNT (STANDARD) From Y-7046 To 2-7766 | | | | | |
| 20 | Y2-1318-01 | WHEELS & COMPONENTS - TRUCK MOUNT (METRIC) From 2-7767 To 8-9339 | | | | | |
| 25 | Y2-1318-99 | TIRE MONITOR - PRESSURE & TEMPERATURE / "RETROFIT" From Y-7046 To 8-9339 | | | | | |
| 30 | Y2-1325-00 | SPARE WHEEL - INSTALLATION From Y-7046 To 8-9339 | | | | | |

From Y-7046 To 3-8164

Date:10/2022

PAGE:Y2-1300-00

HUB & ROTOR - FRONT AXLE MODEL "S-84" & "IS84"



| | | |
|---|--------------|-----------------|
| From Y-7046 To 3-8164 | Date:10/2022 | PAGE:Y2-1300-00 |
| HUB & ROTOR - FRONT AXLE MODEL "S-84" & "IS84" | | |

| Item# | Part | Description | X L I I 4 5 | X L I I M T H 4 0 | X L I I M T H 4 5 | X L I I M T H 4 5 E | N O T E S |
|-------|-------------------|---|----------------------------|---|---|--|-----------------------|
| 1 | 502790 | SCREW CAP HEX M8-1.25x20 G8.8 Z050 | 6 | 6 | 6 | 6 | |
| 2 | 5001003 | WASHER LO SPT 8.1x12.7x2.0 Z050 | 6 | 6 | 6 | 6 | |
| 3 | 611243 | HUB CAP / W/GREASE ONLY | 1 | | | | |
| 3 | 611210 | HUB CAP / ALUMINUM / "STEMCO" | 1 | 1 | 1 | 1 | |
| . NS | M107-04 | . SEE MAINTENANCE INFORMATION | 1 | 1 | 1 | 1 | |
| 4 | 611211 | . KIT, HUB CAP WINDOW | 1 | 1 | 1 | 1 | |
| NS | 611242 | . PLUG VENT / RED / W/ALU HUB CAP "STEMCO" | 1 | 1 | 1 | 1 | |
| 5 | 611261 | . GASKET HUB CAP / "STEMCO" | 1 | 1 | 1 | 1 | |
| 6 | 611004 | NUT ADJUSTING M45-2 | 1 | 1 | 1 | 1 | |
| . NS | 490845 | . TOOL / NUT WHEEL BEARING ADJUSTMENT | 1 | 1 | 1 | 1 | |
| . NS | 684735 | . TOOL / NUT WHEEL BEARING ADJUSTMENT / TORQUE | 1 | 1 | 1 | 1 | |
| . NS | M103-24 | . SEE MAINTENANCE INFORMATION | 1 | 1 | 1 | 1 | |
| 7 | 500054 | SCREW CAP HEX 3/8-24x2 1/2 G5 ZP | 1 | 1 | 1 | 1 | |
| 8 | 500704 | NUT HEX STO 3/8-24 Z050 | 1 | 1 | 1 | 1 | |
| 9 | 611003 | LOCK PLATE | 1 | 1 | 1 | 1 | |
| 10 | 610126 | CONE BEARING / OUTER WHEEL BEARING | 1 | 1 | 1 | 1 | |
| 11 | 611202 | HUB WHEEL / W/STANDARD WHEEL To 2-7766 | 1 | 1 | 1 | 1 | |
| 11 | 611259 | HUB WHEEL / W/METRIC WHEEL From 2-7767 | 1 | 1 | 1 | 1 | |
| 12 | 610125 | CUP BEARING / OUTER WHEEL BEARING | 1 | 1 | 1 | 1 | |
| 13 | 610997 | CUP BEARING / INNER WHEEL BEARING | 1 | 1 | 1 | 1 | |
| 14 | 610995 | STUD / L.H. / W/STUD-MOUNT WHEEL | 10 | 10 | 10 | 10 | |
| NS | 610996 | STUD / R.H. / W/STUD-MOUNT WHEEL | 10 | 10 | 10 | 10 | |
| 14 | 611207 | STUD / R.H. / W/HUB-MOUNT WHEEL M22-1.5 x 81MM | 10 | 10 | 10 | 10 | |
| NS | 611208 | STUD / R.H. / W/HUB-MOUNT WHEEL 7/8-14 | 10 | 10 | 10 | 10 | C |
| 15 | 610175 | NUT L.H. 1 1/8-16 / STUD MOUNT WHEEL | 10 | 10 | 10 | 10 | |
| NS | 610176 | NUT R.H. 1 1/8-16 / STUD MOUNT WHEEL | 10 | 10 | 10 | 10 | |
| NS | 611189 | NUT R.H. / W/HUB-MOUNT WHEEL M22-1.5 / 30MM TH To 3-8128 | 10 | 10 | 10 | 10 | |
| 15 | 20434082 | NUT R.H. / W/HUB-MOUNT WHEEL M22-1.5 / 27 MM TH From 3-8129 | 10 | 10 | 10 | 10 | |
| NS | 610773 | NUT R.H. / W/HUB-MOUNT WHEEL 7/8-14 | 10 | 10 | 10 | 10 | C |
| 16 | Y2-1250-00 | ANTI-LOCK BRAKING SYSTEM | | | | | |
| 17 | 611007 | SCREW CAP HEXF SERR M16-1.5x50 G10.9 | 10 | 10 | 10 | 10 | |
| 18 | 611087 | CONE BEARING / INNER WHEEL BEARING | 1 | 1 | 1 | 1 | |
| 19 | 611081 | SEAL ASSY/ WHEEL BEARING W/OIL | 1 | 1 | 1 | 1 | |
| 19 | 611247 | SEAL ASSY/ WHEEL BEARING W/OIL | 1 | 1 | 1 | 1 | |
| 19 | 611174 | SEAL ASSY / W/OIL / "SCOTT-SEAL PLUS" | AR | AR | AR | AR | |
| 20 | 611188 | ROTOR SOLID | 1 | 1 | 1 | 1 | |
| 20 | 611456 | ROTOR VENTED | 1 | 1 | 1 | 1 | |
| 30 | Y2-1225-00 | BRAKE PARTS - FRONT AXLE - W/"KNORR-BREMSE" / SB7 SERIES | | | | | |
| 31 | Y2-1225-10 | BRAKE CHAMBER - FRONT AXLE TYPE 22 | | | | | |
| 31 | Y2-1225-11 | BRAKE CHAMBER - FRONT AXLE TYPE 24 | | | | | |
| 32 | Y2-1225-00 | BRAKE PARTS - FRONT AXLE - W/"KNORR-BREMSE" / SB7 SERIES | | | | | |
| NS | 684644 | SEAL INSTALLER TOOL / FRT & TAG TS-5 | 1 | 1 | 1 | 1 | |

| | | |
|---|--------------|-----------------|
| From Y-7046 To 3-8164 | Date:10/2022 | PAGE:Y2-1300-00 |
| HUB & ROTOR - FRONT AXLE MODEL "S-84" & "IS84" | | |

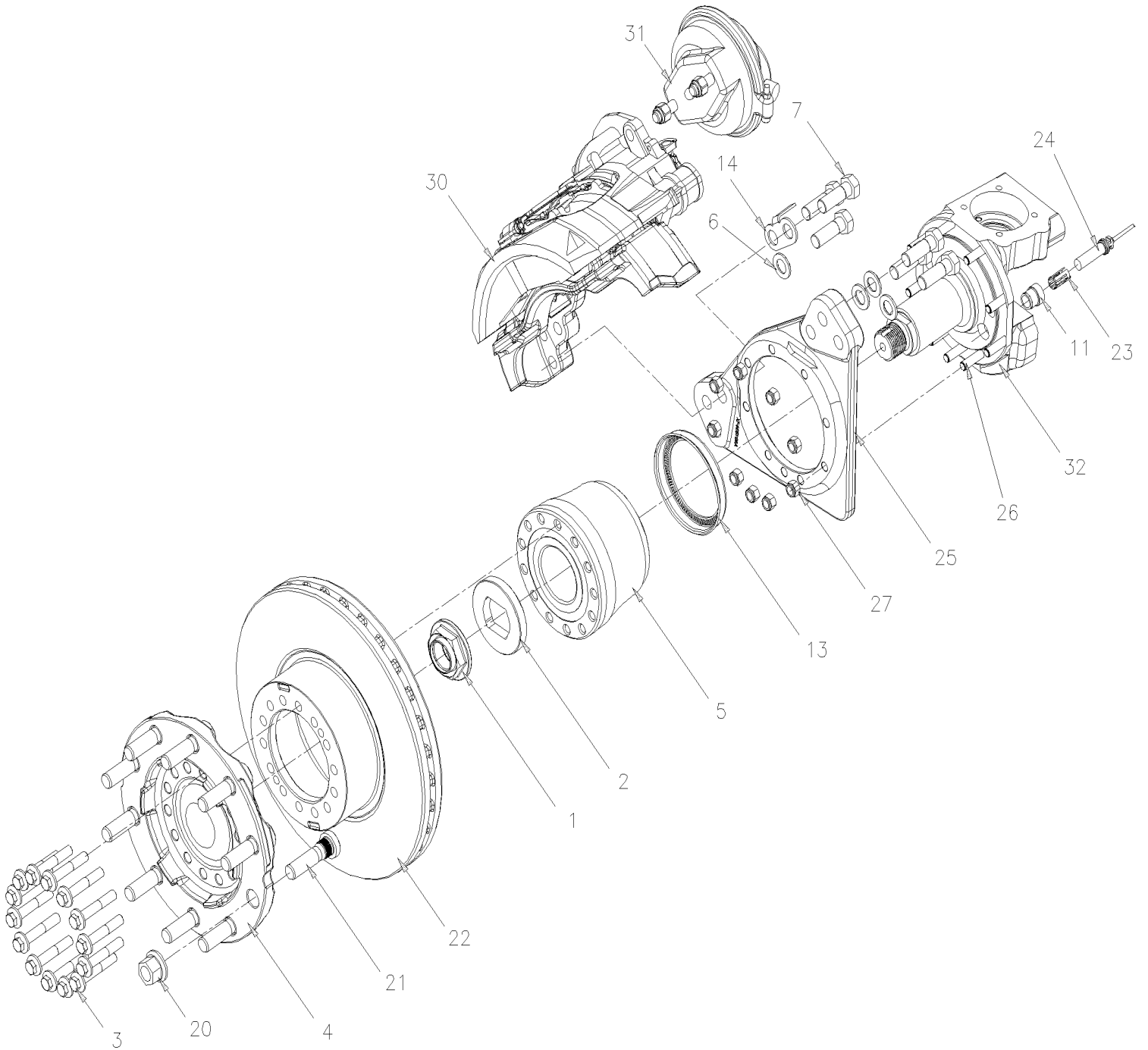
| Item# | Part | Description | X L I I 4 5 | X L I I M T H 4 0 | X L I I M T H 4 5 | X L I I M T H 4 5 E | N O T E S |
|-------|--------|---|----------------------------|---|---|--|-----------------------|
| 41 | 611328 | KIT, RETROFIT RIGID FRONT AXLE / UNITISED To 3-8164 | 1 | 1 | 1 | 1 | |
| . NS | 611289 | . KNUCKLE L.H. STREET SIDE To 3-8164 | 1 | 1 | 1 | 1 | |
| . NS | 611290 | . KNUCKLE R.H. CURBSIDE To 3-8164 | 1 | 1 | 1 | 1 | |
| . NS | 611949 | . HUB NUT 1 3/4-8 To 3-8164 | 2 | 2 | 2 | 2 | |
| . NS | 611948 | . THRUST WASHER To 3-8164 | 2 | 2 | 2 | 2 | |
| . NS | 611955 | . SCREW CAP HEXF M14-1.5x78 G12.9 N500 To 3-8164 | 28 | 28 | 28 | 28 | |
| . NS | 611301 | . HUB FLANGE To 3-8164 | 2 | 2 | 2 | 2 | |
| . NS | 611953 | . HUB ASSY / UNITISED L.H. & R.H. "TIMKEN" To 3-8164 | 2 | 2 | 2 | 2 | |
| . NS | 611300 | . ROTOR VENTED To 3-8164 | 2 | 2 | 2 | 2 | |
| . NS | 611028 | . STUD / STREET SIDE / 3/4-16 X 3" To 3-8164 | 2 | 2 | 2 | 2 | |
| . NS | 611330 | . STUD 3/4-16 X 3 7/8" To 3-8164 | 1 | 1 | 1 | 1 | |
| . NS | 611331 | . STUD / CURBSIDE / 3/4-16 X 4 1/4" To 3-8164 | 2 | 2 | 2 | 2 | |
| . NS | 611332 | . STUD 1/2-20 X 1 7/8 To 3-8164 | 16 | 16 | 16 | 16 | |
| 42 | 611329 | KIT, RETROFIT INDE FRONT AXLE / UNITISED To 3-8164 | 1 | 1 | 1 | 1 | |
| . NS | 611334 | . KNUCKLE L.H. / W/PARALLEL KING PIN ONLY W/RETROFIT UNITISED To 3-8164 | 1 | 1 | 1 | 1 | |
| . NS | 611335 | . KNUCKLE R.H. / W/PARALLEL KING PIN ONLY W/RETROFIT UNITISED To 3-8164 | 1 | 1 | 1 | 1 | |
| . NS | 611949 | . HUB NUT 1 3/4-8 To 3-8164 | 2 | 2 | 2 | 2 | |
| . NS | 611948 | . THRUST WASHER To 3-8164 | 2 | 2 | 2 | 2 | |
| . NS | 611955 | . SCREW CAP HEXF M14-1.5x78 G12.9 N500 To 3-8164 | 28 | 28 | 28 | 28 | |
| . NS | 611301 | . HUB FLANGE To 3-8164 | 2 | 2 | 2 | 2 | |
| . NS | 611303 | . HUB ASSY / UNITISED L.H. & R.H. "TIMKEN" To 3-8164 | 2 | 2 | 2 | 2 | |
| . NS | 611300 | . ROTOR VENTED To 3-8164 | 2 | 2 | 2 | 2 | |
| . NS | 611166 | . STUD 3/4-16 X 3 1/4" To 3-8164 | 2 | 2 | 2 | 2 | |
| . NS | 611167 | . STUD 3/4-16 X 4 1/2" To 3-8164 | 3 | 3 | 3 | 3 | |
| . NS | 611331 | . STUD / CURBSIDE / 3/4-16 X 4 1/4" To 3-8164 | 2 | 2 | 2 | 2 | |
| . NS | 611332 | . STUD 1/2-20 X 1 7/8 To 3-8164 | 16 | 16 | 16 | 16 | |
| | | | | | | | |
| | | | | | | | |
| | | | | | | | |
| | | C) CUSTOMMER SPECIAL "OPTION" | | | | | |

From 1-7455 To 1-7455

Date:10/2022

PAGE:Y2-1300-01

HUB & ROTOR - FRONT AXLE MODEL "NSD80"



| | | |
|---|--------------|-----------------|
| From 1-7455 To 1-7455 | Date:10/2022 | PAGE:Y2-1300-01 |
| HUB & ROTOR - FRONT AXLE MODEL "NSD80" | | |

| Item# | Part | Description | X L I I 4 5 | X L I I M T H 4 0 | X L I I M T H 4 5 | X L I I M T H 4 5 E | N O T E S |
|-------|-------------------|---|----------------------------|---|---|--|-----------------------|
| 1 | 611949 | HUB NUT 1 3/4-8 | 1 | | | | |
| 2 | 611948 | THRUST WASHER | 1 | | | | |
| 3 | 611955 | SCREW CAP HEXF M14-1.5x78 G12.9 N500 | 14 | | | | S |
| 4 | 611950 | HUB FLANGE | 1 | | | | |
| 5 | 611953 | HUB ASSY / UNITISED L.H. & R.H. "TIMKEN" | 1 | | | | RS |
| 5 | 611471 | HUB ASSY / UNITISED L.H. & R.H. "FAG" ASSY W/"ABS" RING | 1 | | | | RS |
| . NS | N.S.S. | . TOOTH WHEEL | 1 | | | | 1 RS |
| . NS | 509939 | . SCREW DRV RND #4x1/4 SS | 3 | | | | RS |
| NS | 491115 | TOOL, HUB INSTALLER W/UNITISED BEARING / 70MM | 1 | | | | |
| . NS | NDS8 | . MAINTENANCE INSTRUCTION | 1 | | | | |
| 6 | 611044 | WASHER FL HARD 21.0x37.0x3.0 N500 | 6 | | | | |
| 7 | 611308 | SCREW CAP HEX M20-2.5x100 G12.9 | 4 | | | | |
| 7 | 5001193 | SCREW CAP HEX M20-2.5x65 G10.9 ZP | 2 | | | | |
| 7 | 5001529 | SCREW CAP HEX M20-1.5x60 G10.9 G500 | 6 | | | | |
| 13 | N.S.S. | TOOTH WHEEL / FRONT AXLE RIGID INCLUDE WITH ITEM #5 | 1 | | | | 1 R |
| 14 | 110786 | BRAKE WEAR INDICATOR MECHANICAL / 44MM | AR | | | | |
| 20 | 610175 | NUT L.H. 1 1/8-16 / STUD MOUNT WHEEL | 10 | | | | |
| 20 | 610176 | NUT R.H. 1 1/8-16 / STUD MOUNT WHEEL | 10 | | | | |
| 20 | 610773 | NUT R.H. / W/HUB-MOUNT WHEEL 7/8-14 | 10 | | | | |
| 20 | 20434082 | NUT R.H. / W/HUB-MOUNT WHEEL M22-1.5 / 27 MM TH | 10 | | | | |
| 21 | 610995 | STUD / L.H. / W/STUD-MOUNT WHEEL | 10 | | | | |
| 21 | 610996 | STUD / R.H. / W/STUD-MOUNT WHEEL | 10 | | | | |
| 21 | 610994 | STUD / R.H. / W/HUB-MOUNT WHEEL 7/8-14 | 10 | | | | |
| 21 | 611208 | STUD / R.H. / W/HUB-MOUNT WHEEL 7/8-14 | 10 | | | | |
| 22 | 611954 | ROTOR VENTED | 1 | | | | |
| 23 | 641096 | CLIP, SPRING / TO FIX SENSOR | 1 | | | | |
| 24 | Y2-1250-00 | ANTI-LOCK BRAKING SYSTEM | 1 | 1 | 1 | 1 | |
| 25 | 611951 | CALIPER MOUNTING BRACKET R.H. | 1 | | | | |
| 25 | 611952 | CALIPER MOUNTING BRACKET L.H. | 1 | | | | |
| 26 | 611030 | STUD 1/2-20 X 1 11/16" | AR | | | | |
| 27 | 5007001 | NUT HEX STO 1/2-20 Z050 G "C" | AR | | | | |
| 30 | Y2-1225-00 | BRAKE PARTS - FRONT AXLE - W/"KNORR-BREMSE" / SB7 SERIES | | | | | |
| 30 | Y2-1225-01 | BRAKE PARTS "KNORR-BREMSE" SN7 SERIES | | | | | |
| 30 | Y2-1225-02 | BRAKE PARTS "KNORR-BREMSE" SN7 SERIES W/NEW SLIDE PINS | 1 | 1 | 1 | 1 | |
| 31 | Y2-1225-10 | BRAKE CHAMBER - FRONT AXLE TYPE 22 | | | | | |
| 31 | Y2-1225-11 | BRAKE CHAMBER - FRONT AXLE TYPE 24 | | | | | |
| 32 | Y2-1005-01 | FRONT AXLE - I BEAM RIGID MODEL "NSD80" | | | | | |
| NS | M108-04 | SEE MAINTENANCE INFORMATION | 1 | | | | |
| | | | | | | | |
| | | | | | | | |
| | | | | | | | |
| | | R) WITH I BEAM RIGID SUSPENSION | | | | | |

| | | |
|-----------------------|--------------|-----------------|
| From 1-7455 To 1-7455 | Date:10/2022 | PAGE:Y2-1300-01 |
|-----------------------|--------------|-----------------|

HUB & ROTOR - FRONT AXLE MODEL "NSD80"

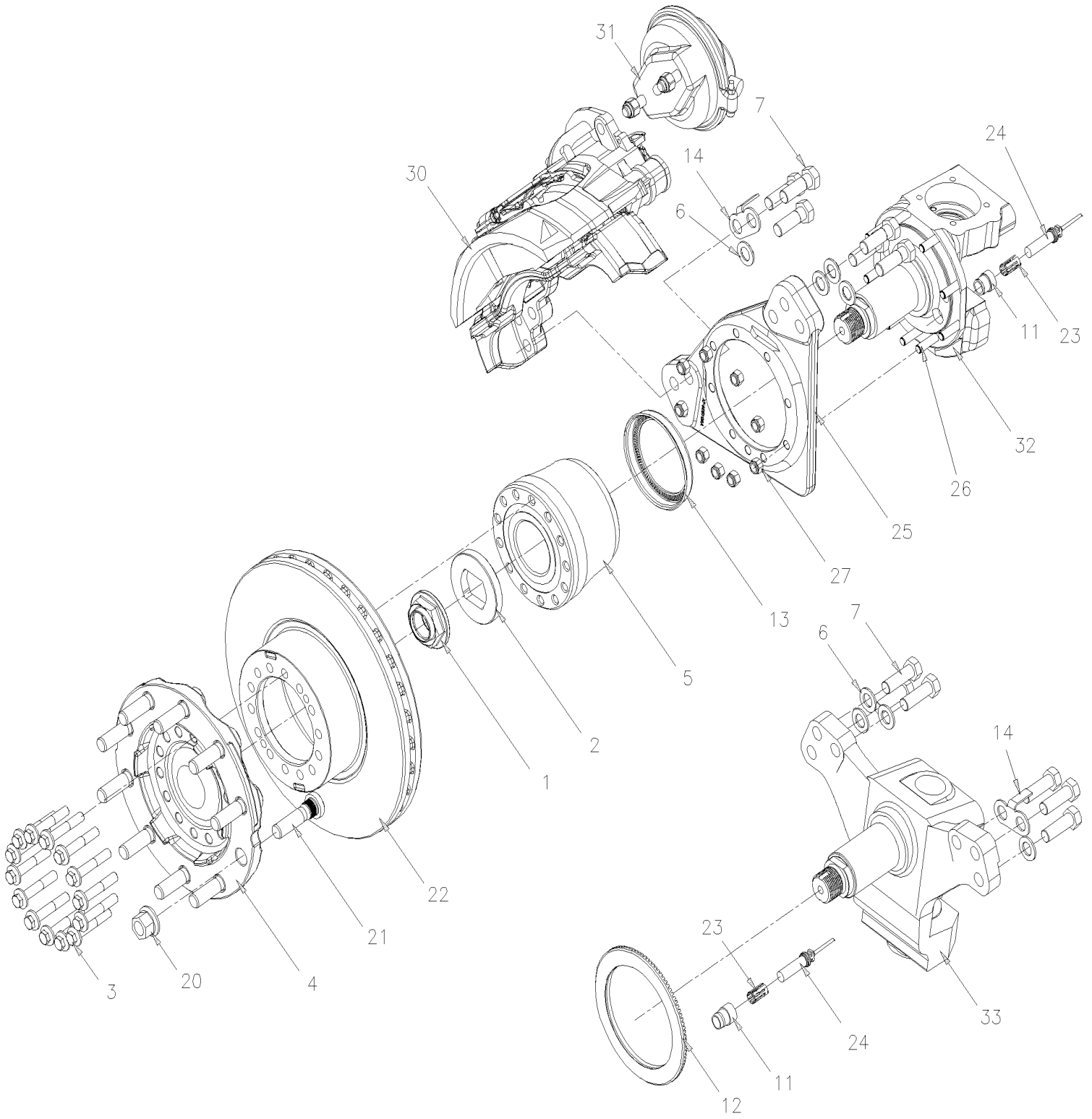
| Item# | Part | Description | X L I I 4 5 | X L I I M T H 4 0 | X L I I M T H 4 5 | X L I I M T H 4 5 E | N O T E S |
|-------|------|---|----------------------------|---|---|--|-----------------------|
| | | S) INSPECTED ALL BOLTS FOR DAMAGE TO THE THREAD AND ON THE SURFACE BELOW THE HEAD WHEN YOU DISASSEMBLED OR UNSCREWED THE HUB AND REPLACE IF NECESSARY | | | | | |
| | | 1) NOT SOLD SEPARATELY | | | | | |
| | | 1) NOT SOLD SEPARATELY | | | | | |

From 4-8165 To 8-9339

Date:10/2022

PAGE:Y2-1300-02

HUB & ROTOR - FRONT AXLE MODEL "S84U" & "NDIFS80P"



WITH INDEPENDANT SUSP.

From 4-8165 To 8-9339 Date:10/2022 PAGE:Y2-1300-02

HUB & ROTOR - FRONT AXLE MODEL "S84U" & "NDIFS80P"

| Item# | Part | Description | X L I I I 4 5 | X L I I I M T H 4 0 | X L I I I M T H 4 5 | X L I I I M T H 4 5 E | NOTES |
|-------|------------|--|---------------------------------|--|--|---|-------|
| 1 | 611949 | HUB NUT 1 3/4-8 | 1 | 1 | 1 | 1 | |
| 2 | 611948 | THRUST WASHER | 1 | 1 | 1 | 1 | |
| 3 | 611955 | SCREW CAP HEXF M14-1.5x78 G12.9 N500 | 14 | 14 | 14 | 14 | S |
| 4 | 611301 | HUB FLANGE | 1 | 1 | 1 | 1 | |
| 5 | 611953 | HUB ASSY / UNITISED L.H. & R.H. "TIMKEN" | 1 | | | | RS |
| 5 | 611471 | HUB ASSY / UNITISED L.H. & R.H. "FAG" ASSY W/"ABS" RING | 1 | | | | RS |
| . NS | N.S.S. | . TOOTH WHEEL | 1 | | | | 1 RS |
| . NS | 509939 | . SCREW DRV RND #4x1/4 SS | 3 | | | | RS |
| 5 | 611303 | HUB ASSY / UNITISED L.H. & R.H. "TIMKEN" | 1 | 1 | 1 | 1 | IS |
| 5 | 611474 | HUB ASSY / UNITISED L.H. & R.H. "FAG" ASSY W/"ABS" RING | 1 | 1 | 1 | 1 | IS |
| . NS | 611472 | . HUB ASSY / UNITISED L.H. & R.H. "FAG" | 1 | 1 | 1 | 1 | IS |
| . NS | 611473 | . TOOTH WHEEL / FRONT AXLE & TAG W/ "FAG" 143.90MM I.D. | 1 | 1 | 1 | 1 | IS |
| NS | 491115 | TOOL, HUB INSTALLER W/UNITISED BEARING / 70MM | 1 | 1 | 1 | 1 | |
| . NS | NDS8 | . MAINTENANCE INSTRUCTION | 1 | 1 | 1 | 1 | |
| 6 | 611044 | WASHER FL HARD 21.0x37.0x3.0 N500 | 6 | 6 | 6 | 6 | |
| 7 | 611308 | SCREW CAP HEX M20-2.5x100 G12.9 To 7-0869 | 4 | 4 | 4 | 4 | |
| 7 | 5001193 | SCREW CAP HEX M20-2.5x65 G10.9 ZP To 7-0869 | 2 | 2 | 2 | 2 | |
| 7 | 5001529 | SCREW CAP HEX M20-1.5x60 G10.9 G500 From 7-0870 | 6 | 6 | 6 | 6 | |
| 11 | 612384 | BUSHING / ABS SENSOR | 1 | 1 | 1 | 1 | |
| 12 | 611304 | TOOTH WHEEL / FRONT AXLE W/ "TIMKEN" 138.89MM I.D. | 1 | 1 | 1 | 1 | I |
| 12 | 611473 | TOOTH WHEEL / FRONT AXLE & TAG W/ "FAG" 143.90MM I.D. | 1 | 1 | 1 | 1 | ID |
| 13 | N.S.S. | TOOTH WHEEL / FRONT AXLE RIGID INCLUDE WITH ITEM #5 | 1 | | | | 1 R |
| 14 | 110786 | BRAKE WEAR INDICATOR MECHANICAL / 44MM | 1 | 1 | 1 | 1 | |
| 20 | 20434082 | NUT R.H. / W/HUB-MOUNT WHEEL M22-1.5 / 27 MM TH | 10 | 10 | 10 | 10 | |
| 21 | 611207 | STUD / R.H. / W/HUB-MOUNT WHEEL M22-1.5 x 81MM | 10 | 10 | 10 | 10 | |
| 22 | 611300 | ROTOR VENTED | 1 | 1 | 1 | 1 | |
| 23 | 641096 | CLIP, SPRING / TO FIX SENSOR | 1 | 1 | 1 | 1 | |
| 24 | 642084 | SENSOR ABS 90° ANGLE - OEM | 1 | 1 | 1 | 1 | |
| 24 | 642085 | SENSOR ABS - OEM | 1 | 1 | 1 | 1 | |
| 24 | 642184 | SENSOR ABS - AFTER MARKET | 1 | 1 | 1 | 1 | |
| 25 | 611039 | CALIPER MOUNTING BRACKET L.H. & R.H. | 1 | 1 | 1 | 1 | |
| 26 | 611030 | STUD 1/2-20 X 1 11/16" | AR | AR | AR | AR | |
| 27 | 5007001 | NUT HEX STO 1/2-20 Z050 G "C" | AR | AR | AR | AR | |
| 30 | Y2-1225-00 | BRAKE PARTS - FRONT AXLE - W/"KNORR-BREMSE" / SB7 SERIES | | | | | |
| 30 | Y2-1225-01 | BRAKE PARTS "KNORR-BREMSE" SN7 SERIES | | | | | |
| 30 | Y2-1225-02 | BRAKE PARTS "KNORR-BREMSE" SN7 SERIES W/NEW SLIDE PINS | 1 | 1 | 1 | 1 | |
| 31 | Y2-1225-10 | BRAKE CHAMBER - FRONT AXLE TYPE 22 | | | | | |
| 31 | Y2-1225-11 | BRAKE CHAMBER - FRONT AXLE TYPE 24 | | | | | |
| 32 | Y2-1005-00 | FRONT AXLE - I BEAM RIGID MODEL "S-84" | | | | | |
| 33 | Y2-1005-50 | FRONT AXLE - INDEPENDENT MODEL "IS-84" / 16500LBS | | | | | |
| NS | M108-04 | SEE MAINTENANCE INFORMATION | 1 | 1 | 1 | 1 | |

From 4-8165 To 8-9339 Date:10/2022 PAGE:Y2-1300-02

HUB & ROTOR - FRONT AXLE MODEL "S84U" & "NDIFS80P"

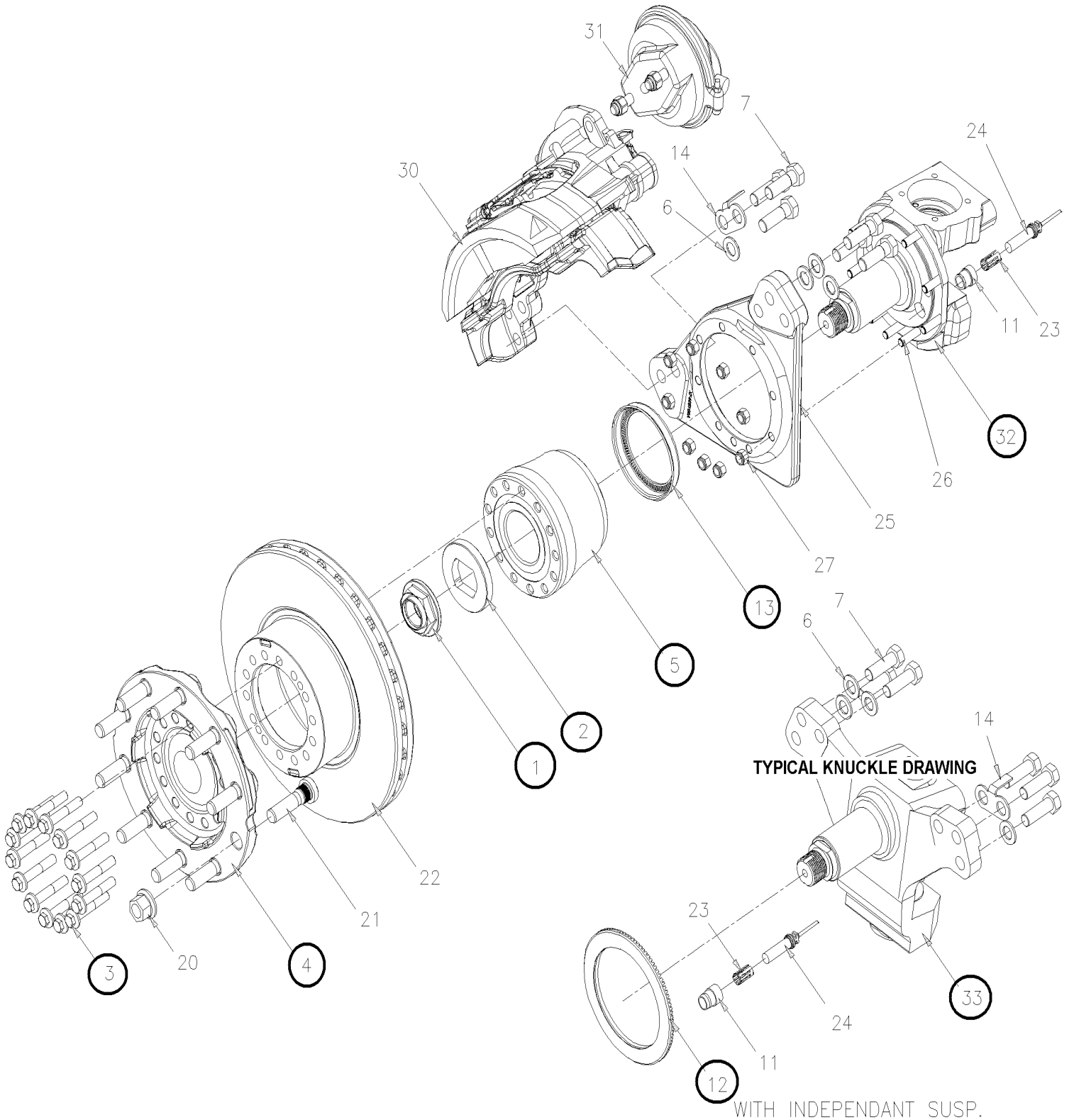
| Item# | Part | Description | X L I I 4 5 | X L I I M T H 4 0 | X L I I M T H 4 5 | X L I I M T H 4 5 E | N O T E S |
|-------|------|---|----------------------------|---|---|--|-----------------------|
| | | | | | | | |
| | | D) WITH HUB "FAG" ONLY | | | | | |
| | | I) WITH INDEPENDENT SUSPENSION | | | | | |
| | | R) WITH I BEAM RIGID SUSPENSION | | | | | |
| | | S) INSPECTED ALL BOLTS FOR DAMAGE TO THE THREAD AND ON THE SURFACE BELOW THE HEAD WHEN YOU DISASSEMBLED OR UNSCREWED THE HUB AND REPLACE IF NECESSARY | | | | | |
| | | 1) NOT SOLD SEPARATELY | | | | | |
| | | 1) NOT SOLD SEPARATELY | | | | | |

From Y-7046 To 3-8164

Date:10/2022

PAGE:Y2-1300-99

HUB & ROTOR - FRONT AXLE MODEL "S84U" & "NDIFS80P"



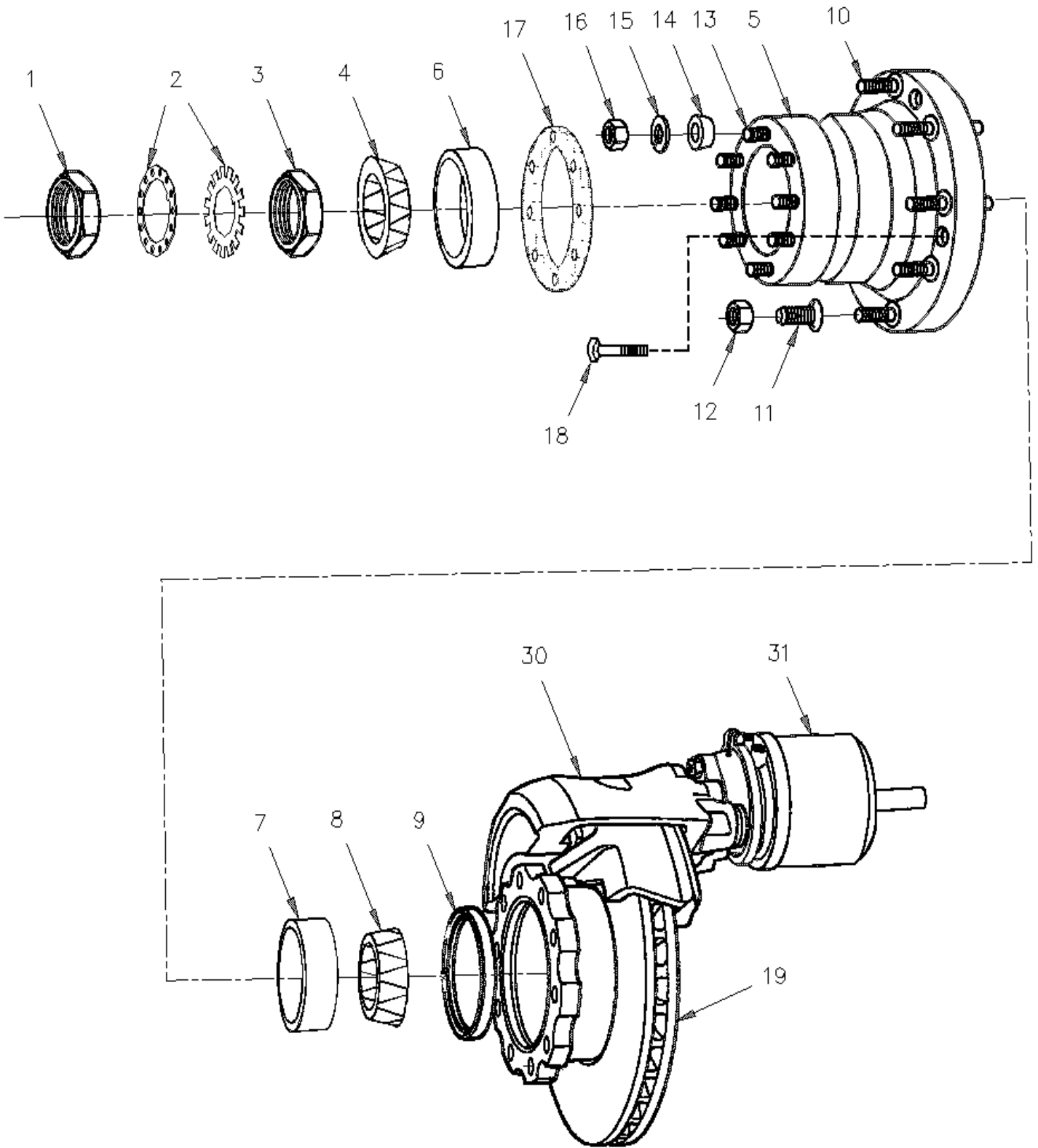
| | | |
|---|--------------|-----------------|
| From Y-7046 To 3-8164 | Date:10/2022 | PAGE:Y2-1300-99 |
| HUB & ROTOR - FRONT AXLE MODEL "S84U" & "NDIFS80P" | | |

| Item# | Part | Description | X L I I 4 5 | X L I I M T H 4 0 | X L I I M T H 4 5 | X L I I M T H 4 5 E | N O T E S |
|-------|--------|---|----------------------------|---|---|--|-----------------------|
| | | "WARNING" - "WARNING" - "WARNING" | | | | | |
| | | THIS KIT DO NOT INCLUDE CALIPERS & BRAKE CHAMBER | | | | | |
| | | KIT INCLUDE PARTS W/GREEN SPOT W/CIRCLE | | | | | |
| | 611328 | KIT, RETROFIT RIGID FRONT AXLE / UNITISED | 1 | | | | |
| . NS | 611289 | . KNUCKLE L.H. STREET SIDE | 1 | | | | |
| . NS | 611290 | . KNUCKLE R.H. CURBSIDE | 1 | | | | |
| . NS | 611949 | . HUB NUT 1 3/4-8 | 2 | | | | |
| . NS | 611948 | . THRUST WASHER | 2 | | | | |
| . NS | 611955 | . SCREW CAP HEXF M14-1.5x78 G12.9 N500 | 28 | | | | |
| . NS | 611301 | . HUB FLANGE | 2 | | | | |
| . NS | 611953 | . HUB ASSY / UNITISED L.H. & R.H. "TIMKEN" | 2 | | | | |
| . NS | 611300 | . ROTOR VENTED | 2 | | | | |
| . NS | 611028 | . STUD / STREET SIDE / 3/4-16 X 3" | 2 | | | | |
| . NS | 611330 | . STUD 3/4-16 X 3 7/8" | 1 | | | | |
| . NS | 611331 | . STUD / CURBSIDE / 3/4-16 X 4 1/4" | 2 | | | | |
| . NS | 611332 | . STUD 1/2-20 X 1 7/8 | 16 | | | | |
| | 611329 | KIT, RETROFIT INDE FRONT AXLE / UNITISED | | 1 | 1 | 1 | |
| . NS | 611334 | . KNUCKLE L.H. / W/PARALLEL KING PIN ONLY W/RETROFIT UNITISED | | 1 | 1 | 1 | |
| . NS | 611335 | . KNUCKLE R.H. / W/PARALLEL KING PIN ONLY W/RETROFIT UNITISED | | 1 | 1 | 1 | |
| . NS | 611949 | . HUB NUT 1 3/4-8 | | 2 | 2 | 2 | |
| . NS | 611948 | . THRUST WASHER | | 2 | 2 | 2 | |
| . NS | 611955 | . SCREW CAP HEXF M14-1.5x78 G12.9 N500 | | 28 | 28 | 28 | |
| . NS | 611301 | . HUB FLANGE | | 2 | 2 | 2 | |
| . NS | 611303 | . HUB ASSY / UNITISED L.H. & R.H. "TIMKEN" | | 2 | 2 | 2 | |
| . NS | 611300 | . ROTOR VENTED | | 2 | 2 | 2 | |
| . NS | 611166 | . STUD 3/4-16 X 3 1/4" | | 2 | 2 | 2 | |
| . NS | 611167 | . STUD 3/4-16 X 4 1/2" | | 3 | 3 | 3 | |
| . NS | 611331 | . STUD / CURBSIDE / 3/4-16 X 4 1/4" | | 2 | 2 | 2 | |
| . NS | 611332 | . STUD 1/2-20 X 1 7/8 | | 16 | 16 | 16 | |
| 1 | 611949 | HUB NUT 1 3/4-8 | 2 | 2 | 2 | 2 | |
| 2 | 611948 | THRUST WASHER | 2 | 2 | 2 | 2 | |
| 3 | 611955 | SCREW CAP HEXF M14-1.5x78 G12.9 N500 | 28 | 28 | 28 | 28 | S |
| 4 | 611301 | HUB FLANGE | 2 | 2 | 2 | 2 | |
| 5 | 611953 | HUB ASSY / UNITISED L.H. & R.H. "TIMKEN" | 2 | | | | RS |
| 5 | 611471 | HUB ASSY / UNITISED L.H. & R.H. "FAG" ASSY W/"ABS" RING | 2 | | | | RS |
| . NS | N.S.S. | . TOOTH WHEEL | 1 | | | | 1 RS |
| . NS | 509939 | . SCREW DRV RND #4x1/4 SS | 3 | | | | RS |
| 5 | 611303 | HUB ASSY / UNITISED L.H. & R.H. "TIMKEN" | | 2 | 2 | 2 | IS |
| 5 | 611474 | HUB ASSY / UNITISED L.H. & R.H. "FAG" ASSY W/"ABS" RING | | 2 | 2 | 2 | IS |
| . NS | 611472 | . HUB ASSY / UNITISED L.H. & R.H. "FAG" | | 1 | 1 | 1 | IS |

| | | |
|---|--------------|-----------------|
| From Y-7046 To 3-8164 | Date:10/2022 | PAGE:Y2-1300-99 |
| HUB & ROTOR - FRONT AXLE MODEL "S84U" & "NDIFS80P" | | |

| Item# | Part | Description | X L I I 4 5 | X L I I M T H 4 0 | X L I I M T H 4 5 | X L I I M T H 4 5 E | N O T E S |
|-------|-------------------|---|----------------------------|---|---|--|-----------------------|
| . NS | 611473 | . TOOTH WHEEL / FRONT AXLE & TAG W/ "FAG" 143.90MM I.D. | | 1 | 1 | 1 | IS |
| NS | 491115 | TOOL, HUB INSTALLER W/UNITISED BEARING / 70MM | AR | AR | AR | AR | |
| . NS | NDS8 | . MAINTENANCE INSTRUCTION | 1 | 1 | 1 | 1 | |
| 6 | 611044 | WASHER FL HARD 21.0x37.0x3.0 N500 | 12 | 12 | 12 | 12 | |
| 7 | 5001529 | SCREW CAP HEX M20-1.5x60 G10.9 G500 | 12 | 12 | 12 | 12 | |
| 11 | 612384 | BUSHING / ABS SENSOR | 1 | 1 | 1 | 1 | |
| 12 | 611304 | TOOTH WHEEL / FRONT AXLE W/ "TIMKEN" 138.89MM I.D. | | 1 | 1 | 1 | I |
| 12 | 611473 | TOOTH WHEEL / FRONT AXLE & TAG W/ "FAG" 143.90MM I.D. | | 1 | 1 | 1 | ID |
| 13 | N.S.S. | TOOTH WHEEL / FRONT AXLE RIGID INCLUDE WITH ITEM #5 | 1 | | | | 1 R |
| 14 | 110786 | BRAKE WEAR INDICATOR MECHANICAL / 44MM | AR | AR | AR | AR | |
| 20 | 20434082 | NUT R.H. / W/HUB-MOUNT WHEEL M22-1.5 / 27 MM TH | 10 | 10 | 10 | 10 | |
| 21 | 611207 | STUD / R.H. / W/HUB-MOUNT WHEEL M22-1.5 x 81MM | 10 | 10 | 10 | 10 | |
| 22 | 611300 | ROTOR VENTED | 2 | 2 | 2 | 2 | |
| 23 | 641096 | CLIP, SPRING / TO FIX SENSOR | 1 | 1 | 1 | 1 | |
| | | REMOVED FROM YOUR VEHICLE | | | | | |
| 25 | 611039 | CALIPER MOUNTING BRACKET L.H. & R.H. | 1 | 1 | 1 | 1 | |
| 26 | 611030 | STUD 1/2-20 X 1 11/16" | AR | AR | AR | AR | |
| 27 | 5007001 | NUT HEX STO 1/2-20 Z050 G "C" | AR | AR | AR | AR | |
| 30 | Y2-1225-00 | BRAKE PARTS - FRONT AXLE - W/"KNORR-BREMSE" / SB7 SERIES | | | | | |
| 30 | Y2-1225-01 | BRAKE PARTS "KNORR-BREMSE" SN7 SERIES | | | | | |
| 30 | Y2-1225-02 | BRAKE PARTS "KNORR-BREMSE" SN7 SERIES W/NEW SLIDE PINS | | | | | |
| 31 | Y2-1225-10 | BRAKE CHAMBER - FRONT AXLE TYPE 22 | | | | | |
| 31 | Y2-1225-11 | BRAKE CHAMBER - FRONT AXLE TYPE 24 | | | | | |
| 32 | 611289 | KNUCKLE L.H. STREET SIDE | 1 | 1 | 1 | 1 | R |
| 32 | 611290 | KNUCKLE R.H. CURBSIDE | 1 | 1 | 1 | 1 | R |
| 33 | 611334 | KNUCKLE L.H. / W/PARALLEL KING PIN ONLY W/RETROFIT UNITISED | | 1 | 1 | 1 | I |
| 33 | 611335 | KNUCKLE R.H. / W/PARALLEL KING PIN ONLY W/RETROFIT UNITISED | | 1 | 1 | 1 | I |
| NS | M108-04 | SEE MAINTENANCE INFORMATION | 1 | 1 | 1 | 1 | |
| | | | | | | | |
| | | D) WITH HUB "FAG" ONLY | | | | | |
| | | I) WITH INDEPENDENT SUSPENSION | | | | | |
| | | R) WITH I BEAM RIGID SUSPENSION | | | | | |
| | | S) INSPECTED ALL BOLTS FOR DAMAGE TO THE THREAD AND ON THE SURFACE BELOW THE HEAD WHEN YOU DISASSEMBLED OR UNSCREWED THE HUB AND REPLACE IF NECESSARY | | | | | |
| | | 1) NOT SOLD SEPARATELY | | | | | |
| | | 1) NOT SOLD SEPARATELY | | | | | |

| | | |
|--------------------------|--------------|-----------------|
| From Y-7046 To 8-9339 | Date:10/2022 | PAGE:Y2-1305-00 |
| HUB & ROTOR - DRIVE AXLE | | |



| | | |
|-------------------------------------|--------------|-----------------|
| From Y-7046 To 8-9339 | Date:10/2022 | PAGE:Y2-1305-00 |
| HUB & ROTOR - DRIVE AXLE | | |

| Item# | Part | Description | X L I I 4 5 | X L I I M T H 4 0 | X L I I M T H 4 5 | X L I I M T H 4 5 E | N O T E S |
|-------|-------------------|--|----------------------------|---|---|--|-----------------------|
| 1 | 620275 | NUT OUTER / WHEEL BEARING | 1 | 1 | 1 | 1 | |
| 2 | 621624 | WASHER LOCK / KIT | 1 | 1 | 1 | 1 | |
| 3 | 620279 | NUT INNER / WHEEL BEARING | 1 | 1 | 1 | 1 | |
| 4 | 620034 | CONE BEARING / OUTER WHEEL BEARING | 1 | 1 | 1 | 1 | A |
| 5 | 621617 | HUB & CUPS ASSY | 2 | 2 | 2 | 2 | |
| 6 | 620032 | . CUP BEARING | 1 | 1 | 1 | 1 | A |
| 7 | 621210 | . CUP BEARING | 1 | 1 | 1 | 1 | B |
| 8 | 621209 | CONE BEARING | 1 | 1 | 1 | 1 | B |
| 9 | 621623 | SEAL OIL | 1 | 1 | 1 | 1 | |
| 9 | 621916 | SEAL OIL | 1 | 1 | 1 | 1 | |
| 10 | 621634 | STUD / L.H. / W/STUD-MOUNT WHEEL | 10 | 10 | 10 | 10 | |
| 10 | 621633 | STUD / R.H. / W/STUD-MOUNT WHEEL | 10 | 10 | 10 | 10 | |
| 10 | 621645 | STUD / R.H. / W/HUB-MOUNT WHEEL M22-1.5 x 100 MM | 10 | 10 | 10 | 10 | |
| 10 | 621686 | STUD / R.H. / W/HUB-MOUNT WHEEL M22-1.5 x 110 MM | AR | AR | AR | AR | D |
| 10 | 621689 | STUD / R.H. / W/HUB-MOUNT WHEEL 7/8-14x4.32" To 2-7715 | AR | AR | AR | AR | C |
| 11 | 610961 | NUT R.H. INNER / W/STEEL INSIDE & ALUM. OUTSI | 10 | 10 | 10 | 10 | |
| 11 | 610962 | NUT L.H. INNER / W/STEEL INSIDE & ALUM. OUTSI | 10 | 10 | 10 | 10 | |
| 11 | 611192 | NUT R.H. INNER / W/2 ALUMINUM WHEEL | 10 | 10 | 10 | 10 | |
| 11 | 611191 | NUT L.H. INNER / W/2 ALUMINUM WHEEL | 10 | 10 | 10 | 10 | |
| 11 | 620250 | NUT R.H. INNER / W/2 STEEL WHEEL | 10 | 10 | 10 | 10 | |
| 11 | 620251 | NUT L.H. INNER / W/2 STEEL WHEEL | 10 | 10 | 10 | 10 | |
| 12 | 610175 | NUT L.H. 1 1/8-16 / STUD MOUNT WHEEL | 10 | 10 | 10 | 10 | |
| 12 | 610176 | NUT R.H. 1 1/8-16 / STUD MOUNT WHEEL | 10 | 10 | 10 | 10 | |
| 12 | 611189 | NUT R.H. / W/HUB-MOUNT WHEEL M22-1.5 / 30MM TH To 3-8128 | 10 | 10 | 10 | 10 | |
| 12 | 20434082 | NUT R.H. / W/HUB-MOUNT WHEEL M22-1.5 / 27 MM TH From 3-8129 | 10 | 10 | 10 | 10 | |
| 12 | 610774 | NUT R.H. / W/HUB-MOUNT WHEEL 7/8-14 To 2-7715 | AR | AR | AR | AR | C |
| 13 | 621730 | STUD / 5/8-11x 5/8-18 x 2 7/8" | 8 | 8 | 8 | 8 | |
| 14 | 621627 | DOWEL 5/8" I.D. | 8 | 8 | 8 | 8 | |
| 15 | 5001518 | WASHER LO EXT .625x1.070x.055 ZP | 8 | 8 | 8 | 8 | |
| 16 | 500723 | NUT HEX 5/8-18 ZP | 8 | 8 | 8 | 8 | |
| 17 | 620351 | GASKET / AXLE SHAFT W/8 STUDS | AR | AR | AR | AR | |
| 18 | 621628 | SCREW CAP HEXS 5/8-18x1 3/4 GR8 | 10 | 10 | 10 | 10 | |
| 19 | 621672 | ROTOR SOLID (W/TOOTH WHEEL / DRIVE AXLE) | 1 | 1 | 1 | 1 | |
| 19 | 611457 | ROTOR VENTED (W/TOOTH WHEEL / DRIVE AXLE) | 1 | 1 | 1 | 1 | |
| 30 | Y2-1235-00 | BRAKE PARTS - DRIVE AXLE "MERITOR" W/DISCS / SB7 SERIES To 7-9159 | | | | | |
| 30 | Y2-1225-01 | BRAKE PARTS "KNORR-BREMSE" SN7 SERIES From 7-9160 | | | | | |
| 31 | Y2-1235-10 | BRAKE CHAMBER - DRIVE AXLE "KNORR-BREMSE" | | | | | |
| 32 | Y2-1235-00 | BRAKE PARTS - DRIVE AXLE "MERITOR" W/DISCS / SB7 SERIES | | | | | |
| NS | 621652 | KIT, CUP & CONE | 1 | 1 | 1 | 1 | |
| NS | 621653 | KIT, CUP & CONE | 1 | 1 | 1 | 1 | |
| NS | 684646 | SEAL INSTALLER TOOL / DRIVE W/DISC | 1 | 1 | 1 | 1 | |
| NS | Y2-1305-99 | ROTOR (SPLINED DISC) PRODUCT IMPROVMENT | | | | | |

| | | |
|-------------------------------------|--------------|-----------------|
| From Y-7046 To 8-9339 | Date:10/2022 | PAGE:Y2-1305-00 |
| HUB & ROTOR - DRIVE AXLE | | |

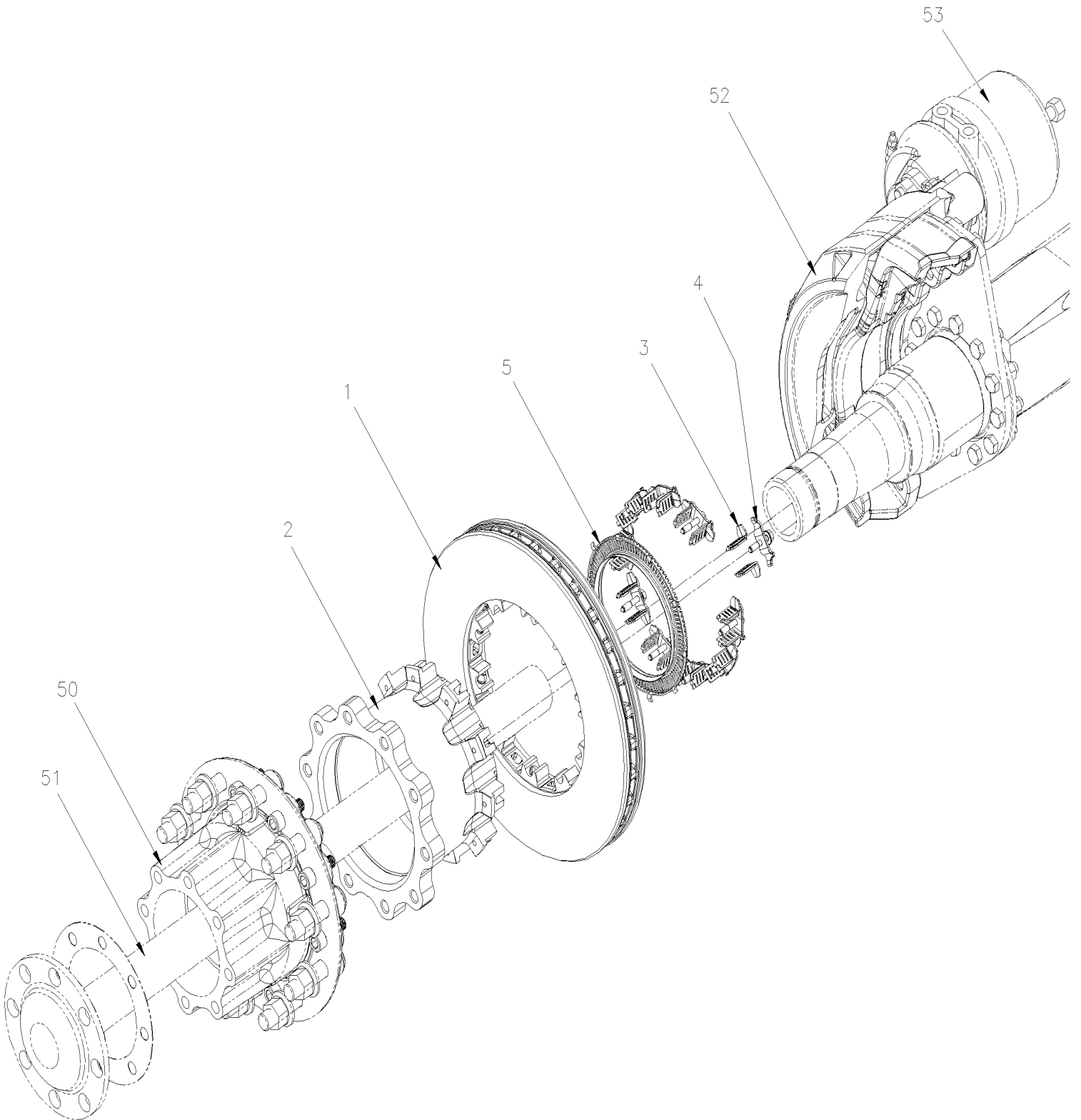
| Item# | Part | Description | X L I I 4 5 | X L I I M T H 4 0 | X L I I M T H 4 5 | X L I I M T H 4 5 E | N O T E S |
|-------|------|----------------------------------|----------------------------|---|---|--|-----------------------|
| | | | | | | | |
| | | A) ALSO AVAILABLE IN KIT #621652 | | | | | |
| | | B) ALSO AVAILABLE IN KIT #621653 | | | | | |
| | | C) CUSTOMMER SPECIAL "OPTION" | | | | | |
| | | D) WITH 2 ALUMINUM WHEELS | | | | | |

From Y-7046 To 8-9339

Date:10/2022

PAGE:Y2-1305-99

ROTOR (SPLINED DISC) PRODUCT IMPROVMENT

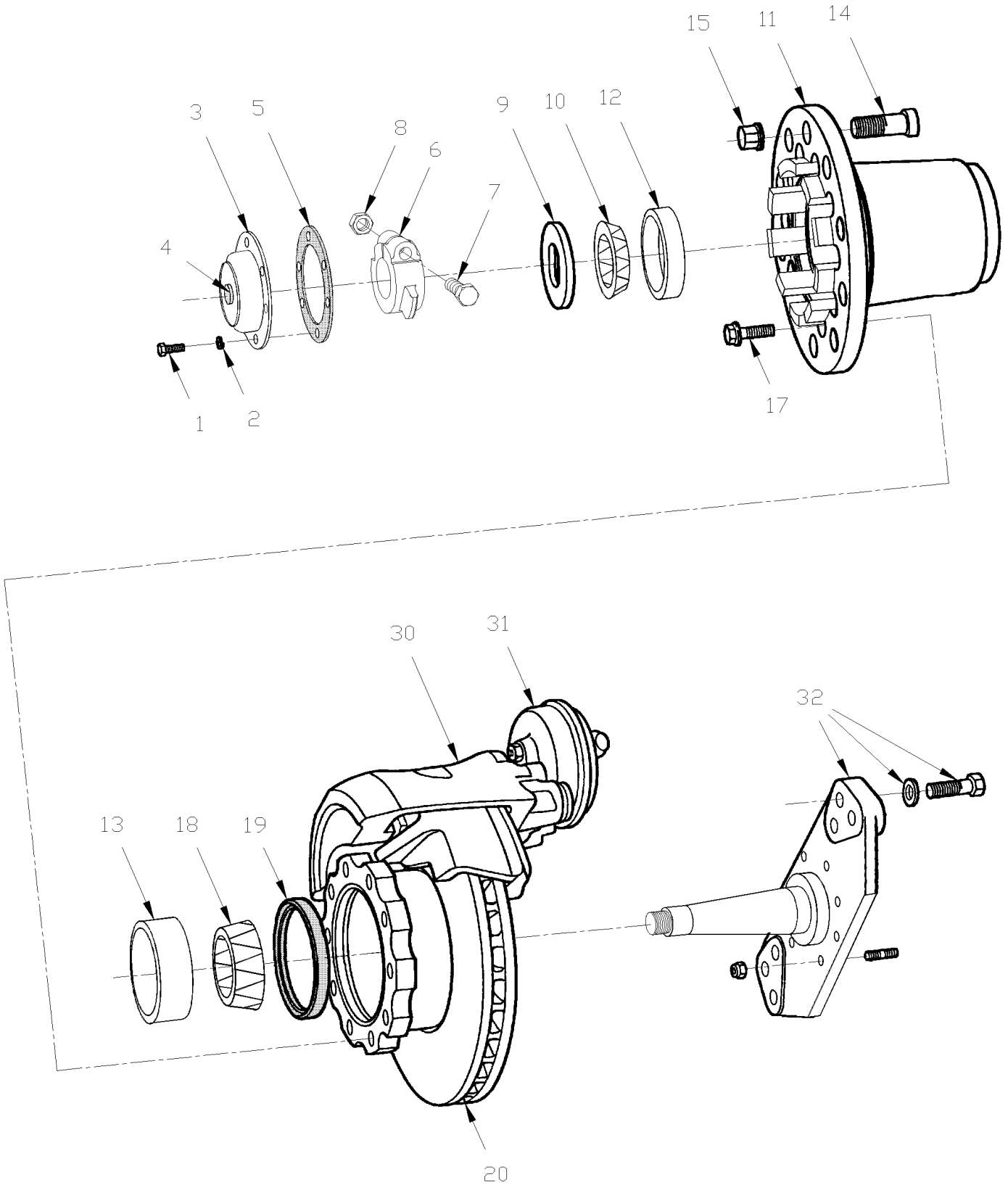


From Y-7046 To 3-8164

Date:10/2022

PAGE:Y2-1310-00

HUB & ROTOR - TAG AXLE TYPE TS6



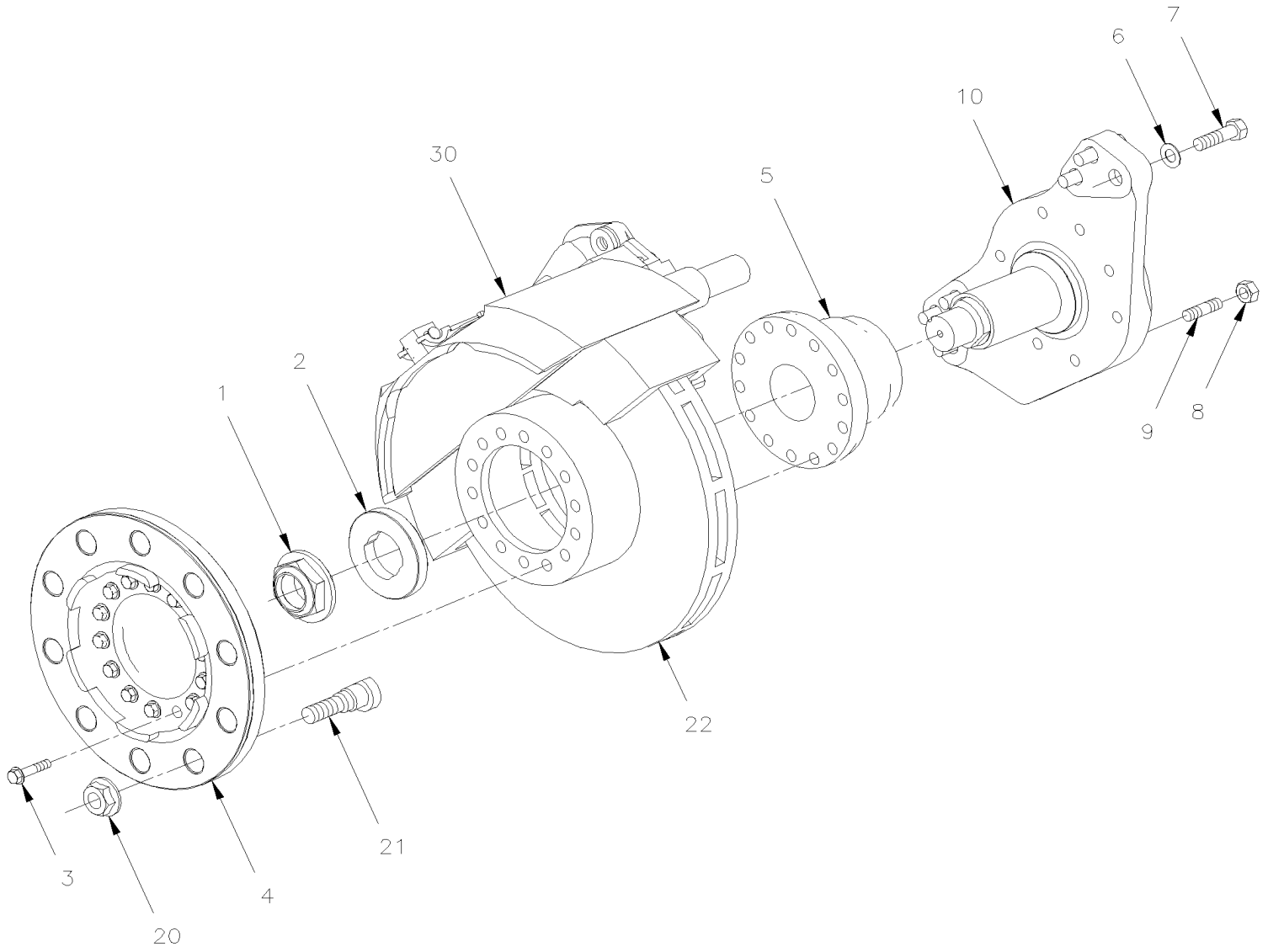
| | | |
|--|--------------|-----------------|
| From Y-7046 To 3-8164 | Date:10/2022 | PAGE:Y2-1310-00 |
| HUB & ROTOR - TAG AXLE TYPE TS6 | | |

| Item# | Part | Description | X L I I 4 5 | X L I I M T H 4 0 | X L I I M T H 4 5 | X L I I M T H 4 5 E | N O T E S |
|-------|-------------------|---|----------------------------|---|---|--|-----------------------|
| 1 | 502790 | SCREW CAP HEX M8-1.25x20 G8.8 Z050 | 6 | 6 | 6 | 6 | |
| 2 | 5001003 | WASHER LO SPT 8.1x12.7x2.0 Z050 | 6 | 6 | 6 | 6 | |
| 3 | 611243 | HUB CAP / W/GREASE ONLY | 1 | | | | |
| 3 | 611210 | HUB CAP / ALUMINUM / "STEMCO" | 1 | 1 | 1 | 1 | |
| . NS | MI07-04 | . SEE MAINTENANCE INFORMATION | 1 | 1 | 1 | 1 | |
| 4 | 611211 | . KIT, HUB CAP WINDOW | 1 | 1 | 1 | 1 | |
| 4 | 611242 | . PLUG VENT / RED / W/ALU HUB CAP "STEMCO" | 1 | 1 | 1 | 1 | |
| 5 | 611261 | . GASKET HUB CAP / "STEMCO" | 1 | 1 | 1 | 1 | |
| 6 | 611217 | NUT ADJUSTING / 1"3/8-12 | 1 | 1 | 1 | 1 | |
| . NS | 490912 | . TOOL / NUT WHEEL BEARING ADJUSTMENT | 1 | 1 | 1 | 1 | |
| . NS | 684734 | . TOOL / NUT WHEEL BEARING ADJUSTMENT / TORQUE | 1 | 1 | 1 | 1 | |
| . NS | MI03-24 | . SEE MAINTENANCE INFORMATION | 1 | 1 | 1 | 1 | |
| 7 | 500052 | SCREW CAP HEX 3/8-24x2 G5 ZP | 1 | 1 | 1 | 1 | |
| 8 | 500704 | NUT HEX STO 3/8-24 Z050 | 1 | 1 | 1 | 1 | |
| 9 | 611218 | WASHER / "D" BEARING | 1 | 1 | 1 | 1 | |
| 10 | 611219 | CONE BEARING / OUTER WHEEL BEARING | 1 | 1 | 1 | 1 | A |
| 11 | 611215 | HUB WHEEL / W/STANDARD WHEEL To 2-7766 | 1 | 1 | 1 | 1 | |
| 11 | 611260 | HUB WHEEL / W/METRIC WHEEL From 2-7767 | 1 | 1 | 1 | 1 | |
| 12 | 611221 | CUP BEARING / OUTER WHEEL BEARING | 1 | 1 | 1 | 1 | A |
| 13 | 611220 | CUP BEARING / INNER WHEEL BEARING | 1 | 1 | 1 | 1 | B |
| 14 | 610996 | STUD / R.H. / W/STUD-MOUNT WHEEL | 10 | 10 | 10 | 10 | |
| 14 | 610995 | STUD / L.H. / W/STUD-MOUNT WHEEL | 10 | 10 | 10 | 10 | |
| 14 | 611207 | STUD / R.H. / W/HUB-MOUNT WHEEL M22-1.5 x 81MM | 10 | 10 | 10 | 10 | |
| 14 | 611208 | STUD / R.H. / W/HUB-MOUNT WHEEL 7/8-14 | 10 | 10 | 10 | 10 | C |
| 15 | 610175 | NUT L.H. 1 1/8-16 / STUD MOUNT WHEEL | 10 | 10 | 10 | 10 | |
| 15 | 610176 | NUT R.H. 1 1/8-16 / STUD MOUNT WHEEL | 10 | 10 | 10 | 10 | |
| 15 | 611189 | NUT R.H. / W/HUB-MOUNT WHEEL M22-1.5 / 30MM TH To 3-8128 | 10 | 10 | 10 | 10 | |
| 15 | 20434082 | NUT R.H. / W/HUB-MOUNT WHEEL M22-1.5 / 27 MM TH From 3-8129 | 10 | 10 | 10 | 10 | |
| 15 | 610773 | NUT R.H. / W/HUB-MOUNT WHEEL 7/8-14 | 10 | 10 | 10 | 10 | C |
| 17 | 611007 | SCREW CAP HEXF SERR M16-1.5x50 G10.9 | 10 | 10 | 10 | 10 | |
| 18 | 611222 | CONE BEARING / INNER WHEEL BEARING | 1 | 1 | 1 | 1 | B |
| 19 | 611081 | SEAL ASSY/ WHEEL BEARING W/OIL | 1 | 1 | 1 | 1 | |
| 19 | 611247 | SEAL ASSY/ WHEEL BEARING W/OIL | 1 | 1 | 1 | 1 | |
| 19 | 611174 | SEAL ASSY / W/OIL / "SCOTT-SEAL PLUS" | AR | AR | AR | AR | |
| 20 | 611188 | ROTOR SOLID | 1 | 1 | 1 | 1 | |
| 20 | 611456 | ROTOR VENTED | 1 | 1 | 1 | 1 | |
| 30 | Y2-1245-00 | BRAKE PARTS - TAG AXLE - W/"KNORR-BREMSE" / SB7 SERIES | | | | | |
| 31 | Y2-1245-10 | BRAKE CHAMBER - TAG AXLE TYPE 16/16 | | | | | |
| 32 | Y2-1245-00 | BRAKE PARTS - TAG AXLE - W/"KNORR-BREMSE" / SB7 SERIES | | | | | |
| NS | 684645 | SEAL INSTALLER TOOL / TAG TS-6 | 1 | 1 | 1 | 1 | |
| 41 | 611327 | KIT, RETROFIT TAG AXLE / UNITISED TS8U To 3-8164 | 1 | 1 | 1 | 1 | |
| . NS | 611302 | . SPINDLE / WITH MODEL "G.K.N." (TS8U UNITISED) To 3-8164 | 2 | 2 | 2 | 2 | |

| | | |
|--|--------------|-----------------|
| From Y-7046 To 3-8164 | Date:10/2022 | PAGE:Y2-1310-00 |
| HUB & ROTOR - TAG AXLE TYPE TS6 | | |

| Item# | Part | Description | X L I I 4 5 | X L I I M T H 4 0 | X L I I M T H 4 5 | X L I I M T H 4 5 E | NOTES |
|-------|--------|--|----------------------------|---|---|--|-------|
| . NS | 611949 | . HUB NUT 1 3/4-8 To 3-8164 | 2 | 2 | 2 | 2 | |
| . NS | 611948 | . THRUST WASHER To 3-8164 | 2 | 2 | 2 | 2 | |
| . NS | 611955 | . SCREW CAP HEXF M14-1.5x78 G12.9 N500 To 3-8164 | 28 | 28 | 28 | 28 | |
| . NS | 611301 | . HUB FLANGE To 3-8164 | 2 | 2 | 2 | 2 | |
| . NS | 611953 | . HUB ASSY / UNITISED L.H. & R.H. "TIMKEN" To 3-8164 | 2 | 2 | 2 | 2 | |
| . NS | 611300 | . ROTOR VENTED To 3-8164 | 2 | 2 | 2 | 2 | |
| . NS | 500781 | . NUT HEX STO M16-2.0 DP To 3-8164 | 16 | 16 | 16 | 16 | |
| . NS | N.P.N. | . WASHER To 3-8164 | 16 | 16 | 16 | 16 | 4 |
| | | | | | | | |
| | | | | | | | |
| | | A) THIS CUP & CONE SOLD ONLY IN KIT #611228 | | | | | |
| | | B) THIS CUP & CONE SOLD ONLY IN KIT #611227 | | | | | |
| | | C) CUSTOM SPECIAL "OPTION" | | | | | |
| | | 4) NO PARTS NUMBER | | | | | |

| | | |
|----------------------------------|--------------|-----------------|
| From 4-8165 To 8-9339 | Date:10/2022 | PAGE:Y2-1310-01 |
| HUB & ROTOR - TAG AXLE TYPE TS8U | | |



| | | |
|---|--------------|-----------------|
| From 4-8165 To 8-9339 | Date:10/2022 | PAGE:Y2-1310-01 |
| HUB & ROTOR - TAG AXLE TYPE TS8U | | |

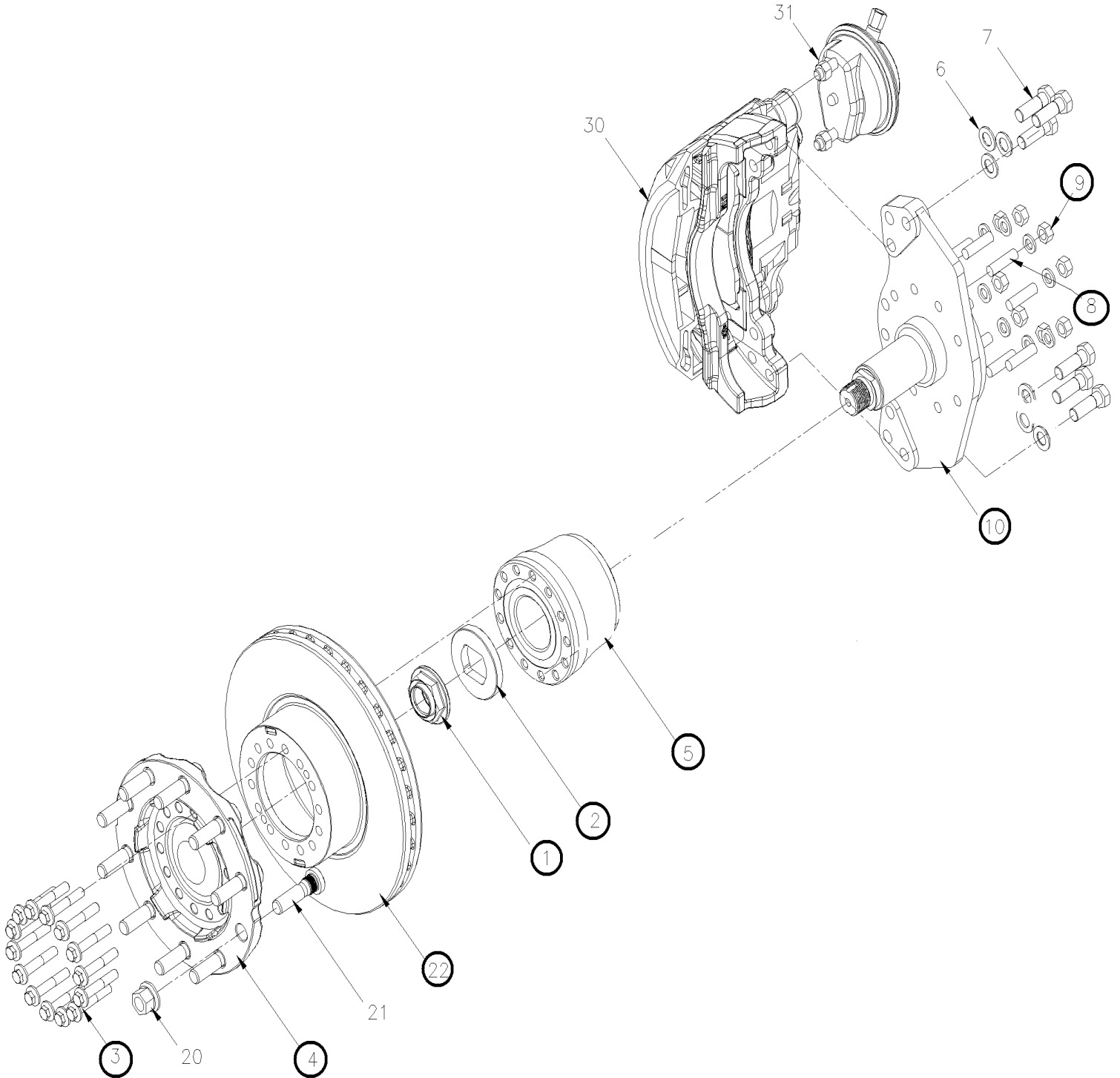
| Item# | Part | Description | X L I I 4 5 | X L I I M T H 4 0 | X L I I M T H 4 5 | X L I I M T H 4 5 E | N O T E S |
|-------|-------------------|--|----------------------------|---|---|--|-----------------------|
| 1 | 611949 | HUB NUT 1 3/4-8 | 1 | 1 | 1 | 1 | |
| 2 | 611948 | THRUST WASHER | 1 | 1 | 1 | 1 | |
| 3 | 611955 | SCREW CAP HEXF M14-1.5x78 G12.9 N500 | 14 | 14 | 14 | 14 | S |
| 4 | 611301 | HUB FLANGE | 1 | 1 | 1 | 1 | |
| 5 | 611953 | HUB ASSY / UNITISED L.H. & R.H. "TIMKEN" | 1 | 1 | 1 | 1 | S |
| 5 | 611471 | HUB ASSY / UNITISED L.H. & R.H. "FAG" ASSY W/"ABS" RING SERVICE | 1 | 1 | 1 | 1 | S |
| . NS | N.S.S. | . TOOTH WHEEL | 1 | 1 | 1 | 1 | 1 S |
| . NS | 509939 | . SCREW DRV RND #4x1/4 SS | 3 | 3 | 3 | 3 | S |
| NS | 491115 | TOOL, HUB INSTALLER W/UNITISED BEARING / 70MM | 1 | 1 | 1 | 1 | |
| . NS | NDS8 | . MAINTENANCE INSTRUCTION | 1 | 1 | 1 | 1 | |
| 6 | 611044 | WASHER FL HARD 21.0x37.0x3.0 N500 | 1 | 1 | 1 | 1 | |
| 7 | 5001193 | SCREW CAP HEX M20-2.5x65 G10.9 ZP To 7-9159 | 6 | 6 | 6 | 6 | |
| 8 | 502588 | NUT HEX M16-2.0 ZP | 8 | 8 | 8 | 8 | |
| NS | 502584 | WASHER LO SERR 8.2x26.3x1.8 Z050 | 8 | 8 | 8 | 8 | |
| 9 | 611048 | STUD / M16-2.0 x 60MM | 8 | 8 | 8 | 8 | |
| 10 | 611302 | SPINDLE / WITH MODEL "G.K.N." (TS8U UNITISED) | 1 | 1 | 1 | 1 | |
| 20 | 20434082 | NUT R.H. / W/HUB-MOUNT WHEEL M22-1.5 / 27 MM TH | 10 | 10 | 10 | 10 | |
| 21 | 611207 | STUD / R.H. / W/HUB-MOUNT WHEEL M22-1.5 x 81MM | 10 | 10 | 10 | 10 | |
| 22 | 611300 | ROTOR VENTED | 10 | 10 | 10 | 10 | |
| 30 | Y2-1245-00 | BRAKE PARTS - TAG AXLE - W/"KNORR-BREMSE" / SB7 SERIES To 7-9159 | | | | | |
| 30 | Y2-1225-01 | BRAKE PARTS "KNORR-BREMSE" SN7 SERIES From 7-9160 | | | | | |
| 30 | Y2-1225-02 | BRAKE PARTS "KNORR-BREMSE" SN7 SERIES W/NEW SLIDE PINS | | | | | |
| NS | MI08-04 | SEE MAINTENANCE INFORMATION | 1 | 1 | 1 | 1 | |
| | | | | | | | |
| | | | | | | | |
| | | | | | | | |
| | | S) REPLACED ALL BOLTS EACH TIME WHEN YOU DISASSEMBLED OR UNSCREWED THE HUB | | | | | |
| | | 1) NOT SOLD SEPARATELY | | | | | |

From Y-7046 To 3-8164

Date:10/2022

PAGE:Y2-1310-99

HUB & ROTOR - TAG AXLE TYPE TS8U RETROFIT "UNITISED" BEARING



From Y-7046 To 3-8164 Date:10/2022 PAGE:Y2-1310-99

HUB & ROTOR - TAG AXLE TYPE TS8U RETROFIT "UNITISED" BEARING

| Item# | Part | Description | X L I I 4 5 | X L I I M T H 4 0 | X L I I M T H 4 5 | X L I I M T H 4 5 E | NOTES |
|-------|------------|---|----------------------------|---|---|--|-------|
| | | "WARNING" - "WARNING" - "WARNING" | | | | | |
| | | THIS KIT DO NOT INCLUDE CALIPERS & BRAKE CHAMBER | | | | | |
| | | KIT INCLUDE PARTS W/GREEN SPOT W/CIRCLE | | | | | |
| | 611327 | KIT, RETROFIT TAG AXLE / UNITISED TS8U | 1 | 1 | 1 | 1 | |
| . NS | 611302 | . SPINDLE / WITH MODEL "G.K.N." (TS8U UNITISED) | 2 | 2 | 2 | 2 | |
| . NS | 611949 | . HUB NUT 1 3/4-8 | 2 | 2 | 2 | 2 | |
| . NS | 611948 | . THRUST WASHER | 2 | 2 | 2 | 2 | |
| . NS | 611955 | . SCREW CAP HEXF M14-1.5x78 G12.9 N500 | 28 | 28 | 28 | 28 | |
| . NS | 611301 | . HUB FLANGE | 2 | 2 | 2 | 2 | |
| . NS | 611953 | . HUB ASSY / UNITISED L.H. & R.H. "TIMKEN" | 2 | 2 | 2 | 2 | |
| . NS | 611300 | . ROTOR VENTED | 2 | 2 | 2 | 2 | |
| . NS | 500781 | . NUT HEX STO M16-2.0 DP | 16 | 16 | 16 | 16 | |
| . NS | N.P.N. | . WASHER | 16 | 16 | 16 | 16 | 4 |
| 1 | 611949 | HUB NUT 1 3/4-8 | 2 | 2 | 2 | 2 | |
| 2 | 611948 | THRUST WASHER | 2 | 2 | 2 | 2 | |
| 3 | 611955 | SCREW CAP HEXF M14-1.5x78 G12.9 N500 | 28 | 28 | 28 | 28 | S |
| 4 | 611301 | HUB FLANGE | 2 | 2 | 2 | 2 | |
| 5 | 611953 | HUB ASSY / UNITISED L.H. & R.H. "TIMKEN" | 2 | 2 | 2 | 2 | S |
| 5 | 611471 | HUB ASSY / UNITISED L.H. & R.H. "FAG" ASSY W/"ABS" RING | 2 | 2 | 2 | 2 | S |
| . NS | N.S.S. | . TOOTH WHEEL | 1 | 1 | 1 | 1 | 1 S |
| . NS | 509939 | . SCREW DRV RND #4x1/4 SS | 3 | 3 | 3 | 3 | S |
| 6 | 611044 | WASHER FL HARD 21.0x37.0x3.0 N500 | 12 | 12 | 12 | 12 | |
| 7 | 5001193 | SCREW CAP HEX M20-2.5x65 G10.9 ZP | 12 | 12 | 12 | 12 | |
| 8 | 611048 | STUD / M16-2.0 x 60MM | 16 | 16 | 16 | 16 | |
| NS | 502884 | WASHER LO SPT 16.2x27.4x3.5 N500 | 16 | 16 | 16 | 16 | |
| 9 | 502588 | NUT HEX M16-2.0 ZP | 16 | 16 | 16 | 16 | |
| 10 | 611302 | SPINDLE / WITH MODEL "G.K.N." (TS8U UNITISED) | 2 | 2 | 2 | 2 | |
| NS | 491115 | TOOL, HUB INSTALLER W/UNITISED BEARING / 70MM | AR | AR | AR | AR | |
| . NS | NDS8 | . MAINTENANCE INSTRUCTION | 1 | 1 | 1 | 1 | |
| 20 | 20434082 | NUT R.H. / W/HUB-MOUNT WHEEL M22-1.5 / 27 MM TH | 10 | 10 | 10 | 10 | |
| 21 | 611207 | STUD / R.H. / W/HUB-MOUNT WHEEL M22-1.5 x 81MM | 10 | 10 | 10 | 10 | |
| 22 | 611300 | ROTOR VENTED | 2 | 2 | 2 | 2 | |
| 30 | Y2-1245-00 | BRAKE PARTS - TAG AXLE - W/"KNORR-BREMSE" / SB7 SERIES | | | | | |
| 30 | Y2-1225-01 | BRAKE PARTS "KNORR-BREMSE" SN7 SERIES | | | | | |
| 30 | Y2-1225-02 | BRAKE PARTS "KNORR-BREMSE" SN7 SERIES W/NEW SLIDE PINS | | | | | |
| 31 | Y2-1245-10 | BRAKE CHAMBER - TAG AXLE TYPE 16/16 | | | | | |
| NS | M108-04 | SEE MAINTENANCE INFORMATION | 1 | 1 | 1 | 1 | |

| | | |
|-----------------------|--------------|-----------------|
| From Y-7046 To 3-8164 | Date:10/2022 | PAGE:Y2-1310-99 |
|-----------------------|--------------|-----------------|

HUB & ROTOR - TAG AXLE TYPE TS8U RETROFIT "UNITISED" BEARING

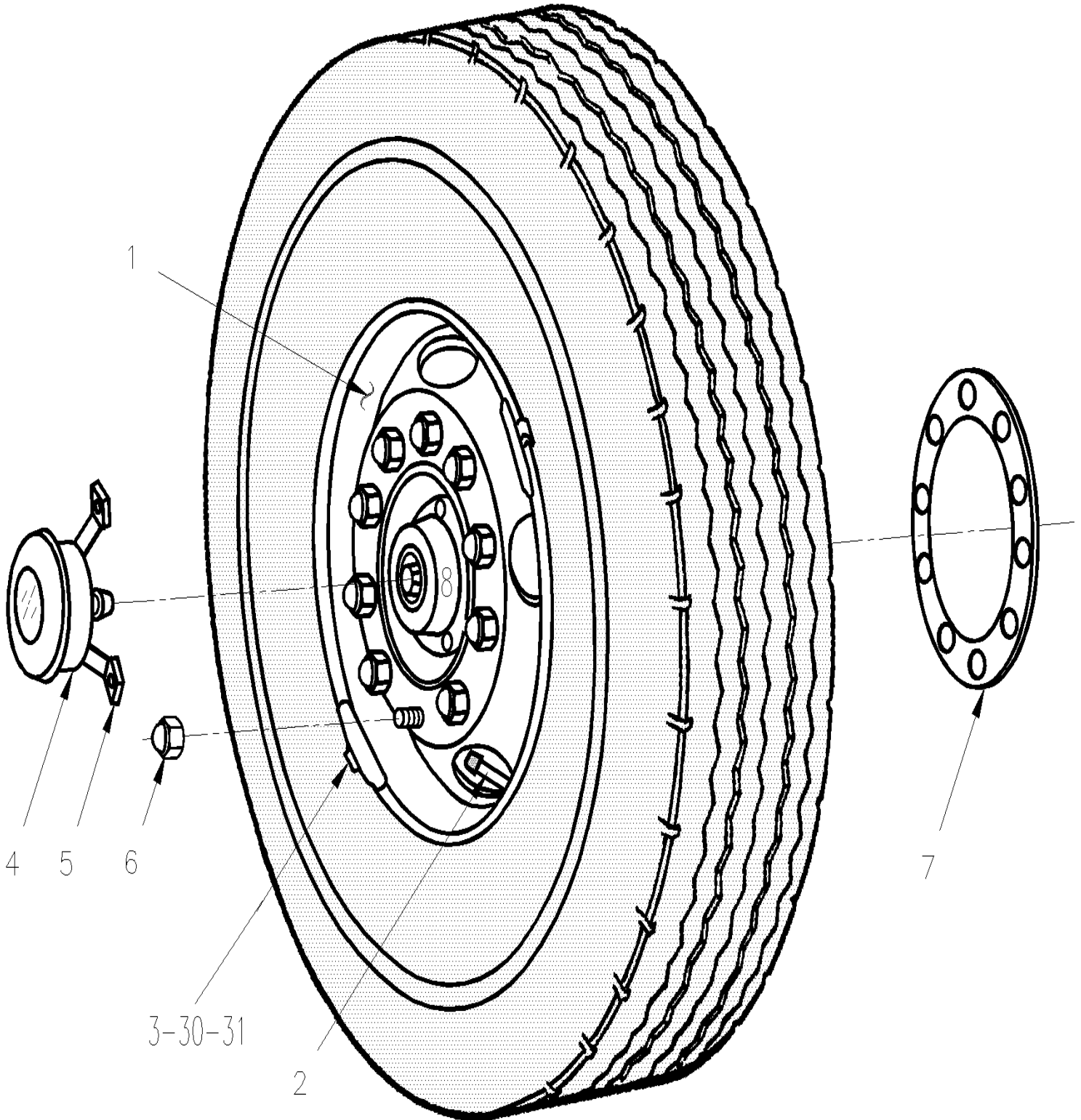
| Item# | Part | Description | X L I I 4 5 | X L I I M T H 4 0 | X L I I M T H 4 5 | X L I I M T H 4 5 E | N O T E S |
|-------|------|--|----------------------------|---|---|--|-----------------------|
| | | | | | | | |
| | | S) REPLACED ALL BOLTS EACH TIME WHEN YOU DISASSEMBLED OR UNSCREWED THE HUB | | | | | |
| | | 1) NOT SOLD SEPARATELY | | | | | |
| | | 4) NO PARTS NUMBER | | | | | |

From Y-7046 To 2-7766

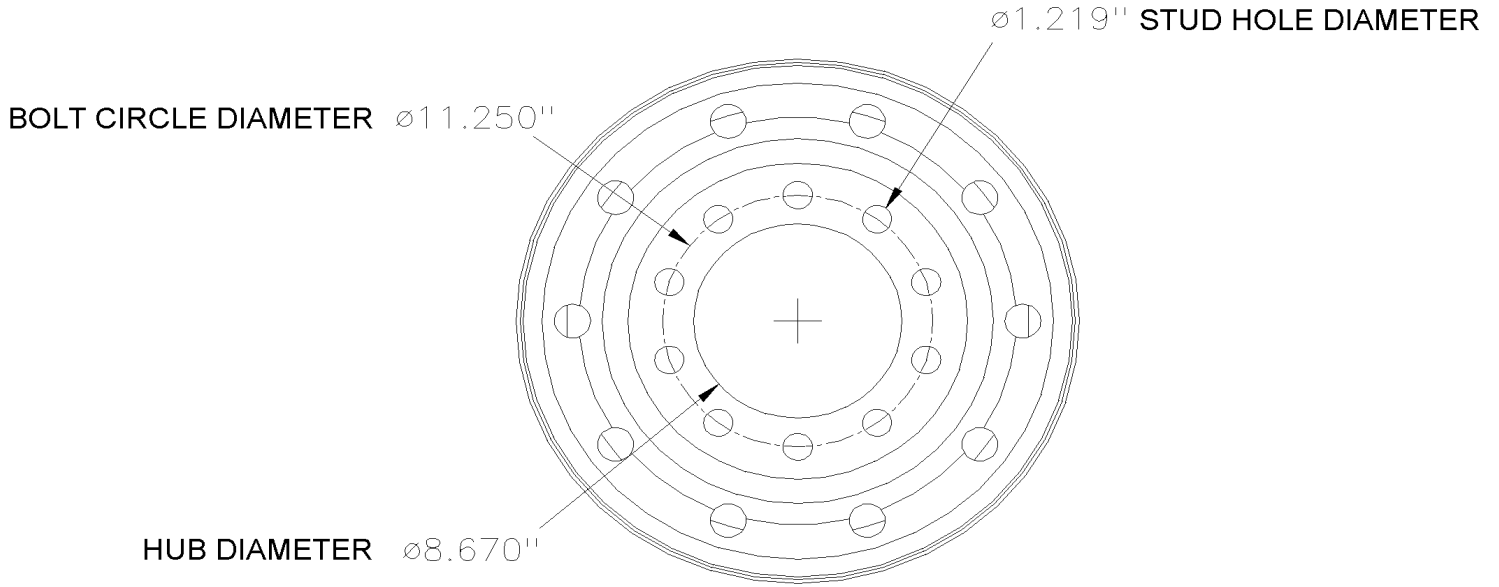
Date:10/2022

PAGE:Y2-1318-00

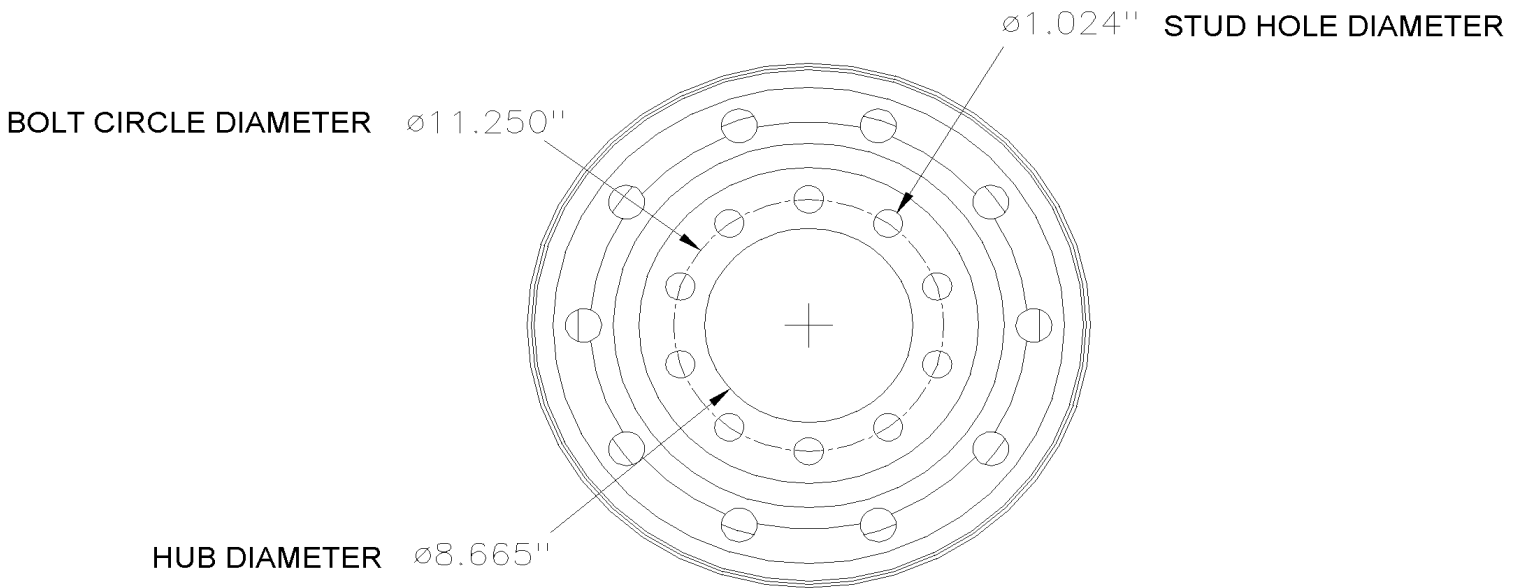
WHEELS & COMPONENTS - BUS MOUNT (STANDARD)



| | | |
|--|--------------|-----------------|
| From Y-7046 To 2-7766 | Date:10/2022 | PAGE:Y2-1318-00 |
| WHEELS & COMPONENTS - BUS MOUNT (STANDARD) | | |



BUS MOUNT STANDARD



TRUCK MOUNT METRIC

| | | |
|---|--------------|-----------------|
| From Y-7046 To 2-7766 | Date:10/2022 | PAGE:Y2-1318-00 |
| WHEELS & COMPONENTS - BUS MOUNT (STANDARD) | | |

| Item# | Part | Description | X L I I 4 5 | X L I I M T H 4 0 | X L I I M T H 4 5 | X L I I M T H 4 5 E | N O T E S |
|-------|--------|--|----------------------------|---|---|--|-----------------------|
| | | STEEL WHEELS / STUD MOUNTED | | | | | |
| 1 | 650170 | WHEEL, STEEL STUD 22.5 X 8.25 / WHITE | AR | AR | AR | AR | |
| 1 | 650372 | WHEEL, STEEL STUD 22.5 X 8.25 / GREY / POWDER COAT | AR | AR | AR | AR | |
| 1 | 650162 | WHEEL, STEEL STUD 22.5 X 9.00 / WHITE / 2 HAND HOLE PC | AR | AR | AR | AR | |
| | | STEEL WHEELS / HUB-MOUNTED | | | | | |
| 1 | 650169 | WHEEL, STEEL HUB 22.5 X 8.25 / WHITE | AR | AR | AR | AR | |
| 1 | 650373 | WHEEL, STEEL HUB 22.5 X 8.25 / GREY / POWDER COAT | AR | AR | AR | AR | |
| 1 | 650179 | WHEEL, STEEL HUB 22.5 X 9.00 / WHITE | AR | AR | AR | AR | |
| | | ALUMINUM WHEELS / STUD-MOUNTED | | | | | |
| 1 | 650163 | WHEEL, ALU. STUD 22.5 X 9.00 / BOTH SIDE POLISH | AR | AR | AR | AR | |
| 1 | 650190 | WHEEL, ALU. STUD 22.5 X 9.00 / INSIDE POLISH | AR | AR | AR | AR | |
| 1 | 650191 | WHEEL, ALU. STUD 22.5 X 9.00 / OUTSIDE POLISH | AR | AR | AR | AR | |
| | | ALUMINUM WHEELS / HUB-MOUNTED | | | | | |
| 1 | 650185 | WHEEL, ALU. HUB 22.5 X 9.00 / INSIDE POLISH | AR | AR | AR | AR | |
| 1 | 650186 | WHEEL, ALU. HUB 22.5 X 9.00 / OUTSIDE POLISH | AR | AR | AR | AR | |
| | | VALVES - VALVE EXTENSION & HOLDER | | | | | |
| 2 | 150293 | VALVE / W/STEEL WHEEL / "KNORR-BREMSE " BRAKE - | AR | AR | AR | AR | A |
| 2 | 650154 | VALVE / W/ALUMINUM WHEEL / 2.60" LG W/60 deg | AR | AR | AR | AR | |
| NS | 650194 | VALVE / W/ALUMINUM WHEEL / 1.38" LG W/60 deg | AR | AR | AR | AR | C |
| NS | 650164 | . CAP VALVE / CHROME | AR | AR | AR | AR | |
| NS | 650151 | . CAP VALVE / STD | AR | AR | AR | AR | |
| NS | 650008 | . SPRING VALVE | AR | AR | AR | AR | |
| NS | 650205 | . SPRING VALVE 21116 | AR | AR | AR | AR | |
| NS | 650201 | EXTENSION VALVE 1 3/8" LG | AR | AR | AR | AR | |
| NS | 650188 | EXTENSION VALVE / 7" LG | AR | AR | AR | AR | |
| NS | 650178 | RUBBER HOLDER / 1.5" O.D. / EXTENSION VALVE | AR | AR | AR | AR | |
| | | WEIGHTS | | | | | |
| 3 | 650233 | WEIGHT BALANCING / W/STEEL WHEEL / 2 OZ | AR | AR | AR | AR | |
| 3 | 650232 | WEIGHT BALANCING / W/STEEL WHEEL / 3 OZ | AR | AR | AR | AR | |
| 3 | 650234 | WEIGHT BALANCING / W/STEEL WHEEL / 4 OZ | AR | AR | AR | AR | |

| | | |
|-----------------------|--------------|-----------------|
| From Y-7046 To 2-7766 | Date:10/2022 | PAGE:Y2-1318-00 |
|-----------------------|--------------|-----------------|

WHEELS & COMPONENTS - BUS MOUNT (STANDARD)

| Item# | Part | Description | X L I I 4 5 | X L I I M T H 4 0 | X L I I M T H 4 5 | X L I I M T H 4 5 E | N O T E S |
|-------|---------|--|----------------------------|---|---|--|-----------------------|
| 3 | 650235 | WEIGHT BALANCING / W/STEEL WHEEL / 6 OZ | AR | AR | AR | AR | |
| 3 | 650236 | WEIGHT BALANCING / W/STEEL WHEEL / 8 OZ | AR | AR | AR | AR | |
| 3 | 650237 | WEIGHT BALANCING / W/STEEL WHEEL / 10 OZ | AR | AR | AR | AR | |
| 3 | 650238 | WEIGHT BALANCING / W/STEEL WHEEL / 12 OZ | AR | AR | AR | AR | |
| 3 | 650175 | WEIGHT BALANCING / W/ALUMINUM WHEEL / INT. & EXT. / 2 OZ | AR | AR | AR | AR | |
| 3 | 650109 | WEIGHT BALANCING / W/ALUMINUM WHEEL / INT. & EXT. / 3 OZ | AR | AR | AR | AR | |
| 3 | 650110 | WEIGHT BALANCING / W/ALUMINUM WHEEL / EXT. ON 4 OZ | AR | AR | AR | AR | |
| 3 | 650114 | WEIGHT BALANCING / W/ALUMINUM WHEEL / INT. ON 4 OZ | AR | AR | AR | AR | |
| 3 | 650111 | WEIGHT BALANCING / W/ALUMINUM WHEEL / EXT. ON 6 OZ | AR | AR | AR | AR | |
| 3 | 650115 | WEIGHT BALANCING / W/ALUMINUM WHEEL / INT. ON 6 OZ | AR | AR | AR | AR | |
| 3 | 650112 | WEIGHT BALANCING / W/ALUMINUM WHEEL / EXT. ON 8 OZ | AR | AR | AR | AR | |
| 3 | 650116 | WEIGHT BALANCING / W/ALUMINUM WHEEL / INT. ON 8 OZ | AR | AR | AR | AR | |
| 3 | 650192 | WEIGHT BALANCING / W/ALUMINUM WHEEL / W/ADHES 6 OZ | AR | AR | AR | AR | |
| 3 | 650206 | WEIGHT BALANCING / POWDER (12 OZ BAG) | AR | AR | AR | AR | |
| | | | | | | | |
| | | HUBODOMETER | | | | | |
| | | | | | | | |
| 4 | 650002 | HUBODOMETER, COMPLETE 11 X 20 & 12 X 22.5 MPH / STEMCO | AR | | | | |
| 4 | 650117 | HUBODOMETER, COMPLETE 11 X 20 & 12 X 22.5 KM/H / STEMCO | AR | | | | |
| 4 | 590216 | HUBODOMETER, COMPLETE 11 X 20 & 12 X 22.5 KM/H / V.D.O. | AR | | | | |
| 4 | 650174 | HUBODOMETER, COMPLETE / FOR 295/80 KM/H | AR | | | | |
| 5 | 650145 | HUBODOMETER BRACKET / W/8 STUDS AXLE SHAFT | AR | | | | |
| | | | | | | | |
| | | OTHERS | | | | | |
| | | | | | | | |
| 6 | 502823 | CAP, PLASTIC CHROME / WHEEL NUT / STUD MOUNT | AR | AR | AR | AR | |
| 6 | 502223 | CAP, PLASTIC WHITE / WHEEL NUT / STUD MOUNT | AR | AR | AR | AR | |
| 6 | 5001339 | CAP, PLASTIC CHROME / WHEEL NUT / HUB MOUNT / PUSH-ON TYPE | AR | AR | AR | AR | |
| 6 | 502221 | CAP, PLASTIC CHROME / WHEEL NUT / HUB MOUNT | 20 | 20 | 20 | 20 | C |
| 6 | 5001301 | CAP, PLASTIC CHROME / WHEEL NUT / HUB MOUNT | 40 | 40 | 40 | 40 | D |
| 7 | 650134 | WHEEL GUARD MYLAR / WHEEL & HUB | AR | AR | AR | AR | |
| 8 | 650224 | HUB CAP PLASTIC CHROME W/NUT / STUD MOUNT | 4 | 4 | 4 | 4 | F |
| 8 | 650225 | HUB CAP PLASTIC CHROME W/NUT / STUD MOUNT | 2 | 2 | 2 | 2 | G |
| 8 | 621683 | HUB CAP PLASTIC CHROME W/NUT / HUB MOUNT | 2 | 2 | 2 | 2 | G |
| 8 | 621673 | HUB CAP PLASTIC CHROME W/NUT / STUD MOUNT | 2 | 2 | 2 | 2 | |
| NS | 683529 | CLEANER "ALUMINUM WHEEL" / SPRAY 22 OZ. | AR | AR | AR | AR | |
| NS | 683527 | SEALANT "ALUMINUM WHEEL" / SPRAY 13 OZ. | AR | AR | AR | AR | |
| NS | 683528 | POLISH "ALUMINUM WHEEL" / WAX 16 OZ. | AR | AR | AR | AR | |
| | | | | | | | |
| | | VALVES - WITH TIRE PRESSURE SENSOR | | | | | |
| | | | | | | | |
| 30 | 066446 | DECAL / "WARNING DETECTOR INSIDE" / ENGLISH & FRANCAIS | AR | AR | AR | AR | |

| | | |
|---|--------------|-----------------|
| From Y-7046 To 2-7766 | Date:10/2022 | PAGE:Y2-1318-00 |
| WHEELS & COMPONENTS - BUS MOUNT (STANDARD) | | |

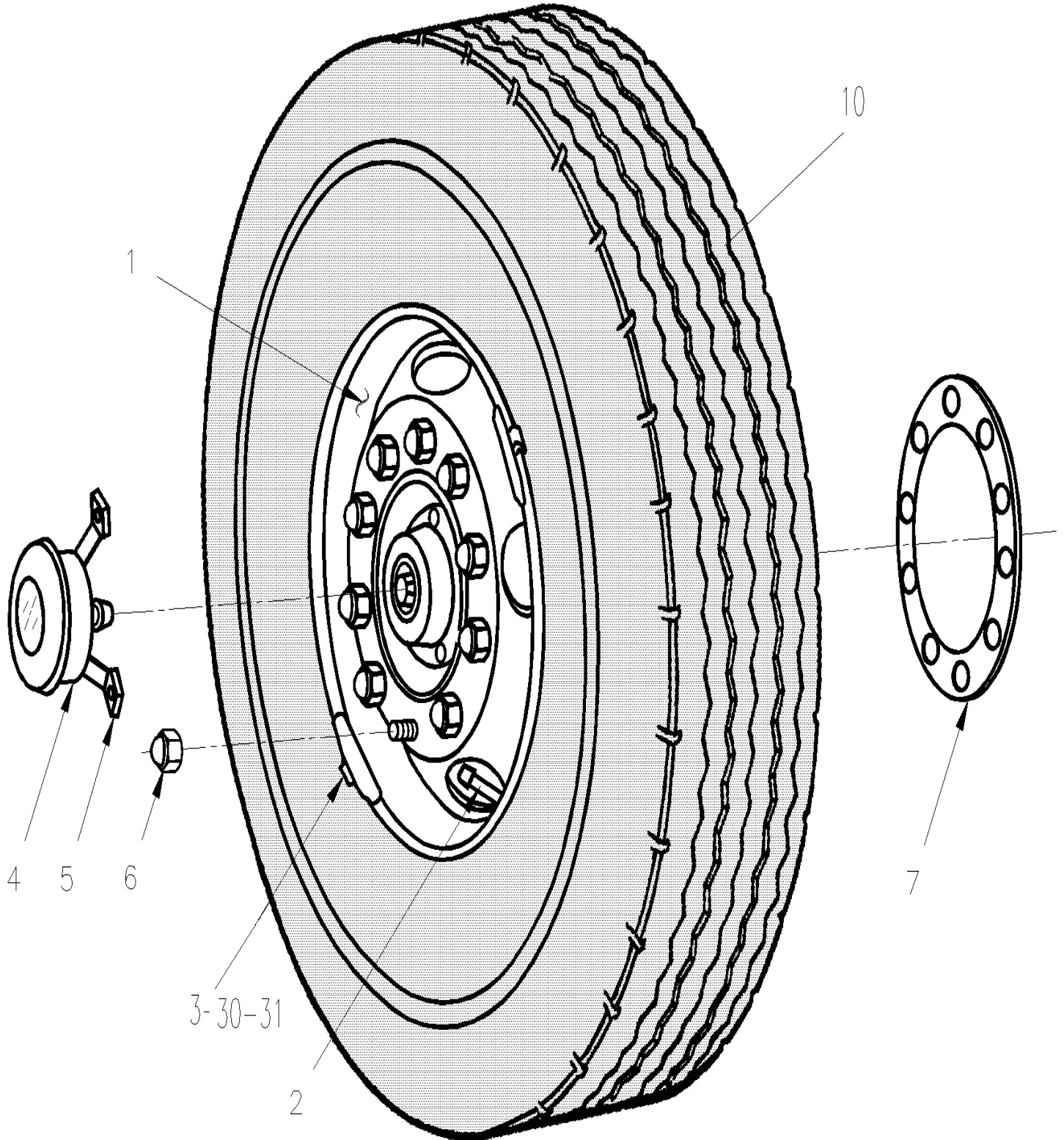
| Item# | Part | Description | X L I I 4 5 | X L I I M T H 4 0 | X L I I M T H 4 5 | X L I I M T H 4 5 E | N O T E S |
|-------|------------|--|----------------------------|---|---|--|-----------------------|
| 30 | 066445 | DECAL / "WARNING DETECTOR INSIDE" / ENGLISH | AR | AR | AR | AR | |
| 31 | Y2-1318-99 | TIRE MONITOR - PRESSURE & TEMPERATURE / "RETROFIT" | | | | | |
| NS | MI03-26A | SEE MAINTENANCE INFORMATION | 1 | 1 | 1 | 1 | |
| | | A) USE THIS VALVE W/ALLS STEEL WHEELS, MOUNTED W/"KNORR-BREMSE" BRAKE SYSTEM | | | | | |
| | | C) TO USE WITH NUT 3/8"X 1"½ THICK (610774) DRIVE AXLE | | | | | |
| | | D) TO USE WITH NUT 29/32" X 1"½ THICK (610773) / FRONT & TAG AXLE | | | | | |
| | | F) TO USE WITH FRONT & TAG WHEEL | | | | | |
| | | G) TO USE WITH DRIVE AXLE WHEEL | | | | | |

From 2-7767 To 8-9339

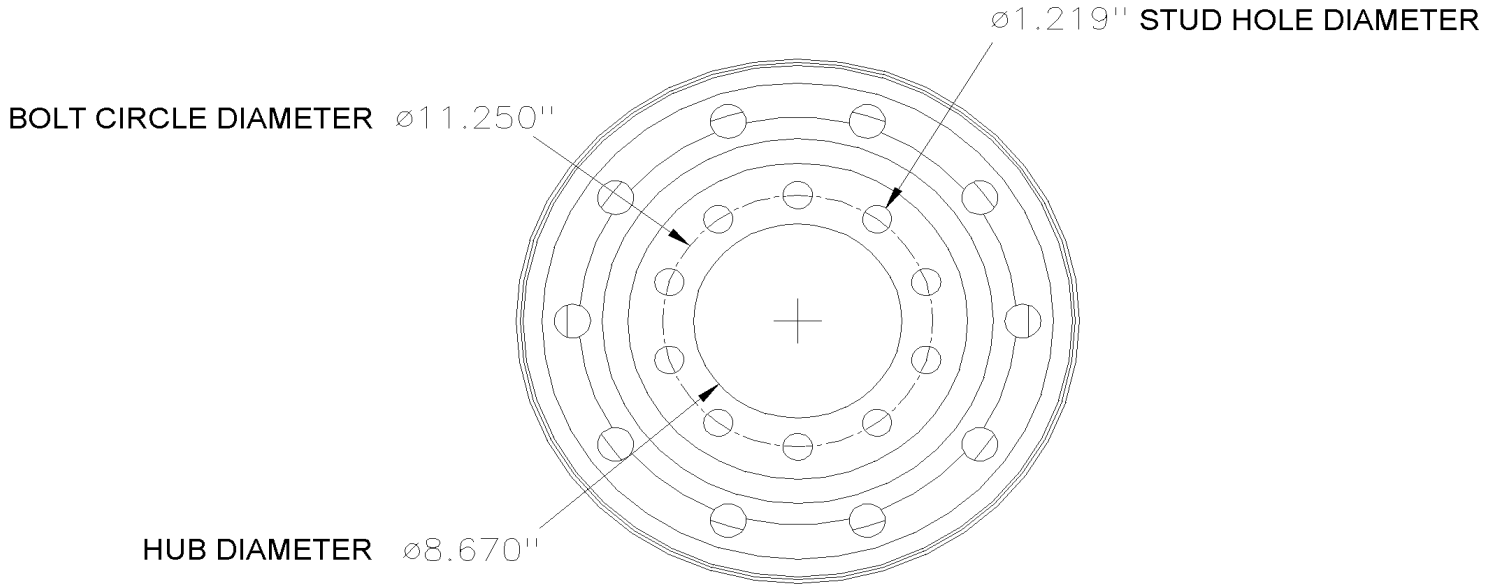
Date:10/2022

PAGE:Y2-1318-01

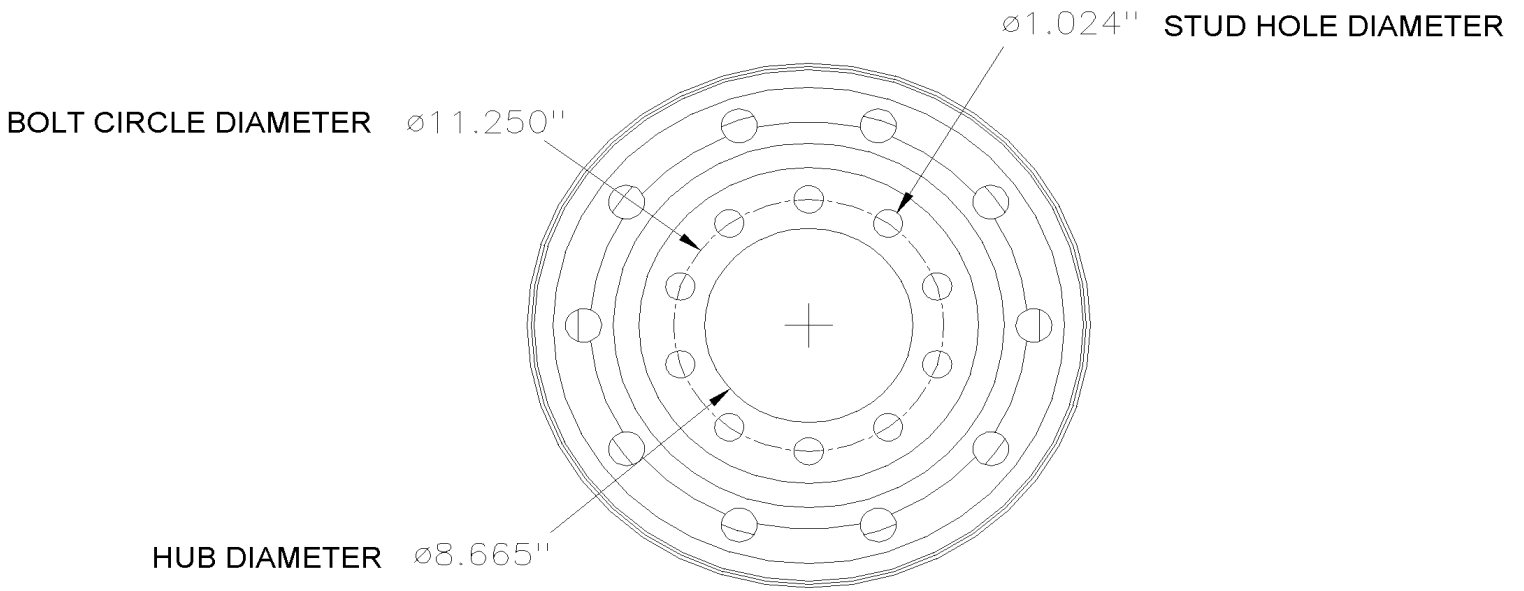
WHEELS & COMPONENTS - TRUCK MOUNT (METRIC)



| | | |
|---|--------------|-----------------|
| From 2-7767 To 8-9339 | Date:10/2022 | PAGE:Y2-1318-01 |
| WHEELS & COMPONENTS - TRUCK MOUNT (METRIC) | | |



BUS MOUNT STANDARD



TRUCK MOUNT METRIC

From 2-7767 To 8-9339 Date:10/2022 PAGE:Y2-1318-01

WHEELS & COMPONENTS - TRUCK MOUNT (METRIC)

| Item# | Part | Description | X L I I 4 5 | X L I I M T H 4 0 | X L I I M T H 4 5 | X L I I M T H 4 5 E | N O T E S |
|-------|--------|---|--------------------------------|---|---|--|-----------------------|
| | | STEEL WHEELS / HUB-MOUNTED | | | | | |
| 1 | 650484 | WHEEL, STEEL HUB 22.5 X 8.25 / WHITE / POWDER COAT | AR | AR | AR | AR | |
| 1 | 650486 | WHEEL, STEEL HUB 22.5 X 9.00 / SILVER / POWDER COAT | AR | AR | AR | AR | |
| 1 | 650485 | WHEEL, STEEL HUB 22.5 X 9.00 / WHITE / POWDER COAT | AR | AR | AR | AR | |
| 1 | 650487 | WHEEL, STEEL HUB 22.5 X 8.25 / SILVER / POWDER COAT | AR | AR | AR | AR | |
| | | ALUMINUM WHEELS / HUB-MOUNTED | | | | | |
| 1 | 650488 | WHEEL, ALU. HUB 22.5 X 9.00 / INSIDE POLISH | AR | AR | AR | AR | C |
| 1 | 650489 | WHEEL, ALU. HUB 22.5 X 9.00 / OUTSIDE POLISH | AR | AR | AR | AR | C |
| 1 | 650490 | WHEEL, ALU. HUB 22.5 X 9.00 / BOTH SIDE POLISH | AR | AR | AR | AR | C |
| 1 | 650491 | WHEEL, ALU. HUB 22.5 X 9.00 / BOTH SIDE MACHINED | AR | AR | AR | AR | C |
| 1 | 650587 | WHEEL, ALU. HUB 22.5 X 9.00 / BOTH SIDE DURA-BRIGHT | AR | AR | AR | AR | C |
| 1 | 650601 | WHEEL, ALU. HUB 22.5 X 9.00 / INSIDE DURA BRIGHT | AR | AR | AR | AR | C |
| 1 | 650602 | WHEEL, ALU. HUB 22.5 X 9.00 / OUTSIDE DURA-BRIGHT | AR | AR | AR | AR | C |
| 1 | 650662 | WHEEL, ALU. HUB 22.5 X 10.5 / BOTH SIDE DURA-BRIGHT XBR | AR | AR | AR | AR | C |
| 1 | 650443 | WHEEL, ALU. HUB 22.5 X 10.5 / OUTSIDE POLISH | AR | AR | AR | AR | C |
| 1 | 650958 | WHEEL, ALU. HUB 22.5 X 9.00 / BOTH SIDE MACHINED | AR | AR | AR | AR | H |
| 1 | 650959 | WHEEL, ALU. HUB 22.5 X 9.00 / OUTSIDE POLISH | AR | AR | AR | AR | H |
| 1 | 650976 | WHEEL, ALU. HUB 22.5 X 9.00 / OUTSIDE DURA-BRIGHT | AR | AR | AR | AR | H |
| 1 | 650989 | WHEEL, ALU. HUB 22.5 X 9.00 / INSIDE POLISH | AR | AR | AR | AR | H |
| 1 | 651007 | WHEEL, ALU. HUB 22.5 X 9.00 / INSIDE DURA BRIGHT | AR | AR | AR | AR | H |
| 1 | 651021 | WHEEL, ALU. HUB 22.5 X 9.00 / BOTH SIDE POLISH | AR | AR | AR | AR | H |
| 1 | 651038 | WHEEL, ALU. HUB 22.5 X 9.00 / BOTH SIDE DURA-BRIGHT | AR | AR | AR | AR | H |
| 1 | 650728 | WHEEL, ALU. HUB 22.5 X 14.00 / INSIDE POLISH | AR | AR | AR | AR | S |
| 1 | 651548 | WHEEL, ALU. HUB 22.5 X 14.00 / INSIDE POLISH | AR | AR | AR | AR | S |
| 1 | 650729 | WHEEL, ALU. HUB 22.5 X 14.00 / INSIDE DURA BRIGHT | AR | AR | AR | AR | S |
| 1 | 651549 | WHEEL, ALU. HUB 22.5 X 14.00 / INSIDE DURA BRIGHT | AR | AR | AR | AR | S |
| | | WHEELS / STUD MOUNTED | | | | | |
| 1 | 650638 | WHEEL, ALU. STUD 22.5 X 9.00 / BOTH SIDE DURA-BRIGHT | AR | | | | |
| 1 | 650666 | WHEEL, ALU. STUD 22.5 X 9.00 / INSIDE DURA BRIGHT | AR | | | | |
| 1 | 650667 | WHEEL, ALU. STUD 22.5 X 9.00 / OUTSIDE DURA-BRIGHT | AR | | | | |
| | | VALVES - VALVE EXTENTION & HOLDER | | | | | |
| 2 | 150293 | VALVE / W/STEEL WHEEL / "KNORR-BREMSE " BRAKE - | AR | AR | AR | AR | A |
| 2 | 650194 | VALVE / W/ALUMINUM WHEEL / 1.38" LG W/60 deg | AR | AR | AR | AR | |
| 2 | 650744 | VALVE / W/ALUMINUM WHEEL / 1.26" LG | AR | AR | AR | AR | |

| | | |
|---|--------------|-----------------|
| From 2-7767 To 8-9339 | Date:10/2022 | PAGE:Y2-1318-01 |
| WHEELS & COMPONENTS - TRUCK MOUNT (METRIC) | | |

| Item# | Part | Description | X L I I 4 5 | X L I I M T H 4 0 | X L I I M T H 4 5 | X L I I M T H 4 5 E | N O T E S |
|-------|--------|--|----------------------------|---|---|--|-----------------------|
| 2 | 651078 | VALVE / W/ALUMINUM WHEEL / 2.31" LG | AR | AR | AR | AR | |
| 2 | 651114 | VALVE / W/ALUMINUM WHEEL / 2.60" LG W/60 deg | AR | AR | AR | AR | |
| NS | 650164 | . CAP VALVE / CHROME | AR | AR | AR | AR | |
| NS | 650151 | . CAP VALVE / STD | AR | AR | AR | AR | |
| NS | 650008 | . SPRING VALVE | AR | AR | AR | AR | |
| NS | 650205 | . SPRING VALVE 21116 | AR | AR | AR | AR | B |
| 2 | 650201 | EXTENSION VALVE 1 3/8" LG | AR | AR | AR | AR | |
| NS | 650188 | EXTENSION VALVE / 7" LG | AR | AR | AR | AR | |
| NS | 650178 | RUBBER HOLDER / 1.5" O.D. / EXTENSION VALVE To 5-8771 | AR | AR | AR | AR | |
| 2 | 651064 | RUBBER HOLDER / 2" O.D. / EXTENSION VALVE From 5-8772 | AR | AR | AR | AR | |
| | | WEIGHTS | | | | | |
| 3 | 650062 | WEIGHT BALANCING / W/STEEL WHEEL / 2 OZ | AR | AR | AR | AR | |
| 3 | 650063 | WEIGHT BALANCING / W/STEEL WHEEL / 3 OZ | AR | AR | AR | AR | |
| 3 | 650064 | WEIGHT BALANCING / W/STEEL WHEEL / 4 OZ | AR | AR | AR | AR | |
| 3 | 650065 | WEIGHT BALANCING / W/STEEL WHEEL / 6 OZ | AR | AR | AR | AR | |
| 3 | 650066 | WEIGHT BALANCING / W/STEEL WHEEL / 8 OZ | AR | AR | AR | AR | |
| 3 | 650067 | WEIGHT BALANCING / W/STEEL WHEEL / 10 OZ | AR | AR | AR | AR | |
| 3 | 650068 | WEIGHT BALANCING / W/STEEL WHEEL / 12 OZ | AR | AR | AR | AR | |
| 3 | 650069 | WEIGHT BALANCING / W/STEEL WHEEL / 14 OZ | AR | AR | AR | AR | |
| 3 | 650070 | WEIGHT BALANCING / W/STEEL WHEEL / 16 OZ | AR | AR | AR | AR | |
| 3 | 650175 | WEIGHT BALANCING / W/ALUMINUM WHEEL / INT. & EXT. / 2 OZ | AR | AR | AR | AR | |
| 3 | 650109 | WEIGHT BALANCING / W/ALUMINUM WHEEL / INT. & EXT. / 3 OZ | AR | AR | AR | AR | |
| 3 | 650110 | WEIGHT BALANCING / W/ALUMINUM WHEEL / EXT. ON 4 OZ | AR | AR | AR | AR | |
| 3 | 650114 | WEIGHT BALANCING / W/ALUMINUM WHEEL / INT. ON 4 OZ | AR | AR | AR | AR | |
| 3 | 650111 | WEIGHT BALANCING / W/ALUMINUM WHEEL / EXT. ON 6 OZ | AR | AR | AR | AR | |
| 3 | 650115 | WEIGHT BALANCING / W/ALUMINUM WHEEL / INT. ON 6 OZ | AR | AR | AR | AR | |
| 3 | 650112 | WEIGHT BALANCING / W/ALUMINUM WHEEL / EXT. ON 8 OZ | AR | AR | AR | AR | |
| 3 | 650116 | WEIGHT BALANCING / W/ALUMINUM WHEEL / INT. ON 8 OZ | AR | AR | AR | AR | |
| 3 | 650192 | WEIGHT BALANCING / W/ALUMINUM WHEEL / W/ADHES 6 OZ | AR | AR | AR | AR | |
| 3 | 650206 | WEIGHT BALANCING / POWDER (12 OZ BAG) | AR | AR | AR | AR | |
| | | HUBODOMETER | | | | | |
| 4 | 650002 | HUBODOMETER, COMPLETE 11 X 20 & 12 X 22.5 MPH / STEMCO | AR | AR | AR | AR | |
| 4 | 650117 | HUBODOMETER, COMPLETE 11 X 20 & 12 X 22.5 KM/H / STEMCO | AR | AR | AR | AR | |
| 4 | 590216 | HUBODOMETER, COMPLETE 11 X 20 & 12 X 22.5 KM/H / V.D.O. | AR | AR | AR | AR | |
| 4 | 650174 | HUBODOMETER, COMPLETE / FOR 295/80 KM/H | AR | AR | AR | AR | |
| 5 | 650145 | HUBODOMETER BRACKET / W/8 STUDS AXLE SHAFT | AR | AR | AR | AR | |
| | | OTHERS | | | | | |

| | | |
|---|--------------|-----------------|
| From 2-7767 To 8-9339 | Date:10/2022 | PAGE:Y2-1318-01 |
| WHEELS & COMPONENTS - TRUCK MOUNT (METRIC) | | |

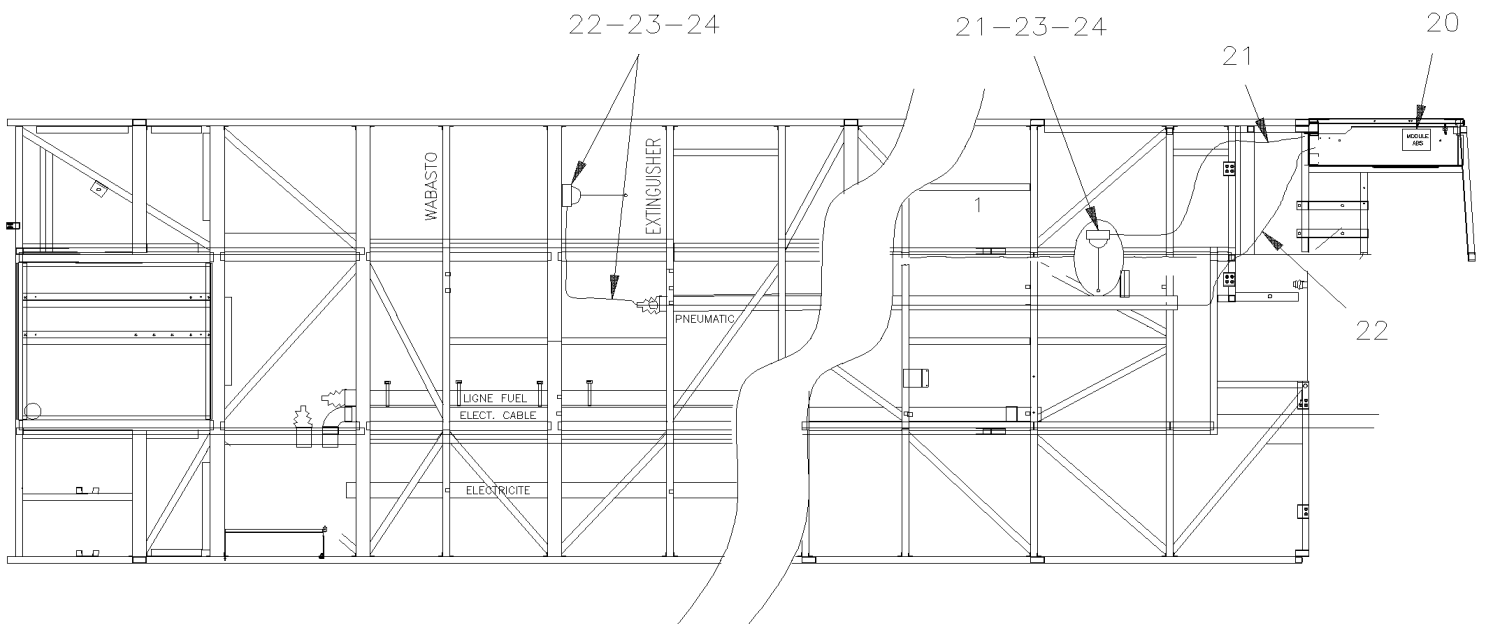
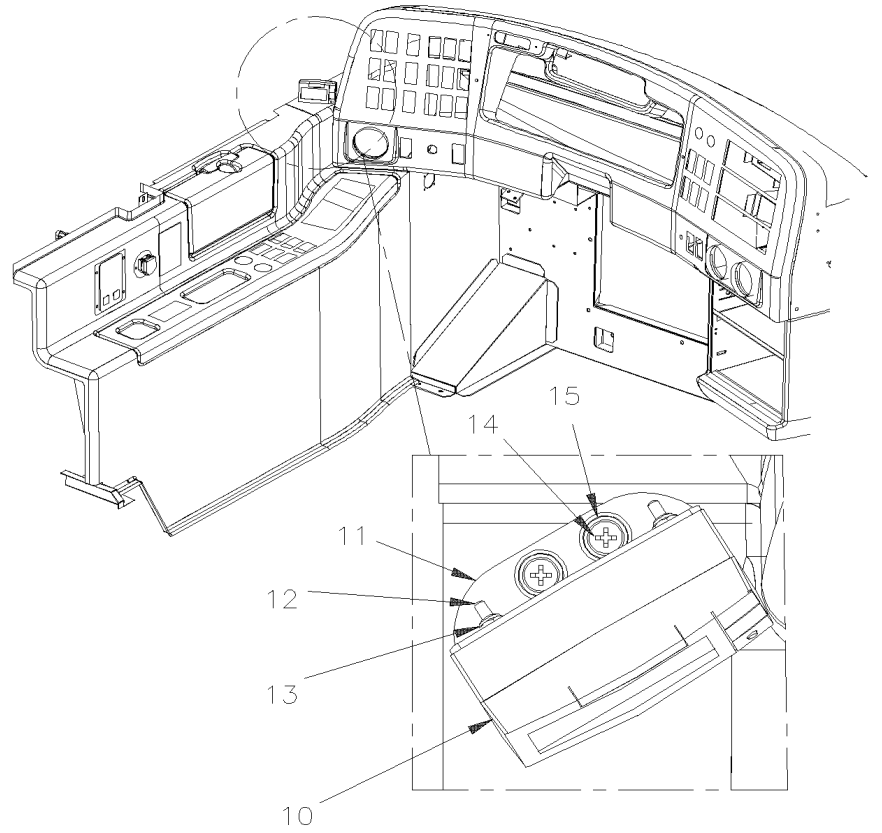
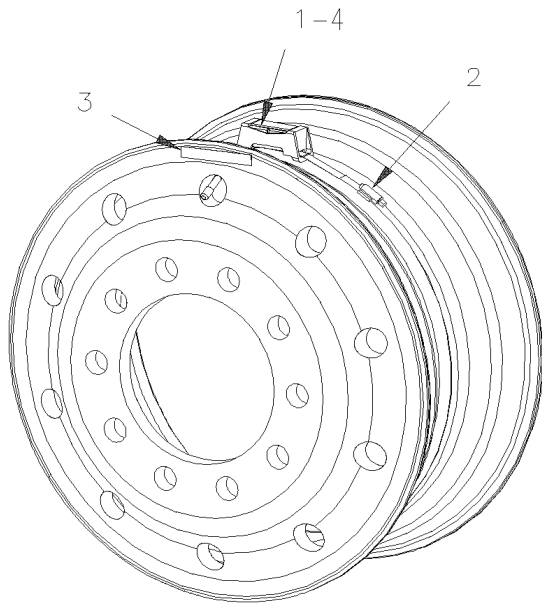
| Item# | Part | Description | X L I I 4 5 | X L I I M T H 4 0 | X L I I M T H 4 5 | X L I I M T H 4 5 E | N O T E S |
|--------|-------------------|---|----------------------------|---|---|--|-----------------------|
| 6 | 5001339 | CAP, PLASTIC CHROME / WHEEL NUT / HUB MOUNT / PUSH-ON TYPE | 60 | 60 | 60 | 60 | E |
| 7 | 650134 | WHEEL GUARD MYLAR / WHEEL & HUB | AR | AR | AR | AR | |
| 8 | 621753 | HUB CAP PLASTIC CHROME W/NUT / HUB MOUNT / METRIC | 2 | 2 | 2 | 2 | G |
| . NS | 624215 | . CAP NUT COVER WRENCH | 1 | 1 | 1 | 1 | G |
| 8 | 611339 | HUB CAP PLASTIC CHROME W/NUT / HUB MOUNT / METRIC | 2 | 2 | 2 | 2 | F |
| . NS | 611470 | . HUB CAP PLASTIC CHROME W/NUT / HUB MOUNT / METRIC | 2 | 2 | 2 | 2 | F |
| . . NS | 624215 | . . CAP NUT COVER WRENCH | 1 | 1 | 1 | 1 | F |
| . NS | 19507612 | . CAP NUT CHROME / SCREW TYPE | 10 | 10 | 10 | 10 | F |
| 10 | 650447 | TIRE MICHELIN 455/55 R22.5 X-ONE-XTE SUMMER TIRE | 1 | 1 | 1 | 1 | |
| 10 | 652630 | TIRE MICHELIN 455/55 R22.5 X ONE XDA-HT PLUS SUMMER TIRE | 1 | 1 | 1 | 1 | |
| 10 | 651120 | TIRE MICHELIN 455/55 R22.5 X ONE XONE XDA-ENERGY SUMMER TIRE | 1 | 1 | 1 | 1 | |
| 10 | 651099 | TIRE MICHELIN 455/55 R22.5 XD-N2 WINTER TIRE | 1 | 1 | 1 | 1 | |
| NS | 652066 | WHEEL NUT FLAG, ORANGE | AR | AR | AR | AR | |
| NS | 683529 | CLEANER "ALUMINUM WHEEL" / SPRAY 22 OZ. | AR | AR | AR | AR | |
| NS | 683527 | SEALANT "ALLUMINUM WHEEL" / SPRAY 13 OZ. | AR | AR | AR | AR | |
| NS | 683528 | POLISH "ALLUMINUM WHEEL" / WAX 16 OZ. | AR | AR | AR | AR | |
| | | VALVES - WITH TIRE PRESSURE SENSOR | | | | | |
| 30 | 066446 | DECAL / "WARNING DETECTOR INSIDE" / ENGLISH & FRANCAIS | AR | AR | AR | AR | |
| 30 | 066445 | DECAL / "WARNING DETECTOR INSIDE" / ENGLISH | AR | AR | AR | AR | |
| 31 | Y2-1318-99 | TIRE MONITOR - PRESSURE & TEMPERATURE / "RETROFIT" | | | | | |
| NS | MI02-17 | SEE MAINTENANCE INFORMATION | 1 | 1 | 1 | 1 | |
| NS | MI03-26A | SEE MAINTENANCE INFORMATION | 1 | 1 | 1 | 1 | |
| | | A) USE THIS VALVE WITH ALLS STEEL WHEELS MOUNTED WITH "KNORR-BREMSE" BRAKE SYSTEM | | | | | |
| | | B) USE THIS EXTENSION WITH POWDER BALANCING WEIGHT | | | | | |
| | | C) USE WITH 650178 RUBBER HOLDER | | | | | |
| | | E) TO USE WITH NUT 22MM X 33MM THICK (611189) | | | | | |
| | | F) TO USE WITH FRONT AND TAG WHEEL | | | | | |
| | | G) TO USE WITH DRIVE AXLE WHEEL | | | | | |
| | | H) USE WITH 651064 RUBBER HOLDER | | | | | |
| | | S) USE ONLY WITH SUPER SINGLE TIRE (650447) | | | | | |

From Y-7046 To 8-9339

Date:10/2022

PAGE:Y2-1318-99

TIRE MONITOR - PRESSURE & TEMPERATURE / "RETROFIT"

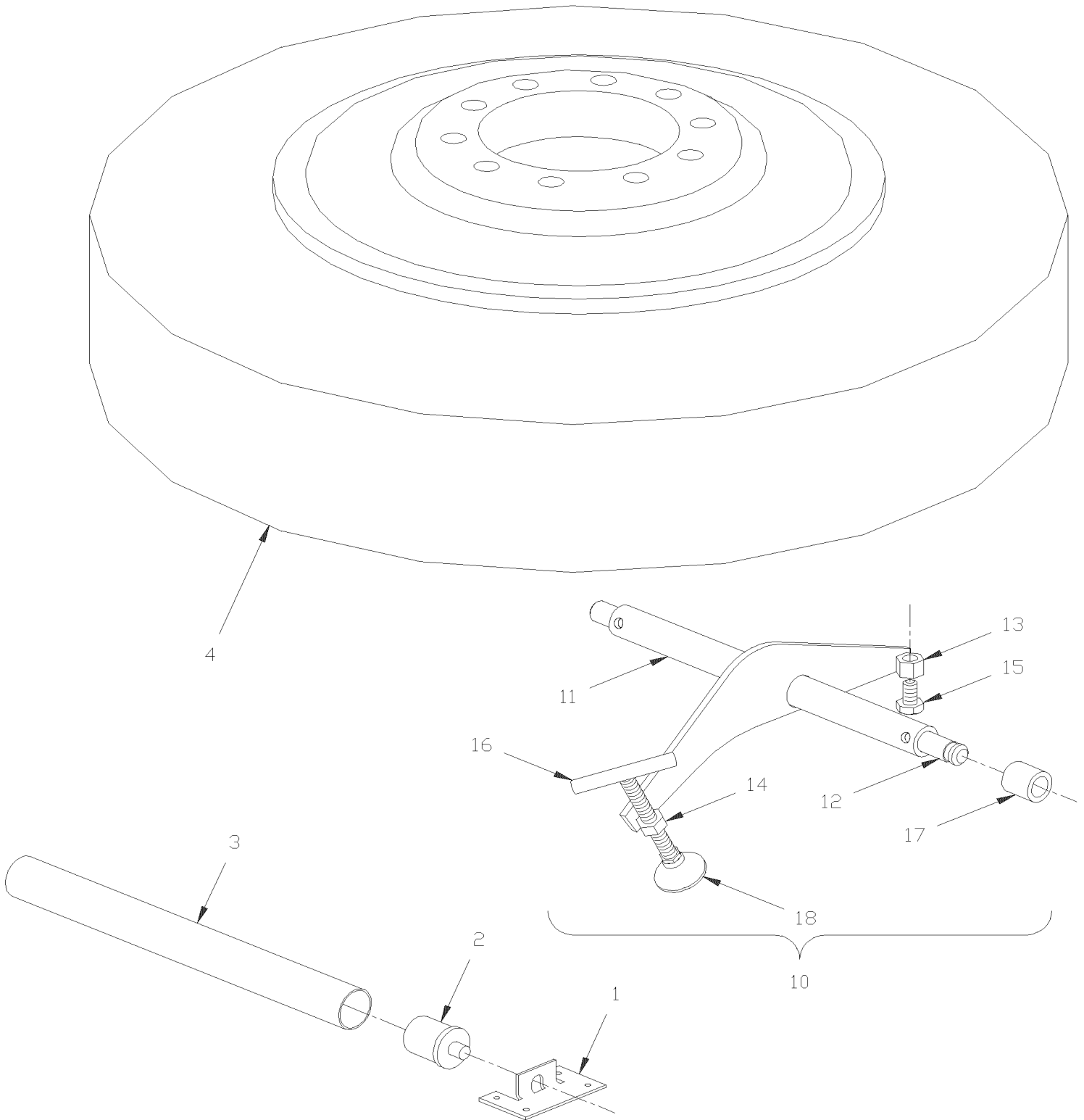


From Y-7046 To 8-9339

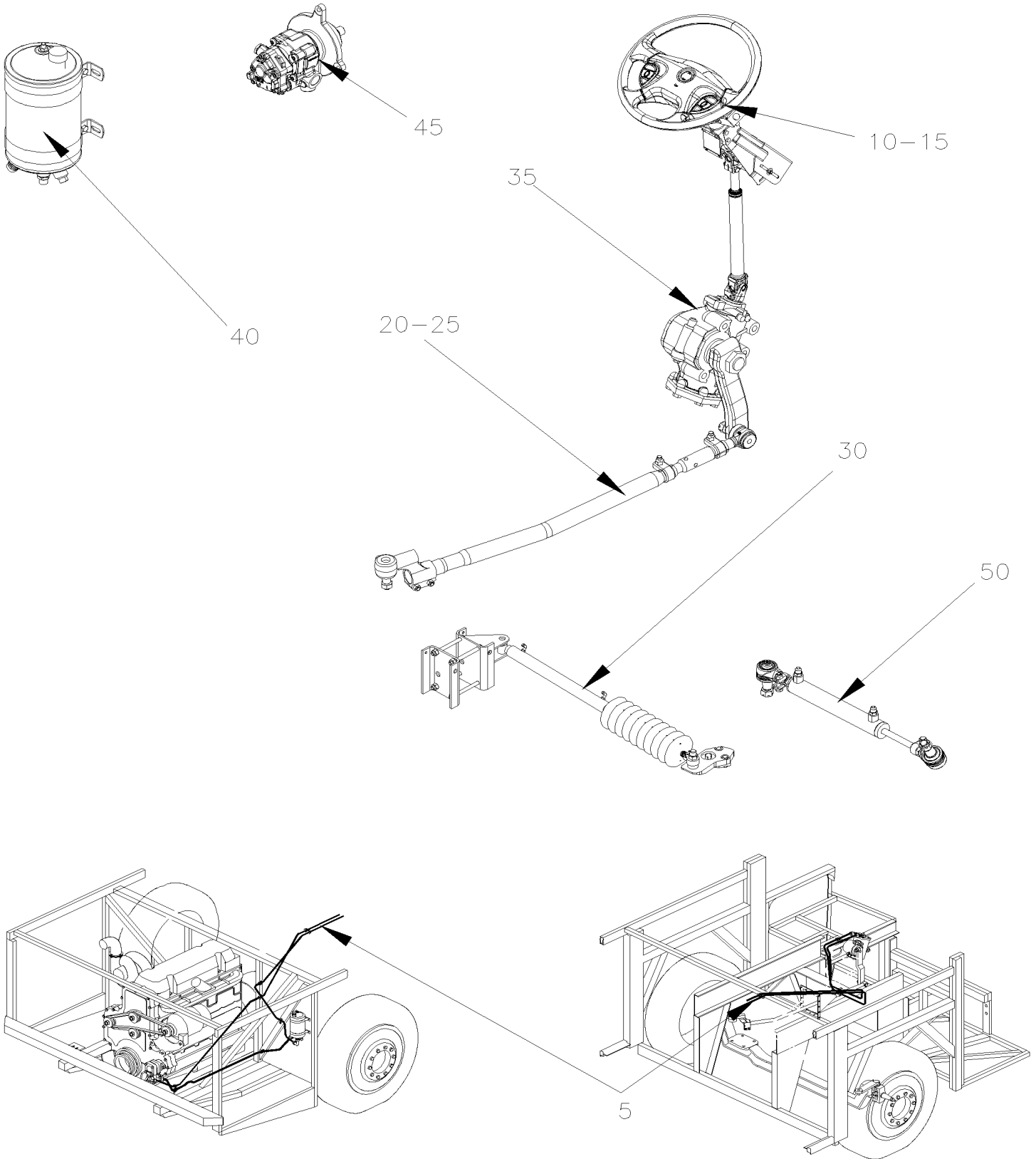
Date:10/2022

PAGE:Y2-1325-00

SPARE WHEEL - INSTALLATION



| | | |
|----------|--------------|-------|
| | Date:10/2022 | Y2-14 |
| STEERING | | |



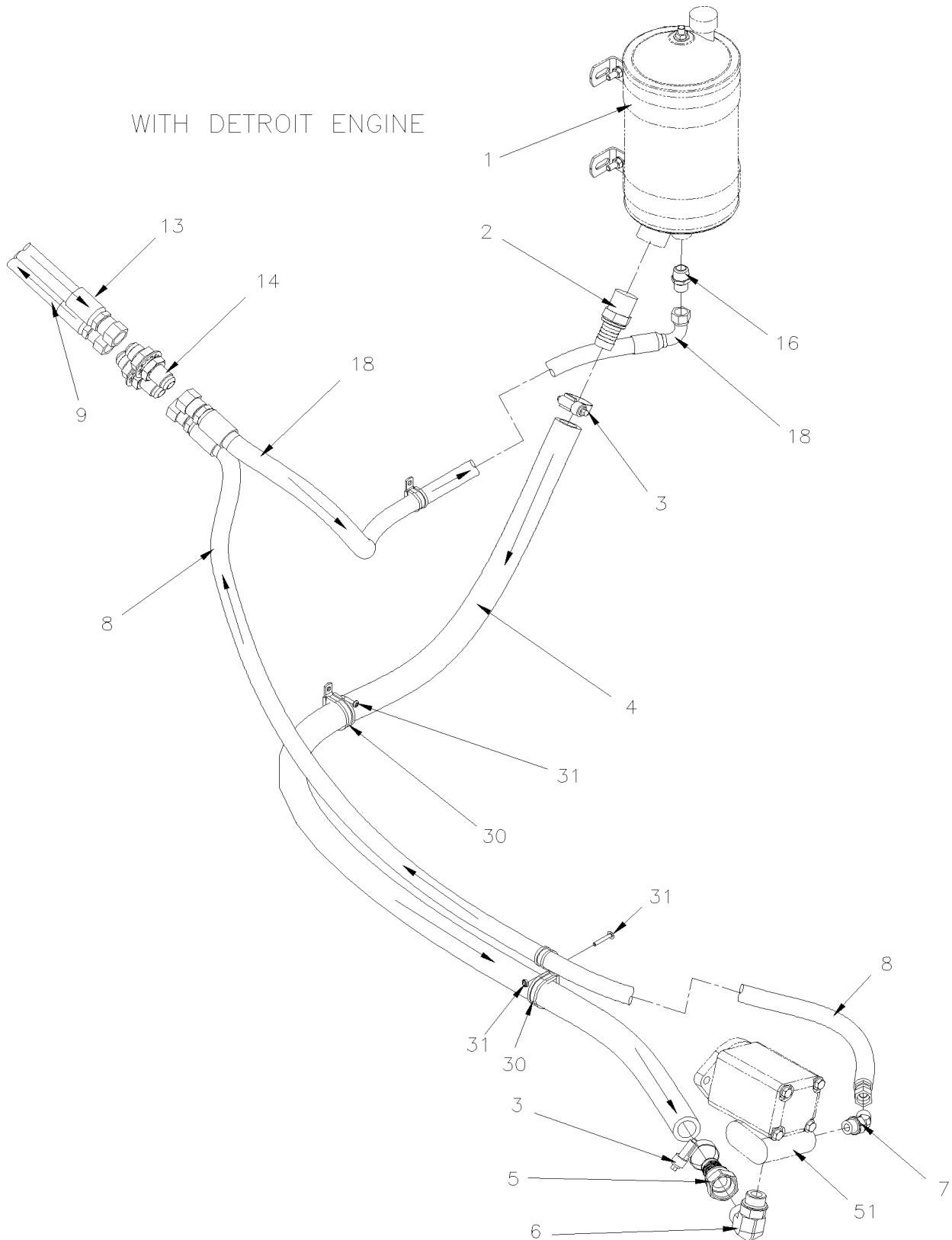
| | | Date:10/2022 | Y2-14 | | | | |
|----------|------------|--|----------------------------|---|---|--|-------|
| STEERING | | | | | | | |
| Item# | Part | Description | X L I I 4 5 | X L I I M T H 4 0 | X L I I M T H 4 5 | X L I I M T H 4 5 E | NOTES |
| 5 | Y2-1400-00 | POWER STEERING HOSE - INSTALLATION From Y-7046 To 8-9339 | | | | | |
| 10 | Y2-1405-00 | STEERING WHEEL & COLUMN ASSY From Y-7046 To 8-9339 | | | | | |
| 15 | Y2-1407-00 | STEERING COLUMN & COVER - INSTALLATION From Y-7046 To 8-9339 | | | | | |
| 20 | Y2-1410-00 | STEERING GEAR BOX & DRAG LINK - INSTALLATION From Y-7046 To 6-8906 | | | | | |
| 25 | Y2-1410-50 | STEERING RODS - INSTALLATION W/INDEPENDENT "IS-84" / 16500LBS From Y-7046 To 3-8164 | | | | | |
| 25 | Y2-1410-51 | STEERING RODS - INSTALLATION W/INDEPENDENT "NDIFS80P" / 18000LBS From 4-8165 To 8-9339 | | | | | |
| 30 | Y2-1412-00 | STEERING DAMPER From Y-7046 To 6-8906 | | | | | |
| 35 | Y2-1415-00 | STEERING GEARBOX - "ZF" From Y-7046 To 8-9339 | | | | | |
| 40 | Y2-1420-00 | POWER STEERING TANK - 4 QT U.S. From Y-7046 To 8-9339 | | | | | |
| 45 | Y2-1427-00 | POWER STEERING PUMP - "TRW" From Y-7046 To 8-9339 | | | | | |
| 50 | Y2-1430-50 | CYLINDER POWER STEERING From 4-8165 To 8-9339 | | | | | |

From Y-7046 To 8-9339

Date:10/2022

PAGE:Y2-1400-00

POWER STEERING HOSE - INSTALLATION

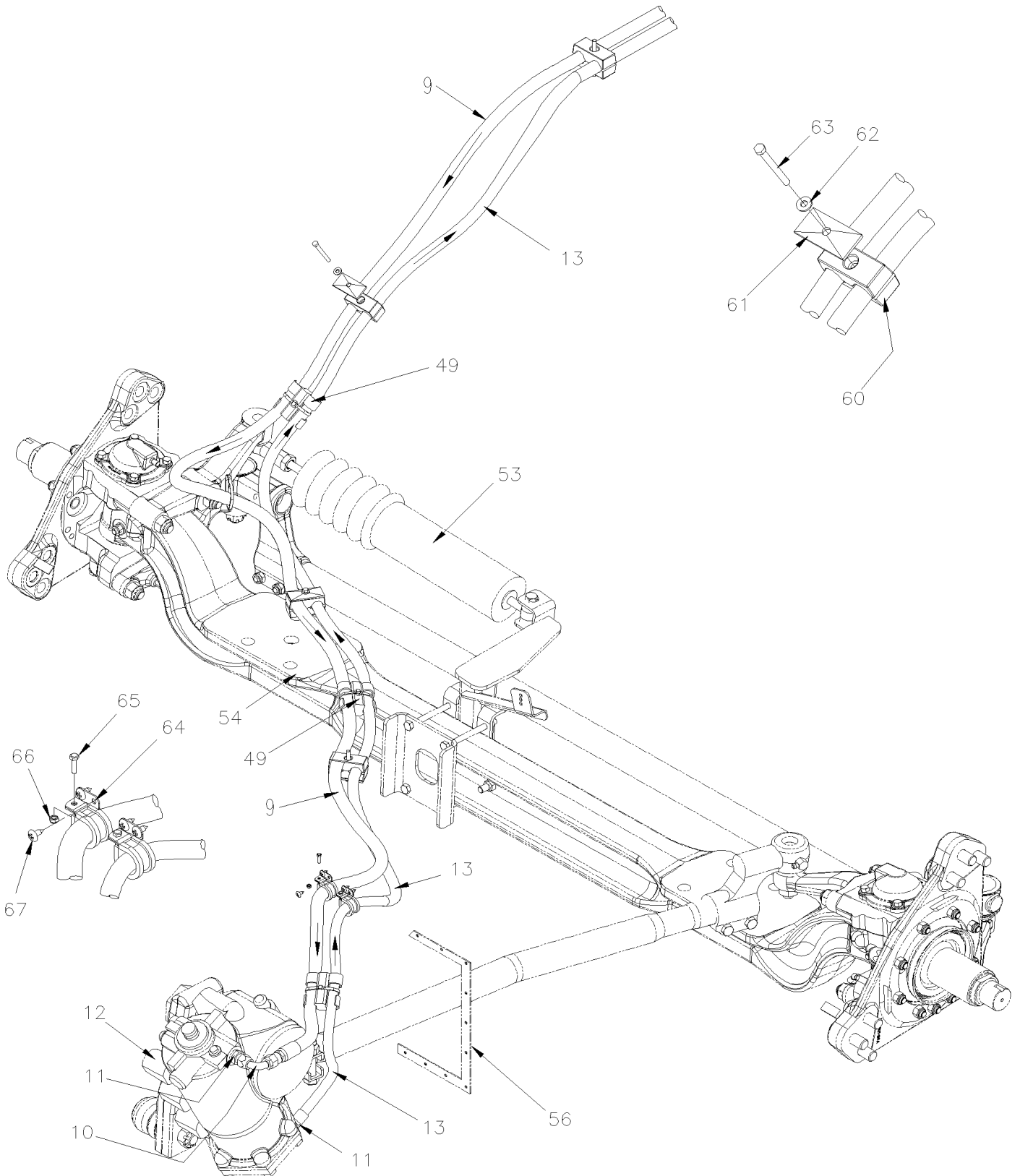


From Y-7046 To 8-9339

Date:10/2022

PAGE:Y2-1400-00

POWER STEERING HOSE - INSTALLATION

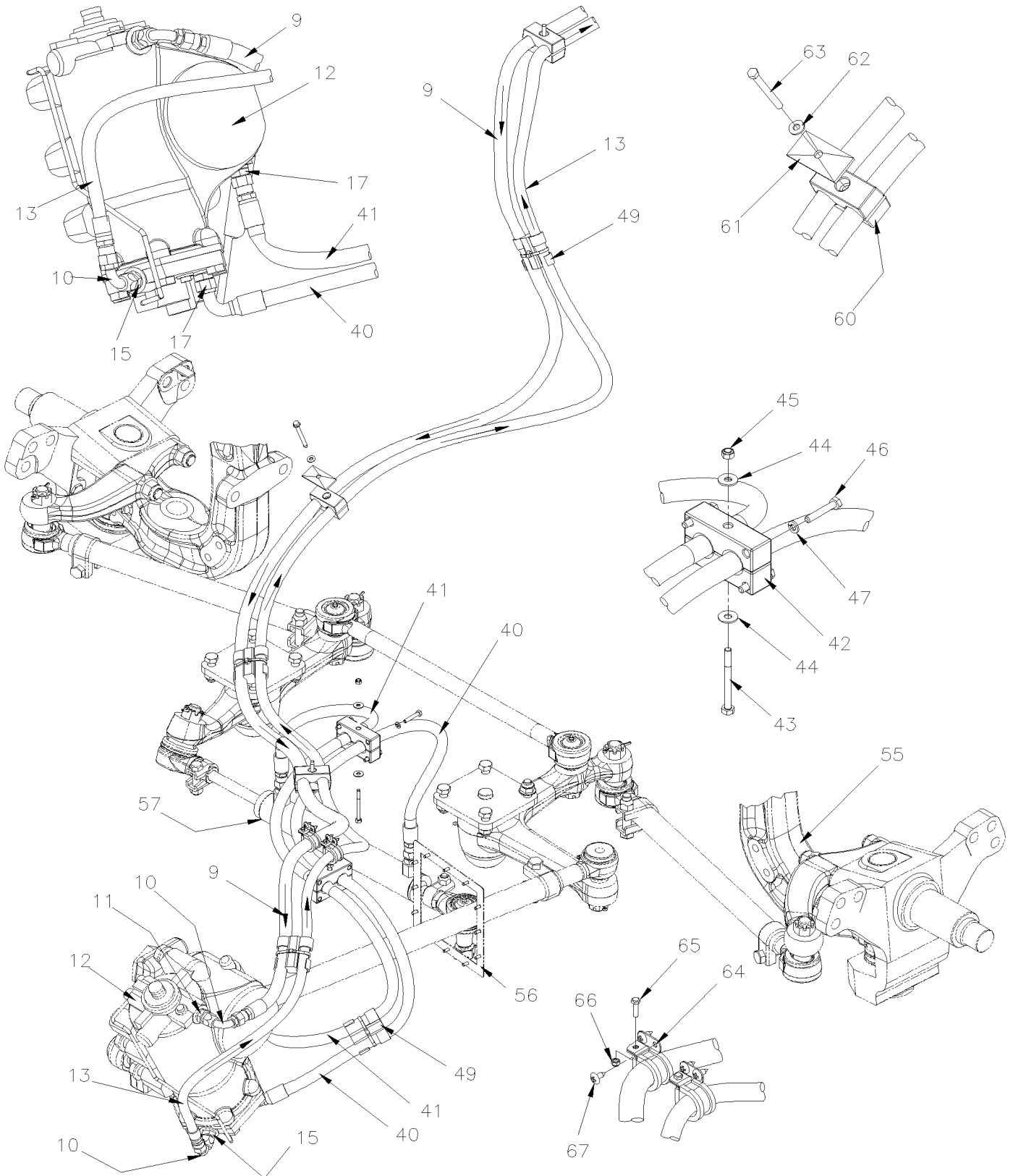


From Y-7046 To 8-9339

Date:10/2022

PAGE:Y2-1400-00

POWER STEERING HOSE - INSTALLATION



| | | |
|---|--------------|-----------------|
| From Y-7046 To 8-9339 | Date:10/2022 | PAGE:Y2-1400-00 |
| POWER STEERING HOSE - INSTALLATION | | |

| Item# | Part | Description | X L I I 4 5 | X L I I M T H 4 0 | X L I I M T H 4 5 | X L I I M T H 4 5 E | N O T E S |
|-------|-------------------|--|----------------------------|---|---|--|-----------------------|
| 1 | Y2-1420-00 | POWER STEERING TANK - 4 QT U.S. | | | | | |
| 2 | 5011086 | MALE CONNECTOR / PUSH-LOK FITTING / 1NPT-Mx#16 STL | 1 | 1 | 1 | 1 | |
| 3 | 504291 | HOSE CLAMP / 1"1/8-1"3/4 SS / E.T. 20 | AR | AR | AR | AR | |
| 4 | 160995 | HOSE #16 1200MM | 1 | | 1 | | |
| 4 | 161131 | HOSE #16 1350MM | | 1 | | 1 | |
| 4 | 163483 | HOSE #16 1450MM | | | 1 | | |
| 4 | 503577 | . HOSE #16 / S.L. | AR | AR | AR | AR | |
| 5 | 5011147 | FEMALE CONNECTOR SWIVEL / COLLAR FITTING / #16JIC-Fx#16 STL | 1 | 1 | 1 | 1 | |
| 6 | 5011148 | MALE ELBOW 90° / JIC 37° FITTING / #16JIC-Mx#12ORB-M STL | 1 | 1 | 1 | 1 | |
| 7 | 5011167 | MALE ELBOW 45° / JIC 37° FITTING / #8JIC-Mx#8ORB-M STL | 1 | 1 | 1 | 1 | |
| 8 | 161028 | HOSE ASSY / #8 5033MM To 1-7427 | 1 | | | | |
| 8 | 161028 | HOSE ASSY / #8 5033MM To 1-7427 | | | 1 | | |
| 8 | 161137 | HOSE ASSY / #8 5033MM From 1-7428 To 7-9095 | | | 1 | | |
| 8 | 161027 | HOSE ASSY / #8 4520MM To 4-8345 | | 1 | | 1 | |
| 8 | 161193 | HOSE ASSY / #8 4620MM From 4-8346 To 7-9095 | | | | 1 | |
| 8 | 163473 | HOSE ASSY / #8 2750MM From 7-9096 | | | 1 | 1 | |
| NS | 505110 | . COIL PROTECTOR / PLASTIC / #12 To 5-8516 | AR | AR | AR | AR | |
| NS | 505181 | . COIL PROTECTOR / PLASTIC / #8 From 5-8517 | AR | AR | AR | AR | |
| 9 | 161023 | HOSE ASSY / #8 9165MM | 1 | | | | A |
| 9 | 161023 | HOSE ASSY / #8 9165MM To 1-7427 | | | 1 | | |
| 9 | 161136 | HOSE ASSY / #8 9195MM From 1-7428 To 7-9095 | | | 1 | | A |
| 9 | 161022 | HOSE ASSY / #8 8306MM To 7-9095 | | 1 | | | A |
| 9 | 161021 | HOSE ASSY / #8 9830MM To 7-9095 | | | | 1 | A |
| 9 | 163479 | HOSE ASSY / #8 11570MM (W5) From 7-9096 | | | 1 | | A |
| 9 | 163474 | HOSE ASSY / #8 11570MM (X3/WE) From 7-9096 | | | | 1 | A |
| 9 | 161197 | KIT, HOSE REPAIR / FRONT SECTION STEERING / X SERIES | 1 | 1 | 1 | 1 | |
| . NS | WB04-10A | . SEE WARRANTY BULLETIN | 1 | 1 | 1 | 1 | |
| . NS | 161195 | . HOSE ASSY / #8 1570MM | 1 | 1 | 1 | 1 | |
| . NS | 501456 | . MALE CONNECTOR / JIC 37° FITTING / #8JIC-Mx#8 STL | 1 | 1 | 1 | 1 | |
| NS | 505110 | . COIL PROTECTOR / PLASTIC / #12 To 5-8516 | AR | AR | AR | AR | |
| NS | 505181 | . COIL PROTECTOR / PLASTIC / #8 From 5-8517 | AR | AR | AR | AR | |
| 10 | 501845 | SWIVEL NUT ELBOW 90° LONG / JIC 37° FITTING / #8JIC-Fx#8JIC-Mx1.86 STL | 2 | 2 | 2 | 2 | |
| 11 | 5011192 | MALE CONNECTOR / JIC 37° FITTING / #8JIC-MxM18-1.5-M STL | 2 | | | | |
| . NS | N.P.N. | . O-RING | 1 | | | | 4 |
| . NS | N.P.N. | . WASHER RET | 1 | | | | 4 |
| NS | 688910 | THREAD LOCKER LOCTITE #262 / RED / 250ml | AR | AR | AR | AR | |
| 12 | Y2-1415-00 | STEERING GEARBOX - "ZF" | 1 | 1 | 1 | 1 | |
| 13 | 161129 | HOSE ASSY / #8 9525MM | 1 | | | | A |
| 13 | 161130 | HOSE ASSY / #8 8636MM To 7-9095 | | 1 | | | A |
| 13 | 161129 | HOSE ASSY / #8 9525MM To 7-9095 | | | 1 | | A |
| 13 | 161128 | HOSE ASSY / #8 10160MM To 7-9095 | | | | 1 | A |
| 13 | 163475 | HOSE ASSY / #8 11900MM From 7-9096 | | | 1 | 1 | A |

| | | |
|---|--------------|-----------------|
| From Y-7046 To 8-9339 | Date:10/2022 | PAGE:Y2-1400-00 |
| POWER STEERING HOSE - INSTALLATION | | |

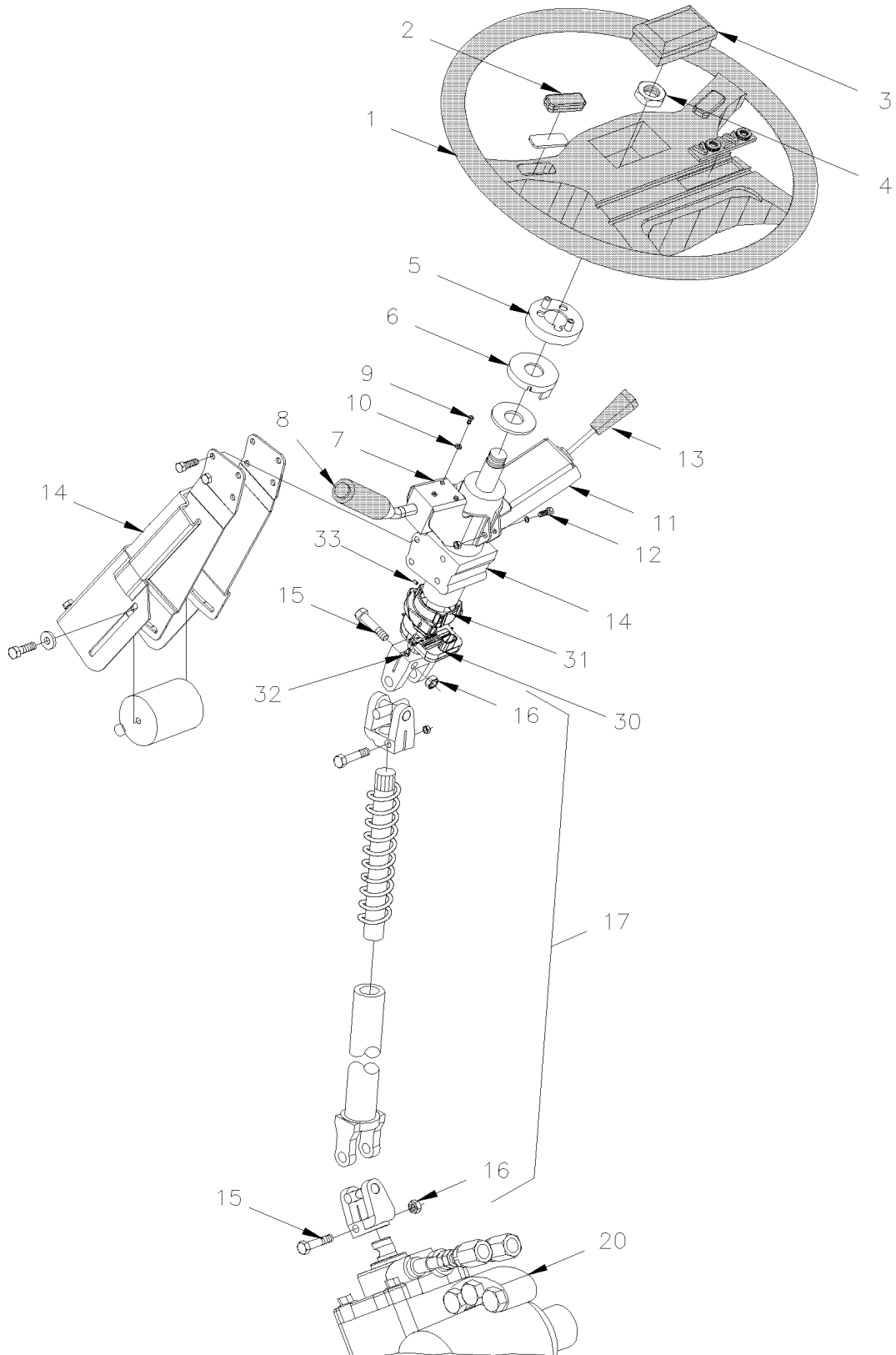
| Item# | Part | Description | X L I I 4 5 | X L I I M T H 4 0 | X L I I M T H 4 5 | X L I I M T H 4 5 E | N O T E S |
|-------|----------|--|----------------------------|---|---|--|-----------------------|
| 13 | 161197 | KIT, HOSE REPAIR / FRONT SECTION STEERING / X SERIES | 1 | 1 | 1 | 1 | |
| . NS | WB04-10A | . SEE WARRANTY BULLETIN | 1 | 1 | 1 | 1 | |
| . NS | 161195 | . HOSE ASSY / #8 1570MM | 1 | 1 | 1 | 1 | |
| . NS | 501456 | . MALE CONNECTOR / JIC 37° FITTING / #8JIC-Mx#8 STL | 1 | 1 | 1 | 1 | |
| NS | 505110 | . COIL PROTECTOR / PLASTIC / #12 To 5-8516 | AR | AR | AR | AR | |
| NS | 505181 | . COIL PROTECTOR / PLASTIC / #8 From 5-8517 | AR | AR | AR | AR | |
| 14 | 501815 | BULKHEAD UNION / JIC 37° FITTING / #8JIC-Mx#8JIC-M STL | 2 | 2 | 2 | 2 | |
| NS | 500858 | WASHER LO INT .769x1.245x.055 Z050 | 2 | 2 | 2 | 2 | |
| 15 | 5011192 | MALE CONNECTOR / JIC 37° FITTING / #8JIC-MxM18-1.5-M STL | | 2 | 2 | 2 | |
| . NS | N.P.N. | . O-RING | | 1 | 1 | 1 | 4 |
| . NS | N.P.N. | . WASHER RET | | 1 | 1 | 1 | 4 |
| 16 | 501739 | MALE CONNECTOR / JIC 37° FITTING / #8JIC-Mx1/2NPT-M STL | 1 | 1 | 1 | 1 | |
| 17 | 5011192 | MALE CONNECTOR / JIC 37° FITTING / #8JIC-MxM18-1.5-M STL | | 1 | 1 | 1 | |
| . NS | N.P.N. | . O-RING | | 1 | 1 | 1 | 4 |
| . NS | N.P.N. | . WASHER RET | | 1 | 1 | 1 | 4 |
| 18 | 161048 | HOSE ASSY / #8 4215MM To 6-8906 | 1 | | | | |
| 18 | 161043 | HOSE ASSY / #8 4630MM To 7-9095 | | | 1 | | |
| 18 | 163481 | HOSE ASSY / #8 2250MM From 7-9096 | | | 1 | | |
| 18 | 161026 | HOSE ASSY / #8 3988MM To 4-8345 | | 1 | | 1 | |
| 18 | 161188 | HOSE ASSY / #8 4133MM From 4-8346 To 5-8471 | | 1 | | 1 | |
| 18 | 161026 | HOSE ASSY / #8 3988MM From 5-8472 | | 1 | | 1 | |
| 30 | 952631 | CLAMP / 3/4" I.D. | AR | AR | AR | AR | |
| 30 | 952634 | CLAMP / 15/16" I.D. | AR | AR | AR | AR | |
| 31 | 500613 | SCREW TP PAN PH #10x1/2 Z050 | AR | AR | AR | AR | |
| 32 | 952641 | CLAMP / 1 5/16" I.D. | AR | AR | AR | AR | |
| 33 | 500574 | SCREW MA TR PH #10-24x1 1/4 SS | AR | AR | AR | AR | |
| 34 | 500767 | NUT HEX #10-24 Z050 | AR | AR | AR | AR | |
| 35 | 562036 | CLAMP / 7/8" I.D. X 90° | AR | AR | AR | AR | |
| 36 | 500657 | SCREW TC TR PH #10-24x1/2 Z050 | AR | AR | AR | AR | |
| 40 | 161185 | HOSE SET ASSY / CYLINDER POWER STEERING | | 1 | 1 | 1 | |
| 40 | 163470 | . HOSE ASSY / #8 1648MM | | 1 | 1 | 1 | |
| 41 | 163469 | . HOSE ASSY / #8 1648MM | | 1 | 1 | 1 | |
| 42 | 161177 | . HOSE RETAINER BLOCK CLAMP | | 4 | 4 | 4 | B |
| 42 | 160033 | . HOSE RETAINER BLOCK CLAMP | | 4 | 4 | 4 | |
| 43 | 502541 | . SCREW CAP HEX M6-1.0x65 G8.8 Z050 | | 1 | 1 | 1 | |
| 44 | 500411 | . WASHER FL .260x.697x.050 SS | | 2 | 2 | 2 | |
| 45 | 5001182 | . NUT HEX NYRT M6-1.0 SS | | 1 | 1 | 1 | |
| 45 | 160122 | KIT, POWER STEERING PUMP DISCHARGE HOSE (PRESSURE) X | | 1 | 1 | 1 | |
| . NS | 160006 | . HOSE PRESSURE, POWER STEERING #8 11690MM | | 1 | 1 | 1 | |
| . NS | 1600100 | . FLANGE, POWER STEERING HOSE | | 2 | 2 | 2 | |
| . NS | 500107 | . SCREW TC CAP HEXW 1/4-20x2 1/2 Z050 | | 3 | 3 | 3 | |
| . NS | 501031 | . SEAL / JIC 37° FITTING / #8 | | 1 | 1 | 1 | |

| | | |
|-----------------------|--------------|-----------------|
| From Y-7046 To 8-9339 | Date:10/2022 | PAGE:Y2-1400-00 |
|-----------------------|--------------|-----------------|

POWER STEERING HOSE - INSTALLATION

| Item# | Part | Description | X L I I 4 5 | X L I I M T H 4 0 | X L I I M T H 4 5 | X L I I M T H 4 5 E | N O T E S |
|-------|-------------------|--|----------------------------|---|---|--|-----------------------|
| . NS | 504189 | . CLAMP DOUBLE ASS / SPLIT BLOC / 22MM/19MM x 67MM POLYA | | 13 | 13 | 13 | |
| . NS | 504728 | . PLATE RETAINER | | 3 | 3 | 3 | |
| . NS | IS-19040 | . INSTRUCTION SHEET | | 1 | 1 | 1 | |
| . NS | FI-19040 | . VOIR FEUILLE D'INSTRUCTION | | 1 | 1 | 1 | |
| 46 | 502888 | SCREW CAP HEX M6-1.0x35 G8.8 N500 | | 4 | 4 | 4 | |
| 46 | 502769 | SCREW CAP HEX M6-1.0x70 G10.9 DP | | 4 | 4 | 4 | |
| 47 | 502570 | WASHER LO SPT 6.1x11.8x1.6 SS | | 4 | 4 | 4 | |
| 49 | 504634 | T-CLIP / 7/8" - 1" | | AR | AR | AR | |
| NS | 504637 | CABLE TIE / 3/16" x 13" | | AR | AR | AR | |
| NS | 500620 | SCREW TP FL PH #10x1 1/2 Z050 | | AR | AR | AR | |
| 51 | Y2-1427-00 | POWER STEERING PUMP - "TRW" | | | | | |
| 53 | Y2-1412-00 | STEERING DAMPER | | | | | |
| 54 | Y2-1005-00 | FRONT AXLE - I BEAM RIGID MODEL "S-84" | | | | | |
| 55 | Y2-1005-50 | FRONT AXLE - INDEPENDENT MODEL "IS-84" / 16500LBS | | | | | |
| 56 | Y2-1410-00 | STEERING GEAR BOX & DRAG LINK - INSTALLATION | | | | | |
| 57 | Y2-1430-50 | CYLINDER POWER STEERING | | | | | |
| 60 | 504727 | CLAMP DOUBLE ASS / 2 HOSE SIZE 3/8" | AR | AR | AR | AR | |
| 61 | 504728 | PLATE RETAINER | AR | AR | AR | AR | |
| 62 | 500440 | WASHER FL .250x.562x.065 Z050 | AR | AR | AR | AR | |
| 63 | 500107 | SCREW TC CAP HEXW 1/4-20x2 1/2 Z050 | AR | AR | AR | AR | |
| 64 | 562036 | CLAMP / 7/8" I.D. X 90° | AR | AR | AR | AR | |
| 65 | 502550 | SCREW CAP HEX M4-0.7x16 G8.8 Z050 | AR | AR | AR | AR | |
| 66 | 500590 | NUT HEX NYRT M4-0.7 Z050 | AR | AR | AR | AR | |
| 67 | 500657 | SCREW TC TR PH #10-24x1/2 Z050 | AR | AR | AR | AR | |
| | | | | | | | |
| | | | | | | | |
| | | | | | | | |
| | | | | | | | |
| | | A) FOR SERVICE, IT'S POSSIBLE TO REPAIR THIS HOSE IN FRONT SERVICE COMPARTMENT WITH KIT #161197 | | | | | |
| | | B) FOR SERVICE, IT'S POSSIBLE TO REPAIR THIS BLOCK IN FRONT SERVICE COMPARTMENT WITH KIT #160122 | | | | | |
| | | 4) NO PARTS NUMBER | | | | | |

| | | |
|---|--------------|-----------------|
| From Y-7046 To 8-9339 | Date:10/2022 | PAGE:Y2-1405-00 |
| STEERING WHEEL & COLUMN ASSY | | |



| | | |
|---|--------------|-----------------|
| From Y-7046 To 8-9339 | Date:10/2022 | PAGE:Y2-1405-00 |
| STEERING WHEEL & COLUMN ASSY | | |

| Item# | Part | Description | X L I I 4 5 | X L I I M T H 4 0 | X L I I M T H 4 5 | X L I I M T H 4 5 E | N O T E S |
|-------|-------------------|---|----------------------------|---|---|--|-----------------------|
| 1 | 661032 | STEERING WHEEL | 1 | 1 | 1 | 1 | |
| . NS | 661061 | . BRUSH ASSY SPOKE CONTACT | 1 | 1 | 1 | 1 | |
| . NS | 661062 | . BRUSH ASSY CENTRAL CONTACT | 1 | 1 | 1 | 1 | |
| . NS | 661063 | . GROUNDING CABLE ASSY | 1 | 1 | 1 | 1 | |
| . NS | 661064 | . INSULATOR | 1 | 1 | 1 | 1 | |
| 2 | 661052 | . HORN BUTTON / ELECTRICAL LH | 1 | 1 | 1 | 1 | |
| 2 | 661053 | . HORN BUTTON / ELECTRICAL RH | 1 | 1 | 1 | 1 | |
| NS | 661058 | . CONTACT PLATE | 2 | 2 | 2 | 2 | |
| 3 | 661033 | HORN BUTTON / AIR To 1-7743 | 1 | 1 | 1 | 1 | |
| 3 | 661085 | HORN BUTTON / AIR From 1-7744 | 1 | 1 | 1 | 1 | |
| 4 | 661051 | NUT | 1 | 1 | 1 | 1 | |
| 5 | 661035 | RING TURN SIGNAL CANCELING | 1 | 1 | 1 | 1 | |
| 5 | 504669 | RIVET DRV BDG .187x.609 NYL From 1-7435 | 2 | 2 | 2 | 2 | |
| 6 | 661034 | HORN CONTACT RING | 1 | 1 | 1 | 1 | |
| 7 | 161062 | SUPPORT, DIRECTIONAL SWITCH To 1-7434 | 1 | 1 | 1 | 1 | A |
| 7 | 161149 | SUPPORT, DIRECTIONAL SWITCH From 1-7435 | 1 | 1 | 1 | 1 | |
| NS | 161150 | KIT, FLASHER SUPPORT To 1-7434 | AR | AR | AR | AR | |
| . NS | IS-00134 | . SEE INSTRUCTION SHEET To 1-7434 | 1 | 1 | 1 | 1 | |
| 8 | 661037 | LEVER ASSY / MULTIFONCTINAL To 1-7703 | 1 | 1 | 1 | 1 | |
| . NS | 660781 | . CAP PLEATED RUBBER To 1-7703 | 1 | 1 | 1 | 1 | |
| 8 | 661075 | LEVER ASSY / MULTIFONCTINAL From 1-7704 | 1 | 1 | 1 | 1 | |
| . NS | 660781 | . CAP PLEATED RUBBER From 1-7704 | 1 | 1 | 1 | 1 | |
| 9 | 5001377 | SCREW MA PAN PH M5-0.8x8 SS | 3 | 3 | 3 | 3 | |
| 10 | 5001378 | WASHER LO EXT 5.3x10x0.6 Z050 | 3 | 3 | 3 | 3 | |
| 11 | 161058 | COLLAR / W/O RETARDER | 1 | 1 | 1 | 1 | |
| 11 | 161060 | COLLAR W/SWITCH SUPPORT | 1 | 1 | 1 | 1 | |
| 12 | 502631 | SCREW CAP HEX M6-1.0x20 G8.8 Z050 | 2 | 2 | 2 | 2 | |
| 13 | 562356 | SWITCH ASSY / W/LEVER & BOOT / 6 POSITIONS | 1 | 1 | 1 | 1 | |
| 14 | 661041 | STEERING COLUMN ASSY 36SPL / 79SPL LOWER To 8-9278 | 1 | 1 | 1 | 1 | |
| 14 | 661122 | STEERING COLUMN ASSY W/E.C.S. 36SPL / 66SPL LOWER From 8-9279 | | | 1 | 1 | E |
| NS | 641242 | MALE CONNECTOR / PUSH-IN FITTING / #4x1/8NPT-M BR | 1 | 1 | 1 | 1 | |
| 15 | 661095 | SCREW CAP HEX "SPECIAL" STEERING SHAFT "ZF" | 2 | 2 | 2 | 2 | |
| 16 | 661096 | NUT "SPECIAL" STEERING SHAFT "ZF" | 2 | 2 | 2 | 2 | |
| 17 | 661048 | SHAFT ASSY STEERING 79SPL / 79SPL LOWER To 8-9278 | 1 | 1 | 1 | 1 | |
| 17 | 661123 | SHAFT ASSY STEERING W/E.C.S. 66SPL / 79SPL LOWER From 8-9279 | | | 1 | 1 | E |
| . NS | 661095 | . SCREW CAP HEX "SPECIAL" STEERING SHAFT "ZF" From 8-9279 | | | 2 | 2 | E |
| . NS | 661096 | . NUT "SPECIAL" STEERING SHAFT "ZF" From 8-9279 | | | 2 | 2 | E |
| NS | 161220 | DECAL "WARNING" STREERING SYSTEM CALIBRA.." From 8-9279 | | | 1 | 1 | E |
| 20 | Y2-1415-00 | STEERING GEARBOX - "ZF" | | | | | |
| 30 | 661148 | SENSOR ANGLE POSITION DETECTOR From 8-9279 | | | 1 | 1 | E |
| . NS | 564042 | . CONNECTOR / BOSCH 1 928 404 025 From 8-9279 | | | 1 | 1 | E |
| 31 | 161265 | SUPPORT SENSOR ANGLE POSITION STEERING From 8-9279 | | | 1 | 1 | E |

| | | |
|---|--------------|-----------------|
| From Y-7046 To 8-9339 | Date:10/2022 | PAGE:Y2-1405-00 |
| STEERING WHEEL & COLUMN ASSY | | |

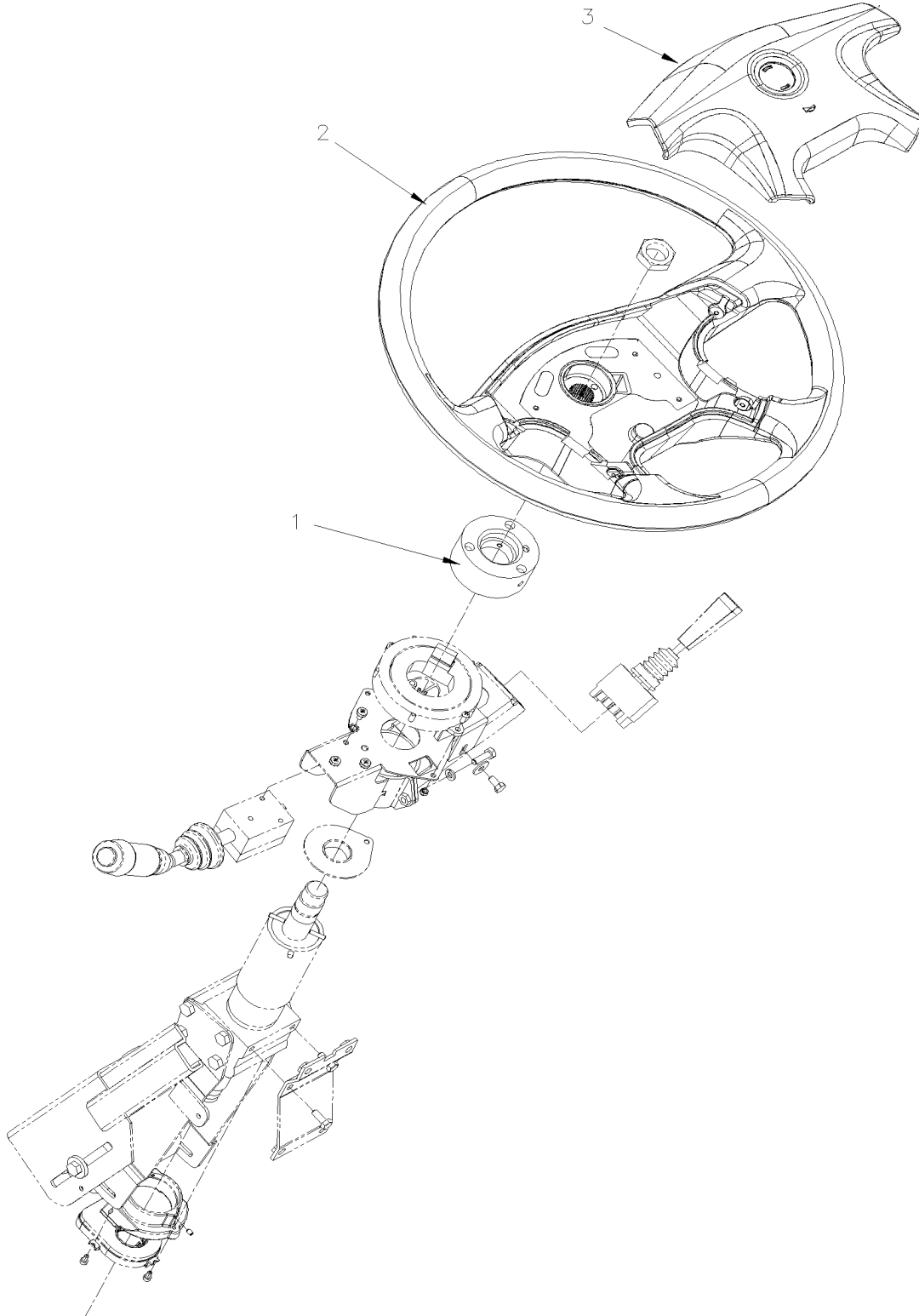
| Item# | Part | Description | X L I I 4 5 | X L I I M T H 4 0 | X L I I M T H 4 5 | X L I I M T H 4 5 E | N O T E S |
|-------|----------------|---|----------------------------|---|---|--|-----------------------|
| 32 | 5001670 | SCREW CAP HEXS M4-0.7x8 G8.8 Z050 From 8-9279 | | | 3 | 3 | E |
| 33 | 500587 | SCREW SET HEXS CUP M4-0.7x6 From 8-9279 | | | 3 | 3 | E |
| 40 | IS19036 | PETRI STEERING WHEEL REPLACEMENT | 1 | 1 | 1 | 1 | |
| | | | | | | | |
| | | | | | | | |
| | | A) FOR PRODUCT IMPROVMENT USE KIT #161150 | | | | | |
| | | E) WITH OPTION "ELECTRONIC CONTROL STABILITY" | | | | | |

From Y-7046 To 8-9339

Date:10/2022

PAGE:IS19036

PETRI STEERING WHEEL REPLACEMENT



| | | |
|---|--------------|--------------|
| From Y-7046 To 8-9339 | Date:10/2022 | PAGE:IS19036 |
| PETRI STEERING WHEEL REPLACEMENT | | |

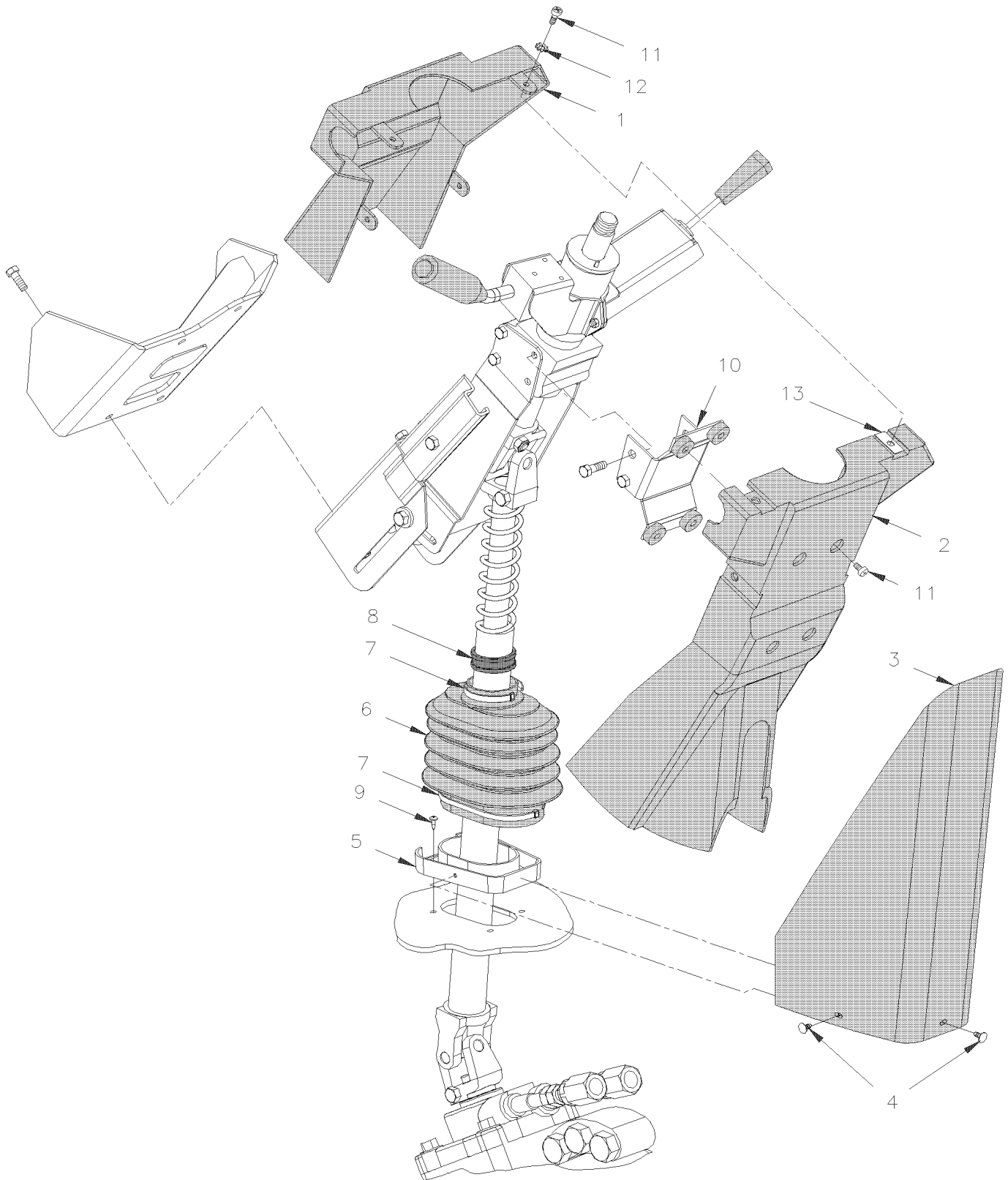
| Item# | Part | Description | X L I I 4 5 | X L I I M T H 4 0 | X L I I M T H 4 5 | X L I I M T H 4 5 E | NOTES |
|-------|----------|---|----------------------------|---|---|--|-------|
| 1 | 160004 | STEERING ADAPTER RING | 1 | 1 | 1 | 1 | |
| 2 | 661171 | STEERING WHEEL URHETHANE W/OUT ANY CONTROL | 1 | 1 | 1 | 1 | |
| 3 | 661149 | HORN BUTTON CUSHION PAD W PROVOST EMBLEM | 1 | 1 | 1 | 1 | |
| . NS | N.S.S. | . SPRING HORN | 4 | 4 | 4 | 4 | 1 |
| . NS | 661162 | . SPRING RETAINER / HORN SPRING | 4 | 4 | 4 | 4 | |
| . NS | 661163 | . HORN CONTACT | 1 | 1 | 1 | 1 | |
| NS | 562697 | SWITCH / ON-ON / D.P.D.T. / CH-OVER / W/RED & GREEN LED | 1 | 1 | 1 | 1 | |
| NS | 564081 | CAP / HORN SELECTOR - ELEC / AIR | 1 | 1 | 1 | 1 | |
| NS | 0610188 | HARNES, INTERFACE STEERING WHEEL | 1 | 1 | 1 | 1 | |
| NS | 562768 | SOCKET TERMINAL / 16-14 / PED 12015870 | 2 | 2 | 2 | 2 | |
| 8 | IS-19036 | SEE INSTRUCTION SHEET | 1 | 1 | 1 | 1 | |
| 8 | FI-19036 | VOIR FEUILLE D'INSTRUCTION | 1 | 1 | 1 | 1 | |
| | | | | | | | |
| | | | | | | | |
| | | | | | | | |
| | | 1) NOT SOLD SEPARATELY | | | | | |

From Y-7046 To 8-9339

Date:10/2022

PAGE:Y2-1407-00

STEERING COLUMN & COVER - INSTALLATION

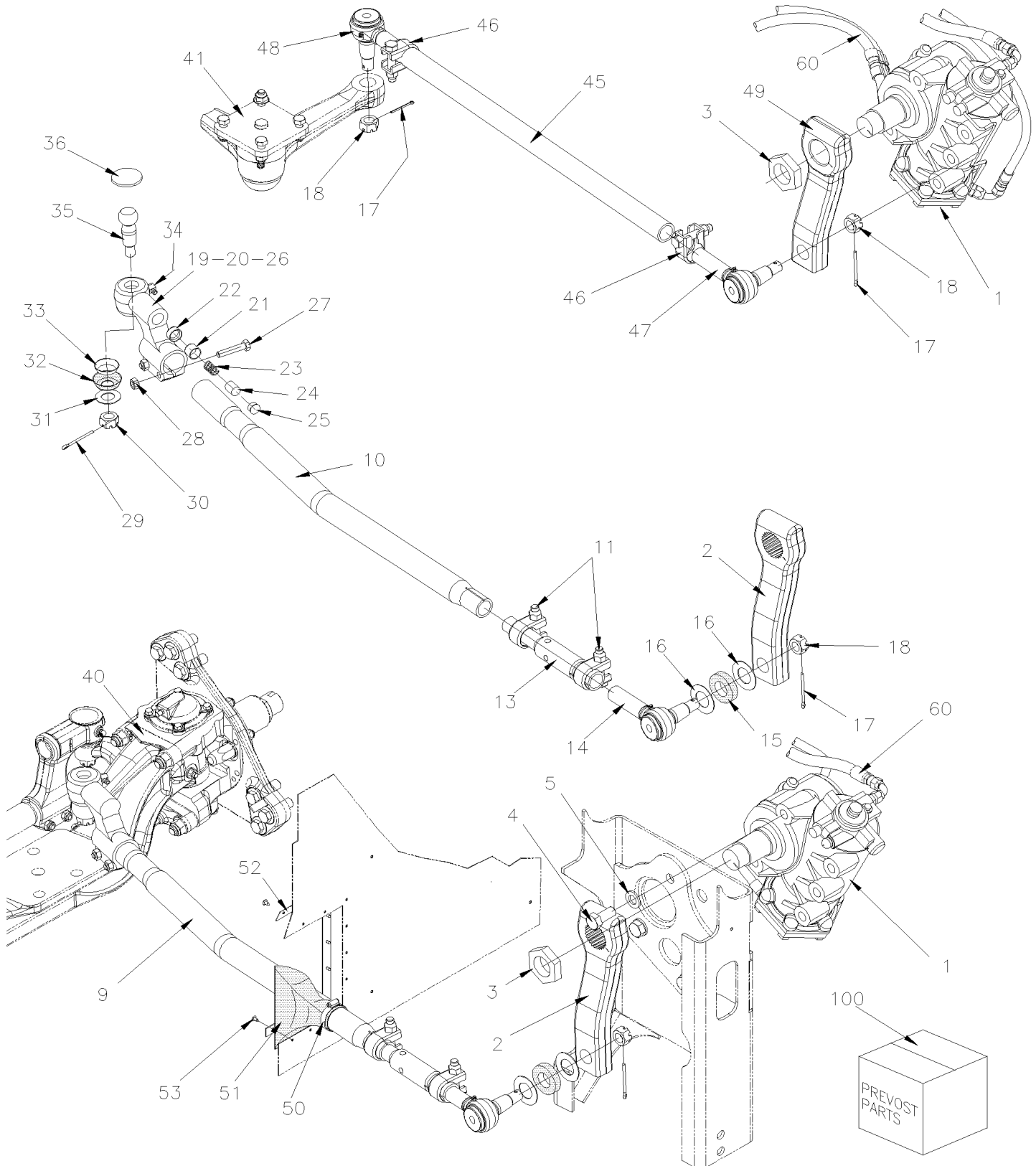


From Y-7046 To 6-8906

Date:10/2022

PAGE:Y2-1410-00

STEERING GEAR BOX & DRAG LINK - INSTALLATION



From Y-7046 To 6-8906

Date:10/2022

PAGE:Y2-1410-00

STEERING GEAR BOX & DRAG LINK - INSTALLATION



| | | |
|-----------------------|--------------|-----------------|
| From Y-7046 To 6-8906 | Date:10/2022 | PAGE:Y2-1410-00 |
|-----------------------|--------------|-----------------|

STEERING GEAR BOX & DRAG LINK - INSTALLATION

| Item# | Part | Description | X L I I 4 5 | X L I I M T H 4 0 | X L I I M T H 4 5 | X L I I M T H 4 5 E | N O T E S |
|-------|-------------------|---|----------------------------|---|---|--|-----------------------|
| 1 | Y2-1415-00 | STEERING GEARBOX - "ZF" | | | | | |
| 2 | 661046 | ARM, PITMAN 270MM C/C 116.5° MARK INDEX | 1 | 1 | 1 | 1 | |
| 3 | 661050 | LOCKNUT M45X1.5 GEARBOX ZF | 1 | 1 | 1 | 1 | |
| 4 | 5001494 | SCREW CAP HEX M20-1.5x45 G10.9 Z050 | 5 | 5 | 5 | 5 | |
| 5 | 5001495 | WASHER FL 21.0x37.0x4.0 ZP | 5 | 5 | 5 | 5 | |
| 9 | 160959 | DRAG LINK ASSY / 1329.5MM C/C | 1 | | | | |
| 10 | 160960 | . ROD / W/1 CURVE // W/ONE CURVE 975MM | 1 | | | | |
| 11 | 661133 | . COLLAR ASSY / W/BOLT & NUT & STOPPER 1 5/8" I.D. | 2 | | | | |
| . NS | 500231 | .. SCREW CAP HEX 5/8-11x3 G5 ZP | 1 | | | | |
| . NS | 500683 | .. NUT HEX STO 5/8-11 ZP | 1 | | | | |
| 13 | 160932 | . TURNBUCKLE 275MM | 1 | | | | |
| 14 | 661150 | . TIE ROD END L.H. THREAD 1 1/4-12 | 1 | | | | |
| 15 | 661135 | .. RUBBER WASHER SEAL | 1 | | | | |
| 16 | 161989 | .. WASHER FL 34.9x63.5x16GA SS | 1 | | | | |
| 17 | 502115 | .. PIN, COTTER 3/16 x 2 1/2 | 2 | | | | |
| 18 | 5001345 | .. NUT HEX CSL THN 7/8-14 | 1 | | | | |
| 19 | 610991 | . TIE ROD ASSY / 3" OFFSET / L.H. THREAD M48-2 | 1 | | | | |
| 20 | N.S.P. | .. HOUSING / OFFSET L.H. THREAD M48-2 | 1 | | | | 2 |
| 21 | N.S.S. | .. RUBBING PAD / (7157/156) | 1 | | | | 1 |
| 22 | N.S.S. | .. THRUST CUP / (7157/153) | 1 | | | | 1 |
| 23 | N.S.S. | .. COMPRESSION SPRING / (5443/4) | 1 | | | | 1 |
| 24 | N.S.S. | .. ADJUSTER PIECE / (5443/154) | 1 | | | | 1 |
| 25 | 680404 | .. CAP PLUG | 1 | | | | |
| 26 | 502115 | .. PIN, COTTER 3/16 x 2 1/2 | 1 | | | | |
| 27 | 5001177 | .. SCREW CAP HEX M12-1.75x60 G8.8 Z050 | 2 | | | | |
| 28 | 500811 | .. NUT HEX STO M12-1.75 G500 | 2 | | | | |
| 29 | 502114 | .. PIN, COTTER 5/32 x 2 1/2 | | | | | |
| 30 | 5001196 | .. NUT HEX SLT 3/4-16 | 1 | | | | |
| 31 | 161989 | .. WASHER FL 34.9x63.5x16GA SS | 2 | | | | |
| 32 | 611057 | .. RUBBER SEAL BOOT | 1 | | | | |
| 33 | 611056 | .. DIRT SEAL PRESSING | 1 | | | | |
| 34 | 501495 | .. GREASE FITTING 90° / 1/8 NPT | 2 | | | | |
| 35 | N.S.S. | .. BALL STUD / (F4223/11) | 1 | | | | 1 |
| 36 | N.S.S. | .. PLUG / (5247/155) | 1 | | | | 1 |
| 36 | N.S.S. | .. SNAP RING / (ML7544/55N) | 1 | | | | 1 |
| 40 | 611031 | STEERING ARM UPPER L.H. STREET SIDE | 1 | | | | |
| | | WITH INDEPENDENT FRONT SUSPENSION | | | | | |
| 41 | Y2-1410-50 | STEERING RODS - INSTALLATION W/INDEPENDENT "IS-84" / 16500LBS To 3-8464 | | | | | |
| 41 | Y2-1410-51 | STEERING RODS - INSTALLATION W/INDEPENDENT "NDIFS80P" / 18000LBS From 4-8165 | 1 | 1 | 1 | 1 | |
| 45 | 661039 | DRAG LINK ASSY / 970 MM C/C To Y-7386 | 1 | 1 | 1 | 1 | |

| | | |
|-----------------------|--------------|-----------------|
| From Y-7046 To 6-8906 | Date:10/2022 | PAGE:Y2-1410-00 |
|-----------------------|--------------|-----------------|

STEERING GEAR BOX & DRAG LINK - INSTALLATION

| Item# | Part | Description | X L I I 4 5 | X L I I M T H 4 0 | X L I I M T H 4 5 | X L I I M T H 4 5 E | N O T E S |
|-------|-------------------|--|----------------------------|---|---|--|-----------------------|
| 45 | 661067 | DRAG LINK ASSY / 970 MM C/C From Y-7387 To 8-9301 | 1 | 1 | 1 | 1 | |
| 45 | 661134 | DRAG LINK ASSY / 970 MM C/C WITH LONG NECK TIE ROD END From 8-9302 To 9-9596 | 1 | 1 | 1 | 1 | L |
| 45 | 661153 | DRAG LINK ASSY / 970 MM C/C WITH LONG NECK TIE ROD END From 9-9597 | 1 | 1 | 1 | 1 | L |
| 45 | N.P.N. | . ROD | 1 | 1 | 1 | 1 | 4 |
| 46 | 660978 | . COLLAR ASSY / W/BOLT & NUT 1 5/8" I.D. To 8-9301 | 1 | 1 | 1 | 1 | |
| . NS | 500231 | .. SCREW CAP HEX 5/8-11x3 G5 ZP To 8-9301 | 1 | 1 | 1 | 1 | |
| . NS | 500683 | .. NUT HEX STO 5/8-11 ZP To 8-9301 | 1 | 1 | 1 | 1 | |
| 46 | 661133 | . COLLAR ASSY / W/BOLT & NUT & STOPPER 1 5/8" I.D. From 8-9302 | 2 | 2 | 2 | 2 | |
| . NS | 500231 | .. SCREW CAP HEX 5/8-11x3 G5 ZP From 8-9302 | 1 | 1 | 1 | 1 | |
| . NS | 500683 | .. NUT HEX STO 5/8-11 ZP From 8-9302 | 1 | 1 | 1 | 1 | |
| 47 | 611070 | . TIE ROD END R.H. THREAD 1 1/4-12 To Y-7386 | 1 | 1 | 1 | 1 | |
| 47 | 611458 | . TIE ROD END R.H. THREAD 1 1/4-12 From Y-7387 | 1 | 1 | 1 | 1 | |
| 47 | N8892657 | . TIE ROD END R.H. THREAD 1 1/4-12 | 1 | 1 | 1 | 1 | S |
| 47 | 661138 | . TIE ROD END R.H. THREAD 1 1/4-12 From 8-9302 To 9-9596 | 1 | 1 | 1 | 1 | |
| 47 | 661152 | . TIE ROD END R.H. THREAD 1 1/4-12 W/LONG NECK TIE ROD From 9-9597 | 1 | 1 | 1 | 1 | LL |
| 48 | 611071 | . TIE ROD END L.H. THREAD 1 1/4-12 To Y-7386 | 1 | 1 | 1 | 1 | |
| 48 | 611459 | . TIE ROD END L.H. THREAD 1 1/4-12 From Y-7387 To 8-9301 | 1 | 1 | 1 | 1 | |
| 48 | 661150 | . TIE ROD END L.H. THREAD 1 1/4-12 | 1 | 1 | 1 | 1 | S |
| 48 | 661139 | . TIE ROD END L.H. THREAD 1 1/4-12 From 8-9302 To 9-9596 | 1 | 1 | 1 | 1 | |
| 48 | 661151 | . TIE ROD END L.H. THREAD 1 1/4-12 W/LONG NECK TIE ROD From 9-9597 | 1 | 1 | 1 | 1 | LL |
| 49 | 661047 | ARM, PITMAN To 3-8464 | 1 | 1 | 1 | 1 | |
| 49 | 661760 | ARM, PITMAN 9" / (PAINTED BLACK) From 4-8165 | 1 | 1 | 1 | 1 | |
| 50 | 504024 | HOSE CLAMP / 1"13/16"-2"3/4 SS / HS-36 | 1 | 1 | 1 | 1 | |
| 51 | 160931 | SHIELD RUBBER | 1 | | | | |
| 51 | 161009 | SHIELD RUBBER | 1 | 1 | 1 | 1 | I |
| 52 | 161120 | COLLAR SHIELD RETAINER | 1 | | | | |
| 52 | 160994 | COLLAR SHIELD RETAINER / "O" FORM CLOSED | 1 | 1 | 1 | 1 | I |
| 53 | 500657 | SCREW TC TR PH #10-24x1/2 Z050 | 16 | 16 | 16 | 16 | |
| 60 | Y2-1400-00 | POWER STEERING HOSE - INSTALLATION | | | | | |
| 100 | 611101 | KIT REPAIR / TIE ROD END USE KIT 161458 | AR | | | | A |
| 100 | 161458 | DRAG LINK ZF / SERVICE KIT | 1 | | | | |
| . NS | 660699 | . DRAG LINK ASSY / 1320.5MM C/C | 1 | | | | |
| . NS | 502104 | . PIN, COTTER 5/32 x 2 | 2 | | | | |
| . NS | IS-13009 | . INSTRUCTION SHEET | 1 | | | | |
| | | A) ITEMS 21 TO 36 | | | | | |
| | | I) WITH INDEPENDENT SUSPENSION | | | | | |
| | | L) THIS ASSY USE ONLY LONG NECK TIE ROD END # 661151 & # 661152 | | | | | |

| | | |
|-----------------------|--------------|-----------------|
| From Y-7046 To 6-8906 | Date:10/2022 | PAGE:Y2-1410-00 |
|-----------------------|--------------|-----------------|

STEERING GEAR BOX & DRAG LINK - INSTALLATION

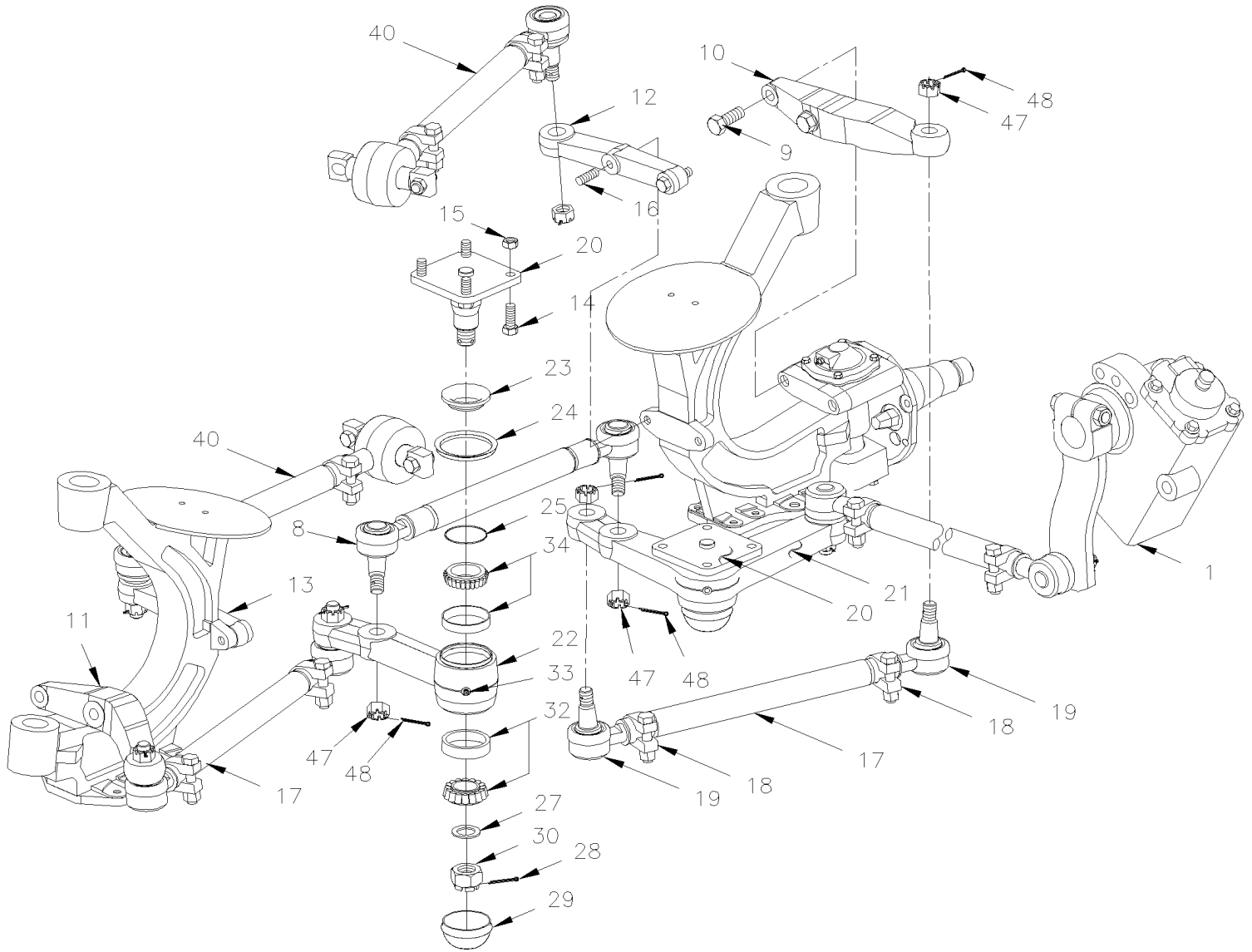
| Item# | Part | Description | X L I I 4 5 | X L I I M T H 4 0 | X L I I M T H 4 5 | X L I I M T H 4 5 E | N O T E S |
|-------|------|---|----------------------------|---|---|--|-----------------------|
| | | LL) USE ONLY WITH ASSY 661134 & 661153 | | | | | |
| | | S) SERVICE ON SHORT FORMER MODEL | | | | | |
| | | 1) NOT SOLD SEPARATELY | | | | | |
| | | 2) NOT SOLD BY PREVOST (SEE MANUFACTURING PART NUMBER AT END OF DESCRIPTION LINE) | | | | | |
| | | 4) NO PARTS NUMBER | | | | | |

From Y-7046 To 3-8164

Date:10/2022

PAGE:Y2-1410-50

STEERING RODS - INSTALLATION W/INDEPENDENT "IS-84" / 16500LBS



From Y-7046 To 3-8164

Date:10/2022

PAGE:Y2-1410-50

STEERING RODS - INSTALLATION W/INDEPENDENT "IS-84" / 16500LBS



| | | |
|--|--------------|-----------------|
| From Y-7046 To 3-8164 | Date:10/2022 | PAGE:Y2-1410-50 |
| STEERING RODS - INSTALLATION W/INDEPENDENT "IS-84" / 16500LBS | | |

| Item# | Part | Description | X L I I 4 5 | X L I I M T H 4 0 | X L I I M T H 4 5 | X L I I M T H 4 5 E | N O T E S |
|-------|------------|--|----------------------------|---|---|--|-----------------------|
| 1 | Y2-1415-00 | STEERING GEARBOX - "ZF" | | | | | |
| 8 | 661015 | ROD ASSY / 569MM C/C CENTER To 1-7625 | 1 | 1 | 1 | 1 | |
| 8 | 661077 | ROD ASSY / 569MM C/C CENTER From 1-7626 | 1 | 1 | 1 | 1 | |
| 8 | 661131 | ROD ASSY / 569MM C/C CENTER | 1 | 1 | 1 | 1 | |
| 9 | 5001326 | SCREW CAP HEX M14-2.0x70 G10.9 DP | 1 | 1 | 1 | 1 | |
| 9 | 5001327 | SCREW CAP HEX M14-2.0x80 G10.9 DP | 1 | 1 | 1 | 1 | |
| 10 | 611124 | STEERING ARM R.H. To 2-7851 | 1 | 1 | 1 | 1 | |
| 10 | 611264 | STEERING ARM R.H. From 2-7852 | 1 | 1 | 1 | 1 | A |
| 11 | 611123 | STEERING ARM L.H. To 2-7851 | 1 | 1 | 1 | 1 | |
| 11 | 611263 | STEERING ARM L.H. From 2-7852 | 1 | 1 | 1 | 1 | A |
| 12 | 661071 | UPRIGHT ARM L.H. / W/56 Deg | 1 | 1 | 1 | 1 | |
| 13 | 661072 | UPRIGHT ARM R.H. / W/56 Deg | 1 | 1 | 1 | 1 | |
| 14 | 5001476 | SCREW CAP HEX M14-2.0x45 G8.8 G500 | 8 | 8 | 8 | 8 | |
| 15 | 502538 | NUT HEX STO M14-2.0 Z050 | 8 | 8 | 8 | 8 | |
| 16 | 611248 | STUD M16 | 1 | 1 | 1 | 1 | |
| 16 | 611249 | STUD M16 | 1 | 1 | 1 | 1 | |
| NS | 500781 | NUT HEX STO M16-2.0 DP | 2 | 2 | 2 | 2 | |
| 17 | 661024 | ROD ASSY / 657MM C/C | 2 | 2 | 2 | 2 | |
| 17 | 661129 | ROD ASSY / 657MM C/C WITH LONG NECK TIE ROD END | 1 | 1 | 1 | 1 | R |
| 17 | N.P.N. | . ROD | 1 | 1 | 1 | 1 | 4 |
| 18 | 660978 | . COLLAR ASSY / W/BOLT & NUT 1 5/8" I.D. | 2 | 2 | 2 | 2 | |
| . NS | 500231 | .. SCREW CAP HEX 5/8-11x3 G5 ZP | 1 | 1 | 1 | 1 | |
| . NS | 500683 | .. NUT HEX STO 5/8-11 ZP | 1 | 1 | 1 | 1 | |
| 18 | 661133 | . COLLAR ASSY / W/BOLT & NUT & STOPPER 1 5/8" I.D. | 2 | 2 | 2 | 2 | |
| . NS | 500231 | .. SCREW CAP HEX 5/8-11x3 G5 ZP | 1 | 1 | 1 | 1 | |
| . NS | 500683 | .. NUT HEX STO 5/8-11 ZP | 1 | 1 | 1 | 1 | |
| 19 | 611070 | . TIE ROD END R.H. THREAD 1 1/4-12 | 1 | 1 | 1 | 1 | |
| 19 | 2005362 | . TIE ROD END R.H. THREAD 1 1/4-12 SERVICE | 1 | 1 | 1 | 1 | S |
| 19 | 661138 | . TIE ROD END R.H. THREAD 1 1/4-12 | 1 | 1 | 1 | 1 | RR |
| 19 | 611071 | . TIE ROD END L.H. THREAD 1 1/4-12 | 1 | 1 | 1 | 1 | |
| 19 | 2005363 | . TIE ROD END L.H. THREAD 1 1/4-12 SERVICE | 1 | 1 | 1 | 1 | S |
| 19 | 661139 | . TIE ROD END L.H. THREAD 1 1/4-12 | 1 | 1 | 1 | 1 | RR |
| 20 | 160983 | SPINDLE SHAFT | 1 | 1 | 1 | 1 | |
| NS | 161005 | SHIM 26GAGE 105MM C/C x 14MM slot | AR | AR | AR | AR | |
| 20 | 161006 | SHIM 20GAGE 105MM C/C x 14MM slot | AR | AR | AR | AR | |
| 21 | 161020 | LEVER L.H. | 1 | 1 | 1 | 1 | |
| 22 | 161019 | LEVER R.H. | 1 | 1 | 1 | 1 | |
| 23 | 160984 | SLEEVE WIPER 63.5MM O.D. | 1 | 1 | 1 | 1 | |
| 24 | 507351 | DUST SEAL 3.270 I.D. X 3.085 O.D. | 1 | 1 | 1 | 1 | |
| 25 | 507350 | OIL SEAL | 1 | 1 | 1 | 1 | |
| 27 | 5001227 | WASHER FL .453x.875x.090 | 1 | 1 | 1 | 1 | |
| 28 | 502115 | PIN, COTTER 3/16 x 2 1/2 | 1 | 1 | 1 | 1 | |

| | | |
|-----------------------|--------------|-----------------|
| From Y-7046 To 3-8164 | Date:10/2022 | PAGE:Y2-1410-50 |
|-----------------------|--------------|-----------------|

STEERING RODS - INSTALLATION W/INDEPENDENT "IS-84" / 16500LBS

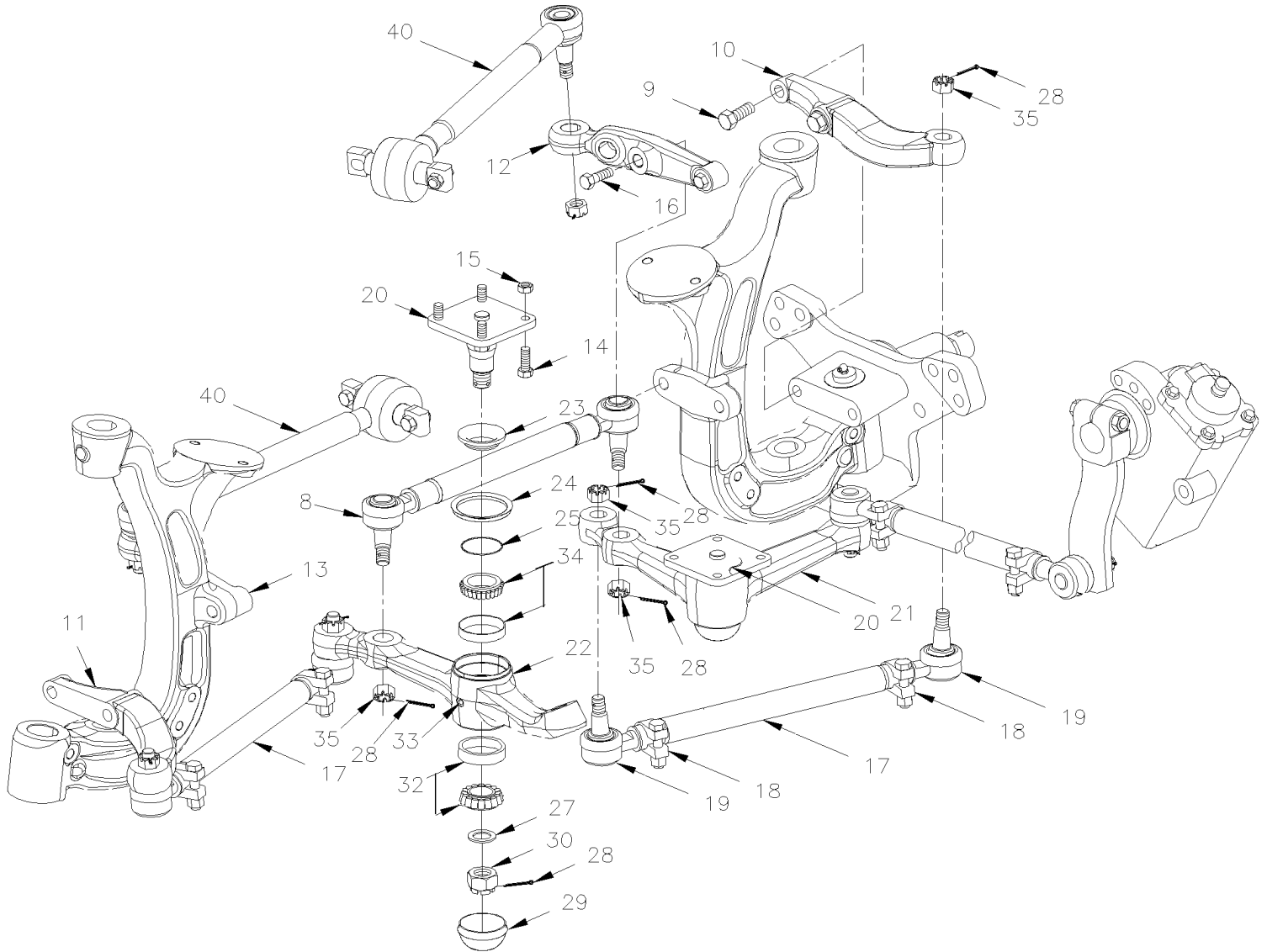
| Item# | Part | Description | X L I I I 4 5 | X L I I I M T H 4 0 | X L I I I M T H 4 5 | X L I I I M T H 4 5 E | N O T E S |
|-------|-------------------|---|---------------------------------|--|--|---|-----------------------|
| 29 | 661014 | COVER | 1 | 1 | 1 | 1 | |
| 30 | 5001218 | NUT HEX CSL M30-1.5 | 1 | 1 | 1 | 1 | |
| 32 | 507354 | KIT, CUP & CONE BEARING | 2 | 2 | 2 | 2 | |
| 33 | 501490 | GREASE FITTING / 1/8 NPT | 1 | 1 | 1 | 1 | |
| 34 | 507353 | KIT, CUP & CONE BEARING | 2 | 2 | 2 | 2 | |
| 40 | Y2-1605-50 | FRONT AXLE - INSTALL W/INDEPENDENT "IS-84" / 16500LBS | | | | | |
| 47 | 5001345 | NUT HEX CSL THN 7/8-14 | 1 | 1 | 1 | 1 | |
| 48 | 502104 | PIN, COTTER 5/32 x 2 | 1 | 1 | 1 | 1 | |
| NS | 161009 | SHIELD RUBBER | 1 | 1 | 1 | 1 | |
| NS | 160994 | COLLAR SHIELD RETAINER / "O" FORM CLOSED | 1 | 1 | 1 | 1 | |
| NS | 500657 | SCREW TC TR PH #10-24x1/2 Z050 | 12 | 12 | 12 | 12 | |
| NS | 504024 | HOSE CLAMP / 1"13/16"-2"3/4 SS / HS-36 | 1 | 1 | 1 | 1 | |
| | | | | | | | |
| | | | | | | | |
| | | A) USE WITH AXLE 3° CASTER | | | | | |
| | | R) THIS ASSY USE ONLY LONG NECK TIE ROD END # 661138 & # 661139 | | | | | |
| | | RR) USE ONLY WITH ASSY # 661129 | | | | | |
| | | S) SERVICE ON SHORT FORMER MODEL | | | | | |
| | | 4) NO PARTS NUMBER | | | | | |

From 4-8165 To 8-9339

Date:10/2022

PAGE:Y2-1410-51

STEERING RODS - INSTALLATION W/INDEPENDENT "NDIFS80P" / 18000LBS



From 4-8165 To 8-9339

Date:10/2022

PAGE:Y2-1410-51

STEERING RODS - INSTALLATION W/INDEPENDENT "NDIFS80P" / 18000LBS



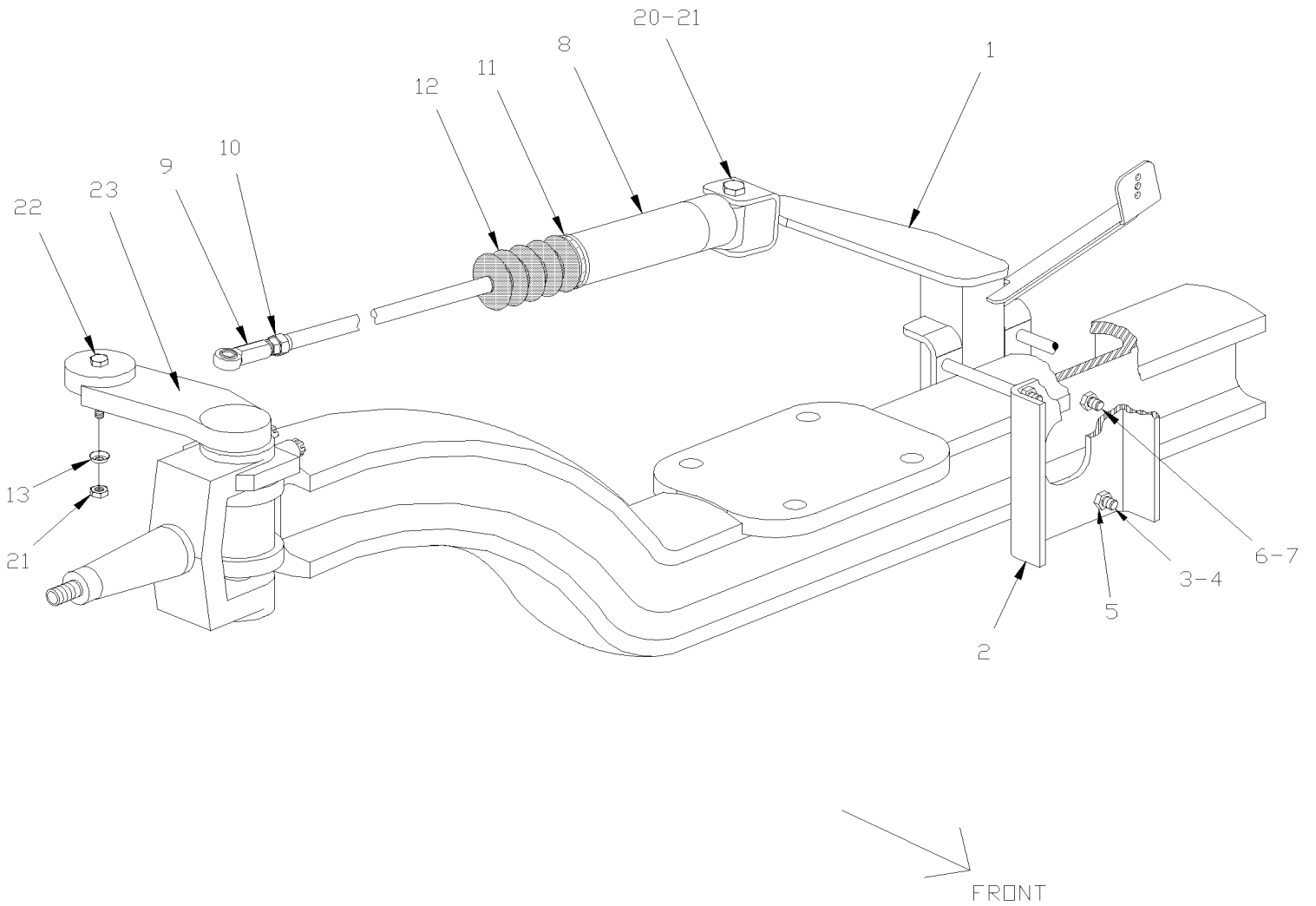
| | | | |
|---|--|--------------|-----------------|
| From 4-8165 To 8-9339 | | Date:10/2022 | PAGE:Y2-1410-51 |
| STEERING RODS - INSTALLATION W/INDEPENDENT "NDIFS80P" / 18000LBS | | | |

| Item# | Part | Description | X L I I 4 5 | X L I I M T H 4 0 | X L I I M T H 4 5 | X L I I M T H 4 5 E | N O T E S |
|-------|------------|--|----------------------------|---|---|--|-----------------------|
| 1 | Y2-1415-00 | STEERING GEARBOX - "ZF" | | | | | |
| 8 | 661083 | ROD ASSY / 591.8MM C/C CENTER To 8-9301 | 1 | 1 | 1 | 1 | |
| 8 | 661132 | ROD ASSY / 591.8MM C/C CENTER From 8-9302 | 1 | 1 | 1 | 1 | |
| 9 | 5001326 | SCREW CAP HEX M14-2.0x70 G10.9 DP | 1 | 1 | 1 | 1 | |
| NS | 5001327 | SCREW CAP HEX M14-2.0x80 G10.9 DP | 1 | 1 | 1 | 1 | |
| 10 | 163246 | STEERING ARM L.H. | 1 | 1 | 1 | 1 | |
| 10 | 612084 | STEERING ARM L.H. | 1 | 1 | 1 | 1 | |
| 11 | 163468 | STEERING ARM R.H. | 1 | 1 | 1 | 1 | |
| 11 | 612085 | STEERING ARM R.H. | 1 | 1 | 1 | 1 | |
| 12 | 661080 | UPRIGHT ARM L.H / W/56 Deg To 6-8832 | 1 | 1 | 1 | 1 | |
| 12 | 661113 | UPRIGHT ARM L.H / W/58 Deg From 6-8833 | 1 | 1 | 1 | 1 | |
| 13 | 661081 | UPRIGHT ARM R.H / W/56 Deg To 6-8832 | 1 | 1 | 1 | 1 | |
| 13 | 661114 | UPRIGHT ARM R.H / W/58 Deg From 6-8833 | 1 | 1 | 1 | 1 | |
| 14 | 5001476 | SCREW CAP HEX M14-2.0x45 G8.8 G500 | 8 | 8 | 8 | 8 | |
| 15 | 502538 | NUT HEX STO M14-2.0 Z050 | 8 | 8 | 8 | 8 | |
| 16 | 611305 | SCREW CAP HEX M20-2.5x60 G12.9 | 1 | 1 | 1 | 1 | |
| 16 | 611307 | SCREW CAP HEX M20-2.5x80 G12.9 | 1 | 1 | 1 | 1 | |
| 17 | 661024 | ROD ASSY / 657MM C/C To 8-9301 | 2 | 2 | 2 | 2 | |
| 17 | 661129 | ROD ASSY / 657MM C/C WITH LONG NECK TIE ROD END From 8-9302 | 2 | 2 | 2 | 2 | R |
| 17 | N.P.N. | . ROD | 1 | 1 | 1 | 1 | 4 |
| 18 | 660978 | . COLLAR ASSY / W/BOLT & NUT 1 5/8" I.D. To 8-9301 | 2 | 2 | 2 | 2 | |
| . NS | 500231 | .. SCREW CAP HEX 5/8-11x3 G5 ZP To 8-9301 | 1 | 1 | 1 | 1 | |
| . NS | 500683 | .. NUT HEX STO 5/8-11 ZP To 8-9301 | 1 | 1 | 1 | 1 | |
| 18 | 661133 | . COLLAR ASSY / W/BOLT & NUT & STOPPER 1 5/8" I.D. From 8-9302 | 2 | 2 | 2 | 2 | |
| . NS | 500231 | .. SCREW CAP HEX 5/8-11x3 G5 ZP From 8-9302 | 1 | 1 | 1 | 1 | |
| . NS | 500683 | .. NUT HEX STO 5/8-11 ZP From 8-9302 | 1 | 1 | 1 | 1 | |
| 19 | 611070 | . TIE ROD END R.H. THREAD 1 1/4-12 To 8-9301 | 1 | 1 | 1 | 1 | |
| 19 | 2005362 | . TIE ROD END R.H. THREAD 1 1/4-12 SERVICE | 1 | 1 | 1 | 1 | S |
| 19 | 661138 | . TIE ROD END R.H. THREAD 1 1/4-12 From 8-9302 | 1 | 1 | 1 | 1 | RR |
| 19 | 611071 | . TIE ROD END L.H. THREAD 1 1/4-12 To 8-9301 | 1 | 1 | 1 | 1 | |
| 19 | 661139 | . TIE ROD END L.H. THREAD 1 1/4-12 From 8-9302 | 1 | 1 | 1 | 1 | RR |
| 19 | 2005363 | . TIE ROD END L.H. THREAD 1 1/4-12 SERVICE | 1 | 1 | 1 | 1 | S |
| 20 | 160983 | SPINDLE SHAFT | 1 | 1 | 1 | 1 | |
| NS | 161005 | SHIM 26GAGE 105MM C/C x 14MM slot | AR | AR | AR | AR | |
| NS | 161006 | SHIM 20GAGE 105MM C/C x 14MM slot | AR | AR | AR | AR | |
| 21 | 161169 | LEVER L.H. | 1 | 1 | 1 | 1 | |
| 22 | 161170 | LEVER R.H. | 1 | 1 | 1 | 1 | |
| 23 | 160984 | SLEEVE WIPER 63.5MM O.D. | 1 | 1 | 1 | 1 | |
| 24 | 507351 | DUST SEAL 3.270 I.D. X 3.085 O.D. | 1 | 1 | 1 | 1 | |
| 25 | 507350 | OIL SEAL | 1 | 1 | 1 | 1 | |
| 27 | 5001227 | WASHER FL .453x.875x.090 | 1 | 1 | 1 | 1 | |
| 28 | 502115 | PIN, COTTER 3/16 x 2 1/2 | 1 | 1 | 1 | 1 | |

| | | |
|---|--------------|-----------------|
| From 4-8165 To 8-9339 | Date:10/2022 | PAGE:Y2-1410-51 |
| STEERING RODS - INSTALLATION W/INDEPENDENT "NDIFS80P" / 18000LBS | | |

| Item# | Part | Description | X L I I 4 5 | X L I I M T H 4 0 | X L I I M T H 4 5 | X L I I M T H 4 5 E | N O T E S |
|-------|-------------------|---|----------------------------|---|---|--|-----------------------|
| 29 | 661014 | COVER | 1 | 1 | 1 | 1 | |
| 30 | 5001218 | NUT HEX CSL M30-1.5 | 1 | 1 | 1 | 1 | |
| 32 | 507354 | KIT, CUP & CONE BEARING | 2 | 2 | 2 | 2 | |
| 33 | 501490 | GREASE FITTING / 1/8 NPT | 1 | 1 | 1 | 1 | |
| 34 | 507353 | KIT, CUP & CONE BEARING | 2 | 2 | 2 | 2 | |
| 35 | 5001345 | NUT HEX CSL THN 7/8-14 | 1 | 1 | 1 | 1 | |
| 40 | Y2-1605-51 | FRONT AXLE - INSTALL W/INDEPENDENT "NDIFS80P" / 18000LBS | | | | | |
| NS | 161009 | SHIELD RUBBER | 1 | 1 | 1 | 1 | |
| NS | 160994 | COLLAR SHIELD RETAINER / "O" FORM CLOSED | 1 | 1 | 1 | 1 | |
| NS | 500657 | SCREW TC TR PH #10-24x1/2 Z050 | 12 | 12 | 12 | 12 | |
| NS | 504024 | HOSE CLAMP / 1"13/16"-2"3/4 SS / HS-36 | 1 | 1 | 1 | 1 | |
| | | | | | | | |
| | | | | | | | |
| | | R) THIS ASSY USE ONLY LONG NECK TIE ROD END # 661138 & # 661139 | | | | | |
| | | RR) USE ONLY WITH ASSY # 661129 | | | | | |
| | | S) SERVICE ON SHORT FORMER MODEL | | | | | |
| | | 4) NO PARTS NUMBER | | | | | |

| | | |
|------------------------|--------------|-----------------|
| From Y-7046 To 6-8906 | Date:10/2022 | PAGE:Y2-1412-00 |
| STEERING DAMPER | | |



| | | |
|------------------------|--------------|-----------------|
| From Y-7046 To 6-8906 | Date:10/2022 | PAGE:Y2-1412-00 |
| STEERING DAMPER | | |

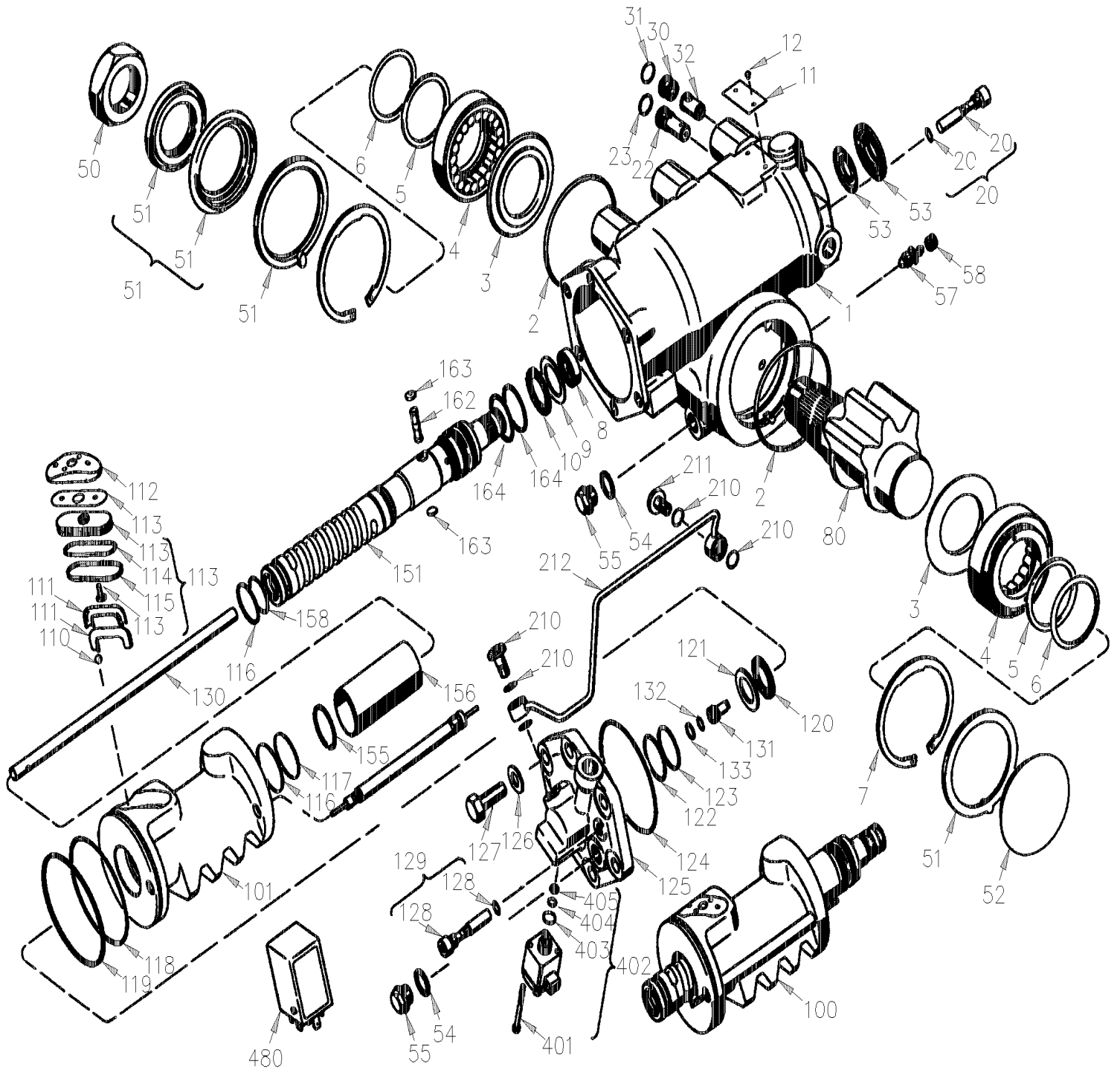
| Item# | Part | Description | X L I I 4 5 | X L I I M T H 4 0 | X L I I M T H 4 5 | X L I I M T H 4 5 E | N O T E S |
|-------|-----------|--|----------------------------|---|---|--|-----------------------|
| 1 | 110741 | ATTACHMENT CYLINDER | 1 | | | | |
| 2 | 110749 | ATTACHMENT PLATE | 1 | | | | |
| 3 | 5001500 | SCREW CAP HEX M10-1.5x120 G10.9 N500 | 4 | | | | |
| 4 | 500444 | WASHER FL .406x.812x.065 Z050 | 8 | | | | |
| 5 | 500680 | NUT HEX STO M10-1.5 Z050 | 4 | | | | |
| 6 | 502731 | SCREW CAP HEX M12-1.75x40 G8.8 Z050 | 1 | | | | |
| 7 | 500811 | NUT HEX STO M12-1.75 G500 | 1 | | | | |
| 8 | 160835 | DAMPER SHOCK ASS | 1 | | | | |
| . NS | IS-96052A | . SEE INSTRUCTION SHEET | 1 | | | | |
| 8 | 660979 | . DAMPER SHOCK | 1 | | | | |
| 9 | 660884 | .. ROD END FEMALE 3/4"-16 / 3/4 I.D. | 1 | | | | |
| 9 | 501497 | ... GREASE FITTING / 1/4-28 | 1 | | | | |
| 10 | 500734 | .. NUT HEX JAM 3/4-16 Z050 | 1 | | | | |
| 11 | 504023 | . HOSE CLAMP / 1"5/16-2"1/4 SS / HS-28 | 1 | | | | |
| 12 | 661007 | . BOOT PROTECTOR | 1 | | | | |
| 13 | 660980 | . COVER ROD END / RUBBER | 2 | | | | |
| 20 | 500509 | SCREW CAP HEX 3/4-16x3 G5 Z050 | 1 | | | | |
| 21 | 500735 | NUT HEX STO 3/4-16 ZP | 1 | | | | |
| 22 | 500145 | SCREW CAP HEX 3/4-16x3 1/2 G5 Z050 | 1 | | | | |
| 23 | 161033 | STEERING ARM UPPER R.H. CURBSIDE | 1 | | | | |
| | | | | | | | |
| | | | | | | | |
| | | | | | | | |

From Y-7046 To 8-9339

Date:10/2022

PAGE:Y2-1415-00

STEERING GEARBOX - "ZF"



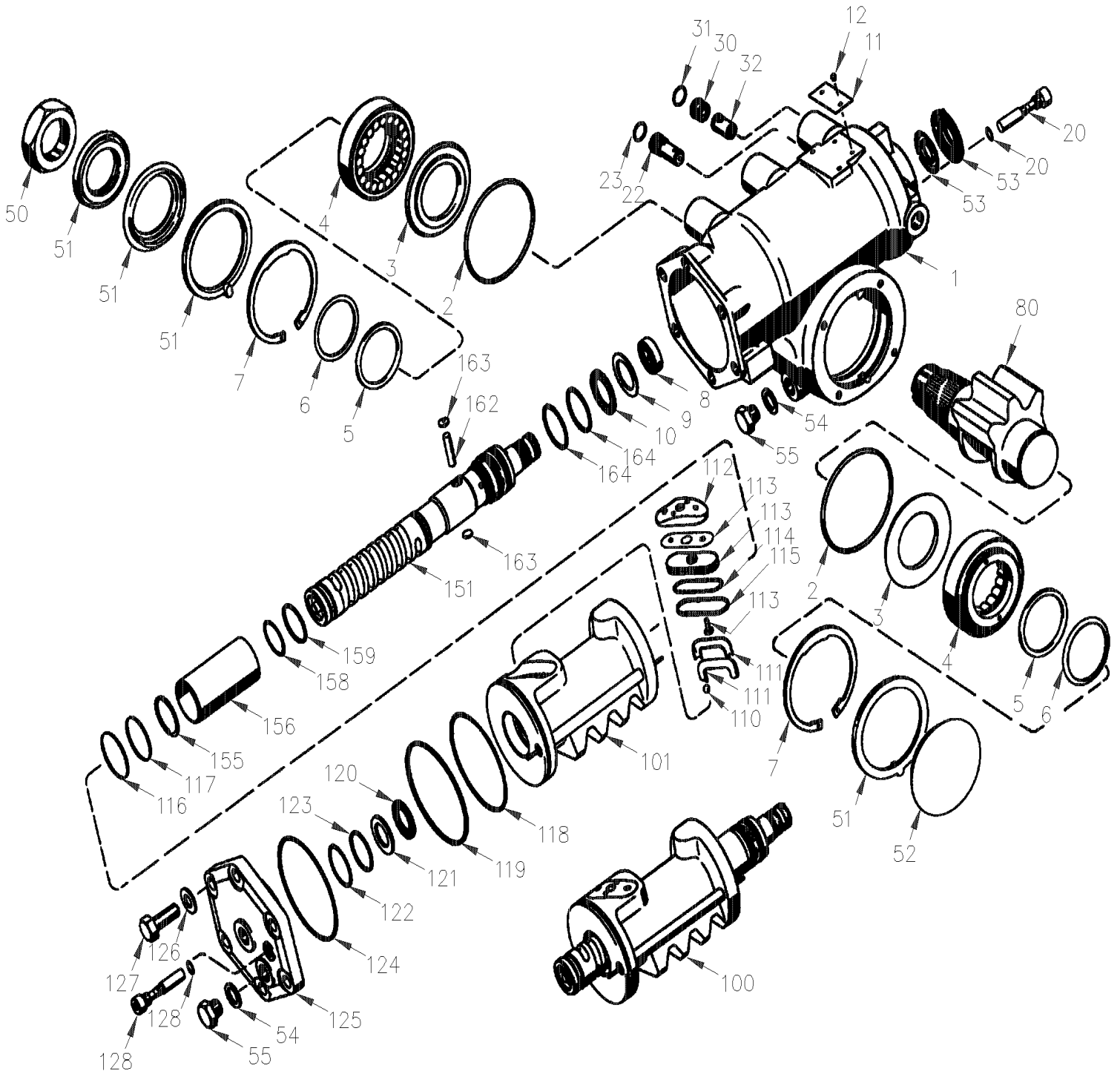
MODEL "ZF" - SERVOCOMTRONIC

From Y-7046 To 8-9339

Date:10/2022

PAGE:Y2-1415-00

STEERING GEARBOX - "ZF"



MODEL "ZF" - SEVOCOM

| | | |
|--------------------------------|--------------|-----------------|
| From Y-7046 To 8-9339 | Date:10/2022 | PAGE:Y2-1415-00 |
| STEERING GEARBOX - "ZF" | | |

| Item# | Part | Description | X L I I 4 5 | X L I I M T H 4 0 | X L I I M T H 4 5 | X L I I M T H 4 5 E | N O T E S |
|-------|--------|---|----------------------------|---|---|--|-----------------------|
| | 661044 | GEARBOX STEERING "ZF" W/VARIABLE STEERING ASSISTANCE "SERVOCOMTRONIC" | 1 | 1 | 1 | 1 | |
| | 661045 | GEARBOX STEERING "ZF" | 1 | 1 | 1 | 1 | |
| 1 | N.P.N. | . HOUSING | 1 | 1 | 1 | 1 | 4 |
| 2 | N.P.N. | . O-RING | 1 | 1 | 1 | 1 | 4 |
| 3 | N.P.N. | . WASHER | 1 | 1 | 1 | 1 | 4 |
| 4 | N.P.N. | . HOUSING COVER | 1 | 1 | 1 | 1 | 4 |
| 5 | N.P.N. | . GASKET | 1 | 1 | 1 | 1 | 4 |
| 6 | N.P.N. | . SUPPORT RING | 1 | 1 | 1 | 1 | 4 |
| 7 | N.P.N. | . RETAINING RING | 1 | 1 | 1 | 1 | 4 |
| 8 | N.P.N. | . SHAFT SEAL | 1 | 1 | 1 | 1 | 4 |
| 9 | N.P.N. | . AXIAL-, WASHER | 1 | 1 | 1 | 1 | 4 |
| 10 | N.P.N. | . NEEDLE CAGE | 1 | 1 | 1 | 1 | 4 |
| 11 | N.P.N. | . TYPE PLATE | 1 | 1 | 1 | 1 | 4 |
| 12 | N.P.N. | . GROOVED STUD | 1 | 1 | 1 | 1 | 4 |
| 20 | N.P.N. | . SET SCREW / ADJUSTING SCREW / SCREW | 1 | 1 | 1 | 1 | 4 |
| 20 | N.P.N. | . O-RING | 1 | 1 | 1 | 1 | 4 |
| 21 | N.P.N. | . COLLAR NUT | 1 | 1 | 1 | 1 | 4 |
| 22 | N.P.N. | . VALVE INSERT | 1 | 1 | 1 | 1 | 4 |
| 23 | N.P.N. | . O-RING | 1 | 1 | 1 | 1 | 4 |
| 30 | N.P.N. | . SCREW | 1 | 1 | 1 | 1 | 4 |
| 31 | N.P.N. | . O-RING | 1 | 1 | 1 | 1 | 4 |
| 32 | N.P.N. | . VALVE INSERT | 1 | 1 | 1 | 1 | 4 |
| 50 | 661050 | . LOCKNUT M45X1.5 GEARBOX ZF | 1 | 1 | 1 | 1 | |
| 51 | N.P.N. | . DUST SEAL | 1 | 1 | 1 | 1 | 4 |
| 51 | N.P.N. | . STOP-RING | 1 | 1 | 1 | 1 | 4 |
| 51 | N.P.N. | . GASKET | 1 | 1 | 1 | 1 | 4 |
| 51 | N.P.N. | . DUST SEAL | 1 | 1 | 1 | 1 | 4 |
| 52 | N.P.N. | . PLUG | 1 | 1 | 1 | 1 | 4 |
| 53 | N.P.N. | . PROTECTING CAP | 1 | 1 | 1 | 1 | 4 |
| 53 | N.P.N. | . GASKET | 1 | 1 | 1 | 1 | 4 |
| 54 | N.P.N. | . SEALING RING | 1 | 1 | 1 | 1 | 4 |
| 55 | N.P.N. | . SCREW PLUG | 1 | 1 | 1 | 1 | 4 |
| 56 | N.P.N. | . PROTECTING SLEEVE | 1 | 1 | 1 | 1 | 4 |
| 57 | N.P.N. | . BREATHER | 1 | 1 | 1 | 1 | 4 |
| 58 | N.P.N. | . PROTECTING CAP | 1 | 1 | 1 | 1 | 4 |
| 80 | 661102 | . SECTOR SHAFT | 1 | 1 | 1 | 1 | |
| 100 | 661103 | . PISTON | 1 | | | | |
| 100 | 661104 | . PISTON | | 1 | 1 | 1 | |
| 101 | N.P.N. | . PISTON | 1 | 1 | 1 | 1 | 4 |
| 110 | N.P.N. | . BALL SET | 1 | 1 | 1 | 1 | 4 |
| 111 | N.P.N. | . RECIRCULATING HALF TUBE | 1 | 1 | 1 | 1 | 4 |
| 112 | N.P.N. | . GASKET / PLUG | 1 | 1 | 1 | 1 | 4 |

| | | |
|--------------------------------|--------------|-----------------|
| From Y-7046 To 8-9339 | Date:10/2022 | PAGE:Y2-1415-00 |
| STEERING GEARBOX - "ZF" | | |

| Item# | Part | Description | X L I I 4 5 | X L I I M T H 4 0 | X L I I M T H 4 5 | X L I I M T H 4 5 E | N O T E S |
|-------|--------|---|----------------------------|---|---|--|-----------------------|
| 113 | N.P.N. | . GASKET | 1 | 1 | 1 | 1 | 4 |
| 113 | N.P.N. | . COMPENSATING PLATE | 1 | 1 | 1 | 1 | 4 |
| 113 | N.P.N. | . PIN | 1 | 1 | 1 | 1 | 4 |
| 114 | N.P.N. | . O-RING | 1 | 1 | 1 | 1 | 4 |
| 115 | N.P.N. | . SEALING RING | 1 | 1 | 1 | 1 | 4 |
| 116 | N.P.N. | . SEALING RING | 1 | 1 | 1 | 1 | 4 |
| 117 | N.P.N. | . SEALING RING | 1 | 1 | 1 | 1 | 4 |
| 118 | N.P.N. | . O-RING | 1 | 1 | 1 | 1 | 4 |
| 119 | N.P.N. | . GASKET | 1 | 1 | 1 | 1 | 4 |
| 120 | N.P.N. | . NEEDLE CAGE | 1 | 1 | 1 | 1 | 4 |
| 121 | N.P.N. | . WASHER | 1 | 1 | 1 | 1 | 4 |
| 122 | N.P.N. | . O-RING | 1 | 1 | 1 | 1 | 4 |
| 123 | N.P.N. | . SEALING RING | 1 | 1 | 1 | 1 | 4 |
| 124 | N.P.N. | . O-RING | 1 | 1 | 1 | 1 | 4 |
| 125 | N.P.N. | . CYLINDER COVER | 1 | 1 | 1 | 1 | 4 |
| 126 | N.P.N. | . WASHER | 1 | 1 | 1 | 1 | 4 |
| 127 | N.P.N. | . HEXAGON SCREW | 1 | 1 | 1 | 1 | 4 |
| 128 | N.P.N. | . SET SCREW / SCREW | 1 | 1 | 1 | 1 | 4 |
| 128 | N.P.N. | . O-RING | 1 | 1 | 1 | 1 | 4 |
| 129 | N.P.N. | . COLLAR NUT | 1 | 1 | 1 | 1 | 4 |
| 130 | N.P.N. | . PIPE | 1 | 1 | 1 | 1 | 4 |
| 131 | N.P.N. | . REACTION PISTON | 1 | 1 | 1 | 1 | 4 |
| 132 | N.P.N. | . O-RING | 1 | 1 | 1 | 1 | 4 |
| 133 | N.P.N. | . SEALING RING | 1 | 1 | 1 | 1 | 4 |
| 151 | N.P.N. | . WORM | 1 | 1 | 1 | 1 | 4 |
| 155 | N.P.N. | . SNAP RING | 1 | 1 | 1 | 1 | 4 |
| 156 | N.P.N. | . SLIDING TUBE | 1 | 1 | 1 | 1 | 4 |
| 158 | N.P.N. | . O-RING | 1 | 1 | 1 | 1 | 4 |
| 159 | N.P.N. | . SEALING RING | 1 | 1 | 1 | 1 | 4 |
| 162 | N.P.N. | . PIN | 1 | 1 | 1 | 1 | 4 |
| 163 | N.P.N. | . PLUG | 1 | 1 | 1 | 1 | 4 |
| 164 | N.P.N. | . SEALING RING | 1 | 1 | 1 | 1 | 4 |
| 210 | 661105 | . O-RING | | 1 | 1 | 1 | |
| 211 | 661106 | . UNION SCREW | | 1 | 1 | 1 | |
| 212 | 661107 | . PIPE | | 1 | 1 | 1 | |
| 401 | N.P.N. | . CAP SCREW | 1 | 1 | 1 | 1 | 4 B |
| 402 | 661108 | . CONVERTER | | 1 | 1 | 1 | B |
| 403 | N.P.N. | . O-RING | 1 | 1 | 1 | 1 | 4 B |
| 404 | N.P.N. | . O-RING | 1 | 1 | 1 | 1 | 4 B |
| 405 | N.P.N. | . OIL SCREEN | 1 | 1 | 1 | 1 | 4 B |
| 480 | 563033 | . E.C.U. / W/STEERING ASSIST (STP 272 or 330) ((77//125)) | 1 | 1 | 1 | 1 | B |
| 480 | 563465 | . E.C.U. / W/STEERING ASSIST W/"ZF" TRANS ONLY (STP 146) | 1 | | | | B |

| | | |
|--------------------------------|--------------|-----------------|
| From Y-7046 To 8-9339 | Date:10/2022 | PAGE:Y2-1415-00 |
| STEERING GEARBOX - "ZF" | | |

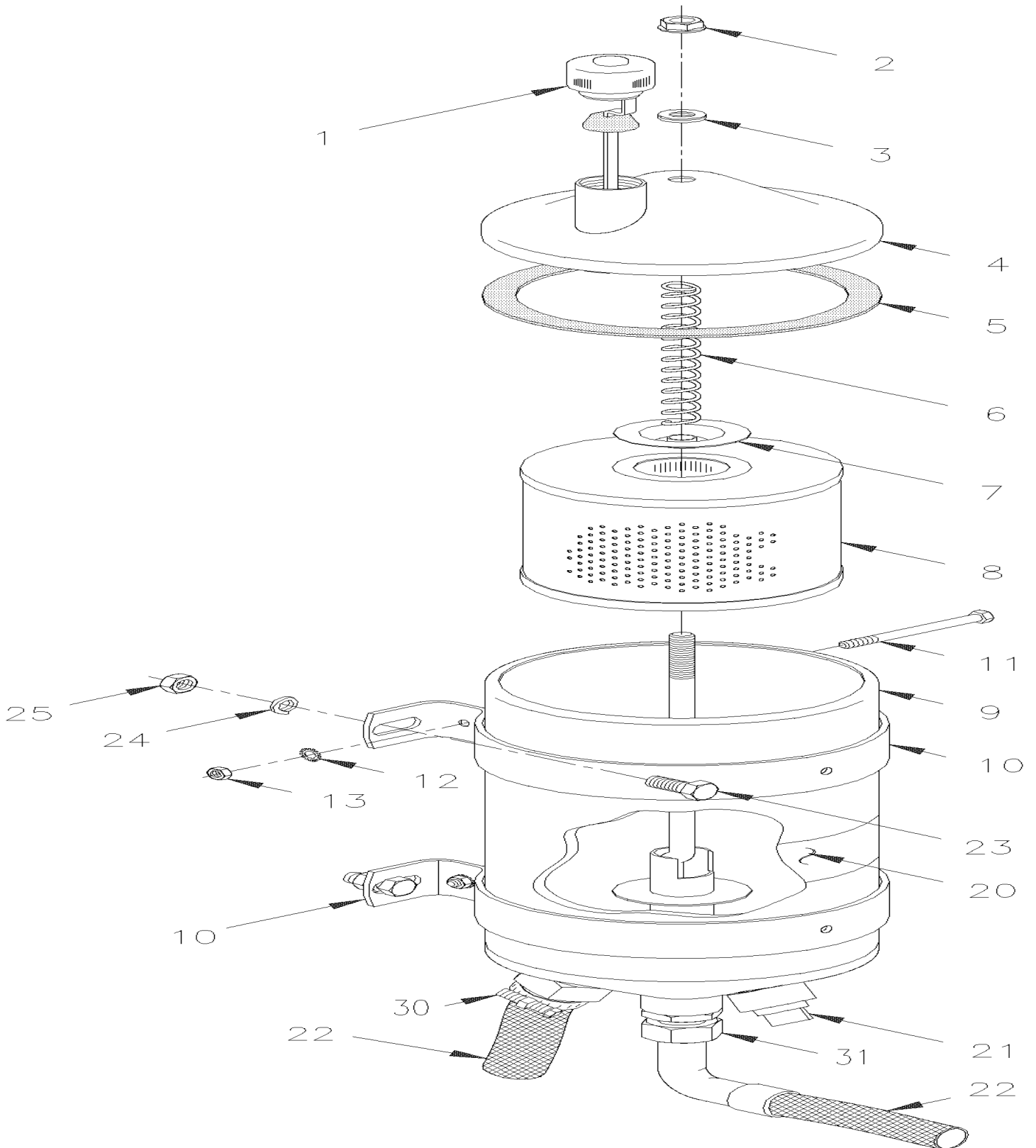
| Item# | Part | Description | X L I I 4 5 | X L I I M T H 4 0 | X L I I M T H 4 5 | X L I I M T H 4 5 E | N O T E S |
|-------|----------|---|----------------------------|---|---|--|-----------------------|
| NS | 661109 | KIT, SEAL REPAIR MAJOR | 1 | | | | A |
| . NS | 85109281 | . KIT, SEAL REPAIR MAJOR | 1 | | | | A |
| NS | 661110 | KIT, SEAL REPAIR MAJOR / W/SERVOCOMTRONIC | | 1 | 1 | 1 | B |
| . NS | 85109291 | . KIT, SEAL REPAIR MAJOR / W/SERVOCOMTRONIC | | 1 | 1 | 1 | B |
| | | | | | | | |
| | | | | | | | |
| | | A) USE WITH #661045 | | | | | |
| | | B) USE WITH #661044 | | | | | |
| | | 4) NO PARTS NUMBER | | | | | |

From Y-7046 To 8-9339

Date:10/2022

PAGE:Y2-1420-00

POWER STEERING TANK - 4 QT U.S.



| | | |
|--|--------------|-----------------|
| From Y-7046 To 8-9339 | Date:10/2022 | PAGE:Y2-1420-00 |
| POWER STEERING TANK - 4 QT U.S. | | |

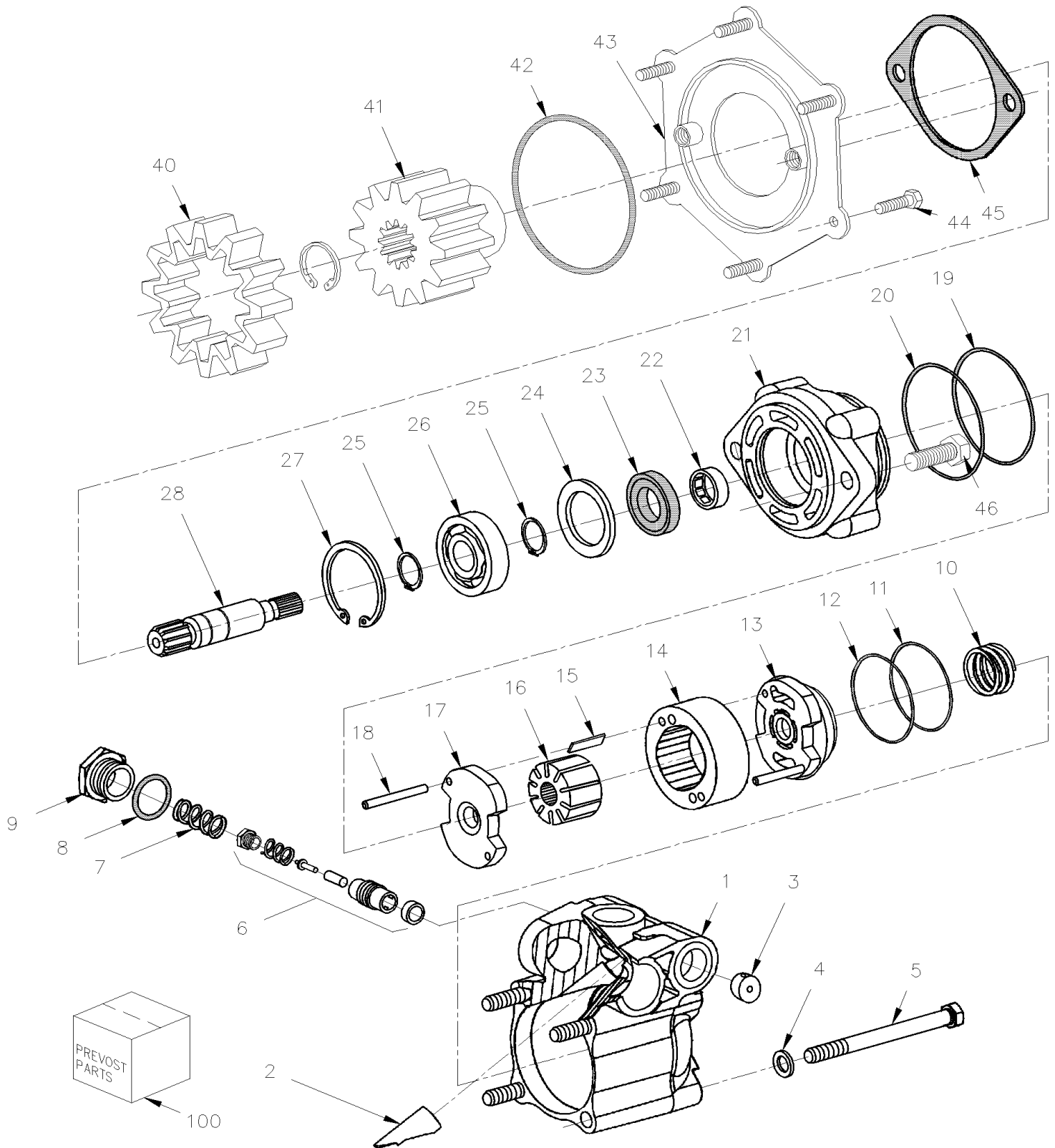
| Item# | Part | Description | X L I I 4 5 | X L I I M T H 4 0 | X L I I M T H 4 5 | X L I I M T H 4 5 E | N O T E S |
|-------|-------------------|---|----------------------------|---|---|--|-----------------------|
| | 660982 | TANK ASSY 4QT U.S. | 1 | 1 | 1 | 1 | |
| | 661060 | TANK ASSY 4QT US / WITH SIGHT GLASS | 1 | 1 | 1 | 1 | |
| 1 | 660985 | . DIPSTICK | 1 | 1 | 1 | 1 | |
| 2 | N.S.P. | . WING NUT 3/8-16 | 1 | 1 | 1 | 1 | 2 |
| 3 | 19512588 | . WASHER | 1 | 1 | 1 | 1 | |
| 4 | 660989 | . COVER ASSY | 1 | 1 | 1 | 1 | |
| 5 | 660986 | . GASKET | 1 | 1 | 1 | 1 | |
| 6 | 660991 | . SPRING, COMP. | 1 | 1 | 1 | 1 | |
| 7 | N8886469 | . WASHER, RETAINER | 1 | 1 | 1 | 1 | |
| 8 | 660987 | . ELEMENT FILTER | 1 | 1 | 1 | 1 | |
| 9 | | . TANK | 1 | 1 | 1 | 1 | |
| 10 | 660988 | . ATTACHMENT SUPPORT | 2 | 2 | 2 | 2 | |
| 20 | 160370 | DECAL "OIL DEXTRON" | 1 | 1 | 1 | 1 | |
| 21 | 501306 | PLUG SQUARE HEAD / PIPE FITTING / 1/2NPT-M BR | 1 | 1 | 1 | 1 | |
| 22 | Y2-1400-00 | POWER STEERING HOSE - INSTALLATION | | | | | |
| 23 | 502559 | SCREW CAP HEX M10-1.5x25 G8.8 Z050 | 4 | 4 | 4 | 4 | |
| 24 | 502644 | WASHER FL 10.5x30.0x2.5 Z050 | 4 | 4 | 4 | 4 | |
| NS | 500257 | WASHER LO SPT 10.2x18.1x2.2 Z050 | 4 | 4 | 4 | 4 | |
| 25 | 500256 | NUT HEX M10-1.5 Z050 | 4 | 4 | 4 | 4 | |
| 30 | 5011086 | MALE CONNECTOR / PUSH-LOK FITTING / 1NPT-Mx#16 STL | 1 | 1 | 1 | 1 | |
| 31 | 501739 | MALE CONNECTOR / JIC 37° FITTING / #8JIC-Mx1/2NPT-M STL | 1 | 1 | 1 | 1 | |
| | | | | | | | |
| | | | | | | | |
| | | 2) NOT SOLD BY PREVOST (SEE MANUFACTURING PART NUMBER AT END OF DESCRIPTION LINE) | | | | | |

From Y-7046 To 8-9339

Date:10/2022

PAGE:Y2-1427-00

POWER STEERING PUMP - "TRW"



| | | |
|------------------------------------|--------------|-----------------|
| From Y-7046 To 8-9339 | Date:10/2022 | PAGE:Y2-1427-00 |
| POWER STEERING PUMP - "TRW" | | |

| Item# | Part | Description | X L I I 4 5 | X L I I M T H 4 0 | X L I I M T H 4 5 | X L I I M T H 4 5 E | N O T E S |
|-------|--------|--|----------------------------|---|---|--|-----------------------|
| | 661009 | PUMP ASSY | 1 | | | | |
| | 661070 | PUMP ASSY To 3-8164 | | 1 | 1 | 1 | |
| | 661092 | PUMP ASSY From 4-8165 | | 1 | 1 | 1 | |
| 1 | N.S.S. | . HOUSING | 1 | 1 | 1 | 1 | 1 |
| 2 | N.S.S. | . BOOST TUBE | 1 | 1 | 1 | 1 | 1 |
| 3 | N.S.S. | . ORIFICE | 1 | 1 | 1 | 1 | 1 |
| 4 | N.S.S. | . BOLTS | 1 | 1 | 1 | 1 | 1 |
| 5 | N.S.S. | . WASHERS | 1 | 1 | 1 | 1 | 1 |
| 6 | N.S.S. | . VALVE SPOOL ASSY | 1 | 1 | 1 | 1 | 1 |
| 6 | N.S.S. | . . SPOOL | 1 | 1 | 1 | 1 | 1 |
| 6 | N.S.S. | . . SPRING | 1 | 1 | 1 | 1 | 1 |
| 6 | N.S.S. | . . POPPET | 1 | 1 | 1 | 1 | 1 |
| 6 | N.S.S. | . . SHIMS | 1 | 1 | 1 | 1 | 1 |
| 6 | N.S.S. | . . RELIEF VALVE SEAT ASSY | 1 | 1 | 1 | 1 | 1 |
| 7 | N.S.S. | . SPRING | 1 | 1 | 1 | 1 | 1 |
| 8 | N.S.S. | . O-RING | 1 | 1 | 1 | 1 | 1 |
| 9 | N.S.S. | . PLUG | 1 | 1 | 1 | 1 | 1 |
| 10 | N.S.S. | . SPRING | 1 | 1 | 1 | 1 | 1 |
| 11 | N.S.S. | . O-RING | 1 | 1 | 1 | 1 | 1 |
| 12 | N.S.S. | . BACKUP RING | 1 | 1 | 1 | 1 | 1 |
| 13 | N.S.S. | . TOP PLATE | 1 | 1 | 1 | 1 | 1 |
| 14 | N.S.S. | . CAM RING | 1 | 1 | 1 | 1 | 1 |
| 15 | N.S.S. | . VANES | 1 | 1 | 1 | 1 | 1 |
| 16 | N.S.S. | . ROTOR | 1 | 1 | 1 | 1 | 1 |
| 17 | N.S.S. | . BOTTOM PLATE | 1 | 1 | 1 | 1 | 1 |
| 18 | N.S.S. | . LOCATING PINS | 1 | 1 | 1 | 1 | 1 |
| 19 | N.S.S. | . O-RING | 1 | 1 | 1 | 1 | 1 |
| 20 | N.S.S. | . O-RING | 1 | 1 | 1 | 1 | 1 |
| 21 | N.S.S. | . COVER | 1 | 1 | 1 | 1 | 1 |
| 22 | N.S.S. | . NEEDLE BEARING | 1 | 1 | 1 | 1 | 1 |
| 23 | N.S.S. | . SHAFT SEAL | 1 | 1 | 1 | 1 | 1 |
| 24 | N.S.S. | . SPACER | 1 | 1 | 1 | 1 | 1 |
| 25 | N.S.S. | . RETAINING RING | 2 | 2 | 2 | 2 | 1 |
| 26 | N.S.S. | . BALL BEARING | 1 | 1 | 1 | 1 | 1 |
| 27 | N.S.S. | . RETAINING RING | 1 | 1 | 1 | 1 | 1 |
| 28 | 661011 | . INPUT SHAFT | 1 | 1 | 1 | 1 | |
| 40 | 510438 | COUPLING DRIVE | 1 | 1 | 1 | 1 | |
| 41 | 510437 | SPROCKET ASSY W/SNAP-RING | 1 | 1 | 1 | 1 | |
| 42 | N.S.P. | O-RING / (08929289) | 1 | 1 | 1 | 1 | 2 |
| 43 | N.S.P. | ADAPTOR COVER / (11514329) | 1 | 1 | 1 | 1 | 2 |
| 44 | N.S.P. | SCREW M8-1.25 X 30MM / (11514329) 500544 | 5 | 5 | 5 | 5 | 2 |
| 44 | N.S.P. | SCREW M8-1.25 X 30MM / (11505299) | 1 | 1 | 1 | 1 | 2 |

| | | |
|------------------------------------|--------------|-----------------|
| From Y-7046 To 8-9339 | Date:10/2022 | PAGE:Y2-1427-00 |
| POWER STEERING PUMP - "TRW" | | |

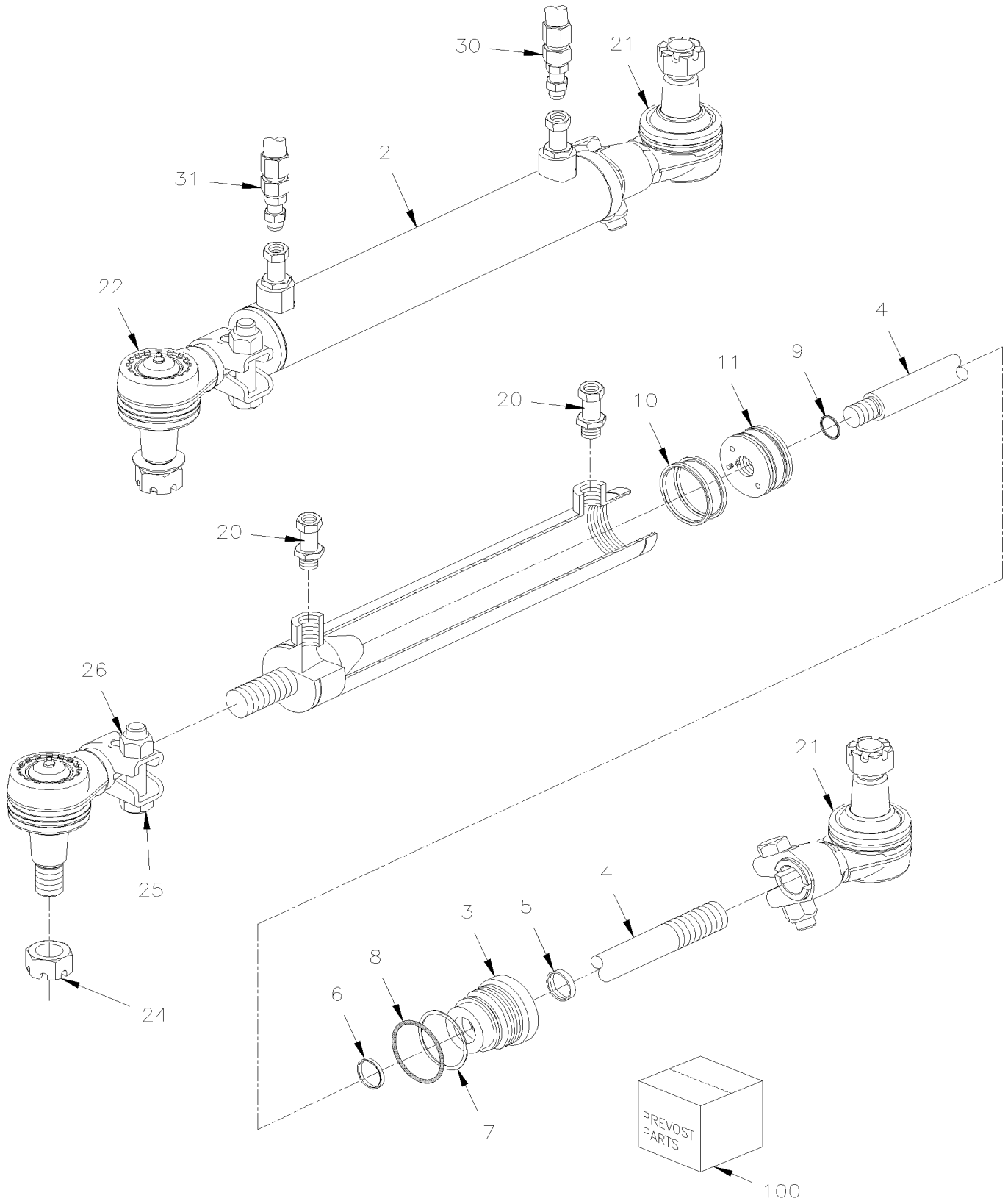
| Item# | Part | Description | X L I I 4 5 | X L I I M T H 4 0 | X L I I M T H 4 5 | X L I I M T H 4 5 E | N O T E S |
|-------|--------|---|----------------------------|---|---|--|-----------------------|
| 45 | 510488 | GASKET | 1 | 1 | 1 | 1 | |
| 100 | 661012 | KIT REPAIR | AR | AR | AR | AR | A |
| | | A) INCLUDE ITEMS #8,11,12,19,20 & 23 | | | | | |
| | | 1) NOT SOLD SEPARATELY | | | | | |
| | | 2) NOT SOLD BY PREVOST (SEE MANUFACTURING PART NUMBER AT END OF DESCRIPTION LINE) | | | | | |

From 4-8165 To 8-9339

Date:10/2022

PAGE:Y2-1430-50

CYLINDER POWER STEERING

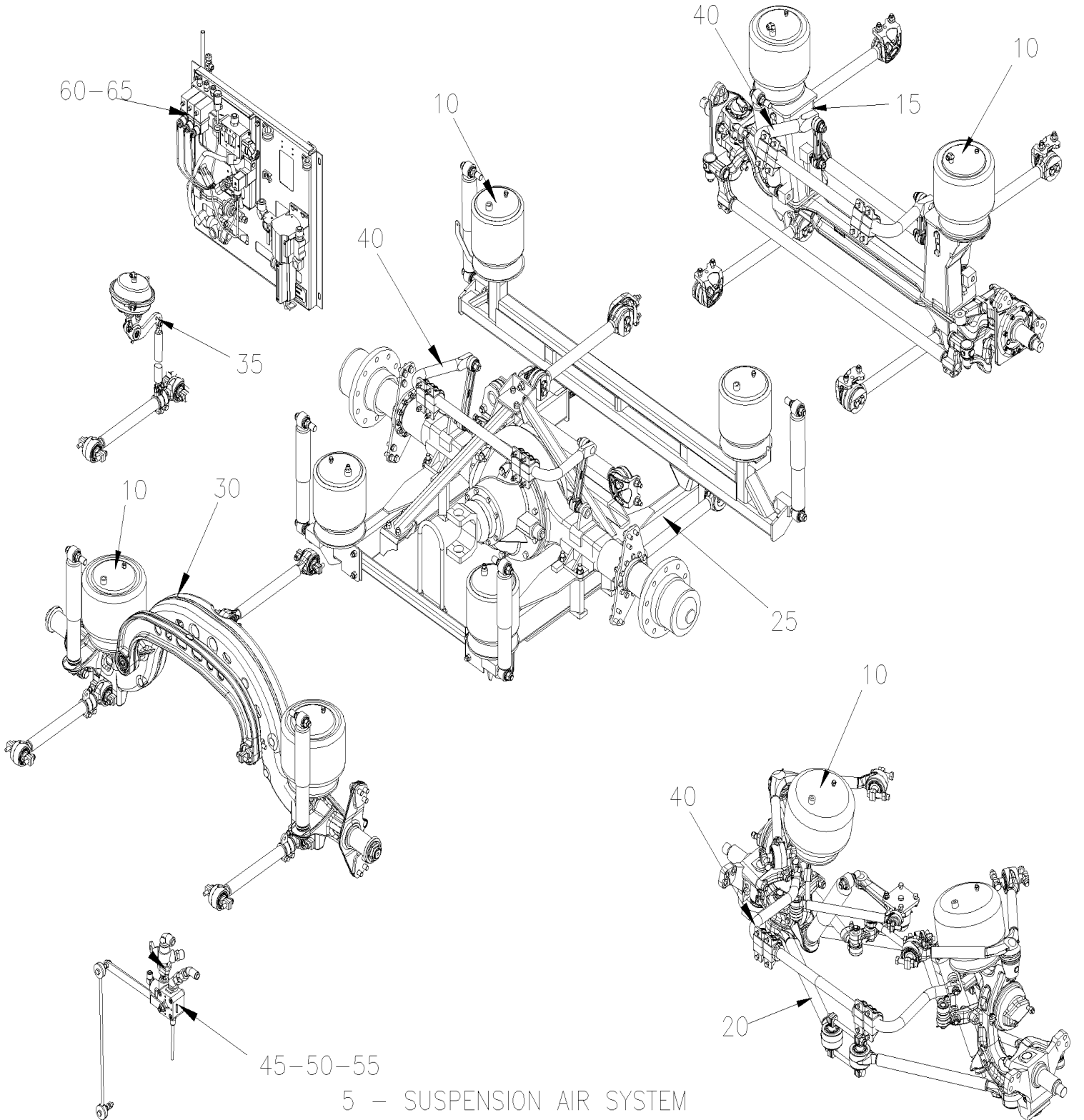


| | | |
|-----------------------|--------------|-----------------|
| From 4-8165 To 8-9339 | Date:10/2022 | PAGE:Y2-1430-50 |
|-----------------------|--------------|-----------------|

CYLINDER POWER STEERING

| Item# | Part | Description | X L I I 4 5 | X L I I M T H 4 0 | X L I I M T H 4 5 | X L I I M T H 4 5 E | N O T E S |
|-------|----------|--|----------------------------|---|---|--|-----------------------|
| 1 | 661076 | CYLINDER ASSY PRESSURE 160bar | | 1 | 1 | 1 | |
| 2 | N.S.S. | . TUBE | | 1 | 1 | 1 | 1 |
| 3 | 661098 | . HEAD | | 1 | 1 | 1 | |
| 4 | 661097 | . ROD | | 1 | 1 | 1 | |
| 5 | N.S.S. | . WIPER ROD | | 1 | 1 | 1 | 1 |
| 6 | N.S.S. | . SEAL ROD | | 1 | 1 | 1 | 1 |
| 7 | N.S.S. | . BACK-UP | | 1 | 1 | 1 | 1 |
| 8 | N.S.S. | . O-RING | | 1 | 1 | 1 | 1 |
| 9 | N.S.S. | . O-RING | | 1 | 1 | 1 | 1 |
| 10 | N.S.S. | . SEAL PISTON | | 2 | 2 | 2 | 1 |
| 11 | 661099 | . PISTON | | 1 | 1 | 1 | |
| 20 | 501593 | MALE CONNECTOR / JIC 37° FITTING / #8JIC-Mx#8ORB-M STL | | 2 | 2 | 2 | |
| 21 | 611275 | END ASSY / STRUCTURE SIDE | | 1 | 1 | 1 | |
| 22 | 611469 | END ASSY / ROD SIDE | | 1 | 1 | 1 | |
| 24 | 5001345 | NUT HEX CSL THN 7/8-14 | | 1 | 1 | 1 | |
| 25 | N.P.N. | SCREW CAP HEX ZP 1/2-20X2.25 G8 | | 2 | 2 | 2 | 4 |
| 26 | N.P.N. | NUT HEX 1/2-20 G8 | | 2 | 2 | 2 | 4 |
| 30 | 163470 | HOSE ASSY / #8 1648MM | | 1 | 1 | 1 | |
| 31 | 163469 | HOSE ASSY / #8 1648MM | | 1 | 1 | 1 | |
| NS | 161177 | HOSE RETAINER BLOCK CLAMP | | 2 | 2 | 2 | |
| 32 | 160033 | HOSE RETAINER BLOCK CLAMP | | 1 | 1 | 1 | |
| 32 | 160122 | KIT, POWER STEERING PUMP DISCHARGE HOSE (PRESSURE) X | | 1 | 1 | 1 | |
| . NS | 160006 | . HOSE PRESSURE, POWER STEERING #8 11690MM | | 1 | 1 | 1 | |
| . NS | 1600100 | . FLANGE, POWER STEERING HOSE | | 2 | 2 | 2 | |
| . NS | 500107 | . SCREW TC CAP HEXW 1/4-20x2 1/2 Z050 | | 3 | 3 | 3 | |
| . NS | 501031 | . SEAL / JIC 37° FITTING / #8 | | 1 | 1 | 1 | |
| . NS | 504189 | . CLAMP DOUBLE ASS / SPLIT BLOC / 22MM/19MM x 67MM POLYA | | 13 | 13 | 13 | |
| . NS | 504728 | . PLATE RETAINER | | 3 | 3 | 3 | |
| . NS | IS-19040 | . INSTRUCTION SHEET | | 1 | 1 | 1 | |
| . NS | FI-19040 | . VOIR FEUILLE D'INSTRUCTION | | 1 | 1 | 1 | |
| NS | 502541 | SCREW CAP HEX M6-1.0x65 G8.8 Z050 | | 1 | 1 | 1 | |
| NS | 500411 | WASHER FL .260x.697x.050 SS | | 2 | 2 | 2 | |
| NS | 5001182 | NUT HEX NYRT M6-1.0 SS | | 1 | 1 | 1 | |
| NS | 504634 | T-CLIP / 7/8" - 1" | | 1 | 1 | 1 | |
| 100 | 661100 | SEAL KIT, REPAIR | | 1 | 1 | 1 | A |
| | | | | | | | |
| | | | | | | | |
| | | | | | | | |
| | | A) INCLUDES ITEMS 5, 6, 7, 8, 9, 10 | | | | | |
| | | 1) NOT SOLD SEPARATELY | | | | | |
| | | 4) NO PARTS NUMBER | | | | | |

| | | |
|------------|--------------|-------|
| | Date:10/2022 | Y2-16 |
| SUSPENSION | | |



| | | Date:10/2022 | Y2-16 | | | | |
|------------|------------|--|----------------------------|---|---|--|-------|
| SUSPENSION | | | | | | | |
| Item# | Part | Description | X L I I 4 5 | X L I I M T H 4 0 | X L I I M T H 4 5 | X L I I M T H 4 5 E | NOTES |
| 5 | Y2-1600-00 | SUSPENSION AIR SYSTEM From Y-7046 To 7-9095 | | | | | |
| 5 | Y2-1600-50 | SUSPENSION AIR SYSTEM - MTH From 7-9096 To 8-9339 | | | | | |
| 10 | Y2-1601-00 | BELLOWS - AIR SUSPENSION From Y-7046 To 8-9339 | | | | | |
| 15 | Y2-1605-00 | FRONT AXLE - INSTALL W/ I BEAM RIGID From Y-7046 To 6-8906 | | | | | |
| 20 | Y2-1605-50 | FRONT AXLE - INSTALL W/INDEPENDENT "IS-84" / 16500LBS From Y-7046 To 3-8164 | | | | | |
| 20 | Y2-1605-51 | FRONT AXLE - INSTALL W/INDEPENDENT "NDIFS80P" / 18000LBS From 4-8165 To 8-9339 | | | | | |
| 25 | Y2-1610-00 | REAR AXLE - INSTALL SUSPENSION From Y-7046 To 8-9339 | | | | | |
| 30 | Y2-1615-00 | TAG AXLE - INSTALL SUSPENSION From Y-7046 To 8-9339 | | | | | |
| 35 | Y2-1615-10 | TAG AXLE - LIFTING From Y-7046 To 8-9339 | | | | | |
| 40 | Y2-1616-00 | SWAY BAR From Y-7046 To 8-9339 | | | | | |
| 45 | Y2-1620-00 | HEIGHT CONTROL VALVE From Y-7046 To 6-8906 | | | | | |
| 50 | Y2-1620-10 | HIGH-BUOY, LOW BUOY & "KNEELING" VALVE From Y-7046 To 6-8906 | | | | | |
| 55 | Y2-1620-50 | HEIGHT CONTROL VALVE - MTH From Y-7046 To 8-9339 | | | | | |
| 60 | Y2-1630-00 | FRONT KNEELING - CONTROL PANEL From Y-7046 To 2-7799 | | | | | |
| 60 | Y2-1630-01 | FRONT KNEELING - CONTROL PANEL From 2-7800 To 5-8558 | | | | | |
| 60 | Y2-1630-02 | FRONT KNEELING - CONTROL PANEL From 5-8559 To 6-8906 | | | | | |
| 65 | Y2-1640-50 | LEVEL-LOW - CONTROL PANEL & VALVES From Y-7046 To 2-7799 | | | | | |
| 65 | Y2-1640-51 | LEVEL-LOW - CONTROL PANEL & VALVES From 2-7800 To 5-8558 | | | | | |
| 65 | Y2-1640-52 | LEVEL-LOW - CONTROL PANEL & VALVES From 5-8559 To 8-9339 | | | | | |

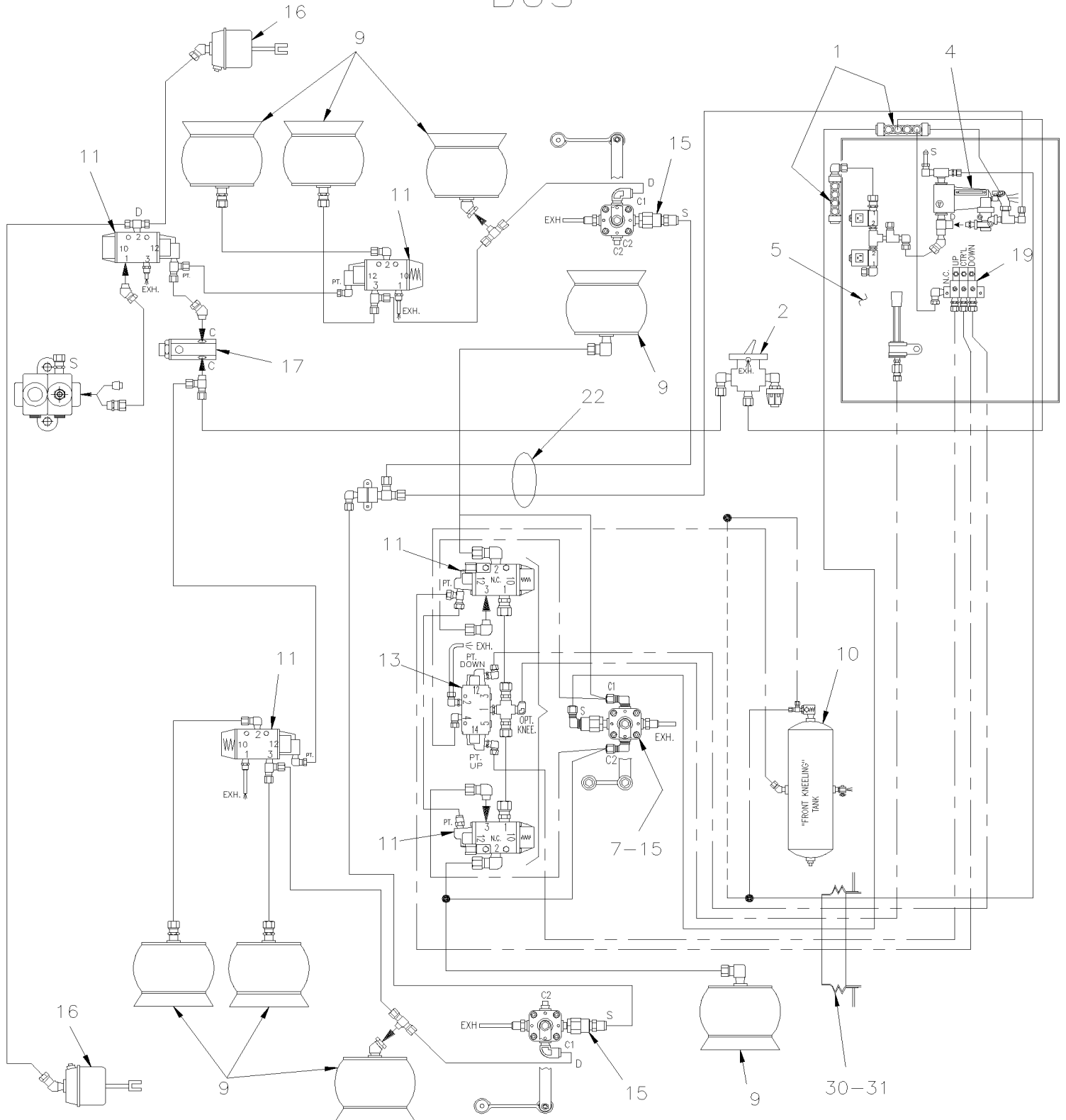
From Y-7046 To 7-9095

Date:10/2022

PAGE:Y2-1600-00

SUSPENSION AIR SYSTEM

BUS

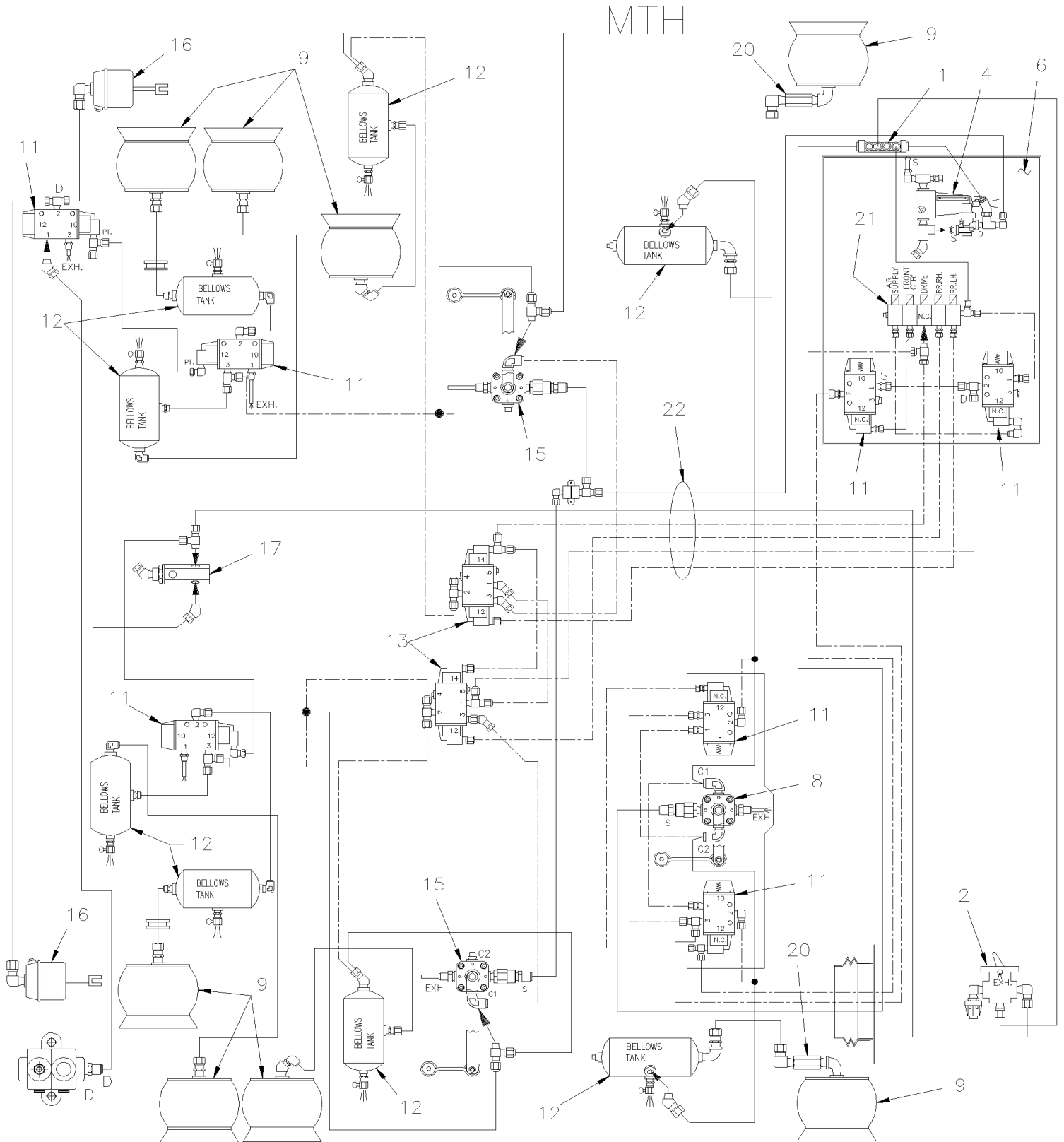


From Y-7046 To 7-9095

Date:10/2022

PAGE:Y2-1600-00

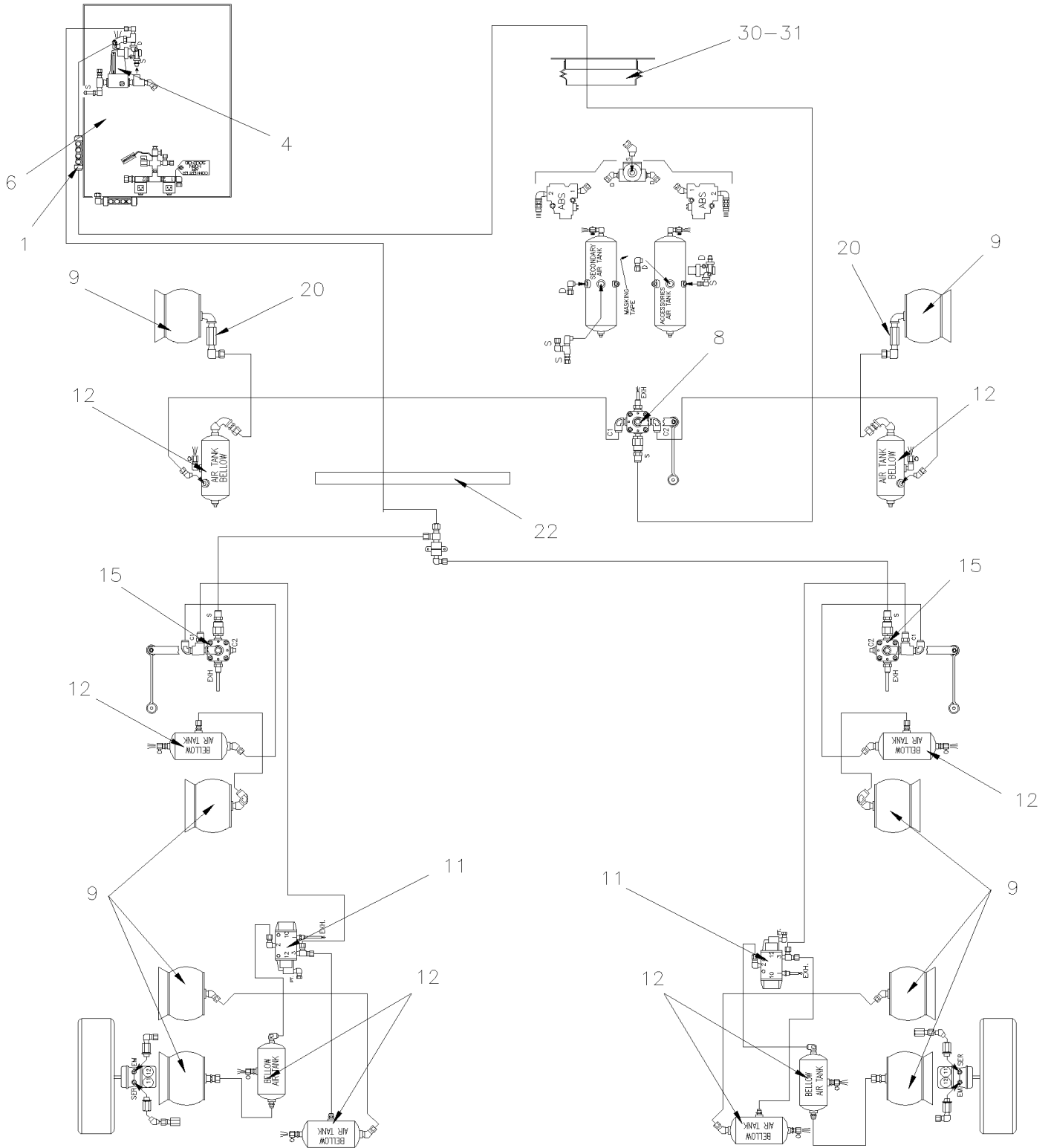
SUSPENSION AIR SYSTEM



| | | |
|------------------------------|--------------|-----------------|
| From Y-7046 To 7-9095 | Date:10/2022 | PAGE:Y2-1600-00 |
| SUSPENSION AIR SYSTEM | | |

| Item# | Part | Description | X L I I 4 5 | X L I I M T H 4 0 | X L I I M T H 4 5 | X L I I M T H 4 5 E | N O T E S |
|-------|-------------------|--|----------------------------|---|---|--|-----------------------|
| 1 | 641415 | MANIFOLD / PUSH-IN FITTING / 2x#6 / 4x#4 PLAS To 6-8906 | 2 | | | | |
| 1 | 641415 | MANIFOLD / PUSH-IN FITTING / 2x#6 / 4x#4 PLAS | | 1 | 1 | 1 | |
| 2 | 640136 | VALVE, CONTROL TW-1 | 1 | 1 | 1 | 1 | |
| . NS | 641156 | . REPAIR KIT / TW-1 | 1 | 1 | 1 | 1 | |
| 4 | Y2-1220-15 | AIR FILTER - ACCESSORIES | | | | | |
| 5 | Y2-1630-02 | FRONT KNEELING - CONTROL PANEL | | | | | |
| 5 | Y2-1630-01 | FRONT KNEELING - CONTROL PANEL | | | | | |
| 5 | Y2-1630-02 | FRONT KNEELING - CONTROL PANEL | | | | | |
| 6 | Y2-1640-50 | LEVEL-LOW - CONTROL PANEL & VALVES | | | | | |
| 6 | Y2-1640-51 | LEVEL-LOW - CONTROL PANEL & VALVES | | | | | |
| 6 | Y2-1640-52 | LEVEL-LOW - CONTROL PANEL & VALVES | | | | | |
| 7 | Y2-1620-00 | HEIGHT CONTROL VALVE | | | | | |
| 8 | Y2-1620-50 | HEIGHT CONTROL VALVE - MTH | | | | | |
| 9 | Y2-1601-00 | BELLOWS - AIR SUSPENSION | | | | | |
| 10 | 641411 | AIR TANK / 2370 IN ³ / 12" O.D. X 24" To 6-8906 | 1 | | | | |
| 11 | 641274 | VALVE, 3 WAYS, 2 POSITIONS N.C. | 1 | 1 | 1 | 1 | |
| 12 | Y2-1203-01 | AIR TANK - INSTALLATION | | | | | |
| 13 | 641531 | VALVE, 5 WAYS, 3 POSITIONS | 2 | 2 | 2 | 2 | |
| . NS | 641186 | . SPOOL | 1 | 1 | 1 | 1 | |
| 15 | 630156 | VALVE, HEIGHT CONTROL "BARKSDALE" To 6-8906 | 3 | | | | |
| 15 | 630156 | VALVE, HEIGHT CONTROL "BARKSDALE" | | 2 | 2 | 2 | |
| 16 | Y2-1615-10 | TAG AXLE - LIFTING | | | | | |
| 17 | 640442 | VALVE, INVERSION TR-2 | 1 | 1 | 1 | 1 | |
| 19 | 641180 | MANIFOLD VALVE / W/3 SOLENOID To 6-8906 | 1 | | | | |
| . NS | 641928 | . KIT, MANIFOLD REPAIR / N.C. To 6-8906 | 3 | | | | |
| . NS | 641107 | . COIL 24V To 6-8906 | 1 | | | | |
| 20 | 131737 | MALE CONNECTOR 123.8MM 1/2 NPT | | 2 | 2 | 2 | |
| 21 | 641205 | MANIFOLD VALVE / W/5 SOLENOID | | 1 | 1 | 1 | |
| . NS | 641928 | . KIT, MANIFOLD REPAIR / N.C. | | 5 | 5 | 5 | |
| . NS | 641107 | . COIL 24V | | 5 | 5 | 5 | |
| 22 | Y2-1202-00 | TUBES PLASTIC / AIR D.O.T. | | | | | |
| 30 | 504499 | CUFF END BELLOW / 2 7/8" I.D. x 3 5/8" x 4 7/16 | 1 | 1 | 1 | 1 | |
| 31 | 141567 | PROTECTOR RUBBER 100MM | 1 | 1 | 1 | 1 | |
| 31 | 509558 | WEATHERSEAL SNAP-ON 1/8" / SINGLE LIP / WH / C.T.L. | AR | AR | AR | AR | |
| | | | | | | | |
| | | | | | | | |
| | | | | | | | |

| | | |
|------------------------------------|--------------|-----------------|
| From 7-9096 To 8-9339 | Date:10/2022 | PAGE:Y2-1600-50 |
| SUSPENSION AIR SYSTEM - MTH | | |



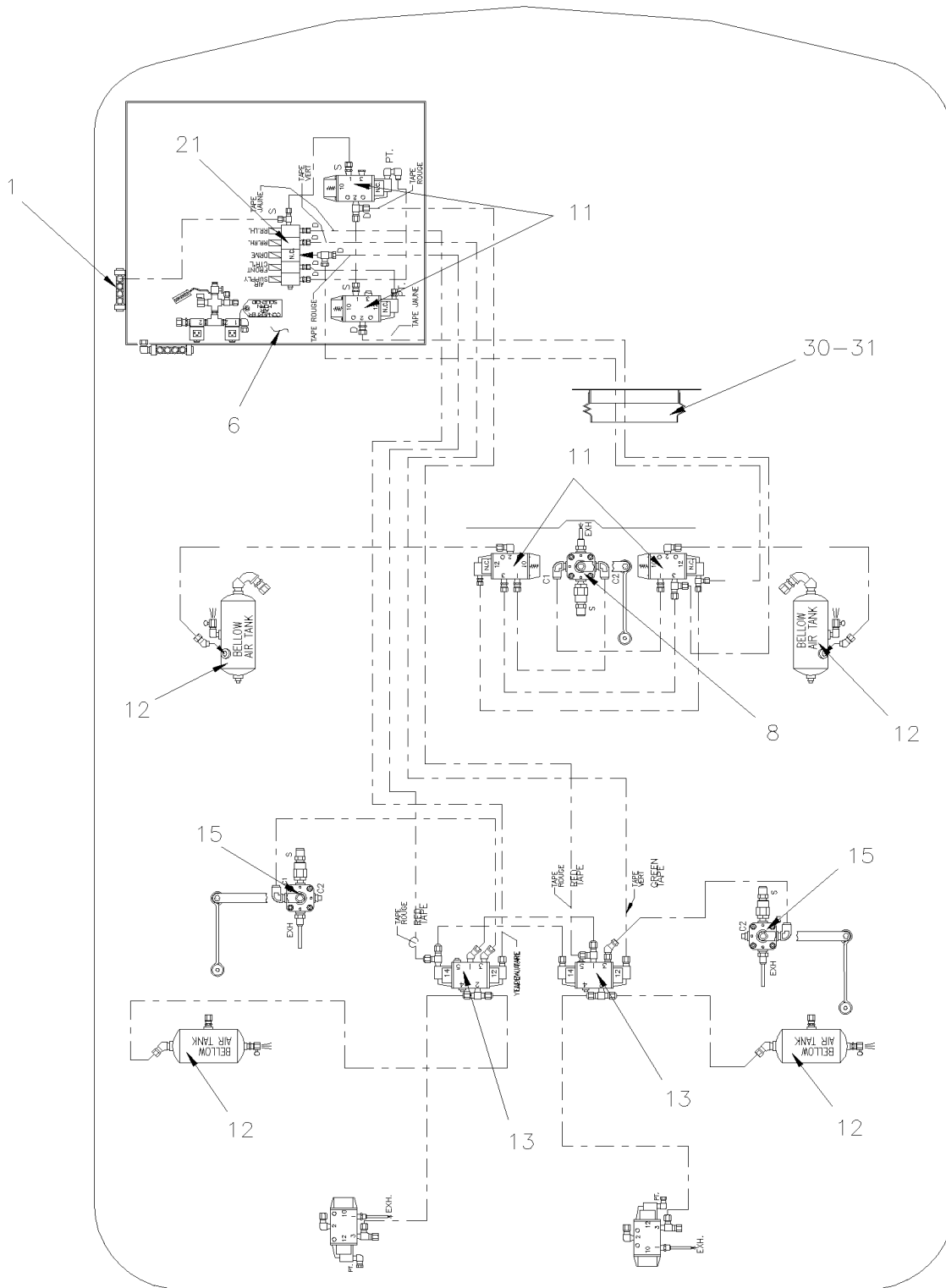
MTH-40' & MTH-45 ENT STANDARD SUSPENSION

From 7-9096 To 8-9339

Date:10/2022

PAGE:Y2-1600-50

SUSPENSION AIR SYSTEM - MTH



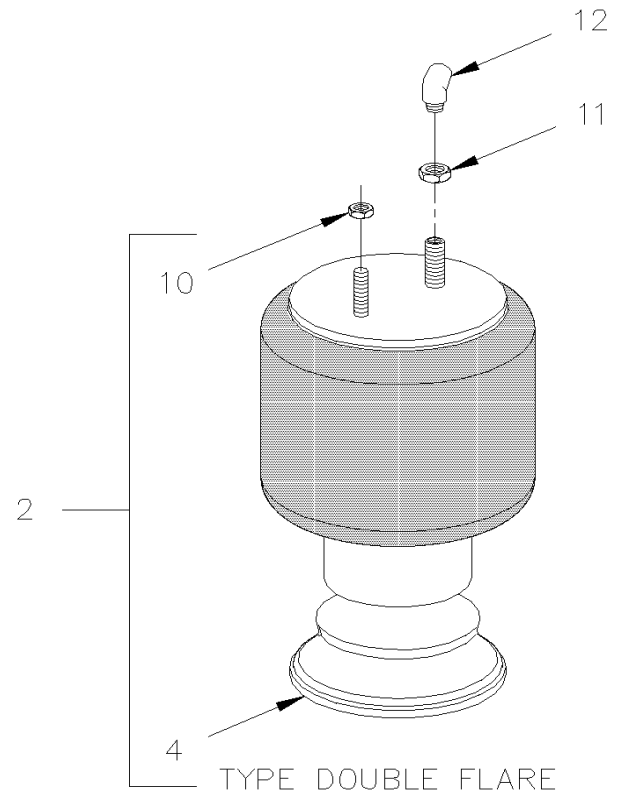
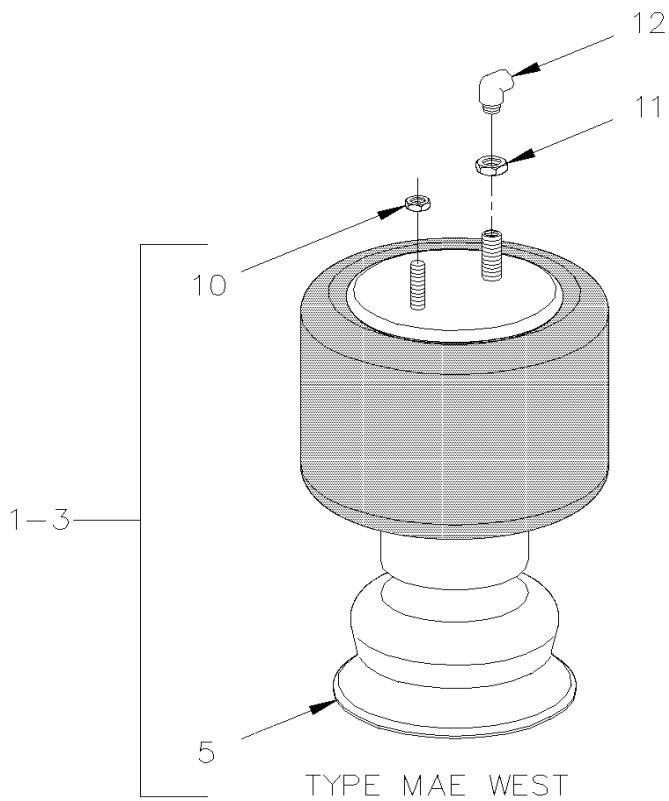
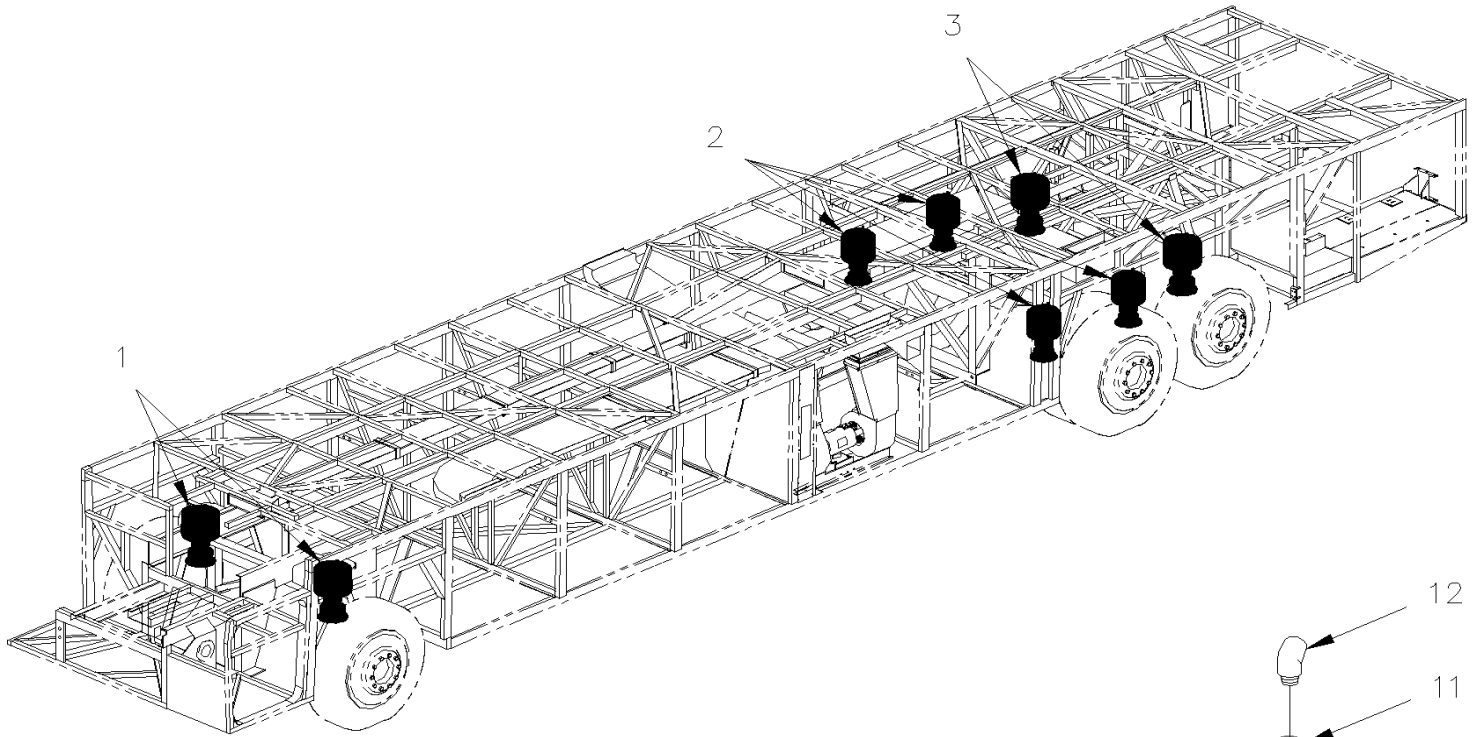
MTH-40' & MTH-45' ENT
WITH OPTION LEVEL LOW

From Y-7046 To 8-9339

Date:10/2022

PAGE:Y2-1601-00

BELLOWS - AIR SUSPENSION



| | | |
|-----------------------|--------------|-----------------|
| From Y-7046 To 8-9339 | Date:10/2022 | PAGE:Y2-1601-00 |
|-----------------------|--------------|-----------------|

BELLOWS - AIR SUSPENSION

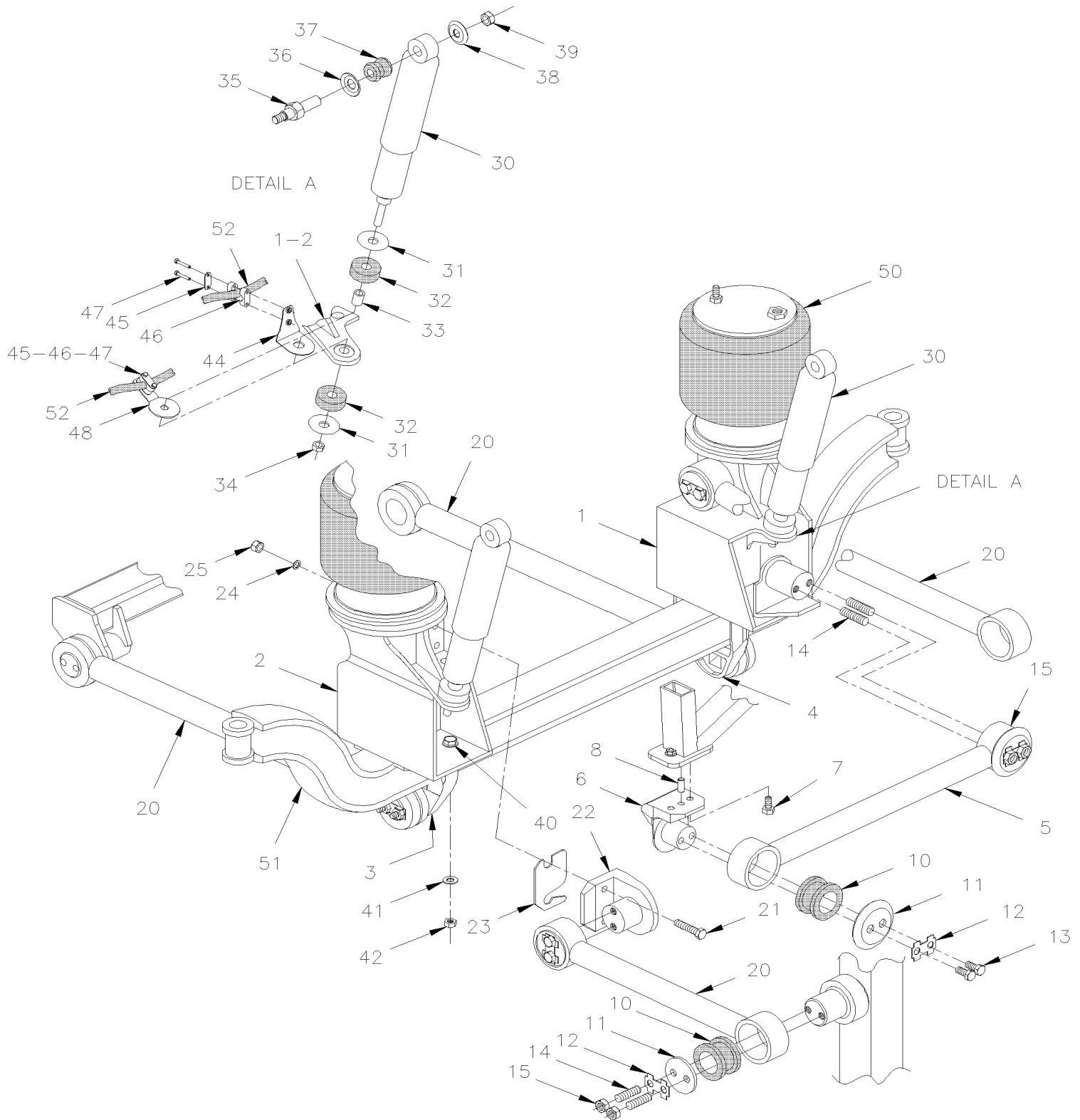
| Item# | Part | Description | X L I I 4 5 | X L I I M T H 4 0 | X L I I M T H 4 5 | X L I I M T H 4 5 E | N O T E S |
|-------|---------|--|----------------------------|---|---|--|-----------------------|
| | | FRONT AXLE BELLOW | | | | | |
| 1 | 630151 | BELLOW ASSY / MODEL 1200 M.W. To 6-8906 | 2 | | | | |
| 1 | 630151 | BELLOW ASSY / MODEL 1200 M.W. To 3-8164 | | 2 | 2 | 2 | |
| 1 | 630223 | . BELLOW ASSY W/O PISTON To 3-8164 | 1 | 1 | 1 | 1 | |
| 1 | 630239 | BELLOW ASSY / MODEL 1400 M.W. From 4-8165 | | 2 | 2 | 2 | A |
| | | DRIVE AXLE BELLOW | | | | | |
| 2 | 630105 | BELLOW ASSY / MODEL 1100 D.F. To 5-8697 | 4 | 4 | 4 | 4 | |
| 2 | 630109 | . BELLOW ASSY W/O PISTON To 5-8697 | 1 | 1 | 1 | 1 | |
| 2 | 630260 | BELLOW ASSY / MODEL 1100 D.F. From 5-8698 | 1 | 1 | 1 | 1 | |
| | | TAG AXLE BELLOW | | | | | |
| 3 | 630126 | BELLOW ASSY / MODEL 1100 M.W. To 5-8735 | 2 | 2 | | 2 | |
| 3 | 630128 | . BELLOW ASSY W/O PISTON To 5-8735 | 1 | 1 | | 1 | |
| 3 | 630259 | BELLOW ASSY / MODEL 1100 M.W. From 5-8736 | 2 | | | 2 | |
| 3 | 630126 | BELLOW ASSY / MODEL 1100 M.W. To 2-7855 | | | 2 | | |
| 3 | 630128 | . BELLOW ASSY W/O PISTON To 2-7855 | | | 1 | | |
| 3 | 630151 | BELLOW ASSY / MODEL 1200 M.W. From 2-7856 To 7-9290 | | | 2 | | |
| 3 | 630223 | . BELLOW ASSY W/O PISTON From 2-7856 To 7-9290 | | | 1 | | |
| 3 | 630162 | BELLOW ASSY / MODEL 1200 M.W. From 7-9291 | | | 2 | | |
| 4 | 630071 | . PISTON / TYPE DOUBLE FLARE | AR | AR | AR | AR | |
| 5 | 630036 | . PISTON / TYPE MAY WEST | AR | AR | AR | AR | |
| 10 | 500717 | NUT HEX NYRT 1/2-20 Z050 | AR | AR | AR | AR | |
| 10 | 5001599 | NUT HEX NYRT THN 1/2-13 Z050 | AR | AR | AR | AR | |
| 10 | 500968 | NUT HEX STO 1/2-13 Z050 | AR | AR | AR | AR | |
| 10 | 502595 | NUT HEX NYRT 1/2-13 Z050 | AR | AR | AR | AR | |
| 11 | 502831 | NUT HEX THN 1 1/4-12x1/2 | AR | AR | AR | AR | |
| 11 | 5001041 | NUT HEX THN 1 1/4-12x1/2 To 6-8906 | AR | | | | |
| 12 | 501406 | STREET ELBOW 90° / PIPE FITTING / 1/2NPT-Mx1/2NPT-F BR To 6-8906 | 1 | | | | |
| 12 | 5011170 | STREET ELBOW 90° / PIPE FITTING / 1/2NPT-Mx1/2NPT-F GAL | 2 | 2 | 2 | 2 | |
| 12 | 641410 | MALE ELBOW 90° NON-SWIVEL / PUSH-IN FITTING / #12x1/2NPT-M BR | 2 | 2 | 2 | 2 | |
| 12 | 641384 | MALE CONNECTOR / PUSH-IN FITTING / #10x1/2NPT-M BR | | | | AR | |
| NS | 131388 | MALE CONNECTOR 114MM 1/2 NPT To 3-8164 | 1 | 1 | 1 | 1 | A |
| NS | 131737 | MALE CONNECTOR 123.8MM 1/2 NPT From 4-8165 | 1 | 1 | 1 | 1 | A |

| | | |
|-----------------------|--------------|-----------------|
| From Y-7046 To 8-9339 | Date:10/2022 | PAGE:Y2-1601-00 |
|-----------------------|--------------|-----------------|

BELLOWS - AIR SUSPENSION

| Item# | Part | Description | X L I I 4 5 | X L I I M T H 4 0 | X L I I M T H 4 5 | X L I I M T H 4 5 E | N O T E S |
|-------|------|--------------------------------|--------------------------------|---|---|--|-----------------------|
| | | A) WITH INDEPENDANT SUSPENSION | | | | | |

| | | |
|--------------------------------------|--------------|-----------------|
| From Y-7046 To 6-8906 | Date:10/2022 | PAGE:Y2-1605-00 |
| FRONT AXLE - INSTALL W/ I BEAM RIGID | | |



| | | |
|---|--------------|-----------------|
| From Y-7046 To 6-8906 | Date:10/2022 | PAGE:Y2-1605-00 |
| FRONT AXLE - INSTALL W/ I BEAM RIGID | | |

| Item# | Part | Description | X L I I 4 5 | X L I I M T H 4 0 | X L I I M T H 4 5 | X L I I M T H 4 5 E | N O T E S |
|-------|---------|---|----------------------------|---|---|--|-----------------------|
| 1 | 110713 | SUPPORT ASSY L.H. BELLOW | 1 | | | | |
| 2 | 110712 | SUPPORT ASSY R.H. BELLOW | 1 | | | | |
| NS | 110762 | SPACER WASHER 1" I.D. X 1 1/2" O.D. X 16GA To 2-7929 | 1 | | | | A |
| 3 | 110740 | SUPPORT RADIUS ROD R.H. | 1 | | | | |
| 4 | 110739 | SUPPORT RADIUS ROD L.H. | 1 | | | | |
| 5 | 110648 | ROD ASSY / 34 13/16" C/C (885MM) | 1 | | | | |
| 6 | 131544 | SUPPORT / ROD / W/2 M16-2 HOLES & DOWEL PIN / 95MM C/C // 150MM SHORT To 5-8461 | 1 | | | | |
| 6 | 131686 | SUPPORT / ROD / W/2 M16-2 HOLES & DOWEL PIN / 95MM C/C // 150MM SHORT From 5-8462 To 6-8950 | 1 | | | | |
| 6 | 132912 | SUPPORT / ROD / W/2 M16-2 HOLES & DOWEL PIN / 95MM C/C // 150MM SHORT SERVICE From 6-8951 | 1 | | | | |
| 6 | 121890 | TORQUE PLATE / W/2HOLES 17MM I.D. X 90MM C/C | 1 | | | | |
| 7 | 5001224 | SCREW CAP HEX M16-2.0x60 G10.9 G500 | 2 | | | | |
| 7 | 5001372 | SCREW CAP HEX M16-2.0x50 G10.9 N500 SERVICE | 2 | | | | |
| 8 | 502164 | PIN DOWEL M16 X 40MM | 1 | | | | |
| 10 | 630021 | RUBBER BUSHING "PREVOST" | 10 | | | | |
| NS | 192380 | SHIM WASHER / BUSHING RADIUS ROD 2.795x4.330x.0625 SS | AR | | | | W |
| 11 | 110681 | RETAINER PLATE / IRON 110MM OD W/16.7 @ 38C/C | 10 | | | | |
| 12 | 110340 | TAB LOCK / W/2 HOLES / W/4 TABS / 18MM I.D. X 38MM C/C | 10 | | | | |
| 13 | 502544 | SCREW CAP HEX M16-2.0x40 G8.8 Z050 To 6-8844 | 2 | | | | |
| 13 | 500813 | SCREW CAP HEX M16-2.0x35 G8.8 ZP From 6-8845 | 2 | | | | |
| 14 | 130963 | STUD M16-2.0x70 | 2 | | | | |
| 15 | 502588 | NUT HEX M16-2.0 ZP | 2 | | | | |
| 20 | 131560 | ROD ASSY / 24 1/16" C/C (611MM) | 3 | | | | |
| 21 | 5001512 | SCREW CAP HEX M16-2.0x100 G10.9 G500 To 6-8950 | 2 | | | | |
| 21 | 5001501 | SCREW CAP HEX M16-2.0x90 G10.9 Z050 SERVICE From 6-8951 | 2 | | | | |
| 22 | 131065 | SUPPORT / ROD / W/2 M16-2 HOLES / 95MM C/C // 150MM SHORT To 5-8461 | 1 | | | | |
| 22 | 131753 | SUPPORT / ROD / W/2 M16-2 HOLES / 95MM C/C // 150MM SHORT From 5-8462 To 6-8950 | 1 | | | | |
| 22 | 132914 | SUPPORT / ROD / W/2 M16-2 HOLES / 95MM C/C // 150MM SHORT SERVICE From 6-8951 | 1 | | | | |
| NS | 121890 | TORQUE PLATE / W/2HOLES 17MM I.D. X 90MM C/C From 6-8951 | AR | | | | |
| 23 | 110732 | SHIM 0.125 | AR | | | | |
| 24 | 5001046 | WASHER FL .656x1.500x.187 | 2 | | | | |
| 25 | 5001662 | NUT HEX NYRT M16-2.0 G10 Z050 | 2 | | | | |
| 30 | 630228 | SHOCK ABSORBER / WHITE To 3-8164 | 2 | | | | |
| 30 | 630254 | SHOCK ABSORBER / SACHS / 206 From 4-8165 | 2 | | | | |
| NS | 630255 | KIT WASHER & RUBBER BUSHING From 4-8165 | 1 | | | | |
| NS | 630257 | BUSHING / RUBBER / (TWO PIECES) 1" x 1.005" I.D. From 4-8165 | 1 | | | | |
| 31 | 630155 | BUSHING KIT / LOWER SHOCK To 2-7816 | 1 | | | | |
| 31 | 630249 | KIT WASHER & RUBBER BUSHING From 2-7817 To 3-8164 | AR | | | | |
| 31 | 630255 | KIT WASHER & RUBBER BUSHING From 4-8165 | AR | | | | |
| 31 | 630153 | WASHER STEEL To 2-7816 | 2 | | | | |
| 31 | 110756 | WASHER CONCAVE 75MM O.D. X 16.5MM I.D From 2-7817 To 3-8164 | 2 | | | | |
| 32 | 630152 | BUSHING / RUBBER To 3-8164 | 2 | | | | |
| 33 | 630154 | SPACER SLEEVE / STEEL To 3-8164 | 2 | | | | |

| | | |
|---|--------------|-----------------|
| From Y-7046 To 6-8906 | Date:10/2022 | PAGE:Y2-1605-00 |
| FRONT AXLE - INSTALL W/ I BEAM RIGID | | |

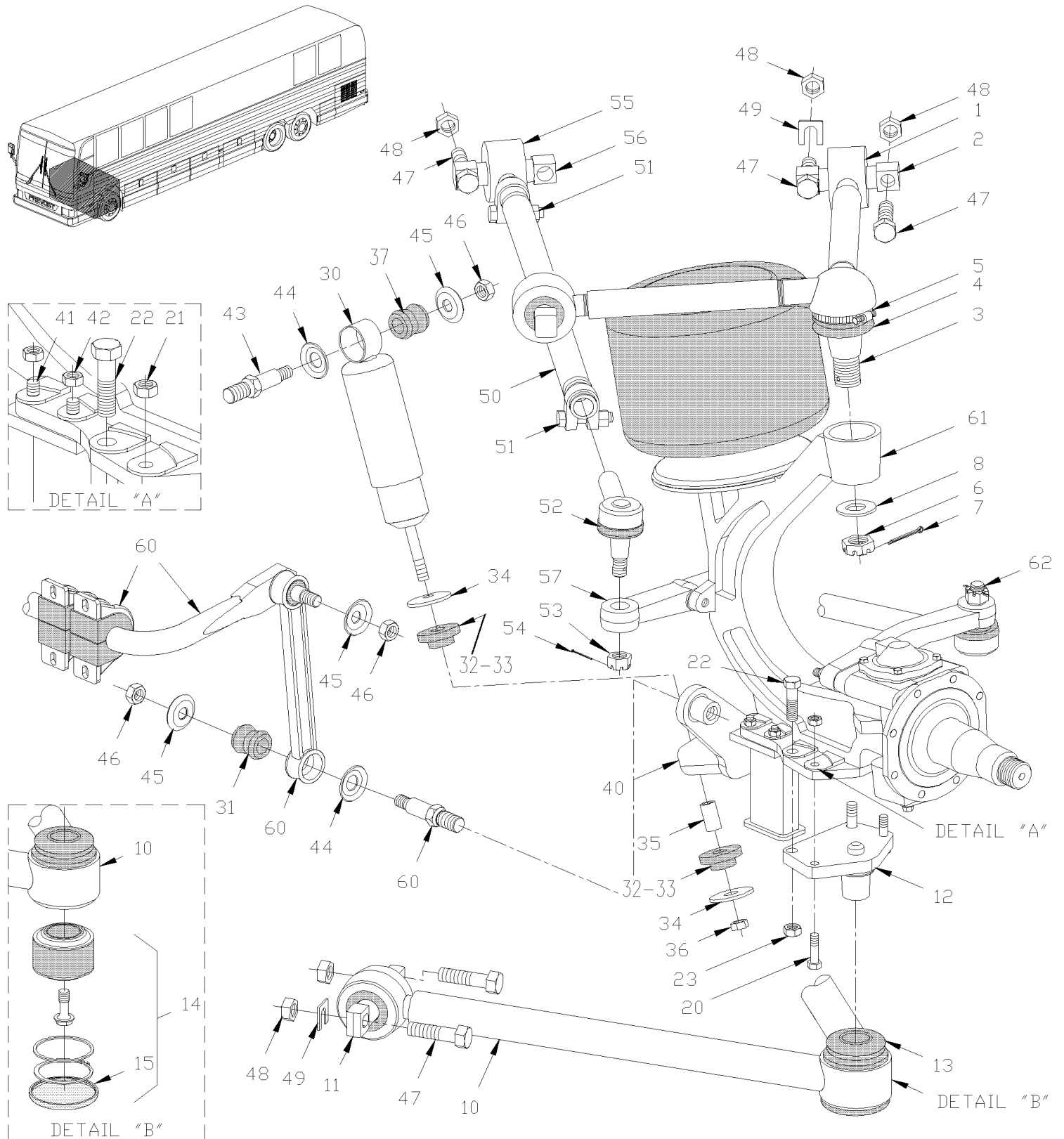
| Item# | Part | Description | X L I I 4 5 | X L I I M T H 4 0 | X L I I M T H 4 5 | X L I I M T H 4 5 E | N O T E S |
|-------|-------------------|--|----------------------------|---|---|--|-----------------------|
| 34 | 500725 | ... NUT HEX STO 5/8-18 Z050 To 3-8164 | 2 | | | | |
| 34 | 963121 | ... NUT HEX NYRT M16-1.5 ZP From 4-8165 | 2 | | | | |
| 35 | 131424 | PIN W/TAPER ATTACHMENT M20-2.5 | 2 | | | | |
| 36 | 5001153 | WASHER CON 25.5x50.0x4.5 ZP | 2 | | | | |
| 37 | 630257 | BUSHING / RUBBER / (TWO PIECES) 1" x 1.005" I.D. | 2 | | | | |
| 38 | 5001152 | WASHER CON 21.0x50.0x4.5 ZP | 2 | | | | |
| 39 | 500809 | NUT HEX STO M20-2.5 N500 | 2 | | | | |
| 40 | 5001510 | SCREW CAP HEX M22-2.5x85 G8.8 ZP | 9 | | | | |
| 41 | 5001509 | WASHER FL 23.0x39.0x4.0 ZP | 9 | | | | |
| 42 | 5001176 | NUT HEX STO M22-2.5 ZP | 9 | | | | |
| 44 | 110738 | HOSE SUPPORT L.H. & R.H. / FIXED AT SHOCK END / | 2 | | | | |
| 45 | 504614 | PLATE RETAINING / COLLAR | 2 | | | | |
| 46 | 504612 | COLLAR 13/16" I.D. / TO FIX HOSE | 4 | | | | |
| 47 | 502656 | SCREW CAP HEX M6-1.0x50 SS | 4 | | | | |
| 48 | 110765 | HOSE SUPPORT L.H. & R.H. / FIXED AT SHOCK END / | 2 | | | | |
| 50 | Y2-1601-00 | BELLOWS - AIR SUSPENSION | | | | | |
| 51 | Y2-1005-00 | FRONT AXLE - I BEAM RIGID MODEL "S-84" | | | | | |
| 52 | Y2-1225-10 | BRAKE CHAMBER - FRONT AXLE TYPE 22 | | | | | |
| 52 | Y2-1225-11 | BRAKE CHAMBER - FRONT AXLE TYPE 24 | | | | | |
| 52 | Y2-1225-12 | BRAKE CHAMBER - FRONT AXLE TYPE 27 | | | | | |
| | | | | | | | |
| | | | | | | | |
| | | A) BETWEEN LINK AND SUPPORT | | | | | |
| | | W) IF NEED, USE BETWEEN BUSHING ROD SUPPORT | | | | | |

From Y-7046 To 3-8164

Date:10/2022

PAGE:Y2-1605-50

FRONT AXLE - INSTALL W/INDEPENDENT "IS-84" / 16500LBS



| | | |
|--|--------------|-----------------|
| From Y-7046 To 3-8164 | Date:10/2022 | PAGE:Y2-1605-50 |
| FRONT AXLE - INSTALL W/INDEPENDENT "IS-84" / 16500LBS | | |

| Item# | Part | Description | X L I I 4 5 | X L I I M T H 4 0 | X L I I M T H 4 5 | X L I I M T H 4 5 E | NOTES |
|-------|---------|---|----------------------------|---|---|--|-------|
| 1 | 611203 | UPPER ARM ASSY / L.H. & R.H. | | 2 | 2 | 2 | |
| 1 | 611347 | UPPER ARM ASSY / L.H. & R.H. / SERVICE | | 1 | 1 | 1 | |
| 2 | 611135 | . BUSHING BAR PIN / 20MM 130mm c/c 75MM O.D. x 52MM wide | | 1 | 1 | 1 | |
| . NS | 683108 | .. TOOL MOUNTING / MATRICE | | 1 | 1 | 1 | |
| . NS | 683109 | .. TOOL MOUNTING / TAPER RING / 100.5MM O.D. | | 1 | 1 | 1 | |
| . NS | 683110 | .. TOOL MOUNTING / STABILISATION | | 1 | 1 | 1 | |
| 2 | N.S.S. | .. LOCK RING | | 1 | 1 | 1 | 1 |
| 2 | N.S.S. | .. SPACER RING | | 1 | 1 | 1 | 1 |
| 3 | 611108 | . BALL STUD / REPAIR KIT / W/611203 ONLY | | 1 | 1 | 1 | C |
| 3 | N.S.S. | .. BEARING RACE | | 1 | 1 | 1 | 1 |
| 3 | N.S.S. | .. BEARING RETAINER | | 1 | 1 | 1 | 1 |
| 4 | 611109 | . SEALING BOOT KIT / W/611203 ONLY | | 1 | 1 | 1 | |
| 5 | 611110 | .. RING / RETAINER BOOT 96MM | | 1 | 1 | 1 | |
| 6 | 5001321 | . NUT HEX CSL M30-1.5 17TH CJ | | 1 | 1 | 1 | |
| 7 | 502105 | . PIN, COTTER 3/16 x 2 | | 1 | 1 | 1 | |
| 8 | 5001255 | WASHER FL 31.75x54.77x3.175 | | 2 | 2 | 2 | |
| 10 | 611072 | LOWER ARM ASSY / R.H. | | 1 | 1 | 1 | |
| NS | 611078 | LOWER ARM ASSY / L.H. | | 1 | 1 | 1 | |
| 11 | 611114 | . BUSHING BAR PIN / 20x25MM 130mm c/c 85MM O.D. x 55MM wide | | 1 | 1 | 1 | |
| . NS | 683111 | .. TOOL MOUNTING / MATRICE | | 1 | 1 | 1 | |
| . NS | 683112 | .. TOOL MOUNTING / TAPER RING / 106.5MM O.D. | | 1 | 1 | 1 | |
| . NS | 683113 | .. TOOL MOUNTING / STABILISATION | | 1 | 1 | 1 | |
| 11 | N.S.S. | .. LOCK RING | | 1 | 1 | 1 | 1 |
| 11 | N.S.S. | .. SPACER RING | | 1 | 1 | 1 | 1 |
| 12 | 611117 | . MOUNTING BRACKET / TOP OF LOWER ARM W/4 HOL | | 1 | 1 | 1 | |
| 12 | 611357 | . MOUNTING BRACKET / TOP OF LOWER ARM W/4 HOL | | 1 | 1 | 1 | S |
| 13 | 611115 | . SEALING BOOT ASSY / ARM MOUNTING BRACKET | | 1 | 1 | 1 | |
| NS | 611116 | .. RING / RETAINER BOOT 113MM | | 1 | 1 | 1 | |
| 14 | 611112 | . LOWER BEARING BALL ASSY / REPAIR KIT | | 1 | 1 | 1 | |
| . NS | 683114 | .. TOOL MOUNTING / MATRICE | | 1 | 1 | 1 | |
| . NS | 683115 | .. TOOL MOUNTING / TAPER RING / 101.5MM O.D. | | 1 | 1 | 1 | |
| . NS | 683116 | .. TOOL MOUNTING / STABILISATION | | 1 | 1 | 1 | |
| . NS | 683117 | .. TOOL MOUNTING / MATRICE | | 1 | 1 | 1 | |
| . NS | 683118 | .. TOOL MOUNTING / HANDLE | | 1 | 1 | 1 | |
| . NS | 683119 | .. TOOL MOUNTING / MATRICE | | 1 | 1 | 1 | |
| . NS | 683120 | .. TOOL MOUNTING RING POSITIONING | | 1 | 1 | 1 | |
| 14 | N.S.S. | ... BEARING ELEMENT RING | | 2 | 2 | 2 | 1 |
| 14 | N.S.S. | ... BEARING SPACER RING | | 2 | 2 | 2 | 1 |
| 14 | N.S.S. | ... SCR CAP HEX M14-1.5 X 30MM SPECIAL | | 1 | 1 | 1 | 1 |
| 15 | 611113 | ... CLOSING CAP, LOWER | | 1 | 1 | 1 | |
| 20 | 5001322 | SCREW CAP HEX M16-1.5x60 G10.9 ZP | | 2 | 2 | 2 | |
| NS | 5001224 | SCREW CAP HEX M16-2.0x60 G10.9 G500 | | AR | AR | AR | |

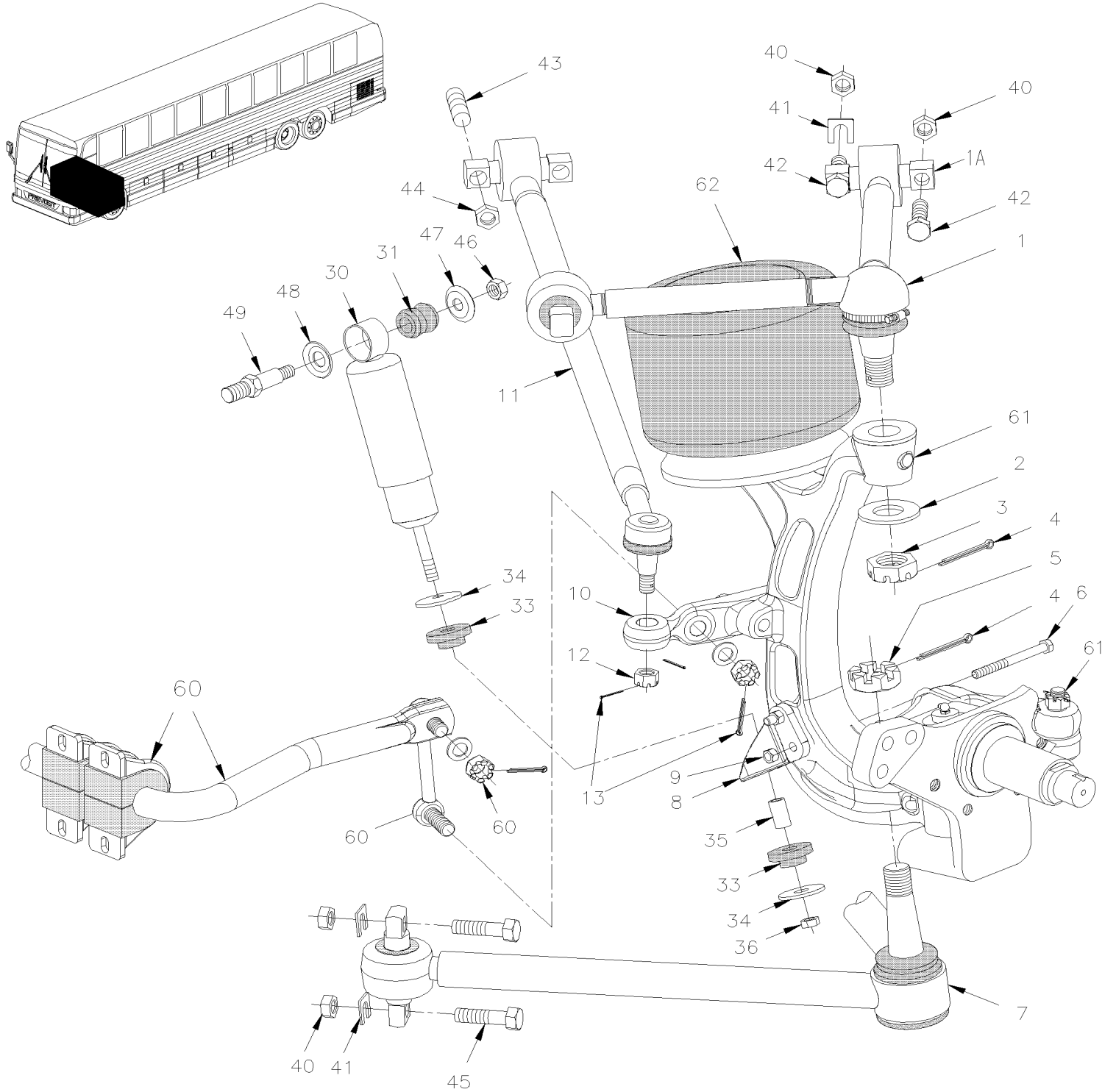
| | | |
|--|--------------|-----------------|
| From Y-7046 To 3-8164 | Date:10/2022 | PAGE:Y2-1605-50 |
| FRONT AXLE - INSTALL W/INDEPENDENT "IS-84" / 16500LBS | | |

| Item# | Part | Description | X L I I 4 5 | X L I I M T H 4 0 | X L I I M T H 4 5 | X L I I M T H 4 5 E | N O T E S |
|-------|-------------------|--|----------------------------|---|---|--|-----------------------|
| 21 | 5001253 | NUT HEX STO M16-1.5 G500 | | 4 | 4 | 4 | |
| NS | 5001254 | NUT HEX STO M16-2.0 DP | | AR | AR | AR | A |
| 30 | 630136 | SHOCK ABSORBER / BLACK | | 2 | 2 | 2 | |
| 30 | 630235 | SHOCK ABSORBER / "KONI" (ORANGE) | | AR | AR | AR | O |
| 31 | 630062 | . BUSHING / RUBBER / (ONE PIECE) 2" x 1.005" I.D. To 2-7816 | | 2 | 2 | 2 | |
| 32 | 630249 | . KIT WASHER & RUBBER BUSHING From 2-7817 | | 2 | 2 | 2 | |
| 33 | 630152 | . . BUSHING / RUBBER | | 2 | 2 | 2 | |
| 34 | 630153 | . . WASHER STEEL To 2-7816 | | 2 | 2 | 2 | |
| 34 | 110756 | . . WASHER CONCAVE 75MM O,D. X 16.5MM I.D From 2-7817 | | 2 | 2 | 2 | |
| 35 | 630154 | . . SPACER SLEEVE / STEEL | | 1 | 1 | 1 | |
| 36 | 500725 | . . NUT HEX STO 5/8-18 Z050 | | 1 | 1 | 1 | |
| 37 | 630257 | . BUSHING / RUBBER / (TWO PIECES) 1" x 1.005" I.D. | | 2 | 2 | 2 | |
| 40 | 110674 | SUPPORT R.H. / LOWER SHOCK & SWAY BAR | | 1 | 1 | 1 | |
| NS | 110675 | SUPPORT L.H. / LOWER SHOCK & SWAY BAR | | 1 | 1 | 1 | |
| 41 | 5001043 | SCREW CAP HEX M12-1.75x50 G8.8 Z050 | | 8 | 8 | 8 | |
| 42 | 500811 | NUT HEX STO M12-1.75 G500 | | 8 | 8 | 8 | B |
| 43 | 131424 | PIN W/TAPER ATTACHMENT M20-2.5 | | 2 | 2 | 2 | |
| 44 | 5001153 | WASHER CON 25.5x50.0x4.5 ZP | | 2 | 2 | 2 | |
| 45 | 5001152 | WASHER CON 21.0x50.0x4.5 ZP | | 6 | 6 | 6 | |
| 46 | 500809 | NUT HEX STO M20-2.5 N500 | | 1 | 1 | 1 | |
| 47 | 5001225 | SCREW CAP HEX M20-2.5x80 G10.9 G500 | | 16 | 16 | 16 | |
| 48 | 5001252 | NUT HEX STO M20-2.5 DP | | 16 | 16 | 16 | |
| 49 | 160992 | SHIM "U" 6.35 x 39.5MM x 38MM x 20 i.d. | | 8 | 8 | 8 | |
| NS | 160993 | SHIM "U" 3.175x 39.5MM x 38MM x 20 i.d. | | 4 | 4 | 4 | |
| 50 | 161001 | ROD ASSY / 5TH | | 2 | 2 | 2 | |
| 51 | 611129 | . COLLAR ASSY / W/BOLT & NUT 37MM I.D. | | 2 | 2 | 2 | |
| . NS | N17588 | . . SCREW CAP HEX M12-1.75x70 G10.9 DP | | 1 | 1 | 1 | |
| . NS | 500811 | . . NUT HEX STO M12-1.75 G500 | | 1 | 1 | 1 | |
| 52 | 611128 | . TIE ROD END R.H. THREAD M30-1.5 | | 1 | 1 | 1 | |
| . NS | N20571 | . . RUBBER SEAL BOOT | | 1 | 1 | 1 | |
| . NS | N8884429 | . . NUT HEX CSL M24-1.5 15TH CJ | | 1 | 1 | 1 | |
| 53 | 5001325 | . . NUT HEX CSL M24-1.5 15TH CJ | | 1 | 1 | 1 | |
| 54 | 502104 | . . PIN, COTTER 5/32 x 2 | | 1 | 1 | 1 | |
| 55 | 611130 | . BALL PIN BUSHING ASSY | | 1 | 1 | 1 | |
| 56 | 611127 | . . BUSHING BAR PIN / 15MM 90mm c/c 55MM O.D. x 50MM wide | | 1 | 1 | 1 | |
| 57 | 661071 | UPRIGHT ARM L.H. / W/56 Deg | | 1 | 1 | 1 | |
| NS | 661072 | UPRIGHT ARM R.H. / W/56 Deg | | 1 | 1 | 1 | |
| 60 | Y2-1616-00 | SWAY BAR | | | | | |
| 61 | Y2-1005-50 | FRONT AXLE - INDEPENDENT MODEL "IS-84" / 16500LBS | | | | | |
| 62 | Y2-1410-50 | STEERING RODS - INSTALLATION W/INDEPENDENT "IS-84" / 16500LBS | | | | | |
| 70 | 630151 | BELLOW ASSY / MODEL 1200 M.W. | | 2 | 2 | 2 | |
| 71 | 501406 | STREET ELBOW 90° / PIPE FITTING / 1/2NPT-Mx1/2NPT-F BR | | 1 | 1 | 1 | |

| | | |
|--|--------------|-----------------|
| From Y-7046 To 3-8164 | Date:10/2022 | PAGE:Y2-1605-50 |
| FRONT AXLE - INSTALL W/INDEPENDENT "IS-84" / 16500LBS | | |

| Item# | Part | Description | X L I I I 4 5 | X L I I I M T H 4 0 | X L I I I M T H 4 5 | X L I I I M T H 4 5 E | N O T E S |
|-------|---------|------------------------------|---------------------------------|--|--|---|-----------------------|
| 73 | 131388 | MALE CONNECTOR 114MM 1/2 NPT | | 1 | 1 | 1 | |
| 74 | 5001041 | NUT HEX THN 1 1/4-12x1/2 | | 1 | 1 | 1 | |
| | | | | | | | |
| | | A) TO FIX ARM | | | | | |
| | | B) TO FIX SUPPORT | | | | | |
| | | C) USE TOOL #683121 | | | | | |
| | | O) "OPTION" SPECIAL | | | | | |
| | | S) AFTER MARKET | | | | | |
| | | 1) NOT SOLD SEPARATELY | | | | | |

| | | |
|--|--------------|-----------------|
| From 4-8165 To 8-9339 | Date:10/2022 | PAGE:Y2-1605-51 |
| FRONT AXLE - INSTALL W/INDEPENDENT "NDIFS80P" / 18000LBS | | |



| | | |
|---|--------------|-----------------|
| From 4-8165 To 8-9339 | Date:10/2022 | PAGE:Y2-1605-51 |
| FRONT AXLE - INSTALL W/INDEPENDENT "NDIFS80P" / 18000LBS | | |

| Item# | Part | Description | X L I I 4 5 | X L I I M T H 4 0 | X L I I M T H 4 5 | X L I I M T H 4 5 E | N O T E S |
|-------|---------|--|----------------------------|---|---|--|-----------------------|
| 1 | 611270 | UPPER ARM ASSY / L.H. & R.H. | | 2 | 2 | 2 | |
| . A | 611346 | . BUSHING BAR PIN / 20MM 150mm c/c 85MM O.D. x 72MM wide | | 2 | 2 | 2 | |
| . A1 | 611358 | . BUSHING BAR PIN / 20MM 150mm c/c 85MM O.D. x 72MM wide | | 2 | 2 | 2 | |
| 2 | 5001255 | WASHER FL 31.75x54.77x3.175 | | 1 | 1 | 1 | |
| 3 | 5001321 | NUT HEX CSL M30-1.5 17TH CJ | | 1 | 1 | 1 | |
| 4 | 502115 | PIN, COTTER 3/16 x 2 1/2 | | 2 | 2 | 2 | |
| 5 | 5001333 | NUT HEX CSL M36-1.5 17TH CJ | | 1 | 1 | 1 | |
| 6 | 611273 | SCREW CAP HEX M14-2.0x135 G8.8 Z050 | | 2 | 2 | 2 | |
| 7 | 611271 | LOWER ARM ASSY / R.H. / W/56 Deg To 6-8832 | | 1 | 1 | 1 | |
| . NS | 611326 | . LOWER BEARING BALL ASSY / REPAIR KIT To 6-8832 | | 1 | 1 | 1 | |
| . NS | 611325 | . BUSHING BAR PIN / 20MM 150mm c/c 85MM O.D. x 70MM wide To 6-8832 | | 2 | 2 | 2 | |
| 7 | 611344 | LOWER ARM ASSY / R.H. / W/58 Deg From 6-8833 | | | 1 | 1 | |
| . NS | 611326 | . LOWER BEARING BALL ASSY / REPAIR KIT From 6-8833 | | | 1 | 1 | |
| . NS | 611325 | . BUSHING BAR PIN / 20MM 150mm c/c 85MM O.D. x 70MM wide From 6-8833 | | | 2 | 2 | |
| 7 | 611272 | LOWER ARM ASSY / L.H. / W/56 Deg To 6-8832 | | 1 | 1 | 1 | |
| . NS | 611326 | . LOWER BEARING BALL ASSY / REPAIR KIT To 6-8832 | | 1 | 1 | 1 | |
| . NS | 611325 | . BUSHING BAR PIN / 20MM 150mm c/c 85MM O.D. x 70MM wide To 6-8832 | | 2 | 2 | 2 | |
| 7 | 611343 | LOWER ARM ASSY / L.H. / W/58 Deg From 6-8833 | | | 1 | 1 | |
| . NS | 611326 | . LOWER BEARING BALL ASSY / REPAIR KIT From 6-8833 | | | 1 | 1 | |
| . NS | 611325 | . BUSHING BAR PIN / 20MM 150mm c/c 85MM O.D. x 70MM wide From 6-8833 | | | 2 | 2 | |
| 8 | 116454 | ATTACHMENT / SHOCK ABSORBER | | 1 | 1 | 1 | |
| 9 | 502538 | NUT HEX STO M14-2.0 Z050 | | 2 | 2 | 2 | |
| 10 | 661080 | UPRIGHT ARM L.H. / W/56 Deg To 6-8832 | | 1 | 1 | 1 | |
| 10 | 661113 | UPRIGHT ARM L.H. / W/58 Deg From 6-8833 | | | 1 | 1 | |
| 10 | 661081 | UPRIGHT ARM R.H. / W/56 Deg To 6-8832 | | 1 | 1 | 1 | |
| 10 | 661114 | UPRIGHT ARM R.H. / W/58 Deg From 6-8833 | | | 1 | 1 | |
| 11 | 661093 | ROD ASSY / 5TH / W/56 Deg To 6-8832 | | 2 | 2 | 2 | |
| 11 | 661111 | ROD ASSY / 5TH / W/58 Deg From 6-8833 | | | 2 | 2 | |
| 12 | 5001325 | . NUT HEX CSL M24-1.5 15TH CJ | | 1 | 1 | 1 | |
| 13 | 661215 | . PIN, COTTER 5MMx40MM | | 1 | 1 | 1 | |
| 30 | 630240 | SHOCK ABSORBER / SACHS / 475 | | 2 | 2 | 2 | |
| . NS | 630255 | . KIT WASHER & RUBBER BUSHING | | 1 | 1 | 1 | |
| . NS | 630257 | . BUSHING / RUBBER / (TWO PIECES) 1" x 1.005" I.D. | | 1 | 1 | 1 | |
| 30 | 630136 | SHOCK ABSORBER / BLACK To 6-8906 | 2 | | | | A |
| 31 | 630257 | . BUSHING / RUBBER / (TWO PIECES) 1" x 1.005" I.D. | | 2 | 2 | 2 | |
| 33 | 630249 | KIT WASHER & RUBBER BUSHING To 6-8906 | 2 | | | | A |
| 34 | 110756 | . WASHER CONCAVE 75MM O.D. X 16.5MM I.D To 6-8906 | 2 | | | | A |
| 35 | 110756 | . WASHER CONCAVE 75MM O.D. X 16.5MM I.D To 6-8906 | 2 | | | | A |
| 36 | 5001579 | NUT HEX NYRT M16-1.5 Z050 | | 1 | 1 | 1 | |
| 36 | 500725 | . NUT HEX STO 5/8-18 Z050 To 6-8906 | 2 | | | | A |
| 40 | 5001252 | NUT HEX STO M20-2.5 DP | | 4 | 4 | 4 | |
| 41 | 160992 | SHIM "U" 6.35 x 39.5MM x 38MM x 20 i.d. | | AR | AR | AR | |

| | | |
|---|--------------|-----------------|
| From 4-8165 To 8-9339 | Date:10/2022 | PAGE:Y2-1605-51 |
| FRONT AXLE - INSTALL W/INDEPENDENT "NDIFS80P" / 18000LBS | | |

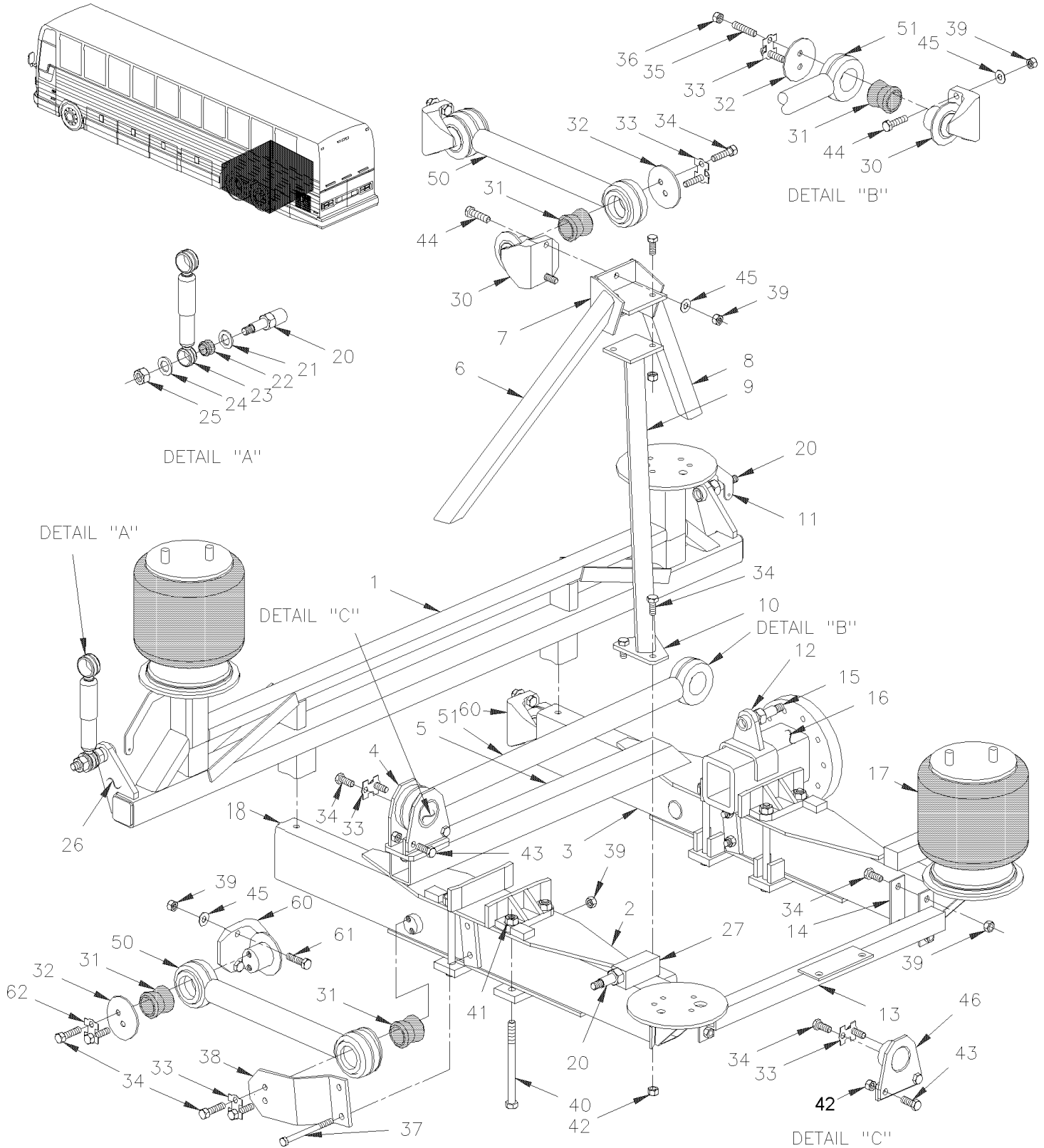
| Item# | Part | Description | X L I I 4 5 | X L I I M T H 4 0 | X L I I M T H 4 5 | X L I I M T H 4 5 E | N O T E S |
|-------|-------------------|---|----------------------------|---|---|--|-----------------------|
| 41 | 160993 | SHIM "U" 3.175x 39.5MM x 38MM x 20 i.d. | | AR | AR | AR | |
| 41 | 661094 | SHIM "U" 4.76 x 39.5MM x 38MM x 20 i.d. | | AR | AR | AR | |
| 42 | 983296 | SCREW CAP HEX M20-2.5x90 G10.9 ZP | | 4 | 4 | 4 | |
| 42 | 5001525 | SCREW CAP HEX M20-2.5x100 G10.9 N500 | | 4 | 4 | 4 | |
| 43 | 130963 | STUD M16-2.0x70 | | 2 | 2 | 2 | |
| 44 | 502588 | NUT HEX M16-2.0 ZP | | 2 | 2 | 2 | |
| 45 | 5001561 | SCREW CAP HEX M20-2.5x250 G10.9 ZP | | 4 | 4 | 4 | |
| 46 | 500809 | NUT HEX STO M20-2.5 N500 | | 1 | 1 | 1 | |
| 47 | 5001152 | WASHER CON 21.0x50.0x4.5 ZP | | 1 | 1 | 1 | |
| 48 | 5001153 | WASHER CON 25.5x50.0x4.5 ZP | | 1 | 1 | 1 | |
| 49 | 131424 | PIN W/TAPER ATTACHMENT M20-2.5 | | 1 | 1 | 1 | |
| 60 | Y2-1616-00 | SWAY BAR | | | | | |
| 61 | Y2-1005-51 | FRONT AXLE - INDEPENDENT MODEL "NDIFS80P" / 18000LBS | | | | | |
| 62 | Y2-1601-00 | BELLOWS - AIR SUSPENSION | | | | | |
| | | | | | | | |
| | | | | | | | |
| | | | | | | | |
| | | A) USE ONLY WITH BUS WITH INDEPENDANT SUSPENSION | | | | | |

From Y-7046 To 8-9339

Date:10/2022

PAGE:Y2-1610-00

REAR AXLE - INSTALL SUSPENSION



| | | |
|---------------------------------------|--------------|-----------------|
| From Y-7046 To 8-9339 | Date:10/2022 | PAGE:Y2-1610-00 |
| REAR AXLE - INSTALL SUSPENSION | | |

| Item# | Part | Description | X L I I 4 5 | X L I I M T H 4 0 | X L I I M T H 4 5 | X L I I M T H 4 5 E | N O T E S |
|-------|-------------------|---|--------------------------------|---|---|--|-----------------------|
| 1 | 121563P | . REAR DIFFERENTIAL CARRIER ASSY WELDED WITH DISC BRAKE | 1 | | 1 | | |
| 1 | 121563P | . REAR DIFFERENTIAL CARRIER ASSY WELDED WITH DISC BRAKE To 7-9095 | | 1 | | 1 | |
| 1 | 121790P | . FRONT FRAME ASSY / W/AXLE WITH DISC BRAKE From 7-9096 | | | | 1 | |
| 2 | 121552P | . BEAM ASSY / L.H. To 5-8395 | 1 | 1 | 1 | 1 | |
| 2 | Call order desk | . BEAM ASSY / L.H. From 5-8396 To 5-8535 | 1 | 1 | 1 | 1 | P |
| 2 | 121651P | . BEAM ASSY / L.H. From 5-8536 | 1 | | 1 | | |
| 2 | 121651P | . BEAM ASSY / L.H. From 5-8536 To 7-9095 | | 1 | | 1 | |
| 2 | 121788P | . BEAM ASSY / L.H. From 7-9096 | | | | 1 | |
| 3 | 121551P | . BEAM ASSY / R.H. To 5-8395 | 1 | 1 | 1 | 1 | |
| 3 | Call order desk | . BEAM ASSY / R.H. From 5-8396 To 5-8535 | 1 | 1 | 1 | 1 | P |
| 3 | 121652P | . BEAM ASSY / R.H. From 5-8536 | 1 | | 1 | | |
| 3 | 121652P | . BEAM ASSY / R.H. From 5-8536 To 7-9095 | | 1 | | 1 | |
| 3 | 121789P | . BEAM ASSY / R.H. From 7-9096 | | | | 1 | |
| 4 | 131297 | SUPPORT ASSY / (WELDED) To 1-7484 | 1 | 1 | 1 | 1 | |
| 4 | 131691 | SUPPORT ASSY / (WELDED) From 1-7485 To 6-8844 | 1 | 1 | 1 | 1 | |
| 4 | 131785 | SUPPORT ASSY / (WELDED) From 6-8845 | 1 | 1 | 1 | 1 | |
| 5 | 121433 | TUBE / (WELDED) UNDER | 1 | | 1 | | |
| 5 | 121433 | TUBE / (WELDED) UNDER To 7-9095 | | 1 | | 1 | |
| 5 | 121773 | TUBE / (WELDED) UNDER From 7-9096 | | | | 1 | |
| 6 | 121098 | BRACE / FRONT L.H. | 1 | 1 | 1 | 1 | |
| 7 | 121558 | ATTACHMENT / CENTRAL To 1-7499 | 1 | 1 | 1 | 1 | |
| 7 | 121577P | PLATE TOP TRIPOD ASSY WELDED From 1-7500 | 1 | 1 | 1 | 1 | |
| 8 | 121099 | BRACE / FRONT R.H. | 1 | 1 | 1 | 1 | |
| 9 | 121555 | TRIPOD ASSY WELDED To 1-7499 | 1 | 1 | 1 | 1 | |
| 9 | 121576P | TRIPOD ASSY WELDED From 1-7500 To 5-8395 | 1 | 1 | 1 | 1 | |
| 9 | 121610P | TRIPOD ASSY WELDED From 5-8396 | 1 | 1 | 1 | 1 | |
| 10 | 121554 | PLATE SUPPORT | 1 | 1 | 1 | 1 | |
| 11 | 121561 | ACTUATOR SUPPORT / TO FIX LINK / (WELDED) | 2 | 2 | 2 | 2 | |
| 12 | 121467 | ATTACHMENT PIN SWAY BAR / (WELDED TO HOUSING) | 2 | 2 | 2 | 2 | |
| 13 | 121342 | BAR To 1-7499 | 1 | 1 | 1 | 1 | |
| 13 | 121575 | BAR ASSY From 1-7500 | 1 | 1 | 1 | 1 | |
| 14 | 121442 | ATTACHMENT PLATE | 2 | 2 | 2 | 2 | |
| 15 | 131522 | PIN W/TAPER ATTACHMENT M20-2.5 / SWAY-BAR | 2 | 2 | 2 | 2 | |
| 16 | Y2-1105-00 | REAR AXLE - MODEL "RC23160" | | | | | |
| 17 | Y2-1601-00 | BELLOWS - AIR SUSPENSION | | | | | |
| 18 | 121693 | CLOSING END / BEAM / (WELDED) From 7-9096 | | | | 2 | |
| 20 | 131424 | PIN W/TAPER ATTACHMENT M20-2.5 | 4 | 4 | 4 | 4 | |
| 21 | 5001153 | WASHER CON 25.5x50.0x4.5 ZP | 8 | 8 | 8 | 8 | |
| 22 | 630062 | BUSHING / RUBBER / (ONE PIECE) 2" x 1.005" I.D. | 8 | 8 | 8 | 8 | |
| 23 | 630127 | SHOCK ABSORBER / BLACK W/GAZ To 3-8164 | 4 | 4 | 4 | 4 | |
| 23 | 630161 | SHOCK ABSORBER / YELLOW W/GAZ To 3-8164 | 4 | 4 | 4 | 4 | |
| 23 | 630134 | SHOCK ABSORBER / WHITE To 3-8164 | AR | AR | AR | AR | |

| | | |
|---------------------------------------|--------------|-----------------|
| From Y-7046 To 8-9339 | Date:10/2022 | PAGE:Y2-1610-00 |
| REAR AXLE - INSTALL SUSPENSION | | |

| Item# | Part | Description | X L I I 4 5 | X L I I M T H 4 0 | X L I I M T H 4 5 | X L I I M T H 4 5 E | N O T E S |
|-------|---------|---|----------------------------|---|---|--|-----------------------|
| 23 | 630253 | SHOCK ABSORBER / SACHS / 209 From 4-8165 | 4 | 4 | 4 | 4 | |
| 23 | 630236 | SHOCK ABSORBER / "KONI" (ORANGE) | 4 | 4 | 4 | 4 | O |
| . NS | 630062 | . BUSHING / RUBBER / (ONE PIECE) 2" x 1.005" I.D. | 1 | 1 | 1 | 1 | O |
| . NS | 630255 | . KIT WASHER & RUBBER BUSHING | 1 | 1 | 1 | 1 | O |
| 24 | 5001152 | WASHER CON 21.0x50.0x4.5 ZP | 8 | 8 | 8 | 8 | |
| 25 | 500809 | NUT HEX STO M20-2.5 N500 | 4 | 4 | 4 | 4 | |
| 26 | 171676 | RETAINER R.H. / (WELDED) | 1 | 1 | 1 | 1 | |
| 26 | 171677 | RETAINER L.H. / (WELDED) | 1 | 1 | 1 | 1 | |
| 27 | 121157 | ATTACHMENT PIN 1"-14 / SHOCK ABSORBER / 126MM LONG W/OFFSET CENTER | 2 | | 2 | | |
| 27 | 121157 | ATTACHMENT PIN 1"-14 / SHOCK ABSORBER / 126MM LONG W/OFFSET CENTER To 7-9095 | | 2 | | 2 | |
| 27 | 171032 | SUPPORT 1"-14 / SHOCK ABSORBER / 55MM From 7-9096 | | | | 2 | |
| 30 | 131065 | SUPPORT / ROD / W/2 M16-2 HOLES / 95MM C/C // 150MM SHORT To 5-8461 | 3 | 3 | 3 | 3 | |
| 30 | 131753 | SUPPORT / ROD / W/2 M16-2 HOLES / 95MM C/C // 150MM SHORT From 5-8462 To 6-8950 | 3 | 3 | 3 | 3 | |
| 30 | 132914 | SUPPORT / ROD / W/2 M16-2 HOLES / 95MM C/C // 150MM SHORT From 6-8951 | 3 | 3 | 3 | 3 | |
| . NS | 121890 | . TORQUE PLATE / W/2HOLES 17MM I.D. X 90MM C/C From 6-8951 | AR | AR | AR | AR | |
| 30 | 121267 | SHIM 26GAGE | AR | AR | AR | AR | |
| NS | 121039 | SHIM 20GAGE | AR | AR | AR | AR | |
| NS | 131068 | SHIM 14GAGE | AR | AR | AR | AR | |
| NS | 121419 | SHIM "U" 14GA SS 133MM x 62MM x 18 i.d. | AR | AR | AR | AR | |
| NS | 121418 | SHIM "U" 26 GA SS 133MM x 62MM x 18 i.d. | AR | AR | AR | AR | |
| 31 | 630021 | RUBBER BUSHING "PREVOST" | 8 | 8 | 8 | 8 | |
| NS | 192380 | SHIM WASHER / BUSHING RADIUS ROD 2.795x4.330x.0625 SS | AR | AR | AR | AR | W |
| 32 | 110681 | RETAINER PLATE / IRON 110MM OD W/16.7 @ 38C/C | 6 | 6 | 6 | 6 | |
| 33 | 110340 | TAB LOCK / W/2 HOLES / W/4 TABS / 18MM I.D. X 38MM C/C | 6 | 6 | 6 | 6 | |
| 34 | 502544 | SCREW CAP HEX M16-2.0x40 G8.8 Z050 To 6-8844 | AR | AR | AR | AR | |
| 34 | 500813 | SCREW CAP HEX M16-2.0x35 G8.8 ZP From 6-8845 | AR | AR | AR | AR | |
| 35 | 130963 | STUD M16-2.0x70 | 2 | 2 | 2 | 2 | |
| 36 | 502588 | NUT HEX M16-2.0 ZP | 2 | 2 | 2 | 2 | |
| 37 | 502766 | SCREW CAP HEX M16-2.0x140 G8.8 Z050 To 5-8395 | 4 | 4 | 4 | 4 | |
| 38 | 121091 | PLATE ATTACHMENT To 5-8395 | 2 | 2 | 2 | 2 | |
| 38 | 110681 | RETAINER PLATE / IRON 110MM OD W/16.7 @ 38C/C From 5-8396 | 2 | 2 | 2 | 2 | |
| 39 | 500781 | NUT HEX STO M16-2.0 DP To 8-9187 | AR | AR | AR | AR | |
| 39 | 5001662 | NUT HEX NYRT M16-2.0 G10 Z050 From 8-9188 | AR | AR | AR | AR | |
| 40 | 5001472 | SCREW CAP HEX 3/4-16x9 1/2 G5 Z050 | 8 | 8 | 8 | 8 | |
| 41 | 500251 | NUT HEX NYRT 3/4-16 Z050 | 8 | 8 | 8 | 8 | |
| 42 | 500725 | NUT HEX STO 5/8-18 Z050 To 1-7484 | 2 | 2 | 2 | 2 | |
| 42 | 5001252 | NUT HEX STO M20-2.5 DP From 1-7485 | 2 | 2 | 2 | 2 | |
| 43 | 500880 | SCREW CAP HEX 5/8-18x1 3/4 G5 ZP To 1-7484 | 2 | 2 | 2 | 2 | |
| 43 | 955385 | SCREW CAP HEX M20-2.5x45 G8.8 ZP From 1-7485 | 2 | 2 | 2 | 2 | |
| 44 | 5001369 | SCREW CAP HEX M16-2.0x70 G10.9 DP To 5-8395 | 2 | 2 | 2 | 2 | |
| 44 | 5001224 | SCREW CAP HEX M16-2.0x60 G10.9 G500 From 5-8396 To 6-8844 | 2 | 2 | 2 | 2 | |
| 44 | 5001372 | SCREW CAP HEX M16-2.0x50 G10.9 N500 From 6-8845 | 2 | 2 | 2 | 2 | |

| | | |
|-----------------------|--------------|-----------------|
| From Y-7046 To 8-9339 | Date:10/2022 | PAGE:Y2-1610-00 |
|-----------------------|--------------|-----------------|

REAR AXLE - INSTALL SUSPENSION

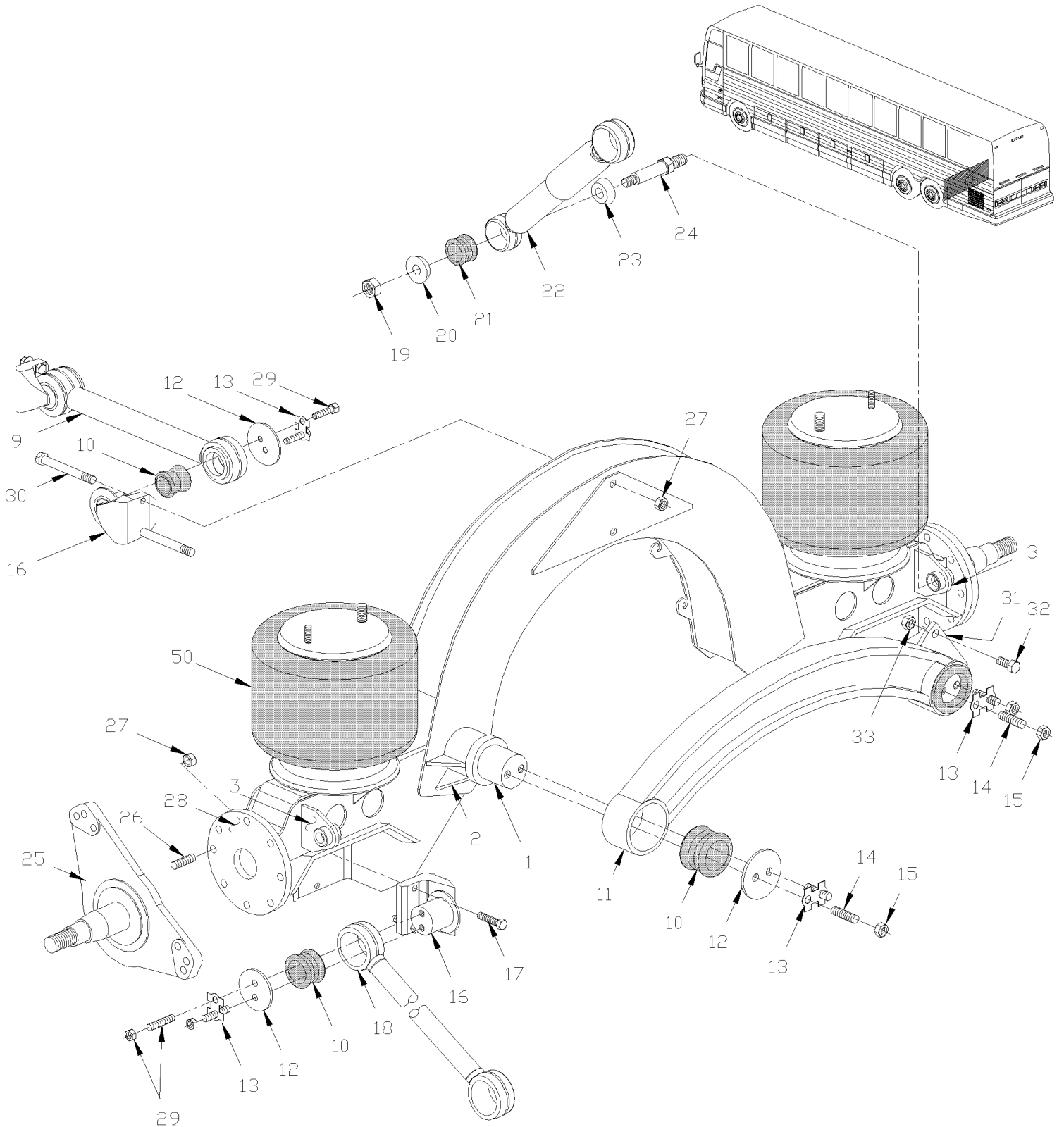
| Item# | Part | Description | X L I I 4 5 | X L I I M T H 4 0 | X L I I M T H 4 5 | X L I I M T H 4 5 E | N O T E S |
|-------|---------|---|----------------------------|---|---|--|-----------------------|
| 45 | 5001046 | WASHER FL .656x1.500x.187 | AR | AR | AR | AR | |
| 46 | 131420 | ATTACHMENT To 1-7484 | 1 | 1 | 1 | 1 | |
| 46 | 131690 | ATTACHMENT From 1-7485 To 6-8844 | 1 | 1 | 1 | 1 | |
| 46 | 131784 | ATTACHMENT From 6-8845 | 1 | 1 | 1 | 1 | |
| 50 | 120868 | ROD ASSY / 23 3/8" C/C (593MM) | 3 | | 3 | | |
| 50 | 120868 | ROD ASSY / 23 3/8" C/C (593MM) To 7-9095 | | 3 | | 3 | |
| 50 | 121697 | ROD ASSY / 21 1/8" C/C (536.5MM) From 7-9096 | | | | 3 | |
| 51 | 110648 | ROD ASSY / 34 13/16" C/C (885MM) From 1-7485 | 1 | 1 | 1 | 1 | |
| 60 | 131600 | SUPPORT / ROD / W/2 M16-2 HOLES (WELDED) / 114MM C/C // 169MM LONG To 4-8196 | 2 | 2 | 2 | 2 | |
| 60 | 131693 | SUPPORT / ROD / W/2 M16-2 HOLES / 114MM C/C // 169MM LONG From 4-8197 To 6-8950 | 2 | 2 | 2 | 2 | |
| 60 | 131807 | SUPPORT / ROD / W/2 M16-2 HOLES / 144MM C/C // 169MM LONG From 6-8951 | 2 | 2 | 2 | 2 | |
| 61 | 5001492 | SCREW CAP HEX M16-2.0x55 G10.9 ZP To 4-8196 | 4 | 4 | 4 | 4 | |
| 61 | 5001224 | SCREW CAP HEX M16-2.0x60 G10.9 G500 From 4-8197 | 4 | 4 | 4 | 4 | |
| 62 | 121562 | TAB LOCK / W/2 HOLES 17MM I.D. X 90MM C/C To 4-8196 | 2 | 2 | 2 | 2 | |
| 62 | 121578 | TAB LOCK / W/2 HOLES 17MM I.D. X 90MM C/C From 4-8197 | 2 | 2 | 2 | 2 | |
| | | | | | | | |
| | | | | | | | |
| | | O) OPTION | | | | | |
| | | W) IF NEED, USE BETWEEN BUSHING ROD SUPPORT | | | | | |
| | | P) CALL ORDER DESK FOR SPECIFIC APPLICATION (V.I.N.) | | | | | |

From Y-7046 To 8-9339

Date:10/2022

PAGE:Y2-1615-00

TAG AXLE - INSTALL SUSPENSION



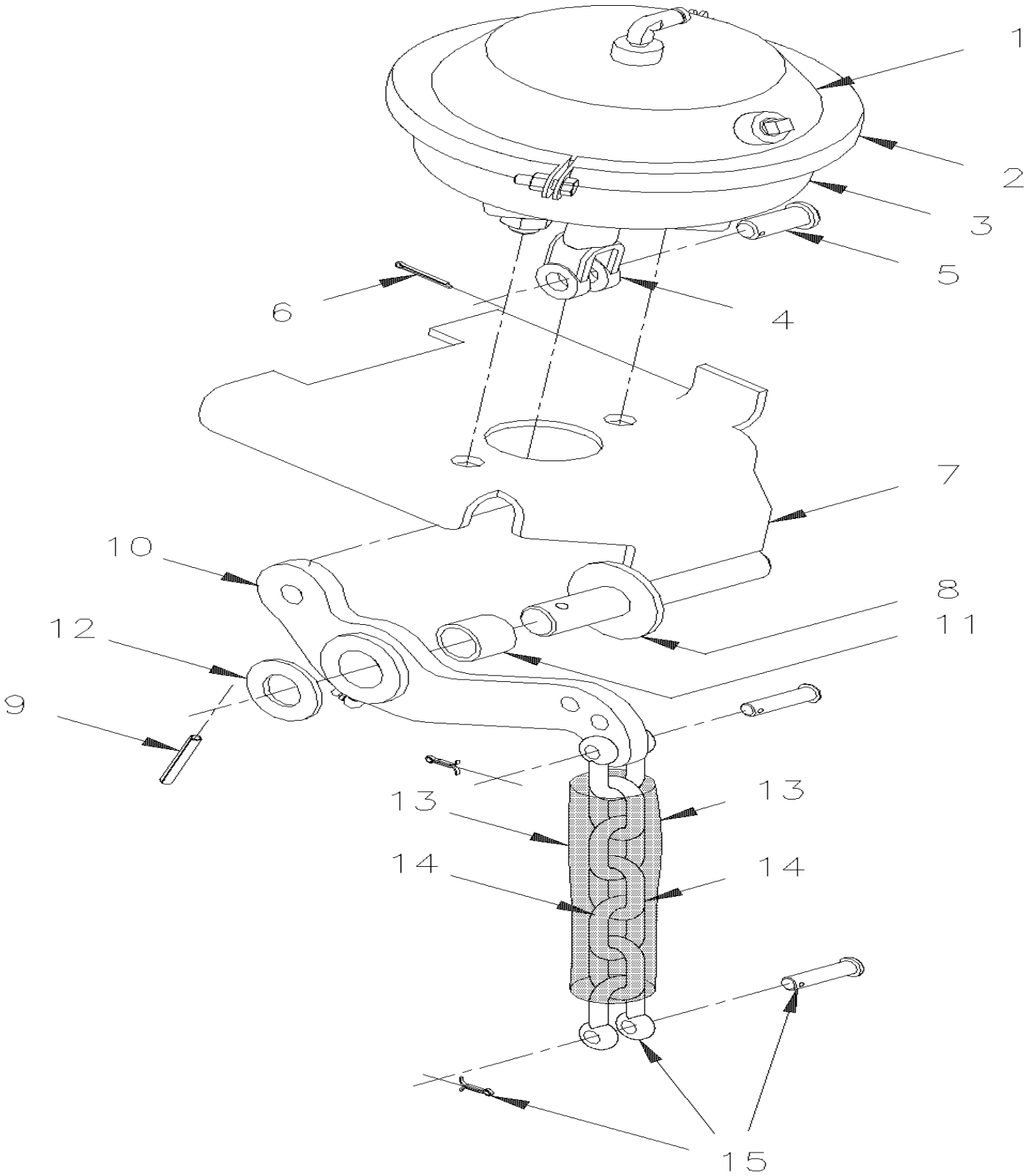
| | | |
|--------------------------------------|--------------|-----------------|
| From Y-7046 To 8-9339 | Date:10/2022 | PAGE:Y2-1615-00 |
| TAG AXLE - INSTALL SUSPENSION | | |

| Item# | Part | Description | X L I I 4 5 | X L I I M T H 4 0 | X L I I M T H 4 5 | X L I I M T H 4 5 E | N O T E S |
|-------|---------|---|----------------------------|---|---|--|-----------------------|
| | 121544P | AXLE ASSY W/AUTOMATIC TRANSMISSION | 1 | | | | |
| | 121544P | AXLE ASSY W/AUTOMATIC TRANSMISSION To 2-7855 | | | 1 | | |
| | 121547P | AXLE ASSY W/AUTOMATIC TRANSMISSION From 2-7856 | | | 1 | | |
| | 121544P | AXLE ASSY W/AUTOMATIC TRANSMISSION To 7-9095 | | 1 | | 1 | |
| | 121677P | AXLE ASSY W/AUTOMATIC TRANSMISSION From 7-9096 | | | | 1 | |
| 1 | 121341 | . SHAFT / TO FIX LATERAL ROD W/AXLE | 1 | | 1 | | |
| 1 | 121341 | . SHAFT / TO FIX LATERAL ROD W/AXLE To 7-9095 | | 1 | | 1 | |
| 1 | 121680 | . SHAFT / TO FIX LATERAL ROD W/AXLE From 7-9096 | | | | 1 | |
| 2 | 121268 | . PLATE REINFORCEMENT (WELDED) | 1 | | 1 | | |
| 2 | 121268 | . PLATE REINFORCEMENT (WELDED) To 7-9095 | | 1 | | 1 | |
| 2 | 121682 | . PLATE REINFORCEMENT (WELDED) From 7-9096 | | | | 1 | |
| NS | 121706 | . PLATE REINFORCEMENT (WELDED) | | 1 | | 1 | |
| 3 | 121545 | . ATTACHMENT / SHOCK ABSORBER PIN To 1-7594 | 2 | 2 | 2 | 2 | |
| 3 | 121580 | . ATTACHMENT / SHOCK ABSORBER PIN From 1-7595 | 2 | 2 | 2 | 2 | |
| . NS | 171032 | . . SUPPORT 1"-14 / SHOCK ABSORBER / 55MM From 1-7595 | 1 | 1 | 1 | 1 | |
| 9 | 120868 | ROD ASSY / 23 3/8" C/C (593MM) | 1 | 1 | 1 | 1 | |
| 10 | 630021 | RUBBER BUSHING "PREVOST" | 6 | 6 | 6 | 6 | |
| NS | 192380 | SHIM WASHER / BUSHING RADIUS ROD 2.795x4.330x.0625 SS | AR | AR | AR | AR | W |
| 11 | 131370 | ROD ASSY / 35" C/C (889MM) / CASTING | | 1 | | 1 | |
| 11 | 131282 | ROD ASSY / 35" C/C (889MM) / CASTING To 3-8164 | 1 | | 1 | | |
| 11 | 131749 | ROD ASSY / 35" C/C (889MM) / CASTING From 4-8165 | 1 | | 1 | | |
| 11 | 131370 | ROD ASSY / 35" C/C (889MM) / CASTING | 1 | | | | A |
| 12 | 110681 | RETAINER PLATE / IRON 110MM OD W/16.7 @ 38C/C | 6 | 6 | 6 | 6 | |
| 13 | 110340 | TAB LOCK / W/2 HOLES / W/4 TABS / 18MM I.D. X 38MM C/C | 6 | 6 | 6 | 6 | |
| 14 | 130963 | STUD M16-2.0x70 | 12 | 12 | 12 | 12 | |
| 15 | 500781 | NUT HEX STO M16-2.0 DP To 8-9187 | 18 | 18 | 18 | 18 | |
| 15 | 5001662 | NUT HEX NYRT M16-2.0 G10 Z050 From 8-9188 | 18 | 18 | 18 | 18 | |
| 16 | 131065 | SUPPORT / ROD / W/2 M16-2 HOLES / 95MM C/C // 150MM SHORT To 5-8461 | 3 | 3 | 3 | 3 | |
| 16 | 131753 | SUPPORT / ROD / W/2 M16-2 HOLES / 95MM C/C // 150MM SHORT From 5-8462 To 6-8950 | 3 | 3 | 3 | 3 | |
| 16 | 132914 | SUPPORT / ROD / W/2 M16-2 HOLES / 95MM C/C // 150MM SHORT From 6-8951 | 3 | 3 | 3 | 3 | |
| . NS | 121890 | . TORQUE PLATE / W/2HOLES 17MM I.D. X 90MM C/C From 6-8951 | AR | AR | AR | AR | |
| 17 | 5001369 | SCREW CAP HEX M16-2.0x70 G10.9 DP To 6-8950 | 4 | 4 | 4 | 4 | |
| 17 | 5001224 | SCREW CAP HEX M16-2.0x60 G10.9 G500 From 6-8951 | 4 | 4 | 4 | 4 | |
| 17 | 500781 | NUT HEX STO M16-2.0 DP | 4 | 4 | 4 | 4 | |
| 18 | 121358 | ROD ASSY W/CHAIN HOOK / 23 3/8" C/C (593MM) | 2 | 2 | 2 | 2 | |
| 19 | 500809 | NUT HEX STO M20-2.5 N500 | 4 | 4 | 4 | 4 | |
| 20 | 5001152 | WASHER CON 21.0x50.0x4.5 ZP | 4 | 4 | 4 | 4 | |
| 21 | 630062 | BUSHING / RUBBER / (ONE PIECE) 2" x 1.005" I.D. | 4 | 4 | 4 | 4 | |
| 22 | 630127 | SHOCK ABSORBER / BLACK W/GAZ To 3-8164 | 2 | 2 | 2 | 2 | |
| 22 | 630161 | SHOCK ABSORBER / YELLOW W/GAZ To 3-8164 | 2 | 2 | 2 | 2 | |
| 22 | 630253 | SHOCK ABSORBER / SACHS / 209 From 4-8165 | 2 | 2 | 2 | 2 | |
| 22 | 630236 | SHOCK ABSORBER / "KONI" (ORANGE) | 2 | 2 | 2 | 2 | O |

| | | |
|--------------------------------------|--------------|-----------------|
| From Y-7046 To 8-9339 | Date:10/2022 | PAGE:Y2-1615-00 |
| TAG AXLE - INSTALL SUSPENSION | | |

| Item# | Part | Description | X L I I 4 5 | X L I I M T H 4 0 | X L I I M T H 4 5 | X L I I M T H 4 5 E | N O T E S |
|-------|-------------------|---|----------------------------|---|---|--|-----------------------|
| . NS | 630062 | . BUSHING / RUBBER / (ONE PIECE) 2" x 1.005" I.D. | 1 | 1 | 1 | 1 | O |
| . NS | 630255 | . KIT WASHER & RUBBER BUSHING | 1 | 1 | 1 | 1 | O |
| 23 | 500833 | WASHER CON 25.5x60.0x2.5 ZP | 4 | 4 | 4 | 4 | |
| NS | 5001153 | WASHER CON 25.5x50.0x4.5 ZP | 4 | 4 | 4 | 4 | |
| 24 | 131424 | PIN W/TAPER ATTACHMENT M20-2.5 | 4 | 4 | 4 | 4 | |
| 25 | 611216 | SPINDLE / WITH MODEL "G.K.N." (TS6) To 3-8164 | 2 | 2 | 2 | 2 | |
| 25 | 611302 | SPINDLE / WITH MODEL "G.K.N." (TS8U UNITISED) From 4-8165 | 8 | 8 | 8 | 8 | |
| 26 | 611048 | STUD / M16-2.0 x 60MM | 8 | 8 | 8 | 8 | |
| 27 | 502588 | NUT HEX M16-2.0 ZP | 8 | 8 | 8 | 8 | |
| NS | 502884 | WASHER LO SPT 16.2x27.4x3.5 N500 | 8 | 8 | 8 | 8 | |
| 28 | 121203 | SHIM / CAMBER ADJUSTMENT 0.117 DEGRES / SPINDLE & AXLE | AR | AR | AR | AR | |
| NS | 121240 | SHIM / CAMBER ADJUSTMENT 0.250 DEGRES / SPINDLE & AXLE | AR | AR | AR | AR | |
| 29 | 502544 | SCREW CAP HEX M16-2.0x40 G8.8 Z050 To 6-8844 | 4 | 4 | 4 | 4 | |
| 29 | 500813 | SCREW CAP HEX M16-2.0x35 G8.8 ZP From 6-8845 | 4 | 4 | 4 | 4 | |
| 30 | 5001370 | SCREW CAP HEX M16-2.0x180 G10.9 G500 | 2 | 2 | 2 | 2 | |
| 31 | 131420 | ATTACHMENT To 1-7484 | 1 | 1 | 1 | 1 | |
| 31 | 131690 | ATTACHMENT From 1-7485 To 6-8844 | 1 | 1 | 1 | 1 | |
| 31 | 131784 | ATTACHMENT From 6-8845 | 1 | 1 | 1 | 1 | |
| 32 | 500880 | SCREW CAP HEX 5/8-18x1 3/4 G5 ZP To 1-7484 | 2 | 2 | 2 | 2 | |
| 32 | 955385 | SCREW CAP HEX M20-2.5x45 G8.8 ZP From 1-7485 | 2 | 2 | 2 | 2 | |
| 33 | 500725 | NUT HEX STO 5/8-18 Z050 To 1-7484 | 2 | 2 | 2 | 2 | |
| 33 | 5001252 | NUT HEX STO M20-2.5 DP From 1-7485 | 2 | 2 | 2 | 2 | |
| 40 | 130940 | ATTACHMENT KIT | AR | AR | AR | AR | |
| 40 | 130846 | . ATTACHMENT ASSY W/STUD | 1 | 1 | 1 | 1 | |
| 41 | 130760 | . . STUD 2 3/4" X 1 1/4-12 BOTH END | 1 | 1 | 1 | 1 | |
| 42 | 131158 | . TAB LOCK / W/1 HOLE 1.265" I.D. | 1 | 1 | 1 | 1 | |
| 43 | 500280 | . NUT HEX 1 1/4-12x1 1/16 ZP | 1 | 1 | 1 | 1 | |
| 44 | 500725 | NUT HEX STO 5/8-18 Z050 | 2 | 2 | 2 | 2 | |
| 45 | 500880 | SCREW CAP HEX 5/8-18x1 3/4 G5 ZP | 2 | 2 | 2 | 2 | |
| 50 | Y2-1601-00 | BELLOWS - AIR SUSPENSION | | | | | |
| | | | | | | | |
| | | | | | | | |
| | | A) USE WITH "EATON" TRANSMISSION & "ZF" TRANSMISSION | | | | | |
| | | O) OPTION | | | | | |
| | | R) REFERENCE NUMBER PRODUCTION USE ONLY | | | | | |
| | | W) IF NEED, USE BETWEEN BUSHING ROD SUPPORT | | | | | |

| | | |
|-----------------------|--------------|-----------------|
| From Y-7046 To 8-9339 | Date:10/2022 | PAGE:Y2-1615-10 |
| TAG AXLE - LIFTING | | |



| | | |
|---------------------------|--------------|-----------------|
| From Y-7046 To 8-9339 | Date:10/2022 | PAGE:Y2-1615-10 |
| TAG AXLE - LIFTING | | |

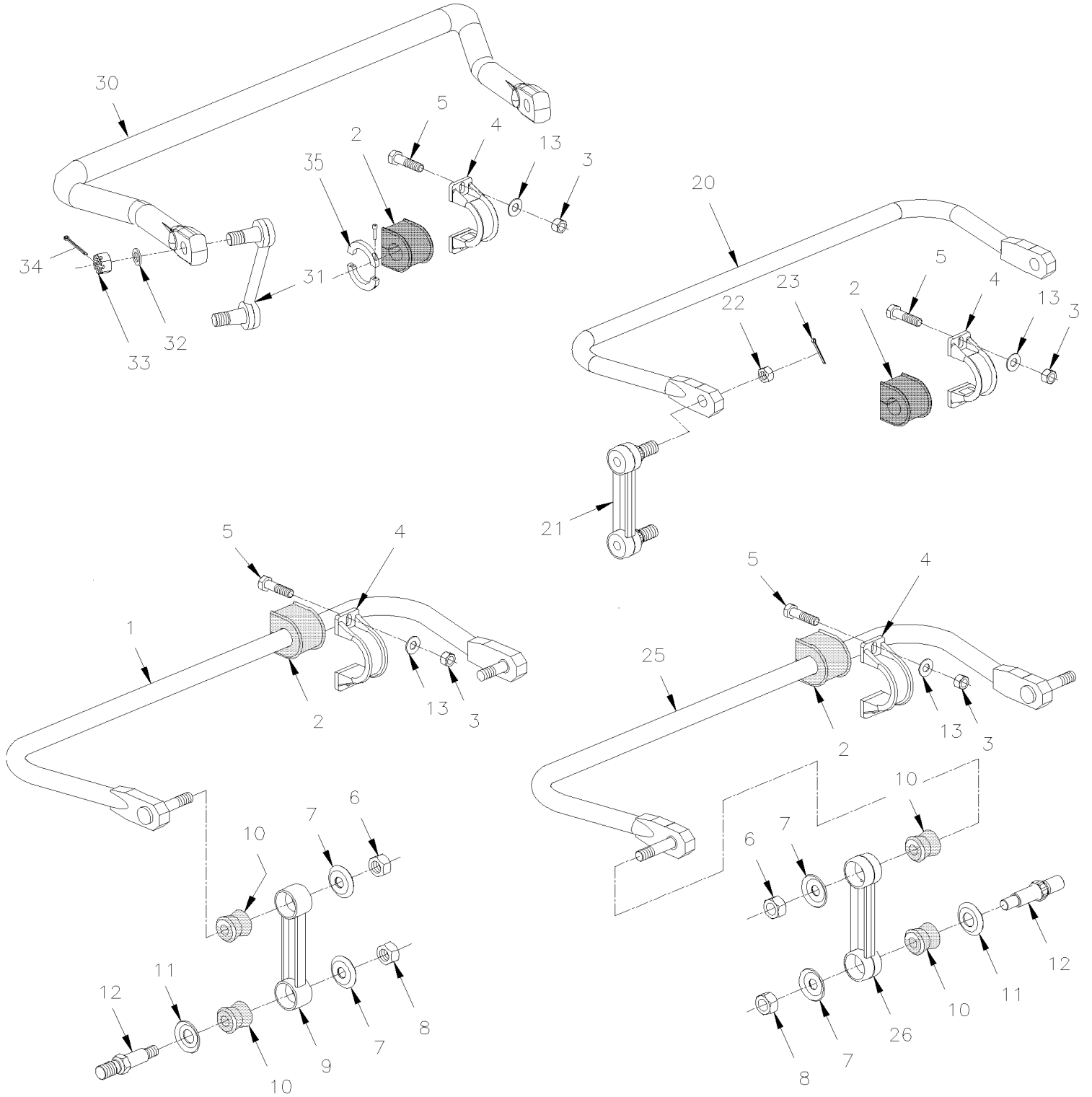
| Item# | Part | Description | X L I I 4 5 | X L I I M T H 4 0 | X L I I M T H 4 5 | X L I I M T H 4 5 E | N O T E S |
|-------|---------|---|----------------------------|---|---|--|-----------------------|
| 1 | 641425 | BRAKE CHAMBER ASSY / TYPE 36 | 2 | 2 | 2 | 2 | |
| 2 | 641067 | . CLAMP TYPE 36 | 1 | 1 | 1 | 1 | |
| 3 | 640979 | . DIAPHRAGM / TYPE 36 | 1 | 1 | 1 | 1 | |
| 3 | 641066 | . BOOT RUBBER | 1 | 1 | 1 | 1 | |
| 4 | 640130 | . YOKE 5/8-18x1 3/8 C/Lx9/16Wx5/8 | 1 | 1 | 1 | 1 | |
| 5 | 502028 | . . PIN, CLEVIS 5/8 x 3/4 | 1 | 1 | 1 | 1 | |
| 6 | 502102 | . . PIN, COTTER 1/8 x 1 | 1 | 1 | 1 | 1 | |
| NS | 641426 | . SHIELD, ROD CENTER HOLE | 1 | 1 | 1 | 1 | |
| 7 | 172277P | BRACKET / R.H. To 7-9094 | 1 | 1 | | 1 | |
| 7 | 172277P | BRACKET / R.H. | | | 1 | | |
| 7 | 173154 | BRACKET / R.H. From 7-9095 | | | | 1 | |
| 7 | 172278P | BRACKET / L.H. To 7-9094 | 1 | 1 | | 1 | |
| 7 | 172278P | BRACKET / L.H. | | | 1 | | |
| 7 | 173155P | BRACKET / L.H. From 7-9095 | | | | 1 | |
| 8 | 120551 | . PIN / WELDED To 1-7610 | 1 | 1 | 1 | 1 | |
| 8 | 121590 | . PIN SS / WELDED From 1-7611 | 1 | 1 | 1 | 1 | |
| 9 | 502106 | PIN, COTTER 1/4 x 2 | 1 | 1 | 1 | 1 | |
| 10 | 131313 | LEVER ASSY To 1-7610 | 2 | 2 | 2 | 2 | |
| 10 | 131701 | LEVER ASSY From 1-7611 | 2 | 2 | 2 | 2 | |
| 11 | 507055 | . BUSHING OIL 1 1/4 O.D. X 1 I.D. X 1 LG | 1 | 1 | 1 | 1 | |
| 11 | 131699 | . BUSHING BRASS / W/GROOVE INSIDE 31.94 O.D. x 25.5 I.D. x 25.4 | 1 | 1 | 1 | 1 | |
| 12 | 500456 | WASHER FL 1.062x2.000x.134 Z050 | 1 | 1 | 1 | 1 | |
| 13 | 121123 | TUBE COVERING CHAIN 290MM | 1 | 1 | 1 | 1 | |
| . NS | 5001503 | . TUBE, PVC / CLEAR / 1 1/2" I.D./ S.L. | AR | AR | AR | AR | |
| 14 | 121122 | CHAIN / 340MM | 1 | 1 | 1 | 1 | |
| 15 | 505064 | SHACKLE CHAIN 3/8 | 2 | 2 | 2 | 2 | |
| | | | | | | | |
| | | | | | | | |
| | | | | | | | |

From Y-7046 To 8-9339

Date:10/2022

PAGE:Y2-1616-00

SWAY BAR



| | | |
|-----------------------|--------------|-----------------|
| From Y-7046 To 8-9339 | Date:10/2022 | PAGE:Y2-1616-00 |
| SWAY BAR | | |

| Item# | Part | Description | X L I I 4 5 | X L I I M T H 4 0 | X L I I M T H 4 5 | X L I I M T H 4 5 E | N O T E S |
|-------|---------|---|----------------------------|---|---|--|-----------------------|
| 1 | 131019 | SWAY BAR ASSY / 1 1/2" O.D. X 848MM | | 1 | 1 | 1 | R |
| NS | 131520 | . STUD 1 1/4" O.D. | 2 | 2 | 2 | 2 | R |
| 2 | 630020 | BUSHING / RUBBER / USE WITH SWAY BAR 1 3/4" | 4 | 4 | 4 | 4 | |
| 2 | 130953 | BUSHING / RUBBER / USE WITH SWAY BAR 1 1/2" | | 4 | 4 | 4 | |
| 3 | 500811 | NUT HEX STO M12-1.75 G500 | 8 | 8 | 8 | 8 | |
| 4 | 630145 | COLLAR / IRON / 2x.472" HOLE 4 5/8 C/C | 4 | 4 | 4 | 4 | |
| 5 | 500806 | SCREW CAP HEX M12-1.75X35 G10.9 G500 | 8 | 8 | 8 | 8 | |
| 6 | 500809 | NUT HEX STO M20-2.5 N500 | 2 | 2 | 2 | 2 | |
| 7 | 5001152 | WASHER CON 21.0x50.0x4.5 ZP | 4 | 4 | 4 | 4 | |
| 8 | 500809 | NUT HEX STO M20-2.5 N500 | 2 | 2 | 2 | 2 | |
| 9 | 630146 | LINK ASSY / 7" C/C / IRON | 1 | 1 | 1 | 1 | |
| 10 | 506678 | BUSHING / POLYURETHANE / (TWO PIECES) RED 1" x 1.005" I.D. | 4 | 4 | 4 | 4 | |
| 11 | 5001153 | WASHER CON 25.5x50.0x4.5 ZP | 4 | 4 | 4 | 4 | |
| 12 | 131522 | PIN W/TAPER ATTACHMENT M20-2.5 / SWAY-BAR | 2 | 2 | 2 | 2 | B |
| 13 | 500011 | WASHER FL / HARDENED 13.0x24.0x3.0 STL | 4 | 4 | 4 | 4 | |
| 20 | 131570 | SWAY BAR ASSY / 1 3/4" O.D. X 1090MM To 6-8906 | 1 | | | | |
| 21 | 630230 | LINK SWAY BAR / 4" / 101.60MM C/C To 5-8360 | 2 | | | | |
| 21 | 630248 | LINK SWAY BAR / 4" C/C From 5-8361 | 2 | | | | |
| 21 | 630267 | LINK SWAY BAR / 4" / 101.60MM C/C | 1 | | | | |
| 21 | 110762 | SPACER WASHER 1" I.D. X 1 1/2" O.D. X 16GA To 2-7929 | 2 | | | | C |
| 22 | 500736 | NUT HEX SLT 3/4-16 To 6-8906 | 2 | | | | |
| 22 | 5001553 | NUT HEX CSL M20-1.5 N500 | 2 | | | | |
| 23 | 502111 | PIN, COTTER 1/8 x 1 1/2 SS To 6-8906 | 1 | | | | |
| 25 | 131386P | SWAY BAR ASSY / 1 3/4" O.D. X 1050MM To 3-8164 | 1 | 1 | 1 | 1 | A |
| 26 | 630147 | LINK ASSY / 12 1/2" C/C / IRON To 3-8164 | 2 | 2 | 2 | 2 | |
| 30 | 138550 | SWAY BAR 1 3/4" O.D. 1186.5MM / W/18000LBS / W/56 Deg From 4-8165 To 6-8832 | 1 | 1 | 1 | 1 | |
| 30 | 131755 | SWAY BAR 1 3/4" O.D. 1175MM // W/58 Deg From 6-8833 | 1 | 1 | 1 | 1 | |
| 31 | 630246 | LINK ASSY / 150MM C/C / W/18000LBS From 4-8165 | 2 | 2 | 2 | 2 | |
| 32 | 502558 | WASHER FL 21.0x37.0x3.0 G500 From 4-8165 | 4 | 4 | 4 | 4 | |
| 33 | 5001553 | NUT HEX CSL M20-1.5 N500 From 4-8165 | 4 | 4 | 4 | 4 | |
| 34 | 502104 | PIN, COTTER 5/32 x 2 From 4-8165 | 4 | 4 | 4 | 4 | |
| 35 | 563042 | COLLAR 1 3/4" I.D. From 4-8165 | 2 | 2 | 2 | 2 | D |
| NS | MI03-12 | SEE MAINTENANCE INFORMATION | 1 | 1 | 1 | 1 | |
| NS | MI03-13 | SEE MAINTENANCE INFORMATION | 1 | 1 | 1 | 1 | |
| | | | | | | | |
| | | | | | | | |
| | | A) MOUNTED WITH EXTERIOR STUD, ON INDEPENDANT SUSPENSION | | | | | |
| | | B) THIS PIN IS 3MM SHORTER ON BUSHING SIDE AND BLACK PAINTED FOR EASY IDENTIFICATION | | | | | |
| | | C) BETWEEN LINK AND BELLOWS SUPPORT | | | | | |
| | | D) SIDE OF RUBBER BUSHING WITH ITEMS # 20 WITH I BEAM RIGID SUSPENSION AND ITEM # 30 INDEPENDENT SUSPENSION | | | | | |

| | | |
|-----------------------|--------------|-----------------|
| From Y-7046 To 8-9339 | Date:10/2022 | PAGE:Y2-1616-00 |
|-----------------------|--------------|-----------------|

SWAY BAR

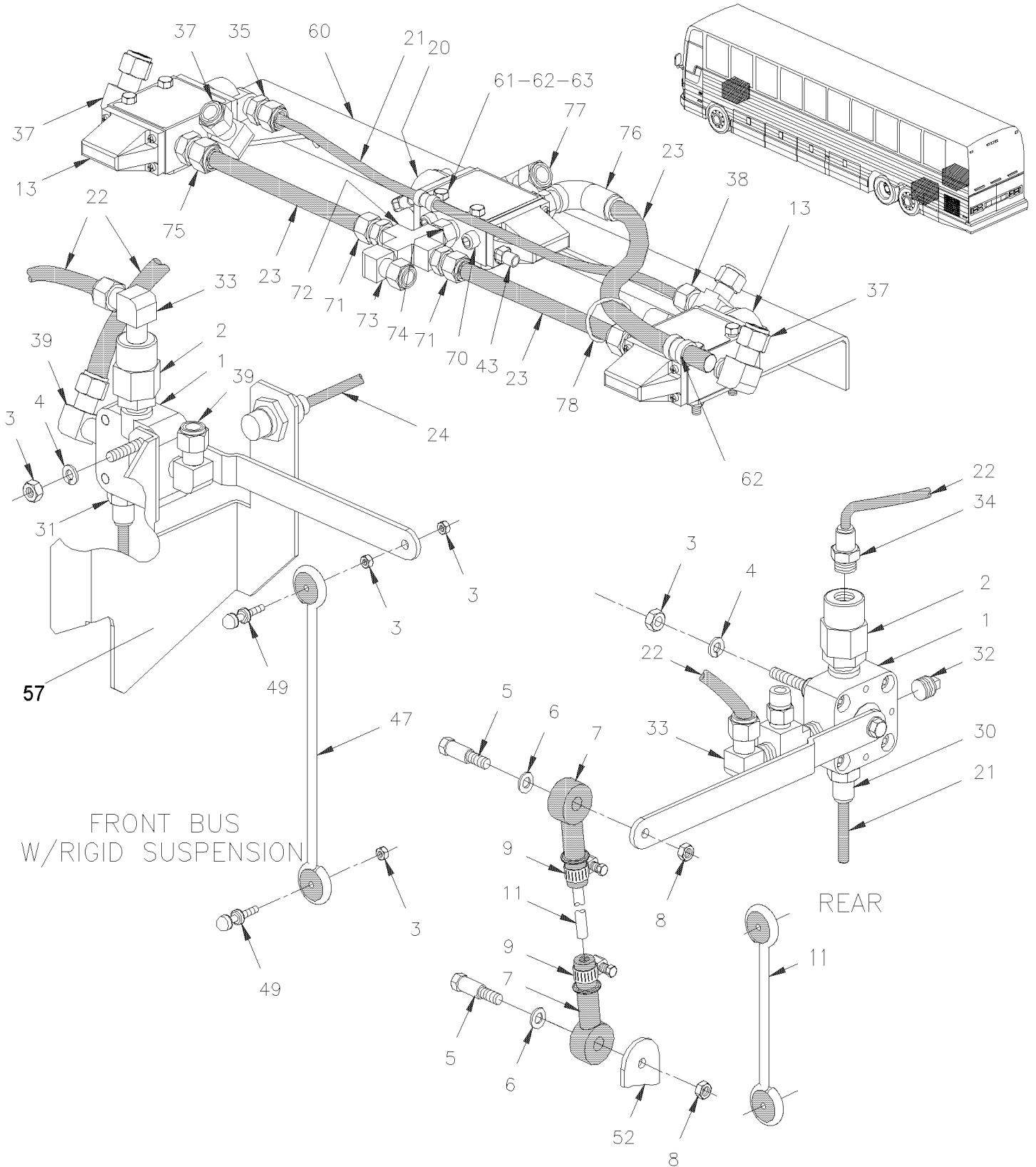
| Item# | Part | Description | X L I I 4 5 | X L I I M T H 4 0 | X L I I M T H 4 5 | X L I I M T H 4 5 E | N O T E S |
|-------|------|--------------------|----------------------------|---|---|--|-----------------------|
| | | R) REAR SUSPENSION | | | | | |

From Y-7046 To 6-8906

Date:10/2022

PAGE:Y2-1620-00

HEIGHT CONTROL VALVE

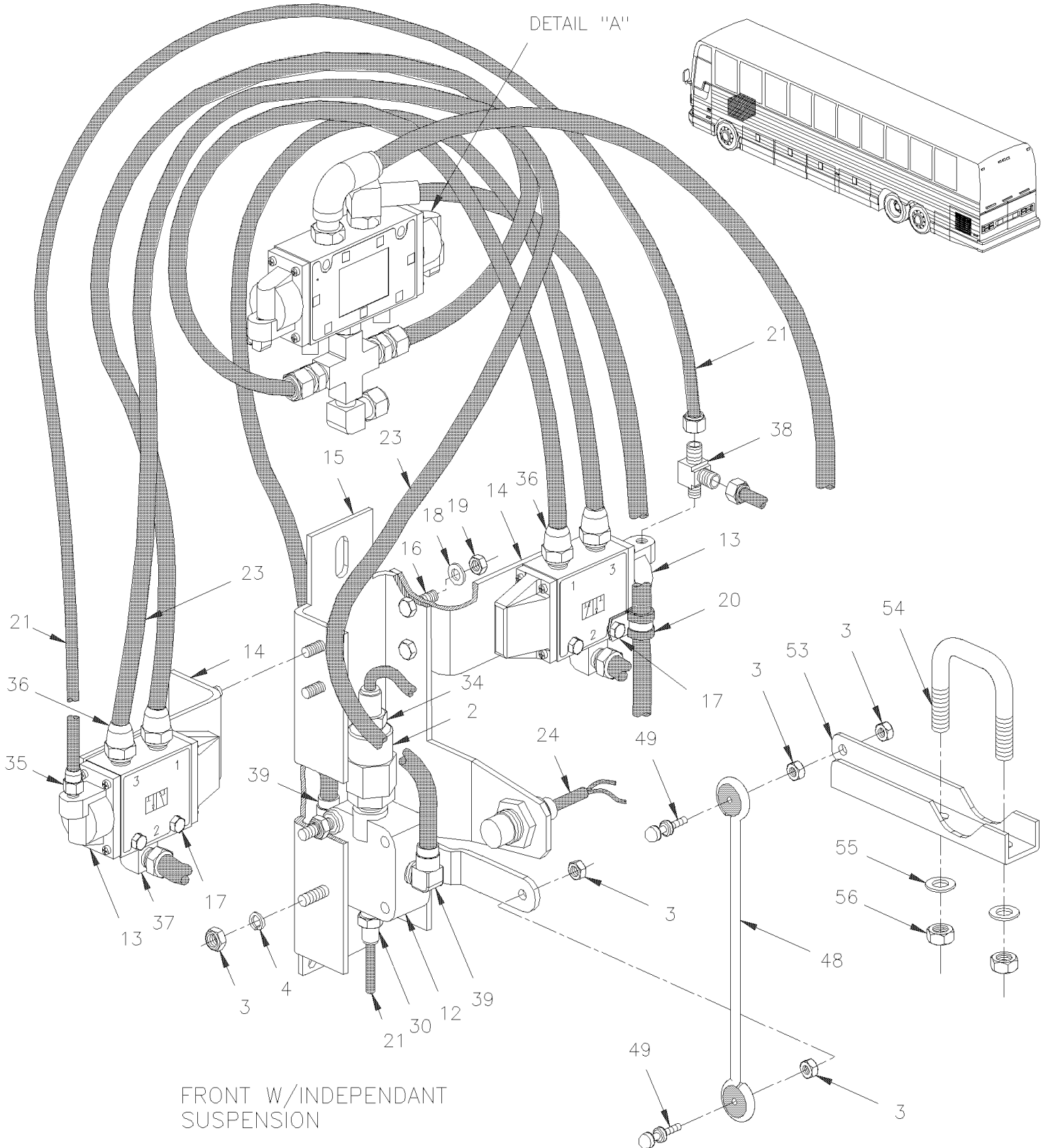


From Y-7046 To 6-8906

Date:10/2022

PAGE:Y2-1620-00

HEIGHT CONTROL VALVE

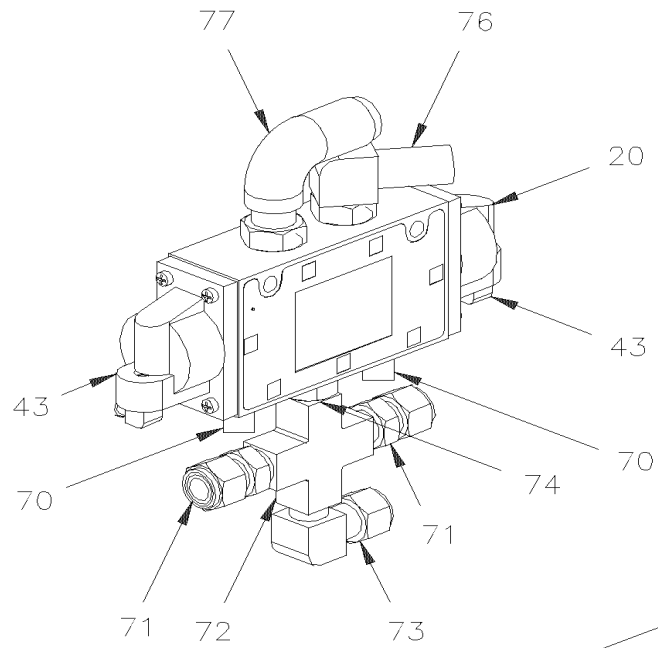


From Y-7046 To 6-8906

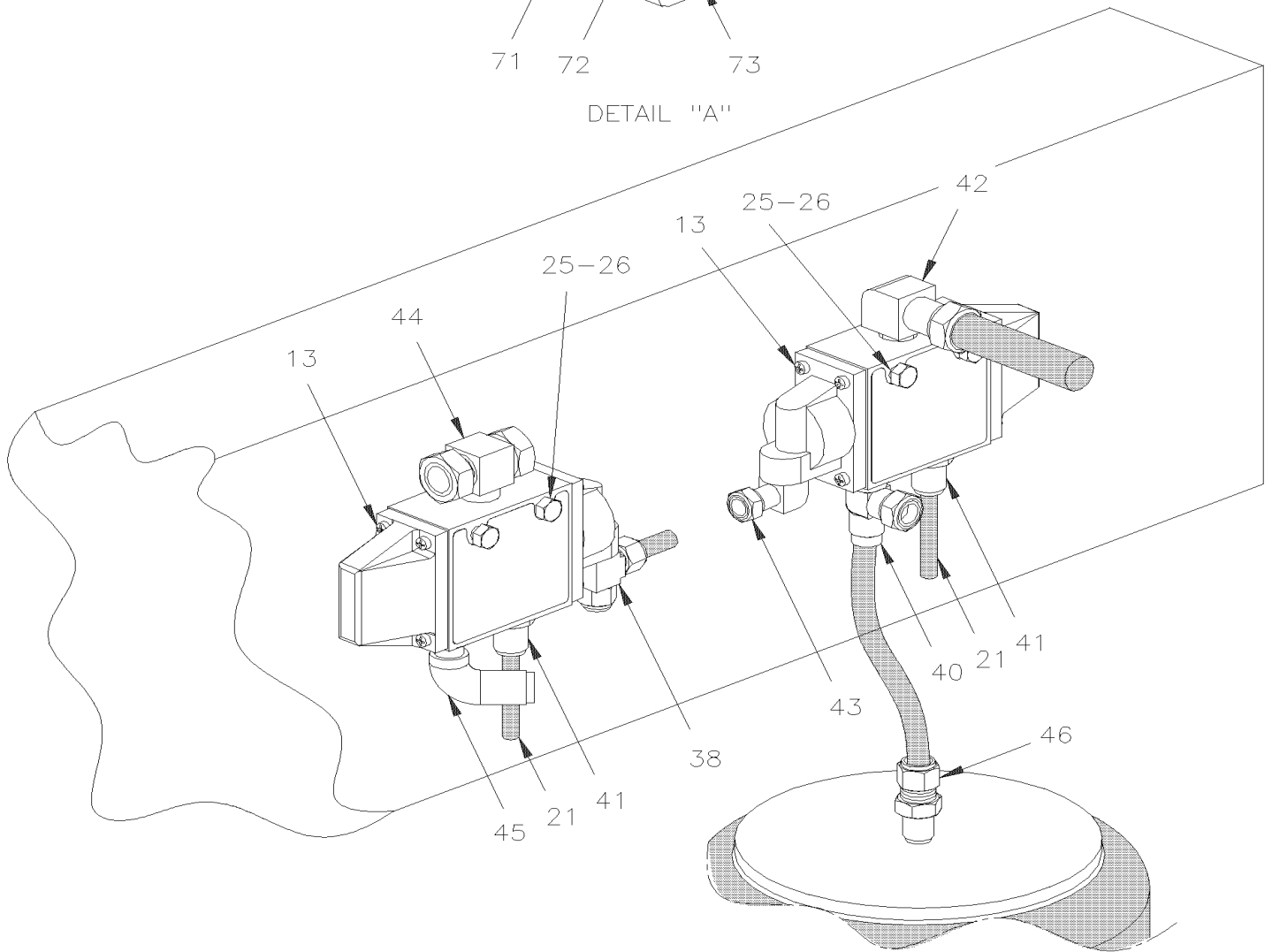
Date:10/2022

PAGE:Y2-1620-00

HEIGHT CONTROL VALVE



DETAIL "A"



| | | | |
|-----------------------------|--|--------------|-----------------|
| From Y-7046 To 6-8906 | | Date:10/2022 | PAGE:Y2-1620-00 |
| HEIGHT CONTROL VALVE | | | |

| Item# | Part | Description | X L I I 4 5 | X L I I M T H 4 0 | X L I I M T H 4 5 | X L I I M T H 4 5 E | N O T E S |
|-------|----------|--|----------------------------|---|---|--|-----------------------|
| 1 | 630156 | VALVE, HEIGHT CONTROL "BARKSDALE" | 2 | | | | |
| 2 | 640135 | VALVE, CHECK 1/4 NPT | 1 | | | | |
| 3 | 500769 | NUT HEX 1/4-20 Z050 | 2 | | | | |
| 4 | 500473 | WASHER LO SPT .262x.489x.062 Z050 | 2 | | | | |
| 5 | 630137 | SCREW SHR CAP HEX 5/16" I.D. x 1/4-20 | 2 | | | | |
| 6 | 500441 | WASHER FL .312x.734x.065 Z050 | 2 | | | | |
| 7 | 630117 | ROD END / BLACK RUBBER 5/16" I.D. | 2 | | | | |
| 8 | 502716 | NUT HEX NYRT 1/4-20 | 2 | | | | |
| 9 | 504014 | HOSE CLAMP / 1/4"-5/8" SS / HM-4 | 2 | | | | |
| 11 | 131351 | ROD LINK / 140MM | 2 | | | | |
| 11 | 630263 | LINK ASSY 317MM C/C 11 1/2" | AR | | | | |
| . A | N8889244 | . GROMMET / LINK | 2 | | | | |
| . B | 630250 | . STUD RETAINER 1/4-20 X 1" | 2 | | | | |
| . NS | 500769 | . NUT HEX 1/4-20 Z050 | 4 | | | | |
| . NS | 500473 | . WASHER LO SPT .262x.489x.062 Z050 | 4 | | | | |
| 12 | 630157 | VALVE, HEIGHT CONTROL "BARKSDALE" / FRONT To 1-7418 | 1 | | | | A |
| 12 | 630237 | VALVE, HEIGHT CONTROL "BARKSDALE" / FRONT From 1-7419 | 1 | | | | A |
| 13 | 641274 | VALVE, 3 WAYS, 2 POSITIONS N.C. | 2 | | | | |
| 14 | 131319 | SUPPORT VALVE | 2 | | | | |
| 15 | 131468 | SUPPORT HEIGHT CONTROL VALVE To 1-7418 | 1 | | | | |
| 15 | 131621 | SUPPORT HEIGHT CONTROL VALVE / WHITOUT "KNEELING" From 1-7419 | 1 | | | | |
| 15 | 131507 | SUPPORT HEIGHT CONTROL VALVE / W/KNEELING (AS SHOWN) To 1-7418 | 1 | | | | |
| 15 | 131613 | SUPPORT HEIGHT CONTROL VALVE / W/KNEELING From 1-7419 | 1 | | | | |
| 16 | 502622 | SCREW CAP HEX M6-1.0x20 SS BK | 4 | | | | |
| 17 | 502656 | SCREW CAP HEX M6-1.0x50 SS | 4 | | | | |
| 18 | 502570 | WASHER LO SPT 6.1x11.8x1.6 SS | 8 | | | | |
| 19 | 502565 | NUT HEX M6-1.0 SS | 8 | | | | |
| 20 | 641531 | VALVE, 5 WAYS, 3 POSITIONS | 1 | | | | |
| . NS | 641186 | . SPOOL | 1 | | | | |
| 21 | 503402 | TUBE, NYLON 1/4 O.D. / BLACK S.L. | AR | | | | |
| 22 | 503471 | TUBE, NYLON 3/8 O.D. / BLUE S.L. | AR | | | | |
| 23 | 503517 | TUBE, NYLON 1/2 O.D. / BLUE S.L. | AR | | | | |
| 24 | 131535 | SWITCH PROXIMITY ASSY 1520MM | 1 | | | | |
| 25 | 500625 | SCREW TC CAP HEXW 1/4-20x2 Z050 | AR | | | | |
| 26 | 500440 | WASHER FL .250x.562x.065 Z050 | AR | | | | |
| 30 | 641332 | MALE CONNECTOR / PUSH-IN FITTING / #4x1/4NPT-M BR | 1 | | | | |
| 31 | 641926 | SILENCER / MUFFLER / 1/4NPT-M | 1 | | | | |
| 32 | 501304 | PLUG SQUARE HEAD / PIPE FITTING / 1/4NPT-M BR | 1 | | | | |
| 33 | 641372 | MALE ELBOW 90° NON-SWIVEL / PUSH-IN FITTING / #6x1/4NPT-M BR | 1 | | | | |
| 34 | 641331 | MALE CONNECTOR / PUSH-IN FITTING / #6x1/4NPT-M BR | 1 | | | | |
| 35 | 641242 | MALE CONNECTOR / PUSH-IN FITTING / #4x1/8NPT-M BR | 1 | | | | |
| 36 | 641381 | MALE CONNECTOR / PUSH-IN FITTING / #8x3/8NPT-M BR | 4 | | | | |

| | | | |
|-----------------------------|--|--------------|-----------------|
| From Y-7046 To 6-8906 | | Date:10/2022 | PAGE:Y2-1620-00 |
| HEIGHT CONTROL VALVE | | | |

| Item# | Part | Description | X L I I 4 5 | X L I I M T H 4 0 | X L I I M T H 4 5 | X L I I M T H 4 5 E | N O T E S |
|-------|----------|--|----------------------------|---|---|--|-----------------------|
| 37 | 641040 | MALE ELBOW 90° / NTA FITTING / #8x3/8NPT-M BR | 2 | | | | |
| 38 | 641002 | MALE RUN TEE / NTA FITTING / #4x#4x1/8NPT-M BR | 1 | | | | |
| 39 | 641373 | MALE ELBOW 90° NON-SWIVEL / PUSH-IN FITTING / #8x1/4NPT-M BR | 2 | | | | |
| 40 | 641388 | MALE RUN TEE NON-SWIVEL / PUSH-IN FITTING / #6x#6x3/8NPT-M BR | 1 | | | | |
| 41 | 641347 | MALE CONNECTOR / PUSH-IN FITTING / #4x3/8NPT-M BR | 3 | | | | |
| 42 | 641375 | MALE ELBOW 90° NON-SWIVEL / PUSH-IN FITTING / #6x3/8NPT-M BR | 1 | | | | |
| 43 | 641369 | MALE ELBOW 90° NON-SWIVEL / PUSH-IN FITTING / #4x1/8NPT-M BR | 2 | | | | |
| 44 | 641008 | MALE BRANCH TEE / NTA FITTING / #6x#6x3/8NPT-M BR | 1 | | | | |
| 45 | 641367 | MALE ELBOW 45° NON-SWIVEL / PUSH-IN FITTING / #6x3/8NPT-M BR | 1 | | | | |
| 46 | 641384 | MALE CONNECTOR / PUSH-IN FITTING / #10x1/2NPT-M BR | 1 | | | | A |
| 46 | 641382 | MALE CONNECTOR / PUSH-IN FITTING / #6x1/2NPT-M BR | 1 | | | | |
| 47 | 630232 | LINK ASSY 265MM C/C 10 1/2" | 1 | | | | |
| . A | N8889244 | . GROMMET / LINK | 2 | | | | |
| . B | 630250 | . STUD RETAINER 1/4-20 X 1" | 2 | | | | |
| . NS | 500479 | . WASHER LO INT .448x.789x.040 Z050 | 4 | | | | |
| . NS | 500473 | . WASHER LO SPT .262x.489x.062 Z050 | 4 | | | | |
| 48 | 630231 | LINK ASSY 185MM C/C 7 1/4" | 1 | | | | |
| . A | N8889244 | . GROMMET / LINK | 2 | | | | |
| . B | 630250 | . STUD RETAINER 1/4-20 X 1" | 2 | | | | |
| . C | 500247 | . NUT HEX 1/4-20 N500 | 4 | | | | |
| . D | 500473 | . WASHER LO SPT .262x.489x.062 Z050 | 4 | | | | |
| 49 | 630250 | . STUD RETAINER 1/4-20 X 1" | 2 | | | | |
| 50 | 172114 | SUPPORT / FRONT HEIGHT CONTROL VALVE | 1 | | | | |
| 51 | 110594 | PLATE, RETAINER | 1 | | | | |
| 52 | 121561 | ACTUATOR SUPPORT / TO FIX LINK / (WELDED) | 2 | | | | |
| 53 | 110679 | ACTUATOR LEVER | 1 | | | | |
| 54 | 504635 | U-BOLT 1 3/4" I.D. x 2 3/4" x 5/16-18 | 1 | | | | |
| 55 | 500476 | WASHER LO SPT .317x.586x.078 Z050 | 2 | | | | |
| 56 | 500778 | NUT HEX 5/16-18 N500 | 2 | | | | |
| 57 | 172493 | SUPPORT HEIGHT CONTROL VALVE (WELDED) | 1 | | | | |
| 60 | 131591 | SUPPORT VALVE | 1 | | | | |
| 61 | 952625 | CLAMP / 3/8" I.D. | 1 | | | | |
| 62 | 952627 | CLAMP / 1/2" I.D. | 1 | | | | |
| 63 | 502793 | SCREW CAP HEX M6-1.0x45 G8.8 Z050 | 6 | | | | |
| 64 | 502573 | WASHER FL 6.4x12.5x1.6 SS | 6 | | | | |
| 65 | 502511 | NUT HEX NYRT M6-1.0 Z050 | 6 | | | | |
| 66 | 500440 | WASHER FL .250x.562x.065 Z050 | 1 | | | | |
| 70 | 501305 | PLUG SQUARE HEAD / PIPE FITTING / 3/8NPT-M BR | 2 | | | | |
| 70 | 501449 | PLUG HEXS / PIPE FITTING / 3/8NPT-M STL | 2 | | | | |
| 71 | 641173 | MALE CONNECTOR / NTA FITTING / #8x1/4NPT-M BR | 1 | | | | |
| 72 | 501902 | CROSS / PIPE FITTING / 1/4NPT-Fx1/4NPT-Fx 1/4NPT-Fx1/4NPT-F BR | 1 | | | | |
| 73 | 641371 | MALE ELBOW 90° NON-SWIVEL / PUSH-IN FITTING / #4x1/4NPT-M BR | 1 | | | | |

| | | |
|-----------------------------|--------------|-----------------|
| From Y-7046 To 6-8906 | Date:10/2022 | PAGE:Y2-1620-00 |
| HEIGHT CONTROL VALVE | | |

| Item# | Part | Description | X L I I 4 5 | X L I I M T H 4 0 | X L I I M T H 4 5 | X L I I M T H 4 5 E | N O T E S |
|-------|--------|--|----------------------------|---|---|--|-----------------------|
| 74 | 501749 | NIPPLE REDUCER HEX / PIPE FITTING / 3/8NPT-Mx1/4NPT-Mx1 13/32 BR | 1 | | | | |
| 75 | 640991 | MALE CONNECTOR / NTA FITTING / #8x3/8NPT-M BR | 1 | | | | |
| 76 | 641428 | MALE ELBOW 90° SWIVEL / PUSH-IN FITTING / #8x3/8NPT-M BR | 1 | | | | |
| 77 | 641368 | MALE ELBOW 45° NON-SWIVEL / PUSH-IN FITTING / #8x3/8NPT-M BR | 1 | | | | |
| 78 | 504637 | CABLE TIE / 3/16" x 13" | AR | | | | |
| | | | | | | | |
| | | | | | | | |
| | | A) W/INDEPENDANT SUSPENSION SYSTEM | | | | | |

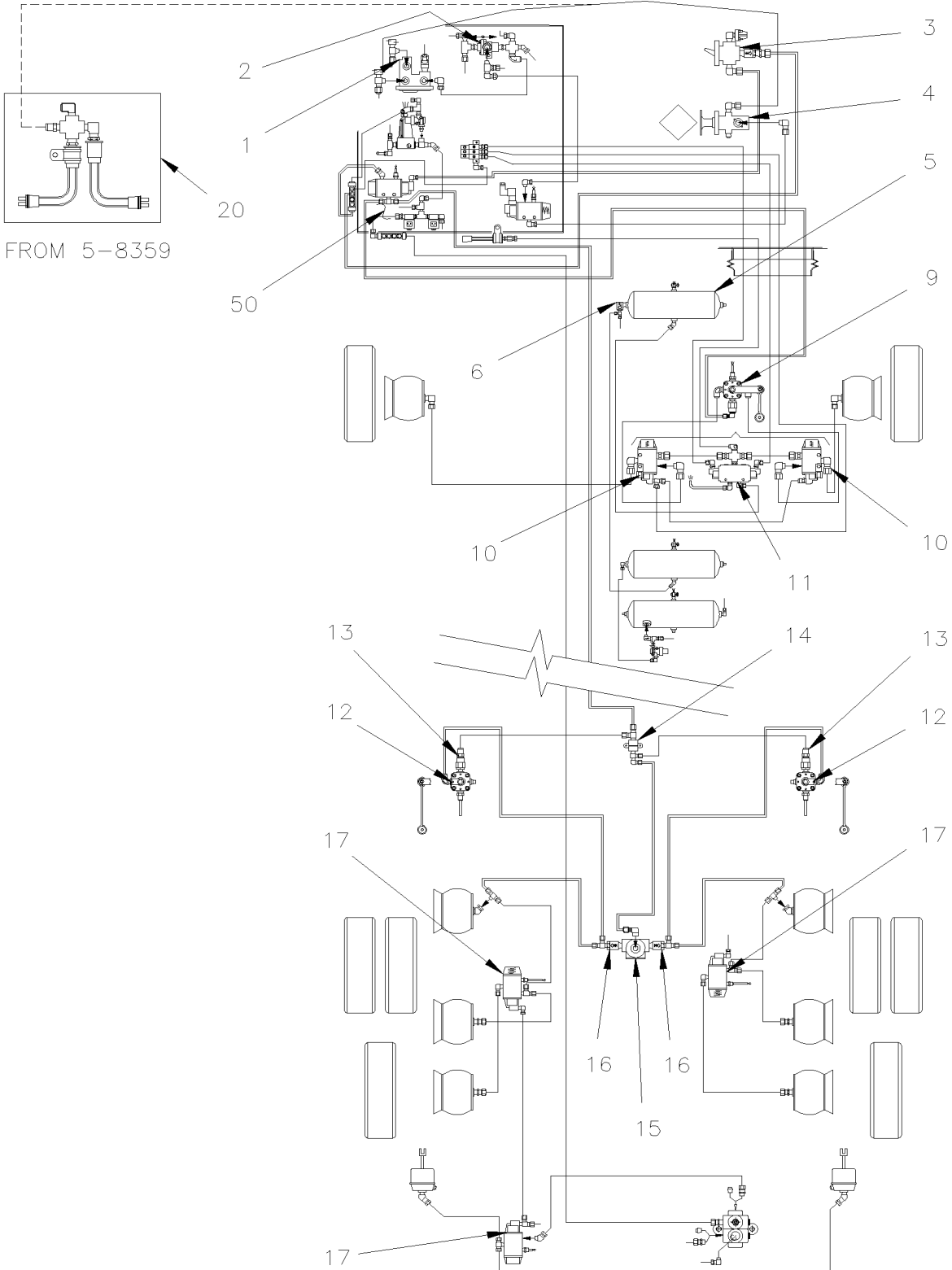
From Y-7046 To 6-8906

Date:10/2022

PAGE:Y2-1620-10

HIGH-BUOY, LOW BUOY & "KNEELING" VALVE

FRONT "KNEELING W / LOW BUOY WITH RIGID SUSPENSION



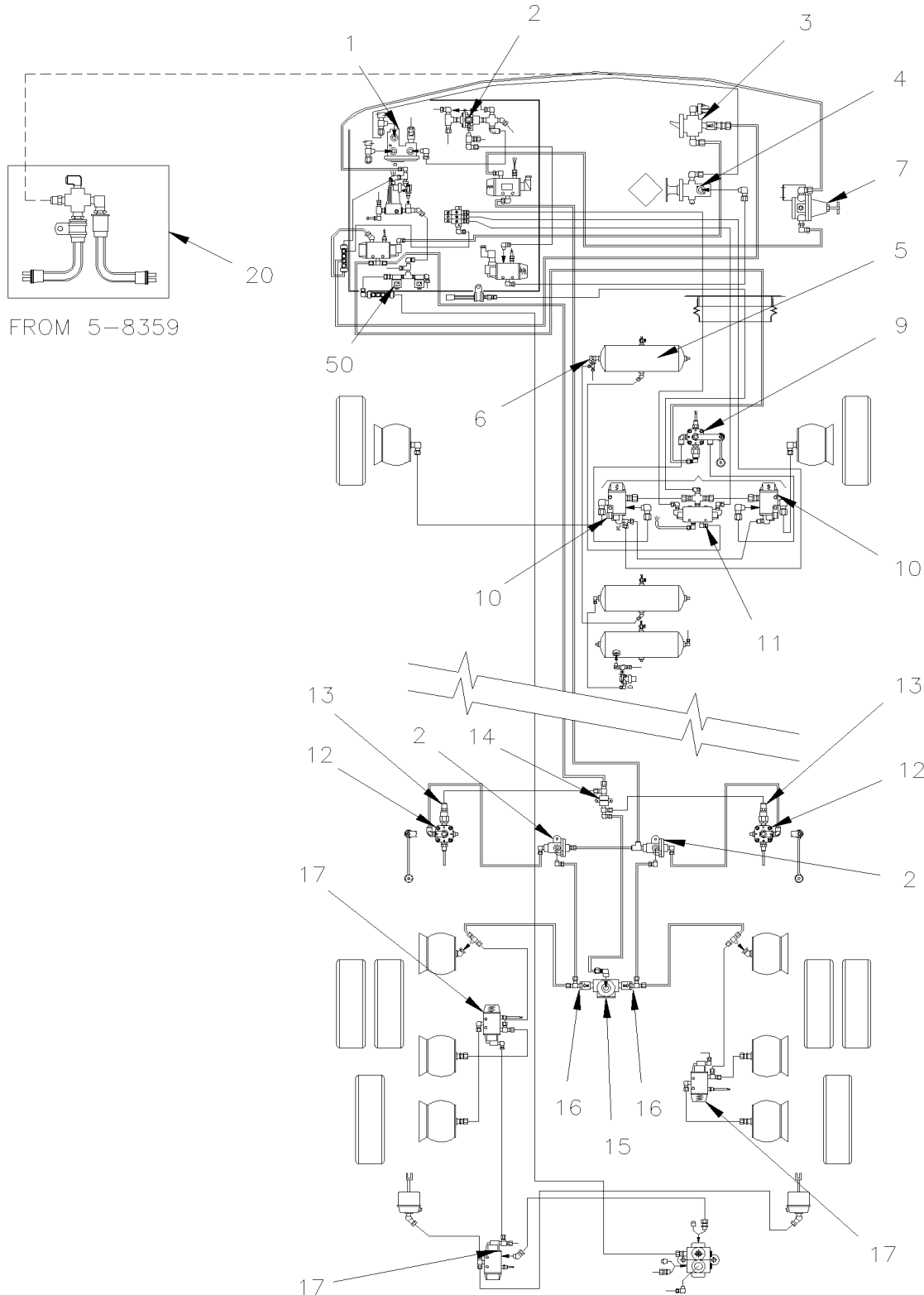
From Y-7046 To 6-8906

Date:10/2022

PAGE:Y2-1620-10

HIGH-BUOY, LOW BUOY & "KNEELING" VALVE

FRONT "KNEELING" W / LOW BUOY & HIGH BUOY WITH RIGID SUSPENSION



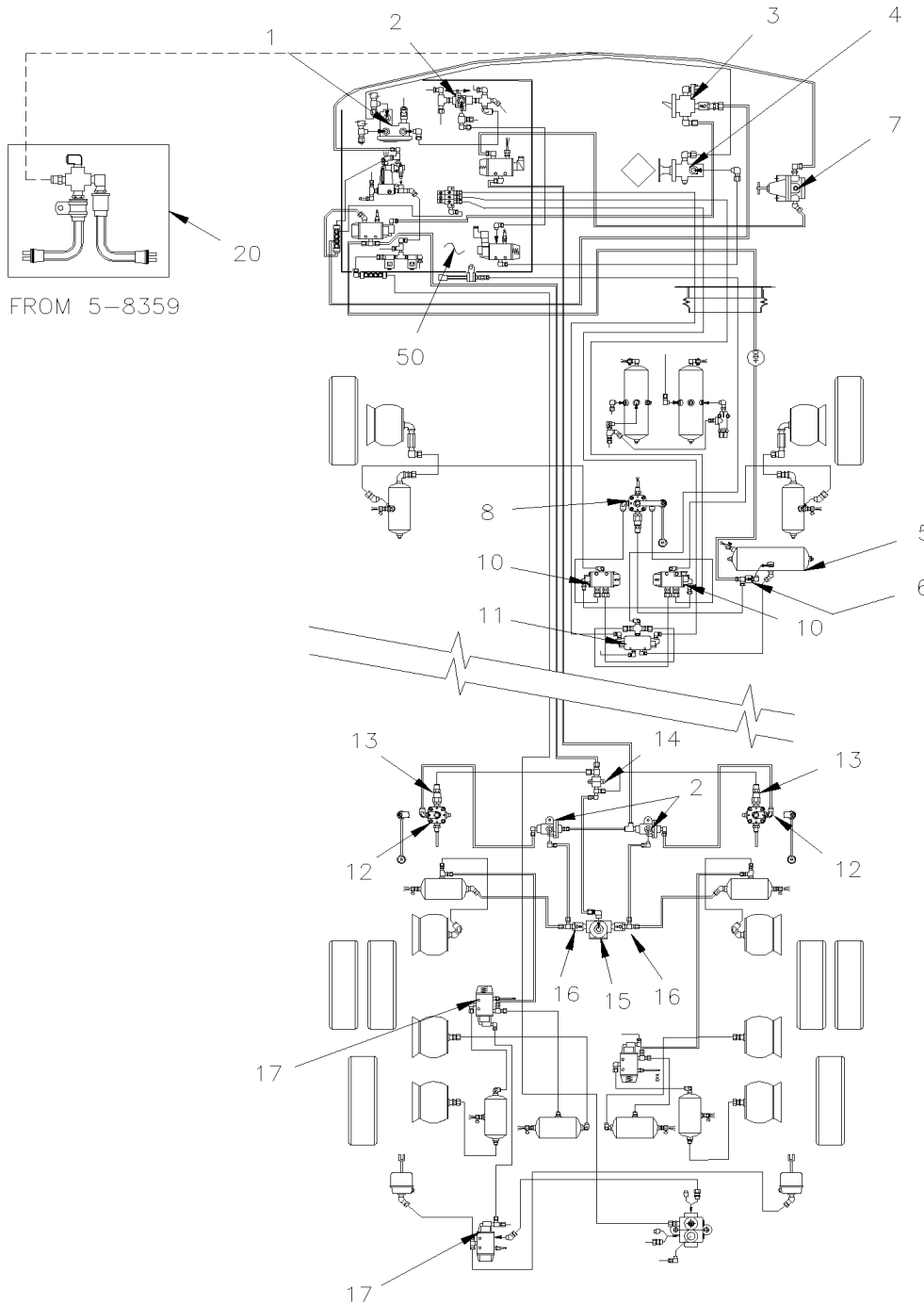
From Y-7046 To 6-8906

Date:10/2022

PAGE:Y2-1620-10

HIGH-BUOY, LOW BUOY & "KNEELING" VALVE

FRONT "KNEELING" W / LOW BUOY & HIGH BUOY WITH INDEPENDANT SUSPENSION



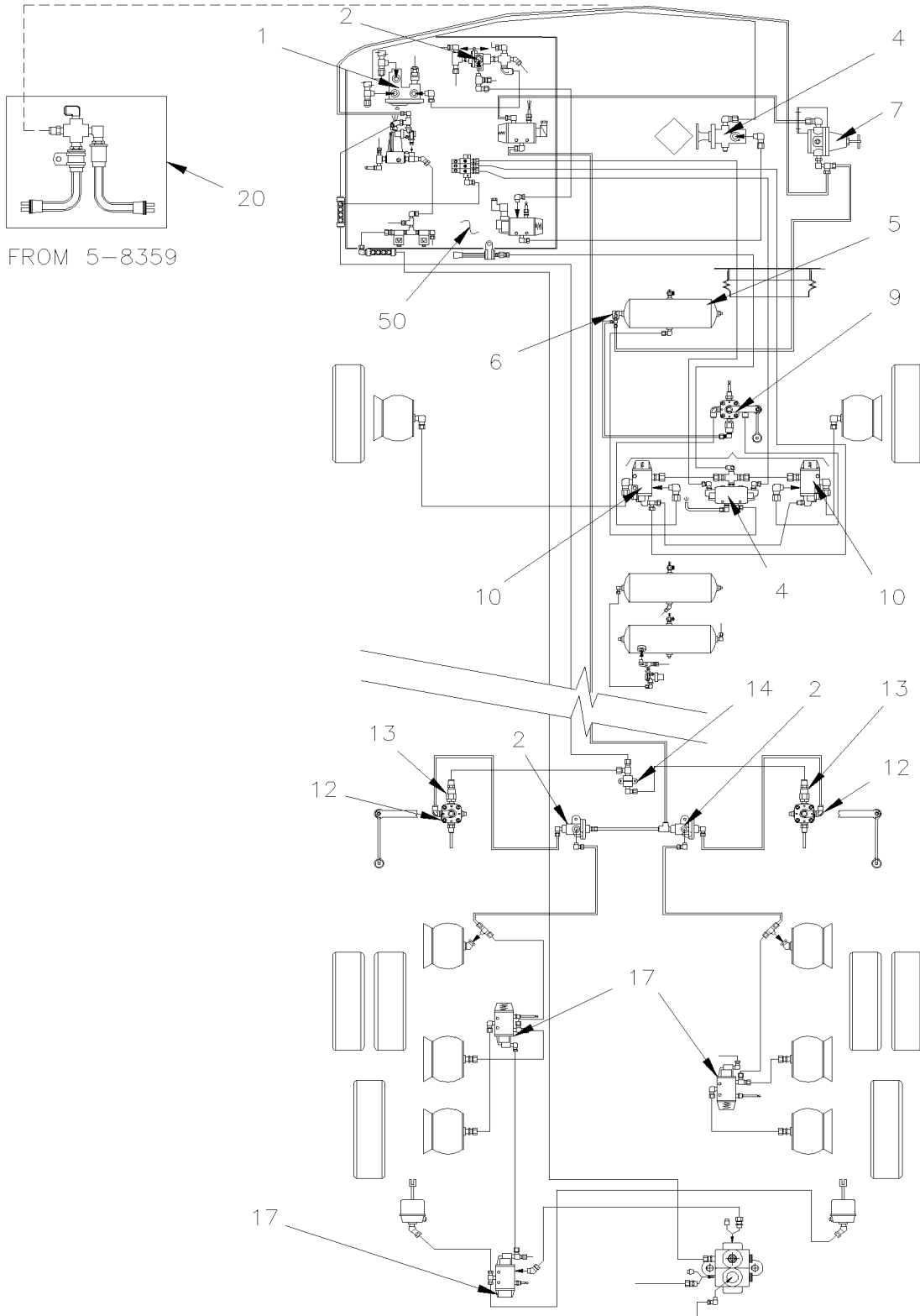
From Y-7046 To 6-8906

Date:10/2022

PAGE:Y2-1620-10

HIGH-BUOY, LOW BUOY & "KNEELING" VALVE

FRONT "KNEELING" W / HIGH BUOY WITH RIGID SUSPENSION



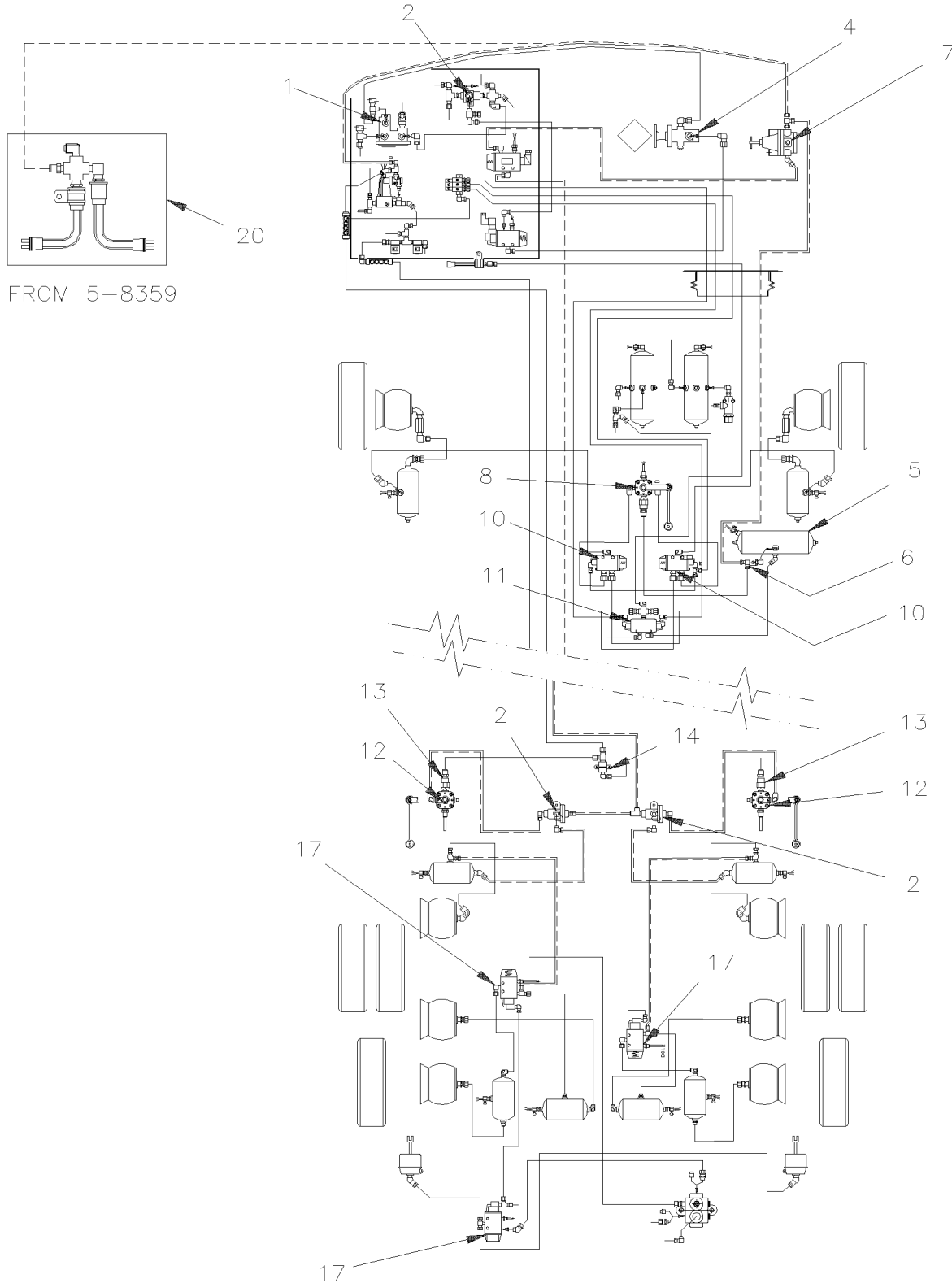
From Y-7046 To 6-8906

Date:10/2022

PAGE:Y2-1620-10

HIGH-BUOY, LOW BUOY & "KNEELING" VALVE

FRONT "KNEELING" W/HIGH BUOY WITH INDEPENDENT SUSPENSION



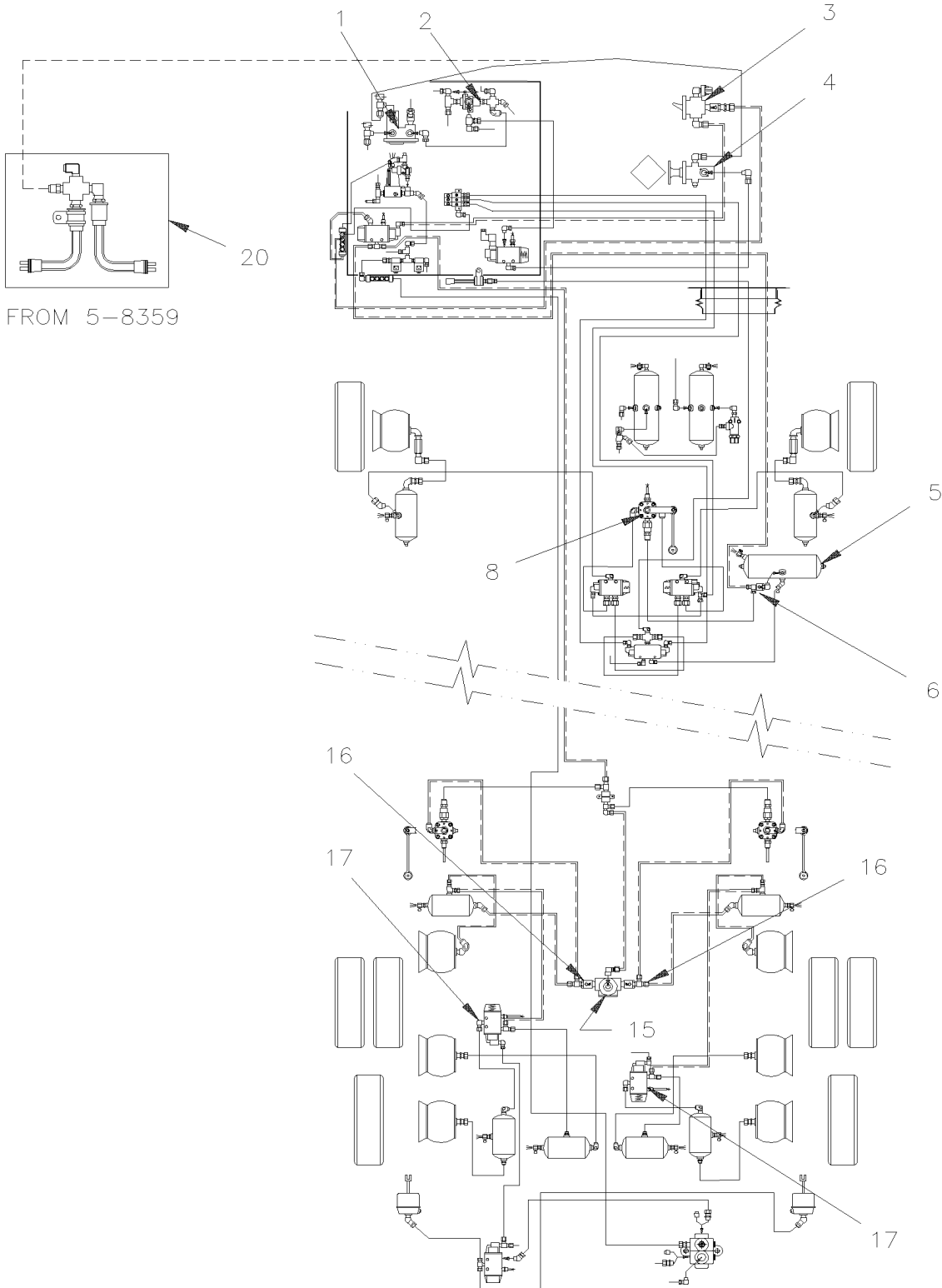
From Y-7046 To 6-8906

Date:10/2022

PAGE:Y2-1620-10

HIGH-BUOY, LOW BUOY & "KNEELING" VALVE

FRONT "KNEELING" W/LOW BUOY WITH INDEPENDENT SUSPENSION



| | | |
|---|--------------|-----------------|
| From Y-7046 To 6-8906 | Date:10/2022 | PAGE:Y2-1620-10 |
| HIGH-BUOY, LOW BUOY & "KNEELING" VALVE | | |

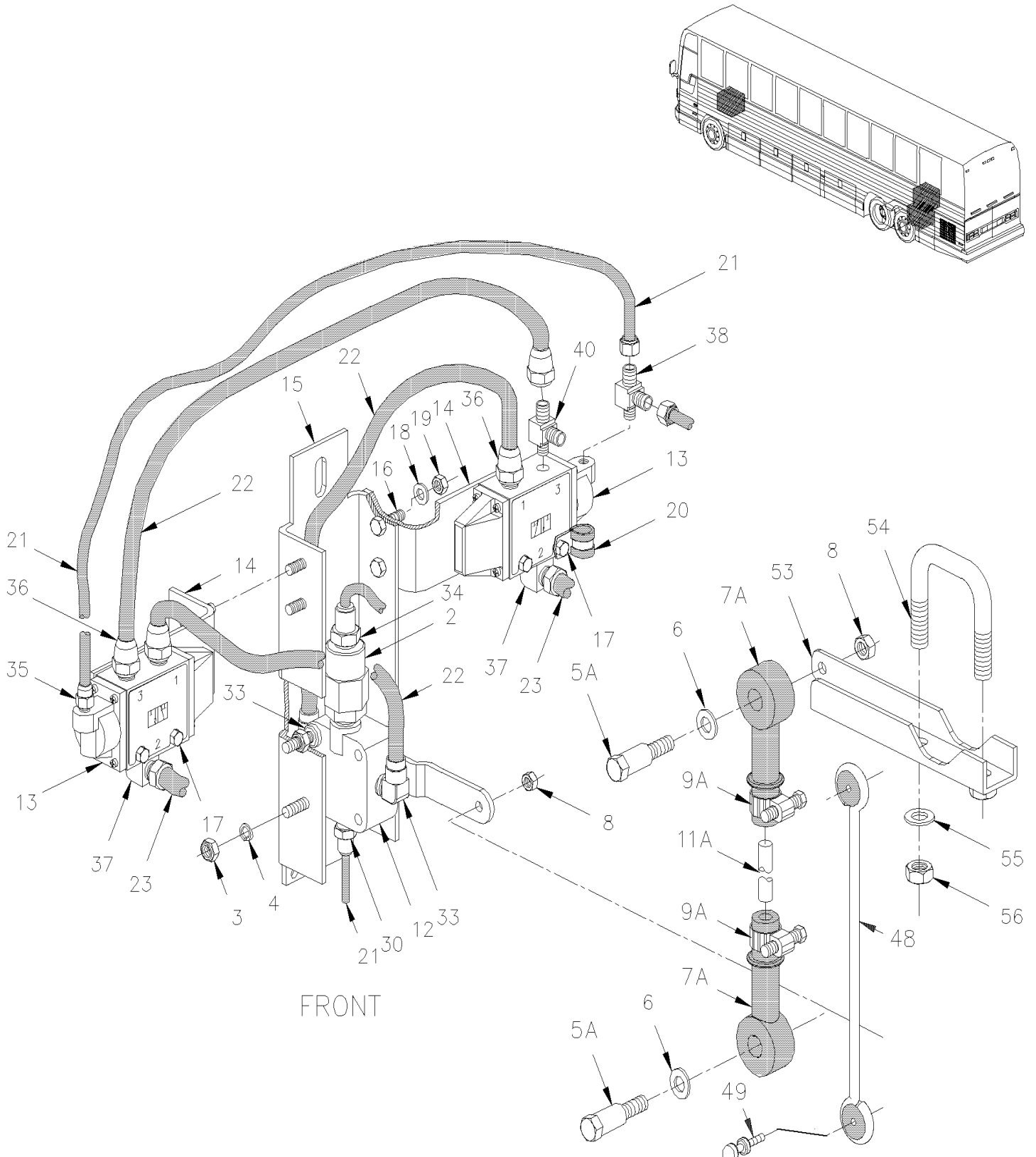
| Item# | Part | Description | X L I I 4 5 | X L I I M T H 4 0 | X L I I M T H 4 5 | X L I I M T H 4 5 E | N O T E S |
|-------|-------------------|---|----------------------------|---|---|--|-----------------------|
| 1 | 640870 | VALVE / SPRING BRAKE SR-1 To 5-8358 | 1 | | | | |
| . NS | 640921 | . REPAIR KIT / SR-1 To 5-8358 | 1 | | | | |
| 2 | 641015 | VALVE, DOUBLE CHECK DC-4 To 3-8008 | AR | | | | |
| 2 | 641564 | VALVE, DOUBLE CHECK DC-4 From 3-8009 | AR | | | | |
| 3 | 640136 | VALVE, CONTROL TW-1 | 1 | | | | |
| . NS | 641156 | . REPAIR KIT / TW-1 | 1 | | | | |
| 4 | 641128 | VALVE, CONTROL VALVE PP-1 / 40PSI | 1 | | | | |
| . NS | 641154 | . REPAIR KIT / PP-1 & RD-3 | 1 | | | | |
| 5 | 641411 | AIR TANK / 2370 IN° / 12" O.D. X 24" | 1 | | | | R |
| 5 | 140868 | AIR TANK / W/END LOWER DRAIN 1228 IN° / 8" O.D. X 26" To Y-7235 | 1 | | | | I |
| 5 | 641583 | AIR TANK / 1508 IN° / 9" 1/2 O.D. X 24" | 1 | | | | I |
| 5 | Y2-1203-00 | AIR TANK - INSTALLATION To 2-7799 | | | | | |
| 5 | Y2-1203-01 | AIR TANK - INSTALLATION From 2-7800 | | | | | |
| 6 | 641172 | VALVE, CHECK ELBOW 90° 1/2 NPT | 1 | | | | |
| 7 | 641352 | AIR PRESSURE REGULATOR 1/2" NPT | 1 | | | | A |
| 7 | 142025 | SUPPORT / AIR REGULATOR | 1 | | | | A |
| 8 | 630157 | VALVE, HEIGHT CONTROL "BARKSDALE" / FRONT To 1-7417 | 1 | | | | I |
| 8 | 630237 | VALVE, HEIGHT CONTROL "BARKSDALE" / FRONT From 1-7418 | 1 | | | | I |
| 9 | 630156 | VALVE, HEIGHT CONTROL "BARKSDALE" | 1 | | | | R |
| 10 | 641274 | VALVE, 3 WAYS, 2 POSITIONS N.C. | 2 | | | | |
| 11 | 641531 | VALVE, 5 WAYS, 3 POSITIONS | 1 | | | | |
| . NS | 641186 | . SPOOL | 1 | | | | |
| 12 | 630156 | VALVE, HEIGHT CONTROL "BARKSDALE" | 2 | | | | |
| 13 | 640135 | VALVE, CHECK 1/4 NPT | 2 | | | | |
| 14 | 640643 | ANCHOR ELBOW / PIPE FITTING / 1/4NPT-Fx1/4NPT-F STL | 1 | | | | |
| 15 | 641429 | VALVE, QUICK RELEASE QR-1 / 3/8NPTx3/8NPTx3/8NPT | 1 | | | | |
| . NS | 640924 | . REPAIR KIT / QR-1 | 1 | | | | |
| 16 | 640135 | VALVE, CHECK 1/4 NPT | 2 | | | | |
| 17 | 641274 | VALVE, 3 WAYS, 2 POSITIONS N.C. | 2 | | | | |
| 20 | 287234 | PRESSURE SWITCH N.C. 30-10 20PS001AB030E010E From 5-8359 | 2 | | | | |
| 50 | Y2-1630-00 | FRONT KNEELING - CONTROL PANEL To 2-7799 | | | | | |
| 50 | Y2-1630-01 | FRONT KNEELING - CONTROL PANEL From 2-7800 To 5-8558 | | | | | |
| 50 | Y2-1630-02 | FRONT KNEELING - CONTROL PANEL From 5-8559 | | | | | |
| | | | | | | | |
| | | | | | | | |
| | | | | | | | |
| | | A) INSTALLED IN SPARE COMPARTMENT | | | | | |
| | | I) WITH INDEPENDANT SUSPENSION | | | | | |
| | | R) WITH I BEAM RIGID SUSPENSION | | | | | |

From Y-7046 To 8-9339

Date:10/2022

PAGE:Y2-1620-50

HEIGHT CONTROL VALVE - MTH

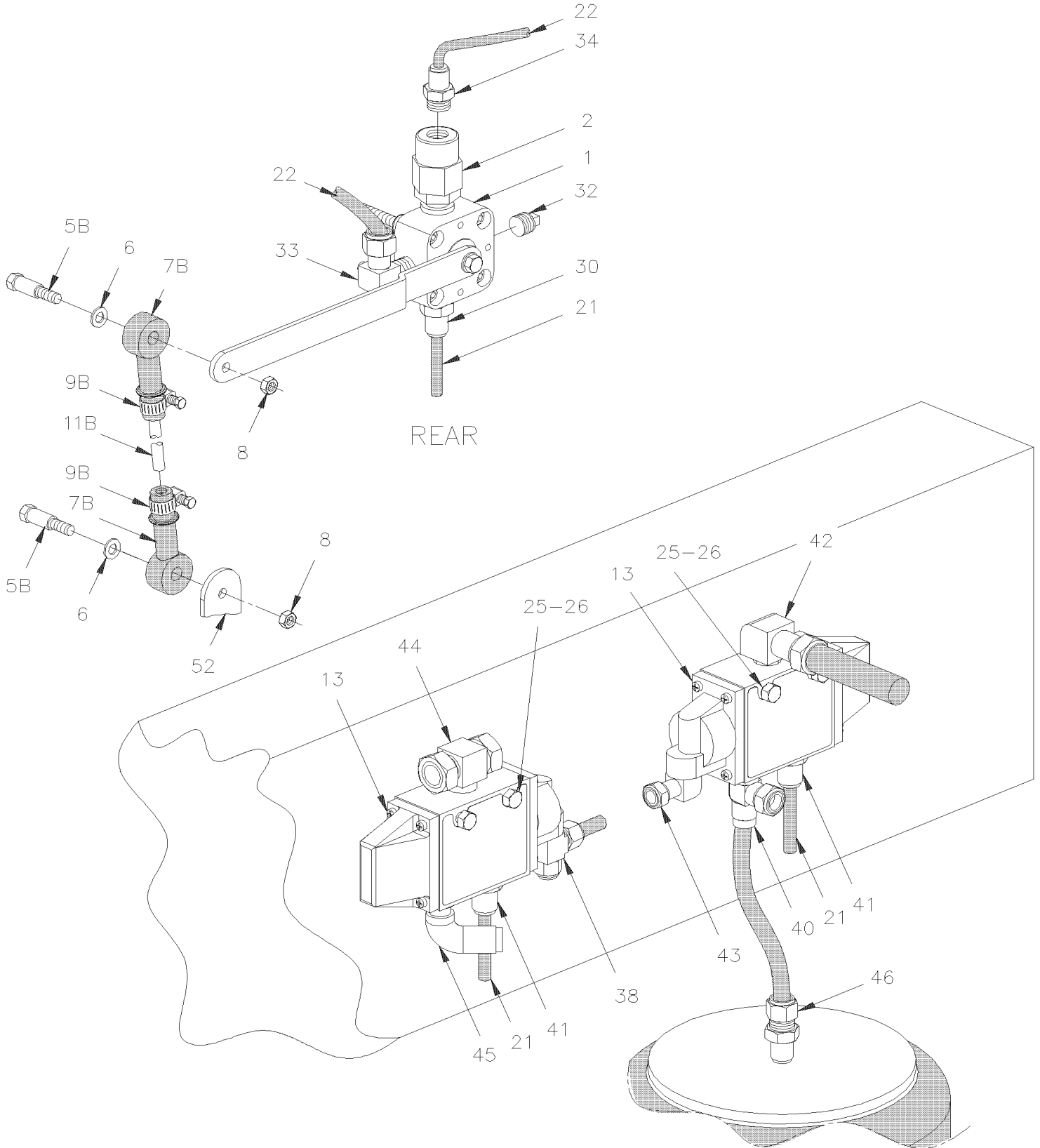


From Y-7046 To 8-9339

Date:10/2022

PAGE:Y2-1620-50

HEIGHT CONTROL VALVE - MTH



| | | |
|-----------------------------------|--------------|-----------------|
| From Y-7046 To 8-9339 | Date:10/2022 | PAGE:Y2-1620-50 |
| HEIGHT CONTROL VALVE - MTH | | |

| Item# | Part | Description | X L I I 4 5 | X L I I M T H 4 0 | X L I I M T H 4 5 | X L I I M T H 4 5 E | N O T E S |
|-------|--------|---|----------------------------|---|---|--|-----------------------|
| 1 | 630156 | VALVE, HEIGHT CONTROL "BARKSDALE" | | 2 | 2 | 2 | |
| 2 | 640135 | VALVE, CHECK 1/4 NPT | | 1 | 1 | 1 | |
| 3 | 500769 | NUT HEX 1/4-20 Z050 | | 2 | 2 | 2 | |
| 4 | 500473 | WASHER LO SPT .262x.489x.062 Z050 | | 2 | 2 | 2 | |
| 5A | 630137 | SCREW SHR CAP HEX 5/16" I.D. x 1/4-20 To 1-7417 | | 2 | 2 | 2 | |
| 5A | 630137 | SCREW SHR CAP HEX 5/16" I.D. x 1/4-20 To 1-7417 | | 2 | 2 | 2 | |
| 5B | 630137 | SCREW SHR CAP HEX 5/16" I.D. x 1/4-20 | | 2 | 2 | 2 | |
| 5B | 630137 | SCREW SHR CAP HEX 5/16" I.D. x 1/4-20 | | 2 | 2 | 2 | |
| 6 | 500441 | WASHER FL .312x.734x.065 Z050 | | 2 | 2 | 2 | |
| 7A | 630117 | ROD END / BLACK RUBBER 5/16" I.D. To 1-7417 | | 2 | 2 | 2 | |
| 7A | 630117 | ROD END / BLACK RUBBER 5/16" I.D. To 1-7417 | | 2 | 2 | 2 | |
| 7B | 630117 | ROD END / BLACK RUBBER 5/16" I.D. | | 2 | 2 | 2 | |
| 7B | 630117 | ROD END / BLACK RUBBER 5/16" I.D. | | 2 | 2 | 2 | |
| 8 | 502716 | NUT HEX NYRT 1/4-20 | | 2 | 2 | 2 | |
| 9A | 504014 | HOSE CLAMP / 1/4"-5/8" SS / HM-4 To 1-7417 | | 2 | 2 | 2 | |
| 9A | 504014 | HOSE CLAMP / 1/4"-5/8" SS / HM-4 To 1-7417 | | 2 | 2 | 2 | |
| 9B | 504014 | HOSE CLAMP / 1/4"-5/8" SS / HM-4 | | 2 | 2 | 2 | |
| 9B | 504014 | HOSE CLAMP / 1/4"-5/8" SS / HM-4 | | 2 | 2 | 2 | |
| 11A | 131351 | ROD LINK / 140MM To 1-7417 | | 1 | 1 | 1 | |
| 11A | 131351 | ROD LINK / 140MM To 1-7417 | | 1 | 1 | 1 | |
| 11B | 131351 | ROD LINK / 140MM | | 2 | 2 | 2 | |
| 11B | 131351 | ROD LINK / 140MM | | 2 | 2 | 2 | |
| 12 | 630157 | VALVE, HEIGHT CONTROL "BARKSDALE" / FRONT To 1-7417 | | 1 | 1 | 1 | |
| 12 | 630237 | VALVE, HEIGHT CONTROL "BARKSDALE" / FRONT From 1-7418 | | 1 | 1 | 1 | |
| 13 | 641274 | VALVE, 3 WAYS, 2 POSITIONS N.C. | | 3 | 3 | 3 | |
| 14 | 131319 | SUPPORT VALVE | | 2 | 2 | 2 | |
| 15 | 131468 | SUPPORT HEIGHT CONTROL VALVE To 1-7417 | | 1 | 1 | 1 | |
| 15 | 131621 | SUPPORT HEIGHT CONTROL VALVE / WHITOUT "KNEELING" From 1-7418 | | 1 | 1 | 1 | |
| 16 | 502622 | SCREW CAP HEX M6-1.0x20 SS BK | | 4 | 4 | 4 | |
| 17 | 502656 | SCREW CAP HEX M6-1.0x50 SS | | 4 | 4 | 4 | |
| 18 | 502570 | WASHER LO SPT 6.1x11.8x1.6 SS | | 8 | 8 | 8 | |
| 19 | 502565 | NUT HEX M6-1.0 SS | | 8 | 8 | 8 | |
| 20 | 560480 | CLAMP / 1/2" I.D. | | 1 | 1 | 1 | |
| 21 | 503402 | TUBE, NYLON 1/4 O.D. / BLACK S.L. | | AR | AR | AR | |
| 22 | 503471 | TUBE, NYLON 3/8 O.D. / BLUE S.L. | | AR | AR | AR | |
| 23 | 503517 | TUBE, NYLON 1/2 O.D. / BLUE S.L. | | AR | AR | AR | |
| 25 | 500625 | SCREW TC CAP HEXW 1/4-20x2 Z050 | | 4 | 4 | 4 | |
| 26 | 500440 | WASHER FL .250x.562x.065 Z050 | | 4 | 4 | 4 | |
| 30 | 641332 | MALE CONNECTOR / PUSH-IN FITTING / #4x1/4NPT-M BR | | 1 | 1 | 1 | |
| 31 | 641336 | FEMALE ELBOW 90° / NTA FITTING / #6x3/8NPT-F BR | | 1 | 1 | 1 | |
| 32 | 501800 | PLUG HEXS / PIPE FITTING / 1/4NPT-M STL | | 1 | 1 | 1 | |
| NS | 501304 | PLUG SQUARE HEAD / PIPE FITTING / 1/4NPT-M BR | | 1 | 1 | 1 | |

| | | |
|-----------------------------------|--------------|-----------------|
| From Y-7046 To 8-9339 | Date:10/2022 | PAGE:Y2-1620-50 |
| HEIGHT CONTROL VALVE - MTH | | |

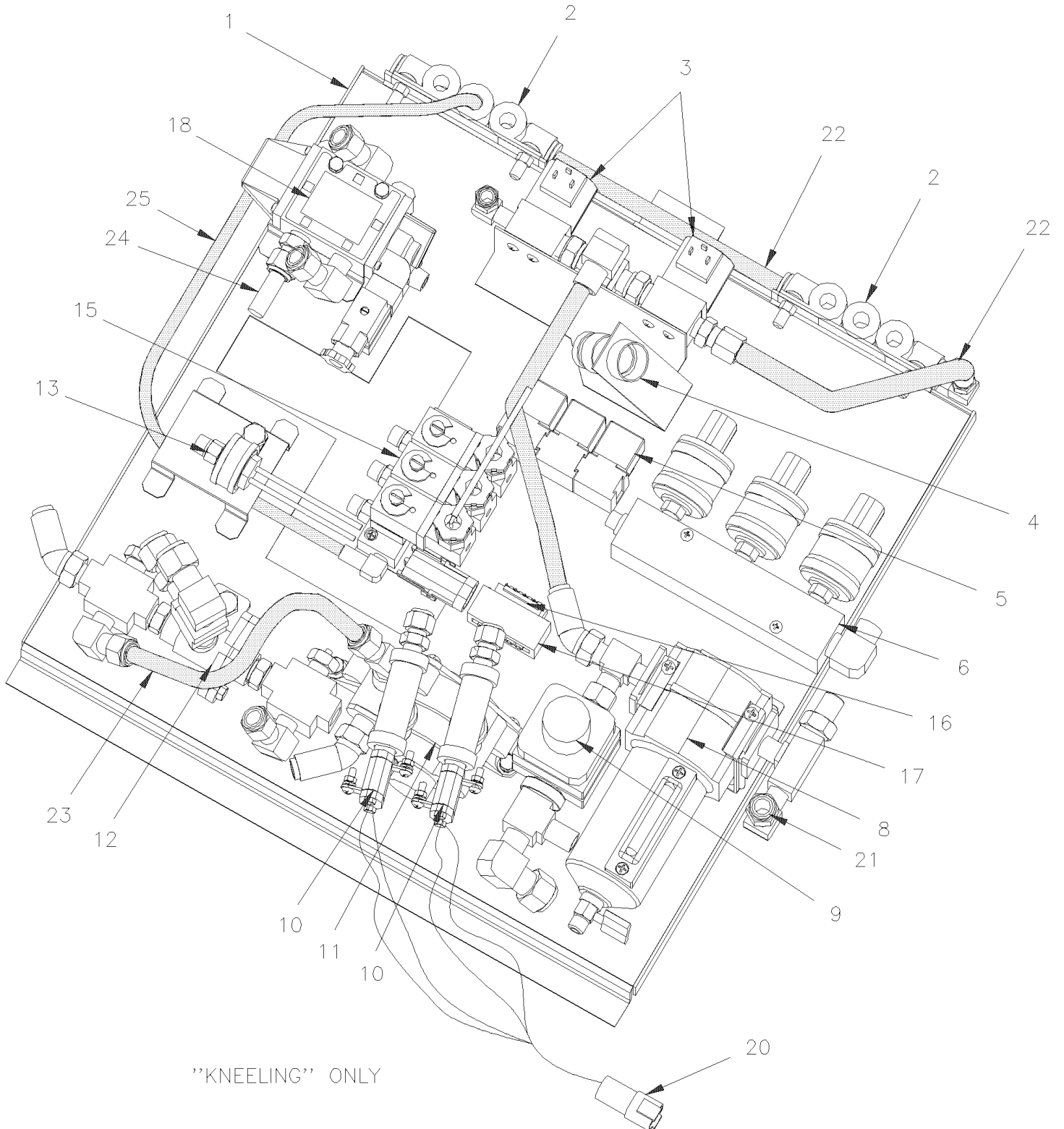
| Item# | Part | Description | X L I I 4 5 | X L I I M T H 4 0 | X L I I M T H 4 5 | X L I I M T H 4 5 E | N O T E S |
|-------|----------|---|----------------------------|---|---|--|-----------------------|
| 33 | 641372 | MALE ELBOW 90° NON-SWIVEL / PUSH-IN FITTING / #6x1/4NPT-M BR | | 1 | 1 | 1 | |
| 34 | 641331 | MALE CONNECTOR / PUSH-IN FITTING / #6x1/4NPT-M BR | | 1 | 1 | 1 | |
| 35 | 641242 | MALE CONNECTOR / PUSH-IN FITTING / #4x1/8NPT-M BR | | 1 | 1 | 1 | |
| 36 | 641313 | PLUG CAP / ADJUSTING DEVICE / PLASTIC INTERIOR GRIP | | 3 | 3 | 3 | |
| 37 | 641040 | MALE ELBOW 90° / NTA FITTING / #8x3/8NPT-M BR | | 2 | 2 | 2 | |
| 38 | 641002 | MALE RUN TEE / NTA FITTING / #4x#4x1/8NPT-M BR | | 1 | 1 | 1 | |
| 39 | 641373 | MALE ELBOW 90° NON-SWIVEL / PUSH-IN FITTING / #8x1/4NPT-M BR | | 2 | 2 | 2 | |
| 40 | 641388 | MALE RUN TEE NON-SWIVEL / PUSH-IN FITTING / #6x#6x3/8NPT-M BR | | 1 | 1 | 1 | |
| 41 | 641347 | MALE CONNECTOR / PUSH-IN FITTING / #4x3/8NPT-M BR | | 1 | 1 | 1 | |
| 42 | 641375 | MALE ELBOW 90° NON-SWIVEL / PUSH-IN FITTING / #6x3/8NPT-M BR | | 1 | 1 | 1 | |
| 43 | 641369 | MALE ELBOW 90° NON-SWIVEL / PUSH-IN FITTING / #4x1/8NPT-M BR | | 1 | 1 | 1 | |
| 44 | 641008 | MALE BRANCH TEE / NTA FITTING / #6x#6x3/8NPT-M BR | | 1 | 1 | 1 | |
| 45 | 641367 | MALE ELBOW 45° NON-SWIVEL / PUSH-IN FITTING / #6x3/8NPT-M BR | | 1 | 1 | 1 | |
| 46 | 641384 | MALE CONNECTOR / PUSH-IN FITTING / #10x1/2NPT-M BR | | 1 | 1 | 1 | |
| 48 | 630231 | LINK ASSY 185MM C/C 7 1/4" From 1-7418 | | 1 | 1 | 1 | |
| . A | N8889244 | . GROMMET / LINK From 1-7418 | | 2 | 2 | 2 | |
| . B | 630250 | . STUD RETAINER 1/4-20 X 1" From 1-7418 | | 2 | 2 | 2 | |
| . C | 500247 | . NUT HEX 1/4-20 N500 From 1-7418 | | 4 | 4 | 4 | |
| . D | 500473 | . WASHER LO SPT .262x.489x.062 Z050 From 1-7418 | | 4 | 4 | 4 | |
| 49 | N.S.S. | STUD RETAINER From 1-7418 | | 2 | 2 | 2 | 1 |
| 52 | 121561 | ACTUATOR SUPPORT / TO FIX LINK / (WELDED) | | 2 | 2 | 2 | |
| NS | 110594 | PLATE, RETAINER | | 1 | 1 | 1 | B |
| 53 | 110679 | ACTUATOR LEVER | | 1 | 1 | 1 | C |
| 54 | 504635 | U-BOLT 1 3/4" I.D. x 2 3/4" x 5/16-18 | | 1 | 1 | 1 | |
| 55 | 500476 | WASHER LO SPT .317x.586x.078 Z050 | | 2 | 2 | 2 | |
| 56 | 500778 | NUT HEX 5/16-18 N500 | | 2 | 2 | 2 | |
| | | | | | | | |
| | | | | | | | |
| | | | | | | | |
| | | B) TO FIX AXLE HOUSING | | | | | |
| | | C) FIXED AT FRONT STABILISATOR BAR | | | | | |
| | | 1) NOT SOLD SEPARATELY | | | | | |

From Y-7046 To 2-7799

Date:10/2022

PAGE:Y2-1630-00

FRONT KNEELING - CONTROL PANEL

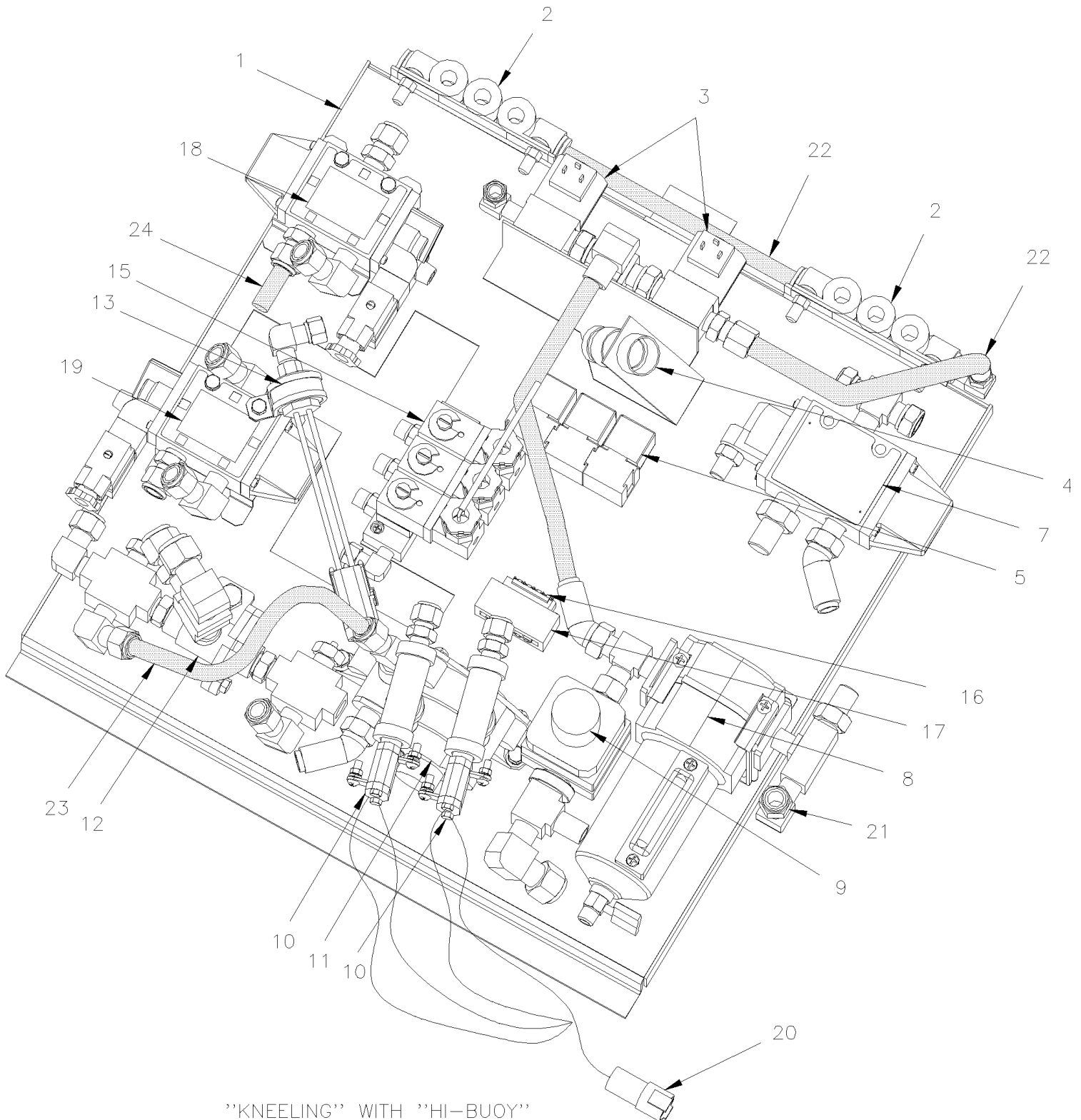


From Y-7046 To 2-7799

Date:10/2022

PAGE:Y2-1630-00

FRONT KNEELING - CONTROL PANEL



| | | |
|---------------------------------------|--------------|-----------------|
| From Y-7046 To 2-7799 | Date:10/2022 | PAGE:Y2-1630-00 |
| FRONT KNEELING - CONTROL PANEL | | |

| Item# | Part | Description | X L I I 4 5 | X L I I M T H 4 0 | X L I I M T H 4 5 | X L I I M T H 4 5 E | N O T E S |
|-------|-------------------|---|----------------------------|---|---|--|-----------------------|
| 1 | 142092 | VALVES SUPPORT ASSY | 1 | | | | |
| 2 | 641508 | MANIFOLD / PUSH-IN FITTING / 2x#6 / 4x#4 PLAS To Y-7085 | 2 | | | | |
| 2 | 641897 | MANIFOLD / PUSH-IN FITTING / 2x#6 / 4x#4 PLAS From Y-7086 | 1 | | | | |
| 3 | 562804 | VALVE, 2 WAYS N.C. | 2 | | | | |
| . NS | 562848 | . CONNECTOR / SOCKET HOUSING ASSY 3C / PNEUMAC 54933-05 | 1 | | | | |
| 4 | 065117 | CABLE ASSY / "KNEELING PANEL" To Y-7310 | 1 | | | | |
| 4 | 065349 | CABLE ASSY / "KNEELING PANEL" From Y-7311 | 1 | | | | |
| 5 | 561707 | RELAY 24V S.P.D.T. W/RESISTOR / To 5-8577 | 3 | | | | |
| 5 | 563332 | RELAY 24V S.P.D.T. W/RESISTOR / "VOLVO" (20374662) From 5-8578 | 3 | | | | |
| 6 | Y2-0750-00 | AUTOMATIC TRANSMISSION - "WORLD" WITH DETROIT S-60 | | | | | |
| 7 | 641274 | VALVE, 3 WAYS, 2 POSITIONS N.C. | 1 | | | | |
| 8 | Y2-1220-15 | AIR FILTER - ACCESSORIES | | | | | |
| 9 | 641137 | VALVE, PRESSURE PROTECTION TYPE PR-4 70PSI | 1 | | | | |
| 10 | 641174 | PRESSURE SWITCH N.C. 30PSI / 1/4NPT LP-2 To 3-7957 | 2 | | | | |
| 10 | 287234 | PRESSURE SWITCH N.C. 30-10 20PS001AB030E010E From 3-7958 | 2 | | | | |
| 11 | 640870 | VALVE / SPRING BRAKE SR-1 | 1 | | | | |
| . NS | 640921 | . REPAIR KIT / SR-1 | 1 | | | | |
| 11 | 140227 | DECAL / ACC AIR FILTER DRAIN / ENGLISH & FRANCAIS | 1 | | | | |
| 11 | 142368 | DECAL / ACC AIR FILTER DRAIN / ENGLISH & SPANISH | 1 | | | | |
| 12 | 641015 | VALVE, DOUBLE CHECK DC-4 | 1 | | | | |
| 13 | 452082 | PRESSURE SWITCH N.O. 30-15 20SP001AA030C015C | 1 | | | | |
| 14 | 952633 | CLAMP / 7/8" I.D. | 1 | | | | |
| 15 | 641180 | MANIFOLD VALVE / W/3 SOLENOID | 1 | | | | |
| . NS | 641928 | . KIT, MANIFOLD REPAIR / N.C. | 3 | | | | |
| . NS | 641107 | . COIL 24V | 1 | | | | |
| NS | 641242 | MALE CONNECTOR / PUSH-IN FITTING / #4x1/8NPT-M BR | 3 | | | | |
| 16 | 381145 | DIODE ASSY / W/5 3AMPS | 1 | | | | |
| 17 | 381518 | SUPPORT / FOR 10 PINS CONNECTOR | 1 | | | | |
| 18 | 641528 | VALVE, 3 WAYS, 2 POSITIONS N.O. | 1 | | | | |
| . NS | 641929 | . COIL 24V | 1 | | | | |
| . NS | 641169 | . SPOOL | 1 | | | | |
| . NS | 641385 | . CONNECTOR / SOCKET HOUSING ASSY 3C / PNEUMAC 54934-01 | 1 | | | | |
| 19 | 641529 | VALVE, 3 WAYS, 2 POSITIONS N.C. To 1-7535 | 1 | | | | |
| . NS | 641929 | . COIL 24V To 1-7535 | 1 | | | | |
| . NS | 641169 | . SPOOL To 1-7535 | 1 | | | | |
| . NS | 641385 | . CONNECTOR / SOCKET HOUSING ASSY 3C / PNEUMAC 54934-01 To 1-7535 | 1 | | | | |
| 19 | 641937 | VALVE, 3 WAYS, 2 POSITIONS N.C. / W/MAN OVERRIDE From 1-7535 | 1 | | | | |
| . NS | 641929 | . COIL 24V From 1-7535 | 1 | | | | |
| . NS | 641385 | . CONNECTOR / SOCKET HOUSING ASSY 3C / PNEUMAC 54934-01 From 1-7535 | 1 | | | | |
| NS | 641934 | SILENCER / MUFFLER / 3/8NPT-M | 1 | | | | |
| 20 | 065222 | CABLE ASSY / PARKING BRAKE PRESSURE | 1 | | | | |
| NS | 065479 | CABLE ASSY / SAFETY SWITCH / PARKING BRAKE (BETWEN SWITCH & RELAY) | 1 | | | | A |

| | | |
|---------------------------------------|--------------|-----------------|
| From Y-7046 To 2-7799 | Date:10/2022 | PAGE:Y2-1630-00 |
| FRONT KNEELING - CONTROL PANEL | | |

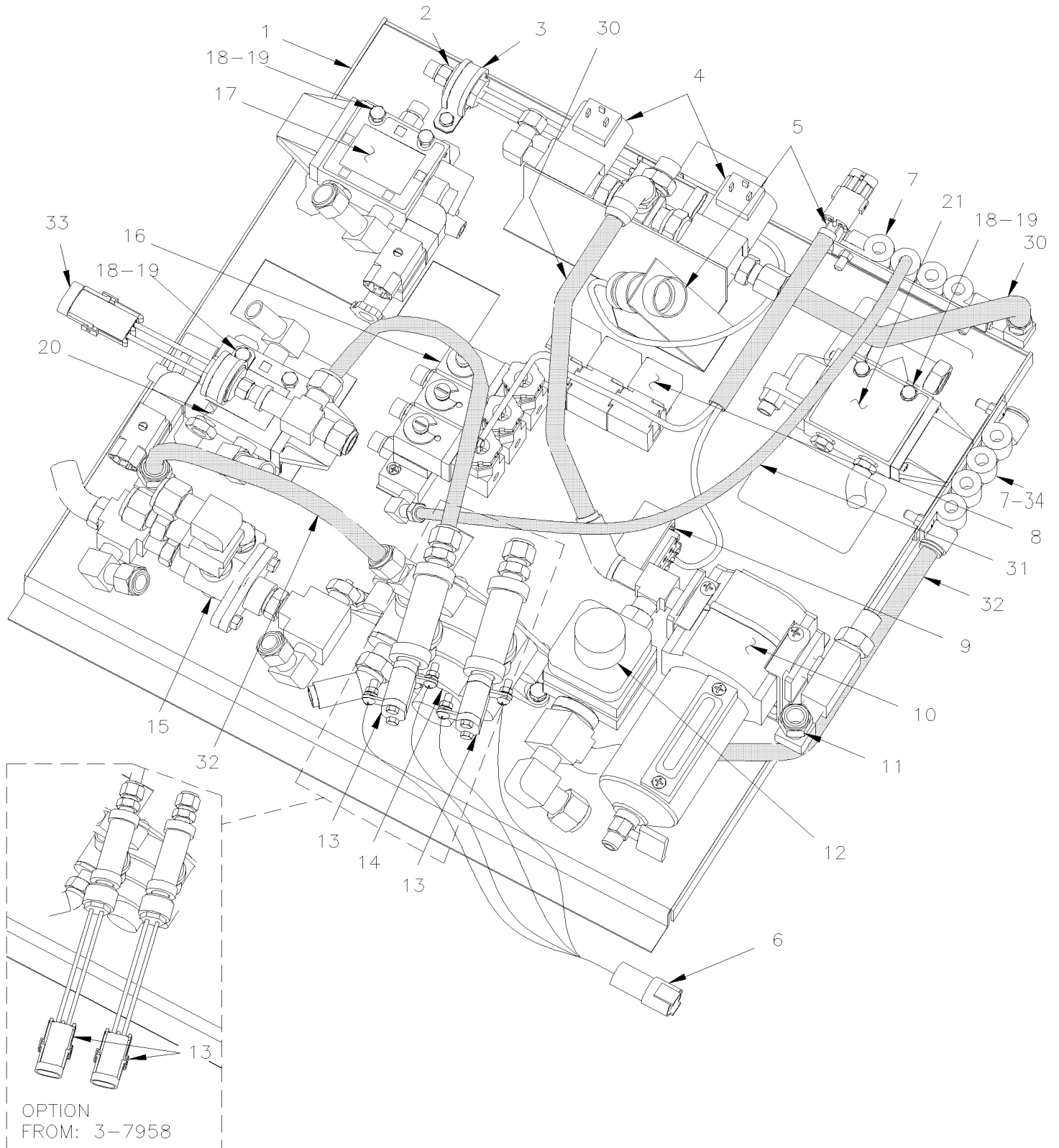
| Item# | Part | Description | X L I I 4 5 | X L I I M T H 4 0 | X L I I M T H 4 5 | X L I I M T H 4 5 E | N O T E S |
|-------|--------|---|----------------------------|---|---|--|-----------------------|
| 21 | 640488 | VALVE, AIR FILL 1/8" NPT | 1 | | | | |
| . NS | 650164 | . CAP VALVE / CHROME | 1 | | | | |
| 22 | 503404 | TUBE, NYLON 3/8 O.D. / BLACK S.L. | AR | | | | |
| 23 | 503463 | TUBE, NYLON 3/8 O.D. / GREEN S.L. | AR | | | | |
| 24 | 503470 | TUBE, NYLON 3/8 O.D. / YELLOW S.L. | AR | | | | |
| 25 | 503402 | TUBE, NYLON 1/4 O.D. / BLACK S.L. | AR | | | | |
| | | | | | | | |
| | | | | | | | |
| | | | | | | | |
| | | A) WITH "OPTION" SAFETY PARKING BRAKE SWITCH ON DASHBOARD | | | | | |

From 2-7800 To 5-8558

Date:10/2022

PAGE:Y2-1630-01

FRONT KNEELING - CONTROL PANEL



| | | |
|---------------------------------------|--------------|-----------------|
| From 2-7800 To 5-8558 | Date:10/2022 | PAGE:Y2-1630-01 |
| FRONT KNEELING - CONTROL PANEL | | |

| Item# | Part | Description | X L I I 4 5 | X L I I M T H 4 0 | X L I I M T H 4 5 | X L I I M T H 4 5 E | NOTES |
|-------|-------------------|--|----------------------------|---|---|--|-------|
| 1 | 142215 | VALVE SUPPORT ASSY | 1 | | | | |
| 1 | 142366 | VALVE SUPPORT ASSY | 1 | | | | |
| 2 | 452082 | PRESSURE SWITCH N.O. 30-15 20SP001AA030C015C | 1 | | | | |
| 3 | 952633 | CLAMP / 7/8" I.D. | 1 | | | | |
| 4 | 562804 | VALVE, 2 WAYS N.C. | 2 | | | | |
| . NS | 562848 | . CONNECTOR / SOCKET HOUSING ASSY 3C / PNEUMAC 54933-05 | 1 | | | | |
| 5 | 065349 | CABLE ASSY / "KNEELING PANEL" To 4-8358 | 1 | | | | |
| 5 | 066092 | CABLE ASSY / "KNEELING PANEL" From 5-8359 To 5-8469 | 1 | | | | |
| 5 | 066225 | CABLE ASSY / "KNEELING PANEL" From 5-8470 | 1 | | | | |
| 6 | 065222 | CABLE ASSY / PARKING BRAKE PRESSURE | 1 | | | | |
| NS | 065479 | CABLE ASSY / SAFETY SWITCH / PARKING BRAKE (BETWEN SWITCH & RELAY) To 4-8180 | 1 | | | | A |
| NS | 065950 | CABLE ASSY / SAFETY SWITCH / PARKING BRAKE (BETWEN SWITCH & RELAY) From 4-8181 | 1 | | | | A |
| 7 | 641897 | MANIFOLD / PUSH-IN FITTING / 2x#6 / 4x#4 PLAS | 2 | | | | |
| NS | 500574 | SCREW MA TR PH #10-24x1 1/4 SS | 4 | | | | |
| 8 | 561706 | RELAY 12V S.P.D.T. W/DIODE / | 3 | | | | |
| 9 | 381145 | DIODE ASSY / W/5 3AMPS | 1 | | | | |
| NS | 381518 | SUPPORT / FOR 10 PINS CONNECTOR | 1 | | | | |
| 10 | Y2-1220-15 | AIR FILTER - ACCESSORIES | | | | | |
| 11 | 640488 | VALVE, AIR FILL 1/8" NPT | 1 | | | | |
| . NS | 650164 | . CAP VALVE / CHROME | 1 | | | | |
| 12 | 641137 | VALVE, PRESSURE PROTECTION TYPE PR-4 70PSI | 1 | | | | |
| 13 | 641174 | PRESSURE SWITCH N.C. 30PSI / 1/4NPT LP-2 To 3-7957 | 2 | | | | |
| 13 | 287234 | PRESSURE SWITCH N.C. 30-10 20PS001AB030E010E From 3-7958 To 5-8358 | 2 | | | | |
| 14 | 640870 | VALVE / SPRING BRAKE SR-1 | 1 | | | | |
| . NS | 640921 | . REPAIR KIT / SR-1 | 1 | | | | |
| 15 | 641015 | VALVE, DOUBLE CHECK DC-4 To 3-8008 | 1 | | | | |
| 15 | 641564 | VALVE, DOUBLE CHECK DC-4 From 3-8009 | 1 | | | | |
| 16 | 641180 | MANIFOLD VALVE / W/3 SOLENOID | 1 | | | | |
| . NS | 641928 | . KIT, MANIFOLD REPAIR / N.C. | 3 | | | | |
| . NS | 641107 | . COIL 24V | 1 | | | | |
| NS | 641242 | MALE CONNECTOR / PUSH-IN FITTING / #4x1/8NPT-M BR | 3 | | | | |
| 17 | 641528 | VALVE, 3 WAYS, 2 POSITIONS N.O. | 1 | | | | |
| . NS | 641929 | . COIL 24V | 1 | | | | |
| . NS | 641169 | . SPOOL | 1 | | | | |
| . NS | 641385 | . CONNECTOR / SOCKET HOUSING ASSY 3C / PNEUMAC 54934-01 | 1 | | | | |
| 18 | 500994 | SCREW CAP HEX 1/4-20x1 3/4 G5 PT Z050 | 2 | | | | |
| 19 | 500473 | WASHER LO SPT .262x.489x.062 Z050 | AR | | | | |
| 20 | 641937 | VALVE, 3 WAYS, 2 POSITIONS N.C. / W/MAN OVERRIDE | AR | | | | |
| . NS | 641929 | . COIL 24V | 1 | | | | |
| . NS | 641385 | . CONNECTOR / SOCKET HOUSING ASSY 3C / PNEUMAC 54934-01 | 1 | | | | |
| 21 | 641274 | VALVE, 3 WAYS, 2 POSITIONS N.C. | 1 | | | | |
| 30 | 503404 | TUBE, NYLON 3/8 O.D. / BLACK S.L. | AR | | | | |

| | | |
|-----------------------|--------------|-----------------|
| From 2-7800 To 5-8558 | Date:10/2022 | PAGE:Y2-1630-01 |
|-----------------------|--------------|-----------------|

FRONT KNEELING - CONTROL PANEL

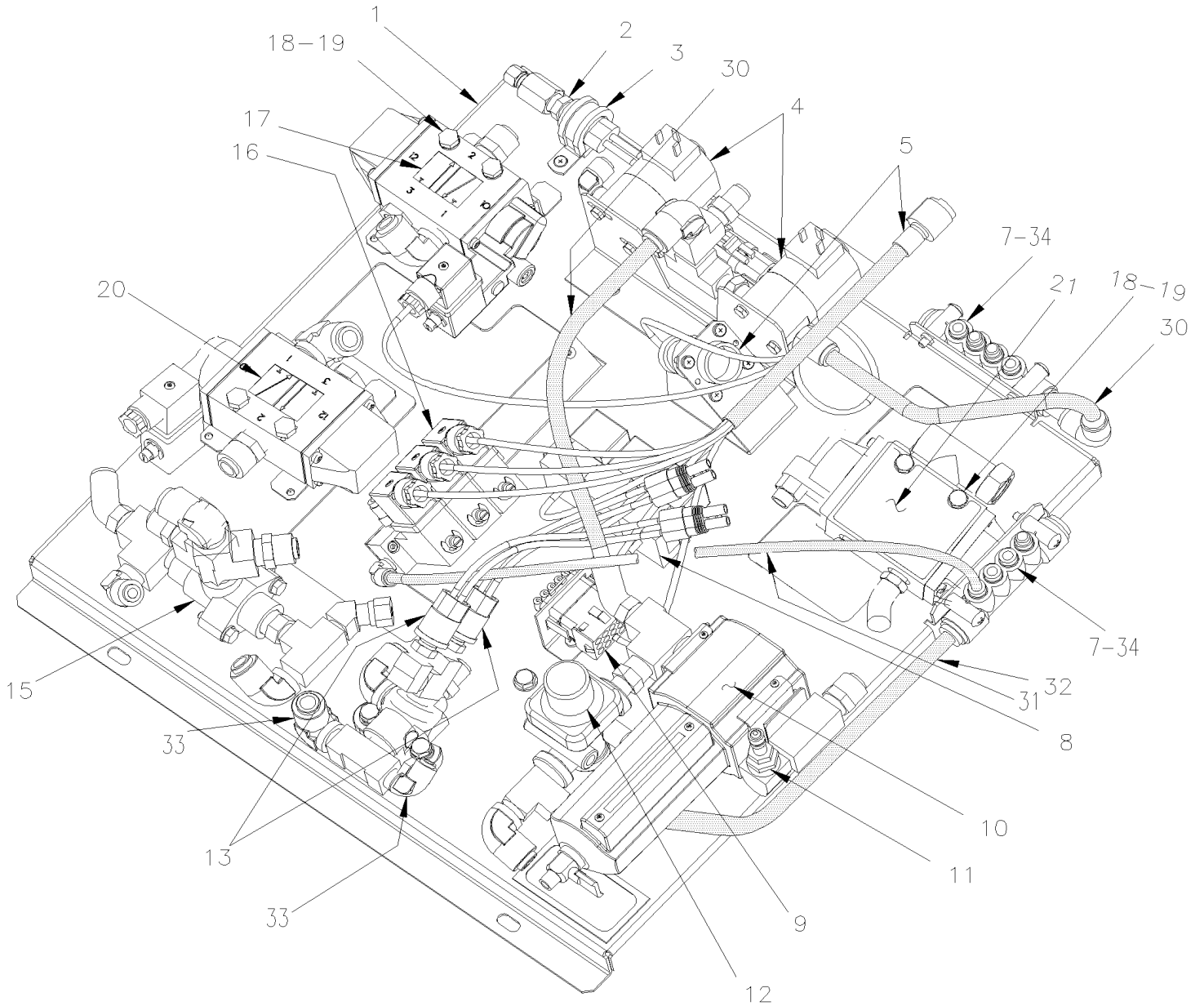
| Item# | Part | Description | X L I I 4 5 | X L I I M T H 4 0 | X L I I M T H 4 5 | X L I I M T H 4 5 E | N O T E S |
|-------|--------|---|--------------------------------|---|---|--|-----------------------|
| 31 | 503402 | TUBE, NYLON 1/4 O.D. / BLACK S.L. | AR | | | | |
| 32 | 503463 | TUBE, NYLON 3/8 O.D. / GREEN S.L. | AR | | | | |
| 33 | 452082 | PRESSURE SWITCH N.O. 30-15 20SP001AA030C015C | 1 | | | | |
| 34 | 641416 | PLUG STEM / PUSH-IN FITTING / #4 PLAS | 2 | | | | |
| | | | | | | | |
| | | | | | | | |
| | | A) WITH "OPTION" SAFETY PARKING BRAKE SWITCH ON DASHBOARD | | | | | |

From 5-8559 To 6-8906

Date:10/2022

PAGE:Y2-1630-02

FRONT KNEELING - CONTROL PANEL

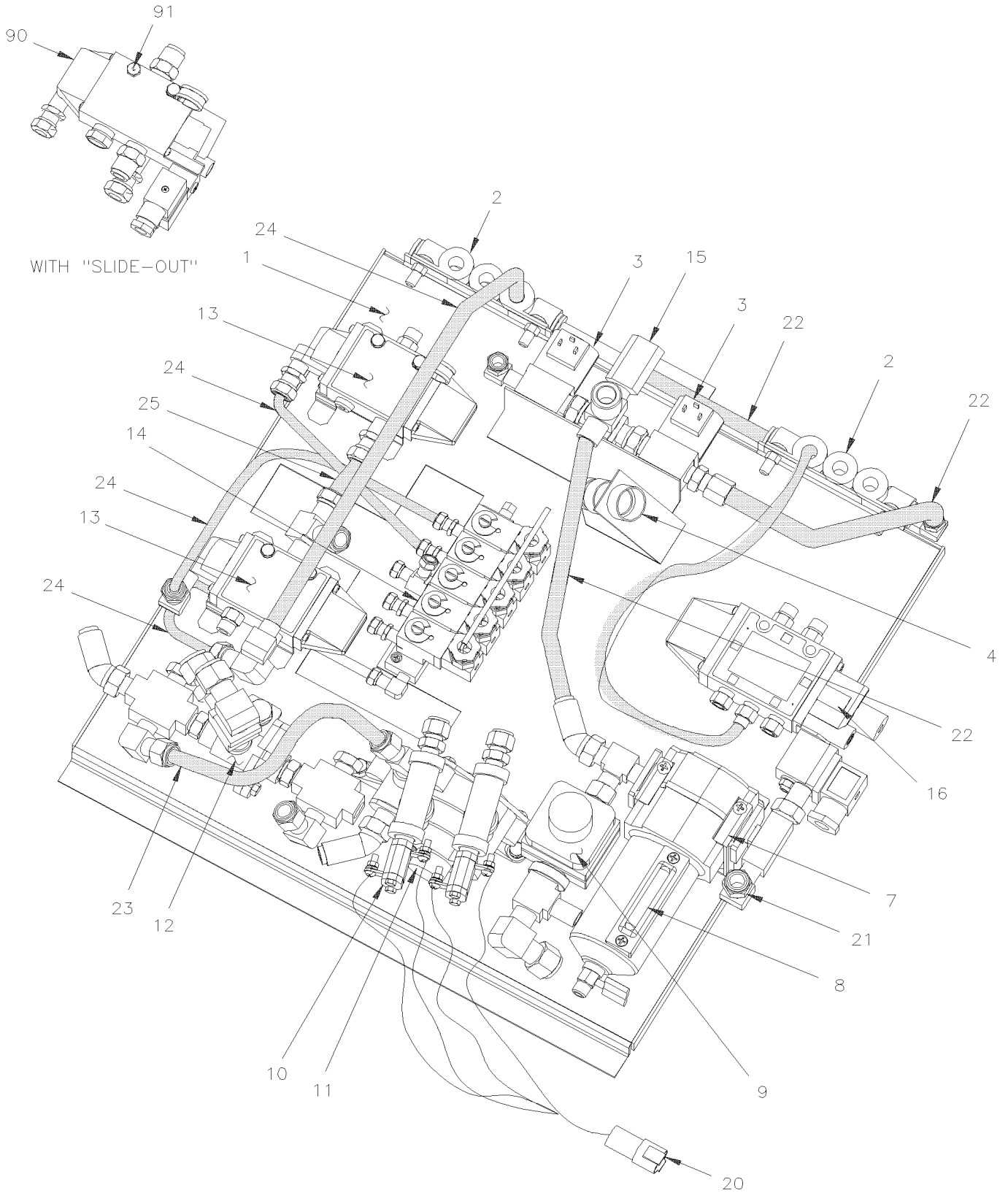


From Y-7046 To 2-7799

Date:10/2022

PAGE:Y2-1640-50

LEVEL-LOW - CONTROL PANEL & VALVES



| | | |
|---|--------------|-----------------|
| From Y-7046 To 2-7799 | Date:10/2022 | PAGE:Y2-1640-50 |
| LEVEL-LOW - CONTROL PANEL & VALVES | | |

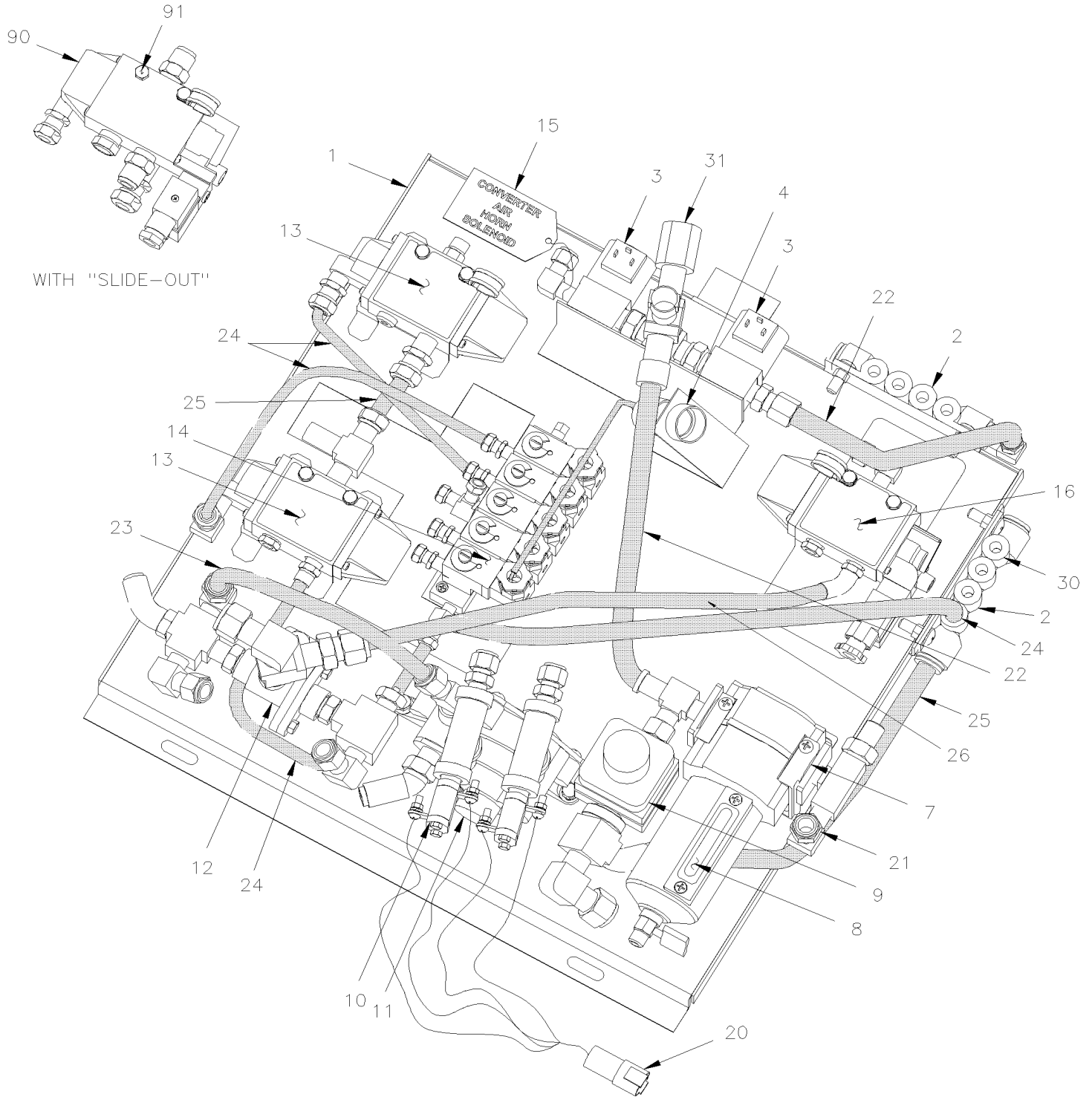
| Item# | Part | Description | X L I I 4 5 | X L I I M T H 4 0 | X L I I M T H 4 5 | X L I I M T H 4 5 E | N O T E S |
|-------|-------------------|--|----------------------------|---|---|--|-----------------------|
| 1 | 142023 | VALVE SUPPORT ASSY | | 1 | 1 | 1 | |
| 2 | 641508 | MANIFOLD / PUSH-IN FITTING / 2x#6 / 4x#4 PLAS To Y-7085 | | 2 | 2 | 2 | |
| 2 | 641897 | MANIFOLD / PUSH-IN FITTING / 2x#6 / 4x#4 PLAS From Y-7086 | | 2 | 2 | 2 | |
| 3 | 562804 | VALVE, 2 WAYS N.C. | | 2 | 2 | 2 | |
| . NS | 562848 | . CONNECTOR / SOCKET HOUSING ASSY 3C / PNEUMAC 54933-05 | | 1 | 1 | 1 | |
| NS | 391812 | IDENTIFICATION PLATE (CONVERTER) | | 1 | 1 | 1 | |
| NS | 142042 | PLATE CONVERTER AIR HORN SOLENOID | | 1 | 1 | 1 | |
| 4 | 064177 | CABLE ASSY / VALVE "LEVEL-LOW" To 1-7407 | | 1 | 1 | 1 | |
| 4 | 065429 | CABLE ASSY / VALVE "LEVEL-LOW" From 1-7408 | | 1 | 1 | 1 | |
| 7 | 641339 | SUPPORT / AIR FILTER | | 2 | 2 | 2 | |
| 8 | Y2-1220-15 | AIR FILTER - ACCESSORIES | | | | | |
| 9 | 641137 | VALVE, PRESSURE PROTECTION TYPE PR-4 70PSI | | 1 | 1 | 1 | |
| 10 | 641174 | PRESSURE SWITCH N.C. 30PSI / 1/4NPT LP-2 To 3-7957 | | 1 | 1 | 1 | |
| 10 | 287234 | PRESSURE SWITCH N.C. 30-10 20PS001AB030E010E From 3-7958 | | 1 | 1 | 1 | |
| 11 | 640870 | VALVE / SPRING BRAKE SR-1 | | 1 | 1 | 1 | |
| . NS | 640921 | . REPAIR KIT / SR-1 | | 1 | 1 | 1 | |
| 12 | 641015 | VALVE, DOUBLE CHECK DC-4 | | 1 | 1 | 1 | |
| 13 | 641274 | VALVE, 3 WAYS, 2 POSITIONS N.C. | | 2 | 2 | 2 | |
| 14 | 641205 | MANIFOLD VALVE / W/5 SOLENOID | | 1 | 1 | 1 | |
| . NS | 641928 | . KIT, MANIFOLD REPAIR / N.C. | | 5 | 5 | 5 | |
| . NS | 641107 | . COIL 24V | | 5 | 5 | 5 | |
| 15 | 5011129 | NEEDLE VALVE 1/4 NPT M x 1/4 NPT F | | 1 | 1 | 1 | |
| 15 | 501902 | CROSS / PIPE FITTING / 1/4NPT-Fx1/4NPT-Fx 1/4NPT-Fx1/4NPT-F BR | | 1 | 1 | 1 | |
| 16 | 641527 | VALVE, 4 WAYS, 2 POSITIONS | | 1 | 1 | 1 | |
| . NS | 641929 | . COIL 24V | | 1 | 1 | 1 | |
| . NS | 641186 | . SPOOL | | 1 | 1 | 1 | |
| . NS | 641385 | . CONNECTOR / SOCKET HOUSING ASSY 3C / PNEUMAC 54934-01 | | 1 | 1 | 1 | |
| 20 | 065222 | CABLE ASSY / PARKING BRAKE PRESSURE | | 1 | 1 | 1 | |
| 21 | 640488 | VALVE, AIR FILL 1/8" NPT | | 1 | 1 | 1 | |
| . NS | 650164 | . CAP VALVE / CHROME | | 1 | 1 | 1 | |
| 22 | 503404 | TUBE, NYLON 3/8 O.D. / BLACK S.L. | | AR | AR | AR | |
| 23 | 503463 | TUBE, NYLON 3/8 O.D. / GREEN S.L. | | AR | AR | AR | |
| 24 | 503402 | TUBE, NYLON 1/4 O.D. / BLACK S.L. | | AR | AR | AR | |
| 25 | 503471 | TUBE, NYLON 3/8 O.D. / BLUE S.L. | | AR | AR | AR | |
| 90 | 641528 | VALVE, 3 WAYS, 2 POSITIONS N.O. | | | 1 | | |
| . NS | 641929 | . COIL 24V | | | 1 | | |
| . NS | 641169 | . SPOOL | | | 1 | | |
| . NS | 641385 | . CONNECTOR / SOCKET HOUSING ASSY 3C / PNEUMAC 54934-01 | | | 1 | | |
| 91 | 500174 | SCREW CAP HEX 1/4-20x3 G5 PT ZP | | | 2 | | |
| | | | | | | | |
| | | | | | | | |
| | | | | | | | |

From 2-7800 To 5-8558

Date:10/2022

PAGE:Y2-1640-51

LEVEL-LOW - CONTROL PANEL & VALVES



| | | |
|---|--------------|-----------------|
| From 2-7800 To 5-8558 | Date:10/2022 | PAGE:Y2-1640-51 |
| LEVEL-LOW - CONTROL PANEL & VALVES | | |

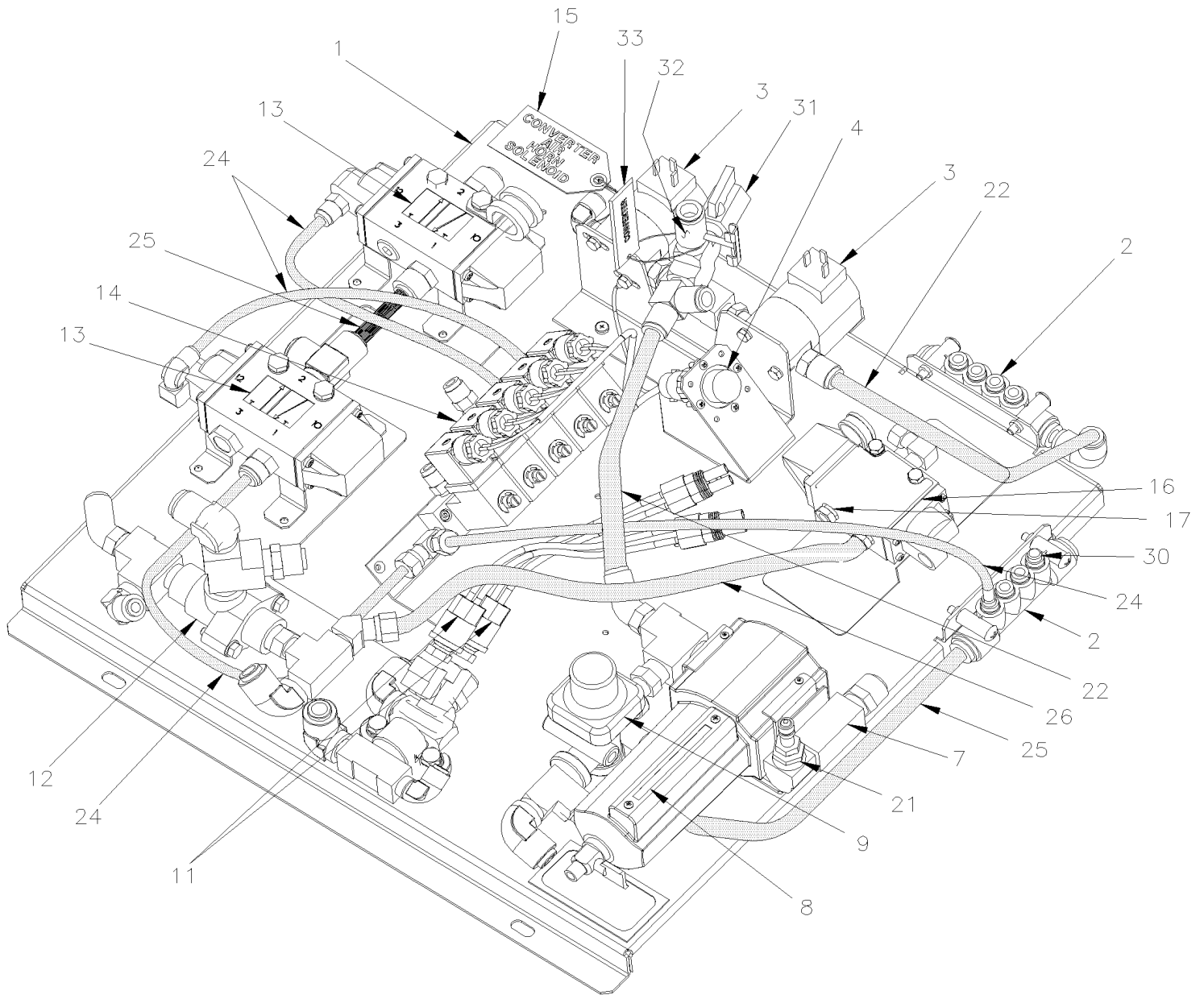
| Item# | Part | Description | X L I I 4 5 | X L I I M T H 4 0 | X L I I M T H 4 5 | X L I I M T H 4 5 E | N O T E S |
|-------|-------------------|--|----------------------------|---|---|--|-----------------------|
| 1 | 142215 | VALVE SUPPORT ASSY | | 1 | 1 | 1 | |
| 2 | 641897 | MANIFOLD / PUSH-IN FITTING / 2x#6 / 4x#4 PLAS | | 2 | 2 | 2 | |
| NS | 500574 | SCREW MA TR PH #10-24x1 1/4 SS | | 4 | 4 | 4 | |
| 3 | 562804 | VALVE, 2 WAYS N.C. | | 2 | 2 | 2 | |
| . NS | 562848 | . CONNECTOR / SOCKET HOUSING ASSY 3C / PNEUMAC 54933-05 | | 1 | 1 | 1 | |
| 4 | 065429 | CABLE ASSY / VALVE "LEVEL-LOW" | | 1 | 1 | 1 | |
| 7 | 641371 | MALE ELBOW 90° NON-SWIVEL / PUSH-IN FITTING / #4x1/4NPT-M BR | | 1 | 1 | 1 | |
| 8 | Y2-1220-15 | AIR FILTER - ACCESSORIES | | | | | |
| NS | 140227 | DECAL / ACC AIR FILTER DRAIN / ENGLISH & FRANCAIS | | 1 | 1 | 1 | |
| NS | 142368 | DECAL / ACC AIR FILTER DRAIN / ENGLISH & SPANISH | | 1 | 1 | 1 | |
| 9 | 641137 | VALVE, PRESSURE PROTECTION TYPE PR-4 70PSI | | 1 | 1 | 1 | |
| 10 | 641174 | PRESSURE SWITCH N.C. 30PSI / 1/4NPT LP-2 To 3-7957 | | 2 | 2 | 2 | |
| 10 | 287234 | PRESSURE SWITCH N.C. 30-10 20PS001AB030E010E From 3-7958 | | 2 | 2 | 2 | |
| 11 | 640870 | VALVE / SPRING BRAKE SR-1 | | 1 | 1 | 1 | |
| . NS | 640921 | . REPAIR KIT / SR-1 | | 1 | 1 | 1 | |
| 12 | 641015 | VALVE, DOUBLE CHECK DC-4 To 3-8008 | | 1 | 1 | 1 | |
| 12 | 641564 | VALVE, DOUBLE CHECK DC-4 From 3-8009 | | 1 | 1 | 1 | |
| 13 | 641274 | VALVE, 3 WAYS, 2 POSITIONS N.C. | | 2 | 2 | 2 | |
| 14 | 641205 | MANIFOLD VALVE / W/5 SOLENOID | | 1 | 1 | 1 | |
| . NS | 641928 | . KIT, MANIFOLD REPAIR / N.C. | | 5 | 5 | 5 | |
| . NS | 641107 | . COIL 24V | | 5 | 5 | 5 | |
| 15 | 142042 | PLATE CONVERTER AIR HORN SOLENOID | | 1 | 1 | 1 | |
| 16 | 641528 | VALVE, 3 WAYS, 2 POSITIONS N.O. | | 1 | 1 | 1 | |
| . NS | 641929 | . COIL 24V | | 1 | 1 | 1 | |
| . NS | 641169 | . SPOOL | | 1 | 1 | 1 | |
| . NS | 641385 | . CONNECTOR / SOCKET HOUSING ASSY 3C / PNEUMAC 54934-01 | | 1 | 1 | 1 | |
| 17 | 641934 | SILENCER / MUFFLER / 3/8NPT-M | | 1 | 1 | 1 | |
| 20 | 065222 | CABLE ASSY / PARKING BRAKE PRESSURE | | 1 | 1 | 1 | |
| 21 | 640488 | VALVE, AIR FILL 1/8" NPT | | 1 | 1 | 1 | |
| . NS | 650164 | . CAP VALVE / CHROME | | 1 | 1 | 1 | |
| 22 | 503404 | TUBE, NYLON 3/8 O.D. / BLACK S.L. | | AR | AR | AR | |
| 23 | 503572 | CRS TUBE ROUND 60W 4 1/2" O.D. X 1" X 240 | | AR | AR | AR | |
| 24 | 503402 | TUBE, NYLON 1/4 O.D. / BLACK S.L. | | AR | AR | AR | |
| 25 | 503471 | TUBE, NYLON 3/8 O.D. / BLUE S.L. | | AR | AR | AR | |
| 26 | 503470 | TUBE, NYLON 3/8 O.D. / YELLOW S.L. | | AR | AR | AR | |
| 30 | 641416 | PLUG STEM / PUSH-IN FITTING / #4 PLAS | | AR | AR | AR | |
| 31 | 641936 | BALL VALVE 1/4 NPT M x 1/4 NPT F | | 1 | 1 | 1 | |
| 90 | 641937 | VALVE, 3 WAYS, 2 POSITIONS N.C. / W/MAN OVERRIDE | | 1 | 1 | 1 | |
| . NS | 641929 | . COIL 24V | | 1 | 1 | 1 | |
| . NS | 641385 | . CONNECTOR / SOCKET HOUSING ASSY 3C / PNEUMAC 54934-01 | | 1 | 1 | 1 | |
| 91 | 500174 | SCREW CAP HEX 1/4-20x3 G5 PT ZP | | 2 | 2 | 2 | |

From 5-8559 To 8-9339

Date:10/2022

PAGE:Y2-1640-52

LEVEL-LOW - CONTROL PANEL & VALVES

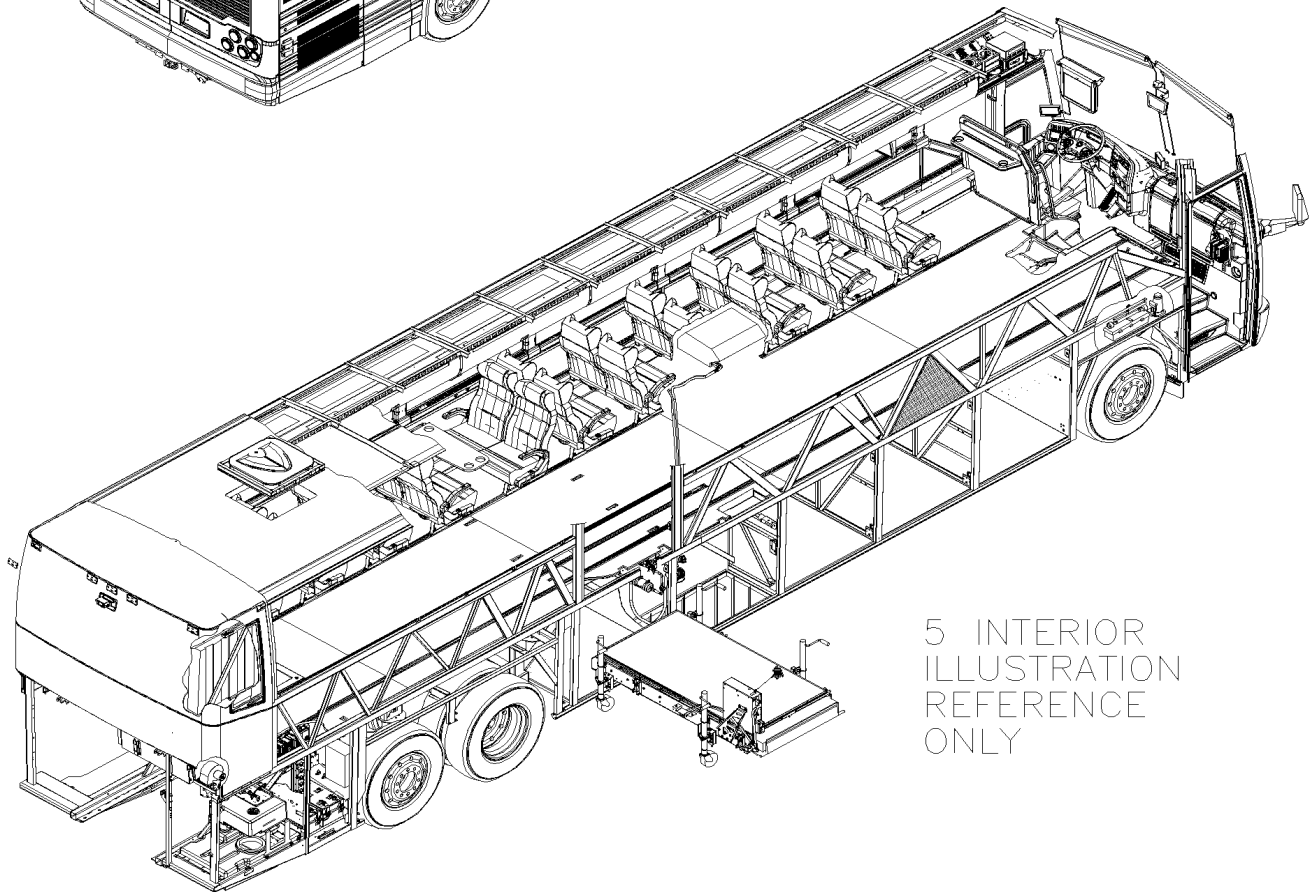
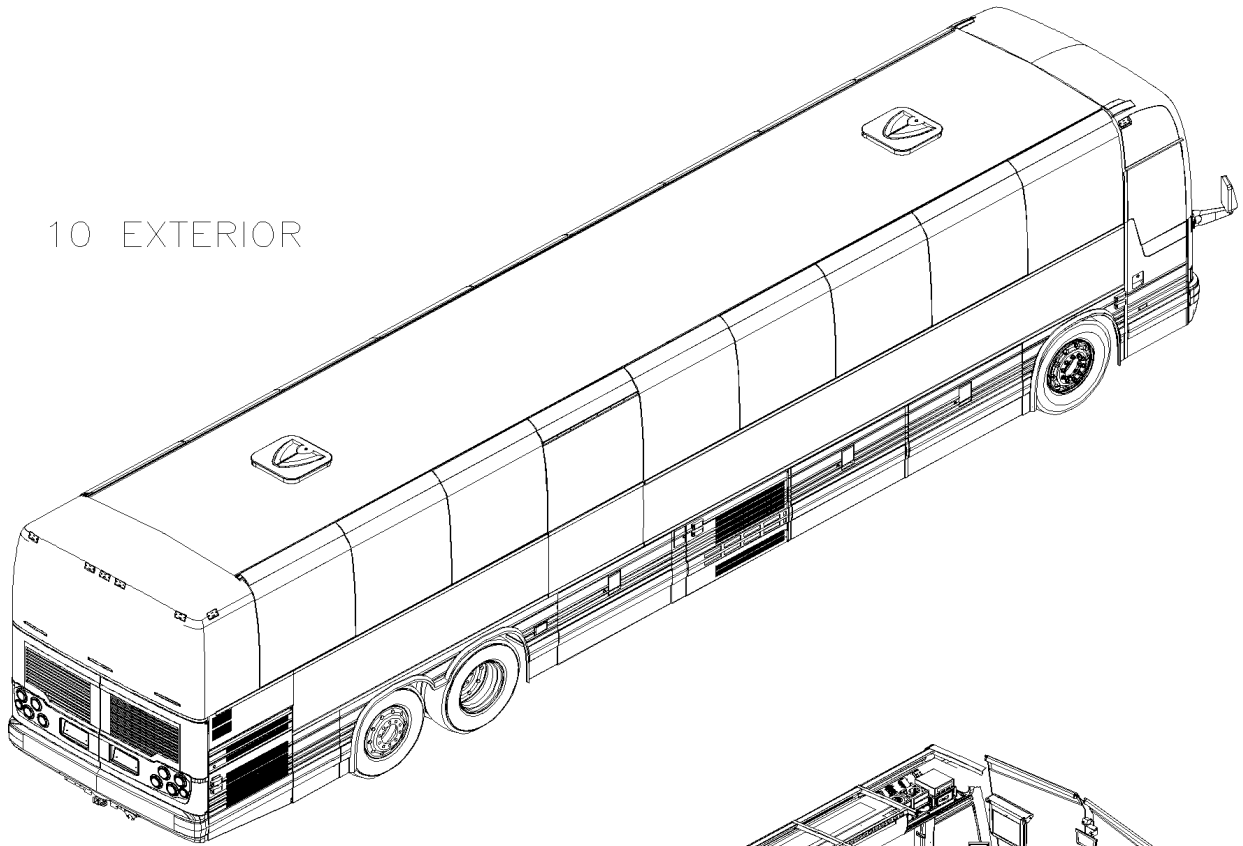


| | | |
|---|--------------|-----------------|
| From 5-8559 To 8-9339 | Date:10/2022 | PAGE:Y2-1640-52 |
| LEVEL-LOW - CONTROL PANEL & VALVES | | |

| Item# | Part | Description | X L I I 4 5 | X L I I M T H 4 0 | X L I I M T H 4 5 | X L I I M T H 4 5 E | N O T E S |
|-------|-------------------|--|----------------------------|---|---|--|-----------------------|
| 1 | 142366 | VALVE SUPPORT ASSY | | 1 | 1 | 1 | |
| 2 | 641897 | MANIFOLD / PUSH-IN FITTING / 2x#6 / 4x#4 PLAS | | 2 | 2 | 2 | |
| NS | 500574 | SCREW MA TR PH #10-24x1 1/4 SS | | 4 | 4 | 4 | |
| 3 | 562804 | VALVE, 2 WAYS N.C. | | 2 | 2 | 2 | |
| . NS | 562848 | . CONNECTOR / SOCKET HOUSING ASSY 3C / PNEUMAC 54933-05 | | 1 | 1 | 1 | |
| 4 | 065429 | CABLE ASSY / VALVE "LEVEL-LOW" | | 1 | 1 | 1 | |
| 7 | 641371 | MALE ELBOW 90° NON-SWIVEL / PUSH-IN FITTING / #4x1/4NPT-M BR | | 1 | 1 | 1 | |
| 8 | Y2-1220-15 | AIR FILTER - ACCESSORIES | | | | | |
| NS | 140227 | DECAL / ACC AIR FILTER DRAIN / ENGLISH & FRANCAIS | | 1 | 1 | 1 | |
| NS | 142368 | DECAL / ACC AIR FILTER DRAIN / ENGLISH & SPANISH | | 1 | 1 | 1 | |
| 9 | 641137 | VALVE, PRESSURE PROTECTION TYPE PR-4 70PSI | | 1 | 1 | 1 | |
| 11 | 287234 | PRESSURE SWITCH N.C. 30-10 20PS001AB030E010E | | 2 | 2 | 2 | |
| 12 | 641564 | VALVE, DOUBLE CHECK DC-4 | | 1 | 1 | 1 | |
| 13 | 641274 | VALVE, 3 WAYS, 2 POSITIONS N.C. | | 2 | 2 | 2 | |
| 14 | 641205 | MANIFOLD VALVE / W/5 SOLENOID | | 1 | 1 | 1 | |
| . NS | 641928 | . KIT, MANIFOLD REPAIR / N.C. | | 5 | 5 | 5 | |
| . NS | 641107 | . COIL 24V | | 5 | 5 | 5 | |
| 15 | 142042 | PLATE CONVERTER AIR HORN SOLENOID | | 1 | 1 | 1 | |
| 16 | 641528 | VALVE, 3 WAYS, 2 POSITIONS N.O. | | 1 | 1 | 1 | |
| . NS | 641929 | . COIL 24V | | 1 | 1 | 1 | |
| . NS | 641169 | . SPOOL | | 1 | 1 | 1 | |
| . NS | 641385 | . CONNECTOR / SOCKET HOUSING ASSY 3C / PNEUMAC 54934-01 | | 1 | 1 | 1 | |
| 17 | 641934 | SILENCER / MUFFLER / 3/8NPT-M | | 1 | 1 | 1 | |
| 21 | 640488 | VALVE, AIR FILL 1/8" NPT | | 1 | 1 | 1 | |
| . NS | 650164 | . CAP VALVE / CHROME | | 1 | 1 | 1 | |
| 22 | 503404 | TUBE, NYLON 3/8 O.D. / BLACK S.L. | | AR | AR | AR | |
| 23 | 503572 | CRS TUBE ROUND 60W 4 1/2" O.D. X 1" X 240 | | AR | AR | AR | |
| 24 | 503402 | TUBE, NYLON 1/4 O.D. / BLACK S.L. | | AR | AR | AR | |
| 25 | 503471 | TUBE, NYLON 3/8 O.D. / BLUE S.L. | | AR | AR | AR | |
| 26 | 503470 | TUBE, NYLON 3/8 O.D. / YELLOW S.L. | | AR | AR | AR | |
| 30 | 641416 | PLUG STEM / PUSH-IN FITTING / #4 PLAS | | AR | AR | AR | |
| 31 | 641936 | BALL VALVE 1/4 NPT M x 1/4 NPT F | | 1 | 1 | 1 | |
| 32 | 5011129 | NEEDLE VALVE 1/4 NPT M x 1/4 NPT F | | 1 | 1 | 1 | |
| 33 | 391812 | IDENTIFICATION PLATE (CONVERTER) | | 1 | 1 | 1 | |
| | | | | | | | |
| | | | | | | | |
| | | | | | | | |

| | | |
|------|--------------|-------|
| | Date:10/2022 | Y2-18 |
| BODY | | |

10 EXTERIOR



5 INTERIOR
ILLUSTRATION
REFERENCE
ONLY

| | | Date:10/2022 | Y2-18 | | | | |
|-------|-----------|---------------|----------------------------|---|---|--|-------|
| BODY | | | | | | | |
| Item# | Part | Description | X L I I 4 5 | X L I I M T H 4 0 | X L I I M T H 4 5 | X L I I M T H 4 5 E | NOTES |
| 5 | Y2-18-INT | BODY INTERIOR | | | | | |
| 10 | Y2-18-EXT | BODY EXTERIOR | | | | | |

| | | |
|---------------|--------------|----------------|
| | Date:10/2022 | PAGE:Y2-18-INT |
| BODY INTERIOR | | |

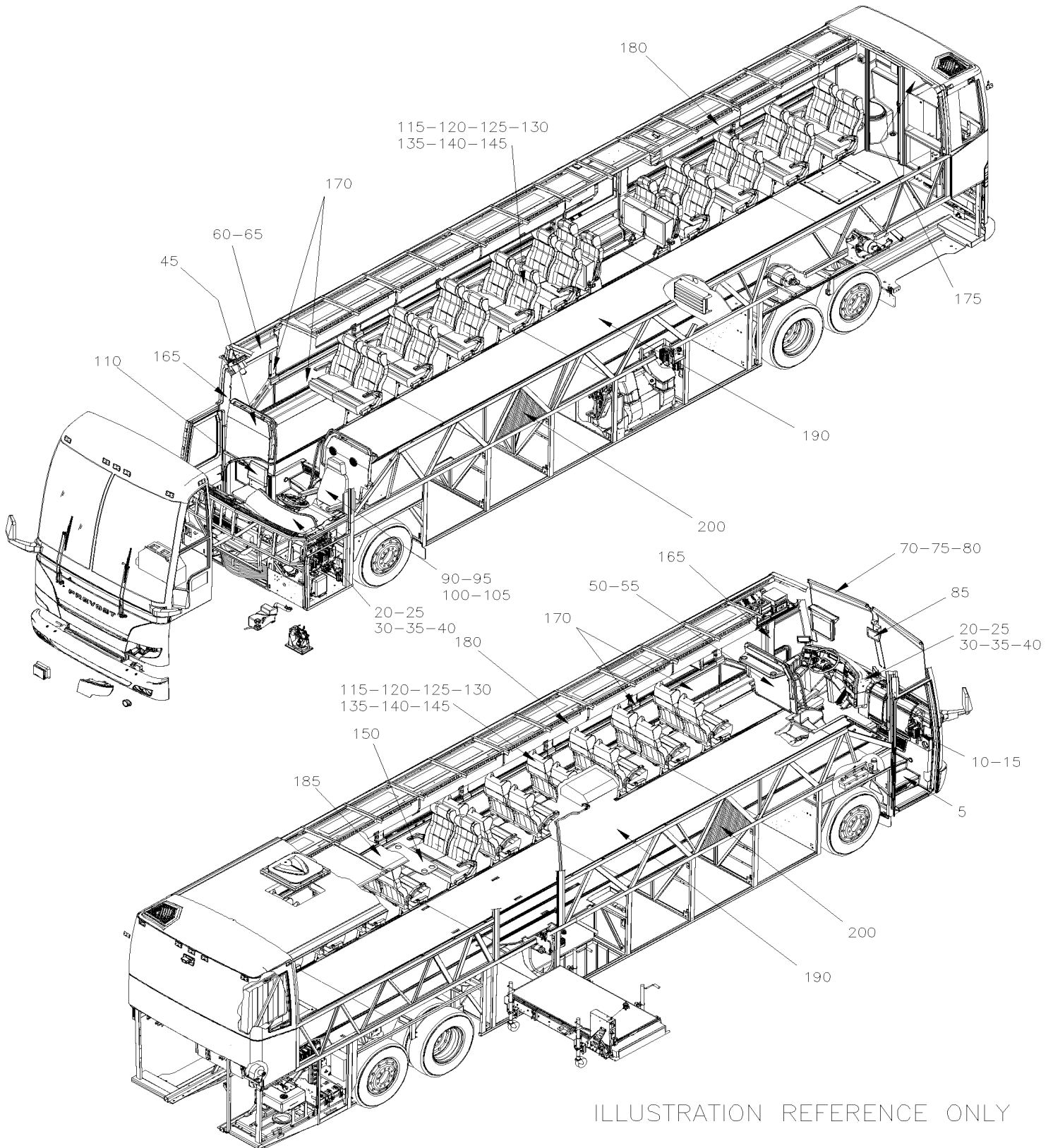


ILLUSTRATION REFERENCE ONLY

| | | |
|----------------------|--------------|----------------|
| | Date:10/2022 | PAGE:Y2-18-INT |
| BODY INTERIOR | | |

| Item# | Part | Description | X L I I 4 5 | X L I I M T H 4 0 | X L I I M T H 4 5 | X L I I M T H 4 5 E | N O T E S |
|-------|------------|---|----------------------------|---|---|--|-----------------------|
| 5 | Y2-1800-00 | FRONT STEPWELL - BUS From Y-7046 To 6-8906 | | | | | |
| 5 | Y2-1800-50 | FRONT STEPWELL - MTH From Y-7046 To 8-9339 | | | | | |
| 10 | Y2-1802-00 | ENTRANCE DOOR CONTROL From Y-7046 To 6-8906 | | | | | |
| 15 | Y2-1804-00 | ENTRANCE DOOR LOCK From Y-7046 To 6-8906 | | | | | |
| 15 | Y2-1804-50 | ENTRANCE DOOR - VALVE - MTH From 2-7800 To 8-9339 | | | | | |
| 20 | Y2-1806-00 | CENTRAL DASHBOARD PANEL From Y-7046 To 8-9339 | | | | | |
| 25 | Y2-1806-10 | L.H. CONSOLE - BUS From Y-7046 To 6-8906 | | | | | |
| 30 | Y2-1806-15 | DASHBOARD - ASSY From Y-7046 To 8-9339 | | | | | |
| 35 | Y2-1806-20 | DASHBOARD PANEL From Y-7046 To 8-9339 | | | | | |
| 40 | Y2-1806-50 | L.H. CONSOLE - MTH From Y-7046 To 8-9339 | | | | | |
| 45 | Y2-1810-00 | MODESTY PANEL R.H. From Y-7046 To 6-8906 | | | | | |
| 50 | Y2-1811-00 | MODESTY PLEXIGLASS From Y-7046 To 6-8906 | | | | | |
| 55 | Y2-1812-00 | MODESTY PANEL L.H. From Y-7046 To 6-8906 | | | | | |
| 60 | Y2-1814-01 | DESTINATION SIGN - ELECTRICAL From Y-7046 To 6-8906 | | | | | |
| 60 | Y2-1814-02 | DESTINATION SIGN - "POCATEC" From Y-7046 To 6-8906 | | | | | |
| 65 | Y2-1814-05 | DESTINATION SIGN - INSTALLATION From Y-7046 To 6-8906 | | | | | |
| 70 | Y2-1816-00 | ROLLER BLIND - DRIVER' S & WINDSHIELD From Y-7046 To 8-9339 | | | | | |
| 70 | Y2-1816-05 | ROLLER BLIND - WINDSHIELD W/ELECTRICAL From Y-7046 To 8-9339 | | | | | |
| 75 | Y2-1816-10 | SUN SHADE - PASSENGER'S WINDOW From Y-7046 To 6-8906 | | | | | |
| 80 | Y2-1817-00 | SUN VISOR - "LE MIRAGE" From Y-7046 To 8-9339 | | | | | |
| 85 | Y2-1820-00 | MIRROR - INTERIOR From Y-7046 To 8-9339 | | | | | |
| 90 | Y2-1821-01 | DRIVER'S SEAT "NATIONAL SEATING" - MODEL 93B From Y-7046 To 6-8906 | | | | | |
| 95 | Y2-1822-00 | DRIVER'S SEAT - "ISRI" - 6800/338 From Y-7046 To 8-9339 | | | | | |
| 95 | Y2-1822-10 | DRIVER'S SEAT - "ISRI" - 6000/515 & 6500/515 From Y-7046 To 8-9339 | | | | | |
| 95 | Y2-1822-50 | DRIVER'S SEAT "ISRI" ASSY From Y-7046 To 8-9339 | | | | | |
| 100 | Y2-1823-00 | DRIVER'S SEAT - "RECARO" - ERGO-COACH From Y-7046 To 6-8906 | | | | | |
| 100 | Y2-1823-10 | BACKREST ASSY - "RECARO" - ERGO-COACH From Y-7046 To 6-8906 | | | | | |
| 100 | Y2-1823-15 | SEAT COVER & FOAM - "RECARO" - ERGO-COACH From Y-7046 To 6-8906 | | | | | |
| 100 | Y2-1823-20 | SUSPENSION & RISER - "RECARO" - ERGO-COACH From Y-7046 To 6-8906 | | | | | |
| 100 | Y2-1823-25 | SEAT CUSHION FRAME - "RECARO" - ERGO-COACH From Y-7046 To 6-8906 | | | | | |
| 100 | Y2-1823-30 | ARMREST - "RECARO" - ERGO-COACH From Y-7046 To 6-8906 | | | | | |
| 105 | Y2-1823-50 | DRIVER'S SEAT - "USSC" - 9100ALX3 From Y-7046 To 6-8906 | | | | | |
| 105 | Y2-1823-60 | SEAT ASSY - "USSC" - 9100ALX3 From Y-7046 To 6-8906 | | | | | |
| 105 | Y2-1823-70 | SUSPENSION ASSY - "USSC" - 9100ALX3 From Y-7046 To 6-8906 | | | | | |
| 105 | Y2-1823-80 | BASE ASSY - "USSC" - 9100ALX3 From Y-7046 To 6-8906 | | | | | |
| 110 | Y2-1824-00 | HOSTESS SEAT ASSY From Y-7046 To 6-8906 | | | | | |
| 115 | Y2-1824-30 | PASSENGER'S SEAT - "AMAYA" IDENTIFICATION "MODEL" From Y-7046 To 6-8906 | | | | | |
| 120 | Y2-1825-02 | PASSENGER'S SEAT - "AMERICAN" - W6695 From Y-7046 To 6-8906 | | | | | |
| 120 | Y2-1825-03 | PASSENGER'S SEAT - "AMERICAN" - W6696 & W7696 From Y-7046 To 6-8906 | | | | | |
| 120 | Y2-1825-05 | PASSENGER'S SEAT - "AMERICAN" - FRAME From Y-7046 To 6-8906 | | | | | |
| 120 | Y2-1825-06 | PASSENGER'S SEAT - "AMERICAN" SERIES 2000 & MORE From Y-7046 To 6-8906 | | | | | |
| 120 | Y2-1825-10 | PASSENGER'S SEAT - "AMERICAN" - FRAME ROTATIN From Y-7046 To 6-8906 | | | | | |

| | | |
|----------------------|--------------|----------------|
| | Date:10/2022 | PAGE:Y2-18-INT |
| BODY INTERIOR | | |

| Item# | Part | Description | X L I I 4 5 | X L I I M T H 4 0 | X L I I M T H 4 5 | X L I I M T H 4 5 E | N O T E S |
|-------|------------|--|----------------------------|---|---|--|-----------------------|
| 120 | Y2-1825-20 | PASSENGER'S SEAT - "AMERICAN" - CUSHION From Y-7046 To 6-8906 | | | | | |
| 120 | Y2-1825-31 | PASSENGER'S SEAT - "AMERICAN" - BACKREST WX69 From Y-7046 To 6-8906 | | | | | |
| 120 | Y2-1825-40 | PASSENGER'S SEAT - "AMERICAN" - FOOTREST From Y-7046 To 6-8906 | | | | | |
| 120 | Y2-1825-50 | PASSENGER'S SEAT - "AMERICAN" - ARMREST From Y-7046 To 6-8906 | | | | | |
| 120 | Y2-1825-51 | PASSENGER'S SEAT - "AMERICAN" - ARMREST SERIES 2000 & MORE From Y-7046 To 6-8906 | | | | | |
| 120 | Y2-1825-60 | PASSENGER'S SEAT - "AMERICAN" - BACK & ACCESS From Y-7046 To 6-8906 | | | | | |
| 125 | Y2-1826-00 | PASSENGER'S SEAT - "NATIONAL" - 4209 & 4210 From Y-7046 To 6-8906 | | | | | |
| 130 | Y2-1826-05 | PASSENGER'S SEAT - "AMAYA" "EUROTECH" From Y-7046 To 6-8906 | | | | | |
| 130 | Y2-1826-06 | PASSENGER'S SEAT - "AMAYA" "BRASIL" From Y-7046 To 6-8906 | | | | | |
| 130 | Y2-1826-07 | PASSENGER'S SEAT - "AMAYA" "SIGLIUM" TORO & TORINO From Y-7046 To 6-8906 | | | | | |
| 130 | Y2-1826-08 | PASSENGER'S SEAT - "AMAYA" "GAUDI" From Y-7046 To 6-8906 | | | | | |
| 130 | Y2-1826-40 | PASSENGER'S SEAT - "AMAYA" - FOOTREST & PEDESTAL From Y-7046 To 6-8906 | | | | | |
| 130 | Y2-1826-50 | ARMREST PASSENGER'S SEAT - "AMAYA" WITH "EUROTECH" From Y-7046 To 6-8906 | | | | | |
| 130 | Y2-1826-51 | ARMREST PASSENGER'S SEAT - "AMAYA" WITH "BRASIL" From Y-7046 To 6-8906 | | | | | |
| 130 | Y2-1826-52 | ARMREST PASSENGER'S SEAT - "AMAYA" WITH "GAUDI" From Y-7046 To 6-8906 | | | | | |
| 130 | Y2-1826-53 | ARMREST PASSENGER'S SEAT - "AMAYA" WITH "SIGLIUM" TORO & TORINO From Y-7046 To 6-8906 | | | | | |
| 130 | Y2-1826-60 | ACCESSORIES PASSENGER'S SEAT - "AMAYA" From Y-7046 To 6-8906 | | | | | |
| 130 | Y2-1826-71 | PASSENGER'S SEAT - "AMAYA" - FLIP-UP "GAUDI" HR & SC - W/ W.C.L. From Y-7046 To 6-8906 | | | | | |
| 135 | Y2-1827-02 | PASSENGER'S SEAT - "ULTRA" From Y-7046 To 6-8906 | | | | | |
| 135 | Y2-1827-11 | PASSENGER'S SEAT - ROTATING "PREVOST" From Y-7046 To 6-8906 | | | | | |
| 135 | Y2-1827-52 | ARMREST PASSENGER'S SEAT - "PREVOST" From Y-7046 To 6-8906 | | | | | |
| 135 | Y2-1827-70 | PASSENGER'S SEAT - "TOURISMO II" - FLIP-UP W/W.C.L. From Y-7046 To 6-8906 | | | | | |
| 140 | Y2-1828-01 | PASSENGER'S SEAT - "TOURISMO II" From Y-7046 To 6-8906 | | | | | |
| 145 | Y2-1828-05 | PASSENGER'S SEAT - "MULTINA" From 5-8579 To 6-8906 | | | | | |
| 145 | Y2-1828-10 | PASSENGER'S SEAT - "MULTINA" From 5-8579 To 6-8906 | | | | | |
| 145 | Y2-1828-50 | ARMREST PASSENGER'S SEAT - "MULTINA" From 5-8579 To 6-8906 | | | | | |
| 145 | Y2-1828-60 | ACCESSORIES PASSENGER'S SEAT - "MULTINA" From 5-8579 To 6-8906 | | | | | |
| 150 | Y2-1829-00 | ACCESSORIES PASSENGER'S SEAT - "PREVOST" From Y-7046 To 6-8906 | | | | | |
| 165 | Y2-1832-00 | FRONT FINISHING CAP - BUS From Y-7046 To 6-8906 | | | | | |
| 165 | Y2-1832-50 | FRONT FINISHING CAP - MTH From Y-7046 To 8-9339 | | | | | |
| 170 | Y2-1833-00 | WINDOW FINISHING CAP & WALL From Y-7046 To 6-8906 | | | | | |
| 175 | Y2-1834-00 | REAR FINISHING CAP From Y-7046 To 8-9339 | | | | | |
| 180 | Y2-1836-00 | PARCEL RACK From Y-7046 To 6-8906 | | | | | |
| 185 | Y2-1837-00 | CEILING PANELS & MOULDING - BUS From Y-7046 To 6-8906 | | | | | |
| 185 | Y2-1837-50 | CEILING PANELS & MOULDING - MTH From Y-7046 To 8-9339 | | | | | |
| 190 | Y2-1838-00 | FLOOR - BUS From Y-7046 To 6-8906 | | | | | |
| 190 | Y2-1838-05 | FLOOR & COVERING - "R.C.A." From Y-7046 To 6-8906 | | | | | |
| 190 | Y2-1838-10 | FLOOR COVERING - "TARAFLEX" From Y-7046 To 6-8906 | | | | | |
| 190 | Y2-1838-50 | FLOOR - MTH From Y-7046 To 8-9276 | | | | | |
| 190 | Y2-1838-51 | FLOOR - MTH From 8-9279 To 8-9339 | | | | | |
| 200 | Y2-1839-00 | INSULATING SIDE WALL - LOWER PANEL - BUS From Y-7046 To 2-7702 | | | | | |
| 200 | Y2-1839-01 | INSULATING SIDE WALL - LOWER PANEL - BUS From 2-7703 To 6-8906 | | | | | |

| | | |
|----------------------|--------------|----------------|
| | Date:10/2022 | PAGE:Y2-18-INT |
| BODY INTERIOR | | |

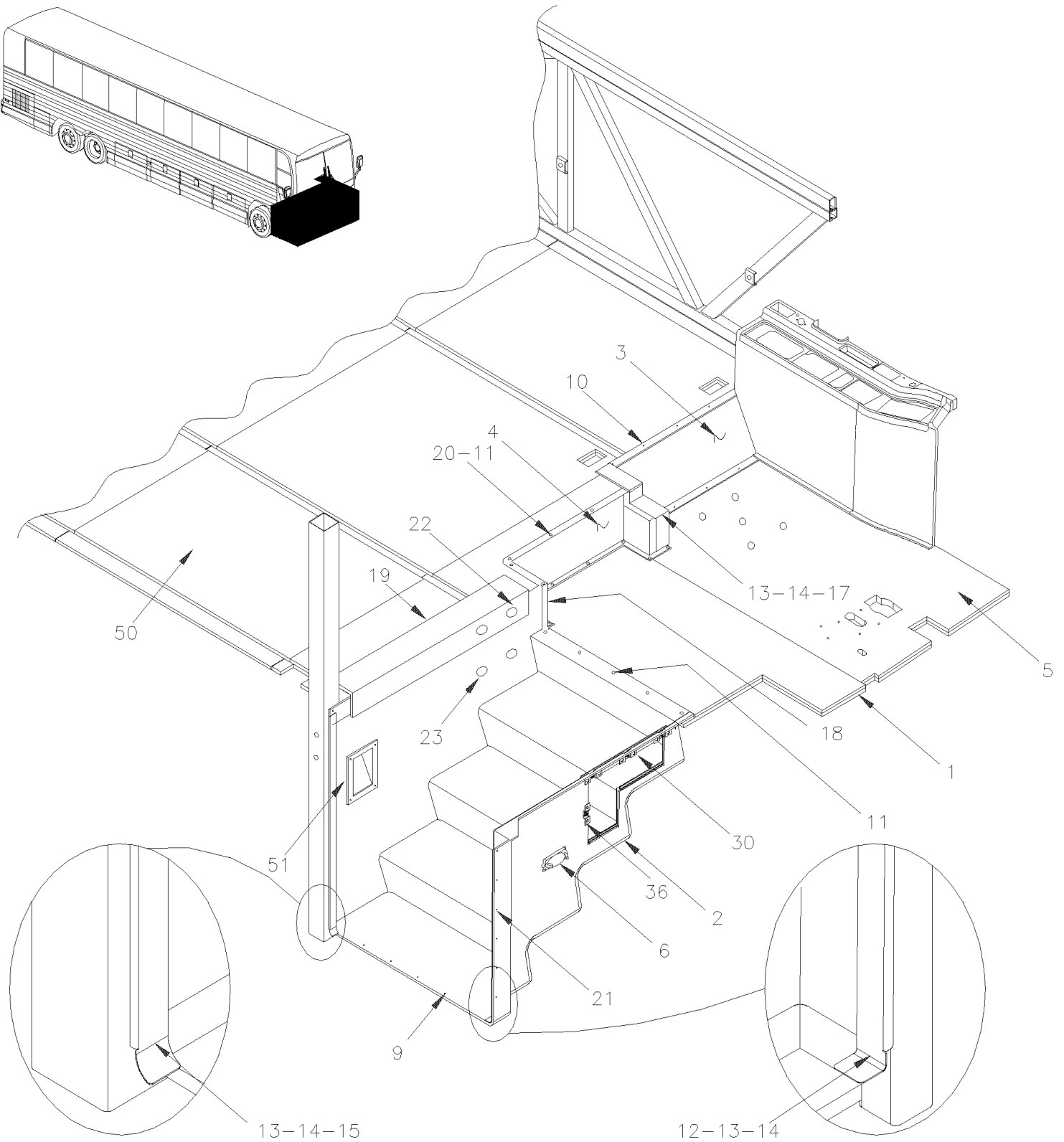
| Item# | Part | Description | X L I I 4 5 | X L I I M T H 4 0 | X L I I M T H 4 5 | X L I I M T H 4 5 E | N O T E S |
|-------|------------|--|--------------------------------|---|---|--|-----------------------|
| 200 | Y2-1839-05 | INSULATING FRONT - BUS From Y-7046 To 6-8906 | | | | | |
| 200 | Y2-1839-10 | INSULATING FLOOR REAR AXLE From Y-7046 To 8-9339 | | | | | |
| 200 | Y2-1839-15 | INSULATING FRONT - SUBFRAME From Y-7046 To 8-9339 | | | | | |
| 200 | Y2-1839-20 | INSULATING FLOOR & REAR - BUS From Y-7046 To 6-8906 | | | | | |
| 200 | Y2-1839-25 | INSULATING - REAR DPF FILTER From 8-9279 To 8-9339 | | | | | |
| 200 | Y2-1839-30 | INSULATING ROOF PANELS From Y-7046 To 8-9339 | | | | | |
| 200 | Y2-1839-50 | INSULATING SIDE WALL - LOWER PANEL - MTH From Y-7046 To 2-7702 | | | | | |
| 200 | Y2-1839-51 | INSULATING SIDE WALL - LOWER PANEL - MTH From 2-7703 To 8-9339 | | | | | |
| 200 | Y2-1839-55 | INSULATING FRONT - MTH From Y-7046 To 8-9339 | | | | | |
| 200 | Y2-1839-60 | INSULATING SIDE WALL - UPPER From Y-7046 To 8-9339 | | | | | |
| 200 | Y2-1839-70 | INSULATING REAR END INSIDE OVER ENGINE From Y-7046 To 7-9095 | | | | | |
| 200 | Y2-1839-71 | INSULATING REAR END INSIDE OVER ENGINE From 7-9096 To 8-9339 | | | | | |
| 200 | Y2-1839-90 | INSULATING - "SLIDE-OUT" From Y-7046 To 8-9339 | | | | | |
| | | | | | | | |
| | | | | | | | |
| | | | | | | | |

From Y-7046 To 6-8906

Date:10/2022

PAGE:Y2-1800-00

FRONT STEPWELL - BUS



| | | |
|-----------------------------|--------------|-----------------|
| From Y-7046 To 6-8906 | Date:10/2022 | PAGE:Y2-1800-00 |
| FRONT STEPWELL - BUS | | |

| Item# | Part | Description | X L I I 4 5 | X L I I M T H 4 0 | X L I I M T H 4 5 | X L I I M T H 4 5 E | N O T E S |
|-------|-------------------|--|----------------------------|---|---|--|-----------------------|
| 1 | 326850 | DRIVER'S FLOOR To Y-7349 | 1 | | | | |
| 1 | 328862 | DRIVER'S FLOOR From Y-7350 To 4-8173 | 1 | | | | |
| 1 | 328044 | DRIVER'S FLOOR "UNDER SEAT" From 4-8174 | 1 | | | | |
| 2 | 326793 | STEPWELL BUS | 1 | | | | |
| 2 | 3200091 | STEPWELL BUS | 1 | | | | |
| 3 | 326944 | FINISHING PLATE / DRIVER'S FLOOR To 2-7850 | 1 | | | | |
| 3 | 327744 | FINISHING PLATE / DRIVER'S FLOOR From 2-7851 To 4-8173 | 1 | | | | |
| 3 | 328043 | FINISHING PLATE / DRIVER'S FLOOR From 4-8174 | 1 | | | | |
| 4 | 326861 | AISLE STEP | 1 | | | | |
| 4 | 3200092 | AISLE STEP | 1 | | | | |
| 5 | 328863 | DRIVER'S FLOOR "STEPWELL SIDE" From Y-7350 | 1 | | | | |
| NS | 5001143 | SCREW DR WF TORX #12x2 CP | 40 | | | | |
| 6 | Y2-0655-00 | INTERIOR LIGHTING | | | | | |
| 9 | 504339 | RIVET POP DOME OE 1/8x3/8 SS | 22 | | | | |
| NS | 351262 | INSULATING PANEL / BACKWARD / UNDER STEPWELL | 1 | | | | A |
| NS | 351263 | INSULATING PANEL / FORWARD / UNDER STEPWELL | 1 | | | | A |
| NS | 503549 | ANCHOR SELF-STICK 1" | 3 | | | | |
| NS | 500748 | WASHER INSU G.10x1.125x1.250 Z050 | 3 | | | | |
| 10 | 500640 | SCREW TP PAN PH #6x3/4 Z050 | 8 | | | | |
| 11 | 500844 | SCREW TC FL PH #10-32x1 1/4 Z050 | 20 | | | | |
| 12 | 327216 | FINISHING MOULDING ENTRANCE STEP | 1 | | | | |
| 13 | 500345 | WASHER FN CKF .187x.500x.090 BR BK | 10 | | | | |
| 14 | 500333 | SCREW TP OV PH #6x3/4 BK | 10 | | | | |
| 15 | 327217 | FINISHING MOULDING ENTRANCE STEP | 1 | | | | |
| 17 | 326992 | FINISHING R.H. CONSOLE To 3-8164 | 1 | | | | I |
| 17 | 328042 | FINISHING R.H. CONSOLE From 4-8165 | 1 | | | | I |
| 18 | 327323 | FINISHING ANGLE STEP | 1 | | | | |
| 19 | 327324 | FIXATION ANGLE STEP 1132MM | 1 | | | | |
| NS | 500640 | SCREW TP PAN PH #6x3/4 Z050 | 3 | | | | |
| 20 | 327325 | ANGLE 770MM | 1 | | | | |
| 21 | 504416 | RIVET POP DOME OE 3/16x5/8 SS | 5 | | | | |
| 22 | 504078 | PLUG BUTTON / 1.000 O.D. / NICKEL & BRASS | 2 | | | | |
| 23 | 504638 | HOLE PLUG BUTTON / 1.000 O.D. BLACK | 2 | | | | |
| 30 | 453428 | GRILL AIR / FRONT STEPWELL / RETURN / 309MM X 424MM | 1 | | | | |
| 30 | 504681 | . STUD 6MM (DZUS) | 4 | | | | |
| 30 | 504604 | . FASTENER | 4 | | | | |
| 30 | 681283 | . TAPE RUB ADH2 ACRYLIC .045" x 1/2" x 108' / WHITE 4945 | AR | | | | |
| 30 | 453110 | . REINFORCEMENT "Z" SHAPE 210MM | 1 | | | | |
| 30 | 453429 | . REINFORCEMENT "Z" SHAPE 140MM | 1 | | | | |
| 36 | 504605 | RECEPTACLE 6 MM | 4 | | | | |
| NS | 326869 | INSERT RECEPTACLE RETAINER | 4 | | | | |
| 50 | Y2-1838-00 | FLOOR - BUS | | | | | |

| | | |
|-----------------------------|--------------|-----------------|
| From Y-7046 To 6-8906 | Date:10/2022 | PAGE:Y2-1800-00 |
| FRONT STEPWELL - BUS | | |

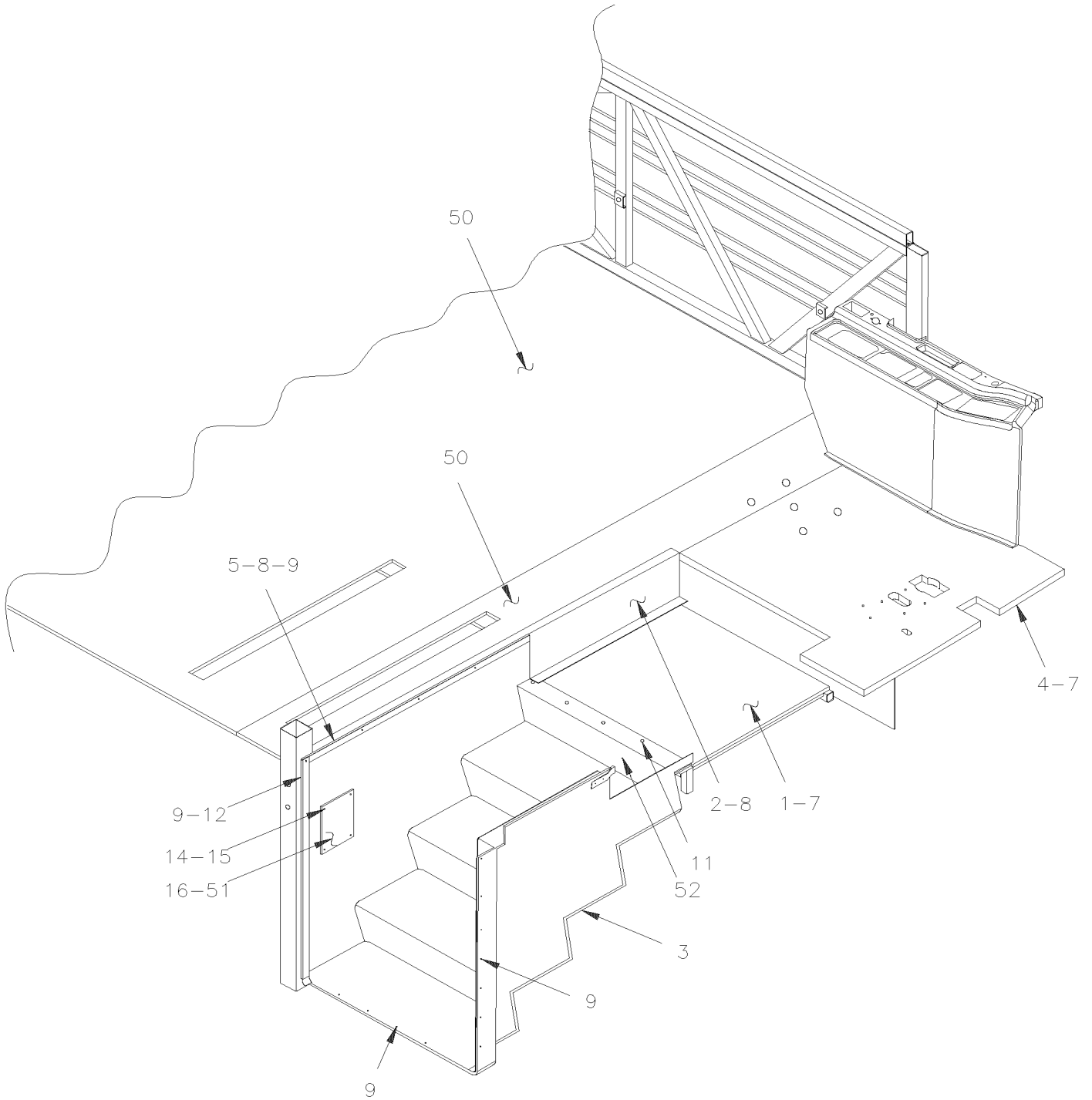
| Item# | Part | Description | X L I I 4 5 | X L I I M T H 4 0 | X L I I M T H 4 5 | X L I I M T H 4 5 E | N O T E S |
|-------|------------|--------------------------------|----------------------------|---|---|--|-----------------------|
| 51 | Y2-2221-20 | ENTRANCE STEP DE-ICER | | | | | |
| | | | | | | | |
| | | A) UNDER STEPWELL | | | | | |
| | | I) WITH INDEPENDANT SUSPENSION | | | | | |

From Y-7046 To 8-9339

Date:10/2022

PAGE:Y2-1800-50

FRONT STEPWELL - MTH



| | | |
|-----------------------------|--------------|-----------------|
| From Y-7046 To 8-9339 | Date:10/2022 | PAGE:Y2-1800-50 |
| FRONT STEPWELL - MTH | | |

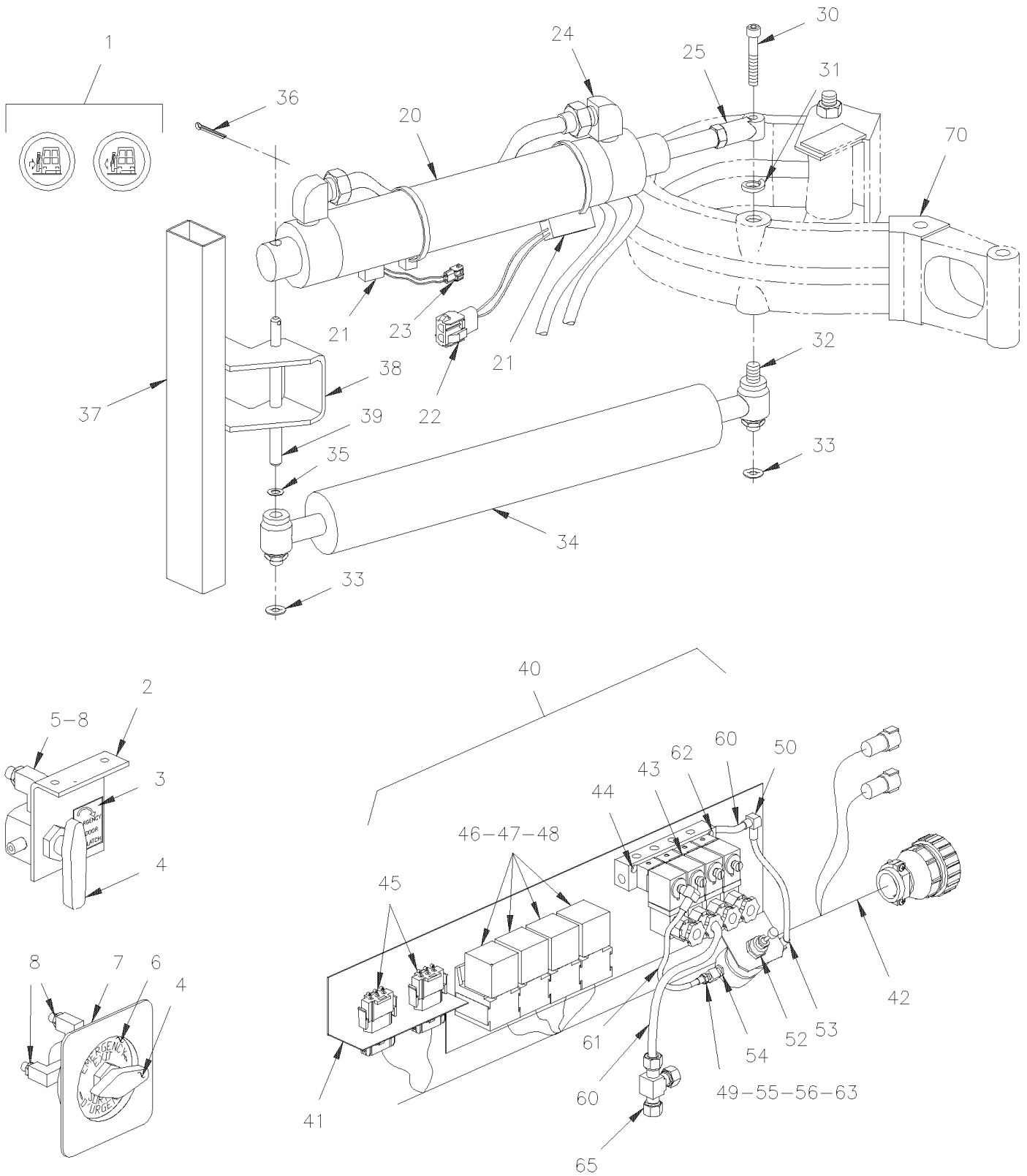
| Item# | Part | Description | X L I I 4 5 | X L I I M T H 4 0 | X L I I M T H 4 5 | X L I I M T H 4 5 E | N O T E S |
|-------|-------------------|---|--------------------------------|---|---|--|-----------------------|
| 1 | 326677 | STEPWELL FLOOR | | 1 | 1 | 1 | |
| 2 | 326681 | FINISHING PANEL STEPWELL | | 1 | 1 | 1 | |
| 3 | 326434 | STEPWELL MTH | | 1 | 1 | 1 | |
| 4 | 326459 | DRIVER'S FLOOR | | 1 | 1 | 1 | |
| 5 | 326679 | MOULDING FINISHING | | 1 | 1 | 1 | |
| 7 | 5001535 | SCREW DR WF RO #14x1 3/4 Z050 | | 50 | 50 | 50 | |
| 8 | 500640 | SCREW TP PAN PH #6x3/4 Z050 | | 20 | 20 | 20 | |
| 9 | 504339 | RIVET POP DOME OE 1/8x3/8 SS | | 6 | 6 | 6 | |
| NS | 680096 | SEALANT BUTYL ALUM / GREY / 310ml CARTRIDGE | | AR | AR | AR | |
| 11 | 500844 | SCREW TC FL PH #10-32x1 1/4 Z050 | | 6 | 6 | 6 | |
| 12 | 326703 | FINISHING MOULDING | | 1 | 1 | 1 | |
| 14 | 502774 | NUT WELL #10-32x.625 | | 4 | 4 | 4 | |
| 15 | 5001042 | SCREW MA RND PH #10-32x1 1/4 SS | | 4 | 4 | 4 | |
| 16 | 327352 | CLOSING PANEL | | 1 | 1 | 1 | |
| 50 | Y2-1838-50 | FLOOR - MTH | | | | | |
| 51 | Y2-2221-20 | ENTRANCE STEP DE-ICER | | | | | |
| 52 | Y2-2230-00 | DEFROSTER - INSTALLATION | | | | | |
| | | | | | | | |
| | | | | | | | |
| | | | | | | | |

From Y-7046 To 6-8906

Date:10/2022

PAGE:Y2-1802-00

ENTRANCE DOOR CONTROL



| | | |
|-----------------------|--------------|-----------------|
| From Y-7046 To 6-8906 | Date:10/2022 | PAGE:Y2-1802-00 |
|-----------------------|--------------|-----------------|

ENTRANCE DOOR CONTROL

| Item# | Part | Description | X L I I 4 5 | X L I I M T H 4 0 | X L I I M T H 4 5 | X L I I M T H 4 5 E | N O T E S |
|-------|-------------------|---|----------------------------|---|---|--|-----------------------|
| 1 | Y2-0645-30 | R.H. DASHBOARD PANEL | | | | | |
| 2 | 285537 | SUPPORT | 1 | | | | |
| 3 | 283989 | DECAL "EMERGENCY DOOR VALVE" / IN STEERING COMPARTMENT | 1 | | | | |
| 4 | 641417 | VALVE, 3 WAYS 1/8NPT-Fx1/8NPT-Fx1/8NPT-F BR | 1 | | | | |
| . NS | 642014 | . HANDLE / RED | 1 | | | | |
| 4 | 642161 | VALVE, 3 WAYS 1/8NPT-Fx1/8NPT-Fx1/8NPT-F BR / SERVICE | 1 | | | | |
| . NS | 642014 | . HANDLE / RED | 1 | | | | |
| 5 | 641369 | MALE ELBOW 90° NON-SWIVEL / PUSH-IN FITTING / #4x1/8NPT-M BR | 2 | | | | |
| NS | 507589 | MALE BRANCHE TEE / PIPE FITTING / 1/8NPT-Fx1/8NPT-Fx1/8NPT-M BR | 1 | | | | |
| 6 | 284057 | DECAL "EMERGENCY EXIT" / ENGLISH & FRANCAIS | 1 | | | | |
| 7 | Y2-1806-20 | DASHBOARD PANEL | 1 | | | | |
| 8 | 641242 | MALE CONNECTOR / PUSH-IN FITTING / #4x1/8NPT-M BR | 1 | | | | |
| 20 | 780595 | CYLINDER 2" | 1 | | | | B |
| 21 | 780594 | LIMITING REED SWITCH ASSY S.P.S.T. N.O. / W/ 2" CYLINDER | 2 | | | | |
| 22 | 560900 | CONNECTOR / COM. MATE-N-LOCK / PH 2C / AMP 1-480319-0 | 1 | | | | |
| 22 | 560853 | PIN TERMINAL / 24-18 / AMP 60618-1 | 2 | | | | |
| 23 | 560898 | CONNECTOR / COM. MATE-N-LOCK / SH 2C / AMP 1-480318-0 | 1 | | | | |
| 23 | 560899 | SOCKET TERMINAL / 20-14 / AMP 60619-1 | 2 | | | | |
| 24 | 641371 | MALE ELBOW 90° NON-SWIVEL / PUSH-IN FITTING / #4x1/4NPT-M BR | 2 | | | | |
| 25 | 502196 | ROD END FEMALE 1/2-20 / 1/2 I.D. | 1 | | | | |
| 30 | 5001075 | SCREW CAP BUT HEXS 1/2-13x2 Z050 | 1 | | | | |
| 31 | 500482 | WASHER LO SPT .506x.873x.125 Z050 | 1 | | | | |
| 32 | 285433 | PIVOT STUD 7/16-14 X 80MM LG | 1 | | | | |
| 33 | 502601 | NUT SPR PO RND 7/16 | 2 | | | | |
| 34 | 780565 | SHOCK DAMPER "KONI" To 5-8392 | 1 | | | | |
| 34 | 780714 | SHOCK DAMPER "KONI" From 5-8393 | 1 | | | | |
| 35 | 500445 | WASHER FL .437x1.000x.083 Z050 | 1 | | | | |
| 36 | 502102 | PIN, COTTER 1/8 x 1 | 1 | | | | |
| 37 | 251179 | TUBE ASSY / W/CYLINDER SUPPORT | 1 | | | | |
| 37 | 251031 | . TUBE | 1 | | | | |
| 38 | 251190 | . SUPPORT / CYLINDER | 1 | | | | |
| 39 | 251191 | . PIVOT PIN | 1 | | | | |
| 40 | 286573 | SEDAN DOOR MODULE ASSY To 1-7479 | 1 | | | | |
| 40 | 287233 | SEDAN DOOR MODULE ASSY From 1-7480 | 1 | | | | |
| 41 | 286574 | . SUPPORT | 1 | | | | |
| 42 | 065114 | . CABLE ASSY / ENTRANCE DOOR CONTROL PANEL | 1 | | | | |
| 43 | 641906 | . MANIFOLD VALVE / W/4 SOLENOID | 1 | | | | |
| . NS | 641927 | .. KIT, MANIFOLD REPAIR / N.O. | 1 | | | | |
| . NS | 641928 | .. KIT, MANIFOLD REPAIR / N.C. | 3 | | | | |
| . NS | 641107 | .. COIL 24V | 1 | | | | |
| . NS | 642213 | .. MALE ELBOW 90° SWIVEL / PUSH-IN FITTING / #2x10-32 NP | 1 | | | | |
| . NS | 990143 | .. MALE CONNECTOR / PUSH-IN FITTING / W/O-RING / #2x#10-32-M BR | 1 | | | | |

| | | |
|-----------------------|--------------|-----------------|
| From Y-7046 To 6-8906 | Date:10/2022 | PAGE:Y2-1802-00 |
|-----------------------|--------------|-----------------|

ENTRANCE DOOR CONTROL

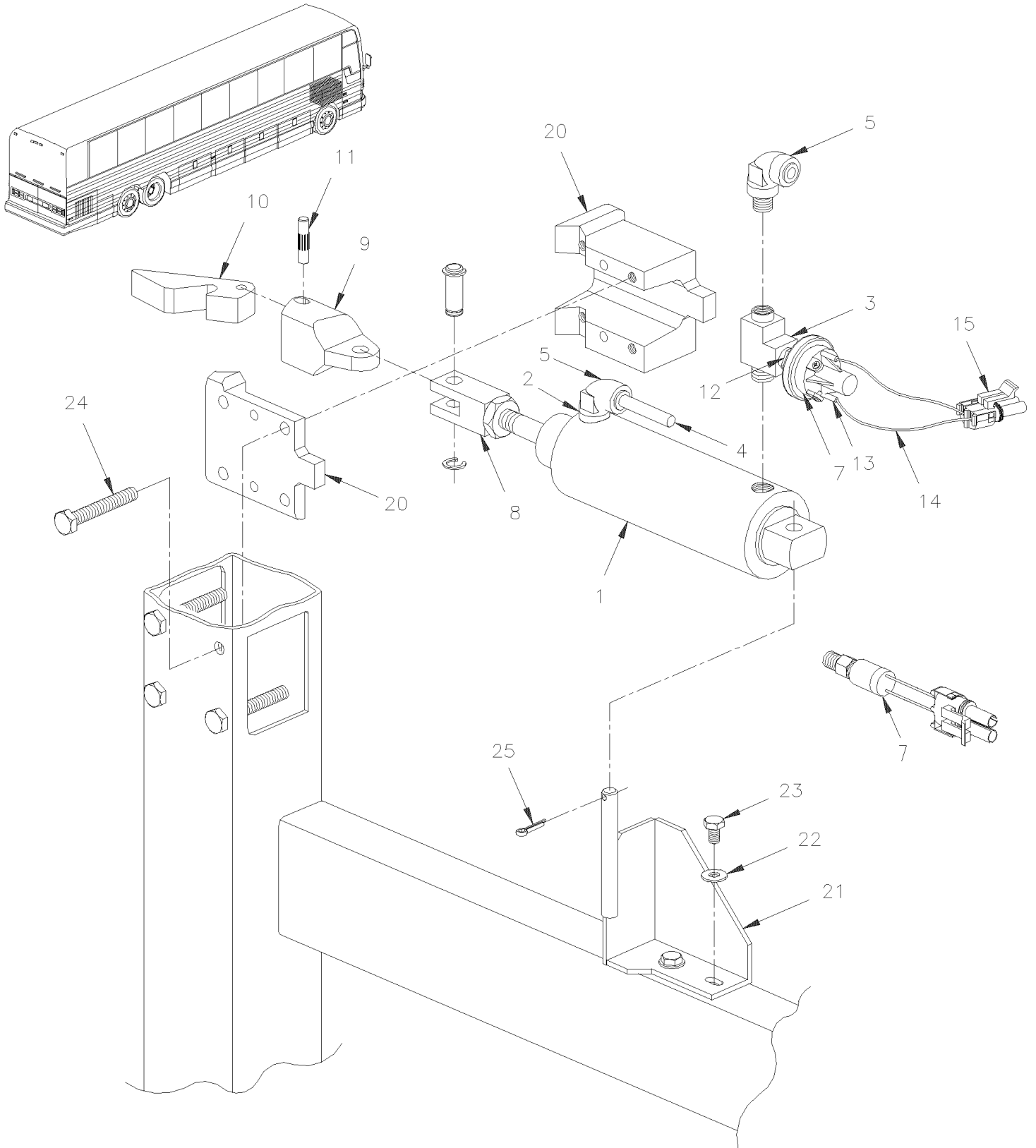
| Item# | Part | Description | X L I I 4 5 | X L I I M T H 4 0 | X L I I M T H 4 5 | X L I I M T H 4 5 E | N O T E S |
|-------|-------------------|---|----------------------------|---|---|--|-----------------------|
| . NS | 641385 | . . CONNECTOR / SOCKET HOUSING ASSY 3C / PNEUMAC 54934-01 | 1 | | | | |
| . NS | 641455 | . . REDUCER STEM / PUSH-IN FITTING / #2x#4 PLAS | 1 | | | | |
| 44 | 500495 | . SCREW TP PAN PH #6x1 Z050 | 1 | | | | |
| 45 | 062588 | . DIODE ASSY / W/3 3AMPS | 1 | | | | |
| 46 | 561707 | . RELAY 24V S.P.D.T. W/RESISTOR / To 5-8577 | 1 | | | | |
| 46 | 563332 | . RELAY 24V S.P.D.T. W/RESISTOR / "VOLVO" (20374662) From 5-8578 | 1 | | | | |
| 47 | 500417 | . SCREW TP PAN PH #6x3/8 Z050 | 1 | | | | |
| 48 | 502630 | . WASHER FL .156x.375x.049 Z050 | 1 | | | | |
| 49 | 641242 | . MALE CONNECTOR / PUSH-IN FITTING / #4x1/8NPT-M BR | 1 | | | | |
| 50 | 641447 | . UNION ELBOW 90° / PUSH-IN FITTING / #4x#4 BR | 1 | | | | |
| 52 | 641472 | . AIR PRESSURE REGULATOR 1/4" NPT / COPPER | 1 | | | | |
| 52 | 500734 | . NUT HEX JAM 3/4-16 Z050 | 1 | | | | |
| 53 | 641371 | . MALE ELBOW 90° NON-SWIVEL / PUSH-IN FITTING / #4x1/4NPT-M BR | 1 | | | | |
| 54 | 501312 | . BUSHING REDUCER / PIPE FITTING / 1/4NTP-Mx1/8NPT-F BR | 1 | | | | |
| 55 | 501354 | . NEEDLE VALVE 1/8 NPT M x 1/8 NPT F | 1 | | | | |
| 56 | 641126 | . MALE CONNECTOR / PUSH-IN FITTING / #2x1/8NPT-M BR | 1 | | | | |
| 58 | 640488 | . VALVE, AIR FILL 1/8" NPT | 1 | | | | |
| . NS | 650164 | . . CAP VALVE / CHROME | 1 | | | | |
| 59 | 501303 | . PLUG SQUARE HEAD / PIPE FITTING / 1/8NPT-M BR | 1 | | | | |
| 60 | 503402 | . TUBE, NYLON 1/4 O.D. / BLACK S.L. | 1 | | | | |
| 61 | 503536 | . TUBE, NYLON 1/8 O.D. / BLACK S.L. | 1 | | | | |
| 63 | 501653 | . MALE RUN TEE / PIPE FITTING / 1/8NPT-Mx1/8NPT-Fx1/8NPT-F BR | 1 | | | | |
| 65 | 641092 | . UNION TEE / NTA FITTING / #4x#4x#4 BR From 1-7480 | 1 | | | | A |
| NS | 287243 | KIT ENTRANCE DOOR To 1-7249 | 1 | | | | |
| . NS | IS-00117 | . SEE INSTRUCTION SHEET To 1-7249 | 1 | | | | |
| 70 | Y2-1862-60 | ENTRANCE DOOR FRAME - INSTALLATION | 1 | | | | |
| | | | | | | | |
| | | | | | | | |
| | | | | | | | |
| | | A) FOR PRODUCT IMPROVMENT UP TO 1-7480 ASK FOR KIT #287243 | | | | | |
| | | B) THIS CYLINDER MAY BE SUPPERSEDED BY 780418 WITH REMOVED DAMPER SHOCK ITEM # 34 | | | | | |

From Y-7046 To 6-8906

Date:10/2022

PAGE:Y2-1804-00

ENTRANCE DOOR LOCK



| | | |
|-----------------------|--------------|-----------------|
| From Y-7046 To 6-8906 | Date:10/2022 | PAGE:Y2-1804-00 |
|-----------------------|--------------|-----------------|

ENTRANCE DOOR LOCK

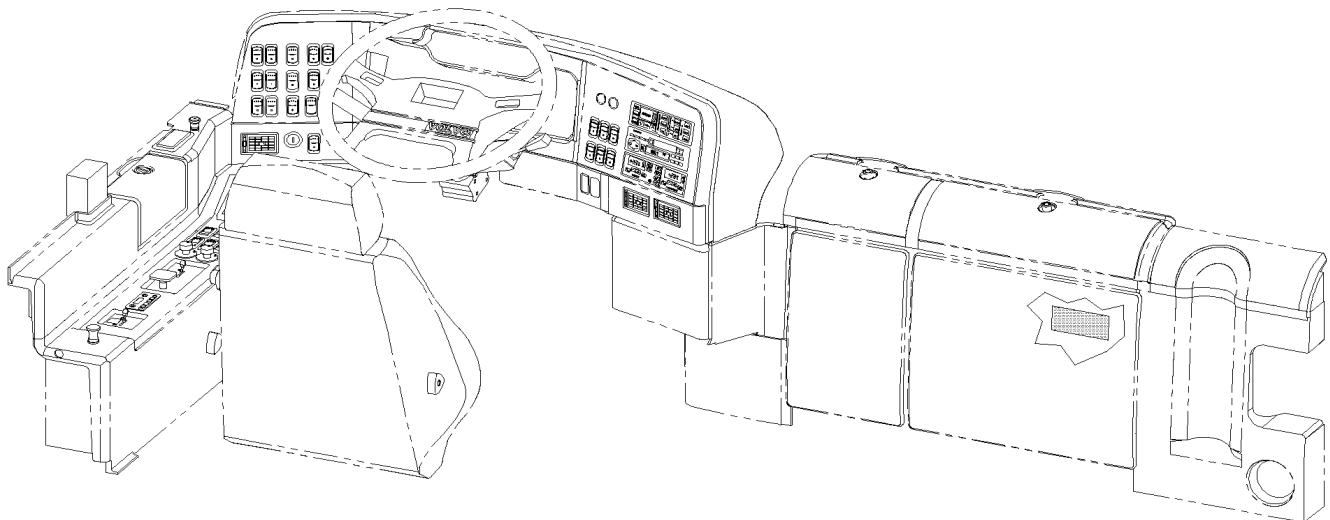
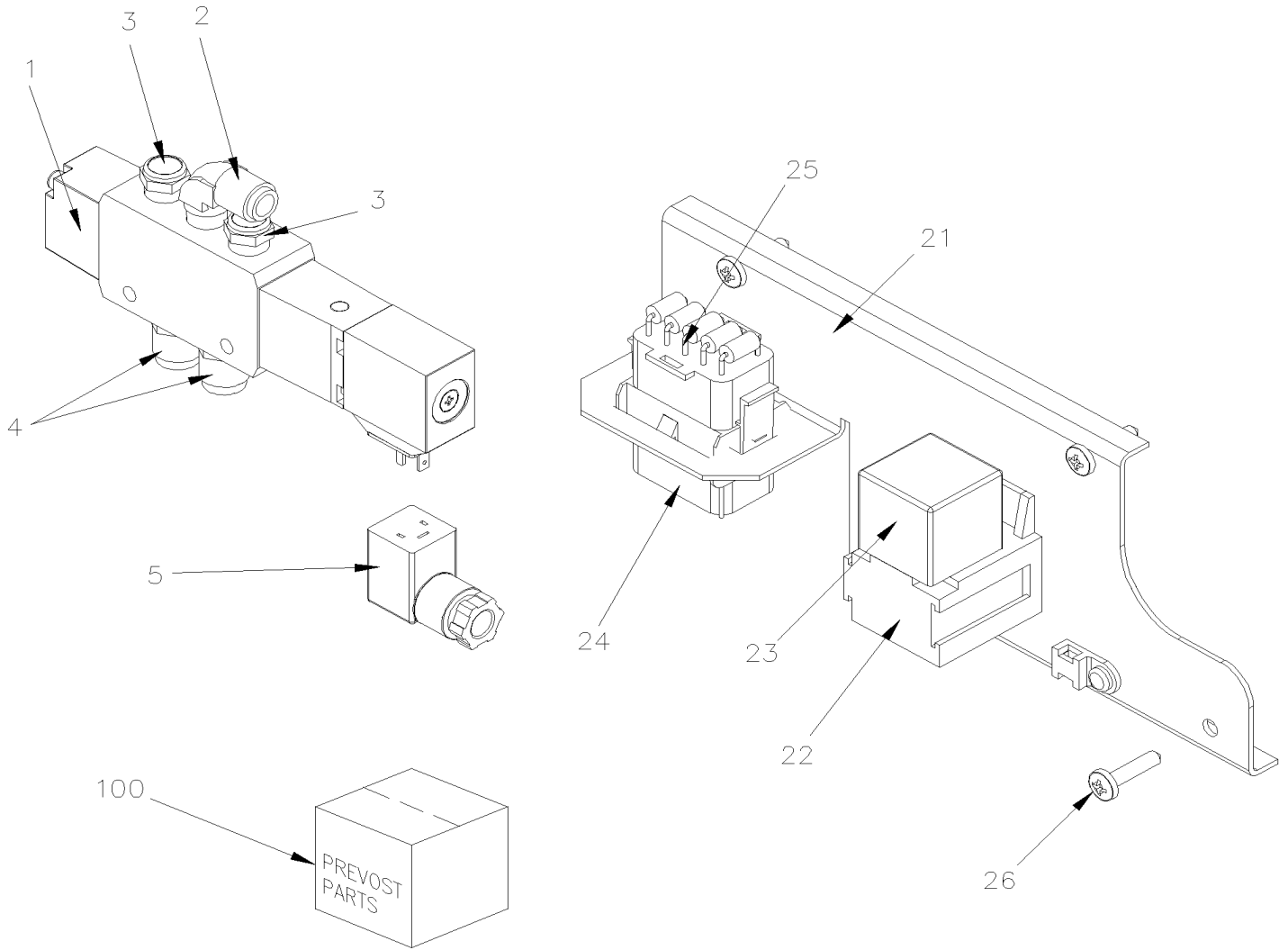
| Item# | Part | Description | X L I I 4 5 | X L I I M T H 4 0 | X L I I M T H 4 5 | X L I I M T H 4 5 E | NOTES |
|---|----------|--|----------------------------|---|---|--|-------|
| 1 | 780623 | CYLINDER 2"1/2 X- 1"1/2 STROKE To 4-8242 | 1 | | | | |
| 1 | 641985 | CYLINDER 2"1/2 X- 1"1/2 STROKE From 4-8243 | 1 | | | | |
| 2 | 680098 | THREAD SEALANT LOCTITE #567 / WHITE / 250ml | AR | | | | |
| 3 | 501338 | MALE RUN TEE / PIPE FITTING / 1/4NPT-Mx1/4NPT-Fx1/4NPT-F BR | 1 | | | | |
| 4 | 503402 | TUBE, NYLON 1/4 O.D. / BLACK S.L. | AR | | | | |
| 5 | 641371 | MALE ELBOW 90° NON-SWIVEL / PUSH-IN FITTING / #4x1/4NPT-M BR | 2 | | | | |
| 7 | 560816 | PRESSURE SWITCH N.C. 3PSI / 1/8NPT W/2 SCREWS To 1-7479 | 1 | | | | A |
| 7 | 287234 | PRESSURE SWITCH N.C. 30-10 20PS001AB030E010E From 1-7480 | 1 | | | | |
| NS | 287243 | KIT ENTRANCE DOOR To 1-7479 | AR | | | | |
| . NS | IS-00117 | . SEE INSTRUCTION SHEET To 1-7479 | 1 | | | | |
| 8 | 641216 | YOKE | 1 | | | | |
| . NS | 642225 | . CLIP | 2 | | | | |
| 9 | 286696 | DOOR LOCK GUIDE | 1 | | | | |
| 10 | 286695 | DOOR LOCK | 1 | | | | |
| 11 | 286694 | ENTRANCE DOOR PIN | 1 | | | | |
| 12 | 501312 | BUSHING REDUCER / PIPE FITTING / 1/4NPT-Mx1/8NPT-F BR | 1 | | | | |
| 13 | 560082 | RING TERMINAL #10 / 16-14 / INSULATED / AMP 626033-2 | 2 | | | | |
| 14 | 562590 | WIRE CABLE 18 / RED / TXL | AR | | | | |
| 14 | 562587 | WIRE CABLE 18 / BLACK / TXL | AR | | | | |
| 15 | 561689 | SOCKET TERMINAL / 20-18 / PED 12089188 | 2 | | | | |
| NS | 561565 | CABLE SEAL / GREEN / PED 15324982 | 2 | | | | |
| NS | 561690 | CONNECTOR / WEATHER PACK / SH 2C / BLACK / PED 12015792 | 1 | | | | |
| 20 | 286724 | GUIDING BLOCK | 1 | | | | |
| 21 | 286700 | SUPPORT ASSY W/PIN / BOLTED TO STRUCTURE To 1-7530 | 1 | | | | |
| . NS | 286698 | . PIN 3/8" O.D. X 78MM To 1-7530 | 1 | | | | |
| 21 | 287952 | SUPPORT ASSY W/PIN / (WELDED TO STRUCTURE) From 1-7531 | 1 | | | | |
| . NS | 286698 | . PIN 3/8" O.D. X 78MM From 1-7531 | 1 | | | | |
| 22 | 500473 | WASHER LO SPT .262x.489x.062 Z050 | 4 | | | | |
| 23 | 500923 | SCREW TC CAP HEX 1/4-20x3/4 Z050 | 2 | | | | |
| 24 | 500167 | SCREW CAP HEX 1/4-20x1 1/4 G5 PT Z050 | 2 | | | | |
| 24 | 500994 | SCREW CAP HEX 1/4-20x1 3/4 G5 PT Z050 | 2 | | | | |
| NS | 500473 | WASHER LO SPT .262x.489x.062 Z050 | 4 | | | | |
| 25 | 502102 | PIN, COTTER 1/8 x 1 To 1-7479 | 1 | | | | |
| 25 | 502180 | PIN HITCH CLIP 3/32 x 1/2 Z050 From 1-7480 | 1 | | | | |
| 30 | 683276 | GREASE LOW TEMPERATURE 450GR | AR | | | | |
| A) AS SHOWN AND FOR PRODUCT IMPROVMENT ASK FOR KIT #287243 UP TO 1-7479 | | | | | | | |

From 2-7800 To 8-9339

Date:10/2022

PAGE:Y2-1804-50

ENTRANCE DOOR - VALVE - MTH

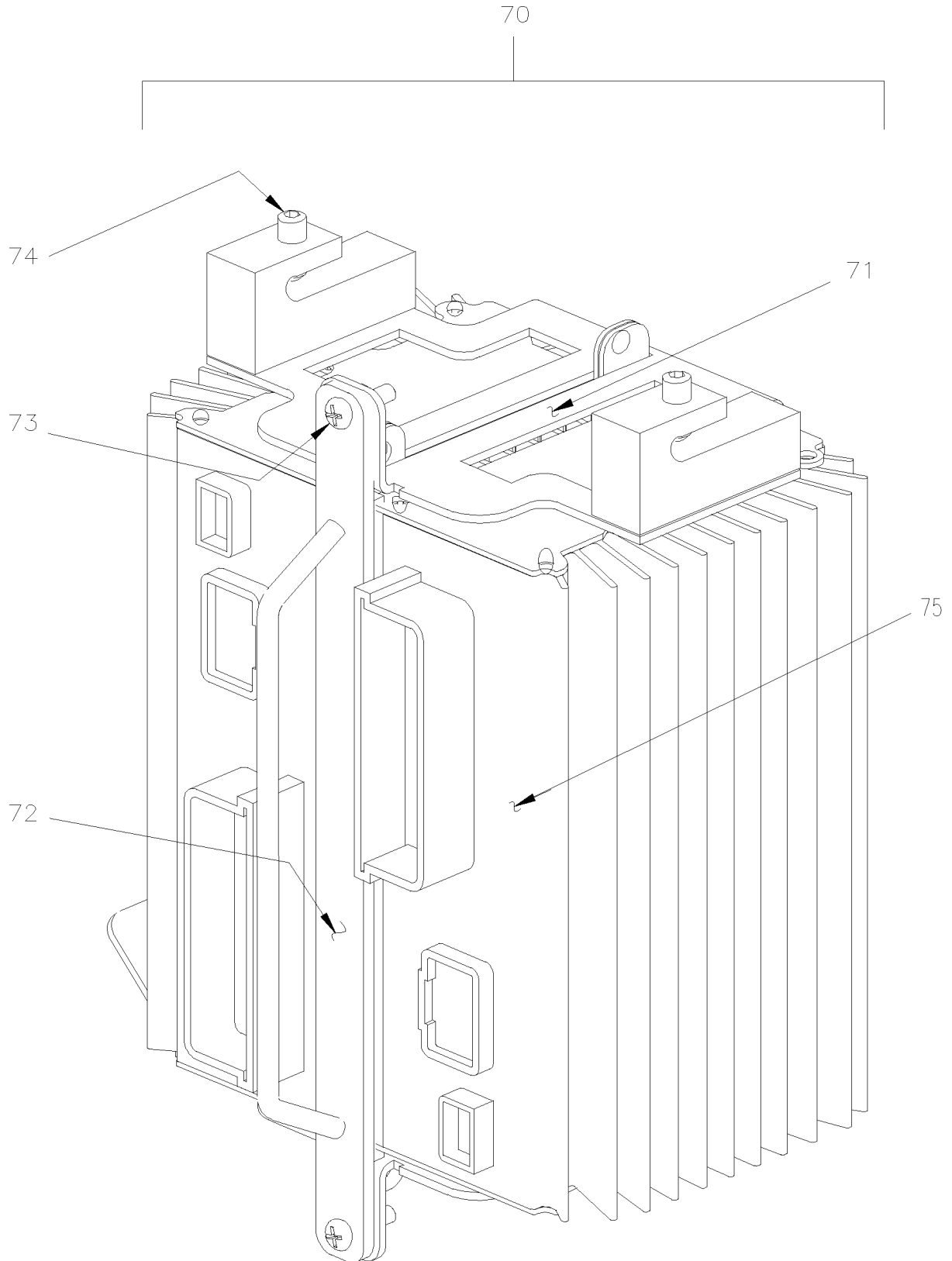


From 2-7800 To 8-9339

Date:10/2022

PAGE:Y2-1804-50

ENTRANCE DOOR - VALVE - MTH



| | | |
|------------------------------------|--------------|-----------------|
| From 2-7800 To 8-9339 | Date:10/2022 | PAGE:Y2-1804-50 |
| ENTRANCE DOOR - VALVE - MTH | | |

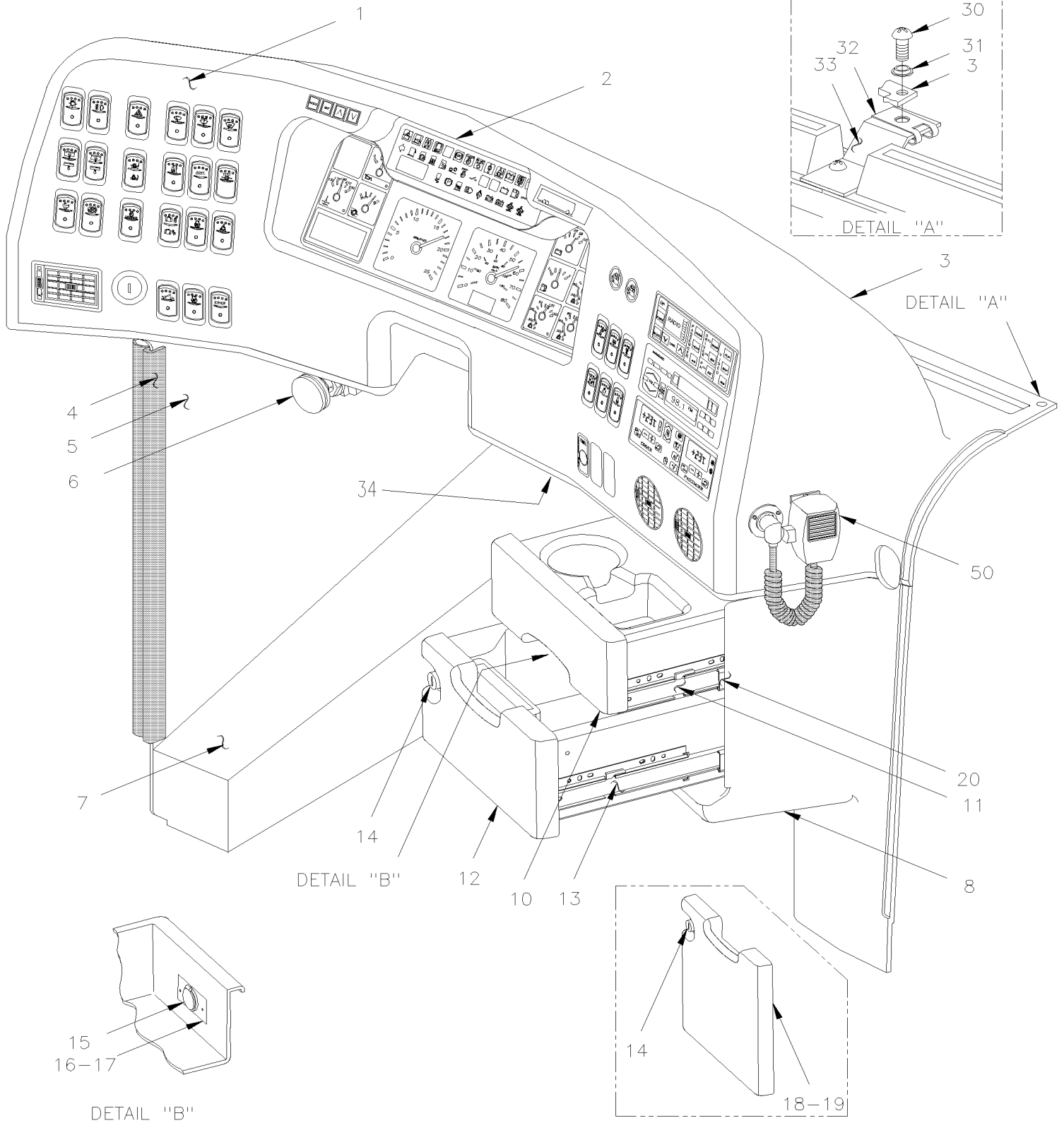
| Item# | Part | Description | X L I I 4 5 | X L I I M T H 4 0 | X L I I M T H 4 5 | X L I I M T H 4 5 E | N O T E S |
|-------|-----------------|--|----------------------------|---|---|--|-----------------------|
| 1 | 641942 | VALVE, 5 WAYS, 2 POSITIONS 24V / MODEL V60 To 5-8609 | | 1 | 1 | 1 | A |
| . NS | 641944 | . KIT REPAIR To 5-8609 | | 1 | 1 | 1 | A |
| . NS | 641945 | . COIL 24V To 5-8609 | | 1 | 1 | 1 | A |
| . NS | 563147 | . CONNECTOR / SOCKET HOUSING ASSY 3C / PNEUTECH C052-09-N-22 To 5-8609 | | 1 | 1 | 1 | A |
| 1 | 642023 | VALVE, 5 WAYS, 2 POSITIONS 24V / MODEL V19 From 5-8610 | | 1 | 1 | 1 | |
| . NS | 641385 | . CONNECTOR / SOCKET HOUSING ASSY 3C / PNEUMAC 54934-01 From 5-8610 | | 1 | 1 | 1 | |
| 2 | 641369 | MALE ELBOW 90° NON-SWIVEL / PUSH-IN FITTING / #4x1/8NPT-M BR | | 1 | 1 | 1 | |
| 3 | 641943 | SILENCER / MUFFLER / 1/8NPT-M | | 2 | 2 | 2 | |
| 4 | 641242 | MALE CONNECTOR / PUSH-IN FITTING / #4x1/8NPT-M BR | | 2 | 2 | 2 | |
| 5 | 563147 | CONNECTOR / SOCKET HOUSING ASSY 3C / PNEUTECH C052-09-N-22 | | 1 | 1 | 1 | |
| 21 | 288821 | SUPPORT & RELAY ASSY | | 1 | 1 | 1 | |
| 22 | 561183 | RELAY BASE / TAB TERMINAL / BOSCH 3334485008 | | 1 | 1 | 1 | |
| 23 | 563332 | RELAY 24V S.P.D.T. W/RESISTOR / "VOLVO" (20374662) | | 1 | 1 | 1 | |
| 24 | 561987 | CONNECTOR / UNIVERSAL MATE-N-LOK / PH 15C / AMP 1-480711-0 / NATURAL | | 1 | 1 | 1 | |
| 25 | 381145 | DIODE ASSY / W/5 3AMPS | | 1 | 1 | 1 | |
| 26 | 500641 | SCREW TP PAN PH #8x3/4 Z050 | | 3 | 3 | 3 | |
| 70 | Call order desk | I/O B-MODULE VOLVO MULTIPLEX ASSY From 7-9096 | | | 1 | 1 | P |
| 71 | 382132 | SUPPORT REAR I/O B MODULE From 7-9096 | | | | | |
| 72 | 382172 | SUPPORT FRONT I/O B MODULE From 7-9096 | | | 1 | 1 | |
| NS | 506228 | TAPE RUB ADH1 CC POL 1/4" x 1/2" x 37.5' / GREY 2520X From 7-9096 | | | AR | AR | |
| 73 | 502698 | SCREW MA PAN PH M4-0.7x16 SS BK From 7-9096 | | | 1 | 1 | |
| 74 | 5001252 | NUT HEX STO M20-2.5 DP From 7-9096 | | | 1 | 1 | |
| 75 | 563273 | I/O B-MODULE VOLVO MULTIPLEX / ALUMINUM From 7-9096 To 7-9116 | | | 1 | 1 | |
| . NS | 563132 | . CONNECTOR / SH 2C / YAZAKI 7283-6458-40 From 7-9096 To 7-9116 | | | 1 | 1 | |
| . NS | 563133 | . CONNECTOR / JUNIOR POWER TIMER / SH 29C / AMP 1-963449-2 From 7-9096 To 7-9116 | | | 1 | 1 | |
| . NS | 562957 | . CONNECTOR / SH 5C / GREEN / JAE IL-AG5-5S-S3C1 From 7-9096 To 7-9116 | | | 1 | 1 | |
| 75 | 565865 | I/O B-MODULE VOLVO MULTIPLEX / ALUMINUM From 7-9117 | | | 1 | 1 | |
| . NS | 563132 | . CONNECTOR / SH 2C / YAZAKI 7283-6458-40 From 7-9117 | | | 1 | 1 | |
| . NS | 563133 | . CONNECTOR / JUNIOR POWER TIMER / SH 29C / AMP 1-963449-2 From 7-9117 | | | 1 | 1 | |
| . NS | 562957 | . CONNECTOR / SH 5C / GREEN / JAE IL-AG5-5S-S3C1 From 7-9117 | | | 1 | 1 | |
| 100 | 142489 | KIT, ENTRANCE DOOR VALVE REPLACEMENT / V19 TO V60 To 5-8609 | | 1 | 1 | 1 | |
| . NS | IS-04066 | . SEE INSTRUCTION SHEET To 5-8609 | | 1 | 1 | 1 | |
| | | | | | | | |
| | | | | | | | |
| | | | | | | | |
| | | A) THIS VALVE IS SUPERSEDED BY KIT #142489 | | | | | |
| | | P) CALL ORDER DESK FOR SPECIFIC APPLICATION (V.I.N.) | | | | | |

From Y-7046 To 8-9339

Date:10/2022

PAGE:Y2-1806-00

CENTRAL DASHBOARD PANEL



| | | |
|--------------------------------|--------------|-----------------|
| From Y-7046 To 8-9339 | Date:10/2022 | PAGE:Y2-1806-00 |
| CENTRAL DASHBOARD PANEL | | |

| Item# | Part | Description | X L I I 4 5 | X L I I M T H 4 0 | X L I I M T H 4 5 | X L I I M T H 4 5 E | N O T E S |
|-------|-------------------|---|----------------------------|---|---|--|-----------------------|
| 1 | 392110 | PANEL / FRONT INSTRUMENTATION To 2-7864 | 1 | | | | S |
| 1 | 392219 | PANEL / FRONT INSTRUMENTATION From 2-7865 To 6-8906 | 1 | | | | R |
| 1 | 392304 | PANEL / FRONT INSTRUMENTATION | 1 | | | | K |
| 1 | 392025 | PANEL / FRONT INSTRUMENTATION To 2-7864 | | 1 | 1 | 1 | T |
| 1 | 392221 | PANEL / FRONT INSTRUMENTATION From 2-7865 To 4-8212 | | 1 | 1 | 1 | R |
| 1 | 392243 | PANEL / FRONT INSTRUMENTATION From 4-8213 To 6-8956 | | 1 | 1 | 1 | |
| 1 | 392314 | PANEL / FRONT INSTRUMENTATION From 6-8957 To 7-9073 | | 1 | 1 | 1 | U |
| 1 | 392243 | PANEL / FRONT INSTRUMENTATION From 7-9074 | | 1 | 1 | 1 | |
| 1 | 5001411 | SCREW MA FL PH M4-0.7x20 BK To 2-7864 | AR | AR | AR | AR | |
| 1 | 500345 | WASHER FN CKF .187x.500x.090 BR BK To 2-7864 | AR | AR | AR | AR | |
| 2 | Y2-0645-10 | L.H. DASHBOARD PANEL | | | | | |
| 2 | Y2-0645-20 | CENTER DASHBOARD PANEL | | | | | |
| 2 | Y2-0645-30 | R.H. DASHBOARD PANEL | | | | | |
| NS | 063070 | HARNES ASSY / ALARM To 7-9095 | 1 | 1 | 1 | 1 | |
| NS | 404571 | CABLE ASSY / DASH & PARCEL RACK To 6-8797 | 1 | | | | |
| 2 | 409149 | CABLE ASSY / DASH & PARCEL RACK / AUDIO From 6-8798 To 6-8906 | 1 | | | | |
| NS | 065108 | WIRING HARNES DASHBOARD CENTRAL MODULE To Y-7267 | 1 | | | | |
| NS | 065325 | WIRING HARNES DASHBOARD CENTRAL MODULE From Y-7268 To 2-7763 | 1 | | | | |
| NS | 065561 | WIRING HARNES DASHBOARD CENTRAL MODULE From 2-7764 To 4-8212 | 1 | | | | |
| NS | 065763 | WIRING HARNES DASHBOARD CENTRAL MODULE From 4-8213 To 4-8358 | 1 | | | | |
| NS | 066093 | WIRING HARNES DASHBOARD CENTRAL MODULE From 5-8359 To 5-8469 | 1 | | | | |
| NS | 066096 | WIRING HARNES DASHBOARD CENTRAL MODULE From 5-8470 To 5-8644 | 1 | | | | |
| NS | 066437 | WIRING HARNES DASHBOARD CENTRAL MODULE From 5-8645 To 6-8906 | 1 | | | | |
| NS | 064849 | WIRING HARNES DASHBOARD CENTRAL MODULE To Y-7267 | | 1 | 1 | 1 | |
| NS | 065324 | WIRING HARNES DASHBOARD CENTRAL MODULE From Y-7268 To 1-7411 | | 1 | 1 | 1 | |
| NS | 065428 | WIRING HARNES DASHBOARD CENTRAL MODULE From 1-7412 To 2-7763 | | 1 | 1 | 1 | |
| NS | 065563 | WIRING HARNES DASHBOARD CENTRAL MODULE From 2-7764 To 3-8130 | | 1 | 1 | 1 | |
| NS | 065765 | WIRING HARNES DASHBOARD CENTRAL MODULE From 3-8131 To 4-8212 | | 1 | 1 | 1 | |
| NS | 065855 | WIRING HARNES DASHBOARD CENTRAL MODULE From 4-8213 To 5-8469 | | 1 | 1 | 1 | |
| NS | 066098 | WIRING HARNES DASHBOARD CENTRAL MODULE From 5-8470 To 5-8644 | | 1 | 1 | 1 | |
| 2 | 066339 | WIRING HARNES DASHBOARD CENTRAL MODULE From 5-8645 | | 1 | 1 | 1 | |
| 2 | 066386 | WIRING HARNES DASHBOARD CENTRAL MODULE From 6-8806 To 7-9095 | | 1 | 1 | 1 | |
| 2 | 066774 | WIRING HARNES DASHBOARD CENTRAL MODULE From 7-9096 | | 1 | 1 | 1 | |
| 3 | 392112 | COVER, DASHBOARD PANEL / BUS To 6-8906 | 1 | | | | |
| 3 | 392027 | COVER, DASHBOARD PANEL / MTH | | 1 | 1 | 1 | C |
| 3 | 392179 | COVER, DASHBOARD PANEL / MTH 89" | | 1 | 1 | 1 | A |
| 3 | 392144 | COVER, DASHBOARD PANEL / MTH 89" | | | | 1 | |
| 4 | 504675 | RUBBER EXTRUSION TRIM SEAL / GRIP .040/.070 / 5/8" HOLLOW BULB C.T.L. | AR | AR | AR | AR | |
| 5 | 392109 | STRUCTURE / L.H. To 2-7864 | 1 | | | | |
| 5 | 392218 | STRUCTURE / L.H. From 2-7865 To 6-8906 | 1 | | | | |
| 5 | 392312 | PARTIAL STRUCTURE TO FIT "VOLVO" AUDIO SOUND To 6-8906 | 1 | | | | K |
| 5 | 392305 | ADAPTOR RADIO TO STRUCTURE To 6-8906 | 1 | | | | K |

| | | |
|--------------------------------|--------------|-----------------|
| From Y-7046 To 8-9339 | Date:10/2022 | PAGE:Y2-1806-00 |
| CENTRAL DASHBOARD PANEL | | |

| Item# | Part | Description | X L I I 4 5 | X L I I M T H 4 0 | X L I I M T H 4 5 | X L I I M T H 4 5 E | N O T E S |
|-------|-----------------|--|----------------------------|---|---|--|-----------------------|
| 5 | 392024 | STRUCTURE / L.H. To 2-7864 | | 1 | 1 | 1 | C |
| 5 | 392218 | STRUCTURE / L.H. From 2-7865 To 6-8956 | | 1 | 1 | 1 | C |
| 5 | 392302 | STRUCTURE / L.H. From 6-8957 | | 1 | 1 | 1 | C |
| 5 | 392180 | STRUCTURE / L.H. To 2-7864 | | 1 | 1 | 1 | A |
| 5 | 392220 | STRUCTURE / L.H. From 2-7865 To 6-8956 | | 1 | 1 | 1 | A |
| 5 | 392316 | STRUCTURE / L.H. From 6-8957 | | 1 | 1 | 1 | A |
| 5 | 392320 | ADAPTOR TO CONVERT UPPER HVAC TO LOWER / "W " SHAPE SS From 6-8957 | | 1 | 1 | 1 | V |
| NS | 562361 | PROTECTIVE CAP / HD10 SERIES / 6C / DEUTSCH HDC16-6-BLACK | 1 | 1 | 1 | 1 | F |
| NS | 562492 | TYPE A COUPLING | 1 | 1 | 1 | 1 | F |
| NS | 562493 | CHAIN / C.T.L. | 1 | 1 | 1 | 1 | F |
| NS | 562494 | RING / ATTACHMENT END | 1 | 1 | 1 | 1 | F |
| 6 | 641445 | VALVE, 3 WAYS, 2 POSITIONS MECHANICAL | 1 | 1 | 1 | 1 | |
| NS | 641992 | . KNOB | 1 | 1 | 1 | 1 | |
| NS | 5001403 | SCREW MA CHE PH M5-0.8x40 ZP | 2 | 2 | 2 | 2 | |
| NS | 500964 | WASHER FL .203x.500x.047 Z050 | 2 | 2 | 2 | 2 | |
| NS | 502782 | NUT HEX NYRT M5-0.8 Z050 | 2 | 2 | 2 | 2 | |
| NS | 501307 | ADAPTER / PIPE FITTING / 1/8NPT-Fx1/8NPT-M BR | 1 | 1 | 1 | 1 | |
| NS | 641365 | MALE ELBOW 45° NON-SWIVEL / PUSH-IN FITTING / #4x1/8NPT-M BR | 2 | 2 | 2 | 2 | |
| NS | 392073 | ACCESS PANEL / FOR WIPER REPAIR | 1 | 1 | 1 | 1 | |
| 7 | 392013 | FOOT REST / SUPPORT | 1 | 1 | 1 | 1 | |
| NS | 5001036 | SCREW MA PAN PH M4-0.7x10 Z050 | 4 | 4 | 4 | 4 | |
| 8 | 392028 | UNDER DASH PANEL ASSY W/FLIP-UP BOX To 2-7720 | 1 | | | | J |
| NS | 901217 | . LATCH GRABBER CATCH / 44N PLASTIC BLACK To 2-7720 | 1 | | | | J |
| 8 | 392111 | UNDER DASH PANEL From 2-7721 To 6-8906 | 1 | | | | |
| 8 | 392026 | UNDER DASH PANEL | | 1 | 1 | 1 | |
| 8 | 392181 | UNDER DASH PANEL | | 1 | 1 | | B |
| 8 | 392182 | UNDER DASH PANEL | | 1 | 1 | 1 | G |
| 8 | 392068 | UNDER DASH PANEL | | 1 | 1 | 1 | E |
| 8 | Call order desk | UNDER DASH PANEL | | 1 | 1 | 1 | PJ |
| 8 | 392199 | UNDER DASH PANEL / BLACK | | 1 | 1 | 1 | D |
| 8 | 392028 | UNDER DASH PANEL ASSY W/FLIP-UP BOX | | 1 | 1 | 1 | J |
| NS | 901217 | . LATCH GRABBER CATCH / 44N PLASTIC BLACK | | 1 | 1 | 1 | J |
| 10 | 391932 | DRAWER, UPPER / BLACK From 2-7721 | 1 | 1 | 1 | 1 | |
| NS | 392237 | . SUPPORT MAGNETIC LOCK / UPPER DRAWER From 2-7721 | 1 | 1 | 1 | 1 | |
| NS | 392241 | . CATCH MAGNETIC LOCK LOWER DRAWER From 2-7721 | 1 | 1 | 1 | 1 | |
| NS | 504733 | . KIT SLIDE TRACK / FIXED AT DRAWER From 2-7721 | 1 | 1 | 1 | 1 | |
| NS | 066888 | CABLE ASSY / W/3.5MM / "I POD" / 12' To 6-8906 | 1 | | | | I |
| 11 | 504677 | . RAIL ASSY 8" / (SET) From 2-7721 | 1 | 1 | 1 | 1 | |
| NS | 504673 | CATCH MAGNETIC From 2-7721 | 2 | 2 | 2 | 2 | |
| 12 | 391933 | DRAWER, LOWER / BLACK From 2-7721 | 1 | 1 | 1 | 1 | |
| NS | 392238 | . SUPPORT MAGNETIC LOCK / LOWER DRAWER From 2-7721 | 1 | 1 | 1 | 1 | |
| NS | 392240 | . CATCH MAGNETIC LOCK LOWER DRAWER From 2-7721 | 1 | 1 | 1 | 1 | |

| | | |
|-----------------------|--------------|-----------------|
| From Y-7046 To 8-9339 | Date:10/2022 | PAGE:Y2-1806-00 |
|-----------------------|--------------|-----------------|

CENTRAL DASHBOARD PANEL

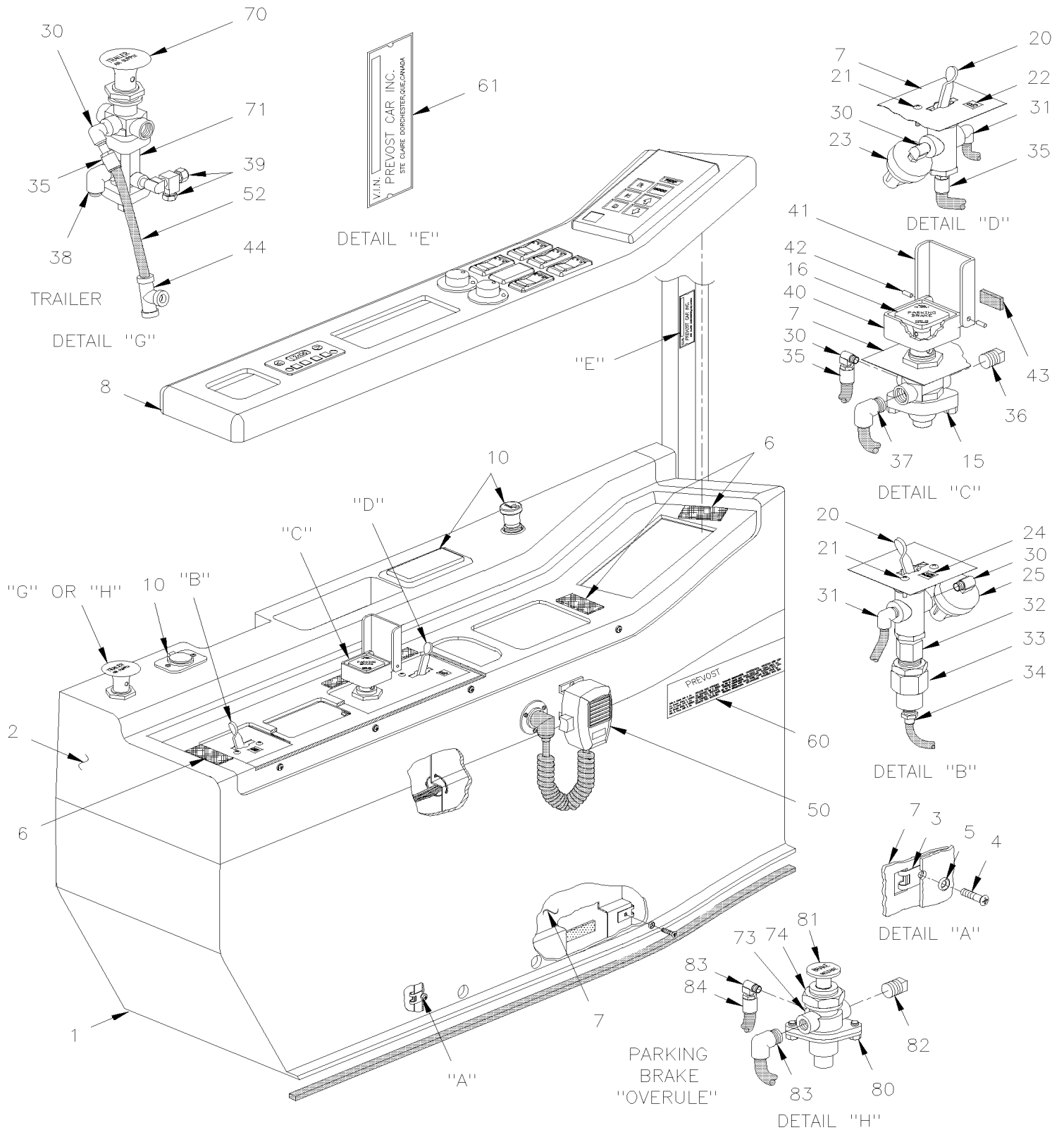
| Item# | Part | Description | X L I I 4 5 | X L I I M T H 4 0 | X L I I M T H 4 5 | X L I I M T H 4 5 E | N O T E S |
|-------|-------------------|---|----------------------------|---|---|--|-----------------------|
| . NS | 504733 | . KIT SLIDE TRACK / FIXED AT DRAWER From 2-7721 | 1 | 1 | 1 | 1 | |
| 13 | 504678 | . RAIL ASSY 10" / (SET) From 2-7721 | 1 | 1 | 1 | 1 | |
| NS | 504673 | CATCH MAGNETIC From 2-7721 | 2 | 2 | 2 | 2 | |
| 14 | 504672 | LATCH ASSY W/2 KEYS | 1 | 1 | 1 | 1 | |
| . NS | 810084 | . KEY / (CH751) | 1 | 1 | 1 | 1 | |
| 14 | 810084 | . KEY / (CH751) | 2 | 2 | 2 | 2 | |
| 15 | 562796 | 12 VOLTS POWER OUTLET | 1 | 1 | 1 | 1 | |
| 16 | 500343 | SCREW MA FL PH M4-0.7x16 ZP | 2 | 2 | 2 | 2 | |
| NS | 500590 | NUT HEX NYRT M4-0.7 Z050 | 2 | 2 | 2 | 2 | |
| 18 | 392028 | UNDER DASH PANEL ASSY W/FLIP-UP BOX | 1 | 1 | 1 | 1 | |
| . NS | 901217 | . LATCH GRABBER CATCH / 44N PLASTIC BLACK | 1 | 1 | 1 | 1 | |
| 19 | 392205 | . COVER ONLY / W/OUT BOX OR DRAWER | 1 | 1 | 1 | 1 | |
| NS | 504673 | CATCH MAGNETIC | 2 | 2 | 2 | 2 | |
| NS | 392239 | SUPPORT MAGNET FLIP-UP BOX | 1 | 1 | 1 | 1 | |
| 20 | 392012 | MOUNTING PLATE / DRAWER | 4 | 4 | 4 | 4 | |
| NS | 5001413 | SCREW MA FL PH M4-0.7x20 Z050 | AR | AR | AR | AR | |
| 30 | 5001411 | SCREW MA FL PH M4-0.7x20 BK | AR | AR | AR | AR | |
| 30 | 392144 | COVER, DASHBOARD PANEL / MTH 89" | | | | 1 | |
| 31 | 500345 | WASHER FN CKF .187x.500x.090 BR BK | AR | AR | AR | AR | |
| 32 | 5001406 | NUT SPR U M4-0.7 0.8-4.0x13.5 | AR | AR | AR | AR | |
| 33 | Y2-2230-00 | DEFROSTER - INSTALLATION | | | | | |
| 34 | 563063 | SENSOR THERMISTOR ASSY / TEMPERATURE / ("DELPHI") | 1 | 1 | 1 | 1 | |
| 50 | Y2-2315-00 | SOUND SYSTEM & ACCESSORIES - "R.E.I." | | | | | |
| NS | 392227 | KIT, PANEL / FRONT INSTRUMENTATION / BUS SERIES "XL-II" To 2-7864 | 1 | | | | |
| NS | 392228 | KIT, PANEL / FRONT INSTRUMENTATION / MTH SERIES "XL-II" To 2-7864 | | 1 | 1 | 1 | |
| NS | 405844 | KIT, RETROFIT "VOLVO" SOUND SYSTEM "XL" To 6-8906 | AR | | | | L |
| | | | | | | | |
| | | | | | | | |
| | | A) USE WITHOUT HANDRAIL | | | | | |
| | | B) USE WITHOUT HANDRAIL & WITHOUT DRAWER | | | | | |
| | | C) USE WITH HANDRAIL | | | | | |
| | | D) USE WITHOUT HANDRAIL & WITH DRAWER | | | | | |
| | | E) USE WITH HANDRAIL WITHOUT DRAWER & WITHOUT FLIP-UP BOX | | | | | |
| | | F) ITEMS ARE RELATED WITH CONNECTOR FOR DIAGNOSTIC "DDEC" | | | | | |
| | | G) USE WITHOUT HANDRAIL & WITH FLIP-UP BOX | | | | | |
| | | I) REQUIRE "VOLVO" SOUND SYSTEM SEE NOTE "K" & "L" | | | | | |
| | | J) USE WITH HANDRAIL & WITH FLIP-UP BOX | | | | | |
| | | K) THIS PART ARE INCLUDE IN RETROFIT KIT# 405844 "VOLVO" AUDIO SOUND SYSTEM | | | | | |
| | | L) FOR DETAIL SEE PAGES Y2-2315-99 & Y2-2317-99 | | | | | |
| | | R) PANEL WITH ROUND LOUVERS | | | | | |
| | | S) PANEL WITH RECTANGULAR LOUVERS ARE SUPERSEDED BY KIT #392227 | | | | | |

| | | |
|-----------------------|--------------|-----------------|
| From Y-7046 To 8-9339 | Date:10/2022 | PAGE:Y2-1806-00 |
|-----------------------|--------------|-----------------|

CENTRAL DASHBOARD PANEL

| Item# | Part | Description | X L I I 4 5 | X L I I M T H 4 0 | X L I I M T H 4 5 | X L I I M T H 4 5 E | N O T E S |
|-------|------|---|--------------------------------|---|---|--|-----------------------|
| | | T) PANEL WITH RECTANGULAR LOUVERS ARE SUPERSEDED BY KIT #392228 | | | | | |
| | | V) THIS PART ARE REQUIRE TO CONVERT UPPER HVAC TO LOWER HVAC ON STRUCTURE # 392302 & 392316 | | | | | |
| | | P) CALL ORDER DESK FOR SPECIFIC APPLICATION (V.I.N.) | | | | | |

| | | |
|--------------------|--------------|-----------------|
| | Date:10/2022 | PAGE:Y2-1806-10 |
| L.H. CONSOLE - BUS | | |



Date:10/2022

PAGE:Y2-1806-10

L.H. CONSOLE - BUS

| Item# | Part | Description | X L I I I 4 5 | X L I I I M T H 4 0 | X L I I I M T H 4 5 | X L I I I M T H 4 5 E | N O T E S |
|-------|-------------------|--|---------------------------------|--|--|---|-----------------------|
| 1 | 392042 | CONSOLE / LOWER | 1 | | | | |
| 2 | 392114 | CONSOLE / W/ASHTRAY & LIGHTER | 1 | | | | |
| 2 | 392115 | CONSOLE / W/O ASHTRAY & W/O LIGHTER | 1 | | | | |
| 2 | 392143 | CONSOLE / W/LIGHTER | 1 | | | | |
| 2 | 392171 | CONSOLE / W/ASHTRAY & LIGHTER | 1 | | | | E |
| 2 | 392172 | CONSOLE / W/O ASHTRAY & W/O LIGHTER | 1 | | | | E |
| 2 | 392173 | CONSOLE / W/LIGHTER | 1 | | | | E |
| 3 | 5001405 | NUT SPR U M4-0.7 0.8-4.0x9.5 | 10 | | | | |
| 4 | 5001414 | SCREW MA FL PH M4-0.7x16 BK | 10 | | | | |
| 5 | 500345 | WASHER FN CKF .187x.500x.090 BR BK | 10 | | | | |
| 6 | 506493 | TAPE DUAL LOCK 1/2" x 150' / BLACK SJ3541 | AR | | | | |
| 7 | 392039 | STRUCTURE ASSY | 1 | | | | |
| 8 | 392118 | PANEL / W/AUTOMATIC TRANSMISSION W/PREAHEAT TIMER "WORLD" | 1 | | | | |
| 8 | 392119 | PANEL / W/AUTOMATIC TRANSMISSION WO/PREAHEAT TIMER "WORLD" | 1 | | | | |
| 8 | 392166 | PANEL / W/TIMER | 1 | | | | E |
| 8 | 392165 | PANEL / W/O TIMER | 1 | | | | E |
| 10 | Y2-0645-00 | SWITCHES L.H. CONSOLE - BUS | | | | | |
| 15 | 641128 | VALVE, CONTROL VALVE PP-1 / 40PSI | 1 | | | | |
| . NS | 641154 | . REPAIR KIT / PP-1 & RD-3 | 1 | | | | |
| NS | 640297 | . NUT | 1 | | | | |
| 15 | 640286 | . PIN ROLLER | 1 | | | | |
| 16 | 641149 | . BUTTON, PARKING BRAKE DIAMOND YELLOW / 1" | 1 | | | | |
| 20 | 640136 | VALVE, CONTROL TW-1 | 1 | | | | |
| . NS | 641156 | . REPAIR KIT / TW-1 | 1 | | | | |
| 21 | 500572 | SCREW MA TR PH #10-24x1/2 SS BK | 2 | | | | |
| 22 | 391952 | DECAL "TAG" | 1 | | | | |
| 23 | 562518 | PRESSURE SWITCH N.O. 4PSI / 1/8NPT W/2 SCREWS / TAG | 1 | | | | |
| NS | 063892 | WIRE ASSY / W/LOW BUOY | 1 | | | | |
| 24 | 391951 | DECAL "LOW BUOY" | 1 | | | | |
| 25 | 560816 | PRESSURE SWITCH N.C. 3PSI / 1/8NPT W/2 SCREWS | 1 | | | | |
| 30 | 501331 | STREET ELBOW 90° / PIPE FITTING / 1/8NPT-Mx1/8NPT-F BR | 3 | | | | |
| 31 | 641369 | MALE ELBOW 90° NON-SWIVEL / PUSH-IN FITTING / #4x1/8NPT-M BR | 3 | | | | |
| 32 | 501310 | ADAPTER / PIPE FITTING / 1/4NPT-Fx1/8NPT-M BR | 1 | | | | |
| 33 | 640135 | VALVE, CHECK 1/4 NPT | 1 | | | | |
| 34 | 641332 | MALE CONNECTOR / PUSH-IN FITTING / #4x1/4NPT-M BR | 1 | | | | |
| 35 | 641349 | MALE CONNECTOR / PUSH-IN FITTING / #6x1/8NPT-M BR | 1 | | | | |
| 36 | 501304 | PLUG SQUARE HEAD / PIPE FITTING / 1/4NPT-M BR | 1 | | | | |
| 37 | 641371 | MALE ELBOW 90° NON-SWIVEL / PUSH-IN FITTING / #4x1/4NPT-M BR | 1 | | | | |
| 38 | 641372 | MALE ELBOW 90° NON-SWIVEL / PUSH-IN FITTING / #6x1/4NPT-M BR | 1 | | | | |
| 39 | 641002 | MALE RUN TEE / NTA FITTING / #4x#4x1/8NPT-M BR | 1 | | | | |
| 40 | 391727 | PROTECTOR BOX ASSY / OVER PARKING BRAKE VALVE | 1 | | | | |
| 40 | 391725 | . BOX | 1 | | | | |

Date:10/2022

PAGE:Y2-1806-10

L.H. CONSOLE - BUS

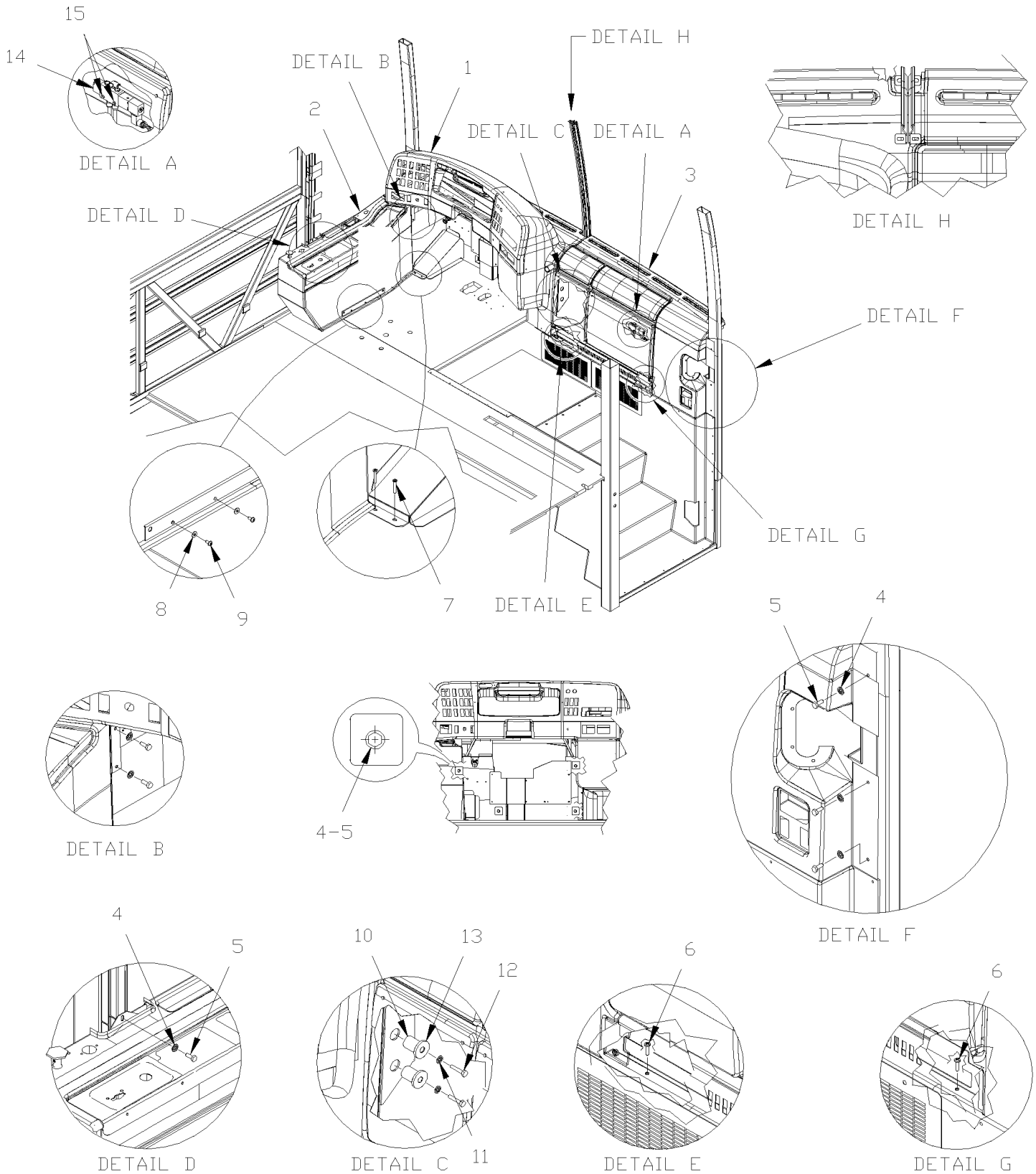
| Item# | Part | Description | X L I I 4 5 | X L I I M T H 4 0 | X L I I M T H 4 5 | X L I I M T H 4 5 E | NOTES |
|-------|-------------------|--|----------------------------|---|---|--|-------|
| 41 | 391726 | . COVER / CLEAR PLASTIC | 1 | | | | |
| 42 | 505221 | . SPRING, PIN 1/8 X 3/8 | 1 | | | | |
| 43 | 506035 | . TAPE RUB ADH1 NEO 1/2" x 1" x 15' / BLACK 1220X | 1 | | | | |
| 44 | 641922 | UNION TEE / PUSH-IN FITTING / #6x#6x#6 BR | 1 | | | | |
| 50 | Y2-2315-00 | SOUND SYSTEM & ACCESSORIES - "R.E.I." | | | | | |
| 60 | Call order desk | PLATE / V.I.N. | 1 | | | | P |
| 61 | Call order desk | PLATE / V.I.N. | 1 | | | | P |
| NS | 504107 | RIVET POP DOME OE 1/8x5/16 AL | 2 | | | | |
| 70 | 641935 | BUTTON RED / FOR TRAILER VALVE PP-7 | 1 | | | | |
| 71 | 641397 | TRAILER SUPPLY VALVE PP-7 | 1 | | | | |
| NS | 452043 | PRESSURE SWITCH N.O. 60-35 20SP001AA060E035E | 1 | | | | |
| 73 | 640297 | NUT | 1 | | | | |
| 74 | 640286 | PIN ROLLER | 1 | | | | |
| 80 | 640472 | VALVE, CONTROL / RD-3 | 1 | | | | |
| NS | 641154 | . REPAIR KIT / PP-1 & RD-3 | 1 | | | | |
| 81 | 641155 | BUTTON, OVERRULE ROUND BLACK | 1 | | | | |
| 82 | 501303 | PLUG SQUARE HEAD / PIPE FITTING / 1/8NPT-M BR | 1 | | | | |
| 83 | 641370 | MALE ELBOW 90° NON-SWIVEL / PUSH-IN FITTING / #6x1/8NPT-M BR | 2 | | | | |
| 84 | 641242 | MALE CONNECTOR / PUSH-IN FITTING / #4x1/8NPT-M BR | 1 | | | | |
| NS | 405158 | CARD HOLDER SS / 8 3/4" x 11" x 1" TH | 1 | | | | |
| NS | 500649 | SCREW TP BDG PH #6x3/4 BK | 6 | | | | |
| | | | | | | | |
| | | | | | | | |
| | | E) WITH TRANSMISSION "EATON" | | | | | |
| | | P) CALL ORDER DESK FOR SPECIFIC APPLICATION (V.I.N.) | | | | | |

From Y-7046 To 8-9339

Date:10/2022

PAGE:Y2-1806-15

DASHBOARD - ASSY

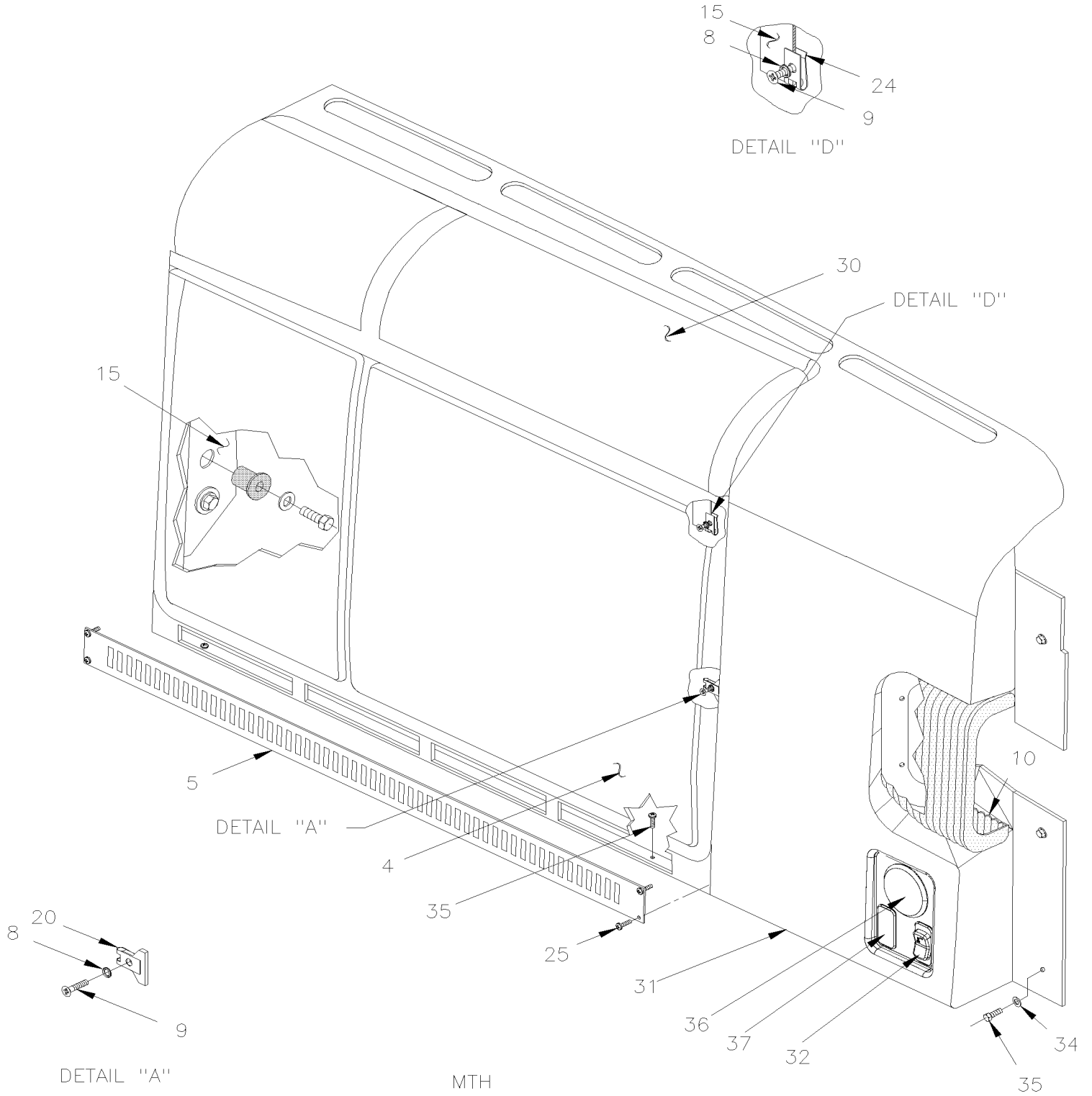


From Y-7046 To 8-9339

Date:10/2022

PAGE:Y2-1806-20

DASHBOARD PANEL

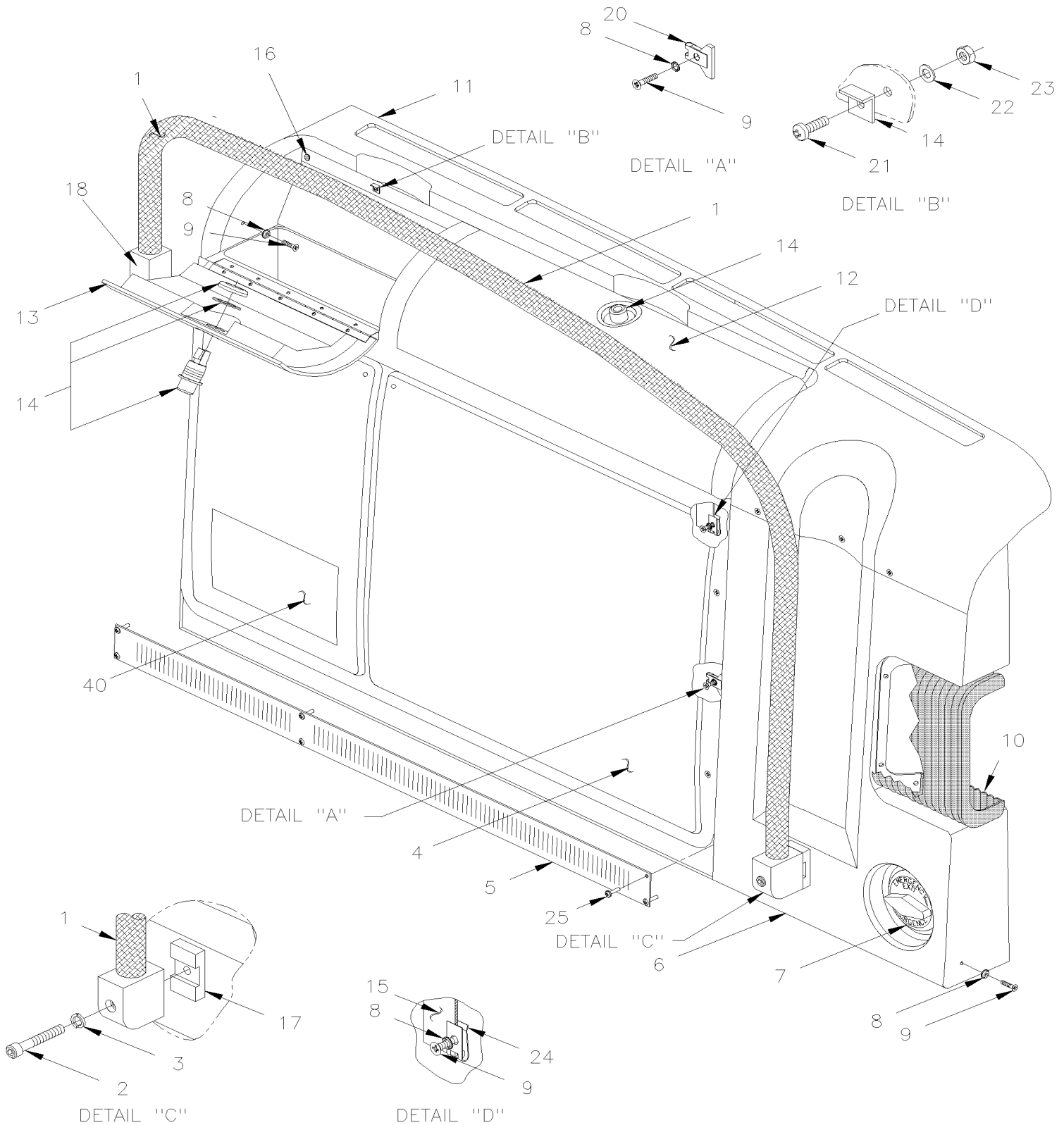


From Y-7046 To 8-9339

Date:10/2022

PAGE:Y2-1806-20

DASHBOARD PANEL



From Y-7046 To 8-9339 Date:10/2022 PAGE:Y2-1806-20

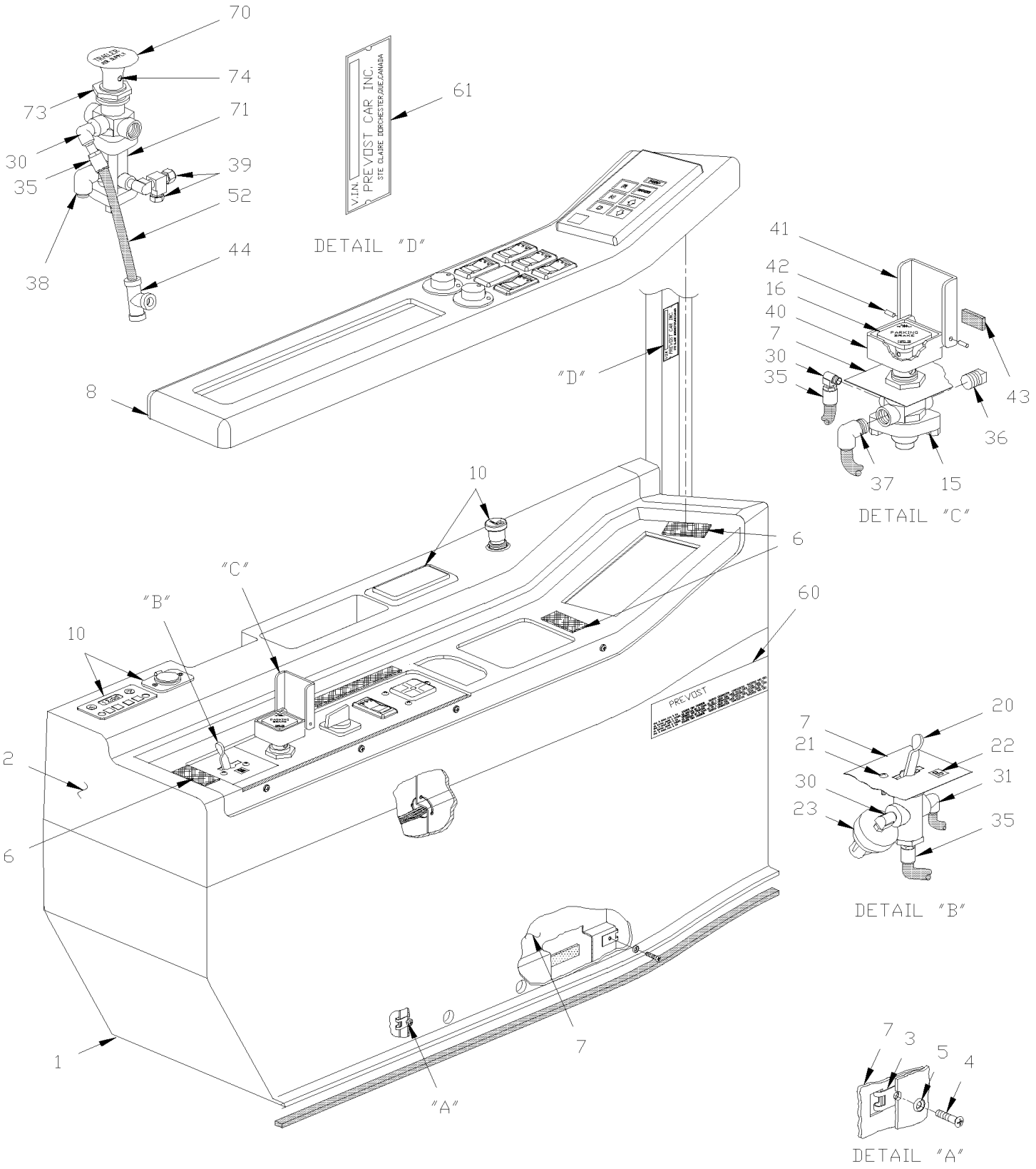
DASHBOARD PANEL

| Item# | Part | Description | X L I I 4 5 | X L I I M T H 4 0 | X L I I M T H 4 5 | X L I I M T H 4 5 E | NOTES |
|-------|-------------------|---|----------------------------|---|---|--|-------|
| 1 | 391971 | HAND RAIL To 5-8422 | 1 | | | | |
| 1 | 392266 | HAND RAIL / BLACK From 5-8423 | 1 | | | | |
| 1 | 392494 | HAND RAIL / YELLOW From 5-8423 | 1 | | | | |
| 2 | 5001379 | SCREW CAP HEXS M8-1.25x50 SS To 5-8422 | 1 | | | | |
| 2 | 5001598 | SCREW CAP HEXS M8-1.25x30 SS From 5-8423 | 1 | | | | |
| 3 | 5001380 | SCREW CAP HEXS M8-1.25x100 SS | 2 | | | | |
| 4 | 392007 | PANEL / SERVICING | 1 | | | | |
| 5 | 392194 | GRILLE / LOWER | 1 | 1 | 1 | 1 | |
| 6 | 392120 | COVER / ENTRANCE DOOR MECHANISM | 1 | | | | |
| 7 | Y2-1802-00 | ENTRANCE DOOR CONTROL | | | | | |
| 8 | 500345 | WASHER FN CKF .187x.500x.090 BR BK | AR | AR | AR | AR | |
| 9 | 5001413 | SCREW MA FL PH M4-0.7x20 Z050 | AR | AR | AR | AR | |
| 9 | 5001429 | SCREW MA FL PH M4-0.7x25 BK | AR | AR | AR | AR | |
| 10 | Y2-1862-60 | ENTRANCE DOOR FRAME - INSTALLATION | 1 | 1 | 1 | 1 | |
| 11 | 392117 | PANEL R.H. / TOP W/2 BOX | 1 | | | | |
| 11 | 392121 | PANEL R.H. / TOP W/O BOX | 1 | | | | |
| 11 | 392052 | PANEL R.H. / TOP W/2 BOX | | 1 | 1 | 1 | |
| 11 | 392146 | PANEL R.H. / TOP W/2 BOX MTH 89" | | | | 1 | |
| 12 | 391954 | COVER R.H. / BLACK | 1 | 1 | 1 | 1 | |
| 13 | 391955 | COVER L.H. / BLACK | 1 | 1 | 1 | 1 | |
| 13 | 504676 | STRAP RETAINER | 1 | 1 | 1 | 1 | |
| 14 | 504672 | LATCH ASSY W/2 KEYS | AR | AR | AR | AR | |
| . NS | 810084 | . KEY / (CH751) | 1 | 1 | 1 | 1 | |
| NS | 810084 | . KEY / (CH751) | 2 | 2 | 2 | 2 | |
| 15 | 392054 | STRUCTURE / R.H. | 1 | 1 | 1 | 1 | B |
| . NS | 392018 | . STRAP R.H. / TO FIX DUCT TO STRUCTURE | 1 | 1 | 1 | 1 | B |
| . NS | 392017 | . SUPPORT / R.H. WINDSHIELD | 1 | 1 | 1 | 1 | B |
| . NS | 392019 | . STRAP L.H. / TO FIX DUCT TO STRUCTURE | 1 | 1 | 1 | 1 | B |
| 15 | 392176 | STRUCTURE / R.H. | | 1 | 1 | | A |
| 15 | 392148 | STRUCTURE / R.H. MTH 89" | | | | 1 | |
| 16 | 504674 | BUMPER RUBBER / 1/4X13/32X13/32X1/8 | 4 | 4 | 4 | 4 | |
| 17 | 392489 | RAMP BLOCK SUPPORT WELD TO DASH STRUCTURE | 1 | 1 | 1 | 1 | |
| 18 | 392116 | RAMP SUPPORT WELD TO DASH STRUCTURE | 1 | 1 | 1 | 1 | |
| 20 | 5001406 | NUT SPR U M4-0.7 0.8-4.0x13.5 | 4 | 4 | 4 | 4 | |
| 21 | 5001398 | SCREW MA CHE PH M3-0.5x10 SS | 1 | 1 | 1 | 1 | |
| 22 | N.P.N. | WASHER | 4 | 4 | 4 | 4 | 4 |
| 23 | 5001408 | NUT HEX STO M3-0.5 ZP | 4 | 4 | 4 | 4 | |
| 24 | 5001405 | NUT SPR U M4-0.7 0.8-4.0x9.5 | 14 | 14 | 14 | 14 | |
| 25 | 5001410 | SCREW MA CHE PH M4-0.7x16 SS | 6 | 6 | 6 | 6 | |
| 30 | 392052 | PANEL R.H. / TOP W/2 BOX | | 1 | 1 | 1 | |
| 30 | 392053 | PANEL R.H. / TOP W/O BOX | | 1 | 1 | 1 | |
| 30 | 392146 | PANEL R.H. / TOP W/2 BOX MTH 89" | | | | 1 | |

| | | | |
|------------------------|--|--------------|-----------------|
| From Y-7046 To 8-9339 | | Date:10/2022 | PAGE:Y2-1806-20 |
| DASHBOARD PANEL | | | |

| Item# | Part | Description | X L I I 4 5 | X L I I M T H 4 0 | X L I I M T H 4 5 | X L I I M T H 4 5 E | N O T E S |
|-------|--------|--|----------------------------|---|---|--|-----------------------|
| 30 | 392147 | PANEL R.H. / TOP W/O BOX MTH 89" | | | | 1 | |
| 31 | 392133 | COVER / ENTRANCE DOOR MECHANISM / MTH 89" | | | | 1 | |
| 31 | 392132 | COVER / ENTRANCE DOOR MECHANISM / MTH 83" | | 1 | 1 | | |
| 31 | 392050 | COVER / ENTRANCE DOOR MECHANISM / MTH 86" To 2-7864 | | 1 | 1 | | |
| 31 | 392222 | COVER / ENTRANCE DOOR MECHANISM / MTH 86" From 2-7865 | | 1 | 1 | 1 | |
| 31 | 392178 | COVER / ENTRANCE DOOR MECHANISM / MTH 83" | | 1 | 1 | | A |
| 31 | 392177 | COVER / ENTRANCE DOOR MECHANISM / MTH 86" To 2-7864 | | 1 | 1 | | A |
| 31 | 392224 | COVER / ENTRANCE DOOR MECHANISM / MTH 86" From 2-7865 | | 1 | 1 | 1 | A |
| 32 | 562697 | SWITCH / ON-ON / D.P.D.T. / CH-OVER / W/RED & GREEN LED | | 1 | 1 | 1 | |
| NS | 562716 | CAP / DRIVER'S LAMP | | 1 | 1 | 1 | |
| 33 | 500923 | SCREW TC CAP HEX 1/4-20x3/4 Z050 | AR | AR | AR | AR | |
| 34 | 502582 | WASHER LO SERR 6.1x16.2x0.9 Z050 | AR | AR | AR | AR | |
| 35 | 500641 | SCREW TP PAN PH #8x3/4 Z050 | AR | AR | AR | AR | |
| 36 | 871315 | LOUVER, ADJUSTABLE / ROUND 2 1/8" O.D. From 2-7865 | | 1 | 1 | 1 | |
| 36 | 871314 | LOUVER, ADJUSTABLE / ROUND 2 5/8" O.D. From 2-7865 | | 1 | 1 | 1 | A |
| NS | 392134 | HOSE 3" I.D. X 900MM From 2-7865 | | 1 | 1 | 1 | |
| 37 | 562773 | SWITCH / "DUMMY" / PLUG | | 1 | 1 | 1 | |
| 40 | 404625 | DECAL "POUR LA SECURITE... BLANCHE" / ASM FRANÇAIS | 1 | | | | |
| . NS | 404623 | . DECAL "POUR LA SECURITE... BLANCHE" FRANÇAIS | 1 | | | | |
| . NS | 404624 | . PLATE SUPPORT DECAL 232MM x 119MM | 1 | | | | |
| 40 | 404626 | DECAL "FOR PASSENGER SAFETY....WHITE" / ASSY / ENGLISH | 1 | | | | |
| . NS | 404622 | . DECAL "FOR PASSENGER SAFETY....WHITE" / ENGLISH | 1 | | | | |
| . NS | 404624 | . PLATE SUPPORT DECAL 232MM x 119MM | 1 | | | | |
| 40 | 406150 | DECAL "FOR PASSENGER SAFETY....WHITE" / ASSY / ENGLISH & SPANISH | 1 | | | | |
| . NS | 405647 | . DECAL "FOR PASSENGER SAFETY....WHITE" / ASSY / ENGLISH & SPANISH | 1 | | | | |
| . NS | 406148 | . PLATE SUPPORT DECAL 242MM x 290MM | 1 | | | | |
| 40 | 400099 | DECAL "FOR PASSENGER SAFETY....YELLOW" / ASSY / ENGLISH & SPANISH | 1 | | | | |
| . NS | 400098 | . DECAL "FOR PASSENGER SAFETY....YELLOW" // ENGLISH & SPANISH | 1 | | | | |
| . NS | 406148 | . PLATE SUPPORT DECAL 242MM x 290MM | 1 | | | | |
| | | | | | | | |
| | | | | | | | |
| | | | | | | | |
| | | A) USE WITHOUT HANDRAIL | | | | | |
| | | B) WITH HANDRAIL | | | | | |
| | | 4) NO PARTS NUMBER | | | | | |

| | | |
|--------------------|--------------|-----------------|
| | Date:10/2022 | PAGE:Y2-1806-50 |
| L.H. CONSOLE - MTH | | |



Date:10/2022

PAGE:Y2-1806-50

L.H. CONSOLE - MTH

| Item# | Part | Description | X L I I 4 5 | X L I I M T H 4 0 | X L I I M T H 4 5 | X L I I M T H 4 5 E | NOTES |
|-------|-------------------|--|----------------------------|---|---|--|-------|
| 1 | 392042 | CONSOLE / LOWER | | 1 | 1 | 1 | |
| 2 | 392037 | CONSOLE / UPPER | | 1 | 1 | 1 | |
| 3 | 5001405 | NUT SPR U M4-0.7 0.8-4.0x9.5 | | 10 | 10 | 10 | |
| 4 | 5001414 | SCREW MA FL PH M4-0.7x16 BK | | 10 | 10 | 10 | |
| 5 | 500345 | WASHER FN CKF .187x.500x.090 BR BK | | 10 | 10 | 10 | |
| 6 | 506493 | TAPE DUAL LOCK 1/2" x 150' / BLACK SJ3541 | | AR | AR | AR | |
| 7 | 392039 | STRUCTURE ASSY | | 1 | 1 | 1 | |
| 8 | 392038 | PANEL / W/AUTOMATIC TRANSMISSION | | 1 | 1 | 1 | |
| 10 | Y2-0645-05 | SWITCHES L.H. CONSOLE - MTH | | | | | |
| 10 | 392043 | DUMMY PLUG LIGHTER | | 1 | 1 | 1 | |
| 15 | 641128 | VALVE, CONTROL VALVE PP-1 / 40PSI | | 1 | 1 | 1 | |
| . NS | 641154 | . REPAIR KIT / PP-1 & RD-3 | | 1 | 1 | 1 | |
| 16 | 641149 | . BUTTON, PARKING BRAKE DIAMOND YELLOW / 1" | | 1 | 1 | 1 | |
| 20 | 640136 | VALVE, CONTROL TW-1 | | 1 | 1 | 1 | |
| . NS | 641156 | . REPAIR KIT / TW-1 | | 1 | 1 | 1 | |
| 21 | 500572 | SCREW MA TR PH #10-24x1/2 SS BK | | 2 | 2 | 2 | |
| 22 | 391992 | DECAL "TAG" | | 1 | 1 | 1 | |
| 23 | 562518 | PRESSURE SWITCH N.O. 4PSI / 1/8NPT W/2 SCREWS / TAG | | 1 | 1 | 1 | |
| 24 | 391994 | DECAL "LEVEL LOW" | | 1 | 1 | 1 | |
| 30 | 501331 | STREET ELBOW 90° / PIPE FITTING / 1/8NPT-Mx1/8NPT-F BR | | 3 | 3 | 3 | |
| 31 | 641369 | MALE ELBOW 90° NON-SWIVEL / PUSH-IN FITTING / #4x1/8NPT-M BR | | 3 | 3 | 3 | |
| 35 | 641349 | MALE CONNECTOR / PUSH-IN FITTING / #6x1/8NPT-M BR | | 1 | 1 | 1 | |
| 36 | 501304 | PLUG SQUARE HEAD / PIPE FITTING / 1/4NPT-M BR | | 1 | 1 | 1 | |
| 37 | 641371 | MALE ELBOW 90° NON-SWIVEL / PUSH-IN FITTING / #4x1/4NPT-M BR | | 1 | 1 | 1 | |
| 38 | 641372 | MALE ELBOW 90° NON-SWIVEL / PUSH-IN FITTING / #6x1/4NPT-M BR | | 1 | 1 | 1 | |
| 39 | 641002 | MALE RUN TEE / NTA FITTING / #4x#4x1/8NPT-M BR | | 1 | 1 | 1 | |
| 40 | 391727 | PROTECTOR BOX ASSY / OVER PARKING BRAKE VALVE | | 1 | 1 | 1 | |
| 40 | 391725 | . BOX | | 1 | 1 | 1 | |
| 41 | 391726 | . COVER / CLEAR PLASTIC | | 1 | 1 | 1 | |
| 42 | 505221 | . SPRING, PIN 1/8 X 3/8 | | 1 | 1 | 1 | |
| 43 | 506035 | . TAPE RUB ADH1 NEO 1/2" x 1" x 15' / BLACK 1220X | | 1 | 1 | 1 | |
| 44 | 641922 | UNION TEE / PUSH-IN FITTING / #6x#6x#6 BR | | 1 | 1 | 1 | |
| 52 | Y2-1202-00 | TUBES PLASTIC / AIR D.O.T. | | | | | |
| 60 | Call order desk | PLATE / V.I.N. / W/IND. SUSPENSION FRONT | | 1 | 1 | 1 | P |
| 61 | Call order desk | PLATE / V.I.N. | | 1 | 1 | 1 | P |
| NS | 504107 | RIVET POP DOME OE 1/8x5/16 AL | | 6 | 6 | 6 | |
| 70 | 641935 | BUTTON RED / FOR TRAILER VALVE PP-7 | | 1 | 1 | 1 | |
| 71 | 641397 | TRAILER SUPPLY VALVE PP-7 | | 1 | 1 | 1 | |
| NS | 452043 | PRESSURE SWITCH N.O. 60-35 20SP001AA060E035E | | 1 | 1 | 1 | |
| 73 | 640297 | NUT | | 1 | 1 | 1 | |
| 74 | 640286 | PIN ROLLER | | 1 | 1 | 1 | |

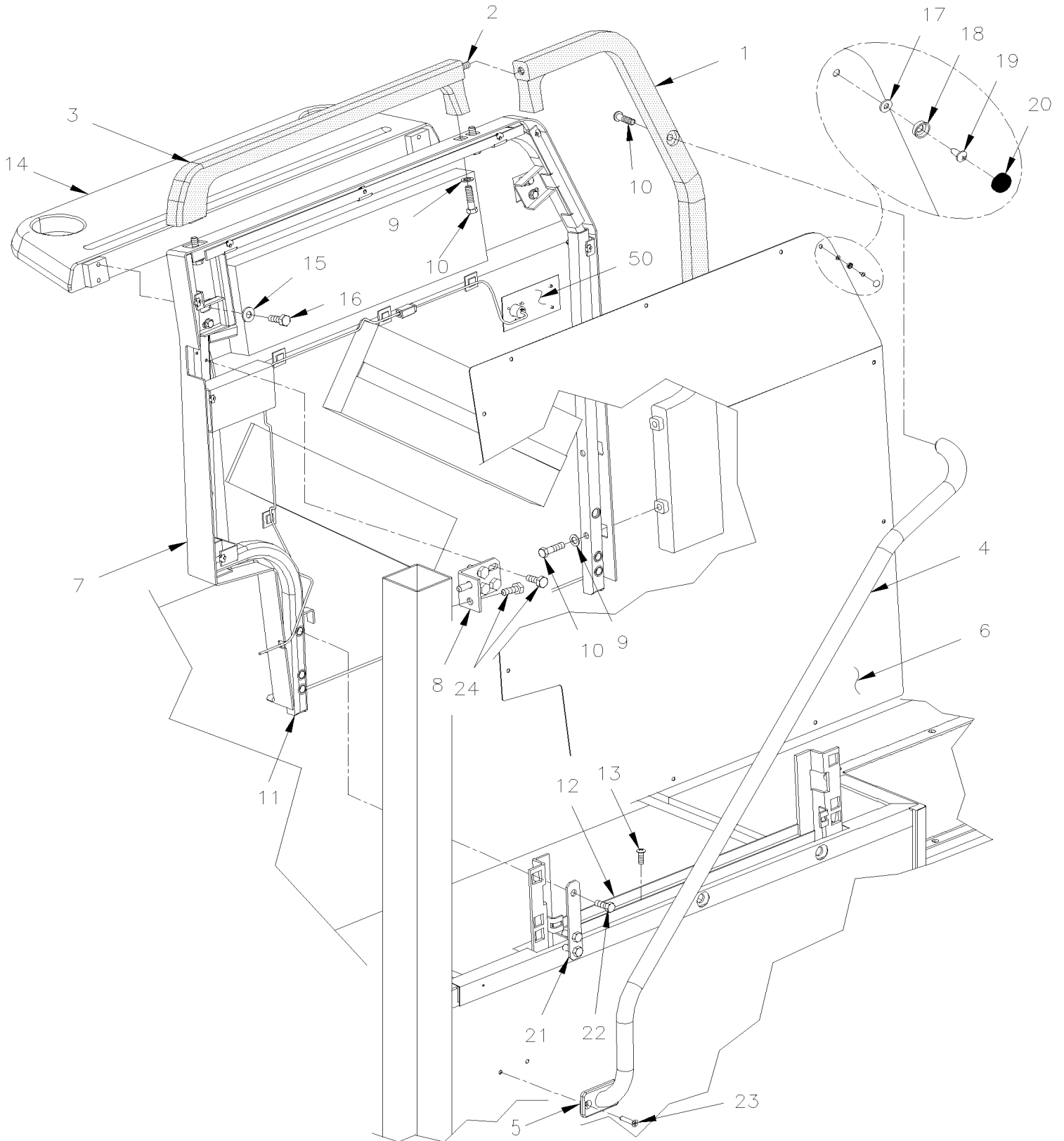
| | | Date:10/2022 | PAGE:Y2-1806-50 | | | | |
|--------------------|------|--|--------------------------------|---|---|--|-----------------------|
| L.H. CONSOLE - MTH | | | | | | | |
| Item# | Part | Description | X L I I 4 5 | X L I I M T H 4 0 | X L I I M T H 4 5 | X L I I M T H 4 5 E | N O T E S |
| | | | | | | | |
| | | | | | | | |
| | | P) CALL ORDER DESK FOR SPECIFIC APPLICATION (V.I.N.) | | | | | |

From Y-7046 To 6-8906

Date:10/2022

PAGE:Y2-1810-00

MODESTY PANEL R.H.



| | | |
|---------------------------|--------------|-----------------|
| From Y-7046 To 6-8906 | Date:10/2022 | PAGE:Y2-1810-00 |
| MODESTY PANEL R.H. | | |

| Item# | Part | Description | X L I I 4 5 | X L I I M T H 4 0 | X L I I M T H 4 5 | X L I I M T H 4 5 E | N O T E S |
|-------|-------------------|--|----------------------------|---|---|--|-----------------------|
| | 327189 | MODESTY PANEL R.H. ASSY WITH BLACK HANDRAIL | 1 | | | | |
| | 327188 | MODESTY PANEL R.H. ASSY WITH BLACK HANDRAIL | 1 | | | | A |
| | 327248 | MODESTY PANEL R.H. ASSY WITH BLACK HANDRAIL | 1 | | | | B |
| | 327247 | MODESTY PANEL R.H. ASSY WITH BLACK HANDRAIL | 1 | | | | |
| 1 | 327197 | HANDLE R.H. | 1 | | | | |
| 1 | 327250 | HANDLE R.H. | 1 | | | | B |
| 2 | 5001513 | SCREW CAP BUT HEXS 3/8x1 1/2 SS | 1 | | | | |
| 3 | 327196 | HANDLE TOP | 1 | | | | |
| 4 | 327193 | HANDRAIL CURBSIDE / BLACK | 1 | | | | |
| 4 | 3200538 | HANDRAIL CURBSIDE / YELLOW | 1 | | | | |
| 4 | 327365 | HANDRAIL CURBSIDE / BLACK | 1 | | | | B |
| 5 | 327253 | PLATE WALL CONNECTOR | 1 | | | | |
| 6 | 327260P | PANEL FRONT ASSY W/COVERING | 1 | | | | |
| 6 | 327261 | . ALUMINUM PANEL | 1 | | | | |
| NS | 326962P | COVERING MODESTY PANEL "TISSUS" W/"LOGO" / EMBROIDERED | AR | | | | |
| 7 | 327200 | PANEL REAR / PLASTIC | 1 | | | | |
| 7 | 327199 | PANEL REAR / PLASTIC | 1 | | | | A |
| NS | 500803 | NUT SPR J #10A .035-.050 | 9 | | | | |
| 8 | 327321 | ANGLE | 1 | | | | |
| 9 | 502510 | WASHER FL .375x.875x.083 | 5 | | | | |
| 10 | 500193 | SCREW CAP HEX 3/8-16x1 1/2 G5 Z050 | 5 | | | | |
| 11 | 327195 | STRUCTURE ASSY R.H. MODESTY | 1 | | | | |
| 12 | 327353 | CHANNEL 520MM | 1 | | | | |
| 13 | 500642 | SCREW TP PAN PH #10x3/4 Z050 | 4 | | | | |
| 14 | 327198 | SHELF | 1 | | | | |
| 15 | 500440 | WASHER FL .250x.562x.065 Z050 | 9 | | | | |
| 16 | 500316 | SCREW MA FL PH 1/4-28x3/4 SS | 4 | | | | |
| 17 | 500438 | WASHER FL .187x.437x.050 Z050 | 4 | | | | |
| 18 | 504399 | WASHER RETAINER SNAP CAP #10 | AR | | | | |
| 19 | 500613 | SCREW TP PAN PH #10x1/2 Z050 | AR | | | | |
| 20 | 504400 | SNAP CAP #10 FINISHING BLACK | AR | | | | |
| 21 | 327478 | PLATE RETAINER | AR | | | | |
| 22 | 500191 | SCREW CAP HEX 3/8-16x1 G5 Z050 | 6 | | | | |
| 23 | 502748 | SCREW TP FL PH #14x1 1/4 EMN | 2 | | | | |
| 24 | 500923 | SCREW TC CAP HEX 1/4-20x3/4 Z050 | 4 | | | | |
| 50 | Y2-2315-00 | SOUND SYSTEM & ACCESSORIES - "R.E.I." | | | | | |
| NS | 320939 | CUSHION PAD / 3" X 23" / KNEE GUARD | 1 | | | | C |
| NS | 500641 | SCREW TP PAN PH #8x3/4 Z050 | 6 | | | | C |
| NS | 500989 | WASHER FL .219x.875x.062 Z050 | 6 | | | | |
| | | | | | | | |
| | | | | | | | |
| | | | | | | | |

| | | |
|-----------------------|--------------|-----------------|
| From Y-7046 To 6-8906 | Date:10/2022 | PAGE:Y2-1810-00 |
|-----------------------|--------------|-----------------|

MODESTY PANEL R.H.

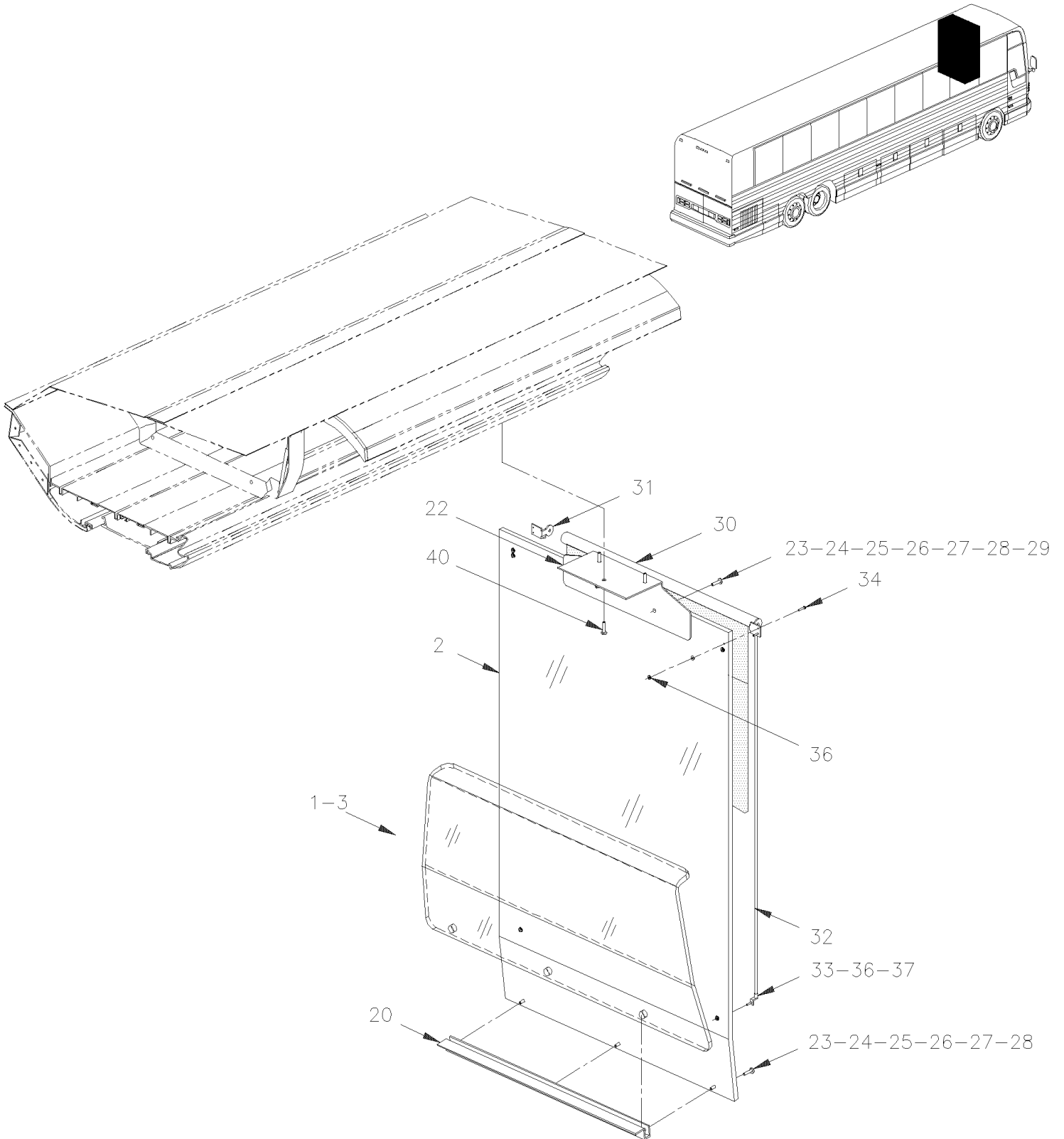
| Item# | Part | Description | X L I I 4 5 | X L I I M T H 4 0 | X L I I M T H 4 5 | X L I I M T H 4 5 E | N O T E S |
|-------|------|-----------------------------|----------------------------|---|---|--|-----------------------|
| | | A) TO USE WITH SHELF | | | | | |
| | | B) TO USE WITH HOSTESS SEAT | | | | | |
| | | C) WITH "OPTION" | | | | | |

From Y-7046 To 6-8906

Date:10/2022

PAGE:Y2-1811-00

MODESTY PLEXIGLASS

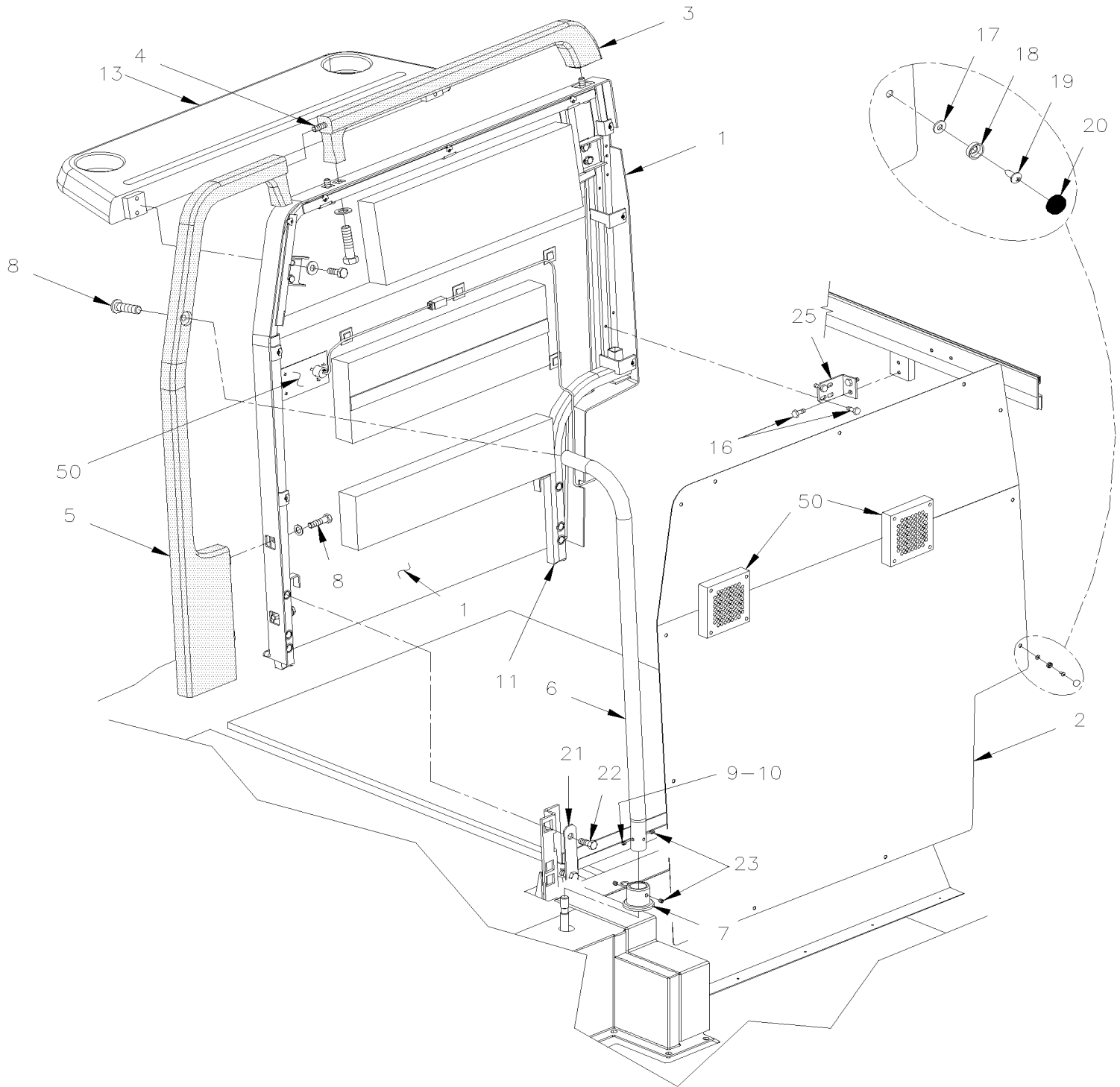


From Y-7046 To 6-8906

Date:10/2022

PAGE:Y2-1812-00

MODESTY PANEL L.H.



| | | |
|---------------------------|--------------|-----------------|
| From Y-7046 To 6-8906 | Date:10/2022 | PAGE:Y2-1812-00 |
| MODESTY PANEL L.H. | | |

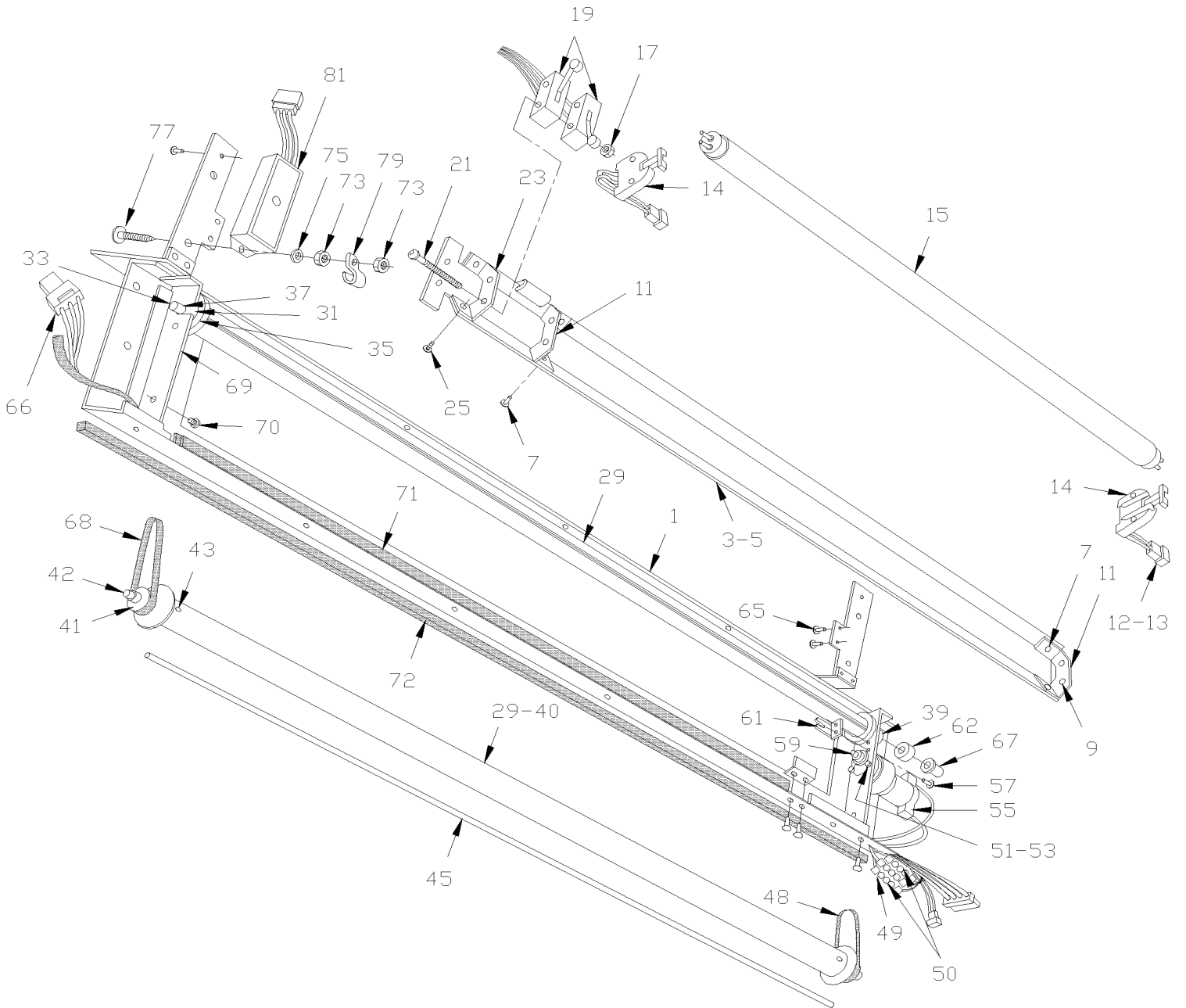
| Item# | Part | Description | X L I I 4 5 | X L I I M T H 4 0 | X L I I M T H 4 5 | X L I I M T H 4 5 E | N O T E S |
|-------|-------------------|--|----------------------------|---|---|--|-----------------------|
| | 327190 | MODESTY PANEL R.H. ASSY | 1 | | | | |
| | 327191 | MODESTY PANEL L.H. ASSY WITH BLACK HANDRAIL | 1 | | | | |
| 1 | 327205 | PANEL REAR / PLASTIC | 1 | | | | |
| 1 | 327204 | PANEL REAR / PLASTIC | 1 | | | | A |
| 1 | 327202 | STRUCTURE ASSY L.H. MODESTY | 1 | | | | |
| NS | 500803 | NUT SPR J #10A .035-.050 | 9 | | | | |
| 2 | Call order desk | PANEL FRONT ASSY W/COVERING S.C.C. / USE W/SPEAKER To 1-7428 | 1 | | | | P |
| 2 | 328884P | PANEL FRONT ASSY W/COVERING S.C.C. / USE W/SPEAKER To 1-7428 | 1 | | | | B |
| 2 | 327792P | PANEL FRONT ASSY W/COVERING S.C.C. From 1-7429 | 1 | | | | |
| 2 | 327261 | . ALUMINUM PANEL To 1-7428 | 1 | | | | |
| 2 | 327225 | . ALUMINUM PANEL / USE W/SPEAKER 92MM O.D. / UPPER PANEL From 1-7429 | 1 | | | | |
| 2 | 327259 | . ALUMINUM PANEL / W/OUT SPEAKER | 1 | | | | |
| 3 | 327196 | HANDLE TOP | 1 | | | | |
| 4 | 5001513 | SCREW CAP BUT HEXS 3/8x1 1/2 SS | 1 | | | | |
| 5 | 327203 | HANDLE L.H. | 1 | | | | |
| 6 | 327194 | HANDRAIL STREETSIDE / BLACK | 1 | | | | |
| 6 | 3200535 | HANDRAIL STREETSIDE / YELLOW | 1 | | | | |
| 7 | 327254 | COLLAR | 1 | | | | |
| 8 | 500193 | SCREW CAP HEX 3/8-16x1 1/2 G5 Z050 | 5 | | | | |
| 9 | 327353 | CHANNEL 520MM | 1 | | | | |
| 10 | 500642 | SCREW TP PAN PH #10x3/4 Z050 | 1 | | | | |
| 11 | 327202 | STRUCTURE ASSY L.H. MODESTY | 1 | | | | |
| 12 | 500923 | SCREW TC CAP HEX 1/4-20x3/4 Z050 | 1 | | | | |
| 13 | 327198 | SHELF | 1 | | | | |
| 14 | 500440 | WASHER FL .250x.562x.065 Z050 | 4 | | | | |
| 15 | 500316 | SCREW MA FL PH 1/4-28x3/4 SS | 4 | | | | |
| 16 | 500923 | SCREW TC CAP HEX 1/4-20x3/4 Z050 | 4 | | | | |
| 17 | 500438 | WASHER FL .187x.437x.050 Z050 | AR | | | | |
| 18 | 504399 | WASHER RETAINER SNAP CAP #10 | AR | | | | |
| 19 | 500613 | SCREW TP PAN PH #10x1/2 Z050 | AR | | | | |
| 20 | 504400 | SNAP CAP #10 FINISHING BLACK | AR | | | | |
| 21 | 327478 | PLATE RETAINER | 1 | | | | |
| 22 | 500191 | SCREW CAP HEX 3/8-16x1 G5 Z050 | 3 | | | | |
| 23 | 500306 | . SCREW SET HEXS CUP 1/4-20x1/4 | 1 | | | | |
| 25 | 327321 | ANGLE | 1 | | | | |
| 50 | Y2-2315-00 | SOUND SYSTEM & ACCESSORIES - "R.E.I." | | | | | |
| | | | | | | | |
| | | | | | | | |
| | | | | | | | |
| | | A) TO USE WITH SHELF | | | | | |
| | | B) SERVICE ONLY | | | | | |

| | | |
|-----------------------|--------------|-----------------|
| From Y-7046 To 6-8906 | Date:10/2022 | PAGE:Y2-1812-00 |
|-----------------------|--------------|-----------------|

MODESTY PANEL L.H.

| Item# | Part | Description | X L I I 4 5 | X L I I M T H 4 0 | X L I I M T H 4 5 | X L I I M T H 4 5 E | N O T E S |
|-------|------|--|--------------------------------|---|---|--|-----------------------|
| | | P) CALL ORDER DESK FOR SPECIFIC APPLICATION (V.I.N.) | | | | | |

| | | |
|-------------------------------|--------------|-----------------|
| From Y-7046 To 6-8906 | Date:10/2022 | PAGE:Y2-1814-01 |
| DESTINATION SIGN - ELECTRICAL | | |



| | | |
|--------------------------------------|--------------|-----------------|
| From Y-7046 To 6-8906 | Date:10/2022 | PAGE:Y2-1814-01 |
| DESTINATION SIGN - ELECTRICAL | | |

| Item# | Part | Description | X L I I 4 5 | X L I I M T H 4 0 | X L I I M T H 4 5 | X L I I M T H 4 5 E | N O T E S |
|-------|-----------------|---|----------------------------|---|---|--|-----------------------|
| | Call order desk | DESTINATION SIGN ASSY | 1 | | | | P |
| 1 | 440330 | . FRAME ASSY | 1 | | | | |
| 3 | 440237 | . SUPPORT ASSY / TO FIX FLUORESCENT TUBE & ACCESSORIES | 1 | | | | |
| 5 | 440240 | .. REFLECTOR | 1 | | | | |
| 7 | 504114 | .. RIVET POP DOME OE 3/16x1/4 AL | 4 | | | | |
| 9 | 500518 | .. SCREW MA BDG PH #4-40x1/2 Z050 | 4 | | | | |
| 11 | 440227 | .. BRACKET / TO FIX BIPIN HOLDER | 2 | | | | |
| 12 | 560900 | .. CONNECTOR / COM. MATE-N-LOCK / PH 2C / AMP 1-480319-0 | 2 | | | | |
| 13 | 560853 | .. PIN TERMINAL / 24-18 / AMP 60618-1 | 4 | | | | |
| 14 | 830101 | .. SOCKET / BIPIN HOLDER | 2 | | | | |
| 15 | 830120 | .. TUBE / 30WATT / F30T8CW4 - 30"/ G13 MED BIPIN | 1 | | | | |
| 17 | 502717 | .. NUT HEX NYRT #6-32 ZP | 4 | | | | |
| 19 | 561109 | .. MICRO SWITCH | 2 | | | | |
| 21 | 502718 | .. SCREW MA PAN PH #6-32x2 ZP | 2 | | | | |
| 23 | 440236 | .. BRACKET / TO FIX MICROSWITCH | 1 | | | | |
| 25 | 500148 | .. SCREW MA RND PH #6-32x1/2 SS | 2 | | | | |
| NS | 506338 | .. RUBBER CHANNEL / 1/16" x 1/4" INT "U" SHAPE / ROUND C.T.L. | AR | | | | |
| NS | 440238 | . ROLLER ASSY | 1 | | | | |
| 29 | 440195 | .. ROLLER | 1 | | | | |
| 31 | 940030 | .. PULLEY | 1 | | | | |
| 33 | 440225 | .. ROD | 1 | | | | |
| NS | 440252 | .. SPRING EXTENSION / .500 O.D. x 10.562 x .054 | 1 | | | | |
| NS | 505407 | .. SPRING, PIN 1/8 x 1/2 SS | 1 | | | | |
| 35 | 440255 | .. GUIDE ASSY | 1 | | | | |
| 37 | 500440 | .. WASHER FL .250x.562x.065 Z050 | 1 | | | | |
| 39 | 440254 | .. GUIDE ASSY | 1 | | | | |
| NS | 504006 | .. RIVET POP CK OE 1/8x5/16 AL | 2 | | | | |
| NS | 440239 | . ROLLER ASSY | 1 | | | | |
| 40 | 440195 | .. ROLLER | 1 | | | | |
| 41 | 940030 | .. PULLEY | 2 | | | | |
| 42 | 440254 | .. GUIDE ASSY | 2 | | | | |
| 43 | 504006 | .. RIVET POP CK OE 1/8x5/16 AL | 2 | | | | |
| 45 | 440213 | . ROD / TO FIX CURTAIN | 2 | | | | |
| NS | 440250P | . CURTAIN / TO PRINT NAMES / SPECIFIED NAMES | 1 | | | | A |
| NS | 940023 | .. CURTAIN WHITE / S.L. | AR | | | | |
| 48 | 940033 | . BELT / 80TH | 1 | | | | |
| 49 | 062807 | . RESISTOR ASSY 82 OHMS 2 W | 1 | | | | |
| 49 | 562108 | .. RESISTOR / 82 OHMS / 2 W | 2 | | | | |
| 49 | 561539 | .. TAB RECEPTACLE TERMINAL INSUL. NYLON / 16 / AMP 3-520141-2 | 2 | | | | |
| 49 | 561761 | .. SHRINK TUBING / .750" - .375" / BLACK / ALPHA FIT-221-3/4-4B | AR | | | | |
| 50 | 062339 | . DIODE ASSY | 2 | | | | |
| 50 | 561904 | .. TAB TERMINAL INSULATION NYLON / 22-18 / AMP 2-520103-2 | 1 | | | | |

| | | |
|-----------------------|--------------|-----------------|
| From Y-7046 To 6-8906 | Date:10/2022 | PAGE:Y2-1814-01 |
|-----------------------|--------------|-----------------|

DESTINATION SIGN - ELECTRICAL

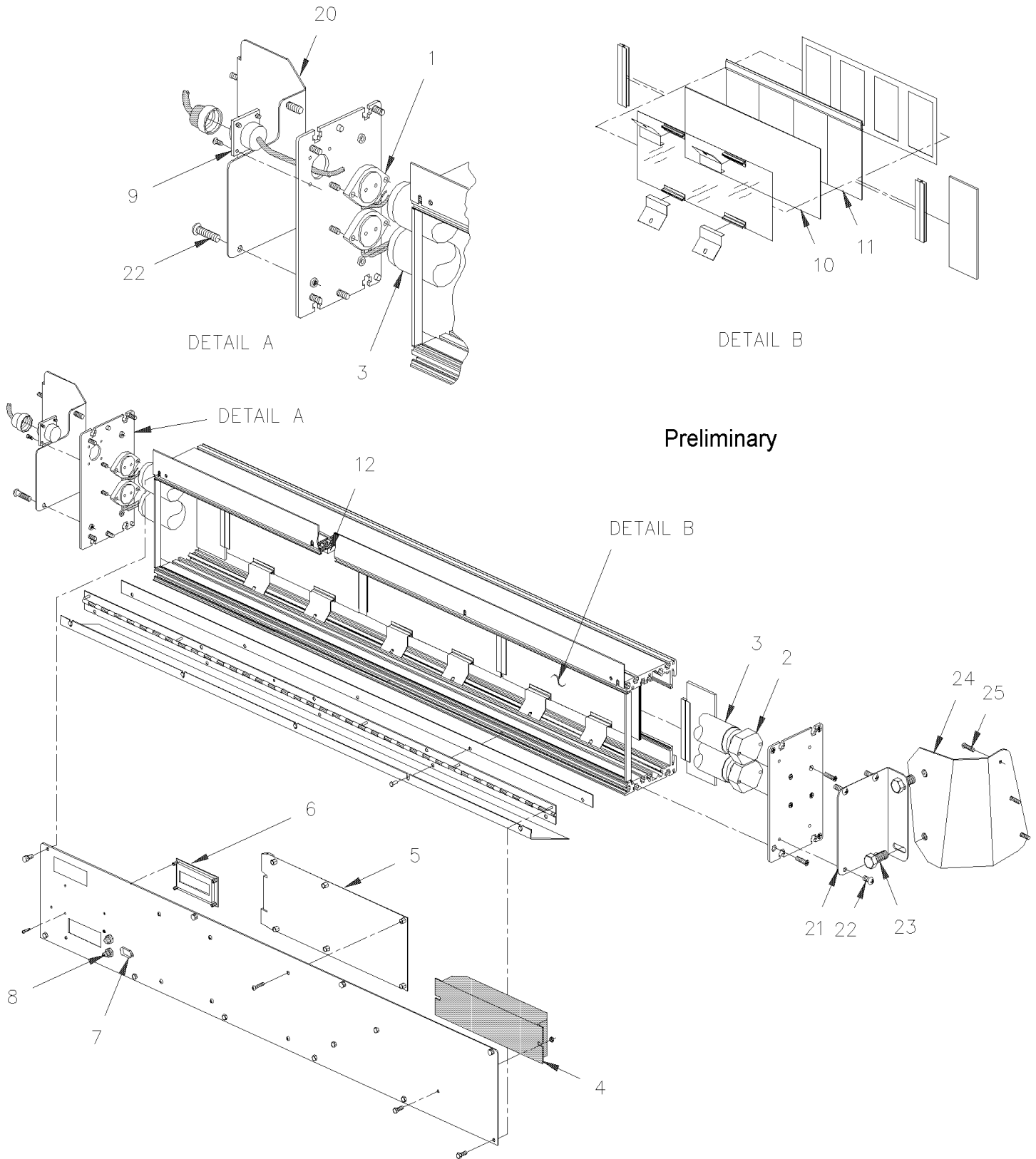
| Item# | Part | Description | X | X | X | N | |
|-------|--------|--|----|---|---|---|---|
| | | | L | L | L | | O |
| | | | I | I | I | T | |
| | | | 4 | 4 | 4 | H | |
| | | | 5 | 0 | 5 | 4 | |
| | | | | | | 5 | |
| | | | | | | E | |
| 50 | 560931 | . . DIODE / 3AMPS | 1 | | | | |
| 50 | 561626 | . . TAB RECEPTACLE TERMINAL INSUL. NYLON / 22 / AMP 2-520264-4 | 1 | | | | |
| 50 | 560785 | . . SHRINK TUBING / .375" - .187" / BLACK / ALPHA FIT-300-3/8-4B | AR | | | | |
| 51 | 502724 | . SCREW CAP HEX #10-32x1/4 BZC | 2 | | | | |
| 53 | 500240 | . WASHER LO EXT .195x.410x.025 Z050 | 2 | | | | |
| 55 | 940031 | . MOTOR | 1 | | | | |
| 57 | 504103 | . RIVET POP DOME OE 1/8x1/8 AL | 2 | | | | |
| 59 | 440249 | . PULLEY MOTOR | 1 | | | | |
| 61 | 440224 | . BRACKET | 1 | | | | |
| 62 | 440220 | . SPACER | 1 | | | | |
| 65 | 504114 | . RIVET POP DOME OE 3/16x1/4 AL | 4 | | | | |
| 66 | 062810 | . CABLE / FROM DESTINATION SIGN TO HARNESS | 1 | | | | |
| 67 | 507138 | . BUSHING, NYLINER W/SHOULDER (4-L-4-F) | 4 | | | | |
| 68 | 940032 | . BELT / 128TH | 1 | | | | |
| 69 | 440222 | . PLATE | 1 | | | | |
| 70 | 500417 | . SCREW TP PAN PH #6x3/8 Z050 | 2 | | | | |
| 71 | 506071 | . TAPE RUB ADH1 CC POL 1/8" x 1/2" x 50' / GREY 2520X | AR | | | | |
| 72 | 506268 | . TAPE RUB ADH1 URE 3/8" x 1/2" x 25' / GREY 1820 | AR | | | | |
| 73 | 500786 | . NUT HEX #10-24 Z050 | 3 | | | | |
| 75 | 500964 | . WASHER FL .203x.500x.047 Z050 | 2 | | | | |
| 77 | 500387 | . SCREW MA RND PH #10-24x3/4 Z050 | 2 | | | | |
| 79 | 560479 | . CLAMP / 3/8" I.D. | 1 | | | | |
| 81 | 330236 | . BALLAST ASSY / 24 VOLTS | 1 | | | | |
| 81 | 830121 | . . BALLAST / 24 VOLTS | 1 | | | | |
| 81 | 561667 | . . CONNECTOR / UNIVERSAL MATE-N-LOK / PH 3C / AMP 1-480701-0 | 1 | | | | |
| 81 | 561513 | . . PIN TERMINAL / 20-14 / AMP 350538-3 | 3 | | | | |
| 81 | 504273 | . CABLE TIE / 1/8" X 3"1/2 | AR | | | | |
| | | | | | | | |
| | | | | | | | |
| | | | | | | | |
| | | A) NOT INCLUDE IN ASSY #440241P | | | | | |
| | | P) CALL ORDER DESK FOR SPECIFIC APPLICATION (V.I.N.) | | | | | |

From Y-7046 To 6-8906

Date:10/2022

PAGE:Y2-1814-02

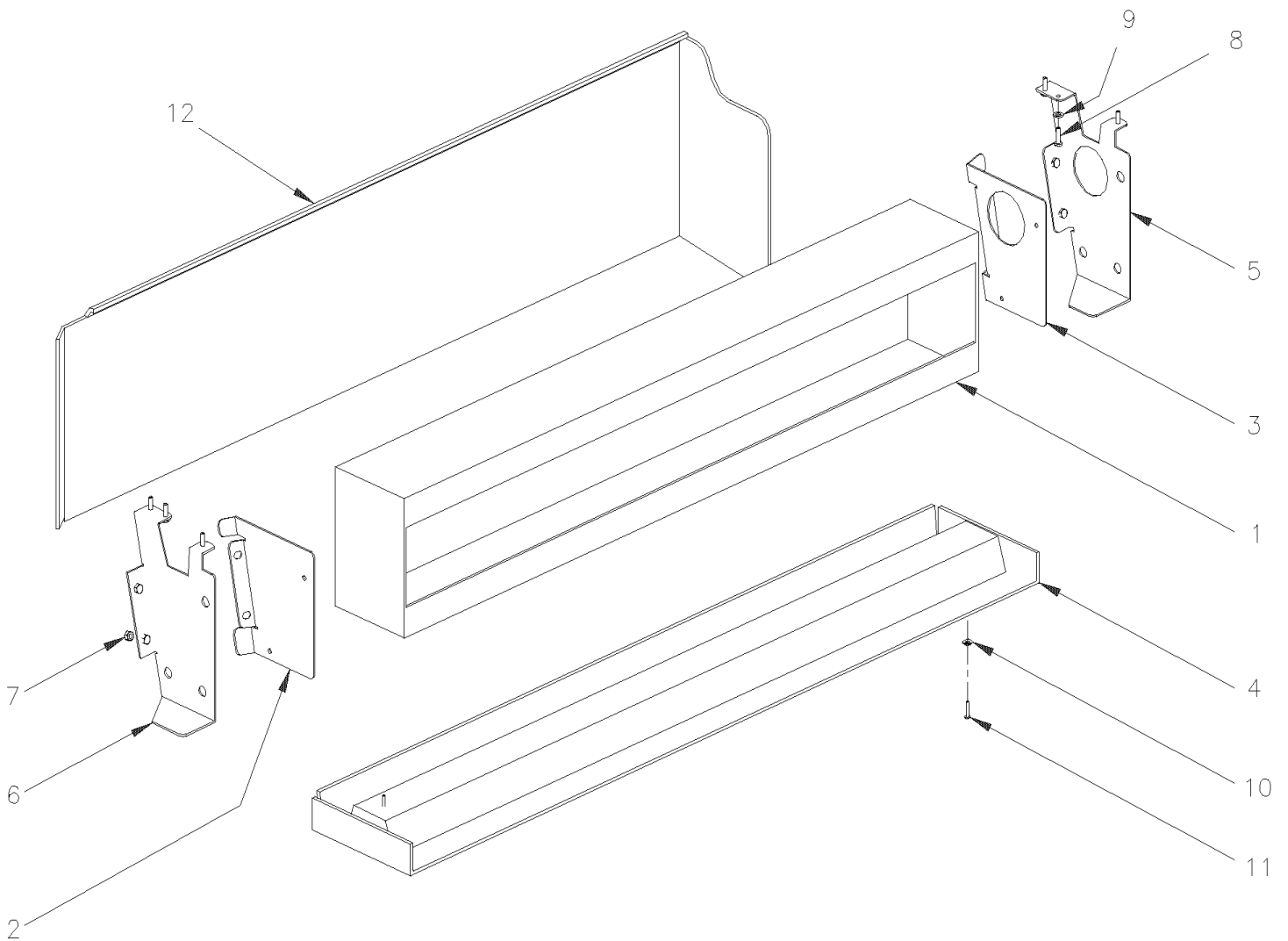
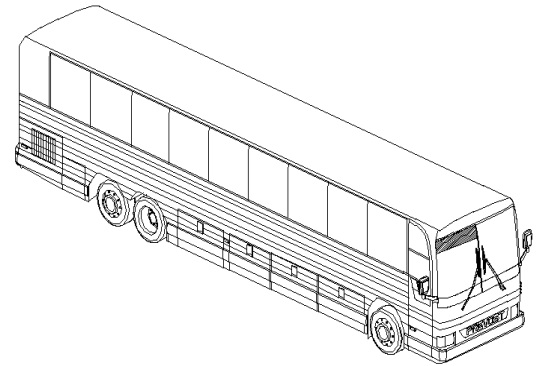
DESTINATION SIGN - "POCATEC"



| | | |
|-------------------------------------|--------------|-----------------|
| From Y-7046 To 6-8906 | Date:10/2022 | PAGE:Y2-1814-02 |
| DESTINATION SIGN - "POCATEC" | | |

| Item# | Part | Description | X L I I 4 5 | X L I I M T H 4 0 | X L I I M T H 4 5 | X L I I M T H 4 5 E | NOTES |
|-------|--------|---|----------------------------|---|---|--|-------|
| | 940050 | FRONT DESTINATION SIGN "POCATEC" | 1 | | | | |
| 1 | 830162 | . FLUORESCENT SOCKET NON RETRACTABLE | 2 | | | | |
| 2 | 830163 | . FLUORESCENT SOCKET RETRACTABLE | 2 | | | | |
| 3 | 830161 | . TUBE / 30WATT / F30T12/CW/RS -36"/G13MED BIPIN | 2 | | | | |
| 4 | 940052 | . BALLAST | 1 | | | | |
| 5 | 940044 | . CONTROL BOARD | 1 | | | | |
| NS | 562309 | . . FUSE / 2 AMPS / 2A | 1 | | | | |
| 6 | 940045 | . REAR CD DISPLAY | 1 | | | | |
| 7 | N.S.P. | . SERIAL LINK CONNECTOR / (205203-1) | 1 | | | | 2 |
| 7 | N.S.P. | . SOCKET, SERIAL LINK CONNECTOR CONTACT / (5-66504-9) | AR | | | | 2 |
| 8 | 940046 | . ROUTE SELECTOR BUTTON | 2 | | | | |
| 9 | 561635 | . CONNECTOR / CPC SERIES 1 / PH 9C / AMP 206705-1 | 1 | | | | |
| 9 | N.S.P. | . PIN, SIGN CONNECTOR CONTACT / (66361-2) | AR | | | | 2 |
| 10 | 940047 | . FRONT LEXAN WINDOW | 3 | | | | |
| 11 | 940048 | . 4 CHARACTERS GLASS ASSY | 3 | | | | |
| 12 | 940053 | . INTERFACE BOARD | 1 | | | | |
| 20 | 440312 | SUPPORT L.H. / W/DIGITAL | 1 | | | | |
| 21 | 440313 | SUPPORT R.H. / W/DIGITAL | 1 | | | | |
| 22 | 500873 | SCREW MA RND PH #8-32x3/4 SS BK | 6 | | | | |
| NS | 500163 | SCREW CAP HEX 1/4-20x3/4 G5 Z050 | 2 | | | | |
| 23 | 500440 | WASHER FL .250x.562x.065 Z050 | 2 | | | | |
| NS | 500478 | WASHER LO SPT .380x.683x.094 Z050 | 2 | | | | |
| 24 | 440314 | SUPPORT R.H. / W/DIGITAL | 1 | | | | |
| 25 | 500333 | SCREW TP OV PH #6x3/4 BK | 6 | | | | |
| NS | 500345 | WASHER FN CKF .187x.500x.090 BR BK | 6 | | | | |
| NS | 440309 | COVER / W/DIGITAL | 1 | | | | |
| NS | 940051 | CABLE ADAPTOR / INTERFACE / W/CD PC TO DESTINATION SING | 1 | | | | |
| | | | | | | | |
| | | | | | | | |
| | | 2) NOT SOLD BY PREVOST (SEE MANUFACTURING PART NUMBER AT END OF DESCRIPTION LINE) | | | | | |

| | | |
|---------------------------------|--------------|-----------------|
| From Y-7046 To 6-8906 | Date:10/2022 | PAGE:Y2-1814-05 |
| DESTINATION SIGN - INSTALLATION | | |



| | | |
|--|--------------|-----------------|
| From Y-7046 To 6-8906 | Date:10/2022 | PAGE:Y2-1814-05 |
| DESTINATION SIGN - INSTALLATION | | |

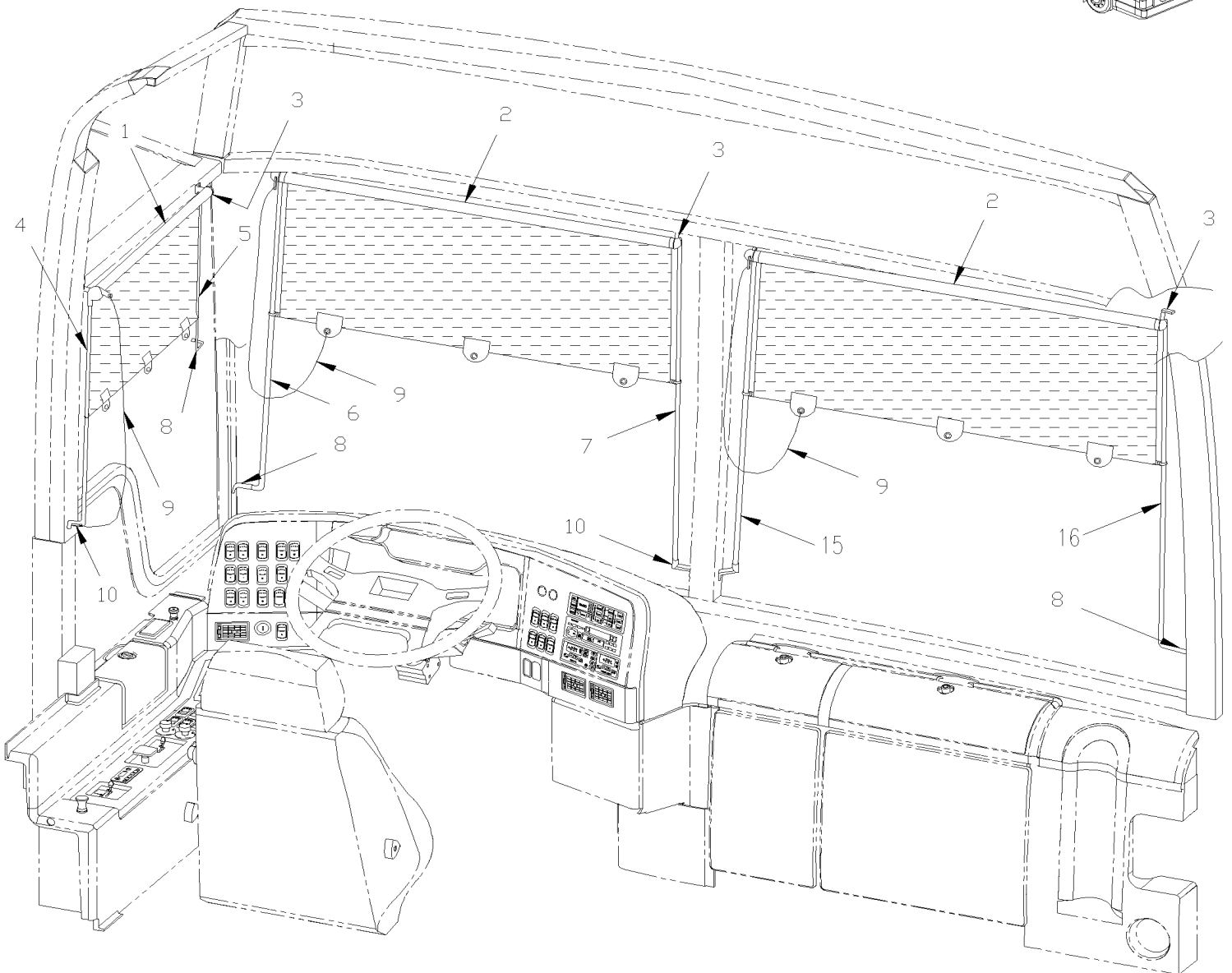
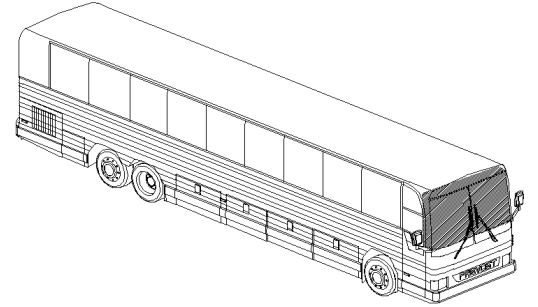
| Item# | Part | Description | X L I I 4 5 | X L I I M T H 4 0 | X L I I M T H 4 5 | X L I I M T H 4 5 E | N O T E S |
|-------|--------|--|----------------------------|---|---|--|-----------------------|
| 1 | 940050 | FRONT DESTINATION SIGN "POCATEC" | 1 | | | | |
| 2 | 440364 | SUPPORT R.H. / W/"POCATEC" | 1 | | | | |
| 3 | 440363 | SUPPORT L.H. / W/"POCATEC" | 1 | | | | |
| 4 | 440361 | COVER UNDER | 1 | | | | |
| 5 | 440359 | SUPPORT L.H. / W/DIGITAL To 3-7991 | 1 | | | | |
| 5 | 440372 | SUPPORT L.H. / W/"POCATEC" From 3-7992 | 1 | | | | |
| 6 | 440362 | SUPPORT R.H. / W/"POCATEC" To 3-7991 | 1 | | | | |
| 6 | 440371 | SUPPORT R.H. / W/"POCATEC" From 3-7992 | 1 | | | | |
| 7 | 502511 | NUT HEX NYRT M6-1.0 Z050 | 4 | | | | |
| 8 | 500658 | SCREW TC PAN PH #10-24x3/4 Z050 | 6 | | | | |
| 9 | 500473 | WASHER LO SPT .262x.489x.062 Z050 | 6 | | | | |
| 10 | 500463 | WASHER FN CKF .187x.500x.090 BR Z050 | 10 | | | | |
| 11 | 500552 | SCREW TP OV PH #6x3/4 Z050 | 10 | | | | |
| 12 | 440360 | COVER REAR / W/"POCATEC" | 1 | | | | |
| NS | 500260 | SCREW TC FL PH #8-32x3/4 BK | 6 | | | | |
| 20 | 400638 | MOULDING / 11" / "U" SHAPE DRIVER'S NAME HO | 1 | | | | |
| 21 | 400636 | PLATE / STAMPED "NOM DU CONDUCTEUR" | 1 | | | | |
| 21 | 400637 | PLATE / STAMPED "DRIVER'S NAME" / REAR | 1 | | | | |
| 21 | 400601 | PLATE (BLANK) / FOR DRIVER'S NAME / SPECIFY NAME | 1 | | | | |
| | | | | | | | |
| | | | | | | | |
| | | | | | | | |

From Y-7046 To 8-9339

Date:10/2022

PAGE:Y2-1816-00

ROLLER BLIND - DRIVER' S & WINDSHIELD



| | | |
|--|--------------|-----------------|
| From Y-7046 To 8-9339 | Date:10/2022 | PAGE:Y2-1816-00 |
| ROLLER BLIND - DRIVER' S & WINDSHIELD | | |

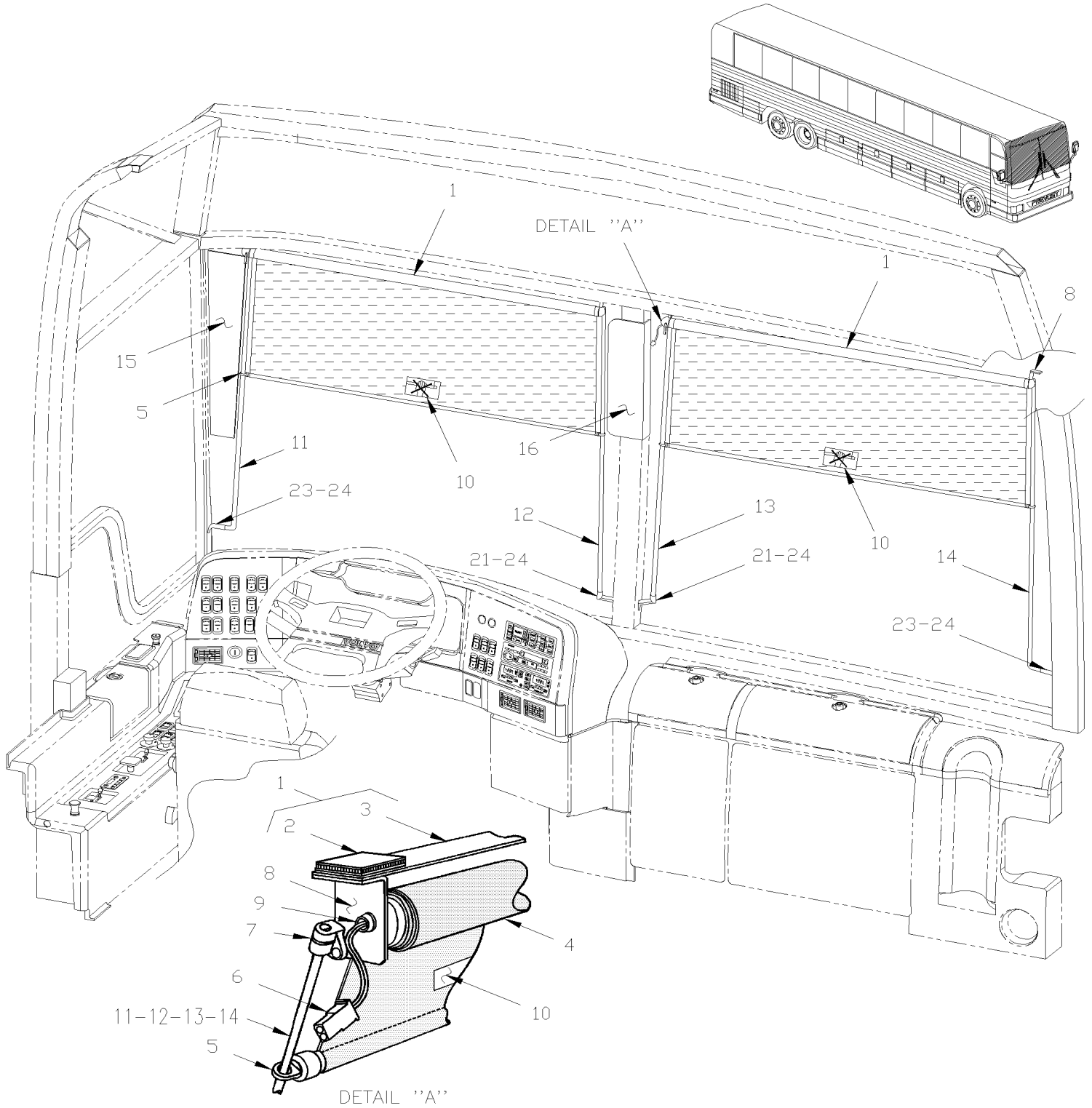
| Item# | Part | Description | X L I I 4 5 | X L I I M T H 4 0 | X L I I M T H 4 5 | X L I I M T H 4 5 E | N O T E S |
|-------|---------|--|----------------------------|---|---|--|-----------------------|
| 1 | 900596 | BLIND ROLLER / CHARCOAL / 600MM To 2-7768 | 1 | 1 | 1 | 1 | |
| 1 | 901042 | BLIND ROLLER / CHARCOAL / 600MM From 2-7769 | 1 | 1 | 1 | 1 | |
| NS | 900597 | . GUIDING PLUG / EACH END OF BLIND | 2 | 2 | 2 | 2 | |
| 2 | 900486 | BLIND ROLLER / CHARCOAL / 996MM To 2-7768 | 1 | 1 | 1 | 1 | |
| 2 | 901043 | BLIND ROLLER / CHARCOAL / 996MM From 2-7769 | 1 | 1 | 1 | 1 | |
| NS | 900597 | . GUIDING PLUG / EACH END OF BLIND | 2 | 2 | 2 | 2 | |
| 3 | 900478 | BEARING HOLDER / R.H. / BLACK CASTING | 1 | 1 | 1 | 1 | |
| NS | 500333 | SCREW TP OV PH #6x3/4 BK | AR | AR | AR | AR | |
| 4 | 405069 | ROD / BACKWARD / 640MM X 25MM | 1 | 1 | 1 | | B |
| 4 | 405129 | ROD / BACKWARD / 720MM X 25MM | | 1 | 1 | 1 | C |
| 5 | 405192 | ROD / FORWARD / 481MM X 130MM | 1 | 1 | 1 | | B |
| 5 | 405193 | ROD / FORWARD / 670MM X 126MM | | 1 | 1 | 1 | C |
| 6 | 405071 | ROD / L.H. STREET SIDE / 718MM X 107MM | 1 | 1 | 1 | 1 | |
| 7 | 405070 | ROD / R.H. STREET SIDE / 710MM X 20MM | 1 | 1 | 1 | 1 | |
| 8 | 403570 | ROD HOLDER / BLACK / STEEL "L" SHAPE To 8-9212 | 3 | 3 | 3 | 3 | |
| 8 | 901263 | ROD HOLDER / BLACK / PLASTIC 50MM From 8-9213 | | 3 | 3 | 3 | |
| NS | 5001091 | SCREW TC PAN PH #4-40x1/4 BK | AR | AR | AR | AR | |
| NS | 500864 | SCREW CAP HEX 1/2-13x3/4 G5 ZP | 4 | 4 | 4 | 4 | |
| 9 | 900482 | CORD, W/BUTTON / BLACK 1700MM | 1 | 1 | 1 | 1 | |
| NS | 500333 | SCREW TP OV PH #6x3/4 BK | AR | AR | AR | AR | |
| NS | 500814 | SCREW TP BDG PH #6x3/4 BK | AR | AR | AR | AR | |
| 10 | 900476 | ROD HOLDER 90° / BLACK PLASTIC 30MM C/L | AR | AR | AR | AR | |
| NS | 500814 | SCREW TP BDG PH #6x3/4 BK | AR | AR | AR | AR | |
| NS | 5001091 | SCREW TC PAN PH #4-40x1/4 BK | AR | AR | AR | AR | |
| 15 | 405077 | ROD / L.H. CURBSIDE / 710MM X 20MM | 1 | 1 | 1 | 1 | |
| 15 | 405138 | ROD / L.H. CURBSIDE / 478MM X 22MM | 1 | | | | A |
| 16 | 405072 | ROD / R.H. CURBSIDE / 718MM X 107MM | 1 | 1 | 1 | 1 | |
| 16 | 405137 | ROD / R.H. CURBSIDE / 445MM X 79MM | 1 | | | | A |
| | | | | | | | |
| | | FOLLOWING ITEMS ARE USED ONLY FOR DELIVERY | | | | | |
| | | | | | | | |
| NS | 405934 | ROD R.H. 746MM | | 1 | 1 | 1 | |
| NS | 405935 | ROD L.H. 755MM | | 1 | 1 | 1 | |
| NS | 405936 | SUN VISOR 395MM X 1054MM | | 1 | 1 | 1 | |
| NS | 504273 | CABLE TIE / 1/8" X 3"1/2 | | 4 | 4 | 4 | |
| NS | 952622 | WIRE CLAMP / 5/32" I.D. | | 2 | 2 | 2 | |
| | | | | | | | |
| | | | | | | | |
| | | A) BUS WITH DESTINATION SIGN | | | | | |
| | | B) BUS & MTH 83" | | | | | |
| | | C) MTH 86" & 89" | | | | | |

From Y-7046 To 8-9339

Date:10/2022

PAGE:Y2-1816-05

ROLLER BLIND - WINDSHIELD W/ELECTRICAL



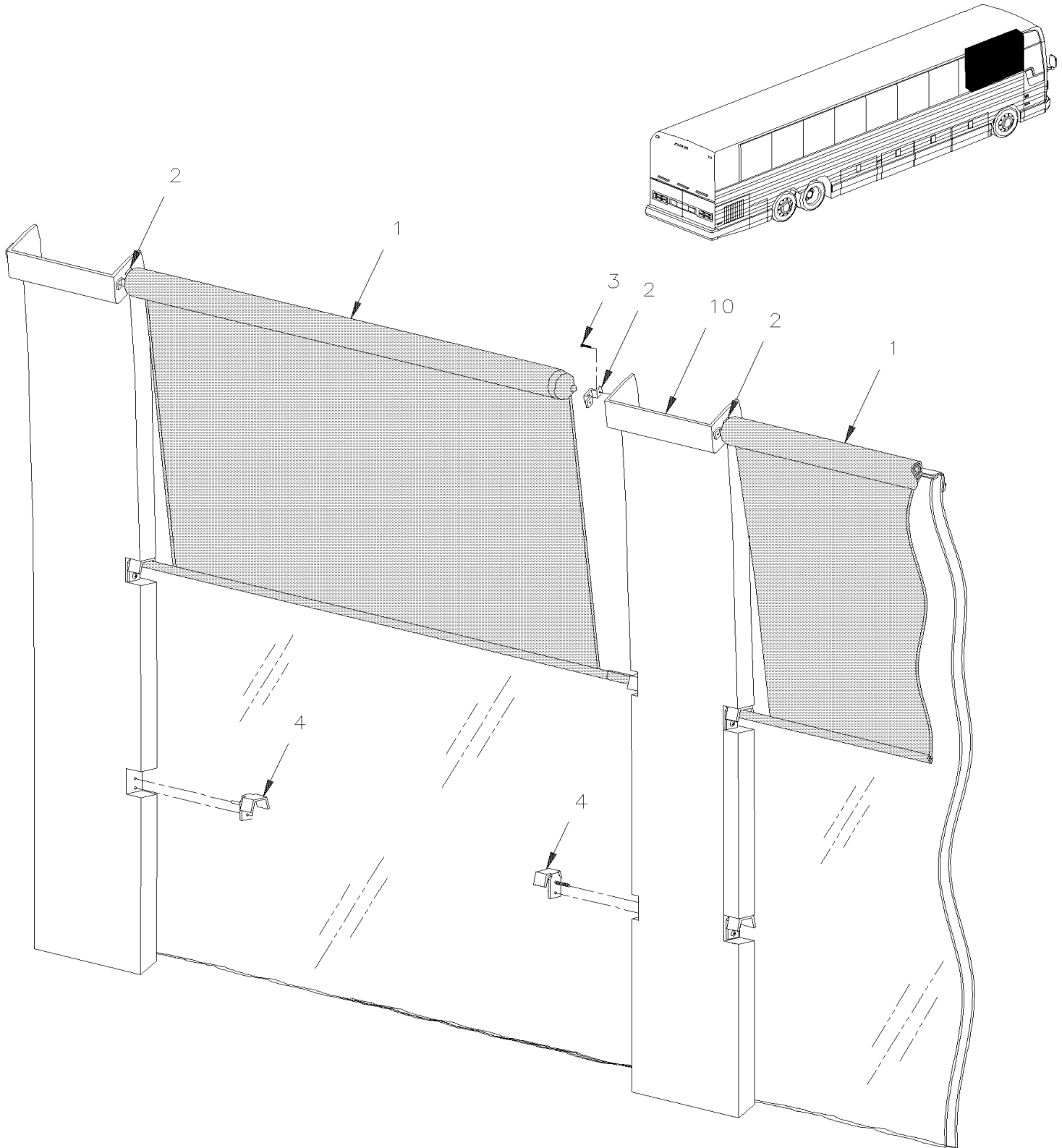
| | | |
|---|--------------|-----------------|
| From Y-7046 To 8-9339 | Date:10/2022 | PAGE:Y2-1816-05 |
| ROLLER BLIND - WINDSHIELD W/ELECTRICAL | | |

| Item# | Part | Description | X L I I 4 5 | X L I I M T H 4 0 | X L I I M T H 4 5 | X L I I M T H 4 5 E | N O T E S |
|-------|--------|--|----------------------------|---|---|--|-----------------------|
| 1 | 402950 | ROLLER BLIND ASSY / ELECTRIC To 2-7768 | 1 | 1 | 1 | 1 | |
| 2 | 506318 | . TAPE DUAL LOCK 1" x 150' / BLACK SJ3541 To 2-7768 | AR | AR | AR | AR | |
| 3 | 402948 | . BRACKET To 2-7768 | 1 | 1 | 1 | 1 | |
| 4 | 900590 | . ROLLER BLIND ELECTRIC To 1-7641 | 1 | 1 | 1 | 1 | |
| 4 | 901040 | . ROLLER BLIND ELECTRIC From 1-7642 To 2-7768 | 1 | 1 | 1 | 1 | |
| 4 | 900986 | . ROLLER BLIND ASSY / ELECTRIC From 2-7769 To 5-8535 | 1 | 1 | 1 | 1 | |
| 4 | 901121 | . ROLLER BLIND ASSY / ELECTRIC From 5-8536 | 1 | 1 | 1 | 1 | |
| 4 | 408404 | . ROLLER BLIND / ELECTRIC / PRODUCT IMPROVMENT | 1 | 1 | 1 | 1 | |
| . NS | 901532 | . . ROLLER BLIND ASSY / ELECTRIC | 2 | 2 | 2 | 2 | |
| 5 | 900597 | . . GUIDING PLUG / EACH END OF BLIND | 1 | 1 | 1 | 1 | |
| 6 | 500898 | . SCREW CAP HEX 7/16-14x1 3/4 G5 ZP | 1 | 1 | 1 | 1 | |
| 6 | 560854 | . SOCKET TERMINAL / 24-18 / AMP 60617-1 | 2 | 2 | 2 | 2 | |
| 7 | 900594 | . BRACKET KIT ASSY R.H. To 2-7768 | | | | | A |
| 7 | 900554 | . BRACKET KIT ASSY L.H. To 2-7768 | 1 | 1 | 1 | 1 | C |
| 7 | 504106 | . RIVET POP DOME OE 1/8x1/4 AL To 2-7768 | 2 | 2 | 2 | 2 | |
| 7 | 901048 | . KIT BRACKET L.H. & R.H. From 2-7769 | 1 | 1 | 1 | 1 | |
| 8 | 402949 | . BRACKET / L.H. To 2-7768 | 1 | 1 | 1 | 1 | |
| 8 | 402972 | . BRACKET / R.H. To 2-7768 | 1 | 1 | 1 | 1 | |
| 8 | 504105 | . RIVET POP DOME OE 1/8x3/16 AL To 2-7768 | 4 | 4 | 4 | 4 | |
| 9 | 507309 | . BUSHING NYLINED .312x.375x.078x.500 To 2-7768 | 1 | 1 | 1 | 1 | |
| NS | 500437 | . WASHER FL .125x.375x.040 Z050 To 2-7768 | 2 | 2 | 2 | 2 | |
| NS | 502564 | . WASHER LO SPT 6.1x11.8x1.6 Z050 To 2-7768 | 1 | 1 | 1 | 1 | |
| 10 | 402952 | . DECAL | 1 | 1 | 1 | 1 | |
| 11 | 404990 | ROD 730MM X 70MM To 3-7973 | 1 | | | | |
| 11 | 405373 | ROD / STREET SIDE / 730MM X 70MM / 10 DEG BEND From 3-7974 | 1 | | | | |
| 11 | 404990 | ROD 730MM X 70MM To 3-8018 | | 1 | 1 | 1 | |
| 11 | 405373 | ROD / STREET SIDE / 730MM X 70MM / 10 DEG BEND From 3-8019 | | 1 | 1 | 1 | |
| 11 | 405255 | ROD / L.H. STREET SIDE / 882MM X 70MM | 1 | | | | B |
| 12 | 401898 | ROD, 29" To 3-7973 | 1 | | | | |
| 12 | 405374 | ROD 737MM / 10 DEG BEND From 3-7974 | 1 | | | | |
| 12 | 401898 | ROD, 29" To 3-8018 | | 1 | 1 | 1 | |
| 12 | 405374 | ROD 737MM / 10 DEG BEND From 3-8019 | | 1 | 1 | 1 | |
| 12 | 405256 | ROD / L.H. CURBSIDE / 888MM | 1 | | | | B |
| 13 | 401898 | ROD, 29" To 3-7973 | 1 | | | | |
| 13 | 405374 | ROD 737MM / 10 DEG BEND From 3-7974 | 1 | | | | |
| 13 | 401898 | ROD, 29" To 3-8018 | | 1 | 1 | 1 | |
| 13 | 405374 | ROD 737MM / 10 DEG BEND From 3-8019 | | 1 | 1 | 1 | |
| 13 | 405253 | ROD / L.H. CURBSIDE / 625MM | 1 | | | | B |
| 13 | 409093 | ROD / L.H. CURBSIDE / 467MM To 3-7973 | 1 | | | | D |
| 13 | 405376 | ROD / L.H. CURBSIDE / 467MM From 3-7974 | 1 | | | | D |
| 14 | 404990 | ROD 730MM X 70MM To 3-7973 | 1 | | | | |
| 14 | 405375 | ROD / CURBSIDE / 730MM X 70MM / 10 DEG BEND From 3-7974 | 1 | | | | |

| | | |
|---|--------------|-----------------|
| From Y-7046 To 8-9339 | Date:10/2022 | PAGE:Y2-1816-05 |
| ROLLER BLIND - WINDSHIELD W/ELECTRICAL | | |

| Item# | Part | Description | X L I I 4 5 | X L I I M T H 4 0 | X L I I M T H 4 5 | X L I I M T H 4 5 E | N O T E S |
|-------|----------|--|----------------------------|---|---|--|-----------------------|
| 14 | 404990 | ROD 730MM X 70MM To 3-8018 | | 1 | 1 | 1 | |
| 14 | 405375 | ROD / CURBSIDE / 730MM X 70MM / 10 DEG BEND From 3-8019 | | 1 | 1 | 1 | |
| 14 | 405254 | ROD / R.H. CURBSIDE / 625MM X 83MM | 1 | | | | B |
| 14 | 409094 | ROD / R.H. CURBSIDE / 453MM X 83MM To 3-7973 | 1 | | | | D |
| 14 | 405377 | ROD / R.H. CURBSIDE / 460MM X 70MM / 10 DEG BEND From 3-7973 | 1 | | | | D |
| 15 | 327564 | PLEXIGLASS / TINTED L.H. STREET SIDE / 647MM | 1 | | | | B |
| 16 | 327565 | PLEXIGLASS / TINTED L.H. CURBSIDE / 418MM | 1 | | | | B |
| NS | 500950 | WASHER FL .187x.625x.094 RUB | 5 | | | | B |
| NS | 500345 | WASHER FN CKF .187x.500x.090 BR BK | 5 | | | | B |
| NS | 500333 | SCREW TP OV PH #6x3/4 BK | 3 | | | | B |
| NS | 5001298 | SCREW TP BDG PH #6x1 1/2 BK | 2 | | | | B |
| 21 | 900476 | ROD HOLDER 90° / BLACK PLASTIC 30MM C/L To 8-9212 | 2 | | | | |
| 23 | 403570 | ROD HOLDER / BLACK / STEEL "L" SHAPE From 8-9213 | 2 | | | | |
| 23 | 901263 | ROD HOLDER / BLACK / PLASTIC 50MM | 2 | 2 | 2 | 2 | |
| 24 | 500409 | SCREW TP PAN PH #8x1/2 BK | 4 | 4 | 4 | 4 | |
| 24 | 500814 | SCREW TP BDG PH #6x3/4 BK | 4 | 4 | 4 | 4 | |
| 100 | 405409 | KIT, ELECTRIC ROLLER BLIND | 1 | 1 | 1 | 1 | |
| NS | IS-01043 | . SEE INSTRUCTION SHEET | 1 | 1 | 1 | 1 | |
| | | | | | | | |
| | | | | | | | |
| | | | | | | | |
| | | A) INCLUDE ROD HOLDER, ADJUSTING NUT, LOCK WASHER & NUT SOLD ONLY ASSY | | | | | |
| | | B) WITH DESTINATION SIGN "POCATEC" (ORLEANS) | | | | | |
| | | C) INCLUDE ROD HOLDER | | | | | |
| | | D) BUS WITH DESTINATION SIGN | | | | | |

| | | |
|---------------------------------------|--------------|-----------------|
| From Y-7046 To 6-8906 | Date:10/2022 | PAGE:Y2-1816-10 |
| SUN SHADE - PASSENGER'S WINDOW | | |

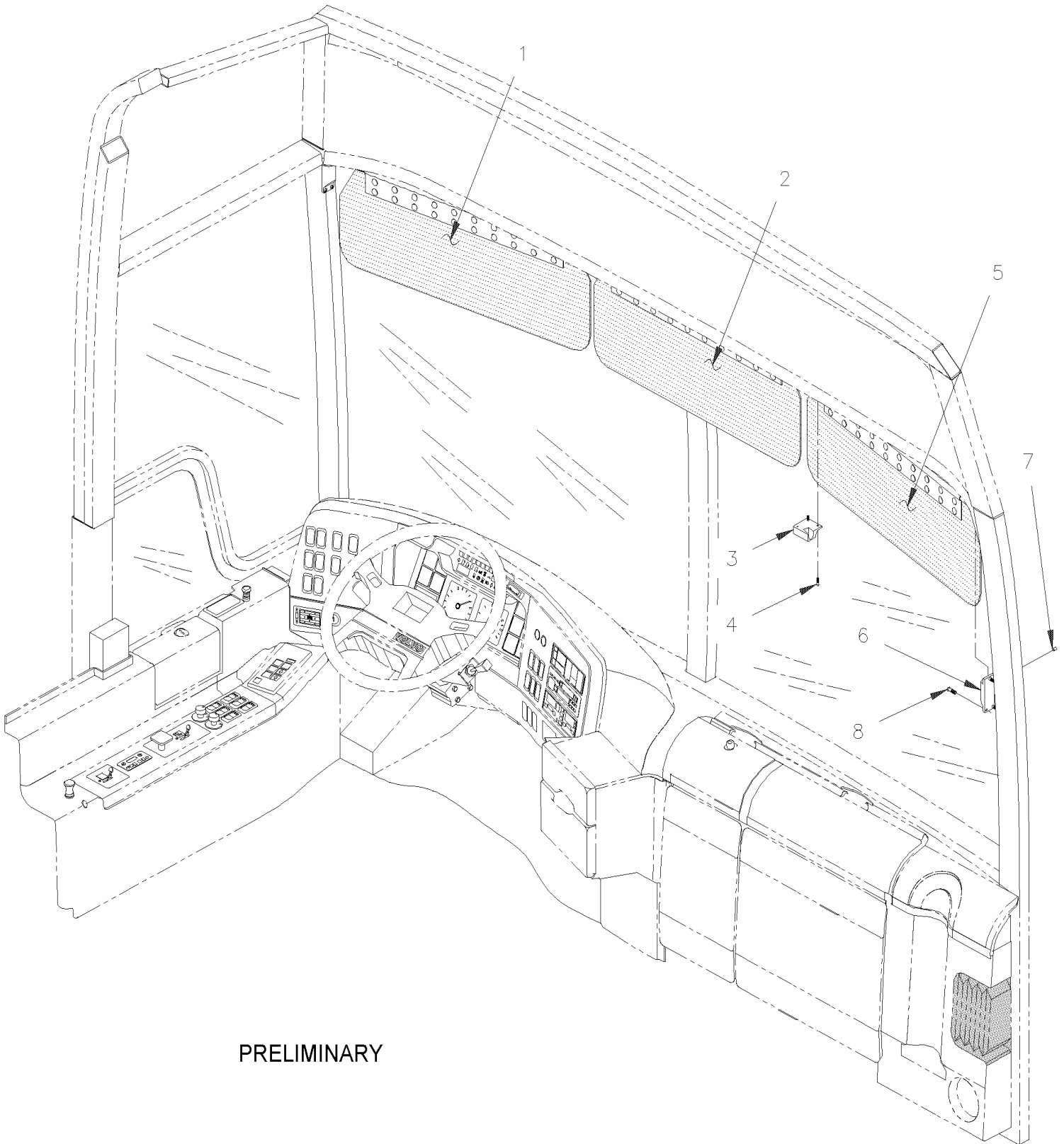


From Y-7046 To 8-9339

Date:10/2022

PAGE:Y2-1817-00

SUN VISOR - "LE MIRAGE"



PRELIMINARY

| | | |
|--------------------------------|--------------|-----------------|
| From Y-7046 To 8-9339 | Date:10/2022 | PAGE:Y2-1817-00 |
| SUN VISOR - "LE MIRAGE" | | |

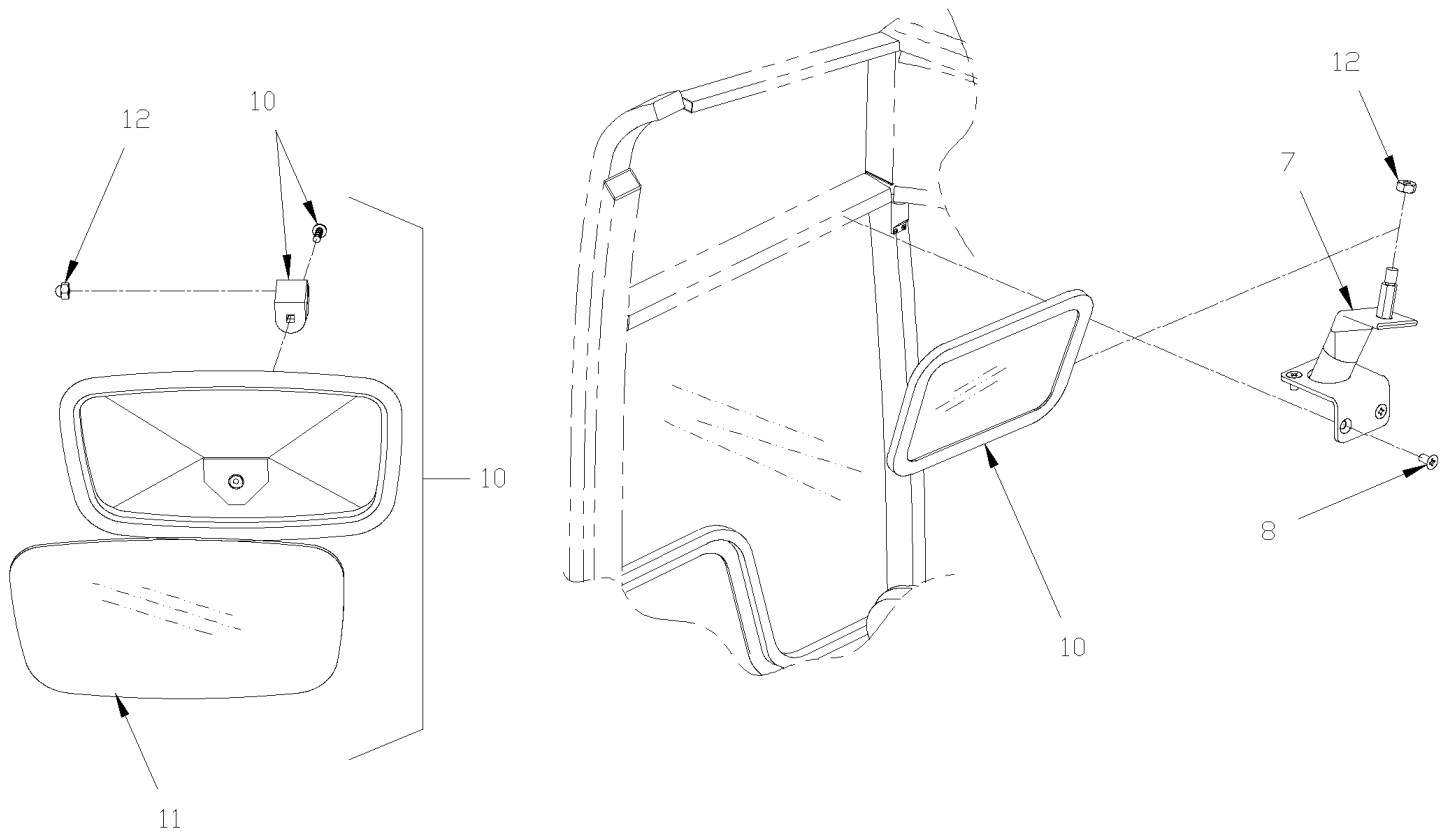
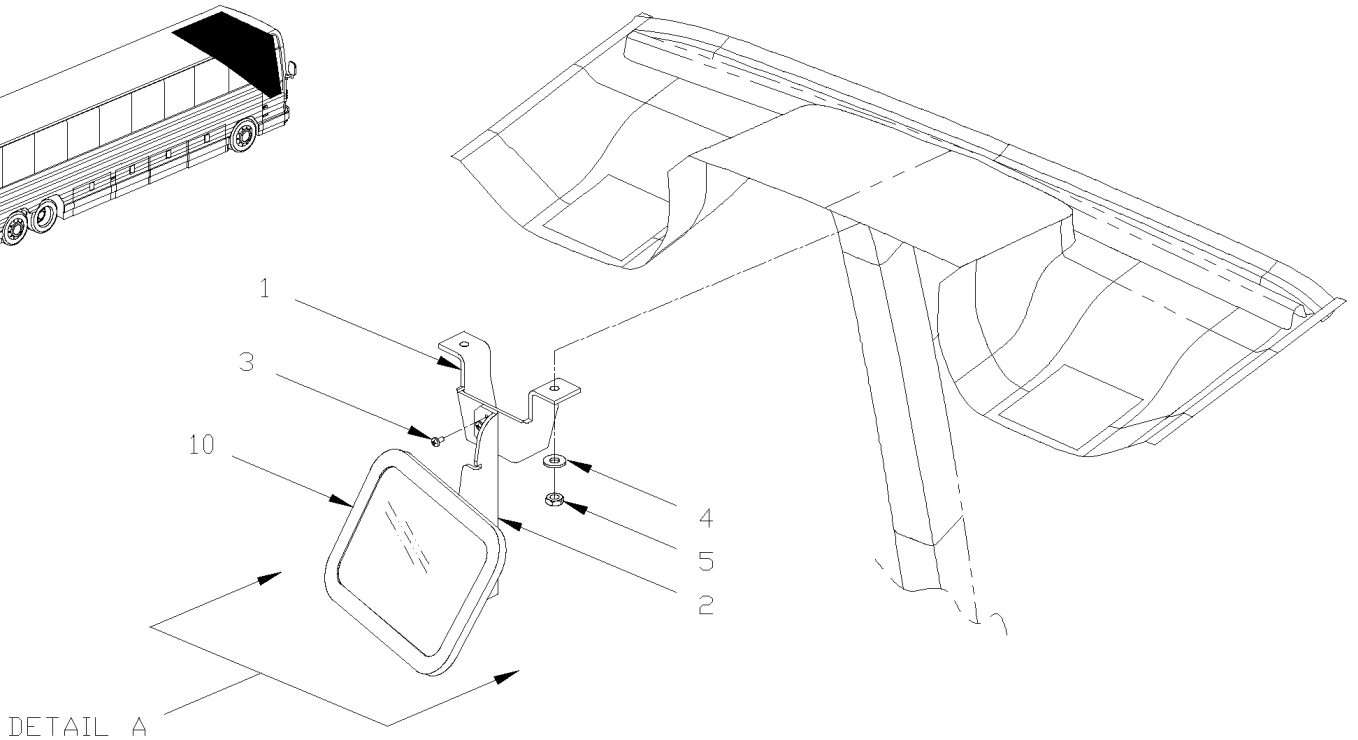
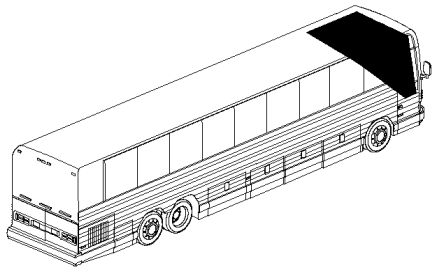
| Item# | Part | Description | X L I I 4 5 | X L I I M T H 4 0 | X L I I M T H 4 5 | X L I I M T H 4 5 E | N O T E S |
|-------|--------|--|----------------------------|---|---|--|-----------------------|
| 1 | 404741 | SUN VISOR ASSY / L.H. W/COVERING (BLACK) | | 1 | 1 | 1 | |
| 1 | 404724 | . SUN VISOR ASSY / L.H. W/O COVERING | | 1 | 1 | 1 | |
| 2 | 404740 | SUN VISOR ASSY / CENTRAL W/COVERING (BLACK) | | 1 | 1 | 1 | |
| 2 | 404726 | . SUN VISOR ASSY / CENTRAL W/O COVERING | | 1 | 1 | 1 | |
| 3 | 401586 | ATTACHMENT, R.H. / CENTRAL SUN VISOR | | 1 | 1 | 1 | |
| 3 | 401585 | ATTACHMENT, L.H. / CENTRAL SUN VISOR | | 1 | 1 | 1 | |
| NS | 401535 | HOOK, RETAINING / L.H. SUN VISOR W/O CENTRAL & R.H. SUNVISOR | | 1 | 1 | 1 | |
| 3 | 505173 | SPRING, PIN 1/8 X 3/4 | | 2 | 2 | 2 | |
| NS | 500409 | SCREW TP PAN PH #8x1/2 BK | | 4 | 4 | 4 | |
| NS | 500263 | SCREW TP PAN PH #8x3/8 BK | | 4 | 4 | 4 | |
| 5 | 404739 | SUN VISOR ASSY / R.H. W/COVERING (BLACK) | | 1 | 1 | 1 | |
| 5 | 404725 | . SUN VISOR ASSY / R.H. W/O COVERING | | 1 | 1 | 1 | |
| 5 | 404706 | .. PLATE, SUN VISOR LH & RH | | 2 | 2 | 2 | |
| 5 | 404722 | .. PLATE, SUN VISOR CENTRAL | | 2 | 2 | 2 | |
| 5 | 404727 | .. PRESSURE PLATE | | 2 | 2 | 2 | |
| 5 | 504117 | .. RIVET POP DOME CLE 3/16x3/8 AL | | 20 | 20 | 20 | |
| 5 | 500438 | .. WASHER FL .187x.437x.050 Z050 | | 20 | 20 | 20 | |
| 5 | 401708 | .. ROD, SUN VISOR CENTRAL | | 1 | 1 | 1 | |
| 5 | 404709 | .. ROD, SUN VISOR LH & RH | | 1 | 1 | 1 | |
| 5 | 560171 | SLEEVE INSULATING | | 1 | 1 | 1 | |
| 6 | 401465 | ATTACHMENT, PIVOT L.H. & R.H. CHARCOAL | | 2 | 2 | 2 | |
| 7 | 500303 | SCREW SET HEXS CUP #10-24x3/16 | | 2 | 2 | 2 | |
| 8 | 500630 | SCREW TP OV PH #10x1 Z050 | | 6 | 6 | 6 | |
| | | | | | | | |
| | | | | | | | |
| | | | | | | | |

From Y-7046 To 8-9339

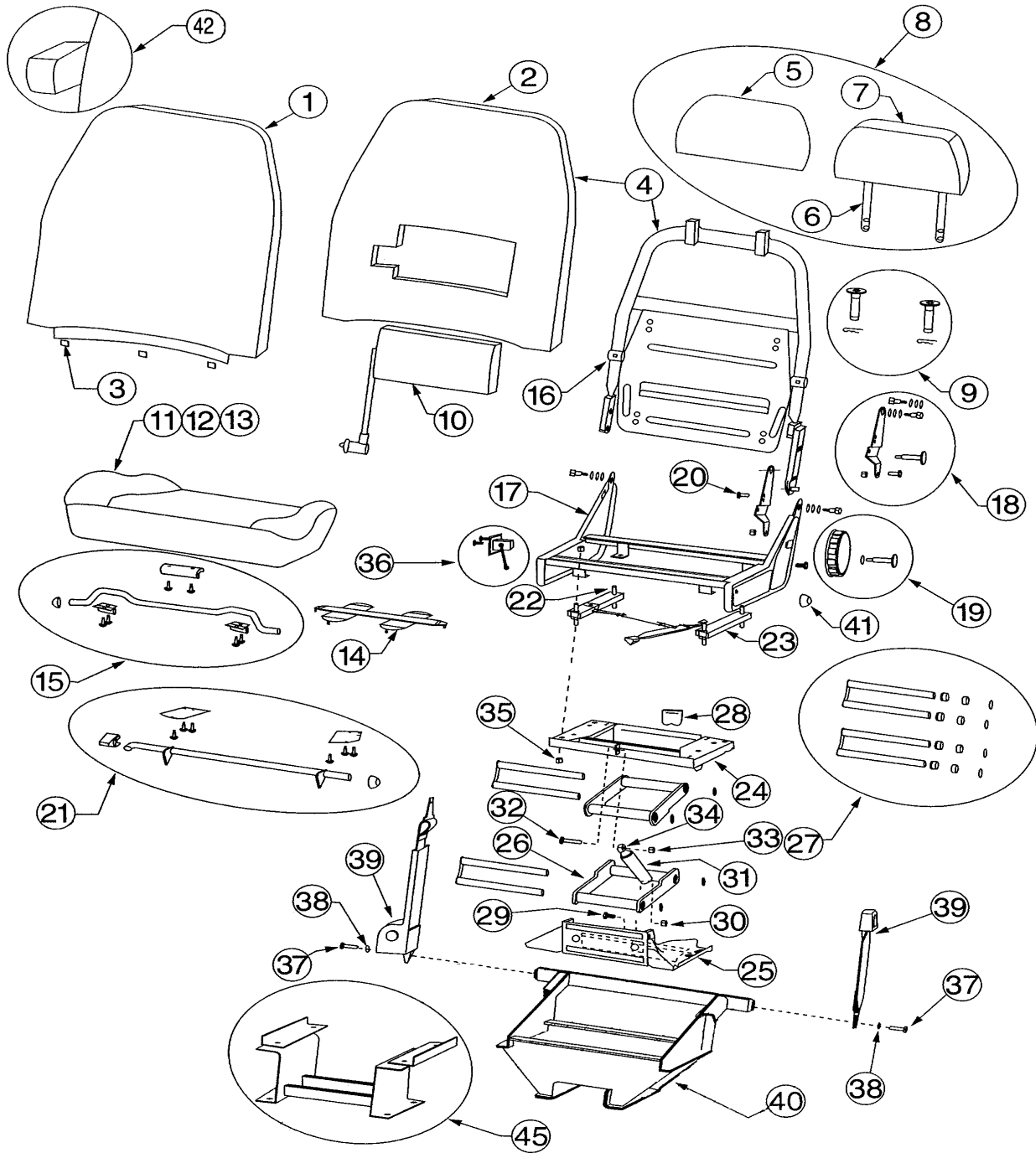
Date:10/2022

PAGE:Y2-1820-00

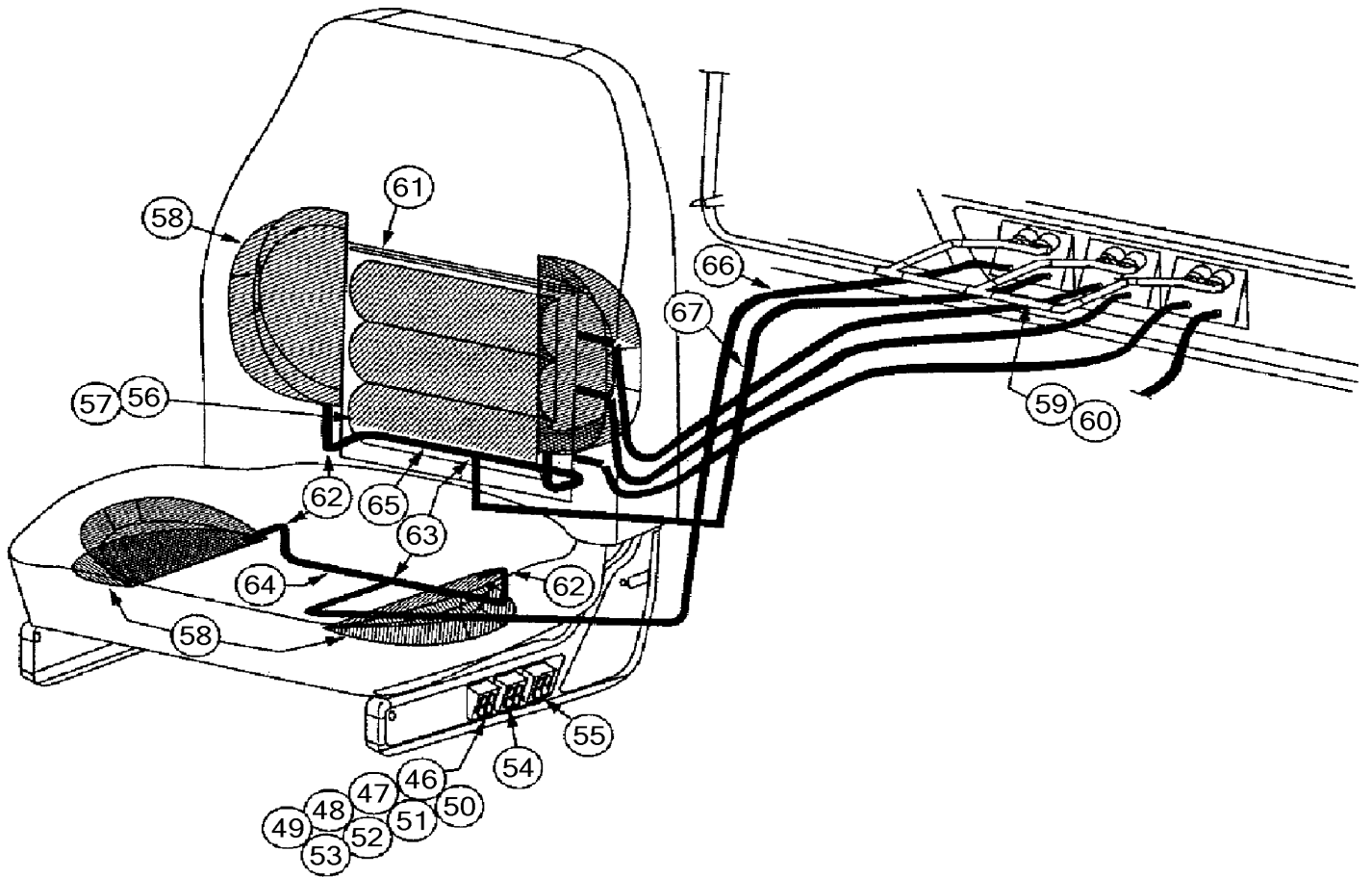
MIRROR - INTERIOR



| | | |
|--|--------------|-----------------|
| | Date:10/2022 | PAGE:Y2-1821-01 |
| DRIVER'S SEAT "NATIONAL SEATING" - MODEL 93B | | |



| | | |
|--|--------------|-----------------|
| | Date:10/2022 | PAGE:Y2-1821-01 |
| DRIVER'S SEAT "NATIONAL SEATING" - MODEL 93B | | |



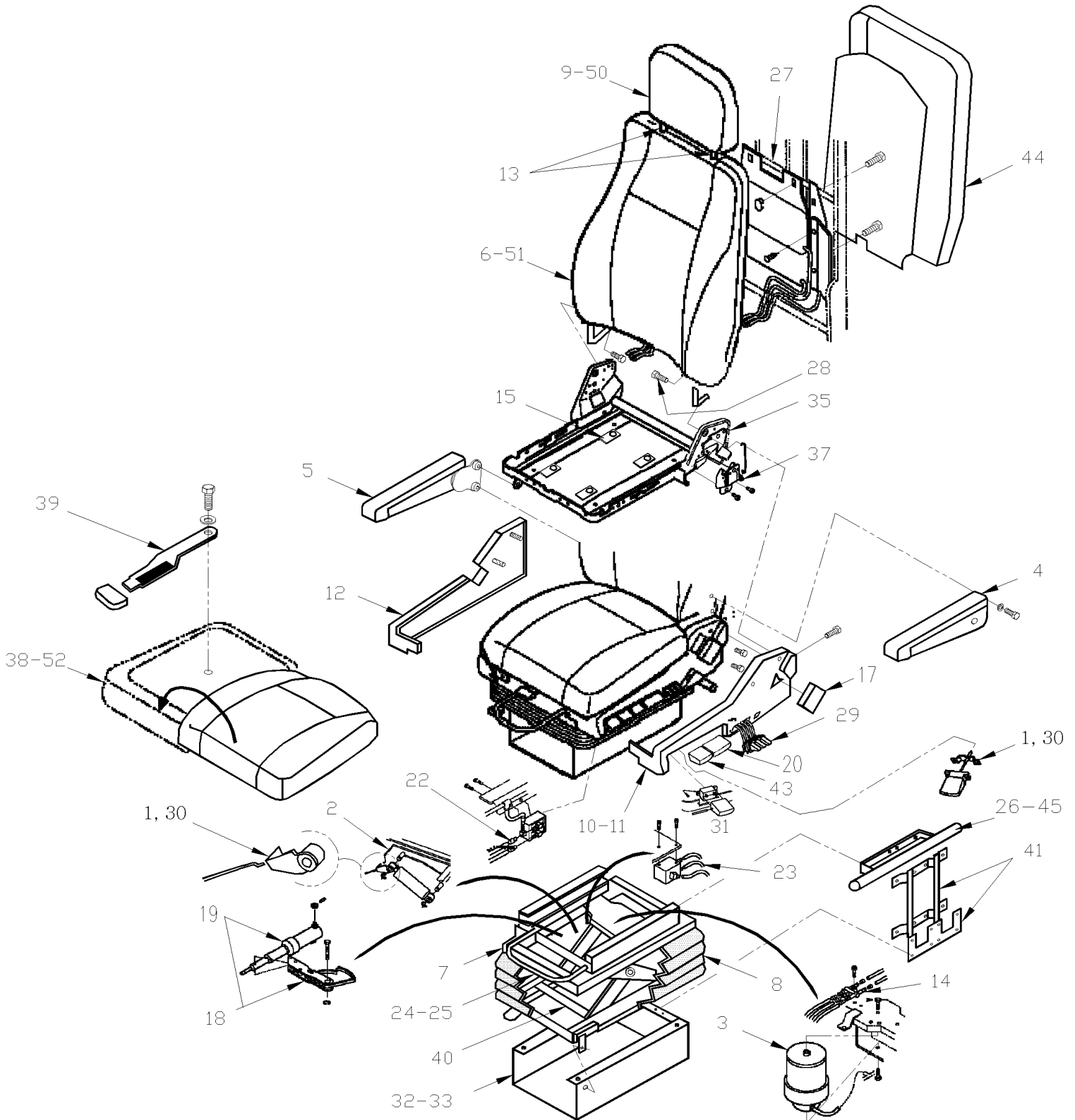
DRIVER'S SEAT "NATIONAL SEATING" - MODEL 93B

| Item# | Part | Description | X L I I 4 5 | X L I I M T H 4 0 | X L I I M T H 4 5 | X L I I M T H 4 5 E | N O T E S |
|-------|-----------------|--|----------------------------|---|---|--|-----------------------|
| | 861848 | DRIVER'S SEAT - "NATIONAL" - MODEL 93B From 2-7377 To 2-7715 | 1 | | | | |
| | 862164 | DRIVER'S SEAT - "NATIONAL" - MODEL 93B From 2-7741 To 2-7763 | 1 | | | | |
| | 862344 | DRIVER'S SEAT - "NATIONAL" - MODEL 93B | 1 | | | | |
| | 862487 | DRIVER'S SEAT - "NATIONAL" - MODEL 93B From 4-8398 To 4-8570 | 1 | | | | |
| 1 | Call order desk | BACK COVER / 20" | 1 | | | | P |
| 2 | Call order desk | BACK POLY / 20" STANDARD | 1 | | | | P |
| 3 | Call order desk | "U" CLIP | 3 | | | | P |
| 4 | Call order desk | BACK ASSY / 20" | 1 | | | | P |
| 5 | Call order desk | HEADREST COVER | 1 | | | | P |
| 6 | Call order desk | FIXED HEADREST FRAME ASSY | 1 | | | | P |
| 7 | Call order desk | HEADREST POLY | 1 | | | | P |
| 8 | Call order desk | HEADREST ASSY | 1 | | | | P |
| 9 | Call order desk | BUSHING KIT | 1 | | | | P |
| 10 | 192188 | PASSIVE AIR LUMBAR BAG | 1 | | | | |
| 11 | Call order desk | CUSHION COVER / 20" | 1 | | | | P |
| 12 | Call order desk | CUSHION POLY / 20" STANDARD | 1 | | | | P |
| 13 | Call order desk | CUSHION ASSY / 20" | 1 | | | | P |
| 14 | Call order desk | WEBBING | 3 | | | | P |
| 15 | Call order desk | FRONT CUSHION ADJUSTER | 1 | | | | P |
| 16 | Call order desk | BACK FRAME ASSY | 1 | | | | P |
| 17 | Call order desk | LOWER FRAME ASSY | 1 | | | | P |
| 18 | Call order desk | KIT BRACKET BACK TO LOWER FRAME | 1 | | | | P |
| 19 | Call order desk | KNOB KIT - BACK INCLINE | 1 | | | | P |
| 20 | Call order desk | RECLINE LIMIT BOLT | 1 | | | | P |
| 21 | Call order desk | REAR CUSHION ADJUSTER | 1 | | | | P |
| 22 | Call order desk | TRACK STUD | 4 | | | | P |
| 23 | Call order desk | TRACK KIT | 1 | | | | P |
| 24 | Call order desk | UPPER BASE ASSY | 1 | | | | P |
| 25 | Call order desk | LOWER BASE ASSY | 1 | | | | P |
| 26 | 860103 | UPPER ARM ASSY W/BUSHINGS - 96 BASE MODEL | 2 | | | | |
| 27 | 860652 | KIT REPAIR, SHAFT & BUSHING / W/AIR SUSPENSION | 1 | | | | |
| 28 | Call order desk | BUMPER | 1 | | | | P |
| 29 | 500190 | SCREW CAP HEX 3/8-16x3/4 G5 Z050 | 1 | | | | |
| 30 | 500265 | NUT HEX STO 3/8-16 Z050 | 1 | | | | |
| 31 | 865353 | BLOCK-O-LIFT | 1 | | | | |
| 32 | 500183 | SCREW CAP HEX 5/16-18x1 1/2 G5 PT Z050 | 1 | | | | |
| 33 | 500685 | NUT HEX NYRT 5/16-18 SS | 1 | | | | |
| 34 | Call order desk | RELEASE MECHANISM | 1 | | | | P |
| 35 | Call order desk | NUT,TRACK ATTACHMENT | 8 | | | | P |
| 36 | 19508592 | CABLE ASSY | 1 | | | | |
| 37 | 500067 | SCREW CAP HEX 7/16-20x1 G5 Z050 | 1 | | | | |
| 38 | Call order desk | WASHER 1/2 | 2 | | | | P |

DRIVER'S SEAT "NATIONAL SEATING" - MODEL 93B

| Item# | Part | Description | X L I I 4 5 | X L I I M T H 4 0 | X L I I M T H 4 5 | X L I I M T H 4 5 E | NOTES |
|-------|-----------------|--|----------------------------|---|---|--|-------|
| 39 | 19503838 | RETRACTOR & BUCKLE | 1 | | | | |
| 40 | Call order desk | RISER ASSY - "D" COACH | 1 | | | | P |
| NS | 363952 | ANCHOR R.H. / DRIVE'R S SEAT / W/"NATIONAL SEATING" To 4-8397 | 1 | | | | A |
| NS | 363953 | ANCHOR L.H. / DRIVE'R S SEAT / W/"NATIONAL SEATING" To 4-8397 | 1 | | | | A |
| NS | 363993 | ADAPTOR SAFETY BELT / "Z" SHAPE / W/"NATIONAL SEATING" From 1-7745 To 4-8397 | 1 | | | | A |
| NS | 5001117 | SCREW CAP HEX M12-1.75x70 BK | 4 | | | | B |
| NS | 5001365 | SCREW CAP HEX M12-1.75x30 G10.9 DP To 4-8397 | 3 | | | | |
| NS | 500810 | WASHER LO SPT 12.2x21.1x2.5 Z050 | 6 | | | | |
| NS | 500958 | WASHER FL .531x1.062x.095 SS | 6 | | | | |
| 41 | Call order desk | CAP,CUSHION ADJUSTER ROD | 2 | | | | P |
| 42 | Call order desk | ARMREST ASSY / L.H. | 1 | | | | P |
| 42 | Call order desk | ARMREST ASSY / R.H. | 1 | | | | P |
| 45 | Call order desk | RISER ASSY | 1 | | | | P |
| 46 | Call order desk | VALVE HI/LO F/SINGLE CHAMBER | 1 | | | | P |
| 47 | Call order desk | VALVE HI/LO F/TRIPLE CHAMBER | 1 | | | | P |
| 48 | Call order desk | VALVE HI/LO F/BOLSTERS | 1 | | | | P |
| 49 | Call order desk | VALVE BLANK/LO F/SINGLE CHAMBER | 1 | | | | P |
| 50 | Call order desk | VALVE BLANK/LO F/TRIPLE CHAMBER | 1 | | | | P |
| 51 | Call order desk | VALVE BLANK/LO F/BOLSTERS | 1 | | | | P |
| 52 | Call order desk | VALVE HI/BLANK F/BASE | 1 | | | | P |
| 53 | Call order desk | VALVE LO/LO F/SINGLE CHAMBER | 1 | | | | P |
| 54 | Call order desk | VALVE LO/LO F/TRIPLE CHAMBER | 1 | | | | P |
| 55 | Call order desk | VALVE LO/LO F/BOLSTERS | 1 | | | | P |
| 56 | 865265 | SINGLE CHAMBER LUMBAR BAG | 1 | | | | |
| 57 | 865266 | TRIPLE CHAMBER LUMBAR BAG | 1 | | | | |
| 58 | Call order desk | AIR BOLSTER | 1 | | | | P |
| 59 | Call order desk | MANIFOLD ASSY TRIPLE CHAMBER | 1 | | | | P |
| 60 | Call order desk | MANIFOLD ASSY TRIPLE CHAMBER & BOLSTERS | 1 | | | | P |
| 61 | Call order desk | WIRE LUMBAR BAG | 1 | | | | P |
| 62 | Call order desk | ELBOW,PLASTICFITTING | 1 | | | | P |
| 63 | Call order desk | FITTING 1/8" | 1 | | | | P |
| 64 | Call order desk | CLEAR TUBING / 4.5" | 1 | | | | P |
| 65 | Call order desk | GREEN TUBING / 4.5" | 1 | | | | P |
| 66 | Call order desk | TUBING, CLEAR, 2.83FEET | 1 | | | | P |
| 67 | Call order desk | TUBING, GREEN, 2.67FEET | 1 | | | | P |
| | | | | | | | |
| | | | | | | | |
| | | A) USE BETWEEN SEAT AND STRUCTURE | | | | | |
| | | B) TO FIX SEAT ON FLOOR | | | | | |
| | | P) CALL ORDER DESK FOR SPECIFIC APPLICATION (V.I.N.) | | | | | |

| | | |
|-----------------------------------|--------------|-----------------|
| | Date:10/2022 | PAGE:Y2-1822-00 |
| DRIVER'S SEAT - "ISRI" - 6800/338 | | |



| | | |
|--|--------------|-----------------|
| | Date:10/2022 | PAGE:Y2-1822-00 |
| DRIVER'S SEAT - "ISRI" - 6800/338 | | |

| Item# | Part | Description | X L I I 4 5 | X L I I M T H 4 0 | X L I I M T H 4 5 | X L I I M T H 4 5 E | N O T E S |
|-------|--------|--|----------------------------|---|---|--|-----------------------|
| | 364108 | DRIVER'S SEAT ASSY W/COVERING / SPECYFIED COLOR CODE | 1 | | | | F |
| | 861373 | DRIVER'S SEAT - "ISRI" - MODEL 6800/338 / W/R.H. CONTROL | 1 | | | | A |
| | 861374 | DRIVER'S SEAT - "ISRI" - MODEL 6800/338 / W/R.H. CONTROL | | 1 | 1 | 1 | B |
| NS | 862420 | . LEVER RETAINING CLIP | 1 | 1 | 1 | 1 | |
| NS | 862421 | . NUT PLASTIC WHITE | 1 | 1 | 1 | 1 | |
| NS | 862422 | . RETAINING CLIP | 1 | 1 | 1 | 1 | |
| NS | 862423 | . SCREW FOR RETAINING CLIP | 1 | 1 | 1 | 1 | |
| 1 | 861638 | . ADJUSTABLE SHOCK ABSORBER CABLE KIT | 1 | 1 | 1 | 1 | |
| 2 | 861639 | . ADJUSTABLE SHOCK ABSORBER KIT | 1 | 1 | 1 | 1 | |
| 3 | 861640 | . AIR SPRING KIT | 1 | 1 | 1 | 1 | |
| 4 | 861641 | . ARMREST KIT - LH / W/OUT COVERING | | 1 | 1 | 1 | |
| 4 | 861377 | . ARMREST KIT - LH / W/POLYURETHANE PAD | 1 | | | | |
| 5 | 861642 | . ARMREST KIT - RH / W/OUT COVERING | | 1 | 1 | 1 | |
| 5 | 861378 | . ARMREST KIT - RH POLYURETHANE PAD | 1 | | | | |
| 6 | 861643 | . BACKREST ASSY / NUDE | 1 | 1 | 1 | 1 | |
| . NS | 864557 | . . FOAM / BACKREST | 1 | 1 | 1 | 1 | |
| 7 | 861644 | . BOOT ADAPTER PLATE | 1 | 1 | 1 | 1 | |
| 8 | 861645 | . BOOT KIT | 1 | 1 | 1 | 1 | |
| 9 | 861646 | . HEADREST ASSEMBLY - NUDE | 1 | 1 | 1 | 1 | |
| 10 | 861648 | . COVER KIT CONTROL - LH | 1 | 1 | 1 | 1 | |
| 11 | 861649 | . COVER KIT CONTROL - RH | 1 | 1 | 1 | 1 | |
| 12 | 861650 | . COVER KIT NON-CONTROL - LH | 1 | 1 | 1 | 1 | |
| 13 | 861647 | . HEADREST BOOT (2PCS) | 1 | 1 | 1 | 1 | |
| 14 | 861651 | . DISTRIBUTION VALVE KIT | 1 | 1 | 1 | 1 | |
| 15 | 861652 | . GLIDE - SEAT PAN | 1 | 1 | 1 | 1 | |
| 16 | 861653 | . HANDLE KIT - SEAT FRAME - LH | 1 | 1 | 1 | 1 | |
| 17 | 861654 | . HANDLE KIT - SEAT FRAME - RH | 1 | 1 | 1 | 1 | D |
| 18 | 864140 | . KIT, CYLINDER & CAM ADJUSTEMENT KIT | 1 | 1 | 1 | 1 | |
| . 18 | 861655 | . . HEIGHT ADJUSTMENT CAM KIT | 1 | 1 | 1 | 1 | |
| . 19 | 861656 | . . HEIGHT ADJUSTMENT CYLINDER KIT | 1 | 1 | 1 | 1 | |
| 18 | 864245 | . KIT, CAM ADJUSTEMENT KIT | 1 | 1 | 1 | 1 | |
| NS | 863741 | . KIT SLIDING TRACK PLASTIC OBLONG | 1 | 1 | 1 | 1 | |
| 20 | 862203 | . AIR HEIGHT ADJUST HANDLE KIT RH | 1 | 1 | 1 | 1 | |
| 22 | 861657 | . HEIGHT ADJUSTMENT VALVE KIT - RH | 1 | 1 | 1 | 1 | |
| 23 | 861658 | . HEIGHT ADJUSTMENT VALVE KIT - SUSPENSION | 1 | 1 | 1 | 1 | |
| 24 | 861659 | . HORIZONTAL ADJUSTMENT SLIDE HANDLE | 1 | 1 | 1 | 1 | |
| 25 | 861660 | . HORIZONTAL ADJUSTMENT SLIDE SET | 1 | 1 | 1 | 1 | |
| 26 | 862205 | . SEAT BELT KIT NOT ILLUSTRATED / PAS ILLUSTRÉ | 1 | 1 | 1 | 1 | |
| 27 | 861661 | . LUMBAR/BOLSTER KIT OLD STYLE To 5-8471 | 1 | 1 | 1 | 1 | |
| 27 | 864242 | . LUMBAR/BOLSTER KIT NEW STYLE From 5-8472 | 1 | 1 | 1 | 1 | |
| 28 | 862204 | . BACKREST BOLT | 2 | 2 | 2 | 2 | |
| 29 | 861662 | . LUMBAR/BOLSTER VALVE RH | 1 | 1 | 1 | 1 | |

Date:10/2022

PAGE:Y2-1822-00

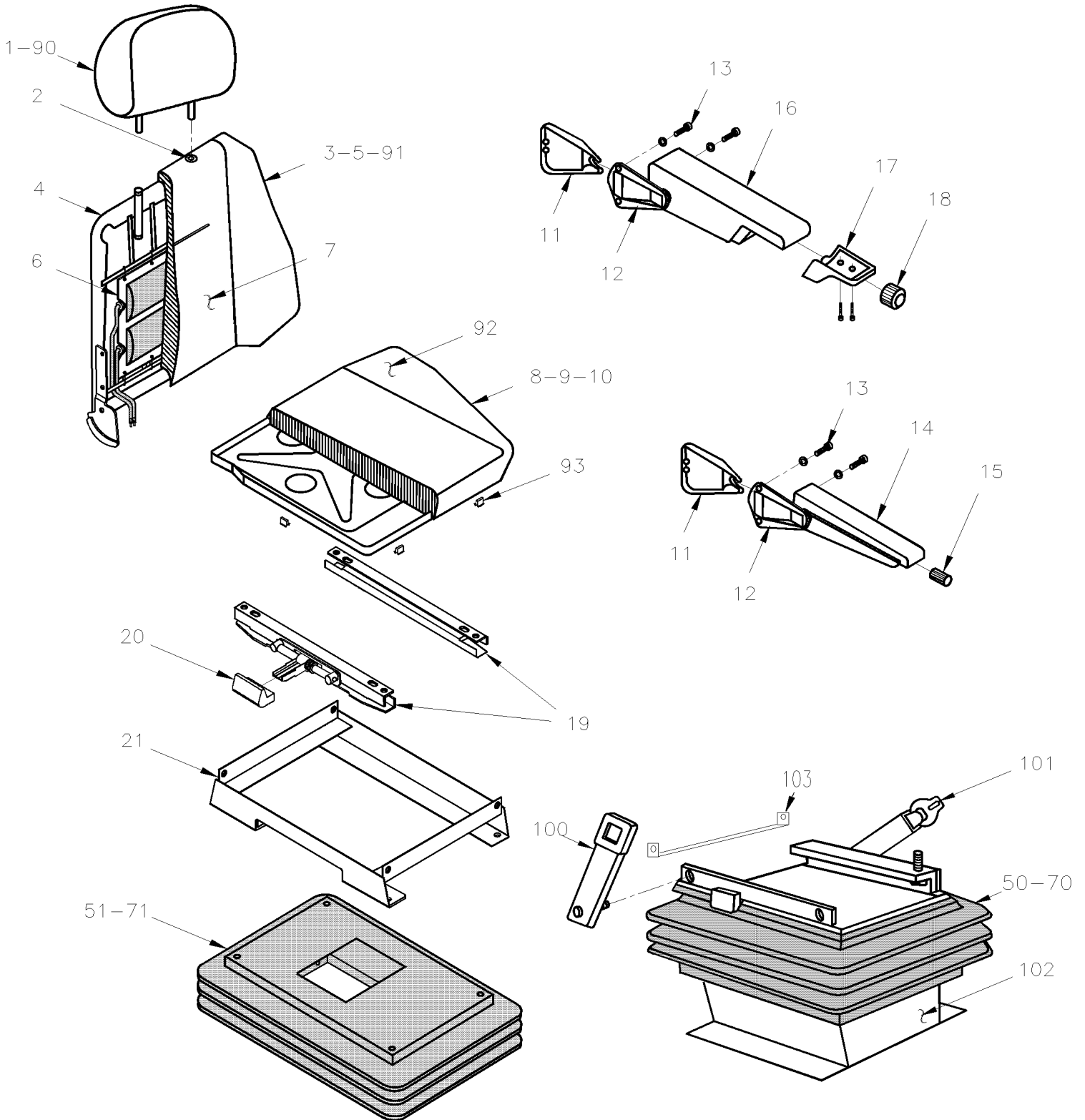
DRIVER'S SEAT - "ISRI" - 6800/338

| Item# | Part | Description | X L I I 4 5 | X L I I M T H 4 0 | X L I I M T H 4 5 | X L I I M T H 4 5 E | NOTES |
|-------|---------|--|----------------------------|---|---|--|-------|
| 30 | 862424 | . HANDLE FOR ADJUSTMENT SHOCK | 1 | 1 | 1 | 1 | |
| NS | 862425 | . SHORT PIN ADJUSTMENT HANDLE | 1 | 1 | 1 | 1 | |
| NS | 862426 | . LONG PIN ADJUSTMENT HANDLE | 1 | 1 | 1 | 1 | |
| NS | 862956 | . HANDLE SUPPORT / PLASTIC BLACK | 1 | 1 | 1 | 1 | |
| 31 | 861663 | . QUICK AIR RELEASE VALVE AND HANDLE KIT - RH | 1 | 1 | 1 | 1 | |
| 33 | 861664 | . RISER KIT 76MM | 1 | 1 | 1 | 1 | |
| 35 | 861665 | . SEAT FRAME - RH | 1 | 1 | 1 | 1 | |
| 37 | 861666 | . SEAT FRAME TOOTH PLATE KIT RH | 1 | 1 | 1 | 1 | |
| 38 | 861667 | . SEAT PAN ASSEMBLY - NUDE OLD STYLE To 5-8471 | 1 | 1 | 1 | 1 | |
| . NS | 864556 | . . FOAM / CUSHION To 5-8471 | 1 | 1 | 1 | 1 | |
| 38 | 864243 | . SEAT PAN ASSEMBLY - NUDE NEW STYLE From 5-8472 | 1 | 1 | 1 | 1 | |
| . NS | 864237 | . . CUSHION FOAM NEW PATTERN From 5-8472 | 1 | 1 | 1 | 1 | |
| 39 | 861668 | . SEAT PAN ASSEMBLY LEVER AND HANDLE KIT | 1 | 1 | 1 | 1 | |
| 40 | 861669 | . SUSPENSION | 1 | 1 | 1 | 1 | |
| NS | 864244 | . . KIT , SUSPENSION HARDWARE REPAIR | 1 | 1 | 1 | 1 | |
| 41 | 861670 | . TETHER AND TETHER PLATE KIT | 1 | 1 | 1 | 1 | |
| 43 | 861671 | . TILT HANDLE KIT - RH | 1 | 1 | 1 | 1 | |
| 44 | 861672 | . BACKREST PANEL | 1 | 1 | 1 | 1 | |
| NS | 363705 | INTERFACE COPILOTE ISRI 6800 | | 1 | 1 | 1 | C |
| NS | 363937 | ANCHORAGE CO-PILOTE SEAT ASSY W/BOLT | | 4 | 4 | 4 | C |
| . NS | 326831 | . ANCHORAGE "U" FORM 48MM x 38MM x 112MM | | 1 | 1 | 1 | C |
| . NS | 500958 | . WASHER FL .531x1.062x.095 SS | | 1 | 1 | 1 | C |
| . NS | 500482 | . WASHER LO SPT .506x.873x.125 Z050 | | 1 | 1 | 1 | C |
| . NS | 500806 | . SCREW CAP HEX M12-1.75X35 G10.9 G500 | | 1 | 1 | 1 | C |
| NS | 362056 | ANCHOR PLATE ASSY USE W/CURBSIDE SEAT 7/16-14x1" / 32MMx89MM | | 2 | 2 | 2 | C |
| NS | 362521 | ANCHOR PLATE ASSY USE W/CURBSIDE SEAT 7/16-14x2" / 32MMx89MM | | 2 | 2 | 2 | C |
| 45 | 364128 | DRIVER'S SAFETY BELT EXTENSION R.H. | 1 | 1 | 1 | 1 | E |
| 45 | 364129 | DRIVER'S SAFETY BELT EXTENSION L.H. | 1 | 1 | 1 | 1 | E |
| NS | 500071 | SCREW CAP HEX 7/16-20x1 1/2 G5 Z050 | 2 | 2 | 2 | 2 | E |
| NS | 500709 | NUT HEX 7/16-20 Z050 | 2 | 2 | 2 | 2 | E |
| NS | 500810 | WASHER LO SPT 12.2x21.1x2.5 Z050 | 4 | 4 | 4 | 4 | E |
| NS | 500860 | NUT HEX M12-1.75 Z050 | 2 | 2 | 2 | 2 | E |
| NS | 502731 | SCREW CAP HEX M12-1.75x40 G8.8 Z050 | 2 | 2 | 2 | 2 | E |
| 50 | 363740P | COVERING HEADREST ASSY / S.C.C. / DRIVER'S "ISRI" / 6800 | 1 | | | | |
| 51 | 363738P | COVERING BACKREST ASSY / S.C.C. / DRIVER'S "ISRI" / 6800 To 5-8471 | 1 | | | | |
| 51 | 364168P | COVERING BACKREST ASSY / S.C.C. / DRIVER'S "ISRI" / 6800 From 5-8472 | 1 | | | | |
| 52 | 363739P | COVERING SEATREST ASSY / S.C.C. OLD STYLE / DRIVER'S "ISRI" / 6800 To 5-8471 | 1 | | | | |
| 52 | 364071P | COVERING SEATREST ASSY / S.C.C. NEW STYLE / DRIVER'S "ISRI" / 6800 From 5-8472 | 1 | | | | |
| NS | 864709 | TUBE PLASTIC 6MM O.D. CHARCOAL W/RED LINE | AR | AR | AR | AR | |
| NS | 864710 | TUBE PLASTIC 6MM O.D. CHARCOAL W/GREY LINE | AR | AR | AR | AR | |
| NS | 864711 | TUBE PLASTIC 6MM O.D. CHARCOAL | AR | AR | AR | AR | |
| NS | 641507 | UNION / PUSH-IN FITTING / #4 x 6MM NP | 1 | 1 | 1 | 1 | |

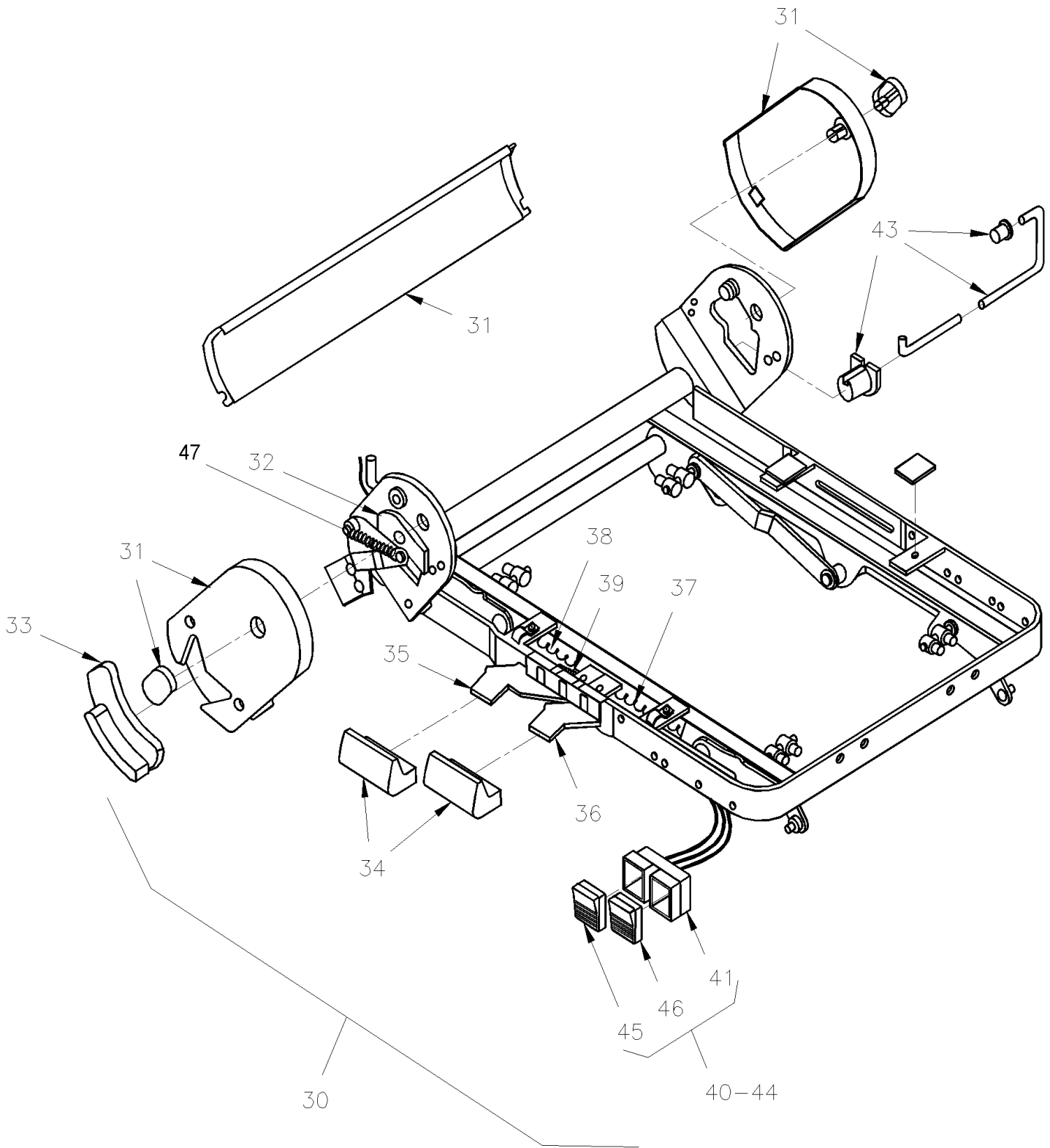
| | | |
|--|--------------|-----------------|
| | Date:10/2022 | PAGE:Y2-1822-00 |
| DRIVER'S SEAT - "ISRI" - 6800/338 | | |

| Item# | Part | Description | X L I I 4 5 | X L I I M T H 4 0 | X L I I M T H 4 5 | X L I I M T H 4 5 E | N O T E S |
|-------|---------|--|----------------------------|---|---|--|-----------------------|
| NS | 641092 | UNION TEE / NTA FITTING / #4x#4x#4 BR | 1 | 1 | 1 | 1 | |
| NS | 5001862 | SCREW CAP HEX M12-1.75x70 G10.9 N500 | 4 | 4 | 4 | 4 | G |
| NS | 500958 | WASHER FL .531x1.062x.095 SS | 4 | 4 | 4 | 4 | GH |
| NS | 500810 | WASHER LO SPT 12.2x21.1x2.5 Z050 | 6 | 6 | 6 | 6 | GH |
| NS | 362549 | SPACER / STRUCTURE & BASE / 27MM | 4 | 4 | 4 | 4 | G |
| NS | 361677 | JOINT / W/AIR SUSPENSION / W/2 HOLES .344 O / 3 1/8" x W/2" C/C | 2 | 2 | 2 | 2 | H |
| NS | 363410 | JOINT / W/AIR SUSPENSION / W/2 HOLES .562 O.D / 3 1/8" x W/2 1/8 C/C" | 2 | 2 | 2 | 2 | H |
| NS | 364155 | JOINT / W/AIR SUSPENSION / W/2 HOLES .344 O / 4 3/8" x W/3 1/4" C/C | 1 | 1 | 1 | 1 | H |
| NS | 500860 | NUT HEX M12-1.75 Z050 | 2 | 2 | 2 | 2 | H |
| NS | 5001365 | SCREW CAP HEX M12-1.75x30 G10.9 DP | 2 | 2 | 2 | 2 | H |
| NS | 867958 | ADAPTOR | 1 | 1 | 1 | 1 | |
| NS | 868125 | UNION 4MM/4MM | 1 | 1 | 1 | 1 | |
| NS | 868128 | UNION 6MM/4MM | 1 | 1 | 1 | 1 | |
| | | A) THIS SEAT IS WITHOUT COVERING & ARMREST | | | | | |
| | | B) THIS SEAT HAS BLACK COVERING, LARGE ARMREST & HEADREST FOR FACTORY DELIVERY | | | | | |
| | | C) USE WITH CO-PILOTE SEAT INSTALLATION | | | | | |
| | | D) INCLUDE ALL KNOB FOR ITEM # 17, 20, 29, & 39 | | | | | |
| | | E) YOU REQUIRE THOSE COMPONENTS TO EXTEND DRIVER'S SAFETY BELT | | | | | |
| | | F) INCLUDE ITEMS # 50, 51 & 52 | | | | | |
| | | G) TO FIX SEAT TO FLOOR | | | | | |
| | | H) TO FIX SAFETY BELT | | | | | |

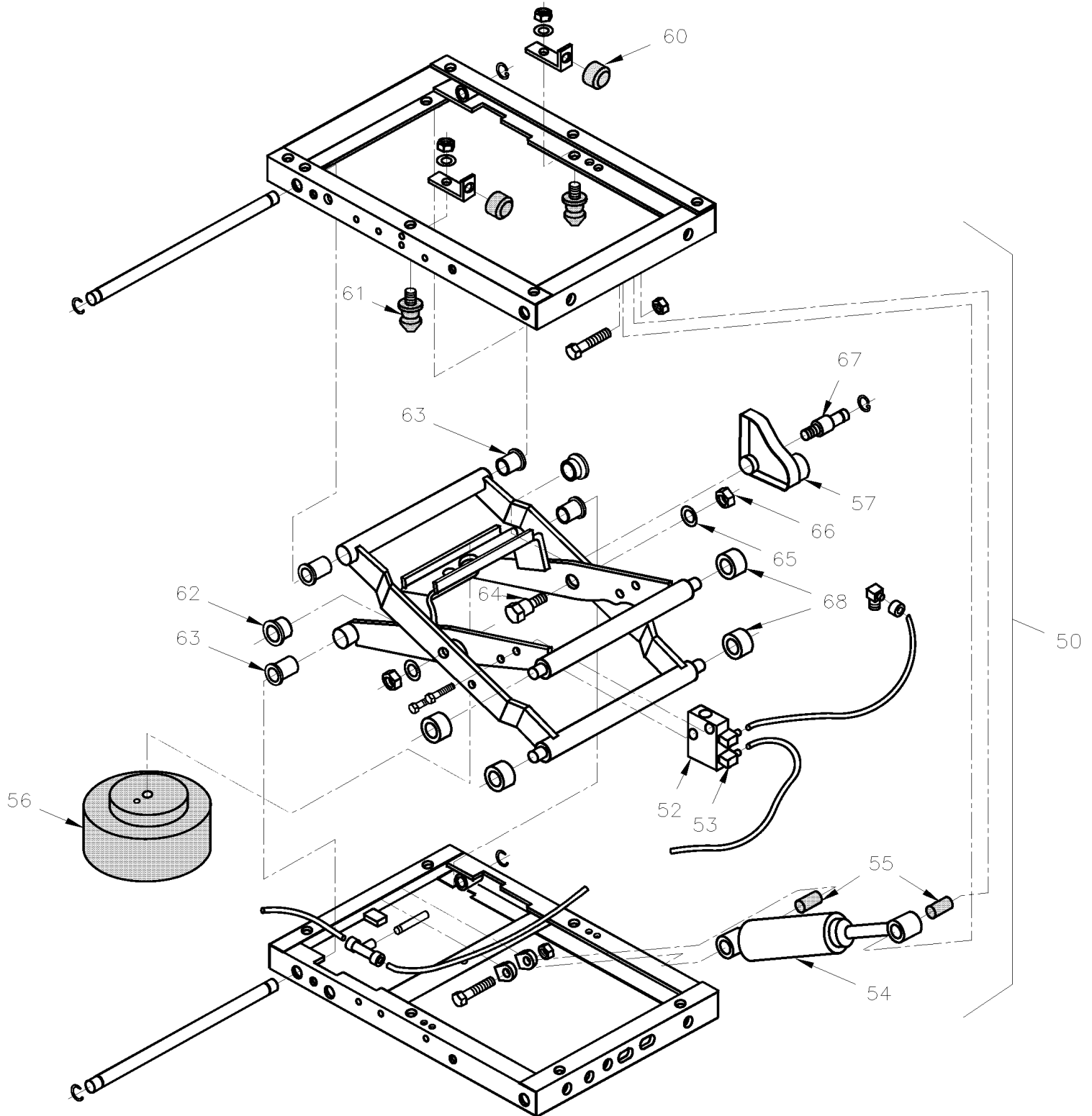
| | | |
|--|--------------|-----------------|
| | Date:10/2022 | PAGE:Y2-1822-10 |
| DRIVER'S SEAT - "ISRI" - 6000/515 & 6500/515 | | |



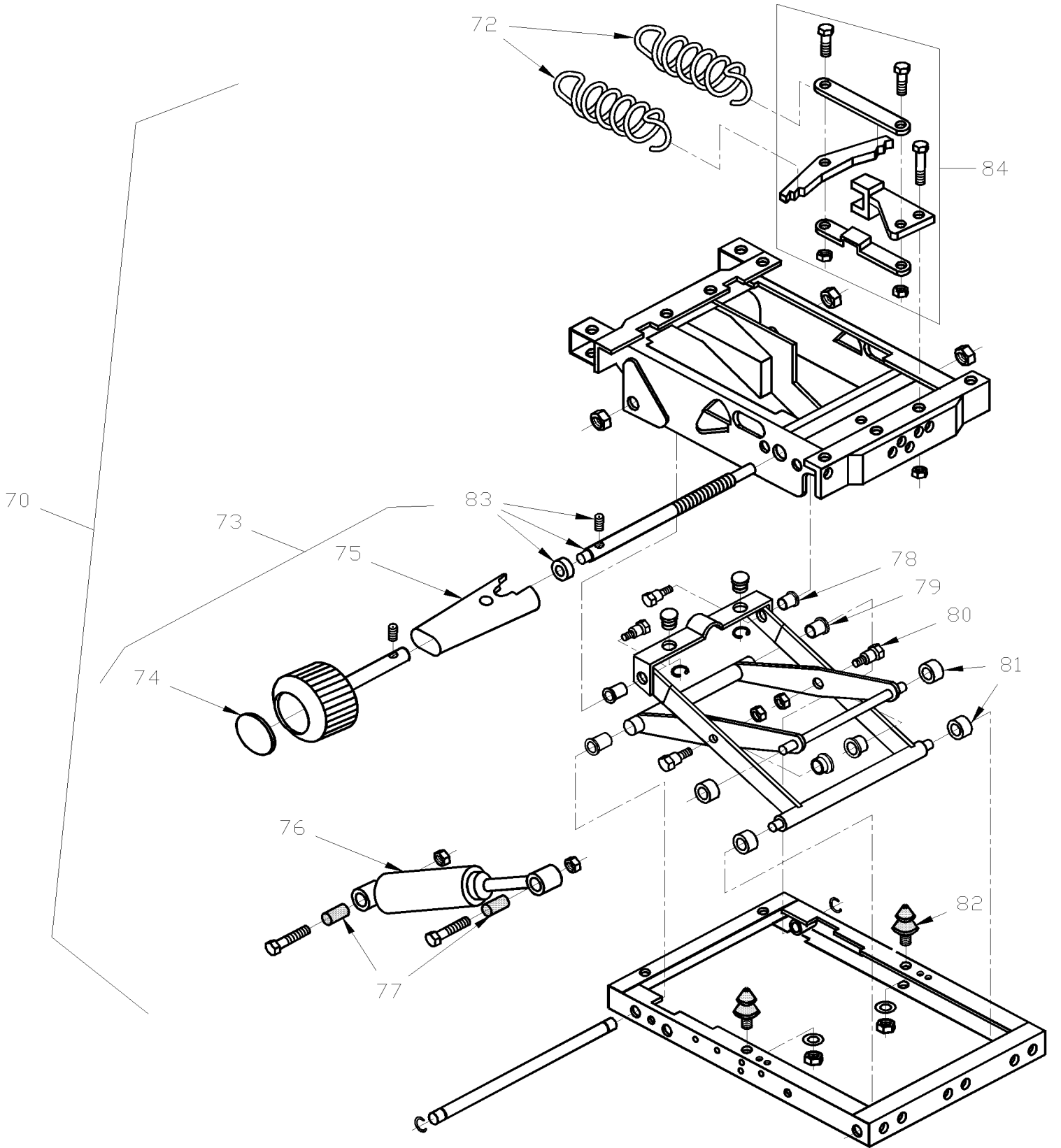
| | | |
|--|--------------|-----------------|
| | Date:10/2022 | PAGE:Y2-1822-10 |
| DRIVER'S SEAT - "ISRI" - 6000/515 & 6500/515 | | |



| | | |
|--|--------------|-----------------|
| | Date:10/2022 | PAGE:Y2-1822-10 |
| DRIVER'S SEAT - "ISRI" - 6000/515 & 6500/515 | | |



| | | |
|--|--------------|-----------------|
| | Date:10/2022 | PAGE:Y2-1822-10 |
| DRIVER'S SEAT - "ISRI" - 6000/515 & 6500/515 | | |



Date:10/2022

PAGE:Y2-1822-10

DRIVER'S SEAT - "ISRI" - 6000/515 & 6500/515

| Item# | Part | Description | X L I I 4 5 | X L I I M T H 4 0 | X L I I M T H 4 5 | X L I I M T H 4 5 E | NOTES |
|-------|--------|--|----------------------------|---|---|--|-------|
| | 362833 | SEAT ASSY MECHANIC / R.H. CONTROL W/COVERING | 1 | | | | E |
| | 860433 | . DRIVER'S SEAT - "ISRI" - MODEL 6000/515 / MECHANIC / R.H. CONTROL | 1 | | | | |
| | 362834 | SEAT ASSY MECHANIC / R.H. CONTROL & AIR LUMBAR W/COVERING | 1 | | | | E |
| | 860852 | . DRIVER'S SEAT - "ISRI" - MODEL 6000/515 / MECHANIC / R.H. CONTROL & AIR LUMBAR | 1 | | | | |
| | 860855 | DRIVER'S SEAT - "ISRI" - MODEL 6000/525 / ELECTRIC / AIR SUSPENSION / R.H. | | 1 | 1 | 1 | |
| | 862319 | DRIVER'S SEAT - "ISRI" - MODEL 6000/525 / ELECTRIC / AIR SUSPENSION / R.H. CONTROL & LUMBAR SUPPORTS | | 1 | 1 | 1 | |
| 1 | 860441 | HEADREST | 1 | 1 | 1 | 1 | |
| 2 | 860483 | GROMMET | 2 | 2 | 2 | 2 | |
| 3 | 860508 | BACKREST ASSY / R.H. CONTROL | 1 | 1 | 1 | 1 | |
| 4 | 860509 | . FRAME / R.H. CONTROL | 1 | 1 | 1 | 1 | |
| NS | 860600 | . FRAME / L.H. CONTROL | | 1 | 1 | 1 | |
| 5 | 860507 | . FOAM | 1 | 1 | 1 | 1 | |
| 6 | 860494 | AIR BAG / LOMBAR | 1 | 1 | 1 | 1 | |
| 7 | 860548 | HEATING PAD / BACK | 1 | 1 | 1 | 1 | |
| 8 | 860510 | PAN SEAT SUBASSY | 1 | 1 | 1 | 1 | |
| 9 | 860511 | . FOAM / SEAT | 1 | 1 | 1 | 1 | |
| 10 | 860547 | HEATING PAD / SEAT | 1 | 1 | 1 | 1 | |
| 11 | 860532 | COVER | 2 | 2 | 2 | 2 | |
| 12 | N.S.S. | BRACKET / ARMREST | 1 | 1 | 1 | 1 | 1 |
| 13 | 500544 | SCREW CAP HEX M8-1.25x30 G8.8 Z050 | 2 | 2 | 2 | 2 | |
| 14 | 860440 | ARMREST L.H. ADJUSTABLE | 1 | | | | |
| NS | 860442 | ARMREST R.H. ADJUSTABLE | 1 | | | | |
| 14 | 868135 | ARMREST L.H. BLACK | | 1 | 1 | 1 | |
| . NS | 868133 | . COVER, ARMREST END, OPEN, BLK | | 1 | 1 | 1 | |
| 14 | 868134 | ARMREST R.H. BLACK | | 1 | 1 | 1 | |
| . NS | 868133 | . COVER, ARMREST END, OPEN, BLK | | 1 | 1 | 1 | |
| 15 | 860725 | . KNOB | 1 | 1 | 1 | 1 | |
| 16 | 860721 | ARMREST ASSY L.H. / W/O COVERING | | 1 | 1 | 1 | |
| NS | 860722 | ARMREST ASSY R.H. / W/O COVERING | | 1 | 1 | 1 | |
| 16 | N.S.S. | COVERING | | 1 | 1 | 1 | 1 |
| 17 | 860723 | . COVER KIT ARMREST | | 1 | 1 | 1 | |
| 18 | 860724 | . KNOB | | 1 | 1 | 1 | |
| 19 | 861085 | SLIDE MASTER / HANDLE & SLAVE / R.H. CONTROL | 1 | 1 | 1 | 1 | |
| 20 | 861086 | . HANDLE R.H. | 1 | 1 | 1 | 1 | |
| NS | 861084 | SLIDE SET "C" STYLE / HANDLE & SLAVE / W/SEAT #860852 | 1 | | | | |
| 21 | 861100 | SPACER STATIC /W/FOLLOWING SEAT NUMBER 860432 433,449,450,543,544,545 & 546 | 1 | 1 | 1 | 1 | A |
| NS | 861102 | SPACER STATIC | 1 | 1 | 1 | 1 | B |
| 30 | 861083 | FRAME ASSY SEAT / R.H. CONTROL (AS SHOWN) | 1 | | | | |
| NS | 861081 | FRAME ASSY SEAT / W/O MEMORY ELECTRICAL SEAT | | 1 | 1 | 1 | |
| NS | 861082 | FRAME ASSY SEAT / W/MEMORY ELECTRICAL SEAT | | 1 | 1 | 1 | |
| 31 | 861090 | . SIDE PLATE ASSY / KIT FOR R.H. CONTROL (AS SHOWN) | 1 | 1 | 1 | 1 | |
| 32 | 861790 | . TOOTH LEVER / R.H. SIDE (AS SHOWN) | 1 | 1 | 1 | 1 | |

Date:10/2022

PAGE:Y2-1822-10

DRIVER'S SEAT - "ISRI" - 6000/515 & 6500/515

| Item# | Part | Description | X L I I 4 5 | X L I I M T H 4 0 | X L I I M T H 4 5 | X L I I M T H 4 5 E | NOTES |
|-------|--------|--|----------------------------|---|---|--|-------|
| 32 | 861789 | . TOOTH LEVER / L.H. SIDE | 1 | 1 | 1 | 1 | |
| 33 | 860493 | . HANDLE / R.H. CONTROL (AS SHOWN) | 1 | 1 | 1 | 1 | |
| 33 | 861089 | . HANDLE / R.H. CONTROL (AS SHOWN) | 1 | 1 | 1 | 1 | |
| NS | 860589 | . HANDLE / L.H. CONTROL | | 1 | 1 | 1 | |
| 34 | 861087 | . HANDLE HEIGHT TILT / FRONT | 1 | 1 | 1 | 1 | |
| NS | 861088 | . HANDLE HEIGHT TILT / REAR | 1 | 1 | 1 | 1 | |
| 35 | 860587 | . LEVER HEIGHT REAR | 1 | 1 | 1 | 1 | |
| 36 | 860588 | . LEVER HEIGHT FOWARD | 1 | 1 | 1 | 1 | |
| 37 | 860690 | . LEVER ADJUSTMENT KEY / R.H. FRONT & L.H. RE | 1 | 1 | 1 | 1 | |
| 38 | 860689 | . LEVER ADJUSTMENT KEY / R.H. REAR & L.H. FRO | 1 | 1 | 1 | 1 | |
| 39 | 860513 | . KIT SPRING (2 LARGES & 3 SMALL) | 1 | 1 | 1 | 1 | |
| 43 | 861091 | . TORSION BAR KIT | 1 | 1 | 1 | 1 | |
| 44 | 861092 | . KIT VALVE LOMBAR SUPPORTS | 1 | 1 | 1 | 1 | C |
| NS | 860887 | . . KIT VALVE LUMBAR SUPPORTS / W/SEAT W/R.H. CONTROL | | | | | D |
| 45 | 861093 | . . . BUTTON AIR LOMBAR UPPER SECTION | 1 | 1 | 1 | 1 | |
| 46 | 861094 | . . . BUTTON AIR LOMBAR LOWER SECTION | 1 | 1 | 1 | 1 | |
| 47 | 862217 | . SPRING | 1 | 1 | 1 | 1 | |
| 50 | 860518 | SUSPENSION ASSY AIR | | 1 | 1 | 1 | |
| 51 | 860523 | . COVER | | 1 | 1 | 1 | |
| 52 | 860719 | . VALVE AIR | | 1 | 1 | 1 | |
| 53 | 860533 | . ELBOW PLASTIC BLUE | | 1 | 1 | 1 | |
| NS | 868501 | . NUT BLACK | 1 | 1 | 1 | 1 | |
| 54 | 860521 | . ABSORBER / 99LBS | | 1 | 1 | 1 | |
| NS | 860602 | . ABSORBER / 120LBS | | 1 | 1 | 1 | |
| 55 | 860586 | . . BUSHING / ABSORBER | | 2 | 2 | 2 | |
| 56 | 860522 | . BELLOW | | 1 | 1 | 1 | |
| . NS | 866008 | . . CONNECTOR AIR W/"O-RING" | | 1 | 1 | 1 | |
| 57 | 860515 | . CAM | | 1 | 1 | 1 | |
| NS | 860693 | . KIT REPAIR / AIR SUSPENSION | | AR | AR | AR | |
| 60 | N.S.S. | . . BUMPER RUBBER | | 2 | 2 | 2 | 1 |
| 61 | N.S.S. | . . BUMPER RUBBER | | 2 | 2 | 2 | 1 |
| 62 | N.S.S. | . . BUSHING SPLIT FLANGE | | 2 | 2 | 2 | 1 |
| 63 | N.S.S. | . . BUSHING FLANGE | | 4 | 4 | 4 | 1 |
| 64 | N.S.S. | . . SCREW | | 1 | 1 | 1 | 1 |
| 65 | N.S.S. | . . WASHER | | 2 | 2 | 2 | 1 |
| 66 | N.S.S. | . . NUT | | 2 | 2 | 2 | 1 |
| 67 | N.S.S. | . . BOLT | | 1 | 1 | 1 | 1 |
| 68 | N.S.S. | . . ROLLER | | 4 | 4 | 4 | 1 |
| 70 | 860685 | SUSPENSION ASSY MECHANICAL / R.H. CONTROL | 1 | 1 | 1 | 1 | |
| 71 | 860526 | . COVER | 1 | 1 | 1 | 1 | |
| 72 | 860525 | . SPRING EXTENSION / 1.800 O.D. x 6.75 x .340 FORMER | 2 | 2 | 2 | 2 | |
| 72 | 862913 | . SPRING EXTENSION / KIT OF 2 1.800 O.D. x 6.75 x .340 SERVICE | 1 | 1 | 1 | 1 | |

Date:10/2022

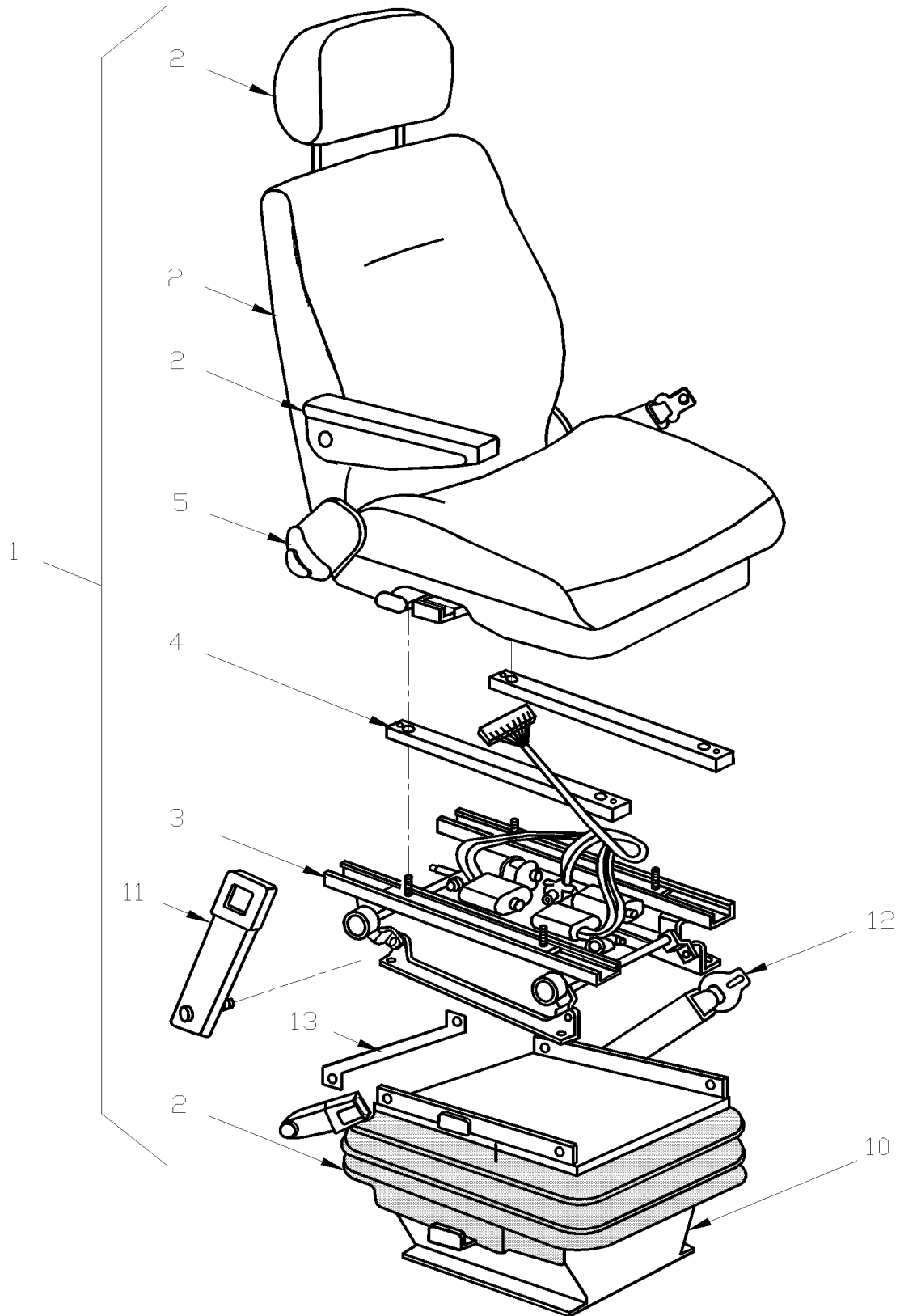
PAGE:Y2-1822-10

DRIVER'S SEAT - "ISRI" - 6000/515 & 6500/515

| Item# | Part | Description | X L I I 4 5 | X L I I M T H 4 0 | X L I I M T H 4 5 | X L I I M T H 4 5 E | NOTES |
|-------|---------|--|----------------------------|---|---|--|-------|
| 73 | 860658 | . HANDWHEEL / R.H. CONTROL (AS SHOWN) | 1 | 1 | 1 | 1 | |
| 74 | 860549 | .. CAP PLASTIC | 1 | 1 | 1 | 1 | |
| 75 | 860594 | .. CAP SHAFT COVER | 1 | 1 | 1 | 1 | |
| 76 | 860521 | . ABSORBER / 99LBS | 1 | 1 | 1 | 1 | |
| NS | 860602 | . ABSORBER / 120LBS | 1 | 1 | 1 | 1 | |
| 77 | 860586 | .. BUSHING / ABSORBER | 2 | 2 | 2 | 2 | |
| NS | 860692 | . KIT REPAIR / MECHANICAL SUSPENSION | AR | AR | AR | AR | |
| 78 | N.S.S. | .. BUSHING SPLIT FLANGE | 2 | 2 | 2 | 2 | 1 |
| 79 | N.S.S. | .. BUSHING FLANGE | 2 | 2 | 2 | 2 | 1 |
| 80 | N.S.S. | .. BOLT | 2 | 2 | 2 | 2 | 1 |
| 81 | N.S.S. | .. ROLLER | 4 | 4 | 4 | 4 | 1 |
| 82 | N.S.S. | .. BUMPER | 2 | 2 | 2 | 2 | 1 |
| 83 | 860864 | SPINDLE KIT | 1 | 1 | 1 | 1 | |
| 84 | 861746 | . KIT WEIGHT ADJUSTMENT | 1 | 1 | 1 | 1 | |
| 90 | 362201P | COVERING HEADREST ASSY / S.C.C. / DRIVER'S "ISRI" 6000 & 6500 | 1 | | | | |
| 91 | 362204P | COVERING BACKREST ASSY / S.C.C. / DRIVER'S "ISRI" 6000 & 6500 | 1 | | | | |
| 92 | 362203P | COVERING SEATREST ASSY / S.C.C. / DRIVER'S "ISRI" 6000 & 6500 | 1 | | | | |
| 93 | 860527 | CLIP | 8 | 8 | 8 | 8 | |
| NS | 860484 | SEW STRIP NYLON 10MM | AR | AR | AR | AR | |
| NS | 860485 | SEW STRIP NYLON 15MM | AR | AR | AR | AR | |
| NS | 864709 | TUBE PLASTIC 6MM O.D. CHARCOAL W/RED LINE | AR | AR | AR | AR | |
| NS | 864710 | TUBE PLASTIC 6MM O.D. CHARCOAL W/GREY LINE | AR | AR | AR | AR | |
| NS | 864711 | TUBE PLASTIC 6MM O.D. CHARCOAL | AR | AR | AR | AR | |
| 100 | 362188 | KIT BELT | 1 | 1 | 1 | 1 | |
| 100 | 860607 | . STIFF BUCKLE IN BOOT | 1 | 1 | 1 | 1 | |
| 101 | 860977 | . BELT SEAT | 1 | 1 | 1 | 1 | |
| 101 | 860553 | . BELT TETHER / BODY & SUSPENSION / (SET OF 2) | 1 | 1 | 1 | 1 | |
| 102 | 361800 | BASE DRIVER'S SEAT / W "ISRI" / 76.2MM HEIGHT / 3" | 1 | 1 | 1 | 1 | |
| NS | 5001117 | SCREW CAP HEX M12-1.75x70 BK | 4 | 4 | 4 | 4 | F |
| NS | 500958 | WASHER FL .531x1.062x.095 SS | 4 | 4 | 4 | 4 | F |
| NS | 500810 | WASHER LO SPT 12.2x21.1x2.5 Z050 | 4 | 4 | 4 | 4 | F |
| NS | 362549 | SPACER / STRUCTURE & BASE / 27MM | 4 | 4 | 4 | 4 | F |
| NS | 363104 | BAR ICP / W/SEAT MODEL 6500/ELECTRIC To Y-7232 | | 1 | 1 | 1 | G |
| NS | 363275 | BAR ICP / W/SEAT MODEL 6801 / CURBSIDE To Y-7232 | | 1 | 1 | 1 | G |
| 103 | 363945 | BAR ICP / W/SEAT MODEL 6500 From Y-7233 | | 1 | 1 | 1 | G |
| NS | 500179 | SCREW CAP HEX 5/16-18x3/4 G5 Z050 | | 2 | 2 | 2 | G |
| NS | 500777 | NUT HEX STO 5/16-18 Z050 | | 2 | 2 | 2 | G |
| NS | 361677 | JOINT / W/AIR SUSPENSION / W/2 HOLES .344 O / 3 1/8" x W/2" C/C | | 2 | 2 | 2 | G |
| NS | 364155 | JOINT / W/AIR SUSPENSION / W/2 HOLES .344 O / 4 3/8" x W/3 1/4" C/C From SERVICE | | 1 | 1 | 1 | G |
| NS | 500810 | WASHER LO SPT 12.2x21.1x2.5 Z050 | | 2 | 2 | 2 | G |
| NS | 500480 | WASHER LO SPT .443x.779x.109 Z050 | | 2 | 2 | 2 | G |
| NS | 500445 | WASHER FL .437x1.000x.083 Z050 | | 2 | 2 | 2 | G |

| | | Date:10/2022 | PAGE:Y2-1822-10 | | | | |
|--|---------|--|----------------------------|---|---|--|-------|
| DRIVER'S SEAT - "ISRI" - 6000/515 & 6500/515 | | | | | | | |
| Item# | Part | Description | X L I I 4 5 | X L I I M T H 4 0 | X L I I M T H 4 5 | X L I I M T H 4 5 E | NOTES |
| NS | 5001365 | SCREW CAP HEX M12-1.75x30 G10.9 DP | | 2 | 2 | 2 | G |
| NS | 641507 | UNION / PUSH-IN FITTING / #4 x 6MM NP | 1 | 1 | 1 | 1 | |
| NS | 641092 | UNION TEE / NTA FITTING / #4x#4x#4 BR | 1 | 1 | 1 | 1 | |
| NS | 867958 | ADAPTOR | 1 | 1 | 1 | 1 | |
| NS | 868125 | UNION 4MM/4MM | 1 | 1 | 1 | 1 | |
| NS | 868128 | UNION 6MM/4MM | 1 | 1 | 1 | 1 | |
| | | A) W/SEAT #860433 | | | | | |
| | | B) W/860853, 860854, 860912 & 860913 | | | | | |
| | | C) W/HOSE & HARDWARE | | | | | |
| | | D) W/BUTTON | | | | | |
| | | E) THIS SEAT IS COMPLETELY ASSY W/COVERING, ARMREST, HEATING PAD & SAFETY BELT (SPECIFY COLOR) | | | | | |
| | | F) TO FIX BASE TO FLOOR | | | | | |
| | | G) TO FIX SAFETY BELT TO SEAT | | | | | |
| | | 1) NOT SOLD SEPARATELY | | | | | |

| | | |
|---------------------------|--------------|-----------------|
| | Date:10/2022 | PAGE:Y2-1822-50 |
| DRIVER'S SEAT "ISRI" ASSY | | |



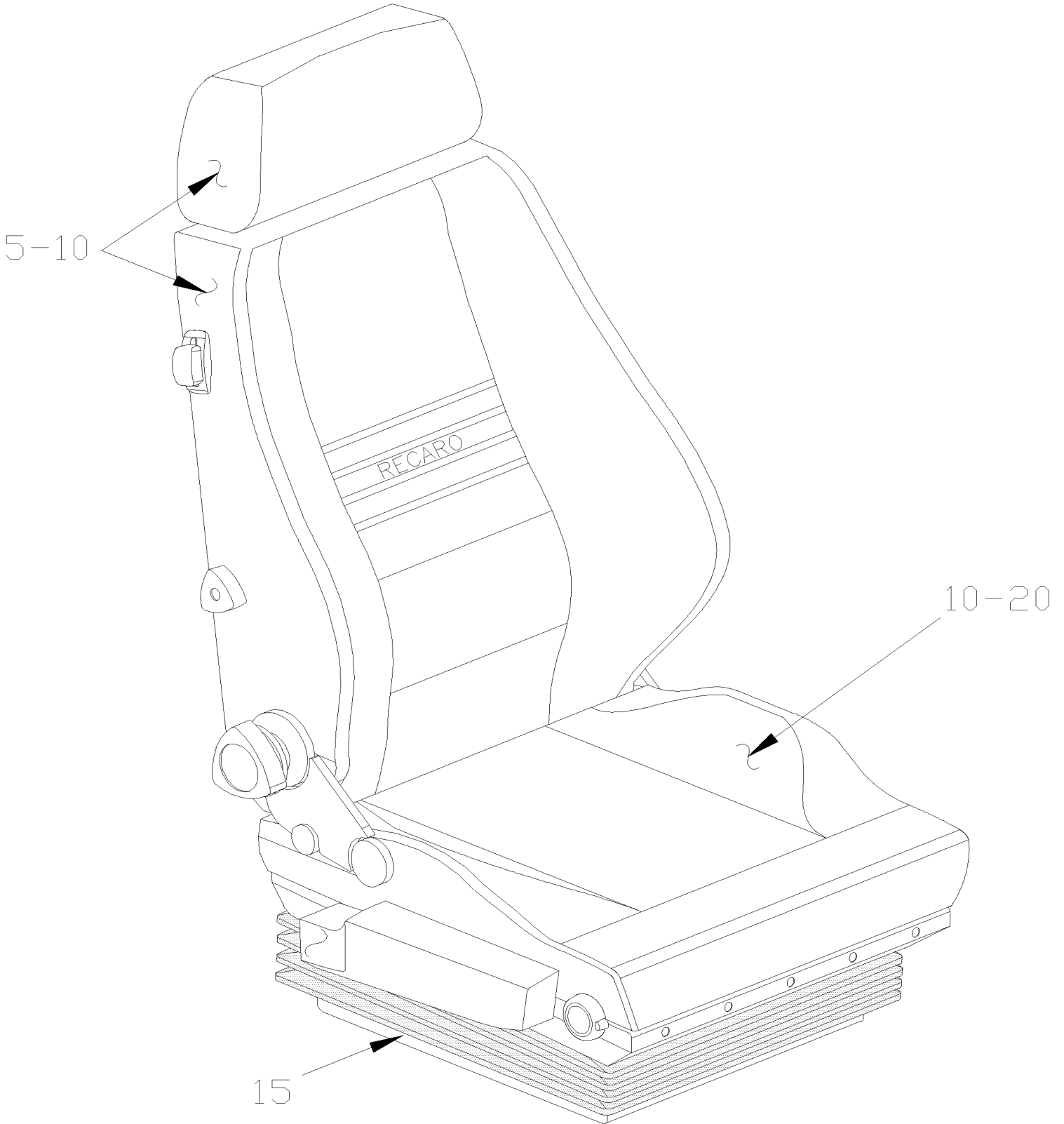
Date:10/2022

PAGE:Y2-1822-50

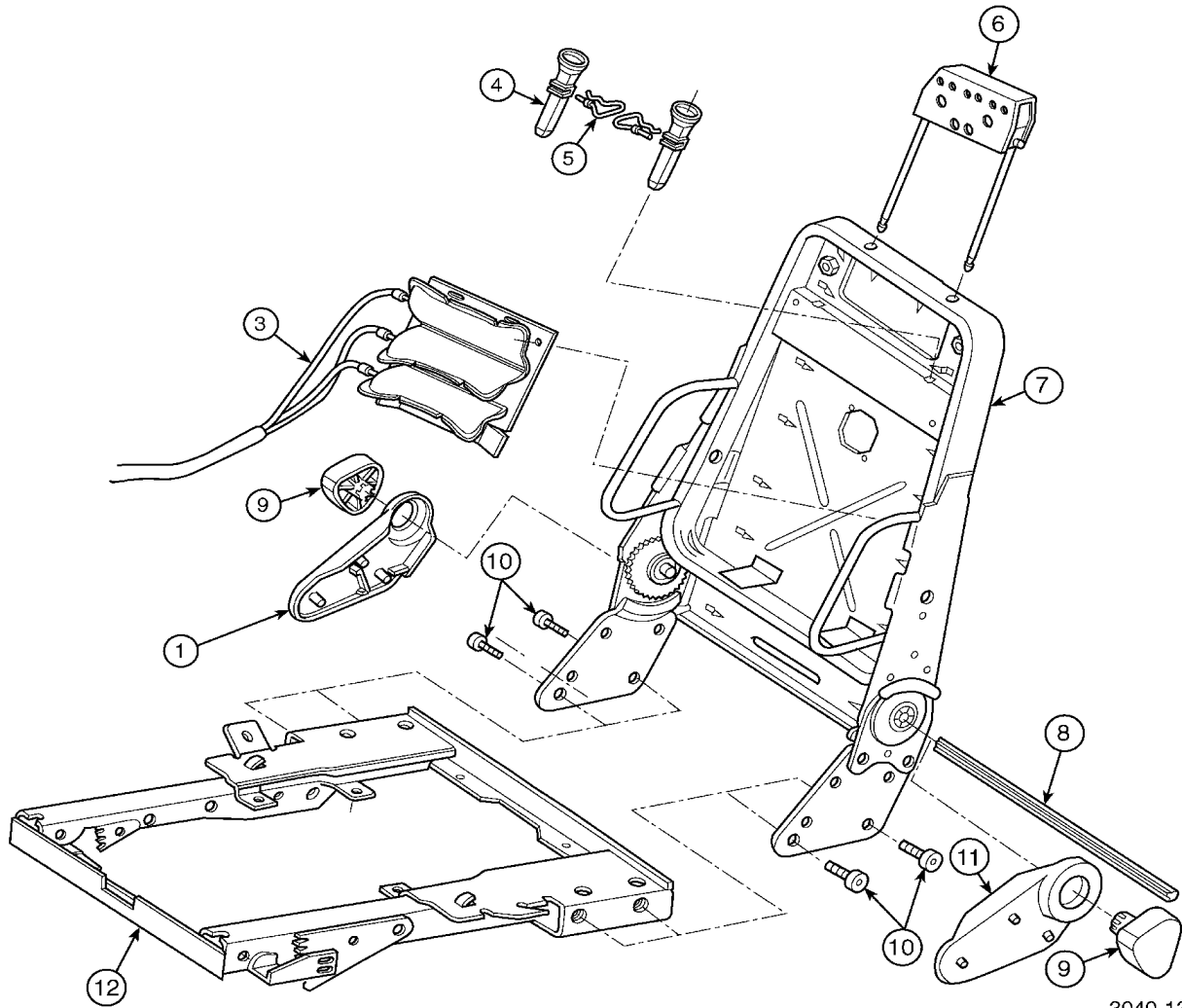
DRIVER'S SEAT "ISRI" ASSY

| Item# | Part | Description | X L I I 4 5 | X L I I M T H 4 0 | X L I I M T H 4 5 | X L I I M T H 4 5 E | N O T E S |
|-------|-------------------|--|----------------------------|---|---|--|-----------------------|
| | | | | | | | |
| 1 | 862319 | DRIVER'S SEAT - "ISRI" - MODEL 6000/525 / ELECTRIC / AIR SUSPENSION / R.H. CONTROL & LUMBAR SUPPORTS | | 1 | 1 | 1 | C |
| 1 | 860855 | DRIVER'S SEAT - "ISRI" - MODEL 6000/525 / ELECTRIC / AIR SUSPENSION / R.H. | | 1 | 1 | 1 | B |
| 2 | Y2-1822-10 | DRIVER'S SEAT - "ISRI" - 6000/515 & 6500/515 | | | | | |
| 3 | 860728 | BASE ELECTRICAL ASSY | | 1 | 1 | 1 | |
| 4 | 860727 | TUBE ADAPTOR | | 2 | 2 | 2 | |
| 5 | 861081 | FRAME ASSY SEAT / W/O MEMORY ELECTRICAL SEAT | | 1 | 1 | 1 | |
| 10 | 363422 | BASE DRIVER'S SEAT / W "ISRI" "ELECTRIC / 25.4MM HEIGHT / 1" To 2-7914 | | 1 | 1 | 1 | |
| 10 | 364018 | BASE 1" / W/ELECTRICAL SEAT ONLY From 2-7915 | | 1 | 1 | 1 | |
| 10 | 363454 | PLATE SEAT ADAPTOR 54MM X 242MM From 2-7915 | | 1 | 1 | 1 | |
| NS | 362549 | SPACER / STRUCTURE & BASE / 27MM | | 4 | 4 | 4 | |
| 11 | 860607 | STIFF BUCKLE IN BOOT | | 1 | 1 | 1 | |
| 11 | 861115 | SLEEVE COVERING | | 1 | 1 | 1 | |
| 12 | 860977 | BELT SEAT | | 1 | 1 | 1 | |
| 13 | 363104 | BAR ICP / W/SEAT MODEL 6500/ELECTRIC To Y-7232 | | 1 | 1 | 1 | |
| 13 | 363944 | BAR ICP / W/SEAT MODEL 6500 From Y-7233 | | 1 | 1 | 1 | |
| NS | Call order desk | LOWER SEAT BACK | | 1 | 1 | 1 | P |
| NS | 363410 | JOINT / W/AIR SUSPENSION / W/2 HOLES .562 O.D / 3 1/8" x W/2 1/8 C/C" | | 1 | 1 | 1 | A |
| 14 | 641507 | UNION / PUSH-IN FITTING / #4 x 6MM NP | | 1 | 1 | 1 | |
| 14 | 641092 | UNION TEE / NTA FITTING / #4x#4x#4 BR | | 1 | 1 | 1 | |
| | | | | | | | |
| | | | | | | | |
| | | A) USE WITH CO-PILOTE SEAT CURBSIDE INSTALLATION | | | | | |
| | | B) THOSE SEATS ARE COMPLETE ASSY W/BLACK COVERING, LARGE ARMREST & HEADREST FOR FACTORY DELIVERY. | | | | | |
| | | C) WITHOUT COVERING | | | | | |
| | | P) CALL ORDER DESK FOR SPECIFIC APPLICATION (V.I.N.) | | | | | |

| | | |
|---------------------------------------|--------------|-----------------|
| | Date:10/2022 | PAGE:Y2-1823-00 |
| DRIVER'S SEAT - "RECARO" - ERGO-COACH | | |

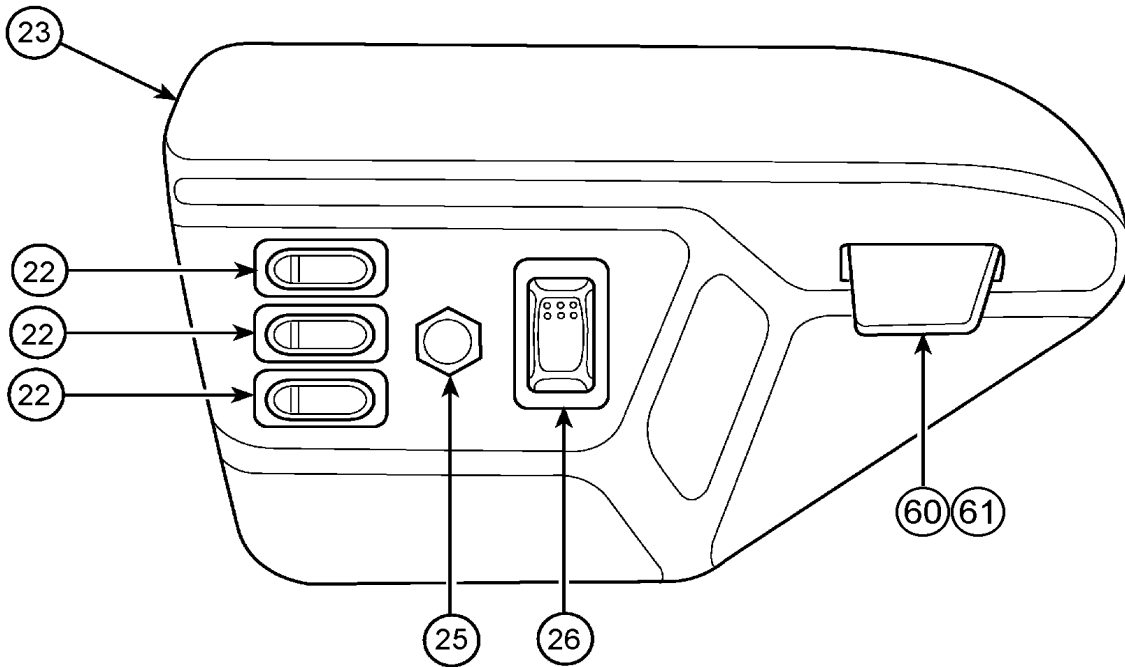
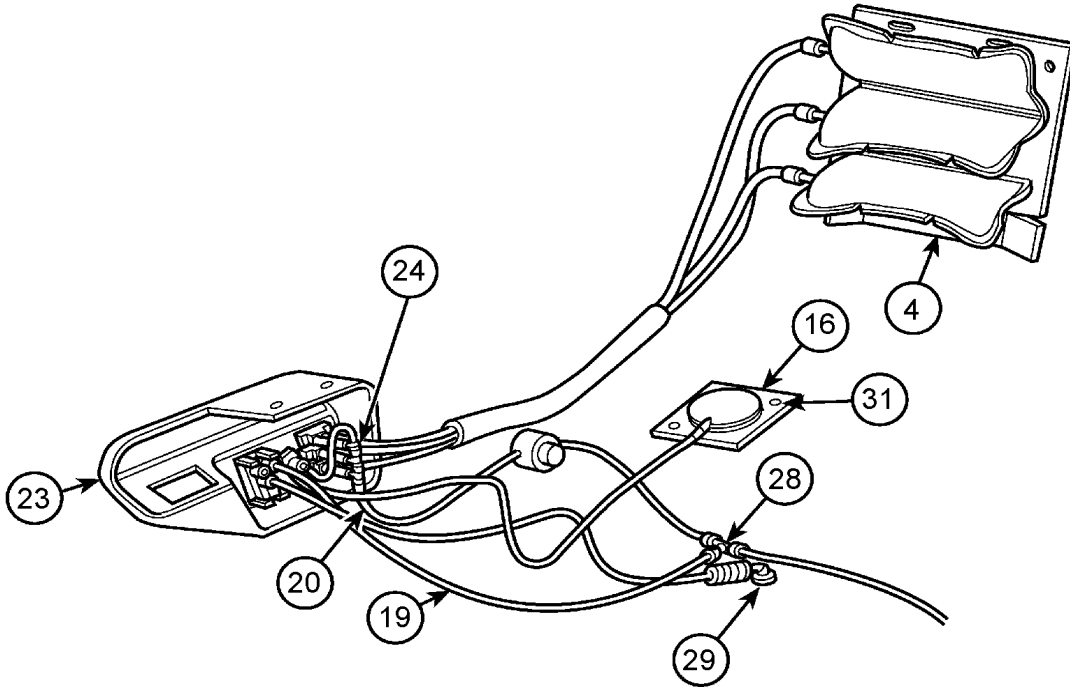


| | | |
|---------------------------------------|--------------|-----------------|
| | Date:10/2022 | PAGE:Y2-1823-10 |
| BACKREST ASSY - "RECARO" - ERGO-COACH | | |

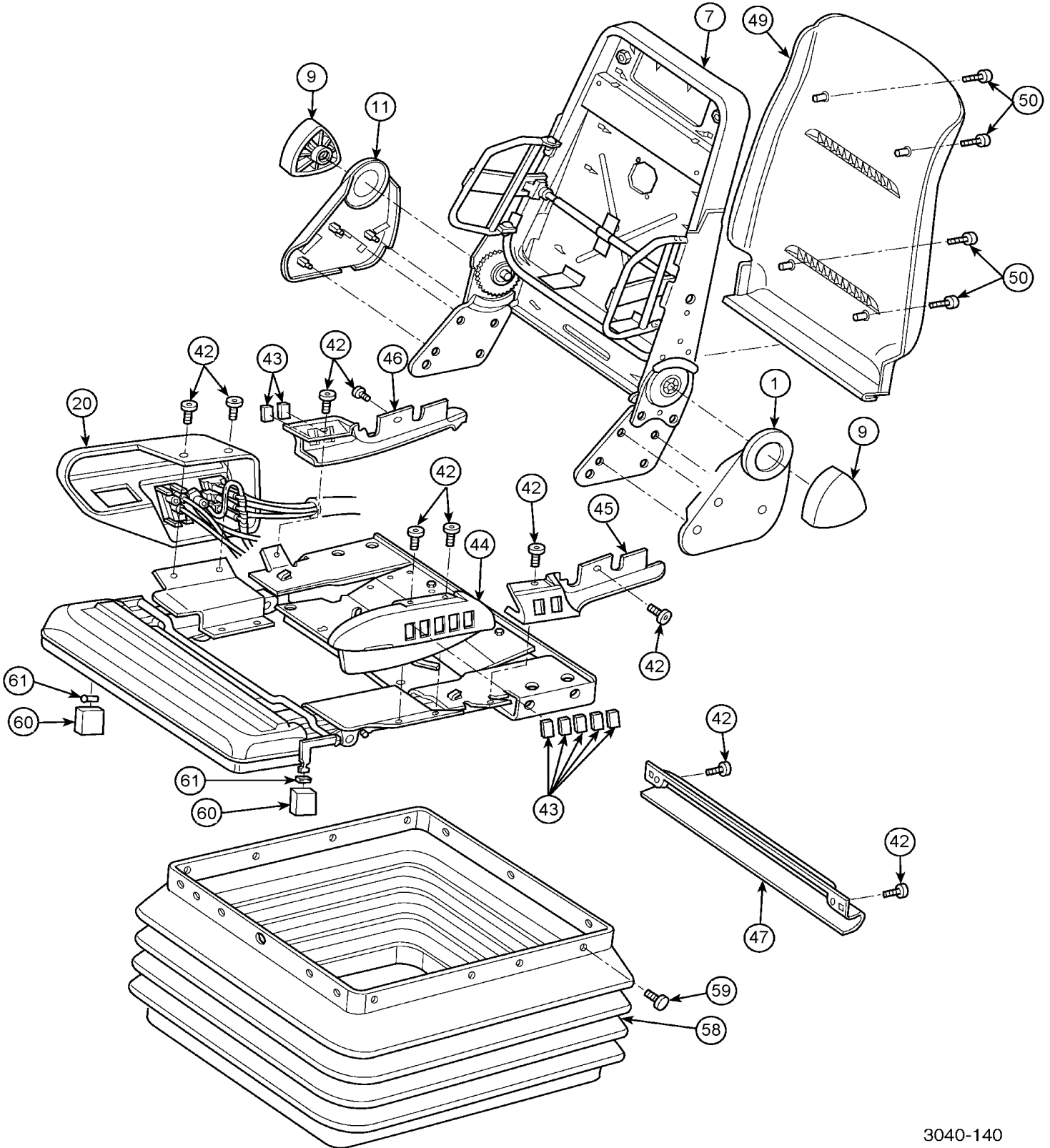


3040-137

| | | |
|---------------------------------------|--------------|-----------------|
| | Date:10/2022 | PAGE:Y2-1823-10 |
| BACKREST ASSY - "RECARO" - ERGO-COACH | | |



| | | |
|---------------------------------------|--------------|-----------------|
| | Date:10/2022 | PAGE:Y2-1823-10 |
| BACKREST ASSY - "RECARO" - ERGO-COACH | | |



Date:10/2022

PAGE:Y2-1823-10

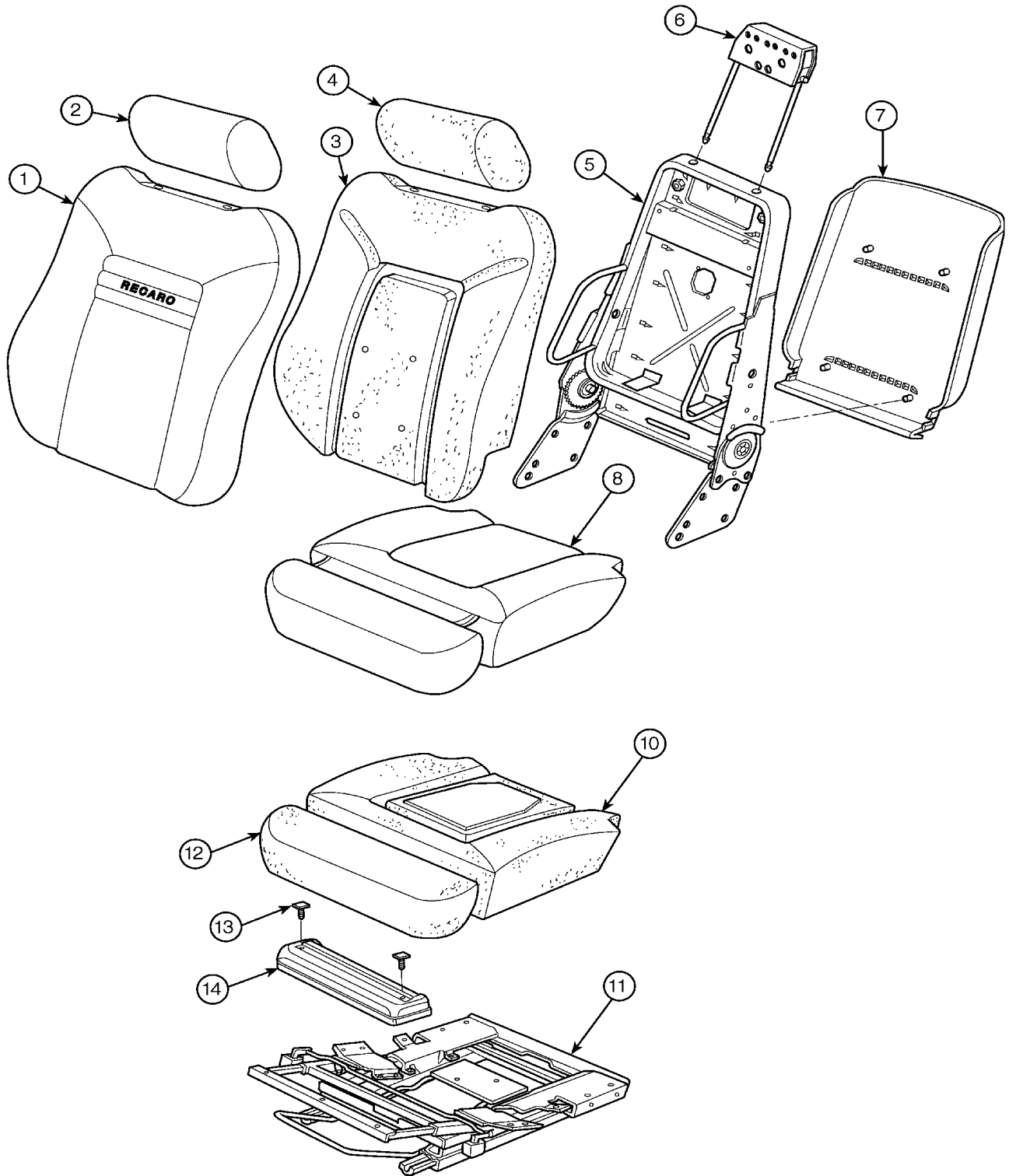
BACKREST ASSY - "RECARO" - ERGO-COACH

| Item# | Part | Description | X L I I I 4 5 | X L I I I M T H 4 0 | X L I I I M T H 4 5 | X L I I I M T H 4 5 E | NOTES |
|-------|-----------------|---------------------------------|---------------------------------|--|--|---|-------|
| 1 | Call order desk | COVER MANUAL RECLINE L.H. | 1 | | | | P |
| 3 | N8890742 | 3 CELL LUMBAR | 1 | | | | |
| 4 | Call order desk | HEADREST ASSY | 1 | | | | P |
| 4 | Call order desk | . FRAME HEADREST | 1 | | | | P |
| NS | Call order desk | . BUSHING HEADREST ROD PLASTIC | 4 | | | | P |
| NS | Call order desk | . HEADREST ROD 307MM | 2 | | | | P |
| 4 | Call order desk | . HEADREST COVER ASSY | 1 | | | | P |
| NS | N8891971 | . RETAINING STRIP | 2 | | | | |
| NS | Call order desk | . BOLT M8X25 | 2 | | | | P |
| NS | N8882304 | . NUT, LOCK | 2 | | | | |
| 5 | N8886938 | . TORSION SPRING | 2 | | | | |
| 5 | N8886939 | . SLEEVE | 2 | | | | |
| 6 | N8886937 | . GUIDE TUBE | 2 | | | | |
| 6 | Call order desk | RETAINING CLIP, LOCK WASHER | 2 | | | | P |
| 7 | Call order desk | BACK FRAME ASSY | 1 | | | | P |
| 8 | Call order desk | ROD CONNECTING RECLINER | 1 | | | | P |
| NS | Call order desk | BRACKET RECLINER STOP 12/25 DEG | 1 | | | | P |
| NS | Call order desk | BOLT M8 | 2 | | | | P |
| 9 | Call order desk | HANDWHEEL | 2 | | | | P |
| 10 | N8882373 | SCREW M6-1.0x20 | 4 | | | | |
| 11 | Call order desk | COVER MANUAL RECLINE R.H. | 1 | | | | P |
| 12 | Call order desk | RETAINING CLIP, LOCK WASHER | 2 | | | | P |
| 16 | N8890756 | ACTUATOR: AUTO BLADDER-CONTROL | 1 | | | | |
| 19 | N8890744 | TUBING 1/4" OD | 1 | | | | |
| 20 | N8890720 | CONTROL ASSY FRONT RH | 1 | | | | |
| 20 | N8893904 | . RUBBER TUBING 1/4 " OD | AR | | | | |
| 22 | N8891008 | . SWITCH PNEUMATIC LUMBAR | 3 | | | | |
| 23 | N8890743 | . CONTROL PANEL | 1 | | | | |
| 24 | Call order desk | . AIR FITTING 1/8" | 1 | | | | P |
| 25 | N8891010 | . SWITCH HIGH PRESSURE | 1 | | | | |
| 26 | N8891009 | . SWITCH AUTO ACTUATOR | 1 | | | | |
| 28 | Call order desk | AIR FITTING 1/4" | 1 | | | | P |
| 29 | N8890745 | AIRSPRING FITTING | 1 | | | | |
| 31 | N8800444 | RETAINER | 2 | | | | |
| NS | G1090493 | FITTING 1/4"X1/4" UNION | 1 | | | | |
| 41 | N8890720 | CONTROL ASSY FRONT RH | 1 | | | | |
| 42 | N8887256 | SCREW | 8 | | | | |
| 43 | N8887257 | COVER PLATE SWITCH | 9 | | | | |
| 44 | N8887260 | CONTROL PANEL / FRONT L.H. | 1 | | | | |
| 45 | N8800437 | CONTROL PANEL / REAR L.H. | 1 | | | | |
| 46 | N8800438 | CONTROL PANEL / REAR R.H. | 1 | | | | |
| 47 | N8887262 | CABLE HOUSING REAR | 1 | | | | |

BACKREST ASSY - "RECARO" - ERGO-COACH

| Item# | Part | Description | X L I I 4 5 | X L I I M T H 4 0 | X L I I M T H 4 5 | X L I I M T H 4 5 E | NOTES |
|-------|-----------------|--|----------------------------|---|---|--|-------|
| 49 | N8890725 | BACKREST COVER KIT | 1 | | | | |
| 49 | Call order desk | . COVER BACK PANEL | 1 | | | | P |
| 50 | Call order desk | . SCREW BACK PANEL | 1 | | | | P |
| 58 | G1094197 | BOOT ASSY SUSPENSION | 1 | | | | |
| . NS | N8882340 | . PLASTIC RIVET | QR | | | | |
| 59 | N8882340 | PLASTIC RIVET | 23 | | | | |
| 60 | N8890746 | KNOB KIT | 1 | | | | |
| . NS | N8882395 | . CLIP | 2 | | | | |
| . NS | N8887258 | . KNOB | 2 | | | | |
| 60 | N8882395 | . CLIP | 2 | | | | |
| 61 | N8887258 | . KNOB | 2 | | | | |
| NS | N8890741 | PNEUMATIC ASSY KIT | 1 | | | | |
| NS | N8887345 | . TIE STRAP | 2 | | | | |
| NS | N8880620 | . VINYL EDGE PROTECTOR | AR | | | | |
| NS | G1090493 | . FITTING 1/4"X1/4" UNION | 1 | | | | |
| NS | N8890744 | . TUBING 1/4" OD | 1 | | | | |
| NS | N8893904 | . RUBBER TUBING 1/4 " OD | AR | | | | |
| NS | Call order desk | . REGULATOR MONNIER 10PSI | 1 | | | | P |
| NS | Call order desk | . AIR FITTING 1/4" | 1 | | | | P |
| NS | N8890748 | . AIR FITTING 10-32 THREAD | 1 | | | | |
| NS | Call order desk | . AIR FITTING 10-32 THREAD | 1 | | | | P |
| NS | N8887306 | . SCREW M5-0.8x10 | 1 | | | | |
| NS | Call order desk | . TUBING NYLON 12 BLACK | AR | | | | P |
| NS | Call order desk | . ERGO AIRLINE ROUTING | 1 | | | | P |
| NS | Call order desk | . INSTALLATION INSTRUCTION AIR LINE | 1 | | | | P |
| NS | Call order desk | STICKER RECARO LOGO | 1 | | | | P |
| NS | N8890749 | KIT BACKREST ASSY | 1 | | | | A |
| NS | N8890750 | KIT RECLINING STOP ASM | 1 | | | | |
| NS | Call order desk | . BRACKET RECLINER STOP 12/25 DEG | 1 | | | | P |
| NS | Call order desk | . BOLT M8 | 2 | | | | P |
| | | | | | | | |
| | | | | | | | |
| | | | | | | | |
| | | A) INCLUDE ITEMS #5, 6, 7, 8 & 10 | | | | | |
| | | P) CALL ORDER DESK FOR SPECIFIC APPLICATION (V.I.N.) | | | | | |

| | | |
|---|--------------|-----------------|
| | Date:10/2022 | PAGE:Y2-1823-15 |
| SEAT COVER & FOAM - "RECARO" - ERGO-COACH | | |



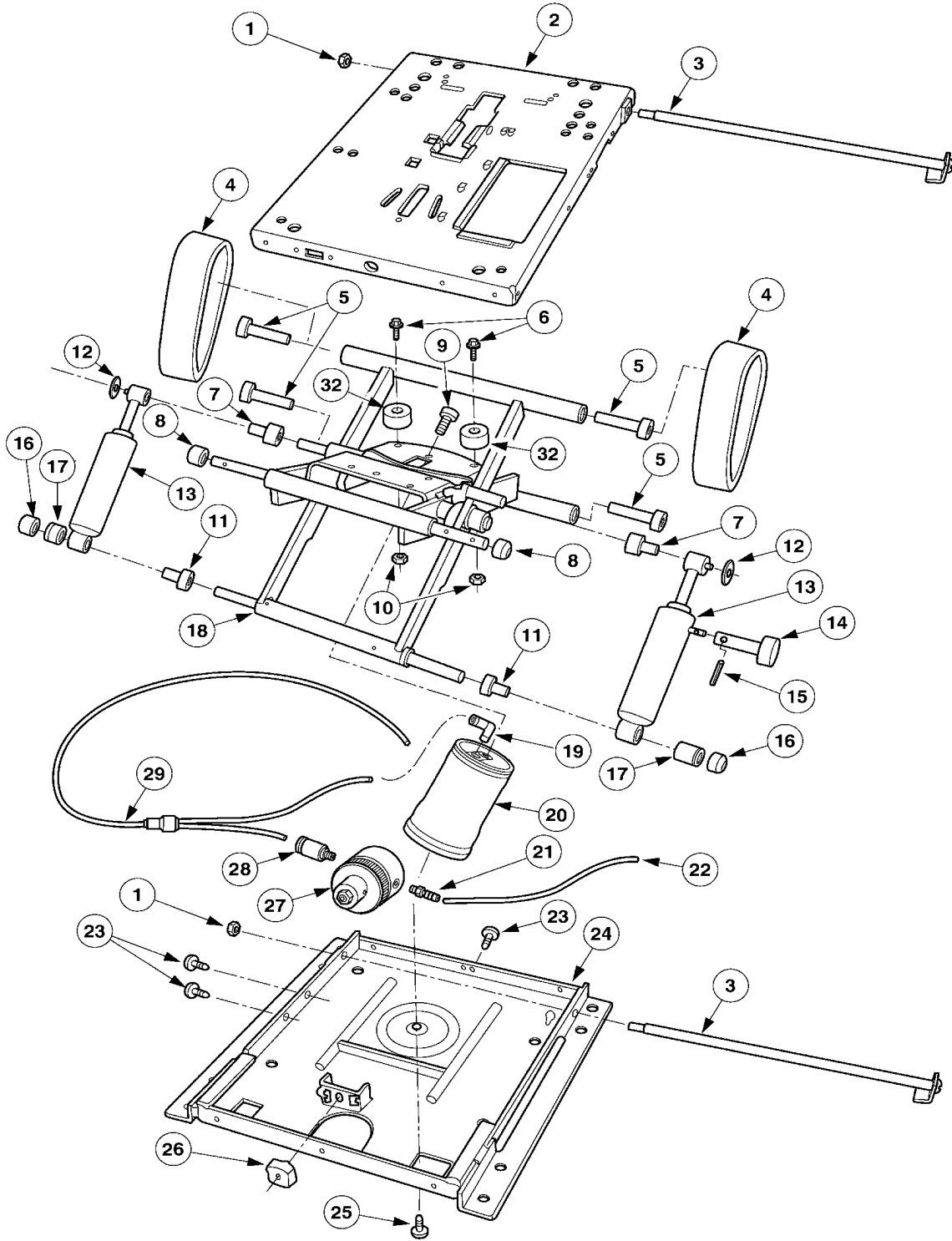
Date:10/2022

PAGE:Y2-1823-15

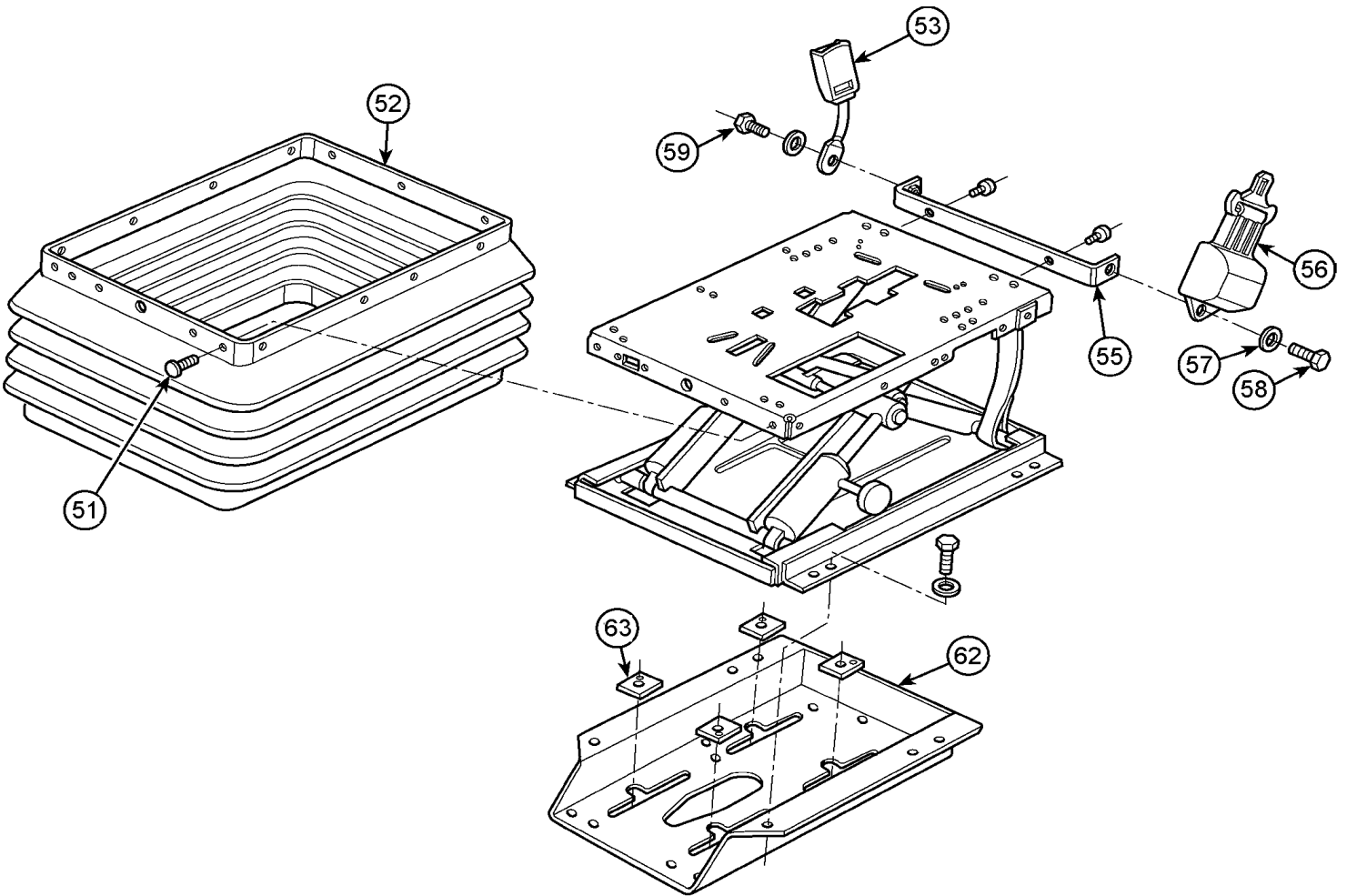
SEAT COVER & FOAM - "RECARO" - ERGO-COACH

| Item# | Part | Description | X L I I 4 5 | X L I I M T H 4 0 | X L I I M T H 4 5 | X L I I M T H 4 5 E | NOTES |
|-------|-------------------|--|----------------------------|---|---|--|-------|
| 1 | Call order desk | SEATBACK COVER ASSY | 1 | | | | P |
| 2 | Call order desk | HEADREST COVER ASSY | 1 | | | | P |
| 3 | N8891359 | FOAM BACKREST | 1 | | | | |
| 4 | 19503099 | FOAM HEADREST | 1 | | | | |
| 5 | Y2-1823-10 | BACKREST ASSY - "RECARO" - ERGO-COACH | | | | | |
| 6 | Y2-1823-25 | SEAT CUSHION FRAME - "RECARO" - ERGO-COACH | | | | | |
| 8 | Call order desk | SEAT CUSHION COVER ASSY | 1 | | | | P |
| 10 | N9999062 | FOAM SEAT CUSHION | 1 | | | | |
| 12 | 19503560 | THIGH FOAM SUPPORT | 1 | | | | |
| 13 | N8887357 | FRAME TIGH EXTENSION | 1 | | | | |
| 14 | N8887358 | WASHER BOLT | 2 | | | | |
| | | | | | | | |
| | | | | | | | |
| | | | | | | | |
| | | P) CALL ORDER DESK FOR SPECIFIC APPLICATION (V.I.N.) | | | | | |

| | | |
|--|--------------|-----------------|
| | Date:10/2022 | PAGE:Y2-1823-20 |
| SUSPENSION & RISER - "RECARO" - ERGO-COACH | | |



| | | |
|--|--------------|-----------------|
| | Date:10/2022 | PAGE:Y2-1823-20 |
| SUSPENSION & RISER - "RECARO" - ERGO-COACH | | |



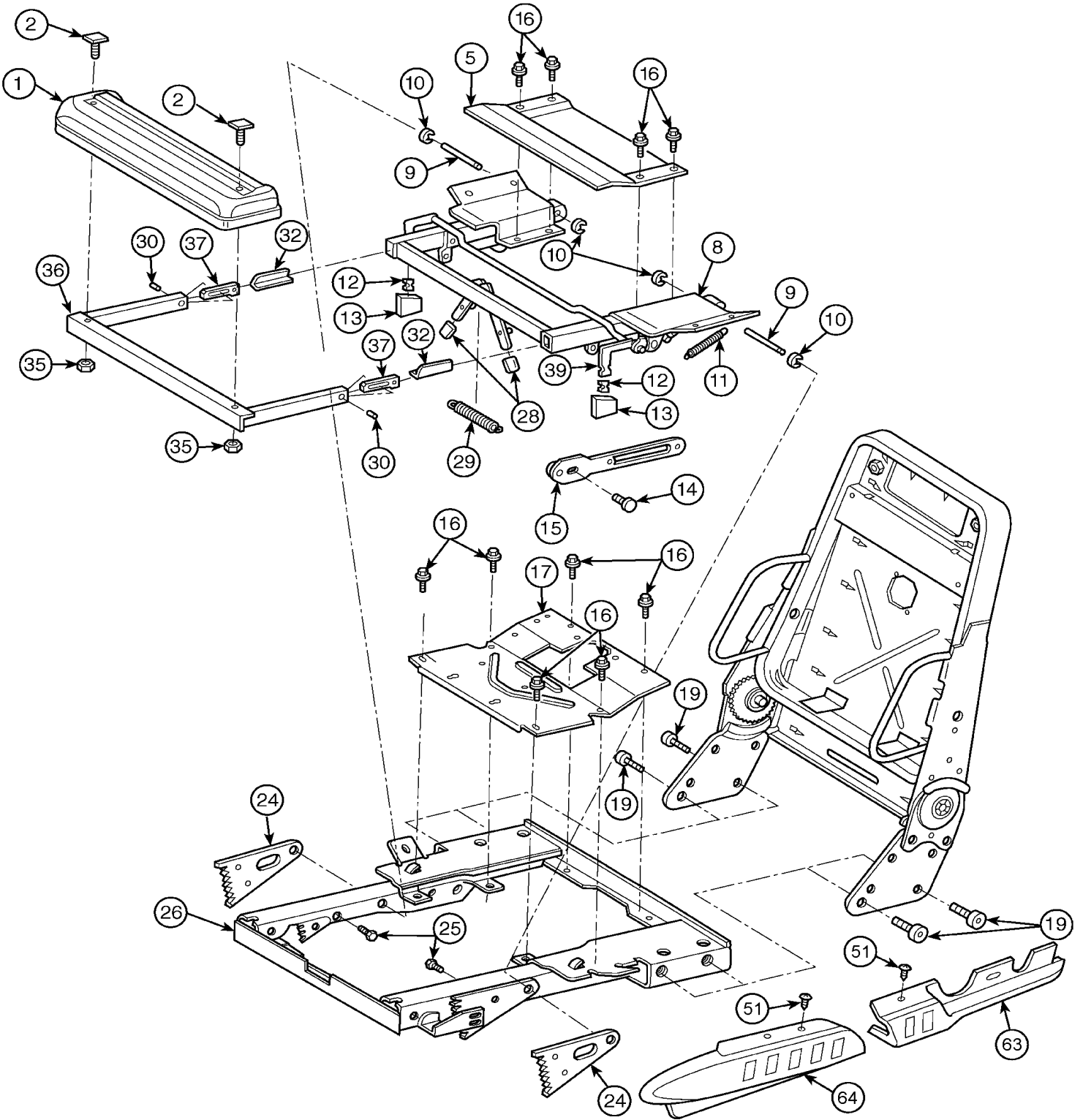
SUSPENSION & RISER - "RECARO" - ERGO-COACH

| Item# | Part | Description | X L I I 4 5 | X L I I M T H 4 0 | X L I I M T H 4 5 | X L I I M T H 4 5 E | NOTES |
|-------|-----------------|--|----------------------------|---|---|--|-------|
| 1 | N.P.N. | NUT HEX 3/8-16 CENTER LOCK | 2 | | | | 4 |
| 2 | N8890734 | UPPER HOUSING KIT | 1 | | | | |
| 3 | N8890738 | WELDMENT SHAFT | 2 | | | | |
| 4 | N8890736 | TETHER | 2 | | | | |
| 5 | Call order desk | TUBE BEARING | 4 | | | | P |
| 6 | Call order desk | SCREW MA 1/4-20x5/8 | 1 | | | | P |
| 7 | Call order desk | BEARING UPPER SHOCK | 2 | | | | P |
| 8 | Call order desk | ROLLER | 2 | | | | P |
| 9 | Call order desk | SCREW CAP HEX 3/8-16x1/2 | 1 | | | | P |
| 10 | Call order desk | NUT HEX SLO 1/4-20 | 1 | | | | P |
| 11 | Call order desk | BEARING LOWERR SHOCK | 2 | | | | P |
| 12 | Call order desk | PUSHNUT .5 STUD | 2 | | | | P |
| 13 | N.P.N. | SHOCK FIXED SUSPENSION | 1 | | | | 4 |
| 14 | Call order desk | KNOB AJUSTEMENT | 1 | | | | P |
| 15 | Call order desk | PIN ROLL 1/8x5/8 | 1 | | | | P |
| 16 | Call order desk | ROLLER | 2 | | | | P |
| 17 | Call order desk | SPACER SHORT | 1 | | | | P |
| 17 | Call order desk | SPACER LONG | 1 | | | | P |
| 18 | Call order desk | SCISSOR | 1 | | | | P |
| 19 | N8890745 | AIRSPRING FITTING | 1 | | | | |
| 20 | Call order desk | AIR SPRING SUSPENSION | 1 | | | | P |
| 21 | N8890748 | AIR FITTING 10-32 THREAD | 1 | | | | |
| 22 | Call order desk | TUBING NYLON 12 BLACK | AR | | | | P |
| 23 | N.P.N. | CLIP | 1 | | | | 4 |
| 24 | N8890735 | LOWER HOUSING KIT | 1 | | | | |
| 25 | Call order desk | SCREW 3/8-16x3/4 | 1 | | | | P |
| 26 | N8890740 | BUMPER KIT | 1 | | | | |
| 27 | Call order desk | REGULATOR MONNIER 10PSI | 1 | | | | P |
| 28 | Call order desk | AIR FITTING 10-32 THREAD | 1 | | | | P |
| 29 | N8890744 | TUBING 1/4" OD | AR | | | | |
| 32 | Call order desk | BUMPER | 1 | | | | P |
| 51 | G1094197 | BOOT ASSY SUSPENSION | 1 | | | | |
| . NS | N8882340 | . PLASTIC RIVET | QR | | | | |
| 52 | N8882340 | . PLASTIC RIVET | 23 | | | | |
| 53 | N8891356 | 2 PT RH SEATBELT ASM | 1 | | | | |
| 53 | Call order desk | . BUCKLE ASSY | 1 | | | | P |
| 55 | G1094196 | . SUPPORT KIT 2PT SEAT BELT ATTACHMENT | 1 | | | | |
| 56 | N8893881 | . SEAT BELT | 1 | | | | |
| 57 | Call order desk | . WASHER FL 23.5x12x1.7 | 2 | | | | P |
| 58 | Call order desk | . SCREW SHR CAP HEX 7/16-20x1 3/4 | 1 | | | | P |
| 59 | Call order desk | . SCREW CAP HEX 7/16-20x1 1/2 | 1 | | | | P |
| NS | Call order desk | . BRACKET-SWIVEL | 1 | | | | P |

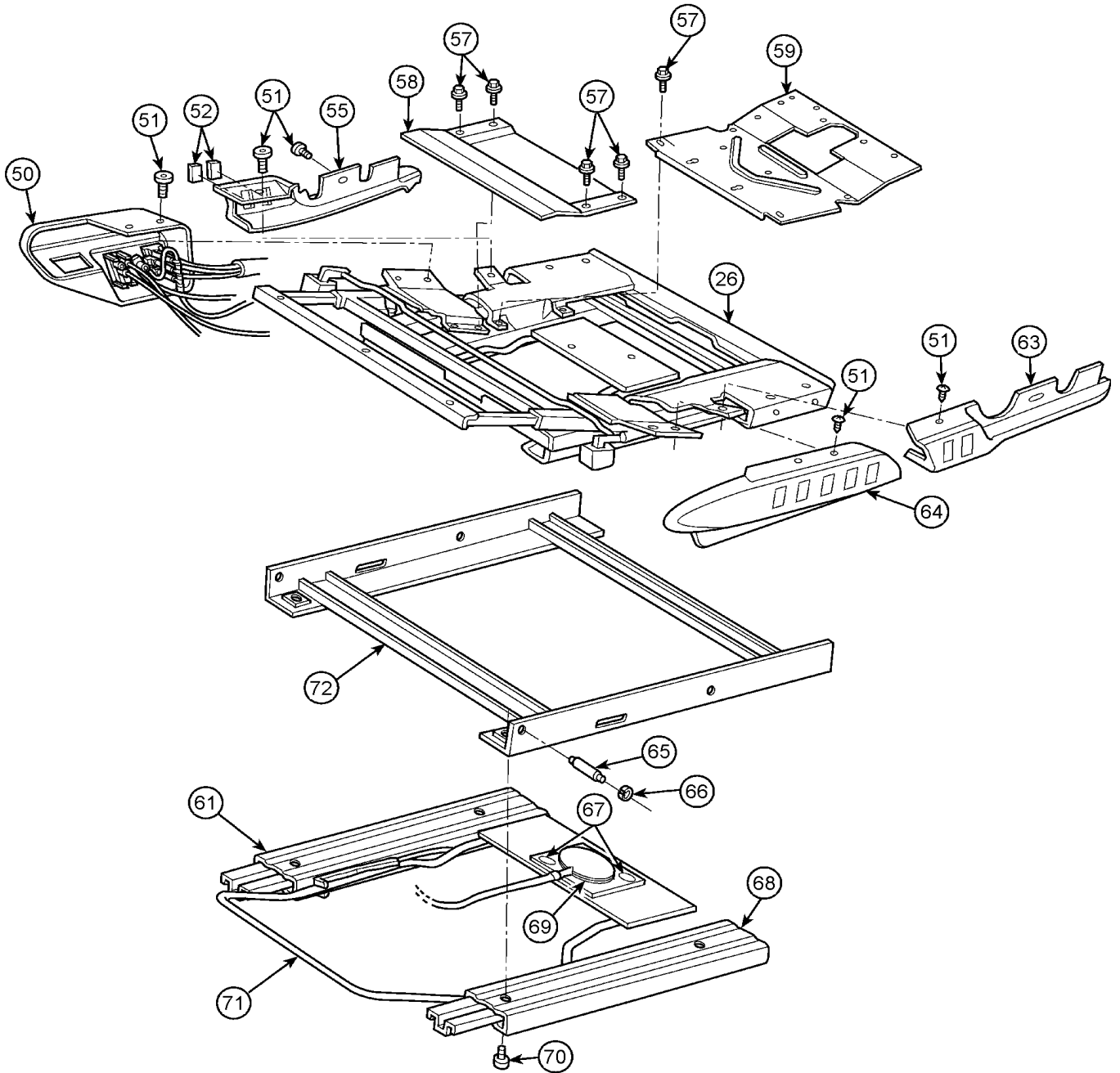
| | | |
|---|--------------|-----------------|
| | Date:10/2022 | PAGE:Y2-1823-20 |
| SUSPENSION & RISER - "RECARO" - ERGO-COACH | | |

| Item# | Part | Description | X L I I 4 5 | X L I I M T H 4 0 | X L I I M T H 4 5 | X L I I M T H 4 5 E | N O T E S |
|-------|-----------------|---|----------------------------|---|---|--|-----------------------|
| NS | Call order desk | . WASHER FL 7/16 ID x 1.5 OD .437x1.500 | 1 | | | | P |
| 62 | Call order desk | RISER 3" CRS KIT | 1 | | | | P |
| 62 | Call order desk | . RISER 3" ASSY | 1 | | | | P |
| NS | Call order desk | . LOOSE PARTS PACKAGE | 1 | | | | P |
| 63 | Call order desk | . WASHER FL SQ 3.000 | 1 | | | | P |
| 70 | N8890730 | AIR SPRING KIT | 1 | | | | A |
| 71 | N8890732 | FIXED SHOCK ASM KIT | 1 | | | | B |
| 72 | N8890733 | SHAFT SPACER BEARING SUSPENSION | 1 | | | | C |
| 73 | N8890737 | SCISSORS ASM KIT | 1 | | | | D |
| 74 | N8890739 | AIR LINE PROTECTION ABRASION KIT | 1 | | | | |
| | | | | | | | |
| | | A) INCLUDE ITEMS #9, 19, 20 & 25 | | | | | |
| | | B) INCLUDE ITEMS #1, 7, 11, 12, 13, 14 & 15 | | | | | |
| | | C) INCLUDE ITEMS #1, 3, 5, 7, 8, 11, 12, 16 & 17 | | | | | |
| | | D) INCLUDE ITEMS #1, 3, 5, 6, 7, 8, 10, 11, 12, 16, 17, 18 & 32 | | | | | |
| | | 4) NO PARTS NUMBER | | | | | |
| | | P) CALL ORDER DESK FOR SPECIFIC APPLICATION (V.I.N.) | | | | | |

| | | |
|--|--------------|-----------------|
| | Date:10/2022 | PAGE:Y2-1823-25 |
| SEAT CUSHION FRAME - "RECARO" - ERGO-COACH | | |



| | | |
|--|--------------|-----------------|
| | Date:10/2022 | PAGE:Y2-1823-25 |
| SEAT CUSHION FRAME - "RECARO" - ERGO-COACH | | |



Date:10/2022

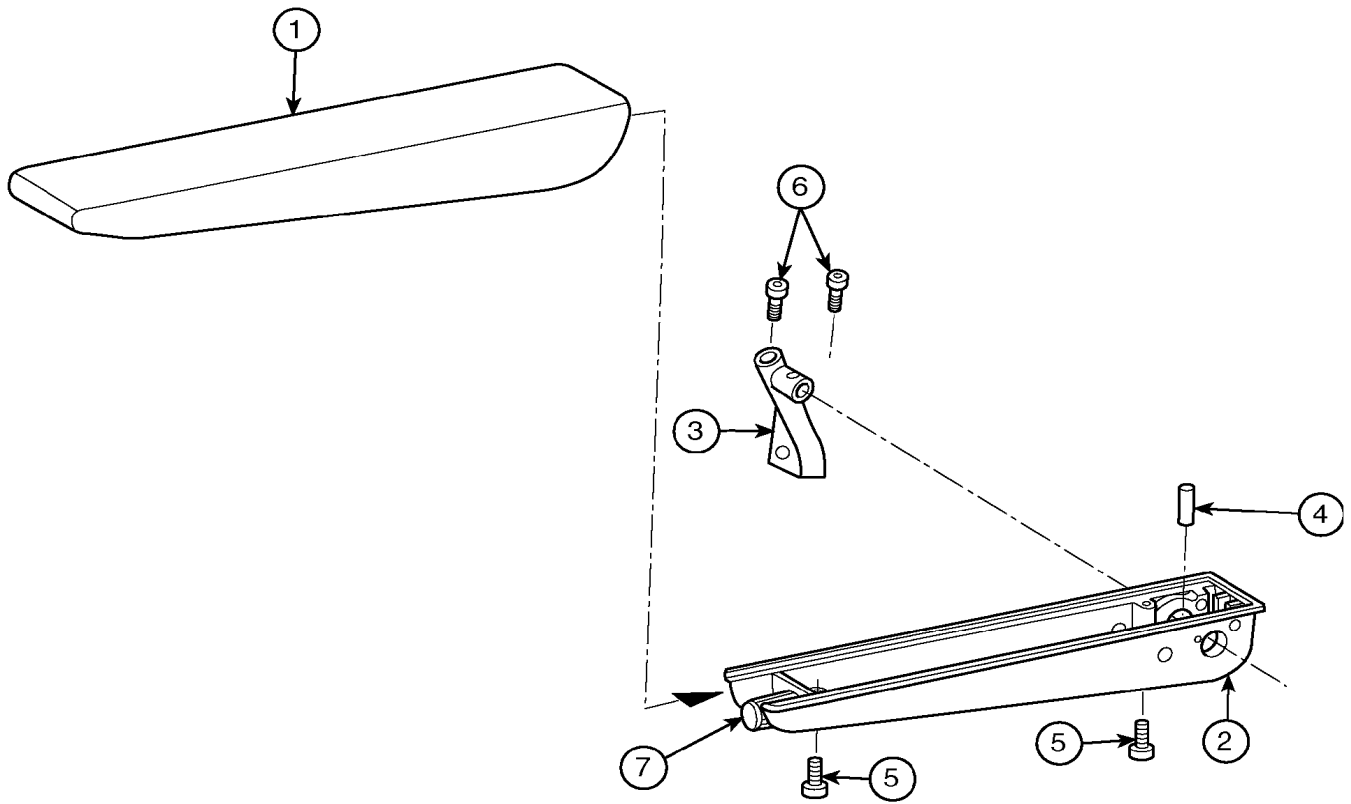
PAGE:Y2-1823-25

SEAT CUSHION FRAME - "RECARO" - ERGO-COACH

| Item# | Part | Description | X L I I 4 5 | X L I I M T H 4 0 | X L I I M T H 4 5 | X L I I M T H 4 5 E | NOTES |
|-------|-------------------|--|----------------------------|---|---|--|-------|
| | G1094200 | FRAME ASM CUSHION | 1 | | | | |
| 1 | N8887357 | . FRAME TIGH EXTENSION | 1 | | | | |
| 2 | N8887358 | . WASHER BOLT | 2 | | | | |
| 5 | N8800400 | . CUSHION PAN FRONT | 1 | | | | |
| 8 | N8887365 | . PLATE | 1 | | | | |
| 9 | N8887375 | . BOLT | 2 | | | | |
| 10 | N8882381 | . CLIP RETAINER | 8 | | | | |
| 11 | N8887368 | . SPRING | 2 | | | | |
| 12 | N8882395 | . CLIP | 2 | | | | |
| 13 | N8887258 | . KNOB | 2 | | | | |
| 14 | N8887367 | . SCREW | 2 | | | | |
| 15 | N8887366 | . RELEASE PLATE | 2 | | | | |
| 16 | N8887306 | . SCREW M5-0.8x10 | 12 | | | | |
| 17 | N8800399 | . SEAT CUSHION PAN REAR | 1 | | | | |
| 19 | N8882373 | . SCREW M6-1.0x20 | 4 | | | | |
| 24 | N8887362 | . PIVOT PLATE | 2 | | | | |
| 25 | N8887363 | . SCREW | 2 | | | | |
| 26 | Call order desk | . FRAME CUSHION ASSY | 1 | | | | P |
| 28 | N8887369 | . PLASTIC CAP | 2 | | | | |
| 29 | N8887370 | . SPRING | 1 | | | | |
| 30 | N8887374 | . BOLT | 2 | | | | |
| 32 | N8887372 | . GLIDING PART | 2 | | | | |
| 35 | N8887359 | . NUT M6 | 2 | | | | |
| 36 | N8887371 | . TIGH EXTENSION | 1 | | | | |
| 37 | N8887373 | . PLASTIC GUIDE | 2 | | | | |
| 39 | Call order desk | . LEVER, RAKE ADJUSTMENT | 2 | | | | P |
| NS | Call order desk | . VELCRO LOOP | AR | | | | P |
| NS | Call order desk | . PIN ATTACH 38.6MM | 4 | | | | P |
| NS | N8887356 | REPAIR KIT LENGHT ADJUSTMENT | 1 | | | | A |
| 50 | Y2-1823-10 | BACKREST ASSY - "RECARO" - ERGO-COACH | | | | | |
| 51 | N8887256 | SCREW | 8 | | | | |
| 52 | N8887257 | COVER PLATE SWITCH | 9 | | | | |
| 55 | N8890722 | CONTROL PANEL / REAR R.H. | 1 | | | | |
| 57 | N8887306 | SCREW M5-0.8x10 | 12 | | | | |
| 58 | N8800400 | CUSHION PAN FRONT | 1 | | | | |
| 59 | G1094203 | CUSHION PAN RR | 1 | | | | |
| 61 | N8887269 | TRACK RIGHT | 1 | | | | |
| 63 | N8890721 | CONTROL PANEL / REAR L.H. | 1 | | | | |
| 64 | N8887260 | CONTROL PANEL / FRONT L.H. | 1 | | | | |
| 65 | Call order desk | PIN ATTACH 38.6MM | 4 | | | | P |
| 66 | N8882381 | CLIP RETAINER | 8 | | | | |
| 67 | N8800444 | RETAINER | 2 | | | | |

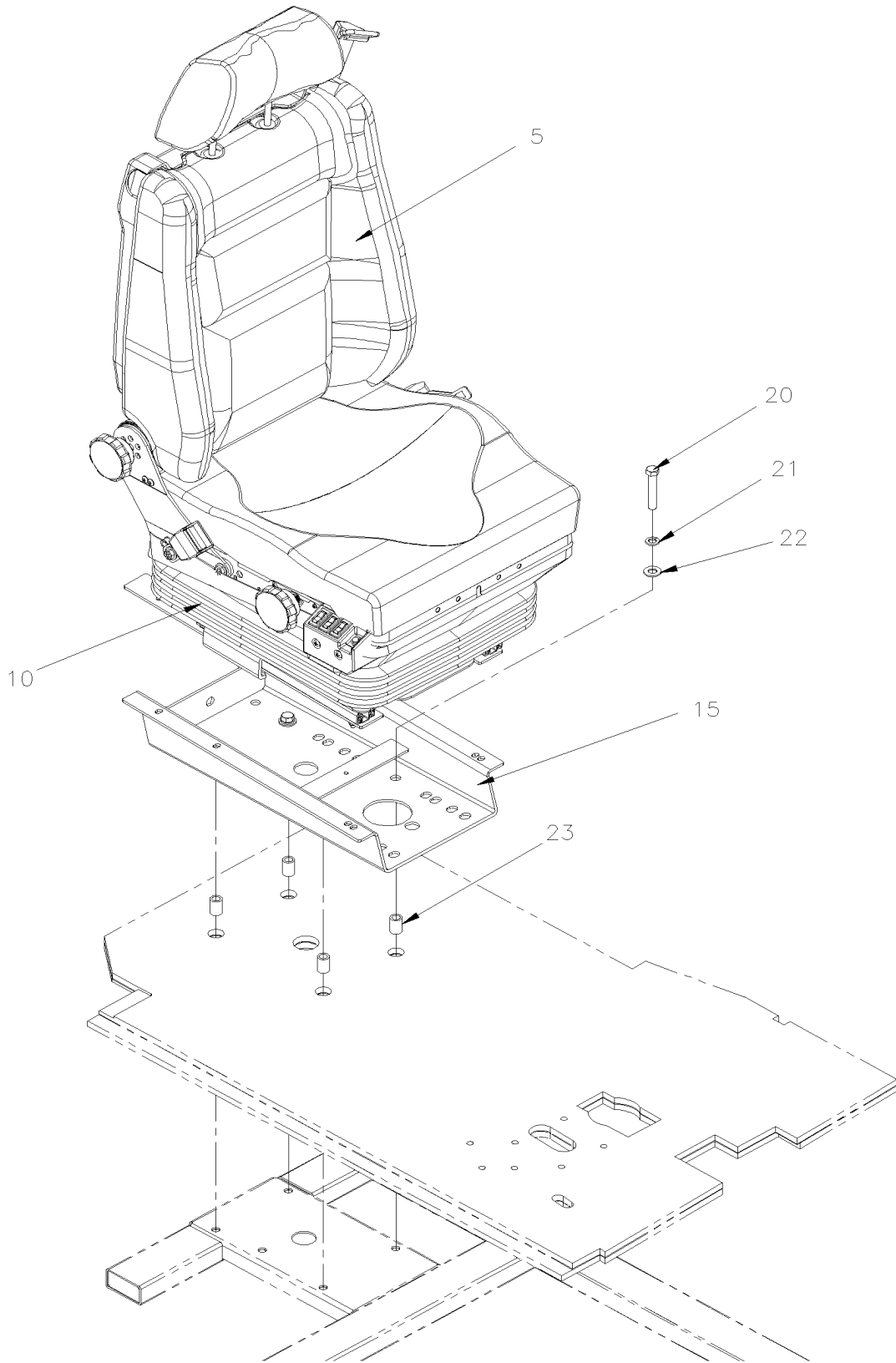
| | | Date:10/2022 | PAGE:Y2-1823-25 | | | | |
|--|-----------------|--|---------------------------------|--|--|---|-------|
| SEAT CUSHION FRAME - "RECARO" - ERGO-COACH | | | | | | | |
| Item# | Part | Description | X L I I I 4 5 | X L I I I M T H 4 0 | X L I I I M T H 4 5 | X L I I I M T H 4 5 E | NOTES |
| 68 | N8887268 | TRACK LEFT | 1 | | | | |
| 69 | N8890756 | ACTUATOR: AUTO BLADDER-CONTROL | 1 | | | | |
| 70 | Call order desk | SCREW CAP HEXS M8-1.25x20 8.8 | 8 | | | | P |
| NS | N8882349 | NUT M8 | 4 | | | | |
| NS | N8880629 | WASHER 5/16 | 4 | | | | |
| 71 | N8890726 | CENTER TRACK ACTUATOR | 1 | | | | |
| 72 | N8890729 | COUSHION FRAME ADAPTER KIT | 1 | | | | |
| 72 | Call order desk | . BRACKET CUSHION FRONT ADAPTER L.H. | 1 | | | | P |
| 72 | Call order desk | . BRACKET CUSHION FRONT ADAPTER R.H. | 1 | | | | P |
| 72 | N8882381 | . CLIP RETAINER | 8 | | | | |
| 72 | Call order desk | . PIN ATTACH 38.6MM | 4 | | | | P |
| | | | | | | | |
| | | | | | | | |
| | | A) INCLUDE ITEMS #1, 2, 35 | | | | | |
| | | P) CALL ORDER DESK FOR SPECIFIC APPLICATION (V.I.N.) | | | | | |

| | | |
|---------------------------------|--------------|-----------------|
| | Date:10/2022 | PAGE:Y2-1823-30 |
| ARMREST - "RECARO" - ERGO-COACH | | |

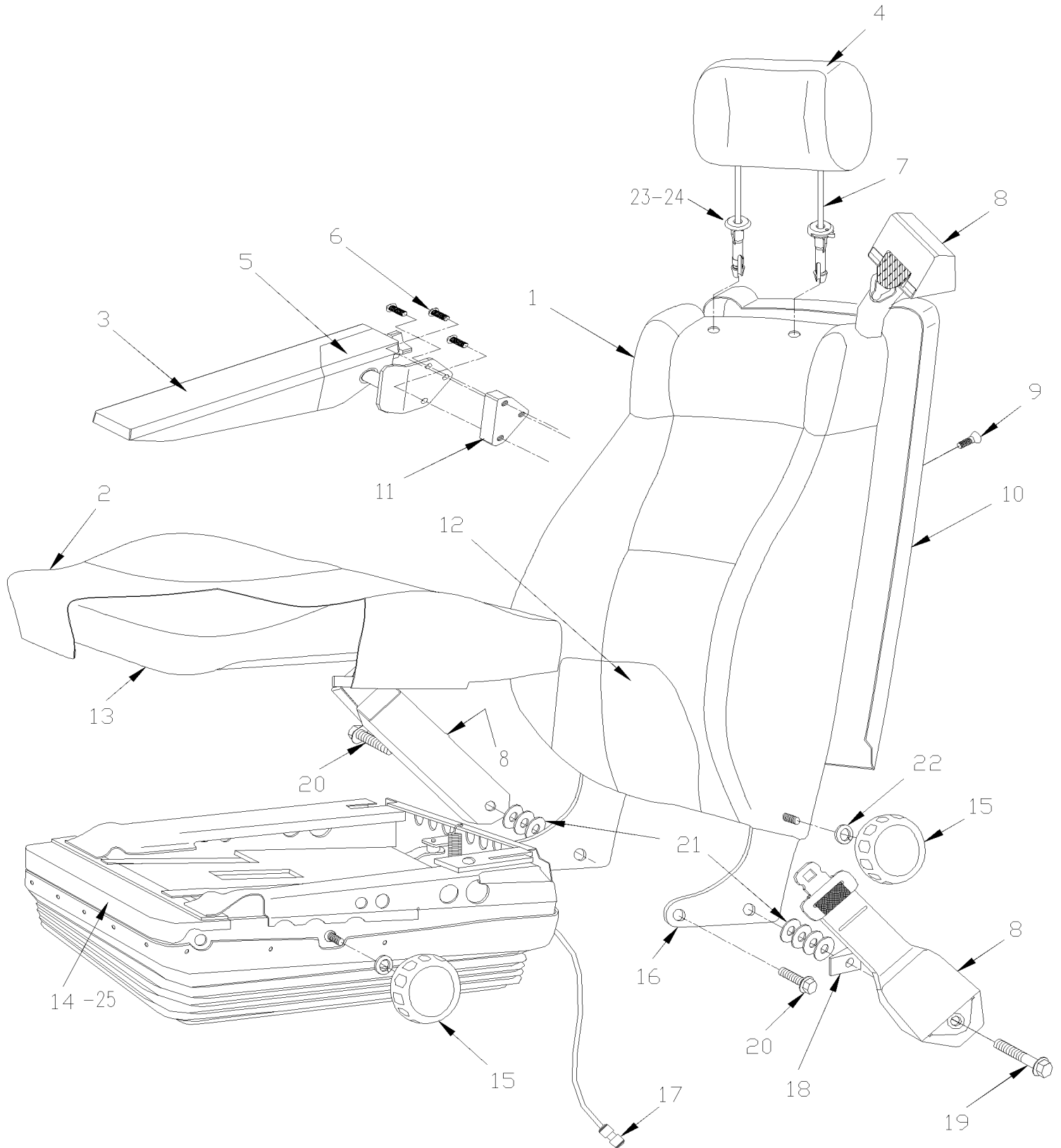


3040-046

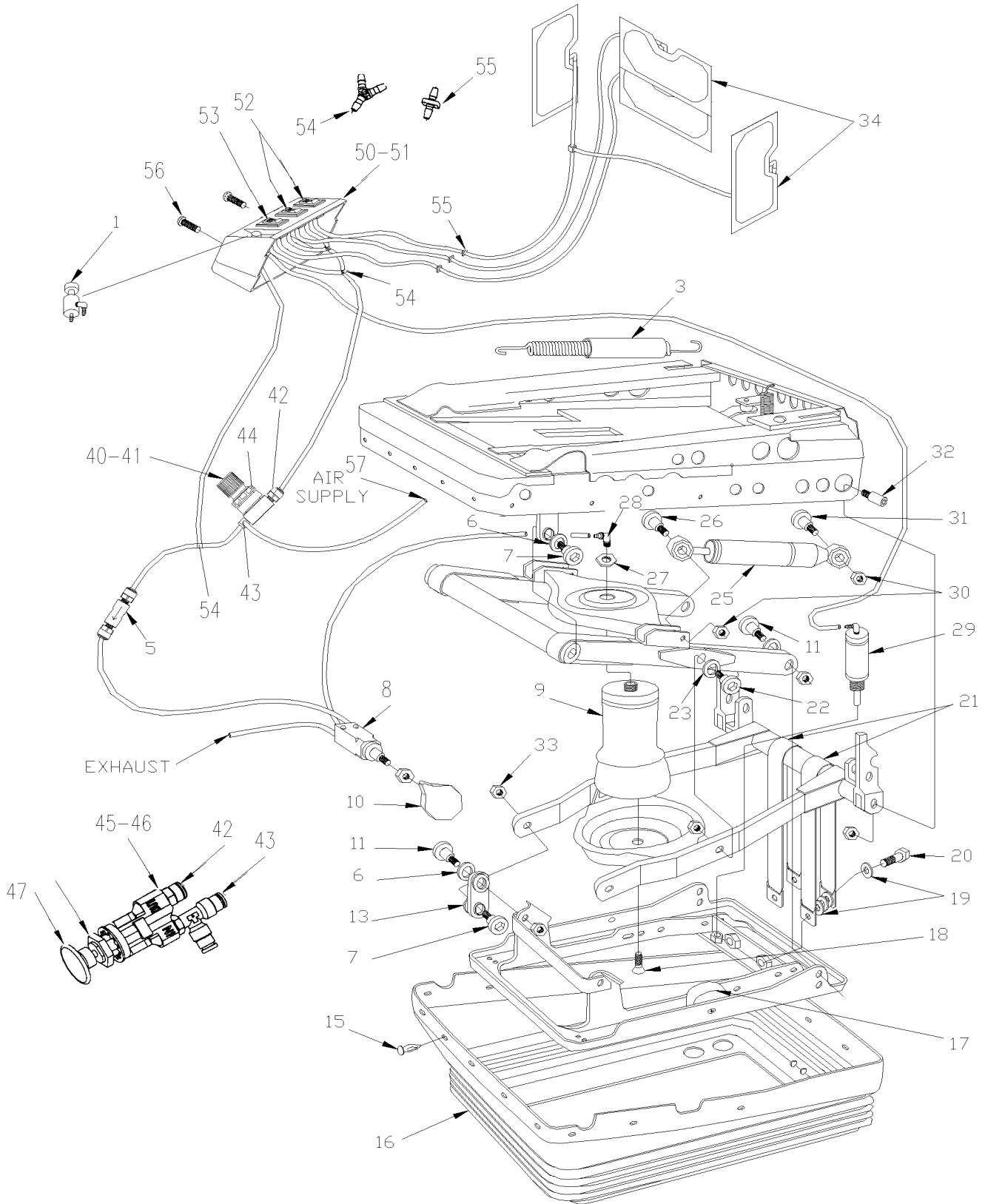
| | | |
|-----------------------------------|--------------|-----------------|
| | Date:10/2022 | PAGE:Y2-1823-50 |
| DRIVER'S SEAT - "USSC" - 9100ALX3 | | |



| | | |
|-------------------------------|--------------|-----------------|
| | Date:10/2022 | PAGE:Y2-1823-60 |
| SEAT ASSY - "USSC" - 9100ALX3 | | |



| | | |
|-------------------------------------|--------------|-----------------|
| | Date:10/2022 | PAGE:Y2-1823-70 |
| SUSPENSION ASSY - "USSC" - 9100ALX3 | | |



Date:10/2022

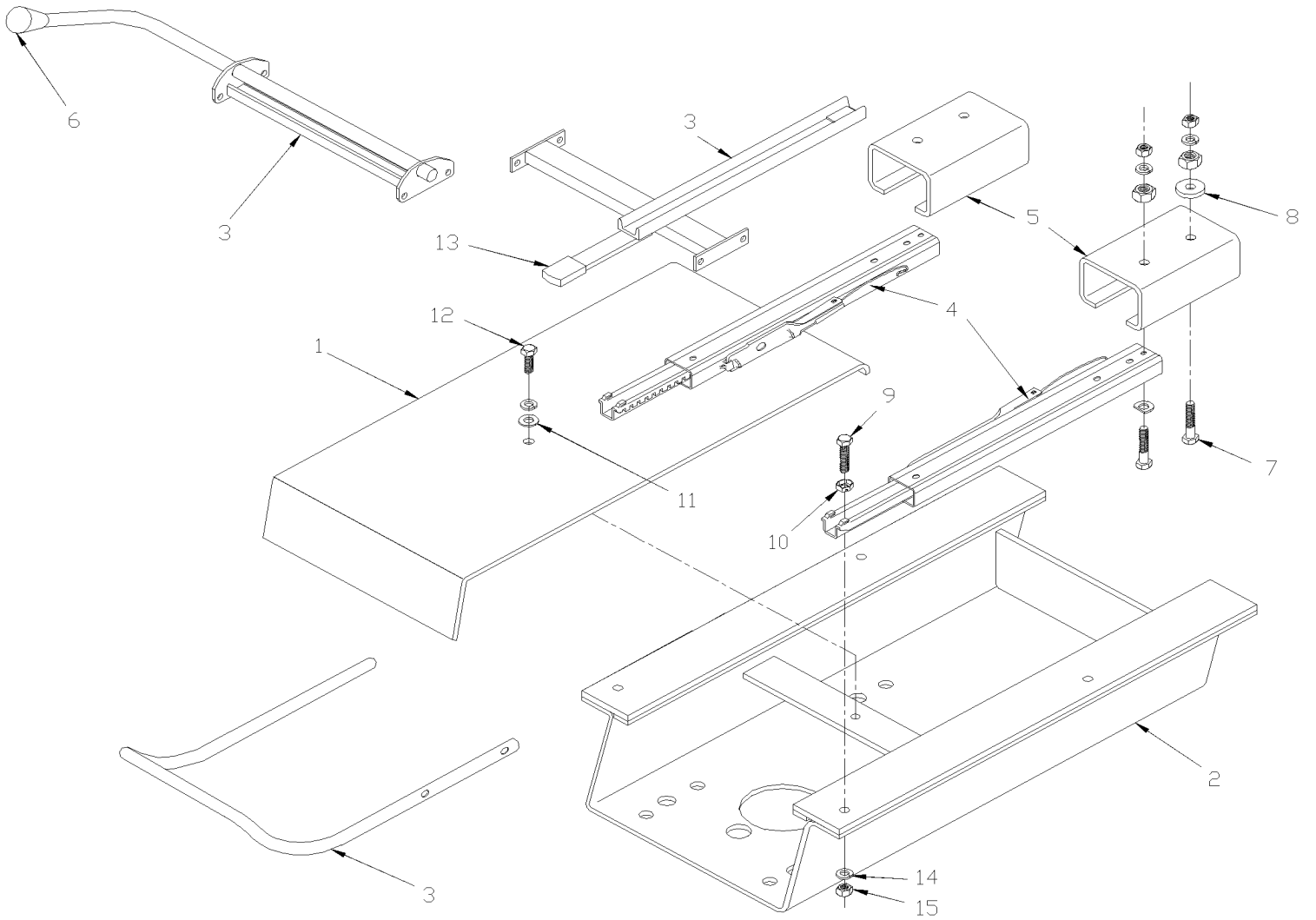
PAGE:Y2-1823-70

SUSPENSION ASSY - "USSC" - 9100ALX3

| Item# | Part | Description | X L I I 4 5 | X L I I M T H 4 0 | X L I I M T H 4 5 | X L I I M T H 4 5 E | NOTES |
|-------|----------|--|----------------------------|---|---|--|-------|
| 1 | N8887215 | SLIDE BUTTON ASSY | 1 | | | | |
| 3 | N8882994 | SPRING | 2 | | | | |
| 5 | N8887214 | ONE WAY AIR VALVE | 1 | | | | |
| 6 | N8883024 | WASHER | 1 | | | | |
| 7 | N8883022 | BOLT | 6 | | | | |
| 8 | N8883028 | AIR VALVE ASSY W/FITTING HEIGHT CONTROL / FORMER | 1 | | | | |
| 9 | N8883029 | AIR BAG KIT | 1 | | | | A |
| 9 | N8893448 | . AIR BAG ONLY | 1 | | | | |
| 10 | N8883026 | KNOB ADJ / HEIGHT CONTROL / FORMER | 1 | | | | |
| 11 | N8883025 | BOLT | 4 | | | | |
| 13 | N8883023 | BUSHING | 12 | | | | |
| 15 | N8883021 | RIVET | 30 | | | | |
| 16 | N8883020 | BELLOW | 1 | | | | |
| 17 | N8883018 | RUBBER BUMPER | 2 | | | | |
| 18 | N8883019 | SCREW M10-1.5x16 | 1 | | | | |
| 19 | N8887858 | WASHER 7/16 | 6 | | | | |
| 20 | N8882961 | SCREW 7/16-20x1 1/4 | 2 | | | | |
| 21 | N8883017 | STRAP 15" | 2 | | | | |
| 22 | N8887205 | BOLT | 2 | | | | |
| 23 | N8887206 | BUSHING 18MM | 2 | | | | |
| 25 | N8893636 | SHOCK ABSORBER, FIRM | 1 | | | | |
| NS | N8882305 | BUSHING SHOCK ABSORBER | 4 | | | | |
| 26 | N8882303 | BOLT, HEX SHOCK M8 X 40 | 2 | | | | |
| 27 | N8883031 | NUT | 1 | | | | |
| 28 | N8883010 | AIR BAG NIPPLE | 1 | | | | |
| 29 | N8887216 | SLIDE CYLINDER ASSY | 1 | | | | |
| 30 | N8883015 | NUT LOCK M8-1.25/GRD10/CZ | 2 | | | | |
| 31 | N8883013 | BOLT, M8 X 40 | 2 | | | | |
| 32 | N8883012 | BOLT REAR BEARING | 2 | | | | |
| 33 | N8883030 | LOCK NUT 10M | 1 | | | | |
| 34 | N8883036 | LUMBAR AIR BAG ASSY | 3 | | | | |
| 34 | N8891961 | RIVET | 6 | | | | |
| 40 | N8890644 | AIR LUMBAR REGULATOR ASSY W/FITTING / W/AIR SLIDE CYLINDER | 1 | | | | |
| 40 | N8887856 | AIR LUMBAR REGULATOR ASSY W/FITTING | 1 | | | | |
| 41 | N8883033 | . AIR REGULATOR | 1 | | | | |
| 42 | N8892738 | . CONNECTOR 1/8 NPT | 1 | | | | |
| 43 | N8893451 | . MALE RUN TEE 1/8 NPT | 1 | | | | |
| 44 | N8893452 | . NUT RETAINER REGULATOR | 1 | | | | |
| 45 | N8893439 | AIR VALVE ASSY W/FITTING / HEIGHT CONTROL / CURRENT | 1 | | | | |
| 46 | N8893450 | . AIR VALVE / HEIGHT CONTROL / CURRENT | 1 | | | | |
| 47 | N8891954 | . KNOB ADJ / HEIGHT CONTROL / CURRENT | 1 | | | | |
| 50 | N8887212 | AIR BOX ASSY W3 AIR SWITCH | 1 | | | | |

| | | Date:10/2022 | PAGE:Y2-1823-70 | | | | |
|-------------------------------------|----------|----------------------------------|----------------------------|---|---|--|-------|
| SUSPENSION ASSY - "USSC" - 9100ALX3 | | | | | | | |
| Item# | Part | Description | X L I I 4 5 | X L I I M T H 4 0 | X L I I M T H 4 5 | X L I I M T H 4 5 E | NOTES |
| 51 | N8883035 | . SWITCH BOX | 1 | | | | |
| 52 | N8892491 | . AIR SWITCH / LUMBAR | 2 | | | | |
| 53 | N8892492 | . AIR SWICH / BOLSTER | 1 | | | | |
| 54 | N8893453 | . Y CONNECTOR 1/8" | 3 | | | | |
| 55 | N8893454 | . UNION CONNECTOR 1/8" | 3 | | | | |
| 56 | N8882986 | . SCREW 1/4-20x1 3/4 | 2 | | | | |
| 57 | N8893455 | AIR TUBE 1/4" | AR | | | | |
| | | | | | | | |
| | | | | | | | |
| | | A) INCLUDE ITEMS # 18, 27 AND 28 | | | | | |

| | | |
|-------------------------------|--------------|-----------------|
| | Date:10/2022 | PAGE:Y2-1823-80 |
| BASE ASSY - "USSC" - 9100ALX3 | | |



Date:10/2022

PAGE:Y2-1823-80

BASE ASSY - "USSC" - 9100ALX3

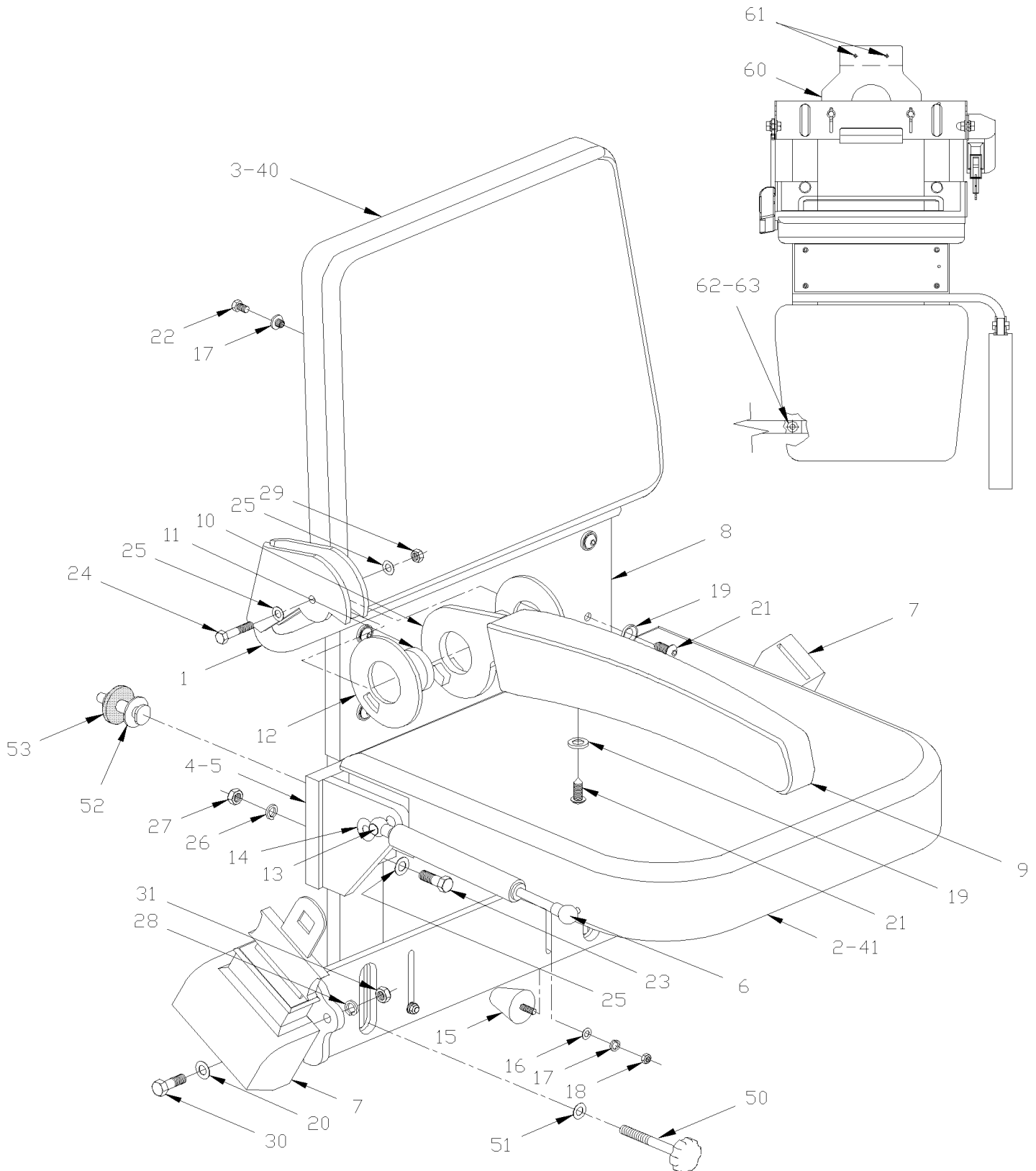
| Item# | Part | Description | X L I I 4 5 | X L I I M T H 4 0 | X L I I M T H 4 5 | X L I I M T H 4 5 E | NOTES |
|-------|----------|----------------------------|----------------------------|---|---|--|-------|
| 1 | N8891960 | COVER | 1 | | | | |
| 2 | N8891958 | BASE ASSY 4" | 1 | | | | |
| 3 | N8891955 | RELEASE HANDLE ASM | 1 | | | | |
| 4 | N8883008 | SLIDE SET 9.45" | 1 | | | | |
| 4 | N8890626 | SPRING 10" | 1 | | | | A |
| 5 | N8891959 | BRACKET SLIDE REINFORCMENT | 2 | | | | |
| 6 | N8892036 | KNOB 1 1/8" DIA. | 1 | | | | |
| 7 | N8882965 | SCREW 5/16-18x1 1/2 | 6 | | | | |
| 8 | N8883004 | SPACER SLIDE | 8 | | | | |
| 9 | N8882964 | SCREW 5/16-18x1 1/4 | 4 | | | | |
| 10 | N8883007 | NUT 3/8 | 4 | | | | |
| 11 | N8882966 | WASHER, LOCK 7/16 | 2 | | | | |
| 12 | N8882962 | SCREW CAP HEX 7/16-20X2.25 | 2 | | | | |
| 13 | N8883002 | COVER LIMITOR | 1 | | | | |
| 14 | N8882968 | WASHER, LOCK 5/16 | 4 | | | | |
| 15 | N8883006 | NUT 5/16-18 GR8ZX | 4 | | | | |
| | | | | | | | |
| | | | | | | | |
| | | A) BETWEEN TWO SLIDES | | | | | |

From Y-7046 To 6-8906

Date:10/2022

PAGE:Y2-1824-00

HOSTESS SEAT ASSY



| | | |
|--------------------------|--------------|-----------------|
| From Y-7046 To 6-8906 | Date:10/2022 | PAGE:Y2-1824-00 |
| HOSTESS SEAT ASSY | | |

| Item# | Part | Description | X L I I 4 5 | X L I I M T H 4 0 | X L I I M T H 4 5 | X L I I M T H 4 5 E | N O T E S |
|-------|-----------------|--|----------------------------|---|---|--|-----------------------|
| | 363326P | HOSTESS SEAT ASSY To 2-7732 | 1 | | | | |
| | 363900P | HOSTESS SEAT ASSY From 2-7733 To 2-7879 | 1 | | | | |
| | 364013P | HOSTESS SEAT ASSY From 2-7880 | 1 | | | | E |
| 1 | 363627 | . FRAME ASSY To 2-7879 | 1 | | | | |
| 1 | 364107 | . FRAME ASSY From 2-7880 | 1 | | | | |
| 2 | 363050 | . SEAT BASE, ASSY To 2-7879 | 1 | | | | |
| 2 | 364008 | . SEAT BASE, ASSY From 2-7880 | 1 | | | | |
| NS | 363040 | . CUSHION FOAM | 1 | | | | |
| 3 | Call order desk | . BACKREST PANEL ASSY W/FOAM & COVERING /S.C. | 1 | | | | P |
| 3 | 363014 | . LOWER BACKREST PANEL | 1 | | | | |
| NS | 363041 | . BACK REST FOAM | 1 | | | | |
| 3 | 500453 | . NUT TEE 1/4-20 | 1 | | | | |
| 4 | 363061 | . R.H. SUPPORT ASSY To 2-7732 | 1 | | | | A |
| 4 | 363995 | . R.H. SUPPORT ASSY From 2-7733 To 2-7879 | 1 | | | | B |
| 4 | 364002 | . R.H. SUPPORT ASSY From 2-7880 | 1 | | | | |
| 5 | 363062 | . L.H. SUPPORT ASSY To 2-7732 | 1 | | | | A |
| 5 | 363996 | . L.H. SUPPORT ASSY From 2-7733 To 2-7879 | 1 | | | | |
| 5 | 364004 | . L.H. SUPPORT ASSY From 2-7880 | 1 | | | | |
| 6 | 980020 | . CYLINDER GAZ / 244/164MM C/C / 35LBS | 1 | | | | |
| NS | 980015 | . BALL STUD / W/10 MM X M8-1.25 / 29.18 MM | 1 | | | | |
| NS | 5001063 | . RIVET NUT FL OKS M8-1.25 11.0-1.5 | 1 | | | | |
| 7 | 860695 | . SEAT BELT / KIT | 1 | | | | |
| 8 | Call order desk | . FINISHING FABRIC | AR | | | | P |
| 9 | 363624 | . COVERING ARMREST / LONG To 2-7879 | 1 | | | | |
| 10 | 362939 | . ARMREST / LONG To 2-7879 | 1 | | | | |
| 11 | 363067 | . SPACER To 2-7879 | 1 | | | | |
| 12 | 362877 | . SPACER PLASTIC / FRICTION DISK To 2-7879 | 2 | | | | |
| 13 | 980015 | . BALL STUD / W/10 MM X M8-1.25 / 29.18 MM | 1 | | | | |
| 14 | 507260 | . BUSHING NYLINER W/SHOULDER .375x.437x.375x.594 | 2 | | | | |
| 15 | 504600 | . BUMPER RUBBER BOLT / .625 ODx1.0TH x 10-32X.5 STUD | 2 | | | | |
| 16 | 500440 | . WASHER FL .250x.562x.065 Z050 | 2 | | | | |
| 17 | 500473 | . WASHER LO SPT .262x.489x.062 Z050 | 8 | | | | |
| 18 | 500995 | . NUT HEX CAP #10-32 Z050 | 2 | | | | |
| 19 | 500345 | . WASHER FN CKF .187x.500x.090 BR BK | 5 | | | | |
| 20 | 500444 | . WASHER FL .406x.812x.065 Z050 | 8 | | | | |
| 21 | 500686 | . SCREW TP OV PH #6x1/2 BK | 5 | | | | |
| 22 | 500554 | . SCREW MA RND SLT 1/4-20x1/2 SS | 6 | | | | |
| 23 | 500565 | . SCREW MA RND PH 5/16-18x3/4 SS | 4 | | | | |
| 23 | 500069 | . SCREW CAP HEX M8-1.25x16 G10.9 DP | 2 | | | | |
| 24 | 500182 | . SCREW CAP HEX 5/16-18x1 1/4 G5 PT Z050 To 2-7879 | 1 | | | | |
| 25 | 500441 | . WASHER FL .312x.734x.065 Z050 From 2-7880 | 6 | | | | |
| 26 | 500476 | . WASHER LO SPT .317x.586x.078 Z050 | 4 | | | | |

| | | |
|--------------------------|--------------|-----------------|
| From Y-7046 To 6-8906 | Date:10/2022 | PAGE:Y2-1824-00 |
| HOSTESS SEAT ASSY | | |

| Item# | Part | Description | X L I I 4 5 | X L I I M T H 4 0 | X L I I M T H 4 5 | X L I I M T H 4 5 E | N O T E S |
|-------|----------|--|----------------------------|---|---|--|-----------------------|
| 27 | 500778 | . NUT HEX 5/16-18 N500 | 4 | | | | |
| 28 | 500478 | . WASHER LO SPT .380x.683x.094 Z050 | 2 | | | | |
| 29 | 500777 | . NUT HEX STO 5/16-18 Z050 To 2-7879 | 1 | | | | |
| 30 | 500191 | . SCREW CAP HEX 3/8-16x1 G5 Z050 From 2-7880 | 2 | | | | |
| 31 | 5001060 | . NUT HEX CAP 3/8-16 NP | 2 | | | | |
| 40 | 363345P | . COVERING ASSY, BACKREST / S.C.C. | 1 | | | | |
| 41 | 363346P | . COVERING ASSY, SEATREST / S.C.C. | 1 | | | | |
| NS | 363997 | KIT / "REPOSITIONING SEAT" To 2-7879 | 1 | | | | |
| . NS | IS-01045 | . SEE INSTRUCTION SHEET To 2-7879 | 1 | | | | |
| NS | 362918 | . CUSHION / PLASTIC 46MM O.D. To 2-7879 | 1 | | | | B |
| NS | 363992 | . CAP TENSIONER 71MM O.D. / ALUMINUM To 2-7879 | 1 | | | | B |
| NS | 520169 | . SPRING To 2-7879 | 1 | | | | B |
| NS | 507260 | . BUSHING NYLINER W/SHOULDER .375x.437x.375x.594 To 2-7879 | 1 | | | | B |
| NS | 500069 | . SCREW CAP HEX M8-1.25x16 G10.9 DP To 2-7879 | 2 | | | | B |
| NS | 502744 | . NUT HEX STO M8-1.25 Z050 To 2-7879 | 1 | | | | B |
| 50 | 363938 | SPECIAL BOLT ASSY / TO FIX HOSTESS SEAT / 97MM | 1 | | | | C |
| NS | 363070 | SPECIAL BOLT ASSY / TO FIX HOSTESS SEAT / 126MM | 1 | | | | C |
| NS | 504500 | SNAP BUSHING / .766x1.125x.453 | 2 | | | | C |
| 51 | 500444 | WASHER FL .406x.812x.065 Z050 | 2 | | | | C |
| 52 | 363939 | FASTENER / UPPER / TO FIX HOSTESS SEAT 38MM X M12-1.75 | 2 | | | | C |
| 53 | 363363 | WASHER RUBBER 42MM O.D. X 13MM I.D. X 3/16" | 2 | | | | C |
| 60 | 363933 | HOOK | 1 | | | | D |
| 61 | 504416 | RIVET POP DOME OE 3/16x5/8 SS | 3 | | | | D |
| 62 | 363547 | BELT 485MM | 1 | | | | D |
| 63 | 5001168 | BUMPER RUBBER / .750 OD x .562 TH x .187 HOLE | 2 | | | | D |
| | | | | | | | |
| | | | | | | | |
| | | | | | | | |
| | | A) FOR PRODUCT IMPROVEMENT YOU REQUIRE KIT #363997 | | | | | |
| | | B) THOSE ITEMS ARE INCLUDED IN KIT #363997 | | | | | |
| | | C) THOSE ITEMS ARE USED TO FIX HOSTESS SEAT | | | | | |
| | | D) DTHOSE ITEMS ARE USED TO FIX HOSTESS SEAT IN THE BAGGAGE CASE | | | | | |
| | | E) THIS SEAT ASSY DO NOT HAVE ARMREST | | | | | |
| | | P) CALL ORDER DESK FOR SPECIFIC APPLICATION (V.I.N.) | | | | | |

| | | |
|---|--------------|-----------------|
| | Date:10/2022 | PAGE:Y2-1824-30 |
| PASSENGER'S SEAT - "AMAYA" IDENTIFICATION "MODEL" | | |



GAUDI



BRAZIL



2 + 1



TORINO



TORINO VIP



SIGLIUM



PATRIOT

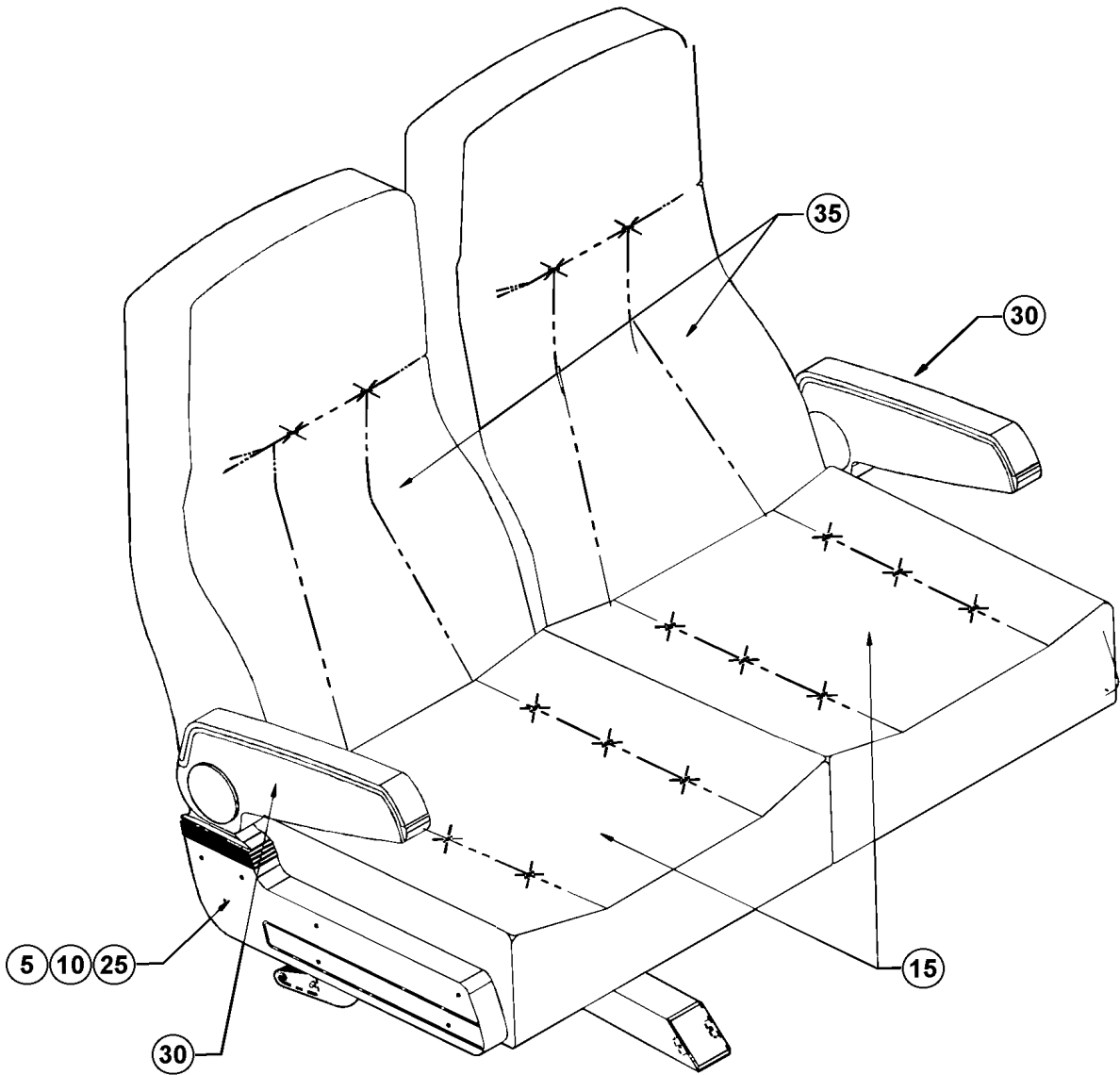


PATRIOT BRASIL

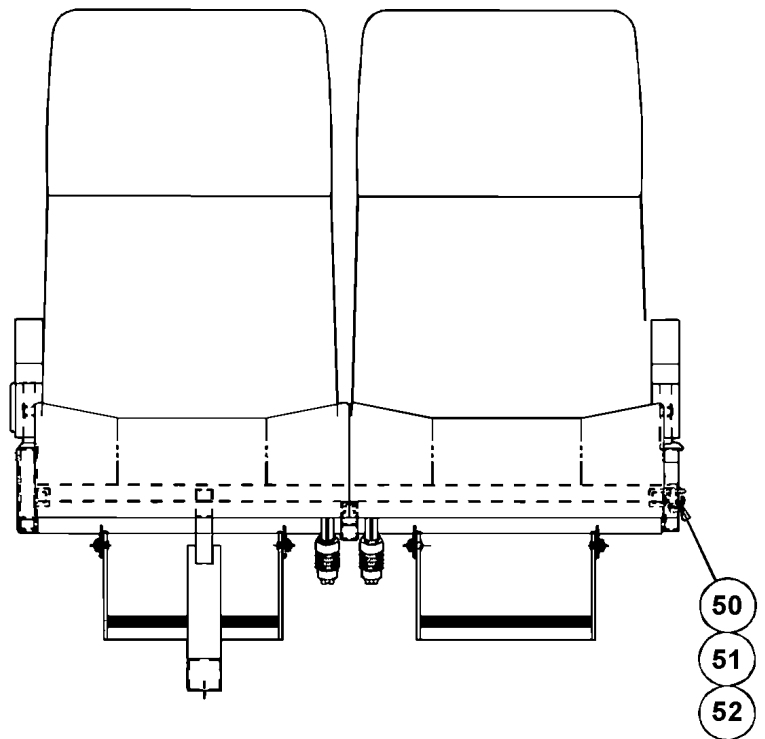
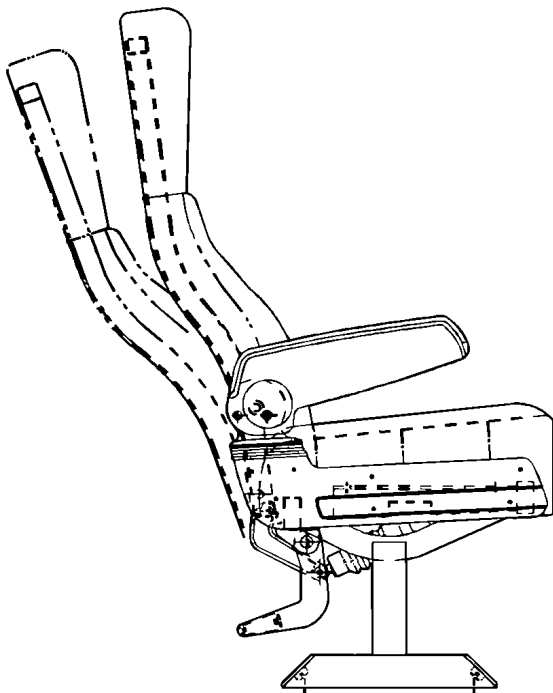


PATRIOT VIP

| | | |
|---------------------------------------|--------------|-----------------|
| | Date:10/2022 | PAGE:Y2-1825-02 |
| PASSENGER'S SEAT - "AMERICAN" - W6695 | | |

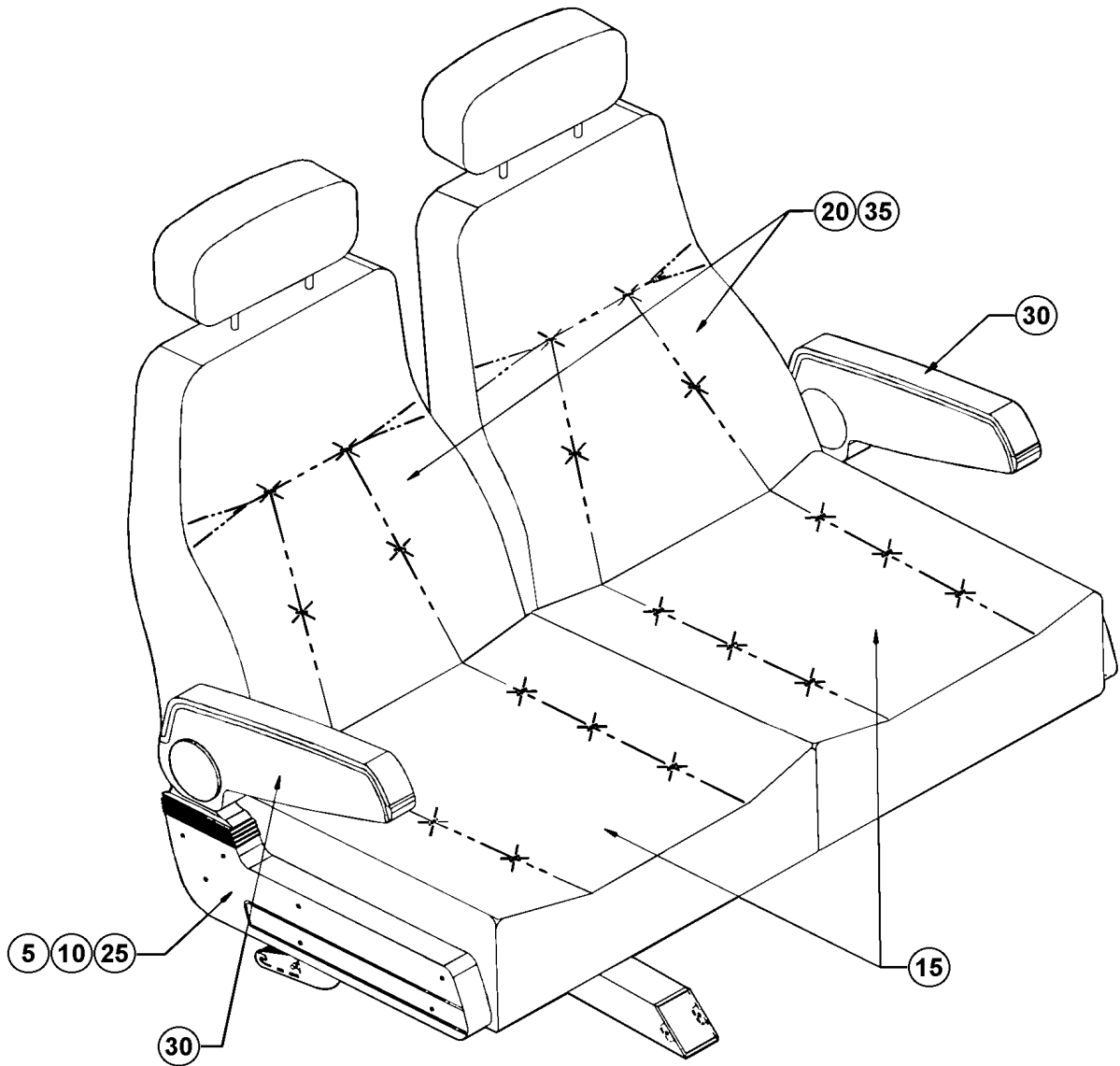


| | | |
|---------------------------------------|--------------|-----------------|
| | Date:10/2022 | PAGE:Y2-1825-02 |
| PASSENGER'S SEAT - "AMERICAN" - W6695 | | |

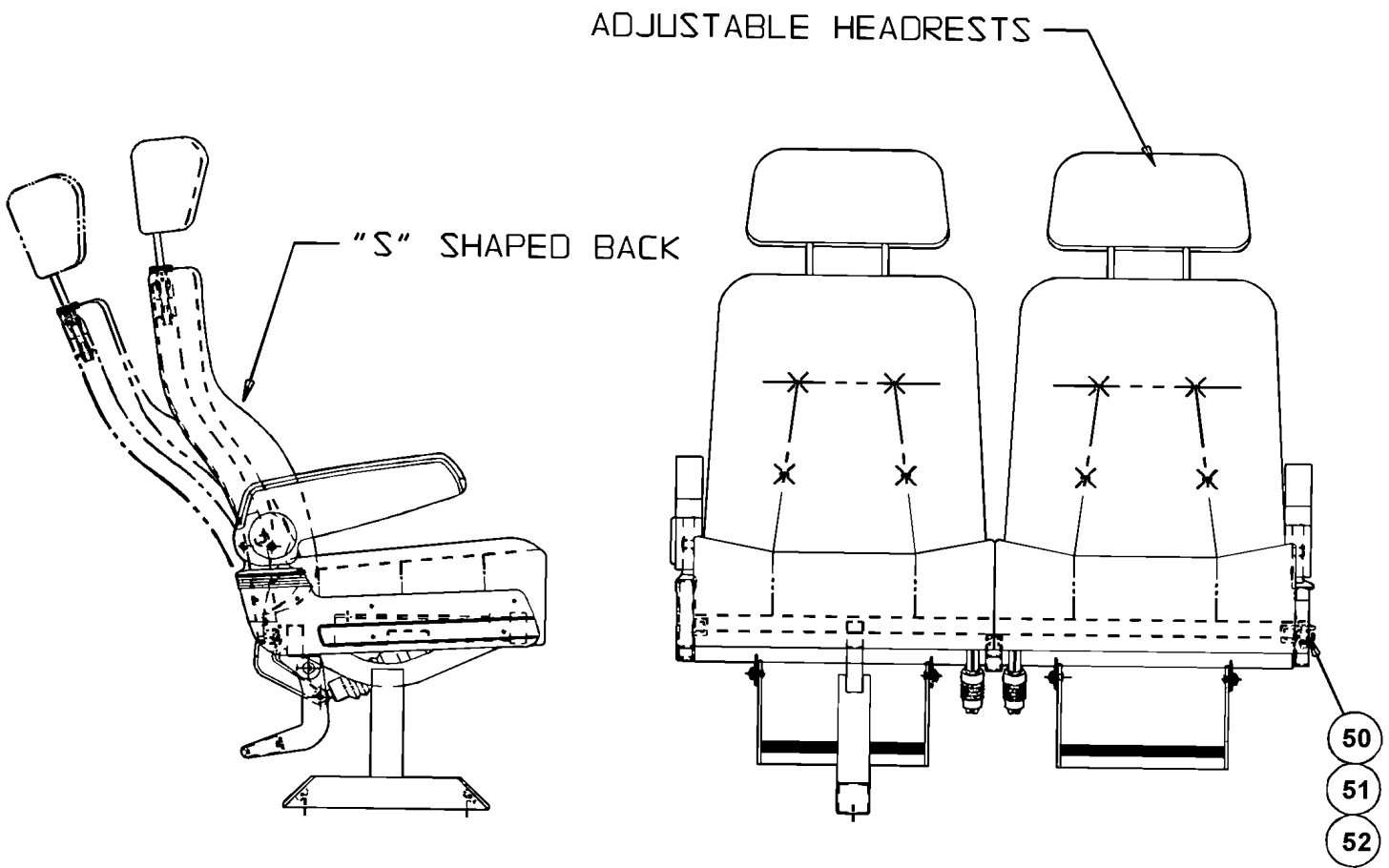


| | | Date:10/2022 | PAGE:Y2-1825-02 | | | | |
|---------------------------------------|-----------------|--|----------------------------|---|---|--|-----------------------|
| PASSENGER'S SEAT - "AMERICAN" - W6695 | | | | | | | |
| Item# | Part | Description | X L I I 4 5 | X L I I M T H 4 0 | X L I I M T H 4 5 | X L I I M T H 4 5 E | N O T E S |
| | | IMPORTANT NOTE: | | | | | |
| | | TO ORDER COMPLETE PASSENGER'S SEAT KIT #, | | | | | |
| | | SEE THE FINAL VEHICLE RECORD. | | | | | |
| 5 | Y2-1825-05 | . PASSENGER'S SEAT - "AMERICAN" - FRAME | | | | | |
| 10 | Y2-1825-10 | . PASSENGER'S SEAT - "AMERICAN" - FRAME ROTATIN | | | | | |
| 15 | Y2-1825-20 | . PASSENGER'S SEAT - "AMERICAN" - CUSHION | | | | | |
| 25 | Y2-1825-40 | . PASSENGER'S SEAT - "AMERICAN" - FOOTREST | | | | | |
| 30 | Y2-1825-50 | . PASSENGER'S SEAT - "AMERICAN" - ARMREST | | | | | |
| 35 | Y2-1825-60 | . PASSENGER'S SEAT - "AMERICAN" - BACK & ACCESS | | | | | |
| 50 | Call order desk | SCREW - WALL ATTACHING | 2 | | | | P |
| 51 | 860094 | CHANNEL WALL ATTACHING | 2 | | | | |
| 52 | Call order desk | WASHER | 2 | | | | P |
| | | | | | | | |
| | | | | | | | |
| | | P) CALL ORDER DESK FOR SPECIFIC APPLICATION (V.I.N.) | | | | | |

| | | |
|---|--------------|-----------------|
| | Date:10/2022 | PAGE:Y2-1825-03 |
| PASSENGER'S SEAT - "AMERICAN" - W6696 & W7696 | | |

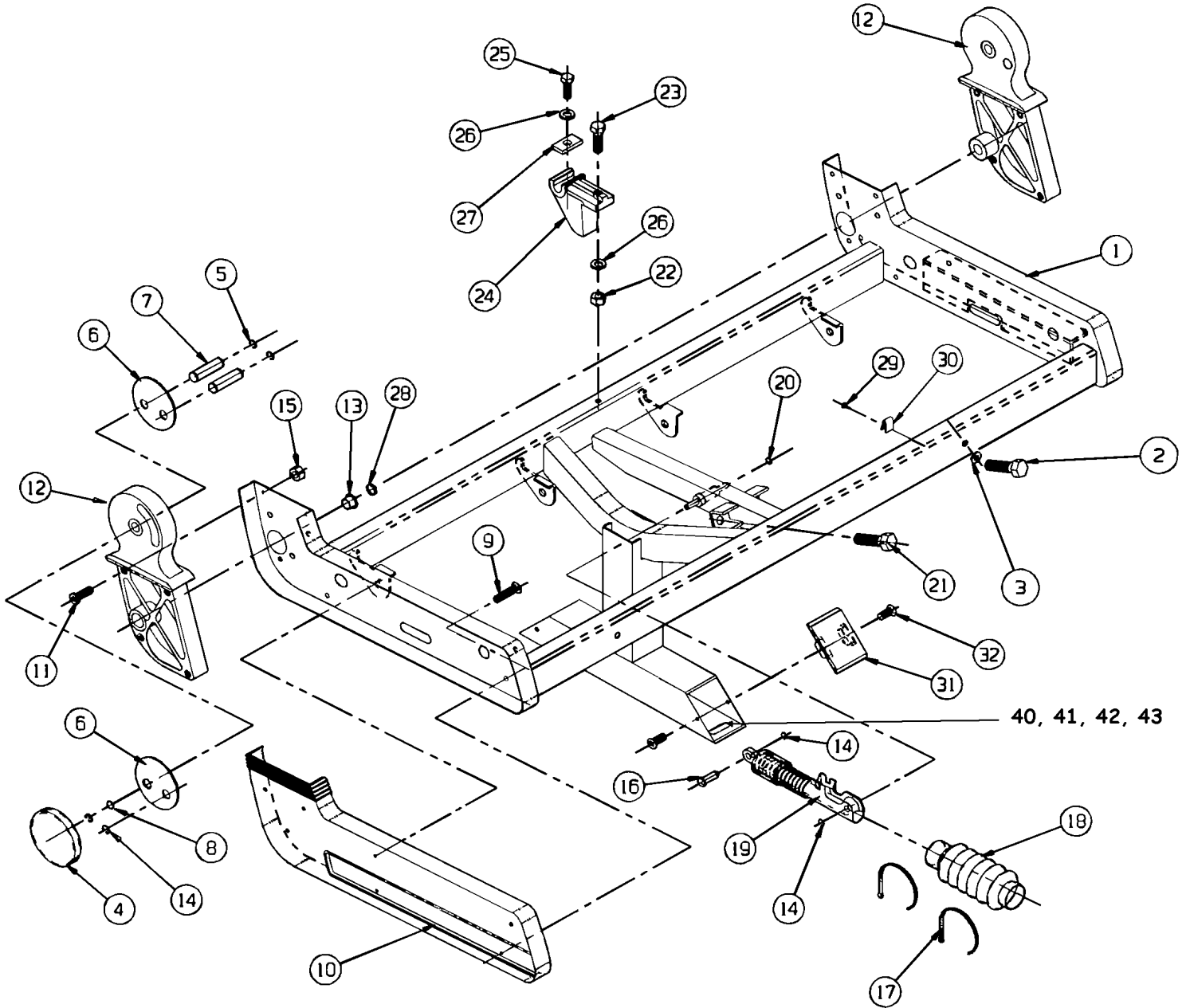


| | | |
|---|--------------|-----------------|
| | Date:10/2022 | PAGE:Y2-1825-03 |
| PASSENGER'S SEAT - "AMERICAN" - W6696 & W7696 | | |



| | | Date:10/2022 | PAGE:Y2-1825-03 | | | | |
|---|-----------------|--|----------------------------|---|---|--|-------|
| PASSENGER'S SEAT - "AMERICAN" - W6696 & W7696 | | | | | | | |
| Item# | Part | Description | X L I I 4 5 | X L I I M T H 4 0 | X L I I M T H 4 5 | X L I I M T H 4 5 E | NOTES |
| | | IMPORTANT NOTE: | | | | | |
| | | TO ORDER COMPLETE PASSENGER'S SEAT KIT #, | | | | | |
| | | SEE THE FINAL VEHICLE RECORD. | | | | | |
| 5 | Y2-1825-05 | . PASSENGER'S SEAT - "AMERICAN" - FRAME | | | | | |
| 10 | Y2-1825-10 | . PASSENGER'S SEAT - "AMERICAN" - FRAME ROTATIN | | | | | |
| 15 | Y2-1825-20 | . PASSENGER'S SEAT - "AMERICAN" - CUSHION | | | | | |
| 20 | Y2-1825-31 | . PASSENGER'S SEAT - "AMERICAN" - BACKREST WX69 | | | | | |
| 25 | Y2-1825-40 | . PASSENGER'S SEAT - "AMERICAN" - FOOTREST | | | | | |
| 30 | Y2-1825-50 | . PASSENGER'S SEAT - "AMERICAN" - ARMREST | | | | | |
| 35 | Y2-1825-60 | . PASSENGER'S SEAT - "AMERICAN" - BACK & ACCESS | | | | | |
| 50 | Call order desk | SCREW - WALL ATTACHING | 2 | | | | P |
| 51 | 860094 | CHANNEL WALL ATTACHING | 2 | | | | |
| 52 | Call order desk | WASHER | 2 | | | | P |
| | | | | | | | |
| | | | | | | | |
| | | P) CALL ORDER DESK FOR SPECIFIC APPLICATION (V.I.N.) | | | | | |

| | | |
|---------------------------------------|--------------|-----------------|
| | Date:10/2022 | PAGE:Y2-1825-05 |
| PASSENGER'S SEAT - "AMERICAN" - FRAME | | |



LH FRAME ASSEMBLY (SHOWN)
RH FRAME ASSEMBLY (OPPOSITE HAND)

Date:10/2022

PAGE:Y2-1825-05

PASSENGER'S SEAT - "AMERICAN" - FRAME

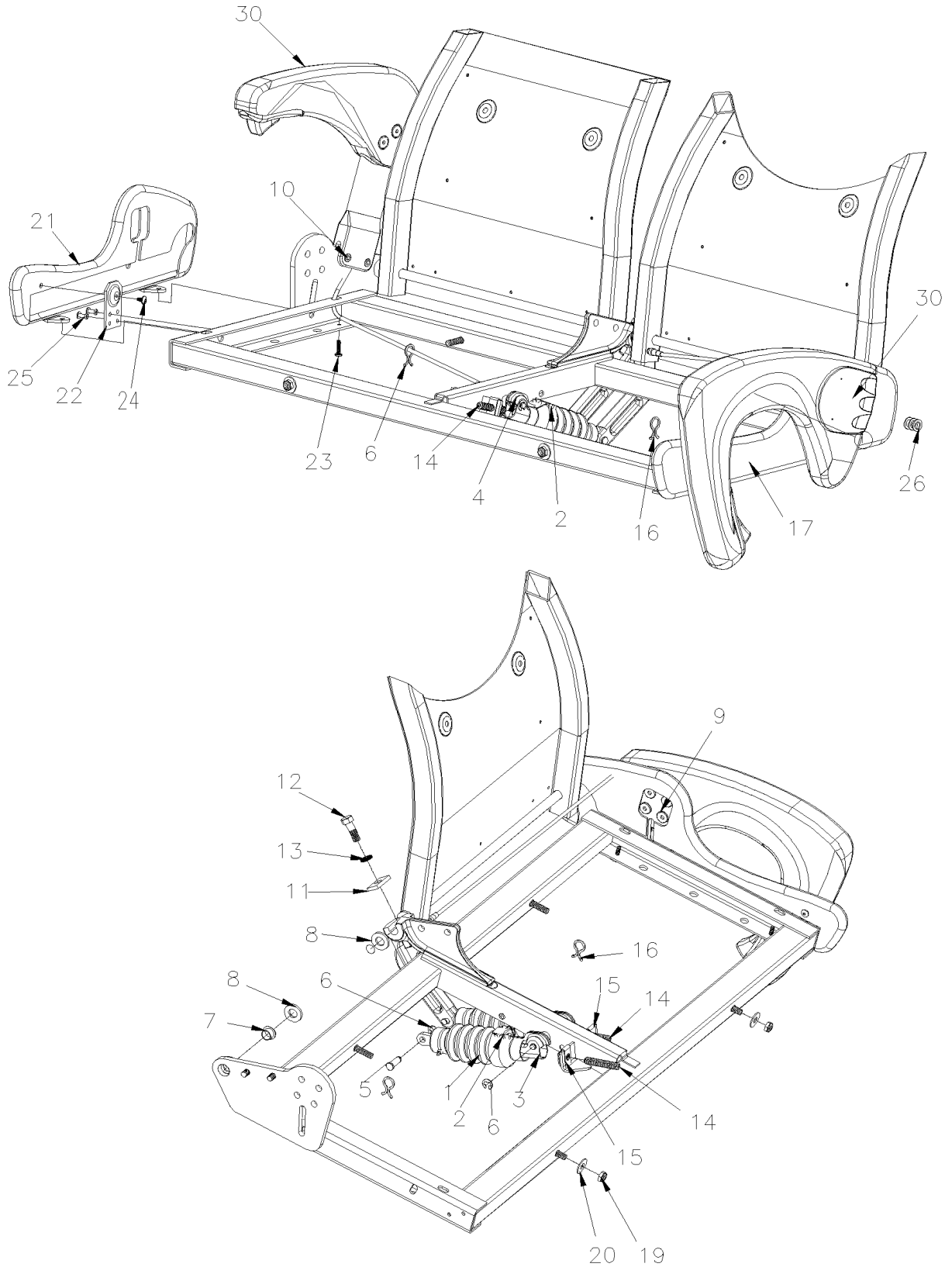
| Item# | Part | Description | X L I I I 4 5 | X L I I I M T H 4 0 | X L I I I M T H 4 5 | X L I I I M T H 4 5 E | NOTES |
|-------|-----------------|------------------------------------|---------------------------------|--|--|---|-------|
| 1 | Call order desk | FRAME ASSY RH W/FOOTREST | 1 | | | | P |
| 1 | Call order desk | FRAME ASSY LH W/FOOTREST | 1 | | | | P |
| 1 | Call order desk | FRAME ASSY RH W/O FOOTREST | 1 | | | | P |
| NS | Call order desk | FRAME ASSY LH W/O FOOTREST | 1 | | | | P |
| 1 | Call order desk | FRAME ASSY LH REAR CROSS | 1 | | | | P |
| 2 | Call order desk | SCREW CAP HEX 5/16-18x2 3/4 | 2 | | | | P |
| 3 | 500476 | WASHER LO SPT .317x.586x.078 Z050 | 2 | | | | |
| 4 | Call order desk | COVER DECORATIVE ASSY | 1 | | | | P |
| 5 | Call order desk | RETAINER RING | 8 | | | | P |
| 6 | Call order desk | PLATE REINFORCEMENT | 4 | | | | P |
| 7 | Call order desk | PIN ARM PIVOT | 4 | | | | P |
| 8 | 865884 | WASHER SPR WAVE | 1 | | | | |
| 9 | Call order desk | SCREW SIDE TRIM #8 X 5/8" | 7 | | | | P |
| 10 | 862901 | TRIM PANEL SIDE L.H. | 1 | | | | |
| 10 | 863776 | TRIM PANEL SIDE R.H. | 1 | | | | |
| 11 | Call order desk | SCREW MA PAN PH #10-32 X 5/8 | 8 | | | | P |
| 12 | Call order desk | CASTING PIVOT (AISLE SIDE) | 1 | | | | P |
| 12 | Call order desk | CASTING PIVOT (AISLE SIDE) | 1 | | | | P |
| 12 | Call order desk | CASTING PIVOT (WALL SIDE) | 1 | | | | P |
| 12 | Call order desk | CASTING PIVOT (WALL SIDE) | 1 | | | | P |
| 13 | 860042 | PIVOT BEARING | 2 | | | | |
| 14 | Call order desk | SNAP RING | 4 | | | | P |
| 15 | 500423 | NUT HEX NYRT #10-32 SS | 8 | | | | |
| 16 | Call order desk | PIN CONNECTOR LINK | 2 | | | | P |
| 17 | 504273 | CABLE TIE / 1/8" X 3"1/2 | 2 | | | | |
| 18 | Call order desk | COVER MECHLOK | 2 | | | | P |
| 19 | 864135 | LOCK MECHANISM RH | 1 | | | | |
| 19 | 864268 | LOCK MECHANISM LH | 1 | | | | |
| NS | 861486 | CLIP / WIRE RETAINER | 2 | | | | |
| 20 | 502523 | RIVET NUT FL OKS 5/16-18 .059-.119 | 1 | | | | |
| 21 | 500052 | SCREW CAP HEX 3/8-24x2 G5 ZP | 2 | | | | |
| 23 | 502694 | SCREW CAP HEX 3/8-16x3 1/4 G5 ZP | 1 | | | | |
| 24 | 864857 | CASTING - CENTER | 1 | | | | |
| 25 | 500192 | SCREW CAP HEX 3/8-16x1 1/4 G5 Z050 | 1 | | | | |
| 26 | 500480 | WASHER LO SPT .443x.779x.109 Z050 | 2 | | | | |
| 27 | Call order desk | PLATE RETAINER | 1 | | | | P |
| 28 | Call order desk | WASHER FL NYL | 4 | | | | P |
| 29 | Call order desk | RIVET POP 1/8" SS L FLANGE | 3 | | | | P |
| 30 | Call order desk | CLAMP | 3 | | | | P |
| 31 | N8881678 | CAP - END | 2 | | | | |
| 32 | 500952 | SCREW TP BDG PH #8x1/2 SS | 4 | | | | |
| 40 | 500305 | SCREW CAP HEX 3/8-16x7/8 G5 Z050 | 2 | | | | |

| | | Date:10/2022 | PAGE:Y2-1825-05 | | | | |
|---------------------------------------|--------|---|----------------------------|---|---|--|-------|
| PASSENGER'S SEAT - "AMERICAN" - FRAME | | | | | | | |
| Item# | Part | Description | X L I I 4 5 | X L I I M T H 4 0 | X L I I M T H 4 5 | X L I I M T H 4 5 E | NOTES |
| 41 | 500478 | WASHER LO SPT .380x.683x.094 Z050 | 2 | | | | |
| 42 | 500270 | WASHER FL .406x1.000x.063 SS | 2 | | | | |
| 43 | 362627 | PLATE ANCHOR / 3/8-16 BOLT INSIDE TRACK / 1 1/4" X 1 1/4" | 2 | | | | |
| | | | | | | | |
| | | | | | | | |
| | | | | | | | |
| | | P) CALL ORDER DESK FOR SPECIFIC APPLICATION (V.I.N.) | | | | | |

Date:10/2022

PAGE:Y2-1825-06

PASSENGER'S SEAT - "AMERICAN" SERIES 2000 & MORE



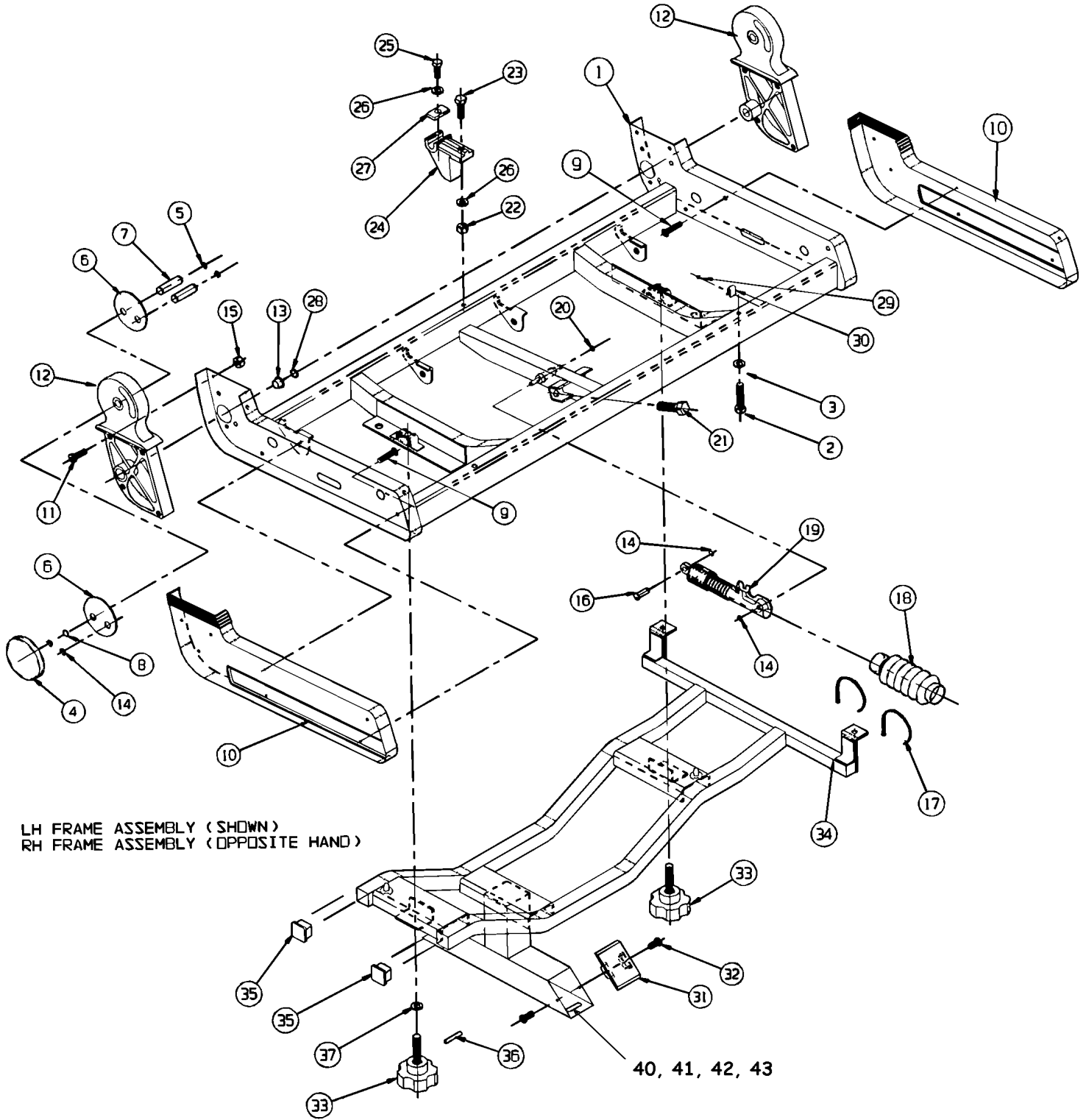
Date:10/2022

PAGE:Y2-1825-06

PASSENGER'S SEAT - "AMERICAN" SERIES 2000 & MORE

| Item# | Part | Description | X L I I I 4 5 | X L I I I M T H 4 0 | X L I I I M T H 4 5 | X L I I I M T H 4 5 E | NOTES |
|-------|-------------------|---|---------------------------------|--|--|---|-------|
| 1 | Call order desk | BOOT COVERING CYLINDER | 2 | | | | P |
| 2 | 865812 | ATTACHMENT FITTING | 2 | | | | |
| 2 | 504012 | CABLE TIE / 3/16" X 6"1/2 | 2 | | | | |
| 3 | 864135 | LOCK MECHANISM RH | 1 | | | | |
| 4 | 864268 | LOCK MECHANISM LH | 1 | | | | |
| NS | 861486 | CLIP / WIRE RETAINER | 2 | | | | |
| 5 | 865828 | PIN CONNECTOR LINK | 2 | | | | |
| 6 | 865819 | RETAINING RING | 4 | | | | |
| 7 | 865818 | BEARING PIVOT | 2 | | | | |
| 8 | Call order desk | WASHER PLAIN NYLON 1/2" x 1" x 1/8" | 4 | | | | P |
| 9 | 865886 | NUT JCN-CAP 1/4-20 | 4 | | | | |
| 10 | 865808 | SCREW CAP HEXS 5/16-18x.672 | 2 | | | | |
| 11 | 864857 | CASTING - CENTER | 1 | | | | |
| 12 | 865815 | SCREW CAP HEX 3/8-16x1 1/8 | 1 | | | | |
| 13 | 865816 | WASHER "NORD-LOCK" 3/8x21/32x.1046 ZN | 1 | | | | |
| 14 | 865811 | SCREW SET HEXS FLAT | 2 | | | | |
| 15 | Call order desk | U-NUT | 2 | | | | P |
| 16 | Call order desk | BALL END PURSE LOCK | 2 | | | | P |
| 17 | Call order desk | TRIM PANEL PKG L.H. | 1 | | | | P |
| 19 | 865806 | NUT HEX JAM 1/4-20 ZP | 2 | | | | |
| 20 | 865807 | WASHER FL 5/16x7/8x16GA SS | 2 | | | | |
| 21 | Call order desk | PANEL AISLE TRIM | 1 | | | | P |
| 22 | Call order desk | PANEL TRIM SUPPORT | 1 | | | | P |
| 23 | 19509680 | SCREW SRB 40M #10-24x3/4" | 2 | | | | |
| 24 | 865960 | SCREW TP TR SQ #10-24x3/8 | 1 | | | | |
| 25 | Call order desk | RIVET DOME HEAD ST 3/16"x9/16" | 2 | | | | P |
| 26 | N8882739 | WASHER FL 3/85/8x16GA | 3 | | | | |
| 30 | Y2-1825-51 | PASSENGER'S SEAT - "AMERICAN" - ARMREST SERIES 2000 & MORE | | | | | |
| | | | | | | | |
| | | | | | | | |
| | | | | | | | |
| | | P) CALL ORDER DESK FOR SPECIFIC APPLICATION (V.I.N.) | | | | | |

| | | |
|--|--------------|-----------------|
| | Date:10/2022 | PAGE:Y2-1825-10 |
| PASSENGER'S SEAT - "AMERICAN" - FRAME ROTATING | | |



Date:10/2022

PAGE:Y2-1825-10

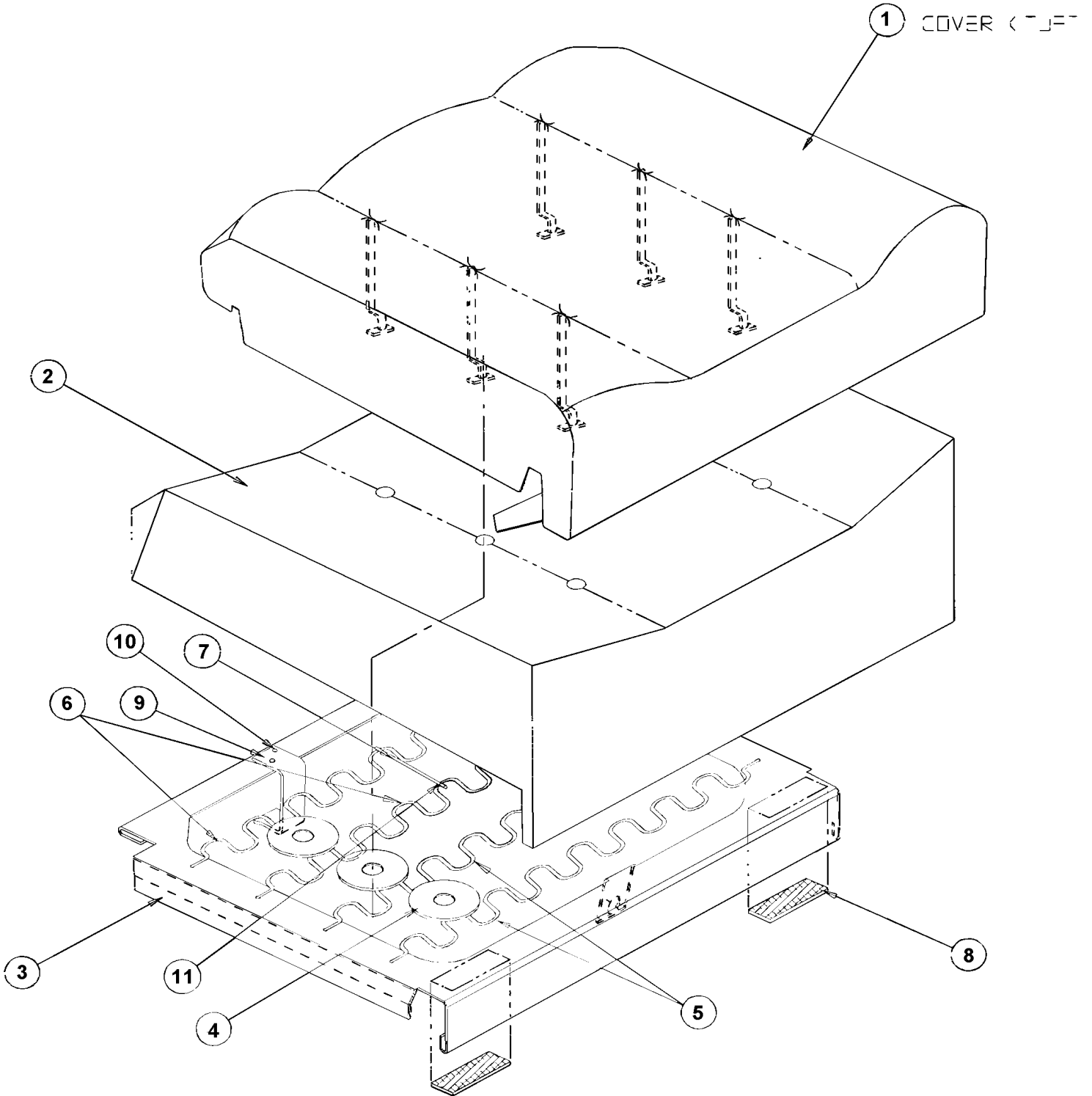
PASSENGER'S SEAT - "AMERICAN" - FRAME ROTATIN

| Item# | Part | Description | X L I I I 4 5 | X L I I I M T H 4 0 | X L I I I M T H 4 5 | X L I I I M T H 4 5 E | NOTES |
|-------|-----------------|------------------------------------|---------------------------------|--|--|---|-------|
| 1 | Call order desk | FRAME ASSY UPPER W/FOOTREST | 1 | | | | P |
| 2 | Call order desk | SCREW CAP HEX 5/16-18x2 3/4 | 2 | | | | P |
| 3 | 500476 | WASHER LO SPT .317x.586x.078 Z050 | 2 | | | | |
| 4 | Call order desk | COVER DECORATIVE ASSY | 1 | | | | P |
| 5 | Call order desk | RETAINER RING | 8 | | | | P |
| 6 | Call order desk | PLATE REINFORCEMENT | 4 | | | | P |
| 7 | Call order desk | PIN ARM PIVOT | 4 | | | | P |
| 8 | 865884 | WASHER SPR WAVE | 1 | | | | |
| 9 | Call order desk | SCREW SIDE TRIM #8 X 5/8" | 14 | | | | P |
| 10 | 862901 | TRIM PANEL SIDE L.H. | 1 | | | | |
| 10 | 863776 | TRIM PANEL SIDE R.H. | 1 | | | | |
| 11 | Call order desk | SCREW MA PAN PH #10-32 X 5/8 | 8 | | | | P |
| 12 | Call order desk | CASTING PIVOT (AISLE SIDE) | 1 | | | | P |
| 12 | Call order desk | CASTING PIVOT (AISLE SIDE) | 1 | | | | P |
| 13 | 860042 | PIVOT BEARING | 2 | | | | |
| 14 | Call order desk | SNAP RING | 4 | | | | P |
| 15 | 500423 | NUT HEX NYRT #10-32 SS | 8 | | | | |
| 16 | Call order desk | PIN CONNECTOR LINK | 2 | | | | P |
| 17 | 504273 | CABLE TIE / 1/8" X 3"1/2 | 2 | | | | |
| 18 | Call order desk | COVER MECHLOK | 2 | | | | P |
| 19 | 864135 | LOCK MECHANISM RH | 1 | | | | |
| 19 | 864268 | LOCK MECHANISM LH | 1 | | | | |
| NS | 861486 | CLIP / WIRE RETAINER | 2 | | | | |
| 20 | Call order desk | PIN PORTER RETAINER | 1 | | | | P |
| 21 | 500052 | SCREW CAP HEX 3/8-24x2 G5 ZP | 2 | | | | |
| 23 | 502694 | SCREW CAP HEX 3/8-16x3 1/4 G5 ZP | 1 | | | | |
| 24 | 864857 | CASTING - CENTER | 1 | | | | |
| 25 | 500192 | SCREW CAP HEX 3/8-16x1 1/4 G5 Z050 | 1 | | | | |
| 26 | 500480 | WASHER LO SPT .443x.779x.109 Z050 | 2 | | | | |
| 27 | Call order desk | PLATE RETAINER | 1 | | | | P |
| 28 | Call order desk | WASHER FL NYL | 4 | | | | P |
| 29 | Call order desk | RIVET POP 1/8" SS L FLANGE | 3 | | | | P |
| 30 | Call order desk | CLAMP | 3 | | | | P |
| 31 | N8881678 | CAP - END | 1 | | | | |
| 32 | Call order desk | SCREW #8x1/2 | 4 | | | | P |
| 33 | 864807 | KNOB RETAINER | 2 | | | | |
| 34 | Call order desk | FRAME ASSY - LOWER | 1 | | | | P |
| 35 | Call order desk | CAP - PLUG | 2 | | | | P |
| 36 | Call order desk | PIN ROLL | 2 | | | | P |
| 37 | Call order desk | WASHER LO SPT | 1 | | | | P |
| 40 | 500305 | SCREW CAP HEX 3/8-16x7/8 G5 Z050 | 2 | | | | |
| 41 | 500478 | WASHER LO SPT .380x.683x.094 Z050 | 2 | | | | |

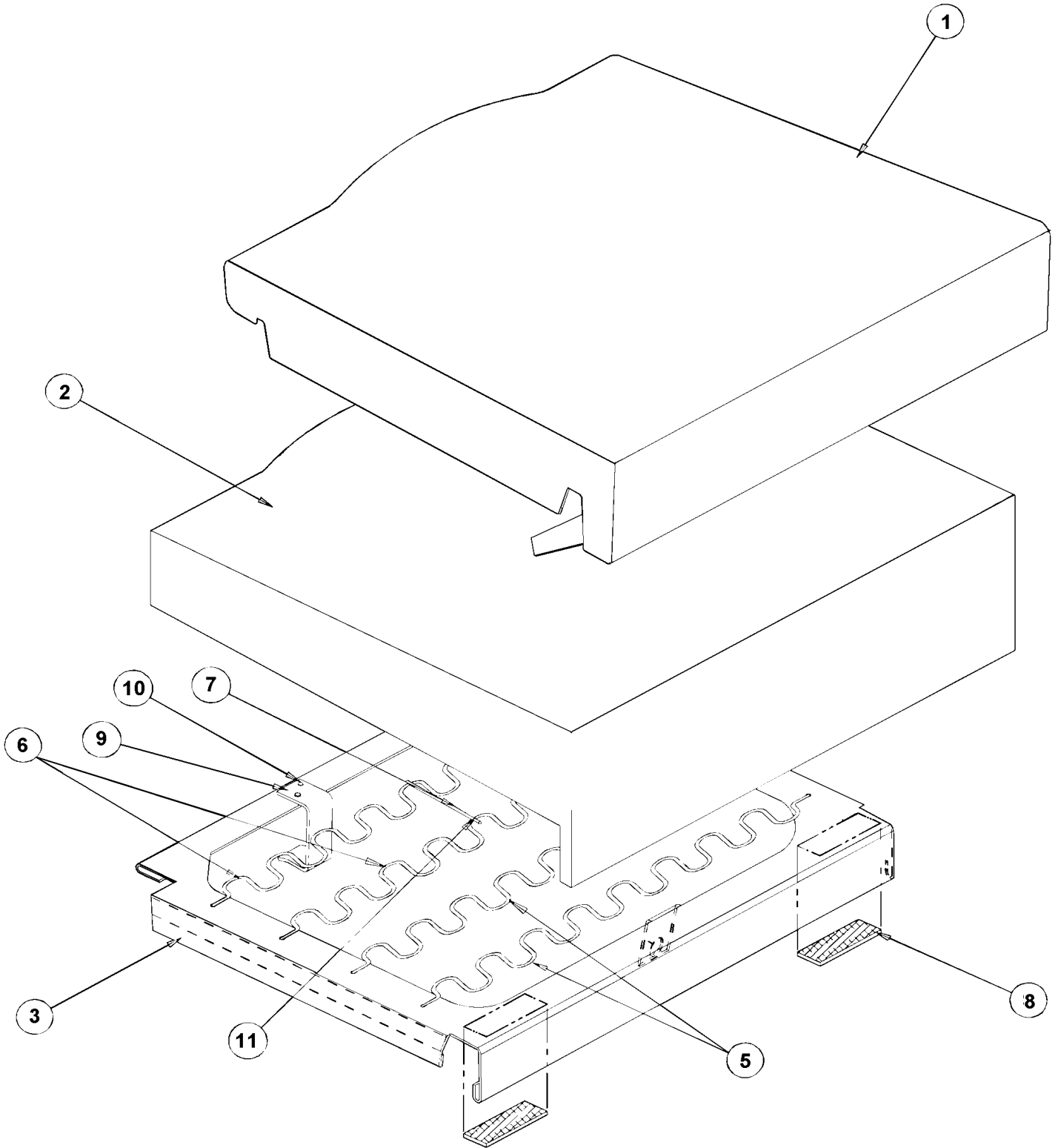
| | | |
|--|--------------|-----------------|
| | Date:10/2022 | PAGE:Y2-1825-10 |
| PASSENGER'S SEAT - "AMERICAN" - FRAME ROTATIN | | |

| Item# | Part | Description | X L I I 4 5 | X L I I M T H 4 0 | X L I I M T H 4 5 | X L I I M T H 4 5 E | N O T E S |
|-------|--------|---|--------------------------------|---|---|--|-----------------------|
| 42 | 500270 | WASHER FL .406x1.000x.063 SS | 2 | | | | |
| 43 | 362627 | PLATE ANCHOR / 3/8-16 BOLT INSIDE TRACK / 1 1/4" X 1 1/4" | 2 | | | | |
| | | | | | | | |
| | | | | | | | |
| | | P) CALL ORDER DESK FOR SPECIFIC APPLICATION (V.I.N.) | | | | | |

| | | |
|---|--------------|-----------------|
| | Date:10/2022 | PAGE:Y2-1825-20 |
| PASSENGER'S SEAT - "AMERICAN" - CUSHION | | |



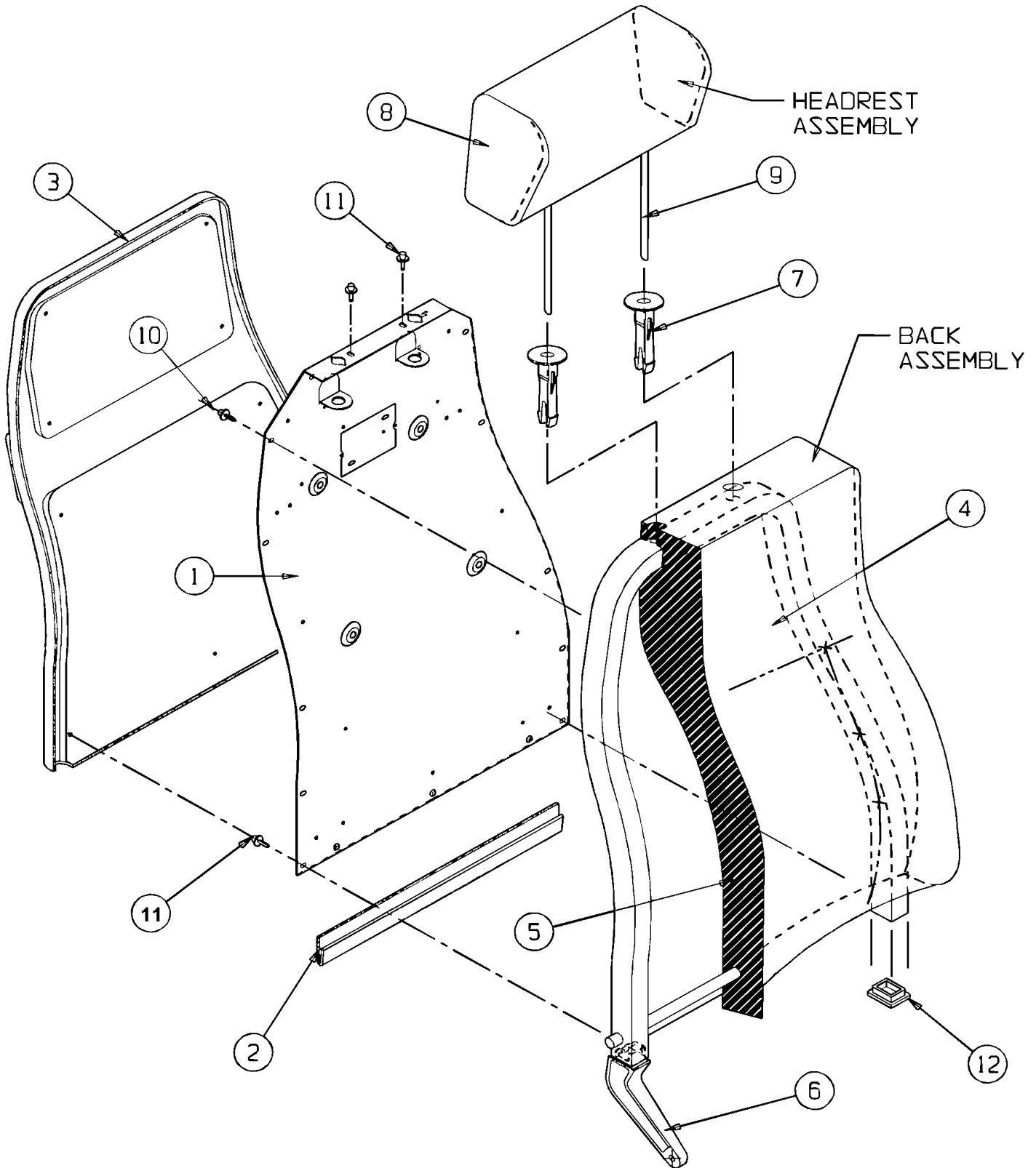
| | | |
|---|--------------|-----------------|
| | Date:10/2022 | PAGE:Y2-1825-20 |
| PASSENGER'S SEAT - "AMERICAN" - CUSHION | | |



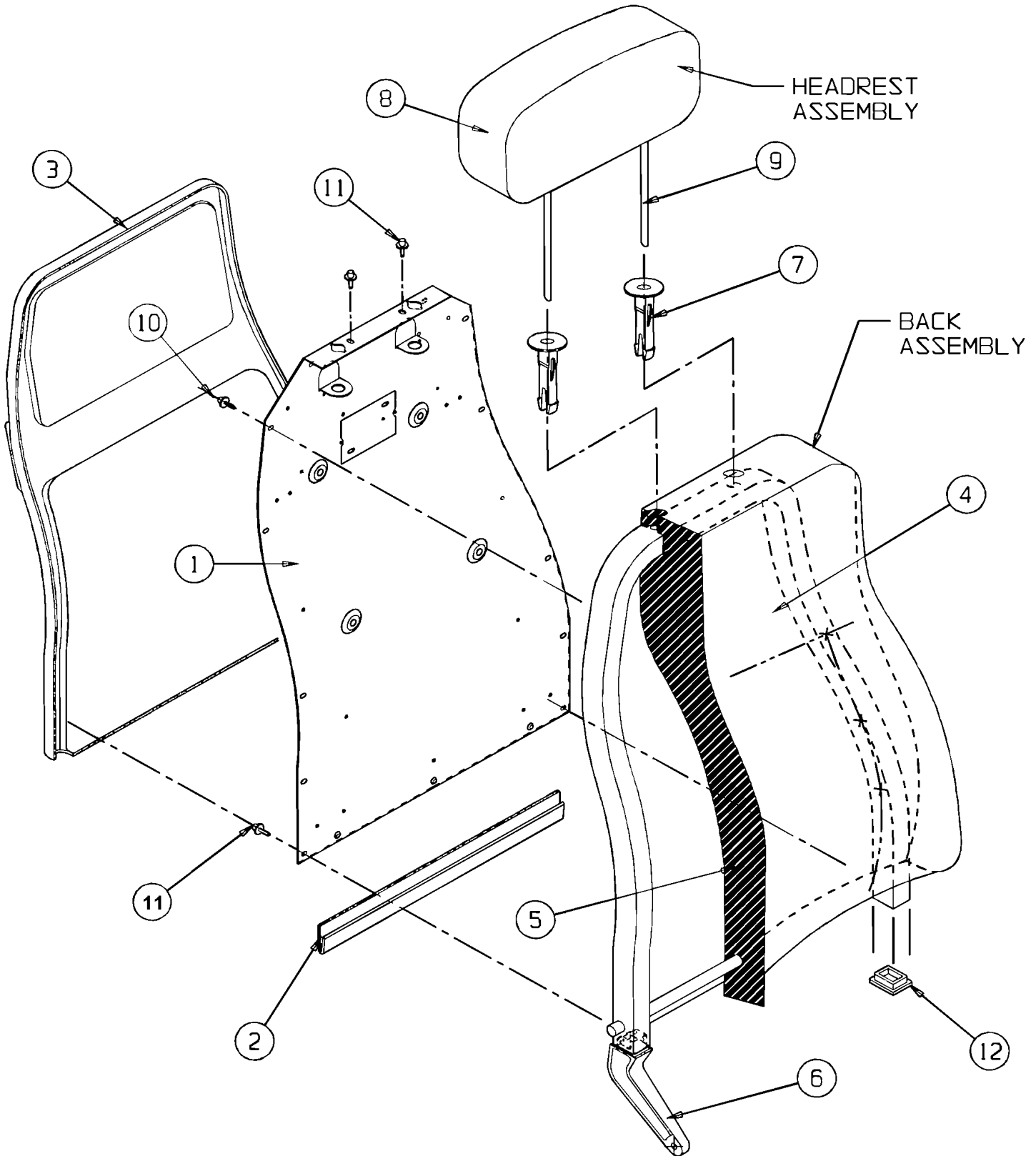
| | | |
|--|--------------|-----------------|
| | Date:10/2022 | PAGE:Y2-1825-20 |
| PASSENGER'S SEAT - "AMERICAN" - CUSHION | | |

| Item# | Part | Description | X L I I 4 5 | X L I I M T H 4 0 | X L I I M T H 4 5 | X L I I M T H 4 5 E | N O T E S |
|-------|-----------------|--|----------------------------|---|---|--|-----------------------|
| | N.P.N. | CUSHION ASSY - TUFTED | 1 | | | | 4 A |
| | N.P.N. | CUSHION ASSY - NON-TUFTED | 1 | | | | 4 B |
| 1 | N.P.N. | . COVER CUSHION | 1 | | | | 4 |
| 2 | 865801 | . FOAM - CUSHION TUFTED - POLY | 1 | | | | A |
| 2 | Call order desk | . FOAM - CUSHION TUFTED - LOW SMOKE FOAM | 1 | | | | P A |
| 2 | Call order desk | . FOAM - CUSHION NON-TUFTED - POLY | 1 | | | | P B |
| 2 | Call order desk | . FOAM - CUSHION NON-TUFTED - LOW SMOKE FOAM | 1 | | | | P B |
| 3 | 865802 | . FRAME ASSY | 1 | | | | |
| 4 | Call order desk | . WASHER (PULL TAB) | 6 | | | | P A |
| 5 | Call order desk | . SPRING - NO SAG (FLAT) | 2 | | | | P |
| 6 | Call order desk | . SPRING - NO SAG (CROWNED) | 2 | | | | P |
| 7 | Call order desk | . WIRE 5" | 1 | | | | P |
| 8 | Call order desk | . VELCRO | 2 | | | | P |
| 9 | Call order desk | . RETAINER - REAR | 1 | | | | P |
| 10 | Call order desk | . RIVET POP 3/16x7/16 ZP | 1 | | | | P |
| 11 | Call order desk | . HARTCO-CLIP | 1 | | | | P |
| | | | | | | | |
| | | | | | | | |
| | | A) TUFTED CUSHION | | | | | |
| | | B) NON-TUFTED CUSHION | | | | | |
| | | 4) NO PARTS NUMBER | | | | | |
| | | P) CALL ORDER DESK FOR SPECIFIC APPLICATION (V.I.N.) | | | | | |

| | | |
|---|--------------|-----------------|
| | Date:10/2022 | PAGE:Y2-1825-31 |
| PASSENGER'S SEAT - "AMERICAN" - BACKREST WX69 | | |



| | | |
|---|--------------|-----------------|
| | Date:10/2022 | PAGE:Y2-1825-31 |
| PASSENGER'S SEAT - "AMERICAN" - BACKREST WX69 | | |



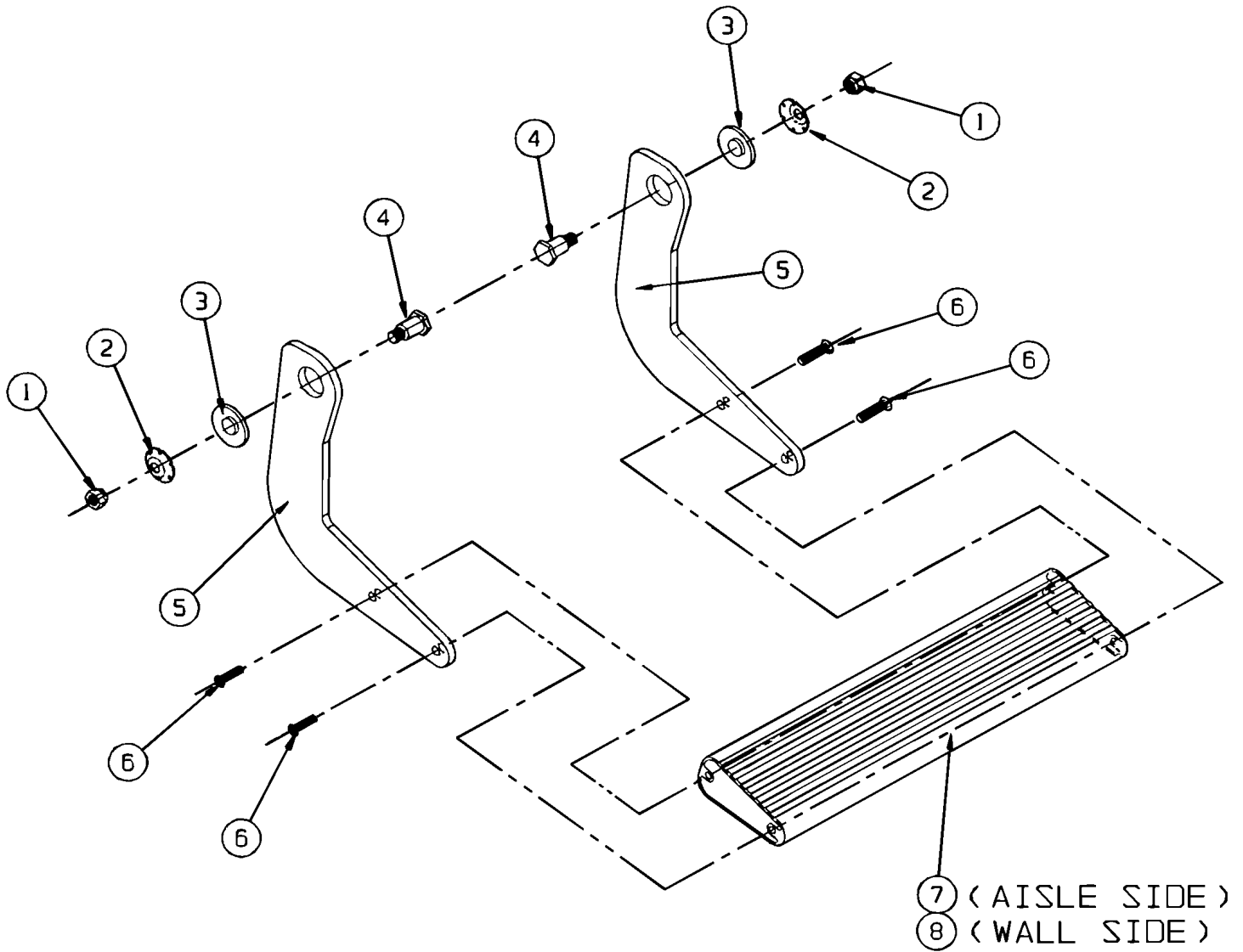
Date:10/2022

PAGE:Y2-1825-31

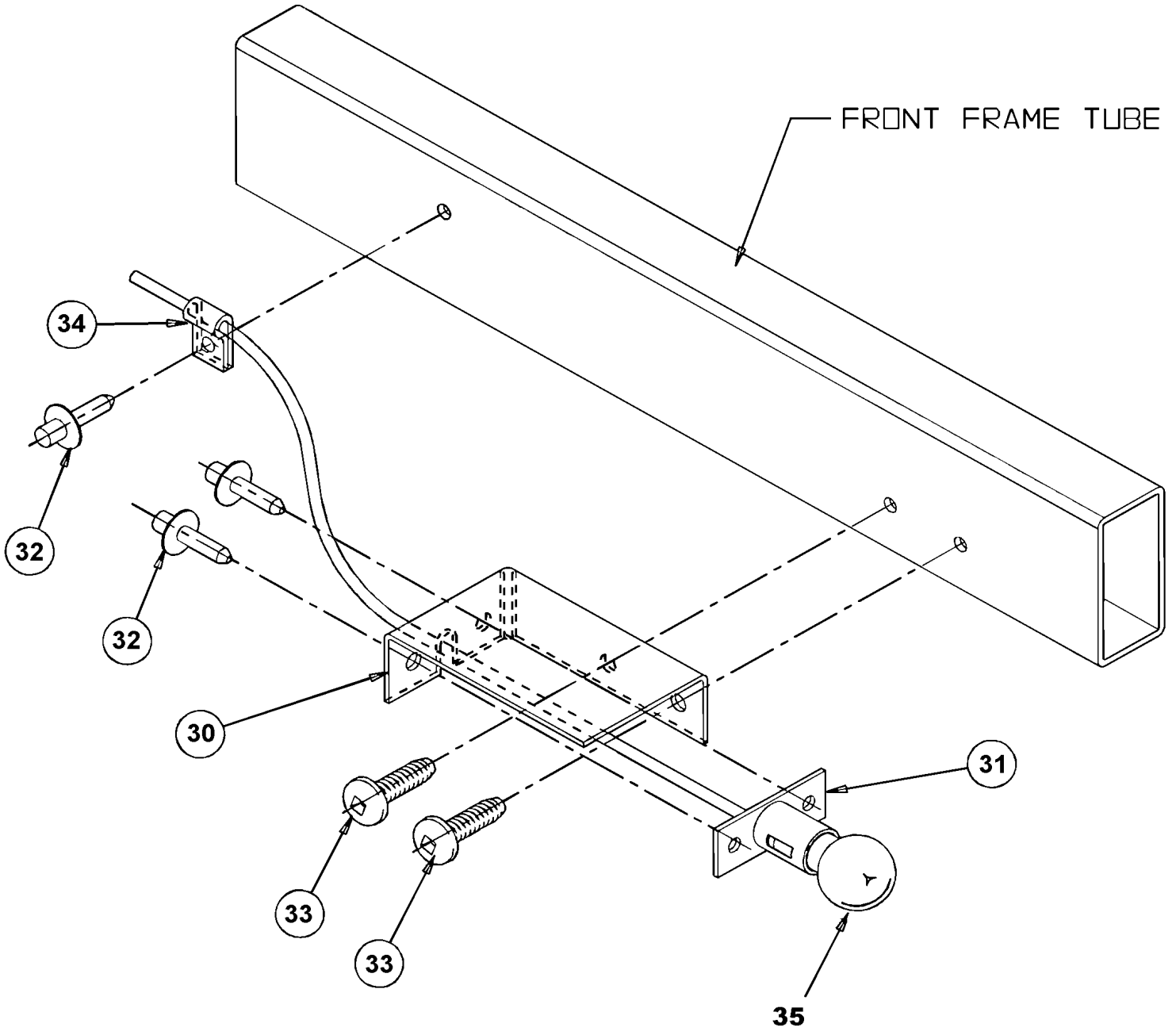
PASSENGER'S SEAT - "AMERICAN" - BACKREST WX69

| Item# | Part | Description | X L I I I 4 5 | X L I I I M T H 4 0 | X L I I I M T H 4 5 | X L I I I M T H 4 5 E | NOTES |
|-------|-------------------|--|---------------------------------|--|--|---|-------|
| 1 | Call order desk | PANEL METAL INNER | 1 | | | | P |
| 2 | Call order desk | EXTRUSION VINYL | 1 | | | | P |
| 3 | Y2-1825-60 | PASSENGER'S SEAT - "AMERICAN" - BACK & ACCESS | | | | | |
| 4 | N.P.N. | COVER BACK UPHOLSTERY | 1 | | | | 4 |
| 5 | Call order desk | FOAM BACK - POLY FOAM | 1 | | | | PA |
| 5 | Call order desk | FOAM BACK - POLY FOAM | 1 | | | | PB |
| 5 | Call order desk | FOAM BACK - LOW SMOKE FOAM | 1 | | | | PB |
| 5 | Call order desk | FOAM BACK - POLY FOAM | 1 | | | | PC |
| 5 | Call order desk | FOAM BACK - LOW SMOKE FOAM | 1 | | | | PC |
| 5 | Call order desk | FOAM BACK - POLY FOAM | 1 | | | | PD |
| 5 | Call order desk | FOAM BACK - LOW SMOKE FOAM | 1 | | | | PD |
| 6 | Call order desk | BACK FRAME & FOAM RH | 1 | | | | P |
| 6 | Call order desk | BACK FRAME & FOAM LH | 1 | | | | P |
| 7 | 863800 | BUSHING GUIDE | 2 | | | | |
| 8 | N.P.N. | COVER HEADREST UPHOLSTERY | 1 | | | | 4 |
| 9 | Call order desk | HEADREST ASSY - POLY FOAM | 1 | | | | PE |
| 9 | Call order desk | HEADREST ASSY - POLY FOAM | 1 | | | | PF |
| 9 | Call order desk | HEADREST ASSY - LOW SMOKE FOAM | 1 | | | | PE |
| 9 | Call order desk | HEADREST ASSY - LOW SMOKE FOAM | 1 | | | | PF |
| 10 | Call order desk | RIVET POP | 12 | | | | P |
| 11 | Call order desk | RIVET POP | 2 | | | | P |
| 12 | 865892 | PLUG CAP 1x1 1/4 BLK POLY | 1 | | | | |
| | | | | | | | |
| | | | | | | | |
| | | A) WITH SEAT MODEL W6694 | | | | | |
| | | B) WITH SEAT MODEL W6696 | | | | | |
| | | C) WITH SEAT MODEL W7694 | | | | | |
| | | D) WITH SEAT MODEL W7696 | | | | | |
| | | E) WITH SEAT MODEL W6694 & W6696 | | | | | |
| | | F) WITH SEAT MODEL W7694 & W7696 | | | | | |
| | | 4) NO PARTS NUMBER | | | | | |
| | | P) CALL ORDER DESK FOR SPECIFIC APPLICATION (V.I.N.) | | | | | |

| | | |
|--|--------------|-----------------|
| | Date:10/2022 | PAGE:Y2-1825-40 |
| PASSENGER'S SEAT - "AMERICAN" - FOOTREST | | |



| | | |
|--|--------------|-----------------|
| | Date:10/2022 | PAGE:Y2-1825-40 |
| PASSENGER'S SEAT - "AMERICAN" - FOOTREST | | |

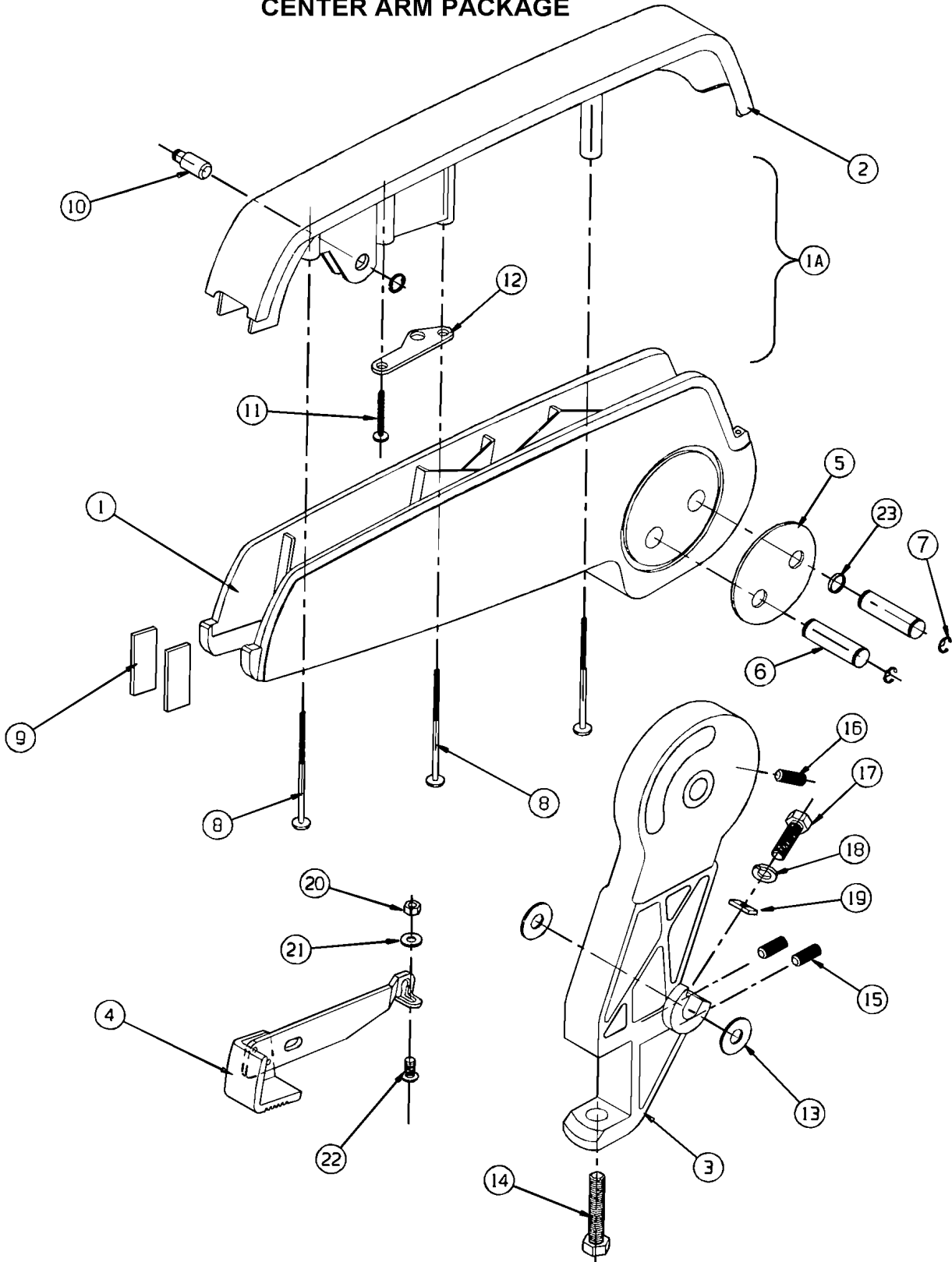


| | | |
|---|--------------|-----------------|
| | Date:10/2022 | PAGE:Y2-1825-40 |
| PASSENGER'S SEAT - "AMERICAN" - FOOTREST | | |

| Item# | Part | Description | X L I I 4 5 | X L I I M T H 4 0 | X L I I M T H 4 5 | X L I I M T H 4 5 E | N O T E S |
|-------|-----------------|--|----------------------------|---|---|--|-----------------------|
| | 864788 | FOOTREST ASSY (AISLE SIDE) | 1 | | | | |
| | Call order desk | FOOTREST ASSY (WALL SIDE) | 1 | | | | P |
| 1 | Call order desk | . NUT HEX SLO 1/4-28 | 2 | | | | P |
| 2 | 862724 | . WASHER TENSIONER | 2 | | | | |
| 3 | 862723 | . WASHER FL NYLON | 2 | | | | |
| 4 | 862722 | . PIN PIVOT | 2 | | | | |
| 5 | 865126 | . PLATE HANGER | 2 | | | | |
| 6 | Call order desk | . SCREW MA PAN PH #10-24x3/4 | 4 | | | | P |
| 7 | Call order desk | . EXTRUSION FOOTREST (AISLE SIDE) | 1 | | | | P |
| 8 | Call order desk | . EXTRUSION FOOTREST (WALL SIDE) | 1 | | | | P |
| | | | | | | | |
| | | | | | | | |
| 30 | Call order desk | ASILE LITE ASSEMBLY | 1 | | | | P |
| 30 | Call order desk | ASILE LITE ASSEMBLY (REVERSIBLE) | 1 | | | | P A |
| 30 | Call order desk | . HOUSING ASILE LITE | 1 | | | | P |
| 30 | Call order desk | . HOUSING ASILE LITE (REVERSIBLE) | 1 | | | | P A |
| 31 | Call order desk | . LAMP SOCKET ASSEMBLY | 1 | | | | P |
| 32 | 504105 | . RIVET POP DOME OE 1/8x3/16 AL | 7 | | | | |
| 33 | Call order desk | . SCREW MA BUT SQ #6-32x1/2 | 2 | | | | P |
| 34 | Call order desk | . CLAMP | 5 | | | | P |
| 35 | 560141 | . BULB / 3WATT-24VOLTS / SAE# 1251 | AR | | | | |
| 35 | 563546 | BULB / 7 LEDS BLUE / UNDER SEAT / #B607-2PB-028W | AR | | | | |
| 35 | 564100 | BULB / 7 LEDS BLUE / UNDER SEAT / #270015 | AR | | | | |
| | | | | | | | |
| | | | | | | | |
| | | A) WITH REVERSIBLE SEAT | | | | | |
| | | P) CALL ORDER DESK FOR SPECIFIC APPLICATION (V.I.N.) | | | | | |

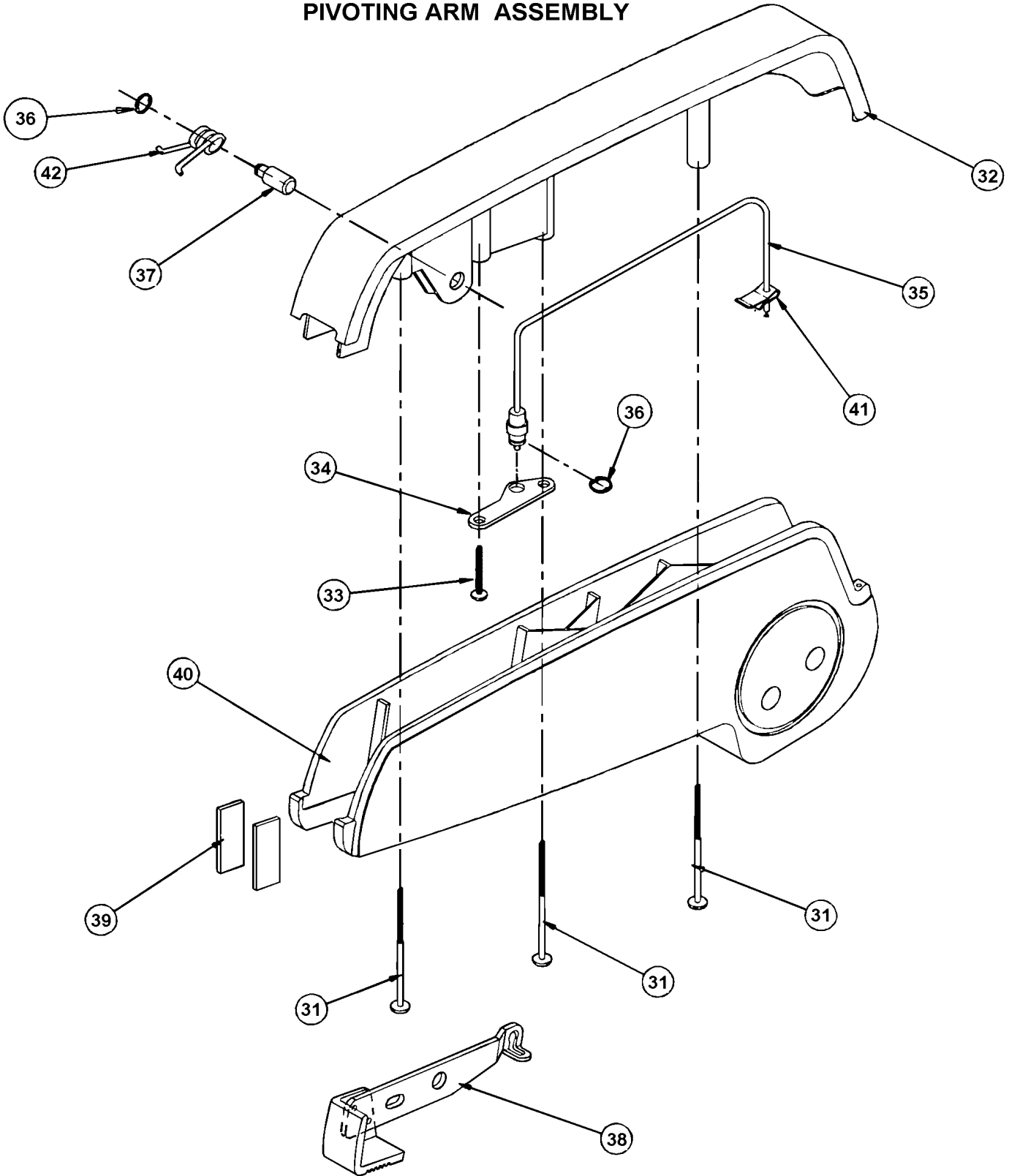
| | | |
|---|--------------|-----------------|
| | Date:10/2022 | PAGE:Y2-1825-50 |
| PASSENGER'S SEAT - "AMERICAN" - ARMREST | | |

CENTER ARM PACKAGE



| | | |
|---|--------------|-----------------|
| | Date:10/2022 | PAGE:Y2-1825-50 |
| PASSENGER'S SEAT - "AMERICAN" - ARMREST | | |

PIVOTING ARM ASSEMBLY

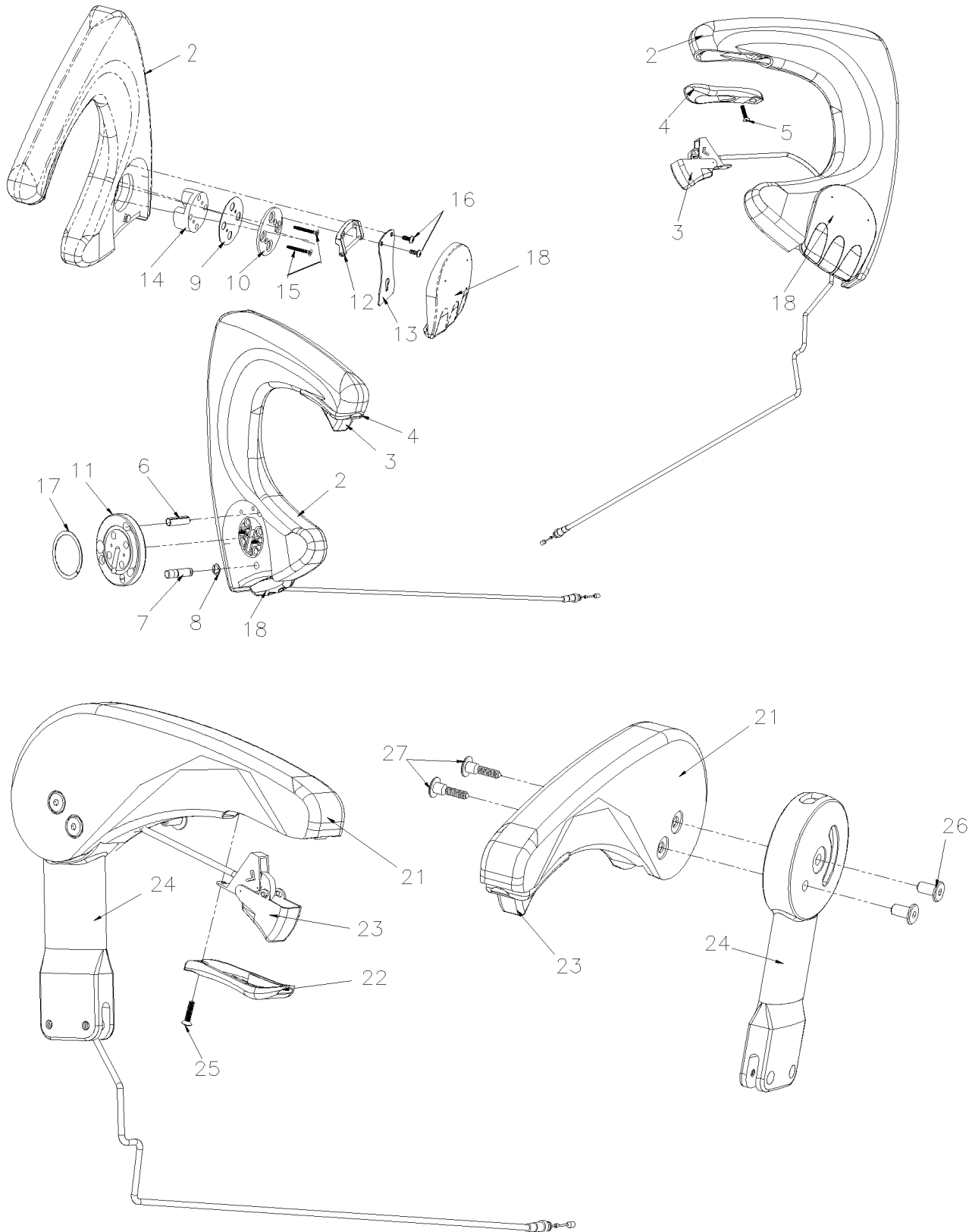


PASSENGER'S SEAT - "AMERICAN" - ARMREST

| Item# | Part | Description | X L I I 4 5 | X L I I M T H 4 0 | X L I I M T H 4 5 | X L I I M T H 4 5 E | N O T E S |
|-------|-----------------|------------------------------|----------------------------|---|---|--|-----------------------|
| | Call order desk | CENTER ARM PACKAGE | 1 | | | | P |
| 1 | Call order desk | . ARM BASE | 1 | | | | P |
| 2 | Call order desk | . CAP - ARM | 1 | | | | P |
| 3 | Call order desk | . CASTING SUPPORT | 1 | | | | P |
| 4 | Call order desk | . LEVER ASSY RECLINE | 1 | | | | P |
| 5 | Call order desk | . PLATE REINFORCEMENT | 2 | | | | P |
| 6 | Call order desk | . PIN - PIVOT | 2 | | | | P |
| 7 | Call order desk | . RETAINER RING | 4 | | | | P |
| 8 | Call order desk | . SCREW #10x2 1/4 | 3 | | | | P |
| 9 | Call order desk | . SOUND ABSORBER | 2 | | | | P |
| 10 | Call order desk | . PIN - PIVOT RECLINE | 1 | | | | P |
| 11 | Call order desk | . SCREW MA PAN PH #10-32 | 1 | | | | P |
| 12 | Call order desk | . PLATE - CABLE RETAINER | 1 | | | | P |
| 13 | Call order desk | . WASHER FL NYL | 2 | | | | P |
| 14 | Call order desk | . SCREW CAP HEX 3/8-16x2 1/2 | 1 | | | | P |
| 15 | Call order desk | . SCREW - SET 1/4-20 | 2 | | | | P |
| 16 | Call order desk | . SCREW - SET | 1 | | | | P |
| 17 | 865815 | . SCREW CAP HEX 3/8-16x1 1/8 | 1 | | | | |
| 18 | Call order desk | . WASHER LO SPT | 1 | | | | P |
| 19 | Call order desk | . PLATE RETAINER | 1 | | | | P |
| 20 | Call order desk | . NUT HEX #6-32 | 1 | | | | P |
| 21 | Call order desk | . WASHER FL | 1 | | | | P |
| 22 | Call order desk | . SCREW CAP HEX #6-32x1/2 | 1 | | | | P |
| 23 | 865884 | . WASHER SPR WAVE | 1 | | | | |
| NS | Call order desk | ARM ASSY | 1 | | | | P A |
| | | | | | | | |
| | | | | | | | |
| 30 | 865803 | PIVOTING ARM ASSY | 1 | | | | |
| 31 | Call order desk | . SCREW #10x2 1/4 | 3 | | | | P |
| 32 | Call order desk | . CAP - ARM | 1 | | | | P |
| 33 | Call order desk | . SCREW MA PAN PH #10-32 | 1 | | | | P |
| 34 | Call order desk | . PLATE - CABLE RETAINER | 1 | | | | P |
| 35 | 864192 | . CABLE PORTER RELEASE | 1 | | | | |
| 36 | Call order desk | . E-RING - BOWED | 2 | | | | P |
| 37 | Call order desk | . PIN - PIVOT RECLINE | 1 | | | | P |
| 38 | Call order desk | . LEVER ASSY RECLINE | 1 | | | | P |
| 39 | Call order desk | . SOUND ABSORBER | 2 | | | | P |
| 40 | Call order desk | . ARM BASE | 1 | | | | P |
| 41 | 861486 | . CLIP / WIRE RETAINER | 1 | | | | |
| 42 | Call order desk | . SPRING RETURN | 1 | | | | P |

| | | Date:10/2022 | PAGE:Y2-1825-50 | | | | |
|---|------|--|----------------------------|---|---|--|-------|
| PASSENGER'S SEAT - "AMERICAN" - ARMREST | | | | | | | |
| Item# | Part | Description | X L I I 4 5 | X L I I M T H 4 0 | X L I I M T H 4 5 | X L I I M T H 4 5 E | NOTES |
| | | | | | | | |
| | | A) INCLUDE ITEMS 1 & 3 | | | | | |
| | | P) CALL ORDER DESK FOR SPECIFIC APPLICATION (V.I.N.) | | | | | |

| | | |
|--|--------------|-----------------|
| | Date:10/2022 | PAGE:Y2-1825-51 |
| PASSENGER'S SEAT - "AMERICAN" - ARMREST SERIES 2000 & MORE | | |



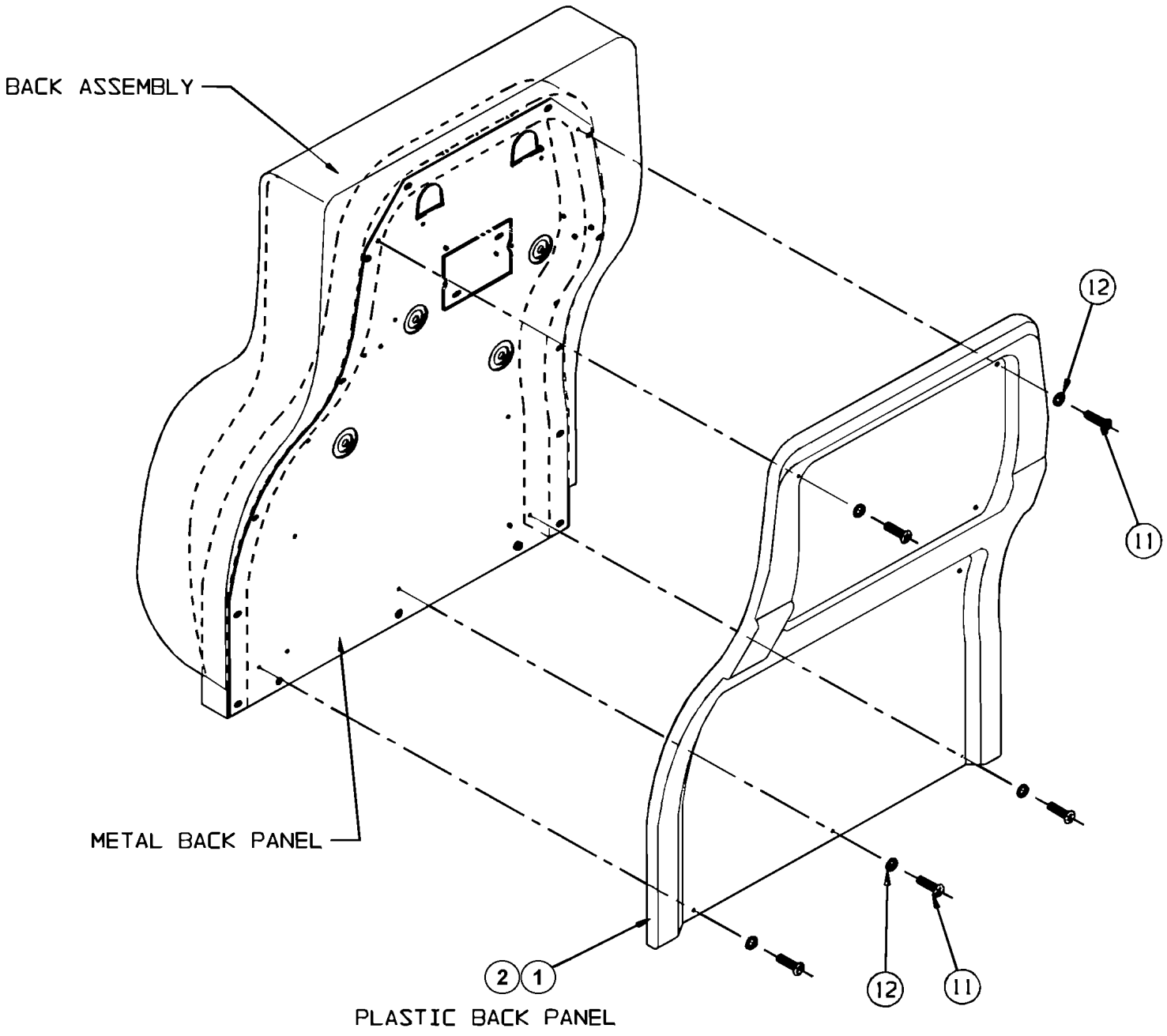
Date:10/2022

PAGE:Y2-1825-51

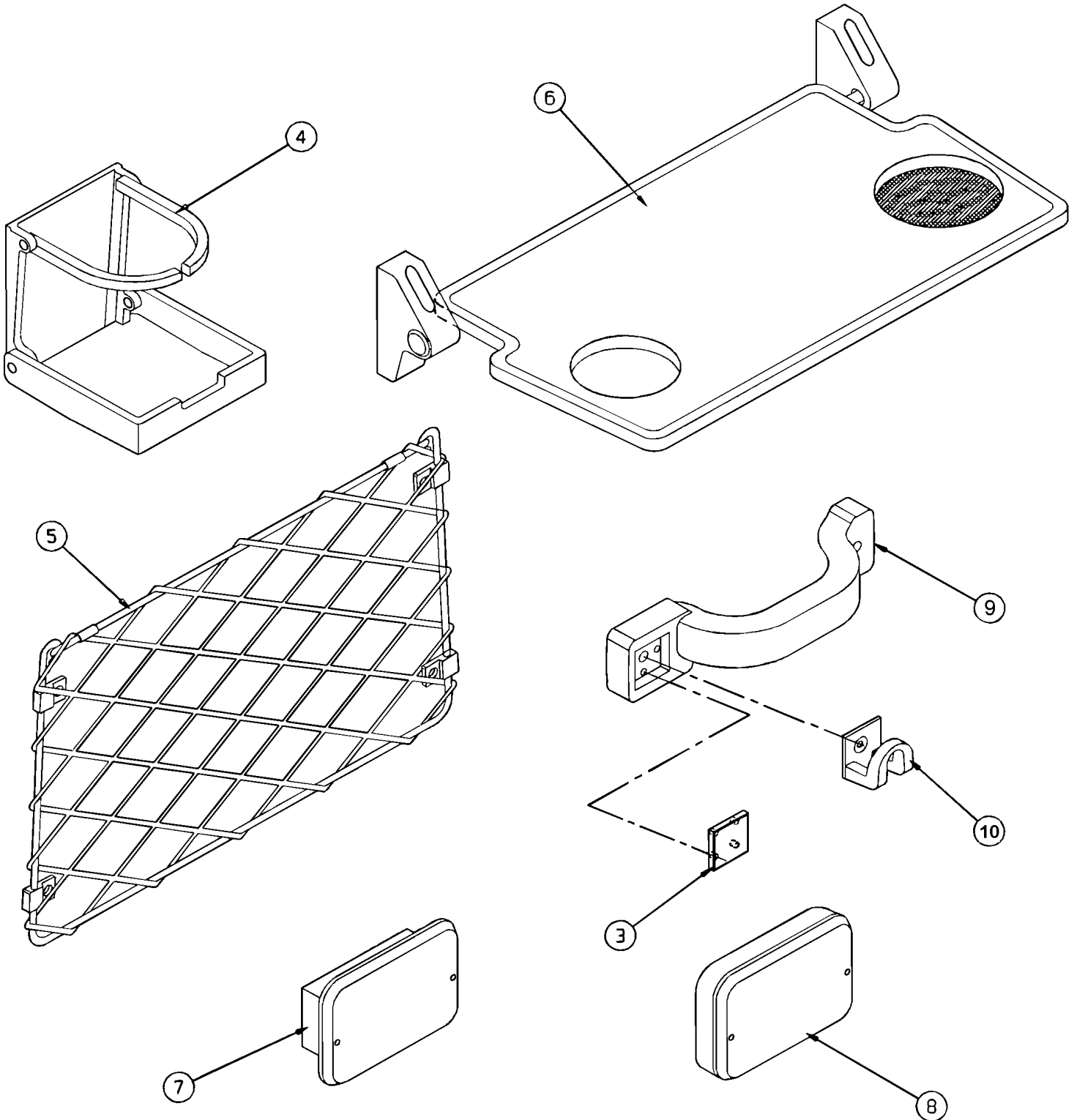
PASSENGER'S SEAT - "AMERICAN" - ARMREST SERIES 2000 & MORE

| Item# | Part | Description | X L I I I 4 5 | X L I I I M T H 4 0 | X L I I I M T H 4 5 | X L I I I M T H 4 5 E | NOTES |
|-------|-----------------|--|---------------------------------|--|--|---|-------|
| 1 | Call order desk | ARM ASSY L.H. (FOLD-DOWN) | 1 | | | | P |
| 1 | Call order desk | . ARM WELDMENT AISLE | 1 | | | | P |
| 2 | Call order desk | . ARM AISLE | 1 | | | | P |
| 3 | 196436 | . CABLE ASSY RELEASE | 1 | | | | |
| 4 | 865349 | . BEZEL | 1 | | | | |
| 5 | 865887 | . SCREW MA FL PH #8-18x3/4 | 1 | | | | |
| 6 | Call order desk | . PIN SLOTTER 5/16"x1 1/4" | 1 | | | | P |
| 7 | Call order desk | . LOCK PIN | 1 | | | | P |
| 8 | Call order desk | . E-RING | 1 | | | | P |
| 9 | Call order desk | . PLATE END WASHER | 1 | | | | P |
| 10 | Call order desk | . PLATE END | 1 | | | | P |
| 11 | Call order desk | . PLATE INDEX | 1 | | | | P |
| 12 | Call order desk | . BRACKET ARMREST PIVOT | 1 | | | | P |
| 13 | Call order desk | . SPRING HANDLE | 1 | | | | P |
| 14 | Call order desk | . HUB | 1 | | | | P |
| 15 | Call order desk | . SCREW #10-24x3/4 SR P | 2 | | | | P |
| 16 | Call order desk | . SCREW BUT HEAD #8x7/8" CRO | 2 | | | | P |
| 17 | Call order desk | . WASHER, WAVE | 1 | | | | P |
| 18 | 864092 | . HANDLE PIVOT | 1 | | | | |
| 20 | Call order desk | ARM ASSY STATIONARY WALL SIDE | 1 | | | | P |
| 21 | Call order desk | . ARM AISLE | 1 | | | | P |
| 22 | 865349 | . BEZEL | 1 | | | | |
| 23 | 196436 | . CABLE ASSY RELEASE | 1 | | | | |
| 24 | 865888 | . CASTING ARM EXTENSION RH | 1 | | | | |
| 25 | 865887 | . SCREW MA FL PH #8-18x3/4 | 1 | | | | |
| 26 | 865886 | . NUT JCN-CAP 1/4-20 | 2 | | | | |
| 27 | 865885 | . BOLT LOW PROFILE 1/4-20 | 2 | | | | |
| | | | | | | | |
| | | | | | | | |
| | | | | | | | |
| | | | | | | | |
| | | P) CALL ORDER DESK FOR SPECIFIC APPLICATION (V.I.N.) | | | | | |

| | | |
|---|--------------|-----------------|
| | Date:10/2022 | PAGE:Y2-1825-60 |
| PASSENGER'S SEAT - "AMERICAN" - BACK & ACCESS | | |



| | | |
|---|--------------|-----------------|
| | Date:10/2022 | PAGE:Y2-1825-60 |
| PASSENGER'S SEAT - "AMERICAN" - BACK & ACCESS | | |



Date:10/2022

PAGE:Y2-1825-60

PASSENGER'S SEAT - "AMERICAN" - BACK & ACCESS

| Item# | Part | Description | X L I I 4 5 | X L I I M T H 4 0 | X L I I M T H 4 5 | X L I I M T H 4 5 E | N O T E S |
|-------|-----------------|---|----------------------------|---|---|--|-----------------------|
| 1 | Call order desk | PANEL W/O OPTIONS - CHARCOAL | 1 | | | | PA |
| 1 | Call order desk | PANEL W/O OPTIONS - RED | 1 | | | | PA |
| 1 | Call order desk | PANEL W/O OPTIONS - BLUE | 1 | | | | PA |
| 1 | Call order desk | PANEL W/O OPTIONS - BROWN | 1 | | | | PA |
| 1 | Call order desk | PANEL W/GRABHANDLE & COAT HOOK - CHARCOAL | 1 | | | | PA |
| 1 | Call order desk | PANEL W/GRABHANDLE & COAT HOOK - RED | 1 | | | | PA |
| 1 | Call order desk | PANEL W/GRABHANDLE & COAT HOOK - BLUE | 1 | | | | PA |
| 1 | Call order desk | PANEL W/GRABHANDLE & COAT HOOK - BROWN | 1 | | | | PA |
| 1 | Call order desk | PANEL W/MAGAZINE POCKET - CHARCOAL | 1 | | | | PA |
| 1 | Call order desk | PANEL W/MAGAZINE POCKET - RED | 1 | | | | PA |
| 1 | Call order desk | PANEL W/MAGAZINE POCKET - BLUE | 1 | | | | PA |
| 1 | Call order desk | PANEL W/MAGAZINE POCKET - BROWN | 1 | | | | PA |
| 1 | Call order desk | PANEL W/MAGAZINE POCKET & CUP HOLDER - CHARCOAL | 1 | | | | PA |
| 1 | Call order desk | PANEL W/MAGAZINE POCKET & CUP HOLDER - RED | 1 | | | | PA |
| 1 | Call order desk | PANEL W/MAGAZINE POCKET & CUP HOLDER - BLUE | 1 | | | | PA |
| 1 | Call order desk | PANEL W/MAGAZINE POCKET & CUP HOLDER - BROWN | 1 | | | | PA |
| 1 | Call order desk | PANEL W/MAGAZINE POCKET & GRABHANDLE - CHARCOAL | 1 | | | | PA |
| 1 | Call order desk | PANEL W/MAGAZINE POCKET & GRABHANDLE - RED | 1 | | | | PA |
| 1 | Call order desk | PANEL W/MAGAZINE POCKET & GRABHANDLE - BLUE | 1 | | | | PA |
| 1 | Call order desk | PANEL W/MAGAZINE POCKET & GRABHANDLE - BROWN | 1 | | | | PA |
| 1 | Call order desk | PANEL W/MAGAZINE POCKET & RECESSED ASHTRAY - CHARCOAL | 1 | | | | PA |
| 1 | Call order desk | PANEL W/MAGAZINE POCKET & RECESSED ASHTRAY - RED | 1 | | | | PA |
| 1 | Call order desk | PANEL W/MAGAZINE POCKET & RECESSED ASHTRAY - BLUE | 1 | | | | PA |
| 1 | Call order desk | PANEL W/MAGAZINE POCKET & RECESSED ASHTRAY - BROWN | 1 | | | | PA |
| 1 | Call order desk | PANEL W/MAGAZINE POCKET & SNACK TRAYS - CHARCOAL | 1 | | | | PA |
| 1 | Call order desk | PANEL W/MAGAZINE POCKET & SNACK TRAYS - RED | 1 | | | | PA |
| 1 | Call order desk | PANEL W/MAGAZINE POCKET & SNACK TRAYS - BLUE | 1 | | | | PA |
| 1 | Call order desk | PANEL W/MAGAZINE POCKET & SNACK TRAYS - BROWN | 1 | | | | PA |
| 1 | Call order desk | PANEL W/RECESSED ASHTRAY - CHARCOAL | 1 | | | | PA |
| 1 | Call order desk | PANEL W/RECESSED ASHTRAY - RED | 1 | | | | PA |
| 1 | Call order desk | PANEL W/RECESSED ASHTRAY - BLUE | 1 | | | | PA |
| 1 | Call order desk | PANEL W/RECESSED ASHTRAY - BROWN | 1 | | | | PA |
| 1 | Call order desk | PANEL W/SNACK TRAYS - CHARCOAL | 1 | | | | PA |
| 1 | Call order desk | PANEL W/SNACK TRAYS - RED | 1 | | | | PA |
| 1 | Call order desk | PANEL W/SNACK TRAYS - BLUE | 1 | | | | PA |
| 1 | Call order desk | PANEL W/SNACK TRAYS - BROWN | 1 | | | | PA |
| 2 | Call order desk | PANEL W/O OPTIONS - CHARCOAL | 1 | | | | PB |
| 2 | Call order desk | PANEL W/O OPTIONS - RED | 1 | | | | PB |
| 2 | Call order desk | PANEL W/O OPTIONS - BLUE | 1 | | | | PB |
| 2 | Call order desk | PANEL W/O OPTIONS - BROWN | 1 | | | | PB |
| 2 | Call order desk | PANEL W/COAT HOOK - CHARCOAL | 1 | | | | PB |

Date:10/2022

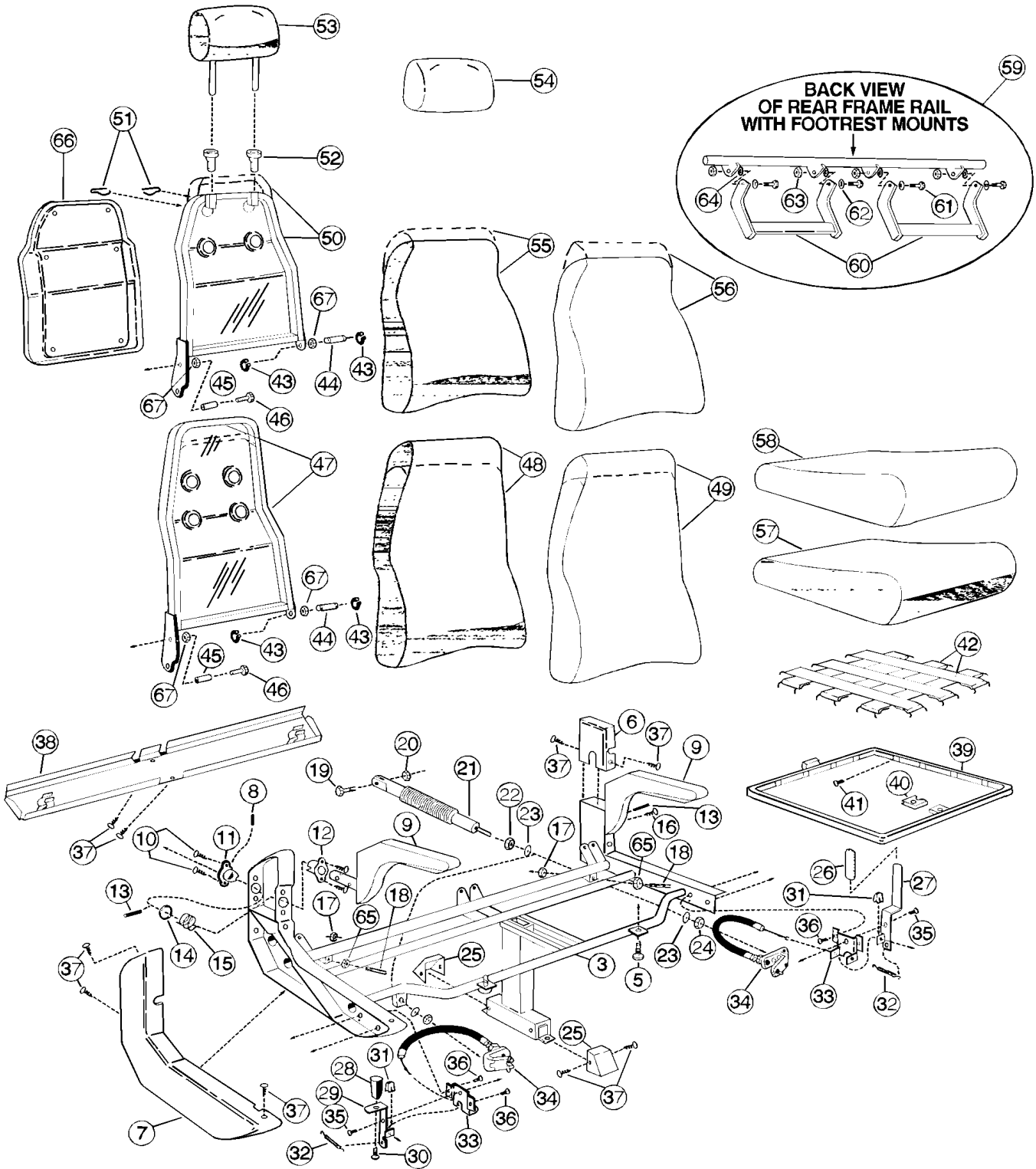
PAGE:Y2-1825-60

PASSENGER'S SEAT - "AMERICAN" - BACK & ACCESS

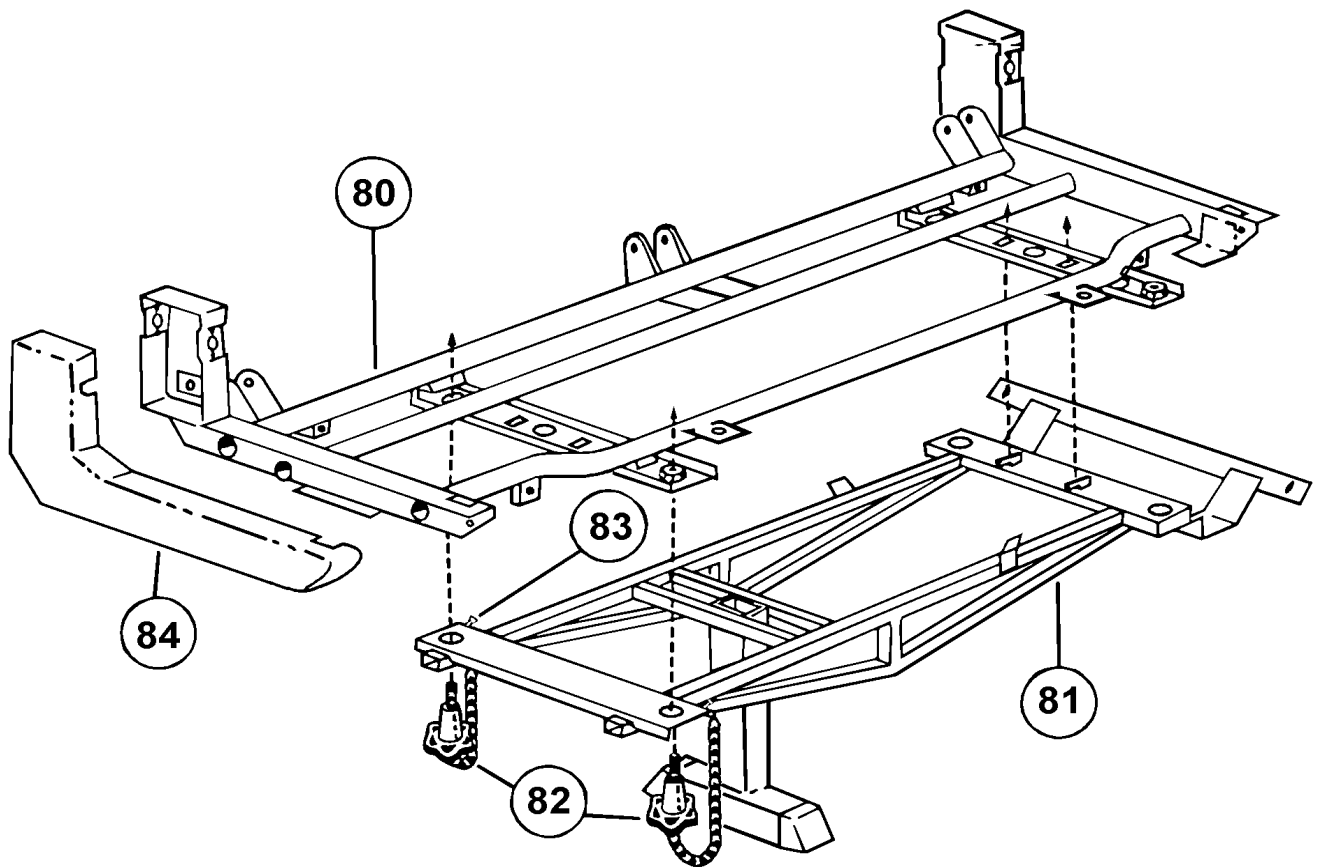
| Item# | Part | Description | X L I I I 4 5 | X L I I I M T H 4 0 | X L I I I M T H 4 5 | X L I I I M T H 4 5 E | N O T E S |
|-------|-----------------|---|---------------------------------|--|--|---|-----------------------|
| 2 | Call order desk | PANEL W/COAT HOOK - RED | 1 | | | | PB |
| 2 | Call order desk | PANEL W/COAT HOOK - BLUE | 1 | | | | PB |
| 2 | Call order desk | PANEL W/COAT HOOK - BROWN | 1 | | | | PB |
| 2 | Call order desk | PANEL W/CUP HOLDER - CHARCOAL | 1 | | | | PB |
| 2 | Call order desk | PANEL W/CUP HOLDER - RED | 1 | | | | PB |
| 2 | Call order desk | PANEL W/CUP HOLDER - BLUE | 1 | | | | PB |
| 2 | Call order desk | PANEL W/CUP HOLDER - BROWN | 1 | | | | PB |
| 2 | Call order desk | PANEL W/GRABHANDLE & COAT HOOK - CHARCOAL | 1 | | | | PB |
| 2 | Call order desk | PANEL W/GRABHANDLE & COAT HOOK - RED | 1 | | | | PB |
| 2 | Call order desk | PANEL W/GRABHANDLE & COAT HOOK - BLUE | 1 | | | | PB |
| 2 | Call order desk | PANEL W/GRABHANDLE & COAT HOOK - BROWN | 1 | | | | PB |
| 2 | Call order desk | PANEL W/GRABHANDLE & RECESSED ASHTRAY - CHARCOAL | 1 | | | | PB |
| 2 | Call order desk | PANEL W/GRABHANDLE & RECESSED ASHTRAY - RED | 1 | | | | PB |
| 2 | Call order desk | PANEL W/GRABHANDLE & RECESSED ASHTRAY - BLUE | 1 | | | | PB |
| 2 | Call order desk | PANEL W/GRABHANDLE & RECESSED ASHTRAY - BROWN | 1 | | | | PB |
| 2 | Call order desk | PANEL W/MAGAZINE POCKET - CHARCOAL | 1 | | | | PB |
| 2 | Call order desk | PANEL W/MAGAZINE POCKET - RED | 1 | | | | PB |
| 2 | Call order desk | PANEL W/MAGAZINE POCKET - BLUE | 1 | | | | PB |
| 2 | Call order desk | PANEL W/MAGAZINE POCKET - BROWN | 1 | | | | PB |
| 2 | Call order desk | PANEL W/MAGAZINE POCKET & GRABHANDLE - CHARCOAL | 1 | | | | PB |
| 2 | Call order desk | PANEL W/MAGAZINE POCKET & GRABHANDLE - RED | 1 | | | | PB |
| 2 | Call order desk | PANEL W/MAGAZINE POCKET & GRABHANDLE - BLUE | 1 | | | | PB |
| 2 | Call order desk | PANEL W/MAGAZINE POCKET & GRABHANDLE - BROWN | 1 | | | | PB |
| 2 | Call order desk | PANEL W/MAGAZINE POCKET & RECESSED ASHTRAY - CHARCOAL | 1 | | | | PB |
| 2 | Call order desk | PANEL W/MAGAZINE POCKET & RECESSED ASHTRAY - RED | 1 | | | | PB |
| 2 | Call order desk | PANEL W/MAGAZINE POCKET & RECESSED ASHTRAY - BLUE | 1 | | | | PB |
| 2 | Call order desk | PANEL W/MAGAZINE POCKET & RECESSED ASHTRAY - BROWN | 1 | | | | PB |
| 2 | Call order desk | PANEL W/RECESSED ASHTRAY - CHARCOAL | 1 | | | | PB |
| 2 | Call order desk | PANEL W/RECESSED ASHTRAY - RED | 1 | | | | PB |
| 2 | Call order desk | PANEL W/RECESSED ASHTRAY - BLUE | 1 | | | | PB |
| 2 | Call order desk | PANEL W/RECESSED ASHTRAY - BROWN | 1 | | | | PB |
| 2 | Call order desk | PANEL W/SNACK TRAYS - CHARCOAL | 1 | | | | PB |
| 2 | Call order desk | PANEL W/SNACK TRAYS - RED | 1 | | | | PB |
| 2 | Call order desk | PANEL W/SNACK TRAYS - BLUE | 1 | | | | PB |
| 2 | Call order desk | PANEL W/SNACK TRAYS - BROWN | 1 | | | | PB |
| 3 | 284049 | . PLUG / SQUARE / BLACK | 1 | | | | |
| 4 | 900527 | . GLASS HOLDER | 1 | | | | |
| 5 | 866007 | . MAGAZINE POCKET | 1 | | | | |
| 6 | 860657 | . SHELF | 1 | | | | |
| 7 | Call order desk | . ASHTRAY - RECESSED | 1 | | | | P |
| 8 | Call order desk | . ASHTRAY - SURFACED MTD | 1 | | | | P |

| | | Date:10/2022 | PAGE:Y2-1825-60 | | | | |
|---|-----------------|--|----------------------------|---|---|--|-------|
| PASSENGER'S SEAT - "AMERICAN" - BACK & ACCESS | | | | | | | |
| Item# | Part | Description | X L I I 4 5 | X L I I M T H 4 0 | X L I I M T H 4 5 | X L I I M T H 4 5 E | NOTES |
| 9 | 860422 | . HANDLE | 1 | | | | |
| NS | Call order desk | . SCREW #8 1" TYPE AB | AR | | | | P |
| NS | Call order desk | . SCREW TC #8-32x1 | AR | | | | P |
| 10 | 860421 | . HOOK | 1 | | | | |
| 11 | Call order desk | SCREW PLASTIC PANEL | 9 | | | | P |
| 12 | Call order desk | WASHER NYL | 9 | | | | P |
| | | | | | | | |
| | | | | | | | |
| | | A) WITH SEAT MODEL W6693 & W7693 | | | | | |
| | | B) WITH SEAT MODEL W6694, W7694, W6696 & W7696 | | | | | |
| | | P) CALL ORDER DESK FOR SPECIFIC APPLICATION (V.I.N.) | | | | | |

| | | |
|---|--------------|-----------------|
| | Date:10/2022 | PAGE:Y2-1826-00 |
| PASSENGER'S SEAT - "NATIONAL" - 4209 & 4210 | | |



| | | |
|---|--------------|-----------------|
| | Date:10/2022 | PAGE:Y2-1826-00 |
| PASSENGER'S SEAT - "NATIONAL" - 4209 & 4210 | | |



Date:10/2022

PAGE:Y2-1826-00

PASSENGER'S SEAT - "NATIONAL" - 4209 & 4210

| Item# | Part | Description | X L I I 4 5 | X L I I M T H 4 0 | X L I I M T H 4 5 | X L I I M T H 4 5 E | NOTES |
|-------|-----------------|---|----------------------------|---|---|--|-------|
| | | IMPORTANT NOTE: | | | | | |
| | | TO ORDER COMPLETE PASSENGER'S SEAT KIT #, | | | | | |
| | | SEE THE FINAL VEHICLE RECORD. | | | | | |
| 3 | 863291 | PAINTED FRAME ASSY W/FOOTREST BRACKET - L.H. | 1 | | | | |
| 3 | 864790 | PAINTED FRAME ASSY W/FOOTREST BRACKET - R.H. | 1 | | | | |
| 3 | Call order desk | PAINTED FRAME ASSY W/O FOOTREST BRACKET - L.H. | 1 | | | | P |
| 3 | Call order desk | PAINTED FRAME ASSY W/O FOOTREST BRACKET - R.H. | 1 | | | | P |
| 3 | Call order desk | KIT | 1 | | | | PA |
| 5 | 865988 | SCREW TP TR PH #8-32x1/2 | 2 | | | | |
| 6 | Call order desk | TRIM PANEL - WALL SIDE | 2 | | | | PB |
| 7 | 864090 | TRIM PANEL - AISLE SIDE - CURBSIDE | 1 | | | | |
| 7 | 864091 | TRIM PANEL - AISLE SIDE - STREET SIDE | 1 | | | | |
| 8 | 860054 | ROLL PIN 3/16" X 1/2" | 2 | | | | |
| 9 | 865648 | FOLD DOWN ARM | 2 | | | | B |
| 10 | 865988 | SCREW TP TR PH #8-32x1/2 | 8 | | | | |
| 11 | 192318 | BUSHING - WELDED | 1 | | | | |
| 12 | 866239 | BUSHING ARM - P/M | 3 | | | | |
| 13 | 860055 | ROLL PIN 1/4" X 1 1/8" | 2 | | | | |
| 14 | 860056 | WASHER | 2 | | | | |
| 15 | 860057 | SPRING - ARM | 2 | | | | |
| 16 | Call order desk | SCREW TC CAP HEX 1/4-20x3/4 | 1 | | | | P |
| 17 | 502600 | NUT HEX NYRT 5/16-18 Z050 | 2 | | | | |
| 18 | Call order desk | SCREW SET HEXS CUP 5/16-18x1 3/4 | 2 | | | | P |
| 19 | Call order desk | SCREW CAP HEX 5/16-18x1.00 HD | 2 | | | | P |
| 20 | 500181 | SCREW CAP HEX 5/16-18x1 G5 Z050 | 2 | | | | |
| 21 | 863598 | ACTUATOR | 2 | | | | |
| 22 | 500705 | NUT HEX 3/8-24 ZP | 2 | | | | |
| 23 | Call order desk | WASHER SPHERICAL 3/8" | 4 | | | | P |
| 24 | 502592 | NUT HEX THN 3/8-24x3/32 Z050 | 2 | | | | |
| 25 | 195894 | PEDESTRAL CAP | 2 | | | | |
| NS | 500305 | SCREW CAP HEX 3/8-16x7/8 G5 Z050 | 2 | | | | |
| NS | 500478 | WASHER LO SPT .380x.683x.094 Z050 | 2 | | | | |
| NS | 500270 | WASHER FL .406x1.000x.063 SS | 2 | | | | |
| NS | 362627 | PLATE ANCHOR / 3/8-16 BOLT INSIDE TRACK / 1 1/4" X 1 1/4" | 2 | | | | |
| 26 | 860205 | HANDLE BOOT - WALL SIDE | 1 | | | | |
| 27 | 864618 | HANDLE ACTUATOR - WALL SIDE | 1 | | | | |
| 28 | 195895 | KNOB | 1 | | | | |
| 29 | 864862 | HANDLE ACTUATOR - AISLE SIDE | 1 | | | | C |
| 30 | Call order desk | SCREW MA TR PH 1/4-20x3/4 | 1 | | | | P |
| 31 | 864394 | CABLE ATTACHMENT SPRING CLIP | 2 | | | | |
| 32 | Call order desk | SPRING LINK RETURN | 2 | | | | P |

| | | | |
|--|--|--------------|-----------------|
| | | Date:10/2022 | PAGE:Y2-1826-00 |
| PASSENGER'S SEAT - "NATIONAL" - 4209 & 4210 | | | |

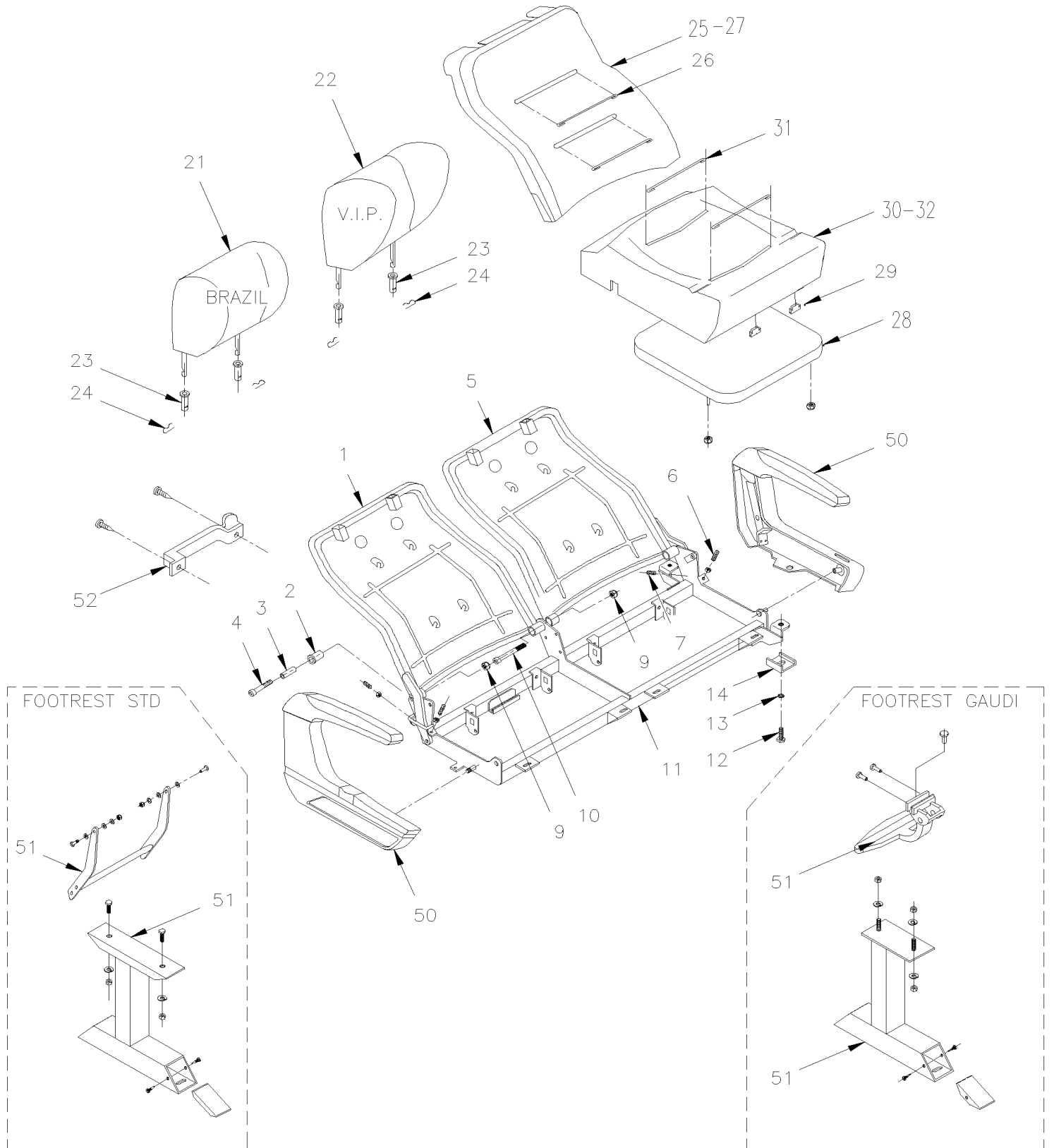
| Item# | Part | Description | X L I I 4 5 | X L I I M T H 4 0 | X L I I M T H 4 5 | X L I I M T H 4 5 E | N O T E S |
|-------|-----------------|--|----------------------------|---|---|--|-----------------------|
| 33 | 864121 | ACTUATOR CABLE BRACKET | 2 | | | | |
| 34 | 863290 | OUTPUT & CABLE ASSY 12" | 2 | | | | |
| 34 | 863803 | OUTPUT & CABLE ASSY 26" | 2 | | | | |
| 35 | Call order desk | RIVET | 2 | | | | P |
| 36 | Call order desk | RIVET | 4 | | | | P |
| 37 | 862355 | SCREW TP TR PH #10x1/2 | 11 | | | | |
| 38 | Call order desk | TRIM PANEL ASSY | 1 | | | | P B |
| 39 | Call order desk | CUSHION FRAME ASSY | 2 | | | | P |
| 39 | Call order desk | CUSHION BOARD (3 PASS SEAT) | 3 | | | | P |
| 40 | 502935 | NUT SPR U 5/16-18 .025-.150 | 2 | | | | |
| 41 | Call order desk | STUD D.O.T. | 32 | | | | P |
| 42 | 865214 | LATEX WEBBING | 12 | | | | |
| 43 | 866244 | TRUARC RETAINING RING | 2 | | | | |
| 44 | Call order desk | PIN - CENTER PIVOT - 4209 HIGH BACK / 4210 | 1 | | | | P |
| 44 | Call order desk | PIN - CENTER PIVOT - 4209/10 W/CTR. FLDG. OR 4209 LOW BACK | 1 | | | | P |
| 44 | Call order desk | PIN - CENTER PIVOT - 4209 LOW BACK | 1 | | | | P |
| 45 | 865989 | PIN - PIVOT | 2 | | | | |
| 46 | 193005 | SCREW CAP HEX 1/4-20x2.000 | 2 | | | | |
| 47 | Call order desk | BACK FRAME ASSY - L.H. - 4209 HIGH BACK | 1 | | | | P |
| 47 | Call order desk | BACK FRAME ASSY - R.H. - 4209 HIGH BACK | 1 | | | | P |
| 47 | Call order desk | BACK FRAME ASSY - L.H. - 4209 LOW BACK | 1 | | | | P |
| 47 | Call order desk | BACK FRAME ASSY - R.H. - 4209 LOW BACK | 1 | | | | P |
| 47 | Call order desk | BACK BOARD - INDIVIDUAL (3 PASS SEAT) | 3 | | | | P |
| 48 | Call order desk | BACK POLY - 4209A HIGH BACK | 2 | | | | P |
| 48 | Call order desk | BACK POLY - 4209A (3 PASS SEAT) | 3 | | | | P |
| 48 | Call order desk | BACK POLY - 4209A LOW BACK | 2 | | | | P |
| 49 | Call order desk | BACK COVER - 4209A HIGH BACK | 2 | | | | P |
| 49 | Call order desk | BACK COVER - 4209A (3 PASS SEAT) | 3 | | | | P |
| 49 | Call order desk | BACK COVER - 4209A LOW BACK | 2 | | | | P |
| 50 | Call order desk | BACK FRAME ASSY - L.H. 4210 LOW BACK | 1 | | | | P |
| 50 | Call order desk | BACK FRAME ASSY - R.H. 4210 LOW BACK | 1 | | | | P |
| 50 | Call order desk | BACK FRAME ASSY - L.H. 4210 HIGH BACK | 1 | | | | P |
| 50 | 862738 | BACK FRAME ASSY - R.H. 4210 HIGH BACK | 1 | | | | |
| 50 | Call order desk | BACK BOARD - INDIVIDUAL (3 PASS SEAT) | 3 | | | | P |
| 51 | 860186 | SPRING CLIP - HEADREST - 4210 | 4 | | | | |
| 52 | 860031 | BUSHING - HEADREST - 4210 | 4 | | | | |
| 53 | 863770 | HEADREST POLY - FLAT - 4210 LOW BACK | 1 | | | | |
| 53 | Call order desk | HEADREST POLY - FLAT - 4210 (3 PASS SEAT) | 3 | | | | P |
| 53 | 863728 | HEADREST BOARD - 4210 | 3 | | | | |
| 53 | 863729 | HEADREST POLY ASSY - 4210 HIGH BACK | 2 | | | | |
| 54 | Call order desk | HEADREST COVER - FLAT - 4210 LOW BACK | 2 | | | | P |
| 54 | 862739 | HEADREST COVER - FLAT - 4210 HIGH BACK / S.C.C. | 1 | | | | |

| | | |
|--|--------------|-----------------|
| | Date:10/2022 | PAGE:Y2-1826-00 |
| PASSENGER'S SEAT - "NATIONAL" - 4209 & 4210 | | |

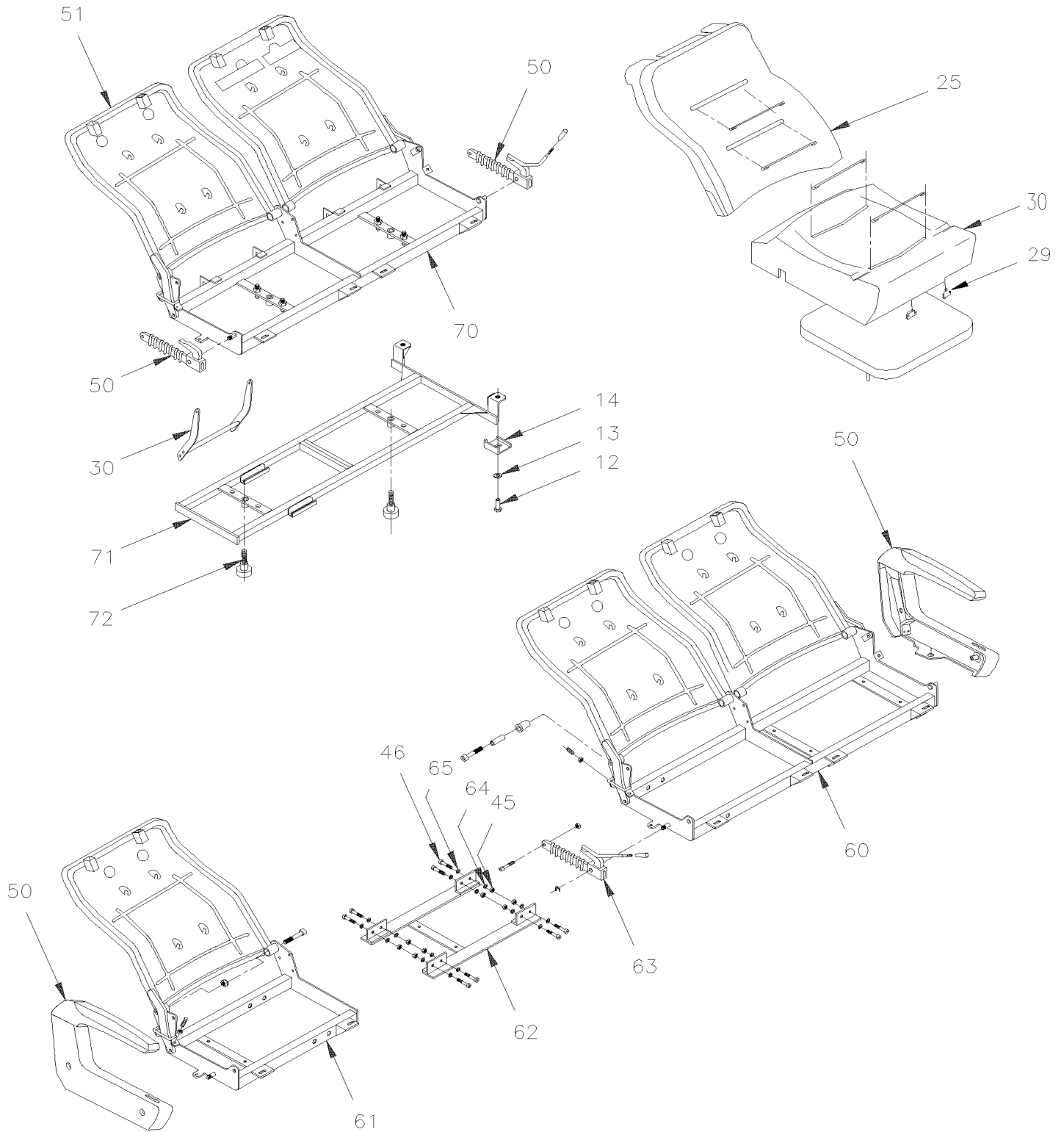
| Item# | Part | Description | X L I I 4 5 | X L I I M T H 4 0 | X L I I M T H 4 5 | X L I I M T H 4 5 E | N O T E S |
|-------|-----------------|--|----------------------------|---|---|--|-----------------------|
| 54 | 863771 | HEADREST COVER - FLAT - 4210 LOW BACK / S.C.C. | 1 | | | | |
| 54 | Call order desk | HEADREST COVER - FLAT - 4210 (3 PASS SEAT) | 3 | | | | P |
| 55 | Call order desk | BACK POLY - 4210A LOW BACK | 2 | | | | P |
| 55 | Call order desk | BACK POLY - 4210 (3 PASS SEAT) | 3 | | | | P |
| 55 | Call order desk | BACK POLY - 4210A HIGH BACK | 2 | | | | P |
| 56 | Call order desk | BACK COVER - 4210A LOW BACK | 2 | | | | P |
| 56 | Call order desk | BACK COVER - 4210A (3 PASS SEAT) | 3 | | | | P |
| 56 | Call order desk | BACK COVER - 4210A HIGH BACK | 2 | | | | P |
| 57 | 860037 | CUSHION POLY - 4209A & 4210A | 2 | | | | |
| 57 | Call order desk | CUSHION POLY | 3 | | | | P |
| 58 | 862740 | CUSHION COVER - 4209A & 4210A S.C.C. | 1 | | | | |
| 58 | Call order desk | CUSHION COVER | 3 | | | | P |
| 59 | Call order desk | FOOTREST INSTALLATION | 1 | | | | P |
| 60 | 860444 | FOOTREST CENTRAL SECTION | 1 | | | | |
| 60 | 864791 | HANGER & TREADLE ASSY UP TO MARCH 2000 | 2 | | | | |
| . NS | 864037 | . SPRING | AR | | | | |
| . NS | 865264 | . BRACKET | AR | | | | |
| . NS | 865263 | . BOLT | AR | | | | |
| 60 | 864099 | HANGER & TREADLE ASSY (RETROFIT KIT) FROM MARCH 2000 | AR | | | | |
| . NS | 864037 | . SPRING | AR | | | | |
| . NS | 865264 | . BRACKET | AR | | | | |
| . NS | 865263 | . BOLT | AR | | | | |
| 61 | 863625 | FOOTREST PIVOT PIN | 4 | | | | |
| 62 | 500476 | WASHER LO SPT .317x.586x.078 Z050 | 4 | | | | |
| 63 | 863626 | NUT HEX 5/16-24 | 4 | | | | |
| 64 | 863627 | BEARING - FOOTREST | 4 | | | | |
| 65 | 500701 | NUT HEX 5/16-18 ZP | 2 | | | | |
| 66 | Call order desk | PANEL-BACK (OPTIONAL) 4210 BIG | 2 | | | | P B |
| 66 | Call order desk | PANEL-BACK (OPTIONAL) 4210 SMALL | 2 | | | | P |
| 67 | 864147 | BUSHING - BACK PIVOT | 4 | | | | |
| 80 | N.S.S. | PAINTED FRAME ASSY - UPPER W/FOOTREST BRACKET | 1 | | | | 1 |
| 80 | N.S.S. | PAINTED FRAME ASSY - UPPER W/O FOOTREST BRACKET | 1 | | | | 1 |
| 81 | 863757 | PAINTED FRAME ASSY - LOWER | 1 | | | | |
| 82 | 196686 | ATTACHMENT KNOB ASSY | 2 | | | | |
| 83 | Call order desk | SOUTHCO DRIVE RIVET | 2 | | | | P |
| 84 | N.S.S. | TRIM PANEL - L.H. W/O ACCENT | 1 | | | | 1 |
| 84 | N.S.S. | TRIM PANEL - R.H. W/O ACCENT | 1 | | | | 1 |
| NS | 192360 | GLASS HOLDER "NATIONAL" | AR | | | | |
| NS | 195960 | NET MAGAZINE "NATIONAL" | AR | | | | |
| NS | 860018 | CLAMP ASSY / TO FIX SEAT TO THE WALL | AR | | | | |

| | | Date:10/2022 | PAGE:Y2-1826-00 | | | | |
|---|------|--|----------------------------|---|---|--|-------|
| PASSENGER'S SEAT - "NATIONAL" - 4209 & 4210 | | | | | | | |
| Item# | Part | Description | X L I I 4 5 | X L I I M T H 4 0 | X L I I M T H 4 5 | X L I I M T H 4 5 E | NOTES |
| | | | | | | | |
| | | A) FOR SEAT PRIO MARCH 1997 | | | | | |
| | | B) A.R. = POSTITION AND COLOR | | | | | |
| | | C) RELEASE HANDLE WITH KNOB USED ON AISLE SIDE STANDARD SEAT AND BOTH SIDES OF REVERSIBLE SEAT | | | | | |
| | | 1) NOT SOLD SEPARATELY | | | | | |
| | | P) CALL ORDER DESK FOR SPECIFIC APPLICATION (V.I.N.) | | | | | |

| | | |
|---------------------------------------|--------------|-----------------|
| | Date:10/2022 | PAGE:Y2-1826-05 |
| PASSENGER'S SEAT - "AMAYA" "EUROTECH" | | |



| | | |
|---------------------------------------|--------------|-----------------|
| | Date:10/2022 | PAGE:Y2-1826-05 |
| PASSENGER'S SEAT - "AMAYA" "EUROTECH" | | |



Date:10/2022

PAGE:Y2-1826-05

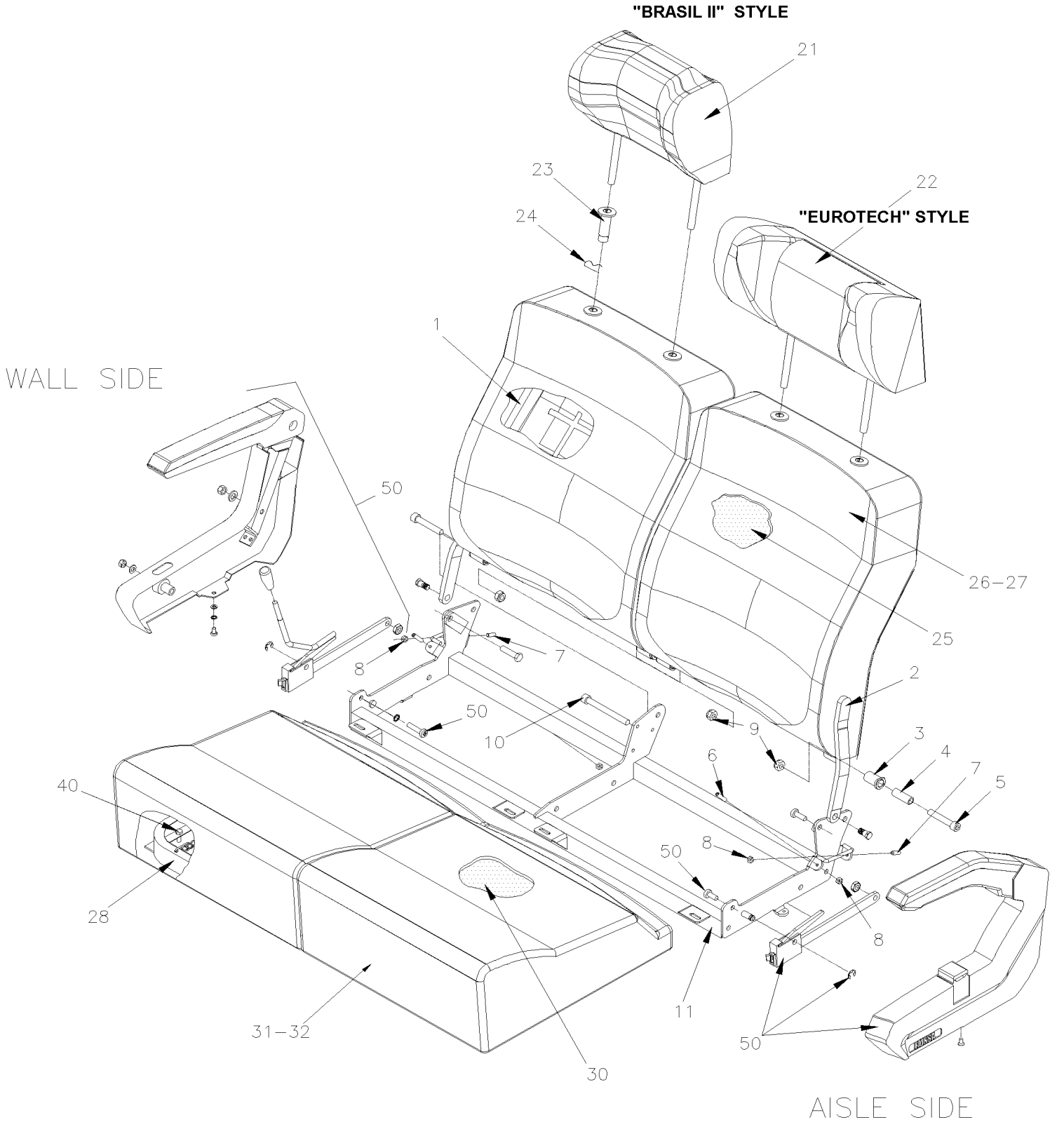
PASSENGER'S SEAT - "AMAYA" "EUROTECH"

| Item# | Part | Description | X L I I 4 5 | X L I I M T H 4 0 | X L I I M T H 4 5 | X L I I M T H 4 5 E | N O T E S |
|-------|-----------------|--|----------------------------|---|---|--|-----------------------|
| | | ... IMPORTANT NOTE: | | | | | |
| | | ... TO ORDER COMPLETE PASSENGER'S SEAT KIT #, | | | | | |
| | | ... SEE THE FINAL VEHICLE RECORD. | | | | | |
| 1 | 193017 | BACKREST STRUCTURE R.H. | 1 | | | | |
| 1 | Call order desk | BACKREST STRUCTURE R.H. / W/IND "REI" | 1 | | | | P |
| 1 | Call order desk | BACKREST STRUCTURE R.H. "EUROTECH" | 1 | | | | P |
| 2 | 865560 | BUSHING HYTREL | 1 | | | | |
| 3 | Call order desk | INSIDE METAL BUSHING | 1 | | | | P |
| 4 | 70314705 | SCREW CAP HEXS M10-1.5x60 G8.8 ZP | 1 | | | | |
| 5 | Call order desk | BACKREST STRUCTURE L.H. | 1 | | | | P |
| 5 | Call order desk | BACKREST STRUCTURE L.H. / W/IND "REI" | 1 | | | | P |
| 5 | Call order desk | BACKREST STRUCTURE L.H. "EUROTECH" | 1 | | | | P |
| 6 | Call order desk | LOCK BOLT M6-1x30 | 1 | | | | P |
| 7 | Call order desk | LOCK BOLT M6-1x20 | 1 | | | | P |
| 9 | 500680 | NUT HEX STO M10-1.5 Z050 | 1 | | | | |
| 10 | 502765 | SCREW CAP HEXS M10-1.5x100 G8.8 PT ZP | 1 | | | | |
| 11 | Call order desk | STRUCTURE R.H. / W/STD FOOTREST | 1 | | | | P |
| 11 | Call order desk | STRUCTURE R.H. / W/STD FOOTREST | 1 | | | | P |
| 11 | Call order desk | STRUCTURE L.H. / W/STD FOOTREST | 1 | | | | P |
| 11 | Call order desk | STRUCTURE L.H. / W/STD FOOTREST | 1 | | | | P |
| 11 | Call order desk | STRUCTURE R.H. / W/GAUDI FOOTREST | 1 | | | | P |
| 11 | Call order desk | STRUCTURE L.H. / W/GAUDI FOOTREST | 1 | | | | P |
| 11 | Call order desk | STRUCTURE R.H. / W/GAUDI FOOTREST & AVION TABLE SEAT | 1 | | | | P |
| 11 | Call order desk | STRUCTURE L.H. / W/GAUDI FOOTREST & AVION TABLE SEAT | 1 | | | | P |
| 11 | Call order desk | STRUCTURE L.H. & R.H. / W/STD FOOTREST "EUROTECH" | 1 | | | | P |
| 12 | 500183 | SCREW CAP HEX 5/16-18x1 1/2 G5 PT Z050 | 1 | | | | |
| 13 | 500441 | WASHER FL .312x.734x.065 Z050 | 1 | | | | |
| 14 | 863541 | BRACKET SUPPORT | 1 | | | | |
| 21 | 862558 | HEADREST FOAM / TYPE "BRAZIL" | 1 | | | | |
| 21 | Call order desk | COVERING ASSY S.C.C. | 1 | | | | P |
| 21 | 863315 | HEADREST FOAM / TYPE "BRAZIL" & "EUROTECH" | 1 | | | | |
| 22 | 862933 | HEADREST ASSY / TYPE WINGED "VIP" | 1 | | | | |
| 22 | 866011 | HEADREST FOAM / TYPE WINGED "VIP" | 1 | | | | |
| 22 | Call order desk | COVERING ASSY WING TYPE / S.C.C. | 1 | | | | P |
| 23 | 864810 | GUIDE SLIDING | 1 | | | | |
| 23 | Call order desk | GUIDE SLIDING | 1 | | | | P |
| 24 | 866204 | BACKREST CLIP | 1 | | | | |
| 25 | Call order desk | BACKREST FOAM | 1 | | | | P |
| 26 | Call order desk | BACKREST TUFTING WIRE / LARGE / W/"GAUDI" & "EUROTECH" | 1 | | | | P |
| 26 | Call order desk | BACKREST TUFTING WIRE "EUROTECH" & "BRASIL" | 1 | | | | P |
| 27 | Call order desk | COVERING BACKREST ASSY S.C.C. "EUROTECH" To YEAR 1999 | 1 | | | | P |

PASSENGER'S SEAT - "AMAYA" "EUROTECH"

| Item# | Part | Description | X L I I 4 5 | X L I I M T H 4 0 | X L I I M T H 4 5 | X L I I M T H 4 5 E | N O T E S |
|-------|-------------------|---|----------------------------|---|---|--|-----------------------|
| 27 | Call order desk | COVERING BACKREST ASSY S.C.C. From YEAR 2000 | 1 | | | | P |
| 28 | Call order desk | CUSHION FRAME W/CLOTH | 1 | | | | P |
| 28 | Call order desk | . CUSHION FRAME | 1 | | | | P |
| 28 | Call order desk | . CUSHION CLOTH | 1 | | | | P |
| 29 | 864187 | FASTENER COVERING | 1 | | | | |
| 30 | 865141 | CUSHION FOAM | 1 | | | | |
| 31 | Call order desk | CUSHION TUFTING WIRE "EUROTECH" To YEAR 1999 | 1 | | | | P |
| 31 | Call order desk | CUSHION TUFTING WIRE "EUROTECH" & "BRASIL From YEAR 2000 | 1 | | | | P |
| 32 | Call order desk | COVERING CUSHION ASSY S.C.C. | 1 | | | | P |
| 33 | 502716 | NUT HEX NYRT 1/4-20 | 1 | | | | |
| 49 | 362627 | PLATE ANCHOR / 3/8-16 BOLT INSIDE TRACK / 1 1/4" X 1 1/4" | 1 | | | | |
| 50 | Y2-1826-50 | ARMREST PASSENGER'S SEAT - "AMAYA" WITH "EUROTECH" | | | | | |
| 50 | Y2-1826-51 | ARMREST PASSENGER'S SEAT - "AMAYA" WITH "BRASIL" | | | | | |
| 51 | Y2-1826-40 | PASSENGER'S SEAT - "AMAYA" - FOOTREST & PEDESTAL | | | | | |
| 52 | Y2-1826-60 | ACCESSORIES PASSENGER'S SEAT - "AMAYA" | | | | | |
| 60 | Call order desk | STRUCTURE DOUBLE / USED W/3 LOUNGE SEAT | 1 | | | | P |
| 61 | Call order desk | STRUCTURE SINGLE / USED W/3 LOUNGE SEAT | 1 | | | | P |
| 62 | Call order desk | STRUCTURE UNION SEAT / USED W/3 LOUNGE SEAT | 1 | | | | P |
| 63 | 866004 | CENTER MECHANISM | 1 | | | | |
| 64 | 500446 | WASHER FL .531x1.250x.125 Z050 | 1 | | | | |
| 65 | Call order desk | FLAT WASHER | 1 | | | | P |
| 66 | 866243 | PRESSURE WASHER 7/16" 10MM | 1 | | | | |
| 70 | Call order desk | STRUCTURE FRAME ROTATING SEAT | 1 | | | | P |
| 71 | Call order desk | STRUCTURE FRAME INFERIOR R.H. / W/STD FOOTREST | 1 | | | | P |
| 71 | Call order desk | STRUCTURE FRAME INFERIOR L.H. / W/STD FOOTREST | 1 | | | | P |
| 71 | Call order desk | STRUCTURE FRAME INFERIOR R.H. / W/GAUDI FOOTREST | 1 | | | | P |
| 71 | Call order desk | STRUCTURE FRAME INFERIOR L.H. / W/GAUDI FOOTREST | 1 | | | | P |
| 72 | 862156 | KNOB / ROTATING SEAT | 2 | | | | |
| 100 | 323654 | SEAT TRACK COVER 12' / EACH SEAT / W/COVERING FLOOR | AR | | | | |
| 100 | 323963 | SEAT TRACK COVER 8' / EACH SEAT / W/COVERING FLOOR | AR | | | | |
| | | | | | | | |
| | | | | | | | |
| | | | | | | | |
| | | | | | | | |
| | | P) CALL ORDER DESK FOR SPECIFIC APPLICATION (V.I.N.) | | | | | |

| | | |
|-------------------------------------|--------------|-----------------|
| | Date:10/2022 | PAGE:Y2-1826-06 |
| PASSENGER'S SEAT - "AMAYA" "BRASIL" | | |



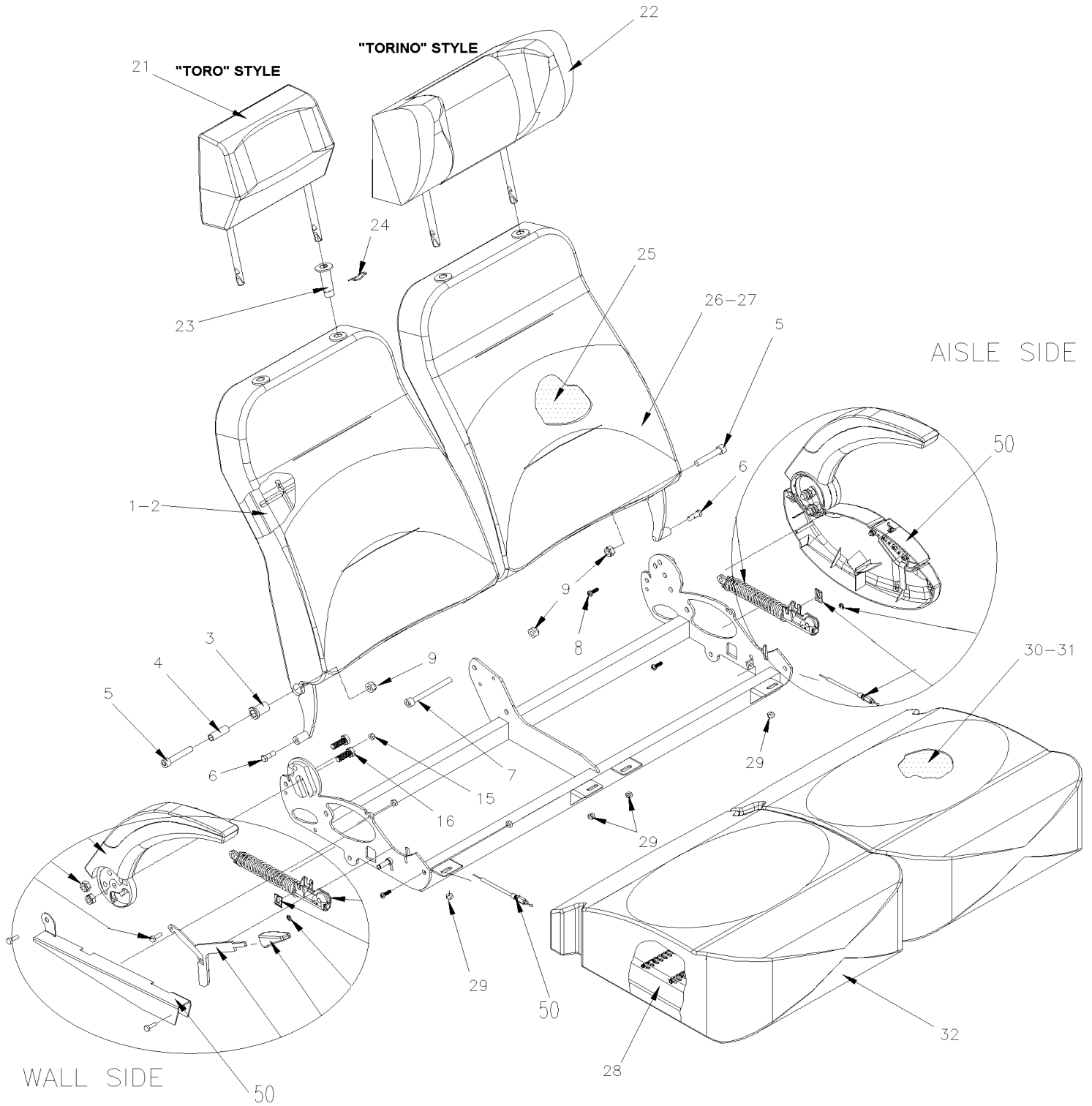
Date:10/2022

PAGE:Y2-1826-06

PASSENGER'S SEAT - "AMAYA" "BRASIL"

| Item# | Part | Description | X L I I 4 5 | X L I I M T H 4 0 | X L I I M T H 4 5 | X L I I M T H 4 5 E | NOTES |
|-------|-------------------|---|----------------------------|---|---|--|-------|
| | | IMPORTANT NOTE: | | | | | |
| | | TO ORDER COMPLETE PASSENGER'S SEAT KIT #, | | | | | |
| | | SEE THE FINAL VEHICLE RECORD. | | | | | |
| 1 | 868532 | BACKREST ASSY R.H. | 1 | | | | |
| 1 | 865680 | . BACKREST STRUCTURE R.H. | 1 | | | | |
| 2 | 864073 | BACKREST ASSY L.H. | 1 | | | | |
| 2 | 865681 | . BACKREST STRUCTURE L.H. | 1 | | | | |
| 3 | Call order desk | INSIDE METAL BUSHING | 1 | | | | P |
| 4 | 865560 | BUSHING HYTREL | 1 | | | | |
| 5 | 70314705 | SCREW CAP HEXS M10-1.5x60 G8.8 ZP | 2 | | | | |
| 6 | Call order desk | LOCK BOLT M6-1x30 | 1 | | | | P |
| 7 | Call order desk | LOCK BOLT M6-1x20 | 1 | | | | P |
| 8 | 500609 | NUT HEX M6-1.0 Z050 | 4 | | | | |
| 9 | 500680 | NUT HEX STO M10-1.5 Z050 | 1 | | | | |
| 10 | 502765 | SCREW CAP HEXS M10-1.5x100 G8.8 PT ZP | 1 | | | | |
| 11 | Call order desk | STRUCTURE R.H. | 1 | | | | P |
| 11 | Call order desk | STRUCTURE L.H. | 1 | | | | P |
| 21 | Call order desk | HEADREST FOAM / TYPE "BRAZIL-II" | 1 | | | | P |
| NS | Call order desk | COVERING HEADREST ASSY "BRAZIL-II" S.C.C. | 1 | | | | P |
| 22 | 863315 | HEADREST FOAM / TYPE "BRAZIL" & "EUROTECH" | 1 | | | | |
| NS | Call order desk | COVERING HEADREST ASSY "BRAZIL" & EURO S.C.C. | 1 | | | | P |
| 23 | 864810 | GUIDE SLIDING | 4 | | | | |
| 24 | 866204 | BACKREST CLIP | 4 | | | | |
| 25 | Call order desk | BACKREST FOAM | 2 | | | | P |
| 26 | 867775 | BACKREST TUFTING WIRE | 4 | | | | |
| 27 | Call order desk | COVERING BACKREST ASSY S.C.C. | 2 | | | | P |
| 28 | 8611003 | SEAT FRAME | 2 | | | | |
| 30 | 860039 | CUSHION FOAM | 2 | | | | |
| 31 | 861716 | CUSHION TUFTING WIRE | 4 | | | | |
| 32 | Call order desk | COVERING CUSHION ASSY S.C.C. | 2 | | | | P |
| 40 | 502716 | NUT HEX NYRT 1/4-20 | 4 | | | | |
| 50 | Y2-1826-51 | ARMREST PASSENGER'S SEAT - "AMAYA" WITH "BRASIL" | | | | | |
| 51 | Y2-1826-60 | ACCESSORIES PASSENGER'S SEAT - "AMAYA" | | | | | |
| 52 | 864119 | KNOB / ROTATING SEAT | 1 | | | | B |
| | | | | | | | |
| | | | | | | | |
| | | B) USE WITH SWIVEL SEAT | | | | | |
| | | P) CALL ORDER DESK FOR SPECIFIC APPLICATION (V.I.N.) | | | | | |

| | | |
|--|--------------|-----------------|
| | Date:10/2022 | PAGE:Y2-1826-07 |
| PASSENGER'S SEAT - "AMAYA" "SIGLIUM" TORO & TORINO | | |

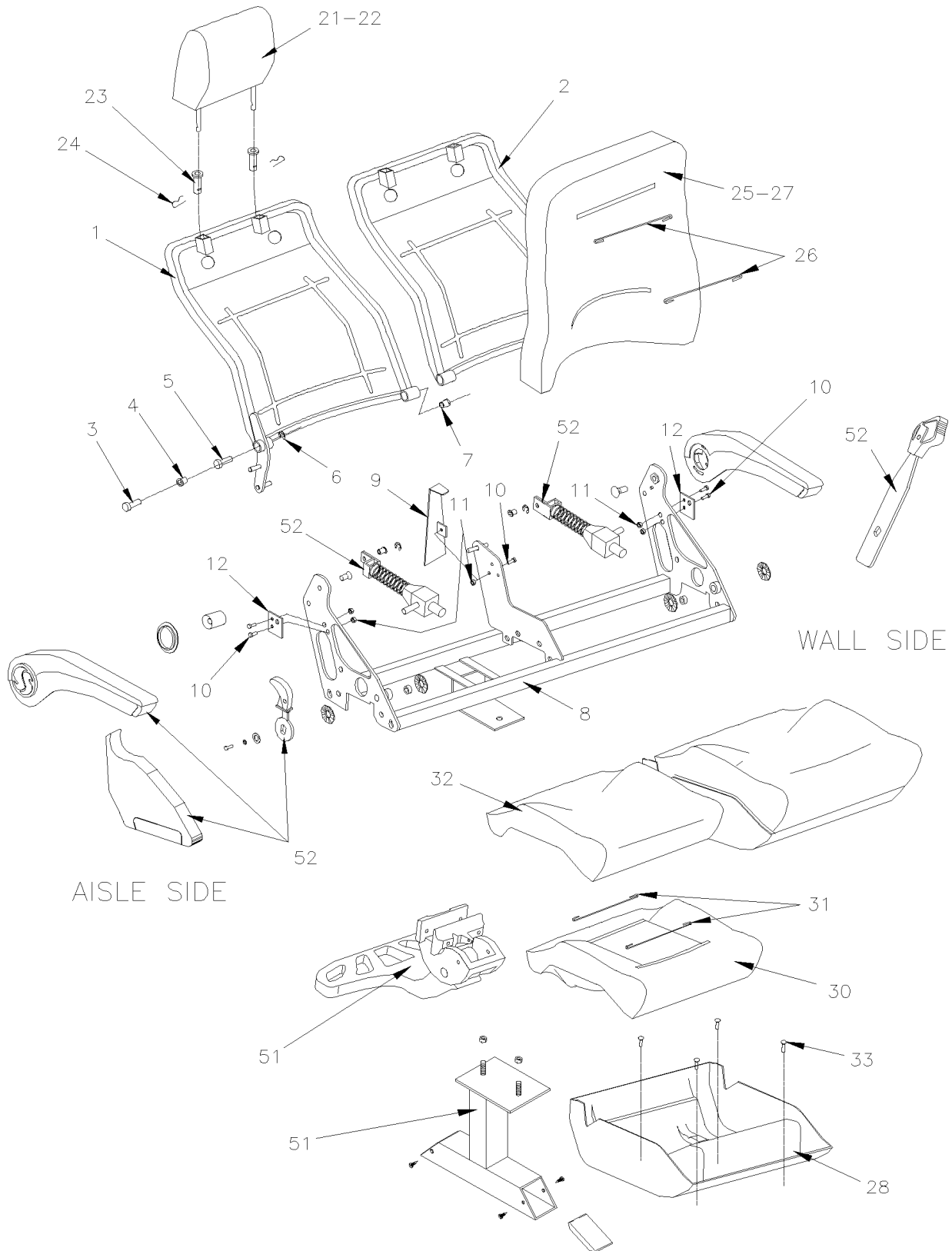


PASSENGER'S SEAT - "AMAYA" "SIGLIUM" TORO & TORINO

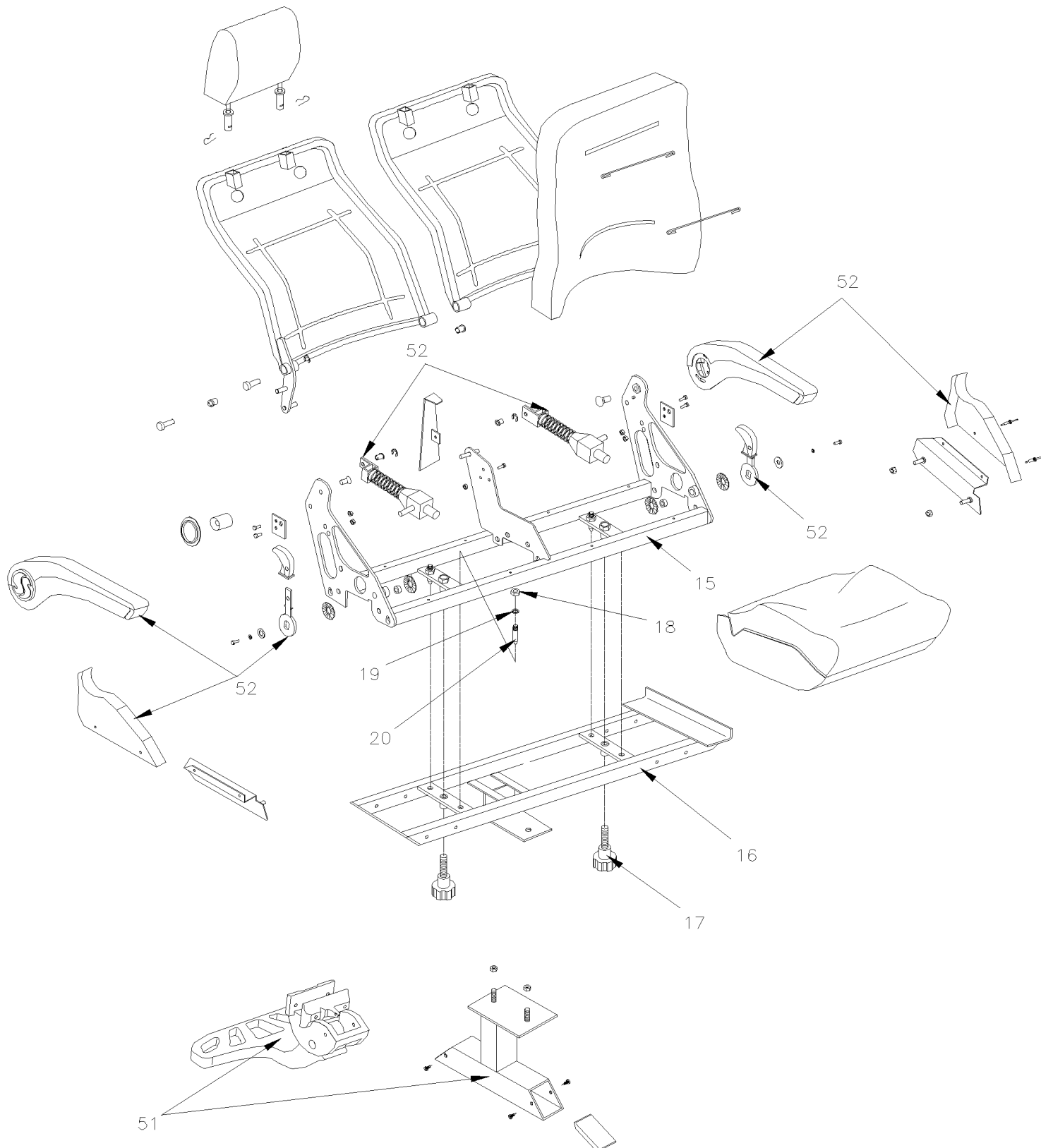
| Item# | Part | Description | X L I I 4 5 | X L I I M T H 4 0 | X L I I M T H 4 5 | X L I I M T H 4 5 E | NOTES |
|-------|-----------------|---|----------------------------|---|---|--|-------|
| | | IMPORTANT NOTE: | | | | | |
| | | TO ORDER COMPLETE PASSENGER'S SEAT KIT #, | | | | | |
| | | SEE THE FINAL VEHICLE RECORD. | | | | | |
| 1 | Call order desk | BACKREST ASSY R.H. / W/SIGLUM TORO | 1 | | | | P |
| 1 | 868500 | . BACKREST STRUCTURE R.H. / W/SIGLUM TORO | 1 | | | | |
| 1 | Call order desk | BACKREST ASSY R.H. / W/SIGLUM TORINO | 1 | | | | P |
| 1 | Call order desk | . BACKREST STRUCTURE R.H. / W/SIGLUM TORINO | 1 | | | | P |
| 2 | Call order desk | BACKREST ASSY L.H. / W/SIGLUM TORO | 1 | | | | P |
| 2 | Call order desk | . BACKREST STRUCTURE L.H. / W/SIGLUM TORO | 1 | | | | P |
| 2 | Call order desk | BACKREST ASSY L.H. / W/SIGLUM TORINO | 1 | | | | P |
| 2 | Call order desk | . BACKREST STRUCTURE L.H. / W/SIGLUM TORINO | 1 | | | | P |
| 3 | Call order desk | . . INSIDE METAL BUSHING | 1 | | | | P |
| 4 | 865560 | . . BUSHING HYTREL | 1 | | | | |
| 5 | 70314705 | SCREW CAP HEXS M10-1.5x60 G8.8 ZP | 2 | | | | |
| 6 | 5001132 | SCREW CAP HEX 5/16-18x7/8 G5 Z050 | 2 | | | | |
| 7 | 502765 | SCREW CAP HEXS M10-1.5x100 G8.8 PT ZP | 1 | | | | |
| 8 | Call order desk | HY-LO BOLT M6-1.0x23 | 2 | | | | P |
| 9 | 5001570 | NUT HEX NYRT M10-1.5 Z050 | 5 | | | | |
| 10 | 11500930 | SCREW CAP HEX M10-1.5x30 G8.8 PHC | 2 | | | | |
| 11 | 500163 | SCREW CAP HEX 1/4-20x3/4 G5 Z050 | 3 | | | | |
| 12 | 500183 | SCREW CAP HEX 5/16-18x1 1/2 G5 PT Z050 | 1 | | | | |
| 13 | 500441 | WASHER FL .312x.734x.065 Z050 | 1 | | | | |
| 14 | 9415477 | SCREW CAP HEX 1/4-20x3/4 ZP | 1 | | | | |
| 15 | 500769 | NUT HEX 1/4-20 Z050 | 3 | | | | |
| 16 | 11500930 | SCREW CAP HEX M10-1.5x30 G8.8 PHC | 2 | | | | |
| 20 | Call order desk | STRUCTURE R.H. | 1 | | | | P |
| 20 | Call order desk | STRUCTURE L.H. | 1 | | | | P |
| 21 | Call order desk | HEADREST FOAM / TYPE "TORO" | 1 | | | | P |
| NS | Call order desk | COVERING HEADREST ASSY "TORO" S.C.C. | 1 | | | | P |
| 22 | 864858 | HEADREST FOAM / TYPE "TORINO" | 1 | | | | |
| NS | 864861 | COVERING HEADREST ASSY "TORINO" S.C.C. | 1 | | | | |
| 23 | 864810 | GUIDE SLIDING | 2 | | | | |
| 24 | 866204 | BACKREST CLIP | 2 | | | | |
| 25 | Call order desk | BACKREST FOAM / W/SIGLUM TORO S.C.C. | 2 | | | | P |
| 25 | 867774 | BACKREST FOAM / W/SIGLUM TORINO S.C.C. | 2 | | | | |
| 26 | 867775 | BACKREST TUFTING WIRE | 4 | | | | |
| 27 | Call order desk | COVERING BACKREST ASSY "TORO" S.C.C. | 2 | | | | P |
| 27 | Call order desk | COVERING BACKREST ASSY "TORINO" S.C.C. | 2 | | | | P |
| 28 | 860108 | SEAT CUSHION FRAME | 2 | | | | |
| 29 | 502716 | NUT HEX NYRT 1/4-20 | 4 | | | | |
| 30 | 865360 | CUSHION FOAM | 2 | | | | |

| | | Date:10/2022 | PAGE:Y2-1826-07 | | | | |
|--|-------------------|--|----------------------------|---|---|--|-------|
| PASSENGER'S SEAT - "AMAYA" "SIGLIUM" TORO & TORINO | | | | | | | |
| Item# | Part | Description | X L I I 4 5 | X L I I M T H 4 0 | X L I I M T H 4 5 | X L I I M T H 4 5 E | NOTES |
| 31 | 861716 | CUSHION TUFTING WIRE | 2 | | | | |
| 32 | Call order desk | COVERING CUSHION ASSY S.C.C. | 2 | | | | P |
| 50 | Y2-1826-53 | ARMREST PASSENGER'S SEAT - "AMAYA" WITH "SIGLIUM" TORO & TORINO | | | | | |
| NS | 864072 | ARMREST CENTRAL ASSY / LIGHT GREY | | | | | |
| . NS | 865995 | . BOLT | 1 | | | | |
| . NS | 865996 | . BUSHING | 1 | | | | |
| . NS | 866240 | . ARMREST COVERING LIGHT GREY | 1 | | | | |
| | | | | | | | |
| | | | | | | | |
| | | | | | | | |
| | | P) CALL ORDER DESK FOR SPECIFIC APPLICATION (V.I.N.) | | | | | |

| | | |
|------------------------------------|--------------|-----------------|
| | Date:10/2022 | PAGE:Y2-1826-08 |
| PASSENGER'S SEAT - "AMAYA" "GAUDI" | | |



| | | |
|------------------------------------|--------------|-----------------|
| | Date:10/2022 | PAGE:Y2-1826-08 |
| PASSENGER'S SEAT - "AMAYA" "GAUDI" | | |



Date:10/2022

PAGE:Y2-1826-08

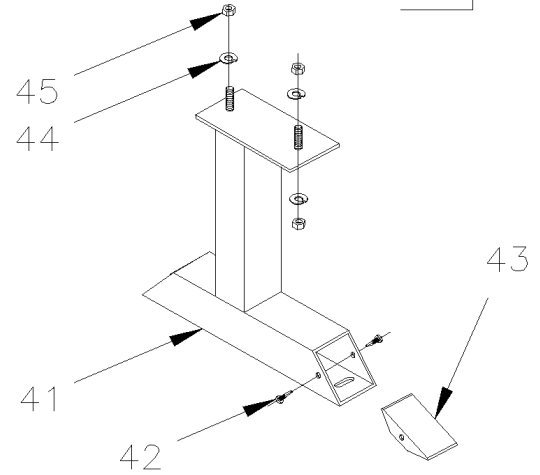
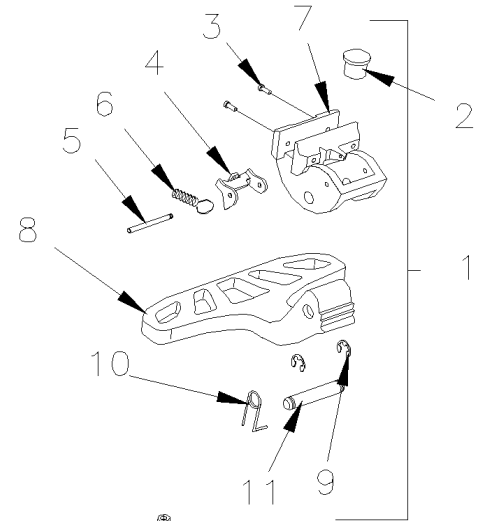
PASSENGER'S SEAT - "AMAYA" "GAUDI"

| Item# | Part | Description | X L I I 4 5 | X L I I M T H 4 0 | X L I I M T H 4 5 | X L I I M T H 4 5 E | N O T E S |
|-------|-----------------|--|----------------------------|---|---|--|-----------------------|
| | | IMPORTANT NOTE: BEFORE TO | | | | | |
| | | ORDER COMPLETE PASSENGER'S SEAT | | | | | |
| | | OR COVERING ASSY, HEAD / BACK & CUSHION | | | | | |
| | | SEE THE FINAL VEHICLE RECORD | | | | | |
| 1 | Call order desk | BACKREST R.H. | 1 | | | | P |
| 2 | Call order desk | BACKREST L.H. | 1 | | | | P |
| 3 | 865560 | . BUSHING HYTREL | 1 | | | | |
| 4 | Call order desk | . INSIDE METAL BUSHING | 1 | | | | P |
| 5 | 864975 | BOLT M10X25MM | 2 | | | | |
| 6 | Call order desk | WASHER #9 DIN6799 | 2 | | | | P |
| 7 | Call order desk | BUSHING CENTER SEPARATOR | 2 | | | | P |
| 8 | Call order desk | STRUCTURE L.H. / W/"GAUDI" HR | 1 | | | | P |
| 8 | Call order desk | STRUCTURE R.H. / W/"GAUDI" HR | 1 | | | | P |
| 8 | Call order desk | STRUCTURE L.H. / W/"GAUDI" SC | 1 | | | | P |
| 9 | Call order desk | BACK COVER / W/"GAUDI" HR | 1 | | | | P |
| 9 | Call order desk | BACK COVER / W/"GAUDI" SC | 1 | | | | P |
| 10 | 9415477 | SCREW CAP HEX 1/4-20x3/4 ZP | 6 | | | | |
| 11 | 500769 | NUT HEX 1/4-20 Z050 | 6 | | | | |
| 12 | Call order desk | STOPPER RECLINING 3" | 2 | | | | P |
| 15 | Call order desk | STRUCTURE UPPER / REVERSIBLE SEAT / W/"GAUDI" HR | 1 | | | | P |
| 15 | Call order desk | STRUCTURE UPPER / REVERSIBLE SEAT / W/"GAUDI" SC | 1 | | | | P |
| 16 | Call order desk | STRUCTURE LOWER / REVERSIBLE SEAT | 1 | | | | P |
| 17 | 862156 | KNOB / ROTATING SEAT | 2 | | | | |
| 18 | 5001570 | NUT HEX NYRT M10-1.5 Z050 | 6 | | | | |
| 19 | 866243 | PRESSURE WASHER 7/16" 10MM | 6 | | | | |
| 20 | Call order desk | GUIDE BOLT | 6 | | | | P |
| 21 | Call order desk | HEADREST FOAM / TYPE "GAUDI HR" | 1 | | | | P |
| 22 | Call order desk | COVERING HEADREST ASSY "GAUDI" S.C.C. | 1 | | | | P |
| 23 | 864810 | GUIDE SLIDING | 2 | | | | |
| 24 | 866204 | BACKREST CLIP | 2 | | | | |
| 25 | Call order desk | BACKREST FOAM / W/"GAUDI" | 1 | | | | P |
| 26 | Call order desk | BACKREST TUFTING WIRE / LARGE / W/"GAUDI" & "EUROTECH" | 1 | | | | P |
| 26 | Call order desk | BACKREST TUFTING WIRE / SMALL / W/"GAUDI" | 1 | | | | P |
| 27 | Call order desk | COVERING BACKREST ASSY / S.C.C. / W/"GAUDI" | 1 | | | | P |
| 28 | Call order desk | SEAT SHELL / W/"GAUDI" HR | 1 | | | | P |
| 28 | Call order desk | CUSHION FRAME / W/"GAUDI" SC | 1 | | | | P |
| 30 | Call order desk | CUSHION FOAM | 1 | | | | P |
| 31 | Call order desk | CUSHION TUFTING WIRE | 2 | | | | P |
| 32 | Call order desk | COVERING CUSHION ASSY S.C.C. | 1 | | | | P |
| 33 | Call order desk | BOLT 6.3x19 | 4 | | | | P |

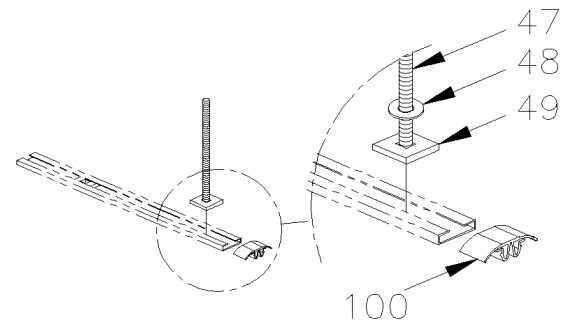
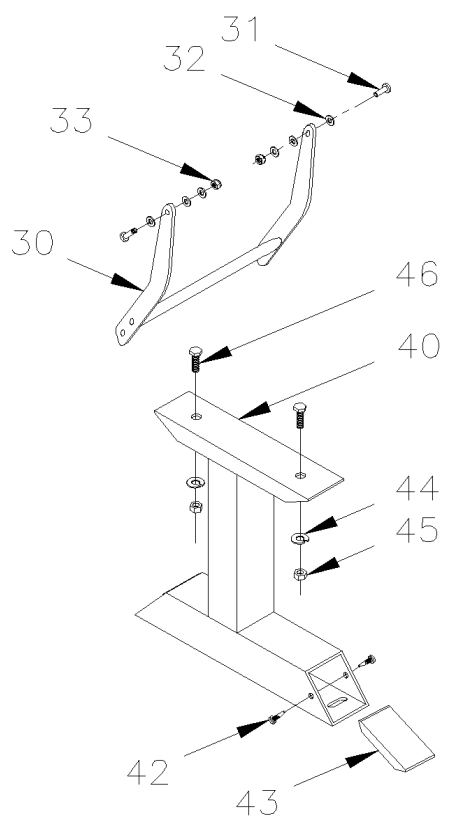
| | | Date:10/2022 | PAGE:Y2-1826-08 | | | | |
|------------------------------------|-----------------|--|----------------------------|---|---|--|-------|
| PASSENGER'S SEAT - "AMAYA" "GAUDI" | | | | | | | |
| Item# | Part | Description | X L I I 4 5 | X L I I M T H 4 0 | X L I I M T H 4 5 | X L I I M T H 4 5 E | NOTES |
| 34 | Call order desk | SEAT FIXING BRACKET | 1 | | | | P |
| 35 | Call order desk | BOLT 3.9X13MM | 1 | | | | P |
| 50 | Y2-1826-60 | ACCESSORIES PASSENGER'S SEAT - "AMAYA" | | | | | |
| 51 | Y2-1826-40 | PASSENGER'S SEAT - "AMAYA" - FOOTREST & PEDESTAL | | | | | |
| 52 | Y2-1826-52 | ARMREST PASSENGER'S SEAT - "AMAYA" WITH "GAUDI" | | | | | |
| | | | | | | | |
| | | | | | | | |
| | | | | | | | |
| | | P) CALL ORDER DESK FOR SPECIFIC APPLICATION (V.I.N.) | | | | | |

| | | |
|--|--------------|-----------------|
| | Date:10/2022 | PAGE:Y2-1826-40 |
| PASSENGER'S SEAT - "AMAYA" - FOOTREST & PEDESTAL | | |

FOOTREST GAUDI



FOOTREST STD



Date:10/2022

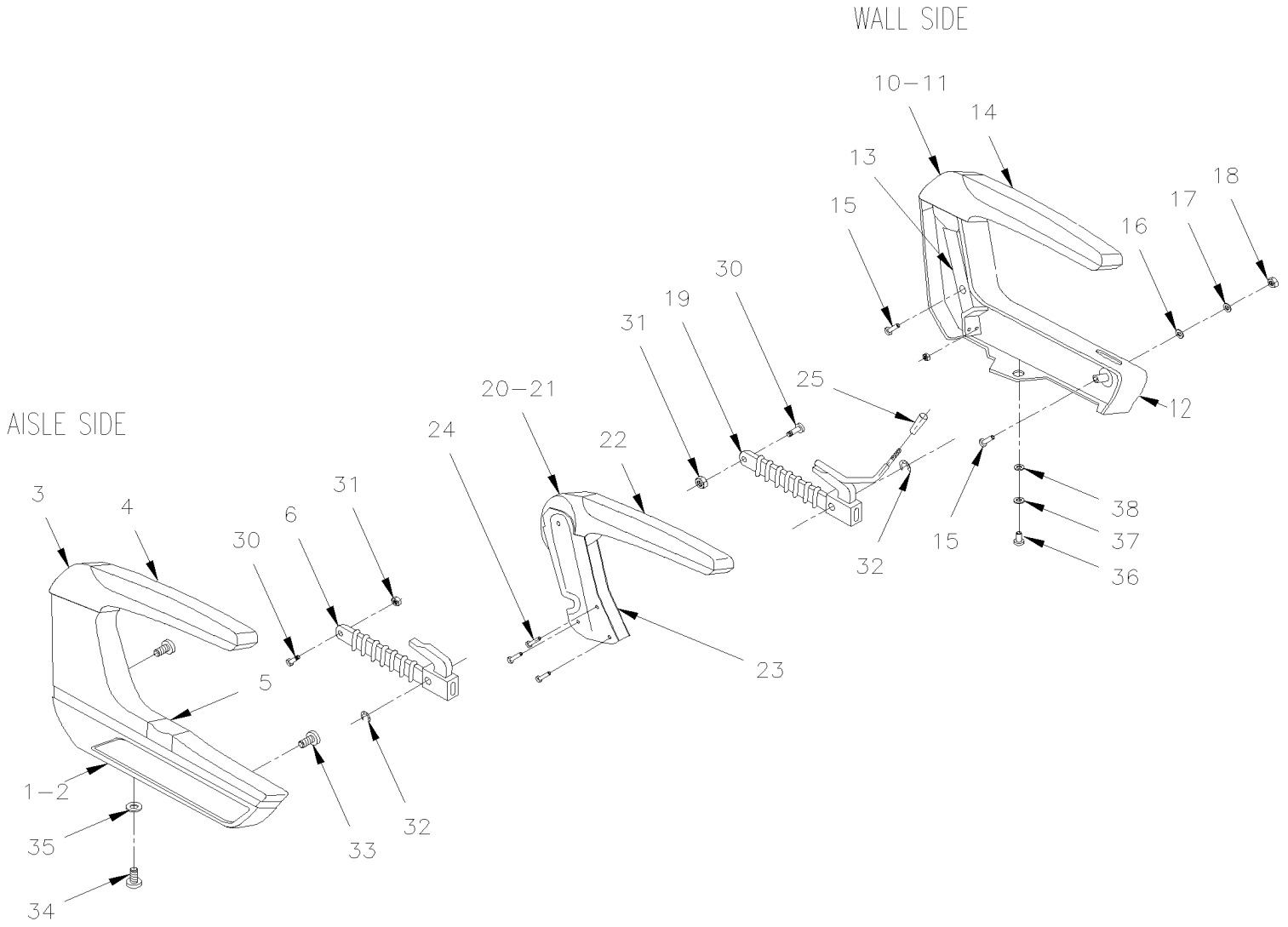
PAGE:Y2-1826-40

PASSENGER'S SEAT - "AMAYA" - FOOTREST & PEDESTAL

| Item# | Part | Description | X L I I I 4 5 | X L I I I M T H 4 0 | X L I I I M T H 4 5 | X L I I I M T H 4 5 E | N O T E S |
|-------|-----------------|--|---------------------------------|--|--|---|-----------------------|
| 1 | 862224 | FOOTREST ASSY W/SPRING / "GAUDI" / ALUMINUM | 1 | | | | |
| 1 | 867725 | FOOTREST ASSY W/AUTOMATIC RETURN / "STELAM" / PLASTIC | 1 | | | | |
| 1 | 862714 | FOOTREST ASSY W/SPRING / "SIGLIUM" / PLASTIC | 1 | | | | B |
| 2 | N.S.S. | . RUBBER BUMPER | 1 | | | | 1 |
| 3 | N.S.S. | . SCREW CAP HEXS M8-1.25x50 SS | 2 | | | | 1 |
| 4 | N.S.S. | . STOPPER | 1 | | | | 1 |
| 5 | N.S.S. | . STOPPER AXLE | 1 | | | | 1 |
| 6 | N.S.S. | . SPRING | 1 | | | | 1 |
| 7 | N.S.S. | . FOOTREST SUPPORT | 1 | | | | 1 |
| 8 | N.S.S. | . FOOTREST | 1 | | | | 1 |
| 9 | N.S.S. | . RETAINING RING | 2 | | | | 1 |
| 10 | N.S.S. | . SPRING | 1 | | | | 1 |
| 11 | N.S.S. | . FOOTREST AXLE | 1 | | | | 1 |
| 30 | 863814 | FOOTREST STANDARD 10" L x 9" U | 1 | | | | |
| 31 | Call order desk | BOLT SPECIAL M8-1.25 x10 | 2 | | | | P |
| 32 | 500441 | WASHER FL .312x.734x.065 Z050 | 2 | | | | |
| 33 | 500868 | NUT HEX NYRT M8-1.25 Z050 | 2 | | | | |
| 40 | 860116 | PEDESTAL ASSY / W STD FOOTREST | 1 | | | | |
| 40 | 866199 | PEDESTAL ASSY / W STD FOOTREST W/TORINO | 1 | | | | |
| 41 | Call order desk | PEDESTAL ASSY / W GAUDI FOOTREST | 1 | | | | P |
| 41 | Call order desk | PEDESTAL ASSY / W GAUDI FOOTREST | 1 | | | | P |
| 41 | Call order desk | PEDESTAL ASSY / W GAUDI FOOTREST / W/REVERSIBLE "GAUDI" HR | 1 | | | | P |
| 41 | Call order desk | PEDESTAL ASSY / W GAUDI FOOTREST / W/REVERSIBLE "GAUDI" SC | 1 | | | | P |
| 41 | Call order desk | PEDESTAL ASSY / W GAUDI FLIP-UP SLIDE | 1 | | | | P |
| 42 | 504619 | . CLIP CHRISTMAS TREE / BLACK 7/32"O.D.x1/2" HOLE 3/16 | 2 | | | | |
| 43 | 862585 | PEDESTAL CAP / BLACK | 2 | | | | |
| . NS | 864028 | . CLIP CHRISTMAS TREE / BLACK 11MM O.D. x17MM HOLE 4MM | 2 | | | | |
| 43 | 863907 | PEDESTAL CAP / GREY | 2 | | | | |
| . NS | 864029 | . CLIP CHRISTMAS TREE / GREY 11MM O.D. x17MM HOLE 4MM | 2 | | | | |
| 44 | 866243 | PRESSURE WASHER 7/16" 10MM | 1 | | | | |
| 45 | 500256 | NUT HEX M10-1.5 Z050 | 2 | | | | |
| 46 | 5001526 | SCREW CAP HEX M16-2.0x45 G10.9 DP | 2 | | | | |
| 47 | 500305 | SCREW CAP HEX 3/8-16x7/8 G5 Z050 | 2 | | | | |
| 48 | 500478 | WASHER LO SPT .380x.683x.094 Z050 | 2 | | | | |
| 49 | 362627 | PLATE ANCHOR / 3/8-16 BOLT INSIDE TRACK / 1 1/4" X 1 1/4" | AR | | | | |
| 100 | 323654 | SEAT TRACK COVER 12' / EACH SEAT / W/COVERING FLOOR | AR | | | | |
| 100 | 323963 | SEAT TRACK COVER 8' / EACH SEAT / W/COVERING FLOOR | AR | | | | |
| | | | | | | | |
| | | | | | | | |
| | | B) THIS MODEL HAVE FOOTREST SUPPORT DIFFER THAN PICTURE | | | | | |
| | | 1) NOT SOLD SEPARATELY | | | | | |

| | | Date:10/2022 | PAGE:Y2-1826-40 | | | | |
|--|------|--|----------------------------|---|---|--|-----------------------|
| PASSENGER'S SEAT - "AMAYA" - FOOTREST & PEDESTAL | | | | | | | |
| Item# | Part | Description | X L I I 4 5 | X L I I M T H 4 0 | X L I I M T H 4 5 | X L I I M T H 4 5 E | N O T E S |
| | | P) CALL ORDER DESK FOR SPECIFIC APPLICATION (V.I.N.) | | | | | |

| | | |
|--|--------------|-----------------|
| | Date:10/2022 | PAGE:Y2-1826-50 |
| ARMREST PASSENGER'S SEAT - "AMAYA" WITH "EUROTECH" | | |



Date:10/2022

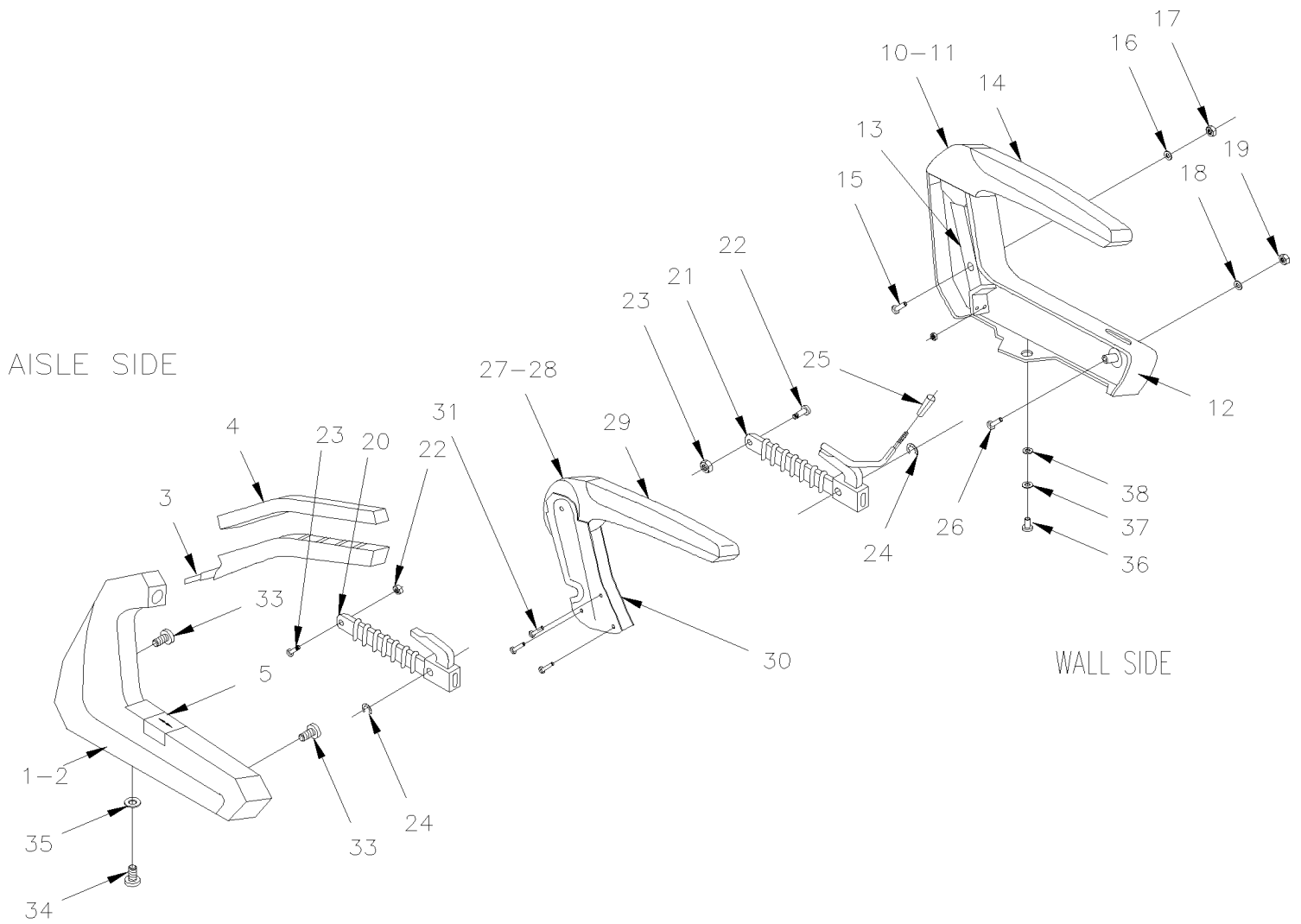
PAGE:Y2-1826-50

ARMREST PASSENGER'S SEAT - "AMAYA" WITH "EUROTECH"

| Item# | Part | Description | X L I I 4 5 | X L I I M T H 4 0 | X L I I M T H 4 5 | X L I I M T H 4 5 E | NOTES |
|-------|-----------------|--|----------------------------|---|---|--|-------|
| 1 | 865740 | ARMREST ASSY R.H. | 1 | | | | |
| 1 | 865741 | ARMREST ASSY L.H. | 1 | | | | |
| 2 | Call order desk | . ARMREST AISLE SUPPORT L.H. | 1 | | | | P |
| 2 | 867850 | . ARMREST AISLE SUPPORT R.H. | 1 | | | | |
| 3 | 864847 | . ARMREST AISLE FRAME L.H. | 1 | | | | |
| 3 | 864848 | . ARMREST AISLE FRAME R.H. | 1 | | | | |
| NS | 865534 | . AXLE BOLT (ARM PIVOT) | 1 | | | | |
| NS | 865533 | . WASHER CON | 1 | | | | |
| 4 | 862939 | . ARMREST COVER RUBBER | 1 | | | | |
| NS | Call order desk | . BOLT 2.5X26 | 1 | | | | P |
| 5 | 863361 | . PUSH BUTTON | 1 | | | | |
| 5 | 863474 | . TRACK BUTTON | 1 | | | | |
| NS | 863475 | . SPRING BUTTON | 1 | | | | |
| NS | 863476 | . STOPPER BUTTON | 1 | | | | |
| 6 | 862545 | . RECLINING MECANISM AILSE SIDE | 1 | | | | A |
| 10 | 863645 | ARMREST ASSY L.H. / WALL SIDE | 1 | | | | |
| 10 | Call order desk | ARMREST ASSY R.H. / WALL SIDE | 1 | | | | P |
| 11 | 866006 | . ARMREST WALL FRAME R.H. | 1 | | | | |
| 11 | 863381 | . ARMREST WALL FRAME L.H. | 1 | | | | |
| NS | Call order desk | . WASHER | 1 | | | | P |
| NS | 866005 | . SCREW CAP HEXS M12x30 | 1 | | | | |
| 12 | 862937 | . ARMREST WALL SUPPORT R.H. | 1 | | | | |
| 12 | 867851 | . ARMREST WALL SUPPORT L.H. | 1 | | | | |
| 13 | 863425 | . ARMREST REINFORCEMENT | 1 | | | | |
| 14 | 862939 | . ARMREST COVER RUBBER | 1 | | | | |
| NS | Call order desk | . BOLT 2.5X26 | 1 | | | | P |
| 15 | Call order desk | . BOLT M8 X 50MM | 1 | | | | P |
| 15 | Call order desk | . SCREW MA CHE PH M8-1.25x45 | 1 | | | | P |
| 16 | Call order desk | . WASHER FL 8.4 | 1 | | | | P |
| 17 | Call order desk | . WASHER LO INT 8.4 | 1 | | | | P |
| 18 | 865483 | . NUT HEX M8-1.25 | 1 | | | | |
| 19 | 862218 | RECLINING MECANISM WALL SIDE | 1 | | | | B |
| 20 | 862544 | CENTER ARMREST ASSY / PAINTED ALUMINUM | 1 | | | | |
| 21 | 865357 | . ARMREST CENTER | 1 | | | | |
| NS | 865533 | . WASHER CON | 2 | | | | |
| NS | 860170 | . BOLT MALE | 1 | | | | |
| NS | Call order desk | . BOLT FEMALE | 1 | | | | P |
| 22 | 862939 | . ARMREST COVER RUBBER | 1 | | | | |
| 23 | Call order desk | . ARMREST CENTER SUPPORT | 1 | | | | P |
| 24 | Call order desk | . SCREW MA CHE PH M6x15 | 1 | | | | P |
| 25 | 862225 | . KNOB W/ ROUND ROD INSERT MECHANISM (FORMER) | 1 | | | | |
| 25 | 864117 | . KNOB W/SQUARE ROD INSERT MECHANISM (CURRENT) | 1 | | | | |

| | | Date:10/2022 | PAGE:Y2-1826-50 | | | | |
|--|-----------------|--|----------------------------|---|---|--|-----------------------|
| ARMREST PASSENGER'S SEAT - "AMAYA" WITH "EUROTECH" | | | | | | | |
| Item# | Part | Description | X L I I 4 5 | X L I I M T H 4 0 | X L I I M T H 4 5 | X L I I M T H 4 5 E | N O T E S |
| 30 | 866248 | BOLT SPECIAL FIXING | 1 | | | | |
| 31 | 500256 | NUT HEX M10-1.5 Z050 | 1 | | | | |
| 32 | Call order desk | WASHER #9 DIN6799 | 1 | | | | P |
| 33 | Call order desk | SCREW OVAL HEAD M8-1.25x20 | 1 | | | | P |
| 34 | Call order desk | SCREW CAP HEXS M8x20 | 1 | | | | P |
| 35 | 865515 | WASHER FL 6.4 | 1 | | | | |
| 36 | Call order desk | SCREW BUT HEXS M6x10 | 1 | | | | P |
| 37 | Call order desk | PRESSURE WASHER | 1 | | | | P |
| 38 | Call order desk | WASHER J6.4 DIN 125 | 1 | | | | P |
| | | | | | | | |
| | | | | | | | |
| | | | | | | | |
| | | A) INCLUDE ITEMS # 30,31 & 32 | | | | | |
| | | B) INCLUDE ITEMS # 25, 30, 31 & 32 | | | | | |
| | | P) CALL ORDER DESK FOR SPECIFIC APPLICATION (V.I.N.) | | | | | |

| | | | |
|--|--|--------------|-----------------|
| | | Date:10/2022 | PAGE:Y2-1826-51 |
| ARMREST PASSENGER'S SEAT - "AMAYA" WITH "BRASIL" | | | |



Date:10/2022

PAGE:Y2-1826-51

ARMREST PASSENGER'S SEAT - "AMAYA" WITH "BRASIL"

| Item# | Part | Description | X L I I 4 5 | X L I I M T H 4 0 | X L I I M T H 4 5 | X L I I M T H 4 5 E | NOTES |
|-------|-----------------|--|----------------------------|---|---|--|-------|
| 1 | 863843 | ARMREST ASSY R.H. | 1 | | | | |
| 1 | 863844 | ARMREST ASSY L.H. | 1 | | | | |
| 1 | 862934 | ARMREST ASSY L.H. | 1 | | | | |
| 2 | 867849 | . ARMREST AISLE SUPPORT L.H. | 1 | | | | |
| 2 | Call order desk | . ARMREST AISLE SUPPORT R.H. | 1 | | | | P |
| 3 | 860128 | . ARMREST AISLE FRAME L.H. | 1 | | | | |
| 3 | Call order desk | . ARMREST AISLE FRAME R.H. | 1 | | | | P |
| NS | Call order desk | . ARMREST CLIP | 1 | | | | P |
| NS | Call order desk | . FIBER ARMREST WASHER | 1 | | | | P |
| 4 | 863427 | . ARMREST COVER AISLE | 1 | | | | |
| 5 | 863361 | . PUSH BUTTON | 1 | | | | |
| 5 | 863474 | . TRACK BUTTON | 1 | | | | |
| NS | 863475 | . SPRING BUTTON | 1 | | | | |
| NS | 863476 | . STOPPER BUTTON | 1 | | | | |
| 10 | 863645 | ARMREST ASSY L.H. / WALL SIDE | 1 | | | | |
| 10 | Call order desk | ARMREST ASSY R.H. / WALL SIDE | 1 | | | | P |
| 11 | 866006 | . ARMREST WALL FRAME R.H. | 1 | | | | |
| 11 | 863381 | . ARMREST WALL FRAME L.H. | 1 | | | | |
| NS | Call order desk | . WASHER | 1 | | | | P |
| NS | 866005 | . SCREW CAP HEXS M12x30 | 1 | | | | |
| 12 | 862937 | . ARMREST WALL SUPPORT R.H. | 1 | | | | |
| 12 | 867851 | . ARMREST WALL SUPPORT L.H. | 1 | | | | |
| 13 | 863425 | . ARMREST REINFORCEMENT | 1 | | | | |
| 14 | 862939 | . ARMREST COVER RUBBER | 1 | | | | |
| NS | Call order desk | . BOLT 2.5X26 | 1 | | | | P |
| 15 | 500193 | SCREW CAP HEX 3/8-16x1 1/2 G5 Z050 | 1 | | | | |
| 16 | 500445 | WASHER FL .437x1.000x.083 Z050 | 1 | | | | |
| 17 | 500783 | NUT HEX 3/8-16 Z050 | 1 | | | | |
| 18 | 502507 | WASHER LO SPT 8.1x14.8x2.0 Z050 | 1 | | | | |
| 19 | 502543 | NUT HEX M8-1.25 Z050 | 1 | | | | |
| 20 | 862545 | RECLINING MECANISM AILSE SIDE | 1 | | | | |
| 21 | 862218 | RECLINING MECANISM WALL SIDE | 1 | | | | |
| 22 | 866248 | . BOLT SPECIAL FIXING | 1 | | | | |
| 23 | 500256 | . NUT HEX M10-1.5 Z050 | 1 | | | | |
| 24 | Call order desk | . SNAP RING | 1 | | | | P |
| 25 | 862225 | . KNOB W/ ROUND ROD INSERT MECHANISM (FORMER) | 1 | | | | |
| 25 | 864117 | . KNOB W/SQUARE ROD INSERT MECHANISM (CURRENT) | 1 | | | | |
| 26 | 865486 | . SCREW MA OV PH M8-1.25x35 | 1 | | | | |
| 27 | 863743 | . CENTER ARMREST ASSY / PAINTED SILVER | 1 | | | | |
| 28 | 865357 | . ARMREST CENTER | 1 | | | | |
| NS | 865533 | . WASHER CON | 2 | | | | |
| NS | 860170 | . BOLT MALE | 1 | | | | |

Date:10/2022

PAGE:Y2-1826-51

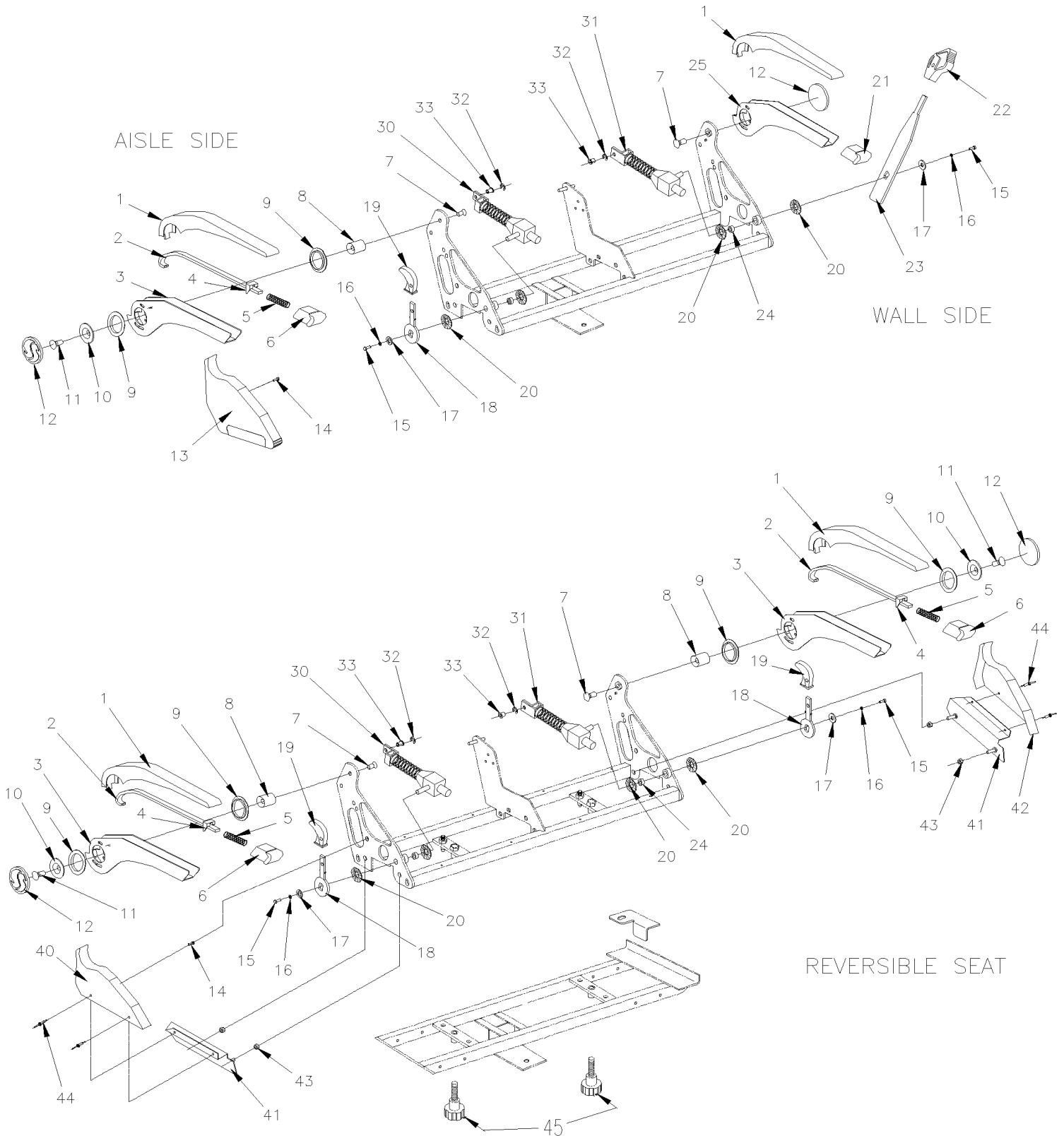
ARMREST PASSENGER'S SEAT - "AMAYA" WITH "BRASIL"

| Item# | Part | Description | X L I I 4 5 | X L I I M T H 4 0 | X L I I M T H 4 5 | X L I I M T H 4 5 E | N O T E S |
|-------|-----------------|--|----------------------------|---|---|--|-----------------------|
| NS | Call order desk | . BOLT FEMALE | 1 | | | | P |
| 29 | 863539 | . ARMREST COVER CENTER | 1 | | | | |
| 30 | Call order desk | . ARMREST CENTER SUPPORT | 1 | | | | P |
| 31 | Call order desk | SCREW MA CHE PH M6x15 | 1 | | | | P |
| 33 | Call order desk | SCREW OVAL HEAD M8-1.25x20 | 1 | | | | P |
| 34 | N32018 | SCREW MA PAN PH M6-1.0x12 BKP | 1 | | | | |
| 35 | 865485 | SCREW MA OV PH M8-1.25x25 | 1 | | | | |
| 36 | 502806 | SCREW MA FL PH M6-1.0x10 Z050 | 1 | | | | |
| 37 | Call order desk | PRESSURE WASHER | 1 | | | | P |
| 38 | Call order desk | WASHER J6.4 DIN 125 | 1 | | | | P |
| | | | | | | | |
| | | | | | | | |
| | | | | | | | |
| | | P) CALL ORDER DESK FOR SPECIFIC APPLICATION (V.I.N.) | | | | | |

Date:10/2022

PAGE:Y2-1826-52

ARMREST PASSENGER'S SEAT - "AMAYA" WITH "GAUDI"



Date:10/2022

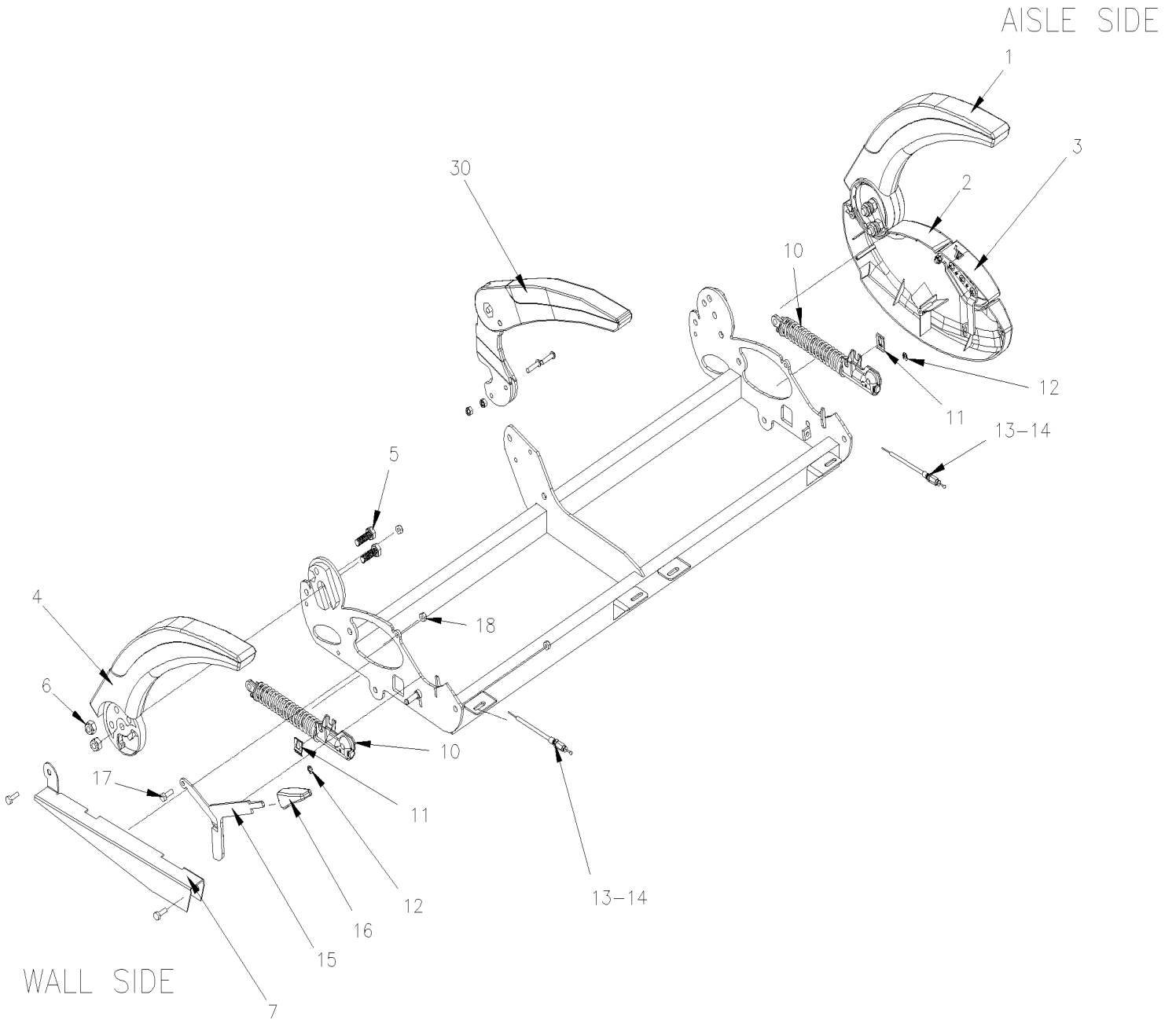
PAGE:Y2-1826-52

ARMREST PASSENGER'S SEAT - "AMAYA" WITH "GAUDI"

| Item# | Part | Description | X L I I 4 5 | X L I I M T H 4 0 | X L I I M T H 4 5 | X L I I M T H 4 5 E | NOTES |
|-------|-----------------|---|----------------------------|---|---|--|-------|
| | 866091 | ARMREST ASSY / AISLE SIDE / GAUDI | 1 | | | | |
| 1 | 864965 | . ARMREST COVER | 1 | | | | |
| 2 | N.S.S. | . FOLD DOWN ARMREST LEVER | 1 | | | | 1 |
| 3 | N.S.S. | . AISLE ARMREST FRAME | 1 | | | | 1 |
| 4 | N.S.S. | . FOLD DOWN ARMREST STOPPER | 1 | | | | 1 |
| 5 | N.S.S. | . ARMREST SPRING | 1 | | | | 1 |
| 6 | 866078 | . PUSH BUTTON | 1 | | | | |
| 7 | N.S.S. | . BOLT M10x19MM | 1 | | | | 1 |
| 8 | N.S.S. | . AXLE ARMREST | 1 | | | | 1 |
| 9 | N.S.S. | . PLASTIC BUSHING | 2 | | | | 1 |
| 10 | N.S.S. | . COVER | 1 | | | | 1 |
| 11 | N.S.S. | . BOLT M10X25MM | 1 | | | | 1 |
| 12 | 864976 | . ARMREST LOGO CAP R-7010 | 1 | | | | |
| 13 | 864789 | COVER AISLE SIDE W/L.H. SEAT | 1 | | | | |
| 13 | 864831 | COVER AISLE SIDE W/R.H. SEAT | 1 | | | | |
| 14 | Call order desk | BOLT 6.3x19 | 1 | | | | P |
| 15 | Call order desk | BOLT M6x15MM | 1 | | | | P |
| 16 | Call order desk | WASHER B6.1 DIN 127 | 1 | | | | P |
| 17 | Call order desk | WASHER 6.4 DIN 9021 | 1 | | | | P |
| 18 | Call order desk | AISLE LEVER RECLINING | 1 | | | | P |
| 19 | 864093 | KNOB RECLINING | 1 | | | | |
| 20 | 866260 | UNSULATED WASHER | 2 | | | | |
| 21 | Call order desk | BUTTON FIXED ARMREST | 1 | | | | P |
| 22 | 864094 | KNOB WALL MECHANISM | 1 | | | | |
| 23 | Call order desk | LEVER WALL MECHANISM | 1 | | | | P |
| 23 | Call order desk | LEVER WALL MECHANISM (RIGHT SEAT ONLY) / W/"GAUDI" SC | 1 | | | | P |
| 24 | Call order desk | BUSHING AXLE / W/"GAUDI" HR | 1 | | | | P |
| 24 | 865647 | BUSHING AXLE / W/"GAUDI" SC | 1 | | | | |
| 25 | Call order desk | WALL ARMREST FRAME | 1 | | | | P |
| 30 | 864045 | RECLINING MECHANISM AISLE / W/"GAUDI" HR | 1 | | | | |
| 30 | 863881 | RECLINING MECHANISM AISLE / W/"GAUDI" SC | 1 | | | | |
| 31 | 8611002 | RECLINING MECHANISM WALL / W/"GAUDI" HR | 1 | | | | |
| 31 | 863882 | RECLINING MECHANISM WALL / W/"GAUDI" SC | 1 | | | | |
| 32 | Call order desk | WASHER #9 DIN6799 | 1 | | | | P |
| 33 | 866260 | UNSULATED WASHER | 1 | | | | |
| 40 | Call order desk | COVER R.H. LATERAL W/REVERSIBLE SEAT | 1 | | | | P |
| 41 | Call order desk | COVER LATERAL COMPLEMENT W/REVERSIBLE SEAT | 2 | | | | P |
| 42 | 864972 | COVER L.H. LATERAL W/REVERSIBLE SEAT | 1 | | | | |
| 43 | 5001570 | NUT HEX NYRT M10-1.5 Z050 | 4 | | | | |
| 44 | 504108 | RIVET POP DOME OE 1/8x1/2 AL | 4 | | | | |
| 45 | 862156 | KNOB / ROTATING SEAT | 2 | | | | |

| | | Date:10/2022 | PAGE:Y2-1826-52 | | | | |
|---|------|--|----------------------------|---|---|--|-----------------------|
| ARMREST PASSENGER'S SEAT - "AMAYA" WITH "GAUDI" | | | | | | | |
| Item# | Part | Description | X L I I 4 5 | X L I I M T H 4 0 | X L I I M T H 4 5 | X L I I M T H 4 5 E | N O T E S |
| | | | | | | | |
| | | 1) NOT SOLD SEPARATELY | | | | | |
| | | P) CALL ORDER DESK FOR SPECIFIC APPLICATION (V.I.N.) | | | | | |

| | | |
|---|--------------|-----------------|
| | Date:10/2022 | PAGE:Y2-1826-53 |
| ARMREST PASSENGER'S SEAT - "AMAYA" WITH "SIGLIUM" TORO & TORINO | | |

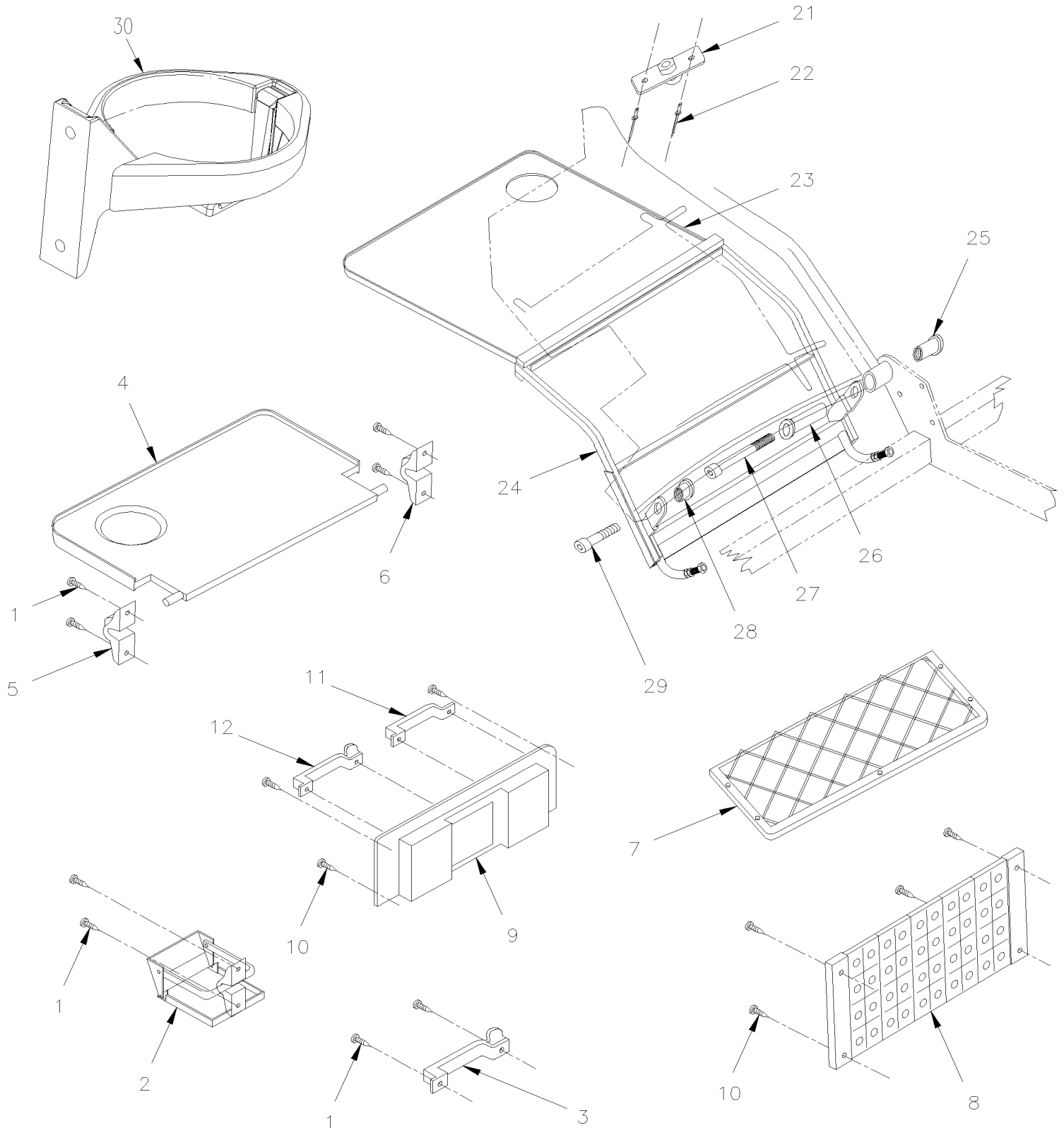


ARMREST PASSENGER'S SEAT - "AMAYA" WITH "SIGLIUM" TORO & TORINO

| Item# | Part | Description | X L I I 4 5 | X L I I M T H 4 0 | X L I I M T H 4 5 | X L I I M T H 4 5 E | NOTES |
|--------|-----------------|---|----------------------------|---|---|--|-------|
| | | IMPORTANT NOTE: | | | | | |
| | | TO ORDER COMPLETE PASSENGER'S SEAT KIT #, | | | | | |
| | | SEE THE FINAL VEHICLE RECORD. | | | | | |
| | N.S.S. | ARMREST R.H. AISLE ASSY | 1 | | | | 1 |
| . NS | 863186 | . ARMREST R.H. | 1 | | | | |
| . . NS | Call order desk | .. ARMREST COVERING WOOD FINISHING | 1 | | | | P |
| . . NS | 866077 | .. ARMREST COVERING DARK GREY | 1 | | | | |
| . . NS | 865378 | .. ARMREST COVERING LIGHT GREY | 1 | | | | |
| . . NS | 860075 | .. CAP WITH LOGO AMAYA | 1 | | | | |
| . NS | 864577 | . COVER AISLE R.H. | 1 | | | | |
| . NS | 864588 | . LEVER AISLE R.H. | 1 | | | | |
| . NS | 860075 | . CAP WITH LOGO AMAYA | 1 | | | | |
| | N.S.S. | ARMREST L.H. AISLE ASSY | 1 | | | | 1 |
| . NS | 864938 | . ARMREST L.H. | 1 | | | | |
| . . NS | Call order desk | .. ARMREST COVERING WOOD FINISHING | 1 | | | | P |
| . . NS | 866077 | .. ARMREST COVERING DARK GREY | 1 | | | | |
| . . NS | 865378 | .. ARMREST COVERING LIGHT GREY | 1 | | | | |
| . . NS | 860076 | .. CAP WITH LOGO AMAYA | 1 | | | | |
| . NS | 864703 | . COVER AISLE SIDE RH SEAT | 1 | | | | |
| . NS | 864589 | . LEVER AISLE L.H. | 1 | | | | |
| 1 | 863186 | . ARMREST R.H. | 1 | | | | |
| . NS | Call order desk | .. ARMREST COVERING WOOD FINISHING | 1 | | | | P |
| . NS | 866077 | .. ARMREST COVERING DARK GREY | 1 | | | | |
| . NS | 865378 | .. ARMREST COVERING LIGHT GREY | 1 | | | | |
| . NS | 860075 | .. CAP WITH LOGO AMAYA | 1 | | | | |
| 1 | 864938 | . ARMREST L.H. | 1 | | | | |
| . NS | Call order desk | .. ARMREST COVERING WOOD FINISHING | 1 | | | | P |
| . NS | 866077 | .. ARMREST COVERING DARK GREY | 1 | | | | |
| . NS | 865378 | .. ARMREST COVERING LIGHT GREY | 1 | | | | |
| . NS | 860076 | .. CAP WITH LOGO AMAYA | 1 | | | | |
| 2 | 864577 | . COVER AISLE R.H. | 1 | | | | |
| 2 | 864703 | . COVER AISLE SIDE RH SEAT | 1 | | | | |
| 3 | 864588 | . LEVER AISLE R.H. | 1 | | | | |
| 3 | 864589 | . LEVER AISLE L.H. | 1 | | | | |
| 4 | 865070 | ARMREST R.H. WINDOW SIDE | 1 | | | | |
| 5 | 11500930 | SCREW CAP HEX M10-1.5x30 G8.8 PHC | 2 | | | | |
| 6 | 500256 | NUT HEX M10-1.5 Z050 | 2 | | | | |
| 7 | Call order desk | COVER MECHANISC R.H. | 1 | | | | P |
| 7 | Call order desk | COVER MECHANISC L.H. | 1 | | | | P |
| | | | | | | | |
| 10 | 863405 | CYLINDER R.H. | 1 | | | | |

| | | Date:10/2022 | PAGE:Y2-1826-53 | | | | |
|---|-----------------|--|---------------------------------|--|--|---|-------|
| ARMREST PASSENGER'S SEAT - "AMAYA" WITH "SIGLIUM" TORO & TORINO | | | | | | | |
| Item# | Part | Description | X L I I I 4 5 | X L I I I M T H 4 0 | X L I I I M T H 4 5 | X L I I I M T H 4 5 E | NOTES |
| 10 | 863406 | CYLINDER L.H. | 1 | | | | |
| 11 | 861486 | CLIP / WIRE RETAINER | 2 | | | | |
| 12 | 865696 | CLIP | 1 | | | | |
| 13 | 863407 | CABLE | 2 | | | | |
| 14 | 500690 | NUT HEX NYRT 1/4-28 Z050 | 2 | | | | |
| 15 | 863413 | RECLINING LEVEL L.H. WINDOW | 1 | | | | |
| 15 | 863414 | RECLINING LEVEL R.H. WINDOW | 1 | | | | |
| 16 | 863356 | KNOB LEVER L.H. WINDOW | 1 | | | | |
| 16 | 863357 | KNOB LEVER R.H. WINDOW | 1 | | | | |
| 17 | 9415477 | SCREW CAP HEX 1/4-20x3/4 ZP | 1 | | | | |
| 18 | 500769 | NUT HEX 1/4-20 Z050 | 1 | | | | |
| 30 | 864072 | ARMREST CENTRAL ASSY / LIGHT GREY | 1 | | | | |
| . NS | 865995 | . BOLT | 1 | | | | |
| . NS | 865996 | . BUSHING | 1 | | | | |
| . NS | 866240 | . ARMREST COVERING LIGHT GREY | 1 | | | | |
| 40 | Call order desk | ARMREST WINDOW | 1 | | | | P |
| | | | | | | | |
| | | | | | | | |
| | | 1) NOT SOLD SEPARATELY | | | | | |
| | | P) CALL ORDER DESK FOR SPECIFIC APPLICATION (V.I.N.) | | | | | |
| | | P) CALL ORDER DESK FOR SPECIFIC APPLICATION (V.I.N.) | | | | | |

| | | |
|--|--------------|-----------------|
| | Date:10/2022 | PAGE:Y2-1826-60 |
| ACCESSORIES PASSENGER'S SEAT - "AMAYA" | | |



ACCESSORIES PASSENGER'S SEAT - "AMAYA"

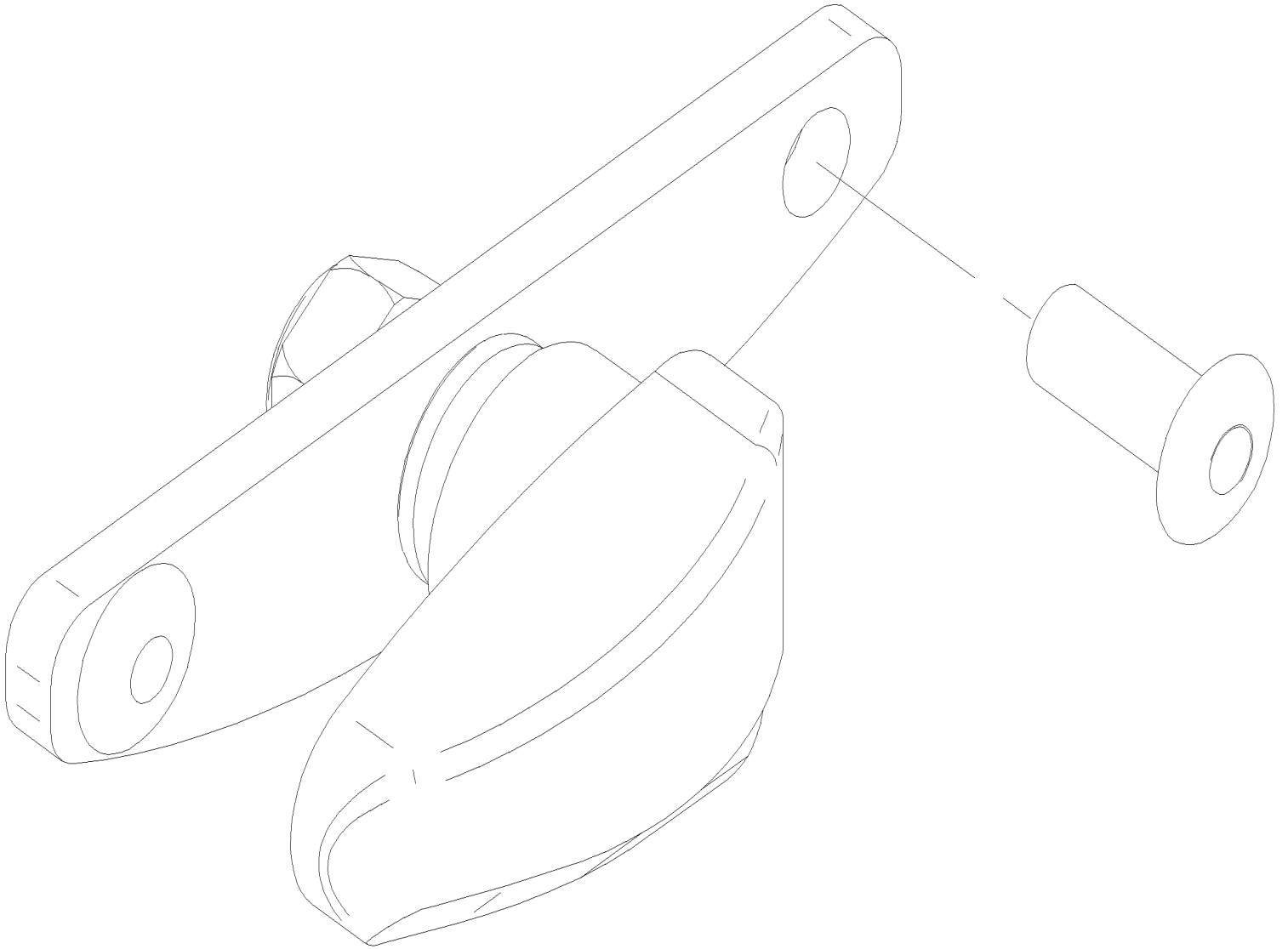
| Item# | Part | Description | X L I I 4 5 | X L I I M T H 4 0 | X L I I M T H 4 5 | X L I I M T H 4 5 E | NOTES |
|-------|-----------------|--|----------------------------|---|---|--|-------|
| 1 | 500936 | SCREW TP OV PH #10x1 1/4 ZP | 1 | | | | |
| 2 | 861923 | GLASS HOLDER / W/"AMAYA" / W/2 HOLES FOR SCREW | 1 | | | | A |
| NS | 862932 | GLASS HOLDER / W/"AMAYA" / W/3 HOLES FOR SCREW | 1 | | | | |
| 3 | 860422 | HANDLE | 1 | | | | |
| NS | 860421 | HOOK | 1 | | | | |
| 4 | 862774 | TABLE STD | 1 | | | | |
| 4 | 863777 | TABLE STD | 1 | | | | |
| 5 | N.S.S. | . SUPPORT R.H. | 1 | | | | 1 |
| 6 | N.S.S. | . SUPPORT L.H. | 1 | | | | 1 |
| 7 | 861922 | MAGAZINE NET 16" x 6 3/4" | 1 | | | | |
| 7 | 865369 | SCREW #10 1 1/4 | 5 | | | | |
| 8 | 861924 | MAGAZINE RACK / PLASTIC 310MM x 145MM = GREY 5 BARS | 1 | | | | |
| 8 | 863535 | MAGAZINE RACK / PLASTIC 350MM x 145MM = GREY 6 BARS | 1 | | | | |
| 9 | Call order desk | BASE | 1 | | | | P |
| 10 | 865369 | SCREW #10 1 1/4 | 1 | | | | |
| 11 | 862938 | HANDLE | 1 | | | | |
| 12 | 860422 | HANDLE | 1 | | | | |
| 12 | 860421 | HOOK | 1 | | | | |
| 21 | 863417 | KNOB / BLACK | 1 | | | | |
| 210 | 863418 | KNOB / GREY / FORMER | 1 | | | | |
| 22 | 504126 | RIVET POP DOME OE 3/16x5/8 AL | 1 | | | | |
| 23 | 861920 | FOOD TRAY / GREY / W/AIRPLANE TYPE | 1 | | | | |
| 24 | 864799 | FRAME TABLE AIRPLANE TYPE | 1 | | | | |
| 25 | 864800 | SCREW CENTER BUSHING | 1 | | | | |
| 26 | 864801 | CENTER BUSHING | 1 | | | | |
| 27 | 502765 | SCREW CAP HEXS M10-1.5x100 G8.8 PT ZP | 1 | | | | |
| 28 | 864802 | SHORT BUSHING | 1 | | | | |
| 29 | 70314705 | SCREW CAP HEXS M10-1.5x60 G8.8 ZP | 1 | | | | |
| NS | 405795 | SUPPORT TABLE, AIRPLANE TYPE / ON GALLEY WALL | 1 | | | | |
| 30 | 862844 | CUP HOLDER, RUSPA, BLACK | AR | | | | |
| 30 | 863181 | CUP HOLDER, RUSPA, BLACK | AR | | | | |
| NS | 864860 | CUP HOLDER, FLEX, GREY | AR | | | | |
| | | | | | | | |
| | | | | | | | |
| | | A) AS SHOWN | | | | | |
| | | 1) NOT SOLD SEPARATELY | | | | | |
| | | P) CALL ORDER DESK FOR SPECIFIC APPLICATION (V.I.N.) | | | | | |

From Y-7046 To 6-8906

Date:10/2022

PAGE:863418

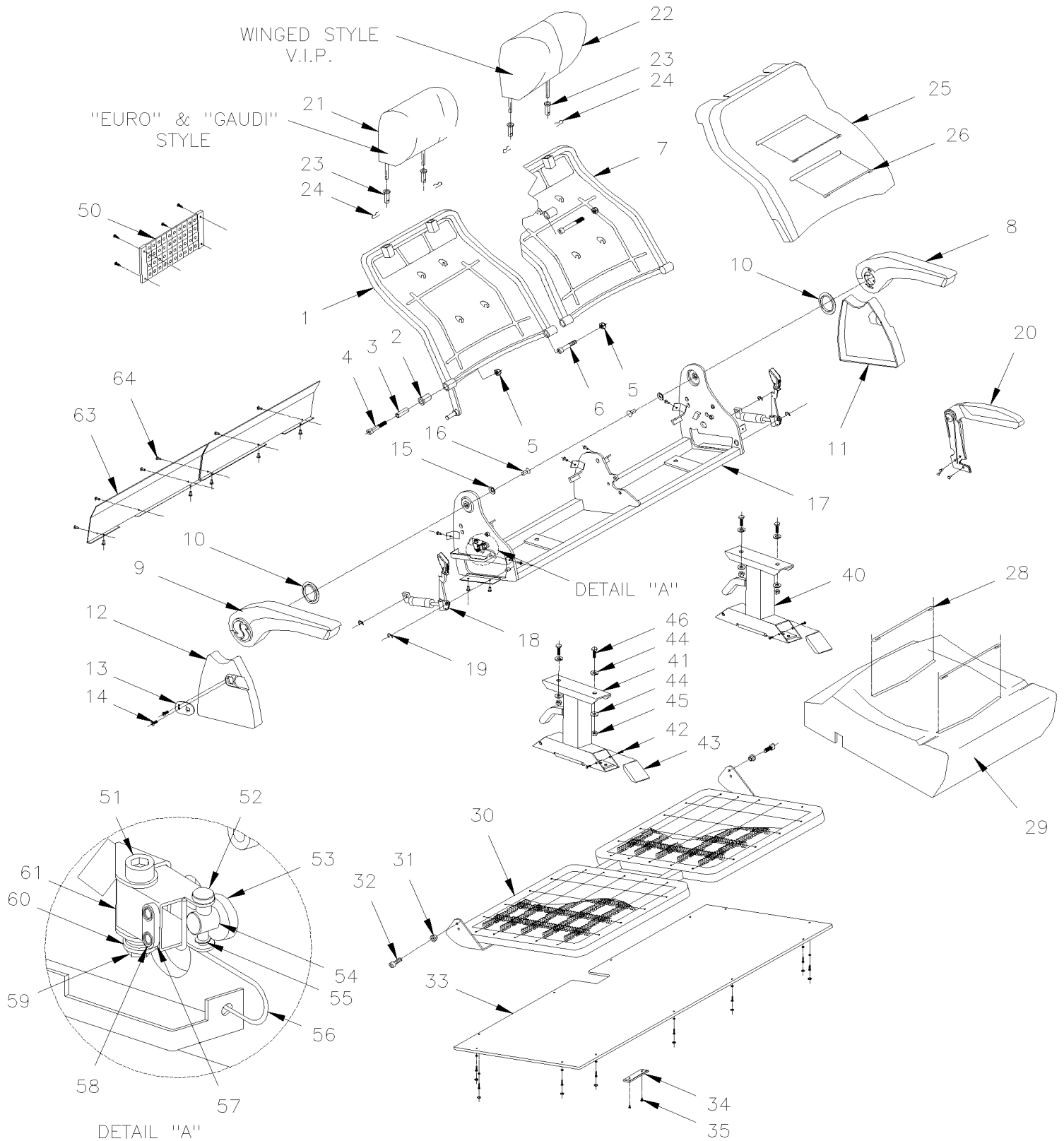
KNOB / GREY / FORMER



Date:10/2022

PAGE:Y2-1826-71

PASSENGER'S SEAT - "AMAYA" - FLIP-UP "GAUDI" HR & SC - W/ W.C.L.



Date:10/2022

PAGE:Y2-1826-71

PASSENGER'S SEAT - "AMAYA" - FLIP-UP "GAUDI" HR & SC - W/ W.C.L.

| Item# | Part | Description | X L I I 4 5 | X L I I M T H 4 0 | X L I I M T H 4 5 | X L I I M T H 4 5 E | NOTES |
|-------|-----------------|---|----------------------------|---|---|--|-------|
| | | IMPORTANT NOTE: BEFORE TO | | | | | |
| | | TO ORDER COMPLETE PASSENGER'S SEAT | | | | | |
| | | OR COVERING ASSY, HEAD / BACK & CUSHION | | | | | |
| | | SEE THE FINAL VEHICLE RECORD. | | | | | |
| 1 | Call order desk | BACKREST R.H. / W/FLIPPER SEAT & AVION TABLE SEAT | 1 | | | | P |
| 1 | Call order desk | BACKREST R.H. / W/FLIPPER SEAT / W/"GAUDI" | 1 | | | | P |
| 1 | Call order desk | BACKREST R.H. ASSY / W/FLIPPER SEAT / W/"GAUDI" GI | 1 | | | | P |
| 1 | Call order desk | BACKREST SHELL / W/"GAUDI" GI | 1 | | | | P |
| 2 | 865560 | BUSHING HYTREL | 1 | | | | |
| 2 | Call order desk | BUSHING PLASTIC / W/"GAUDI" SC | 1 | | | | P |
| 3 | Call order desk | INSIDE METAL BUSHING | 1 | | | | P |
| 3 | Call order desk | INSIDE METAL BUSHING / W/"GAUDI" SC | 1 | | | | P |
| 4 | 70314705 | SCREW CAP HEXS M10-1.5x60 G8.8 ZP | 1 | | | | |
| 5 | 500256 | NUT HEX M10-1.5 Z050 | 1 | | | | |
| 6 | 502765 | SCREW CAP HEXS M10-1.5x100 G8.8 PT ZP | 1 | | | | |
| 7 | Call order desk | BACKREST L.H. / W/FLIPPER SEAT & AVION TABLE SEAT | 1 | | | | P |
| 7 | Call order desk | BACKREST L.H. / W/FLIPPER SEAT / W/"GAUDI" | 1 | | | | P |
| 7 | Call order desk | BACKREST L.H. ASSY / W/FLIPPER SEAT / W/"GAUDI" GI | 1 | | | | P |
| 7 | Call order desk | BACKREST SHELL / W/"GAUDI" GI | 1 | | | | P |
| 8 | 864020 | ARMREST ASSY L.H. / W/FLIPPER SEAT | 1 | | | | |
| 9 | 864019 | ARMREST ASSY R.H. / W/FLIPPER SEAT | 1 | | | | |
| 10 | N.S.S. | PLASTIC BUSHING | 1 | | | | 1 |
| 11 | 865351 | CAP PLASTIC L.H. / W/"GAUDI" STATIONARY | 1 | | | | |
| 11 | Call order desk | CAP PLASTIC L.H. / W/"GAUDI" SLIDE | 1 | | | | P |
| 12 | 865352 | CAP PLASTIC R.H. | 1 | | | | |
| 13 | Call order desk | BLOCK HANDLE | 1 | | | | P |
| 14 | Call order desk | SCREW MA CHE PH M6x15 | 1 | | | | P |
| 15 | 865543 | WASHER #10.5MM DIN5797 | 1 | | | | |
| 16 | 860111 | SCREW CAP FL HEXS M10-1.5x16 | 1 | | | | |
| 17 | Call order desk | STRUCTURE R.H. / W/FLIPPER SEAT | 1 | | | | P |
| 17 | Call order desk | STRUCTURE R.H. / W/FLIPPER SEAT | 1 | | | | P |
| 17 | Call order desk | STRUCTURE L.H. / W/FLIPPER SEAT | 1 | | | | P |
| 17 | Call order desk | STRUCTURE R.H. / W/FLIPPER SEAT & AVION TABLE SEAT | 1 | | | | P |
| 17 | Call order desk | STRUCTURE L.H. / W/FLIPPER SEAT & AVION TABLE SEAT | 1 | | | | P |
| 17 | Call order desk | STRUCTURE L.H. / W/FLIPPER SEAT / SLIDE TO VERIFIED To VOIR | 1 | | | | P |
| 18 | 863540 | RECLINING MECHANISM ASSY AISLE SIDE | 1 | | | | |
| . NS | IS-136 | . INSTRUCTION SHEET | 1 | | | | |
| 18 | 862546 | RECLINING MECHANISM ASSY WALL SIDE | 1 | | | | |
| . NS | IS-136 | . INSTRUCTION SHEET | 1 | | | | |
| 19 | Call order desk | WASHER #9 DIN6799 | 1 | | | | P |
| 20 | 863352 | CENTER ARMREST ASSY / PAINTED CHARCOAL | 1 | | | | |

Date:10/2022

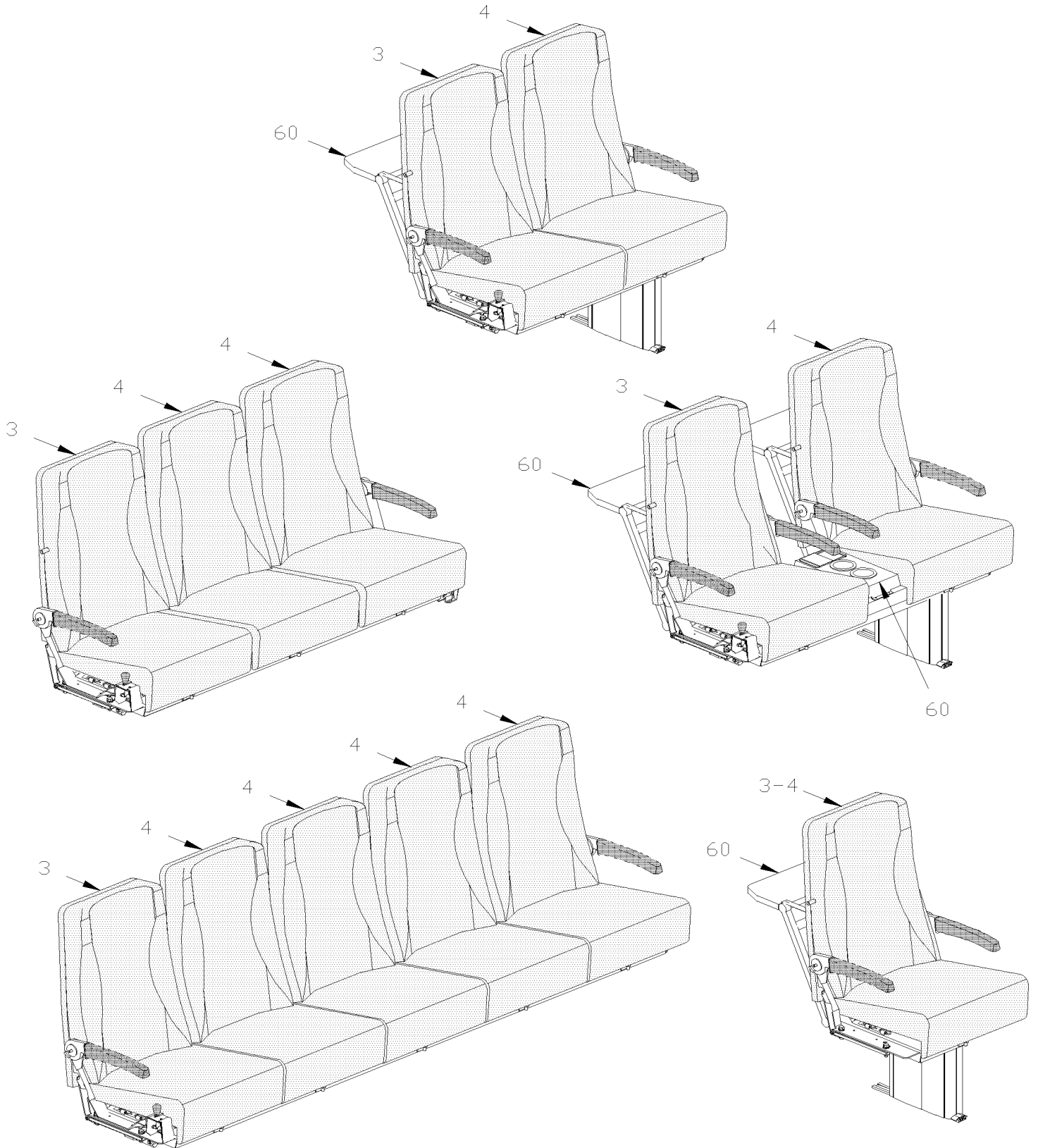
PAGE:Y2-1826-71

PASSENGER'S SEAT - "AMAYA" - FLIP-UP "GAUDI" HR & SC - W/ W.C.L.

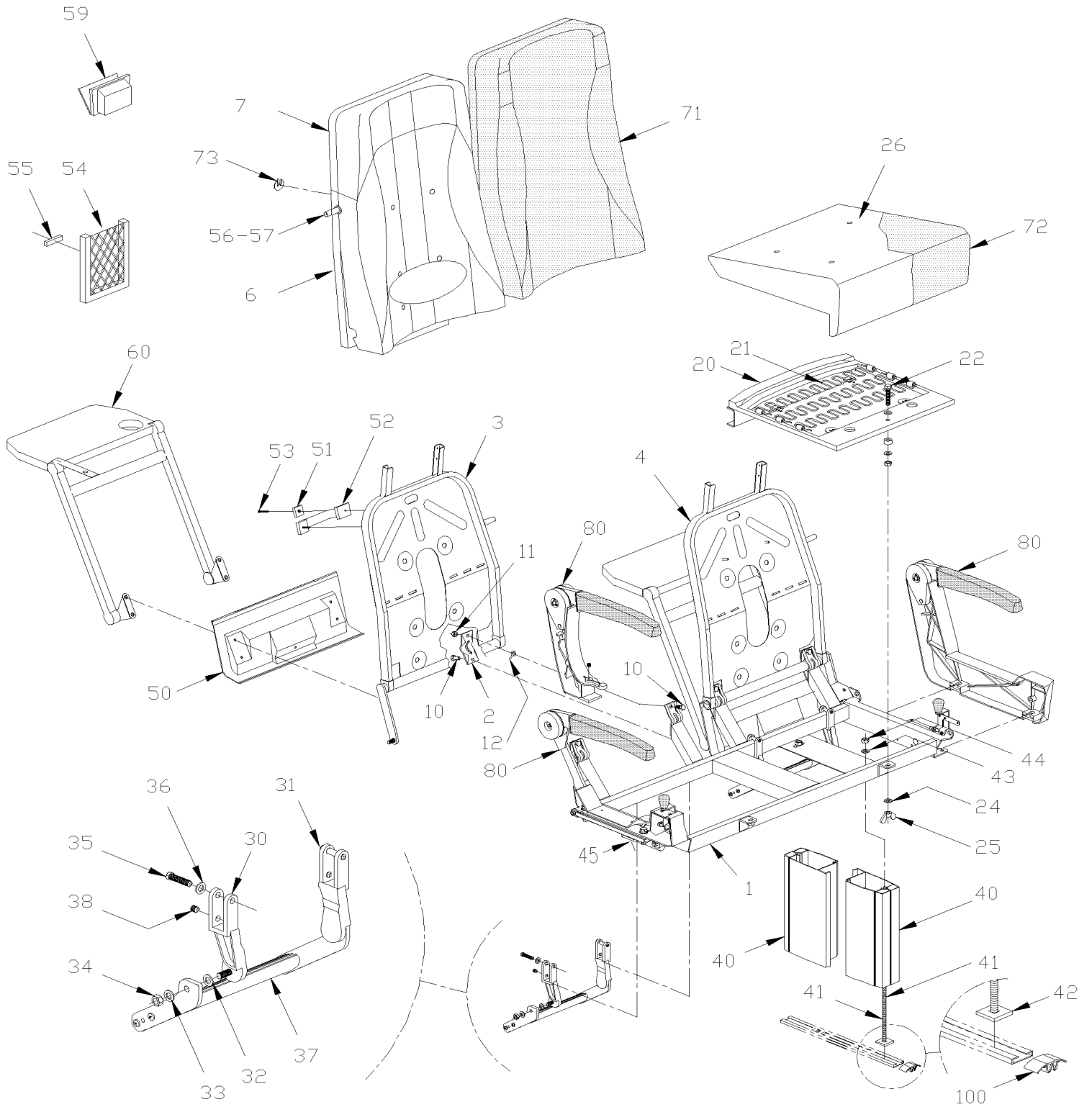
| Item# | Part | Description | X L I I 4 5 | X L I I M T H 4 0 | X L I I M T H 4 5 | X L I I M T H 4 5 E | NOTES |
|-------|-------------------|--|----------------------------|---|---|--|-------|
| 20 | Call order desk | SCREW MA CHE PH M6x15 | 1 | | | | P |
| 21 | 863315 | HEADREST FOAM / TYPE "BRAZIL" & "EUROTECH" | 1 | | | | |
| 21 | Call order desk | HEADREST FOAM / TYPE "GAUDI HR" | 1 | | | | P |
| NS | Call order desk | COVERING HEADREST ASSY "GAUDI" S.C.C. | 1 | | | | P |
| 22 | 862933 | HEADREST ASSY / TYPE WINGED "VIP" | 1 | | | | |
| 23 | 864810 | GUIDE SLIDING | 1 | | | | |
| 24 | 866204 | BACKREST CLIP | 1 | | | | |
| 25 | 865141 | CUSHION FOAM | 1 | | | | |
| 25 | Call order desk | BACKREST FOAM / W/"GAUDI" | 1 | | | | P |
| 25 | Call order desk | BACKREST FOAM AISLE / W/"GAUDI" GI | 1 | | | | P |
| 25 | Call order desk | BACKREST FOAM WALL / W/"GAUDI" GI | 1 | | | | P |
| 26 | Call order desk | BACKREST TUFTING WIRE "EUROTECH" & "BRASIL | 1 | | | | P |
| 26 | Call order desk | BACKREST TUFTING WIRE / LARGE / W/"GAUDI" & "EUROTECH" | 1 | | | | P |
| NS | Call order desk | COVERING BACKREST ASSY S.C.C. / W/"GAUDI" | 1 | | | | P |
| 27 | Call order desk | COVERING BACKREST ASSY S.C.C. / W/"GAUDI" GI | 1 | | | | P |
| 28 | Call order desk | CUSHION TUFTING WIRE "EUROTECH" & "BRASIL | 1 | | | | P |
| 29 | Call order desk | CUSHION FOAM | 1 | | | | P |
| NS | Call order desk | COVERING CUSHION ASSY S.C.C. / W/"GAUDI" | 1 | | | | P |
| 30 | 865599 | CUSHION SET STRUCTURE / STREET SIDE | 1 | | | | |
| 30 | Call order desk | SEAT FRAME ASSY /W/FLIPPER SEAT / STATIONARY / W/"GAUDI" | 1 | | | | P |
| 30 | Call order desk | SEAT FRAME ASSY /W/FLIPPER SEAT / SLIDE / W/"GAUDI" | 1 | | | | P |
| 31 | 866191 | SWIVEL BUSHING | 1 | | | | |
| 32 | Call order desk | SCREW CAP HEXS M10x25 | 1 | | | | P |
| 33 | Call order desk | CAP CUSHION SEAT / W/FLIPPER SEAT | 1 | | | | P |
| 34 | Call order desk | SEAT FIXING BRACKET | 1 | | | | P |
| 35 | Call order desk | BOLT 3.9X13MM | 1 | | | | P |
| 40 | 862917 | PEDESTAL ASSY R.H. / WFLIPPER SEAT / SLIDE | 1 | | | | |
| 41 | 865028 | PEDESTAL ASSY L.H. / WFLIPPER SEAT / SLIDE | 1 | | | | |
| 42 | 504619 | CLIP CHRISTMAS TREE / BLACK 7/32"O.D.x1/2" HOLE 3/16 | 4 | | | | |
| 43 | 862585 | PEDESTAL CAP / BLACK | 1 | | | | |
| NS | 864028 | CLIP CHRISTMAS TREE / BLACK 11MM O.D. x17MM HOLE 4MM | 2 | | | | |
| 43 | 863907 | PEDESTAL CAP / GREY | 2 | | | | |
| NS | 864029 | CLIP CHRISTMAS TREE / GREY 11MM O.D. x17MM HOLE 4MM | 2 | | | | |
| 44 | 866243 | PRESSURE WASHER 7/16" 10MM | 1 | | | | |
| 45 | 500256 | NUT HEX M10-1.5 Z050 | 1 | | | | |
| 46 | 5001526 | SCREW CAP HEX M16-2.0x45 G10.9 DP | 1 | | | | |
| 50 | Y2-1826-60 | ACCESSORIES PASSENGER'S SEAT - "AMAYA" | 1 | | | | |
| 51 | 860197 | SCREW CAP HEXS M8-1.25x50 | 1 | | | | |
| 52 | Call order desk | BLOCKING PIN | 1 | | | | P |
| 53 | 865491 | REFERENCE BUSHING FM810120J | 1 | | | | |
| 54 | Call order desk | BLOCKING AXLE | 1 | | | | P |
| 55 | Call order desk | WASHER DIN-6799 5MM | 1 | | | | P |

| | | Date:10/2022 | PAGE:Y2-1826-71 | | | | |
|--|-------------------|---|---------------------------------|--|--|---|-------|
| PASSENGER'S SEAT - "AMAYA" - FLIP-UP "GAUDI" HR & SC - W/ W.C.L. | | | | | | | |
| Item# | Part | Description | X L I I I 4 5 | X L I I I M T H 4 0 | X L I I I M T H 4 5 | X L I I I M T H 4 5 E | NOTES |
| 56 | Call order desk | SPRING | 1 | | | | P |
| 57 | Call order desk | INSERT | 1 | | | | P |
| 58 | Call order desk | RIVET | 1 | | | | P |
| 59 | Call order desk | NUT HEX NYRT M8-1.25 | 1 | | | | P |
| 60 | Call order desk | ACTION SPRING | 1 | | | | P |
| 61 | Call order desk | POPPER | 1 | | | | P |
| 63 | Call order desk | KICK PLATE BACKREST | 1 | | | | P |
| 64 | 504118 | RIVET POP DOME OE 3/16x3/8 AL | 1 | | | | |
| 70 | Y2-1826-40 | PASSENGER'S SEAT - "AMAYA" - FOOTREST & PEDESTAL | | | | | |
| 100 | 323654 | SEAT TRACK COVER 12' / EACH SEAT / W/COVERING FLOOR | AR | | | | |
| 100 | 323963 | SEAT TRACK COVER 8' / EACH SEAT / W/COVERING FLOOR | AR | | | | |
| | | | | | | | |
| | | | | | | | |
| | | 1) NOT SOLD SEPARATELY | | | | | |
| | | P) CALL ORDER DESK FOR SPECIFIC APPLICATION (V.I.N.) | | | | | |

| | | |
|----------------------------|--------------|-----------------|
| | Date:10/2022 | PAGE:Y2-1827-02 |
| PASSENGER'S SEAT - "ULTRA" | | |



| | | |
|----------------------------|--------------|-----------------|
| | Date:10/2022 | PAGE:Y2-1827-02 |
| PASSENGER'S SEAT - "ULTRA" | | |



Date:10/2022

PAGE:Y2-1827-02

PASSENGER'S SEAT - "ULTRA"

| Item# | Part | Description | X L I I 4 5 | X L I I M T H 4 0 | X L I I M T H 4 5 | X L I I M T H 4 5 E | NOTES |
|-------|---------|---|----------------------------|---|---|--|-------|
| | 363927 | SEAT ASSY L.H. / 2 PASSENGERS / 42" HIGH | AR | | | | |
| | 363928 | SEAT ASSY R.H. / 2 PASSENGERS / 42" HIGH | AR | | | | |
| | 363929 | SEAT ASSY ROTATING / "ULTRA" | AR | | | | |
| | 363931 | SEAT ASSY REAR / 2 PASSENGERS / 42" HIGH | AR | | | | |
| | 363932 | SEAT ASSY REAR / 5 PASSENGERS / 42" HIGH | AR | | | | |
| 1 | 363842 | . STRUCTURE ASSY L.H. / 2 PASSENGERS | 1 | | | | |
| 1 | 363841 | . STRUCTURE ASSY R.H. / 2 PASSENGERS | 1 | | | | |
| 1 | 363836 | . SEAT FRAME ASSY / "ROTATING" SEAT | 1 | | | | |
| 1 | 363843 | . STRUCTURE ASSY REAR / 3 PASSENGERS | 1 | | | | |
| 1 | 363844 | . STRUCTURE ASSY REAR / 5 PASSENGERS | 1 | | | | |
| 1 | 363837 | . STRUCTURE ASSY R.H. V.I.P. / 1 PASSENGERS | 1 | | | | |
| 1 | 363840 | . STRUCTURE ASSY L.H. V.I.P. / 1 PASSENGERS | 1 | | | | |
| 1 | 363838 | . STRUCTURE ASSY R.H. / 2 PASSENGERS V.I.P. | 1 | | | | |
| 1 | 363839 | . STRUCTURE ASSY R.H. V.I.P. / 2 PASSENGERS | 1 | | | | |
| 2 | 363246 | . COLLAR | 4 | | | | |
| 3 | 363834 | . BACKREST R.H. | 1 | | | | |
| 4 | 363835 | . BACKREST L.H. | 1 | | | | B |
| 6 | 363186 | . FOAM BACKREST THICK | 1 | | | | |
| 6 | 363252 | . FOAM BACKREST THIN W/42" | 1 | | | | |
| 6 | 363350 | . FOAM BACKREST THIN W/40" | 1 | | | | |
| 7 | 363348 | . FOAM ASSY, HEADREST 40" HIGHT / "ULTRA" | 1 | | | | |
| 7 | 363251 | . FOAM ASSY, HEADREST 42" HIGHT / "ULTRA" | 1 | | | | |
| NS | 500583 | . SCREW TP PAN PH #6x1/2 Z050 | 4 | | | | |
| NS | 500240 | . WASHER LO EXT .195x.410x.025 Z050 | 4 | | | | |
| 10 | 5001336 | . SCREW CAP HEXF SERR 5/16-18x3/4 Z050 | 8 | | | | |
| 11 | 5001113 | . NUT HEX JAM NYRT 5/16-18 | 8 | | | | |
| 12 | 363273 | . SPRING EYE | 4 | | | | |
| 20 | 363646 | . SEAT FRAME ASSY W/SPRING | 1 | | | | |
| 21 | 363650 | . . SPRING | 3 | | | | |
| 22 | 362353 | . . SCREW | 1 | | | | |
| 24 | 500441 | . WASHER FL .312x.734x.065 Z050 | 2 | | | | |
| 25 | 500782 | . NUT WING 5/16-18 Z050 | 2 | | | | |
| 26 | 363645 | . FOAM | 1 | | | | |
| 30 | 363437 | . BRACKET L.H. | 1 | | | | |
| 31 | 363436 | . BRACKET R.H. | 1 | | | | |
| 32 | 502723 | . WASHER FL .386x.750x.050 NYL | 2 | | | | |
| 33 | 500441 | . WASHER FL .312x.734x.065 Z050 | 2 | | | | |
| 34 | 500777 | . NUT HEX STO 5/16-18 Z050 | 2 | | | | |
| 35 | 500183 | . SCREW CAP HEX 5/16-18x1 1/2 G5 PT Z050 | 2 | | | | |
| 36 | 500476 | . WASHER LO SPT .317x.586x.078 Z050 | 2 | | | | |
| 37 | 362928 | . FOOTREST ASSY | 1 | | | | |
| 38 | 502781 | . SCREW SET HEXS CUP 5/16-18x1/4 | 2 | | | | |

Date:10/2022

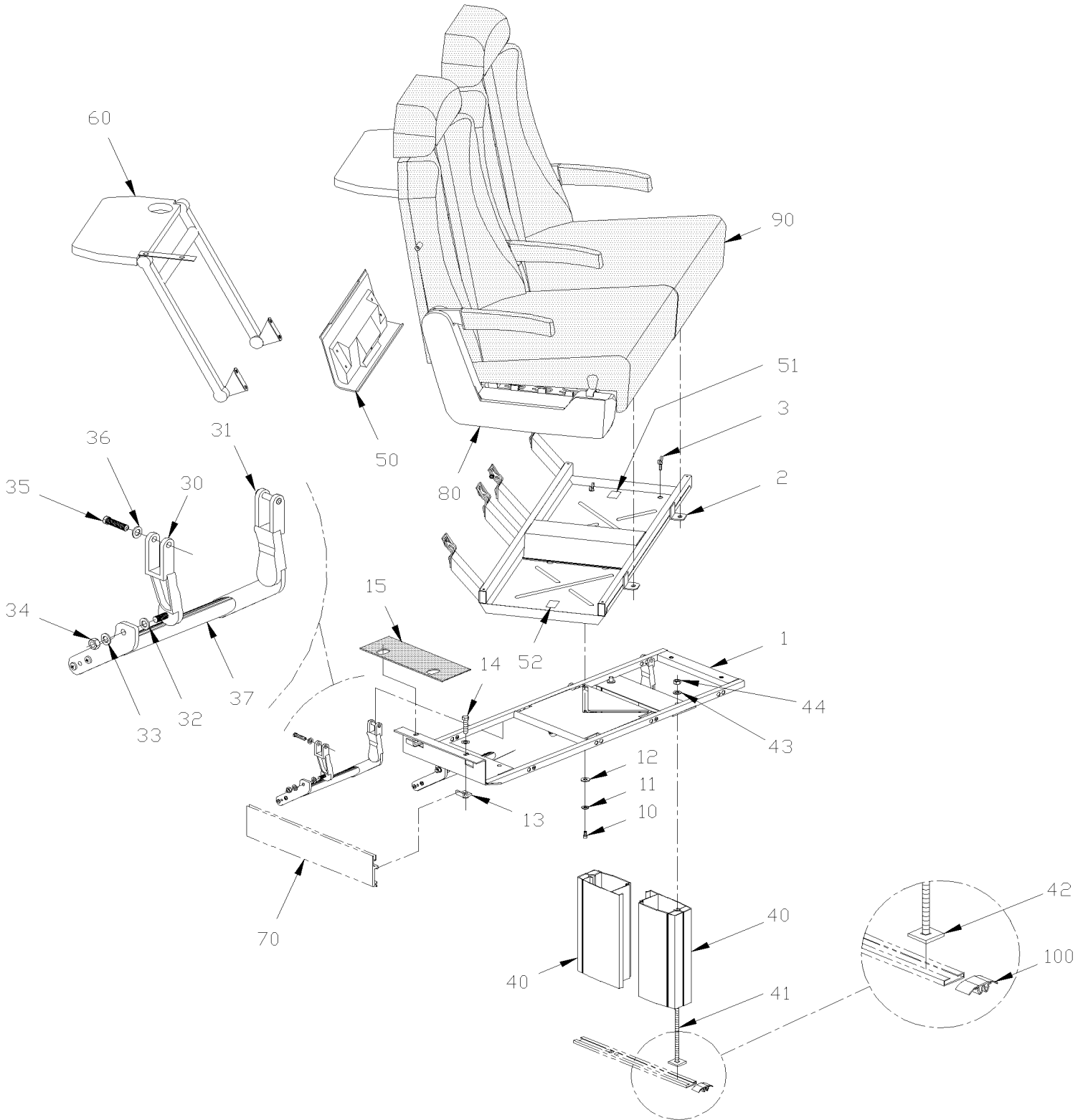
PAGE:Y2-1827-02

PASSENGER'S SEAT - "ULTRA"

| Item# | Part | Description | X L I I 4 5 | X L I I M T H 4 0 | X L I I M T H 4 5 | X L I I M T H 4 5 E | NOTES |
|-------|-------------------|--|----------------------------|---|---|--|-------|
| 40 | 363577 | . PEDESTAL SQ END / 279MM / 10.98" / 2 PIECES To 5-8631 | 2 | | | | |
| 40 | 364038 | . PEDESTAL SQ END / ONE PIECE / 279MM / 10.98" From 5-8632 | 1 | | | | |
| NS | 364076 | . REINFORCEMENT PEDESTAL / ANGLE REAR OF PEDESTAL / 58MMx 20MM From 6-8789 | 1 | | | | |
| 41 | 5001600 | . SCREW CRG 3/8-16x12 G5 Z050 | 2 | | | | |
| 42 | 363085 | . PLATE ANCHOR / CARRIAGE BOLT INSIDE TRACK / 1 1/4" X 1 1/4" To 5-8631 | 2 | | | | |
| 42 | 360052 | . PLATE ANCHOR / CARRIAGE BOLT INSIDE TRACK / 1 1/4" X 3 1/2" From 5-8632 | 2 | | | | |
| 43 | 500445 | . WASHER FL .437x1.000x.083 Z050 | 2 | | | | |
| 44 | 500265 | . NUT HEX STO 3/8-16 Z050 | 2 | | | | |
| 44 | 364133 | . REINFORCMENT / FIXED BETWEEN SEAT & GUARD | 1 | | | | |
| 45 | 363821 | . ATTACHMENT PLATE / "J" SHAPE TO FIX SEAT TO WALL TRACK WALL TRACK | 1 | | | | |
| . NS | 500183 | . . SCREW CAP HEX 5/16-18x1 1/2 G5 PT Z050 | 2 | | | | |
| . NS | 500942 | . . WASHER LO SPT 8.1x14.8x2.0 N500 | 2 | | | | |
| 45 | 364132 | . ATTACHMENT PLATE / "J" SHAPE TO FIX SEAT TO WALL TRACK WALL TRACK | 1 | | | | |
| . NS | 500829 | . . SCREW CAP HEX M10-1.5x40 G8.8 | 2 | | | | |
| . NS | 500257 | . . WASHER LO SPT 10.2x18.1x2.2 Z050 | 2 | | | | |
| 50 | 362866 | . FINISHING LOWER / L.H. / NORYL To Y-7336 | 1 | | | | |
| 50 | 363946 | . FINISHING LOWER / L.H. / NORYL From Y-7337 | 1 | | | | |
| 50 | 362867 | . FINISHING LOWER / R.H. / NORYL To Y-7336 | 1 | | | | |
| 50 | 363947 | . FINISHING LOWER / R.H. / NORYL From Y-7337 | 1 | | | | |
| 51 | 860421 | . HOOK | 1 | | | | |
| 52 | 860422 | . HANDLE | 1 | | | | |
| NS | 505229 | . SPACER 3/8 I.D. X 3/8 LG | 2 | | | | |
| 53 | 502521 | . SCREW TC OV PH #8-32x1 BK | 2 | | | | |
| 54 | 362707 | . MAGAZINE NET 13" x 6 1/2" | 1 | | | | |
| 54 | 860809 | . MAGAZINE NET 14" x 7 1/4" | 1 | | | | |
| 55 | 500353 | . SCREW TP FL PH #8x3/4 BK | 4 | | | | |
| 56 | 362943 | . STOPPER LONG / WV.I.P. SEAT | 1 | | | | |
| 56 | 362942 | . STOPPER SHORT / W/STANDARD SEAT | 1 | | | | |
| 57 | 5001019 | . SCREW TP OV PH #10x2 EMN | 1 | | | | |
| NS | 5001116 | . NUT SPR U #10A .025-.062 | 1 | | | | |
| 59 | 861277 | . ASHTRAY / PLASTIC | 1 | | | | |
| 60 | Y2-1829-00 | . ACCESSORIES PASSENGER'S SEAT - "PREVOST" | | | | | |
| 71 | Call order desk | . COVERING BACKREST ASSY / S.C.C. W/40" HIGHT / "ULTRA" | 1 | | | | P |
| 71 | 363254P | . COVERING ASSY, BACKREST / S.C.C. W/42" HIGHT | 1 | | | | |
| 72 | 363676 | . COVERING SEATREST ASSY / S.C.C. / ALL NEW W/SPRING | 1 | | | | |
| 73 | 362716 | . ATTACHMENT / ROUND "W" SHAPE TO FIX COVER | 8 | | | | |
| NS | 682259 | . SEALANT TAPE / CLEAR / 1/32"x1 1/2"x65' / 1795 | AR | | | | B |
| 80 | Y2-1827-52 | . ARMREST PASSENGER'S SEAT - "PREVOST" | | | | | |
| 100 | 323654 | SEAT TRACK COVER 12' / EACH SEAT / W/COVERING FLOOR | AR | | | | |
| 100 | 323963 | SEAT TRACK COVER 8' / EACH SEAT / W/COVERING FLOOR | AR | | | | |
| | | | | | | | |
| | | | | | | | |
| | | | | | | | |

| | | Date:10/2022 | PAGE:Y2-1827-02 | | | | |
|----------------------------|------|--|----------------------------|---|---|--|-------|
| PASSENGER'S SEAT - "ULTRA" | | | | | | | |
| Item# | Part | Description | X L I I 4 5 | X L I I M T H 4 0 | X L I I M T H 4 5 | X L I I M T H 4 5 E | NOTES |
| | | | | | | | |
| | | B) QTY OF 2 WITH 3 PASSENGERS REAR SEAT AND QTY OF 4 WITH 5 PASSENGERS REAR SEAT | | | | | |
| | | P) CALL ORDER DESK FOR SPECIFIC APPLICATION (V.I.N.) | | | | | |

| | | |
|---------------------------------------|--------------|-----------------|
| | Date:10/2022 | PAGE:Y2-1827-11 |
| PASSENGER'S SEAT - ROTATING "PREVOST" | | |



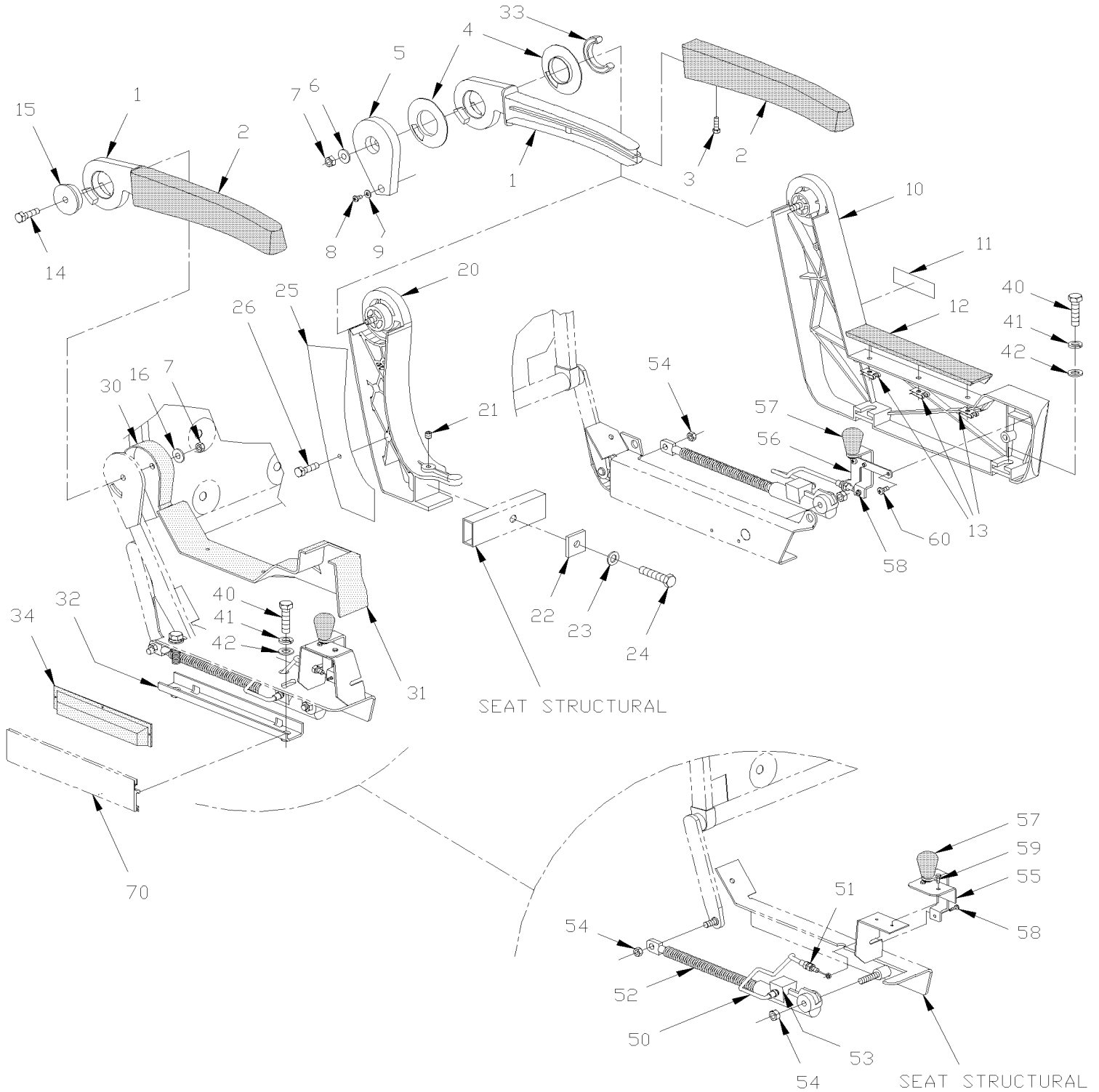
PASSENGER'S SEAT - ROTATING "PREVOST"

| Item# | Part | Description | X L I I 4 5 | X L I I M T H 4 0 | X L I I M T H 4 5 | X L I I M T H 4 5 E | NOTES |
|-------|-------------------|---|----------------------------|---|---|--|-------|
| | | THIS PAGE SHOWS ONLY PARTS RELATED | | | | | |
| | | WITH ROTATING SEAT. ALLS | | | | | |
| | | OTHERS PARTS ARE ILLUSTRATED IN PAGES | | | | | |
| | 363923 | SEAT ASSY ROTATING / "TOURISMO II" / 42" HIGH | AR | | | | |
| | 363929 | SEAT ASSY ROTATING / "ULTRA" | AR | | | | |
| 1 | 362340 | MOUNTING BASE ASSY / "ROTATING" SEAT | 1 | | | | |
| 2 | 363836 | SEAT FRAME ASSY / "ROTATING" SEAT | 1 | | | | |
| 3 | 5001302 | SCREW TH SHR 1/4-20x3/4 SS | 4 | | | | |
| 3 | 500468 | WASHER FL .281x1.250x.065 Z050 | 4 | | | | |
| 10 | 500162 | SCREW CAP HEX 1/4-20x1/2 G5 Z050 | 1 | | | | |
| 11 | 500473 | WASHER LO SPT .262x.489x.062 Z050 | 1 | | | | |
| 12 | 500462 | WASHER FL .343x1.500x.083 SS | 1 | | | | |
| 13 | 362333 | ATTACHMENT NUT / "L" SHAPE TO FIX SEAT TO WALL TRACK WALL TRACK | 2 | | | | |
| 14 | 500182 | SCREW CAP HEX 5/16-18x1 1/4 G5 PT Z050 | 2 | | | | |
| 15 | 362405 | RUBBER PROTECTOR PAD | 1 | | | | |
| 30 | 363439 | BRACKET L.H. | 2 | | | | |
| 31 | 363438 | BRACKET R.H. | 2 | | | | |
| 32 | 502723 | WASHER FL .386x.750x.050 NYL | 2 | | | | |
| 33 | 500441 | WASHER FL .312x.734x.065 Z050 | 2 | | | | |
| 34 | 500777 | NUT HEX STO 5/16-18 Z050 | 2 | | | | |
| 35 | 5001335 | SCREW CAP HEXF SERR 5/16-18x1 1/2 Z050 | 2 | | | | |
| 36 | 500476 | WASHER LO SPT .317x.586x.078 Z050 | 2 | | | | |
| 37 | 362928 | FOOTREST ASSY | 2 | | | | |
| 40 | 363579 | PEDESTAL SQ END / W/ROTATING SEAT / 224MM 8.81" To 5-8631 | 2 | | | | |
| 40 | 364039 | PEDESTAL SQ END / 224MM 8.81" / W/ROTATING SEAT / ONE PIECE / 224MM 8.81" From 5-8632 | 1 | | | | |
| NS | 364076 | REINFORCEMENT PEDESTAL / ANGLE REAR OF PEDESTAL / 58MMx 20MM From 6-8789 | 1 | | | | |
| 41 | 5001078 | SCREW CRG 3/8-16x9 3/4 Z050 | 2 | | | | |
| 42 | 363085 | PLATE ANCHOR / CARRIAGE BOLT INSIDE TRACK / 1 1/4" X 1 1/4" To 5-8631 | 2 | | | | |
| 42 | 360052 | PLATE ANCHOR / CARRIAGE BOLT INSIDE TRACK / 1 1/4" X 3 1/2" From 5-8632 | 2 | | | | |
| 43 | 362410 | WASHER | 2 | | | | |
| 44 | 500265 | NUT HEX STO 3/8-16 Z050 | 2 | | | | |
| 46 | 362627 | PLATE ANCHOR / 3/8-16 BOLT INSIDE TRACK / 1 1/4" X 1 1/4" | AR | | | | |
| 46 | 500270 | WASHER FL .406x1.000x.063 SS | AR | | | | |
| 46 | 500305 | SCREW CAP HEX 3/8-16x7/8 G5 Z050 | AR | | | | |
| 46 | 500478 | WASHER LO SPT .380x.683x.094 Z050 | AR | | | | |
| 50 | 362702 | FINISHING LOWER R.H. | 1 | | | | |
| 50 | 362701 | FINISHING LOWER L.H. | 1 | | | | |
| 51 | 361752 | DECAL "TO OPERATE.." / FIXED AT SEAT STRUCTURE / ENGLISH & FRANCAIS | 1 | | | | |
| 52 | 361751 | DECAL "TO OPERATE.." / FIXED AT WINDOW | 1 | | | | |
| 60 | Y2-1829-00 | ACCESSORIES PASSENGER'S SEAT - "PREVOST" | | | | | |

Date:10/2022

PAGE:Y2-1827-52

ARMREST PASSENGER'S SEAT - "PREVOST"



Date:10/2022

PAGE:Y2-1827-52

ARMREST PASSENGER'S SEAT - "PREVOST"

| Item# | Part | Description | X L I I 4 5 | X L I I M T H 4 0 | X L I I M T H 4 5 | X L I I M T H 4 5 E | NOTES |
|-------|---------|--|----------------------------|---|---|--|-------|
| 1 | 363597 | ARMREST / SHORT | 3 | | | | |
| 1 | 362933 | ARMREST L.H. / V.I.P. | 2 | | | | |
| 1 | 362934 | ARMREST R.H. / V.I.P. | 2 | | | | |
| 2 | 363598 | COVERING ARMREST / SHORT | 1 | | | | |
| 2 | 362541 | COVERING ARMREST / V.I.P. | 1 | | | | |
| NS | 363425 | FOAM COVERING ARMREST V.I.P. | AR | | | | |
| 3 | 500686 | SCREW TP OV PH #6x1/2 BK | 1 | | | | |
| NS | 500345 | WASHER FN CKF .187x.500x.090 BR BK | 1 | | | | |
| 4 | 363575 | . SPACER PLASTIC / FRICTION DISK | 2 | | | | |
| 5 | 363565 | CLOSING L.H. / GREY CHARCOAL | 1 | | | | |
| 5 | 362913 | CLOSING / GREY CHARCOAL | 2 | | | | V |
| 5 | 363566 | CLOSING R.H. / GREY CHARCOAL | 1 | | | | |
| 6 | 502510 | WASHER FL .375x.875x.083 | 1 | | | | |
| 7 | 5001113 | NUT HEX JAM NYRT 5/16-18 | 2 | | | | |
| 8 | 500658 | SCREW TC PAN PH #10-24x3/4 Z050 | 1 | | | | |
| 9 | 500470 | WASHER LO SPT .193x.334x.047 Z050 | 1 | | | | |
| 10 | 363833 | . SIDE L.H. / CASTING PAINTED CHARCOAL | 1 | | | | |
| 10 | 363832 | . SIDE R.H. / CASTING PAINTED CHARCOAL | 1 | | | | |
| 10 | 363858 | . SIDE R.H. / CASTING PAINTED CHARCOAL / V.I. | 1 | | | | V |
| 10 | 363859 | . SIDE L.H. / CASTING PAINTED CHARCOAL / V.I. | 1 | | | | V |
| 11 | 362907 | . DECAL / "PREVOST" | 1 | | | | |
| 12 | 362871 | . COVERING L.H. | 1 | | | | |
| 12 | 362971 | . COVERING R.H. | 1 | | | | |
| 13 | 509814 | . NUT PUSH RND ARC 3/16 | 3 | | | | |
| 14 | 500182 | SCREW CAP HEX 5/16-18x1 1/4 G5 PT Z050 | 1 | | | | |
| 15 | 362315 | WASHER RETAINING W/FLANGED 40.26MM O.D. X 44.5 MM O.D. | 1 | | | | |
| 16 | 500441 | WASHER FL .312x.734x.065 Z050 | 1 | | | | |
| 20 | 363564 | SUPPORT / CENTRAL ARMREST / PAINTED CHARCOAL | 1 | | | | |
| 20 | 362904 | SUPPORT / CENTRAL ARMREST / PAINTED CHARCOAL | 2 | | | | V |
| 21 | 502781 | SCREW SET HEXS CUP 5/16-18x1/4 | 1 | | | | |
| 22 | 362711 | PLATE TIGHTENING / SEAT | 1 | | | | |
| 23 | 500476 | WASHER LO SPT .317x.586x.078 Z050 | 1 | | | | |
| 24 | 500186 | SCREW CAP HEX 5/16-18x2 1/2 G5 Z050 | 1 | | | | |
| 25 | 362927 | PLATE / W/V.I.P. CENTRAL SUPPORT / CHARCOAL | 1 | | | | |
| 26 | 500654 | SCREW TC BDG PH #8-32x1/2 Z050 | 2 | | | | |
| 30 | 362697 | COVER R.H. / NORYL / WINDOW SIDE | 1 | | | | |
| 30 | 362712 | COVER L.H. / NORYL / WINDOW SIDE | 1 | | | | |
| 31 | 363780 | GUARD L.H. / MECHANISM | 1 | | | | |
| 31 | 363779 | GUARD R.H. / MECHANISM | 1 | | | | |
| 31 | 363958 | GUARD R.H. / MECHANISM LOUNGE SEAT ONLY | 1 | | | | A |
| 31 | 362580 | GUARD R.H. / MECHANISM / V.I.P. To Y-7336 | 1 | | | | |
| 31 | 363857 | GUARD R.H. / MECHANISM / W/VIP SEAT From Y-7337 | 1 | | | | |

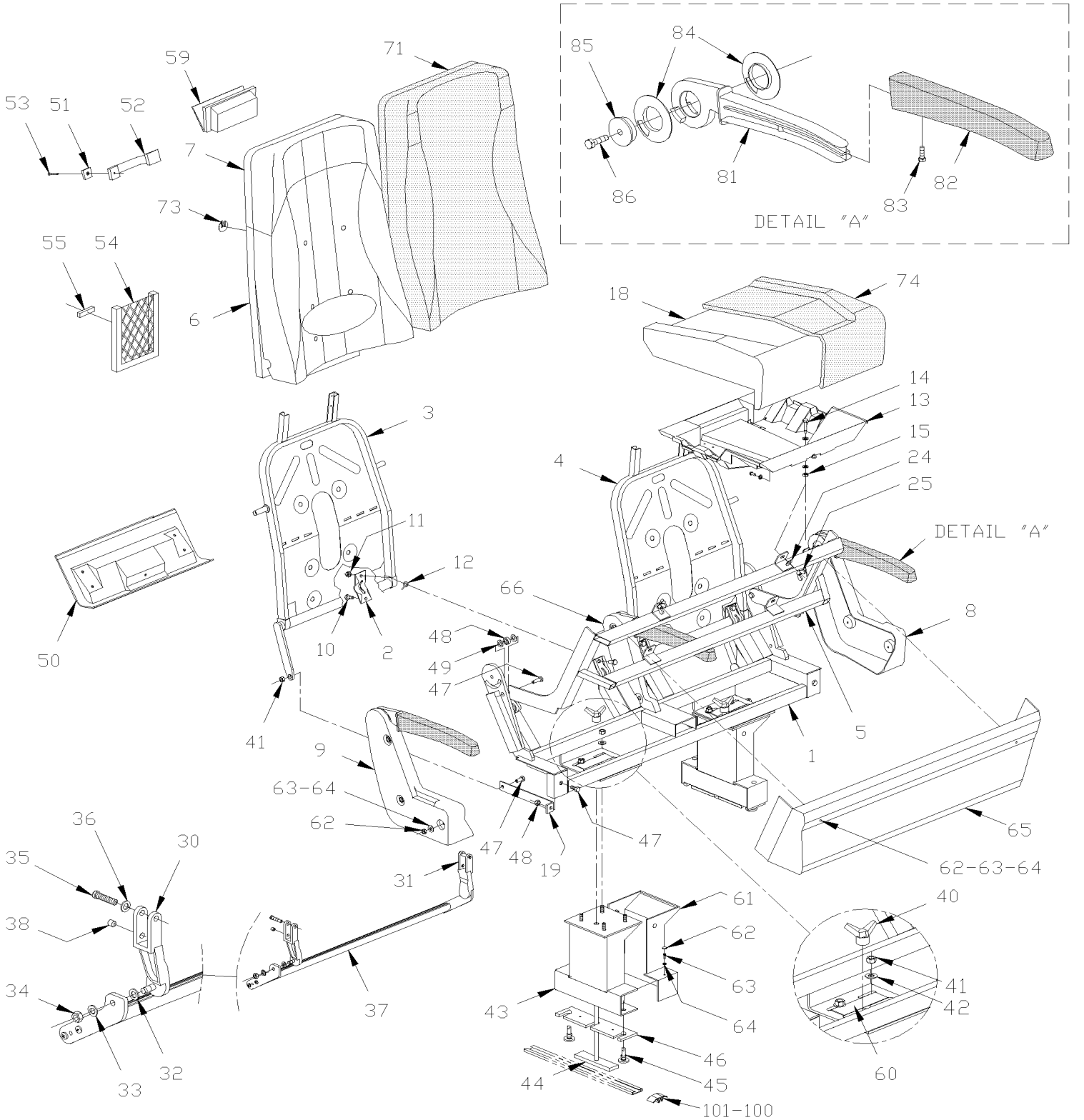
Date:10/2022

PAGE:Y2-1827-52

ARMREST PASSENGER'S SEAT - "PREVOST"

| Item# | Part | Description | X L I I 4 5 | X L I I M T H 4 0 | X L I I M T H 4 5 | X L I I M T H 4 5 E | N O T E S |
|-------|-------------------|---|----------------------------|---|---|--|-----------------------|
| 31 | 362633 | GUARD L.H. / MECHANISM / V.I.P. To Y-7336 | 1 | | | | |
| 31 | 363856 | GUARD L.H. / MECHANISM / W/VIP SEAT From Y-7337 | 1 | | | | |
| 32 | 363821 | ATTACHMENT PLATE / "J" SHAPE TO FIX SEAT TO WALL TRACK WALL TRACK | 1 | | | | |
| . NS | 500183 | . SCREW CAP HEX 5/16-18x1 1/2 G5 PT Z050 | 2 | | | | |
| . NS | 500942 | . WASHER LO SPT 8.1x14.8x2.0 N500 | 2 | | | | |
| 32 | 364132 | ATTACHMENT PLATE / "J" SHAPE TO FIX SEAT TO WALL TRACK WALL TRACK | 1 | | | | |
| . NS | 500829 | . SCREW CAP HEX M10-1.5x40 G8.8 | 2 | | | | |
| . NS | 500257 | . WASHER LO SPT 10.2x18.1x2.2 Z050 | 2 | | | | |
| 32 | 364133 | REINFORCMENT / FIXED BETWEEN SEAT & GUARD | 1 | | | | |
| 33 | 362941 | SLIDE INSERT PLASTIC / LONG 150 DEG | 4 | | | | V |
| 34 | 362579 | CAP FINISHING / WALL / V.I.P. | 1 | | | | V |
| 40 | 500183 | SCREW CAP HEX 5/16-18x1 1/2 G5 PT Z050 | 2 | | | | |
| 41 | 500476 | WASHER LO SPT .317x.586x.078 Z050 | 2 | | | | |
| 42 | 502510 | WASHER FL .375x.875x.083 | 2 | | | | |
| 50 | 861444 | CABLE ASSY | 1 | | | | |
| 51 | 500692 | . NUT HEX 1/4-28 Z050 | 2 | | | | |
| 52 | 363782 | CYLINDER L.H. To Y-7336 | 1 | | | | |
| 52 | 861926 | CYLINDER L.H. From Y-7337 | 1 | | | | |
| 52 | 363783 | CYLINDER R.H. To Y-7336 | 1 | | | | |
| 52 | 861927 | CYLINDER R.H. From Y-7337 | 1 | | | | |
| 53 | 861486 | CLIP / WIRE RETAINER | 2 | | | | |
| 54 | 500690 | NUT HEX NYRT 1/4-28 Z050 | 2 | | | | |
| 55 | 363830 | LEVER L.H. / WINDOW SIDE | 1 | | | | |
| 55 | 363829 | LEVER R.H. / WINDOW SIDE | 1 | | | | |
| 56 | 363825 | LEVER L.H. / CASTING | 1 | | | | |
| 56 | 363826 | LEVER R.H. / CASTING | 1 | | | | |
| 57 | 861442 | . KNOB | 1 | | | | |
| NS | 500394 | . SCREW MA TR SLT 1/4-20x1/2 Z050 | 1 | | | | |
| 58 | 500557 | SCREW MA PAN PH #8-32x3/8 SS | 2 | | | | |
| 59 | 5001312 | SCREW TP TR PH #8x5/8 Z050 | 1 | | | | |
| 60 | 500657 | SCREW TC TR PH #10-24x1/2 Z050 | 2 | | | | |
| 70 | Y2-2221-10 | DUCTING HEATER & A/C - BUS FLOOR | | | | | |
| | | | | | | | |
| | | | | | | | |
| | | A) USE ONLY WITH LOUNGE SEAT BACK OF THE VEHICLE | | | | | |
| | | V) WITH V.I.P. SEAT ONLY | | | | | |

| | | |
|---|--------------|-----------------|
| | Date:10/2022 | PAGE:Y2-1827-70 |
| PASSENGER'S SEAT - "TOURISMO II" - FLIP-UP W/W.C.L. | | |



Date:10/2022

PAGE:Y2-1827-70

PASSENGER'S SEAT - "TOURISMO II" - FLIP-UP W/W.C.L.

| Item# | Part | Description | X L I I 4 5 | X L I I M T H 4 0 | X L I I M T H 4 5 | X L I I M T H 4 5 E | NOTES |
|-------|-----------------|--|----------------------------|---|---|--|-------|
| | 363376P | SEAT ASSY "FLIP-UP" ULTRA | 1 | | | | |
| 1 | 363302 | . MOUNTING BASE ASSY / "FLIP-UP" SEAT | 1 | | | | |
| 2 | 363246 | . COLLAR | 4 | | | | |
| 3 | 363180 | . BACKREST R.H. | 1 | | | | |
| 4 | 363181 | . BACKREST L.H. | 1 | | | | |
| 5 | 363303 | . SEAT FRAME ASSY / SEATREST "FLIP-UP" SEAT | 1 | | | | |
| NS | 363538 | . ROD RETAINING SEATREST | 1 | | | | |
| 6 | 363178P | . FOAM ASSY, BACKREST / "TOURISMO II " | 1 | | | | |
| 6 | 363186 | . . FOAM BACKREST THICK | 1 | | | | |
| 6 | 363252 | . . FOAM BACKREST THIN W/42" | 1 | | | | |
| 6 | 363350 | . . FOAM BACKREST THIN W/40" | 1 | | | | |
| 7 | 363251 | . FOAM ASSY, HEADREST 42" HIGHT / "ULTRA" | 1 | | | | |
| NS | 500583 | . SCREW TP PAN PH #6x1/2 Z050 | 4 | | | | |
| NS | 500240 | . WASHER LO EXT .195x.410x.025 Z050 | 4 | | | | |
| 8 | 363226 | . COVER R.H. / PLASTIC | 1 | | | | |
| 9 | 363227 | . COVER L.H. / PLASTIC | 1 | | | | |
| 10 | 5001336 | . SCREW CAP HEXF SERR 5/16-18x3/4 Z050 | 8 | | | | |
| 11 | 5001113 | . NUT HEX JAM NYRT 5/16-18 | 8 | | | | |
| 12 | 363273 | . SPRING EYE | 4 | | | | |
| 13 | Call order desk | . STRUCTURE ASSY REAR / 5 PASSENGERS | 1 | | | | P |
| 14 | 362353 | . SCREW | 1 | | | | |
| 15 | 500685 | . NUT HEX NYRT 5/16-18 SS | 1 | | | | |
| 18 | 362666 | . FOAM ASSY, SEATREST / "TOURISMO & ULTRA" | 1 | | | | |
| 19 | 363279 | . FLAT BAR / ANGLE 198MM x 28MM | 2 | | | | |
| 24 | 500441 | . WASHER FL .312x.734x.065 Z050 | 2 | | | | |
| 25 | 500782 | . NUT WING 5/16-18 Z050 | 2 | | | | |
| 30 | 363437 | . BRACKET L.H. | 1 | | | | |
| 31 | 363436 | . BRACKET R.H. | 1 | | | | |
| 32 | 502723 | . WASHER FL .386x.750x.050 NYL | 2 | | | | |
| 33 | 500441 | . WASHER FL .312x.734x.065 Z050 | 2 | | | | |
| 34 | 500777 | . NUT HEX STO 5/16-18 Z050 | 2 | | | | |
| 35 | 500183 | . SCREW CAP HEX 5/16-18x1 1/2 G5 PT Z050 | 2 | | | | |
| 36 | 500476 | . WASHER LO SPT .317x.586x.078 Z050 | 2 | | | | |
| 37 | 363304 | . FOOTREST ASSY / DOUBLE SEAT W/FLIP-UP SEAT | 1 | | | | |
| 38 | 502781 | . SCREW SET HEXS CUP 5/16-18x1/4 | 2 | | | | |
| 40 | 860874 | . HANDLE NUT 3/8-16 | 2 | | | | |
| 41 | 500777 | . NUT HEX STO 5/16-18 Z050 | 7 | | | | |
| 42 | 502510 | . WASHER FL .375x.875x.083 | 1 | | | | |
| 43 | 363292 | . PEDESTAL | 2 | | | | |
| 44 | 363278 | . "T" BOLT RETAINER 3/8-16 X 10 5/8" | 2 | | | | |
| 45 | 363280 | . GUIDE 28MM O.D. / M10 - 1.5 | 4 | | | | |
| 46 | 363281 | . SLIDING TRACK / 60MM x 240MM PLASTIC | 2 | | | | |

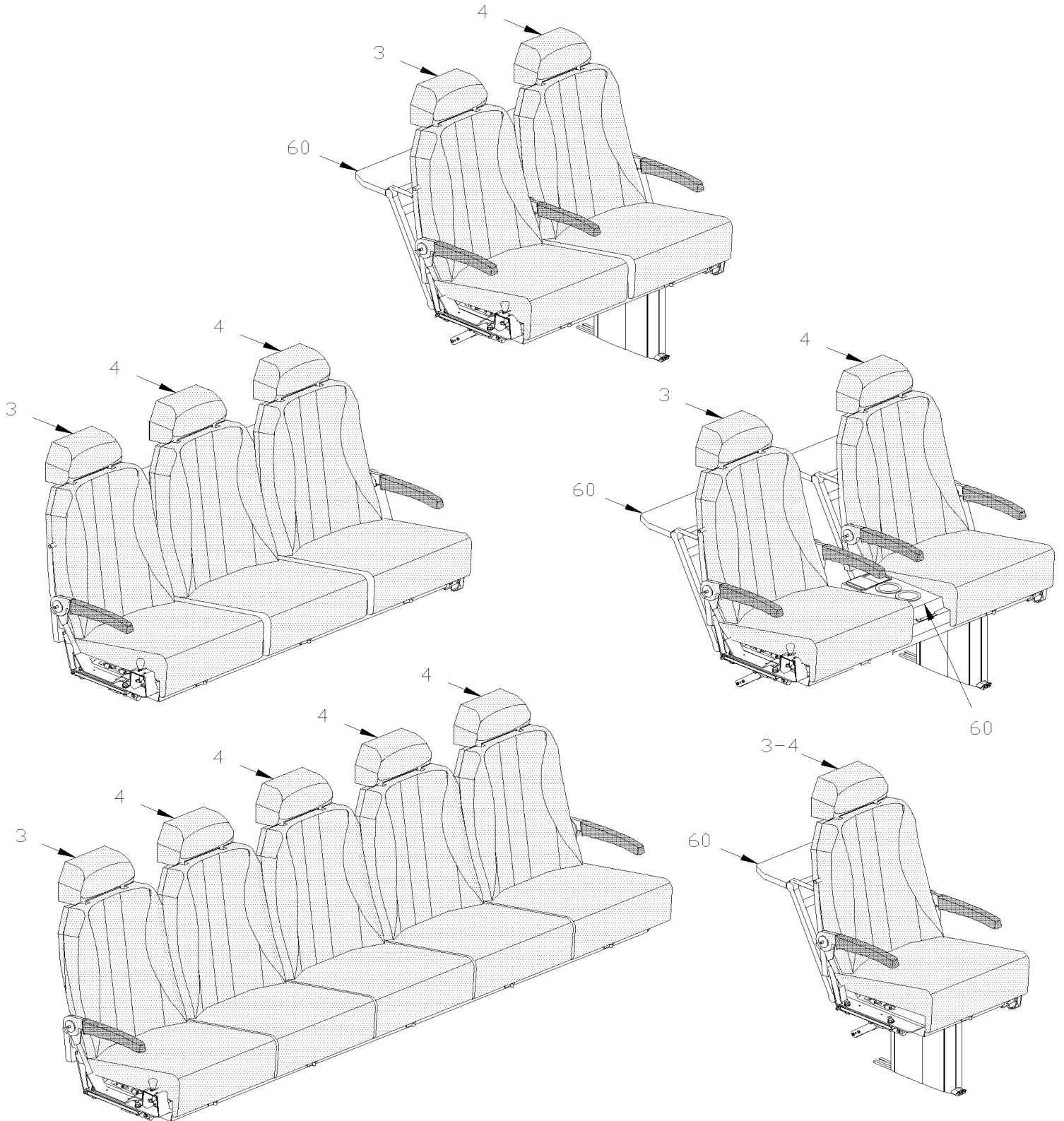
Date:10/2022

PAGE:Y2-1827-70

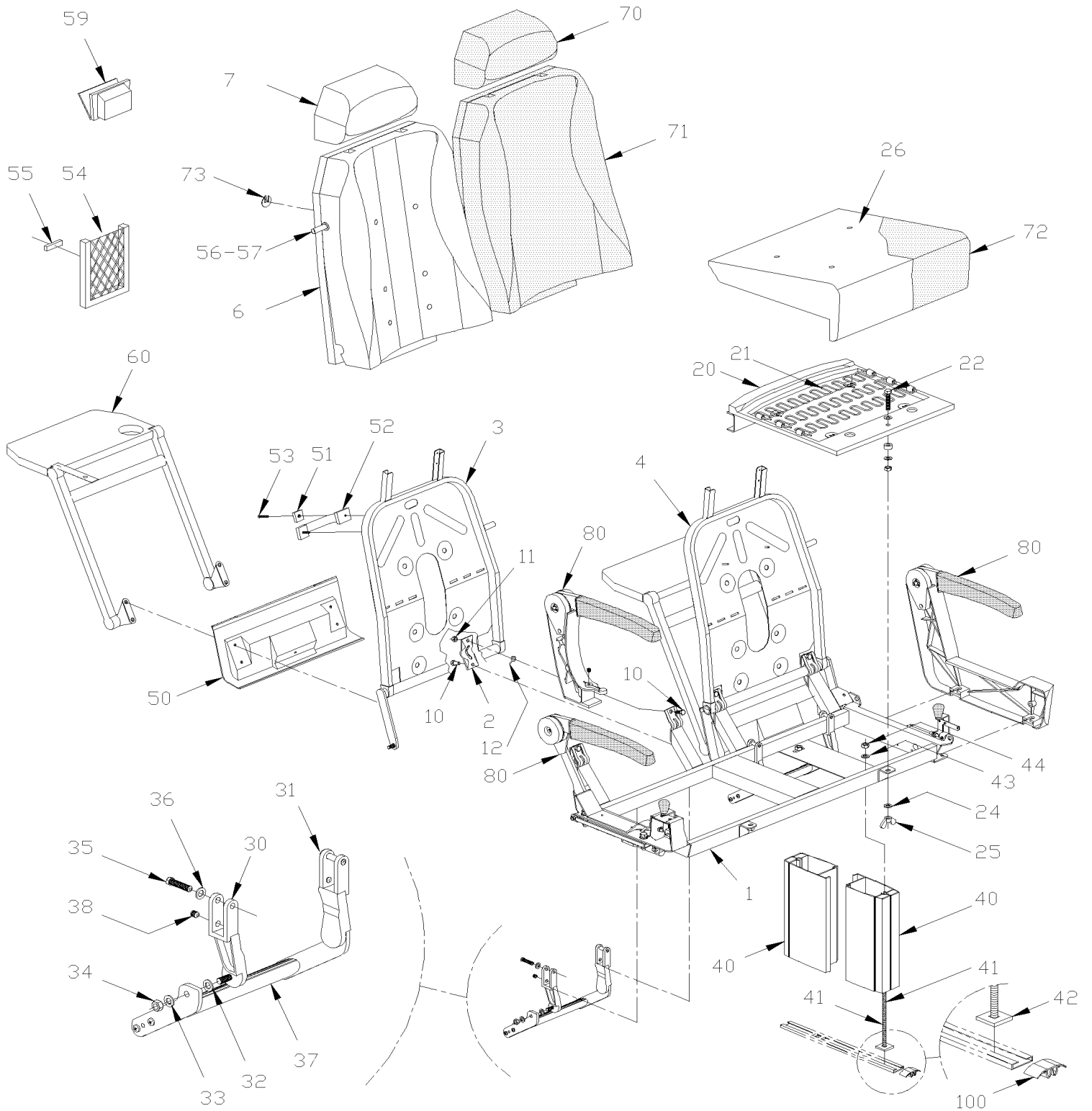
PASSENGER'S SEAT - "TOURISMO II" - FLIP-UP W/W.C.L.

| Item# | Part | Description | X | X | X | X | NOTES |
|-------|---------|--|----|---|---|---|-------|
| | | | L | L | L | L | |
| | | | I | I | I | I | |
| | | | 4 | 5 | 4 | 5 | |
| | | | 5 | 0 | 5 | 5 | |
| | | | | | | | |
| 47 | 500179 | . SCREW CAP HEX 5/16-18x3/4 G5 Z050 | AR | | | | |
| 48 | 363460 | . SPACER 10MM I.D. x 19MM O.D. X 8.5MM | 2 | | | | |
| 49 | 502723 | . WASHER FL .386x.750x.050 NYL | 4 | | | | |
| 50 | 363311 | . FINISHING LOWER R.H. | 1 | | | | |
| 50 | 363310 | . FINISHING LOWER L.H. | 1 | | | | |
| 51 | 860421 | . HOOK | 1 | | | | |
| 52 | 860422 | . HANDLE | 1 | | | | |
| NS | 505229 | . SPACER 3/8 I.D. X 3/8 LG | 2 | | | | |
| 52 | 363424 | . HANDLE REINFORCEMENT SUPPORT | 1 | | | | |
| 53 | 502521 | . SCREW TC OV PH #8-32x1 BK | 2 | | | | |
| 54 | 860809 | . MAGAZINE NET 14" x 7 1/4" | 1 | | | | |
| 55 | 500353 | . SCREW TP FL PH #8x3/4 BK | 4 | | | | |
| 59 | 861277 | . ASHTRAY / PLASTIC | 1 | | | | |
| 60 | 404094 | . DECAL "DOIT ÊTRE VERROUIL...." | 2 | | | | |
| 60 | 404093 | . DECAL "MUST BE LOCKED..." / ENGLISH | 2 | | | | |
| 60 | 405646 | . DECAL "MUST BE LOCKED..." / ENGLISH & SPANISH | 2 | | | | |
| 61 | 363296 | . COVER PEDESTAL / PLASTIC | 2 | | | | |
| 62 | 500686 | . SCREW TP OV PH #6x1/2 BK | AR | | | | |
| 63 | 504412 | . WASHER RETAINER SNAP CAP #8 | AR | | | | |
| 64 | 504403 | . SNAP CAP #8 FINISHING BLACK | AR | | | | |
| 65 | 323228 | . CAP, INTERIOR REAR | 1 | | | | |
| 66 | 363229 | . COVER CENTER ARMREST / PLASTIC | 1 | | | | |
| 71 | 363385P | . COVERING ASSY, BACKREST / S.C.C. W/42" HIGHT | 1 | | | | |
| 73 | 362716 | . ATTACHMENT / ROUND "W" SHAPE TO FIX COVER | 8 | | | | |
| NS | 682259 | . SEALANT TAPE / CLEAR / 1/32"x1 1/2"x65' / 1795 | AR | | | | |
| 74 | 362736P | . COVERING SEATREST ASSY / S.C.C. / "SILHOUETTE" | 1 | | | | |
| 81 | 362939 | . ARMREST / LONG | 3 | | | | |
| 82 | 363624 | . COVERING ARMREST / LONG | 3 | | | | |
| 83 | 500686 | . SCREW TP OV PH #6x1/2 BK | 3 | | | | |
| 84 | 363575 | . SPACER PLASTIC / FRICTION DISK | 6 | | | | |
| 85 | 363282 | . GUIDE ARMREST | 1 | | | | |
| 86 | 500182 | . SCREW CAP HEX 5/16-18x1 1/4 G5 PT Z050 | 3 | | | | |
| 100 | 323654 | SEAT TRACK COVER 12' / EACH SEAT / W/COVERING FLOOR | AR | | | | |
| 100 | 323963 | SEAT TRACK COVER 8' / EACH SEAT / W/COVERING FLOOR | AR | | | | |
| 101 | 820027 | HANDLE | 1 | | | | B |
| 101 | 5001119 | SCREW TP BDG PH #8x3/4 SS | 1 | | | | B |
| 101 | 502630 | WASHER FL .156x.375x.049 Z050 | 1 | | | | B |
| | | | | | | | |
| | | | | | | | |
| | | B) FIXED ON SEAT TRACK FOR EASIER REMOVABLE | | | | | |
| | | P) CALL ORDER DESK FOR SPECIFIC APPLICATION (V.I.N.) | | | | | |

| | | |
|----------------------------------|--------------|-----------------|
| | Date:10/2022 | PAGE:Y2-1828-01 |
| PASSENGER'S SEAT - "TOURISMO II" | | |



| | | |
|----------------------------------|--------------|-----------------|
| | Date:10/2022 | PAGE:Y2-1828-01 |
| PASSENGER'S SEAT - "TOURISMO II" | | |



Date:10/2022

PAGE:Y2-1828-01

PASSENGER'S SEAT - "TOURISMO II"

| Item# | Part | Description | X | X | X | X | NOTES | |
|-------|---------|--|----|---|---|---|-------|---|
| | | | L | L | L | L | | |
| | | | I | I | I | I | | |
| | | | 4 | 4 | 4 | 4 | | |
| | | | 5 | 5 | 5 | 5 | | |
| | | | M | M | M | M | | |
| | | | T | T | T | T | | |
| | | | H | H | H | H | | |
| | | | 4 | 4 | 4 | 4 | | |
| | | | 0 | 0 | 0 | 0 | | |
| | 363922 | SEAT ASSY R.H. / 2 PASSENGERS / 42" HIGH | AR | | | | | |
| | 363921 | SEAT ASSY L.H. / 2 PASSENGERS / 42" HIGH | AR | | | | | |
| | 363925 | SEAT ASSY REAR / 2 PASSENGERS / 42" HIGH | AR | | | | | |
| | 363924 | SEAT ASSY REAR / 3 PASSENGERS / 42" HIGH | AR | | | | | |
| | 363926 | SEAT ASSY REAR / 5 PASSENGERS / 42" HIGH | AR | | | | | |
| 1 | 363841 | . STRUCTURE ASSY R.H. / 2 PASSENGERS | 1 | | | | | |
| 1 | 363842 | . STRUCTURE ASSY L.H. / 2 PASSENGERS | 1 | | | | | |
| 1 | 363843 | . STRUCTURE ASSY REAR / 3 PASSENGERS | 1 | | | | | |
| 1 | 363844 | . STRUCTURE ASSY REAR / 5 PASSENGERS | 1 | | | | | |
| 1 | 363838 | . STRUCTURE ASSY R.H. / 2 PASSENGERS V.I.P. | 1 | | | | | |
| 1 | 363839 | . STRUCTURE ASSY R.H. V.I.P. / 2 PASSENGERS | 1 | | | | | |
| 1 | 363837 | . STRUCTURE ASSY R.H. V.I.P. / 1 PASSENGERS | 1 | | | | | |
| 1 | 363840 | . STRUCTURE ASSY L.H. V.I.P. / 1 PASSENGERS | 1 | | | | | |
| 2 | 363246 | . COLLAR | 1 | | | | | |
| 3 | 363834 | . BACKREST R.H. | 1 | | | | | |
| 4 | 363835 | . BACKREST L.H. | 1 | | | | | C |
| 6 | 363178P | . FOAM ASSY, BACKREST / "TOURISMO II " | 1 | | | | | |
| 6 | 363186 | . . FOAM BACKREST THICK | 1 | | | | | |
| 6 | 363177 | . . FOAM BACKREST THIN | 1 | | | | | |
| 6 | 363174 | . . FOAM THIN, OBLONG 4" X 13" APPROX | 1 | | | | | |
| 7 | 363156 | . FOAM ASSY, HEADREST 42" HIGHT / "TOURISMO II " | 1 | | | | | |
| 7 | 362753 | . FOAM ASSY, HEADREST 40" HIGHT / "TOURISMO" | 1 | | | | | |
| NS | 5001312 | . SCREW TP TR PH #8x5/8 Z050 | 4 | | | | | |
| 10 | 5001336 | . SCREW CAP HEXF SERR 5/16-18x3/4 Z050 | 4 | | | | | |
| 11 | 5001113 | . NUT HEX JAM NYRT 5/16-18 | 4 | | | | | |
| 12 | 363273 | . SPRING EYE | 4 | | | | | |
| 20 | 363646 | . SEAT FRAME ASSY W/SPRING | 1 | | | | | |
| 21 | 363650 | . . SPRING | 3 | | | | | |
| 22 | 362353 | . . SCREW | 1 | | | | | |
| 23 | 500685 | . NUT HEX NYRT 5/16-18 SS | 1 | | | | | |
| 24 | 500826 | . WASHER LO EXT .320x.610x.034 ZP | 1 | | | | | |
| 25 | 500782 | . NUT WING 5/16-18 Z050 | 2 | | | | | B |
| 26 | 363645 | . FOAM | 2 | | | | | |
| 30 | 363437 | . BRACKET L.H. | 1 | | | | | |
| 31 | 363436 | . BRACKET R.H. | 1 | | | | | |
| 32 | 502723 | . WASHER FL .386x.750x.050 NYL | 2 | | | | | |
| 33 | 500441 | . WASHER FL .312x.734x.065 Z050 | 2 | | | | | |
| 34 | 500777 | . NUT HEX STO 5/16-18 Z050 | 2 | | | | | |
| 35 | 5001375 | . SCREW CAP HEX M10-1.5x18 SS | 2 | | | | | |
| 36 | 500476 | . WASHER LO SPT .317x.586x.078 Z050 | 2 | | | | | |
| 37 | 362928 | . FOOTREST ASSY | 1 | | | | | |
| 38 | 502781 | . SCREW SET HEXS CUP 5/16-18x1/4 | 2 | | | | | |

Date:10/2022

PAGE:Y2-1828-01

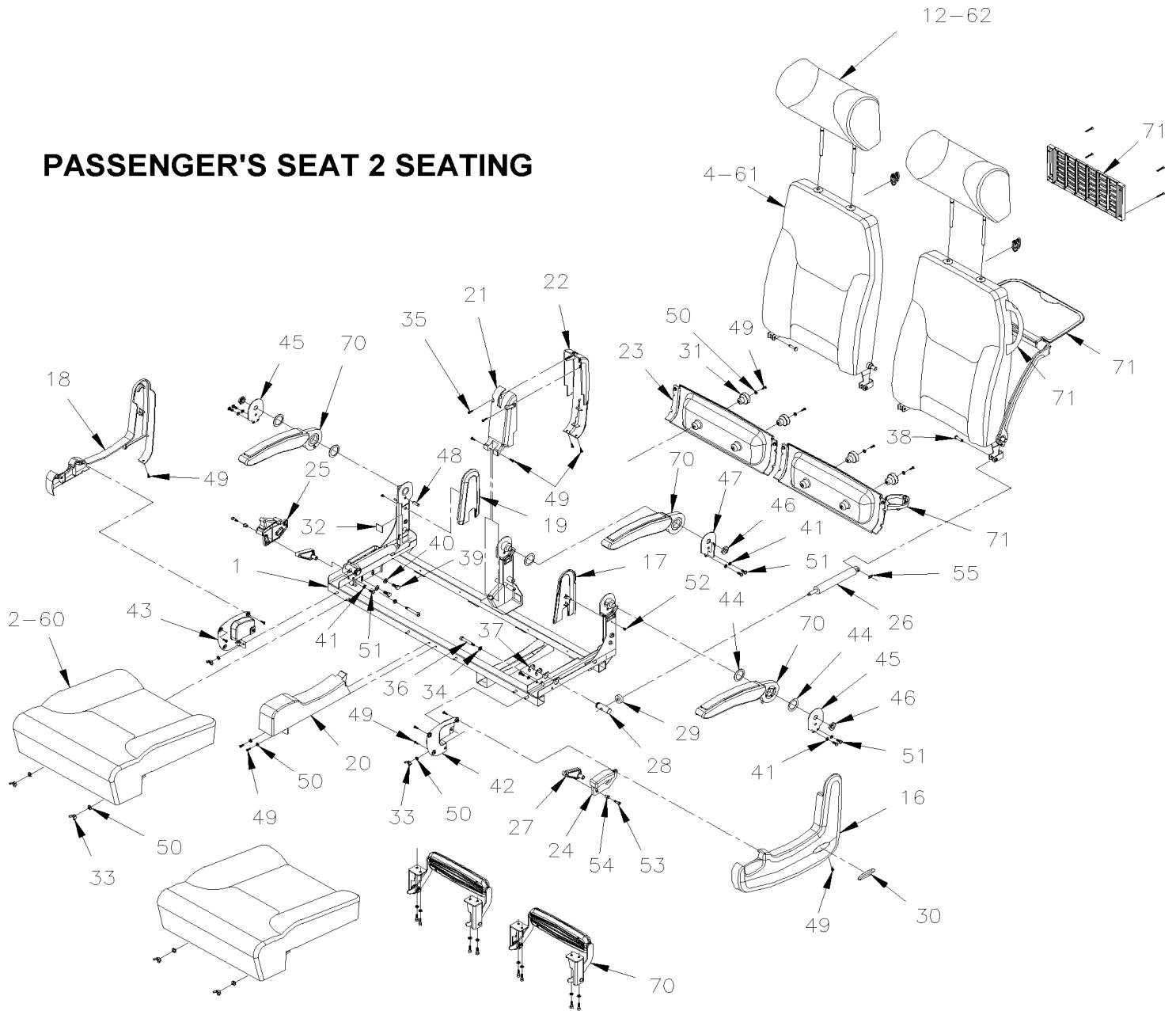
PASSENGER'S SEAT - "TOURISMO II"

| Item# | Part | Description | X L I I 4 5 | X L I I M T H 4 0 | X L I I M T H 4 5 | X L I I M T H 4 5 E | NOTES |
|-------|-------------------|--|----------------------------|---|---|--|-------|
| 40 | 363577 | . PEDESTAL SQ END / 279MM / 10.98" / 2 PIECES To 5-8631 | 2 | | | | |
| 40 | 364038 | . PEDESTAL SQ END / ONE PIECE / 279MM / 10.98" From 5-8632 | 1 | | | | |
| NS | 364076 | . REINFORCEMENT PEDESTAL / ANGLE REAR OF PEDESTAL / 58MMx 20MM From 6-8789 | 1 | | | | |
| 41 | 5001600 | . SCREW CRG 3/8-16x12 G5 Z050 | 2 | | | | |
| 42 | 363085 | . PLATE ANCHOR / CARRIAGE BOLT INSIDE TRACK / 1 1/4" X 1 1/4" To 5-8631 | 2 | | | | |
| 42 | 360052 | . PLATE ANCHOR / CARRIAGE BOLT INSIDE TRACK / 1 1/4" X 3 1/2" From 5-8632 | 2 | | | | |
| 43 | 500445 | . WASHER FL .437x1.000x.083 Z050 | 2 | | | | |
| 44 | 500265 | . NUT HEX STO 3/8-16 Z050 | 2 | | | | |
| 45 | 363821 | . ATTACHMENT PLATE / "J" SHAPE TO FIX SEAT TO WALL TRACK WALL TRACK | 1 | | | | |
| . NS | 500183 | . . SCREW CAP HEX 5/16-18x1 1/2 G5 PT Z050 | 2 | | | | |
| . NS | 500942 | . . WASHER LO SPT 8.1x14.8x2.0 N500 | 2 | | | | |
| 45 | 364132 | . ATTACHMENT PLATE / "J" SHAPE TO FIX SEAT TO WALL TRACK WALL TRACK | 1 | | | | |
| . NS | 500829 | . . SCREW CAP HEX M10-1.5x40 G8.8 | 2 | | | | |
| . NS | 500257 | . . WASHER LO SPT 10.2x18.1x2.2 Z050 | 2 | | | | |
| 50 | 362867 | . FINISHING LOWER / R.H. / NORYL To Y-7336 | 1 | | | | |
| 50 | 363947 | . FINISHING LOWER / R.H. / NORYL From Y-7337 | 1 | | | | |
| 50 | 362866 | . FINISHING LOWER / L.H. / NORYL To Y-7336 | 1 | | | | |
| 50 | 363946 | . FINISHING LOWER / L.H. / NORYL From Y-7337 | 1 | | | | |
| 51 | 860421 | . HOOK | 1 | | | | |
| 52 | 860422 | . HANDLE | 1 | | | | |
| 53 | 500871 | . SCREW TP OV PH #8x1 BK | 2 | | | | |
| 54 | 860809 | . MAGAZINE NET 14" x 7 1/4" | 1 | | | | |
| 55 | 500353 | . SCREW TP FL PH #8x3/4 BK | 4 | | | | |
| 56 | 5001019 | . SCREW TP OV PH #10x2 EMN | 1 | | | | |
| 56 | 5001016 | . SCREW CAP HEX M10-1.5x90 G8.8 Z050 | 1 | | | | |
| 57 | 362942 | . STOPPER SHORT / W/STANDARD SEAT | 1 | | | | |
| 57 | 362943 | . STOPPER LONG / WV.I.P. SEAT | 1 | | | | |
| 59 | 861277 | . ASHTRAY / PLASTIC | 1 | | | | |
| NS | 502778 | . SCREW TP FL PH #6x2 BK | 2 | | | | |
| NS | 860626 | . SUPPORT ASHTRAY / PLASTIC | 1 | | | | |
| 60 | Y2-1829-00 | ACCESSORIES PASSENGER'S SEAT - "PREVOST" | | | | | |
| 70 | 363162P | . COVERING HEADREST 40" ASSY / S.C.C. / "TOURISMO II " | 1 | | | | |
| 70 | 363167P | . COVERING HEADREST 42" ASSY / S.C.C. / "TOURISMO II " | 1 | | | | |
| 71 | 363172P | . COVERING BACKREST ASSY / S.C.C. / "TOURISMO II " | 1 | | | | |
| 72 | 363676 | . COVERING SEATREST ASSY / S.C.C. / ALL NEW W/SPRING | 1 | | | | |
| 73 | 362716 | . ATTACHMENT / ROUND "W" SHAPE TO FIX COVER | 8 | | | | |
| 80 | Y2-1827-52 | ARMREST PASSENGER'S SEAT - "PREVOST" | | | | | |
| 100 | 323654 | SEAT TRACK COVER 12' / EACH SEAT / W/COVERING FLOOR | AR | | | | |
| 100 | 323963 | SEAT TRACK COVER 8' / EACH SEAT / W/COVERING FLOOR | AR | | | | |
| | | | | | | | |
| 153 | 502521 | . SCREW TC OV PH #8-32x1 BK | 2 | | | | |
| 158 | 363644 | . HEADREST REINFORCEMENT | 1 | | | | |

| | | Date:10/2022 | PAGE:Y2-1828-01 | | | | |
|----------------------------------|------|--|--------------------------------|---|---|--|-----------------------|
| PASSENGER'S SEAT - "TOURISMO II" | | | | | | | |
| Item# | Part | Description | X L I I 4 5 | X L I I M T H 4 0 | X L I I M T H 4 5 | X L I I M T H 4 5 E | N O T E S |
| | | | | | | | |
| | | | | | | | |
| | | B) TO FIX SEAT | | | | | |
| | | C) QTY OF 2 WITH 3 PASSENGERS REAR SEAT AND QTY OF 4 WITH 5 PASSENGERS REAR SEAT | | | | | |

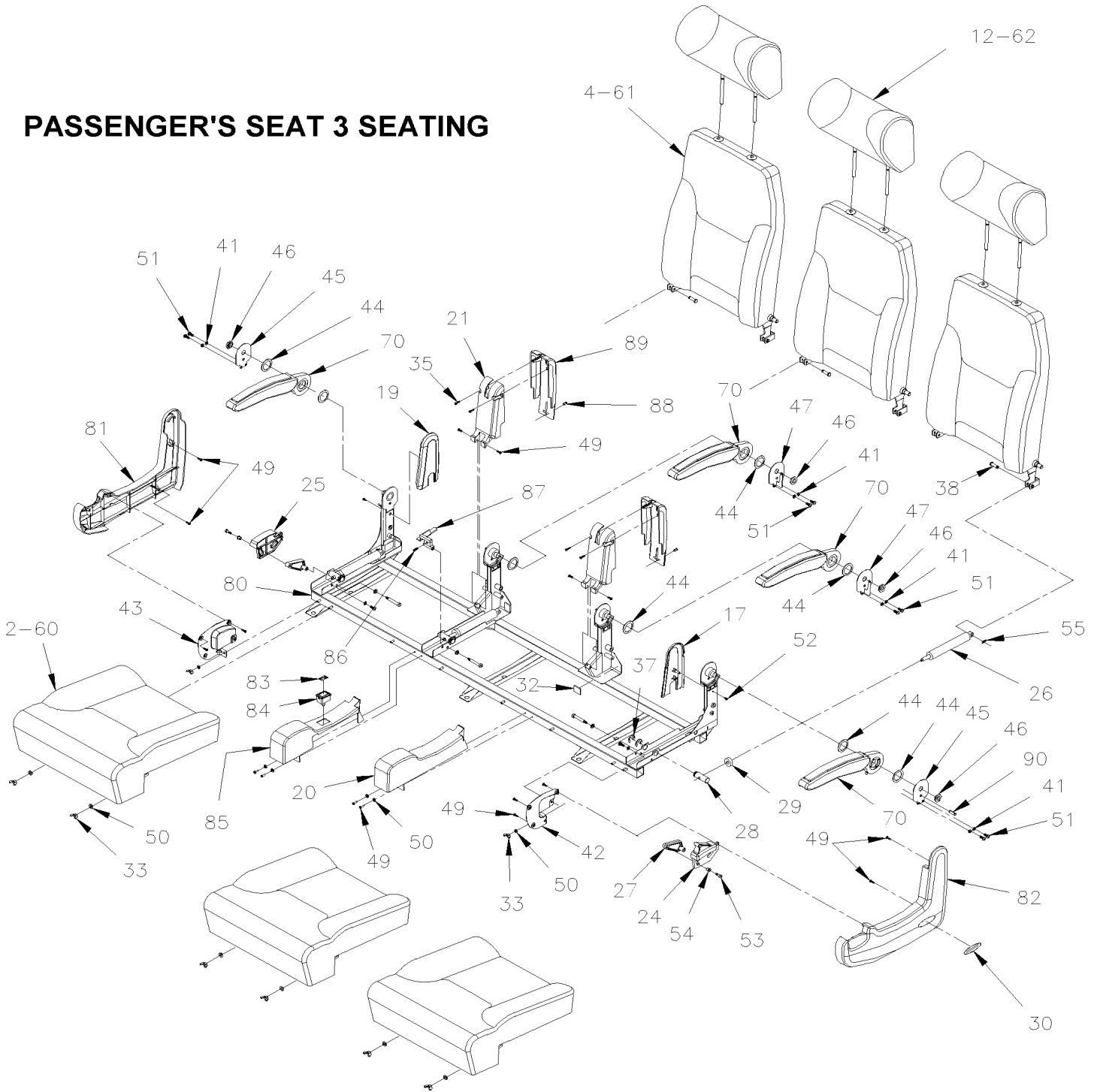
| | | |
|------------------------------|--------------|-----------------|
| | Date:10/2022 | PAGE:Y2-1828-05 |
| PASSENGER'S SEAT - "MULTINA" | | |

PASSENGER'S SEAT 2 SEATING

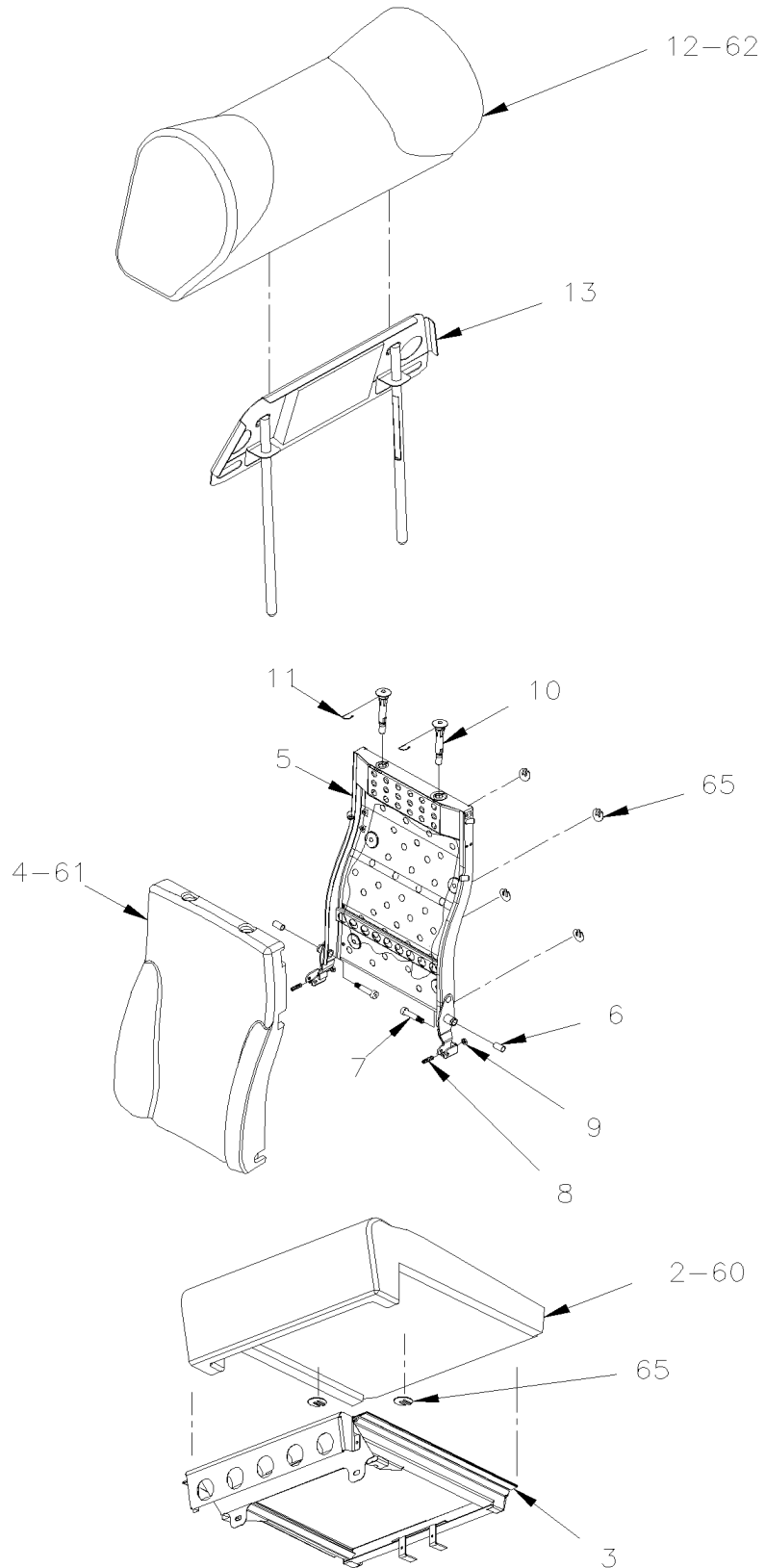


| | | |
|-------------------------------------|--------------|-----------------|
| | Date:10/2022 | PAGE:Y2-1828-05 |
| PASSENGER'S SEAT - "MULTINA" | | |

PASSENGER'S SEAT 3 SEATING



| | | |
|------------------------------|--------------|-----------------|
| | Date:10/2022 | PAGE:Y2-1828-05 |
| PASSENGER'S SEAT - "MULTINA" | | |



Date:10/2022

PAGE:Y2-1828-05

PASSENGER'S SEAT - "MULTINA"

| Item# | Part | Description | X L I I 4 5 | X L I I M T H 4 0 | X L I I M T H 4 5 | X L I I M T H 4 5 E | NOTES |
|-------|-----------------|---|----------------------------|---|---|--|-------|
| | Call order desk | TWO-PASSENGER,S RIGHT HAND / ALLEGRO SEAT | 1 | | | | P |
| | Call order desk | TWO-PASSENGER,S LEFT HAND / ALLEGRO SEAT | 1 | | | | P |
| | Call order desk | THREE PASSENGER'S SEAT ASSY / ALLEGRO SEAT | 1 | | | | P |
| 1 | Call order desk | . SEAT FRAME, TWO-PASSENGER, RIGHT-HAND | 1 | | | | P |
| 1 | Call order desk | . SEAT FRAME, TWO-PASSENGER, LEFT-HAND | 1 | | | | P |
| 2 | Call order desk | . BOTTOM CUSHION | 2 | | | | P |
| 2 | Call order desk | . . PAN, BOTTOM CUSHION | 1 | | | | P |
| 3 | | . . FOAM CUSHION | 1 | | | | |
| 4 | Call order desk | . BACKREST CUSHION | 2 | | | | P |
| 4 | Call order desk | . . FOAM, BACKREST | 1 | | | | P |
| 5 | Call order desk | . . PAN, BACKREST | 1 | | | | P |
| 6 | Call order desk | . . BEARING, PLSTC, 12" ID x 14" OD x 25" | 2 | | | | P |
| 7 | Call order desk | . . SCREW SHR HEXS 12x40 {M10-1.5 | 2 | | | | P |
| 8 | Call order desk | . . SCREW SET HEXS FP M8-1.25x30 M8-1.25x30 | 2 | | | | P |
| 9 | Call order desk | . . NUT HEX THN M8-1.25x4.0 ZP | 2 | | | | P |
| 10 | Call order desk | . . SLIDING GUIDE, HEADREST | 2 | | | | P |
| 11 | Call order desk | . . HITCH PIN CLIP, SLIDING GUIDE | 2 | | | | P |
| 12 | Call order desk | . HEADREST CUSHION, V.I.P. | 1 | | | | P |
| 12 | | . . CUSHION HEADREST | 1 | | | | |
| 13 | | . . SUPPORT HEADREST | 1 | | | | |
| 16 | Call order desk | . SHROUD, AISLE SIDE, LEFT-HAND | 1 | | | | P |
| 16 | Call order desk | . SHROUD, AISLE SIDE, RIGHT-HAND | 1 | | | | P |
| 17 | Call order desk | . SHROUD, INSIDE, LEFT-HAND | 1 | | | | P |
| 18 | Call order desk | . SHROUD, WALL SIDE, RIGHT-HAND | 1 | | | | P |
| 18 | Call order desk | . SHROUD, WALL SIDE, LEFT-HAND | 1 | | | | P |
| 19 | Call order desk | . SHROUD, INSIDE, RIGHT-HAND | 1 | | | | P |
| 20 | Call order desk | . SHROUD, CENTER FRONT | 1 | | | | P |
| 21 | Call order desk | . SHROUD, CENTER UPPER | 1 | | | | P |
| 22 | Call order desk | . SHROUD, CENTER REAR | 1 | | | | P |
| 23 | Call order desk | . SHROUD, FOOTREST | 1 | | | | P |
| 24 | 863901 | . RECLINING HANDLE, AISLE SIDE, LEFT-HAND | 1 | | | | |
| 24 | 863273 | . RECLINING HANDLE, AISLE SIDE, RIGHT-HAND | 1 | | | | |
| 25 | Call order desk | . RECLINING HANDLE, WALL SIDE, RIGHT-HAND | 1 | | | | P |
| 25 | Call order desk | . RECLINING HANDLE, WALL SIDE, LEFT-HAND | 1 | | | | P |
| 26 | 862843 | . RECLINING GAZ CYLINDER | 2 | | | | |
| 27 | 863185 | . RECLINING LEVER | 1 | | | | |
| 28 | Call order desk | . PIVOT CYLINDER | 2 | | | | P |
| 29 | Call order desk | . CYLINDER STOPPER | 2 | | | | P |
| 30 | Call order desk | . MULTINA LABEL | 1 | | | | P |
| 31 | 863183 | . FOOTREST BUMPER | 1 | | | | |
| 32 | Call order desk | . BACKREST STOPPER | 4 | | | | P |
| 33 | Call order desk | . NUT WING M6-1.0 ZP | 6 | | | | P |

| | | |
|--|--------------|-----------------|
| | Date:10/2022 | PAGE:Y2-1828-05 |
|--|--------------|-----------------|

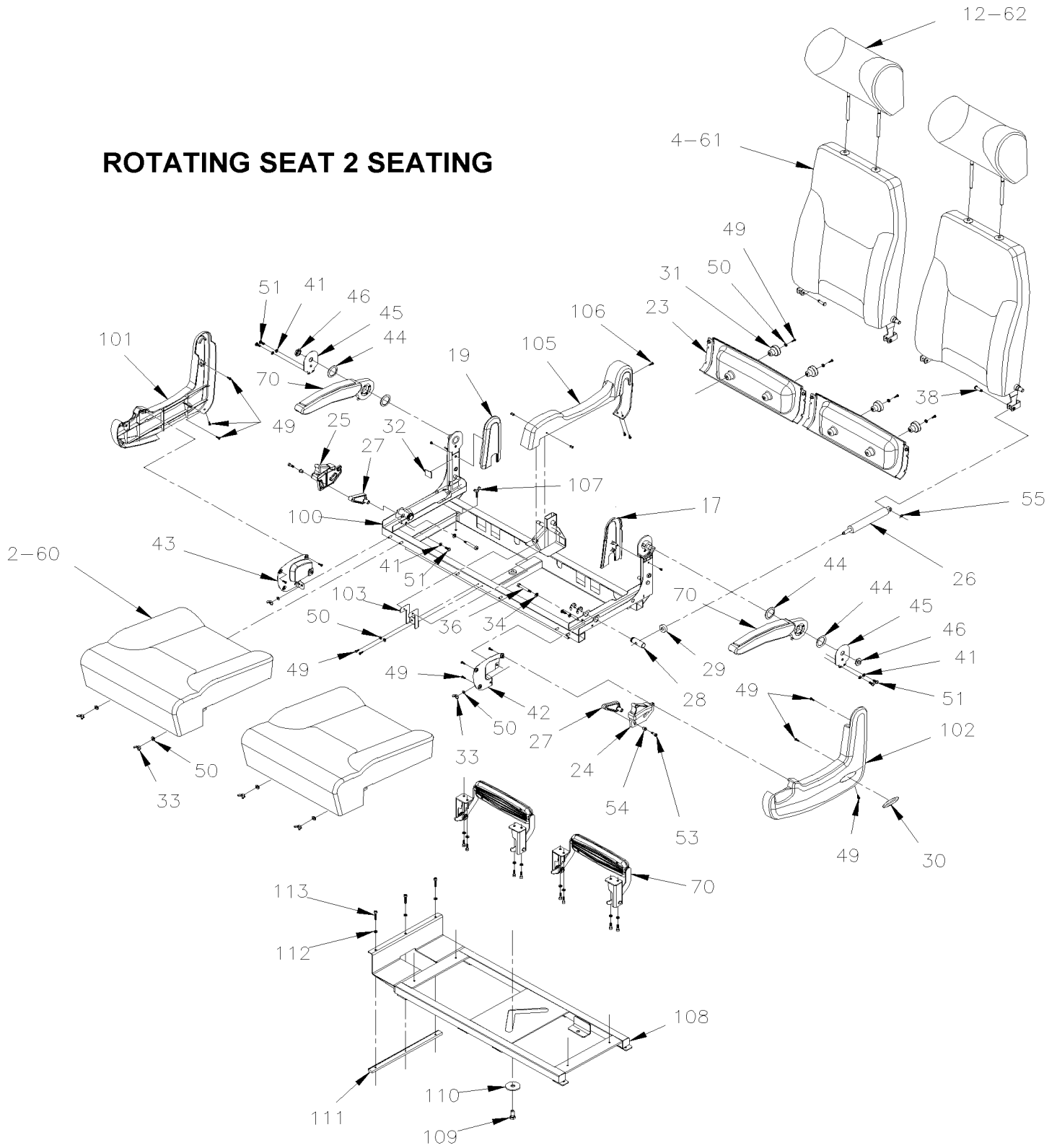
PASSENGER'S SEAT - "MULTINA"

| Item# | Part | Description | X L I I 4 5 | X L I I M T H 4 0 | X L I I M T H 4 5 | X L I I M T H 4 5 E | N O T E S |
|-------|-------------------|---|----------------------------|---|---|--|-----------------------|
| 34 | Call order desk | . WASHER LO SPT 8.1 ZP | 2 | | | | P |
| 35 | Call order desk | . SCREW TA PAN PH #6x3/4 ZP | 2 | | | | P |
| 36 | Call order desk | . SCREW SHR HEXS 8x45(M6-1.0x11 | 2 | | | | P |
| 37 | Call order desk | . RING, RTNG, EXTL, STL, ZN PLD, SHAFT DIA 3/ | 4 | | | | P |
| 38 | Call order desk | . PIN, CLEVIS, CUSTOM | 2 | | | | P |
| 39 | Call order desk | . SCREW CAP HEX M8x20 G8.8 | 2 | | | | P |
| 40 | Call order desk | . WASHER LO SPT .385 ZP | 2 | | | | P |
| 41 | Call order desk | . WASHER LO SPT 6.1 ZP | 8 | | | | P |
| 42 | Call order desk | . SHROUD PLATE, LEFT-HAND | 1 | | | | P |
| 43 | Call order desk | . SHROUD PLATE, RIGHT-HAND | 1 | | | | P |
| 44 | Call order desk | . WASHER FL 33x45.9 NYL | 6 | | | | P |
| 45 | Call order desk | . COVER PLATE | 2 | | | | P |
| 46 | Call order desk | . NUT HEX M16-1.5 ZP | 3 | | | | P |
| 47 | Call order desk | . CENTRAL COVER PLATE | 1 | | | | P |
| 48 | Call order desk | . PIN, SPR TNSN, STL, ZN PLD, 5/16 " NOM DIA | 1 | | | | P |
| 49 | Call order desk | . SCREW TA PAN PN #8x5/8 ZP | 18 | | | | P |
| 50 | Call order desk | . WASHER FL 6.4x12x1.6 ZP | 13 | | | | P |
| 51 | Call order desk | . SCREW MA PAN PH M6-1.0x16 ZP | 8 | | | | P |
| 52 | Call order desk | . SCREW TA PAN PH #8x3/8 ZP | 2 | | | | P |
| 53 | 863208 | . SCREW SHR HEXS 6x10(M5-0.8x9.5 | 2 | | | | |
| 54 | 863209 | . BEARING FLANGE 0.252" ID x 0.377" OD BR | 2 | | | | |
| 55 | Call order desk | . CLIP, HAIR PIN, STL, ZN, 0.062" WR DIA x 11 | 2 | | | | P |
| 60 | 862848 | . COVERING ASSY, SEATREST / S.C.C. | 1 | | | | |
| 61 | 862849 | . COVERING ASSY, BACKREST / S.C.C. | 1 | | | | |
| 62 | 862850 | . COVERING ASSY, HEADREST / S.C.C. | 1 | | | | |
| 65 | 362716 | . ATTACHMENT / ROUND "W" SHAPE TO FIX COVER | AR | | | | |
| 70 | Y2-1828-50 | . ARMREST PASSENGER'S SEAT - "MULTINA" | | | | | |
| 71 | Y2-1828-60 | . ACCESSORIES PASSENGER'S SEAT - "MULTINA" | | | | | |
| 80 | Call order desk | . SEAT FRAME, THREE-PASSENGER | 1 | | | | P |
| 81 | Call order desk | . SHROUD, AISLE SIDE, THREE-PASSENGER, RIGHT- | 1 | | | | P |
| 82 | Call order desk | . SHROUD, AISLE SIDE, THREE-PASSENGER, LEFT-H | 1 | | | | P |
| 83 | Call order desk | . RECLINING LABEL | 1 | | | | P |
| 84 | 864792 | . RECLINING BUTTON KIT THREE PASSENGER KIT WITH DECAL ABOBE | 1 | | | | |
| 85 | Call order desk | . SHROUD, CENTER FRONT, RECLINING BUTTON | 1 | | | | P |
| 86 | Call order desk | . SCREW SET HEXS FP M6-1.0x16 M6-1.0x16 | 1 | | | | P |
| 87 | Call order desk | . RECLINING LEVER, THREE-PASSENGER | 1 | | | | P |
| 88 | Call order desk | . RIVET, POP, DOME HD, OE, ALU, 5/32 IN DIA X 504109 | 2 | | | | P |
| 89 | Call order desk | . SHROUD, CENTER UPPER, REAR | 2 | | | | P |
| 90 | Call order desk | . PIN, SPR TNSN, STL, ZN PLD, 5/16 " NOM DIA | 1 | | | | P |
| | | | | | | | |
| | | | | | | | |
| | | | | | | | |
| | | | | | | | |

| | | Date:10/2022 | PAGE:Y2-1828-05 | | | | |
|------------------------------|------|--|----------------------------|---|---|--|-----------------------|
| PASSENGER'S SEAT - "MULTINA" | | | | | | | |
| Item# | Part | Description | X L I I 4 5 | X L I I M T H 4 0 | X L I I M T H 4 5 | X L I I M T H 4 5 E | N O T E S |
| | | P) CALL ORDER DESK FOR SPECIFIC APPLICATION (V.I.N.) | | | | | |

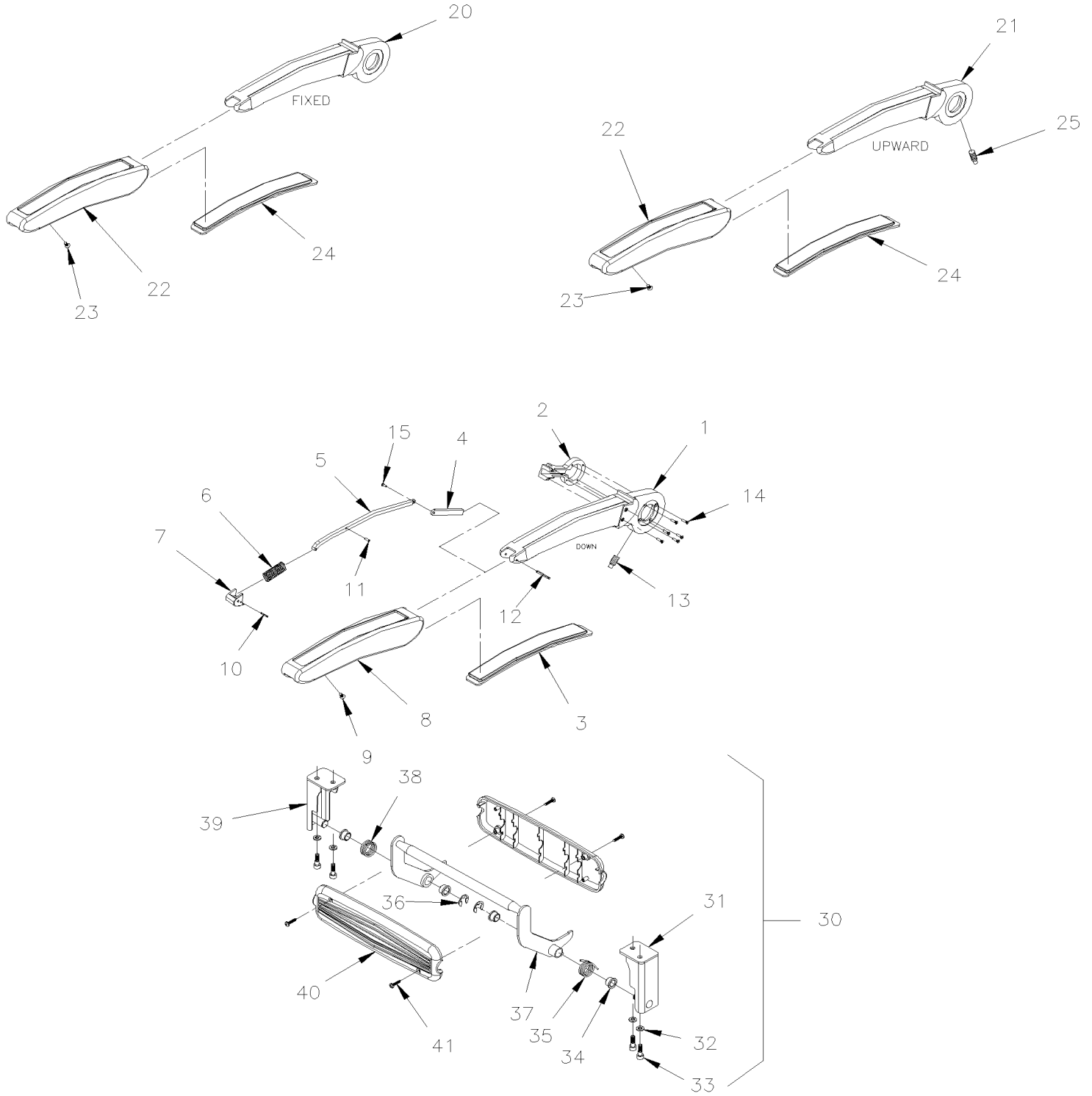
| | | |
|------------------------------|--------------|-----------------|
| | Date:10/2022 | PAGE:Y2-1828-10 |
| PASSENGER'S SEAT - "MULTINA" | | |

ROTATING SEAT 2 SEATING



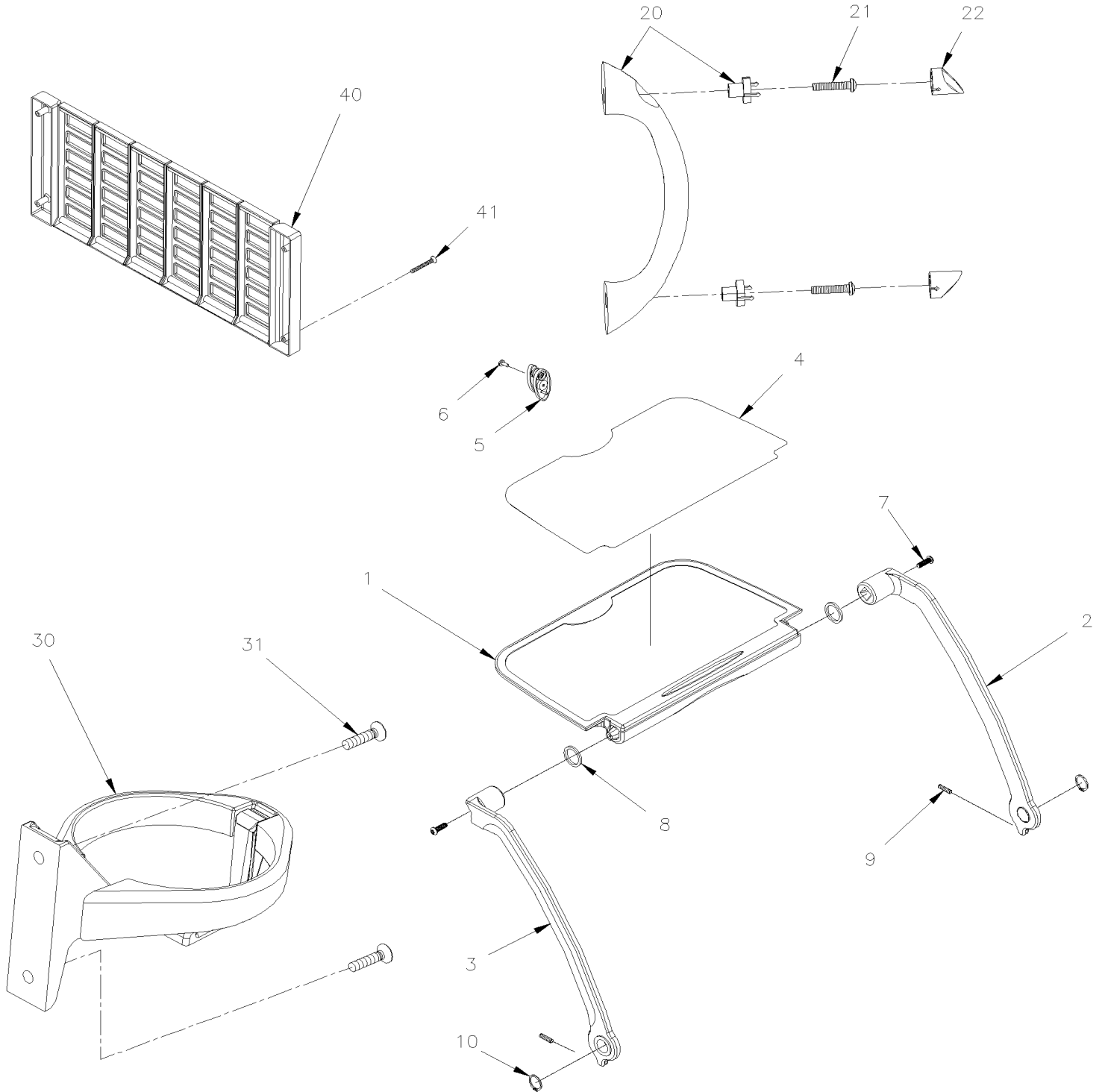
| | | Date:10/2022 | PAGE:Y2-1828-10 | | | | |
|------------------------------|-------------------|--|----------------------------|---|---|--|-------|
| PASSENGER'S SEAT - "MULTINA" | | | | | | | |
| Item# | Part | Description | X L I I 4 5 | X L I I M T H 4 0 | X L I I M T H 4 5 | X L I I M T H 4 5 E | NOTES |
| | | "NOTE" - "NOTE" - "NOTE" - "NOTE" - "NOTE" | | | | | |
| | | FOR ALLS OTHERS PARTS SEE PAGE Y2-1828-05 | | | | | |
| | Y2-1828-05 | PASSENGER'S SEAT - "MULTINA" | | | | | |
| | Call order desk | TWO-PASSENGER ALLEGRO SWIVEL SEAT | AR | | | | P |
| 49 | Call order desk | . SCREW TA PAN PN #8x5/8 ZP | 1 | | | | P |
| 50 | Call order desk | . WASHER FL 6.4x12x1.6 ZP | 1 | | | | P |
| 70 | Y2-1828-50 | . ARMREST PASSENGER'S SEAT- "MULTINA" | | | | | |
| 100 | Call order desk | . SEAT FRAME, TWO-PASSENGER, SWIVEL | 1 | | | | P |
| 101 | Call order desk | . SHROUD, AISLE SIDE, SWIVEL, RIGHT-HAND | 1 | | | | P |
| 102 | Call order desk | . SHROUD, AISLE SIDE, SWIVEL, LEFT-HAND | 1 | | | | P |
| 103 | Call order desk | . SUPPORT, SWIVEL CENTER SHROUD | 1 | | | | P |
| 104 | Call order desk | . RIVET, POP, DOME HD, OE, ALU, 5/32 IN DIA X 504109 | 2 | | | | P |
| 105 | Call order desk | . SHROUD, SWIVEL CENTER | 1 | | | | P |
| 106 | Call order desk | . SCREW TA PAN PH #8x1.00 ZP | 1 | | | | P |
| 107 | Call order desk | . SCREW WI M6x16 ZP | 4 | | | | P |
| 108 | Call order desk | . BASE FRAME, SWIVEL | 1 | | | | P |
| 109 | Call order desk | . SCREW CAP HEXS M12x25 ZP | 1 | | | | P |
| 110 | Call order desk | . WASHER FL .531x2.000x.150 ZP | 1 | | | | P |
| 111 | Call order desk | . WALL BRACKET, BOTTOM | 1 | | | | P |
| 112 | Call order desk | . WASHER LO SPT 6.1 ZP | 15 | | | | P |
| 113 | Call order desk | . SCREW MA HEXS M6-1.0x30 ZP | 3 | | | | P |
| | | | | | | | |
| | | | | | | | |
| | | P) CALL ORDER DESK FOR SPECIFIC APPLICATION (V.I.N.) | | | | | |

| | | |
|-------------------------------------|--------------|-----------------|
| | Date:10/2022 | PAGE:Y2-1828-50 |
| ARMREST PASSENGER'S SEAT- "MULTINA" | | |



| | | Date:10/2022 | PAGE:Y2-1828-50 | | | | |
|-------------------------------------|------|--|----------------------------|---|---|--|-----------------------|
| ARMREST PASSENGER'S SEAT- "MULTINA" | | | | | | | |
| Item# | Part | Description | X L I I 4 5 | X L I I M T H 4 0 | X L I I M T H 4 5 | X L I I M T H 4 5 E | N O T E S |
| | | P) CALL ORDER DESK FOR SPECIFIC APPLICATION (V.I.N.) | | | | | |

| | | |
|--|--------------|-----------------|
| | Date:10/2022 | PAGE:Y2-1828-60 |
| ACCESSORIES PASSENGER'S SEAT - "MULTINA" | | |



Date:10/2022

PAGE:Y2-1828-60

ACCESSORIES PASSENGER'S SEAT - "MULTINA"

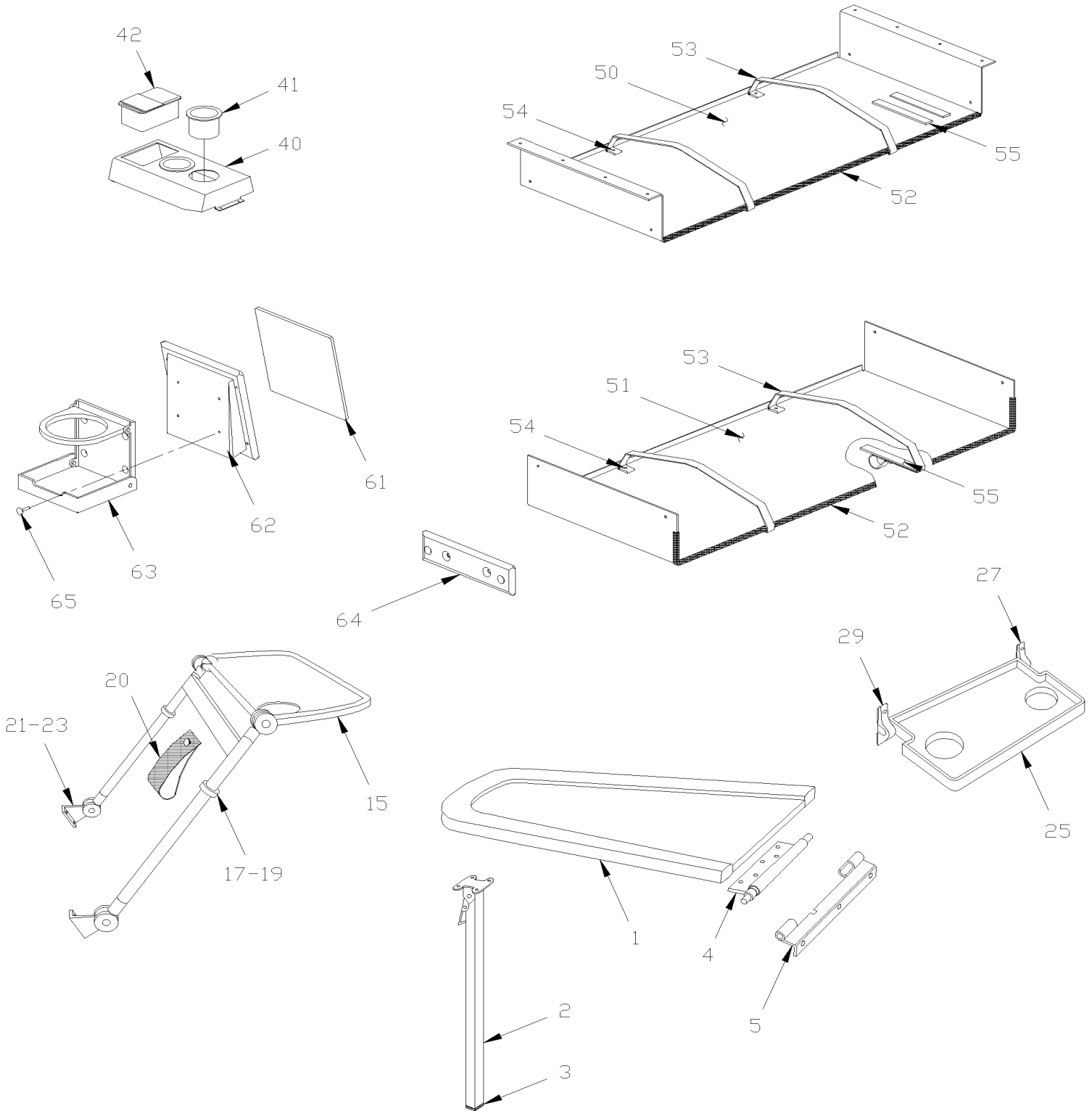
| Item# | Part | Description | X L I I I 4 5 | X L I I I M T H 4 0 | X L I I I M T H 4 5 | X L I I I M T H 4 5 E | N O T E S |
|-------|-----------------|--|---------------------------------|--|--|---|-----------------------|
| | 862841 | TRAY TABLE, AIRCRAFT STYLE | 1 | | | | |
| 1 | Call order desk | . TRAY TABLE ASSY | 1 | | | | P |
| 2 | Call order desk | . TRAY TABLE ARM, LEFT-HAND | 1 | | | | P |
| 3 | Call order desk | . TRAY TABLE ARM, RIGHT-HAND | 1 | | | | P |
| 4 | Call order desk | . NONE-SLIP BASE | 1 | | | | P |
| 5 | 863210 | . LATCH, TRAY TABLE | 1 | | | | |
| 6 | Call order desk | . SCREW MA PAN PH M3.5-0.6x10 ZP | 1 | | | | P |
| 7 | Call order desk | . SCREW CAP BUT HEXS M6x20 SS | 2 | | | | P |
| 8 | Call order desk | . VELCRO RING WITH ADHESIVE | 2 | | | | P |
| 9 | Call order desk | . SCREW SET HEXS FP M5x0.8x20 M5x0.8x20 | 2 | | | | P |
| 10 | Call order desk | . RING, RTNG, EXTL, SPR CS, SHAFT DIA 3/4" x | 2 | | | | P |
| | | | | | | | |
| 20 | Call order desk | GRAB HANDLE LATERAL KIT | 1 | | | | P |
| 20 | Call order desk | . GRAB HANDLE , RUSPA TORINO SOFT TOUCH, BLAC | 1 | | | | P |
| 21 | Call order desk | . SCREW MA PAN PH M5-0.8x25 ZP | 2 | | | | P |
| 22 | Call order desk | . SCREW BUT BK | 2 | | | | P |
| | | . CHAR(255) | | | | | |
| 30 | 862844 | CUP HOLDER, RUSPA, BLACK | 1 | | | | |
| 30 | 863181 | . CUP HOLDER, RUSPA, BLACK | 1 | | | | |
| 31 | 863430 | SCREW MA PAN PH M3.5-0.6x10 ZP | 2 | | | | |
| | | . CHAR(255) | | | | | |
| 40 | 862842 | MAGAZINE RACK / PLASTIC 350MM x 145MM = BLACK 6 BARS | 1 | | | | |
| 40 | Call order desk | . MAGAZINE NET, RUSPA, BLACK | 1 | | | | P |
| 41 | 863430 | SCREW MA PAN PH M3.5-0.6x10 ZP | 2 | | | | |
| | | | | | | | |
| | | | | | | | |
| | | P) CALL ORDER DESK FOR SPECIFIC APPLICATION (V.I.N.) | | | | | |

From Y-7046 To 6-8906

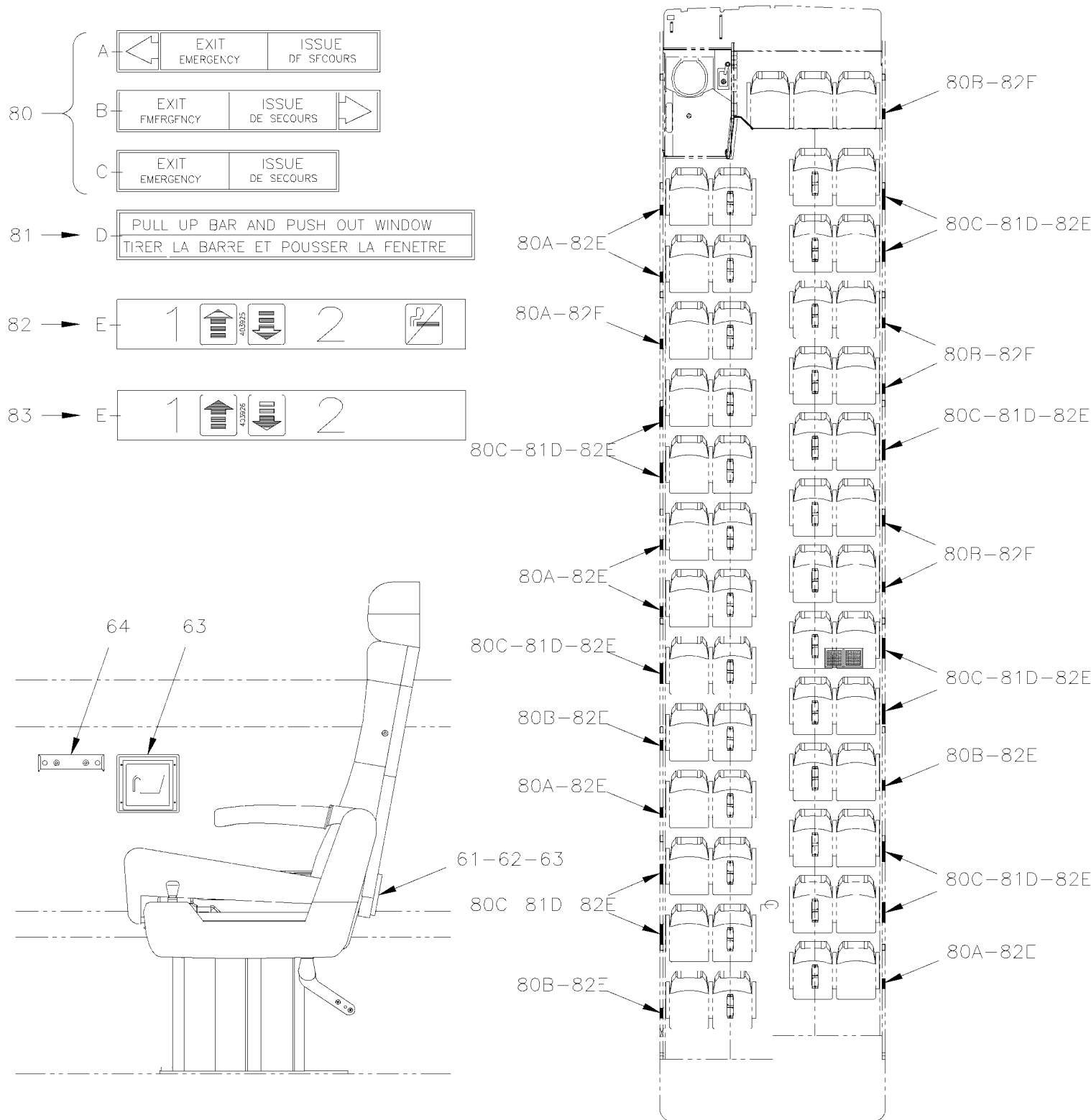
Date:10/2022

PAGE:Y2-1829-00

ACCESSORIES PASSENGER'S SEAT - "PREVOST"



| | | |
|---|--------------|-----------------|
| From Y-7046 To 6-8906 | Date:10/2022 | PAGE:Y2-1829-00 |
| ACCESSORIES PASSENGER'S SEAT - "PREVOST" | | |



| | | |
|---|--------------|-----------------|
| From Y-7046 To 6-8906 | Date:10/2022 | PAGE:Y2-1829-00 |
| ACCESSORIES PASSENGER'S SEAT - "PREVOST" | | |

| Item# | Part | Description | X L I I 4 5 | X L I I M T H 4 0 | X L I I M T H 4 5 | X L I I M T H 4 5 E | N O T E S |
|-------|-----------------|---|----------------------------|---|---|--|-----------------------|
| 1 | 362215P | TABLE ASSY / "FORMICA" & LEATHERETTE SPECIFY COLOR | 1 | | | | |
| 1 | Call order desk | TABLE ASSY / "FORMICA" & LEATHERETTE V.I.P. 2 PASSENGER | 1 | | | | P |
| 1 | Call order desk | TABLE ASSY / "FORMICA" & LEATHERETTE V.I.P. 1 PASSENGER | 1 | | | | P |
| 1 | 363796 | TABLE ASSY / GREY ABS COVERING W/4 GLASS 857MM | 1 | | | | |
| . NS | 364187 | . TABLE TOP ASSY W/OUT HARDWARE | 1 | | | | |
| 1 | 363795 | . COVERING W/4 GLASS HOLDER / MEDIUM GREY 857MM | 1 | | | | |
| 2 | 361432 | . LEG (MODIFIED) | 1 | | | | |
| 2 | 860333 | . . LEG 25 1/8" / 639.8MM | 1 | | | | |
| 3 | 860718 | . . . GLIDE SQUARE END 1 X 1 X TUBE 13 GA / P | 1 | | | | |
| 4 | 360255 | . HINGE / TABLE SECTION | 1 | | | | |
| . A | 360620 | . . ROD LOCK | 1 | | | | |
| . B | 363604 | . . SPRING COMPRESSION / .500 O.D. x 6.25 x .062 | 1 | | | | |
| . C | 505221 | . . SPRING, PIN 1/8 X 3/8 | 1 | | | | |
| NS | 500841 | . SCREW TP PAN PH #14x3/4 Z050 | 9 | | | | |
| NS | 506006 | . TAPE RUB ADH1 CC POL 3/8" x 1 1/4" x 20' / GREY 2520 | AR | | | | |
| NS | 360325 | . DECAL "INSTALLATION OF CARD TABLE...." "BILINGUAL" | 1 | | | | |
| 5 | 361658 | HINGE / WALL SECTION 1 1/8"x1 5/16" ANGLE | 1 | | | | |
| NS | 360622 | ENVELOPE ASSY TABLE | 1 | | | | |
| NS | 500136 | SCREW MA OV PH 1/4-20x1 1/2 SS EMN | 3 | | | | |
| | | UTILITY TABLE | | | | | |
| 15 | 363611 | TABLE / W/"TOURISMO II" & "ULTRA" / BLACK | 1 | | | | |
| 15 | 363423 | STRAP / 145MM | 1 | | | | |
| 15 | 363464 | WASHER RETAINER | 1 | | | | |
| 15 | 500583 | SCREW TP PAN PH #6x1/2 Z050 | 1 | | | | |
| 17 | 363036 | SPACER | 4 | | | | |
| NS | 860859 | NYLON BUSHING / LOWER HINGE | 2 | | | | |
| 19 | 500552 | SCREW TP OV PH #6x3/4 Z050 | 4 | | | | |
| 20 | 363423 | STRAP / 145MM | 1 | | | | |
| 20 | 363464 | WASHER RETAINER | 1 | | | | |
| 20 | 500583 | SCREW TP PAN PH #6x1/2 Z050 | 1 | | | | |
| 21 | 502526 | SCREW TC BDG PH #12-24x3/4 Z050 | 4 | | | | |
| 23 | 502646 | WASHER LO INT .129x.280x.021 ZP | 4 | | | | |
| | | UTILITY SHELF / W/"TOURISMO II" & "ULTRA" | | | | | |
| 25 | 860657 | SHELF | 1 | | | | |
| 27 | 860659 | ATTACHMENT | 2 | | | | |
| NS | 860892 | PIVOT ASSY | 2 | | | | |
| 29 | 500871 | SCREW TP OV PH #8x1 BK | 4 | | | | |

| | | |
|---|--------------|-----------------|
| From Y-7046 To 6-8906 | Date:10/2022 | PAGE:Y2-1829-00 |
| ACCESSORIES PASSENGER'S SEAT - "PREVOST" | | |

| Item# | Part | Description | X L I I 4 5 | X L I I M T H 4 0 | X L I I M T H 4 5 | X L I I M T H 4 5 E | N O T E S |
|-------|----------|--|----------------------------|---|---|--|-----------------------|
| | | V.I.P PASSENGER'S SEAT CENTER CONSOLE | | | | | |
| 40 | 363519 | CENTER CONSOLE V.I.P./ PLAIN | 1 | | | | |
| 40 | 363557 | CENTER CONSOLE V.I.P./ W/2 GLASS HOLDER | 1 | | | | |
| 40 | 363558 | CENTER CONSOLE V.I.P./ W/2 GLASS HOLDER & ASHTRAY | 1 | | | | |
| 40 | 363608 | CENTER CONSOLE V.I.P./ W/2 SELECTOR HEAD SET | 1 | | | | |
| 40 | 363983 | CENTER CONSOLE V.I.P./ W/2 GLASS HOLDER & 2 SELECTOR HEAD SET | 1 | | | | |
| 41 | 900675 | GLASS HOLDER, PLASTIC BLACK | 1 | | | | |
| 42 | 900518 | ASHTRAY | 1 | | | | |
| NS | 363079 | KIT FOR RETROFIT TABLE / SPACER WALL AND STRUCTURE | AR | | | | |
| . NS | IS-91077 | . SEE INSTRUCTION SHEET | 1 | | | | |
| 50 | 364021 | SUPPORT ASSY CARD TABLE UPPER 900MM | 1 | | | | |
| . NS | 364020 | . SUPPORT UPPER | 1 | | | | |
| 51 | 364024 | SUPPORT ASSY CARD TABLE LOWER 900MM | 1 | | | | |
| . NS | 364023 | . SUPPORT LOWER | 1 | | | | |
| 52 | 506025 | . RUBBER CHANNEL / 1/18" x 5/16" INT "U" SHAPE / SQUARE C.T.L. | AR | | | | |
| 53 | 364022 | . STRAP RETAINER | 2 | | | | |
| 54 | 504113 | . RIVET POP DOME CLE 3/16x1/4 AL | 2 | | | | |
| 55 | 506756 | . VELCRO / LOOP ADHESIF 1" x 75' | AR | | | | |
| 61 | 363897 | PLATE | AR | | | | |
| 62 | 363518 | SUPPORT | AR | | | | |
| 63 | 900527 | GLASS HOLDER | AR | | | | |
| 63 | 900788 | GLASS HOLDER | AR | | | | |
| NS | 860642 | GLASS HOLDER / W/"AMAYA" / W/2 HOLES FOR SCREW | 1 | | | | |
| 64 | 860875 | TRASH BAG, SUPPORT / BLACK FIXED TO WALL | AR | | | | |
| 64 | 863976 | TRASH BAG, SUPPORT / GREY FIXED TO WALL | AR | | | | |
| NS | 861107 | TRASH BAG / BOX OF 5000 | AR | | | | |
| 65 | 502664 | SCREW TP PAN PH #8x1 SS EMN | 4 | | | | |
| 80 | 400543 | DECAL, "EMERGENCY EXIT" W/RED ARROW / ENGLISH & FRANCAIS | AR | | | | |
| 80 | 405627 | DECAL, "EMERGENCY EXIT" W/RED ARROW / ENGLISH & SPANISH | AR | | | | |
| 80 | 403694 | DECAL / BRAILLE / EMERGENCY EXIT TO YOUR RIGHT | AR | | | | |
| 80 | 403695 | DECAL / BRAILLE / EMERGENCY EXIT TO YOUR LEFT | AR | | | | |
| 80 | 403696 | DECAL / BRAILLE / EMERGENCY EXIT ONLY / ENGLISH & FRANCAIS To 5-8699 | AR | | | | |
| 80 | 405775 | DECAL / BRAILLE / EMERGENCY EXIT ONLY / ENGLISH & FRANCAIS From 5-8700 | AR | | | | |
| 80 | 403707 | DECAL / BRAILLE / TIRER LA BARRE POUSSER LA FENETRE / FRENCH | 1 | | | | |
| 81 | 400544 | DECAL "PULL UP BAR & PUSH OUT WINDOW" / ENGLISH & FRANCAIS | AR | | | | |
| 81 | 405628 | DECAL "PULL UP BAR & PUSH OUT WINDOW" / ENGLISH & SPANISH | AR | | | | |
| 81 | 403693 | DECAL / BRAILLE / PULL UP BAR PUSH OUT WINDOW / ENGLISH | AR | | | | |
| 82 | 403925 | DECAL SEAT EVEN-NUMBERED ON AISLE / 1-60 / NO SMOKING | 1 | | | | |
| 82 | 403928 | DECAL SEAT ODD & EVEN NUMBERED ON AISLE / 1-6 / NO SMOKING | 1 | | | | |

| | | |
|-----------------------|--------------|-----------------|
| From Y-7046 To 6-8906 | Date:10/2022 | PAGE:Y2-1829-00 |
|-----------------------|--------------|-----------------|

ACCESSORIES PASSENGER'S SEAT - "PREVOST"

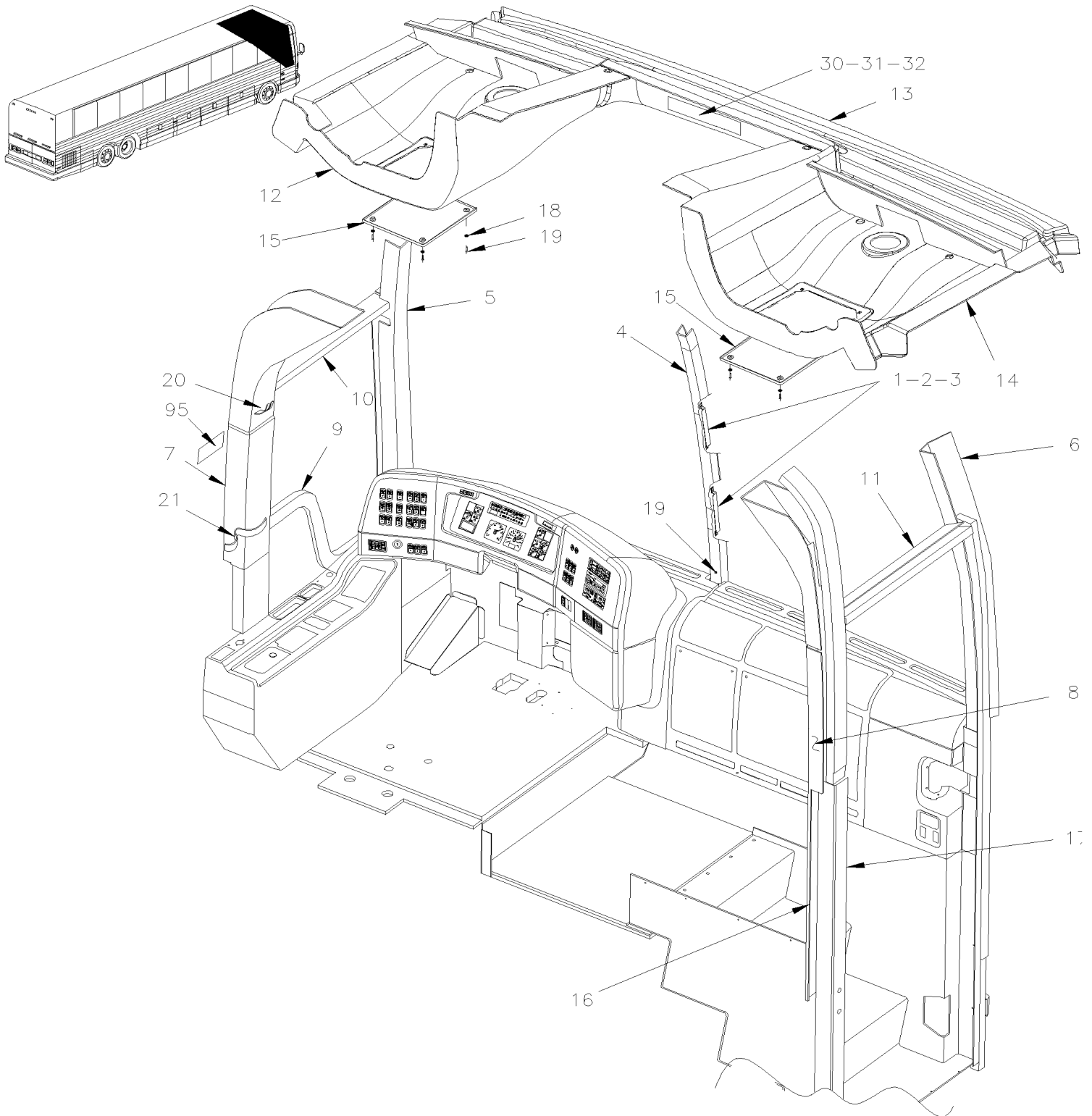
| Item# | Part | Description | X L I I 4 5 | X L I I M T H 4 0 | X L I I M T H 4 5 | X L I I M T H 4 5 E | N O T E S |
|-------|--------|--|--------------------------------|---|---|--|-----------------------|
| 83 | 403926 | DECAL SEAT ODD-NUMBERED ON AISLE / 1-60 | 1 | | | | |
| 83 | 403927 | DECAL SEAT ODD & EVEN NUMBERED ON AISLE / 1-6 | 1 | | | | |
| NS | 405211 | DECAL / "WARNING ...LOWER THE ARMREST / ENGLISH & FRANCAIS | 1 | | | | |
| NS | 405649 | DECAL / "WARNING ...LOWER THE ARMREST / ENGLISH & SPANISH | 1 | | | | |
| | | | | | | | |
| | | | | | | | |
| | | | | | | | |
| | | P) CALL ORDER DESK FOR SPECIFIC APPLICATION (V.I.N.) | | | | | |

From Y-7046 To 6-8906

Date:10/2022

PAGE:Y2-1832-00

FRONT FINISHING CAP - BUS



| | | |
|----------------------------------|--------------|-----------------|
| From Y-7046 To 6-8906 | Date:10/2022 | PAGE:Y2-1832-00 |
| FRONT FINISHING CAP - BUS | | |

| Item# | Part | Description | X L I I 4 5 | X L I I M T H 4 0 | X L I I M T H 4 5 | X L I I M T H 4 5 E | N O T E S |
|-------|---------|---|----------------------------|---|---|--|-----------------------|
| 1 | 326744 | CENTRAL MOULDING SUPPORT | 6 | | | | |
| 2 | 502531 | SCREW CAP HEX M6-1.0x16 G8.8 Z050 | 6 | | | | |
| 3 | 502511 | NUT HEX NYRT M6-1.0 Z050 | 6 | | | | |
| 4 | 327142 | CENTER MOULDING / W/WINDSHIELD 86" To Y-7133 | 1 | | | | |
| 4 | 327351 | CENTER MOULDING From Y-7134 To Y-7220 | 1 | | | | |
| 4 | 327370 | CENTER MOULDING From Y-7221 | 1 | | | | |
| 5 | 327042 | FINISHING MOULDING L.H. WINDSHIELD | 1 | | | | |
| 6 | 327000 | FINISHING MOULDING R.H. WINDSHIELD | 1 | | | | |
| 7 | 327187 | L.H. MOULDING | 1 | | | | |
| 8 | 327186 | R.H. MOULDING | 1 | | | | |
| NS | 500463 | WASHER FN CKF .187x.500x.090 BR Z050 | AR | | | | |
| NS | 500552 | SCREW TP OV PH #6x3/4 Z050 | AR | | | | |
| 9 | 326741 | FINISHING MOULDING SERVICE DOOR | 1 | | | | |
| 10 | 327135 | UPPER MOULDING SERVICE DOOR To 2-7768 | 1 | | | | |
| 10 | 327681 | UPPER MOULDING SERVICE DOOR From 2-7768 | 1 | | | | |
| 11 | 327134 | UPPER MOULDING ENTRANCE DOOR | 1 | | | | |
| 12 | 341060 | TRANSITION CEILING FRONT LEFT To 2-7892 | 1 | | | | |
| 12 | 341099 | TRANSITION CEILING FRONT LEFT W/HALOGEN From 2-7893 | 1 | | | | |
| 13 | 341061 | TRANSITION CEILING To 3-8132 | 1 | | | | |
| 13 | 327136 | TRANSITION CEILING From 3-8133 To 3-8212 | 1 | | | | |
| 13 | 341101 | TRANSITION CEILING PANEL / W/FAN INSTALLATION From 4-8213 | 1 | | | | |
| 14 | 341062 | TRANSITION CEILING FRONT RIGHT To 2-7892 | 1 | | | | |
| 14 | 341100 | TRANSITION CEILING FRONT RIGHT W/HALOGEN From 2-7893 | 1 | | | | |
| 15 | 341070 | ACCESS PANEL CEILING FRONT | 2 | | | | |
| NS | 500563 | NUT SPR U #8-32 .094-.125 | 8 | | | | |
| 16 | 327214 | R.H. MOULDING | 1 | | | | |
| 17 | 327213 | R.H. MOULDING | 1 | | | | |
| 18 | 500464 | WASHER FN CKF .210x.540 SS | AR | | | | |
| 19 | 500626 | SCREW TP OV PH #8x3/4 Z050 | AR | | | | |
| NS | 502741 | NUT AN #8 NYL | 8 | | | | |
| 20 | 900297 | HOOK / COAT | 1 | | | | |
| NS | 500633 | SCREW CAP HEX 5/16-24x7/8 G5 ZP | 1 | | | | |
| NS | 405052 | SUPPORT / REINFORCEMENT REAR OF CAP | 1 | | | | |
| NS | 504340 | RIVET POP DOME OE 1/8x3/16 SS | 2 | | | | |
| 21 | 409105 | STRAP ASSY | 1 | | | | |
| NS | 5001055 | NUT WELL M4-0.7x14.5 | 2 | | | | |
| NS | 500345 | WASHER FN CKF .187x.500x.090 BR BK | 2 | | | | |
| NS | 5001429 | SCREW MA FL PH M4-0.7x25 BK | 2 | | | | |
| 30 | 405425 | DECAL MOUNTING PLATE / 275MM X 46MM To 5-8605 | 1 | | | | |
| 30 | 405707 | DECAL MOUNTING PLATE / 250MM X 46MM From 5-8606 | 1 | | | | |
| 31 | 404636 | DECAL / "WATCH YOUR STEP" To 5-8605 | 1 | | | | |
| 31 | 405708 | DECAL / "WATCH YOUR STEP" From 5-8606 To 6-8843 | 1 | | | | |

| | | |
|----------------------------------|--------------|-----------------|
| From Y-7046 To 6-8906 | Date:10/2022 | PAGE:Y2-1832-00 |
| FRONT FINISHING CAP - BUS | | |

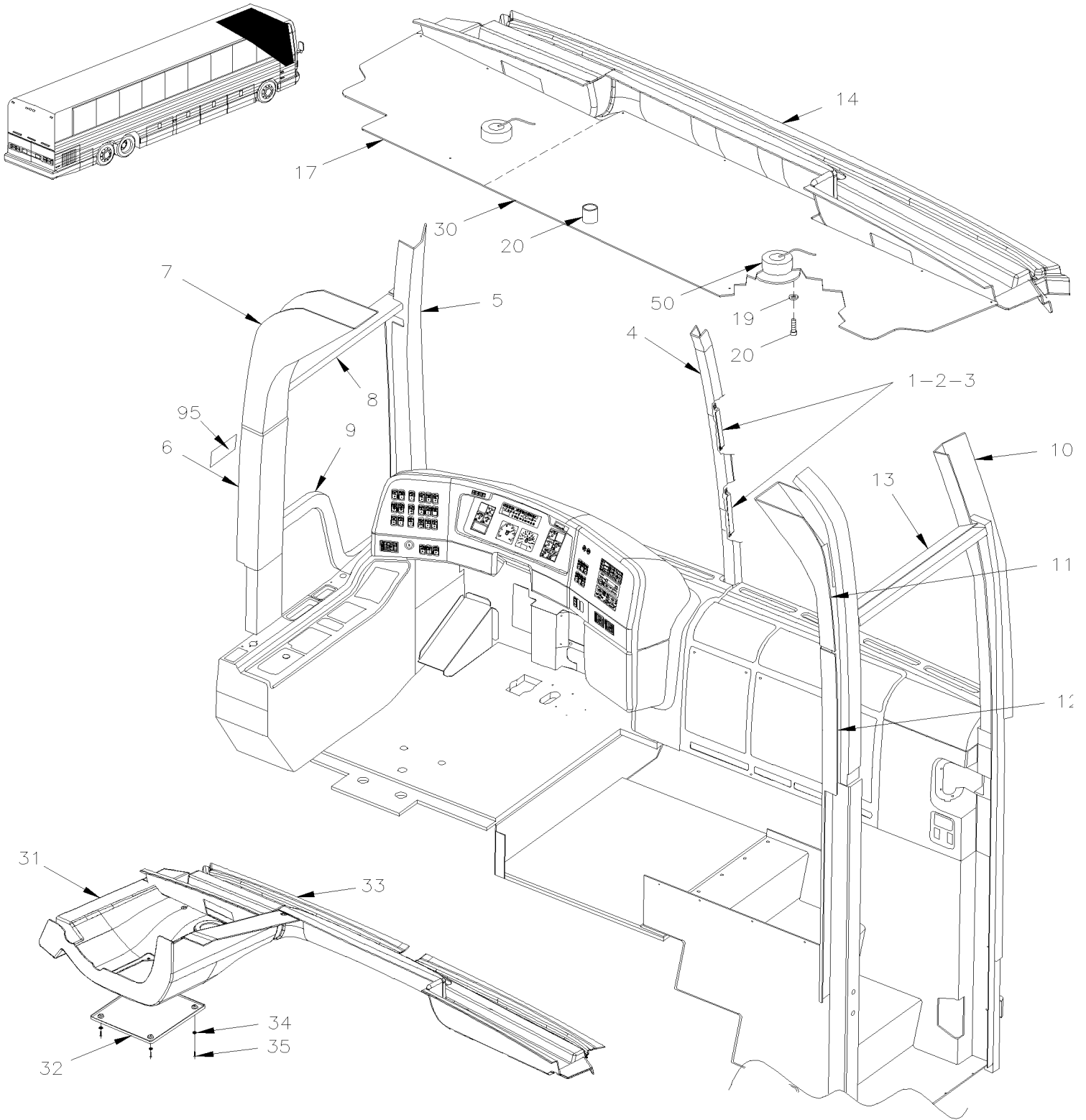
| Item# | Part | Description | X L I I 4 5 | X L I I M T H 4 0 | X L I I M T H 4 5 | X L I I M T H 4 5 E | N O T E S |
|-------|----------|--|----------------------------|---|---|--|-----------------------|
| 31 | 409155 | DECAL / "WATCH YOUR STEP" 35 x 235 From 6-8844 | 1 | | | | |
| 31 | 404637 | DECAL / "ATTENTION À LA MARCHÉ" / BILINGUAL To 5-8456 | 1 | | | | |
| 31 | 405689 | DECAL / "ATTENTION À LA MARCHÉ" / BILINGUAL From 5-8457 To 5-8605 | 1 | | | | |
| 31 | 405709 | DECAL / "ATTENTION À LA MARCHÉ" / BILINGUAL From 5-8606 To 6-8843 | 1 | | | | |
| 31 | 409156 | DECAL / "ATTENTION À LA MARCHÉ" / BILINGUAL 35 x 235 From 6-8844 | 1 | | | | |
| 31 | 405648 | DECAL / "WATCH YOUR STEP" / "CUINDADO CON EL To 5-8605 | 1 | | | | |
| 31 | 405710 | DECAL / "WATCH YOUR STEP" / "CUINDADO CON EL From 5-8606 To 6-8843 | 1 | | | | |
| 31 | 409157 | DECAL / "WATCH YOUR STEP" / "CUINDADO CON EL 35 x 235 From 6-8844 | 1 | | | | |
| 32 | 504108 | RIVET POP DOME OE 1/8x1/2 AL | 2 | | | | |
| NS | 500437 | WASHER FL .125x.375x.040 Z050 | 2 | | | | |
| NS | IS19921 | BELT CUTTER INSTALLATION IN THE DRIVER AREA | 1 | | | | |
| . NS | 860584 | . BELT CUTTER | 1 | | | | |
| . NS | 7770495 | . 3M DUAL LOCK VELCRO | 1 | | | | |
| . NS | IS-19921 | . SEE INSTRUCTION SHEET | 1 | | | | |
| . NS | FI-19921 | . VOIR FEUILLE D'INSTRUCTION | 1 | | | | |
| 95 | 0691001 | DECAL EMISSION WARNING CALIFORNIA | 1 | | | | A |
| | | | | | | | |
| | | | | | | | |
| | | A) REGULATIONS OF CALIFORNIA | | | | | |

From Y-7046 To 8-9339

Date:10/2022

PAGE:Y2-1832-50

FRONT FINISHING CAP - MTH



| | | |
|----------------------------------|--------------|-----------------|
| From Y-7046 To 8-9339 | Date:10/2022 | PAGE:Y2-1832-50 |
| FRONT FINISHING CAP - MTH | | |

| Item# | Part | Description | X L I I 4 5 | X L I I M T H 4 0 | X L I I M T H 4 5 | X L I I M T H 4 5 E | N O T E S |
|-------|--------|---|----------------------------|---|---|--|-----------------------|
| 1 | 326744 | CENTRAL MOULDING SUPPORT | | 6 | 6 | 6 | |
| 2 | 502531 | SCREW CAP HEX M6-1.0x16 G8.8 Z050 | | 6 | 6 | 6 | |
| 3 | 502511 | NUT HEX NYRT M6-1.0 Z050 | | 12 | 12 | 12 | |
| 4 | 327147 | CENTER MOULDING / W/WINDSHIELD 83" To Y-7128 | | 1 | 1 | | |
| 4 | 327142 | CENTER MOULDING / W/WINDSHIELD 86" | | 1 | 1 | 1 | |
| 5 | 327145 | L.H. MOULDING / WINDSHIELD / 83" To Y-7128 | | 1 | 1 | | |
| 5 | 327140 | L.H. MOULDING / WINDSHIELD / 86" | | 1 | 1 | 1 | |
| 5 | 327182 | L.H. MOULDING / WINDSHIELD 89" | | | | 1 | |
| 6 | 327144 | L.H. MOULDING / 83" To Y-7128 | | 1 | 1 | | |
| 6 | 327139 | L.H. MOULDING / 86" | | 1 | 1 | 1 | |
| 6 | 327563 | L.H. MOULDING / 86" | | 1 | 1 | 1 | A |
| 6 | 327180 | L.H. MOULDING / 89" | | | | 1 | |
| 6 | 327654 | L.H. MOULDING / 89" To 3-8130 | | | | 1 | A |
| 6 | 328012 | L.H. MOULDING / 89" From 3-8131 | | | | 1 | |
| 6 | 328013 | L.H. MOULDING / 89" From 3-8131 | | | | 1 | A |
| 7 | 327029 | UPPER FINISHING MOULDING L.H. | | 1 | 1 | 1 | |
| 8 | 327135 | UPPER MOULDING SERVICE DOOR | | 1 | 1 | 1 | |
| 9 | 326741 | FINISHING MOULDING SERVICE DOOR | | 1 | 1 | 1 | B |
| 9 | 327179 | FINISHING MOULDING SERVICE DOOR | | 1 | 1 | 1 | C |
| 10 | 327146 | R.H. MOULDING / WINDSHIELD / 83" To Y-7128 | | 1 | 1 | | |
| 10 | 327141 | R.H. MOULDING / WINDSHIELD / 86" | | 1 | 1 | 1 | |
| 10 | 327183 | R.H. MOULDING / WINDSHIELD 89" | | | | 1 | |
| 11 | 327030 | UPPER FINISHING MOULDING R.H. | | 1 | 1 | 1 | |
| 12 | 327143 | R.H. MOULDING / 83" To Y-7128 | | 1 | 1 | | |
| 12 | 327138 | R.H. MOULDING / 86" | | 1 | 1 | 1 | |
| 12 | 327181 | R.H. MOULDING / 89" | | | | 1 | |
| 12 | 327655 | R.H. MOULDING / 89" | | | | 1 | A |
| 13 | 327134 | UPPER MOULDING ENTRANCE DOOR | | 1 | 1 | 1 | |
| 14 | 327136 | TRANSITION CEILING | | 1 | 1 | | |
| 14 | 327136 | TRANSITION CEILING To 3-8130 | | | | 1 | |
| 15 | 500463 | WASHER FN CKF .187x.500x.090 BR Z050 | | 36 | 36 | 36 | |
| 16 | 500552 | SCREW TP OV PH #6x3/4 Z050 | | 36 | 36 | 36 | |
| 17 | 327137 | TRANSITION CEILING PANEL | | 1 | 1 | | |
| 17 | 327137 | TRANSITION CEILING PANEL To 2-7891 | | | | 1 | |
| 17 | 327825 | TRANSITION CEILING PANEL From 2-7892 To 3-8130 | | | | 1 | |
| 18 | 500436 | SCREW TP OV PH #10x2 Z050 | | AR | AR | AR | |
| 19 | 500465 | WASHER FN CKF .278x.729x.119 SS | | AR | AR | AR | |
| 20 | 504586 | WASHER FL SPACER .450x.625x.875 NYL | | AR | AR | AR | |
| 30 | 327993 | TRANSITION CEILING PANEL From 3-8131 | | | | 1 | |
| 31 | 341099 | TRANSITION CEILING FRONT LEFT W/HALOGEN From 3-8131 | | | | 1 | |
| 32 | 341070 | ACCESS PANEL CEILING FRONT From 3-8131 | | | | 1 | |
| 33 | 327992 | TRANSITION CEILING From 3-8131 | | | | 1 | |

| | | |
|----------------------------------|--------------|-----------------|
| From Y-7046 To 8-9339 | Date:10/2022 | PAGE:Y2-1832-50 |
| FRONT FINISHING CAP - MTH | | |

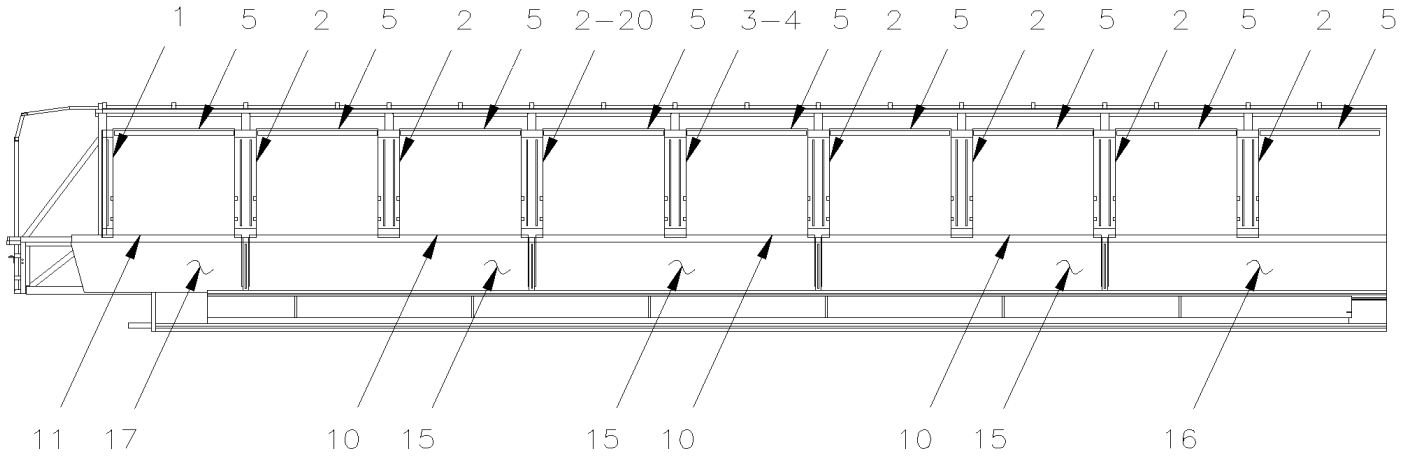
| Item# | Part | Description | X L I I 4 5 | X L I I M T H 4 0 | X L I I M T H 4 5 | X L I I M T H 4 5 E | N O T E S |
|-------|-------------------|---|----------------------------|---|---|--|-----------------------|
| 34 | 500464 | WASHER FN CKF .210x.540 SS From 3-8131 | | | | 4 | |
| 35 | 500626 | SCREW TP OV PH #8x3/4 Z050 From 3-8131 | | | | 4 | |
| 50 | Y2-0665-00 | ENGINE COMPARTMENT - ELECTRIC COMPONENTS | | | | | |
| 95 | 0691001 | DECAL EMISSION WARNING CALIFORNIA | | 1 | 1 | 1 | D |
| | | | | | | | |
| | | A) WITHOUT CUT AWAY FOR WINDOW CLEARANCE | | | | | |
| | | B) MTH 83" | | | | | |
| | | C) MTH 86" & MTH 89" | | | | | |
| | | D) REGULATIONS OF CALIFORNIA | | | | | |

From Y-7046 To 6-8906

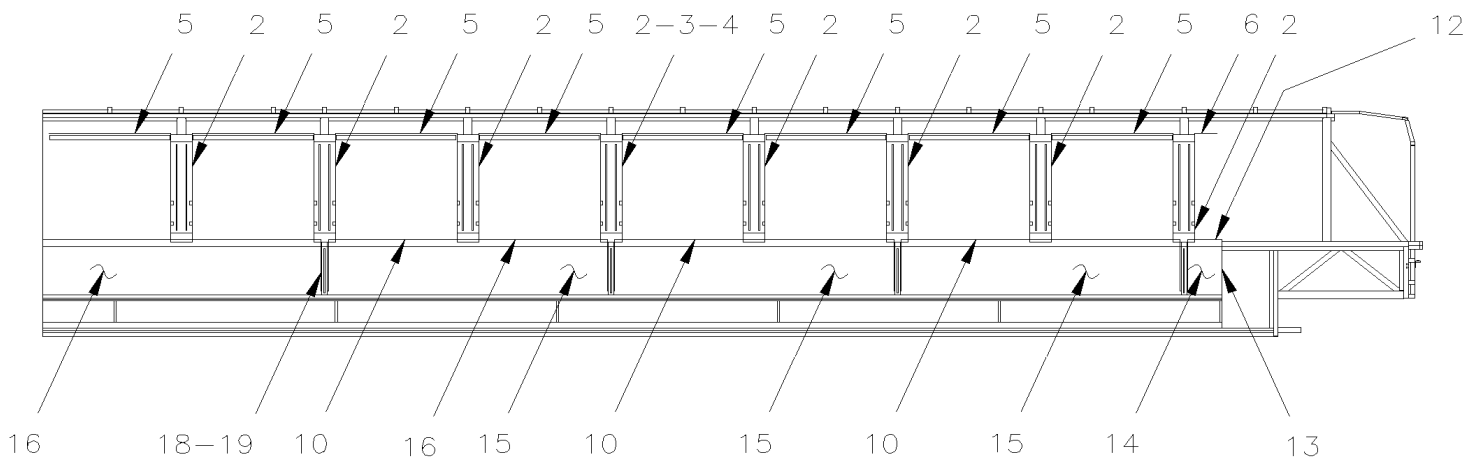
Date:10/2022

PAGE:Y2-1833-00

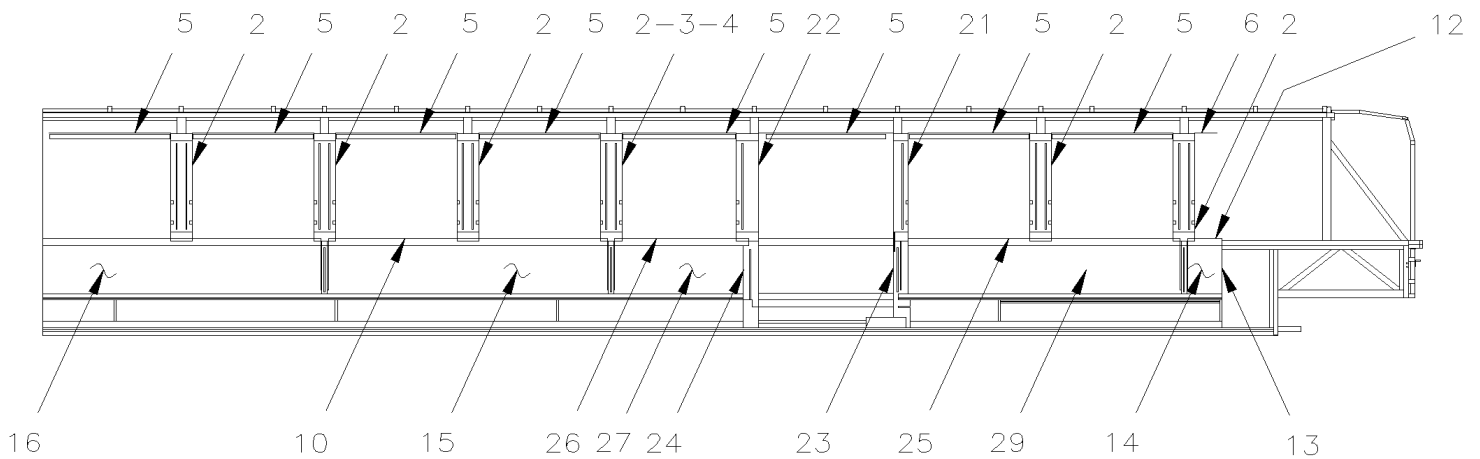
WINDOW FINISHING CAP & WALL



LEFT SIDE



RIGHT SIDE



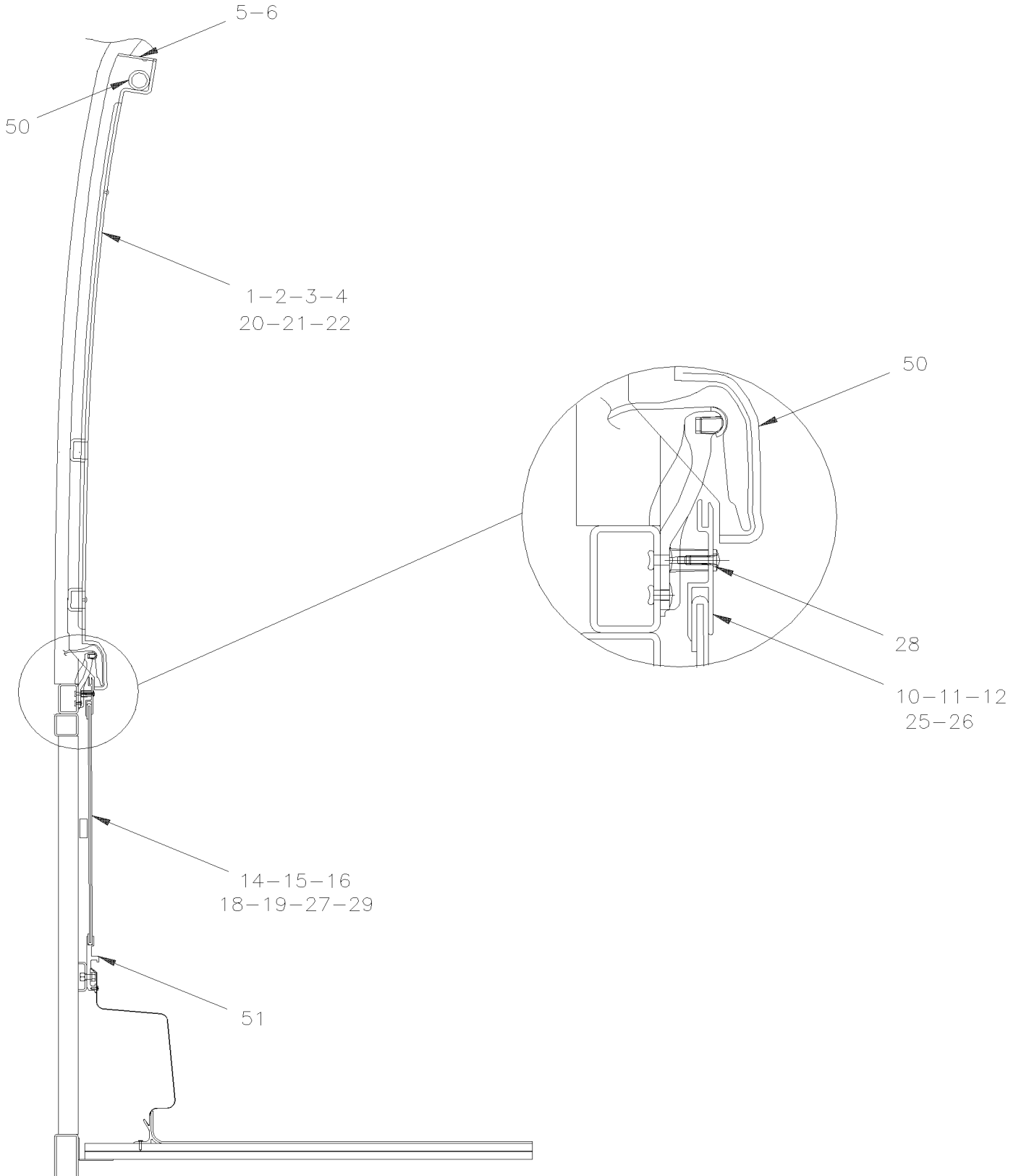
RIGHT SIDE WITH W.C.L.

From Y-7046 To 6-8906

Date:10/2022

PAGE:Y2-1833-00

WINDOW FINISHING CAP & WALL



| | | |
|-----------------------|--------------|-----------------|
| From Y-7046 To 6-8906 | Date:10/2022 | PAGE:Y2-1833-00 |
|-----------------------|--------------|-----------------|

WINDOW FINISHING CAP & WALL

| Item# | Part | Description | X L I I 4 5 | X L I I M T H 4 0 | X L I I M T H 4 5 | X L I I M T H 4 5 E | NOTES |
|-------|-----------------|---|----------------------------|---|---|--|-------|
| 1 | 327109 | CAP FINISHING / POST / W/S. GLASS & SUN SHADE | 1 | | | | |
| 1 | 327103 | CAP FINISHING / POST / W/S. GLASS | 1 | | | | |
| 1 | 327108 | CAP FINISHING / POST / W/T. GLASS & SUN SHADE | 1 | | | | |
| 1 | 327102 | CAP FINISHING / POST / W/T. GLASS | 1 | | | | |
| 2 | 327107 | CAP FINISHING / POST / W/S. GLASS & SUN SHADE | 1 | | | | |
| 2 | 327071 | CAP FINISHING / POST / W/S. GLASS | 1 | | | | |
| 2 | 327106 | CAP FINISHING / POST / W/T. GLASS & SUN SHADE | 1 | | | | |
| 2 | 327070 | CAP FINISHING / POST / W/T. GLASS | 1 | | | | |
| 3 | 327105 | CAP FINISHING / POST / W/S. GLASS | 1 | | | | A |
| 3 | 327109 | CAP FINISHING / POST / W/S. GLASS & SUN SHADE To Y-7310 | 1 | | | | A |
| 3 | 327111 | CAP FINISHING / POST / W/S. GLASS & SUN SHADE | 1 | | | | A |
| 3 | 327104 | CAP FINISHING / POST / W/T. GLASS | 1 | | | | A |
| 3 | 327110 | CAP FINISHING / POST / W/T. GLASS & SUN SHADE From Y-7311 | 1 | | | | A |
| 4 | 327171 | CAP FINISHING / UPPER POST | 2 | | | | A |
| NS | 405067 | DECAL / BLACK STRIP 3 1/2" x 46" | 1 | | | | A B |
| 5 | 327098 | FINISHING MOULDING / UPPER WINDOW W/T.GLASS / 60MM x 1108MM To 2-7787 | 16 | | | | |
| 5 | 327100 | FINISHING MOULDING / UPPER WINDOW W/S.GLASS / 77MM x 1108MM To 2-7787 | 16 | | | | |
| 5 | 320139 | FINISHING MOULDING / UPPER WINDOW / 40MM x 1108MM From 2-7788 | 16 | | | | |
| 6 | 327099 | FINISHING MOULDING / UPPER WINDOW W/T.GLASS / 60MM x 230MM To 2-7787 | 1 | | | | |
| 6 | 327101 | FINISHING MOULDING / UPPER WINDOW W/S.GLASS / 77MM x 230MM To 2-7787 | 1 | | | | |
| 6 | 320138 | FINISHING MOULDING / UPPER WINDOW / 40MM x 230MM From 2-7788 | 1 | | | | |
| 10 | 293293 | EXTRUSION, UPPER WALL 2548MM | 6 | | | | |
| 11 | 293294 | EXTRUSION, UPPER WALL 1526MM | 1 | | | | |
| 12 | 293295 | EXTRUSION, UPPER WALL 293MM | 1 | | | | |
| 13 | 506035 | TAPE RUB ADH1 NEO 1/2" x 1" x 15' / BLACK 1220X | AR | | | | |
| 14 | 327079P | PANEL LOWER WALL / FABRIC | 1 | | | | |
| 14 | Call order desk | PANEL LOWER WALL / CARPET | 1 | | | | P |
| 14 | Call order desk | PANEL ASSY / FORMICA | 1 | | | | P |
| 15 | 327078P | PANEL LOWER WALL / FABRIC | 6 | | | | |
| 15 | Call order desk | PANEL LOWER WALL / CARPET | 6 | | | | P |
| 15 | Call order desk | PANEL ASSY / FORMICA | 6 | | | | P |
| 16 | 327263P | PANEL LOWER WALL / FABRIC | 2 | | | | |
| 16 | Call order desk | PANEL LOWER WALL / CARPET | 2 | | | | P |
| 16 | Call order desk | PANEL LOWER WALL / FORMICA | 2 | | | | P |
| 17 | Call order desk | PANEL ASSY / FABRIC | 1 | | | | P |
| 17 | Call order desk | PANEL ASSY / CARPET | 1 | | | | P |
| 17 | Call order desk | PANEL LOWER WALL / FORMICA | 1 | | | | P |
| 18 | 327024 | EXTRUSION, WALL SEPARATOR 427.5MM | 8 | | | | |
| 19 | 322871 | WOOD SPACER 1/2" X 32MM X 32MM | 90 | | | | |
| 20 | 327410 | CAP FINISHING / POST / W/S. GLASS To 6-8802 | 1 | | | | W |
| 20 | 329325 | CAP FINISHING / POST / W/S. GLASS From 6-8803 | 1 | | | | W |
| 20 | 327414 | CAP FINISHING / POST / W/S. GLASS & SUN SHADE To 6-8802 | 1 | | | | W |

| | | |
|-----------------------|--------------|-----------------|
| From Y-7046 To 6-8906 | Date:10/2022 | PAGE:Y2-1833-00 |
|-----------------------|--------------|-----------------|

WINDOW FINISHING CAP & WALL

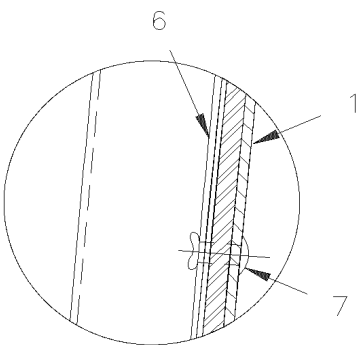
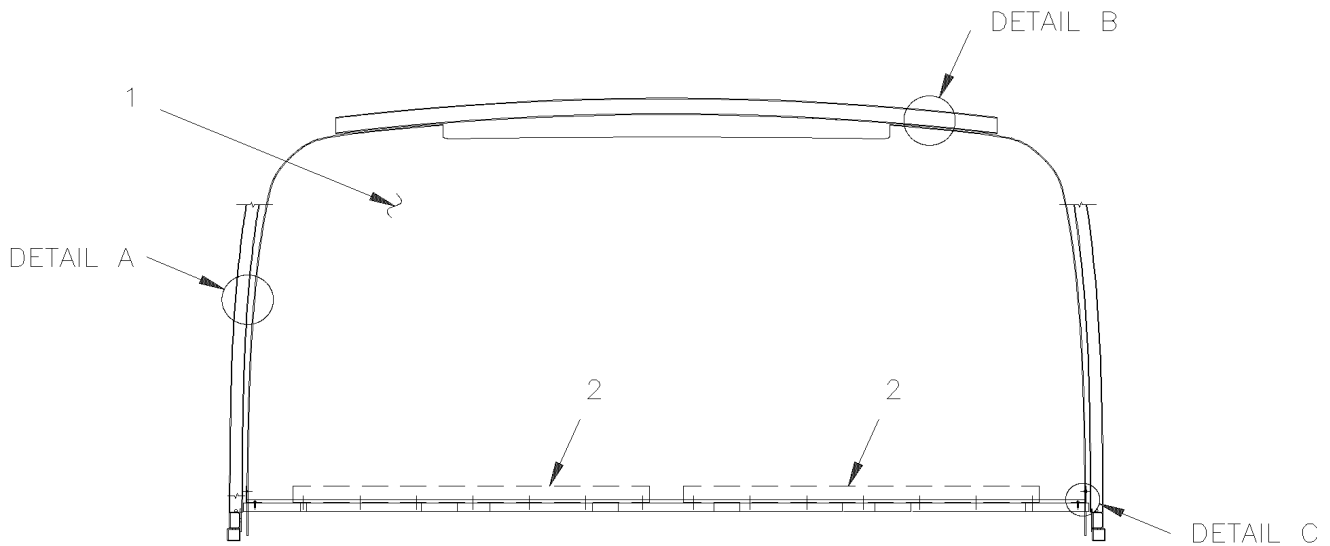
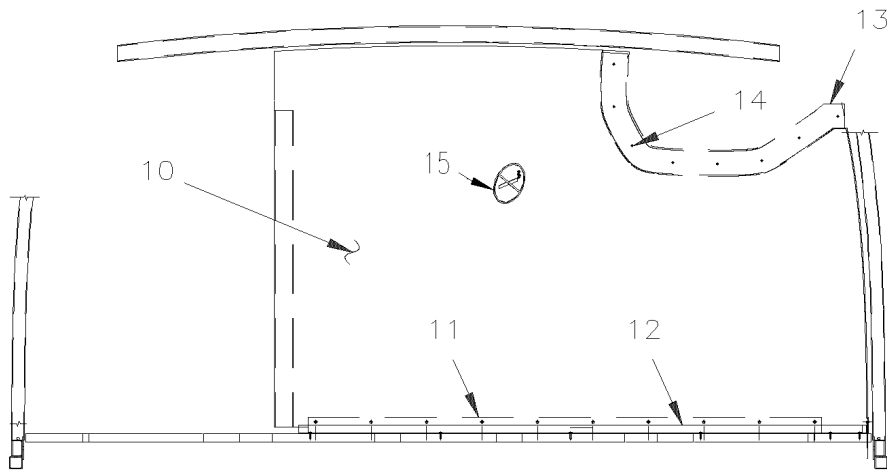
| Item# | Part | Description | X L I I 4 5 | X L I I M T H 4 0 | X L I I M T H 4 5 | X L I I M T H 4 5 E | NOTES |
|-------|-------------------|---|----------------------------|---|---|--|-------|
| 20 | 329324 | CAP FINISHING / POST / W/S. GLASS & SUN SHADE From 6-8803 | 1 | | | | W |
| 20 | 327411 | CAP FINISHING / POST / W/T. GLASS To 6-8802 | 1 | | | | W |
| 20 | 329327 | CAP FINISHING / POST / W/T. GLASS From 6-8803 | 1 | | | | W |
| 20 | 327412 | CAP FINISHING / POST / W/T. GLASS & SUN SHADE To 6-8802 | 1 | | | | W |
| 20 | 329326 | CAP FINISHING / POST / W/T. GLASS & SUN SHADE From 6-8803 | 1 | | | | W |
| 21 | 327409 | CAP FINISHING / POST / W/S. GLASS | 1 | | | | W |
| 21 | 327407 | CAP FINISHING / POST / W/S. GLASS & SUN SHADE | 1 | | | | W |
| 21 | 327408 | CAP FINISHING / POST / W/T. GLASS | 1 | | | | W |
| 21 | 327406 | CAP FINISHING / POST / W/T. GLASS & SUN SHADE | 1 | | | | W |
| 22 | 327404 | CAP FINISHING / POST / W/S. GLASS | 1 | | | | W |
| 22 | 327402 | CAP FINISHING / POST / W/S. GLASS & SUN SHADE | 1 | | | | W |
| 22 | 327405 | CAP FINISHING / POST / W/T. GLASS | 1 | | | | W |
| 22 | 327401 | CAP FINISHING / POST / W/T. GLASS & SUN SHADE | 1 | | | | W |
| 22 | 405143 | DECAL / BLACK STRIP W/DOTTED 1117MM x 118MM | 1 | | | | |
| 23 | 327433 | MOLDING, FINISHING | 1 | | | | |
| 24 | 327432 | MOLDING, FINISHING | 1 | | | | |
| 25 | 293506 | EXTRUSION, UPPER WALL 2481MM | 1 | | | | |
| 26 | 293505 | EXTRUSION, UPPER WALL 1214MM | 1 | | | | |
| 27 | 327424P | PANEL LOWER WALL / FABRIC | 1 | | | | |
| 27 | Call order desk | PANEL LOWER WALL / CARPET | 1 | | | | P |
| 27 | Call order desk | PANEL LOWER WALL | 1 | | | | P |
| 28 | 500611 | SCREW TC PAN PH #10-24x1/2 Z050 | AR | | | | |
| 29 | 327078P | PANEL LOWER WALL / FABRIC | 1 | | | | |
| 29 | Call order desk | PANEL LOWER WALL / CARPET | 1 | | | | P |
| 29 | Call order desk | PANEL ASSY / FORMICA | 1 | | | | P |
| 50 | Y2-1884-00 | SIDE WINDOW - BUS | | | | | |
| 51 | Y2-2220-00 | UNDER FLOOR AIR DUCTING | | | | | |
| | | | | | | | |
| | | | | | | | |
| | | | | | | | |
| | | | | | | | |
| | | A) WITH A/C IN PARCEL RACK | | | | | |
| | | B) UPPER WINDOW | | | | | |
| | | W) WITH W.C.L | | | | | |
| | | P) CALL ORDER DESK FOR SPECIFIC APPLICATION (V.I.N.) | | | | | |

From Y-7046 To 8-9339

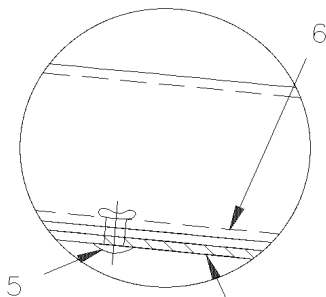
Date:10/2022

PAGE:Y2-1834-00

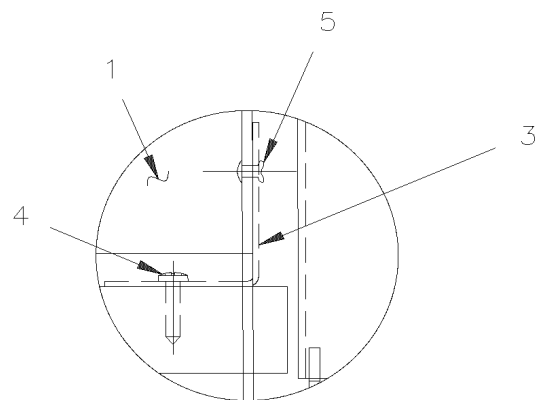
REAR FINISHING CAP



DETAIL A



DETAIL B

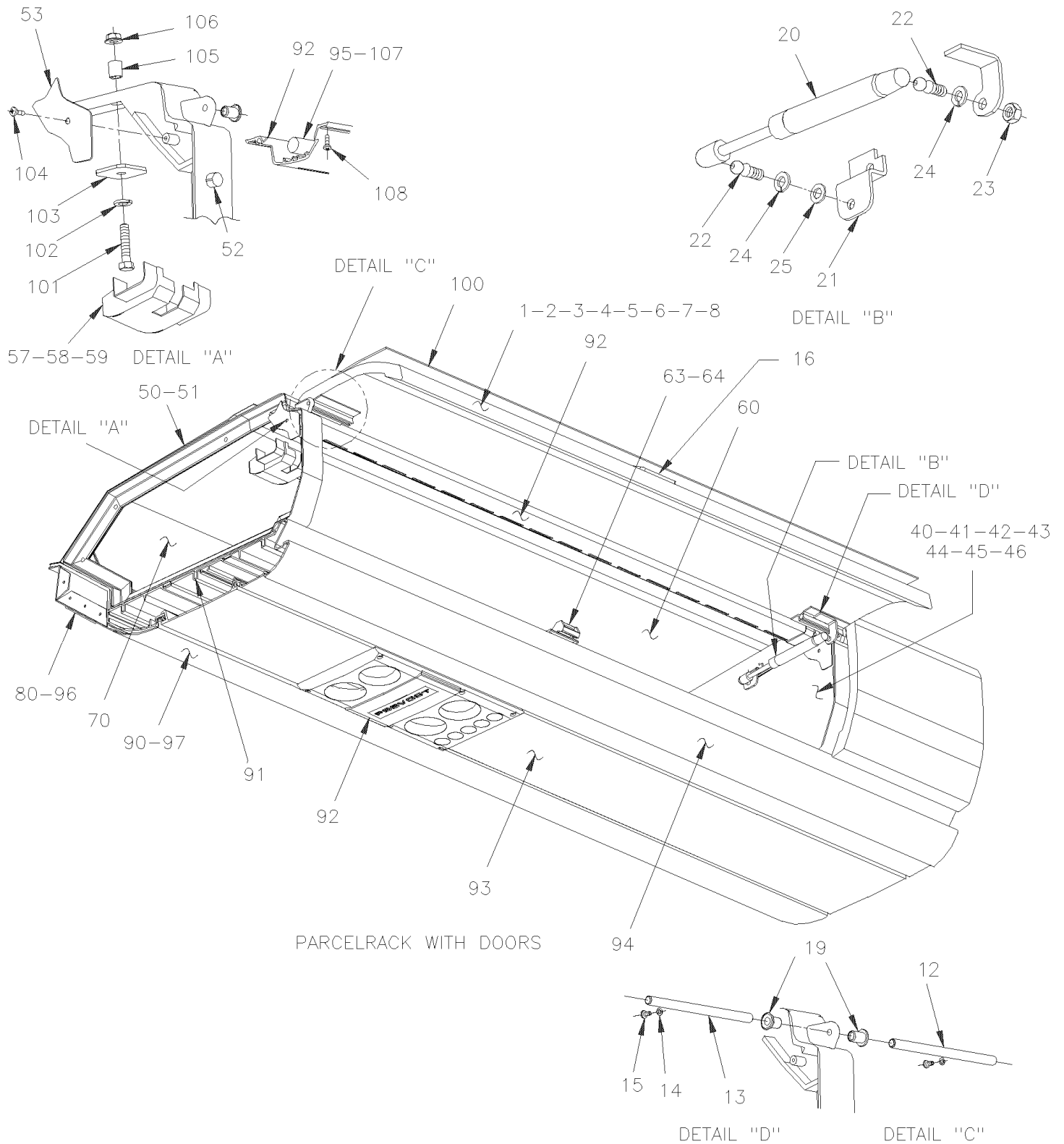


DETAIL C

| | | |
|---------------------------|--------------|-----------------|
| From Y-7046 To 8-9339 | Date:10/2022 | PAGE:Y2-1834-00 |
| REAR FINISHING CAP | | |

| Item# | Part | Description | X L I I 4 5 | X L I I M T H 4 0 | X L I I M T H 4 5 | X L I I M T H 4 5 E | N O T E S |
|-------|--------|---|----------------------------|---|---|--|-----------------------|
| 1 | 341011 | CAP, REAR / FIBERGLASS LIGHT GREY MTH 83" To Y-7128 | | | 1 | | |
| 1 | 341038 | CAP, REAR / FIBERGLASS CHARCOAL MTH 83" To Y-7128 | | | 1 | | |
| 1 | 341028 | CAP, REAR / FIBERGLASS LIGHT GREY MTH 83" To Y-7128 | | 1 | | | |
| 1 | 341036 | CAP, REAR / FIBERGLASS CHARCOAL MTH 83" To Y-7128 | | 1 | | | |
| 1 | 341012 | CAP, REAR / FIBERGLASS LIGHT GREY MTH 86" | | | 1 | 1 | |
| 1 | 341039 | CAP, REAR / FIBERGLASS CHARCOAL MTH 86" | | | 1 | 1 | |
| 1 | 341029 | CAP, REAR / FIBERGLASS LIGHT GREY MTH 86" | | 1 | | | |
| 1 | 341037 | CAP, REAR / FIBERGLASS CHARCOAL MTH 86" | | 1 | | | |
| 1 | 341080 | CAP, REAR / FIBERGLASS MTH 89" | | | | 1 | |
| 2 | 341045 | ANGLE 45MM X 50MM X 1040MM | | 2 | 2 | 2 | |
| 3 | 341046 | ANGLE 50MM X 50MM X 315MM | | 2 | 2 | 2 | |
| 4 | 500641 | SCREW TP PAN PH #8x3/4 Z050 | | 24 | 24 | 24 | |
| 4 | 500592 | SCREW TP FL PH #8x1 ZP To 6-8906 | 14 | | | | |
| 5 | 504121 | RIVET POP DOME OE 1/4x1/4 AL | | AR | AR | AR | |
| 6 | 506466 | TAPE RUB ADH1 CC POL 1/16" x 1 1/2" x 100 / GREY 2520 | | AR | AR | AR | |
| 7 | 504132 | RIVET POP DOME OE 1/4x1/2 MNL | | 5 | 5 | 5 | |
| 10 | 341033 | CAP, REAR / FIBERGLAS WITH TISSUS To 6-8906 | 1 | | | | |
| 10 | 341027 | CAP, REAR / FIBERGLAS LIGHT GREY To 6-8906 | 1 | | | | |
| 10 | 341098 | CAP, REAR / FIBERGLAS LIGHT GREY / W/O LAVATORY To 6-8906 | 1 | | | | |
| 11 | 341043 | ANGLE 45MM X 50MM X 1500MM To 6-8906 | 1 | | | | |
| 12 | 341058 | FINISHING ANGLE 344MM X 1660MM To 6-8906 | 1 | | | | |
| 13 | 327032 | FINISHING CAP / PLASTIC / PARCEL RACK CONTOUR To 6-8906 | 1 | | | | |
| 14 | 504108 | RIVET POP DOME OE 1/8x1/2 AL To 6-8906 | 6 | | | | |
| 15 | 405178 | MOUNTING PLATE 228MM x 228MM SS To 6-8906 | 1 | | | | |
| NS | 500339 | SCREW MA RND PH #6-32x3/4 SS To 6-8906 | 4 | | | | |
| NS | 500286 | NUT WELL #6-32 To 6-8906 | 4 | | | | |
| 15 | 901026 | DECAL / "NO SMOKING" / 4" O.D. To 6-8906 | 1 | | | | |
| | | | | | | | |
| | | | | | | | |
| | | | | | | | |

| | | |
|-----------------------|--------------|-----------------|
| From Y-7046 To 6-8906 | Date:10/2022 | PAGE:Y2-1836-00 |
| PARCEL RACK | | |

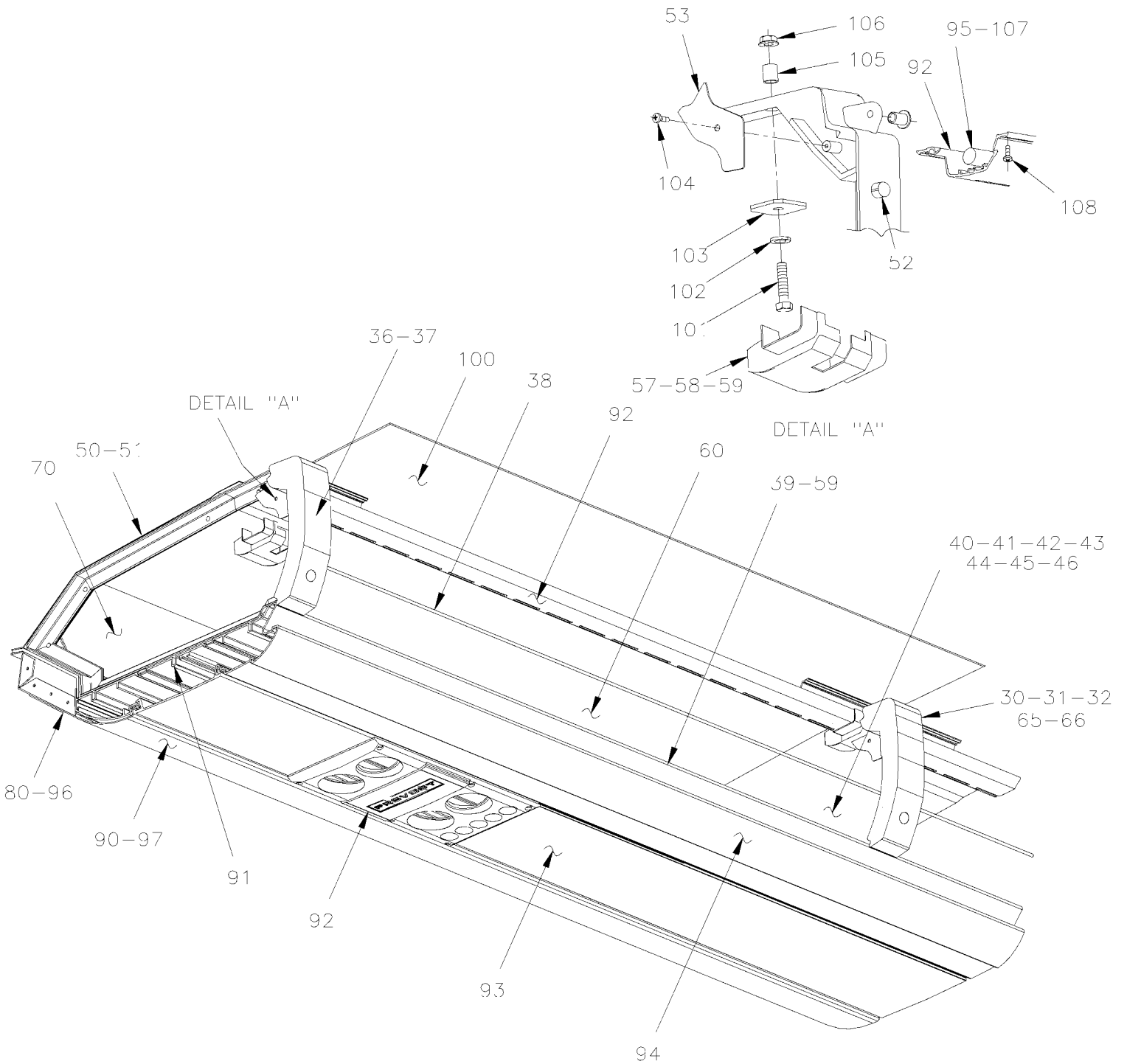


From Y-7046 To 6-8906

Date:10/2022

PAGE:Y2-1836-00

PARCEL RACK



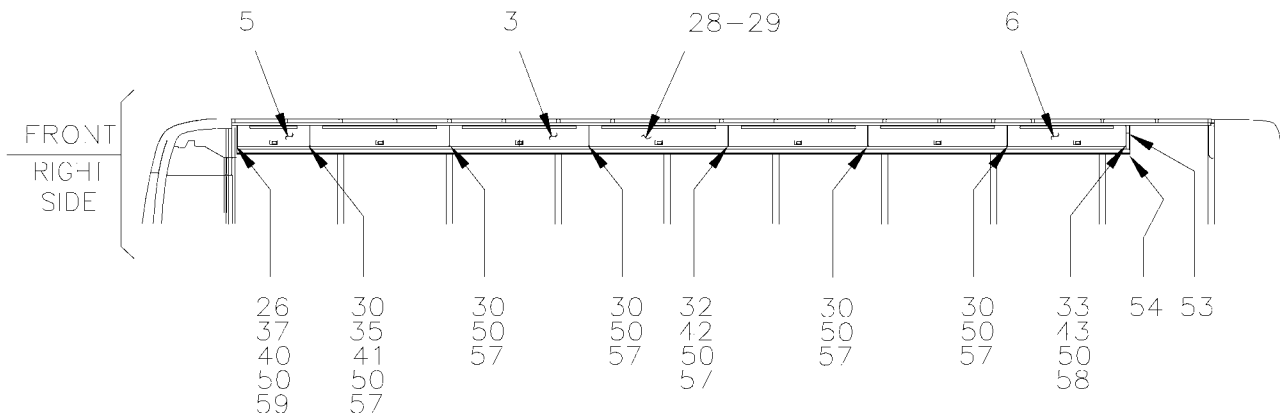
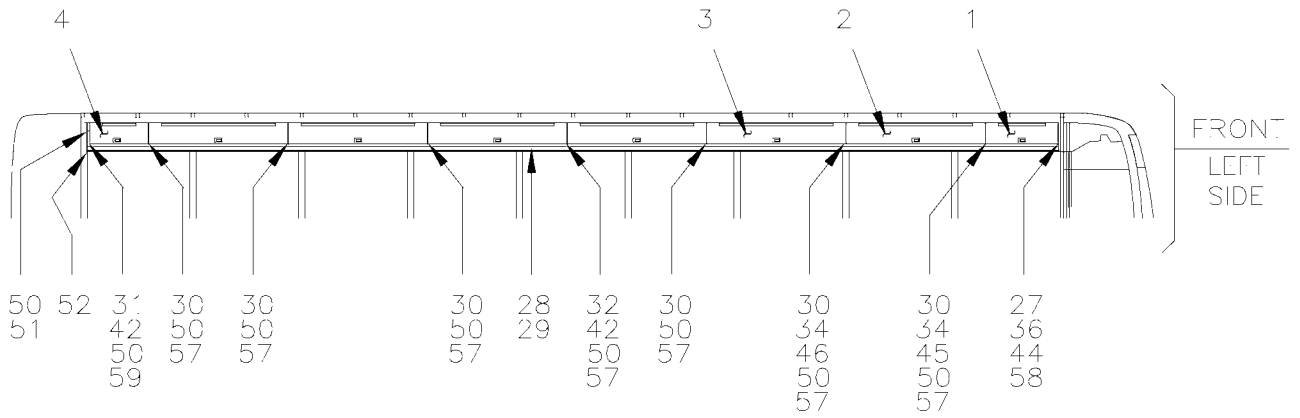
PARCEL RACK WITH CORD

From Y-7046 To 6-8906

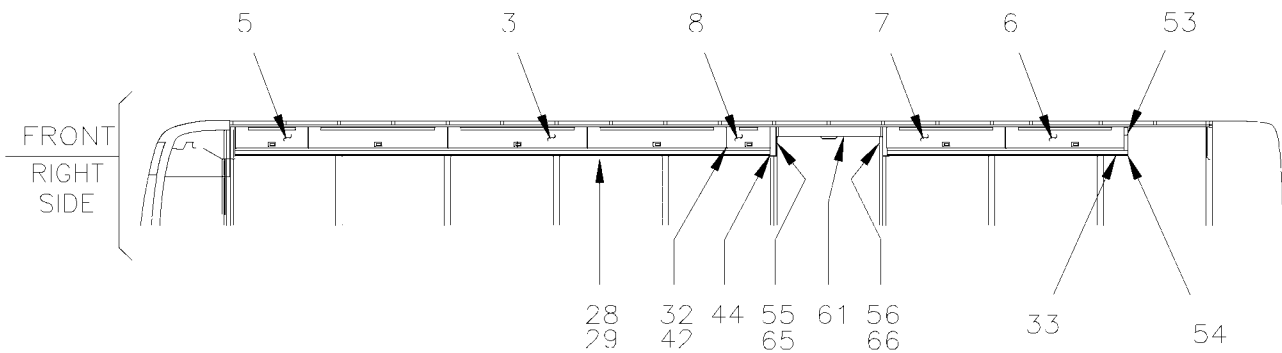
Date:10/2022

PAGE:Y2-1836-00

PARCEL RACK



XL2-45



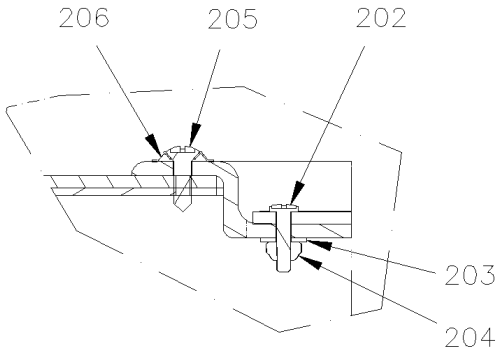
XL2-45 WITH "RICON"

From Y-7046 To 6-8906

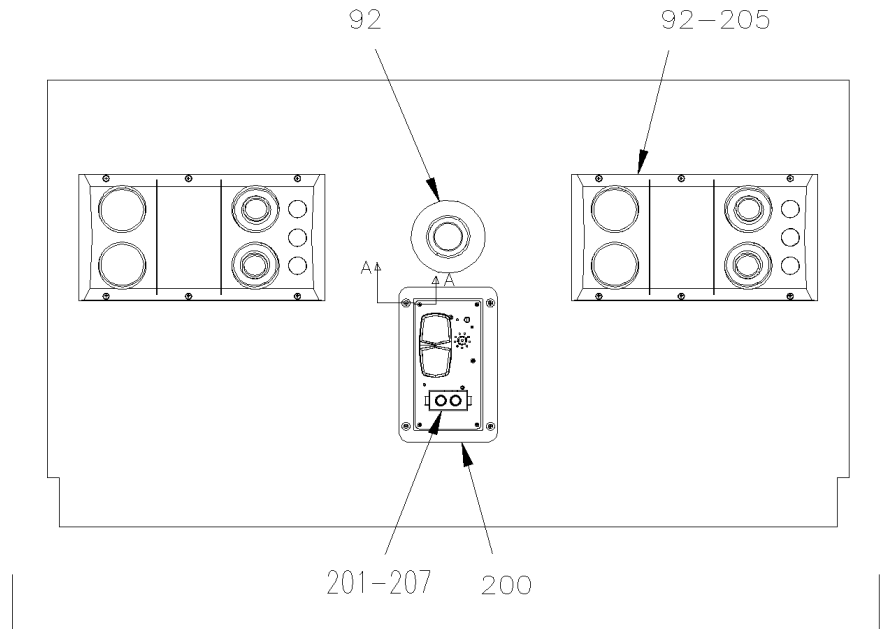
Date:10/2022

PAGE:Y2-1836-00

PARCEL RACK

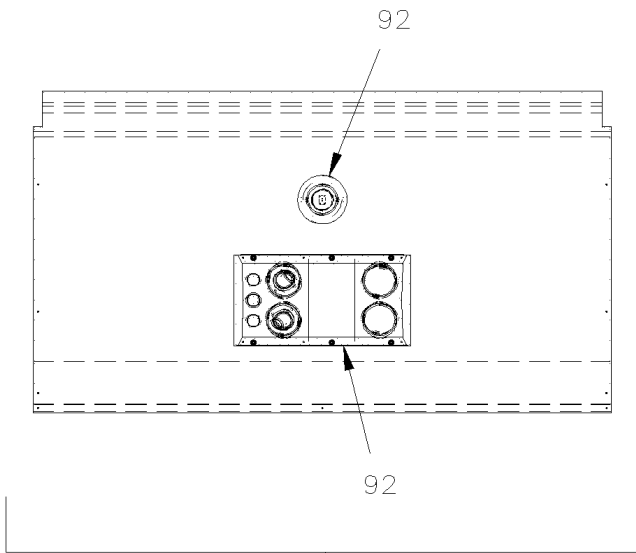


VIEW A-A



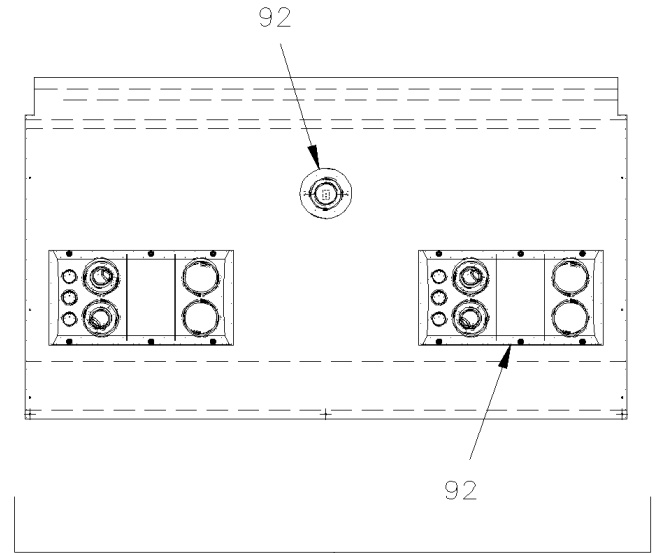
62

FROM 5-8606



62

UP TO 2-7866



62

FROM 2-7867 TO 5-8605

| | | |
|-----------------------|--------------|-----------------|
| From Y-7046 To 6-8906 | Date:10/2022 | PAGE:Y2-1836-00 |
| PARCEL RACK | | |

| Item# | Part | Description | X L I I 4 5 | X L I I M T H 4 0 | X L I I M T H 4 5 | X L I I M T H 4 5 E | N O T E S |
|-------|---------|--|----------------------------|---|---|--|-----------------------|
| 1 | 313315 | DOOR, PARCEL RACK / L.H. / 864MM To 3-8012 | 1 | | | | M |
| 1 | 313508 | DOOR, PARCEL RACK / L.H. / W/LOCK / GREY / 860MM From 3-8013 | 1 | | | | |
| 1 | 310469 | DOOR, PARCEL RACK / L.H. / W/LOCK / GREY / 860MM | 1 | | | | F |
| 2 | 313485 | DOOR, PARCEL RACK / W/LOCK / 1654MM To 3-8012 | 1 | | | | M |
| 2 | 313510 | DOOR, PARCEL RACK / W/LOCK / GREY / 1654MM From 3-8013 | 1 | | | | |
| 2 | 310471 | DOOR, PARCEL RACK / W/LOCK / GREY / 1654MM | 1 | | | | F |
| 3 | 313314 | DOOR, PARCEL RACK / 1654MM To 3-8012 | 10 | | | | M |
| 3 | 313506 | DOOR, PARCEL RACK / GREY / 1654MM From 3-8013 | 10 | | | | |
| 3 | 310467 | DOOR, PARCEL RACK / GREY / 1654MM | 1 | | | | F |
| 4 | 313254 | DOOR, PARCEL RACK / L.H. / 701MM To 3-8012 | 1 | | | | M |
| 4 | 313503 | DOOR, PARCEL RACK / GREY / 701MM From 3-8013 | 1 | | | | |
| 4 | 310464 | DOOR, PARCEL RACK / GREY / 701MM | 1 | | | | F |
| 5 | 313321 | DOOR, PARCEL RACK / R.H. / 861MM To 3-8012 | 1 | | | | M |
| 5 | 313507 | DOOR, PARCEL RACK / R.H. / GREY / 860MM From 3-8013 | 1 | | | | |
| 5 | 310468 | DOOR, PARCEL RACK / R.H. / GREY / 860MM | 1 | | | | F |
| 5 | 313322 | DOOR, PARCEL RACK / R.H. W/LOCK / 861MM To 3-8012 | 1 | | | | F |
| 5 | 313505 | DOOR, PARCEL RACK / R.H. W/LOCK / GREY / 860MM From 3-8013 | 1 | | | | |
| 5 | 310466 | DOOR, PARCEL RACK / R.H. W/LOCK / GREY / 860MM | 1 | | | | F |
| 6 | 313255 | DOOR, PARCEL RACK / 1410MM To 3-8012 | 1 | | | | M |
| 6 | 313497 | DOOR, PARCEL RACK / GREY / 1410MM From 3-8013 | 1 | | | | F |
| 7 | 313464 | DOOR, PARCEL RACK / 1410MM To 3-8012 | 1 | | | | M |
| 7 | 313668 | DOOR, PARCEL RACK / 1410MM From 3-8013 | 1 | | | | |
| 7 | 310473 | DOOR, PARCEL RACK / 1410MM | 1 | | | | F |
| 8 | 313465 | DOOR, PARCEL RACK / 516MM To 3-8012 | 1 | | | | M |
| 8 | 313669 | DOOR, PARCEL RACK / 516MM From 3-8013 | 1 | | | | |
| 8 | 310474 | DOOR, PARCEL RACK / 516MM | 1 | | | | F |
| NS | 313678 | . RUBBER BUMPER From 3-8013 | 2 | | | | |
| 12 | 312993 | PIVOT ROD 3 1/8" To 3-8012 | 1 | | | | M |
| 12 | 313677 | PIVOT ROD 3" From 3-8013 | 1 | | | | |
| 13 | 313273 | PIVOT ROD 6" To 3-8012 | 1 | | | | B |
| 13 | 313676 | PIVOT ROD 6" From 3-8013 | 1 | | | | |
| 14 | 500240 | WASHER LO EXT .195x.410x.025 Z050 | 1 | | | | |
| 15 | 5001036 | SCREW MA PAN PH M4-0.7x10 Z050 | 1 | | | | |
| 16 | 810092 | HANDLE | 1 | | | | |
| 16 | 810093 | HANDLE W/LOCK | 1 | | | | |
| . NS | 810104 | . KEY (7216) | 1 | | | | |
| NS | 313532 | COVER DOOR HANDLE PARCEL RACK NSS From 3-8013 | 1 | | | | |
| NS | 500557 | SCREW MA PAN PH #8-32x3/8 SS From 3-8013 | 2 | | | | |
| 19 | 313285 | BUSHING NYLON FLANGE / 8.5 I.D. X 13.6 O.D. O | AR | | | | |
| NS | 5001481 | SPACER NYLON .323 I.D. X .750 O.D. X .125 | AR | | | | |
| 20 | 980020 | CYLINDER GAZ / 244/164MM C/C / 35LBS | 15 | | | | |
| 21 | 312841 | SUPPORT, CYLINDER DOOR | 15 | | | | |

| | | |
|-----------------------|--------------|-----------------|
| From Y-7046 To 6-8906 | Date:10/2022 | PAGE:Y2-1836-00 |
| PARCEL RACK | | |

| Item# | Part | Description | X L I I 4 5 | X L I I M T H 4 0 | X L I I M T H 4 5 | X L I I M T H 4 5 E | N O T E S |
|-------|--------|--|----------------------------|---|---|--|-----------------------|
| 22 | 980015 | BALL STUD / W/10 MM X M8-1.25 / 29.18 MM | AR | | | | |
| 22 | 980027 | BALL STUD / W/10 MM X M8-1.25 / 36.5MM | 1 | | | | |
| 23 | 980016 | NUT, CYLINDER RETAINER | AR | | | | |
| 23 | 502847 | NUT HEX NYRT M8-1.25 N500 | 1 | | | | |
| 24 | 502509 | WASHER LO INT 8.4x15.0x0.8 Z050 | 1 | | | | |
| 24 | 502638 | WASHER FL .312x.734x.065 N500 | 1 | | | | |
| 25 | 500874 | WASHER FL 8.4x17.0x1.6 Z050 | 1 | | | | |
| 26 | 312904 | SUPPORT FRONT R.H. / "C" FORM 390MM | 1 | | | | |
| 27 | 312902 | SUPPORT FRONT R.H. / "C" FORM 390MM | 1 | | | | |
| 28 | 312930 | COVER / L.H. SIDE OF VENTILATOR BOX | 2 | | | | |
| 29 | 312929 | COVER / FRONT OF VENTILATOR BOX | 2 | | | | |
| 30 | 312648 | PILAR COVERING | 10 | | | | |
| 32 | 312964 | PILAR COVERING GREY | 2 | | | | |
| 33 | 313536 | PILAR COVERING | 1 | | | | |
| 34 | 312920 | FINISHING CAP L.H. / FRONT OF P.R. | 2 | | | | |
| 35 | 312938 | PILAR COVERING GREY | 2 | | | | |
| 36 | 312965 | PILAR COVERING R.H. | 1 | | | | |
| 37 | 312966 | PILAR COVERING L.H. | 1 | | | | |
| 38 | 312659 | CORD, RUBBER 359" | 11 | | | | |
| . NS | 506066 | . CORD, RUBBER EXTRUSION NEO 7/16" O.D. / C.T.L. | AR | | | | |
| 38 | 312658 | CORD, RUBBER 434" | 1 | | | | |
| . NS | 506066 | . CORD, RUBBER EXTRUSION NEO 7/16" O.D. / C.T.L. | AR | | | | |
| 38 | 312755 | CORD, RUBBER 253" | 1 | | | | |
| . NS | 506066 | . CORD, RUBBER EXTRUSION NEO 7/16" O.D. / C.T.L. | AR | | | | |
| 38 | 313448 | CORD, RUBBER 111" | 1 | | | | |
| . NS | 506066 | . CORD, RUBBER EXTRUSION NEO 7/16" O.D. / C.T.L. | AR | | | | |
| NS | 506066 | CORD, RUBBER EXTRUSION NEO 7/16" O.D. / C.T.L. | AR | | | | |
| NS | 504452 | CLAMP "E-Z CLIP" / "TUBE-O" / 7/16" / HC9-7 | AR | | | | |
| 39 | 312984 | EDGE MOULDING GREY 1600MM | 11 | | | | |
| 39 | 312985 | EDGE MOULDING GREY 785MM | 2 | | | | |
| 39 | 313193 | EDGE MOULDING GREY 616MM | 1 | | | | |
| 39 | 313195 | EDGE MOULDING GREY 1324.5MM | 1 | | | | |
| 40 | 312905 | COVER / PLAIN / W/CORD | 1 | | | | |
| 40 | 312595 | COVER L.H. ASSY / W/LIGHT | 1 | | | | |
| . NS | 312593 | . COVER L.H. / W/LIGHT HOLE | 1 | | | | |
| 41 | 312594 | COVER L.H. / PLAIN | 1 | | | | |
| 41 | 312905 | COVER / PLAIN / W/CORD | 1 | | | | |
| 42 | 312905 | COVER / PLAIN / W/CORD | 3 | | | | |
| 42 | 312595 | COVER L.H. ASSY / W/LIGHT | 3 | | | | |
| . NS | 312593 | . COVER L.H. / W/LIGHT HOLE | 1 | | | | |
| 43 | 312514 | COVER R.H. / PLAIN OFFSET W/CORD GREY | 1 | | | | |
| 43 | 313542 | COVER R.H. / PLAIN OFFSET / W/DOOR | 1 | | | | |

| | | |
|-----------------------|--------------|-----------------|
| From Y-7046 To 6-8906 | Date:10/2022 | PAGE:Y2-1836-00 |
| PARCEL RACK | | |

| Item# | Part | Description | X L I I 4 5 | X L I I M T H 4 0 | X L I I M T H 4 5 | X L I I M T H 4 5 E | N O T E S |
|-------|-----------------|--|----------------------------|---|---|--|-----------------------|
| 44 | 312906 | COVER / PLAIN / W/CORD | 1 | | | | |
| 44 | 312516 | COVER R.H. ASSY / W/LIGHT | 1 | | | | |
| NS | 312515 | COVER R.H. / W/LIGHT HOLE | 1 | | | | |
| 45 | 312906 | COVER / PLAIN / W/CORD | 1 | | | | |
| 46 | 312596 | COVER R.H. / PLAIN | 1 | | | | |
| 46 | 312906 | COVER / PLAIN / W/CORD | 1 | | | | |
| 50 | 313287 | SUPPORT, PARCEL RACK To 2-7740 | 17 | | | | |
| 50 | 312921 | SUPPORT, PARCEL RACK From 2-7741 To 3-7942 | 17 | | | | |
| 50 | 315887 | SUPPORT, PARCEL RACK GREY From 3-7943 | 17 | | | | |
| 51 | 313402 | FINISHING CAP L.H. / FRONT OF P.R. | 1 | | | | |
| 52 | 313467 | FINISHING CAP L.H. / UNDER OF P.R. To Y-7670 | 1 | | | | |
| 52 | 313615 | FINISHING CAP L.H. / UNDER OF P.R. From 1-7671 | 1 | | | | |
| 53 | 313401 | FINISHING CAP R.H. / FRONT OF P.R. | 1 | | | | |
| 54 | 313468 | FINISHING CAP R.H. / UNDER OF P.R. | 1 | | | | |
| 55 | 313537 | COVER R.H. END CLOSING | 1 | | | | |
| 56 | 313538 | COVER L.H. END CLOSING | 1 | | | | |
| 57 | 312509 | COVER FINISHING PILAR LIGHTING MODULE | 13 | | | | |
| 58 | 312446 | COVER FINISHING PILAR L.H. LIGHTING MODULE | 2 | | | | |
| 59 | 312508 | COVER FINISHING PILAR R.H. LIGHTING MODULE | 2 | | | | |
| 60 | 312477 | CEILING PANEL #1 R.H. | 1 | | | | |
| 60 | 313207 | CEILING PANEL #7 R.H. | 1 | | | | |
| 60 | 313226 | CEILING PANEL #8 L.H. | 1 | | | | |
| 60 | 313343 | CEILING PANEL #4 R.H. & #5 L.H. W/A/C PARCEL | 1 | | | | |
| 60 | 313429 | CEILING PANEL #5 R.H. / W/"RICON" | 1 | | | | |
| 60 | 313430 | CEILING PANEL #6 R.H. / W/"RICON" | 1 | | | | |
| NS | 312243 | INSULATING / TOP PANEL & STRUCTURE 1371.6MM | AR | | | | |
| 60 | 500964 | WASHER FL .203x.500x.047 Z050 | AR | | | | |
| 60 | 500654 | SCREW TC BDG PH #8-32x1/2 Z050 | AR | | | | |
| 62 | Call order desk | CEILING PANEL ASSY W/1 READING LIGHT To 2-7866 | 1 | | | | P |
| 62 | 315885P | CEILING PANEL ASSY W/2 READING LIGHT From 2-7867 To 5-8605 | 1 | | | | |
| 62 | Call order desk | CEILING PANEL ASSY W/2 READING LIGHT W/LED From 2-7867 To 5-8605 | 1 | | | | P |
| 62 | Call order desk | CEILING PANEL ASSY W/2 READING LIGHT From 5-8606 | 1 | | | | P B |
| 62 | Call order desk | CEILING PANEL ASSY W/2 READING LIGHT W/LED From 5-8606 | 1 | | | | P B |
| 63 | 312812 | CATCH To 2-7764 | 15 | | | | |
| 63 | 313624 | CATCH From 2-7765 To 3-8012 | 15 | | | | |
| 63 | 313667 | CATCH GREY From 3-8013 | 15 | | | | |
| 64 | 500638 | SCREW TP PAN PH #8x1/2 Z050 | 2 | | | | |
| NS | 500470 | WASHER LO SPT .193x.334x.047 Z050 | AR | | | | |
| 65 | 313625 | PILAR COVERING / FRONT W.C.L. DOOR | 1 | | | | |
| 66 | 313626 | PILAR COVERING / BACKWARD W.C.L. DOOR | 1 | | | | |
| 70 | 312553P | PANEL, INTERIOR ASSY 868 MM | 1 | | | | |

| | | |
|------------------------------|---------------------|------------------------|
| From Y-7046 To 6-8906 | Date:10/2022 | PAGE:Y2-1836-00 |
|------------------------------|---------------------|------------------------|

PARCEL RACK

| Item# | Part | Description | X L I I 4 5 | X L I I M T H 4 0 | X L I I M T H 4 5 | X L I I M T H 4 5 E | N O T E S |
|-------|-----------------|---|----------------------------|---|---|--|-----------------------|
| 70 | 312456P | PANEL, INSIDE 1657MM | 1 | | | | |
| 70 | Call order desk | PANEL, INSIDE 1657MM | 1 | | | | P |
| 70 | Call order desk | PANEL, INSIDE #7 R.H. 1411MM | 1 | | | | P |
| 70 | Call order desk | PANEL, INSIDE #8 L.H. | 1 | | | | P |
| 70 | 313437P | PANEL, INSIDE #5 R.H. / W/"RICON" | 1 | | | | |
| 70 | 313431P | PANEL, INSIDE #6 R.H. / W/"RICON" | 1 | | | | |
| 80 | 312427P | PANEL ASSY / W/O SPEAKER | 1 | | | | |
| 80 | 312429P | PANEL ASSY #2,3,4,5 & 6 L.H. & R.H. | 9 | | | | |
| 80 | Call order desk | PANEL ASSY #7 R.H. | 1 | | | | P |
| 80 | Call order desk | PANEL ASSY #8 L.H. To Y-7670 | 1 | | | | P |
| 80 | Call order desk | PANEL ASSY #8 L.H. From 1-7671 | 1 | | | | P |
| 80 | 312428P | PANEL ASSY #1 W/SPEAKER HOLE | 1 | | | | |
| 80 | 313434P | PANEL ASSY # 5 R.H./ W/"RICON" | 1 | | | | |
| 80 | 313433P | PANEL ASSY # 6 R.H./ W/"RICON" | 1 | | | | |
| 90 | 312371 | EXTRUSION, ALUMINIUM 6395MM / C.T.L. | 1 | | | | |
| 90 | 312528 | EXTRUSION, REAR, ALUMINIUM 5850MM / S.C.C | 1 | | | | |
| 90 | 313228 | EXTRUSION, REAR, ALUMINIUM 5685 MM | 1 | | | | |
| 90 | 313425 | EXTRUSION, REAR, ALUMINIUM 2825 MM | 1 | | | | |
| 90 | 313427 | EXTRUSION, REAR, ALUMINIUM 6370 MM | 1 | | | | |
| 90 | 313223 | EXTRUSION, REAR, ALUMINIUM 4733 MM | 1 | | | | |
| 90 | 312528 | EXTRUSION, REAR, ALUMINIUM 5850MM / S.C.C | 1 | | | | |
| 90 | 312530 | EXTRUSION, REAR, ALUMINIUM 5773MM / S.C.C | 1 | | | | |
| 90 | 312532 | EXTRUSION, ALUMINIUM 6395 MM | 1 | | | | |
| 90 | 312534 | EXTRUSION, REAR, ALUMINIUM 4448 MM | 1 | | | | |
| 90 | 312535 | EXTRUSION, REAR, ALUMINIUM 6450MM / S.C.C | 1 | | | | |
| 90 | 312536 | EXTRUSION, REAR, ALUMINIUM 3913MM / S.C.C | 1 | | | | |
| 90 | 313228 | EXTRUSION, REAR, ALUMINIUM 5685 MM | 1 | | | | |
| 90 | 313425 | EXTRUSION, REAR, ALUMINIUM 2825 MM | 1 | | | | |
| 90 | 313427 | EXTRUSION, REAR, ALUMINIUM 6370 MM | 1 | | | | |
| 90 | 313223 | EXTRUSION, REAR, ALUMINIUM 4733 MM | 1 | | | | |
| NS | 312511 | PLATE, JUNCTION / EXTRUSION RETAINER | 2 | | | | |
| 91 | 312372 | EXTRUSION, ALUMINIUM 6395MM / C.T.L. | 1 | | | | |
| 91 | 312525 | EXTRUSION, ALUMINIUM 5850MM / S.C.C | 2 | | | | |
| 91 | 313225 | EXTRUSION, ALUMINIUM 4733 MM | 1 | | | | |
| 91 | 313227 | EXTRUSION, ALUMINIUM 5685 MM | 1 | | | | |
| 91 | 313426 | EXTRUSION, ALUMINIUM 6370 MM To 1-7615 | 1 | | | | |
| 91 | 313580 | EXTRUSION, ALUMINIUM 6370 MM From 1-7616 | 1 | | | | |
| 91 | 312525 | EXTRUSION, ALUMINIUM 5850MM / S.C.C | 1 | | | | |
| 91 | 312526 | EXTRUSION, ALUMINIUM 5773MM / S.C.C | 1 | | | | |
| 91 | 312527 | EXTRUSION, ALUMINIUM 6395MM / S.C.C | 1 | | | | |
| 91 | 312531 | EXTRUSION, ALUMINIUM 6450MM To 1-7615 | 1 | | | | |
| 91 | 313582 | EXTRUSION, ALUMINIUM 6450MM / S.C.C From 1-7616 | 1 | | | | |

| | | |
|-----------------------|--------------|-----------------|
| From Y-7046 To 6-8906 | Date:10/2022 | PAGE:Y2-1836-00 |
| PARCEL RACK | | |

| Item# | Part | Description | X L I I 4 5 | X L I I M T H 4 0 | X L I I M T H 4 5 | X L I I M T H 4 5 E | N O T E S |
|-------|-------------------|---|----------------------------|---|---|--|-----------------------|
| 91 | 312533 | EXTRUSION ALUMINUM 3913MM / S.C.C To 1-7615 | 1 | | | | |
| 91 | 313583 | EXTRUSION, ALUMINIUM 3913 MM From 1-7616 | 1 | | | | |
| 91 | 312538 | EXTRUSION, ALUMINIUM 5148MM / S.C.C | 1 | | | | |
| 91 | 313227 | EXTRUSION, ALUMINIUM 5685 MM | 1 | | | | |
| 91 | 313424 | EXTRUSION ALUMINUM 2825MM To 1-7615 | 1 | | | | |
| 91 | 313579 | EXTRUSION, ALUMINIUM 2825 MM From 1-7616 | 1 | | | | |
| 91 | 313426 | EXTRUSION, ALUMINIUM 6370 MM | 1 | | | | |
| 91 | 313225 | EXTRUSION, ALUMINIUM 4733 MM | 1 | | | | |
| 92 | Y2-0655-00 | INTERIOR LIGHTING | | | | | |
| 93 | 312720P | PANEL 427MM | 1 | | | | |
| 93 | 312721P | PANEL 279MM | 1 | | | | |
| 93 | 312722P | PANEL 605MM | 1 | | | | |
| 93 | 312723P | PANEL 525MM | 1 | | | | |
| 93 | 312724P | PANEL 343MM | 1 | | | | |
| 93 | 312725P | PANEL 510MM | 1 | | | | |
| 93 | Call order desk | PANEL 366MM | 1 | | | | P |
| 93 | 312728P | PANEL 500MM | 1 | | | | |
| 93 | 312729P | PANEL 356MM | 1 | | | | |
| 93 | 312730P | PANEL 478MM | 1 | | | | |
| 93 | Call order desk | PANEL 631MM | 1 | | | | P |
| 93 | 312733P | PANEL 447MM | 1 | | | | |
| 93 | 312734P | PANEL 299 MM | 1 | | | | |
| 93 | 312735P | PANEL 402MM | 1 | | | | |
| 93 | 312736P | PANEL 248MM | 1 | | | | |
| 93 | 312737P | PANEL 542MM | 1 | | | | |
| 93 | 312738P | PANEL 773MM | 1 | | | | |
| 93 | 312739P | PANEL 550MM | 1 | | | | |
| 93 | Call order desk | PANEL 292MM | 1 | | | | P |
| 93 | 312741P | PANEL 538MM | 1 | | | | |
| 93 | 312742P | PANEL 763MM | 1 | | | | |
| 93 | Call order desk | PANEL 529MM | 1 | | | | P |
| 93 | 312745P | PANEL 472MM | 1 | | | | |
| 93 | 312746P | PANEL 705MM | 1 | | | | |
| 93 | 312747P | PANEL 454MM | 1 | | | | |
| 93 | 312748P | PANEL 700MM | 1 | | | | |
| 93 | 312749P | PANEL 421MM | 1 | | | | |
| 93 | Call order desk | PANEL 747MM | 1 | | | | P |
| 93 | 312751P | PANEL 408MM | 1 | | | | |
| 93 | 312752P | PANEL 484MM | 1 | | | | |
| 93 | 312756P | PANEL 575MM | 1 | | | | |
| 93 | 312757P | PANEL 598MM | 1 | | | | |
| 93 | 312759P | PANEL 711MM | 1 | | | | |

| | | |
|-----------------------|--------------|-----------------|
| From Y-7046 To 6-8906 | Date:10/2022 | PAGE:Y2-1836-00 |
| PARCEL RACK | | |

| Item# | Part | Description | X L I I 4 5 | X L I I M T H 4 0 | X L I I M T H 4 5 | X L I I M T H 4 5 E | N O T E S |
|-------|-----------------|-------------|----------------------------|---|---|--|-----------------------|
| 93 | 312760P | PANEL 269MM | 1 | | | | |
| 93 | 312761P | PANEL 315MM | 1 | | | | |
| 93 | 312762P | PANEL 310MM | 1 | | | | |
| 93 | Call order desk | PANEL 352MM | 1 | | | | P |
| 93 | 312764P | PANEL 325MM | 1 | | | | |
| 93 | 312765P | PANEL 731MM | 1 | | | | |
| 93 | 312766P | PANEL 590MM | 1 | | | | |
| 93 | 312767P | PANEL 457MM | 1 | | | | |
| 93 | Call order desk | PANEL 741MM | 1 | | | | P |
| 93 | 312770P | PANEL 759MM | 1 | | | | |
| 93 | 312771P | PANEL 495MM | 1 | | | | |
| 93 | 312774P | PANEL 431MM | 1 | | | | |
| 93 | 312839P | PANEL 375MM | 1 | | | | |
| 93 | 312840P | PANEL 753MM | 1 | | | | |
| 93 | Call order desk | PANEL 722MM | 1 | | | | P |
| 93 | 312946P | PANEL 437MM | 1 | | | | |
| 93 | 312971P | PANEL 51MM | 1 | | | | |
| 93 | 313076P | PANEL 490MM | 1 | | | | |
| 93 | 313077P | PANEL 253MM | 1 | | | | |
| 93 | Call order desk | PANEL 243MM | 1 | | | | P |
| 93 | 313079P | PANEL 716MM | 1 | | | | |
| 93 | Call order desk | PANEL 213MM | 1 | | | | P |
| 93 | 313328P | PANEL 388MM | 1 | | | | |
| 93 | 313333P | PANEL 415MM | 1 | | | | |
| 93 | Call order desk | PANEL 73MM | 1 | | | | P |
| 93 | Call order desk | PANEL 80MM | 1 | | | | P |
| 93 | 313682P | PANEL 100MM | 1 | | | | |
| 93 | Call order desk | PANEL 114MM | 1 | | | | P |
| 93 | Call order desk | PANEL 149MM | 1 | | | | P |
| 93 | Call order desk | PANEL 158MM | 1 | | | | P |
| 93 | Call order desk | PANEL 166MM | 1 | | | | P |
| 93 | Call order desk | PANEL 181MM | 1 | | | | P |
| 93 | 315913P | PANEL 184MM | 1 | | | | |
| 93 | 313330P | PANEL 193MM | 1 | | | | |
| 93 | 315940P | PANEL 226MM | 1 | | | | |
| 93 | Call order desk | PANEL 231MM | 1 | | | | P |
| 93 | 313334P | PANEL 235MM | 1 | | | | |
| 93 | Call order desk | PANEL 264MM | 1 | | | | P |
| 93 | 315923P | PANEL 289MM | 1 | | | | |
| 93 | 316018P | PANEL 304MM | 1 | | | | |
| 93 | 313075P | PANEL 335MM | 1 | | | | |
| 93 | Call order desk | PANEL 370MM | 1 | | | | P |

| | | |
|-----------------------|--------------|-----------------|
| From Y-7046 To 6-8906 | Date:10/2022 | PAGE:Y2-1836-00 |
| PARCEL RACK | | |

| Item# | Part | Description | X L I I 4 5 | X L I I M T H 4 0 | X L I I M T H 4 5 | X L I I M T H 4 5 E | N O T E S |
|-------|-----------------|---|----------------------------|---|---|--|-----------------------|
| 93 | Call order desk | PANEL 391MM | 1 | | | | P |
| 93 | Call order desk | PANEL 396MM | 1 | | | | P |
| 93 | 310617P | PANEL 440MM | 1 | | | | |
| 93 | 312975P | PANEL 465MM | 1 | | | | |
| 93 | 312835P | PANEL 475MM | 1 | | | | |
| 93 | Call order desk | PANEL 516MM | 1 | | | | P |
| 93 | Call order desk | PANEL 553MM | 1 | | | | P |
| 93 | 313335P | PANEL 559MM | 1 | | | | |
| 93 | Call order desk | PANEL 560MM | 1 | | | | P |
| 93 | 313125P | PANEL 565MM | 1 | | | | |
| 93 | 315952P | PANEL 570MM | 1 | | | | |
| 93 | 315884P | PANEL 582MM | 1 | | | | |
| 93 | 315945P | PANEL 601MM | 1 | | | | |
| 93 | 313414P | PANEL 615MM | 1 | | | | |
| 93 | Call order desk | PANEL 625MM | 1 | | | | P |
| 93 | Call order desk | PANEL 636MM | 1 | | | | P |
| 93 | Call order desk | PANEL 646MM | 1 | | | | P |
| 93 | 310653P | PANEL 655MM / 382MM POSITION SCREEN / L.H. W/10" LCD SCREEN | 1 | | | | |
| 93 | 310654P | PANEL 655MM / 382MM POSITION SCREEN / R.H. W/ LCD SCREEN | 1 | | | | |
| 93 | 315983P | PANEL 655MM | 1 | | | | |
| 93 | Call order desk | PANEL 656MM | 1 | | | | P |
| 93 | Call order desk | PANEL 660MM | 1 | | | | P |
| 93 | Call order desk | PANEL 672MM | 1 | | | | P |
| 93 | Call order desk | PANEL 674MM | 1 | | | | P |
| 93 | Call order desk | PANEL 682MM | 1 | | | | P |
| 93 | Call order desk | PANEL 686MM | 1 | | | | P |
| 93 | Call order desk | PANEL 690MM | 1 | | | | P |
| 93 | Call order desk | PANEL 723MM | 1 | | | | P |
| 93 | Call order desk | PANEL 725MM | 1 | | | | P |
| 93 | Call order desk | PANEL 788MM | 1 | | | | P |
| 93 | Call order desk | PANEL 802MM | 1 | | | | P |
| 93 | Call order desk | PANEL 811MM | 1 | | | | P |
| 93 | Call order desk | PANEL 819MM | 1 | | | | P |
| 93 | Call order desk | PANEL 836MM | 1 | | | | P |
| 93 | Call order desk | PANEL 843MM | 1 | | | | P |
| 93 | Call order desk | PANEL 850MM | 1 | | | | P |
| 93 | 313617P | PANEL 866MM | 1 | | | | |
| 93 | 315929P | PANEL 878MM | 1 | | | | |
| 93 | Call order desk | PANEL 885MM | 1 | | | | P |
| 93 | Call order desk | PANEL 905MM | 1 | | | | P |
| 93 | Call order desk | PANEL 924MM | 1 | | | | P |
| 93 | Call order desk | PANEL 936MM | 1 | | | | P |

| | | |
|-----------------------|--------------|-----------------|
| From Y-7046 To 6-8906 | Date:10/2022 | PAGE:Y2-1836-00 |
| PARCEL RACK | | |

| Item# | Part | Description | X L I I 4 5 | X L I I M T H 4 0 | X L I I M T H 4 5 | X L I I M T H 4 5 E | N O T E S |
|-------|-----------------|--|----------------------------|---|---|--|-----------------------|
| 93 | 315904P | PANEL 940MM | 1 | | | | |
| 93 | Call order desk | PANEL 990MM | 1 | | | | P |
| 93 | Call order desk | PANEL 1123MM | 1 | | | | P |
| 93 | Call order desk | PANEL 1360MM | 1 | | | | P |
| 93 | Call order desk | PANEL 1379MM | 1 | | | | P |
| 93 | Call order desk | PANEL 1481MM | 1 | | | | P |
| 93 | Call order desk | PANEL 1549MM | 1 | | | | P |
| 94 | 312370 | HAND RAIL / EXTRUSION 4190 MM | 1 | | | | |
| 94 | 312518 | HAND RAIL / EXTRUSION 4190 MM | 1 | | | | |
| 94 | 313069 | HAND RAIL / EXTRUSION 3075 MM | 1 | | | | |
| 94 | 313072 | HAND RAIL / EXTRUSION 1660 MM | 1 | | | | |
| 94 | 313229 | HAND RAIL / EXTRUSION 2365 MM | 1 | | | | |
| 94 | 313423 | HAND RAIL / EXTRUSION 2825 MM | 1 | | | | |
| 94 | 312814 | HAND RAIL / EXTRUSION W/HOLE 3320 MM | 1 | | | | |
| 94 | 313428 | HAND RAIL / EXTRUSION W/HOLE 2180 MM | 1 | | | | |
| 94 | 312518 | HAND RAIL / EXTRUSION 4190 MM | 1 | | | | |
| 94 | 312520 | HAND RAIL / EXTRUSION 4113 MM | 1 | | | | |
| 94 | 312521 | HAND RAIL / EXTRUSION 4735 MM | 1 | | | | |
| 94 | 313582 | EXTRUSION, ALUMINIUM 6450MM / S.C.C | 1 | | | | |
| 94 | 312522 | HAND RAIL / EXTRUSION 2808 MM | 1 | | | | |
| 94 | 312523 | HAND RAIL / EXTRUSION W/HOLE 2260 MM | 1 | | | | |
| 94 | 312524 | HAND RAIL / EXTRUSION 3913 MM | 1 | | | | |
| 94 | 312543 | HAND RAIL / EXTRUSION 2867 MM | 1 | | | | |
| 94 | 312814 | HAND RAIL / EXTRUSION W/HOLE 3320 MM | 1 | | | | |
| 94 | 312815 | HAND RAIL / EXTRUSION W/HOLE 3320 MM | 1 | | | | |
| 94 | 312816 | HAND RAIL / EXTRUSION W/HOLE 4190 MM | 1 | | | | |
| 94 | 313072 | HAND RAIL / EXTRUSION 1660 MM | 1 | | | | |
| 94 | 313229 | HAND RAIL / EXTRUSION 2365 MM | 1 | | | | |
| 94 | 313423 | HAND RAIL / EXTRUSION 2825 MM | 1 | | | | |
| 94 | 313428 | HAND RAIL / EXTRUSION W/HOLE 2180 MM | 1 | | | | |
| 95 | 064563 | CABLE HARNESS / IND LIGHT R.H. / W/O DOOR | 1 | | | | |
| 95 | 064565 | CABLE HARNESS / IND LIGHT L.H. / W/O DOOR | 1 | | | | |
| 95 | 064562 | CABLE HARNESS / IND LIGHT R.H. / W/DOOR | 1 | | | | |
| 95 | 064564 | CABLE HARNESS / IND LIGHT L.H. / W/DOOR | 1 | | | | |
| 95 | 064712 | CABLE ASSY IND LIGHT R.H. / W/DOOR & "RICON" | 1 | | | | |
| 95 | 064564 | CABLE HARNESS / IND LIGHT L.H. / W/DOOR | 1 | | | | |
| 95 | 064562 | CABLE HARNESS / IND LIGHT R.H. / W/DOOR | 1 | | | | |
| 95 | 064713 | CABLE ASSY IND LIGHT R.H. / W/DOOR & "RICON" | 1 | | | | |
| 96 | 064560 | CABLE ASSY / DIRECT LIGHT & SPEAKER L.H. | 1 | | | | |
| 96 | 065091 | CABLE ASSY / DIRECT LIGHT & SPEAKER R.H. | 1 | | | | |
| 96 | 064710 | CABLE ASSY SIDE LIGHT R.H. / FRONT W/"RICON" To Y-7670 | 1 | | | | |
| 96 | 065496 | CABLE ASSY SIDE LIGHT R.H. / FRONT W/"RICON" From 1-7671 | 1 | | | | |

| | | |
|-----------------------|--------------|-----------------|
| From Y-7046 To 6-8906 | Date:10/2022 | PAGE:Y2-1836-00 |
| PARCEL RACK | | |

| Item# | Part | Description | X L I I 4 5 | X L I I M T H 4 0 | X L I I M T H 4 5 | X L I I M T H 4 5 E | N O T E S |
|-------|-------------------|---|----------------------------|---|---|--|-----------------------|
| 96 | 065351 | CABLE ASSY SIDE LIGHT R.H. / REAR W/"RICON" | 1 | | | | |
| 97 | 065182 | CABLE ASSY / READING LIGHT STREETSIDE | 1 | | | | |
| 97 | 065183 | CABLE ASSY / READING LIGHT CURBSIDE | 1 | | | | |
| NS | 065352 | CABLE ASSY READING LIGHT R.H. / FRONT W/"RICON" To 2-7866 | 1 | | | | |
| NS | 065671 | CABLE ASSY READING LIGHT R.H. / FRONT W/"RICON" From 2-7867 | 1 | | | | |
| 97 | 064847 | CABLE ASSY READING LIGHT R.H. / REAR W/"RICON" | 1 | | | | |
| 100 | Y2-1837-00 | CEILING PANELS & MOULDING - BUS | | | | | |
| 101 | 500183 | SCREW CAP HEX 5/16-18x1 1/2 G5 PT Z050 To 3-7990 | AR | | | | |
| 101 | 502927 | SCREW CAP HEX M8-1.25x50 G8.8 N500 From 3-7991 | AR | | | | |
| 102 | 500476 | WASHER LO SPT .317x.586x.078 Z050 | AR | | | | |
| 103 | 312367 | FIXING PLATE | 18 | | | | |
| 104 | 500638 | SCREW TP PAN PH #8x1/2 Z050 | 18 | | | | |
| 105 | 313003 | SPACER | 18 | | | | |
| 106 | 502523 | RIVET NUT FL OKS 5/16-18 .059-.119 To 3-7990 | 18 | | | | |
| 106 | 5001337 | NUT INS FL HEX M8-1.25 0.5-3.0 Z050 From 3-7991 | 18 | | | | |
| 107 | 830153 | TUBE / 32WATT / F32T8SPX41 - 48" | AR | | | | |
| 108 | 500583 | SCREW TP PAN PH #6x1/2 Z050 | AR | | | | |
| NS | 315891 | ANGLE SUPPORT / (FIXED TO LAVATORY WALL) From 2-7923 | 1 | | | | A |
| 110 | MI03-02 | SEE MAINTENANCE INFORMATION | | | | | |
| 200 | 341120 | SUPPORT DETECTOR MODULE TWU From 5-8606 | 1 | | | | |
| 201 | 563592 | MODULE ALARM DETECTOR W.C.L. TWU From 5-8606 | 1 | | | | |
| 202 | 500518 | SCREW MA BDG PH #4-40x1/2 Z050 From 5-8606 | 4 | | | | |
| 203 | 500157 | WASHER FL .125x.375x.032 SS From 5-8606 | 4 | | | | |
| 204 | 500425 | NUT HEX NYRT #4-40 SS From 5-8606 | 4 | | | | |
| 205 | 500333 | SCREW TP OV PH #6x3/4 BK From 5-8606 | 4 | | | | |
| 206 | 500345 | WASHER FN CKF .187x.500x.090 BR BK From 5-8606 | 4 | | | | |
| 207 | 563945 | LIGHT TWS W.C.L. From 5-8606 | 1 | | | | |
| | | | | | | | |
| | | | | | | | |
| | | | | | | | |
| | | A) FIXED TO LAVATORY WALL | | | | | |
| | | B) INCLUDE ALLS ITEMS 200 TO 20 | | | | | |
| | | F) FOR DOOR REPLACEMENT USE 1 EACH: 980027 (BALL STUD) ,502638 (FL WASHER) & 502847 (NUT) | | | | | |
| | | M) SEE MAINTENANCE INFORMATION MI03-02 | | | | | |
| | | P) CALL ORDER DESK FOR SPECIFIC APPLICATION (V.I.N.) | | | | | |

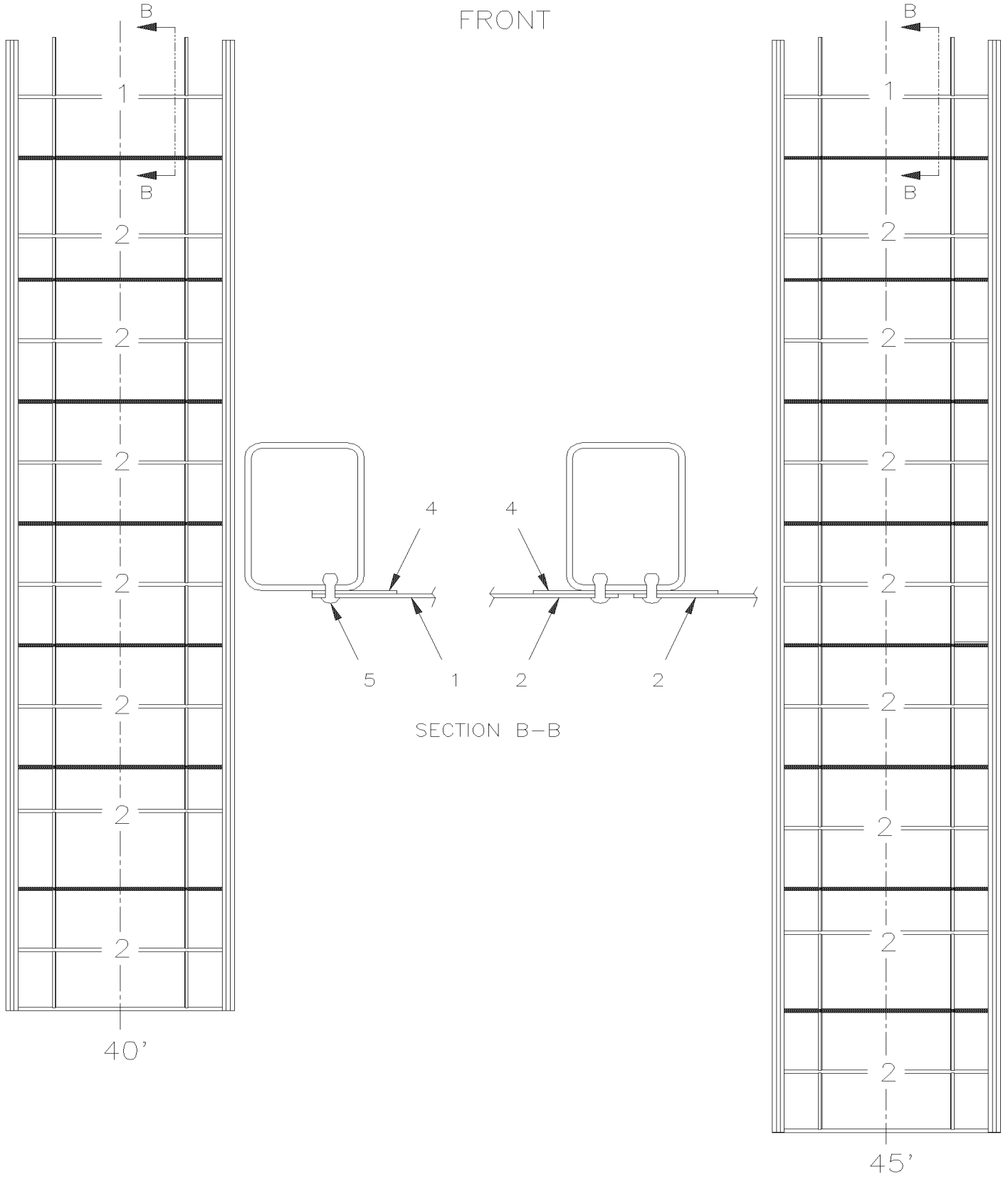
| | | |
|-----------------------|--------------|-----------------|
| From Y-7046 To 6-8906 | Date:10/2022 | PAGE:Y2-1837-00 |
|-----------------------|--------------|-----------------|

CEILING PANELS & MOULDING - BUS

| Item# | Part | Description | X L I I 4 5 | X L I I M T H 4 0 | X L I I M T H 4 5 | X L I I M T H 4 5 E | N O T E S |
|-------|-----------------|---|----------------------------|---|---|--|-----------------------|
| 1 | 341058 | FINISHING ANGLE 344MM X 1660MM | 1 | | | | |
| 1 | 341059 | FINISHING MOULDING W/TISSUS | 1 | | | | |
| 2 | 500552 | SCREW TP OV PH #6x3/4 Z050 | 4 | | | | |
| 3 | 500463 | WASHER FN CKF .187x.500x.090 BR Z050 | 4 | | | | |
| 4 | Call order desk | CEILING PANEL ASSY | 1 | | | | P |
| 5 | Call order desk | CEILING PANEL ASSY / W/EMERGENCY EXIT | 1 | | | | P |
| 6 | Call order desk | CEILING PANEL ASSY / W/EMERGENCY EXIT | 1 | | | | P |
| 7 | Call order desk | CEILING PANEL ASSY #2,3,4 & 5 | 1 | | | | P |
| 8 | Call order desk | CEILING PANEL ASSY #1 | 1 | | | | P |
| 11 | Call order desk | CEILING PANEL ASSY / FRONT / 642MM WIDE To 6-8892 | 1 | | | | P |
| 11 | Call order desk | CEILING PANEL ASSY / FRONT / 642MM WIDE From 6-8893 | 1 | | | | P |
| 11 | 341115P | CEILING PANEL ASSY / FRONT / W/FLAT SCREEN 10" / 642MM WIDE To 6-8892 | 1 | | | | |
| 11 | Call order desk | CEILING PANEL ASSY / FRONT / W/FLAT SCREEN 15" / 642MM WIDE To 6-8892 | 1 | | | | P |
| 12 | Call order desk | CEILING PANEL ASSY / FRONT / 870MM WIDE To 6-8892 | 1 | | | | P |
| 12 | Call order desk | CEILING PANEL ASSY / FRONT / 870MM WIDE From 6-8893 | 1 | | | | P |
| 12 | 341116P | CEILING PANEL ASSY / FRONT / 870MM WIDE / W/FLAT SCREEN 10" To 6-8892 | 1 | | | | |
| 12 | Call order desk | CEILING PANEL ASSY / FRONT / 870MM WIDE / W/FLAT SCREEN 15" To 6-8892 | 1 | | | | P |
| 13 | 341042 | CEILING PANEL / LAVATORY To 2-7922 | 1 | | | | |
| 13 | 341090P | CEILING PANEL / LAVATORY From 2-7923 | 1 | | | | |
| 14 | 504107 | RIVET POP DOME OE 1/8x5/16 AL | 14 | | | | |
| 20 | 340983P | CEILING PANEL ASSY / SMALL W/EMERGENCY EXIT / (USED W/ITEM # 34 ONLY) | 1 | | | | |
| NS | 313018 | CEILING PANEL 222MM x 640MM | 1 | | | | |
| 21 | 341021 | TAPE DUAL LOCK 2" x 530MM / BLACK SJ3541 | AR | | | | |
| 23 | 313180 | FINISHING MOULDING "J" 628MM SS To 2-7833 | 2 | | | | |
| 23 | 313653 | FINISHING MOULDING "J" GREY / 628MM From 2-7834 | 2 | | | | |
| 24 | 313179 | FINISHING MOULDING "J" W/EMERGENCY 1943MM SS To 2-7833 | 1 | | | | |
| 24 | 313652 | FINISHING MOULDING "J" W/EMERGENCY / 1943MM From 2-7834 | 1 | | | | |
| 25 | 313183 | FINISHING MOULDING "J" 1943MM SS To 2-7833 | 8 | | | | |
| 25 | 313656 | FINISHING MOULDING "J" GREY / 1943MM From 2-7834 | 8 | | | | |
| 26 | 313182 | FINISHING MOULDING "J" W/EMERGENCY 1943MM SS To 2-7833 | 1 | | | | |
| 26 | 313655 | FINISHING MOULDING "J" W/EMERGENCY / 1943MM From 2-7834 | 1 | | | | |
| 27 | 313166 | FINISHING MOULDING "J" 1279MM SS To 2-7833 | 2 | | | | |
| 27 | 313648 | FINISHING MOULDING "J" GREY / 1279MM From 2-7834 | 2 | | | | |
| 28 | 504339 | RIVET POP DOME OE 1/8x3/8 SS | 42 | | | | |
| 29 | 506466 | TAPE RUB ADH1 CC POL 1/16" x 1 1/2" x 100 / GREY 2520 | AR | | | | |
| 32 | 313169 | FINISHING MOULDING "J" W/EMERGENCY 1943MM SS To 2-7833 | 1 | | | | |
| 32 | 313651 | FINISHING MOULDING "J" W/EMERGENCY / 1943MM From 2-7834 | 1 | | | | |
| 33 | 313168 | FINISHING MOULDING "J" W/EMERGENCY 1943MM SS To 2-7833 | 1 | | | | |
| 33 | 313650 | FINISHING MOULDING "J" W/EMERGENCY / 1943MM From 2-7834 | 1 | | | | |
| 34 | Call order desk | CEILING PANEL ASSY | 1 | | | | P A |
| 35 | 340988 | TAPE DUAL LOCK 2" x 178MM / BLACK SJ3541 | 22 | | | | |
| 37 | 328910 | FINISHING MOULDING "J" SHAPE To 2-7824 | 2 | | | | |

| | | |
|--|--------------|-----------------|
| From Y-7046 To 6-8906 | Date:10/2022 | PAGE:Y2-1837-00 |
| CEILING PANELS & MOULDING - BUS | | |

| Item# | Part | Description | X L I I 4 5 | X L I I M T H 4 0 | X L I I M T H 4 5 | X L I I M T H 4 5 E | N O T E S |
|-------|-------------------|--|----------------------------|---|---|--|-----------------------|
| 37 | 313657 | FINISHING MOULDING "J" SHAPE From 2-7825 | 2 | | | | |
| 38 | 504339 | RIVET POP DOME OE 1/8x3/8 SS | 4 | | | | |
| 40 | Call order desk | CEILING PANEL ASSY #1 L.H. | 1 | | | | P |
| 41 | Call order desk | CEILING PANEL ASSY #1 R.H. | 1 | | | | P |
| 42 | Call order desk | CEILING PANEL ASSY / W/EMERGENCY EXIT / FRONT | 1 | | | | P |
| 43 | Call order desk | CEILING PANEL ASSY / W/EMERGENCY EXIT / FRONT | 1 | | | | P |
| 44 | Call order desk | CEILING PANEL ASSY #2-3-4 & 5 | 1 | | | | P |
| 45 | Call order desk | CEILING PANEL ASSY / W/EMERGENCY EXIT / REAR | 1 | | | | P |
| 46 | 313170P | CEILING PANEL ASSY / W/EMERGENCY EXIT / REAR | 1 | | | | |
| 47 | 313226 | CEILING PANEL #8 L.H. | 1 | | | | |
| 48 | Call order desk | CEILING PANEL ASSY #7 R.H. | 1 | | | | P |
| 50 | Y2-1833-00 | WINDOW FINISHING CAP & WALL | | | | | |
| | | | | | | | |
| | | | | | | | |
| | | A) WITH EMERGENCY EXIT | | | | | |
| | | P) CALL ORDER DESK FOR SPECIFIC APPLICATION (V.I.N.) | | | | | |

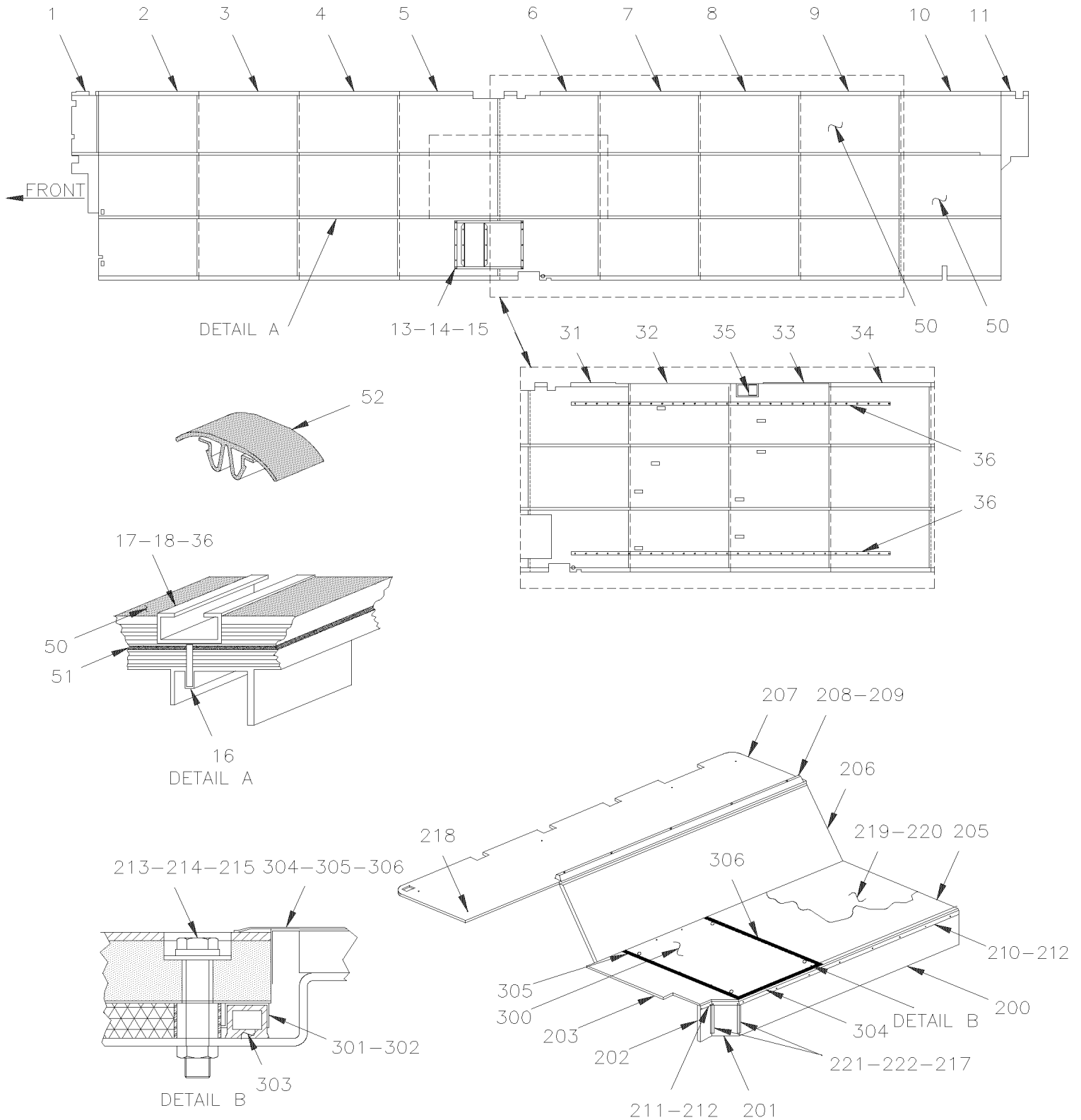


From Y-7046 To 6-8906

Date:10/2022

PAGE:Y2-1838-00

FLOOR - BUS



| | | |
|-----------------------|--------------|-----------------|
| From Y-7046 To 6-8906 | Date:10/2022 | PAGE:Y2-1838-00 |
| FLOOR - BUS | | |

| Item# | Part | Description | X L I I 4 5 | X L I I M T H 4 0 | X L I I M T H 4 5 | X L I I M T H 4 5 E | N O T E S |
|-------|-----------------|--|----------------------------|---|---|--|-----------------------|
| 1 | Call order desk | FLOOR / W/STD SEAT To Y-7348 | 1 | | | | P |
| 1 | Call order desk | FLOOR / W/STD SEAT From Y-7349 | 1 | | | | P |
| 1 | Call order desk | FLOOR / W/1 V.I.P. PASSENGER CURBSIDE From Y-7349 | 1 | | | | P |
| 2 | Call order desk | FLOOR / W/STD SEAT To Y-7348 | 1 | | | | P |
| 2 | Call order desk | FLOOR / W/STD SEAT From Y-7349 | 1 | | | | P |
| 2 | Call order desk | FLOOR / W/1 V.I.P. PASSENGER CURBSIDE From Y-7349 | 1 | | | | P |
| 3 | 324877P | FLOOR / W/STD SEAT To Y-7348 | 1 | | | | |
| 3 | Call order desk | FLOOR / W/STD SEAT From Y-7349 | 1 | | | | P |
| 3 | Call order desk | FLOOR / W/1 V.I.P. PASSENGER CURBSIDE From Y-7349 | 1 | | | | P |
| 3 | Call order desk | FLOOR / W/STD SEAT From Y-7349 | 1 | | | | PA |
| 4 | 324877P | FLOOR / W/STD SEAT To Y-7348 | 1 | | | | |
| 4 | Call order desk | FLOOR / W/STD SEAT From Y-7349 | 1 | | | | P |
| 4 | Call order desk | FLOOR / W/1 V.I.P. PASSENGER CURBSIDE From Y-7349 | 1 | | | | P |
| 4 | Call order desk | FLOOR / W/STD SEAT From Y-7349 | 1 | | | | PA |
| 5 | Call order desk | FLOOR / W/STD SEAT To Y-7348 | 1 | | | | P |
| 5 | Call order desk | FLOOR / W/STD SEAT From Y-7349 | 1 | | | | P |
| 5 | Call order desk | FLOOR / W/1 V.I.P. PASSENGER CURBSIDE From Y-7349 | 1 | | | | P |
| 5 | Call order desk | FLOOR / W/STD SEAT From Y-7349 | 1 | | | | PA |
| 6 | Call order desk | FLOOR / W/STD SEAT From Y-7349 | 1 | | | | P |
| 6 | Call order desk | FLOOR / W/1 V.I.P. PASSENGER CURBSIDE From Y-7349 | 1 | | | | P |
| 7 | 324877P | FLOOR / W/STD SEAT To Y-7348 | 1 | | | | |
| 7 | Call order desk | FLOOR / W/STD SEAT From Y-7349 | 1 | | | | P |
| 7 | Call order desk | FLOOR / W/STD SEAT From Y-7349 | 1 | | | | PA |
| 7 | Call order desk | FLOOR / W/1 V.I.P. PASSENGER CURBSIDE From Y-7349 | 1 | | | | P |
| 8 | 324847P | FLOOR / W/STD SEAT To Y-7348 | 1 | | | | |
| 8 | Call order desk | FLOOR / W/STD SEAT From Y-7349 | 1 | | | | P |
| 8 | Call order desk | FLOOR / W/1 V.I.P. PASSENGER CURBSIDE From Y-7349 | 1 | | | | P |
| 9 | 324847P | FLOOR / W/STD SEAT To Y-7348 | 1 | | | | |
| 9 | Call order desk | FLOOR / W/STD SEAT From Y-7349 | 1 | | | | P |
| 9 | Call order desk | FLOOR / W/1 V.I.P. PASSENGER CURBSIDE From Y-7349 | 1 | | | | P |
| 10 | Call order desk | FLOOR / W/STD SEAT To Y-7348 | 1 | | | | P |
| 10 | Call order desk | FLOOR / W/STD SEAT From Y-7349 | 1 | | | | P |
| 10 | Call order desk | FLOOR / W/1 V.I.P. PASSENGER CURBSIDE From Y-7349 | 1 | | | | P |
| 11 | Call order desk | FLOOR / W/STD SEAT To Y-7348 | 1 | | | | P |
| 11 | Call order desk | FLOOR / W/STD SEAT From Y-7349 | 1 | | | | P |
| 12 | 324479 | FLOOR / W/STD SEAT To Y-7348 | 1 | | | | |
| 12 | 327379 | PANEL / FIRE WALL From Y-7349 | 1 | | | | |
| NS | 508068 | VENEER PLYWOOD / 1/2" THICK 4' X 8' To Y-7348 | AR | | | | |
| NS | 508392 | VENEER PLYWOOD / 7/16" THICK 4' X 8' | AR | | | | |
| 13 | Call order desk | BOX ASSY / AIR RETURN | 1 | | | | P |
| 14 | 500640 | SCREW TP PAN PH #6x3/4 Z050 | 8 | | | | |
| 15 | 680065 | TAPE COMPOUND / BLACK / 1/32" X 1" X 33' / L163-2400 | AR | | | | |

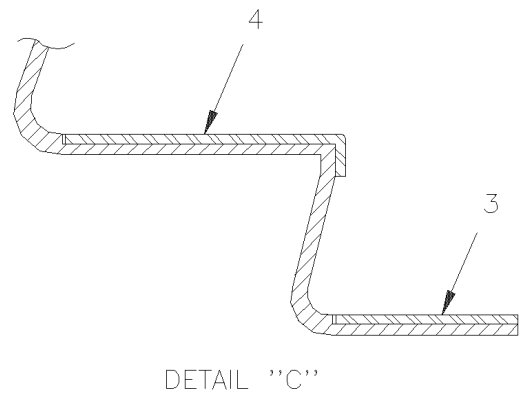
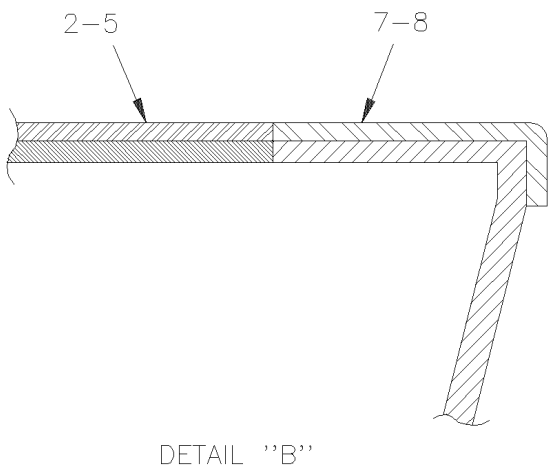
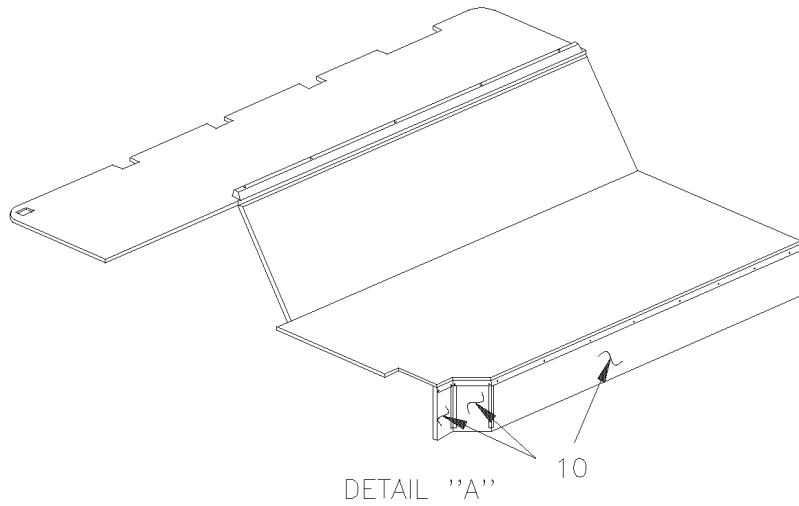
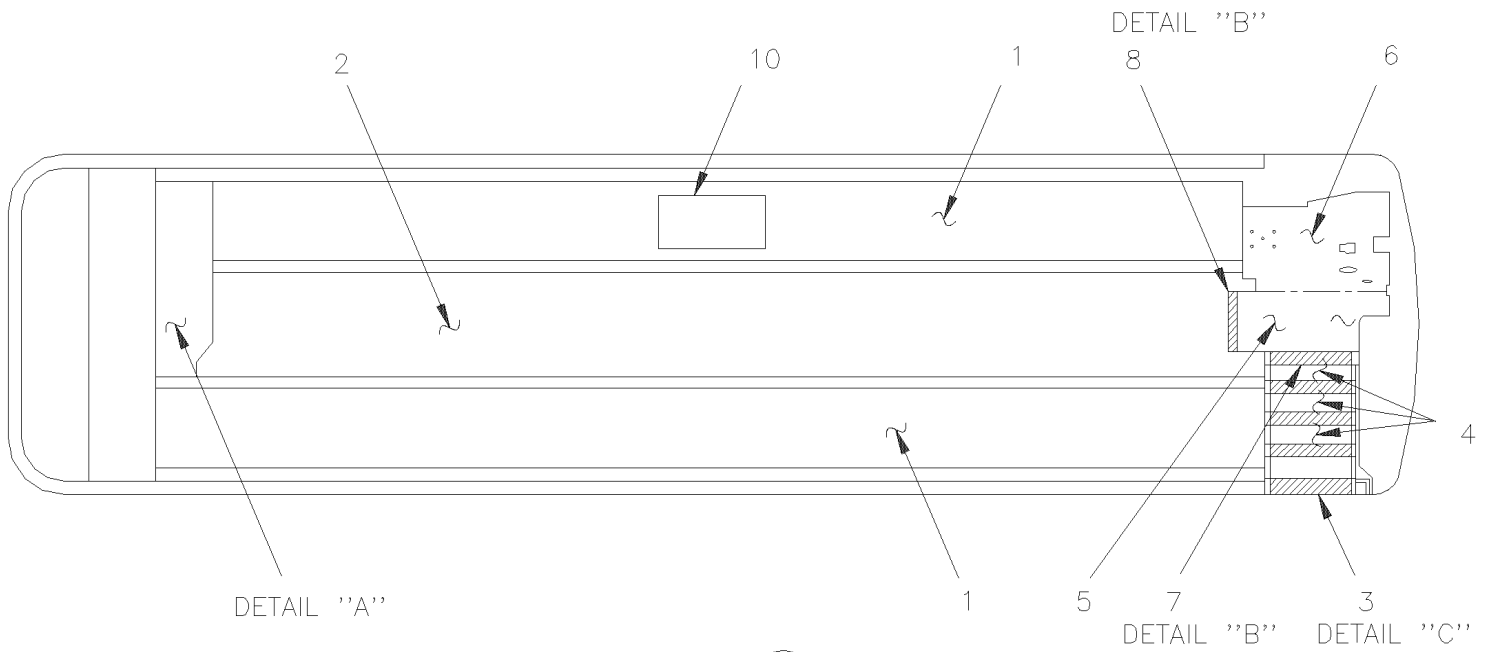
| | | |
|-----------------------|--------------|-----------------|
| From Y-7046 To 6-8906 | Date:10/2022 | PAGE:Y2-1838-00 |
| FLOOR - BUS | | |

| Item# | Part | Description | X L I I 4 5 | X L I I M T H 4 0 | X L I I M T H 4 5 | X L I I M T H 4 5 E | N O T E S |
|-------|-------------------|--|----------------------------|---|---|--|-----------------------|
| 16 | 5001533 | SCREW TC FL PH #10-24x1 1/4 Z050 SS410 | AR | | | | |
| 17 | 326759 | SEAT TRACK 6096MM To 5-8392 | 2 | | | | |
| 17 | 329149 | SEAT TRACK 10695MM From 5-8393 | 1 | | | | |
| 18 | 326760 | SEAT TRACK 4599MM To 5-8392 | 2 | | | | |
| 18 | 329149 | SEAT TRACK 10695MM From 5-8393 | 1 | | | | |
| 19 | 680093 | SEALANT TAPE BUTYL / GREY / 1/16"x1 1/2"x50' /71079B11760 | AR | | | | |
| 20 | 5001535 | SCREW DR WF RO #14x1 3/4 Z050 | AR | | | | |
| 31 | Call order desk | PANEL FLOOR | 1 | | | | P |
| 32 | Call order desk | PANEL FLOOR | 1 | | | | P |
| 33 | Call order desk | PANEL FLOOR | 1 | | | | P |
| 34 | Call order desk | PANEL FLOOR | 1 | | | | P |
| 35 | Call order desk | PANEL ACCESS | 1 | | | | P |
| 36 | 327474 | SEAT TRACK 3651MM To 5-8392 | 1 | | | | |
| 36 | 329150 | SEAT TRACK 3651MM From 5-8393 | 2 | | | | |
| 50 | Y2-1838-05 | FLOOR & COVERING - "R.C.A." | | | | | |
| 50 | Y2-1838-10 | FLOOR COVERING - "TARAFLEX" | | | | | |
| 51 | 850027 | INSULATING PAD NOISE ADH2 1/16" x 39" x 48" | AR | | | | |
| 52 | 323654 | SEAT TRACK COVER 12' / EACH SEAT / W/COVERING FLOOR | AR | | | | |
| 52 | 323963 | SEAT TRACK COVER 8' / EACH SEAT / W/COVERING FLOOR | AR | | | | |
| NS | 324791 | MOULDING CARPET PROTECTOR / W/CARPET ON FLOOR / 29MM X 2438MM SS | AR | | | | |
| NS | 820027 | HANDLE | AR | | | | W |
| 52 | 5001119 | SCREW TP BDG PH #8x3/4 SS | AR | | | | W |
| 52 | 502630 | WASHER FL .156x.375x.049 Z050 | AR | | | | W |
| 200 | 324939 | PANEL FRONT SEAT To Y-7348 | 1 | | | | |
| 200 | 328798 | PANEL FRONT SEAT From Y-7349 | 1 | | | | |
| 201 | 324124 | PANEL FRONT SEAT To Y-7348 | 1 | | | | |
| 201 | 328799 | PANEL FRONT SEAT From Y-7349 | 1 | | | | |
| 202 | 324125 | PANEL FRONT SEAT To Y-7348 | 1 | | | | |
| 202 | 328800 | PANEL FRONT SEAT From Y-7349 | 1 | | | | |
| 203 | 324928 | PANEL SEAT To Y-7348 | 1 | | | | |
| 203 | 328801 | PANEL SEAT From Y-7349 | 1 | | | | |
| 205 | 324927 | PANEL SEAT To Y-7348 | 1 | | | | |
| 205 | 328797 | PANEL SEAT From Y-7349 | 1 | | | | |
| 206 | 326822 | PANEL SEAT To Y-7348 | 1 | | | | |
| 206 | 328796 | PANEL SEAT From Y-7349 | 1 | | | | |
| 207 | 326823 | PANEL SEAT To Y-7348 | 1 | | | | |
| 207 | 328795 | PANEL REAR SEAT From Y-7349 | 1 | | | | |
| 207 | 328133 | PANEL SEAT | 1 | | | | O |
| 208 | 324423 | STOPPER, SEAT | 1 | | | | |
| 209 | 500436 | SCREW TP OV PH #10x2 Z050 | 5 | | | | |
| 210 | 325190 | ANGLE FINISHING | 1 | | | | |
| 211 | 325189 | ANGLE FINISHING | 1 | | | | |

| | | |
|-----------------------|--------------|-----------------|
| From Y-7046 To 6-8906 | Date:10/2022 | PAGE:Y2-1838-00 |
| FLOOR - BUS | | |

| Item# | Part | Description | X L I I 4 5 | X L I I M T H 4 0 | X L I I M T H 4 5 | X L I I M T H 4 5 E | N O T E S |
|-------|---------|--|----------------------------|---|---|--|-----------------------|
| 212 | 5001085 | SCREW TP PAN PH #6x1 1/4 Z050 | 12 | | | | |
| 213 | 500186 | SCREW CAP HEX 5/16-18x2 1/2 G5 Z050 | 4 | | | | |
| 214 | 500985 | WASHER FL .343x.875x.125 Z050 | 4 | | | | |
| 215 | 471119 | SEAL WASHER / RUB RAIL & PANEL | 4 | | | | |
| 216 | 680532 | SEALANT SIKA #221 / GREY / 310ml CARTRIDGE | 1 | | | | |
| 217 | 500618 | SCREW TP FL PH #10x1 Z050 | 40 | | | | |
| 218 | 500940 | SCREW TP FL PH #10x2 Z050 | 17 | | | | |
| 219 | 326949 | OZITE 1730MM X 1860MM | 1 | | | | |
| 220 | 680030 | ADHESIVE ADCHEM #EC847 / 1 Liter | 1 | | | | |
| 221 | 401500 | ANGLE FINISHING | 2 | | | | |
| 222 | 500640 | SCREW TP PAN PH #6x3/4 Z050 | 12 | | | | |
| 300 | 328772P | PANEL ASSY / ENGINE ACCESS | 1 | | | | |
| . NS | 320037 | . WEATHERSTRIP RUBBER ASSY | 1 | | | | |
| 301 | 328752 | . MOULDING SIDE WEATHERSTRIP RETAINER | 2 | | | | |
| 302 | 324889 | . MOULDING | 2 | | | | |
| 303 | 328761 | . WEATHERSTRIP RUBBER ASSY | 1 | | | | |
| . NS | 485610 | .. WEATHERSTRIP RUBBER / ADH / RAW MATERIAL | AR | | | | |
| . NS | 483941 | .. WEATHERSTRIP RUBBER / ADH / RAW MATERIAL | AR | | | | |
| 303 | 320037 | . WEATHERSTRIP RUBBER ASSY | 1 | | | | |
| 304 | 324904 | . MOULDING | 1 | | | | |
| 305 | 328776 | . MOULDING | 1 | | | | |
| 306 | 328759 | . MOULDING | 1 | | | | |
| | | | | | | | |
| | | | | | | | |
| | | | | | | | |
| | | A) FLOOR WITH PRESSURISATION SYSTEM | | | | | |
| | | O) WITH DAMPER AIR TRAP #453887 | | | | | |
| | | W) USE WITH W.C.L. SEAT TRACK | | | | | |
| | | P) CALL ORDER DESK FOR SPECIFIC APPLICATION (V.I.N.) | | | | | |

| | | |
|-----------------------------|--------------|-----------------|
| From Y-7046 To 6-8906 | Date:10/2022 | PAGE:Y2-1838-05 |
| FLOOR & COVERING - "R.C.A." | | |



| | | |
|-----------------------|--------------|-----------------|
| From Y-7046 To 6-8906 | Date:10/2022 | PAGE:Y2-1838-05 |
|-----------------------|--------------|-----------------|

FLOOR & COVERING - "R.C.A."

| Item# | Part | Description | X L I I 4 5 | X L I I M T H 4 0 | X L I I M T H 4 5 | X L I I M T H 4 5 E | NOTES |
|-------|---------|---|----------------------------|---|---|--|-------|
| | | FLOOR COVERING SIDE SECTION / 26 1/8" X 38' | | | | | |
| 1 | 506710 | COVERING / CODE "A" = 702 | 2 | | | | |
| 1 | 506712 | COVERING / CODE "B" = 777 | 2 | | | | |
| 1 | 506714 | COVERING / CODE "C" = 653 | 2 | | | | |
| 1 | 506716 | COVERING / CODE "D" = 747 | 2 | | | | |
| 1 | 506718 | COVERING / CODE "E" = 766 | 2 | | | | |
| 1 | 506720 | COVERING / CODE "F" = 604 | 2 | | | | |
| 1 | 506722 | COVERING / CODE "G" = 758 | 2 | | | | |
| 1 | 5061026 | COVERING / CODE "H" = 630 | 1 | | | | |
| 1 | 506724 | COVERING / CODE "I" = 895 | 2 | | | | |
| 1 | 5061034 | COVERING / CODE "J" = 466 | 1 | | | | |
| 1 | 5060014 | COVERING / CODE "K" = 852 | 1 | | | | |
| 1 | 506726 | COVERING / CODE "L" = 975 | 2 | | | | |
| 1 | 506730 | COVERING / CODE "Q" = 788 | 2 | | | | |
| 1 | 5060059 | COVERING / CODE "R" = 411 | 1 | | | | |
| | | FLOOR COVERING AISLE SECTION / 36 3/8" X 38' | | | | | |
| 2 | 506711 | COVERING / CODE "A" = 702 | 1 | | | | |
| 2 | 506713 | COVERING / CODE "B" = 777 | 1 | | | | |
| 2 | 506715 | COVERING / CODE "C" = 653 | 1 | | | | |
| 2 | 506717 | COVERING / CODE "D" = 747 | 1 | | | | |
| 2 | 506719 | COVERING / CODE "E" = 766 | 1 | | | | |
| 2 | 506721 | COVERING / CODE "F" = 604 | 1 | | | | |
| 2 | 506723 | COVERING / CODE "G" = 758 | 1 | | | | |
| 2 | 5061027 | COVERING / CODE "H" = 630 | 1 | | | | |
| 2 | 506725 | COVERING / CODE "I" = 895 | 1 | | | | |
| 2 | 5061035 | COVERING / CODE "J" = 466 | 1 | | | | |
| 2 | 5060015 | COVERING / CODE "K" = 852 | 1 | | | | |
| 2 | 506727 | COVERING / CODE "L" = 975 | 1 | | | | |
| 2 | 506729 | COVERING / CODE "Q" = 788 | 1 | | | | |
| 2 | 5060060 | COVERING / CODE "R" = 411 | 1 | | | | |
| | | STEP TREAD COVERING 1STEP/ 10"X25"5/8 (UNCUT) AT THE BEGENNING OF PART NUMBER 326936 + SUFFIX CODE "?" LETTER | | | | | |
| 3 | 506951 | STEP TREAD COVERING / CODE "A" = 702 / 10" X 25 5/8" | 1 | | | | |
| 3 | 506952 | STEP TREAD COVERING / CODE "B" = 777 / 10" X 25 5/8" | 1 | | | | |
| 3 | 506953 | STEP TREAD COVERING / CODE "C" = 653 / 10" X 25 5/8" | 1 | | | | |
| 3 | 506954 | STEP TREAD COVERING / CODE "D" = 747 / 10" X 25 5/8" | 1 | | | | |

| | | |
|--|--------------|-----------------|
| From Y-7046 To 6-8906 | Date:10/2022 | PAGE:Y2-1838-05 |
| FLOOR & COVERING - "R.C.A." | | |

| Item# | Part | Description | X L I I 4 5 | X L I I M T H 4 0 | X L I I M T H 4 5 | X L I I M T H 4 5 E | N O T E S |
|-------|---------|--|----------------------------|---|---|--|-----------------------|
| 3 | 506955 | STEP TREAD COVERING / CODE "E" = 766 / 10" X 25 5/8" | 1 | | | | |
| 3 | 506956 | STEP TREAD COVERING / CODE "F" = 604 / 10" X 25 5/8" | 1 | | | | |
| 3 | 506957 | STEP TREAD COVERING / CODE "G" = 758 / 10" X 25 5/8" | 1 | | | | |
| 3 | 5061031 | STEP TREAD COVERING / CODE "H" = 630 / 10" X 25 5/8" | 1 | | | | |
| 3 | 506958 | STEP TREAD COVERING / CODE "I" = 895 / 10" X 25 5/8" | 1 | | | | |
| 3 | 5061040 | STEP TREAD COVERING / CODE "J" = 466 / 10" X 25 5/8" | 1 | | | | |
| 3 | 5060020 | STEP TREAD COVERING / CODE "K" = 852 / 10" X 25 5/8" | 1 | | | | |
| 3 | 506959 | STEP TREAD COVERING / CODE "L" = 975 / 10" X 25 5/8" | 1 | | | | |
| 3 | 506960 | STEP TREAD COVERING / CODE "Q" = 788 / 10" X 25 5/8" | 1 | | | | |
| 3 | 5060069 | STEP TREAD COVERING / CODE "R" = 411 / 10" X 25 5/8" | 1 | | | | |
| | | STEP TREAD COVERING 2,3,4 STEP / 9"7/8 X 25"5/8 | | | | | |
| 4 | 506888 | STEP TREAD COVERING / CODE "A" = 702 / 10" X 25 5/8" | 3 | | | | |
| 4 | 506889 | STEP TREAD COVERING / CODE "B" = 777 / 10" X 25 5/8" | 3 | | | | |
| 4 | 506890 | STEP TREAD COVERING / CODE "C" = 653 / 10" X 25 5/8" | 3 | | | | |
| 4 | 506891 | STEP TREAD COVERING / CODE "D" = 747 / 10" X 25 5/8" | 3 | | | | |
| 4 | 506892 | STEP TREAD COVERING / CODE "E" = 766 / 10" X 25 5/8" | 3 | | | | |
| 4 | 506893 | STEP TREAD COVERING / CODE "F" = 604 / 10" X 25 5/8" | 3 | | | | |
| 4 | 506894 | STEP TREAD COVERING / CODE "G" = 758 / 10" X 25 5/8" | 3 | | | | |
| 4 | 5061028 | STEP TREAD COVERING / CODE "H" = 630 / 10" X 25 5/8" | 1 | | | | |
| 4 | 506895 | STEP TREAD COVERING / CODE "I" = 895 / 10" X 25 5/8" | 3 | | | | |
| 4 | 5061038 | STEP TREAD COVERING / CODE "J" = 466 / 10" X 25 5/8" | 1 | | | | |
| 4 | 5060016 | STEP TREAD COVERING / CODE "K" = 852 / 10" X 25 5/8" | 1 | | | | |
| 4 | 506896 | STEP TREAD COVERING / CODE "L" = 975 / 10" X 25 5/8" | 3 | | | | |
| 4 | 506897 | STEP TREAD COVERING / CODE "Q" = 788 / 10" X 25 5/8" | 3 | | | | |
| 4 | 5060061 | STEP TREAD COVERING / CODE "R" = 411 / 10" X 25 5/8" | 1 | | | | |
| | | FLOOR COVERING UPPER STEPWELL SECTION / 22" X 46" | | | | | |
| 5 | 506926 | COVERING / CODE "A" = 702 | 1 | | | | |
| 5 | 506927 | COVERING / CODE "B" = 777 | 1 | | | | |
| 5 | 506928 | COVERING / CODE "C" = 653 | 1 | | | | |
| 5 | 506929 | COVERING / CODE "D" = 747 | 1 | | | | |
| 5 | 506930 | COVERING / CODE "E" = 766 | 1 | | | | |
| 5 | 506931 | COVERING / CODE "F" = 604 | 1 | | | | |
| 5 | 506932 | COVERING / CODE "G" = 758 | 1 | | | | |
| 5 | 5061029 | COVERING / CODE "H" = 630 | 1 | | | | |
| 5 | 506933 | COVERING / CODE "I" = 895 | 1 | | | | |
| 5 | 5061036 | COVERING / CODE "J" = 466 | 1 | | | | |
| 5 | 5060019 | COVERING / CODE "K" = 852 | 1 | | | | |
| 5 | 506934 | COVERING / CODE "L" = 975 | 1 | | | | |

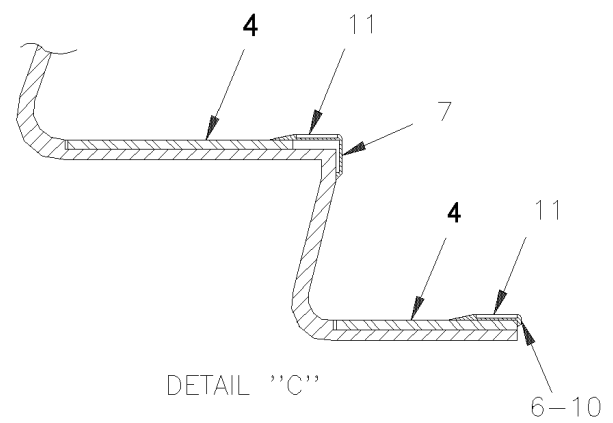
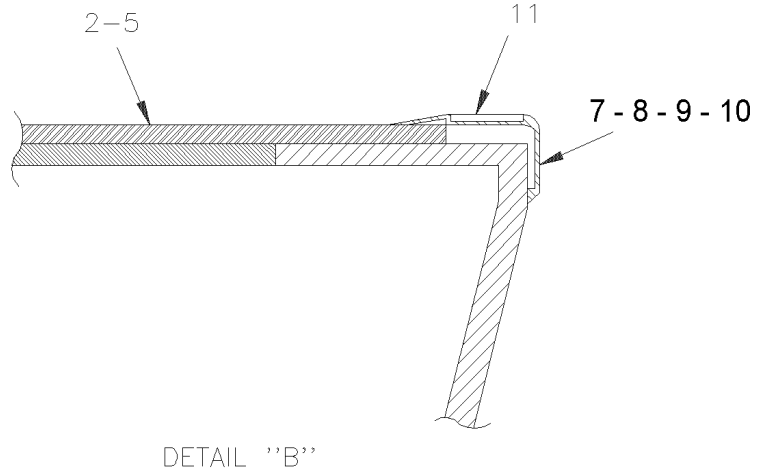
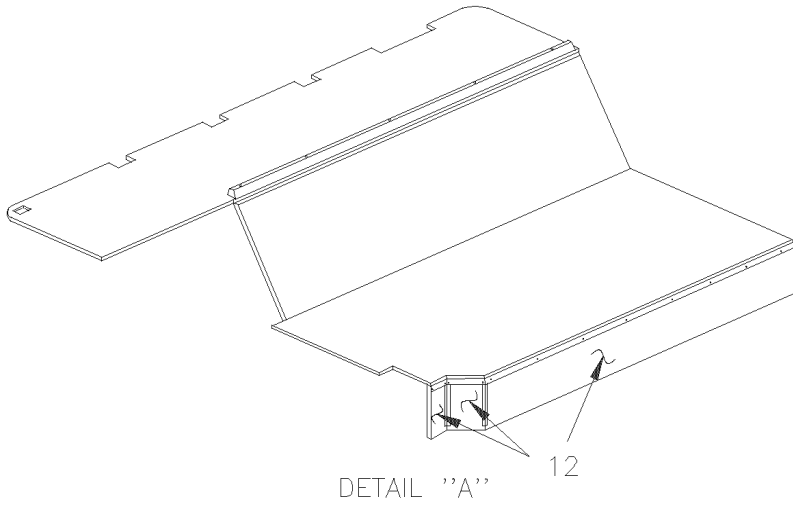
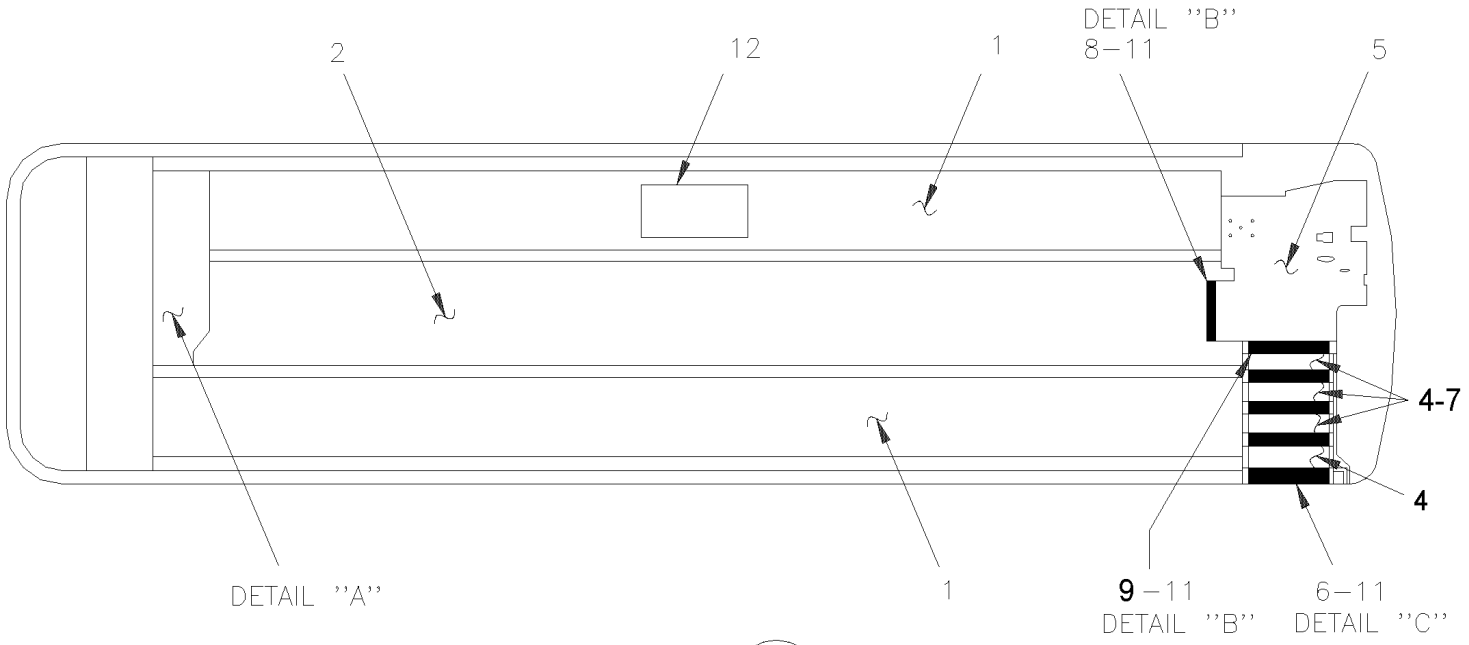
| | | |
|--|--------------|-----------------|
| From Y-7046 To 6-8906 | Date:10/2022 | PAGE:Y2-1838-05 |
| FLOOR & COVERING - "R.C.A." | | |

| Item# | Part | Description | X L I I 4 5 | X L I I M T H 4 0 | X L I I M T H 4 5 | X L I I M T H 4 5 E | N O T E S |
|-------|---------|---|----------------------------|---|---|--|-----------------------|
| 5 | 506935 | COVERING / CODE "Q" = 788 | 1 | | | | |
| 5 | 5060062 | COVERING / CODE "R" = 411 | 1 | | | | |
| | | FLOOR COVERING DRIVER'S SECTION / 29" X 48"½ | | | | | |
| 6 | 506898 | COVERING / CODE "A" = 702 | 1 | | | | |
| 6 | 506899 | COVERING / CODE "B" = 777 | 1 | | | | |
| 6 | 506900 | COVERING / CODE "C" = 653 | 1 | | | | |
| 6 | 506901 | COVERING / CODE "D" = 747 | 1 | | | | |
| 6 | 506902 | COVERING / CODE "E" = 766 | 1 | | | | |
| 6 | 506903 | COVERING / CODE "F" = 604 | 1 | | | | |
| 6 | 506904 | COVERING / CODE "G" = 758 | 1 | | | | |
| 6 | 5061029 | COVERING / CODE "H" = 630 | 1 | | | | |
| 6 | 506905 | COVERING / CODE "I" = 895 | 1 | | | | |
| 6 | 5061037 | COVERING / CODE "J" = 466 | 1 | | | | |
| 6 | 5060018 | COVERING / CODE "K" = 852 | 1 | | | | |
| 6 | 506906 | COVERING / CODE "L" = 975 | 1 | | | | |
| 6 | 506907 | COVERING / CODE "Q" = 788 | 1 | | | | |
| 6 | 5060063 | COVERING / CODE "R" = 411 | 1 | | | | |
| | | FLOOR COVERING FOR ENGINE TRAP REAR / 30" X 60" | | | | | |
| 7 | 506886 | STEP NOSING WHITE / 3" X 27 1/2" | 1 | | | | |
| 8 | 506887 | STEP NOSING WHITE / 3" X 22 1/2" | 1 | | | | |
| | | FLOOR COVERING FOR ENGINE TRAP REAR / 30" X 60" | | | | | |
| 10 | 506457 | COVERING / CODE "A" = 702 | 1 | | | | |
| 10 | 506458 | COVERING / CODE "B" = 777 | 1 | | | | |
| 10 | 506459 | COVERING / CODE "C" = 653 | 1 | | | | |
| 10 | 506460 | COVERING / CODE "D" = 747 | 1 | | | | |
| 10 | 506461 | COVERING / CODE "E" = 766 | 1 | | | | |
| 10 | 506462 | COVERING / CODE "F" = 604 | 1 | | | | |
| 10 | 506583 | COVERING / CODE "G" = 758 | 1 | | | | |
| 10 | 5061032 | COVERING / CODE "H" = 630 | 1 | | | | |
| 10 | 506495 | COVERING / CODE "I" = 895 | 1 | | | | |
| 10 | 5061039 | COVERING / CODE "J" = 466 | 1 | | | | |
| 10 | 5060019 | COVERING / CODE "K" = 852 | 1 | | | | |
| 10 | 506590 | COVERING / CODE "L" = 975 | 1 | | | | |
| 10 | 506661 | COVERING / CODE "Q" = 788 | 1 | | | | |
| 10 | 5061120 | COVERING / CODE "R" = 411 | 1 | | | | |
| NS | 680028 | GLUE / 15LITERS | AR | | | | W |
| NS | 684654 | GLUE CONTACT "SCOTCH-GRIP" / 3M #1357-NEUTRAL 18.9 LITERS | AR | | | | F |
| NS | 684655 | GLUE CONTACT "SCOTCH-GRIP" / 3M #1357-NEUTRAL 3.8 LITERS | AR | | | | F |

| | | |
|--|--------------|-----------------|
| From Y-7046 To 6-8906 | Date:10/2022 | PAGE:Y2-1838-05 |
| FLOOR & COVERING - "R.C.A." | | |

| Item# | Part | Description | X L I I 4 5 | X L I I M T H 4 0 | X L I I M T H 4 5 | X L I I M T H 4 5 E | N O T E S |
|-------|--------|--|--------------------------------|---|---|--|-----------------------|
| NS | 684685 | ADHESIVE SIMSON #ISR 70-03 / 310ml CARTRIDGE | AR | | | | F |
| 15 | CODE A | #702 R.C.A. LIGHT BLUE | | | | | |
| 15 | CODE B | #777 R.C.A. LIGHT CREAM | | | | | |
| 15 | CODE C | #653 R.C.A. LIGHT GREEN | | | | | |
| 15 | CODE D | #747 R.C.A. LIGHT BROWN | | | | | |
| 15 | CODE E | #766 R.C.A. DARK GREY | | | | | |
| 15 | CODE F | #604 R.C.A. BLACK | | | | | |
| 15 | CODE G | #758 R.C.A. CREAM | | | | | |
| 15 | CODE H | #630 R.C.A. BROWN | | | | | |
| 15 | CODE I | #895 R.C.A. RED | | | | | |
| 15 | CODE J | #602 R.C.A. ORANGE | | | | | |
| 15 | CODE K | #650 R.C.A. MAGENTA | | | | | |
| 15 | CODE L | #975 R.C.A. RED | | | | | |
| 15 | CODE Q | #788 R.C.A. LIGHT GREY | | | | | |
| 15 | CODE R | #411 R.C.A. LIGHT GREY | | | | | |
| | | F) TO FIX COVERING ON FIBERGLASS | | | | | |
| | | W) TO FIX COVERING ON WOOD | | | | | |

| | | |
|-----------------------------|--------------|-----------------|
| | Date:10/2022 | PAGE:Y2-1838-10 |
| FLOOR COVERING - "TARAFLEX" | | |



Date:10/2022

PAGE:Y2-1838-10

FLOOR COVERING - "TARAFLEX"

| Item# | Part | Description | X L I I 4 5 | X L I I M T H 4 0 | X L I I M T H 4 5 | X L I I M T H 4 5 E | NOTES |
|-------|---------|---|----------------------------|---|---|--|-------|
| | | FLOOR COVERING SIDE SECTION / 664MM X 11582MM | | | | | |
| 1 | 506800 | COVERING DARK GREY #8780 PEGASUS | 2 | | | | |
| 1 | 506856 | COVERING RED #6132 RUBIS | 2 | | | | |
| 1 | 506841 | COVERING LIGHT GREY #8779 CYGNUS | 2 | | | | |
| 1 | 5061052 | COVERING BROWN #8311 SWEDEN | 2 | | | | |
| 1 | 5061059 | COVERING GREY #8731 POLAND | 2 | | | | |
| 1 | 5061066 | COVERING GREEN #8525 CHINA | 2 | | | | |
| 1 | 5061073 | COVERING BLUE #8414 EGYPT | 2 | | | | |
| 1 | 5061080 | COVERING POUPRE #8720 RUSSIA | 2 | | | | |
| 1 | 5060021 | COVERING BLUE #8423 AQUILIA | 2 | | | | |
| 1 | 328253 | COVERING DARK GREY TARABUS #8750 TUCUNA | 2 | | | | |
| 1 | 5060007 | COVERING LIGHT GREY #6768 GRIFFON | 2 | | | | |
| 1 | 5060039 | COVERING DARK GREY #6782 URANUS | 2 | | | | |
| 1 | 5060049 | COVERING DARK GREY #6782 SIRIUS | 2 | | | | |
| 1 | 820073 | COVERING DARK GREY #8816 SYCAMORE | 2 | | | | |
| 1 | 5061087 | COVERING GREY #8729 NORWAY | 2 | | | | |
| 1 | 820073 | COVERING DARK GREY #8816 SYCAMORE | 2 | | | | |
| 1 | 820084 | COVERING MED BLUE #9418 OLYMPE | 2 | | | | |
| 1 | 820089 | COVERING DARK GREY #9727 ZEPHIR | 2 | | | | |
| 1 | 820096 | COVERING DARK GREY URANUS #6727 ANTHRACITE | 2 | | | | |
| | | FLOOR COVERING AISLE SECTION / 924MMX11582MM | | | | | |
| 2 | 506801 | COVERING DARK GREY #8780 PEGASUS | 1 | | | | |
| 2 | 506857 | COVERING RED #6132 RUBIS | 1 | | | | |
| 2 | 506840 | COVERING LIGHT GREY #8779 CYGNUS | 1 | | | | |
| 2 | 506848 | COVERING RED #6132 RUBIS | 1 | | | | |
| 2 | 5061053 | COVERING BROWN #8311 SWEDEN | 1 | | | | |
| 2 | 5061060 | COVERING GREY #8731 POLAND | 1 | | | | |
| 2 | 5061067 | COVERING GREEN #8525 CHINA | 1 | | | | |
| 2 | 5061074 | COVERING BLUE #8414 EGYPT | 1 | | | | |
| 2 | 5061081 | COVERING POUPRE #8720 RUSSIA | 1 | | | | |
| 2 | 5060022 | COVERING BLUE #8423 AQUILIA | 1 | | | | |
| 2 | 328254 | COVERING DARK GREY TARABUS #8750 TUCUNA | 1 | | | | |
| 2 | 5060008 | COVERING LIGHT GREY #6768 GRIFFON | 1 | | | | |
| 2 | 5060040 | COVERING DARK GREY #6782 URANUS | 1 | | | | |
| 2 | 5060050 | COVERING DARK GREY #6782 SIRIUS | 1 | | | | |
| 2 | 820074 | COVERING DARK GREY #8816 SYCAMORE | 1 | | | | |
| 2 | 5061088 | COVERING GREY #8729 NORWAY | 1 | | | | |
| 2 | 820074 | COVERING DARK GREY #8816 SYCAMORE | 1 | | | | |

Date:10/2022

PAGE:Y2-1838-10

FLOOR COVERING - "TARAFLEX"

| Item# | Part | Description | X L I I 4 5 | X L I I M T H 4 0 | X L I I M T H 4 5 | X L I I M T H 4 5 E | NOTES |
|-------|---------|---|----------------------------|---|---|--|-------|
| 2 | 820085 | COVERING MED BLUE #9418 OLYMPE | 1 | | | | |
| 2 | 820090 | COVERING DARK GREY #9727 ZEPHIR | 1 | | | | |
| 2 | 820097 | COVERING DARK GREY URANUS #6727 ANTHRACITE | 1 | | | | |
| | | FLOOR COVERING STEP / 246MM X 654MM | | | | | |
| 4 | 506939 | COVERING DARK GREY #8780 PEGASUS | 4 | | | | |
| 4 | 506943 | COVERING RED #6132 RUBIS | 4 | | | | |
| 4 | 506947 | COVERING LIGHT GREY #8779 CYGNUS | 4 | | | | |
| 4 | 506940 | COVERING DARK GREY #8780 PEGASUS / 246MM X 651MM | 4 | | | | |
| 4 | 506944 | COVERING RED #6132 RUBIS / 246MM X 651MM | 4 | | | | |
| 4 | 506948 | COVERING LIGHT GREY #8779 CYGNUS | 4 | | | | |
| 4 | 5061054 | COVERING BROWN #8311 SWEDEN | 1 | | | | |
| 4 | 5061061 | COVERING GREY #8731 POLAND | 1 | | | | |
| 4 | 5061068 | COVERING GREEN #8525 CHINA | 1 | | | | |
| 4 | 5061075 | COVERING BLUE #8414 EGYPT / 246MM X 651MM | 1 | | | | |
| 4 | 5061082 | COVERING POUPRE #8720 RUSSIA | 1 | | | | |
| 4 | 5060023 | COVERING BLUE #8423 AQUILIA | 1 | | | | |
| 4 | 328255 | COVERING DARK GREY TARABUS #8750 TUCUNA / 246MM X 651MM | 1 | | | | |
| 4 | 5060009 | COVERING LIGHT GREY #6768 GRIFFON | 1 | | | | |
| 4 | 5060041 | COVERING DARK GREY #6782 URANUS | 1 | | | | |
| 4 | 5060051 | COVERING DARK GREY #6782 SIRIUS | 1 | | | | |
| 4 | 820075 | COVERING DARK GREY #8816 SYCAMORE | 1 | | | | |
| 4 | 5061089 | COVERING GREY #8729 NORWAY | 1 | | | | |
| 4 | 820075 | COVERING DARK GREY #8816 SYCAMORE | 1 | | | | |
| 4 | 820086 | COVERING MED BLUE #9418 OLYMPE | 1 | | | | |
| 4 | 820091 | COVERING DARK GREY #9727 ZEPHIR | 1 | | | | |
| 4 | 820098 | COVERING DARK GREY URANUS #6727 ANTHRACITE | 1 | | | | |
| | | FLOOR COVERING UPPER STEPWELL / 1230MM X 1345MM | | | | | |
| 5 | 506942 | COVERING DARK GREY #8780 PEGASUS | 1 | | | | |
| 5 | 506946 | COVERING RED #6132 RUBIS | 1 | | | | |
| 5 | 506950 | COVERING LIGHT GREY #8779 CYGNUS | 1 | | | | |
| 5 | 5061055 | COVERING BROWN #8311 SWEDEN | 1 | | | | |
| 5 | 5061062 | COVERING GREY #8731 POLAND | 1 | | | | |
| 5 | 5061069 | COVERING GREEN #8525 CHINA | 1 | | | | |
| 5 | 5061076 | COVERING BLUE #8414 EGYPT | 1 | | | | |
| 5 | 5061083 | COVERING POUPRE #8720 RUSSIA | 1 | | | | |
| 5 | 5060024 | COVERING BLUE #8423 AQUILIA | 1 | | | | |
| 5 | 328256 | COVERING DARK GREY TARABUS #8750 TUCUNA | 1 | | | | |
| 5 | 5060010 | COVERING LIGHT GREY #6768 GRIFFON | 1 | | | | |

Date:10/2022

PAGE:Y2-1838-10

FLOOR COVERING - "TARAFLEX"

| Item# | Part | Description | X L I I I 4 5 | X L I I I M T H 4 0 | X L I I I M T H 4 5 | X L I I I M T H 4 5 E | NOTES |
|-------|---------|---|---------------------------------|--|--|---|-------|
| 5 | 5060042 | COVERING DARK GREY #6782 URANUS | 1 | | | | |
| 5 | 5060052 | COVERING DARK GREY #6782 SIRIUS | 1 | | | | |
| 5 | 5061090 | COVERING GREY #8729 NORWAY | 1 | | | | |
| 5 | 820076 | COVERING DARK GREY #8816 SYCAMORE | 1 | | | | |
| 5 | 820087 | COVERING MED BLUE #9418 OLYMPE | 1 | | | | |
| 5 | 820092 | COVERING DARK GREY #9727 ZEPHIR | 1 | | | | |
| 5 | 820099 | COVERING DARK GREY URANUS #6727 ANTHRACITE | 1 | | | | |
| 6 | 506936 | EXTRUSION "STEPBUS" 652MM | 1 | | | | |
| 7 | 506937 | EXTRUSION "STEPBUS" 654MM | 3 | | | | |
| 8 | 506938 | EXTRUSION "STEPBUS" 565MM | 1 | | | | |
| 9 | 5061023 | EXTRUSION "STEPBUS" 700MM | 1 | | | | |
| 10 | 500435 | SCREW TP FL PH #6x1 Z050 | 8 | | | | |
| 11 | 506808 | WHITE STRIP "STEPBUS" 34MM x 1490MM / BOX OF 20 | 1 | | | | |
| 11 | 5061033 | WHITE STRIP "STEPBUS" 34MM x 1490MM / BOX OF 20 | 1 | | | | |
| 11 | 5061280 | WHITE STRIP "STEPBUS" 34MM x 1490MM / EACH | 1 | | | | |
| 11 | 506088 | WHITE STRIP "STEPBUS" 34MM x 565MM | 1 | | | | |
| | | FLOOR COVERING / 762MM X 1524MM | | | | | |
| 12 | 506839 | COVERING LIGHT GREY #8779 CYGNUS | 1 | | | | |
| 12 | 506794 | COVERING DARK GREY #8780 PEGASUS | 1 | | | | |
| 12 | 506855 | COVERING RED #6132 RUBIS | 1 | | | | |
| 12 | 5061056 | COVERING BROWN #8311 SWEDEN | 1 | | | | |
| 12 | 5061063 | COVERING GREY #8731 POLAND | 1 | | | | |
| 12 | 5061070 | COVERING GREEN #8525 CHINA | 1 | | | | |
| 12 | 5061077 | COVERING BLUE #8414 EGYPT | 1 | | | | |
| 12 | 5061084 | COVERING POUPRE #8720 RUSSIA | 1 | | | | |
| 12 | 5006025 | COVERING BLUE #8423 AQUILIA | 1 | | | | |
| 12 | 328257 | COVERING DARK GREY TARABUS #8750 TUCUNA | 1 | | | | |
| 12 | 5060011 | COVERING LIGHT GREY #6768 GRIFFON | 1 | | | | |
| 12 | 5060043 | COVERING DARK GREY #6782 URANUS | 1 | | | | |
| 12 | 5060053 | COVERING DARK GREY #6782 SIRIUS | 1 | | | | |
| 12 | 5061091 | COVERING GREY #8729 NORWAY | 1 | | | | |
| 12 | 820077 | COVERING DARK GREY #8816 SYCAMORE | 1 | | | | |
| 12 | 820088 | COVERING MED BLUE #9418 OLYMPE | 1 | | | | |
| 12 | 820093 | COVERING DARK GREY #9727 ZEPHIR | 1 | | | | |
| 12 | 820100 | COVERING DARK GREY URANUS #6727 ANTHRACITE | 1 | | | | |
| NS | 680031 | GLUE / 1LITER | 1 | | | | W |
| NS | 680028 | GLUE / 15LITERS | 1 | | | | W |
| NS | 684654 | GLUE CONTACT "SCOTCH-GRIP" / 3M #1357-NEUTRAL 18.9 LITERS | AR | | | | F |

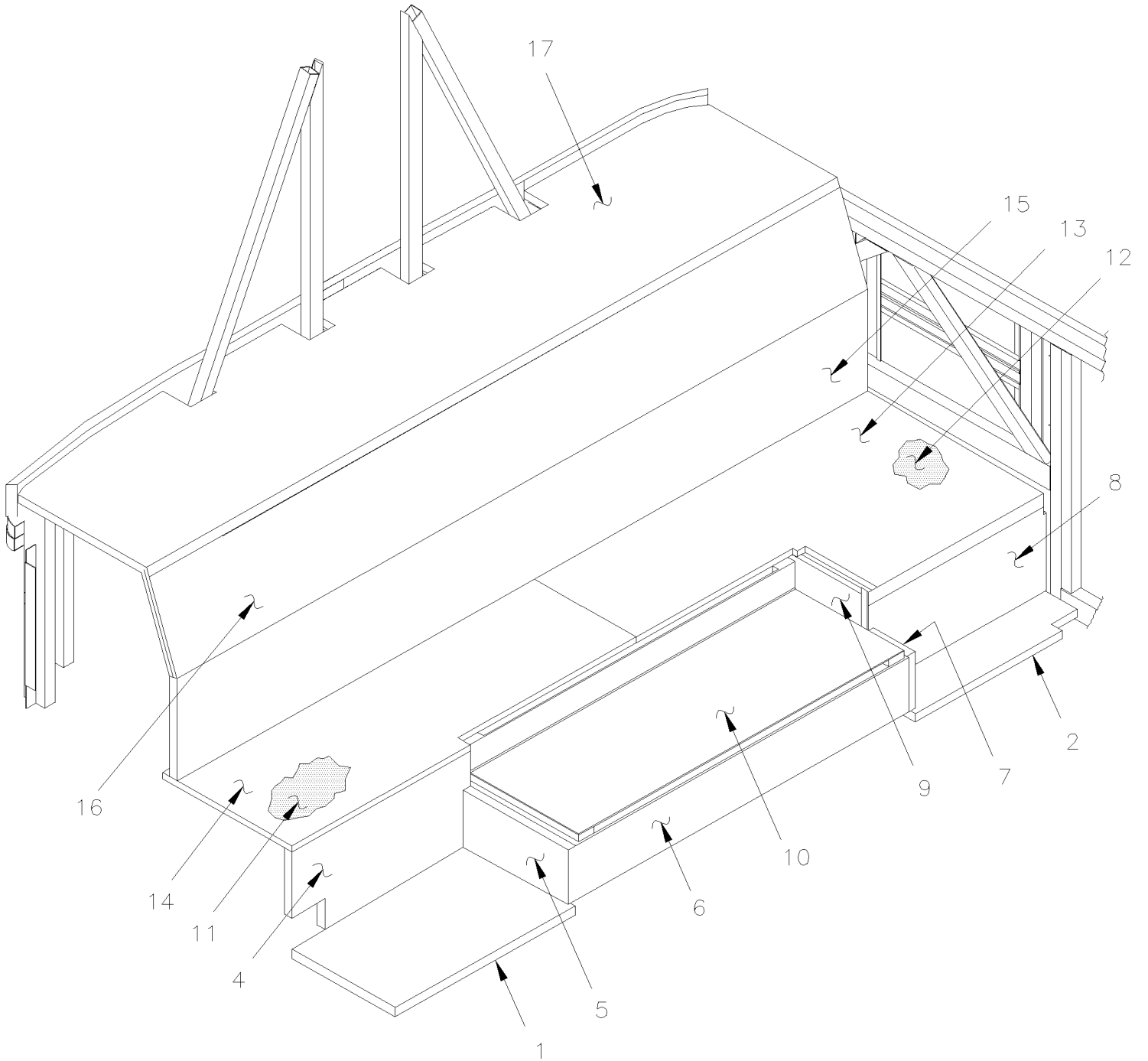
| | | Date:10/2022 | PAGE:Y2-1838-10 | | | | |
|-----------------------------|--------|--|----------------------------|---|---|--|-------|
| FLOOR COVERING - "TARAFLEX" | | | | | | | |
| Item# | Part | Description | X L I I 4 5 | X L I I M T H 4 0 | X L I I M T H 4 5 | X L I I M T H 4 5 E | NOTES |
| NS | 684655 | GLUE CONTACT "SCOTCH-GRIP" / 3M #1357-NEUTRAL 3.8 LITERS | AR | | | | F |
| NS | 684685 | ADHESIVE SIMSON #ISR 70-03 / 310ml CARTRIDGE | AR | | | | F |
| | | | | | | | |
| | | | | | | | |
| | | F) TO FIX COVERING ON FIBERGLASS | | | | | |
| | | W) TO FIX COVERING ON WOOD | | | | | |

From Y-7046 To 8-9276

Date:10/2022

PAGE:Y2-1838-50

FLOOR - MTH

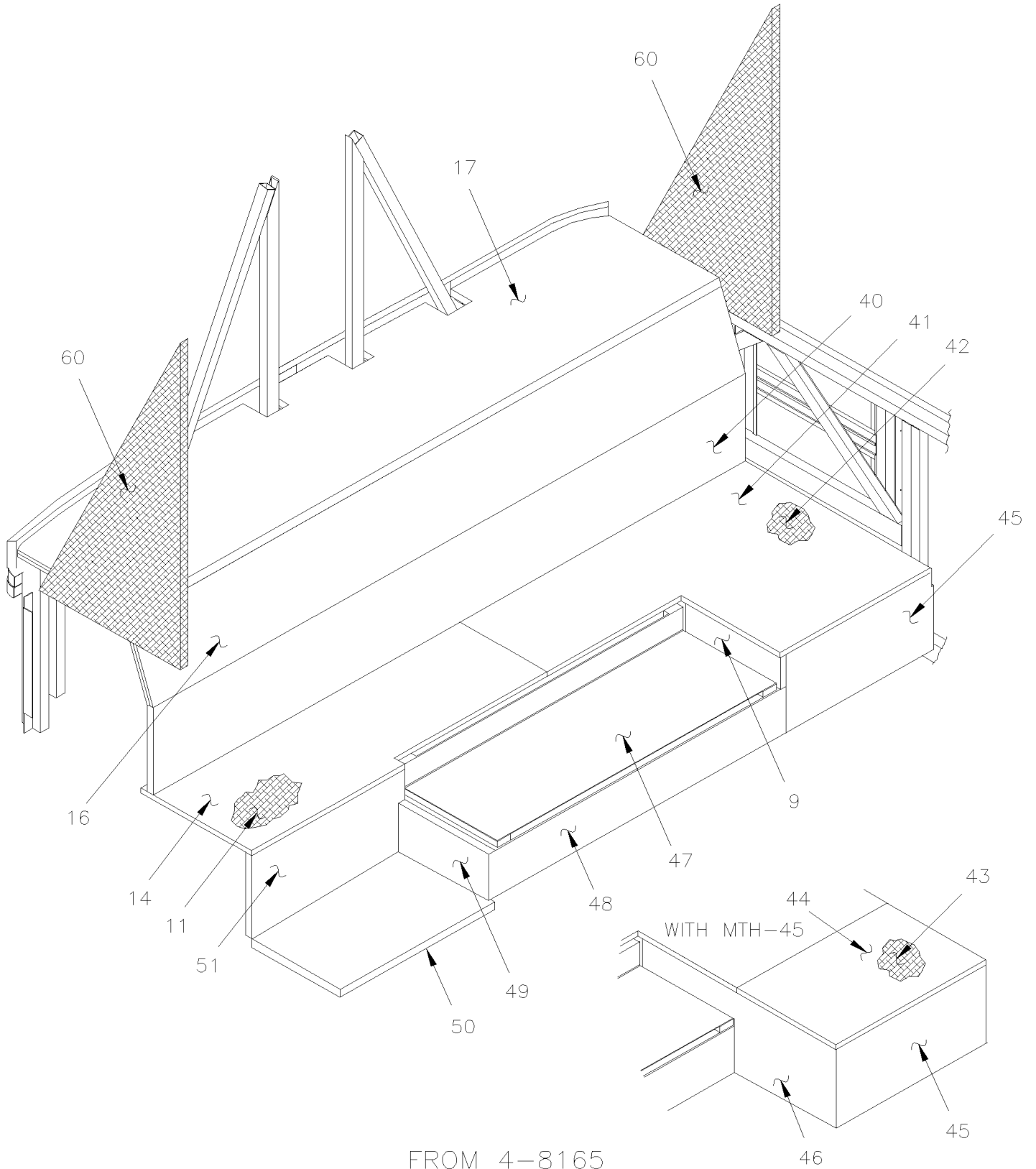


From Y-7046 To 8-9276

Date:10/2022

PAGE:Y2-1838-50

FLOOR - MTH

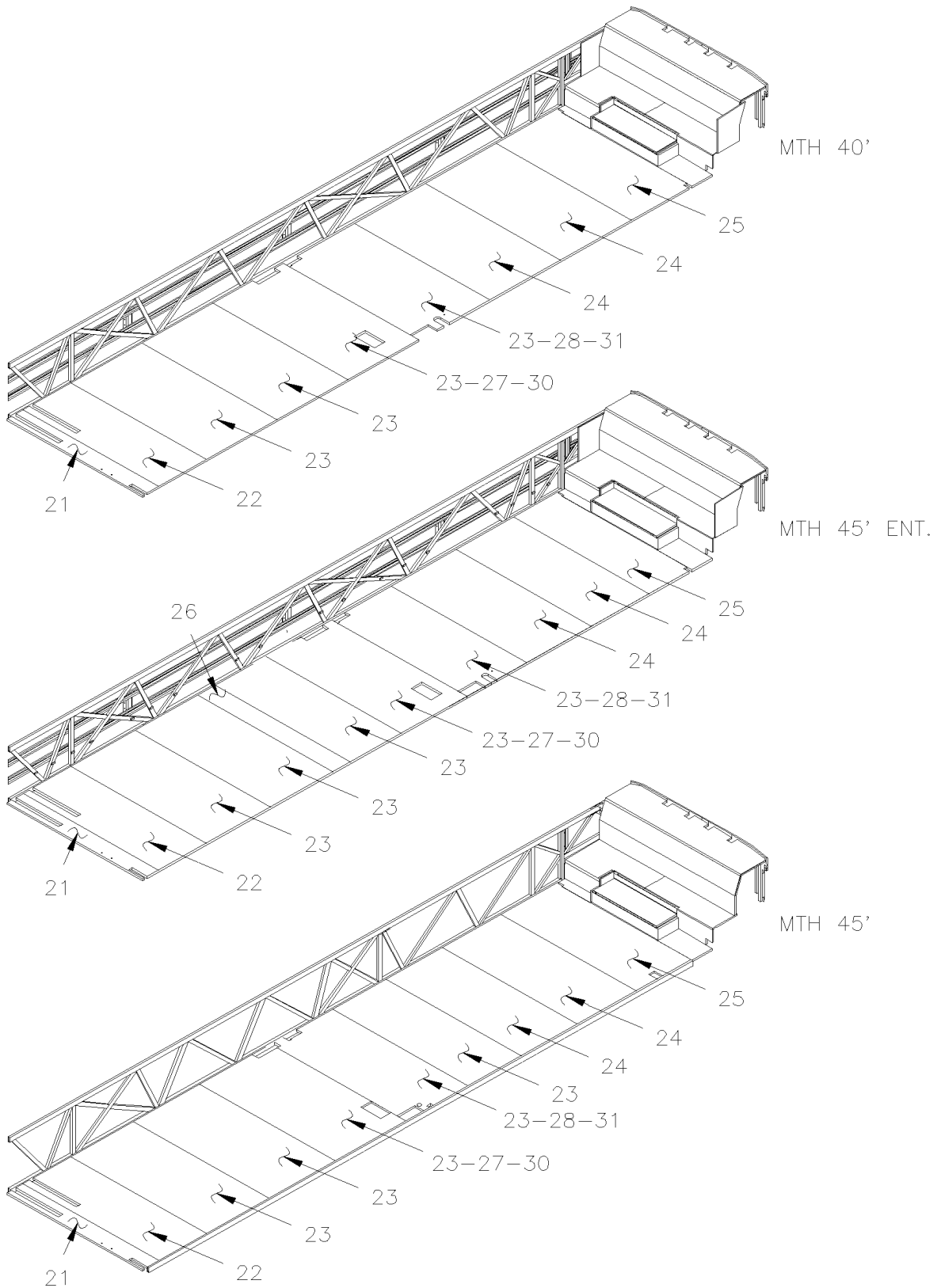


From Y-7046 To 8-9276

Date:10/2022

PAGE:Y2-1838-50

FLOOR - MTH

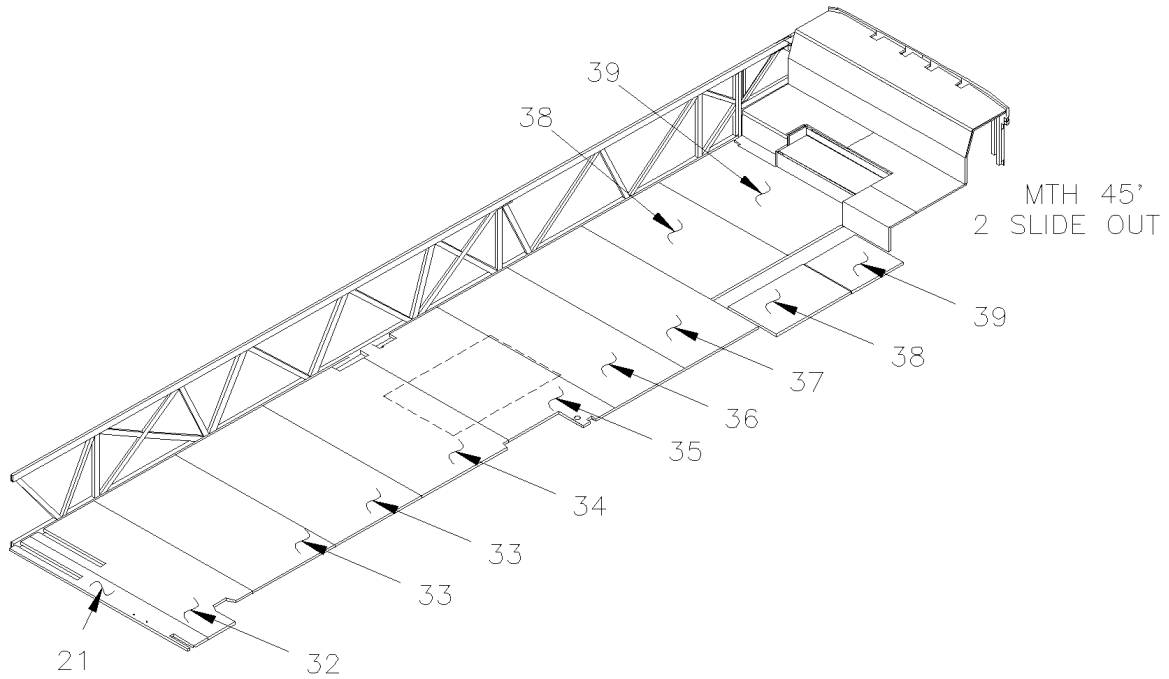
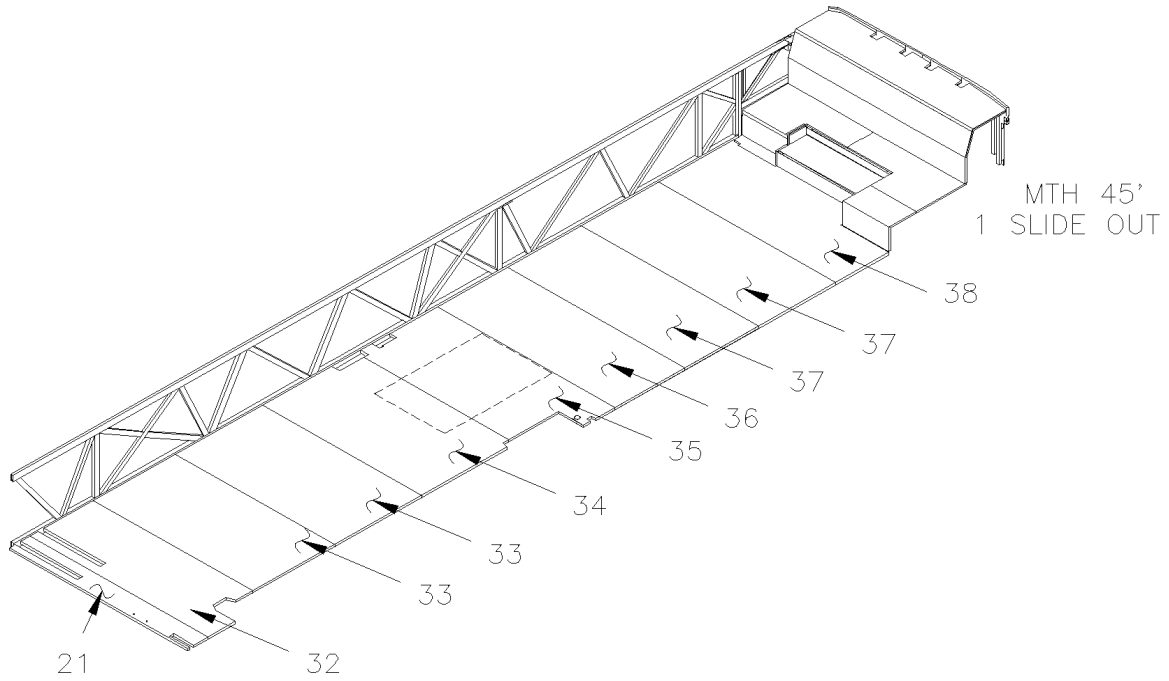


From Y-7046 To 8-9276

Date:10/2022

PAGE:Y2-1838-50

FLOOR - MTH



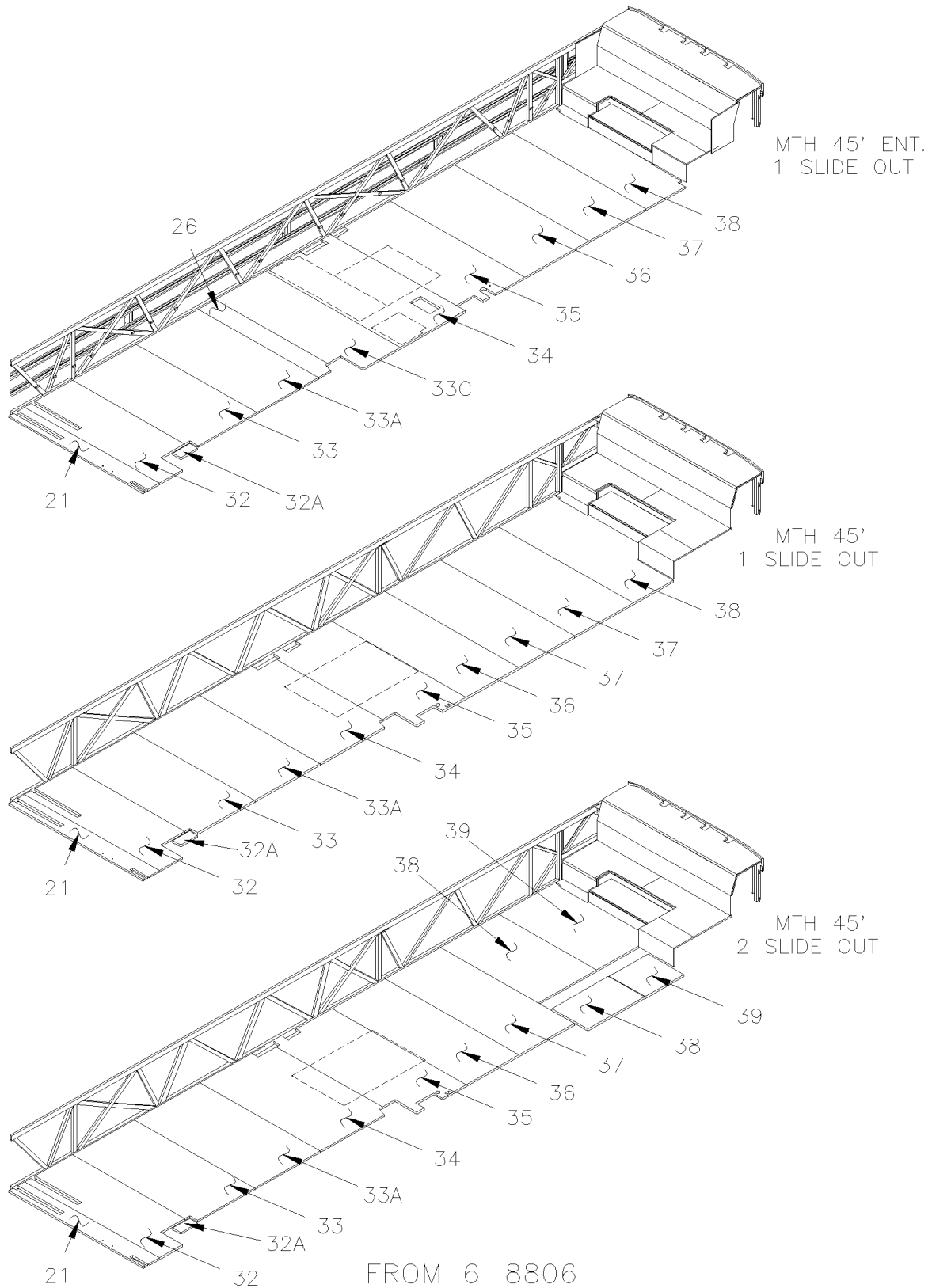
FROM 4-8165 UP TO 5-8805

From Y-7046 To 8-9276

Date:10/2022

PAGE:Y2-1838-50

FLOOR - MTH



| | | |
|-----------------------|--------------|-----------------|
| From Y-7046 To 8-9276 | Date:10/2022 | PAGE:Y2-1838-50 |
| FLOOR - MTH | | |

| Item# | Part | Description | X L I I 4 5 | X L I I M T H 4 0 | X L I I M T H 4 5 | X L I I M T H 4 5 E | N O T E S |
|-------|-----------------|--|----------------------------|---|---|--|-----------------------|
| 1 | 324420 | FLOOR PANEL ASSY | | 1 | 1 | 1 | |
| 2 | 324472 | FLOOR PANEL ASSY To 3-8164 | | 1 | | 1 | |
| 2 | 324419 | FLOOR PANEL ASSY To 3-8164 | | 1 | | 1 | A |
| 2 | 323972 | FLOOR PANEL ASSY | | | 1 | | |
| 4 | 327151 | FLOOR PANEL ASSY | | 1 | | 1 | |
| 4 | 325083 | FLOOR PANEL ASSY | | 1 | | 1 | A |
| 4 | 325082 | FLOOR PANEL ASSY To 3-8164 | | | 1 | | |
| 4 | 325081 | FLOOR PANEL ASSY To 3-8164 | | | 1 | | A |
| 4 | 325131 | SUPPORT | | 1 | 1 | 1 | |
| 5 | 325074 | FLOOR PANEL ASSY To 3-8164 | | 1 | 1 | 1 | |
| 5 | 326207 | FLOOR PANEL ASSY From 4-8165 | | 1 | | 1 | |
| 6 | 325076 | FLOOR PANEL ASSY To 3-8164 | | 1 | 1 | 1 | |
| 6 | 327826 | FLOOR PANEL ASSY From 4-8165 | | 1 | | 1 | |
| 7 | 325075 | FLOOR PANEL ASSY To 3-8164 | | 1 | 1 | 1 | |
| 8 | 325078 | FLOOR PANEL ASSY | | 1 | | 1 | |
| 8 | 327827 | FLOOR PANEL ASSY To 3-8164 | | 1 | | 1 | |
| 8 | 325077 | FLOOR PANEL ASSY | | | 1 | | |
| 9 | 325080 | FLOOR PANEL ASSY To 3-8164 | | 1 | | 1 | |
| 9 | 327830 | FLOOR PANEL ASSY From 4-8165 | | 1 | | 1 | |
| 9 | 325079 | FLOOR PANEL ASSY | | | 1 | | |
| 10 | 324678P | ACCESS ENGINE FLOOR PANEL To 3-8164 | | 1 | | 1 | |
| . NS | 324683 | . WEATHERSTRIP RUBBER ASSY To 3-8164 | | 1 | | 1 | |
| 10 | 327829P | ACCESS ENGINE FLOOR PANEL From 4-8165 | | 1 | | 1 | |
| . NS | 327978 | . WEATHERSTRIP RUBBER ASSY From 4-8165 | | 1 | | 1 | |
| 10 | Call order desk | ACCESS ENGINE FLOOR PANEL To 3-8164 | | | 1 | | P |
| . NS | 324296 | . WEATHERSTRIP RUBBER ASSY To 3-8164 | | | 1 | | |
| NS | 500186 | SCREW CAP HEX 5/16-18x2 1/2 G5 Z050 | | 6 | 6 | 6 | |
| NS | 500985 | WASHER FL .343x.875x.125 Z050 | | 6 | 6 | 6 | |
| NS | 471119 | SEAL WASHER / RUB RAIL & PANEL | | 6 | 6 | 6 | |
| NS | 680532 | SEALANT SIKA #221 / GREY / 310ml CARTRIDGE | | 1 | 1 | 1 | |
| 11 | 325049 | INSULATING | | 1 | 1 | 1 | |
| 12 | 325050 | INSULATING To 3-8164 | | 1 | 1 | 1 | |
| 13 | 325048 | FLOOR PANEL ASSY To 3-8164 | | 1 | 1 | 1 | |
| 13 | 327479 | FLOOR PANEL ASSY From 5-8165 | | 1 | | 1 | C |
| 14 | 325052 | FLOOR PANEL ASSY To 3-8164 | | 1 | 1 | 1 | |
| 14 | 326819 | FLOOR PANEL ASSY From 4-8165 | | 1 | | 1 | |
| 14 | 327881 | FLOOR PANEL ASSY From 4-8165 | | | 1 | | |
| 15 | 324674 | PANEL ASSY | | 1 | | 1 | |
| 15 | 324241 | PANEL ASSY To 3-8164 | | | 1 | | |
| 16 | 324012 | PANEL ASSY | | 1 | 1 | 1 | |
| 17 | 326844 | PANEL ASSY | | 1 | | 1 | |
| 17 | 326628 | PANEL ASSY | | | 1 | | |

| | | |
|-----------------------|--------------|-----------------|
| From Y-7046 To 8-9276 | Date:10/2022 | PAGE:Y2-1838-50 |
| FLOOR - MTH | | |

| Item# | Part | Description | X L I I 4 5 | X L I I M T H 4 0 | X L I I M T H 4 5 | X L I I M T H 4 5 E | N O T E S |
|-------|-----------------|---|----------------------------|---|---|--|-----------------------|
| NS | 680096 | SEALANT BUTYL ALUM / GREY / 310ml CARTRIDGE | | 1 | 1 | 1 | |
| 17 | 500293 | SCREW TP PAN PH #10x1 SS | | 1 | 1 | 1 | |
| 17 | 500618 | SCREW TP FL PH #10x1 Z050 | | 1 | 1 | 1 | |
| 17 | 500642 | SCREW TP PAN PH #10x3/4 Z050 | | 1 | 1 | 1 | |
| 17 | 5001232 | NUT SLE #10-24x1/2 CHR | | 1 | 1 | 1 | |
| 17 | 5001236 | SCREW MA FL PH #10-24x1 Z050 | | 40 | 40 | 40 | |
| 17 | 5001143 | SCREW DR WF TORX #12x2 CP | | AR | AR | AR | |
| 21 | Call order desk | FLOOR PANEL ASSY | | 1 | | 1 | P |
| 21 | Call order desk | FLOOR PANEL ASSY | | | 1 | | P |
| 22 | Call order desk | FLOOR PANEL ASSY | | 1 | | 1 | P |
| 22 | Call order desk | FLOOR PANEL ASSY | | | 1 | | P |
| 23 | 323968P | FLOOR PANEL ASSY | | 3 | | | |
| 23 | 323968P | FLOOR PANEL ASSY | | | | 4 | |
| 23 | 328877P | FLOOR PANEL ASSY | | | 5 | | |
| 24 | 323969P | FLOOR PANEL ASSY | | 2 | | 2 | |
| 24 | 328877P | FLOOR PANEL ASSY | | | 1 | | |
| 25 | 325426P | FLOOR PANEL ASSY | | 1 | | 1 | A |
| 25 | Call order desk | FLOOR PANEL ASSY | | 1 | | 1 | PB |
| 25 | Call order desk | FLOOR PANEL ASSY To 4-8164 | | | 1 | | PB |
| 25 | Call order desk | FLOOR PANEL ASSY To 4-8164 | | | 1 | | PB |
| 26 | 325442P | FLOOR PANEL ASSY To 6-8805 | | | | 1 | |
| 26 | Call order desk | FLOOR PANEL ASSY From 6-8806 | | | | 1 | P |
| 27 | Call order desk | FLOOR PANEL ASSY To 5-8726 | | 1 | | 1 | PB |
| 27 | Call order desk | FLOOR PANEL ASSY From 5-8727 | | | | 1 | PB |
| 27 | Call order desk | FLOOR PANEL ASSY | | | 1 | | PB |
| 28 | Call order desk | FLOOR PANEL ASSY To 4-8205 | | 1 | | 1 | PB |
| 28 | Call order desk | FLOOR PANEL ASSY From 4-8206 To 5-8726 | | 1 | | 1 | PB |
| 28 | Call order desk | FLOOR PANEL ASSY From 5-8727 | | | | 1 | PB |
| 28 | Call order desk | FLOOR PANEL ASSY | | | 1 | | PB |
| 30 | 327379 | PANEL / FIRE WALL | | | 1 | | |
| 30 | 325729 | PANEL / FIRE WALL | | 1 | | 1 | |
| 31 | 325730 | PANEL / FIRE WALL | | 1 | | 1 | |
| | | NEXT FLOORS ARE USE WITH "SLIDE-OUT" | | | | | |
| 32 | Call order desk | FLOOR PANEL ASSY To 6-8805 | | | 1 | | P |
| 32 | Call order desk | FLOOR PANEL ASSY From 6-8806 | | | 1 | 1 | P |
| 32A | 328214 | FLOOR PANEL ASSY STREETSIDE (SMALL PIECE) From 6-8806 | | | 1 | 1 | |
| 33 | Call order desk | FLOOR PANEL ASSY To 6-8805 | | | 2 | | P |
| 33 | Call order desk | FLOOR PANEL ASSY From 6-8806 | | | 1 | 1 | P |
| 33A | Call order desk | FLOOR PANEL ASSY BACKWARD From 6-8806 | | | | 1 | P |
| 33C | Call order desk | FLOOR PANEL ASSY From 6-8806 | | | | 1 | P |

| | | |
|-----------------------|--------------|-----------------|
| From Y-7046 To 8-9276 | Date:10/2022 | PAGE:Y2-1838-50 |
| FLOOR - MTH | | |

| Item# | Part | Description | X L I I 4 5 | X L I I M T H 4 0 | X L I I M T H 4 5 | X L I I M T H 4 5 E | N O T E S |
|-------|-----------------|---|----------------------------|---|---|--|-----------------------|
| 34 | Call order desk | FLOOR PANEL ASSY To 6-8805 | | | 1 | | PA |
| 34 | Call order desk | FLOOR PANEL ASSY From 6-8806 | | | 1 | | P |
| 34 | Call order desk | FLOOR PANEL ASSY To 6-8805 | | | 1 | | PB |
| 34 | Call order desk | FLOOR PANEL ASSY From 6-8806 | | | 1 | | PB |
| 34 | Call order desk | FLOOR PANEL ASSY From 6-8806 | | | | 1 | PA |
| 34 | Call order desk | FLOOR PANEL ASSY From 6-8806 | | | | 1 | PB |
| 35 | Call order desk | FLOOR PANEL ASSY To 3-8070 | | | 1 | | PA |
| 35 | Call order desk | FLOOR PANEL ASSY From 3-8071 To 6-8805 | | | 1 | | PA |
| 35 | Call order desk | FLOOR PANEL ASSY From 6-8806 | | | 1 | | PA |
| 35 | Call order desk | FLOOR PANEL ASSY To 3-8070 | | | 1 | | PB |
| 35 | Call order desk | FLOOR PANEL ASSY From 3-8071 To 6-8805 | | | 1 | | PB |
| 35 | Call order desk | FLOOR PANEL ASSY From 6-8806 | | | 1 | | PB |
| 35 | Call order desk | FLOOR PANEL ASSY From 6-8806 | | | | 1 | PA |
| 35 | Call order desk | FLOOR PANEL ASSY From 6-8806 | | | | 1 | PB |
| 36 | Call order desk | FLOOR PANEL ASSY To 6-8805 | | | 1 | | PB |
| 36 | Call order desk | FLOOR PANEL ASSY From 6-8806 | | | 1 | | PA |
| 36 | Call order desk | FLOOR PANEL ASSY To 6-8805 | | | 1 | | PA |
| 36 | Call order desk | FLOOR PANEL ASSY From 6-8806 | | | 1 | 1 | PA |
| 36 | Call order desk | FLOOR PANEL ASSY From 6-8806 | | | 1 | 1 | PB |
| 36 | Call order desk | FLOOR PANEL ASSY | | | | 1 | P |
| 37 | Call order desk | FLOOR PANEL ASSY To 6-8805 | | | 1 | | P |
| 37 | Call order desk | FLOOR PANEL ASSY From 6-8806 To 8-9095 | | | 1 | | P |
| 37 | Call order desk | FLOOR PANEL ASSY From 8-9096 | | | 1 | | P |
| 37 | 323969P | FLOOR PANEL ASSY | | | | 1 | |
| NS | Call order desk | FLOOR PANEL TOP FORWARD CURBSIDE From 4-8165 | | | 1 | | P |
| NS | Call order desk | FLOOR PANEL TOP FORWARD STREETSIDE From 4-8165 | | | 1 | | P |
| NS | Call order desk | FLOOR PANEL TOP BACKWARD CURBSIDE From 4-8165 | | | 1 | | P |
| NS | Call order desk | FLOOR PANEL ASSY BACKWARD STREETSIDE From 4-8165 | | | 1 | | P |
| NS | Call order desk | FLOOR PANEL ASSY W/OUT REAR SLIDE OUT From 4-8165 | | | 1 | | P |
| 38 | 325426P | FLOOR PANEL ASSY | | | | 1 | |
| 40 | 327991 | PANEL ASSY From 4-8165 | | | 1 | | |
| 41 | 327880 | FLOOR PANEL ASSY From 5-8165 To 6-8805 | | | 1 | | C |
| 41 | 328186 | FLOOR PANEL ASSY From 6-8806 | | | 1 | | C |
| 42 | 327878 | INSULATING From 4-8165 To 6-8805 | | | 1 | | |
| 42 | 328191 | INSULATING From 6-8806 | | | 1 | | |
| 43 | 327877 | INSULATING From 4-8165 To 6-8805 | | | 1 | | |
| 43 | 328196 | INSULATING From 6-8806 | | | 1 | | |
| 44 | 327879 | FLOOR PANEL ASSY / FORWARD From 4-8165 To 6-8805 | | | 1 | | |
| 44 | 328195 | FLOOR PANEL ASSY / FORWARD From 6-8806 | | | 1 | | |
| 44 | 327967 | FLOOR PANEL ASSY / FORWARD From 6-8806 | | | 1 | | A |
| 45 | 327865 | FLOOR PANEL ASSY From 4-8165 To 5-8805 | | | 1 | | A |

| | | |
|-----------------------|--------------|-----------------|
| From Y-7046 To 8-9276 | Date:10/2022 | PAGE:Y2-1838-50 |
| FLOOR - MTH | | |

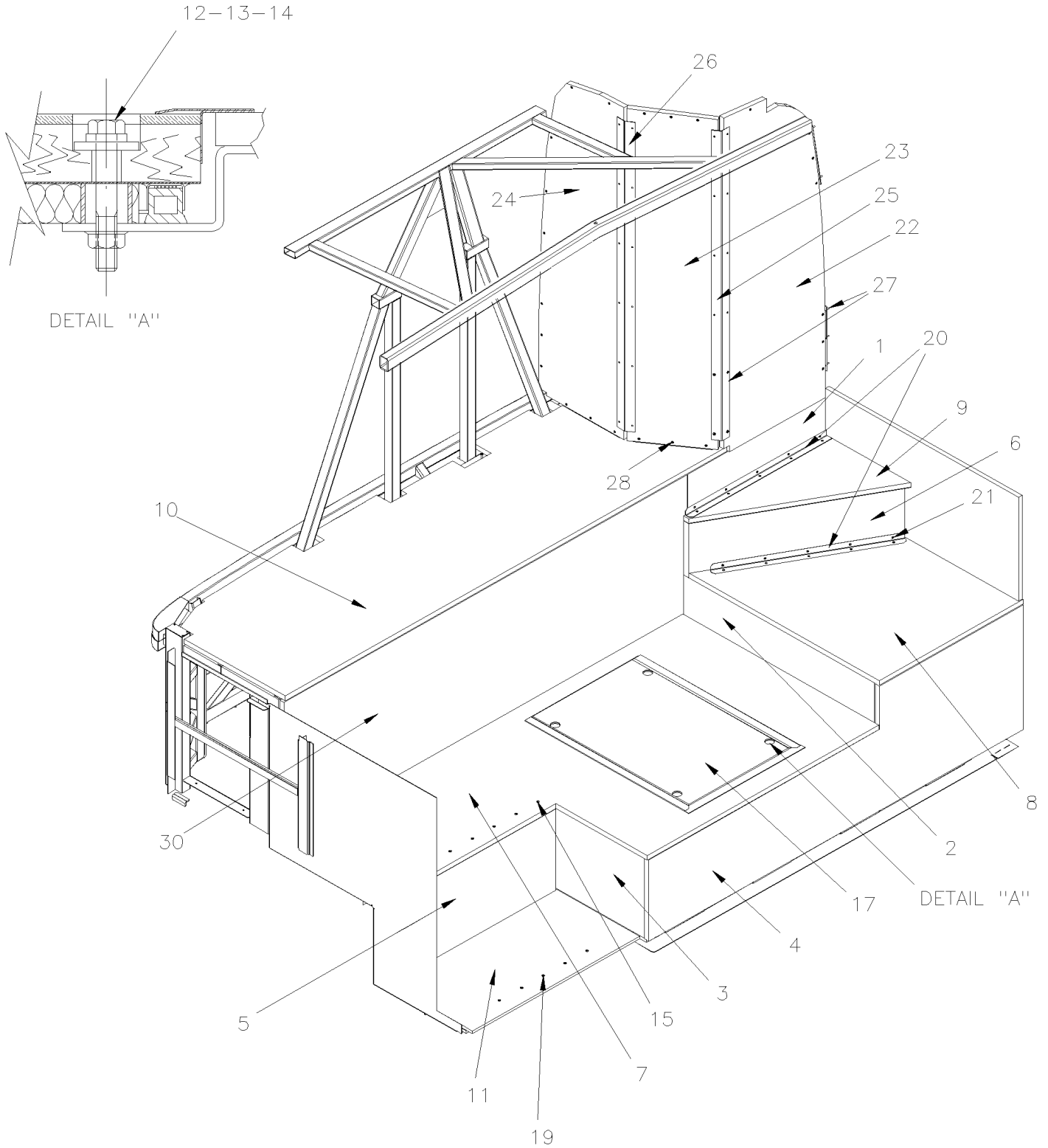
| Item# | Part | Description | X L I I 4 5 | X L I I M T H 4 0 | X L I I M T H 4 5 | X L I I M T H 4 5 E | N O T E S |
|-------|-------------------|--|----------------------------|---|---|--|-----------------------|
| 45 | 328292 | FLOOR PANEL ASSY From 6-8806 | | | 1 | | A |
| 45 | 327864 | FLOOR PANEL ASSY From 4-8165 To 5-8805 | | | 1 | | |
| 45 | Call order desk | FLOOR PANEL ASSY From 6-8806 | | | 1 | | P |
| 46 | 327840 | FLOOR PANEL ASSY From 4-8165 To 6-8805 | | | 1 | | A |
| 46 | 327973 | FLOOR PANEL ASSY From 6-8806 | | | 1 | | |
| 47 | 327887P | ACCESS ENGINE FLOOR PANEL From 4-8165 | | | 1 | | |
| . NS | 327893 | . WEATHERSTRIP RUBBER ASSY From 4-8165 | | | 1 | | |
| 48 | 327838 | FLOOR PANEL ASSY From 4-8165 | | | 1 | | |
| 49 | 327861 | FLOOR PANEL ASSY From 4-8165 | | | 1 | | |
| 50 | 324240 | FLOOR PANEL ASSY From 4-8165 | | | 1 | | |
| 51 | 327862 | FLOOR PANEL ASSY From 4-8165 | | | 1 | | |
| 51 | 327863 | FLOOR PANEL ASSY From 4-8165 | | | 1 | | A |
| 60 | Y2-1839-70 | INSULATING REAR END INSIDE OVER ENGINE | | | | | |
| | | | | | | | |
| | | | | | | | |
| | | A) W/SMALL A/C | | | | | |
| | | B) W/LARGE A/C | | | | | |
| | | C) THIS PANEL FINISH IN LINE WITH # 6 PANEL | | | | | |
| | | P) CALL ORDER DESK FOR SPECIFIC APPLICATION (V.I.N.) | | | | | |

From 8-9279 To 8-9339

Date:10/2022

PAGE:Y2-1838-51

FLOOR - MTH



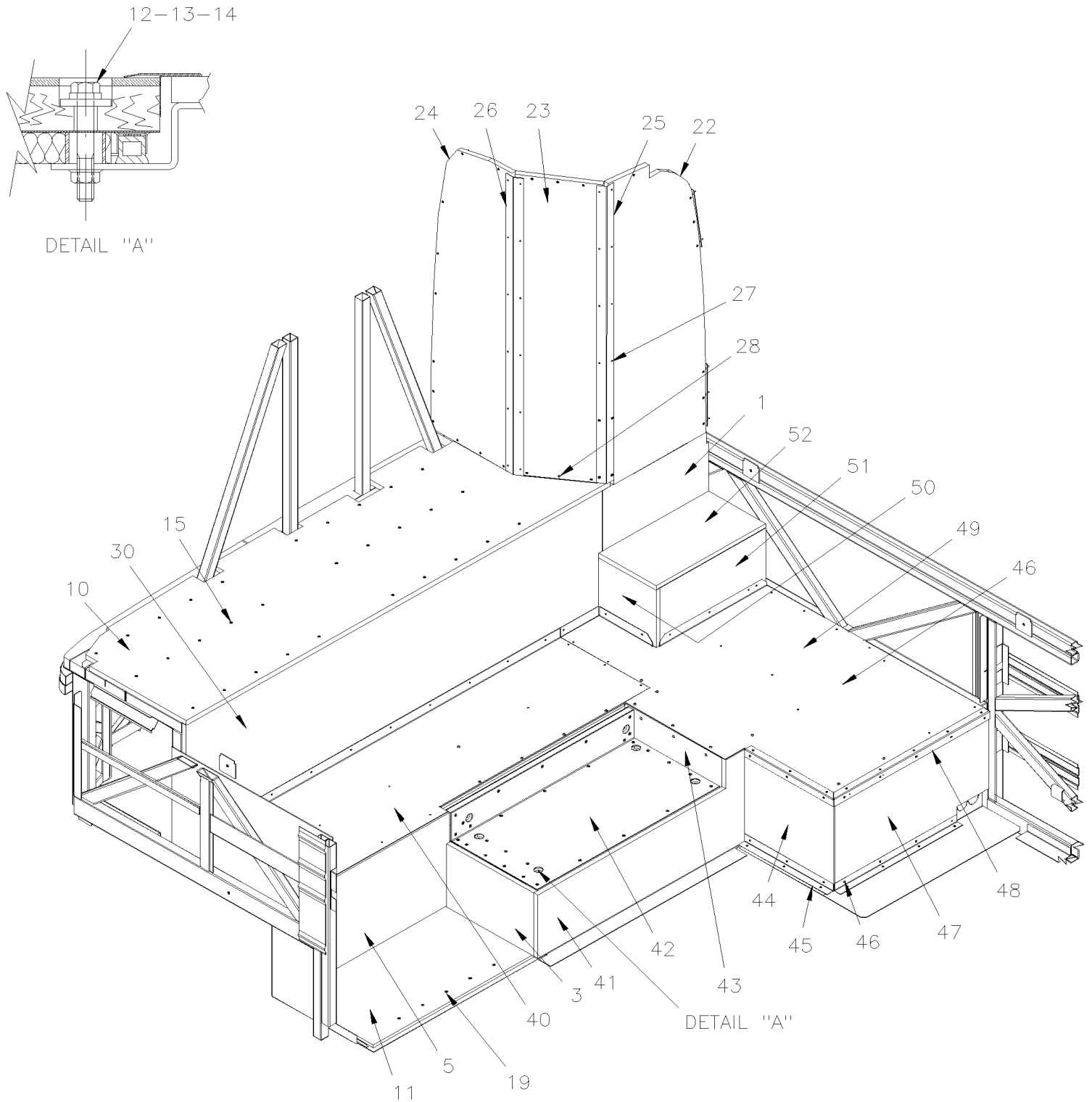
MTH-40' & MTH-45' ENT

From 8-9279 To 8-9339

Date:10/2022

PAGE:Y2-1838-51

FLOOR - MTH



MTH-45'

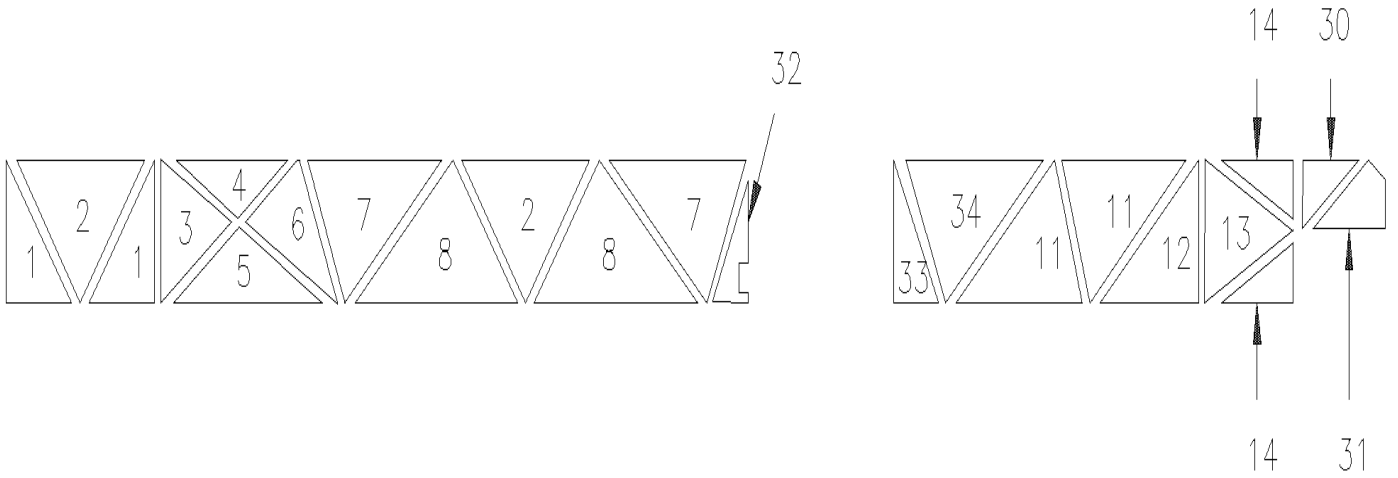
| | | |
|-----------------------|--------------|-----------------|
| From 8-9279 To 8-9339 | Date:10/2022 | PAGE:Y2-1838-51 |
| FLOOR - MTH | | |

| Item# | Part | Description | X L I I 4 5 | X L I I M T H 4 0 | X L I I M T H 4 5 | X L I I M T H 4 5 E | N O T E S |
|-------|-----------------|---|----------------------------|---|---|--|-----------------------|
| 1 | 328684 | FLOOR PANEL ASSY | | | | 1 | |
| 1 | 328695 | FLOOR PANEL ASSY | | | 1 | | |
| 2 | 328669 | FLOOR PANEL ASSY | | | | 1 | |
| 3 | 328664 | FLOOR PANEL ASSY | | | | 1 | |
| 3 | 328695 | FLOOR PANEL ASSY | | | 1 | | |
| 4 | 328665 | FLOOR PANEL ASSY | | | | 1 | |
| 5 | 328663 | FLOOR PANEL / W/LARGE A/C | | | | 1 | B |
| 5 | 328676 | FLOOR PANEL / W/SMALL A/C | | | | 1 | A |
| 5 | 328696 | FLOOR PANEL / W/LARGE A/C | | | 1 | | B |
| 5 | 328685 | FLOOR PANEL / W/SMALL A/C | | | 1 | | A |
| 6 | 328666 | FLOOR PANEL ASSY | | | | 1 | |
| 7 | 328667 | FLOOR PANEL ASSY | | | | 1 | |
| 8 | 328671 | FLOOR PANEL ASSY | | | | 1 | |
| 9 | 328670 | FLOOR PANEL ASSY | | | | 1 | |
| 10 | 328672 | FLOOR PANEL ASSY | | | 1 | | |
| 11 | 328673 | FLOOR PANEL ASSY | | | | 1 | |
| 11 | 328733 | FLOOR PANEL ASSY | | | 1 | | |
| 12 | 500186 | SCREW CAP HEX 5/16-18x2 1/2 G5 Z050 | | | 4 | 4 | |
| 13 | 500985 | WASHER FL .343x.875x.125 Z050 | | | 4 | 4 | |
| 14 | 471119 | SEAL WASHER / RUB RAIL & PANEL | | | 4 | 4 | |
| 15 | 500620 | SCREW TP FL PH #10x1 1/2 Z050 | | | AR | AR | |
| 16 | 680096 | SEALANT BUTYL ALUM / GREY / 310ml CARTRIDGE | | | AR | AR | |
| 17 | 328772P | PANEL ASSY / ENGINE ACCESS | | | | 1 | |
| NS | 320037 | . WEATHERSTRIP RUBBER ASSY | | | | 1 | |
| 18 | 684517 | ADHESIVE SIMSON #ISR 70-03 / GREY / 310ml CARTRIDGE | | | AR | AR | |
| 19 | 5001349 | SCREW WO TR PH #8x7/8 | | | 6 | 6 | |
| 20 | 328450 | ANGLE | | | | 2 | |
| 21 | 500373 | SCREW TP BDG PH #6x1/2 N500 | | | 20 | 20 | |
| 22 | Call order desk | PANEL VENEER | | | | 1 | P |
| 23 | Call order desk | PANEL VENEER | | | 1 | | P |
| 23 | Call order desk | PANEL VENEER | | | | 1 | P |
| 24 | Call order desk | PANEL VENEER | | | 1 | | P |
| 24 | Call order desk | PANEL VENEER | | | | 1 | P |
| 25 | 320398 | SUPPORT VENEER | | | 1 | | |
| 25 | 320399 | SUPPORT VENEER | | | | 1 | |
| 26 | 320398 | SUPPORT VENEER | | | 1 | 1 | |
| 26 | 320399 | SUPPORT VENEER | | | 1 | | |
| 27 | 500641 | SCREW TP PAN PH #8x3/4 Z050 | | | AR | AR | |
| 28 | 500645 | SCREW TP OV PH #8x1 1/4 Z050 | | | AR | AR | |
| 29 | 405809 | ANGLE LOWER 260MM | | | 5 | 5 | |
| 30 | 328668 | FLOOR PANEL ASSY | | | 1 | 1 | |

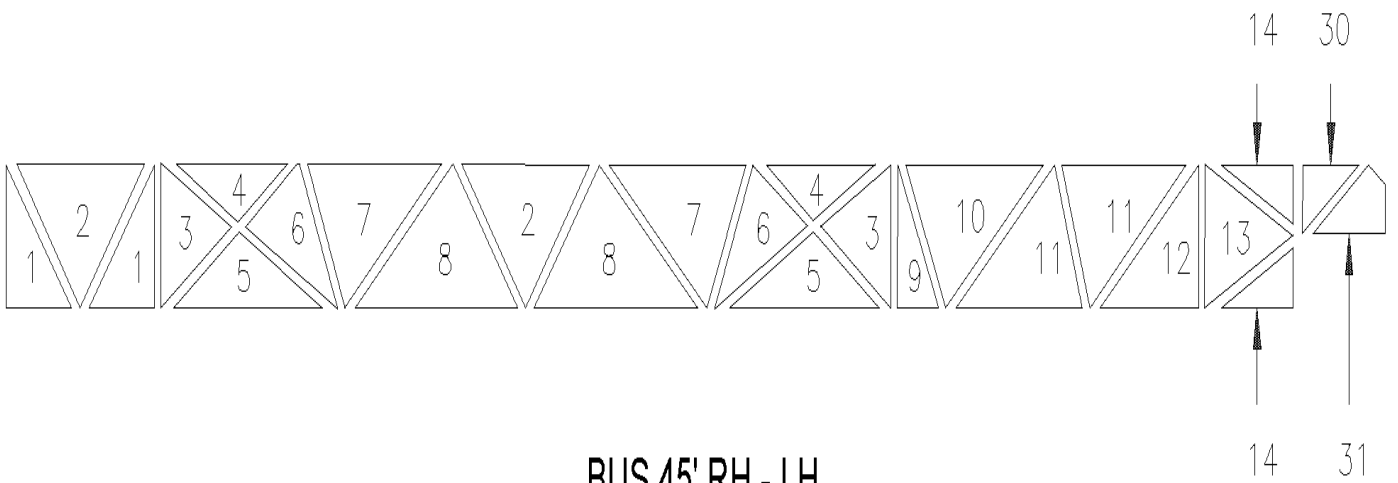
| | | |
|-----------------------|--------------|-----------------|
| From 8-9279 To 8-9339 | Date:10/2022 | PAGE:Y2-1838-51 |
| FLOOR - MTH | | |

| Item# | Part | Description | X L I I 4 5 | X L I I M T H 4 0 | X L I I M T H 4 5 | X L I I M T H 4 5 E | N O T E S |
|-------|-----------------|--|----------------------------|---|---|--|-----------------------|
| 40 | 328689 | ALL PANEL | | | 1 | | |
| 41 | 328687 | FLOOR PANEL ASSY | | | 1 | | |
| 42 | Call order desk | PANEL ASSY / ENGINE ACCESS | | | 1 | | P |
| 43 | 328630 | FLOOR PANEL ASSY | | | 1 | | |
| 44 | 328708 | FLOOR PANEL ASSY | | | 1 | | |
| 45 | 328731 | ANGLE LOWER FLOOR | | | 1 | | A |
| 45 | 328732 | ANGLE LOWER FLOOR | | | 1 | | B |
| 46 | 500613 | SCREW TP PAN PH #10x1/2 Z050 | | | 32 | | |
| 47 | 328706 | F W/O SO SAC | | | 1 | | A |
| 47 | 328712 | F W/O SO LAC | | | 1 | | B |
| 48 | 328730 | ANGLE UPPER FLOOR | | | 1 | | |
| 49 | 328697 | ALL PANEL | | | 1 | | |
| 50 | 328690 | FLOOR PANEL ASSY | | | 1 | | |
| 51 | 328691 | FLOOR PANEL ASSY | | | 1 | | |
| 52 | 328692 | FLOOR PANEL ASSY | | | 1 | | |
| | | | | | | | |
| | | | | | | | |
| | | A) WITH SMALL A/C SYSTEM | | | | | |
| | | B) WITH LARGE A/C SYSTEM | | | | | |
| | | P) CALL ORDER DESK FOR SPECIFIC APPLICATION (V.I.N.) | | | | | |

| | | |
|--|--------------|-----------------|
| From Y-7046 To 2-7702 | Date:10/2022 | PAGE:Y2-1839-00 |
| INSULATING SIDE WALL - LOWER PANEL - BUS | | |



BUS 45' WITH RICON

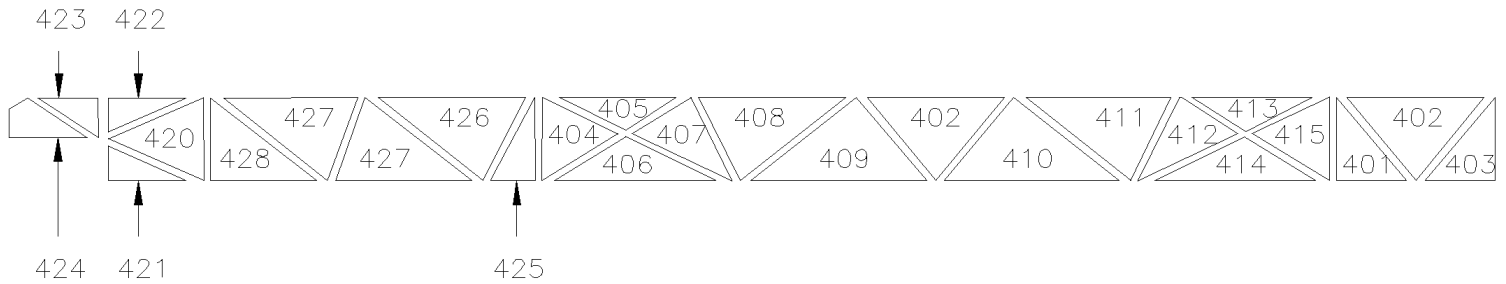


BUS 45' RH - LH

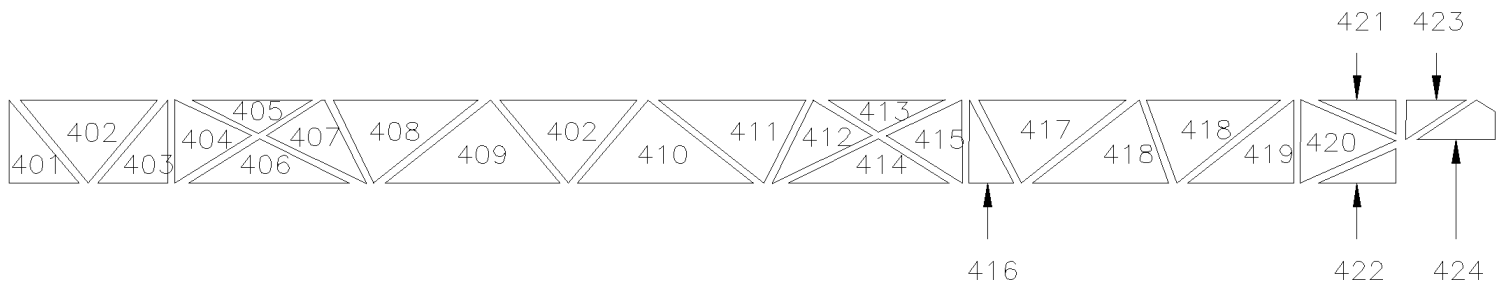
| | | |
|---|--------------|-----------------|
| From Y-7046 To 2-7702 | Date:10/2022 | PAGE:Y2-1839-00 |
| INSULATING SIDE WALL - LOWER PANEL - BUS | | |

| Item# | Part | Description | X L I I 4 5 | X L I I M T H 4 0 | X L I I M T H 4 5 | X L I I M T H 4 5 E | N O T E S |
|-------|--------|---|----------------------------|---|---|--|-----------------------|
| 1 | 350893 | SIDE INSULATION PANEL | 4 | | | | |
| 2 | 350894 | SIDE INSULATION PANEL | 2 | | | | |
| 3 | 350895 | SIDE INSULATION PANEL | 4 | | | | |
| 4 | 350896 | SIDE INSULATION PANEL | 4 | | | | |
| 5 | 350897 | SIDE INSULATION PANEL | 4 | | | | |
| 6 | 350898 | SIDE INSULATION PANEL | 4 | | | | |
| 7 | 350899 | SIDE INSULATION PANEL | 2 | | | | |
| 8 | 350900 | SIDE INSULATION PANEL | 4 | | | | |
| 9 | 350901 | SIDE INSULATION PANEL | 2 | | | | |
| 10 | 350902 | SIDE INSULATION PANEL | 2 | | | | |
| 11 | 350903 | SIDE INSULATION PANEL | 4 | | | | |
| 12 | 350904 | SIDE INSULATION PANEL | 2 | | | | |
| 13 | 350905 | SIDE INSULATION PANEL | 2 | | | | |
| 14 | 350906 | SIDE INSULATION PANEL | 4 | | | | |
| 30 | 350949 | SIDE INSULATION PANEL | 1 | | | | |
| 31 | 350950 | SIDE INSULATION PANEL | 1 | | | | |
| 32 | 350977 | SIDE INSULATION PANEL | 1 | | | | |
| 33 | 350979 | SIDE INSULATION PANEL | 1 | | | | |
| 34 | 350978 | SIDE INSULATION PANEL | 1 | | | | |
| NS | 350922 | KIT INSULATING PANEL L.H. & R.H. WALL | 2 | | | | |
| NS | 350975 | KIT INSULATING PANEL R.H. WALL / W/W.C.L. | 1 | | | | |
| NS | 850073 | ALUMINUM WALL COVERING ADHESIVE / 28 1/2" X 448" | 2 | | | | |
| NS | 684196 | PRIMER ELASTOCOL # 593 | AR | | | | |
| NS | 320104 | INSULATING PLATE / ALUMINUM 18GA / "E" SHAPE 90MM X 102MM | AR | | | | |
| | | | | | | | |
| | | | | | | | |
| | | | | | | | |

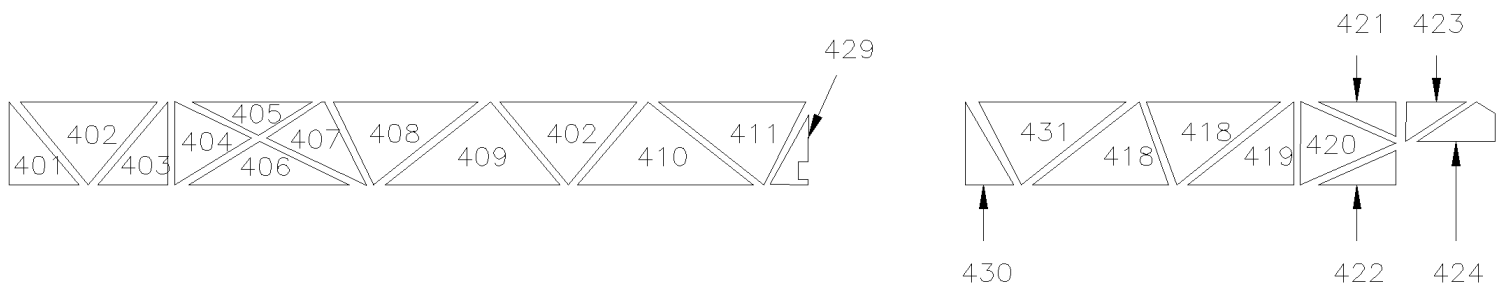
| | | |
|---|--------------|-----------------|
| From 2-7703 To 6-8906 | Date:10/2022 | PAGE:Y2-1839-01 |
| INSULATING SIDE WALL - LOWER PANEL - BUS | | |



BUS - 45' LH



BUS - 45' RH



BUS - 45' RH W / W.C.L.

| | | |
|-----------------------|--------------|-----------------|
| From 2-7703 To 6-8906 | Date:10/2022 | PAGE:Y2-1839-01 |
|-----------------------|--------------|-----------------|

INSULATING SIDE WALL - LOWER PANEL - BUS

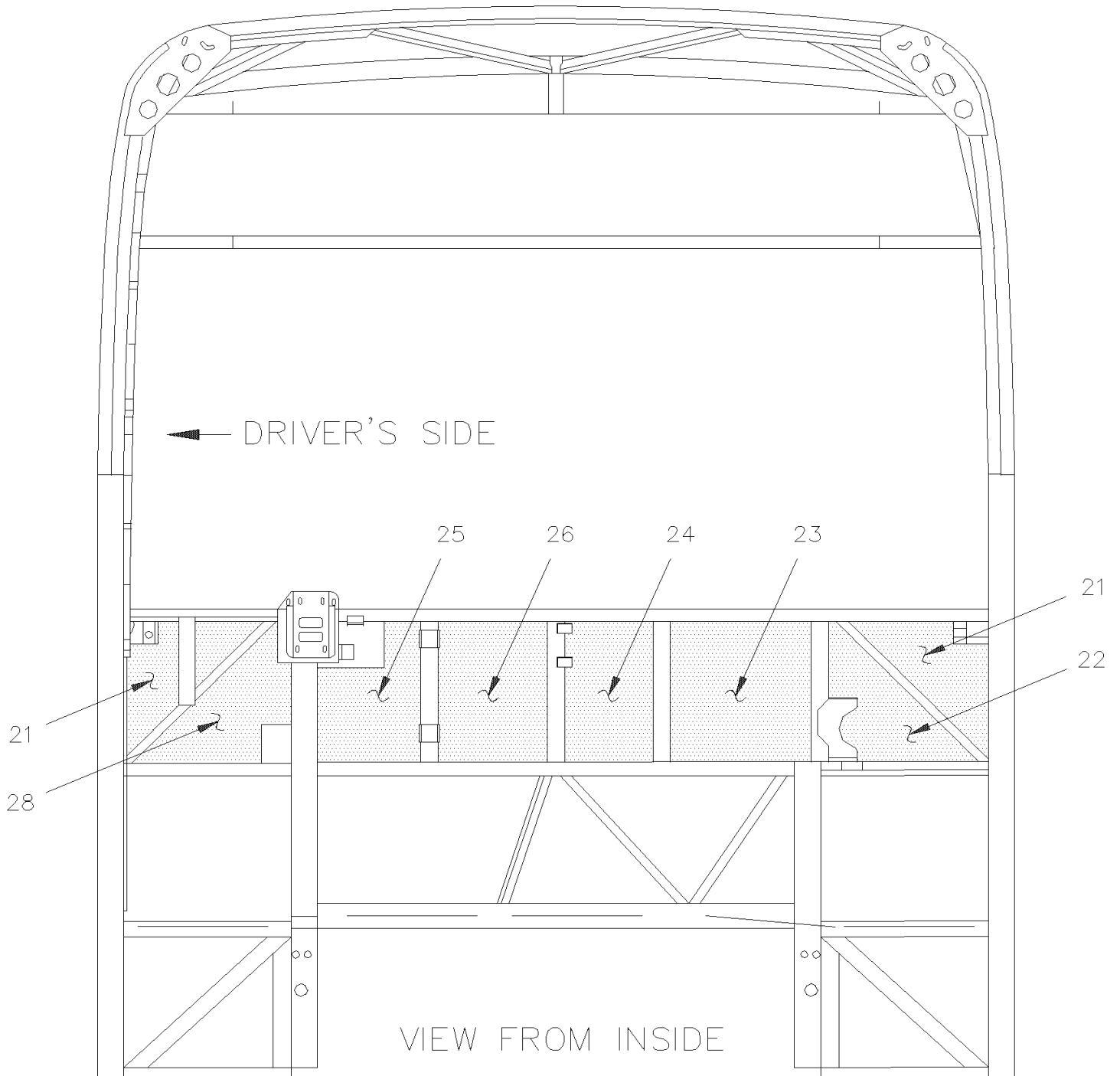
| Item# | Part | Description | X L I I 4 5 | X L I I M T H 4 0 | X L I I M T H 4 5 | X L I I M T H 4 5 E | N O T E S |
|-------|--------|---|----------------------------|---|---|--|-----------------------|
| | 351130 | KIT INSULATING PANEL L.H. WALL To 3-8164 | 1 | | | | |
| | 351500 | KIT INSULATING PANEL L.H. WALL From 4-8165 | 1 | | | | |
| | 351131 | KIT INSULATING PANEL R.H. WALL To 3-8164 | 1 | | | | |
| | 351499 | KIT INSULATING PANEL R.H. WALL From 4-8165 | 1 | | | | |
| | 351135 | KIT INSULATING PANEL R.H. WALL / W/W.C.L. To 3-8464 | 1 | | | | |
| | 351501 | KIT INSULATING PANEL R.H. WALL / W/W.C.L. From 4-8165 | 1 | | | | |
| 30 | 350949 | SIDE INSULATION PANEL | 2 | | | | |
| 31 | 350950 | SIDE INSULATION PANEL | 2 | | | | |
| 401 | 351107 | SIDE INSULATION PANEL | 2 | | | | |
| 402 | 351108 | SIDE INSULATION PANEL | 2 | | | | |
| 403 | 351109 | SIDE INSULATION PANEL | 2 | | | | |
| 404 | 351110 | SIDE INSULATION PANEL | 2 | | | | |
| 405 | 351111 | SIDE INSULATION PANEL | 2 | | | | |
| 406 | 351112 | SIDE INSULATION PANEL | 2 | | | | |
| 407 | 351113 | SIDE INSULATION PANEL | 2 | | | | |
| 408 | 351114 | SIDE INSULATION PANEL | 2 | | | | |
| 409 | 351115 | SIDE INSULATION PANEL | 2 | | | | |
| 410 | 351116 | SIDE INSULATION PANEL | 2 | | | | |
| 411 | 351117 | SIDE INSULATION PANEL | 2 | | | | |
| 412 | 351118 | SIDE INSULATION PANEL | 2 | | | | |
| 413 | 351119 | SIDE INSULATION PANEL | 2 | | | | |
| 414 | 351120 | SIDE INSULATION PANEL | 2 | | | | |
| 415 | 351121 | SIDE INSULATION PANEL | 2 | | | | |
| 416 | 351122 | SIDE INSULATION PANEL | 2 | | | | |
| 417 | 351123 | SIDE INSULATION PANEL | 2 | | | | |
| 418 | 351124 | SIDE INSULATION PANEL | 2 | | | | |
| 419 | 351125 | SIDE INSULATION PANEL | 2 | | | | |
| 420 | 351126 | SIDE INSULATION PANEL | 2 | | | | |
| 421 | 351127 | SIDE INSULATION PANEL | 2 | | | | |
| 422 | 351128 | SIDE INSULATION PANEL | 2 | | | | |
| 423 | 350949 | SIDE INSULATION PANEL | 1 | | | | |
| 424 | 350950 | SIDE INSULATION PANEL | 1 | | | | |
| 425 | 351129 | SIDE INSULATION PANEL | 2 | | | | |
| 426 | 351132 | SIDE INSULATION PANEL | 2 | | | | |
| 427 | 351133 | SIDE INSULATION PANEL | 2 | | | | |
| 428 | 351134 | SIDE INSULATION PANEL | 2 | | | | |
| 429 | 351136 | SIDE INSULATION PANEL | 2 | | | | |
| 430 | 351137 | SIDE INSULATION PANEL | 2 | | | | |
| 431 | 351138 | SIDE INSULATION PANEL | 2 | | | | |
| NS | 850073 | ALUMINUM WALL COVERING ADHESIVE / 28 1/2" X 448" | 2 | | | | |
| NS | 684196 | PRIMER ELASTOCOL # 593 | AR | | | | |
| NS | 320104 | INSULATING PLATE / ALUMINUM 18GA / "E" SHAPE 90MM X 102MM | AR | | | | |

From Y-7046 To 6-8906

Date:10/2022

PAGE:Y2-1839-05

INSULATING FRONT - BUS



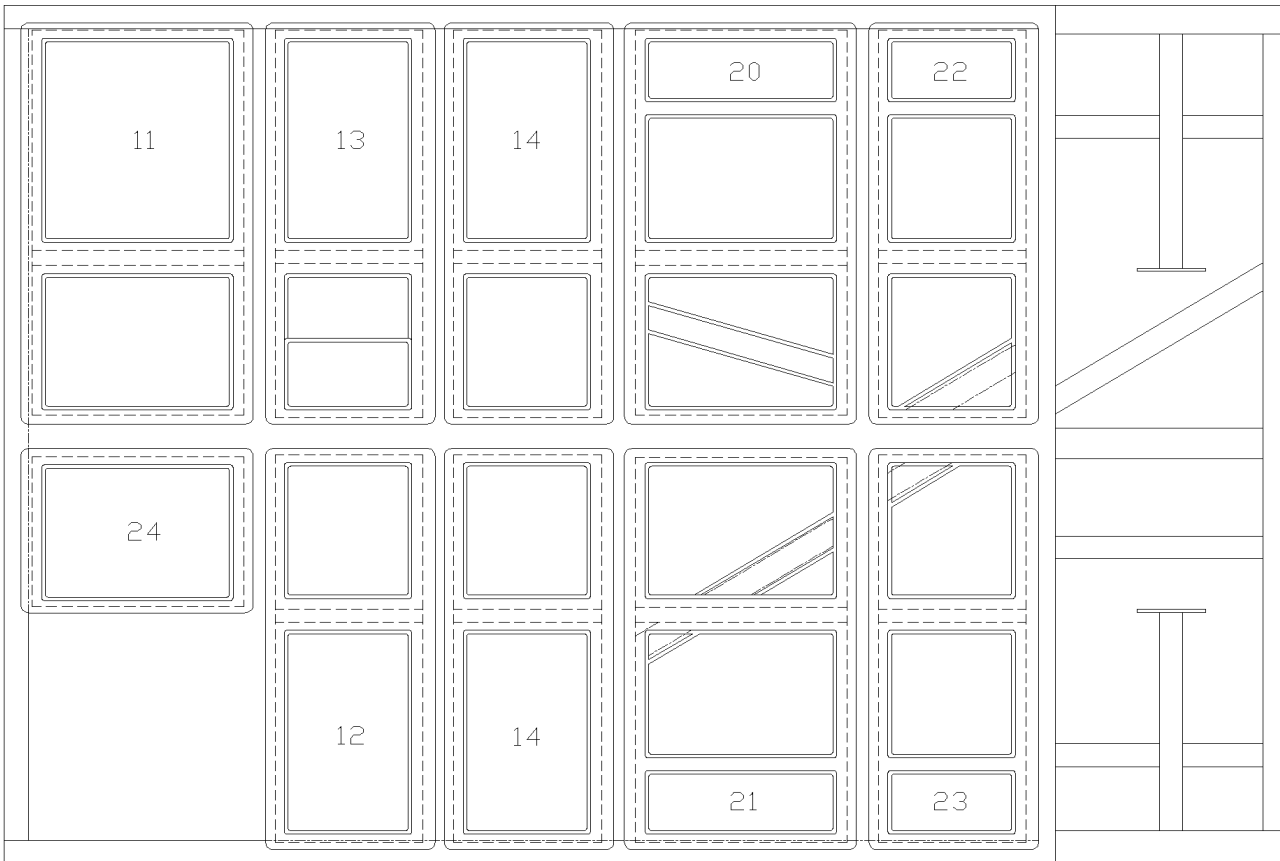
BUS 45'

From Y-7046 To 8-9339

Date:10/2022

PAGE:Y2-1839-10

INSULATING FLOOR REAR AXLE

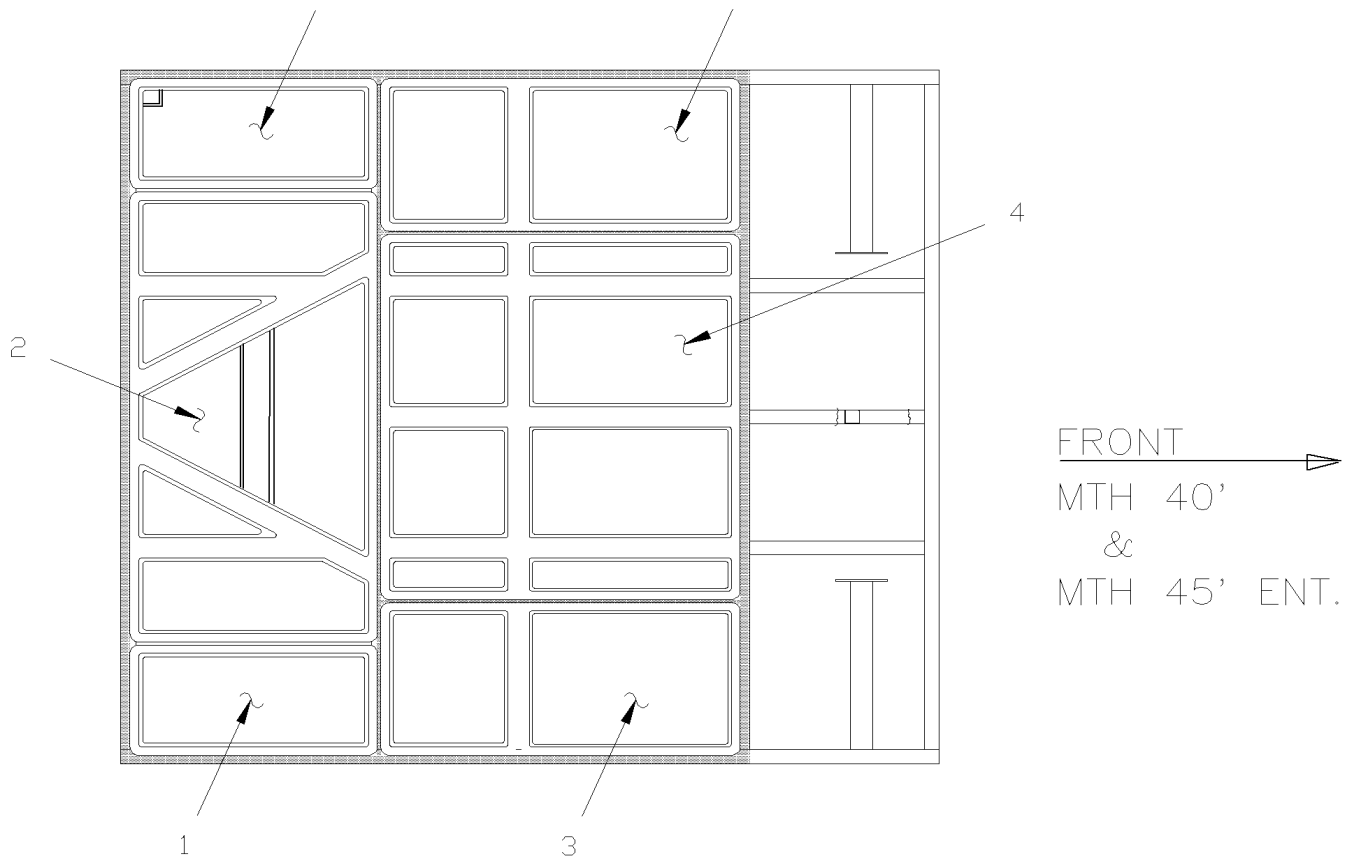
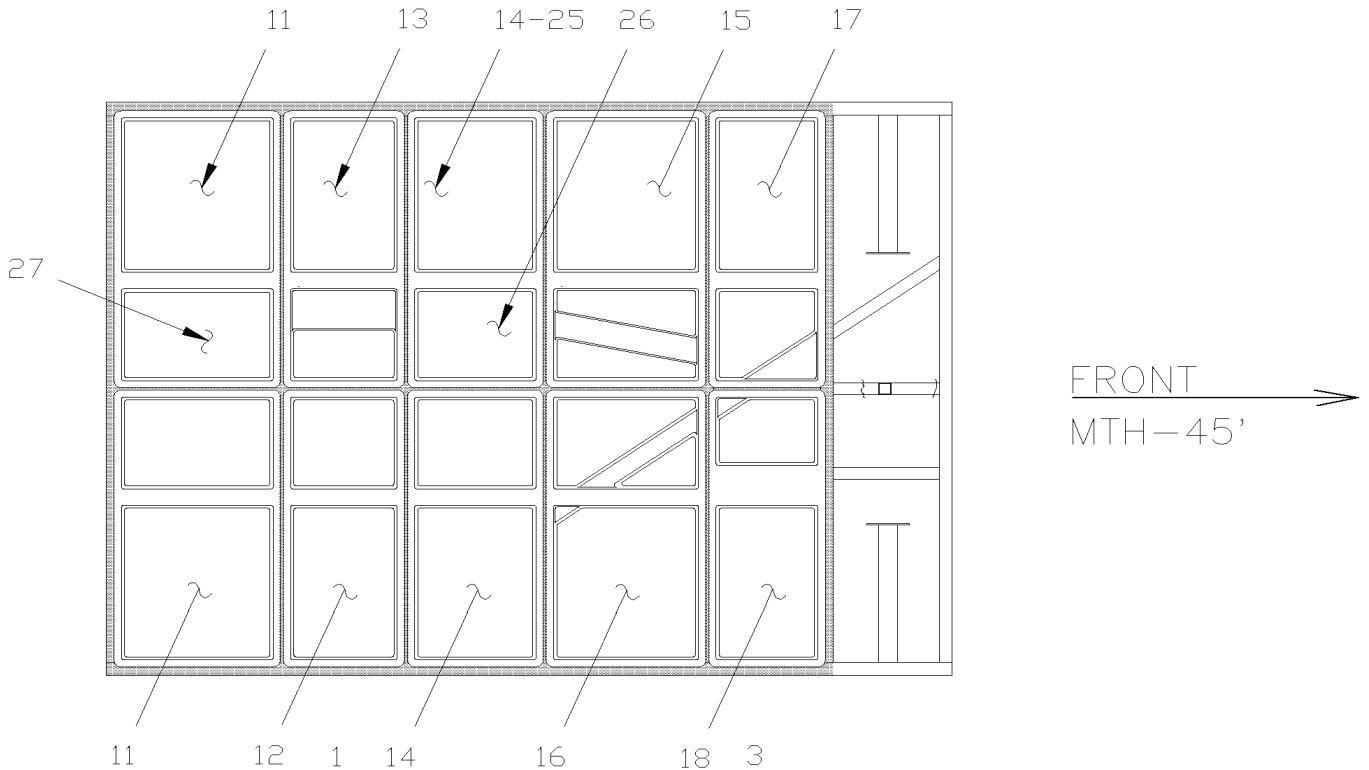


From Y-7046 To 8-9339

Date:10/2022

PAGE:Y2-1839-10

INSULATING FLOOR REAR AXLE



| | | |
|-----------------------|--------------|-----------------|
| From Y-7046 To 8-9339 | Date:10/2022 | PAGE:Y2-1839-10 |
|-----------------------|--------------|-----------------|

INSULATING FLOOR REAR AXLE

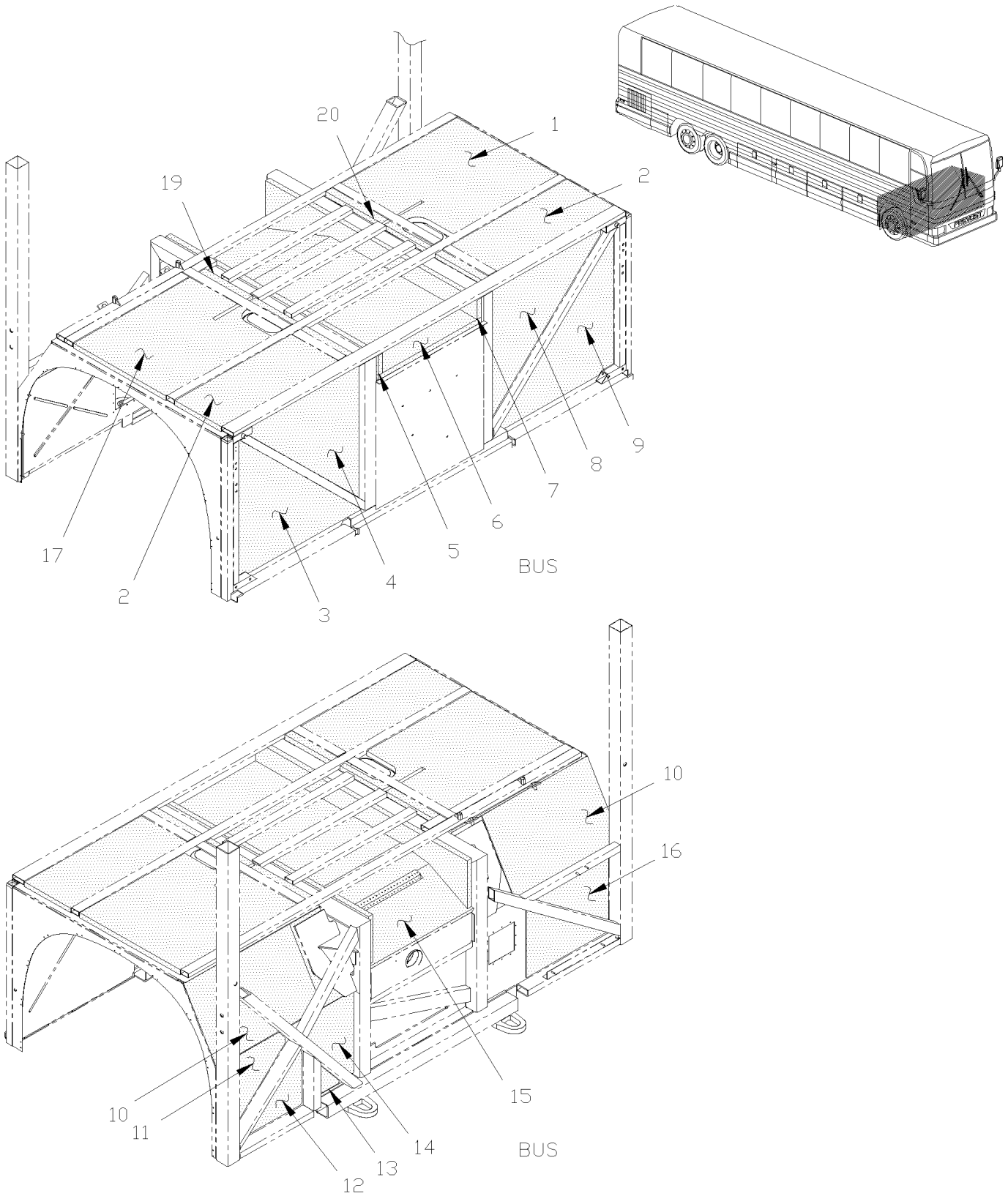
| Item# | Part | Description | X L I I I 4 5 | X L I I I M T H 4 0 | X L I I I M T H 4 5 | X L I I I M T H 4 5 E | N O T E S |
|-------|--------|--|---------------------------------|--|--|---|-----------------------|
| 1 | 324561 | INSULATING HOLDER To 7-9095 | | 2 | | 2 | |
| 1 | 328644 | INSULATING HOLDER # 1 STREETSIDE From 7-9096 | | 1 | | 1 | |
| 1 | 328680 | INSULATING HOLDER # 1 STREETSIDE From 7-9096 | | 1 | | 1 | |
| 2 | 324562 | INSULATING HOLDER # 2 To 7-9095 | | 1 | | 1 | |
| 2 | 329490 | INSULATING HOLDER # 2 From 7-9096 | | 1 | | 1 | |
| 3 | 324563 | INSULATING HOLDER | | 2 | | 2 | |
| 4 | 324564 | INSULATING HOLDER | | 1 | | 1 | |
| 11 | 325099 | INSULATING HOLDER | 2 | | 2 | | |
| 12 | 325100 | INSULATING HOLDER | 1 | | 1 | | |
| 13 | 325101 | INSULATING HOLDER | 1 | | 1 | | |
| 14 | 325102 | INSULATING HOLDER | 2 | | 2 | | |
| 15 | 325103 | INSULATING HOLDER | 1 | | 1 | | |
| 16 | 325104 | INSULATING HOLDER | 1 | | 1 | | |
| 17 | 325105 | INSULATING HOLDER | 1 | | 1 | | |
| 18 | 325106 | INSULATING HOLDER | 1 | | 1 | | |
| NS | 325098 | INSULATING KIT | 1 | | 1 | | |
| NS | 324320 | INSULATING KIT To 7-9095 | | 1 | | 1 | |
| 18 | 328683 | INSULATING KIT From 7-9096 | | 1 | | 1 | |
| NS | 327443 | INSULATING KIT / W/W.C.L. To 6-8906 | 1 | | | | |
| 20 | 327415 | INSULATING HOLDER To 6-8906 | 1 | | | | |
| 21 | 327416 | INSULATING HOLDER To 6-8906 | 1 | | | | |
| 22 | 327417 | INSULATING HOLDER To 6-8906 | 1 | | | | |
| 23 | 327418 | INSULATING HOLDER To 6-8906 | 1 | | | | |
| 24 | 325178 | INSULATING HOLDER To 6-8906 | 1 | | | | |
| 25 | 351367 | INSULATING HOLDER | 1 | | 1 | | |
| 26 | 351368 | INSULATING HOLDER | 1 | | 1 | | |
| 27 | 351366 | INSULATING HOLDER | 1 | | 1 | | |
| NS | 329069 | INSULATING PAD 48" X 48" / CUT TO FIT | AR | AR | AR | AR | |
| | | | | | | | |
| | | | | | | | |
| | | | | | | | |

From Y-7046 To 8-9339

Date:10/2022

PAGE:Y2-1839-15

INSULATING FRONT - SUBFRAME

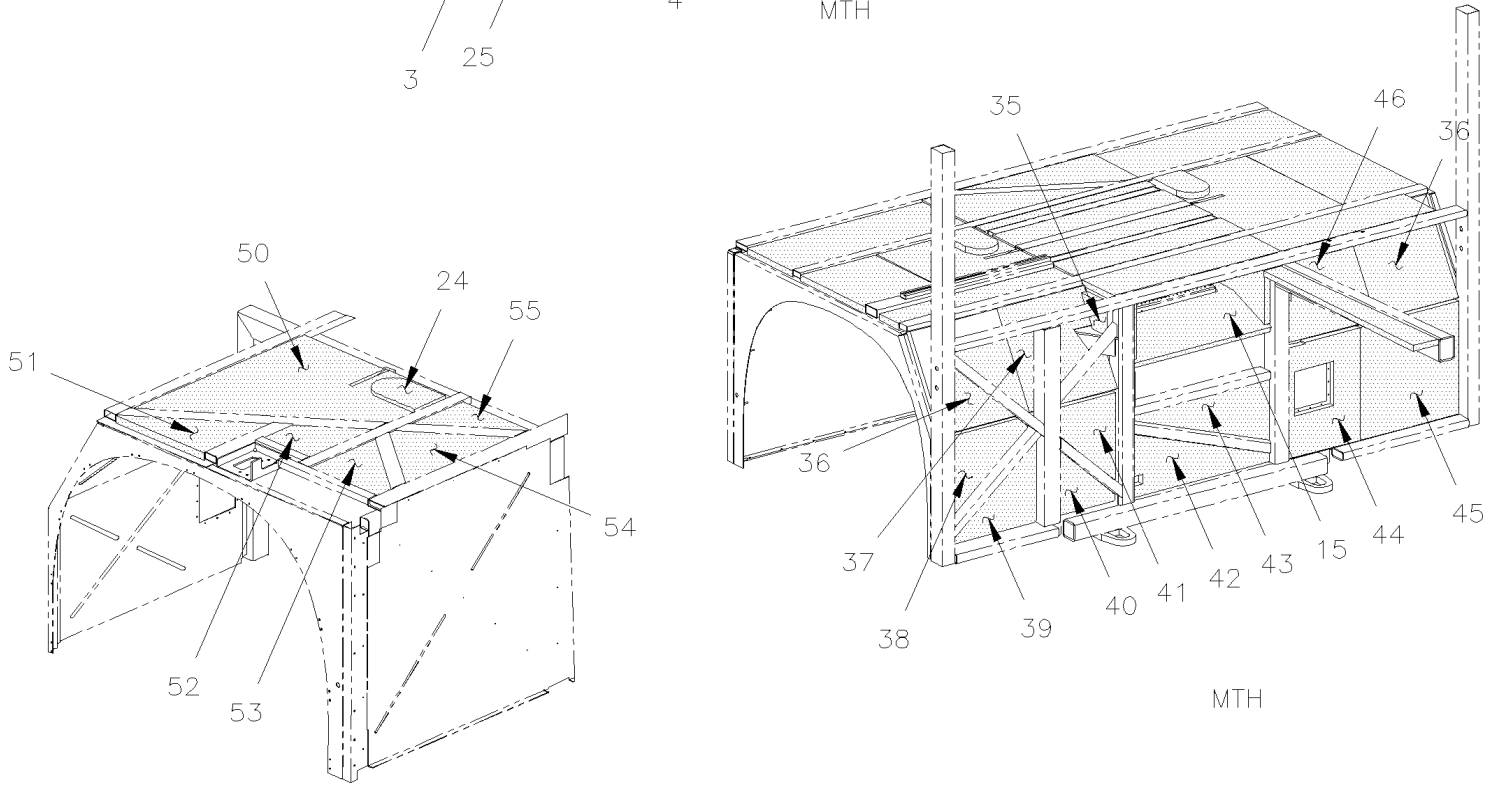
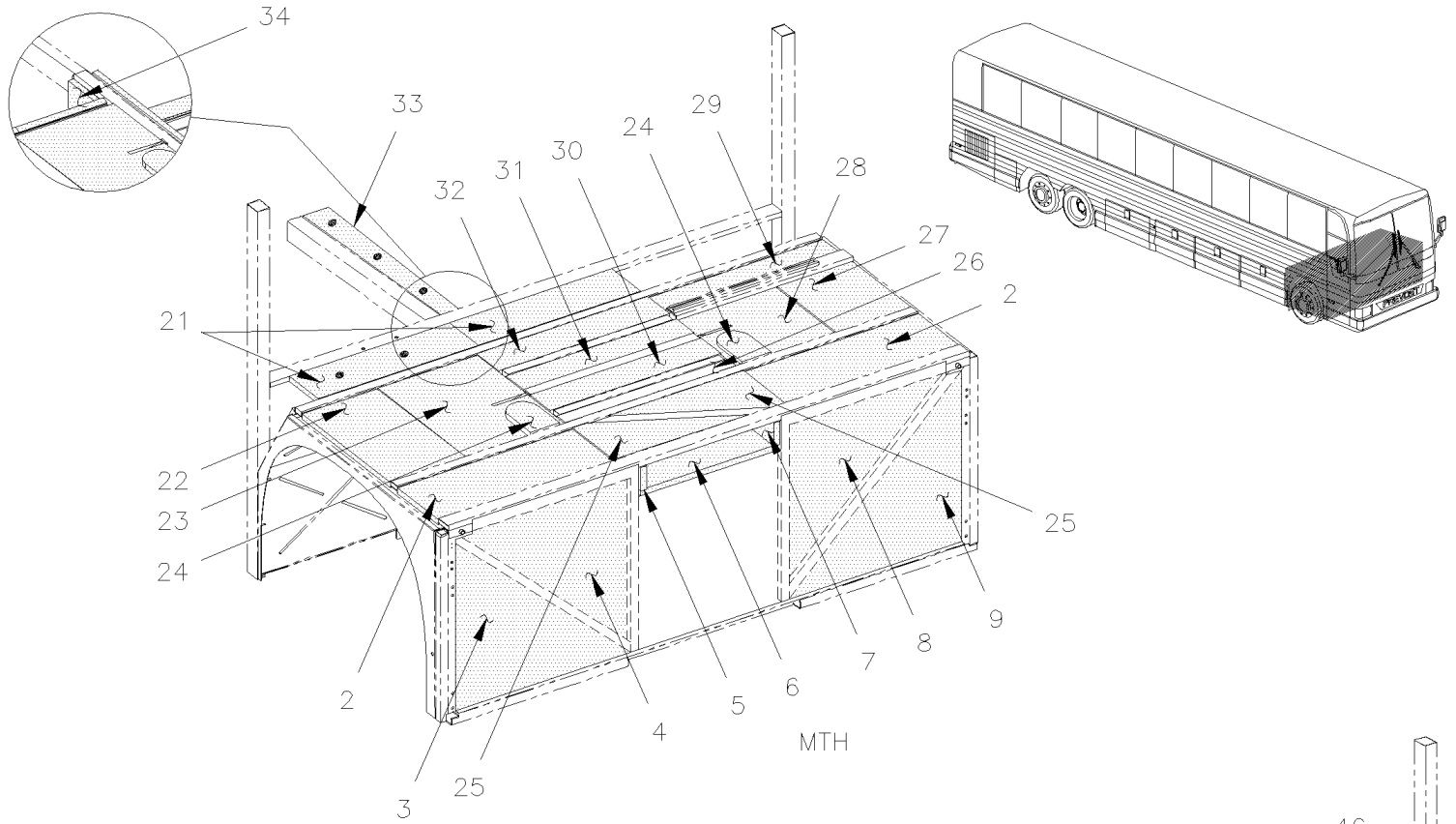


From Y-7046 To 8-9339

Date:10/2022

PAGE:Y2-1839-15

INSULATING FRONT - SUBFRAME



MTH-45' WITH "SLIDE-OUT"

| | | |
|-----------------------|--------------|-----------------|
| From Y-7046 To 8-9339 | Date:10/2022 | PAGE:Y2-1839-15 |
|-----------------------|--------------|-----------------|

INSULATING FRONT - SUBFRAME

| Item# | Part | Description | X L I I 4 5 | X L I I M T H 4 0 | X L I I M T H 4 5 | X L I I M T H 4 5 E | N O T E S |
|-------|--------|---|----------------------------|---|---|--|-----------------------|
| 1 | 326973 | INSULATING To 6-8906 | 1 | | | | R |
| 1 | 327222 | INSULATING To 6-8906 | 1 | | | | I |
| 2 | 326511 | INSULATING PAD 1" 1/16 To 6-8906 | 1 | | | | |
| 3 | 326975 | INSULATING To 2-7751 | 1 | | | | |
| 3 | 327650 | INSULATING From 2-7752 To 2-7806 | 1 | | | | |
| 3 | 326503 | INSULATING From 2-7806 | | 1 | 1 | 1 | |
| 4 | 326976 | INSULATING To 2-7751 | 1 | | | | |
| 4 | 329059 | INSULATING From 2-7752 To 2-7806 | 1 | | | | |
| 4 | 326505 | INSULATING To 2-7751 | 1 | 1 | 1 | 1 | R |
| 4 | 329061 | INSULATING From 2-7752 To 2-7806 | 1 | 1 | 1 | 1 | R |
| 5 | 325357 | INSULATING PAD NOISE 1" | 1 | 1 | 1 | 1 | |
| 5 | 325360 | INSULATING PAD 1" | | 1 | 1 | 1 | |
| 5 | 328748 | INSULATING PAD NOISE 1" From 2-7752 To 6-8906 | 1 | | | | |
| 6 | 326521 | INSULATING PAD 1"1/16 | 1 | 1 | 1 | 1 | |
| 7 | 325360 | INSULATING PAD 1" To 2-7751 | 1 | | | | |
| 7 | 328748 | INSULATING PAD NOISE 1" | 1 | 1 | 1 | 1 | |
| 8 | 326977 | INSULATING To 2-7751 | 1 | | | | |
| 8 | 329060 | INSULATING From 2-7752 To 2-7806 | 1 | | | | |
| 8 | 326504 | INSULATING To 2-7751 | 1 | 1 | 1 | 1 | R |
| 8 | 329062 | INSULATING From 2-7752 To 2-7806 | 1 | 1 | 1 | 1 | R |
| 9 | 326978 | INSULATING To 2-7751 | 1 | | | | |
| 9 | 327649 | INSULATING From 2-7752 To 2-7806 | 1 | | | | |
| 9 | 326502 | INSULATING To 2-7751 | | 1 | 1 | 1 | |
| 9 | 329062 | INSULATING From 2-7752 To 2-7806 | | 1 | 1 | 1 | |
| 10 | 327223 | INSULATING PAD NOISE 1/16" | | 1 | 1 | 1 | I |
| 10 | 326981 | INSULATING PAD NOISE 1/16" To 6-8906 | 1 | | | | R |
| 11 | 327021 | INSULATING To 2-7881 | 1 | | | | R |
| 11 | 327727 | INSULATING From 2-7882 To 6-8906 | 1 | | | | R |
| 12 | 326979 | INSULATING To 2-7881 | 1 | | | | R |
| 12 | 327728 | INSULATING From 2-7882 To 6-8906 | 1 | | | | R |
| | | | | | | | |
| 13 | 327020 | INSULATING To 2-7881 | 1 | | | | R |
| 13 | 327729 | INSULATING From 2-7882 To 6-8906 | 1 | | | | R |
| | | | | | | | |
| 14 | 327224 | INSULATING To 2-7881 | | 1 | 1 | 1 | R |
| 14 | 327022 | INSULATING To 2-7881 | 1 | | | | R |
| 14 | 327731 | INSULATING From 2-7882 To 6-8906 | 1 | | | | R |
| NS | 327732 | INSULATING From 2-7882 To 6-8906 | 1 | | | | I |
| 15 | 326520 | INSULATING PAD 1"1/16 | 1 | 1 | 1 | 1 | |
| 16 | 326980 | INSULATING | 1 | 1 | 1 | 1 | |
| 17 | 327219 | INSULATING | | 1 | 1 | 1 | |
| 17 | 327170 | INSULATING To 6-8906 | 1 | | | | |

| | | |
|-----------------------|--------------|-----------------|
| From Y-7046 To 8-9339 | Date:10/2022 | PAGE:Y2-1839-15 |
|-----------------------|--------------|-----------------|

INSULATING FRONT - SUBFRAME

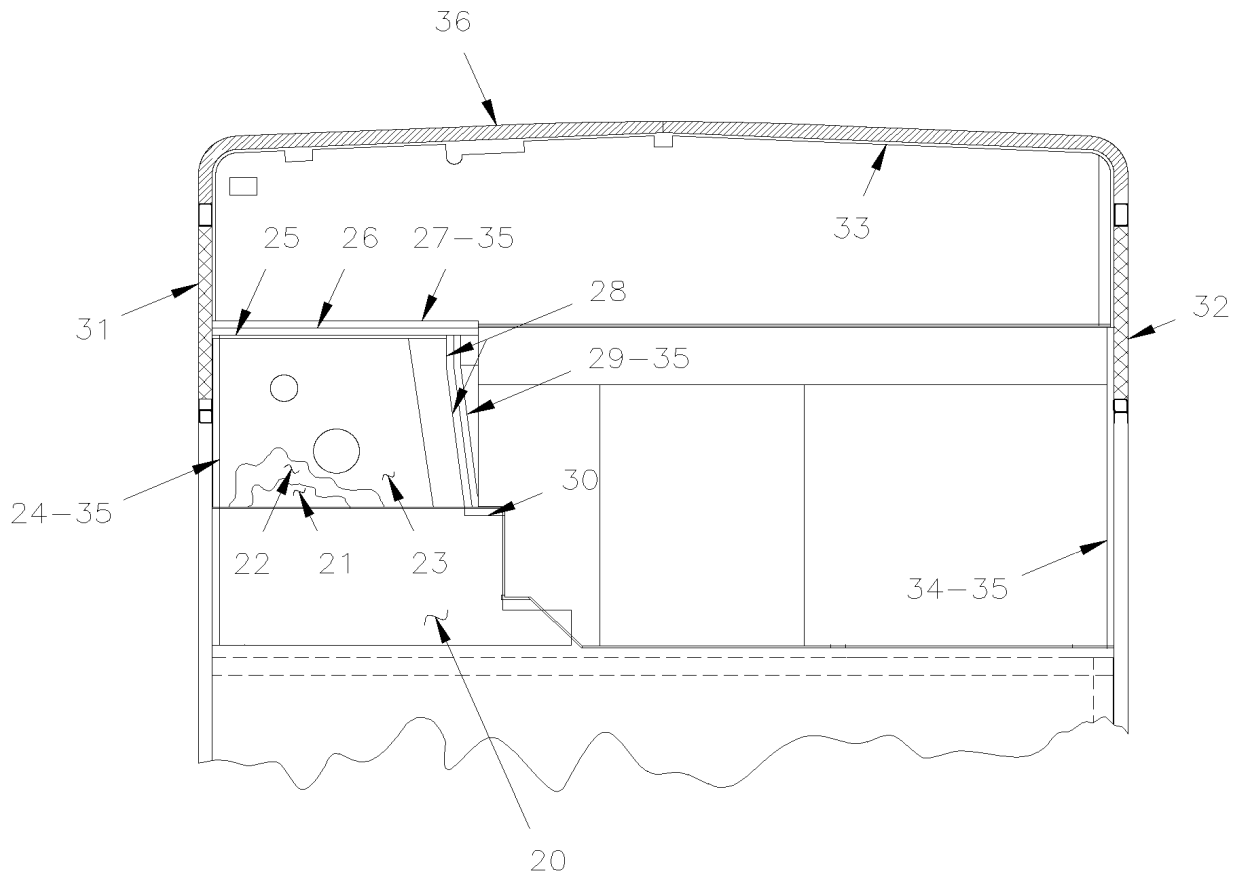
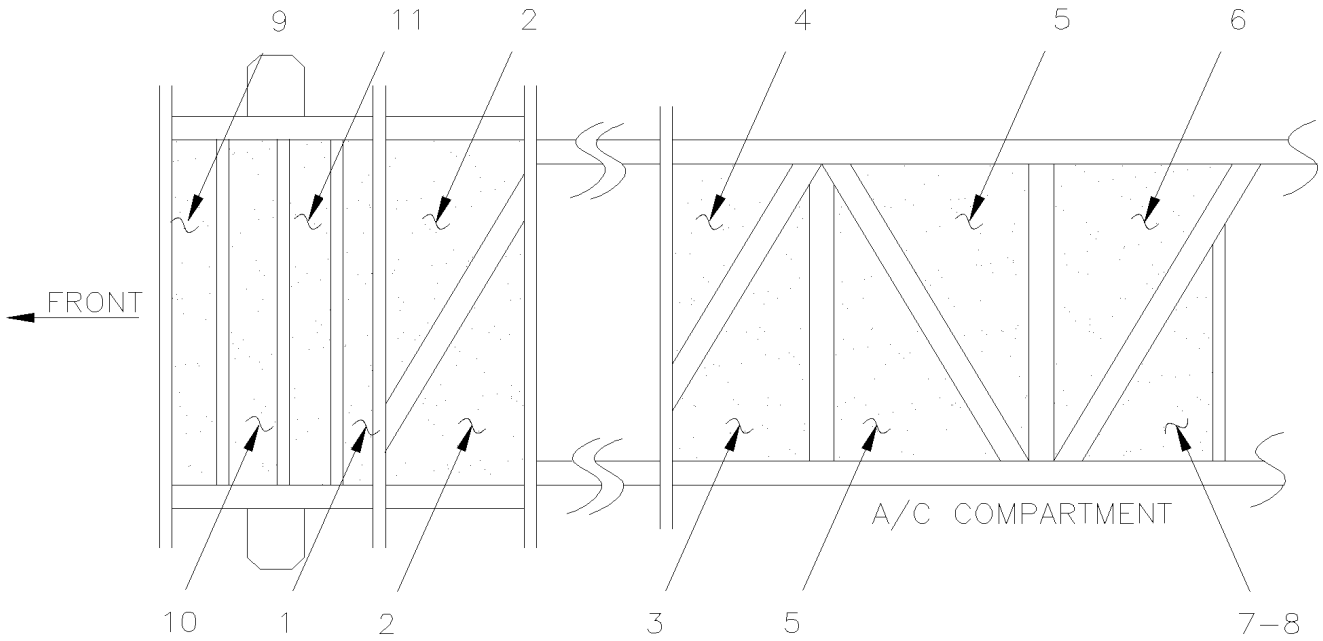
| Item# | Part | Description | X L I I 4 5 | X L I I M T H 4 0 | X L I I M T H 4 5 | X L I I M T H 4 5 E | N O T E S |
|-------|--------|-----------------------------------|----------------------------|---|---|--|-----------------------|
| 19 | 327220 | INSULATING | | 1 | 1 | 1 | |
| 20 | 327221 | INSULATING | | 1 | 1 | 1 | |
| 21 | 326577 | INSULATING PAD NOISE 1" | | 2 | 2 | 2 | |
| 22 | 326525 | INSULATING | | 1 | 1 | 1 | |
| 23 | 326510 | INSULATING | | 1 | 1 | 1 | |
| 24 | 326512 | INSULATING | | 2 | 2 | 2 | |
| 25 | 325023 | INSULATING PAD NOISE 1" | | 2 | 2 | 2 | |
| 26 | 326509 | INSULATING | | 1 | 1 | 1 | |
| 27 | 326514 | INSULATING | | 1 | 1 | 1 | |
| 28 | 326513 | INSULATING | | 1 | 1 | 1 | |
| 29 | 326515 | INSULATING | | 1 | 1 | 1 | |
| 30 | 325323 | INSULATING PAD NOISE 1" To 4-8164 | | 1 | 1 | 1 | |
| 30 | 351489 | INSULATING From 4-8165 | | 1 | 1 | 1 | |
| 31 | 325322 | INSULATING | | 1 | 1 | 1 | |
| 32 | 326527 | INSULATING To 4-8164 | | 1 | 1 | 1 | |
| 32 | 351490 | INSULATING From 4-8165 | | 1 | 1 | 1 | |
| 33 | 326529 | INSULATING | | 1 | 1 | 1 | |
| 34 | 326523 | INSULATING | | 1 | 1 | 1 | |
| 35 | 326524 | INSULATING | | 2 | 2 | 2 | |
| 36 | 326508 | INSULATING | | 2 | 2 | 2 | |
| 37 | 326507 | INSULATING To 4-8164 | | 1 | 1 | 1 | |
| 37 | 351486 | INSULATING From 4-8165 | | 1 | 1 | 1 | |
| 39 | 326518 | INSULATING To 2-7881 | | 1 | 1 | 1 | |
| 40 | 326519 | INSULATING To 2-7881 | | 1 | 1 | 1 | |
| 42 | 327279 | INSULATING | | 1 | 1 | 1 | |
| 43 | 327278 | INSULATING | | 1 | 1 | 1 | |
| 44 | 326516 | INSULATING To 4-8164 | | 1 | 1 | 1 | |
| 44 | 351484 | INSULATING From 4-8165 | | 1 | 1 | 1 | |
| 45 | 326517 | INSULATING | | 1 | 1 | 1 | |
| 46 | 326506 | INSULATING To 4-8164 | | 1 | 1 | 1 | |
| 46 | 351485 | INSULATING From 4-8165 | | 1 | 1 | 1 | |
| 50 | 327775 | INSULATING | | | 1 | | |
| 51 | 327776 | INSULATING | | | 1 | | |
| 52 | 327777 | INSULATING | | | 1 | | |
| 53 | 327778 | INSULATING | | | 1 | | |
| 54 | 327779 | INSULATING | | | 1 | | |
| 55 | 327780 | INSULATING | | | 1 | | |
| | | | | | | | |
| | | | | | | | |
| | | I) WITH INDEPANDANT SUSPENSION | | | | | |
| | | R) WITH I BEAM RIGID SUSPENSION | | | | | |

From Y-7046 To 6-8906

Date:10/2022

PAGE:Y2-1839-20

INSULATING FLOOR & REAR - BUS



| | | |
|--|--------------|-----------------|
| From Y-7046 To 6-8906 | Date:10/2022 | PAGE:Y2-1839-20 |
| INSULATING FLOOR & REAR - BUS | | |

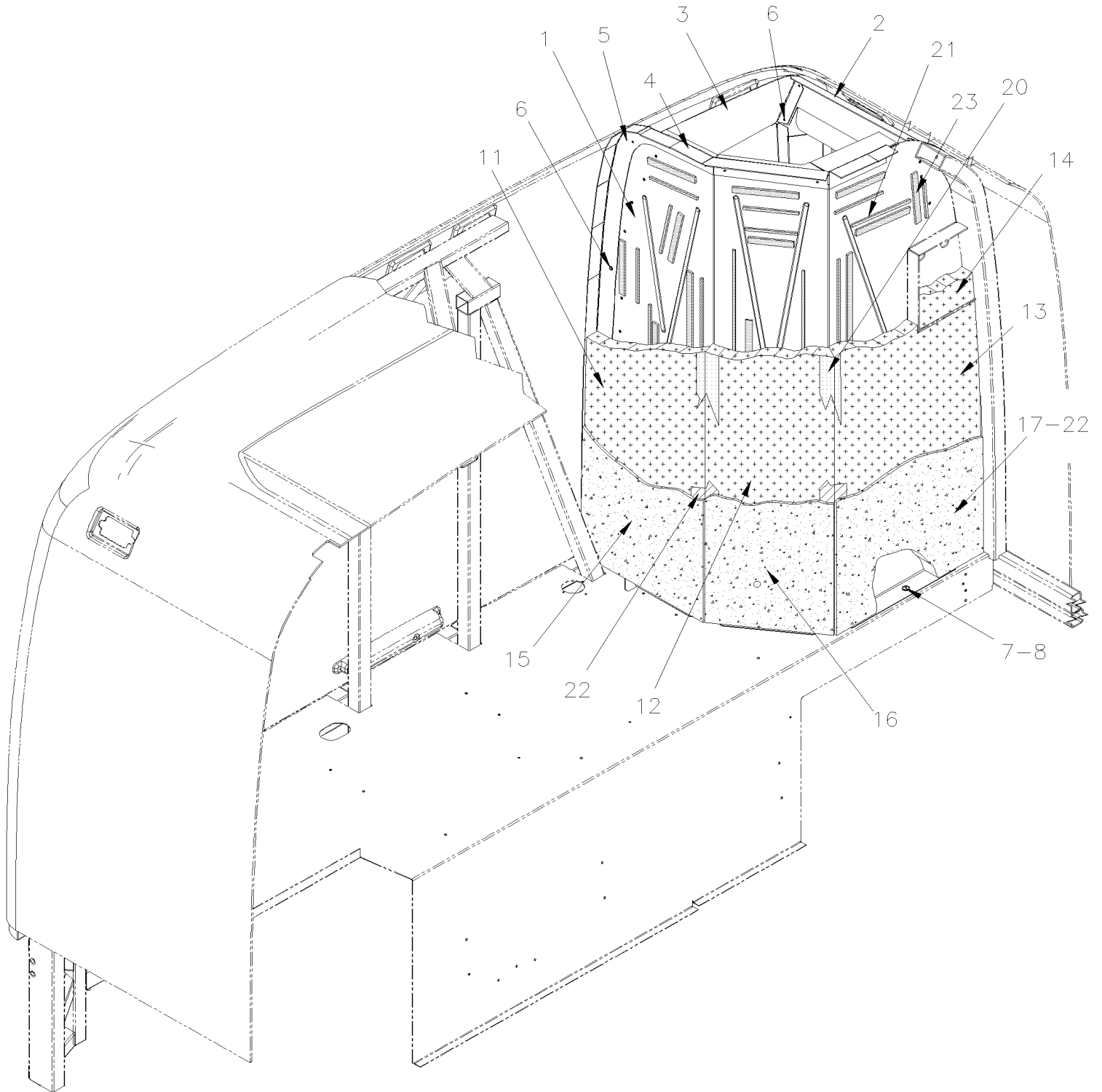
| Item# | Part | Description | X L I I 4 5 | X L I I M T H 4 0 | X L I I M T H 4 5 | X L I I M T H 4 5 E | NOTES |
|-------|--------|-----------------------------|----------------------------|---|---|--|-------|
| 1 | 328777 | INSULATING PAD NOISE 1" | 1 | | | | |
| 2 | 325023 | INSULATING PAD NOISE 1" | 2 | | | | |
| 3 | 324331 | INSULATING PANEL | 1 | | | | |
| 4 | 324330 | INSULATING PANEL | 1 | | | | |
| 5 | 324332 | INSULATING PANEL | 2 | | | | |
| 6 | 324333 | INSULATING PANEL | 1 | | | | |
| 7 | 324334 | INSULATING PANEL | 1 | | | | |
| 8 | 680397 | CONTACT GLUE / AEROSOL 17oz | AR | | | | |
| 9 | 328749 | INSULATING PAD NOISE 1" | 1 | | | | |
| 10 | 325322 | INSULATING | 1 | | | | |
| 11 | 325323 | INSULATING PAD NOISE 1" | 1 | | | | |
| 20 | 324785 | INSULATING PANEL | 1 | | | | |
| 21 | 324788 | INSULATING PANEL | 1 | | | | |
| 22 | 325145 | INSULATING PANEL | 1 | | | | |
| 23 | 325140 | INSULATING PANEL | 1 | | | | |
| 24 | 326993 | INSULATING PANEL | 1 | | | | |
| 25 | 325151 | INSULATING PANEL | 1 | | | | |
| 26 | 326994 | INSULATING PANEL | 1 | | | | |
| 27 | 326995 | INSULATING PANEL | 1 | | | | |
| 28 | 325146 | INSULATING PANEL | 2 | | | | |
| 29 | 324786 | INSULATING PANEL | 1 | | | | |
| 30 | 325150 | INSULATING PANEL | 1 | | | | |
| 31 | 326667 | INSULATING | 1 | | | | |
| 32 | 326668 | INSULATING | 1 | | | | |
| 33 | 326821 | INSULATING PANEL | 1 | | | | |
| 34 | 326996 | INSULATING PANEL | 1 | | | | |
| 35 | 680397 | CONTACT GLUE / AEROSOL 17oz | AR | | | | |
| 36 | 326820 | INSULATING | 1 | | | | |
| | | | | | | | |
| | | | | | | | |
| | | | | | | | |

From 8-9279 To 8-9339

Date:10/2022

PAGE:Y2-1839-25

INSULATING - REAR DPF FILTER

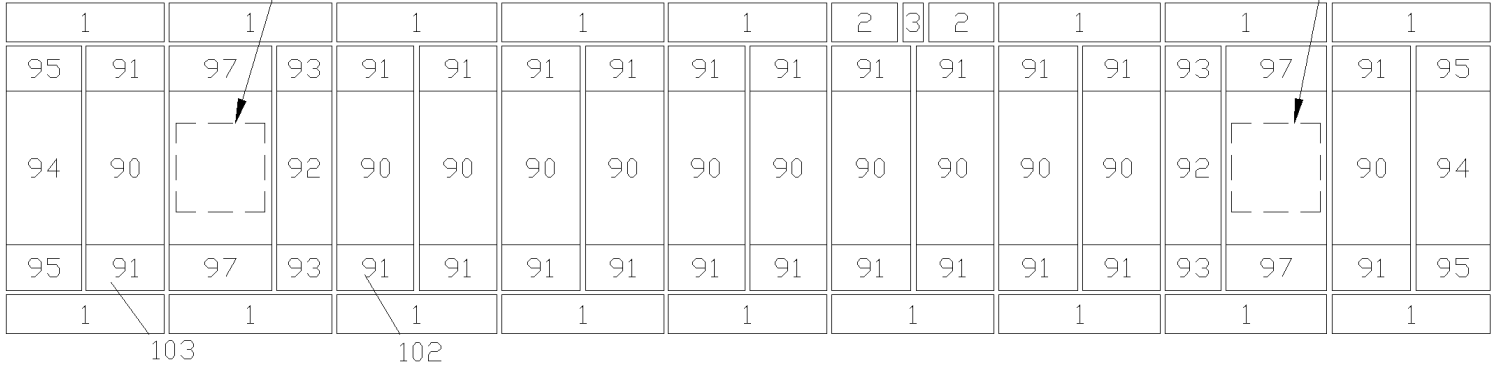


| | | |
|-------------------------------------|--------------|-----------------|
| From 8-9279 To 8-9339 | Date:10/2022 | PAGE:Y2-1839-25 |
| INSULATING - REAR DPF FILTER | | |

| Item# | Part | Description | X L I I 4 5 | X L I I M T H 4 0 | X L I I M T H 4 5 | X L I I M T H 4 5 E | NOTES |
|-------|--------|---|----------------------------|---|---|--|-------|
| 1 | 351846 | WALL SHEET PANEL | | | 1 | | |
| 1 | 351835 | WALL SHEET PANEL | | | | 1 | |
| 2 | 351828 | PANEL FIRE WALL | | | 1 | 1 | |
| 3 | 351834 | PANEL FIRE WALL | | | 1 | 1 | |
| 4 | 351847 | ANGLE RETAINER | | | 1 | 1 | |
| 5 | 351843 | ANGLE RETAINER | | | 1 | 1 | |
| 6 | 504488 | RIVET MGLP PRDG 3/16x17/64 SS | | | 17 | 17 | |
| 7 | 504459 | RIVET MGLP PRDG 1/4x3/8 SS | | | 17 | 17 | |
| 8 | 500411 | WASHER FL .260x.697x.050 SS | | | 17 | 17 | |
| 10 | 351848 | KIT INSULATING PANEL | | | 1 | | |
| 10 | 351829 | KIT INSULATING PANEL | | | | 1 | |
| 11 | 351850 | . INSULATING PANEL INTERIOR CURBSIDE | | | 1 | | |
| 11 | 351845 | . INSULATING PANEL INTERIOR CURBSIDE | | | | 1 | |
| 12 | 351844 | . INSULATING PANEL INTERIOR CENTER | | | 1 | | |
| 12 | 351813 | . INSULATING PANEL INTERIOR CENTER | | | | 1 | |
| 13 | 351849 | . INSULATING PANEL INTERIOR STREETSIDE | | | 1 | | |
| 13 | 351812 | . INSULATING PANEL INTERIOR STREETSIDE | | | | 1 | |
| 14 | 351818 | . INSULATING PANEL INTERIOR SUPPORT | | | 1 | 1 | |
| 15 | 351819 | INSULATING PANEL EXTERIOR CURBSIDE | | | 1 | 1 | |
| 16 | 351820 | INSULATING PANEL EXTERIOR CENTER | | | 1 | 1 | |
| 17 | 351817 | INSULATING PANEL EXTERIOR STREETSIDE | | | 1 | 1 | |
| 20 | 682484 | TAPE ALUMINUM ADH1 .005" x 3" x 300' ALUMINUM FSK3" | | | | AR | AR |
| 21 | 507000 | TAPE RUB ADH2 POL 3/16" x 1/4" x 50' / BLACK V2206 | | | | AR | AR |
| 22 | 680052 | GLUE, CONTACT ADBOND 8399 4 LITER | | | 1 | 1 | |
| 23 | 684517 | ADHESIVE SIMSON #ISR 70-03 / GREY / 310ml CARTRIDGE | | | | AR | AR |
| | | | | | | | |
| | | | | | | | |
| | | | | | | | |

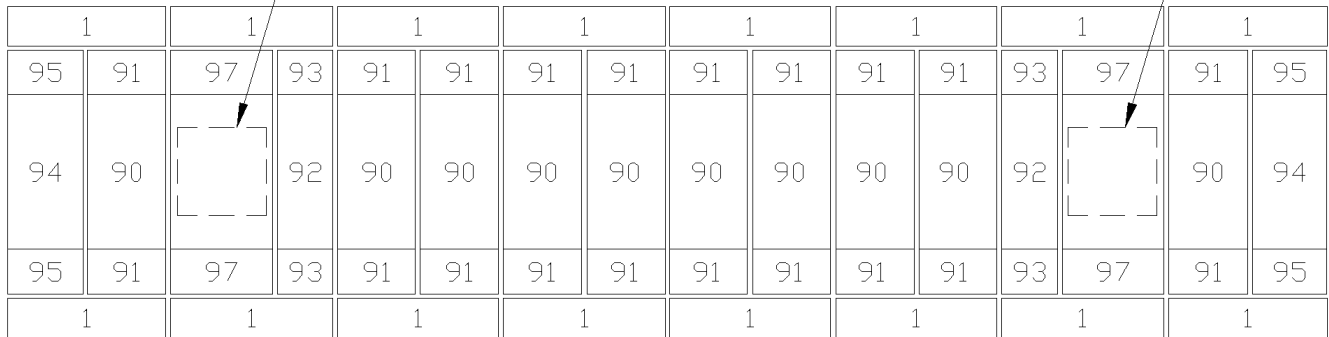
| | | |
|-------------------------------|--------------|-----------------|
| From Y-7046 To 8-9339 | Date:10/2022 | PAGE:Y2-1839-30 |
| INSULATING ROOF PANELS | | |

OPTIONS: 98 WITH ESCAPE HATCH, 96 WITHOUT



BUS & MTH 45

OPTIONS: 98 WITH ESCAPE HATCH, 96 WITHOUT



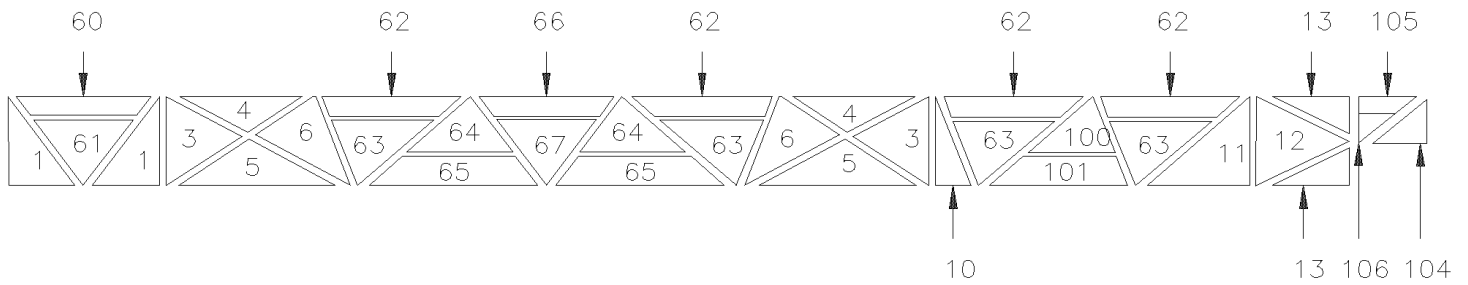
BUS & MTH 40

| | | |
|-----------------------|--------------|-----------------|
| From Y-7046 To 8-9339 | Date:10/2022 | PAGE:Y2-1839-30 |
|-----------------------|--------------|-----------------|

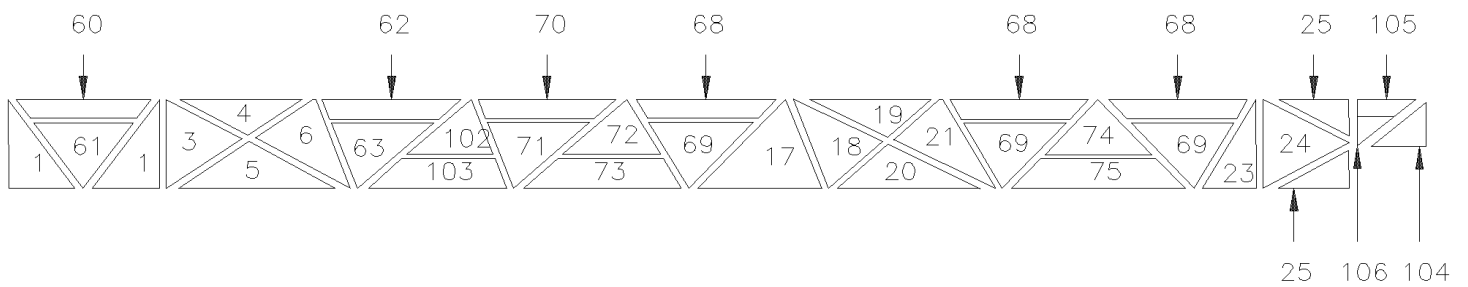
INSULATING ROOF PANELS

| Item# | Part | Description | X L I I 4 5 | X L I I M T H 4 0 | X L I I M T H 4 5 | X L I I M T H 4 5 E | N O T E S |
|-------|--------|---|----------------------------|---|---|--|-----------------------|
| | 350794 | KIT ROOF INSULATING PANEL | | | 1 | 1 | |
| | 354333 | KIT ROOF INSULATING PANEL | | | 1 | 1 | |
| | 350795 | KIT ROOF INSULATING PANEL To 5-8813 | | 1 | | | |
| | 350841 | KIT INSULATING ROOF PANEL To 6-8906 | 1 | | | | |
| | 351321 | KIT ROOF SIDE INSULATING PANEL | 1 | | 1 | 1 | |
| | 351323 | KIT ROOF SIDE INSULATING PANEL To 5-8813 | | 1 | | | |
| | 351371 | KIT ROOF INSILATING PANEL / W/SLIDE OUT From 2-7922 | | | 1 | | |
| 1 | 351316 | . INSULATING PANEL | 17 | | 17 | 17 | |
| 1 | 351316 | . INSULATING PANEL To 5-8813 | | 16 | | | |
| 2 | 351317 | . INSULATING PANEL | 2 | | 2 | 2 | |
| 3 | 351319 | . INSULATING PANEL | 1 | | 1 | 1 | |
| 90 | 350713 | . INSULATING PANEL To 5-8813 | | 10 | | | |
| 90 | 350713 | . INSULATING PANEL | 12 | | 12 | 12 | |
| 91 | 350714 | . INSULATING PANEL To 5-8813 | | 20 | | | |
| 91 | 350714 | . INSULATING PANEL | 24 | | 24 | 24 | |
| 92 | 350715 | . INSULATING PANEL | 2 | 2 | 2 | 2 | |
| 93 | 350716 | . INSULATING PANEL | 4 | 4 | 4 | 4 | |
| 94 | 350717 | . INSULATING PANEL | 2 | 2 | 2 | 2 | |
| 95 | 350719 | . INSULATING PANEL | 4 | 4 | 4 | 4 | |
| 96 | 350725 | . INSULATING PANEL To 6-8906 | 1 | | | | |
| 96 | 350725 | . INSULATING PANEL | | 2 | 2 | 2 | |
| 97 | 350734 | . INSULATING PANEL | 4 | 4 | 4 | 4 | |
| 98 | 350738 | . INSULATING PANEL/ W/EMERGENCY EXIT To 6-8906 | 1 | | | | |
| 102 | 351337 | . INSULATING PANEL / W/SLIDE OUT From 2-7922 | | | 1 | | |
| 103 | 351365 | . INSULATING PANEL / W/SLIDE OUT From 2-7922 | | | 1 | | |
| | | | | | | | |
| | | | | | | | |
| | | | | | | | |
| | | | | | | | |

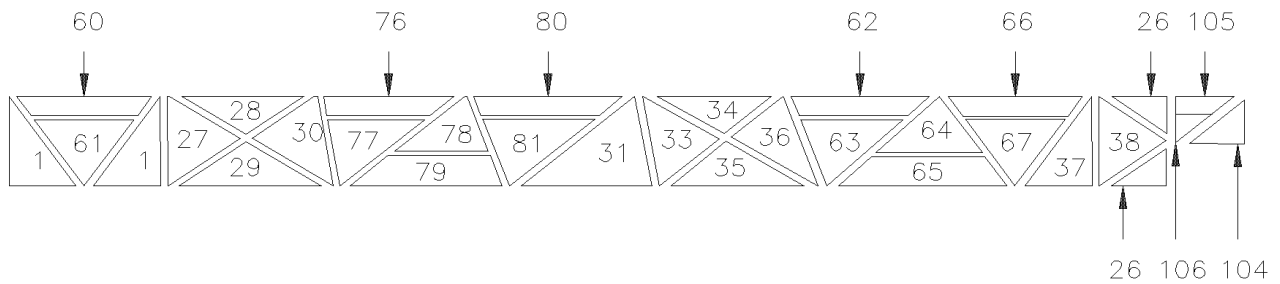
| | | |
|---|--------------|-----------------|
| From Y-7046 To 2-7702 | Date:10/2022 | PAGE:Y2-1839-50 |
| INSULATING SIDE WALL - LOWER PANEL - MTH | | |



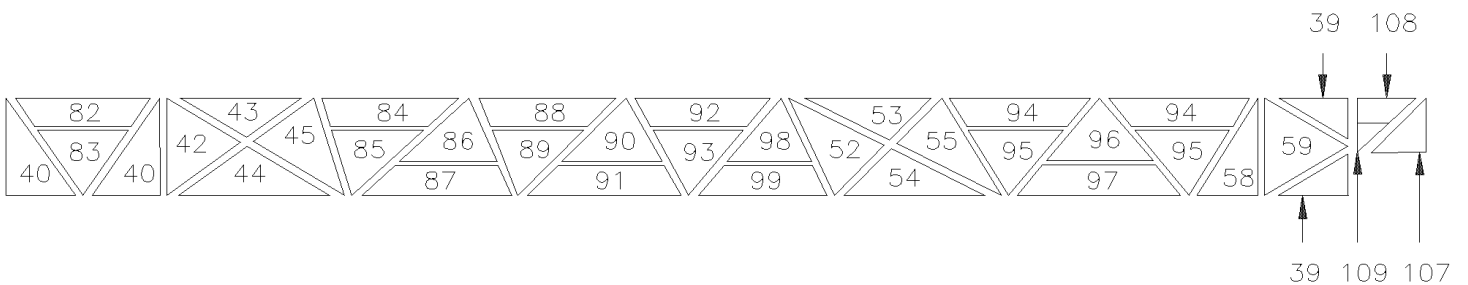
MTH 45', 83" & 86"



MTH 45', ENT 86"



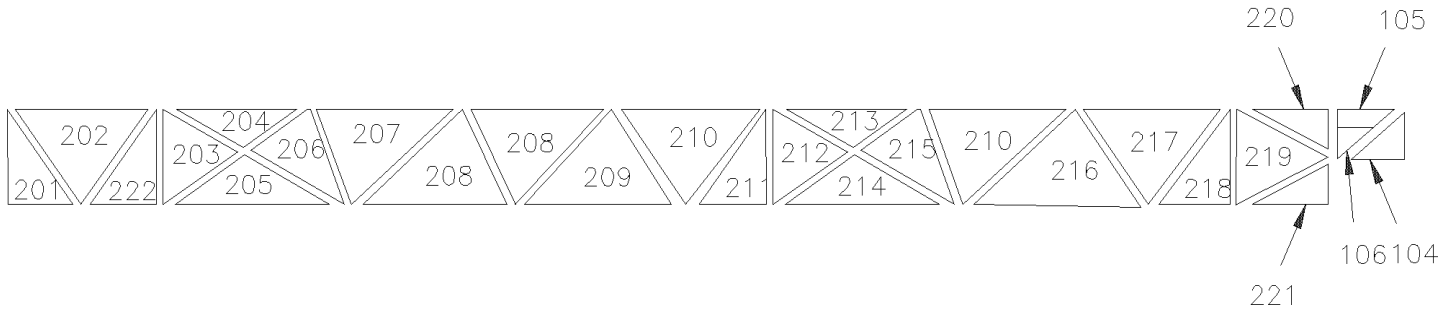
MTH 40', 83" & 86"



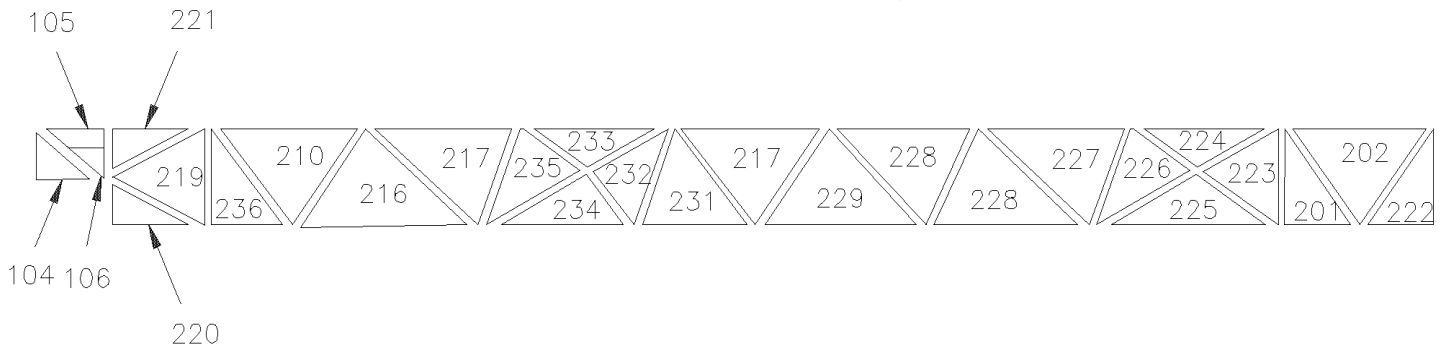
MTH 45', ENT 89"

VIFWS ARF RH FROM INSIDF

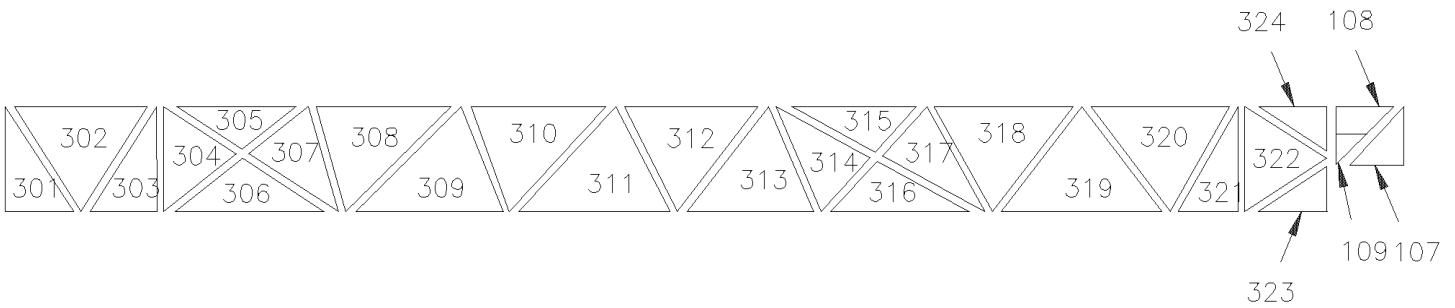
| | | |
|--|--------------|-----------------|
| From Y-7046 To 2-7702 | Date:10/2022 | PAGE:Y2-1839-50 |
| INSULATING SIDE WALL - LOWER PANEL - MTH | | |



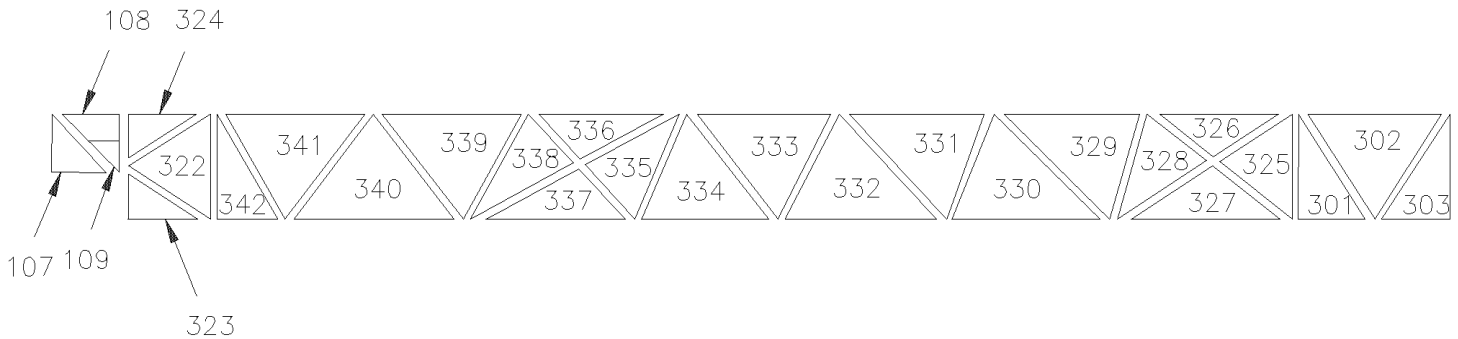
MTH 45', ENT 86" W/PLAIN PANEL



MTH 45', ENT 86" W/PLAIN PANEL



MTH 45', ENT 89" W/PLAIN PANEL



MTH 45', ENT 89" W/PLAIN PANEL

| | | |
|---|--------------|-----------------|
| From Y-7046 To 2-7702 | Date:10/2022 | PAGE:Y2-1839-50 |
| INSULATING SIDE WALL - LOWER PANEL - MTH | | |

| Item# | Part | Description | X L I I 4 5 | X L I I M T H 4 0 | X L I I M T H 4 5 | X L I I M T H 4 5 E | N O T E S |
|-------|--------|-------------------------------------|----------------------------|---|---|--|-----------------------|
| | 350786 | KIT INSULATING PANEL To 5-8813 | | 2 | | | |
| | 350718 | KIT INSULATING PANEL | | | 2 | | |
| | 350749 | KIT INSULATING PANEL 86" HEIGHT | | | | 2 | A |
| | 350840 | KIT INSULATING PANEL 89" HEIGHT | | | | 2 | A |
| | 351048 | KIT INSULTING R.H. PANEL 86" HEIGHT | | | | 1 | B |
| | 351049 | KIT INSULTING L.H. PANEL 86" HEIGHT | | | | 1 | B |
| | 351105 | KIT INSULTING R.H. PANEL 89" HEIGHT | | | | 1 | B |
| | 351106 | KIT INSULTING L.H. PANEL 89" HEIGHT | | | | 1 | B |
| 1 | 350691 | . SIDE INSULATION PANEL | | 4 | 4 | 4 | |
| 3 | 350694 | . SIDE INSULATION PANEL | | | 4 | | |
| 3 | 350694 | . SIDE INSULATION PANEL | | | | 2 | |
| 4 | 350695 | . SIDE INSULATION PANEL | | | 4 | | |
| 4 | 350695 | . SIDE INSULATION PANEL | | | | 2 | |
| 5 | 350696 | . SIDE INSULATION PANEL | | | 4 | | |
| 5 | 350696 | . SIDE INSULATION PANEL | | | | 2 | |
| 6 | 350697 | . SIDE INSULATION PANEL | | | 4 | | |
| 6 | 350697 | . SIDE INSULATION PANEL | | | | 2 | |
| 10 | 350707 | . SIDE INSULATION PANEL | | | 2 | | |
| 11 | 350710 | . SIDE INSULATION PANEL | | | 2 | | |
| 12 | 350711 | . SIDE INSULATION PANEL | | | 2 | | |
| 13 | 350712 | . SIDE INSULATION PANEL | | | 4 | | |
| 17 | 350728 | . SIDE INSULATION PANEL | | | | 2 | |
| 18 | 350729 | . SIDE INSULATION PANEL | | | | 2 | |
| 19 | 350730 | . SIDE INSULATION PANEL | | | | 2 | |
| 20 | 350731 | . SIDE INSULATION PANEL | | | | 2 | |
| 21 | 350732 | . SIDE INSULATION PANEL | | | | 2 | |
| 23 | 350735 | . SIDE INSULATION PANEL | | | | 2 | |
| 24 | 350736 | . SIDE INSULATION PANEL | | | | 2 | |
| 25 | 350737 | . SIDE INSULATION PANEL | | | | 4 | |
| 26 | 350776 | . SIDE INSULATION PANEL To 5-8813 | | 4 | | | |
| 27 | 350759 | . SIDE INSULATION PANEL To 5-8813 | | 2 | | | |
| 28 | 350760 | . SIDE INSULATION PANEL To 5-8813 | | 2 | | | |
| 29 | 350761 | . SIDE INSULATION PANEL To 5-8813 | | 2 | | | |
| 30 | 350762 | . SIDE INSULATION PANEL To 5-8813 | | 2 | | | |
| 31 | 350763 | . SIDE INSULATION PANEL To 5-8813 | | 2 | | | |
| 33 | 350767 | . SIDE INSULATION PANEL To 5-8813 | | 2 | | | |
| 34 | 350768 | . SIDE INSULATION PANEL To 5-8813 | | 2 | | | |
| 35 | 350769 | . SIDE INSULATION PANEL To 5-8813 | | 2 | | | |
| 36 | 350770 | . SIDE INSULATION PANEL To 5-8813 | | 2 | | | |
| 37 | 350774 | . SIDE INSULATION PANEL To 5-8813 | | 2 | | | |
| 38 | 350775 | . SIDE INSULATION PANEL To 5-8813 | | 2 | | | |
| 39 | 350818 | . SIDE INSULATION PANEL | | | | 4 | |

| | | |
|---|--------------|-----------------|
| From Y-7046 To 2-7702 | Date:10/2022 | PAGE:Y2-1839-50 |
| INSULATING SIDE WALL - LOWER PANEL - MTH | | |

| Item# | Part | Description | X L I I 4 5 | X L I I M T H 4 0 | X L I I M T H 4 5 | X L I I M T H 4 5 E | N O T E S |
|-------|--------|-----------------------------------|----------------------------|---|---|--|-----------------------|
| 40 | 350796 | . SIDE INSULATION PANEL | | | | 4 | |
| 42 | 350799 | . SIDE INSULATION PANEL | | | | 2 | |
| 43 | 350800 | . SIDE INSULATION PANEL | | | | 2 | |
| 44 | 350801 | . SIDE INSULATION PANEL | | | | 2 | |
| 45 | 350802 | . SIDE INSULATION PANEL | | | | 2 | |
| 52 | 350809 | . SIDE INSULATION PANEL | | | | 2 | |
| 53 | 350810 | . SIDE INSULATION PANEL | | | | 2 | |
| 54 | 350811 | . SIDE INSULATION PANEL | | | | 2 | |
| 55 | 350812 | . SIDE INSULATION PANEL | | | | 2 | |
| 58 | 350816 | . SIDE INSULATION PANEL | | | | 2 | |
| 59 | 350817 | . SIDE INSULATION PANEL | | | | 2 | |
| 60 | 350848 | . SIDE INSULATION PANEL | | 2 | 2 | 2 | |
| 61 | 350849 | . SIDE INSULATION PANEL | | 2 | 2 | 2 | |
| 62 | 350850 | . SIDE INSULATION PANEL | | 2 | | 2 | |
| 62 | 350850 | . SIDE INSULATION PANEL | | | 8 | | |
| 63 | 350851 | . SIDE INSULATION PANEL | | 2 | | 2 | |
| 63 | 350851 | . SIDE INSULATION PANEL | | | 8 | | |
| 64 | 350852 | . SIDE INSULATION PANEL | | 2 | 2 | | |
| 65 | 350853 | . SIDE INSULATION PANEL | | 2 | | | |
| 65 | 350853 | . SIDE INSULATION PANEL | | | 4 | | |
| 66 | 350854 | . SIDE INSULATION PANEL | | 2 | | | |
| 66 | 350854 | . SIDE INSULATION PANEL | | | 4 | | |
| 67 | 350855 | . SIDE INSULATION PANEL | | 2 | 2 | | |
| 68 | 350864 | . SIDE INSULATION PANEL | | | | 6 | |
| 69 | 350865 | . SIDE INSULATION PANEL | | | | 6 | |
| 70 | 350860 | . SIDE INSULATION PANEL | | | | 2 | |
| 71 | 350861 | . SIDE INSULATION PANEL | | | | 2 | |
| 72 | 350862 | . SIDE INSULATION PANEL | | | | 2 | |
| 73 | 350863 | . SIDE INSULATION PANEL | | | | 2 | |
| 74 | 350866 | . SIDE INSULATION PANEL | | | | 2 | |
| 75 | 350867 | . SIDE INSULATION PANEL | | | | 2 | |
| 76 | 350868 | . SIDE INSULATION PANEL To 5-8813 | | 2 | | | |
| 77 | 350869 | . SIDE INSULATION PANEL To 5-8813 | | 2 | | | |
| 78 | 350870 | . SIDE INSULATION PANEL To 5-8813 | | 2 | | | |
| 79 | 350871 | . SIDE INSULATION PANEL To 5-8813 | | 2 | | | |
| 80 | 350872 | . SIDE INSULATION PANEL To 5-8813 | | 2 | | | |
| 81 | 350873 | . SIDE INSULATION PANEL To 5-8813 | | 2 | | | |
| 82 | 350874 | . SIDE INSULATION PANEL | | | | 2 | |
| 83 | 350875 | . SIDE INSULATION PANEL | | | | 2 | |
| 84 | 350876 | . SIDE INSULATION PANEL | | | | 2 | |
| 85 | 350877 | . SIDE INSULATION PANEL | | | | 2 | |
| 86 | 350878 | . SIDE INSULATION PANEL | | | | 2 | |

| | | |
|---|--------------|-----------------|
| From Y-7046 To 2-7702 | Date:10/2022 | PAGE:Y2-1839-50 |
| INSULATING SIDE WALL - LOWER PANEL - MTH | | |

| Item# | Part | Description | X L I I 4 5 | X L I I M T H 4 0 | X L I I M T H 4 5 | X L I I M T H 4 5 E | N O T E S |
|-------|--------|-------------------------|----------------------------|---|---|--|-----------------------|
| 87 | 350879 | . SIDE INSULATION PANEL | | | | 2 | |
| 88 | 350880 | . SIDE INSULATION PANEL | | | | 2 | |
| 89 | 350881 | . SIDE INSULATION PANEL | | | | 2 | |
| 90 | 350882 | . SIDE INSULATION PANEL | | | | 2 | |
| 91 | 350883 | . SIDE INSULATION PANEL | | | | 2 | |
| 92 | 350884 | . SIDE INSULATION PANEL | | | | 2 | |
| 93 | 350885 | . SIDE INSULATION PANEL | | | | 2 | |
| 94 | 350888 | . SIDE INSULATION PANEL | | | | 4 | |
| 95 | 350889 | . SIDE INSULATION PANEL | | | | 4 | |
| 96 | 350890 | . SIDE INSULATION PANEL | | | | 2 | |
| 97 | 350891 | . SIDE INSULATION PANEL | | | | 2 | |
| 98 | 350886 | . SIDE INSULATION PANEL | | | | 2 | |
| 99 | 350887 | . SIDE INSULATION PANEL | | | | 2 | |
| 100 | 350856 | . SIDE INSULATION PANEL | | | 2 | | |
| 101 | 350857 | . SIDE INSULATION PANEL | | | 2 | | |
| 102 | 350858 | . SIDE INSULATION PANEL | | | | 2 | |
| 103 | 350859 | . SIDE INSULATION PANEL | | | | 2 | |
| 104 | 350943 | . SIDE INSULATION PANEL | | 1 | 1 | 1 | |
| 105 | 350944 | . SIDE INSULATION PANEL | | 1 | 1 | 1 | |
| 106 | 350945 | . SIDE INSULATION PANEL | | 1 | 1 | 1 | |
| 107 | 350946 | . SIDE INSULATION PANEL | | | | 1 | |
| 108 | 350947 | . SIDE INSULATION PANEL | | | | 1 | |
| 109 | 350948 | . SIDE INSULATION PANEL | | | | 1 | |
| 201 | 351005 | . SIDE INSULATION PANEL | | | | 2 | |
| 202 | 351006 | . SIDE INSULATION PANEL | | | | 2 | |
| 203 | 351007 | . SIDE INSULATION PANEL | | | | 1 | |
| 204 | 351008 | . SIDE INSULATION PANEL | | | | 1 | |
| 205 | 351009 | . SIDE INSULATION PANEL | | | | 1 | |
| 206 | 351010 | . SIDE INSULATION PANEL | | | | 1 | |
| 207 | 351011 | . SIDE INSULATION PANEL | | | | 1 | |
| 208 | 351012 | . SIDE INSULATION PANEL | | | | 2 | |
| 209 | 351013 | . SIDE INSULATION PANEL | | | | 1 | |
| 210 | 351014 | . SIDE INSULATION PANEL | | | | 2 | |
| 211 | 351015 | . SIDE INSULATION PANEL | | | | 1 | |
| 212 | 351016 | . SIDE INSULATION PANEL | | | | 1 | |
| 213 | 351017 | . SIDE INSULATION PANEL | | | | 1 | |
| 214 | 351018 | . SIDE INSULATION PANEL | | | | 1 | |
| 215 | 351019 | . SIDE INSULATION PANEL | | | | 1 | |
| 216 | 351020 | . SIDE INSULATION PANEL | | | | 2 | |
| 217 | 351021 | . SIDE INSULATION PANEL | | | | 2 | |
| 218 | 351022 | . SIDE INSULATION PANEL | | | | 1 | |
| 219 | 351023 | . SIDE INSULATION PANEL | | | | 2 | |

| | | |
|---|--------------|-----------------|
| From Y-7046 To 2-7702 | Date:10/2022 | PAGE:Y2-1839-50 |
| INSULATING SIDE WALL - LOWER PANEL - MTH | | |

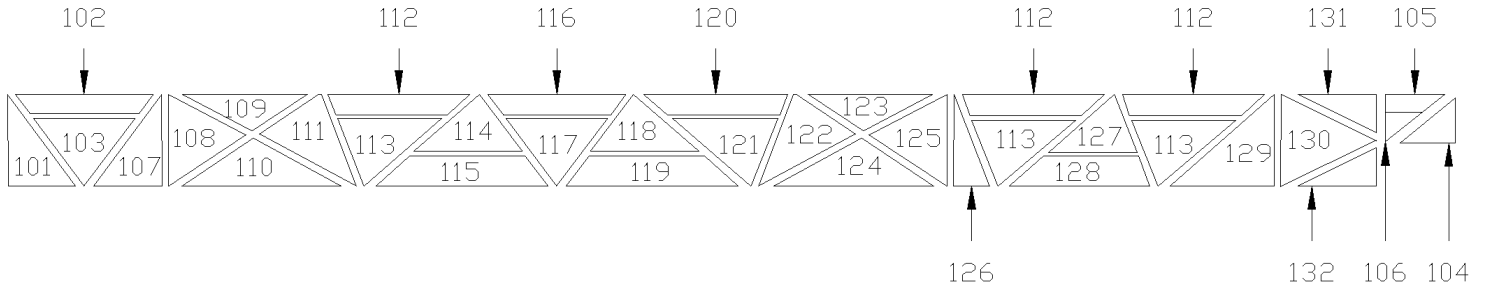
| Item# | Part | Description | X L I I 4 5 | X L I I M T H 4 0 | X L I I M T H 4 5 | X L I I M T H 4 5 E | N O T E S |
|-------|--------|-------------------------|----------------------------|---|---|--|-----------------------|
| 220 | 351024 | . SIDE INSULATION PANEL | | | | 2 | |
| 221 | 351025 | . SIDE INSULATION PANEL | | | | 2 | |
| 222 | 351026 | . SIDE INSULATION PANEL | | | | 2 | |
| 223 | 351027 | . SIDE INSULATION PANEL | | | | 1 | |
| 224 | 351028 | . SIDE INSULATION PANEL | | | | 1 | |
| 225 | 351029 | . SIDE INSULATION PANEL | | | | 1 | |
| 226 | 351030 | . SIDE INSULATION PANEL | | | | 1 | |
| 227 | 351031 | . SIDE INSULATION PANEL | | | | 1 | |
| 228 | 351032 | . SIDE INSULATION PANEL | | | | 2 | |
| 229 | 351033 | . SIDE INSULATION PANEL | | | | 1 | |
| 231 | 351035 | . SIDE INSULATION PANEL | | | | 1 | |
| 232 | 351036 | . SIDE INSULATION PANEL | | | | 1 | |
| 233 | 351037 | . SIDE INSULATION PANEL | | | | 1 | |
| 234 | 351038 | . SIDE INSULATION PANEL | | | | 1 | |
| 235 | 351039 | . SIDE INSULATION PANEL | | | | 1 | |
| 236 | 351040 | . SIDE INSULATION PANEL | | | | 1 | |
| 301 | 351063 | . SIDE INSULATION PANEL | | | | 2 | |
| 302 | 351064 | . SIDE INSULATION PANEL | | | | 2 | |
| 303 | 351065 | . SIDE INSULATION PANEL | | | | 2 | |
| 304 | 351066 | . SIDE INSULATION PANEL | | | | 1 | |
| 305 | 351067 | . SIDE INSULATION PANEL | | | | 1 | |
| 306 | 351068 | . SIDE INSULATION PANEL | | | | 1 | |
| 307 | 351069 | . SIDE INSULATION PANEL | | | | 1 | |
| 308 | 351070 | . SIDE INSULATION PANEL | | | | 1 | |
| 309 | 351071 | . SIDE INSULATION PANEL | | | | 1 | |
| 310 | 351072 | . SIDE INSULATION PANEL | | | | 1 | |
| 311 | 351073 | . SIDE INSULATION PANEL | | | | 1 | |
| 312 | 351074 | . SIDE INSULATION PANEL | | | | 1 | |
| 314 | 351076 | . SIDE INSULATION PANEL | | | | 1 | |
| 315 | 351077 | . SIDE INSULATION PANEL | | | | 1 | |
| 316 | 351078 | . SIDE INSULATION PANEL | | | | 1 | |
| 317 | 351079 | . SIDE INSULATION PANEL | | | | 1 | |
| 318 | 351080 | . SIDE INSULATION PANEL | | | | 1 | |
| 319 | 351081 | . SIDE INSULATION PANEL | | | | 1 | |
| 320 | 351082 | . SIDE INSULATION PANEL | | | | 1 | |
| 321 | 351083 | . SIDE INSULATION PANEL | | | | 1 | |
| 322 | 351084 | . SIDE INSULATION PANEL | | | | 2 | |
| 323 | 351085 | . SIDE INSULATION PANEL | | | | 2 | |
| 324 | 351086 | . SIDE INSULATION PANEL | | | | 2 | |
| 325 | 351087 | . SIDE INSULATION PANEL | | | | 1 | |
| 326 | 351088 | . SIDE INSULATION PANEL | | | | 1 | |
| 327 | 351089 | . SIDE INSULATION PANEL | | | | 1 | |

| | | |
|-----------------------|--------------|-----------------|
| From Y-7046 To 2-7702 | Date:10/2022 | PAGE:Y2-1839-50 |
|-----------------------|--------------|-----------------|

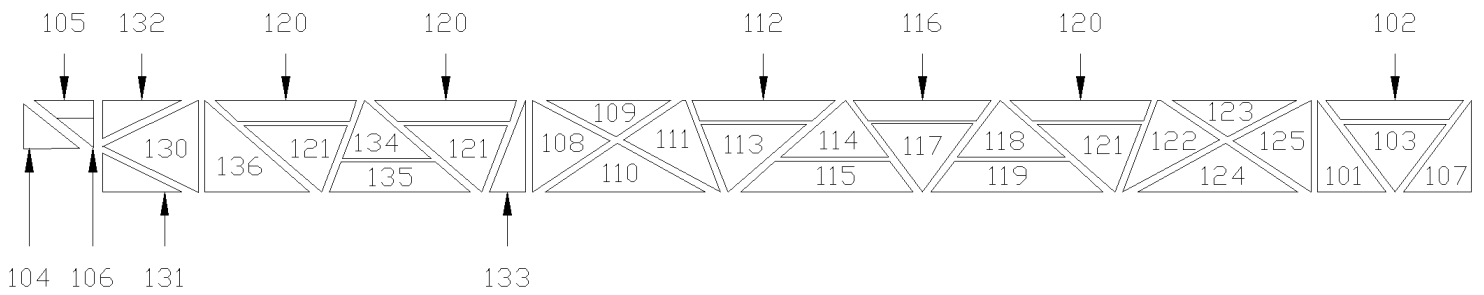
INSULATING SIDE WALL - LOWER PANEL - MTH

| Item# | Part | Description | X L I I 4 5 | X L I I M T H 4 0 | X L I I M T H 4 5 | X L I I M T H 4 5 E | N O T E S |
|-------|--------|--|----------------------------|---|---|--|-----------------------|
| 328 | 351090 | . SIDE INSULATION PANEL | | | | 1 | |
| 329 | 351091 | . SIDE INSULATION PANEL | | | | 1 | |
| 330 | 351092 | . SIDE INSULATION PANEL | | | | 1 | |
| 331 | 351093 | . SIDE INSULATION PANEL | | | | 1 | |
| 332 | 351094 | . SIDE INSULATION PANEL | | | | 1 | |
| 333 | 351095 | . SIDE INSULATION PANEL | | | | 1 | |
| 334 | 351096 | . SIDE INSULATION PANEL | | | | 1 | |
| 335 | 351097 | . SIDE INSULATION PANEL | | | | 1 | |
| 336 | 351098 | . SIDE INSULATION PANEL | | | | 1 | |
| 337 | 351099 | . SIDE INSULATION PANEL | | | | 1 | |
| 338 | 351100 | . SIDE INSULATION PANEL | | | | 1 | |
| 339 | 351101 | . SIDE INSULATION PANEL | | | | 1 | |
| 340 | 351102 | . SIDE INSULATION PANEL | | | | 1 | |
| 341 | 351103 | . SIDE INSULATION PANEL | | | | 1 | |
| 342 | 351104 | . SIDE INSULATION PANEL | | | | 1 | |
| NS | 850065 | ALUMINUM WALL COVERING ADHESIVE / 32 1/4" X 455" | | | 2 | | |
| NS | 850066 | ALUMINUM WALL COVERING ADHESIVE / 32 1/4" X 415" To 5-8813 | | 2 | | | |
| NS | 850070 | ALUMINUM WALL COVERING ADHESIVE / 36" X 438" | | | | 2 | |
| NS | 684196 | PRIMER ELASTOCOL # 593 | | AR | AR | AR | |
| NS | 320104 | INSULATING PLATE / ALUMINUM 18GA / "E" SHAPE 90MM X 102MM | | AR | AR | AR | |
| | | | | | | | |
| | | | | | | | |
| | | | | | | | |
| | | A) MTH ENTERTAINER WITH STAINLESS STEEL UPPER PANELLING | | | | | |
| | | B) MTH ENTERTAINER WITH FLAT PANELLING | | | | | |

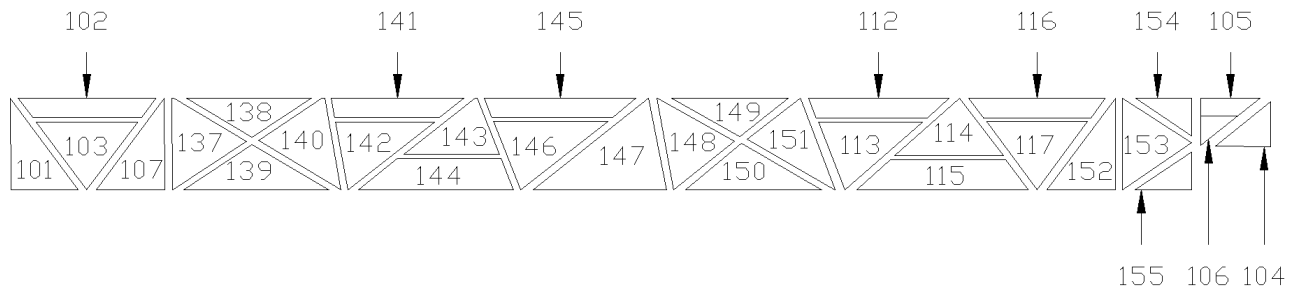
| | | |
|--|--------------|-----------------|
| From 2-7703 To 8-9339 | Date:10/2022 | PAGE:Y2-1839-51 |
| INSULATING SIDE WALL - LOWER PANEL - MTH | | |



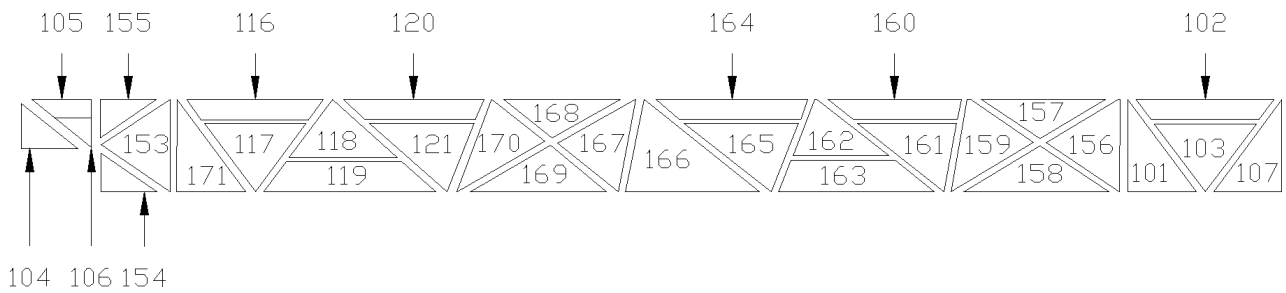
MTH 45' LH



MTH 45' RH



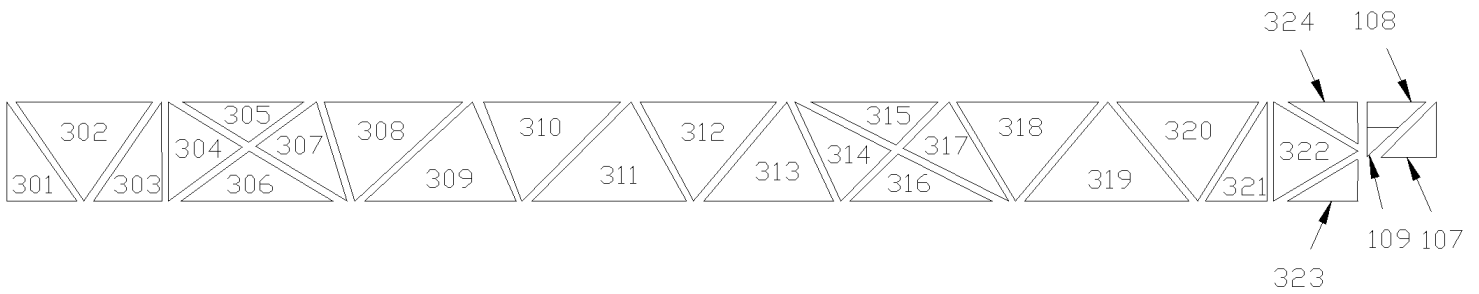
MTH 40' LH



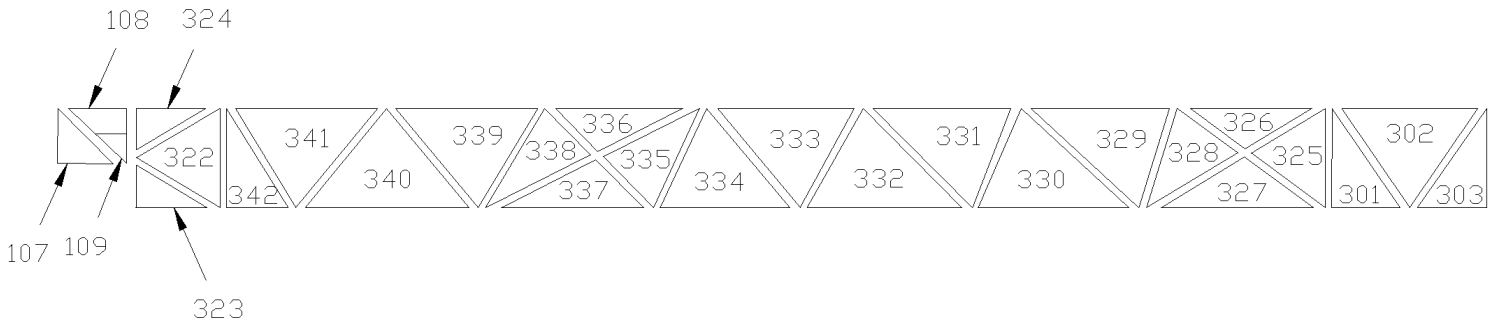
MTH 40' RH

VIEWS ARE FROM THE OUTSIDE OF VEHICULE

| | | | |
|--|--|--------------|-----------------|
| From 2-7703 To 8-9339 | | Date:10/2022 | PAGE:Y2-1839-51 |
| INSULATING SIDE WALL - LOWER PANEL - MTH | | | |

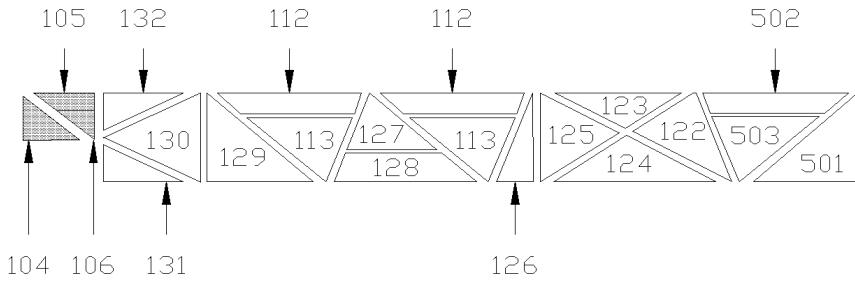


MTH 45', ENT 89" RH

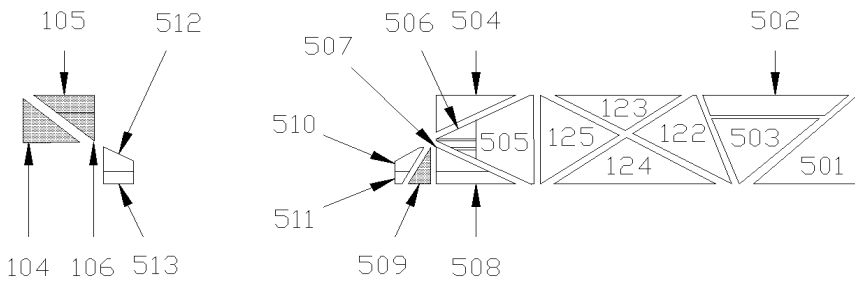


MTH 45', ENT 89" LH

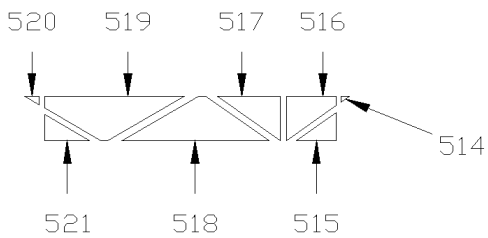
| | | |
|---|--------------|-----------------|
| From 2-7703 To 8-9339 | Date:10/2022 | PAGE:Y2-1839-51 |
| INSULATING SIDE WALL - LOWER PANEL - MTH | | |



MTH 45', SLIDE-OUT, SINGLE CASE, LH



MTH 45', SLIDE-OUT, DOUBLE CASE, LH
INSIDE INSTALLATION



MTH 45', SLIDE-OUT, DOUBLE CASE, LH
OUTSIDE INSTALLATION

| | | |
|-----------------------|--------------|-----------------|
| From 2-7703 To 8-9339 | Date:10/2022 | PAGE:Y2-1839-51 |
|-----------------------|--------------|-----------------|

INSULATING SIDE WALL - LOWER PANEL - MTH

| Item# | Part | Description | X L I I 4 5 | X L I I M T H 4 0 | X L I I M T H 4 5 | X L I I M T H 4 5 E | N O T E S |
|-------|--------|--|----------------------------|---|---|--|-----------------------|
| | 351139 | KIT INSULATING PANEL L.H. WALL To 3-8164 | | | 1 | | |
| | 351338 | KIT INSULATING PANEL L.H. WALL From 4-8165 | | | 1 | | |
| | 351384 | KIT INSULATING PANEL L.H. WALL / W/SLIDE OUT From 3-8109 To 3-8164 | | | 1 | | B |
| | 351420 | KIT INSULATING PANEL L.H. WALL / W/SLIDE OUT From 4-8165 To 6-8805 | | | 1 | | B |
| | 351519 | KIT INSULATING PANEL L.H. WALL / W/SLIDE OUT From 6-8806 | | | 1 | | B |
| | 351315 | KIT INSULATING PANEL L.H. WALL / W/SLIDE OUT From 3-8109 To 3-8164 | | | 1 | | A |
| | 351409 | KIT INSULATING PANEL L.H. WALL / W/SLIDE OUT From 4-8165 | | | 1 | | A |
| | 351140 | KIT INSULATING PANEL R.H. WALL To 3-8164 | | | 1 | | |
| | 351465 | KIT INSULATING PANEL R.H. WALL From 4-8165 | | | 1 | | |
| | 351141 | KIT INSULATING PANEL L.H. WALL To 3-8164 | | 1 | | | |
| | 351475 | KIT INSULATING PANEL L.H. WALL From 4-8165 To 5-8813 | | 1 | | | |
| | 351142 | KIT INSULATING PANEL R.H. WALL To 3-8164 | | 1 | | | |
| | 351476 | KIT INSULATING PANEL R.H. WALL From 4-8165 To 5-8813 | | 1 | | | |
| | 351105 | KIT INSULATING R.H. PANEL 89" HEIGHT To 3-8164 | | | | 1 | |
| | 351478 | KIT INSULATING R.H. PANEL 89" HEIGHT From 4-8165 To 6-8805 | | | | 1 | |
| | 351582 | KIT INSULATING R.H. PANEL 89" HEIGHT From 6-8806 | | | | 1 | |
| | 351106 | KIT INSULATING L.H. PANEL 89" HEIGHT To 3-8164 | | | | 1 | |
| | 351477 | KIT INSULATING L.H. PANEL 89" HEIGHT From 4-8165 To 6-8805 | | | | 1 | |
| | 351581 | KIT INSULATING L.H. PANEL 89" HEIGHT From 6-8806 | | | | 1 | |
| | 351547 | KIT INSULATING L.H. PANEL 89" / W/SLIDE OUT From 6-8806 | | | | 1 | |
| 101 | 351143 | SIDE INSULATION PANEL To 5-8813 | | 1 | | | |
| 101 | 351143 | SIDE INSULATION PANEL | | | 2 | | |
| 102 | 351144 | SIDE INSULATION PANEL To 5-8813 | | 1 | | | |
| 102 | 351144 | SIDE INSULATION PANEL | | | 2 | | |
| 103 | 351145 | SIDE INSULATION PANEL To 5-8813 | | 1 | | | |
| 103 | 351145 | SIDE INSULATION PANEL | | | 2 | | |
| 104 | 350943 | SIDE INSULATION PANEL | | 1 | 1 | 1 | |
| 105 | 350944 | SIDE INSULATION PANEL | | 1 | 1 | 1 | |
| 106 | 350945 | SIDE INSULATION PANEL | | 1 | 1 | 1 | |
| 107 | 351146 | SIDE INSULATION PANEL To 5-8813 | | 1 | | | |
| 107 | 351146 | SIDE INSULATION PANEL | | | 2 | | |
| 107 | 350946 | SIDE INSULATION PANEL | | | | 2 | |
| 108 | 351147 | SIDE INSULATION PANEL | | | 2 | | |
| 108 | 350947 | SIDE INSULATION PANEL | | | | 2 | |
| 109 | 351148 | SIDE INSULATION PANEL | | | 2 | | |
| 109 | 350948 | SIDE INSULATION PANEL | | | | 2 | |
| 110 | 351149 | SIDE INSULATION PANEL | | | 2 | | |
| 111 | 351150 | SIDE INSULATION PANEL | | | 2 | | |
| 112 | 351151 | SIDE INSULATION PANEL To 5-8813 | | 1 | | | |
| 112 | 351151 | SIDE INSULATION PANEL | | | 2 | | |
| 113 | 351152 | SIDE INSULATION PANEL To 5-8813 | | 1 | | | |
| 113 | 351152 | SIDE INSULATION PANEL | | | 2 | | |

| | | |
|-----------------------|--------------|-----------------|
| From 2-7703 To 8-9339 | Date:10/2022 | PAGE:Y2-1839-51 |
|-----------------------|--------------|-----------------|

INSULATING SIDE WALL - LOWER PANEL - MTH

| Item# | Part | Description | X L I I 4 5 | X L I I M T H 4 0 | X L I I M T H 4 5 | X L I I M T H 4 5 E | N O T E S |
|-------|--------|---------------------------------|----------------------------|---|---|--|-----------------------|
| 114 | 351153 | SIDE INSULATION PANEL To 5-8813 | | 1 | | | |
| 114 | 351153 | SIDE INSULATION PANEL | | | 2 | | |
| 115 | 351154 | SIDE INSULATION PANEL To 5-8813 | | 1 | | | |
| 115 | 351154 | SIDE INSULATION PANEL | | | 2 | | |
| 116 | 351155 | SIDE INSULATION PANEL | | 2 | 2 | | |
| 117 | 351156 | SIDE INSULATION PANEL | | 1 | 1 | | |
| 118 | 351157 | SIDE INSULATION PANEL To 5-8813 | | 1 | | | |
| 118 | 351157 | SIDE INSULATION PANEL | | | 2 | | |
| 119 | 351158 | SIDE INSULATION PANEL To 5-8813 | | 1 | | | |
| 119 | 351158 | SIDE INSULATION PANEL | | | 2 | | |
| 120 | 351159 | SIDE INSULATION PANEL To 5-8813 | | 1 | | | |
| 120 | 351159 | SIDE INSULATION PANEL | | | 2 | | |
| 121 | 351160 | SIDE INSULATION PANEL To 5-8813 | | 1 | | | |
| 121 | 351160 | SIDE INSULATION PANEL | | | 2 | | |
| 122 | 351161 | SIDE INSULATION PANEL | | | 2 | | |
| 123 | 351162 | SIDE INSULATION PANEL | | | 2 | | |
| 124 | 351163 | SIDE INSULATION PANEL | | | 2 | | |
| 125 | 351164 | SIDE INSULATION PANEL | | | 2 | | |
| 126 | 351165 | SIDE INSULATION PANEL | | | 1 | | |
| 127 | 351166 | SIDE INSULATION PANEL | | | 1 | | |
| 128 | 351167 | SIDE INSULATION PANEL | | | 1 | | |
| 129 | 351168 | SIDE INSULATION PANEL | | | 1 | | |
| 130 | 351169 | SIDE INSULATION PANEL | | | 2 | | |
| 131 | 351170 | SIDE INSULATION PANEL | | | 2 | | |
| 132 | 351171 | SIDE INSULATION PANEL | | | 2 | | |
| 133 | 351172 | SIDE INSULATION PANEL | | | 1 | | |
| 134 | 351173 | SIDE INSULATION PANEL | | | 1 | | |
| 135 | 351174 | SIDE INSULATION PANEL | | | 1 | | |
| 136 | 351175 | SIDE INSULATION PANEL | | | 1 | | |
| 137 | 351176 | SIDE INSULATION PANEL To 5-8813 | | 1 | | | |
| 138 | 351177 | SIDE INSULATION PANEL To 5-8813 | | 1 | | | |
| 139 | 351178 | SIDE INSULATION PANEL To 5-8813 | | 1 | | | |
| 140 | 351179 | SIDE INSULATION PANEL To 5-8813 | | 1 | | | |
| 141 | 351180 | SIDE INSULATION PANEL To 5-8813 | | 1 | | | |
| 142 | 351181 | SIDE INSULATION PANEL To 5-8813 | | 1 | | | |
| 143 | 351182 | SIDE INSULATION PANEL To 5-8813 | | 1 | | | |
| 144 | 351183 | SIDE INSULATION PANEL To 5-8813 | | 1 | | | |
| 145 | 351184 | SIDE INSULATION PANEL To 5-8813 | | 1 | | | |
| 146 | 351185 | SIDE INSULATION PANEL To 5-8813 | | 1 | | | |
| 147 | 351186 | SIDE INSULATION PANEL To 5-8813 | | 1 | | | |
| 148 | 351187 | SIDE INSULATION PANEL To 5-8813 | | 1 | | | |
| 149 | 351188 | SIDE INSULATION PANEL To 5-8813 | | 1 | | | |

| | | |
|-----------------------|--------------|-----------------|
| From 2-7703 To 8-9339 | Date:10/2022 | PAGE:Y2-1839-51 |
|-----------------------|--------------|-----------------|

INSULATING SIDE WALL - LOWER PANEL - MTH

| Item# | Part | Description | X L I I 4 5 | X L I I M T H 4 0 | X L I I M T H 4 5 | X L I I M T H 4 5 E | NOTES |
|-------|--------|---------------------------------|----------------------------|---|---|--|-------|
| 150 | 351189 | SIDE INSULATION PANEL To 5-8813 | | 1 | | | |
| 151 | 351190 | SIDE INSULATION PANEL To 5-8813 | | 1 | | | |
| 152 | 351191 | SIDE INSULATION PANEL To 5-8813 | | 1 | | | |
| 153 | 351192 | SIDE INSULATION PANEL To 5-8813 | | 1 | | | |
| 154 | 351193 | SIDE INSULATION PANEL To 5-8813 | | 1 | | | |
| 155 | 351194 | SIDE INSULATION PANEL To 5-8813 | | 2 | | | |
| 156 | 351195 | SIDE INSULATION PANEL To 5-8813 | | 1 | | | |
| 157 | 351196 | SIDE INSULATION PANEL To 5-8813 | | 1 | | | |
| 158 | 351197 | SIDE INSULATION PANEL To 5-8813 | | 1 | | | |
| 159 | 351198 | SIDE INSULATION PANEL To 5-8813 | | 1 | | | |
| 160 | 351199 | SIDE INSULATION PANEL To 5-8813 | | 1 | | | |
| 161 | 351200 | SIDE INSULATION PANEL To 5-8813 | | 1 | | | |
| 162 | 351201 | SIDE INSULATION PANEL To 5-8813 | | 1 | | | |
| 163 | 351202 | SIDE INSULATION PANEL To 5-8813 | | 1 | | | |
| 164 | 351203 | SIDE INSULATION PANEL To 5-8813 | | 1 | | | |
| 165 | 351204 | SIDE INSULATION PANEL To 5-8813 | | 1 | | | |
| 166 | 351205 | SIDE INSULATION PANEL To 5-8813 | | 1 | | | |
| 167 | 351206 | SIDE INSULATION PANEL To 5-8813 | | 1 | | | |
| 168 | 351207 | SIDE INSULATION PANEL To 5-8813 | | 1 | | | |
| 169 | 351208 | SIDE INSULATION PANEL To 5-8813 | | 1 | | | |
| 170 | 351209 | SIDE INSULATION PANEL To 5-8813 | | 1 | | | |
| 171 | 351210 | SIDE INSULATION PANEL To 5-8813 | | 1 | | | |
| 301 | 351063 | SIDE INSULATION PANEL | | | | 2 | |
| 302 | 351064 | SIDE INSULATION PANEL | | | | 2 | |
| 303 | 351065 | SIDE INSULATION PANEL | | | | 2 | |
| 304 | 351066 | SIDE INSULATION PANEL | | | | 1 | |
| 305 | 351067 | SIDE INSULATION PANEL | | | | 1 | |
| 306 | 351068 | SIDE INSULATION PANEL | | | | 1 | |
| 307 | 351069 | SIDE INSULATION PANEL | | | | 1 | |
| 308 | 351070 | SIDE INSULATION PANEL | | | | 1 | |
| 309 | 351071 | SIDE INSULATION PANEL | | | | 1 | |
| 310 | 351072 | SIDE INSULATION PANEL | | | | 1 | |
| 311 | 351073 | SIDE INSULATION PANEL | | | | 1 | |
| 312 | 351074 | SIDE INSULATION PANEL | | | | 1 | |
| 313 | 351075 | SIDE INSULATION PANEL | | | | 1 | |
| 314 | 351076 | SIDE INSULATION PANEL | | | | 1 | |
| 315 | 351077 | SIDE INSULATION PANEL | | | | 1 | |
| 316 | 351078 | SIDE INSULATION PANEL | | | | 1 | |
| 317 | 351079 | SIDE INSULATION PANEL | | | | 1 | |
| 318 | 351080 | SIDE INSULATION PANEL | | | | 1 | |
| 319 | 351081 | SIDE INSULATION PANEL | | | | 1 | |
| 320 | 351082 | SIDE INSULATION PANEL | | | | 1 | |

| | | |
|---|--------------|-----------------|
| From 2-7703 To 8-9339 | Date:10/2022 | PAGE:Y2-1839-51 |
| INSULATING SIDE WALL - LOWER PANEL - MTH | | |

| Item# | Part | Description | X L I I 4 5 | X L I I M T H 4 0 | X L I I M T H 4 5 | X L I I M T H 4 5 E | NOTES |
|-------|-----------------|-----------------------------------|----------------------------|---|---|--|-------|
| 321 | 351083 | SIDE INSULATION PANEL | | | | 1 | |
| 322 | 351084 | SIDE INSULATION PANEL | | | | 2 | |
| 323 | 351085 | SIDE INSULATION PANEL | | | | 2 | |
| 324 | 351086 | SIDE INSULATION PANEL | | | | 2 | |
| 325 | 351087 | SIDE INSULATION PANEL | | | | 1 | |
| 326 | 351088 | SIDE INSULATION PANEL | | | | 1 | |
| 327 | 351089 | SIDE INSULATION PANEL | | | | 1 | |
| 328 | 351090 | SIDE INSULATION PANEL | | | | 1 | |
| 329 | 351091 | SIDE INSULATION PANEL | | | | 1 | |
| 330 | 351092 | SIDE INSULATION PANEL | | | | 1 | |
| 331 | 351093 | SIDE INSULATION PANEL | | | | 1 | |
| 332 | 351094 | SIDE INSULATION PANEL | | | | 1 | |
| 333 | 351095 | SIDE INSULATION PANEL | | | | 1 | |
| 334 | 351096 | SIDE INSULATION PANEL | | | | 1 | |
| 335 | 351097 | SIDE INSULATION PANEL | | | | 1 | |
| 336 | 351098 | SIDE INSULATION PANEL | | | | 1 | |
| 337 | 351099 | SIDE INSULATION PANEL | | | | 1 | |
| 338 | 351100 | SIDE INSULATION PANEL | | | | 1 | |
| 339 | 351101 | SIDE INSULATION PANEL | | | | 1 | |
| 340 | 351102 | SIDE INSULATION PANEL | | | | 1 | |
| 341 | 351103 | SIDE INSULATION PANEL | | | | 1 | |
| 342 | 351104 | SIDE INSULATION PANEL | | | | 1 | |
| 432 | Call order desk | SIDE INSULATION PANEL From 4-8165 | | | | 1 | P |
| 433 | 351340 | SIDE INSULATION PANEL From 4-8165 | | | | 1 | |
| 434 | 351341 | SIDE INSULATION PANEL From 4-8165 | | | | 1 | |
| 435 | 351342 | SIDE INSULATION PANEL From 4-8165 | | | | 1 | |
| 436 | 351343 | SIDE INSULATION PANEL From 4-8165 | | | | 1 | |
| 437 | 351344 | SIDE INSULATION PANEL From 4-8165 | | | | 1 | |
| 500 | 351388 | SIDE INSULATION PANEL | | | | 1 | |
| 501 | 351387 | SIDE INSULATION PANEL | | | | 1 | |
| 502 | 351389 | SIDE INSULATION PANEL | | | | 1 | |
| 503 | 351390 | SIDE INSULATION PANEL | | | | 1 | |
| 504 | 351391 | SIDE INSULATION PANEL | | | | 1 | |
| 505 | 351392 | SIDE INSULATION PANEL | | | | 1 | |
| 506 | 351393 | SIDE INSULATION PANEL | | | | 1 | |
| 507 | 351394 | SIDE INSULATION PANEL | | | | 1 | |
| 508 | 351395 | SIDE INSULATION PANEL | | | | 1 | |
| 509 | 351396 | SIDE INSULATION PANEL | | | | 1 | |
| 510 | 351397 | SIDE INSULATION PANEL | | | | 1 | |
| 511 | 351398 | SIDE INSULATION PANEL | | | | 1 | |
| 512 | 351399 | SIDE INSULATION PANEL | | | | 1 | |
| 513 | 351400 | SIDE INSULATION PANEL | | | | 1 | |

| | | |
|-----------------------|--------------|-----------------|
| From 2-7703 To 8-9339 | Date:10/2022 | PAGE:Y2-1839-51 |
|-----------------------|--------------|-----------------|

INSULATING SIDE WALL - LOWER PANEL - MTH

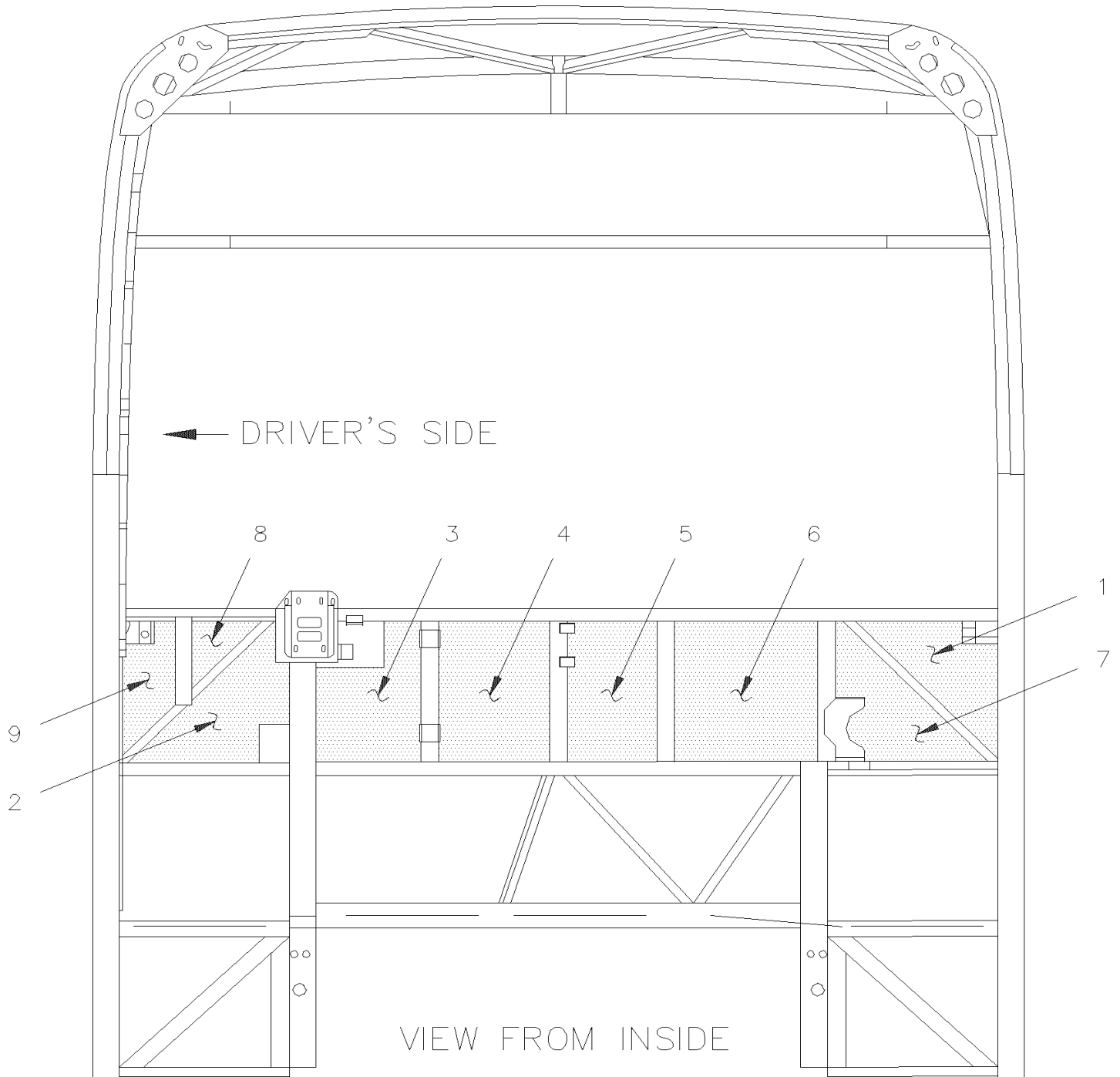
| Item# | Part | Description | X L I I 4 5 | X L I I M T H 4 0 | X L I I M T H 4 5 | X L I I M T H 4 5 E | N O T E S |
|-------|--------|--|----------------------------|---|---|--|-----------------------|
| 514 | 351401 | SIDE INSULATION PANEL | | | 1 | | |
| 515 | 351402 | SIDE INSULATION PANEL | | | 1 | | |
| 516 | 351403 | SIDE INSULATION PANEL | | | 1 | | |
| 517 | 351404 | SIDE INSULATION PANEL | | | 1 | | |
| 518 | 351405 | SIDE INSULATION PANEL | | | 1 | | |
| 519 | 351406 | SIDE INSULATION PANEL | | | 1 | | |
| 520 | 351407 | SIDE INSULATION PANEL | | | 1 | | |
| 521 | 351408 | SIDE INSULATION PANEL | | | 1 | | |
| NS | 850065 | ALUMINUM WALL COVERING ADHESIVE / 32 1/4" X 455" | | | 2 | | |
| 523 | 850066 | ALUMINUM WALL COVERING ADHESIVE / 32 1/4" X 415" | | 2 | | | |
| 524 | 850070 | ALUMINUM WALL COVERING ADHESIVE / 36" X 438" | | | | 2 | |
| 525 | 850080 | ALUMINUM WALL COVERING ADHESIVE / 32 1/4" X 300" | | | | 2 | |
| 526 | 850081 | ALUMINUM WALL COVERING ADHESIVE / 36" X 300" | | | | 2 | |
| | | | | | | | |
| | | | | | | | |
| | | | | | | | |
| | | A) WITH FRONT SLIDE OUT | | | | | |
| | | B) WITH DOUBLE SLIDE OUT | | | | | |
| | | P) CALL ORDER DESK FOR SPECIFIC APPLICATION (V.I.N.) | | | | | |

From Y-7046 To 8-9339

Date:10/2022

PAGE:Y2-1839-55

INSULATING FRONT - MTH



MTH

| | | |
|-------------------------------|--------------|-----------------|
| From Y-7046 To 8-9339 | Date:10/2022 | PAGE:Y2-1839-55 |
| INSULATING FRONT - MTH | | |

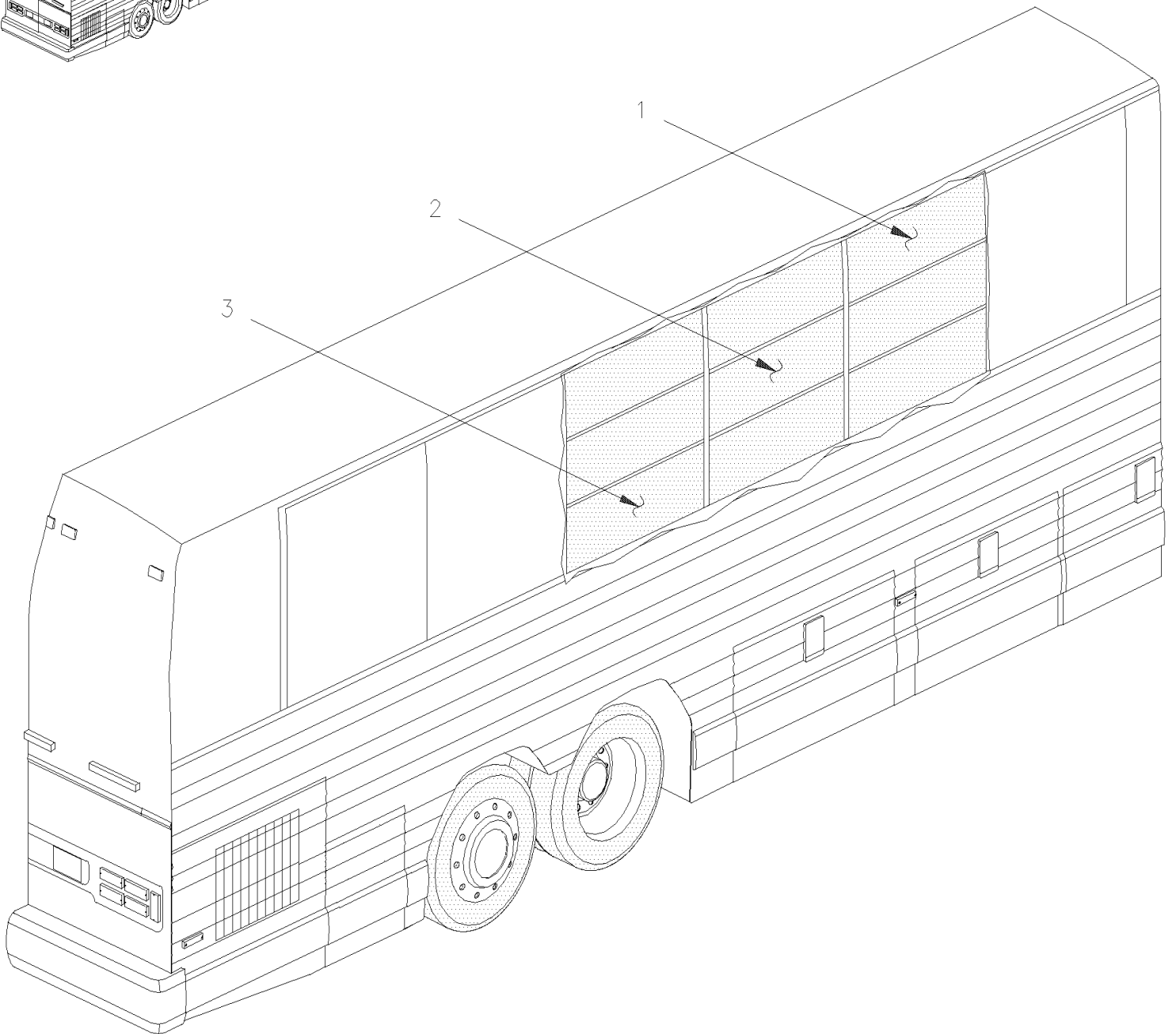
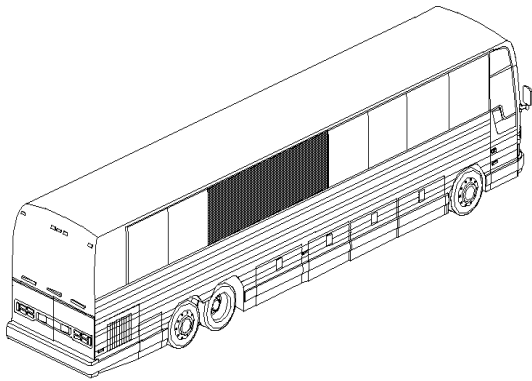
| Item# | Part | Description | X L I I 4 5 | X L I I M T H 4 0 | X L I I M T H 4 5 | X L I I M T H 4 5 E | N O T E S |
|-------|--------|--|----------------------------|---|---|--|-----------------------|
| 1 | 350828 | INSULATING PANEL MTH 83" To Y-7128 | | 1 | 1 | | |
| 1 | 350962 | INSULATING PANEL MTH 86" | | 1 | 1 | 1 | |
| 1 | 351050 | INSULATING PANEL MTH 89" | | | | 1 | |
| 2 | 350829 | INSULATING PANEL MTH 83" To Y-7128 | | 1 | 1 | | |
| 2 | 350963 | INSULATING PANEL MTH 86" | | 1 | 1 | 1 | |
| 2 | 351051 | INSULATING PANEL MTH 89" | | | | 1 | |
| 3 | 350830 | INSULATING PANEL MTH 83" To Y-7128 | | 1 | 1 | | |
| 3 | 350964 | INSULATING PANEL MTH 86" | | 1 | 1 | 1 | |
| 3 | 351052 | INSULATING PANEL MTH 89" | | | | 1 | |
| 4 | 350831 | INSULATING PANEL MTH 83" To Y-7128 | | 1 | 1 | | |
| 4 | 350965 | INSULATING PANEL MTH 86" | | 1 | 1 | 1 | |
| 4 | 351053 | INSULATING PANEL MTH 89" | | | | 1 | |
| 5 | 350832 | INSULATING PANEL MTH 83" To Y-7128 | | 1 | 1 | | |
| 5 | 350966 | INSULATING PANEL MTH 86" | | 1 | 1 | 1 | |
| 5 | 351054 | INSULATING PANEL MTH 89" | | | | 1 | |
| 6 | 350833 | INSULATING PANEL MTH 83" To Y-7128 | | 1 | 1 | | |
| 6 | 350967 | INSULATING PANEL MTH 86" | | 1 | 1 | 1 | |
| 6 | 351055 | INSULATING PANEL MTH 89" | | | | 1 | |
| 7 | 350834 | INSULATING PANEL MTH 83" To Y-7128 | | 1 | 1 | | |
| 7 | 350968 | INSULATING PANEL MTH 86" | | 1 | 1 | 1 | |
| 7 | 351056 | INSULATING PANEL MTH 89" | | | | 1 | |
| 8 | 350925 | INSULATING PANEL MTH 83" To Y-7128 | | 1 | 1 | | |
| 8 | 350969 | INSULATING PANEL MTH 86" | | 1 | 1 | 1 | |
| 8 | 351058 | INSULATING PANEL MTH 89" | | | | 1 | |
| 9 | 350926 | INSULATING PANEL MTH 83" To Y-7128 | | 1 | 1 | | |
| 9 | 350970 | INSULATING PANEL MTH 86" | | 1 | 1 | 1 | |
| 9 | 351057 | INSULATING PANEL MTH 89" | | | | 1 | |
| NS | 680397 | CONTACT GLUE / AEROSOL 17oz | | AR | AR | AR | |
| 9 | 850032 | INSULATION PAD NOISE 1" x 48" x 35' / ARMAFLEX POLYURETHANE FOAM | | AR | AR | AR | |
| | | | | | | | |
| | | | | | | | |
| | | | | | | | |

From Y-7046 To 8-9339

Date:10/2022

PAGE:Y2-1839-60

INSULATING SIDE WALL - UPPER

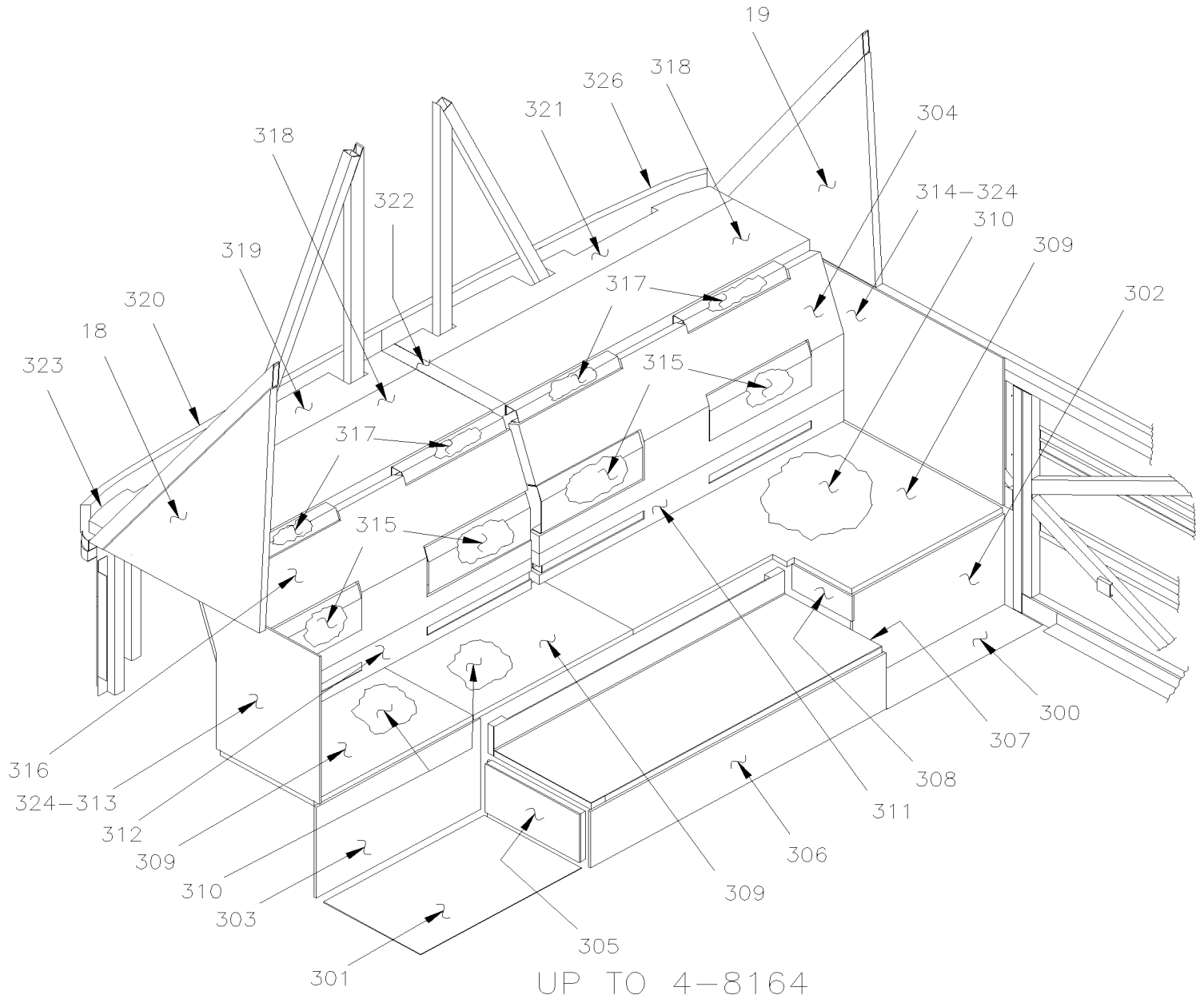


From Y-7046 To 7-9095

Date:10/2022

PAGE:Y2-1839-70

INSULATING REAR END INSIDE OVER ENGINE

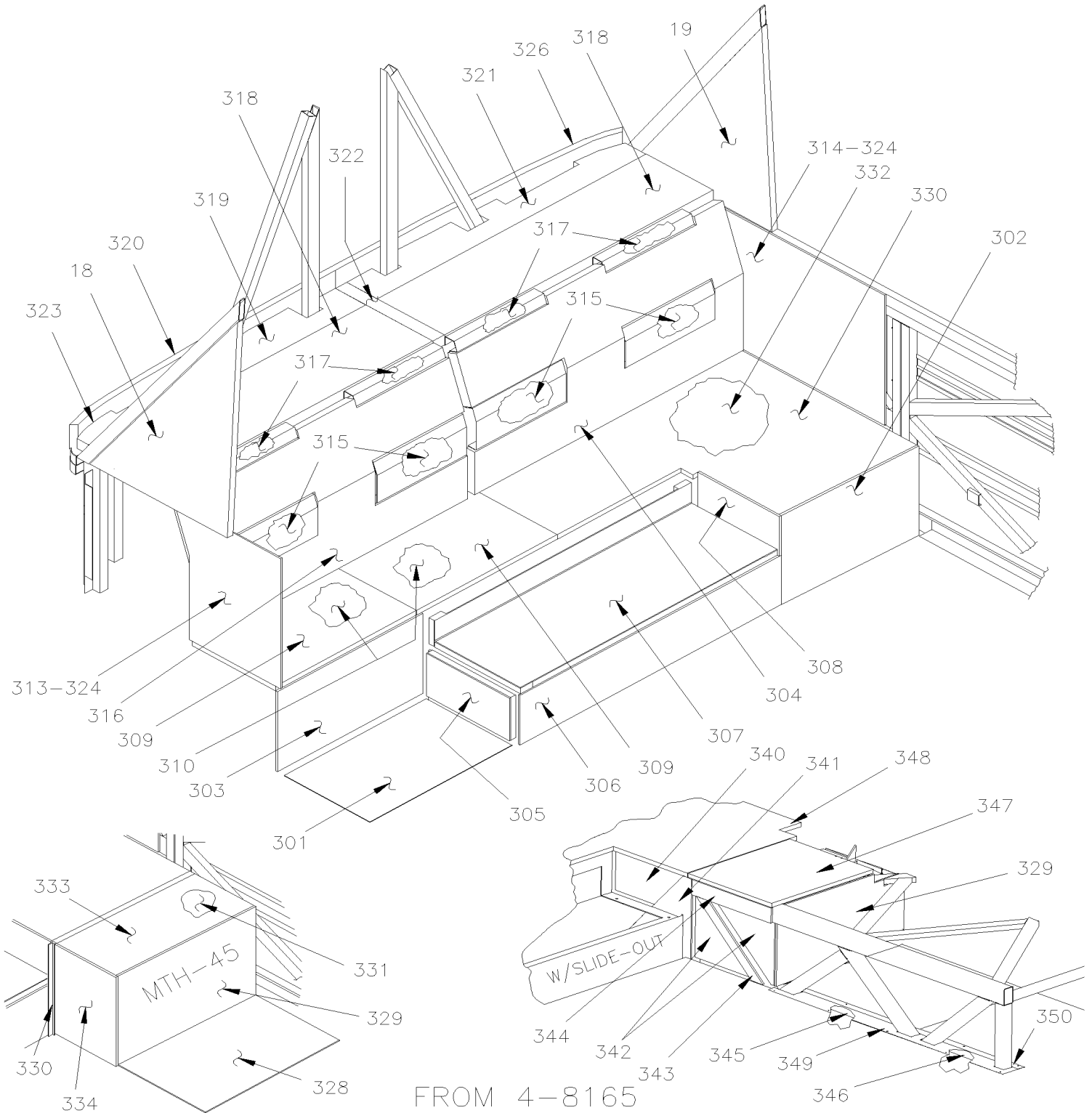


From Y-7046 To 7-9095

Date:10/2022

PAGE:Y2-1839-70

INSULATING REAR END INSIDE OVER ENGINE



| | | |
|---|--------------|-----------------|
| From Y-7046 To 7-9095 | Date:10/2022 | PAGE:Y2-1839-70 |
| INSULATING REAR END INSIDE OVER ENGINE | | |

| Item# | Part | Description | X L I I 4 5 | X L I I M T H 4 0 | X L I I M T H 4 5 | X L I I M T H 4 5 E | N O T E S |
|-------|--------|----------------------------------|----------------------------|---|---|--|-----------------------|
| 18 | 326667 | INSULATING | | | | 1 | |
| 18 | 327036 | INSULATING | | 1 | 1 | | 83 |
| 19 | 326668 | INSULATING | | | | 1 | |
| 19 | 327037 | INSULATING | | 1 | 1 | | 83 |
| 300 | 323984 | INSULATING To 3-8164 | | 1 | 1 | 1 | |
| 301 | 324421 | INSULATING To 3-8164 | | 1 | 1 | 1 | |
| 302 | 325423 | INSULATING To 3-8164 | | 1 | | 1 | |
| 302 | 327906 | INSULATING From 4-8165 | | 1 | | 1 | A |
| 302 | 327835 | INSULATING From 4-8165 | | 1 | | 1 | |
| 302 | 325410 | INSULATING To 3-8164 | | | 1 | | |
| 303 | 327344 | INSULATING | | 1 | | 1 | |
| 303 | 325425 | INSULATING | | 1 | | 1 | A |
| 303 | 325415 | INSULATING To 3-8164 | | | 1 | | |
| 303 | 327857 | INSULATING From 4-8165 | | | 1 | | |
| 303 | 325416 | INSULATING To 3-8164 | | | 1 | | A |
| 303 | 327858 | INSULATING From 4-8165 | | | 1 | | A |
| 304 | 325406 | INSULATING | | 1 | | 1 | |
| 304 | 325406 | INSULATING To 3-8164 | | | 1 | | |
| 304 | 327884 | INSULATING From 4-8165 | | | 1 | | |
| 305 | 325414 | INSULATING To 3-8164 | | 1 | | 1 | |
| 305 | 325414 | INSULATING From 4-8165 To 5-8805 | | | 1 | | |
| 305 | 327856 | INSULATING From 5-8806 | | | 1 | | |
| 306 | 325413 | INSULATING To 3-8164 | | 1 | 1 | 1 | |
| 306 | 327831 | INSULATING From 4-8165 | | 1 | | 1 | |
| 306 | 327819 | INSULATING From 4-8165 | | | 1 | | |
| 307 | 325411 | INSUALTING To 3-8164 | | 1 | 1 | 1 | |
| 307 | 327854 | INSULATING From 4-8165 | | | 1 | | |
| 308 | 325424 | INSULATING To 3-8164 | | 1 | | 1 | |
| 308 | 327834 | INSULATING From 4-8165 | | 1 | | 1 | |
| 308 | 325412 | INSUALTING To 3-8164 | | | 1 | | |
| 308 | 327839 | INSULATING From 4-8165 | | | 1 | | |
| 309 | 325120 | INSULATING KIT To 3-8164 | | 1 | | 1 | |
| 309 | 325120 | INSULATING KIT To 3-8164 | | | 1 | | |
| 309 | 327837 | INSULATING KIT From 4-8165 | | 1 | | 1 | |
| 310 | 324409 | INSULATING | | 1 | 1 | 1 | |
| 310 | 327836 | INSUALTING From 4-8165 | | 1 | | 1 | |
| 310 | 325047 | INSULATING | | | 1 | | |
| 311 | 325420 | INSULATING | | 1 | 1 | 1 | |
| 312 | 325422 | INSULATING | | 1 | 1 | 1 | |
| 313 | 324080 | INSUALTING | | 1 | 1 | | 83 |
| 313 | 324688 | INSUALTING | | 1 | 1 | 1 | |
| 314 | 324081 | INSUALTING | | 1 | 1 | | 83 |

| | | |
|---|--------------|-----------------|
| From Y-7046 To 7-9095 | Date:10/2022 | PAGE:Y2-1839-70 |
| INSULATING REAR END INSIDE OVER ENGINE | | |

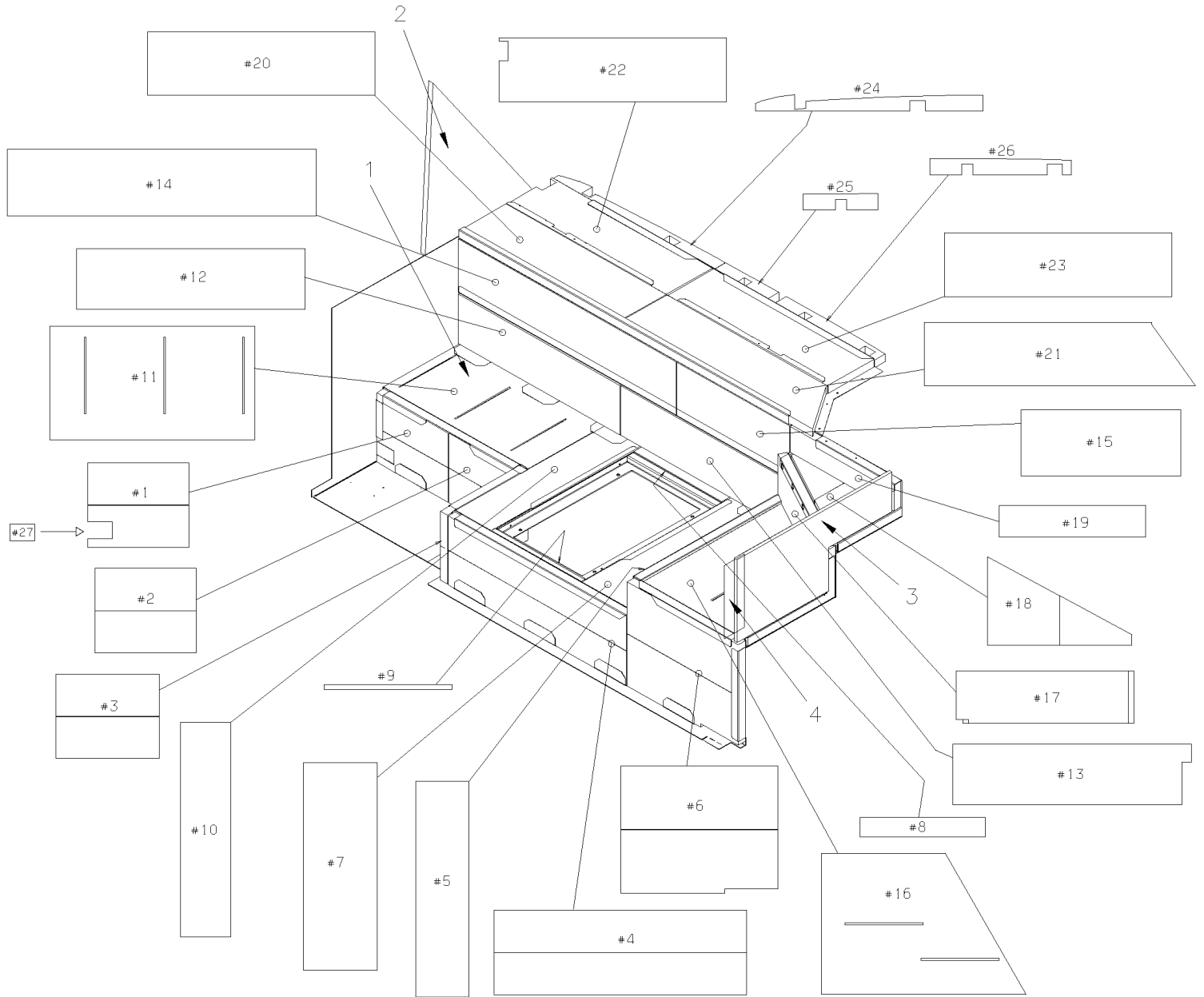
| Item# | Part | Description | X L I I 4 5 | X L I I M T H 4 0 | X L I I M T H 4 5 | X L I I M T H 4 5 E | N O T E S |
|-------|--------|---|----------------------------|---|---|--|-----------------------|
| 314 | 324703 | INSULATING | | 1 | 1 | 1 | |
| 315 | 324958 | INSULATING | | 4 | 4 | 4 | |
| 316 | 325408 | INSULATING | | 1 | | 1 | |
| 316 | 325408 | INSULATING To 3-8164 | | | 1 | | |
| 316 | 327885 | INSULATING From 4-8165 | | | 1 | | |
| 317 | 324959 | INSULATING | | 4 | 4 | 4 | |
| 318 | 325417 | INSULATING | | 2 | 2 | | 83 |
| 318 | 325418 | INSULATING | | | | 2 | |
| 319 | 326708 | INSULATING | | 1 | 1 | | 83 |
| 319 | 327165 | INSULATING | | 1 | 1 | 1 | |
| 319 | 328913 | INSULATING | | | | 1 | 89 |
| 320 | 326820 | INSULATING | | 1 | 1 | | |
| 320 | 327166 | INSULATING | | 1 | 1 | 1 | |
| 321 | 326709 | INSULATING | | 1 | 1 | | 83 |
| 321 | 327164 | INSULATING | | 1 | 1 | 1 | |
| 321 | 328914 | INSULATING | | | | 1 | 89 |
| 322 | 326715 | INSULATING | | 1 | 1 | 1 | |
| 322 | 328915 | INSULATING | | | | 1 | 89 |
| 323 | 682484 | TAPE ALUMINUM ADH1 .005" x 3" x 300' ALUMINUM FSK3" | | AR | AR | AR | |
| 324 | 680397 | CONTACT GLUE / AEROSOL 17oz | | 1 | 1 | 1 | |
| 326 | 326821 | INSULATING PANEL | | 1 | 1 | | 83 |
| 326 | 327167 | INSULATING | | 1 | 1 | 1 | |
| 328 | 327976 | INSULATING From 4-8165 | | | 1 | | A |
| 328 | 328745 | INSULATING From 4-8165 To 5-8805 | | | 1 | | |
| 328 | 328014 | INSULATING From 5-8806 | | | 1 | | |
| 329 | 327860 | INSULATING From 4-8165 To 5-8805 | | | 1 | | A |
| 329 | 328290 | INSULATING From 5-8806 | | | 1 | | A |
| 329 | 327859 | INSULATING From 4-8165 To 5-8805 | | | 1 | | |
| 329 | 329087 | INSULATING From 5-8806 | | | 1 | | |
| 330 | 327875 | INSULATING KIT From 4-8165 To 5-8805 | | | 1 | | |
| 330 | 327964 | INSULATING KIT From 4-8165 | | | 1 | | |
| 330 | 328017 | INSULATING KIT From 4-8165 To 5-8805 | | | 1 | | S |
| 330 | 328185 | INSULATING KIT From 5-8806 | | | 1 | | S |
| 331 | 327873 | INSULATING From 4-8165 To 5-8805 | | | 1 | | |
| 331 | 328189 | INSULATING From 5-8806 | | | 1 | | |
| 331 | 327965 | INSULATING From 4-8165 To 5-8805 | | | 1 | | S |
| 332 | 327874 | INSULATING From 4-8165 To 5-8805 | | | 1 | | |
| 332 | 328192 | INSULATING From 5-8806 | | | 1 | | |
| 332 | 328190 | INSULATING From 5-8806 | | | 1 | | S |
| 333 | 327884 | INSULATING From 4-8165 | | | 1 | | |
| 334 | 327855 | INSULATING From 4-8165 To 5-8805 | | | 1 | | |

| | | |
|-----------------------|--------------|-----------------|
| From Y-7046 To 7-9095 | Date:10/2022 | PAGE:Y2-1839-70 |
|-----------------------|--------------|-----------------|

INSULATING REAR END INSIDE OVER ENGINE

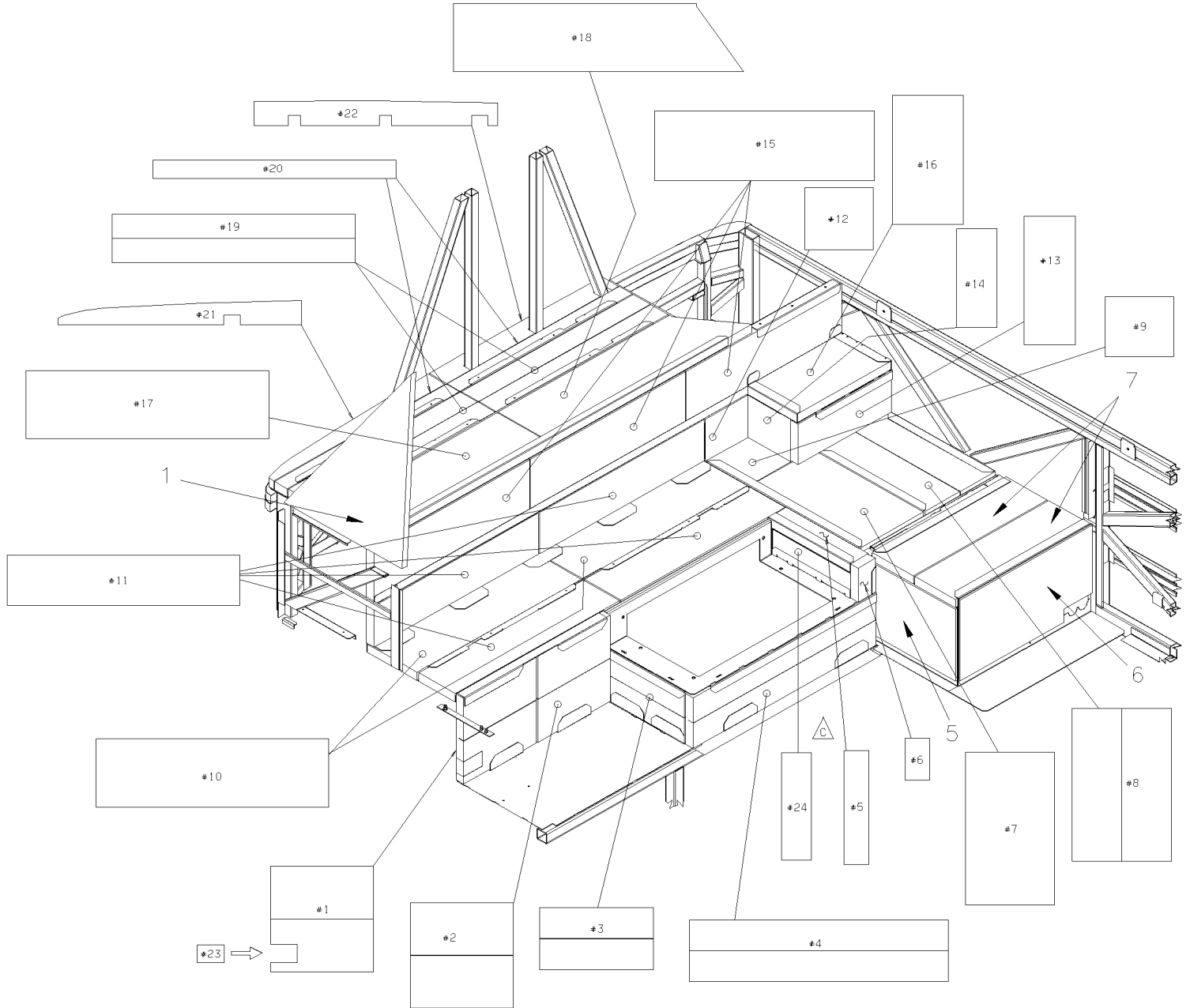
| Item# | Part | Description | X L I I 4 5 | X L I I M T H 4 0 | X L I I M T H 4 5 | X L I I M T H 4 5 E | N O T E S |
|-------|--------|--|----------------------------|---|---|--|-----------------------|
| 340 | 327968 | INSULATING From 4-8165 | | | 1 | | |
| 341 | 327969 | INSULATING From 4-8165 | | | 1 | | |
| 342 | 327970 | INSULATING From 4-8165 | | | 2 | | |
| 343 | 327972 | INSULATING From 4-8165 | | | 1 | | |
| 344 | 327971 | INSULATING From 4-8165 | | | 1 | | |
| 345 | 328021 | INSULATING From 4-8165 | | | 1 | | |
| 346 | 328020 | INSULATING From 4-8165 | | | 1 | | |
| 347 | 327967 | FLOOR PANEL ASSY / FORWARD From 4-8165 To 5-8805 | | | 1 | | |
| NS | 328187 | FLOOR PANEL ASSY / FORWARD From 5-8806 | | | 1 | | |
| 348 | 328015 | FLOOR PANEL ASSY / BACKWARD From 4-8165 | | | 1 | | |
| 349 | 328022 | PLATE FINISHING From 4-8165 | | | 1 | | |
| 350 | 328023 | PLATE FINISHING From 4-8165 | | | 1 | | |
| 350 | 500434 | SCREW TP FL PH #8x3/4 Z050 From 4-8165 | | | | AR | |
| | | | | | | | |
| | | | | | | | |
| | | 83) MTH 83" ONLY | | | | | |
| | | 89) MTH 89" ONLY | | | | | |
| | | A) W/SMALL A/C | | | | | |
| | | S) WITH REAR SLIDE OUT | | | | | |

| | | |
|---|--------------|-----------------|
| From 7-9096 To 8-9339 | Date:10/2022 | PAGE:Y2-1839-71 |
| INSULATING REAR END INSIDE OVER ENGINE | | |



MTH-40' & MTH-45' ENT

| | | |
|---|--------------|-----------------|
| From 7-9096 To 8-9339 | Date:10/2022 | PAGE:Y2-1839-71 |
| INSULATING REAR END INSIDE OVER ENGINE | | |



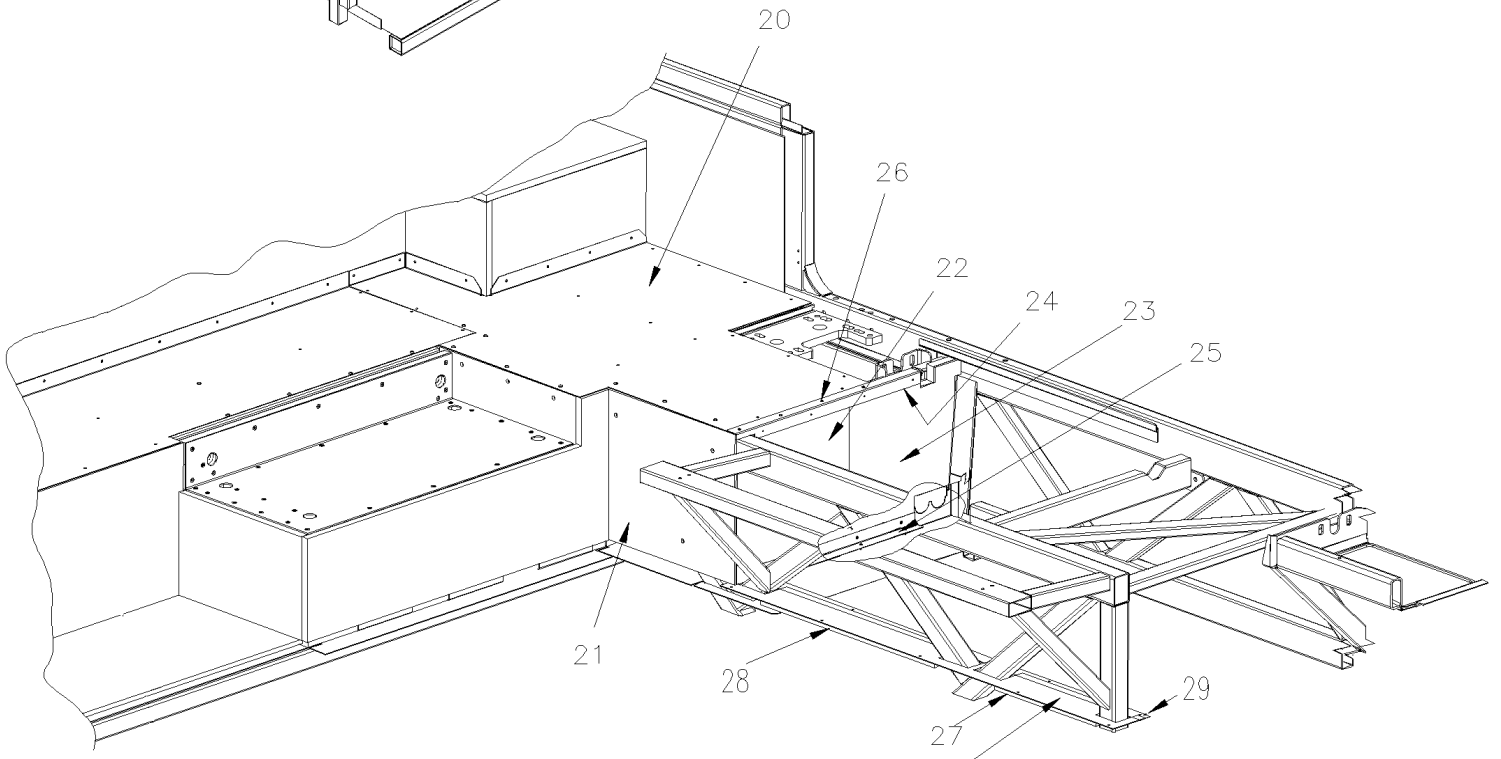
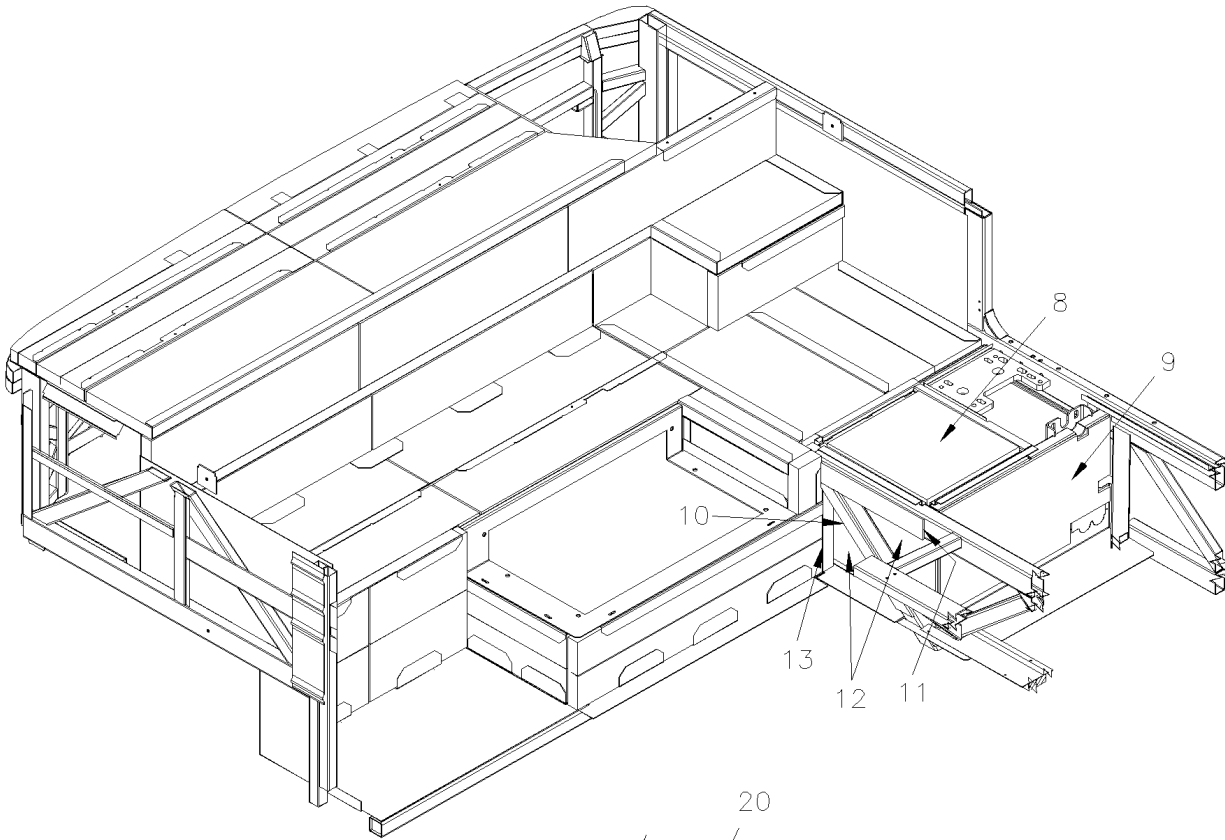
MTH-45'

From 7-9096 To 8-9339

Date:10/2022

PAGE:Y2-1839-71

INSULATING REAR END INSIDE OVER ENGINE

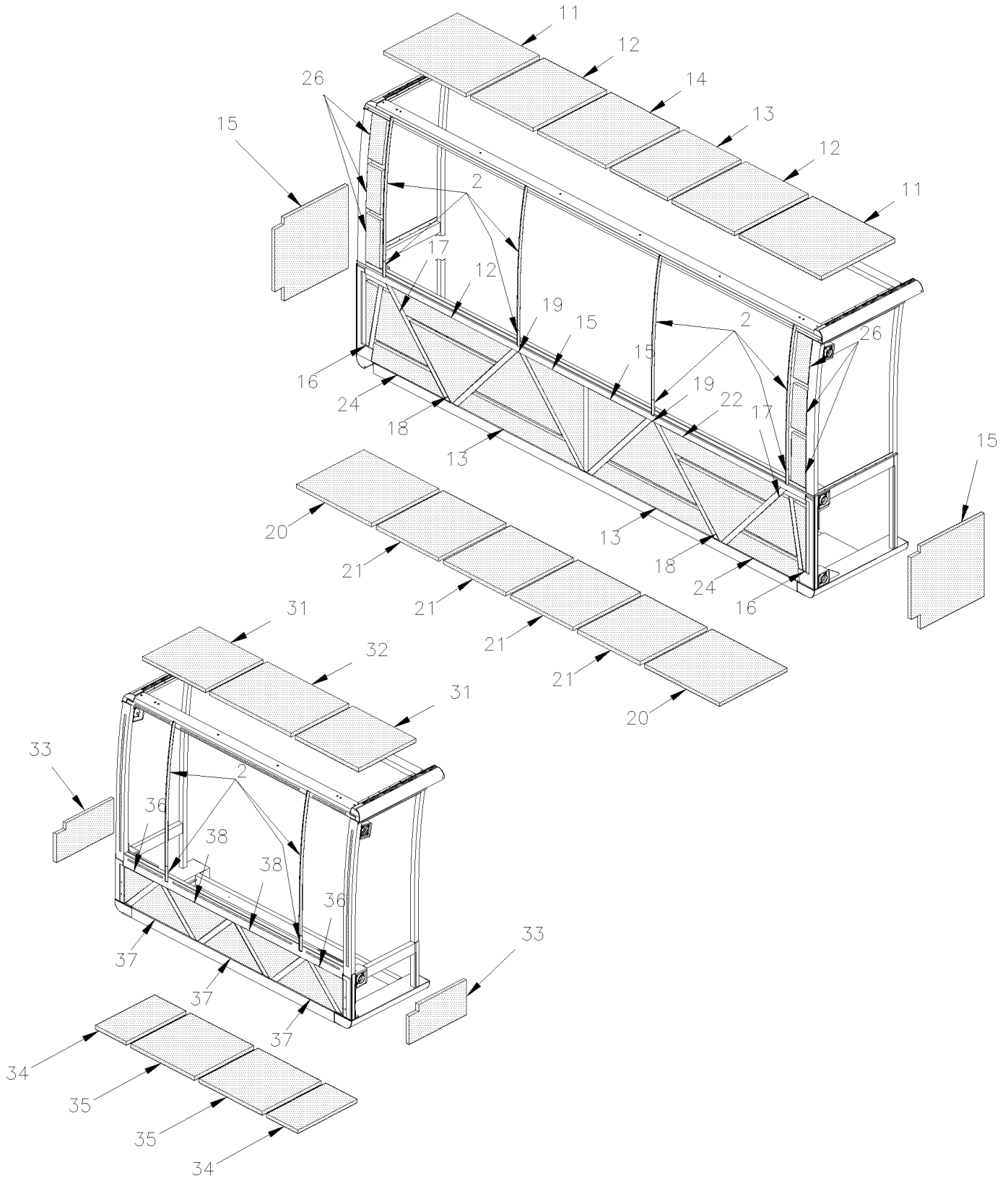


MTH-45' WITH SLIDE-OUT

| | | |
|---|--------------|-----------------|
| From 7-9096 To 8-9339 | Date:10/2022 | PAGE:Y2-1839-71 |
| INSULATING REAR END INSIDE OVER ENGINE | | |

| Item# | Part | Description | X L I I 4 5 | X L I I M T H 4 0 | X L I I M T H 4 5 | X L I I M T H 4 5 E | N O T E S |
|-------|--------|---|----------------------------|---|---|--|-----------------------|
| 1 | 328698 | KIT REAR END INSULATING | | | 1 | | |
| 1 | 328662 | KIT REAR END INSULATING | | | | 1 | |
| 2 | 326667 | INSULATING | | | | 1 | |
| 2 | 327036 | INSULATING | | | 1 | | |
| 3 | 328451 | INSULATING STREETSIDE | | | | 1 | |
| 4 | 682484 | TAPE ALUMINUM ADH1 .005" x 3" x 300' ALUMINUM FSK3" | | | AR | AR | |
| 5 | 327839 | INSULATING | | | 1 | | |
| 6 | 328707 | INSULATING / W/SMALL A/C | | | 1 | | |
| 6 | 328711 | INSULATING / W/LARGE A/C | | | 1 | | |
| 7 | 328704 | INSULATING | | | 2 | | |
| 8 | 328705 | INSULATING / W/SLIDE OUT | | | 1 | | |
| 9 | 328290 | INSULATING | | | 1 | | |
| 9 | 329087 | INSULATING | | | 1 | | |
| 10 | 328721 | INSULATING | | | 1 | | |
| 11 | 328720 | INSULATING | | | 1 | | |
| 12 | 327970 | INSULATING | | | 2 | | |
| 13 | 328722 | INSULATING | | | 1 | | |
| 20 | 328694 | ALLUMINUM PANEL To 8-9330 | | | 1 | | |
| 20 | 320259 | ALLUMINUM PANEL From 8-9331 | | | 1 | | |
| NS | 320260 | INSULATING 360MM X 250MM From 8-9331 | | | 1 | | |
| 20 | 320261 | INSULATING 250MM X 250MM From 8-9331 | | | 1 | | |
| 21 | 328714 | INSULATING | | | 1 | | |
| 22 | 328715 | INSULATING | | | 1 | | |
| 23 | 328716 | INSULATING / W/LARGE A/C | | | 1 | | |
| 23 | 328723 | INSULATING / W/SMALL A/C | | | 1 | | |
| 24 | 328727 | ANGLE RETAINER | | | 1 | | |
| 25 | 328729 | ANGLE RETAINER / W/LARGE A/C | | | 1 | | |
| 25 | 328728 | ANGLE RETAINER / W/SMALL A/C | | | 1 | | |
| 26 | 500613 | SCREW TP PAN PH #10x1/2 Z050 | | | AR | | |
| 27 | 328020 | INSULATING | | | 1 | | |
| 28 | 328021 | INSULATING | | | 1 | | |
| 29 | 328023 | PLATE FINISHING | | | 1 | | |
| 30 | 328022 | PLATE FINISHING | | | 1 | | |
| | | | | | | | |
| | | | | | | | |
| | | | | | | | |

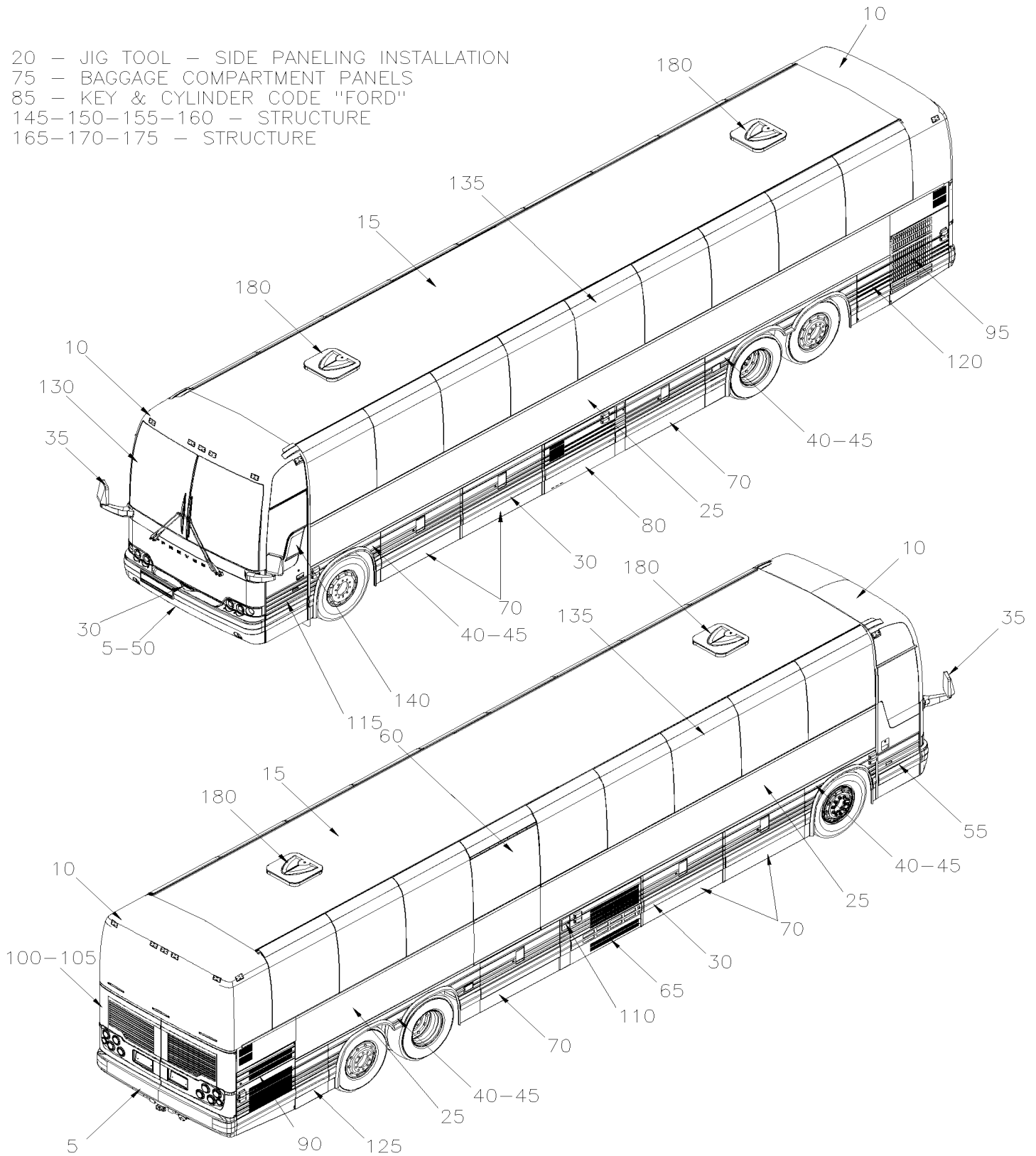
| | | |
|--------------------------|--------------|-----------------|
| | Date:10/2022 | PAGE:Y2-1839-90 |
| INSULATING - "SLIDE-OUT" | | |



| | | Date:10/2022 | PAGE:Y2-1839-90 | | | | |
|--------------------------|--------|--------------------------------------|----------------------------|---|---|--|-------|
| INSULATING - "SLIDE-OUT" | | | | | | | |
| Item# | Part | Description | X L I I 4 5 | X L I I M T H 4 0 | X L I I M T H 4 5 | X L I I M T H 4 5 E | NOTES |
| | 690203 | FRONT S/O INSULATION KIT To 4-8251 | | | 1 | | A |
| | 351426 | FRONT S/O INSULATION KIT From 4-8252 | | | 1 | | |
| 1 | 690204 | REAR S/O INSULATION KIT To 4-8251 | | | 1 | | B |
| 1 | 351443 | REAR S/O INSULATION KIT From 4-8252 | | | 1 | | |
| | | | | | | | |
| | | | | | | | |
| | | A) INCLUDES ITEMS #2 TO 26 | | | | | |
| | | B) INCLUDES ITEMS #2 & 30 TO 38 | | | | | |

| | | |
|----------------------|---------------------|-----------------------|
| | Date:10/2022 | PAGE:Y2-18-EXT |
| BODY EXTERIOR | | |

- 20 - JIG TOOL - SIDE PANELING INSTALLATION
- 75 - BAGGAGE COMPARTMENT PANELS
- 85 - KEY & CYLINDER CODE "FORD"
- 145-150-155-160 - STRUCTURE
- 165-170-175 - STRUCTURE



| | | |
|----------------------|--------------|----------------|
| | Date:10/2022 | PAGE:Y2-18-EXT |
| BODY EXTERIOR | | |

| Item# | Part | Description | X L I I 4 5 | X L I I M T H 4 0 | X L I I M T H 4 5 | X L I I M T H 4 5 E | N O T E S |
|-------|------------|--|----------------------------|---|---|--|-----------------------|
| 5 | Y2-1850-00 | BUMPER FRONT From Y-7046 To 2-7764 | | | | | |
| 5 | Y2-1850-01 | BUMPER FRONT From 2-7765 To 4-8358 | | | | | |
| 5 | Y2-1850-02 | BUMPER FRONT From 4-8359 To 8-9339 | | | | | |
| 5 | Y2-1850-10 | BUMPER REAR From Y-7046 To 8-9339 | | | | | |
| 5 | Y2-1850-15 | BUMPER REAR - BUS "OPTION" / "ROMEO RIM" From Y-7046 To 6-8906 | | | | | |
| 10 | Y2-1851-00 | FRONT CAP - INSTALLATION From Y-7046 To 8-9339 | | | | | |
| 10 | Y2-1851-20 | REAR CAP - INSTALLATION From Y-7046 To 8-9339 | | | | | |
| 15 | Y2-1852-00 | ROOF PANEL From Y-7046 To 8-9339 | | | | | |
| 20 | Y2-1853-50 | JIG TOOL - SIDE PANELING INSTALLATION From Y-7046 To 8-9339 | | | | | |
| 25 | Y2-1854-00 | SIDE PANELS - BUS From Y-7046 To 6-8906 | | | | | |
| 25 | Y2-1854-10 | WEATHERSTRIP & RETAINER - BUS From Y-7046 To 6-8906 | | | | | |
| 25 | Y2-1854-20 | WEATHERSTRIP & RETAINER - MTH From Y-7046 To 8-9339 | | | | | |
| 25 | Y2-1854-50 | SIDE PANELS - MTH From Y-7046 To 8-9339 | | | | | |
| 25 | Y2-1854-51 | SIDE FLAT PANEL - MTH ENTERTAINER From 1-7436 To 8-9339 | | | | | |
| 25 | Y2-1854-90 | SIDE PANELS - "SLIDE-OUT" From Y-7046 To 6-8805 | | | | | |
| 25 | Y2-1854-91 | SIDE PANELS - "SLIDE-OUT" From 6-8806 To 8-9339 | | | | | |
| 30 | Y2-1855-00 | RUB RAIL - EXTERIOR CREST & TRIMS From Y-7046 To 8-9339 | | | | | |
| 35 | Y2-1856-20 | MIRROR "RAMCO" FLAT GLASS / SILVER PAINTED From Y-7046 To 2-7763 | | | | | |
| 35 | Y2-1856-21 | MIRROR "RAMCO" FLAT GLASS / SILVER PAINTED From 2-7764 To 6-8906 | | | | | |
| 35 | Y2-1856-22 | MIRROR "RAMCO" FLAT GLASS / BLACK PAINTED From Y-7046 To 2-7763 | | | | | |
| 35 | Y2-1856-23 | MIRROR "RAMCO" FLAT GLASS / BLACK PAINTED From 2-7764 To 6-8906 | | | | | |
| 35 | Y2-1856-30 | MIRROR "RAMCO" 2 GLASSES / SILVER PAINTED From Y-7046 To 2-7763 | | | | | |
| 35 | Y2-1856-31 | MIRROR "RAMCO" 2 GLASSES / SILVER PAINTED From 2-7764 To 6-8906 | | | | | |
| 35 | Y2-1856-32 | MIRROR "RAMCO" 2 GLASSES / BLACK PAINTED From Y-7046 To 2-7763 | | | | | |
| 35 | Y2-1856-33 | MIRROR "RAMCO" 2 GLASSES / BLACK PAINTED From 2-7764 To 6-8906 | | | | | |
| 35 | Y2-1856-50 | MIRROR "RAMCO" FLAT GLASS / CHROME From Y-7046 To 2-7763 | | | | | |
| 35 | Y2-1856-51 | MIRROR "RAMCO" FLAT GLASS / CHROME From 2-7764 To 8-9339 | | | | | |
| 35 | Y2-1856-60 | MIRROR "RAMCO" 2 GLASSES / CHROME From Y-7046 To 2-7763 | | | | | |
| 35 | Y2-1856-61 | MIRROR "RAMCO" 2 GLASSES / CHROME From 2-7764 To 8-9339 | | | | | |
| 40 | Y2-1857-00 | FENDERS L.H. - BUS W/FLAT PANELING From Y-7046 To 6-8906 | | | | | |
| 40 | Y2-1857-05 | FENDERS R.H. - BUS W/FLAT PANELING From Y-7046 To 6-8906 | | | | | |
| 40 | Y2-1857-10 | FENDERS L.H. - BUS W/FLUTED PANELLING From Y-7046 To 6-8906 | | | | | |
| 40 | Y2-1857-15 | FENDERS R.H. - BUS W/FLUTED PANELLING From Y-7046 To 8-9339 | | | | | |
| 40 | Y2-1857-50 | FENDERS L.H. - MTH From Y-7046 To 8-9339 | | | | | |
| 40 | Y2-1857-51 | FENDERS L.H. - MTH 45 ENT From 7-9096 To 8-9278 | | | | | |
| 40 | Y2-1857-55 | FENDERS R.H. - MTH From Y-7046 To 8-9339 | | | | | |
| 40 | Y2-1857-56 | FENDERS R.H. - MTH 45 ENT From 7-9096 To 8-9278 | | | | | |
| 45 | Y2-1859-00 | SPLASH GUARD - FRONT & REAR From Y-7046 To 8-9339 | | | | | |
| 50 | Y2-1860-10 | SPARE WHEEL DOOR ASSY From Y-7046 To 2-7764 | | | | | |
| 50 | Y2-1860-11 | SPARE WHEEL DOOR ASSY From 2-7765 To 8-9339 | | | | | |
| 55 | Y2-1862-00 | ENTRANCE DOOR ASSY - BUS From Y-7046 To 6-8906 | | | | | |
| 55 | Y2-1862-50 | ENTRANCE DOOR ASSY - MTH From Y-7046 To 8-9339 | | | | | |

| | | | | | | |
|----------------------|--|--------------|----------------|--|--|--|
| | | Date:10/2022 | PAGE:Y2-18-EXT | | | |
| BODY EXTERIOR | | | | | | |

| Item# | Part | Description | X L I I 4 5 | X L I I M T H 4 0 | X L I I M T H 4 5 | X L I I M T H 4 5 E | N O T E S |
|-------|------------|---|----------------------------|---|---|--|-----------------------|
| 55 | Y2-1862-60 | ENTRANCE DOOR FRAME - INSTALLATION From Y-7046 To 8-9339 | | | | | |
| 60 | Y2-1862-80 | ENTRANCE DOOR ASSY - W.C.L. From Y-7046 To 6-8906 | | | | | |
| 60 | Y2-1862-82 | ENTRANCE DOOR - INSTALLATION - W.C.L. From Y-7046 To 6-8906 | | | | | |
| 65 | Y2-1863-00 | CONDENSOR DOOR ASSY - BUS From Y-7046 To 6-8906 | | | | | |
| 65 | Y2-1863-50 | CONDENSOR DOOR ASSY From Y-7046 To 8-9339 | | | | | |
| 65 | Y2-1863-51 | CONDENSOR DOOR ASSY From Y-7046 To 8-9278 | | | | | |
| 70 | Y2-1864-00 | BAGGAGE DOOR ASSY - BUS From Y-7046 To 6-8906 | | | | | |
| 70 | Y2-1864-50 | BAGGAGE DOOR ASSY - MTH From Y-7046 To 8-9339 | | | | | |
| 70 | Y2-1864-60 | BAGGAGE DOOR R.H. - W/HINGE "SPECIAL" From Y-7046 To 8-9339 | | | | | |
| 70 | Y2-1864-80 | BAGGAGE DOOR - W.C.L."RICON" From Y-7046 To 6-8906 | | | | | |
| 70 | Y2-1864-90 | BAGGAGE DOOR - W/"SLIDE-OUT" INSTALLATION From Y-7046 To 2-7763 | | | | | |
| 70 | Y2-1864-91 | BAGGAGE DOOR - W/"SLIDE-OUT" INSTALLATION From 2-7764 To 8-9339 | | | | | |
| 75 | Y2-1865-00 | FLOOR BAGGAGE COMPARTMENT - BUS From Y-7046 To 1-7680 | | | | | |
| 75 | Y2-1865-01 | FLOOR BAGGAGE COMPARTMENT - BUS From 1-7681 To 6-8906 | | | | | |
| 75 | Y2-1865-10 | SEPARATOR PANEL - BAGGAGE COMPARTMENT - BUS From Y-7046 To 6-8906 | | | | | |
| 75 | Y2-1865-20 | EVAPORATOR & CONDENSOR WALL From Y-7046 To 8-9339 | | | | | |
| 75 | Y2-1865-50 | FLOOR BAGGAGE COMPARTMENT - MTH From Y-7046 To 6-8805 | | | | | |
| 75 | Y2-1865-51 | FLOOR BAGGAGE COMPARTMENT - MTH From 6-8806 To 8-9339 | | | | | |
| 75 | Y2-1865-55 | SEPARATOR PANEL - BAGGAGE COMPARTMENT - MTH From Y-7046 To 6-8805 | | | | | |
| 75 | Y2-1865-56 | SEPARATOR PANEL - BAGGAGE COMPARTMENT - MTH From 6-8806 To 8-9339 | | | | | |
| 75 | Y2-1865-60 | SEPARATOR PANEL - BAGGAGE COMPARTMENT - MTH From Y-7046 To 6-8805 | | | | | |
| 75 | Y2-1865-61 | SEPARATOR PANEL - BAGGAGE COMPARTMENT - MTH From 6-8806 To 8-9339 | | | | | |
| 80 | Y2-1866-00 | EVAPORATOR DOOR ASSY - BUS From Y-7046 To 6-8906 | | | | | |
| 80 | Y2-1866-50 | EVAPORATOR DOOR ASSY - MTH From Y-7046 To 6-8805 | | | | | |
| 80 | Y2-1866-51 | EVAPORATOR DOOR ASSY - MTH From 6-8806 To 8-9339 | | | | | |
| 85 | Y2-1867-00 | KEY & CYLINDER CODE "FORD" & "NS" From Y-7046 To 8-9339 | | | | | |
| 90 | Y2-1868-00 | A/C COMPRESSOR DOOR ASSY From Y-7046 To 3-8164 | | | | | |
| 90 | Y2-1868-01 | A/C COMPRESSOR DOOR ASSY From 4-8165 To 8-9339 | | | | | |
| 95 | Y2-1869-00 | RADIATOR DOOR ASSY From Y-7046 To 3-8164 | | | | | |
| 95 | Y2-1869-01 | RADIATOR DOOR ASSY - BUS From 4-8165 To 6-8906 | | | | | |
| 95 | Y2-1869-50 | RADIATOR DOOR ASSY - MTH-45' SMALL From 4-8165 To 8-9339 | | | | | |
| 95 | Y2-1869-55 | RADIATOR DOOR ASSY - MTH-40' & MTH-45' ENT From 4-8165 To 8-9339 | | | | | |
| 95 | Y2-1869-60 | RADIATOR DOOR ASSY - MTH-45' LARGE From 4-8165 To 8-9339 | | | | | |
| 100 | Y2-1870-00 | ENGINE DOOR ASSY L.H. From Y-7046 To 3-8164 | | | | | |
| 100 | Y2-1870-01 | ENGINE DOOR ASSY L.H. From 4-8165 To 8-9339 | | | | | |
| 100 | Y2-1870-05 | ENGINE DOOR ASSY R.H. From Y-7046 To 3-8164 | | | | | |
| 100 | Y2-1870-06 | ENGINE DOOR ASSY R.H. From 4-8165 To 8-9339 | | | | | |
| 105 | Y2-1870-10 | ENGINE DOOR ASSY - INSTALLATION From Y-7046 To 8-9339 | | | | | |
| 110 | Y2-1875-00 | FUEL TANK FILLING DOOR From Y-7046 To 8-9339 | | | | | |
| 115 | Y2-1879-00 | FRONT SERVICE DOOR ASSY From Y-7046 To 8-9339 | | | | | |
| 115 | Y2-1879-10 | FRONT SERVICE DOOR - INSTALLATION From Y-7046 To 8-9339 | | | | | |
| 120 | Y2-1879-50 | REAR SERVICE DOOR - L.H. SIDE From Y-7046 To 3-8164 | | | | | |

| | | |
|----------------------|--------------|----------------|
| | Date:10/2022 | PAGE:Y2-18-EXT |
| BODY EXTERIOR | | |

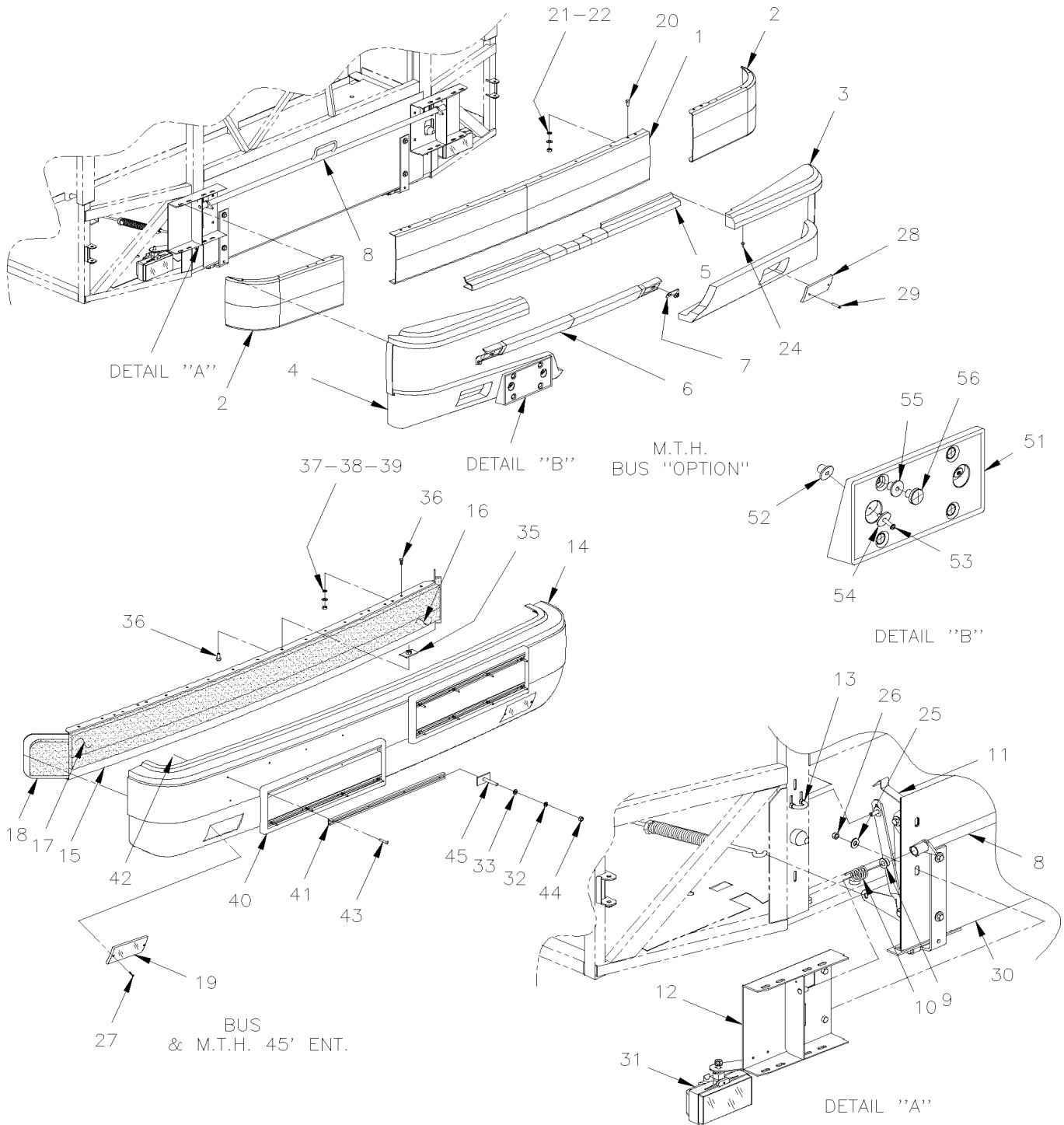
| Item# | Part | Description | X L I I 4 5 | X L I I M T H 4 0 | X L I I M T H 4 5 | X L I I M T H 4 5 E | N O T E S |
|-------|------------|---|----------------------------|---|---|--|-----------------------|
| 120 | Y2-1879-51 | REAR SERVICE DOOR - L.H. SIDE From 4-8165 To 8-9339 | | | | | |
| 125 | Y2-1879-60 | REAR SERVICE DOOR - R.H. SIDE From Y-7046 To 8-9339 | | | | | |
| 130 | Y2-1880-00 | WINDSHIELD & CHANNEL - W/1 LOCK From Y-7046 To 2-7913 | | | | | |
| 130 | Y2-1880-01 | WINDSHIELD & CHANNEL - W/2 LOCK From 2-7914 To 8-9339 | | | | | |
| 135 | Y2-1884-00 | SIDE WINDOW - BUS From Y-7046 To 6-8906 | | | | | |
| 135 | Y2-1884-50 | SIDE WINDOW - MTH From Y-7046 To 8-9339 | | | | | |
| 135 | Y2-1884-60 | AWNING WINDOW - MTH From Y-7046 To 8-9339 | | | | | |
| 135 | Y2-1884-65 | ELECTRICAL AWNING WINDOW ASSY From 4-8325 To 8-9339 | | | | | |
| 135 | Y2-1884-80 | ELECTRICAL SLIDING WINDOW ASSY From 7-9189 To 8-9339 | | | | | |
| 135 | Y2-1884-90 | SIDE WINDOW - "SLIDE-OUT" From Y-7046 To 6-8805 | | | | | |
| 135 | Y2-1884-91 | SIDE WINDOW - "SLIDE-OUT" From 6-8806 To 8-9339 | | | | | |
| 140 | Y2-1886-00 | POWER WINDOW - ELECTRICAL INSTALLATION From Y-7046 To 6-8901 | | | | | |
| 140 | Y2-1886-01 | POWER WINDOW - ELECTRICAL INSTALLATION From 6-8902 To 8-9339 | | | | | |
| 145 | Y2-1890-00 | ROOF STRUCTURE From Y-7046 To 8-9339 | | | | | |
| 145 | Y2-1890-10 | STRUCTURE WALL - UPPER From Y-7046 To 8-9339 | | | | | |
| 150 | Y2-1891-00 | LOWER WALL STRUCTURE - BUS From Y-7046 To 6-8906 | | | | | |
| 150 | Y2-1891-50 | LOWER WALL STRUCTURE - MTH 40' From Y-7046 To 5-8813 | | | | | |
| 150 | Y2-1891-55 | LOWER WALL STRUCTURE - MTH 45' ENT 86" From Y-7046 To 1-7631 | | | | | |
| 150 | Y2-1891-56 | LOWER WALL STRUCTURE - MTH 45' ENT 89" From Y-7046 To 8-9339 | | | | | |
| 150 | Y2-1891-60 | LOWER WALL STRUCTURE - MTH 45' From Y-7046 To 8-9339 | | | | | |
| 155 | Y2-1893-00 | BAGGAGE COMPARTMENT STRUCTURE From Y-7046 To 6-8906 | | | | | |
| 155 | Y2-1893-50 | BAGGAGE COMPARTMENT STRUCTURE From Y-7046 To 6-8805 | | | | | |
| 160 | Y2-1894-00 | REAR CAP - STRUCTURE From Y-7046 To 8-9339 | | | | | |
| 160 | Y2-1894-05 | REAR LH - STRUCTURE From Y-7046 To 3-8164 | | | | | |
| 160 | Y2-1894-06 | REAR LH - STRUCTURE From 4-8165 To 8-9339 | | | | | |
| 160 | Y2-1894-10 | REAR RH - STRUCTURE From Y-7046 To 7-9095 | | | | | |
| 160 | Y2-1894-11 | REAR RH - STRUCTURE From 7-9096 To 8-9339 | | | | | |
| 165 | Y2-1895-00 | FRONT STRUCTURE From Y-7046 To 8-9339 | | | | | |
| 165 | Y2-1895-10 | FRONT LOWER FLOOR STRUCTURE - BUS From Y-7046 To 6-8906 | | | | | |
| 165 | Y2-1895-50 | FRONT LOWER FLOOR STRUCTURE - MTH From Y-7046 To 6-8906 | | | | | |
| 170 | Y2-1896-00 | FRONT SHEATING - BUS From Y-7046 To 6-8906 | | | | | |
| 170 | Y2-1896-50 | FRONT SHEATING - MTH From Y-7046 To 8-9339 | | | | | |
| 175 | Y2-1897-00 | FRONT SUB-FRAME / W/I BEAM RIGID SUSPENSION From Y-7046 To 6-8906 | | | | | |
| 175 | Y2-1897-10 | REAR SUB-FRAME BUS & MTH-45' From Y-7046 To 8-9339 | | | | | |
| 175 | Y2-1897-11 | REAR SUB-FRAME MTH-45' ENT From 7-9096 To 8-9339 | | | | | |
| 175 | Y2-1897-50 | FRONT SUB-FRAME / WINDEPENDENT SUSPENSION - 16500 LBS From Y-7046 To 3-8164 | | | | | |
| 175 | Y2-1897-51 | FRONT SUB-FRAME / WINDEPENDENT SUSPENSION - 18000 LBS From 4-8165 To 8-9339 | | | | | |
| 180 | Y2-1898-00 | ESCAPE HATCH - INSTALLATION From Y-7046 To 5-8699 | | | | | |
| 181 | Y2-1898-01 | ESCAPE HATCH - INSTALLATION From 5-8700 To 8-9339 | | | | | |
| | | | | | | | |
| | | | | | | | |
| | | | | | | | |

From Y-7046 To 2-7764

Date:10/2022

PAGE:Y2-1850-00

BUMPER FRONT



| | | |
|-----------------------|--------------|-----------------|
| From Y-7046 To 2-7764 | Date:10/2022 | PAGE:Y2-1850-00 |
| BUMPER FRONT | | |

| Item# | Part | Description | X L I I 4 5 | X L I I M T H 4 0 | X L I I M T H 4 5 | X L I I M T H 4 5 E | N O T E S |
|-------|---------|--|----------------------------|---|---|--|-----------------------|
| | | NEXT BUMPER IT STANDARD ON MTH-40 & MTH-45 | | | | | |
| | | AND IT "OPTIONAL" WITH MTH-45' ENT | | | | | |
| | 410679P | BUMPER ASSY / FRONT | | 1 | 1 | | |
| 1 | 410655 | . BUMPER CENTER PART / SS | | 1 | 1 | | |
| 2 | 410674 | . BUMPER CORNER / SS / S.B. | | 2 | 2 | | |
| 3 | 410675 | . MOULDING L.H. | | 1 | 1 | | |
| 4 | 410676 | . MOULDING R.H. | | 1 | 1 | | |
| 5 | 410677 | . MOULDING UPPER | | 1 | 1 | | |
| 6 | 410678 | . MOULDING LOWER | | 1 | 1 | | |
| 7 | 410723 | . SUPPORT L.H. | | 1 | 1 | | |
| 7 | 410724 | . SUPPORT R.H. | | 1 | 1 | | |
| NS | 500163 | . SCREW CAP HEX 1/4-20x3/4 G5 Z050 | 4 | 4 | 4 | 4 | |
| NS | 500441 | . WASHER FL .312x.734x.065 Z050 | 1 | 1 | 1 | 1 | |
| 8 | 410669 | . HANDLE / RELEASE | 1 | 1 | 1 | 1 | |
| 9 | 410667 | . BUSHING NYLON | 2 | 2 | 2 | 2 | |
| 10 | 410672 | . SPRING | 2 | 2 | 2 | 2 | |
| 11 | 410656 | SAFETY HOOK | 1 | 1 | 1 | 1 | |
| 12 | 410795 | SUPPORT R.H. To Y-7288 | | 1 | 1 | | |
| 12 | 410814 | . SUPPORT R.H. From Y-7289 | | 1 | 1 | | |
| 12 | 410797 | SUPPORT L.H. To Y-7288 | | 1 | 1 | | |
| 12 | 410813 | . SUPPORT L.H. From Y-7289 | | 1 | 1 | | |
| 12 | 410761 | SUPPORT L.H. To Y-7288 | 1 | | | 1 | |
| 12 | 410815 | SUPPORT L.H. From Y-7289 | 1 | | | 1 | |
| 12 | 410762 | SUPPORT R.H. To Y-7288 | 1 | | | 1 | |
| 12 | 410816 | SUPPORT R.H. From Y-7289 | 1 | | | 1 | |
| 13 | 5001424 | U-BOLT 1" I.D. x 2 3/16 x 5/16-18 SS | 2 | | | 2 | |
| | | NEXT BUMPER IT STANDARD ON BUS & MTH-45 "ENT" | | | | | |
| 14 | 410775P | BUMPER ASSY, FRONT BUS & MTH ENT To 1-7596 | 1 | | | 1 | A |
| 14 | 410854P | BUMPER To 1-7596 | 1 | | | 1 | S |
| 14 | 410772 | . BUMPER SKIN, FRONT BUS & MTH ENT To 1-7596 | 1 | | | 1 | B |
| 14 | 410839 | . BUMPER ASSY, FRONT BUS & MTH ENT From 1-7597 | 1 | | | 1 | S |
| 15 | 410766 | . BUMPER REINFORCEMENT To 1-7596 | 1 | | | 1 | |
| 15 | 410842 | . BUMPER REINFORCEMENT To 1-7596 | 1 | | | 1 | S |
| 15 | 410820 | . REINFORCEMENT PLATE / 495MM x 45MM To 1-7596 | 4 | | | 4 | |
| 15 | 410821 | . REINFORCEMENT PLATE / 225MM x 45MM To 1-7596 | 2 | | | 2 | |
| 16 | 410770 | . CUSHION LOWER | 1 | | | 1 | |
| 17 | 410769 | . CUSHION UPPER | 1 | | | 1 | |
| 18 | 410771 | . CUSHION CORNER | 2 | | | 2 | |

| | | |
|-----------------------|--------------|-----------------|
| From Y-7046 To 2-7764 | Date:10/2022 | PAGE:Y2-1850-00 |
| BUMPER FRONT | | |

| Item# | Part | Description | X L I I 4 5 | X L I I M T H 4 0 | X L I I M T H 4 5 | X L I I M T H 4 5 E | N O T E S |
|-------|-------------------|---|----------------------------|---|---|--|-----------------------|
| 19 | 410773 | FOG COVER LH | 1 | | | 1 | D |
| 19 | 410776 | FOG COVER RH | 1 | | | 1 | D |
| 20 | 500191 | SCREW CAP HEX 3/8-16x1 G5 Z050 | 4 | 4 | 4 | 4 | |
| 21 | 500478 | WASHER LO SPT .380x.683x.094 Z050 | 4 | 4 | 4 | 4 | |
| 22 | 500445 | WASHER FL .437x1.000x.083 Z050 | 4 | 4 | 4 | 4 | |
| 24 | 5001438 | RIVET DRV TR 1/4x3/4 NYL | | AR | AR | | |
| 25 | 500270 | WASHER FL .406x1.000x.063 SS | 4 | 4 | 4 | 4 | |
| 26 | 500102 | NUT HEX 3/8-16 SS | 4 | 4 | 4 | 4 | |
| 27 | 500952 | SCREW TP BDG PH #8x1/2 SS | 4 | | | 4 | |
| 28 | 410835 | FOG COVER | 2 | | | | |
| 29 | 5001438 | RIVET DRV TR 1/4x3/4 NYL | 4 | | | | |
| 30 | Y2-1860-10 | SPARE WHEEL DOOR ASSY | | | | | |
| 31 | Y2-0661-00 | FOG LAMP | | | | | |
| 32 | 502570 | WASHER LO SPT 6.1x11.8x1.6 SS | 8 | | | | |
| 33 | 502637 | WASHER FL .200x.437x.037 SS | 8 | | | | |
| 35 | 410878 | ANCHOR NUT / M10-1.5 From 1-7596 | 23 | | | 23 | |
| 36 | 500191 | SCREW CAP HEX 3/8-16x1 G5 Z050 To 1-7595 | 39 | | | 39 | |
| 36 | 5001444 | SCREW CAP HEX M10-1.5x22 G8.8 ZP From 1-7596 | 39 | | | 39 | |
| 37 | 500478 | WASHER LO SPT .380x.683x.094 Z050 | AR | | | AR | |
| 37 | 502644 | WASHER FL 10.5x30.0x2.5 Z050 | AR | | | AR | |
| 38 | 500478 | WASHER LO SPT .380x.683x.094 Z050 To 1-7596 | AR | | | AR | |
| 38 | 500257 | WASHER LO SPT 10.2x18.1x2.2 Z050 From 1-7597 | 1 | | | 1 | |
| 39 | 500680 | NUT HEX STO M10-1.5 Z050 | AR | | | AR | |
| 40 | 410817 | MOULDING / PLATE HOLDER | 1 | | | | |
| 41 | 410818 | TRACK / LICENCE PLATE HOLDER 630MM | 1 | | | | |
| 42 | 500589 | NUT WELL M4-0.7x13.5 | 8 | | | | |
| 43 | 502809 | SCREW MA OV PH M4-0.7x30 SS BK | 8 | | | | |
| 44 | 500787 | NUT HEX #10-24 SS | 8 | | | | |
| NS | 507333 | PROTECTOR CAP / BLACK / .172 I.D. x .500 | 8 | | | | |
| 45 | 504286 | T SCREW 10-24 X 3/4" / SS / PLATE HOLDER | 8 | | | | |
| 51 | 410827 | . MOULDING / PLATE HOLDER | 2 | | | 2 | |
| 52 | 5001055 | NUT WELL M4-0.7x14.5 | 4 | | | 4 | |
| 53 | 502677 | SCREW MA RND PH M4-0.7x25 SS | 4 | | | 4 | |
| 54 | 502759 | WASHER FL .218x.875x.062 SS | 4 | | | 4 | |
| 55 | 5001009 | NUT AN 1/4 NYL | 8 | | | 8 | |
| 56 | 5001245 | SCREW TC CAP HEXW SLT #12-24x1/2 Z050 | 8 | | | 8 | |
| | | | | | | | |
| | | | | | | | |
| | | | | | | | |
| | | A) THIS BUMPER ARE SUPERSEDED BY 410854P | | | | | |
| | | B) THIS BUMPER ARE SUPERSEDED BY 410899 | | | | | |
| | | C) USE ONLY WITH OLD # 410766 WITH NEW BUMPER ASSY #410899 UP TO 1-7596 | | | | | |

| | | |
|-----------------------|--------------|-----------------|
| From Y-7046 To 2-7764 | Date:10/2022 | PAGE:Y2-1850-00 |
|-----------------------|--------------|-----------------|

BUMPER FRONT

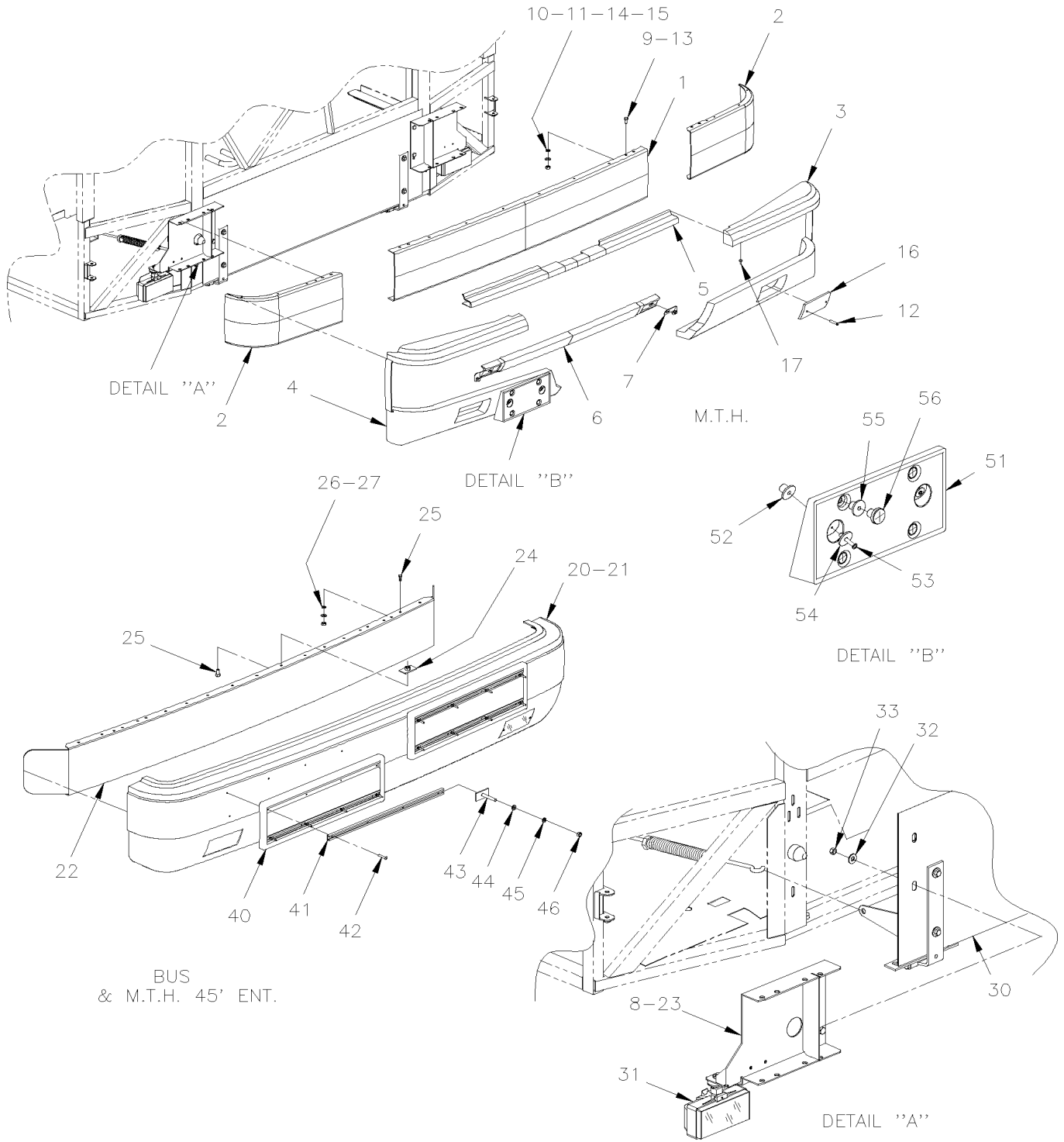
| Item# | Part | Description | X L I I 4 5 | X L I I M T H 4 0 | X L I I M T H 4 5 | X L I I M T H 4 5 E | N O T E S |
|-------|------|---|--------------------------------|---|---|--|-----------------------|
| | | D) THOSE COVER DO NOT FIT WITH SERVICE BUMPER #410854 & #410839 | | | | | |
| | | S) USE IN SERVICE ONLY FOR SKIN REPLACEMENT | | | | | |

From 2-7765 To 4-8358

Date:10/2022

PAGE:Y2-1850-01

BUMPER FRONT



| | | |
|-----------------------|--------------|-----------------|
| From 2-7765 To 4-8358 | Date:10/2022 | PAGE:Y2-1850-01 |
| BUMPER FRONT | | |

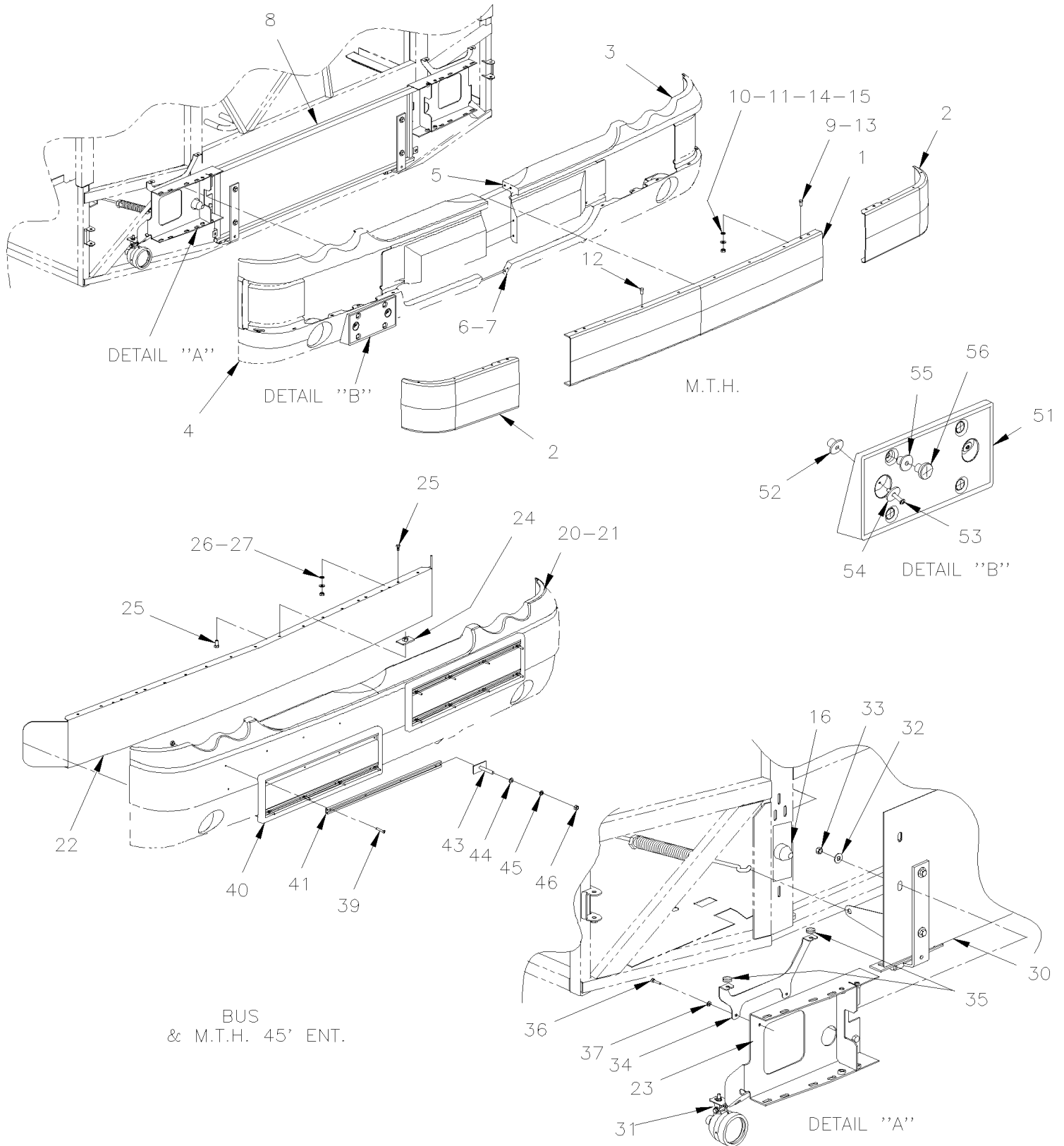
| Item# | Part | Description | X L I I 4 5 | X L I I M T H 4 0 | X L I I M T H 4 5 | X L I I M T H 4 5 E | N O T E S |
|-------|-------------------|---|----------------------------|---|---|--|-----------------------|
| | | NEXT BUMPER IT STANDARD ON MTH-40 & MTH-45 | | | | | |
| | | AND IT "OPTIONAL" WITH MTH-45' ENT | | | | | |
| | 410931P | BUMPER ASSY W/FOG LAMP | | 1 | 1 | | |
| 1 | 410655 | . BUMPER CENTER PART / SS | | 1 | 1 | | |
| 2 | 410674 | . BUMPER CORNER / SS / S.B. | | 2 | 2 | | |
| 3 | 410675 | . MOULDING L.H. | | 1 | 1 | | |
| 4 | 410676 | . MOULDING R.H. | | 1 | 1 | | |
| 5 | 410677 | . MOULDING UPPER | | 1 | 1 | | |
| 6 | 410678 | . MOULDING LOWER | | 1 | 1 | | |
| 7 | 410723 | . SUPPORT L.H. | | 1 | 1 | | |
| 7 | 410724 | . SUPPORT R.H. | | 1 | 1 | | |
| NS | 500163 | . SCREW CAP HEX 1/4-20x3/4 G5 Z050 | | 2 | 2 | | |
| NS | 500270 | . WASHER FL .406x1.000x.063 SS | | 2 | 2 | | |
| 8 | 410934 | SUPPORT L.H. | | 1 | 1 | | |
| 8 | 410933 | SUPPORT R.H. | | 1 | 1 | | |
| 9 | 5001444 | . SCREW CAP HEX M10-1.5x22 G8.8 ZP | | 16 | 16 | | |
| 10 | 500257 | . WASHER LO SPT 10.2x18.1x2.2 Z050 | | 16 | 16 | | |
| 11 | 502644 | . WASHER FL 10.5x30.0x2.5 Z050 | | 16 | 16 | | |
| 12 | 5001438 | . RIVET DRV TR 1/4x3/4 NYL | | 20 | 20 | | |
| 13 | 500163 | . SCREW CAP HEX 1/4-20x3/4 G5 Z050 | | 2 | 2 | | |
| 14 | 500441 | . WASHER FL .312x.734x.065 Z050 | | 2 | 2 | | |
| 15 | 502716 | . NUT HEX NYRT 1/4-20 | | 2 | 2 | | |
| 16 | 410835 | FOG COVER | | 2 | 2 | | |
| 17 | 5001438 | RIVET DRV TR 1/4x3/4 NYL | | 4 | 4 | | |
| | | NEXT BUMPER IT STANDARD ON BUS & MTH-45 "ENT" | | | | | |
| 20 | 410928P | BUMPER ASSY, FRONT BUS & MTH ENT | 1 | | | 1 | |
| 21 | 410839 | . BUMPER ASSY, FRONT BUS & MTH ENT | 1 | | | 1 | |
| 22 | 410842 | . BUMPER REINFORCEMENT | 1 | | | 1 | |
| 23 | 410906 | . SUPPORT R.H. | 1 | | | 1 | |
| 23 | 410907 | . SUPPORT L.H. | 1 | | | 1 | |
| 24 | 410878 | . ANCHOR NUT / M10-1.5 | 23 | | | 23 | |
| 25 | 5001444 | . SCREW CAP HEX M10-1.5x22 G8.8 ZP | 39 | | | 39 | |
| 26 | 500257 | . WASHER LO SPT 10.2x18.1x2.2 Z050 | 16 | | | 16 | |
| 27 | 502644 | . WASHER FL 10.5x30.0x2.5 Z050 | 16 | | | 16 | |
| 30 | Y2-1860-11 | SPARE WHEEL DOOR ASSY | | | | | |
| 31 | Y2-0661-00 | FOG LAMP | | | | | |
| 32 | 500270 | WASHER FL .406x1.000x.063 SS | 4 | 4 | 4 | 4 | |
| 33 | 500102 | NUT HEX 3/8-16 SS | 4 | 4 | 4 | 4 | |

From 4-8359 To 8-9339

Date:10/2022

PAGE:Y2-1850-02

BUMPER FRONT



| | | |
|-----------------------|--------------|-----------------|
| From 4-8359 To 8-9339 | Date:10/2022 | PAGE:Y2-1850-02 |
| BUMPER FRONT | | |

| Item# | Part | Description | X L I I 4 5 | X L I I M T H 4 0 | X L I I M T H 4 5 | X L I I M T H 4 5 E | N O T E S |
|-------|---------|--|----------------------------|---|---|--|-----------------------|
| | | NEXT BUMPER IT STANDARD ON MTH-40 & MTH-45 AND IT "OPTIONAL" WITH MTH-45' ENT | | | | | |
| | 411088 | BUMPER ASSY W/FOG LAMP / S.B. To 5-8468 | | 1 | 1 | 1 | |
| | 411099 | BUMPER ASSY W/FOG LAMP W/OUT HEAD LAMP WASHER HOLE / B.A. From 5-8469 | | 1 | 1 | 1 | |
| 1 | 411018 | . BUMPER CENTER PART / SS / S.B. To 5-8468 | | 1 | 1 | 1 | |
| 1 | 411117 | . BUMPER CENTER PART / SS / S.B. From 7-9281 To SERVICE | | 1 | 1 | 1 | |
| 1 | 411058 | . BUMPER CENTER PART / SS / S.B.2B From 5-8469 To 7-9280 | | 1 | 1 | 1 | |
| 1 | 411116 | . BUMPER CENTER PART / SS / B.A. From 7-9281 | | 1 | 1 | 1 | |
| 2 | 410674 | . BUMPER CORNER / SS / S.B. To 5-8468 | | 2 | 2 | 2 | |
| 2 | 411057 | . BUMPER CORNER / SS / S.B From 5-8469 | | 2 | 2 | 2 | |
| 3 | 411013 | . MOULDING L.H. | | 1 | 1 | 1 | |
| 4 | 411012 | . MOULDING R.H. | | 1 | 1 | 1 | |
| NS | 504716 | . BUMPER RUBBER / .875OD X .256 TH X .312 HOLE | | 1 | 1 | 1 | |
| 5 | 411036 | . ATTACHMENT UPPER / CURBSIDE | | 1 | 1 | 1 | |
| 5 | 411042 | . ATTACHMENT UPPER / STREETSIDE | | 1 | 1 | 1 | |
| 6 | 411037 | . ATTACHMENT LOWER / STREETSIDE | | 1 | 1 | 1 | |
| 7 | 411038 | . ATTACHMENT LOWER / CURBSIDE | | 1 | 1 | 1 | |
| 7 | 411055 | . ATTACHMENT "U" SHAPE W/NUT | | 1 | 1 | 1 | |
| NS | 5001587 | . NUT HEX NYRT M5-0.8 SS | | 2 | 2 | 2 | |
| NS | 5001146 | . SCREW CAP HEX M5-0.8x20 SS BK | | 2 | 2 | 2 | |
| 8 | 411024 | . STRUCTURE BUMPER To 7-9280 | | 1 | 1 | 1 | |
| 8 | 411118 | . STRUCTURE BUMPER From 7-9281 | | 1 | 1 | 1 | |
| 8 | 411021 | . . Not available To 7-9280 | | 1 | 1 | 1 | |
| 8 | 411114 | . . SUPPORT CUBRE SIDE / WELDED From 7-9281 | | 1 | 1 | 1 | |
| 8 | 411022 | . . Not available To 7-9280 | | 1 | 1 | 1 | |
| 8 | 411115 | . . SUPPORT STREET SIDE / WELDED From 7-9281 | | 1 | 1 | 1 | |
| 9 | 5001675 | . SCREW SET HEXS CONE M8-1.25x16 SS | | 16 | 16 | 16 | |
| 10 | 960143 | . WASHER FL 10.5x26.0x2.0 ZP | | 16 | 16 | 16 | |
| 11 | 3852496 | . WASHER LO SPT 10.2x18.1x2.2 ZG603 | | 16 | 16 | 16 | |
| 12 | 5001438 | . RIVET DRV TR 1/4x3/4 NYL | | 28 | 28 | 28 | |
| 13 | 500163 | . SCREW CAP HEX 1/4-20x3/4 G5 Z050 | | 2 | 2 | 2 | |
| 14 | 500441 | . WASHER FL .312x.734x.065 Z050 | | 2 | 2 | 2 | |
| 15 | 502716 | . NUT HEX NYRT 1/4-20 | | 2 | 2 | 2 | |
| 16 | 287258 | RUBBER BUMPER 126MM X 48MM | | 4 | 4 | 4 | |
| NS | 502603 | SCREW CAP HEXS M4-0.7x20 G12.9 ZP | | 8 | 8 | 8 | |
| NS | 411084 | SHIM SPACER | | AR | AR | AR | |
| | | NEXT BUMPER IT STANDARD ON BUS & MTH-45 "ENT" | | | | | |
| 20 | 411089 | BUMPER ASSY / FRONT | | 1 | | 1 | |
| 21 | 411010 | . BUMPER SKIN, FRONT BUS & MTH ENT | | 1 | | 1 | |

| | | |
|-----------------------|--------------|-----------------|
| From 4-8359 To 8-9339 | Date:10/2022 | PAGE:Y2-1850-02 |
| BUMPER FRONT | | |

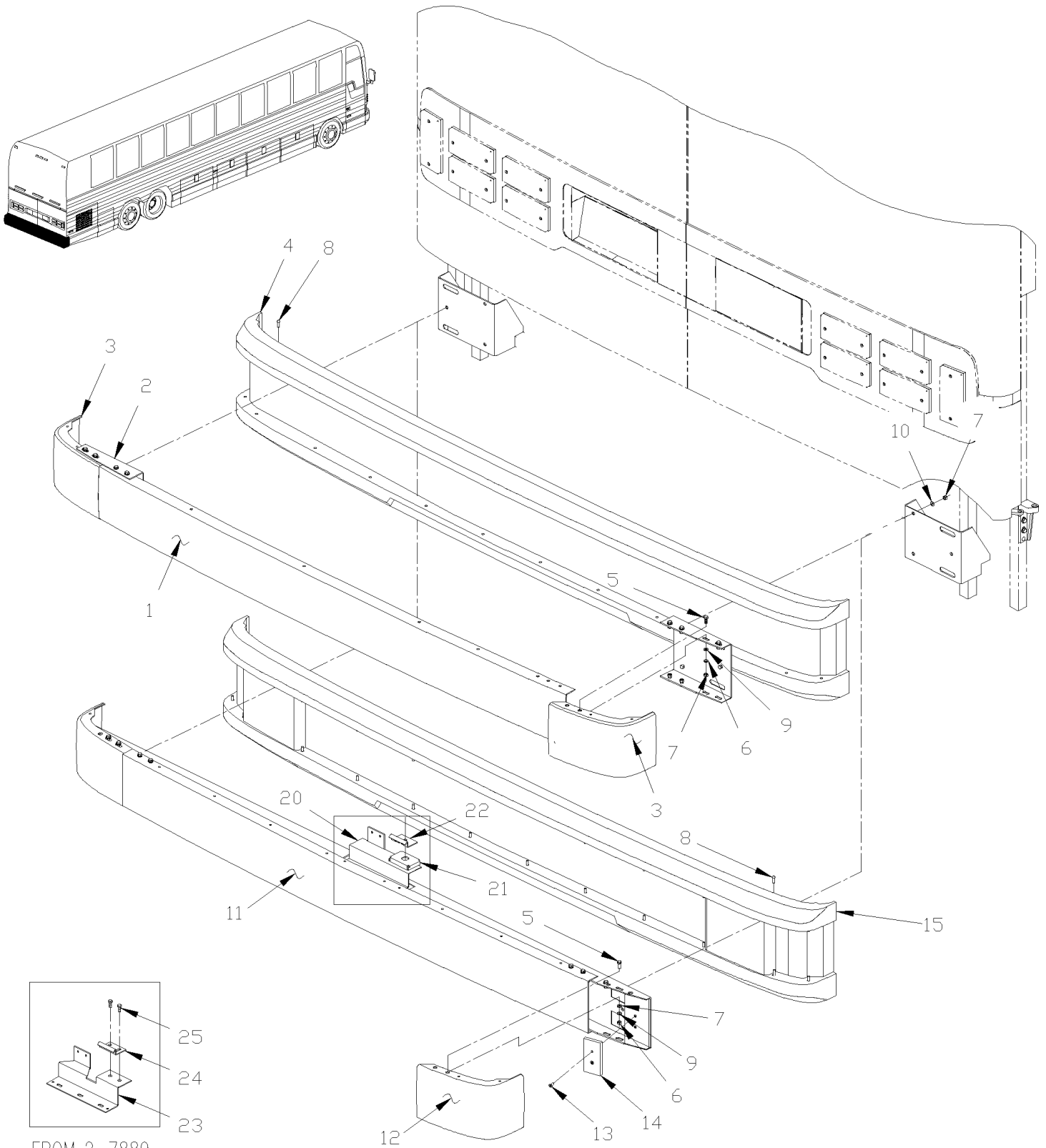
| Item# | Part | Description | X L I I 4 5 | X L I I M T H 4 0 | X L I I M T H 4 5 | X L I I M T H 4 5 E | N O T E S |
|-------|-------------------|--|----------------------------|---|---|--|-----------------------|
| 22 | 411014 | . BUMPER REINFORCEMENT | 1 | | | 1 | |
| 22 | 411209 | . BUMPER REINFORCEMENT | 1 | | | 1 | |
| 23 | 411025 | . SUPPORT CUBRE SIDE | 1 | | | 1 | |
| 23 | 411026 | . SUPPORT STREET SIDE | 1 | | | 1 | |
| 24 | 410878 | . ANCHOR NUT / M10-1.5 | 22 | | | 22 | |
| 25 | 500359 | . SCREW CAP HEX M10-1.5x22 G8.8 N500 | 22 | | | 22 | |
| 26 | 3852496 | . WASHER LO SPT 10.2x18.1x2.2 ZG603 | 16 | | | 16 | |
| 27 | 5001417 | . WASHER FL 11.0x34.0x3.0 SS | 16 | | | 16 | |
| 30 | Y2-1860-11 | SPARE WHEEL DOOR ASSY | | | | | |
| 31 | Y2-0661-01 | FOG LAMP | | | | | |
| 32 | 500270 | WASHER FL .406x1.000x.063 SS | 4 | 4 | 4 | 4 | |
| 33 | 500102 | NUT HEX 3/8-16 SS | 4 | 4 | 4 | 4 | |
| 34 | 411054 | SUPPORT UPPER CORNER STREETSIDE | 1 | 1 | 1 | 1 | |
| 34 | 411053 | SUPPORT UPPER CORNER CURBSIDE | 1 | 1 | 1 | 1 | |
| 35 | 504716 | BUMPER RUBBER / .875OD X .256 TH X .312 HOLE | 2 | 2 | 2 | 2 | |
| 36 | 502622 | SCREW CAP HEX M6-1.0x20 SS BK | 4 | 4 | 4 | 4 | |
| 37 | 502510 | WASHER FL .375x.875x.083 | 4 | 4 | 4 | 4 | |
| 39 | 500360 | SCREW TP FL PH #8x1 1/4 BK | AR | | | AR | |
| 40 | 410817 | MOULDING / PLATE HOLDER | 1 | | | 1 | |
| 41 | 410818 | TRACK / LICENCE PLATE HOLDER 630MM | 1 | | | 1 | |
| 42 | 500360 | SCREW TP FL PH #8x1 1/4 BK | 8 | | | 8 | |
| 43 | 504286 | T SCREW 10-24 X 3/4" / SS / PLATE HOLDER | 8 | | | 8 | |
| 44 | 502637 | WASHER FL .200x.437x.037 SS | 8 | | | 8 | |
| 44 | 502570 | WASHER LO SPT 6.1x11.8x1.6 SS | 8 | | | 8 | |
| 45 | 500787 | NUT HEX #10-24 SS | 8 | | | 8 | |
| 46 | 507333 | PROTECTOR CAP / BLACK / .172 I.D. x .500 | 8 | | | 8 | |
| 51 | 410827 | MOULDING / PLATE HOLDER | | 2 | 2 | 2 | |
| 52 | 5001055 | NUT WELL M4-0.7x14.5 | | 4 | 4 | 4 | |
| 53 | 502677 | SCREW MA RND PH M4-0.7x25 SS | | 4 | 4 | 4 | |
| 54 | 502759 | WASHER FL .218x.875x.062 SS | | 4 | 4 | 4 | |
| 55 | 5001009 | NUT AN 1/4 NYL | | 8 | 8 | 8 | |
| 56 | 5001245 | SCREW TC CAP HEXW SLT #12-24x1/2 Z050 | | 8 | 8 | 8 | |
| | | | | | | | |
| | | | | | | | |
| | | | | | | | |

From Y-7046 To 8-9339

Date:10/2022

PAGE:Y2-1850-10

BUMPER REAR



FROM 2-7889

| | | |
|-----------------------|--------------|-----------------|
| From Y-7046 To 8-9339 | Date:10/2022 | PAGE:Y2-1850-10 |
| BUMPER REAR | | |

| Item# | Part | Description | X L I I 4 5 | X L I I M T H 4 0 | X L I I M T H 4 5 | X L I I M T H 4 5 E | N O T E S |
|-------|-----------------|--|----------------------------|---|---|--|-----------------------|
| | | NEXT BUMPER IT STANDARD ON MTH-40 & MTH-45 | | | | | |
| | | AND IT "OPTIONAL" WITH MTH-45' ENT | | | | | |
| | | | | | | | |
| | 411090P | BUMPER ASSY REAR CHROME / W/TRAILLER HITCH | | | 1 | 1 | |
| 1 | 410652 | . BUMPER REAR CENTER / SS To 2-7888 | | 1 | 1 | 1 | |
| 1 | 410562 | . BUMPER REAR CENTER / SS / S.B. From 2-7889 To 5-8468 | | 1 | 1 | 1 | |
| 1 | 411059 | . BUMPER REAR CENTER / SS / S.B.2B From 5-8469 | | 1 | 1 | 1 | |
| 2 | 410691 | . SUPPORT | | 2 | 2 | 2 | |
| 3 | 410689 | . BUMPER / CORNER / SS / S.B. To 5-8468 | | 2 | 2 | 2 | |
| 3 | 411061 | . BUMPER / CORNER / SS / S.B.2B From 5-8469 | | 2 | 2 | 2 | |
| 4 | 473858 | . TRIM REAR BUMPER / W/TRAILLER HITCH | | 1 | 1 | 1 | |
| 4 | 473770 | . TRIM REAR BUMPER / W/O TRAILLER HITCH | | 1 | 1 | 1 | |
| 5 | 5001231 | . SCREW CAP HEX M10-1.5x25 SS | 16 | 16 | 16 | 16 | |
| 6 | 500958 | . WASHER FL .531x1.062x.095 SS | 16 | 16 | 16 | 16 | |
| 7 | 502567 | . NUT HEX M10-1.5 SS | 16 | 16 | 16 | 16 | |
| 8 | 5001438 | . RIVET DRV TR 1/4x3/4 NYL | 23 | 23 | 23 | 23 | |
| 9 | 502585 | . WASHER LO SERR 10.2x26.3x1.4 ZP | 16 | 16 | 16 | 16 | |
| 10 | 284447 | WASHERS BELLEVILLE | 6 | 6 | 6 | 6 | |
| | | | | | | | |
| | | NEXT BUMPER IT STANDARD ON BUS & MTH-45 "ENT" | | | | | |
| | | | | | | | |
| 11 | 410740P | BUMPER ASSY REAR BLACK | 1 | | | 1 | |
| NS | 410741P | BUMPER ASSY REAR BLACK / W/TRAILER HITCH To 2-7888 | 1 | | | 1 | A |
| 11 | Call order desk | BUMPER ASSY REAR BLACK | 1 | | | | P C |
| 11 | 410738 | . BUMPER REAR CENTER / BLACK To 2-7888 | 1 | | | 1 | |
| 11 | 410563 | . BUMPER REAR CENTER / BLACK From 2-7889 | 1 | | | 1 | |
| 11 | 411214 | . BUMPER REAR CENTER / BLACK | 1 | | | 1 | |
| 12 | 410748 | . BUMPER / CORNER / BLACK | 2 | | | 2 | |
| 13 | 5001198 | . SCREW MA FL PH M6-1.0x16 Z050 | 4 | | | 4 | |
| 13 | 5001182 | . NUT HEX NYRT M6-1.0 SS | 4 | | | 4 | |
| 14 | 410737 | . STOPPER | 2 | | | 2 | |
| 15 | 473770 | . TRIM REAR BUMPER / W/O TRAILLER HITCH | 1 | | | 1 | |
| 15 | 474170 | . TRIM REAR BUMPER / W/TRAILLER HITCH | | | | 1 | A |
| 15 | 417570 | . TRIM REAR BUMPER / W/TRAILLER GLANDHAND To 6-8906 | 1 | | | | C |
| 20 | 285984 | ATTACHMENT & STOPPER LH ENGINE DOOR / (WELDED TO BUMPER) To 2-7888 | 1 | | | 1 | |
| 21 | 282869 | FLOATING NUT ASSY WITH CASE To 1-7627 | 1 | | | 1 | |
| 21 | 287943 | FLOATING NUT ASSY WITH CASE From 1-7628 To 2-7888 | 1 | | | 1 | |
| 22 | 280141 | CATCH PIN / RETAINER To 2-7888 | 1 | | | 1 | B |
| 23 | 287231 | ATTACHMENT & STOPPER LH ENGINE DOOR / (WELDED TO BUMPER) From 2-7889 | 1 | | | 1 | |
| 24 | 287286 | CATCH PIN / RETAINER 45MMx21MM 90° From 2-7889 | 1 | | | 1 | B |
| 25 | 502780 | SCREW CAP HEX M8-1.25x25 SS BK From 2-7889 | 2 | | | 2 | |

| | | |
|-----------------------|--------------|-----------------|
| From Y-7046 To 8-9339 | Date:10/2022 | PAGE:Y2-1850-10 |
| BUMPER REAR | | |

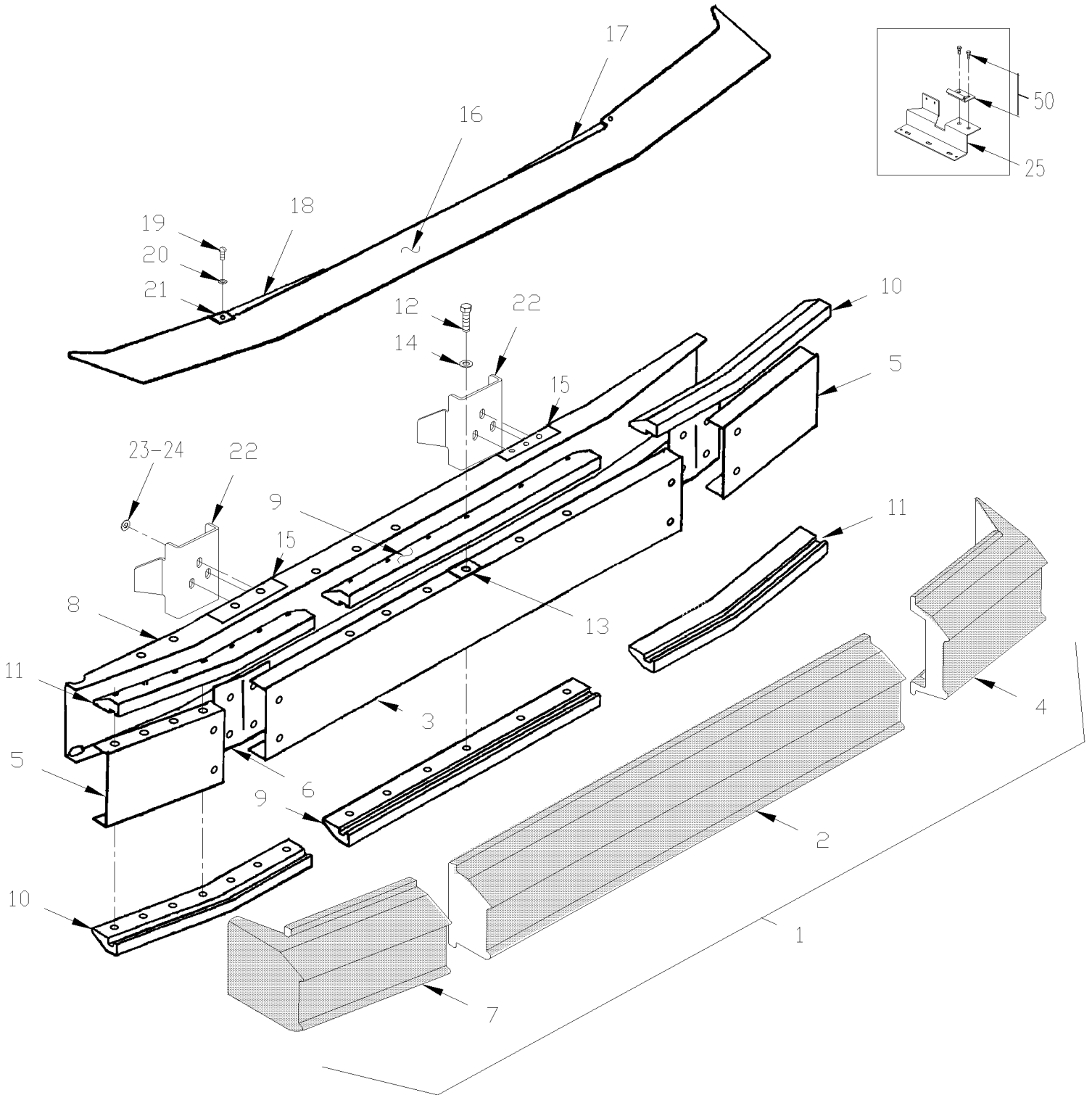
| Item# | Part | Description | X L I I 4 5 | X L I I M T H 4 0 | X L I I M T H 4 5 | X L I I M T H 4 5 E | N O T E S |
|-------|------|--|----------------------------|---|---|--|-----------------------|
| | | | | | | | |
| | | | | | | | |
| | | | | | | | |
| | | A) THIS BUMPER ARE ASSY WITH TRIM W/TRAILER HITCH | | | | | |
| | | B) THOSE PART ARE INCLUDED IN KIT #287225 | | | | | |
| | | C) THIS BUMPER ASSY ARE ASSY WITH TRIM FOR TRAILER CONNECTION RECESS | | | | | |
| | | P) CALL ORDER DESK FOR SPECIFIC APPLICATION (V.I.N.) | | | | | |

From Y-7046 To 6-8906

Date:10/2022

PAGE:Y2-1850-15

BUMPER REAR - BUS "OPTION" / "ROMEO RIM"



| | | |
|---|--------------|-----------------|
| From Y-7046 To 6-8906 | Date:10/2022 | PAGE:Y2-1850-15 |
| BUMPER REAR - BUS "OPTION" / "ROMEO RIM" | | |

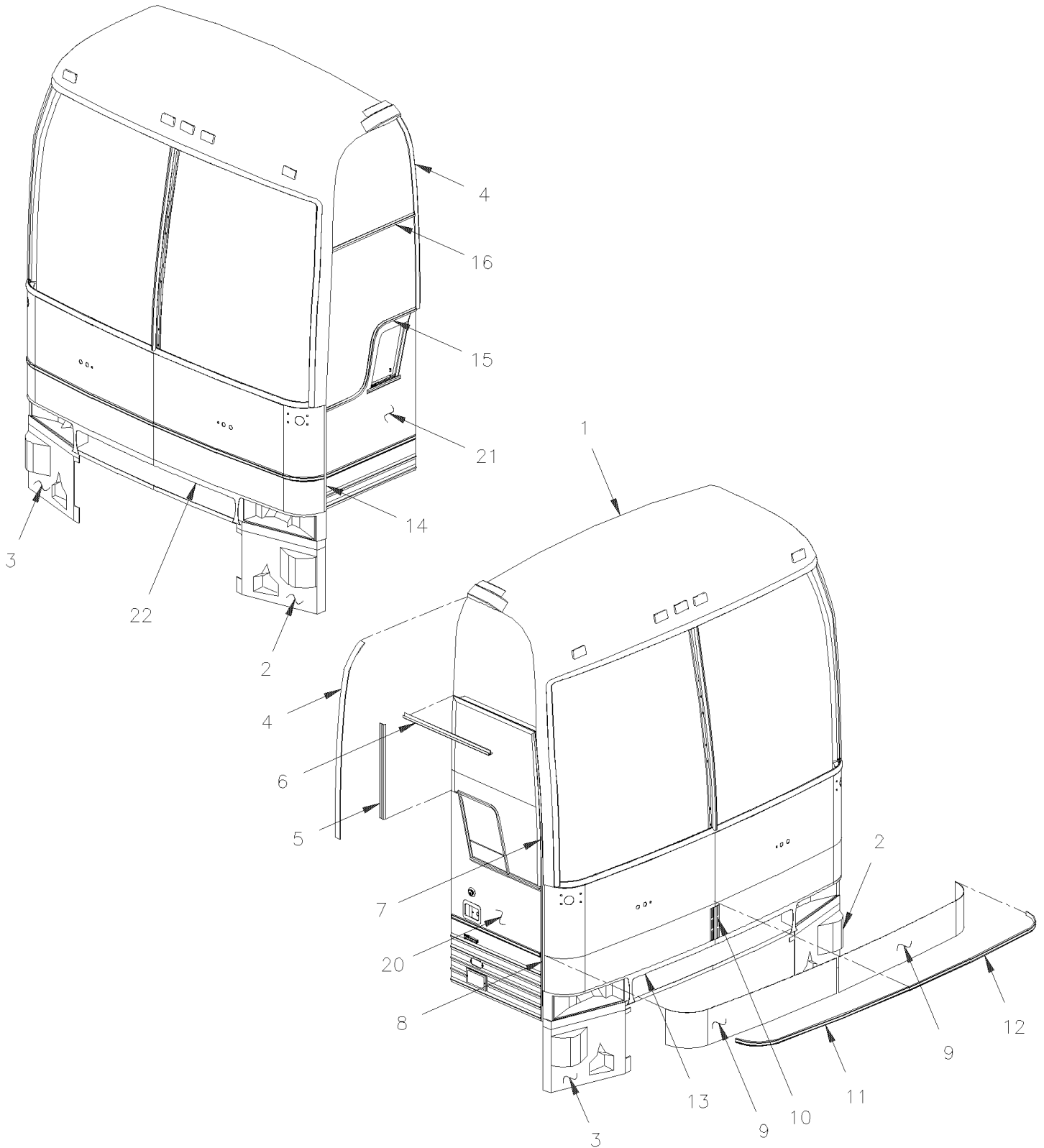
| Item# | Part | Description | X L I I 4 5 | X L I I M T H 4 0 | X L I I M T H 4 5 | X L I I M T H 4 5 E | N O T E S |
|-------|-------------------|--|----------------------------|---|---|--|-----------------------|
| 1 | 410624 | BUMPER ASSY | 1 | | | | |
| 2 | 910010 | . MODULE CENTER | 1 | | | | |
| 3 | 910013 | . PLATE BACK / CENTER | 1 | | | | |
| 4 | 410592 | . MODULE END / R.H. | 1 | | | | |
| 5 | 910016 | . PLATE BACK / L.H. & R.H. | 2 | | | | |
| 6 | 910015 | . SPACER PLASTIC | 1 | | | | |
| 7 | 410591 | . MODULE END / L.H. | 1 | | | | |
| 8 | 910007 | . STRUCTURE BACK-UP | 1 | | | | |
| 9 | 910014 | . CLAMP CENTER | 2 | | | | |
| 10 | 910029 | . CLAMP END / L.H. TOP & R.H. BOTTOM | 2 | | | | |
| 11 | 910028 | . CLAMP END / R.H. TOP & L.H. BOTTOM | 2 | | | | |
| 12 | 910023 | . SCREW CAP HEXF 1/2-13x2 1/4 BKC | 38 | | | | |
| 13 | 910024 | . NUT RETAINER SPRING | 34 | | | | |
| 13 | 910025 | . NUT HEXF 1/2-13 BK / 2 EACH CORNER | 4 | | | | |
| 14 | 500547 | . WASHER FL .484x.750x.031 ZP | 42 | | | | |
| 15 | 910031 | . SUPPORT W/3 BOLTS | 2 | | | | |
| 16 | 411107 | PANEL / BLACK PAINT | 1 | | | | |
| 16 | 411106 | . PANEL / UNPAINT | 1 | | | | |
| 17 | 410473 | ATTACHMENT R.H. MOUNTING / REAR BUMPER | 1 | | | | |
| 18 | 410472 | ATTACHMENT L.H. MOUNTING / REAR BUMPER | 1 | | | | |
| 19 | 502686 | SCREW CAP HEX M6-1.0x30 SS BK | 4 | | | | |
| 20 | 502573 | WASHER FL 6.4x12.5x1.6 SS | 4 | | | | |
| 21 | 502738 | NUT SPR U M6-1.0 0.6-4.0 | 4 | | | | |
| 22 | 216083 | BRACKET BUMPER L.H. & R.H. / (WELDED AT STRUCTURE) | 2 | | | | |
| 23 | 500789 | NUT HEX 1/2-13 Z050 | 6 | | | | |
| 24 | 502901 | WASHER FL .625x1.469x.109 N500 | 6 | | | | |
| NS | 500482 | WASHER LO SPT .506x.873x.125 Z050 | 6 | | | | |
| 25 | 289372 | ATTACHMENT & STOPPER LH ENGINE DOOR / BOLTED TO BUMPER | 1 | | | | |
| NS | 5001330 | SCREW CAP HEX 1/2-13x1 SS | 3 | | | | |
| NS | 5001534 | WASHER LO SPT .509x.873x.125 SS | 3 | | | | |
| 50 | Y2-1870-10 | ENGINE DOOR ASSY - INSTALLATION | | | | | |
| | | | | | | | |
| | | | | | | | |
| | | | | | | | |

From Y-7046 To 8-9339

Date:10/2022

PAGE:Y2-1851-00

FRONT CAP - INSTALLATION

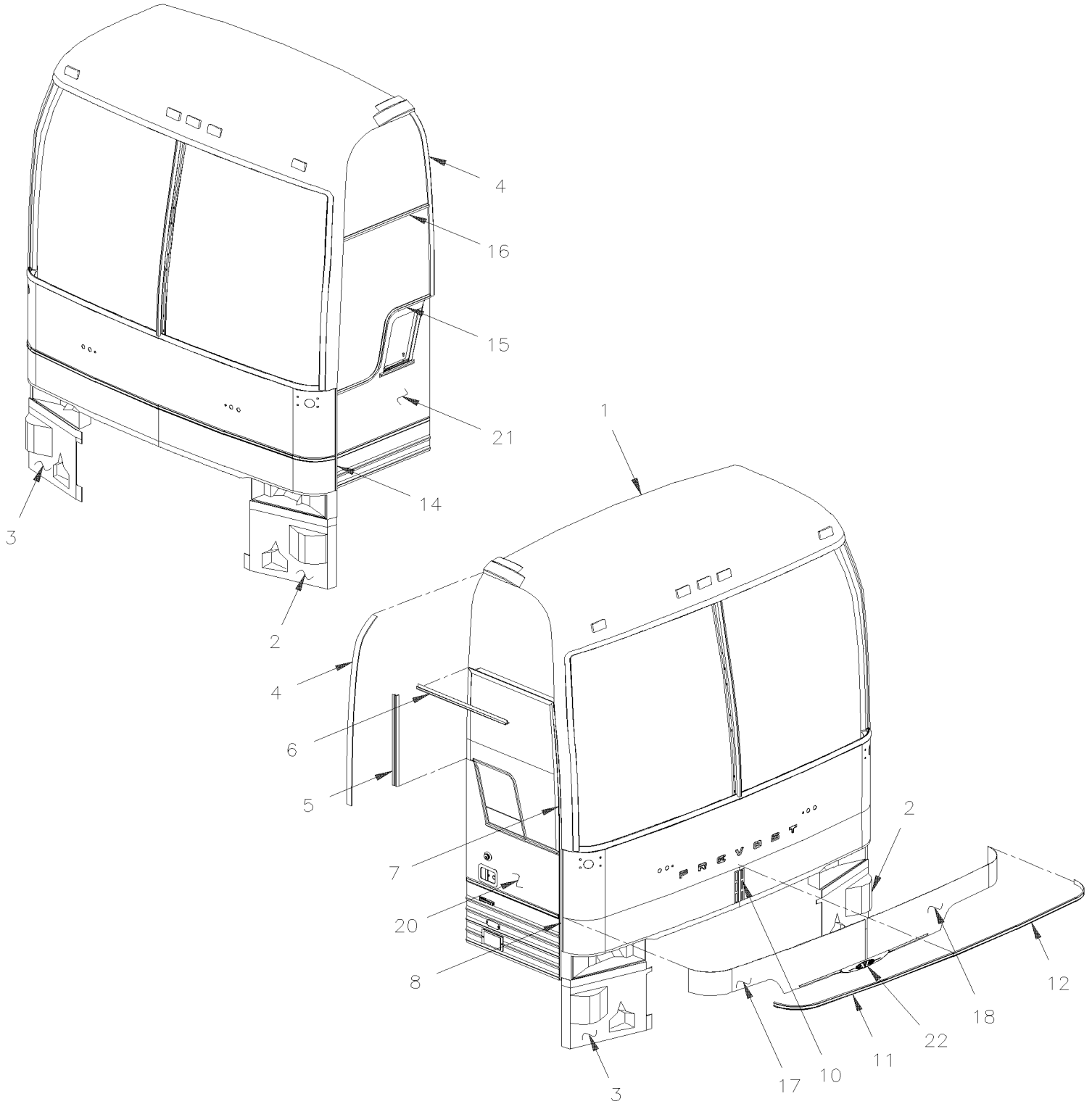


From Y-7046 To 8-9339

Date:10/2022

PAGE:Y2-1851-00

FRONT CAP - INSTALLATION



| | | |
|-----------------------|--------------|-----------------|
| From Y-7046 To 8-9339 | Date:10/2022 | PAGE:Y2-1851-00 |
|-----------------------|--------------|-----------------|

FRONT CAP - INSTALLATION

| Item# | Part | Description | X L I I 4 5 | X L I I M T H 4 0 | X L I I M T H 4 5 | X L I I M T H 4 5 E | N O T E S |
|-------|--------|---|----------------------------|---|---|--|-----------------------|
| 1 | 473735 | FRONT CAP BUS 80" / WLARGE WINDSHIELD To 3-8108 | 1 | | | | |
| . NS | 477410 | . HALF FRONT CAP BUS / LOWER SECTION ONLY To 3-8108 | 1 | | | | |
| 1 | 475775 | FRONT CAP BUS 80" / WLARGE WINDSHIELD From 3-8109 To 4-8358 | 1 | | | | |
| . NS | 477410 | . HALF FRONT CAP BUS / LOWER SECTION ONLY From 3-8109 To 4-8358 | 1 | | | | |
| 1 | 477445 | FRONT CAP BUS 80" / WLARGE WINDSHIELD From 5-8359 To 6-8906 | 1 | | | | |
| . NS | 477411 | . HALF FRONT CAP BUS / LOWER SECTION ONLY From 5-8359 To 6-8906 | 1 | | | | |
| 1 | 473612 | FRONT CAP MTH 83" / WSMALL WINDSHIELD To Y-7128 | | 1 | 1 | | |
| . NS | 477412 | . HALF FRONT CAP MTH 83" / LOWER SECTION ONLY To Y-7128 | | 1 | 1 | | |
| 1 | 474282 | FRONT CAP MTH 83" / WLARGE WINDSHIELD To Y-7128 | | 1 | 1 | | |
| . NS | 477412 | . HALF FRONT CAP MTH 83" / LOWER SECTION ONLY To Y-7128 | | 1 | 1 | | |
| 1 | 473732 | FRONT CAP MTH 86" / WSMALL WINDSHIELD To 4-8167 | | 1 | 1 | 1 | B |
| . NS | 477413 | . HALF FRONT CAP MTH 86" / LOWER SECTION ONLY To 4-8167 | | 1 | 1 | 1 | B |
| 1 | 474283 | FRONT CAP MTH 86" / WLARGE WINDSHIELD To 4-8207 | | 1 | 1 | 1 | |
| . NS | 477413 | . HALF FRONT CAP MTH 86" / LOWER SECTION ONLY To 4-8207 | | 1 | 1 | 1 | |
| 1 | 475783 | FRONT CAP MTH 86" / WLARGE WINDSHIELD From 4-8208 To 4-8358 | | 1 | 1 | 1 | |
| . NS | 477413 | . HALF FRONT CAP MTH 86" / LOWER SECTION ONLY From 4-8208 To 4-8358 | | 1 | 1 | 1 | |
| 1 | 477443 | FRONT CAP MTH 86" / WLARGE WINDSHIELD From 5-8359 | | 1 | 1 | 1 | |
| . NS | 477414 | . HALF FRONT CAP MTH 86" / LOWER SECTION ONLY From 5-8359 | | 1 | 1 | 1 | |
| 1 | 475053 | FRONT CAP MTH 86" / WLARGE WINDSHIELD From 1-7448 To 4-8207 | | 1 | 1 | 1 | B |
| . NS | 477413 | . HALF FRONT CAP MTH 86" / LOWER SECTION ONLY From 1-7448 To 4-8207 | | 1 | 1 | 1 | B |
| 1 | 475785 | FRONT CAP MTH 86" / WLARGE WINDSHIELD From 4-8208 To 4-8358 | | 1 | 1 | 1 | B |
| . NS | 477413 | . HALF FRONT CAP MTH 86" / LOWER SECTION ONLY From 4-8208 To 4-8358 | | 1 | 1 | 1 | B |
| 1 | 477444 | FRONT CAP MTH 86" / WLARGE WINDSHIELD From 5-8359 | | 1 | 1 | 1 | B |
| . NS | 477414 | . HALF FRONT CAP MTH 86" / LOWER SECTION ONLY From 5-8359 | | 1 | 1 | 1 | B |
| 1 | 473733 | FRONT CAP MTH 89" / WLARGE WINDSHIELD To 4-8207 | | | | 1 | |
| . NS | 477415 | . HALF FRONT CAP MTH 89" / LOWER SECTION ONLY To 4-8207 | | | | 1 | |
| 1 | 475779 | FRONT CAP MTH 89" / WLARGE WINDSHIELD From 4-8208 To 4-8358 | | | | 1 | |
| . NS | 477415 | . HALF FRONT CAP MTH 89" / LOWER SECTION ONLY From 4-8208 To 4-8358 | | | | 1 | |
| 1 | 477442 | FRONT CAP MTH 89" / WLARGE WINDSHIELD From 5-8359 | | | | 1 | |
| . NS | 477416 | . HALF FRONT CAP MTH 89" / LOWER SECTION ONLY From 5-8359 | | | | 1 | |
| 1 | 475378 | FRONT CAP MTH 89" / WLARGE WINDSHIELD From 2-7744 To 4-8207 | | | | 1 | B |
| . NS | 477415 | . HALF FRONT CAP MTH 89" / LOWER SECTION ONLY From 2-7744 To 4-8207 | | | | 1 | B |
| 1 | 475787 | FRONT CAP MTH 89" / WLARGE WINDSHIELD From 4-8208 To 4-8358 | | | | 1 | B |
| . NS | 477415 | . HALF FRONT CAP MTH 89" / LOWER SECTION ONLY From 4-8208 To 4-8358 | | | | 1 | B |
| 1 | 476205 | FRONT CAP MTH 89" / WLARGE WINDSHIELD From 5-8359 | | | | 1 | B |
| . NS | 477416 | . HALF FRONT CAP MTH 89" / LOWER SECTION ONLY From 5-8359 | | | | 1 | B |

| | | |
|-----------------------|--------------|-----------------|
| From Y-7046 To 8-9339 | Date:10/2022 | PAGE:Y2-1851-00 |
|-----------------------|--------------|-----------------|

FRONT CAP - INSTALLATION

| Item# | Part | Description | X L I I 4 5 | X L I I M T H 4 0 | X L I I M T H 4 5 | X L I I M T H 4 5 E | N O T E S |
|-------|--------|---|----------------------------|---|---|--|-----------------------|
| | | | | | | | |
| 2 | 474088 | . PANEL LOWER L.H. To 4-8358 | 1 | 1 | 1 | 1 | |
| 2 | 477474 | . PANEL LOWER L.H. From 5-8359 | 1 | 1 | 1 | 1 | |
| 3 | 474087 | . PANEL LOWER R.H. To 3-8108 | 1 | | | | |
| 3 | 475777 | . PANEL LOWER R.H. From 3-8109 To 4-8358 | 1 | | | | |
| 3 | 477475 | . PANEL LOWER R.H. / WITHOUT HEAD LAMP WASHER From 5-8359 | 1 | | | | |
| NS | 504546 | RIVET CHY MONOLOK PRDG 1/4x5/8 ZP | 36 | 36 | 36 | 36 | |
| NS | 500426 | SCREW TP PAN PH #8x1 SS | 6 | 6 | 6 | 6 | |
| NS | 506769 | TAPE RUB ADH2 CC POL 1/8" x 1/4" x 60' / BLACK H1CC-N-#14 | AR | AR | AR | AR | |
| NS | 506785 | TAPE RUB ADH2 CC POL 1/16" x 1/4" x 200' / BLACK I1C-N-A | AR | AR | AR | AR | |
| NS | 475704 | KIT STONE PROTECTOR / VINYL FILM 2x25"x120 + 1x8"x120" | 1 | | | | |
| NS | 475703 | KIT STONE PROTECTOR / VINYL FILM 2x25"x120 + 1x16"x120" | | 1 | 1 | 1 | |
| 4 | 474952 | FINISHING MOULDING 1219.5MM | 2 | | | | |
| 4 | 474067 | FINISHING MOULDING BUS & MTH 83" 1264MM To Y-7128 | | 2 | 2 | | |
| 4 | 474068 | FINISHING MOULDING 1340MM MTH 86" | | 2 | 2 | 2 | |
| NS | 504339 | RIVET POP DOME OE 1/8x3/8 SS | AR | AR | AR | AR | |
| 5 | 474042 | MOULDING SUPPORT 709MM / MTH 86" | | 1 | 1 | 1 | |
| 5 | 474137 | MOULDING SUPPORT 645MM / MTH 83" & BUS / S.B. To 6-8906 | 1 | | | | |
| 5 | 474137 | MOULDING SUPPORT 645MM / MTH 83" & BUS / S.B. To 5-8468 | | 1 | 1 | | |
| 5 | 477520 | MOULDING SUPPORT 645MM / MTH 83 / B.A. From 5-8469 | | 1 | 1 | | |
| 6 | 474082 | DRIP MOULDING OVER ENTRANCE DOOR / S.B. To 6-8906 | 1 | | | | |
| 6 | 474082 | DRIP MOULDING OVER ENTRANCE DOOR / S.B. To 5-8468 | | 1 | 1 | 1 | |
| 6 | 477516 | DRIP MOULDING OVER ENTRANCE DOOR / B.A. From 5-8469 | | 1 | 1 | 1 | |
| 7 | 474106 | FINISHING MOULDING ENTRANCE DOOR / 1131MM / S.B. To 6-8906 | 1 | | | | |
| 7 | 474106 | FINISHING MOULDING ENTRANCE DOOR / 1131MM / S.B. To 5-8468 | | 1 | 1 | 1 | |
| 7 | 477517 | FINISHING MOULDING ENTRANCE DOOR / 1131MM / B.A. From 5-8469 | | 1 | 1 | 1 | |
| 8 | 474245 | FINISHING MOULDING ENTRANCE DOOR / 1307MM / S.B. To 4-8358 | 1 | | | | |
| 8 | 477481 | FINISHING MOULDING ENTRANCE DOOR / 1304MM / S.B. From 5-8359 To 6-8906 | 1 | | | | |
| 8 | 474104 | FINISHING MOULDING ENTRANCE DOOR / 1383MM MTH83" / S.B. To Y-7128 | | 1 | 1 | | |
| 8 | 474105 | FINISHING MOULDING ENTRANCE DOOR / 1459MM MTH86" / S.B. To 4-8358 | | 1 | 1 | 1 | |
| 8 | 477477 | FINISHING MOULDING ENTRANCE DOOR / 1456MM MTH86" / S.B. From 5-8359 To 5-8468 | | 1 | 1 | 1 | |
| 8 | 477514 | FINISHING MOULDING ENTRANCE DOOR / 1456MM MTH86" / B.A. From 5-8469 | | 1 | 1 | | |
| 8 | 474569 | FINISHING MOULDING ENTRANCE DOOR / 1535MM MTH89" / S.B. To 4-8358 | | | | 1 | |
| 8 | 477478 | FINISHING MOULDING ENTRANCE DOOR / 1531MM MTH89" / S.B. From 5-8359 To 5-8468 | | | | 1 | |
| 8 | 477522 | FINISHING MOULDING ENTRANCE DOOR / 1531MM MTH89" / B.A. From 5-8469 | | | | 1 | |
| 9 | 473875 | PANEL SS / S.B. To 4-8358 | 2 | | | | A |
| 10 | 474102 | FINISHING CENTER SS / S.B. To 4-8358 | 1 | | | | A |
| 10 | 477473 | FINISHING CENTER SS / S.B. To 6-8906 | 1 | | | | A |
| 10 | 477473 | FINISHING CENTER SS / S.B. From 5-8359 To 5-8468 | | 1 | 1 | 1 | |
| 10 | 477521 | FINISHING CENTER SS / B.A. From 5-8469 | | 1 | 1 | 1 | |
| 11 | 473611 | MOULDING SS R.H. / S.B. To 6-8906 | 1 | | | | A |

| | | |
|---------------------------------|--------------|-----------------|
| From Y-7046 To 8-9339 | Date:10/2022 | PAGE:Y2-1851-00 |
| FRONT CAP - INSTALLATION | | |

| Item# | Part | Description | X L I I 4 5 | X L I I M T H 4 0 | X L I I M T H 4 5 | X L I I M T H 4 5 E | N O T E S |
|-------|-------------------|---|----------------------------|---|---|--|-----------------------|
| 11 | 473611 | MOULDING SS R.H. / S.B. To 5-8468 | | 1 | 1 | 1 | |
| 11 | 477512 | MOULDING SS R.H. / B.A. From 5-8469 | | 1 | 1 | 1 | |
| 12 | 473752 | MOULDING SS L.H. / S.B. To 6-8906 | 1 | | | | A |
| 12 | 473752 | MOULDING SS L.H. / S.B. To 5-8468 | | 1 | 1 | 1 | |
| 12 | 477513 | MOULDING SS L.H. / B.A. From 5-8469 | | 1 | 1 | 1 | |
| 13 | 474658 | CREST SUPPORT FIBERGLASS To 4-8358 | 1 | | | | |
| 13 | 474658 | CREST SUPPORT FIBERGLASS From Y-7336 To 4-8358 | | 1 | 1 | 1 | |
| 14 | 474252 | FINISHING MOULDING SERVIR DOOR / 1296MM / S.B. To 4-8358 | 1 | | | | |
| 14 | 477480 | FINISHING MOULDING SERVIR DOOR / 1296MM / S.B. From 5-8359 To 6-8906 | 1 | | | | |
| 14 | 474247 | FINISHING MOULDING SERVIR DOOR / 1373MM MTH83" / S.B. To Y-7128 | | 1 | 1 | | |
| 14 | 474250 | FINISHING MOULDING SERVIR DOOR / 1449MM MTH86" / S.B. To 4-8358 | | 1 | 1 | 1 | |
| 14 | 477476 | FINISHING MOULDING SERVIR DOOR / 1455MM MTH86" / S.B. From 5-8359 To 5-8468 | | 1 | 1 | 1 | |
| 14 | 477515 | FINISHING MOULDING SERVIR DOOR / 1455MM MTH86" / B.A. From 5-8469 | | 1 | 1 | | |
| 14 | 474251 | FINISHING MOULDING SERVIR DOOR / 1525MM MTH89" / S.B. To 4-8358 | | | | 1 | |
| 14 | 477479 | FINISHING MOULDING SERVIR DOOR / 1531MM MTH89" / S.B. From 5-8359 To 5-8468 | | | | 1 | |
| 14 | 477523 | FINISHING MOULDING SERVIR DOOR / 1531MM MTH89" / B.A. From 5-8469 | | | | 1 | |
| 15 | 286448 | DRIP MOULDING "S" BUS & MTH83" | 1 | 1 | 1 | | |
| 15 | 286646 | DRIP MOULDING "S" MTH86" & MTH89" | | 1 | 1 | 1 | |
| NS | 683083 | ADHESIVE SIKA #252 / BLACK / 600 ml SAUSAGE | AR | AR | AR | AR | |
| NS | 683447 | ADHESIVE SIKATACK PLUS / BLACK / 23 Liters | AR | AR | AR | AR | |
| NS | 683097 | CLEANER SIKA #205 / CLEAR / 1000ml | AR | AR | AR | AR | |
| NS | 681091 | PRIMER SIKA #206 / BLACK / 250ml | AR | AR | AR | AR | |
| NS | 790392 | RUBBER BLOCK ADJUSTEMENT 1" x 5/16" x 1/8" 80DURO | AR | AR | AR | AR | |
| 16 | 286454 | DRIP MOULDING OVER DRIVER'S WINDOW | 1 | 1 | 1 | 1 | |
| 17 | 477470 | PANEL SS / CURBSIDE / S.B. To 6-8906 | 1 | | | | A |
| 17 | 477470 | PANEL SS / CURBSIDE / S.B. From 5-8359 To 5-8468 | | 1 | 1 | 1 | |
| 17 | 477518 | PANEL SS / CURBSIDE / B.A. From 5-8469 | | 1 | 1 | 1 | |
| 17 | 477890 | PANEL SS / CURBSIDE / B.A. | | | 1 | | V |
| 18 | 477469 | PANEL SS / STREETSIDE / S.B. To 6-8906 | 1 | | | | A |
| 18 | 477469 | PANEL SS / STREETSIDE / S.B. From 5-8359 To 5-8468 | | 1 | 1 | 1 | |
| 18 | 477519 | PANEL SS / STREETSIDE / B.A. From 5-8469 | | 1 | 1 | 1 | |
| 18 | 477891 | PANEL SS / STREETSIDE / B.A. | | | 1 | | V |
| 20 | Y2-1862-00 | ENTRANCE DOOR ASSY - BUS | | | | | |
| 20 | Y2-1862-50 | ENTRANCE DOOR ASSY - MTH | | | | | |
| 21 | Y2-1879-00 | FRONT SERVICE DOOR ASSY | | | | | |
| 22 | Y2-1855-00 | RUB RAIL - EXTERIOR CREST & TRIMS | | | | | |
| NS | 373995 | KIT, ADAPTOR HEATER HOSE / NEW AIR INLET CURBSIDE / NEW AIR INLET CURBSIDE To 3-8109 | 1 | | | | |
| . NS | IS-02054 | . SEE INSTRUCTION SHEET To 3-8109 | 1 | | | | |
| NS | 373998 | KIT, ADAPTOR HEATER HOSE / NEW AIR INLET STREET SIDE / NEW AIR INLET STREETSIDE To 3-8109 | 1 | | | | |
| . NS | IS-02086 | . SEE INSTRUCTION SHEET To 3-8109 | 1 | | | | |
| NS | 374011 | KIT, ADAPTOR HEATER HOSE / NEW AIR INLET CURBSIDE / NEW AIR INLET CURBSIDE To 3-8109 | | 1 | 1 | 1 | |
| . NS | IS-02113 | . SEE INSTRUCTION SHEET To 3-8109 | | 1 | 1 | 1 | |

| | | |
|-----------------------|--------------|-----------------|
| From Y-7046 To 8-9339 | Date:10/2022 | PAGE:Y2-1851-00 |
|-----------------------|--------------|-----------------|

FRONT CAP - INSTALLATION

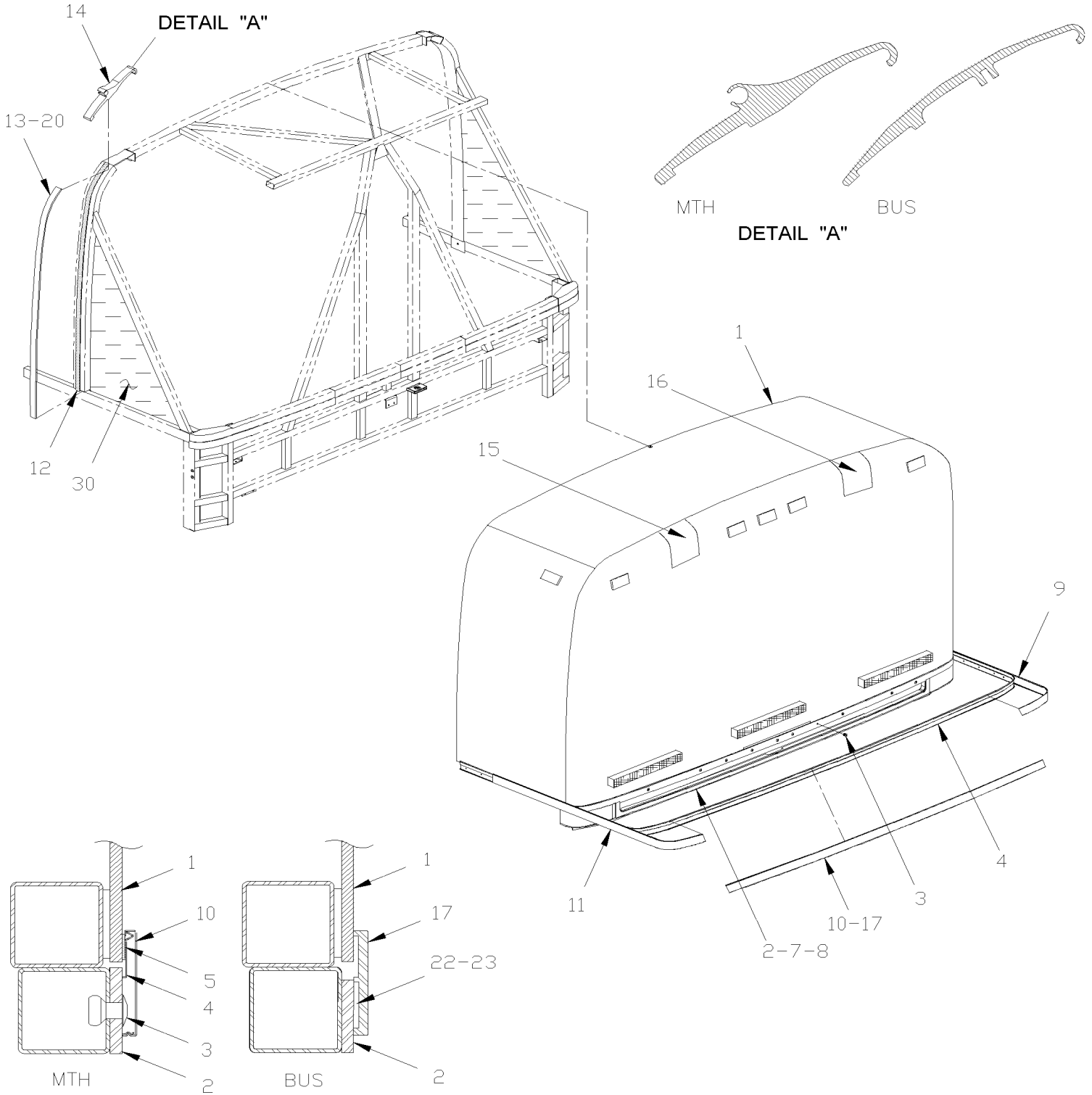
| Item# | Part | Description | X L I I 4 5 | X L I I M T H 4 0 | X L I I M T H 4 5 | X L I I M T H 4 5 E | N O T E S |
|-------|------|--|----------------------------|---|---|--|-----------------------|
| | | | | | | | |
| | | | | | | | |
| | | A) COACH WITH STAINLESS STEEL SIDE LOWER PANELLING | | | | | |
| | | B) WITHOUT UPPER SIDE GLASS | | | | | |
| | | V) WITH "VORAD" SYSTEM | | | | | |

From Y-7046 To 8-9339

Date:10/2022

PAGE:Y2-1851-20

REAR CAP - INSTALLATION



| | | |
|--------------------------------|--------------|-----------------|
| From Y-7046 To 8-9339 | Date:10/2022 | PAGE:Y2-1851-20 |
| REAR CAP - INSTALLATION | | |

| Item# | Part | Description | X L I I 4 5 | X L I I M T H 4 0 | X L I I M T H 4 5 | X L I I M T H 4 5 E | N O T E S |
|-------|--------|---|----------------------------|---|---|--|-----------------------|
| 1 | 473626 | REAR CAP ASSY / BUS & MTH 83" To 6-8906 | 1 | | | | |
| 1 | 473652 | REAR CAP ASSY / MTH 83" To Y-7128 | | 1 | | | |
| 1 | 473654 | REAR CAP ASSY / MTH 86" | | 1 | | | |
| 1 | 474632 | REAR CAP ASSY / MTH 86" W/BUCKET CAMERA | | 1 | | | |
| 1 | 473653 | REAR CAP ASSY / MTH 86" | | | 1 | | |
| 1 | 475073 | REAR CAP ASSY / MTH 86" W/BUCKET CAMERA | | | 1 | | |
| 1 | 473626 | REAR CAP ASSY / BUS & MTH 83" To 6-8906 | | | 1 | | |
| 1 | 473653 | REAR CAP ASSY / MTH 86" | | | | 1 | |
| 1 | 473655 | REAR CAP ASSY / MTH 89" | | | | 1 | |
| 1 | 474943 | REAR CAP ASSY / MTH 89" WITH SATELITE | | | | 1 | |
| 2 | 473822 | MOULDING FIBER GLASS "Z SHAPE" To 6-8906 | 1 | | | | |
| 2 | 473768 | AIR INTAKE / W/MTH 83" & MTH-86" To 8-9347 | | 1 | 1 | 1 | |
| 2 | 479253 | AIR INTAKE / W/MTH-86" From 8-9348 | | | 1 | | |
| 2 | 473953 | AIR INTAKE / W/MTH-89" | | | | 1 | |
| 3 | 504416 | RIVET POP DOME OE 3/16x5/8 SS | 12 | 12 | 12 | 12 | |
| 4 | 473895 | MOULDING RETAINER / 2250MM | 1 | 1 | 1 | 1 | |
| 5 | 506225 | TAPE RUB ADH1 CC POL 1/16" x 1/4" x 100' / GREY 2520 | AR | AR | AR | AR | |
| 7 | 504340 | RIVET POP DOME OE 1/8x3/16 SS | 10 | 10 | 10 | 10 | |
| 8 | 500353 | SCREW TP FL PH #8x3/4 BK | 6 | 6 | 6 | 6 | |
| 9 | 473831 | MOULDING RIGHT CORNER | | 1 | 1 | 1 | |
| 10 | 473896 | FINISHING MOULDING SS / 2125MM | | 1 | 1 | 1 | |
| 11 | 473833 | MOULDING LEFT CORNER | | 1 | 1 | 1 | |
| 12 | 293135 | RUBBER SEAL 1315MM / W/83" | 2 | 2 | 2 | | |
| 12 | 293136 | RUBBER SEAL 1391MM W/86" & 89" | | 2 | 2 | 2 | |
| 13 | 474067 | FINISHING MOULDING BUS & MTH 83" 1264MM | 2 | 2 | 2 | | |
| 13 | 474068 | FINISHING MOULDING 1340MM MTH 86" | | 2 | 2 | 2 | |
| 13 | 474069 | FINISHING MOULDING 1417MM MTH 89" | | | | 2 | |
| 14 | 293256 | UPPER EXTRUSION 38MM To 4-8270 | 2 | | | | |
| 14 | 293712 | UPPER EXTRUSION 38MM From 4-8271 To 6-8906 | 2 | | | | |
| 14 | 293230 | UPPER EXTRUSION 38MM To 4-8270 | | 2 | 2 | 2 | |
| 14 | 293715 | UPPER EXTRUSION 38MM From 4-8271 | | 2 | 2 | 2 | |
| 15 | 475144 | REAR CAP DRIP COVER L.H. / W/89" | | | | 1 | |
| 16 | 475145 | REAR CAP DRIP COVER R.H. / W/89" | | | | 1 | |
| 17 | 474359 | FINISHING MOULDING PLASTIC 2800MM | 1 | | | 1 | A |
| . NS | 506785 | . TAPE RUB ADH2 CC POL 1/16" x 1/4" x 200' / BLACK I1C-N-A | AR | | | AR | A |
| . NS | 506769 | . TAPE RUB ADH2 CC POL 1/8" x 1/4" x 60' / BLACK H1CC-N-#14 | AR | | | AR | A |
| 20 | 506759 | TAPE RUB ADH2 CC POL 1/8" x 1/2" x 100' / BLACK I1C-N-A | AR | AR | AR | AR | |
| 22 | 683446 | PRIMER SIKA #206 / BLACK / 1000ml | AR | AR | AR | AR | |
| 22 | 683448 | ACCELERATOR SIKA / 600ml SAUSAGE | AR | AR | AR | AR | |
| 22 | 683084 | SEALANT SIKA #221 / GREY / 600 ml SAUSAGE | AR | AR | AR | AR | |
| 23 | 683447 | ADHESIVE SIKATACK PLUS / BLACK / 23 Liters | AR | AR | AR | AR | |
| 23 | 683083 | ADHESIVE SIKA #252 / BLACK / 600 ml SAUSAGE | AR | AR | AR | AR | |

| | | |
|--------------------------------|--------------|-----------------|
| From Y-7046 To 8-9339 | Date:10/2022 | PAGE:Y2-1851-20 |
| REAR CAP - INSTALLATION | | |

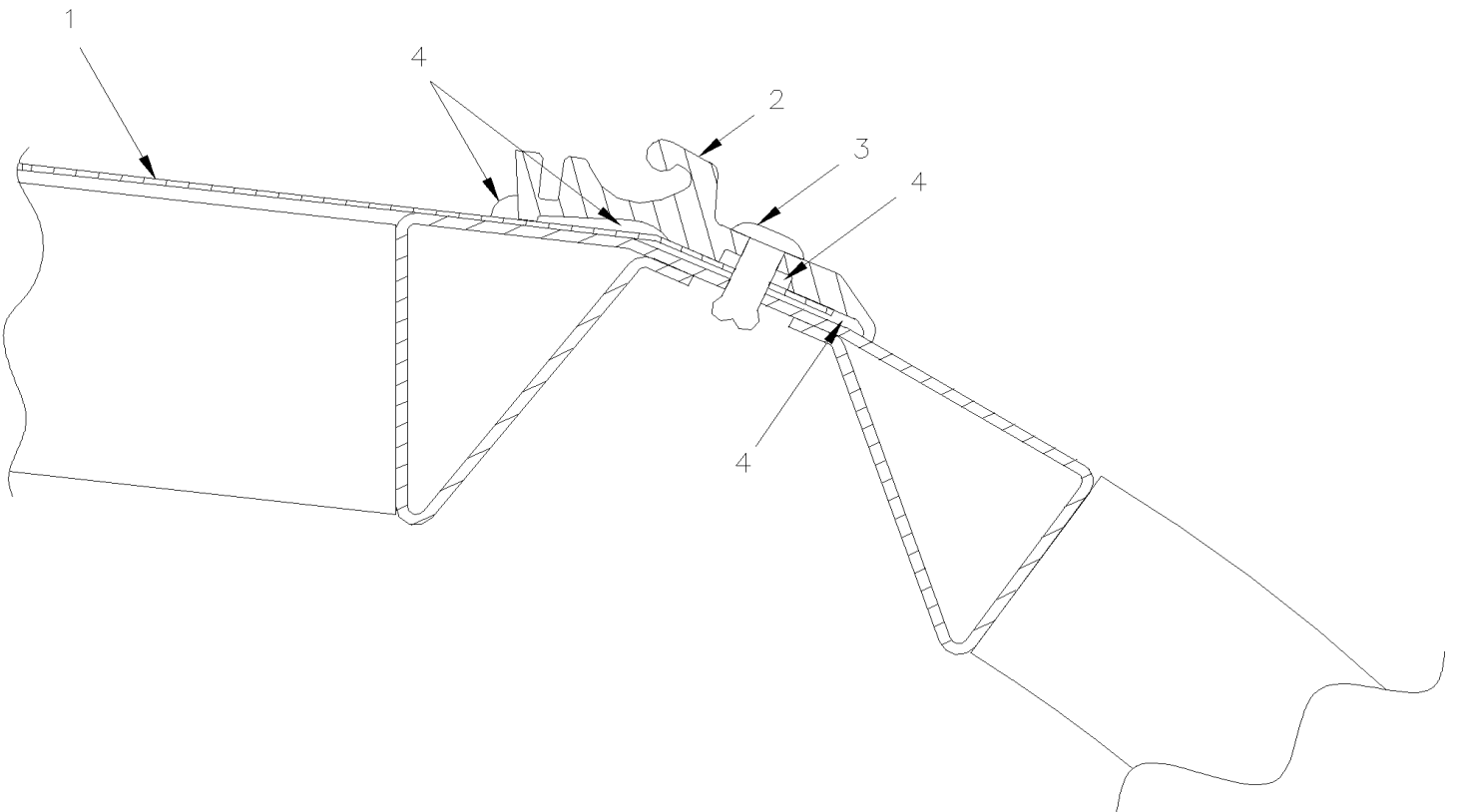
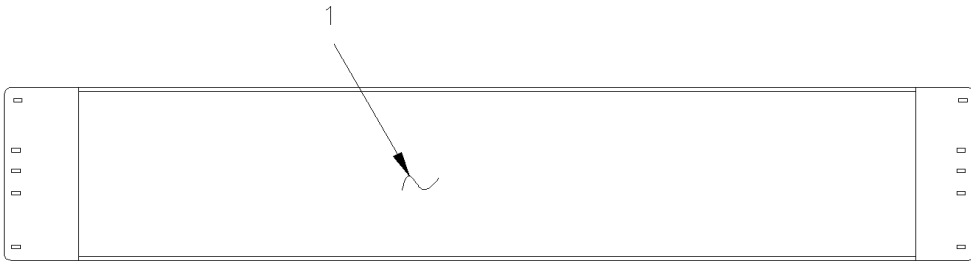
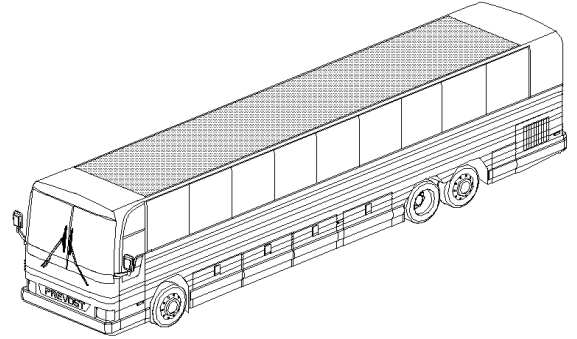
| Item# | Part | Description | X L I I 4 5 | X L I I M T H 4 0 | X L I I M T H 4 5 | X L I I M T H 4 5 E | N O T E S |
|-------|-------------------|---|----------------------------|---|---|--|-----------------------|
| 23 | 683916 | PRIMER SIKA #215 / CLEAR / 1000ml | AR | AR | AR | AR | |
| 23 | 683097 | CLEANER SIKA #205 / CLEAR / 1000ml | AR | AR | AR | AR | |
| 30 | Y2-1839-70 | INSULATING REAR END INSIDE OVER ENGINE | | | | | |
| | | | | | | | |
| | | | | | | | |
| | | A) MTH 45E WITH FLAT SIDE PANELING | | | | | |

From Y-7046 To 8-9339

Date:10/2022

PAGE:Y2-1852-00

ROOF PANEL

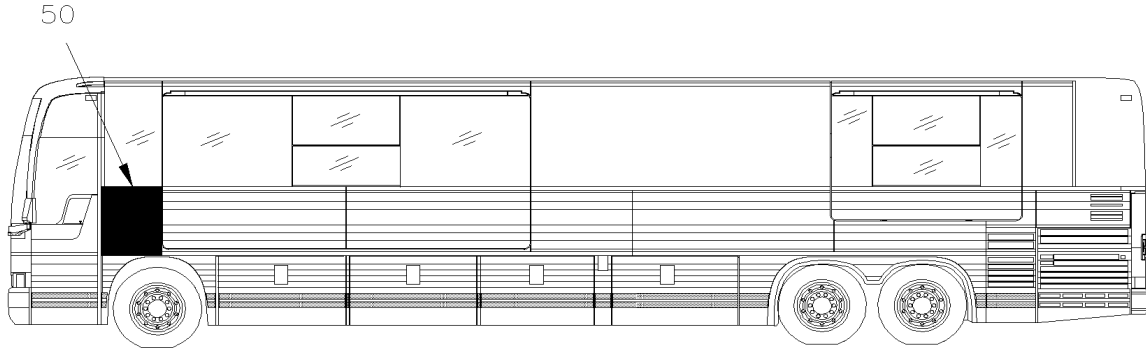


| | | |
|-----------------------|--------------|-----------------|
| From Y-7046 To 8-9339 | Date:10/2022 | PAGE:Y2-1852-00 |
|-----------------------|--------------|-----------------|

ROOF PANEL

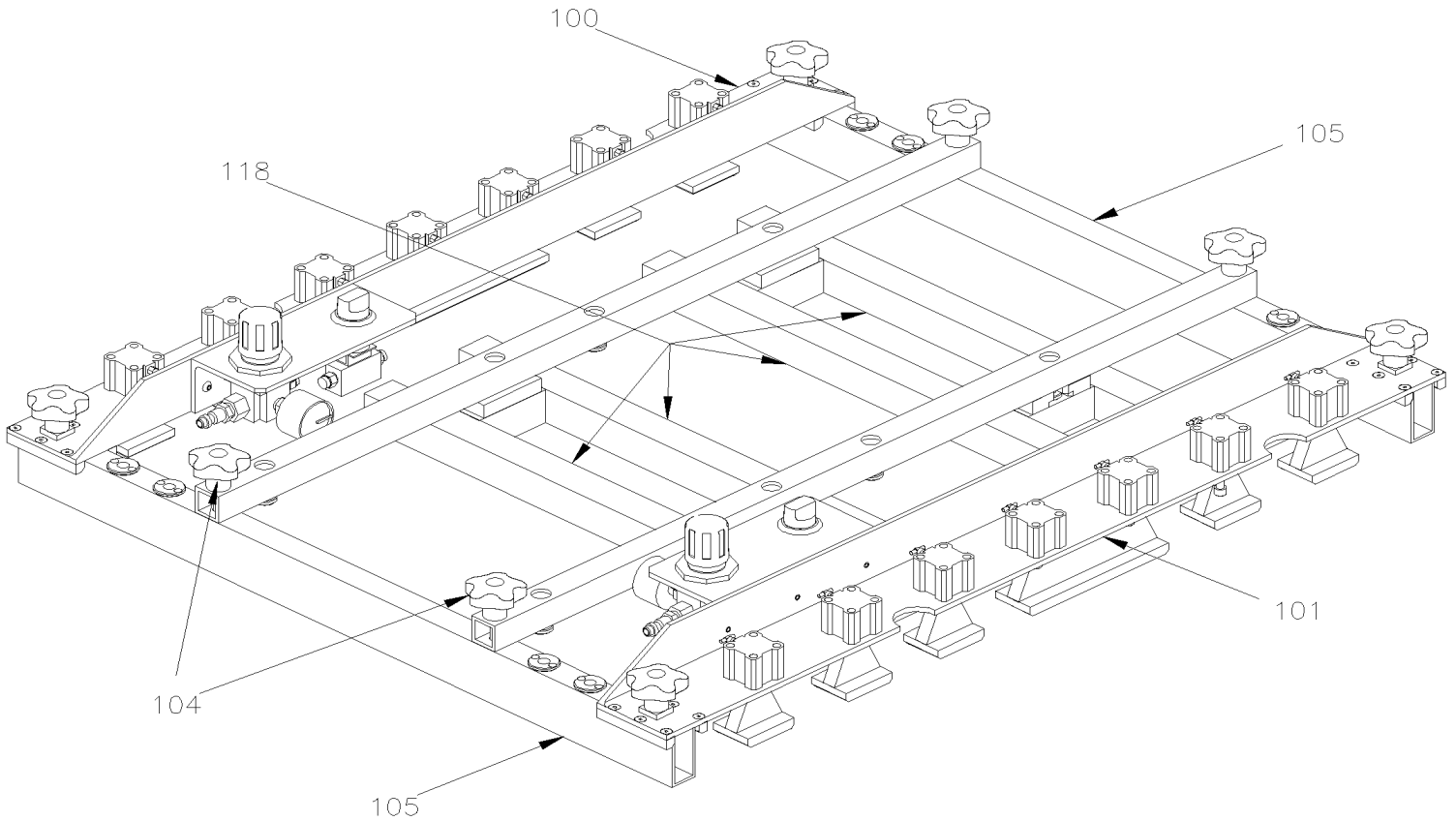
| Item# | Part | Description | X L I I 4 5 | X L I I M T H 4 0 | X L I I M T H 4 5 | X L I I M T H 4 5 E | N O T E S |
|-------|---------|--|----------------------------|---|---|--|-----------------------|
| 1 | 970268 | ALUMINUM SHEET 3003 WHITE 18GAX82 1/4" To Y-7194 | 165 | 165 | 165 | 165 | |
| 1 | 970274 | ALUMINUM SHEET 3003 WHITE 18GAX82 1/4" From Y-7195 | 165 | 165 | 165 | 165 | |
| 2 | 293182 | EXTRUSION, ALUMINUM 5220MM (205.5") | | 4 | | | |
| 2 | 293181 | EXTRUSION, ALUMINUM 5870MM (231.1") | 4 | | 4 | 4 | |
| 3 | 504546 | RIVET CHY MONOLOK PRDG 1/4x5/8 ZP | AR | AR | AR | AR | |
| 3 | 504545 | RIVET CHY MONOLOK PRDG 1/4x3/8 ZP | 50 | 50 | 50 | 50 | A |
| 4 | 680532 | SEALANT SIKA #221 / GREY / 310ml CARTRIDGE | AR | AR | AR | AR | |
| 4 | 682462 | ADHESIVE SIKA #252 / BLACK / 310ml CARTRIDGE | AR | AR | AR | AR | |
| 5 | 474057P | KIT, ROOF PANELING XL SERIES | 1 | 1 | 1 | 1 | |
| | | | | | | | |
| | | | | | | | |
| | | | | | | | |
| | | A) EACH END | | | | | |

| | | |
|---------------------------------------|--------------|-----------------|
| From Y-7046 To 8-9339 | Date:10/2022 | PAGE:Y2-1853-50 |
| JIG TOOL - SIDE PANELING INSTALLATION | | |



MTH. 45' WITH "SLIDE-OUT"

| | |
|---------|--|
| KIT # 1 | TO FIX THIS PANEL YOU REQUIRE ALL ITEMS SHOWN ON THIS PAGE |
|---------|--|

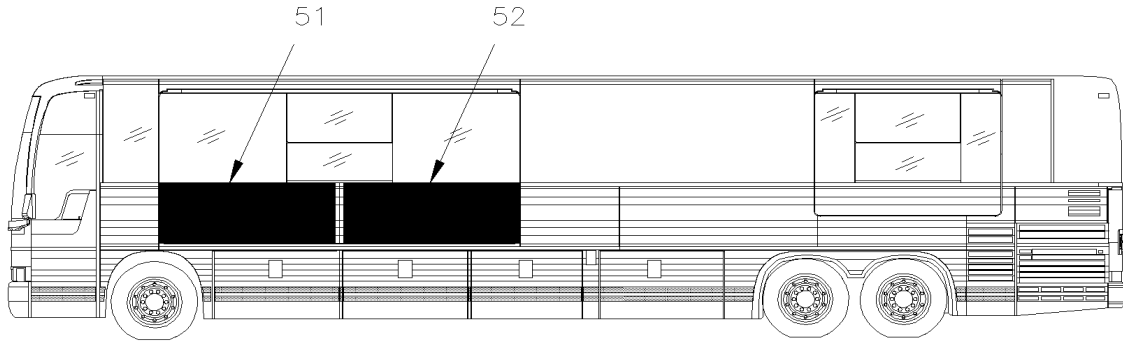


From Y-7046 To 8-9339

Date:10/2022

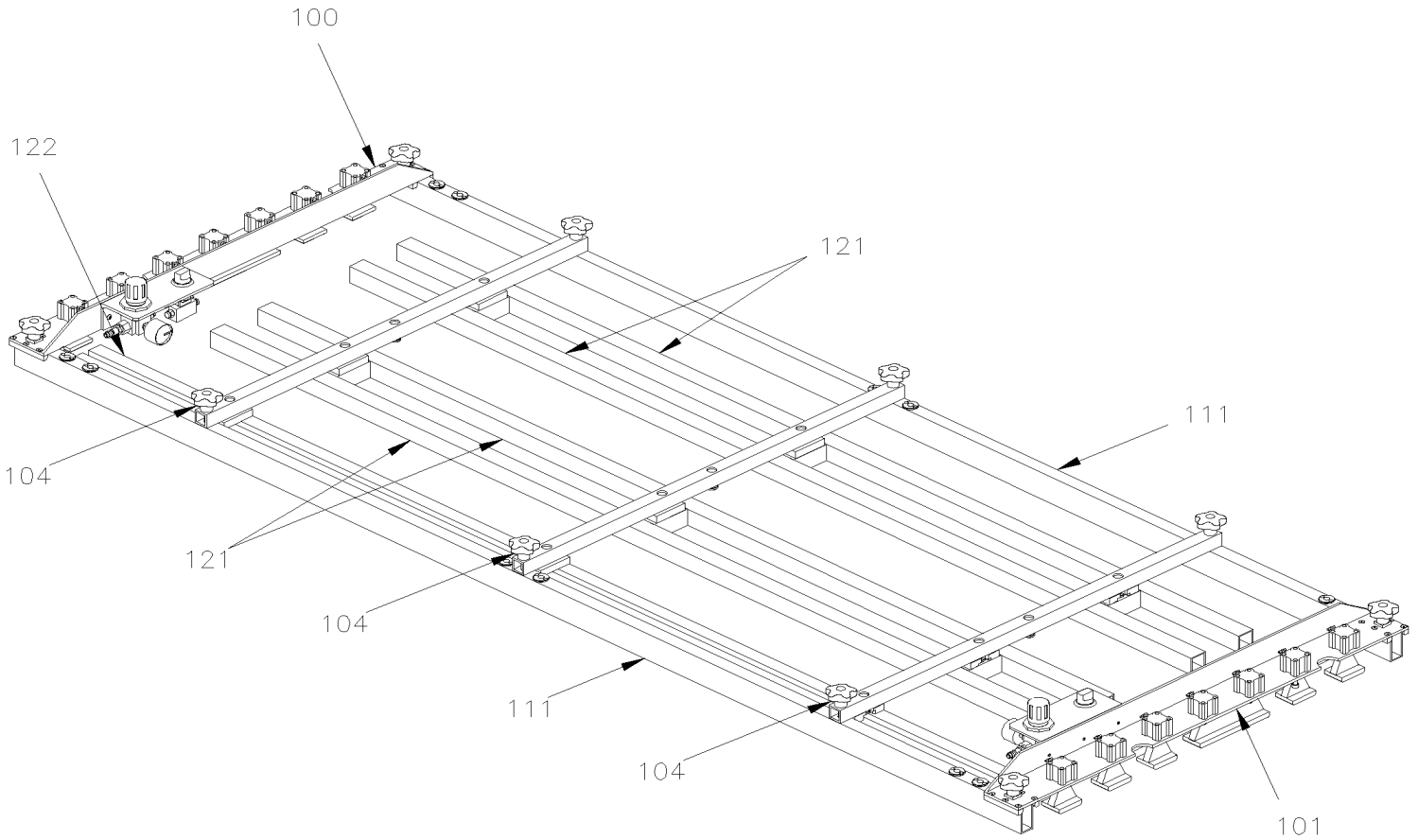
PAGE:Y2-1853-50

JIG TOOL - SIDE PANELING INSTALLATION



MTH. 45' WITH "SLIDE-OUT"

| | |
|---------|---|
| KIT # 2 | TO FIX THIS PANEL YOUR REQUIRE ALL ITEMS SHOWN ON THIS PAGE |
|---------|---|

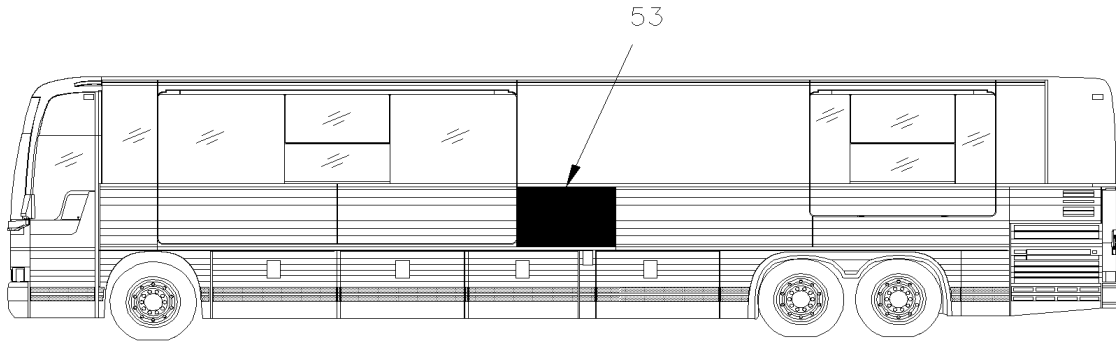


From Y-7046 To 8-9339

Date:10/2022

PAGE:Y2-1853-50

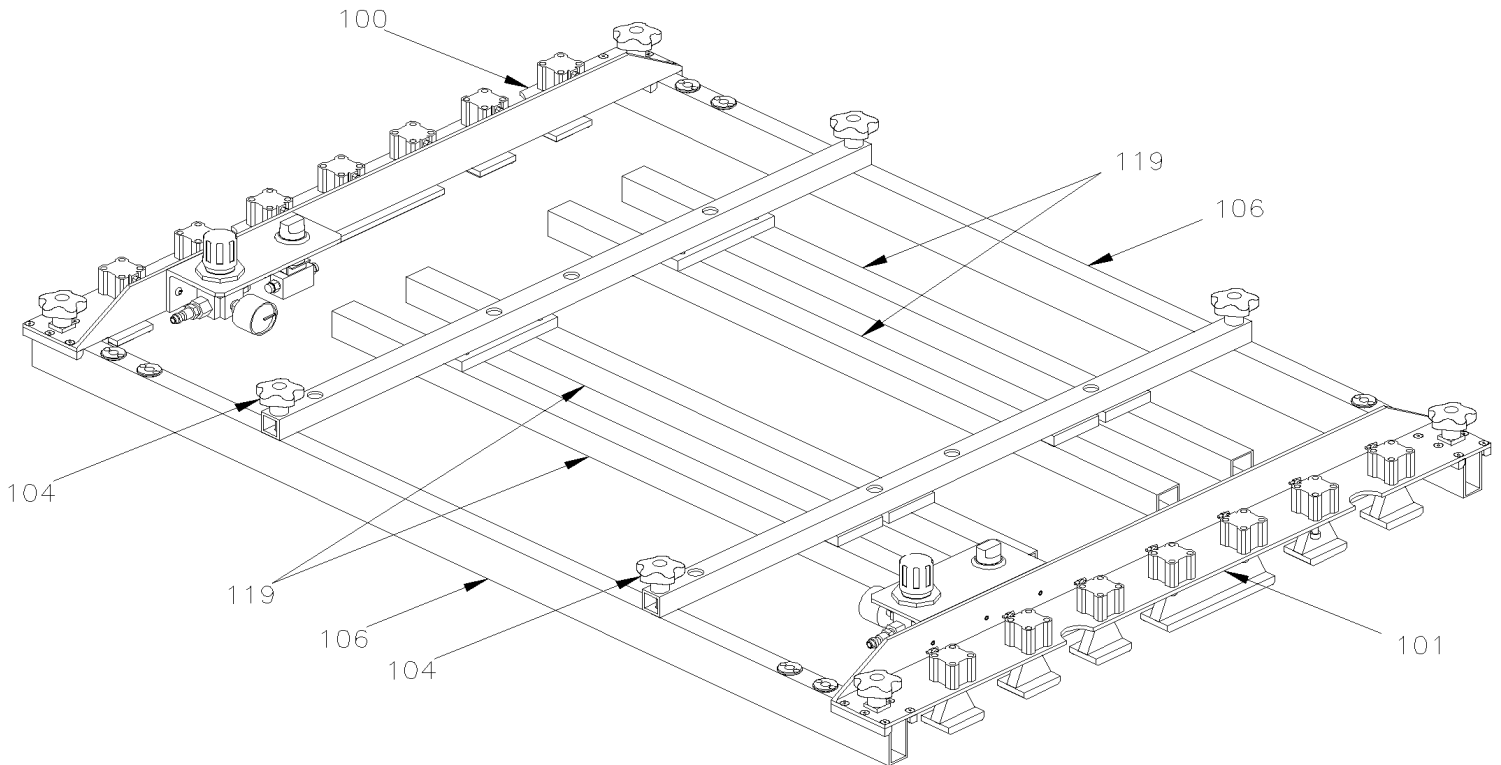
JIG TOOL - SIDE PANELING INSTALLATION



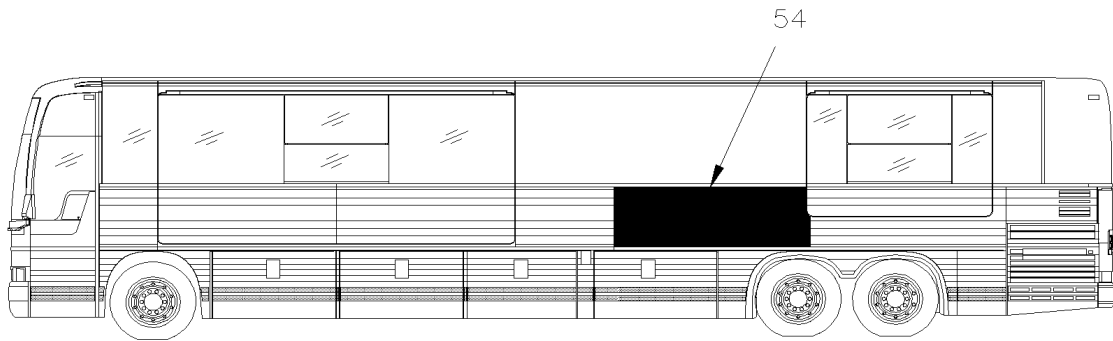
MTH. 45' WITH "SLIDE-OUT"

KIT # 3

TO FIX THIS PANEL YOUR REQUIRE ALL
ITEMS SHOWN ON THIS PAGE

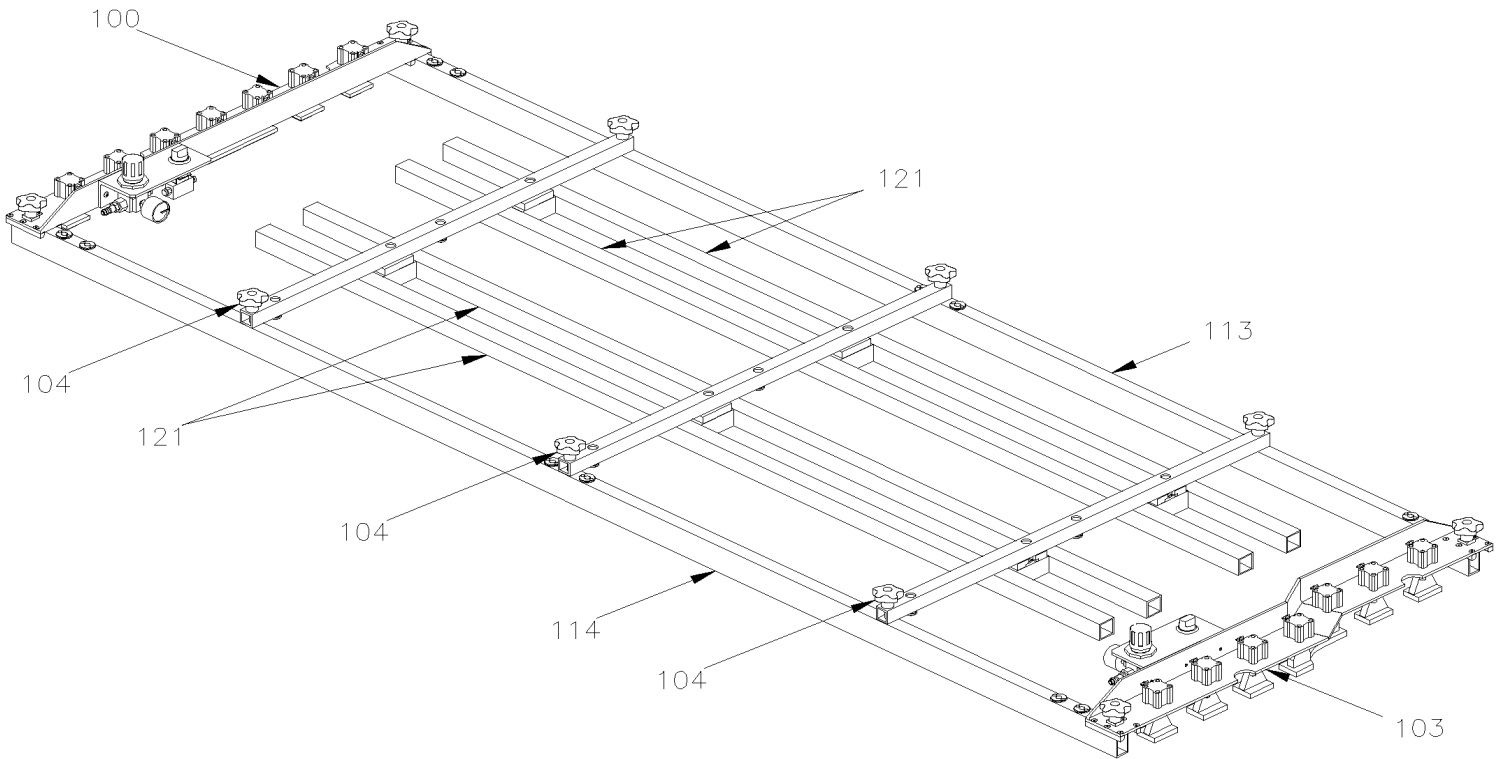


| | | |
|---------------------------------------|--------------|-----------------|
| From Y-7046 To 8-9339 | Date:10/2022 | PAGE:Y2-1853-50 |
| JIG TOOL - SIDE PANELING INSTALLATION | | |



MTH. 45' WITH "SLIDE-OUT"

| | |
|---------|--|
| KIT # 4 | TO FIX THIS PANEL YOU REQUIRE ALL ITEMS SHOWN ON THIS PAGE |
|---------|--|

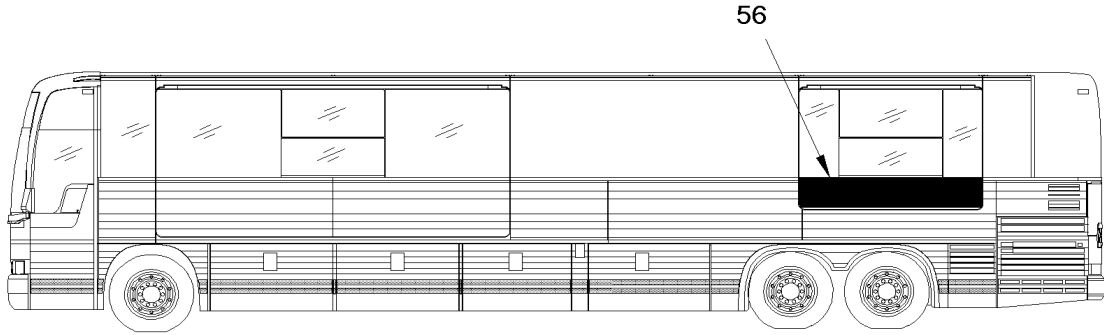


From Y-7046 To 8-9339

Date:10/2022

PAGE:Y2-1853-50

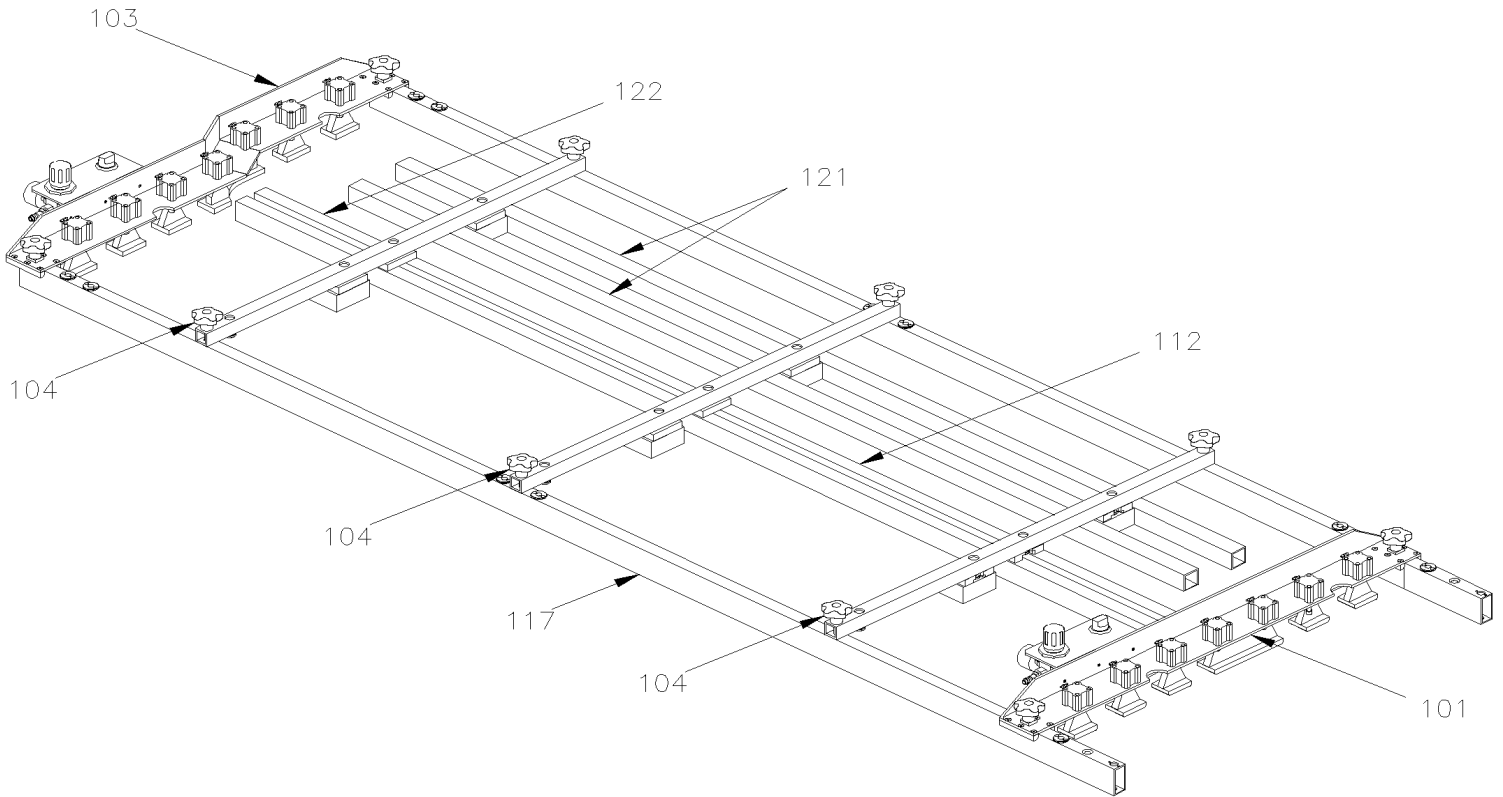
JIG TOOL - SIDE PANELING INSTALLATION



MTH. 45' WITH "SLIDE-OUT"
UP TO 3-8164

KIT # 5

TO FIX THIS PANEL YOUR REQUIRE ALL
ITEMS SHOWN ON THIS PAGE

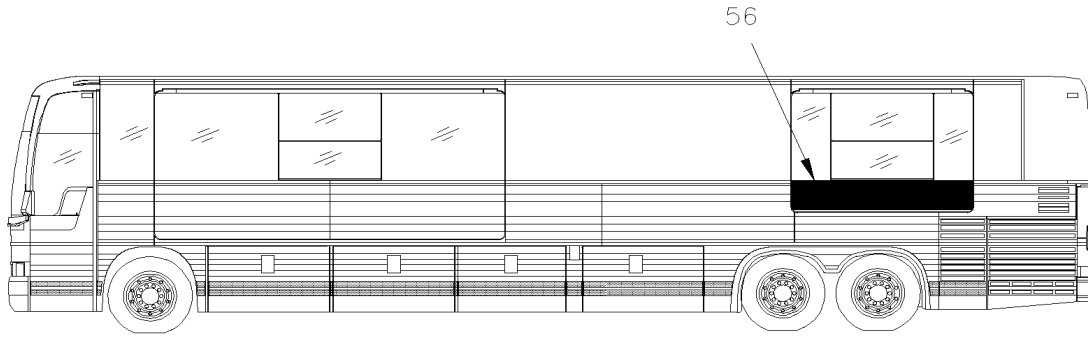


From Y-7046 To 8-9339

Date:10/2022

PAGE:Y2-1853-50

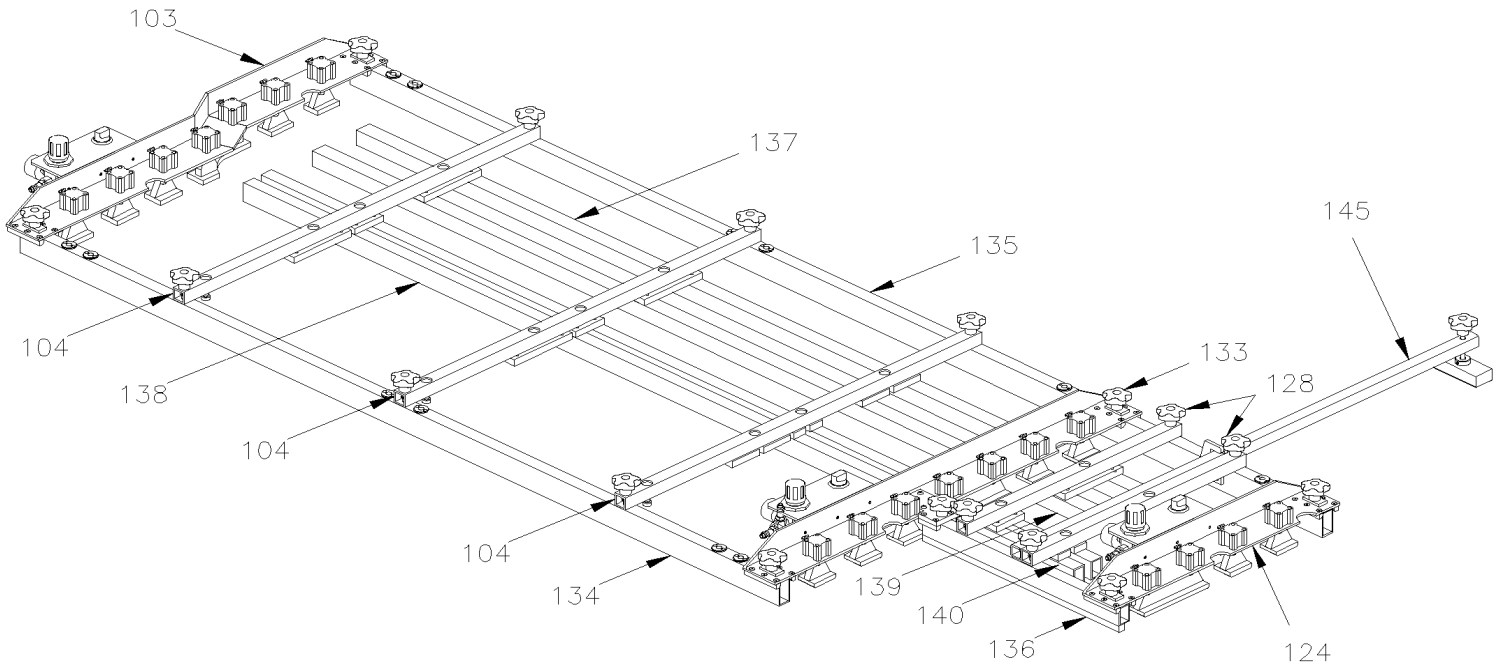
JIG TOOL - SIDE PANELING INSTALLATION



MTH. 45' WITH "SLIDE-OUT"
FROM 4-8165

KIT # 6

TO FIX THIS PANEL YOU REQUIRE ALL
ITEMS SHOWN ON THIS PAGE

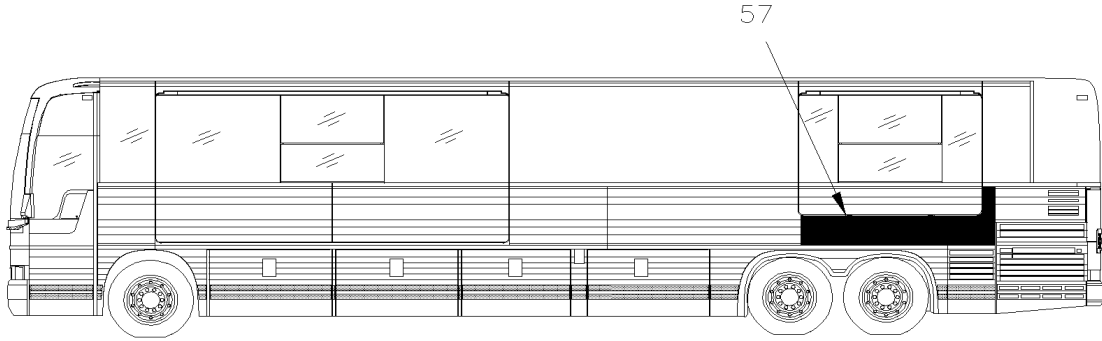


From Y-7046 To 8-9339

Date:10/2022

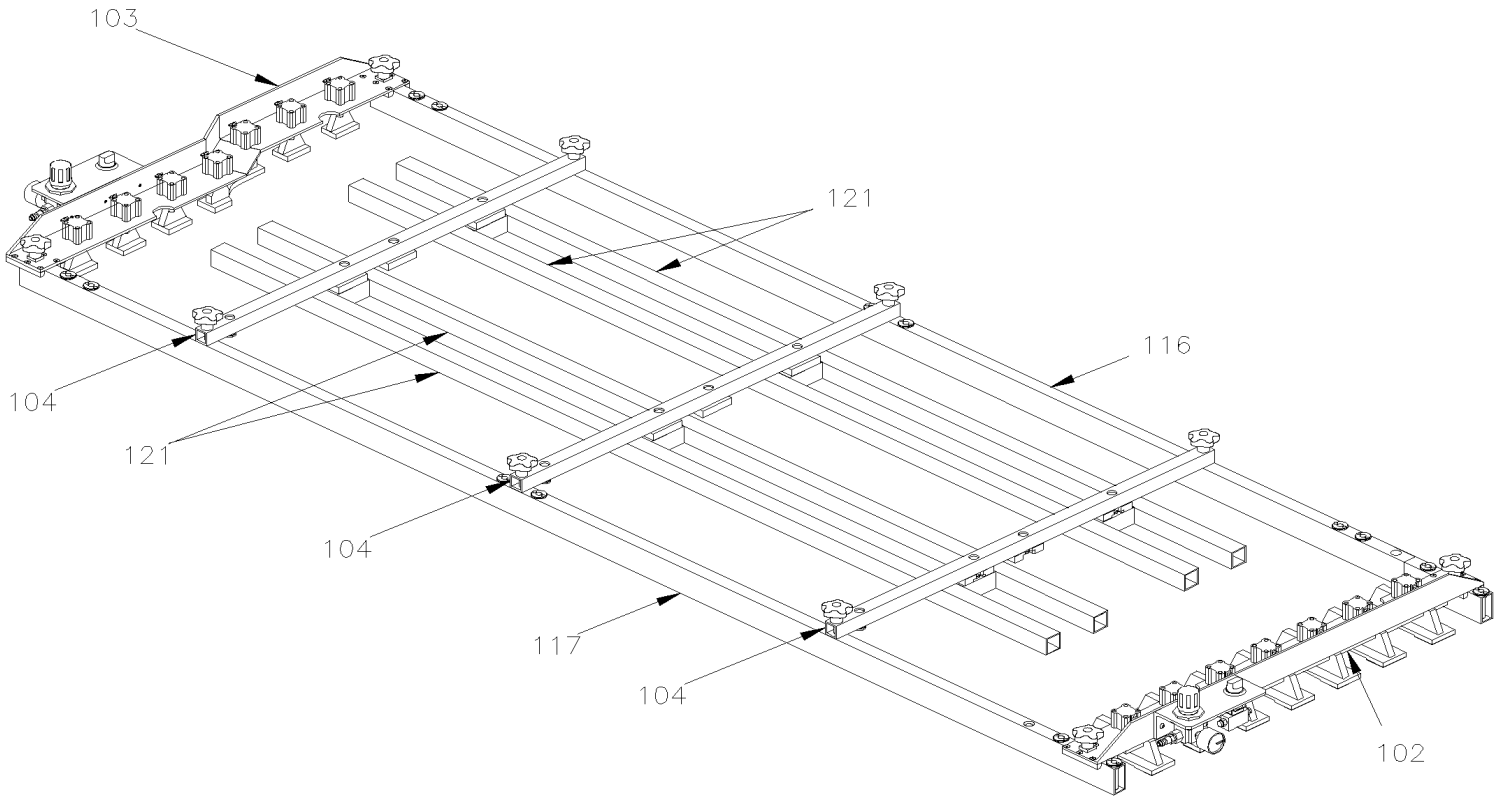
PAGE:Y2-1853-50

JIG TOOL - SIDE PANELING INSTALLATION



MTH. 45' WITH "SLIDE-OUT"
UP TO 3-8164

| | |
|---------|--|
| KIT # 7 | TO FIX THIS PANEL YOUR REQUIRE ALL ITEMS SHOWN ON THIS PAGE |
|---------|--|

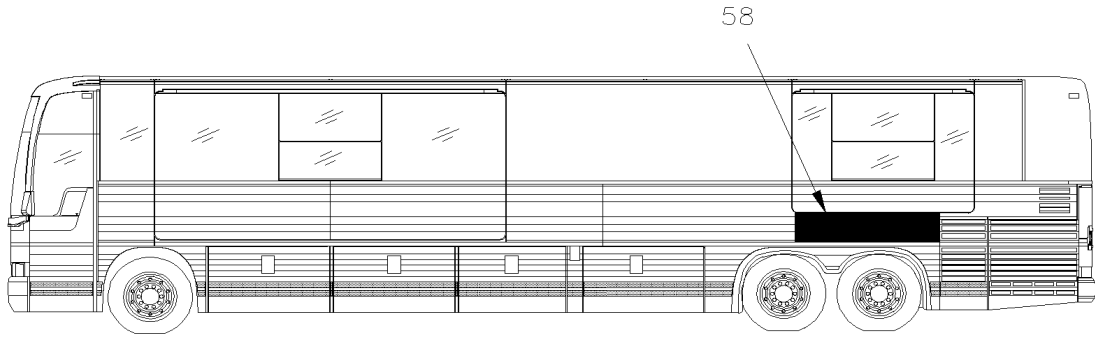


From Y-7046 To 8-9339

Date:10/2022

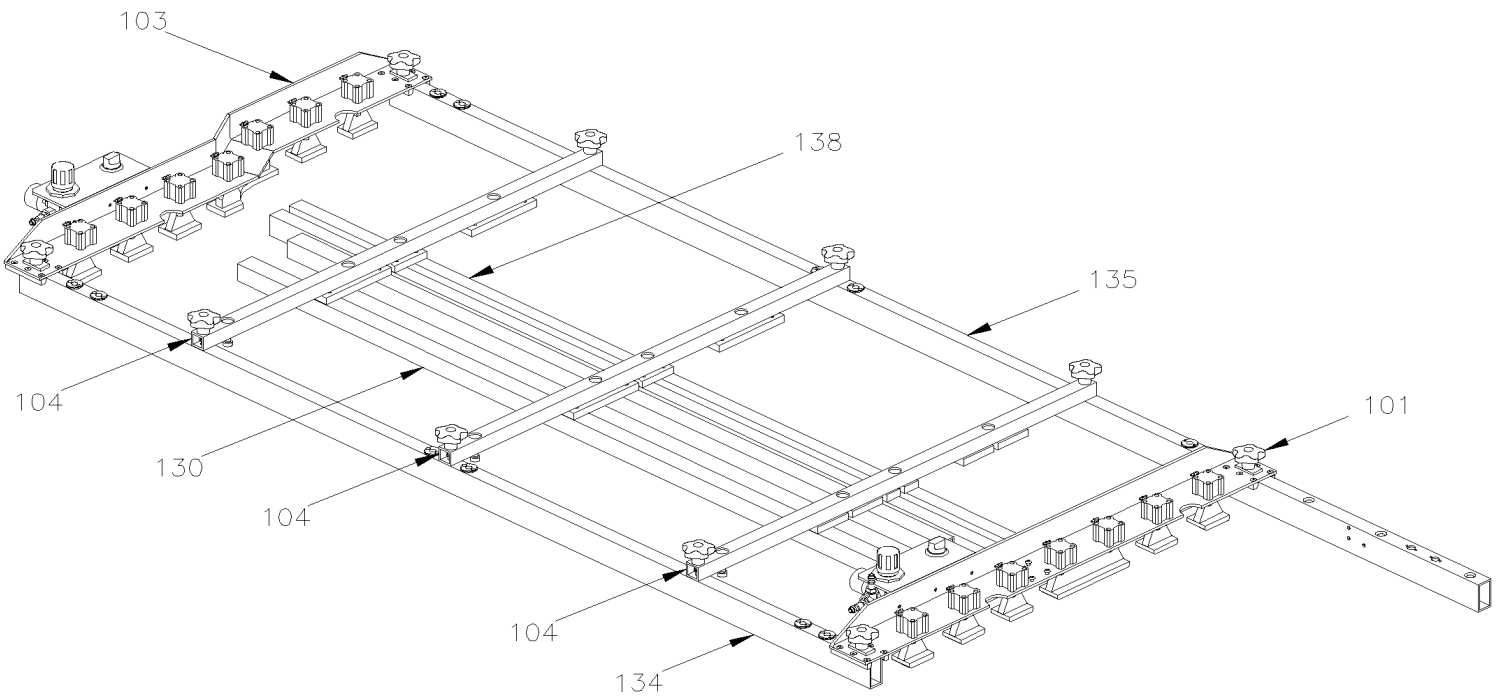
PAGE:Y2-1853-50

JIG TOOL - SIDE PANELING INSTALLATION

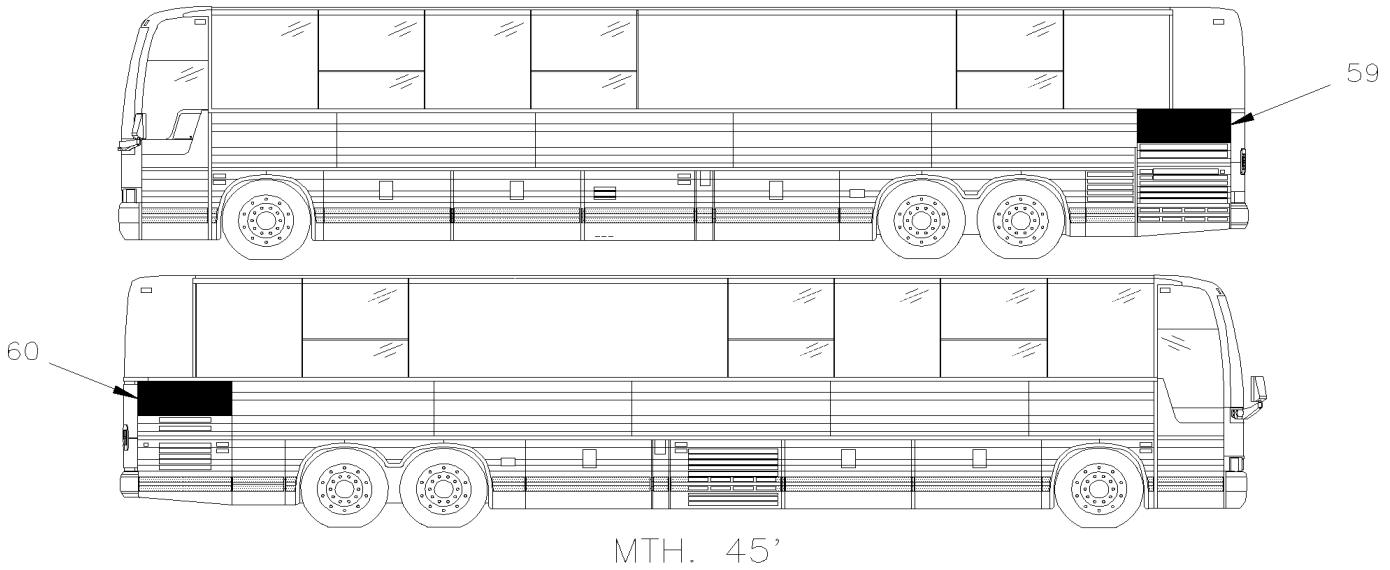


MTH. 45' WITH "SLIDE-OUT"
FROM 4-8165

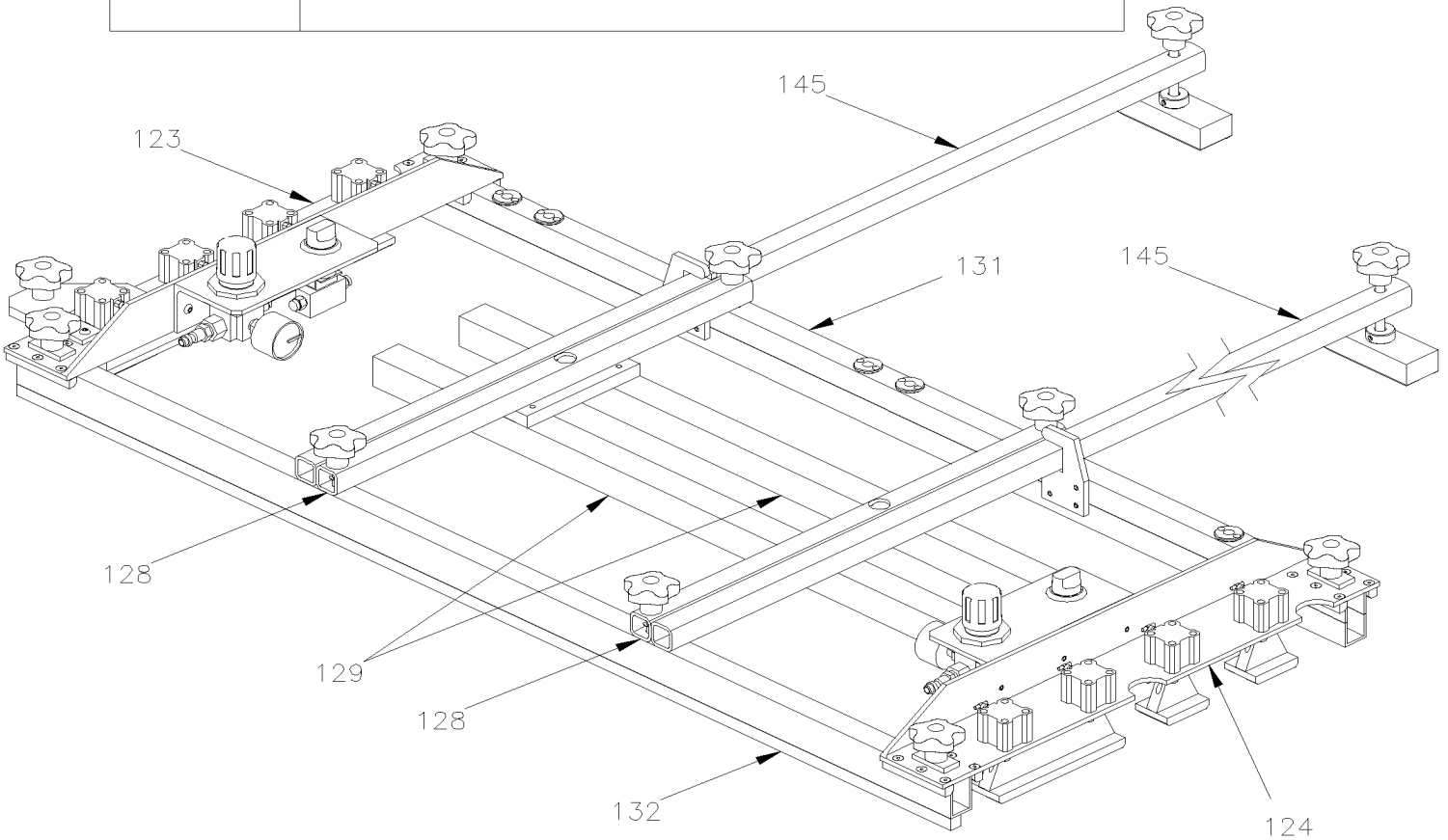
| | |
|---------|--|
| KIT # 8 | TO FIX THIS PANEL YOUR REQUIRE ALL ITEMS SHOWN ON THIS PAGE |
|---------|--|



| | | |
|---------------------------------------|--------------|-----------------|
| From Y-7046 To 8-9339 | Date:10/2022 | PAGE:Y2-1853-50 |
| JIG TOOL - SIDE PANELING INSTALLATION | | |



| | |
|---------|---|
| KIT # 9 | TO FIX THIS PANEL YOUR REQUIRE ALL ITEMS SHOWN ON THIS PAGE |
|---------|---|

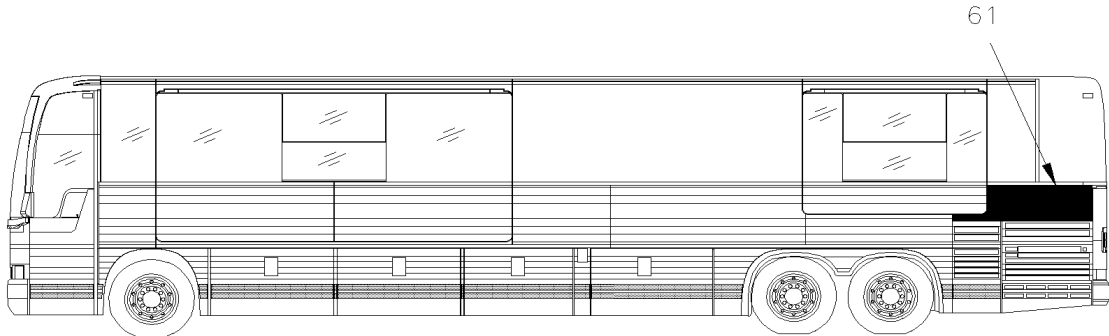


From Y-7046 To 8-9339

Date:10/2022

PAGE:Y2-1853-50

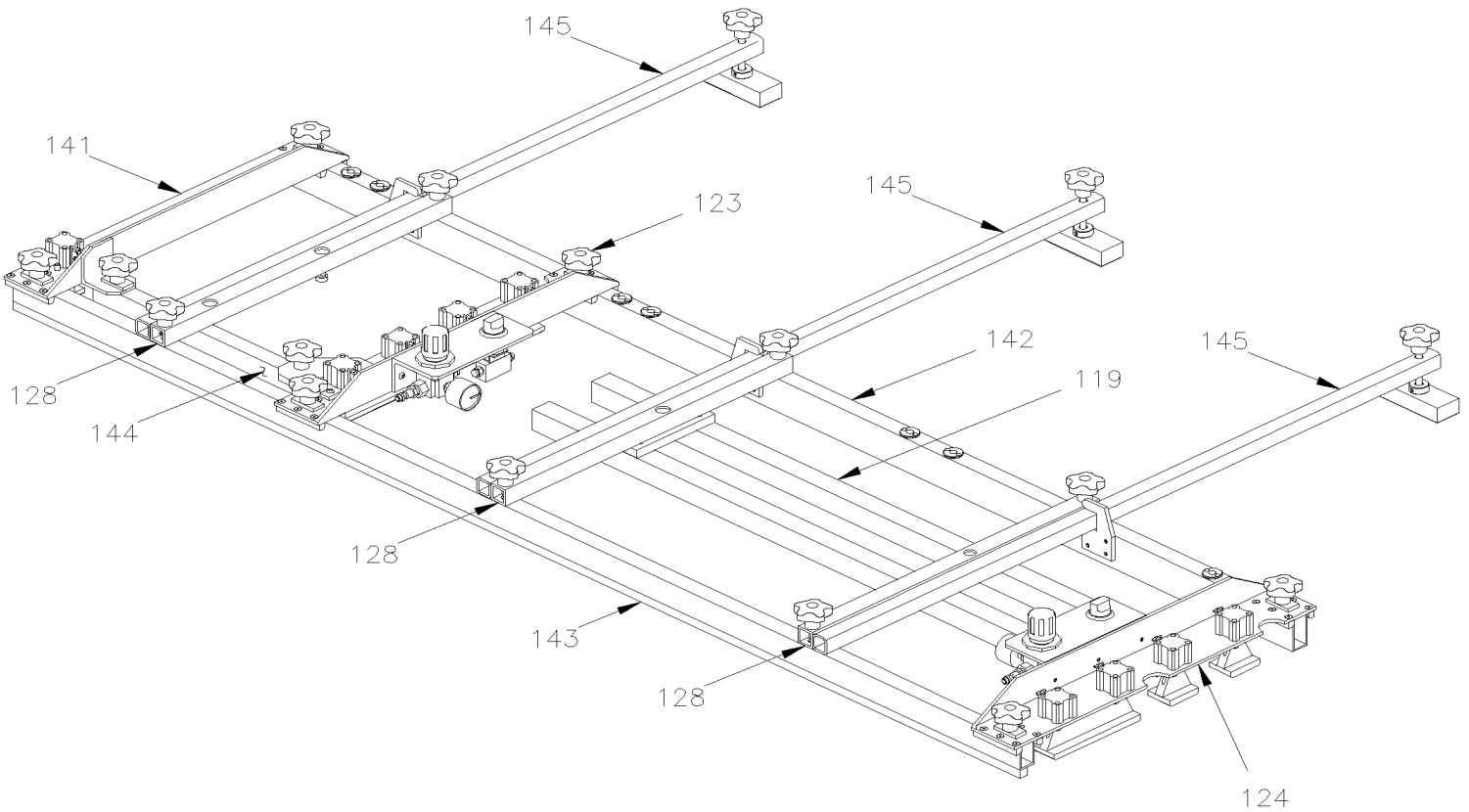
JIG TOOL - SIDE PANELING INSTALLATION



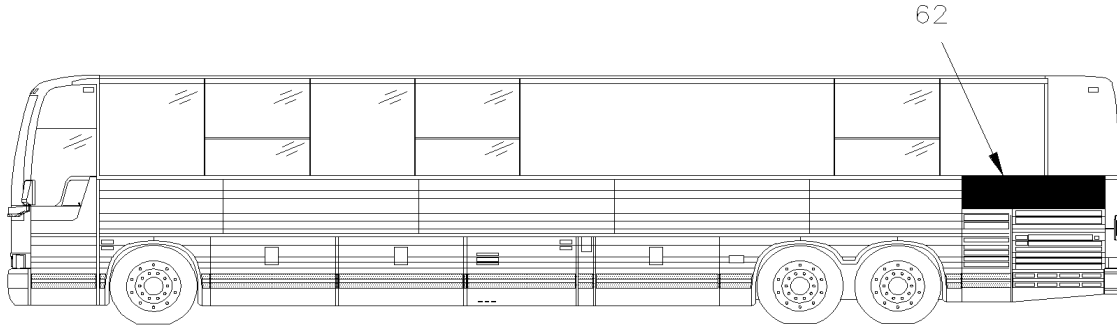
MTH. 45' WITH "SLIDE-OUT"
FROM 4-8165

KIT # 10

TO FIX THIS PANEL YOUR REQUIRE ALL
ITEMS SHOWN ON THIS PAGE

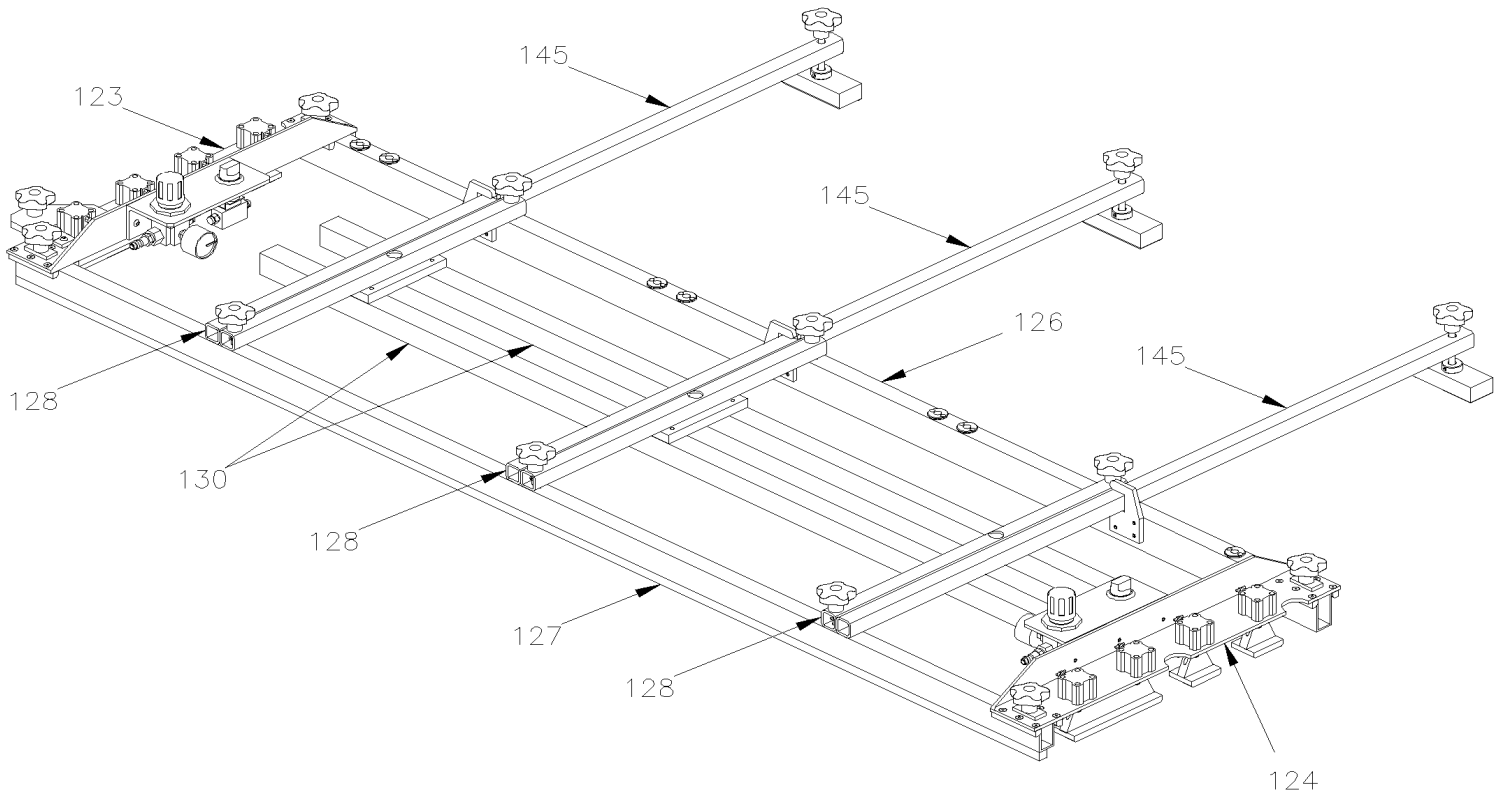


| | | |
|---------------------------------------|--------------|-----------------|
| From Y-7046 To 8-9339 | Date:10/2022 | PAGE:Y2-1853-50 |
| JIG TOOL - SIDE PANELING INSTALLATION | | |

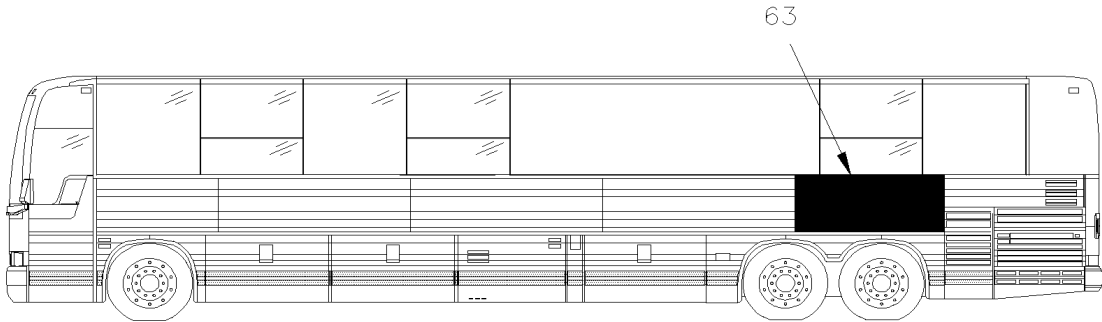


MTH. 45'
FROM 4-8165

| | |
|----------|--|
| KIT # 11 | TO FIX THIS PANEL YOUR REQUIRE ALL ITEMS SHOWN ON THIS PAGE |
|----------|--|

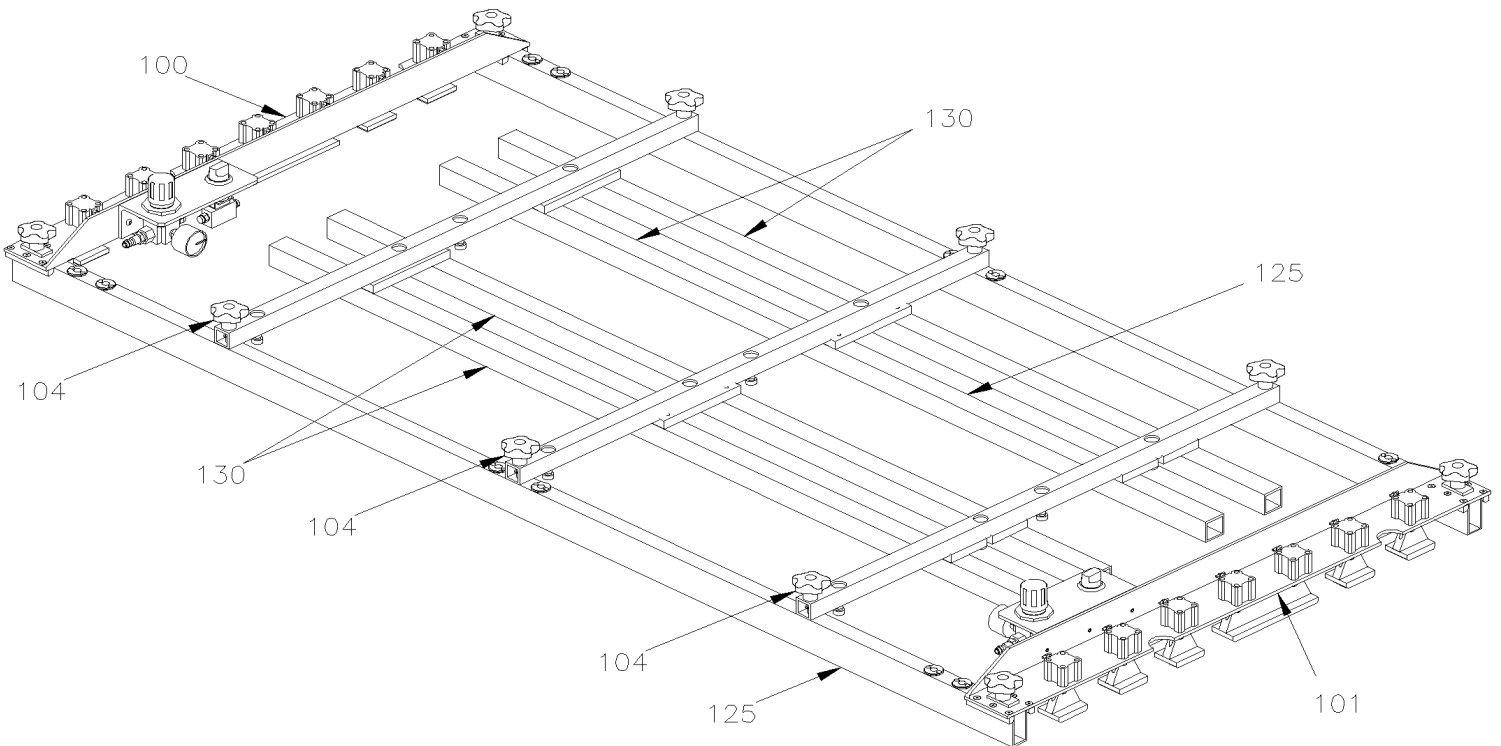


| | | |
|---------------------------------------|--------------|-----------------|
| From Y-7046 To 8-9339 | Date:10/2022 | PAGE:Y2-1853-50 |
| JIG TOOL - SIDE PANELING INSTALLATION | | |



MTH. 45'
FROM 4-8165

| | |
|----------|--|
| KIT # 12 | TO FIX THIS PANEL YOU REQUIRE ALL ITEMS SHOWN ON THIS PAGE |
|----------|--|

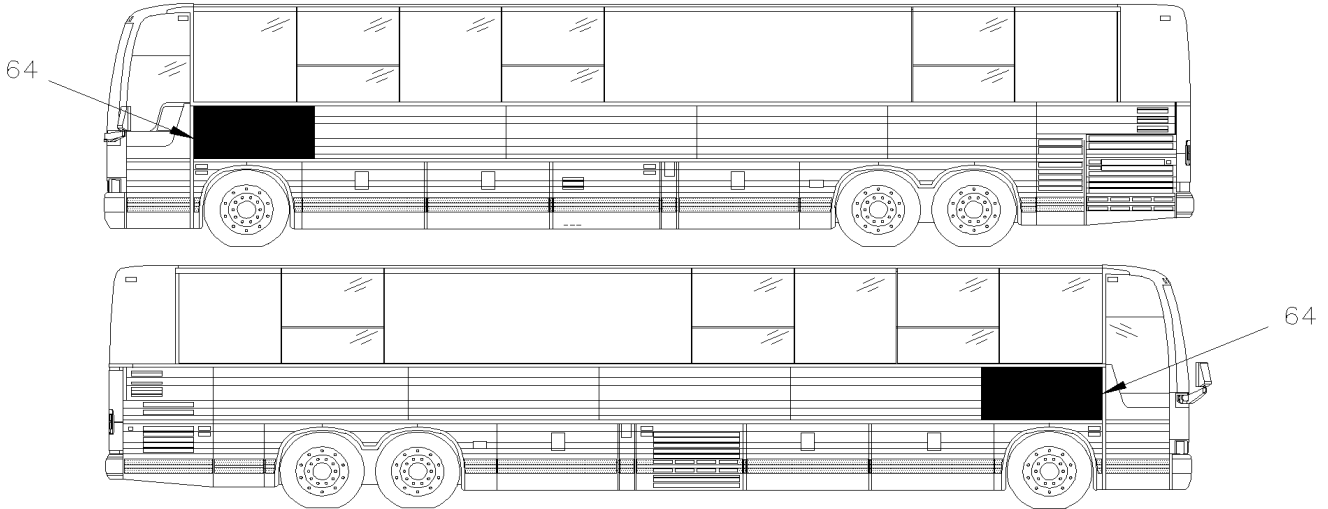


From Y-7046 To 8-9339

Date:10/2022

PAGE:Y2-1853-50

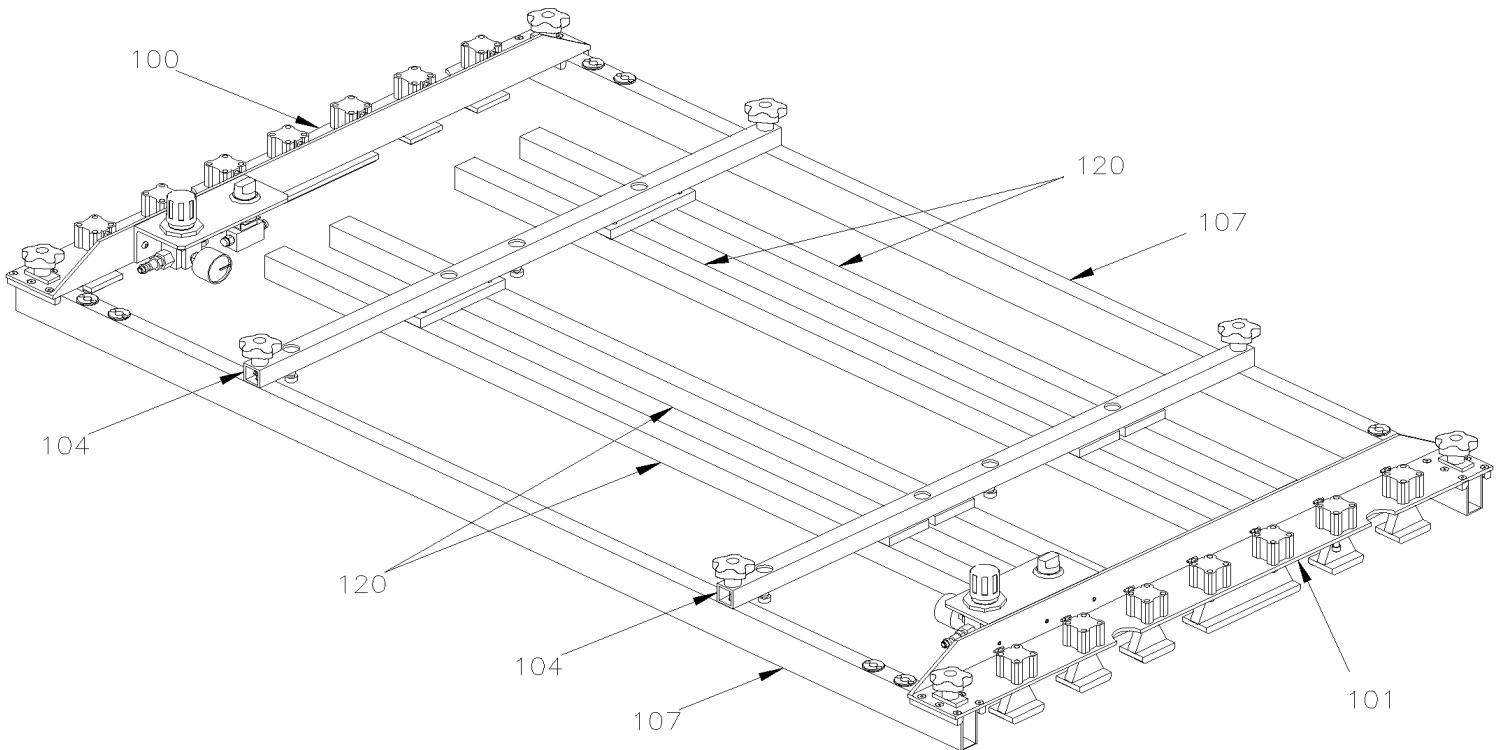
JIG TOOL - SIDE PANELING INSTALLATION



MTH. 45' & MTH 45' ENT WITH "OPTION"

KIT # 13

TO FIX THIS PANEL YOUR REQUIRE ALL
ITEMS SHOWN ON THIS PAGE

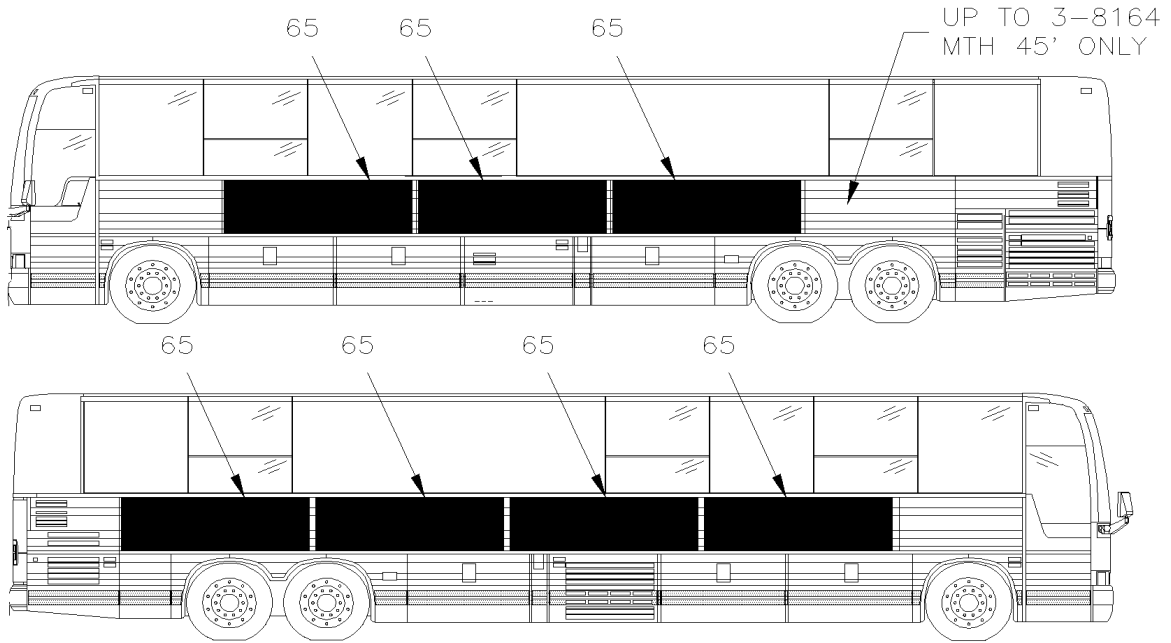


From Y-7046 To 8-9339

Date:10/2022

PAGE:Y2-1853-50

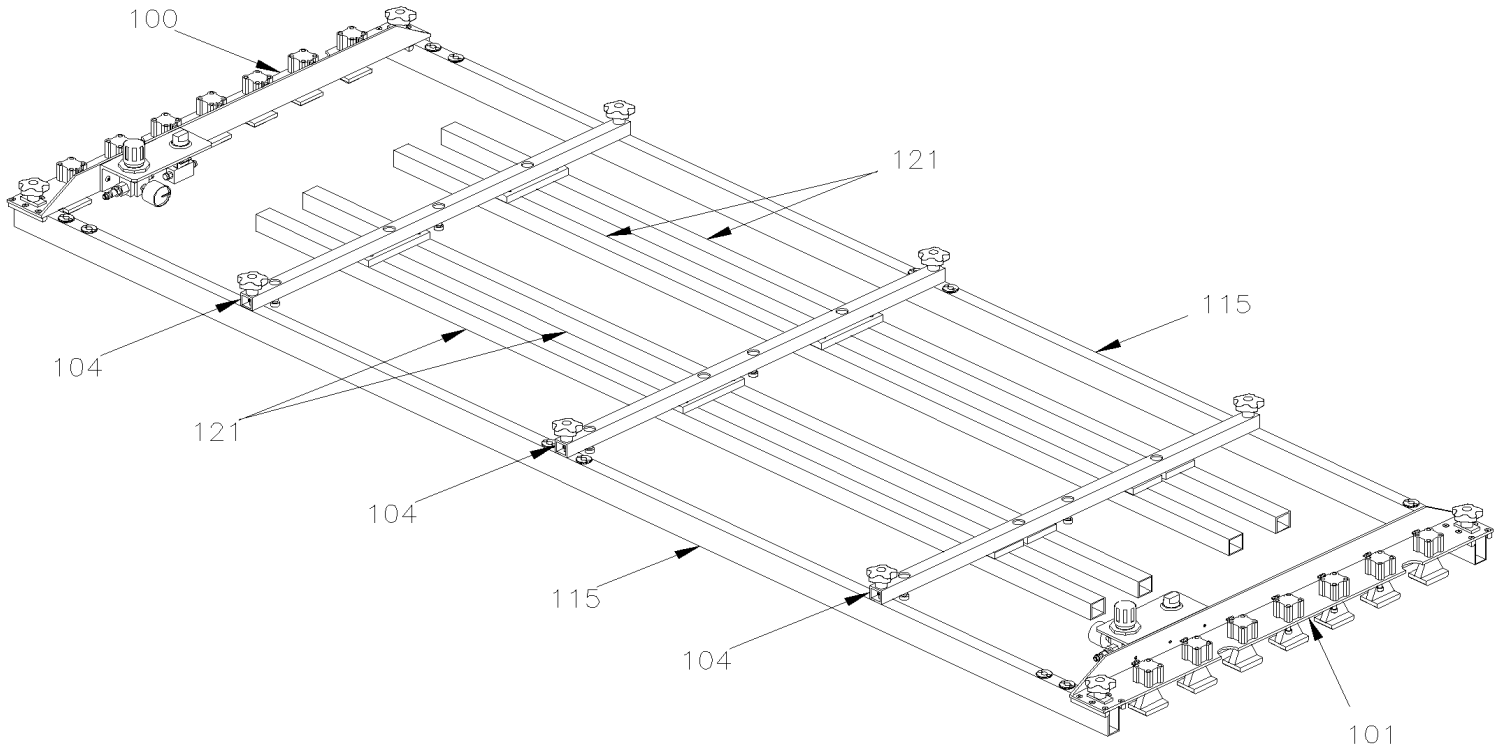
JIG TOOL - SIDE PANELING INSTALLATION



MTH. 40' & MTH 45' ENT

KIT # 14

TO FIX THIS PANEL YOU REQUIRE ALL
ITEMS SHOWN ON THIS PAGE

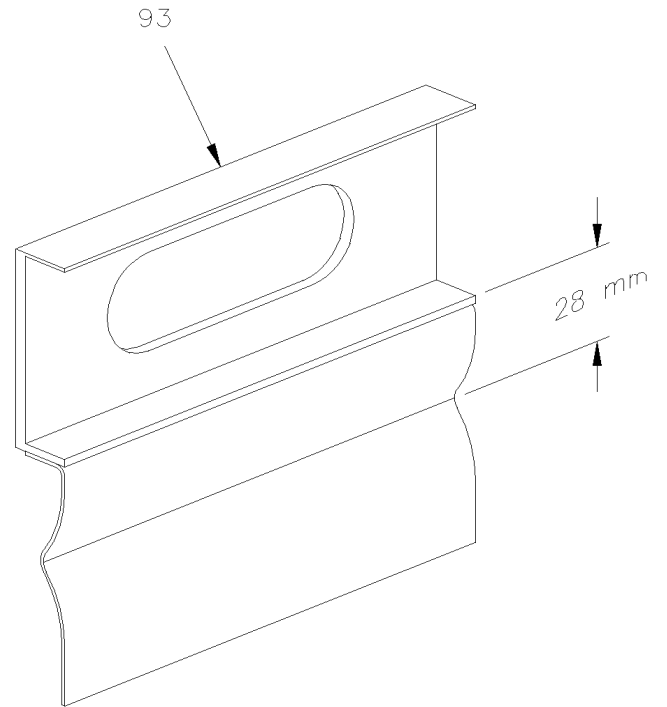
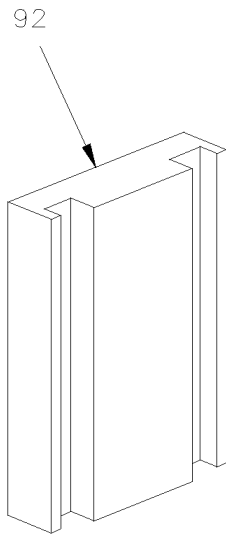
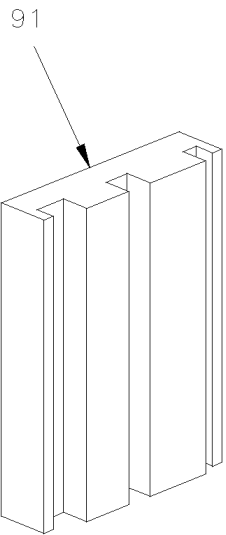
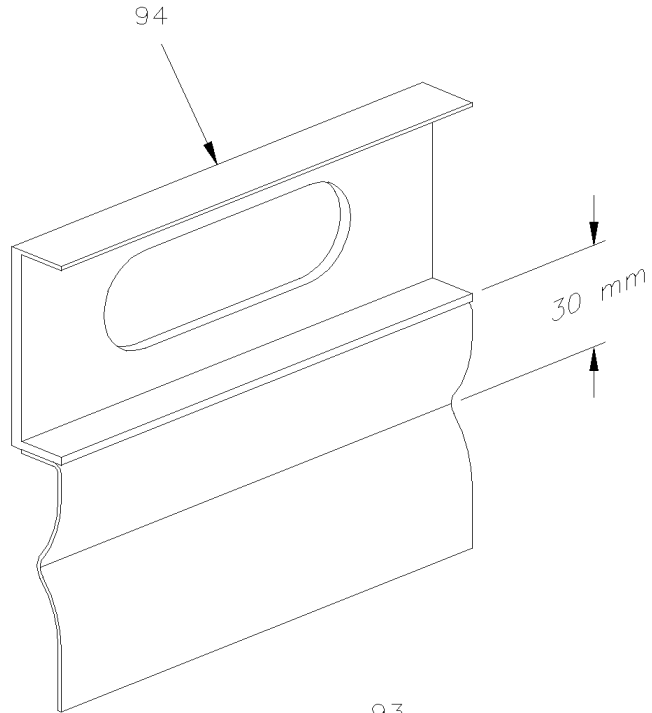
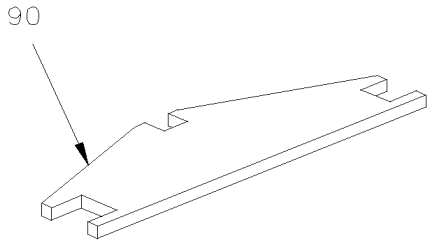


From Y-7046 To 8-9339

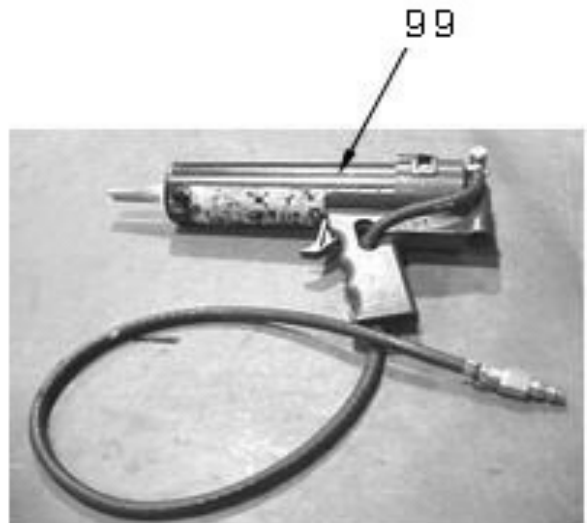
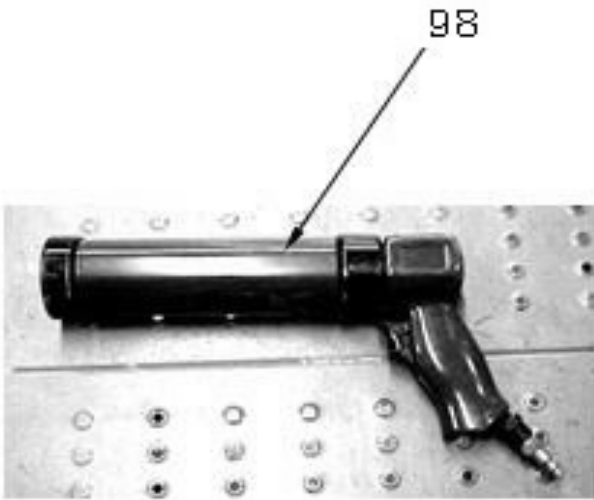
Date:10/2022

PAGE:Y2-1853-50

JIG TOOL - SIDE PANELING INSTALLATION



| | | |
|---------------------------------------|--------------|-----------------|
| From Y-7046 To 8-9339 | Date:10/2022 | PAGE:Y2-1853-50 |
| JIG TOOL - SIDE PANELING INSTALLATION | | |

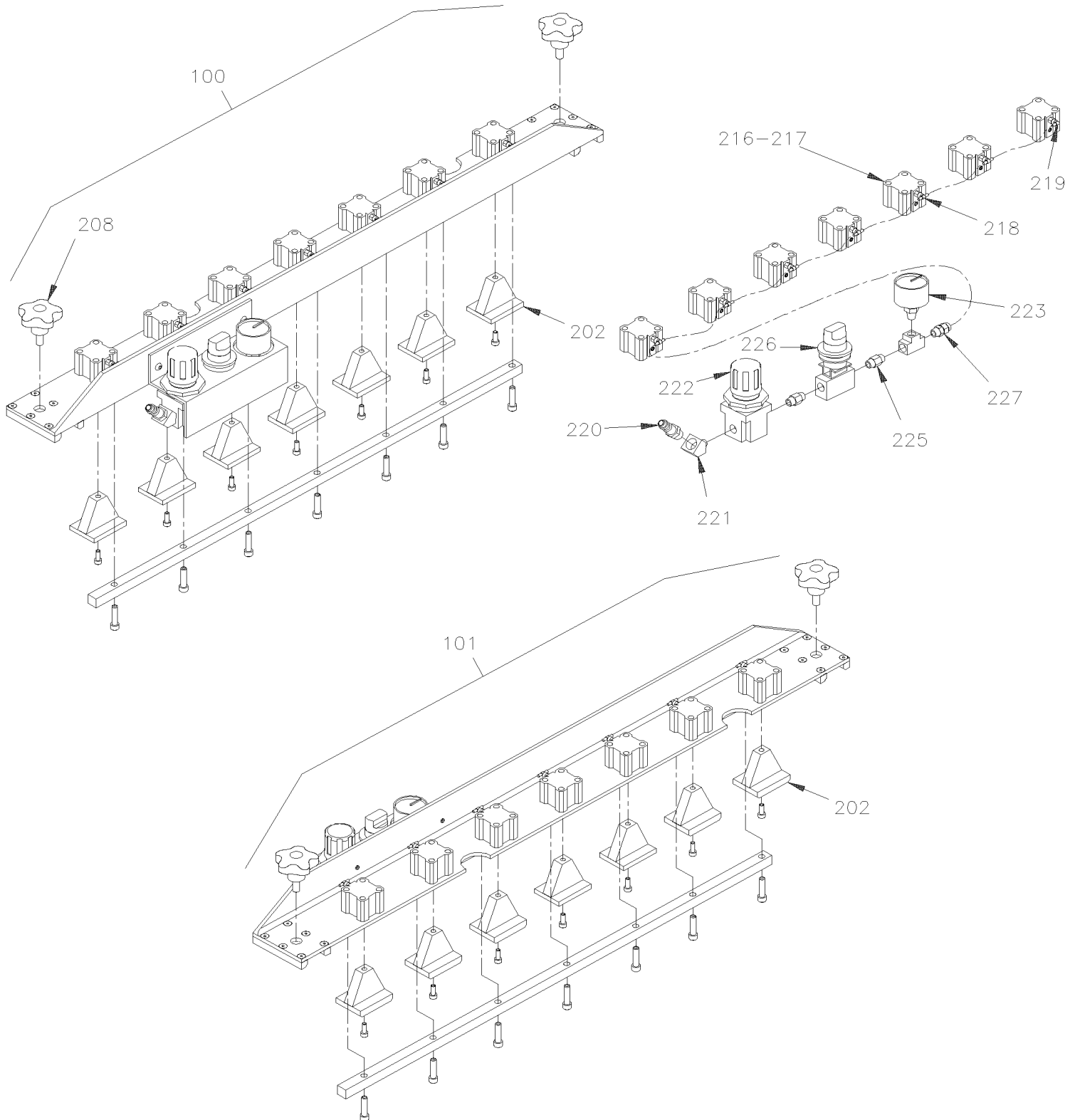


From Y-7046 To 8-9339

Date:10/2022

PAGE:Y2-1853-50

JIG TOOL - SIDE PANELING INSTALLATION

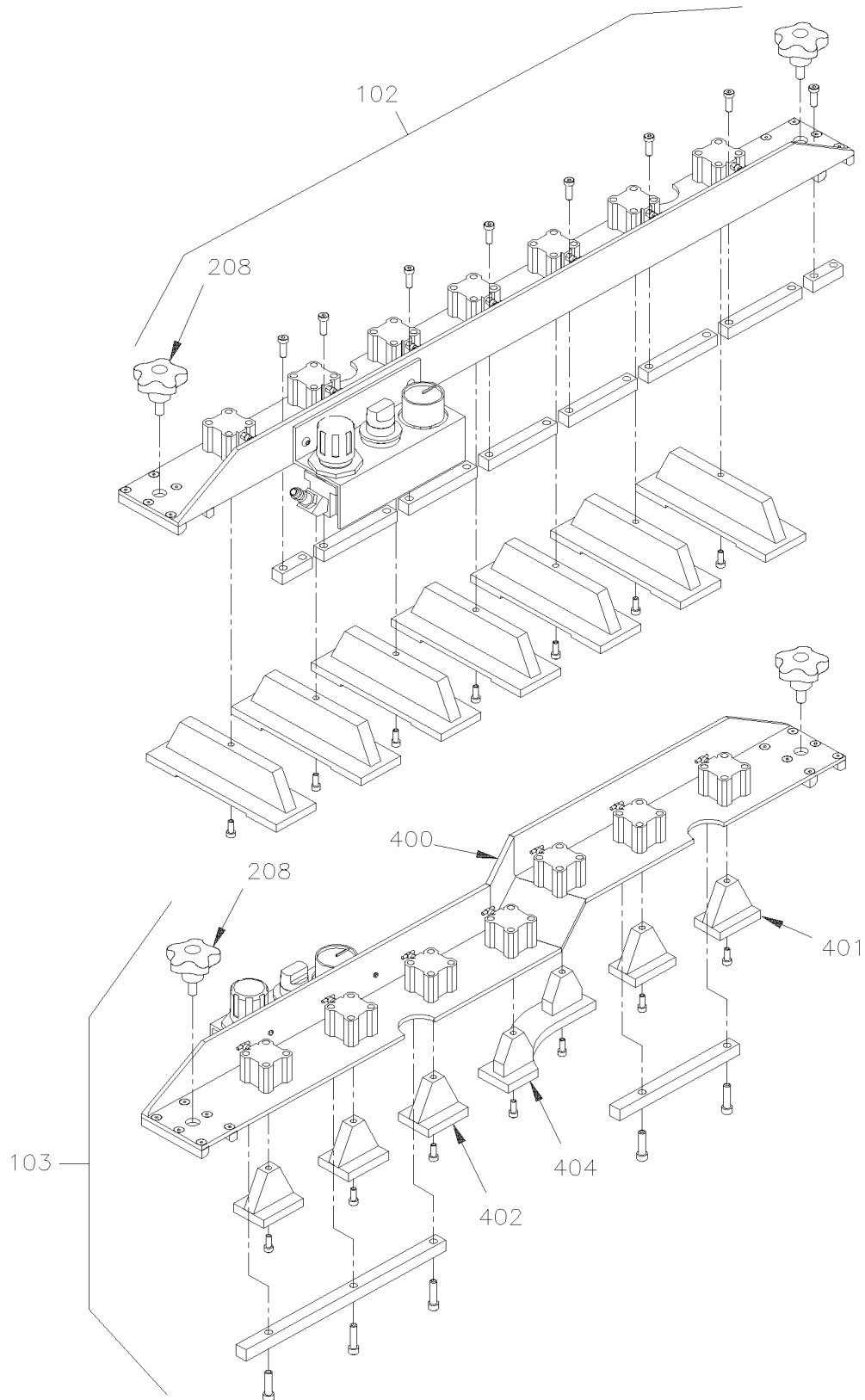


From Y-7046 To 8-9339

Date:10/2022

PAGE:Y2-1853-50

JIG TOOL - SIDE PANELING INSTALLATION

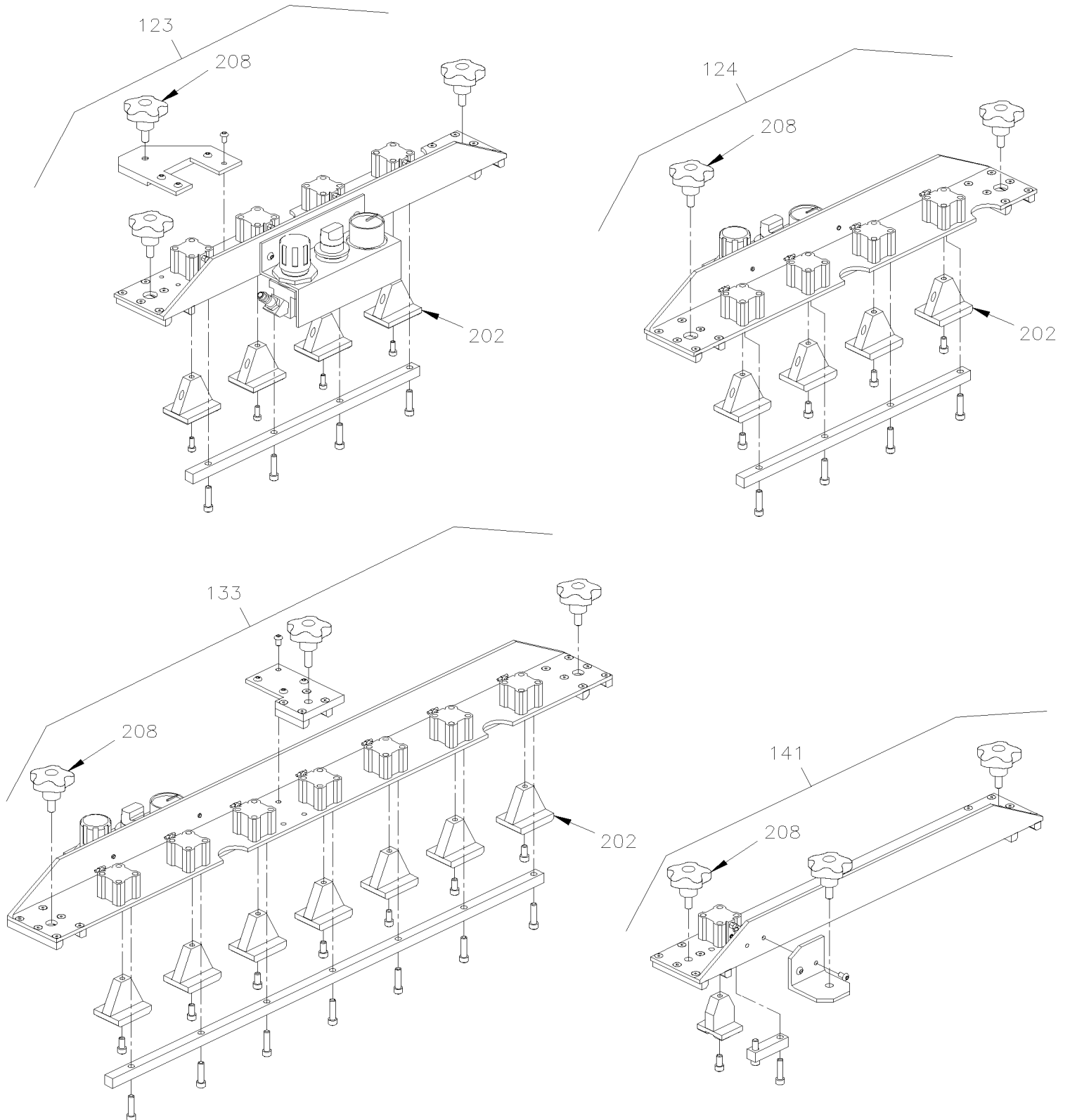


From Y-7046 To 8-9339

Date:10/2022

PAGE:Y2-1853-50

JIG TOOL - SIDE PANELING INSTALLATION



| | | |
|--|--------------|-----------------|
| From Y-7046 To 8-9339 | Date:10/2022 | PAGE:Y2-1853-50 |
| JIG TOOL - SIDE PANELING INSTALLATION | | |

| Item# | Part | Description | X L I I 4 5 | X L I I M T H 4 0 | X L I I M T H 4 5 | X L I I M T H 4 5 E | N O T E S |
|-------|--------|---|----------------------------|---|---|--|-----------------------|
| 1 | 684593 | KIT JIG ASM / 28 3/8" WIDE | | | 1 | | |
| 2 | 684623 | KIT JIG ASM / 87 5/16" WIDE | | | 1 | | |
| 3 | 684627 | KIT JIG ASM / 47 7/8" WIDE | | | 1 | | |
| 4 | 684631 | KIT JIG ASM / 94 & 95 5/8" WIDE | | | 1 | | |
| 5 | 684638 | KIT JIG ASM / 90 5/16" & 95 5/8" WIDE To 3-8164 | | | 1 | | |
| 6 | 684542 | KIT JIG ASM / 18 1/4 & 90 5/16" WIDE From 4-8165 | | | 1 | | |
| 7 | 684639 | KIT JIG ASM / 97 1/16" & 95 5/8" WIDE To 3-8164 | | | 1 | | |
| 8 | 684551 | KIT JIG ASM / 70 1/2 & 90 5/16" WIDE From 4-8165 | | | 1 | | |
| 9 | 684538 | KIT JIG ASM / 44 5/8" WIDE | | 1 | 1 | 1 | |
| 10 | 684553 | KIT JIG ASM / 69 3/4" (2) & 15 1/8" WIDE From 4-8165 | | | 1 | | |
| 11 | 684561 | KIT JIG ASM / 69 3/4" WIDE | | | 1 | | |
| 12 | 684559 | KIT JIG ASM / 70 1/2" WIDE From 4-8165 | | | 1 | | |
| 13 | 684539 | KIT JIG ASM / 59 5/16" WIDE | | | 1 | 1 | |
| 14 | 684534 | KIT JIG ASM / 95 5/8" WIDE | | 1 | 1 | 1 | |
| 50 | 690053 | PANEL SUB ASSY / FORWARD FRT/"SLIDE-OUT" / S.B. To 4-8247 | | | 1 | | |
| 50 | 476120 | PANEL SUB ASSY / FORWARD FRT/"SLIDE-OUT" / S.B. From 4-8248 To 5-8468 | | | 1 | | |
| 50 | 477592 | PANEL SUB ASSY / FORWARD FRT/"SLIDE-OUT" / B.A. From 5-8469 | | | 1 | | |
| 50 | 477593 | PANEL / FORWARD FRT/"SLIDE-OUT" / B.A. SERVICE From 5-8469 | | | | | |
| 51 | 690192 | PANEL SUB ASSY / FORWARD FRT/"SLIDE-OUT" / S.B. To 4-8247 | | | 1 | | |
| 51 | 476136 | PANEL SUB ASSY / FORWARD FRT/"SLIDE-OUT" / S.B. From 4-8248 To 5-8468 | | | 1 | | |
| 51 | 477598 | PANEL SUB ASSY / FORWARD FRT/"SLIDE-OUT" / B.A. From 5-8469 | | | 1 | | |
| 51 | 477599 | PANEL / FORWARD FRT/"SLIDE-OUT" / B.A. From 5-8469 | | | 1 | | |
| 52 | 690194 | PANEL SUB ASSY / BACKWARD FRT/"SLIDE-OUT" / S.B. To 4-8247 | | | 1 | | |
| 52 | 476137 | PANEL SUB ASSY / BACKWARD FRT/"SLIDE-OUT" / S.B. From 4-8248 To 5-8468 | | | 1 | | |
| 52 | 477600 | PANEL SUB ASSY / BACKWARD FRT/"SLIDE-OUT" / B.A. From 5-8469 | | | 1 | | |
| 52 | 477601 | PANEL / BACKWARD FRT/"SLIDE-OUT" / B.A. / SERVICE From 5-8469 | | | 1 | | |
| 53 | 690054 | PANEL SUB ASSY / BACKWARD FRT/"SLIDE-OUT" / 1215MM / S.B. To 4-8247 | | | 1 | | |
| 53 | 476116 | PANEL SUB ASSY / BACKWARD FRT/"SLIDE-OUT" / 1215MM / S.B. From 4-8248 To 5-8468 | | | 1 | | |
| 53 | 476253 | PANEL SUB ASSY / BACKWARD FRT/"SLIDE-OUT" / 1219MM / S.B. To 5-8468 | | | 1 | | SC |
| 53 | 477594 | PANEL SUB ASSY / BACKWARD FRT/"SLIDE-OUT" / 1215MM / B.A. From 5-8469 | | | 1 | | |
| 53 | 477595 | PANEL / BACKWARD FRT/"SLIDE-OUT" / 1215MM / B.A. From 5-8469 | | | 1 | | |
| 53 | 477823 | PANEL SUB ASSY / BACKWARD FRT/"SLIDE-OUT" / 1219MM / B.A. From 5-8469 | | | 1 | | SC |
| 53 | 477825 | PANEL / BACKWARD FRT/"SLIDE-OUT" / 1219MM / B.A. / SERVICE From 5-8469 | | | 1 | | |
| 54 | 690024 | PANEL SUB ASSY / FORWARD REAR /"SLIDE-OUT" / S.B. To 4-8247 | | | 1 | | |
| 54 | 476117 | PANEL SUB ASSY / FORWARD REAR/"SLIDE-OUT" / S.B. From 4-8248 To 5-8468 | | | 1 | | |
| 54 | 477596 | PANEL SUB ASSY / FORWARD REAR/"SLIDE-OUT" / B.A. From 5-8469 To 6-8805 | | | 1 | | |
| 54 | 477597 | PANEL / FORWARD REAR/"SLIDE-OUT" / B.A. / SERVICE From 5-8469 To 6-8805 | | | 1 | | |
| 54 | 477785 | PANEL SUB ASSY / FORWARD REAR/"SLIDE-OUT". / B.A. From 6-8806 | | | 1 | | |

| | | |
|-----------------------|--------------|-----------------|
| From Y-7046 To 8-9339 | Date:10/2022 | PAGE:Y2-1853-50 |
|-----------------------|--------------|-----------------|

JIG TOOL - SIDE PANELING INSTALLATION

| Item# | Part | Description | X L I I 4 5 | X L I I M T H 4 0 | X L I I M T H 4 5 | X L I I M T H 4 5 E | N O T E S |
|-------|--------|---|----------------------------|---|---|--|-----------------------|
| 54 | 477786 | PANEL / FORWARD REAR/"SLIDE-OUT" / B.A. / SERVICE From 6-8806 | | | 1 | | |
| 56 | 690188 | PANEL SUB ASSY / REAR / "SLIDE-OUT" / S.B. To 4-8247 | | | 1 | | |
| 56 | 476131 | PANEL SUB ASSY / REAR / "SLIDE-OUT" / S.B. From 4-8248 To 5-8468 | | | 1 | | |
| 56 | 477602 | PANEL SUB ASSY / REAR / "SLIDE-OUT" / B.A. From 5-8469 To 6-8805 | | | 1 | | |
| 56 | 477603 | PANEL / REAR / "SLIDE-OUT" / B.A. / SERVICE From 5-8469 To 6-8805 | | | 1 | | |
| 56 | 477783 | PANEL SUB ASSY / REAR / "SLIDE-OUT" / B.A. From 6-8806 | | | 1 | | |
| 56 | 477784 | PANEL / REAR / "SLIDE-OUT" / B.A. / SERVICE From 6-8806 | | | 1 | | |
| 57 | 690025 | PANEL SUB ASSY / LOWER, REAR "SLIDE-OUT" / S.B. To 3-8164 | | | 1 | | |
| 57 | 474828 | PANEL ONLY / LOWER, REAR "SLIDE-OUT" / S.B. / SERVICE | | | 1 | | |
| 57 | 477824 | PANEL ONLY / LOWER, REAR "SLIDE-OUT" / B.A. / SERVICE | | | 1 | | |
| NS | 475581 | REINFORCEMENT 67MM X 1821MM / SERVICE | | | 1 | | |
| NS | 475582 | REINFORCEMENT 67MM X 1934MM / SERVICE | | | 1 | | |
| 58 | 475839 | PANEL SUB ASSY / LOWER, REAR "SLIDE-OUT" / S.B. From 4-8165 To 5-8468 | | | 1 | | R |
| 58 | 477590 | PANEL SUB ASSY / LOWER, REAR "SLIDE-OUT" / B.A. From 5-8469 To 6-8805 | | | 1 | | R |
| 58 | 477591 | PANEL / LOWER, REAR "SLIDE-OUT" / B.A. From 5-8469 To 6-8805 | | | 1 | | S |
| 58 | 477787 | PANEL SUB ASSY / LOWER, REAR "SLIDE-OUT" / B.A. From 6-8806 | | | 1 | | R |
| 58 | 477788 | PANEL / LOWER, REAR "SLIDE-OUT" / B.A. / SERVICE From 6-8806 | | | 1 | | |
| 58 | 475850 | PANEL SUB ASSY / LOWER, REAR "SLIDE-OUT" / S.B. From 4-8165 To 5-8468 | | | 1 | | S |
| 58 | 476469 | PANEL SUB ASSY / LOWER, REAR "SLIDE-OUT" / B.A. From 5-8469 | | | 1 | | S |
| 59 | 474152 | PANEL SUB ASSY AIR INTAKE LH / S.B. O.E.M. To 2-7818 | | | 1 | | |
| 59 | 475525 | PANEL SUB ASSY AIR INTAKE LH / S.B. O.E.M. From 2-7819 To 4-8164 | | | 1 | | R |
| 59 | 475599 | PANEL SUB ASSY AIR INTAKE LH / S.B. / SERVICE From 2-7819 To 4-8164 | | | 1 | | S |
| 59 | 474152 | PANEL SUB ASSY AIR INTAKE LH / S.B. O.E.M. To 2-7818 | | 1 | | 1 | R |
| 59 | 475525 | PANEL SUB ASSY AIR INTAKE LH / S.B. O.E.M. From 2-7819 To 5-8468 | | 1 | | 1 | R |
| 59 | 475599 | PANEL SUB ASSY AIR INTAKE LH / S.B. / SERVICE From 2-7819 To 5-8468 | | 1 | | 1 | S |
| 59 | 477566 | PANEL SUB ASSY AIR INTAKE LH / B.A. O.E.M. From 5-8469 To 5-8813 | | 1 | | | R |
| 59 | 476468 | PANEL SUB ASSY AIR INTAKE LH / B.A. / SERVICE From 5-8469 To 5-8813 | | 1 | | | S |
| 59 | 477567 | PANEL SUB ASSY AIR INTAKE LH / B.A. / SERVICE From 5-8469 To 5-8813 | | 1 | | | S |
| 59 | 479163 | PANEL / UPPER / RADIATOR DOOR 136MM X 1285MM / B.A. | | 1 | 1 | 1 | N |
| 59 | 474200 | PANEL SUB ASSY AIR INTAKE LH / 89" / S.B. To 2-7818 | | | | 1 | |
| 60 | 474151 | PANEL SUB ASSY AIR INTAKE RH / S.B. To 2-7818 | | 1 | 1 | 1 | R |
| 60 | 475524 | PANEL SUB ASSY AIR INTAKE RH / S.B. O.E.M. From 2-7819 To 5-8468 | | 1 | 1 | 1 | R |
| 60 | 475598 | PANEL SUB ASSY AIR INTAKE RH / S.B. / SERVICE From 2-7819 To 5-8468 | | 1 | 1 | 1 | S |
| 60 | 477572 | PANEL SUB ASSY AIR INTAKE RH / B.A. O.E.M. From 5-8469 | | 1 | 1 | | R |
| 60 | 476467 | PANEL SUB ASSY AIR INTAKE RH / B.A. / SERVICE From 5-8469 | | 1 | 1 | | S |
| 60 | 477573 | PANEL AIR INTAKE RH / B.A. / SERVICE From 5-8469 | | 1 | 1 | | S |
| 60 | 474201 | PANEL SUB ASSY AIR INTAKE RH / 89" / S.B. To 2-7818 | | | | 1 | |

| | | |
|-----------------------|--------------|-----------------|
| From Y-7046 To 8-9339 | Date:10/2022 | PAGE:Y2-1853-50 |
|-----------------------|--------------|-----------------|

JIG TOOL - SIDE PANELING INSTALLATION

| Item# | Part | Description | X L I I 4 5 | X L I I M T H 4 0 | X L I I M T H 4 5 | X L I I M T H 4 5 E | N O T E S |
|-------|--------|---|----------------------------|---|---|--|-----------------------|
| 61 | 475840 | PANEL SUB ASSY AIR INTAKE LH / S.B. O.E.M. From 4-8165 To 5-8468 | | | 1 | | R |
| 61 | 475851 | PANEL SUB ASSY AIR INTAKE LH / S.B. / SERVICE From 4-8165 To 5-8468 | | | 1 | | S |
| 61 | 477574 | PANEL SUB ASSY AIR INTAKE LH / B.A. From 5-8469 To 5-8805 | | | 1 | | R |
| 61 | 476470 | PANEL SUB ASSY AIR INTAKE LH / B.A. / SERVICE From 5-8469 To 5-8805 | | | 1 | | S |
| 61 | 477575 | PANEL AIR INTAKE LH / B.A. / SERVICE From 5-8469 To 5-8805 | | | 1 | | S |
| 61 | 477781 | PANEL SUB ASSY AIR INTAKE LH / B.A. From 5-8806 To 8-8339 | | | 1 | | R |
| 61 | 477782 | PANEL AIR INTAKE LH / B.A. / SERVICE From 5-8806 To 8-8339 | | | 1 | | |
| 62 | 475658 | PANEL SUB ASSY AIR INTAKE LH / S.B. From 4-8165 To 5-8468 | | | 1 | | |
| 62 | 477568 | PANEL SUB ASSY AIR INTAKE LH / B.A. From 5-8469 To 8-9339 | | | 1 | | |
| 62 | 477569 | PANEL AIR INTAKE LH / B.A. / SERVICE From 5-8469 To 8-9339 | | | 1 | | |
| 63 | 475654 | PANEL SUB ASSY / S.B. From 4-8165 To 5-8468 | | | 1 | | |
| 63 | 477580 | PANEL SUB ASSY / B.A. From 5-8469 | | | 1 | | |
| 63 | 477581 | UPPER PANEL / W/OUT REINFORCEMENT / 840MM X 1789MM / B.A. / SERVICE From 5-8469 | | | 1 | | S |
| 64 | 474150 | PANEL SUB ASSY / S.B. To 2-7818 | | | 1 | 1 | A |
| 64 | 475523 | PANEL SUB ASSY / S.B. O.E.M. From 2-7819 To 5-8468 | | | 1 | 1 | AR |
| 64 | 475597 | PANEL SUB ASSY / S.B. / SERVICE From 2-7819 To 5-8468 | | | 1 | 1 | AS |
| 64 | 477576 | PANEL SUB ASSY / B.A. O.E.M. From 5-8469 | | | 1 | | R |
| 64 | 476466 | PANEL SUB ASSY / B.A. / SERVICE From 5-8469 | | | 1 | | S |
| 64 | 477577 | UPPER PANEL / W/OUT REINFORCEMENT / 840MM X 1521MM / B.A. / SERVICE From 5-8469 | | | 1 | | S |
| 65 | 474149 | PANEL SUB ASSY / S.B. To 2-7818 | | 8 | 8 | 8 | |
| 65 | 475522 | PANEL SUB ASSY / S.B. O.E.M. From 2-7819 To 5-8468 | | 8 | 8 | 8 | R |
| 65 | 475596 | PANEL SUB ASSY / S.B. / SERVICE From 2-7819 To 5-8468 | | 8 | 8 | 8 | S |
| 65 | 477578 | PANEL SUB ASSY / B.A. O.E.M. From 5-8469 | | 8 | 8 | | R |
| 65 | 476465 | PANEL SUB ASSY / B.A. / SERVICE From 5-8469 | | 8 | 8 | | S |
| 65 | 477579 | UPPER PANEL / W/OUT REINFORCEMENT / 840MM X 2428MM / B.A. / SERVICE From 5-8469 | | 8 | 8 | | S |
| 90 | 684598 | GLUE JIG | | 1 | 1 | 1 | |
| 91 | 684614 | TOP MOULDING TAPE APPLICATOR JIG | | 1 | 1 | 1 | |
| 92 | 684604 | BOTTOM MOULDING TAPE APPLICATOR JIG | | 1 | 1 | 1 | |
| 93 | 684533 | TOP MOULDING INSTALLATION JIG | | 1 | 1 | 1 | |
| 94 | 684656 | BOTTOM MOULDING INSTALLATION JIG | | 1 | 1 | 1 | |
| 95 | 682176 | SEALANT SIKA #221 / BLACK / 310ml CARTRIDGE | | AR | AR | AR | |
| 96 | 683481 | ACCELERATOR SIKA / 310ml CARTRIDGE | | AR | AR | AR | |
| 98 | 683634 | PNEUMATIC GUN / "RODAC" | | 1 | 1 | 1 | |
| 99 | 684427 | PNEUMATIC GUN / "WESTBURNE" | | 1 | 1 | 1 | |
| 100 | 684599 | SUPPORT CYLINDER ASSY L.H. STD W/7 CYL | | 1 | 1 | 1 | |
| 101 | 684620 | SUPPORT CYLINDER ASSY R.H. STD W/7 CYL | | 1 | 1 | 1 | |

| | | |
|--|---------------------|------------------------|
| From Y-7046 To 8-9339 | Date:10/2022 | PAGE:Y2-1853-50 |
| JIG TOOL - SIDE PANELING INSTALLATION | | |

| Item# | Part | Description | X L I I 4 5 | X L I I M T H 4 0 | X L I I M T H 4 5 | X L I I M T H 4 5 E | N O T E S |
|-------|--------|--|----------------------------|---|---|--|-----------------------|
| 102 | 684640 | SUPPORT CYLINDER ASSY R.H. W/WIDE SHOES To 3-8164 | | | 1 | | |
| 103 | 684632 | SUPPORT CYLINDER ASSY R.H. "S" SHAPE | | | 1 | | |
| 104 | 684621 | TUBE VERTICAL SUPPORT 33 1/8" | | 3 | 3 | 3 | |
| 105 | 684594 | TUBE HORIZONTAL SUPPORT 28 3/8" | | | 2 | | |
| 106 | 684628 | TUBE HORIZONTAL SUPPORT 47 7/8" | | | 1 | | |
| 107 | 684540 | TUBE HORIZONTAL SUPPORT 59 15/16" | | 1 | 1 | 1 | |
| 111 | 684624 | TUBE HORIZONTAL SUPPORT 87 5/16" | | | 2 | | |
| 112 | 684532 | TUBE HORIZONTAL SUPPORT 90 5/16" / W/"S" To 3-8164 | | | 1 | | |
| 113 | 684636 | TUBE HORIZONTAL SUPPORT 94" | | | 1 | | |
| 114 | 684637 | TUBE HORIZONTAL SUPPORT 95 5/8" | | | 2 | | |
| 115 | 684535 | TUBE HORIZONTAL SUPPORT 95 5/8" | | 2 | 2 | 2 | |
| 116 | 684643 | TUBE HORIZONTAL SUPPORT 97 1/16" To 3-8164 | | | 1 | | |
| 117 | 684522 | TUBE HORIZONTAL SUPPORT 95 5/8" / W/"S" To 3-8164 | | | 1 | | |
| 118 | 684597 | FRAME ASSY 16" | | | 1 | | |
| 119 | 684630 | FRAME ASSY 34" | | | 2 | | |
| 120 | 684541 | FRAME ASSY 48" | | 1 | 1 | 1 | |
| 121 | 684625 | FRAME ASSY 73" | | 2 | 2 | 2 | |
| 122 | 684626 | FRAME ASSY 80" | | 1 | 1 | 1 | |
| 123 | 684524 | SUPPORT CYLINDER ASSY L.H. SHORT W/4 CYL | | | 1 | | |
| 124 | 684525 | SUPPORT CYLINDER ASSY R.H. SHORT W/4 CYL | | | 1 | | |
| 125 | 684560 | TUBE HORIZONTAL SUPPORT 70 1/2" From 4-8165 | | | 1 | | |
| 126 | 684562 | TUBE HORIZONTAL SUPPORT 69 3/4" / UPPER From 4-8165 | | | 1 | | |
| 127 | 684563 | TUBE HORIZONTAL SUPPORT 69 3/4" / LOWER From 4-8165 | | | 1 | | |
| 128 | 684530 | TUBE VERTICAL SUPPORT 19 7/8" From 4-8165 | | | 2 | | |
| 129 | 684531 | FRAME ASSY 28" | | | 1 | | |
| 130 | 684552 | FRAME ASSY 54" From 4-8165 | | | 1 | | |
| 131 | 684527 | TUBE HORIZONTAL SUPPORT 44 5/8" / UPPER | | | 1 | | |
| 132 | 684529 | TUBE HORIZONTAL SUPPORT 44 5/8" / LOWER | | | 1 | | |
| 133 | 684543 | SUPPORT CYLINDER ASSY R.H. W/7 CYL / W/COOLING USE From 4-8165 | | | 1 | | |
| 134 | 684545 | TUBE HORIZONTAL SUPPORT 70 1/2" / LOWER From 4-8165 | | | 1 | | |
| 135 | 684544 | TUBE HORIZONTAL SUPPORT 90 5/16" / UPPER From 4-8165 | | | 1 | | |
| 136 | 684546 | TUBE HORIZONTAL SUPPORT 18 1/4" / LOWER From 4-8165 | | | 1 | | |
| 137 | 684547 | FRAME ASSY 60" From 4-8165 | | | 1 | | |
| 138 | 684548 | FRAME ASSY 60" W/SLIDE OUT From 4-8165 | | | 1 | | |
| 139 | 684549 | FRAME ASSY 10" From 4-8165 | | | 1 | | |
| 140 | 684550 | FRAME ASSY 10" W/SLIDE OUT From 4-8165 | | | 1 | | |
| 141 | 684554 | SUPPORT CYLINDER ASSY L.H. SHORT W/1 CYL From 4-8165 | | | 1 | | |
| 142 | 684555 | TUBE HORIZONTAL SUPPORT 69 3/4" / UPPER From 4-8165 | | | 1 | | |
| 143 | 684556 | TUBE HORIZONTAL SUPPORT 69 3/4" / LOWER From 4-8165 | | | 1 | | |
| 144 | 684557 | TUBE HORIZONTAL SUPPORT 15 1/8" From 4-8165 | | | 1 | | |
| 145 | 684536 | TUBE VERTICAL AUXILIARY SUPPORT 45 1/2" | | 3 | 3 | 3 | |
| 202 | 684600 | HOLDING BLOCK ASSY 1 7/8" HEIGHT / W/CHAMFER | | 1 | 1 | 1 | |

| | | |
|-----------------------|--------------|-----------------|
| From Y-7046 To 8-9339 | Date:10/2022 | PAGE:Y2-1853-50 |
|-----------------------|--------------|-----------------|

JIG TOOL - SIDE PANELING INSTALLATION

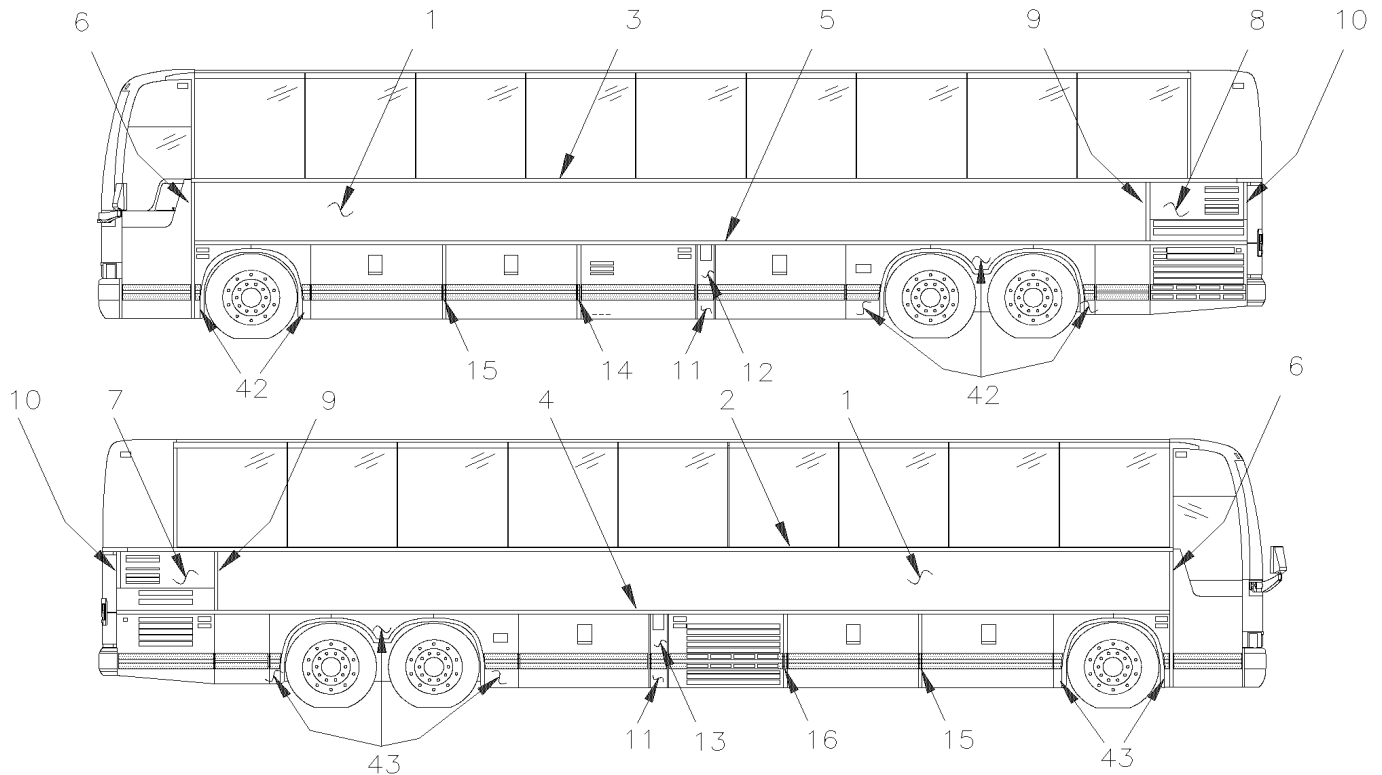
| Item# | Part | Description | X L I I 4 5 | X L I I M T H 4 0 | X L I I M T H 4 5 | X L I I M T H 4 5 E | N O T E S |
|-------|---------|--|----------------------------|---|---|--|-----------------------|
| 208 | 684602 | HANDLE 5/16-18 | | 1 | 1 | 1 | |
| 216 | 684609 | SCREW CAP HEXS 1/4-20x1/2 | | 1 | 1 | 1 | |
| 217 | 684610 | CYLINDER 20MM / 10MM STROKE AVEC GROSSE BARRURE | | 1 | 1 | 1 | |
| 218 | 684611 | MALE BRANCH TEE / PUSH-IN FITTING / #4X#4XM5-0.8 PLAS | | 1 | 1 | 1 | |
| 219 | 684612 | MALE ELBOW 90° / PUSH-IN FITTING / #2xM5-0.8 PLAS | | 1 | 1 | 1 | |
| 220 | 684613 | NIPPLE / QUICK DISCONNECT "INDUSTRIAL" / #4x1/4NPT-M STL | | 1 | 1 | 1 | |
| 221 | 501328 | STREET ELBOW 45° / PIPE FITTING / 1/8NPT-Mx1/8NPT-F BR | | 1 | 1 | 1 | |
| 222 | 684615 | REGULATOR 1/8 N.P.T. | | 1 | 1 | 1 | |
| 223 | 684616 | GAUGE AIR / 0/60 | | 1 | 1 | 1 | |
| 225 | 684617 | MALE CONNECTOR / PUSH-IN FITTING / #2x1/8NPT-M PLAS | | 1 | 1 | 1 | |
| 226 | 684618 | VALVE 3/2 ACTUATOR | | 1 | 1 | 1 | |
| 227 | 684619 | MALE ELBOW 90° / PUSH-IN FITTING / #2x1/8NPT-M PLAS | | 1 | 1 | 1 | |
| 400 | 684582 | PLATE ASSY WELDED | | 1 | 1 | 1 | |
| 401 | 684634 | HOLDING BLOCK ASSY 1 7/8" HEIGHT | | 1 | 1 | 1 | |
| 402 | 684633 | HOLDING BLOCK ASSY 1 7/8" HEIGHT | | 1 | 1 | 1 | |
| 404 | 684635 | HOLDING BLOCK ASSY 1 7/8" HEIGHT / W/OFFSET | | 1 | 1 | 1 | |
| 408 | 684606 | SCREW CAP BUT HEXS #10-24x3/8 | | 1 | 1 | 1 | |
| 409 | 684607 | SCREW CAP FL HEXS #8-32x1/2 | | 1 | 1 | 1 | |
| 410 | 5001269 | SCREW CAP HEXS 1/4-20x1 ZP | | 1 | 1 | 1 | |
| 411 | 684605 | SCREW CAP HEXS #10-32x1/2 | | 1 | 1 | 1 | |
| | | | | | | | |
| | | | | | | | |
| | | | | | | | |
| | | A) MTH 45' ENT 86" WITH FLUTE SIDE PANELS "OPTION" | | | | | |
| | | C) NEED REWORK FOR ADJUSTMENT | | | | | |
| | | N) NO TOOL TO FIX THIS PANEL | | | | | |
| | | R) PRODUCTION NUMBER REFERENCE ONLY | | | | | |
| | | S) SERVICE NUMBER ONLY | | | | | |

From Y-7046 To 6-8906

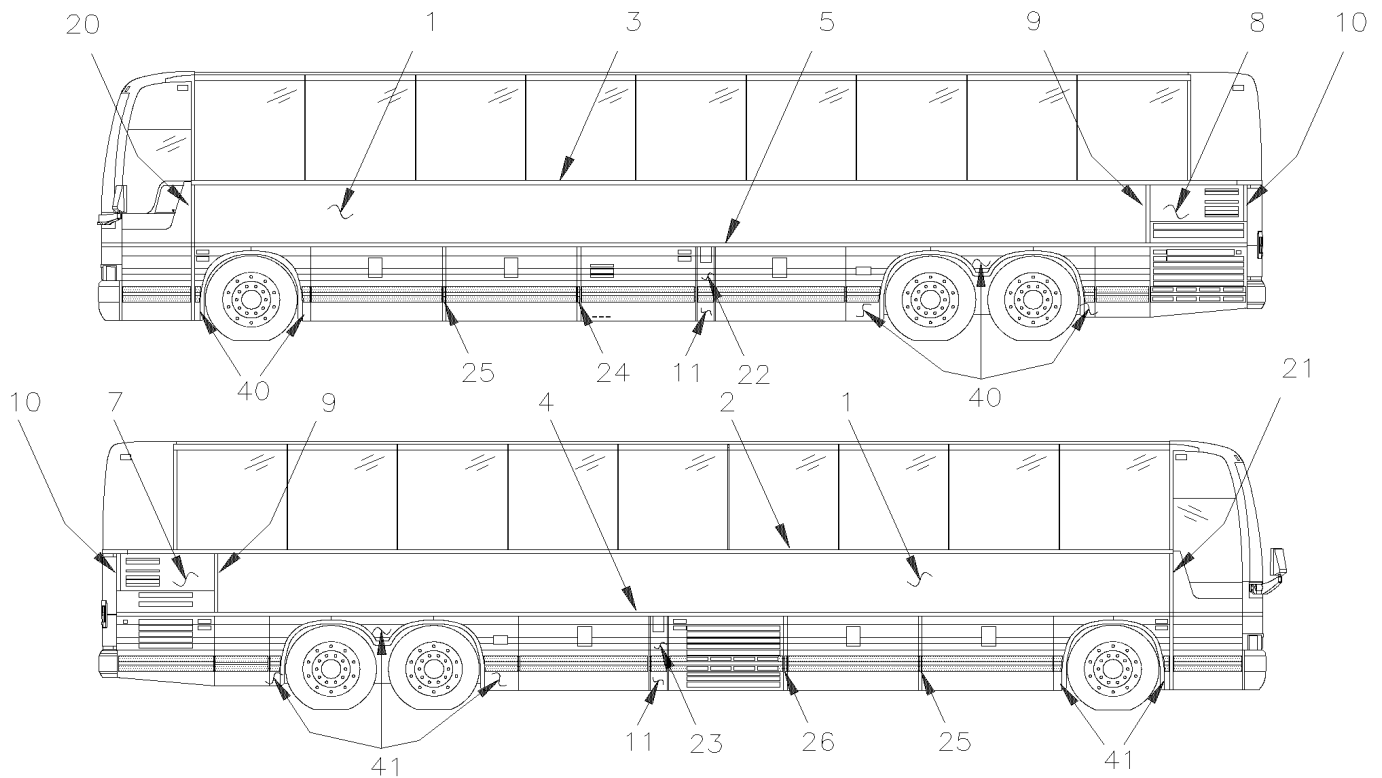
Date:10/2022

PAGE:Y2-1854-00

SIDE PANELS - BUS

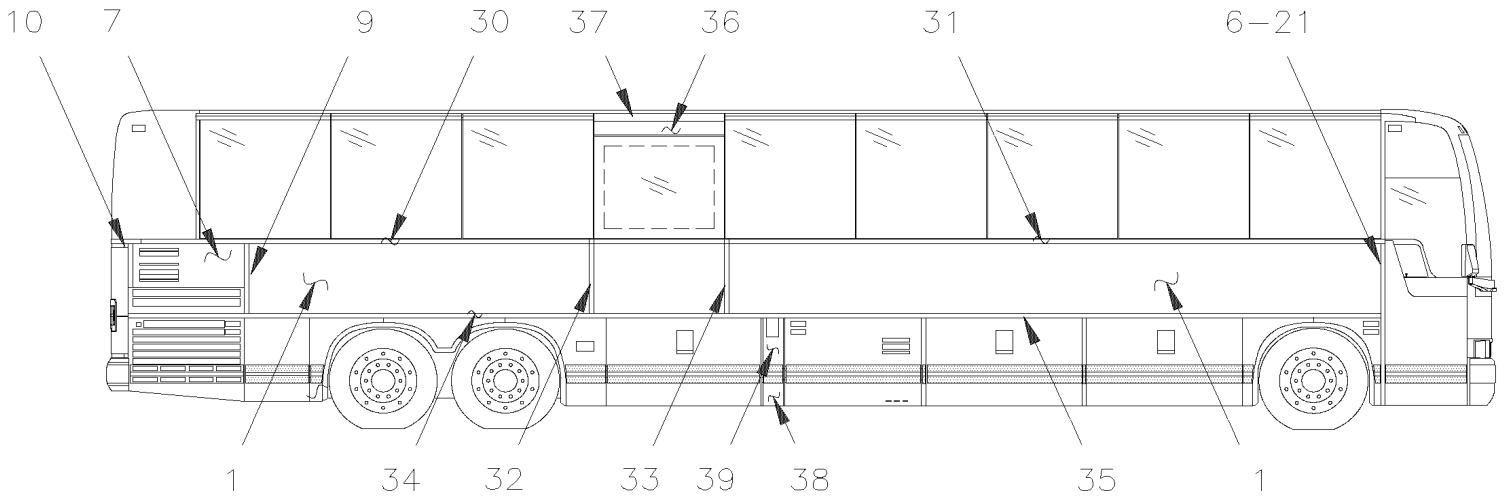


XL2 45'



XL2 45' WITH STAINLESS PANELING

| | | |
|-----------------------|--------------|-----------------|
| From Y-7046 To 6-8906 | Date:10/2022 | PAGE:Y2-1854-00 |
| SIDE PANELS - BUS | | |



BUS WITH W.C.L.

| | | | |
|--------------------------|--|--------------|-----------------|
| From Y-7046 To 6-8906 | | Date:10/2022 | PAGE:Y2-1854-00 |
| SIDE PANELS - BUS | | | |

| Item# | Part | Description | X L I I 4 5 | X L I I M T H 4 0 | X L I I M T H 4 5 | X L I I M T H 4 5 E | N O T E S |
|-------|--------|---|----------------------------|---|---|--|-----------------------|
| 1 | 970271 | STAINLESS STEEL SHEET 759MM X 11392MM | 2 | | | | |
| NS | 506759 | TAPE RUB ADH2 CC POL 1/8" x 1/2" x 100' / BLACK I1C-N-A | 1 | | | | |
| NS | 506648 | TAPE RUB ADH1 CC POL 1/8" x 1/2"x 50' / GREY 2542 | 1 | | | | |
| 2 | 474514 | FINISHING MOULDING UPPER R.H. 12253MM | 1 | | | | |
| NS | 506785 | . TAPE RUB ADH2 CC POL 1/16" x 1/4" x 200' / BLACK I1C-N-A | AR | | | | |
| NS | 506790 | . TAPE RUB ADH2 CC POL 1/16" x 1/2" x 200' / BLACK I1C-N-A | AR | | | | |
| 3 | 474515 | FINISHING MOULDING UPPER L.H. 12253MM | 1 | | | | |
| NS | 506785 | . TAPE RUB ADH2 CC POL 1/16" x 1/4" x 200' / BLACK I1C-N-A | AR | | | | |
| NS | 506790 | . TAPE RUB ADH2 CC POL 1/16" x 1/2" x 200' / BLACK I1C-N-A | AR | | | | |
| 4 | 474512 | FINISHING MOULDING LOWER R.H. 9846MM | 1 | | | | |
| NS | 506785 | . TAPE RUB ADH2 CC POL 1/16" x 1/4" x 200' / BLACK I1C-N-A | AR | | | | |
| NS | 506790 | . TAPE RUB ADH2 CC POL 1/16" x 1/2" x 200' / BLACK I1C-N-A | AR | | | | |
| 5 | 474513 | FINISHING MOULDING LOWER L.H. 9846MM | 1 | | | | |
| NS | 506785 | . TAPE RUB ADH2 CC POL 1/16" x 1/4" x 200' / BLACK I1C-N-A | AR | | | | |
| NS | 506790 | . TAPE RUB ADH2 CC POL 1/8" x 1/4" x 60' / BLACK H1CC-N-#14 | AR | | | | |
| 6 | 474388 | FINISHING MOULDING S.S. | 2 | | | | |
| NS | 504473 | RIVET POP DOME OE 1/8x1/4 SS | 12 | | | | |
| 6 | 506869 | TAPE RUB ADH2 POL .031" x 1/4" x 300' / BLACK | AR | | | | |
| 6 | 506785 | TAPE RUB ADH2 CC POL 1/16" x 1/4" x 200' / BLACK I1C-N-A | AR | | | | |
| 7 | 474347 | PANEL SUB ASSY AIR INTAKE R.H. O.E.M. | 1 | | | | |
| 7 | 475603 | PANEL SUB ASSY AIR INTAKE R.H. SERVICE | 1 | | | | |
| 7 | 474244 | PANEL AIR INTAKE R.H. SERVICE | 1 | | | | |
| 7 | 477830 | PANEL SUB ASSY AIR INTAKE R.H. / "SPECIAL OPTION" HYDRO QC | 1 | | | | |
| 7 | 477832 | PANEL AIR INTAKE L.H. / "SPECIAL OPTION" HYDRO QC SERVICE | 1 | | | | |
| 8 | 474346 | PANEL SUB ASSY AIR INTAKE L.H. O.E.M. | 1 | | | | |
| 8 | 475602 | PANEL SUB ASSY AIR INTAKE L.H. SERVICE | 1 | | | | |
| 8 | 474243 | PANEL AIR INTAKE L.H. SERVICE | 1 | | | | |
| 8 | 477831 | PANEL SUB ASSY AIR INTAKE L.H. / "SPECIAL OPTION" HYDRO QC | 1 | | | | |
| 8 | 477832 | PANEL AIR INTAKE L.H. / "SPECIAL OPTION" HYDRO QC SERVICE | 1 | | | | |
| 9 | 474409 | FINISHING MOULDING ALUMINUM 713MM | 2 | | | | |
| 9 | 506790 | TAPE RUB ADH2 CC POL 1/8" x 1/4" x 60' / BLACK H1CC-N-#14 | AR | | | | |
| 10 | 474387 | FINISHING MOULDING SS 400MM | 2 | | | | |
| NS | 683083 | ADHESIVE SIKA #252 / BLACK / 600 ml SAUSAGE | AR | | | | |
| NS | 683084 | SEALANT SIKA #221 / GREY / 600 ml SAUSAGE | AR | | | | |
| NS | 683097 | CLEANER SIKA #205 / CLEAR / 1000ml | AR | | | | |
| NS | 683916 | PRIMER SIKA #215 / CLEAR / 1000ml | AR | | | | |
| 11 | 473130 | PANEL, LOWER 200MM X 262MM / S.B. | 2 | | | | |
| 12 | 474227 | PANEL, L.H. 200MM X 676MM | 1 | | | | |
| 12 | 477962 | PANEL, L.H. W/OUT FUEL DOOR 200MM X 676MM | 1 | | | | |
| 13 | 474284 | PANEL, R.H. 200MM X 676MM | 1 | | | | |
| 14 | 474318 | FINISHING POST / "J" SHAPE | 1 | | | | |
| 15 | 474224 | FINISHING POST / "U" SHAPE 39MM X 912MM | 2 | | | | |

| | | |
|--------------------------|--------------|-----------------|
| From Y-7046 To 6-8906 | Date:10/2022 | PAGE:Y2-1854-00 |
| SIDE PANELS - BUS | | |

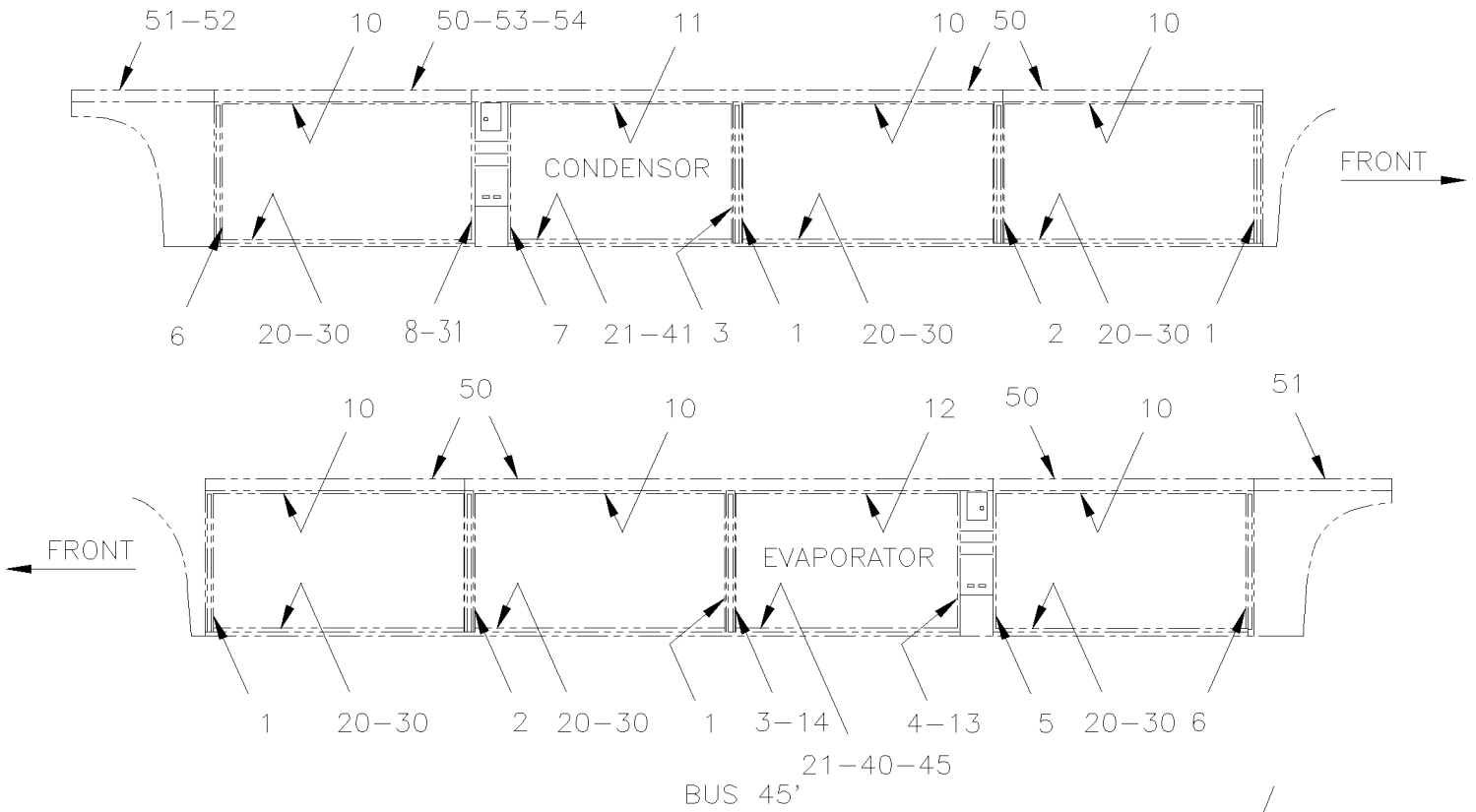
| Item# | Part | Description | X L I I 4 5 | X L I I M T H 4 0 | X L I I M T H 4 5 | X L I I M T H 4 5 E | N O T E S |
|-------|-------------------|---|----------------------------|---|---|--|-----------------------|
| 16 | 474226 | FINISHING POST / "J" SHAPE | 1 | | | | |
| 20 | 474821 | FINISHING MOULDING S.S. / L.H. | 1 | | | | |
| 21 | 474820 | FINISHING MOULDING S.S. / R.H. | 1 | | | | |
| 22 | 474048 | PANEL, L.H. 200MM X 676MM / S.B. | 1 | | | | |
| 22 | 477963 | PANEL, L.H. W/OUT FUEL DOOR 200MM X 676MM | 1 | | | | |
| 23 | 474049 | PANEL, R.H. 200MM X 676MM / S.B. | 1 | | | | |
| 24 | 474062 | FINISHING POST / "J" SHAPE L.H. / S.B. | 1 | | | | |
| 25 | 474054 | FINISHING POST / "U" SHAPE / 2 BAG. DOORS / 39MM X 912MM / S.B. | 2 | | | | |
| 26 | 474063 | FINISHING POST / "J" SHAPE R.H. / S.B. | 1 | | | | |
| 30 | 475061 | FINISHING MOULDING UPPER R.H. 4479MM | 1 | | | | |
| . NS | 506785 | . TAPE RUB ADH2 CC POL 1/16" x 1/4" x 200' / BLACK I1C-N-A | AR | | | | |
| . NS | 506769 | . TAPE RUB ADH2 CC POL 1/8" x 1/4" x 60' / BLACK H1CC-N-#14 | AR | | | | |
| 31 | 475062 | FINISHING MOULDING UPPER R.H. 6472MM | 1 | | | | |
| . NS | 506790 | . TAPE RUB ADH2 CC POL 1/16" x 1/2" x 200' / BLACK I1C-N-A | AR | | | | |
| 32 | 474946 | FINISHING MOULDING / SS / BACKWARD W.C.L. DOOR | 1 | | | | |
| 33 | 474945 | FINISHING MOULDING / SS / FORWARD W.C.L. DOOR | 1 | | | | |
| 34 | 475063 | FINISHING MOULDING LOWER R.H. 3462MM | 1 | | | | |
| . NS | 506785 | . TAPE RUB ADH2 CC POL 1/16" x 1/4" x 200' / BLACK I1C-N-A | AR | | | | |
| . NS | 506769 | . TAPE RUB ADH2 CC POL 1/8" x 1/4" x 60' / BLACK H1CC-N-#14 | AR | | | | |
| 35 | 475060 | FINISHING MOULDING LOWER R.H. 6496MM | 1 | | | | |
| . NS | 506785 | . TAPE RUB ADH2 CC POL 1/16" x 1/4" x 200' / BLACK I1C-N-A | AR | | | | |
| . NS | 506769 | . TAPE RUB ADH2 CC POL 1/8" x 1/4" x 60' / BLACK H1CC-N-#14 | AR | | | | |
| 36 | 475065 | PANEL ASSY / UPPER W.C.L. DOOR | 1 | | | | |
| . NS | 474822 | . PANEL / UPPER W.C.L. DOOR | 1 | | | | |
| . NS | 474897 | . DRIP MOULDING SS | 1 | | | | |
| . NS | 5001015 | . SCREW TP BDG PH #6x1/2 SS BK | 8 | | | | |
| 36 | 474822 | . PANEL / UPPER W.C.L. DOOR | 1 | | | | |
| 36 | 474897 | . DRIP MOULDING SS | 1 | | | | |
| NS | 287190 | INSULATOR PANEL UPPER DOOR | 2 | | | | |
| NS | 287189 | INSULATOR PANEL UPPER DOOR | 1 | | | | |
| 37 | 293269 | EXTRUSION ALUMINUM 1287MM To 4-8270 | 1 | | | | |
| 37 | 293699 | EXTRUSION ALUMINUM 1287MM From 4-8271 | 1 | | | | |
| 38 | 474693 | PANEL, LOWER 196MM X 262MM | 1 | | | | |
| 39 | 474680 | PANEL, R.H. 196MM X 676MM | 1 | | | | |
| 40 | Y2-1857-50 | FENDERS L.H. - MTH | | | | | |
| 41 | Y2-1857-55 | FENDERS R.H. - MTH | | | | | |
| 42 | Y2-1857-05 | FENDERS R.H. - BUS W/FLAT PANELING | | | | | |
| 43 | Y2-1857-00 | FENDERS L.H. - BUS W/FLAT PANELING | | | | | |
| | | | | | | | |
| | | | | | | | |
| | | | | | | | |

From Y-7046 To 6-8906

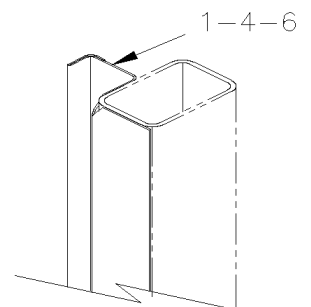
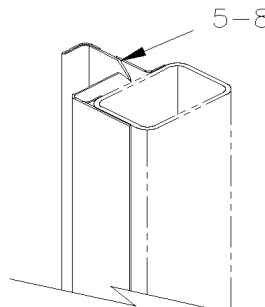
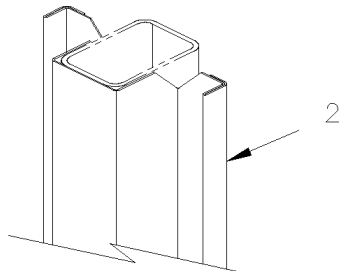
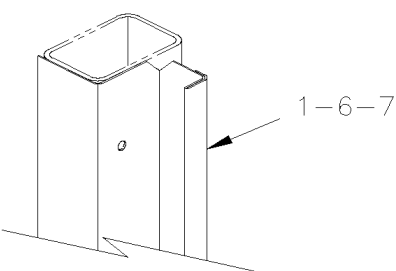
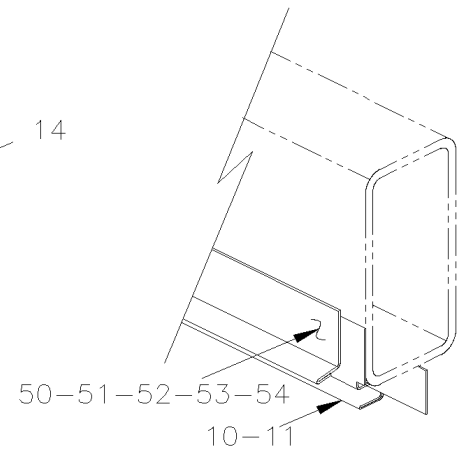
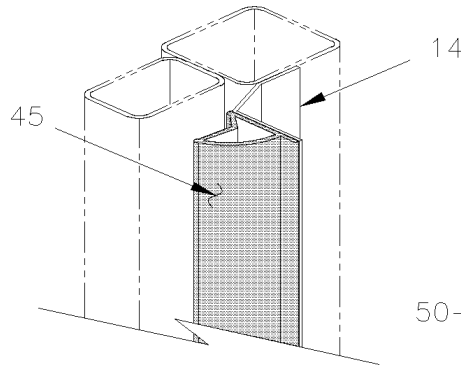
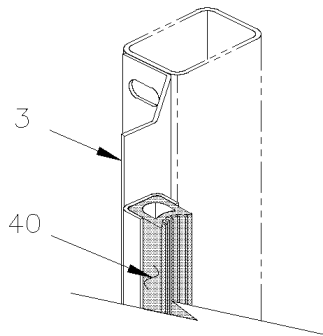
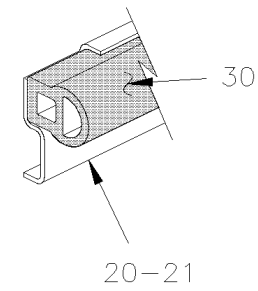
Date:10/2022

PAGE:Y2-1854-10

WEATHERSTRIP & RETAINER - BUS



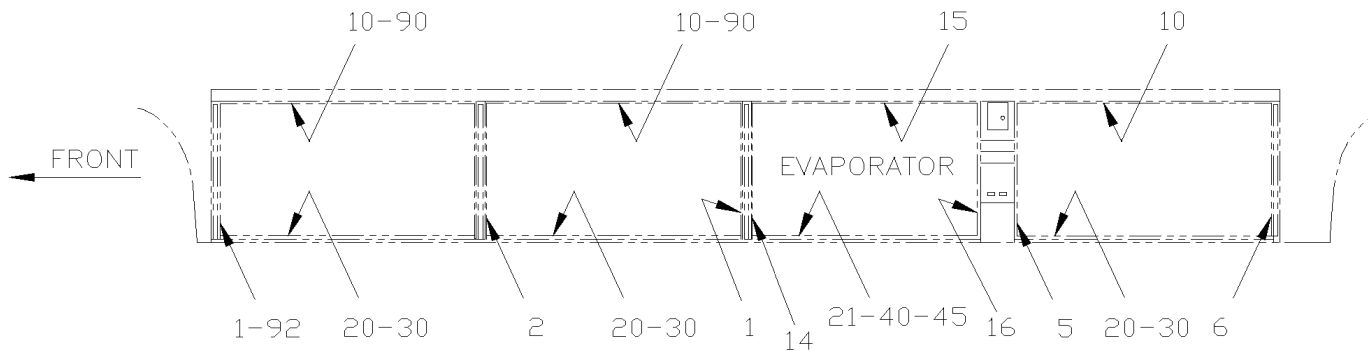
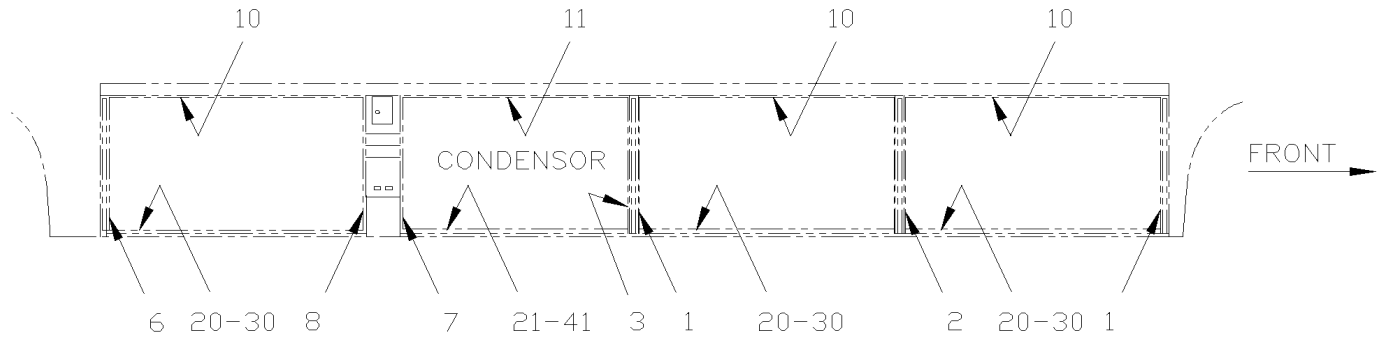
BUS 45'



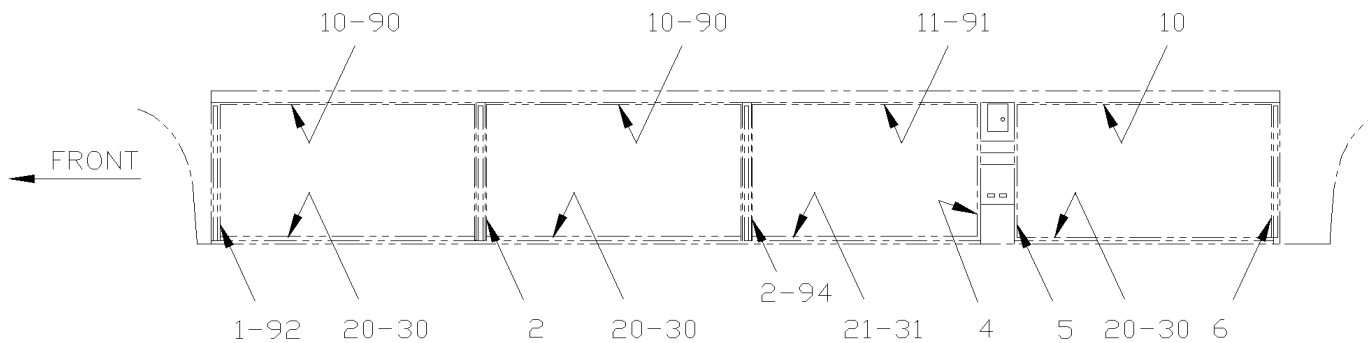
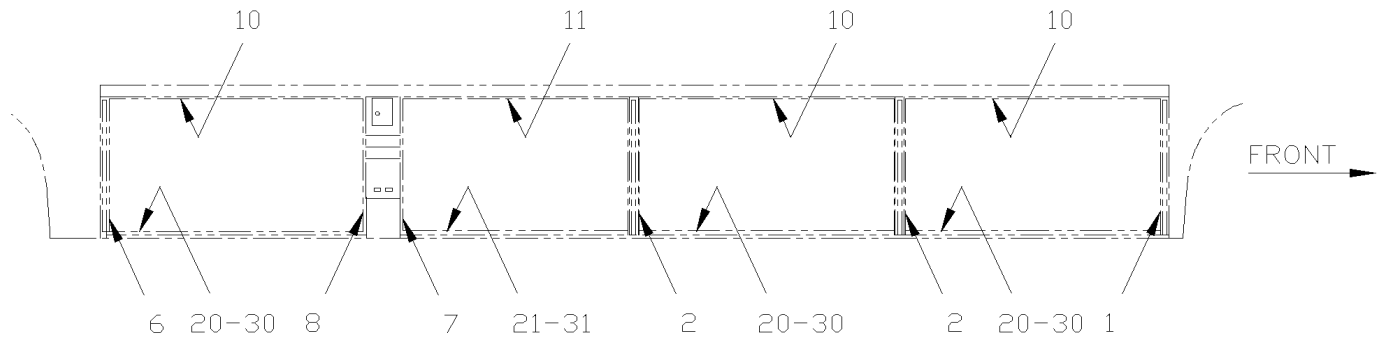
| | | |
|--|--------------|-----------------|
| From Y-7046 To 6-8906 | Date:10/2022 | PAGE:Y2-1854-10 |
| WEATHERSTRIP & RETAINER - BUS | | |

| Item# | Part | Description | X L I I 4 5 | X L I I M T H 4 0 | X L I I M T H 4 5 | X L I I M T H 4 5 E | N O T E S |
|-------|--------|---|----------------------------|---|---|--|-----------------------|
| 1 | 482222 | MOULDING / WEATHERSTRIP RETAINER FRONT | 4 | | | | |
| 2 | 480979 | MOULDING / WEATHERSTRIP RETAINER / DOUBLE TWO BAGGAGE DOOR | 2 | | | | |
| 3 | 482137 | MOULDING / WEATHERSTRIP RETAINER To 2-7839 | 1 | | | | |
| 4 | 481013 | MOULDING / WEATHERSTRIP RETAINER 838MM To 2-7839 | 1 | | | | |
| 5 | 481269 | MOULDING / WEATHERSTRIP RETAINER / L.H. / 838MM | 1 | | | | |
| 6 | 482824 | MOULDING / WEATHERSTRIP RETAINER 838MM | 2 | | | | |
| 7 | 481255 | MOULDING / WEATHERSTRIP RETAINER 838MM | 1 | | | | |
| 8 | 481270 | MOULDING / WEATHERSTRIP RETAINER / R.H. / 838MM | 1 | | | | |
| 10 | 473702 | MOULDING / WEATHERSTRIP RETAINER 1543MM | 6 | | | | |
| 11 | 473701 | MOULDING / WEATHERSTRIP RETAINER 1365MM | 1 | | | | |
| 12 | 475153 | MOULDING / WEATHERSTRIP RETAINER 1365MM To 2-7839 | 1 | | | | |
| 12 | 214683 | SEAL DOOR RETAINER / UPPER DOOR From 2-7840 | 1 | | | | |
| 13 | 214682 | SEAL DOOR RETAINER / BACKWARD DOOR From 2-7840 | 1 | | | | |
| 14 | 214684 | SEAL DOOR RETAINER / FORWARD DOOR From 2-7840 | 1 | | | | |
| 20 | 483029 | MOULDING / WEATHERSTRIP RETAINER / WELDED TO STRUCTURE / 1536MM | 6 | | | | |
| 21 | 483031 | MOULDING / WEATHERSTRIP RETAINER / WELDED TO STRUCTURE / 1365MM | 2 | | | | |
| 22 | 480154 | . WEATHERSTRIP RUBBER / ADH / RAW MATERIAL To 5-8544 | AR | | | | |
| 22 | 483941 | . WEATHERSTRIP RUBBER / ADH / RAW MATERIAL From 5-8545 | AR | | | | |
| 22 | 485610 | . WEATHERSTRIP RUBBER / ADH / RAW MATERIAL | AR | | | | |
| 30 | 481988 | WEATHERSTRIP / W/60" BAGGAGE DOORS | 6 | | | | |
| 30 | 485628 | WEATHERSTRIP / W/60" BAGGAGE DOORS | 6 | | | | |
| 30 | 482330 | WEATHERSTRIP / W/60" HINGE BAGGAGE DOOR | 1 | | | | A |
| 30 | 485631 | WEATHERSTRIP / W/60" HINGE BAGGAGE DOOR | 1 | | | | |
| 30 | 480154 | . WEATHERSTRIP RUBBER / ADH / RAW MATERIAL To 5-8544 | AR | | | | |
| 30 | 483941 | . WEATHERSTRIP RUBBER / ADH / RAW MATERIAL From 5-8545 | AR | | | | |
| 30 | 485610 | . WEATHERSTRIP RUBBER / ADH / RAW MATERIAL | AR | | | | |
| 31 | 474913 | MOULDING / WEATHERSTRIP RETAINER / W/W.C.L. | 1 | | | | A |
| 40 | 482096 | WEATHERSTRIP / EVAPORATOR DOOR To 2-7839 | 1 | | | | |
| 41 | 482099 | WEATHERSTRIP / CONDENSOR DOOR | 1 | | | | |
| 41 | 480009 | WEATHERSTRIP / CONDENSOR DOOR | 1 | | | | |
| 45 | 483555 | WEATHERSTRIP / EVAPORATOR DOOR From 2-7840 | 1 | | | | |
| 50 | 473706 | DRIP MOULDING / 1535MM / S.B. | 6 | | | | |
| 51 | 474060 | DRIP MOULDING / 1765MM / S.B. | 2 | | | | |
| 52 | 475024 | DRIP MOULDING / 1654MM | 1 | | | | A |
| 53 | 475025 | DRIP MOULDING / 375MM | 1 | | | | A |
| 54 | 474799 | DRIP MOULDING / 1285MM | 1 | | | | B |
| | | | | | | | |
| | | | | | | | |
| | | | | | | | |
| | | A) USE WITH W.C.L. | | | | | |
| | | B) FIXED AT W.C.L. ENTRANCE DOOR | | | | | |

| | | |
|--|--------------|-----------------|
| From Y-7046 To 8-9339 | Date:10/2022 | PAGE:Y2-1854-20 |
| WEATHERSTRIP & RETAINER - MTH | | |



MTH 45' WITH LARGE A/C SYSTEM



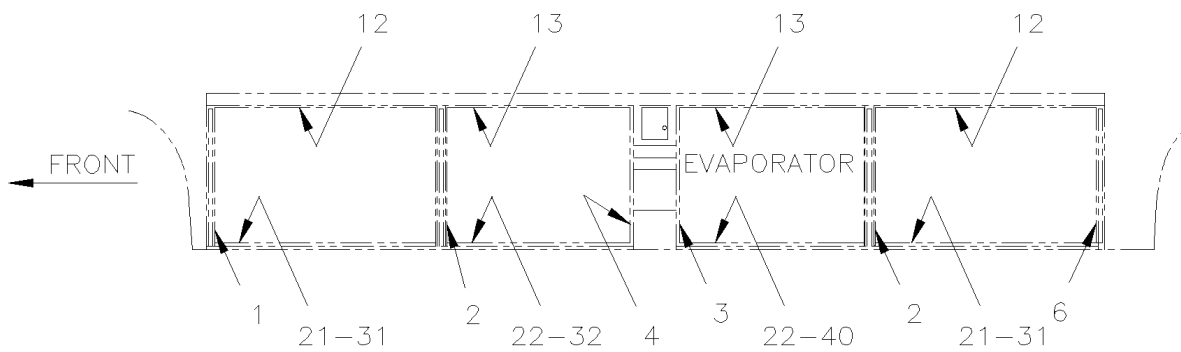
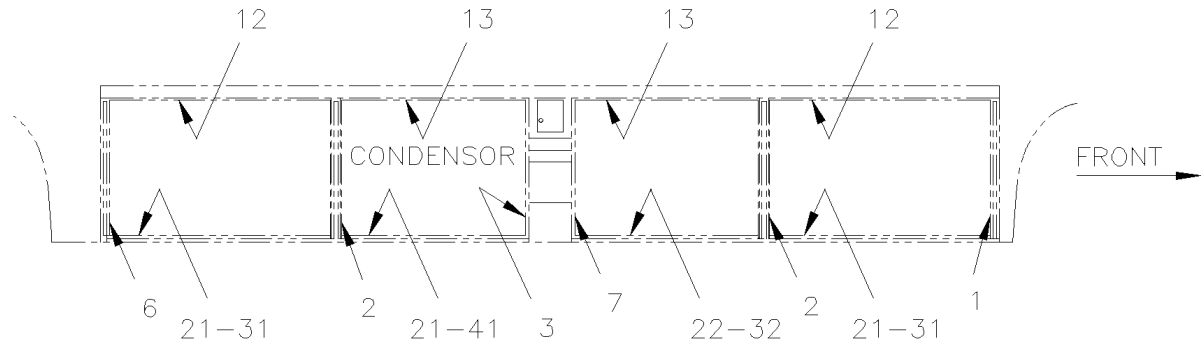
MTH 45' WITH SMALL A/C SYSTEM

From Y-7046 To 8-9339

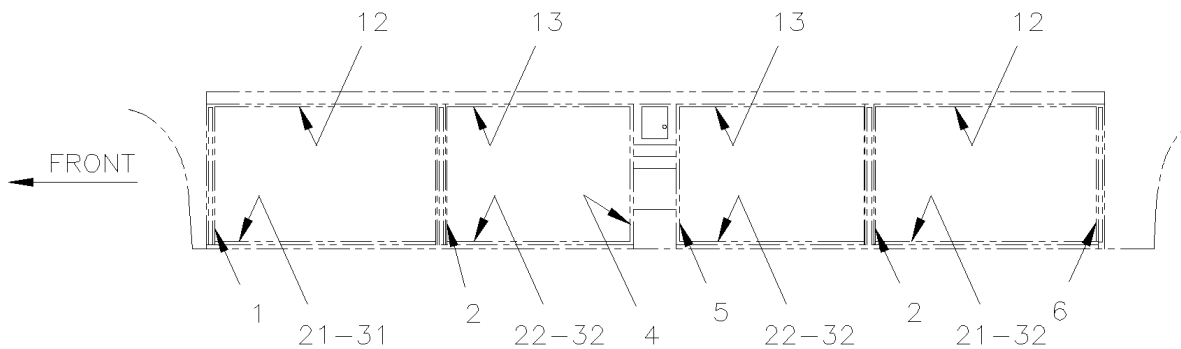
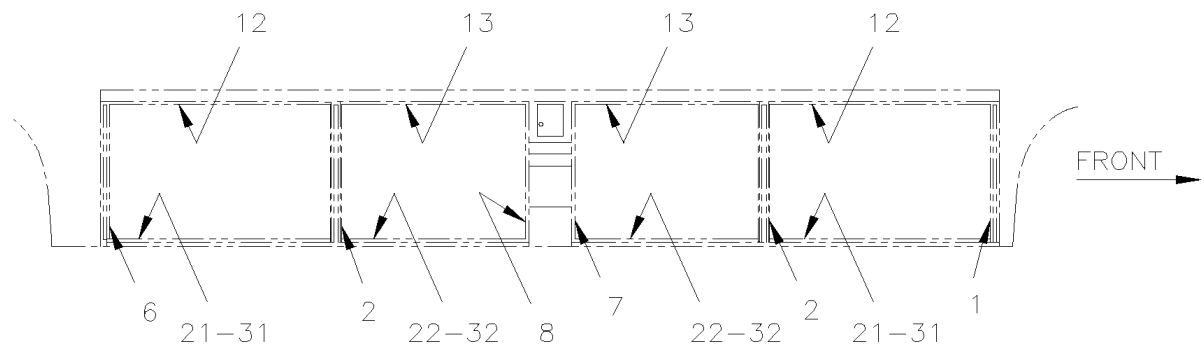
Date:10/2022

PAGE:Y2-1854-20

WEATHERSTRIP & RETAINER - MTH

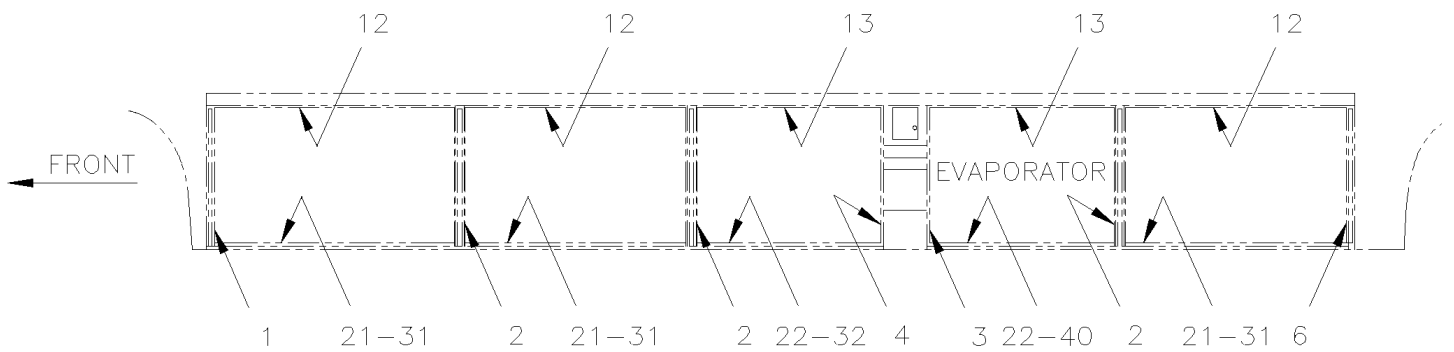
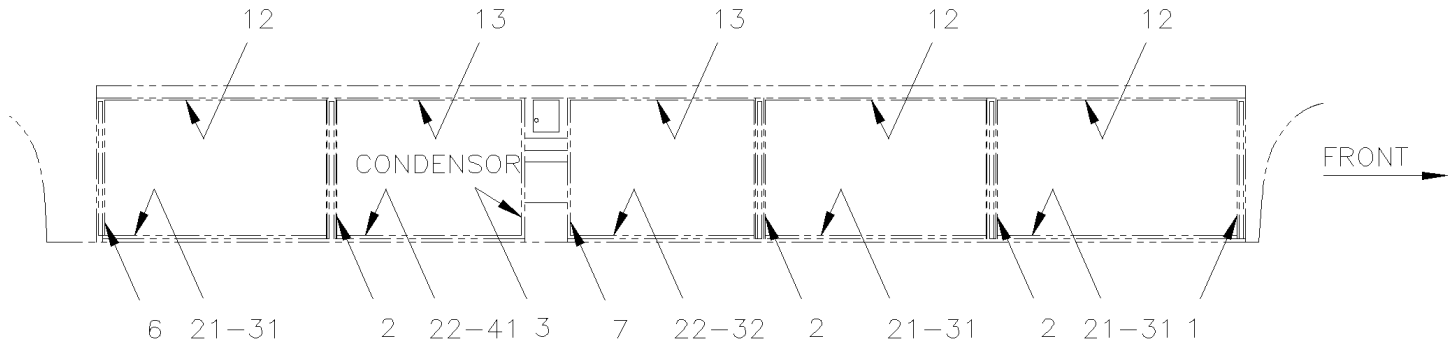


MTH 40' WITH LARGE A/C SYSTEM

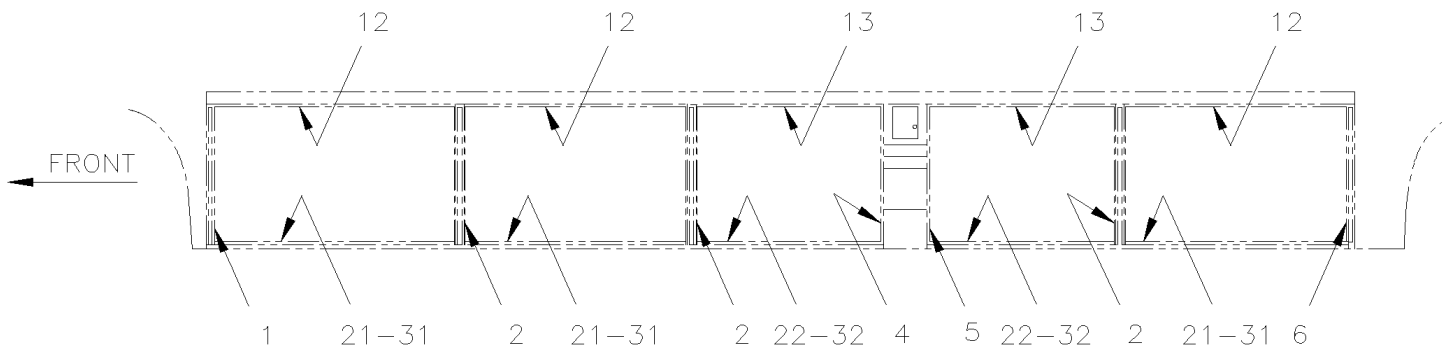
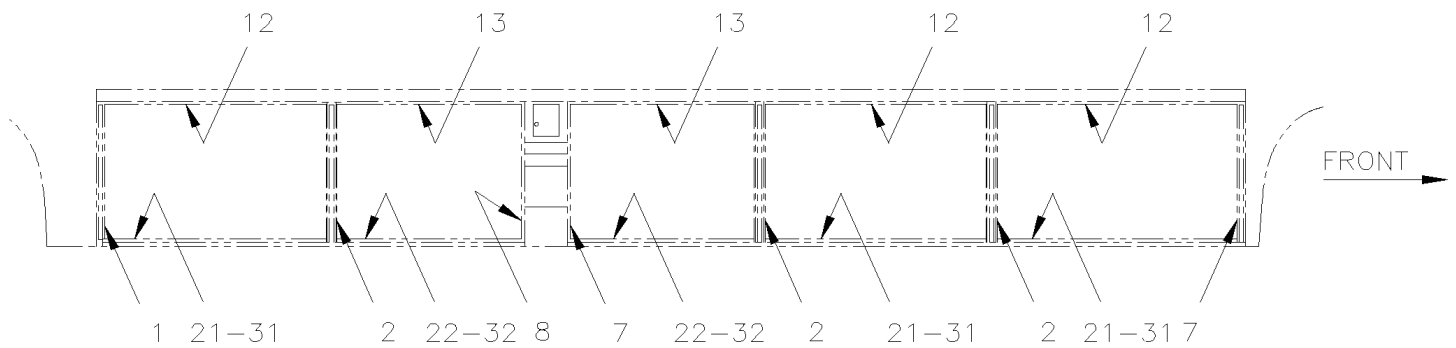


MTH 40' WITH SMALL A/C SYSTEM

| | | |
|--|--------------|-----------------|
| From Y-7046 To 8-9339 | Date:10/2022 | PAGE:Y2-1854-20 |
| WEATHERSTRIP & RETAINER - MTH | | |

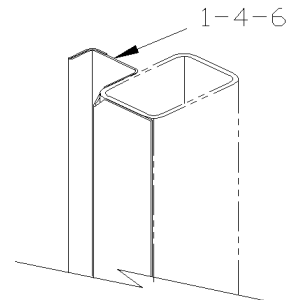
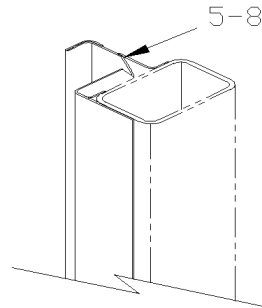
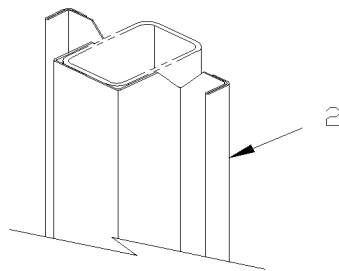
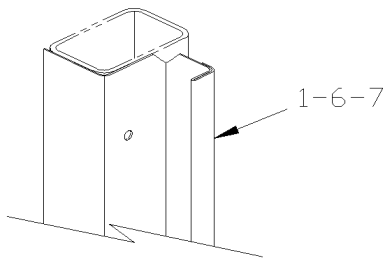
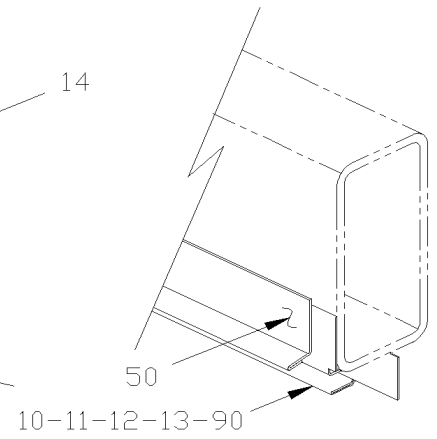
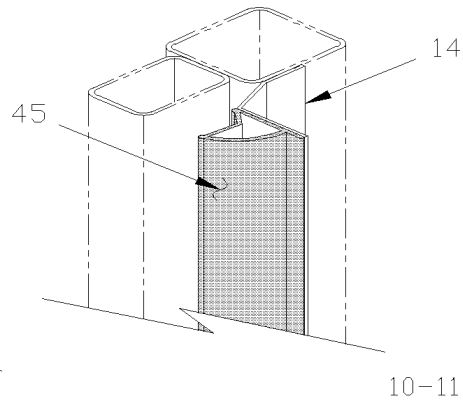
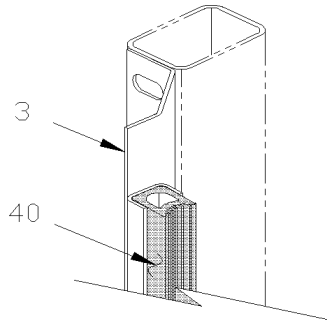
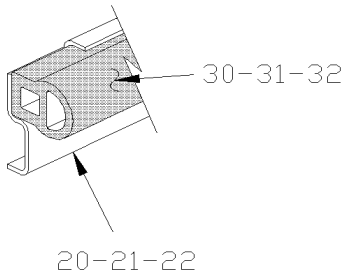


MTH 45' ENT. WITH LARGE A/C SYSTEM



MTH 45' ENT. WITH SMALL A/C SYSTEM

| | | |
|-------------------------------|--------------|-----------------|
| From Y-7046 To 8-9339 | Date:10/2022 | PAGE:Y2-1854-20 |
| WEATHERSTRIP & RETAINER - MTH | | |



| | | |
|--|--------------|-----------------|
| From Y-7046 To 8-9339 | Date:10/2022 | PAGE:Y2-1854-20 |
| WEATHERSTRIP & RETAINER - MTH | | |

| Item# | Part | Description | X L I I 4 5 | X L I I M T H 4 0 | X L I I M T H 4 5 | X L I I M T H 4 5 E | N O T E S |
|-------|--------|---|----------------------------|---|---|--|-----------------------|
| 1 | 482222 | MOULDING / WEATHERSTRIP RETAINER FRONT | | 2 | | 2 | |
| 1 | 482222 | MOULDING / WEATHERSTRIP RETAINER FRONT | | | 4 | | |
| 2 | 480979 | MOULDING / WEATHERSTRIP RETAINER / DOUBLE TWO BAGGAGE DOOR To 5-8813 | | 4 | | | |
| 2 | 480979 | MOULDING / WEATHERSTRIP RETAINER / DOUBLE TWO BAGGAGE DOOR | | | 2 | | |
| 2 | 480979 | MOULDING / WEATHERSTRIP RETAINER / DOUBLE TWO BAGGAGE DOOR | | | | 6 | |
| 3 | 482137 | MOULDING / WEATHERSTRIP RETAINER | | 1 | | 1 | |
| 3 | 483709 | MOULDING / WEATHERSTRIP RETAINER / W/FRONT "SLIDE-OUT" From 2-7871 | | | 1 | | |
| 4 | 481013 | MOULDING / WEATHERSTRIP RETAINER 838MM | | 1 | | 1 | |
| 5 | 481269 | MOULDING / WEATHERSTRIP RETAINER / L.H. / 838MM | | 1 | 1 | 1 | |
| 6 | 482824 | MOULDING / WEATHERSTRIP RETAINER 838MM | | 2 | 2 | 2 | |
| 7 | 481255 | MOULDING / WEATHERSTRIP RETAINER 838MM | | 1 | 1 | 1 | |
| 8 | 481270 | MOULDING / WEATHERSTRIP RETAINER / R.H. / 838MM | | 1 | 1 | 1 | |
| 10 | 473702 | MOULDING / WEATHERSTRIP RETAINER 1543MM | | | 6 | | |
| 11 | 473701 | MOULDING / WEATHERSTRIP RETAINER 1365MM To 2-7763 | | | 1 | | |
| 11 | 475153 | MOULDING / WEATHERSTRIP RETAINER 1365MM From 2-7764 | | | 1 | | |
| 12 | 473704 | MOULDING / WEATHERSTRIP RETAINER 1371MM To 5-8813 | | 4 | | | |
| 12 | 473704 | MOULDING / WEATHERSTRIP RETAINER 1371MM | | | | 6 | |
| 13 | 473703 | MOULDING / WEATHERSTRIP RETAINER 1155MM | | 4 | | 4 | |
| 13 | 474869 | MOULDING / WEATHERSTRIP RETAINER 990MM | | | | 1 | A |
| 14 | 482137 | MOULDING / WEATHERSTRIP RETAINER To 2-7763 | | | 1 | | |
| 14 | 214684 | SEAL DOOR RETAINER / FORWARD DOOR From 2-7764 | | | 1 | | |
| 15 | 473701 | MOULDING / WEATHERSTRIP RETAINER 1365MM To 2-7763 | | | 1 | | |
| 15 | 214683 | SEAL DOOR RETAINER / UPPER DOOR From 2-7764 | | | 1 | | |
| 16 | 481013 | MOULDING / WEATHERSTRIP RETAINER 838MM To 2-7763 | | | 1 | | |
| 16 | 214682 | SEAL DOOR RETAINER / BACKWARD DOOR From 2-7764 | | | 1 | | |
| 20 | 483029 | MOULDING / WEATHERSTRIP RETAINER / WELDED TO STRUCTURE / 1536MM | | | 1 | | |
| 21 | 483031 | MOULDING / WEATHERSTRIP RETAINER / WELDED TO STRUCTURE / 1365MM To 5-8813 | | 1 | | | |
| 21 | 483031 | MOULDING / WEATHERSTRIP RETAINER / WELDED TO STRUCTURE / 1365MM | | | 1 | | |
| 21 | 483031 | MOULDING / WEATHERSTRIP RETAINER / WELDED TO STRUCTURE / 1365MM | | | | 1 | |
| 21 | 483711 | MOULDING / WEATHERSTRIP RETAINER / WELDED TO STRUCTURE / 1326MM To 5-8813 | | 1 | | | B |
| 22 | 483030 | MOULDING / WEATHERSTRIP RETAINER / WELDED TO STRUCTURE / 1149MM | | 1 | | 1 | |
| 22 | 483693 | MOULDING / WEATHERSTRIP RETAINER / WELDED TO STRUCTURE / 1107MM To 5-8813 | | 1 | | | B |
| 30 | 481988 | WEATHERSTRIP / W/60" BAGGAGE DOORS | | | 6 | | |
| 30 | 485628 | WEATHERSTRIP / W/60" BAGGAGE DOORS | | | 6 | | |
| 30 | 482330 | WEATHERSTRIP / W/60" HINGE BAGGAGE DOOR | | | AR | | |
| 30 | 485631 | WEATHERSTRIP / W/60" HINGE BAGGAGE DOOR | | | AR | | |
| 31 | 481033 | WEATHERSTRIP / W/53" BAGGAGE DOORS To 5-8813 | | 4 | | | |
| 31 | 485635 | WEATHERSTRIP / W/53" BAGGAGE DOORS | | 4 | | | |
| 31 | 481033 | WEATHERSTRIP / W/53" BAGGAGE DOORS | | | 2 | | |
| 31 | 485635 | WEATHERSTRIP / W/53" BAGGAGE DOORS | | | 2 | | |
| 31 | 481033 | WEATHERSTRIP / W/53" BAGGAGE DOORS | | | | 6 | |
| 31 | 485635 | WEATHERSTRIP / W/53" BAGGAGE DOORS | | | | 6 | |

| | | |
|--|--------------|-----------------|
| From Y-7046 To 8-9339 | Date:10/2022 | PAGE:Y2-1854-20 |
| WEATHERSTRIP & RETAINER - MTH | | |

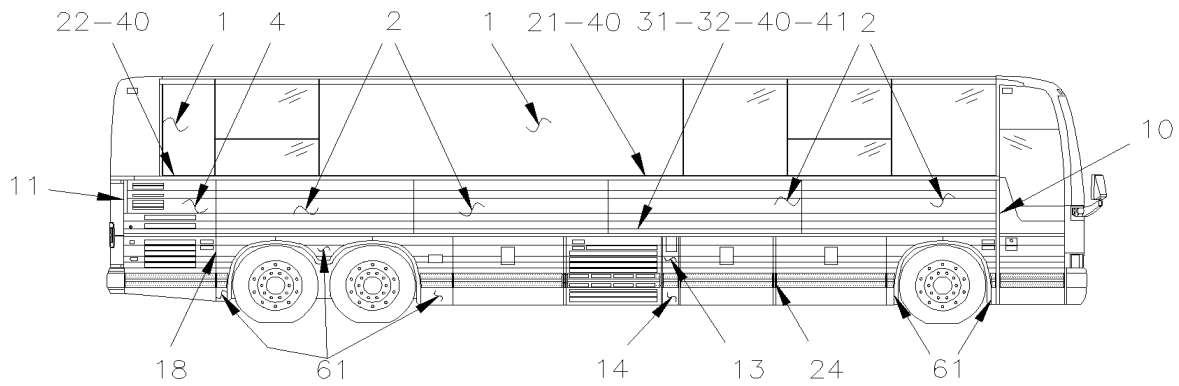
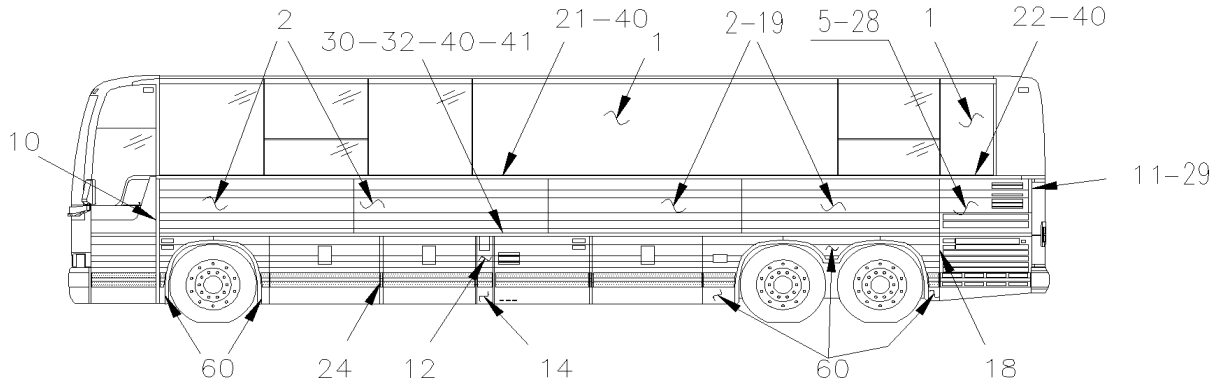
| Item# | Part | Description | X L I I 4 5 | X L I I M T H 4 0 | X L I I M T H 4 5 | X L I I M T H 4 5 E | N O T E S |
|-------|-------------------|---|----------------------------|---|---|--|-----------------------|
| 31 | 483462 | WEATHERSTRIP / W/53" HINGE BAGGAGE DOOR | | AR | AR | AR | |
| 31 | 485632 | WEATHERSTRIP / W/53" HINGE BAGGAGE DOOR | | AR | AR | AR | |
| 32 | 482462 | WEATHERSTRIP / W/45" BAGGAGE DOORS To 5-8813 | | 4 | | | |
| 32 | 485630 | WEATHERSTRIP / W/45" BAGGAGE DOORS | | 4 | | 4 | |
| 32 | 483692 | WEATHERSTRIP / W/45" HINGE BAGGAGE DOOR To 5-8813 | | AR | | AR | |
| 33 | 480154 | . WEATHERSTRIP RUBBER / ADH / RAW MATERIAL To 5-8844 | | AR | AR | AR | |
| 33 | 483941 | . WEATHERSTRIP RUBBER / ADH / RAW MATERIAL From 5-8545 | | AR | AR | AR | |
| 33 | 485610 | . WEATHERSTRIP RUBBER / ADH / RAW MATERIAL | | AR | AR | AR | |
| 40 | 481163 | WEATHERSTRIP / EVAPORATOR DOOR | | 1 | | 1 | |
| 40 | 482096 | WEATHERSTRIP / EVAPORATOR DOOR To 2-7763 | | | 1 | | |
| 41 | 482099 | WEATHERSTRIP / CONDENSOR DOOR | | 1 | 1 | 1 | |
| 41 | 480009 | WEATHERSTRIP / CONDENSOR DOOR | | 1 | 1 | 1 | |
| 45 | 483555 | WEATHERSTRIP / EVAPORATOR DOOR From 2-7764 | | | 1 | | |
| 50 | Y2-1854-50 | SIDE PANELS - MTH | | | | | |
| 90 | 475246 | MOULDING / WEATHERSTRIP RETAINER From 2-7764 To 3-8109 | | | 1 | | C |
| 90 | 475767 | MOULDING / WEATHERSTRIP RETAINER 1495MM From 3-8110 | | | 1 | | C |
| 90 | 478265 | MOULDING / WEATHERSTRIP RETAINER 1488MM OPTION From 2-7764 | | | 6 | | C E |
| 91 | 475265 | MOULDING / WEATHERSTRIP RETAINER 1320MM From 2-7764 | | | 1 | | D |
| 92 | 475297 | MOULDING / WEATHERSTRIP RETAINER From 2-7764 To 3-8109 | | | 1 | | C |
| 92 | 476077 | MOULDING / WEATHERSTRIP RETAINER From 3-8110 | | | 1 | | C |
| 94 | 475272 | MOULDING / WEATHERSTRIP RETAINER From 2-7764 To 3-8109 | | | 1 | | B |
| 94 | 475764 | MOULDING / WEATHERSTRIP RETAINER From 3-8110 | | | 1 | | B |
| | | | | | | | |
| | | | | | | | |
| | | | | | | | |
| | | A) USE WITH 38" BAGGAGE DOOR | | | | | |
| | | B) WITH "SLIDE OUT" | | | | | |
| | | C) WITH BAGGAGE DOOR WITH HINGE FOR "SLIDE-OUT" | | | | | |
| | | D) WITH BAGGAGE DOOR WITH HINGE FOR "SLIDE-OUT" AND SMALL A/C | | | | | |
| | | E) WITH 6 DOORS HINGED 60" FOR SLIDE OUT | | | | | |

From Y-7046 To 8-9339

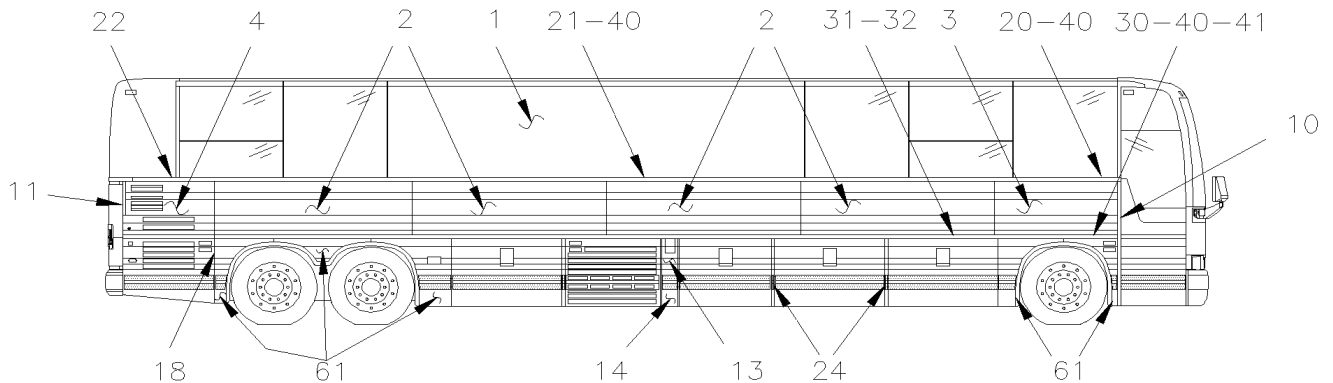
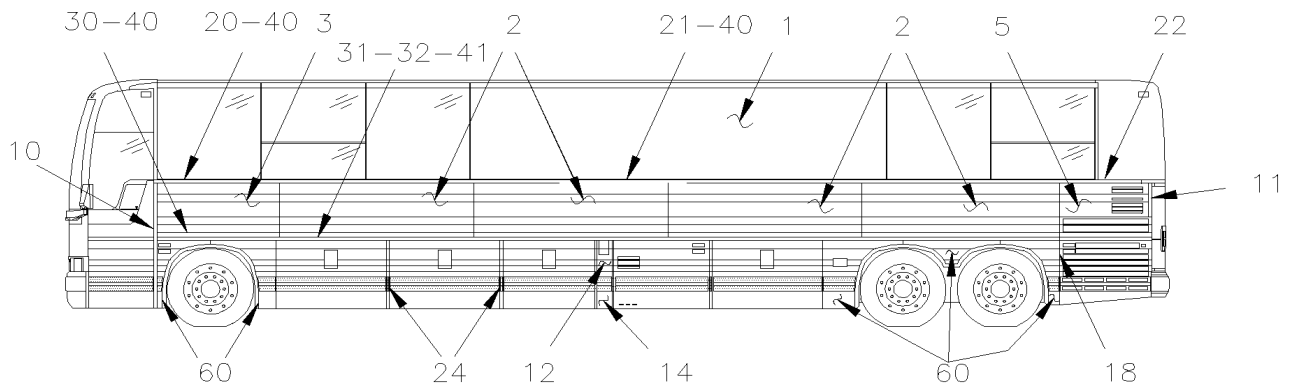
Date:10/2022

PAGE:Y2-1854-50

SIDE PANELS - MTH



MTH. 40'



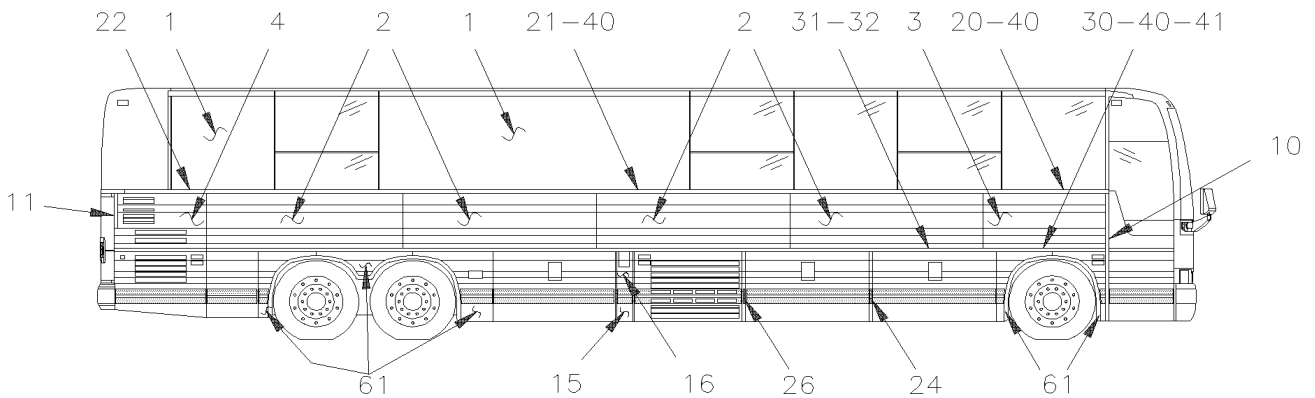
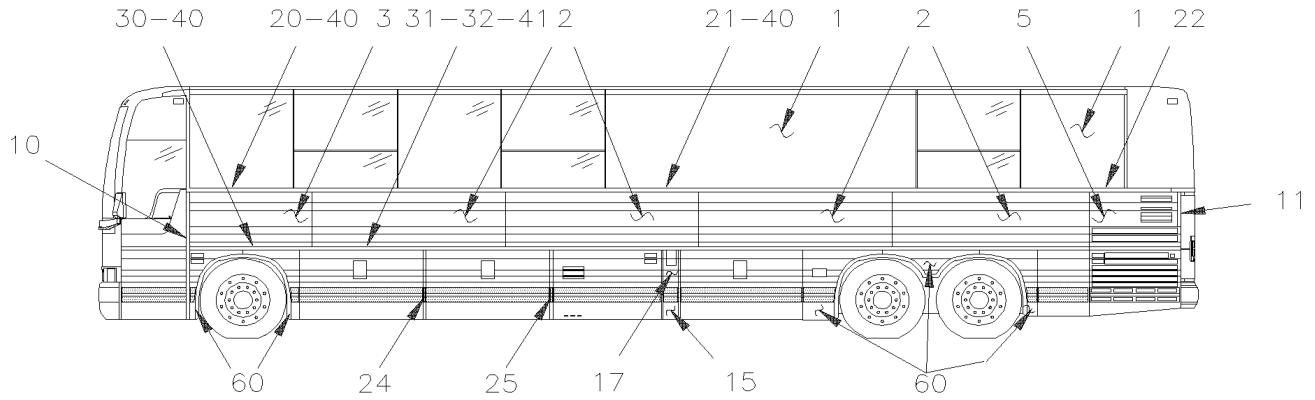
MTH 45' ENT.

From Y-7046 To 8-9339

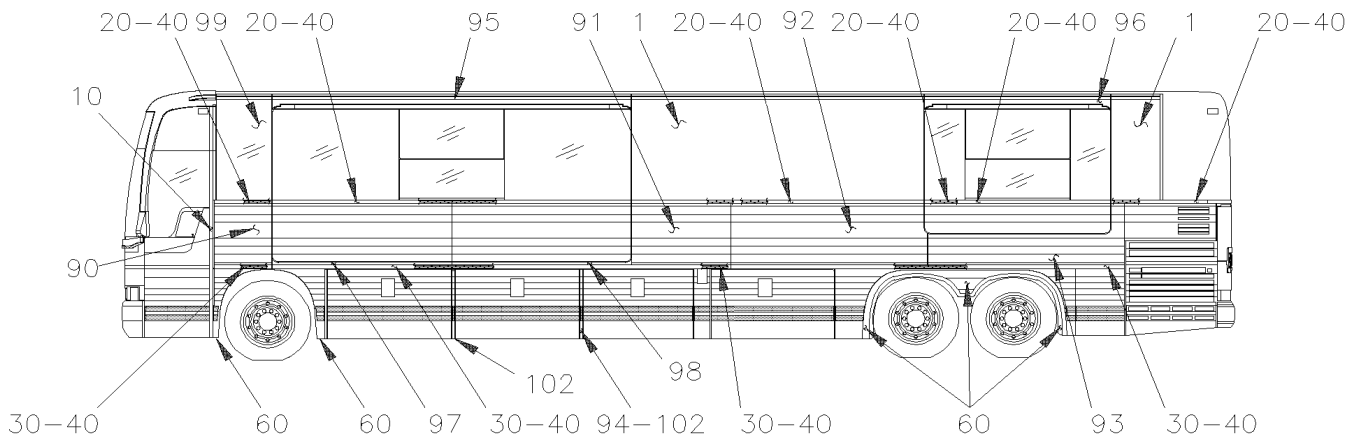
Date:10/2022

PAGE:Y2-1854-50

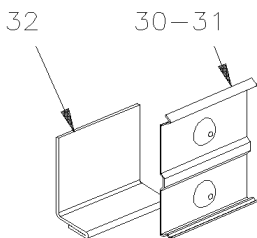
SIDE PANELS - MTH



MTH. 45'



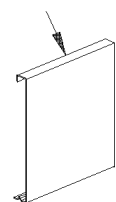
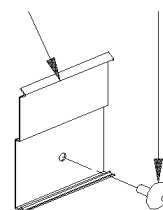
MTH. 45' WITH "SLIDE-OUT"
UP TO 3-8164



20-21-22

23

40-41

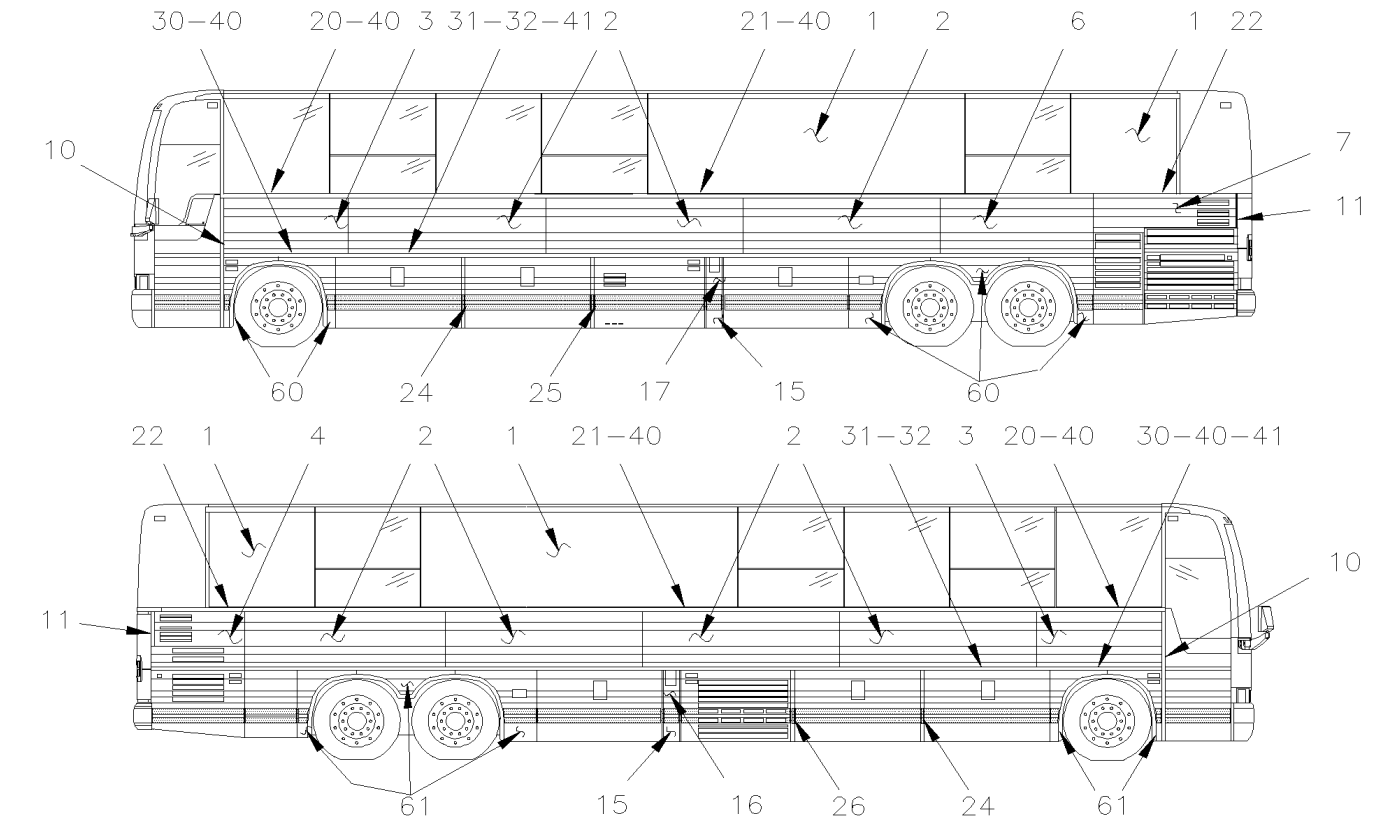


From Y-7046 To 8-9339

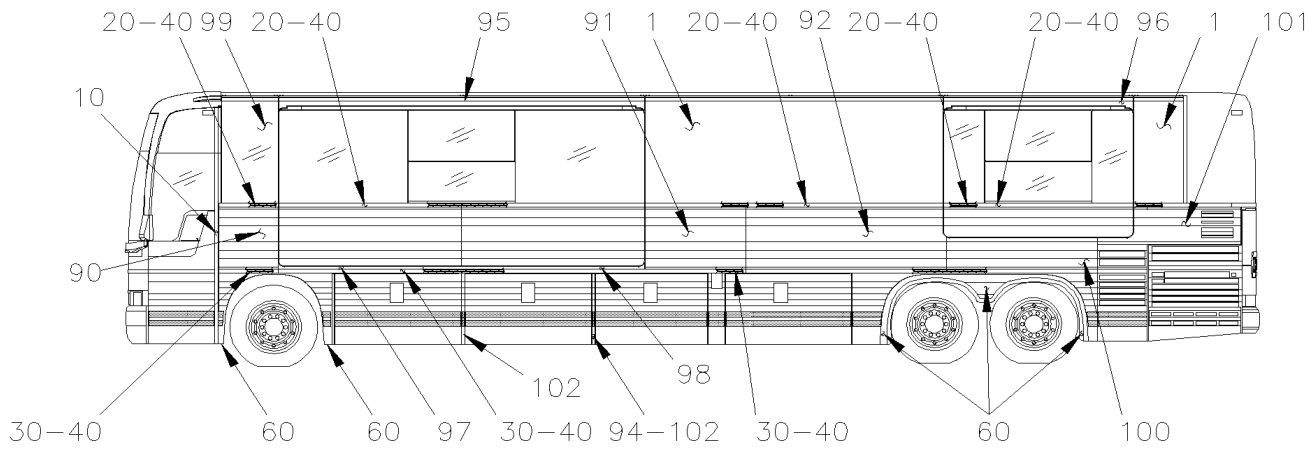
Date:10/2022

PAGE:Y2-1854-50

SIDE PANELS - MTH

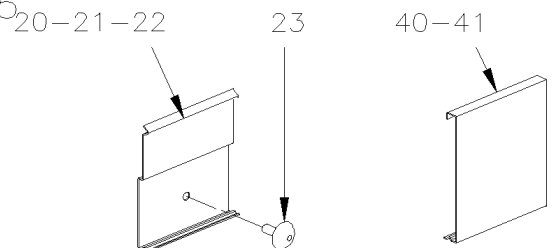
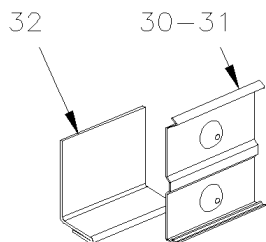


MTH. 45'



MTH. 45' WITH "SLIDE-OUT"

FROM 4-8165

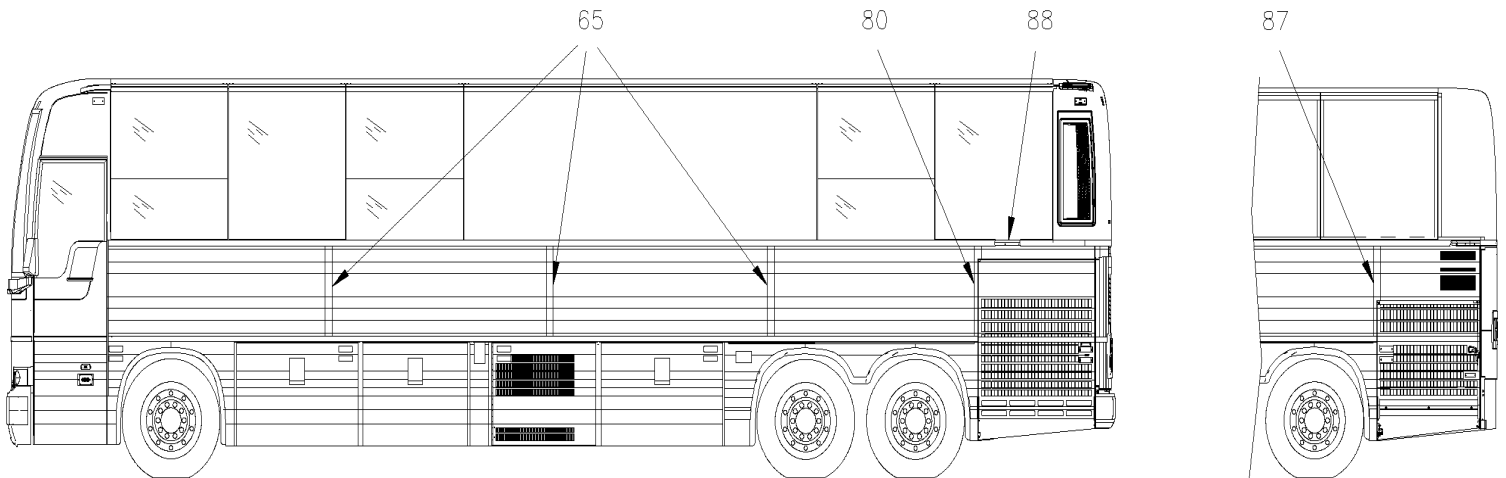
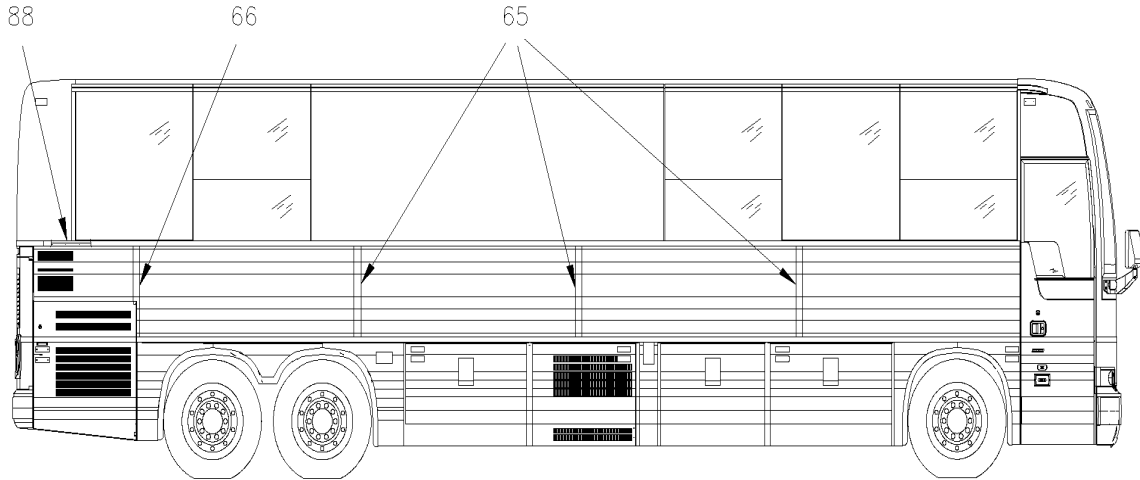


From Y-7046 To 8-9339

Date:10/2022

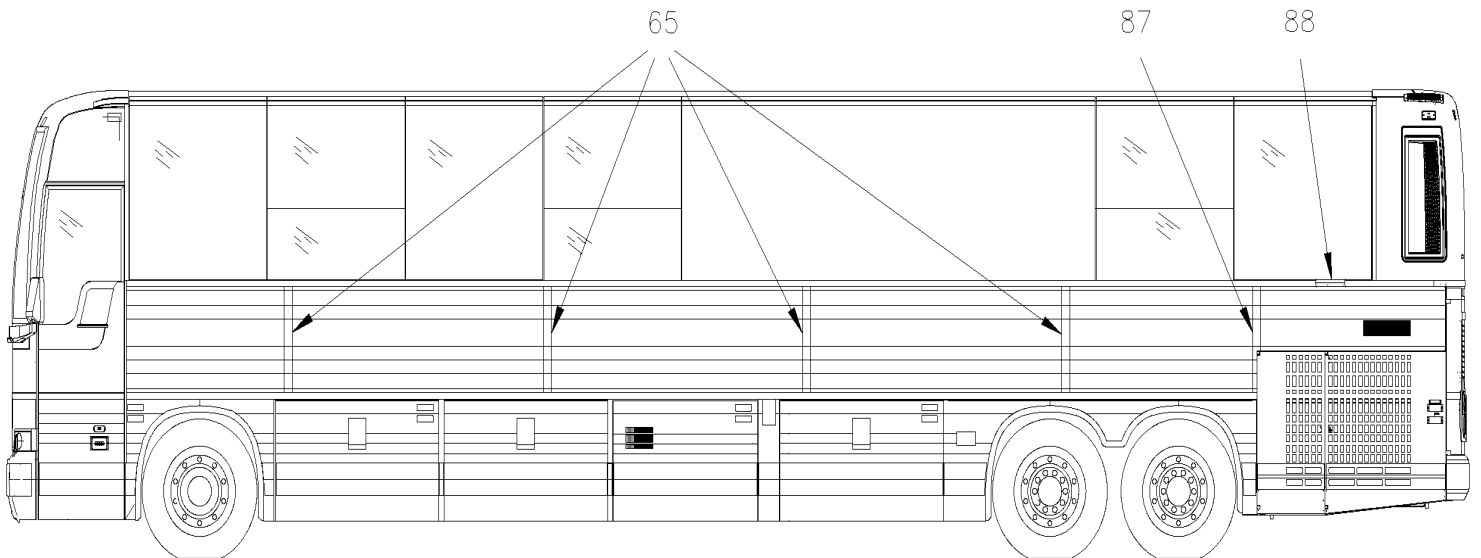
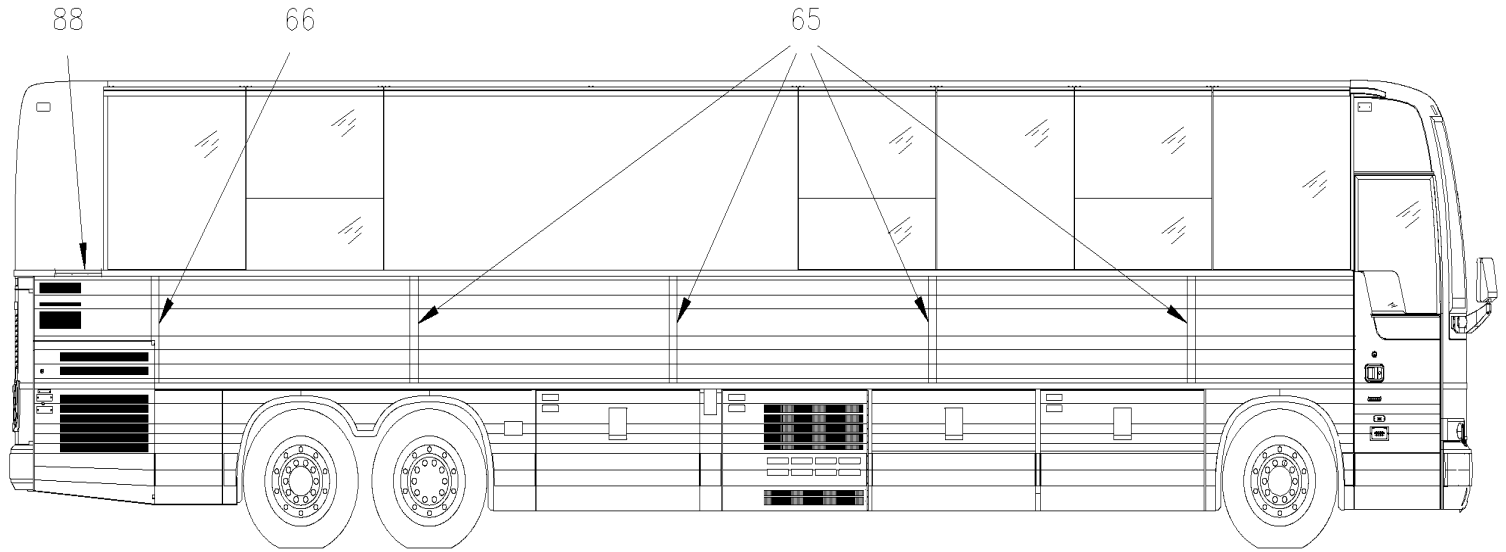
PAGE:Y2-1854-50

SIDE PANELS - MTH



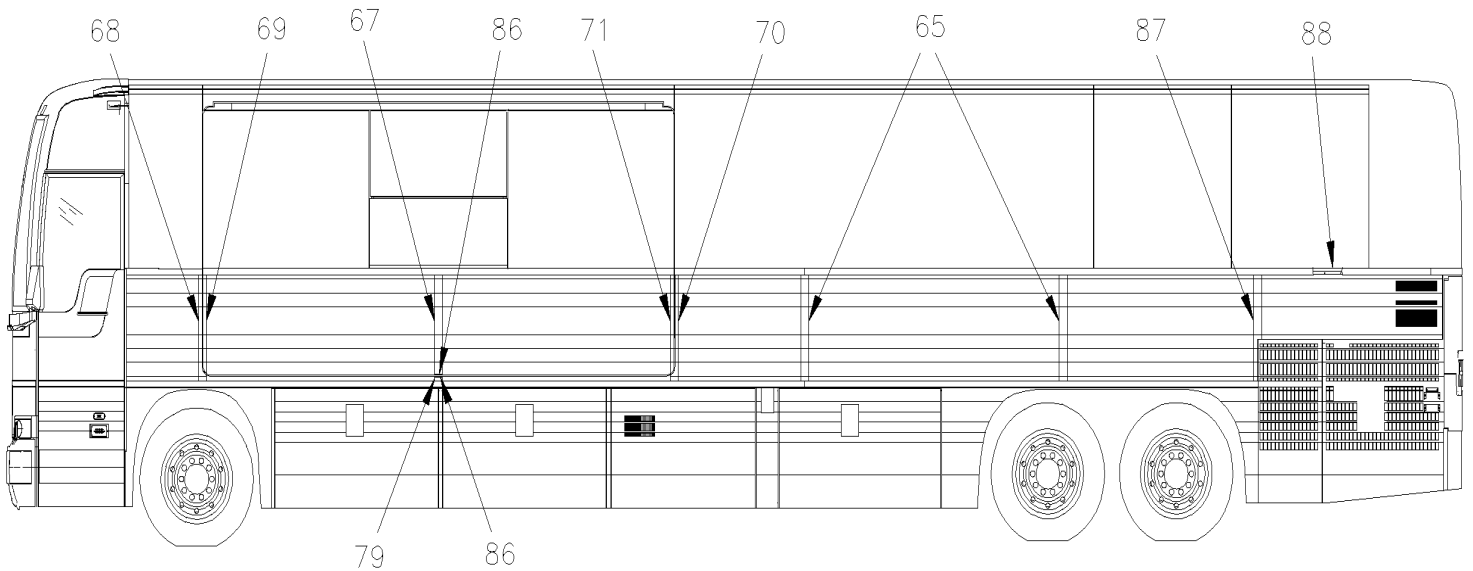
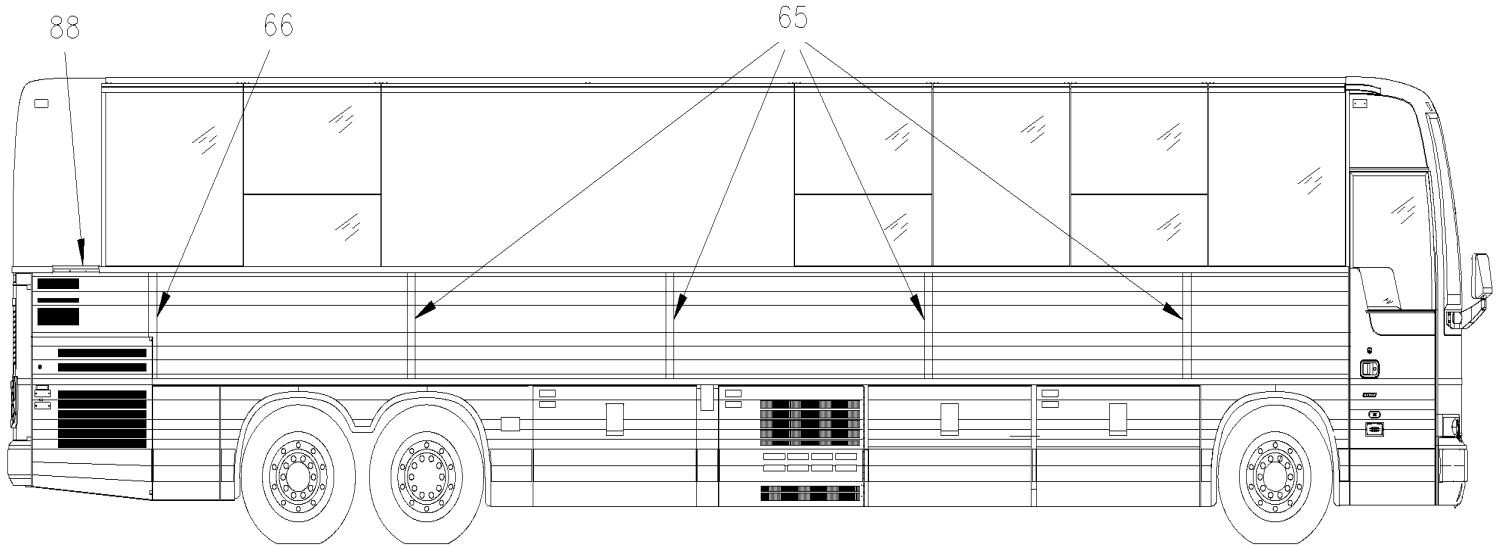
MTH-40

| | | |
|-----------------------|--------------|-----------------|
| From Y-7046 To 8-9339 | Date:10/2022 | PAGE:Y2-1854-50 |
| SIDE PANELS - MTH | | |



MTH-45 WITHOUT SLIDE-OUT

| | | |
|-----------------------|--------------|-----------------|
| From Y-7046 To 8-9339 | Date:10/2022 | PAGE:Y2-1854-50 |
| SIDE PANELS - MTH | | |



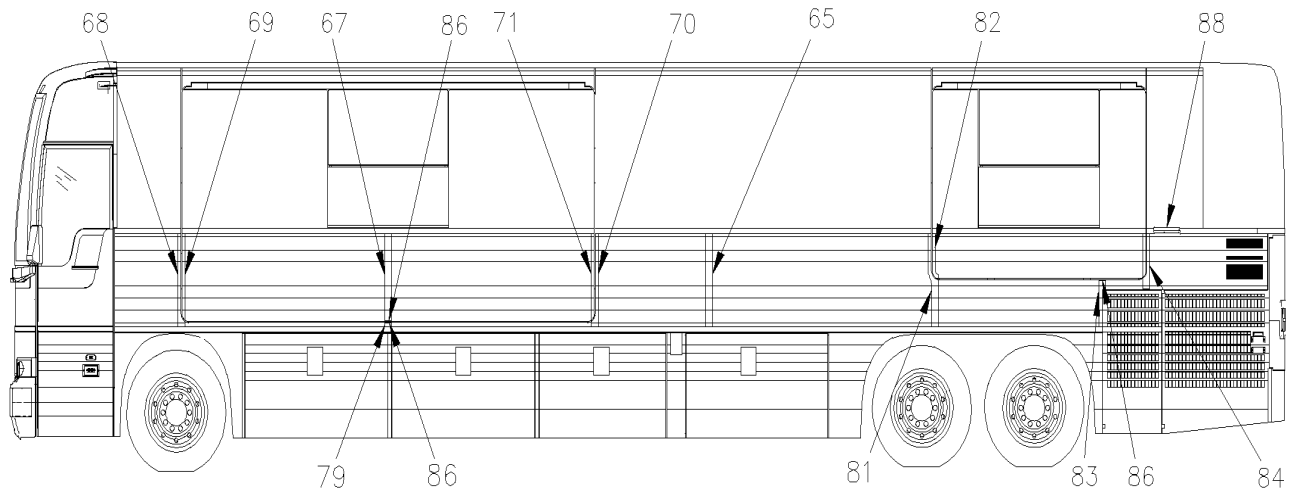
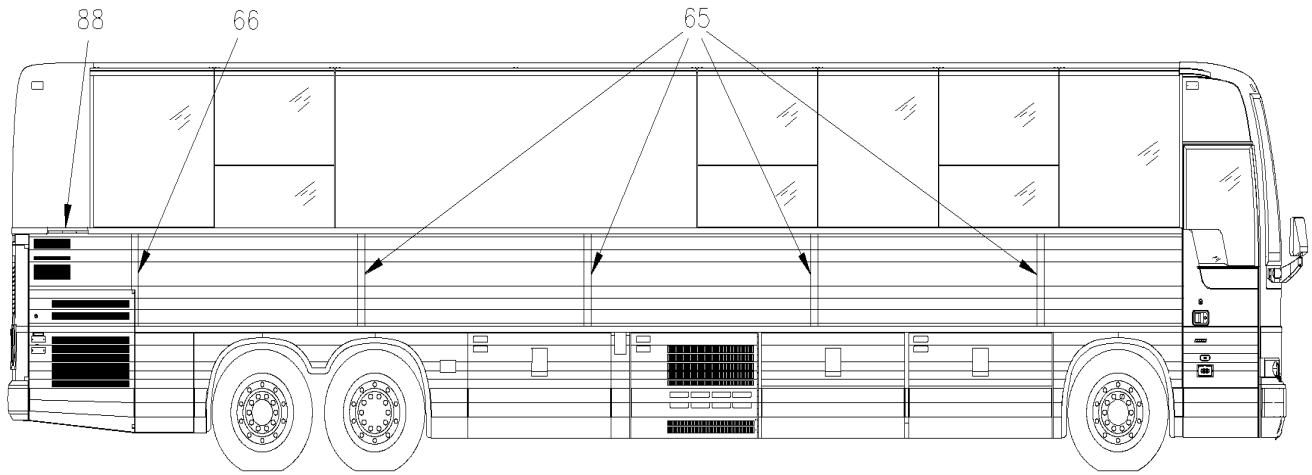
MTH-45 WITH FRONT SLIDE-OUT

From Y-7046 To 8-9339

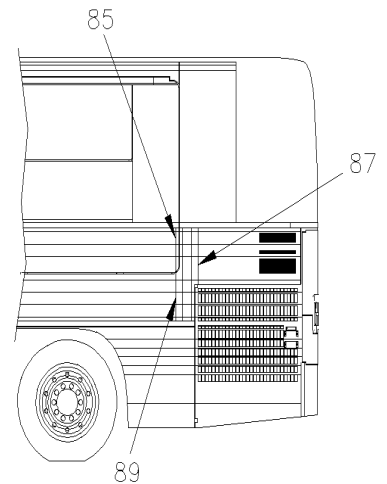
Date:10/2022

PAGE:Y2-1854-50

SIDE PANELS - MTH



MTH-45 WITH FRONT SLIDE OUT
& REAR SLIDE-OUT
UP TO 6-8805

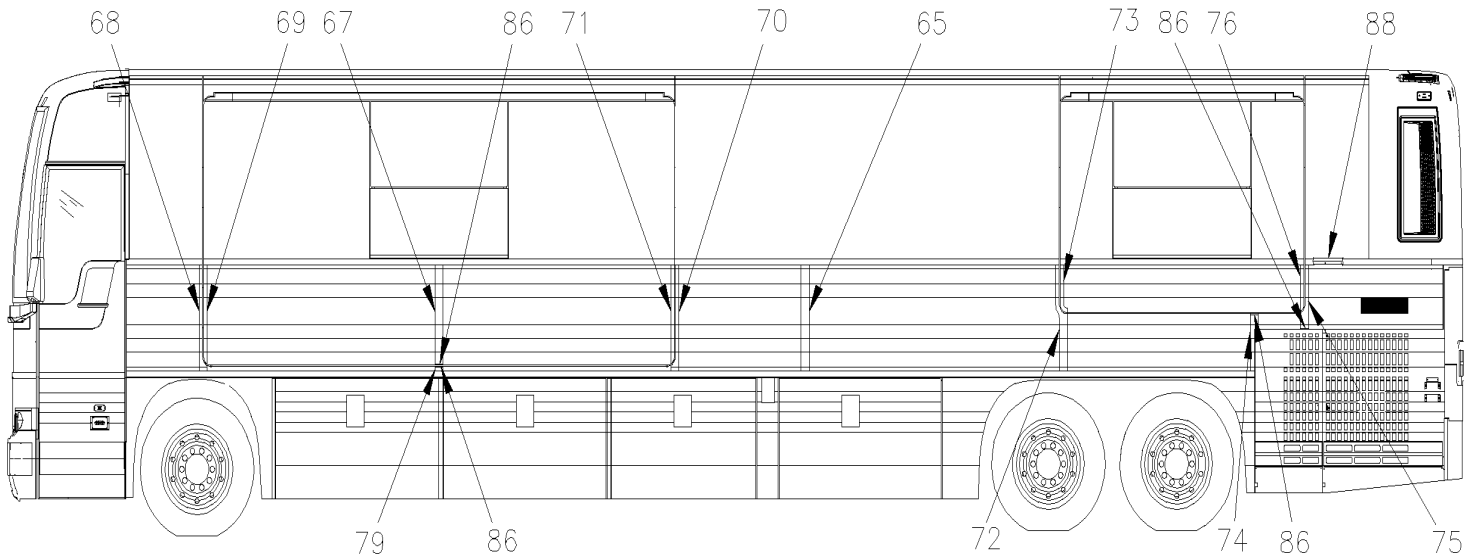
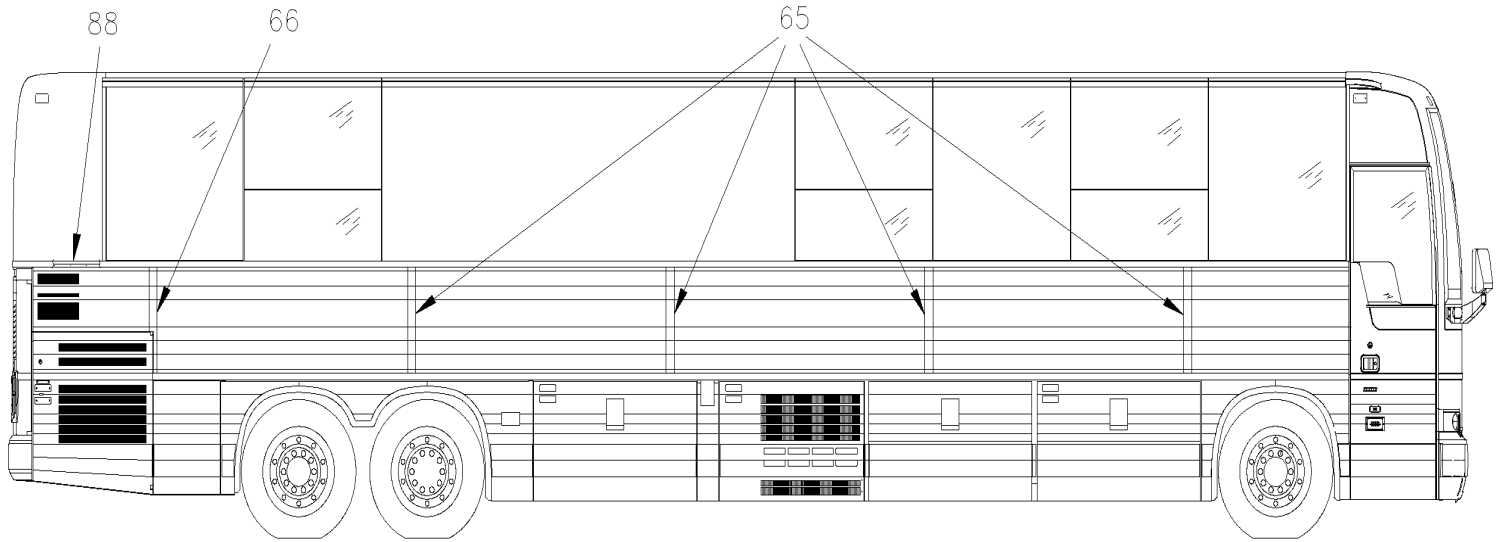


From Y-7046 To 8-9339

Date:10/2022

PAGE:Y2-1854-50

SIDE PANELS - MTH



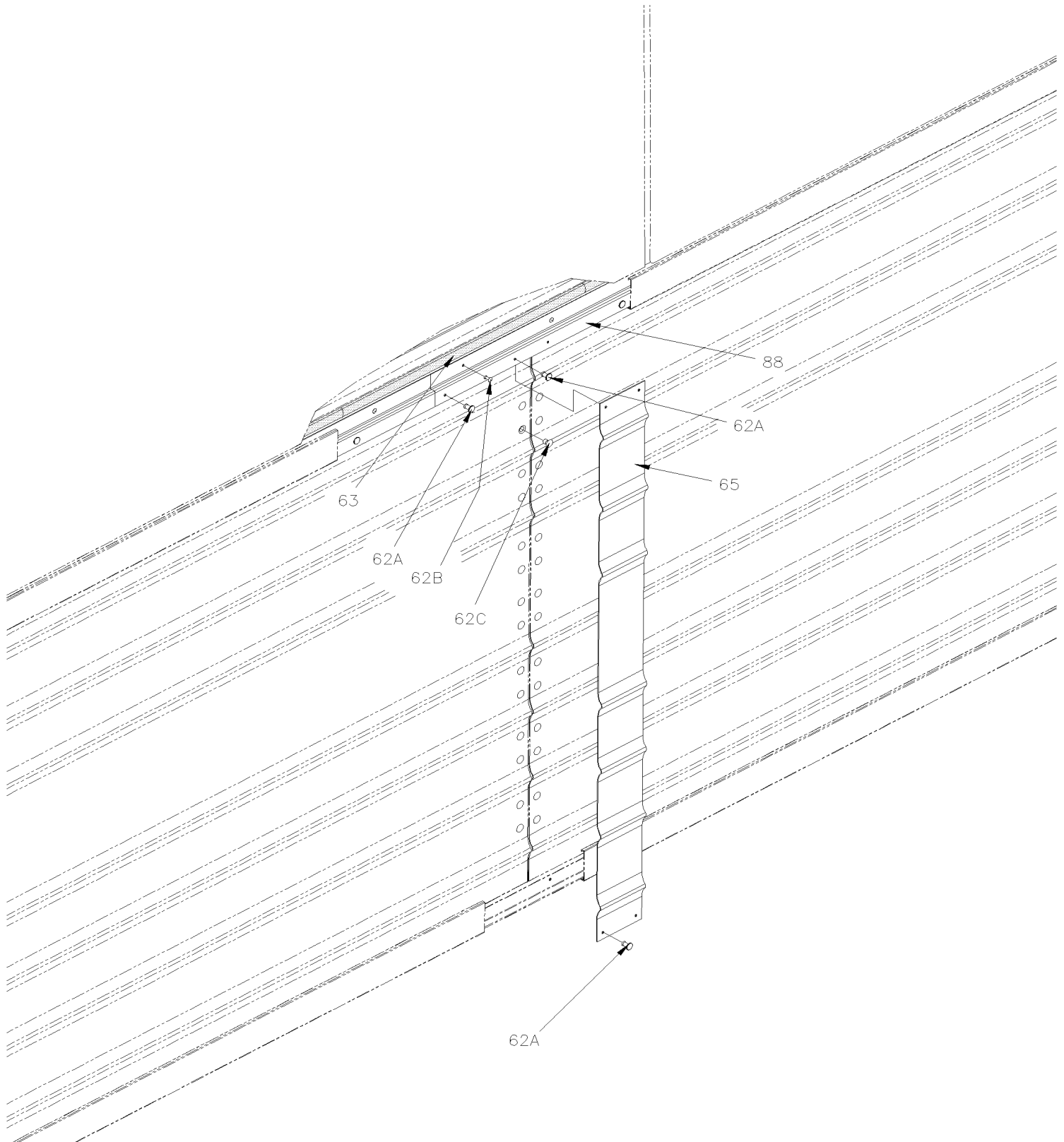
MTH-45 WITH FRONT SLIDE-OUT
& 7.5' REAR SLIDE-OUT
FROM 6-8806

From Y-7046 To 8-9339

Date:10/2022

PAGE:Y2-1854-50

SIDE PANELS - MTH



| | | |
|-----------------------|--------------|-----------------|
| From Y-7046 To 8-9339 | Date:10/2022 | PAGE:Y2-1854-50 |
|-----------------------|--------------|-----------------|

SIDE PANELS - MTH

| Item# | Part | Description | X L I I 4 5 | X L I I M T H 4 0 | X L I I M T H 4 5 | X L I I M T H 4 5 E | N O T E S |
|-------|--------|--|----------------------------|---|---|--|-----------------------|
| 1 | 474315 | UPPER PANEL / MTH-83" 489.3MM To Y-7128 | | AR | AR | | |
| 1 | 474567 | UPPER PANEL / MTH-83" 792MM To Y-7128 | | AR | AR | | |
| 1 | 474275 | UPPER PANEL / MTH-83" 1287.4MM To Y-7128 | | AR | AR | | |
| 1 | 474180 | UPPER PANEL / MTH-83" 2582.8MM To Y-7128 | | AR | AR | | |
| 1 | 474566 | UPPER PANEL / MTH-83" 3078MM To Y-7128 | | AR | AR | | |
| 1 | 474179 | UPPER PANEL / MTH-83" 3878.2MM To Y-7128 | | AR | AR | | |
| 1 | 474568 | UPPER PANEL / MTH-83" 4373MM To Y-7128 | | AR | AR | | |
| 1 | 474314 | UPPER PANEL / MTH-83" 4676.3MM To Y-7128 | | AR | AR | | |
| 1 | 474181 | UPPER PANEL / MTH-83" 5176.6MM To Y-7128 | | AR | AR | | |
| 1 | 474421 | UPPER PANEL / MTH-83" 6469MM To Y-7128 | | AR | AR | | |
| 1 | 475011 | UPPER PANEL / MTH-86" & 89" 96MM | | AR | AR | AR | |
| 1 | 474660 | UPPER PANEL / MTH-86" & 89" 195.2MM | | AR | AR | AR | |
| 1 | 476541 | UPPER PANEL / MTH-86" & 89" 215MM | | AR | AR | AR | |
| 1 | 475479 | UPPER PANEL / MTH-86" & 89" 271.4MM | | AR | AR | AR | |
| 1 | 475027 | UPPER PANEL / MTH-86" & 89" 310MM | | AR | AR | AR | |
| 1 | 474851 | UPPER PANEL / MTH-86" & 89" 328.6MM | | AR | AR | AR | |
| 1 | 475040 | UPPER PANEL / MTH-86" & 89" 340.5MM | | AR | AR | AR | |
| 1 | 474655 | UPPER PANEL / MTH-86" & 89" 399.5MM | | AR | AR | AR | |
| 1 | 474732 | UPPER PANEL / MTH-86" & 89" 414.3MM | | AR | AR | AR | |
| 1 | 474591 | UPPER PANEL / MTH-86" & 89" 423.8MM | | AR | AR | AR | |
| 1 | 475110 | UPPER PANEL / MTH-86" & 89" 433.3MM | | AR | AR | AR | |
| 1 | 474465 | UPPER PANEL / MTH-86" & 89" 489.3MM | | AR | AR | AR | |
| 1 | 475003 | UPPER PANEL / MTH-86" & 89" 500MM | | AR | AR | AR | |
| 1 | 474990 | UPPER PANEL / MTH-86" & 89" 500MM | | AR | AR | AR | |
| 1 | 475408 | UPPER PANEL / MTH-86" & 89" 579.4MM | | AR | AR | AR | |
| 1 | 474654 | UPPER PANEL / MTH-86" & 89" 589.5MM | | AR | AR | AR | |
| 1 | 474788 | UPPER PANEL / MTH-86" & 89" 603.3MM | | AR | AR | AR | |
| 1 | 475366 | UPPER PANEL / MTH-86" & 89" 613MM | | AR | AR | AR | |
| 1 | 474562 | UPPER PANEL / MTH-86" & 89" 639.7MM | | AR | AR | AR | |
| 1 | 474572 | UPPER PANEL / MTH-86" & 89" 689.8MM | | AR | AR | AR | |
| 1 | 476246 | UPPER PANEL / MTH-86" & 89" 703MM | | AR | AR | AR | |
| 1 | 475128 | UPPER PANEL / MTH-86" & 89" 741.3MM | | AR | AR | AR | |
| 1 | 474998 | UPPER PANEL / MTH-86" & 89" 843MM | | AR | AR | AR | |
| 1 | 476237 | UPPER PANEL / MTH-86" & 89" 849MM | | AR | AR | AR | |
| 1 | 475084 | UPPER PANEL / MTH-86" & 89" 881MM | | AR | AR | AR | |
| 1 | 474651 | UPPER PANEL / MTH-86" & 89" 887.2MM | | AR | AR | AR | |
| 1 | 478331 | UPPER PANEL / MTH-86" & 89" 908.1MM | | AR | AR | AR | |
| 1 | 475078 | UPPER PANEL / MTH-86" & 89" 914MM | | AR | AR | AR | |
| 1 | 474879 | UPPER PANEL / MTH-86" & 89" 938.2MM | | AR | AR | AR | |
| 1 | 476128 | UPPER PANEL / MTH-86" & 89" 982MM | | AR | AR | AR | |
| 1 | 476488 | UPPER PANEL / MTH-86" & 89" 1103MM | | AR | AR | AR | |

| | | |
|--------------------------|--------------|-----------------|
| From Y-7046 To 8-9339 | Date:10/2022 | PAGE:Y2-1854-50 |
| SIDE PANELS - MTH | | |

| Item# | Part | Description | X L I I 4 5 | X L I I M T H 4 0 | X L I I M T H 4 5 | X L I I M T H 4 5 E | N O T E S |
|-------|--------|--|----------------------------|---|---|--|-----------------------|
| 1 | 475283 | UPPER PANEL / MTH-86" & 89" 1107MM | | AR | AR | AR | |
| 1 | 474553 | UPPER PANEL / MTH-86" & 89" 1109.5MM | | AR | AR | AR | |
| 1 | 474495 | UPPER PANEL / MTH-86" & 89" 1127MM | | AR | AR | AR | |
| 1 | 476508 | UPPER PANEL / MTH-86" & 89" 1440MM | | AR | AR | AR | |
| 1 | 474656 | UPPER PANEL / MTH-86" & 89" 2177.5MM | | AR | AR | AR | |
| 1 | 475098 | UPPER PANEL / MTH-86" & 89" 2490.9MM | | AR | AR | AR | |
| 1 | 476099 | UPPER PANEL / MTH-86" & 89" 2526.5MM | | AR | AR | AR | |
| 1 | 474772 | UPPER PANEL / MTH-86" & 89" 2560MM | | AR | AR | AR | |
| 1 | 474182 | UPPER PANEL / MTH-86" & 89" 2582.8MM | | AR | AR | AR | |
| 1 | 475072 | UPPER PANEL / MTH-86" & 89" 2836MM | | AR | AR | AR | |
| 1 | 475148 | UPPER PANEL / MTH-86" & 89" 2907MM | | AR | AR | AR | |
| 1 | 476127 | UPPER PANEL / MTH-86" & 89" 2932MM | | AR | AR | AR | |
| 1 | 475077 | UPPER PANEL / MTH-86" & 89" 2956.3MM | | AR | AR | AR | |
| 1 | 475365 | UPPER PANEL / MTH-86" & 89" 3165MM | | AR | AR | AR | |
| 1 | 474623 | UPPER PANEL / MTH-86" & 89" 3230.5MM | | AR | AR | AR | |
| 1 | 474564 | UPPER PANEL / MTH-86" & 89" 3230.5MM | | AR | AR | AR | |
| 1 | 476129 | UPPER PANEL / MTH-86" & 89" 3237MM | | AR | AR | AR | |
| 1 | 475407 | UPPER PANEL / MTH-86" & 89" 3291MM | | AR | AR | AR | |
| 1 | 475181 | UPPER PANEL / MTH-86" & 89" 3414.5MM | | AR | AR | AR | |
| 1 | 474786 | UPPER PANEL / MTH-86" & 89" 3607.5MM | | AR | AR | AR | |
| 1 | 478330 | UPPER PANEL / MTH-86" & 89" 3302.7MM | | AR | AR | AR | |
| 1 | 475109 | UPPER PANEL / MTH-86" & 89" 3344.9MM | | AR | AR | AR | |
| 1 | 475485 | UPPER PANEL / MTH-86" & 89" 3364.7MM | | AR | AR | AR | |
| 1 | 690013 | UPPER PANEL / MTH-86" 3607.5MM From 2-7819 To 4-8251 | | | AR | | |
| 1 | 476540 | UPPER PANEL / MTH-86" & 89" 3655MM | | AR | AR | AR | |
| 1 | 476786 | UPPER PANEL / MTH-86" & 89" 3675MM | | AR | AR | AR | |
| 1 | 475010 | UPPER PANEL / MTH-86" & 89" 3682MM | | AR | AR | AR | |
| 1 | 475086 | UPPER PANEL / MTH-86" & 89" 3731MM | | AR | AR | AR | |
| 1 | 476495 | UPPER PANEL / MTH-86" & 89" 3838MM | | AR | AR | AR | |
| 1 | 475081 | UPPER PANEL / MTH-86" & 89" 3859.1MM | | AR | AR | AR | |
| 1 | 474183 | UPPER PANEL / MTH-86" & 89" 3878.2MM | | AR | AR | AR | |
| 1 | 474791 | UPPER PANEL / MTH-86" & 89" 3930.5MM | | AR | AR | AR | |
| 1 | 474959 | UPPER PANEL / MTH-86" & 89" 3967MM | | AR | AR | AR | |
| 1 | 474496 | UPPER PANEL / MTH-86" & 89" 4038.5MM | | AR | AR | AR | |
| 1 | 474554 | UPPER PANEL / MTH-86" & 89" 4056MM | | AR | AR | AR | |
| 1 | 475392 | UPPER PANEL / MTH-86" & 89" 4059MM | | AR | AR | AR | |
| 1 | 476487 | UPPER PANEL / MTH-86" & 89" 4062MM | | AR | AR | AR | |
| 1 | 474790 | UPPER PANEL / MTH-86" & 89" 4105.6MM | | AR | AR | AR | |
| 1 | 475790 | UPPER PANEL / MTH-86" & 89" 4105.6MM | | AR | AR | AR | |
| 1 | 475617 | UPPER PANEL / MTH-86" & 89" 4108MM | | AR | AR | AR | |
| 1 | 475071 | UPPER PANEL / MTH-86" & 89" 4131.4MM | | AR | AR | AR | |
| 1 | 476268 | UPPER PANEL / MTH-86" & 89" 4193MM | | AR | AR | AR | |

| | | |
|-----------------------|--------------|-----------------|
| From Y-7046 To 8-9339 | Date:10/2022 | PAGE:Y2-1854-50 |
|-----------------------|--------------|-----------------|

SIDE PANELS - MTH

| Item# | Part | Description | X L I I 4 5 | X L I I M T H 4 0 | X L I I M T H 4 5 | X L I I M T H 4 5 E | N O T E S |
|-------|-----------------|--------------------------------------|----------------------------|---|---|--|-----------------------|
| 1 | 474878 | UPPER PANEL / MTH-86" & 89" 4227.4MM | | AR | AR | AR | |
| 1 | 475079 | UPPER PANEL / MTH-86" & 89" 4251.7MM | | AR | AR | AR | |
| 1 | 474652 | UPPER PANEL / MTH-86" & 89" 4278.1MM | | AR | AR | AR | |
| 1 | 476236 | UPPER PANEL / MTH-86" & 89" 4316.5MM | | AR | AR | AR | |
| 1 | 475000 | UPPER PANEL / MTH-86" & 89" 4372MM | | AR | AR | AR | |
| 1 | 475367 | UPPER PANEL / MTH-86" & 89" 4461MM | | AR | AR | AR | |
| 1 | 474597 | UPPER PANEL / MTH-86" & 89" 4475.8MM | | AR | AR | AR | |
| 1 | Call order desk | UPPER PANEL / MTH-86" & 89" 4480MM | | AR | AR | AR | P |
| 1 | 476247 | UPPER PANEL / MTH-86" & 89" 4512MM | | AR | AR | AR | |
| 1 | 474561 | UPPER PANEL / MTH-86" & 89" 4525.9MM | | AR | AR | AR | |
| 1 | 475565 | UPPER PANEL / MTH-86" & 89" 4529MM | | AR | AR | AR | |
| 1 | 476435 | UPPER PANEL / MTH-86" & 89" 4532MM | | AR | AR | AR | |
| 1 | 476729 | UPPER PANEL / MTH-86" & 89" 4656MM | | AR | AR | AR | |
| 1 | 475282 | UPPER PANEL / MTH-86" & 89" 4660MM | | AR | AR | AR | |
| 1 | 476570 | UPPER PANEL / MTH-86" & 89" 4711MM | | AR | AR | AR | |
| 1 | 475004 | UPPER PANEL / MTH-86" & 89" 4715MM | | AR | AR | AR | |
| 1 | 476787 | UPPER PANEL / MTH-86" & 89" 4803MM | | AR | AR | AR | |
| 1 | 474661 | UPPER PANEL / MTH-86" & 89" 4970.5MM | | AR | AR | AR | |
| 1 | 476507 | UPPER PANEL / MTH-86" & 89" 5021MM | | AR | AR | AR | |
| 1 | 476463 | UPPER PANEL / MTH-86" & 89" 5022.8MM | | AR | AR | AR | |
| 1 | 476245 | UPPER PANEL / MTH-86" & 89" 5064MM | | AR | AR | AR | |
| 1 | 476567 | UPPER PANEL / MTH-86" & 89" 5068.1MM | | AR | AR | AR | |
| 1 | 474801 | UPPER PANEL / MTH-86" & 89" 5081.3MM | | AR | AR | AR | |
| 1 | 475458 | UPPER PANEL / MTH-86" & 89" 5154.5MM | | AR | AR | AR | |
| 1 | 474184 | UPPER PANEL / MTH-86" & 89" 5173.6MM | | AR | AR | AR | |
| 1 | 476534 | UPPER PANEL / MTH-86" & 89" 5226MM | | AR | AR | AR | |
| 1 | 475388 | UPPER PANEL / MTH-86" & 89" 5326MM | | AR | AR | AR | |
| 1 | 474556 | UPPER PANEL / MTH-86" & 89" 5351.4MM | | AR | AR | AR | |
| 1 | 476506 | UPPER PANEL / MTH-86" & 89" 5404.6MM | | AR | AR | AR | |
| 1 | 475799 | UPPER PANEL / MTH-86" & 89" 5438.8MM | | AR | AR | AR | |
| 1 | 476902 | UPPER PANEL / MTH-86" & 89" 5590.3MM | | AR | AR | AR | |
| 1 | 475002 | UPPER PANEL / MTH-86" & 89" 5631MM | | AR | AR | AR | |
| 1 | 476330 | UPPER PANEL / MTH-86" & 89" 5654MM | | AR | AR | AR | |
| 1 | 475127 | UPPER PANEL / MTH-86" & 89" 5719.7MM | | AR | AR | AR | |
| 1 | 474573 | UPPER PANEL / MTH-86" & 89" 5771.2MM | | AR | AR | AR | |
| 1 | 474814 | UPPER PANEL / MTH-86" & 89" 5775.3MM | | AR | AR | AR | |
| 1 | 476557 | UPPER PANEL / MTH-86" & 89" 5895.1MM | | AR | AR | AR | |
| 1 | 474977 | UPPER PANEL / MTH-86" & 89" 5953MM | | AR | AR | AR | |
| 1 | 474989 | UPPER PANEL / MTH-86" & 89" 5961MM | | AR | AR | AR | |
| 1 | 474464 | UPPER PANEL / MTH-86" & 89" 5971.7MM | | AR | AR | AR | |
| 1 | 474590 | UPPER PANEL / MTH-86" & 89" 6037.2MM | | AR | AR | AR | |
| 1 | 476560 | UPPER PANEL / MTH-86" & 89" 6098.3MM | | AR | AR | AR | |

| | | |
|--------------------------|--------------|-----------------|
| From Y-7046 To 8-9339 | Date:10/2022 | PAGE:Y2-1854-50 |
| SIDE PANELS - MTH | | |

| Item# | Part | Description | X L I I 4 5 | X L I I M T H 4 0 | X L I I M T H 4 5 | X L I I M T H 4 5 E | N O T E S |
|-------|--------|---|----------------------------|---|---|--|-----------------------|
| 1 | 475028 | UPPER PANEL / MTH-86" & 89" 6151MM | | AR | AR | AR | |
| 1 | 475083 | UPPER PANEL / MTH-86" & 89" 6181.7MM | | AR | AR | AR | |
| 1 | 475478 | UPPER PANEL / MTH-86" & 89" 6189.6MM | | AR | AR | AR | |
| 1 | 474674 | UPPER PANEL / MTH-86" & 89" 6265.8MM | | AR | AR | AR | |
| 1 | 474715 | UPPER PANEL / MTH-86" & 89" 6377MM | | AR | AR | AR | |
| 1 | 473592 | UPPER PANEL / MTH-86" & 89" 6469MM | | AR | AR | AR | |
| 1 | 474717 | UPPER PANEL / MTH-86" & 89" 6469MM | | AR | AR | AR | |
| 1 | 475803 | UPPER PANEL / MTH-86" & 89" 6753.2MM | | AR | AR | AR | |
| 1 | 475129 | UPPER PANEL / MTH-86" & 89" 6867.5MM | | AR | AR | AR | |
| 1 | 474625 | UPPER PANEL / MTH-86" & 89" 7764.4MM | | AR | AR | AR | |
| 1 | 475029 | UPPER PANEL / MTH-86" & 89" 7446.4MM | | AR | AR | AR | |
| 1 | 475386 | UPPER PANEL / MTH-86" & 89" 8113.7MM | | AR | AR | AR | |
| 1 | 478108 | UPPER PANEL / MTH-86" & 89" 9661.4MM | | AR | AR | AR | |
| 1 | 475636 | UPPER PANEL / MTH-86" & 89" 10957MM | | AR | AR | AR | |
| 1 | 476682 | UPPER PANEL / MTH-86" & 89" 43507.5MM | | AR | AR | AR | |
| 2 | 474149 | PANEL SUB ASSY / S.B. To 2-7818 | | 8 | 8 | 8 | |
| 2 | 475596 | PANEL SUB ASSY / S.B. From 2-7819 To 5-8468 | | 8 | 8 | 8 | |
| 2 | 476465 | PANEL SUB ASSY / B.A. From 5-8469 | | 8 | 8 | | |
| 3 | 474150 | PANEL SUB ASSY / S.B. To 2-7818 | | | 2 | 2 | |
| 3 | 475597 | PANEL SUB ASSY / S.B. From 2-7819 To 5-8468 | | | 2 | 2 | |
| 3 | 476466 | PANEL SUB ASSY / B.A. From 5-8469 | | | 2 | | |
| 4 | 474151 | PANEL SUB ASSY AIR INTAKE RH / S.B. To 2-7818 | | 1 | 1 | 1 | |
| 4 | 475598 | PANEL SUB ASSY AIR INTAKE RH / S.B. From 2-7819 To 5-8468 | | 1 | 1 | 1 | |
| 4 | 476467 | PANEL SUB ASSY AIR INTAKE RH / B.A. From 5-8469 | | 1 | 1 | | |
| 5 | 474152 | PANEL SUB ASSY AIR INTAKE LH / S.B. To 2-7818 | | 1 | 1 | 1 | |
| 5 | 475599 | PANEL SUB ASSY AIR INTAKE LH / S.B. From 2-7819 To 5-8468 | | 1 | | 1 | |
| 5 | 475599 | PANEL SUB ASSY AIR INTAKE LH / S.B. From 2-7819 To 3-8164 | | | 1 | | |
| 5 | 476468 | PANEL SUB ASSY AIR INTAKE LH / B.A. From 5-8469 | | 1 | | | |
| 6 | 475654 | PANEL SUB ASSY / S.B. From 4-8165 To 5-8468 | | | 1 | | |
| 6 | 477580 | PANEL SUB ASSY / B.A. From 5-8469 | | | 1 | | |
| 6 | 477581 | UPPER PANEL / W/OUT REINFORCEMENT / 840MM X 1789MM / B.A. SERVICE From 5-8469 | | | 1 | | |
| 7 | 475658 | PANEL SUB ASSY AIR INTAKE LH / S.B. From 4-8165 To 5-8468 | | | 1 | | |
| 7 | 477568 | PANEL SUB ASSY AIR INTAKE LH / B.A. From 5-8469 | | | 1 | | |
| 7 | 477569 | PANEL AIR INTAKE LH / B.A. SERVICE From 5-8469 | | | 1 | | |
| 10 | 474070 | FINISHING MOULDING / ANGLE / 1364MM SS / S.B. To 5-8468 | | 2 | 2 | 2 | |
| 10 | 477527 | FINISHING MOULDING / ANGLE / 1364MM SS / B.A. From 5-8469 | | 2 | 2 | | |
| 11 | 473940 | FINISHING MOULDING / ANGLE / 476MM SS / S.B. To 5-8468 | | 2 | 2 | 2 | |
| 11 | 477528 | FINISHING MOULDING / ANGLE / 476MM SS / B.A. From 5-8469 | | 2 | 2 | | |
| NS | 504473 | RIVET POP DOME OE 1/8x1/4 SS | | 12 | 12 | | |
| 11 | 504473 | RIVET POP DOME OE 1/8x1/4 SS | | | | 18 | |
| 12 | 474429 | PANEL L.H. UPPER ASSY W/FUEL DOOR LH / S.B. To Y-7439 | | 1 | | 1 | |

| | | |
|--------------------------|--------------|-----------------|
| From Y-7046 To 8-9339 | Date:10/2022 | PAGE:Y2-1854-50 |
| SIDE PANELS - MTH | | |

| Item# | Part | Description | X L I I 4 5 | X L I I M T H 4 0 | X L I I M T H 4 5 | X L I I M T H 4 5 E | N O T E S |
|-------|--------|---|----------------------------|---|---|--|-----------------------|
| 12 | 474646 | PANEL L.H. UPPER ASSY W/FUEL DOOR LH / S.B. From Y-7440 To 5-8468 | | 1 | | 1 | |
| 12 | 477549 | PANEL L.H. UPPER ASSY W/FUEL DOOR LH / B.A. From 5-8469 | | 1 | | 1 | |
| 12 | 474428 | . PANEL 257MM X 690MM / S.B. To 5-8468 | | 1 | | 1 | |
| 12 | 477539 | . PANEL 257MM X 690MM / B.A. From 5-8469 | | 1 | | 1 | |
| 13 | 474430 | PANEL R.H. UPPER ASSY W/FUEL DOOR RH / S.B. To Y-7439 | | 1 | | 1 | |
| 13 | 474979 | PANEL R.H. UPPER ASSY W/FUEL DOOR RH / S.B. From Y-7440 To 5-8468 | | 1 | | 1 | |
| 13 | 477538 | PANEL R.H. UPPER ASSY W/FUEL DOOR RH / B.A. From 5-8469 | | 1 | | 1 | |
| 13 | 474428 | . PANEL 257MM X 690MM / S.B. To 5-8468 | | 1 | | 1 | |
| 13 | 477539 | . PANEL 257MM X 690MM / B.A. From 5-8469 | | 1 | | 1 | |
| 14 | 473498 | PANEL, LOWER 262MM X 257MM / S.B. To 5-8468 | | 1 | | 1 | |
| 14 | 477546 | PANEL, LOWER 262MM X 257MM / B.A. From 5-8469 | | 1 | | 1 | |
| 15 | 473130 | PANEL, LOWER 200MM X 262MM / S.B. To 5-8468 | | | 2 | | |
| 15 | 477547 | PANEL, LOWER 200MM X 262MM / B.A. From 5-8469 | | | 2 | | |
| 16 | 474049 | PANEL, R.H. 200MM X 676MM / S.B. To 5-8468 | | | 1 | | |
| 16 | 477543 | PANEL, R.H. 200MM X 676MM / B.A. From 5-8469 | | | 1 | | |
| 17 | 474048 | PANEL, L.H. 200MM X 676MM / S.B. To 5-8468 | | | 1 | | |
| 17 | 477552 | PANEL, L.H. 200MM X 676MM / B.A. From 5-8469 | | | 1 | | |
| 18 | 474722 | FINISHING MOULDING / SPACER / 838.5MM / S.B. To 5-8468 | | 2 | | 2 | |
| 18 | 477673 | FINISHING MOULDING / SPACER / 838.5MM / B.A. From 5-8469 | | 2 | | 2 | |
| 20 | 473845 | MOULDING RETAINER / 1518MM To 3-8044 | | | 2 | 2 | |
| 21 | 473843 | MOULDING RETAINER / 2425MM To 3-8044 | | 8 | 8 | 8 | |
| 22 | 473847 | MOULDING RETAINER / 1130MM To 3-8044 | | 2 | 2 | 2 | |
| 22 | 473895 | MOULDING RETAINER / 2250MM To 3-8044 | | 1 | 1 | 1 | |
| 22 | 475669 | MOULDING RETAINER / 312MM From 3-8045 | | 1 | 1 | 1 | |
| 22 | 477436 | MOULDING RETAINER / 50MM From 3-8045 | | 4 | 4 | | |
| 23 | 504488 | RIVET MGLP PRDG 3/16x17/64 SS | | AR | AR | AR | |
| 24 | 474054 | FINISHING POST / "U" SHAPE / 2 BAG. DOORS / 39MM X 912MM / S.B. To 5-8468 | | 1 | 1 | | |
| 24 | 477548 | FINISHING POST / "U" SHAPE / 2 BAG. DOORS / 39MM X 912MM / B.A. From 5-8469 | | 1 | 1 | | |
| 24 | 474054 | FINISHING POST / "U" SHAPE / 2 BAG. DOORS / 39MM X 912MM / S.B. To 5-8468 | | | | 4 | |
| 24 | 477548 | FINISHING POST / "U" SHAPE / 2 BAG. DOORS / 39MM X 912MM / B.A. From 5-8469 | | | | 4 | |
| 25 | 474062 | FINISHING POST / "J" SHAPE L.H. / S.B. To 5-8468 | | | 1 | | |
| 25 | 477555 | FINISHING POST / "J" SHAPE L.H. / B.A. From 5-8469 | | | 1 | | |
| 26 | 474063 | FINISHING POST / "J" SHAPE R.H. / S.B. To 5-8468 | | | 1 | | |
| 26 | 477556 | FINISHING POST / "J" SHAPE R.H. / B.A. From 5-8469 | | | 1 | | |
| 30 | 473846 | MOULDING RETAINER / 1518MM To 3-8044 | | | 2 | 2 | |
| 31 | 473844 | MOULDING RETAINER / 2425MM To 3-8044 | | 8 | 8 | 8 | |
| NS | 473826 | MOULDING RETAINER / 1125MM To 3-8044 | | 1 | 1 | 1 | |
| 32 | 473709 | DRIP MOULDING / 1364MM / S.B. To 5-8468 | | 4 | | | |
| 32 | 477533 | DRIP MOULDING / 1364MM / B.A. From 5-8469 | | 4 | | | |
| 32 | 473709 | DRIP MOULDING / 1364MM / S.B. To 5-8468 | | | | 6 | |
| 32 | 477533 | DRIP MOULDING / 1364MM / B.A. From 5-8469 | | | | 6 | |
| 32 | 473706 | DRIP MOULDING / 1535MM / S.B. To 5-8468 | | | 6 | | |

| | | |
|--------------------------|--------------|-----------------|
| From Y-7046 To 8-9339 | Date:10/2022 | PAGE:Y2-1854-50 |
| SIDE PANELS - MTH | | |

| Item# | Part | Description | X L I I 4 5 | X L I I M T H 4 0 | X L I I M T H 4 5 | X L I I M T H 4 5 E | N O T E S |
|-------|-------------------|--|----------------------------|---|---|--|-----------------------|
| 32 | 477530 | DRIP MOULDING / 1535MM / B.A. From 5-8469 | | | 6 | | |
| 32 | 473708 | DRIP MOULDING / 1560MM / S.B. To 5-8468 | | | 2 | | |
| 32 | 477531 | DRIP MOULDING / 1560MM / B.A. From 5-8469 | | | 2 | | |
| 32 | 473707 | DRIP MOULDING 1148MM / S.B. To 5-8468 | | 2 | | 2 | |
| 32 | 477534 | DRIP MOULDING 1148MM / B.A. From 5-8469 | | 2 | | 2 | |
| 32 | 473705 | DRIP MOULDING / 1402MM / S.B. To 5-8468 | | 2 | | 2 | |
| 32 | 477535 | DRIP MOULDING / 1402MM / B.A. From 5-8469 | | 2 | | 2 | |
| 32 | 474061 | DRIP MOULDING / 1468MM / S.B. To 5-8468 | | 2 | | 2 | |
| 32 | 477536 | DRIP MOULDING / 1468MM / B.A. From 5-8469 | | 2 | | 2 | |
| 32 | 474060 | DRIP MOULDING / 1765MM / S.B. To 5-8468 | | | 2 | | |
| 32 | 477532 | DRIP MOULDING / 1765MM / B.A. From 5-8469 | | | 2 | | |
| 32 | 474868 | DRIP MOULDING / 1445MM / S.B. To 5-8813 | | 1 | | | A |
| 40 | 474074 | FINISHING MOULDING SS / 5373MM To 3-8044 | | 6 | | | |
| 40 | 474076 | FINISHING MOULDING SS / 6135MM To 3-8044 | | | 2 | 2 | |
| 40 | 474159 | FINISHING MOULDING S.S. / 6385MM From 3-8045 | | 2 | | | |
| 40 | 474159 | FINISHING MOULDING S.S. / 6385MM From 3-8045 | | | 6 | | |
| 41 | 474075 | FINISHING MOULDING SS / 4348MM To 3-8044 | | 6 | | | |
| 41 | 474077 | FINISHING MOULDING SS / 5110MM To 3-8044 | | | 2 | 2 | |
| 41 | 474161 | FINISHING MOULDING S.S. / 4861MM From 3-8045 | | 6 | | | |
| 41 | 474161 | FINISHING MOULDING S.S. / 4861MM From 3-8045 | | | 1 | | |
| NS | 5060044 | TAPE RUB ADH2 CC POL 1/4" X 1/4" X 50' / BLACK I1C-N-A | | | AR | | |
| 60 | Y2-1857-50 | FENDERS L.H. - MTH | | | | | |
| 61 | Y2-1857-55 | FENDERS R.H. - MTH | | | | | |
| 62A | 504488 | RIVET MGLP PRDG 3/16x17/64 SS | | AR | AR | | |
| 62A | 504487 | RIVET MGLP PRDG 3/16x7/16 SS | | AR | AR | | |
| 62B | 504339 | RIVET POP DOME OE 1/8x3/8 SS | | AR | AR | | |
| 62C | G1010062-002 | RIVET POP CK OE 3/16x1/4 SS | | AR | AR | | |
| 63 | 475140 | RUBBER SEAL EXTRUSION 13.0x5.5 | | AR | AR | | |
| NS | 506225 | TAPE RUB ADH1 CC POL 1/16" x 1/4" x 100' / GREY 2520 | | AR | AR | | |
| NS | 5060044 | TAPE RUB ADH2 CC POL 1/4" X 1/4" X 50' / BLACK I1C-N-A | | AR | AR | | |
| NS | 684517 | ADHESIVE SIMSON #ISR 70-03 / GREY / 310ml CARTRIDGE | | AR | AR | | |
| NS | 682989 | ANTISILICONE STANDOX / CLEAR / 4 Liters | | AR | AR | | |
| 64 | 477863 | MOLDING KIT MTH-40 | | 1 | | | |
| . NS | 477337 | . FINISHING MOULDING S.S. | | 6 | | | |
| . NS | 477338 | . FINISHING MOULDING S.S. | | 1 | | | |
| . NS | 477352 | . FINISHING MOULDING S.S. | | 1 | | | |
| . NS | 477360 | . FINISHING MOULDING S.S. | | 1 | | | |
| . NS | 477361 | . MOULDING "Z" SHAPE S.S. 2438MM | | 10 | | | |
| 64 | 477864 | MOLDING KIT MTH-45 W/O SLIDE-OUT | | | 1 | | |
| . NS | 477337 | . FINISHING MOULDING S.S. | | | 8 | | |

From Y-7046 To 8-9339 Date:10/2022 PAGE:Y2-1854-50

SIDE PANELS - MTH

| Item# | Part | Description | X L I I 4 5 | X L I I M T H 4 0 | X L I I M T H 4 5 | X L I I M T H 4 5 E | N O T E S |
|-------|--------|--|----------------------------|---|---|--|-----------------------|
| . NS | 477338 | . FINISHING MOULDING S.S. | | | 1 | | |
| . NS | 477360 | . FINISHING MOULDING S.S. | | | 1 | | |
| . NS | 477361 | . MOULDING "Z" SHAPE S.S. 2438MM | | | 11 | | |
| 64 | 477865 | MOLDING KIT MTH-45 W/ FRONT SLIDE-OUT ONLY | | | 1 | | |
| . NS | 477337 | . FINISHING MOULDING S.S. | | | 6 | | |
| . NS | 477338 | . FINISHING MOULDING S.S. | | | 1 | | |
| . NS | 477339 | . FINISHING MOULDING S.S. | | | 1 | | |
| . NS | 477340 | . FINISHING MOULDING S.S. | | | 1 | | |
| . NS | 477341 | . FINISHING MOULDING S.S. | | | 1 | | |
| . NS | 477342 | . FINISHING MOULDING S.S. | | | 1 | | |
| . NS | 477343 | . FINISHING MOULDING S.S. | | | 1 | | |
| . NS | 477351 | . FINISHING MOULDING S.S. | | | 1 | | |
| . NS | 477361 | . MOULDING "Z" SHAPE S.S. 2438MM | | | 11 | | |
| . NS | 477358 | . FINISHING MOULDING S.S. | | | 2 | | |
| 64 | 477866 | MOLDING KIT MTH-45 W/ FRONT & REAR SLIDE-OUT CH To 6-8805 | | | 1 | | |
| . NS | 477337 | . FINISHING MOULDING S.S. To 6-8805 | | | 5 | | |
| . NS | 477338 | . FINISHING MOULDING S.S. To 6-8805 | | | 1 | | |
| . NS | 477339 | . FINISHING MOULDING S.S. To 6-8805 | | | 1 | | |
| . NS | 477340 | . FINISHING MOULDING S.S. To 6-8805 | | | 1 | | |
| . NS | 477341 | . FINISHING MOULDING S.S. To 6-8805 | | | 1 | | |
| . NS | 477342 | . FINISHING MOULDING S.S. To 6-8805 | | | 1 | | |
| . NS | 477343 | . FINISHING MOULDING S.S. To 6-8805 | | | 1 | | |
| . NS | 477351 | . FINISHING MOULDING S.S. To 6-8805 | | | 1 | | |
| . NS | 477353 | . FINISHING MOULDING S.S. To 6-8805 | | | 1 | | |
| . NS | 477354 | . FINISHING MOULDING S.S. To 6-8805 | | | 1 | | |
| . NS | 477355 | . FINISHING MOULDING S.S. To 6-8805 | | | 1 | | |
| . NS | 477356 | . FINISHING MOULDING S.S. To 6-8805 | | | 1 | | |
| . NS | 477357 | . FINISHING MOULDING S.S. To 6-8805 | | | 1 | | |
| . NS | 477360 | . FINISHING MOULDING S.S. To 6-8805 | | | 1 | | |
| . NS | 477361 | . MOULDING "Z" SHAPE S.S. 2438MM To 6-8805 | | | 11 | | |
| . NS | 477362 | . FINISHING MOULDING S.S. To 6-8805 | | | 1 | | |
| . NS | 477358 | . FINISHING MOULDING S.S. To 6-8805 | | | 1 | | |
| 64 | 477867 | MOLDING KIT MTH-45 W/ FRONT SLIDE OUT & REAR 7.5 SLIDE-OUT PREVOST From 6-8806 | | | 1 | | |
| . NS | 477337 | . FINISHING MOULDING S.S. From 6-8806 | | | 5 | | |
| . NS | 477338 | . FINISHING MOULDING S.S. From 6-8806 | | | 1 | | |
| . NS | 477339 | . FINISHING MOULDING S.S. From 6-8806 | | | 1 | | |
| . NS | 477340 | . FINISHING MOULDING S.S. From 6-8806 | | | 1 | | |
| . NS | 477341 | . FINISHING MOULDING S.S. From 6-8806 | | | 1 | | |
| . NS | 477342 | . FINISHING MOULDING S.S. From 6-8806 | | | 1 | | |
| . NS | 477343 | . FINISHING MOULDING S.S. From 6-8806 | | | 1 | | |
| . NS | 477344 | . FINISHING MOULDING S.S. From 6-8806 | | | 1 | | |
| . NS | 477345 | . FINISHING MOULDING S.S. From 6-8806 | | | 1 | | |

| | | |
|--------------------------|--------------|-----------------|
| From Y-7046 To 8-9339 | Date:10/2022 | PAGE:Y2-1854-50 |
| SIDE PANELS - MTH | | |

| Item# | Part | Description | X L I I 4 5 | X L I I M T H 4 0 | X L I I M T H 4 5 | X L I I M T H 4 5 E | N O T E S |
|-------|--------|---|----------------------------|---|---|--|-----------------------|
| . NS | 477346 | . FINISHING MOULDING S.S. From 6-8806 | | | 1 | | |
| . NS | 477347 | . FINISHING MOULDING S.S. From 6-8806 | | | 1 | | |
| . NS | 477348 | . FINISHING MOULDING S.S. From 6-8806 | | | 1 | | |
| . NS | 477351 | . FINISHING MOULDING S.S. From 6-8806 | | | 1 | | |
| . NS | 477361 | . MOULDING "Z" SHAPE S.S. 2438MM From 6-8806 | | | 11 | | |
| . NS | 477358 | . FINISHING MOULDING S.S. From 6-8806 | | | 4 | | |
| 65 | 477337 | . FINISHING MOULDING S.S. | | AR | AR | | |
| 66 | 477338 | . FINISHING MOULDING S.S. | | 1 | 1 | | |
| 67 | 477339 | . FINISHING MOULDING S.S. | | | 1 | | |
| 68 | 477340 | . FINISHING MOULDING S.S. | | | 1 | | |
| 69 | 477341 | . FINISHING MOULDING S.S. | | | 1 | | |
| 70 | 477342 | . FINISHING MOULDING S.S. | | | 1 | | |
| 71 | 477343 | . FINISHING MOULDING S.S. | | | 1 | | |
| 72 | 477344 | . FINISHING MOULDING S.S. | | | 1 | | |
| 73 | 477345 | . FINISHING MOULDING S.S. | | | 1 | | |
| 74 | 477346 | . FINISHING MOULDING S.S. | | | 1 | | |
| 75 | 477347 | . FINISHING MOULDING S.S. | | | 1 | | |
| 76 | 477348 | . FINISHING MOULDING S.S. | | | 1 | | |
| 79 | 477351 | . FINISHING MOULDING S.S. | | | 1 | | |
| 80 | 477352 | . FINISHING MOULDING S.S. | | 1 | 1 | | |
| 81 | 477353 | . FINISHING MOULDING S.S. | | | 1 | | |
| 82 | 477354 | . FINISHING MOULDING S.S. | | | 1 | | |
| 83 | 477355 | . FINISHING MOULDING S.S. | | | 1 | | |
| 84 | 477356 | . FINISHING MOULDING S.S. | | | 1 | | |
| 85 | 477357 | . FINISHING MOULDING S.S. | | | 1 | | |
| 86 | 477358 | . FINISHING MOULDING S.S. | | | AR | | |
| 87 | 477360 | . FINISHING MOULDING S.S. | | 1 | 1 | | |
| 88 | 477361 | . MOULDING "Z" SHAPE S.S. 2438MM | | AR | AR | | |
| 89 | 477362 | . FINISHING MOULDING S.S. | | | 1 | | |
| 90 | 690053 | PANEL SUB ASSY / FORWARD FRT/"SLIDE-OUT" / S.B. To 4-8247 | | | 1 | | |
| 90 | 476120 | PANEL SUB ASSY / FORWARD FRT/"SLIDE-OUT" / S.B. From 4-8248 To 5-8468 | | | 1 | | |
| 90 | 477592 | PANEL SUB ASSY / FORWARD FRT/"SLIDE-OUT" / B.A. From 5-8469 | | | 1 | | |
| 90 | 477593 | PANEL / FORWARD FRT/"SLIDE-OUT" / B.A. From 5-8469 | | | 1 | | |
| 91 | 690054 | PANEL SUB ASSY / BACKWARD FRT/"SLIDE-OUT" / 1215MM / S.B. To 4-8247 | | | 1 | | |
| 91 | 476253 | PANEL SUB ASSY / BACKWARD FRT/"SLIDE-OUT" / 1219MM / S.B. From 4-8248 To 5-8468 | | | 1 | | B |
| 91 | 477823 | PANEL SUB ASSY / BACKWARD FRT/"SLIDE-OUT" / 1219MM / B.A. From 5-8469 To 6-8805 | | | 1 | | B |
| 91 | 477824 | PANEL ONLY / LOWER, REAR "SLIDE-OUT" / B.A. / SERVICE From 5-8469 To 6-8805 | | | 1 | | B |
| 91 | 477594 | PANEL SUB ASSY / BACKWARD FRT/"SLIDE-OUT" / 1215MM / B.A. From 6-8806 | | | 1 | | |
| 91 | 477595 | PANEL / BACKWARD FRT/"SLIDE-OUT" / 1215MM / B.A. / SERVICE From 6-8806 | | | 1 | | |
| 92 | 690024 | PANEL SUB ASSY / FORWARD REAR/"SLIDE-OUT" / S.B. To 4-8247 | | | 1 | | |
| 92 | 476117 | PANEL SUB ASSY / FORWARD REAR/"SLIDE-OUT" / S.B. From 4-8248 To 5-8468 | | | 1 | | |
| 92 | 477596 | PANEL SUB ASSY / FORWARD REAR/"SLIDE-OUT" / B.A. From 5-8469 To 6-8805 | | | 1 | | |

| | | | |
|-----------------------|--|--------------|-----------------|
| From Y-7046 To 8-9339 | | Date:10/2022 | PAGE:Y2-1854-50 |
|-----------------------|--|--------------|-----------------|

SIDE PANELS - MTH

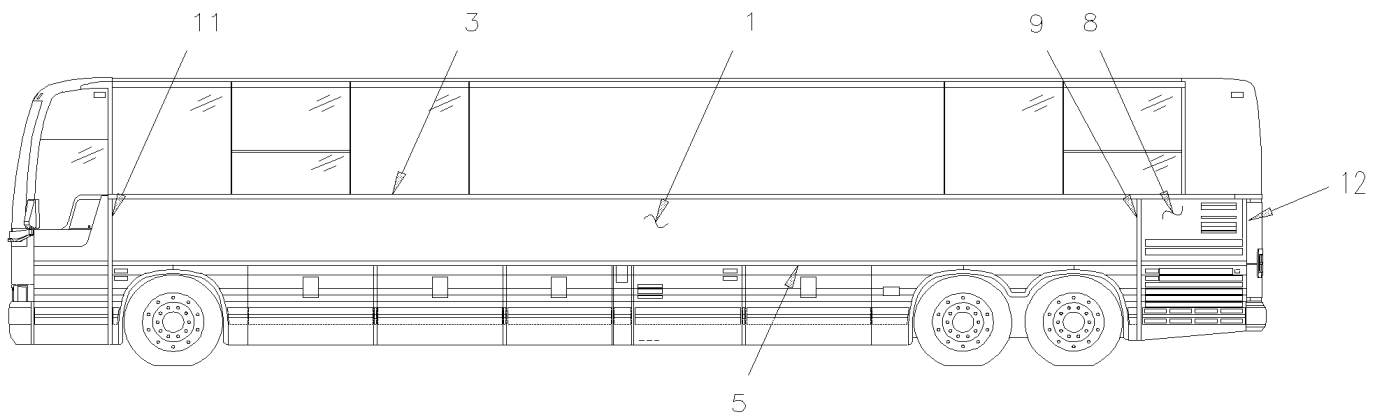
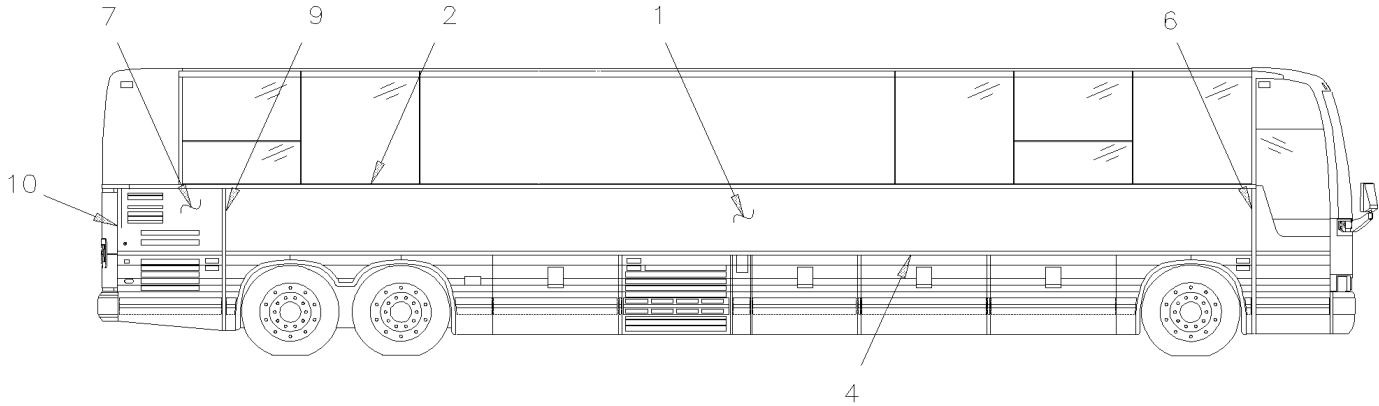
| Item# | Part | Description | X L I I 4 5 | X L I I M T H 4 0 | X L I I M T H 4 5 | X L I I M T H 4 5 E | N O T E S |
|-------|-------------------|---|----------------------------|---|---|--|-----------------------|
| 92 | 477597 | PANEL / FORWARD REAR/"SLIDE-OUT" / B.A. / SERVICE From 5-8769 To 6-8805 | | | 1 | | |
| 92 | 477785 | PANEL SUB ASSY / FORWARD REAR/"SLIDE-OUT". / B.A. From 6-8806 | | | 1 | | |
| 92 | 477786 | PANEL / FORWARD REAR/"SLIDE-OUT" / B.A. / SERVICE From 6-8806 | | | 1 | | |
| 93 | 690025 | PANEL SUB ASSY / LOWER, REAR "SLIDE-OUT" / S.B. To 3-8164 | | | 1 | | |
| 93 | 474828 | PANEL ONLY / LOWER, REAR "SLIDE-OUT" / S.B. / SERVICE To 3-8164 | | | 1 | | |
| 93 | 477824 | PANEL ONLY / LOWER, REAR "SLIDE-OUT" / B.A. / SERVICE To 3-8164 | | | 1 | | |
| NS | 475581 | REINFORCEMENT 67MM X 1821MM / SERVICE To 3-8164 | | | 1 | | |
| NS | 475582 | REINFORCEMENT 67MM X 1934MM / SERVICE To 3-8164 | | | 1 | | |
| 94 | 690226 | FINISHING POST / S.B. To 2-7763 | | | 1 | | S |
| 94 | 690237 | FINISHING POST / S.B. To 2-7763 | | | 1 | | S |
| 94 | 475330 | FINISHING POST / "J" SHAPE L.H. / 29.5 MM WIDE / S.B. From 2-7764 To 5-8468 | | | 1 | | |
| 94 | 477558 | FINISHING POST / "J" SHAPE L.H. / 29.5 MM WIDE / B.A. From 5-8469 | | | 1 | | S |
| 95 | 690032 | PANEL ASSY / UPPER "SLIDE-OUT" 4425.6MM To 4-8247 | | | 1 | | |
| 95 | 293740 | PANEL ASSY / UPPER "SLIDE-OUT" 4425.6MM From 4-8248 To 6-8805 | | | 1 | | |
| 95 | 293825 | PANEL ASSY / UPPER "SLIDE-OUT" 4426MM From 8-8806 | | | 1 | | |
| 96 | 690026 | PANEL ASSY / UPPER "SLIDE-OUT" 2292.4MM To 4-8247 | | | 1 | | |
| 96 | 293742 | PANEL ASSY / UPPER "SLIDE-OUT" 2292.4MM From 4-8248 To 6-8805 | | | 1 | | |
| 96 | 293826 | PANEL ASSY / UPPER "SLIDE-OUT" 2293MM From 8-8806 | | | 1 | | |
| 97 | 690217 | PANEL LOWER / "SLIDE-OUT" & MOULDING FORWA / S.B. To 4-8247 | | | 1 | | |
| 97 | 474831 | PANEL LOWER / "SLIDE-OUT" & MOULDING FORWA / S.B. From 4-8248 To 5-8468 | | | 1 | | |
| 97 | 477588 | PANEL LOWER / "SLIDE-OUT" & MOULDING FORWARD / B.A. From 5-8469 | | | 1 | | |
| 98 | 690218 | PANEL LOWER / "SLIDE-OUT" & MOULDING / BAC / S.B. To 4-8247 | | | 1 | | |
| 98 | 474832 | PANEL LOWER / "SLIDE-OUT" & MOULDING / BAC / S.B. From 4-8248 To 5-8468 | | | 1 | | |
| 98 | 477589 | PANEL LOWER / "SLIDE-OUT" & MOULDING / BACKWARD / B.A. From 5-8469 | | | 1 | | |
| 99 | Y2-1884-50 | SIDE WINDOW - MTH | | | | | |
| 100 | 475850 | PANEL SUB ASSY / LOWER, REAR "SLIDE-OUT" / S.B. From 4-8165 To 5-8468 | | | 1 | | |
| 100 | 476469 | PANEL SUB ASSY / LOWER, REAR "SLIDE-OUT" / B.A. From 5-8469 To 6-8805 | | | 1 | | |
| 100 | 477787 | PANEL SUB ASSY / LOWER, REAR "SLIDE-OUT" / B.A. From 6-8806 | | | 1 | | |
| 100 | 477788 | PANEL / LOWER, REAR "SLIDE-OUT" / B.A. / SERVICE From 6-8806 | | | 1 | | |
| 101 | 475851 | PANEL SUB ASSY AIR INTAKE LH / S.B. From 4-8165 To 5-8468 | | | 1 | | |
| NS | 475842 | PANEL / JUNCTION / BETWEEN ITEM 100 & 101 / S.B. From 4-8165 To 5-8468 | | | 1 | | |
| 101 | 476470 | PANEL SUB ASSY AIR INTAKE LH / B.A. From 5-8469 To 6-8805 | | | 1 | | |
| 101 | 477781 | PANEL SUB ASSY AIR INTAKE LH / B.A. From 6-8806 | | | 1 | | |
| 101 | 477782 | PANEL AIR INTAKE LH / B.A. / SERVICE From 6-8806 | | | 1 | | |
| NS | 477608 | PANEL / JUNCTION / ITEM 100 & 101 / B.A. From 5-8469 To 6-8805 | | | 1 | | |
| 102 | 690227 | FINISHING POST / "J" SHAPE L.H. / 25.4MM WIDE / S.B. To 2-7763 | | | 1 | | |
| 102 | 690238 | FINISHING POST / "J" SHAPE L.H. / 34.9MM WIDE / S.B. To 2-7763 | | | 1 | | |
| 102 | 475363 | FINISHING POST / "J" SHAPE L.H. / 36MM WIDE / S.B. From 2-7764 To 5-8468 | | | 1 | | |
| 102 | 477557 | FINISHING POST / "J" SHAPE L.H. / 36MM WIDE / B.A. From 5-8469 | | | 1 | | |
| NS | 685251 | CLEANER "DESCO" D-537 (4Liters) ALUMINUM & SS | | AR | AR | AR | |
| | | | | | | | |
| | | | | | | | |

| | | |
|-----------------------|--------------|-----------------|
| From Y-7046 To 8-9339 | Date:10/2022 | PAGE:Y2-1854-50 |
|-----------------------|--------------|-----------------|

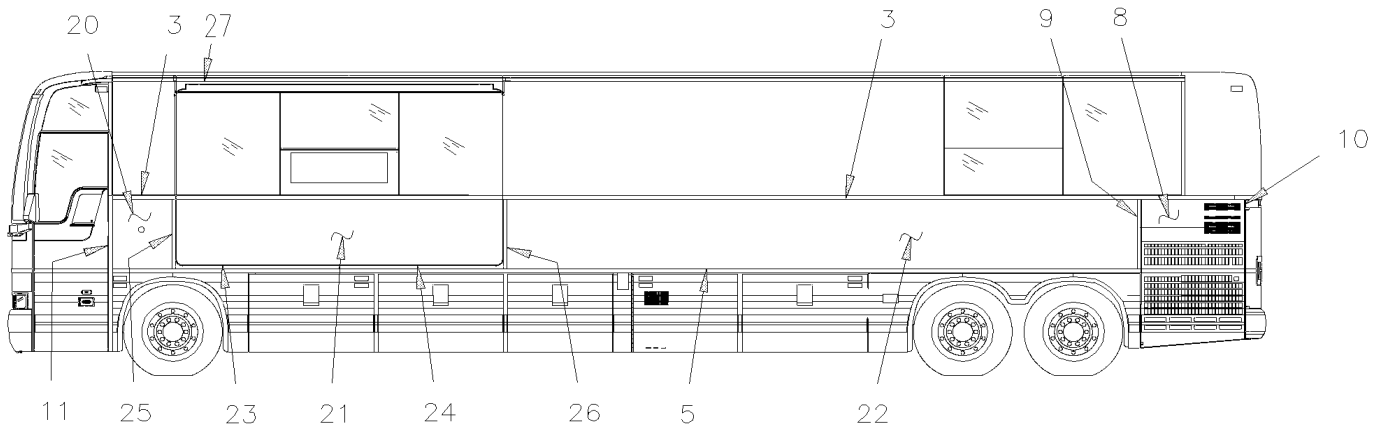
SIDE PANELS - MTH

| Item# | Part | Description | X L I I 4 5 | X L I I M T H 4 0 | X L I I M T H 4 5 | X L I I M T H 4 5 E | N O T E S |
|-------|------|--|----------------------------|---|---|--|-----------------------|
| | | | | | | | |
| | | A) WITH 38" BAGGAGE DOOR | | | | | |
| | | B) NEED REWORK FOR ADJUSTMENT | | | | | |
| | | S) USE ONLY WITH SMALL A/C SYSTEM | | | | | |
| | | P) CALL ORDER DESK FOR SPECIFIC APPLICATION (V.I.N.) | | | | | |

| | | |
|--|--------------|-----------------|
| From 1-7436 To 8-9339 | Date:10/2022 | PAGE:Y2-1854-51 |
| SIDE FLAT PANEL - MTH ENTERTAINER | | |



MTH 45' ENT.

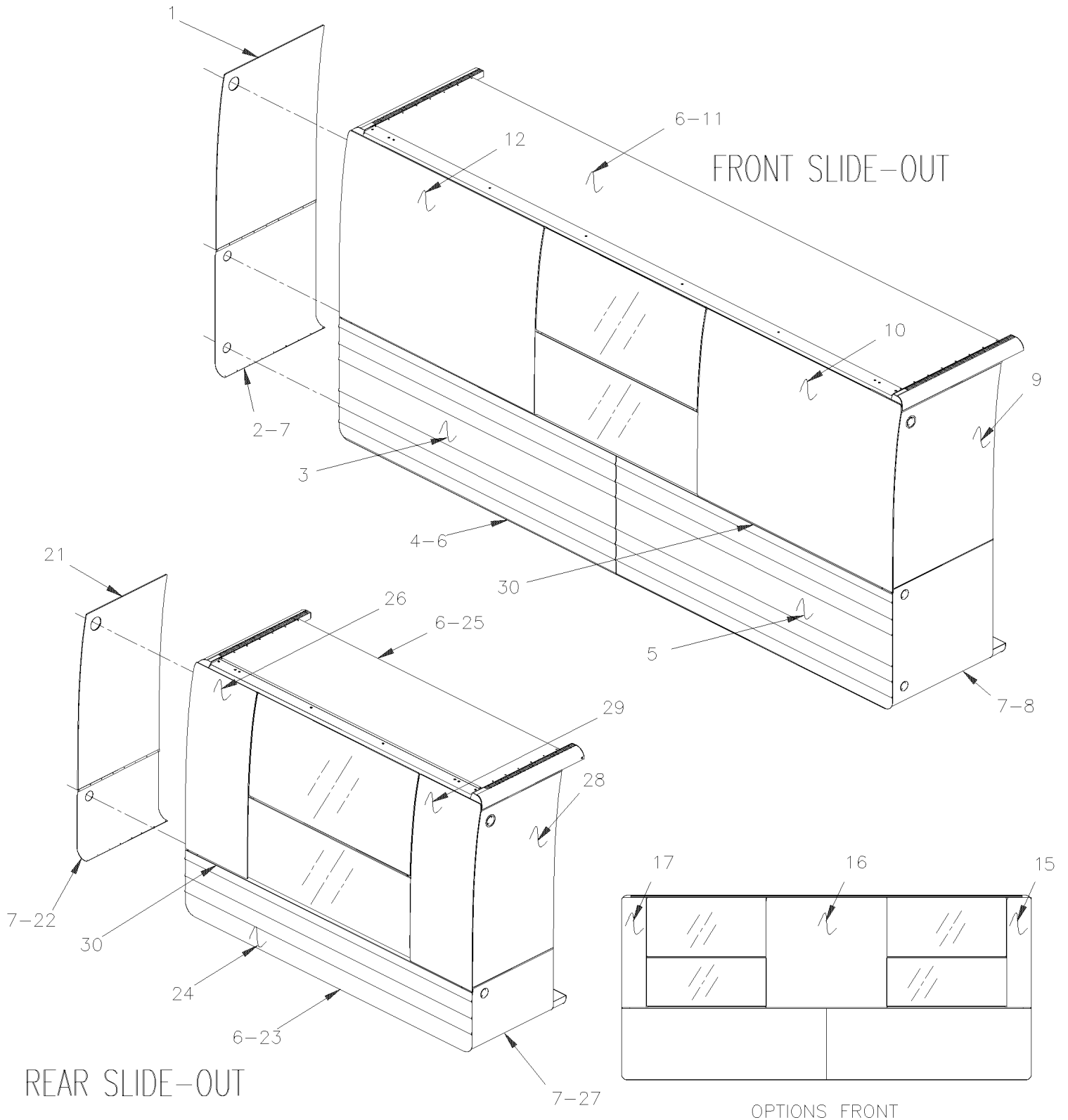


FROM 6-8806

| | | |
|--|--------------|-----------------|
| From 1-7436 To 8-9339 | Date:10/2022 | PAGE:Y2-1854-51 |
| SIDE FLAT PANEL - MTH ENTERTAINER | | |

| Item# | Part | Description | X L I I 4 5 | X L I I M T H 4 0 | X L I I M T H 4 5 | X L I I M T H 4 5 E | N O T E S |
|-------|--------|---|----------------------------|---|---|--|-----------------------|
| 1 | 970287 | STAINLESS STEEL SHEET 835MM X 11392MM To 1-7632 | | | | 2 | |
| 1 | 970286 | STAINLESS STEEL SHEET 912MM X 11392MM | | | | 2 | |
| 2 | 474514 | FINISHING MOULDING UPPER R.H. 12253MM | | | | 1 | |
| . NS | 506785 | . TAPE RUB ADH2 CC POL 1/16" x 1/4" x 200' / BLACK I1C-N-A | | | | AR | |
| . NS | 506790 | . TAPE RUB ADH2 CC POL 1/16" x 1/2" x 200' / BLACK I1C-N-A | | | | AR | |
| 3 | 474515 | FINISHING MOULDING UPPER L.H. 12253MM | | | | 1 | |
| . NS | 506785 | . TAPE RUB ADH2 CC POL 1/16" x 1/4" x 200' / BLACK I1C-N-A | | | | AR | |
| . NS | 506790 | . TAPE RUB ADH2 CC POL 1/16" x 1/2" x 200' / BLACK I1C-N-A | | | | AR | |
| 4 | 474512 | FINISHING MOULDING LOWER R.H. 9846MM | | | | 1 | |
| . NS | 506785 | . TAPE RUB ADH2 CC POL 1/16" x 1/4" x 200' / BLACK I1C-N-A | | | | AR | |
| . NS | 506769 | . TAPE RUB ADH2 CC POL 1/8" x 1/4" x 60' / BLACK H1CC-N-#14 | | | | AR | |
| 5 | 474513 | FINISHING MOULDING LOWER L.H. 9846MM | | | | 1 | |
| . NS | 506785 | . TAPE RUB ADH2 CC POL 1/16" x 1/4" x 200' / BLACK I1C-N-A | | | | AR | |
| . NS | 506769 | . TAPE RUB ADH2 CC POL 1/8" x 1/4" x 60' / BLACK H1CC-N-#14 | | | | AR | |
| 6 | 475149 | FINISHING MOULDING / ANGLE / 1777MM SS / W/86" To 1-7632 | | | | 1 | |
| 6 | 475103 | FINISHING MOULDING / ANGLE / 1853MM SS / W/89" / S.B. To 5-8468 | | | | 1 | |
| 6 | 477524 | FINISHING MOULDING / ANGLE / 1853MM SS / W/89" / B.A. From 5-8469 | | | | 1 | |
| NS | 504473 | RIVET POP DOME OE 1/8x1/4 SS | | | | 12 | |
| 7 | 474995 | PANEL SUB ASSY AIR INTAKE R.H. / MTH 86" To 1-7632 | | | | 1 | |
| 7 | 474929 | PANEL AIR INTAKE R.H. / MTH 86" SERVICE To 1-7632 | | | | 1 | |
| 7 | 475104 | PANEL SUB ASSY AIR INTAKE R.H. / MTH 89" O.E.M. | | | | 1 | |
| 7 | 475600 | PANEL SUB ASSY AIR INTAKE R.H. / MTH 89" SERVICE | | | | 1 | |
| 7 | 475108 | PANEL AIR INTAKE R.H. / MTH 89" SERVICE | | | | 1 | |
| 8 | 474994 | PANEL SUB ASSY AIR INTAKE L.H. / MTH 86" To 1-7632 | | | | 1 | |
| 8 | 474928 | PANEL AIR INTAKE L.H. / MTH 86" SERVICE To 1-7632 | | | | 1 | |
| 8 | 475105 | PANEL SUB ASSY AIR INTAKE L.H. / MTH 89" O.E.M. | | | | 1 | |
| 8 | 475601 | PANEL SUB ASSY AIR INTAKE L.H. / MTH 89" SERVICE | | | | 1 | |
| 8 | 475107 | PANEL AIR INTAKE L.H. / MTH 89" service | | | | 1 | |
| 9 | 475006 | FINISHING MOULDING ALUMINUM 789MM / W86" To 5-8452 | | | | 2 | |
| 9 | 475101 | FINISHING MOULDING ALUMINUM 865MM / W89" | | | | 2 | |
| 10 | 473940 | FINISHING MOULDING / ANGLE / 476MM SS / S.B. To 1-7632 | | | | 2 | |
| 10 | 477528 | FINISHING MOULDING / ANGLE / 476MM SS / B.A. From 5-8469 | | | | 2 | |
| 10 | 475137 | FINISHING MOULDING / ANGLE / 552MM SS / W/89" / S.B. To 5-8468 | | | | 2 | |
| 10 | 477525 | FINISHING MOULDING / ANGLE / 552MM SS / W/89" / B.A. From 5-8469 | | | | 2 | |
| 11 | 475150 | FINISHING MOULDING / ANGLE / 1777MM SS / W/86" To 1-7632 | | | | 1 | |
| 11 | 475102 | FINISHING MOULDING / ANGLE / 1853MM SS / W/89" / S.B. To 5-8468 | | | | 1 | |
| 11 | 477526 | FINISHING MOULDING / ANGLE / 1853MM SS / W/89" / B.A. From 5-8469 | | | | 1 | |
| NS | 506790 | TAPE RUB ADH2 CC POL 1/16" x 1/2" x 200' / BLACK I1C-N-A | | | | AR | |
| NS | 506769 | TAPE RUB ADH2 CC POL 1/8" x 1/4" x 60' / BLACK H1CC-N-#14 | | | | AR | |
| NS | 506785 | TAPE RUB ADH2 CC POL 1/16" x 1/4" x 200' / BLACK I1C-N-A | | | | AR | |
| NS | 506759 | TAPE RUB ADH2 CC POL 1/8" x 1/2" x 100' / BLACK I1C-N-A | | | | AR | |
| NS | 506648 | TAPE RUB ADH1 CC POL 1/8" x 1/2"x 50' / GREY 2542 | | | | AR | |

| | | |
|---------------------------|--------------|-----------------|
| | Date:10/2022 | PAGE:Y2-1854-90 |
| SIDE PANELS - "SLIDE-OUT" | | |



Date:10/2022

PAGE:Y2-1854-90

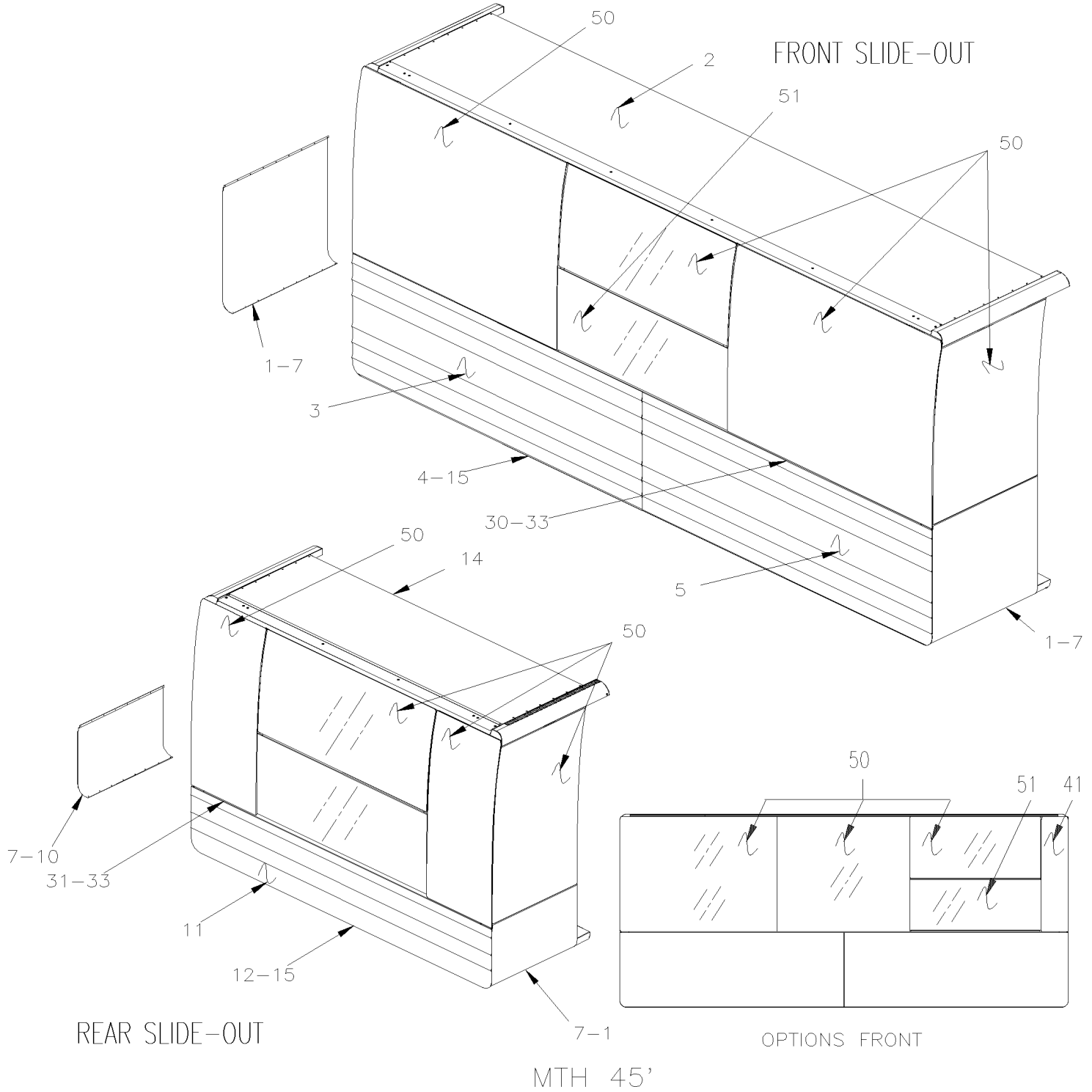
SIDE PANELS - "SLIDE-OUT"

| Item# | Part | Description | X L I I 4 5 | X L I I M T H 4 0 | X L I I M T H 4 5 | X L I I M T H 4 5 E | N O T E S |
|-------|--------|--|----------------------------|---|---|--|-----------------------|
| | | | | | | | |
| 1 | 690158 | FRONT SIDE FIBERGLASS | | | 1 | | |
| 2 | 690149 | FRONT PANEL S.S. / S.B. To 4-8251 | | | 1 | | |
| 2 | 477423 | FRONT PANEL S.S. / S.B. From 4-8252 To 5-8468 | | | 1 | | |
| 2 | 477670 | FRONT PANEL S.S. / B.A. From 5-8469 | | | 1 | | |
| 2 | 690207 | FRONT PANEL AL. | | | 1 | | |
| 3 | 690192 | PANEL SUB ASSY / FORWARD FRT/"SLIDE-OUT" / S.B. To 4-8247 | | | 1 | | |
| 3 | 476136 | PANEL SUB ASSY / FORWARD FRT/"SLIDE-OUT" / S.B. From 4-8248 To 5-8468 | | | 1 | | |
| 3 | 477598 | PANEL SUB ASSY / FORWARD FRT/"SLIDE-OUT" / B.A. From 5-8469 | | | 1 | | |
| 3 | 477599 | PANEL / FORWARD FRT/"SLIDE-OUT" / B.A. / SERVICE From 5-8469 | | | 1 | | |
| 4 | 690186 | UNDER FLOOR PANEL AL. To 4-8251 | | | 1 | | |
| 4 | 477420 | UNDER FLOOR PANEL AL. From 4-8252 | | | 1 | | |
| 5 | 690194 | PANEL SUB ASSY / BACKWARD FRT/"SLIDE-OUT" / S.B. To 4-8247 | | | 1 | | |
| 5 | 476137 | PANEL SUB ASSY / BACKWARD FRT/"SLIDE-OUT" / S.B. From 4-8248 To 5-8468 | | | 1 | | |
| 5 | 477600 | PANEL SUB ASSY / BACKWARD FRT/"SLIDE-OUT" / B.A. From 5-8469 | | | 1 | | |
| 5 | 477601 | PANEL / BACKWARD FRT/"SLIDE-OUT" / B.A. / SERVICE From 5-8469 | | | 1 | | |
| 6 | 690268 | RIVET POP CK CLE 1/8x1/4 AL To 4-8251 | | | AR | | |
| 6 | 502876 | RIVET POP CK CLE 1/8x3/16 AL From 4-8252 | | | AR | | |
| 7 | 690273 | RVT CLE CK 120° S. STEEL 1/8" X 0.313" LG. To 4-8251 | | | AR | | |
| 7 | 502872 | RIVET POP CK OE 1/8x3/16 SS From 4-8252 | | | AR | | |
| 7 | 690268 | RIVET POP CK CLE 1/8x1/4 AL To 4-8251 | | | AR | | |
| 7 | 502876 | RIVET POP CK CLE 1/8x3/16 AL From 4-8252 | | | AR | | |
| 8 | 690150 | REAR PANEL S.S. / S.B. To 4-8251 | | | 1 | | |
| 8 | 477421 | REAR PANEL S.S. / S.B. From 4-8252 To 5-8468 | | | 1 | | |
| 8 | 477669 | REAR PANEL S.S. / B.A. From 5-8469 | | | 1 | | |
| 8 | 690208 | REAR PANEL AL. | | | 1 | | |
| 9 | 690159 | REAR SIDE FIBERGLASS | | | 1 | | |
| 10 | 690205 | REAR LARGE FIBERGLASS | | | 1 | | |
| 11 | 690185 | ROOF PANEL AL. To 4-8251 | | | 1 | | |
| 11 | 477404 | ROOF PANEL AL. From 4-8252 To 5-8513 | | | 1 | | |
| 11 | 478109 | ROOF PANEL AL. From 5-8514 | | | 1 | | |
| 12 | 690206 | FRONT LARGE FIBERGLASS | | | 1 | | |
| 15 | 690252 | CORNER, REAR FIBERGLASS To 4-8247 | | | 1 | | |
| 15 | 476511 | CORNER, REAR FIBERGLASS From 4-8248 | | | 1 | | |
| 16 | 690143 | STANDARD FIBERGLASS | | | 1 | | |
| 17 | 690251 | CORNER, FRONT FIBERGLASS To 4-8247 | | | 1 | | |
| 17 | 476510 | CORNER, FRONT FIBERGLASS From 4-8248 | | | 1 | | |
| 21 | 690156 | FRONT SIDE FIBERGLASS | | | 1 | | |
| 22 | 690153 | REAR PANEL S.S. / S.B. To 4-8251 | | | 1 | | |
| 22 | 477428 | REAR PANEL S.S. / B.A. From 4-8252 To 5-8468 | | | 1 | | |
| 22 | 477672 | REAR PANEL S.S. / B.A. From 5-8469 | | | 1 | | |
| 22 | 690210 | REAR PANEL AL. | | | 1 | | |
| 23 | 690146 | UNDER FLOOR PANEL AL. To 4-8251 | | | 1 | | |

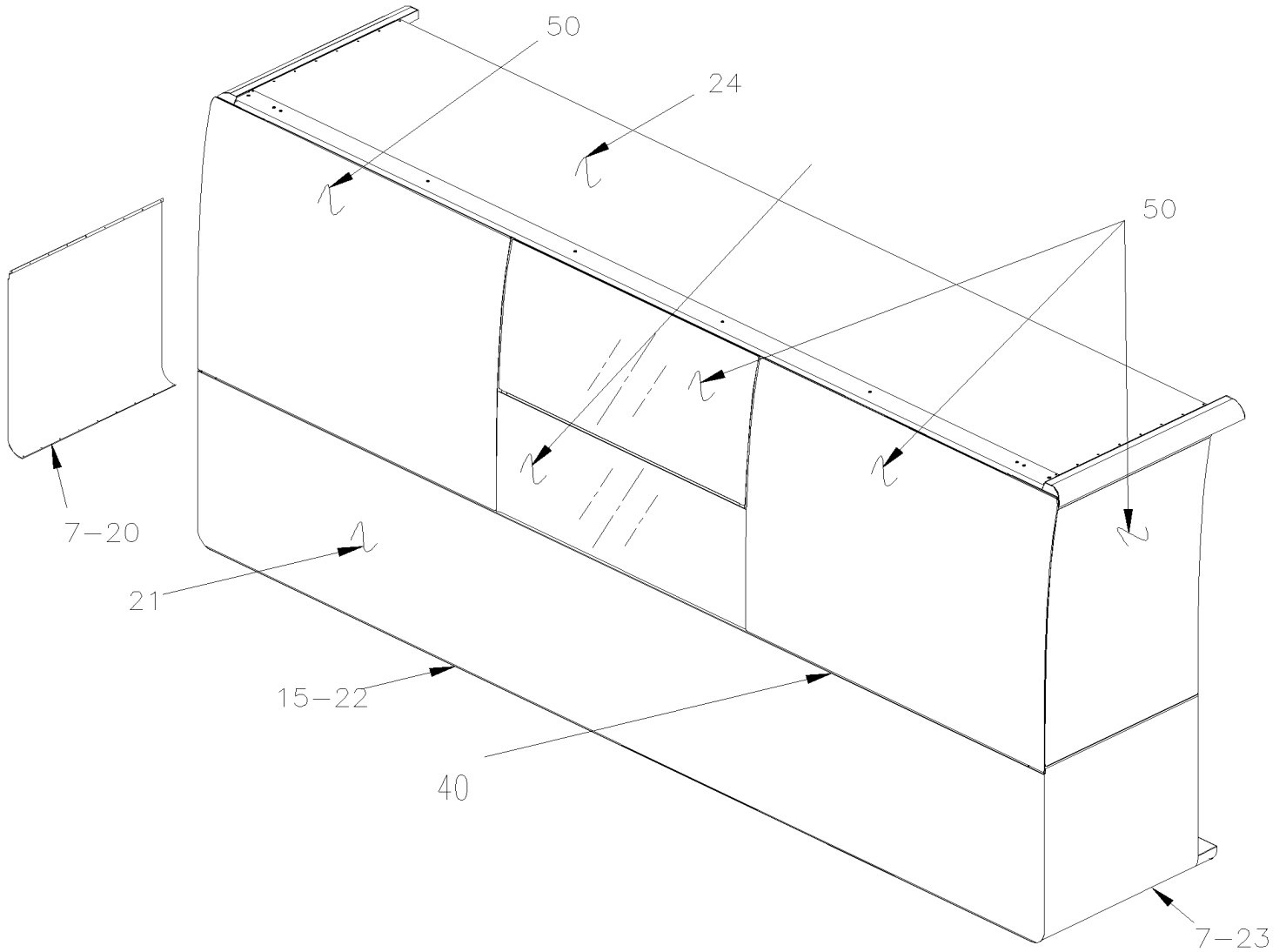
| | | |
|----------------------------------|--------------|-----------------|
| | Date:10/2022 | PAGE:Y2-1854-90 |
| SIDE PANELS - "SLIDE-OUT" | | |

| Item# | Part | Description | X L I I 4 5 | X L I I M T H 4 0 | X L I I M T H 4 5 | X L I I M T H 4 5 E | N O T E S |
|-------|--------|--|--------------------------------|---|---|--|-----------------------|
| 23 | 477425 | UNDER FLOOR PANEL AL. From 4-8252 To 5-8513 | | | 1 | | |
| 23 | 477895 | UNDER FLOOR PANEL AL. From 5-8514 | | | 1 | | |
| 24 | 690188 | PANEL SUB ASSY / REAR / "SLIDE-OUT" / S.B. To 4-8247 | | | 1 | | |
| 24 | 476131 | PANEL SUB ASSY / REAR / "SLIDE-OUT" / S.B. From 4-8248 To 5-8468 | | | 1 | | |
| 24 | 477602 | PANEL SUB ASSY / REAR / "SLIDE-OUT" / B.A. From 5-8469 | | | 1 | | |
| 24 | 477603 | PANEL / REAR / "SLIDE-OUT" / B.A. / SERVICE From 5-8469 | | | 1 | | |
| 25 | 690145 | ROOF PANEL AL. To 4-8251 | | | 1 | | |
| 25 | 477424 | ROOF PANEL AL. From 4-8252 To 5-8513 | | | 1 | | |
| 25 | 477896 | ROOF PANEL AL. From 5-8514 | | | 1 | | |
| 26 | 690147 | FRONT FIBERGLASS | | | 1 | | |
| 27 | 690152 | FRONT PANEL S.S. / S.B. To 4-8251 | | | 1 | | |
| 27 | 477426 | FRONT PANEL S.S. / B.A. From 4-8252 To 5-8468 | | | 1 | | |
| 27 | 477671 | REAR PANEL S.S. / B.A. From 5-8469 | | | 1 | | |
| 27 | 690209 | FRONT PANEL AL. | | | 1 | | |
| 28 | 690157 | REAR SIDE FIBERGLASS | | | 1 | | |
| 29 | 690148 | REAR FIBERGLASS | | | 1 | | |
| 30 | 293281 | RUBBER SEAL EXTRUSION / ADHESIVE / LOWER WINDOW | | | | AR | |
| | | | | | | | |
| | | | | | | | |
| | | | | | | | |

| | | |
|---------------------------|--------------|-----------------|
| | Date:10/2022 | PAGE:Y2-1854-91 |
| SIDE PANELS - "SLIDE-OUT" | | |



| | | |
|---------------------------|--------------|-----------------|
| | Date:10/2022 | PAGE:Y2-1854-91 |
| SIDE PANELS - "SLIDE-OUT" | | |



FRONT SLIDE-OUT
MTH 45' ENT.

Date:10/2022

PAGE:Y2-1854-91

SIDE PANELS - "SLIDE-OUT"

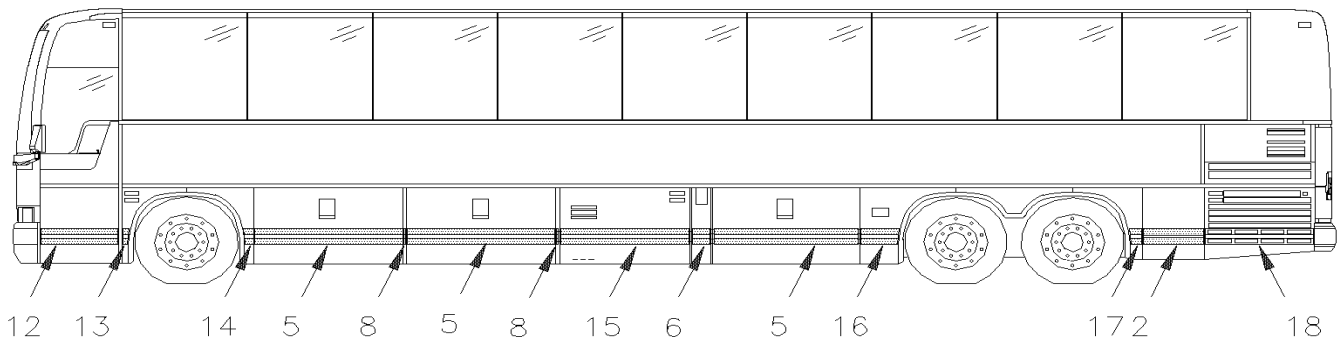
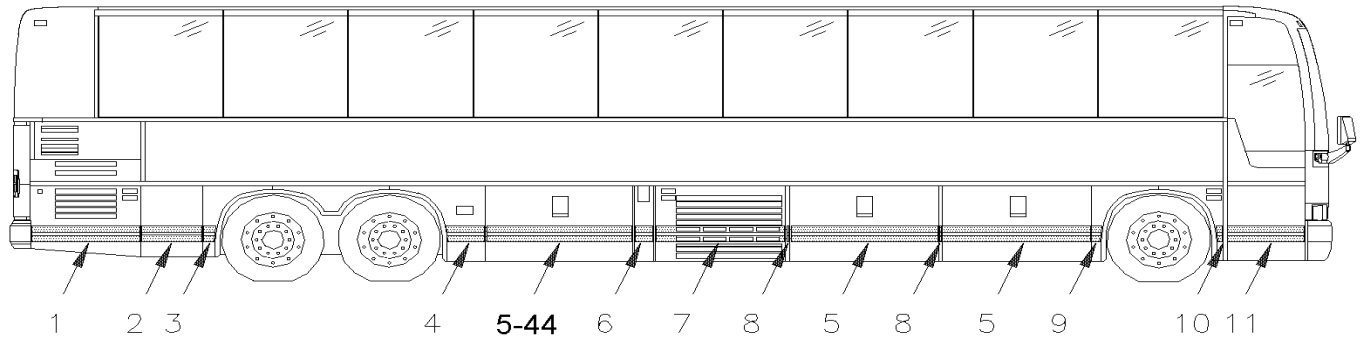
| Item# | Part | Description | X L I I 4 5 | X L I I M T H 4 0 | X L I I M T H 4 5 | X L I I M T H 4 5 E | NOTES |
|-------|-------------------|--|----------------------------|---|---|--|-------|
| 1 | 477766 | FRONT & REAR PANEL S.S. / B.A. To 6-8945 | | | 1 | | |
| 1 | 470031 | FRONT & REAR PANEL S.S. / B.A. From 6-8946 | | | 1 | | |
| 2 | 477763 | ROOF PANEL AL. | | | 1 | | |
| 3 | 477598 | PANEL SUB ASSY / FORWARD FRT/"SLIDE-OUT" / B.A. | | | 1 | | |
| 3 | 477599 | PANEL / FORWARD FRT/"SLIDE-OUT" / B.A. / SERVICE | | | 1 | | |
| 4 | 477764 | PANEL UNDER | | | 1 | | |
| 5 | 477600 | PANEL SUB ASSY / BACKWARD FRT/"SLIDE-OUT" / B.A. | | | 1 | | |
| 5 | 477601 | PANEL / BACKWARD FRT/"SLIDE-OUT" / B.A. / SERVICE | | | 1 | | |
| 7 | 502872 | RIVET POP CK OE 1/8x3/16 SS | | | AR | AR | |
| NS | 506785 | TAPE RUB ADH2 CC POL 1/16" x 1/4" x 200' / BLACK I1C-N-A | | | AR | AR | |
| NS | 680532 | SEALANT SIKA #221 / GREY / 310ml CARTRIDGE | | | AR | AR | |
| 10 | 477773 | FRONT & REAR PANEL S.S. / B.A. To 6-8945 | | | 1 | | |
| 10 | 470034 | FRONT & REAR PANEL S.S. / B.A. From 6-8946 | | | 1 | | |
| 11 | 477783 | PANEL SUB ASSY / REAR / "SLIDE-OUT" / B.A. | | | 1 | | |
| 11 | 477784 | PANEL / REAR / "SLIDE-OUT" / B.A. / SERVICE | | | 1 | | |
| 12 | 477772 | UNDER FLOOR PANEL AL. | | | 1 | | |
| 14 | 477771 | ROOF PANEL AL. | | | 1 | | |
| 15 | 477902 | CAP PLASTIC BLACK / ROD LOOK | | | 1 | 1 | |
| 20 | 477839 | FRONT PANEL S.S. / B.A. To 6-8947 | | | | 1 | |
| 20 | 470033 | FRONT PANEL S.S. / B.A. From 6-8948 | | | | 1 | |
| 21 | 477936 | PANEL FLAT FRONT SLIDE OUT | | | | 1 | |
| 22 | 477838 | PANEL UNDER | | | | 1 | |
| 23 | 477985 | REAR PANEL S.S. / B.A. To 6-8947 | | | | 1 | |
| 23 | 470032 | REAR PANEL S.S. / B.A. From 6-8948 | | | | 1 | |
| 24 | 477837 | ROOF PANEL AL. | | | | 1 | |
| 30 | 476132 | FINISHING MOULDING SS / 4425.6MM | | | 1 | | |
| 31 | 476135 | FINISHING MOULDING SS / 2292.4MM | | | 1 | | |
| 32 | 474515 | FINISHING MOULDING UPPER L.H. 12253MM | | | 1 | | |
| . NS | 506785 | . TAPE RUB ADH2 CC POL 1/16" x 1/4" x 200' / BLACK I1C-N-A | | | AR | | |
| . NS | 506790 | . TAPE RUB ADH2 CC POL 1/16" x 1/2" x 200' / BLACK I1C-N-A | | | AR | | |
| 33 | 293281 | RUBBER SEAL EXTRUSION / ADHESIVE / LOWER WINDOW | | | 1 | | |
| 40 | 474515 | FINISHING MOULDING UPPER L.H. 12253MM | | | | 1 | |
| . NS | 506785 | . TAPE RUB ADH2 CC POL 1/16" x 1/4" x 200' / BLACK I1C-N-A | | | | AR | |
| . NS | 506790 | . TAPE RUB ADH2 CC POL 1/16" x 1/2" x 200' / BLACK I1C-N-A | | | | AR | |
| 41 | 476733 | PANEL FIBERGLASS 265.7MM | | | 1 | | |
| 50 | Y2-1884-91 | SIDE WINDOW - "SLIDE-OUT" | | | | | |
| 51 | Y2-1884-60 | AWNING WINDOW - MTH | | | | | |
| 51 | Y2-1884-65 | ELECTRICAL AWNING WINDOW ASSY | | | | | |
| 51 | Y2-1884-80 | ELECTRICAL SLIDING WINDOW ASSY | | | | | |
| 51 | 790458 | SLIDING WINDOW L.H. - MTH | | | | | |
| NS | 470035 | KIT, REPLACEMENT END PANEL To 6-8947 | | | 1 | 1 | |
| . NS | IS-06028 | . SEE INSTRUCTION SHEET To 6-8947 | | | 1 | 1 | |

From Y-7046 To 8-9339

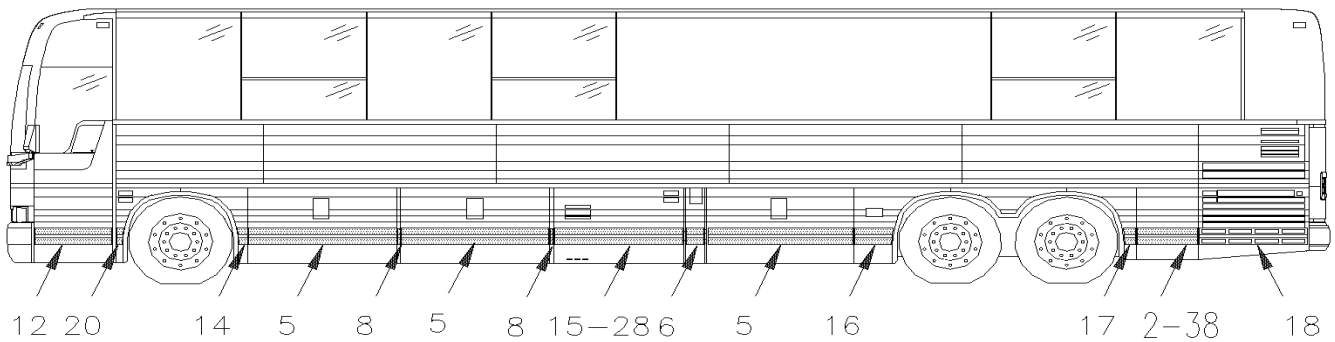
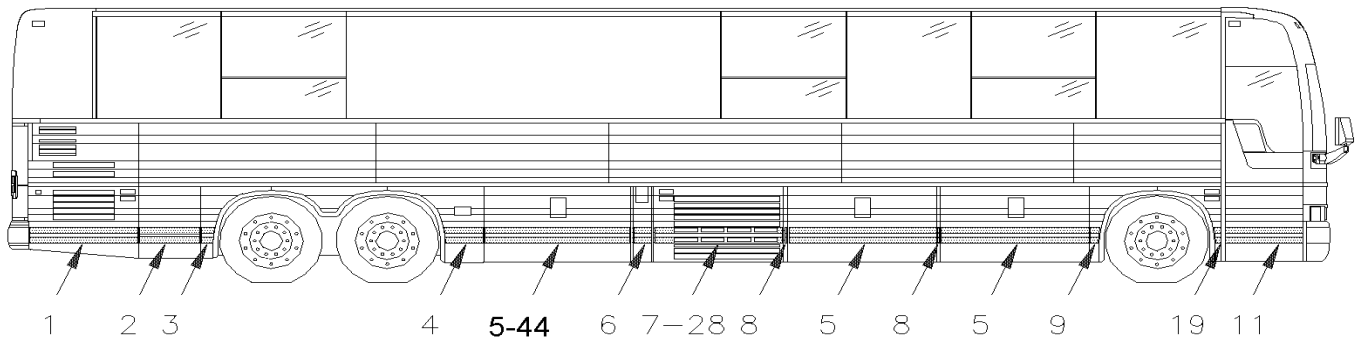
Date:10/2022

PAGE:Y2-1855-00

RUB RAIL - EXTERIOR CREST & TRIMS



BUS 45'



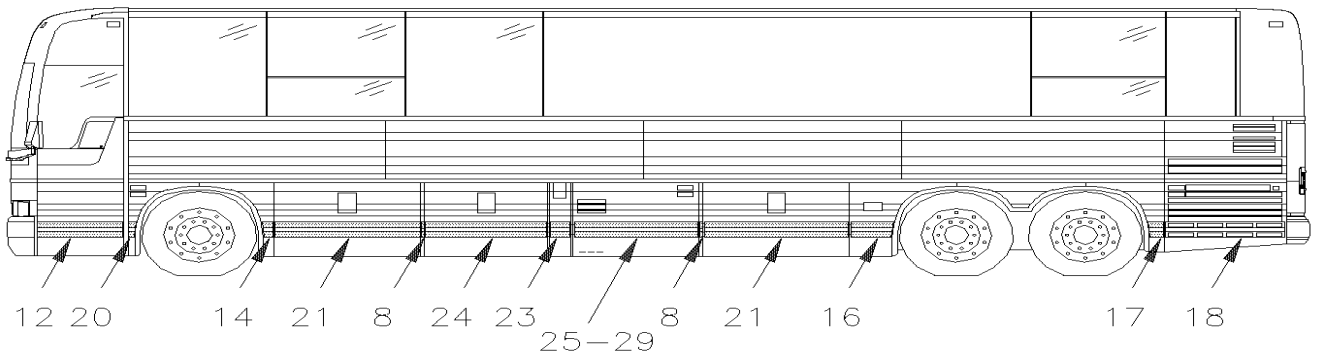
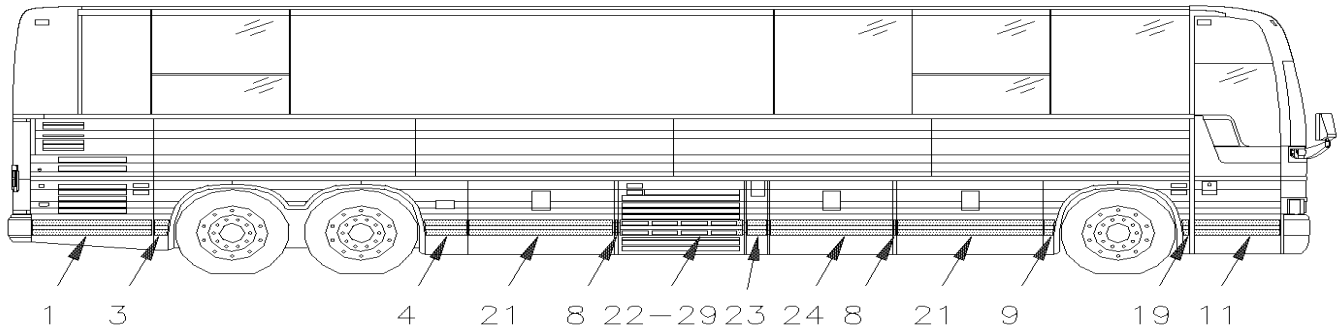
MTH. 45'

From Y-7046 To 8-9339

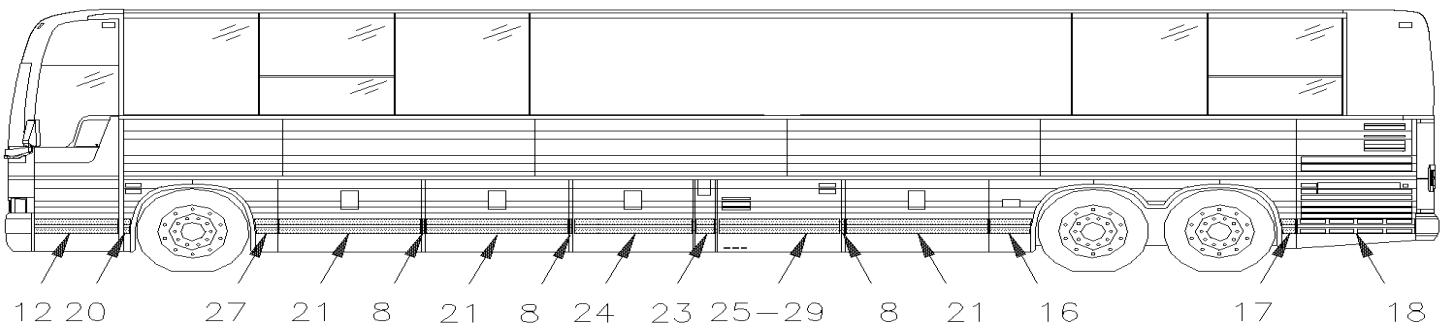
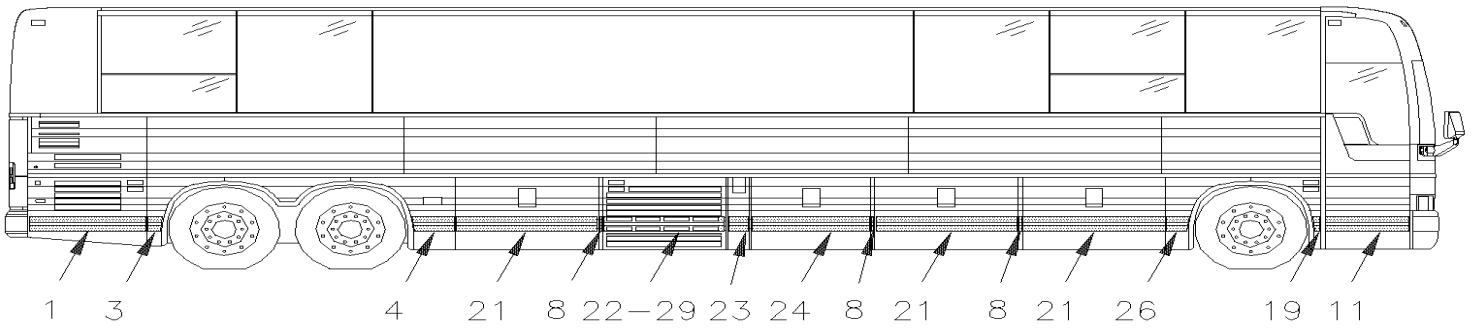
Date:10/2022

PAGE:Y2-1855-00

RUB RAIL - EXTERIOR CREST & TRIMS



MTH. 40'



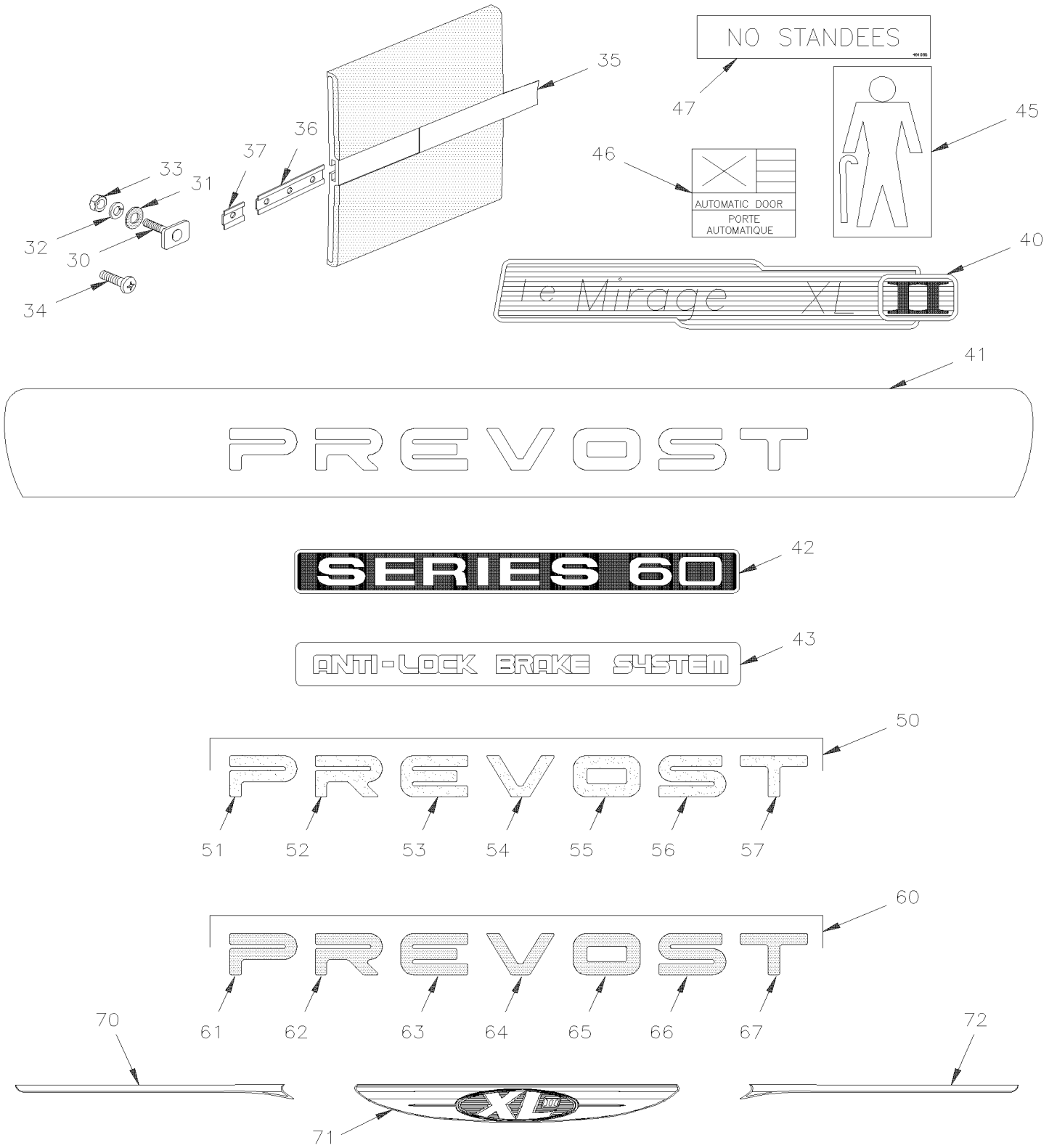
MTH 45' ENT.

From Y-7046 To 8-9339

Date:10/2022

PAGE:Y2-1855-00

RUB RAIL - EXTERIOR CREST & TRIMS



| | | |
|--|--------------|-----------------|
| From Y-7046 To 8-9339 | Date:10/2022 | PAGE:Y2-1855-00 |
| RUB RAIL - EXTERIOR CREST & TRIMS | | |

| Item# | Part | Description | X L I I 4 5 | X L I I M T H 4 0 | X L I I M T H 4 5 | X L I I M T H 4 5 E | N O T E S |
|-------|--------|--|----------------------------|---|---|--|-----------------------|
| 1 | 286639 | RUB RAIL ASSY / 1115MM | 1 | 1 | 1 | 1 | |
| 2 | 286640 | RUB RAIL ASSY / 624MM To 6-8906 | 2 | | | | |
| 2 | 286640 | RUB RAIL ASSY / 624MM To 3-8164 | | | 2 | | |
| 2 | 286640 | RUB RAIL ASSY / 624MM From 4-8165 | | | 1 | | |
| 3 | 474303 | RUB RAIL ASSY / 132MM | 1 | | 1 | | |
| 3 | 474303 | RUB RAIL ASSY / 132MM To 7-9095 | | 1 | | 1 | |
| 3 | 476584 | RUB RAIL ASSY / 249MM From 7-9096 | | | | 1 | |
| 4 | 474302 | RUB RAIL ASSY / 399MM | 1 | | 1 | | |
| 4 | 474302 | RUB RAIL ASSY / 399MM To 7-9095 | | 1 | | 1 | |
| 4 | 476583 | RUB RAIL ASSY / 294MM From 7-9096 | | | | 1 | |
| 5 | 474293 | RUB RAIL ASSY / 1527MM | 6 | | 6 | | |
| 6 | 474296 | RUB RAIL ASSY / 194MM | 2 | | 2 | | |
| 7 | 474301 | RUB RAIL ASSY / 1349MM | 1 | | 1 | | |
| 8 | 474294 | RUB RAIL ASSY / 33MM | 4 | 4 | 4 | | |
| 8 | 474294 | RUB RAIL ASSY / 33MM | | | | 6 | |
| 9 | 474300 | RUB RAIL ASSY / 108MM | 1 | 1 | 1 | | |
| 10 | 474299 | RUB RAIL ASSY / 68MM To 6-8906 | 1 | | | | |
| 11 | 474290 | RUB RAIL ASSY / 794MM / W/1 1/2" SCREW | 1 | 1 | 1 | 1 | |
| NS | 474304 | . SPECIAL SCREW ASSY SQ SS 1/4-20 X 1 1/2" | 1 | 1 | 1 | 1 | |
| 12 | 474766 | RUB RAIL ASSY / 794MM / W/1" SCREW | 1 | 1 | 1 | 1 | |
| 13 | 474291 | RUB RAIL ASSY / 66MM | 1 | 1 | 1 | 1 | |
| 14 | 474292 | RUB RAIL ASSY / 108MM | 1 | 1 | 1 | | |
| 15 | 474295 | RUB RAIL ASSY / 1351MM | 1 | | 1 | | |
| 16 | 474297 | RUB RAIL ASSY / 399MM | 1 | | 1 | | |
| 16 | 474297 | RUB RAIL ASSY / 399MM To 7-9095 | | 1 | | 1 | |
| 16 | 476581 | RUB RAIL ASSY / 294MM From 7-9096 | | | | 1 | |
| 17 | 474298 | RUB RAIL ASSY / 132MM | 1 | | 1 | | |
| 17 | 474298 | RUB RAIL ASSY / 132MM To 7-9095 | | 1 | | 1 | |
| 17 | 476793 | RUB RAIL ASSY / 99MM From 7-9096 | | | | 1 | |
| 18 | 286639 | RUB RAIL ASSY / 1115MM To 6-8906 | 1 | | | | |
| 18 | 286638 | RUB RAIL ASSY / 1115MM PERFORATED | | | 1 | | |
| 18 | 286638 | RUB RAIL ASSY / 1115MM PERFORATED | | 1 | | 1 | |
| 19 | 474827 | RUB RAIL ASSY / 101MM | | | | 1 | |
| 20 | 474826 | RUB RAIL ASSY / 101MM | | | | 1 | |
| 21 | 474612 | RUB RAIL ASSY / 1356MM | | | | 6 | |
| 21 | 474612 | RUB RAIL ASSY / 1356MM To 5-8813 | | 4 | | | |
| 22 | 474616 | RUB RAIL ASSY / 1134MM | | 1 | | 1 | |
| 23 | 474797 | RUB RAIL ASSY / 251MM | | 1 | | 1 | |
| 24 | 474613 | RUB RAIL ASSY / 1140MM | | 2 | | 2 | |
| 25 | 474614 | RUB RAIL ASSY / 1135MM | | 1 | | 1 | |
| 26 | 474615 | RUB RAIL ASSY / 222MM | | | | 1 | |
| 27 | 474611 | RUB RAIL ASSY / 222MM | | | | 1 | |

| | | |
|--|--------------|-----------------|
| From Y-7046 To 8-9339 | Date:10/2022 | PAGE:Y2-1855-00 |
| RUB RAIL - EXTERIOR CREST & TRIMS | | |

| Item# | Part | Description | X L I I 4 5 | X L I I M T H 4 0 | X L I I M T H 4 5 | X L I I M T H 4 5 E | N O T E S |
|-------|-----------------|--|----------------------------|---|---|--|-----------------------|
| 28 | 474612 | RUB RAIL ASSY / 1356MM | | | 2 | | A |
| 29 | 474613 | RUB RAIL ASSY / 1140MM | | 2 | | 2 | |
| 30 | 474304 | SPECIAL SCREW ASSY SQ SS 1/4-20 X 1 1/2 | AR | AR | AR | AR | |
| 31 | 473378 | SEAL WASHER / RUB RAIL & PANEL | AR | AR | AR | AR | |
| 32 | 500270 | WASHER FL .406x1.000x.063 SS | AR | AR | AR | AR | |
| 33 | 5001123 | NUT HEXF 1/4-20 SS | AR | AR | AR | AR | |
| 34 | 500310 | SCREW TC FL PH #10-24x1 1/4 SS410 | AR | AR | AR | AR | |
| 35 | 920010 | STRIPE, REFLECTIVE BLACK / 22MM X 150' | AR | AR | AR | AR | |
| 35 | 287287 | . STRIPE, REFLECTIVE BLACK / 22MM X 15' | AR | AR | AR | AR | |
| 36 | 474777 | ATTACHMENT SUPPORT THIN 5.6MM X 100MM 3 HOLES | 1 | 1 | 1 | 1 | |
| 36 | 474944 | ATTACHMENT SUPPORT THIN 4MM X 100MM 3 HOLES | 1 | 1 | 1 | 1 | |
| 36 | 474783 | ATTACHMENT SUPPORT THICK 5.6MM X 30MM | AR | AR | AR | AR | |
| 37 | 474953 | ATTACHMENT SUPPORT THIN 4MM X 30MM 1 HOLE | 1 | 1 | 1 | 1 | |
| 40 | 490902 | CREST "XL-II" | 1 | 1 | 1 | 1 | |
| 41 | 490849 | CREST "PREVOST" 168MM X 1420MM To 4-8358 | | 1 | 1 | 1 | C |
| 41 | 490918 | CREST "PREVOST" 107MM X 1327MM To 4-8358 | 1 | 1 | 1 | 1 | C |
| NS | 474658 | CREST SUPPORT FIBERGLASS To 4-8358 | 1 | 1 | 1 | 1 | |
| NS | 506790 | TAPE RUB ADH2 CC POL 1/16" x 1/2" x 200' / BLACK I1C-N-A To 6-8906 | AR | | | | |
| NS | 506769 | TAPE RUB ADH2 CC POL 1/8" x 1/4" x 60' / BLACK H1CC-N-#14 To 6-8906 | AR | | | | |
| 42 | 490718 | DECAL, "SERIES 60" SS To 6-8906 | 1 | | | | |
| 43 | 490651 | DECAL, "ANTI-LOCK BRAKE SYSTEM" To 6-8906 | 1 | | | | |
| 44 | 474949 | RUB RAIL ASSY / 1513MM To 6-8906 | 1 | | | | W |
| 45 | 131490 | DECAL "FRONT KNEELING" / BLACK ON ALUMINIUM To 6-8906 | 1 | | | | |
| 45 | Call order desk | DECAL "FRONT KNEELING" / BLACK ON ALUMINIUM To 6-8906 | 1 | | | | P |
| 46 | 285813 | DECAL / "AUTOMATIC DOOR" / HAND OFF / ALU / ENGLISH & FRANCAIS To 6-8906 | 1 | | | | |
| 46 | 282473 | DECAL / "AUTOMATIC DOOR" / HAND OFF / CLEAR / ENGLISH & FRANCAIS To 6-8906 | 1 | | | | |
| 47 | 491068 | DECAL "NO STANDEES" / W/"NEW-JERSEY" To 6-8906 | 1 | | | | |
| 50 | 490922 | CREST "PREVOST" GOLD REAR | | 1 | 1 | 1 | |
| 51 | 490931 | . LETTER "P" GOLD | | 1 | 1 | 1 | |
| 52 | 490932 | . LETTER "R" GOLD | | 1 | 1 | 1 | |
| 53 | 490933 | . LETTER "E" GOLD | | 1 | 1 | 1 | |
| 54 | 490934 | . LETTER "V" GOLD | | 1 | 1 | 1 | |
| 55 | 490935 | . LETTER "O" GOLD | | 1 | 1 | 1 | |
| 56 | 490936 | . LETTER "S" GOLD | | 1 | 1 | 1 | |
| 57 | 490937 | . LETTER "T" GOLD | | 1 | 1 | 1 | |
| 60 | 490921 | CREST "PREVOST" SILVER REAR | 1 | 1 | 1 | 1 | |
| 61 | 490924 | . LETTER "P" SILVER | 1 | 1 | 1 | 1 | |
| 62 | 490925 | . LETTER "R" SILVER | 1 | 1 | 1 | 1 | |
| 63 | 490926 | . LETTER "E" SILVER | 1 | 1 | 1 | 1 | |
| 64 | 490927 | . LETTER "V" SILVER | 1 | 1 | 1 | 1 | |
| 65 | 490928 | . LETTER "O" SILVER | 1 | 1 | 1 | 1 | |
| 66 | 490929 | . LETTER "S" SILVER | 1 | 1 | 1 | 1 | |

| | | |
|--|--------------|-----------------|
| From Y-7046 To 8-9339 | Date:10/2022 | PAGE:Y2-1855-00 |
| RUB RAIL - EXTERIOR CREST & TRIMS | | |

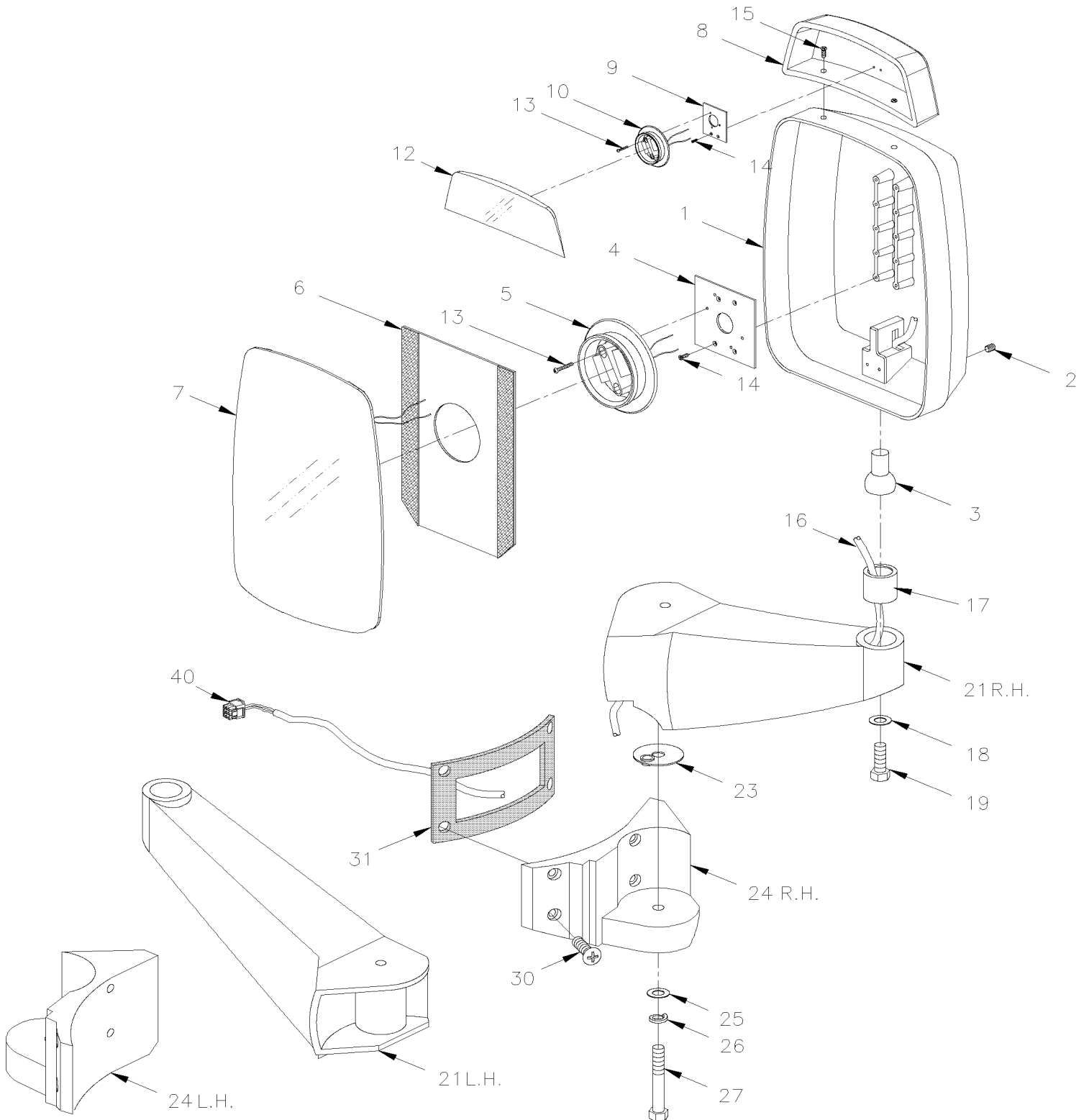
| Item# | Part | Description | X L I I 4 5 | X L I I M T H 4 0 | X L I I M T H 4 5 | X L I I M T H 4 5 E | N O T E S |
|-------|--------|--|--------------------------------|---|---|--|-----------------------|
| 67 | 490930 | . LETTER "T" SILVER | 1 | 1 | 1 | 1 | |
| 70 | 491015 | CREST "XL-II" & X3-45 / CURBSIDE WING PART From 5-8359 | 1 | 1 | 1 | 1 | |
| 71 | 491014 | CREST "XL-II" / CENTER PART From 5-8359 | 1 | 1 | 1 | 1 | |
| 72 | 491016 | CREST "XL-II" & X3-45 / STREETSIDE WING PART From 5-8359 | 1 | 1 | 1 | 1 | |
| 73 | 410626 | DECAL "MAXIMUM HITCH CAPACITY" | 1 | 1 | 1 | 1 | |
| | | | | | | | |
| | | | | | | | |
| | | A) MTH WITH SMALL A/C SYSTEM | | | | | |
| | | C) USE ON MTH FROM Y-7336 | | | | | |
| | | W) WITH W.C.L. BAGGAGE DOOR | | | | | |
| | | P) CALL ORDER DESK FOR SPECIFIC APPLICATION (V.I.N.) | | | | | |

From Y-7046 To 2-7763

Date:10/2022

PAGE:Y2-1856-20

MIRROR "RAMCO" FLAT GLASS / SILVER PAINTED



| | | |
|---|--------------|-----------------|
| From Y-7046 To 2-7763 | Date:10/2022 | PAGE:Y2-1856-20 |
| MIRROR "RAMCO" FLAT GLASS / SILVER PAINTED | | |

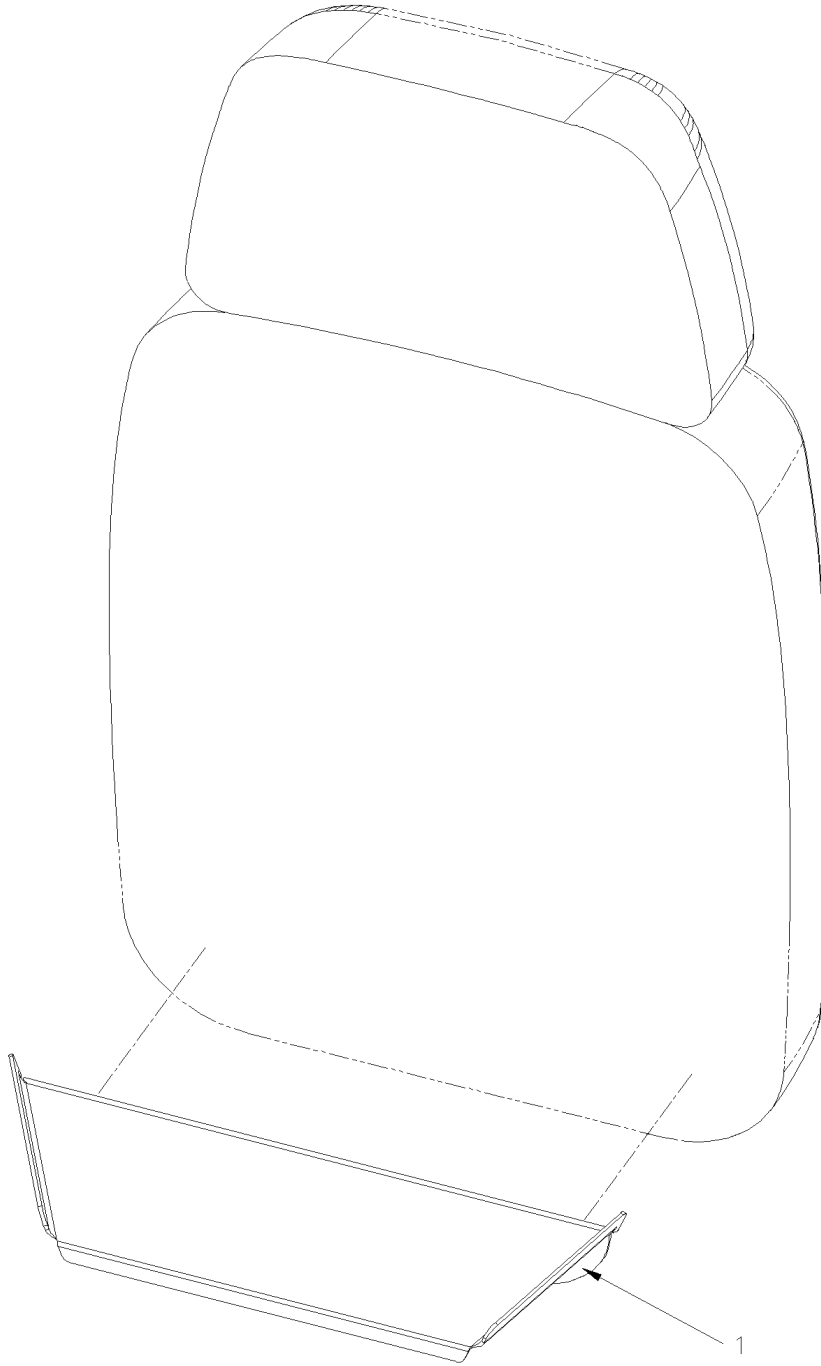
| Item# | Part | Description | X L I I 4 5 | X L I I M T H 4 0 | X L I I M T H 4 5 | X L I I M T H 4 5 E | N O T E S |
|-------|----------|--|----------------------------|---|---|--|-----------------------|
| | 990329 | MIRROR ASSY, L.H. / W/CONVEX ELECTRIC / W/8 PINS CONNECTOR | 1 | | | | |
| | 990330 | MIRROR ASSY, R.H. / W/CONVEX ELECTRIC / W/8 PINS CONNECTOR | 1 | | | | |
| 1 | 990346 | . HEAD ASSY / W/CONVEX ELECTRIC / W/8 PINS CONNECTOR | 1 | | | | |
| 2 | 502812 | .. SCREW SET HEXS CUP 3/8-16X3/8 SS | 1 | | | | |
| 3 | 990186 | .. STUD, BALL | 1 | | | | |
| 4 | 990272 | .. NOTCHED BACK MOUNTING PLATE (2" X 3") | 1 | | | | |
| 5 | 990349 | .. MOTOR 12V / MEDIUM / BLACK / 108MM / 4 1/4" O.D. | 1 | | | | |
| . NS | 564494 | ... TAB TERMINAL / 20-16 / AMP 63138-1 | 4 | | | | |
| 6 | 990268 | .. VELCRO PLATE / 8" X 8" | 1 | | | | |
| 7 | 990199 | .. GLASS ASSY W/HEATER 12V | 1 | | | | |
| 8 | 990346 | .. HEAD ASSY / W/CONVEX ELECTRIC / W/8 PINS CONNECTOR | 1 | | | | |
| 9 | 990295 | ... PLATE, TOP MOTOR MOUNTING | 1 | | | | |
| 10 | 990300 | ... MOTOR 12V / SMALL / BLACK / 85MM / 3 5/16" O.D. | 1 | | | | |
| . NS | 564494 | TAB TERMINAL / 20-16 / AMP 63138-1 | 4 | | | | |
| 12 | 990339 | ... GLASS CONVEX ASSY W/HEATER 12V | 1 | | | | |
| 13 | N.P.N. | .. SCREW TC PAN PH ZP 6-32 X 1 1/8" | 3 | | | | 4 |
| 14 | 500660 | .. SCREW TC FL PH #6-32x3/8 Z050 | 3 | | | | |
| 15 | 990530 | .. SCREW CAP HEX #10-24x1" SS | 2 | | | | |
| NS | 500787 | .. NUT HEX #10-24 SS | 2 | | | | |
| 16 | 990377 | .. CABLE ASSY / W/CONNECTOR 8PIN | 1 | | | | |
| 17 | 990379 | .. CUP, BALL STUD RETAINER / ONE PIECE | 1 | | | | |
| 18 | 500270 | .. WASHER FL .406x1.000x.063 SS | 1 | | | | |
| 19 | | .. SCREW CAP HEX SS 3/8-24 X 1.250 | 1 | | | | |
| 21 | 990313 | . ARM, L.H. | 1 | | | | |
| 21 | 990315 | . ARM, R.H. | 1 | | | | |
| 23 | 990265 | . WASHER ALUMINUM / 2 " O.D. | 1 | | | | |
| 23 | 504082 | .. SNAP BUSHING / .125x.312x.312 | 1 | | | | |
| 24 | 990309 | . BRACKET, MOUNTING R.H. | 1 | | | | |
| 24 | 990311 | . BRACKET, MOUNTING L.H. | 1 | | | | |
| 25 | 500958 | . WASHER FL .531x1.062x.095 SS | 1 | | | | |
| 26 | 500035 | . WASHER LO SPT .317x.586x.078 SS | 1 | | | | |
| 27 | 990500 | . SCREW 1/2-13x2 HHCS SS | 1 | | | | |
| 30 | 5001461 | SCREW MA FL PH M8-1.25x40 SS | 2 | | | | |
| 30 | 5001581 | SCREW CAP BUT HEXS M8-1.25x40 SS | 2 | | | | |
| NS | 5001341 | WASHER FL 8.4x17.0x1.6 SS | 2 | | | | |
| 31 | 490873 | GASKET, RH | 2 | | | | |
| 31 | 490894 | GASKET, LH | 1 | | | | |
| 40 | 562920 | CONNECTOR / SH 8C / SWITCHCRAFT EN3C8FC | 1 | | | | A |
| NS | 562919 | CONNECTOR / PH 8C / SWITCHCRAFT EN3P8MC | 2 | | | | A B |
| NS | 065583 | KIT, RETROFIT CONNECTOR "CONXAL" 8C | 1 | | | | |
| . NS | IS-01082 | . SEE INSTRUCTION SHEET | 1 | | | | |
| . NS | 065534 | . CABLE ASSY , INTERFACE / SWITCHCRAFT & CONXAL | 1 | | | | |

| | | |
|-----------------------|--------------|-----------------|
| From Y-7046 To 2-7763 | Date:10/2022 | PAGE:Y2-1856-20 |
|-----------------------|--------------|-----------------|

MIRROR "RAMCO" FLAT GLASS / SILVER PAINTED

| Item# | Part | Description | X L I I 4 5 | X L I I M T H 4 0 | X L I I M T H 4 5 | X L I I M T H 4 5 E | N O T E S |
|-------|---------|--|----------------------------|---|---|--|-----------------------|
| NS | MI16-28 | DRIP EDGE ADDITION ON FRONT MIRRORS / PRODUCT IMPROVMENT | 1 | | | | |
| | | | | | | | |
| | | A) FOR PRODUCT IMPROVEMENT ASK KIT 065583 | | | | | |
| | | B) THIS CONNECTOR IT USED ON CABLE HARNESS FROM INSIDE OF VEHICULE | | | | | |
| | | 4) NO PARTS NUMBER | | | | | |

| | | |
|--|--------------|--------------|
| From Y-7046 To 2-7763 | Date:10/2022 | PAGE:MI16-28 |
| DRIP EDGE ADDITION ON FRONT MIRRORS / PRODUCT IMPROVMENT | | |

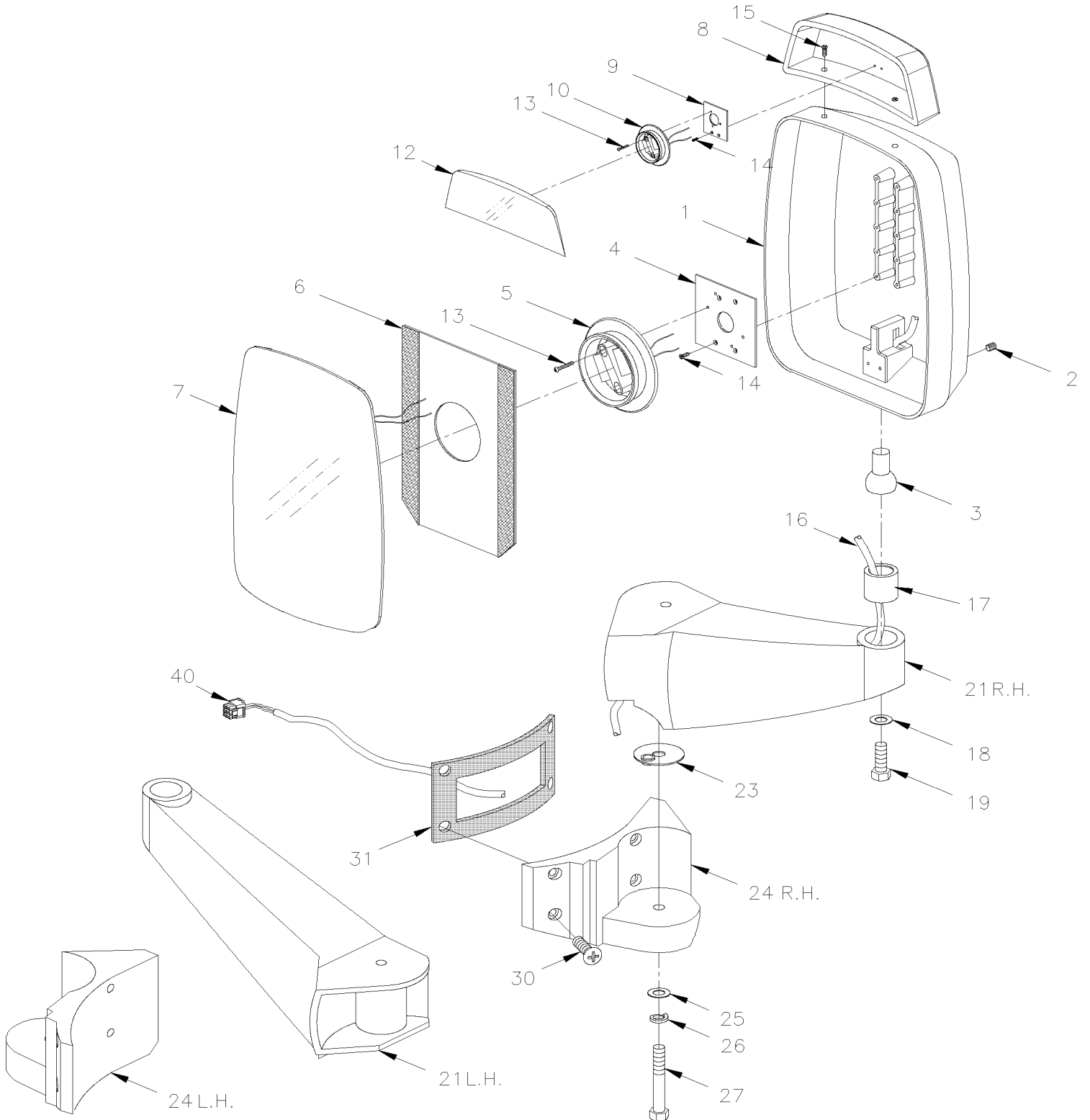


From 2-7764 To 6-8906

Date:10/2022

PAGE:Y2-1856-21

MIRROR "RAMCO" FLAT GLASS / SILVER PAINTED



| | | |
|-----------------------|--------------|-----------------|
| From 2-7764 To 6-8906 | Date:10/2022 | PAGE:Y2-1856-21 |
|-----------------------|--------------|-----------------|

MIRROR "RAMCO" FLAT GLASS / SILVER PAINTED

| Item# | Part | Description | X L I I 4 5 | X L I I M T H 4 0 | X L I I M T H 4 5 | X L I I M T H 4 5 E | N O T E S |
|-------|---------|--|----------------------------|---|---|--|-----------------------|
| | 990364 | MIRROR ASSY, L.H. / W/CONVEX ELECTRIC / W/8 PINS CONNECTOR To 3-8041 | 1 | | | | |
| | 990408 | MIRROR ASSY, L.H. / W/CONVEX ELECTRIC / W/8 PINS CONNECTOR From 3-8042 | 1 | | | | |
| | 990365 | MIRROR ASSY, R.H. / W/CONVEX ELECTRIC / W/8 PINS CONNECTOR | 1 | | | | |
| 1 | 990375 | . HEAD ASSY / W/CONVEX ELECTRIC / W/8 PINS CONNECTOR | 1 | | | | |
| 2 | 502812 | .. SCREW SET HEXS CUP 3/8-16X3/8 SS | 1 | | | | |
| 3 | 990186 | .. STUD, BALL | 1 | | | | |
| 4 | 990272 | .. NOTCHED BACK MOUNTING PLATE (2" X 3") | 1 | | | | |
| 5 | 990349 | .. MOTOR 12V / MEDIUM / BLACK / 108MM / 4 1/4" O.D. | 1 | | | | |
| . NS | 564494 | ... TAB TERMINAL / 20-16 / AMP 63138-1 | 4 | | | | |
| 6 | 990268 | .. VELCRO PLATE / 8" X 8" | 1 | | | | |
| 7 | 990199 | .. GLASS ASSY W/HEATER 12V | 1 | | | | |
| 8 | 990346 | .. HEAD ASSY / W/CONVEX ELECTRIC / W/8 PINS CONNECTOR | 1 | | | | |
| 9 | 990295 | ... PLATE, TOP MOTOR MOUNTING | 1 | | | | |
| 10 | 990300 | ... MOTOR 12V / SMALL / BLACK / 85MM / 3 5/16" O.D. | 1 | | | | |
| . NS | 564494 | TAB TERMINAL / 20-16 / AMP 63138-1 | 4 | | | | |
| 12 | 990339 | ... GLASS CONVEX ASSY W/HEATER 12V | 1 | | | | |
| 13 | N.P.N. | .. SCREW TC PAN PH ZP 6-32 X 1 1/8" | 3 | | | | 4 |
| 14 | 500660 | .. SCREW TC FL PH #6-32x3/8 Z050 | 3 | | | | |
| 15 | 990530 | .. SCREW CAP HEX #10-24x1" SS | 2 | | | | |
| NS | 500787 | .. NUT HEX #10-24 SS | 2 | | | | |
| 16 | N.P.N. | .. CABLE ASSY / W/CONNECTOR 8PIN / SEE ITEM # 40 | 1 | | | | 4 |
| 17 | 990379 | .. CUP, BALL STUD RETAINER / ONE PIECE | 1 | | | | |
| 18 | 500270 | .. WASHER FL .406x1.000x.063 SS | 1 | | | | |
| 19 | | .. SCREW CAP HEX SS 3/8-24 X 1.250 | 1 | | | | |
| 21 | 990313 | . ARM, L.H. To 3-8041 | 1 | | | | |
| 21 | 990315 | . ARM, R.H. | 1 | | | | |
| 21 | 990393 | . ARM, L.H. / DIRTY FREE From 3-8042 | 1 | | | | |
| 23 | 990265 | . WASHER ALUMINUM / 2 " O.D. | 1 | | | | |
| 23 | 504082 | .. SNAP BUSHING / .125x.312x.312 | 1 | | | | |
| 24 | 990309 | . BRACKET, MOUNTING R.H. | 1 | | | | |
| 24 | 990311 | . BRACKET, MOUNTING L.H. | 1 | | | | |
| 25 | 500958 | . WASHER FL .531x1.062x.095 SS | 1 | | | | |
| 26 | 500035 | . WASHER LO SPT .317x.586x.078 SS | 1 | | | | |
| 27 | 990500 | . SCREW 1/2-13x2 HHCS SS | 1 | | | | |
| 30 | 5001461 | SCREW MA FL PH M8-1.25x40 SS | 2 | | | | |
| 30 | 5001581 | SCREW CAP BUT HEXS M8-1.25x40 SS | 2 | | | | |
| NS | 5001341 | WASHER FL 8.4x17.0x1.6 SS | 2 | | | | |
| 31 | 490873 | GASKET, RH | 2 | | | | |
| 31 | 490894 | GASKET, LH | 1 | | | | |
| 40 | 563163 | CONNECTOR / W 45" CABLE ASSY / PH 8C / CONXALL 3280-8PG-324 | 1 | | | | |
| NS | 563088 | CONNECTOR / MULTI CON X / SH 8C / CONXALL 4280-8SG-300 | 2 | | | | B |
| NS | 562511 | SOCKET TERMINAL / 20 / CONXALL 586SG | AR | | | | B |

| | | |
|-----------------------|--------------|-----------------|
| From 2-7764 To 6-8906 | Date:10/2022 | PAGE:Y2-1856-21 |
|-----------------------|--------------|-----------------|

MIRROR "RAMCO" FLAT GLASS / SILVER PAINTED

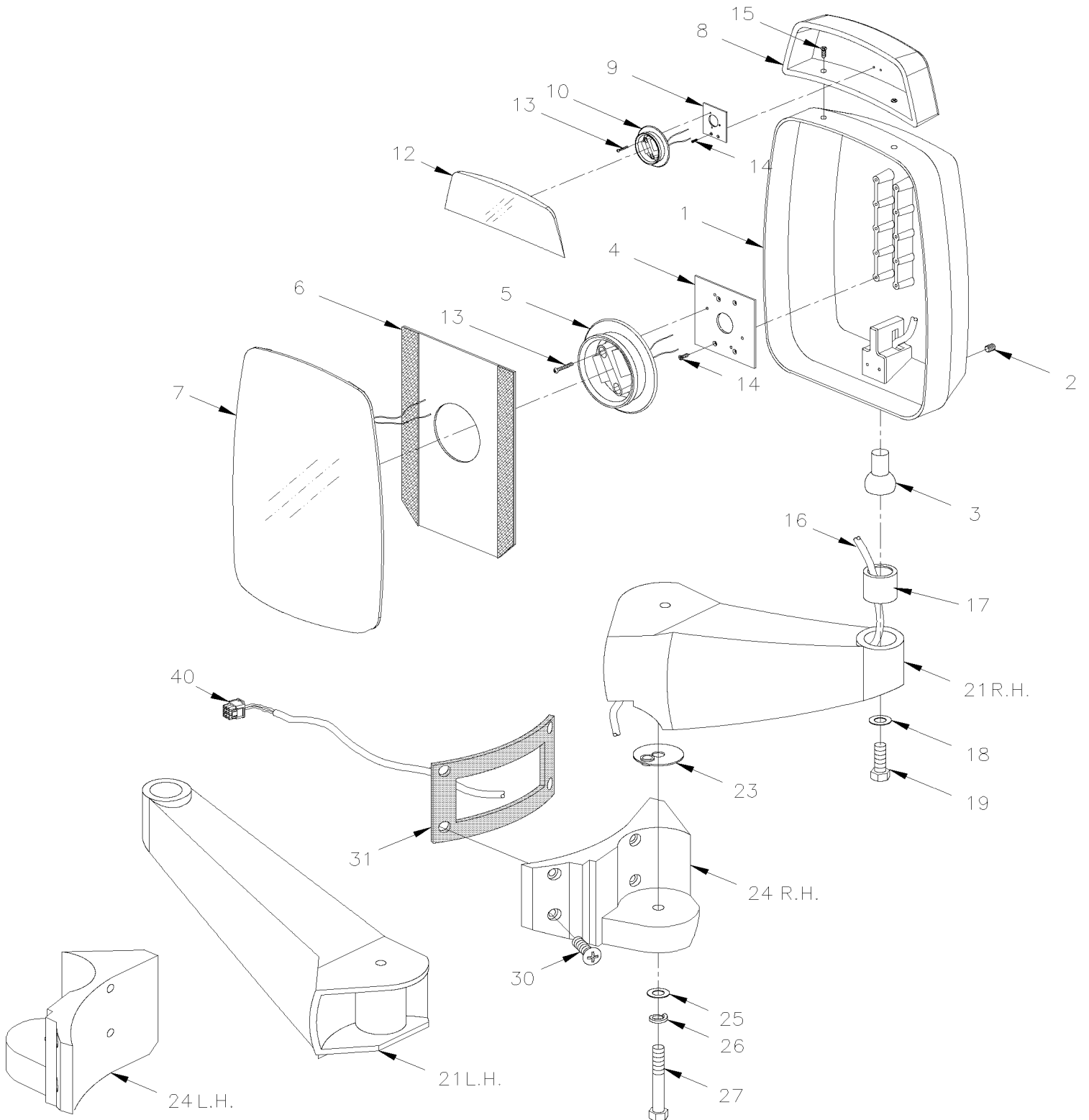
| Item# | Part | Description | X L I I 4 5 | X L I I M T H 4 0 | X L I I M T H 4 5 | X L I I M T H 4 5 E | N O T E S |
|-------|---------|--|----------------------------|---|---|--|-----------------------|
| NS | MI16-28 | DRIP EDGE ADDITION ON FRONT MIRRORS / PRODUCT IMPROVMENT | 1 | | | | |
| | | | | | | | |
| | | | | | | | |
| | | B) THIS CONNECTOR IT USED ON CABLE HARNESS FROM INSIDE OF VEHICULE | | | | | |
| | | 4) NO PARTS NUMBER | | | | | |

From Y-7046 To 2-7763

Date:10/2022

PAGE:Y2-1856-22

MIRROR "RAMCO" FLAT GLASS / BLACK PAINTED

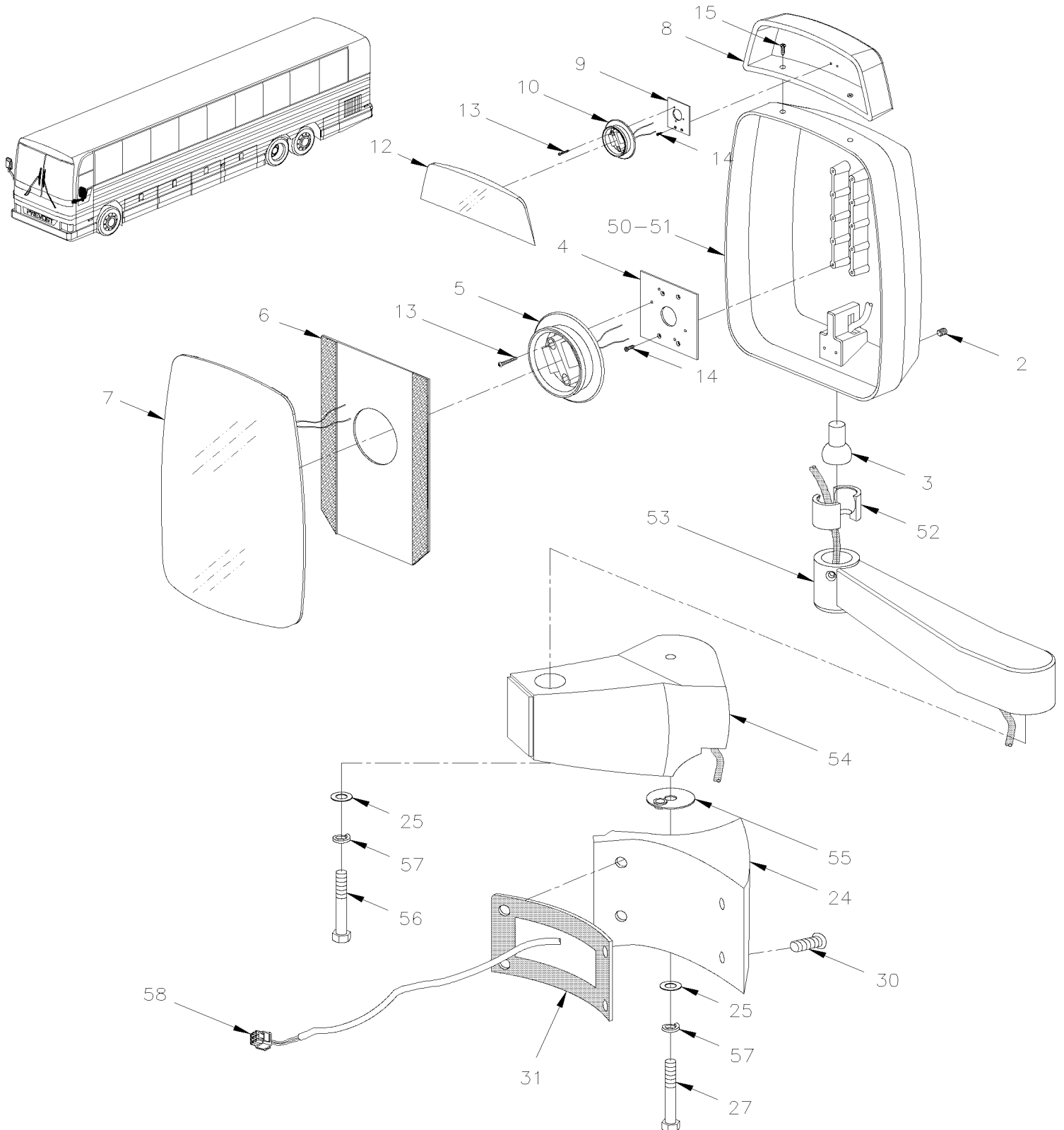


From Y-7046 To 2-7763

Date:10/2022

PAGE:Y2-1856-22

MIRROR "RAMCO" FLAT GLASS / BLACK PAINTED



| | | |
|--|--------------|-----------------|
| From Y-7046 To 2-7763 | Date:10/2022 | PAGE:Y2-1856-22 |
| MIRROR "RAMCO" FLAT GLASS / BLACK PAINTED | | |

| Item# | Part | Description | X L I I 4 5 | X L I I M T H 4 0 | X L I I M T H 4 5 | X L I I M T H 4 5 E | N O T E S |
|-------|----------|--|----------------------------|---|---|--|-----------------------|
| | 990328 | MIRROR ASSY, R.H. / W/CONVEX ELECTRIC / W/8 PINS CONNECTOR | 1 | | | | |
| | 990327 | MIRROR ASSY, L.H. / W/CONVEX ELECTRIC / W/8 PINS CONNECTOR | 1 | | | | |
| 1 | 990345 | . HEAD ASSY / W/CONVEX ELECTRIC / W/8 PINS CONNECTOR | 1 | | | | |
| 2 | 502812 | .. SCREW SET HEXS CUP 3/8-16X3/8 SS | 1 | | | | |
| 3 | 990186 | .. STUD, BALL | 1 | | | | |
| 4 | 990272 | .. NOTCHED BACK MOUNTING PLATE (2" X 3") | 1 | | | | |
| 5 | 990349 | .. MOTOR 12V / MEDIUM / BLACK / 108MM / 4 1/4" O.D. | 1 | | | | |
| . NS | 564494 | ... TAB TERMINAL / 20-16 / AMP 63138-1 | 4 | | | | |
| 6 | 990268 | .. VELCRO PLATE / 8" X 8" | 1 | | | | |
| 7 | 990199 | .. GLASS ASSY W/HEATER 12V | 1 | | | | |
| 8 | 990297 | . MIRROR ASSY / CONVEX ELECTRIC | 1 | | | | |
| 9 | 990295 | .. PLATE, TOP MOTOR MOUNTING | 1 | | | | |
| 10 | 990219 | .. MOTOR 12V / SMALL / BLACK / 85MM / 3 5/16" O.D. | 1 | | | | |
| . NS | 564494 | ... TAB TERMINAL / 20-16 / AMP 63138-1 | 4 | | | | |
| 12 | 990339 | .. GLASS CONVEX ASSY W/HEATER 12V | 1 | | | | |
| 13 | N.P.N. | .. SCREW TC FL PH ZP 6-32 X 1 1/8" | 3 | | | | 4 |
| 14 | 500660 | .. SCREW TC FL PH #6-32x3/8 Z050 | 2 | | | | |
| 15 | 990530 | .. SCREW CAP HEX #10-24x1" SS | 2 | | | | |
| NS | 500787 | .. NUT HEX #10-24 SS | 2 | | | | |
| 16 | 990377 | .. CABLE ASSY / W/CONNECTOR 8PIN | 1 | | | | |
| 17 | 990379 | .. CUP, BALL STUD RETAINER / ONE PIECE | 1 | | | | |
| 18 | 500270 | .. WASHER FL .406x1.000x.063 SS | 1 | | | | |
| 19 | N.P.N. | .. SCREW CAP HEX SS 3/8-24 X 1.250 | 1 | | | | 4 |
| 21 | 990307 | . ARM, L.H. | 1 | | | | |
| 21 | 990308 | . ARM, R.H. | 1 | | | | |
| 23 | 990265 | . WASHER ALUMINUM / 2 " O.D. | 1 | | | | |
| NS | 504082 | .. SNAP BUSHING / .125x.312x.312 | 1 | | | | |
| 24 | 990305 | . BRACKET, MOUNTING R.H. | 1 | | | | |
| 24 | 990306 | . BRACKET, MOUNTING L.H. | 1 | | | | |
| 25 | 500958 | . WASHER FL .531x1.062x.095 SS | 1 | | | | |
| 26 | 500035 | . WASHER LO SPT .317x.586x.078 SS | 1 | | | | |
| 27 | 990500 | . SCREW 1/2-13x2 HHCS SS | 1 | | | | |
| 30 | 5001461 | SCREW MA FL PH M8-1.25x40 SS | 2 | | | | |
| 30 | 5001581 | SCREW CAP BUT HEXS M8-1.25x40 SS | 2 | | | | |
| NS | 5001341 | WASHER FL 8.4x17.0x1.6 SS | 2 | | | | |
| 31 | 490873 | GASKET, RH | 1 | | | | |
| 31 | 490894 | GASKET, LH | 1 | | | | |
| 40 | 562920 | CONNECTOR / SH 8C / SWITCHCRAFT EN3C8FC | 2 | | | | C |
| NS | 562919 | CONNECTOR / PH 8C / SWITCHCRAFT EN3P8MC | 2 | | | | C B |
| NS | 065583 | KIT, RETROFIT CONNECTOR "CONXAL" 8C | 1 | | | | |
| . NS | IS-01082 | . SEE INSTRUCTION SHEET | 1 | | | | |
| . NS | 065534 | . CABLE ASSY , INTERFACE / SWITCHCRAFT & CONXAL | 1 | | | | |

From Y-7046 To 2-7763 Date:10/2022 PAGE:Y2-1856-22

MIRROR "RAMCO" FLAT GLASS / BLACK PAINTED

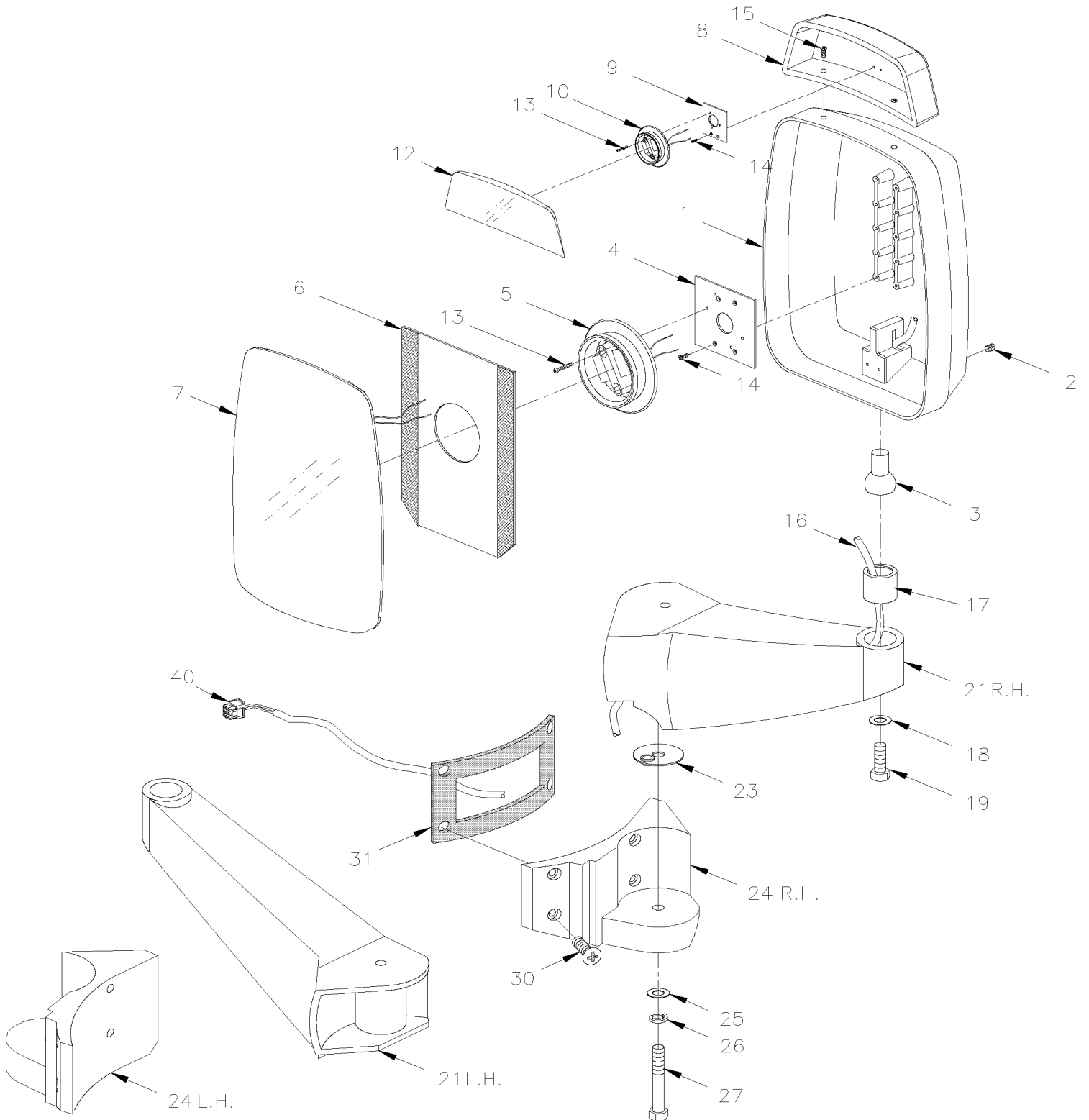
| Item# | Part | Description | X L I I 4 5 | X L I I M T H 4 0 | X L I I M T H 4 5 | X L I I M T H 4 5 E | N O T E S |
|-------|----------------|---|----------------------------|---|---|--|-----------------------|
| 50 | 990384 | MIRROR ASSY, R.H. / W/CONVEX ELECTRIC / W/9 PINS CONNECTOR / ORLEAN | 1 | | | | A |
| 51 | 990383 | HEAD ASSY / W/CONVEX ELECTRIC / W/9 PINS CONNECTOR / ORLEAN | 1 | | | | |
| 52 | 990187 | CUP, BALL | 2 | | | | |
| NS | 502812 | SCREW SET HEXS CUP 3/8-16X3/8 SS | 2 | | | | |
| 53 | 990211 | ARM, R.H. / 13" X 7" | 1 | | | | |
| 54 | 490955 | ARM L.H. / (ORLEAN OPTION) | 1 | | | | |
| 55 | 490958 | WASHER ALUMINUM / 38.1 I.D. x 57.2 O.D. x 12G | 1 | | | | |
| 56 | 990381 | SCREW CAP HEX SS 1/2-13X5 | 1 | | | | |
| 57 | 5001534 | WASHER LO SPT .509x.873x.125 SS | 2 | | | | |
| 58 | 561669 | CONNECTOR / UNIVERSAL MATE-N-LOK / SH 9C / AMP 1-480706-0 | 2 | | | | |
| 58 | 561671 | PIN TERMINAL / 24-18 / AMP 350690-1 | 2 | | | | |
| NS | 561670 | CONNECTOR / UNIVERSAL MATE-N-LOK / PH 9C / AMP 1-480707-0 | 2 | | | | |
| NS | 561673 | SOCKET TERMINAL / 24-18 / AMP 350689-1 | 18 | | | | |
| NS | 562916 | INTERFACE SEAL / 9C / AMP 794277-1 | 2 | | | | |
| NS | 562918 | SEAL PLUG FREE CAVITY / AMP 770377-1 | 2 | | | | |
| NS | 504555 | GROMMET / .500x.812x.125x.344x1.062x.031 | 2 | | | | |
| NS | MI16-28 | DRIP EDGE ADDITION ON FRONT MIRRORS / PRODUCT IMPROVMENT | 1 | | | | |
| | | | | | | | |
| | | | | | | | |
| | | A) INCLUDE ITEMS 21, 24, 50 | | | | | |
| | | B) THIS CONNECTOR IT USED ON CABLE HARNESS FROM INSIDE OF VEHICLE | | | | | |
| | | C) FOR PRODUCT IMPROVEMENT ASK KIT 065583 | | | | | |
| | | 4) NO PARTS NUMBER | | | | | |

From 2-7764 To 6-8906

Date:10/2022

PAGE:Y2-1856-23

MIRROR "RAMCO" FLAT GLASS / BLACK PAINTED

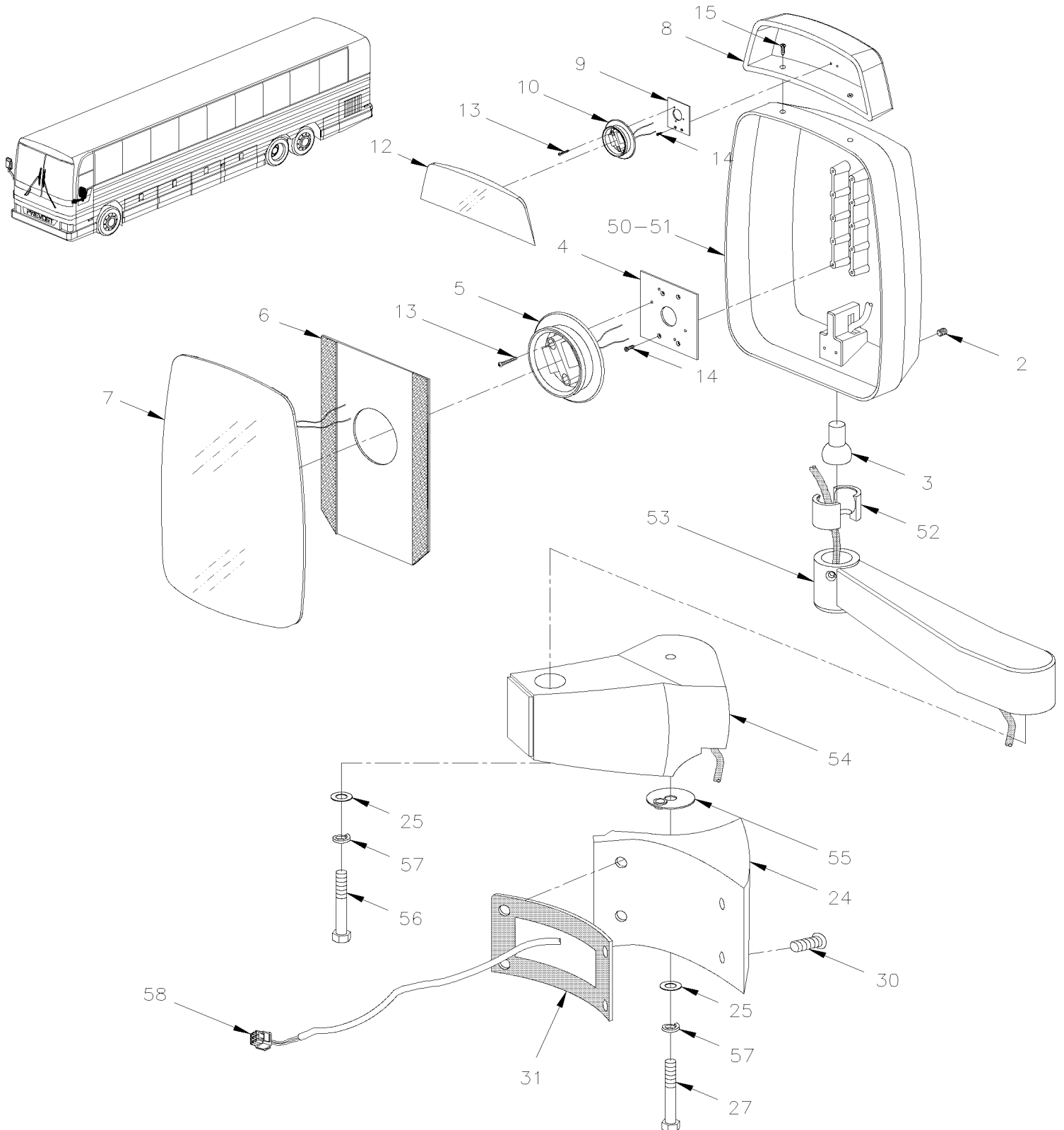


From 2-7764 To 6-8906

Date:10/2022

PAGE:Y2-1856-23

MIRROR "RAMCO" FLAT GLASS / BLACK PAINTED



| | | |
|-----------------------|--------------|-----------------|
| From 2-7764 To 6-8906 | Date:10/2022 | PAGE:Y2-1856-23 |
|-----------------------|--------------|-----------------|

MIRROR "RAMCO" FLAT GLASS / BLACK PAINTED

| Item# | Part | Description | X | X | X | X | NOTES |
|-------|---------|--|---|---|---|---|-------|
| | | | L | L | L | L | |
| | | | I | I | I | I | |
| | | | 4 | 4 | 4 | 4 | |
| | | | 5 | 5 | 5 | 5 | |
| | | | | M | M | M | |
| | | | | T | T | T | |
| | | | | H | H | H | |
| | | | | 4 | 4 | 4 | |
| | | | | 0 | 0 | 0 | |
| | | | | 5 | 5 | 5 | |
| | | | | 4 | 4 | 4 | |
| | | | | 0 | 0 | 0 | |
| | | | | 5 | 5 | 5 | |
| | | | | 4 | 4 | 4 | |
| | | | | 0 | 0 | 0 | |
| | 990363 | MIRROR ASSY, R.H. / W/CONVEX ELECTRIC / W/8 PINS CONNECTOR | 1 | | | | |
| | 990361 | MIRROR ASSY, R.H. / W/CONVEX MANUAL / W/5 PINS CONNECTOR | 1 | | | | |
| | 990384 | MIRROR ASSY, R.H. / W/CONVEX ELECTRIC / W/9 PINS CONNECTOR / ORLEAN | 1 | | | | A |
| | 990362 | MIRROR ASSY, L.H. / W/CONVEX ELECTRIC / W/8 PINS CONNECTOR To 3-8041 | 1 | | | | |
| | 990407 | MIRROR ASSY, L.H. / W/CONVEX ELECTRIC / W/8 PINS CONNECTOR From 3-8042 | 1 | | | | |
| | 990360 | MIRROR ASSY, L.H. / W/CONVEX MANUAL / W/5 PINS CONNECTOR | 1 | | | | |
| | 990415 | MIRROR ASSY, L.H. / W/CONVEX ELECTRIC / W/9 PINS CONNECTOR / ORLEAN | 1 | | | | A |
| 1 | 990374 | . HEAD ASSY / W/CONVEX ELECTRIC / W/8 PINS CONNECTOR | 1 | | | | |
| 1 | 990373 | . HEAD ASSY / W/CONVEX MANUAL / W/5 PINS CONNECTOR | 1 | | | | |
| 1 | 990383 | . HEAD ASSY / W/CONVEX ELECTRIC / W/9 PINS CONNECTOR / ORLEAN | 1 | | | | A |
| 2 | 502812 | .. SCREW SET HEXS CUP 3/8-16X3/8 SS | 1 | | | | |
| 3 | 990186 | .. STUD, BALL | 1 | | | | |
| 4 | 990272 | .. NOTCHED BACK MOUNTING PLATE (2" X 3") | 1 | | | | |
| 5 | 990349 | .. MOTOR 12V / MEDIUM / BLACK / 108MM / 4 1/4" O.D. | 1 | | | | |
| . NS | 564494 | ... TAB TERMINAL / 20-16 / AMP 63138-1 | 4 | | | | |
| 6 | 990268 | .. VELCRO PLATE / 8" X 8" | 1 | | | | |
| 7 | 990199 | .. GLASS ASSY W/HEATER 12V | 1 | | | | |
| 8 | 990297 | . MIRROR ASSY / CONVEX ELECTRIC | 1 | | | | |
| 9 | 990295 | .. PLATE, TOP MOTOR MOUNTING | 1 | | | | |
| 10 | 990219 | .. MOTOR 12V / SMALL / BLACK / 85MM / 3 5/16" O.D. | 1 | | | | |
| . NS | 564494 | ... TAB TERMINAL / 20-16 / AMP 63138-1 | 4 | | | | |
| 10 | 990402 | .. MECHANISM MANUAL ASSY, SMALL / 85MM / 3 5/16" O.D. / W/SNAP | 1 | | | | |
| 12 | 990339 | .. GLASS CONVEX ASSY W/HEATER 12V | 1 | | | | |
| 13 | N.P.N. | .. SCREW TC FL PH ZP 6-32 X 1 1/8" | 3 | | | | 4 |
| 14 | 500660 | .. SCREW TC FL PH #6-32x3/8 Z050 | 2 | | | | |
| 15 | 990530 | .. SCREW CAP HEX #10-24x1" SS | 2 | | | | |
| NS | 500787 | .. NUT HEX #10-24 SS | 2 | | | | |
| 16 | N.P.N. | .. CABLE ASSY / W/CONNECTOR 8PIN / SEE ITEM # 40 | 1 | | | | 4 |
| 17 | 990379 | .. CUP, BALL STUD RETAINER / ONE PIECE | 1 | | | | |
| 18 | 500270 | .. WASHER FL .406x1.000x.063 SS | 1 | | | | |
| 19 | N.P.N. | .. SCREW CAP HEX SS 3/8-24 X 1.250 | 1 | | | | 4 |
| 21 | 990307 | . ARM, L.H. To 3-8041 | 1 | | | | |
| 21 | 990392 | . ARM, L.H. / DIRTY FREE From 3-8042 | 1 | | | | |
| 21 | 990308 | . ARM, R.H. | 1 | | | | |
| 23 | 990265 | . WASHER ALUMINUM / 2 " O.D. | 1 | | | | |
| NS | 504082 | .. SNAP BUSHING / .125x.312x.312 | 1 | | | | |
| 24 | 990305 | . BRACKET, MOUNTING R.H. | 1 | | | | |
| 24 | 990306 | . BRACKET, MOUNTING L.H. | 1 | | | | |
| 25 | 500958 | . WASHER FL .531x1.062x.095 SS | 1 | | | | |
| 26 | 500035 | . WASHER LO SPT .317x.586x.078 SS | 1 | | | | |
| 27 | 990500 | . SCREW 1/2-13x2 HHCS SS | 1 | | | | |
| 30 | 5001461 | SCREW MA FL PH M8-1.25x40 SS | 2 | | | | |

From 2-7764 To 6-8906 Date:10/2022 PAGE:Y2-1856-23

MIRROR "RAMCO" FLAT GLASS / BLACK PAINTED

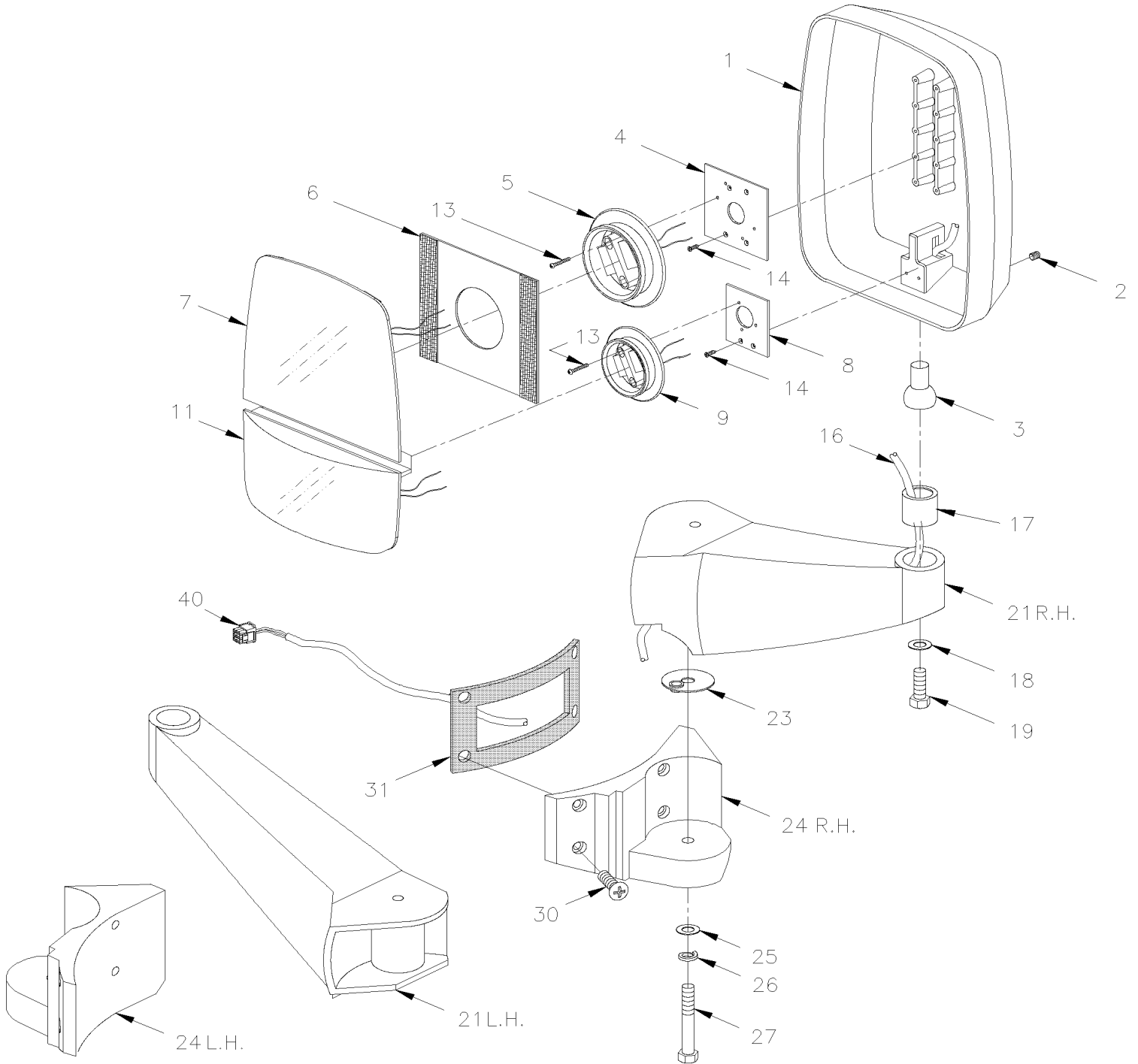
| Item# | Part | Description | X L I I 4 5 | X L I I M T H 4 0 | X L I I M T H 4 5 | X L I I M T H 4 5 E | NOTES |
|-------|----------------|---|----------------------------|---|---|--|-------|
| 30 | 5001581 | SCREW CAP BUT HEXS M8-1.25x40 SS | 2 | | | | |
| NS | 5001341 | WASHER FL 8.4x17.0x1.6 SS | 2 | | | | |
| 31 | 490873 | GASKET, RH | 1 | | | | |
| 31 | 490894 | GASKET, LH | 1 | | | | |
| 40 | 563163 | CONNECTOR / W 45" CABLE ASSY / PH 8C / CONXALL 3280-8PG-324 | 2 | | | | |
| 40 | 563196 | CONNECTOR / W 45" CABLE ASSY / PH 5C / CONXALL 3280-5PG-324 | 2 | | | | |
| NS | 563088 | CONNECTOR / MULTI CON X / SH 8C / CONXALL 4280-8SG-300 | 1 | | | | B |
| NS | 563090 | CONNECTOR / MULTI CON X / SH 5C / CONXALL 4280-5SG-300 | 1 | | | | B |
| NS | 562511 | SOCKET TERMINAL / 20 / CONXALL 586SG | AR | | | | B |
| 50 | 200295P | MIRROIR ASSY, L.H. / ELECTRIC / CONVEX / (ORLEAN OPTION) To 3-8041 | 1 | | | | A |
| 51 | 990383 | . HEAD ASSY / W/CONVEX ELECTRIC / W/9 PINS CONNECTOR / ORLEAN To 3-8041 | 1 | | | | A |
| 52 | 990187 | . CUP, BALL To 3-8041 | 2 | | | | A |
| NS | 502812 | . SCREW SET HEXS CUP 3/8-16X3/8 SS To 3-8041 | 2 | | | | A |
| 53 | 990211 | . ARM, R.H. / 13" X 7" To 3-8041 | 1 | | | | A |
| 54 | 490955 | . ARM L.H. / (ORLEAN OPTION) To 3-8041 | 1 | | | | A |
| 55 | 490958 | . WASHER ALUMINUM / 38.1 I.D. x 57.2 O.D. x 12G To 3-8041 | 1 | | | | A |
| 56 | 990381 | . SCREW CAP HEX SS 1/2-13X5 To 3-8041 | 1 | | | | A |
| 57 | 5001534 | . WASHER LO SPT .509x.873x.125 SS To 3-8041 | 2 | | | | A |
| 58 | 561669 | . CONNECTOR / UNIVERSAL MATE-N-LOK / SH 9C / AMP 1-480706-0 To 3-8041 | 2 | | | | A |
| 58 | 561671 | . PIN TERMINAL / 24-18 / AMP 350690-1 To 3-8041 | 2 | | | | A |
| NS | 561670 | . CONNECTOR / UNIVERSAL MATE-N-LOK / PH 9C / AMP 1-480707-0 To 3-8041 | 2 | | | | A |
| NS | 561673 | . SOCKET TERMINAL / 24-18 / AMP 350689-1 To 3-8041 | 18 | | | | A |
| NS | 562916 | . INTERFACE SEAL / 9C / AMP 794277-1 To 3-8041 | 2 | | | | A |
| NS | 562918 | . SEAL PLUG FREE CAVITY / AMP 770377-1 To 3-8041 | 2 | | | | A |
| NS | 504555 | . GROMMET / .500x.812x.125x.344x1.062x.031 To 3-8041 | 2 | | | | A |
| NS | MI16-28 | DRIP EDGE ADDITION ON FRONT MIRRORS / PRODUCT IMPROVMENT | 1 | | | | |
| | | | | | | | |
| | | | | | | | |
| | | A) "OPTION ORLEAN" | | | | | |
| | | B) THIS CONNECTOR IT USED ON CABLE HARNESS FROM INSIDE OF VEHICLE | | | | | |
| | | 4) NO PARTS NUMBER | | | | | |

From Y-7046 To 2-7763

Date:10/2022

PAGE:Y2-1856-30

MIRROR "RAMCO" 2 GLASSES / SILVER PAINTED



| | | | |
|--|--|--------------|-----------------|
| From Y-7046 To 2-7763 | | Date:10/2022 | PAGE:Y2-1856-30 |
| MIRROR "RAMCO" 2 GLASSES / SILVER PAINTED | | | |

| Item# | Part | Description | X L I I 4 5 | X L I I M T H 4 0 | X L I I M T H 4 5 | X L I I M T H 4 5 E | N O T E S |
|-------|---------|---|----------------------------|---|---|--|-----------------------|
| | 990324 | MIRROR ASSY, R.H. / ELECTRIC / W/8 PINS CONNECTOR | 1 | | | | |
| | 990320 | MIRROR ASSY, R.H. / MANUAL / W/5 PINS CONNECTOR | 1 | | | | |
| | 990323 | MIRROR ASSY, L.H. / ELECTRIC / W/8 PINS CONNECTOR | 1 | | | | |
| | 990319 | MIRROR ASSY, L.H. / MANUAL / W/5 PINS CONNECTOR | 1 | | | | |
| 1 | 990343 | . HEAD ASSY / ELECTRIC / W/8 PINS CONNECTOR | 1 | | | | |
| 1 | 990341 | . HEAD ASSY / MANUAL / W/5 PINS CONNECTOR | 1 | | | | |
| 2 | 502812 | .. SCREW SET HEXS CUP 3/8-16X3/8 SS | 1 | | | | |
| 3 | 990186 | .. STUD, BALL | 1 | | | | |
| 4 | 990272 | .. NOTCHED BACK MOUNTING PLATE (2" X 3") | 1 | | | | |
| 5 | 990349 | .. MOTOR 12V / MEDIUM / BLACK / 108MM / 4 1/4" O.D. | 1 | | | | |
| . NS | 564494 | ... TAB TERMINAL / 20-16 / AMP 63138-1 | 4 | | | | |
| 6 | 990266 | .. VELCRO PLATE / 6" X 7" | 1 | | | | |
| 7 | 990182 | .. FLAT GLASS ASSY W/HEATER 12V | 1 | | | | |
| 8 | 990273 | .. POWER CONVEX MOTOR BASE PLATE | 1 | | | | |
| 9 | 990300 | .. MOTOR 12V / SMALL / BLACK / 85MM / 3 5/16" O.D. | 1 | | | | |
| . NS | 564494 | ... TAB TERMINAL / 20-16 / AMP 63138-1 | 4 | | | | |
| 9 | 990402 | . MECHANISM MANUAL ASSY, SMALL / 85MM / 3 5/16" O.D. / W/SNAP | 1 | | | | |
| 11 | 990338 | .. CONVEX GLASS ASSY W/HEATER 12V | 1 | | | | |
| 13 | N.P.N. | .. SCREW TC FL PH ZP 6-32 X 1 1/8" | 3 | | | | 4 |
| 14 | 500660 | .. SCREW TC FL PH #6-32x3/8 Z050 | 2 | | | | |
| 16 | 990377 | .. CABLE ASSY / W/CONNECTOR 8PIN | 1 | | | | |
| 16 | 990378 | .. CABLE ASSY / W/CONNECTOR 5PIN | 1 | | | | |
| 17 | 990379 | .. CUP, BALL STUD RETAINER / ONE PIECE | 1 | | | | |
| 18 | 500270 | .. WASHER FL .406x1.000x.063 SS | 1 | | | | |
| 19 | N.P.N. | .. SCREW CAP HEX SS 3/8-24 X 1.250 | 1 | | | | 4 |
| 21 | 990313 | . ARM, L.H. | 1 | | | | |
| 21 | 990315 | . ARM, R.H. | 1 | | | | |
| 23 | 990265 | . WASHER ALUMINUM / 2 " O.D. | 1 | | | | |
| NS | 504082 | .. SNAP BUSHING / .125x.312x.312 | 1 | | | | |
| 24 | 990309 | . BRACKET, MOUNTING R.H. | 1 | | | | |
| 24 | 990311 | . BRACKET, MOUNTING L.H. | 1 | | | | |
| 25 | 500958 | . WASHER FL .531x1.062x.095 SS | 1 | | | | |
| 26 | 500035 | . WASHER LO SPT .317x.586x.078 SS | 1 | | | | |
| 27 | 990500 | . SCREW 1/2-13x2 HHCS SS | 1 | | | | |
| 30 | 5001461 | SCREW MA FL PH M8-1.25x40 SS | 2 | | | | |
| 30 | 5001581 | SCREW CAP BUT HEXS M8-1.25x40 SS | 2 | | | | |
| NS | 5001341 | WASHER FL 8.4x17.0x1.6 SS | 2 | | | | |
| 31 | 490873 | GASKET, RH | 1 | | | | |
| 31 | 490894 | GASKET, LH | 1 | | | | |
| 40 | 562920 | CONNECTOR / SH 8C / SWITCHCRAFT EN3C8FC | 1 | | | | A |
| 40 | 562922 | CONNECTOR / SH 5C / SWITCHCRAFT EN3C5FC | 1 | | | | A |
| NS | 562919 | CONNECTOR / PH 8C / SWITCHCRAFT EN3P8MC | 1 | | | | A B |

From Y-7046 To 2-7763 Date:10/2022 PAGE:Y2-1856-30

MIRROR "RAMCO" 2 GLASSES / SILVER PAINTED

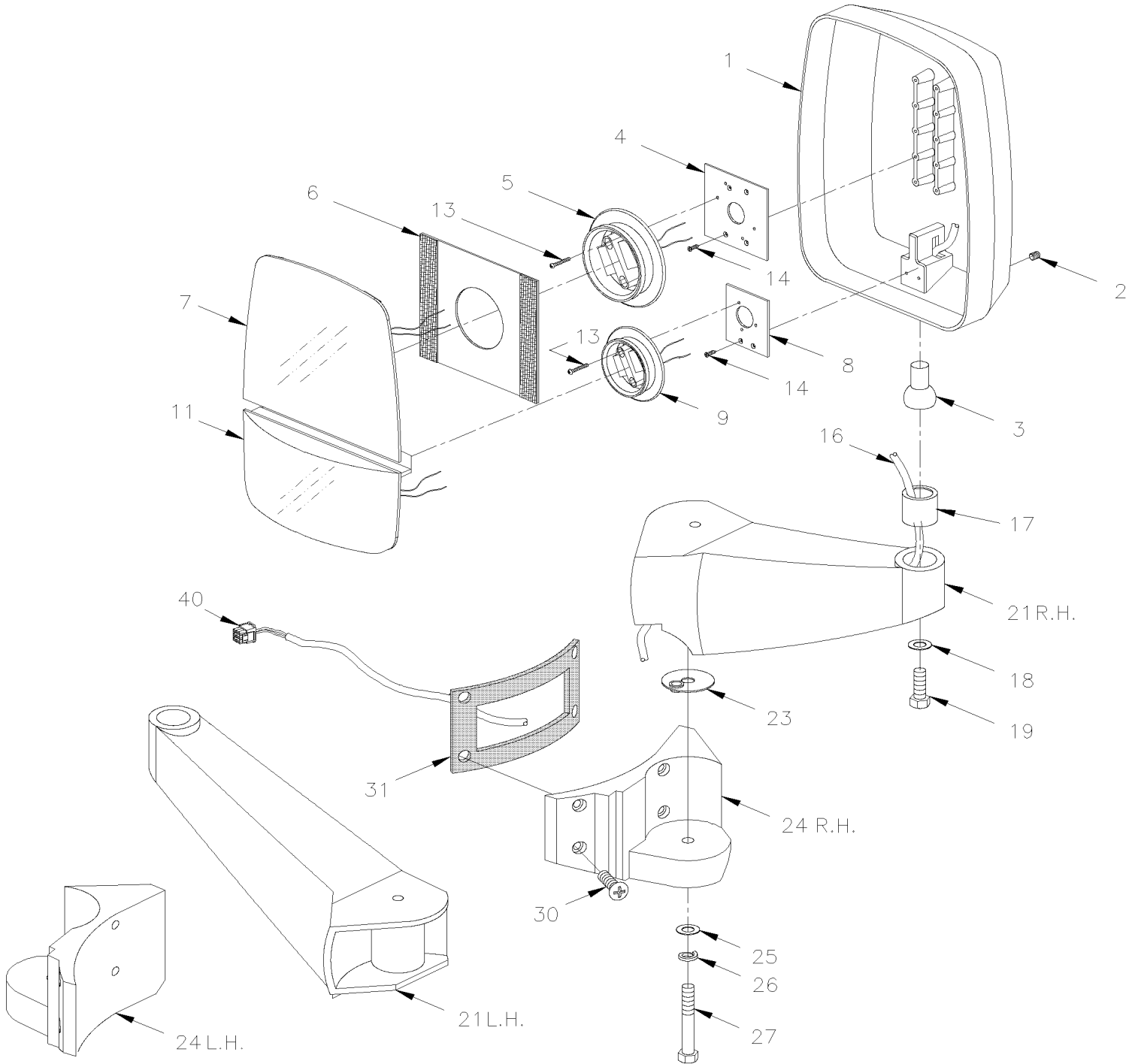
| Item# | Part | Description | X L I I 4 5 | X L I I M T H 4 0 | X L I I M T H 4 5 | X L I I M T H 4 5 E | N O T E S |
|-------|----------|--|--------------------------------|---|---|--|-----------------------|
| NS | 562921 | CONNECTOR / PH 5C / SWITCHCRAFT EN3P5MC | 1 | | | | A B |
| NS | 065583 | KIT, RETROFIT CONNECTOR "CONXAL" 8C | 1 | | | | |
| . NS | IS-01082 | . SEE INSTRUCTION SHEET | 1 | | | | |
| . NS | 065534 | . CABLE ASSY , INTERFACE / SWITCHCRAFT & CONXAL | 1 | | | | |
| | | | | | | | |
| | | | | | | | |
| | | A) FOR PRODUCT IMPROVEMENT ASK KIT 065583 | | | | | |
| | | B) THIS CONNECTOR IT USED ON CABLE HARNESS FROM INSIDE OF VEHICULE | | | | | |
| | | 4) NO PARTS NUMBER | | | | | |

From 2-7764 To 6-8906

Date:10/2022

PAGE:Y2-1856-31

MIRROR "RAMCO" 2 GLASSES / SILVER PAINTED



| | | |
|-----------------------|--------------|-----------------|
| From 2-7764 To 6-8906 | Date:10/2022 | PAGE:Y2-1856-31 |
|-----------------------|--------------|-----------------|

MIRROR "RAMCO" 2 GLASSES / SILVER PAINTED

| Item# | Part | Description | X L I I 4 5 | X L I I M T H 4 0 | X L I I M T H 4 5 | X L I I M T H 4 5 E | N O T E S |
|-------|---------|---|----------------------------|---|---|--|-----------------------|
| | 990357 | MIRROR ASSY, R.H. / ELECTRIC / W/8 PINS CONNECTOR | 1 | | | | |
| | 990353 | MIRROR ASSY, R.H. / MANUAL / W/5 PINS CONNECTOR | 1 | | | | |
| | 990356 | MIRROR ASSY, L.H. / ELECTRIC / W/8 PINS CONNECTOR To 3-8041 | 1 | | | | |
| | 990404 | MIRROR ASSY, L.H. / ELECTRIC / W/8 PINS CONNECTOR From 3-8042 | 1 | | | | |
| | 990352 | MIRROR ASSY, L.H. / MANUAL / W/5 PINS CONNECTOR | 1 | | | | |
| 1 | 990371 | . HEAD ASSY / ELECTRIC / W/8 PINS CONNECTOR | 1 | | | | |
| 1 | 990369 | . HEAD ASSY / MANUAL / W/5 PINS CONNECTOR | 1 | | | | |
| 2 | 502812 | .. SCREW SET HEXS CUP 3/8-16X3/8 SS | 1 | | | | |
| 3 | 990186 | .. STUD, BALL | 1 | | | | |
| 4 | 990272 | .. NOTCHED BACK MOUNTING PLATE (2" X 3") | 1 | | | | |
| 5 | 990349 | .. MOTOR 12V / MEDIUM / BLACK / 108MM / 4 1/4" O.D. | 1 | | | | |
| . NS | 564494 | ... TAB TERMINAL / 20-16 / AMP 63138-1 | 4 | | | | |
| 6 | 990266 | .. VELCRO PLATE / 6" X 7" | 1 | | | | |
| 7 | 990182 | .. FLAT GLASS ASSY W/HEATER 12V | 1 | | | | |
| 8 | 990273 | .. POWER CONVEX MOTOR BASE PLATE | 1 | | | | |
| 9 | 990219 | .. MOTOR 12V / SMALL / BLACK / 85MM / 3 5/16" O.D. | 1 | | | | |
| . NS | 564494 | ... TAB TERMINAL / 20-16 / AMP 63138-1 | 4 | | | | |
| 9 | 990402 | MECHANISM MANUAL ASSY, SMALL / 85MM / 3 5/16" O.D. / W/SNAP | 1 | | | | |
| 11 | 990338 | .. CONVEX GLASS ASSY W/HEATER 12V | 1 | | | | |
| 13 | N.P.N. | .. SCREW TC FL PH ZP 6-32 X 1 1/8" | 3 | | | | 4 |
| 14 | 500660 | .. SCREW TC FL PH #6-32x3/8 Z050 | 2 | | | | |
| 16 | N.P.N. | .. CABLE ASSY / W/CONNECTOR 8PIN / SEE ITEM # 40 | 1 | | | | 4 |
| 16 | N.P.N. | .. CABLE ASSY / W/CONNECTOR 5PIN / SEE ITEM # 40 | 1 | | | | 4 |
| 17 | 990379 | .. CUP, BALL STUD RETAINER / ONE PIECE | 1 | | | | |
| 18 | 500270 | .. WASHER FL .406x1.000x.063 SS | 1 | | | | |
| 19 | N.P.N. | .. SCREW CAP HEX SS 3/8-24 X 1.250 | 1 | | | | 4 |
| 21 | 990313 | . ARM, L.H. To 3-8041 | 1 | | | | |
| 21 | 990393 | . ARM, L.H. / DIRTY FREE From 3-8042 | 1 | | | | |
| 21 | 990315 | . ARM, R.H. | 1 | | | | |
| 23 | 990265 | . WASHER ALUMINUM / 2 " O.D. | 1 | | | | |
| NS | 504082 | .. SNAP BUSHING / .125x.312x.312 | 1 | | | | |
| 24 | 990309 | . BRACKET, MOUNTING R.H. | 1 | | | | |
| 24 | 990311 | . BRACKET, MOUNTING L.H. | 1 | | | | |
| 25 | 500958 | . WASHER FL .531x1.062x.095 SS | 1 | | | | |
| 26 | 500035 | . WASHER LO SPT .317x.586x.078 SS | 1 | | | | |
| 27 | 990500 | . SCREW 1/2-13x2 HHCS SS | 1 | | | | |
| 30 | 5001461 | SCREW MA FL PH M8-1.25x40 SS | 2 | | | | |
| 30 | 5001581 | SCREW CAP BUT HEXS M8-1.25x40 SS | 2 | | | | |
| NS | 5001341 | WASHER FL 8.4x17.0x1.6 SS | 2 | | | | |
| 31 | 490873 | GASKET, RH | 1 | | | | |
| 31 | 490894 | GASKET, LH | 1 | | | | |
| 40 | 563163 | CONNECTOR / W 45" CABLE ASSY / PH 8C / CONXALL 3280-8PG-324 | 1 | | | | |

| | | |
|--|--------------|-----------------|
| From 2-7764 To 6-8906 | Date:10/2022 | PAGE:Y2-1856-31 |
| MIRROR "RAMCO" 2 GLASSES / SILVER PAINTED | | |

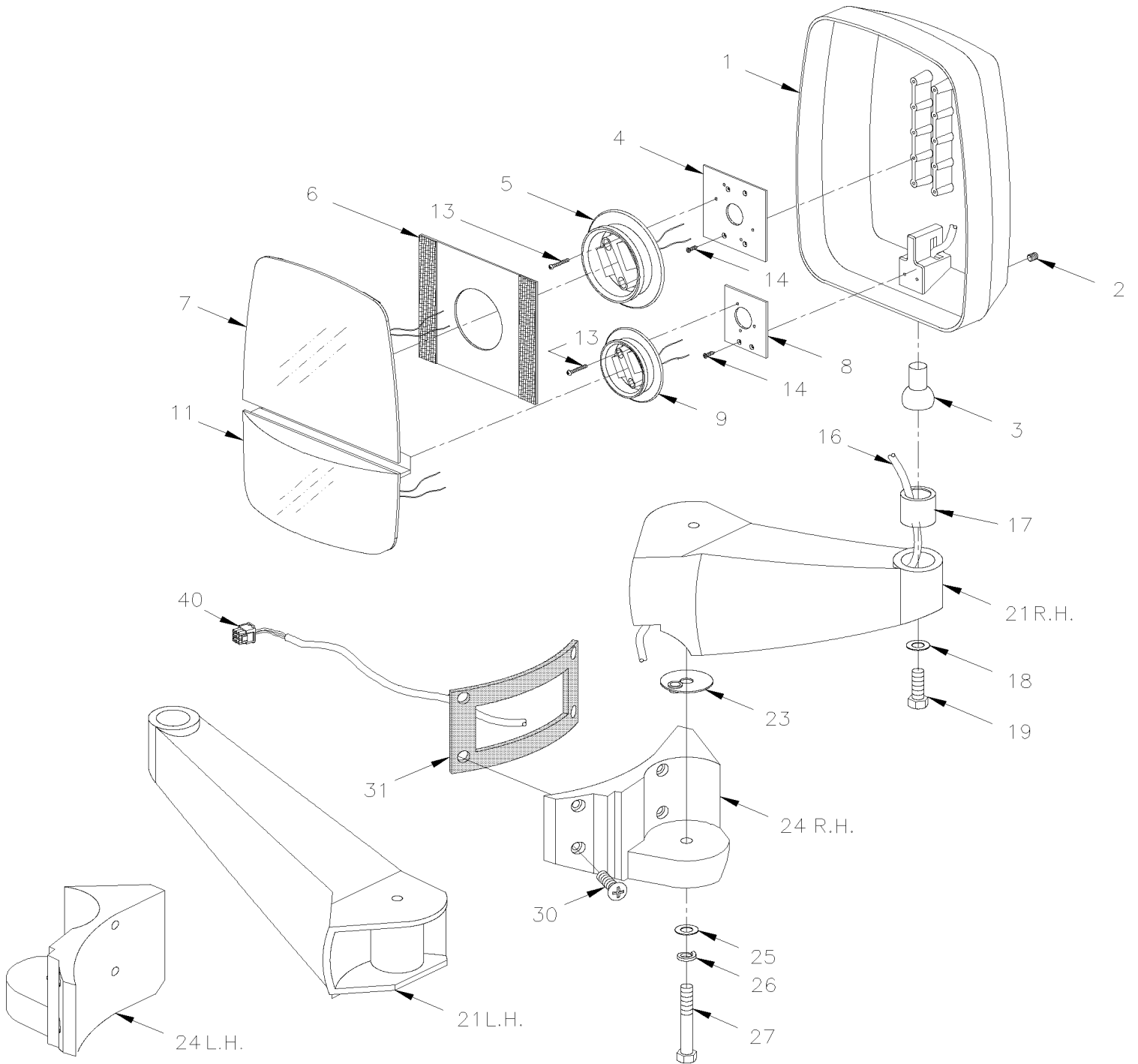
| Item# | Part | Description | X L I I 4 5 | X L I I M T H 4 0 | X L I I M T H 4 5 | X L I I M T H 4 5 E | N O T E S |
|-------|--------|--|----------------------------|---|---|--|-----------------------|
| 40 | 563196 | CONNECTOR / W 45" CABLE ASSY / PH 5C / CONXALL 3280-5PG-324 | 1 | | | | |
| NS | 563088 | CONNECTOR / MULTI CON X / SH 8C / CONXALL 4280-8SG-300 | 1 | | | | B |
| NS | 563090 | CONNECTOR / MULTI CON X / SH 5C / CONXALL 4280-5SG-300 | 1 | | | | B |
| NS | 562511 | SOCKET TERMINAL / 20 / CONXALL 586SG | AR | | | | B |
| | | | | | | | |
| | | | | | | | |
| | | B) THIS CONNECTOR IT USED ON CABLE HARNESS FROM INSIDE OF VEHICULE | | | | | |
| | | 4) NO PARTS NUMBER | | | | | |

From Y-7046 To 2-7763

Date:10/2022

PAGE:Y2-1856-32

MIRROR "RAMCO" 2 GLASSES / BLACK PAINTED



| | | |
|---|--------------|-----------------|
| From Y-7046 To 2-7763 | Date:10/2022 | PAGE:Y2-1856-32 |
| MIRROR "RAMCO" 2 GLASSES / BLACK PAINTED | | |

| Item# | Part | Description | X L I I 4 5 | X L I I M T H 4 0 | X L I I M T H 4 5 | X L I I M T H 4 5 E | N O T E S |
|-------|---------|--|----------------------------|---|---|--|-----------------------|
| | 990322 | MIRROR ASSY, R.H. / ELECTRIC / W/8 PINS CONNECTOR | 1 | | | | |
| | 990318 | MIRROR ASSY, R.H. / MANUAL / W/5 PINS CONNECTOR | 1 | | | | |
| | 990321 | MIRROR ASSY, L.H. / ELECTRIC / W/8 PINS CONNECTOR | 1 | | | | |
| | 990317 | MIRROR ASSY, L.H. / MANUAL / W/5 PINS CONNECTOR | 1 | | | | |
| 1 | 990342 | . HEAD ASSY / ELECTRIC / W/8 PINS CONNECTOR | 1 | | | | |
| 1 | 990340 | . HEAD ASSY / MANUAL / W/5 PINS CONNECTOR | 1 | | | | |
| 2 | 502812 | .. SCREW SET HEXS CUP 3/8-16X3/8 SS | 1 | | | | |
| 3 | 990186 | .. STUD, BALL | 1 | | | | |
| 4 | 990272 | .. NOTCHED BACK MOUNTING PLATE (2" X 3") | 1 | | | | |
| 5 | 990349 | .. MOTOR 12V / MEDIUM / BLACK / 108MM / 4 1/4" O.D. | 1 | | | | |
| . NS | 564494 | ... TAB TERMINAL / 20-16 / AMP 63138-1 | 4 | | | | |
| 6 | 990266 | ... VELCRO PLATE / 6" X 7" | 1 | | | | |
| 7 | 990182 | .. FLAT GLASS ASSY W/HEATER 12V | 1 | | | | |
| 8 | 990273 | .. POWER CONVEX MOTOR BASE PLATE | 1 | | | | |
| 9 | 990219 | .. MOTOR 12V / SMALL / BLACK / 85MM / 3 5/16" O.D. | 1 | | | | |
| . NS | 564494 | ... TAB TERMINAL / 20-16 / AMP 63138-1 | 4 | | | | |
| 9 | 990402 | .. MECHANISM MANUAL ASSY, SMALL / 85MM / 3 5/16" O.D. / W/SNAP | 1 | | | | |
| 11 | 990338 | .. CONVEX GLASS ASSY W/HEATER 12V | 1 | | | | |
| 12 | 990282 | .. CABLE ASSY W/2 WIRES HEATER ELEMENT | 1 | | | | |
| 13 | N.P.N. | .. SCREW TC FL PAN PH ZP 6-32 X 1 1/8" | 7 | | | | 4 |
| 14 | 500660 | .. SCREW TC FL PH #6-32x3/8 Z050 | 2 | | | | |
| 16 | 990377 | .. CABLE ASSY / W/CONNECTOR 8PIN | 1 | | | | |
| 16 | 990378 | .. CABLE ASSY / W/CONNECTOR 5PIN | 1 | | | | |
| 17 | 990379 | .. CUP, BALL STUD RETAINER / ONE PIECE | 1 | | | | |
| 18 | 500270 | .. WASHER FL .406x1.000x.063 SS | 1 | | | | |
| 19 | N.P.N. | .. SCREW CAP HEX SS 3/8-24 X 1.250 | 1 | | | | 4 |
| 21 | 990307 | . ARM, L.H. | 1 | | | | |
| NS | 990308 | . ARM, R.H. | 1 | | | | |
| 23 | 990265 | . WASHER ALUMINUM / 2 " O.D. | 1 | | | | |
| NS | 504082 | .. SNAP BUSHING / .125x.312x.312 | 1 | | | | |
| 24 | 990305 | . BRACKET, MOUNTING R.H. | 1 | | | | |
| 24 | 990306 | . BRACKET, MOUNTING L.H. | 1 | | | | |
| 25 | 500958 | . WASHER FL .531x1.062x.095 SS | 1 | | | | |
| 26 | 500035 | . WASHER LO SPT .317x.586x.078 SS | 1 | | | | |
| 27 | 990500 | . SCREW 1/2-13x2 HHCS SS | 1 | | | | |
| 30 | 5001461 | SCREW MA FL PH M8-1.25x40 SS | 2 | | | | |
| 30 | 5001581 | SCREW CAP BUT HEXS M8-1.25x40 SS | 2 | | | | |
| NS | 5001341 | WASHER FL 8.4x17.0x1.6 SS | 2 | | | | |
| 31 | 490873 | GASKET, RH | 1 | | | | |
| 31 | 490894 | GASKET, LH | 1 | | | | |
| 40 | 562920 | CONNECTOR / SH 8C / SWITCHCRAFT EN3C8FC | 1 | | | | A |
| 40 | 562922 | CONNECTOR / SH 5C / SWITCHCRAFT EN3C5FC | 1 | | | | A |

From Y-7046 To 2-7763 Date:10/2022 PAGE:Y2-1856-32

MIRROR "RAMCO" 2 GLASSES / BLACK PAINTED

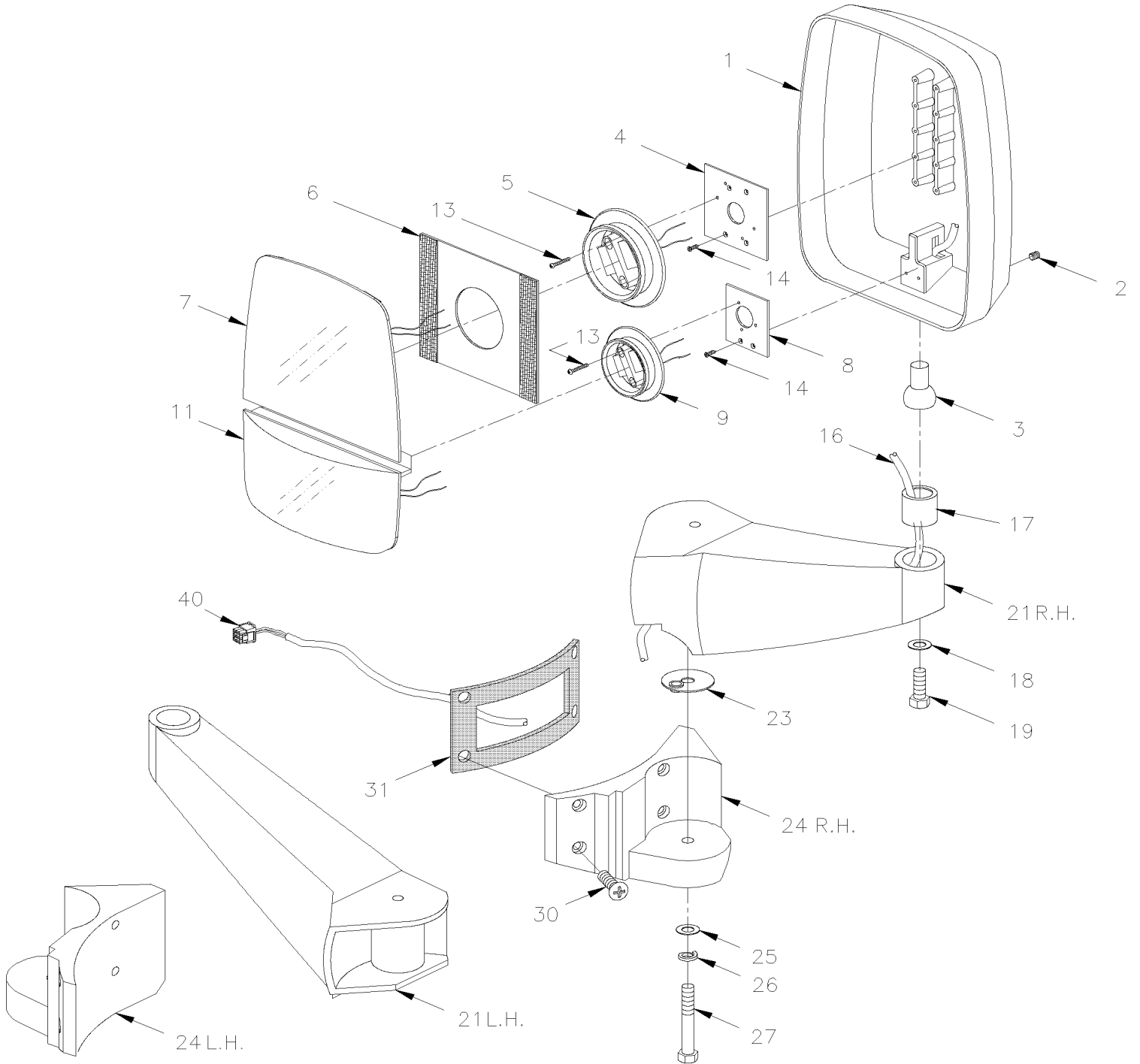
| Item# | Part | Description | X L I I 4 5 | X L I I M T H 4 0 | X L I I M T H 4 5 | X L I I M T H 4 5 E | N O T E S |
|-------|----------|---|----------------------------|---|---|--|-----------------------|
| NS | 562919 | CONNECTOR / PH 8C / SWITCHCRAFT EN3P8MC | 2 | | | | AB |
| NS | 562921 | CONNECTOR / PH 5C / SWITCHCRAFT EN3P5MC | 2 | | | | AB |
| NS | 065583 | KIT, RETROFIT CONNECTOR "CONXAL" 8C | 1 | | | | |
| . NS | IS-01082 | . SEE INSTRUCTION SHEET | 1 | | | | |
| . NS | 065534 | . CABLE ASSY , INTERFACE / SWITCHCRAFT & CONXAL | 1 | | | | |
| | | | | | | | |
| | | | | | | | |
| | | A) FOR PRODUCT IMPROVEMENT ASK KIT 065583 | | | | | |
| | | B) THIS CONNECTOR IT USED ON CABLE HARNESS FROM INSIDE OF VEHICLE | | | | | |
| | | 4) NO PARTS NUMBER | | | | | |

From 2-7764 To 6-8906

Date:10/2022

PAGE:Y2-1856-33

MIRROR "RAMCO" 2 GLASSES / BLACK PAINTED



| | | |
|-----------------------|--------------|-----------------|
| From 2-7764 To 6-8906 | Date:10/2022 | PAGE:Y2-1856-33 |
|-----------------------|--------------|-----------------|

MIRROR "RAMCO" 2 GLASSES / BLACK PAINTED

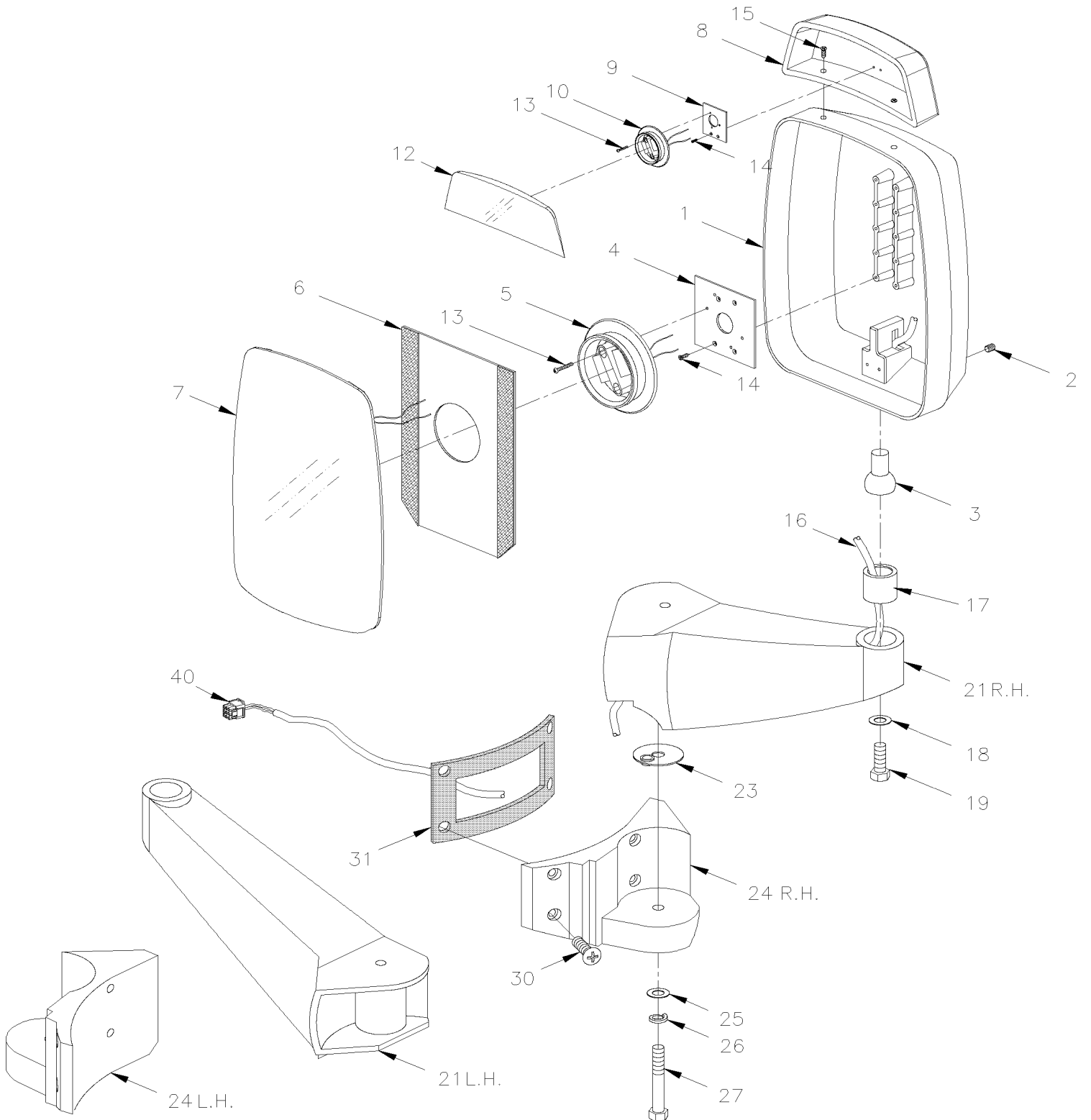
| Item# | Part | Description | X L I I 4 5 | X L I I M T H 4 0 | X L I I M T H 4 5 | X L I I M T H 4 5 E | N O T E S |
|-------|---------|--|----------------------------|---|---|--|-----------------------|
| | 990355 | MIRROR ASSY, R.H. / ELECTRIC / W/8 PINS CONNECTOR | 1 | | | | |
| | 990351 | MIRROR ASSY, R.H. / MANUAL / W/5 PINS CONNECTOR | 1 | | | | |
| | 990354 | MIRROR ASSY, L.H. / ELECTRIC / W/8 PINS CONNECTOR To 3-8041 | 1 | | | | |
| | 990403 | MIRROR ASSY, L.H. / ELECTRIC / W/8 PINS CONNECTOR From 3-8042 | 1 | | | | |
| | 990350 | MIRROR ASSY, L.H. / MANUAL / W/5 PINS CONNECTOR | 1 | | | | |
| 1 | 990370 | . HEAD ASSY / ELECTRIC / W/8 PINS CONNECTOR | 1 | | | | |
| 1 | 990368 | . HEAD ASSY / MANUAL / W/5 PINS CONNECTOR | 1 | | | | |
| 2 | 502812 | .. SCREW SET HEXS CUP 3/8-16X3/8 SS | 1 | | | | |
| 3 | 990186 | .. STUD, BALL | 1 | | | | |
| 4 | 990272 | .. NOTCHED BACK MOUNTING PLATE (2" X 3") | 1 | | | | |
| 5 | 990349 | .. MOTOR 12V / MEDIUM / BLACK / 108MM / 4 1/4" O.D. | 1 | | | | |
| . NS | 564494 | ... TAB TERMINAL / 20-16 / AMP 63138-1 | 4 | | | | |
| 6 | 990266 | ... VELCRO PLATE / 6" X 7" | 1 | | | | |
| 7 | 990182 | .. FLAT GLASS ASSY W/HEATER 12V | 1 | | | | |
| 8 | 990273 | .. POWER CONVEX MOTOR BASE PLATE | 1 | | | | |
| 9 | 990219 | .. MOTOR 12V / SMALL / BLACK / 85MM / 3 5/16" O.D. | 1 | | | | |
| . NS | 564494 | ... TAB TERMINAL / 20-16 / AMP 63138-1 | 4 | | | | |
| 9 | 990402 | .. MECHANISM MANUAL ASSY, SMALL / 85MM / 3 5/16" O.D. / W/SNAP | 1 | | | | |
| 11 | 990338 | .. CONVEX GLASS ASSY W/HEATER 12V | 1 | | | | |
| 12 | 990282 | .. CABLE ASSY W/2 WIRES HEATER ELEMENT | 1 | | | | |
| 13 | N.P.N. | .. SCREW TC FL PAN PH ZP 6-32 X 1 1/8" | 7 | | | | 4 |
| 14 | 500660 | .. SCREW TC FL PH #6-32x3/8 Z050 | 2 | | | | |
| 16 | N.P.N. | .. CABLE ASSY / W/CONNECTOR 8PIN / SEE ITEM # 40 | 1 | | | | 4 |
| 16 | N.P.N. | .. CABLE ASSY / W/CONNECTOR 5PIN / SEE ITEM # 40 | 1 | | | | 4 |
| 17 | 990379 | .. CUP, BALL STUD RETAINER / ONE PIECE | 1 | | | | |
| 18 | 500270 | .. WASHER FL .406x1.000x.063 SS | 1 | | | | |
| 19 | N.P.N. | .. SCREW CAP HEX SS 3/8-24 X 1.250 | 1 | | | | 4 |
| 21 | 990307 | . ARM, L.H. To 3-8041 | 1 | | | | |
| 21 | 990392 | . ARM, L.H. / DIRTY FREE From 3-8042 | 1 | | | | |
| NS | 990308 | . ARM, R.H. | 1 | | | | |
| 23 | 990265 | . WASHER ALUMINUM / 2 " O.D. | 1 | | | | |
| NS | 504082 | .. SNAP BUSHING / .125x.312x.312 | 1 | | | | |
| 24 | 990305 | . BRACKET, MOUNTING R.H. | 1 | | | | |
| 24 | 990306 | . BRACKET, MOUNTING L.H. | 1 | | | | |
| 25 | 500958 | . WASHER FL .531x1.062x.095 SS | 1 | | | | |
| 26 | 500035 | . WASHER LO SPT .317x.586x.078 SS | 1 | | | | |
| 27 | 990500 | . SCREW 1/2-13x2 HHCS SS | 1 | | | | |
| 30 | 5001461 | SCREW MA FL PH M8-1.25x40 SS | 2 | | | | |
| 30 | 5001581 | SCREW CAP BUT HEXS M8-1.25x40 SS | 2 | | | | |
| NS | 5001341 | WASHER FL 8.4x17.0x1.6 SS | 2 | | | | |
| 31 | 490873 | GASKET, RH | 1 | | | | |
| 31 | 490894 | GASKET, LH | 1 | | | | |

| | | |
|-----------------------|--------------|-----------------|
| From 2-7764 To 6-8906 | Date:10/2022 | PAGE:Y2-1856-33 |
|-----------------------|--------------|-----------------|

MIRROR "RAMCO" 2 GLASSES / BLACK PAINTED

| Item# | Part | Description | X L I I 4 5 | X L I I M T H 4 0 | X L I I M T H 4 5 | X L I I M T H 4 5 E | N O T E S |
|-------|--------|--|----------------------------|---|---|--|-----------------------|
| 40 | 563163 | CONNECTOR / W 45" CABLE ASSY / PH 8C / CONXALL 3280-8PG-324 | 1 | | | | |
| 40 | 563196 | CONNECTOR / W 45" CABLE ASSY / PH 5C / CONXALL 3280-5PG-324 | 1 | | | | |
| NS | 563088 | CONNECTOR / MULTI CON X / SH 8C / CONXALL 4280-8SG-300 | 2 | | | | B |
| NS | 563090 | CONNECTOR / MULTI CON X / SH 5C / CONXALL 4280-5SG-300 | 2 | | | | B |
| NS | 562511 | SOCKET TERMINAL / 20 / CONXALL 586SG | AR | | | | B |
| | | | | | | | |
| | | | | | | | |
| | | B) THIS CONNECTOR IT USED ON CABLE HARNESS FROM INSIDE OF VEHICULE | | | | | |
| | | 4) NO PARTS NUMBER | | | | | |

| | | |
|---|--------------|-----------------|
| From Y-7046 To 2-7763 | Date:10/2022 | PAGE:Y2-1856-50 |
| MIRROR "RAMCO" FLAT GLASS / CHROME | | |



| | | |
|---|--------------|-----------------|
| From Y-7046 To 2-7763 | Date:10/2022 | PAGE:Y2-1856-50 |
| MIRROR "RAMCO" FLAT GLASS / CHROME | | |

| Item# | Part | Description | X L I I 4 5 | X L I I M T H 4 0 | X L I I M T H 4 5 | X L I I M T H 4 5 E | N O T E S |
|-------|----------|--|----------------------------|---|---|--|-----------------------|
| | 990331 | MIRROR ASSY, L.H. / W/CONVEX ELECTRIC / W/8 PINS CONNECTOR | 1 | 1 | 1 | 1 | |
| | 990332 | MIRROR ASSY, R.H. / W/CONVEX ELECTRIC / W/8 PINS CONNECTOR | 1 | 1 | 1 | 1 | |
| 1 | 990347 | . HEAD ASSY / W/CONVEX ELECTRIC / W/8 PINS CONNECTOR | 1 | 1 | 1 | 1 | |
| 2 | 502812 | .. SCREW SET HEXS CUP 3/8-16X3/8 SS | 1 | 1 | 1 | 1 | |
| 3 | 990186 | .. STUD, BALL | 1 | 1 | 1 | 1 | |
| 4 | 990272 | .. NOTCHED BACK MOUNTING PLATE (2" X 3") | 1 | 1 | 1 | 1 | |
| 5 | 990349 | .. MOTOR 12V / MEDIUM / BLACK / 108MM / 4 1/4" O.D. | 1 | 1 | 1 | 1 | |
| . NS | 564494 | ... TAB TERMINAL / 20-16 / AMP 63138-1 | 4 | 4 | 4 | 4 | |
| 6 | 990268 | .. VELCRO PLATE / 8" X 8" | 1 | 1 | 1 | 1 | |
| 7 | 990199 | .. GLASS ASSY W/HEATER 12V | 1 | 1 | 1 | 1 | |
| 8 | 990302 | . MIRROR ASSY / CONVEX ELECTRIC | 1 | 1 | 1 | 1 | |
| 9 | 990295 | .. PLATE, TOP MOTOR MOUNTING | 1 | 1 | 1 | 1 | |
| 10 | 990219 | .. MOTOR 12V / SMALL / BLACK / 85MM / 3 5/16" O.D. | 1 | 1 | 1 | 1 | |
| . NS | 564494 | ... TAB TERMINAL / 20-16 / AMP 63138-1 | 4 | 4 | 4 | 4 | |
| 12 | 990339 | .. GLASS CONVEX ASSY W/HEATER 12V | 1 | 1 | 1 | 1 | |
| 13 | N.P.N. | .. SCREW TC FL PH ZP 6-32 X 1 1/8" | 3 | 3 | 3 | 3 | 4 |
| 14 | 500660 | .. SCREW TC FL PH #6-32x3/8 Z050 | 2 | 2 | 2 | 2 | |
| 15 | 990530 | .. SCREW CAP HEX #10-24x1" SS | 2 | 2 | 2 | 2 | |
| NS | 500787 | .. NUT HEX #10-24 SS | 2 | 2 | 2 | 2 | |
| 16 | 990377 | .. CABLE ASSY / W/CONNECTOR 8PIN | 1 | 1 | 1 | 1 | |
| 17 | 990379 | .. CUP, BALL STUD RETAINER / ONE PIECE | 1 | 1 | 1 | 1 | |
| 18 | 500270 | .. WASHER FL .406x1.000x.063 SS | 1 | 1 | 1 | 1 | |
| 19 | N.P.N. | .. SCREW CAP HEX SS 3/8-24 X 1.250 | 1 | 1 | 1 | 1 | 4 |
| 21 | 990316 | . ARM, R.H. | 1 | 1 | 1 | 1 | |
| 21 | 990314 | . ARM, L.H. | 1 | 1 | 1 | 1 | |
| 23 | 990265 | . WASHER ALUMINUM / 2 " O.D. | 1 | 1 | 1 | 1 | |
| NS | 504082 | .. SNAP BUSHING / .125x.312x.312 | 1 | 1 | 1 | 1 | |
| 24 | 990310 | . BRACKET, MOUNTING R.H. | 1 | 1 | 1 | 1 | |
| 24 | 990312 | . BRACKET, MOUNTING L.H. | 1 | 1 | 1 | 1 | |
| 25 | 500958 | . WASHER FL .531x1.062x.095 SS | 1 | 1 | 1 | 1 | |
| 26 | 500035 | . WASHER LO SPT .317x.586x.078 SS | 1 | 1 | 1 | 1 | |
| 27 | 990500 | . SCREW 1/2-13x2 HHCS SS | 1 | 1 | 1 | 1 | |
| 30 | 5001461 | SCREW MA FL PH M8-1.25x40 SS | 2 | 2 | 2 | 2 | |
| 30 | 5001581 | SCREW CAP BUT HEXS M8-1.25x40 SS | 2 | 2 | 2 | 2 | |
| NS | 5001341 | WASHER FL 8.4x17.0x1.6 SS | 2 | 2 | 2 | 2 | |
| 31 | 490873 | GASKET, RH | 1 | 1 | 1 | 1 | |
| 31 | 490894 | GASKET, LH | 1 | 1 | 1 | 1 | |
| 40 | 562920 | CONNECTOR / SH 8C / SWITCHCRAFT EN3C8FC | 2 | 2 | 2 | 2 | A |
| NS | 562919 | CONNECTOR / PH 8C / SWITCHCRAFT EN3P8MC | 2 | 2 | 2 | 2 | A B |
| NS | 065583 | KIT, RETROFIT CONNECTOR "CONXAL" 8C | 1 | 1 | 1 | 1 | |
| . NS | IS-01082 | . SEE INSTRUCTION SHEET | 1 | 1 | 1 | 1 | |
| . NS | 065534 | . CABLE ASSY , INTERFACE / SWITCHCRAFT & CONXAL | 1 | 1 | 1 | 1 | |

| | | |
|---|--------------|-----------------|
| From Y-7046 To 2-7763 | Date:10/2022 | PAGE:Y2-1856-50 |
| MIRROR "RAMCO" FLAT GLASS / CHROME | | |

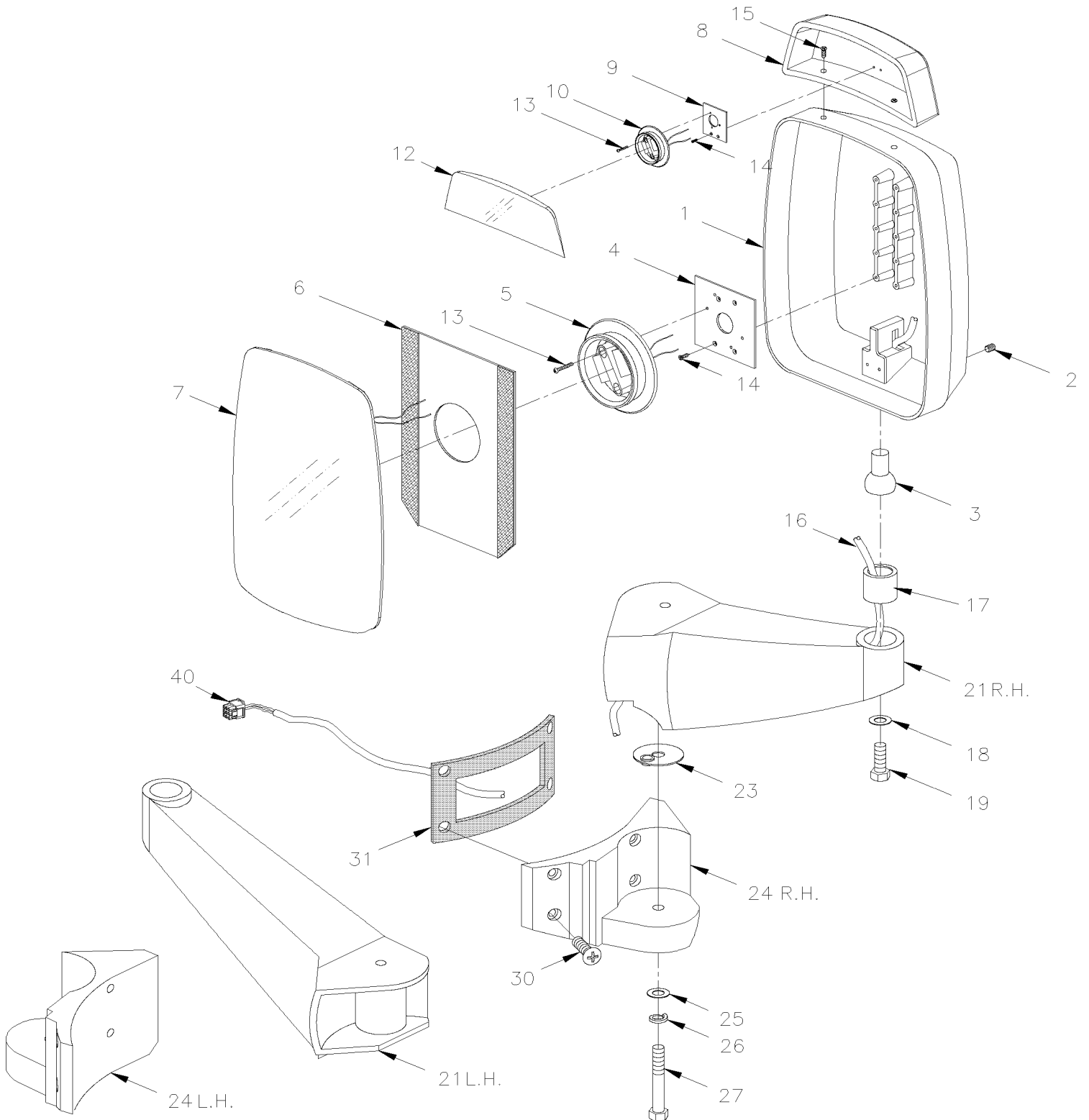
| Item# | Part | Description | X L I I 4 5 | X L I I M T H 4 0 | X L I I M T H 4 5 | X L I I M T H 4 5 E | N O T E S |
|-------|---------|--|----------------------------|---|---|--|-----------------------|
| NS | MI16-28 | DRIP EDGE ADDITION ON FRONT MIRRORS / PRODUCT IMPROVMENT | 1 | 1 | 1 | 1 | |
| | | | | | | | |
| | | A) FOR PRODUCT IMPROVEMENT ASK KIT 065583 | | | | | |
| | | B) THIS CONNECTOR IT USED ON CABLE HARNESS FROM INSIDE OF VEHICULE | | | | | |
| | | 4) NO PARTS NUMBER | | | | | |

From 2-7764 To 8-9339

Date:10/2022

PAGE:Y2-1856-51

MIRROR "RAMCO" FLAT GLASS / CHROME



| | | |
|---|--------------|-----------------|
| From 2-7764 To 8-9339 | Date:10/2022 | PAGE:Y2-1856-51 |
| MIRROR "RAMCO" FLAT GLASS / CHROME | | |

| Item# | Part | Description | X L I I 4 5 | X L I I M T H 4 0 | X L I I M T H 4 5 | X L I I M T H 4 5 E | N O T E S |
|-------|---------|--|----------------------------|---|---|--|-----------------------|
| | 990366 | MIRROR ASSY, L.H. / W/CONVEX ELECTRIC / W/8 PINS CONNECTOR To 3-8041 | 1 | 1 | 1 | 1 | |
| | 990409 | MIRROR ASSY, L.H. / W/CONVEX ELECTRIC / W/8 PINS CONNECTOR From 3-8042 | 1 | 1 | 1 | 1 | |
| | 990367 | MIRROR ASSY, R.H. / W/CONVEX ELECTRIC / W/8 PINS CONNECTOR | 1 | 1 | 1 | 1 | |
| 1 | 990376 | . HEAD ASSY / W/CONVEX ELECTRIC / W/8 PINS CONNECTOR | 1 | 1 | 1 | 1 | |
| 2 | 502812 | .. SCREW SET HEXS CUP 3/8-16X3/8 SS | 1 | 1 | 1 | 1 | |
| 3 | 990186 | .. STUD, BALL | 1 | 1 | 1 | 1 | |
| 4 | 990272 | .. NOTCHED BACK MOUNTING PLATE (2" X 3") | 1 | 1 | 1 | 1 | |
| 5 | 990349 | .. MOTOR 12V / MEDIUM / BLACK / 108MM / 4 1/4" O.D. | 1 | 1 | 1 | 1 | |
| . NS | 564494 | ... TAB TERMINAL / 20-16 / AMP 63138-1 | 4 | 4 | 4 | 4 | |
| 6 | 990268 | .. VELCRO PLATE / 8" X 8" | 1 | 1 | 1 | 1 | |
| 7 | 990199 | .. GLASS ASSY W/HEATER 12V | 1 | 1 | 1 | 1 | |
| 8 | 990302 | . MIRROR ASSY / CONVEX ELECTRIC | 1 | 1 | 1 | 1 | |
| 9 | 990295 | .. PLATE, TOP MOTOR MOUNTING | 1 | 1 | 1 | 1 | |
| 10 | 990219 | .. MOTOR 12V / SMALL / BLACK / 85MM / 3 5/16" O.D. | 1 | 1 | 1 | 1 | |
| . NS | 564494 | ... TAB TERMINAL / 20-16 / AMP 63138-1 | 4 | 4 | 4 | 4 | |
| 12 | 990339 | .. GLASS CONVEX ASSY W/HEATER 12V | 1 | 1 | 1 | 1 | |
| 13 | N.P.N. | .. SCREW TC FL PH ZP 6-32 X 1 1/8" | 3 | 3 | 3 | 3 | 4 |
| 14 | 500660 | .. SCREW TC FL PH #6-32x3/8 Z050 | 2 | 2 | 2 | 2 | |
| 15 | 990530 | .. SCREW CAP HEX #10-24x1" SS | 2 | 2 | 2 | 2 | |
| NS | 500787 | .. NUT HEX #10-24 SS | 2 | 2 | 2 | 2 | |
| 16 | N.P.N. | .. CABLE ASSY / W/CONNECTOR 8PIN / SEE ITEM # 40 | 1 | 1 | 1 | 1 | 4 |
| 17 | 990379 | .. CUP, BALL STUD RETAINER / ONE PIECE | 1 | 1 | 1 | 1 | |
| 18 | 500270 | .. WASHER FL .406x1.000x.063 SS | 1 | 1 | 1 | 1 | |
| 19 | N.P.N. | .. SCREW CAP HEX SS 3/8-24 X 1.250 | 1 | 1 | 1 | 1 | 4 |
| 21 | 990316 | . ARM, R.H. | 1 | 1 | 1 | 1 | |
| 21 | 990314 | . ARM, L.H. To 3-8041 | 1 | 1 | 1 | 1 | |
| 21 | 990394 | . ARM, L.H. / DIRTY FREE From 3-8042 | 1 | 1 | 1 | 1 | |
| 23 | 990265 | . WASHER ALUMINUM / 2 " O.D. | 1 | 1 | 1 | 1 | |
| NS | 504082 | .. SNAP BUSHING / .125x.312x.312 | 1 | 1 | 1 | 1 | |
| 24 | 990310 | . BRACKET, MOUNTING R.H. | 1 | 1 | 1 | 1 | |
| 24 | 990312 | . BRACKET, MOUNTING L.H. | 1 | 1 | 1 | 1 | |
| 25 | 500958 | . WASHER FL .531x1.062x.095 SS | 1 | 1 | 1 | 1 | |
| 26 | 500035 | . WASHER LO SPT .317x.586x.078 SS | 1 | 1 | 1 | 1 | |
| 27 | 990500 | . SCREW 1/2-13x2 HHCS SS | 1 | 1 | 1 | 1 | |
| 30 | 5001461 | SCREW MA FL PH M8-1.25x40 SS | 2 | 2 | 2 | 2 | |
| 30 | 5001581 | SCREW CAP BUT HEXS M8-1.25x40 SS | 2 | 2 | 2 | 2 | |
| NS | 5001341 | WASHER FL 8.4x17.0x1.6 SS | 2 | 2 | 2 | 2 | |
| 31 | 490873 | GASKET, RH | 1 | 1 | 1 | 1 | |
| 31 | 490894 | GASKET, LH | 1 | 1 | 1 | 1 | |
| 40 | 563163 | CONNECTOR / W 45" CABLE ASSY / PH 8C / CONXALL 3280-8PG-324 | 2 | 2 | 2 | 2 | |
| NS | 563088 | CONNECTOR / MULTI CON X / SH 8C / CONXALL 4280-8SG-300 | 2 | 2 | 2 | 2 | B |
| NS | 562511 | SOCKET TERMINAL / 20 / CONXALL 586SG | AR | AR | AR | AR | B |

| | | |
|---|--------------|-----------------|
| From 2-7764 To 8-9339 | Date:10/2022 | PAGE:Y2-1856-51 |
| MIRROR "RAMCO" FLAT GLASS / CHROME | | |

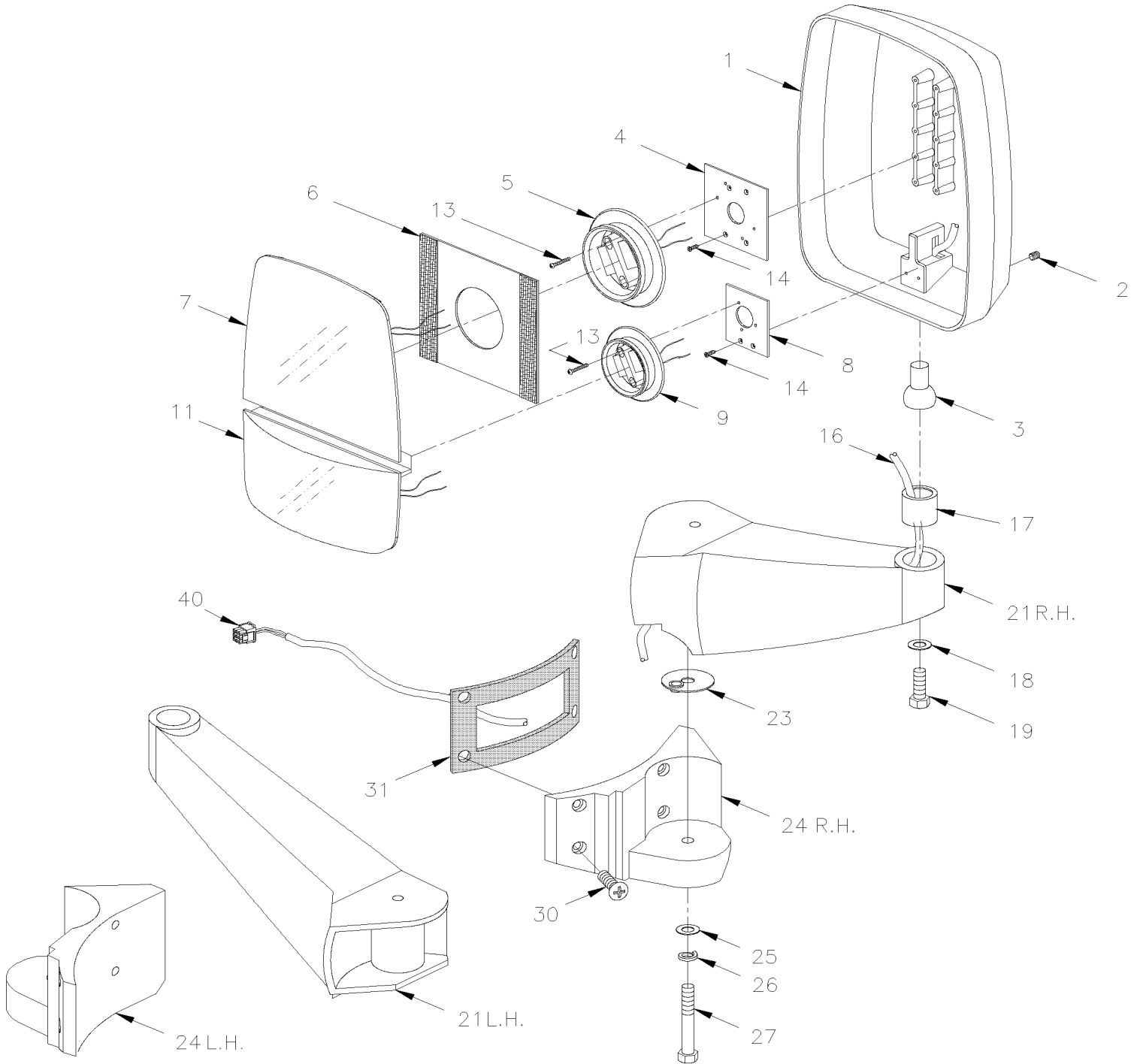
| Item# | Part | Description | X L I I 4 5 | X L I I M T H 4 0 | X L I I M T H 4 5 | X L I I M T H 4 5 E | N O T E S |
|-------|---------|--|--------------------------------|---|---|--|-----------------------|
| NS | MI16-28 | DRIP EDGE ADDITION ON FRONT MIRRORS / PRODUCT IMPROVMENT | 1 | 1 | 1 | 1 | |
| | | | | | | | |
| | | | | | | | |
| | | B) THIS CONNECTOR IT USED ON CABLE HARNESS FROM INSIDE OF VEHICULE | | | | | |
| | | 4) NO PARTS NUMBER | | | | | |

From Y-7046 To 2-7763

Date:10/2022

PAGE:Y2-1856-60

MIRROR "RAMCO" 2 GLASSES / CHROME



| | | |
|-----------------------|--------------|-----------------|
| From Y-7046 To 2-7763 | Date:10/2022 | PAGE:Y2-1856-60 |
|-----------------------|--------------|-----------------|

MIRROR "RAMCO" 2 GLASSES / CHROME

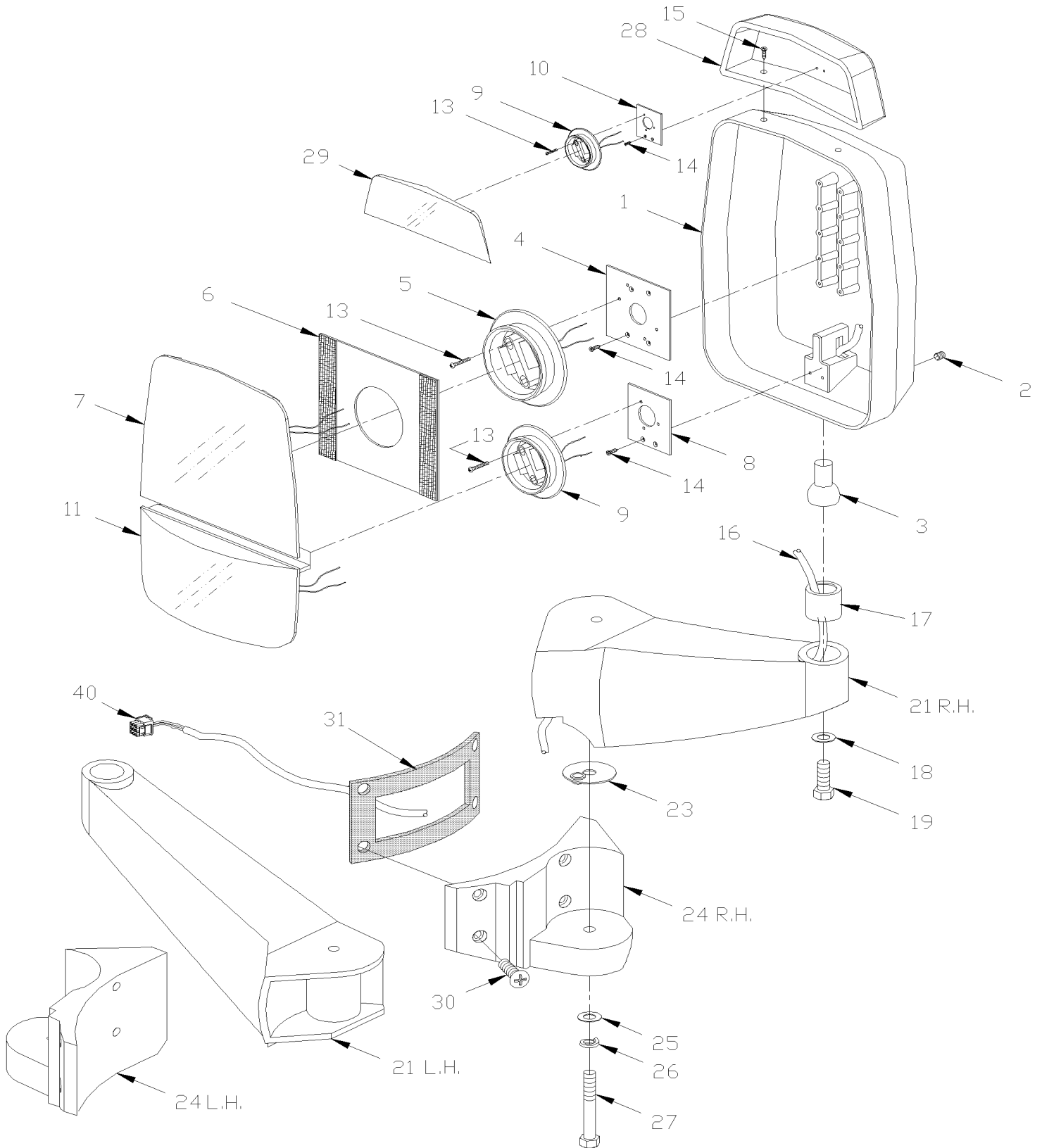
| Item# | Part | Description | X L I I 4 5 | X L I I M T H 4 0 | X L I I M T H 4 5 | X L I I M T H 4 5 E | N O T E S |
|-------|------|--|--------------------------------|---|---|--|-----------------------|
| | | A) FOR PRODUCT IMPROVEMENT ASK KIT 065583 | | | | | |
| | | B) THIS CONNECTOR IT USED ON CABLE HARNESS FROM INSIDE OF VEHICULE | | | | | |
| | | 4) NO PARTS NUMBER | | | | | |

From 2-7764 To 8-9339

Date:10/2022

PAGE:Y2-1856-61

MIRROR "RAMCO" 2 GLASSES / CHROME



| | | |
|--|--------------|-----------------|
| From 2-7764 To 8-9339 | Date:10/2022 | PAGE:Y2-1856-61 |
| MIRROR "RAMCO" 2 GLASSES / CHROME | | |

| Item# | Part | Description | X L I I 4 5 | X L I I M T H 4 0 | X L I I M T H 4 5 | X L I I M T H 4 5 E | N O T E S |
|-------|---------|---|----------------------------|---|---|--|-----------------------|
| | 990359 | MIRROR ASSY, R.H. / ELECTRIC / W/8 PINS CONNECTOR | | 1 | 1 | 1 | |
| | 990390 | MIRROR ASSY, R.H. / ELECTRIC W/AUXILIARY CONVEX OVER / W/8 PINS CONNECTOR | | 1 | 1 | 1 | A |
| | 990358 | MIRROR ASSY, L.H. / ELECTRIC / W/8 PINS CONNECTOR To 3-8041 | | 1 | 1 | 1 | |
| | 990389 | MIRROR ASSY, L.H. / ELECTRIC W/AUXILIARY CONVEX OVER / W/8 PINS CONNECTOR To 3-8041 | | 1 | 1 | 1 | A |
| | 990405 | MIRROR ASSY, L.H. / ELECTRIC / W/8 PINS CONNECTOR From 3-8042 | | 1 | 1 | 1 | |
| | 990410 | MIRROR ASSY, L.H. / ELECTRIC W/AUXILIARY CONVEX OVER / W/8 PINS CONNECTOR From 3-8042 | | 1 | 1 | 1 | A |
| 1 | 990372 | . HEAD ASSY / ELECTRIC / W/8 PINS CONNECTOR | | 1 | 1 | 1 | |
| 1 | 990391 | . HEAD ASSY / W/AUXILIARY CONVEX OVER / W/8 PINS CONNECTOR | | 1 | 1 | 1 | A |
| 2 | 502812 | .. SCREW SET HEXS CUP 3/8-16X3/8 SS | | 1 | 1 | 1 | |
| 3 | 990186 | .. STUD, BALL | | 1 | 1 | 1 | |
| 4 | 990272 | .. NOTCHED BACK MOUNTING PLATE (2" X 3") | | 1 | 1 | 1 | |
| 5 | 990349 | .. MOTOR 12V / MEDIUM / BLACK / 108MM / 4 1/4" O.D. | | 1 | 1 | 1 | |
| . NS | 564494 | ... TAB TERMINAL / 20-16 / AMP 63138-1 | | 4 | 4 | 4 | |
| 6 | 990266 | .. VELCRO PLATE / 6" X 7" | | 1 | 1 | 1 | |
| 7 | 990182 | .. FLAT GLASS ASSY W/HEATER 12V | | 1 | 1 | 1 | |
| 8 | 990273 | .. POWER CONVEX MOTOR BASE PLATE | | 1 | 1 | 1 | |
| 9 | 990219 | .. MOTOR 12V / SMALL / BLACK / 85MM / 3 5/16" O.D. | | 1 | 1 | 1 | |
| . NS | 564494 | ... TAB TERMINAL / 20-16 / AMP 63138-1 | | 4 | 4 | 4 | |
| 10 | 990295 | .. PLATE, TOP MOTOR MOUNTING | | 1 | 1 | 1 | A |
| 11 | 990338 | .. CONVEX GLASS ASSY W/HEATER 12V | | 1 | 1 | 1 | |
| 13 | N.P.N. | .. SCREW TC FL PH ZP 6-32 X 1 1/8" | | 6 | 6 | 6 | 4 |
| 14 | 500660 | .. SCREW TC FL PH #6-32x3/8 Z050 | | 8 | 8 | 8 | |
| 15 | 990530 | .. SCREW CAP HEX #10-24x1" SS | | 2 | 2 | 2 | A |
| 16 | N.P.N. | .. CABLE ASSY / W/CONNECTOR 8PIN / SEE ITEM # 40 | | 1 | 1 | 1 | 4 |
| 17 | 990379 | .. CUP, BALL STUD RETAINER / ONE PIECE | | 1 | 1 | 1 | |
| 18 | 500270 | .. WASHER FL .406x1.000x.063 SS | | 1 | 1 | 1 | |
| 19 | N.P.N. | .. SCREW CAP HEX SS 3/8-24 X 1.250 | | 1 | 1 | 1 | 4 |
| 21 | 990316 | . ARM, R.H. | | 1 | 1 | 1 | |
| 21 | 990314 | . ARM, L.H. To 3-8041 | | 1 | 1 | 1 | |
| 21 | 990394 | . ARM, L.H. / DIRTY FREE From 3-8042 | | 1 | 1 | 1 | |
| 23 | 990265 | . WASHER ALUMINUM / 2 " O.D. | | 1 | 1 | 1 | |
| NS | 504082 | .. SNAP BUSHING / .125x.312x.312 | | 1 | 1 | 1 | |
| 24 | 990310 | . BRACKET, MOUNTING R.H. | | 1 | 1 | 1 | |
| 24 | 990312 | . BRACKET, MOUNTING L.H. | | 1 | 1 | 1 | |
| 25 | 500958 | . WASHER FL .531x1.062x.095 SS | | 1 | 1 | 1 | |
| 26 | 500035 | . WASHER LO SPT .317x.586x.078 SS | | 1 | 1 | 1 | |
| 27 | 990500 | . SCREW 1/2-13x2 HHCS SS | | 1 | 1 | 1 | |
| 28 | 990302 | . MIRROR ASSY / CONVEX ELECTRIC | | 1 | 1 | 1 | A |
| 29 | 990339 | . GLASS CONVEX ASSY W/HEATER 12V | | 1 | 1 | 1 | A |
| 30 | 5001461 | SCREW MA FL PH M8-1.25x40 SS | | 2 | 2 | 2 | |
| 30 | 5001581 | SCREW CAP BUT HEXS M8-1.25x40 SS | | 2 | 2 | 2 | |
| NS | 5001341 | WASHER FL 8.4x17.0x1.6 SS | | 2 | 2 | 2 | |

| | | |
|--|--------------|-----------------|
| From 2-7764 To 8-9339 | Date:10/2022 | PAGE:Y2-1856-61 |
| MIRROR "RAMCO" 2 GLASSES / CHROME | | |

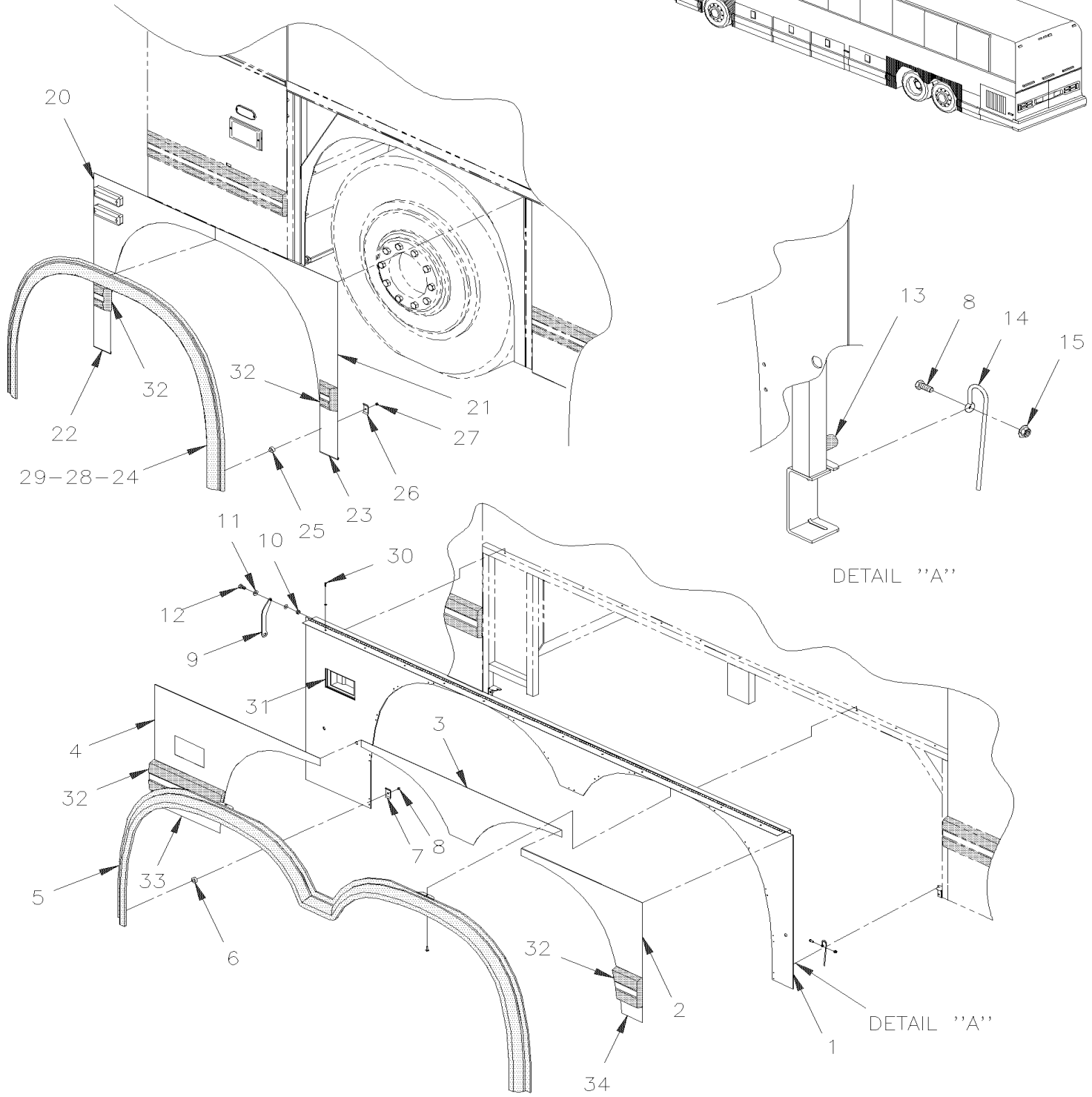
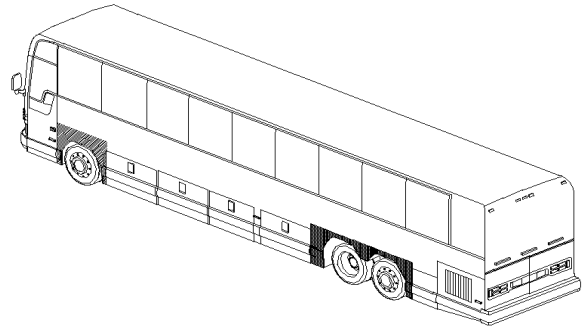
| Item# | Part | Description | X L I I 4 5 | X L I I M T H 4 0 | X L I I M T H 4 5 | X L I I M T H 4 5 E | N O T E S |
|-------|--------|--|----------------------------|---|---|--|-----------------------|
| 31 | 490873 | GASKET, RH | | 1 | 1 | 1 | |
| 31 | 490894 | GASKET, LH | | 1 | 1 | 1 | |
| 40 | 563163 | CONNECTOR / W 45" CABLE ASSY / PH 8C / CONXALL 3280-8PG-324 | | 1 | 1 | 1 | |
| NS | 563088 | CONNECTOR / MULTI CON X / SH 8C / CONXALL 4280-8SG-300 | | 1 | 1 | 1 | B |
| 41 | 562511 | SOCKET TERMINAL / 20 / CONXALL 586SG | | AR | AR | AR | B |
| | | | | | | | |
| | | | | | | | |
| | | A) WITH ELECTRIC CONVEX OVER | | | | | |
| | | B) THIS CONNECTOR IT USED ON CABLE HARNESS FROM INSIDE OF VEHICULE | | | | | |
| | | 4) NO PARTS NUMBER | | | | | |

From Y-7046 To 6-8906

Date:10/2022

PAGE:Y2-1857-00

FENDERS L.H. - BUS W/FLAT PANELING



| | | |
|---|--------------|-----------------|
| From Y-7046 To 6-8906 | Date:10/2022 | PAGE:Y2-1857-00 |
| FENDERS L.H. - BUS W/FLAT PANELING | | |

| Item# | Part | Description | X L I I 4 5 | X L I I M T H 4 0 | X L I I M T H 4 5 | X L I I M T H 4 5 E | N O T E S |
|-------|---------|--|----------------------------|---|---|--|-----------------------|
| | 474340 | REAR FENDER ASSY L.H. W/EDGE To 1-7688 | 1 | | | | |
| | 475159 | REAR FENDER ASSY L.H. W/EDGE From 1-7689 | 1 | | | | |
| 1 | 213920 | . FRAME REAR FENDER L.H. | 1 | | | | |
| 2 | 474219 | . PANEL L.H. & R.H. BACKWARD | 1 | | | | |
| 3 | 474221 | . PANEL CENTER | 1 | | | | |
| 4 | 474220 | . PANEL L.H. & R.H. FORWARD | 1 | | | | |
| 4 | 477927 | . PANEL L.H. & R.H. FORWARD / W/DOCKING LIGHTS | 1 | | | | |
| 5 | 240455 | . EDGE MOULDING LH W/FLAT PANEL To 1-7688 | 1 | | | | |
| 5 | 240494 | . EDGE MOULDING LH W/FLAT PANEL From 1-7689 | 1 | | | | |
| 5 | 500658 | . SCREW TC PAN PH #10-24x3/4 Z050 | 2 | | | | |
| 6 | 571755 | . SPACERS BUTTITE STAINLESS | 1 | | | | |
| 7 | 240436 | . MOUNTING PLATE EDGE 43.2MM x 25MM | 1 | | | | |
| 8 | 502622 | . SCREW CAP HEX M6-1.0x20 SS BK | 2 | | | | |
| 9 | 240412 | . LEVER / FOR LOCK | 1 | | | | |
| NS | 502803 | . PIN HITCH CLIP 3/32 x 2 1/2 SS | 1 | | | | |
| 10 | 500868 | . NUT HEX NYRT M8-1.25 Z050 | 1 | | | | |
| NS | 502543 | . NUT HEX M8-1.25 Z050 | 1 | | | | |
| 11 | 471119 | . SEAL WASHER / RUB RAIL & PANEL | 1 | | | | |
| 11 | 500874 | . WASHER FL 8.4x17.0x1.6 Z050 | 1 | | | | |
| 12 | 502589 | . SCREW CAP HEX M8-1.25x25 G8.8 Z050 | 1 | | | | |
| 13 | 504527 | . BUMPER PLUG / .625ODx.312THx.250HOLEx.125 | 4 | | | | |
| 14 | 472830 | . SPRING GUIDE HOLDER | 2 | | | | |
| 15 | 5001182 | . NUT HEX NYRT M6-1.0 SS | 2 | | | | |
| NS | 681092 | . ADHESIVE SIKA #255FC / BLACK / 310ml CARTRIDGE | AR | | | | |
| NS | 683097 | . CLEANER SIKA #205 / CLEAR / 1000ml | AR | | | | |
| NS | 683446 | . PRIMER SIKA #206 / BLACK / 1000ml | AR | | | | |
| NS | 506790 | . TAPE RUB ADH2 CC POL 1/16" x 1/2" x 200' / BLACK I1C-N-A | AR | | | | |
| 20 | 474607 | PANEL FRONT L.H. FORWARD To 3-8164 | 1 | | | | |
| 20 | 473738 | PANEL FRONT L.H. FORWARD From 4-8165 To 5-8358 | 1 | | | | |
| 20 | 476360 | PANEL FRONT L.H. FORWARD From 5-8359 | 1 | | | | |
| 21 | 474222 | PANEL UPPER LH & RH BACKWARD To 3-8164 | 1 | | | | |
| 21 | 473718 | PANEL UPPER LH & RH BACKWARD From 4-8165 | 1 | | | | |
| 22 | 474004 | PANEL LOWER / 95MM X 243MM / S.B. | 1 | | | | |
| 23 | 474006 | PANEL LOWER / 103MM X 255MM / S.B. | 1 | | | | |
| 24 | 240454 | EDGE MOULDING W/FLAT PANEL To 1-7688 | 1 | | | | |
| 24 | 240493 | EDGE MOULDING W/FLAT PANEL From 1-7689 To 4-8193 | 1 | | | | |
| 24 | 240623 | EDGE MOULDING W/FLAT PANEL From 4-8194 | 1 | | | | |
| 25 | 571755 | SPACERS BUTTITE STAINLESS | 22 | | | | |
| 26 | 240436 | MOUNTING PLATE EDGE 43.2MM x 25MM | 27 | | | | |
| 27 | 5001182 | NUT HEX NYRT M6-1.0 SS | 22 | | | | |
| 28 | 460430 | MOULDING RUBBER / 2540MM | 1 | | | | A |
| 29 | 460431 | FENDER RUBBER FRONT / L.H. & R.H. / (ORLEAN OPTION) | 1 | | | | A |

| | | |
|---|--------------|-----------------|
| From Y-7046 To 6-8906 | Date:10/2022 | PAGE:Y2-1857-00 |
| FENDERS L.H. - BUS W/FLAT PANELING | | |

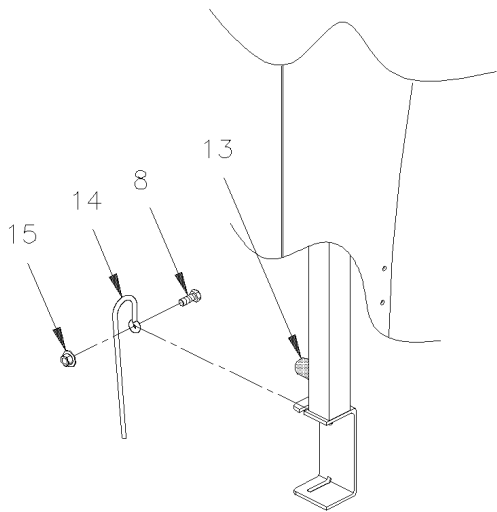
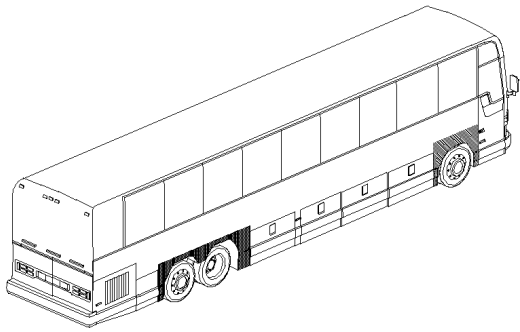
| Item# | Part | Description | X L I I 4 5 | X L I I M T H 4 0 | X L I I M T H 4 5 | X L I I M T H 4 5 E | N O T E S |
|-------|-------------------|--|----------------------------|---|---|--|-----------------------|
| NS | 5001182 | NUT HEX NYRT M6-1.0 SS | 22 | | | | A |
| NS | 240436 | MOUNTING PLATE EDGE 43.2MM x 25MM | 22 | | | | A |
| 30 | 504488 | RIVET MGLP PRDG 3/16x17/64 SS | 14 | | | | |
| 31 | Y2-0663-00 | DOCK & CORNERING LIGHT | | | | | |
| 32 | Y2-1855-00 | RUB RAIL - EXTERIOR CREST & TRIMS | | | | | |
| 33 | 474003 | PANEL LOWER / 394MM X 255MM / S.B. | 1 | | | | |
| 34 | 473995 | PANEL LOWER / 127MM X 205MM / S.B. | 1 | | | | |
| | | | | | | | |
| | | | | | | | |
| | | A) "OPTION" WITH XL 102" RUBBER FENDER | | | | | |

From Y-7046 To 6-8906

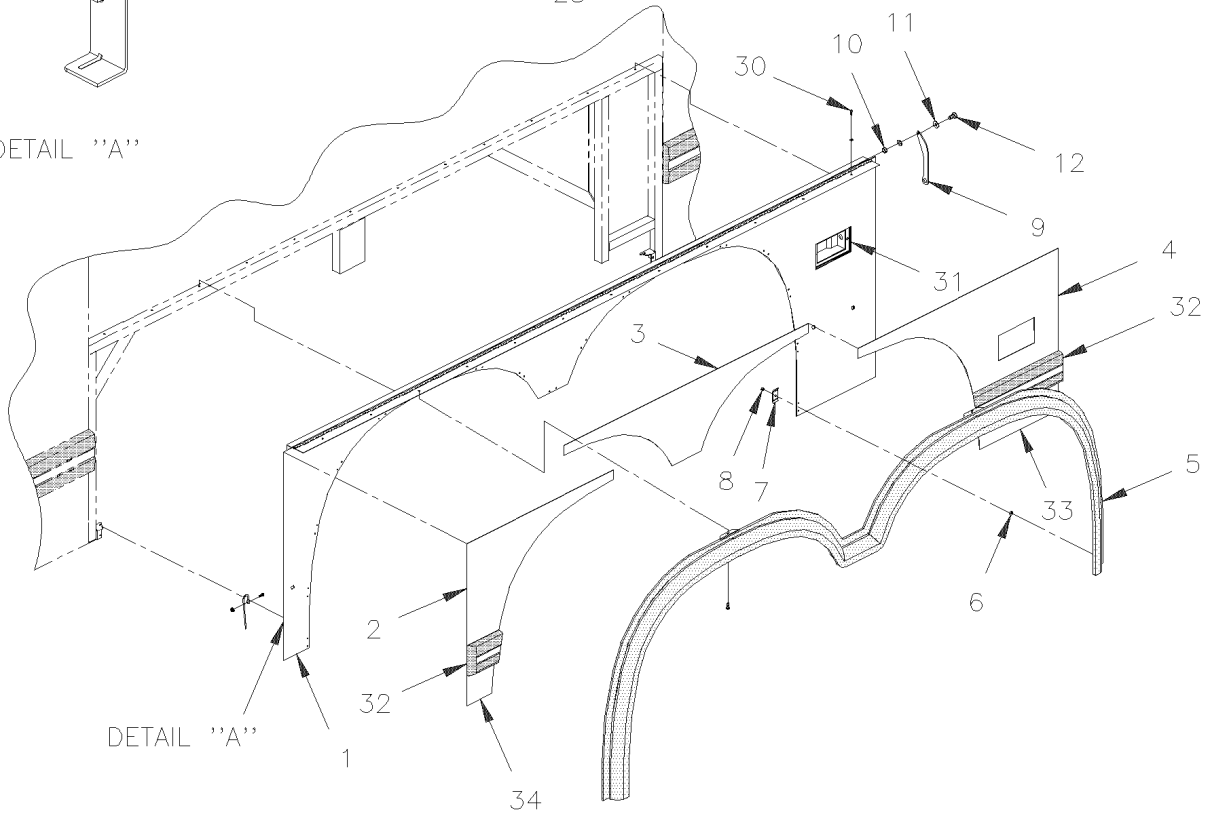
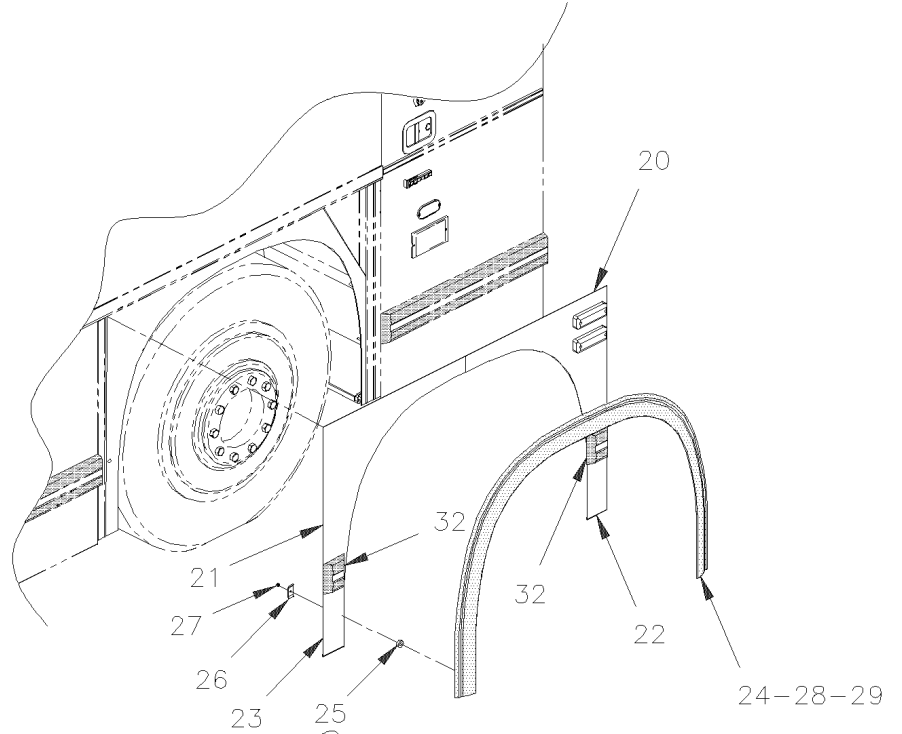
Date:10/2022

PAGE:Y2-1857-05

FENDERS R.H. - BUS W/FLAT PANELING



DETAIL "A"



DETAIL "A"

| | | |
|---|--------------|-----------------|
| From Y-7046 To 6-8906 | Date:10/2022 | PAGE:Y2-1857-05 |
| FENDERS R.H. - BUS W/FLAT PANELING | | |

| Item# | Part | Description | X L I I 4 5 | X L I I M T H 4 0 | X L I I M T H 4 5 | X L I I M T H 4 5 E | N O T E S |
|-------|---------|--|----------------------------|---|---|--|-----------------------|
| | 474339 | REAR FENDER ASSY R.H. W/EDGE To 1-7688 | 1 | | | | |
| | 475160 | REAR FENDER ASSY R.H. W/EDGE From 1-7689 | 1 | | | | |
| 1 | 213940 | . FRAME REAR FENDER R.H. | 1 | | | | |
| 2 | 474219 | . PANEL L.H. & R.H. BACKWARD | 1 | | | | |
| 3 | 474221 | . PANEL CENTER | 1 | | | | |
| 4 | 474220 | . PANEL L.H. & R.H. FORWARD | 1 | | | | |
| 4 | 477927 | . PANEL L.H. & R.H. FORWARD / W/DOCKING LIGHTS | 1 | | | | |
| 5 | 240456 | . EDGE MOULDING RH W/FLAT PANEL To 1-7688 | 1 | | | | |
| 5 | 240495 | . EDGE MOULDING RH W/FLAT PANEL From 1-7689 | 1 | | | | |
| NS | 500658 | . SCREW TC PAN PH #10-24x3/4 Z050 | 2 | | | | |
| 6 | 571755 | . SPACERS BUTTITE STAINLESS | 1 | | | | |
| 7 | 240436 | . MOUNTING PLATE EDGE 43.2MM x 25MM | 1 | | | | |
| 8 | 502622 | . SCREW CAP HEX M6-1.0x20 SS BK | 2 | | | | |
| 9 | 240412 | . LEVER / FOR LOCK | 1 | | | | |
| NS | 502803 | . PIN HITCH CLIP 3/32 x 2 1/2 SS | 1 | | | | |
| 10 | 500868 | . NUT HEX NYRT M8-1.25 Z050 | 1 | | | | |
| NS | 502543 | . NUT HEX M8-1.25 Z050 | 1 | | | | |
| 11 | 471119 | . SEAL WASHER / RUB RAIL & PANEL | 1 | | | | |
| NS | 500874 | . WASHER FL 8.4x17.0x1.6 Z050 | 1 | | | | |
| 12 | 502589 | . SCREW CAP HEX M8-1.25x25 G8.8 Z050 | 1 | | | | |
| 13 | 504527 | . BUMPER PLUG / .625ODx.312THx.250HOLEx.125 | 4 | | | | |
| 14 | 472830 | . SPRING GUIDE HOLDER | 2 | | | | |
| 15 | 5001182 | . NUT HEX NYRT M6-1.0 SS | 2 | | | | |
| NS | 681092 | . ADHESIVE SIKA #255FC / BLACK / 310ml CARTRIDGE | AR | | | | |
| NS | 683097 | . CLEANER SIKA #205 / CLEAR / 1000ml | AR | | | | |
| NS | 683446 | . PRIMER SIKA #206 / BLACK / 1000ml | AR | | | | |
| NS | 506790 | . TAPE RUB ADH2 CC POL 1/16" x 1/2" x 200' / BLACK I1C-N-A | AR | | | | |
| 20 | 474608 | PANEL FRONT R.H. FORWARD To 3-8164 | 1 | | | | |
| 20 | 473719 | PANEL FRONT R.H. FORWARD From 4-8165 To 5-8358 | 1 | | | | |
| 20 | 476359 | PANEL FRONT R.H. FORWARD From 5-8359 | 1 | | | | |
| 21 | 474222 | PANEL UPPER LH & RH BACKWARD To 3-8164 | 1 | | | | |
| 21 | 473718 | PANEL UPPER LH & RH BACKWARD From 4-8165 | 1 | | | | |
| 22 | 474004 | PANEL LOWER / 95MM X 243MM / S.B. | 1 | | | | |
| 23 | 474006 | PANEL LOWER / 103MM X 255MM / S.B. | 1 | | | | |
| 24 | 240454 | EDGE MOULDING W/FLAT PANEL To 1-7688 | 1 | | | | |
| 24 | 240493 | EDGE MOULDING W/FLAT PANEL From 1-7689 To 4-8193 | 1 | | | | |
| 24 | 240623 | EDGE MOULDING W/FLAT PANEL From 4-8194 | 1 | | | | |
| 25 | 571755 | SPACERS BUTTITE STAINLESS | 22 | | | | |
| 26 | 240436 | MOUNTING PLATE EDGE 43.2MM x 25MM | 22 | | | | |
| 27 | 5001182 | NUT HEX NYRT M6-1.0 SS | 22 | | | | |
| 28 | 460430 | MOULDING RUBBER / 2540MM | 1 | | | | A |
| 29 | 460431 | FENDER RUBBER FRONT / L.H. & R.H. / (ORLEAN OPTION) | 1 | | | | A |

| | | |
|---|--------------|-----------------|
| From Y-7046 To 6-8906 | Date:10/2022 | PAGE:Y2-1857-05 |
| FENDERS R.H. - BUS W/FLAT PANELING | | |

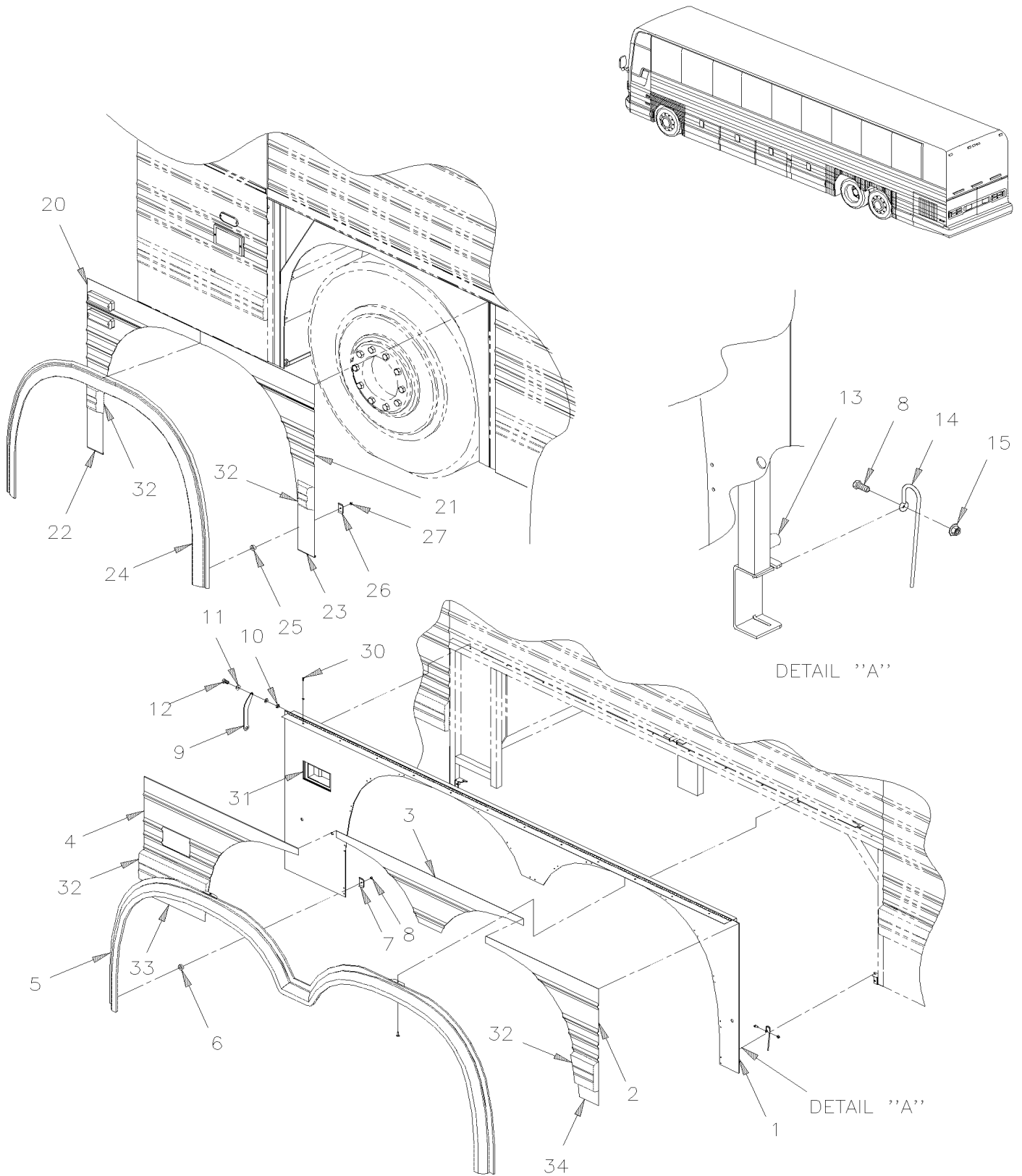
| Item# | Part | Description | X L I I 4 5 | X L I I M T H 4 0 | X L I I M T H 4 5 | X L I I M T H 4 5 E | N O T E S |
|-------|-------------------|--|--------------------------------|---|---|--|-----------------------|
| 29 | 5001182 | NUT HEX NYRT M6-1.0 SS | 22 | | | | A |
| 29 | 240436 | MOUNTING PLATE EDGE 43.2MM x 25MM | 22 | | | | A |
| 30 | 504488 | RIVET MGLP PRDG 3/16x17/64 SS | 14 | | | | |
| 31 | Y2-0663-00 | DOCK & CORNERING LIGHT | | | | | |
| 32 | Y2-1855-00 | RUB RAIL - EXTERIOR CREST & TRIMS | | | | | |
| 33 | 474003 | PANEL LOWER / 394MM X 255MM / S.B. | 1 | | | | |
| 34 | 473995 | PANEL LOWER / 127MM X 205MM / S.B. | 1 | | | | |
| | | | | | | | |
| | | | | | | | |
| | | A) "OPTION" WITH XL 102" RUBBER FENDER | | | | | |

From Y-7046 To 6-8906

Date:10/2022

PAGE:Y2-1857-10

FENDERS L.H. - BUS W/FLUTED PANELLING



| | | | |
|-----------------------|--|--------------|-----------------|
| From Y-7046 To 6-8906 | | Date:10/2022 | PAGE:Y2-1857-10 |
|-----------------------|--|--------------|-----------------|

FENDERS L.H. - BUS W/FLUTED PANELLING

| Item# | Part | Description | X L I I 4 5 | X L I I M T H 4 0 | X L I I M T H 4 5 | X L I I M T H 4 5 E | N O T E S |
|-------|-------------------|--|----------------------------|---|---|--|-----------------------|
| | 474497 | REAR FENDER ASSY L.H. W/EDGE / S.B. | 1 | | | | A |
| | 474906 | REAR FENDER ASSY L.H. W/EDGE / S.B. | 1 | | | | B |
| | 474110 | REAR FENDER ASSY L.H. W/OUT EDGE / S.B. | 1 | | | | |
| 1 | 213920 | FRAME REAR FENDER L.H. | 1 | | | | |
| 2 | 474350 | PANEL REAR L.H. BACKWARD / S.B. | 1 | | | | A |
| 3 | 474354 | PANEL CENTER / S.B. | 1 | | | | A |
| 4 | 474352 | PANEL REAR L.H. FORWARD | 1 | | | | A |
| 4 | 474909 | PANEL REAR L.H. FORWARD | 1 | | | | B |
| 5 | 240482 | EDGE MOULDING LH W/FLUTED PANEL | 1 | | | | |
| NS | 500658 | SCREW TC PAN PH #10-24x3/4 Z050 | 2 | | | | |
| 6 | 571755 | SPACERS BUTTITE STAINLESS | 15 | | | | |
| 7 | 240436 | MOUNTING PLATE EDGE 43.2MM x 25MM | 15 | | | | |
| 8 | 502622 | SCREW CAP HEX M6-1.0x20 SS BK | 2 | | | | |
| 9 | 240412 | LEVER / FOR LOCK | 1 | | | | |
| NS | 502803 | PIN HITCH CLIP 3/32 x 2 1/2 SS | 1 | | | | |
| 10 | 500868 | NUT HEX NYRT M8-1.25 Z050 | 1 | | | | |
| 10 | 502543 | NUT HEX M8-1.25 Z050 | 1 | | | | |
| 11 | 471119 | SEAL WASHER / RUB RAIL & PANEL | 1 | | | | |
| 11 | 500874 | WASHER FL 8.4x17.0x1.6 Z050 | 1 | | | | |
| 12 | 502589 | SCREW CAP HEX M8-1.25x25 G8.8 Z050 | 1 | | | | |
| 13 | 504527 | BUMPER PLUG / .625ODx.312THx.250HOLEx.125 | 4 | | | | |
| 14 | 472830 | SPRING GUIDE HOLDER | 2 | | | | |
| 15 | 5001182 | NUT HEX NYRT M6-1.0 SS | 17 | | | | |
| NS | 506790 | TAPE RUB ADH2 CC POL 1/16" x 1/2" x 200' / BLACK I1C-N-A | AR | | | | |
| 20 | 474857 | PANEL FRONT L.H. FORWARD / S.B. To 5-8358 | 1 | | | | |
| 20 | 477616 | PANEL FRONT L.H. FORWARD / S.B. From 5-8359 | 1 | | | | |
| 21 | 474355 | PANEL FRONT L.H. BACKWARD / S.B. To 3-8164 | 1 | | | | A |
| 21 | 473650 | PANEL FRONT L.H. BACKWARD / S.B. From 4-8165 | 1 | | | | A |
| 22 | 474004 | PANEL LOWER / 95MM X 243MM / S.B. | 1 | | | | A |
| 23 | 474006 | PANEL LOWER / 103MM X 255MM / S.B. | 1 | | | | A |
| 24 | 240481 | EDGE MOULDING W/FLUTED PANEL To 4-8193 | 1 | | | | |
| 24 | 240528 | EDGE MOULDING W/FLUTED PANEL From 4-8195 | 1 | | | | |
| 25 | 571755 | SPACERS BUTTITE STAINLESS | 22 | | | | |
| 26 | 240436 | MOUNTING PLATE EDGE 43.2MM x 25MM | 22 | | | | |
| 27 | 5001182 | NUT HEX NYRT M6-1.0 SS | 22 | | | | |
| 30 | 504488 | RIVET MGLP PRDG 3/16x17/64 SS | 14 | | | | |
| 31 | Y2-0663-00 | DOCK & CORNERING LIGHT | | | | | |
| 32 | Y2-1855-00 | RUB RAIL - EXTERIOR CREST & TRIMS | | | | | |
| 33 | 474003 | PANEL LOWER / 394MM X 255MM / S.B. | 2 | | | | A |
| 34 | 473995 | PANEL LOWER / 127MM X 205MM / S.B. | 2 | | | | A |

| | | |
|-----------------------|--------------|-----------------|
| From Y-7046 To 6-8906 | Date:10/2022 | PAGE:Y2-1857-10 |
|-----------------------|--------------|-----------------|

FENDERS L.H. - BUS W/FLUTED PANELLING

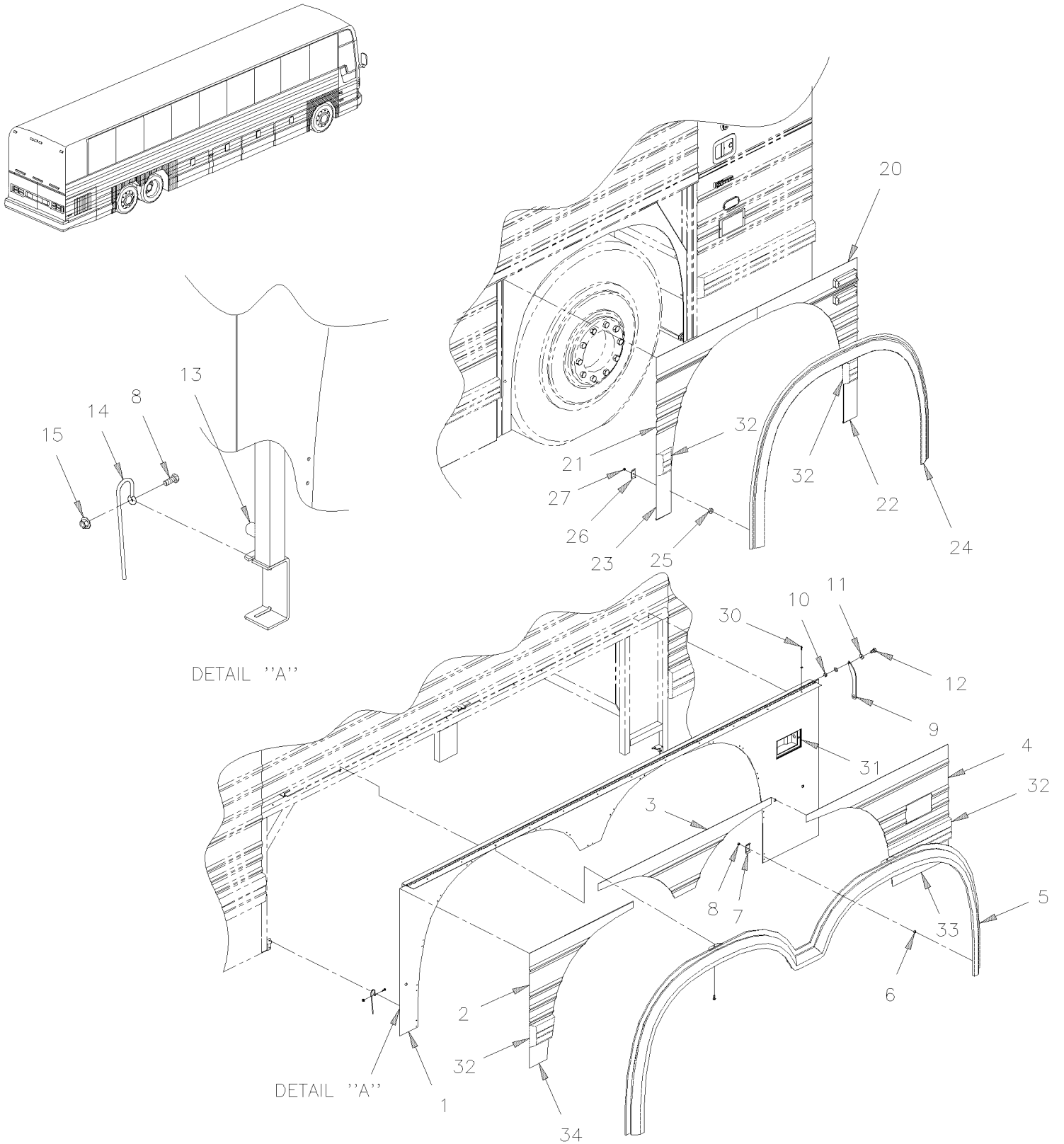
| Item# | Part | Description | X L I I 4 5 | X L I I M T H 4 0 | X L I I M T H 4 5 | X L I I M T H 4 5 E | N O T E S |
|-------|------|------------------------|--------------------------------|---|---|--|-----------------------|
| | | | | | | | |
| | | A) WITH DOCKING LIGHT | | | | | |
| | | B) W/OUT DOCKING LIGHT | | | | | |

From Y-7046 To 8-9339

Date:10/2022

PAGE:Y2-1857-15

FENDERS R.H. - BUS W/FLUTED PANELLING



| | | |
|-----------------------|--------------|-----------------|
| From Y-7046 To 8-9339 | Date:10/2022 | PAGE:Y2-1857-15 |
|-----------------------|--------------|-----------------|

FENDERS R.H. - BUS W/FLUTED PANELLING

| Item# | Part | Description | X L I I 4 5 | X L I I M T H 4 0 | X L I I M T H 4 5 | X L I I M T H 4 5 E | N O T E S |
|-------|-------------------|---|----------------------------|---|---|--|-----------------------|
| | 474498 | REAR FENDER ASSY R.H. W/EDGE / S.B. | 1 | | | | A |
| | 474905 | REAR FENDER ASSY R.H. W/EDGE / S.B. | 1 | | | | B |
| | 474111 | .. REAR FENDER ASSY R.H. W/OUT EDGE / S.B. | 1 | | | | |
| 1 | 213940 | .. FRAME REAR FENDER R.H. | 1 | | | | |
| 2 | 474351 | .. PANEL REAR R.H BACKWARD | 1 | | | | A |
| 3 | 474354 | .. PANEL CENTER / S.B. | 1 | | | | A |
| 4 | 474353 | .. PANEL REAR R.H. FORWARD | 1 | | | | A |
| 4 | 474908 | .. PANEL REAR R.H. FORWARD | 1 | | | | B |
| 5 | 240483 | .. EDGE MOULDING RH W/FLUTED PANEL | 1 | | | | |
| 6 | 571755 | .. SPACERS BUTTITE STAINLESS | 15 | | | | |
| 7 | 240436 | .. MOUNTING PLATE EDGE 43.2MM x 25MM | 15 | | | | |
| 8 | 502622 | .. SCREW CAP HEX M6-1.0x20 SS BK | 2 | | | | |
| 9 | 240412 | .. LEVER / FOR LOCK | 1 | | | | |
| 9 | 502803 | .. PIN HITCH CLIP 3/32 x 2 1/2 SS | 1 | | | | |
| 10 | 500868 | .. NUT HEX NYRT M8-1.25 Z050 | 1 | | | | |
| 10 | 502543 | .. NUT HEX M8-1.25 Z050 | 1 | | | | |
| 11 | 471119 | .. SEAL WASHER / RUB RAIL & PANEL | 1 | | | | |
| 11 | 500874 | .. WASHER FL 8.4x17.0x1.6 Z050 | 1 | | | | |
| 12 | 502589 | .. SCREW CAP HEX M8-1.25x25 G8.8 Z050 | 1 | | | | |
| 13 | 504527 | .. BUMPER PLUG / .625ODx.312THx.250HOLEx.125 | 4 | | | | |
| 14 | 472830 | .. SPRING GUIDE HOLDER | 2 | | | | |
| 15 | 5001182 | .. NUT HEX NYRT M6-1.0 SS | 17 | | | | |
| NS | 506790 | .. TAPE RUB ADH2 CC POL 1/16" x 1/2" x 200' / BLACK I1C-N-A | AR | | | | |
| 20 | 474858 | PANEL FRONT R.H. FORWARD / S.B. To 5-8358 | 1 | | | | A |
| 20 | 477615 | PANEL FRONT R.H. FORWARD / S.B. From 5-8359 | 1 | | | | |
| 21 | 474356 | PANEL FRONT R.H. BACKWARD / S.B. To 3-8164 | 1 | | | | A |
| 21 | 474232 | PANEL FRONT R.H. BACKWARD / S.B. From 4-8165 To 5-8461 | 1 | | | | A |
| 22 | 474004 | PANEL LOWER / 95MM X 243MM / S.B. To 5-8468 | 1 | | | | |
| 23 | 474006 | PANEL LOWER / 103MM X 255MM / S.B. To 5-8468 | 1 | | | | |
| 24 | 240481 | EDGE MOULDING W/FLUTED PANEL To 4-8193 | 1 | | | | |
| 24 | 240528 | EDGE MOULDING W/FLUTED PANEL From 4-8194 | 1 | | | | |
| 25 | 571755 | SPACERS BUTTITE STAINLESS | 22 | | | | |
| 26 | 240436 | MOUNTING PLATE EDGE 43.2MM x 25MM | 22 | | | | |
| 27 | 474003 | PANEL LOWER / 394MM X 255MM / S.B. To 5-8468 | 2 | | | | A |
| 27 | 477563 | PANEL LOWER / 394MM X 255MM / B.A. From 5-8469 | 2 | | | | A |
| 30 | 504488 | RIVET MGLP PRDG 3/16x17/64 SS | 14 | | | | |
| 31 | Y2-0663-00 | DOCK & CORNERING LIGHT | | | | | |
| 32 | Y2-1855-00 | RUB RAIL - EXTERIOR CREST & TRIMS | | | | | |
| 33 | 474003 | PANEL LOWER / 394MM X 255MM / S.B. | 1 | | | | A |
| 34 | 473995 | PANEL LOWER / 127MM X 205MM / S.B. | 1 | | | | A |
| | | | | | | | |
| | | | | | | | |

| | | |
|-----------------------|--------------|-----------------|
| From Y-7046 To 8-9339 | Date:10/2022 | PAGE:Y2-1857-15 |
|-----------------------|--------------|-----------------|

FENDERS R.H. - BUS W/FLUTED PANELLING

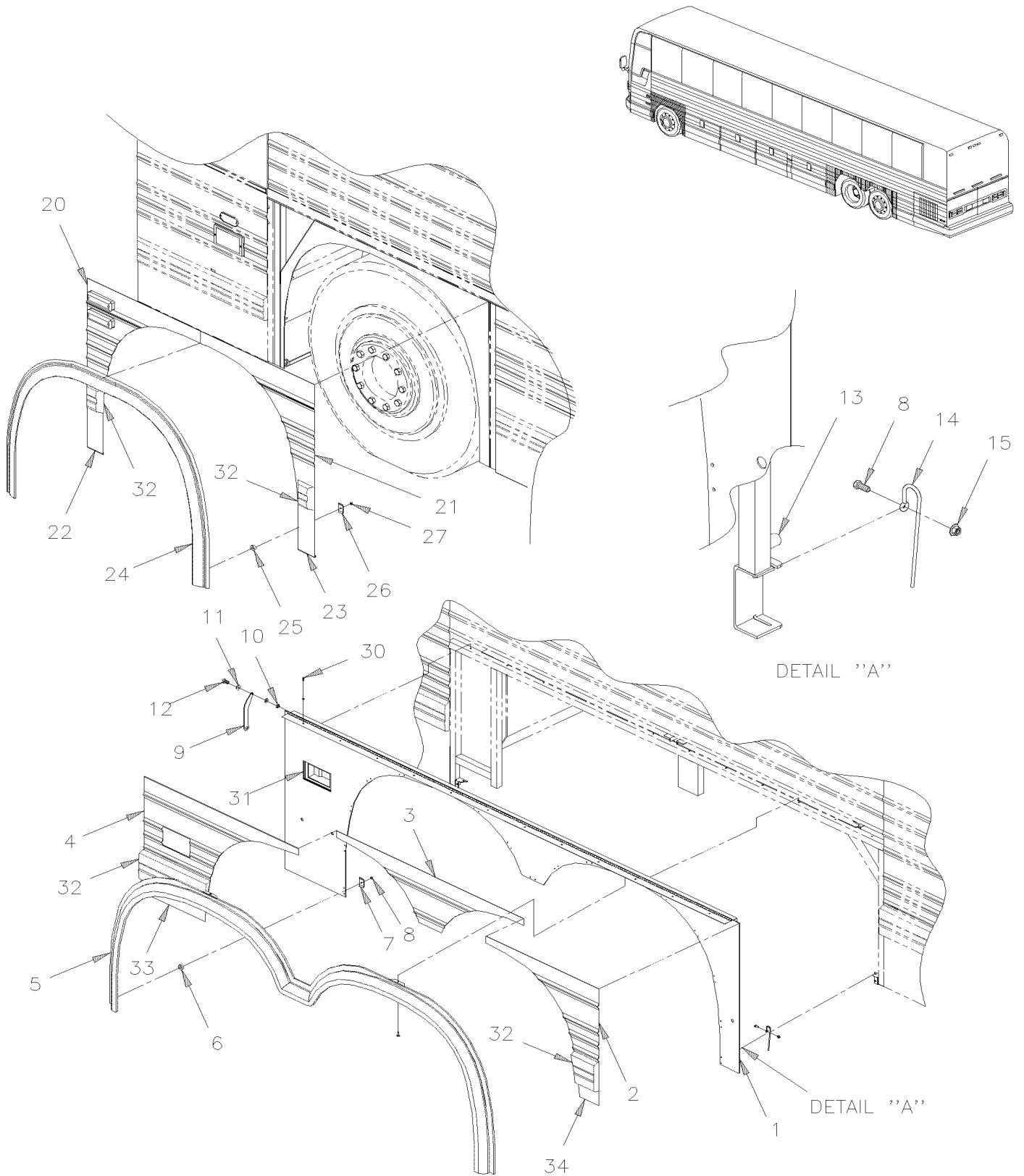
| Item# | Part | Description | X L I I 4 5 | X L I I M T H 4 0 | X L I I M T H 4 5 | X L I I M T H 4 5 E | N O T E S |
|-------|------|------------------------|--------------------------------|---|---|--|-----------------------|
| | | | | | | | |
| | | A) WITH DOCKING LIGHT | | | | | |
| | | B) W/OUT DOCKING LIGHT | | | | | |

From Y-7046 To 8-9339

Date:10/2022

PAGE:Y2-1857-50

FENDERS L.H. - MTH



| | | | |
|---------------------------|--|--------------|-----------------|
| From Y-7046 To 8-9339 | | Date:10/2022 | PAGE:Y2-1857-50 |
| FENDERS L.H. - MTH | | | |

| Item# | Part | Description | X L I I 4 5 | X L I I M T H 4 0 | X L I I M T H 4 5 | X L I I M T H 4 5 E | N O T E S |
|-------|---------|---|----------------------------|---|---|--|-----------------------|
| | | "WARNING" - "WARNING" -"WARNING" - "WARNING" | | | | | |
| | | FOR MTH-45 ENT FROM 7-9096 | | | | | |
| | | SEE NEXT PAGE Y2-1857-51 | | | | | |
| | 474497 | REAR FENDER ASSY L.H. W/EDGE / S.B. To Y-7379 | | 1 | 1 | 1 | |
| | 474955 | REAR FENDER ASSY L.H. W/EDGE / S.B. From Y-7380 | | 1 | 1 | 1 | |
| | 474110 | .. REAR FENDER ASSY L.H. W/OUT EDGE / S.B. To 5-8468 | | 1 | 1 | 1 | |
| | 477626 | .. REAR FENDER ASSY L.H. W/OUT EDGE / B.A. From 5-8469 | | 1 | 1 | 1 | |
| 1 | 213920 | .. FRAME REAR FENDER L.H. | | 1 | 1 | 1 | |
| 2 | 474350 | .. PANEL REAR L.H. BACKWARD / S.B. To 5-8468 | | 1 | 1 | 1 | |
| 2 | 477560 | .. PANEL REAR L.H. BACKWARD / B.A. From 5-8469 | | 1 | 1 | 1 | |
| 3 | 474354 | .. PANEL CENTER / S.B. To 5-8468 | | 1 | 1 | 1 | |
| 3 | 477562 | .. PANEL CENTER / B.A. From 5-8469 | | 1 | 1 | 1 | |
| 4 | 474352 | .. PANEL REAR L.H. FORWARD To 5-8468 | | 1 | 1 | 1 | |
| 4 | 477561 | .. PANEL REAR L.H. FORWARD / B.A. From 5-8469 | | 1 | 1 | 1 | |
| 5 | 240418 | .. EDGE MOULDING LH W/FLUTED & SS RAIL RECESS | | 1 | 1 | 1 | |
| 5 | 240482 | .. EDGE MOULDING LH W/FLUTED PANEL | | 1 | 1 | 1 | |
| NS | 500658 | .. SCREW TC PAN PH #10-24x3/4 Z050 | | 2 | 2 | 2 | |
| 6 | 571755 | .. SPACERS BUTTITE STAINLESS | | 15 | 15 | 15 | |
| 7 | 240436 | .. MOUNTING PLATE EDGE 43.2MM x 25MM | | 15 | 15 | 15 | |
| 8 | 502622 | .. SCREW CAP HEX M6-1.0x20 SS BK | | 2 | 2 | 2 | |
| 9 | 240412 | .. LEVER / FOR LOCK | | 1 | 1 | 1 | |
| NS | 502803 | .. PIN HITCH CLIP 3/32 x 2 1/2 SS | | 1 | 1 | 1 | |
| 10 | 500868 | .. NUT HEX NYRT M8-1.25 Z050 | | 1 | 1 | 1 | |
| 10 | 502543 | .. NUT HEX M8-1.25 Z050 | | 1 | 1 | 1 | |
| 11 | 471119 | .. SEAL WASHER / RUB RAIL & PANEL | | 1 | 1 | 1 | |
| 11 | 500874 | .. WASHER FL 8.4x17.0x1.6 Z050 | | 1 | 1 | 1 | |
| 12 | 502589 | .. SCREW CAP HEX M8-1.25x25 G8.8 Z050 | | 1 | 1 | 1 | |
| 13 | 504527 | .. BUMPER PLUG / .625ODx.312THx.250HOLEx.125 | | 4 | 4 | 4 | |
| 14 | 472830 | .. SPRING GUIDE HOLDER | | 2 | 2 | 2 | |
| 15 | 5001182 | .. NUT HEX NYRT M6-1.0 SS | | 17 | 17 | 17 | |
| NS | 681092 | .. ADHESIVE SIKA #255FC / BLACK / 310ml CARTRIDGE | | AR | AR | AR | |
| NS | 683097 | .. CLEANER SIKA #205 / CLEAR / 1000ml | | AR | AR | AR | |
| NS | 683446 | .. PRIMER SIKA #206 / BLACK / 1000ml | | AR | AR | AR | |
| NS | 506790 | .. TAPE RUB ADH2 CC POL 1/16" x 1/2" x 200' / BLACK I1C-N-A | | AR | AR | AR | |
| 20 | 474609 | PANEL FRONT L.H. FORWARD / S.B. To 3-8164 | | 1 | 1 | 1 | |
| 20 | 473507 | PANEL FRONT L.H. FORWARD / S.B. From 4-8165 To 5-8358 | | 1 | 1 | 1 | |
| 20 | 476356 | PANEL FRONT L.H. FORWARD / S.B. From 5-8359 To 5-8468 | | 1 | 1 | 1 | |
| 20 | 477634 | PANEL FRONT L.H. FORWARD / B.A. From 5-8469 | | 1 | 1 | 1 | |
| 21 | 474355 | PANEL FRONT L.H. BACKWARD / S.B. To 3-8164 | | 1 | 1 | | |
| 21 | 473650 | PANEL FRONT L.H. BACKWARD / S.B. From 4-8165 To 5-8468 | | 1 | 1 | | |

| | | |
|---------------------------|--------------|-----------------|
| From Y-7046 To 8-9339 | Date:10/2022 | PAGE:Y2-1857-50 |
| FENDERS L.H. - MTH | | |

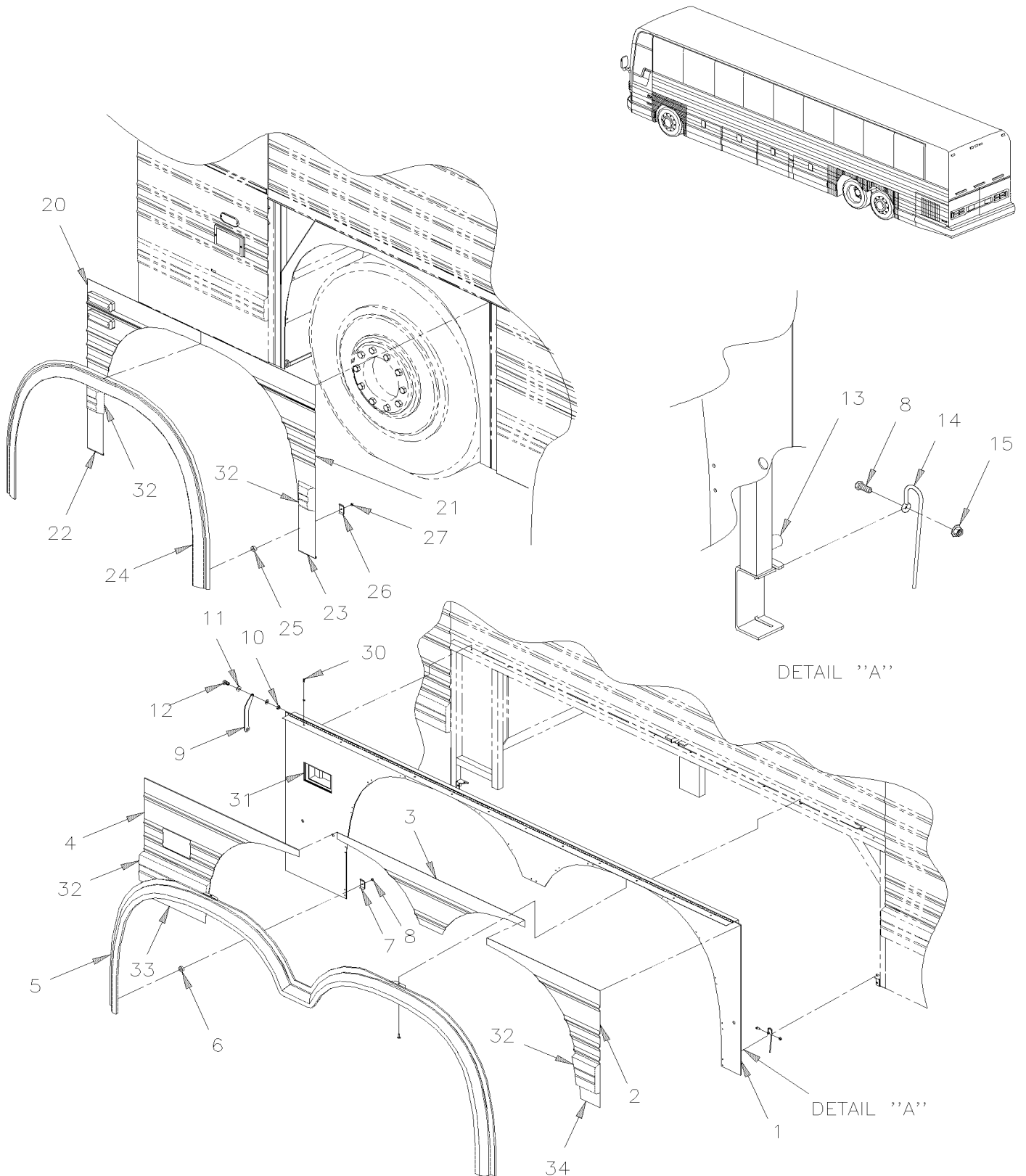
| Item# | Part | Description | X L I I 4 5 | X L I I M T H 4 0 | X L I I M T H 4 5 | X L I I M T H 4 5 E | N O T E S |
|-------|-------------------|--|----------------------------|---|---|--|-----------------------|
| 21 | 477639 | PANEL FRONT L.H. BACKWARD / B.A. From 5-8469 | | 1 | 1 | | |
| 21 | 474360 | PANEL FRONT L.H. BACKWARD / S.B. To 3-8164 | | | | 1 | |
| 21 | 473739 | PANEL FRONT L.H. BACKWARD / S.B. From 4-8165 To 5-8468 | | | | 1 | |
| 21 | 477633 | PANEL FRONT L.H. BACKWARD / B.A. From 5-8469 | | | | 1 | |
| 22 | 474004 | PANEL LOWER / 95MM X 243MM / S.B. To 5-8468 | | 1 | 1 | 1 | |
| 22 | 477637 | PANEL LOWER / 95MM X 243MM / B.A. From 5-8469 | | 1 | 1 | 1 | |
| 23 | 474006 | PANEL LOWER / 103MM X 255MM / S.B. To 5-8468 | | 1 | 1 | | |
| 23 | 477537 | PANEL LOWER / 103MM X 255MM / B.A. From 5-8469 | | 1 | 1 | | |
| 23 | 474262 | PANEL LOWER / 217MM X 255MM / S.B. To 5-8468 | | | | 1 | |
| 23 | 477638 | PANEL LOWER / 217MM X 255MM / B.A. From 5-8469 | | | | 1 | |
| 24 | 240415 | EDGE MOULDING W/FLUTED & SS RAIL RECESS | | 1 | 1 | 1 | |
| 24 | 240481 | EDGE MOULDING W/FLUTED PANEL To 4-8193 | | 1 | 1 | 1 | |
| 24 | 240528 | EDGE MOULDING W/FLUTED PANEL From 4-8194 | | 1 | 1 | 1 | |
| 25 | 571755 | SPACERS BUTTITE STAINLESS | | 22 | 22 | 22 | |
| 26 | 240436 | MOUNTING PLATE EDGE 43.2MM x 25MM | | 22 | 22 | 22 | |
| 27 | 5001182 | NUT HEX NYRT M6-1.0 SS | | 22 | 22 | 22 | |
| 30 | 504488 | RIVET MGLP PRDG 3/16x17/64 SS | | 14 | 14 | 14 | |
| 31 | Y2-0663-00 | DOCK & CORNERING LIGHT | | | | | |
| 32 | Y2-1855-00 | RUB RAIL - EXTERIOR CREST & TRIMS | | | | | |
| 33 | 474003 | PANEL LOWER / 394MM X 255MM / S.B. To 5-8468 | | 2 | 2 | 2 | |
| 33 | 477563 | PANEL LOWER / 394MM X 255MM / B.A. From 5-8469 | | 2 | 2 | 2 | |
| 34 | 473995 | PANEL LOWER / 127MM X 205MM / S.B. To 5-8468 | | 2 | 2 | 2 | |
| 34 | 477632 | PANEL LOWER / 127MM X 205MM / B.A. From 5-8469 | | 2 | 2 | 2 | |
| | | | | | | | |
| | | | | | | | |
| | | | | | | | |

From 7-9096 To 8-9278

Date:10/2022

PAGE:Y2-1857-51

FENDERS L.H. - MTH 45 ENT



| | | |
|----------------------------------|--------------|-----------------|
| From 7-9096 To 8-9278 | Date:10/2022 | PAGE:Y2-1857-51 |
| FENDERS L.H. - MTH 45 ENT | | |

| Item# | Part | Description | X L I I 4 5 | X L I I M T H 4 0 | X L I I M T H 4 5 | X L I I M T H 4 5 E | NOTES |
|-------|-------------------|---|----------------------------|---|---|--|-------|
| | 460504 | REAR FENDER ASSY L.H. W/EDGE / B.A. To 8-9276 | | | | 1 | |
| | 460518 | REAR FENDER ASSY L.H. W/EDGE / B.A. From 8-9279 | | | | 1 | |
| | 460513 | .. REAR FENDER ASSY L.H. W/OUT EDGE / B.A. To 8-9276 | | | | 1 | |
| | 460519 | .. REAR FENDER ASSY L.H. W/OUT EDGE / B.A. From 8-9279 | | | | 1 | |
| 1 | 460502 | .. FRAME REAR FENDER L.H. To 8-9276 | | | | 1 | |
| 1 | 460517 | .. FRAME REAR FENDER L.H. From 8-9279 | | | | 1 | |
| 2 | 476714 | .. PANEL REAR L.H. BACKWARD / B.A. To 8-9276 | | | | 1 | |
| 2 | 476736 | .. PANEL REAR L.H. BACKWARD / B.A. From 8-9279 | | | | 1 | |
| 3 | 477562 | .. PANEL CENTER / B.A. | | | | 1 | |
| 4 | 476716 | .. PANEL REAR L.H. FORWARD / B.A. | | | | 1 | |
| 5 | 240482 | .. EDGE MOULDING LH W/FLUTED PANEL | | | | 1 | |
| 5 | 240418 | .. EDGE MOULDING LH W/FLUTED & SS RAIL RECESS | | | | 1 | O |
| NS | 500283 | .. SCREW TC TR PH #10-24x3/4 SS | | | | 2 | |
| 6 | 571755 | .. SPACERS BUTTITE STAINLESS | | | | 15 | |
| 7 | 240436 | .. MOUNTING PLATE EDGE 43.2MM x 25MM | | | | 15 | |
| 8 | 502622 | .. SCREW CAP HEX M6-1.0x20 SS BK | | | | 2 | |
| 9 | 240412 | .. LEVER / FOR LOCK | | | | 1 | |
| NS | 502803 | .. PIN HITCH CLIP 3/32 x 2 1/2 SS | | | | 1 | |
| 10 | 500868 | .. NUT HEX NYRT M8-1.25 Z050 | | | | 1 | |
| 10 | 502543 | .. NUT HEX M8-1.25 Z050 | | | | 1 | |
| 11 | 471119 | .. SEAL WASHER / RUB RAIL & PANEL | | | | 1 | |
| 11 | 500874 | .. WASHER FL 8.4x17.0x1.6 Z050 | | | | 1 | |
| 12 | 502589 | .. SCREW CAP HEX M8-1.25x25 G8.8 Z050 | | | | 1 | |
| 13 | 504527 | .. BUMPER PLUG / .625ODx.312THx.250HOLEx.125 | | | | 4 | |
| 14 | 472830 | .. SPRING GUIDE HOLDER | | | | 2 | |
| 15 | 5001182 | .. NUT HEX NYRT M6-1.0 SS | | | | 17 | |
| NS | 681092 | .. ADHESIVE SIKA #255FC / BLACK / 310ml CARTRIDGE | | | | AR | |
| NS | 683097 | .. CLEANER SIKA #205 / CLEAR / 1000ml | | | | AR | |
| NS | 683446 | .. PRIMER SIKA #206 / BLACK / 1000ml | | | | AR | |
| NS | 506790 | .. TAPE RUB ADH2 CC POL 1/16" x 1/2" x 200' / BLACK I1C-N-A | | | | AR | |
| 20 | 477634 | PANEL FRONT L.H. FORWARD / B.A. | | | | 1 | |
| 21 | 477633 | PANEL FRONT L.H. BACKWARD / B.A. | | | | 1 | |
| 22 | 477637 | PANEL LOWER / 95MM X 243MM / B.A. | | | | 1 | |
| 23 | 477638 | PANEL LOWER / 217MM X 255MM / B.A. | | | | 1 | |
| 24 | 240528 | EDGE MOULDING W/FLUTED PANEL | | | | 1 | |
| 24 | 240415 | EDGE MOULDING W/FLUTED & SS RAIL RECESS | | | | 1 | O |
| 25 | 571755 | SPACERS BUTTITE STAINLESS | | | | 22 | |
| 26 | 240436 | MOUNTING PLATE EDGE 43.2MM x 25MM | | | | 22 | |
| 27 | 5001182 | NUT HEX NYRT M6-1.0 SS | | | | 22 | |
| 30 | 504488 | RIVET MGLP PRDG 3/16x17/64 SS | | | | 14 | |
| 31 | Y2-0663-00 | DOCK & CORNERING LIGHT | | | | | |
| 32 | Y2-1855-00 | RUB RAIL - EXTERIOR CREST & TRIMS | | | | | |

| | | |
|----------------------------------|--------------|-----------------|
| From 7-9096 To 8-9278 | Date:10/2022 | PAGE:Y2-1857-51 |
| FENDERS L.H. - MTH 45 ENT | | |

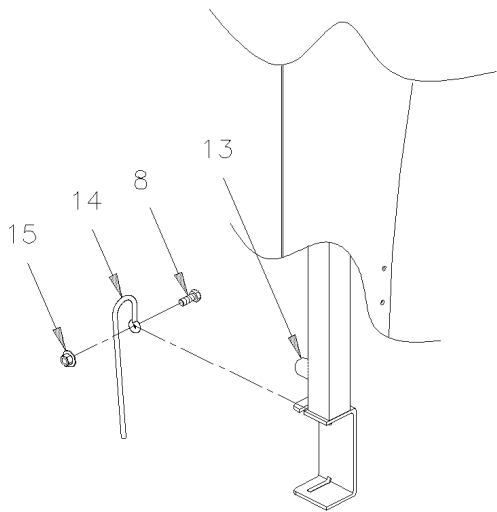
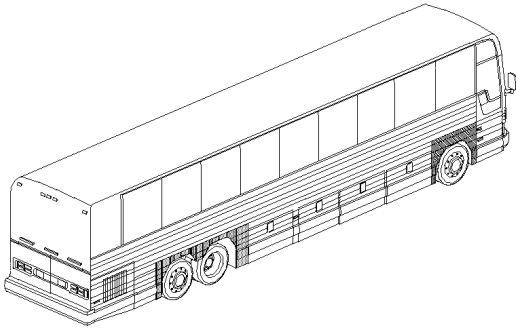
| Item# | Part | Description | X L I I 4 5 | X L I I M T H 4 0 | X L I I M T H 4 5 | X L I I M T H 4 5 E | N O T E S |
|-------|--------|---|----------------------------|---|---|--|-----------------------|
| 33 | 476719 | PANEL LOWER / 286MM X 255MM / B.A. | | | | 2 | |
| 34 | 476718 | PANEL LOWER / 240MM X 205MM / B.A. To 8-9276 | | | | 1 | |
| 34 | 476798 | PANEL LOWER / 88MM X 205MM / B.A. From 8-9279 | | | | 1 | |
| | | | | | | | |
| | | | | | | | |
| | | O) WITH "OPTION" | | | | | |

From Y-7046 To 8-9339

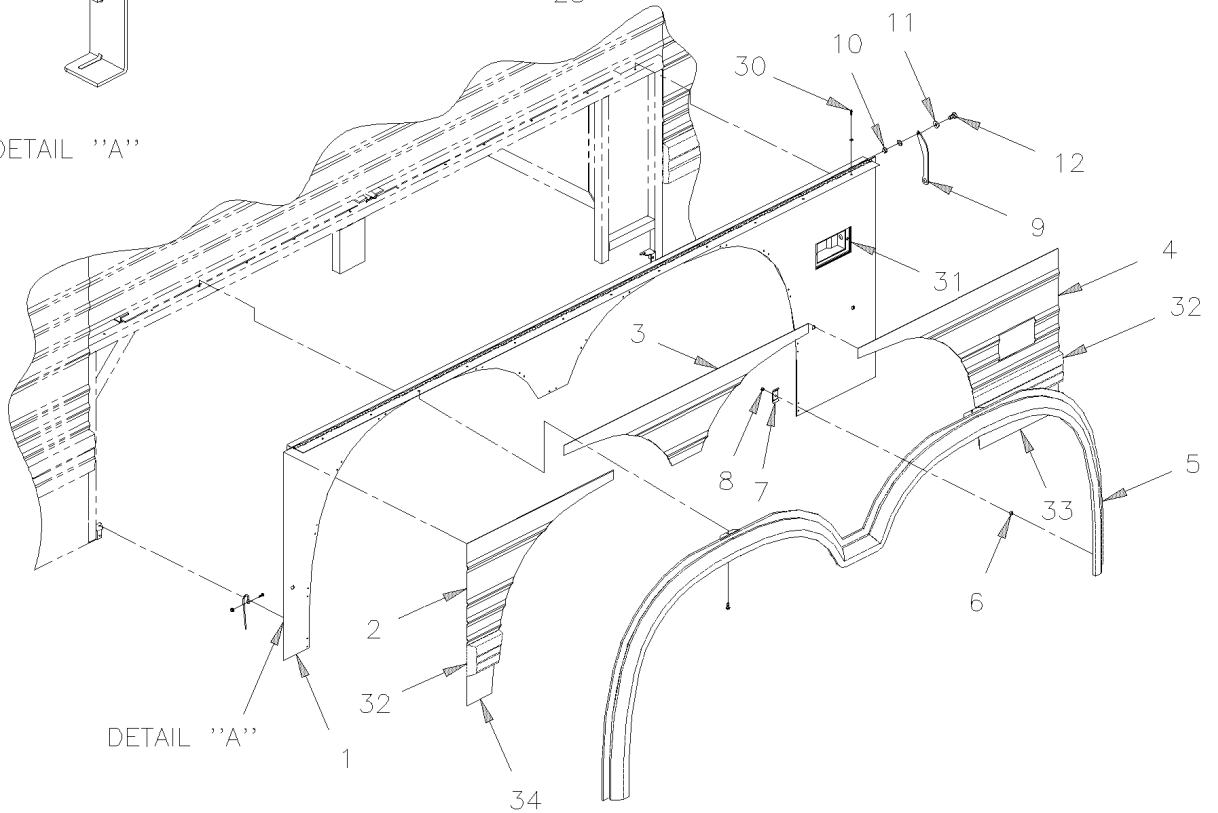
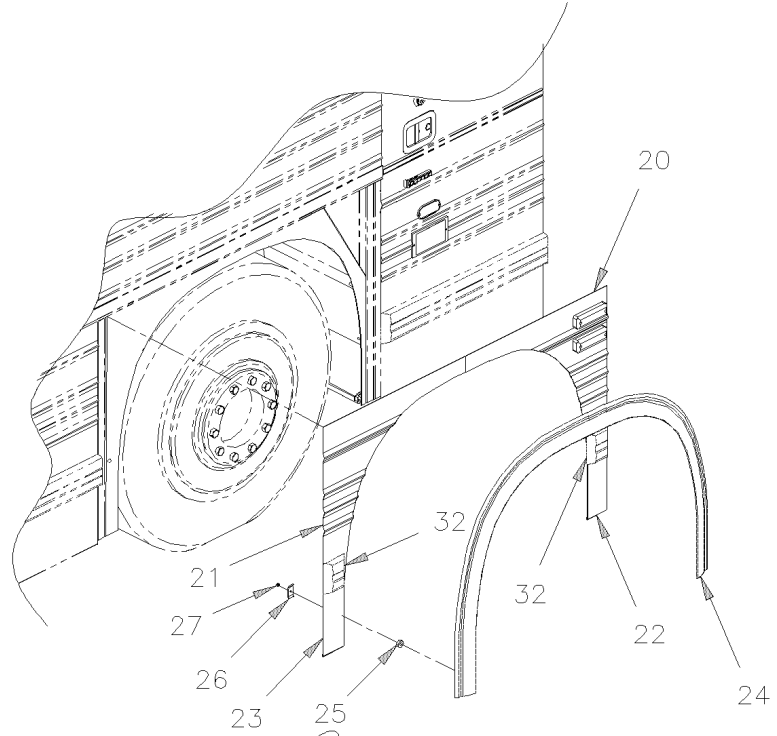
Date:10/2022

PAGE:Y2-1857-55

FENDERS R.H. - MTH



DETAIL "A"



DETAIL "A"

| | | |
|---------------------------|--------------|-----------------|
| From Y-7046 To 8-9339 | Date:10/2022 | PAGE:Y2-1857-55 |
| FENDERS R.H. - MTH | | |

| Item# | Part | Description | X L I I 4 5 | X L I I M T H 4 0 | X L I I M T H 4 5 | X L I I M T H 4 5 E | N O T E S |
|-------|---------|---|----------------------------|---|---|--|-----------------------|
| | | "WARNING" - "WARNING" -"WARNING" - "WARNING" | | | | | |
| | | FOR MTH-45 ENT FROM 7-9096 | | | | | |
| | | SEE NEXT PAGE Y2-1857-56 | | | | | |
| | 474498 | REAR FENDER ASSY R.H. W/EDGE / S.B. To Y-7379 | | 1 | 1 | 1 | |
| | 474957 | REAR FENDER ASSY R.H. W/EDGE / S.B. From Y-7380 To 5-8468 | | 1 | 1 | 1 | |
| | 477630 | REAR FENDER ASSY R.H. W/EDGE / B.A. From 5-8469 | | 1 | 1 | 1 | |
| | 474111 | . REAR FENDER ASSY R.H. W/OUT EDGE / S.B. To 5-8468 | | 1 | 1 | 1 | |
| | 477627 | . REAR FENDER ASSY R.H. W/OUT EDGE / B.A. From 5-8469 | | 1 | 1 | 1 | |
| 1 | 213940 | .. FRAME REAR FENDER R.H. | | 1 | 1 | 1 | |
| 2 | 474351 | .. PANEL REAR R.H BACKWARD To 5-8468 | | 1 | 1 | 1 | |
| 2 | 477640 | .. PANEL REAR R.H BACKWARD / B.A. From 5-8469 | | 1 | 1 | 1 | |
| 3 | 474354 | .. PANEL CENTER / S.B. To 5-8468 | | 1 | 1 | 1 | |
| 3 | 477562 | .. PANEL CENTER / B.A. From 5-8469 | | 1 | 1 | 1 | |
| 4 | 474353 | .. PANEL REAR R.H. FORWARD To 5-8468 | | 1 | 1 | 1 | |
| 4 | 477559 | .. PANEL REAR R.H. FORWARD / B.A. From 5-8469 | | 1 | 1 | 1 | |
| 5 | 240435 | .. EDGE MOULDING RH W/FLUTED & SS RAIL RECESS | | 1 | 1 | 1 | |
| 5 | 240483 | .. EDGE MOULDING RH W/FLUTED PANEL | | 1 | 1 | 1 | |
| 6 | 571755 | .. SPACERS BUTTITE STAINLESS | | 15 | 15 | 15 | |
| 7 | 240436 | .. MOUNTING PLATE EDGE 43.2MM x 25MM | | 15 | 15 | 15 | |
| 8 | 502622 | .. SCREW CAP HEX M6-1.0x20 SS BK | | 2 | 2 | 2 | |
| 9 | 240412 | .. LEVER / FOR LOCK | | 1 | 1 | 1 | |
| 9 | 502803 | .. PIN HITCH CLIP 3/32 x 2 1/2 SS | | 1 | 1 | 1 | |
| 10 | 500868 | .. NUT HEX NYRT M8-1.25 Z050 | | 1 | 1 | 1 | |
| 10 | 502543 | .. NUT HEX M8-1.25 Z050 | | 1 | 1 | 1 | |
| 11 | 471119 | .. SEAL WASHER / RUB RAIL & PANEL | | 1 | 1 | 1 | |
| 11 | 500874 | .. WASHER FL 8.4x17.0x1.6 Z050 | | 1 | 1 | 1 | |
| 12 | 502589 | .. SCREW CAP HEX M8-1.25x25 G8.8 Z050 | | 1 | 1 | 1 | |
| 13 | 504527 | .. BUMPER PLUG / .625ODx.312THx.250HOLEx.125 | | 4 | 4 | 4 | |
| 14 | 472830 | .. SPRING GUIDE HOLDER | | 2 | 2 | 2 | |
| 15 | 5001182 | .. NUT HEX NYRT M6-1.0 SS | | 17 | 17 | 17 | |
| 20 | 474610 | PANEL FRONT R.H. FORWARD / S.B. To 3-8164 | | 1 | 1 | 1 | |
| 20 | 473676 | PANEL FRONT R.H. FORWARD / S.B. From 4-8165 To 5-8358 | | 1 | 1 | 1 | |
| 20 | 476355 | PANEL FRONT R.H. FORWARD / S.B. From 5-8359 To 5-8468 | | 1 | 1 | 1 | |
| 20 | 477635 | PANEL FRONT R.H. FORWARD / B.A. From 5-8469 | | 1 | 1 | 1 | |
| 21 | 474356 | PANEL FRONT R.H. BACKWARD / S.B. To 3-8164 | | 1 | 1 | | |
| 21 | 474232 | PANEL FRONT R.H. BACKWARD / S.B. From 4-8165 To 5-8468 | | 1 | 1 | | |
| 21 | 477631 | PANEL FRONT R.H. BACKWARD / B.A. From 5-8469 | | 1 | 1 | | |
| 21 | 474361 | PANEL FRONT R.H. BACKWARD / S.B. To 4-8164 | | | | 1 | |
| 21 | 473546 | PANEL FRONT R.H. BACKWARD / S.B. From 5-8165 To 5-8468 | | | | 1 | |
| 21 | 477636 | PANEL FRONT R.H. BACKWARD / B.A. From 5-8469 | | | | 1 | |
| 22 | 474004 | PANEL LOWER / 95MM X 243MM / S.B. To 5-8468 | | 1 | 1 | 1 | |

| | | |
|---------------------------|--------------|-----------------|
| From Y-7046 To 8-9339 | Date:10/2022 | PAGE:Y2-1857-55 |
| FENDERS R.H. - MTH | | |

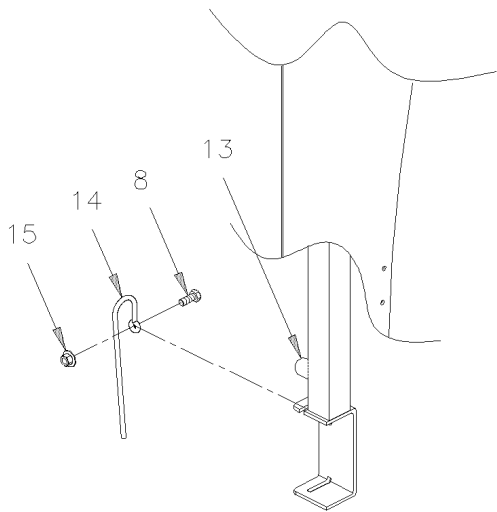
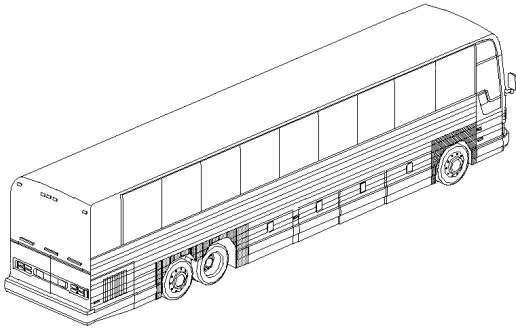
| Item# | Part | Description | X L I I 4 5 | X L I I M T H 4 0 | X L I I M T H 4 5 | X L I I M T H 4 5 E | N O T E S |
|-------|-------------------|--|----------------------------|---|---|--|-----------------------|
| 22 | 477637 | PANEL LOWER / 95MM X 243MM / B.A. From 5-8469 | | 1 | 1 | 1 | |
| 23 | 474006 | PANEL LOWER / 103MM X 255MM / S.B. To 5-8468 | | 1 | 1 | | |
| 23 | 477537 | PANEL LOWER / 103MM X 255MM / B.A. From 5-8469 | | 1 | 1 | | |
| 23 | 474262 | PANEL LOWER / 217MM X 255MM / S.B. To 5-8468 | | | | 1 | |
| 23 | 477638 | PANEL LOWER / 217MM X 255MM / B.A. From 5-8469 | | | | 1 | |
| 24 | 240415 | EDGE MOULDING W/FLUTED & SS RAIL RECESS | | 1 | 1 | 1 | |
| 24 | 240481 | EDGE MOULDING W/FLUTED PANEL To 4-8193 | | 1 | 1 | 1 | |
| 24 | 240528 | EDGE MOULDING W/FLUTED PANEL From 4-8194 | | 1 | 1 | 1 | |
| 25 | 571755 | SPACERS BUTTITE STAINLESS | | 22 | 22 | 22 | |
| 26 | 240436 | MOUNTING PLATE EDGE 43.2MM x 25MM | | 22 | 22 | 22 | |
| 27 | 474003 | PANEL LOWER / 394MM X 255MM / S.B. To 5-8468 | | 2 | 2 | 2 | |
| 27 | 477563 | PANEL LOWER / 394MM X 255MM / B.A. From 5-8469 | | 2 | 2 | 2 | |
| 30 | 504488 | RIVET MGLP PRDG 3/16x17/64 SS | | 14 | 14 | 14 | |
| 31 | Y2-0663-00 | DOCK & CORNERING LIGHT | | | | | |
| 32 | Y2-1855-00 | RUB RAIL - EXTERIOR CREST & TRIMS | | | | | |
| 33 | 474003 | PANEL LOWER / 394MM X 255MM / S.B. To 5-8468 | | 1 | 1 | 1 | |
| 33 | 477563 | PANEL LOWER / 394MM X 255MM / B.A. From 5-8469 | | 1 | 1 | 1 | |
| 34 | 473995 | PANEL LOWER / 127MM X 205MM / S.B. To 5-8468 | | 1 | 1 | 1 | |
| 34 | 477632 | PANEL LOWER / 127MM X 205MM / B.A. From 5-8469 | | 1 | 1 | 1 | |
| | | | | | | | |
| | | | | | | | |
| | | | | | | | |

From 7-9096 To 8-9278

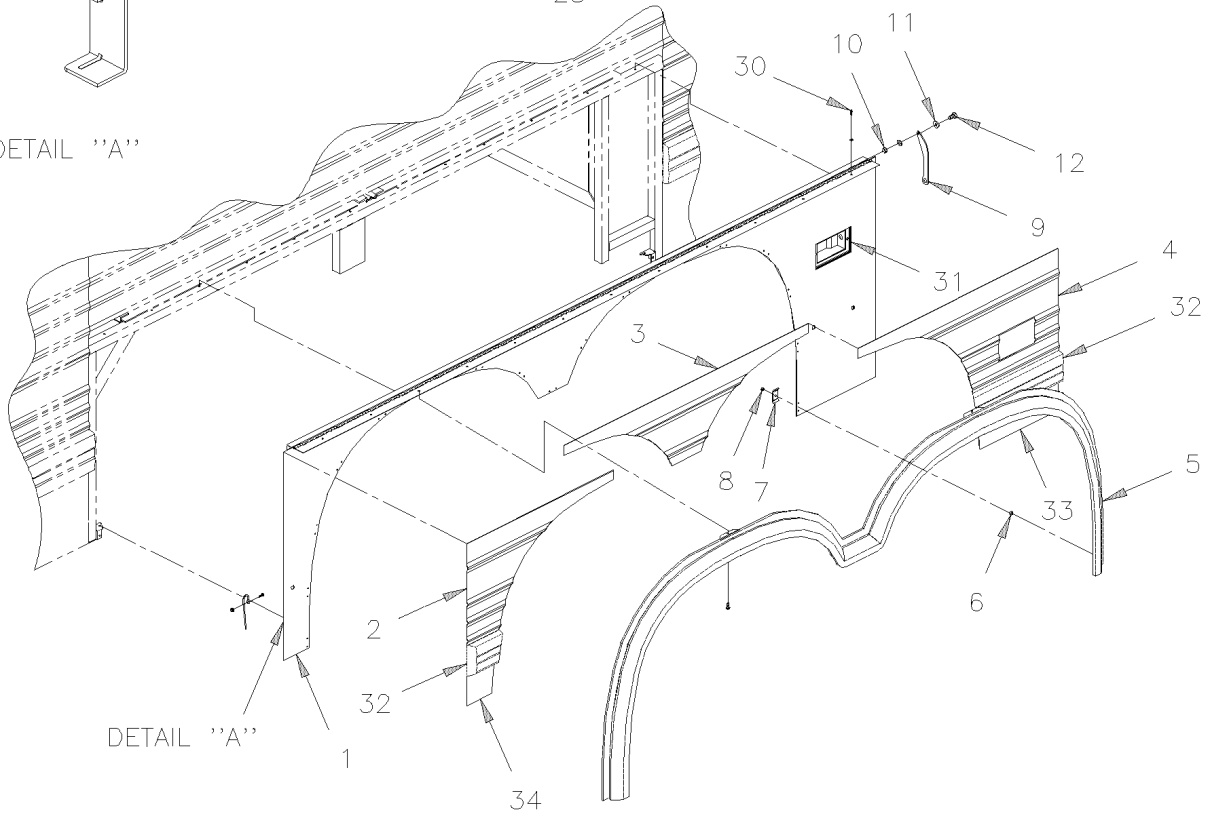
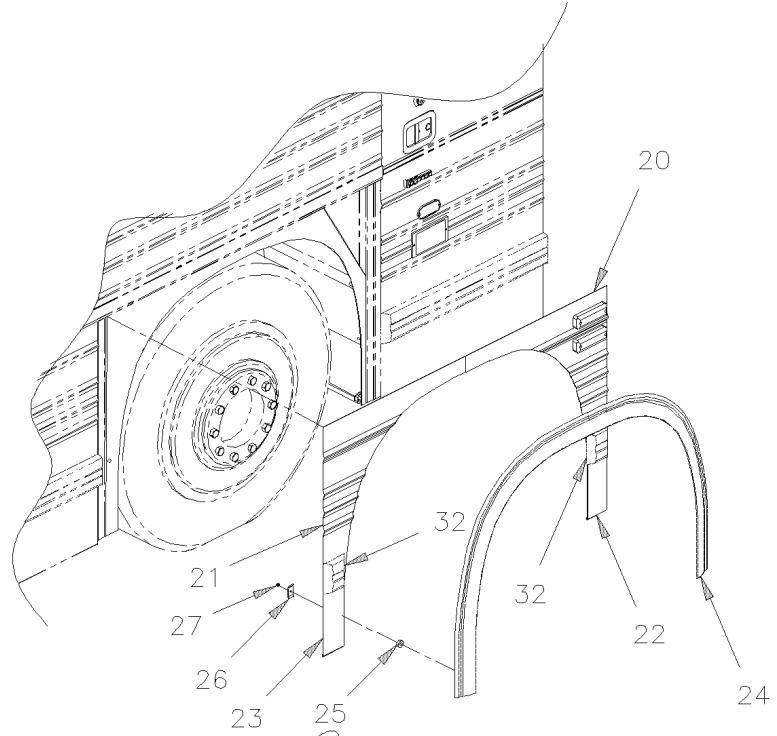
Date:10/2022

PAGE:Y2-1857-56

FENDERS R.H. - MTH 45 ENT



DETAIL "A"

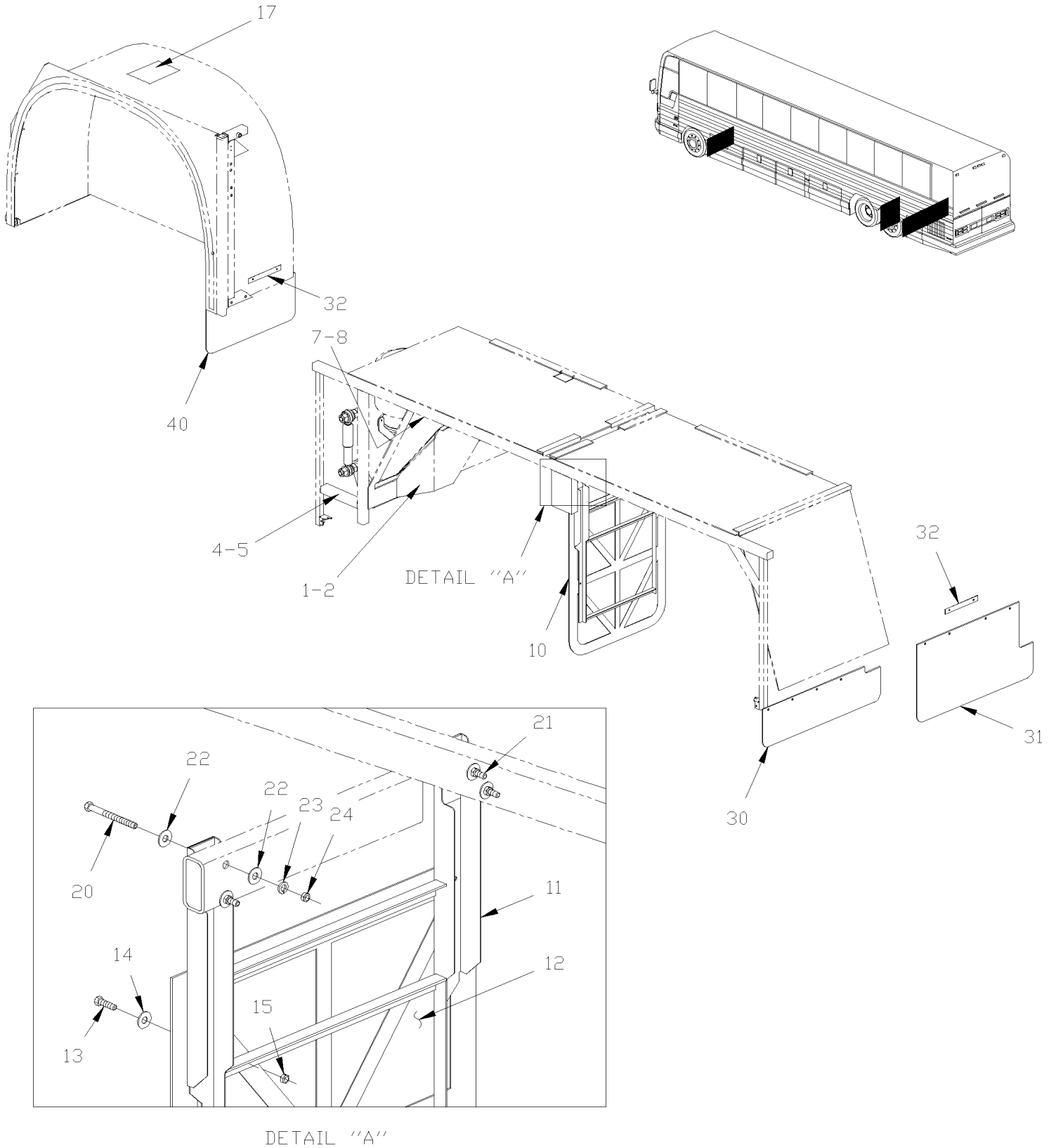


From Y-7046 To 8-9339

Date:10/2022

PAGE:Y2-1859-00

SPLASH GUARD - FRONT & REAR

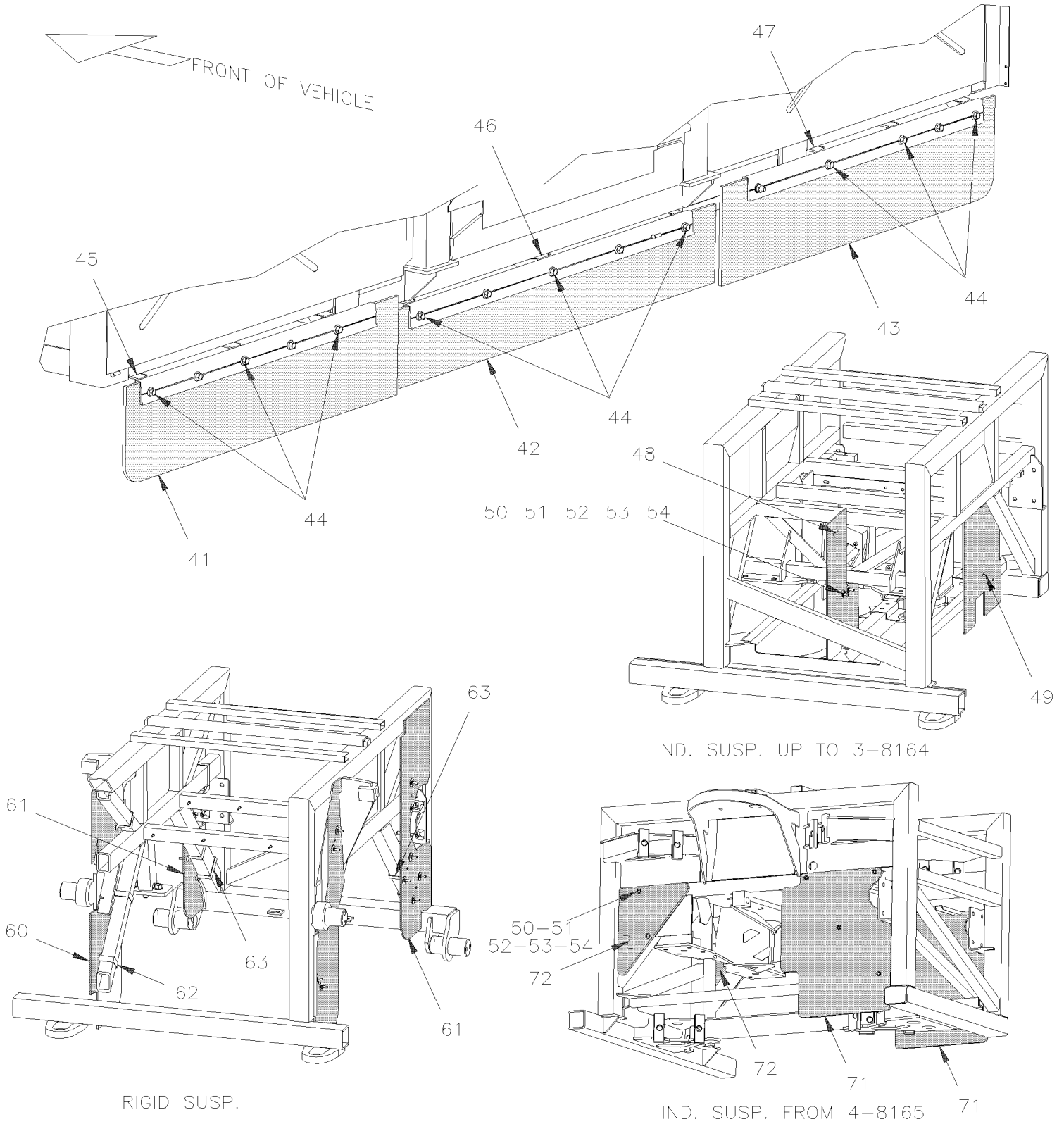


From Y-7046 To 8-9339

Date:10/2022

PAGE:Y2-1859-00

SPLASH GUARD - FRONT & REAR



| | | |
|--|--------------|-----------------|
| From Y-7046 To 8-9339 | Date:10/2022 | PAGE:Y2-1859-00 |
| SPLASH GUARD - FRONT & REAR | | |

| Item# | Part | Description | X L I I 4 5 | X L I I M T H 4 0 | X L I I M T H 4 5 | X L I I M T H 4 5 E | N O T E S |
|-------|---------|--|----------------------------|---|---|--|-----------------------|
| 1 | 460413 | SPLASH GUARD RH | 1 | | 1 | | |
| 1 | 460413 | SPLASH GUARD RH To 7-9095 | | 1 | | 1 | |
| 1 | 460644 | SPLASH GUARD RH From 7-9096 | | | | 1 | |
| 2 | 460414 | SPLASH GUARD LH | 1 | | 1 | | |
| 2 | 460414 | SPLASH GUARD LH To 7-9095 | | 1 | | 1 | |
| 2 | 460645 | SPLASH GUARD LH From 7-9096 | | | | 1 | |
| 4 | 214382 | SUPPORT LH | 1 | | 1 | | |
| 4 | 214382 | SUPPORT LH To 7-9095 | | 1 | | 1 | |
| 4 | 460646 | SUPPORT From 7-9096 | | | | 1 | |
| 5 | 214404 | SUPPORT RH | 1 | | 1 | | |
| 5 | 214404 | SUPPORT RH To 7-9095 | | 1 | | 1 | |
| 5 | 460646 | SUPPORT From 7-9096 | | | | 1 | |
| 7 | 500440 | WASHER FL .250x.562x.065 Z050 | 7 | | 7 | | |
| 7 | 500440 | WASHER FL .250x.562x.065 Z050 To 7-9095 | | 7 | | 7 | |
| 7 | 5001169 | SCREW TP CAP HEXW #12x3/4 SS410 From 7-9096 | | | | 12 | |
| 8 | 500441 | WASHER FL .312x.734x.065 Z050 | 7 | | 7 | | |
| 8 | 500441 | WASHER FL .312x.734x.065 Z050 To 7-9095 | | 7 | | 7 | |
| 8 | 500411 | WASHER FL .260x.697x.050 SS From 7-9096 | | | | 12 | |
| 10 | 460358 | SPLASH GUARD / L.H. & R.H. / DRIVE & TAG | 2 | | 2 | | |
| 10 | 460358 | SPLASH GUARD / L.H. & R.H. / DRIVE & TAG To 7-9095 | | 2 | | 2 | |
| 10 | 460643 | SPLASH GUARD / R.H. DRIVE & TAG From 7-9096 | | | | 1 | |
| 10 | 460637 | SPLASH GUARD / L.H. DRIVE & TAG From 7-9096 | | | | 1 | |
| 11 | 460357 | . SUPPORT L.H. & R.H. | 1 | | 1 | | |
| 11 | 460357 | . SUPPORT L.H. & R.H. To 7-9095 | | 1 | | 1 | |
| 11 | 460638 | . SUPPORT L.H. & R.H. From 7-9096 | | | | 1 | |
| 12 | 460351 | . RUBBER PAD | 1 | | 1 | | |
| . NS | 960015 | .. RUBBER PAD | 1 | | 1 | | |
| 12 | 460351 | . RUBBER PAD To 7-9095 | | 1 | | 1 | |
| . NS | 960015 | .. RUBBER PAD To 7-9095 | | 1 | | 1 | |
| 12 | 460642 | . RUBBER PAD R.H. From 7-9096 | | | | 1 | |
| . NS | 960015 | .. RUBBER PAD From 7-9096 | | | | 1 | |
| 12 | 460641 | . RUBBER PAD L.H. From 7-9096 | | | | 1 | |
| . NS | 960015 | .. RUBBER PAD From 7-9096 | | | | 1 | |
| 12 | 960015 | .. RUBBER PAD | 1 | 1 | 1 | 1 | |
| 13 | 502737 | . SCREW CAP HEX M6-1.0x25 SS BK | 1 | | 1 | | |
| 13 | 502737 | . SCREW CAP HEX M6-1.0x25 SS BK To 7-9095 | | 1 | | 1 | |
| 13 | 5001636 | . SCREW CAP HEX M6-1.0x50 SS BK From 7-9096 | | | | 1 | |
| 14 | 500411 | . WASHER FL .260x.697x.050 SS | 10 | | 10 | | |
| 15 | 502573 | . WASHER FL 6.4x12.5x1.6 SS | 10 | | 10 | | |
| 15 | 502573 | . WASHER FL 6.4x12.5x1.6 SS To 7-9095 | | 10 | | 10 | |
| 15 | 5001182 | . NUT HEX NYRT M6-1.0 SS From 7-9096 | | | | 10 | |
| 17 | 214485 | ACCESS PANEL PLASTIC L.H. 278MM x 278MM To 2-7805 | | | 1 | | |

| | | |
|--|--------------|-----------------|
| From Y-7046 To 8-9339 | Date:10/2022 | PAGE:Y2-1859-00 |
| SPLASH GUARD - FRONT & REAR | | |

| Item# | Part | Description | X L I I 4 5 | X L I I M T H 4 0 | X L I I M T H 4 5 | X L I I M T H 4 5 E | N O T E S |
|-------|---------|---|----------------------------|---|---|--|-----------------------|
| 17 | 214668 | ACCESS PANEL PLASTIC L.H. 275MM x 625MM From 7-7806 | | | 1 | | |
| NS | 504249 | RIVET CHY Q PRDG 3/16x3/8 SS | | | 1 | | |
| NS | 504379 | RIVET POP DOME OE 3/16x1/4 SS | | | 1 | | |
| NS | 790482 | SCCELLANT BUTYL / NOIR "GUERTIN" | | | 1 | | |
| 20 | 5001185 | SCREW CAP HEX M8-1.25x80 SS BK | 4 | 4 | 4 | 4 | |
| 21 | 5001186 | SCREW CAP HEX M8-1.25x90 SS BK | 4 | 4 | 4 | 4 | |
| 22 | 500270 | WASHER FL .406x1.000x.063 SS | 8 | 8 | 8 | 8 | |
| 23 | 5001161 | WASHER LO SPT 8.1x14.8x2.0 SS-304 | 4 | 4 | 4 | 4 | |
| 24 | 5001188 | NUT HEX M8-1.25 SS | 4 | 4 | 4 | 4 | |
| 30 | 460397 | SPLASH GUARD / BEHIND TAG AXLE STREETSIDE 730MM x 273MM To 6-8906 | 1 | | | | |
| 30 | 460397 | SPLASH GUARD / BEHIND TAG AXLE STREETSIDE 730MM x 273MM From 4-8165 To 5-8523 | | 1 | 1 | 1 | |
| 30 | 460458 | SPLASH GUARD / BEHIND TAG AXLE STREETSIDE 730MM x 400MM From 5-8524 | | | 1 | | |
| 31 | 460396 | SPLASH GUARD / BEHIND TAG AXLE CURBSIDE 730MM x 740MM To 6-8906 | 1 | | | | |
| 31 | 460396 | SPLASH GUARD / BEHIND TAG AXLE CURBSIDE 730MM x 740MM | | 1 | 1 | 1 | |
| 32 | 460189 | STRIP, FIXATION / SS 203MM W/2 HOLES To 6-8906 | 4 | | | | |
| NS | 500923 | SCREW TC CAP HEX 1/4-20x3/4 Z050 To 6-8906 | 1 | | | | |
| 40 | 490081 | SPLASH GUARD / BEHIND FRONT AXLE 9" X 22" | 2 | 2 | 2 | 2 | |
| NS | 500165 | SCREW CAP HEX 1/4-20x1 G5 Z050 To 6-8906 | 8 | | | | |
| NS | 500473 | WASHER LO SPT .262x.489x.062 Z050 To 6-8906 | 8 | | | | |
| NS | 500769 | NUT HEX 1/4-20 Z050 To 6-8906 | 8 | | | | |
| NS | 507335 | PROTECTOR CAP / BLACK / .234 I.D. x .500 To 6-8906 | 8 | | | | |
| 41 | 460449 | AIR SHIELD DEFLECTOR ASSY / STREETSIDE | 1 | 1 | 1 | 1 | |
| NS | 460443 | AIR SHIELD DEFLECTOR | 1 | 1 | 1 | 1 | |
| NS | 460433 | EXTRUSION ALUMINUM / STREETSIDE | 1 | 1 | 1 | 1 | |
| 42 | 460450 | AIR SHIELD DEFLECTOR ASSY / CENTER | 1 | 1 | 1 | 1 | |
| NS | 460444 | AIR SHIELD DEFLECTOR / CENTER | 1 | 1 | 1 | 1 | |
| NS | 460434 | EXTRUSION ALUMINUM / CENTER | 1 | 1 | 1 | 1 | |
| 43 | 460451 | AIR SHIELD DEFLECTOR ASSY / CURBSIDE | 1 | 1 | 1 | 1 | |
| NS | 460445 | AIR SHIELD DEFLECTOR / CURBSIDE | 1 | 1 | 1 | 1 | |
| NS | 460435 | EXTRUSION ALUMINUM / CURBSIDE | 1 | 1 | 1 | 1 | |
| 44 | 502912 | SCREW CAP HEXF M8-1.25x25 SS BK | 15 | 15 | 15 | 15 | |
| 44 | 502911 | NUT HEXF M8-1.25 SS | 6 | | | 6 | |
| 45 | 460440 | SUPPORT / AIR SHIELD / STREETSIDE | 1 | 1 | 1 | 1 | |
| 46 | 460441 | SUPPORT / AIR SHIELD / CENTER | 1 | 1 | 1 | 1 | |
| 47 | 460442 | SUPPORT / AIR SHIELD / CURBSIDE | 1 | 1 | 1 | 1 | |
| 48 | 460452 | AIR SHIELD DEFLECTOR / FORWARD / W/IND SUSPENSION To 3-8164 | 1 | | | 1 | A |
| 49 | 460386 | AIR SHIELD DEFLECTOR / BACKWARD / W/IND SUSPENSION To 3-8164 | 2 | | | | A |
| 50 | 464663 | COLLAR ASSY / W/IND SUSPENSION / 44MM FORWARD To 3-8164 | 2 | 2 | 2 | 2 | C |
| 51 | 502565 | NUT HEX M6-1.0 SS | AR | AR | AR | AR | |
| 52 | 502570 | WASHER LO SPT 6.1x11.8x1.6 SS | AR | AR | AR | AR | |
| 53 | 502573 | WASHER FL 6.4x12.5x1.6 SS | AR | AR | AR | AR | |
| 54 | 502810 | SCREW TP CAP HEXW FL M6.3-1.81x30 PHC To 6-8906 | 8 | | | | |

| | | |
|--|--------------|-----------------|
| From Y-7046 To 8-9339 | Date:10/2022 | PAGE:Y2-1859-00 |
| SPLASH GUARD - FRONT & REAR | | |

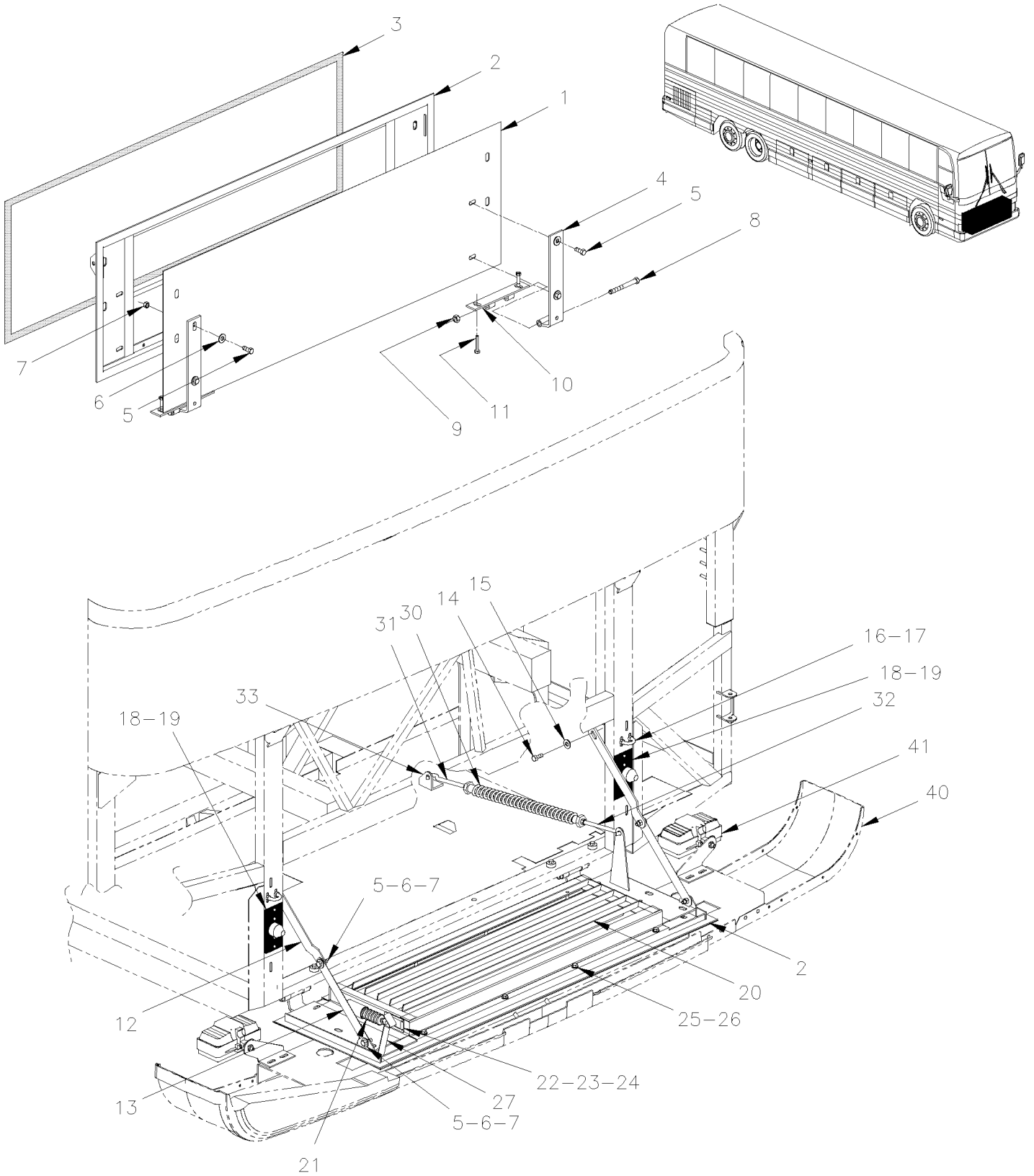
| Item# | Part | Description | X L I I 4 5 | X L I I M T H 4 0 | X L I I M T H 4 5 | X L I I M T H 4 5 E | N O T E S |
|-------|---------|---|----------------------------|---|---|--|-----------------------|
| 60 | 460439 | AIR SHIELD DEFLECTOR / FORWARD / W/RIGID SUSPENSION | 1 | | | 1 | B |
| 61 | 460446 | AIR SHIELD DEFLECTOR / BACKWARD / W/RIGID SUSPENSION | 1 | | | 1 | B |
| 62 | 464665 | COLLAR ASSY / W/I BEAM SUSPENSION / 57MM BACKWARD To 3-8164 | 6 | | | 6 | B |
| 63 | 464664 | COLLAR ASSY / W/I BEAM SUSPENSION / 82MM BACKWARD To 3-8164 | 6 | | | 6 | B |
| NS | 460436 | KIT RETROFIT AIR SHIELD DEFLECTOR / W/IND SUSPENSION | 1 | | | 1 | |
| . NS | D460031 | . SEE DRAWING | 1 | | | 1 | |
| NS | 460437 | KIT RETROFIT AIR SHIELD DEFLECTOR / W/RIGID SUSPENSION | 1 | | | 1 | |
| . NS | D460031 | . SEE DRAWING | 1 | | | 1 | |
| 71 | 460455 | AIR SHIELD DEFLECTOR / FORWARD / W/IND SUSPENSION From 4-8165 To 6-8805 | 2 | 2 | 2 | 2 | |
| 71 | 460492 | AIR SHIELD DEFLECTOR / FORWARD / W/IND SUSPENSION From 6-8806 | 2 | 2 | 2 | 2 | |
| 72 | 460456 | AIR SHIELD DEFLECTOR / BACKWARD / W/IND SUSPENSION From 4-8165 | 2 | 2 | 2 | 2 | |
| | | | | | | | |
| | | | | | | | |
| | | A) BUS W/INDEPENDANT SUSPENSION ONLY | | | | | |
| | | B) INCLUDE IN RETROFIT KIT #460437 | | | | | |
| | | C) INCLUDE IN RETROFIT KIT #460436 | | | | | |

From Y-7046 To 2-7764

Date:10/2022

PAGE:Y2-1860-10

SPARE WHEEL DOOR ASSY



| | | |
|------------------------------|--------------|-----------------|
| From Y-7046 To 2-7764 | Date:10/2022 | PAGE:Y2-1860-10 |
| SPARE WHEEL DOOR ASSY | | |

| Item# | Part | Description | X L I I 4 5 | X L I I M T H 4 0 | X L I I M T H 4 5 | X L I I M T H 4 5 E | N O T E S |
|-------|---------|---|----------------------------|---|---|--|-----------------------|
| | 286702P | SPARE WHEEL DOOR ASSY / W/HINGE | 1 | | | | A |
| | 287350 | SPARE WHEEL DOOR ASSY / W/PLAIN PANEL | | 1 | 1 | 1 | |
| | 287352 | SPARE WHEEL DOOR ASSY / W/PERFORATED | | 1 | 1 | 1 | |
| | 287354 | SPARE WHEEL DOOR ASSY / W/HINGE | | | | 1 | C |
| | 286718 | . SPARE WHEEL DOOR ASSY | 1 | | | | A |
| 1 | 286576 | .. PANEL, PLASTIC | 1 | | | | A |
| 1 | 473710 | .. PANEL, PLAIN PANEL | | 1 | 1 | 1 | |
| 1 | 473711 | .. PANEL, PERFORATED | | 1 | 1 | 1 | |
| 2 | 285869 | .. FRAME | | 1 | 1 | 1 | |
| 2 | 286995 | .. FRAME | | 1 | 1 | 1 | |
| 2 | 287002 | .. FRAME | 1 | | | | A |
| 3 | 285891 | . RUBBER SEAL EXTRUSION / SPARE WHEEL DOOR | 1 | 1 | 1 | 1 | |
| 3 | 289935 | . RUBBER SEAL EXTRUSION / SPARE WHEEL DOOR | 1 | 1 | 1 | 1 | |
| 3 | 288907 | . RUBBER SEAL EXTRUSION / SPARE WHEEL DOOR | 1 | 1 | 1 | 1 | |
| 3 | 2800124 | . RUBBER SEAL EXTRUSION / SPARE WHEEL DOOR | 1 | 1 | 1 | 1 | |
| 4 | 286094 | . HINGE UPPER SECTION | | 2 | 2 | 2 | |
| 4 | 287939 | . HINGE UPPER SECTION / W/REINFORCEMENT | 2 | | | | A |
| 5 | 500191 | SCREW CAP HEX 3/8-16x1 G5 Z050 | 8 | 8 | 8 | 8 | |
| 6 | 500445 | WASHER FL .437x1.000x.083 Z050 | 16 | 16 | 16 | 16 | |
| 7 | 500265 | NUT HEX STO 3/8-16 Z050 | 8 | 8 | 8 | 8 | |
| 8 | 500080 | SCREW CAP HEX 7/16-20x4 1/2 G5 Z050 | 1 | 1 | 1 | 1 | |
| 9 | 500714 | NUT HEX STO 7/16-20 Z050 | 1 | 1 | 1 | 1 | |
| 10 | 286092 | HINGE LOWER SECTION | 1 | 1 | 1 | 1 | |
| 11 | 500214 | SCREW CAP HEX 1/2-13x1 1/4 G5 Z050 | 4 | 4 | 4 | 4 | |
| NS | 500482 | WASHER LO SPT .506x.873x.125 Z050 | 4 | 4 | 4 | 4 | |
| NS | 500448 | WASHER FL .625x1.469x.109 ZP | 4 | 4 | 4 | 4 | |
| 12 | 281348 | . ARM, TIRE DOOR SUPPORT SUPERIOR | 2 | 2 | 2 | 2 | |
| 13 | 281347 | . ARM, TIRE DOOR SUPPORT INFERIOR | 2 | 2 | 2 | 2 | |
| 14 | 500192 | SCREW CAP HEX 3/8-16x1 1/4 G5 Z050 | 4 | 4 | 4 | 4 | |
| 15 | 500444 | WASHER FL .406x.812x.065 Z050 | 8 | 8 | 8 | 8 | |
| NS | 500265 | NUT HEX STO 3/8-16 Z050 | 2 | 2 | 2 | 2 | |
| 16 | 5001424 | U-BOLT 1" I.D. x 2 3/16 x 5/16-18 SS | 2 | 2 | 2 | 2 | |
| 17 | 5001083 | NUT HEXF NYRT 5/16-18 Z050 | 8 | 8 | 8 | 8 | |
| 18 | 410668 | RUBBER BUMPER 61.4MM X 48MM | 4 | 4 | 4 | 4 | |
| 19 | 500310 | SCREW TC FL PH #10-24x1 1/4 SS410 | 8 | 8 | 8 | 8 | |
| 20 | 051570 | SHUTTER ASSY | | 1 | 1 | 1 | |
| . NS | 550568 | . CYLINDER AIR / SHUTTER / W/4" MOUNT | | 1 | 1 | 1 | |
| . NS | 550569 | . BOOT RUBBER | | 1 | 1 | 1 | |
| . NS | 550577 | . SPRING EXTENSION / .350 O.D. x 6.875 x .069 | | 1 | 1 | 1 | |
| . NS | 550179 | . BUSHING 5/16" I.D. / NYLON | | AR | AR | AR | |
| NS | 550577 | . SPRING EXTENSION / .350 O.D. x 6.875 x .069 | | 1 | 1 | 1 | |
| 21 | 550568 | . CYLINDER AIR / SHUTTER / W/4" MOUNT | | 1 | 1 | 1 | |

| | | |
|------------------------------|--------------|-----------------|
| From Y-7046 To 2-7764 | Date:10/2022 | PAGE:Y2-1860-10 |
| SPARE WHEEL DOOR ASSY | | |

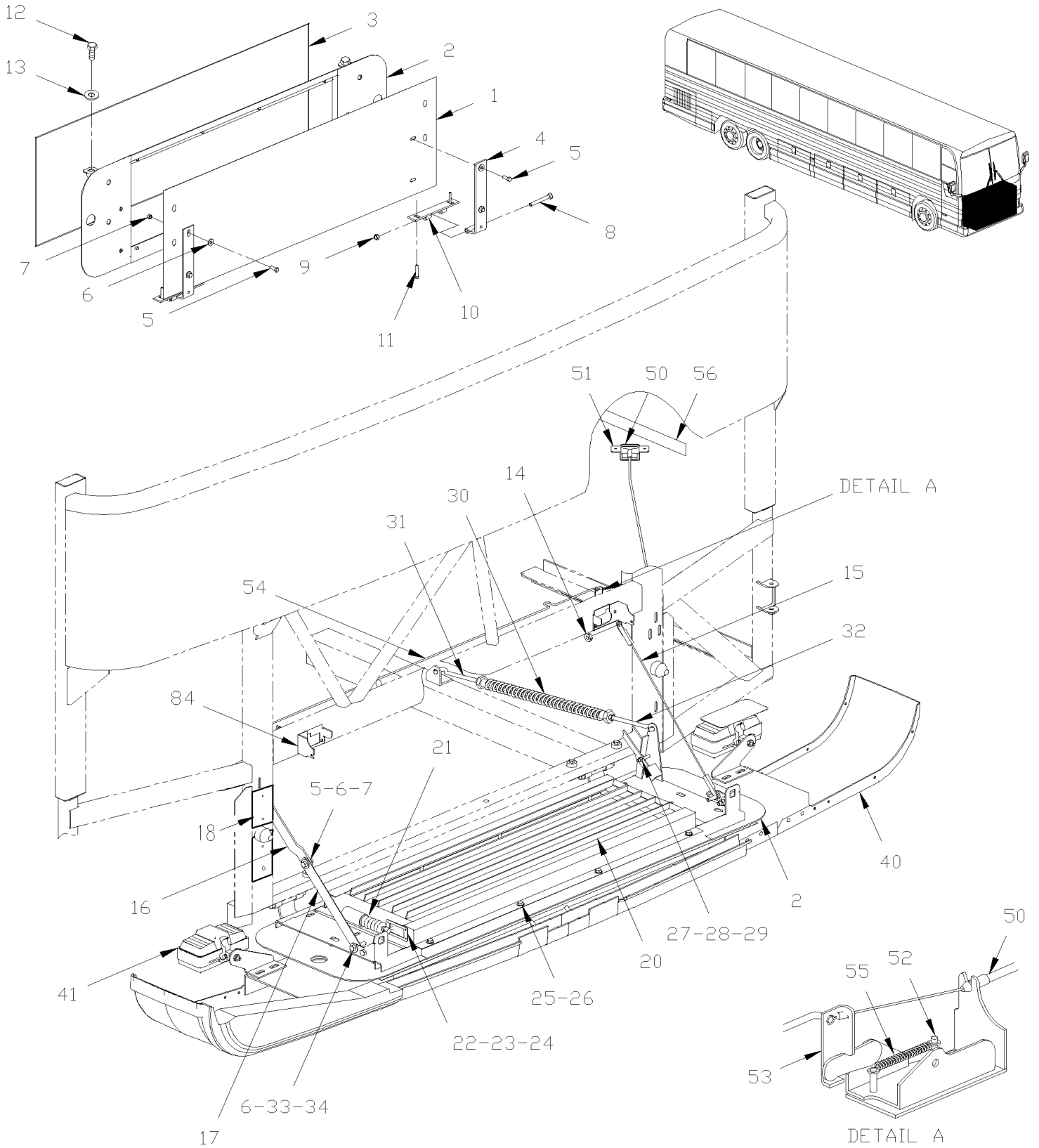
| Item# | Part | Description | X L I I 4 5 | X L I I M T H 4 0 | X L I I M T H 4 5 | X L I I M T H 4 5 E | N O T E S |
|-------|-------------------|---|----------------------------|---|---|--|-----------------------|
| NS | 550569 | . . BOOT RUBBER | | 1 | 1 | 1 | |
| NS | 550179 | . . BUSHING 5/16" I.D. / NYLON | | 1 | 1 | 1 | |
| 21 | 641365 | MALE ELBOW 45° NON-SWIVEL / PUSH-IN FITTING / #4x1/8NPT-M BR | | 1 | 1 | 1 | |
| NS | 640996 | MALE ELBOW 90° / NTA FITTING / #4x1/8NPT-M BR | | 1 | 1 | 1 | |
| NS | 503402 | TUBE, NYLON 1/4 O.D. / BLACK S.L. | | 1 | 1 | 1 | |
| 22 | 282953 | PLATE, CLOSING | | 1 | 1 | 1 | |
| 23 | 282954 | GASKET | | 1 | 1 | 1 | |
| 24 | 504340 | RIVET POP DOME OE 1/8x3/16 SS | | 4 | 4 | 4 | |
| 25 | 500639 | SCREW CAP HEXS 5/16-18x7/8 ZP | | 8 | 8 | 8 | |
| 26 | 500441 | WASHER FL .312x.734x.065 Z050 | 8 | 8 | 8 | 8 | |
| NS | 500476 | WASHER LO SPT .317x.586x.078 Z050 | 8 | 8 | 8 | 8 | |
| 27 | 410656 | SAFETY HOOK | 1 | 1 | 1 | 1 | |
| 30 | 285156 | SPRING ASSY To 1-7546 | 1 | 1 | 1 | 1 | |
| 30 | 410836 | SPRING ASSY From 1-7547 | 1 | 1 | 1 | 1 | B |
| 31 | 5001238 | . SCREW HOOK 3/8-16x5 ZP | 1 | 1 | 1 | 1 | |
| NS | 500102 | . NUT HEX 3/8-16 SS | 1 | 1 | 1 | 1 | |
| 32 | 5001239 | . SCREW HOOK 3/8-16x5 LH ZP | 1 | 1 | 1 | 1 | |
| NS | 5061019 | . NUT HEX LH 3/8-16 SS | 1 | 1 | 1 | 1 | |
| 33 | 285155 | ANGLE SUPPORT BUMPER SPRING | 1 | 1 | 1 | 1 | |
| NS | 288003 | KIT SPRING CLEARANCE STEERING BOX XLII SPARE WHEEL DOOR To 2-7764 | 1 | 1 | 1 | 1 | |
| . NS | IS-01095 | . SEE INSTRUCTION SHEET To 2-7764 | | | | | |
| 40 | Y2-1850-00 | BUMPER FRONT | | | | | |
| 41 | Y2-0661-00 | FOG LAMP | | | | | |
| | | | | | | | |
| | | | | | | | |
| | | | | | | | |
| | | | | | | | |
| | | A) ALSO USE WITH MTH-45S WITH SPARE TIRE | | | | | |
| | | B) PRODUCT IMPROVMENT ASK KIT #288003 | | | | | |
| | | C) USE W/OUT SPARE & WITH BLACK BUMPER | | | | | |

From 2-7765 To 8-9339

Date:10/2022

PAGE:Y2-1860-11

SPARE WHEEL DOOR ASSY



| | | |
|------------------------------|--------------|-----------------|
| From 2-7765 To 8-9339 | Date:10/2022 | PAGE:Y2-1860-11 |
| SPARE WHEEL DOOR ASSY | | |

| Item# | Part | Description | X L I I 4 5 | X L I I M T H 4 0 | X L I I M T H 4 5 | X L I I M T H 4 5 E | N O T E S |
|-------|---------|--|----------------------------|---|---|--|-----------------------|
| | 287252P | SPARE WHEEL DOOR ASSY / W/HINGE To 6-8906 | 1 | | | | |
| | 287351 | SPARE WHEEL DOOR ASSY / W/PLAIN PANEL | | 1 | 1 | 1 | |
| | 287353 | SPARE WHEEL DOOR ASSY / W/PERFORATED | | 1 | 1 | 1 | |
| | 287355 | SPARE WHEEL DOOR ASSY / W/HINGE | | | | 1 | C |
| 1 | 287289 | . PANEL, PLASTIC | 1 | | | 1 | A |
| 1 | 287299 | . PANEL, PERFORATED / S.B. To 5-8468 | | 1 | 1 | 1 | |
| 1 | 288536 | . PANEL, PERFORATED / B.A. From 5-8469 | | 1 | 1 | 1 | |
| 1 | 287300 | . PANEL, PLAIN PANEL / S.B. To 5-8468 | | 1 | 1 | 1 | |
| 1 | 288535 | . PANEL, PLAIN PANEL WITHOUT ACB SYSTEM / B.A. From 5-8469 | | 1 | 1 | 1 | |
| 2 | 287294 | . FRAME ASSY To 2-7890 | | 1 | 1 | 1 | |
| 2 | 287386 | . FRAME ASSY From 2-7891 | | 1 | 1 | 1 | |
| 2 | 287955 | . FRAME ASSY To 2-7890 | 1 | | | 1 | A |
| 2 | 287385 | . FRAME ASSY From 2-7891 | 1 | | | 1 | A |
| 3 | 285891 | . RUBBER SEAL EXTRUSION / SPARE WHEEL DOOR To 5-8650 | 1 | 1 | 1 | 1 | |
| 3 | 289935 | . RUBBER SEAL EXTRUSION / SPARE WHEEL DOOR From 5-8651 | 1 | 1 | 1 | 1 | |
| 3 | 288907 | . RUBBER SEAL EXTRUSION / SPARE WHEEL DOOR | 1 | 1 | 1 | 1 | |
| 3 | 2800124 | . RUBBER SEAL EXTRUSION / SPARE WHEEL DOOR | 1 | 1 | 1 | 1 | |
| 4 | 287265 | . HINGE UPPER SECTION / W/REINFORCEMENT To 4-8358 | 2 | | | | A |
| 4 | 288564 | . HINGE UPPER SECTION From 4-8359 | 2 | 2 | 2 | 2 | |
| 4 | 287266 | . HINGE UPPER SECTION To 4-8358 | | 2 | 2 | 2 | |
| 5 | 955535 | . SCREW CAP HEX 3/8-16x1 1/4 G5 ZG603 | 4 | 4 | 4 | 4 | |
| NS | 287383 | . RETAINING PLATE W/NUT / 195MM X 30MM | 2 | 2 | 2 | 2 | |
| 6 | 500445 | . WASHER FL .437x1.000x.083 Z050 | 10 | 10 | 10 | 10 | |
| NS | 500897 | . WASHER FL .437x1.000x.083 N500 | 6 | 6 | 6 | 6 | |
| 7 | 500102 | . NUT HEX 3/8-16 SS | 6 | 6 | 6 | 6 | |
| 8 | 500080 | . SCREW CAP HEX 7/16-20x4 1/2 G5 Z050 | 2 | 2 | 2 | 2 | |
| 9 | 3853273 | . NUT HEX STO 7/16-20 ZG603 | 2 | 2 | 2 | 2 | |
| 10 | 287264 | . HINGE LOWER SECTION To 4-8358 | 2 | 2 | 2 | 2 | |
| 10 | 288563 | . HINGE LOWER SECTION From 4-8359 | 2 | 2 | 2 | 2 | |
| 11 | 500214 | . SCREW CAP HEX 1/2-13x1 1/4 G5 Z050 | 4 | 4 | 4 | 4 | |
| 11 | 500482 | . WASHER LO SPT .506x.873x.125 Z050 | 4 | 4 | 4 | 4 | |
| 11 | 500448 | . WASHER FL .625x1.469x.109 ZP | 4 | 4 | 4 | 4 | |
| 12 | 284438 | . PIN STRIKER | 2 | 2 | 2 | 2 | |
| 13 | 284447 | . WASHERS BELLEVILLE | 2 | 2 | 2 | 2 | |
| 14 | 500265 | NUT HEX STO 3/8-16 Z050 | AR | AR | AR | AR | |
| 15 | 287284 | CABLE DOOR ASSY 550MM To 2-7851 | 2 | 2 | 2 | 2 | |
| 15 | 287284 | CABLE DOOR ASSY 550MM From 2-7852 | 1 | 1 | 1 | 1 | |
| 16 | 281348 | ARM, TIRE DOOR SUPPORT SUPERIOR From 2-7852 | 1 | 1 | 1 | 1 | |
| 17 | 281347 | ARM, TIRE DOOR SUPPORT INFERIOR From 2-7852 | 1 | 1 | 1 | 1 | |
| 18 | 287258 | RUBBER BUMPER 126MM X 48MM From 5-8359 | 4 | 4 | 4 | 4 | |
| NS | 502903 | SCREW TC FL PH #10-24x1 1/4 N500 From 5-8359 | 8 | 8 | 8 | 8 | |
| NS | 411084 | SHIM SPACER | 4 | 4 | 4 | 4 | |

| | | |
|------------------------------|--------------|-----------------|
| From 2-7765 To 8-9339 | Date:10/2022 | PAGE:Y2-1860-11 |
| SPARE WHEEL DOOR ASSY | | |

| Item# | Part | Description | X L I I 4 5 | X L I I M T H 4 0 | X L I I M T H 4 5 | X L I I M T H 4 5 E | N O T E S |
|-------|-------------------|--|----------------------------|---|---|--|-----------------------|
| 20 | 051570 | SHUTTER ASSY | | 1 | 1 | 1 | |
| . NS | 550568 | . CYLINDER AIR / SHUTTER / W/4" MOUNT | | 1 | 1 | 1 | |
| . NS | 550569 | . BOOT RUBBER | | 1 | 1 | 1 | |
| . NS | 550577 | . SPRING EXTENSION / .350 O.D. x 6.875 x .069 | | 1 | 1 | 1 | |
| . NS | 550179 | . BUSHING 5/16" I.D. / NYLON | | AR | AR | AR | |
| NS | 550577 | . SPRING EXTENSION / .350 O.D. x 6.875 x .069 | | 1 | 1 | 1 | |
| 21 | 550568 | . CYLINDER AIR / SHUTTER / W/4" MOUNT | | 1 | 1 | 1 | |
| NS | 550569 | . BOOT RUBBER | | 1 | 1 | 1 | |
| NS | 550179 | . BUSHING 5/16" I.D. / NYLON | | AR | AR | AR | |
| NS | 641365 | MALE ELBOW 45° NON-SWIVEL / PUSH-IN FITTING / #4x1/8NPT-M BR | | 1 | 1 | 1 | |
| NS | 640996 | MALE ELBOW 90° / NTA FITTING / #4x1/8NPT-M BR | | 1 | 1 | 1 | |
| NS | 503402 | TUBE, NYLON 1/4 O.D. / BLACK S.L. | | 8 | 8 | 8 | |
| 22 | 282953 | PLATE, CLOSING | | 1 | 1 | 1 | |
| 23 | 282954 | GASKET | | 1 | 1 | 1 | |
| 24 | 504340 | RIVET POP DOME OE 1/8x3/16 SS | | 1 | 1 | 1 | |
| 25 | 500639 | SCREW CAP HEXS 5/16-18x7/8 ZP To 6-8906 | 8 | | | | |
| 26 | 500441 | WASHER FL .312x.734x.065 Z050 | AR | AR | AR | AR | |
| NS | 500476 | WASHER LO SPT .317x.586x.078 Z050 | AR | AR | AR | AR | |
| 27 | 287274 | DOOR LOCKER | 1 | 1 | 1 | 1 | |
| 28 | 502170 | PIN, CLEVIS 5/16 x 1 5/8 SS | 1 | 1 | 1 | 1 | |
| 29 | 502097 | PIN, COTTER 3/32 x 3/4 | 1 | 1 | 1 | 1 | |
| 30 | 285156 | SPRING ASSY To 2-7890 | 1 | 1 | 1 | 1 | |
| 30 | 410836 | SPRING ASSY From 2-7891 | 1 | 1 | 1 | 1 | |
| 31 | 5001238 | SCREW HOOK 3/8-16x5 ZP | AR | AR | AR | AR | |
| 32 | 500102 | NUT HEX 3/8-16 SS | AR | AR | AR | AR | |
| 33 | 500197 | SCREW CAP HEX 3/8-16x1 G5 N500 | 2 | 2 | 2 | 2 | |
| 34 | 500265 | NUT HEX STO 3/8-16 Z050 | 2 | 2 | 2 | 2 | |
| 40 | Y2-1850-01 | BUMPER FRONT To 4-8358 | | | | | |
| 40 | Y2-1850-02 | BUMPER FRONT From 4-8359 | | | | | |
| 41 | Y2-0660-01 | HEADLAMP & FRONT DIRECTIONAL LAMPS ROUND "HALOGENE" & "XENON" | | | | | |
| 50 | 287285 | CABLE HANDLE ASSY To 8-9292 | 1 | 1 | 1 | 1 | |
| 50 | 289495 | CABLE HANDLE ASSY From 8-9293 | 1 | 1 | 1 | 1 | |
| NS | 504379 | RIVET POP DOME OE 3/16x1/4 SS | 4 | 4 | 4 | 4 | |
| 51 | 287288 | SUPPORT / HANDLE To 8-9292 | 1 | 1 | 1 | 1 | |
| 51 | 289981 | SUPPORT / HANDLE From 8-9293 | 1 | 1 | 1 | 1 | |
| NS | 502500 | SCREW TC BDG PH #8-32x1/2 CJ | 2 | 2 | 2 | 2 | |
| NS | 5001378 | WASHER LO EXT 5.3x10x0.6 Z050 | 2 | 2 | 2 | 2 | |
| 52 | 780588 | LOCK SPAGNOLET R.H. / W/G-FITTING To 2-7755 | 2 | 2 | 2 | 2 | |
| . NS | 780340 | . CLIP, RETAINER ROD To 2-7755 | 1 | 1 | 1 | 1 | |
| . NS | 507607 | . GREASE FITTING / M6-1.00 To 2-7755 | 1 | 1 | 1 | 1 | |
| 52 | 780653 | LOCK SPAGNOLET R.H. / W/G-FITTING From 2-7756 To 3-8108 | 2 | | | | |
| . NS | 780340 | . CLIP, RETAINER ROD From 2-7756 To 3-8108 | 1 | | | | |

| | | |
|------------------------------|--------------|-----------------|
| From 2-7765 To 8-9339 | Date:10/2022 | PAGE:Y2-1860-11 |
| SPARE WHEEL DOOR ASSY | | |

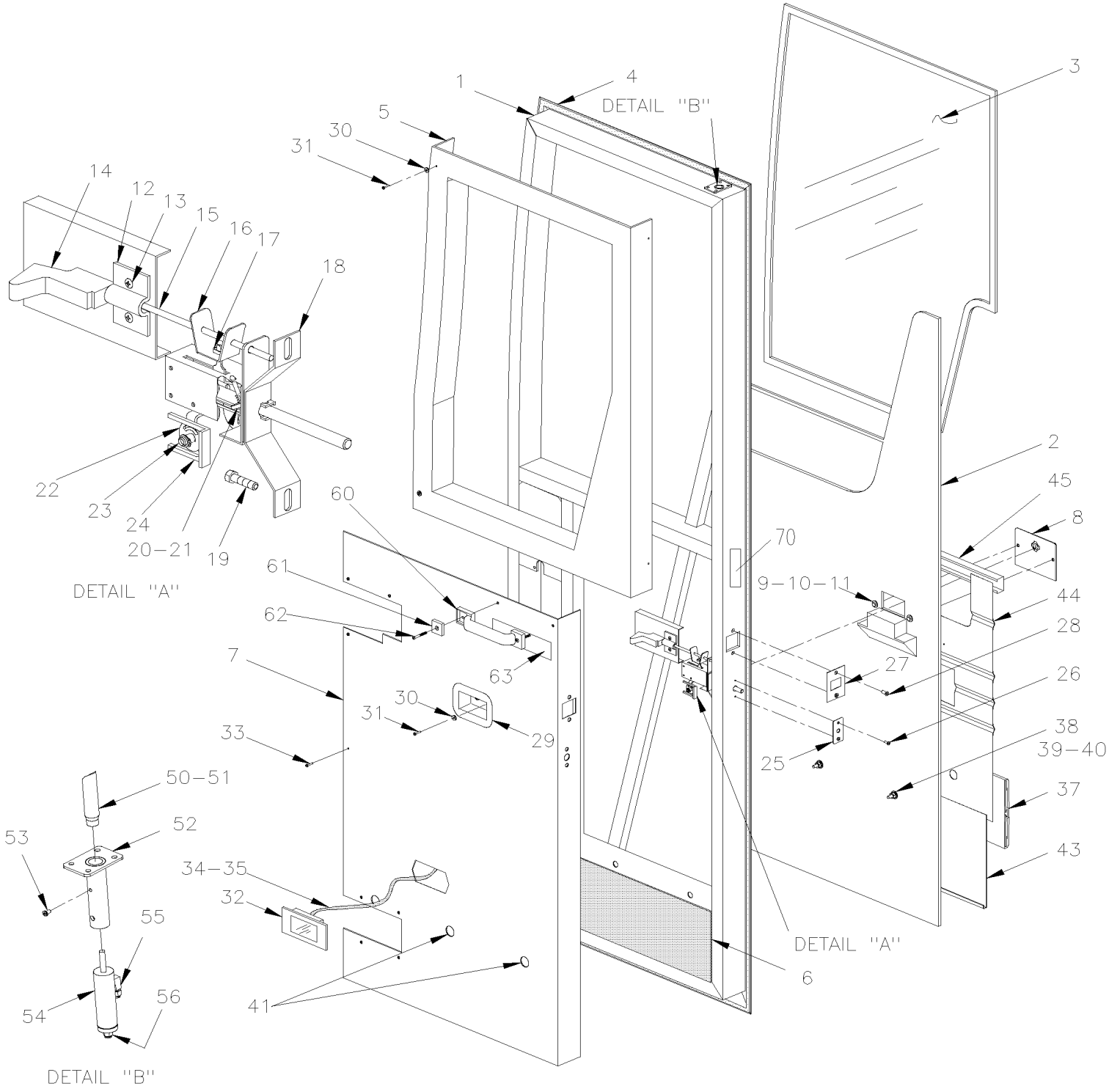
| Item# | Part | Description | X L I I 4 5 | X L I I M T H 4 0 | X L I I M T H 4 5 | X L I I M T H 4 5 E | N O T E S |
|-------|--------|---|----------------------------|---|---|--|-----------------------|
| . NS | 507607 | . GREASE FITTING / M6-1.00 From 2-7756 To 3-8108 | 1 | | | | |
| 52 | 780653 | LOCK SPAGNOLET R.H. / W/G-FITTING From 3-8109 To 6-8906 | 1 | | | | |
| . NS | 780340 | . CLIP, RETAINER ROD From 3-8109 To 6-8906 | 1 | | | | |
| . NS | 507607 | . GREASE FITTING / M6-1.00 From 3-8109 To 6-8906 | 1 | | | | |
| 52 | 780652 | LOCK SPAGNOLET L.H. / W/G-FITTING From 3-8109 To 6-8906 | 1 | | | | |
| . NS | 780340 | . CLIP, RETAINER ROD From 3-8109 To 6-8906 | 1 | | | | |
| . NS | 507607 | . GREASE FITTING / M6-1.00 From 3-8109 To 6-8906 | 1 | | | | |
| 52 | 780653 | LOCK SPAGNOLET R.H. / W/G-FITTING From 2-7756 | | 2 | 2 | 2 | |
| . NS | 780340 | . CLIP, RETAINER ROD From 2-7756 | | 1 | 1 | 1 | |
| . NS | 507607 | . GREASE FITTING / M6-1.00 From 2-7756 | | 1 | 1 | 1 | |
| NS | 502582 | WASHER LO SERR 6.1x16.2x0.9 Z050 | 4 | 4 | 4 | 4 | |
| NS | 502531 | SCREW CAP HEX M6-1.0x16 G8.8 Z050 | 4 | 4 | 4 | 4 | |
| 53 | 287256 | LEVER PIVOT To 8-9292 | 2 | 2 | 2 | 2 | |
| 53 | 289496 | LEVER PIVOT From 8-9293 | | | 1 | 1 | |
| NS | 504379 | RIVET POP DOME OE 3/16x1/4 SS | 2 | 2 | 2 | 2 | |
| 54 | 287257 | ROD To 3-8108 | 1 | | | | |
| 54 | 287424 | ROD From 3-8109 To 6-8906 | 1 | | | | |
| 54 | 287257 | ROD | | 1 | 1 | 1 | |
| 55 | 284914 | SPRING EXTENSION / .305 O.D. x 1.562 x .051 | 2 | 2 | 2 | 2 | |
| 56 | 287290 | DECAL / "UNLATCH FRONT BUMPER" / ENGLISH & FRANCAIS | 1 | 1 | 1 | 1 | |
| 56 | 288199 | DECAL / "UNLATCH FRONT BUMPER" / ENGLISH & SPANISH | 1 | 1 | 1 | 1 | |
| 84 | 287255 | SUPPORT SPAGNOLET To 3-8108 | 2 | | | | |
| 84 | 287255 | SUPPORT SPAGNOLET LH From 3-8109 To 6-8906 | 1 | | | | |
| 84 | 287423 | SUPPORT SPAGNOLET RH From 3-8109 To 6-8906 | 1 | | | | |
| 84 | 287255 | SUPPORT SPAGNOLET To 4-8207 | | | 2 | 2 | |
| 84 | 287255 | SUPPORT SPAGNOLET LH From 4-8208 To 8-9292 | | | 1 | 1 | |
| 84 | 289497 | SUPPORT SPAGNOLET LH From 8-9293 | | | 1 | 1 | |
| 84 | 287423 | SUPPORT SPAGNOLET RH From 4-8208 | | | 1 | 1 | |
| | | | | | | | |
| | | | | | | | |
| | | | | | | | |
| | | A) ALSO USE WITH MTH-45S WITH SPARE TIRE | | | | | |
| | | C) USE W/OUT SPARE & WITH BLACK BUMPER | | | | | |

From Y-7046 To 6-8906

Date:10/2022

PAGE:Y2-1862-00

ENTRANCE DOOR ASSY - BUS



| | | |
|---------------------------------|--------------|-----------------|
| From Y-7046 To 6-8906 | Date:10/2022 | PAGE:Y2-1862-00 |
| ENTRANCE DOOR ASSY - BUS | | |

| Item# | Part | Description | X L I I 4 5 | X L I I M T H 4 0 | X L I I M T H 4 5 | X L I I M T H 4 5 E | N O T E S |
|-------|-----------------|---|----------------------------|---|---|--|-----------------------|
| | | ALL DOORS ASSY DO NOT INCLUDE | | | | | |
| | | RUB-RAIL PLEASE ORDER SEPARATELY | | | | | |
| | 286672P | ENTRANCE DOOR ASSY To 1-7661 | 1 | | | | |
| | 287123P | ENTRANCE DOOR ASSY From 1-7662 | 1 | | | | |
| | 287357 | ENTRANCE DOOR ASSY / W/FLUTED PANEL | 1 | | | | A |
| | 287356 | ENTRANCE DOOR ASSY / W/FLUTED PANEL | 1 | | | | B |
| 1 | Call order desk | ENTRANCE DOOR FRAME To 1-7661 | 1 | | | | P |
| 1 | 287108P | ENTRANCE DOOR FRAME From 1-7662 | 1 | | | | |
| 2 | 286516 | PANEL FIBERGLASS | 1 | | | | B |
| 2 | 287900 | PANEL FIBERGLASS | 1 | | | | A |
| 2 | 288626 | PANEL FIBERGLASS WITH LIGHT | 1 | | | | F |
| 3 | 286463 | ENTRANCE DOOR WINDOW | 1 | | | | |
| 4 | 286464 | RUBBER SEAL EXTRUSION / ENTRANCE DOOR To 2-7722 | 1 | | | | |
| 4 | 287976 | RUBBER SEAL EXTRUSION / ENTRANCE DOOR From 2-7723 To 5-8650 | 1 | | | | |
| 4 | 287494 | RUBBER SEAL EXTRUSION / ENTRANCE DOOR From 5-8651 | 1 | | | | |
| 4 | 288911 | RUBBER SEAL EXTRUSION / ENTRANCE DOOR | 1 | | | | |
| 4 | 2800126 | RUBBER SEAL EXTRUSION // ENTRANCE DOOR | 1 | | | | |
| 5 | 286537 | INTERIOR WINDOW MOULDING To 1-7661 | 1 | | | | |
| 5 | 287122 | INTERIOR WINDOW MOULDING From 1-7662 | 1 | | | | |
| 6 | 286660 | ENTRANCE DOOR INSULATING | 1 | | | | |
| 7 | 286536 | INTERIOR PANEL To 1-7661 | 1 | | | | |
| 7 | 287106 | INTERIOR PANEL From 1-7662 To 4-8327 | 1 | | | | |
| 7 | 289696 | INTERIOR PANEL To 4-8327 | 1 | | | | |
| 7 | 289289 | INTERIOR PANEL From 4-8328 | 1 | | | | |
| 7 | 289695 | INTERIOR PANEL From 4-8328 | 1 | | | | |
| 7 | 289282 | ACCESS PANEL 834MM X 494MM From 4-8328 | 1 | | | | |
| 8 | 286531 | ENTRANCE DOOR HANDLE | 1 | | | | |
| 9 | 500609 | NUT HEX M6-1.0 Z050 | 2 | | | | |
| 10 | 500411 | WASHER FL .260x.697x.050 SS | 2 | | | | |
| 11 | 502564 | WASHER LO SPT 6.1x11.8x1.6 Z050 | 2 | | | | |
| 12 | 780483 | CLAMP | 1 | | | | |
| 13 | 500654 | SCREW TC BDG PH #8-32x1/2 Z050 | 2 | | | | |
| 13 | 502806 | SCREW MA FL PH M6-1.0x10 Z050 | 2 | | | | |
| 14 | 284127 | BUTTON | 1 | | | | |
| 15 | 286663 | ROD ENTRANCE DOOR | 1 | | | | |
| 16 | 286661 | LOCK | 1 | | | | |
| 17 | 504069 | GROMMET / .281x.375x.062x.250x.562 | 1 | | | | |
| 18 | 286555 | LOCK SUPPORT ASSY | 1 | | | | |
| 19 | 500948 | SCREW TC CAP HEX 1/4-20x1 Z050 | 2 | | | | |
| 20 | 502151 | SPRING COMPRESSION / .300 O.D. x 1 x .032 | 2 | | | | |

| | | |
|---------------------------------|--------------|-----------------|
| From Y-7046 To 6-8906 | Date:10/2022 | PAGE:Y2-1862-00 |
| ENTRANCE DOOR ASSY - BUS | | |

| Item# | Part | Description | X L I I 4 5 | X L I I M T H 4 0 | X L I I M T H 4 5 | X L I I M T H 4 5 E | N O T E S |
|-------|---------|--|----------------------------|---|---|--|-----------------------|
| 21 | 481564 | ROD GUIDE | 2 | | | | |
| 22 | 286553 | PIVOT LOCK 18.7MM OFFSET | 1 | | | | |
| 23 | 504556 | RING RETAINER / EXT 6.00 x 5.00 x 0.72MM | 1 | | | | |
| 24 | 780236 | RETAINER CLIP | 1 | | | | |
| 25 | 286552 | FINISHING PLATE | 1 | | | | |
| 26 | 500654 | SCREW TC BDG PH #8-32x1/2 Z050 | 2 | | | | |
| 27 | 286585 | STRIKING PLATE ASSY | 1 | | | | |
| 28 | 5001198 | SCREW MA FL PH M6-1.0x16 Z050 | 2 | | | | |
| 29 | 286674 | LOCK HOUSING | 1 | | | | |
| NS | 506869 | TAPE RUB ADH2 POL .031" x 1/4" x 300' / BLACK | AR | | | | |
| 30 | 500345 | WASHER FN CKF .187x.500x.090 BR BK | 7 | | | | |
| 31 | 500333 | SCREW TP OV PH #6x3/4 BK | 7 | | | | |
| 32 | 330279 | LAMP ASSY 24V W/BULB | 1 | | | | |
| . NS | 830142 | . LAMP | 1 | | | | |
| . NS | 562278 | . BULB / 10WATT-24VOLTS / SAE# 6429 | 1 | | | | |
| 32 | 830197 | LAMP ASSY 24V LEDS | 1 | | | | |
| NS | 068140 | CABLE INTERFACE 330279 TO 830197 | 1 | | | | |
| 33 | 500814 | SCREW TP BDG PH #6x3/4 BK | 8 | | | | |
| 34 | 065131 | CABLE ASSY / ENTRANCE DOOR | 1 | | | | |
| 35 | 504637 | CABLE TIE / 3/16" x 13" | 4 | | | | |
| 37 | 474290 | RUB RAIL ASSY / 794MM / W/1 1/2" SCREW | 1 | | | | |
| . NS | 474304 | . SPECIAL SCREW ASSY SQ SS 1/4-20 X 1"1/2 | 1 | | | | |
| 38 | 474304 | SPECIAL SCREW ASSY SQ SS 1/4-20 X 1"1/2 | 3 | | | | |
| 39 | 473378 | SEAL WASHER / RUB RAIL & PANEL | 3 | | | | |
| 39 | 500444 | WASHER FL .406x.812x.065 Z050 | 3 | | | | |
| 40 | 502716 | NUT HEX NYRT 1/4-20 | 3 | | | | |
| 41 | 504433 | SNAP-IN PLUG / 1.090 O.D. | 3 | | | | |
| 43 | 287144 | PANEL LOWER / S.B. | 1 | | | | A |
| 44 | 287139 | UPPER PANEL | 1 | | | | A |
| 44 | 287917 | UPPER PANEL | 1 | | | | B |
| 45 | 287146 | FINISHING MOULDING 800MM | 1 | | | | B |
| 50 | 287012 | UPPER LOCK ASSY | 1 | | | | |
| 51 | 285271 | . CATCH | 1 | | | | |
| 51 | 282383 | . CATCH | 1 | | | | |
| 52 | 287011 | . PLATE MOUNTING | 1 | | | | |
| 53 | 500560 | . SCREW MA PAN PH M4-0.7x6 Z050 | 1 | | | | |
| 53 | 502636 | . WASHER LO SPT 4.1x7.6x0.9 Z050 | 1 | | | | |
| 54 | 641392 | . CYLINDER 7/8" X 1" STROKE / DOUBLE ACTION To 4-8225 | 1 | | | | |
| 54 | 641983 | . CYLINDER 7/8" X 1" STROKE / DOUBLE ACTION From 4-8226 | 1 | | | | |
| 55 | 641369 | . MALE ELBOW 90° NON-SWIVEL / PUSH-IN FITTING / #4x1/8NPT-M BR | 1 | | | | |
| 56 | 641242 | . MALE CONNECTOR / PUSH-IN FITTING / #4x1/8NPT-M BR | 1 | | | | |
| 56 | 683276 | . GREASE LOW TEMPERATURE 450GR | 1 | | | | |

| | | |
|---------------------------------|--------------|-----------------|
| From Y-7046 To 6-8906 | Date:10/2022 | PAGE:Y2-1862-00 |
| ENTRANCE DOOR ASSY - BUS | | |

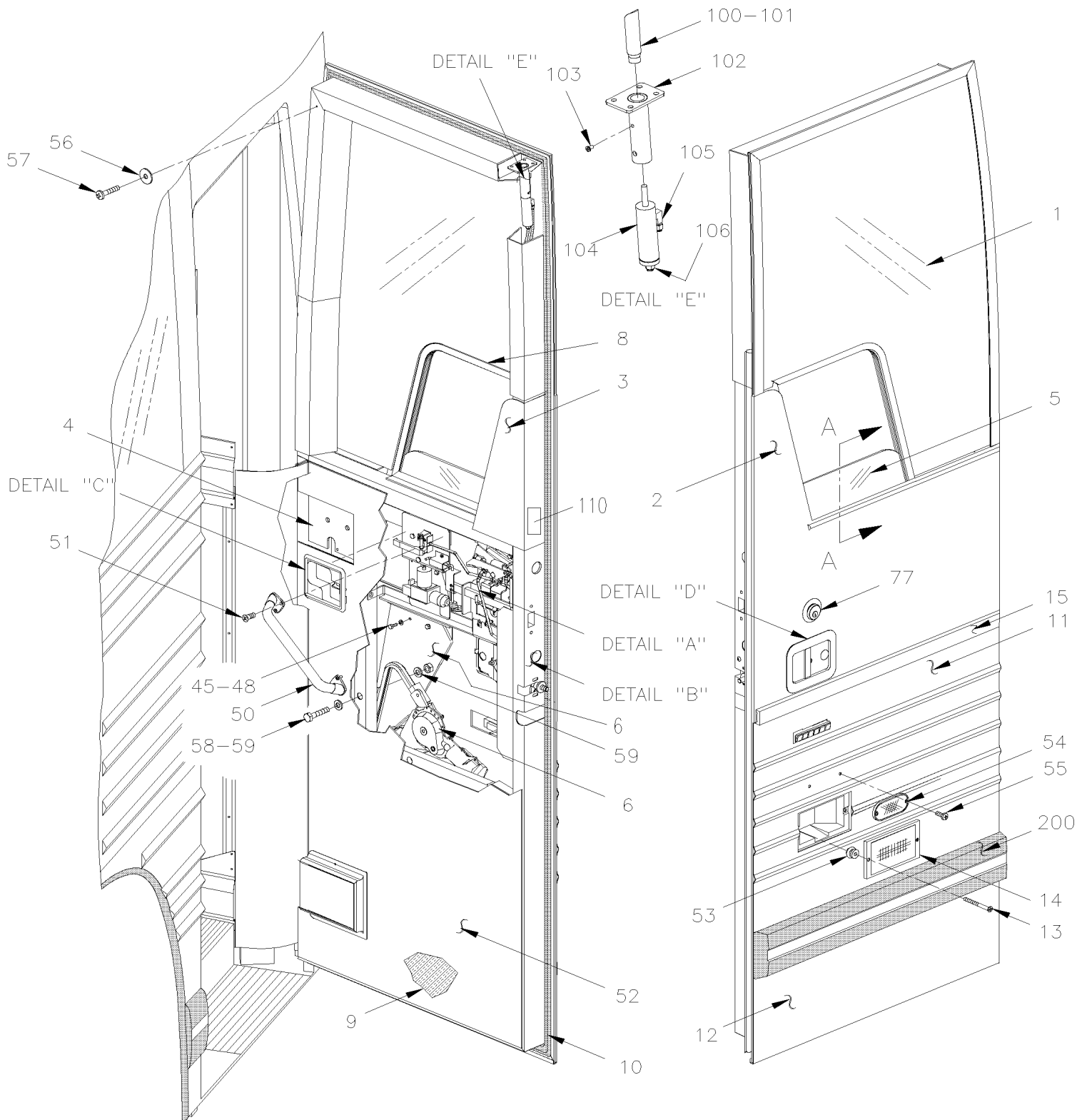
| Item# | Part | Description | X L I I 4 5 | X L I I M T H 4 0 | X L I I M T H 4 5 | X L I I M T H 4 5 E | N O T E S |
|-------|--------|--|----------------------------|---|---|--|-----------------------|
| NS | 506769 | TAPE RUB ADH2 CC POL 1/8" x 1/4" x 60' / BLACK H1CC-N-#14 | AR | | | | |
| NS | 506790 | TAPE RUB ADH2 CC POL 1/16" x 1/2" x 200' / BLACK I1C-N-A | AR | | | | |
| NS | 683097 | CLEANER SIKA #205 / CLEAR / 1000ml | AR | | | | |
| NS | 683446 | PRIMER SIKA #206 / BLACK / 1000ml | AR | | | | |
| NS | 681092 | ADHESIVE SIKA #255FC / BLACK / 310ml CARTRIDGE | AR | | | | |
| NS | 683885 | ADHESIVE SIKA TACK ULTRA FAST 2 / BLACK / 325ml | AR | | | | |
| 60 | 860422 | HANDLE | 1 | | | | |
| 61 | 284049 | PLUG / SQUARE / BLACK | 1 | | | | |
| 62 | 500360 | SCREW TP FL PH #8x1 1/4 BK | 2 | | | | |
| 63 | 400095 | DECAL / "WATCH YOUR STEP" / ENGLISH & FRANCAIS | 1 | | | | |
| 70 | 406050 | DECAL / "C.W.A." & "T.C.A." | 1 | | | | |
| 70 | 157729 | DECAL / WALL TO WALL TURNING DIAM 90' 3" WITH VIN # | 1 | | | | |
| NS | 157730 | DECAL / WALL TO WALL TURNING DIAM 90' 3" W/OUT VIN RAW MATERIAL | 1 | | | | |
| | | | | | | | |
| | | | | | | | |
| | | A) ALSO USE WITH BUS WITH FLUTED LOWER PANELLING WITH DOCKING LIGHT | | | | | |
| | | B) ALSO USE WITH BUS WITH FLUTED LOWER PANELLING W/OUT DOCKING LIGHT | | | | | |
| | | F) USE WITH BUS WITH FLAT LOWER PANELLING WITH DOCKING LIGHT | | | | | |
| | | P) CALL ORDER DESK FOR SPECIFIC APPLICATION (V.I.N.) | | | | | |

From Y-7046 To 8-9339

Date:10/2022

PAGE:Y2-1862-50

ENTRANCE DOOR ASSY - MTH

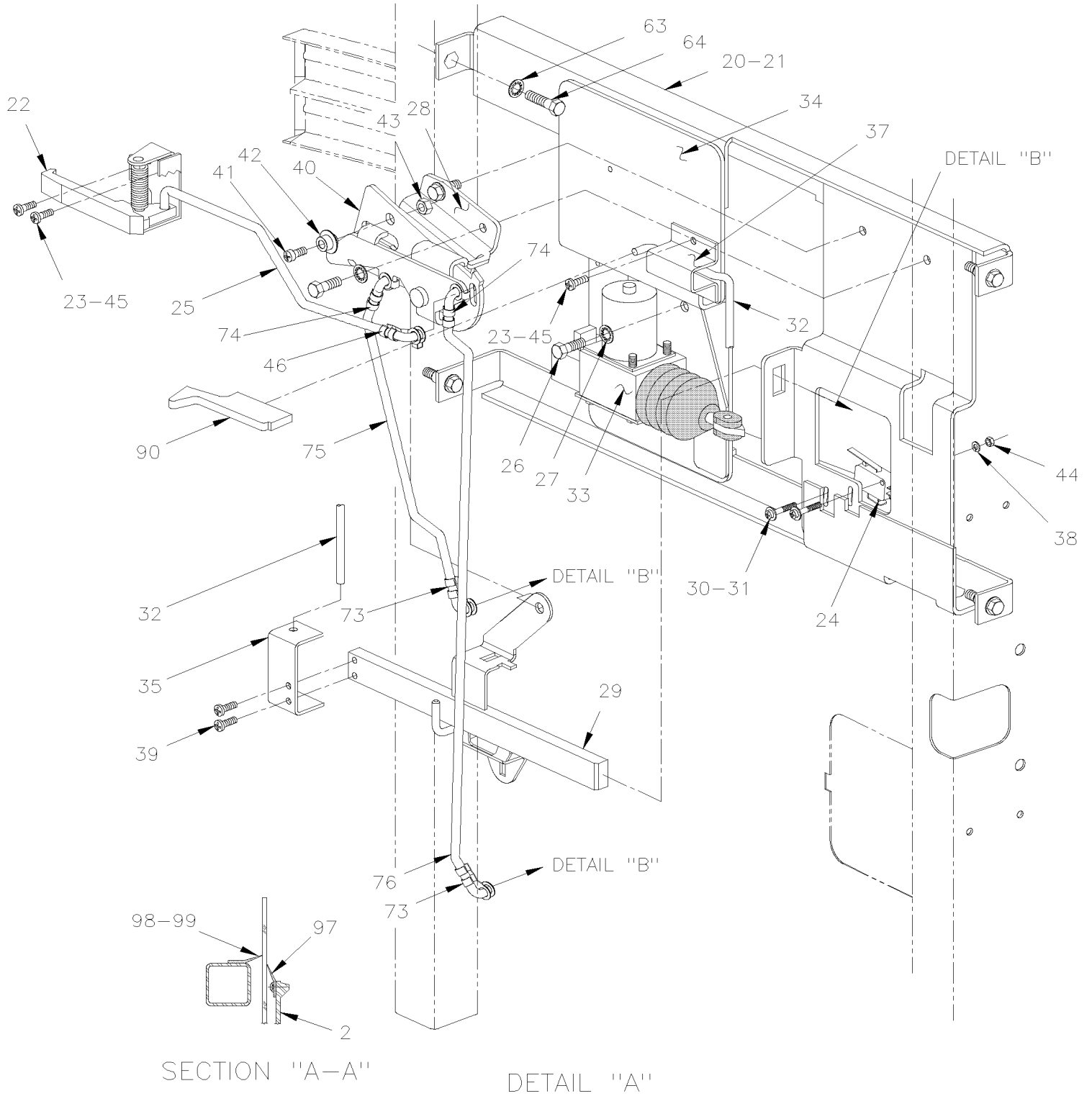


From Y-7046 To 8-9339

Date:10/2022

PAGE:Y2-1862-50

ENTRANCE DOOR ASSY - MTH

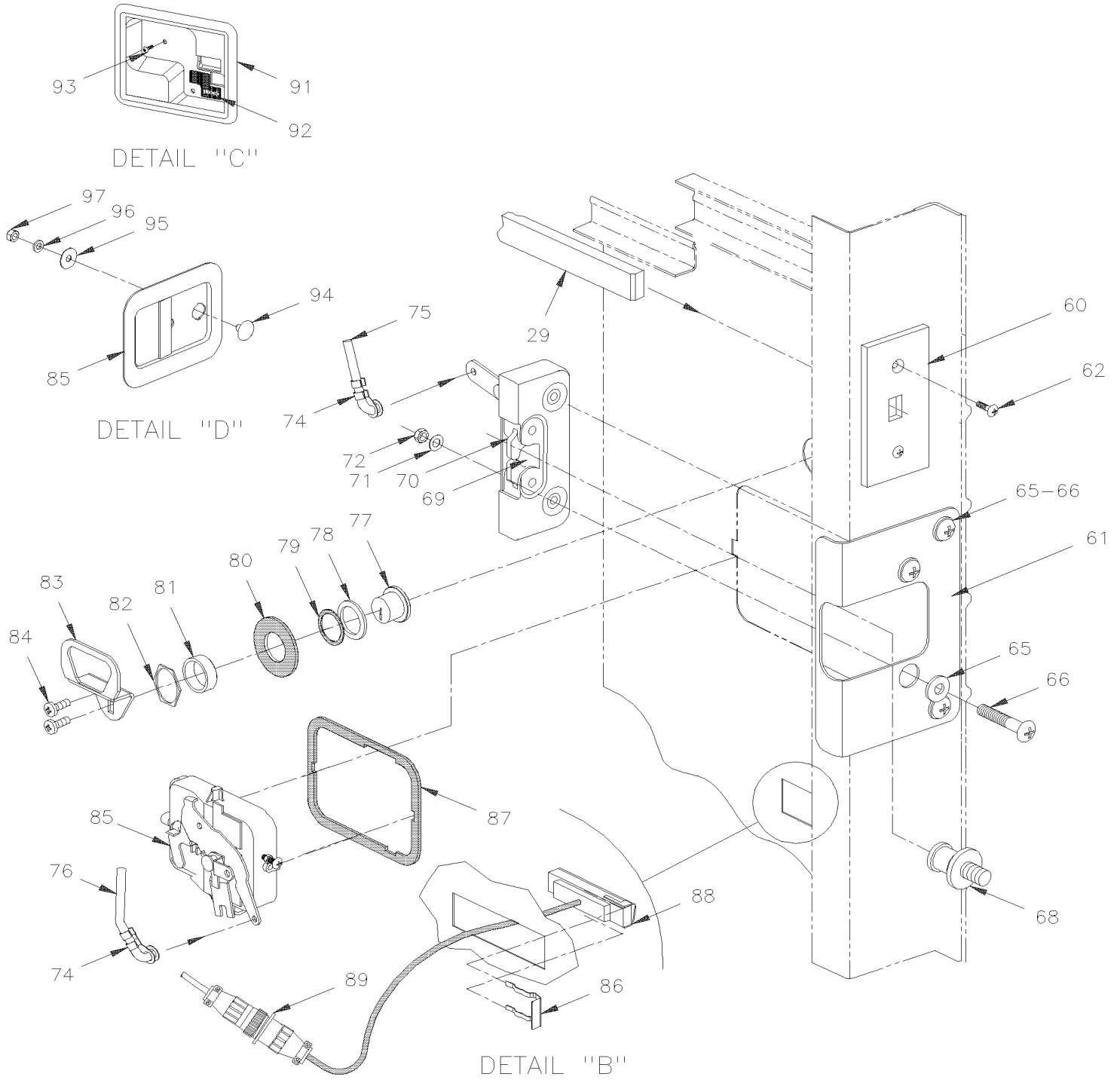


From Y-7046 To 8-9339

Date:10/2022

PAGE:Y2-1862-50

ENTRANCE DOOR ASSY - MTH



| | | |
|-----------------------|--------------|-----------------|
| From Y-7046 To 8-9339 | Date:10/2022 | PAGE:Y2-1862-50 |
|-----------------------|--------------|-----------------|

ENTRANCE DOOR ASSY - MTH

| Item# | Part | Description | X L I I 4 5 | X L I I M T H 4 0 | X L I I M T H 4 5 | X L I I M T H 4 5 E | N O T E S |
|-------|-------------------|---|----------------------------|---|---|--|-----------------------|
| | | ALL DOORS ASSY DO NOT INCLUDE | | | | | |
| | | RUB-RAIL PLEASE ORDER SEPARATELY | | | | | |
| | 287168P | ENTRANCE DOOR ASSY MTH 83" To 1-7128 | | 1 | 1 | | |
| | 286429P | ENTRANCE DOOR ASSY MTH 86" To 1-7662 | | 1 | 1 | 1 | |
| | 287130P | ENTRANCE DOOR ASSY MTH 86" From 1-7663 | | 1 | 1 | 1 | |
| | 286962P | ENTRANCE DOOR ASSY MTH 89" | | | | 1 | |
| | 287181P | ENTRANCE DOOR ASSY MTH 89" | | | | 1 | |
| 1 | 286080 | GLASS ENTRANCE DOOR / MTH 83" To Y-7128 | | 1 | 1 | | |
| 1 | 286427 | GLASS ENTRANCE DOOR / MTH 86" & 89" | | 1 | 1 | 1 | |
| 2 | 286031 | PANEL UPPER / MTH 83" To Y-7128 | | 1 | 1 | | B |
| 2 | 286446 | PANEL UPPER / MTH 86" | | 1 | 1 | 1 | B |
| 2 | 286715 | PANEL UPPER / MTH 89" | | | | 1 | |
| NS | 504340 | RIVET POP DOME OE 1/8x3/16 SS | | 3 | 3 | 3 | |
| 3 | 286124 | FINISHING CAP MTH 83" To Y-7128 | | 1 | 1 | | |
| 3 | 287915 | FINISHING CAP MTH 83", 86", & 89" / SERVICE | | 1 | 1 | | |
| 3 | 286431 | FINISHING CAP MTH 86" & 89" To 1-7662 | | 1 | 1 | 1 | |
| 3 | 287915 | FINISHING CAP MTH 83", 86", & 89" From 1-7663 | | 1 | 1 | 1 | |
| 4 | Call order desk | FRAME ASSY 83" To Y-7128 | | 1 | 1 | | P |
| 4 | 287938P | FRAME ASSY 83" / SERVICE | | 1 | 1 | | |
| 4 | Call order desk | FRAME ASSY 86" To 1-7662 | | 1 | 1 | 1 | P |
| 4 | 287129P | FRAME ASSY 86" From 1-7663 | | 1 | 1 | 1 | |
| 4 | 287136P | FRAME ASSY 89" | | | | 1 | |
| 5 | 286196 | GLASS ASSY W/SUPPORT | | 1 | 1 | 1 | |
| 5 | 286078 | GLASS | | 1 | 1 | 1 | |
| 5 | 299049 | SUPPORT ASSY | | 1 | 1 | 1 | |
| 5 | 681092 | ADHESIVE SIKA #255FC / BLACK / 310ml CARTRIDGE | | 1 | 1 | 1 | |
| 6 | Y2-1886-00 | POWER WINDOW - ELECTRICAL INSTALLATION To 6-8901 | | | | | |
| 6 | Y2-1886-01 | POWER WINDOW - ELECTRICAL INSTALLATION From 6-8902 | | | | | |
| 8 | 293088 | MOULDING | | 1 | 1 | 1 | |
| 9 | 286226 | INSULATION WITH 83" DOOR To Y-7128 | | 1 | 1 | 1 | |
| 9 | 286435 | INSULATION WITH 86" DOOR | | 1 | 1 | 1 | |
| 9 | 286736 | INSULATION WITH 89" DOOR | | | | 1 | |
| 10 | 286067 | RUBBER SEAL EXTRUSION / ENTRANCE DOOR MTH-83" To Y-7128 | | 1 | 1 | | |
| 10 | 287975 | RUBBER SEAL EXTRUSION / ENTRANCE DOOR MTH-83" | | 1 | 1 | | |
| 10 | 289938 | RUBBER SEAL EXTRUSION / ENTRANCE DOOR MTH-83" | | 1 | 1 | | |
| 10 | 288917 | RUBBER SEAL EXTRUSION / ENTRANCE DOOR MTH-83" | | 1 | 1 | | |
| 10 | 2800176 | RUBBER SEAL EXTRUSION / ENTRANCE DOOR MTH-83" | | 1 | 1 | | |
| 10 | 286142 | RUBBER SEAL EXTRUSION / ENTRANCE DOOR MTH-86" To 2-7715 | | 1 | 1 | 1 | |
| 10 | 287974 | RUBBER SEAL EXTRUSION / ENTRANCE DOOR MTH-86" From 2-7716 To 5-8650 | | 1 | 1 | 1 | |
| 10 | 289931 | RUBBER SEAL EXTRUSION / ENTRANCE DOOR MTH-86" From 5-8651 | | 1 | 1 | 1 | |

| | | |
|---------------------------------|--------------|-----------------|
| From Y-7046 To 8-9339 | Date:10/2022 | PAGE:Y2-1862-50 |
| ENTRANCE DOOR ASSY - MTH | | |

| Item# | Part | Description | X L I I 4 5 | X L I I M T H 4 0 | X L I I M T H 4 5 | X L I I M T H 4 5 E | N O T E S |
|-------|-------------------|---|----------------------------|---|---|--|-----------------------|
| 10 | 288915 | RUBBER SEAL EXTRUSION / ENTRANCE DOOR MTH-86" | | 1 | 1 | 1 | |
| 10 | 2800162 | RUBBER SEAL EXTRUSION / ENTRANCE DOOR MTH-86" | | 1 | 1 | 1 | |
| 10 | 286725 | RUBBER SEAL EXTRUSION / ENTRANCE DOOR MTH-89" To 2-7771 | | | | 1 | |
| 10 | 287977 | RUBBER SEAL EXTRUSION / ENTRANCE DOOR MTH-89" From 2-7772 To 5-8650 | | | | 1 | |
| 10 | 289932 | RUBBER SEAL EXTRUSION / ENTRANCE DOOR MTH-89" From 5-8651 | | | | 1 | |
| 10 | 288916 | RUBBER SEAL EXTRUSION / ENTRANCE DOOR MTH-89" | | | | 1 | |
| 10 | 2800129 | RUBBER SEAL EXTRUSION // ENTRANCE DOOR MTH-89" | | | | 1 | |
| 11 | 286981 | PANEL CENTER / MTH W/DOCKING LAMP / S.B. To 5-8468 | | 1 | 1 | 1 | |
| 11 | 288523 | PANEL CENTER / MTH W/DOCKING LAMP / B.A. From 5-8469 | | 1 | 1 | 1 | |
| 12 | 286130 | PANEL LOWER / S.B. To 5-8468 | | 1 | 1 | 1 | |
| 12 | 288524 | PANEL LOWER / B.A. From 5-8469 | | 1 | 1 | 1 | |
| NS | 504335 | RIVET POP DOME CLE 3/16x1/4 AL | | 2 | 2 | 2 | |
| NS | 500437 | WASHER FL .125x.375x.040 Z050 | | 2 | 2 | 2 | |
| 13 | 502530 | SCREW MA OV PH M4-0.7x40 SS | | 2 | 2 | 2 | |
| 14 | Y2-0663-00 | DOCK & CORNERING LIGHT | | | | | |
| 15 | 286084 | FINISHING MOULDING SS 800MM / S.B. To 5-8468 | | 1 | 1 | 1 | |
| 15 | 288522 | FINISHING MOULDING 800MM / B.A. From 5-8469 | | 1 | 1 | 1 | |
| 20 | 286218 | . MECHANISM ASSY To 1-7515 | | 1 | 1 | 1 | |
| 20 | 287211 | . MECHANISM ASSY From 1-7516 To 5-8431 | | 1 | 1 | 1 | F |
| 20 | 288554 | . MECHANISM ASSY From 5-8432 | | 1 | 1 | 1 | |
| 21 | 285732 | .. SUPPORT ASSY To 1-7515 | | 1 | 1 | 1 | |
| 21 | 287212 | .. SUPPORT ASSY From 1-7516 | | 1 | 1 | 1 | |
| 22 | 780484 | .. LEVER, RELEASE | | 1 | 1 | 1 | |
| 23 | 500654 | .. SCREW TC BDG PH #8-32x1/2 Z050 | | 4 | 4 | 4 | |
| 24 | 561677 | .. MICRO SWITCH | | 1 | 1 | 1 | |
| NS | 680066 | .. ADHESIVE / ADBOND #5014 / 23.6ML BOTTLE | | AR | AR | AR | |
| 25 | 283387 | .. ROD | | 1 | 1 | 1 | |
| 26 | 500472 | .. WASHER LO INT .256x.478x.028 Z050 | | 4 | 4 | 4 | |
| 27 | 502531 | .. SCREW CAP HEX M6-1.0x16 G8.8 Z050 | | 4 | 4 | 4 | |
| 28 | 285748 | .. SHUTTER, RELEASE ASSY To 1-7515 | | 1 | 1 | 1 | |
| 28 | 287213 | .. SHUTTER, RELEASE ASSY From 1-7516 To 5-8431 | | 1 | 1 | 1 | F |
| 28 | 288552 | .. SHUTTER, RELEASE ASSY From 5-8432 | | 1 | 1 | 1 | |
| 29 | 286217 | .. BAR ASSY, RIVETED | | 1 | 1 | 1 | |
| 30 | 5001412 | .. SCREW MA CHE PH M3-0.5x20 EMN | | 2 | 2 | 2 | |
| 31 | 500591 | .. WASHER FL 4.3x9.0x0.8 Z050 | | 2 | 2 | 2 | |
| 32 | 284836 | .. ROD | | 1 | 1 | 1 | |
| 33 | 780428 | .. LOCK ACTUATOR / 12V | | 1 | 1 | 1 | |
| NS | 562076 | .. . CONNECTOR / PACK-CON I / FEMALE HOUSING / 2C / PED 8911772 | | 1 | 1 | 1 | |
| 33 | 2810382 | .. ACTUATOR SERVICE KIT | | 1 | 1 | 1 | |
| 34 | 284834 | .. SUPPORT ACTUATOR | | 1 | 1 | 1 | |
| 35 | 283364 | .. TIE | | 1 | 1 | 1 | |
| 37 | 780483 | .. CLAMP | | 1 | 1 | 1 | |

| | | |
|---------------------------------|--------------|-----------------|
| From Y-7046 To 8-9339 | Date:10/2022 | PAGE:Y2-1862-50 |
| ENTRANCE DOOR ASSY - MTH | | |

| Item# | Part | Description | X L I I 4 5 | X L I I M T H 4 0 | X L I I M T H 4 5 | X L I I M T H 4 5 E | N O T E S |
|-------|---------|---|----------------------------|---|---|--|-----------------------|
| 38 | 502579 | .. NUT HEX M3-0.5 NP | | 2 | 2 | 2 | |
| 39 | 500393 | .. SCREW TC PAN PH #10-24x3/8 Z050 | | 2 | 2 | 2 | |
| 40 | 502156 | .. SPRING EXTENSION / .437 O.D. x 2 x .041 | | 1 | 1 | 1 | |
| 41 | 502746 | .. SCREW MA PAN PH M5-0.8x20 SS BK | | 1 | 1 | 1 | |
| 42 | 285546 | .. STOPPER | | 1 | 1 | 1 | |
| 43 | 502782 | .. NUT HEX NYRT M5-0.8 Z050 | | 1 | 1 | 1 | |
| 44 | 502691 | .. WASHER LO SPT 3.6x6.7x0.8 Z050 | | 2 | 2 | 2 | |
| 45 | 680066 | .. ADHESIVE / ADBOND #5014 / 23.6ML BOTTLE | | AR | AR | AR | |
| 46 | 504541 | .. CLIP ROD 1/4" R.H. | | 1 | 1 | 1 | |
| 48 | 502806 | SCREW MA FL PH M6-1.0x10 Z050 | | 2 | 2 | 2 | |
| 50 | 900308 | HANDLE / LONG To 1-7715 | | 1 | 1 | 1 | |
| 50 | 860422 | HANDLE From 1-7716 | | 1 | 1 | 1 | |
| 50 | 284049 | PLUG / SQUARE / BLACK From 1-7716 | | 1 | 1 | 1 | |
| 51 | 500616 | SCREW TP FL PH #10x3/4 Z050 To 1-7715 | | 4 | 4 | 4 | |
| 51 | 500360 | SCREW TP FL PH #8x1 1/4 BK From 1-7716 | | 2 | 2 | 2 | |
| 52 | 286175 | PANEL FINISHING / AL. / MTH 83" To Y-7128 | | 1 | 1 | | |
| 52 | 288994 | PANEL FINISHING / AL. / MTH 83" | | 1 | 1 | | |
| 52 | 286434 | PANEL FINISHING / AL. / MTH 86" To 1-7662 | | 1 | 1 | 1 | |
| 52 | 288995 | PANEL FINISHING / AL. / MTH 86" From 1-7663 To 4-8327 | | 1 | 1 | 1 | |
| 52 | 289279 | PANEL FINISHING / AL. / MTH 86" From 4-8328 | | 1 | 1 | 1 | |
| 52 | 287120 | PANEL FINISHING / AL. / MTH 89" To 1-7662 | | | | 1 | |
| 52 | 287311 | PANEL FINISHING / AL. / MTH 89" From 1-7663 To 4-8327 | | | | 1 | |
| 52 | 289281 | PANEL FINISHING / AL. / MTH 89" From 4-8328 | | | | 1 | |
| NS | 504373 | PLUG BUTTON / 1.000 O.D. / BARE METAL | | 3 | 3 | 3 | |
| NS | 286117 | FINISHING PLATE | | 1 | 1 | 1 | |
| NS | 289282 | ACCESS PANEL 834MM X 494MM From 4-8328 | | 1 | 1 | 1 | |
| 53 | 500589 | NUT WELL M4-0.7x13.5 | | 2 | 2 | 2 | |
| 54 | 930212 | REFLECTOR AMBER 1 1/8" x 4 3/8" | | 1 | 1 | 1 | |
| 55 | 500124 | SCREW TP TR PH #8x1/2 SS | | 2 | 2 | 2 | |
| 56 | 500345 | WASHER FN CKF .187x.500x.090 BR BK | | 14 | 14 | 14 | |
| 57 | 5001097 | SCREW TC OV PH #6-32x3/4 SS410 BK | | 14 | 14 | 14 | |
| 58 | 502622 | SCREW CAP HEX M6-1.0x20 SS BK | | 4 | 4 | 4 | |
| 59 | 502573 | WASHER FL 6.4x12.5x1.6 SS | | 4 | 4 | 4 | |
| 60 | 283397 | GUIDE ASSY | | 1 | 1 | 1 | |
| 61 | 286117 | FINISHING PLATE | | 1 | 1 | 1 | |
| 62 | 500654 | SCREW TC BDG PH #8-32x1/2 Z050 | | 2 | 2 | 2 | |
| 62 | 500438 | WASHER FL .187x.437x.050 Z050 | | 2 | 2 | 2 | |
| 63 | 502582 | WASHER LO SERR 6.1x16.2x0.9 Z050 | | 2 | 2 | 2 | |
| 64 | 5001433 | SCREW CAP HEX M6-1.0x25 SS | | 1 | 1 | 1 | |
| 65 | 500411 | WASHER FL .260x.697x.050 SS | | 4 | 4 | 4 | |
| 66 | 500559 | SCREW MA TR PH 1/4-20x1 1/2 SS EMN | | 4 | 4 | 4 | |
| 68 | 780189 | STRIKER & SHIM | | 1 | 1 | 1 | A |

| | | |
|---------------------------------|--------------|-----------------|
| From Y-7046 To 8-9339 | Date:10/2022 | PAGE:Y2-1862-50 |
| ENTRANCE DOOR ASSY - MTH | | |

| Item# | Part | Description | X L I I 4 5 | X L I I M T H 4 0 | X L I I M T H 4 5 | X L I I M T H 4 5 E | N O T E S |
|-------|--------|---|----------------------------|---|---|--|-----------------------|
| 70 | 286042 | REWORK LOCK To 1-7662 | | 1 | 1 | 1 | |
| 70 | 780592 | LATCH, LH. From 1-7663 | | 1 | 1 | 1 | |
| 71 | 500411 | WASHER FL .260x.697x.050 SS | | 4 | 4 | 4 | |
| 72 | 502716 | NUT HEX NYRT 1/4-20 | | 4 | 4 | 4 | |
| 73 | 504243 | CLIP ROD 1/4" L.H. | | 2 | 2 | 2 | |
| 74 | 504541 | CLIP ROD 1/4" R.H. | | 4 | 4 | 4 | |
| NS | 504541 | CLIP ROD 1/4" R.H. | | 2 | 2 | 2 | |
| 75 | 285751 | RELEASE MECHANISM ROD To 5-8431 | | 1 | 1 | 1 | |
| 75 | 288201 | RELEASE MECHANISM ROD From 5-8432 | | 1 | 1 | 1 | |
| 76 | 285752 | HANDLE ROD To 5-8431 | | 1 | 1 | 1 | |
| 76 | 288200 | HANDLE ROD From 5-8432 | | 1 | 1 | 1 | |
| 77 | 780430 | CYLINDER LOCK ASSY W/2 KEYS / "CORBIN" | | 1 | 1 | 1 | S |
| . NS | 780562 | . KEY / "CORBIN" BLANK | | 2 | 2 | 2 | S |
| 77 | 780803 | CYLINDER LOCK ASSY W/2 KEYS / "SCHLAGE" SERVICE | | 1 | 1 | 1 | |
| . NS | 780902 | . KEY / "SCHLAGE" BLANK | | 1 | 1 | 1 | |
| NS | 780562 | KEY / "CORBIN" BLANK | | 1 | 1 | 1 | |
| 78 | 283468 | WASHER FINISHING | | 1 | 1 | 1 | |
| 79 | 285198 | GASKET | | 1 | 1 | 1 | |
| 80 | 285188 | GASKET | | 1 | 1 | 1 | |
| 81 | 286704 | SPACER / LOCK & NUT | | 1 | 1 | 1 | |
| 82 | 780427 | NUT | | 1 | 1 | 1 | |
| 83 | 286626 | LEVER, TRIANGULAR SHAPE / W/"CORBIN" 18MM OFFSET | | 1 | 1 | 1 | |
| 83 | 289029 | LEVER, TRIANGULAR SHAPE / W/"SCHLAGE" 18MM OFFSET SERVICE | | 1 | 1 | 1 | |
| 84 | N.S.P. | SCREW MA FL PH 22 (INCLUDE W/ITEM #77) | | 1 | 1 | 1 | 2 |
| 85 | 281714 | HANDLE EXTERIOR / MODIFIED To 5-8431 | | 1 | 1 | 1 | F |
| 85 | 780713 | HANDLE EXTERIOR From 5-8432 | | 1 | 1 | 1 | |
| NS | 288814 | SPACER From 5-8432 | | 1 | 1 | 1 | |
| NS | 500438 | WASHER FL .187x.437x.050 Z050 | | 1 | 1 | 1 | |
| NS | 500438 | WASHER FL .187x.437x.050 Z050 | | 1 | 1 | 1 | |
| NS | 507610 | FOAM LOW EXPANSION | | 1 | 1 | 1 | |
| 86 | 780429 | CLIP RETAINER To Y-7377 | | 1 | 1 | 1 | |
| 86 | 780637 | CLIP RETAINER From Y-7378 | | 1 | 1 | 1 | |
| 87 | 285187 | GASKET To 5-8413 | | 1 | 1 | 1 | |
| 87 | 288815 | GASKET From 5-8414 | | 1 | 1 | 1 | |
| 88 | 065015 | KEYBOARD ASSY To Y-7377 | | 1 | 1 | 1 | |
| 88 | 065301 | KEYBOARD ASSY From Y-7378 | | 1 | 1 | 1 | |
| 88 | 069141 | KEYBOARD REPLACEMENT KIT | | 1 | 1 | 1 | SAV |
| . NS | 069071 | . HARNESS ENTRANCE DOOR KEYLESS SKIM | | 1 | 1 | 1 | SAV |
| . NS | 069164 | . SUPPORT SKIM MODULE | | 1 | 1 | 1 | SAV |
| . NS | 069166 | . HARNESS KEYLESS KEYPAD - CPC | | 1 | 1 | 1 | SAV |
| . NS | 502868 | . SCREW TC TR PH #10-16x1/2 N500 | | 2 | 2 | 2 | SAV |
| . NS | 502903 | . SCREW TC FL PH #10-24x1 1/4 N500 | | 3 | 3 | 3 | SAV |

| | | |
|---------------------------------|--------------|-----------------|
| From Y-7046 To 8-9339 | Date:10/2022 | PAGE:Y2-1862-50 |
| ENTRANCE DOOR ASSY - MTH | | |

| Item# | Part | Description | X L I I 4 5 | X L I I M T H 4 0 | X L I I M T H 4 5 | X L I I M T H 4 5 E | N O T E S |
|-------|-------------------|---|----------------------------|---|---|--|-----------------------|
| . NS | 504013 | . TIE MOUNT / 1/4" X 1/4" I.D. | | 3 | 3 | 3 | SAV |
| . NS | 504637 | . CABLE TIE / 3/16" x 13" | | 6 | 6 | 6 | SAV |
| . NS | 565914 | . KEYPAD, DOOR LOCK W/CONNECTOR | | 1 | 1 | 1 | SAV |
| . NS | 565916 | . MODULE INTERFACE KEYLESS SYSTEM | | 1 | 1 | 1 | SAV |
| . NS | IS-13158 | . SEE INSTRUCTION SHEET | | 1 | 1 | 1 | SAV |
| . NS | FI-13158 | . VOIR FEUILLE D'INSTRUCTION | | 1 | 1 | 1 | SAV |
| NS | 286224 | SHIM From Y-7378 | | 1 | 1 | 1 | |
| 88 | 065900 | WATER DEFLECTOR / PLASTIC From 4-8262 | | 1 | 1 | 1 | C |
| 89 | 064831 | CABLE KEYLESS MODULE | | 1 | 1 | 1 | |
| NS | 504637 | CABLE TIE / 3/16" x 13" | | 1 | 1 | 1 | |
| NS | 560503 | CLAMP / 1/4" I.D. | | 1 | 1 | 1 | |
| NS | 500641 | SCREW TP PAN PH #8x3/4 Z050 | | 1 | 1 | 1 | |
| 90 | 284127 | BUTTON | | 1 | 1 | 1 | |
| 91 | 780482 | BEZEL | | 1 | 1 | 1 | |
| 92 | 283769 | . DECAL / "LOCK" | | 1 | 1 | 1 | |
| 93 | 5001155 | SCREW TP PAN PH #8X3/4 N050 | | 1 | 1 | 1 | |
| 94 | 286480 | PLUG SS 3/4" O.D. X M8-1.25 | | 1 | 1 | 1 | |
| 95 | 286481 | WASHER FL .354x1.02x 22GA SS | | 1 | 1 | 1 | |
| 96 | 502507 | WASHER LO SPT 8.1x14.8x2.0 Z050 | | 1 | 1 | 1 | |
| 97 | 286993 | FLAP SEAL GLASS ASSY | | 1 | 1 | 1 | |
| NS | 286992 | . FLAP SUPPORT | | 1 | 1 | 1 | |
| 98 | 286235 | . FLAP SEAL 3/4" x 7/8" / PVC / 335MM To 2-7799 | | 1 | 1 | 1 | |
| 98 | 288063 | . FLAP SEAL / W/FLOCKING 37.6MM x 335MM From 2-7800 | | 1 | 1 | 1 | |
| 99 | 286717 | JOINT SUPPORT 345MM SS | | 1 | 1 | 1 | |
| NS | 500124 | SCREW TP TR PH #8x1/2 SS | | 4 | 4 | 4 | |
| 100 | 287012 | UPPER LOCK ASSY | | 1 | 1 | 1 | |
| 101 | 285271 | . CATCH | | 1 | 1 | 1 | |
| 101 | 282383 | . CATCH | | 1 | 1 | 1 | |
| 102 | 287011 | . PLATE MOUNTING | | 1 | 1 | 1 | |
| 103 | 500560 | . SCREW MA PAN PH M4-0.7x6 Z050 | | 1 | 1 | 1 | |
| NS | 502636 | . WASHER LO SPT 4.1x7.6x0.9 Z050 | | 1 | 1 | 1 | |
| 104 | 641392 | . CYLINDER 7/8" X 1" STROKE / DOUBLE ACTION To 4-8225 | | 1 | 1 | 1 | |
| 104 | 641983 | . CYLINDER 7/8" X 1" STROKE / DOUBLE ACTION From 4-8226 | | 1 | 1 | 1 | |
| 105 | 641369 | . MALE ELBOW 90° NON-SWIVEL / PUSH-IN FITTING / #4x1/8NPT-M BR | | 1 | 1 | 1 | |
| 106 | 641242 | . MALE CONNECTOR / PUSH-IN FITTING / #4x1/8NPT-M BR | | 1 | 1 | 1 | |
| NS | 683276 | . GREASE LOW TEMPERATURE 450GR | | AR | AR | AR | |
| 110 | 406050 | DECAL / "C.W.A." & "T.C.A." | | | 1 | 1 | |
| 110 | 157729 | DECAL / WALL TO WALL TURNING DIAM 90' 3" WITH VIN # | | | 1 | 1 | |
| . NS | 157730 | . DECAL / WALL TO WALL TURNING DIAM 90' 3" W/OUT VIN RAW MATERIAL | | | 1 | 1 | |
| 200 | Y2-1855-00 | RUB RAIL - EXTERIOR CREST & TRIMS | | | | | |
| NS | 506769 | TAPE RUB ADH2 CC POL 1/8" x 1/4" x 60' / BLACK H1CC-N-#14 | | AR | AR | AR | |
| NS | 506790 | TAPE RUB ADH2 CC POL 1/16" x 1/2" x 200' / BLACK I1C-N-A | | AR | AR | AR | |

| | | |
|---------------------------------|--------------|-----------------|
| From Y-7046 To 8-9339 | Date:10/2022 | PAGE:Y2-1862-50 |
| ENTRANCE DOOR ASSY - MTH | | |

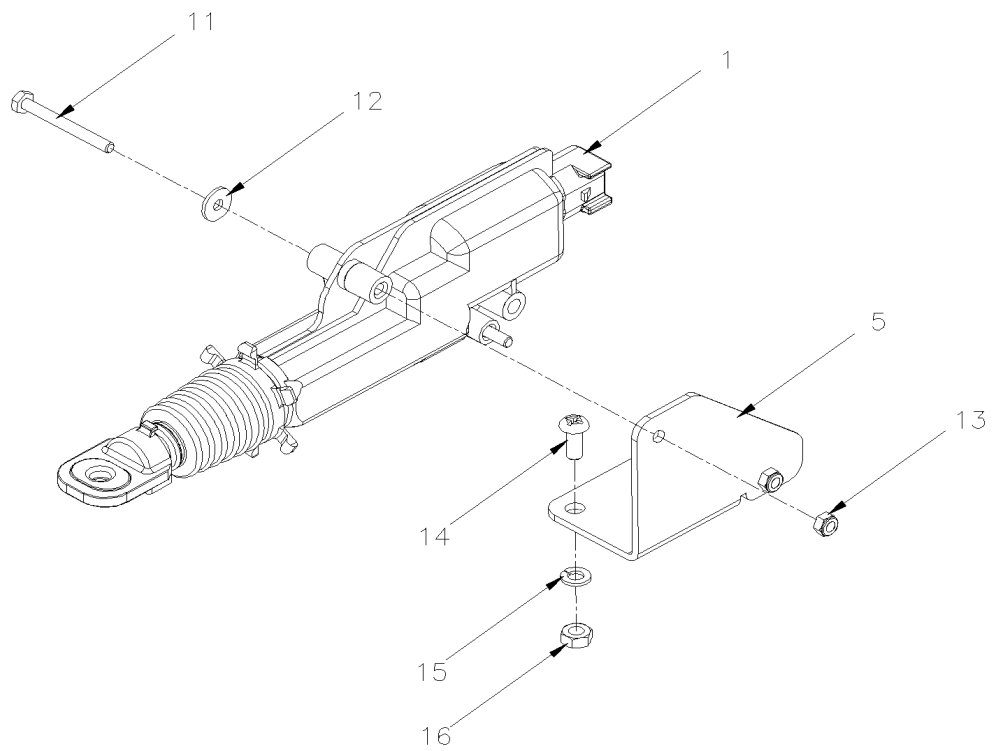
| Item# | Part | Description | X L I I 4 5 | X L I I M T H 4 0 | X L I I M T H 4 5 | X L I I M T H 4 5 E | N O T E S |
|-------|----------|---|----------------------------|---|---|--|-----------------------|
| NS | 680065 | TAPE COMPOUND / BLACK / 1/32" X 1" X 33' / L163-2400 | | AR | AR | AR | |
| NS | 683097 | CLEANER SIKA #205 / CLEAR / 1000ml | | AR | AR | AR | |
| NS | 683446 | PRIMER SIKA #206 / BLACK / 1000ml | | AR | AR | AR | |
| NS | 683083 | ADHESIVE SIKA #252 / BLACK / 600 ml SAUSAGE | | AR | AR | AR | |
| NS | 683288 | ADHESIVE SIKA #255FC / BLACK / 600ml SAUSAGE | | AR | AR | AR | |
| NS | 683885 | ADHESIVE SIKA TACK ULTRA FAST 2 / BLACK / 325ml | | AR | AR | AR | |
| NS | 288556 | KIT, HANDLE EXTERIOR REPLACEMENT / MTH | | 1 | 1 | 1 | |
| NS | IS-03090 | . SEE INSTRUCTION SHEET | | 1 | 1 | 1 | |
| | | | | | | | |
| | | | | | | | |
| | | A) FIXED ON STRUCTURAL FRAME | | | | | |
| | | B) THOSE PANEL ARE FIXED WITH KIT 682444 | | | | | |
| | | C) FOR PRODUCT IMPROVEMENT USE THIS NEW DEFLECTOR UP TO 4-8261 | | | | | |
| | | F) FOR PRODUCT IMPROVEMENT, ASK KIT #288556 | | | | | |
| | | S) THIS MODEL IT OBSOLETED REPLACE BY 780803 WITH NEW LEVER # 289029 | | | | | |
| | | SAV) SERVICE ONLY | | | | | |
| | | 2) NOT SOLD BY PREVOST (SEE MANUFACTURING PART NUMBER AT END OF DESCRIPTION LINE) | | | | | |
| | | P) CALL ORDER DESK FOR SPECIFIC APPLICATION (V.I.N.) | | | | | |

From Y-7046 To 8-9339

Date:10/2022

PAGE:2810382

ACTUATOR SERVICE KIT

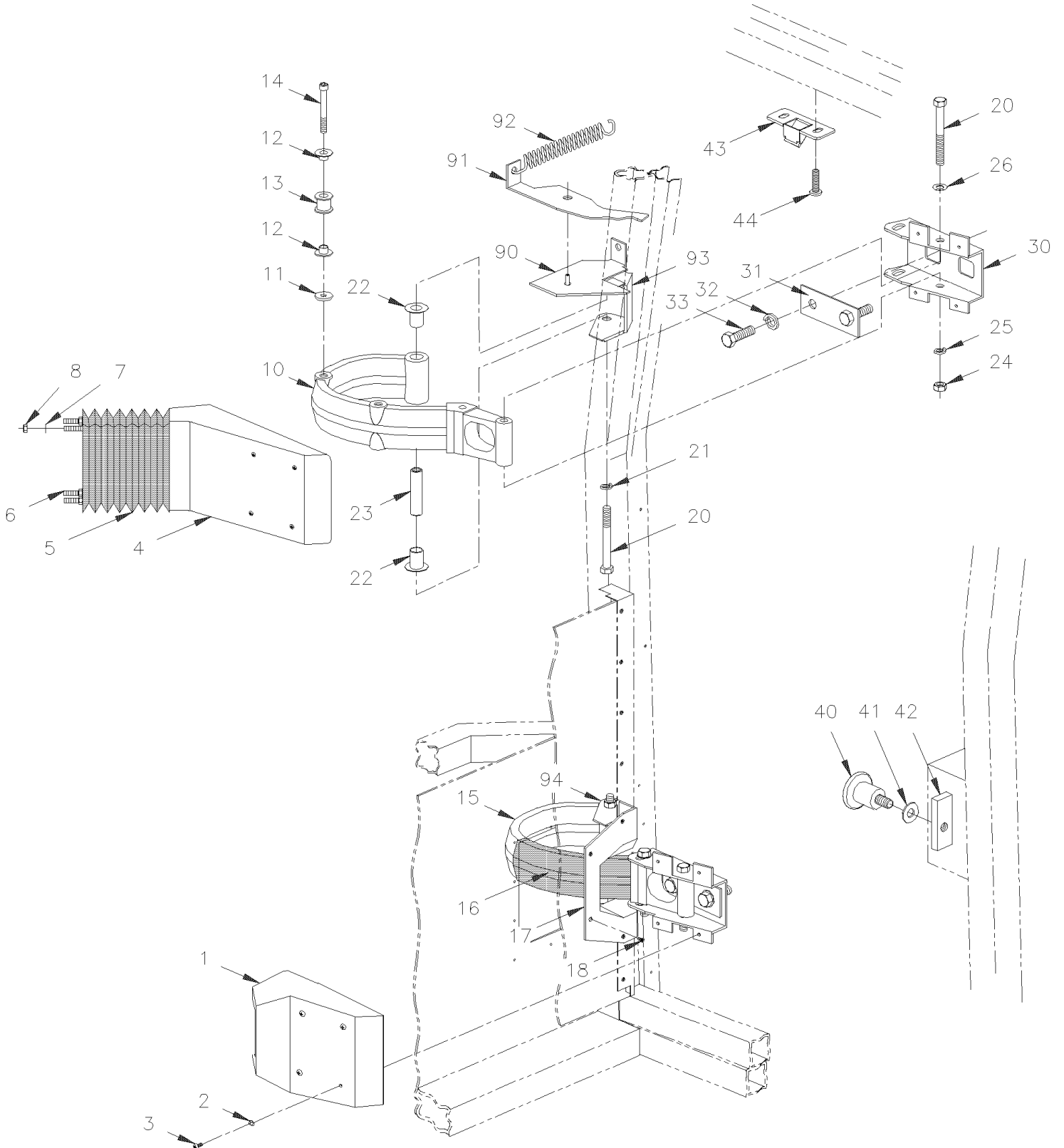


From Y-7046 To 8-9339

Date:10/2022

PAGE:Y2-1862-60

ENTRANCE DOOR FRAME - INSTALLATION



| | | |
|---|--------------|-----------------|
| From Y-7046 To 8-9339 | Date:10/2022 | PAGE:Y2-1862-60 |
| ENTRANCE DOOR FRAME - INSTALLATION | | |

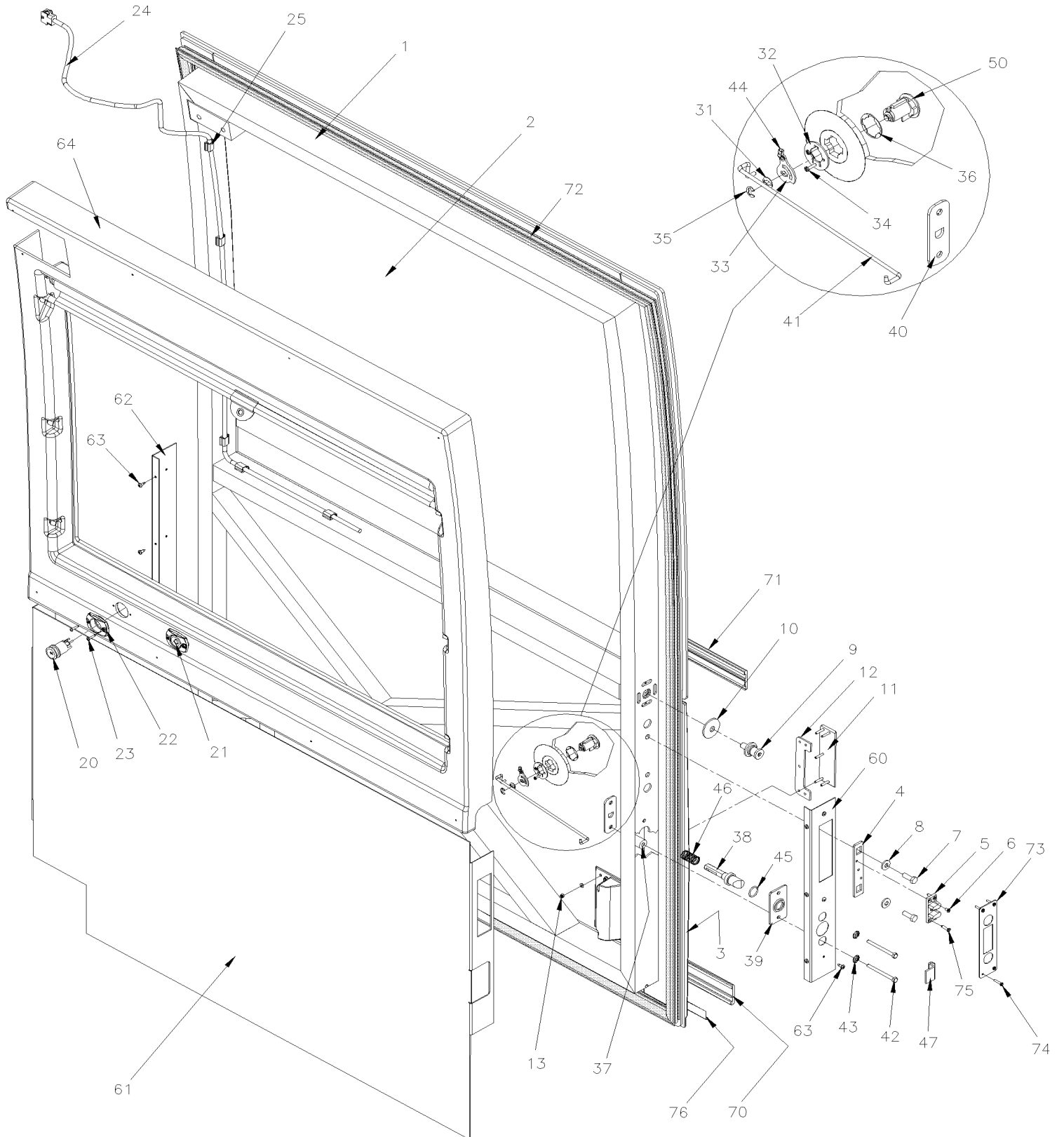
| Item# | Part | Description | X L I I 4 5 | X L I I M T H 4 0 | X L I I M T H 4 5 | X L I I M T H 4 5 E | N O T E S |
|-------|---------|---|----------------------------|---|---|--|-----------------------|
| 1 | 326604 | CAP COVER LOWER | 1 | 1 | 1 | 1 | |
| 2 | 500950 | WASHER FL .187x.625x.094 RUB | 8 | 8 | 8 | 8 | |
| 3 | 500409 | SCREW TP PAN PH #8x1/2 BK | 8 | 8 | 8 | 8 | |
| 4 | 326727 | CAP COVER UPPER | 1 | 1 | 1 | 1 | |
| 5 | 285492 | BELLOWS / RUBBER | 1 | 1 | 1 | 1 | |
| 6 | 285491 | PLATE BELLOW RETAINER | 2 | 2 | 2 | 2 | |
| 7 | 500964 | WASHER FL .203x.500x.047 Z050 | 8 | 8 | 8 | 8 | |
| 8 | 502782 | NUT HEX NYRT M5-0.8 Z050 | 8 | 8 | 8 | 8 | |
| 10 | 285937 | HINGE UPPER To 2-7924 | 1 | | | | |
| 10 | 287340 | HINGE UPPER From 2-7925 To 4-8334 | 1 | | | | |
| 10 | 287471 | HINGE UPPER From 4-8335 To 6-8906 | 1 | | | | |
| 10 | 284287 | HINGE UPPER To 2-7874 | | 1 | 1 | 1 | |
| 10 | 287339 | HINGE UPPER From 2-7875 To 3-8074 | | 1 | 1 | 1 | |
| 10 | 287404 | HINGE UPPER From 3-8075 To 4-8334 | | 1 | 1 | 1 | |
| 10 | 287472 | HINGE UPPER From 4-8335 | | 1 | 1 | 1 | |
| 11 | 282956 | WASHER To 3-8074 | | 1 | 1 | 1 | |
| 11 | 502638 | WASHER FL .312x.734x.065 N500 From 3-8075 | | 1 | 1 | 1 | |
| 12 | 507301 | BUSHING NYLINER To 3-8074 | | 2 | 2 | 2 | |
| 12 | 507628 | BUSHING NYLINER From 3-8075 | | 2 | 2 | 2 | |
| 13 | 284214 | ROLLER SS 9.5MM I.D.x14.5 O.D. 19Flx17Th To 3-8074 | | 1 | 1 | 1 | |
| 13 | 287405 | ROLLER SS 11MM I.D.x14.5 O.D. 19Flx17Th From 3-8075 | | 1 | 1 | 1 | |
| 14 | 5001108 | SCREW SHR HEXS 5/16x3/4 {1/4-20 To 3-8074 | | 1 | 1 | 1 | |
| 14 | 500876 | SCREW SHR HEXS 3/8x3/4 {5/16-18 From 3-8075 | | 1 | 1 | 1 | |
| 15 | 286477 | HINGE To 2-7815 | 1 | 1 | 1 | 1 | |
| 15 | 287341 | HINGE From 2-7816 | 1 | 1 | 1 | 1 | |
| 16 | 326228 | COVER HINGE LOWER / PLASTIC | 1 | 1 | 1 | 1 | |
| 17 | 326227 | PANEL FINISHING LOWER | 1 | 1 | 1 | 1 | |
| 20 | 5001016 | SCREW CAP HEX M10-1.5x90 G8.8 Z050 | 2 | 2 | 2 | 2 | |
| 21 | 500257 | WASHER LO SPT 10.2x18.1x2.2 Z050 | 2 | 2 | 2 | 2 | |
| 22 | 507326 | BEARING FLANGE | 2 | 2 | 2 | 2 | |
| 23 | 284285 | SPACER / BEARING FLANGE To 2-7874 | 2 | 2 | 2 | 2 | |
| 23 | 287337 | SPACER / BEARING FLANGE From 2-7875 | 2 | 2 | 2 | 2 | |
| 24 | 500256 | NUT HEX M10-1.5 Z050 | 4 | 4 | 4 | 4 | |
| 25 | 502585 | WASHER LO SERR 10.2x26.3x1.4 ZP | 4 | 4 | 4 | 4 | |
| 26 | 500445 | WASHER FL .437x1.000x.083 Z050 | 2 | 2 | 2 | 2 | |
| 30 | 284040 | ATTACHMENT | 2 | 2 | 2 | 2 | |
| 31 | 286998 | SUPPORT PLATE 134MM X 48MM | 2 | 2 | 2 | 2 | |
| 32 | 500810 | WASHER LO SPT 12.2x21.1x2.5 Z050 | 4 | 4 | 4 | 4 | |
| 33 | 502731 | SCREW CAP HEX M12-1.75x40 G8.8 Z050 | 4 | 4 | 4 | 4 | |
| 40 | 780189 | STRIKER & SHIM | 1 | 1 | 1 | 1 | |
| 41 | 500446 | WASHER FL .531x1.250x.125 Z050 | 1 | 1 | 1 | 1 | |
| 42 | 285014 | FIXING BLOCK | 1 | 1 | 1 | 1 | |

From Y-7046 To 6-8906

Date:10/2022

PAGE:Y2-1862-80

ENTRANCE DOOR ASSY - W.C.L.



| | | |
|------------------------------------|--------------|-----------------|
| From Y-7046 To 6-8906 | Date:10/2022 | PAGE:Y2-1862-80 |
| ENTRANCE DOOR ASSY - W.C.L. | | |

| Item# | Part | Description | X L I I 4 5 | X L I I M T H 4 0 | X L I I M T H 4 5 | X L I I M T H 4 5 E | N O T E S |
|-------|---------|--|----------------------------|---|---|--|-----------------------|
| | 287003P | DOOR ASSY | 1 | | | | |
| 1 | 286743 | . FRAME ASSY | 1 | | | | |
| NS | 287184 | . INSULATOR PANEL UPPER | 1 | | | | |
| NS | 287185 | . INSULATOR PANEL FOWARD | 1 | | | | |
| NS | 287186 | . INSULATOR PANEL BACKWARD | 1 | | | | |
| NS | 287187 | . INSULATOR PANEL LOWER | 1 | | | | |
| NS | 287188 | . INSULATOR PANEL LOWER HINGE | 1 | | | | |
| NS | 680397 | . CONTACT GLUE / AEROSOL 17oz | AR | | | | |
| 2 | 286988 | . GLASS THERMOS 13% | 1 | | | | |
| NS | 507000 | . TAPE RUB ADH2 POL 3/16" x 1/4" x 50' / BLACK V2206 | AR | | | | |
| NS | 687957 | . GLUE MS POLYMER TEROSON MS 9399 / 400ml CARTRIDGE | AR | | | | |
| 3 | 286989 | . PANEL FIBERGLASS | 1 | | | | |
| 3 | 288887 | . PANEL FIBERGLASS WITH "FORD" KEY | 1 | | | | |
| 3 | 282617 | . PANEL FIBERGLASS WITH HANDLE | 1 | | | | |
| NS | 506236 | . TAPE RUB ADH1 CC POL 1/16" x 1/2" x 100' / GREY 2520 | AR | | | | |
| NS | 506648 | . TAPE RUB ADH1 CC POL 1/8" x 1/2"x 50' / GREY 2542 | AR | | | | |
| NS | 683480 | . ADHESIVE SIKA #264 / BLACK / 310ml CARTRIDGE | AR | | | | |
| NS | 683481 | . ACCELERATOR SIKA / 310ml CARTRIDGE | AR | | | | |
| 4 | 283929 | . PLATE / TO FIX DOVETAIL | 1 | | | | |
| 5 | 780496 | . DOVETAIL, MALE | 1 | | | | |
| 6 | 500371 | . SCREW MA FL PH M4-0.7x8 N500 | 3 | | | | |
| 7 | 502589 | . SCREW CAP HEX M8-1.25x25 G8.8 Z050 | 2 | | | | |
| 8 | 500321 | . WASHER BEL SPR .331x.827x.098 N500 | 2 | | | | |
| 9 | 780189 | . STRIKER & SHIM | 1 | | | | |
| 10 | 284447 | . WASHERS BELLEVILLE | 11 | | | | |
| 11 | 283956 | . HANDLE ASSY / W/5 STUDS | 1 | | | | |
| 12 | 283954 | . GASKET / HANDLE & BODY | 1 | | | | |
| 13 | 502557 | . NUT HEX NYRT M4-0.7 SS | 5 | | | | |
| 13 | 502556 | . WASHER FL 4.3x9.0x0.8 SS | 5 | | | | |
| 20 | 830158 | . SWITCH / OFF-ON / S.P.S.T. / READING LIGHT | 1 | | | | |
| 21 | 830159 | . SWITCH / OFF-M/ON / S.P.S.T. / CHIME | 1 | | | | |
| 22 | 409259 | . PROTECTOR SWITCH / CAP | 2 | | | | |
| NS | 288728 | . REINFORCMENT FOR SCREW PROTECTOR CAP | 1 | | | | |
| 23 | 500814 | . SCREW TP BDG PH #6x3/4 BK | 4 | | | | |
| 24 | 065369 | . CABLE HARNESS / READING LIGHT CURBSIDE DOOR / W/W.C.L. | 1 | | | | |
| 25 | 504536 | . CABLE CLIP 1/2" / ADHESIVE | 6 | | | | |
| 30 | 289004 | KIT RETROFIT, DOOR CYLINDER LOCK W/CATCH PIN To 8-9281 | 1 | | | | A |
| 31 | 283853 | . SPACER / WASHER 9/16" O.D. X 1/4" I.D. To 8-9281 | 1 | | | | |
| 32 | 285811 | . WASHER / CYLINDER LOCK RETAINER To 8-9281 | 1 | | | | |
| 33 | 288839 | . PIVOT LOCK ROD / W/W.C.L. DOOR To 8-9281 | 1 | | | | |
| 34 | 500518 | . SCREW MA BDG PH #4-40x1/2 Z050 To 8-9281 | 2 | | | | |

| | | |
|------------------------------------|--------------|-----------------|
| From Y-7046 To 6-8906 | Date:10/2022 | PAGE:Y2-1862-80 |
| ENTRANCE DOOR ASSY - W.C.L. | | |

| Item# | Part | Description | X L I I 4 5 | X L I I M T H 4 0 | X L I I M T H 4 5 | X L I I M T H 4 5 E | N O T E S |
|-------|-------------------|---|----------------------------|---|---|--|-----------------------|
| 35 | 504402 | . RING RETAINER / EXT .250 x .210 x .025" To 8-9281 | 1 | | | | |
| 36 | 780237 | . SEAL RUBBER 1/32" TH To 8-9281 | 1 | | | | |
| 36 | 2800032 | . SEAL RUBBER 1/16" TH To 8-9281 | 1 | | | | |
| 37 | 288833 | . SLEEVE 19MM O.D. x 7.5MM I.D. x 36MM To 8-9281 | 2 | | | | |
| 38 | 288832 | . CATCH PIN SS / 91MM To 8-9281 | 1 | | | | |
| 38 | 289586 | . CATCH PIN ACETAL / 91MM To 8-9281 | 1 | | | | |
| 39 | 288831 | . GUIDE PIN FRONT W/19MM I.D. To 8-9281 | 1 | | | | |
| 40 | 288834 | . GUIDE PIN INSIDE / W/D HOLE To 8-9281 | 1 | | | | |
| 41 | 288837 | . ROD OPENING 252.4MM To 8-9281 | 1 | | | | |
| 42 | 5001667 | . SCREW CAP HEX M6-1.0x70 BK To 8-9281 | 2 | | | | |
| 43 | 500356 | . WASHER LO SERR 6.1x16.0x0.9 N500 To 8-9281 | 2 | | | | |
| 44 | 502724 | . SCREW CAP HEX #10-32x1/4 BZC To 8-9281 | 1 | | | | |
| 45 | 507212 | . O-RING To 8-9281 | 1 | | | | |
| 46 | 502910 | . SPRING COMPRESSION / .720 O.D. 1.75 x .055 To 8-9281 | 1 | | | | |
| 47 | 288890 | . CATCH PIN RETAINER / (WELDED AT STRUCTURE) To 8-9281 | 1 | | | | |
| 50 | | FOR CYLINDER KEY CODE SEE ITEM #13 AT PAGE / Y2-1867-00 | | | | | B |
| 50 | Y2-1867-00 | KEY & CYLINDER CODE "FORD" & "NS" | | | | | B |
| 60 | 285990 | FINISHING MOULDING FORWARD | 1 | | | | F |
| 60 | 287197 | FINISHING MOULDING | 1 | | | | T |
| 61 | 287191P | FINISHING PANEL / TISSUS | 1 | | | | |
| 61 | Call order desk | FINISHING PANEL / FORMICA | 1 | | | | P |
| 61 | 287182 | PANEL ALUMINUM | 1 | | | | |
| 61 | Call order desk | PANEL FORMICA | 1 | | | | P |
| 62 | 287946 | FINISHING MOULDING BACKWARD | 1 | | | | F |
| 62 | 287197 | FINISHING MOULDING | 1 | | | | T |
| 63 | 500952 | SCREW TP BDG PH #8x1/2 SS | 12 | | | | |
| 64 | 287155 | INTERIOR WINDOW MOULDING | 1 | | | | |
| 64 | 288726 | INTERIOR WINDOW MOULDING | 1 | | | | |
| . NS | 288728 | . REINFORCMENT FOR SCREW PROTECTOR CAP | 2 | | | | |
| 64 | 287154 | INTERIOR WINDOW MOULDING | 1 | | | | S |
| 64 | 288725 | INTERIOR WINDOW MOULDING | 1 | | | | S |
| NS | 500552 | SCREW TP OV PH #6x3/4 Z050 | 9 | | | | |
| NS | 500463 | WASHER FN CKF .187x.500x.090 BR Z050 | 9 | | | | |
| NS | 506191 | TAPE RUB ADH1 CC POL 1/8" x 1/4" x 50' / GREY 2520X | AR | | | | F |
| NS | 405142 | DECAL / BLACK STRIP W/DOTTED 1063MM x 149MM | 1 | | | | S |
| 70 | 474666 | FINISHING MOULDING LOWER W.C.L. DOOR 1285MM | 1 | | | | |
| . NS | 506785 | . TAPE RUB ADH2 CC POL 1/16" x 1/4" x 200' / BLACK 11C-N-A | AR | | | | |
| . NS | 506769 | . TAPE RUB ADH2 CC POL 1/8" x 1/4" x 60' / BLACK H1CC-N-#14 | AR | | | | |
| 71 | 474794 | FINISHING MOULDING UPPER W.C.L. DOOR 1285MM | 1 | | | | |
| . NS | 506785 | . TAPE RUB ADH2 CC POL 1/16" x 1/4" x 200' / BLACK 11C-N-A | AR | | | | |

| | | |
|------------------------------------|--------------|-----------------|
| From Y-7046 To 6-8906 | Date:10/2022 | PAGE:Y2-1862-80 |
| ENTRANCE DOOR ASSY - W.C.L. | | |

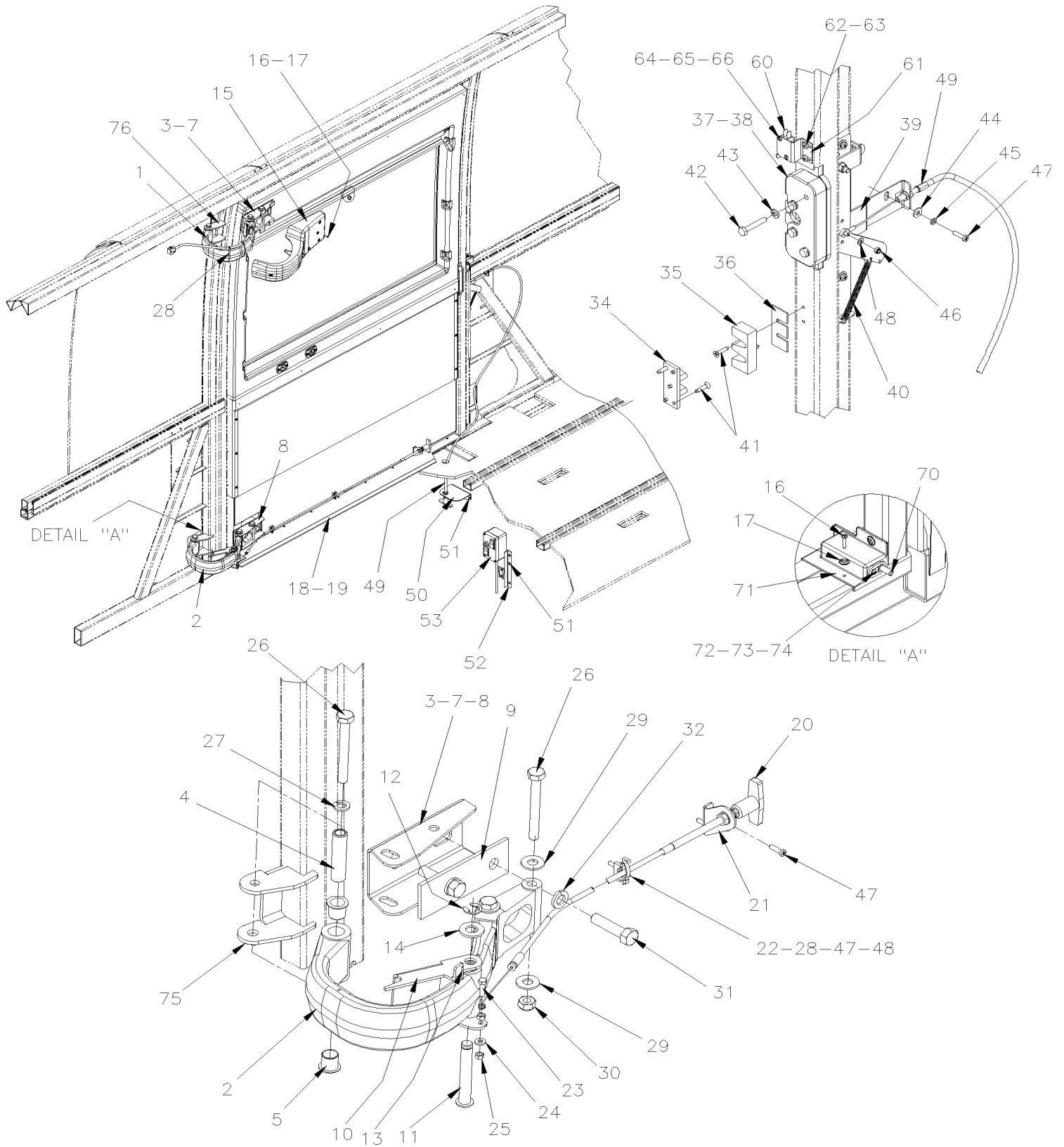
| Item# | Part | Description | X L I I 4 5 | X L I I M T H 4 0 | X L I I M T H 4 5 | X L I I M T H 4 5 E | N O T E S |
|-------|---------|--|----------------------------|---|---|--|-----------------------|
| . NS | 506790 | . TAPE RUB ADH2 CC POL 1/16" x 1/2" x 200' / BLACK I1C-N-A | AR | | | | |
| NS | 682462 | ADHESIVE SIKA #252 / BLACK / 310ml CARTRIDGE | 1 | | | | |
| 72 | 289937 | RUBBER SEAL EXTRUSION / W.C.L. ENTRANCE DOOR | 1 | | | | |
| 72 | 288909 | RUBBER SEAL EXTRUSION / W.C.L. ENTRANCE DOOR | 1 | | | | |
| 72 | 2800160 | RUBBER SEAL EXTRUSION / W.C.L. ENTRANCE DOOR | 1 | | | | |
| 73 | 287208 | FINISHING PLATE SS | 1 | | | | |
| 74 | 5001040 | SCREW TC PAN PH #6-32x3/4 SS | 4 | | | | |
| 75 | 500260 | SCREW TC FL PH #8-32x3/4 BK | 2 | | | | |
| 76 | 474799 | DRIP MOULDING / 1285MM | 1 | | | | |
| | | | | | | | |
| | | | | | | | |
| | | A) FOR RETROFIT DEAD BOLT & "FORD" KEY ASK FOR KIT # 289004 INCLUD ALLS ITEMS IN GREEN | | | | | |
| | | B) THIS CYLINDER LOCK ARE NOT INCLUDE IN KIT 289004 SEE YOU O.E.M. KEY CODE | | | | | |
| | | C) WITH TRANSIT BUS ONLY | | | | | |
| | | F) WITH FORMICA | | | | | |
| | | S) WITH SUNSHINE ROLLER | | | | | |
| | | T) WITH TISSUS | | | | | |
| | | P) CALL ORDER DESK FOR SPECIFIC APPLICATION (V.I.N.) | | | | | |

From Y-7046 To 6-8906

Date:10/2022

PAGE:Y2-1862-82

ENTRANCE DOOR - INSTALLATION - W.C.L.



| | | |
|-----------------------|--------------|-----------------|
| From Y-7046 To 6-8906 | Date:10/2022 | PAGE:Y2-1862-82 |
|-----------------------|--------------|-----------------|

ENTRANCE DOOR - INSTALLATION - W.C.L.

| Item# | Part | Description | X L I I 4 5 | X L I I M T H 4 0 | X L I I M T H 4 5 | X L I I M T H 4 5 E | N O T E S |
|-------|---------|---|----------------------------|---|---|--|-----------------------|
| 1 | 284287 | HINGE UPPER To 2-7874 | 1 | | | | |
| 1 | 287339 | HINGE UPPER From 2-7875 To 3-8074 | 1 | | | | |
| 1 | 287404 | HINGE UPPER From 3-8075 To 3-8334 | 1 | | | | |
| 1 | 287472 | HINGE UPPER From 3-8335 | 1 | | | | |
| 2 | 287924 | HINGE LOWER To 2-7874 | 1 | | | | |
| 2 | 287338 | HINGE LOWER From 2-7875 | 1 | | | | |
| 3 | 287948 | RUBBER PAD 110MM X 75MM | 1 | | | | B |
| 4 | 287337 | SPACER / BEARING FLANGE | 2 | | | | |
| 5 | 507326 | BEARING FLANGE | 4 | | | | |
| NS | 680739 | GREASE SYNTHETIC / RED 20KG | AR | | | | |
| 7 | 287151 | ATTACHMENT UPPER HINGE | 1 | | | | |
| 8 | 287152 | ATTACHMENT LOWER HINGE | 1 | | | | |
| 9 | 286998 | SUPPORT PLATE 134MM X 48MM | 2 | | | | |
| 10 | 287179 | LEVER LOCK | 1 | | | | |
| 11 | 287180 | PIVOT | 1 | | | | |
| 12 | 507110 | RING RETAINER / EXT .500 x .392 x .042" / SS | 1 | | | | |
| 13 | 371135 | SPRING, TORSION / .562 I.D. x .061 | 1 | | | | |
| 14 | 500958 | WASHER FL .531x1.062x.095 SS | 1 | | | | |
| 15 | 287160 | CAP COVER UPPER | 1 | | | | |
| 16 | 500552 | SCREW TP OV PH #6x3/4 Z050 | 5 | | | | |
| 17 | 500463 | WASHER FN CKF .187x.500x.090 BR Z050 | 5 | | | | |
| 18 | 287193 | DOORSTEP W.C.L. To 5-8605 | 1 | | | | |
| 18 | 288623 | DOORSTEP W.C.L. From 5-8606 | 1 | | | | |
| 19 | 504340 | RIVET POP DOME OE 1/8x3/16 SS | 9 | | | | |
| 20 | 780635 | CABLE DOOR SAFETY UNLATCH To 3-8114 | 1 | | | | |
| 20 | 287456 | CABLE DOOR SAFETY UNLATCH From 3-8115 To 4-8278 | 1 | | | | |
| 20 | 287470 | CABLE DOOR SAFETY UNLATCH From 4-8279 | 1 | | | | |
| 21 | 287196 | SUPPORT CABLE | 1 | | | | |
| 22 | 504013 | TIE MOUNT / 1/4" X 1/4" I.D. | 2 | | | | |
| 23 | 5001146 | SCREW CAP HEX M5-0.8x20 SS BK | 1 | | | | |
| 24 | 5001449 | NUT HEX M5-0.8 SS | 2 | | | | |
| 25 | 502570 | WASHER LO SPT 6.1x11.8x1.6 SS | 1 | | | | |
| NS | 680038 | THREAD LOCKER LOCTITE #243 / BLUE / 50ml | 1 | | | | |
| 26 | 5001016 | SCREW CAP HEX M10-1.5x90 G8.8 Z050 | 6 | | | | |
| 27 | 500257 | WASHER LO SPT 10.2x18.1x2.2 Z050 | 2 | | | | |
| 28 | 504637 | CABLE TIE / 3/16" x 13" | AR | | | | |
| 29 | 500445 | WASHER FL .437x1.000x.083 Z050 | 8 | | | | |
| 30 | 502617 | NUT HEX NYRT M10-1.5 Z050 | 4 | | | | |
| 31 | 5001519 | SCREW CAP HEX M12-1.75x50 G8.8 FT ZP | 4 | | | | |
| 32 | 500482 | WASHER LO SPT .506x.873x.125 Z050 | 4 | | | | |
| 34 | 780496 | DOVETAIL, MALE | 1 | | | | |
| 35 | 780497 | DOVETAIL, FEMALE / FIXED ON STRUCTURE | 1 | | | | |

| | | |
|--|--------------|-----------------|
| From Y-7046 To 6-8906 | Date:10/2022 | PAGE:Y2-1862-82 |
| ENTRANCE DOOR - INSTALLATION - W.C.L. | | |

| Item# | Part | Description | X L I I 4 5 | X L I I M T H 4 0 | X L I I M T H 4 5 | X L I I M T H 4 5 E | N O T E S |
|-------|-------------------|---|----------------------------|---|---|--|-----------------------|
| 36 | 287209 | SHIM 16GA | 2 | | | | |
| 37 | 287173 | LATCH ASSY | 1 | | | | |
| 38 | 287645 | SHIM LATCH SS 16 GA | AR | | | | |
| 39 | 287171 | TRANSFER LEVER To 3-8114 | 1 | | | | A |
| 39 | 289242 | TRANSFER LEVER From 3-8115 | 1 | | | | S |
| 40 | 502092 | . SPRING EXTENSION / .240 O.D. x 2.5 x .034 | 1 | | | | |
| 41 | 500260 | SCREW TC FL PH #8-32x3/4 BK | 2 | | | | |
| 42 | 502818 | SCREW CAP HEX M6-1.0x35 G8.8 Z050 | 4 | | | | |
| 43 | 502570 | WASHER LO SPT 6.1x11.8x1.6 SS | 4 | | | | |
| 44 | 500964 | WASHER FL .203x.500x.047 Z050 | 3 | | | | |
| 45 | 500470 | WASHER LO SPT .193x.334x.047 Z050 | 3 | | | | |
| 46 | 500590 | NUT HEX NYRT M4-0.7 Z050 | 1 | | | | |
| 47 | 500658 | SCREW TC PAN PH #10-24x3/4 Z050 | 7 | | | | |
| 48 | 500591 | WASHER FL 4.3x9.0x0.8 Z050 | 3 | | | | |
| 49 | 780636 | CABLE DOOR LATCH To 3-8114 | 1 | | | | |
| 49 | 287455 | CABLE DOOR LATCH From 3-8115 To 4-8278 | 1 | | | | |
| 49 | 287469 | CABLE DOOR LATCH From 4-8279 | 1 | | | | |
| 50 | 287174 | SUPPORT CABLE | 1 | | | | |
| 51 | 504379 | RIVET POP DOME OE 3/16x1/4 SS | AR | | | | |
| 52 | 363896 | ANGLE GUIDE REMOTE CONTROL | 1 | | | | |
| 53 | Y2-2380-05 | W.C.L. "RICON" MODEL "F9A" To 1-7680 | | | | | |
| 53 | Y2-2380-06 | W.C.L. "RICON" MODEL "HC-L002" From 1-7681 To 4-8278 | | | | | |
| 53 | Y2-2380-07 | W.C.L. "RICON" REMOVABLE MODEL "F9T" From 4-8279 To 5-8605 | | | | | |
| 53 | Y2-2380-08 | W.C.L. "RICON" REMOVABLE MODEL "F9TF" From 5-8606 | | | | | |
| 60 | 562096 | MICRO SWITCH | 1 | | | | |
| 61 | 065388 | SUPPORT / SWITCH | 1 | | | | |
| 62 | 5001491 | SCREW TC PAN PH #8-32x3/4 SS | 2 | | | | |
| 63 | 500581 | WASHER LO SPT .141x.250x.031 SS | 2 | | | | |
| 64 | 502519 | SCREW MA FL SLT #4-40x5/8 Z050 | 2 | | | | |
| 65 | 5001407 | WASHER LO EXT 3.2x6.0x0.4 SS | 2 | | | | |
| 66 | 502520 | NUT HEX #4-40 Z050 | 2 | | | | |
| 70 | 562303 | SWITCH / S.P.S.T. / N.C. | 1 | | | | |
| 71 | 065444 | SWITCH SUPPORT / ENTRANCE DOOR W.C.L. | 1 | | | | |
| 72 | 500148 | SCREW MA RND PH #6-32x1/2 SS | 1 | | | | |
| 73 | 502649 | WASHER LO EXT .141x.320x.022 Z050 | 1 | | | | |
| 74 | 500553 | NUT HEX #6-32 SS | 1 | | | | |
| 75 | 287897 | HINGE SUPPORT / LOWER | 1 | | | | |
| 76 | 287898 | HINGE SUPPORT / UPPER | 1 | | | | |
| 80 | 287217 | KIT, CABLE DOOR LATCH W.C.L. To 4-8278 | 1 | | | | |
| . NS | IS-03051 | . SEE INSTRUCTION SHEET To 4-8278 | 1 | | | | |
| 81 | 287407 | KIT, CABLE DOOR SAFETY LATCH W.C.L. To 4-8278 | 1 | | | | |

| | | |
|--|--------------|-----------------|
| From Y-7046 To 6-8906 | Date:10/2022 | PAGE:Y2-1862-82 |
| ENTRANCE DOOR - INSTALLATION - W.C.L. | | |

| Item# | Part | Description | X L I I 4 5 | X L I I M T H 4 0 | X L I I M T H 4 5 | X L I I M T H 4 5 E | N O T E S |
|-------|-----------|---|----------------------------|---|---|--|-----------------------|
| . NS | IS-03051 | . SEE INSTRUCTION SHEET To 4-8278 | 1 | | | | |
| 82 | 287427 | KIT WCL DOOR To 3-8114 | 1 | | | | |
| . NS | IS-02048A | . SEE INSTRUCTION SHEET To 3-8114 | 1 | | | | |
| | | | | | | | |
| | | | | | | | |
| | | A) FOR PRODUCT IMPROVEMENT ASK KIT #287427 Up to 3-8114 | | | | | |
| | | B) FIXED ON GLASS WINDOW IN LINE WITH UPPER HINGE | | | | | |
| | | S) AS SHOWN | | | | | |

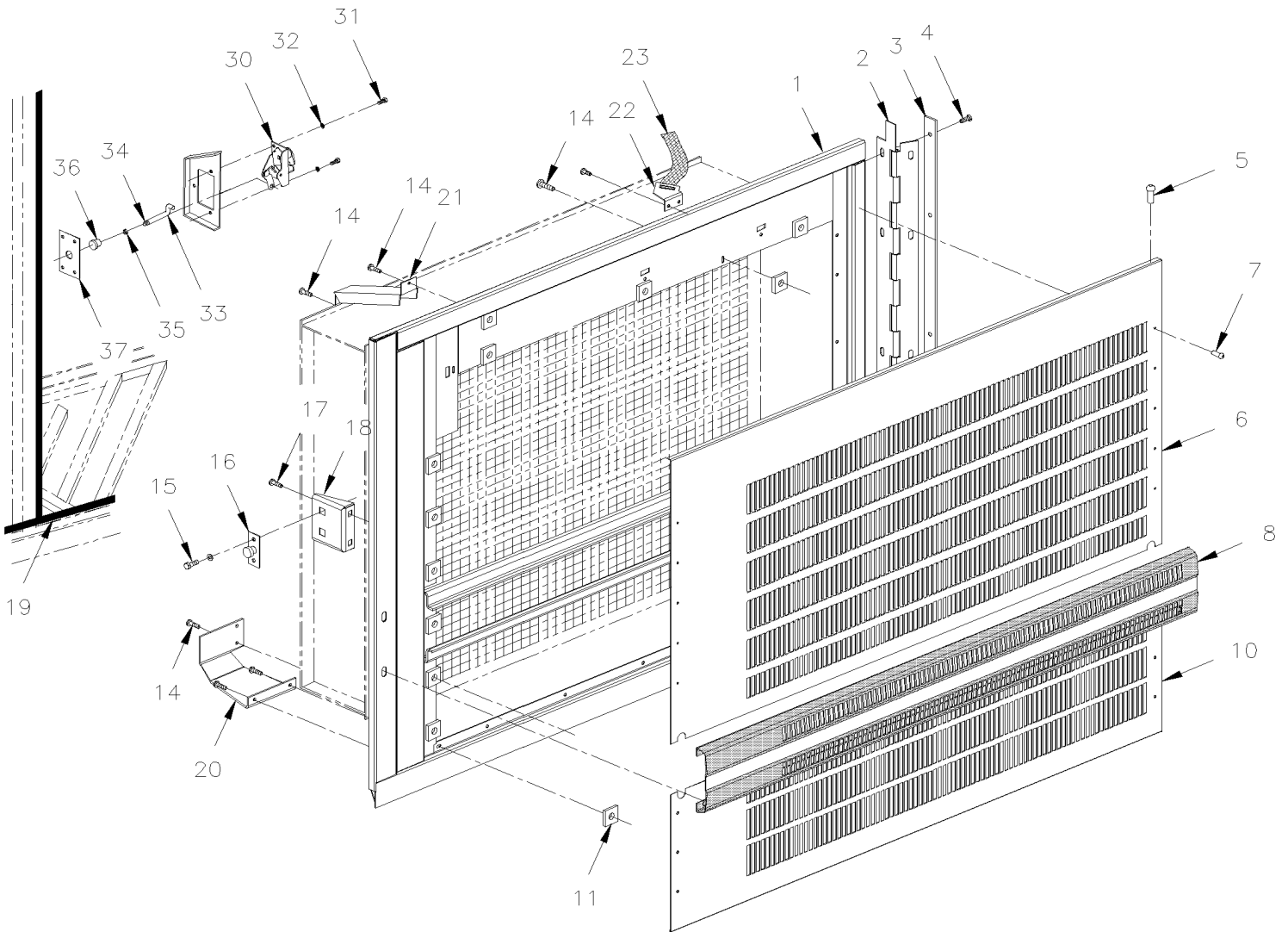
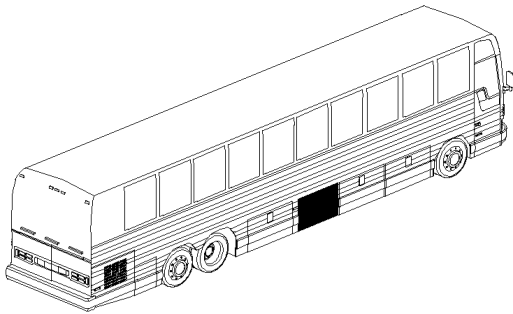
From Y-7046 To 6-8906

Date:10/2022

PAGE:Y2-1863-00

CONDENSOR DOOR ASSY - BUS

BUS 45'



| | | |
|----------------------------------|--------------|-----------------|
| From Y-7046 To 6-8906 | Date:10/2022 | PAGE:Y2-1863-00 |
| CONDENSOR DOOR ASSY - BUS | | |

| Item# | Part | Description | X L I I 4 5 | X L I I M T H 4 0 | X L I I M T H 4 5 | X L I I M T H 4 5 E | N O T E S |
|-------|-------------------|--|----------------------------|---|---|--|-----------------------|
| | | ALL DOORS ASSY DO NOT INCLUDE | | | | | |
| | | RUB-RAIL PLEASE ORDER SEPARATELY | | | | | |
| | 483651 | CONDENSOR DOOR ASSY / W/FLAT PANEL | 1 | | | | |
| | 483658 | CONDENSOR DOOR ASSY / W/FLUTED | 1 | | | | A |
| 1 | 483015 | . FRAME ASSY / 1354MM To 2-7753 | 1 | | | | F |
| 1 | 483102 | . FRAME ASSY / 1354MM From 2-7754 To 5-8358 | 1 | | | | |
| 1 | 483814 | . FRAME ASSY / 1354MM From 5-8359 | 1 | | | | |
| NS | 481047 | . HINGE PLATE 31"1/16 W/ 5 HOLES 1/4-28 To 2-7831 | 1 | | | | B |
| NS | 483638 | . HINGE PLATE 31"1/16 W/ 5 HOLES 1/4-28 From 2-7832 | 1 | | | | B |
| 2 | 480907 | . HINGE | 1 | | | | |
| 3 | 480910 | . REINFORCEMENT OF HINGE / THIN 31 1/4" x 1/8 FRAME SIDE | 1 | | | | |
| NS | 481840 | . REINFORCEMENT OF HINGE / 31 7/8" X GA11 STRUCTURE SIDE | 1 | | | | |
| NS | 481131 | . SHIM 2" X 1"1/8 / HINGE SUPPORT | AR | | | | |
| 4 | 500316 | . SCREW MA FL PH 1/4-28x3/4 SS | 5 | | | | |
| 5 | 504340 | . RIVET POP DOME OE 1/8x3/16 SS | AR | | | | |
| 6 | 483147 | . PANEL, UPPER / FLAT To 2-7753 | 1 | | | | |
| 6 | 483543 | . PANEL, UPPER / FLAT From 2-7754 To 5-8358 | 1 | | | | |
| 6 | 483805 | . PANEL, UPPER / FLAT From 5-8359 | 1 | | | | |
| 6 | 483331 | . PANEL, UPPER / WFLUTED / S.B. To 5-8358 | 1 | | | | A |
| 6 | 483804 | . PANEL, UPPER / WFLUTED / S.B. From 5-8359 | 1 | | | | A |
| NS | 680025 | . CAULKING STRIP 3/16" O.D. X 14' | AR | | | | |
| NS | 680065 | . TAPE COMPOUND / BLACK / 1/32" X 1" X 33' / L163-2400 | AR | | | | |
| 7 | 504272 | . RIVET CHY Q BRAZ 3/16x1/8 SS | AR | | | | |
| 8 | Y2-1855-00 | RUB RAIL - EXTERIOR CREST & TRIMS | | | | | |
| 10 | 483245 | . PANEL, LOWER | 1 | | | | |
| 10 | 483332 | . PANEL, LOWER / S.B. | 1 | | | | A |
| 11 | 481249 | . NUT To 2-7753 | AR | | | | |
| 14 | 500524 | . SCREW TP PAN PH #12x5/8 SS To 2-7753 | AR | | | | |
| NS | 5001181 | . SCREW CAP HEX M6-1.0x12 SS From 2-7754 | AR | | | | |
| NS | 500411 | . WASHER FL .260x.697x.050 SS From 2-7754 | AR | | | | |
| 15 | 500316 | . SCREW MA FL PH 1/4-28x3/4 SS | 2 | | | | |
| NS | 502582 | . WASHER LO SERR 6.1x16.2x0.9 Z050 | 2 | | | | |
| NS | 500692 | . NUT HEX 1/4-28 Z050 | 2 | | | | |
| 16 | 780278 | . PIN, STRIKER STUD | 1 | | | | |
| NS | 283326 | . STRIKER PLATE, MOUNTING / 60MM X 25MM | 1 | | | | |
| 17 | 500163 | . SCREW CAP HEX 1/4-20x3/4 G5 Z050 | 2 | | | | |
| 17 | 502583 | . WASHER LO SERR 8.15x22.3x1.0 Z050 | 2 | | | | |
| 18 | 284605 | . SUPPORT / TO FIX CATCH | 1 | | | | |
| 19 | 482099 | . WEATHERSTRIP / CONDENSOR DOOR | 1 | | | | |
| 19 | 480009 | . WEATHERSTRIP / CONDENSOR DOOR | 1 | | | | |

| | | |
|----------------------------------|--------------|-----------------|
| From Y-7046 To 6-8906 | Date:10/2022 | PAGE:Y2-1863-00 |
| CONDENSOR DOOR ASSY - BUS | | |

| Item# | Part | Description | X L I I 4 5 | X L I I M T H 4 0 | X L I I M T H 4 5 | X L I I M T H 4 5 E | N O T E S |
|-------|-------------------|---|----------------------------|---|---|--|-----------------------|
| NS | 280152 | . WEATHERSTRIP RUBBER EPDM CC EXTRUSION / RAW MATERIAL | AR | | | | |
| 20 | 482322 | SUPPORT | 1 | | | | |
| 21 | Y2-2255-00 | CONDENSOR - INSTALLATION LARGE SYSTEM | | | | | |
| 22 | 452813 | SUPPORT STRAP RETAINER W/2 SLOTS & 2 HOLES To 2-7753 | 1 | | | | |
| 23 | 505507 | STRAP NYLON 1" WIDE / S.L. To 2-7878 | AR | | | | |
| NS | 452816 | SUPPORT STRAP To 2-7878 | 1 | | | | C |
| NS | 284439 | PLATE, STRAP RETAINING / OBLONG 16.5MM x 25.4MM W/2 HOLES To 2-7878 | 1 | | | | |
| 30 | 780282 | LOCK SPAGNOLET L.H. To 2-7755 | 1 | | | | |
| 30 | 780652 | LOCK SPAGNOLET L.H. / W/G-FITTING From 2-7756 | 1 | | | | |
| NS | 780340 | . CLIP, RETAINER ROD From 2-7756 | 1 | | | | |
| NS | 507607 | . GREASE FITTING / M6-1.00 From 2-7756 | 1 | | | | |
| NS | 505213 | SHIM 1/16" THICK | AR | | | | |
| NS | 505193 | SHIM 1/8" THICK | AR | | | | |
| 31 | 955271 | SCREW CAP HEX M6-1.0x16 G8.8 ZG603 | 2 | | | | |
| 32 | 502582 | WASHER LO SERR 6.1x16.2x0.9 Z050 | 2 | | | | |
| 33 | 284596 | ROD OPENING 68MM | 1 | | | | |
| 34 | 500764 | NUT HEX #8-32 Z050 | 1 | | | | |
| 35 | 504083 | SNAP BUSHING / .250x.468.406 | 1 | | | | |
| 36 | 505504 | KNOB, PULL / 8-32 | 1 | | | | |
| 37 | 482726 | CLOSING PLATE 30MM X 50MM / SS | 1 | | | | |
| NS | 504473 | RIVET POP DOME OE 1/8x1/4 SS | 4 | | | | |
| NS | 483536 | KIT RETROFIT, CONDENSER DOOR To 2-7753 | 1 | | | | |
| NS | IS-01061 | . SEE INSTRUCTION SHEET To 2-7753 | 1 | | | | |
| | | | | | | | |
| | | | | | | | |
| | | | | | | | |
| | | A) USE WITH BUS WITH FLUTED LOWER PANELLING | | | | | |
| | | B) INSIDE OF DOOR FRAME PANEL | | | | | |
| | | C) FIXED UNDER PASSENGER FLOOR | | | | | |
| | | F) FOR PRODUCT IMPROVEMENT, ASK KIT 483536 | | | | | |

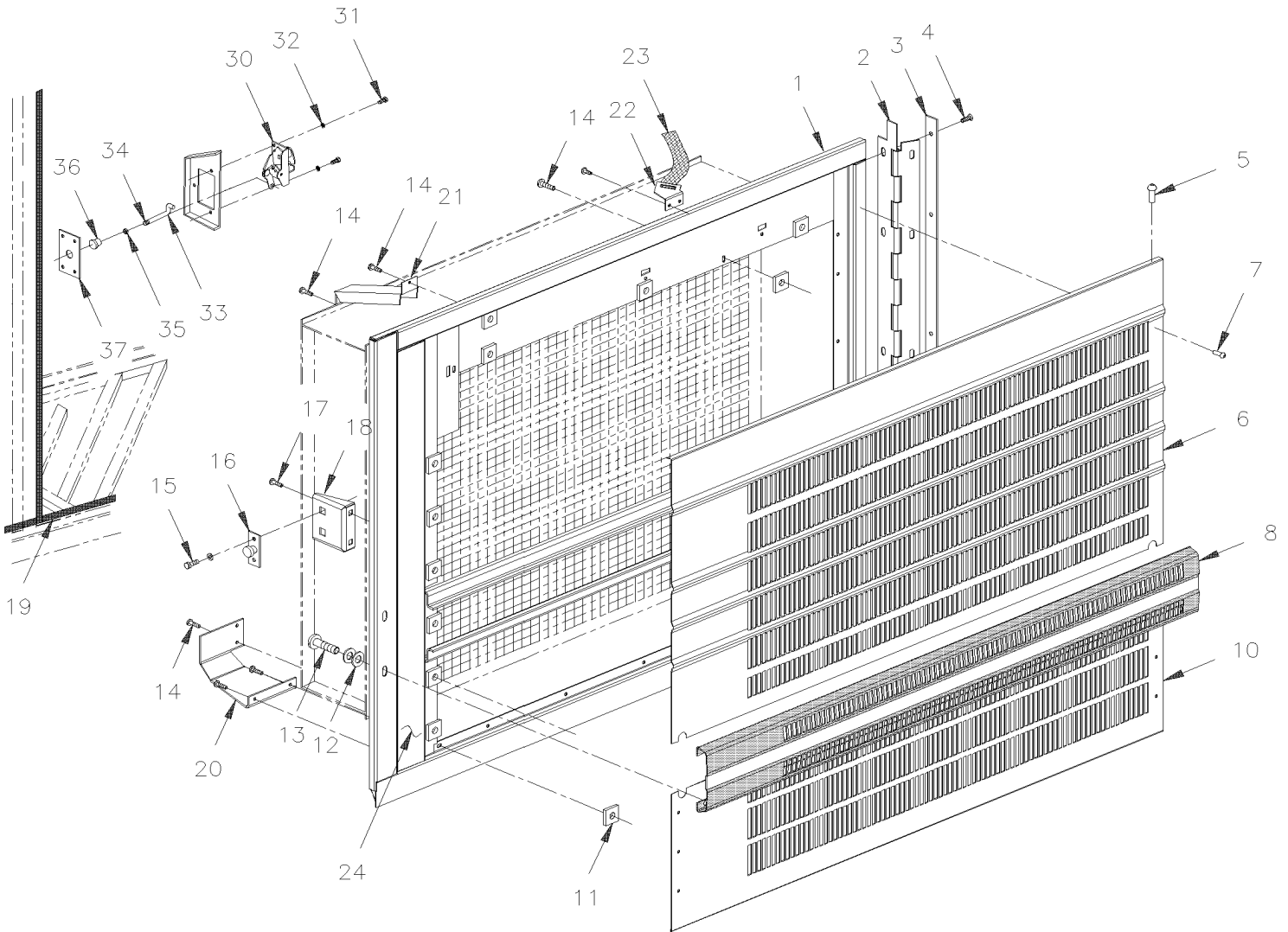
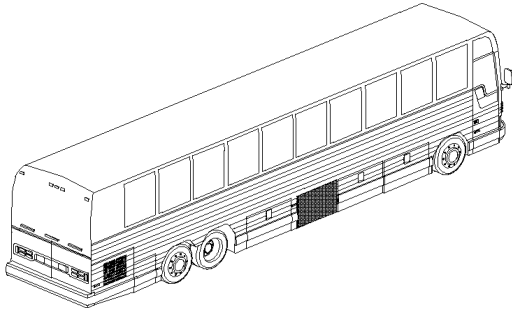
From Y-7046 To 8-9339

Date:10/2022

PAGE:Y2-1863-50

CONDENSOR DOOR ASSY

MTH 45'



| | | |
|----------------------------|--------------|-----------------|
| From Y-7046 To 8-9339 | Date:10/2022 | PAGE:Y2-1863-50 |
| CONDENSOR DOOR ASSY | | |

| Item# | Part | Description | X L I I 4 5 | X L I I M T H 4 0 | X L I I M T H 4 5 | X L I I M T H 4 5 E | N O T E S |
|-------|-------------------|--|----------------------------|---|---|--|-----------------------|
| | | ALL DOORS ASSY DO NOT INCLUDE | | | | | |
| | | RUB-RAIL PLEASE ORDER SEPARATELY | | | | | |
| | 453321P | CONDENSOR DOOR ASSY W/1 MOTOR | | | 1 | | |
| 1 | 482668 | . FRAME ASSY | | | 1 | | |
| NS | 481047 | . HINGE PLATE 31"1/16 W/ 5 HOLES 1/4-28 To 2-7831 | | | 1 | | A |
| NS | 483638 | . HINGE PLATE 31"1/16 W/ 5 HOLES 1/4-28 From 2-7832 | | | 1 | | A |
| 2 | 480907 | . HINGE | | | 1 | | |
| 3 | 480910 | . REINFORCEMENT OF HINGE / THIN 31 1/4" x 1/8 FRAME SIDE | | | 1 | | |
| NS | 481840 | . REINFORCEMENT OF HINGE / 31 7/8" X GA11 STRUCTURE SIDE | | | 1 | | |
| NS | 481131 | . SHIM 2" X 1"1/8 / HINGE SUPPORT | | | AR | | |
| 4 | 500316 | . SCREW MA FL PH 1/4-28x3/4 SS | | | 5 | | |
| 5 | 504340 | . RIVET POP DOME OE 1/8x3/16 SS | | | AR | | |
| 6 | 482670 | . PANEL, UPPER / S.B. To 5-8358 | | | 1 | | |
| 6 | 483800 | . PANEL, UPPER / S.B. From 5-8359 To 5-8468 | | | 1 | | |
| 6 | 483900 | . PANEL, UPPER / B.A. From 5-8469 | | | 1 | | |
| NS | 680025 | . CAULKING STRIP 3/16" O.D. X 14' | | | AR | | |
| NS | 680065 | . TAPE COMPOUND / BLACK / 1/32" X 1" X 33' / L163-2400 | | | AR | | |
| 7 | 504272 | . RIVET CHY Q BRAZ 3/16x1/8 SS | | | AR | | |
| 8 | Y2-1855-00 | RUB RAIL - EXTERIOR CREST & TRIMS | | | | | |
| 10 | 482669 | . PANEL, LOWER / S.B. To 5-8468 | | | 1 | | |
| 10 | 483896 | . PANEL, LOWER / B.A. From 5-8469 | | | 1 | | |
| 11 | 481249 | . NUT | | | AR | | |
| 12 | 500411 | . WASHER FL .260x.697x.050 SS | | | 4 | | |
| NS | 500473 | . WASHER LO SPT .262x.489x.062 Z050 | | | 4 | | |
| 13 | 500556 | . SCREW MA TR PH 1/4-20x3/4 SS | | | 4 | | |
| 14 | 500524 | . SCREW TP PAN PH #12x5/8 SS | | | AR | | |
| 15 | 500316 | . SCREW MA FL PH 1/4-28x3/4 SS | | | 2 | | |
| NS | 502582 | . WASHER LO SERR 6.1x16.2x0.9 Z050 | | | 2 | | |
| NS | 500692 | . NUT HEX 1/4-28 Z050 | | | 2 | | |
| 16 | 780278 | . PIN, STRIKER STUD | | | 1 | | |
| NS | 283326 | . STRIKER PLATE, MOUNTING / 60MM X 25MM | | | 1 | | |
| 17 | 500163 | . SCREW CAP HEX 1/4-20x3/4 G5 Z050 | | | 2 | | |
| 17 | 502583 | . WASHER LO SERR 8.15x22.3x1.0 Z050 | | | 2 | | |
| 18 | 284605 | . SUPPORT / TO FIX CATCH | | | 1 | | |
| 19 | 482099 | WEATHERSTRIP / CONDENSOR DOOR | | | 1 | | |
| NS | 480009 | WEATHERSTRIP / CONDENSOR DOOR | | | 1 | | |
| NS | 280152 | . WEATHERSTRIP RUBBER EPDM CC EXTRUSION / RAW MATERIAL | | | AR | | |
| 20 | 482452 | SUPPORT | | | 1 | | |
| NS | 482328 | BLOCK SUPPORT | | | 1 | | |
| NS | 481055 | SHIM / FOR THE BLOCK | | | 1 | | |

| | | |
|----------------------------|--------------|-----------------|
| From Y-7046 To 8-9339 | Date:10/2022 | PAGE:Y2-1863-50 |
| CONDENSOR DOOR ASSY | | |

| Item# | Part | Description | X L I I 4 5 | X L I I M T H 4 0 | X L I I M T H 4 5 | X L I I M T H 4 5 E | N O T E S |
|-------|------------|--|----------------------------|---|---|--|-----------------------|
| 21 | Y2-2255-50 | CONDENSOR - INSTALLATION LARGE SYSTEM | | | | | |
| 22 | 452813 | SUPPORT STRAP RETAINER W/2 SLOTS & 2 HOLES | | | 1 | | |
| 23 | 505507 | STRAP NYLON 1" WIDE / S.L. | | | AR | | |
| NS | 452816 | SUPPORT STRAP | | | 1 | | |
| 24 | 482125 | REINFORCEMENT, VERTICAL | | | 1 | | |
| 30 | 780282 | LOCK SPAGNOLET L.H. | | | 1 | | |
| NS | 505213 | SHIM 1/16" THICK | | | AR | | |
| NS | 505193 | SHIM 1/8" THICK | | | AR | | |
| 31 | 502531 | SCREW CAP HEX M6-1.0x16 G8.8 Z050 | | | 2 | | |
| 32 | 502582 | WASHER LO SERR 6.1x16.2x0.9 Z050 | | | 2 | | |
| 33 | 284596 | ROD OPENING 68MM | | | 1 | | |
| 34 | 500764 | NUT HEX #8-32 Z050 | | | 1 | | |
| 35 | 504083 | SNAP BUSHING / .250x.468.406 | | | 1 | | |
| 36 | 505504 | KNOB, PULL / 8-32 | | | 1 | | |
| 37 | 482726 | CLOSING PLATE 30MM X 50MM / SS | | | 1 | | |
| NS | 504473 | RIVET POP DOME OE 1/8x1/4 SS | | | 4 | | |
| | | | | | | | |
| | | | | | | | |
| | | A) A L'INTERIEUR DU CHASSIS DE LA PORTE | | | | | |

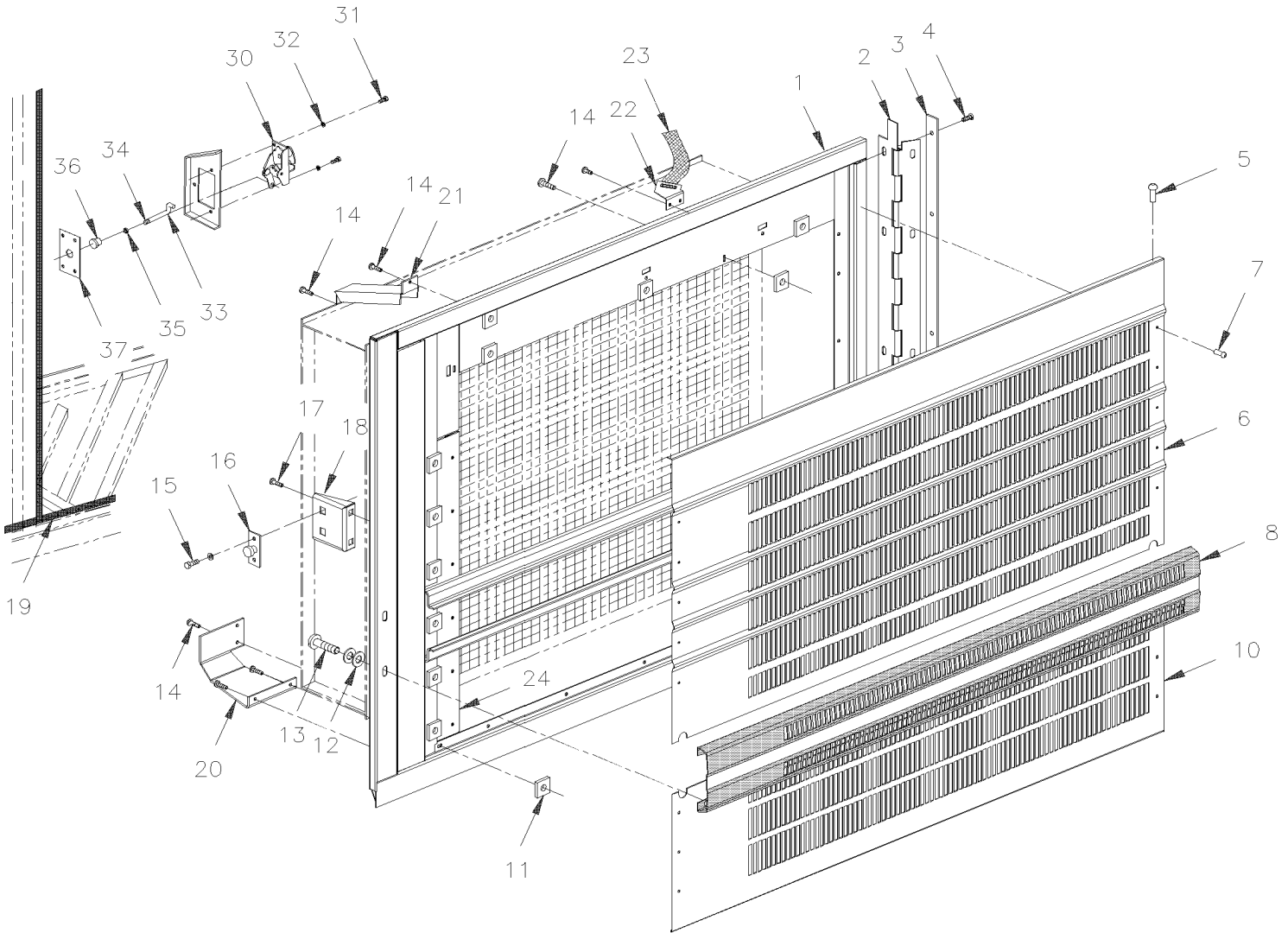
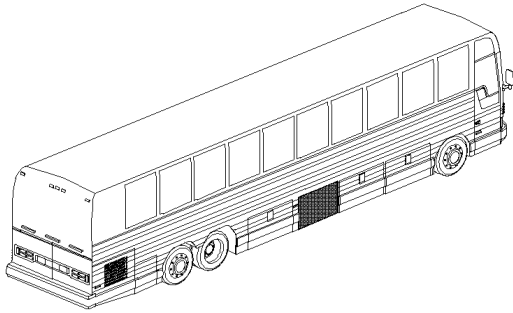
From Y-7046 To 8-9278

Date:10/2022

PAGE:Y2-1863-51

CONDENSOR DOOR ASSY

MTH 40' & 45' ENT



| | | |
|----------------------------|--------------|-----------------|
| From Y-7046 To 8-9278 | Date:10/2022 | PAGE:Y2-1863-51 |
| CONDENSOR DOOR ASSY | | |

| Item# | Part | Description | X L I I 4 5 | X L I I M T H 4 0 | X L I I M T H 4 5 | X L I I M T H 4 5 E | N O T E S |
|-------|-------------------|---|----------------------------|---|---|--|-----------------------|
| | | ALL DOORS ASSY DO NOT INCLUDE | | | | | |
| | | RUB-RAIL PLEASE ORDER SEPARATELY | | | | | |
| | 483008P | CONDENSOR DOOR ASSY W/ 1 MOTOR | | 1 | | 1 | |
| 1 | 483014 | . FRAME ASSY To 5-8358 | | 1 | | 1 | |
| 1 | 483816 | . FRAME ASSY From 5-8359 | | 1 | | 1 | |
| NS | 481047 | . HINGE PLATE 31"1/16 W/ 5 HOLES 1/4-28 To 2-7831 | | 1 | | 1 | A |
| NS | 483638 | . HINGE PLATE 31"1/16 W/ 5 HOLES 1/4-28 From 2-7832 | | 1 | | 1 | A |
| 2 | 480907 | . HINGE | | 1 | | 1 | |
| 3 | 480910 | . REINFORCEMENT OF HINGE / THIN 31 1/4" x 1/8 FRAME SIDE | | 1 | | 1 | |
| NS | 481840 | . REINFORCEMENT OF HINGE / 31 7/8" X GA11 STRUCTURE SIDE | | 1 | | 1 | |
| NS | 481131 | . SHIM 2" X 1"1/8 / HINGE SUPPORT | | AR | | AR | |
| 4 | 500316 | . SCREW MA FL PH 1/4-28x3/4 SS | | 5 | | 5 | |
| 5 | 504340 | . RIVET POP DOME OE 1/8x3/16 SS | | 4 | | 4 | |
| 6 | 483006 | . PANEL, UPPER / S.B. To 5-8358 | | 1 | | 1 | |
| 6 | 483803 | . PANEL, UPPER / S.B. From 5-8359 To 5-8468 | | 1 | | 1 | |
| 6 | 483899 | . PANEL, UPPER / B.A. From 5-8469 | | 1 | | 1 | |
| NS | 680025 | . CAULKING STRIP 3/16" O.D. X 14' | | AR | | AR | |
| NS | 680065 | . TAPE COMPOUND / BLACK / 1/32" X 1" X 33' / L163-2400 | | AR | | AR | |
| 7 | 504272 | . RIVET CHY Q BRAZ 3/16x1/8 SS | | 17 | | 17 | |
| 8 | Y2-1855-00 | . RUB RAIL - EXTERIOR CREST & TRIMS | | | | | |
| 10 | 483007 | . LOWER PANEL W/0.81 SQF PERFORATED AREA / S.B. To 5-8468 | | 1 | | 1 | |
| 10 | 483940 | . LOWER PANEL W/0.81 SQF PERFORATED AREA / B.A. From 5-8469 | | 1 | | 1 | |
| 11 | 481249 | . NUT | | 25 | | 25 | |
| 12 | 500411 | . WASHER FL .260x.697x.050 SS | | 4 | | 4 | |
| NS | 500473 | . WASHER LO SPT .262x.489x.062 Z050 | | 4 | | 4 | |
| 13 | 500556 | . SCREW MA TR PH 1/4-20x3/4 SS | | 4 | | 4 | |
| 14 | 500524 | . SCREW TP PAN PH #12x5/8 SS | | AR | | AR | |
| 15 | 500316 | . SCREW MA FL PH 1/4-28x3/4 SS | | 2 | | 2 | |
| NS | 502582 | . WASHER LO SERR 6.1x16.2x0.9 Z050 | | 2 | | 2 | |
| NS | 500692 | . NUT HEX 1/4-28 Z050 | | 2 | | 2 | |
| 16 | 780278 | . PIN, STRIKER STUD | | 1 | | 1 | |
| NS | 283326 | . STRIKER PLATE, MOUNTING / 60MM X 25MM | | 1 | | 1 | |
| 17 | 500163 | . SCREW CAP HEX 1/4-20x3/4 G5 Z050 | | 2 | | 2 | |
| 17 | 502583 | . WASHER LO SERR 8.15x22.3x1.0 Z050 | | 2 | | 2 | |
| 18 | 284605 | . SUPPORT / TO FIX CATCH | | 1 | | 1 | |
| 19 | 482099 | WEATHERSTRIP / CONDENSOR DOOR | | 1 | | 1 | |
| 19 | 480009 | WEATHERSTRIP / CONDENSOR DOOR | | 1 | | 1 | |
| 19 | 280152 | . WEATHERSTRIP RUBBER EPDM CC EXTRUSION / RAW MATERIAL | | AR | | AR | |
| 20 | 482452 | SUPPORT | | 1 | | 1 | |
| 21 | Y2-2255-50 | CONDENSOR - INSTALLATION LARGE SYSTEM | | | | | |

| | | |
|----------------------------|--------------|-----------------|
| From Y-7046 To 8-9278 | Date:10/2022 | PAGE:Y2-1863-51 |
| CONDENSOR DOOR ASSY | | |

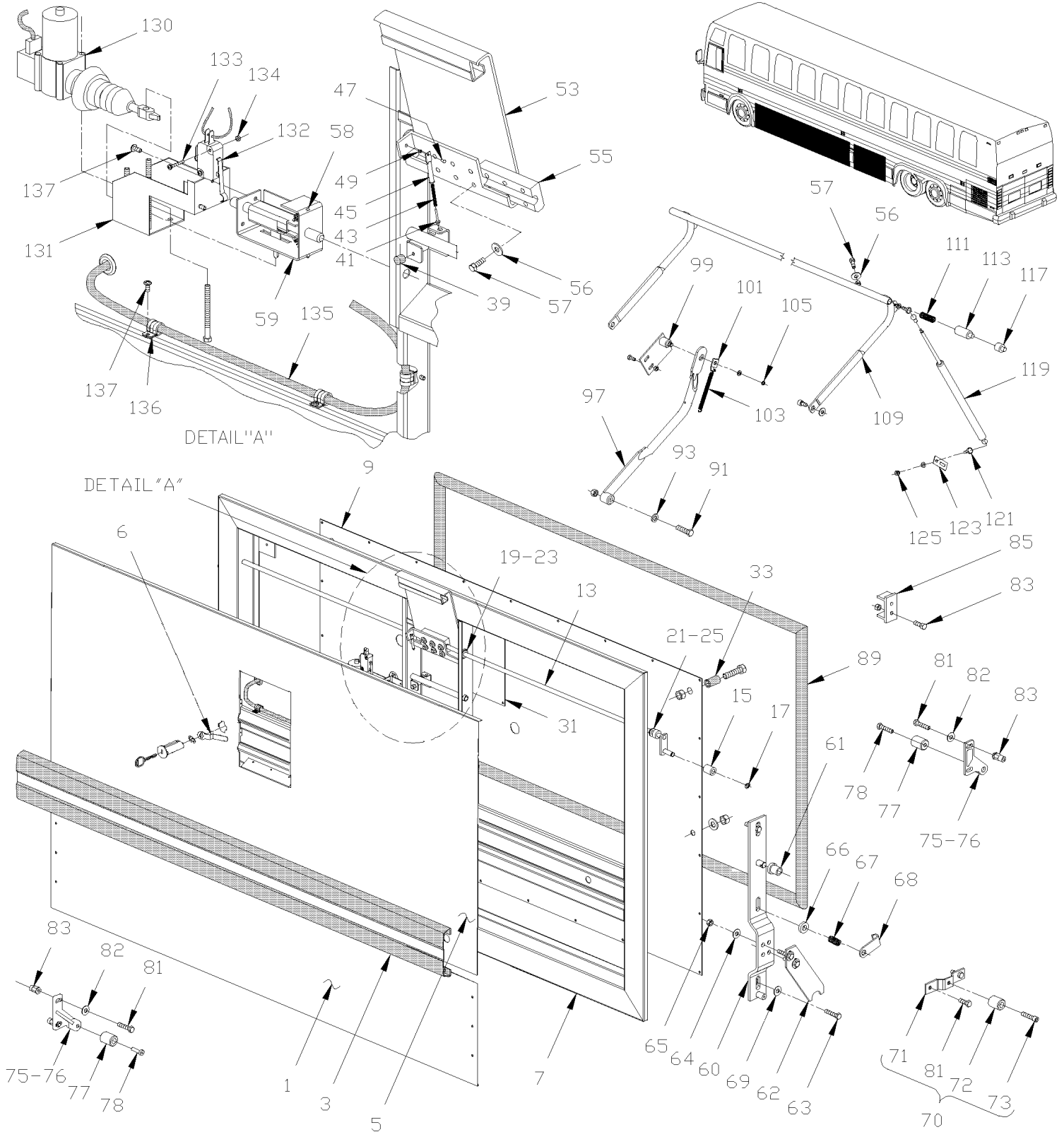
| Item# | Part | Description | X L I I 4 5 | X L I I M T H 4 0 | X L I I M T H 4 5 | X L I I M T H 4 5 E | N O T E S |
|-------|--------|--|----------------------------|---|---|--|-----------------------|
| 22 | 452813 | SUPPORT STRAP RETAINER W/2 SLOTS & 2 HOLES | | 1 | | 1 | |
| 23 | 505507 | STRAP NYLON 1" WIDE / S.L. | | AR | | AR | |
| 24 | 482366 | REINFORCEMENT, VERTICAL | | 1 | | 1 | |
| 30 | 780282 | LOCK SPAGNOLET L.H. | | 1 | | 1 | |
| NS | 505213 | SHIM 1/16" THICK | | AR | | AR | |
| NS | 505193 | SHIM 1/8" THICK | | AR | | AR | |
| 31 | 502531 | SCREW CAP HEX M6-1.0x16 G8.8 Z050 | | 2 | | 2 | |
| 32 | 502582 | WASHER LO SERR 6.1x16.2x0.9 Z050 | | 2 | | 2 | |
| 33 | 284596 | ROD OPENING 68MM | | 1 | | 1 | |
| 34 | 500764 | NUT HEX #8-32 Z050 | | 1 | | 1 | |
| 35 | 504083 | SNAP BUSHING / .250x.468.406 | | 1 | | 1 | |
| 36 | 505504 | KNOB, PULL / 8-32 | | 1 | | 1 | |
| 37 | 482726 | CLOSING PLATE 30MM X 50MM / SS | | 1 | | 1 | |
| NS | 504473 | RIVET POP DOME OE 1/8x1/4 SS | | 4 | | 4 | |
| | | | | | | | |
| | | | | | | | |
| | | A) INSIDE OF DOOR FRAME PANEL | | | | | |

From Y-7046 To 6-8906

Date:10/2022

PAGE:Y2-1864-00

BAGGAGE DOOR ASSY - BUS



| | | |
|--------------------------------|--------------|-----------------|
| From Y-7046 To 6-8906 | Date:10/2022 | PAGE:Y2-1864-00 |
| BAGGAGE DOOR ASSY - BUS | | |

| Item# | Part | Description | X L I I 4 5 | X L I I M T H 4 0 | X L I I M T H 4 5 | X L I I M T H 4 5 E | N O T E S |
|-------|-------------------|---|----------------------------|---|---|--|-----------------------|
| | | ALL DOORS ASSY DO NOT INCLUDE | | | | | |
| | | RUB-RAIL PLEASE ORDER SEPARATELY | | | | | |
| | 483519 | DOOR ASSY 60" / W/FLAT PANEL & ELECTRIC LOCK | 6 | | | | |
| | 483136P | DOOR ASSY 60" / W/FLAT PANEL | 6 | | | | |
| | 483404 | DOOR ASSY 60" / W/INSUL & ELECTRIC LOCK | AR | | | | A |
| | 483404 | DOOR ASSY 60" / W/INSUL & ELECTRIC LOCK | 6 | | | | A |
| | 483518 | DOOR ASSY 60" / W/INT PANEL | 6 | | | | B |
| 1 | 481994 | . LOWER PANEL 60" / S.B. | AR | | | | A |
| 1 | 483220 | . LOWER PANEL / FLAT 60" To 1-7726 | 1 | | | | |
| 1 | 483542 | . LOWER PANEL / FLAT 60" From 1-7727 | 1 | | | | |
| NS | 504272 | . RIVET CHY Q BRAZ 3/16x1/8 SS | 6 | | | | |
| 3 | Y2-1855-00 | . RUB RAIL - EXTERIOR CREST & TRIMS | | | | | |
| NS | 504433 | . SNAP-IN PLUG / 1.090 O.D. | AR | | | | |
| 5 | 482860 | . UPPER PANEL / 60" / S.B. | AR | | | | A |
| 5 | 483129 | . UPPER PANEL / FLAT / 60" | 1 | | | | |
| 6 | 281498 | . PIVOT LOCK 3/8" OFFSET | 1 | | | | |
| 7 | 483110 | . FRAME 60" To 2-7760 | 1 | | | | |
| 7 | 483480 | . FRAME 60" From 2-7761 To 3-8109 | 1 | | | | |
| 7 | 483733 | . FRAME 60" From 3-8110 | 1 | | | | |
| 9 | 483146 | . PANEL INTERIOR 60" To 2-7760 | 1 | | | | |
| 9 | 483538 | . PANEL INTERIOR 60" From 2-7761 To 5-8358 | 1 | | | | |
| 9 | 483812 | . PANEL INTERIOR 60" From 5-8359 | 1 | | | | |
| NS | 504347 | . RIVET POP DOME OE 3/16x1/4 AL | AR | | | | |
| NS | 506268 | . TAPE RUB ADH1 URE 3/8" x 1/2" x 25' / GREY 1820 | 1 | | | | |
| 13 | 481975 | . ROD ASSY LOCK W/60" To 2-7831 | 2 | | | | |
| 13 | 483593 | . ROD ASSY LOCK W/60" From 2-7832 | 2 | | | | |
| 13 | 481973 | . . ROD LOCK W/60" To 2-7831 | 2 | | | | |
| 13 | 483594 | . . ROD LOCK W/60" From 2-7832 | 2 | | | | |
| 15 | 480478 | . . ROLLER To 2-7831 | 1 | | | | |
| 15 | 483595 | . . ROLLER From 2-7832 | 1 | | | | |
| 17 | 504318 | . . RING RETAINER / EXT .375 x .352 x .025 | 1 | | | | |
| 19 | 504650 | . GROMMET / .375x.625x.062x.313x.875 | 2 | | | | |
| 21 | 507254 | . BUSHING NYLINER W/SHOULDER | 2 | | | | |
| 23 | 507260 | . BUSHING NYLINER W/SHOULDER .375x.437x.375x.594 | 2 | | | | |
| 25 | 505229 | . SPACER 3/8 I.D. X 3/8 LG | 2 | | | | |
| 31 | 481787 | . PANEL ACCESS 9" X 9" | 1 | | | | |
| NS | 500257 | . WASHER LO SPT 10.2x18.1x2.2 Z050 | 4 | | | | |
| 33 | 504311 | . BUMPER RUBBER / 1.500 OD x1.500 TH x.250 HOLE To 2-7760 | 2 | | | | |
| 33 | 5001168 | . BUMPER RUBBER / .750 OD x .562 TH x .187 HOLE From 2-7761 | 2 | | | | |

| | | |
|--------------------------------|--------------|-----------------|
| From Y-7046 To 6-8906 | Date:10/2022 | PAGE:Y2-1864-00 |
| BAGGAGE DOOR ASSY - BUS | | |

| Item# | Part | Description | X L I I 4 5 | X L I I M T H 4 0 | X L I I M T H 4 5 | X L I I M T H 4 5 E | N O T E S |
|-------|--------|--|----------------------------|---|---|--|-----------------------|
| NS | 500508 | . SCREW TC PAN PH #10-32x1 1/2 Z050 | 2 | | | | |
| 39 | 504334 | . BUMPER RUBBER / .625 OD x .406 TH x .156 HOLE | 1 | | | | |
| NS | 504339 | . RIVET POP DOME OE 1/8x3/8 SS | 1 | | | | |
| 41 | 481007 | . ROD ASSY MALE | 1 | | | | |
| 43 | 480394 | . SPRING COMPRESSION / .355 O.D. 3.375 x .063 | 1 | | | | |
| 45 | 481227 | . ROD FEMALE | 1 | | | | |
| 47 | 504142 | . RIVET SOL RND 1/4x3/8 SS | 1 | | | | |
| 49 | 481012 | . BUSHING LEVER | 1 | | | | |
| 53 | 481358 | . HANDLE ASSY / S.B. | 1 | | | | |
| 55 | 481011 | . RETAINER ROD / HANDLE / CHROMATE To 2-7831 | 1 | | | | |
| 55 | 483587 | . RETAINER ROD / HANDLE / E-COAT BLACK From 2-7832 | 1 | | | | |
| 56 | 500473 | . WASHER LO SPT .262x.489x.062 Z050 | 6 | | | | |
| 57 | 500163 | . SCREW CAP HEX 1/4-20x3/4 G5 Z050 | 6 | | | | |
| 58 | 481564 | . ROD GUIDE | 2 | | | | |
| 59 | 502151 | . SPRING COMPRESSION / .300 O.D. x 1 x .032 | 2 | | | | |
| NS | 480932 | . BRACKET ASSY | 1 | | | | |
| . NS | 480933 | .. BRACKET | 1 | | | | |
| . NS | 480935 | .. ROD | 1 | | | | |
| . NS | 480937 | .. PLATE, SUPPORT | 1 | | | | |
| 60 | 480465 | . PLATE ASSY L.H. To 1-7680 | 1 | | | | |
| 60 | 482820 | . PLATE ASSY L.H. From 1-7681 To 1-7831 | 1 | | | | |
| 60 | 483588 | . PLATE ASSY L.H. From 2-7832 | 1 | | | | |
| 60 | 480466 | . PLATE ASSY R.H. To 1-7680 | 1 | | | | |
| 60 | 482994 | . PLATE ASSY R.H. From 1-7681 To 1-7831 | 1 | | | | |
| 60 | 483591 | . PLATE ASSY R.H. From 2-7832 | 1 | | | | |
| 60 | 480463 | .. BRACKET ASSY L.H. To 2-7831 | 1 | | | | |
| 60 | 483589 | .. BRACKET ASSY L.H. From 2-7832 | 1 | | | | |
| 60 | 480464 | .. BRACKET ASSY R.H. To 2-7831 | 1 | | | | |
| 60 | 483592 | .. BRACKET ASSY R.H. From 2-7832 | 1 | | | | |
| 61 | 507257 | .. BUSHING NYLINER W/SHOULDER | 1 | | | | |
| 62 | 480498 | .. PLATE LOCK To 1-7680 | 1 | | | | |
| 62 | 482358 | .. PLATE LOCK From 1-7681 To 1-7831 | 1 | | | | |
| 62 | 483590 | .. PLATE LOCK From 2-7832 | 1 | | | | |
| 63 | 500179 | .. SCREW CAP HEX 5/16-18x3/4 G5 Z050 | 5 | | | | |
| 64 | 500441 | .. WASHER FL .312x.734x.065 Z050 | 1 | | | | |
| 65 | 500777 | .. NUT HEX STO 5/16-18 Z050 | 1 | | | | |
| 66 | 481287 | . SPACER To 2-7831 | 1 | | | | |
| 66 | 481496 | . SPACER From 2-7832 | 1 | | | | |
| 67 | 480705 | . SPRING COMPRESSION / .600 O.D. x 1 x .055 CROMAT | 1 | | | | |
| 68 | 480657 | . HOOK 68MM | 1 | | | | |
| NS | 500441 | . WASHER FL .312x.734x.065 Z050 | 1 | | | | |
| NS | 500183 | . SCREW CAP HEX 5/16-18x1 1/2 G5 PT Z050 | 7 | | | | |

| | | |
|-----------------------|--------------|-----------------|
| From Y-7046 To 6-8906 | Date:10/2022 | PAGE:Y2-1864-00 |
|-----------------------|--------------|-----------------|

BAGGAGE DOOR ASSY - BUS

| Item# | Part | Description | X L I I 4 5 | X L I I M T H 4 0 | X L I I M T H 4 5 | X L I I M T H 4 5 E | N O T E S |
|-------|---------|---|----------------------------|---|---|--|-----------------------|
| 69 | 500476 | . WASHER LO SPT .317x.586x.078 Z050 | 5 | | | | |
| 70 | 480510 | . PLATE ASSY ANCHOR / ROLLER To 1-7680 | 2 | | | | H |
| 71 | 481615 | . PLATE ATTACHMENT To 1-7680 | 1 | | | | H |
| 72 | 480387 | . ROLLER CATCH / LOWER To 2-7831 | 1 | | | | |
| 72 | 483597 | . ROLLER CATCH / LOWER From 2-7832 | 1 | | | | |
| 73 | 502512 | . SCREW CAP HEXS 5/16-18x1 1/2 ZP To 1-7680 | 1 | | | | |
| 75 | 483389 | ATTACHMENT ASSY L.H. / W/ROLLER From 1-7681 To 2-7831 | 1 | | | | V |
| 75 | 483598 | ATTACHMENT ASSY L.H. / W/ROLLER From 2-7832 To 2-7934 | 1 | | | | V |
| 75 | 483602 | ATTACHMENT ASSY L.H. / W/ROLLER / DIE CASTING From 2-7935 | 1 | | | | V |
| 75 | 483388 | ATTACHMENT ASSY R.H. / W/ROLLER From 1-7681 To 2-7831 | 1 | | | | V |
| 75 | 483596 | ATTACHMENT ASSY R.H. / W/ROLLER From 2-7832 To 2-7934 | 1 | | | | V |
| 75 | 483604 | ATTACHMENT ASSY R.H. / W/ROLLER / DIE CASTING From 2-7935 | 1 | | | | V |
| 76 | 483386 | . ATTACHMENT ASSY L.H. From 1-7681 To 2-7934 | 1 | | | | |
| 76 | 483387 | . ATTACHMENT ASSY R.H. From 1-7681 To 2-7934 | 1 | | | | |
| 76 | 483460 | . ATTACHMENT ASSY L.H. / DIE CASTING From 2-7935 | 1 | | | | |
| 76 | 483461 | . ATTACHMENT ASSY R.H. / DIE CASTING From 2-7935 | 1 | | | | |
| 77 | 483597 | . ROLLER CATCH / LOWER From 1-7681 | 1 | | | | |
| 78 | 502503 | . SCREW CAP HEXS 5/16-18x1 1/2 N500 | 1 | | | | |
| 81 | 500181 | SCREW CAP HEX 5/16-18x1 G5 Z050 To 3-7990 | AR | | | | |
| 81 | 955297 | SCREW CAP HEX M8-1.25x25 G8.8 ZG603 From 3-7991 | AR | | | | |
| 82 | 5001045 | WASHER BEL SPR .331x.827x.098 Z050 To 3-7990 | AR | | | | |
| 82 | 500321 | WASHER BEL SPR .331x.827x.098 N500 From 3-7991 | AR | | | | |
| 83 | 502523 | RIVET NUT FL OKS 5/16-18 .059-.119 To 3-7990 | AR | | | | |
| 83 | 5001337 | NUT INS FL HEX M8-1.25 0.5-3.0 Z050 From 3-7991 | AR | | | | |
| 85 | 482289 | STRIKER CATCH To 2-7831 | 2 | | | | |
| 85 | 483599 | STRIKER CATCH From 2-7832 | 2 | | | | |
| 89 | 481988 | WEATHERSTRIP / W/60" BAGGAGE DOORS | 6 | | | | |
| 89 | 485628 | WEATHERSTRIP / W/60" BAGGAGE DOORS | 6 | | | | |
| NS | 480154 | . WEATHERSTRIP RUBBER / ADH / RAW MATERIAL To 5-8544 | AR | | | | |
| NS | 483941 | . WEATHERSTRIP RUBBER / ADH / RAW MATERIAL From 5-8545 | AR | | | | |
| 89 | 485610 | . WEATHERSTRIP RUBBER / ADH / RAW MATERIAL | AR | | | | |
| 91 | 500162 | SCREW CAP HEX 1/4-20x1/2 G5 Z050 | 6 | | | | |
| 93 | 500473 | WASHER LO SPT .262x.489x.062 Z050 | 6 | | | | |
| 97 | 481065 | LEVER ASSY To 2-7831 | 1 | | | | |
| 97 | 483581 | LEVER ASSY From 2-7832 | 1 | | | | |
| 97 | 481062 | . LEVER To 2-7831 | 1 | | | | |
| 97 | 483582 | . LEVER From 2-7832 | 1 | | | | |
| NS | 507143 | . BUSHING, NYLINER (8-L-12-D) | 1 | | | | |
| 99 | 481757 | . PLATE ATTACHMENT To 2-7831 | 1 | | | | |
| 99 | 483583 | . PLATE ATTACHMENT From 2-7832 | 1 | | | | |
| 101 | 480382 | . PLATE ATTACHMENT / SPRING To 2-7831 | 1 | | | | |
| 101 | 483584 | . PLATE ATTACHMENT / SPRING From 2-7832 | 1 | | | | |

| | | |
|--------------------------------|--------------|-----------------|
| From Y-7046 To 6-8906 | Date:10/2022 | PAGE:Y2-1864-00 |
| BAGGAGE DOOR ASSY - BUS | | |

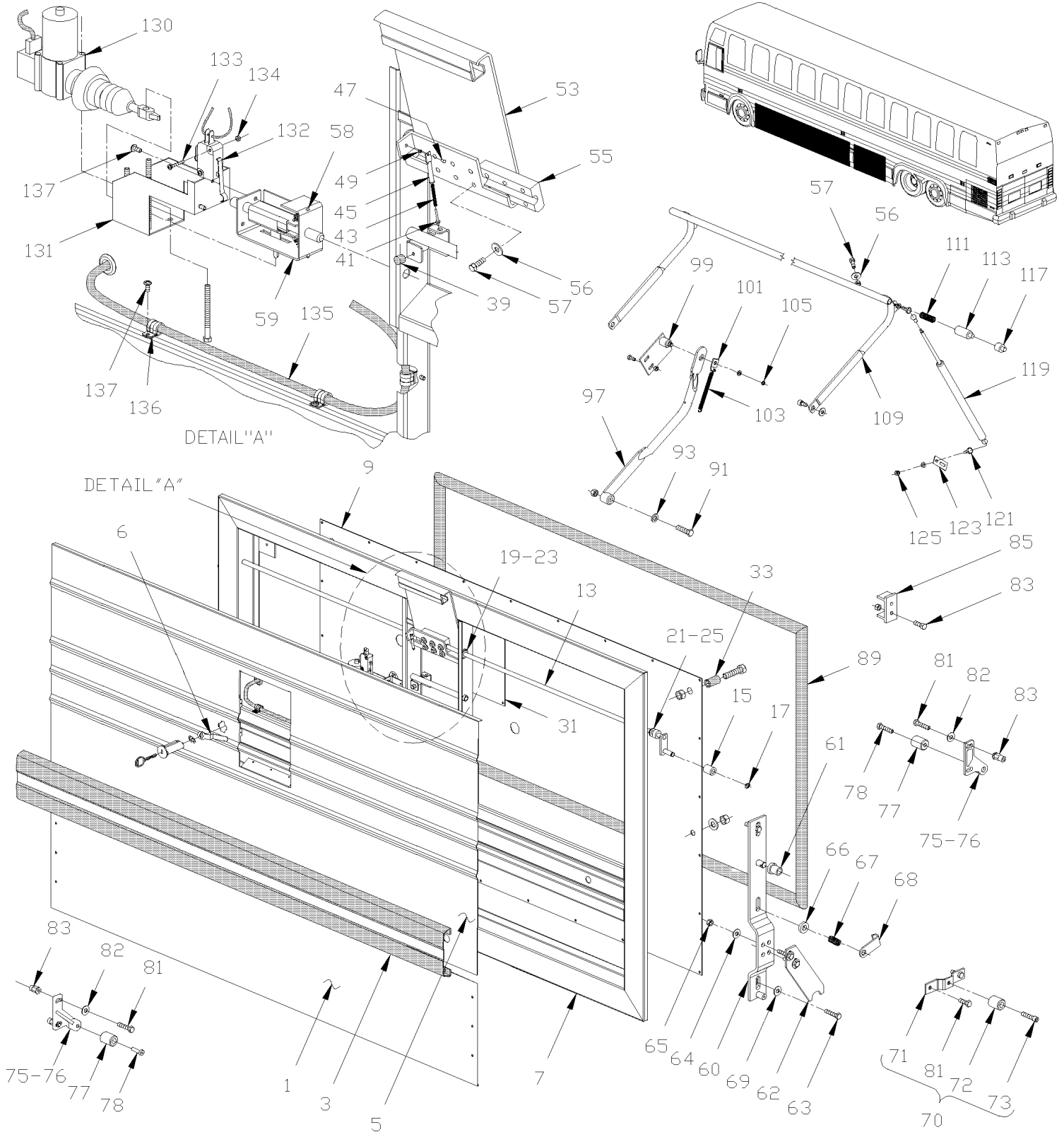
| Item# | Part | Description | X L I I 4 5 | X L I I M T H 4 0 | X L I I M T H 4 5 | X L I I M T H 4 5 E | N O T E S |
|-------|----------------|---|----------------------------|---|---|--|-----------------------|
| 103 | 502056 | . SPRING EXTENSION / .437 O.D. X 5.375 x .062 | 1 | | | | |
| 105 | 504477 | . RING RETAINER / EXT 14.0 X 13.4 X 1.0MM | 1 | | | | |
| NS | 500496 | . WASHER FL .437x.750x.054 Z050 | AR | | | | |
| 109 | 482349 | LEVER / W/60" To 2-7831 | 1 | | | | |
| 109 | 483586 | LEVER / W/60" From 2-7832 | 1 | | | | |
| 111 | 502144 | SPRING COMPRESSION / .720 O.D. x 2 x .062 | 1 | | | | |
| 113 | 480369 | PIVOT | 1 | | | | |
| 113 | 483585 | PIVOT From 2-7832 | 1 | | | | |
| NS | 5001346 | SCREW SET HEXS CONE 1/4-20x3/4 | 1 | | | | |
| 117 | 507141 | BUSHING, NYLINER W/SHOULDER (7-L-7-F) | 2 | | | | |
| 119 | 980024 | CYLINDER GAZ / 669/409MM C/C / 200LBS | 1 | | | | |
| 121 | 980015 | BALL STUD / W/10 MM X M8-1.25 / 29.18 MM | 2 | | | | |
| 123 | 481088 | PLATE CYLINDER ADJUSTEMENT / W/53" & 60" | 1 | | | | |
| 125 | 502760 | NUT HEX TWAY M8-1.25 Z050 | 2 | | | | |
| | | NEXT FOLLOWING PARTS ARE RELATED WITH | | | | | |
| | | ELECTRICAL DOOR LOCK | | | | | |
| | | (FOR RETORFIT YOU REQUIRE ONE SET FOR EACH) | | | | | |
| 130 | 780428 | LOCK ACTUATOR / 12V | 1 | | | | |
| NS | 562076 | . CONNECTOR / PACK-CON I / FEMALE HOUSING / 2C / PED 8911772 | 1 | | | | |
| 130 | 2810382 | ACTUATOR SERVICE KIT | 1 | | | | |
| 131 | 482109 | BRACKET / TO FIX LOCK ACTUATOR | 1 | | | | |
| 132 | 562096 | MICRO SWITCH | 1 | | | | |
| 133 | 502577 | SCREW MA PAN PH M3-0.5x16 ZP | 2 | | | | |
| 134 | 502579 | NUT HEX M3-0.5 NP | 2 | | | | |
| 135 | 062796 | CABLE ASSY / ACTUATOR POWER / EACH DOOR | 1 | | | | |
| 136 | 560481 | CLAMP / 5/8" I.D. | 3 | | | | |
| 137 | 500883 | SCREW TC PAN PH #8-32x3/8 Z050 | 6 | | | | |
| NS | 062823 | CABLE ASSY / FRT JCT PANEL W/DOOR LOCK | 1 | | | | |
| NS | 063387 | CABLE ASSY / FUEL COMP & REAR DOOR | 1 | | | | |
| NS | 063361 | CABLE ASSY / FRT JCT PANEL TO FUEL COMPT | 1 | | | | |
| | | A) USE WITH BUS WITH FLUTED LOWER PANELLING | | | | | |
| | | B) USE WITH BUS WITH FLUTED LOWER PANELLING & W/OUT ELECTRICAL LOCK | | | | | |
| | | H) THOSE PLATE ATTACHMENTS ARE FIXED HORIZONTAL ON FLOOR STRUCTURE | | | | | |
| | | V) THOSE ATTACHMENTS ARE FIXED ON VERTICAL POST STRUCTURE | | | | | |

From Y-7046 To 8-9339

Date:10/2022

PAGE:Y2-1864-50

BAGGAGE DOOR ASSY - MTH



| | | |
|--------------------------------|--------------|-----------------|
| From Y-7046 To 8-9339 | Date:10/2022 | PAGE:Y2-1864-50 |
| BAGGAGE DOOR ASSY - MTH | | |

| Item# | Part | Description | X L I I 4 5 | X L I I M T H 4 0 | X L I I M T H 4 5 | X L I I M T H 4 5 E | N O T E S |
|-------|-------------------|--|----------------------------|---|---|--|-----------------------|
| | | ALL DOORS ASSY DO NOT INCLUDE RUB-RAIL PLEASE ORDER SEPARATELY | | | | | |
| | | THE FOLLOWING 4 DOOR ARE STANDARD WITH PANEL W/O PERFORATED PANELS. FOR SPECIAL PURPOSE DOOR ASSY REFER TO PERFORATED & SPECIAL PANELS (BOOK PA-1108) | | | | | |
| | 483328P | DOOR ASSY 38" / W/INSULATING & INT. PANEL | | | | AR | |
| | 350972 | . INSULATING KIT / 38" DOOR | | | | 1 | |
| | 483521 | DOOR ASSY 45" / W/INSUL & ELECTRIC LOCK | | 2 | | 2 | |
| | 483783 | BAGGAGE DOOR ASSY 45" / W/INSUL & ELECTRIC LOCK / SPECIFIED UPPER & LOWER PANE | | AR | | AR | E |
| NS | 350954 | . INSULATING KIT / 45" DOOR | | 1 | | 1 | |
| | 483520 | DOOR ASSY 53" / W/INSUL & ELECTRIC LOCK To 5-8813 | | 6 | | | |
| | 483520 | DOOR ASSY 53" / W/INSUL & ELECTRIC LOCK | | | 2 | | |
| | 483520 | DOOR ASSY 53" / W/INSUL & ELECTRIC LOCK | | | | 8 | |
| | 483782 | BAGGAGE DOOR ASSY 53" / W/INSUL & ELECTRIC LOCK / SPECIFIED UPPER & LOWER PANE | | AR | AR | AR | F |
| NS | 350951 | . INSULATING KIT / 53" DOOR | | 1 | 1 | 1 | |
| | 483404 | DOOR ASSY 60" / W/INSUL & ELECTRIC LOCK To 5-8468 | | | 6 | | |
| | 480022 | DOOR ASSY 60" / W/INSUL & ELECTRIC LOCK From 5-8469 | | | 6 | | |
| | 483784 | BAGGAGE DOOR ASSY 60" / W/INSUL & ELECTRIC LO / SPECIFIED UPPER & LOWER PANE | | | AR | | G |
| NS | 350940 | . INSULATING KIT / 60" DOOR | | | 1 | | |
| 1 | 474769 | . LOWER PANEL 38" / S.B. To 5-8468 | | | | 1 | |
| 1 | 483928 | . LOWER PANEL 38" / B.A. From 5-8469 | | | | 1 | |
| 1 | 482490 | . LOWER PANEL 45" / S.B. To 5-8468 | | 1 | | 1 | |
| 1 | 483887 | . LOWER PANEL 45" / B.A. From 5-8469 | | 1 | | 1 | |
| 1 | 481003 | . LOWER PANEL 53" / S.B. To 5-8468 | | 1 | 1 | 1 | |
| 1 | 483772 | . LOWER PANEL 53" / B.A. From 5-8469 | | 1 | 1 | 1 | |
| 1 | 481994 | . LOWER PANEL 60" / S.B. To 5-8468 | | | 1 | | |
| 1 | 483881 | . LOWER PANEL 60" / B.A. From 5-8469 | | | 1 | | |
| NS | 504272 | . RIVET CHY Q BRAZ 3/16x1/8 SS | | 6 | 6 | 6 | |
| 3 | Y2-1855-00 | . RUB RAIL - EXTERIOR CREST & TRIMS | | | | | |
| NS | 504433 | . SNAP-IN PLUG / 1.090 O.D. | | AR | AR | AR | |
| 5 | 474768 | . UPPER PANEL / 38" / S.B. To 5-8813 | | 1 | | | |
| 5 | 482888 | . UPPER PANEL / 45" / S.B. To 5-8468 | | 1 | | 1 | |
| 5 | 483842 | . UPPER PANEL / 45" / B.A. From 5-8469 | | 1 | | 1 | |
| 5 | 482832 | . UPPER PANEL / 53" / S.B. To 5-8468 | | 1 | 1 | 1 | |

| | | |
|--------------------------------|--------------|-----------------|
| From Y-7046 To 8-9339 | Date:10/2022 | PAGE:Y2-1864-50 |
| BAGGAGE DOOR ASSY - MTH | | |

| Item# | Part | Description | X L I I 4 5 | X L I I M T H 4 0 | X L I I M T H 4 5 | X L I I M T H 4 5 E | N O T E S |
|-------|--------|---|----------------------------|---|---|--|-----------------------|
| 5 | 483827 | . UPPER PANEL / 53" / B.A. From 5-8469 | | 1 | 1 | 1 | |
| 5 | 482860 | . UPPER PANEL / 60" / S.B. To 5-8468 | | | 1 | | |
| 5 | 483838 | . UPPER PANEL / 60" / B.A. From 5-8469 | | | 1 | | |
| 5 | 483954 | . UPPER PANEL / 60" / B.A. From 5-8457 | | | 1 | | J |
| 6 | 281498 | . PIVOT LOCK 3/8" OFFSET | | 1 | 1 | 1 | |
| 7 | 483320 | . FRAME 38" To 2-7760 | | 1 | | | |
| 7 | 483483 | . FRAME 38" From 2-7761 To 3-8109 | | 1 | | | |
| 7 | 483736 | . FRAME 38" From 3-8110 To 5-8813 | | 1 | | | |
| 7 | 483168 | . FRAME 45" To 2-7760 | | 1 | | 1 | |
| 7 | 483481 | . FRAME 45" From 2-7761 To 3-8109 | | 1 | | 1 | |
| 7 | 483734 | . FRAME 45" From 3-8110 | | 1 | | 1 | |
| 7 | 483169 | . FRAME 53" To 2-7760 | | 1 | 1 | 1 | |
| 7 | 483482 | . FRAME 53" From 2-7761 To 3-8109 | | 1 | 1 | 1 | |
| 7 | 483735 | . FRAME 53" From 3-8110 | | 1 | 1 | 1 | |
| 7 | 483110 | . FRAME 60" To 2-7760 | | | 1 | | |
| 7 | 483480 | . FRAME 60" From 2-7761 To 3-8109 | | | 1 | | |
| 7 | 483733 | . FRAME 60" From 3-8110 | | | 1 | | |
| 9 | 483324 | . PANEL INTERIOR 38" To 5-8813 | | 1 | | | |
| 9 | 483194 | . PANEL INTERIOR 45" To 2-7760 | | 1 | | 1 | |
| 9 | 483561 | . PANEL INTERIOR 45" From 2-7761 To 5-8358 | | 1 | | 1 | |
| 9 | 483813 | . PANEL INTERIOR 45" From 5-8359 | | 1 | | 1 | |
| 9 | 483195 | . PANEL INTERIOR 53" To 2-7760 | | 1 | 1 | 1 | |
| 9 | 483560 | . PANEL INTERIOR 53" From 2-7761 To 5-8358 | | 1 | 1 | 1 | |
| 9 | 483811 | . PANEL INTERIOR 53" From 5-8359 | | 1 | 1 | 1 | |
| 9 | 483146 | . PANEL INTERIOR 60" To 2-7760 | | | 1 | | |
| 9 | 483538 | . PANEL INTERIOR 60" From 2-7761 To 5-8358 | | | 1 | | |
| 9 | 483812 | . PANEL INTERIOR 60" From 5-8359 | | | 1 | | |
| 9 | 482224 | . PANEL INTERIOR 60" | | | 1 | | C |
| 9 | 482225 | . PANEL INTERIOR 60" | | | 1 | | D |
| NS | 504347 | . RIVET POP DOME OE 3/16x1/4 AL | | AR | AR | AR | |
| NS | 506268 | . TAPE RUB ADH1 URE 3/8" x 1/2" x 25' / GREY 1820 | | 1 | 1 | 1 | |
| 13 | 481135 | . ROD ASSY LOCK W/38" To 2-7831 | | 2 | | | |
| 13 | 480782 | . ROD ASSY LOCK W/38" From 2-7832 To 5-8813 | | 2 | | | |
| 13 | 482473 | . ROD ASSY LOCK W/45" To 2-7831 | | 2 | | 2 | |
| 13 | 480769 | . ROD ASSY LOCK W/45" From 2-7832 | | 2 | | 2 | |
| 13 | 481039 | . ROD ASSY LOCK W/53" To 2-7831 | | 2 | 2 | 2 | |
| 13 | 480936 | . ROD ASSY LOCK W/53" From 2-7832 | | 2 | 2 | 2 | |
| 13 | 481975 | . ROD ASSY LOCK W/60" To 2-7831 | | | 2 | | |
| 13 | 483593 | . ROD ASSY LOCK W/60" From 2-7832 | | | 2 | | |
| 13 | 481086 | . . ROD LOCK W/38" To 2-7831 | | 1 | | | |
| 13 | 480783 | . . ROD LOCK W/38" From 2-7832 To 5-8813 | | 1 | | | |
| 13 | 482475 | . . ROD LOCK W/45" To 2-7831 | | 1 | | 1 | |

| | | |
|--------------------------------|--------------|-----------------|
| From Y-7046 To 8-9339 | Date:10/2022 | PAGE:Y2-1864-50 |
| BAGGAGE DOOR ASSY - MTH | | |

| Item# | Part | Description | X L I I 4 5 | X L I I M T H 4 0 | X L I I M T H 4 5 | X L I I M T H 4 5 E | N O T E S |
|-------|---------|---|----------------------------|---|---|--|-----------------------|
| 13 | 480770 | . . ROD LOCK W/45" From 2-7832 | | 1 | | 1 | |
| 13 | 480995 | . . ROD LOCK W/53" To 2-7831 | | 2 | 2 | 2 | |
| 13 | 480940 | . . ROD LOCK W/53" From 2-7832 | | 2 | 2 | 2 | |
| 13 | 481973 | . . ROD LOCK W/60" To 2-7831 | | | 2 | | |
| 13 | 483594 | . . ROD LOCK W/60" From 2-7832 | | | 2 | | |
| 15 | 480478 | . . ROLLER To 2-7831 | | 1 | 1 | 1 | |
| 15 | 483595 | . . ROLLER From 2-7832 | | 1 | 1 | 1 | |
| 17 | 504318 | . . RING RETAINER / EXT .375 x .352 x .025 | | 1 | 1 | 1 | |
| 19 | 504650 | . GROMMET / .375x.625x.062x.313x.875 | | 2 | 2 | 2 | |
| 21 | 507254 | . BUSHING NYLINER W/SHOULDER | | 2 | 2 | 2 | |
| 23 | 507260 | . BUSHING NYLINER W/SHOULDER .375x.437x.375x.594 | | 2 | 2 | 2 | |
| 25 | 505229 | . SPACER 3/8 I.D. X 3/8 LG | | 2 | 2 | 2 | |
| 31 | 481787 | . PANEL ACCESS 9" X 9" | | 1 | 1 | 1 | |
| NS | 500257 | . WASHER LO SPT 10.2x18.1x2.2 Z050 | | 4 | 4 | 4 | |
| 33 | 504311 | . BUMPER RUBBER / 1.500 OD x1.500 TH x.250 HOLE To 2-7760 | | 2 | 2 | 2 | |
| 33 | 5001168 | . BUMPER RUBBER / .750 OD x .562 TH x .187 HOLE From 2-7761 | | 2 | 2 | 2 | |
| NS | 500508 | . SCREW TC PAN PH #10-32x1 1/2 Z050 | | 2 | 2 | 2 | |
| 39 | 504334 | . BUMPER RUBBER / .625 OD x .406 TH x .156 HOLE | | 1 | 1 | 1 | |
| NS | 504339 | . RIVET POP DOME OE 1/8x3/8 SS | | 1 | 1 | 1 | |
| 41 | 481007 | . ROD ASSY MALE | | 1 | 1 | 1 | |
| 43 | 480394 | . SPRING COMPRESSION / .355 O.D. 3.375 x .063 | | 1 | 1 | 1 | |
| 45 | 481227 | . ROD FEMALE | | 1 | 1 | 1 | |
| 47 | 504142 | . RIVET SOL RND 1/4x3/8 SS | | 1 | 1 | 1 | |
| 49 | 481012 | . BUSHING LEVER | | 1 | 1 | 1 | |
| 53 | 481358 | . HANDLE ASSY / S.B. To 5-8468 | | 1 | 1 | 1 | |
| 53 | 483897 | . HANDLE ASSY / B.A. From 5-8469 | | 1 | 1 | 1 | |
| 55 | 481011 | . RETAINER ROD / HANDLE / CHROMATE To 2-7831 | | 1 | 1 | 1 | |
| 55 | 483587 | . RETAINER ROD / HANDLE / E-COAT BLACK From 2-7832 | | 1 | 1 | 1 | |
| 56 | 500473 | . WASHER LO SPT .262x.489x.062 Z050 | | 6 | 6 | 6 | |
| 57 | 500163 | . SCREW CAP HEX 1/4-20x3/4 G5 Z050 | | 6 | 6 | 6 | |
| 58 | 481564 | . ROD GUIDE | | 2 | 2 | 2 | |
| 59 | 502151 | . SPRING COMPRESSION / .300 O.D. x 1 x .032 | | 2 | 2 | 2 | |
| NS | 480932 | . BRACKET ASSY | | 1 | 1 | 1 | |
| . NS | 480933 | . . BRACKET | | 1 | 1 | 1 | |
| . NS | 480935 | . . ROD | | 1 | 1 | 1 | |
| . NS | 480937 | . . PLATE, SUPPORT | | 1 | 1 | 1 | |
| 60 | 480465 | . PLATE ASSY L.H. To 1-7680 | | 1 | 1 | 1 | |
| 60 | 482820 | . PLATE ASSY L.H. From 1-7681 To 1-7831 | | 1 | 1 | 1 | |
| 60 | 483588 | . PLATE ASSY L.H. From 2-7832 | | 1 | 1 | 1 | |
| 60 | 480466 | . PLATE ASSY R.H. To 1-7680 | | 1 | 1 | 1 | |
| 60 | 482994 | . PLATE ASSY R.H. From 1-7681 To 1-7831 | | 1 | 1 | 1 | |
| 60 | 483591 | . PLATE ASSY R.H. From 2-7832 | | 1 | 1 | 1 | |

| | | |
|--------------------------------|--------------|-----------------|
| From Y-7046 To 8-9339 | Date:10/2022 | PAGE:Y2-1864-50 |
| BAGGAGE DOOR ASSY - MTH | | |

| Item# | Part | Description | X L I I 4 5 | X L I I M T H 4 0 | X L I I M T H 4 5 | X L I I M T H 4 5 E | N O T E S |
|-------|---------|---|----------------------------|---|---|--|-----------------------|
| 60 | 480463 | .. BRACKET ASSY L.H. To 2-7831 | | 1 | 1 | 1 | |
| 60 | 483589 | .. BRACKET ASSY L.H. From 2-7832 | | 1 | 1 | 1 | |
| 60 | 480464 | .. BRACKET ASSY R.H. To 2-7831 | | 1 | 1 | 1 | |
| 60 | 483592 | .. BRACKET ASSY R.H. From 2-7832 | | 1 | 1 | 1 | |
| 61 | 507257 | .. BUSHING NYLINER W/SHOULDER | | 1 | 1 | 1 | |
| 62 | 480498 | .. PLATE LOCK To 1-7680 | | 1 | 1 | 1 | |
| 62 | 482358 | .. PLATE LOCK From 1-7681 To 1-7831 | | 1 | 1 | 1 | |
| 62 | 483590 | .. PLATE LOCK From 2-7832 | | 1 | 1 | 1 | |
| 63 | 500179 | .. SCREW CAP HEX 5/16-18x3/4 G5 Z050 | | 5 | 5 | 5 | |
| 64 | 500441 | .. WASHER FL .312x.734x.065 Z050 | | 1 | 1 | 1 | |
| 65 | 500777 | .. NUT HEX STO 5/16-18 Z050 | | 1 | 1 | 1 | |
| 66 | 481287 | . SPACER To 2-7831 | | 1 | 1 | 1 | |
| 66 | 481496 | . SPACER From 2-7832 | | 1 | 1 | 1 | |
| 67 | 480705 | . SPRING COMPRESSION / .600 O.D. x 1 x .055 CROMAT | | 1 | 1 | 1 | |
| 68 | 480657 | . HOOK 68MM | | | | 1 | |
| 68 | 483477 | . HOOK 76MM | | 1 | 1 | | |
| NS | 500441 | . WASHER FL .312x.734x.065 Z050 | | 1 | 1 | 1 | |
| NS | 500183 | . SCREW CAP HEX 5/16-18x1 1/2 G5 PT Z050 | | 7 | 7 | 7 | |
| 69 | 500476 | . WASHER LO SPT .317x.586x.078 Z050 | | 5 | 5 | 5 | |
| 70 | 480510 | . PLATE ASSY ANCHOR / ROLLER To 1-7680 | | 2 | 2 | 2 | H |
| 71 | 481615 | . PLATE ATTACHMENT To 1-7680 | | 1 | 1 | 1 | H |
| 72 | 480387 | . ROLLER CATCH / LOWER To 2-7831 | | 1 | 1 | 1 | |
| 72 | 483597 | . ROLLER CATCH / LOWER From 2-7832 | | 1 | 1 | 1 | |
| 73 | 502512 | . SCREW CAP HEXS 5/16-18x1 1/2 ZP To 1-7680 | | 1 | 1 | 1 | |
| 75 | 483389 | ATTACHMENT ASSY L.H. / W/ROLLER From 1-7681 To 2-7831 | | 1 | 1 | 1 | V |
| 75 | 483598 | ATTACHMENT ASSY L.H. / W/ROLLER From 2-7832 To 2-7934 | | 1 | 1 | 1 | V |
| 75 | 483602 | ATTACHMENT ASSY L.H. / W/ROLLER / DIE CASTING From 2-7935 | | 1 | 1 | 1 | V |
| 75 | 483388 | ATTACHMENT ASSY R.H. / W/ROLLER From 1-7681 To 2-7831 | | 1 | 1 | 1 | V |
| 75 | 483596 | ATTACHMENT ASSY R.H. / W/ROLLER From 2-7832 To 2-7934 | | 1 | 1 | 1 | V |
| 75 | 483604 | ATTACHMENT ASSY R.H. / W/ROLLER / DIE CASTING From 2-7935 | | 1 | 1 | 1 | V |
| 76 | 483386 | . ATTACHMENT ASSY L.H. From 1-7681 To 2-7934 | | 1 | 1 | 1 | |
| 76 | 483387 | . ATTACHMENT ASSY R.H. From 1-7681 To 2-7934 | | 1 | 1 | 1 | |
| 76 | 483460 | . ATTACHMENT ASSY L.H. / DIE CASTING From 2-7935 | | 1 | 1 | 1 | |
| 76 | 483461 | . ATTACHMENT ASSY R.H. / DIE CASTING From 2-7935 | | 1 | 1 | 1 | |
| 77 | 483597 | . ROLLER CATCH / LOWER From 1-7681 | | 1 | 1 | 1 | |
| 78 | 502503 | . SCREW CAP HEXS 5/16-18x1 1/2 N500 | | 1 | 1 | 1 | |
| 81 | 500181 | SCREW CAP HEX 5/16-18x1 G5 Z050 To 3-7990 | | AR | AR | AR | |
| 81 | 955297 | SCREW CAP HEX M8-1.25x25 G8.8 ZG603 From 3-7991 | | AR | AR | AR | |
| 82 | 5001045 | WASHER BEL SPR .331x.827x.098 Z050 To 3-7990 | | AR | AR | AR | |
| 82 | 500321 | WASHER BEL SPR .331x.827x.098 N500 From 3-7991 | | AR | AR | AR | |
| 83 | 502523 | RIVET NUT FL OKS 5/16-18 .059-.119 To 3-7990 | | AR | AR | AR | |
| 83 | 5001337 | NUT INS FL HEX M8-1.25 0.5-3.0 Z050 From 3-7991 | | AR | AR | AR | |

| | | |
|--------------------------------|--------------|-----------------|
| From Y-7046 To 8-9339 | Date:10/2022 | PAGE:Y2-1864-50 |
| BAGGAGE DOOR ASSY - MTH | | |

| Item# | Part | Description | X L I I 4 5 | X L I I M T H 4 0 | X L I I M T H 4 5 | X L I I M T H 4 5 E | N O T E S |
|-------|---------|--|----------------------------|---|---|--|-----------------------|
| 85 | 482289 | STRIKER CATCH To 2-7831 | | 2 | 2 | 2 | |
| 85 | 483599 | STRIKER CATCH From 2-7832 | | 2 | 2 | 2 | |
| 86 | 502523 | RIVET NUT FL OKS 5/16-18 .059-.119 | | AR | AR | AR | |
| 89 | 481137 | WEATHERSTRIP / W/38" BAGGAGE DOORS To 5-8813 | | 2 | | | |
| 89 | 485629 | WEATHERSTRIP / W/38" BAGGAGE DOORS To 5-8813 | | 2 | | | |
| 89 | 482462 | WEATHERSTRIP / W/45" BAGGAGE DOORS | | 2 | | 2 | |
| 89 | 485630 | WEATHERSTRIP / W/45" BAGGAGE DOORS | | 2 | | 2 | |
| 89 | 481033 | WEATHERSTRIP / W/53" BAGGAGE DOORS To 5-8813 | | 6 | | | |
| 89 | 481033 | WEATHERSTRIP / W/53" BAGGAGE DOORS | | | | 8 | |
| 89 | 481033 | WEATHERSTRIP / W/53" BAGGAGE DOORS | | | 2 | | |
| 89 | 485635 | WEATHERSTRIP / W/53" BAGGAGE DOORS | | AR | AR | AR | |
| 89 | 481988 | WEATHERSTRIP / W/60" BAGGAGE DOORS | | | 6 | | |
| 89 | 485628 | WEATHERSTRIP / W/60" BAGGAGE DOORS | | | 6 | | |
| NS | 480154 | . WEATHERSTRIP RUBBER / ADH / RAW MATERIAL To 5-8544 | | AR | AR | AR | |
| NS | 483941 | . WEATHERSTRIP RUBBER / ADH / RAW MATERIAL From 5-8545 | | AR | | AR | |
| 89 | 485610 | . WEATHERSTRIP RUBBER / ADH / RAW MATERIAL | | AR | | AR | |
| 91 | 500162 | SCREW CAP HEX 1/4-20x1/2 G5 Z050 | | 6 | 6 | 6 | |
| 93 | 500473 | WASHER LO SPT .262x.489x.062 Z050 | | 6 | 6 | 6 | |
| 97 | 481065 | LEVER ASSY To 2-7831 | | 1 | 1 | 1 | |
| 97 | 483581 | LEVER ASSY From 2-7832 | | 1 | 1 | 1 | |
| 97 | 481062 | . LEVER To 2-7831 | | 1 | 1 | 1 | |
| 97 | 483582 | . LEVER From 2-7832 | | 1 | 1 | 1 | |
| NS | 507143 | . BUSHING, NYLINER (8-L-12-D) | | 1 | 1 | 1 | |
| 99 | 481757 | . PLATE ATTACHMENT To 2-7831 | | 1 | 1 | 1 | |
| 99 | 483583 | . PLATE ATTACHMENT From 2-7832 | | 1 | 1 | 1 | |
| 101 | 480382 | . PLATE ATTACHMENT / SPRING To 2-7831 | | 1 | 1 | 1 | |
| 101 | 483584 | . PLATE ATTACHMENT / SPRING From 2-7832 | | 1 | 1 | 1 | |
| 103 | 502056 | . SPRING EXTENSION / .437 O.D. X 5.375 x .062 | | 1 | 1 | 1 | |
| 105 | 504477 | . RING RETAINER / EXT 14.0 X 13.4 X 1.0MM | | 1 | 1 | 1 | |
| NS | 500496 | . WASHER FL .437x.750x.054 Z050 | | AR | AR | AR | |
| 109 | 481084 | LEVER / W/38" To 2-7831 | | 1 | | | |
| 109 | 480785 | LEVER / W/38" From 2-7832 To 5-8813 | | 1 | | | |
| 109 | 482459 | LEVER / W/45" To 2-7831 | | 1 | | 1 | |
| 109 | 480767 | LEVER / W/45" From 2-7832 | | 1 | | 1 | |
| 109 | 482277 | LEVER / W/53" To 2-7831 | | 1 | 1 | 1 | |
| 109 | 483660 | LEVER / W/53" From 2-7832 | | 1 | 1 | 1 | |
| 109 | 482349 | LEVER / W/60" To 2-7831 | | | 1 | | |
| 109 | 483586 | LEVER / W/60" From 2-7832 | | | 1 | | |
| 111 | 502144 | SPRING COMPRESSION / .720 O.D. x 2 x .062 | | 1 | 1 | 1 | |
| 113 | 480369 | PIVOT | | 1 | 1 | 1 | |
| 113 | 483585 | PIVOT From 2-7832 | | 1 | 1 | 1 | |
| NS | 5001346 | SCREW SET HEXS CONE 1/4-20x3/4 | | 1 | 1 | 1 | |

| | | |
|--------------------------------|--------------|-----------------|
| From Y-7046 To 8-9339 | Date:10/2022 | PAGE:Y2-1864-50 |
| BAGGAGE DOOR ASSY - MTH | | |

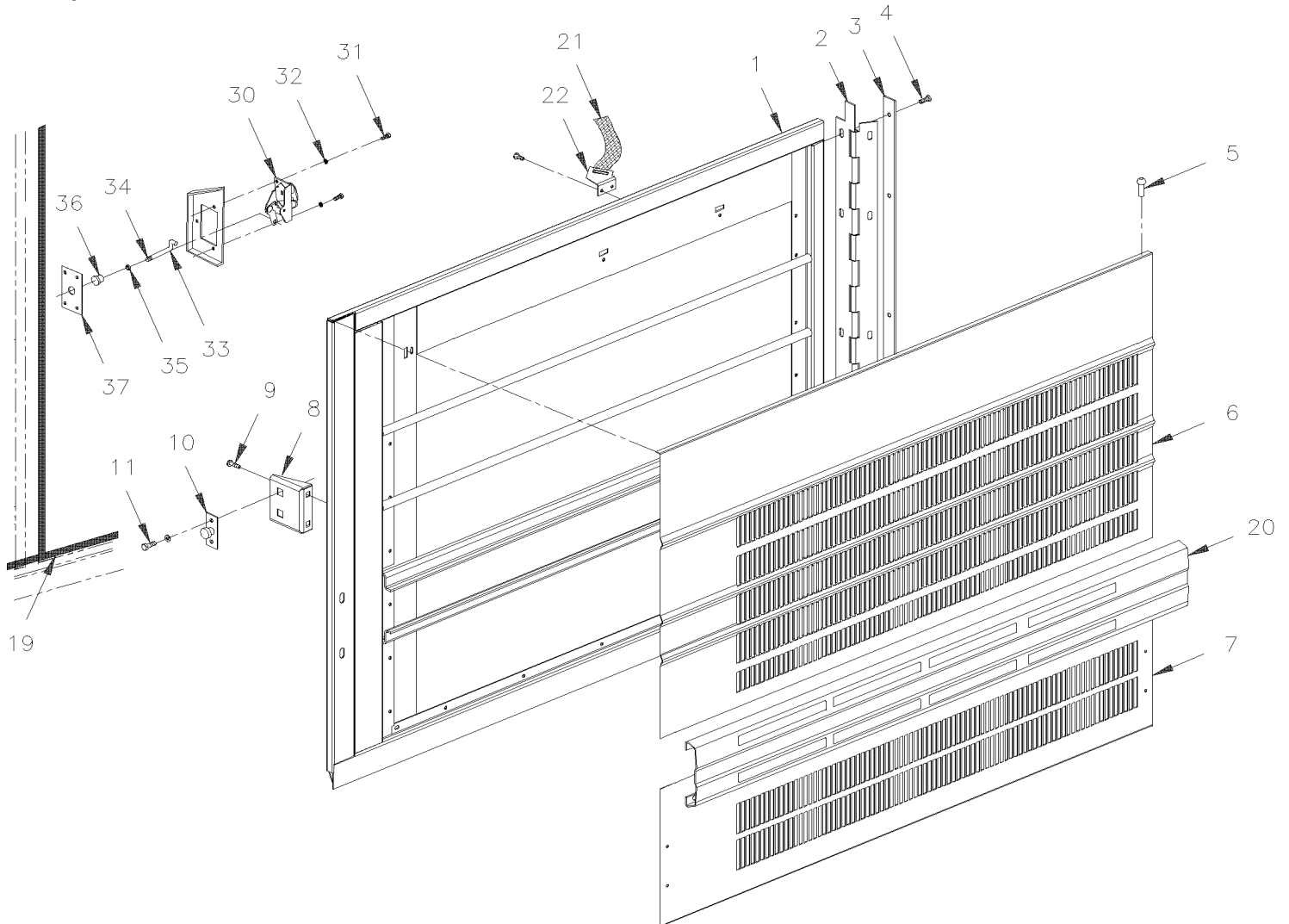
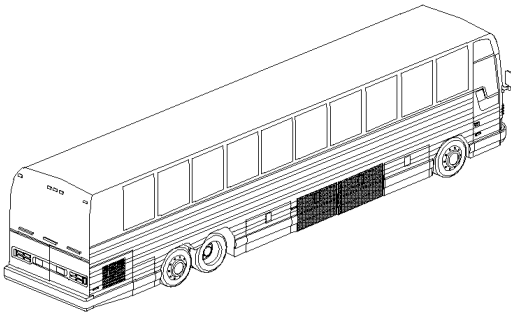
| Item# | Part | Description | X L I I 4 5 | X L I I M T H 4 0 | X L I I M T H 4 5 | X L I I M T H 4 5 E | N O T E S |
|-------|----------------|--|----------------------------|---|---|--|-----------------------|
| 117 | 507141 | BUSHING, NYLINER W/SHOULDER (7-L-7-F) | | 2 | 2 | 2 | |
| 119 | 980024 | CYLINDER GAZ / 669/409MM C/C / 200LBS | | 1 | 1 | 1 | |
| 119 | 192226 | CYLINDER GAZ / 669/409MM C/C / 200LBS HD | | AR | AR | AR | |
| NS | 980017 | . CLIP BALL STUD 10MM RETAINER | | 2 | 2 | 2 | |
| 121 | 980015 | BALL STUD / W/10 MM X M8-1.25 / 29.18 MM | | 2 | 2 | 2 | |
| 121 | 288625 | BLOCK RETAINER CYLINDER From 6-8806 | | | 1 | 1 | A |
| 121 | 502790 | SCREW CAP HEX M8-1.25x20 G8.8 Z050 From 6-8806 | | | 2 | 2 | A |
| 121 | 500441 | WASHER FL .312x.734x.065 Z050 From 6-8806 | | | 2 | 2 | A |
| 121 | 500476 | WASHER LO SPT .317x.586x.078 Z050 From 6-8806 | | | 2 | 2 | A |
| 123 | 481088 | PLATE CYLINDER ADJUSTEMENT / W/53" & 60" | | 1 | 1 | 1 | |
| NS | 482276 | PLATE CYLINDER ADJUSTEMENT FOR OVER LOAD DOOR W/RAIL SS | | AR | | AR | |
| 123 | 481305 | PLATE ANGLE CYLINDER ADJUSTEMENT / W/38" | | 1 | | 1 | |
| 123 | 482787 | SUPPORT ASSY / W/45" | | 2 | | 2 | |
| 125 | 502760 | NUT HEX TWAY M8-1.25 Z050 | | 2 | 2 | 2 | |
| 130 | 780428 | LOCK ACTUATOR / 12V | | 1 | 1 | 1 | |
| NS | 562076 | . CONNECTOR / PACK-CON I / FEMALE HOUSING / 2C / PED 8911772 | | 1 | 1 | 1 | |
| 130 | 2810382 | ACTUATOR SERVICE KIT OLD NUMBER STILL AVAILABLE | | 1 | 1 | 1 | |
| 131 | 482109 | BRACKET / TO FIX LOCK ACTUATOR | | 1 | 1 | 1 | |
| 132 | 562096 | MICRO SWITCH | | 1 | 1 | 1 | |
| 133 | 502577 | SCREW MA PAN PH M3-0.5x16 ZP | | 2 | 2 | 2 | |
| 134 | 502579 | NUT HEX M3-0.5 NP | | 2 | 2 | 2 | |
| 135 | 062796 | CABLE ASSY / ACTUATOR POWER / EACH DOOR | | 1 | 1 | 1 | |
| 136 | 560481 | CLAMP / 5/8" I.D. | | 3 | 3 | 3 | |
| 137 | 500883 | SCREW TC PAN PH #8-32x3/8 Z050 | | 6 | 6 | 6 | |
| NS | 062823 | CABLE ASSY / FRT JCT PANEL W/DOOR LOCK | | 1 | 1 | 1 | |
| NS | 064473 | CABLE ASSY / FUEL COMP & REAR DOOR | | 1 | | 1 | |
| NS | 063387 | CABLE ASSY / FUEL COMP & REAR DOOR | | | 1 | | |
| NS | 064471 | CABLE ASSY / FRT JCT PANEL TO FUEL COMPT To 5-8813 | | 1 | | | |
| NS | 064470 | CABLE ASSY / FRT JCT PANEL TO FUEL COMPT | | | | 1 | |
| NS | 063361 | CABLE ASSY / FRT JCT PANEL TO FUEL COMPT | | | 1 | | |
| | | | | | | | |
| | | | | | | | |
| | | A) THOSE PARTS ARE LOCATED TO FLOOR BEAM WITH SLIDE-OUT | | | | | |
| | | C) USE WITH 4TH BAY DOOR WITH 2 ACCESS PANEL "MARATHON" | | | | | |
| | | D) USE WITH 1ST BAY DOOR WITH 2 ACCESS PANEL "MARATHON" | | | | | |
| | | E) SERVICE NUMBER SPECIFIED "UPPER & LOWER PANEL" SEE CONVERTER'S SPECIAL BAGGAGES PANEL BOOK # PA-1108 SECTION 04 | | | | | |
| | | F) SERVICE NUMBER SPECIFIED "UPPER & LOWER PANEL" SEE CONVERTER'S SPECIAL BAGGAGES PANEL BOOK # PA-1108 SECTION 06 | | | | | |
| | | G) SERVICE NUMBER SPECIFIED "UPPER & LOWER PANEL" SEE CONVERTER'S SPECIAL BAGGAGES PANEL BOOK # PA-1108 SECTION 09 | | | | | |
| | | H) THOSE PLATE ATTACHMENTS ARE FIXED HORIZONTAL ON FLOOR STRUCTURE | | | | | |
| | | J) USE WITH "VORAD" SYSTEM | | | | | |
| | | V) THOSE ATTACHMENTS ARE FIXED ON VERTICAL POST STRUCTURE | | | | | |

From Y-7046 To 8-9339

Date:10/2022

PAGE:Y2-1864-60

BAGGAGE DOOR R.H. - W/HINGE "SPECIAL"



| | | |
|--|--------------|-----------------|
| From Y-7046 To 8-9339 | Date:10/2022 | PAGE:Y2-1864-60 |
| BAGGAGE DOOR R.H. - W/HINGE "SPECIAL" | | |

| Item# | Part | Description | X L I I 4 5 | X L I I M T H 4 0 | X L I I M T H 4 5 | X L I I M T H 4 5 E | N O T E S |
|-------|-------------------|--|----------------------------|---|---|--|-----------------------|
| | 483023P | BAGGAGE DOOR 45" W/3.49 SQF PERFORATED AREA | | 1 | | 1 | |
| | 482678P | BAGGAGE DOOR 53" W/2.58 SQF PERFORATED AREA | | 1 | 1 | 1 | |
| 1 | 483013 | . FRAME ASSY 53" | | 1 | 1 | 1 | |
| 1 | 483009 | . FRAME ASSY 45" | | 1 | | 1 | |
| 1 | 680065 | . TAPE COMPOUND / BLACK / 1/32" X 1" X 33' / L163-2400 | | AR | AR | AR | |
| 1 | 680025 | . CAULKING STRIP 3/16" O.D. X 14' | | AR | AR | AR | |
| NS | 481047 | . HINGE PLATE 31"1/16 W/ 5 HOLES 1/4-28 To 2-7831 | | 1 | 1 | 1 | A |
| NS | 483638 | . HINGE PLATE 31"1/16 W/ 5 HOLES 1/4-28 From 2-7832 | | 1 | 1 | 1 | A |
| 2 | 480907 | . HINGE | | 1 | 1 | 1 | |
| 3 | 480910 | . REINFORCEMENT OF HINGE / THIN 31 1/4" x 1/8 FRAME SIDE To 2-7831 | | 1 | 1 | 1 | |
| 3 | 483637 | . SUPPORT, HINGE / THIN 31 1/4 LG From 2-7832 | | 1 | 1 | 1 | |
| NS | 481840 | . REINFORCEMENT OF HINGE / 31 7/8" X GA11 STRUCTURE SIDE | | 1 | 1 | 1 | |
| NS | 481131 | . SHIM 2" X 1"1/8 / HINGE SUPPORT | | AR | AR | AR | |
| 4 | 500316 | . SCREW MA FL PH 1/4-28x3/4 SS | | 1 | 1 | 1 | |
| 5 | 504340 | . RIVET POP DOME OE 1/8x3/16 SS | | 4 | 4 | 4 | |
| 6 | 482829 | . PANEL W/2.58 SQF PERFORATED AREA / S.B. To 5-8468 | | | 1 | | |
| 6 | 483964 | . PANEL W/2.58 SQF PERFORATED AREA / B.A. From 5-8469 | | | 1 | | |
| 6 | 483005 | . UPPER PANEL W/1.90 SQF PERFORATED AREA / S.B. | | 1 | | 1 | |
| 7 | 483007 | . LOWER PANEL W/0.81 SQF PERFORATED AREA / S.B. To 5-8468 | | 1 | | 1 | |
| 7 | 483940 | . LOWER PANEL W/0.81 SQF PERFORATED AREA / B.A. From 5-8469 | | 1 | | 1 | |
| NS | 504272 | . RIVET CHY Q BRAZ 3/16x1/8 SS | | 6 | 6 | 6 | |
| 8 | 284605 | . SUPPORT / TO FIX CATCH | | 1 | 1 | 1 | |
| 9 | 500163 | . SCREW CAP HEX 1/4-20x3/4 G5 Z050 | | 2 | 2 | 2 | |
| NS | 502583 | . WASHER LO SERR 8.15x22.3x1.0 Z050 | | 2 | 2 | 2 | |
| 10 | 780278 | . PIN, STRIKER STUD | | 1 | 1 | 1 | |
| NS | 283326 | . STRIKER PLATE, MOUNTING / 60MM X 25MM | | 1 | 1 | 1 | |
| 11 | 500316 | . SCREW MA FL PH 1/4-28x3/4 SS | | 7 | 7 | 7 | |
| NS | 502582 | . WASHER LO SERR 6.1x16.2x0.9 Z050 | | 2 | 2 | 2 | |
| NS | 500692 | . NUT HEX 1/4-28 Z050 | | 2 | 2 | 2 | |
| 19 | 482099 | WEATHERSTRIP / CONDENSOR DOOR | | | 1 | | |
| 19 | 480009 | WEATHERSTRIP / CONDENSOR DOOR | | | 1 | | |
| 19 | 280152 | . WEATHERSTRIP RUBBER EPDM CC EXTRUSION / RAW MATERIAL | | | AR | | |
| 20 | Y2-1855-00 | RUB RAIL - EXTERIOR CREST & TRIMS | | | | | |
| 21 | 505507 | STRAP NYLON 1" WIDE / S.L. | | AR | AR | AR | |
| 22 | 452813 | SUPPORT STRAP RETAINER W/2 SLOTS & 2 HOLES | | 1 | 1 | 1 | |
| 30 | 780282 | LOCK SPAGNOLET L.H. | | 1 | 1 | 1 | |
| 31 | 502531 | SCREW CAP HEX M6-1.0x16 G8.8 Z050 | | 2 | 2 | 2 | |
| 32 | 502582 | WASHER LO SERR 6.1x16.2x0.9 Z050 | | 2 | 2 | 2 | |
| 33 | 284596 | ROD OPENING 68MM | | 1 | | 1 | |
| NS | 482698 | STRING 450 LG | | | 1 | | |
| 34 | 500764 | NUT HEX #8-32 Z050 | | 1 | | 1 | |
| 35 | 504083 | SNAP BUSHING / .250x.468.406 | | 1 | | 1 | |

| | | |
|--|--------------|-----------------|
| From Y-7046 To 8-9339 | Date:10/2022 | PAGE:Y2-1864-60 |
| BAGGAGE DOOR R.H. - W/HINGE "SPECIAL" | | |

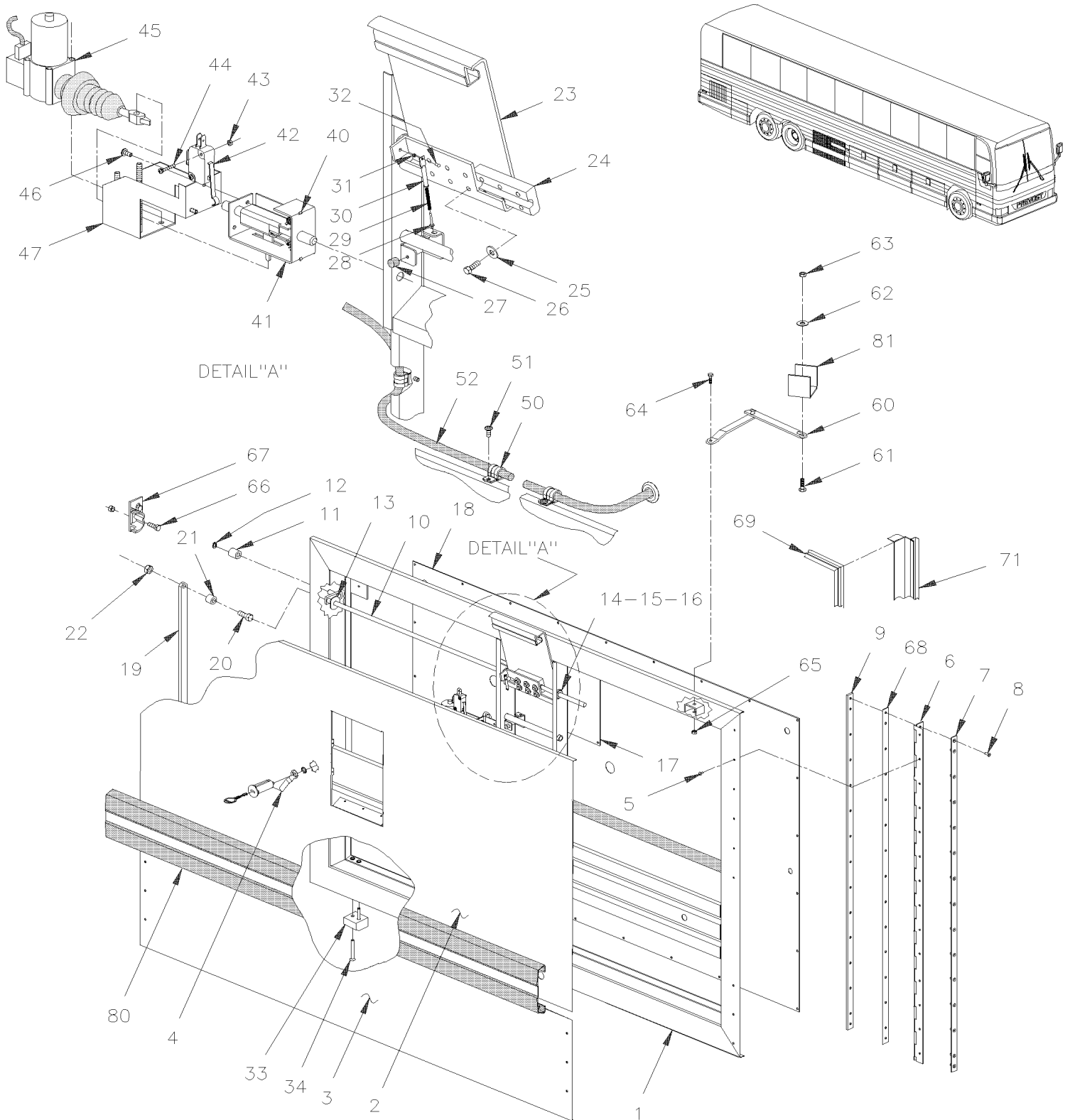
| Item# | Part | Description | X L I I 4 5 | X L I I M T H 4 0 | X L I I M T H 4 5 | X L I I M T H 4 5 E | N O T E S |
|-------|--------|--|----------------------------|---|---|--|-----------------------|
| 36 | 505504 | KNOB, PULL / 8-32 | | 1 | | 1 | |
| 37 | 482725 | CLOSING PLATE 30MM X 50MM / ALU | | 1 | | 1 | |
| 37 | 505213 | SHIM 1/16" THICK | | AR | AR | AR | |
| 37 | 505193 | SHIM 1/8" THICK | | AR | AR | AR | |
| 37 | 504473 | RIVET POP DOME OE 1/8x1/4 SS | | 4 | 4 | 4 | |
| 37 | 481157 | WEATHERSTRIP / CONDENSOR DOOR | | 1 | | 1 | |
| 37 | 480154 | WEATHERSTRIP RUBBER / ADH / RAW MATERIAL To 5-8544 | | AR | AR | AR | |
| 37 | 483941 | WEATHERSTRIP RUBBER / ADH / RAW MATERIAL From 5-8545 | | AR | AR | AR | |
| 37 | 485610 | WEATHERSTRIP RUBBER / ADH / RAW MATERIAL | | AR | AR | AR | |
| 37 | 482453 | SUPPORT | | | 1 | | |
| | | | | | | | |
| | | | | | | | |
| | | A) INSIDE OF DOOR FRAME PANEL | | | | | |

From Y-7046 To 6-8906

Date:10/2022

PAGE:Y2-1864-80

BAGGAGE DOOR - W.C.L."RICON"



| | | |
|-------------------------------------|--------------|-----------------|
| From Y-7046 To 6-8906 | Date:10/2022 | PAGE:Y2-1864-80 |
| BAGGAGE DOOR - W.C.L."RICON" | | |

| Item# | Part | Description | X L I I 4 5 | X L I I M T H 4 0 | X L I I M T H 4 5 | X L I I M T H 4 5 E | N O T E S |
|-------|---------|--|----------------------------|---|---|--|-----------------------|
| | | ALL DOORS ASSY DO NOT INCLUDE | | | | | |
| | | RUB-RAIL PLEASE ORDER SEPARATELY | | | | | |
| | 483333P | BAGGAGE DOOR ASSY / W.C.L. W/FLAT PANEL To 4-8278 | 1 | | | | |
| | 483807 | BAGGAGE DOOR ASSY From 4-8279 | 1 | | | | |
| | 483648 | BAGGAGE DOOR ASSY / W.C.L. W/FLUTED PANEL To 4-8278 | 1 | | | | A |
| 1 | 483336 | . BAGGAGE DOOR FRAME To 2-7760 | 1 | | | | |
| 1 | 483484 | . BAGGAGE DOOR FRAME From 2-7761 To 3-8109 | 1 | | | | |
| 1 | 483737 | . BAGGAGE DOOR FRAME From 3-8110 To 4-8278 | 1 | | | | |
| 1 | 483789 | . BAGGAGE DOOR FRAME From 4-8279 | 1 | | | | |
| 2 | 483335 | . UPPER PANEL | 1 | | | | |
| 2 | 483355 | . UPPER PANEL | 1 | | | | A |
| NS | 504340 | . RIVET POP DOME OE 1/8x3/16 SS | 12 | | | | |
| 3 | 483373 | . LOWER PANEL | 1 | | | | |
| 3 | 483359 | . LOWER PANEL | 1 | | | | A |
| NS | 504272 | . RIVET CHY Q BRAZ 3/16x1/8 SS | 6 | | | | |
| 4 | 281498 | . PIVOT LOCK 3/8" OFFSET | 1 | | | | |
| 5 | 504272 | . RIVET CHY Q BRAZ 3/16x1/8 SS | 6 | | | | |
| 6 | 480907 | . HINGE | 1 | | | | |
| 7 | 480910 | . REINFORCEMENT OF HINGE / THIN 31 1/4" x 1/8 FRAME SIDE To 2-7831 | 1 | | | | |
| 7 | 483637 | . SUPPORT, HINGE / THIN 31 1/4 LG From 2-7832 | 1 | | | | |
| 8 | 500316 | . SCREW MA FL PH 1/4-28x3/4 SS | 5 | | | | |
| 9 | 481047 | . HINGE PLATE 31"1/16 W/ 5 HOLES 1/4-28 To 2-7831 | 1 | | | | |
| 9 | 483638 | . HINGE PLATE 31"1/16 W/ 5 HOLES 1/4-28 From 2-7832 | 1 | | | | |
| 10 | 483351 | . ROD ASSY LOCK / W.C.L. DOOR To 2-7831 | 1 | | | | |
| 10 | 483634 | . ROD ASSY LOCK / W.C.L. DOOR From 2-7832 To 3-8109 | 1 | | | | |
| 10 | 483540 | . ROD ASSY LOCK / W.C.L. DOOR From 3-8110 To 4-8278 | 1 | | | | |
| 10 | 483352 | . . ROD LOCK / W.C.L. DOOR To 2-7831 | 1 | | | | |
| 10 | 483635 | . . ROD LOCK / W.C.L. DOOR From 2-7832 To 3-8109 | 1 | | | | |
| 10 | 483539 | . . ROD LOCK / W.C.L. DOOR From 3-8110 To 4-8278 | 1 | | | | |
| 10 | 483787 | . ROD LOCK / 60" From 4-8279 | 1 | | | | |
| 11 | 483366 | . ROLLER To 2-7831 | 1 | | | | |
| 11 | 483636 | . ROLLER From 2-7832 | 1 | | | | |
| 12 | 504318 | . RING RETAINER / EXT .375 x .352 x .025 | 1 | | | | |
| 13 | 505520 | . SPACER 3/8 I.D. X 5/8 LG | 2 | | | | |
| NS | 507254 | . BUSHING NYLINER W/SHOULDER | 1 | | | | |
| 14 | 504650 | . GROMMET / .375x.625x.062x.313x.875 | 2 | | | | |
| 15 | 507260 | . BUSHING NYLINER W/SHOULDER .375x.437x.375x.594 | 2 | | | | |
| 16 | 5001011 | . WASHER FL .406x.625x.040 Z050 | 4 | | | | |
| 16 | 502102 | . PIN, COTTER 1/8 x 1 | 2 | | | | |
| 17 | 481787 | . PANEL ACCESS 9" X 9" | 1 | | | | |

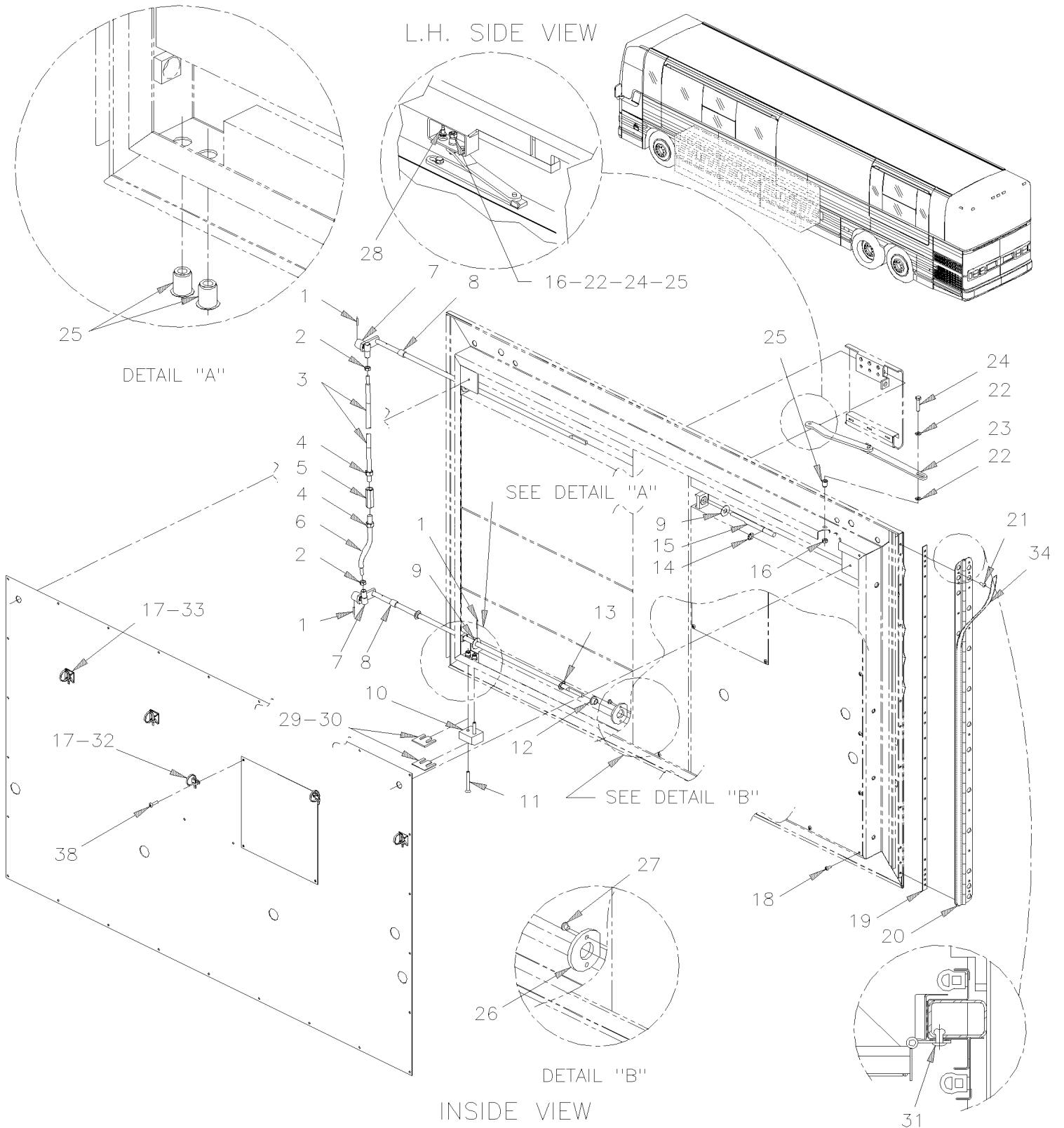
| | | |
|-------------------------------------|--------------|-----------------|
| From Y-7046 To 6-8906 | Date:10/2022 | PAGE:Y2-1864-80 |
| BAGGAGE DOOR - W.C.L."RICON" | | |

| Item# | Part | Description | X L I I 4 5 | X L I I M T H 4 0 | X L I I M T H 4 5 | X L I I M T H 4 5 E | NOTES |
|-------|----------------|--|----------------------------|---|---|--|-------|
| NS | 500582 | . SCREW TP PAN PH #8x3/8 Z050 | 4 | | | | |
| 18 | 483334 | . INTERIOR PANEL | 1 | | | | |
| NS | 504347 | . RIVET POP DOME OE 3/16x1/4 AL | 28 | | | | |
| NS | 504433 | . SNAP-IN PLUG / 1.090 O.D. | 1 | | | | |
| 19 | 483356 | . ROD TRANSFER To 2-7831 | 1 | | | | |
| 19 | 483639 | . ROD TRANSFER From 2-7832 To 4-8278 | 1 | | | | |
| 19 | 483792 | . ROD TRANSFER From 4-8279 | 1 | | | | |
| 20 | 502625 | . SCREW SHR HEXS 5/16x3/8 {1/4-20 | 2 | | | | |
| 21 | 507301 | . BUSHING NYLINER | 2 | | | | |
| 22 | 502819 | . NUT HEX JAM 1/4-20 Z050 | 2 | | | | |
| 23 | 481358 | . HANDLE ASSY / S.B. | 1 | | | | |
| 24 | 481011 | . RETAINER ROD / HANDLE / CHROMATE To 2-7831 | 1 | | | | |
| 24 | 483587 | . RETAINER ROD / HANDLE / E-COAT BLACK From 2-7832 | 1 | | | | |
| 25 | 500473 | . WASHER LO SPT .262x.489x.062 Z050 | 6 | | | | |
| 26 | 500163 | . SCREW CAP HEX 1/4-20x3/4 G5 Z050 | 6 | | | | |
| 27 | 504334 | . BUMPER RUBBER / .625 OD x .406 TH x .156 HOLE | 1 | | | | |
| NS | 504339 | . RIVET POP DOME OE 1/8x3/8 SS | 2 | | | | |
| 28 | 481007 | . ROD ASSY MALE | 1 | | | | |
| 29 | 480394 | . SPRING COMPRESSION / .355 O.D. 3.375 x .063 | 1 | | | | |
| 30 | 481227 | . ROD FEMALE | 1 | | | | |
| 31 | 481012 | . BUSHING LEVER | 1 | | | | |
| 32 | 504459 | . RIVET MGLP PRDG 1/4x3/8 SS | 1 | | | | |
| NS | 502573 | . WASHER FL 6.4x12.5x1.6 SS | 1 | | | | |
| 33 | 483788 | . DOOR SUPPORT NYLON 60MM x 32MM x 6.4MM From 4-8279 | 1 | | | | |
| NS | 483796 | . SHIM 14GA 60MM x 32MM SS From 4-8279 | AR | | | | |
| 34 | 500346 | . SCREW MA FL PH 1/4-20x1 SS BK From 4-8279 | 2 | | | | |
| 40 | 481564 | . ROD GUIDE | 2 | | | | |
| 41 | 502151 | . SPRING COMPRESSION / .300 O.D. x 1 x .032 | 2 | | | | |
| 42 | 562096 | . MICRO SWITCH | 1 | | | | |
| 43 | 502579 | . NUT HEX M3-0.5 NP | 4 | | | | |
| 44 | 502577 | . SCREW MA PAN PH M3-0.5x16 ZP | 2 | | | | |
| 45 | 780428 | . LOCK ACTUATOR / 12V | 1 | | | | |
| NS | 562076 | . CONNECTOR / PACK-CON I / FEMALE HOUSING / 2C / PED 8911772 | 1 | | | | |
| 45 | 2810382 | . ACTUATOR SERVICE KIT | 1 | | | | |
| 46 | 500883 | . SCREW TC PAN PH #8-32x3/8 Z050 | AR | | | | |
| 47 | 482109 | . BRACKET / TO FIX LOCK ACTUATOR | 1 | | | | |
| 50 | 560481 | . CLAMP / 5/8" I.D. | 3 | | | | |
| 51 | 500883 | . SCREW TC PAN PH #8-32x3/8 Z050 | AR | | | | |
| 52 | 062796 | . CABLE ASSY / ACTUATOR POWER / EACH DOOR | 1 | | | | |
| 60 | 281444 | . GUIDE ASSY / L.H. DOOR To 2-7831 | 1 | | | | |
| 60 | 281912 | . GUIDE ASSY / L.H. DOOR From 2-7832 | 1 | | | | |
| 61 | 502780 | . SCREW CAP HEX M8-1.25x25 SS BK | 1 | | | | |

| | | |
|-------------------------------------|--------------|-----------------|
| From Y-7046 To 6-8906 | Date:10/2022 | PAGE:Y2-1864-80 |
| BAGGAGE DOOR - W.C.L."RICON" | | |

| Item# | Part | Description | X L I I 4 5 | X L I I M T H 4 0 | X L I I M T H 4 5 | X L I I M T H 4 5 E | NOTES |
|-------|-------------------|---|----------------------------|---|---|--|-------|
| 62 | 500270 | . WASHER FL .406x1.000x.063 SS | 2 | | | | |
| 63 | 500868 | . NUT HEX NYRT M8-1.25 Z050 | 1 | | | | |
| 64 | 502568 | . SCREW MA PAN PH M6-1.0x20 EMN | 1 | | | | |
| 65 | 502511 | . NUT HEX NYRT M6-1.0 Z050 | 1 | | | | |
| 65 | 502573 | . WASHER FL 6.4x12.5x1.6 SS | 3 | | | | |
| 66 | 5001216 | . SCREW CAP HEXF SERR 5/16-18x1 ZP To 4-8278 | 4 | | | | |
| 66 | 955297 | . SCREW CAP HEX M8-1.25x25 G8.8 ZG603 From 4-8279 | 4 | | | | |
| NS | 500321 | . WASHER BEL SPR .331x.827x.098 N500 From 4-8279 | 4 | | | | |
| 67 | 482289 | . STRIKER CATCH To 2-7831 | 1 | | | | |
| 67 | 483599 | . STRIKER CATCH From 2-7832 To 4-8278 | 2 | | | | |
| 67 | 483799 | . STRIKER CATCH L.H. From 4-8279 | 2 | | | | |
| 68 | 481131 | . SHIM 2" X 1"1/8 / HINGE SUPPORT | 6 | | | | |
| 69 | 482330 | . WEATHERSTRIP / W/60" HINGE BAGGAGE DOOR | 1 | | | | |
| 69 | 485631 | . WEATHERSTRIP / W/60" HINGE BAGGAGE DOOR | 1 | | | | |
| 70 | 475067 | . BRACE | 1 | | | | |
| 71 | 474913 | . MOULDING / WEATHERSTRIP RETAINER / W/W.C.L. | 1 | | | | |
| 72 | 500611 | . SCREW TC PAN PH #10-24x1/2 Z050 | 2 | | | | |
| 80 | Y2-1855-00 | . RUB RAIL - EXTERIOR CREST & TRIMS | 1 | | | | |
| 81 | N.P.N. | . SUPPORT WELDED TO STRUCTURE | 1 | | | | 4 |
| | | | | | | | |
| | | | | | | | |
| | | A) BUS WITH FLUTED LOWER PANELING | | | | | |
| | | 4) NO PARTS NUMBER | | | | | |

| | | |
|--|--------------|-----------------|
| | Date:10/2022 | PAGE:Y2-1864-90 |
| BAGGAGE DOOR - W/"SLIDE-OUT" INSTALLATION | | |



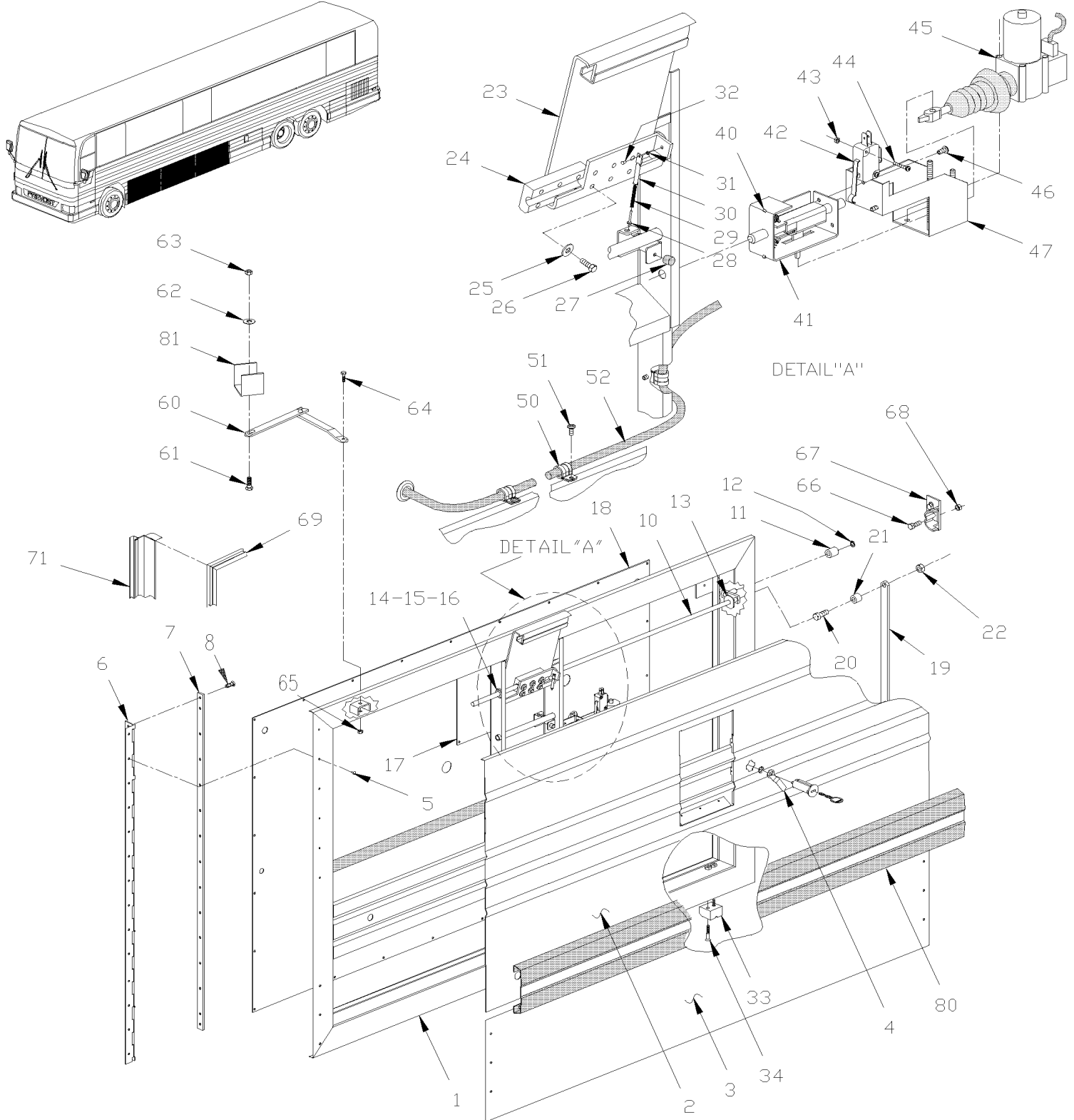
BAGGAGE DOOR - W/"SLIDE-OUT" INSTALLATION

| Item# | Part | Description | X L I I 4 5 | X L I I M T H 4 0 | X L I I M T H 4 5 | X L I I M T H 4 5 E | NOTES |
|-------|---------|---|----------------------------|---|---|--|-------|
| | 690399 | BAGGAGE DOOR ASSY 60" / W/SLIDE OUT | | | 2 | | |
| | 690400 | BAGGAGE DOOR ASSY 53" / W/SLIDE OUT | | | 1 | | |
| 1 | 690265 | . SPRING PIN | | | 3 | | |
| 2 | 690281 | . NUT HEX 1/4-28 SS | | | 2 | | |
| 3 | N.S.P. | . L.H. CLOSING ARM (0100341) To TODAY | | | 1 | | 2 |
| 3 | 690122 | . L.H. CLOSING ARM From FUTUR | | | 1 | | |
| 4 | 500783 | . NUT HEX 3/8-16 Z050 | | | 2 | | |
| 5 | N.S.P. | . NUT HEX CPG ZP 3/8-16 UNC / (5000083) To TODAY | | | 1 | | 2 |
| 5 | 690123 | . L.H. & R.H. COUPLING NUT From FUTUR | | | 1 | | |
| 6 | 690029 | . CLOSING ARM | | | 1 | | |
| 7 | 690030 | . BALL JOINT | | | 2 | | |
| 8 | 690292 | . SPACER, BUTTITE ROLLER | | | 2 | | |
| 9 | 690011 | . WASHER FL 3/8 SS | | | 2 | | |
| 10 | 690119 | . BLOCK | | | 1 | | |
| 11 | 690282 | . SCREW CAP FL HEXS M6-1.0x50 SS EMN | | | 2 | | |
| 12 | 507260 | . BUSHING NYLINER W/SHOULDER .375x.437x.375x.594 | | | 1 | | |
| 13 | 690269 | . NUT SPR PO RND 3/8 | | | 1 | | |
| 14 | N.S.P. | . RING, RETAINING EXT. S/S 3/8" / (5000160) | | | 1 | | 2 |
| 15 | 690027 | . REPLACEMENT ROD | | | 1 | | |
| 16 | 502511 | . NUT HEX NYRT M6-1.0 Z050 | | | 2 | | |
| 17 | N.S.P. | . CABLE CLAMP / (5000073) To 1-7353 | | | AR | | 2 |
| 17 | 504015 | . CABLE TIE / 3/16" X 14"1/2 From 1-7354 | | | 5 | | |
| 18 | 504347 | . RIVET POP DOME OE 3/16x1/4 AL | | | 28 | | |
| 19 | 690094 | . SPACER | | | 1 | | |
| 20 | 690116 | . HINGE | | | 1 | | |
| 21 | 504352 | . RIVET POP DOME OE 3/16x7/8 AL | | | 24 | | |
| 22 | 5001462 | . WASHER FL 6.4x18.0x1.6 Z050 | | | 4 | | |
| 23 | 281445 | . GUIDE ASSY / R.H. DOOR | | | 1 | | |
| 24 | 502533 | . SCREW CAP HEX M6-1.0x30 G8.8 Z050 | | | 2 | | |
| 25 | 690259 | . NUT INS TYPE "A-L" OE M6-1.0 0.7-4.2 ZP | | | 4 | | |
| 26 | 690009 | . WASHER | | | 1 | | |
| 27 | 504107 | . RIVET POP DOME OE 1/8x5/16 AL | | | 2 | | |
| 28 | 690274 | . SCREW TC CAP HEXW TEKS #10-16x1/2 ZP | | | 2 | | |
| 29 | 690230 | . SPACER 1/8" | | | AR | | |
| 30 | 690231 | . SPACER 1/16" | | | AR | | |
| 31 | 504440 | . RIVET POP DOME OE 3/16x7/16 AL | | | AR | | |
| 32 | 690276 | . SCREW APPLIED MOUNTS | | | 2 | | |
| 33 | 690293 | . 4 WAY ADHESIVE BRACKED MOUNT | | | 3 | | |
| 34 | 5061020 | . TAPE RUB ADH1 CC POL 1/32" x 1/2" x 50' / BLACK H1C-N | | | AR | | |
| NS | 690353 | . GLUE EPOXY CIBA | | | AR | | |
| NS | 682176 | . SEALANT SIKA #221 / BLACK / 310ml CARTRIDGE | | | AR | | |
| NS | N25539 | . THREAD LOCKER LOCTITE #262 / RED / 250ml | | | AR | | |

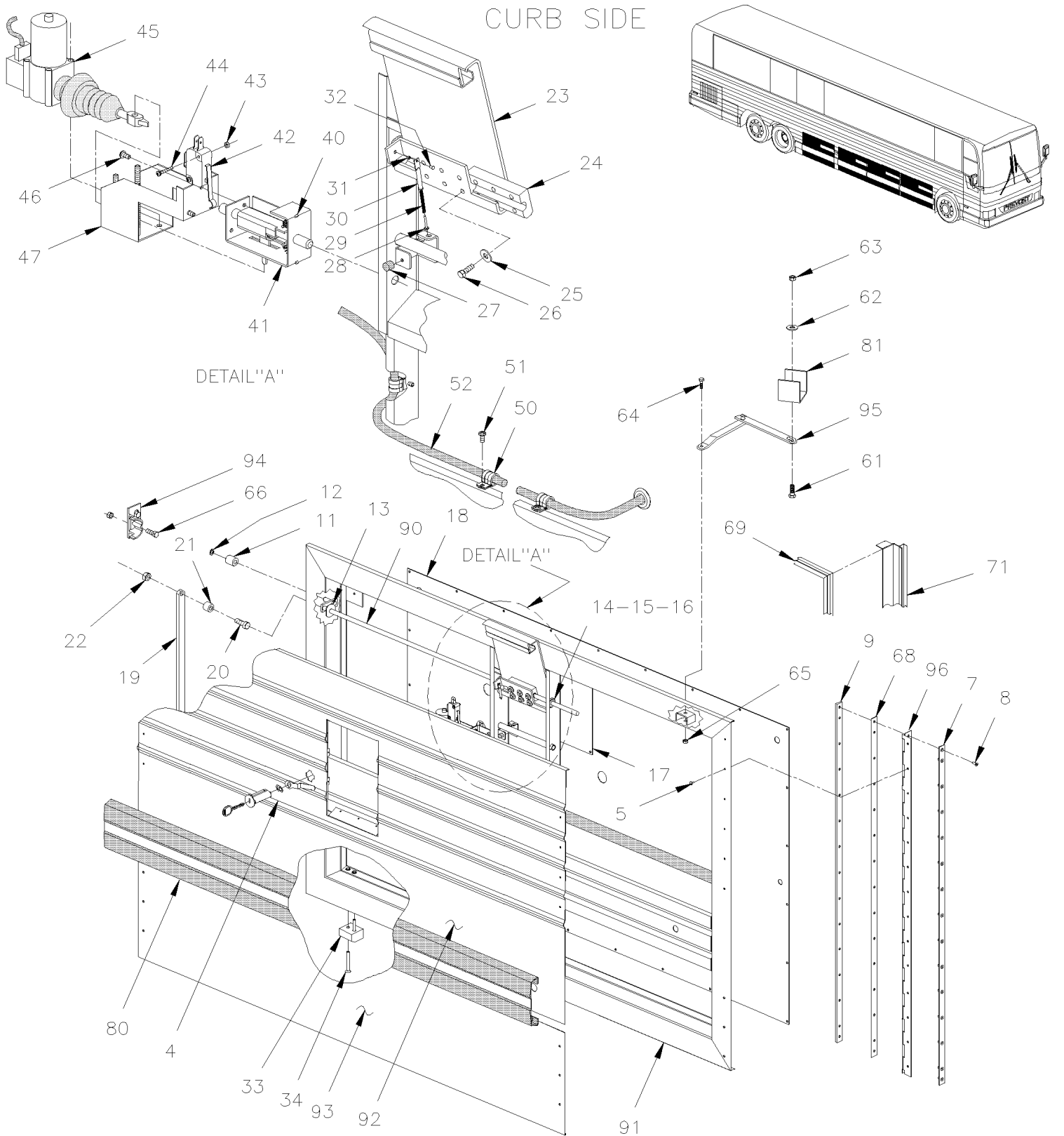
| | | Date:10/2022 | PAGE:Y2-1864-90 | | | | |
|---|--------|---|--------------------------------|---|---|--|-------|
| BAGGAGE DOOR - W/"SLIDE-OUT" INSTALLATION | | | | | | | |
| Item# | Part | Description | X L I I 4 5 | X L I I M T H 4 0 | X L I I M T H 4 5 | X L I I M T H 4 5 E | NOTES |
| 38 | 690262 | . SCREW TP PAN PH #10x3/4" ZP | | | 2 | | |
| 38 | 500658 | . SCREW TC PAN PH #10-24x3/4 Z050 | | | 2 | | |
| | | | | | | | |
| | | | | | | | |
| | | 2) NOT SOLD BY PREVOST (SEE MANUFACTURING PART NUMBER AT END OF DESCRIPTION LINE) | | | | | |

| | | |
|--|--------------|-----------------|
| | Date:10/2022 | PAGE:Y2-1864-91 |
| BAGGAGE DOOR - W/"SLIDE-OUT" INSTALLATION | | |

STREET SIDE



| | | |
|--|--------------|-----------------|
| | Date:10/2022 | PAGE:Y2-1864-91 |
| BAGGAGE DOOR - W/"SLIDE-OUT" INSTALLATION | | |



Date:10/2022

PAGE:Y2-1864-91

BAGGAGE DOOR - W/"SLIDE-OUT" INSTALLATION

| Item# | Part | Description | X L I I 4 5 | X L I I M T H 4 0 | X L I I M T H 4 5 | X L I I M T H 4 5 E | NOTES |
|-------|--------|--|----------------------------|---|---|--|-------|
| | | ALL DOORS ASSY DO NOT INCLUDE | | | | | |
| | | RUB-RAIL PLEASE ORDER SEPARATELY | | | | | |
| | 485409 | BAGGAGE DOOR ASSY 45" | | 2 | | | A |
| | 483472 | BAGGAGE DOOR ASSY 45" | | 2 | | | B |
| | 483650 | BAGGAGE DOOR ASSY 60" / W/SLIDE OUT | | | AR | | A |
| | 483475 | BAGGAGE DOOR ASSY 60" / W/SLIDE OUT | | | AR | | C |
| | 483649 | BAGGAGE DOOR ASSY 53" / W/SLIDE OUT | | 1 | 1 | 1 | A |
| | 483474 | BAGGAGE DOOR ASSY 53" / W/SLIDE OUT | | 1 | 1 | 1 | C |
| | 483649 | BAGGAGE DOOR ASSY 53" / W/SLIDE OUT | | 2 | 2 | 2 | A |
| | 483474 | BAGGAGE DOOR ASSY 53" / W/SLIDE OUT | | 2 | 2 | 2 | C |
| 1 | 483415 | . FRAME ASSY 60" | | | 1 | | |
| 1 | 483699 | . FRAME ASSY 45" To 3-8109 | | 1 | | | |
| 1 | 483738 | . FRAME ASSY 45" From 3-8110 | | 1 | | | |
| 1 | 483465 | . FRAME ASSY 53" To 3-8109 | | | 1 | | |
| 1 | 483732 | . FRAME ASSY 53" From 3-8110 | | 1 | 1 | 1 | |
| 2 | 483445 | . UPPER PANEL / 60" / S.B. To 5-8468 | | | 1 | | |
| 2 | 483857 | . UPPER PANEL / 60" / B.A. From 5-8469 | | | 1 | | |
| 2 | 483953 | . UPPER PANEL / 60" / B.A. From 5-8457 | | | 1 | | V |
| 2 | 483705 | . UPPER PANEL / 45" / S.B. To 5-8468 | | 1 | | | |
| 2 | 483929 | . UPPER PANEL / 45" / B.A. From 5-8469 | | 1 | | | |
| 2 | 483654 | . UPPER PANEL / 53" / S.B. To 5-8468 | | | 1 | | |
| 2 | 483866 | . UPPER PANEL / 53" / B.A. From 5-8469 | | 1 | 1 | 1 | |
| 3 | 483463 | . LOWER PANEL 60" / S.B. To 5-8468 | | | 1 | | |
| 3 | 483903 | . LOWER PANEL 60" / B.A. From 5-8469 | | | 1 | | |
| 3 | 483706 | . LOWER PANEL 45" / S.B. To 5-8468 | | 1 | | | |
| 3 | 483930 | . LOWER PANEL 45" / B.A. From 5-8469 | | 1 | | | |
| 3 | 483655 | . LOWER PANEL 53" / S.B. To 5-8468 | | | 1 | | |
| 3 | 483911 | . LOWER PANEL 53" / B.A. From 5-8469 | | 1 | 1 | 1 | |
| 3 | 483659 | . LOWER PANEL 53" W / 1.09 SQF PERFORATED / S.B. To 5-8468 | | | 1 | | |
| 3 | 483912 | . LOWER PANEL 53" W/1.09 SQF PERFORATED / B.A. From 5-8469 | | 1 | 1 | 1 | |
| NS | 504272 | . RIVET CHY Q BRAZ 3/16x1/8 SS | | 6 | 6 | 6 | |
| 4 | 281498 | . PIVOT LOCK 3/8" OFFSET | | 1 | 1 | 1 | |
| 5 | 504272 | . RIVET CHY Q BRAZ 3/16x1/8 SS | | 18 | 18 | 18 | |
| 6 | 483442 | . HINGE | | 1 | 1 | 1 | |
| NS | 483606 | . SUPPORT, HINGE / THIN 844.5MM LG | | 1 | 1 | 1 | |
| 7 | 481047 | . HINGE PLATE 31"1/16 W/ 5 HOLES 1/4-28 To 2-7831 | | | 1 | | |
| 7 | 483638 | . HINGE PLATE 31"1/16 W/ 5 HOLES 1/4-28 From 2-7832 | | 1 | 1 | 1 | |
| NS | 483610 | SHIM 18GA SS / 131MM X 29MM | | 3 | 3 | 3 | |
| 8 | 500316 | SCREW MA FL PH 1/4-28x3/4 SS | | 5 | 5 | 5 | |
| 10 | 483446 | . ROD ASSY LOCK W/60" To 2-7831 | | | 2 | | |

Date:10/2022

PAGE:Y2-1864-91

BAGGAGE DOOR - W/"SLIDE-OUT" INSTALLATION

| Item# | Part | Description | X L I I | | | | N O T E S |
|-------|---------|---|---------|----|---------|----|-----------|
| | | | 4 | 5 | M T H 4 | 5 | |
| 10 | 483677 | . ROD ASSY LOCK W/60" From 2-7832 To 3-8109 | | | 2 | | |
| 10 | 483670 | . ROD ASSY LOCK W/60" From 3-8110 To 5-8494 | | | 2 | | |
| 10 | 483447 | . . ROD LOCK W/60" To 2-7831 | | | 1 | | |
| 10 | 483675 | . . ROD LOCK W/60" From 2-7832 To 3-8109 | | | 1 | | |
| 10 | 483669 | . . ROD LOCK W/60" From 3-8110 To 5-8494 | | | 2 | | |
| 10 | 485424 | . . ROD LOCK W/60" From 5-8495 | | | 2 | | |
| 10 | 483498 | . ROD ASSY LOCK W/53" To 2-7831 | | | 2 | | |
| 10 | 483678 | . ROD ASSY LOCK W/53" From 2-7832 To 3-8109 | | 2 | 2 | | |
| 10 | 483668 | . ROD ASSY LOCK W/53" From 3-8110 To 5-8494 | | 2 | 2 | | |
| 10 | 483499 | . . ROD LOCK W/53" To 2-7831 | | 1 | 1 | | |
| 10 | 483676 | . . ROD LOCK W/53" From 2-7832 To 3-8109 | | 1 | 1 | | |
| 10 | 483667 | . . ROD LOCK W/53" From 3-8110 To 5-8494 | | 1 | 1 | | |
| 10 | 485427 | . . ROD LOCK W/53" From 5-8495 | | 2 | 2 | 2 | |
| 10 | 483702 | . ROD ASSY LOCK W/45" To 3-8109 | | 2 | | | |
| 10 | 483657 | . ROD ASSY LOCK W/45" From 3-8110 To 5-8494 | | 2 | | | |
| 10 | 483703 | . . ROD LOCK W/45" To 3-8109 | | 1 | | | |
| 10 | 483656 | . . ROD LOCK W/45" From 3-8110 To 5-8494 | | 1 | | | |
| 10 | 485425 | . . ROD LOCK W/45" From 5-8495 | | 2 | | | |
| 11 | 483366 | . ROLLER To 2-7831 | | | 1 | | |
| 11 | 483636 | . ROLLER From 2-7832 | | 1 | 1 | 1 | |
| 12 | 504318 | . RING RETAINER / EXT .375 x .352 x .025 | | 1 | 1 | 1 | |
| 13 | 505520 | . SPACER 3/8 I.D. X 5/8 LG | | 2 | 2 | 2 | |
| NS | 507254 | . BUSHING NYLINER W/SHOULDER | | 1 | 1 | 1 | |
| 14 | 504650 | . GROMMET / .375x.625x.062x.313x.875 | | 2 | 2 | 2 | |
| 15 | 507260 | . BUSHING NYLINER W/SHOULDER .375x.437x.375x.594 | | 2 | 2 | 2 | |
| 16 | 5001011 | . WASHER FL .406x.625x.040 Z050 | | 4 | 4 | 4 | |
| 16 | 502102 | . PIN, COTTER 1/8 x 1 | | 2 | 2 | 2 | |
| 17 | 481787 | . PANEL ACCESS 9" X 9" | | 1 | 1 | 1 | |
| NS | 500582 | . SCREW TP PAN PH #8x3/8 Z050 | | 4 | 4 | 4 | |
| 18 | 483538 | . PANEL INTERIOR 60" To 5-8358 | | | 1 | | |
| 18 | 483812 | . PANEL INTERIOR 60" From 5-8359 | | | 1 | | |
| 18 | 483955 | . PANEL INTERIOR 60" From 5-8457 | | | 1 | | V |
| 18 | 483560 | . PANEL INTERIOR 53" To 5-8358 | | 1 | 1 | | |
| 18 | 483811 | . PANEL INTERIOR 53" From 5-8359 | | 1 | 1 | 1 | |
| NS | 504347 | . RIVET POP DOME OE 3/16x1/4 AL | | 28 | 28 | 28 | |
| NS | 504433 | . SNAP-IN PLUG / 1.090 O.D. | | 1 | 1 | 1 | |
| 19 | 483356 | . ROD TRANSFER To 2-7831 | | | 1 | | |
| 19 | 483639 | . ROD TRANSFER From 2-7832 | | 1 | 1 | 1 | |
| 20 | 502625 | . SCREW SHR HEXS 5/16x3/8 {1/4-20 To 3-8109 | | 2 | 2 | | |
| 21 | 507301 | . BUSHING NYLINER | | 2 | 2 | | |
| 22 | 502819 | . NUT HEX JAM 1/4-20 Z050 To 3-8109 | | 2 | 2 | | |
| 22 | 504689 | . RING RETAINER / EXT .312 x .243 x .025 / SS From 3-8110 | | 2 | 2 | 2 | |

BAGGAGE DOOR - W/"SLIDE-OUT" INSTALLATION

| Item# | Part | Description | X L I I 4 5 | X L I I M T H 4 0 | X L I I M T H 4 5 | X L I I M T H 4 5 E | NOTES |
|-------|----------------|--|----------------------------|---|---|--|-------|
| 23 | 481358 | . HANDLE ASSY / S.B. To 5-8468 | | 1 | 1 | | |
| 23 | 483897 | . HANDLE ASSY / B.A. From 5-8469 | | 1 | 1 | 1 | |
| 24 | 481011 | . RETAINER ROD / HANDLE / CHROMATE To 2-7831 | | | 1 | | |
| 24 | 483587 | . RETAINER ROD / HANDLE / E-COAT BLACK From 2-7832 | | 1 | 1 | 1 | |
| 25 | 500473 | . WASHER LO SPT .262x.489x.062 Z050 | | 6 | 6 | 6 | |
| 26 | 500163 | . SCREW CAP HEX 1/4-20x3/4 G5 Z050 | | 6 | 6 | 6 | |
| 27 | 504334 | . BUMPER RUBBER / .625 OD x .406 TH x .156 HOLE | | 1 | 1 | 1 | |
| NS | 504339 | . RIVET POP DOME OE 1/8x3/8 SS | | 2 | 2 | 2 | |
| 28 | 481007 | . ROD ASSY MALE | | 1 | 1 | 1 | |
| 29 | 480394 | . SPRING COMPRESSION / .355 O.D. 3.375 x .063 | | 1 | 1 | 1 | |
| 30 | 481227 | . ROD FEMALE | | 1 | 1 | 1 | |
| 31 | 481012 | . BUSHING LEVER | | 1 | 1 | 1 | |
| 32 | 504459 | . RIVET MGLP PRDG 1/4x3/8 SS | | 1 | 1 | 1 | |
| NS | 502573 | . WASHER FL 6.4x12.5x1.6 SS | | 1 | 1 | 1 | |
| 33 | 483690 | . DOOR SUPPORT NYLON 22.3MM 29MM 38.1MM To 3-8109 | | 1 | 1 | 1 | |
| 33 | 483674 | . DOOR SUPPORT NYLON 25.4MM 25.4MM 38.1MM From 3-8110 | | 1 | 1 | 1 | |
| 33 | 483222 | . SHIM 18GA 35MM x 38.1MM SS To 3-8109 | | AR | AR | AR | |
| 33 | 483742 | . SHIM 18GA 25.4MM x 38.1MM SS From 3-8110 | | AR | AR | AR | |
| 34 | 500368 | . SCREW MA FL SLT 1/4-20x1 1/2 Z050 | | 2 | 2 | 2 | |
| 40 | 481564 | . ROD GUIDE | | 2 | 2 | 2 | |
| 41 | 502151 | . SPRING COMPRESSION / .300 O.D. x 1 x .032 | | 2 | 2 | 2 | |
| 42 | 562096 | . MICRO SWITCH | | 1 | 1 | 1 | |
| 43 | 502579 | . NUT HEX M3-0.5 NP | | 4 | 4 | 4 | |
| 44 | 502577 | . SCREW MA PAN PH M3-0.5x16 ZP | | 2 | 2 | 2 | |
| 45 | 780428 | . LOCK ACTUATOR / 12V | | 1 | 1 | 1 | |
| NS | 562076 | . . CONNECTOR / PACK-CON I / FEMALE HOUSING / 2C / PED 8911772 | | 1 | 1 | 1 | |
| 45 | 2810382 | . ACTUATOR SERVICE KIT | | 1 | 1 | 1 | |
| 46 | 500883 | . SCREW TC PAN PH #8-32x3/8 Z050 | | 6 | 6 | 6 | |
| 47 | 482109 | . BRACKET / TO FIX LOCK ACTUATOR | | 1 | 1 | 1 | |
| 50 | 560481 | . CLAMP / 5/8" I.D. | | 3 | 3 | 3 | |
| 51 | 500883 | . SCREW TC PAN PH #8-32x3/8 Z050 | | AR | AR | AR | |
| 52 | 062796 | . CABLE ASSY / ACTUATOR POWER / EACH DOOR To 7-9095 | | 1 | 1 | 1 | |
| 52 | 067002 | . CABLE ASSY / ACTUATOR POWER / EACH DOOR From 7-9096 | | 1 | 1 | 1 | |
| 52 | 066658 | CABLE ASSY / TO STRETCH ACTUATOR CABLE ABOVE 1350MM | | 1 | 1 | 1 | |
| 60 | 281445 | GUIDE ASSY / R.H. DOOR To 2-7831 | | | 1 | | |
| 60 | 288031 | GUIDE ASSY / R.H. DOOR From 2-7832 | | 1 | 1 | 1 | |
| 61 | 502780 | SCREW CAP HEX M8-1.25x25 SS BK | | 1 | 1 | 1 | |
| 62 | 500270 | WASHER FL .406x1.000x.063 SS | | 2 | 2 | 2 | |
| 63 | 500868 | NUT HEX NYRT M8-1.25 Z050 | | 1 | 1 | 1 | |
| 64 | 502737 | SCREW CAP HEX M6-1.0x25 SS BK | | 1 | 1 | 1 | |
| 65 | 502511 | NUT HEX NYRT M6-1.0 Z050 | | 1 | 1 | 1 | |
| 65 | 502573 | WASHER FL 6.4x12.5x1.6 SS | | 3 | 3 | 3 | |

BAGGAGE DOOR - W/"SLIDE-OUT" INSTALLATION

| Item# | Part | Description | X L I I 4 5 | X L I I M T H 4 0 | X L I I M T H 4 5 | X L I I M T H 4 5 E | NOTES |
|-------|-------------------|---|----------------------------|---|---|--|-------|
| 66 | 955297 | SCREW CAP HEX M8-1.25x25 G8.8 ZG603 | | 4 | 4 | 4 | |
| NS | 500321 | WASHER BEL SPR .331x.827x.098 N500 | | 4 | 4 | 4 | |
| 67 | 482289 | STRIKER CATCH To 2-7831 | | | 1 | | |
| 67 | 483599 | STRIKER CATCH From 2-7832 To 5-8494 | | 1 | 1 | | |
| 67 | 485429 | STRIKER CATCH R.H. From 5-8495 | | 1 | 1 | 1 | |
| NS | 483730 | SHIM 14GA 73.2MM x 38.1MM SS | | AR | AR | AR | |
| NS | 284059 | SHIM WASHER SS 18GA 32MM O.D. x 14MM I.D. | | AR | AR | | |
| 68 | 5001337 | NUT INS FL HEX M8-1.25 0.5-3.0 Z050 | | 4 | 4 | | |
| 69 | 482330 | WEATHERSTRIP / W/60" HINGE BAGGAGE DOOR | | | 1 | | |
| 69 | 485631 | WEATHERSTRIP / W/60" HINGE BAGGAGE DOOR | | | 1 | | |
| 69 | 483692 | WEATHERSTRIP / W/45" HINGE BAGGAGE DOOR | | 1 | | | |
| 69 | 485633 | WEATHERSTRIP / W/45" HINGE BAGGAGE DOOR | | 1 | | | |
| 69 | 483462 | WEATHERSTRIP / W/53" HINGE BAGGAGE DOOR | | 1 | 1 | 1 | |
| 69 | 485632 | WEATHERSTRIP / W/53" HINGE BAGGAGE DOOR | | 1 | 1 | 1 | |
| 71 | 475297 | MOULDING / WEATHERSTRIP RETAINER To 3-8109 | | 1 | 1 | | |
| 71 | 476077 | MOULDING / WEATHERSTRIP RETAINER From 3-8110 | | 1 | 1 | 1 | |
| NS | 500611 | SCREW TC PAN PH #10-24x1/2 Z050 | | 2 | 2 | 2 | |
| 80 | Y2-1855-00 | RUB RAIL - EXTERIOR CREST & TRIMS | | 1 | 1 | 1 | |
| 81 | N.P.N. | SUPPORT WELDED TO STRUCTURE | | 1 | 1 | 1 | 4 |
| | | NEXT FOLLOWING ITEMS ARE RELATED WITH HINGED DOORS CURBSIDE INSTALLATION | | | | | |
| 89 | Call order desk | BAGGAGE DOOR ASSY 60" / W/HINGE CURBSIDE | | | AR | | P C |
| 89 | 485622 | BAGGAGE DOOR ASSY 53" / W/HINGE CURBSIDE | | AR | AR | AR | D |
| 90 | 483787 | ROD LOCK / 60" | | | 2 | | |
| 90 | 484004 | ROD LOCK / 53" | | 2 | 2 | 2 | |
| 91 | 484075 | FRAME ASSY 60" | | | 1 | | |
| 91 | 484078 | FRAME ASSY 53" | | 1 | 1 | 1 | |
| 92 | 485444 | UPPER PANEL / CURBSIDE DOOR W/HINGE 60" / B.A. To 6-8805 | | | 1 | | |
| 92 | 484090 | UPPER PANEL / CURBSIDE DOOR W/HINGE 60" / B.A. From 6-8806 | | | 1 | | |
| 92 | 484001 | UPPER PANEL / CURBSIDE DOOR W/HINGE 53" / B.A. To 6-8805 | | 1 | 1 | 1 | |
| 92 | 484089 | UPPER PANEL / CURBSIDE DOOR W/HINGE 53" / B.A. From 6-8806 | | 1 | 1 | 1 | |
| 92 | 485457 | UPPER PANEL 53" W/1.51 SQF PERFORATED AREA / B.A. | | 1 | 1 | 1 | |
| 93 | 485443 | LOWER PANEL 60" / B.A. | | | 1 | | |
| 93 | 484000 | LOWER PANEL 53" / B.A. | | 1 | 1 | 1 | |
| 93 | 485456 | LOWER PANEL 53" W/1.09 SQF PERFORATED / B.A. | | 1 | 1 | 1 | |
| 94 | 483799 | STRIKER CATCH L.H. | | 2 | 2 | 2 | |
| 95 | 281912 | GUIDE ASSY / L.H. DOOR | | 1 | 1 | 1 | |
| 96 | 484086 | HINGE curbside | | 1 | 1 | 1 | |

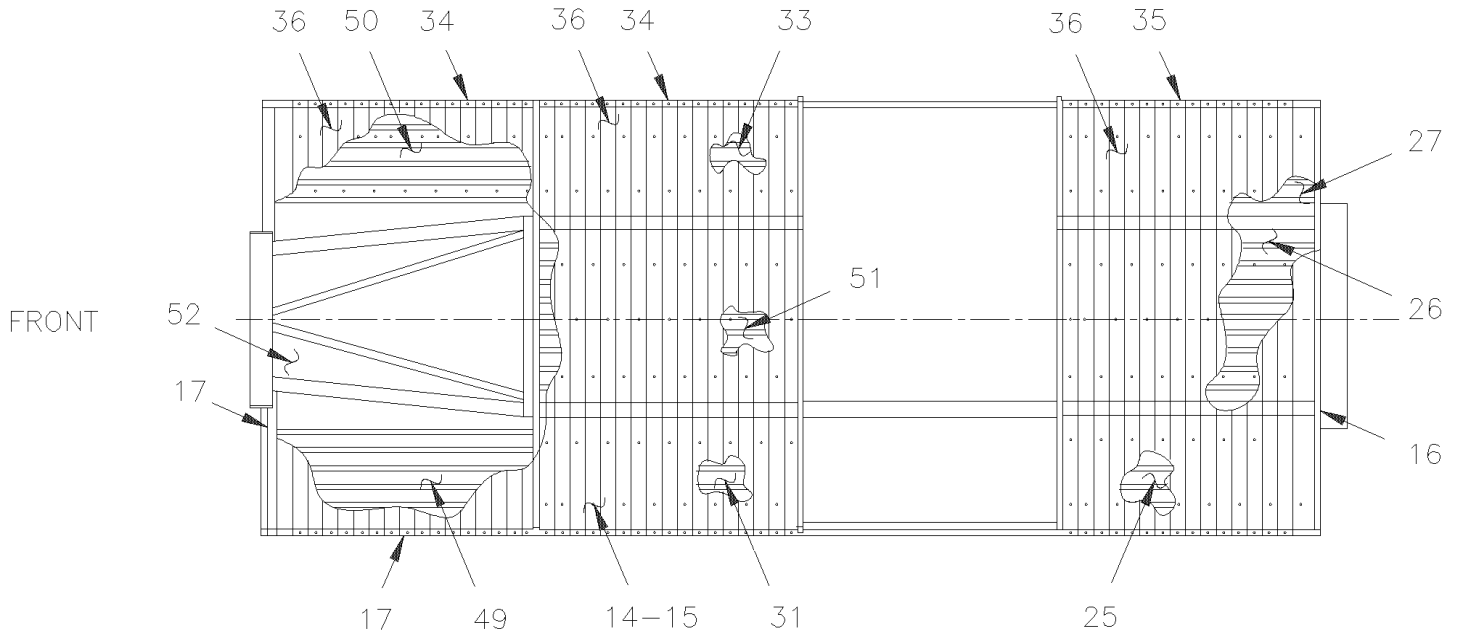
| | | Date:10/2022 | PAGE:Y2-1864-91 | | | | |
|---|------|--|----------------------------|---|---|--|-----------------------|
| BAGGAGE DOOR - W/"SLIDE-OUT" INSTALLATION | | | | | | | |
| Item# | Part | Description | X L I I 4 5 | X L I I M T H 4 0 | X L I I M T H 4 5 | X L I I M T H 4 5 E | N O T E S |
| | | A) DOOR ASSY W/OUT PREFORATED PANEL | | | | | |
| | | B) SERVICE NUMBER SPECIFIED "UPPER AND LOWER PANEL". SEE CONVERTER BAGGAGE BOOK PA-1108 AT SECTION #19 | | | | | |
| | | C) SERVICE NUMBER SPECIFIED "UPPER AND LOWER PANEL". SEE CONVERTER BAGGAGE BOOK PA-1108 AT SECTION #10 | | | | | |
| | | D) MOUNTED WITH PLAIN 2 PANELS W/O VENTILATION | | | | | |
| | | V) USE WITH "VORALD" SYSTEM | | | | | |
| | | 4) NO PARTS NUMBER | | | | | |
| | | P) CALL ORDER DESK FOR SPECIFIC APPLICATION (V.I.N.) | | | | | |

From Y-7046 To 1-7680

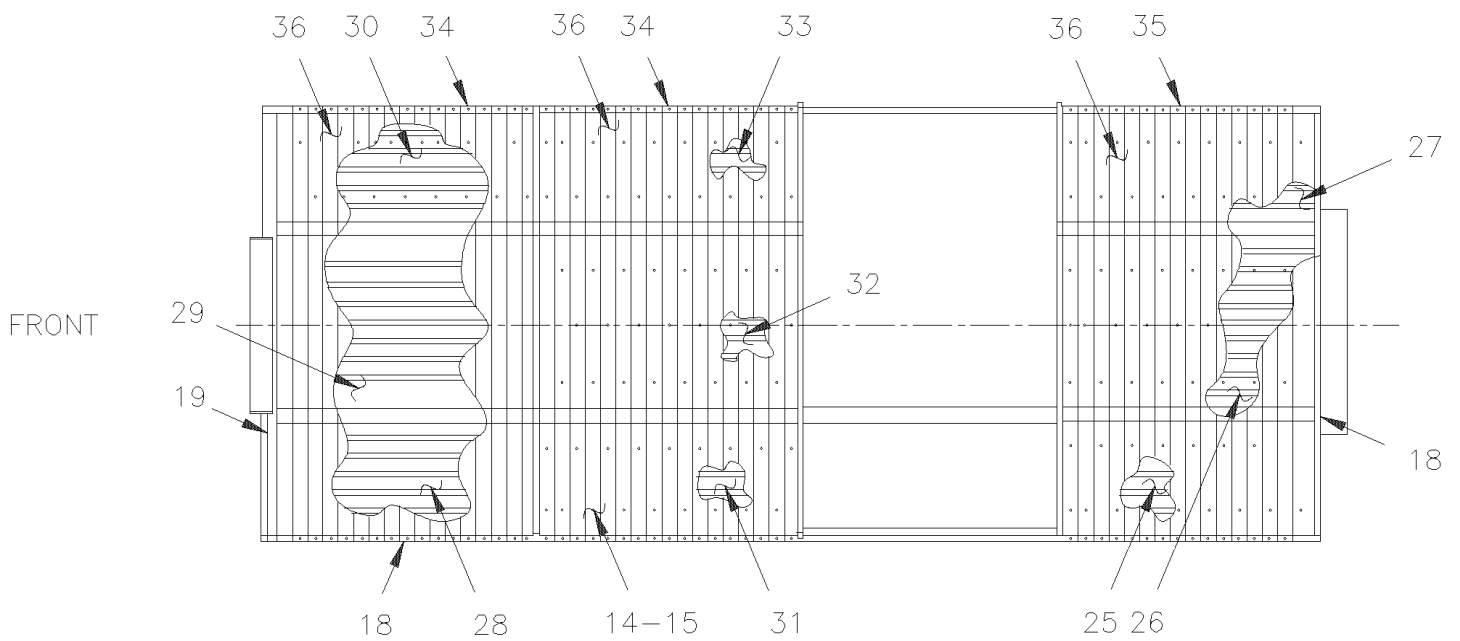
Date:10/2022

PAGE:Y2-1865-00

FLOOR BAGGAGE COMPARTMENT - BUS



BUS - W/IND SUSPENSION



BUS - W/RIGID SUSPENSION

| | | |
|--|--------------|-----------------|
| From Y-7046 To 1-7680 | Date:10/2022 | PAGE:Y2-1865-00 |
| FLOOR BAGGAGE COMPARTMENT - BUS | | |

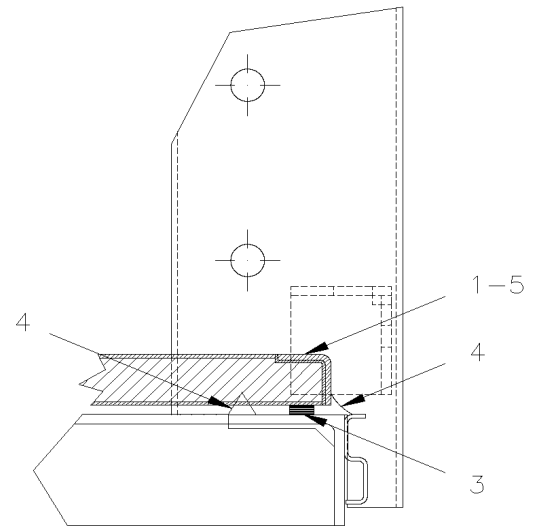
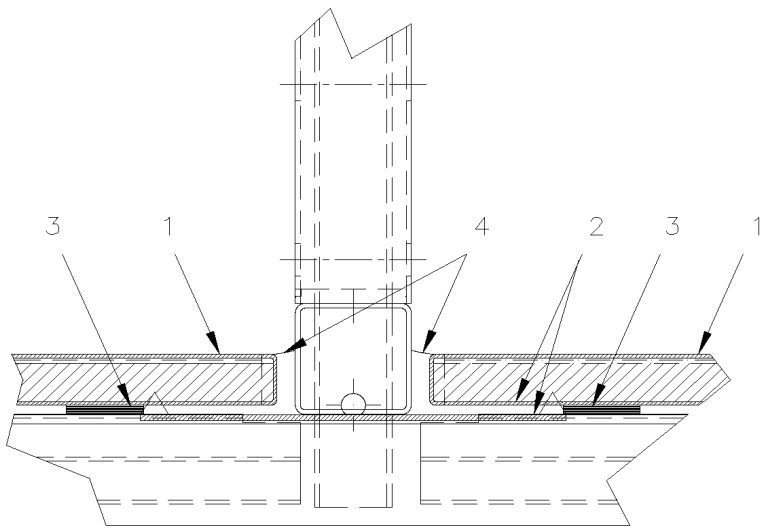
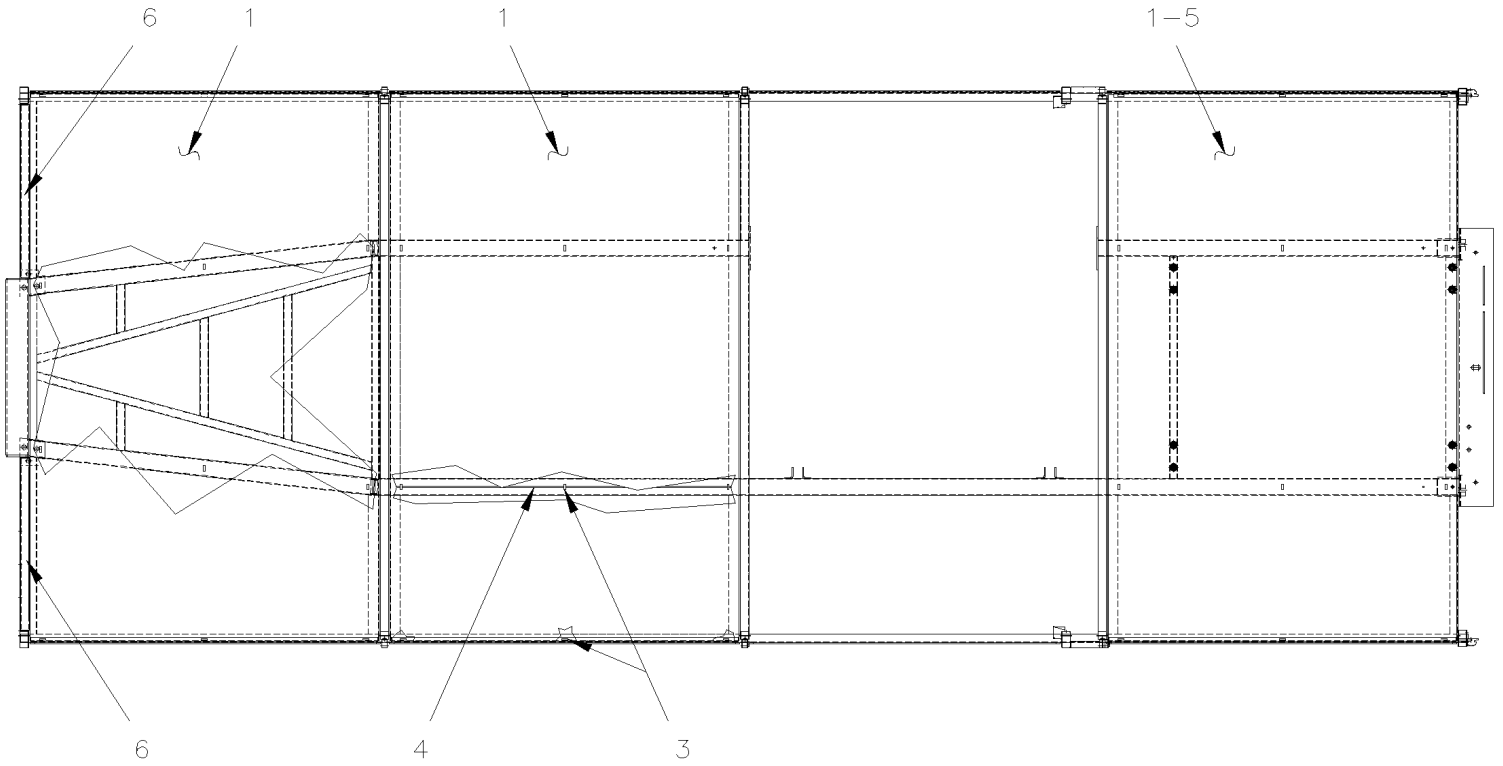
| Item# | Part | Description | X L I I 4 5 | X L I I M T H 4 0 | X L I I M T H 4 5 | X L I I M T H 4 5 E | N O T E S |
|-------|--------|--|--------------------------------|---|---|--|-----------------------|
| 14 | 505409 | RIVET COLLAR HUCK 3/16 | AR | | | | |
| 15 | 505408 | PIN MAGNA-GRIP 3/16 SS | AR | | | | |
| 16 | 504127 | RIVET POP DOME OE 3/16x3/4 AL | AR | | | | |
| 17 | 504487 | RIVET MGLP PRDG 3/16x7/16 SS | AR | | | | |
| 18 | 504610 | RIVET MGLP PRDG 1/4x5/8 SS | AR | | | | |
| 19 | 504459 | RIVET MGLP PRDG 1/4x3/8 SS | AR | | | | |
| 25 | 483303 | PANEL UNDERFLOOR REAR L.H. | 1 | | | | |
| 26 | 483300 | PANEL UNDERFLOOR REAR CENTER | 1 | | | | |
| 27 | 483297 | PANEL UNDERFLOOR REAR R.H. | 1 | | | | |
| 28 | 483082 | PANEL UNDERFLOOR FRONT L.H. / 1ST BAY | 1 | | | | |
| 29 | 483083 | PANEL UNDERFLOOR FRONT CENTER | 1 | | | | |
| 30 | 483081 | PANEL UNDERFLOOR FRONT R.H. / 1ST BAY | 1 | | | | |
| 31 | 482254 | PANEL UNDERFLOOR FRONT L.H. / 2ND BAY | 1 | | | | |
| 32 | 483216 | PANEL UNDERFLOOR FRONT CENTER / 2ND BAY | 1 | | | | |
| 33 | 482250 | PANEL UNDERFLOOR FRONT R.H. / 2ND BAY | 1 | | | | |
| 34 | 482248 | MOULDING SS / FLOOR PANEL & STRUCTURE 1537MM | 4 | | | | |
| 35 | 482249 | MOULDING SS / FLOOR PANEL & STRUCTURE 1530MM | 2 | | | | |
| 36 | 482239 | PANEL FLOOR / BAGGAGE COMPARTMENT | 3 | | | | |
| 49 | 483231 | PANEL UNDERFLOOR FRONT L.H. / 1ST BAY | 1 | | | | |
| 50 | 483232 | PANEL UNDERFLOOR FRONT R.H. / 1ST BAY | 1 | | | | |
| 51 | 482386 | PANEL UNDERFLOOR FRONT CENTER / 2ND BAY | 14 | | | | |
| 52 | 483240 | PANEL UNDERFLOOR FRONT CENTER / 1ST BAY | 1 | | | | |
| 53 | 504339 | RIVET POP DOME OE 1/8x3/8 SS | 1 | | | | |
| | | | | | | | |
| | | | | | | | |
| | | | | | | | |

From 1-7681 To 6-8906

Date:10/2022

PAGE:Y2-1865-01

FLOOR BAGGAGE COMPARTMENT - BUS



| | | |
|-----------------------|--------------|-----------------|
| From 1-7681 To 6-8906 | Date:10/2022 | PAGE:Y2-1865-01 |
|-----------------------|--------------|-----------------|

FLOOR BAGGAGE COMPARTMENT - BUS

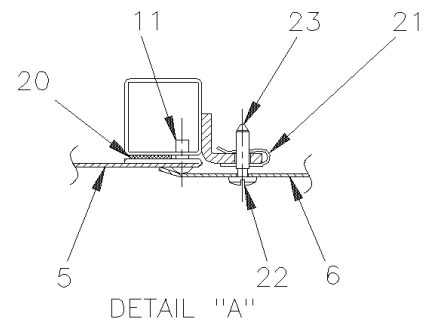
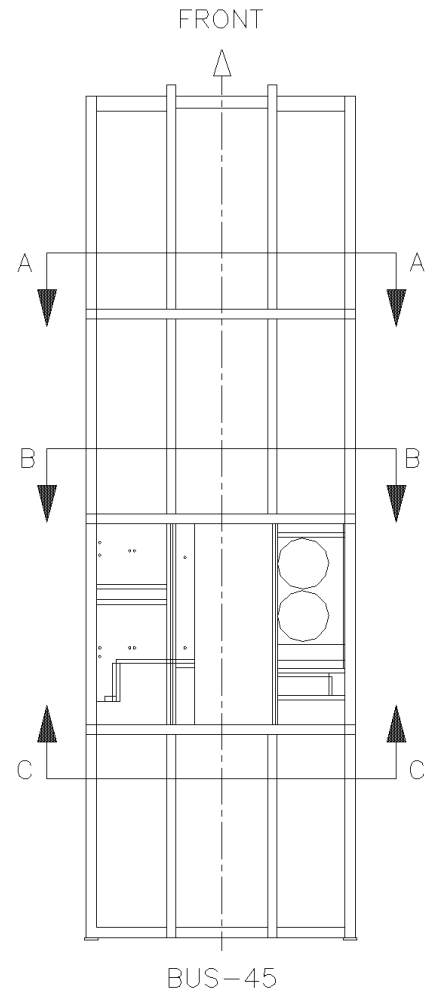
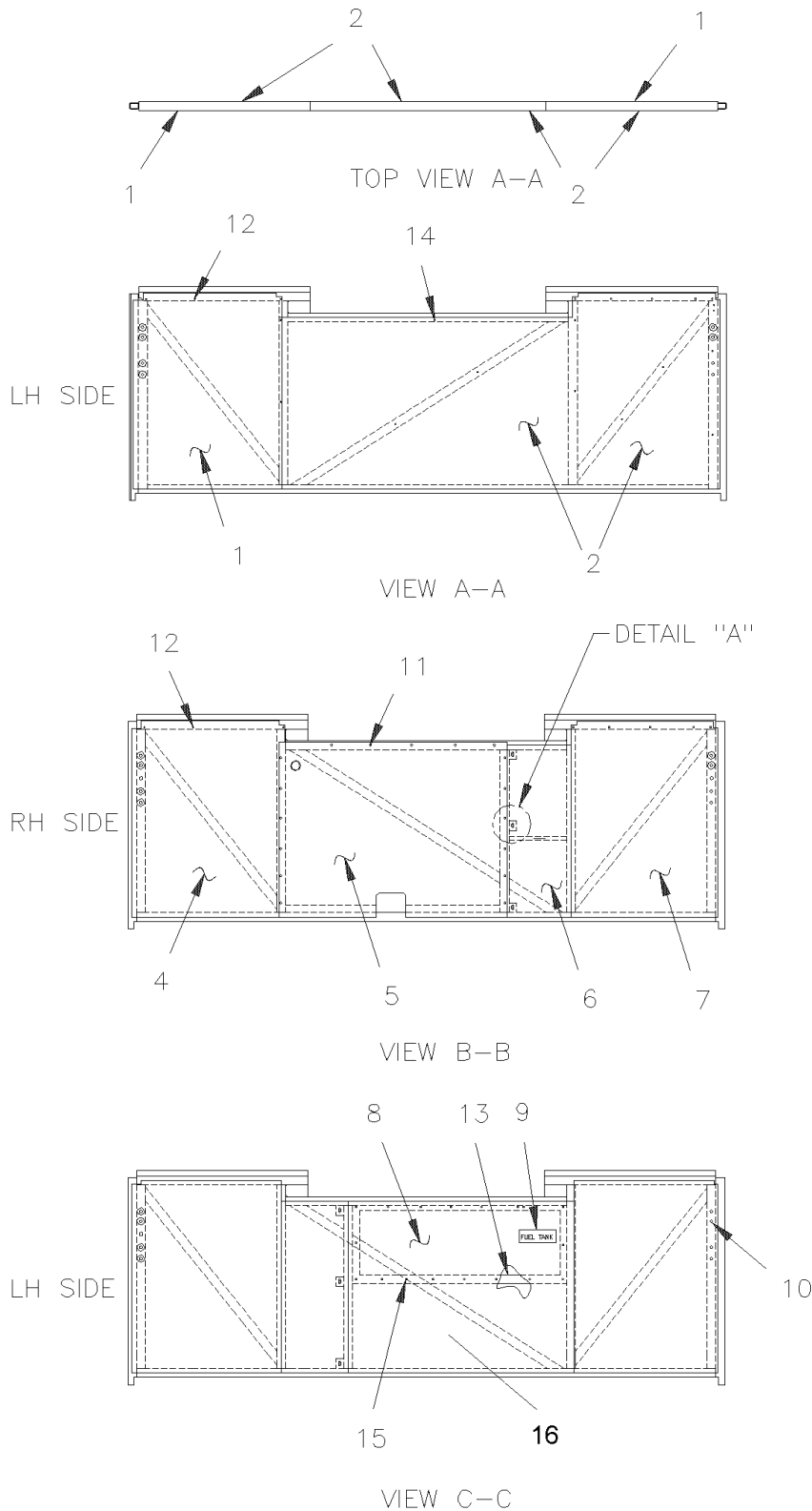
| Item# | Part | Description | X L I I 4 5 | X L I I M T H 4 0 | X L I I M T H 4 5 | X L I I M T H 4 5 E | N O T E S |
|-------|--------|---|----------------------------|---|---|--|-----------------------|
| 1 | 483450 | BAGGAGE FLOOR PANEL | 3 | | | | |
| . NS | 485720 | . MODLING SS | 2 | | | | |
| 2 | 683097 | CLEANER SIKA #205 / CLEAR / 1000ml | AR | | | | |
| 3 | 790392 | RUBBER BLOCK ADJUSTEMENT 1" x 5/16" x 1/8" 80DURO | 36 | | | | |
| 4 | 683084 | SEALANT SIKA #221 / GREY / 600 ml SAUSAGE | AR | | | | |
| 5 | 483451 | BAGGAGE FLOOR PANEL / W/W.C.L. To 4-8278 | 1 | | | | W |
| 5 | 483775 | BAGGAGE FLOOR PANEL / W/W.C.L. From 4-8279 | 1 | | | | W |
| 6 | 482403 | CHANNEL "U" 793MM / SS | 2 | | | | A |
| 6 | 482404 | CHANNEL "U" 704MM / SS | 2 | | | | A |
| | | | | | | | |
| | | | | | | | |
| | | A) WITH INDEPENDANT SUSPENSION | | | | | |
| | | W) WITH W.C.L. ONLY | | | | | |

From Y-7046 To 6-8906

Date:10/2022

PAGE:Y2-1865-10

SEPARATOR PANEL - BAGGAGE COMPARTMENT - BUS

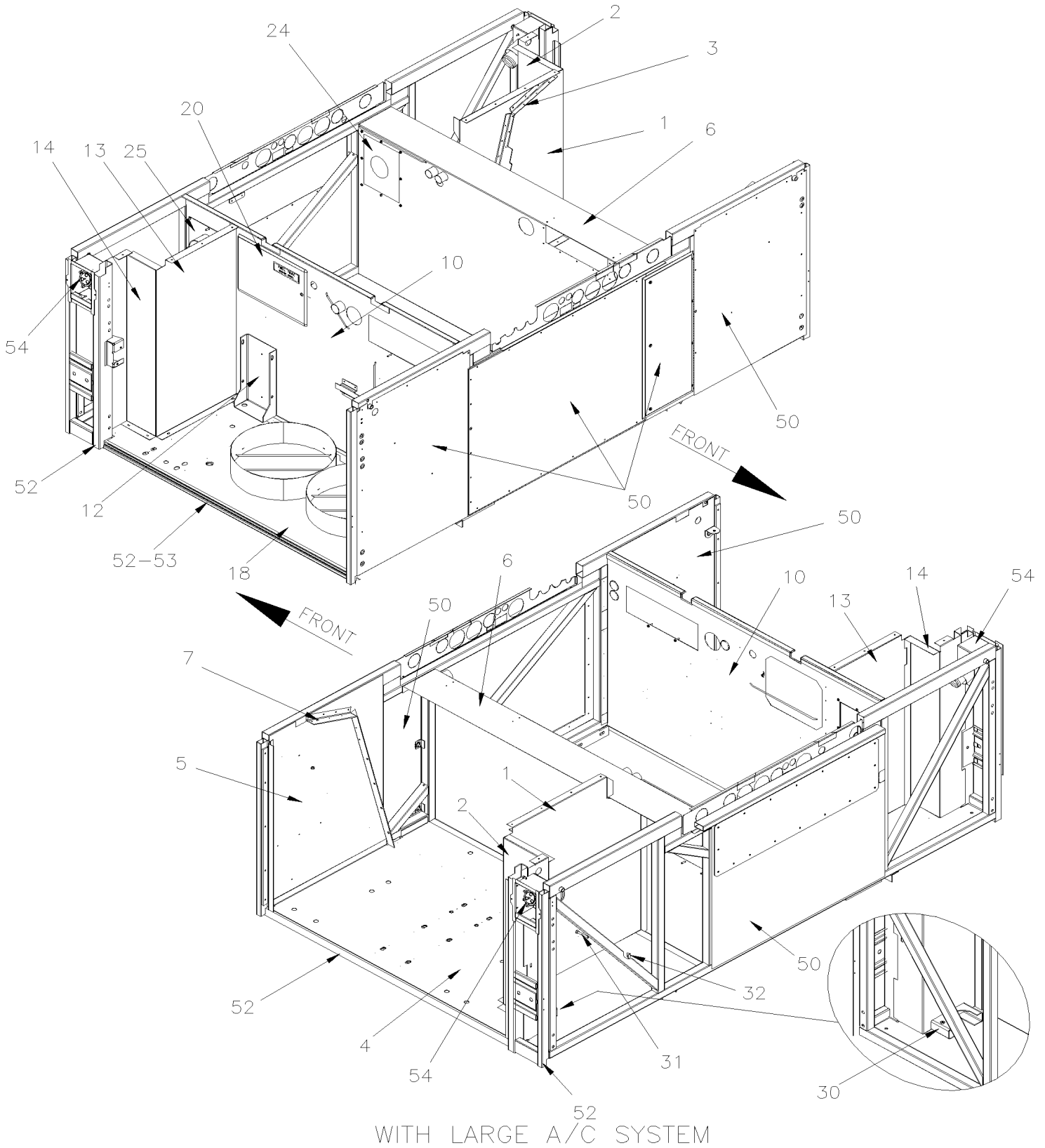


From Y-7046 To 8-9339

Date:10/2022

PAGE:Y2-1865-20

EVAPORATOR & CONDENSOR WALL

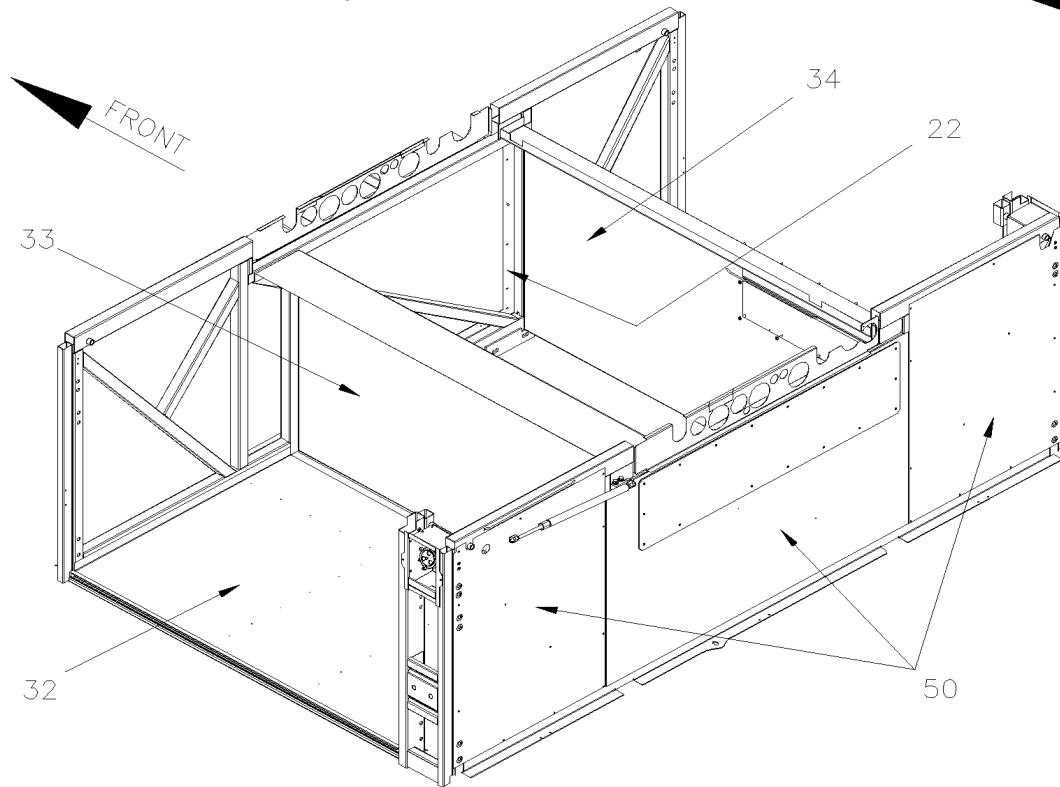
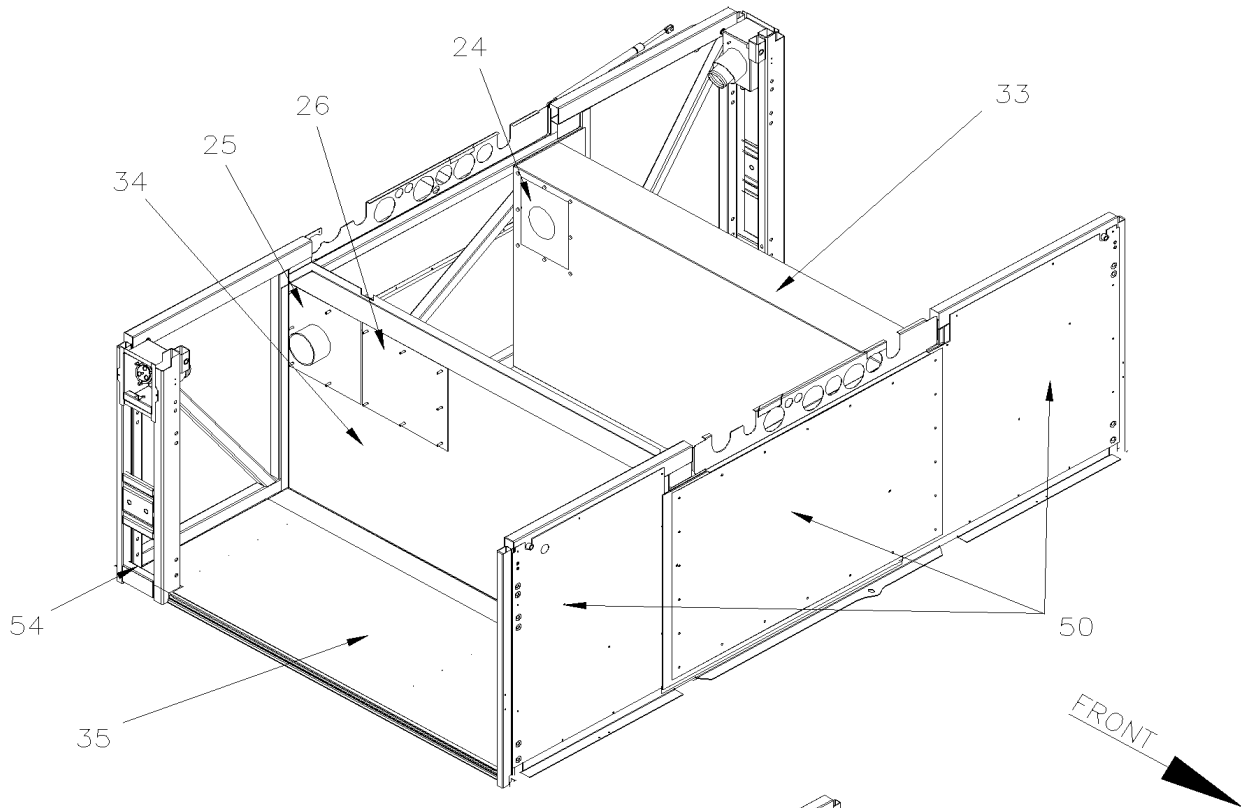


From Y-7046 To 8-9339

Date:10/2022

PAGE:Y2-1865-20

EVAPORATOR & CONDENSOR WALL



MTH WITH SMALL A/C SYSTEM

| | | |
|-----------------------|--------------|-----------------|
| From Y-7046 To 8-9339 | Date:10/2022 | PAGE:Y2-1865-20 |
|-----------------------|--------------|-----------------|

EVAPORATOR & CONDENSOR WALL

| Item# | Part | Description | X L I I 4 5 | X L I I M T H 4 0 | X L I I M T H 4 5 | X L I I M T H 4 5 E | N O T E S |
|-------|--------|---|----------------------------|---|---|--|-----------------------|
| 1 | 221073 | PANEL EVAPORATOR SEPARATOR BACKWARD | 1 | | 1 | | |
| 1 | 221174 | PANEL EVAPORATOR SEPARATOR BACKWARD / W/W.C.L. "RICON" | 1 | | | | |
| 1 | 221187 | PANEL EVAPORATOR SEPARATOR BACKWARD / W/"SLIDE-OUT" To 2-7908 | | | 1 | | |
| 1 | 221265 | PANEL EVAPORATOR SEPARATOR BACKWARD / W/"SLIDE-OUT" From 2-7909 To 3-8097 | | | 1 | | |
| 1 | 221275 | PANEL EVAPORATOR SEPARATOR BACKWARD / W/"SLIDE-OUT" From 3-8098 | | | 1 | | |
| 1 | 482392 | PANEL EVAPORATOR WALL BACKWARD | | 1 | | 1 | |
| 2 | 221125 | ANGLE PANEL CLOSING SEPARATOR | | | 1 | | |
| 3 | 480859 | SUPPORT ANGLE / TO FIX HEATER & EVAPO | 1 | | | | |
| 3 | 482029 | SUPPORT ANGLE / TO FIX HEATER & EVAPO To 6-8805 | | 1 | 1 | 1 | |
| 4 | 482753 | EVAPORATOR FLOOR ASSY To 1-7408 | 1 | | 1 | | |
| 4 | 483371 | EVAPORATOR FLOOR ASSY From 1-7409 | 1 | | 1 | | |
| 4 | 482742 | EVAPORATOR FLOOR ASSY To 1-7408 | | 1 | | 1 | |
| 4 | 483372 | EVAPORATOR FLOOR ASSY From 1-7409 | | 1 | | 1 | |
| 5 | 482136 | PANEL EVAPORATOR WALL FORWARD | 1 | 1 | 1 | 1 | |
| 6 | 214111 | REAR VERTICAL PANEL EVAPORATOR | 1 | | 1 | | |
| 6 | 482356 | REAR VERTICAL PANEL EVAPORATOR To 6-8805 | | 1 | | 1 | |
| 6 | 215874 | REAR VERTICAL PANEL EVAPORATOR From 6-8806 | | | | 1 | |
| 7 | 480858 | SUPPORT ANGLE / TO FIX HEATER & EVAPO | 1 | | | | |
| 7 | 482028 | SUPPORT ANGLE / TO FIX HEATER & EVAPO To 6-8805 | | 1 | 1 | 1 | |
| | | | | | | | |
| 10 | 214174 | REAR VERTICAL PANEL CONDENSOR To Y-7307 | 1 | | 1 | | |
| 10 | 214470 | REAR VERTICAL PANEL CONDENSOR From Y-7308 To Y-7330 | 1 | | 1 | | |
| NS | 214469 | ANGLE CLOSING PLATE 102MM From Y-7308 | 3 | | 3 | | |
| 10 | 214506 | REAR VERTICAL PANEL CONDENSOR From Y-7331 To 1-7676 | 1 | | 1 | | |
| 10 | 214544 | REAR VERTICAL PANEL CONDENSOR From 1-7677 To 3-8128 | 1 | | 1 | | |
| 10 | 215144 | REAR VERTICAL PANEL CONDENSOR From 3-8129 To 4-8205 | 1 | | 1 | | |
| 10 | 215295 | REAR VERTICAL PANEL CONDENSOR From 4-8206 | 1 | | 1 | | |
| 10 | 214322 | REAR VERTICAL PANEL CONDENSOR To 1-7676 | | 1 | | 1 | |
| 10 | 214543 | REAR VERTICAL PANEL CONDENSOR From 1-7677 To 3-8128 | | 1 | | 1 | |
| 10 | 215145 | REAR VERTICAL PANEL CONDENSOR From 3-8129 | | 1 | | 1 | |
| 12 | 454044 | SUPPORT RECEIVER TANK To 4-8205 | 1 | 1 | 1 | 1 | |
| 12 | 454125 | SUPPORT RECEIVER TANK / WELDED TO STRUCTURE From 4-8206 | 1 | 1 | 1 | 1 | |
| 13 | 482755 | PANEL CONDENSOR SEPARATOR BACKWARD To Y-7307 | 1 | | 1 | | |
| 13 | 214494 | PANEL CONDENSOR SEPARATOR BACKWARD From Y-7308 | 1 | | 1 | | |
| 13 | 214512 | PANEL CONDENSOR SEPARATOR BACKWARD / W/W.C.L. "RICON" To 1-7680 | 1 | | | | |
| 13 | 213894 | PANEL CONDENSOR SEPARATOR BACKWARD / W/W.C.L. "RICON" From 1-7681 | 1 | | | | |
| 14 | 221124 | ANGLE PANEL SEPARATOR | 1 | | 1 | | |
| 14 | 212771 | ANGLE PANEL SEPARATOR / W/W.C.L. "RICON" | 1 | | | | |
| 18 | 482747 | CONDENSOR FLOOR ASSY 1150MM | | 1 | | 1 | |
| 18 | 482750 | CONDENSOR FLOOR ASSY 1524MM To 4-8205 | 1 | | 1 | | |
| 18 | 485413 | CONDENSOR FLOOR ASSY 1524MM From 4-8206 | | | 1 | | |

| | | |
|-----------------------|--------------|-----------------|
| From Y-7046 To 8-9339 | Date:10/2022 | PAGE:Y2-1865-20 |
|-----------------------|--------------|-----------------|

EVAPORATOR & CONDENSOR WALL

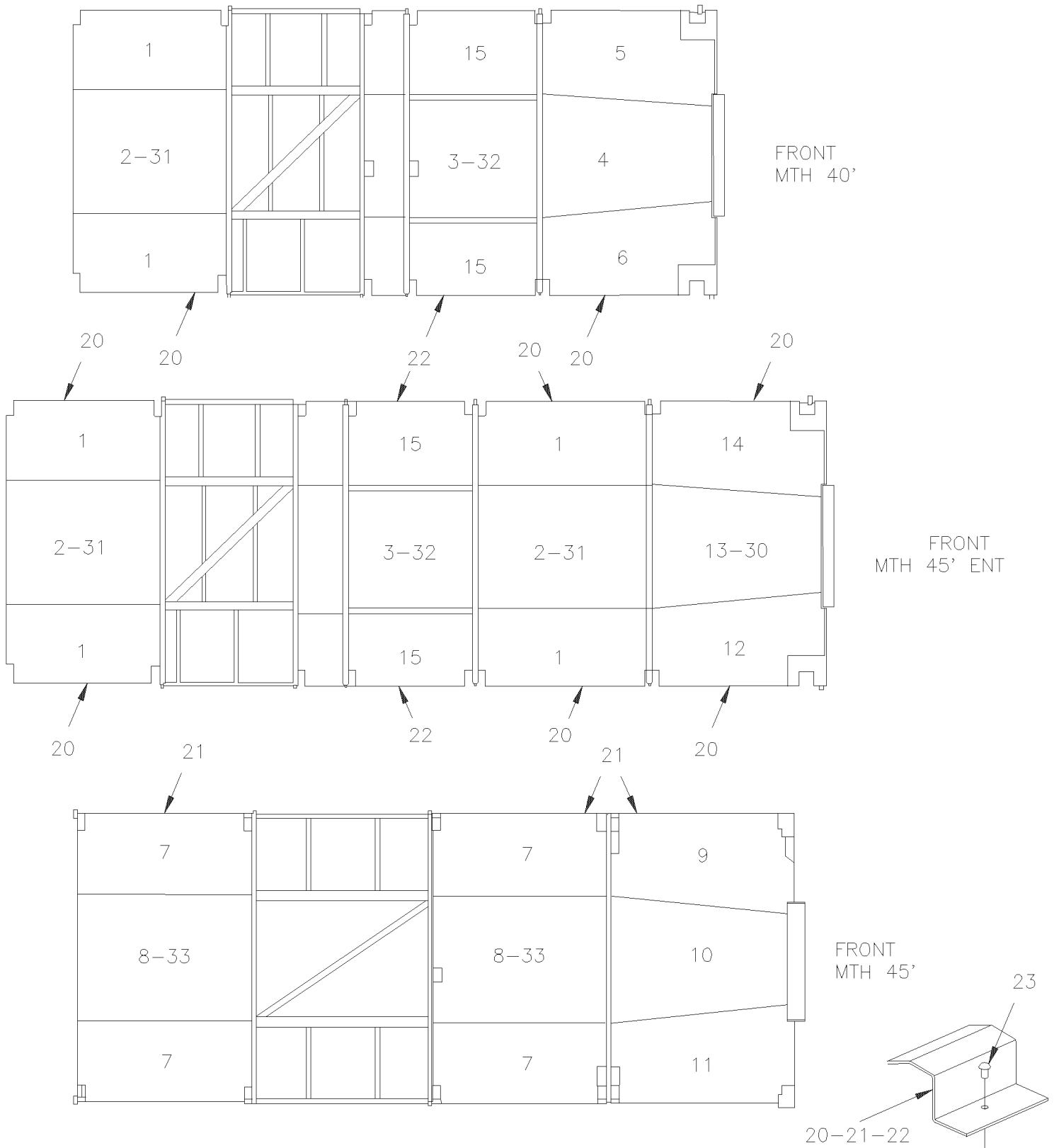
| Item# | Part | Description | X L I I 4 5 | X L I I M T H 4 0 | X L I I M T H 4 5 | X L I I M T H 4 5 E | N O T E S |
|-------|------|-------------------------------------|----------------------------|---|---|--|-----------------------|
| | | | | | | | |
| | | I) NOT INCLUDE WITH THE ACCESS DOOR | | | | | |
| | | L) WITH LARGE A/C SYSTEM | | | | | |
| | | S) WITH SMALL A/C SYSTEM | | | | | |

From Y-7046 To 6-8805

Date:10/2022

PAGE:Y2-1865-50

FLOOR BAGGAGE COMPARTMENT - MTH



| | | |
|--|--------------|-----------------|
| From Y-7046 To 6-8805 | Date:10/2022 | PAGE:Y2-1865-50 |
| FLOOR BAGGAGE COMPARTMENT - MTH | | |

| Item# | Part | Description | X L I I 4 5 | X L I I M T H 4 0 | X L I I M T H 4 5 | X L I I M T H 4 5 E | N O T E S |
|-------|--------|--|----------------------------|---|---|--|-----------------------|
| 1 | 481097 | PANEL FLOOR L.H. & R.H. To 1-7680 | | 1 | 1 | 1 | |
| 1 | 483431 | PANEL FLOOR L.H. & R.H. From 1-7681 | | 1 | 1 | 1 | |
| 2 | 481098 | PANEL FLOOR CENTER | | 2 | | | |
| 2 | 481098 | PANEL FLOOR CENTER | | | | 4 | |
| 3 | 482613 | PANEL FLOOR CENTER | | 1 | | | |
| 3 | 482613 | PANEL FLOOR CENTER | | | | 2 | |
| 4 | 483058 | PANEL FLOOR CENTER FRONT | | 1 | | 1 | |
| 5 | 483060 | PANEL FLOOR L.H. FRONT To 1-7680 | | 1 | | | |
| 5 | 483432 | PANEL FLOOR L.H. FRONT From 1-7681 To 2-7806 | | 1 | | | |
| 5 | 483627 | PANEL FLOOR L.H. FRONT From 2-7807 | | 1 | | | |
| 6 | 483059 | PANEL FLOOR R.H. FRONT To 1-7680 | | 1 | | | |
| 6 | 483433 | PANEL FLOOR R.H. FRONT From 1-7681 To 2-7806 | | 1 | | | |
| 6 | 483628 | PANEL FLOOR R.H. FRONT From 2-7807 | | 1 | | | |
| 7 | 481958 | PANEL FLOOR L.H. & R.H. To 1-7680 | | | 4 | | |
| 7 | 483430 | PANEL FLOOR L.H. & R.H. From 1-7681 | | | 1 | | |
| 8 | 481959 | PANEL FLOOR CENTER | | | 2 | | |
| 9 | 483056 | PANEL FLOOR L.H. FRONT To 1-7680 | | | 1 | | |
| 9 | 483435 | PANEL FLOOR L.H. FRONT From 1-7681 To 2-7806 | | | 1 | | |
| 9 | 483631 | PANEL FLOOR L.H. FRONT From 2-7807 | | | 1 | | |
| 10 | 483055 | PANEL FLOOR CENTER FRONT | | | 1 | | |
| 11 | 483057 | PANEL FLOOR R.H. FRONT To 1-7680 | | | 1 | | |
| 11 | 483436 | PANEL FLOOR R.H. FRONT From 1-7681 To 2-7806 | | | 1 | | |
| 11 | 483632 | PANEL FLOOR R.H. FRONT From 2-7807 | | | 1 | | |
| 12 | 483285 | PANEL FLOOR R.H. FRONT To 1-7680 | | | | 1 | |
| 12 | 483438 | PANEL FLOOR R.H. FRONT From 1-7681 To 2-7806 | | | | 1 | |
| 12 | 483629 | PANEL FLOOR R.H. FRONT From 2-7807 | | | | 1 | |
| 13 | 483283 | PANEL FLOOR CENTER / FRONT | | | | 1 | |
| 14 | 483284 | PANEL FLOOR L.H. FRONT To 1-7680 | | | | 1 | |
| 14 | 483437 | PANEL FLOOR L.H. FRONT From 1-7681 To 2-7806 | | | | 1 | |
| 14 | 483630 | PANEL FLOOR L.H. FRONT From 2-7807 | | | | 1 | |
| 15 | 482448 | PANEL FLOOR L.H. & R.H. To 1-7680 | | 2 | | 2 | |
| 15 | 483434 | PANEL FLOOR L.H. & R.H. From 1-7681 | | 2 | | 2 | |
| 20 | 481130 | MOULDING FINISHING / "Z" SHAPE / 1235MM / S.B. To 1-7680 | | 4 | | | |
| 20 | 481130 | MOULDING FINISHING / "Z" SHAPE / 1235MM / S.B. To 1-7680 | | | | 6 | |
| 20 | 483439 | MOULDING FINISHING / "Z" SHAPE / 1362MM / S.B. From 1-7681 To 1-7948 | | 4 | | | |
| 20 | 483439 | MOULDING FINISHING / "Z" SHAPE / 1362MM / S.B. From 1-7681 To 1-7948 | | | | 6 | |
| 20 | 483745 | MOULDING FINISHING / "Z" SHAPE / 1342MM / S.B. From 2-7949 To 5-8468 | | 4 | | | |
| 20 | 483933 | MOULDING FINISHING / "Z" SHAPE / 1342MM / B.A. From 5-8469 | | 4 | | | |
| 20 | 483745 | MOULDING FINISHING / "Z" SHAPE / 1342MM / S.B. From 2-7949 To 5-8468 | | | | 6 | |
| 20 | 483933 | MOULDING FINISHING / "Z" SHAPE / 1342MM / B.A. From 5-8469 | | | | 6 | |
| 21 | 481966 | MOULDING FINISHING / "Z" SHAPE / 1405MM / S.B. To 1-7680 | | | 6 | | |
| 21 | 483440 | MOULDING FINISHING / "Z" SHAPE / 1533MM / S.B. From 1-7681 To 1-7948 | | | 6 | | |

| | | |
|--|--------------|-----------------|
| From Y-7046 To 6-8805 | Date:10/2022 | PAGE:Y2-1865-50 |
| FLOOR BAGGAGE COMPARTMENT - MTH | | |

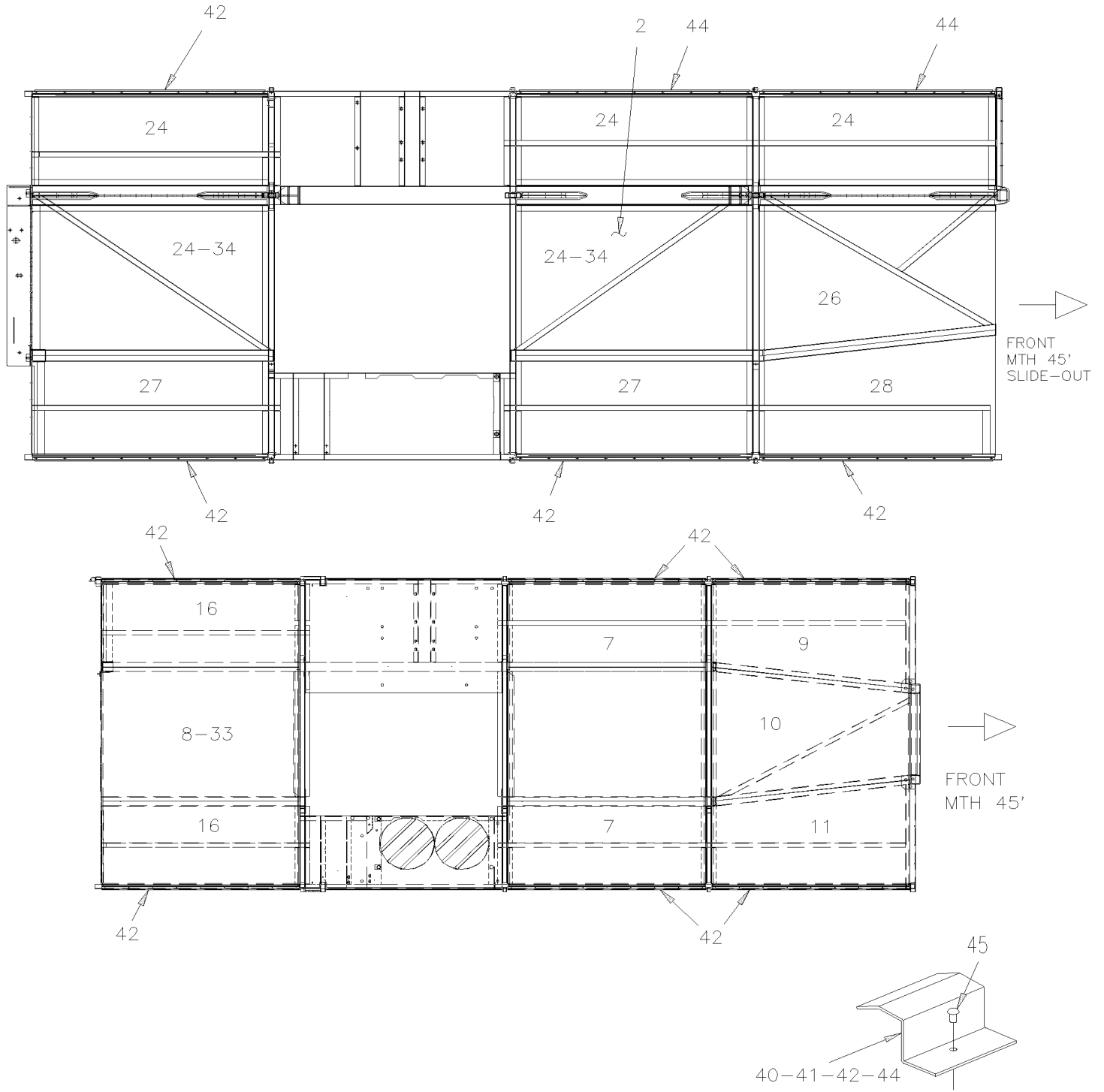
| Item# | Part | Description | X L I I 4 5 | X L I I M T H 4 0 | X L I I M T H 4 5 | X L I I M T H 4 5 E | N O T E S |
|-------|--------|--|----------------------------|---|---|--|-----------------------|
| 21 | 483673 | MOULDING FINISHING / "Z" SHAPE / 1529MM / S.B. From 3-8110 | | | 6 | | |
| 21 | 483744 | MOULDING FINISHING / "Z" SHAPE / 1513MM / S.B. From 2-7949 To 3-8109 | | | 6 | | |
| 21 | 483673 | MOULDING FINISHING / "Z" SHAPE / 1529MM / S.B. From 3-8110 To 5-8468 | | | 6 | | |
| 21 | 483971 | MOULDING FINISHING / "Z" SHAPE / 1529MM / B.A. From 5-8469 | | | 6 | | |
| 21 | 483453 | MOULDING FINISHING / "Z" SHAPE / 1533MM / S.B. To 3-8109 | | | 1 | | A |
| 21 | 483743 | MOULDING FINISHING / "Z" SHAPE / 1533MM / S.B. From 3-8110 To 5-8468 | | | 1 | | A |
| 21 | 483939 | MOULDING FINISHING / "Z" SHAPE / 1533MM / B.A. From 5-8469 | | | 1 | | A |
| 22 | 482639 | MOULDING FINISHING / "Z" SHAPE / 1018MM / S.B. To 1-7680 | | 2 | | 2 | |
| 22 | 483441 | MOULDING FINISHING / "Z" SHAPE / 1146MM / S.B. From 1-7681 To 1-7948 | | 2 | | 2 | |
| 22 | 483746 | MOULDING FINISHING / "Z" SHAPE / 1126MM / S.B. From 2-7949 To 5-8468 | | 2 | | 2 | |
| 22 | 483934 | MOULDING FINISHING / "Z" SHAPE / 1126MM / B.A. From 5-8469 | | 2 | | 2 | |
| 23 | 504339 | RIVET POP DOME OE 1/8x3/8 SS | | 40 | 40 | 40 | |
| 23 | 680092 | SEALANT TAPE BUTYL / GREY / 1/16"x3/4x50' / 71011V1760 | | AR | AR | AR | |
| 23 | 500844 | SCREW TC FL PH #10-32x1 1/4 Z050 | | AR | AR | AR | |
| 30 | 483362 | PANEL ALLUMINUM 14GA / FLOOR COVERING To 1-7860 | | | | 1 | |
| 30 | 483720 | PANEL ALLUMINUM 14GA / FLOOR COVERING From 1-7861 | | | | 1 | |
| 31 | 482114 | PANEL ALLUMINUM 14GA / FLOOR COVERING To 1-7860 | | | | 1 | |
| 31 | 482351 | PANEL ALLUMINUM 14GA / FLOOR COVERING From 1-7861 | | | | 1 | |
| 32 | 482719 | PANEL ALLUMINUM 14GA / FLOOR COVERING To 1-7860 | | | | 1 | |
| 32 | 482350 | PANEL ALLUMINUM 14GA / FLOOR COVERING From 1-7861 | | | | 1 | |
| 33 | 482131 | PANEL ALLUMINUM 14GA / FLOOR COVERING | | | 2 | | |
| | | | | | | | |
| | | | | | | | |
| | | | | | | | |
| | | | | | | | |
| | | A) WITH HINGE DOOR WITH "SLIDE-OUT" | | | | | |

From 6-8806 To 8-9339

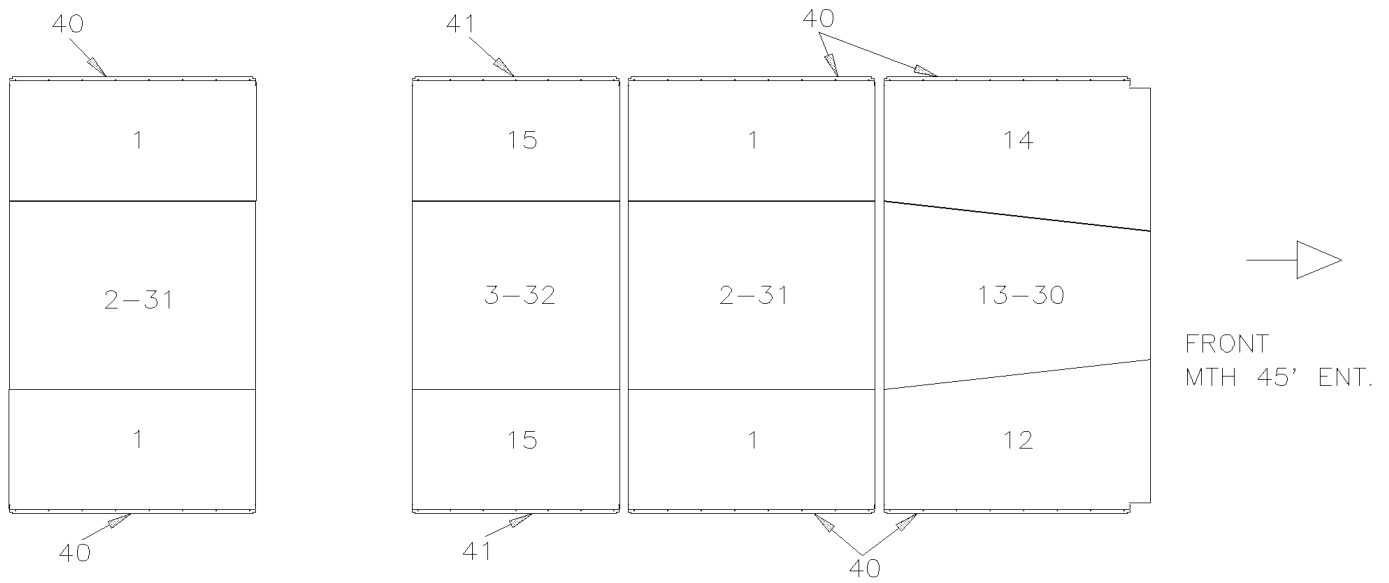
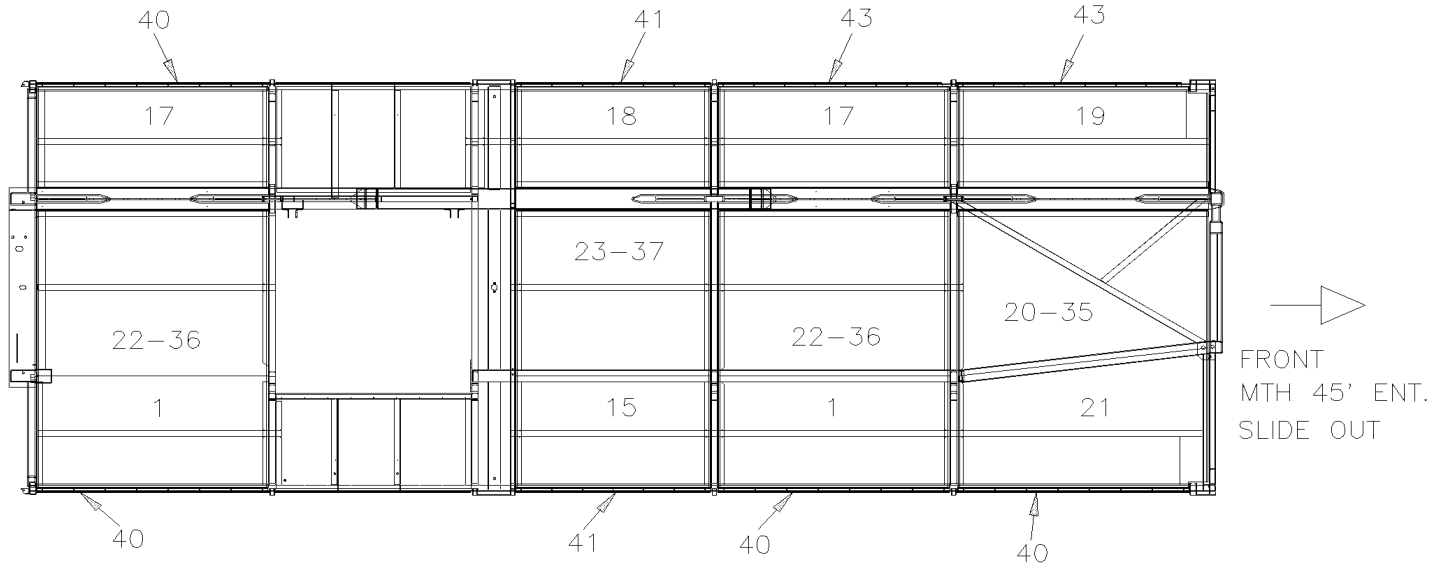
Date:10/2022

PAGE:Y2-1865-51

FLOOR BAGGAGE COMPARTMENT - MTH



| | | |
|---------------------------------|--------------|-----------------|
| From 6-8806 To 8-9339 | Date:10/2022 | PAGE:Y2-1865-51 |
| FLOOR BAGGAGE COMPARTMENT - MTH | | |

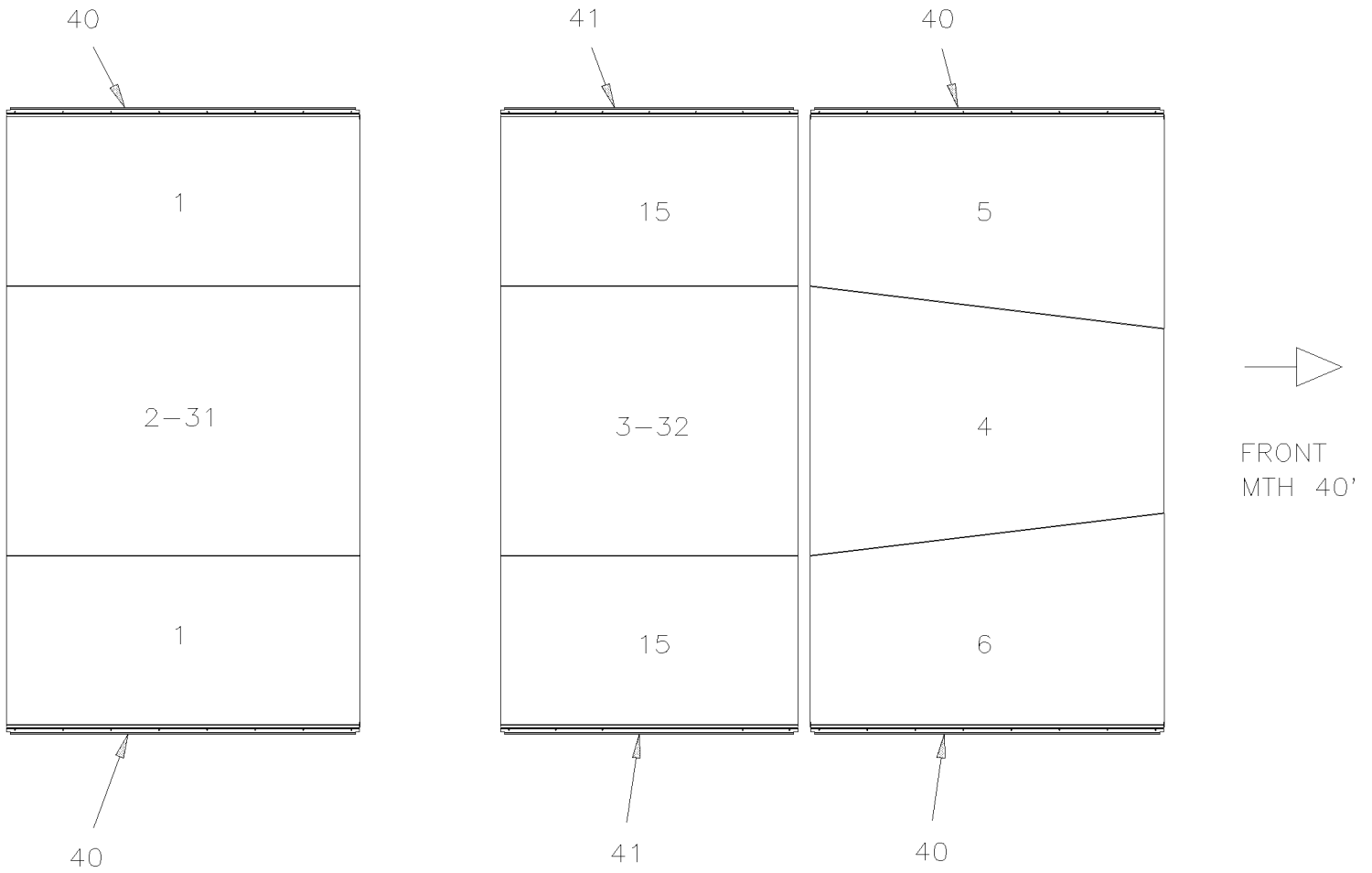


From 6-8806 To 8-9339

Date:10/2022

PAGE:Y2-1865-51

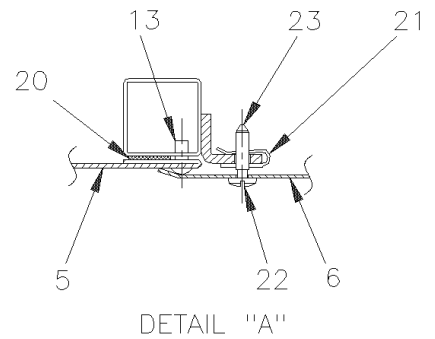
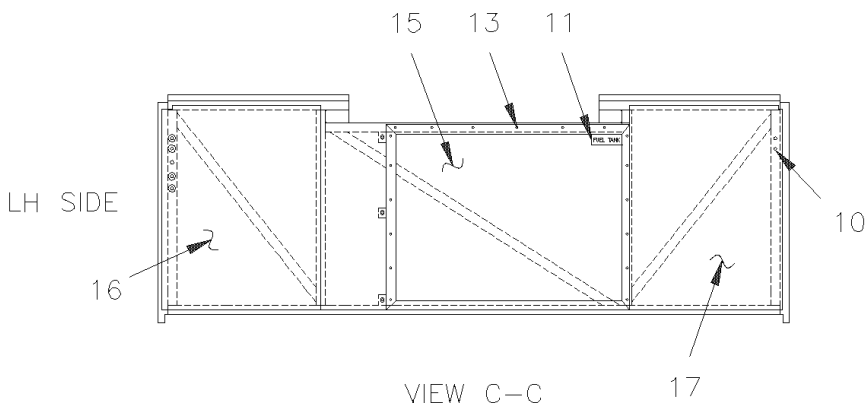
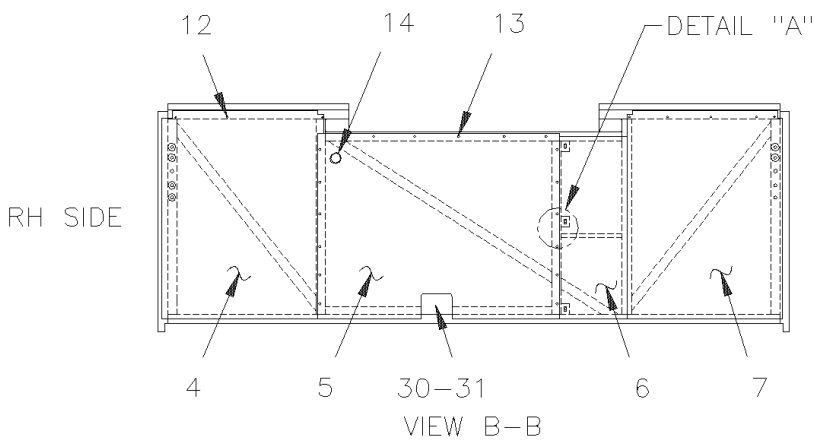
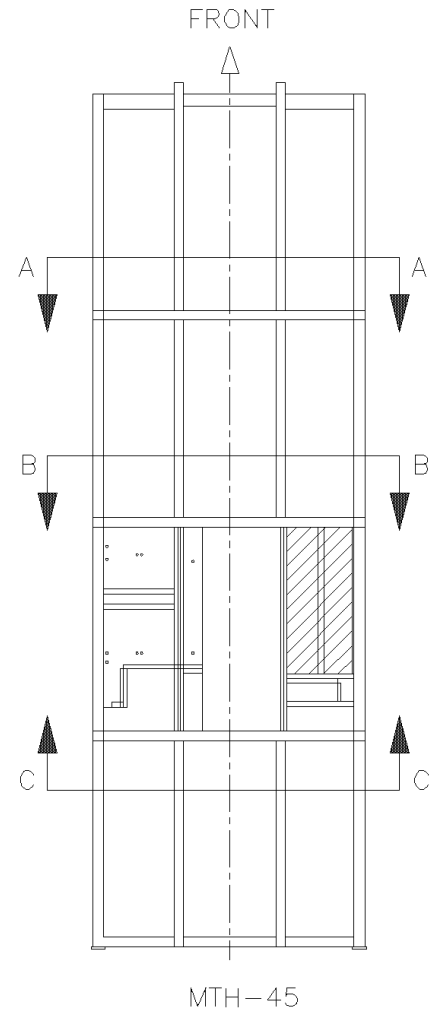
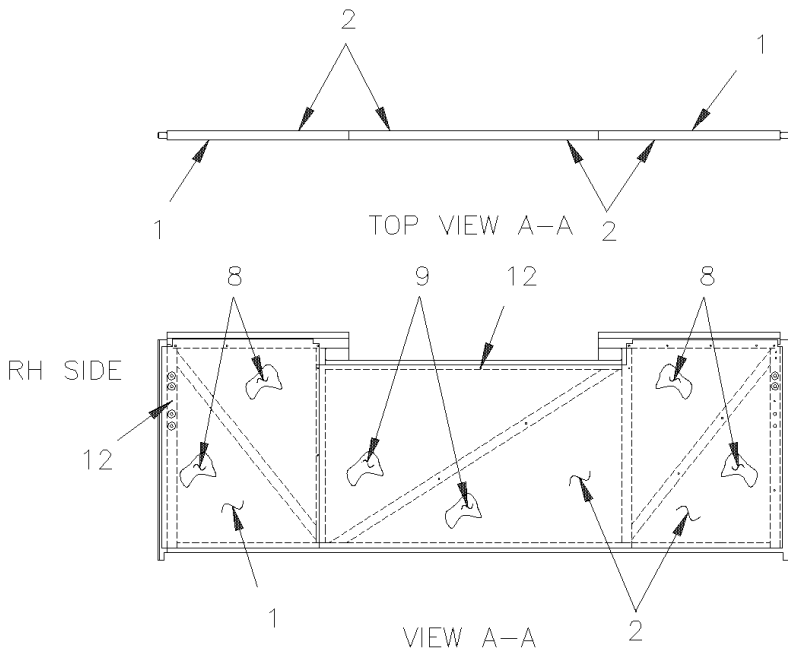
FLOOR BAGGAGE COMPARTMENT - MTH



| | | |
|--|--------------|-----------------|
| From 6-8806 To 8-9339 | Date:10/2022 | PAGE:Y2-1865-51 |
| FLOOR BAGGAGE COMPARTMENT - MTH | | |

| Item# | Part | Description | X L I I 4 5 | X L I I M T H 4 0 | X L I I M T H 4 5 | X L I I M T H 4 5 E | N O T E S |
|-------|--------|---|----------------------------|---|---|--|-----------------------|
| 1 | 483431 | PANEL FLOOR L.H. & R.H. To 5-8813 | | 2 | | | |
| 11 | 483431 | PANEL FLOOR L.H. & R.H. | | | | 4 | |
| 2 | 481098 | PANEL FLOOR CENTER To 5-8813 | | 1 | | | |
| 21 | 481098 | PANEL FLOOR CENTER | | | | 2 | |
| 3 | 482613 | PANEL FLOOR CENTER | | 1 | | 1 | |
| 4 | 483058 | PANEL FLOOR CENTER FRONT To 5-8813 | | 1 | | | |
| 5 | 483627 | PANEL FLOOR L.H. FRONT To 5-8813 | | 1 | | | |
| 6 | 483628 | PANEL FLOOR R.H. FRONT To 5-8813 | | 1 | | | |
| 7 | 483430 | PANEL FLOOR L.H. & R.H. | | | 2 | | |
| 8 | 481959 | PANEL FLOOR CENTER | | | 2 | | |
| 9 | 483631 | PANEL FLOOR L.H. FRONT | | | 1 | | |
| 10 | 483055 | PANEL FLOOR CENTER FRONT | | | 1 | | |
| 11 | 483632 | PANEL FLOOR R.H. FRONT | | | 1 | | |
| 12 | 483629 | PANEL FLOOR R.H. FRONT | | | | 1 | |
| 13 | 483283 | PANEL FLOOR CENTER / FRONT | | | | 1 | |
| 14 | 483630 | PANEL FLOOR L.H. FRONT | | | | 1 | |
| 15 | 483434 | PANEL FLOOR L.H. & R.H. | | | | 2 | |
| 16 | 489181 | MOULDING FINISHING / "Z" SHAPE / 1529MM | | | 2 | | |
| 17 | 489187 | PANEL FLOOR L.H. / W/SLIDE OUT | | | | 2 | |
| 18 | 489188 | PANEL FLOOR L.H. / W/SLIDE OUT | | | | 1 | |
| 19 | 489189 | PANEL FLOOR L.H. FRONT / W/SLIDE OUT | | | | 1 | |
| 20 | 489186 | PANEL FLOOR CENTER / FRONT / W/SLIDE OUT | | | | 1 | |
| 21 | 489190 | MOULDING FINISHING / "Z" SHAPE / 1359MM | | 1 | | 1 | |
| 22 | 489184 | PANEL FLOOR CENTER / W/SLIDE OUT | | | | 2 | |
| 23 | 489185 | PANEL FLOOR CENTER / W/SLIDE OUT | | | | 1 | |
| 24 | 489175 | PANEL FLOOR L.H. / W/SLIDE OUT | | | 3 | | |
| 25 | 489176 | PANEL FLOOR CENTER / W/SLIDE OUT | | | 2 | | |
| 26 | 489178 | PANEL FLOOR CENTER / FRONT / W/SLIDE OUT | | | 1 | | |
| 27 | 489177 | PANEL FLOOR R.H. / W/SLIDE OUT | | | 2 | | |
| 28 | 489179 | PANEL FLOOR R.H. FRONT / W/SLIDE OUT | | | 1 | | |
| 30 | 483720 | PANEL ALLUMINUM 14GA / FLOOR COVERING To 5-8813 | | 1 | | | |
| 31 | 482351 | PANEL ALLUMINUM 14GA / FLOOR COVERING To 5-8813 | | 1 | | | |
| 311 | 482351 | PANEL ALLUMINUM 14GA / FLOOR COVERING | | | | 2 | |
| 32 | 482350 | PANEL ALLUMINUM 14GA / FLOOR COVERING | | 1 | | 1 | |
| 33 | 482131 | PANEL ALLUMINUM 14GA / FLOOR COVERING | | | 2 | | |
| 34 | 489194 | PANEL ALLUMINUM 14GA / FLOOR COVERING / W/SLIDE OUT | | | 2 | | |
| 35 | 485496 | PANEL ALLUMINUM 14GA / FLOOR COVERING / W/SLIDE OUT | | | | 1 | |
| 36 | 485498 | PANEL ALLUMINUM 14GA / FLOOR COVERING / W/SLIDE OUT | | | | 2 | |
| 37 | 485497 | PANEL ALLUMINUM 14GA / FLOOR COVERING / W/SLIDE OUT | | | | 1 | |
| 40 | 489190 | MOULDING FINISHING / "Z" SHAPE / 1359MM To 5-8813 | | 4 | | | |
| 401 | 489190 | MOULDING FINISHING / "Z" SHAPE / 1359MM | | | | 6 | |
| 41 | 489191 | MOULDING FINISHING / "Z" SHAPE / 1143MM | | 2 | | 2 | |

| | | |
|--|--------------|-----------------|
| From Y-7046 To 6-8805 | Date:10/2022 | PAGE:Y2-1865-55 |
| SEPARATOR PANEL - BAGGAGE COMPARTMENT - MTH | | |



| | | |
|--|--------------|-----------------|
| From Y-7046 To 6-8805 | Date:10/2022 | PAGE:Y2-1865-55 |
| SEPARATOR PANEL - BAGGAGE COMPARTMENT - MTH | | |

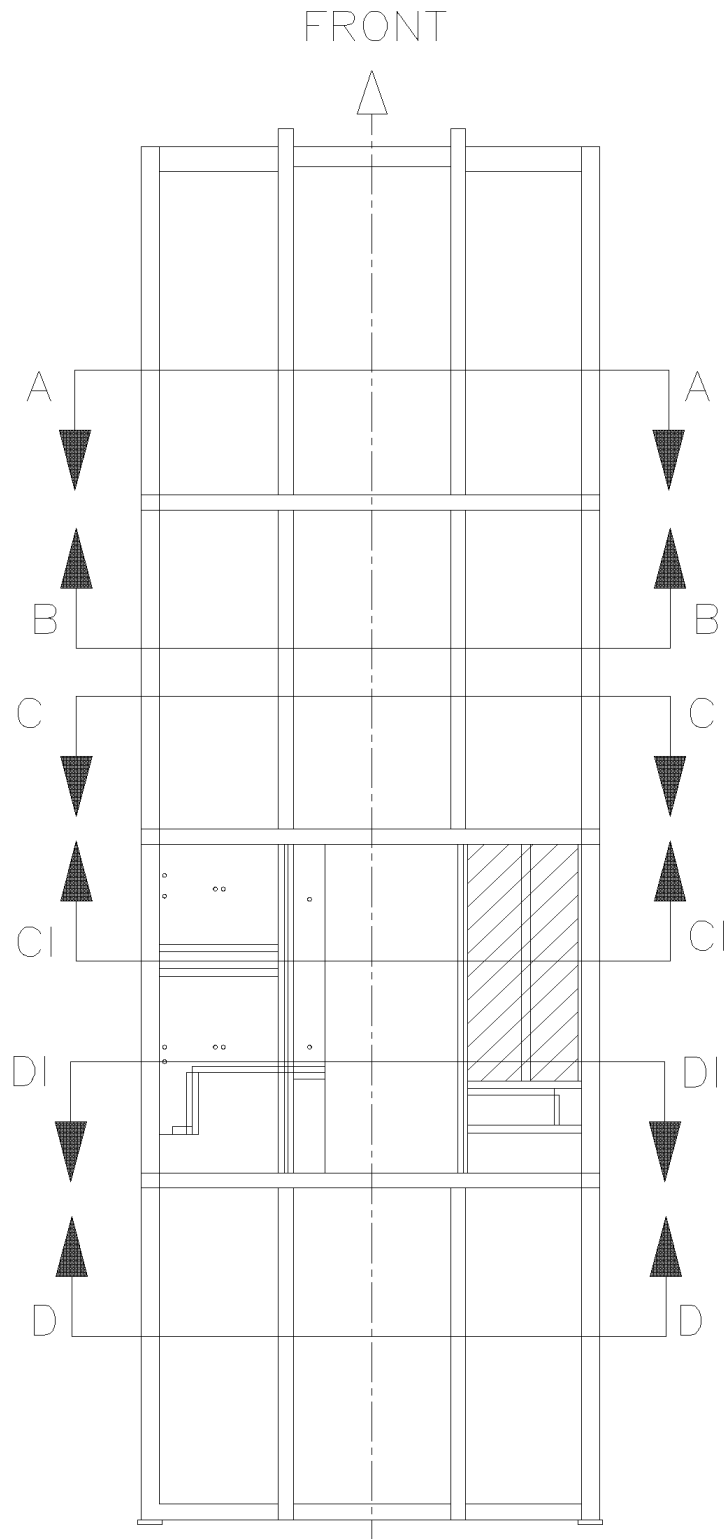
| Item# | Part | Description | X L I I 4 5 | X L I I M T H 4 0 | X L I I M T H 4 5 | X L I I M T H 4 5 E | N O T E S |
|-------|--------|--|----------------------------|---|---|--|-----------------------|
| 1 | 482467 | PANEL SIDE SEPARATOR | | | 2 | | |
| 1 | 483384 | PANEL | | | 1 | | C |
| 2 | 483111 | PANEL SIDE & CENTER SEPARATOR | | | 2 | | |
| 2 | 483383 | PANEL SIDE & CENTER SEPARATOR | | | 2 | | C |
| 4 | 482996 | PANEL SIDE SEPARATOR | | | 1 | | |
| 5 | 481471 | CLOSING PANEL FUEL TANK / W/AUX TANK 28 3/8" x 39" To 4-8305 | | | 1 | | |
| 5 | 481109 | . PANEL FUEL TANK CLOSING From 4-8306 | | | 1 | | |
| 6 | 481193 | PANEL DOOR ASSY W/HINGE | | | 1 | | |
| 6 | 480928 | . HINGE / DOOR PANEL 27 1/8" (689MM) | | | 1 | | |
| 7 | 481194 | PANEL SIDE SEPARATOR | | | 1 | | |
| 7 | 481241 | PANEL SIDE SEPARATOR | | | 1 | | B |
| 7 | 483385 | PANEL | | | 1 | | C |
| 8 | 350028 | INSULATING PANEL FOAM / CONDENSOR OR EVAPORATOR & BAGGAGE | | | 4 | | |
| 9 | 350029 | INSULATING | | | 2 | | |
| 10 | 504528 | HOLE PLUG BUTTON / .437 O.D. BLACK | | | 14 | | |
| 11 | 031163 | DECAL / "FUEL TANK ACCESS" / ENGLISH | | | 1 | | |
| 11 | 032561 | DECAL / "FUEL TANK ACCESS" / ENGLISH & SPANISH | | | 1 | | |
| 12 | 504347 | RIVET POP DOME OE 3/16x1/4 AL | | | AR | | |
| 13 | 500657 | SCREW TC TR PH #10-24x1/2 Z050 | | | 48 | | |
| 14 | 504059 | GROMMET / 1.250x1.500x.094x.375x1.875 | | | 1 | | A |
| 14 | 504443 | SNAP-IN PLUG / 1.500 O.D. | | | 1 | | |
| 15 | 481191 | CLOSING PANEL FUEL TANK 28 3/8" x 39" To 4-8293 | | | 1 | | |
| 15 | 485381 | PANEL FRAME / FORWARD FUEL TANK 990MM x 766MM From 4-8294 | | | 1 | | |
| NS | 485383 | PANEL FUEL TANK CLOSING From 4-8294 | | | 1 | | |
| 16 | 482997 | PANEL SIDE SEPARATOR | | | 1 | | B |
| 17 | 481197 | PANEL SIDE SEPARATOR | | | 1 | | B |
| 17 | 506001 | TAPE RUB ADH1 CC POL 1/8" x 3/4" x 50' / GREY 2520X | | | AR | | |
| 20 | 506071 | TAPE RUB ADH1 CC POL 1/8" x 1/2" x 50' / GREY 2520X | | | AR | | |
| 21 | 504377 | NUT SPR U 1 1/64x1/2x.109-.161 | | | 3 | | |
| 22 | 504289 | WASHER SPR GRIP .437x.020 AL | | | 13 | | |
| 23 | 504376 | SCREW FST SLT #12 18x28.2 STL | | | 3 | | |
| 30 | 481472 | PANEL CLOSING / 6 5/8" x 4 1/2" | | | 1 | | |
| 31 | 504272 | RIVET CHY Q BRAZ 3/16x1/8 SS | | | 7 | | |
| | | | | | | | |
| | | | | | | | |
| | | | | | | | |
| | | A) WITH AUX. FUEL TANK | | | | | |
| | | B) WITH SMALL A/C SYSTEM | | | | | |
| | | C) WITH SLIDE-OUT | | | | | |

From 6-8806 To 8-9339

Date:10/2022

PAGE:Y2-1865-56

SEPARATOR PANEL - BAGGAGE COMPARTMENT - MTH



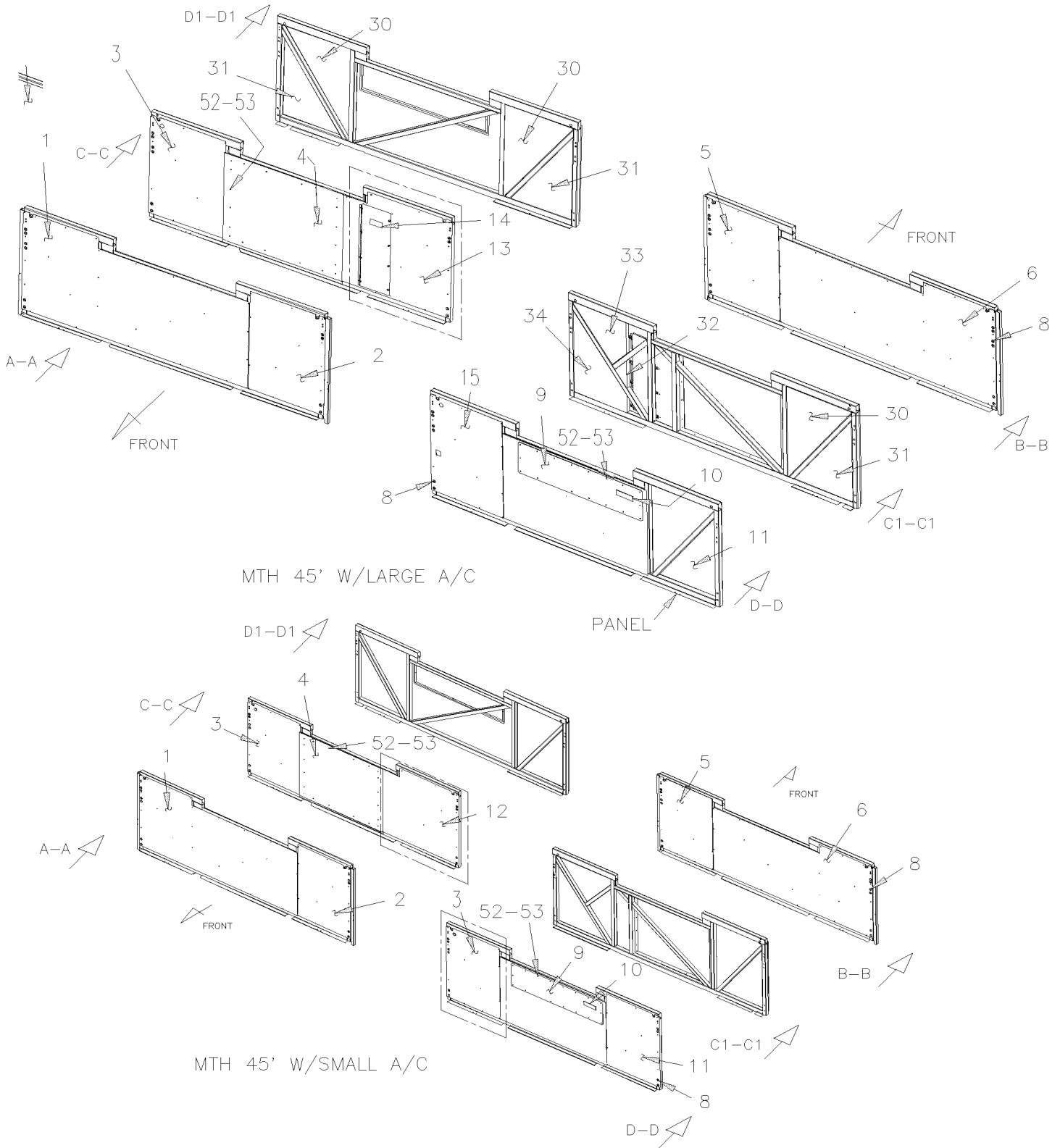
MTH-45

From 6-8806 To 8-9339

Date:10/2022

PAGE:Y2-1865-56

SEPARATOR PANEL - BAGGAGE COMPARTMENT - MTH

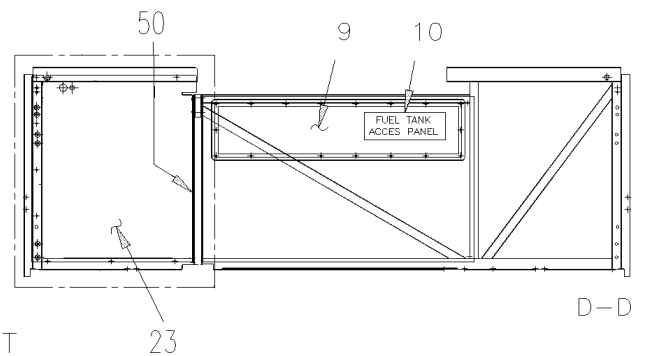
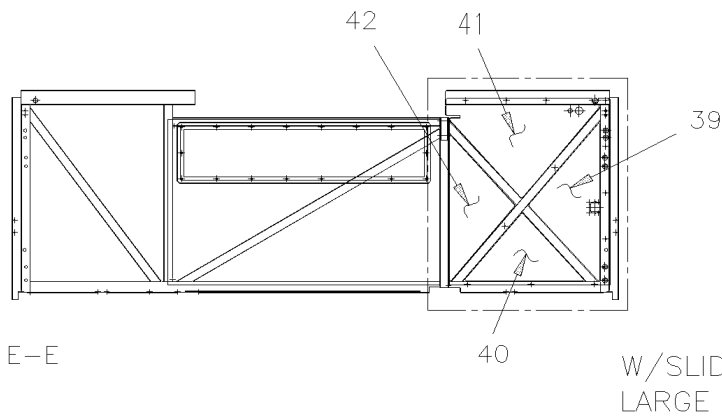
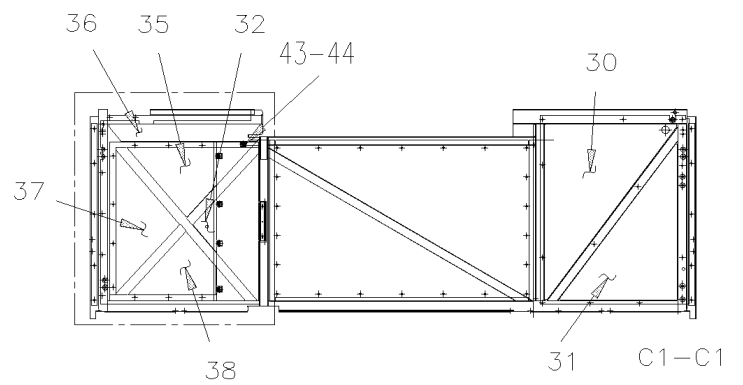
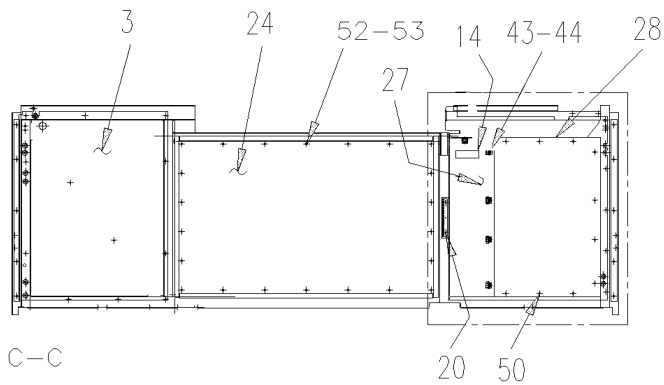
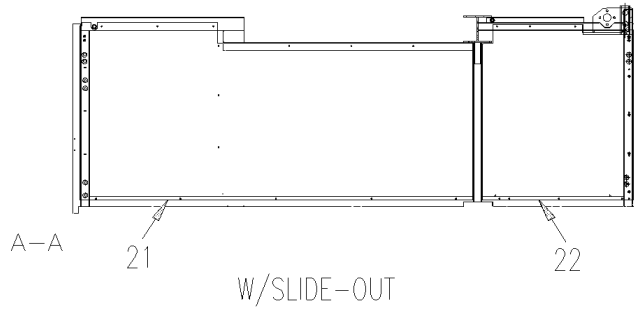
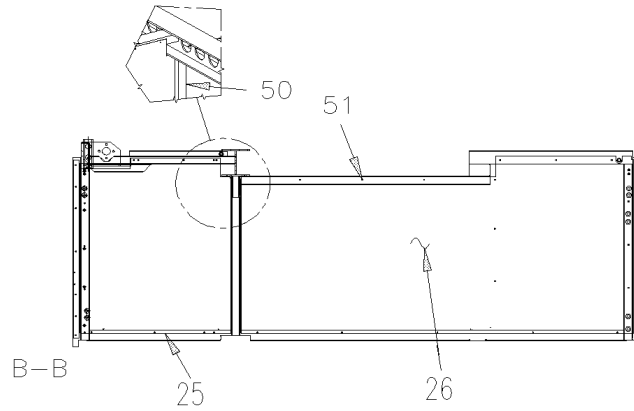


From 6-8806 To 8-9339

Date:10/2022

PAGE:Y2-1865-56

SEPARATOR PANEL - BAGGAGE COMPARTMENT - MTH



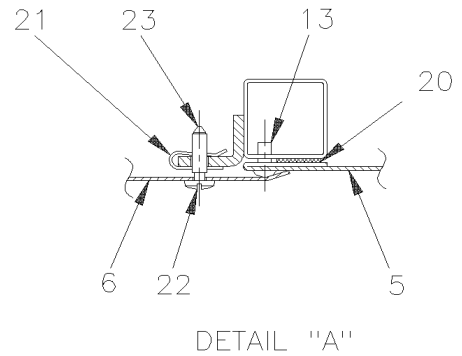
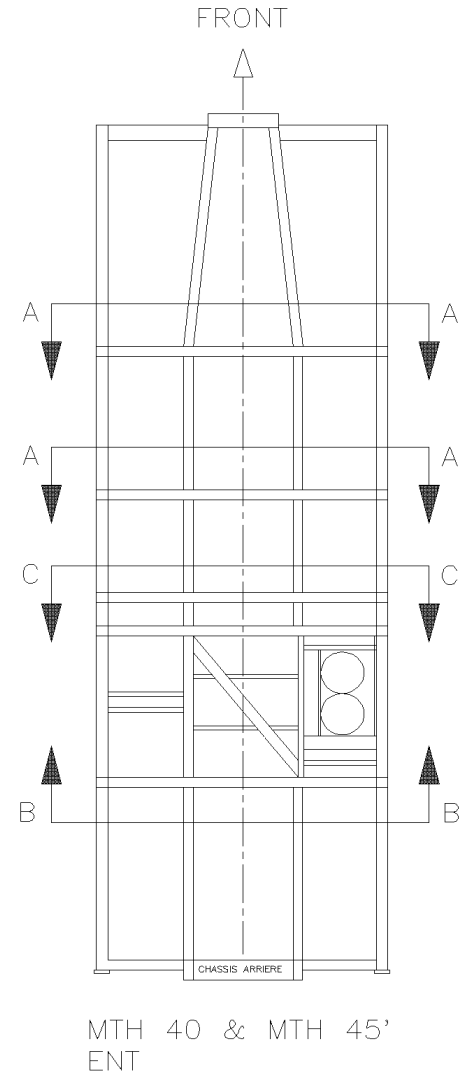
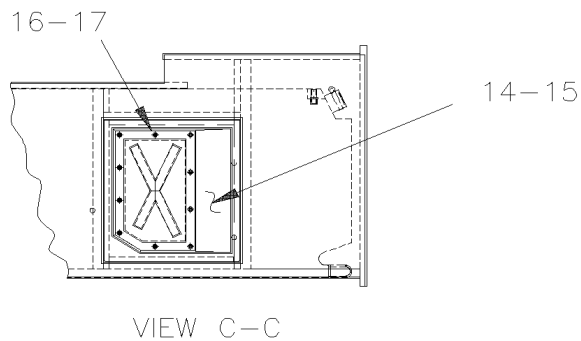
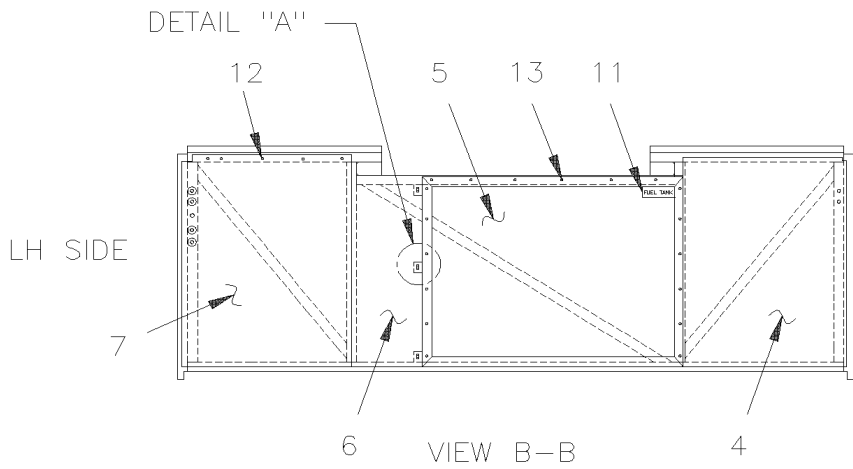
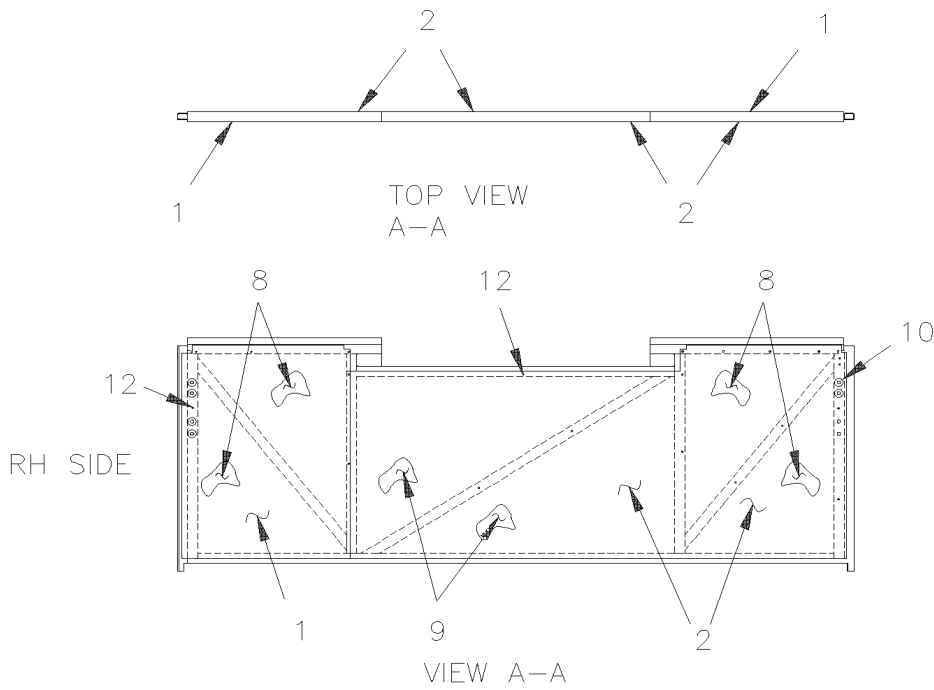
| | | |
|--|--------------|-----------------|
| From 6-8806 To 8-9339 | Date:10/2022 | PAGE:Y2-1865-56 |
| SEPARATOR PANEL - BAGGAGE COMPARTMENT - MTH | | |

| Item# | Part | Description | X L I I 4 5 | X L I I M T H 4 0 | X L I I M T H 4 5 | X L I I M T H 4 5 E | N O T E S |
|-------|-----------------|---|----------------------------|---|---|--|-----------------------|
| 1 | 485512 | PANEL SIDE & CENTER SEPARATOR To 7-9095 | | | 1 | | |
| 1 | 484066 | PANEL SIDE & CENTER SEPARATOR From 7-9096 | | | 1 | | |
| 2 | 482427 | PANEL SIDE SEPARATOR To 7-9095 | | | 1 | | |
| 2 | 484067 | PANEL SIDE SEPARATOR From 7-9096 | | | 1 | | |
| 3 | 482471 | PANEL SIDE SEPARATOR | | | 1 | | |
| 4 | 485517 | PANEL FUEL TANK CLOSING 990MM x 746MM | | | 1 | | |
| 5 | 485523 | PANEL SIDE SEPARATOR To 7-9095 | | | 1 | | |
| 5 | 484068 | PANEL SIDE SEPARATOR From 7-9096 | | | 1 | | |
| 6 | 485512 | PANEL SIDE & CENTER SEPARATOR To 7-9095 | | | 1 | | |
| 6 | 484066 | PANEL SIDE & CENTER SEPARATOR From 7-9096 | | | 1 | | |
| 8 | 504528 | HOLE PLUG BUTTON / .437 O.D. BLACK | | | 1 | | |
| 9 | 482521 | PANEL FUEL TANK ACCESS | | | 1 | | |
| 10 | 031163 | DECAL / "FUEL TANK ACCESS" / ENGLISH | | | 1 | | |
| 10 | 032561 | DECAL / "FUEL TANK ACCESS" / ENGLISH & SPANISH | | | 1 | | |
| 11 | 482427 | PANEL SIDE SEPARATOR | | | 1 | | |
| 11 | 484067 | PANEL SIDE SEPARATOR From 7-9096 | | | 1 | | |
| 12 | 485518 | PANEL SIDE SEPARATOR / W/SMALL A/C | | | 1 | | |
| 13 | Call order desk | ACCESS PANEL LARGE W/HINGE DOOR | | | 1 | | P |
| NS | 485519 | . PANEL | | | 1 | | |
| NS | 485507 | . PANEL DOOR | | | 1 | | |
| NS | 480928 | . HINGE / DOOR PANEL 27 1/8" (689MM) | | | 1 | | |
| NS | 504104 | . RIVET POP DOME OE 1/8x1/8 SS | | | 8 | | |
| NS | 504604 | . FASTENER | | | 4 | | |
| NS | 504605 | . RECEPTACLE 6 MM | | | 4 | | |
| NS | 506228 | . TAPE RUB ADH1 CC POL 1/4" x 1/2" x 37.5' / GREY 2520X | | | AR | | |
| NS | 506225 | . TAPE RUB ADH1 CC POL 1/16" x 1/4" x 100' / GREY 2520 | | | AR | | |
| 14 | 370354 | DECAL / AIR FILTER / ENGLISH & FRANCAIS | | | 1 | | |
| 14 | 374207 | DECAL / AIR FILTER / ENGLISH & SPANISH | | | 1 | | |
| 15 | 485521 | PANEL SIDE SEPARATOR | | | 1 | | |
| 20 | 480928 | HINGE / DOOR PANEL 27 1/8" (689MM) | | | 1 | | |
| 21 | 482499 | PANEL SIDE & CENTER SEPARATOR / W/SLIDE OUT To 7-9095 | | | 1 | | |
| 21 | 484060 | PANEL SIDE & CENTER SEPARATOR / W/SLIDE OUT From 7-9096 | | | 1 | | |
| 22 | 484035 | PANEL SIDE & CENTER SEPARATOR / W/SLIDE OUT To 7-9095 | | | 1 | | |
| 22 | 484062 | PANEL SIDE & CENTER SEPARATOR / W/SLIDE OUT From 7-9096 | | | 1 | | |
| 23 | 482469 | PANEL SIDE SEPARATOR / W/SLIDE OUT | | | 1 | | |
| 23 | 485458 | PANEL SIDE SEPARATOR / W/SLIDE OUT & SMALL A/C | | | 1 | | |
| 24 | 482519 | PANEL FUEL TANK CLOSING | | | 1 | | S |
| 25 | 482477 | PANEL SIDE SEPARATOR / W/SLIDE OUT To 7-9095 | | | 1 | | |
| 25 | 484063 | PANEL SIDE SEPARATOR / W/SLIDE OUT From 7-9096 | | | 1 | | |
| 26 | 482518 | PANEL SIDE & CENTER SEPARATOR / W/SLIDE OUT To 7-9095 | | | 1 | | |
| 26 | 484061 | PANEL SIDE & CENTER SEPARATOR / W/SLIDE OUT From 7-9096 | | | 1 | | |
| 27 | Call order desk | ACCESS PANEL ASSY / SMALL W/DZUS / W/SLIDE OUT | | | 1 | | P |

| | | |
|--|--------------|-----------------|
| From 6-8806 To 8-9339 | Date:10/2022 | PAGE:Y2-1865-56 |
| SEPARATOR PANEL - BAGGAGE COMPARTMENT - MTH | | |

| Item# | Part | Description | X L I I 4 5 | X L I I M T H 4 0 | X L I I M T H 4 5 | X L I I M T H 4 5 E | N O T E S |
|-------|-----------------|--|----------------------------|---|---|--|-----------------------|
| . NS | 483267 | . DOOR PANEL | | | 1 | | |
| . NS | 504603 | . STUD 6 MM (DZUS) | | | 4 | | |
| . NS | 504604 | . FASTENER | | | 4 | | |
| . NS | 506268 | . TAPE RUB ADH1 URE 3/8" x 1/2" x 25' / GREY 1820 | | | AR | | |
| . NS | 506225 | . TAPE RUB ADH1 CC POL 1/16" x 1/4" x 100' / GREY 2520 | | | AR | | |
| 28 | Call order desk | ACCESS PANEL ASSY / LARGE W/RECEPTACLE / W/SLIDE OUT | | | 1 | | P |
| . NS | 483262 | . ACCESS PANEL | | | 1 | | |
| . NS | 504605 | . RECEPTACLE 6 MM | | | 4 | | |
| . NS | 506268 | . TAPE RUB ADH1 URE 3/8" x 1/2" x 25' / GREY 1820 | | | AR | | |
| 30 | 355878 | INSULATOR PANEL | | | 1 | | |
| 31 | 355879 | INSULATOR PANEL | | | 1 | | |
| 32 | 351573 | INSULATOR PANEL | | | 1 | | |
| 33 | 355902 | INSULATOT PANEL | | | 1 | | |
| 34 | 355901 | INSULATOR PANEL | | | 1 | | |
| 35 | 351574 | INSULATOR PANEL | | | 1 | | |
| 36 | 351570 | INSULATOR PANEL / W/SLIDE OUT | | | 1 | | |
| 37 | 351571 | INSULATOR PANEL / W/SLIDE OUT | | | 1 | | |
| 38 | 351572 | INSULATOR PANEL / W/SLIDE OUT | | | 1 | | |
| 39 | 355874 | INSULATOR PANEL / W/SLIDE OUT | | | 1 | | |
| 40 | 355875 | INSULATOR PANEL / W/SLIDE OUT | | | 1 | | |
| 41 | 355877 | INSULATOR PANEL / W/SLIDE OUT | | | 1 | | |
| 42 | 355876 | INSULATOR PANEL / W/SLIDE OUT | | | 1 | | |
| 43 | 504605 | RECEPTACLE 6 MM | | | 1 | | |
| 44 | 504604 | FASTENER | | | AR | | |
| 50 | 682348 | TAPE, DOUBLE COATED ACRYLIC | | | AR | | |
| 51 | 504347 | RIVET POP DOME OE 3/16x1/4 AL | | | AR | | |
| 52 | 500657 | SCREW TC TR PH #10-24x1/2 Z050 | | | AR | | |
| 53 | 506002 | TAPE RUB ADH1 CC POL 3/16" x 1/2" x 40' / GREY 2520 | | | AR | | |
| | | | | | | | |
| | | | | | | | |
| | | S) WITH SLIDE-OUT | | | | | |
| | | P) CALL ORDER DESK FOR SPECIFIC APPLICATION (V.I.N.) | | | | | |

| | | |
|--|--------------|-----------------|
| From Y-7046 To 6-8805 | Date:10/2022 | PAGE:Y2-1865-60 |
| SEPARATOR PANEL - BAGGAGE COMPARTMENT - MTH | | |

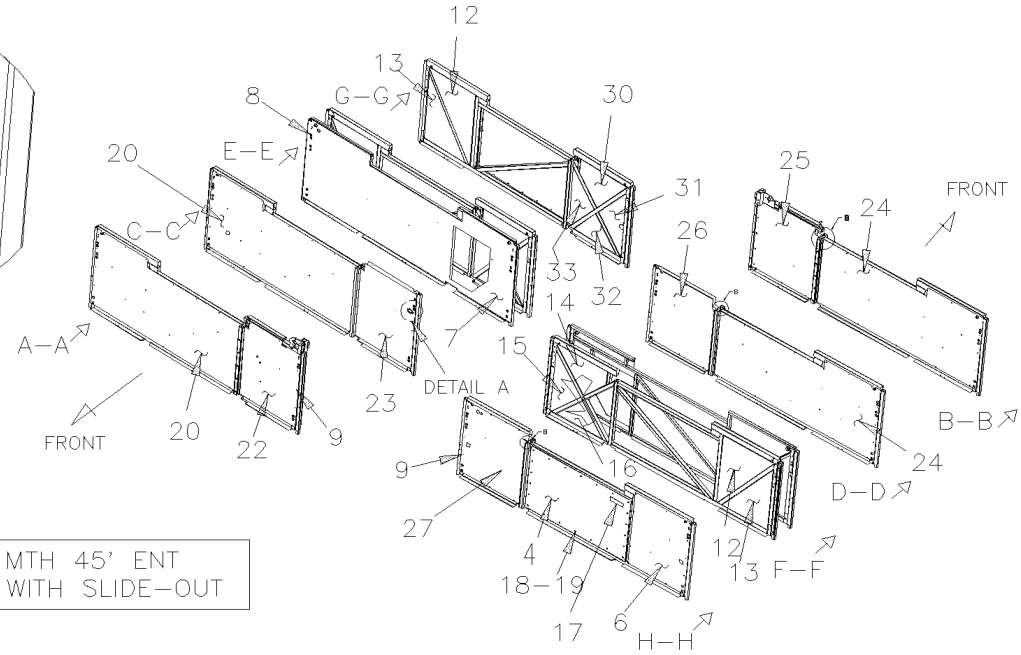
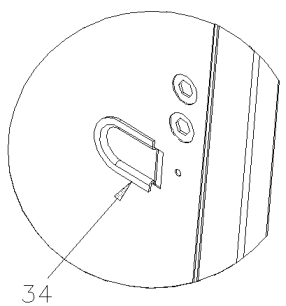
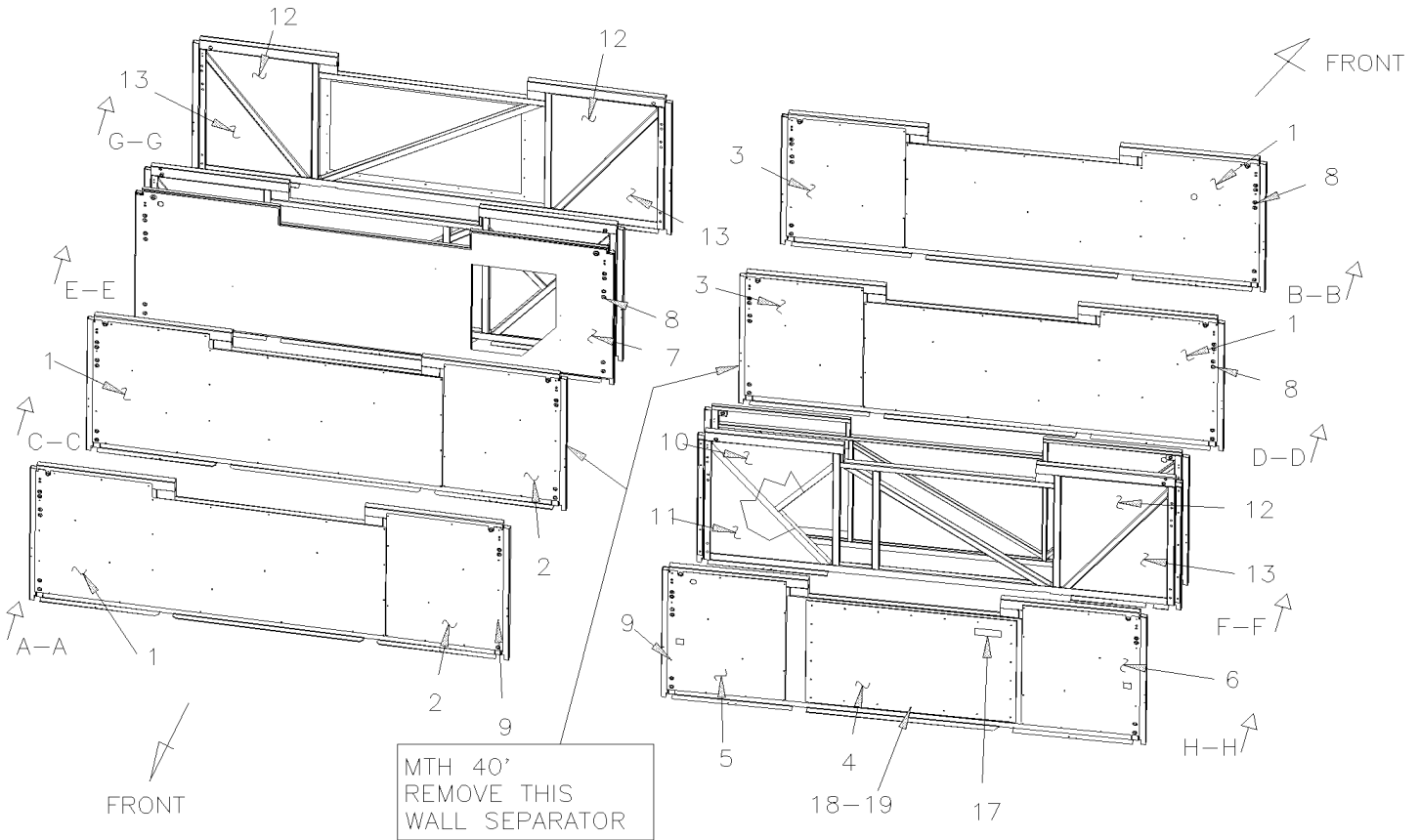


From Y-7046 To 6-8805 Date:10/2022 PAGE:Y2-1865-60

SEPARATOR PANEL - BAGGAGE COMPARTMENT - MTH

| Item# | Part | Description | X L I I 4 5 | X L I I M T H 4 0 | X L I I M T H 4 5 | X L I I M T H 4 5 E | N O T E S |
|-------|---------|---|----------------------------|---|---|--|-----------------------|
| 1 | 482467 | PANEL SIDE SEPARATOR | | 2 | | | |
| 1 | 482467 | PANEL SIDE SEPARATOR | | | | 4 | |
| 2 | 483111 | PANEL SIDE & CENTER SEPARATOR | | 2 | | | |
| 2 | 483111 | PANEL SIDE & CENTER SEPARATOR | | | | 4 | |
| 4 | 482724 | PANEL SIDE SEPARATOR | | 1 | | 1 | |
| 4 | 481197 | PANEL SIDE SEPARATOR | | 1 | | | A |
| 4 | 213573 | PANEL SIDE SEPARATOR / BAGGAGE COMPARTMENT | | | | 1 | B |
| 5 | 481191 | CLOSING PANEL FUEL TANK 28 3/8" x 39" To 4-8306 | | 1 | | 1 | |
| 5 | 485381 | PANEL FRAME / FORWARD FUEL TANK 990MM x 766MM From 4-8307 | | 1 | | 1 | |
| NS | 485383 | PANEL FUEL TANK CLOSING From 4-8307 | | 1 | | 1 | |
| 6 | 481193 | PANEL DOOR ASSY W/HINGE | | 1 | | 1 | |
| NS | 480928 | .HINGE / DOOR PANEL 27 1/8" (689MM) | | 1 | | 1 | |
| 7 | 482997 | PANEL SIDE SEPARATOR | | 1 | | 1 | A |
| 7 | 483251 | PANEL SIDE SEPARATOR | | 1 | | 1 | |
| 8 | 350028 | INSULATING PANEL FOAM / CONDENSOR OR EVAPORATOR & BAGGAGE | | 4 | | | |
| 8 | 350028 | INSULATING PANEL FOAM / CONDENSOR OR EVAPORATOR & BAGGAGE | | | | 8 | |
| 9 | 350029 | INSULATING | | 2 | | | |
| 9 | 350029 | INSULATING | | | | 4 | |
| 10 | 504528 | HOLE PLUG BUTTON / .437 O.D. BLACK | | 8 | | 8 | |
| 11 | 031163 | DECAL / "FUEL TANK ACCESS" / ENGLISH | | 1 | | 1 | |
| 11 | 032561 | DECAL / "FUEL TANK ACCESS" / ENGLISH & SPANISH | | 1 | | 1 | |
| 12 | 504347 | RIVET POP DOME OE 3/16x1/4 AL | | AR | | AR | |
| 13 | 500657 | SCREW TC TR PH #10-24x1/2 Z050 | | 24 | | 24 | |
| 14 | 482684 | ACCESS PANEL | | 1 | | 1 | C |
| 15 | 285684 | RUBBER SEAL EXTRUSION / ACCESS DOOR / 405MM X 501MM | | 1 | | 1 | C |
| 15 | 289933 | RUBBER SEAL EXTRUSION / ACCESS DOOR / 405MM X 501MM | | 1 | | 1 | C |
| 15 | 2800147 | RUBBER SEAL EXTRUSION / ACCESS DOOR / 405MM X 501MM | | 1 | | 1 | C |
| 16 | 5001209 | SCREW CAP HEX M6-1.0x25 G8.8 Z050 | | 10 | | 10 | C |
| 17 | 500411 | WASHER FL .260x.697x.050 SS | | 10 | | 10 | C |
| 17 | 506466 | TAPE RUB ADH1 CC POL 1/16" x 1 1/2" x 100 / GREY 2520 | | AR | | AR | C |
| 20 | 506071 | TAPE RUB ADH1 CC POL 1/8" x 1/2" x 50" / GREY 2520X | | AR | | AR | |
| 21 | 504377 | NUT SPR U 1 1/64x1/2x.109-.161 | | 3 | | 3 | |
| 22 | 504289 | WASHER SPR GRIP .437x.020 AL | | 3 | | 3 | |
| 23 | 504376 | SCREW FST SLT #12 18x28.2 STL | | 3 | | 3 | |
| 24 | 214903 | PANEL SIDE SEPARATOR | | 1 | | | A |
| | | | | | | | |
| | | | | | | | |
| | | | | | | | |
| | | A) WITH SMALL A/C SYSTEM | | | | | |
| | | B) WITH SMALL A/C SYSTEM & SPECIAL DOOR 38" | | | | | |
| | | C) WITH LARGE A/C SYSTEM | | | | | |

| | | |
|--|--------------|-----------------|
| From 6-8806 To 8-9339 | Date:10/2022 | PAGE:Y2-1865-61 |
| SEPARATOR PANEL - BAGGAGE COMPARTMENT - MTH | | |

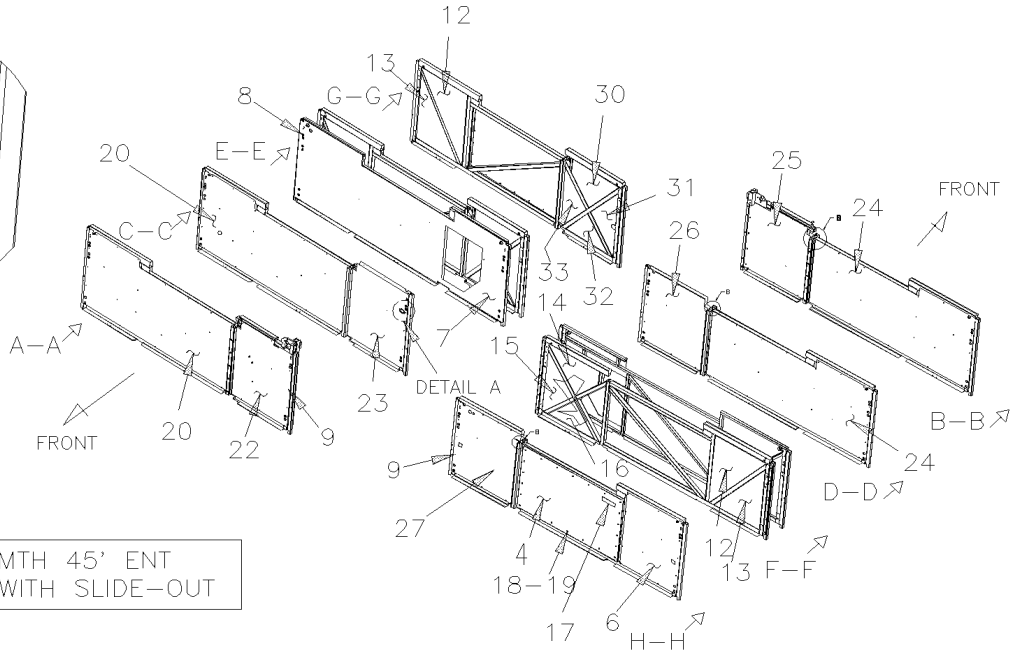
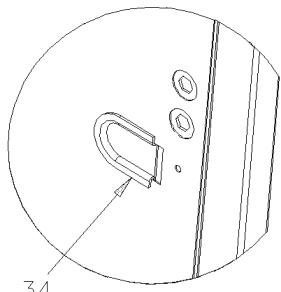
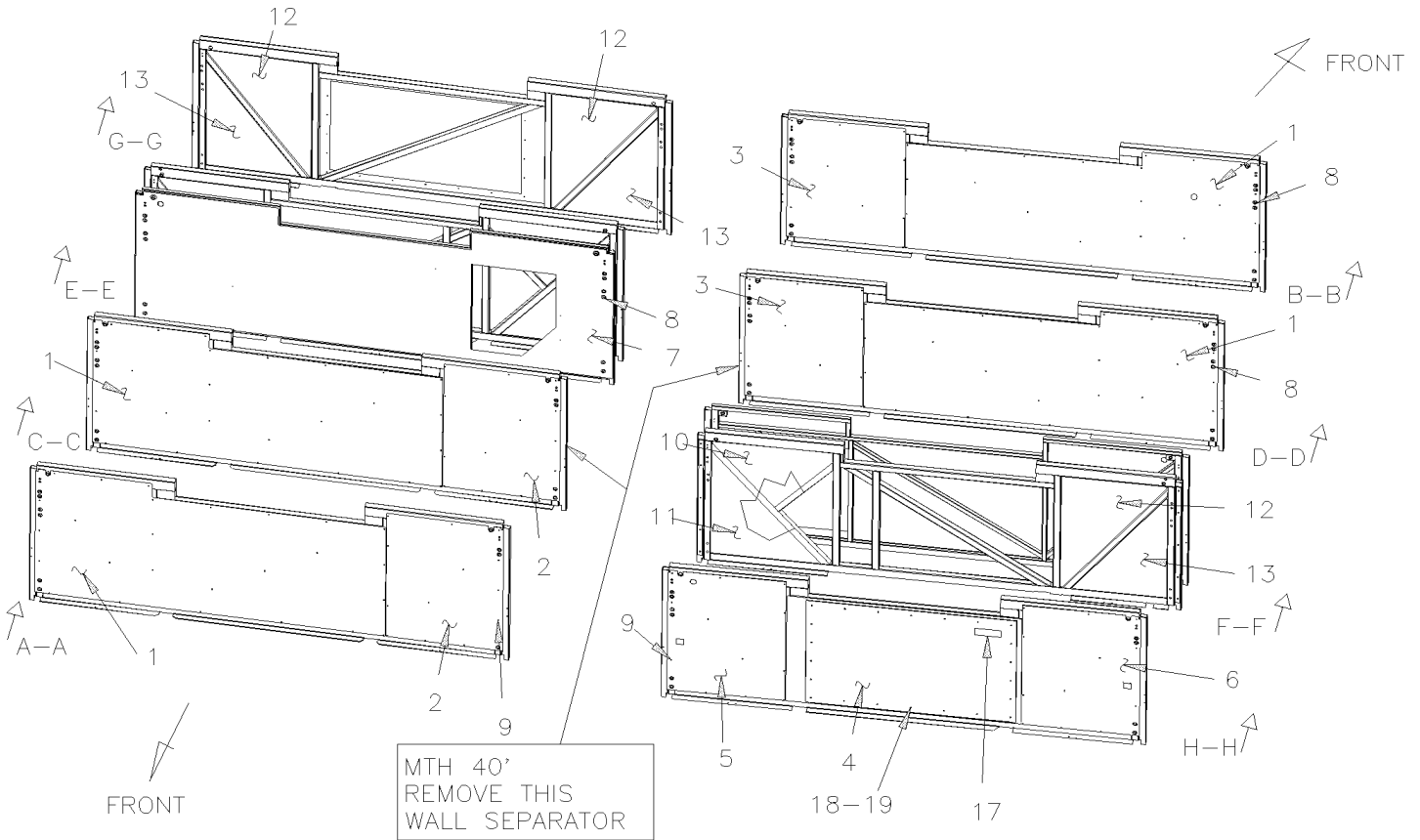


From 6-8806 To 8-9339

Date:10/2022

PAGE:Y2-1865-61

SEPARATOR PANEL - BAGGAGE COMPARTMENT - MTH



MTH 45' ENT
WITH SLIDE-OUT

| | | |
|--|--------------|-----------------|
| From 6-8806 To 8-9339 | Date:10/2022 | PAGE:Y2-1865-61 |
| SEPARATOR PANEL - BAGGAGE COMPARTMENT - MTH | | |

| Item# | Part | Description | X L I I 4 5 | X L I I M T H 4 0 | X L I I M T H 4 5 | X L I I M T H 4 5 E | N O T E S |
|-------|--------|---|----------------------------|---|---|--|-----------------------|
| 1 | 485512 | PANEL SIDE & CENTER SEPARATOR To 5-8813 | | 2 | | | |
| 1 | 485512 | PANEL SIDE & CENTER SEPARATOR To 7-9095 | | | | 4 | |
| 1 | 484066 | PANEL SIDE & CENTER SEPARATOR From 7-9096 | | | | 4 | |
| 2 | 482427 | PANEL SIDE SEPARATOR To 5-8813 | | 2 | | | |
| 2 | 482427 | PANEL SIDE SEPARATOR | | | | 4 | |
| 3 | 485523 | PANEL SIDE SEPARATOR To 5-8813 | | 2 | | | |
| 3 | 485523 | PANEL SIDE SEPARATOR To 7-9095 | | | | 4 | |
| 3 | 484068 | PANEL SIDE SEPARATOR From 7-9096 | | | | 4 | |
| 4 | 482519 | PANEL FUEL TANK CLOSING | | 1 | | 1 | |
| 5 | 485521 | PANEL SIDE SEPARATOR | | 1 | | 1 | |
| 5 | 482471 | PANEL SIDE SEPARATOR | | 1 | | 1 | |
| 6 | 485535 | PANEL SIDE SEPARATOR | | 1 | | 1 | |
| 6 | 482427 | PANEL SIDE SEPARATOR | | 1 | | 1 | A |
| 7 | 215803 | PANEL FUEL TANK CLOSING SS From 6-8806 | | | | 1 | |
| 7 | 215868 | PANEL FUEL TANK CLOSING SS W/SMALL A/C SYSTEM To 8-8805 | | | | 1 | |
| 7 | 215877 | PANEL FUEL TANK CLOSING SS From 8-8806 | | | | 1 | |
| 8 | 504528 | HOLE PLUG BUTTON / .437 O.D. BLACK | | AR | | AR | |
| 9 | 504347 | RIVET POP DOME OE 3/16x1/4 AL | | AR | | AR | |
| 10 | 351662 | INSULATOR PANEL | | 1 | | 1 | |
| 11 | 351663 | INSULATOR PANEL | | 1 | | 1 | |
| 12 | 355878 | INSULATOR PANEL | | 3 | | 3 | |
| 13 | 355879 | INSULATOR PANEL | | 3 | | 3 | |
| 14 | 351652 | INSULATOR PANEL / W/SLIDE OUT | | | | 1 | |
| 15 | 351653 | INSULATOR PANEL / W/SLIDE OUT | | | | 1 | |
| 16 | 351654 | INSULATOR PANEL / W/SLIDE OUT | | | | 1 | |
| 17 | 031163 | DECAL / "FUEL TANK ACCESS" / ENGLISH | | 1 | | 1 | |
| 17 | 032561 | DECAL / "FUEL TANK ACCESS" / ENGLISH & SPANISH | | 1 | | 1 | |
| 18 | 500657 | SCREW TC TR PH #10-24x1/2 Z050 | | 22 | | 22 | |
| 19 | 506071 | TAPE RUB ADH1 CC POL 1/8" x 1/2" x 50' / GREY 2520X | | AR | | AR | |
| 20 | 482499 | PANEL SIDE & CENTER SEPARATOR / W/SLIDE OUT To 7-9095 | | | | 2 | |
| 20 | 484060 | PANEL SIDE & CENTER SEPARATOR / W/SLIDE OUT From 7-9096 | | | | 2 | |
| 22 | 484035 | PANEL SIDE & CENTER SEPARATOR / W/SLIDE OUT To 7-9095 | | | | 1 | |
| 22 | 484062 | PANEL SIDE & CENTER SEPARATOR / W/SLIDE OUT From 7-9096 | | | | 1 | |
| 23 | 485476 | PANEL SIDE SEPARATOR / W/SLIDE OUT | | | | 1 | |
| 24 | 482518 | PANEL SIDE & CENTER SEPARATOR / W/SLIDE OUT To 7-9095 | | | | 2 | |
| 24 | 484061 | PANEL SIDE & CENTER SEPARATOR / W/SLIDE OUT From 7-9096 | | | | 2 | |
| 25 | 482477 | PANEL SIDE SEPARATOR / W/SLIDE OUT To 7-9095 | | | | 1 | |
| 25 | 484063 | PANEL SIDE SEPARATOR / W/SLIDE OUT From 7-9096 | | | | 1 | |
| 26 | 485475 | PANEL SIDE SEPARATOR / W/SLIDE OUT | | | | 1 | |
| 27 | 482469 | PANEL SIDE SEPARATOR / W/SLIDE OUT | | | | 1 | |
| 27 | 485458 | PANEL SIDE SEPARATOR / W/SLIDE OUT & SMALL A/C | | 1 | | 1 | |
| 30 | 355877 | INSULATOR PANEL / W/SLIDE OUT | | | | 1 | |

| | | |
|-----------------------|--------------|-----------------|
| From 6-8806 To 8-9339 | Date:10/2022 | PAGE:Y2-1865-61 |
|-----------------------|--------------|-----------------|

SEPARATOR PANEL - BAGGAGE COMPARTMENT - MTH

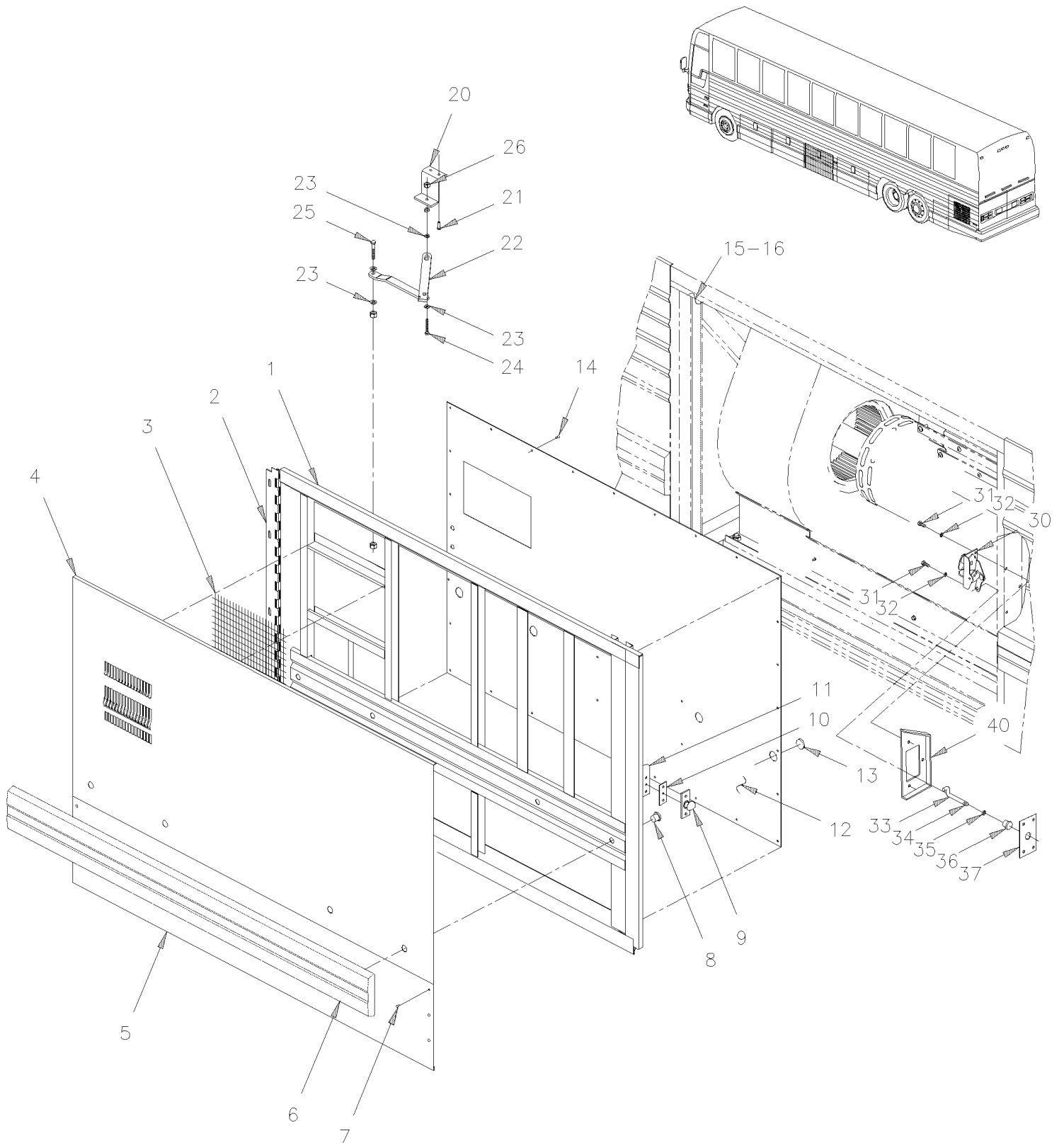
| Item# | Part | Description | X L I I 4 5 | X L I I M T H 4 0 | X L I I M T H 4 5 | X L I I M T H 4 5 E | N O T E S |
|-------|--------|--|----------------------------|---|---|--|-----------------------|
| 31 | 355874 | INSULATOR PANEL / W/SLIDE OUT | | | | 1 | |
| 32 | 355875 | INSULATOR PANEL / W/SLIDE OUT | | | | 1 | |
| 33 | 355876 | INSULATOR PANEL / W/SLIDE OUT | | | | 1 | |
| 34 | 506338 | RUBBER CHANNEL / 1/16" x 1/4" INT "U" SHAPE / ROUND C.T.L. | | AR | | AR | |
| 40 | 484013 | ACCESS PANEL | | 1 | | 1 | |
| 41 | 484015 | COVER | | 1 | | 1 | |
| 42 | 484026 | FRAME | | 1 | | 1 | |
| | | | | | | | |
| | | | | | | | |
| | | A) WITH SMALL A/C SYSTEM | | | | | |

From Y-7046 To 6-8906

Date:10/2022

PAGE:Y2-1866-00

EVAPORATOR DOOR ASSY - BUS



| | | |
|-----------------------------------|--------------|-----------------|
| From Y-7046 To 6-8906 | Date:10/2022 | PAGE:Y2-1866-00 |
| EVAPORATOR DOOR ASSY - BUS | | |

| Item# | Part | Description | X L I I 4 5 | X L I I M T H 4 0 | X L I I M T H 4 5 | X L I I M T H 4 5 E | N O T E S |
|-------|-------------------|--|----------------------------|---|---|--|-----------------------|
| | | ALL EVAPORATOR DOORS ASSY DO NOT INCLUDE | | | | | |
| | | RUB-RAIL PLEASE ORDER SEPARATELY | | | | | |
| | 483261P | EVAPORATOR DOOR ASSY / W/FLAT PANEL To 2-7839 | 1 | | | | |
| | 483554P | EVAPORATOR DOOR ASSY / W/FLAT PANEL From 2-7840 | 1 | | | | |
| 1 | 483132 | . DOOR FRAME (WELDED) To 2-7839 | 1 | | | | |
| 1 | 483528 | . DOOR FRAME (WELDED) From 2-7840 | 1 | | | | |
| NS | 483580 | . KIT INSULATING PANEL From 2-7840 | 1 | | | | |
| 2 | 481840 | . REINFORCEMENT OF HINGE / 31 7/8" X GA11 STRUCTURE SIDE | 1 | | | | |
| NS | 481131 | . SHIM 2" X 1"1/8 / HINGE SUPPORT | 9 | | | | |
| NS | 5001184 | . SCREW TP PAN PH #12x1/2 SS | 7 | | | | |
| NS | 500316 | . SCREW MA FL PH 1/4-28x3/4 SS | 5 | | | | |
| 3 | 452987 | . GRILL | 1 | | | | |
| NS | 680532 | . SEALANT SIKA #221 / GREY / 310ml CARTRIDGE | 1 | | | | |
| 4 | 474225 | . PANEL, UPPER / FLAT To 2-7839 | 1 | | | | |
| 4 | 475413 | . PANEL, UPPER / FLAT From 2-7840 To 5-8358 | 1 | | | | |
| 4 | 477491 | . PANEL, UPPER / FLAT From 5-8359 | 1 | | | | |
| 4 | 477455 | . PANEL, UPPER / FLAT / "SPECIAL OPTION" HYDRO QC | 1 | | | | |
| 4 | 474055 | . PANEL, UPPER / S.B. To 2-7839 | 1 | | | | A |
| 4 | 483646 | . PANEL, UPPER / S.B. From 2-7840 To 5-8358 | 1 | | | | A |
| 4 | 485423 | . PANEL, UPPER / S.B. From 5-8359 | 1 | | | | A |
| 4 | 477489 | . PANEL, UPPER / S.B. From 5-8359 | 1 | | | | A |
| 5 | 473446 | . PANEL, LOWER / S.B. To 2-7839 | 1 | | | | |
| 5 | 483600 | . PANEL, LOWER / S.B. From 2-7840 | 1 | | | | |
| 6 | Y2-1855-00 | . RUB RAIL - EXTERIOR CREST & TRIMS | | | | | |
| 7 | 504272 | . RIVET CHY Q BRAZ 3/16x1/8 SS | 18 | | | | |
| 8 | 500301 | . NUT HEXF STO 3/8-16 Z050 | 4 | | | | |
| NS | 473378 | . SEAL WASHER / RUB RAIL & PANEL | 4 | | | | |
| 9 | 780278 | . PIN, STRIKER STUD | 1 | | | | |
| NS | 500316 | . SCREW MA FL PH 1/4-28x3/4 SS | 2 | | | | |
| NS | 502582 | . WASHER LO SERR 6.1x16.2x0.9 Z050 | 2 | | | | |
| NS | 500692 | . NUT HEX 1/4-28 Z050 | 2 | | | | |
| 10 | 283326 | . STRIKER PLATE, MOUNTING / 60MM X 25MM | 1 | | | | |
| 11 | 284556 | . STRIKER SUPPORT 86 x 25 x 60 | 1 | | | | |
| NS | 500163 | . SCREW CAP HEX 1/4-20x3/4 G5 Z050 | 2 | | | | |
| NS | 502583 | . WASHER LO SERR 8.15x22.3x1.0 Z050 | 2 | | | | |
| 12 | 482828 | . INTERIOR PANEL To 2-7839 | 1 | | | | |
| 12 | 483601 | . INTERIOR PANEL From 2-7840 To 5-8358 | 1 | | | | |
| 12 | 483809 | . INTERIOR PANEL From 5-8359 | 1 | | | | |
| 12 | 485414 | . INTERIOR PANEL / "SPECIAL OPTION" HYDRO QC | 1 | | | | |
| 13 | 504433 | . SNAP-IN PLUG / 1.090 O.D. | 4 | | | | |

| | | |
|-----------------------------------|--------------|-----------------|
| From Y-7046 To 6-8906 | Date:10/2022 | PAGE:Y2-1866-00 |
| EVAPORATOR DOOR ASSY - BUS | | |

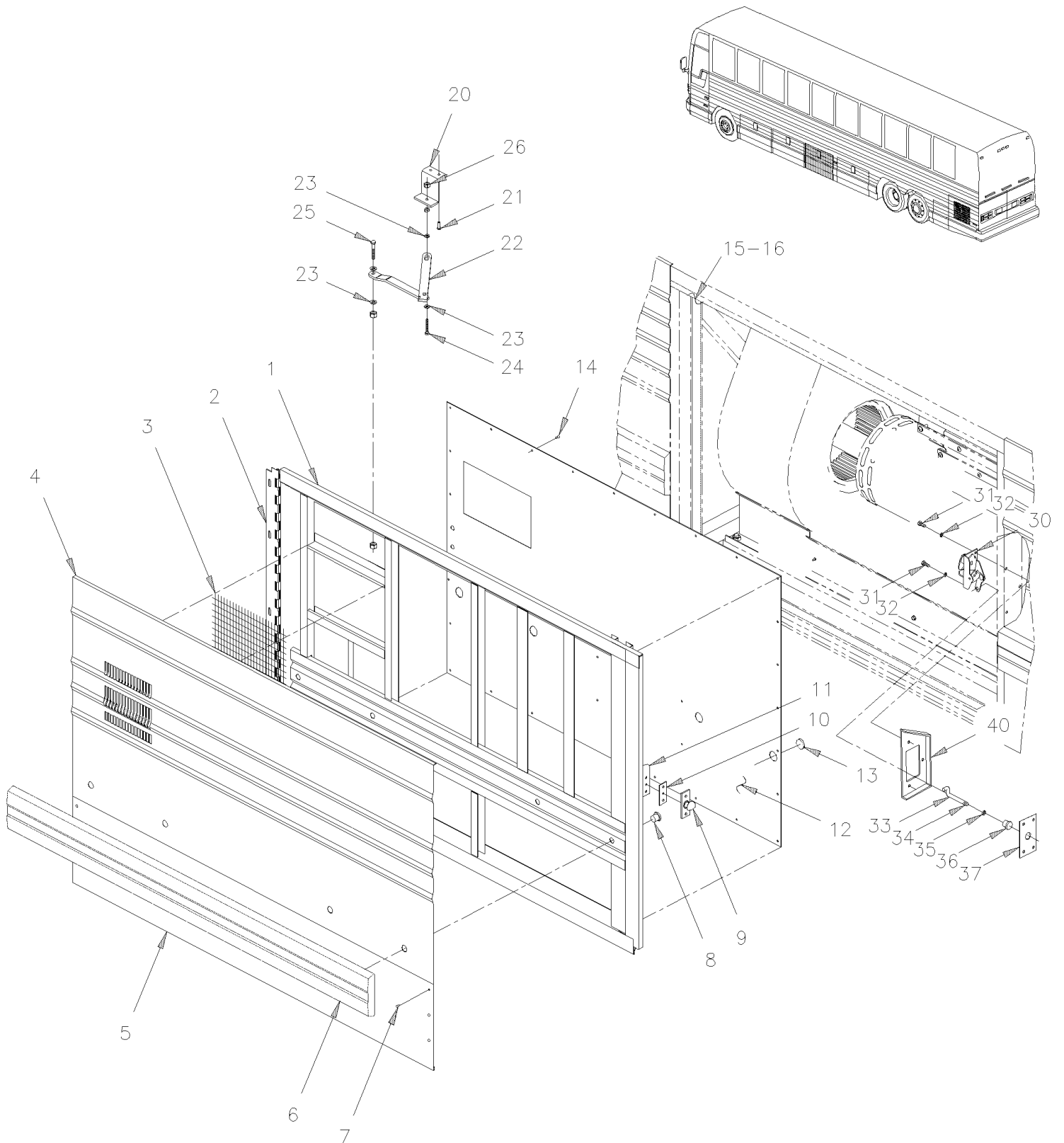
| Item# | Part | Description | X L I I 4 5 | X L I I M T H 4 0 | X L I I M T H 4 5 | X L I I M T H 4 5 E | NOTES |
|-------|-------------------|---|----------------------------|---|---|--|-------|
| 14 | 504347 | . RIVET POP DOME OE 3/16x1/4 AL | AR | | | | |
| NS | 064990 | . CABLE ASSY / SIDE MARKER LAMP FOR DOORS To 5-8358 | 2 | | | | |
| . NS | 473832 | . . GROMMET 2 HOLESx1.6x11.0MMx2.0MMx8.0MMx16MM To 5-8358 | 1 | | | | |
| NS | 067207 | . CABLE ASSY / SIDE MARKER LAMP FOR DOORS | 2 | | | | |
| . NS | 473832 | . . GROMMET 2 HOLESx1.6x11.0MMx2.0MMx8.0MMx16MM | 1 | | | | |
| NS | 504068 | . GROMMET / .500x.750x.062x.312x1.062 To 5-8358 | 2 | | | | |
| NS | 504397 | . GROMMET / .750x1.062x.062x.375x1.375 From 5-8359 | 2 | | | | |
| 15 | 482096 | WEATHERSTRIP / EVAPORATOR DOOR To 2-7839 | 1 | | | | |
| 15 | 483555 | WEATHERSTRIP / EVAPORATOR DOOR From 2-7840 | 1 | | | | |
| 16 | 482137 | MOULDING / WEATHERSTRIP RETAINER To 2-7839 | 1 | | | | |
| 16 | Y2-1854-10 | WEATHERSTRIP & RETAINER - BUS | | | | | |
| 20 | 481839 | SUPPORT ASSY / DOOR GUIDE | 1 | | | | |
| 21 | 500535 | SCREW TP CAP HEX #14x3/4 Z050 | 2 | | | | |
| 22 | 281445 | GUIDE ASSY / R.H. DOOR To 2-7831 | 1 | | | | |
| 22 | 288031 | GUIDE ASSY / R.H. DOOR From 2-7832 | 1 | | | | |
| 23 | 500441 | WASHER FL .312x.734x.065 Z050 | 3 | | | | |
| 24 | 500165 | SCREW CAP HEX 1/4-20x1 G5 Z050 | 1 | | | | |
| 25 | 500556 | SCREW MA TR PH 1/4-20x3/4 SS | 1 | | | | |
| 26 | 500769 | NUT HEX 1/4-20 Z050 | 2 | | | | |
| 30 | 780282 | LOCK SPAGNOLET L.H. | 1 | | | | |
| 31 | 502531 | SCREW CAP HEX M6-1.0x16 G8.8 Z050 | 2 | | | | |
| 32 | 502582 | WASHER LO SERR 6.1x16.2x0.9 Z050 | 2 | | | | |
| 33 | 284596 | ROD OPENING 68MM | 1 | | | | |
| 34 | 504083 | SNAP BUSHING / .250x.468.406 | 1 | | | | |
| 35 | 500764 | NUT HEX #8-32 Z050 | 1 | | | | |
| 36 | 505504 | KNOB, PULL / 8-32 | 1 | | | | |
| 37 | 482726 | CLOSING PLATE 30MM X 50MM / SS | 1 | | | | |
| NS | 504473 | RIVET POP DOME OE 1/8x1/4 SS | 1 | | | | |
| 40 | 284555 | LOCK SUPPORT / (WELDED TO STRUCTURE) | 1 | | | | |
| | | | | | | | |
| | | | | | | | |
| | | A) USE WITH BUS WITH FLUTED LOWER PANELLING | | | | | |

From Y-7046 To 6-8805

Date:10/2022

PAGE:Y2-1866-50

EVAPORATOR DOOR ASSY - MTH



| | | |
|-----------------------------------|--------------|-----------------|
| From Y-7046 To 6-8805 | Date:10/2022 | PAGE:Y2-1866-50 |
| EVAPORATOR DOOR ASSY - MTH | | |

| Item# | Part | Description | X L I I 4 5 | X L I I M T H 4 0 | X L I I M T H 4 5 | X L I I M T H 4 5 E | N O T E S |
|-------|-------------------|--|----------------------------|---|---|--|-----------------------|
| | | ALL EVAPORATOR DOORS ASSY DO NOT INCLUDE | | | | | |
| | | RUB-RAIL PLEASE ORDER SEPARATELY | | | | | |
| | 482989P | EVAPORATOR DOOR ASSY | | 1 | | 1 | |
| | 482974P | EVAPORATOR DOOR ASSY | | | 1 | | |
| 1 | 483172 | . DOOR FRAME (WELDED) | | 1 | | 1 | |
| 1 | 483132 | . DOOR FRAME (WELDED) | | | 1 | | |
| NS | 483580 | . KIT INSULATING PANEL From 2-7840 | | | 1 | | |
| 2 | 481840 | . REINFORCEMENT OF HINGE / 31 7/8" X GA11 STRUCTURE SIDE | | 1 | 1 | 1 | |
| NS | 481131 | . SHIM 2" X 1"1/8 / HINGE SUPPORT | | 9 | 9 | 9 | |
| NS | 5001184 | . SCREW TP PAN PH #12x1/2 SS | | 7 | 7 | 7 | |
| NS | 500316 | . SCREW MA FL PH 1/4-28x3/4 SS | | 5 | 5 | 5 | |
| 3 | 452987 | . GRILL | | 1 | 1 | 1 | |
| NS | 680532 | . SEALANT SIKA #221 / GREY / 310ml CARTRIDGE | | 1 | 1 | 1 | |
| 4 | 482985 | . PANEL, UPPER / S.B. To 5-8358 | | 1 | | 1 | |
| 4 | 483801 | . PANEL, UPPER / S.B. From 5-8359 To 5-8468 | | 1 | | 1 | |
| 4 | 483938 | . PANEL, UPPER / B.A. From 5-8469 | | 1 | | 1 | |
| 4 | 474055 | . PANEL, UPPER / S.B. To 5-8358 | | | 1 | | |
| 4 | 477489 | . PANEL, UPPER / S.B. From 5-8359 To 5-8468 | | | 1 | | |
| 4 | 477666 | . PANEL, UPPER / B.A. From 5-8469 | | | 1 | | |
| 5 | 473445 | . PANEL, LOWER / S.B. To 5-8468 | | 1 | | 1 | |
| 5 | 477668 | . PANEL, LOWER / B.A. From 5-8469 | | 1 | | 1 | |
| 5 | 473446 | . PANEL, LOWER / S.B. To 5-8468 | | | 1 | | |
| 5 | 477667 | . PANEL, LOWER / B.A. From 5-8469 | | | 1 | | |
| 6 | Y2-1855-00 | . RUB RAIL - EXTERIOR CREST & TRIMS | | | | | |
| 7 | 504272 | . RIVET CHY Q BRAZ 3/16x1/8 SS | | 18 | 18 | 18 | |
| 8 | 500301 | . NUT HEXF STO 3/8-16 Z050 | | 4 | 4 | 4 | |
| NS | 473378 | . SEAL WASHER / RUB RAIL & PANEL | | 4 | 4 | 4 | |
| 9 | 780278 | . PIN, STRIKER STUD | | 1 | 1 | 1 | |
| NS | 500316 | . SCREW MA FL PH 1/4-28x3/4 SS | | 2 | 2 | 2 | |
| NS | 502582 | . WASHER LO SERR 6.1x16.2x0.9 Z050 | | 2 | 2 | 2 | |
| NS | 500692 | . NUT HEX 1/4-28 Z050 | | 2 | 2 | 2 | |
| 10 | 283326 | . STRIKER PLATE, MOUNTING / 60MM X 25MM | | 1 | 1 | 1 | |
| 11 | 284556 | . STRIKER SUPPORT 86 x 25 x 60 | | 1 | 1 | 1 | |
| NS | 500163 | . SCREW CAP HEX 1/4-20x3/4 G5 Z050 | | 2 | 2 | 2 | |
| NS | 502583 | . WASHER LO SERR 8.15x22.3x1.0 Z050 | | 2 | 2 | 2 | |
| 12 | 482828 | . INTERIOR PANEL To 5-8358 | | | 1 | | |
| 12 | 483802 | . INTERIOR PANEL From 5-8359 | | | 1 | | |
| 12 | 483028 | . INTERIOR PANEL To 5-8358 | | 1 | | 1 | |
| 12 | 483810 | . INTERIOR PANEL From 5-8359 | | 1 | | 1 | |
| 13 | 504433 | . SNAP-IN PLUG / 1.090 O.D. | | 4 | 4 | 4 | |

| | | |
|-----------------------------------|--------------|-----------------|
| From Y-7046 To 6-8805 | Date:10/2022 | PAGE:Y2-1866-50 |
| EVAPORATOR DOOR ASSY - MTH | | |

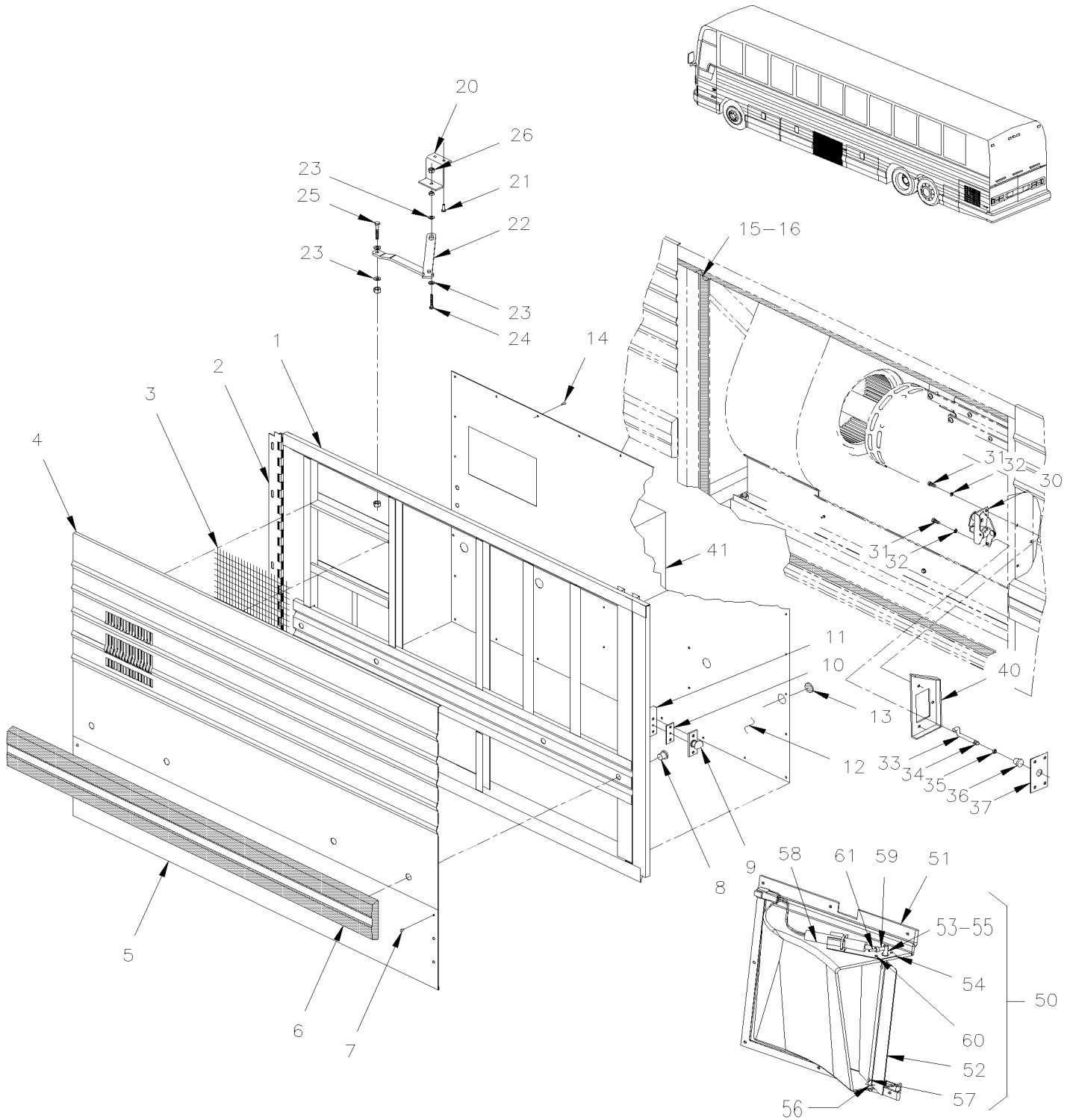
| Item# | Part | Description | X L I I 4 5 | X L I I M T H 4 0 | X L I I M T H 4 5 | X L I I M T H 4 5 E | N O T E S |
|-------|-------------------|---|----------------------------|---|---|--|-----------------------|
| 14 | 504347 | . RIVET POP DOME OE 3/16x1/4 AL | | AR | AR | AR | |
| NS | 064990 | . CABLE ASSY / SIDE MARKER LAMP FOR DOORS To 5-8358 | | | 2 | | |
| . NS | 473832 | . . GROMMET 2 HOLESx1.6x11.0MMx2.0MMx8.0MMx16MM To 5-8358 | | | 1 | | |
| NS | 067207 | . CABLE ASSY / SIDE MARKER LAMP FOR DOORS | | | 2 | | |
| . NS | 473832 | . . GROMMET 2 HOLESx1.6x11.0MMx2.0MMx8.0MMx16MM | | | 1 | | |
| NS | 504068 | . GROMMET / .500x.750x.062x.312x1.062 To 5-8358 | | | 2 | | |
| NS | 504397 | . GROMMET / .750x1.062x.062x.375x1.375 From 5-8359 | | | 2 | | |
| 15 | 482096 | WEATHERSTRIP / EVAPORATOR DOOR | | | 1 | | |
| 15 | 481163 | WEATHERSTRIP / EVAPORATOR DOOR | | 1 | | 1 | |
| 16 | 482137 | MOULDING / WEATHERSTRIP RETAINER | | 1 | 1 | 1 | |
| 16 | Y2-1854-20 | WEATHERSTRIP & RETAINER - MTH | | | | | |
| 20 | 481839 | SUPPORT ASSY / DOOR GUIDE | | 1 | 1 | 1 | |
| 21 | 500535 | SCREW TP CAP HEX #14x3/4 Z050 | | 2 | 2 | 2 | |
| 22 | 281445 | GUIDE ASSY / R.H. DOOR To 2-7831 | | 1 | 1 | 1 | |
| 22 | 288031 | GUIDE ASSY / R.H. DOOR From 2-7832 | | 1 | 1 | 1 | |
| 23 | 500441 | WASHER FL .312x.734x.065 Z050 | | 3 | 3 | 3 | |
| 24 | 500165 | SCREW CAP HEX 1/4-20x1 G5 Z050 | | 1 | 1 | 1 | |
| 25 | 500556 | SCREW MA TR PH 1/4-20x3/4 SS | | 1 | 1 | 1 | |
| 26 | 500769 | NUT HEX 1/4-20 Z050 | | 2 | 2 | 2 | |
| 30 | 780282 | LOCK SPAGNOLET L.H. | | 1 | 1 | 1 | |
| 31 | 502531 | SCREW CAP HEX M6-1.0x16 G8.8 Z050 | | 2 | 2 | 2 | |
| 32 | 502582 | WASHER LO SERR 6.1x16.2x0.9 Z050 | | 2 | 2 | 2 | |
| 33 | 284596 | ROD OPENING 68MM | | 1 | 1 | 1 | |
| 33 | 287170 | ROD OPENING 228MM | | | 1 | | C |
| 34 | 504083 | SNAP BUSHING / .250x.468.406 | | 1 | 1 | 1 | |
| 35 | 500764 | NUT HEX #8-32 Z050 | | 1 | 1 | 1 | |
| 36 | 505504 | KNOB, PULL / 8-32 | | 1 | 1 | 1 | |
| 37 | 482726 | CLOSING PLATE 30MM X 50MM / SS | | 1 | 1 | 1 | |
| NS | 504473 | RIVET POP DOME OE 1/8x1/4 SS | | 1 | 1 | 1 | |
| 37 | 482453 | SUPPORT | | | 1 | | C |
| 40 | 284555 | LOCK SUPPORT / (WELDED TO STRUCTURE) | | 1 | 1 | 1 | |
| | | | | | | | |
| | | | | | | | |
| | | | | | | | |
| | | C) WITH SLIDE-OUT | | | | | |

From 6-8806 To 8-9339

Date:10/2022

PAGE:Y2-1866-51

EVAPORATOR DOOR ASSY - MTH



| | | |
|-----------------------------------|--------------|-----------------|
| From 6-8806 To 8-9339 | Date:10/2022 | PAGE:Y2-1866-51 |
| EVAPORATOR DOOR ASSY - MTH | | |

| Item# | Part | Description | X L I I 4 5 | X L I I M T H 4 0 | X L I I M T H 4 5 | X L I I M T H 4 5 E | N O T E S |
|-------|-------------------|--|----------------------------|---|---|--|-----------------------|
| | | ALL EVAPORATOR DOORS ASSY DO NOT INCLUDE RUB-RAIL PLEASE ORDER SEPARATELY | | | | | |
| | Call order desk | EVAPORATOR DOOR ASSY | | 1 | | 1 | P |
| | 483645P | EVAPORATOR DOOR ASSY | | | 1 | | |
| 1 | 485482 | . DOOR FRAME (WELDED) | | 1 | | 1 | |
| 1 | 483995 | . DOOR FRAME (WELDED) | | | 1 | | |
| . NS | 483552 | . . HINGE | | | 1 | | |
| NS | Call order desk | . KIT INSULATING PANEL | | | 1 | | P |
| 1 | 485491 | . KIT INSULATING PANEL | | 1 | | 1 | |
| 2 | 481840 | . REINFORCEMENT OF HINGE / 31 7/8" X GA11 STRUCTURE SIDE | | 1 | 1 | 1 | |
| NS | 481131 | . SHIM 2" X 1"1/8 / HINGE SUPPORT | | 9 | 9 | 9 | |
| NS | 500124 | . SCREW TP TR PH #8x1/2 SS | | 7 | 7 | 7 | |
| NS | 500316 | . SCREW MA FL PH 1/4-28x3/4 SS | | 5 | 5 | 5 | |
| 3 | 453997 | . GASKET | | 1 | 1 | 1 | |
| NS | 871382 | . FILTER SCREEN 12" x 12" | | 1 | 1 | 1 | |
| NS | 680532 | . SEALANT SIKA #221 / GREY / 310ml CARTRIDGE | | 1 | 1 | 1 | |
| 4 | 485489 | . PANEL, UPPER | | 1 | | 1 | |
| 4 | 485447 | . PANEL, UPPER | | | 1 | | |
| 5 | 485488 | . PANEL, LOWER | | 1 | | 1 | |
| 5 | 485446 | . PANEL, LOWER | | | 1 | | |
| 6 | Y2-1855-00 | . RUB RAIL - EXTERIOR CREST & TRIMS | | | | | |
| 7 | 504272 | . RIVET CHY Q BRAZ 3/16x1/8 SS | | 18 | 18 | 18 | |
| 8 | 500301 | . NUT HEXF STO 3/8-16 Z050 | | 4 | 4 | 4 | |
| NS | 473378 | . SEAL WASHER / RUB RAIL & PANEL | | 4 | 4 | 4 | |
| 9 | 780278 | . PIN, STRIKER STUD | | 1 | 1 | 1 | |
| NS | 500316 | . SCREW MA FL PH 1/4-28x3/4 SS | | 2 | 2 | 2 | |
| NS | 502582 | . WASHER LO SERR 6.1x16.2x0.9 Z050 | | 2 | 2 | 2 | |
| NS | 500692 | . NUT HEX 1/4-28 Z050 | | 2 | 2 | 2 | |
| 10 | 283326 | . STRIKER PLATE, MOUNTING / 60MM X 25MM | | 1 | 1 | 1 | |
| 11 | 284556 | . STRIKER SUPPORT 86 x 25 x 60 | | 1 | 1 | 1 | |
| NS | 500163 | . SCREW CAP HEX 1/4-20x3/4 G5 Z050 | | 2 | 2 | 2 | |
| NS | 502583 | . WASHER LO SERR 8.15x22.3x1.0 Z050 | | 2 | 2 | 2 | |
| 12 | 483998 | . INTERIOR PANEL | | | 1 | | |
| 12 | 485487 | . INTERIOR PANEL | | 1 | | 1 | |
| 13 | 504433 | . SNAP-IN PLUG / 1.090 O.D. | | 4 | 4 | 4 | |
| 14 | 504347 | . RIVET POP DOME OE 3/16x1/4 AL | | AR | AR | AR | |
| 15 | 483555 | WEATHERSTRIP / EVAPORATOR DOOR | | | 1 | | |
| 15 | 485499 | WEATHERSTRIP / EVAPORATOR DOOR | | 1 | | 1 | |
| 16 | 214684 | SEAL DOOR RETAINER / FORWARD DOOR | | 1 | 1 | 1 | |
| 16 | Y2-1854-20 | WEATHERSTRIP & RETAINER - MTH | | | | | |

| | | |
|-----------------------------------|--------------|-----------------|
| From 6-8806 To 8-9339 | Date:10/2022 | PAGE:Y2-1866-51 |
| EVAPORATOR DOOR ASSY - MTH | | |

| Item# | Part | Description | X L I I I | | | | N O T E S |
|-------|-------------------|---|-----------|-----------|-----------|-------------|-----------|
| | | | 4 5 | M T H 4 0 | M T H 4 5 | M T H 4 5 E | |
| 20 | 481839 | SUPPORT ASSY / DOOR GUIDE | | 1 | 1 | 1 | |
| 21 | 500535 | SCREW TP CAP HEX #14x3/4 Z050 | | 2 | 2 | 2 | |
| 22 | 281445 | GUIDE ASSY / R.H. DOOR | | 1 | 1 | 1 | |
| 22 | 288031 | GUIDE ASSY / R.H. DOOR | | 1 | 1 | 1 | |
| 23 | 502638 | WASHER FL .312x.734x.065 N500 | | 3 | 3 | 3 | |
| 24 | 500165 | SCREW CAP HEX 1/4-20x1 G5 Z050 | | 1 | 1 | 1 | |
| 25 | 500171 | SCREW CAP HEX 1/4-20x1 G5 N500 | | 1 | 1 | 1 | |
| 26 | 500247 | NUT HEX 1/4-20 N500 | | 2 | 2 | 2 | |
| 30 | 780282 | LOCK SPAGNOLET L.H. | | 1 | 1 | 1 | |
| 31 | 955271 | SCREW CAP HEX M6-1.0x16 G8.8 ZG603 | | 2 | 2 | 2 | |
| 32 | 500356 | WASHER LO SERR 6.1x16.0x0.9 N500 | | 2 | 2 | 2 | |
| 33 | 284596 | ROD OPENING 68MM | | 1 | 1 | 1 | |
| 33 | 287170 | ROD OPENING 228MM | | | 1 | | S |
| 34 | 504083 | SNAP BUSHING / .250x.468.406 | | 1 | 1 | 1 | |
| 35 | 500764 | NUT HEX #8-32 Z050 | | 1 | 1 | 1 | |
| 36 | 505504 | KNOB, PULL / 8-32 | | 1 | 1 | 1 | |
| 37 | 482657 | CLOSING PLATE 58MM X 58MM / SS | | 1 | 1 | 1 | |
| NS | 504473 | RIVET POP DOME OE 1/8x1/4 SS | | 1 | 1 | 1 | |
| 37 | 504083 | SNAP BUSHING / .250x.468.406 | | 1 | 1 | 1 | |
| 40 | 284555 | LOCK SUPPORT / (WELDED TO STRUCTURE) | | 1 | 1 | 1 | |
| 40 | 482453 | SUPPORT | | | 1 | 1 | S |
| 41 | Y2-0621-00 | A/C JUNCTION BOX ASSY | | | | | |
| 41 | Y2-0621-50 | A/C CONDENSOR MOTOR RELAY | | | | | |
| 50 | Call order desk | DAMPER TRAP ASSY | | 1 | 1 | 1 | P |
| 51 | 374151 | . DEFLECTOR PANEL | | 1 | 1 | 1 | |
| 52 | 374171 | . DAMPER | | 1 | 1 | 1 | |
| 53 | 374172 | . ROD | | 1 | 1 | 1 | |
| 54 | 374173 | . PLATE FIXTURE | | 1 | 1 | 1 | |
| 55 | 507309 | . BUSHING NYLINED .312x.375x.078x.500 | | 1 | 1 | 1 | |
| 56 | 500975 | . WASHER FL .378x.620x.094 NYL | | 1 | 1 | 1 | |
| 57 | 504339 | . RIVET POP DOME OE 1/8x3/8 SS | | 1 | 1 | 1 | |
| 58 | 373415 | . ACTUATOR ASSY | | 1 | 1 | 1 | |
| 59 | 374021 | . TUBE NYLON #4 12MM | | 1 | 1 | 1 | |
| 60 | 504340 | . RIVET POP DOME OE 1/8x3/16 SS | | 5 | 5 | 5 | |
| 61 | 502243 | . SPRING PIN | | 1 | 1 | 1 | |
| NS | 064990 | CABLE ASSY / SIDE MARKER LAMP FOR DOORS | | 1 | 1 | 1 | |
| . NS | 473832 | . GROMMET 2 HOLESx1.6x11.0MMx2.0MMx8.0MMx16MM | | 1 | 1 | 1 | |
| NS | 067207 | CABLE ASSY / SIDE MARKER LAMP FOR DOORS | | 1 | 1 | 1 | |
| . NS | 473832 | . GROMMET 2 HOLESx1.6x11.0MMx2.0MMx8.0MMx16MM | | 1 | 1 | 1 | |
| | | | | | | | |
| | | | | | | | |
| | | | | | | | |
| | | | | | | | |

| | | |
|-----------------------------------|--------------|-----------------|
| From 6-8806 To 8-9339 | Date:10/2022 | PAGE:Y2-1866-51 |
| EVAPORATOR DOOR ASSY - MTH | | |

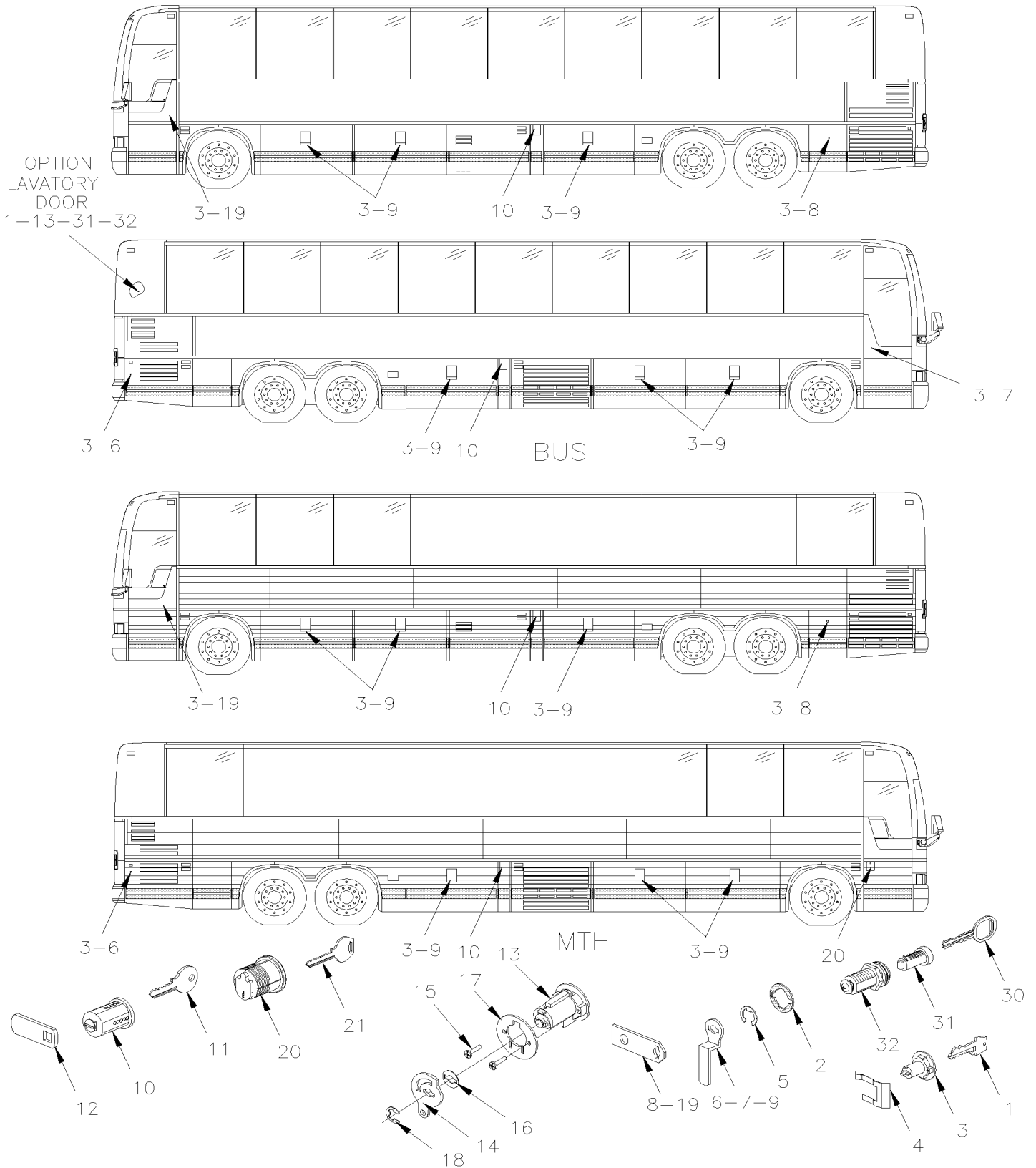
| Item# | Part | Description | X L I I 4 5 | X L I I M T H 4 0 | X L I I M T H 4 5 | X L I I M T H 4 5 E | N O T E S |
|-------|------|--|--------------------------------|---|---|--|-----------------------|
| | | S) WITH SLIDE-OUT | | | | | |
| | | P) CALL ORDER DESK FOR SPECIFIC APPLICATION (V.I.N.) | | | | | |

From Y-7046 To 8-9339

Date:10/2022

PAGE:Y2-1867-00

KEY & CYLINDER CODE "FORD" & "NS"



| | | |
|--|--------------|-----------------|
| From Y-7046 To 8-9339 | Date:10/2022 | PAGE:Y2-1867-00 |
| KEY & CYLINDER CODE "FORD" & "NS" | | |

| Item# | Part | Description | X L I I 4 5 | X L I I M T H 4 0 | X L I I M T H 4 5 | X L I I M T H 4 5 E | NOTES |
|-------|--------|-----------------|----------------------------|---|---|--|-------|
| | 780238 | KEY BLANK UNCUT | AR | AR | AR | AR | |
| 1 | 282179 | KEY CODE / 00 | | 1 | 1 | 1 | |
| 1 | 282180 | KEY CODE / 01 | | 1 | 1 | 1 | |
| 1 | 282181 | KEY CODE / 02 | | 1 | 1 | 1 | |
| 1 | 282182 | KEY CODE / 03 | | 1 | 1 | 1 | |
| 1 | 282183 | KEY CODE / 04 | | 1 | 1 | 1 | |
| 1 | 282184 | KEY CODE / 05 | | 1 | 1 | 1 | |
| 1 | 282185 | KEY CODE / 06 | | 1 | 1 | 1 | |
| 1 | 282186 | KEY CODE / 07 | | 1 | 1 | 1 | |
| 1 | 282187 | KEY CODE / 08 | | 1 | 1 | 1 | |
| 1 | 282188 | KEY CODE / 09 | | 1 | 1 | 1 | |
| 1 | 282189 | KEY CODE / 10 | | 1 | 1 | 1 | |
| 1 | 282190 | KEY CODE / 11 | | 1 | 1 | 1 | |
| 1 | 282191 | KEY CODE / 12 | | 1 | 1 | 1 | |
| 1 | 282192 | KEY CODE / 13 | | 1 | 1 | 1 | |
| 1 | 282193 | KEY CODE / 14 | | 1 | 1 | 1 | |
| 1 | 282194 | KEY CODE / 15 | | 1 | 1 | 1 | |
| 1 | 282195 | KEY CODE / 16 | | 1 | 1 | 1 | |
| 1 | 282196 | KEY CODE / 17 | | 1 | 1 | 1 | |
| 1 | 282197 | KEY CODE / 18 | | 1 | 1 | 1 | |
| 1 | 282198 | KEY CODE / 19 | | 1 | 1 | 1 | |
| 1 | 282199 | KEY CODE / 20 | | 1 | 1 | 1 | |
| 1 | 282200 | KEY CODE / 21 | | 1 | 1 | 1 | |
| 1 | 282201 | KEY CODE / 22 | | 1 | 1 | 1 | |
| 1 | 282202 | KEY CODE / 23 | | 1 | 1 | 1 | |
| 1 | 282203 | KEY CODE / 24 | | 1 | 1 | 1 | |
| 1 | 282204 | KEY CODE / 25 | | 1 | 1 | 1 | |
| 1 | 282205 | KEY CODE / 26 | | 1 | 1 | 1 | |
| 1 | 282206 | KEY CODE / 27 | | 1 | 1 | 1 | |
| 1 | 282207 | KEY CODE / 28 | | 1 | 1 | 1 | |
| 1 | 282208 | KEY CODE / 29 | | 1 | 1 | 1 | |
| 1 | 282209 | KEY CODE / 30 | | 1 | 1 | 1 | |
| 1 | 282210 | KEY CODE / 31 | | 1 | 1 | 1 | |
| 1 | 282211 | KEY CODE / 32 | | 1 | 1 | 1 | |
| 1 | 282212 | KEY CODE / 33 | | 1 | 1 | 1 | |
| 1 | 282213 | KEY CODE / 34 | | 1 | 1 | 1 | |
| 1 | 282214 | KEY CODE / 35 | | 1 | 1 | 1 | |
| 1 | 282215 | KEY CODE / 36 | | 1 | 1 | 1 | |
| 1 | 282216 | KEY CODE / 37 | | 1 | 1 | 1 | |
| 1 | 282217 | KEY CODE / 38 | | 1 | 1 | 1 | |

| | | |
|--|--------------|-----------------|
| From Y-7046 To 8-9339 | Date:10/2022 | PAGE:Y2-1867-00 |
| KEY & CYLINDER CODE "FORD" & "NS" | | |

| Item# | Part | Description | X L I I 4 5 | X L I I M T H 4 0 | X L I I M T H 4 5 | X L I I M T H 4 5 E | N O T E S |
|-------|--------|---------------|----------------------------|---|---|--|-----------------------|
| 1 | 282218 | KEY CODE / 39 | | 1 | 1 | 1 | |
| 1 | 282219 | KEY CODE / 40 | | 1 | 1 | 1 | |
| 1 | 282220 | KEY CODE / 41 | | 1 | 1 | 1 | |
| 1 | 282221 | KEY CODE / 42 | | 1 | 1 | 1 | |
| 1 | 282222 | KEY CODE / 43 | | 1 | 1 | 1 | |
| 1 | 282223 | KEY CODE / 44 | | 1 | 1 | 1 | |
| 1 | 282224 | KEY CODE / 45 | | 1 | 1 | 1 | |
| 1 | 282225 | KEY CODE / 46 | | 1 | 1 | 1 | |
| 1 | 282226 | KEY CODE / 47 | | 1 | 1 | 1 | |
| 1 | 282227 | KEY CODE / 48 | | 1 | 1 | 1 | |
| 1 | 282228 | KEY CODE / 49 | | 1 | 1 | 1 | |
| 1 | 282229 | KEY CODE / 50 | | 1 | 1 | 1 | |
| 1 | 282230 | KEY CODE / 51 | | 1 | 1 | 1 | |
| 1 | 282231 | KEY CODE / 52 | | 1 | 1 | 1 | |
| 1 | 282232 | KEY CODE / 53 | | 1 | 1 | 1 | |
| 1 | 282233 | KEY CODE / 54 | | 1 | 1 | 1 | |
| 1 | 282234 | KEY CODE / 55 | | 1 | 1 | 1 | |
| 1 | 282235 | KEY CODE / 56 | | 1 | 1 | 1 | |
| 1 | 282236 | KEY CODE / 57 | | 1 | 1 | 1 | |
| 1 | 282237 | KEY CODE / 58 | | 1 | 1 | 1 | |
| 1 | 282238 | KEY CODE / 59 | | 1 | 1 | 1 | |
| 1 | 282239 | KEY CODE / 60 | | 1 | 1 | 1 | |
| 1 | 282240 | KEY CODE / 61 | | 1 | 1 | 1 | |
| 1 | 282241 | KEY CODE / 62 | | 1 | 1 | 1 | |
| 1 | 282242 | KEY CODE / 63 | | 1 | 1 | 1 | |
| 1 | 282243 | KEY CODE / 64 | | 1 | 1 | 1 | |
| 1 | 282244 | KEY CODE / 65 | | 1 | 1 | 1 | |
| 1 | 282245 | KEY CODE / 66 | | 1 | 1 | 1 | |
| 1 | 282246 | KEY CODE / 67 | | 1 | 1 | 1 | |
| 1 | 282247 | KEY CODE / 68 | | 1 | 1 | 1 | |
| 1 | 282248 | KEY CODE / 69 | | 1 | 1 | 1 | |
| 1 | 282249 | KEY CODE / 70 | | 1 | 1 | 1 | |
| 1 | 282250 | KEY CODE / 71 | | 1 | 1 | 1 | |
| 1 | 282251 | KEY CODE / 72 | | 1 | 1 | 1 | |
| 1 | 282252 | KEY CODE / 73 | | 1 | 1 | 1 | |
| 1 | 282253 | KEY CODE / 74 | | 1 | 1 | 1 | |
| 1 | 282254 | KEY CODE / 75 | | 1 | 1 | 1 | |
| 1 | 282255 | KEY CODE / 76 | | 1 | 1 | 1 | |
| 1 | 282256 | KEY CODE / 77 | | 1 | 1 | 1 | |
| 1 | 282257 | KEY CODE / 78 | | 1 | 1 | 1 | |
| 1 | 282258 | KEY CODE / 79 | | 1 | 1 | 1 | |
| 1 | 282259 | KEY CODE / 80 | | 1 | 1 | 1 | |

| | | |
|--|--------------|-----------------|
| From Y-7046 To 8-9339 | Date:10/2022 | PAGE:Y2-1867-00 |
| KEY & CYLINDER CODE "FORD" & "NS" | | |

| Item# | Part | Description | X L I I 4 5 | X L I I M T H 4 0 | X L I I M T H 4 5 | X L I I M T H 4 5 E | N O T E S |
|-------|--------|--------------------|--------------------------------|---|---|--|-----------------------|
| 1 | 282260 | KEY CODE / 81 | | 1 | 1 | 1 | |
| 1 | 282261 | KEY CODE / 82 | | 1 | 1 | 1 | |
| 1 | 282262 | KEY CODE / 83 | | 1 | 1 | 1 | |
| 1 | 282263 | KEY CODE / 84 | | 1 | 1 | 1 | |
| 1 | 282264 | KEY CODE / 85 | | 1 | 1 | 1 | |
| 1 | 282265 | KEY CODE / 86 | | 1 | 1 | 1 | |
| 1 | 282266 | KEY CODE / 87 | | 1 | 1 | 1 | |
| 1 | 282267 | KEY CODE / 88 | | 1 | 1 | 1 | |
| 1 | 282268 | KEY CODE / 89 | | 1 | 1 | 1 | |
| 1 | 282269 | KEY CODE / 90 | | 1 | 1 | 1 | |
| 1 | 282270 | KEY CODE / 91 | | 1 | 1 | 1 | |
| 1 | 282271 | KEY CODE / 92 | | 1 | 1 | 1 | |
| 1 | 282272 | KEY CODE / 93 | | 1 | 1 | 1 | |
| 1 | 282273 | KEY CODE / 94 | | 1 | 1 | 1 | |
| 1 | 282274 | KEY CODE / 95 | | 1 | 1 | 1 | |
| 1 | 282275 | KEY CODE / 96 | | 1 | 1 | 1 | |
| 1 | 282276 | KEY CODE / 97 | | 1 | 1 | 1 | |
| 1 | 282277 | KEY CODE / 98 | | 1 | 1 | 1 | |
| 1 | 282278 | KEY CODE / 99 | | 1 | 1 | 1 | |
| 1 | 780217 | KEY CODE / FA 0000 | 1 | | | | |
| 1 | 780218 | KEY CODE / FA 0050 | 1 | | | | |
| 1 | 780219 | KEY CODE / FA 0100 | 1 | | | | |
| 1 | 780220 | KEY CODE / FA 0221 | 1 | | | | |
| 1 | 780221 | KEY CODE / FA 0225 | 1 | | | | |
| 1 | 780222 | KEY CODE / FA 0300 | 1 | | | | |
| 1 | 780223 | KEY CODE / FA 0400 | 1 | | | | |
| 1 | 780224 | KEY CODE / FA 0500 | 1 | | | | |
| 1 | 780225 | KEY CODE / FA 0600 | 1 | | | | |
| 1 | 780226 | KEY CODE / FA 0800 | 1 | | | | |
| 1 | 282427 | KEY CODE / FA 1212 | 1 | | | | |
| 1 | 780654 | KEY CODE / FA 0001 | AR | | | | |
| 1 | 780624 | KEY CODE / FA 0028 | AR | | | | |
| 1 | 780649 | KEY CODE / FA 0055 | AR | | | | |
| 1 | 780604 | KEY CODE / FA 0013 | AR | | | | |
| 1 | 780656 | KEY CODE / FA 0109 | AR | | | | |
| 1 | 780627 | KEY CODE / FA 0113 | AR | | | | |
| 1 | 780829 | KEY CODE / FA 0150 | AR | | | | |
| 1 | 780543 | KEY CODE / FA 0169 | AR | | | | |
| 1 | 780599 | KEY CODE / FA 0190 | AR | | | | |
| 1 | 780530 | KEY CODE / FA 0199 | AR | | | | |
| 1 | 780659 | KEY CODE / FA 0208 | AR | | | | |
| 1 | 780597 | KEY CODE / FA 0221 | AR | | | | |

| | | |
|--|--------------|-----------------|
| From Y-7046 To 8-9339 | Date:10/2022 | PAGE:Y2-1867-00 |
| KEY & CYLINDER CODE "FORD" & "NS" | | |

| Item# | Part | Description | X L I I 4 5 | X L I I M T H 4 0 | X L I I M T H 4 5 | X L I I M T H 4 5 E | N O T E S |
|-------|---------|------------------------------|----------------------------|---|---|--|-----------------------|
| 1 | 780572 | KEY CODE / FA 0268 | AR | | | | |
| 1 | 780582 | KEY CODE / FA 0368 | AR | | | | |
| 1 | 780610 | KEY CODE / FA 0506 | AR | | | | |
| 1 | 780622 | KEY CODE / FA 0528 | AR | | | | |
| 1 | 780585 | KEY CODE / FA 0532 | AR | | | | |
| 1 | 780791 | KEY CODE / FA 0563 | AR | | | | |
| 1 | 780534 | KEY CODE / FA 0648 | AR | | | | |
| 1 | 780641 | KEY CODE / FA 0704 | AR | | | | |
| 1 | 780608 | KEY CODE / FA 0714 | AR | | | | |
| 1 | 780632 | KEY CODE / FA 0692 | AR | | | | |
| 1 | 780601 | KEY CODE / FA 1252 | AR | | | | |
| 1 | 780550 | KEY CODE / FA 1320 | AR | | | | |
| 1 | 780644 | KEY CODE / FA 1343 | AR | | | | |
| 1 | 780545 | KEY CODE / FA 1486 | AR | | | | |
| 1 | 780548 | KEY CODE / FA 1549 | AR | | | | |
| 2 | 780237 | SEAL RUBBER 1/32" TH | AR | AR | AR | AR | |
| 2 | 2800032 | SEAL RUBBER 1/16" TH SERVICE | AR | AR | AR | AR | |
| 3 | 282079 | CYLINDER LOCK / CODE 00 | | 1 | 1 | 1 | |
| 3 | 282080 | CYLINDER LOCK / CODE 01 | | 1 | 1 | 1 | |
| 3 | 282081 | CYLINDER LOCK / CODE 02 | | 1 | 1 | 1 | |
| 3 | 282082 | CYLINDER LOCK / CODE 03 | | 1 | 1 | 1 | |
| 3 | 282083 | CYLINDER LOCK / CODE 04 | | 1 | 1 | 1 | |
| 3 | 282084 | CYLINDER LOCK / CODE 05 | | 1 | 1 | 1 | |
| 3 | 282085 | CYLINDER LOCK / CODE 06 | | 1 | 1 | 1 | |
| 3 | 282086 | CYLINDER LOCK / CODE 07 | | 1 | 1 | 1 | |
| 3 | 282087 | CYLINDER LOCK / CODE 08 | | 1 | 1 | 1 | |
| 3 | 282088 | CYLINDER LOCK / CODE 09 | | 1 | 1 | 1 | |
| 3 | 282089 | CYLINDER LOCK / CODE 10 | | 1 | 1 | 1 | |
| 3 | 282090 | CYLINDER LOCK / CODE 11 | | 1 | 1 | 1 | |
| 3 | 282091 | CYLINDER LOCK / CODE 12 | | 1 | 1 | 1 | |
| 3 | 282092 | CYLINDER LOCK / CODE 13 | | 1 | 1 | 1 | |
| 3 | 282093 | CYLINDER LOCK / CODE 14 | | 1 | 1 | 1 | |
| 3 | 282094 | CYLINDER LOCK / CODE 15 | | 1 | 1 | 1 | |
| 3 | 282095 | CYLINDER LOCK / CODE 16 | | 1 | 1 | 1 | |
| 3 | 282096 | CYLINDER LOCK / CODE 17 | | 1 | 1 | 1 | |
| 3 | 282097 | CYLINDER LOCK / CODE 18 | | 1 | 1 | 1 | |
| 3 | 282098 | CYLINDER LOCK / CODE 19 | | 1 | 1 | 1 | |
| 3 | 282099 | CYLINDER LOCK / CODE 20 | | 1 | 1 | 1 | |
| 3 | 282100 | CYLINDER LOCK / CODE 21 | | 1 | 1 | 1 | |
| 3 | 282101 | CYLINDER LOCK / CODE 22 | | 1 | 1 | 1 | |
| 3 | 282102 | CYLINDER LOCK / CODE 23 | | 1 | 1 | 1 | |
| 3 | 282103 | CYLINDER LOCK / CODE 24 | | 1 | 1 | 1 | |

| | | |
|--|--------------|-----------------|
| From Y-7046 To 8-9339 | Date:10/2022 | PAGE:Y2-1867-00 |
| KEY & CYLINDER CODE "FORD" & "NS" | | |

| Item# | Part | Description | X L I I 4 5 | X L I I M T H 4 0 | X L I I M T H 4 5 | X L I I M T H 4 5 E | N O T E S |
|-------|--------|-------------------------|--------------------------------|---|---|--|-----------------------|
| 3 | 282104 | CYLINDER LOCK / CODE 25 | | 1 | 1 | 1 | |
| 3 | 282105 | CYLINDER LOCK / CODE 26 | | 1 | 1 | 1 | |
| 3 | 282106 | CYLINDER LOCK / CODE 27 | | 1 | 1 | 1 | |
| 3 | 282107 | CYLINDER LOCK / CODE 28 | | 1 | 1 | 1 | |
| 3 | 282108 | CYLINDER LOCK / CODE 29 | | 1 | 1 | 1 | |
| 3 | 282109 | CYLINDER LOCK / CODE 30 | | 1 | 1 | 1 | |
| 3 | 282110 | CYLINDER LOCK / CODE 31 | | 1 | 1 | 1 | |
| 3 | 282111 | CYLINDER LOCK / CODE 32 | | 1 | 1 | 1 | |
| 3 | 282112 | CYLINDER LOCK / CODE 33 | | 1 | 1 | 1 | |
| 3 | 282113 | CYLINDER LOCK / CODE 34 | | 1 | 1 | 1 | |
| 3 | 282114 | CYLINDER LOCK / CODE 35 | | 1 | 1 | 1 | |
| 3 | 282115 | CYLINDER LOCK / CODE 36 | | 1 | 1 | 1 | |
| 3 | 282116 | CYLINDER LOCK / CODE 37 | | 1 | 1 | 1 | |
| 3 | 282117 | CYLINDER LOCK / CODE 38 | | 1 | 1 | 1 | |
| 3 | 282118 | CYLINDER LOCK / CODE 39 | | 1 | 1 | 1 | |
| 3 | 282119 | CYLINDER LOCK / CODE 40 | | 1 | 1 | 1 | |
| 3 | 282120 | CYLINDER LOCK / CODE 41 | | 1 | 1 | 1 | |
| 3 | 282121 | CYLINDER LOCK / CODE 42 | | 1 | 1 | 1 | |
| 3 | 282122 | CYLINDER LOCK / CODE 43 | | 1 | 1 | 1 | |
| 3 | 282123 | CYLINDER LOCK / CODE 44 | | 1 | 1 | 1 | |
| 3 | 282124 | CYLINDER LOCK / CODE 45 | | 1 | 1 | 1 | |
| 3 | 282125 | CYLINDER LOCK / CODE 46 | | 1 | 1 | 1 | |
| 3 | 282126 | CYLINDER LOCK / CODE 47 | | 1 | 1 | 1 | |
| 3 | 282127 | CYLINDER LOCK / CODE 48 | | 1 | 1 | 1 | |
| 3 | 282128 | CYLINDER LOCK / CODE 49 | | 1 | 1 | 1 | |
| 3 | 282129 | CYLINDER LOCK / CODE 50 | | 1 | 1 | 1 | |
| 3 | 282130 | CYLINDER LOCK / CODE 51 | | 1 | 1 | 1 | |
| 3 | 282131 | CYLINDER LOCK / CODE 52 | | 1 | 1 | 1 | |
| 3 | 282132 | CYLINDER LOCK / CODE 53 | | 1 | 1 | 1 | |
| 3 | 282133 | CYLINDER LOCK / CODE 54 | | 1 | 1 | 1 | |
| 3 | 282134 | CYLINDER LOCK / CODE 55 | | 1 | 1 | 1 | |
| 3 | 282135 | CYLINDER LOCK / CODE 56 | | 1 | 1 | 1 | |
| 3 | 282136 | CYLINDER LOCK / CODE 57 | | 1 | 1 | 1 | |
| 3 | 282137 | CYLINDER LOCK / CODE 58 | | 1 | 1 | 1 | |
| 3 | 282138 | CYLINDER LOCK / CODE 59 | | 1 | 1 | 1 | |
| 3 | 282139 | CYLINDER LOCK / CODE 60 | | 1 | 1 | 1 | |
| 3 | 282140 | CYLINDER LOCK / CODE 61 | | 1 | 1 | 1 | |
| 3 | 282141 | CYLINDER LOCK / CODE 62 | | 1 | 1 | 1 | |
| 3 | 282142 | CYLINDER LOCK / CODE 63 | | 1 | 1 | 1 | |
| 3 | 282143 | CYLINDER LOCK / CODE 64 | | 1 | 1 | 1 | |
| 3 | 282144 | CYLINDER LOCK / CODE 65 | | 1 | 1 | 1 | |
| 3 | 282145 | CYLINDER LOCK / CODE 66 | | 1 | 1 | 1 | |

| | | |
|--|--------------|-----------------|
| From Y-7046 To 8-9339 | Date:10/2022 | PAGE:Y2-1867-00 |
| KEY & CYLINDER CODE "FORD" & "NS" | | |

| Item# | Part | Description | X L I I 4 5 | X L I I M T H 4 0 | X L I I M T H 4 5 | X L I I M T H 4 5 E | N O T E S |
|-------|--------|------------------------------|----------------------------|---|---|--|-----------------------|
| | | | | | | | |
| 3 | 282146 | CYLINDER LOCK / CODE 67 | | 1 | 1 | 1 | |
| 3 | 282147 | CYLINDER LOCK / CODE 68 | | 1 | 1 | 1 | |
| 3 | 282148 | CYLINDER LOCK / CODE 69 | | 1 | 1 | 1 | |
| 3 | 282149 | CYLINDER LOCK / CODE 70 | | 1 | 1 | 1 | |
| 3 | 282150 | CYLINDER LOCK / CODE 71 | | 1 | 1 | 1 | |
| 3 | 282151 | CYLINDER LOCK / CODE 72 | | 1 | 1 | 1 | |
| 3 | 282152 | CYLINDER LOCK / CODE 73 | | 1 | 1 | 1 | |
| 3 | 282153 | CYLINDER LOCK / CODE 74 | | 1 | 1 | 1 | |
| 3 | 282154 | CYLINDER LOCK / CODE 75 | | 1 | 1 | 1 | |
| 3 | 282155 | CYLINDER LOCK / CODE 76 | | 1 | 1 | 1 | |
| 3 | 282156 | CYLINDER LOCK / CODE 77 | | 1 | 1 | 1 | |
| 3 | 282157 | CYLINDER LOCK / CODE 78 | | 1 | 1 | 1 | |
| 3 | 282158 | CYLINDER LOCK / CODE 79 | | 1 | 1 | 1 | |
| 3 | 282159 | CYLINDER LOCK / CODE 80 | | 1 | 1 | 1 | |
| 3 | 282160 | CYLINDER LOCK / CODE 81 | | 1 | 1 | 1 | |
| 3 | 282161 | CYLINDER LOCK / CODE 82 | | 1 | 1 | 1 | |
| 3 | 282162 | CYLINDER LOCK / CODE 83 | | 1 | 1 | 1 | |
| 3 | 282163 | CYLINDER LOCK / CODE 84 | | 1 | 1 | 1 | |
| 3 | 282164 | CYLINDER LOCK / CODE 85 | | 1 | 1 | 1 | |
| 3 | 282165 | CYLINDER LOCK / CODE 86 | | 1 | 1 | 1 | |
| 3 | 282166 | CYLINDER LOCK / CODE 87 | | 1 | 1 | 1 | |
| 3 | 282167 | CYLINDER LOCK / CODE 88 | | 1 | 1 | 1 | |
| 3 | 282168 | CYLINDER LOCK / CODE 89 | | 1 | 1 | 1 | |
| 3 | 282169 | CYLINDER LOCK / CODE 90 | | 1 | 1 | 1 | |
| 3 | 282170 | CYLINDER LOCK / CODE 91 | | 1 | 1 | 1 | |
| 3 | 282171 | CYLINDER LOCK / CODE 92 | | 1 | 1 | 1 | |
| 3 | 282172 | CYLINDER LOCK / CODE 93 | | 1 | 1 | 1 | |
| 3 | 282173 | CYLINDER LOCK / CODE 94 | | 1 | 1 | 1 | |
| 3 | 282174 | CYLINDER LOCK / CODE 95 | | 1 | 1 | 1 | |
| 3 | 282175 | CYLINDER LOCK / CODE 96 | | 1 | 1 | 1 | |
| 3 | 282176 | CYLINDER LOCK / CODE 97 | | 1 | 1 | 1 | |
| 3 | 282177 | CYLINDER LOCK / CODE 98 | | 1 | 1 | 1 | |
| 3 | 282178 | CYLINDER LOCK / CODE 99 | | 1 | 1 | 1 | |
| 3 | 780235 | CYLINDER LOCK / CODE FA 0000 | 1 | | | | |
| 3 | 780240 | CYLINDER LOCK / CODE FA 0050 | 1 | | | | |
| 3 | 780241 | CYLINDER LOCK / CODE FA 0100 | 1 | | | | |
| 3 | 780242 | CYLINDER LOCK / CODE FA 0221 | 1 | | | | |
| 3 | 780243 | CYLINDER LOCK / CODE FA 0225 | 1 | | | | |
| 3 | 780244 | CYLINDER LOCK / CODE FA 0300 | 1 | | | | |
| 3 | 780245 | CYLINDER LOCK / CODE FA 0400 | 1 | | | | |
| 3 | 780246 | CYLINDER LOCK / CODE FA 0500 | 1 | | | | |
| 3 | 780247 | CYLINDER LOCK / CODE FA 0600 | 1 | | | | |

| | | |
|--|--------------|-----------------|
| From Y-7046 To 8-9339 | Date:10/2022 | PAGE:Y2-1867-00 |
| KEY & CYLINDER CODE "FORD" & "NS" | | |

| Item# | Part | Description | X L I I 4 5 | X L I I M T H 4 0 | X L I I M T H 4 5 | X L I I M T H 4 5 E | N O T E S |
|-------|--------|--|--------------------------------|---|---|--|-----------------------|
| 3 | 780248 | CYLINDER LOCK / CODE FA 0800 | 1 | | | | |
| 3 | 282426 | CYLINDER LOCK / CODE FA 1212 | 1 | | | | |
| 3 | 780655 | CYLINDER LOCK / CODE FA 0001 | AR | | | | |
| 3 | 780603 | CYLINDER LOCK / CODE FA 0013 | AR | | | | |
| 3 | 780625 | CYLINDER LOCK / CODE FA 0028 | AR | | | | |
| 3 | 780650 | CYLINDER LOCK / CODE FA 0055 | AR | | | | |
| 3 | 780657 | CYLINDER LOCK / CODE FA 0109 | AR | | | | |
| 3 | 780626 | CYLINDER LOCK / CODE FA 0113 | AR | | | | |
| 3 | 780830 | CYLINDER LOCK / CODE FA 0150 | AR | | | | |
| 3 | 780542 | CYLINDER LOCK / CODE FA 0169 | AR | | | | |
| 3 | 780598 | CYLINDER LOCK / CODE FA 0190 | AR | | | | |
| 3 | 780529 | CYLINDER LOCK / CODE FA 0199 | AR | | | | |
| 3 | 780658 | CYLINDER LOCK / CODE FA 0208 | AR | | | | |
| 3 | 780596 | CYLINDER LOCK / CODE FA 0221 | AR | | | | |
| 3 | 780581 | CYLINDER LOCK / CODE FA 0368 | AR | | | | |
| 3 | 780609 | CYLINDER LOCK / CODE FA 0506 | AR | | | | |
| 3 | 780584 | CYLINDER LOCK / CODE FA 0532 | AR | | | | |
| 3 | 780621 | CYLINDER LOCK / CODE FA 0528 | AR | | | | |
| 3 | 780792 | CYLINDER LOCK / CODE FA 0563 | AR | | | | |
| 3 | 780555 | CYLINDER LOCK / CODE FA 0692 | AR | | | | |
| 3 | 780640 | CYLINDER LOCK / CODE FA 0704 | AR | | | | |
| 3 | 780590 | CYLINDER LOCK / CODE FA 0721 | AR | | | | |
| 3 | 780540 | CYLINDER LOCK / CODE FA 1116 | AR | | | | |
| 3 | 780600 | CYLINDER LOCK / CODE FA 1252 | AR | | | | |
| 3 | 780549 | CYLINDER LOCK / CODE FA 1320 | AR | | | | |
| 3 | 780643 | CYLINDER LOCK / CODE FA 1343 | AR | | | | |
| 3 | 780544 | CYLINDER LOCK / CODE FA 1486 | AR | | | | |
| 3 | 780547 | CYLINDER LOCK / CODE FA 1549 | AR | | | | |
| 4 | 780236 | . RETAINER CLIP | 1 | 1 | 1 | 1 | |
| 5 | 504477 | . RING RETAINER / EXT 14.0 X 13.4 X 1.0MM | 1 | 1 | 1 | 1 | |
| 6 | 281498 | PIVOT LOCK 3/8" OFFSET To 4-8297 | 1 | 1 | 1 | 1 | |
| 6 | 287406 | PIVOT LOCK 9.5MM OFFSET From 4-8298 | 1 | 1 | 1 | 1 | |
| 7 | 286553 | PIVOT LOCK 18.7MM OFFSET | 1 | | | | |
| 8 | 284531 | PIVOT LOCK ROD | 1 | | 1 | | |
| 9 | 281498 | PIVOT LOCK 3/8" OFFSET | AR | AR | AR | AR | |
| 10 | 780180 | LOCK CYLINDER W/KEY / "VIRO" | AR | AR | AR | AR | |
| . NS | 780501 | . KEY | 1 | 1 | 1 | 1 | |
| 10 | 780806 | LOCK CYLINDER W/KEY / "VIRO" | AR | AR | AR | AR | |
| . NS | 780501 | . KEY | 1 | 1 | 1 | 1 | |
| 11 | 780501 | . KEY | AR | AR | AR | AR | |
| 12 | | . PIVOT LEVER INCLUDE WITH #780180 | AR | AR | AR | AR | |
| 12 | 289549 | PIVOT LOCK ACTUATOR 42.4MM / W/11MM OFFSET | AR | AR | AR | AR | S |

| | | |
|--|--------------|-----------------|
| From Y-7046 To 8-9339 | Date:10/2022 | PAGE:Y2-1867-00 |
| KEY & CYLINDER CODE "FORD" & "NS" | | |

| Item# | Part | Description | X L I I 4 5 | X L I I M T H 4 0 | X L I I M T H 4 5 | X L I I M T H 4 5 E | N O T E S |
|-------|-----------------|--|----------------------------|---|---|--|-----------------------|
| | | NEXT CYLINDER LOCK ARE MODIFIED WITH 2 THREADED HOLES SCREW 4-40 AND THEY USE ON "W.C.L." PASSENGER'S SIDE DOOR SEE PAGE X3-1862-80 | | | | | |
| 13 | 284561 | CYLINDER LOCK MODIFIED / CODE A | 1 | | | | |
| 13 | 282286 | CYLINDER LOCK / CODE B / FA 0050 | 1 | | | | |
| 13 | 282287 | CYLINDER LOCK / CODE C / FA 0100 | 1 | | | | |
| 13 | 282288 | CYLINDER LOCK / CODE D / FA 0221 | 1 | | | | |
| 13 | 282289 | CYLINDER LOCK / CODE E / FA 0225 | 1 | | | | |
| 13 | 282290 | CYLINDER LOCK / CODE F / FA 0300 | 1 | | | | |
| 13 | 282291 | CYLINDER LOCK / CODE G / FA 0400 | 1 | | | | |
| 13 | 282292 | CYLINDER LOCK / CODE H / FA 0500 | 1 | | | | |
| 13 | 282293 | CYLINDER LOCK / CODE I / FA 0600 | 1 | | | | |
| 13 | 282294 | CYLINDER LOCK / CODE J / FA 0800 | 1 | | | | |
| 13 | 282426 | CYLINDER LOCK / CODE FA 1212 | 1 | | | | |
| 13 | Call order desk | CYLINDER LOCK MODIFIED / CODE FA 0001 | 1 | | | | P |
| 13 | 287379 | CYLINDER LOCK / CODE BA / FA 0001 | 1 | | | | |
| 13 | 286156 | CYLINDER LOCK / CODE M / FA 0013 | 1 | | | | |
| 13 | Call order desk | CYLINDER LOCK MODIFIED / CODE FA 0020 | 1 | | | | P |
| 13 | 287079 | CYLINDER LOCK / CODE O / FA 0028 | 1 | | | | |
| 13 | 287335 | CYLINDER LOCK / CODE P / FA 0055 | 1 | | | | |
| 13 | Call order desk | CYLINDER LOCK MODIFIED / CODE FA 0107 | 1 | | | | P |
| 13 | 287926 | CYLINDER LOCK / CODE Q / FA 0107 | 1 | | | | |
| 13 | 287460 | CYLINDER LOCK / CODE R / FA 0109 | 1 | | | | |
| 13 | Call order desk | CYLINDER LOCK MODIFIED / CODE FA 0109 | 1 | | | | P |
| 13 | 287100 | CYLINDER LOCK / CODE S / FA 0113 | 1 | | | | |
| 13 | 287736 | CYLINDER LOCK / CODE AY / FA 0150 | 1 | | | | |
| 13 | 285021 | CYLINDER LOCK / CODE U / FA 0169 | 1 | | | | |
| 13 | 285946 | CYLINDER LOCK / CODE V / FA 0190 | 1 | | | | |
| 13 | 284513 | CYLINDER LOCK / CODE W / FA 0199 | 1 | | | | |
| 13 | Call order desk | CYLINDER LOCK MODIFIED / CODE FA 0206 | 1 | | | | P |
| 13 | 288154 | CYLINDER LOCK / CODE Y / FA 0208 | 1 | | | | |
| 13 | Call order desk | CYLINDER LOCK MODIFIED / CODE FA 0208 | 1 | | | | P |
| 13 | 285496 | CYLINDER LOCK / CODE Z / FA 0268 | 1 | | | | |
| 13 | Call order desk | CYLINDER LOCK MODIFIED / CODE FA 0268 | 1 | | | | P |
| 13 | 285932 | CYLINDER LOCK MODIFIED / CODE FA 0221 | 1 | | | | |
| 13 | 285584 | CYLINDER LOCK / CODE AA / FA 0368 | 1 | | | | |
| 13 | 284841 | CYLINDER LOCK MODIFIED / CODE FA 0368 | 1 | | | | |
| 13 | 287633 | CYLINDER LOCK MODIFIED / WITH 2 HOLES #4-40 / CODE L / FA 0329 | 1 | | | | |
| 13 | 286459 | CYLINDER LOCK / CODE AC / FA 0506 | 1 | | | | |

| | | |
|--|--------------|-----------------|
| From Y-7046 To 8-9339 | Date:10/2022 | PAGE:Y2-1867-00 |
| KEY & CYLINDER CODE "FORD" & "NS" | | |

| Item# | Part | Description | X L I I 4 5 | X L I I M T H 4 0 | X L I I M T H 4 5 | X L I I M T H 4 5 E | N O T E S |
|-------|-----------------|---|----------------------------|---|---|--|-----------------------|
| 13 | 285264 | CYLINDER LOCK / CODE AB / FA 0443 | 1 | | | | |
| 13 | 286983 | CYLINDER LOCK / CODE AD / FA 0528 | 1 | | | | |
| 13 | 285577 | CYLINDER LOCK MODIFIED / CODE FA 0528 | 1 | | | | |
| 13 | 285670 | CYLINDER LOCK / CODE AE / FA 0532 | 1 | | | | |
| 13 | Call order desk | CYLINDER LOCK MODIFIED / CODE FA 0563 | 1 | | | | P |
| 13 | 285545 | CYLINDER LOCK / CODE AG / FA 0625 | 1 | | | | |
| 13 | 284373 | CYLINDER LOCK / CODE AH / FA 0648 | 1 | | | | |
| 13 | 287920 | CYLINDER LOCK / CODE AJ / FA 0692 | 1 | | | | |
| 13 | 285276 | CYLINDER LOCK / CODE AI / FA 0668 | 1 | | | | |
| 13 | 287247 | CYLINDER LOCK / CODE AK / FA 0704 | 1 | | | | |
| 13 | 286418 | CYLINDER LOCK / CODE AL / FA 0714 | 1 | | | | |
| 13 | 285861 | CYLINDER LOCK / CODE AM / FA 0721 | 1 | | | | |
| 13 | 287654 | CYLINDER LOCK MODIFIED / WITH 2 HOLES #4-40 / CODE AN / FA 0726 | 1 | | | | |
| 13 | 287701 | CYLINDER LOCK MODIFIED / WITH 2 HOLES #4-40 / CODE AX / FA 0899 | 1 | | | | |
| 13 | 284935 | CYLINDER LOCK / CODE AO / FA 1116 | 1 | | | | |
| 13 | 286049 | CYLINDER LOCK / CODE AP / FA 1252 | 1 | | | | |
| 13 | 285572 | CYLINDER LOCK / CODE AQ / FA 1316 | 1 | | | | |
| 13 | 780549 | CYLINDER LOCK / CODE FA 1320 | 1 | | | | |
| 13 | 287250 | CYLINDER LOCK / CODE AS / FA 1343 | 1 | | | | |
| 13 | 287653 | CYLINDER LOCK MODIFIED / WITH 2 HOLES #4-40 / CODE AW / FA 1465 | 1 | | | | |
| 13 | 780547 | CYLINDER LOCK / CODE FA 1549 | 1 | | | | |
| 14 | 288839 | PIVOT LOCK ROD / W/W.C.L. DOOR | 1 | | | | |
| 14 | 280128 | PIVOT LOCK ROD / W/W.C.L. DOOR 54MM O.D. | 1 | | | | |
| 15 | 500518 | SCREW MA BDG PH #4-40x1/2 Z050 | 2 | | | | |
| 16 | 283853 | SPACER / WASHER 9/16" O.D. X 1/4" I.D. | 1 | | | | |
| 17 | 285811 | WASHER / CYLINDER LOCK RETAINER | 1 | | | | |
| 18 | 504402 | RING RETAINER / EXT .250 x .210 x .025" | 1 | | | | |
| 19 | 287087 | PIVOT | 1 | | | | |
| 20 | 780430 | CYLINDER LOCK ASSY W/2 KEYS / "CORBIN" | | 1 | 1 | 1 | SS |
| . NS | 780562 | . KEY / "CORBIN" BLANK | | 2 | 2 | 2 | SS |
| 20 | 780803 | CYLINDER LOCK ASSY W/2 KEYS / "SCHLAGE" SERVICE | | 1 | 1 | 1 | |
| . NS | 780902 | . KEY / "SCHLAGE" BLANK | | 1 | 1 | 1 | |
| 21 | 780562 | KEY / "CORBIN" BLANK | | AR | AR | AR | |
| 30 | 780780 | KEY, UNCUT / NS SERIE NS SERIES From 5-8522 | AR | | | | |
| 30 | 780660 | KEY / NS 8888 From 5-8522 | AR | | | | |
| 30 | 780661 | KEY / NS 8701 From 5-8522 | AR | | | | |
| 30 | 780662 | KEY / NS 8702 From 5-8522 | AR | | | | |
| 30 | 780663 | KEY / NS 8703 From 5-8522 | AR | | | | |
| 30 | 780664 | KEY / NS 8704 From 5-8522 | AR | | | | |
| 30 | 780665 | KEY / NS 8705 From 5-8522 | AR | | | | |
| 30 | 780667 | KEY / NS 8707 From 5-8522 | AR | | | | |
| 30 | 780668 | KEY / NS 8708 From 5-8522 | AR | | | | |

| | | |
|--|--------------|-----------------|
| From Y-7046 To 8-9339 | Date:10/2022 | PAGE:Y2-1867-00 |
| KEY & CYLINDER CODE "FORD" & "NS" | | |

| Item# | Part | Description | X L I I 4 5 | X L I I M T H 4 0 | X L I I M T H 4 5 | X L I I M T H 4 5 E | N O T E S |
|-------|--------|-------------------------------------|--------------------------------|---|---|--|-----------------------|
| 30 | 780669 | KEY / NS 8709 From 5-8522 | AR | | | | |
| 30 | 780670 | KEY / NS 8710 From 5-8522 | AR | | | | |
| 30 | 780671 | KEY / NS 8711 From 5-8522 | AR | | | | |
| 30 | 780672 | KEY / NS 8712 From 5-8522 | AR | | | | |
| 30 | 780673 | KEY / NS 8713 From 5-8522 | AR | | | | |
| 30 | 780674 | KEY / NS 8714 From 5-8522 | AR | | | | |
| 30 | 780675 | KEY / NS 8715 From 5-8522 | AR | | | | |
| 30 | 780676 | KEY / NS 8716 From 5-8522 | AR | | | | |
| 30 | 780677 | KEY / NS 8717 From 5-8522 | AR | | | | |
| 30 | 780678 | KEY / NS 8718 From 5-8522 | AR | | | | |
| 30 | 780679 | KEY / NS 8719 From 5-8522 | AR | | | | |
| 30 | 780680 | KEY / NS 8720 From 5-8522 | AR | | | | |
| 30 | 780681 | KEY / NS 8721 From 5-8522 | AR | | | | |
| 30 | 780682 | KEY / NS 8722 From 5-8522 | AR | | | | |
| 30 | 780683 | KEY / NS 8723 From 5-8522 | AR | | | | |
| 30 | 780684 | KEY / NS 8724 From 5-8522 | AR | | | | |
| 30 | 780685 | KEY / NS 8725 From 5-8522 | AR | | | | |
| 30 | 780686 | KEY / NS 8726 From 5-8522 | AR | | | | |
| 30 | 780687 | KEY / NS 8727 From 5-8522 | AR | | | | |
| 30 | 780688 | KEY / NS 8728 From 5-8522 | AR | | | | |
| 30 | 780689 | KEY / NS 8729 From 5-8522 | AR | | | | |
| 30 | 780690 | KEY / NS 8730 From 5-8522 | AR | | | | |
| 30 | 780716 | KEY / NS 8731 From 5-8522 | AR | | | | |
| 30 | 780717 | KEY / NS 8732 From 5-8522 | AR | | | | |
| 30 | 780718 | KEY / NS 8733 From 5-8522 | AR | | | | |
| 30 | 780719 | KEY / NS 8734 From 5-8522 | AR | | | | |
| 30 | 780720 | KEY / NS 8735 From 5-8522 | AR | | | | |
| 30 | 780721 | KEY / NS 8736 From 5-8522 | AR | | | | |
| 30 | 780722 | KEY / NS 8737 From 5-8522 | AR | | | | |
| 30 | 780723 | KEY / NS 8738 From 5-8522 | AR | | | | |
| 30 | 780724 | KEY / NS 8739 From 5-8522 | AR | | | | |
| 30 | 780725 | KEY / NS 8740 From 5-8522 | AR | | | | |
| 31 | 780691 | CYLINDER LOCK / NS 8888 From 5-8522 | AR | | | | |
| . NS | 780660 | . KEY / NS 8888 From 5-8522 | 1 | | | | |
| 31 | 780692 | CYLINDER LOCK / NS 8701 From 5-8522 | AR | | | | |
| . NS | 780661 | . KEY / NS 8701 From 5-8522 | 1 | | | | |
| 31 | 780693 | CYLINDER LOCK / NS 8702 From 5-8522 | AR | | | | |
| . NS | 780662 | . KEY / NS 8702 From 5-8522 | 1 | | | | |
| 31 | 780694 | CYLINDER LOCK / NS 8703 From 5-8522 | AR | | | | |
| . NS | 780662 | . KEY / NS 8702 From 5-8522 | 1 | | | | |
| 31 | 780695 | CYLINDER LOCK / NS 8704 From 5-8522 | AR | | | | |
| . NS | 780664 | . KEY / NS 8704 From 5-8522 | 1 | | | | |

| | | |
|--|--------------|-----------------|
| From Y-7046 To 8-9339 | Date:10/2022 | PAGE:Y2-1867-00 |
| KEY & CYLINDER CODE "FORD" & "NS" | | |

| Item# | Part | Description | X L I I 4 5 | X L I I M T H 4 0 | X L I I M T H 4 5 | X L I I M T H 4 5 E | N O T E S |
|-------|--------|-------------------------------------|----------------------------|---|---|--|-----------------------|
| 31 | 780696 | CYLINDER LOCK / NS 8705 From 5-8522 | AR | | | | |
| . NS | 780665 | . KEY / NS 8705 From 5-8522 | 1 | | | | |
| 31 | 780697 | CYLINDER LOCK / NS 8707 From 5-8522 | AR | | | | |
| . NS | 780667 | . KEY / NS 8707 From 5-8522 | 1 | | | | |
| 31 | 780698 | CYLINDER LOCK / NS 8708 From 5-8522 | AR | | | | |
| . NS | 780668 | . KEY / NS 8708 From 5-8522 | 1 | | | | |
| 31 | 780699 | CYLINDER LOCK / NS 8709 From 5-8522 | AR | | | | |
| . NS | 780669 | . KEY / NS 8709 From 5-8522 | 1 | | | | |
| 31 | 780700 | CYLINDER LOCK / NS 8710 From 5-8522 | AR | | | | |
| . NS | 780670 | . KEY / NS 8710 From 5-8522 | 1 | | | | |
| 31 | 780701 | CYLINDER LOCK / NS 8711 From 5-8522 | AR | | | | |
| . NS | 780671 | . KEY / NS 8711 From 5-8522 | 1 | | | | |
| 31 | 780702 | CYLINDER LOCK / NS 8712 From 5-8522 | AR | | | | |
| . NS | 780672 | . KEY / NS 8712 From 5-8522 | 1 | | | | |
| 31 | 780703 | CYLINDER LOCK / NS 8713 From 5-8522 | AR | | | | |
| . NS | 780673 | . KEY / NS 8713 From 5-8522 | 1 | | | | |
| 31 | 780704 | CYLINDER LOCK / NS 8714 From 5-8522 | AR | | | | |
| . NS | 780674 | . KEY / NS 8714 From 5-8522 | 1 | | | | |
| 31 | 780705 | CYLINDER LOCK / NS 8715 From 5-8522 | AR | | | | |
| . NS | 780675 | . KEY / NS 8715 From 5-8522 | 1 | | | | |
| 31 | 780706 | CYLINDER LOCK / NS 8716 From 5-8522 | AR | | | | |
| . NS | 780676 | . KEY / NS 8716 From 5-8522 | 1 | | | | |
| 31 | 780707 | CYLINDER LOCK / NS 8717 From 5-8522 | AR | | | | |
| . NS | 780677 | . KEY / NS 8717 From 5-8522 | 1 | | | | |
| 31 | 780708 | CYLINDER LOCK / NS 8718 From 5-8522 | AR | | | | |
| . NS | 780678 | . KEY / NS 8718 From 5-8522 | 1 | | | | |
| 31 | 780709 | CYLINDER LOCK / NS 8719 From 5-8522 | AR | | | | |
| . NS | 780679 | . KEY / NS 8719 From 5-8522 | 1 | | | | |
| 31 | 780710 | CYLINDER LOCK / NS 8720 From 5-8522 | AR | | | | |
| . NS | 780680 | . KEY / NS 8720 From 5-8522 | 1 | | | | |
| 31 | 780666 | CYLINDER LOCK / NS 8721 From 5-8522 | AR | | | | |
| . NS | 780681 | . KEY / NS 8721 From 5-8522 | 1 | | | | |
| 31 | 780726 | CYLINDER LOCK / NS 8722 From 5-8522 | AR | | | | |
| . NS | 780682 | . KEY / NS 8722 From 5-8522 | 1 | | | | |
| 31 | 780727 | CYLINDER LOCK / NS 8723 From 5-8522 | AR | | | | |
| . NS | 780683 | . KEY / NS 8723 From 5-8522 | 1 | | | | |
| 31 | 780728 | CYLINDER LOCK / NS 8724 From 5-8522 | AR | | | | |
| . NS | 780684 | . KEY / NS 8724 From 5-8522 | 1 | | | | |
| 31 | 780729 | CYLINDER LOCK / NS 8725 From 5-8522 | AR | | | | |
| . NS | 780685 | . KEY / NS 8725 From 5-8522 | 1 | | | | |
| 31 | 780730 | CYLINDER LOCK / NS 8726 From 5-8522 | AR | | | | |
| . NS | 780686 | . KEY / NS 8726 From 5-8522 | 1 | | | | |

| | | |
|--|--------------|-----------------|
| From Y-7046 To 8-9339 | Date:10/2022 | PAGE:Y2-1867-00 |
| KEY & CYLINDER CODE "FORD" & "NS" | | |

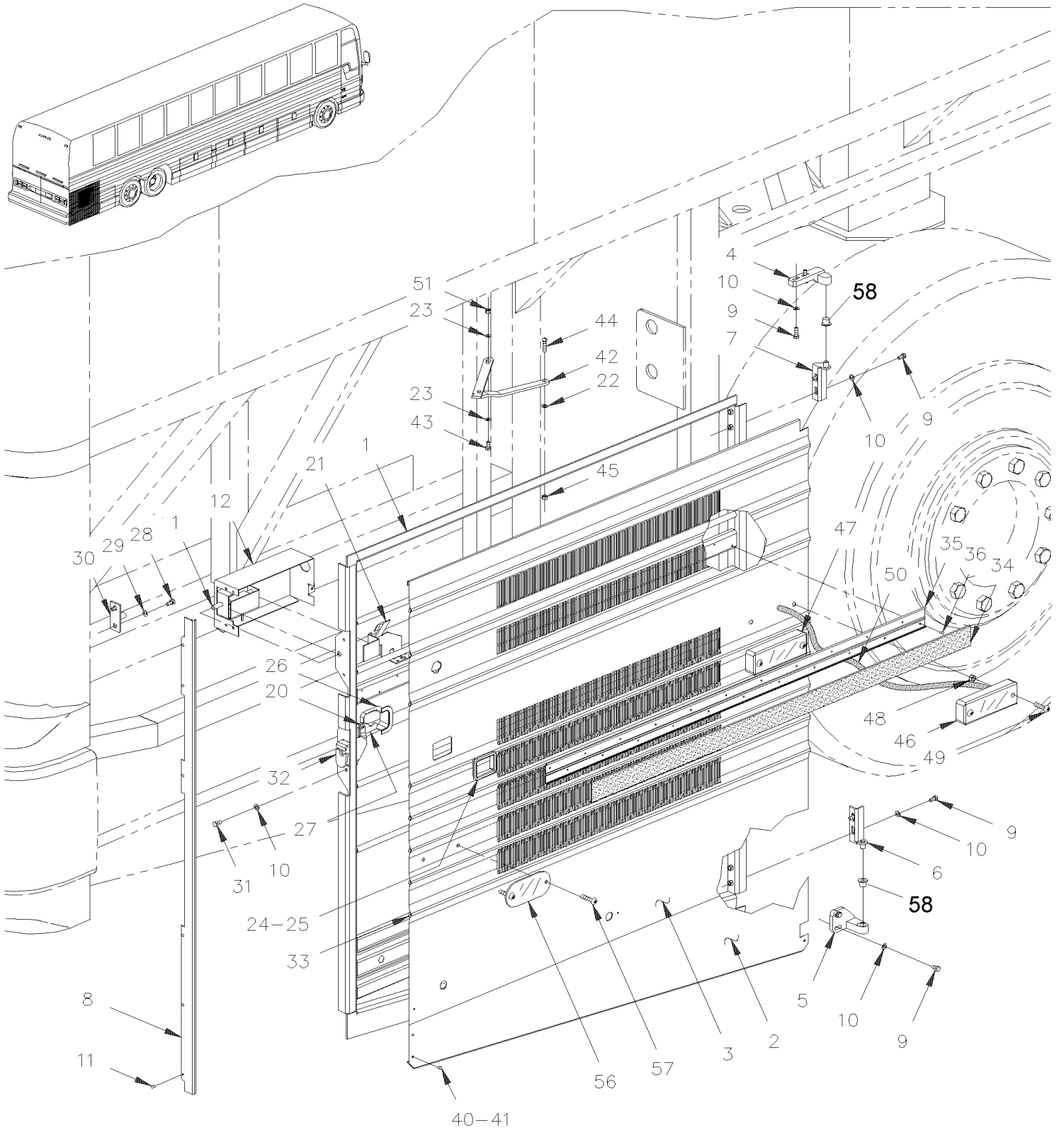
| Item# | Part | Description | X L I I 4 5 | X L I I M T H 4 0 | X L I I M T H 4 5 | X L I I M T H 4 5 E | N O T E S |
|-------|--------|--|----------------------------|---|---|--|-----------------------|
| 31 | 780731 | CYLINDER LOCK / NS 8727 From 5-8522 | AR | | | | |
| . NS | 780687 | . KEY / NS 8727 From 5-8522 | 1 | | | | |
| 31 | 780732 | CYLINDER LOCK / NS 8728 From 5-8522 | AR | | | | |
| . NS | 780688 | . KEY / NS 8728 From 5-8522 | 1 | | | | |
| 31 | 780733 | CYLINDER LOCK / NS 8729 From 5-8522 | AR | | | | |
| . NS | 780689 | . KEY / NS 8729 From 5-8522 | 1 | | | | |
| 31 | 780734 | CYLINDER LOCK / NS 8730 From 5-8522 | AR | | | | |
| . NS | 780690 | . KEY / NS 8730 From 5-8522 | 1 | | | | |
| 31 | 780735 | CYLINDER LOCK / NS 8731 From 5-8522 | AR | | | | |
| . NS | 780716 | . KEY / NS 8731 From 5-8522 | 1 | | | | |
| 31 | 780736 | CYLINDER LOCK / NS 8732 From 5-8522 | AR | | | | |
| . NS | 780717 | . KEY / NS 8732 From 5-8522 | 1 | | | | |
| 31 | 780737 | CYLINDER LOCK / NS 8733 From 5-8522 | AR | | | | |
| . NS | 780718 | . KEY / NS 8733 From 5-8522 | 1 | | | | |
| 31 | 780738 | CYLINDER LOCK / NS 8734 From 5-8522 | AR | | | | |
| . NS | 780719 | . KEY / NS 8734 From 5-8522 | 1 | | | | |
| 31 | 780739 | CYLINDER LOCK / NS 8735 From 5-8522 | AR | | | | |
| . NS | 780720 | . KEY / NS 8735 From 5-8522 | 1 | | | | |
| 31 | 780740 | CYLINDER LOCK / NS 8736 From 5-8522 | AR | | | | |
| . NS | 780721 | . KEY / NS 8736 From 5-8522 | 1 | | | | |
| 31 | 780741 | CYLINDER LOCK / NS 8737 From 5-8522 | AR | | | | |
| . NS | 780722 | . KEY / NS 8737 From 5-8522 | 1 | | | | |
| 31 | 780742 | CYLINDER LOCK / NS 8738 From 5-8522 | AR | | | | |
| . NS | 780723 | . KEY / NS 8738 From 5-8522 | 1 | | | | |
| 31 | 780743 | CYLINDER LOCK / NS 8739 From 5-8522 | AR | | | | |
| . NS | 780724 | . KEY / NS 8739 From 5-8522 | 1 | | | | |
| 31 | 780744 | CYLINDER LOCK / NS 8740 From 5-8522 | AR | | | | |
| . NS | 780725 | . KEY / NS 8740 From 5-8522 | 1 | | | | |
| 32 | 780745 | CYLINDER LOCK BODY From 5-8522 | AR | | | | |
| | | | | | | | |
| | | | | | | | |
| | | | | | | | |
| | | S) REQUIERED ONLY IN SERVICE IF YOU NEED TO CHANGE YOUR OLD CYLINDER LOCK # 780180 | | | | | |
| | | SS) THIS MODEL IT OBSOLETED REPLACE BY 780803 WITH NEW LEVER # 289031 | | | | | |
| | | P) CALL ORDER DESK FOR SPECIFIC APPLICATION (V.I.N.) | | | | | |

From Y-7046 To 3-8164

Date:10/2022

PAGE:Y2-1868-00

A/C COMPRESSOR DOOR ASSY



| | | |
|---------------------------------|--------------|-----------------|
| From Y-7046 To 3-8164 | Date:10/2022 | PAGE:Y2-1868-00 |
| A/C COMPRESSOR DOOR ASSY | | |

| Item# | Part | Description | X L I I 4 5 | X L I I M T H 4 0 | X L I I M T H 4 5 | X L I I M T H 4 5 E | N O T E S |
|-------|---------|--|----------------------------|---|---|--|-----------------------|
| | | ALL COMPRESSOR DOORS ASSY DO NOT INCLUDE | | | | | |
| | | RUB-RAIL PLEASE ORDER SEPARATELY | | | | | |
| | 286437P | COMPRESSOR DOOR ASSY / W/FLAT PANEL | 1 | | | | |
| | 286643P | COMPRESSOR DOOR ASSY / W/FLAT PANEL / AND ELECTRICAL LOCK | 1 | | | | |
| | 287349 | COMPRESSOR DOOR ASSY / W/FLUTED LOWER MOULDING | 1 | | | | A |
| | 286433P | COMPRESSOR DOOR ASSY / W/FLUTED PANEL | | 1 | 1 | | |
| | 286433P | COMPRESSOR DOOR ASSY / W/FLUTED PANEL To 1-7435 | | | | 1 | |
| | 287933P | COMPRESSOR DOOR ASSY / W/FLUTED LOWER MOULDING From 1-7436 | | | | 1 | B |
| 1 | 286083 | FRAME ASSY / COMPRESSOR DOOR | 1 | 1 | 1 | 1 | |
| . NS | 483749 | . SUPPORT ACTUATOR / WELDED AT FRAME FORMER ACTUATOR 780428 | 1 | 1 | 1 | 1 | |
| . NS | 288989 | . SUPPORT ACTUATOR / WELDED AT FRAME CURRENT ACTUATOR 780814 | 1 | 1 | 1 | 1 | |
| 2 | 474235 | PANEL, LOWER To 1-7726 | 1 | | | | |
| 2 | 475370 | PANEL, LOWER From 1-7727 | 1 | | | | |
| 2 | 473948 | PANEL, LOWER / S.B. | AR | | | | A |
| 2 | 473948 | PANEL, LOWER / S.B. | | 1 | 1 | 1 | |
| 3 | 474208 | PANEL, UPPER / FLAT | 1 | | | | |
| 3 | 474862 | PANEL, UPPER / W/FLUTED LOWER MOULDING | AR | | | | A |
| 3 | 473946 | PANEL, UPPER / W/FLUTED | | 1 | 1 | | |
| 3 | 473946 | PANEL, UPPER / W/FLUTED To 1-7435 | | | | 1 | |
| 3 | 474862 | PANEL, UPPER / W/FLUTED LOWER MOULDING From 1-7436 | | | | 1 | A B |
| 3 | 477490 | PANEL, UPPER / W/FLUTED LOWER MOULDING / SERVICE | 1 | | | 1 | A B |
| 4 | 286085 | HINGE / UPPER | 1 | 1 | 1 | 1 | |
| 5 | 286103 | LOWER HINGE | 1 | 1 | 1 | 1 | |
| 6 | 286102 | ARM ASSY | 1 | 1 | 1 | 1 | |
| 6 | 289150 | ARM ASSY | 1 | 1 | 1 | 1 | |
| 7 | 286098 | ARM ASSY | 1 | 1 | 1 | 1 | |
| 7 | 289149 | ARM ASSY | 1 | 1 | 1 | 1 | |
| 8 | 286225 | FINISHING MOULDING 1110MM | 1 | | | | |
| 8 | 288527 | FINISHING MOULDING 1110MM / B.A. | | 1 | 1 | 1 | |
| 9 | 502737 | SCREW CAP HEX M6-1.0x25 SS BK | 4 | 4 | 4 | 4 | |
| 10 | 430406 | WASHER FLAT | 4 | 4 | 4 | 4 | |
| 11 | 504339 | RIVET POP DOME OE 1/8x3/8 SS | 6 | 6 | 6 | 6 | |
| 12 | 286223 | CAP | 1 | 1 | 1 | 1 | |
| 13 | 502577 | SCREW MA PAN PH M3-0.5x16 ZP | 2 | 2 | 2 | 2 | |
| 14 | 502579 | NUT HEX M3-0.5 NP | 2 | 2 | 2 | 2 | |
| 15 | 562096 | MICRO SWITCH | 1 | 1 | 1 | 1 | |
| 16 | 504477 | RING RETAINER / EXT 14.0 X 13.4 X 1.0MM | 1 | 1 | 1 | 1 | |
| 17 | 281498 | PIVOT LOCK 3/8" OFFSET | 1 | 1 | 1 | 1 | |
| 18 | 481564 | ROD GUIDE | 2 | 2 | 2 | 2 | |
| 19 | 502151 | SPRING COMPRESSION / .300 O.D. x 1 x .032 | 2 | 2 | 2 | 2 | |

| | | |
|---------------------------------|--------------|-----------------|
| From Y-7046 To 3-8164 | Date:10/2022 | PAGE:Y2-1868-00 |
| A/C COMPRESSOR DOOR ASSY | | |

| Item# | Part | Description | X L I I 4 5 | X L I I M T H 4 0 | X L I I M T H 4 5 | X L I I M T H 4 5 E | N O T E S |
|-------|-------------------|--|----------------------------|---|---|--|-----------------------|
| 20 | 504379 | RIVET POP DOME OE 3/16x1/4 SS | 4 | 4 | 4 | 4 | |
| 21 | 780428 | LOCK ACTUATOR / 12V | 1 | 1 | 1 | 1 | |
| . NS | 562076 | . CONNECTOR / PACK-CON I / FEMALE HOUSING / 2C / PED 8911772 | 1 | 1 | 1 | 1 | |
| 21 | 2810382 | ACTUATOR SERVICE KIT | 1 | 1 | 1 | 1 | |
| 22 | 502573 | WASHER FL 6.4x12.5x1.6 SS | 1 | 1 | 1 | 1 | |
| 23 | 500270 | WASHER FL .406x1.000x.063 SS | 2 | 2 | 2 | 2 | |
| 24 | 286171 | PROTECTOR | 1 | 1 | 1 | 1 | |
| 25 | 683083 | ADHESIVE SIKA #252 / BLACK / 600 ml SAUSAGE | AR | AR | AR | AR | |
| 26 | 286280 | PROTECTOR | 1 | 1 | 1 | 1 | |
| 27 | 284749 | LEVER | 1 | 1 | 1 | 1 | |
| 28 | 502780 | SCREW CAP HEX M8-1.25x25 SS BK | 2 | 2 | 2 | 2 | |
| 29 | 502584 | WASHER LO SERR 8.2x26.3x1.8 Z050 | 2 | 2 | 2 | 2 | |
| 30 | 286203 | STOPPER | 1 | 1 | 1 | 1 | |
| 31 | 502563 | SCREW CAP HEX M6-1.0x12 G8.8 Z050 | 2 | 2 | 2 | 2 | |
| 32 | 780587 | LOCK SPAGNOLET L.H. / W/G-FITTING To 2-7755 | 1 | 1 | 1 | 1 | |
| . NS | 507607 | . GREASE FITTING / M6-1.00 To 2-7755 | 1 | 1 | 1 | 1 | |
| 32 | 780652 | LOCK SPAGNOLET L.H. / W/G-FITTING From 2-7756 | 1 | 1 | 1 | 1 | |
| . NS | 780340 | . CLIP, RETAINER ROD From 2-7756 | 1 | 1 | 1 | 1 | |
| . NS | 507607 | . GREASE FITTING / M6-1.00 From 2-7756 | 1 | 1 | 1 | 1 | |
| 33 | 682972 | BLACK TAPE BUTYL 3/16"X3/8"X25' | AR | AR | AR | AR | |
| 34 | 473830 | FINISHING MOULDING SS / 1123MM | | 1 | 1 | 1 | |
| 34 | 474389 | FINISHING MOULDING PLASTIC 1123MM | 1 | | | 1 | B |
| . NS | 506769 | . TAPE RUB ADH2 CC POL 1/8" x 1/4" x 60' / BLACK H1CC-N-#14 | AR | | | AR | B |
| 35 | 473826 | MOULDING RETAINER / 1125MM | | 1 | 1 | 1 | |
| 36 | 504488 | RIVET MGLP PRDG 3/16x17/64 SS | | 10 | 10 | 10 | |
| 37 | 064894 | CABLE ASSY / COMPRESSOR DOOR LOCK | 1 | 1 | 1 | 1 | |
| 38 | 502637 | WASHER FL .200x.437x.037 SS | 4 | 4 | 4 | 4 | |
| 39 | 504013 | TIE MOUNT / 1/4" X 1/4" I.D. | 4 | 4 | 4 | 4 | |
| 40 | 504334 | BUMPER RUBBER / .625 OD x .406 TH x .156 HOLE | 2 | 2 | 2 | 2 | |
| 41 | 504339 | RIVET POP DOME OE 1/8x3/8 SS | 2 | 2 | 2 | 2 | |
| NS | 504272 | RIVET CHY Q BRAZ 3/16x1/8 SS | 6 | 6 | 6 | 6 | |
| 42 | 281445 | GUIDE ASSY / R.H. DOOR To 2-7831 | 1 | 1 | 1 | 1 | |
| 42 | 288031 | GUIDE ASSY / R.H. DOOR From 2-7832 | 1 | 1 | 1 | 1 | |
| 43 | 502780 | SCREW CAP HEX M8-1.25x25 SS BK | 1 | 1 | 1 | 1 | |
| 44 | 502568 | SCREW MA PAN PH M6-1.0x20 EMN | 1 | 1 | 1 | 1 | |
| 45 | 502511 | NUT HEX NYRT M6-1.0 Z050 | 1 | 1 | 1 | 1 | |
| 46 | Y2-0662-00 | CLEARANCE & MARKER LIGHT | | | | | |
| 47 | Y2-0662-00 | CLEARANCE & MARKER LIGHT | | | | | |
| 48 | 502774 | NUT WELL #10-32x.625 | 4 | 4 | 4 | 4 | |
| 49 | 5001042 | SCREW MA RND PH #10-32x1 1/4 SS | 4 | 4 | 4 | 4 | |
| 50 | 064990 | CABLE ASSY / SIDE MARKER LAMP FOR DOORS | 2 | 2 | 2 | 2 | |
| . NS | 473832 | . GROMMET 2 HOLESx1.6x11.0MMx2.0MMx8.0MMx16MM | 1 | 1 | 1 | 1 | |

| | | |
|---------------------------------|--------------|-----------------|
| From Y-7046 To 3-8164 | Date:10/2022 | PAGE:Y2-1868-00 |
| A/C COMPRESSOR DOOR ASSY | | |

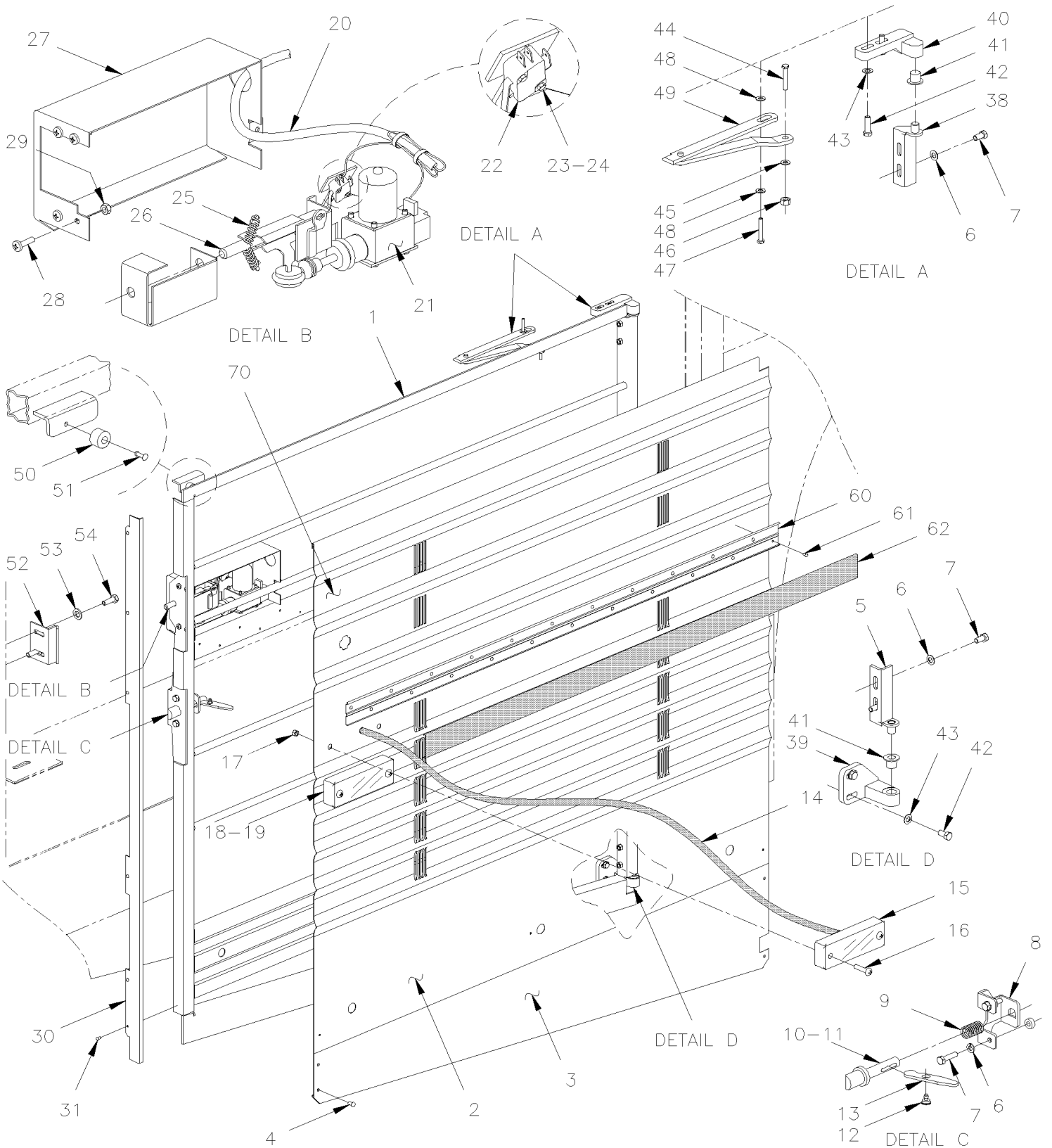
| Item# | Part | Description | X L I I I 4 5 | X L I I I M T H 4 0 | X L I I I M T H 4 5 | X L I I I M T H 4 5 E | N O T E S |
|-------|-------------|---|-------------------------------------|--|--|---|-----------------------|
| 50 | 067207 | CABLE ASSY / SIDE MARKER LAMP FOR DOORS | 2 | 2 | 2 | 2 | |
| | . NS 473832 | . GROMMET 2 HOLESx1.6x11.0MMx2.0MMx8.0MMx16MM | 1 | 1 | 1 | 1 | |
| 51 | 5001188 | NUT HEX M8-1.25 SS | 1 | 1 | 1 | 1 | |
| 52 | 683448 | ACCELERATOR SIKA / 600ml SAUSAGE | AR | AR | AR | AR | |
| 53 | 683447 | ADHESIVE SIKATACK PLUS / BLACK / 23 Liters | AR | AR | AR | AR | |
| 54 | 683097 | CLEANER SIKA #205 / CLEAR / 1000ml | AR | AR | AR | AR | |
| 55 | 683446 | PRIMER SIKA #206 / BLACK / 1000ml | AR | AR | AR | AR | |
| 56 | 930320 | REFLECTOR RED 1 3/16" x 4 7/16" | 1 | 1 | 1 | 1 | |
| 57 | 500606 | SCREW MA TR PH #10-24x3/4 SS | 2 | 2 | 2 | 2 | |
| 58 | 284607 | BUSHING, NYLON / (NOT INCLUDE W/HINGE) | 2 | 2 | 2 | 2 | |
| 59 | 504637 | CABLE TIE / 3/16" x 13" | 4 | 4 | 4 | 4 | |
| 60 | 500786 | NUT HEX #10-24 Z050 | 2 | 2 | 2 | 2 | |
| 65 | 5001030 | WASHER LO EXTC 5.3x9.8x0.3 BK | 4 | 4 | 4 | 4 | |
| 66 | 502698 | SCREW MA PAN PH M4-0.7x16 SS BK | 4 | 4 | 4 | 4 | |
| 67 | 500470 | WASHER LO SPT .193x.334x.047 Z050 | 2 | 2 | 2 | 2 | |
| | | | | | | | |
| | | | | | | | |
| | | A) BUS WITH "OPTION" FLUTED LOWER PANELLING | | | | | |
| | | B) MTH ENT WITH UPPER FLAT SIDE PANELLING | | | | | |

From 4-8165 To 8-9339

Date:10/2022

PAGE:Y2-1868-01

A/C COMPRESSOR DOOR ASSY



| | | |
|---------------------------------|--------------|-----------------|
| From 4-8165 To 8-9339 | Date:10/2022 | PAGE:Y2-1868-01 |
| A/C COMPRESSOR DOOR ASSY | | |

| Item# | Part | Description | X L I I 4 5 | X L I I M T H 4 0 | X L I I M T H 4 5 | X L I I M T H 4 5 E | N O T E S |
|-------|-------------------|---|----------------------------|---|---|--|-----------------------|
| | 288334 | COMPRESSOR DOOR ASSY / W/FLAT PANEL To 6-8906 | 1 | | | | |
| | 288335 | COMPRESSOR DOOR ASSY / W/FLAT PANEL / AND ELECTRICAL LOCK To 6-8906 | 1 | | | | |
| | 288336 | COMPRESSOR DOOR ASSY / W/FLUTED PANEL To 6-8906 | 1 | | | | A |
| | 288337 | COMPRESSOR DOOR ASSY / W/FLUTED PANEL / AND ELECTRICAL LOCK To 6-8906 | 1 | | | | A |
| | 288338 | COMPRESSOR DOOR ASSY / W/FLUTED PANEL | | 1 | 1 | | |
| | 288339 | COMPRESSOR DOOR ASSY / W/FLUTED LOWER MOULDING | | | | 1 | |
| 1 | 286230 | . FRAME ASSY / COMPRESSOR DOOR To 7-8932 | 1 | 1 | 1 | 1 | |
| 1 | 286474 | . FRAME ASSY / COMPRESSOR DOOR From 7-8933 | | 1 | 1 | 1 | |
| . NS | 483749 | .. SUPPORT ACTUATOR / WELDED AT FRAME FORMER ACTUATOR 780428 From 7-8933 | | 1 | 1 | 1 | |
| . NS | 288989 | .. SUPPORT ACTUATOR / WELDED AT FRAME CURRENT ACTUATOR 780814 From 7-8933 | | 1 | 1 | 1 | |
| 2 | 473651 | . PANEL, UPPER / FLAT To 4-8358 | 1 | | | | |
| 2 | 477484 | . PANEL, UPPER / FLAT From 4-8359 To 6-8906 | 1 | | | | |
| 2 | 475696 | . PANEL, UPPER / W/FLUTED / S.B. To 4-8358 | | 1 | 1 | | |
| 2 | 477492 | . PANEL, UPPER / W/FLUTED / S.B. From 4-8359 To 5-8468 | | 1 | 1 | | |
| 2 | 477665 | . PANEL, UPPER / W/FLUTED / B.A. From 5-8469 | | 1 | 1 | | |
| 2 | 473734 | . PANEL, UPPER / W/FLUTED / S.B. To 4-8358 | | | | 1 | |
| 2 | 473734 | . PANEL, UPPER / W/FLUTED / S.B. To 4-8358 | 1 | | | | A |
| 2 | 477485 | . PANEL, UPPER / W/FLUTED / S.B. From 4-8359 To 5-8468 | | | | 1 | |
| 2 | 477485 | . PANEL, UPPER / W/FLUTED / S.B. From 4-8359 To 6-8906 | 1 | | | | A |
| 2 | 477680 | . PANEL, UPPER / W/FLUTED / B.A. From 5-8469 | | | | 1 | |
| 3 | 475370 | . PANEL, LOWER To 6-8906 | 1 | | | | |
| 3 | 473948 | . PANEL, LOWER / S.B. To 5-8468 | | | | 1 | A |
| 3 | 473948 | . PANEL, LOWER / S.B. To 6-8906 | 1 | | | | A |
| 3 | 477664 | . PANEL, LOWER / B.A. From 5-8469 | | 1 | 1 | 1 | |
| 4 | 504272 | . RIVET CHY Q BRAZ 3/16x1/8 SS | 5 | 5 | 5 | 5 | |
| 5 | 286102 | . ARM ASSY | 1 | 1 | 1 | 1 | |
| 5 | 289150 | . ARM ASSY | 1 | 1 | 1 | 1 | |
| 6 | 500356 | . WASHER LO SERR 6.1x16.0x0.9 N500 | 4 | 4 | 4 | 4 | |
| 7 | 502737 | . SCREW CAP HEX M6-1.0x25 SS BK | 4 | 4 | 4 | 4 | |
| 8 | 288006 | . GUIDE PIN HOLDER | 1 | 1 | 1 | 1 | |
| 9 | 502910 | . SPRING COMPRESSION / .720 O.D. 1.75 x .055 | 1 | 1 | 1 | 1 | |
| 10 | 284313 | . CATCH PIN SS / 90MM | 1 | 1 | 1 | 1 | |
| 10 | 289585 | . CATCH PIN ACETAL / 90MM | 1 | 1 | 1 | 1 | |
| 11 | 507212 | . O-RING | 1 | 1 | 1 | 1 | |
| 12 | 287271 | . RIVET SHR FL 9.95x3.6{4.8x4.8 SS | 1 | 1 | 1 | 1 | |
| 13 | 286612 | . PIVOT | 1 | 1 | 1 | 1 | |
| 14 | 064990 | . CABLE ASSY / SIDE MARKER LAMP FOR DOORS | 2 | 2 | 2 | 2 | |
| . NS | 473832 | .. GROMMET 2 HOLESx1.6x11.0MMx2.0MMx8.0MMx16MM | 1 | 1 | 1 | 1 | |
| 14 | 067207 | . CABLE ASSY / SIDE MARKER LAMP FOR DOORS | 2 | 2 | 2 | 2 | |
| . NS | 473832 | .. GROMMET 2 HOLESx1.6x11.0MMx2.0MMx8.0MMx16MM | 1 | 1 | 1 | 1 | |
| NS | 504273 | . CABLE TIE / 1/8" X 3"1/2 | 2 | 2 | 2 | 2 | |
| 15 | Y2-0662-00 | CLEARANCE & MARKER LIGHT | | | | | |

| | | |
|---------------------------------|--------------|-----------------|
| From 4-8165 To 8-9339 | Date:10/2022 | PAGE:Y2-1868-01 |
| A/C COMPRESSOR DOOR ASSY | | |

| Item# | Part | Description | X L I I 4 5 | X L I I M T H 4 0 | X L I I M T H 4 5 | X L I I M T H 4 5 E | N O T E S |
|-------|----------------|--|----------------------------|---|---|--|-----------------------|
| 16 | 5001042 | . SCREW MA RND PH #10-32x1 1/4 SS | 4 | 4 | 4 | 4 | |
| 17 | 502774 | . NUT WELL #10-32x.625 | 4 | 4 | 4 | 4 | |
| 18 | 930320 | . REFLECTOR RED 1 3/16" x 4 7/16" | 1 | 1 | 1 | 1 | |
| 19 | 500510 | . SCREW MA BDG PH #10-32x3/4 SS EMN | 2 | 2 | 2 | 2 | |
| 19 | 500423 | . NUT HEX NYRT #10-32 SS | 2 | 2 | 2 | 2 | |
| 19 | 500787 | . NUT HEX #10-24 SS | 2 | 2 | 2 | 2 | |
| 20 | 064894 | . CABLE ASSY / COMPRESSOR DOOR LOCK To 7-9095 | 1 | 1 | 1 | 1 | |
| 20 | 067119 | . CABLE ASSY / COMPRESSOR DOOR LOCK From 7-9096 | 1 | 1 | 1 | 1 | |
| 21 | 780428 | . LOCK ACTUATOR / 12V | 1 | 1 | 1 | 1 | |
| NS | 562076 | . . CONNECTOR / PACK-CON I / FEMALE HOUSING / 2C / PED 8911772 | 1 | 1 | 1 | 1 | |
| 21 | 2810382 | . ACTUATOR SERVICE KIT | 1 | 1 | 1 | 1 | |
| 22 | 562096 | . MICRO SWITCH | 1 | 1 | 1 | 1 | |
| 23 | 502577 | . SCREW MA PAN PH M3-0.5x16 ZP | 2 | 2 | 2 | 2 | |
| 24 | 502579 | . NUT HEX M3-0.5 NP | 2 | 2 | 2 | 2 | |
| NS | 502691 | . WASHER LO SPT 3.6x6.7x0.8 Z050 | 2 | 2 | 2 | 2 | |
| 25 | 502151 | . SPRING COMPRESSION / .300 O.D. x 1 x .032 | 2 | 2 | 2 | 2 | |
| 26 | 481564 | . ROD GUIDE | 1 | 1 | 1 | 1 | |
| 27 | 287400 | . COVER / ACTUATOR PROTECTOR | 1 | 1 | 1 | 1 | |
| 28 | 502698 | . SCREW MA PAN PH M4-0.7x16 SS BK | 2 | 2 | 2 | 2 | |
| 29 | 5001544 | . WASHER LO EXT .195x.410x.025 SS | 2 | 2 | 2 | 2 | |
| 30 | 286225 | . FINISHING MOULDING 1110MM To 6-8906 | 1 | | | | |
| 30 | 288527 | . FINISHING MOULDING 1110MM / B.A. | | 1 | 1 | 1 | |
| 31 | 504339 | . RIVET POP DOME OE 1/8x3/8 SS | 4 | 4 | 4 | 4 | |
| 38 | 286098 | . ARM ASSY | 1 | 1 | 1 | 1 | |
| 38 | 289149 | . ARM ASSY | 1 | 1 | 1 | 1 | |
| 39 | 286103 | LOWER HINGE | 1 | 1 | 1 | 1 | |
| 40 | 286085 | HINGE / UPPER | 1 | 1 | 1 | 1 | |
| 41 | 284607 | BUSHING, NYLON / (NOT INCLUDE W/HINGE) | 1 | 1 | 1 | 1 | |
| 42 | 502737 | SCREW CAP HEX M6-1.0x25 SS BK | 4 | 4 | 4 | 4 | |
| 43 | 430406 | WASHER FLAT | 8 | 8 | 8 | 8 | |
| 44 | 502568 | SCREW MA PAN PH M6-1.0x20 EMN | 1 | 1 | 1 | 1 | |
| 45 | 502573 | WASHER FL 6.4x12.5x1.6 SS | 1 | 1 | 1 | 1 | |
| 46 | 502511 | NUT HEX NYRT M6-1.0 Z050 | 1 | 1 | 1 | 1 | |
| 47 | 502686 | SCREW CAP HEX M6-1.0x30 SS BK | 1 | 1 | 1 | 1 | |
| 48 | 5001448 | WASHER FL .343x.875x.062 SS18-8 | 2 | 2 | 2 | 2 | |
| 49 | 288031 | GUIDE ASSY / R.H. DOOR | 1 | 1 | 1 | 1 | |
| 50 | 504334 | BUMPER RUBBER / .625 OD x .406 TH x .156 HOLE | 1 | 1 | 1 | 1 | |
| 51 | 504339 | RIVET POP DOME OE 1/8x3/8 SS | 1 | 1 | 1 | 1 | |
| 52 | 287286 | CATCH PIN / RETAINER 45MMx21MM 90° | 1 | 1 | 1 | 1 | |
| NS | 287452 | SHIM SPACER 70MM X 25 X 14GA | AR | AR | AR | AR | |
| 53 | 502857 | WASHER LO SERR 8.2x26.3x1.8 N500 | 4 | 4 | 4 | 4 | |
| 54 | 502780 | SCREW CAP HEX M8-1.25x25 SS BK | 4 | 4 | 4 | 4 | |

| | | |
|-----------------------|--------------|-----------------|
| From 4-8165 To 8-9339 | Date:10/2022 | PAGE:Y2-1868-01 |
|-----------------------|--------------|-----------------|

A/C COMPRESSOR DOOR ASSY

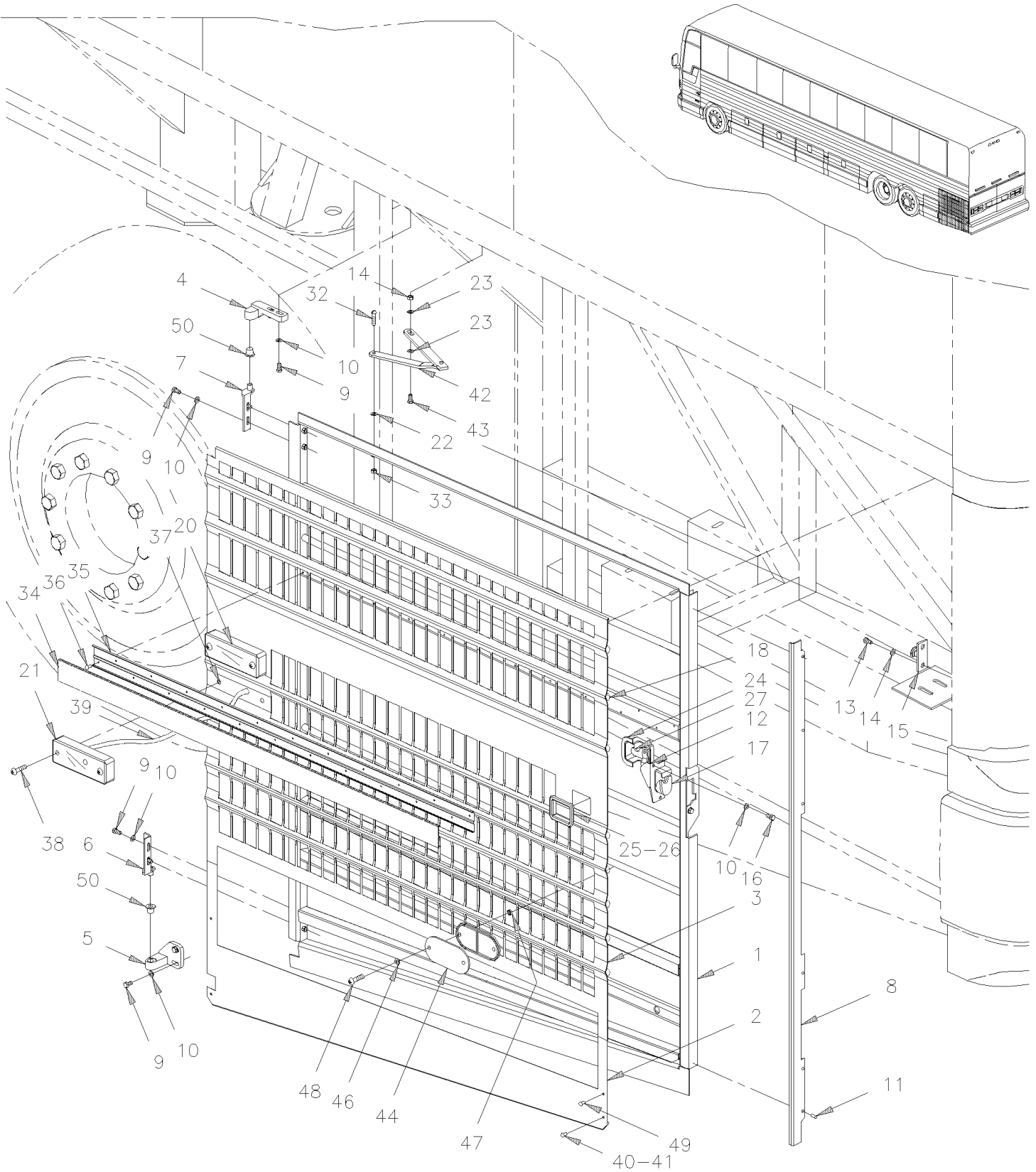
| Item# | Part | Description | X L I I 4 5 | X L I I M T H 4 0 | X L I I M T H 4 5 | X L I I M T H 4 5 E | N O T E S |
|-------|-------------------|---|----------------------------|---|---|--|-----------------------|
| 60 | 473826 | MOULDING RETAINER / 1125MM | | 1 | 1 | | |
| 61 | 504488 | RIVET MGLP PRDG 3/16x17/64 SS | | 10 | 10 | | |
| 62 | 473830 | FINISHING MOULDING SS / 1123MM | | 1 | 1 | | |
| 62 | 474389 | FINISHING MOULDING PLASTIC 1123MM | 1 | | | 1 | |
| . NS | 506769 | . TAPE RUB ADH2 CC POL 1/8" x 1/4" x 60' / BLACK H1CC-N-#14 | AR | | | AR | |
| 70 | Y2-1867-00 | KEY & CYLINDER CODE "FORD" & "NS" | | | | | |
| | | | | | | | |
| | | | | | | | |
| | | A) BUS WITH "OPTION" FLUTED LOWER PANELLING | | | | | |
| | | Z) NO ENGLISH DESCRIPTION | | | | | |

From Y-7046 To 3-8164

Date:10/2022

PAGE:Y2-1869-00

RADIATOR DOOR ASSY



| | | |
|---------------------------|--------------|-----------------|
| From Y-7046 To 3-8164 | Date:10/2022 | PAGE:Y2-1869-00 |
| RADIATOR DOOR ASSY | | |

| Item# | Part | Description | X L I I 4 5 | X L I I M T H 4 0 | X L I I M T H 4 5 | X L I I M T H 4 5 E | N O T E S |
|-------|---------|--|----------------------------|---|---|--|-----------------------|
| | | ALL RADIATOR DOORS ASSY DO NOT INCLUDE | | | | | |
| | | RUB-RAIL PLEASE ORDER SEPARATELY | | | | | |
| | 286645P | RADIATOR DOOR ASSY / W/FLAT PANEL | 1 | | | | |
| | 287936P | RADIATOR DOOR ASSY / W/FLUTED LOWER MOULDING | 1 | | | | A |
| | 286453P | RADIATOR DOOR ASSY / W/FLUTED PANEL | | 1 | 1 | | |
| | 286453P | RADIATOR DOOR ASSY / W/FLUTED PANEL To 1-7435 | | | | 1 | |
| | 287936P | RADIATOR DOOR ASSY / W/FLUTED LOWER MOULDING From 1-7436 | | | | 1 | |
| 1 | 286134 | FRAME ASSY / RADIATOR DOOR | 1 | 1 | 1 | 1 | |
| 2 | 474236 | PANEL, LOWER To 1-7726 | 1 | | | | |
| 2 | 475360 | PANEL, LOWER From 1-7727 | 1 | | | | |
| 2 | 473947 | PANEL, LOWER / SB | AR | | | | A |
| 2 | 473947 | PANEL, LOWER / SB | | 1 | 1 | 1 | |
| 3 | 474228 | PANEL, UPPER / FLAT | 1 | | | | |
| 3 | 474856 | PANEL, UPPER / W/FLUTED LOWER MOULDING | AR | | | | A |
| 3 | 473949 | PANEL, UPPER / W/FLUTED | | 1 | 1 | | |
| 3 | 473949 | PANEL, UPPER / W/FLUTED To 1-7435 | | | | 1 | |
| 3 | 474856 | PANEL, UPPER / W/FLUTED LOWER MOULDING From 1-7436 | | | | 1 | B |
| 4 | 286129 | HINGE / UPPER | 1 | 1 | 1 | 1 | |
| 5 | 286128 | LOWER HINGE | 1 | 1 | 1 | 1 | |
| 6 | 286098 | ARM ASSY | 1 | 1 | 1 | 1 | |
| 6 | 289149 | ARM ASSY | 1 | 1 | 1 | 1 | |
| 7 | 286102 | ARM ASSY | 1 | 1 | 1 | 1 | |
| 7 | 289150 | ARM ASSY | 1 | 1 | 1 | 1 | |
| 8 | 286225 | FINISHING MOULDING 1110MM | 1 | | | | |
| 8 | 288527 | FINISHING MOULDING 1110MM / B.A. | | 1 | 1 | 1 | |
| 9 | 502737 | SCREW CAP HEX M6-1.0x25 SS BK | 4 | 4 | 4 | 4 | |
| 10 | 430406 | WASHER FLAT | 4 | 4 | 4 | 4 | |
| 11 | 504339 | RIVET POP DOME OE 1/8x3/8 SS | 6 | 6 | 6 | 6 | |
| 12 | 504379 | RIVET POP DOME OE 3/16x1/4 SS | 1 | 1 | 1 | 1 | |
| 13 | 502780 | SCREW CAP HEX M8-1.25x25 SS BK | 2 | 2 | 2 | 2 | |
| 14 | 502584 | WASHER LO SERR 8.2x26.3x1.8 Z050 | 2 | 2 | 2 | 2 | |
| 15 | 286203 | STOPPER | 1 | 1 | 1 | 1 | |
| 16 | 502563 | SCREW CAP HEX M6-1.0x12 G8.8 Z050 | 2 | 2 | 2 | 2 | |
| 17 | 780588 | LOCK SPAGNOLET R.H. / W/G-FITTING To 2-7755 | 1 | 1 | 1 | 1 | |
| . NS | 780340 | . CLIP, RETAINER ROD To 2-7755 | 1 | 1 | 1 | 1 | |
| . NS | 507607 | . GREASE FITTING / M6-1.00 To 2-7755 | 1 | 1 | 1 | 1 | |
| 17 | 780653 | LOCK SPAGNOLET R.H. / W/G-FITTING From 2-7756 | 1 | 1 | 1 | 1 | |
| . NS | 780340 | . CLIP, RETAINER ROD From 2-7756 | 1 | 1 | 1 | 1 | |
| . NS | 507607 | . GREASE FITTING / M6-1.00 From 2-7756 | 1 | 1 | 1 | 1 | |
| 18 | 682972 | BLACK TAPE BUTYL 3/16"X3/8"X25' | AR | AR | AR | AR | |

| | | |
|---------------------------|--------------|-----------------|
| From Y-7046 To 3-8164 | Date:10/2022 | PAGE:Y2-1869-00 |
| RADIATOR DOOR ASSY | | |

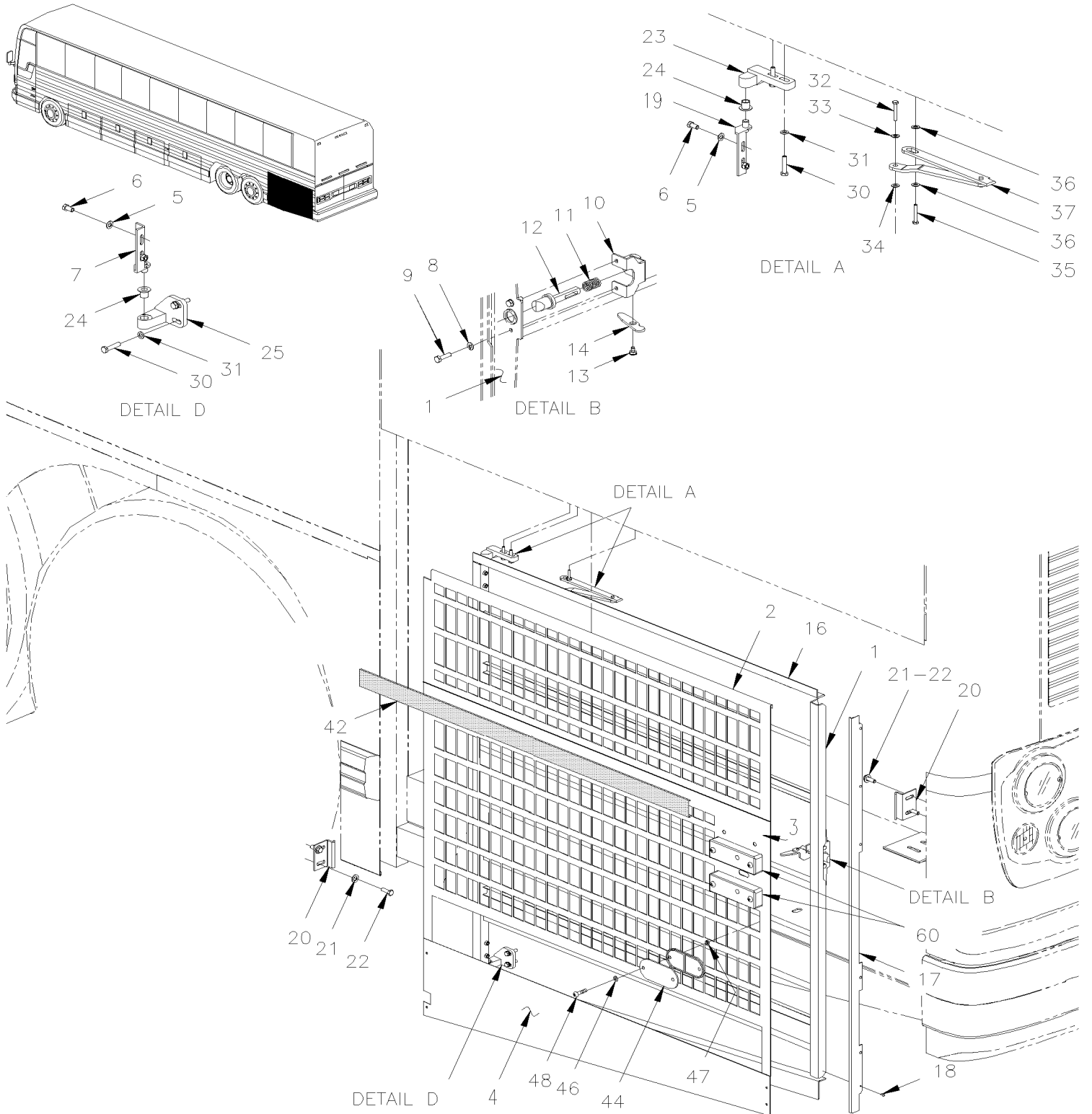
| Item# | Part | Description | X L I I 4 5 | X L I I M T H 4 0 | X L I I M T H 4 5 | X L I I M T H 4 5 E | N O T E S |
|-------|-------------------|---|----------------------------|---|---|--|-----------------------|
| 19 | 5001188 | NUT HEX M8-1.25 SS | 1 | 1 | 1 | 1 | |
| 20 | Y2-0662-00 | CLEARANCE & MARKER LIGHT | | | | | |
| 21 | Y2-0662-00 | CLEARANCE & MARKER LIGHT | | | | | |
| 22 | 502573 | WASHER FL 6.4x12.5x1.6 SS | 1 | 1 | 1 | 1 | |
| 23 | 500270 | WASHER FL .406x1.000x.063 SS | 2 | 2 | 2 | 2 | |
| 24 | 286280 | PROTECTOR | 1 | 1 | 1 | 1 | |
| 25 | 683083 | ADHESIVE SIKA #252 / BLACK / 600 ml SAUSAGE | AR | AR | AR | AR | |
| 26 | 286171 | PROTECTOR | 1 | 1 | 1 | 1 | |
| 27 | 284749 | LEVER | 1 | 1 | 1 | 1 | |
| 28 | 683448 | ACCELERATOR SIKA / 600ml SAUSAGE | AR | AR | AR | AR | |
| 29 | 683447 | ADHESIVE SIKATACK PLUS / BLACK / 23 Liters | AR | AR | AR | AR | |
| 30 | 683097 | CLEANER SIKA #205 / CLEAR / 1000ml | AR | AR | AR | AR | |
| 31 | 683446 | PRIMER SIKA #206 / BLACK / 1000ml | AR | AR | AR | AR | |
| 32 | 502568 | SCREW MA PAN PH M6-1.0x20 EMN | 1 | 1 | 1 | 1 | |
| 33 | 502511 | NUT HEX NYRT M6-1.0 Z050 | 1 | 1 | 1 | 1 | |
| 34 | 473830 | FINISHING MOULDING SS / 1123MM | | 1 | 1 | 1 | |
| 34 | 474389 | FINISHING MOULDING PLASTIC 1123MM | 1 | | | 1 | B |
| . NS | 506769 | . TAPE RUB ADH2 CC POL 1/8" x 1/4" x 60' / BLACK H1CC-N-#14 | AR | | | AR | B |
| 35 | 473826 | MOULDING RETAINER / 1125MM | | 1 | 1 | 1 | |
| 36 | 504488 | RIVET MGLP PRDG 3/16x17/64 SS | | 10 | 10 | 10 | |
| 37 | 502774 | NUT WELL #10-32x.625 | 4 | 4 | 4 | 4 | |
| 38 | 5001042 | SCREW MA RND PH #10-32x1 1/4 SS | 4 | 4 | 4 | 4 | |
| 39 | 064990 | CABLE ASSY / SIDE MARKER LAMP FOR DOORS | 2 | 2 | 2 | 2 | |
| . NS | 473832 | . GROMMET 2 HOLESx1.6x11.0MMx2.0MMx8.0MMx16MM | 1 | 1 | 1 | 1 | |
| 40 | 504334 | BUMPER RUBBER / .625 OD x .406 TH x .156 HOLE | 2 | 2 | 2 | 2 | |
| 41 | 504339 | RIVET POP DOME OE 1/8x3/8 SS | 2 | 2 | 2 | 2 | |
| 42 | 281444 | GUIDE ASSY / L.H. DOOR To 2-7831 | 1 | 1 | 1 | 1 | |
| 42 | 281912 | GUIDE ASSY / L.H. DOOR From 2-7832 | 1 | 1 | 1 | 1 | |
| 43 | 502780 | SCREW CAP HEX M8-1.25x25 SS BK | 1 | 1 | 1 | 1 | |
| 44 | 930320 | REFLECTOR RED 1 3/16" x 4 7/16" | 1 | 1 | 1 | 1 | |
| 46 | 500470 | WASHER LO SPT .193x.334x.047 Z050 | 2 | 2 | 2 | 2 | |
| 47 | 500786 | NUT HEX #10-24 Z050 | 2 | 2 | 2 | 2 | |
| 48 | 500606 | SCREW MA TR PH #10-24x3/4 SS | 2 | 2 | 2 | 2 | |
| 49 | 504272 | RIVET CHY Q BRAZ 3/16x1/8 SS | 4 | 4 | 4 | 4 | |
| 50 | 284607 | BUSHING, NYLON / (NOT INCLUDE W/HINGE) | 2 | 2 | 2 | 2 | |
| | | | | | | | |
| | | | | | | | |
| | | | | | | | |
| | | A) BUS WITH "OPTION" FLUTED LOWER PANELLING | | | | | |
| | | B) MTH ENT WITH UPPER FLAT SIDE PANELLING | | | | | |

From 4-8165 To 6-8906

Date:10/2022

PAGE:Y2-1869-01

RADIATOR DOOR ASSY - BUS



| | | |
|---------------------------------|--------------|-----------------|
| From 4-8165 To 6-8906 | Date:10/2022 | PAGE:Y2-1869-01 |
| RADIATOR DOOR ASSY - BUS | | |

| Item# | Part | Description | X L I I 4 5 | X L I I M T H 4 0 | X L I I M T H 4 5 | X L I I M T H 4 5 E | N O T E S |
|-------|--------|---|----------------------------|---|---|--|-----------------------|
| | 288332 | RADIATOR DOOR ASSY / W/FLAT PANEL | 1 | | | | |
| | 288333 | RADIATOR DOOR ASSY / W/FLUTED LOWER MOULDING | 1 | | | | A |
| 1 | 284778 | FRAME ASSY / RADIATOR DOOR | 1 | | | | |
| 2 | 473796 | PANEL, UPPER / FLAT To 4-8358 | 1 | | | | |
| 2 | 477488 | PANEL, UPPER / FLAT From 4-8359 | 1 | | | | |
| 2 | 473794 | PANEL, UPPER / W/FLAT UPPER MOULDING / S.B. To 4-8358 | AR | | | | A |
| 2 | 477487 | PANEL, UPPER / W/FLAT UPPER MOULDING / S.B. From 4-8359 | AR | | | | A |
| 4 | 475360 | PANEL, LOWER | 1 | | | | |
| 4 | 474457 | PANEL, LOWER / S.B. | AR | | | | A |
| 4 | 504272 | RIVET CHY Q BRAZ 3/16x1/8 SS | 4 | | | | |
| 5 | 502737 | SCREW CAP HEX M6-1.0x25 SS BK | 4 | | | | |
| NS | 430406 | WASHER FLAT | 4 | | | | |
| 6 | 502686 | SCREW CAP HEX M6-1.0x30 SS BK | 4 | | | | |
| 7 | 286098 | ARM ASSY | 1 | | | | |
| 7 | 289149 | ARM ASSY | 1 | | | | |
| 8 | 500356 | WASHER LO SERR 6.1x16.0x0.9 N500 | 6 | | | | |
| 9 | 502737 | SCREW CAP HEX M6-1.0x25 SS BK | 6 | | | | |
| 10 | 288006 | GUIDE PIN HOLDER | 1 | | | | |
| 11 | 502910 | SPRING COMPRESSION / .720 O.D. 1.75 x .055 | 1 | | | | |
| 12 | 284313 | CATCH PIN SS / 90MM | 1 | | | | |
| 12 | 289585 | CATCH PIN ACETAL / 90MM | 1 | | | | |
| NS | 507212 | O-RING | 1 | | | | |
| 13 | 287271 | RIVET SHR FL 9.95x3.6{4.8x4.8 SS | 1 | | | | |
| 14 | 286612 | PIVOT | 1 | | | | |
| 16 | 504334 | BUMPER RUBBER / .625 OD x .406 TH x .156 HOLE | 1 | | | | |
| 16 | 504339 | RIVET POP DOME OE 1/8x3/8 SS | 1 | | | | |
| 17 | 286225 | FINISHING MOULDING 1110MM | 1 | | | | |
| 18 | 504339 | RIVET POP DOME OE 1/8x3/8 SS | AR | | | | |
| 19 | 286102 | ARM ASSY | 1 | | | | |
| 19 | 289150 | ARM ASSY | 1 | | | | |
| 20 | 287286 | CATCH PIN / RETAINER 45MMx21MM 90° | 1 | | | | |
| NS | 287452 | SHIM SPACER 70MM X 25 X 14GA | AR | | | | |
| 21 | 502857 | WASHER LO SERR 8.2x26.3x1.8 N500 | 4 | | | | |
| 22 | 502780 | SCREW CAP HEX M8-1.25x25 SS BK | 4 | | | | |
| 23 | 286129 | HINGE / UPPER | 1 | | | | |
| 24 | 284607 | BUSHING, NYLON / (NOT INCLUDE W/HINGE) | 2 | | | | |
| 25 | 286128 | LOWER HINGE | 1 | | | | |
| 30 | 502737 | SCREW CAP HEX M6-1.0x25 SS BK | 4 | | | | |
| 31 | 430406 | WASHER FLAT | 4 | | | | |
| 32 | 502568 | SCREW MA PAN PH M6-1.0x20 EMN | 1 | | | | |
| 33 | 502573 | WASHER FL 6.4x12.5x1.6 SS | 1 | | | | |
| 34 | 502511 | NUT HEX NYRT M6-1.0 Z050 | 1 | | | | |

| | | |
|-----------------------|--------------|-----------------|
| From 4-8165 To 6-8906 | Date:10/2022 | PAGE:Y2-1869-01 |
|-----------------------|--------------|-----------------|

RADIATOR DOOR ASSY - BUS

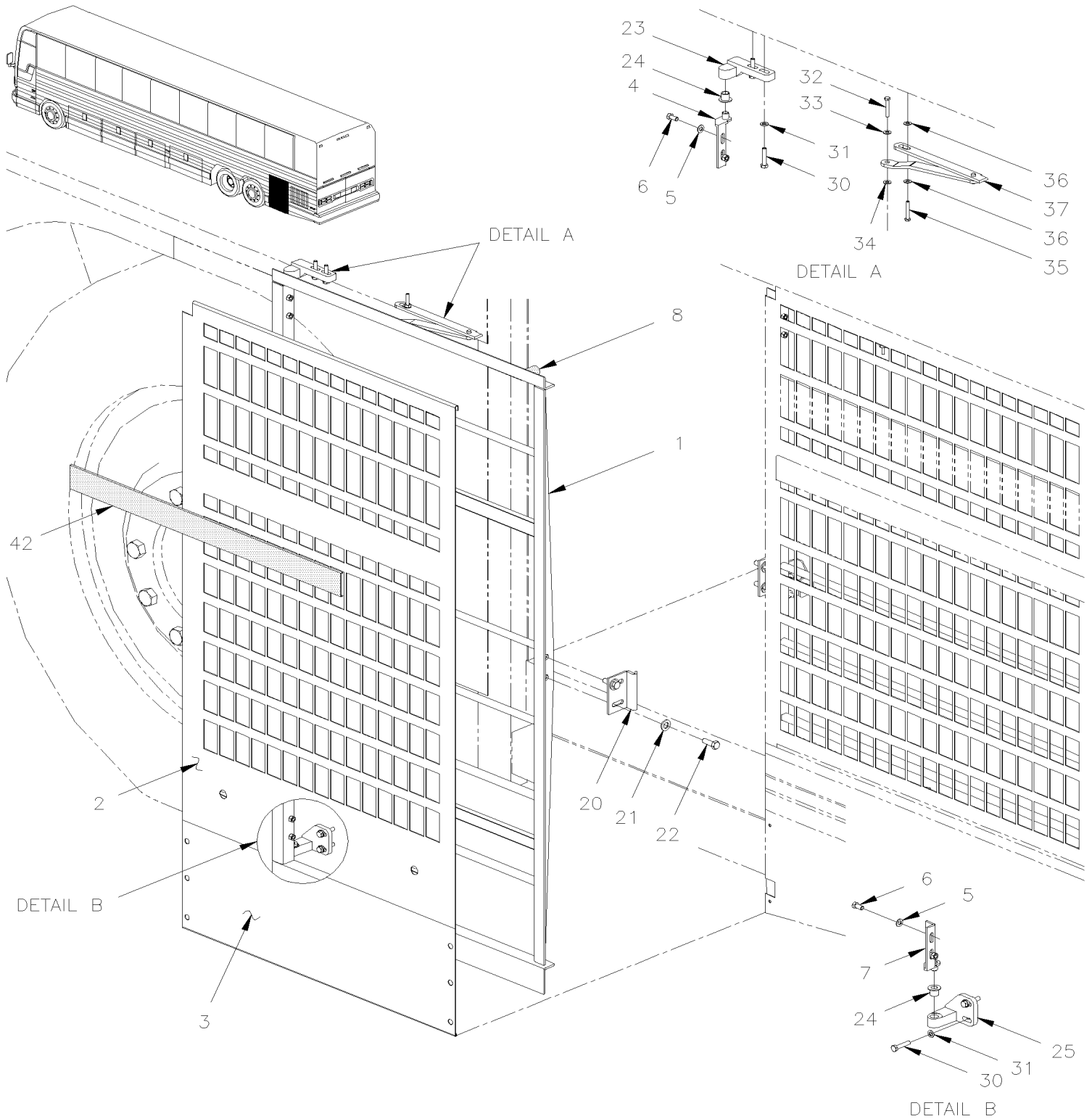
| Item# | Part | Description | X L I I 4 5 | X L I I M T H 4 0 | X L I I M T H 4 5 | X L I I M T H 4 5 E | NOTES |
|-------|-------------------|---|----------------------------|---|---|--|-------|
| 35 | 502780 | SCREW CAP HEX M8-1.25x25 SS BK | 1 | | | | |
| 36 | 500270 | WASHER FL .406x1.000x.063 SS | 2 | | | | |
| 37 | 281912 | GUIDE ASSY / L.H. DOOR | 1 | | | | |
| 42 | 474389 | FINISHING MOULDING PLASTIC 1123MM | 1 | | | | |
| . NS | 506769 | . TAPE RUB ADH2 CC POL 1/8" x 1/4" x 60' / BLACK H1CC-N-#14 | AR | | | | |
| NS | 683083 | ADHESIVE SIKA #252 / BLACK / 600 ml SAUSAGE | AR | | | | |
| NS | 5060044 | TAPE RUB ADH2 CC POL 1/4" X 1/4" X 50' / BLACK I1C-N-A | AR | | | | |
| 44 | 930320 | REFLECTOR RED 1 3/16" x 4 7/16" | 1 | | | | |
| 46 | 500914 | WASHER LO SPT .193x.334x.047 N500 | 2 | | | | |
| 47 | 500787 | NUT HEX #10-24 SS | 2 | | | | |
| 48 | 500606 | SCREW MA TR PH #10-24x3/4 SS | 2 | | | | |
| 60 | Y2-0662-00 | CLEARANCE & MARKER LIGHT | | | | | |
| | | | | | | | |
| | | | | | | | |
| | | | | | | | |
| | | A) BUS WITH "OPTION" FLUTED LOWER PANELLING | | | | | |

From 4-8165 To 8-9339

Date:10/2022

PAGE:Y2-1869-50

RADIATOR DOOR ASSY - MTH-45' SMALL



| | | |
|---|--------------|-----------------|
| From 4-8165 To 8-9339 | Date:10/2022 | PAGE:Y2-1869-50 |
| RADIATOR DOOR ASSY - MTH-45' SMALL | | |

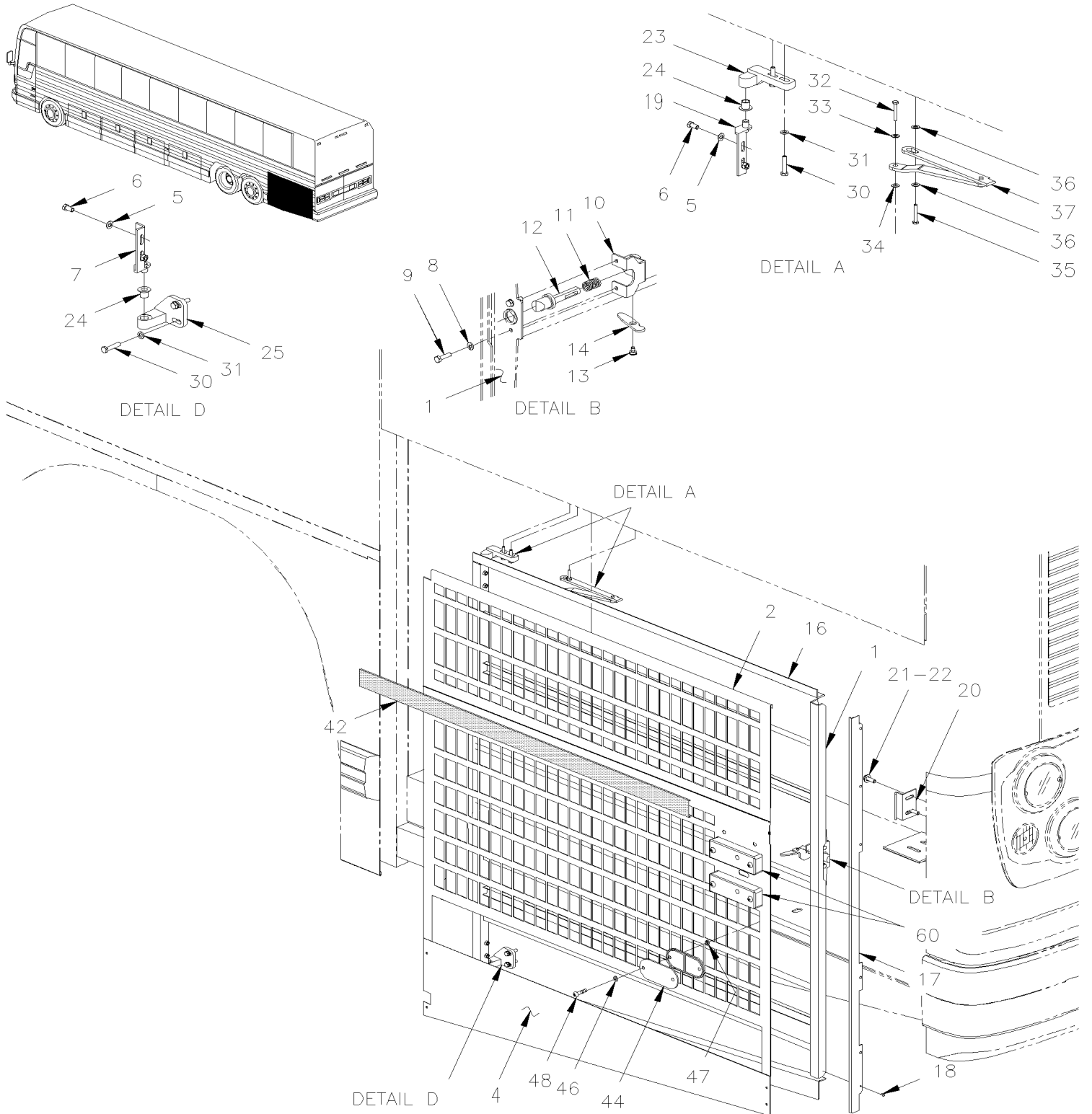
| Item# | Part | Description | X L I I 4 5 | X L I I M T H 4 0 | X L I I M T H 4 5 | X L I I M T H 4 5 E | N O T E S |
|-------|---------|--|----------------------------|---|---|--|-----------------------|
| | 288331 | RADIATOR DOOR ASSY / W/FLUTED PANEL / SMALL | | | 1 | | |
| 1 | 285527 | FRAME ASSY / RADIATOR DOOR / SMALL | | | 1 | | |
| 2 | 472997 | PANEL, UPPER / W/FLUTED / S.B. | | | 1 | | |
| 2 | 477661 | PANEL, UPPER / W/FLUTED / B.A. From 5-8469 | | | 1 | | |
| 3 | 473508 | PANEL, LOWER / S.B. To 5-8468 | | | 1 | | |
| 3 | 477660 | PANEL, LOWER / B.A. From 5-8469 | | | 1 | | |
| NS | 504272 | RIVET CHY Q BRAZ 3/16x1/8 SS | | | 6 | | |
| 4 | 286102 | ARM ASSY | | | 1 | | |
| 4 | 289150 | ARM ASSY | | | 1 | | |
| 5 | 502570 | WASHER LO SPT 6.1x11.8x1.6 SS | | | 4 | | |
| 6 | 502686 | SCREW CAP HEX M6-1.0x30 SS BK | | | 4 | | |
| 7 | 286098 | ARM ASSY | | | 1 | | |
| 7 | 289149 | ARM ASSY | | | 1 | | |
| 8 | 500356 | WASHER LO SERR 6.1x16.0x0.9 N500 | | | 2 | | |
| 9 | 502737 | SCREW CAP HEX M6-1.0x25 SS BK | | | 2 | | |
| 20 | 287286 | CATCH PIN / RETAINER 45MMx21MM 90° | | | 1 | | |
| NS | 287452 | SHIM SPACER 70MM X 25 X 14GA | | | AR | | |
| 21 | 502857 | WASHER LO SERR 8.2x26.3x1.8 N500 | | | 2 | | |
| 22 | 502780 | SCREW CAP HEX M8-1.25x25 SS BK | | | 2 | | |
| 23 | 286129 | HINGE / UPPER | | | 1 | | |
| 24 | 284607 | BUSHING, NYLON / (NOT INCLUDE W/HINGE) | | | 2 | | |
| 25 | 286128 | LOWER HINGE | | | 1 | | |
| 30 | 502737 | SCREW CAP HEX M6-1.0x25 SS BK | | | 4 | | |
| 31 | 430406 | WASHER FLAT | | | 4 | | |
| 32 | 502568 | SCREW MA PAN PH M6-1.0x20 EMN | | | 1 | | |
| 33 | 502573 | WASHER FL 6.4x12.5x1.6 SS | | | 1 | | |
| 34 | 502511 | NUT HEX NYRT M6-1.0 Z050 | | | 1 | | |
| 35 | 502780 | SCREW CAP HEX M8-1.25x25 SS BK | | | 1 | | |
| 36 | 500270 | WASHER FL .406x1.000x.063 SS | | | 2 | | |
| 37 | 281912 | GUIDE ASSY / L.H. DOOR | | | 1 | | |
| 42 | 473800 | FINISHING MOULDING SS / 630MM | | | 1 | | |
| NS | 683083 | ADHESIVE SIKA #252 / BLACK / 600 ml SAUSAGE | | | AR | | |
| NS | 5060044 | TAPE RUB ADH2 CC POL 1/4" X 1/4" X 50' / BLACK I1C-N-A | | | AR | | |
| | | | | | | | |
| | | | | | | | |
| | | | | | | | |

From 4-8165 To 8-9339

Date:10/2022

PAGE:Y2-1869-55

RADIATOR DOOR ASSY - MTH-40' & MTH-45' ENT



| | | |
|---|--------------|-----------------|
| From 4-8165 To 8-9339 | Date:10/2022 | PAGE:Y2-1869-55 |
| RADIATOR DOOR ASSY - MTH-40' & MTH-45' ENT | | |

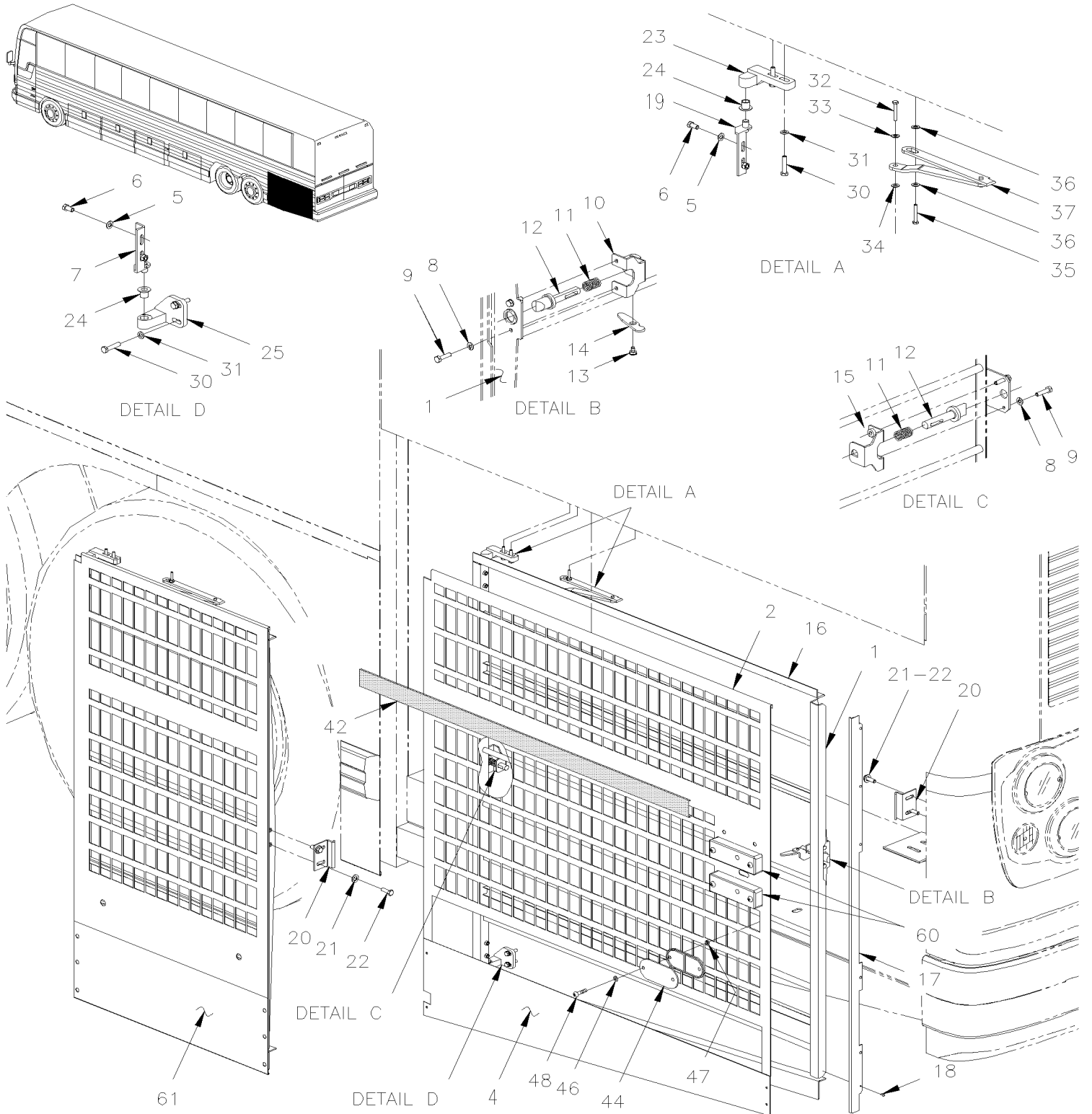
| Item# | Part | Description | X L I I 4 5 | X L I I M T H 4 0 | X L I I M T H 4 5 | X L I I M T H 4 5 E | N O T E S |
|-------|--------|---|----------------------------|---|---|--|-----------------------|
| | 288329 | RADIATOR DOOR ASSY / W/FLUTED PANEL To 5-8813 | | 1 | | | |
| | 288333 | RADIATOR DOOR ASSY / W/FLUTED LOWER MOULDING | | | | 1 | |
| 1 | 284778 | FRAME ASSY / RADIATOR DOOR | | 1 | | 1 | |
| 2 | 473792 | PANEL, UPPER / W/FLUTED / S.B. To 4-8358 | | 1 | | | |
| 2 | 477486 | PANEL, UPPER / W/FLUTED / S.B. From 4-8359 To 5-8468 | | 1 | | | |
| 2 | 477663 | PANEL, UPPER / W/FLUTED / B.A. From 5-8469 To 6-8813 | | 1 | | | |
| 2 | 473794 | PANEL, UPPER / W/FLAT UPPER MOULDING / S.B. To 4-8358 | | | | 1 | |
| 2 | 477487 | PANEL, UPPER / W/FLAT UPPER MOULDING / S.B. From 4-8359 To 5-8468 | | | | 1 | |
| 2 | 477662 | PANEL, UPPER / W/FLAT UPPER MOULDING / B.A. From 5-8469 | | | | 1 | |
| 4 | 474457 | PANEL, LOWER / S.B. To 5-8468 | | 1 | | 1 | |
| 4 | 477659 | PANEL, LOWER / B.A. From 5-8469 | | 1 | | 1 | |
| 4 | 504272 | RIVET CHY Q BRAZ 3/16x1/8 SS | | 4 | | 4 | |
| 5 | 502737 | SCREW CAP HEX M6-1.0x25 SS BK | | 4 | | 4 | |
| NS | 430406 | WASHER FLAT | | 4 | | 4 | |
| 6 | 502686 | SCREW CAP HEX M6-1.0x30 SS BK | | 4 | | 4 | |
| 7 | 286098 | ARM ASSY | | 1 | | 1 | |
| 7 | 289149 | ARM ASSY | | 1 | | 1 | |
| 8 | 500356 | WASHER LO SERR 6.1x16.0x0.9 N500 | | 6 | | 6 | |
| 9 | 502737 | SCREW CAP HEX M6-1.0x25 SS BK | | 6 | | 6 | |
| 10 | 288006 | GUIDE PIN HOLDER | | 1 | | 1 | |
| 11 | 502910 | SPRING COMPRESSION / .720 O.D. 1.75 x .055 | | 1 | | 1 | |
| 12 | 284313 | CATCH PIN SS / 90MM | | 1 | | 1 | |
| 12 | 289585 | CATCH PIN ACETAL / 90MM | | 1 | | 1 | |
| NS | 507212 | O-RING | | 1 | | 1 | |
| 13 | 287271 | RIVET SHR FL 9.95x3.6{4.8x4.8 SS | | 1 | | 1 | |
| 14 | 286612 | PIVOT | | 1 | | 1 | |
| 16 | 504334 | BUMPER RUBBER / .625 OD x .406 TH x .156 HOLE | | 1 | | 1 | |
| 16 | 504339 | RIVET POP DOME OE 1/8x3/8 SS | | 1 | | 1 | |
| 16 | 504340 | RIVET POP DOME OE 1/8x3/16 SS | | 7 | | 7 | |
| 17 | 288527 | FINISHING MOULDING 1110MM / B.A. From 5-8469 | | 1 | | 1 | |
| 18 | 504339 | RIVET POP DOME OE 1/8x3/8 SS | | AR | | AR | |
| 19 | 286102 | ARM ASSY | | 1 | | 1 | |
| 19 | 289150 | ARM ASSY | | 1 | | 1 | |
| 20 | 287286 | CATCH PIN / RETAINER 45MMx21MM 90° | | 1 | | 1 | |
| NS | 287452 | SHIM SPACER 70MM X 25 X 14GA | | AR | | AR | |
| 21 | 502857 | WASHER LO SERR 8.2x26.3x1.8 N500 | | 4 | | 4 | |
| 22 | 502780 | SCREW CAP HEX M8-1.25x25 SS BK | | 4 | | 4 | |
| 23 | 286129 | HINGE / UPPER | | 1 | | 1 | |
| 24 | 284607 | BUSHING, NYLON / (NOT INCLUDE W/HINGE) | | 2 | | 2 | |
| 25 | 286128 | LOWER HINGE | | 1 | | 1 | |
| 30 | 502737 | SCREW CAP HEX M6-1.0x25 SS BK | | 4 | | 4 | |
| 31 | 430406 | WASHER FLAT | | 4 | | 4 | |

From 4-8165 To 8-9339

Date:10/2022

PAGE:Y2-1869-60

RADIATOR DOOR ASSY - MTH-45' LARGE



| | | |
|---|--------------|-----------------|
| From 4-8165 To 8-9339 | Date:10/2022 | PAGE:Y2-1869-60 |
| RADIATOR DOOR ASSY - MTH-45' LARGE | | |

| Item# | Part | Description | X L I I 4 5 | X L I I M T H 4 0 | X L I I M T H 4 5 | X L I I M T H 4 5 E | N O T E S |
|-------|--------|---|----------------------------|---|---|--|-----------------------|
| | 288330 | RADIATOR DOOR ASSY / W/FLUTED PANEL / LARGE | | | 1 | | |
| 1 | 284312 | FRAME ASSY / RADIATOR DOOR / LARGE | | | 1 | | |
| 2 | 472638 | PANEL, UPPER / W/FLUTED / S.B. To 4-8358 | | | 1 | | |
| 2 | 477483 | PANEL, UPPER / W/FLUTED / S.B. To 5-8468 | | | 1 | | |
| 2 | 477658 | PANEL, UPPER / W/FLUTED / B.A. From 5-8469 | | | 1 | | |
| 4 | 474457 | PANEL, LOWER / S.B. | | | 1 | | |
| 4 | 477659 | PANEL, LOWER / B.A. | | | 1 | | |
| NS | 504272 | RIVET CHY Q BRAZ 3/16x1/8 SS | | | 4 | | |
| 5 | 502737 | SCREW CAP HEX M6-1.0x25 SS BK | | | 4 | | |
| NS | 430406 | WASHER FLAT | | | 4 | | |
| 6 | 502686 | SCREW CAP HEX M6-1.0x30 SS BK | | | 4 | | |
| 7 | 286098 | ARM ASSY | | | 1 | | |
| 7 | 289149 | ARM ASSY | | | 1 | | |
| 8 | 500356 | WASHER LO SERR 6.1x16.0x0.9 N500 | | | 6 | | |
| 9 | 502737 | SCREW CAP HEX M6-1.0x25 SS BK | | | 6 | | |
| 10 | 288006 | GUIDE PIN HOLDER | | | 1 | | |
| 11 | 502910 | SPRING COMPRESSION / .720 O.D. 1.75 x .055 | | | 2 | | |
| 12 | 284313 | CATCH PIN SS / 90MM | | | 2 | | |
| 12 | 289585 | CATCH PIN ACETAL / 90MM | | | 1 | | |
| NS | 507212 | O-RING | | | 2 | | |
| 13 | 287271 | RIVET SHR FL 9.95x3.6{4.8x4.8 SS | | | 1 | | |
| 14 | 286612 | PIVOT | | | 1 | | |
| 15 | 284625 | GUIDE PIN HOLDER | | | 1 | | |
| 16 | 504334 | BUMPER RUBBER / .625 OD x .406 TH x .156 HOLE | | | 1 | | |
| 16 | 504339 | RIVET POP DOME OE 1/8x3/8 SS | | | 1 | | |
| 17 | 288527 | FINISHING MOULDING 1110MM / B.A. | | | 1 | | |
| 18 | 504339 | RIVET POP DOME OE 1/8x3/8 SS | | | AR | | |
| 19 | 286102 | ARM ASSY | | | 1 | | |
| 19 | 289150 | ARM ASSY | | | 1 | | |
| 20 | 287286 | CATCH PIN / RETAINER 45MMx21MM 90° | | | 2 | | |
| NS | 287452 | SHIM SPACER 70MM X 25 X 14GA | | | AR | | |
| 21 | 502857 | WASHER LO SERR 8.2x26.3x1.8 N500 | | | 4 | | |
| 22 | 502780 | SCREW CAP HEX M8-1.25x25 SS BK | | | 4 | | |
| 23 | 286129 | HINGE / UPPER | | | 1 | | |
| 24 | 284607 | BUSHING, NYLON / (NOT INCLUDE W/HINGE) | | | 2 | | |
| 25 | 286128 | LOWER HINGE | | | 1 | | |
| 30 | 502737 | SCREW CAP HEX M6-1.0x25 SS BK | | | 4 | | |
| 31 | 430406 | WASHER FLAT | | | 4 | | |
| 32 | 502568 | SCREW MA PAN PH M6-1.0x20 EMN | | | 1 | | |
| 33 | 502573 | WASHER FL 6.4x12.5x1.6 SS | | | 1 | | |
| 34 | 502511 | NUT HEX NYRT M6-1.0 Z050 | | | 1 | | |
| 35 | 502780 | SCREW CAP HEX M8-1.25x25 SS BK | | | 1 | | |

| | | |
|---|--------------|-----------------|
| From 4-8165 To 8-9339 | Date:10/2022 | PAGE:Y2-1869-60 |
| RADIATOR DOOR ASSY - MTH-45' LARGE | | |

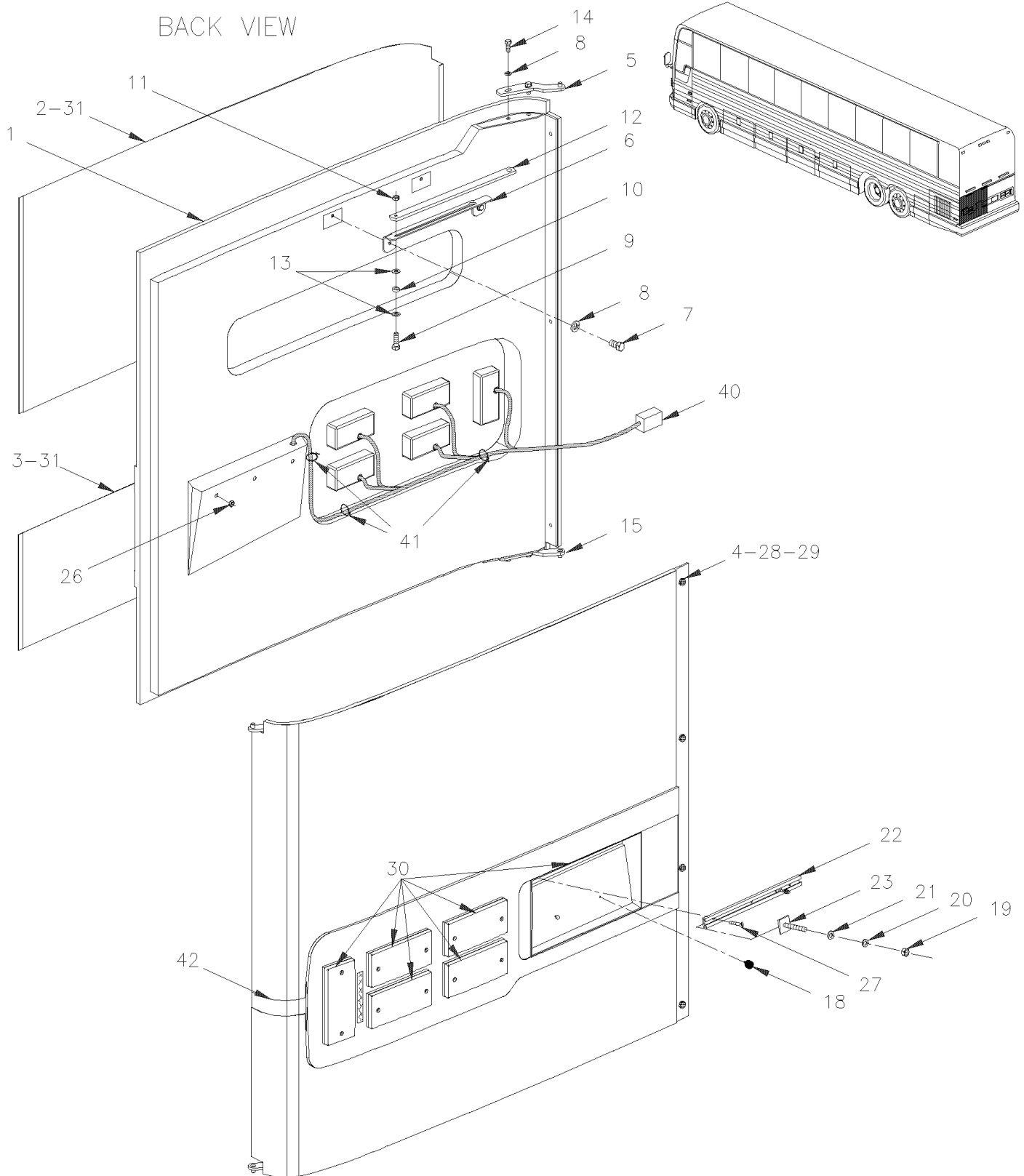
| Item# | Part | Description | X L I I 4 5 | X L I I M T H 4 0 | X L I I M T H 4 5 | X L I I M T H 4 5 E | N O T E S |
|-------|-------------------|--|----------------------------|---|---|--|-----------------------|
| 36 | 500270 | WASHER FL .406x1.000x.063 SS | | | 2 | | |
| 37 | 281912 | GUIDE ASSY / L.H. DOOR | | | 1 | | |
| 42 | 473830 | FINISHING MOULDING SS / 1123MM | | | 1 | | |
| NS | 683083 | ADHESIVE SIKA #252 / BLACK / 600 ml SAUSAGE | | | AR | | |
| NS | 5060044 | TAPE RUB ADH2 CC POL 1/4" X 1/4" X 50' / BLACK I1C-N-A | | | AR | | |
| 44 | 930320 | REFLECTOR RED 1 3/16" x 4 7/16" | | | 1 | | |
| 46 | 500914 | WASHER LO SPT .193x.334x.047 N500 | | | 2 | | |
| 47 | 500787 | NUT HEX #10-24 SS | | | 2 | | |
| 48 | 500606 | SCREW MA TR PH #10-24x3/4 SS | | | 2 | | |
| 60 | Y2-0662-00 | CLEARANCE & MARKER LIGHT | | | | | |
| 61 | Y2-1869-50 | RADIATOR DOOR ASSY - MTH-45' SMALL | | | | | |
| | | | | | | | |
| | | | | | | | |
| | | Z) NO ENGLISH DESCRIPTION | | | | | |

From Y-7046 To 3-8164

Date:10/2022

PAGE:Y2-1870-00

ENGINE DOOR ASSY L.H.

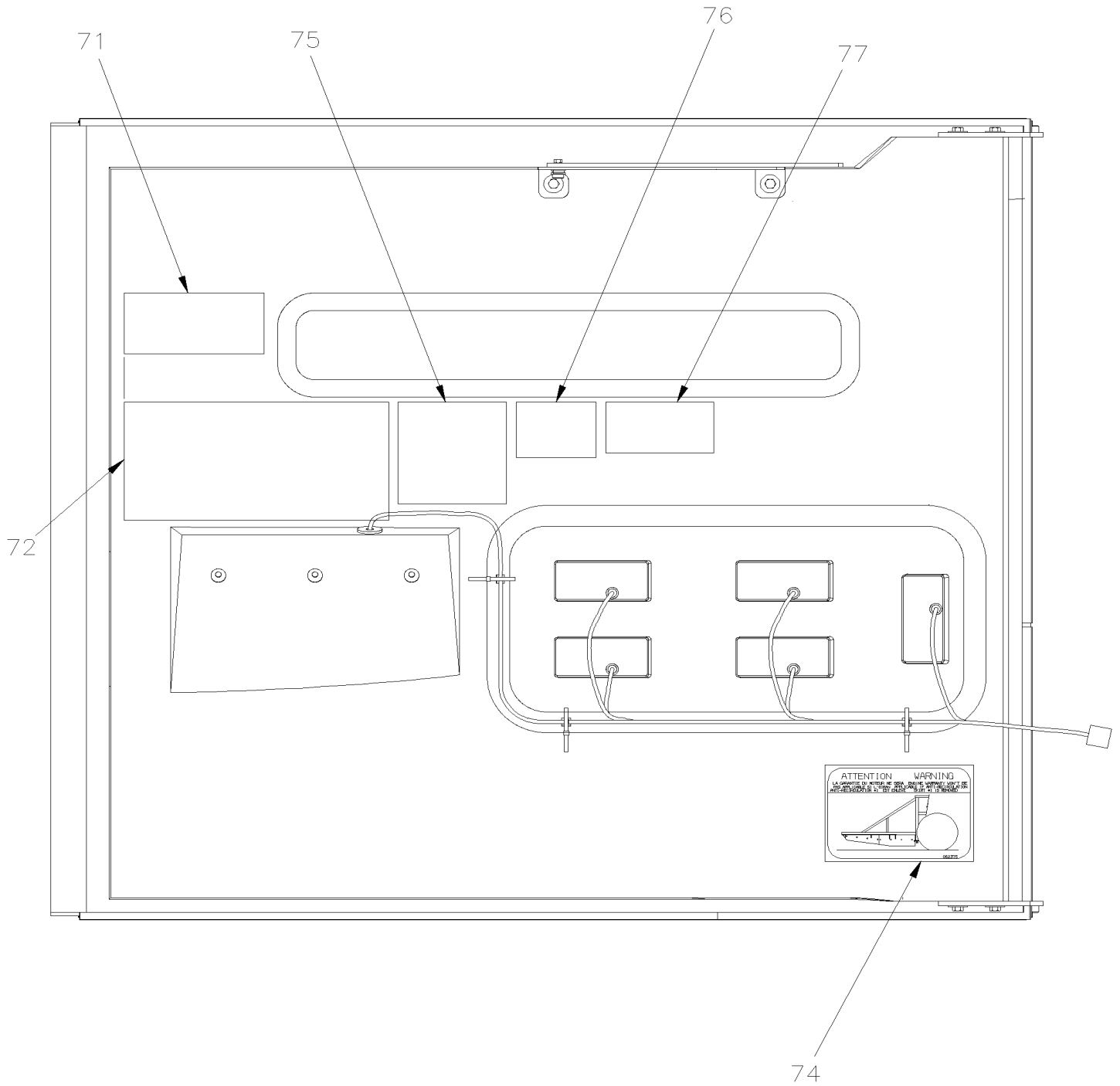


From Y-7046 To 3-8164

Date:10/2022

PAGE:Y2-1870-00

ENGINE DOOR ASSY L.H.



| | | |
|------------------------------|--------------|-----------------|
| From Y-7046 To 3-8164 | Date:10/2022 | PAGE:Y2-1870-00 |
| ENGINE DOOR ASSY L.H. | | |

| Item# | Part | Description | X L I I 4 5 | X L I I M T H 4 0 | X L I I M T H 4 5 | X L I I M T H 4 5 E | N O T E S |
|-------|-------------------|--|----------------------------|---|---|--|-----------------------|
| | 286244P | ENGINE DOOR LH ASSY | 1 | | | | |
| | 287932P | ENGINE DOOR LH ASSY | AR | | | | A |
| | 286062P | ENGINE DOOR LH ASSY | AR | | | | B |
| | 288340 | ENGINE DOOR LH ASSY / W"LED" | 1 | | | | L |
| | 286062P | ENGINE DOOR LH ASSY | | 1 | 1 | | |
| | 286062P | ENGINE DOOR LH ASSY To 1-7435 | | | | 1 | |
| | 287932P | ENGINE DOOR LH ASSY From 1-7436 | | | | 1 | C |
| 1 | 285897 | . ENGINE DOOR LH MOULDED | | 1 | 1 | 1 | |
| 1 | 287236 | . ENGINE DOOR LH MOULDED | 1 | | | | |
| 1 | 287365 | . ENGINE DOOR LH MOULDED / W"LED" | 1 | | | | L |
| 2 | 285935 | . UPPER PANEL | AR | | | | B |
| 2 | 285935 | . UPPER PANEL | | 1 | 1 | | |
| 2 | 285935 | . UPPER PANEL To 1-7435 | | | | 1 | |
| 3 | 285934 | . LOWER PANEL | AR | | | | A B |
| 3 | 285934 | . LOWER PANEL | | 1 | 1 | 1 | |
| 4 | 504334 | . BUMPER RUBBER / .625 OD x .406 TH x .156 HOLE | 4 | 4 | 4 | 4 | |
| 5 | 285913 | . ARM ASSY To 3-8106 | 1 | 1 | 1 | 1 | |
| 5 | 287430 | . ARM ASSY From 3-8107 | 1 | 1 | 1 | 1 | |
| 6 | 283776 | . GUIDE RETAINING ARM | 1 | 1 | 1 | 1 | |
| 7 | 502790 | . SCREW CAP HEX M8-1.25x20 G8.8 Z050 | 2 | 2 | 2 | 2 | |
| 8 | 502584 | . WASHER LO SERR 8.2x26.3x1.8 Z050 | 6 | 6 | 6 | 6 | |
| 9 | 502625 | . SCREW SHR HEXS 5/16x3/8 {1/4-20 | 1 | 1 | 1 | 1 | |
| 10 | 502768 | . WASHER FL RUB .312x.625x.125 NEO | 1 | 1 | 1 | 1 | |
| 11 | 502819 | . NUT HEX JAM 1/4-20 Z050 | 1 | 1 | 1 | 1 | |
| 12 | 283772 | . ARM RETAINING | 1 | 1 | 1 | 1 | |
| 13 | 500441 | . WASHER FL .312x.734x.065 Z050 | 2 | 2 | 2 | 2 | |
| 14 | 502589 | . SCREW CAP HEX M8-1.25x25 G8.8 Z050 | 4 | 4 | 4 | 4 | |
| 15 | 285907 | . ARM ASSY To 3-8106 | 1 | 1 | 1 | 1 | |
| 15 | 287429 | . ARM ASSY From 3-8107 | 1 | 1 | 1 | 1 | |
| 18 | 504498 | . BUMPER PLUG / .406ODx.218THx.250HOLEx.125 | 2 | 2 | 2 | 2 | |
| 19 | 500787 | . NUT HEX #10-24 SS | 2 | 2 | 2 | 2 | |
| 20 | 502570 | . WASHER LO SPT 6.1x11.8x1.6 SS | 2 | 2 | 2 | 2 | |
| 21 | 502637 | . WASHER FL .200x.437x.037 SS | 2 | 2 | 2 | 2 | |
| 22 | 286053 | . TRACK / LICENCE PLATE HOLDER 326MM | 1 | 1 | 1 | 1 | |
| 23 | 504286 | . T SCREW 10-24 X 3/4" / SS / PLATE HOLDER | 2 | 2 | 2 | 2 | |
| 26 | 500286 | . NUT WELL #6-32 | 3 | 3 | 3 | 3 | |
| 27 | 502666 | . SCREW MA FL PH #6-32x3/4 SS BK | 3 | 3 | 3 | 3 | |
| 28 | 504339 | . RIVET POP DOME OE 1/8x3/8 SS | 4 | 4 | 4 | 4 | |
| 29 | 5001008 | . WASHER FL .218x.437x.062 RUB BK | 4 | 4 | 4 | 4 | |
| 30 | Y2-0664-00 | . REAR EXTERIOR LIGHTS & PLATE HOLDER | | | | | |
| 31 | 683097 | . CLEANER SIKA #205 / CLEAR / 1000ml | | AR | AR | AR | |
| 40 | 064809 | . CABLE / ENGINE DOOR REAR LAMP W/BULB | 1 | 1 | 1 | 1 | |

| | | |
|------------------------------|--------------|-----------------|
| From Y-7046 To 3-8164 | Date:10/2022 | PAGE:Y2-1870-00 |
| ENGINE DOOR ASSY L.H. | | |

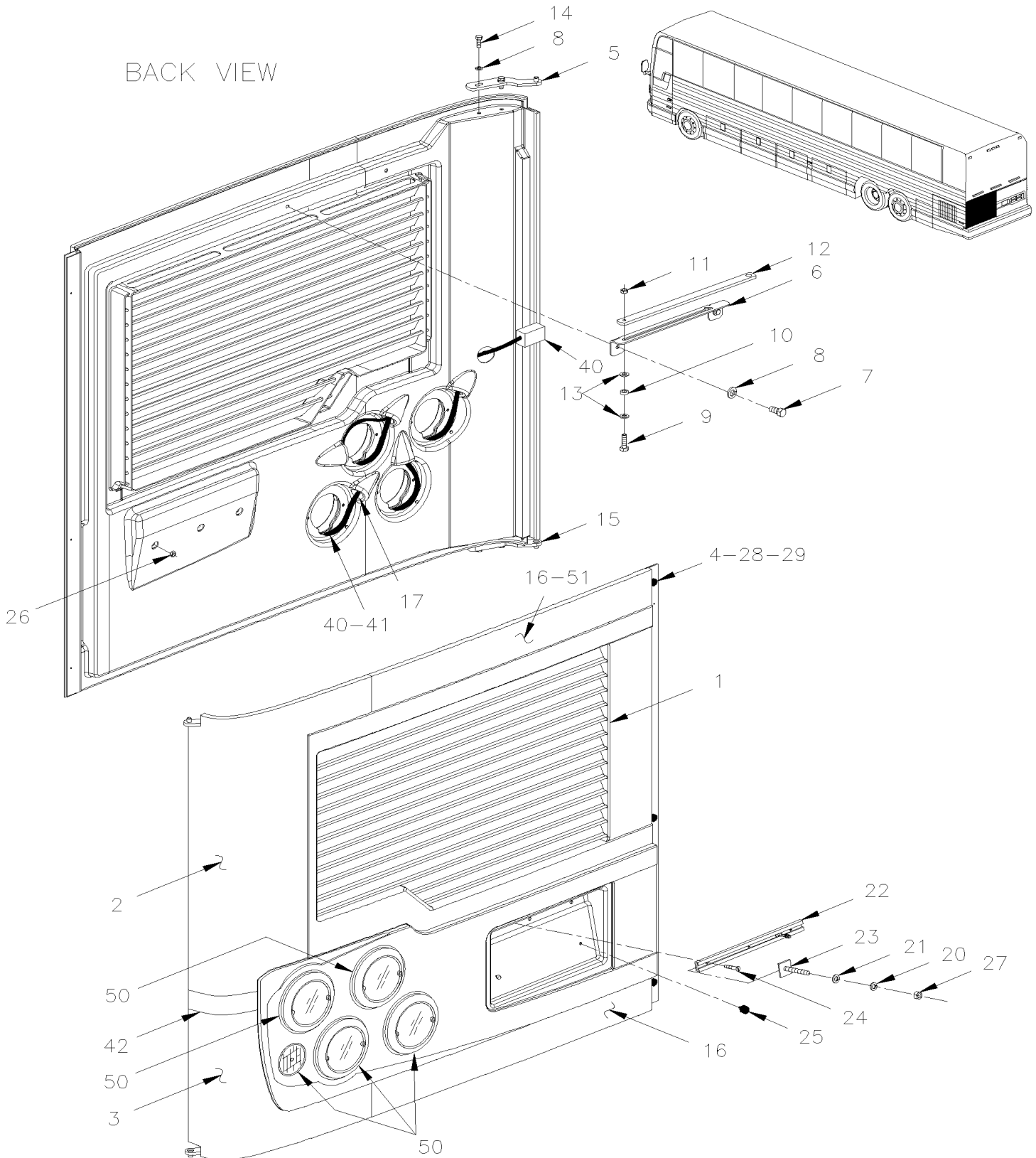
| Item# | Part | Description | X L I I 4 5 | X L I I M T H 4 0 | X L I I M T H 4 5 | X L I I M T H 4 5 E | N O T E S |
|-------|-------------------|--|----------------------------|---|---|--|-----------------------|
| NS | 065712 | . CABLE / ENGINE DOOR REAR LAMP W/LEDS | 1 | 1 | 1 | 1 | |
| 41 | 504637 | . CABLE TIE / 3/16" x 13" | 5 | 5 | 5 | 5 | |
| 41 | 065655 | CABLE / ENGINE DOOR REAR LAMP W/LEDS From 2-7889 | 1 | | | | L |
| 42 | 286664 | . FINISHING MOULDING SS | | 1 | 1 | 1 | |
| 42 | 286655 | . FINISHING MOULDING L.H. / PLASTIC | 1 | | | | |
| 42 | 287888 | . FINISHING MOULDING L.H. / PLASTIC / (LOWER 3MM THINER THAN UPPER | 1 | | | 1 | B |
| 42 | 285899 | FINISHING MOULDING L.H. / PLASTIC / (LOWER 3MM THINER THAN UPPER | 1 | | | 1 | D |
| NS | 506769 | . TAPE RUB ADH2 CC POL 1/8" x 1/4" x 60' / BLACK H1CC-N-#14 | AR | AR | AR | AR | |
| 50 | 506790 | . TAPE RUB ADH2 CC POL 1/16" x 1/2" x 200' / BLACK I1C-N-A | AR | AR | AR | AR | |
| 50 | 683084 | . SEALANT SIKA #221 / GREY / 600 ml SAUSAGE | AR | AR | AR | AR | |
| 60 | Y2-1870-10 | ENGINE DOOR ASSY - INSTALLATION | | | | | |
| 71 | 070945 | DECAL "DEXRON III OIL ONLY" To 2-7825 | 1 | 1 | 1 | 1 | |
| 71 | 071249 | DECAL "TranSynd OIL ONLY" / ENGLISH & FRANCAIS From 2-7826 | 1 | 1 | 1 | 1 | |
| 71 | 071216 | DECAL "EATON FULLER TRANSMISSIONS" | 1 | | | | E |
| 72 | 065187 | DECAL / REAR JCT BOX COMPONENTS To 1-7524 | 1 | | | | |
| 72 | 065453 | DECAL / REAR JCT BOX COMPONENTS From 1-7525 To 2-7764 | 1 | | | | |
| 72 | 065574 | DECAL / REAR JCT BOX COMPONENTS From 2-7765 To 2-7823 | 1 | | | | |
| 72 | 065601 | DECAL / REAR JCT BOX COMPONENTS From 2-7824 | 1 | | | | |
| 72 | 064912 | DECAL / REAR JCT BOX COMPONENTS To 1-7531 | | 1 | 1 | 1 | |
| 72 | 065454 | DECAL / REAR JCT BOX COMPONENTS From 1-7532 | | 1 | 1 | 1 | |
| 74 | 052375 | DECAL / "WARNING WARRANTY....." / ENGLISH & FRANCAIS | 1 | 1 | 1 | 1 | |
| 74 | 052576 | DECAL / "WARNING WARRANTY....." / ENGLISH & SPANISH | 1 | 1 | 1 | 1 | |
| 75 | 063711 | DECAL / "WELDING..." / W/SERIES 60 & "WORLD TRANSMISSION / ENGLISH | 1 | 1 | 1 | 1 | |
| 75 | 066046 | DECAL / "WELDING..." / W/SERIES 60 & "WORLD TRANSMISSION / ENGLISH & SPANISH | 1 | 1 | 1 | 1 | |
| 76 | 141064 | DECAL / COLOR CODE / PNEUMATIC SYSTEM / ENGLISH & FRANCAIS | 1 | 1 | 1 | 1 | |
| 77 | 453064 | DECAL R-134A WITH NOMINALE CHARGE 6LBS 2 OZ | 1 | 1 | | | S T |
| 77 | 453065 | DECAL R-134A WITH NOMINALE CHARGE 6LBS 10 OZ | | | 1 | 1 | S |
| | | | | | | | |
| | | | | | | | |
| | | | | | | | |
| | | A) BUS WITH "OPTION" FLUTED LOWER PANELLING | | | | | |
| | | B) BUS WITH "OPTION" UPPER & LOWER SS REAR PANELLING | | | | | |
| | | C) MTH ENT WITH UPPER FLAT SIDE PANELLING | | | | | |
| | | D) BUS & MTH ENT WITH LOWER SS PANEL | | | | | |
| | | E) WITH EATON TRANSMISSION ONLY | | | | | |
| | | L) BUS EQUIPPED WITH "LED" OBLONG LAMP | | | | | |
| | | S) WITH SMALL A/C SYSTEM | | | | | |
| | | T) WITH A/C SYSTEM IN ARCEL RAC | | | | | |

From 4-8165 To 8-9339

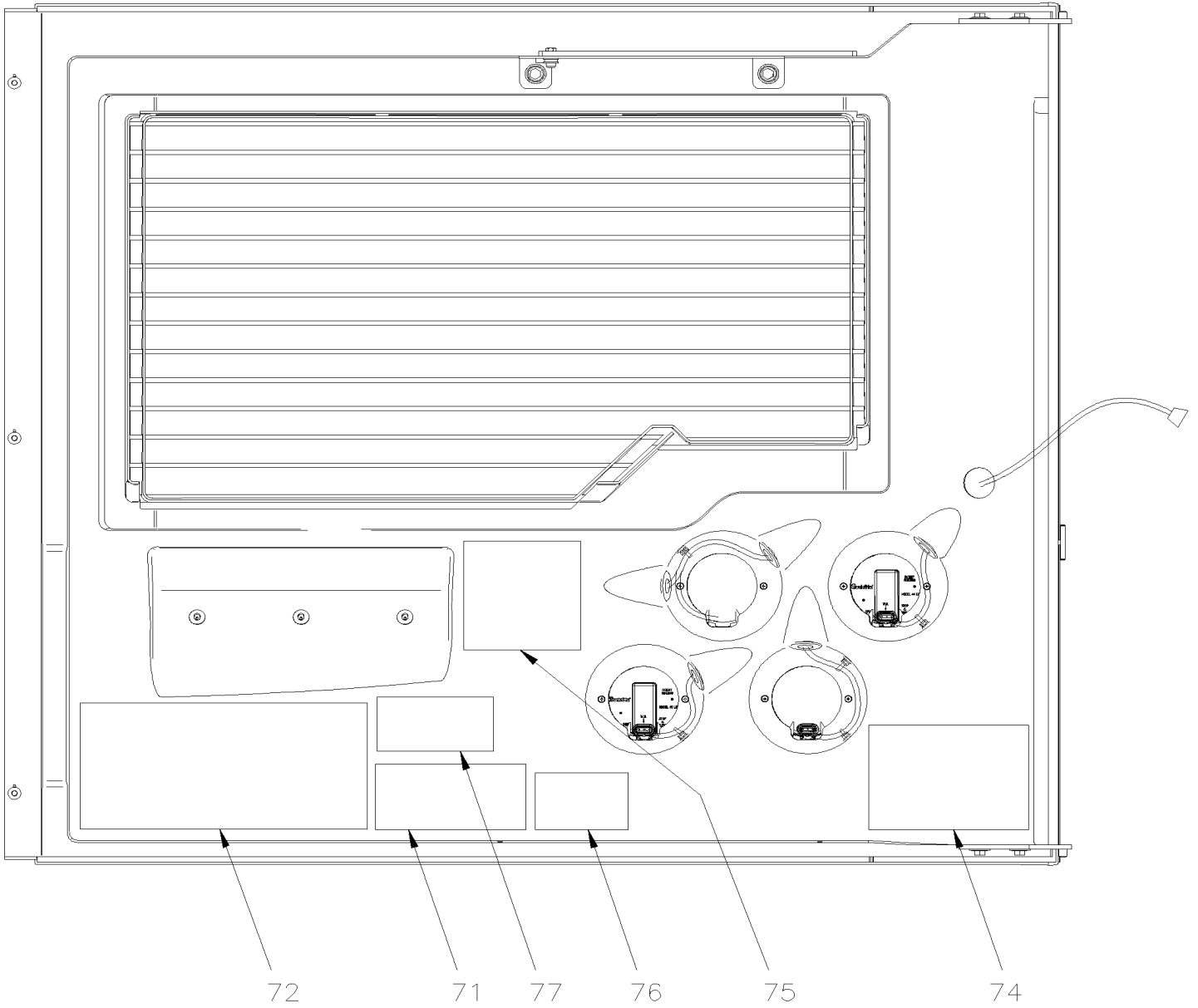
Date:10/2022

PAGE:Y2-1870-01

ENGINE DOOR ASSY L.H.



| | | |
|-----------------------|--------------|-----------------|
| From 4-8165 To 8-9339 | Date:10/2022 | PAGE:Y2-1870-01 |
| ENGINE DOOR ASSY L.H. | | |



| | | |
|------------------------------|--------------|-----------------|
| From 4-8165 To 8-9339 | Date:10/2022 | PAGE:Y2-1870-01 |
| ENGINE DOOR ASSY L.H. | | |

| Item# | Part | Description | X L I I 4 5 | X L I I M T H 4 0 | X L I I M T H 4 5 | X L I I M T H 4 5 E | N O T E S |
|-------|---------|---|----------------------------|---|---|--|-----------------------|
| | 288341 | ENGINE DOOR LH ASSY To 6-8906 | 1 | | | | D |
| | 288326 | ENGINE DOOR LH ASSY To 6-8906 | AR | | | | A |
| | 288325 | ENGINE DOOR LH ASSY To 6-8906 | AR | | | | B D |
| | 288325 | ENGINE DOOR LH ASSY | | 1 | 1 | | D |
| | 288326 | ENGINE DOOR LH ASSY | | | | 1 | |
| 1 | 285774 | . ENGINE DOOR LH MOULDED VENTED To 5-8471 | | 1 | 1 | 1 | |
| 1 | 289306 | . ENGINE DOOR LH MOULDED VENTED From 5-8472 | | 1 | 1 | 1 | |
| 1 | 289431 | . ENGINE DOOR LH MOULDED VENTED SERVICE | | 1 | 1 | 1 | |
| 1 | 286517 | . ENGINE DOOR LH MOULDED VENTED To 5-8471 | 1 | | | 1 | |
| 1 | 289308 | . ENGINE DOOR LH MOULDED VENTED From 5-8472 | 1 | | | 1 | |
| 1 | 289433 | . ENGINE DOOR LH MOULDED VENTED SERVICE | 1 | | | 1 | |
| 2 | 285375 | . UPPER PANEL / S.B. To 6-8906 | AR | | | | B |
| 2 | 285375 | . UPPER PANEL / S.B. To 5-8468 | | 1 | 1 | | |
| 2 | 288528 | . UPPER PANEL / B.A. From 5-8469 | | 1 | 1 | | |
| 3 | 286046 | . LOWER PANEL / S.B. To 6-8906 | AR | | | | A |
| 3 | 286046 | . LOWER PANEL / S.B. To 5-8468 | | 1 | 1 | 1 | |
| 3 | 288529 | . LOWER PANEL / B.A. From 5-8469 | | 1 | 1 | 1 | |
| 4 | 509828 | . BUMPER RUBBER / .750 OD x .312 TH x .125 HOLE | 6 | 6 | 6 | 6 | |
| 5 | 287430 | . ARM ASSY | 1 | 1 | 1 | 1 | |
| 6 | 283776 | . GUIDE RETAINING ARM | 1 | 1 | 1 | 1 | |
| 7 | 955295 | . SCREW CAP HEX M8-1.25x20 G8.8 ZG603 | 2 | 2 | 2 | 2 | |
| 8 | 502857 | . WASHER LO SERR 8.2x26.3x1.8 N500 | 6 | 6 | 6 | 6 | |
| 9 | 5001560 | . SCREW SHR HEXS 5/16x3/8 {1/4-20 SS | 1 | 1 | 1 | 1 | |
| 10 | 502768 | . WASHER FL RUB .312x.625x.125 NEO | 1 | 1 | 1 | 1 | |
| 11 | 500384 | . NUT HEX JAM 1/4-20 G500 | 1 | 1 | 1 | 1 | |
| 12 | 283772 | . ARM RETAINING | 1 | 1 | 1 | 1 | |
| 13 | 502638 | . WASHER FL .312x.734x.065 N500 | 2 | 2 | 2 | 2 | |
| 14 | 955297 | . SCREW CAP HEX M8-1.25x25 G8.8 ZG603 | 4 | 4 | 4 | 4 | |
| 15 | 287429 | . ARM ASSY | 1 | 1 | 1 | 1 | |
| 16 | 285378 | . PANEL UPPER & LOWER DOOR / S.B. To 5-8468 | | 2 | 2 | | |
| 16 | 288530 | . PANEL UPPER & LOWER DOOR / B.A. From 5-8469 | | 2 | 2 | | |
| 16 | 285378 | . PANEL UPPER & LOWER DOOR / S.B. To 5-8468 | | | | 1 | A |
| 16 | 288530 | . PANEL UPPER & LOWER DOOR / B.A. From 5-8469 | | | | 1 | |
| 16 | 285378 | . PANEL UPPER & LOWER DOOR / S.B. To 6-8906 | 1 | | | | A B |
| 17 | 504530 | . GROMMET / .750x1.250x.125x.312x1.625 | 5 | 5 | 5 | 5 | |
| 20 | 502570 | . WASHER LO SPT 6.1x11.8x1.6 SS | 2 | 2 | 2 | 2 | |
| 21 | 502637 | . WASHER FL .200x.437x.037 SS | 2 | 2 | 2 | 2 | |
| 22 | 286053 | . TRACK / LICENCE PLATE HOLDER 326MM | 1 | 1 | 1 | 1 | |
| 22 | 491572 | . TRACK / LICENCE PLATE HOLDER 321 MM | 1 | 1 | 1 | 1 | |
| 23 | 504286 | . T SCREW 10-24 X 3/4" / SS / PLATE HOLDER | 2 | 2 | 2 | 2 | |
| 24 | 502666 | . SCREW MA FL PH #6-32x3/4 SS BK | 3 | 3 | 3 | 3 | |
| 25 | 504498 | . BUMPER PLUG / .406ODx.218THx.250HOLEx.125 | 2 | 2 | 2 | 2 | |

| | | |
|------------------------------|--------------|-----------------|
| From 4-8165 To 8-9339 | Date:10/2022 | PAGE:Y2-1870-01 |
| ENGINE DOOR ASSY L.H. | | |

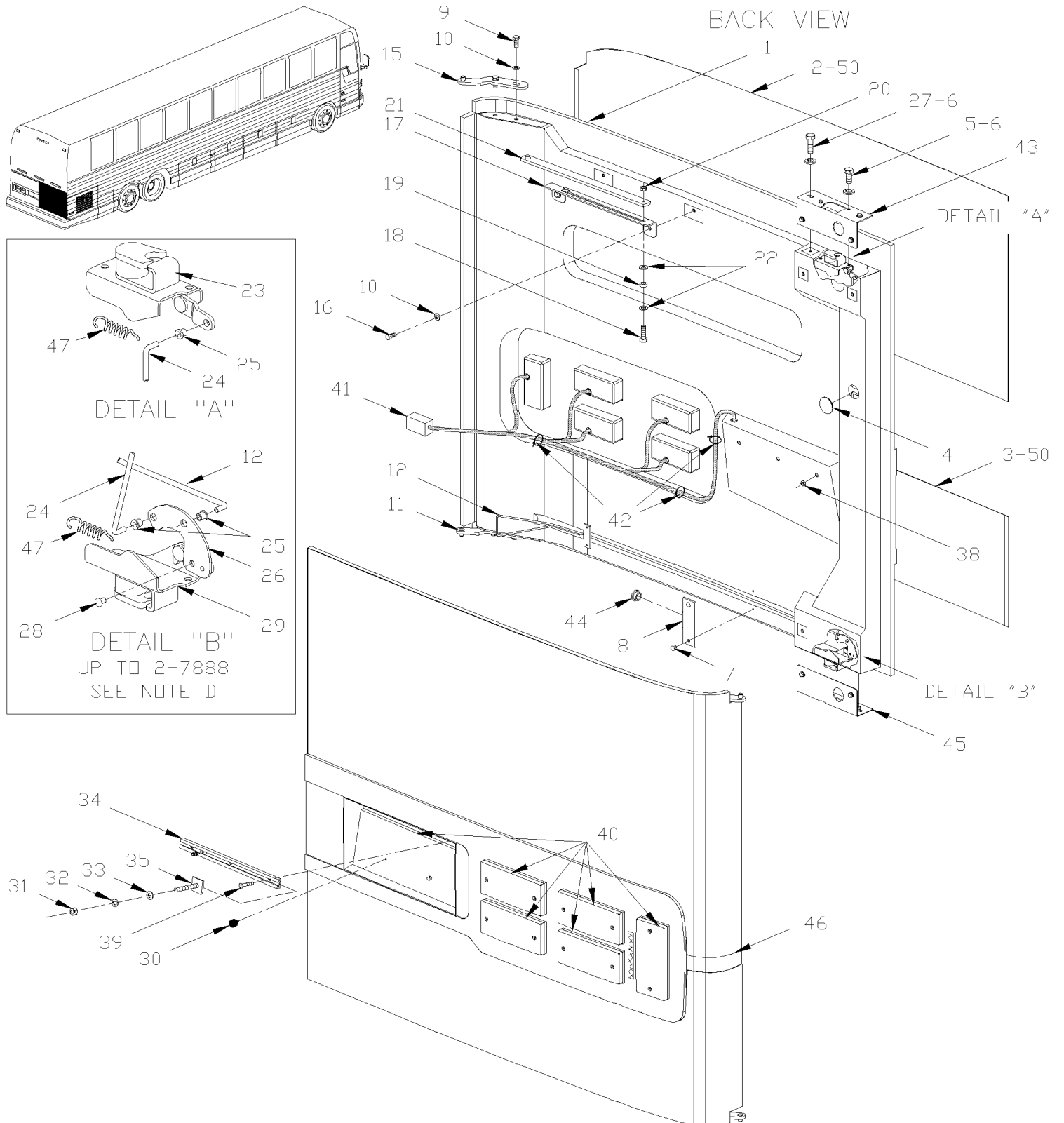
| Item# | Part | Description | X L I I 4 5 | X L I I M T H 4 0 | X L I I M T H 4 5 | X L I I M T H 4 5 E | N O T E S |
|-------|-------------------|--|----------------------------|---|---|--|-----------------------|
| 26 | 500286 | . NUT WELL #6-32 | 3 | 3 | 3 | 3 | |
| 27 | 500787 | . NUT HEX #10-24 SS | 2 | 2 | 2 | 2 | |
| 28 | 509827 | . SCREW MA RND PH M4-0.7x20 SS | 3 | 3 | 3 | 3 | |
| 29 | 502557 | . NUT HEX NYRT M4-0.7 SS | 3 | 3 | 3 | 3 | |
| 31 | 683097 | . CLEANER SIKA #205 / CLEAR / 1000ml | | AR | AR | AR | |
| 40 | 065712 | . CABLE / ENGINE DOOR REAR LAMP W/LEDS To 7-9095 | 1 | 1 | 1 | 1 | |
| 40 | 066491 | . CABLE / ENGINE DOOR REAR LAMP W/LEDS From 7-9096 | | | 1 | 1 | |
| 41 | 504637 | . CABLE TIE / 3/16" x 13" | 5 | 5 | 5 | 5 | |
| 42 | 285377 | . FINISHING MOULDING SS / S.B. To 6-8906 | AR | | | | B |
| 42 | 285377 | . FINISHING MOULDING SS / S.B. To 5-8468 | | 1 | 1 | | B |
| 42 | 288531 | . FINISHING MOULDING SS / B.A. From 5-8469 | | 1 | 1 | | |
| 42 | 285899 | . FINISHING MOULDING L.H. / PLASTIC / (LOWER 3MM THINER THAN UPPER | | | | 1 | |
| 42 | 285365 | . FINISHING MOULDING / PLASTIC To 6-8906 | 1 | | | | |
| 42 | 285899 | . FINISHING MOULDING L.H. / PLASTIC / (LOWER 3MM THINER THAN UPPER To 6-8906 | 1 | | | | B |
| NS | 506769 | . TAPE RUB ADH2 CC POL 1/8" x 1/4" x 60' / BLACK H1CC-N-#14 | AR | AR | AR | AR | |
| 50 | Y2-0664-01 | . REAR EXTERIOR LIGHTS & PLATE HOLDER | | | | | |
| 51 | 506790 | . TAPE RUB ADH2 CC POL 1/16" x 1/2" x 200' / BLACK I1C-N-A | AR | AR | AR | AR | |
| 51 | 683084 | . SEALANT SIKA #221 / GREY / 600 ml SAUSAGE | AR | AR | AR | AR | |
| 51 | 683083 | . ADHESIVE SIKA #252 / BLACK / 600 ml SAUSAGE | AR | AR | AR | AR | |
| 60 | Y2-1870-10 | ENGINE DOOR ASSY - INSTALLATION | | | | | |
| 71 | 071249 | DECAL "TranSynd OIL ONLY" / ENGLISH & FRANCAIS | 1 | 1 | 1 | 1 | |
| 72 | 065601 | DECAL / REAR JCT BOX COMPONENTS To 4-8270 | 1 | | | | |
| 72 | 065946 | DECAL / REAR JCT BOX COMPONENTS From 4-8271 To 7-9095 | 1 | | | | |
| 72 | 065454 | DECAL / REAR JCT BOX COMPONENTS To 4-8251 | | 1 | 1 | 1 | |
| 72 | 065948 | DECAL / REAR JCT BOX COMPONENTS From 4-8252 To 7-9095 | | 1 | 1 | 1 | |
| 74 | 052375 | DECAL / "WARNING WARRANTY....." / ENGLISH & FRANCAIS | 1 | 1 | 1 | 1 | |
| 74 | 052576 | DECAL / "WARNING WARRANTY....." / ENGLISH & SPANISH | 1 | 1 | 1 | 1 | |
| 75 | 063711 | DECAL / "WELDING..." / W/SERIES 60 & "WORLD TRANSMISSION / ENGLISH To 7-9095 | 1 | | | | |
| 75 | 066046 | DECAL / "WELDING..." / W/SERIES 60 & "WORLD TRANSMISSION / ENGLISH & SPANISH To 7-9095 | 1 | | | | |
| 75 | 063711 | DECAL / "WELDING..." / W/SERIES 60 & "WORLD TRANSMISSION / ENGLISH To 7-9095 | | 1 | 1 | 1 | |
| 75 | 066046 | DECAL / "WELDING..." / W/SERIES 60 & "WORLD TRANSMISSION / ENGLISH & SPANISH To 7-9095 | | 1 | 1 | 1 | |
| 75 | 067072 | DECAL / "CAUTION" BEFORE WELDING...." // ENGLISH From 7-9096 | | 1 | 1 | 1 | |
| 76 | 141064 | DECAL / COLOR CODE / PNEUMATIC SYSTEM / ENGLISH & FRANCAIS | 1 | 1 | 1 | 1 | |
| 77 | 454105 | DECAL "R-134A NOMINAL CHARGE...." / ENGLISH & FRANCAIS | | 1 | 1 | 1 | |
| 77 | 454100 | DECAL "R-134A NOMINAL CHARGE...." / ENGLISH & FRANCAIS | 1 | | | | |
| | | | | | | | |
| | | | | | | | |
| | | A) BUS WITH "OPTION" FLUTED LOWER PANELLING | | | | | |
| | | B) BUS WITH "OPTION" UPPER & LOWER SS REAR PANELLING | | | | | |
| | | D) THIS DOOR ASSEMBLY DO NOT INCLUDE ITEM #40 | | | | | |

From Y-7046 To 3-8164

Date:10/2022

PAGE:Y2-1870-05

ENGINE DOOR ASSY R.H.

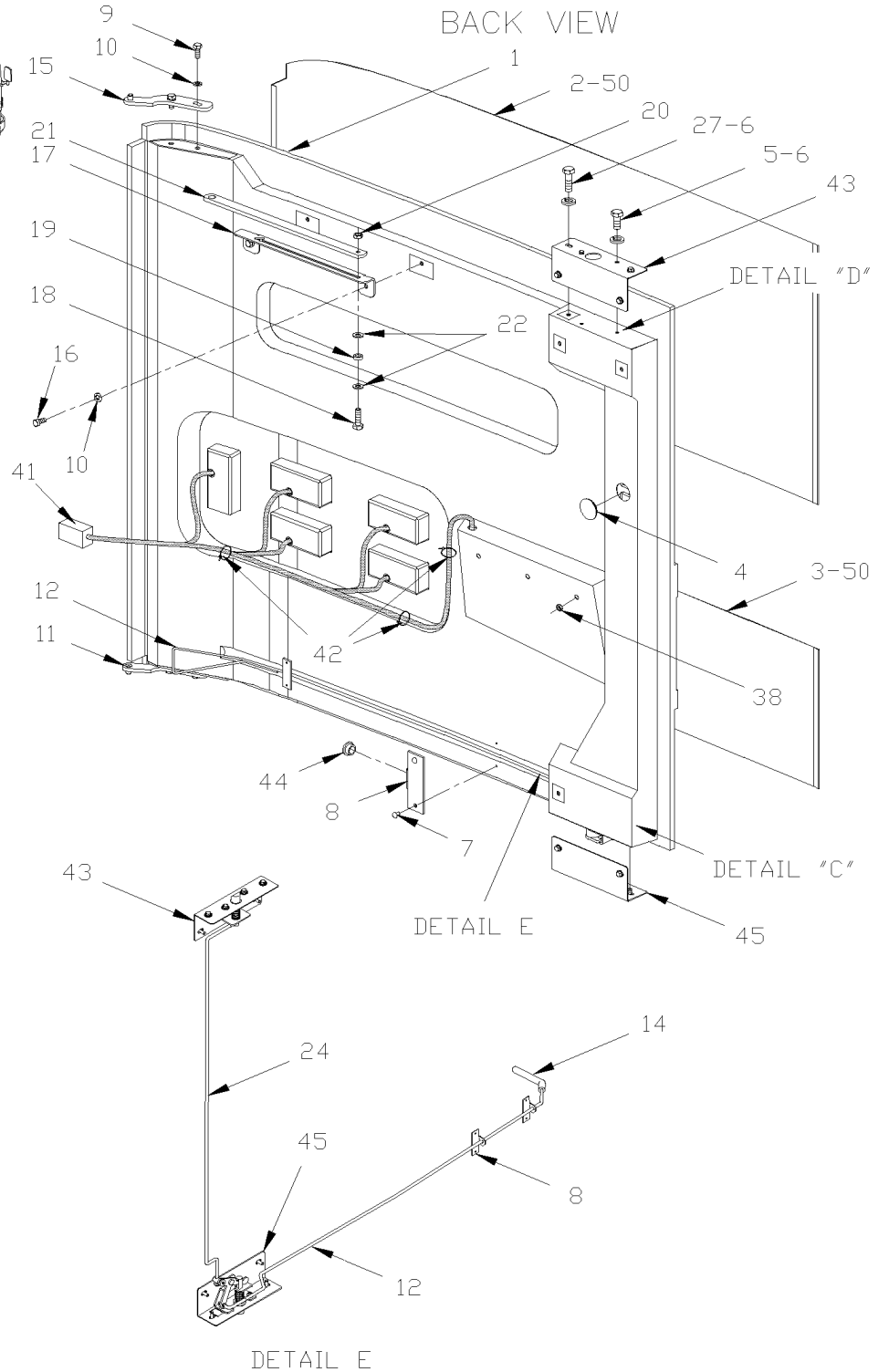
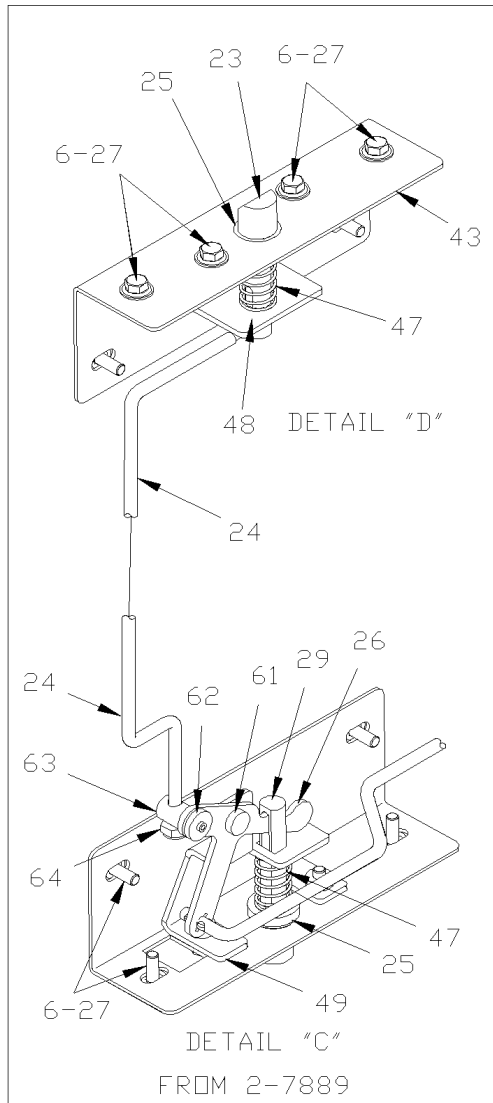
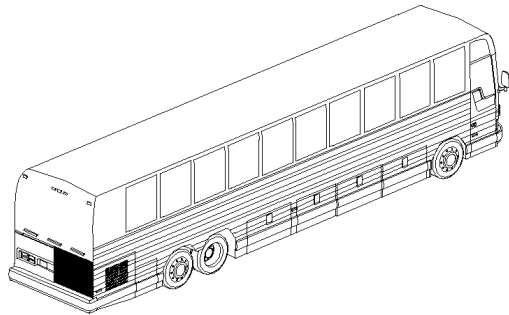


From Y-7046 To 3-8164

Date:10/2022

PAGE:Y2-1870-05

ENGINE DOOR ASSY R.H.



| | | |
|------------------------------|--------------|-----------------|
| From Y-7046 To 3-8164 | Date:10/2022 | PAGE:Y2-1870-05 |
| ENGINE DOOR ASSY R.H. | | |

| Item# | Part | Description | X L I I 4 5 | X L I I M T H 4 0 | X L I I M T H 4 5 | X L I I M T H 4 5 E | N O T E S |
|-------|---------|---|----------------------------|---|---|--|-----------------------|
| | 286245P | ENGINE DOOR RH ASSY To 2-7888 | 1 | | | | |
| | 287931P | ENGINE DOOR RH ASSY To 2-7888 | AR | | | | A |
| | 288344 | ENGINE DOOR RH ASSY From 2-7889 | AR | | | | A |
| | 286059P | ENGINE DOOR RH ASSY To 2-7888 | AR | | | | B |
| | 288816 | ENGINE DOOR RH ASSY From 2-7889 | AR | | | | B |
| | 286059P | ENGINE DOOR RH ASSY To 2-7888 | | 1 | 1 | | |
| | 288816 | ENGINE DOOR RH ASSY From 2-7889 | | 1 | 1 | | |
| | 286059P | ENGINE DOOR RH ASSY To 1-7435 | | | | 1 | |
| | 287931P | ENGINE DOOR RH ASSY From 1-7436 To 2-7888 | | | | 1 | C |
| | 288344 | ENGINE DOOR RH ASSY From 2-7889 | | | | 1 | C |
| | 288342 | ENGINE DOOR RH ASSY / W"LED" | 1 | | | | L |
| 1 | 287235 | . ENGINE DOOR RH MOULDED | 1 | | | | |
| 1 | 287364 | . ENGINE DOOR RH MOULDED / W"LED" | 1 | | | | L |
| 1 | 285896 | . ENGINE DOOR RH MOULDED | | 1 | 1 | 1 | |
| 2 | 285886 | . UPPER PANEL | AR | | | | B |
| 2 | 285886 | . UPPER PANEL | | 1 | 1 | | |
| 2 | 285886 | . UPPER PANEL To 1-7435 | | | | 1 | |
| 3 | 285885 | . LOWER PANEL | AR | | | | A B |
| 3 | 285885 | . LOWER PANEL | | 1 | 1 | 1 | |
| 4 | 507295 | . HOLE PLUG BUTTON / 1.375 O.D. BLACK | 3 | 3 | 3 | 3 | |
| 5 | 502563 | . SCREW CAP HEX M6-1.0x12 G8.8 Z050 To 2-7888 | 4 | 4 | 4 | 4 | D |
| 6 | 502582 | . WASHER LO SERR 6.1x16.2x0.9 Z050 | 12 | 12 | 12 | 12 | |
| 7 | 504339 | . RIVET POP DOME OE 1/8x3/8 SS | 4 | 4 | 4 | 4 | |
| 8 | 285882 | . FIXTURE To 2-7888 | 2 | 2 | 2 | 2 | D |
| 8 | 280143 | . FIXTURE / W/HOLE FOR ROD From 2-7889 | 2 | 2 | 2 | 2 | E |
| 9 | 502589 | . SCREW CAP HEX M8-1.25x25 G8.8 Z050 | 4 | 4 | 4 | 4 | |
| 10 | 502584 | . WASHER LO SERR 8.2x26.3x1.8 Z050 | 6 | 6 | 6 | 6 | |
| 11 | 285913 | . ARM ASSY To 3-8106 | 1 | 1 | 1 | 1 | |
| 11 | 287430 | . ARM ASSY From 3-8107 | 1 | 1 | 1 | 1 | |
| 12 | 285922 | . CONTROL ROD To 2-7888 | 1 | 1 | 1 | 1 | D |
| 12 | 287314 | . CONTROL ROD From 2-7889 | 1 | 1 | 1 | 1 | E |
| 14 | 506018 | . HANDLE PLASTIC / 1/4" I.D. X 4" From 2-7889 | 1 | 1 | 1 | 1 | E |
| 15 | 285907 | . ARM ASSY To 3-8106 | 1 | 1 | 1 | 1 | |
| 15 | 287429 | . ARM ASSY From 3-8107 | 1 | 1 | 1 | 1 | |
| 16 | 502790 | . SCREW CAP HEX M8-1.25x20 G8.8 Z050 | 2 | 2 | 2 | 2 | |
| 17 | 283771 | . GUIDE RETAINING ARM | 1 | 1 | 1 | 1 | |
| 18 | 502625 | . SCREW SHR HEXS 5/16x3/8 {1/4-20 | 1 | 1 | 1 | 1 | |
| 19 | 502768 | . WASHER FL RUB .312x.625x.125 NEO | 1 | 1 | 1 | 1 | |
| 20 | 502819 | . NUT HEX JAM 1/4-20 Z050 | 1 | 1 | 1 | 1 | |
| 21 | 283772 | . ARM RETAINING | 1 | 1 | 1 | 1 | |
| 22 | 500441 | . WASHER FL .312x.734x.065 Z050 | 2 | 2 | 2 | 2 | |
| 23 | 780587 | . LOCK SPAGNOLET L.H. / W/G-FITTING To 2-7888 | 1 | 1 | 1 | 1 | D |

| | | |
|------------------------------|--------------|-----------------|
| From Y-7046 To 3-8164 | Date:10/2022 | PAGE:Y2-1870-05 |
| ENGINE DOOR ASSY R.H. | | |

| Item# | Part | Description | X L I I 4 5 | X L I I M T H 4 0 | X L I I M T H 4 5 | X L I I M T H 4 5 E | N O T E S |
|-------|-------------------|--|----------------------------|---|---|--|-----------------------|
| . NS | 507607 | . . GREASE FITTING / M6-1.00 To 2-7888 | 1 | 1 | 1 | 1 | D |
| 23 | 287381 | . CATCH PIN SS / 80.5MM From 2-7889 | 1 | 1 | 1 | 1 | E |
| 24 | 285923 | . ROD / JUNCTION To 2-7888 | 1 | 1 | 1 | 1 | D |
| 24 | 287276 | . ROD / JUNCTION From 2-7889 | 1 | 1 | 1 | 1 | E |
| 25 | 504456 | . CLIP / RETAINER ROD / WHITE OR RED To 2-7888 | 3 | 3 | 3 | 3 | D |
| 25 | 507212 | . O-RING From 2-7889 | 2 | 2 | 2 | 2 | E |
| 26 | 285941 | . PIVOT To 2-7755 | 1 | 1 | 1 | 1 | D |
| 26 | 288022 | . PIVOT From 2-7756 To 2-7888 | 1 | 1 | 1 | 1 | D |
| 26 | 287277 | . PIVOT From 2-7889 | 1 | 1 | 1 | 1 | E |
| 27 | 502531 | . SCREW CAP HEX M6-1.0x16 G8.8 Z050 | 8 | 8 | 8 | 8 | |
| 28 | 504379 | . RIVET POP DOME OE 3/16x1/4 SS | 1 | 1 | 1 | 1 | |
| 29 | 780588 | . LOCK SPAGNOLET R.H. / W/G-FITTING To 2-7755 | 1 | 1 | 1 | 1 | D |
| . NS | 780340 | . . CLIP, RETAINER ROD To 2-7755 | 1 | 1 | 1 | 1 | D |
| . NS | 507607 | . . GREASE FITTING / M6-1.00 To 2-7755 | 1 | 1 | 1 | 1 | D |
| 29 | 780653 | . LOCK SPAGNOLET R.H. / W/G-FITTING From 2-7756 To 2-7888 | 1 | 1 | 1 | 1 | D |
| . NS | 780340 | . . CLIP, RETAINER ROD From 2-7756 To 2-7888 | 1 | 1 | 1 | 1 | D |
| . NS | 507607 | . . GREASE FITTING / M6-1.00 From 2-7756 To 2-7888 | 1 | 1 | 1 | 1 | D |
| 29 | 287391 | . CATCH PIN SS / 90.5MM From 2-7889 | 1 | 1 | 1 | 1 | E |
| 30 | 504498 | . BUMPER PLUG / .406ODx.218THx.250HOLEx.125 | 2 | 2 | 2 | 2 | |
| 31 | 500787 | . NUT HEX #10-24 SS | 2 | 2 | 2 | 2 | |
| 32 | 502570 | . WASHER LO SPT 6.1x11.8x1.6 SS | 2 | 2 | 2 | 2 | |
| 33 | 502637 | . WASHER FL .200x.437x.037 SS | 2 | 2 | 2 | 2 | |
| 34 | 286053 | . TRACK / LICENCE PLATE HOLDER 326MM | 1 | 1 | 1 | 1 | |
| 35 | 504286 | . T SCREW 10-24 X 3/4" / SS / PLATE HOLDER | 2 | 2 | 2 | 2 | |
| 38 | 500286 | . NUT WELL #6-32 | 3 | 3 | 3 | 3 | |
| 39 | 502666 | . SCREW MA FL PH #6-32x3/4 SS BK | 3 | 3 | 3 | 3 | |
| 40 | Y2-0664-00 | REAR EXTERIOR LIGHTS & PLATE HOLDER | | | | | |
| 41 | 064809 | . CABLE / ENGINE DOOR REAR LAMP W/BULB | 1 | 1 | 1 | 1 | |
| 41 | 065655 | . CABLE / ENGINE DOOR REAR LAMP W/LEDS From 2-7889 | 1 | | | | L |
| 42 | 504637 | . CABLE TIE / 3/16" x 13" | 5 | 5 | 5 | 5 | |
| 43 | 285764 | . SUPPORT LOCK / UPPER To 2-7888 | 1 | 1 | 1 | 1 | D |
| 43 | 287270 | . SUPPORT LOCK / UPPER From 2-7889 | 1 | 1 | 1 | 1 | E |
| 44 | 504083 | . SNAP BUSHING / .250x.468.406 To 2-7888 | 2 | 2 | 2 | 2 | D |
| 45 | 285914 | . SUPPORT LOCK / LOWER To 2-7888 | 1 | 1 | 1 | 1 | D |
| 45 | 287275 | . SUPPORT LOCK / LOWER From 2-7889 | 1 | 1 | 1 | 1 | E |
| 46 | 286664 | . FINISHING MOULDING SS | | 1 | 1 | 1 | |
| 46 | 286656 | . FINISHING MOULDING R.H. / PLASTIC | 1 | | | | |
| 46 | 287887 | . FINISHING MOULDING R.H. / PLASTIC / (LOWER 3MM THINER THAN UPPER | 1 | | | 1 | F |
| 47 | 284914 | . SPRING EXTENSION / .305 O.D. x 1.562 x .051 To 2-7888 | 2 | 2 | 2 | 2 | D |
| 47 | 502910 | . SPRING COMPRESSION / .720 O.D. 1.75 x .055 From 2-7889 | 2 | 2 | 2 | 2 | E |
| 48 | 287382 | . GUIDE PIN HOLDER UPPER From 2-7889 | 1 | 1 | 1 | 1 | E |
| 49 | 287291 | . GUIDE PIN HOLDER LOWER From 2-7889 | 1 | 1 | 1 | 1 | E |

| | | |
|------------------------------|--------------|-----------------|
| From Y-7046 To 3-8164 | Date:10/2022 | PAGE:Y2-1870-05 |
| ENGINE DOOR ASSY R.H. | | |

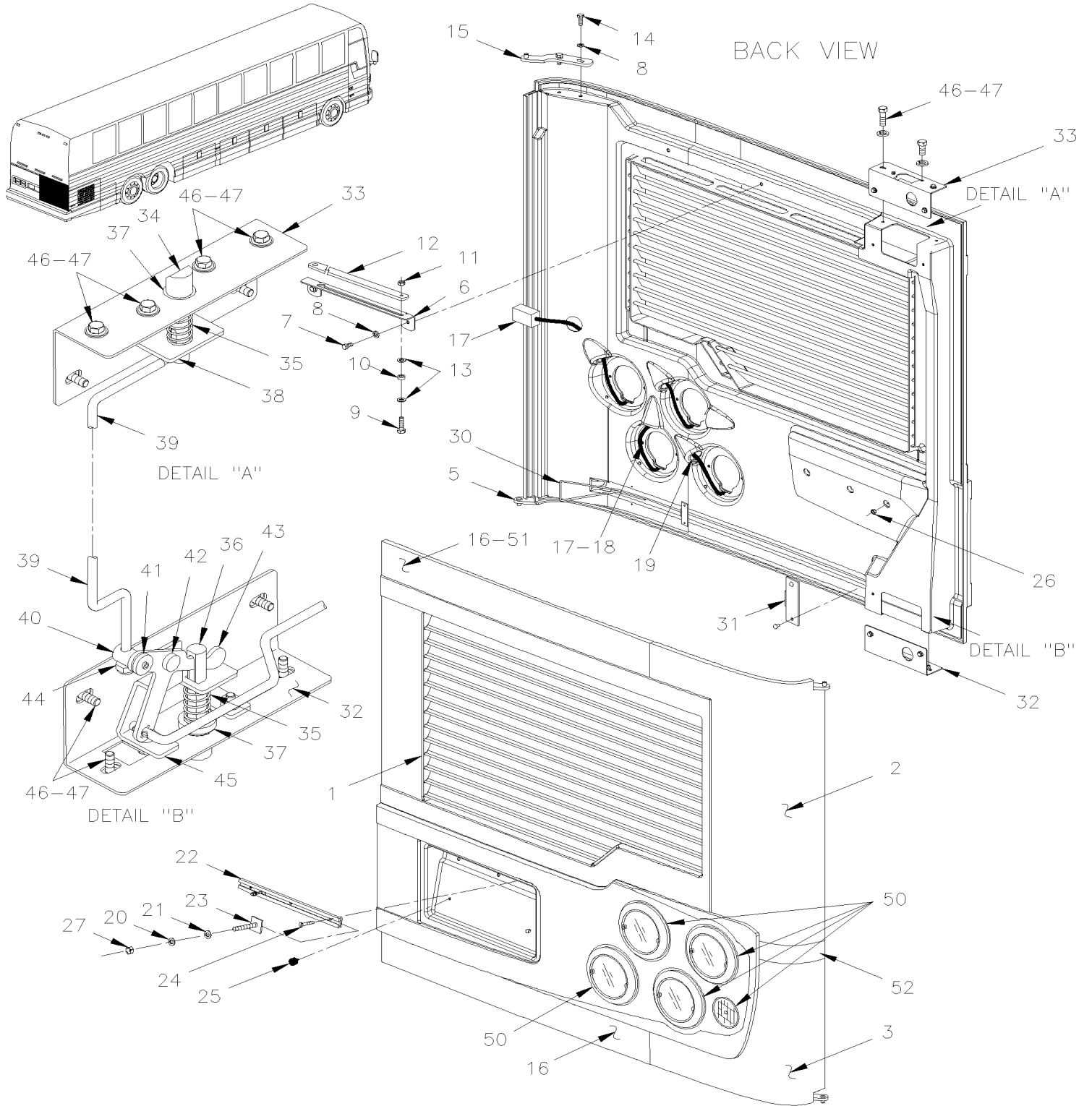
| Item# | Part | Description | X L I I 4 5 | X L I I M T H 4 0 | X L I I M T H 4 5 | X L I I M T H 4 5 E | N O T E S |
|-------|-------------------|---|----------------------------|---|---|--|-----------------------|
| 50 | 683097 | . CLEANER SIKA #205 / CLEAR / 1000ml | AR | AR | AR | AR | |
| 50 | 683084 | . SEALANT SIKA #221 / GREY / 600 ml SAUSAGE | AR | AR | AR | AR | |
| 50 | 506769 | . TAPE RUB ADH2 CC POL 1/8" x 1/4" x 60' / BLACK H1CC-N-#14 | AR | AR | AR | AR | |
| 50 | 682176 | . SEALANT SIKA #221 / BLACK / 310ml CARTRIDGE | AR | AR | AR | AR | |
| 60 | Y2-1870-10 | ENGINE DOOR ASSY - INSTALLATION | | | | | |
| 61 | 287271 | . RIVET SHR FL 9.95x3.6(4.8x4.8 SS | 1 | 1 | 1 | 1 | E |
| 62 | 280140 | . RETAINING WASHER | 1 | 1 | 1 | 1 | E |
| 63 | 280142 | . ROD HOLDER | 1 | 1 | 1 | 1 | E |
| 64 | 5001251 | . NUT HEX NYRT 1/4-20 SS | 1 | 1 | 1 | 1 | E |
| NS | 287225 | KIT, R.H. ENGINE DOOR LOCK IMPROVEMENT To 2-7888 | 1 | 1 | 1 | 1 | |
| . NS | WB02-01 | . SEE WARRANTY BULLETIN To 2-7888 | 1 | 1 | 1 | 1 | |
| | | | | | | | |
| | | A) BUS WITH "OPTION" FLUTED LOWER PANELLING | | | | | |
| | | B) BUS WITH "OPTION" UPPER & LOWER SS REAR PANELLING | | | | | |
| | | C) MTH ENT WITH UPPER FLAT SIDE PANELLING | | | | | |
| | | D) FOR PRODUCT IMPROVEMENT DOOR LOCK MECHANISM ASK FOR KIT #287225 Up to 2-7888 | | | | | |
| | | E) THOSE PART ARE INCLUDED IN KIT #287225 | | | | | |
| | | F) BUS & MTH ENT WITH LOWER SS PANEL | | | | | |
| | | L) BUS EQUIPPED WITH "LED" OBLONG LAMP | | | | | |

From 4-8165 To 8-9339

Date:10/2022

PAGE:Y2-1870-06

ENGINE DOOR ASSY R.H.



| | | |
|------------------------------|--------------|-----------------|
| From 4-8165 To 8-9339 | Date:10/2022 | PAGE:Y2-1870-06 |
| ENGINE DOOR ASSY R.H. | | |

| Item# | Part | Description | X L I I 4 5 | X L I I M T H 4 0 | X L I I M T H 4 5 | X L I I M T H 4 5 E | N O T E S |
|-------|---------|--|----------------------------|---|---|--|-----------------------|
| | 288343 | ENGINE DOOR RH ASSY To 6-8906 | 1 | | | | D |
| | 288328 | ENGINE DOOR RH ASSY To 6-8906 | AR | | | | A |
| | 288327 | ENGINE DOOR RH ASSY To 6-8906 | AR | | | | B D |
| | 288327 | ENGINE DOOR RH ASSY | | 1 | 1 | | D |
| | 288328 | ENGINE DOOR RH ASSY | | | | 1 | |
| 1 | 286518 | . ENGINE DOOR RH MOULDED VENTED To 5-8471 | 1 | | | 1 | |
| 1 | 289307 | . ENGINE DOOR RH MOULDED VENTED From 5-8472 | 1 | | | 1 | |
| 1 | 289432 | . ENGINE DOOR RH MOULDED VENTED SERVICE | 1 | | | 1 | |
| 1 | 285541 | . ENGINE DOOR RH MOULDED VENTED To 5-8471 | | 1 | 1 | | |
| 1 | 289305 | . ENGINE DOOR RH MOULDED VENTED From 5-8472 | | 1 | 1 | | |
| 1 | 289430 | . ENGINE DOOR RH MOULDED VENTED SERVICE | | 1 | 1 | | |
| 2 | 285376 | . UPPER PANEL / S.B. To 6-8906 | AR | | | | B |
| 2 | 285376 | . UPPER PANEL / S.B. To 5-8468 | | 1 | 1 | | |
| 2 | 288532 | . UPPER PANEL / B.A. From 5-8469 | | 1 | 1 | | |
| 3 | 286047 | . LOWER PANEL / S.B. To 6-8906 | AR | | | | A B |
| 3 | 286047 | . LOWER PANEL / S.B. To 5-8468 | | 1 | 1 | 1 | |
| 3 | 288533 | . LOWER PANEL / B.A. From 5-8469 | | 1 | 1 | 1 | |
| 5 | 287430 | . ARM ASSY | 1 | 1 | 1 | 1 | |
| 6 | 283771 | . GUIDE RETAINING ARM | 1 | 1 | 1 | 1 | |
| 7 | 955295 | . SCREW CAP HEX M8-1.25x20 G8.8 ZG603 | 2 | 2 | 2 | 2 | |
| 8 | 502857 | . WASHER LO SERR 8.2x26.3x1.8 N500 | 6 | 6 | 6 | 6 | |
| 9 | 5001560 | . SCREW SHR HEXS 5/16x3/8 {1/4-20 SS | 1 | 1 | 1 | 1 | |
| 10 | 502768 | . WASHER FL RUB .312x.625x.125 NEO | 1 | 1 | 1 | 1 | |
| 11 | 500384 | . NUT HEX JAM 1/4-20 G500 | 1 | 1 | 1 | 1 | |
| 12 | 283772 | . ARM RETAINING | 1 | 1 | 1 | 1 | |
| 13 | 502638 | . WASHER FL .312x.734x.065 N500 | 2 | 2 | 2 | 2 | |
| 14 | 955297 | . SCREW CAP HEX M8-1.25x25 G8.8 ZG603 | 4 | 4 | 4 | 4 | |
| 15 | 287429 | . ARM ASSY | 1 | 1 | 1 | 1 | |
| 16 | 285378 | . PANEL UPPER & LOWER DOOR / S.B. To 5-8468 | | | | 1 | |
| 16 | 288530 | . PANEL UPPER & LOWER DOOR / B.A. From 5-8469 | | | | 1 | |
| 16 | 285378 | . PANEL UPPER & LOWER DOOR / S.B. To 5-8468 | | 2 | 2 | | |
| 16 | 288530 | . PANEL UPPER & LOWER DOOR / B.A. From 5-8469 | | 2 | 2 | | |
| 16 | 285378 | . PANEL UPPER & LOWER DOOR / S.B. To 6-8906 | 1 | | | | A B |
| 17 | 065712 | . CABLE / ENGINE DOOR REAR LAMP W/LEDS To 7-9095 | 1 | 1 | 1 | 1 | |
| 17 | 066491 | . CABLE / ENGINE DOOR REAR LAMP W/LEDS From 7-9096 | | | 1 | 1 | |
| 18 | 504637 | . CABLE TIE / 3/16" x 13" | AR | AR | AR | AR | |
| 19 | 504530 | . GROMMET / .750x1.250x.125x.312x1.625 | 5 | 5 | 5 | 5 | |
| 20 | 502570 | . WASHER LO SPT 6.1x11.8x1.6 SS | 2 | 2 | 2 | 2 | |
| 21 | 502637 | . WASHER FL .200x.437x.037 SS | 2 | 2 | 2 | 2 | |
| 22 | 286053 | . TRACK / LICENCE PLATE HOLDER 326MM | 1 | 1 | 1 | 1 | |
| 22 | 491572 | . TRACK / LICENCE PLATE HOLDER 321 MM | 1 | 1 | 1 | 1 | |
| 23 | 504286 | . T SCREW 10-24 X 3/4" / SS / PLATE HOLDER | 2 | 2 | 2 | 2 | |

| | | |
|------------------------------|--------------|-----------------|
| From 4-8165 To 8-9339 | Date:10/2022 | PAGE:Y2-1870-06 |
| ENGINE DOOR ASSY R.H. | | |

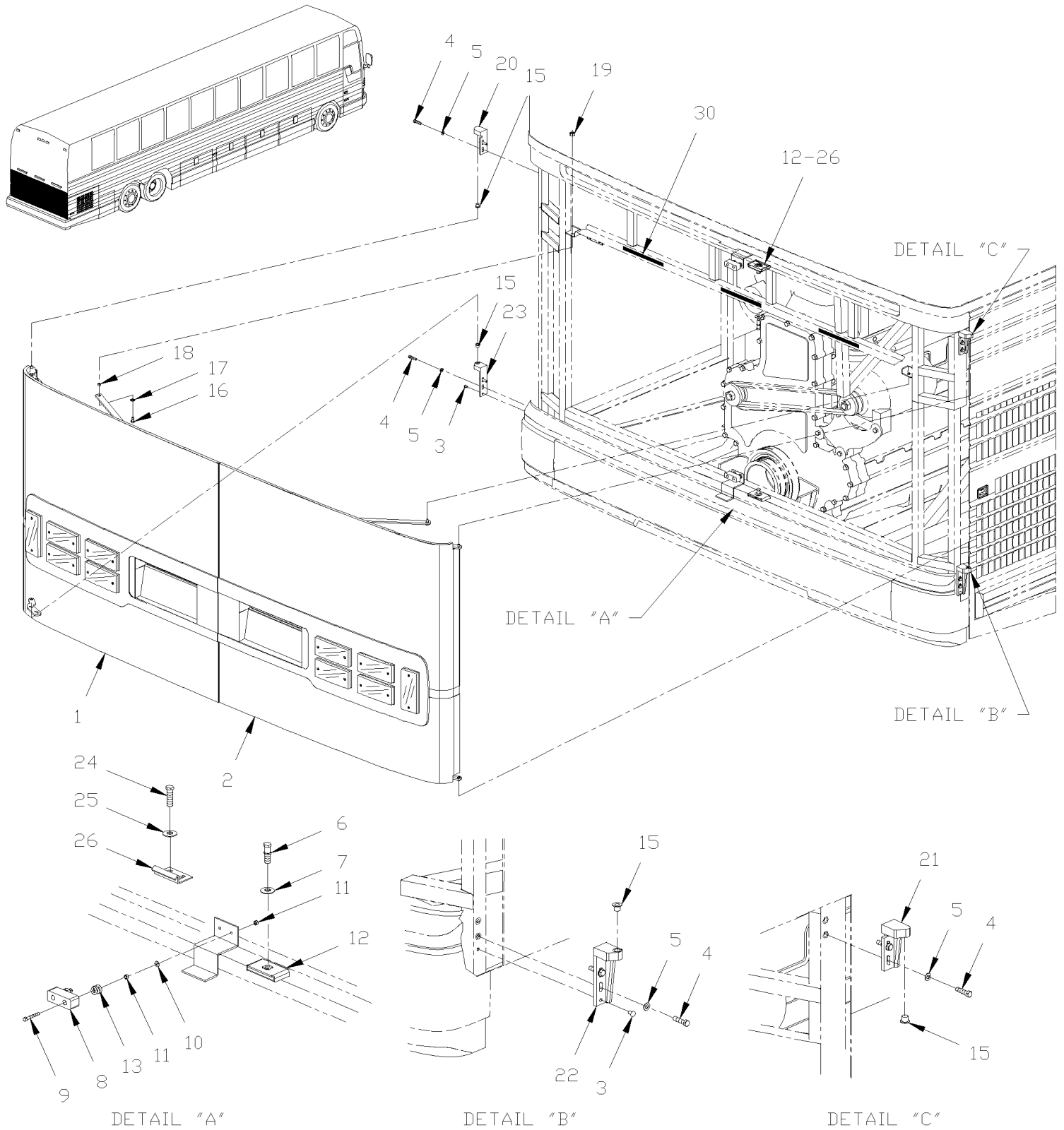
| Item# | Part | Description | X L I I 4 5 | X L I I M T H 4 0 | X L I I M T H 4 5 | X L I I M T H 4 5 E | N O T E S |
|-------|-------------------|--|----------------------------|---|---|--|-----------------------|
| 24 | 502666 | . SCREW MA FL PH #6-32x3/4 SS BK | 3 | 3 | 3 | 3 | |
| 25 | 504498 | . BUMPER PLUG / .406ODx.218THx.250HOLEx.125 | 2 | 2 | 2 | 2 | |
| 26 | 500286 | . NUT WELL #6-32 | 3 | 3 | 3 | 3 | |
| 27 | 500787 | . NUT HEX #10-24 SS | 2 | 2 | 2 | 2 | |
| 30 | 287314 | . CONTROL ROD | 1 | 1 | 1 | 1 | |
| NS | 506018 | . HANDLE PLASTIC / 1/4" I.D. X 4" | 1 | 1 | 1 | 1 | |
| 31 | 280143 | . FIXTURE / W/HOLE FOR ROD | 2 | 2 | 2 | 2 | |
| NS | 504339 | . RIVET POP DOME OE 1/8x3/8 SS | 4 | 4 | 4 | 4 | |
| 32 | 285018 | . SUPPORT LOCK / LOWER | 1 | 1 | 1 | 1 | |
| 33 | 286581 | . SUPPORT LOCK / UPPER | 1 | 1 | 1 | 1 | |
| 34 | 287381 | . CATCH PIN SS / 80.5MM | 1 | 1 | 1 | 1 | |
| NS | 506225 | . TAPE RUB ADH1 CC POL 1/16" x 1/4" x 100' / GREY 2520 | AR | AR | AR | AR | |
| 35 | 502910 | . SPRING COMPRESSION / .720 O.D. 1.75 x .055 | 2 | 2 | 2 | 2 | |
| 36 | 287391 | . CATCH PIN SS / 90.5MM | 1 | 1 | 1 | 1 | |
| 37 | 507212 | . O-RING | 2 | 2 | 2 | 2 | |
| 38 | 287382 | . GUIDE PIN HOLDER UPPER | 1 | 1 | 1 | 1 | |
| 39 | 287276 | . ROD / JUNCTION | 1 | 1 | 1 | 1 | |
| 40 | 280142 | . ROD HOLDER | 1 | 1 | 1 | 1 | |
| 41 | 280140 | . RETAINING WASHER | 1 | 1 | 1 | 1 | |
| 42 | 287271 | . RIVET SHR FL 9.95x3.6{4.8x4.8 SS | 1 | 1 | 1 | 1 | |
| 43 | 287277 | . PIVOT | 1 | 1 | 1 | 1 | |
| 44 | 5001251 | . NUT HEX NYRT 1/4-20 SS | 1 | 1 | 1 | 1 | |
| 45 | 287291 | . GUIDE PIN HOLDER LOWER | 1 | 1 | 1 | 1 | |
| 46 | 955271 | . SCREW CAP HEX M6-1.0x16 G8.8 ZG603 | 12 | 12 | 12 | 12 | |
| 47 | 500356 | . WASHER LO SERR 6.1x16.0x0.9 N500 | 12 | 12 | 12 | 12 | |
| 50 | Y2-0664-01 | . REAR EXTERIOR LIGHTS & PLATE HOLDER | | | | | |
| 51 | 506790 | . TAPE RUB ADH2 CC POL 1/16" x 1/2" x 200' / BLACK 11C-N-A | AR | AR | AR | AR | |
| 51 | 683084 | . SEALANT SIKA #221 / GREY / 600 ml SAUSAGE | AR | AR | AR | AR | |
| 51 | 683083 | . ADHESIVE SIKA #252 / BLACK / 600 ml SAUSAGE | AR | AR | AR | AR | |
| 52 | 285365 | . FINISHING MOULDING / PLASTIC To 6-8906 | 1 | | | | |
| 52 | 285377 | . FINISHING MOULDING SS / S.B. To 6-8906 | AR | | | | A |
| 52 | 285377 | . FINISHING MOULDING SS / S.B. To 5-8468 | | 1 | 1 | | A |
| 52 | 288531 | . FINISHING MOULDING SS / B.A. From 5-8469 | | 1 | 1 | | |
| 52 | 285900 | . FINISHING MOULDING R.H. / PLASTIC / (LOWER 3MM THINER THAN UPPER | 1 | | | 1 | C |
| 60 | Y2-1870-10 | ENGINE DOOR ASSY - INSTALLATION | | | | | |
| | | | | | | | |
| | | | | | | | |
| | | A) BUS WITH "OPTION" FLUTED LOWER PANELLING | | | | | |
| | | B) BUS WITH "OPTION" UPPER & LOWER SS REAR PANELLING | | | | | |
| | | C) BUS & MTH ENT WITH LOWER SS PANEL | | | | | |
| | | D) THIS DOOR ASSEMBLY DO NOT INCLUDE ITEM #17 | | | | | |

From Y-7046 To 8-9339

Date:10/2022

PAGE:Y2-1870-10

ENGINE DOOR ASSY - INSTALLATION



| | | | |
|--|--|--------------|-----------------|
| From Y-7046 To 8-9339 | | Date:10/2022 | PAGE:Y2-1870-10 |
| ENGINE DOOR ASSY - INSTALLATION | | | |

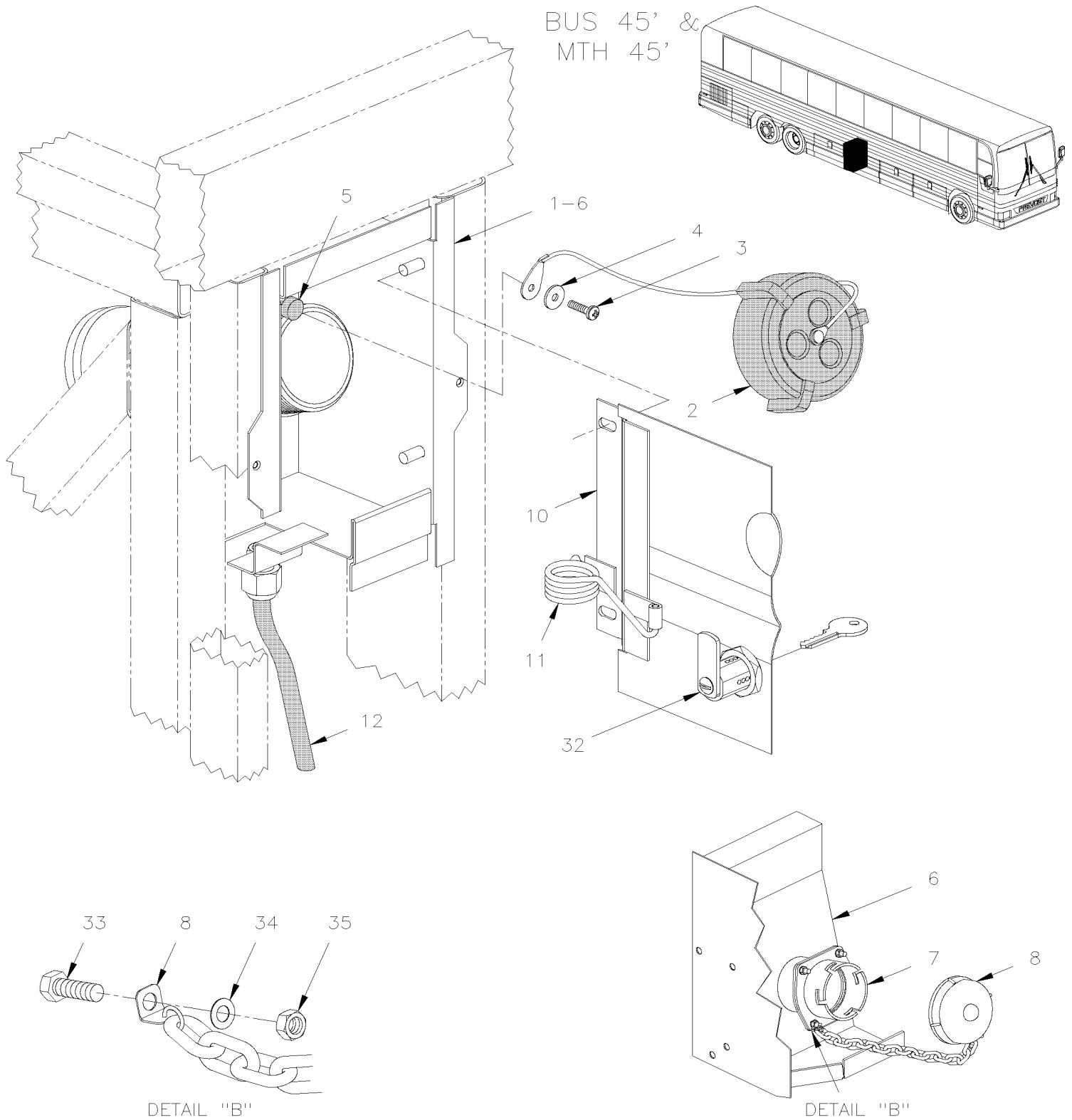
| Item# | Part | Description | X L I I 4 5 | X L I I M T H 4 0 | X L I I M T H 4 5 | X L I I M T H 4 5 E | N O T E S |
|-------|------------|--|--------------------------------|---|---|--|-----------------------|
| 1 | Y2-1870-00 | ENGINE DOOR ASSY L.H. To 3-8164 | | | | | |
| 1 | Y2-1870-01 | ENGINE DOOR ASSY L.H. From 4-8165 | | | | | |
| 2 | Y2-1870-05 | ENGINE DOOR ASSY R.H. To 3-8164 | | | | | |
| 2 | Y2-1870-06 | ENGINE DOOR ASSY R.H. From 4-8165 | | | | | |
| 3 | 504122 | RIVET POP DOME OE 1/4x3/8 AL | 2 | 2 | 2 | 2 | |
| 4 | 502780 | SCREW CAP HEX M8-1.25x25 SS BK | 5 | 5 | 5 | 5 | |
| 5 | 502584 | WASHER LO SERR 8.2x26.3x1.8 Z050 | 8 | 8 | 8 | 8 | |
| 6 | 284438 | PIN STRIKER To 2-7888 | 1 | 1 | 1 | 1 | A |
| 7 | 284447 | WASHERS BELLEVILLE To 2-7888 | 1 | 1 | 1 | 1 | A |
| 8 | 506250 | RUBBER BUMPER | 1 | 1 | 1 | 1 | |
| 9 | 502708 | SCREW CAP HEX M5-0.8x35 SS | 2 | 2 | 2 | 2 | |
| 10 | 500411 | WASHER FL .260x.697x.050 SS | 2 | 2 | 2 | 2 | |
| 11 | 5001449 | NUT HEX M5-0.8 SS | 4 | 4 | 4 | 4 | |
| 12 | 282869 | FLOATING NUT ASSY WITH CASE To 1-7627 | 2 | 2 | 2 | 2 | A |
| 12 | 287943 | FLOATING NUT ASSY WITH CASE From 1-7628 To 2-7888 | 2 | 2 | 2 | 2 | A |
| 13 | 502205 | SPRING COMPRESSION / .850 O.D. x .750 x .072 | 2 | 2 | 2 | 2 | |
| 15 | 284607 | BUSHING, NYLON / (NOT INCLUDE W/HINGE) | 4 | 4 | 4 | 4 | |
| 16 | 502780 | SCREW CAP HEX M8-1.25x25 SS BK | 10 | 10 | 10 | 10 | |
| 17 | 502583 | WASHER LO SERR 8.15x22.3x1.0 Z050 | 2 | 2 | 2 | 2 | |
| 18 | 283770 | SPACER / TO FIX RETAINING ARM | 2 | 2 | 2 | 2 | |
| 19 | 966171 | NUT HEX NYRT M8x1.25 SS | 2 | 2 | 2 | 2 | |
| 20 | 285930 | HINGE UPPER L.H. | 1 | 1 | 1 | 1 | |
| 21 | 285854 | HINGE UPPER R.H. | 1 | 1 | 1 | 1 | |
| 22 | 285855 | HINGE LOWER R.H. | 1 | 1 | 1 | 1 | |
| 23 | 285931 | HINGE LOWER L.H. | 1 | 1 | 1 | 1 | |
| 24 | 500204 | SCREW CAP HEX 7/16-14X1 1/4 SS To 2-7888 | 2 | 2 | 2 | 2 | B |
| 24 | 502780 | SCREW CAP HEX M8-1.25x25 SS BK From 2-7889 | 4 | 4 | 4 | 4 | |
| 25 | 502582 | WASHER LO SERR 6.1x16.2x0.9 Z050 To 2-7888 | 2 | 2 | 2 | 2 | B |
| 25 | 5001161 | WASHER LO SPT 8.1x14.8x2.0 SS-304 From 2-7889 | 4 | 4 | 4 | 4 | |
| 26 | 280141 | CATCH PIN / RETAINER To 2-7888 | 2 | 2 | 2 | 2 | B |
| 26 | 287286 | CATCH PIN / RETAINER 45MMx21MM 90° From 2-7889 | 2 | 2 | 2 | 2 | |
| 30 | 920009 | REFLECTOR STRIP RED | AR | AR | AR | AR | |
| NS | 286688 | DECAL DOOR OPEN | 1 | 1 | 1 | 1 | |
| NS | 287225 | KIT, R.H. ENGINE DOOR LOCK IMPROVEMENT To 2-7888 | AR | AR | AR | AR | |
| NS | WB02-01 | . SEE WARRANTY BULLETIN To 2-7888 | 1 | 1 | 1 | 1 | |
| | | | | | | | |
| | | | | | | | |
| | | A) FOR PRODUCT IMPROVEMENT DOOR LOCK MECHANISM ASK FOR KIT #287225 | | | | | |
| | | B) PART ARE INCLUDE IN KIT #287225 | | | | | |

From Y-7046 To 8-9339

Date:10/2022

PAGE:Y2-1875-00

FUEL TANK FILLING DOOR



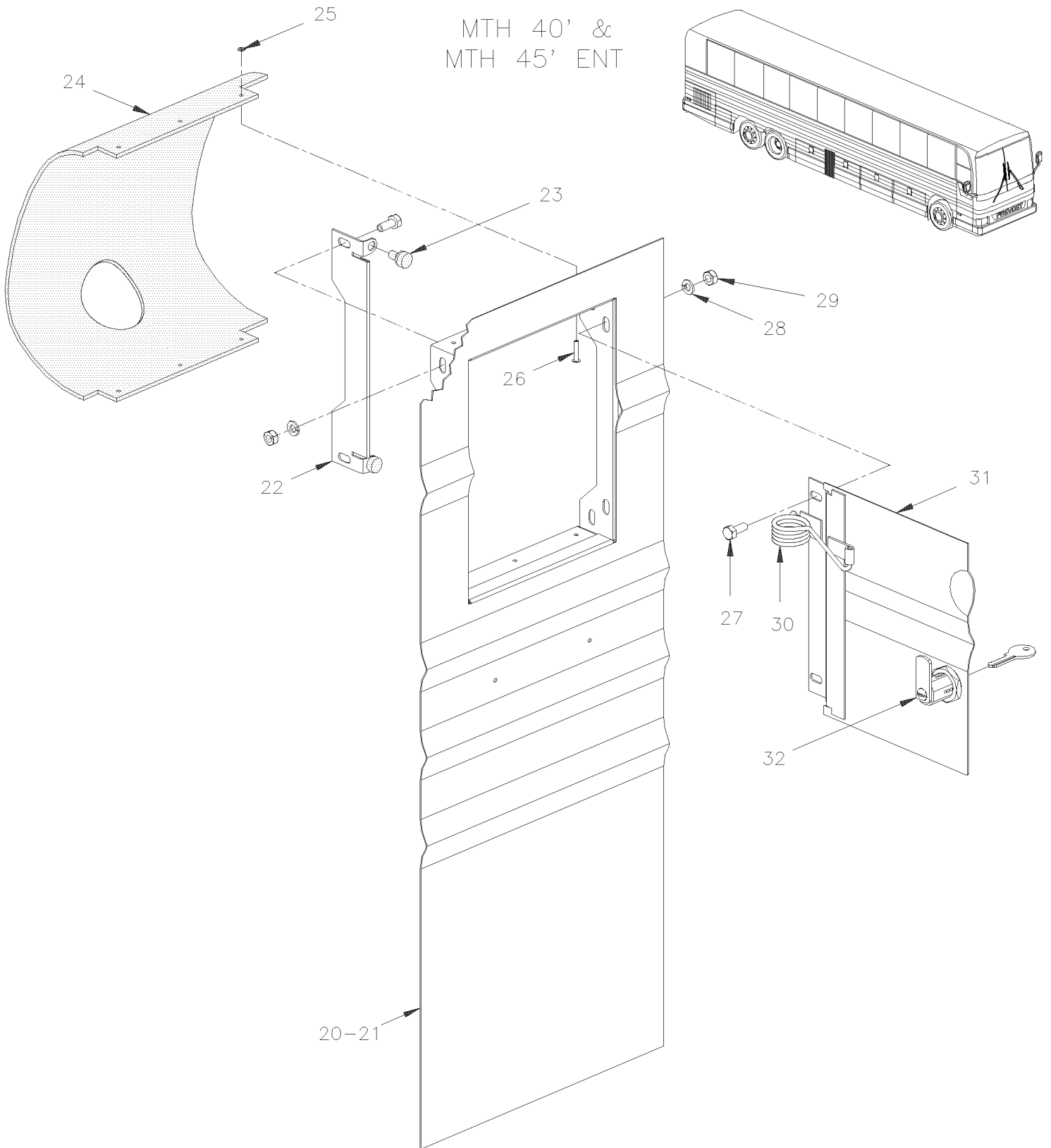
From Y-7046 To 8-9339

Date:10/2022

PAGE:Y2-1875-00

FUEL TANK FILLING DOOR

MTH 40' &
MTH 45' ENT



| | | |
|-------------------------------|--------------|-----------------|
| From Y-7046 To 8-9339 | Date:10/2022 | PAGE:Y2-1875-00 |
| FUEL TANK FILLING DOOR | | |

| Item# | Part | Description | X L I I 4 5 | X L I I M T H 4 0 | X L I I M T H 4 5 | X L I I M T H 4 5 E | N O T E S |
|-------|--------|---|----------------------------|---|---|--|-----------------------|
| 1 | 032232 | BOX ASSY, L.H. To 1-7605 | 1 | | 1 | | |
| 1 | 032418 | BOX ASSY, L.H. From 1-7606 | 1 | | 1 | | |
| 1 | 032230 | BOX ASSY, R.H. To 1-7605 | 1 | | 1 | | |
| 1 | 032416 | BOX ASSY, R.H. From 1-7606 | 1 | | 1 | | |
| 2 | 531424 | FUEL FILLING CAP / SCREW TYPE CAP | 1 | 1 | 1 | 1 | |
| 3 | 500572 | SCREW MA TR PH #10-24x1/2 SS BK | 1 | 1 | 1 | 1 | |
| 4 | 500470 | WASHER LO SPT .193x.334x.047 Z050 | 1 | 1 | 1 | 1 | |
| 5 | 470949 | SPACER RUBBER 3/4" O.D. / S.Q. | 1 | 1 | 1 | 1 | |
| 6 | 032389 | BOX ASSY, R.H. To 6-8906 | 1 | | | | B |
| 6 | 032390 | BOX ASSY, L.H. To 6-8906 | 1 | | | | B |
| 7 | 531413 | . ADAPTOR To 6-8906 | 1 | | | | B |
| 8 | 531412 | . FUEL FILLING CAP / "EMCO WHEATON" TYPE To 6-8906 | 1 | | | | B |
| 10 | 473356 | DOOR ASSY, R.H. / W/LOCK / S.B. To Y-7379 | | | 1 | | A |
| 10 | 473356 | DOOR ASSY, R.H. / W/LOCK / S.B. To Y-7379 | AR | | | | A |
| 10 | 474983 | DOOR ASSY, R.H. / W/LOCK / S.B. From Y-7380 To 5-8468 | | | 1 | | A |
| 10 | 477544 | DOOR ASSY, R.H. / W/LOCK / B.A. From 5-8469 | | | 1 | | |
| 10 | 474983 | DOOR ASSY, R.H. / W/LOCK / S.B. From Y-7380 To 6-8906 | AR | | | | A |
| 10 | 473358 | DOOR ASSY, L.H. / W/LOCK / S.B. To Y-7379 | | | 1 | | A |
| 10 | 473358 | DOOR ASSY, L.H. / W/LOCK / S.B. To Y-7379 | AR | | | | A |
| 10 | 474984 | DOOR ASSY, L.H. / W/LOCK / S.B. From Y-7380 To 5-8468 | | | 1 | | A |
| 10 | 477553 | DOOR ASSY, L.H. / W/LOCK / B.A. From 5-8469 | | | 1 | | |
| 10 | 474984 | DOOR ASSY, L.H. / W/LOCK / S.B. From Y-7380 To 6-8906 | AR | | | | A |
| 10 | 474394 | DOOR ASSY, R.H. / W/LOCK To Y-7376 | 1 | | | | |
| 10 | 474981 | DOOR ASSY, R.H. / W/LOCK From Y-7377 To 6-8906 | 1 | | | | |
| 10 | 474395 | DOOR ASSY, L.H. / W/LOCK To Y-7376 | 1 | | | | |
| 10 | 474986 | DOOR ASSY, L.H. / W/LOCK From Y-7377 To 6-8906 | 1 | | | | |
| 10 | 474397 | DOOR ASSY, R.H. To Y-7376 | 1 | | | | |
| 10 | 474980 | DOOR ASSY, R.H. From Y-7377 To 6-8906 | 1 | | | | |
| 10 | 474396 | DOOR ASSY, L.H. To Y-7376 | 1 | | | | |
| 10 | 474987 | DOOR ASSY, L.H. From Y-7377 To 6-8906 | 1 | | | | |
| 11 | 031175 | SPRING, TORSION / 1 O.D. x .634 x .125 | 1 | | 1 | | |
| 12 | 503472 | TUBE, NYLON 3/8 O.D. / GREY S.L. | AR | | AR | | |
| 20 | 474430 | PANEL R.H. UPPER ASSY W/FUEL DOOR RH / S.B. To Y-7439 | | 1 | | 1 | |
| 20 | 474979 | PANEL R.H. UPPER ASSY W/FUEL DOOR RH / S.B. From Y-7440 To 5-8468 | | 1 | | 1 | |
| 20 | 477538 | PANEL R.H. UPPER ASSY W/FUEL DOOR RH / B.A. From 5-8469 | | 1 | | 1 | |
| 21 | 474429 | PANEL L.H. UPPER ASSY W/FUEL DOOR LH / S.B. To Y-7439 | | 1 | | 1 | |
| 21 | 474646 | PANEL L.H. UPPER ASSY W/FUEL DOOR LH / S.B. From Y-7440 To 5-8468 | | 1 | | 1 | |
| 21 | 477549 | PANEL L.H. UPPER ASSY W/FUEL DOOR LH / B.A. From 5-8469 | | 1 | | 1 | |
| NS | 473469 | . DOOR STOPPER | | 1 | | 1 | |
| 22 | 474428 | . PANEL 257MM X 690MM / S.B. To 5-8468 | | 1 | | 1 | |
| 22 | 477539 | . PANEL 257MM X 690MM / B.A. From 5-8469 | | 1 | | 1 | |
| 23 | 504654 | . BUMPER PLUG / 7/8" X 15/32 X 3/64 | | 2 | | 2 | |

| | | |
|-------------------------------|--------------|-----------------|
| From Y-7046 To 8-9339 | Date:10/2022 | PAGE:Y2-1875-00 |
| FUEL TANK FILLING DOOR | | |

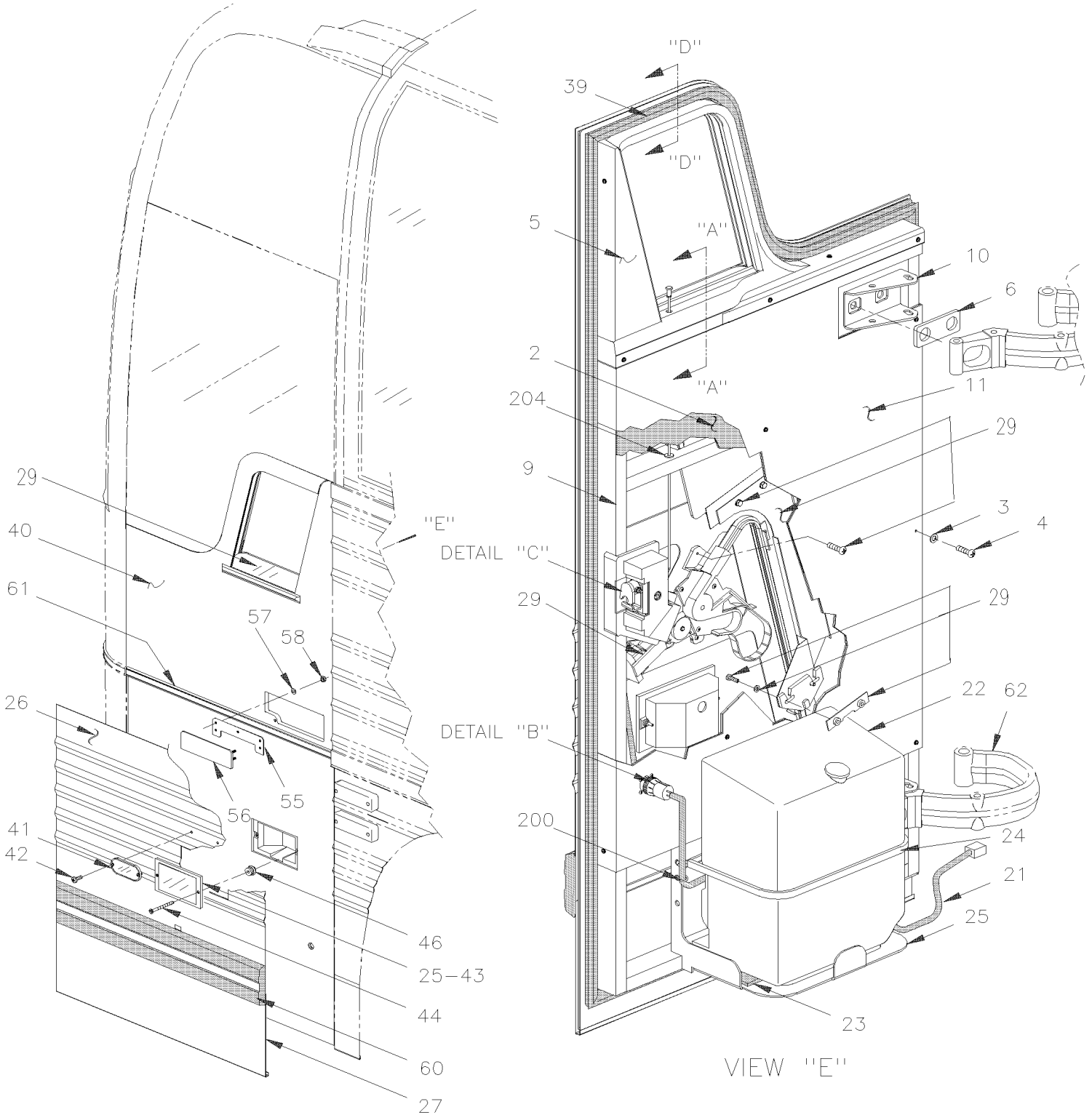
| Item# | Part | Description | X L I I 4 5 | X L I I M T H 4 0 | X L I I M T H 4 5 | X L I I M T H 4 5 E | N O T E S |
|-------|---------|--|----------------------------|---|---|--|-----------------------|
| 24 | 032175 | . SPLASHGUARD / RUBBER | | 1 | | 1 | |
| 25 | 5001067 | . WASHER FL .128x.312x.032 SS | | 6 | | 6 | |
| 26 | 504473 | . RIVET POP DOME OE 1/8x1/4 SS | | 6 | | 6 | |
| 27 | 5001181 | SCREW CAP HEX M6-1.0x12 SS | 4 | 4 | 4 | 4 | |
| 28 | 502570 | WASHER LO SPT 6.1x11.8x1.6 SS | 4 | 4 | 4 | 4 | |
| 29 | 502565 | NUT HEX M6-1.0 SS | 4 | 4 | 4 | 4 | |
| 30 | 031175 | . SPRING, TORSION / 1 O.D. x .634 x .125 | | 1 | | 1 | |
| 31 | 474434 | . DOOR ASSY, R.H. / W/LOCK / S.B. To Y-7439 | | 1 | | 1 | |
| 31 | 474982 | . DOOR ASSY, R.H. / W/LOCK / S.B. From Y-7440 To 5-8468 | | 1 | | 1 | |
| 31 | 477541 | . DOOR ASSY, R.H. / W/LOCK / B.A. From 5-8469 | | 1 | | 1 | |
| 31 | 474433 | . DOOR ASSY, L.H. / W/LOCK / S.B. To Y-7439 | | 1 | | 1 | |
| 31 | 474985 | . DOOR ASSY, L.H. / W/LOCK / S.B. From Y-7440 To 5-8468 | | 1 | | 1 | |
| 31 | 477550 | . DOOR ASSY, L.H. / W/LOCK / B.A. From 5-8469 | | 1 | | 1 | |
| 32 | 780180 | LOCK CYLINDER W/KEY / "VIRO" | 1 | 1 | 1 | 1 | |
| . NS | 780501 | . KEY | 1 | 1 | 1 | 1 | |
| 32 | 780806 | LOCK CYLINDER W/KEY / "VIRO" | 1 | 1 | 1 | 1 | |
| . NS | 780501 | . KEY | 1 | 1 | 1 | 1 | |
| NS | 289549 | PIVOT LOCK ACTUATOR 42.4MM / W/11MM OFFSET | 1 | 1 | 1 | 1 | S |
| 33 | 5001433 | SCREW CAP HEX M6-1.0x25 SS To 6-8906 | 4 | | | | B |
| 34 | 502573 | WASHER FL 6.4x12.5x1.6 SS To 6-8906 | 4 | | | | B |
| 35 | 502511 | NUT HEX NYRT M6-1.0 Z050 To 6-8906 | 4 | | | | B |
| | | | | | | | |
| | | | | | | | |
| | | | | | | | |
| | | A) COACH WITH STAINLESS STEEL SIDE LOWER PANELLING | | | | | |
| | | B) COACH WITH "EMCO WHEATON" | | | | | |
| | | S) REQUIERED ONLY IN SERVICE IF YOU NEED TO CHANGE YOUR OLD CYLINDER LOCK # 780180 | | | | | |

From Y-7046 To 8-9339

Date:10/2022

PAGE:Y2-1879-00

FRONT SERVICE DOOR ASSY

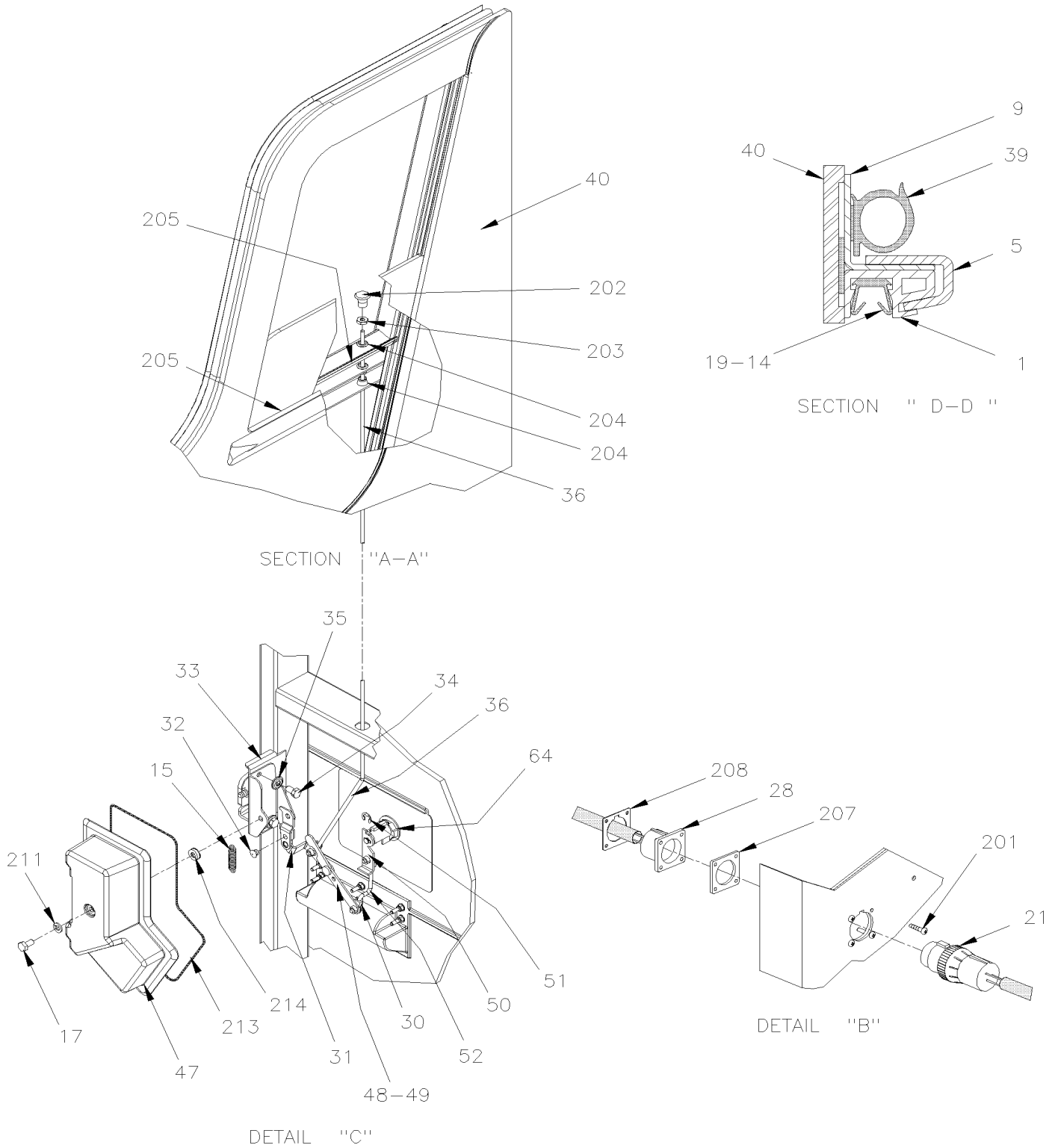


From Y-7046 To 8-9339

Date:10/2022

PAGE:Y2-1879-00

FRONT SERVICE DOOR ASSY



| | | |
|--------------------------------|--------------|-----------------|
| From Y-7046 To 8-9339 | Date:10/2022 | PAGE:Y2-1879-00 |
| FRONT SERVICE DOOR ASSY | | |

| Item# | Part | Description | X L I I 4 5 | X L I I M T H 4 0 | X L I I M T H 4 5 | X L I I M T H 4 5 E | N O T E S |
|-------|-----------------|--|----------------------------|---|---|--|-----------------------|
| | | ALL FRONT SERVICE DOORS DO NOT INCLUDE RUB-RAIL PLEASE ORDER SEPARATELY | | | | | |
| | 287914P | FRONT SERVICE DOOR ASSY MTH 89" | | | | 1 | |
| | 286490P | FRONT SERVICE DOOR ASSY MTH 86" | | 1 | 1 | 1 | |
| | 285786P | FRONT SERVICE DOOR ASSY MTH 83" To Y-7128 | | 1 | 1 | | |
| | 286614P | FRONT SERVICE DOOR ASSY To 6-8906 | 1 | | | | |
| | 287358 | FRONT SERVICE DOOR ASSY W/FLUTED PANEL / S.B. To 4-8335 | 1 | | | | A |
| | 287149P | FRONT SERVICE DOOR ASSY W/FLUTED PANEL / S.B. From 4-8336 To 6-8906 | 1 | | | | A |
| | 287359 | FRONT SERVICE DOOR ASSY W/FLUTED PANEL / S.B. To 4-8335 | 1 | | | | B |
| | 287162P | FRONT SERVICE DOOR ASSY W/FLUTED PANEL / S.B. From 4-8336 To 6-8906 | 1 | | | | B |
| 1 | 285983 | WINDOW TRACK | 1 | 1 | 1 | 1 | |
| 2 | 286601 | INSULATING / 86" | | 1 | 1 | 1 | |
| 2 | 286426 | INSULATING / 83" To Y-7128 | | 1 | 1 | | |
| 2 | 286606 | INSULATING / COACH To 6-8906 | 1 | | | | |
| 2 | 287906 | INSULATING / 89" | | | | 1 | |
| 3 | 500463 | WASHER FN CKF .187x.500x.090 BR Z050 | 17 | 17 | 17 | 17 | |
| 4 | 502673 | SCREW TC PAN PH #6-32x1/2 SS | 2 | 2 | 2 | 2 | |
| 5 | 286491 | INTERIOR FINISHING / 86" & 89" | | 1 | 1 | 1 | |
| 5 | 286451 | INTERIOR FINISHING / 83" | 1 | 1 | 1 | | |
| 6 | 283402 | SUPPORT PLATE | | 2 | 2 | 2 | |
| 6 | 286998 | SUPPORT PLATE 134MM X 48MM To 6-8906 | 1 | | | | |
| 7 | 502731 | SCREW CAP HEX M12-1.75x40 G8.8 Z050 | 4 | 4 | 4 | 4 | |
| 8 | 500810 | WASHER LO SPT 12.2x21.1x2.5 Z050 | 4 | 4 | 4 | 4 | |
| 9 | 286605P | DOOR FRAME ASSY / COACH To 6-8906 | 1 | | | | |
| 9 | Call order desk | DOOR FRAME ASSY / 83" To Y-7128 | | 1 | 1 | | P |
| 9 | 286488P | DOOR FRAME ASSY / 86" | | 1 | 1 | 1 | |
| 9 | 287478 | DOOR FRAME ASSY / 89" | | | | 1 | |
| 10 | 286014 | HINGE SUPPORT | 2 | 2 | 2 | 2 | |
| 11 | 286607 | INTERIOR PANEL / COACH To 6-8906 | 1 | | | | |
| 11 | 287890 | INTERIOR PANEL / COACH To 6-8906 | 1 | | | | B F |
| 11 | 286425 | INTERIOR PANEL / 83" To Y-7128 | | 1 | 1 | | |
| 11 | 286602 | INTERIOR PANEL / 86" | | 1 | 1 | 1 | |
| 11 | 287905 | INTERIOR PANEL / 89" | | | | 1 | |
| NS | 506790 | TAPE RUB ADH2 CC POL 1/16" x 1/2" x 200' / BLACK I1C-N-A | 4 | 4 | 4 | 4 | |
| 13 | 5001182 | NUT HEX NYRT M6-1.0 SS | 4 | 4 | 4 | 4 | |
| 13 | 502570 | WASHER LO SPT 6.1x11.8x1.6 SS | 2 | 2 | 2 | 2 | |
| 14 | 286440 | FELT SLIDING 677MM | 1 | 1 | 1 | 1 | |
| 15 | 284914 | SPRING EXTENSION / .305 O.D. x 1.562 x .051 | 1 | 1 | 1 | 1 | |
| 16 | 286087 | DIAGONNAL SUPPORT To 6-8901 | 1 | 1 | 1 | 1 | |
| 17 | 5001433 | SCREW CAP HEX M6-1.0x25 SS | 1 | 1 | 1 | 1 | |

| | | |
|--------------------------------|--------------|-----------------|
| From Y-7046 To 8-9339 | Date:10/2022 | PAGE:Y2-1879-00 |
| FRONT SERVICE DOOR ASSY | | |

| Item# | Part | Description | X L I I 4 5 | X L I I M T H 4 0 | X L I I M T H 4 5 | X L I I M T H 4 5 E | N O T E S |
|-------|-------------------|---|----------------------------|---|---|--|-----------------------|
| 19 | 286439 | FELT SLIDING 930MM | 1 | 1 | 1 | 1 | |
| 21 | 064828 | CABLE ASSY / WINDSHIELD WASHER PUMP To 7-9095 | 1 | 1 | 1 | 1 | |
| 21 | 066516 | CABLE ASSY / WINDSHIELD WASHER PUMP From 7-9096 | 1 | 1 | 1 | 1 | |
| 21 | 067948 | CABLE ASSY / ADAPTOR / NEW LEVEL (SERVICE ONLY) | 1 | 1 | 1 | 1 | |
| 22 | Y2-2305-20 | WINDSHIELD WASHER - INSTALLATION | | | | | |
| 23 | 506339 | TAPE RUB ADH1 NIT 1/4" x 1" x 35' / BLACK 1220 | 1 | 1 | 1 | 1 | |
| 24 | 504694 | TIE RUBBER BELT, W/HOOK 21" To Y-7237 | 2 | 2 | 2 | 2 | |
| 24 | 287097 | STRAP RETAINING SS / 330MM x 196MM From Y-7238 | 1 | | | | |
| 24 | 288919 | STRAP RETAINING SS / 330MM x 218MM | 1 | | | | F |
| 25 | 286422 | SUPPORT / WINDSHIELD WASHER TANK / WELDED TO STRUCTURE | 1 | 1 | 1 | 1 | |
| 25 | 288920 | SUPPORT / WINDSHIELD WASHER TANK | 1 | | | | A F |
| 26 | 286038 | PANEL UPPER / S.B. To 5-8468 | | 1 | 1 | 1 | |
| 26 | 288525 | PANEL UPPER / B.A. From 5-8469 | | 1 | 1 | 1 | |
| 26 | 287889 | PANEL UPPER / S.B. To 4-8335 | 1 | | | | A |
| 26 | 281039 | PANEL UPPER / S.B. From 4-8336 To 6-8906 | 1 | | | | A |
| 26 | 287916 | PANEL UPPER / S.B. To 4-8335 | 1 | | | | B |
| 26 | 281038 | PANEL UPPER / S.B. From 4-8336 To 6-8906 | 1 | | | | B |
| 27 | 286130 | PANEL LOWER / S.B. To 5-8468 | | 1 | 1 | 1 | |
| 27 | 288524 | PANEL LOWER / B.A. From 5-8469 | | 1 | 1 | 1 | |
| 27 | 287144 | PANEL LOWER / S.B. To 6-8906 | 1 | | | | A |
| 28 | 065005 | CABLE ASSY / SERVICE DOOR To 6-8901 | 1 | 1 | 1 | 1 | |
| 28 | 066626 | WIRING HARNESS SERVICE DOOR From 6-8902 | 1 | 1 | 1 | 1 | |
| 29 | Y2-1886-00 | POWER WINDOW - ELECTRICAL INSTALLATION To 6-8901 | | | | | |
| 29 | Y2-1886-01 | POWER WINDOW - ELECTRICAL INSTALLATION From 6-8902 | | | | | |
| 30 | 504456 | CLIP / RETAINER ROD / WHITE OR RED To Y-7237 | 3 | 3 | 3 | 3 | |
| 30 | 780340 | CLIP, RETAINER ROD From Y-7238 | 3 | 3 | 3 | 3 | |
| 31 | 286040 | PIVOT To Y-7237 | 1 | 1 | 1 | 1 | |
| 31 | 287077 | PIVOT From Y-7238 | 1 | 1 | 1 | 1 | |
| 32 | 504379 | RIVET POP DOME OE 3/16x1/4 SS | 1 | 1 | 1 | 1 | |
| 33 | 780587 | LOCK SPAGNOLET L.H. / W/G-FITTING To 2-7755 | 1 | 1 | 1 | 1 | |
| . NS | 507607 | . GREASE FITTING / M6-1.00 To 2-7755 | 1 | 1 | 1 | 1 | |
| 33 | 780652 | LOCK SPAGNOLET L.H. / W/G-FITTING From 2-7756 | 1 | 1 | 1 | 1 | |
| . NS | 780340 | . CLIP, RETAINER ROD From 2-7756 | 1 | 1 | 1 | 1 | |
| . NS | 507607 | . GREASE FITTING / M6-1.00 From 2-7756 | 1 | 1 | 1 | 1 | |
| 34 | 502563 | SCREW CAP HEX M6-1.0x12 G8.8 Z050 | 2 | 2 | 2 | 2 | |
| 35 | 502582 | WASHER LO SERR 6.1x16.2x0.9 Z050 | 2 | 2 | 2 | 2 | |
| 36 | 286489 | OPENING ROD / 86" To Y-7237 | | 1 | 1 | 1 | |
| 36 | 287086 | OPENING ROD / 86" From Y-7238 | | 1 | 1 | 1 | |
| 36 | 286424 | OPENING ROD / 83" To Y-7128 | | 1 | 1 | | |
| 36 | 287085 | OPENING ROD / 83" | | 1 | 1 | | |
| 36 | 286610 | OPENING ROD / COACH To Y-7237 | 1 | | | | |
| 36 | 287084 | OPENING ROD / COACH From Y-7238 To 6-8906 | 1 | | | | |

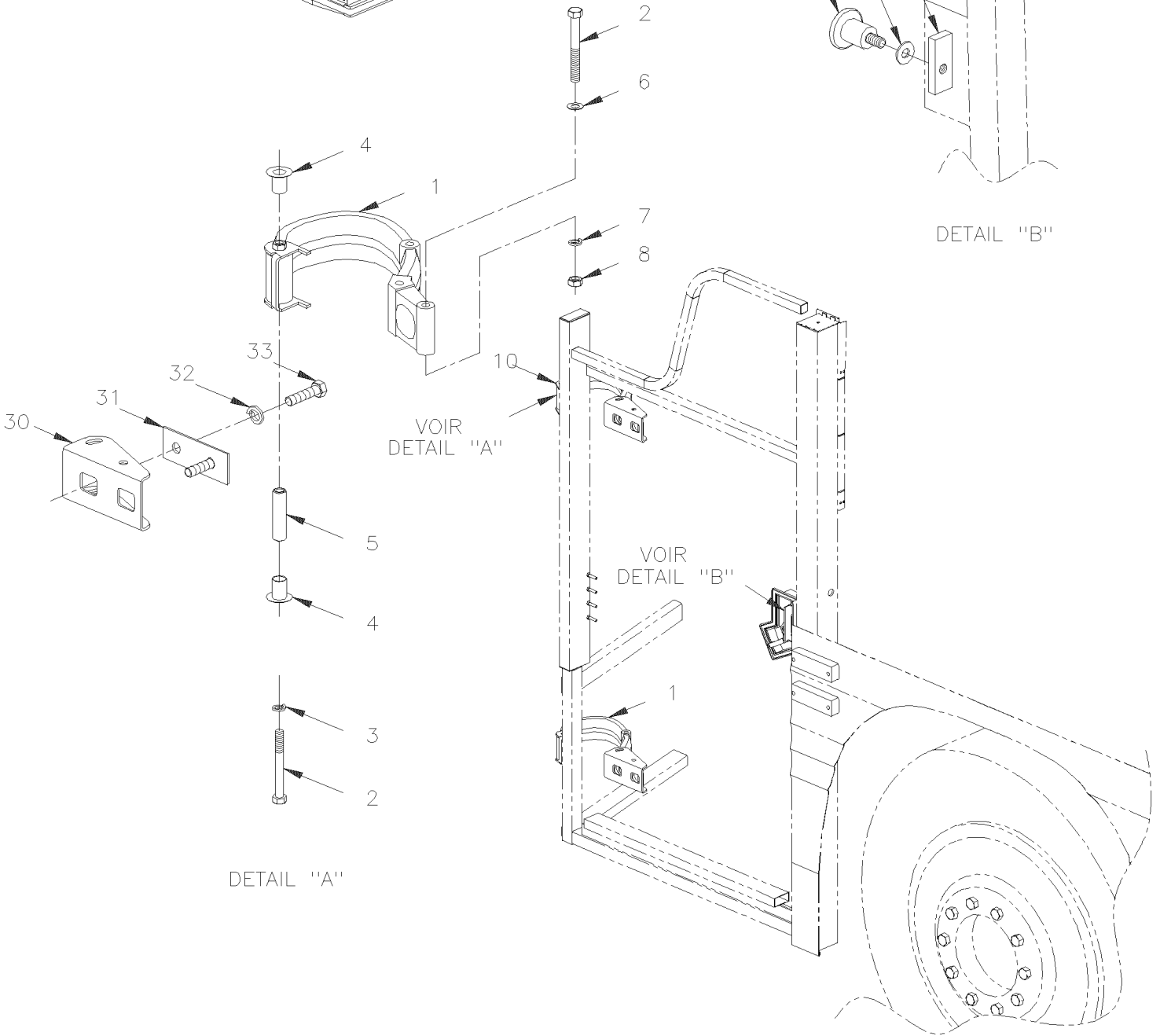
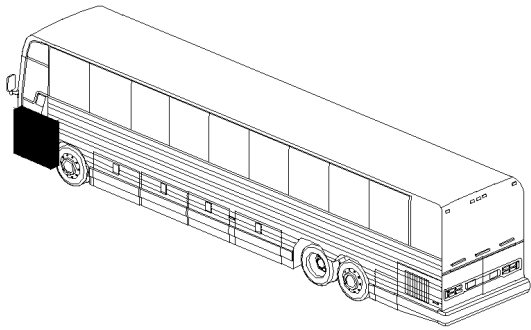
| | | |
|--------------------------------|--------------|-----------------|
| From Y-7046 To 8-9339 | Date:10/2022 | PAGE:Y2-1879-00 |
| FRONT SERVICE DOOR ASSY | | |

| Item# | Part | Description | X L I I 4 5 | X L I I M T H 4 0 | X L I I M T H 4 5 | X L I I M T H 4 5 E | N O T E S |
|-------|---------|--|----------------------------|---|---|--|-----------------------|
| 36 | 287907 | OPENING ROD / 89" | | | | 1 | |
| 39 | 286071 | RUBBER SEAL EXTRUSION / SERVICE DOOR To 5-8650 | 1 | | | | |
| 39 | 287493 | RUBBER SEAL EXTRUSION / SERVICE DOOR From 5-8651 To 6-8906 | 1 | | | | |
| 39 | 288910 | RUBBER SEAL EXTRUSION / SERVICE DOOR | 1 | | | | |
| 39 | 2800125 | RUBBER SEAL EXTRUSION / SERVICE DOOR | 1 | | | | |
| 39 | 286068 | RUBBER SEAL EXTRUSION / SERVICE DOOR MTH-83" To Y-7128 | | 1 | 1 | | |
| 39 | 289939 | RUBBER SEAL EXTRUSION / SERVICE DOOR MTH-83" To Y-7128 | | 1 | 1 | | |
| 39 | 288940 | RUBBER SEAL EXTRUSION / SERVICE DOOR MTH-83" To Y-7128 | | 1 | 1 | | |
| 39 | 2800177 | RUBBER SEAL EXTRUSION / SERVICE DOOR MTH-83" To Y-7128 | | 1 | 1 | | |
| 39 | 286070 | RUBBER SEAL EXTRUSION / SERVICE DOOR MTH-86" To 5-8650 | | 1 | 1 | 1 | |
| 39 | 289999 | RUBBER SEAL EXTRUSION / SERVICE DOOR MTH-86" From 5-8651 | | 1 | 1 | 1 | |
| 39 | 288943 | RUBBER SEAL EXTRUSION / SERVICE DOOR MTH-86" | | 1 | 1 | 1 | |
| 39 | 2800180 | RUBBER SEAL EXTRUSION / SERVICE DOOR MTH-86" | | 1 | 1 | 1 | |
| 39 | 286072 | RUBBER SEAL EXTRUSION / SERVICE DOOR MTH-89" To 5-8650 | | | | 1 | |
| 39 | 289930 | RUBBER SEAL EXTRUSION / SERVICE DOOR MTH-89" From 5-8651 | | | | 1 | |
| 39 | 288914 | RUBBER SEAL EXTRUSION / SERVICE DOOR MTH-89" | | | | 1 | |
| 39 | 2800128 | RUBBER SEAL EXTRUSION / SERVICE DOOR MTH-89" | | | | 1 | |
| 40 | 286073 | PANEL FIBERGLASS / 86" | | 1 | 1 | 1 | |
| 40 | 286037 | PANEL FIBERGLASS / 83" To Y-7128 | | 1 | 1 | | |
| 40 | 286074 | PANEL FIBERGLASS / COACH To 4-8335 | 1 | | | | |
| 40 | 281020 | PANEL FIBERGLASS / COACH From 4-8336 To 6-8906 | 1 | | | | |
| 40 | 289896 | PANEL FIBERGLASS / COACH To 4-8335 | 1 | | | | A |
| 40 | 281034 | PANEL FIBERGLASS / COACH From 4-8336 | 1 | | | | A |
| 40 | 288627 | PANEL FIBERGLASS / COACH | 1 | | | | F |
| 40 | 287164 | PANEL FIBERGLASS / COACH To 4-8335 | 1 | | | | B |
| 40 | 281035 | PANEL FIBERGLASS / COACH From 4-8336 To 6-8906 | 1 | | | | B |
| 40 | 286075 | PANEL FIBERGLASS / 89" | | | | 1 | |
| 41 | 930212 | REFLECTOR AMBER 1 1/8" x 4 3/8" | 1 | 1 | 1 | 1 | |
| 42 | 500124 | SCREW TP TR PH #8x1/2 SS | 2 | 2 | 2 | 2 | |
| 43 | 286400 | BEZEL | 1 | 1 | 1 | 1 | |
| 44 | 502530 | SCREW MA OV PH M4-0.7x40 SS | 2 | 2 | 2 | 2 | |
| 45 | 504473 | RIVET POP DOME OE 1/8x1/4 SS | 2 | 2 | 2 | 2 | |
| 46 | 500589 | NUT WELL M4-0.7x13.5 | 2 | 2 | 2 | 2 | |
| 47 | 286456 | LOCK CAP | 1 | 1 | 1 | 1 | |
| 48 | 504542 | RIVET SHR FL 9/32x3/32 STL | 1 | 1 | 1 | 1 | |
| 49 | 287073 | ROD | 1 | 1 | 1 | 1 | |
| 50 | 286705 | LOCK PIVOT To Y-7237 | 1 | 1 | 1 | 1 | |
| 50 | 287087 | PIVOT From Y-7238 | 1 | 1 | 1 | 1 | |
| 51 | 504402 | RING RETAINER / EXT .250 x .210 x .025" | 1 | 1 | 1 | 1 | |
| 52 | 286713 | ROD ASSY To Y-7237 | 1 | 1 | 1 | 1 | |
| 52 | 286714 | WASHER To Y-7237 | 1 | 1 | 1 | 1 | |
| 52 | 502094 | PIN, COTTER 1/16 x 1/2 SS To Y-7237 | 1 | 1 | 1 | 1 | |

| | | |
|--------------------------------|--------------|-----------------|
| From Y-7046 To 8-9339 | Date:10/2022 | PAGE:Y2-1879-00 |
| FRONT SERVICE DOOR ASSY | | |

| Item# | Part | Description | X L I I 4 5 | X L I I M T H 4 0 | X L I I M T H 4 5 | X L I I M T H 4 5 E | N O T E S |
|-------|-------------------|---|----------------------------|---|---|--|-----------------------|
| 52 | 286709 | ROD From Y-7238 | 1 | 1 | 1 | 1 | |
| 55 | 283956 | HANDLE ASSY / W/5 STUDS From 4-8336 To 6-8906 | 1 | | | | |
| 56 | 283954 | GASKET / HANDLE & BODY From 4-8336 To 6-8906 | 1 | | | | |
| 57 | 502656 | SCREW CAP HEX M6-1.0x50 SS From 4-8336 To 6-8906 | 5 | | | | |
| 58 | 502557 | NUT HEX NYRT M4-0.7 SS From 4-8336 To 6-8906 | 5 | | | | |
| 60 | Y2-1855-00 | RUB RAIL - EXTERIOR CREST & TRIMS | | | | | |
| 61 | 286084 | FINISHING MOULDING SS 800MM / S.B. To 5-8468 | | 1 | 1 | 1 | |
| 61 | 288522 | FINISHING MOULDING 800MM / B.A. From 5-8469 | | 1 | 1 | 1 | |
| 61 | 287146 | FINISHING MOULDING 800MM To 6-8906 | 1 | | | | A |
| NS | 681051 | TAPE RUB ADH2 URE .045" x 1/2" x 108' / WHITE 4085 | AR | AR | AR | AR | A |
| NS | 682462 | ADHESIVE SIKA #252 / BLACK / 310ml CARTRIDGE | AR | AR | AR | AR | A |
| 62 | Y2-1879-10 | FRONT SERVICE DOOR - INSTALLATION | | | | | |
| 64 | Y2-1867-00 | KEY & CYLINDER CODE "FORD" & "NS" | | | | | |
| 200 | 504637 | CABLE TIE / 3/16" x 13" | 2 | 2 | 2 | 2 | |
| 201 | 5001454 | SCREW MA BDG PH #4-40x1/2 SS | 4 | 4 | 4 | 4 | |
| 202 | 505504 | KNOB, PULL / 8-32 | 1 | 1 | 1 | 1 | |
| 203 | 500764 | NUT HEX #8-32 Z050 | 1 | 1 | 1 | 1 | |
| 204 | 504083 | SNAP BUSHING / .250x.468.406 | 3 | 3 | 3 | 3 | |
| NS | 509808 | HOLE PLUG BUTTON / .375 O.D. BLACK To 6-8906 | 1 | | | | C |
| 205 | 286419 | FLAP SEAL / 25MM x 260MM | 2 | 2 | 2 | 2 | |
| 206 | 506866 | FLAP SEAL 3/4" x 7/8" / PVC / C.T.L. / RAW MATERIAL | AR | AR | AR | AR | |
| NS | 680030 | ADHESIVE ADCHEM #EC847 / 1 Liter | AR | AR | AR | AR | |
| 207 | 562946 | GASKET MOUNTING / HD10 SERIES / 5C / DEUTSCH HD10-5-GKT | 1 | 1 | 1 | 1 | |
| 208 | 561820 | NUT, RING #13 / 1.125" I.D. W/4 4-40 | 1 | 1 | 1 | 1 | |
| 211 | 502570 | WASHER LO SPT 6.1x11.8x1.6 SS | 1 | 1 | 1 | 1 | |
| 213 | 506002 | TAPE RUB ADH1 CC POL 3/16" x 1/2" x 40' / GREY 2520 | AR | AR | AR | AR | |
| 214 | 504399 | WASHER RETAINER SNAP CAP #10 | 1 | 1 | 1 | 1 | |
| 300 | 683083 | ADHESIVE SIKA #252 / BLACK / 600 ml SAUSAGE | AR | AR | AR | AR | |
| 301 | 683097 | CLEANER SIKA #205 / CLEAR / 1000ml | AR | AR | AR | AR | |
| 302 | 683446 | PRIMER SIKA #206 / BLACK / 1000ml | AR | AR | AR | AR | |
| 303 | 683084 | SEALANT SIKA #221 / GREY / 600 ml SAUSAGE | AR | AR | AR | AR | |
| 304 | 683885 | ADHESIVE SIKA TACK ULTRA FAST 2 / BLACK / 325ml | 2 | 2 | 2 | 2 | |
| | | | | | | | |
| | | | | | | | |
| | | | | | | | |
| | | A) USE WITH BUS WITH FLUTED LOWER PANELLING WITH DOCKING LIGHT | | | | | |
| | | B) USE WITH BUS WITH FLUTED LOWER PANELLING W/OUT DOCKING LIGHT | | | | | |
| | | C) COACH W/OUT ROD OPENING SYSTEM | | | | | |
| | | F) USE WITH BUS WITH FLAT LOWER PANELLING WITH DOCKING LIGHT | | | | | |
| | | P) CALL ORDER DESK FOR SPECIFIC APPLICATION (V.I.N.) | | | | | |

| | | |
|-----------------------------------|--------------|-----------------|
| From Y-7046 To 8-9339 | Date:10/2022 | PAGE:Y2-1879-10 |
| FRONT SERVICE DOOR - INSTALLATION | | |



| | | |
|--|--------------|-----------------|
| From Y-7046 To 8-9339 | Date:10/2022 | PAGE:Y2-1879-10 |
| FRONT SERVICE DOOR - INSTALLATION | | |

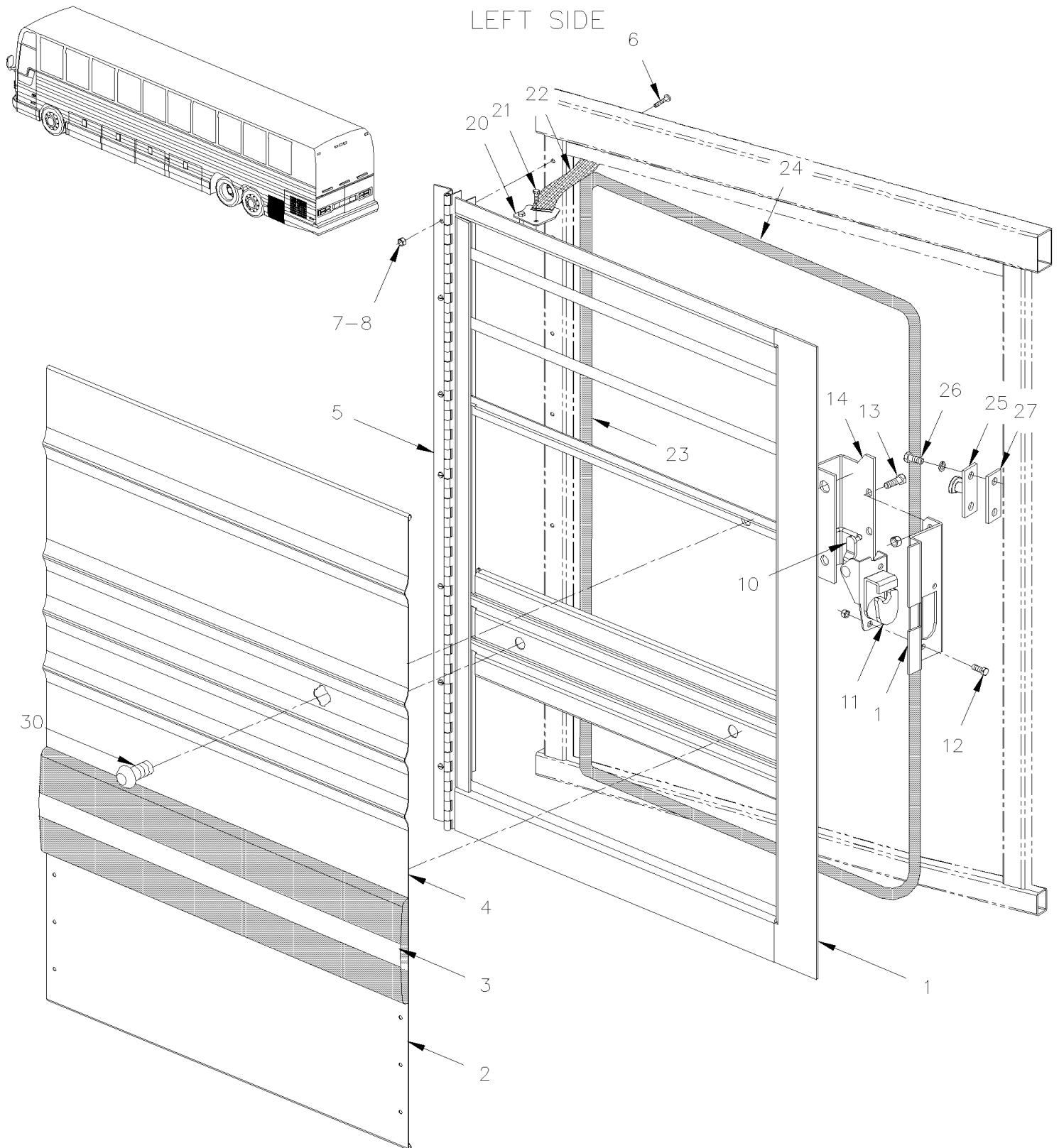
| Item# | Part | Description | X L I I 4 5 | X L I I M T H 4 0 | X L I I M T H 4 5 | X L I I M T H 4 5 E | N O T E S |
|-------|---------|-------------------------------------|--------------------------------|---|---|--|-----------------------|
| 1 | 286477 | HINGE To 2-7815 | 2 | 2 | 2 | 2 | |
| 1 | 287341 | HINGE From 2-7816 | 2 | 2 | 2 | 2 | |
| 2 | 5001016 | SCREW CAP HEX M10-1.5x90 G8.8 Z050 | 4 | 4 | 4 | 4 | |
| 3 | 500257 | WASHER LO SPT 10.2x18.1x2.2 Z050 | 2 | 2 | 2 | 2 | |
| 4 | 507326 | BEARING FLANGE | 2 | 2 | 2 | 2 | |
| 5 | 284285 | SPACER / BEARING FLANGE To 2-7815 | 1 | 1 | 1 | 1 | |
| 5 | 287337 | SPACER / BEARING FLANGE From 2-7816 | 1 | 1 | 1 | 1 | |
| 6 | 500445 | WASHER FL .437x1.000x.083 Z050 | 4 | 4 | 4 | 4 | |
| 7 | 502585 | WASHER LO SERR 10.2x26.3x1.4 ZP | 4 | 4 | 4 | 4 | |
| 8 | 500256 | NUT HEX M10-1.5 Z050 | 4 | 4 | 4 | 4 | |
| 10 | 251186 | STOPPER SERVICE DOOR | 1 | 1 | 1 | 1 | |
| NS | 502622 | SCREW CAP HEX M6-1.0x20 SS BK | 2 | 2 | 2 | 2 | |
| NS | 502570 | WASHER LO SPT 6.1x11.8x1.6 SS | 2 | 2 | 2 | 2 | |
| 20 | 284438 | PIN STRIKER | 1 | 1 | 1 | 1 | |
| 21 | 284447 | WASHERS BELLEVILLE | 1 | 1 | 1 | 1 | |
| 30 | 286014 | HINGE SUPPORT | 2 | 2 | 2 | 2 | |
| 31 | 283402 | SUPPORT PLATE | 2 | 2 | 2 | 2 | |
| 32 | 500810 | WASHER LO SPT 12.2x21.1x2.5 Z050 | 4 | 4 | 4 | 4 | |
| 33 | 502731 | SCREW CAP HEX M12-1.75x40 G8.8 Z050 | 4 | 4 | 4 | 4 | |
| | | | | | | | |
| | | | | | | | |
| | | | | | | | |

From Y-7046 To 3-8164

Date:10/2022

PAGE:Y2-1879-50

REAR SERVICE DOOR - L.H. SIDE



| | | |
|--------------------------------------|--------------|-----------------|
| From Y-7046 To 3-8164 | Date:10/2022 | PAGE:Y2-1879-50 |
| REAR SERVICE DOOR - L.H. SIDE | | |

| Item# | Part | Description | X L I I 4 5 | X L I I M T H 4 0 | X L I I M T H 4 5 | X L I I M T H 4 5 E | N O T E S |
|-------|-------------------|--|----------------------------|---|---|--|-----------------------|
| | | ALL SERVICE DOORS LH ASSY DO NOT INCLUDE RUB-RAIL PLEASE ORDER SEPARATELY | | | | | |
| | | THE FOLLOWING DOORS ARE STANDARD WITH PANEL W/O PERFORATED PANELS. | | | | | |
| | | FOR SPECIAL PURPOSE DOOR ASSY REFER TO PERFORATED & SPECIAL PANELS (BOOK PA-1108) | | | | | |
| | 286633P | REAR SERVICE DOOR ASSY L.H / W/FLAT PANEL | 1 | | | | |
| | 287345 | REAR SERVICE DOOR ASSY L.H / W/FLUTED PANEL / S.B. | 1 | | 1 | | A |
| 1 | 286125 | . FRAME ASSY L.H. | 1 | | 1 | | |
| 2 | 473885 | . LOWER PANEL SERVICE DOOR / S.B. | 1 | | 1 | | |
| 2 | 473888 | . LOWER PANEL SERVICE DOOR W/0.29 SQF / S.B. | | | AR | | |
| NS | 504272 | . RIVET CHY Q BRAZ 3/16x1/8 SS | 6 | | 6 | | |
| 3 | Y2-1855-00 | . RUB RAIL - EXTERIOR CREST & TRIMS | | | | | |
| 4 | 473890 | . UPPER PANEL SERVICE DOOR L.H. W/0.79 SQF / S.B. | | | AR | | |
| 4 | 473889 | UPPER PANEL SERVICE DOOR L.H. / FLAT / S.B. | AR | | AR | | A |
| 4 | 474207 | UPPER PANEL SERVICE DOOR L.H. / FLAT | 1 | | | | |
| 5 | 286152 | . HINGE ASSY | 1 | | 1 | | |
| 6 | 500148 | . SCREW MA RND PH #6-32x1/2 SS | 8 | | 8 | | |
| 7 | 500689 | . NUT HEX #6-32 Z050 | 8 | | 8 | | |
| NS | 500470 | . WASHER LO SPT .193x.334x.047 Z050 | 8 | | 8 | | |
| 8 | 284529 | . ROD, 1 1/4" C/C / W/L.H. DOOR | 1 | | 1 | | |
| 10 | 284531 | . PIVOT LOCK ROD | 1 | | 1 | | |
| 11 | 780588 | . LOCK SPAGNOLET R.H. / W/G-FITTING To 2-7755 | 1 | | 1 | | |
| . NS | 780340 | . . CLIP, RETAINER ROD To 2-7755 | 1 | | 1 | | |
| . NS | 507607 | . . GREASE FITTING / M6-1.00 To 2-7755 | 1 | | 1 | | |
| 11 | 780653 | . LOCK SPAGNOLET R.H. / W/G-FITTING From 2-7756 | 1 | | 1 | | |
| . NS | 780340 | . . CLIP, RETAINER ROD From 2-7756 | 1 | | 1 | | |
| . NS | 507607 | . . GREASE FITTING / M6-1.00 From 2-7756 | 1 | | 1 | | |
| 12 | 502531 | . SCREW CAP HEX M6-1.0x16 G8.8 Z050 | 2 | | 2 | | |
| NS | 502582 | . WASHER LO SERR 6.1x16.2x0.9 Z050 | 2 | | 2 | | |
| 13 | 500163 | . SCREW CAP HEX 1/4-20x3/4 G5 Z050 | 3 | | 3 | | |
| NS | 502583 | . WASHER LO SERR 8.15x22.3x1.0 Z050 | 3 | | 3 | | |
| 14 | 284533 | . SUPPORT, LOCK SPAGNOLET / W/L.H. DOOR | 1 | | 1 | | |
| 20 | 284440 | SUPPORT | 1 | | 1 | | |
| 21 | 504379 | RIVET POP DOME OE 3/16x1/4 SS | 2 | | 2 | | |
| 22 | 505507 | STRAP NYLON 1" WIDE / S.L. | AR | | AR | | |
| NS | 284439 | PLATE, STRAP RETAINING / OBLONG 16.5MM x 25.4MM W/2 HOLES | 1 | | 1 | | |
| 23 | 506004 | TAPE RUB ADH1 CC POL 3/8" x 1/2" x 20' / GREY 2520X | AR | | AR | | |

| | | |
|--------------------------------------|--------------|-----------------|
| From Y-7046 To 3-8164 | Date:10/2022 | PAGE:Y2-1879-50 |
| REAR SERVICE DOOR - L.H. SIDE | | |

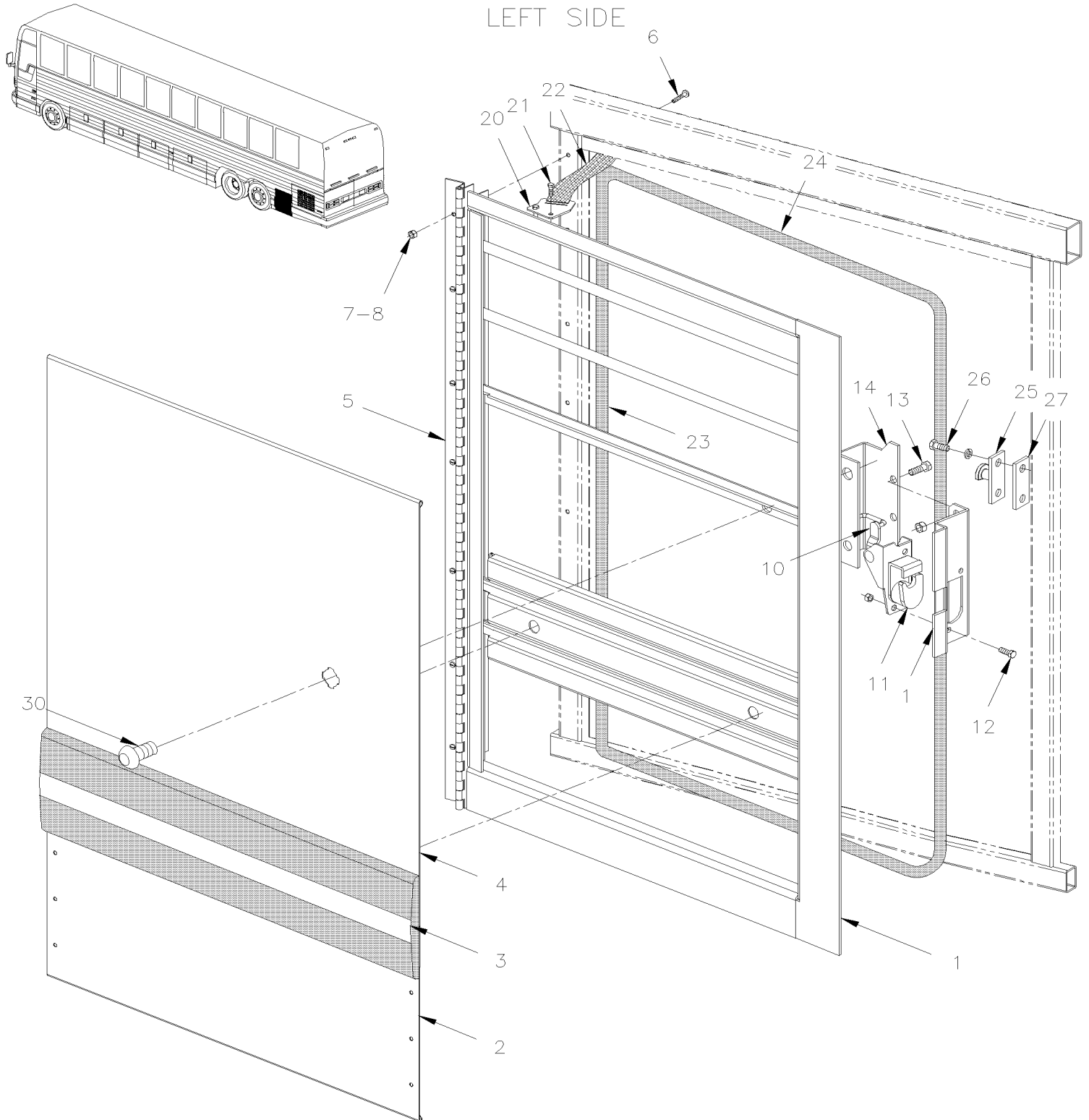
| Item# | Part | Description | X L I I 4 5 | X L I I M T H 4 0 | X L I I M T H 4 5 | X L I I M T H 4 5 E | N O T E S |
|-------|-------------------|--|----------------------------|---|---|--|-----------------------|
| 24 | 286141 | RUBBER SEAL EXTRUSION / REAR SERVICE DOOR | 1 | | 1 | | |
| 24 | 289941 | RUBBER SEAL EXTRUSION / REAR SERVICE DOOR | 1 | | 1 | | |
| 24 | 288942 | RUBBER SEAL EXTRUSION / REAR SERVICE DOOR | 1 | | 1 | | |
| 24 | 2800179 | RUBBER SEAL EXTRUSION / REAR SERVICE DOOR | 1 | | 1 | | |
| 25 | 780278 | PIN, STRIKER STUD | 1 | | 1 | | |
| 26 | 500316 | SCREW MA FL PH 1/4-28x3/4 SS | 2 | | 2 | | |
| 27 | 283326 | STRIKER PLATE, MOUNTING / 60MM X 25MM | 1 | | 1 | | |
| 30 | Y2-1867-00 | KEY & CYLINDER CODE "FORD" & "NS" | | | | | |
| | | | | | | | |
| | | | | | | | |
| | | | | | | | |
| | | A) ALSO USE WITH COACH WITH FLUTED LOWER PANELLING | | | | | |

From 4-8165 To 8-9339

Date:10/2022

PAGE:Y2-1879-51

REAR SERVICE DOOR - L.H. SIDE



| | | |
|--------------------------------------|--------------|-----------------|
| From 4-8165 To 8-9339 | Date:10/2022 | PAGE:Y2-1879-51 |
| REAR SERVICE DOOR - L.H. SIDE | | |

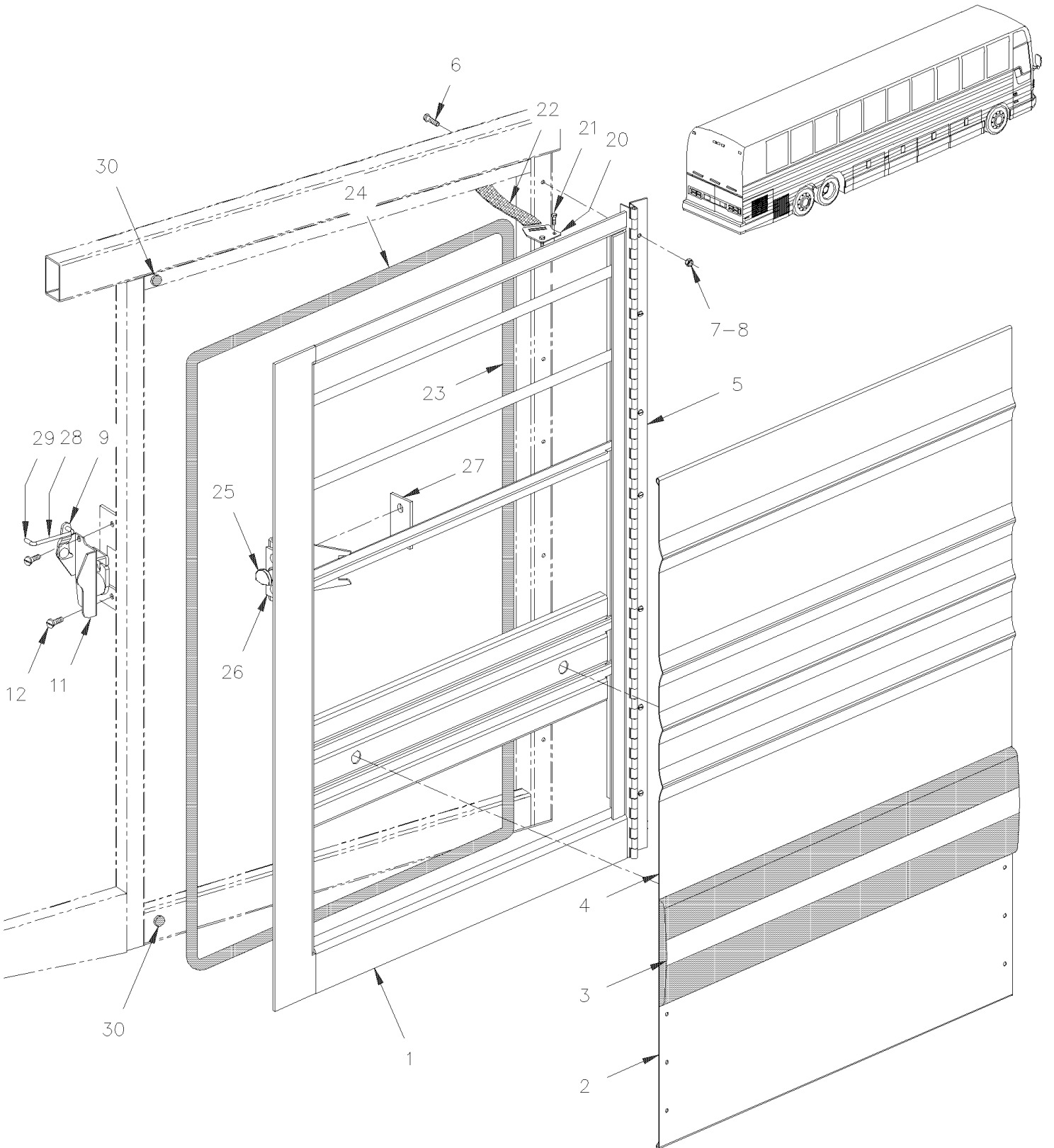
| Item# | Part | Description | X L I I 4 5 | X L I I M T H 4 0 | X L I I M T H 4 5 | X L I I M T H 4 5 E | N O T E S |
|-------|-------------------|---|----------------------------|---|---|--|-----------------------|
| | 286633P | REAR SERVICE DOOR ASSY L.H / W/FLAT PANEL | 1 | | | | |
| | 287345 | REAR SERVICE DOOR ASSY L.H / W/FLUTED PANEL / S.B. | 1 | | | | A |
| 1 | 286125 | . FRAME ASSY L.H. To 4-8273 | 1 | | | | |
| 1 | 289287 | . FRAME ASSY L.H. From 4-8274 | 1 | | | | |
| 2 | 473885 | . LOWER PANEL SERVICE DOOR / S.B. | 1 | | | | |
| NS | 504272 | . RIVET CHY Q BRAZ 3/16x1/8 SS | 6 | | | | |
| 3 | Y2-1855-00 | . RUB RAIL - EXTERIOR CREST & TRIMS | | | | | |
| 4 | 473889 | UPPER PANEL SERVICE DOOR L.H. / FLAT / S.B. | AR | | | | A |
| 4 | 474207 | UPPER PANEL SERVICE DOOR L.H. / FLAT | 1 | | | | |
| 5 | 286152 | . HINGE ASSY | 1 | | | | |
| 6 | 500148 | . SCREW MA RND PH #6-32x1/2 SS | 8 | | | | |
| 7 | 500689 | . NUT HEX #6-32 Z050 | 8 | | | | |
| 8 | 500470 | . WASHER LO SPT .193x.334x.047 Z050 | 8 | | | | |
| 10 | 284531 | . PIVOT LOCK ROD | 1 | | | | |
| 10 | 284529 | . ROD, 1 1/4" C/C / W/L.H. DOOR | 1 | | | | |
| 11 | 780653 | . LOCK SPAGNOLET R.H. / W/G-FITTING | 1 | | | | |
| . NS | 780340 | . . CLIP, RETAINER ROD | 1 | | | | |
| . NS | 507607 | . . GREASE FITTING / M6-1.00 | 1 | | | | |
| 12 | 502531 | . SCREW CAP HEX M6-1.0x16 G8.8 Z050 | 2 | | | | |
| NS | 502582 | . WASHER LO SERR 6.1x16.2x0.9 Z050 | 2 | | | | |
| 13 | 500163 | . SCREW CAP HEX 1/4-20x3/4 G5 Z050 | 3 | | | | |
| NS | 502583 | . WASHER LO SERR 8.15x22.3x1.0 Z050 | 3 | | | | |
| 14 | 284533 | . SUPPORT, LOCK SPAGNOLET / W/L.H. DOOR | 1 | | | | |
| 20 | 284440 | SUPPORT | 1 | | | | |
| 21 | 504379 | RIVET POP DOME OE 3/16x1/4 SS | 2 | | | | |
| 22 | 505507 | STRAP NYLON 1" WIDE / S.L. | AR | | | | |
| NS | 284439 | PLATE, STRAP RETAINING / OBLONG 16.5MM x 25.4MM W/2 HOLES | 1 | | | | |
| 23 | 506004 | TAPE RUB ADH1 CC POL 3/8" x 1/2" x 20' / GREY 2520X | AR | | | | |
| 24 | 286141 | RUBBER SEAL EXTRUSION / REAR SERVICE DOOR To 5-8650 | 1 | | | | |
| 24 | 289941 | RUBBER SEAL EXTRUSION / REAR SERVICE DOOR From 5-8651 | 1 | | | | |
| 24 | 288942 | RUBBER SEAL EXTRUSION / REAR SERVICE DOOR | 1 | | | | |
| 24 | 2800179 | RUBBER SEAL EXTRUSION / REAR SERVICE DOOR | 1 | | | | |
| 25 | 780278 | PIN, STRIKER STUD | 1 | | | | |
| 26 | 500316 | SCREW MA FL PH 1/4-28x3/4 SS | 2 | | | | |
| 27 | 283326 | STRIKER PLATE, MOUNTING / 60MM X 25MM | 1 | | | | |
| 30 | Y2-1867-00 | KEY & CYLINDER CODE "FORD" & "NS" | | | | | |
| | | | | | | | |
| | | | | | | | |
| | | | | | | | |
| | | A) USE WITH COACH WITH FLUTED LOWER PANELLING | | | | | |

From Y-7046 To 8-9339

Date:10/2022

PAGE:Y2-1879-60

REAR SERVICE DOOR - R.H. SIDE



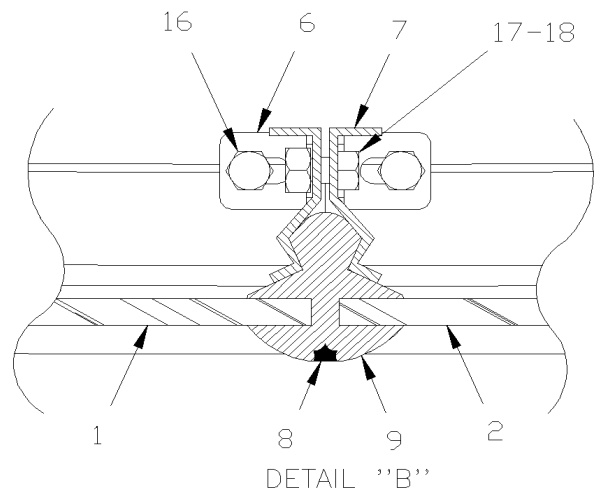
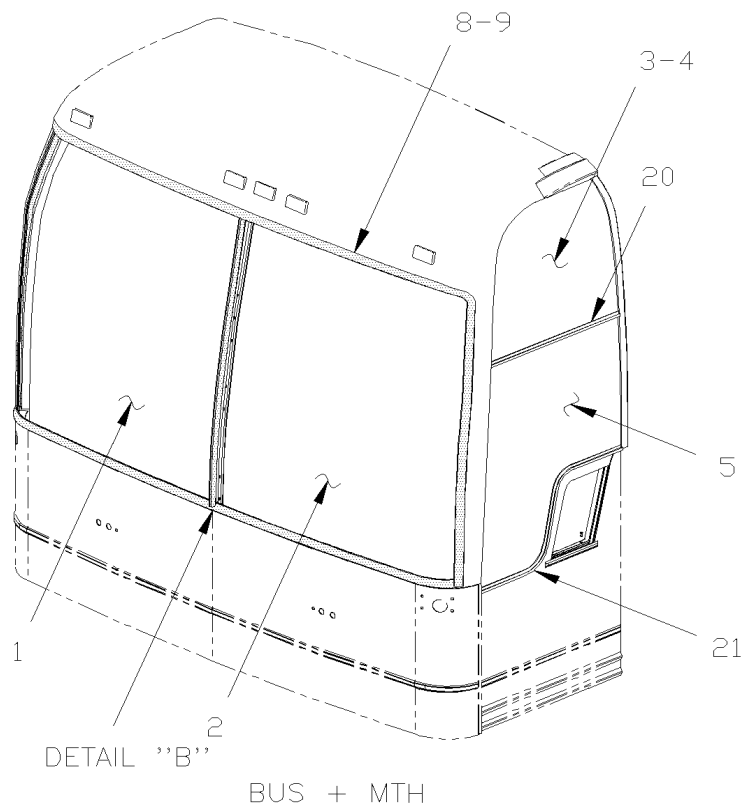
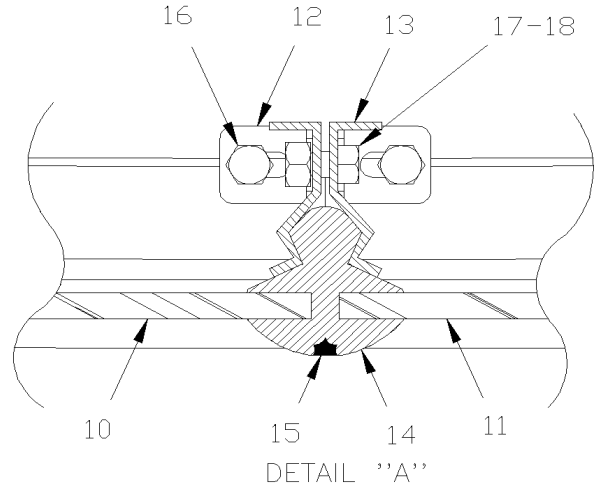
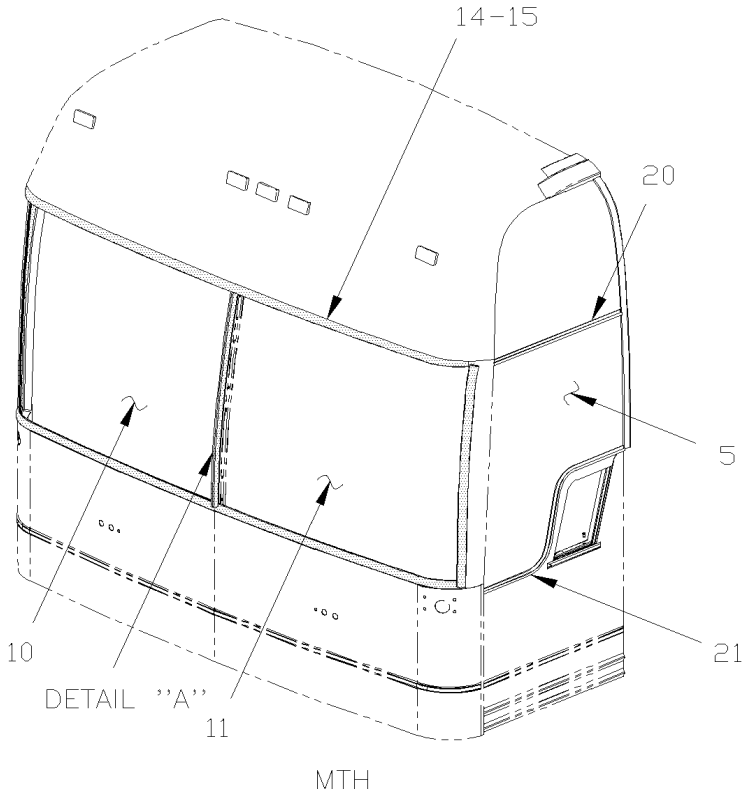
| | | |
|--------------------------------------|--------------|-----------------|
| From Y-7046 To 8-9339 | Date:10/2022 | PAGE:Y2-1879-60 |
| REAR SERVICE DOOR - R.H. SIDE | | |

| Item# | Part | Description | X L I I 4 5 | X L I I M T H 4 0 | X L I I M T H 4 5 | X L I I M T H 4 5 E | N O T E S |
|-------|-------------------|---|----------------------------|---|---|--|-----------------------|
| | | ALL SERVICE DOORS RH ASSY DO NOT INCLUDE RUB-RAIL PLEASE ORDER SEPARATELY | | | | | |
| | | THE FOLLOWING DOORS ARE STANDARD WITH PANEL W/O PERFORATED PANELS. FOR SPECIAL PURPOSE DOOR ASSY REFER TO PERFORATED & SPECIAL PANELS (BOOK PA-1108) | | | | | |
| | 287360 | REAR SERVICE DOOR ASSY R.H To 6-8906 | 1 | | | | C |
| | 287346 | REAR SERVICE DOOR ASSY R.H / W/FLAT PANEL To 6-8906 | 1 | | | | |
| | 287320 | REAR SERVICE DOOR ASSY R.H / W/FLAT PANEL To 6-8906 | 1 | | | | B |
| | 287347 | REAR SERVICE DOOR ASSY R.H To 6-8906 | 1 | | | | A |
| | 287348 | REAR SERVICE DOOR ASSY R.H | | | 1 | | |
| 1 | 286112 | . FRAME ASSY R.H. To 4-8273 | 1 | | 1 | | |
| 1 | 289288 | . FRAME ASSY R.H. From 4-8274 | 1 | | 1 | | |
| 2 | 473885 | . LOWER PANEL SERVICE DOOR / S.B. To 6-8906 | 1 | | | | A |
| 2 | 473885 | . LOWER PANEL SERVICE DOOR / S.B. To 5-8468 | | | 1 | | A |
| 2 | 477655 | . LOWER PANEL SERVICE DOOR / B.A. From 5-8469 | | | 1 | | |
| 2 | 473888 | . LOWER PANEL SERVICE DOOR W/0.29 SQF / S.B. | | | 1 | | |
| NS | 504272 | . RIVET CHY Q BRAZ 3/16x1/8 SS | 6 | | 6 | | |
| 3 | Y2-1855-00 | . RUB RAIL - EXTERIOR CREST & TRIMS | | | | | |
| 4 | 474209 | . UPPER PANEL SERVICE DOOR / R.H. FLAT To 6-8906 | 1 | | | | |
| 4 | 475056 | . UPPER PANEL SERVICE DOOR / R.H. FLAT / W/100V OUTLET To 6-8906 | 1 | | | | B |
| 4 | 473884 | . UPPER PANEL SERVICE DOOR R.H. / S.B. To 6-8906 | AR | | | | A |
| 4 | 473884 | . UPPER PANEL SERVICE DOOR R.H. / S.B. To 5-8468 | | | 1 | | |
| 4 | 477656 | . UPPER PANEL SERVICE DOOR R.H. / B.A. From 5-8469 | | | 1 | | |
| 4 | 473887 | . UPPER PANEL SERVICE DOOR W/0.84 SQF / S.B. To 5-8468 | | | 1 | | |
| 4 | 477657 | . UPPER PANEL SERVICE DOOR L.H. W/0.79 SQF / B.A. From 5-8469 | | | 1 | | |
| 5 | 286143 | . HINGE ASSY | 1 | | 1 | | |
| 6 | 500148 | . SCREW MA RND PH #6-32x1/2 SS | 8 | | 8 | | |
| 7 | 500689 | . NUT HEX #6-32 Z050 | 8 | | 8 | | |
| 8 | 500470 | . WASHER LO SPT .193x.334x.047 Z050 | 1 | | 1 | | |
| 9 | 780340 | CLIP, RETAINER ROD | 1 | | 1 | | |
| 11 | 780282 | LOCK SPAGNOLET L.H. To 2-7755 | 1 | | 1 | | |
| 11 | 780587 | LOCK SPAGNOLET L.H. / W/G-FITTING From 2-7756 To 9-9095 | 1 | | 1 | | |
| . NS | 507607 | . GREASE FITTING / M6-1.00 From 2-7756 To 9-9095 | 1 | | 1 | | |
| 11 | 780652 | LOCK SPAGNOLET L.H. / W/G-FITTING From 9-9096 | | | 1 | | |
| . NS | 780340 | . CLIP, RETAINER ROD From 9-9096 | | | 1 | | |
| . NS | 507607 | . GREASE FITTING / M6-1.00 From 9-9096 | | | 1 | | |
| NS | 287256 | LEVER PIVOT To 9-9095 | 1 | | 1 | | |
| 11 | 288892 | LEVER PIVOT From 9-9096 | | | 1 | | |

| | | |
|--------------------------------------|--------------|-----------------|
| From Y-7046 To 8-9339 | Date:10/2022 | PAGE:Y2-1879-60 |
| REAR SERVICE DOOR - R.H. SIDE | | |

| Item# | Part | Description | X L I I 4 5 | X L I I M T H 4 0 | X L I I M T H 4 5 | X L I I M T H 4 5 E | NOTES |
|-------|---------|--|----------------------------|---|---|--|-------|
| NS | 504379 | RIVET POP DOME OE 3/16x1/4 SS From 9-9096 | 1 | | 1 | | |
| 12 | 502531 | SCREW CAP HEX M6-1.0x16 G8.8 Z050 | 1 | | 1 | | |
| NS | 502582 | WASHER LO SERR 6.1x16.2x0.9 Z050 | 2 | | 2 | | |
| 20 | 284440 | SUPPORT | 1 | | 1 | | |
| 21 | 504379 | RIVET POP DOME OE 3/16x1/4 SS | 1 | | 1 | | |
| 22 | 505507 | STRAP NYLON 1" WIDE / S.L. | 1 | | 1 | | |
| NS | 284439 | PLATE, STRAP RETAINING / OBLONG 16.5MM x 25.4MM W/2 HOLES | 1 | | 1 | | |
| NS | 504379 | RIVET POP DOME OE 3/16x1/4 SS | 2 | | 2 | | |
| 23 | 506004 | TAPE RUB ADH1 CC POL 3/8" x 1/2" x 20' / GREY 2520X | AR | | AR | | |
| 24 | 286141 | RUBBER SEAL EXTRUSION / REAR SERVICE DOOR To 5-8650 | 1 | | 1 | | |
| 24 | 289941 | RUBBER SEAL EXTRUSION / REAR SERVICE DOOR From 5-8651 | 1 | | 1 | | |
| 24 | 288942 | RUBBER SEAL EXTRUSION / REAR SERVICE DOOR | 1 | | 1 | | |
| 24 | 2800179 | RUBBER SEAL EXTRUSION / REAR SERVICE DOOR | 1 | | 1 | | |
| 25 | 780278 | PIN, STRIKER STUD | 1 | | 1 | | |
| 26 | 500316 | SCREW MA FL PH 1/4-28x3/4 SS | 1 | | 1 | | |
| 27 | 283326 | STRIKER PLATE, MOUNTING / 60MM X 25MM | 1 | | 1 | | |
| 28 | 282683 | ROD / W/R.H. DOOR / 72MM C/C To 9-9095 | 1 | | 1 | | |
| 28 | 288824 | ROD / W/R.H. DOOR / 290.3MM C/C From 9-9096 | | | 1 | | |
| 29 | 507331 | PROTECTOR CAP / BLACK / .137 I.D. x .500 | 1 | | 1 | | |
| 30 | 504334 | BUMPER RUBBER / .625 OD x .406 TH x .156 HOLE | 2 | | 2 | | |
| | | | | | | | |
| | | | | | | | |
| | | A) ALSO USE WITH COACH WITH FLUTED LOWER PANELLING | | | | | |
| | | B) COACH WITH BATTERIES CHARGER 110V OUTLET | | | | | |
| | | C) COACH WITH BATTERIES CHARGER 110V OUTLET & FLUTED LOWER PANELLING | | | | | |

| | | |
|--|--------------|-----------------|
| From Y-7046 To 2-7913 | Date:10/2022 | PAGE:Y2-1880-00 |
| WINDSHIELD & CHANNEL - W/I LOCK | | |



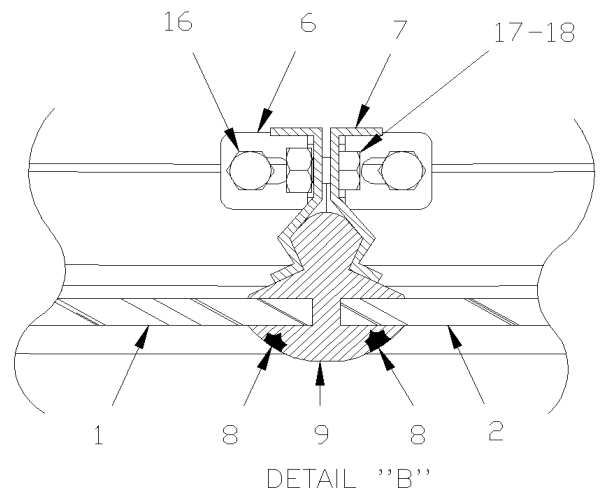
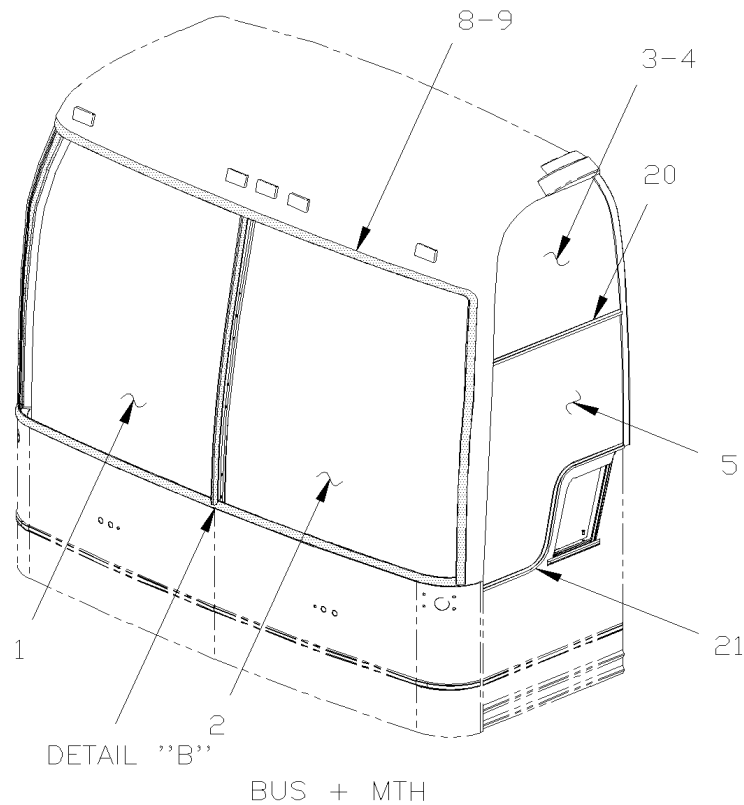
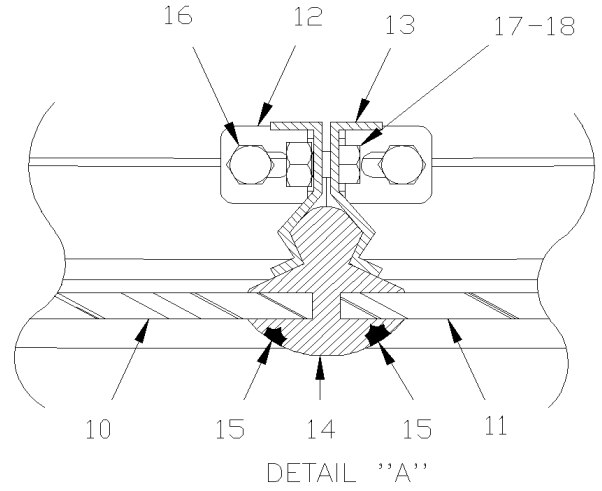
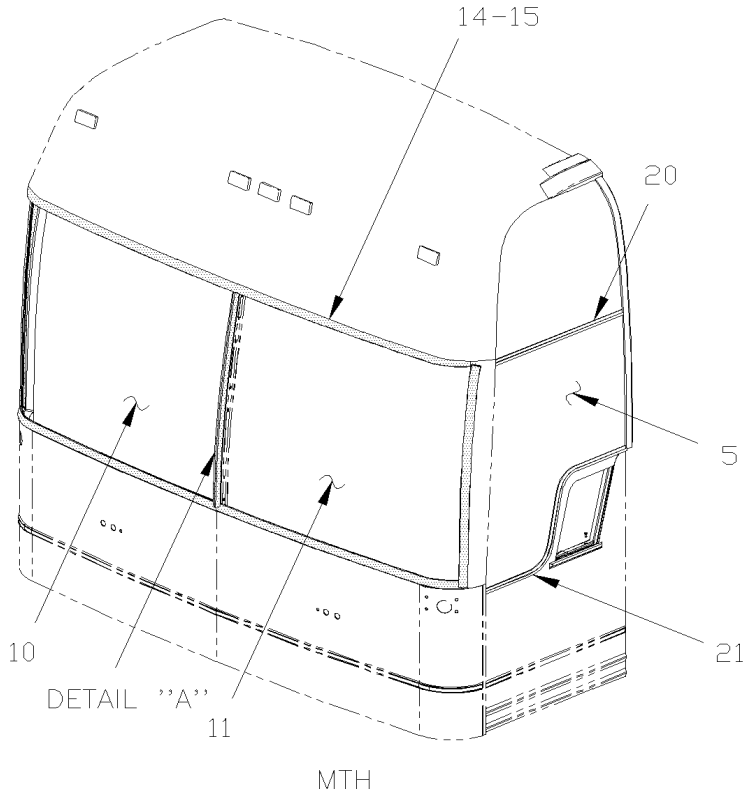
| | | |
|--|--------------|-----------------|
| From Y-7046 To 2-7913 | Date:10/2022 | PAGE:Y2-1880-00 |
| WINDSHIELD & CHANNEL - W/1 LOCK | | |

| Item# | Part | Description | X L I I 4 5 | X L I I M T H 4 0 | X L I I M T H 4 5 | X L I I M T H 4 5 E | N O T E S |
|-------|---------|---|----------------------------|---|---|--|-----------------------|
| 1 | 300386 | WINDSHIELD R.H. | 1 | | | 1 | A |
| 1 | 300393 | WINDSHIELD R.H. MTH83" LARGE To Y-7128 | | 1 | 1 | | |
| . NS | 293059 | . STRIP, LOCKING / S.L. To Y-7128 | | 18FT | 18FT | | |
| 1 | 300395 | WINDSHIELD R.H. MTH86" LARGE | | 1 | 1 | 1 | |
| . NS | 293059 | . STRIP, LOCKING / S.L. | | 18FT | 18FT | 18FT | |
| 2 | 300387 | WINDSHIELD L.H. | 1 | | | 1 | A |
| . NS | 293059 | . STRIP, LOCKING / S.L. | 18 | | | 18 | A |
| 2 | 300392 | WINDSHIELD L.H. MTH83" LARGE To Y-7128 | | 1 | 1 | | |
| . NS | 293059 | . STRIP, LOCKING / S.L. To Y-7128 | | 18FT | 18FT | | |
| 2 | 300394 | WINDSHIELD L.H. MTH86" LARGE | | 1 | 1 | 1 | |
| . NS | 293059 | . STRIP, LOCKING / S.L. | | 18FT | 18FT | 18FT | |
| 3 | 293241 | GLASS UPPER L.H. THERMOS | 1 | | | | |
| 3 | 293242 | GLASS UPPER L.H. SINGLE | 1 | | | | |
| 3 | 293260 | GLASS UPPER L.H. THERMOS | | 1 | 1 | 1 | |
| 3 | 293258 | GLASS UPPER L.H. SINGLE | | 1 | 1 | 1 | |
| 4 | 293240 | GLASS UPPER R.H. THERMOS | 1 | | | | |
| 4 | 293239 | GLASS UPPER R.H. SINGLE | 1 | | | | |
| 4 | 293261 | GLASS UPPER R.H. THERMOS | | 1 | 1 | 1 | |
| 4 | 293259 | GLASS UPPER R.H. SINGLE | | 1 | 1 | 1 | |
| 5 | 293076 | GLASS DRIVER'S WINDOW | 1 | 1 | 1 | | |
| 5 | 293081 | GLASS DRIVER'S WINDOW / MTH 86" & 89" | | 1 | 1 | 1 | |
| NS | 506962 | RUB POL 1/4 X 7/16 X 1 LG | AR | AR | AR | AR | |
| 6 | 293237 | POST R.H. WINDSHIELD / WITH LARGE | 1 | 1 | 1 | 1 | |
| 7 | 293236 | POST L.H. WINDSHIELD / WITH LARGE | 1 | 1 | 1 | 1 | |
| 8 | 293059 | STRIP, LOCKING / S.L. | AR | AR | AR | AR | |
| 9 | 293243 | WINDSHIELD RUBBER SEAL / WITH LARGE / SINGLE LOCK To 1-7583 | 1 | 1 | 1 | 1 | |
| . NS | 293059 | . STRIP, LOCKING / S.L. To 1-7583 | 31 | 31 | 31 | 31 | |
| 9 | 293394 | WINDSHIELD RUBBER SEAL / WITH LARGE / SINGLE LOCK From 1-7584 | 1 | 1 | 1 | 1 | |
| . NS | 293059 | . STRIP, LOCKING / S.L. From 1-7584 | 31 | 31 | 31 | 31 | |
| 10 | 473614 | WINDSHIELD R.H. MTH83" SMALL To Y-7128 | | 1 | 1 | | |
| . NS | 293059 | . STRIP, LOCKING / S.L. To Y-7128 | | 16FT | 16FT | | |
| 10 | 300388 | WINDSHIELD R.H. MTH86" SMALL To 1-7609 | | 1 | 1 | 1 | |
| . NS | 293059 | . STRIP, LOCKING / S.L. To 1-7609 | | 16 | 16 | 16 | |
| 11 | 473613 | WINDSHIELD L.H. MTH83" SMALL To Y-7128 | | 1 | 1 | | |
| 11 | 300389 | WINDSHIELD L.H. MTH86" SMALL To 1-7609 | | 1 | 1 | 1 | |
| 12 | 293058 | POST L.H. WINDSHIELD / WITH SMALL | | 1 | 1 | 1 | |
| 13 | 293057 | POST R.H. WINDSHIELD / WITH SMALL | | 1 | 1 | 1 | |
| 14 | 292914 | WINDSHIELD RUBBER SEAL / WITH SMALL / SINGLE LOCK | | 1 | 1 | 1 | |
| . NS | 293059 | . STRIP, LOCKING / S.L. | | 28 | 28 | 28 | |
| 15 | 293059 | STRIP, LOCKING / S.L. | | AR | AR | AR | |
| 16 | 500948 | SCREW TC CAP HEX 1/4-20x1 Z050 | 4 | 4 | 4 | 4 | |
| 17 | 5001106 | SCREW CAP HEX M6-1.0x10 G8.8 Z050 | 8 | 8 | 8 | 8 | |

| | | |
|--|--------------|-----------------|
| From Y-7046 To 2-7913 | Date:10/2022 | PAGE:Y2-1880-00 |
| WINDSHIELD & CHANNEL - W/I LOCK | | |

| Item# | Part | Description | X L I I 4 5 | X L I I M T H 4 0 | X L I I M T H 4 5 | X L I I M T H 4 5 E | N O T E S |
|-------|--------|--|----------------------------|---|---|--|-----------------------|
| 18 | 502570 | WASHER LO SPT 6.1x11.8x1.6 SS | 8 | 8 | 8 | 8 | |
| 20 | 286454 | DRIP MOULDING OVER DRIVER'S WINDOW | 1 | 1 | 1 | 1 | |
| 20 | 474082 | DRIP MOULDING OVER ENTRANCE DOOR / S.B. | 1 | 1 | 1 | 1 | |
| 21 | 286448 | DRIP MOULDING "S" BUS & MTH83" | 1 | 1 | 1 | | |
| 21 | 286646 | DRIP MOULDING "S" MTH86" & MTH89" | | 1 | 1 | 1 | |
| NS | 293842 | HANDLE ASSY (TO FIX FRONT GLASS CHANNEL) | 1 | 1 | 1 | 1 | |
| . NS | 293843 | . END TIP "PRÉVOST" | AR | AR | AR | AR | |
| | | | | | | | |
| | | | | | | | |
| | | A) ALSO USE WITH MTH 89" | | | | | |

| | | |
|--|--------------|-----------------|
| From 2-7914 To 8-9339 | Date:10/2022 | PAGE:Y2-1880-01 |
| WINDSHIELD & CHANNEL - W/2 LOCK | | |

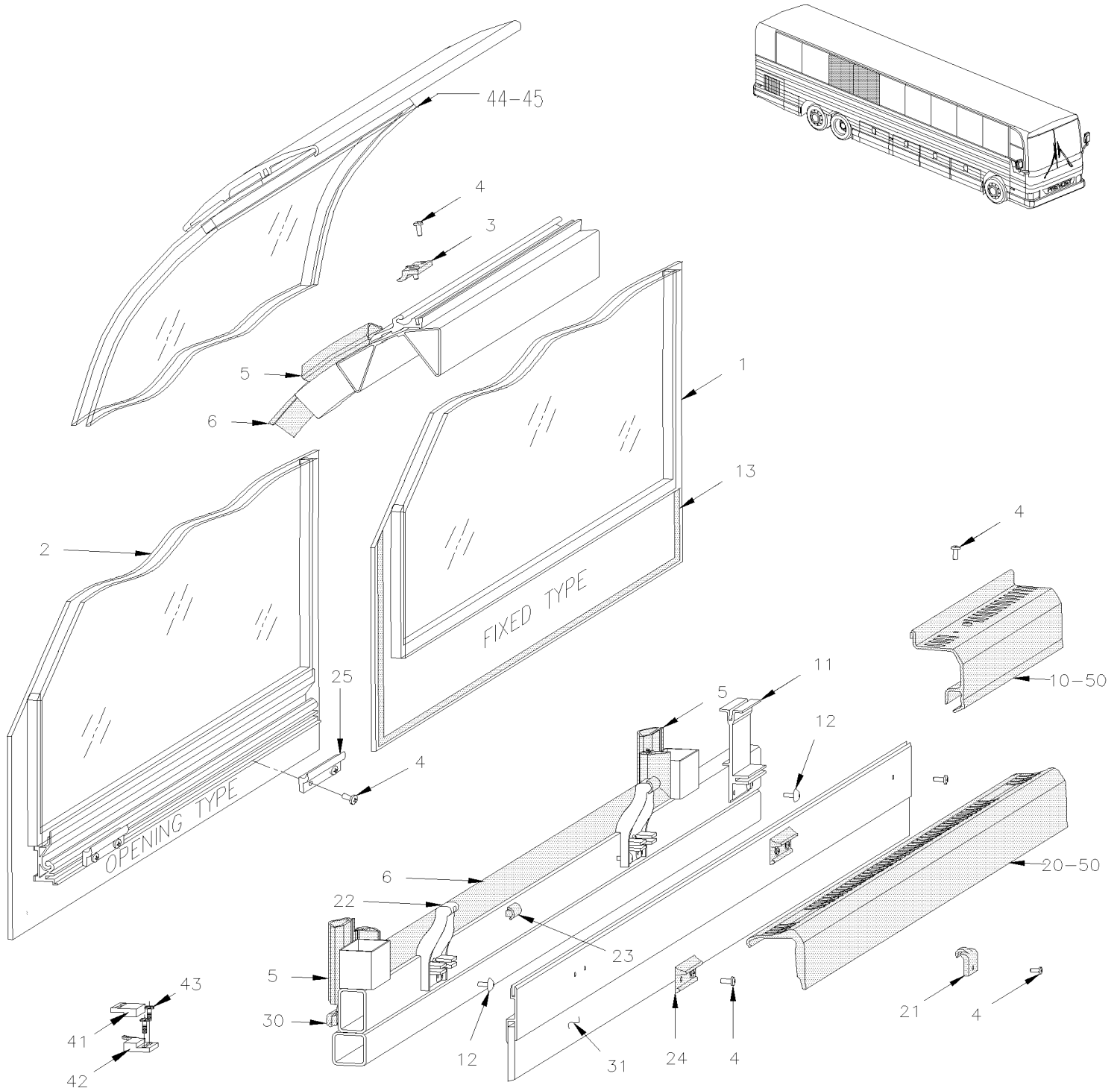


| | | |
|--|--------------|-----------------|
| From 2-7914 To 8-9339 | Date:10/2022 | PAGE:Y2-1880-01 |
| WINDSHIELD & CHANNEL - W/2 LOCK | | |

| Item# | Part | Description | X L I I I 4 5 | X L I I I M T H 4 0 | X L I I I M T H 4 5 | X L I I I M T H 4 5 E | N O T E S |
|-------|---------|---|---------------------------------|--|--|---|-----------------------|
| 1 | 300476 | WINDSHIELD R.H. | 1 | | | 1 | A |
| 1 | 300490 | WINDSHIELD R.H MTH86" LARGE | | 1 | 1 | | |
| . NS | 293059 | . STRIP, LOCKING / S.L. | | 35FT | 35FT | | |
| 2 | 300475 | WINDSHIELD L.H. | 1 | | | 1 | A |
| 2 | 300489 | WINDSHIELD L.H MTH86" LARGE | | 1 | 1 | | |
| 3 | 293241 | GLASS UPPER L.H. THERMOS To 6-8906 | 1 | | | | |
| 3 | 293242 | GLASS UPPER L.H. SINGLE To 6-8906 | 1 | | | | |
| 3 | 293258 | GLASS UPPER L.H. SINGLE To 4-8358 | | 1 | 1 | 1 | |
| 3 | 293260 | GLASS UPPER L.H. THERMOS To 4-8358 | | 1 | 1 | 1 | |
| 3 | 293241 | GLASS UPPER L.H. THERMOS From 4-8359 | | 1 | 1 | 1 | |
| 4 | 293240 | GLASS UPPER R.H. THERMOS To 6-8906 | 1 | | | | |
| 4 | 293239 | GLASS UPPER R.H. SINGLE To 6-8906 | 1 | | | | |
| 4 | 293259 | GLASS UPPER R.H. SINGLE To 4-8358 | | 1 | 1 | 1 | |
| 4 | 293261 | GLASS UPPER R.H. THERMOS To 4-8358 | | 1 | 1 | 1 | |
| 4 | 293240 | GLASS UPPER R.H. THERMOS From 4-8359 | | 1 | 1 | 1 | |
| 5 | 293076 | GLASS DRIVER'S WINDOW To 6-8906 | 1 | | | | |
| 5 | 293081 | GLASS DRIVER'S WINDOW / MTH 86" & 89" | | 1 | 1 | 1 | |
| 6 | 293070 | POST R.H. WINDSHIELD / WITH LARGE | 1 | 1 | 1 | 1 | |
| 7 | 293689 | POST L.H. WINDSHIELD / WITH LARGE | 1 | 1 | 1 | 1 | |
| 8 | 293059 | STRIP, LOCKING / S.L. | AR | AR | AR | AR | |
| 9 | 293393 | WINDSHIELD RUBBER SEAL / WITH LARGE / DOUBLE LOCK | 1 | 1 | 1 | 1 | |
| . NS | M103-22 | . SEE MAINTENANCE INFORMATION | 1 | 1 | 1 | 1 | |
| 10 | 300491 | WINDSHIELD R.H MTH86" SMALL To 4-8167 | | 1 | 1 | | |
| . NS | 293059 | . STRIP, LOCKING / S.L. To 4-8167 | | 30FT | 30FT | | |
| 11 | 300492 | WINDSHIELD L.H MTH86" SMALL To 4-8167 | | 1 | 1 | | |
| . NS | 293059 | . STRIP, LOCKING / S.L. To 4-8167 | | 30FT | 30FT | | |
| 12 | 293691 | POST L.H. WINDSHIELD / WITH SMALL | | 1 | 1 | | |
| 13 | 293690 | POST R.H. WINDSHIELD / WITH SMALL | | 1 | 1 | | |
| 14 | 293641 | WINDSHIELD RUBBER SEAL / WITH SMALL / DOUBLE LOCK | | 1 | 1 | | |
| . NS | M103-22 | . SEE MAINTENANCE INFORMATION | | 1 | 1 | | |
| 15 | 293059 | STRIP, LOCKING / S.L. | | AR | AR | AR | |
| 16 | 500948 | SCREW TC CAP HEX 1/4-20x1 Z050 | 4 | 4 | 4 | 4 | |
| 17 | 5001106 | SCREW CAP HEX M6-1.0x10 G8.8 Z050 | 8 | 8 | 8 | 8 | |
| 18 | 502570 | WASHER LO SPT 6.1x11.8x1.6 SS | 8 | 8 | 8 | 8 | |
| 20 | 286454 | DRIP MOULDING OVER DRIVER'S WINDOW | 1 | 1 | 1 | 1 | |
| 20 | 474082 | DRIP MOULDING OVER ENTRANCE DOOR / S.B. To 5-8468 | 1 | 1 | 1 | 1 | |
| 20 | 477516 | DRIP MOULDING OVER ENTRANCE DOOR / B.A. From 5-8469 | 1 | 1 | 1 | 1 | |
| 21 | 286448 | DRIP MOULDING "S" BUS & MTH83" | 1 | 1 | 1 | 1 | |
| NS | 293842 | HANDLE ASSY (TO FIX FRONT GLASS CHANNEL) | 1 | 1 | 1 | 1 | |
| . NS | 293843 | . END TIP "PREVOST" | AR | AR | AR | AR | |
| | | | | | | | |
| | | | | | | | |

| From 2-7914 To 8-9339 | | Date:10/2022 | PAGE:Y2-1880-01 | | | | |
|---------------------------------|------|--------------------------|----------------------------|---|---|--|-----------------------|
| WINDSHIELD & CHANNEL - W/2 LOCK | | | | | | | |
| Item# | Part | Description | X L I I 4 5 | X L I I M T H 4 0 | X L I I M T H 4 5 | X L I I M T H 4 5 E | N O T E S |
| | | | | | | | |
| | | A) ALSO USE WITH MTH 89" | | | | | |

| | | |
|-----------------------|--------------|-----------------|
| From Y-7046 To 6-8906 | Date:10/2022 | PAGE:Y2-1884-00 |
| SIDE WINDOW - BUS | | |



| | | |
|--------------------------|--------------|-----------------|
| From Y-7046 To 6-8906 | Date:10/2022 | PAGE:Y2-1884-00 |
| SIDE WINDOW - BUS | | |

| Item# | Part | Description | X L I I 4 5 | X L I I M T H 4 0 | X L I I M T H 4 5 | X L I I M T H 4 5 E | N O T E S |
|-------|-----------------|---|----------------------------|---|---|--|-----------------------|
| 1 | 293272 | GLASS ASSY, SINGLE 13% / FIX TYPE / 1287.4MM To 4-8270 | 11 | | | | |
| 1 | 293711 | GLASS ASSY, SINGLE 13% / FIX TYPE / PRODUCTION ONLY / 1287.4MM From 4-8271 To 4-8320 | 11 | | | | |
| 1 | 293829 | GLASS ASSY, SINGLE 13% / FIX TYPE / SERVICE ONLY / 1287.4MM From 4-8321 | 11 | | | | |
| 1 | 293274 | GLASS ASSY, THERMOS 13% / FIX TYPE / 1287.4MM To 4-8270 | 11 | | | | |
| 1 | 293706 | GLASS ASSY, THERMOS 13% / FIX TYPE / PRODUCTION ONLY / 1287.4MM From 4-8271 To 4-8320 | 11 | | | | |
| 1 | 297082 | GLASS ASSY, THERMOS 13% / FIX TYPE / SERVICE ONLY / 1287.4MM From 4-8321 | 11 | | | | |
| 2 | 293271 | GLASS ASSY, SINGLE 13% / OPEN TYPE / 1287.4MM To 4-8270 | 7 | | | | |
| 2 | 293710 | GLASS ASSY, SINGLE 13% / OPEN TYPE / 1287.4MM From 4-8271 To 4-8320 | 7 | | | | |
| 2 | 293827 | GLASS ASSY, SINGLE 13% / OPEN TYPE / 1287.4MM From 4-8321 | 7 | | | | |
| 2 | 293273 | GLASS ASSY, THERMOS 13% / OPEN TYPE / 1287.4MM To 4-8270 | 7 | | | | |
| 2 | 293708 | GLASS ASSY, THERMOS 13% / OPEN TYPE / 1287.4MM From 4-8271 To 4-8320 | 7 | | | | |
| 2 | 293828 | GLASS ASSY, THERMOS 13% / OPEN TYPE / 1287.4MM From 4-8321 | 7 | | | | |
| NS | 405143 | DECAL / BLACK STRIP W/DOTTED 1117MM x 118MM | 1 | | | | B |
| NS | 405067 | DECAL / BLACK STRIP 3 1/2" x 46" | 1 | | | | B |
| 3 | 293124 | STOPPER BLOCK | 4 | | | | |
| 3 | 293125 | STOPPER BLOCK SEPARATOR / 2 GLASS | 16 | | | | |
| 4 | 500611 | SCREW TC PAN PH #10-24x1/2 Z050 | 94 | | | | |
| 5 | 293250 | RUBBER SEAL 1292MM / EACH WINDOW | 16 | | | | |
| 5 | 293135 | RUBBER SEAL 1315MM / W/83" | 2 | | | | |
| NS | 507000 | TAPE RUB ADH2 POL 3/16" x 1/4" x 50' / BLACK V2206 | AR | | | | |
| 6 | 293488 | WINDOW SEAL / WITH OPEN TYPE ONLY / 1249MM X 1219MM | 7 | | | | |
| 6 | 294048 | KIT, WINDOW RETAINER SEAL INSTALLATION / WITH OPEN TYPE ONLY | 7 | | | | |
| NS | IS-07028 | SEE INSTRUCTION SHEET | 1 | | | | |
| 6 | Call order desk | FRAME W/WINDOW SEAL ASSY / WITH OPEN TYPE ONLY SERVICE | 7 | | | | P |
| NS | 293941 | FRAME FIBERGLASS SEAL SUPPORT | 1 | | | | |
| NS | 293927 | WINDOW SEAL / WITH OPEN TYPE ONLY 1249MM X 1219MM | 1 | | | | |
| NS | 290060 | WINDOW SEAL / WITH OPEN TYPE ONLY 1249MM X 1219MM | 1 | | | | |
| NS | 297267 | WINDOW SEAL / WITH OPEN TYPE ONLY 1249MM X 1219MM | 1 | | | | |
| NS | 506643 | TAPE RUB ADH1 CC NEO 1/8" x 1/2" x 60' / BLACK 2011 | AR | | | | |
| 10 | 293286 | HANDLES FIXE WINDOW W/SINGLE GLASS / 1098MM | 10 | | | | |
| 10 | 293285 | HANDLES FIXE WINDOW W/THERMOS GLASS / 1098MM | 10 | | | | |
| 10 | 293314 | HANDLES FIXE WINDOW W/SINGLE GLASS / 227MM | 1 | | | | |
| 10 | 293313 | HANDLES FIXE WINDOW W/THERMOS GLASS / 227MM | 1 | | | | |
| 10 | 293388 | HANDLES FIXE WINDOW W/SINGLE GLASS / W.C.L. SEAT LOCATION / 1098MM | 1 | | | | |
| 10 | 293387 | HANDLES FIXE WINDOW W/THERMOS GLASS / 1098MM / P.W.T. | 1 | | | | |
| 11 | 293276 | SUPPORT MOULDING | 21 | | | | |
| 12 | 504249 | RIVET CHY Q PRDG 3/16x3/8 SS | 84 | | | | |
| 13 | 683447 | ADHESIVE SIKATAACK PLUS / BLACK / 23 Liters | AR | | | | |
| 13 | 683448 | ACCELERATOR SIKA / 600ml SAUSAGE | AR | | | | |
| 13 | 683097 | CLEANER SIKA #205 / CLEAR / 1000ml | AR | | | | |
| 13 | 683446 | PRIMER SIKA #206 / BLACK / 1000ml | AR | | | | |
| 13 | 684685 | ADHESIVE SIMSON #ISR 70-03 / 310ml CARTRIDGE | AR | | | | |

| | | |
|--------------------------|--------------|-----------------|
| From Y-7046 To 6-8906 | Date:10/2022 | PAGE:Y2-1884-00 |
| SIDE WINDOW - BUS | | |

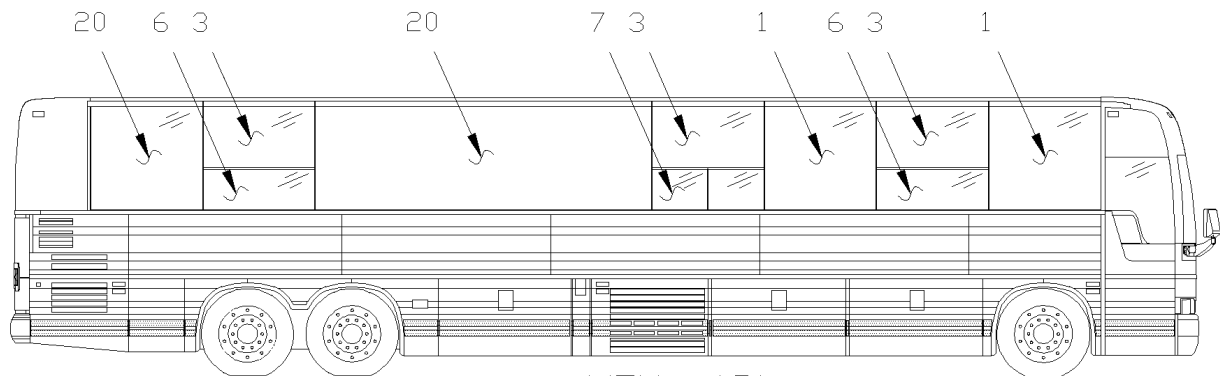
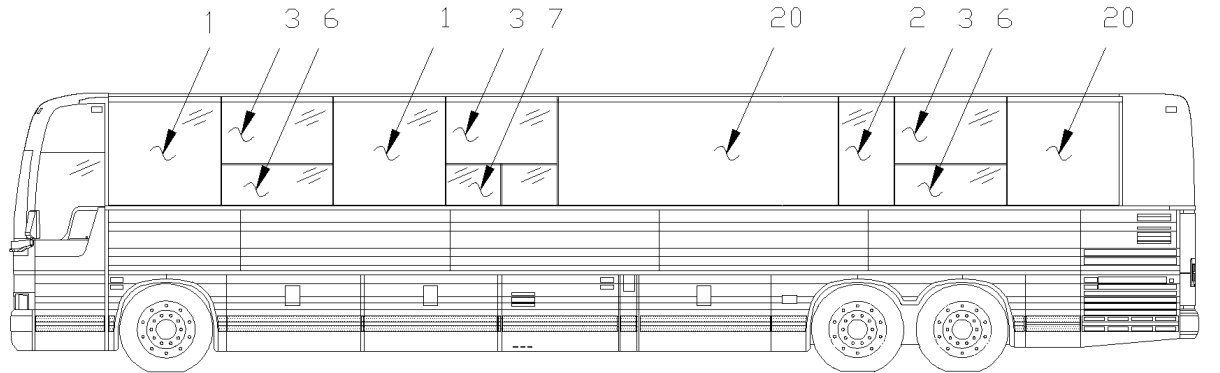
| Item# | Part | Description | X L I I 4 5 | X L I I M T H 4 0 | X L I I M T H 4 5 | X L I I M T H 4 5 E | N O T E S |
|-------|-------------------|--|----------------------------|---|---|--|-----------------------|
| 13 | 683083 | ADHESIVE SIKA #252 / BLACK / 600 ml SAUSAGE | AR | | | | |
| 20 | 293284 | HANDLE WINDOW OPENING 1098MM | 7 | | | | |
| 21 | 293353 | SUPPORT "J" FORM / ALLUMINUM | 14 | | | | |
| 21 | 791007 | SUPPORT W/STOPPER (ONE PIECE) SERVICE | 14 | | | | |
| 22 | 293235 | SUPPORT | 14 | | | | |
| 23 | 292837 | CUSHION 2.0MM TH / BLACK PLASTIC | 14 | | | | |
| 23 | 298215 | CUSHION / BLACK PLASTIC / 1.5MM TH | AR | | | | |
| 23 | 298225 | CUSHION / BLACK PLASTIC / 2.5MM TH | AR | | | | |
| 23 | 680066 | ADHESIVE / ADBOND #5014 / 23.6ML BOTTLE | AR | | | | |
| 24 | 293299 | PROTECTOR | 14 | | | | |
| 25 | 293124 | STOPPER BLOCK | 14 | | | | |
| 25 | 791007 | SUPPORT W/STOPPER (ONE PIECE) SERVICE | 14 | | | | |
| 30 | 293281 | RUBBER SEAL EXTRUSION / ADHESIVE / LOWER WINDOW | AR | | | | |
| 31 | Y2-1833-00 | WINDOW FINISHING CAP & WALL | | | | | |
| 41 | 064679 | MAGNET SENSOR ASSY W/TAPE DUAL LOCK | 7 | | | | |
| 42 | 064678 | SWITCH MAGNETIC ASSY W/TAPE DUAL LOCK | 7 | | | | |
| NS | 293345 | SUPPORT / SWITCH MAGNETIC | 7 | | | | |
| 43 | 504248 | RIVET CHY Q PRDG 3/16x1/4 SS | 14 | | | | |
| 44 | 293647 | INSILATING STRIP ASSY / ALUMINUM "OPTION" | 7 | | | | O |
| 45 | 5060037 | TAPE RUB ADH1 CC POL 1/4" x 1/2" x 35' / BLACK H1C | AR | | | | O |
| 50 | Y2-1829-00 | ACCESSORIES PASSENGER'S SEAT - "PREVOST" | | | | | |
| | | | | | | | |
| | | | | | | | |
| | | | | | | | |
| | | B) THIS ITEM IS LOCATED ON SIDE WINDOW FORWARD W.C.L. DOOR | | | | | |
| | | O) "OPTION" UPPER WINDOW | | | | | |
| | | P) CALL ORDER DESK FOR SPECIFIC APPLICATION (V.I.N.) | | | | | |

From Y-7046 To 8-9339

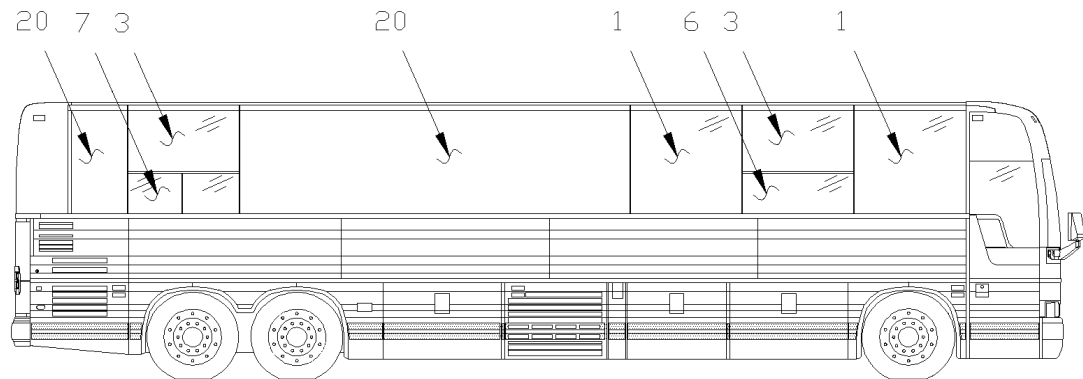
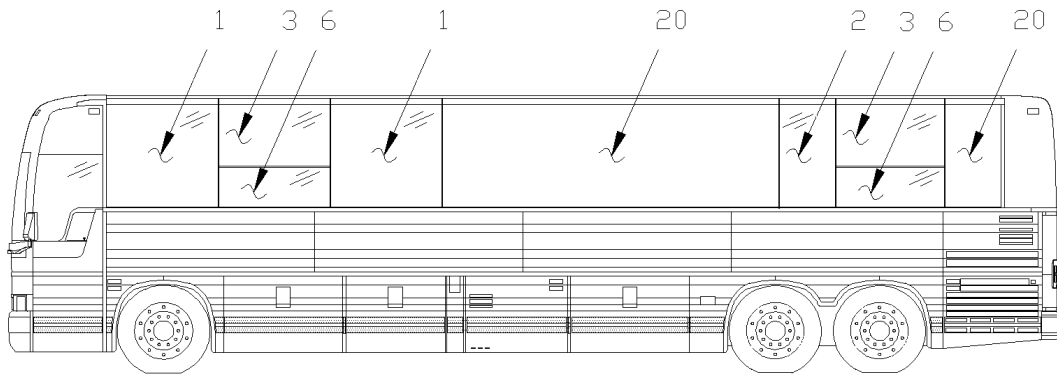
Date:10/2022

PAGE:Y2-1884-50

SIDE WINDOW - MTH



MTH. 45'



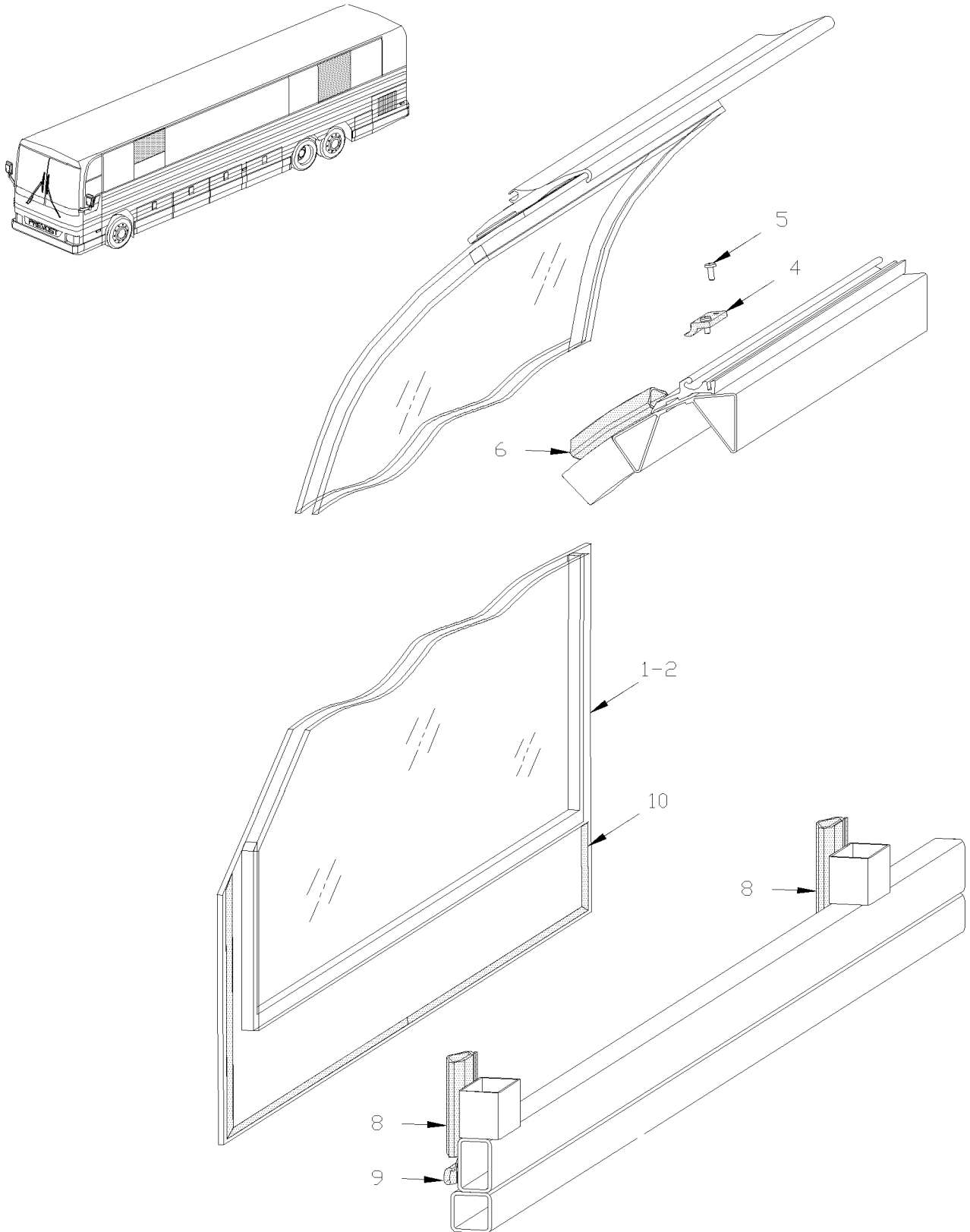
MTH. 40'

From Y-7046 To 8-9339

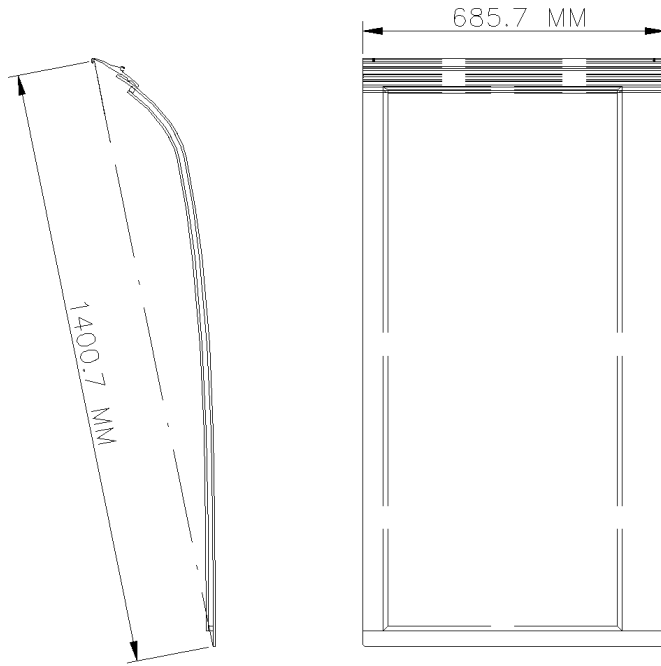
Date:10/2022

PAGE:Y2-1884-50

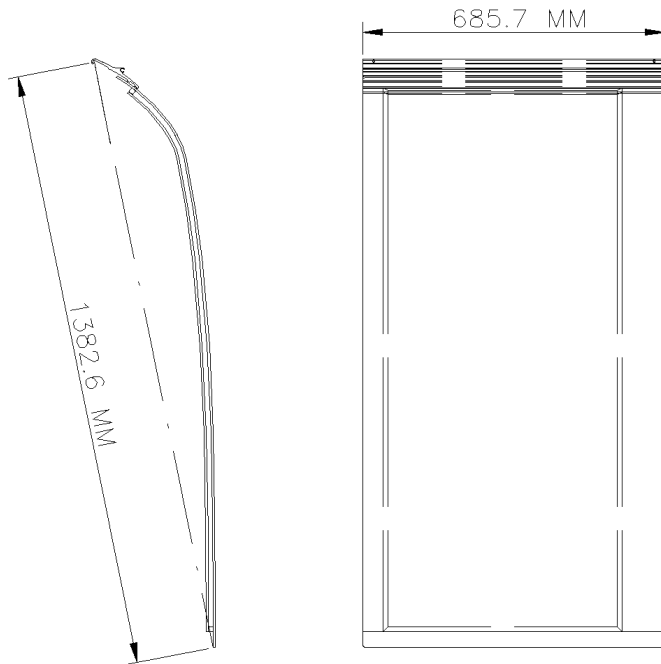
SIDE WINDOW - MTH



| | | |
|--------------------------|--------------|-----------------|
| From Y-7046 To 8-9339 | Date:10/2022 | PAGE:Y2-1884-50 |
| SIDE WINDOW - MTH | | |



690038



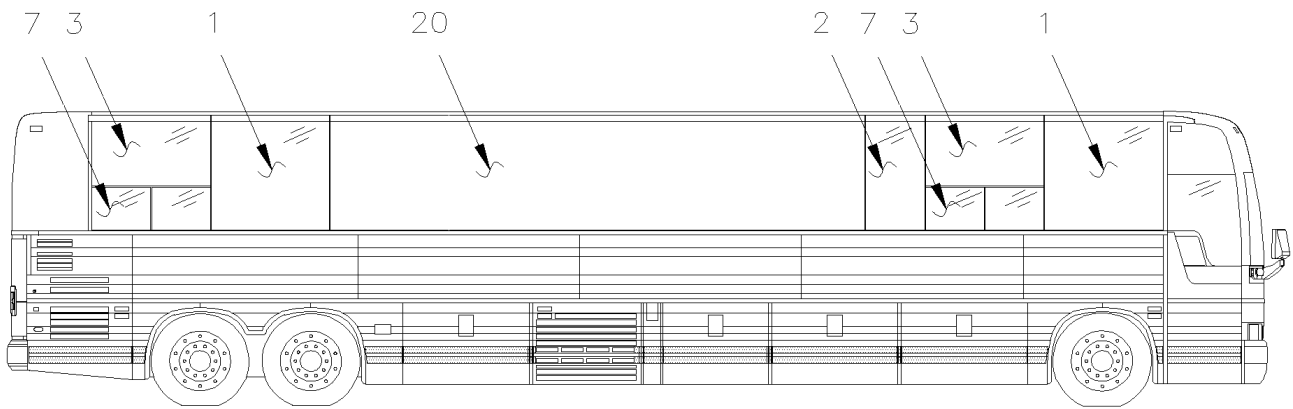
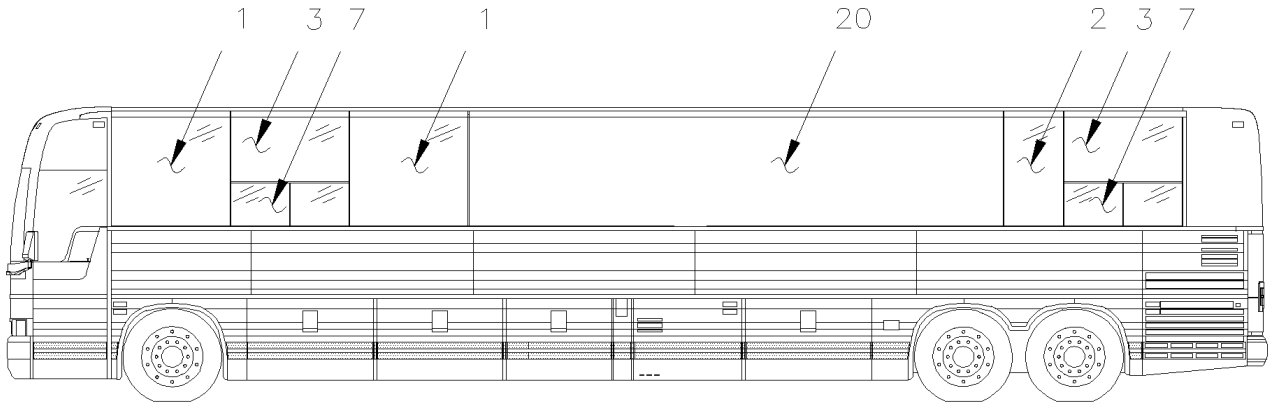
293736

From Y-7046 To 8-9339

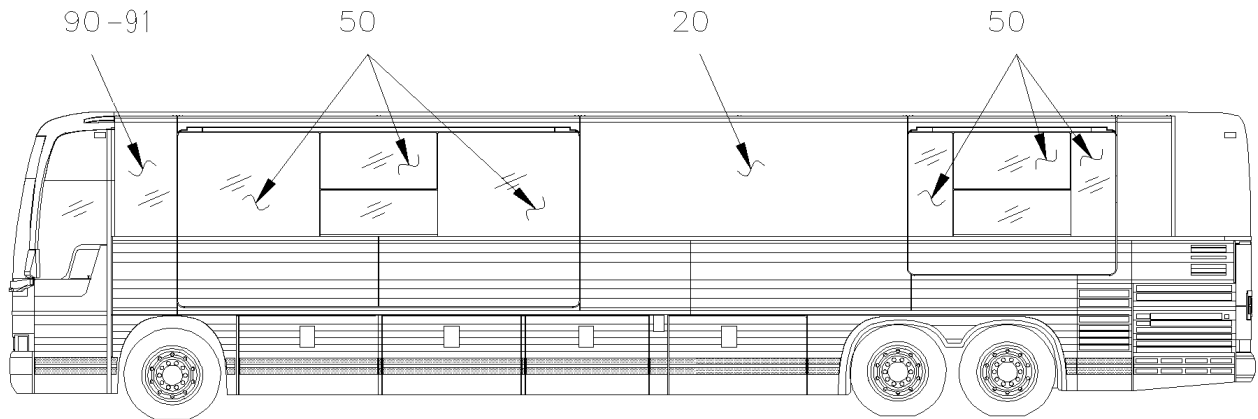
Date:10/2022

PAGE:Y2-1884-50

SIDE WINDOW - MTH



MTH 45' ENT.



MTH. 45' WITH "SLIDE-OUT"

| | | |
|--------------------------|--------------|-----------------|
| From Y-7046 To 8-9339 | Date:10/2022 | PAGE:Y2-1884-50 |
| SIDE WINDOW - MTH | | |

| Item# | Part | Description | X L I I 4 5 | X L I I M T H 4 0 | X L I I M T H 4 5 | X L I I M T H 4 5 E | N O T E S | |
|-------|-------------------|--|----------------------------|---|---|--|-----------------------|---|
| 1 | 293130 | GLASS ASSY, SINGLE 13% / 1287.4MM / W/83" MTH To Y-7128 | | AR | AR | | | |
| 1 | 293132 | GLASS ASSY, THERMOS 13% / 1287.4MM / W/83" MTH To Y-7128 | | AR | AR | | | |
| 1 | 293177 | GLASS ASSY, SINGLE 13% / 1287.4MM / W/86" & 89" MTH To 4-8270 | | AR | AR | AR | | |
| 1 | 297084 | GLASS ASSY, SINGLE 13% / 1287.4MM / W/86" & 89" MTH From 4-8271 | | AR | AR | AR | | |
| 1 | 293178 | GLASS ASSY, THERMOS 13% / 1287.4MM / W/86" & 89" MTH To 4-8270 | | AR | AR | AR | | |
| 1 | 297083 | GLASS ASSY, THERMOS 13% / 1287.4MM / W/86" & 89" MTH From 4-8271 | | AR | AR | AR | | |
| 2 | 293327 | GLASS ASSY, THERMOS 13% / 685.7MM / W/83" MTH To Y-7128 | | AR | AR | | | |
| 2 | 293326 | GLASS ASSY, SINGLE 13% / 685.7MM / W/83" MTH To Y-7128 | | AR | AR | | | |
| 2 | 293329 | GLASS ASSY, THERMOS 13% / 685.7MM / W/86" MTH | | | AR | AR | | |
| 2 | 293328 | GLASS ASSY, SINGLE 13% / 685.7MM / W/86" MTH | | | AR | AR | | |
| 3 | 293133 | GLASS ASSY, SINGLE 13% / UPPER / 1287.4MM / W/83" MTH To Y-7128 | | AR | AR | | | |
| 3 | 293134 | GLASS ASSY, THERMOS 13% / UPPER / 1287.4MM / W/83" MTH To Y-7128 | | AR | AR | | | |
| 3 | 293179 | GLASS ASSY, SINGLE 13% / UPPER / 1287.4MM / W/86" MTH To 4-8270 | | AR | AR | AR | | |
| 3 | 297085 | GLASS ASSY, SINGLE 13% / UPPER / 1287.4MM / W/86" MTH From 4-8271 | | AR | AR | AR | | |
| 3 | 293180 | GLASS ASSY, THERMOS 13% / UPPER / 1287.4MM / W/86" MTH To 4-8270 | | AR | AR | AR | | |
| 3 | 297081 | GLASS ASSY, THERMOS 13% / UPPER / 1287.4MM / W/86" MTH To 4-8270 | | AR | AR | AR | | |
| 3 | 293906 | GLASS ASSY, THERMOS 13% / UPPER / 1287.4MM / W/86" MTH From 4-8271 | | AR | AR | AR | | |
| 3 | 293942 | GLASS ASSY, THERMOS 13% / UPPER / 1287.4MM / W/86" MTH From 4-8271 | | AR | AR | AR | | |
| 4 | 293125 | STOPPER BLOCK SEPARATOR / 2 GLASS | | AR | AR | AR | | |
| 4 | 293124 | STOPPER BLOCK | | AR | AR | AR | | |
| 5 | 500611 | SCREW TC PAN PH #10-24x1/2 Z050 | | AR | AR | AR | | |
| 6 | Y2-1884-60 | AWNING WINDOW - MTH | | | | | | |
| 6 | Y2-1884-65 | ELECTRICAL AWNING WINDOW ASSY | | | | | | |
| 7 | 790458 | SLIDING WINDOW L.H. - MTH From Y-7046 To 7-9188 | | | | | | |
| 7 | 790459 | SLIDING WINDOW R.H. - MTH From Y-7046 To 7-9286 | | | | | | |
| 7 | Y2-1884-80 | ELECTRICAL SLIDING WINDOW ASSY | | | | | | |
| 8 | 293135 | RUBBER SEAL 1315MM / W/83" To Y-7128 | | 6 | 6 | | | |
| 8 | 293136 | RUBBER SEAL 1391MM W/86" & 89" | | 6 | 6 | 6 | | |
| 8 | 293250 | RUBBER SEAL 1292MM / EACH WINDOW | | 8 | 8 | | | |
| 8 | 293251 | RUBBER SEAL 1368MM / 86" | | 8 | 8 | 8 | | |
| 9 | 293281 | RUBBER SEAL EXTRUSION / ADHESIVE / LOWER WINDOW | | AR | AR | AR | | |
| 10 | 683097 | CLEANER SIKA #205 / CLEAR / 1000ml | | AR | AR | AR | | |
| 10 | 683446 | PRIMER SIKA #206 / BLACK / 1000ml | | AR | AR | AR | | |
| 10 | 683447 | ADHESIVE SIKATACK PLUS / BLACK / 23 Liters | | AR | AR | AR | | |
| 10 | 683448 | ACCELERATOR SIKA / 600ml SAUSAGE | | AR | AR | AR | | |
| 20 | Y2-1854-50 | SIDE PANELS - MTH | | | | | | |
| 50 | Y2-1884-90 | SIDE WINDOW - "SLIDE-OUT" To 6-8805 | | | | | | |
| 50 | Y2-1884-91 | SIDE WINDOW - "SLIDE-OUT" From 6-8806 | | | | | | |
| 90 | 690015 | GLASS ASSY SINGLE 685.7MM W/86" 685.7MMx1400.7MM To 4-8251 | | | | 1 | 1 | A |
| 90 | 690038 | GLASS ASSY THERMO 685.7MM W/86" 685.7MM x 1400.7MM To 4-8251 | | | | 1 | 1 | A |
| 90 | 293736 | GLASS ASSY, THERMOS 685.7MM W/86" / STREETSIDE 685.7MM x 1382.6MM O.E.M. From 4-8252 | | | | 1 | 1 | A |
| 91 | 293977 | GLASS THERMO 685.7MM W/86" CURBSIDE CONVERTER'S OPTION | | | | AR | | B |

| | | |
|--------------------------|--------------|-----------------|
| From Y-7046 To 8-9339 | Date:10/2022 | PAGE:Y2-1884-50 |
| SIDE WINDOW - MTH | | |

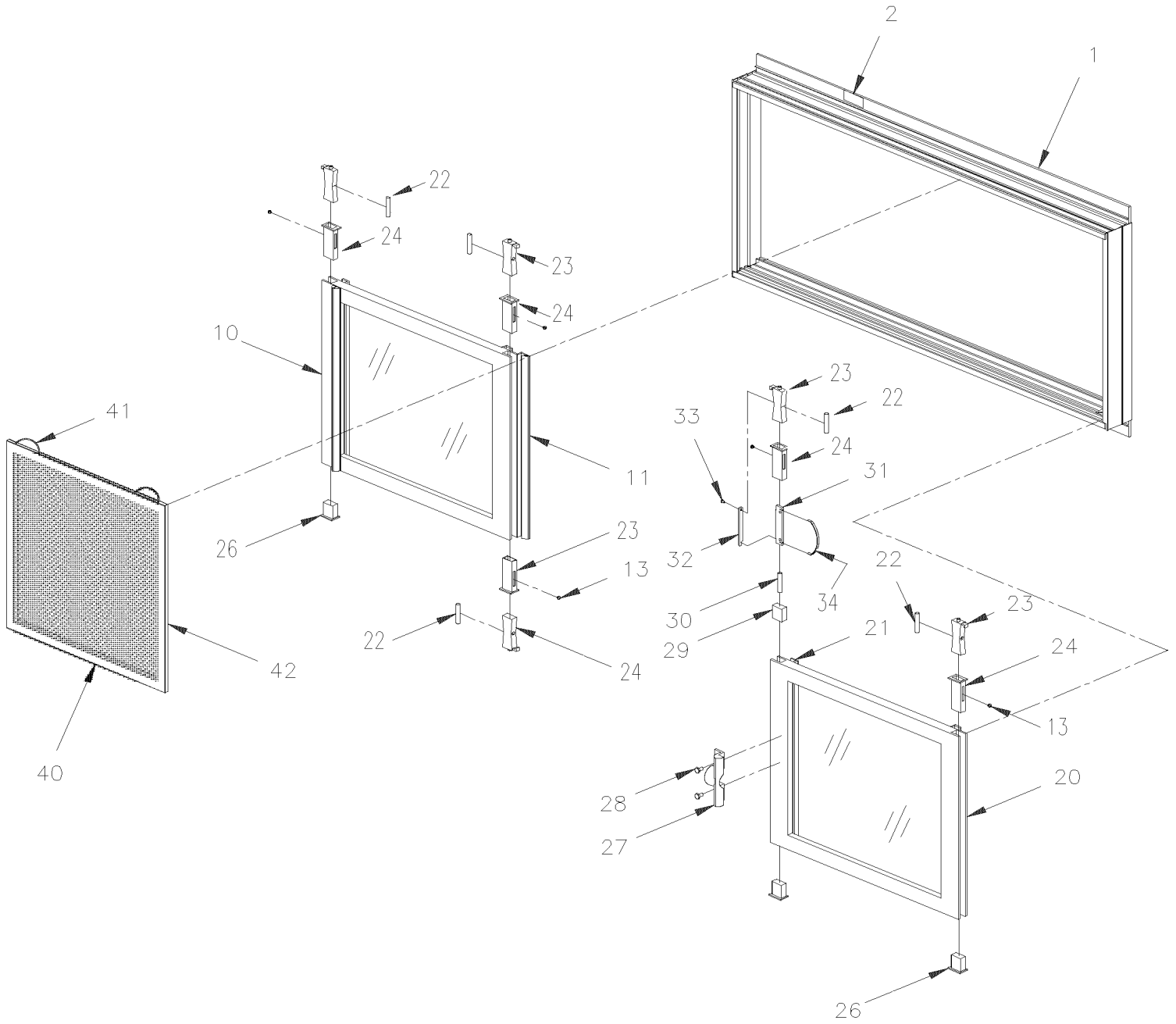
| Item# | Part | Description | X L I I 4 5 | X L I I M T H 4 0 | X L I I M T H 4 5 | X L I I M T H 4 5 E | N O T E S |
|-------|------|---|----------------------------|---|---|--|-----------------------|
| | | | | | | | |
| | | | | | | | |
| | | A) USE ONLY WITH FRONT "SLIDE-OUT" | | | | | |
| | | B) SOME CONVERTER'S USE WITH FRONT "SLIDE-OUT" CURBSIDE "SPECIAL ORDER" / THIS IS NOT A PREVOST INSTALLATION. | | | | | |

From Y-7046 To 8-9339

Date:10/2022

PAGE:790458

SLIDING WINDOW L.H. - MTH



From Y-7046 To 8-9339 Date:10/2022 PAGE:790458

SLIDING WINDOW L.H. - MTH

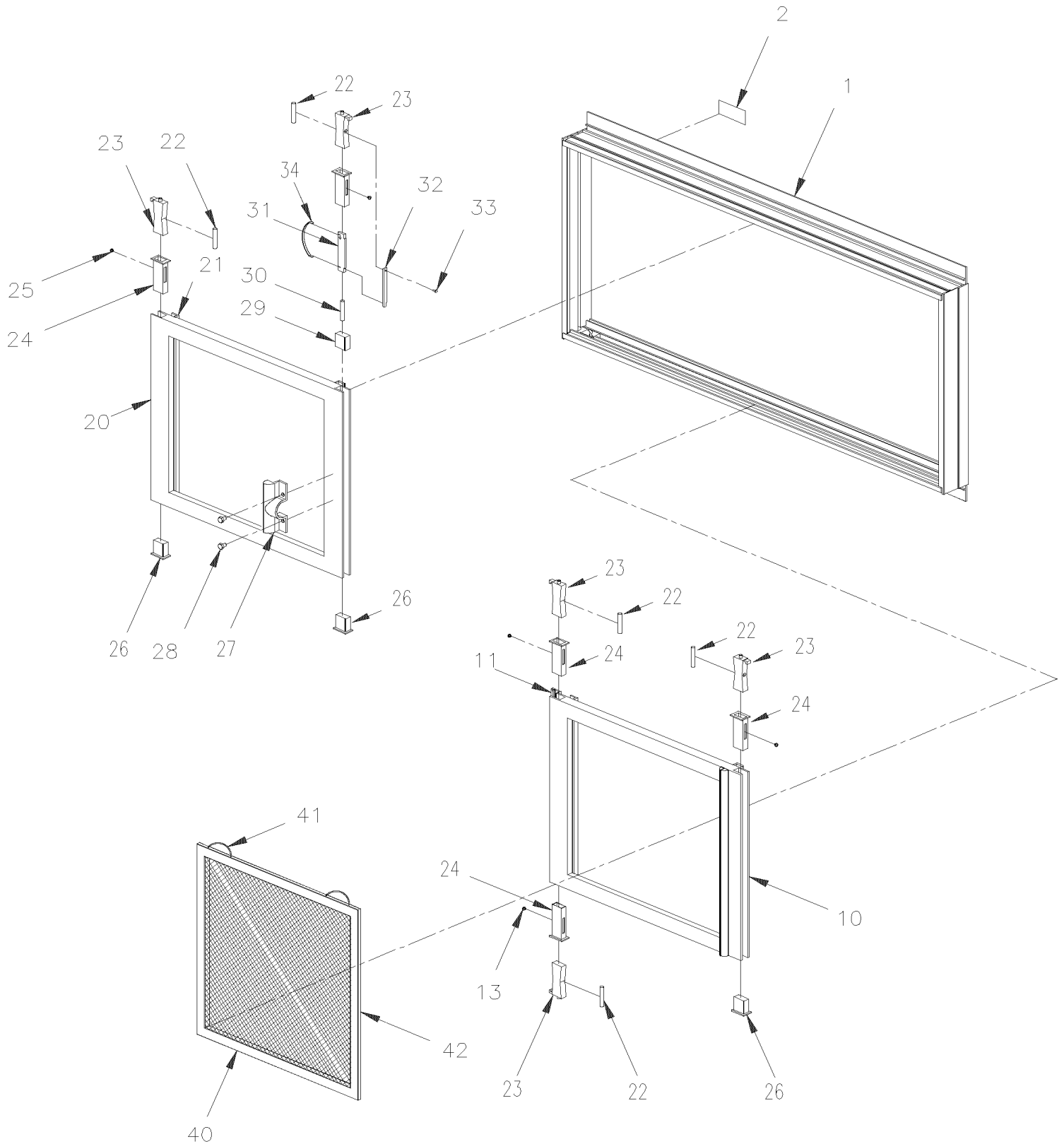
| Item# | Part | Description | X L I I 4 5 | X L I I M T H 4 0 | X L I I M T H 4 5 | X L I I M T H 4 5 E | NOTES |
|-------|--------|--------------------------------------|----------------------------|---|---|--|-------|
| | | SLIDING WINDOW L.H. - MTH | | | 1 | 1 | |
| 1 | 790509 | . MAIN FRAME ASSY LEFT | | | 1 | 1 | |
| NS | 790488 | . SEAL EXTERIOR | | | 1 | 1 | |
| 2 | 792993 | . DECAL, EMERGENCY EXIT | | | 1 | 1 | |
| 10 | 790511 | . WINDOW FIX / SLIDING LEFT | | | 1 | 1 | |
| 11 | 790519 | . RUBBER | | | AR | AR | |
| 13 | 790517 | . STOP | | | 5 | 5 | |
| 20 | 790513 | . WINDOW SLIDING / SLIDING LEFT | | | 1 | 1 | |
| 21 | 790526 | . GASKET CENTRAL | | | AR | AR | |
| NS | 791008 | . KIT SLIDING LOCK PIN UPPER & LOWER | | | 5 | 5 | |
| . 22 | 790518 | . . SPRING | | | 1 | 1 | |
| . 23 | 790489 | . . LOCK PIN | | | 1 | 1 | |
| . 24 | 790516 | . . COVER, SPRING | | | 1 | 1 | |
| . 25 | 790517 | . . STOP | | | 1 | 1 | |
| . 26 | 790515 | . . POINT SLIDING | | | 1 | 1 | |
| 27 | 790522 | . HANDLE | | | 1 | 1 | |
| 28 | 790524 | . SCREW | | | 2 | 2 | |
| 29 | 790523 | . BLOCK | | | 1 | 1 | |
| 30 | 790520 | . SPRING, COMPRESSION | | | 1 | 1 | |
| 31 | 790491 | . LOCK | | | 1 | 1 | |
| 32 | 790490 | . ROD | | | 1 | 1 | |
| 33 | 790525 | . SCREW | | | 2 | 2 | |
| 34 | N.P.N. | . SPRING TENSIONER | | | 1 | 1 | 4 |
| 40 | 790527 | . SCREEN | | | 1 | 1 | |
| 41 | 790521 | . . SPRING SCREEN | | | 2 | 2 | |
| 42 | 790528 | . . SCHLEGEL BLACK 3/8" (20FT) | | | AR | AR | |
| | | | | | | | |
| | | | | | | | |
| | | 4) NO PARTS NUMBER | | | | | |

From Y-7046 To 8-9339

Date:10/2022

PAGE:790459

SLIDING WINDOW R.H. - MTH



| | | |
|----------------------------------|--------------|-------------|
| From Y-7046 To 8-9339 | Date:10/2022 | PAGE:790459 |
| SLIDING WINDOW R.H. - MTH | | |

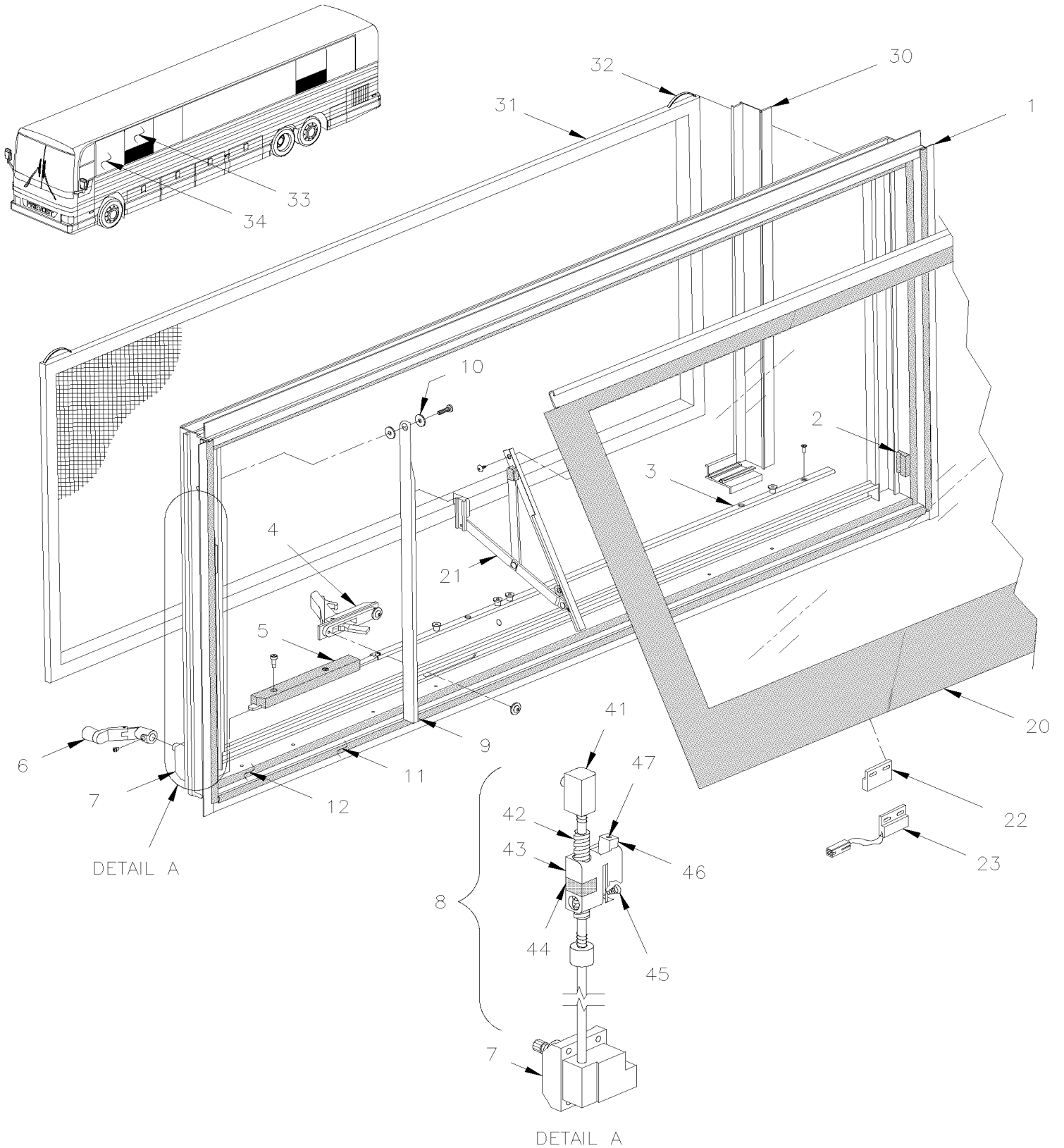
| Item# | Part | Description | X L I I 4 5 | X L I I M T H 4 0 | X L I I M T H 4 5 | X L I I M T H 4 5 E | N O T E S |
|-------|--------|--------------------------------------|----------------------------|---|---|--|-----------------------|
| | | SLIDING WINDOW R.H. - MTH | | | 1 | 1 | |
| 1 | 790510 | . MAIN FRAME ASSY RIGHT | | | 1 | 1 | |
| NS | 790488 | . SEAL EXTERIOR | | | 1 | 1 | |
| 2 | 792993 | . DECAL, EMERGENCY EXIT | | | 1 | 1 | |
| 10 | 790512 | . WINDOW FIX / SLIDING RIGHT | | | 1 | 1 | |
| 11 | 790519 | . RUBBER | | | AR | AR | |
| 13 | 790517 | . STOP | | | 4 | 4 | |
| 20 | 790514 | . WINDOW SLIDING / SLIDING RIGHT | | | 1 | 1 | |
| 21 | 790526 | . GASKET CENTRAL | | | AR | AR | |
| 21 | 791008 | . KIT SLIDING LOCK PIN UPPER & LOWER | | | 5 | 5 | |
| 22 | 790518 | . . SPRING | | | 1 | 1 | |
| 23 | 790489 | . . LOCK PIN | | | 1 | 1 | |
| 24 | 790516 | . . COVER, SPRING | | | 1 | 1 | |
| 25 | 790517 | . . STOP | | | 1 | 1 | |
| 26 | 790515 | . . POINT SLIDING | | | 1 | 1 | |
| 27 | 790522 | . HANDLE | | | 1 | 1 | |
| 28 | 790524 | . SCREW | | | 2 | 2 | |
| 29 | 790523 | . BLOCK | | | 1 | 1 | |
| 30 | 790520 | . SPRING, COMPRESSION | | | 1 | 1 | |
| 31 | 790491 | . LOCK | | | 1 | 1 | |
| 32 | 790490 | . ROD | | | 1 | 1 | |
| 33 | 790525 | . SCREW | | | 2 | 2 | |
| 34 | N.P.N. | . SPRING TENSIONER | | | 1 | 1 | 4 |
| 40 | 790527 | . SCREEN | | | 1 | 1 | |
| 41 | 790521 | . . SPRING SCREEN | | | 2 | 2 | |
| 42 | 790528 | . . SCHLEGEL BLACK 3/8" (20FT) | | | AR | AR | |
| | | | | | | | |
| | | | | | | | |
| | | 4) NO PARTS NUMBER | | | | | |

From Y-7046 To 8-9339

Date:10/2022

PAGE:Y2-1884-60

AWNING WINDOW - MTH



| | | |
|----------------------------|--------------|-----------------|
| From Y-7046 To 8-9339 | Date:10/2022 | PAGE:Y2-1884-60 |
| AWNING WINDOW - MTH | | |

| Item# | Part | Description | X L I I 4 5 | X L I I M T H 4 0 | X L I I M T H 4 5 | X L I I M T H 4 5 E | N O T E S |
|-------|-------------------|--|----------------------------|---|---|--|-----------------------|
| | | "WARNING" - "WARNING" - "WARNING" | | | | | |
| | | THIS WINDOW IT OBSOLETE, | | | | | |
| | | ONLY SOME PARTS ARE AVAILABLE | | | | | |
| | 790457 | AWNING WINDOW ASSY | | AR | AR | AR | |
| 1 | 790480 | . MAIN FRAME ASSY | | 1 | 1 | 1 | |
| 2 | 064360 | . SWITCH MAGNETIC ASSY | | 1 | 1 | 1 | |
| 3 | 790493 | . RELEASE BAR ASSY | | 1 | 1 | 1 | |
| 4 | 790471 | . RELEASE HANDLE ASSY | | 1 | 1 | 1 | |
| 4 | 293526 | . RELEASE HANDLE ASSY / RED | | 1 | 1 | 1 | |
| 5 | 790476 | . RELEASE EMERGENCY MECHANISM | | 1 | 1 | 1 | |
| 6 | 790467 | . CRANK HANDLE | | 1 | 1 | 1 | |
| 7 | 790477 | . GEARBOX ASSY | | 1 | 1 | 1 | |
| 8 | 790478 | . DRIVE SHAFT MECHANISM ASSY | | 1 | 1 | 1 | |
| 9 | 790492 | . CHANNEL SS "V" SHAPE | | 1 | 1 | 1 | |
| 10 | 790487 | . BUSHING NYLON | | 1 | 1 | 1 | |
| 11 | 790483 | . GASKET EXTERIOR | | 1 | 1 | 1 | |
| 12 | 790484 | . GASKET INTERIOR | | 1 | 1 | 1 | |
| 20 | 790481 | . GLASS ASSY W/HINGE | | 1 | 1 | 1 | |
| . NS | 790469 | . . GLASS ONLY | | 1 | 1 | 1 | |
| 20 | 790496 | . . STRIKING PLATE | | 2 | 2 | 2 | |
| 20 | N.P.N. | . . SCREW TC FL PH 8-32 X 5/16 | | 4 | 4 | 4 | 4 |
| 21 | 790479 | . . HINGE ASSY | | 1 | 1 | 1 | |
| 22 | 562641 | . . MAGNET | | 1 | 1 | 1 | |
| 23 | 064360 | . SWITCH MAGNETIC ASSY | | 1 | 1 | 1 | |
| 30 | 790472 | . INTERIOR MOULDING RETAINER | | 1 | 1 | 1 | |
| 31 | 790473 | . SCREEN | | 1 | 1 | 1 | |
| 32 | 790521 | . . SPRING SCREEN | | 2 | 2 | 2 | |
| 33 | Y2-1884-50 | SIDE WINDOW - MTH | | | | | |
| 34 | Y2-1884-50 | SIDE WINDOW - MTH | | | | | |
| 41 | 790532 | BEARING BLOCK | | 1 | 1 | 1 | |
| 41 | | SCREW MA FL PH SS 8-32 X 1/4 / (502715) | | 1 | 1 | 1 | |
| 42 | 790533 | ROD ACME | | 1 | 1 | 1 | |
| 43 | 790534 | CARRIER BLOCK | | 1 | 1 | 1 | |
| 44 | 790535 | BLOCK ACME / PLASTIC | | 1 | 1 | 1 | |
| 45 | 790536 | SPRING CONICAL | | 1 | 1 | 1 | |
| 46 | 790537 | HOOK / SAFETY | | 1 | 1 | 1 | |
| 47 | 5001429 | SCREW MA FL PH M4-0.7x25 BK | | 1 | 1 | 1 | |
| 48 | 290545 | KIT SERVICE AWNING EMERGENCY WINDOW HANDLE | 1 | 1 | 1 | 1 | |
| . NS | 293526 | . RELEASE HANDLE ASSY / RED | 1 | 1 | 1 | 1 | |
| . NS | 401435 | . EXTENSION EMERGENCY HANDLE WINDOW | 1 | 1 | 1 | 1 | |
| . NS | 504106 | . RIVET POP DOME OE 1/8x1/4 AL | 1 | 1 | 1 | 1 | |

| | | |
|-----------------------|--------------|-----------------|
| From Y-7046 To 8-9339 | Date:10/2022 | PAGE:Y2-1884-60 |
|-----------------------|--------------|-----------------|

AWNING WINDOW - MTH

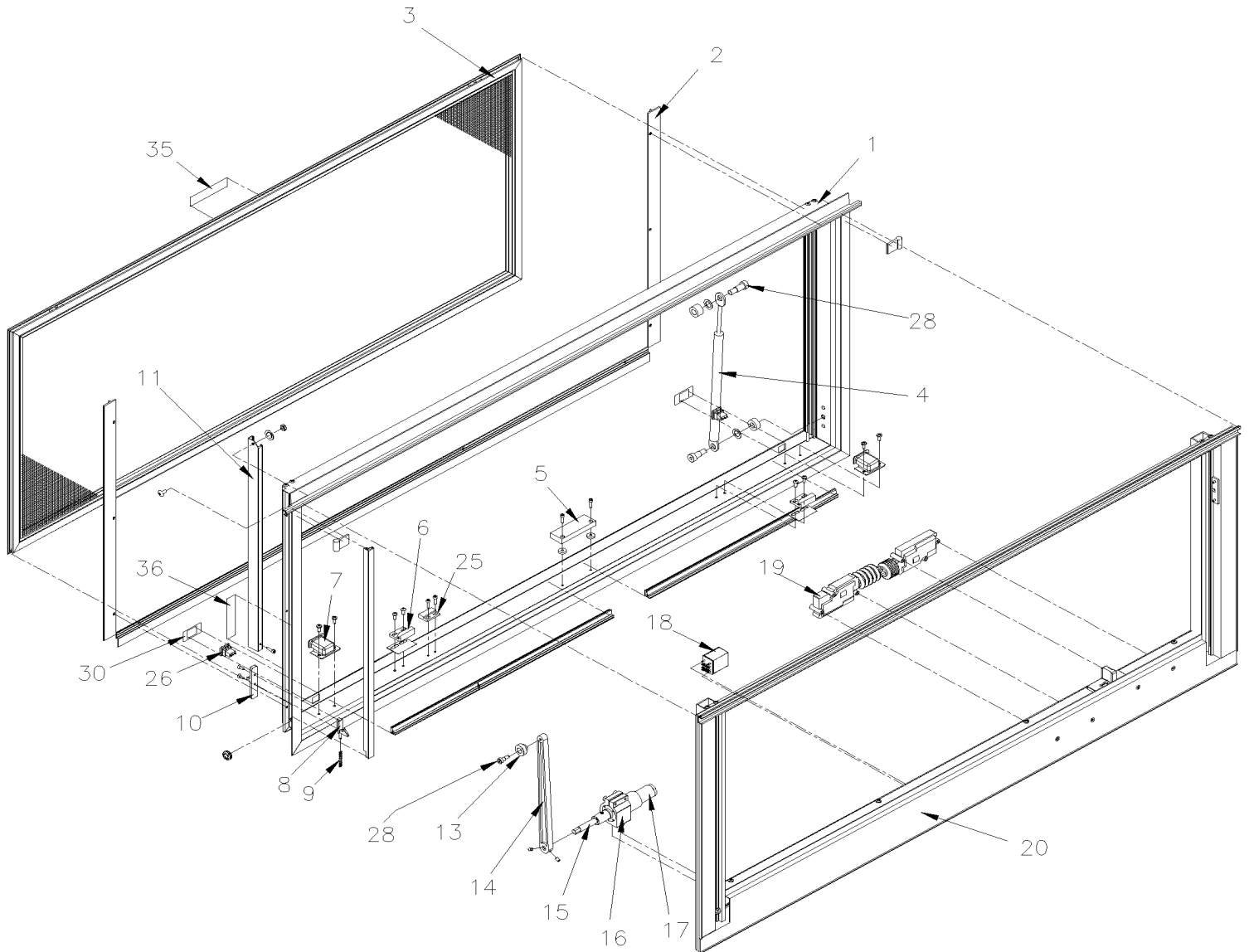
| Item# | Part | Description | X L I I 4 5 | X L I I M T H 4 0 | X L I I M T H 4 5 | X L I I M T H 4 5 E | N O T E S |
|-------|------|--------------------|--------------------------------|---|---|--|-----------------------|
| | | | | | | | |
| | | | | | | | |
| | | 4) NO PARTS NUMBER | | | | | |

From 4-8325 To 8-9339

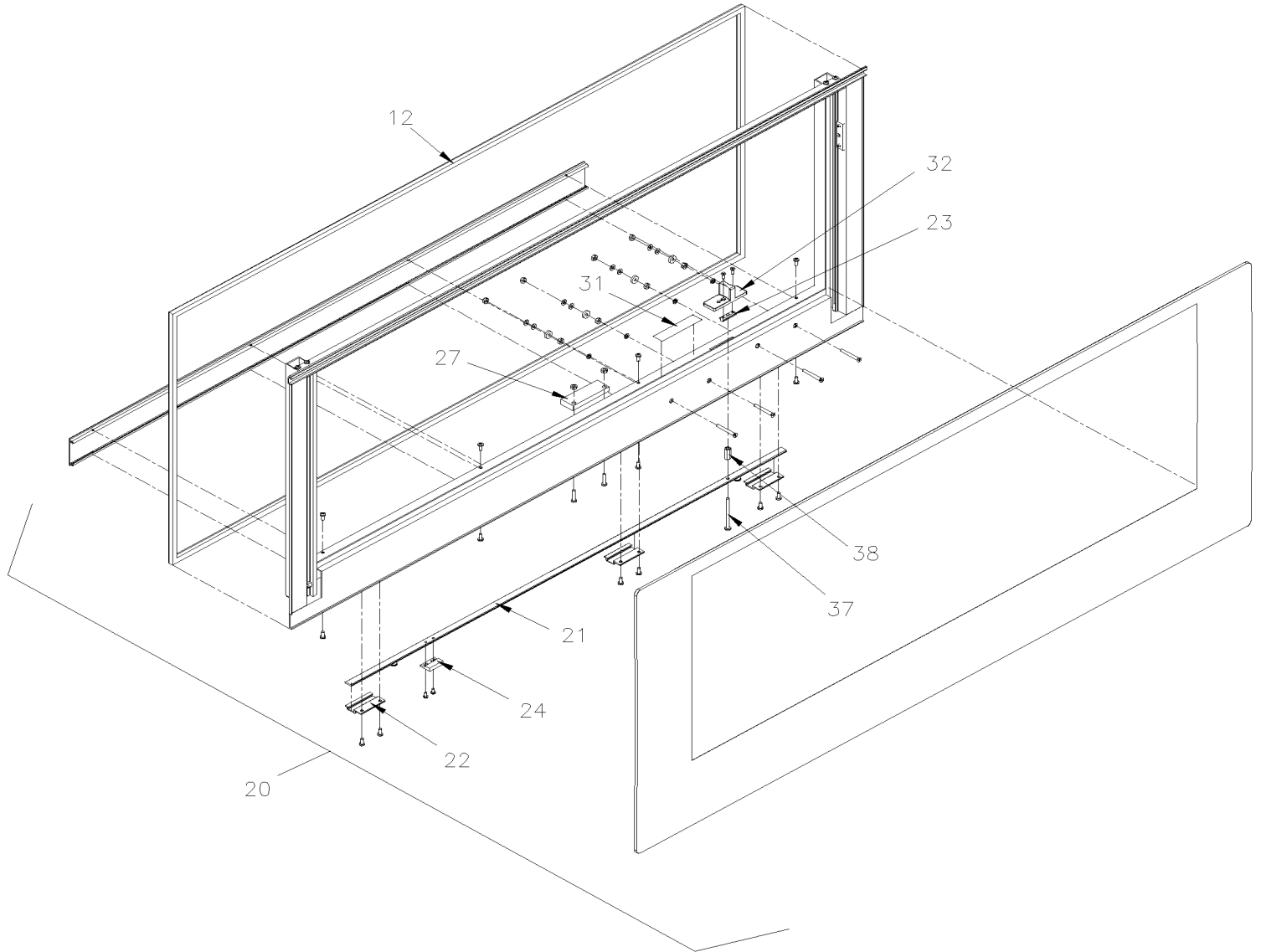
Date:10/2022

PAGE:Y2-1884-65

ELECTRICAL AWNING WINDOW ASSY



| | | |
|--------------------------------------|--------------|-----------------|
| From 4-8325 To 8-9339 | Date:10/2022 | PAGE:Y2-1884-65 |
| ELECTRICAL AWNING WINDOW ASSY | | |

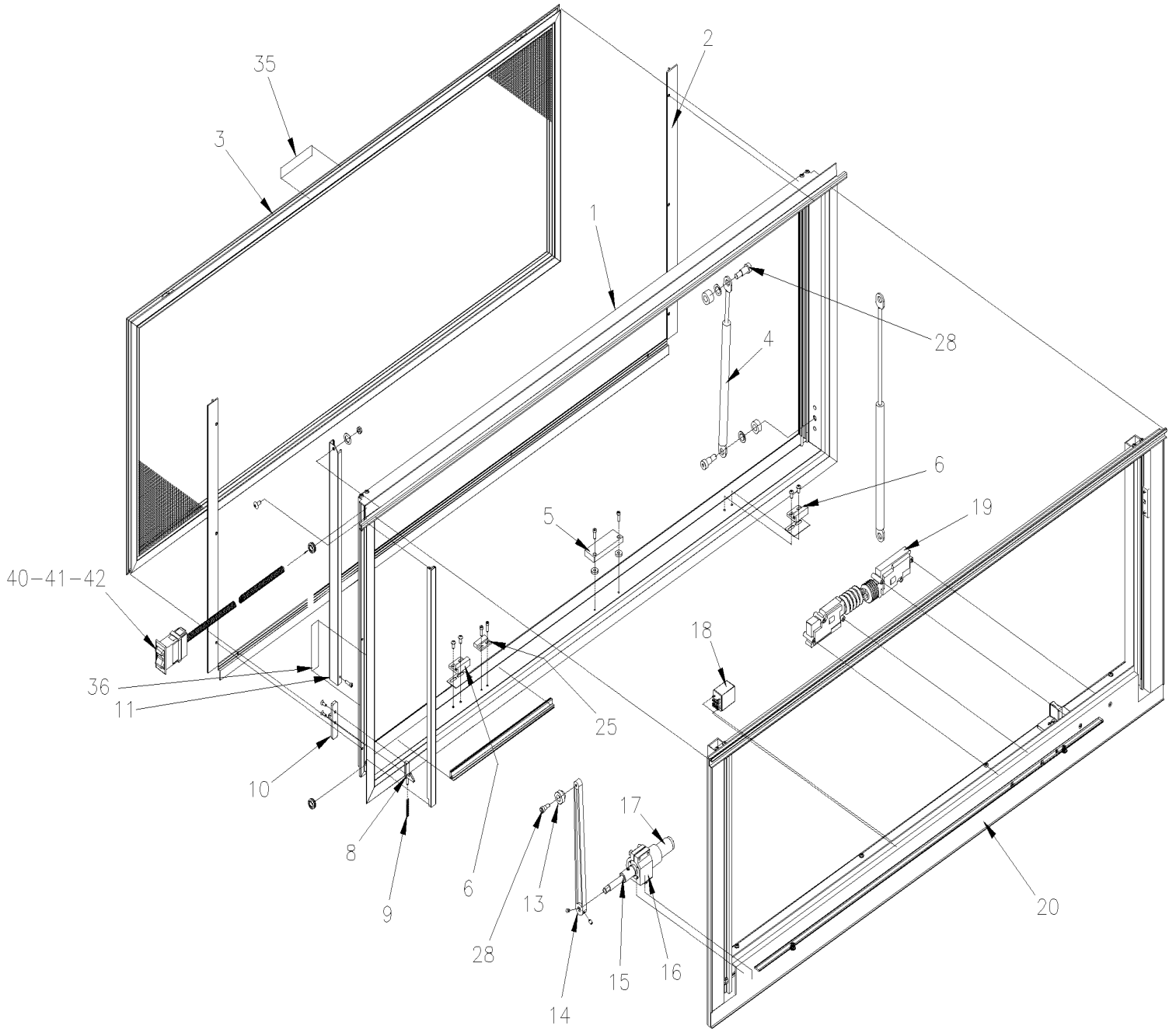


From 4-8325 To 8-9339

Date:10/2022

PAGE:Y2-1884-65

ELECTRICAL AWNING WINDOW ASSY



| | | |
|--------------------------------------|--------------|-----------------|
| From 4-8325 To 8-9339 | Date:10/2022 | PAGE:Y2-1884-65 |
| ELECTRICAL AWNING WINDOW ASSY | | |

| Item# | Part | Description | X L I I 4 5 | X L I I M T H 4 0 | X L I I M T H 4 5 | X L I I M T H 4 5 E | N O T E S |
|-------|--------|--|----------------------------|---|---|--|-----------------------|
| | 790564 | AWNING WINDOW ASSY To 5-8623 | | 1 | 1 | 1 | C |
| | 790607 | AWNING WINDOW ASSY From 5-8624 To 5-8754 | | 1 | 1 | 1 | |
| | 790613 | AWNING WINDOW ASSY / W/REMOTE SWITCH OPERATING From 5-8755 | | 1 | 1 | 1 | |
| | 790565 | AWNING WINDOW ASSY To 5-8623 | | | 1 | | A |
| | 790608 | AWNING WINDOW ASSY From 5-8624 To 5-8754 | | | 1 | | A |
| | 790614 | AWNING WINDOW ASSY / W/REMOTE SWITCH OPERATING From 5-8755 | | | 1 | | A |
| 1 | 790566 | . FRAME ASSY To 5-8623 | | 1 | 1 | 1 | |
| 1 | 790547 | . FRAME ASSY From 5-8624 To 5-8754 | | 1 | 1 | 1 | |
| 1 | 790595 | . FRAME ASSY From 5-8755 | | 1 | 1 | 1 | |
| 2 | 790568 | . RETAINING RING | | 1 | 1 | 1 | |
| 2 | 790569 | . RETAINING RING | | | 1 | | A |
| 3 | 790571 | . SCREEN / XL-II 45" x 18 1/2" To 5-8623 | | 1 | 1 | 1 | |
| 3 | 790604 | . SCREEN / W/RECESS FOR SWITCHES / XL-II From 5-8624 | | 1 | 1 | 1 | |
| 3 | 790571 | . SCREEN / XL-II 45" x 18 1/2" From 5-8755 | | 1 | 1 | 1 | |
| 4 | 790578 | . CYLINDER | | 1 | 1 | 1 | |
| 5 | 563442 | . PROXIMITY SWITCH MAGNET | | 1 | 1 | 1 | |
| 6 | 790577 | . TIE BAR KEEPER To 5-8623 | | 1 | 1 | 1 | |
| 6 | 790609 | . TIE BAR KEEPER From 5-8624 | | 1 | 1 | 1 | |
| NS | 790611 | . SHIM KEEPER From 5-8624 | | 1 | 1 | 1 | |
| 7 | 790576 | . COVER ROCKER SWITCH To 5-8754 | | 2 | 2 | 2 | |
| 8 | 790574 | . TRACK LATCH | | 1 | 1 | 1 | |
| 9 | 790575 | . SPRING | | 1 | 1 | 1 | |
| 10 | 790582 | . RELEASE LATCH HANDLE / RED / SASH | | 1 | 1 | 1 | |
| 11 | 790581 | . TRACK ROLLER | | 1 | 1 | 1 | |
| 12 | 790579 | . SEAL | | 12FT | 12FT | 12FT | |
| 13 | 790586 | . ROLLER | | 1 | 1 | 1 | |
| 14 | 790585 | . ARM | | 1 | 1 | 1 | |
| NS | 790045 | . SET SCREW 10-32X1/4 S/S | | 2 | 2 | 2 | |
| 15 | 790587 | . MOTOR COUPLER | | 1 | 1 | 1 | |
| 16 | 790588 | . MOTOR MOUNT / LARGE O.D. To 5-8623 | | 1 | 1 | 1 | D |
| 16 | N.P.N. | . MOTOR MOUNT / SMALL O.D. From 5-8624 | | 1 | 1 | 1 | 4 |
| 17 | 790593 | . MOTOR / LARGE O.D. To 5-8623 | | 1 | 1 | 1 | D |
| 17 | N.P.N. | . MOTOR / SMALL O.D. From 5-8624 | | 1 | 1 | 1 | 4 |
| 17 | 790619 | . MOTOR ASSY W/MOTOR MOUNT / SMALL O.D. From 5-8624 | | 1 | 1 | 1 | E |
| 18 | 563444 | . RELAY 24V | | 1 | 1 | 1 | |
| 19 | 790592 | . ACTUATOR | | 2 | 2 | 2 | |
| 20 | 790567 | . GLASS ASSY W/AWNING FRAME To 5-8623 | | 1 | 1 | 1 | |
| 20 | 790548 | . GLASS ASSY W/AWNING FRAME From 5-8624 | | 1 | 1 | 1 | |
| 21 | 790583 | . TIE BAR XL | | 1 | 1 | 1 | |
| 22 | 790584 | . GUIDE | | 2 | 2 | 2 | |
| 23 | 790580 | . RELEASE LATCH GUIDE | | 1 | 1 | 1 | |
| 24 | 562641 | . MAGNET | | .1 | .1 | .1 | |

| | | |
|-----------------------|--------------|-----------------|
| From 4-8325 To 8-9339 | Date:10/2022 | PAGE:Y2-1884-65 |
|-----------------------|--------------|-----------------|

ELECTRICAL AWNING WINDOW ASSY

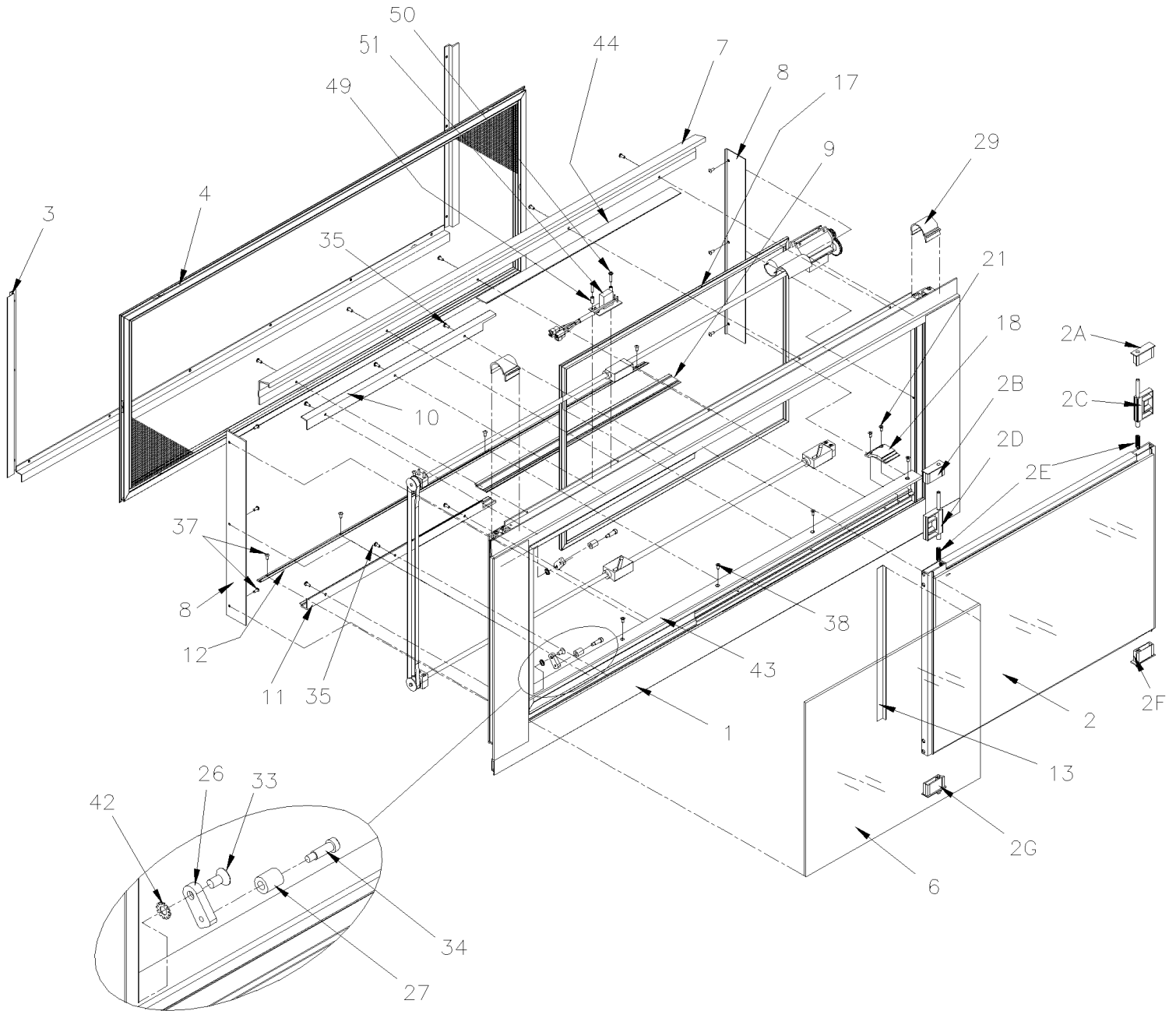
| Item# | Part | Description | X L I I 4 5 | X L I I M T H 4 0 | X L I I M T H 4 5 | X L I I M T H 4 5 E | N O T E S |
|-------|----------|---|----------------------------|---|---|--|-----------------------|
| 25 | 562640 | . SWITCH MAGNETIC | | 1 | 1 | 1 | |
| 26 | 066182 | . CABLE ASSY WITH ROCKER SWITCH AND HARNESS / W/XL2 To 5-8623 | | 1 | 1 | 1 | |
| 26 | 563441 | . . SWITCH / M/ON-OFF-M/ON / S.P.D.T / BLACK To 5-8623 | | 2 | 2 | 2 | |
| 26 | 563568 | . CABLE ASSY WITH ROCKER SWITCH AND HARNESS / W/XL2 From 5-8624 To 5-8754 | | 1 | 1 | 1 | |
| 27 | 563443 | . PROXIMITY SWITCH SENSOR | | 1 | 1 | 1 | |
| 28 | 790996 | . SHOULDER BOLT | | 3 | 3 | 3 | |
| 30 | 790598 | . DECAL / OPEN-CLOSE | | 1 | 1 | 1 | |
| 31 | 790601 | . DECAL / "EMERGENCY EXIT" # 3 | | 1 | 1 | 1 | |
| 32 | 790620 | . RELEASE LATCH HANDLE / RED / FRAME | | 1 | 1 | 1 | |
| 35 | 790599 | . DECAL / "EMERGENCY EXIT" # 1 / PULL SCREEN | | 1 | 1 | 1 | |
| 36 | 790600 | . DECAL / "EMERGENCY EXIT" # 2 | | 1 | 1 | 1 | |
| 37 | 790012 | . SCREW MA PAN PH #10-32x2 1/4 SS | | 1 | 1 | 1 | |
| 38 | 790013 | . COUPLING #10-32x5/16 OD x3/4 ZP | | 1 | 1 | 1 | |
| 40 | 563570 | . CABLE ASSY WITH ROCKER SWITCH AND HARNESS / W/XL2 & H3 From 5-8755 | | 1 | 1 | 1 | B |
| NS | 293854 | . SUPPORT SWITCH / REMOTE OPERATIONAL MODEL From 5-8755 | | 1 | 1 | 1 | |
| 41 | 563571 | . SWITCH / M/ON-OFF-M/ON S.P.D.T. From 5-8755 | | 1 | 1 | 1 | |
| 42 | 563572 | . CAP / "OPEN - CLOSE" From 5-8755 | | 1 | 1 | 1 | |
| NS | 066029 | CABLE ASSY / POWER AWNING EXTENTION 3M From 5-8380 | | 1 | 1 | 1 | |
| NS | 293862 | KIT, RETROFIT TIE BAR KEEPER To 5-8623 | | 1 | 1 | 1 | |
| . NS | IS-04099 | . SEE INSTRUCTION SHEET To 5-8623 | | 1 | 1 | 1 | |
| NS | 7770423 | MASK FOR WINDOW MTH | | 1 | 1 | 1 | |
| | | A) WITH "SLIDE-OUT" | | | | | |
| | | B) THIS SWITCH ASSY COULD BE USE FROM 5-8624 | | | | | |
| | | C) FOR PRODUCT IMPROVEMENT, ASK KIT #293862 TO REPLACE THE KEEPERS. | | | | | |
| | | D) THIS PART IT SUPPERSEDED BY #790619 | | | | | |
| | | E) INCLUDE ITEMS # 15,16 & 17 WITH ELECTRICAL CONNECTOR | | | | | |
| | | 4) NO PARTS NUMBER | | | | | |

From 7-9189 To 8-9339

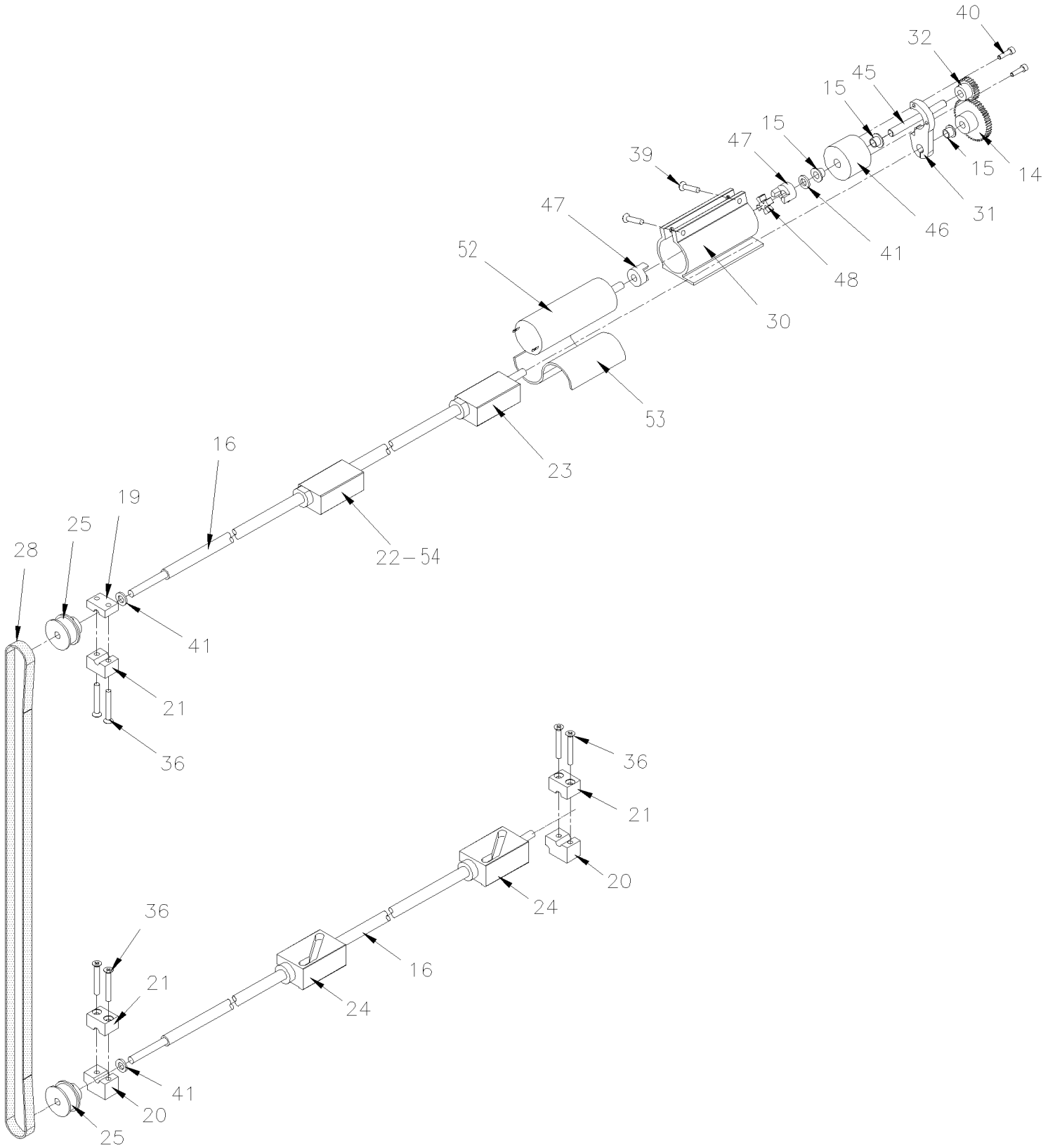
Date:10/2022

PAGE:Y2-1884-80

ELECTRICAL SLIDING WINDOW ASSY



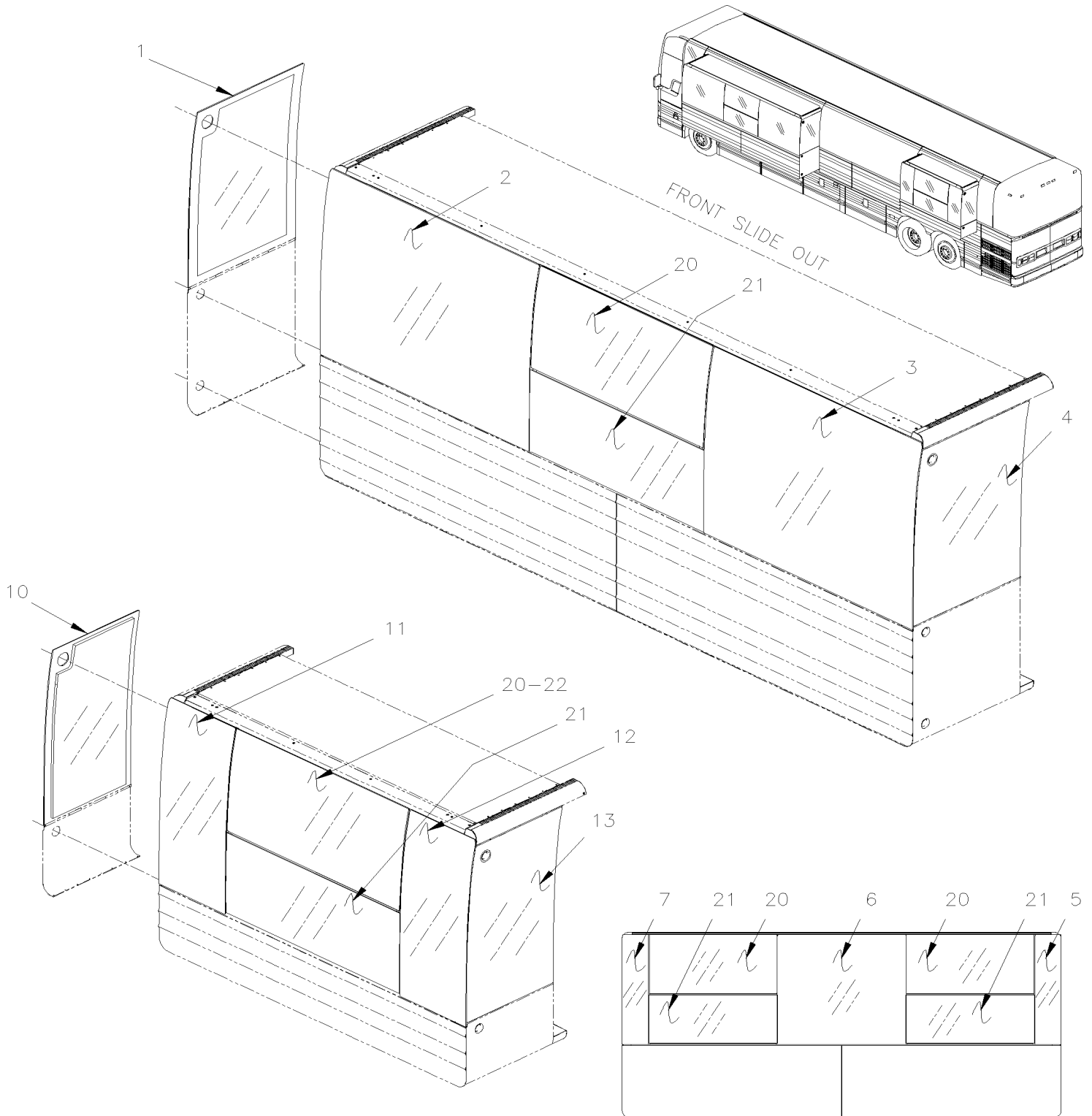
| | | |
|--------------------------------|--------------|-----------------|
| From 7-9189 To 8-9339 | Date:10/2022 | PAGE:Y2-1884-80 |
| ELECTRICAL SLIDING WINDOW ASSY | | |



| | | |
|---------------------------------------|--------------|-----------------|
| From 7-9189 To 8-9339 | Date:10/2022 | PAGE:Y2-1884-80 |
| ELECTRICAL SLIDING WINDOW ASSY | | |

| Item# | Part | Description | X L I I 4 5 | X L I I M T H 4 0 | X L I I M T H 4 5 | X L I I M T H 4 5 E | N O T E S |
|-------|--------|---|----------------------------|---|---|--|-----------------------|
| | | THIS ELECTRICAL WINDOW FIT ALSO ON MTH-40' | | | | | |
| | 791001 | ELECTRICAL SLIDING WINDOW ASSY | | | 1 | 1 | |
| 1 | 790711 | . FRAME COMPONENT ASSY | | | 1 | 1 | |
| 2 | 790713 | . SASH ASSY - 5MM T GRAY/4mm T CLR | | | 1 | 1 | |
| . A | 790751 | .. SASH INSERT - RH UPPER / LH LOWER | | | 1 | 1 | |
| . B | 790750 | .. SASH INSERT - LH UPPER / RH LOWER | | | 1 | 1 | |
| . C | 790728 | .. RELEASE LATCH ASSY - RH | | | 1 | 1 | |
| . D | 790727 | .. RELEASE LATCH ASSY - LH | | | 1 | 1 | |
| . E | 790752 | .. SPRING RELEASE LATCH | | | 2 | 2 | |
| . F | 790732 | .. FIXED SASH INSERT ASSY - RH | | | 1 | 1 | |
| . G | 790730 | .. FIXED SASH INSERT ASSY - LH | | | 1 | 1 | |
| 3 | 790717 | . CLAMPRING ASSY | | | 1 | 1 | |
| 4 | 790719 | . SCREEN ASSY | | | 1 | 1 | |
| 6 | 790707 | . GLASS ASSY-5MM T GRAY/4mm T CLR-XL2-FIXED | | | 1 | 1 | |
| 7 | 790709 | . COVER HEADER ACCESS | | | 1 | 1 | |
| 8 | 790714 | . JAMB COVER | | | 2 | 2 | |
| 9 | 790729 | . COVER SASH GUIDE - SILL | | | 2 | 2 | |
| 10 | 790734 | . COVER FIXED GUIDE - HEADER | | | 1 | 1 | |
| 11 | 790737 | . COVER FIXED GUIDE - SILL | | | 1 | 1 | |
| 12 | 790758 | . COVER INNER GUIDE | | | 1 | 1 | |
| 13 | 790741 | . FIXED GLAZING ANGLE | | | 1 | 1 | |
| 14 | 790770 | . SPUR GEAR - 1 1/2" - STAINLESS / W/24Volt Motor | | | 1 | 1 | |
| 15 | 790743 | . FLANGE BEARING 0.25" DEPTH | | | 1 | 1 | |
| 16 | 790744 | . DRIVE SHAFT | | | 2 | 2 | |
| 17 | 790778 | . D-SEAL EPDM SPONGE (PER FT) | | | AR | AR | |
| 18 | 790746 | . SASH END STOP | | | 1 | 1 | |
| 19 | 790747 | . BLOCK BASE SUPPORT SHAFT - UPPER | | | 1 | 1 | |
| 20 | 790748 | . BLOCK BASE SUPPORT SHAFT - LOWER | | | 2 | 2 | |
| 21 | 790749 | . CAP SUPPORT BLOCK SHAFT | | | 3 | 3 | |
| 22 | 790724 | . FOLLOWER CAM ASSY - UPPER w/ MAGNET | | | 1 | 1 | |
| . NS | 790015 | .. BUSHING INSERT | | | 1 | 1 | |
| 23 | 790725 | . FOLLOWER CAM ASSY - UPPER | | | 1 | 1 | |
| . NS | 790015 | .. BUSHING INSERT | | | 1 | 1 | |
| 24 | 790726 | . FOLLOWER CAM ASSY - LOWER | | | 2 | 2 | |
| . NS | 790015 | .. BUSHING INSERT | | | 1 | 1 | |
| 25 | 790753 | . PULLEY | | | 2 | 2 | |
| 26 | 790754 | . BRACKET TENSIONER | | | 2 | 2 | |
| 27 | 790755 | . ROLLER TENSIONER | | | 2 | 2 | |
| 28 | 790756 | . DRIVE BELT | | | 1 | 1 | |
| 29 | 790757 | . COVER, GEAR | | | 1 | 1 | |
| 30 | 790740 | . MOTOR MOUNT | | | 1 | 1 | |

| | | |
|---------------------------|--------------|-----------------|
| | Date:10/2022 | PAGE:Y2-1884-90 |
| SIDE WINDOW - "SLIDE-OUT" | | |

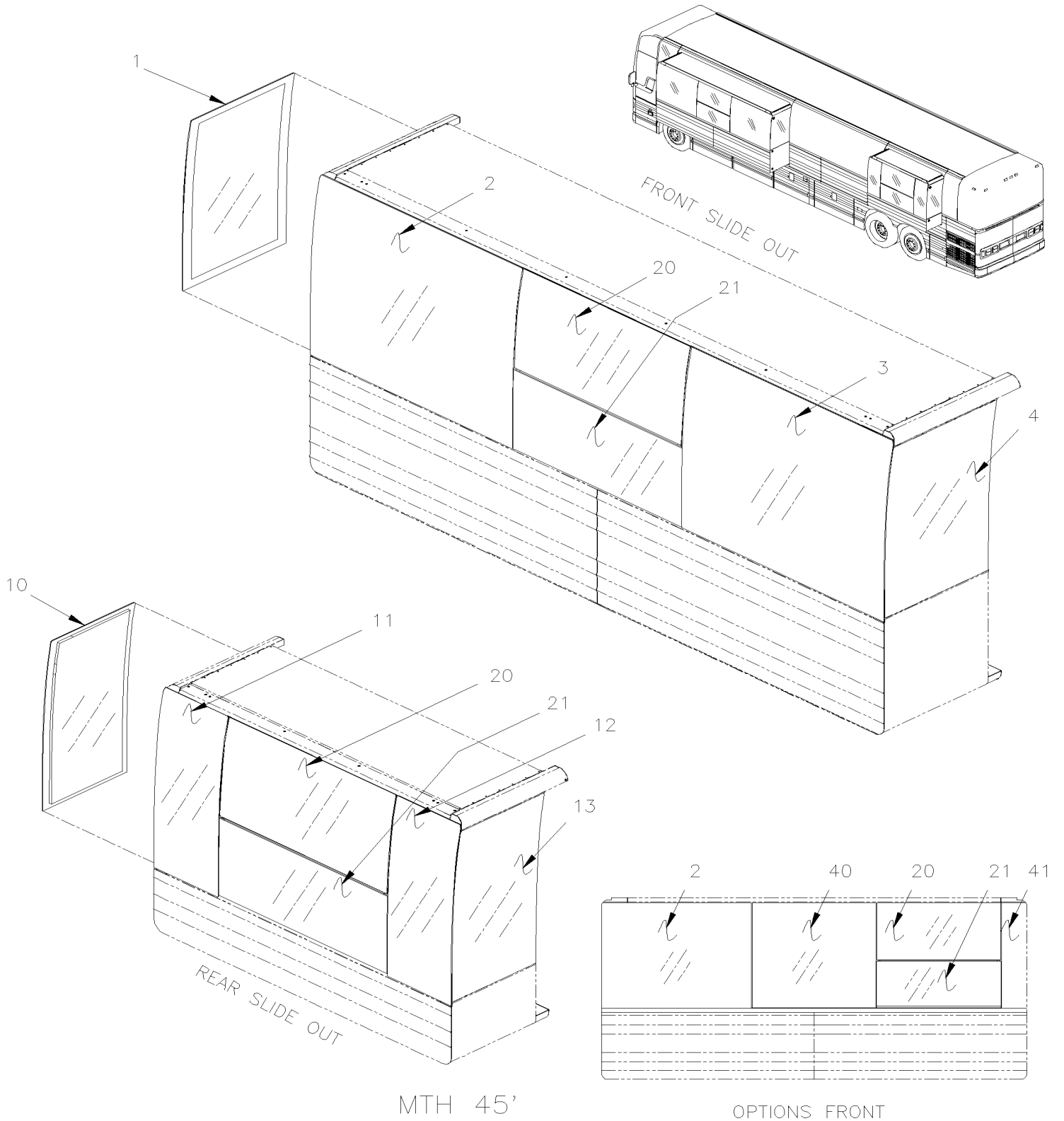


OPTIONS FRONT

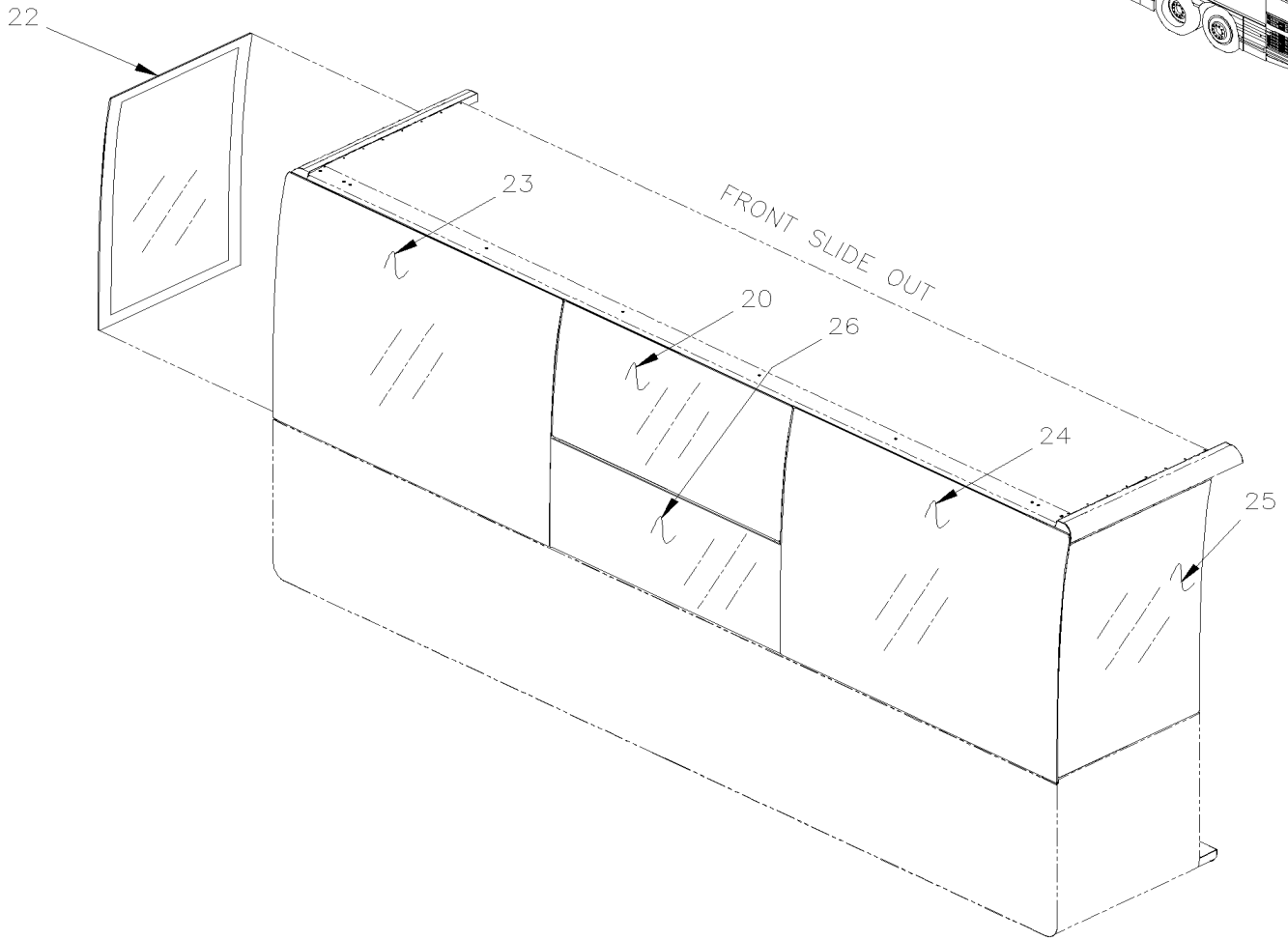
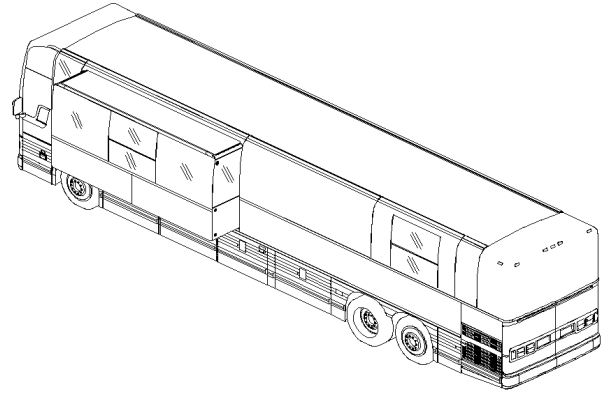
SIDE WINDOW - "SLIDE-OUT"

| Item# | Part | Description | X L I I 4 5 | X L I I M T H 4 0 | X L I I M T H 4 5 | X L I I M T H 4 5 E | NOTES |
|-------|-------------------|---|----------------------------|---|---|--|-------|
| 1 | 690168 | GLASS, THERMO 13% / FRONT SIDE To 3-8129 | | | 1 | | |
| 1 | 296974 | GLASS, THERMO 13% / FRONT SIDE From 3-8130 | | | 1 | | |
| 1 | 690167 | GLASS, SINGLE 13% / FRONT SIDE To 3-8129 | | | 1 | | |
| 1 | 296982 | GLASS, SINGLE 13% / FRONT SIDE From 3-8130 | | | 1 | | |
| 2 | 690171 | GLASS, THERMOS 13% / FRONT / 1561MM To 3-8129 | | | 1 | | |
| 2 | 296973 | GLASS, THERMOS 13% / FRONT / 1561MM From 3-8130 | | | 1 | | |
| 2 | 690154 | GLASS, SINGLE 13% / FRONT / 1561MM | | | 1 | | |
| 3 | 690172 | GLASS, THERMOS 13% / REAR / 1561MM To 3-8129 | | | 1 | | |
| 3 | 296970 | GLASS, THERMOS 13% / REAR / 1561MM From 3-8130 | | | 1 | | |
| 3 | 690155 | GLASS, SINGLE 13% / REAR / 1561MM To 3-8129 | | | 1 | | |
| 4 | 690166 | GLASS, SINGLE 13% / REAR SIDE To 3-8129 | | | 1 | | |
| 4 | 690169 | GLASS, THERMO 13% / REAR SIDE To 3-8129 | | | 1 | | |
| 4 | 296969 | GLASS, THERMO 13% / REAR SIDE From 3-8130 | | | 1 | | |
| 5 | 690254 | GLASS, SINGLE 13% / REAR / 266MM To 3-8129 | | | 1 | | |
| 6 | 690170 | GLASS, THERMOS 13% / CENTER / 1287.4MM x 1191MM To 3-8129 | | | 1 | | |
| 6 | 296977 | GLASS, THERMOS 13% / CENTER / 1287.4MM From 3-8130 | | | 1 | | |
| 6 | 690151 | GLASS, SINGLE 13% / CENTER / 1287.4MM x 1191MM To 3-8129 | | | 1 | | |
| 7 | 690253 | GLASS, SINGLE 13% / FRONT / 266MM To 3-8129 | | | 1 | | |
| 10 | 690164 | GLASS, THERMO 13% / FRONT SIDE To 3-8129 | | | 1 | | |
| 10 | 296979 | GLASS, THERMO 13% / FRONT SIDE From 3-8130 | | | 1 | | |
| 10 | 690162 | GLASS, SINGLE 13% / FRONT SIDE To 3-8129 | | | 1 | | |
| 10 | 296981 | GLASS, SINGLE 13% / FRONT SIDE From 3-8130 | | | 1 | | |
| 11 | 690177 | GLASS, THERMOS 13% / FRONT / 494MM To 3-8129 | | | 1 | | |
| 11 | 296976 | GLASS, THERMOS 13% / FRONT / 494MM From 3-8130 | | | 1 | | |
| 11 | 690173 | GLASS, SINGLE 13% / FRONT / 494MM To 3-8129 | | | 1 | | |
| 12 | 690178 | GLASS, THERMOS 13% / REAR / 494MM To 3-8129 | | | 1 | | |
| 12 | 296978 | GLASS, THERMOS 13% / REAR / 494MM From 3-8130 | | | 1 | | |
| 12 | 690174 | GLASS, SINGLE 13% / REAR / 494MM To 3-8129 | | | 1 | | |
| 13 | 690165 | GLASS, THERMO 13% / REAR SIDE To 3-8129 | | | 1 | | |
| 13 | 296980 | GLASS, THERMO 13% / REAR SIDE From 3-8130 | | | 1 | | |
| 13 | 690163 | GLASS, SINGLE 13% / REAR SIDE To 3-8129 | | | 1 | | |
| 20 | 690161 | GLASS, THERMOS 13% / UPPER / 1287.4MM To 3-8129 | | | 1 | | |
| 20 | 296971 | GLASS ASSY, THERMOS 13% / UPPER / 1287.4MM From 3-8130 | | | 1 | | |
| 20 | 690160 | GLASS, SINGLE 13% / UPPER / 1287.4MM To 3-8129 | | | 1 | | |
| 21 | Y2-1884-60 | AWNING WINDOW - MTH | | | | | |
| 21 | 790458 | SLIDING WINDOW L.H. - MTH | | | | | |
| 22 | 690170 | GLASS, THERMOS 13% / CENTER / 1287.4MM x 1191MM To 3-8129 | | | 1 | | |
| 22 | 296977 | GLASS, THERMOS 13% / CENTER / 1287.4MM From 3-8130 | | | 1 | | |
| 22 | 690151 | GLASS, SINGLE 13% / CENTER / 1287.4MM x 1191MM To 3-8129 | | | 1 | | |
| | | | | | | | |
| | | | | | | | |
| | | | | | | | |

| | | |
|---------------------------|--------------|-----------------|
| | Date:10/2022 | PAGE:Y2-1884-91 |
| SIDE WINDOW - "SLIDE-OUT" | | |



| | | |
|---------------------------|--------------|-----------------|
| | Date:10/2022 | PAGE:Y2-1884-91 |
| SIDE WINDOW - "SLIDE-OUT" | | |



MTH 45' ENT.

| | | |
|----------------------------------|--------------|-----------------|
| | Date:10/2022 | PAGE:Y2-1884-91 |
| SIDE WINDOW - "SLIDE-OUT" | | |

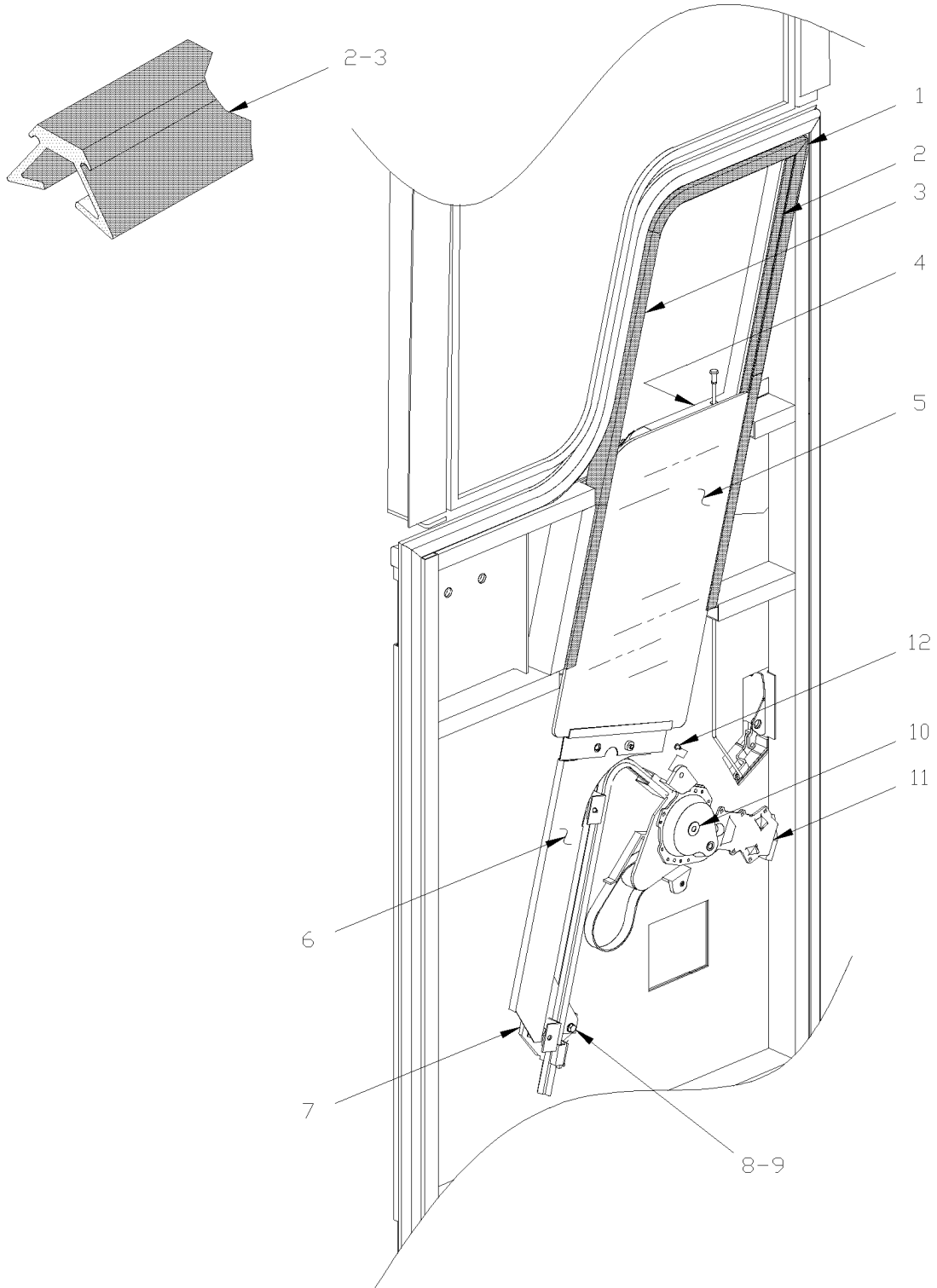
| Item# | Part | Description | X L I I 4 5 | X L I I M T H 4 0 | X L I I M T H 4 5 | X L I I M T H 4 5 E | N O T E S |
|-------|-------------------|--|----------------------------|---|---|--|-----------------------|
| 1 | 293411 | GLASS, THERMOS 13% / FRONT SIDE / 800MM | | | 1 | | |
| 2 | 293412 | GLASS, THERMOS 13% / FRONT / 1561MM | | | 1 | | |
| 3 | 293414 | GLASS, THERMOS 13% / REAR / 1561MM | | | 1 | | |
| 4 | 293415 | GLASS, THERMOS 13% / REAR SIDE / 800MM | | | 1 | | |
| 10 | 293418 | GLASS, THERMOS 13% / FRONT SIDE / 648MM | | | 1 | | |
| 11 | 293419 | GLASS, THERMOS 13% / FRONT / 495MM | | | 1 | | |
| 12 | 293420 | GLASS, THERMOS 13% / REAR / 495MM | | | 1 | | |
| 13 | 293421 | GLASS, THERMOS 13% / REAR SIDE / 648MM | | | 1 | | |
| 20 | 293413 | GLASS ASSY, THERMOS 13% / UPPER / 1287.4MM To 7-9188 | | | 1 | 1 | |
| 20 | 293928 | GLASS ASSY, THERMOS 13% / UPPER / 1287.4MM From 7-9189 To 7-9287 | | | 1 | 1 | S |
| 20 | 293929 | GLASS ASSY, THERMOS 13% / UPPER / 1287.4MM From 7-9288 | | | 1 | 1 | W |
| 21 | Y2-1884-65 | ELECTRICAL AWNING WINDOW ASSY | | | | | |
| 21 | Y2-1884-80 | ELECTRICAL SLIDING WINDOW ASSY | | | | | |
| 22 | 293418 | GLASS, THERMOS 13% / FRONT SIDE / 648MM | | | | 1 | |
| 23 | 293832 | GLASS, THERMOS 13% / FRONT / 1125MM | | | | 1 | |
| 24 | 293833 | GLASS, THERMOS 13% / REAR / 1125MM | | | | 1 | |
| 25 | 293421 | GLASS, THERMOS 13% / REAR SIDE / 648MM | | | | 1 | |
| 26 | 790458 | SLIDING WINDOW L.H. - MTH | | | | | |
| 26 | Y2-1884-80 | ELECTRICAL SLIDING WINDOW ASSY | | | | | |
| 30 | 293281 | RUBBER SEAL EXTRUSION / ADHESIVE / LOWER WINDOW | | | AR | AR | |
| 31 | 506002 | TAPE RUB ADH1 CC POL 3/16" x 1/2" x 40' / GREY 2520 | | | AR | AR | |
| 32 | 506228 | TAPE RUB ADH1 CC POL 1/4" x 1/2" x 37.5' / GREY 2520X | | | AR | AR | |
| 33 | 683447 | ADHESIVE SIKATAK PLUS / BLACK / 23 Liters | | | AR | AR | |
| 40 | 293433 | GLASS, THERMOS 13% / CENTER / 1287MM | | | 1 | | |
| 41 | Y2-1854-91 | SIDE PANELS - "SLIDE-OUT" | | | | | |
| | | | | | | | |
| | | | | | | | |
| | | | | | | | |
| | | S) WITH 65MM BLOCK OFF LOWER 55 FULL + 10 DOT | | | | | |
| | | W) WITH 80MM BLOCK OFF LOWER 70 FULL + 10 DOT | | | | | |

From Y-7046 To 6-8901

Date:10/2022

PAGE:Y2-1886-00

POWER WINDOW - ELECTRICAL INSTALLATION



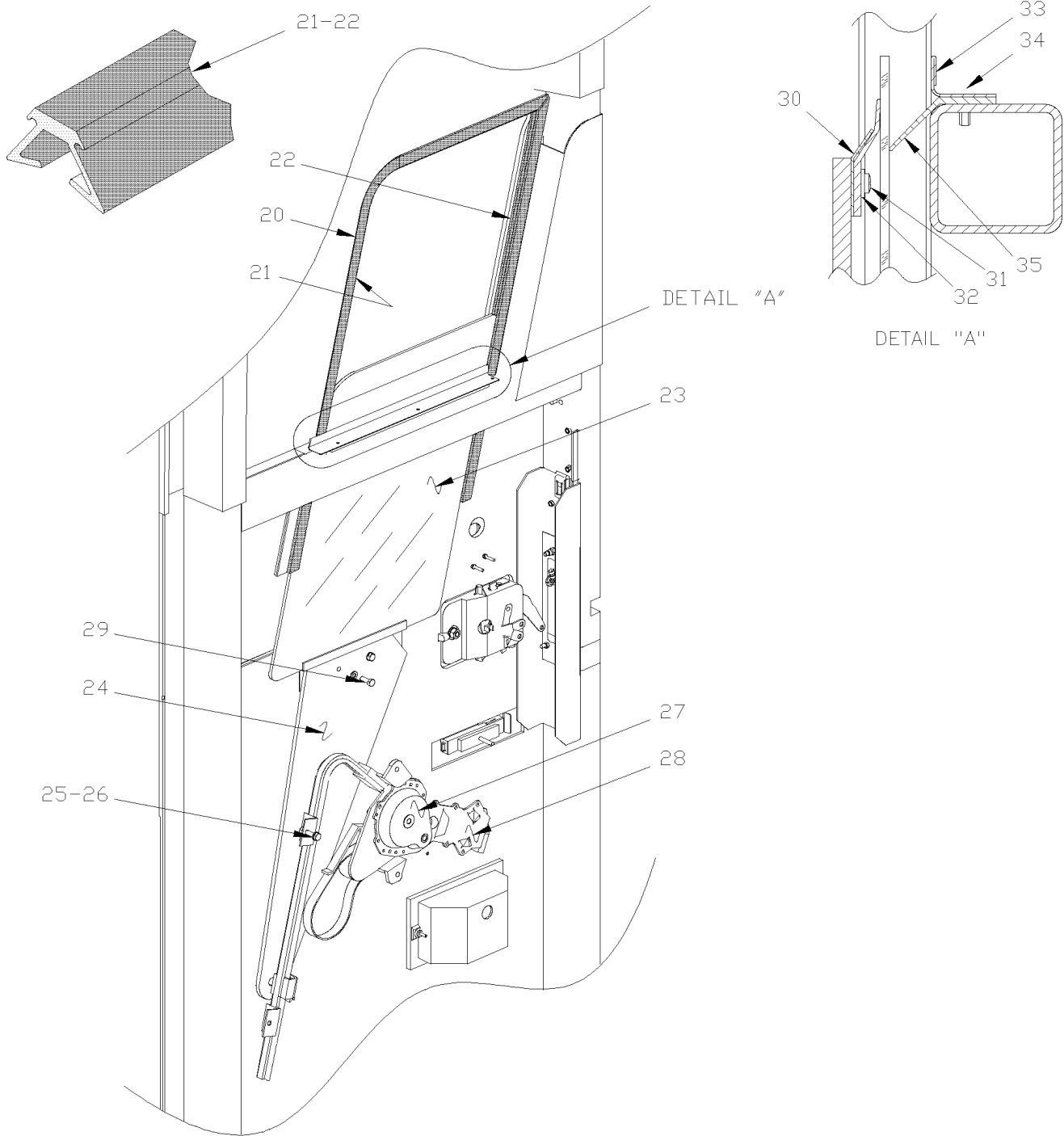
FRONT SERVICE DOOR

From Y-7046 To 6-8901

Date:10/2022

PAGE:Y2-1886-00

POWER WINDOW - ELECTRICAL INSTALLATION



ENTRANCE DOOR - MTH

| | | |
|-----------------------|--------------|-----------------|
| From Y-7046 To 6-8901 | Date:10/2022 | PAGE:Y2-1886-00 |
|-----------------------|--------------|-----------------|

POWER WINDOW - ELECTRICAL INSTALLATION

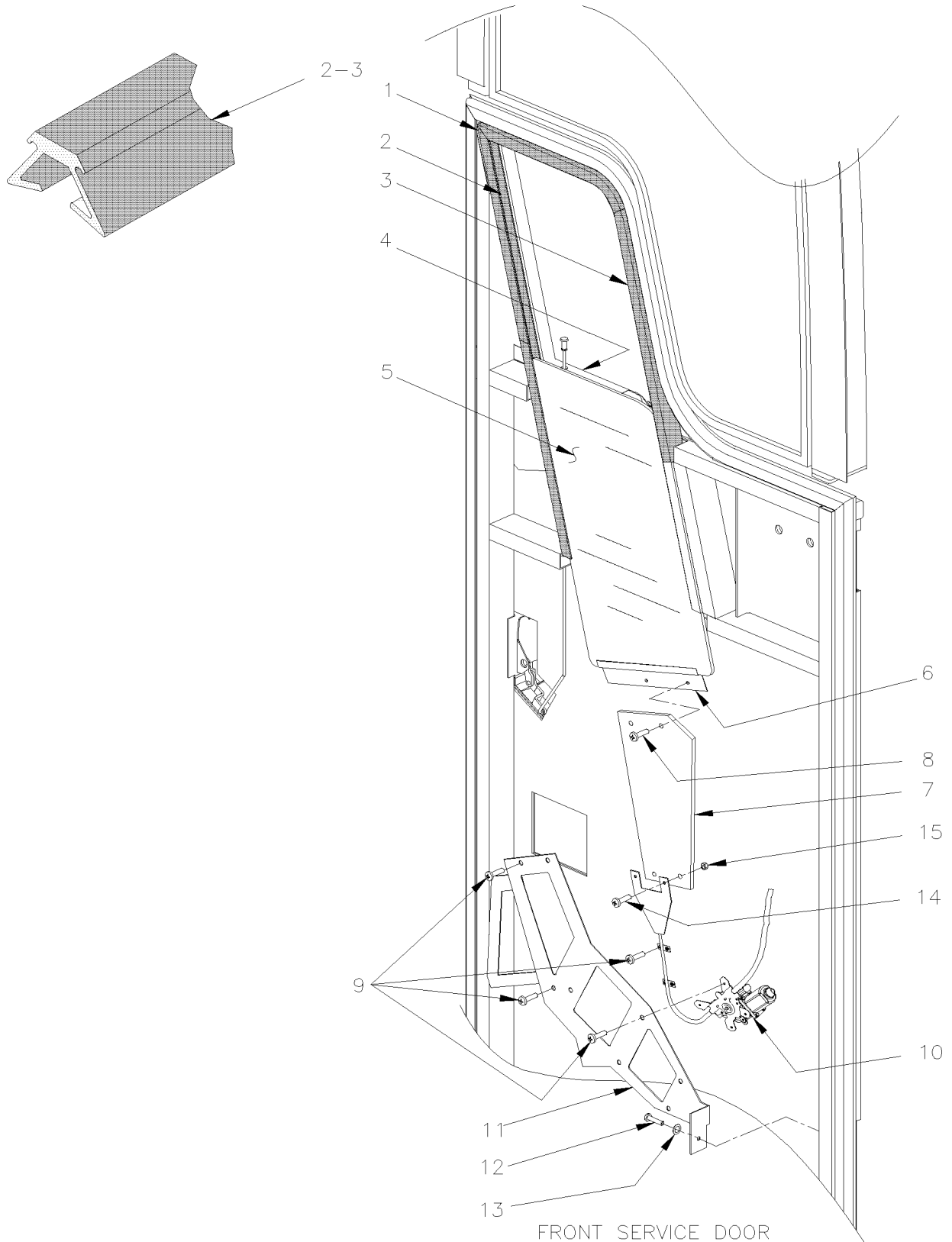
| Item# | Part | Description | X L I I 4 5 | X L I I M T H 4 0 | X L I I M T H 4 5 | X L I I M T H 4 5 E | N O T E S |
|-------|---------|---|----------------------------|---|---|--|-----------------------|
| 1 | 285983 | WINDOW TRACK | 1 | 1 | 1 | 1 | |
| 2 | 286440 | FELT SLIDING 677MM | 1 | 1 | 1 | 1 | |
| 3 | 286439 | FELT SLIDING 930MM | 1 | 1 | 1 | 1 | |
| 4 | 286419 | FLAP SEAL / 25MM x 260MM | 2 | 2 | 2 | 2 | |
| 5 | 286212 | GLASS ASSY W/SUPPORT | 1 | 1 | 1 | 1 | |
| 6 | 286087 | DIAGONNAL SUPPORT | 1 | 1 | 1 | 1 | |
| 6 | 287908 | DIAGONNAL SUPPORT / 89" ONLY | | | | 1 | |
| 7 | 299048 | PLATE, ANCHOR | 1 | 1 | 1 | 1 | |
| 8 | 5001181 | SCREW CAP HEX M6-1.0x12 SS | 2 | 2 | 2 | 2 | |
| 9 | 502570 | WASHER LO SPT 6.1x11.8x1.6 SS | 2 | 2 | 2 | 2 | |
| 10 | 286415 | MOTOR & REGULATOR ASSY | 1 | 1 | 1 | 1 | |
| 11 | 790336 | . MOTOR ASSY / 12V / WINDOW R | 1 | 1 | 1 | 1 | |
| 11 | 197925 | . MOTOR ASSY / 12V / WINDOW R | 1 | 1 | 1 | 1 | |
| 12 | 5001182 | NUT HEX NYRT M6-1.0 SS | 4 | 4 | 4 | 4 | |
| 20 | 293088 | MOULDING | | 1 | 1 | 1 | |
| 21 | 293211 | FELT SLIDING 923MM | | 1 | 1 | 1 | |
| 22 | 293210 | FELT SLIDING 597MM | | 1 | 1 | 1 | |
| 23 | 286196 | GLASS ASSY W/SUPPORT | | 1 | 1 | 1 | |
| 24 | 286138 | SUPPORT PLASTIC | | 1 | 1 | 1 | |
| 24 | 286738 | SUPPORT PLASTIC / MTH 89" ONLY | | | | 1 | |
| 25 | 502622 | SCREW CAP HEX M6-1.0x20 SS BK | | 4 | 4 | 4 | |
| 26 | 502573 | WASHER FL 6.4x12.5x1.6 SS | | 4 | 4 | 4 | |
| 27 | 286193 | MOTOR & REGULATOR ASSY | | 1 | 1 | 1 | |
| 28 | 790336 | . MOTOR ASSY / 12V / WINDOW R | | 1 | 1 | 1 | |
| 28 | 197925 | . MOTOR ASSY / 12V / WINDOW R | | 1 | 1 | 1 | |
| 29 | 502806 | SCREW MA FL PH M6-1.0x10 Z050 | | 2 | 2 | 2 | |
| 30 | 286993 | FLAP SEAL GLASS ASSY | | 1 | 1 | 1 | |
| 30 | 286992 | . FLAP SUPPORT | | 1 | 1 | 1 | |
| 30 | 286235 | . FLAP SEAL 3/4" x 7/8" / PVC / 335MM To 2-7799 | | 1 | 1 | 1 | |
| 30 | 288063 | . FLAP SEAL / W/FLOCKING 37.6MM x 335MM From 2-7800 | | 1 | 1 | 1 | |
| 31 | 955223 | SCREW CAP HEX M4-0.7x6 G8.8 ZP | | 4 | 4 | 4 | |
| 32 | 500989 | WASHER FL .219x.875x.062 Z050 | | 4 | 4 | 4 | |
| 33 | 286717 | JOINT SUPPORT 345MM SS | | 1 | 1 | 1 | |
| 34 | 500124 | SCREW TP TR PH #8x1/2 SS | | 3 | 3 | 3 | |
| 35 | 286235 | FLAP SEAL 3/4" x 7/8" / PVC / 335MM To 2-7799 | | 3 | 3 | 3 | |
| 35 | 288063 | FLAP SEAL / W/FLOCKING 37.6MM x 335MM From 2-7800 | | 1 | 1 | 1 | |
| 40 | 680066 | ADHESIVE / ADBOND #5014 / 23.6ML BOTTLE | | AR | AR | AR | |
| | | | | | | | |
| | | | | | | | |
| | | | | | | | |

From 6-8902 To 8-9339

Date:10/2022

PAGE:Y2-1886-01

POWER WINDOW - ELECTRICAL INSTALLATION

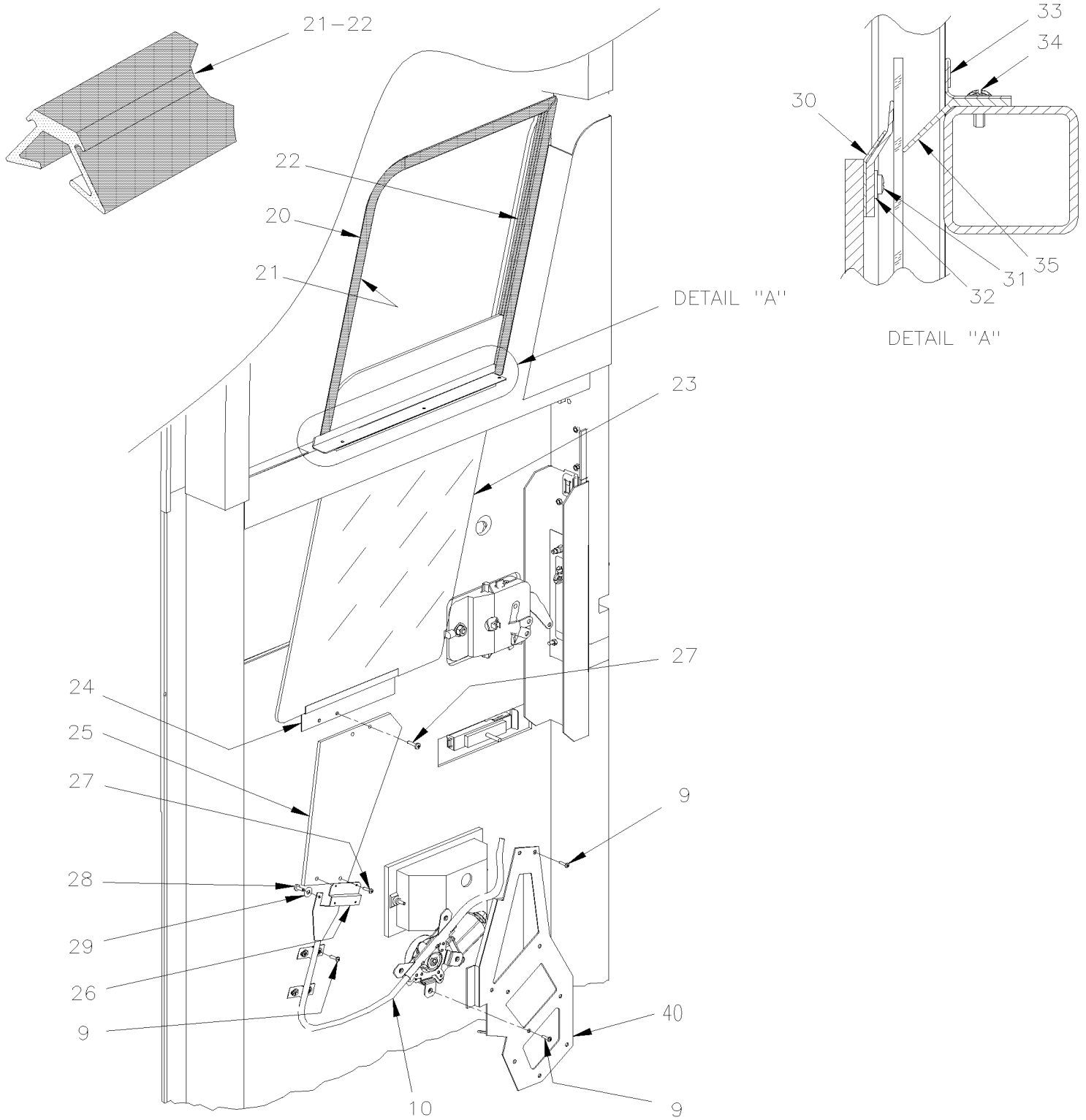


From 6-8902 To 8-9339

Date:10/2022

PAGE:Y2-1886-01

POWER WINDOW - ELECTRICAL INSTALLATION



ENTRANCE DOOR - MTH

| | | |
|-----------------------|--------------|-----------------|
| From 6-8902 To 8-9339 | Date:10/2022 | PAGE:Y2-1886-01 |
|-----------------------|--------------|-----------------|

POWER WINDOW - ELECTRICAL INSTALLATION

| Item# | Part | Description | X L I I 4 5 | X L I I M T H 4 0 | X L I I M T H 4 5 | X L I I M T H 4 5 E | NOTES |
|-------|---------|---|----------------------------|---|---|--|-------|
| | | THIS POWER WINDOW FIT ALSO ON MTH-40' FOR SERVICE | | | | | |
| 1 | 285983 | WINDOW TRACK | 1 | 1 | 1 | 1 | |
| 2 | 286440 | FELT SLIDING 677MM | 1 | 1 | 1 | 1 | |
| 3 | 286439 | FELT SLIDING 930MM | 1 | 1 | 1 | 1 | |
| 4 | 286419 | FLAP SEAL / 25MM x 260MM | 2 | 2 | 2 | 2 | |
| 5 | 286212 | GLASS ASSY W/SUPPORT | 1 | 1 | 1 | 1 | |
| 6 | 293194 | . SUPPORT ASSY | 1 | 1 | 1 | 1 | |
| 7 | 293852 | SUPPORT TRANSITION PLASTIC | 1 | 1 | 1 | 1 | |
| 7 | 293857 | SUPPORT TRANSITION PLASTIC / MTH 89" ONLY | | | | 1 | |
| 8 | 5001633 | SCREW MA FL PH M6-1.0x12 Z050 | 2 | 2 | 2 | 2 | |
| 9 | 500541 | SCREW MA FL PH 1/4-20x1/2 SS BK | 8 | 8 | 8 | 8 | |
| 10 | 790500 | MOTOR & REGULATOR ASSY / SERIES "XL-II" | 1 | 1 | 1 | 1 | |
| 11 | 293856 | SUPPORT MOTOR SERVICE DOOR / BUS To 6-8906 | 1 | | | | |
| 11 | 293850 | SUPPORT MOTOR SERVICE DOOR / MTH 86" & 89" | | | 1 | 1 | |
| 12 | 502857 | WASHER LO SERR 8.2x26.3x1.8 N500 | 1 | 1 | 1 | 1 | |
| 13 | 5001433 | SCREW CAP HEX M6-1.0x25 SS | 1 | 1 | 1 | 1 | |
| 14 | 955271 | SCREW CAP HEX M6-1.0x16 G8.8 ZG603 | 2 | 2 | 2 | 2 | |
| 15 | 5001182 | NUT HEX NYRT M6-1.0 SS | 2 | 2 | 2 | 2 | |
| 20 | 293088 | MOULDING | | | 1 | 1 | |
| 21 | 293211 | FELT SLIDING 923MM | | | 1 | 1 | |
| 22 | 293210 | FELT SLIDING 597MM | | | 1 | 1 | |
| 23 | 286196 | GLASS ASSY W/SUPPORT | | | 1 | 1 | |
| 24 | 299049 | . SUPPORT ASSY | | | 1 | 1 | |
| 25 | 293849 | SUPPORT TRANSITION PLASTIC / MTH 86" | | | 1 | 1 | |
| 25 | 293861 | SUPPORT TRANSITION PLASTIC / MTH 89" ONLY | | | | 1 | |
| 26 | 293845 | ATTACHMENT ASSY W/NUTS WINDOW "Z" SHAPE | | | 1 | 1 | |
| 27 | 5001633 | SCREW MA FL PH M6-1.0x12 Z050 | | | 4 | 4 | |
| 28 | 5001181 | SCREW CAP HEX M6-1.0x12 SS | | | 2 | 2 | |
| 29 | 502570 | WASHER LO SPT 6.1x11.8x1.6 SS | | | 2 | 2 | |
| 30 | 286993 | FLAP SEAL GLASS ASSY | | | 1 | 1 | |
| 30 | 286992 | . FLAP SUPPORT | | | 1 | 1 | |
| 30 | 288063 | . FLAP SEAL / W/FLOCKING 37.6MM x 335MM | | | 1 | 1 | |
| 31 | 955223 | SCREW CAP HEX M4-0.7x6 G8.8 ZP | | | 4 | 4 | |
| 32 | 500989 | WASHER FL .219x.875x.062 Z050 | | | 4 | 4 | |
| 33 | 286717 | JOINT SUPPORT 345MM SS | | | 1 | 1 | |
| 34 | 500124 | SCREW TP TR PH #8x1/2 SS | | | 3 | 3 | |
| 35 | 288063 | FLAP SEAL / W/FLOCKING 37.6MM x 335MM | | | 1 | 1 | |
| 36 | 502622 | SCREW CAP HEX M6-1.0x20 SS BK | | | 4 | 4 | |
| 36 | 502573 | WASHER FL 6.4x12.5x1.6 SS | | | 4 | 4 | |
| 39 | 502806 | SCREW MA FL PH M6-1.0x10 Z050 | | | 2 | 2 | |

| | | | |
|-----------------------|--|--------------|-----------------|
| From Y-7046 To 8-9339 | | Date:10/2022 | PAGE:Y2-1890-00 |
| ROOF STRUCTURE | | | |

| Item# | Part | Description | X L I I 4 5 | X L I I M T H 4 0 | X L I I M T H 4 5 | X L I I M T H 4 5 E | N O T E S |
|-------|--------|--|----------------------------|---|---|--|-----------------------|
| 1 | 271290 | ARCH / ROOF 1932.7MM (76") To 3-7990 | | 8 | | | |
| 1 | 271290 | ARCH / ROOF 1932.7MM (76") To 3-7990 | 9 | | 9 | 9 | |
| 1 | 271634 | ARCH / ROOF 1932.7MM (76") From 3-7991 To 5-8813 | | 8 | | | |
| 1 | 271634 | ARCH / ROOF 1932.7MM (76") From 3-7991 | 9 | | 9 | 9 | |
| 2 | 271291 | ARCH / ROOF 1932.7MM (76") To 1-7265 | | 8 | | | |
| 2 | 271420 | ARCH / ROOF 1932.7MM (76") From 1-7266 | | 8 | | | |
| 2 | 271635 | ARCH / ROOF 1932.7MM (76") From 3-7991 To 5-8813 | | 8 | | | |
| 2 | 271291 | ARCH / ROOF 1932.7MM (76") To 1-7265 | 9 | | 9 | 9 | |
| 2 | 271420 | ARCH / ROOF 1932.7MM (76") From 1-7266 | 9 | | 9 | 9 | |
| 3 | 271074 | FORM / BETWEEN ARCH 600.6MM (23.63") To 3-7990 | 2 | 2 | 2 | 2 | |
| 3 | 271613 | FORM / BETWEEN ARCH 600.6MM (23.64") From 3-7991 | 2 | 2 | 2 | 2 | |
| 4 | 271073 | FORM / BETWEEN ARCH 619.6MM (24.39") To 3-7990 | 4 | 4 | 4 | 4 | |
| 4 | 271612 | FORM / BETWEEN ARCH 619.6MM (24.39") From 3-7991 | 4 | 4 | 4 | 4 | |
| 5 | 271082 | FORM / BETWEEN ARCH 802.0MM (31.57") To 3-7990 | 4 | 4 | 4 | 4 | |
| 5 | 271615 | FORM / BETWEEN ARCH 802.0MM (31.57") From 3-7991 | 4 | 4 | 4 | 4 | |
| 6 | 271081 | FORM / BETWEEN ARCH 37.3MM (17.21") To 3-7990 | 4 | 4 | 4 | 4 | |
| 6 | 271614 | FORM / BETWEEN ARCH 437.3MM (17.21") From 3-7991 | 4 | 4 | 4 | 4 | |
| 7 | 271156 | FORM / BETWEEN ARCH 619.6MM (24.39") To 3-7990 | | 16 | | | |
| 7 | 271156 | FORM / BETWEEN ARCH 619.6MM (24.39") To 3-7990 | 20 | | 20 | 20 | |
| 7 | 271616 | FORM / BETWEEN ARCH 619.6MM (24.39") From 3-7991 To 5-8813 | | 16 | | | |
| 7 | 271616 | FORM / BETWEEN ARCH 619.6MM (24.39") From 3-7991 | 20 | | 20 | 20 | |
| 8 | 271168 | ROOF L.H. CORNER ASSY To 5-8813 | | 1 | | | |
| 8 | 271170 | ROOF L.H. CORNER ASSY | 1 | | 1 | 1 | |
| 9 | 271167 | ROOF R.H. CORNER ASSY To 5-8813 | | 1 | | | |
| 9 | 271169 | ROOF R.H. CORNER ASSY | 1 | | 1 | 1 | |
| 10 | 271151 | FORM / BETWEEN ARCH / L.H. 595.5MM (23.42") To 3-7990 | 1 | 1 | 1 | 1 | |
| 10 | 271611 | FORM / BETWEEN ARCH / L.H. 595.5MM (23.42") From 3-7991 | 1 | 1 | 1 | 1 | |
| 11 | 271223 | FORM / BETWEEN ARCH / R.H. 595.5MM (23.42") To 3-7990 | 1 | 1 | 1 | 1 | |
| 11 | 271610 | FORM / BETWEEN ARCH / R.H. 595.5MM (23.42") From 3-7991 | 1 | 1 | 1 | 1 | |
| | | | | | | | |
| | | | | | | | |
| | | | | | | | |
| | | | | | | | |

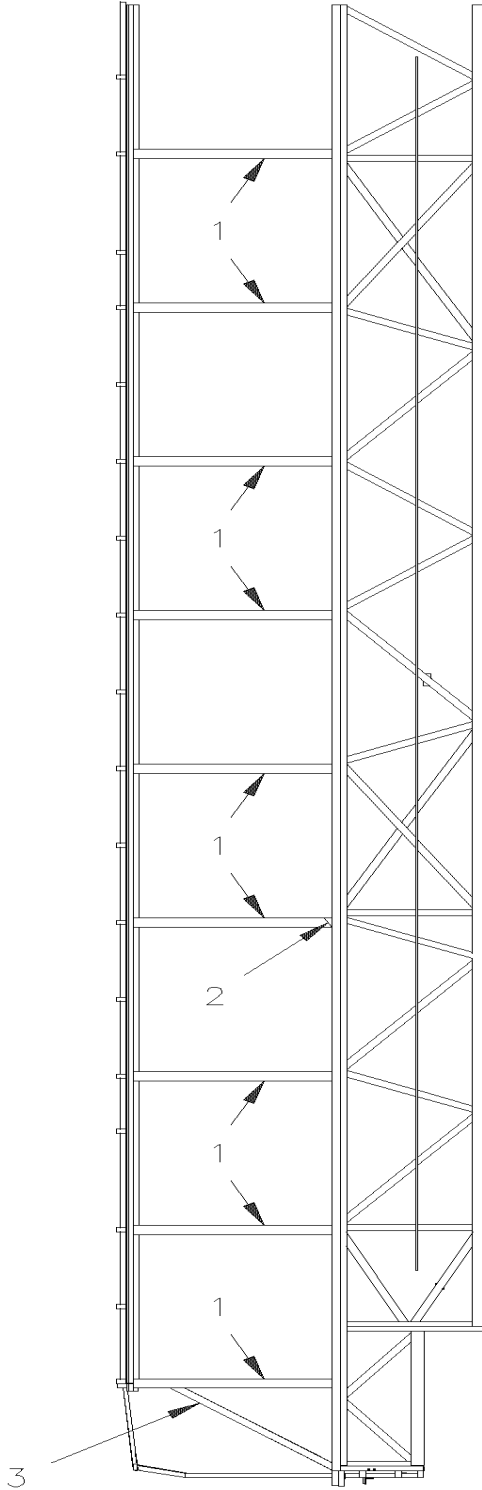
From Y-7046 To 8-9339

Date:10/2022

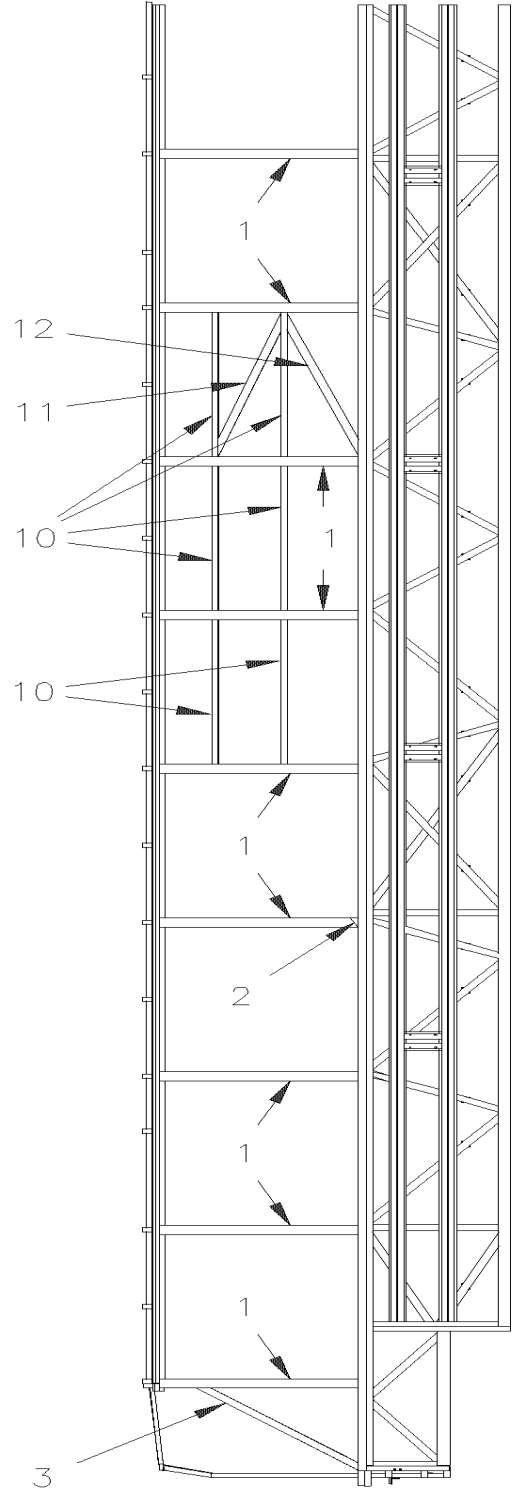
PAGE:Y2-1890-10

STRUCTURE WALL - UPPER

FRONT



BUS



MTH

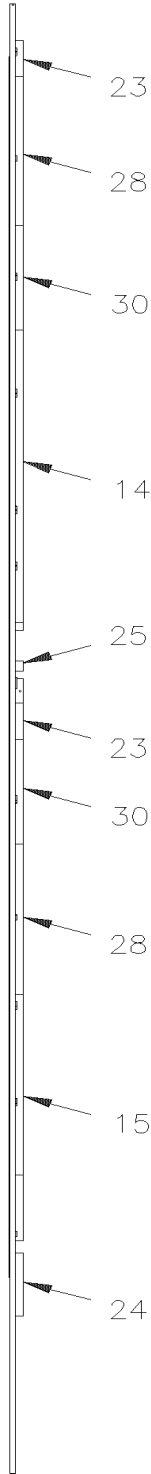
From Y-7046 To 6-8906

Date:10/2022

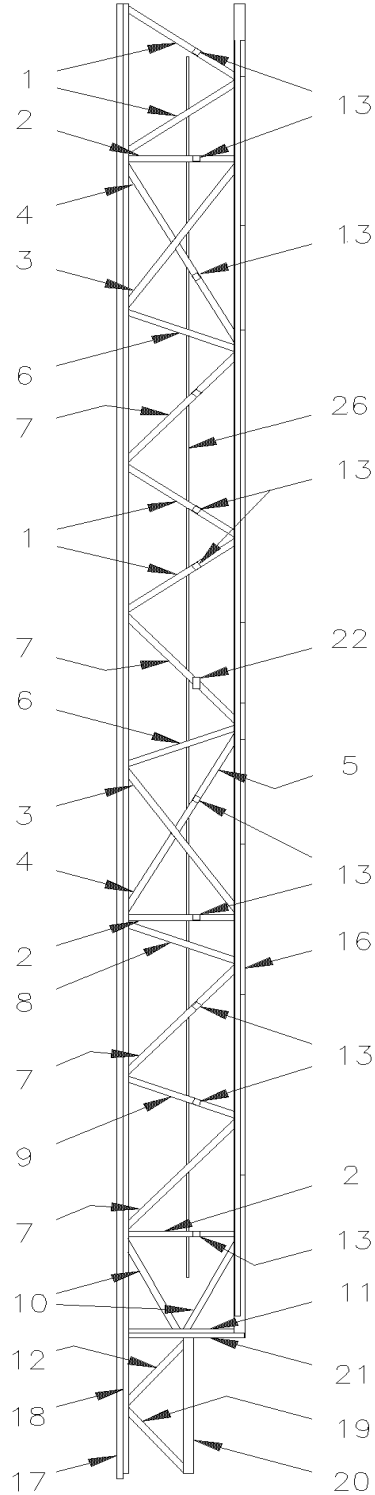
PAGE:Y2-1891-00

LOWER WALL STRUCTURE - BUS

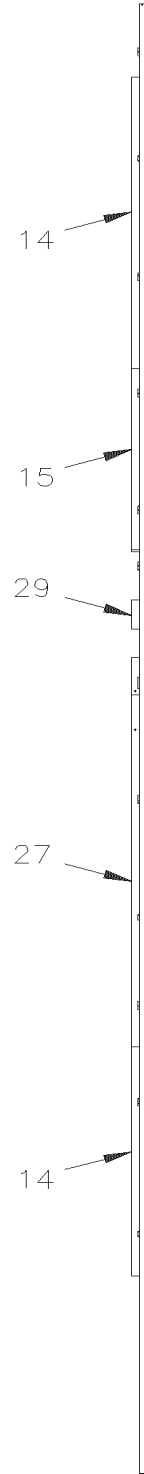
FRONT



TOP VIEW LH



LH FROM INSIDE



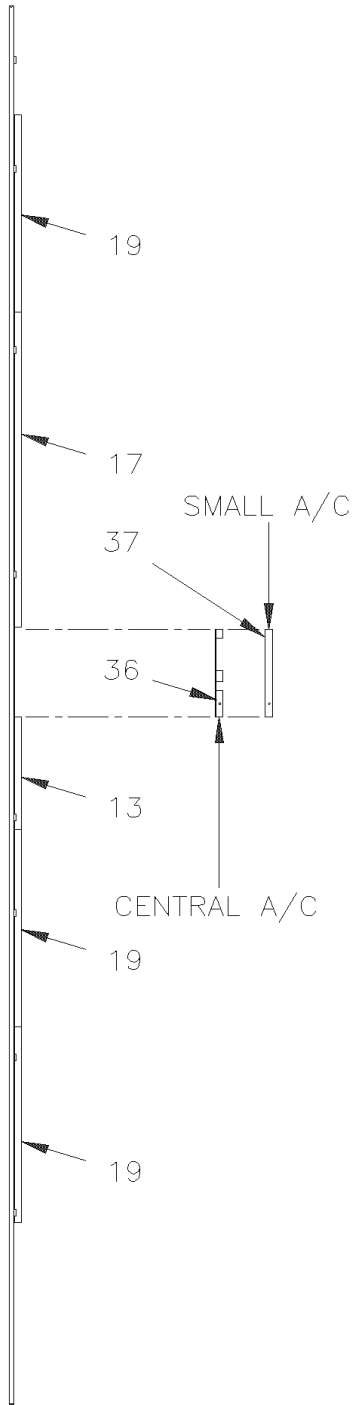
TOP VIEW RH

| | | |
|-----------------------------------|--------------|-----------------|
| From Y-7046 To 6-8906 | Date:10/2022 | PAGE:Y2-1891-00 |
| LOWER WALL STRUCTURE - BUS | | |

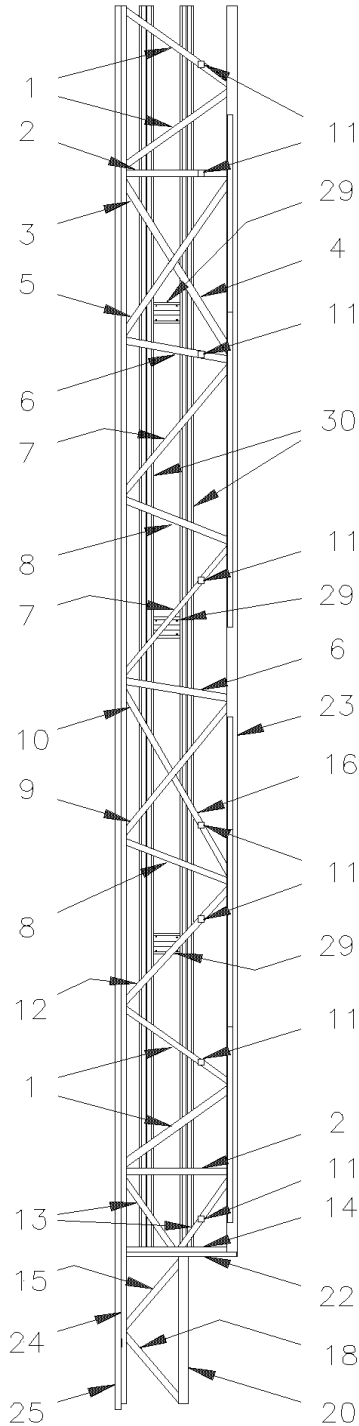
| Item# | Part | Description | X L I I 4 5 | X L I I M T H 4 0 | X L I I M T H 4 5 | X L I I M T H 4 5 E | N O T E S |
|-------|--------|----------------|----------------------------|---|---|--|-----------------------|
| 1 | 231364 | TUBE | 4 | | | | |
| 2 | 231366 | TUBE | 3 | | | | |
| 3 | 231367 | TUBE | 2 | | | | |
| 4 | 231368 | TUBE | 2 | | | | |
| 5 | 231369 | TUBE | 2 | | | | |
| 6 | 231370 | TUBE | 2 | | | | |
| 7 | 231371 | TUBE | 4 | | | | |
| 8 | 231372 | TUBE | 1 | | | | |
| 9 | 231373 | TUBE | 1 | | | | |
| 10 | 231374 | TUBE | 2 | | | | |
| 11 | 231577 | TUBE | 1 | | | | |
| 12 | 231377 | TUBE | 1 | | | | |
| 13 | 231469 | SUPPORT SINGLE | 11 | | | | |
| 14 | 231222 | ANGLE | 1 | | | | |
| 15 | 231319 | ANGLE | 1 | | | | |
| 16 | 231460 | TUBE | AR | | | | |
| 17 | 231458 | TUBE | AR | | | | |
| 18 | 231459 | TUBE | AR | | | | |
| 19 | 231454 | TUBE | 1 | | | | |
| 20 | 231215 | TUBE | 1 | | | | |
| 21 | 231242 | TUBE ASSY | 1 | | | | |
| 22 | 231470 | DOUBLE SUPPORT | 1 | | | | |
| 23 | 231248 | ANGLE | 2 | | | | |
| 24 | 231241 | ANGLE | 1 | | | | |
| 25 | 231353 | ANGLE | 1 | | | | |
| 26 | 231298 | TUBE | AR | | | | |
| 27 | 231246 | ANGLE | 1 | | | | |
| 28 | 231354 | ANGLE | 2 | | | | |
| 29 | 231247 | ANGLE | 1 | | | | |
| 30 | 231276 | ANGLE | 2 | | | | |
| | | | | | | | |
| | | | | | | | |
| | | | | | | | |

| | | |
|---------------------------------------|--------------|-----------------|
| From Y-7046 To 5-8813 | Date:10/2022 | PAGE:Y2-1891-50 |
| LOWER WALL STRUCTURE - MTH 40' | | |

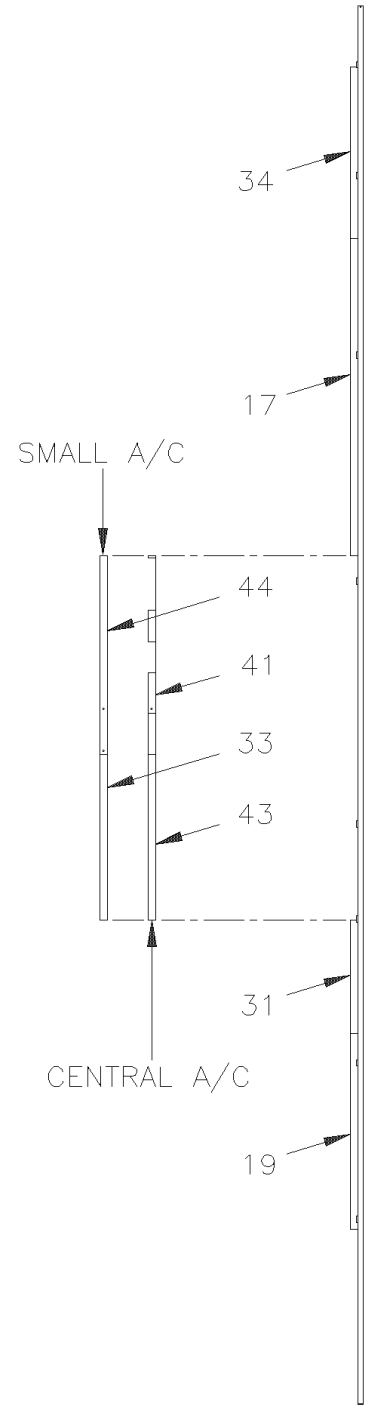
FRONT



TOP VIEW LH



LH FROM INSIDE



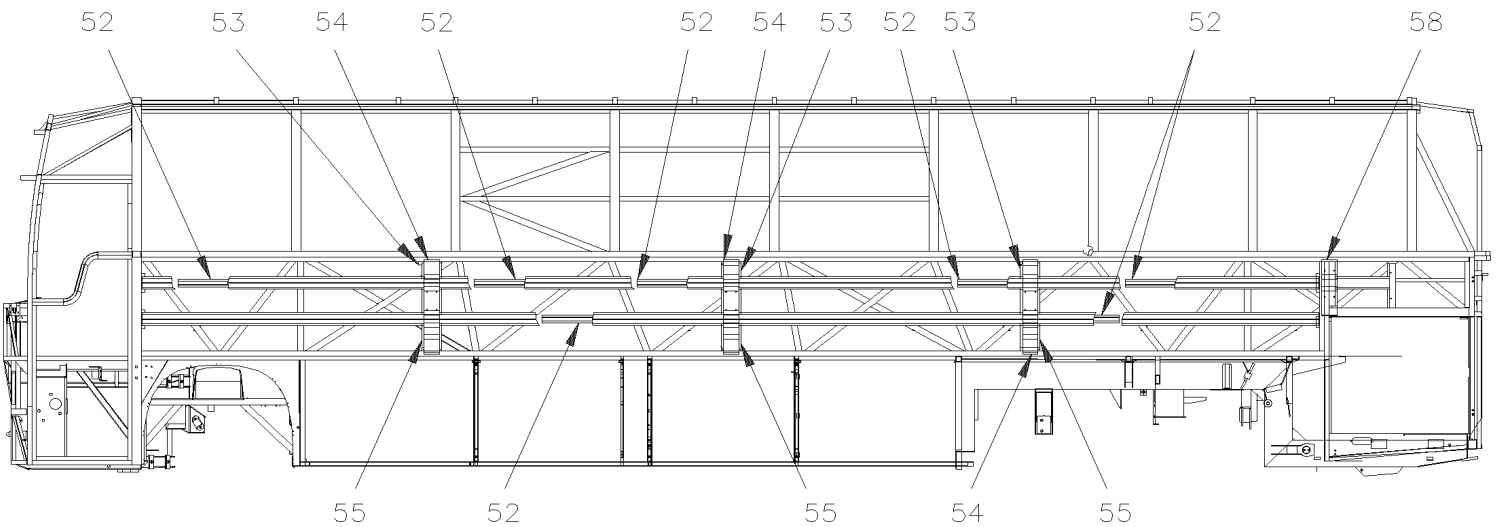
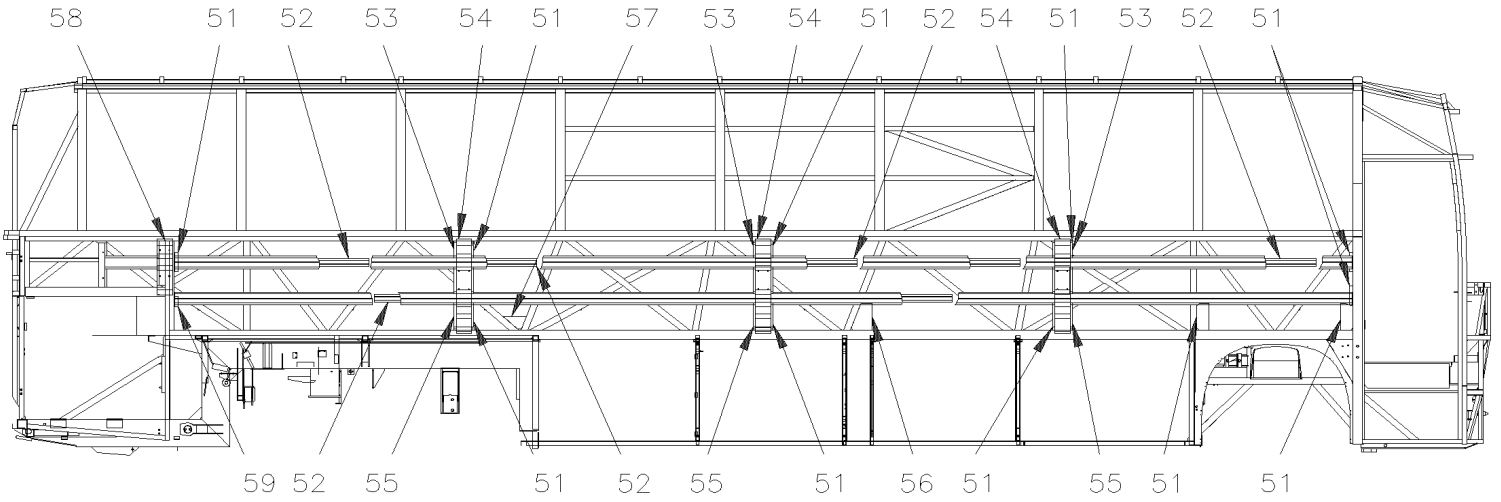
TOP VIEW RH

From Y-7046 To 5-8813

Date:10/2022

PAGE:Y2-1891-50

LOWER WALL STRUCTURE - MTH 40'

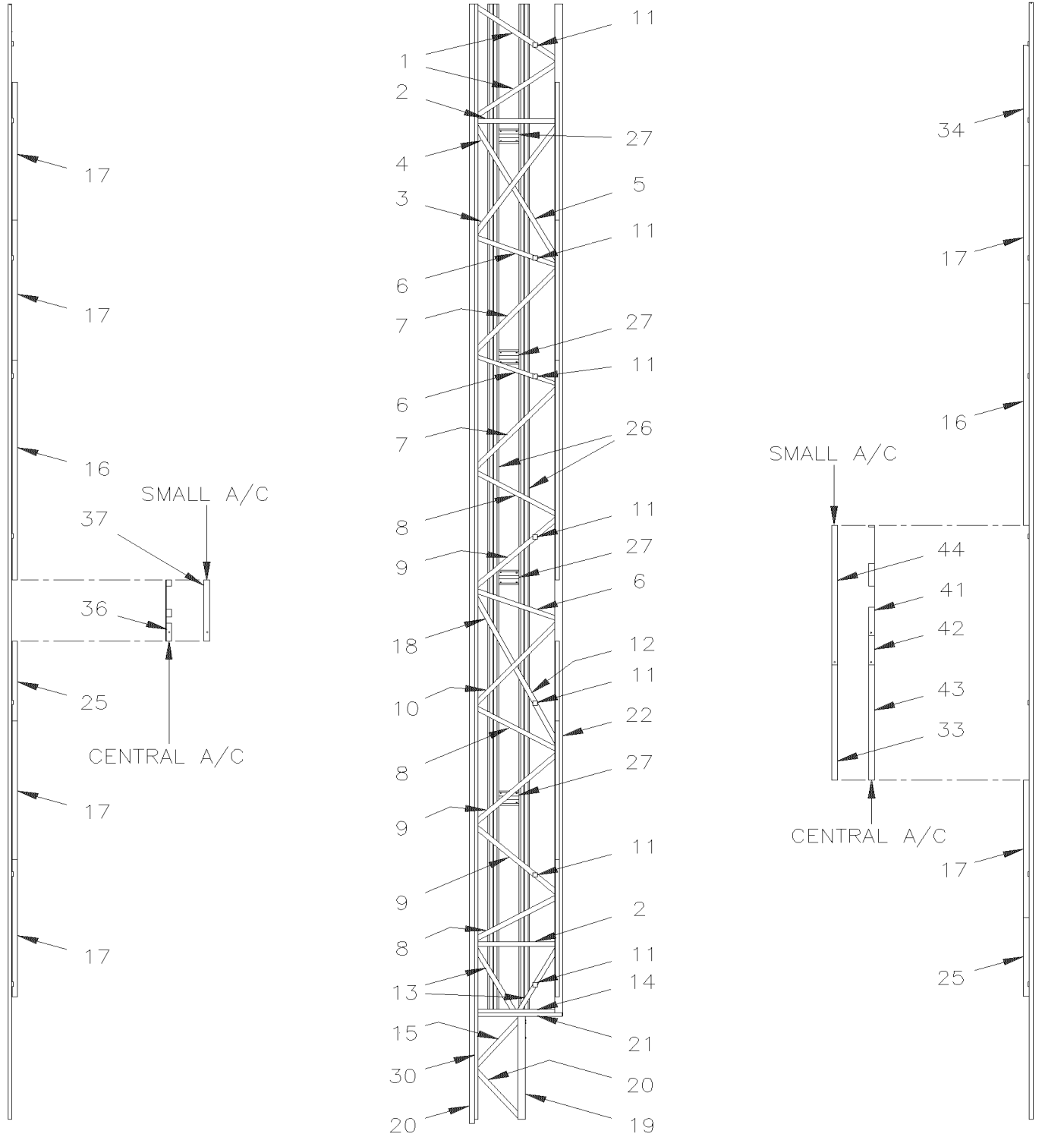


| | | |
|---------------------------------------|--------------|-----------------|
| From Y-7046 To 5-8813 | Date:10/2022 | PAGE:Y2-1891-50 |
| LOWER WALL STRUCTURE - MTH 40' | | |

| Item# | Part | Description | X L I I 4 5 | X L I I M T H 4 0 | X L I I M T H 4 5 | X L I I M T H 4 5 E | N O T E S |
|-------|--------|-----------------------------------|----------------------------|---|---|--|-----------------------|
| 1 | 231200 | TUBE | | 4 | | | |
| 2 | 231201 | TUBE | | 2 | | | |
| 3 | 231356 | TUBE | | 1 | | | |
| 4 | 231357 | TUBE | | 1 | | | |
| 5 | 231202 | TUBE | | 1 | | | |
| 6 | 231358 | TUBE | | 2 | | | |
| 7 | 231359 | TUBE | | 2 | | | |
| 8 | 231206 | TUBE | | 2 | | | |
| 9 | 231360 | TUBE | | 1 | | | |
| 10 | 231361 | TUBE | | 1 | | | |
| 11 | 231217 | FASTENER | | 8 | | | |
| 12 | 231207 | TUBE | | 1 | | | |
| 13 | 231363 | TUBE | | 2 | | | |
| 14 | 231209 | TUBE | | 1 | | | |
| 15 | 231210 | TUBE | | 1 | | | |
| 16 | 231362 | TUBE | | 1 | | | |
| 17 | 231222 | ANGLE | | 1 | | | |
| 18 | 231414 | TUBE | | 1 | | | |
| 19 | 231319 | ANGLE | | 1 | | | |
| 20 | 231215 | TUBE | | 1 | | | |
| 22 | 231225 | VERTICAL TUBE ASSY | | 1 | | | |
| 23 | 231457 | TUBE | | AR | | | |
| 24 | 231456 | TUBE | | AR | | | |
| 25 | 231455 | TUBE | | AR | | | |
| 29 | 231272 | CENTRAL FORM | | 3 | | | |
| 30 | 231490 | HORIZONTAL FORM | | AR | | | |
| 31 | 231276 | ANGLE | | 1 | | | |
| 33 | 231354 | ANGLE | | 1 | | | |
| 34 | 231492 | ANGLE | | 1 | | | |
| 36 | 231353 | ANGLE | | 1 | | | |
| 37 | 231244 | ANGLE | | 1 | | | |
| 41 | 231247 | ANGLE | | 1 | | | |
| 43 | 231354 | ANGLE | | 1 | | | |
| 44 | 231245 | ANGLE | | 1 | | | |
| 51 | 231489 | ANGLE 28.6MM X 28.6MM X 160MM | | 8 | | | |
| 52 | 231275 | REINFORCEMENT | | 10 | | | |
| 53 | 231274 | UPPER FORM | | 6 | | | |
| 54 | 473867 | PANEL JUNCTION / S.B. To 5-8468 | | 6 | | | |
| 54 | 477610 | PANEL JUNCTION / B.A. From 5-8469 | | 6 | | | |
| 55 | 231273 | LOWER FORM | | 6 | | | |
| 56 | 231504 | ANCHOR PLATE / "ZIPDEE" | | 1 | | | |
| 57 | 231502 | ANCHOR PLATE / "ZIPDEE" | | 1 | | | |

| | | |
|---|--------------|-----------------|
| From Y-7046 To 1-7631 | Date:10/2022 | PAGE:Y2-1891-55 |
| LOWER WALL STRUCTURE - MTH 45' ENT 86" | | |

FRONT



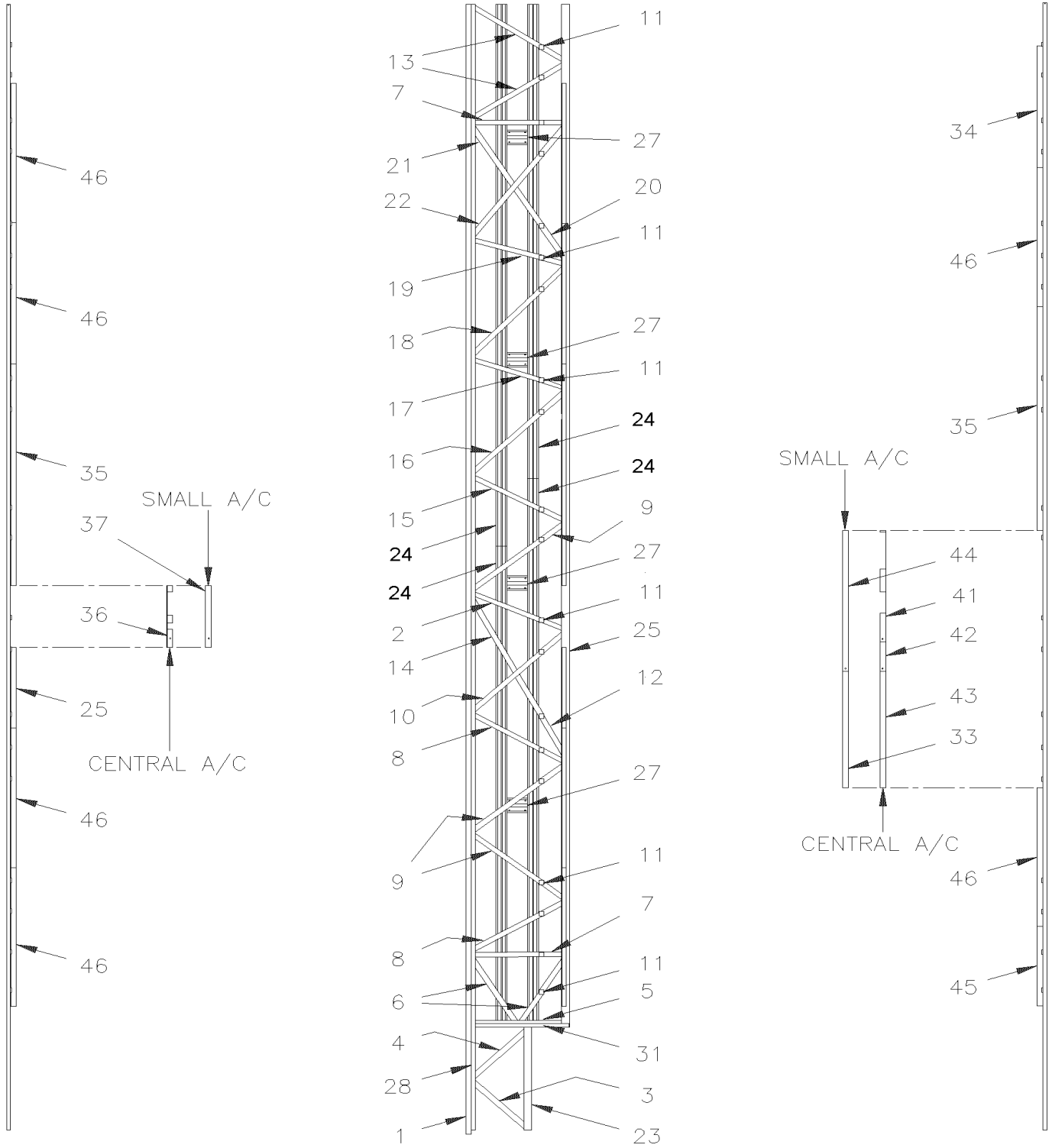
TOP VIEW LH

LH FROM INSIDE

TOP VIEW RH

| | | |
|---|--------------|-----------------|
| From Y-7046 To 8-9339 | Date:10/2022 | PAGE:Y2-1891-56 |
| LOWER WALL STRUCTURE - MTH 45' ENT 89" | | |

FRONT



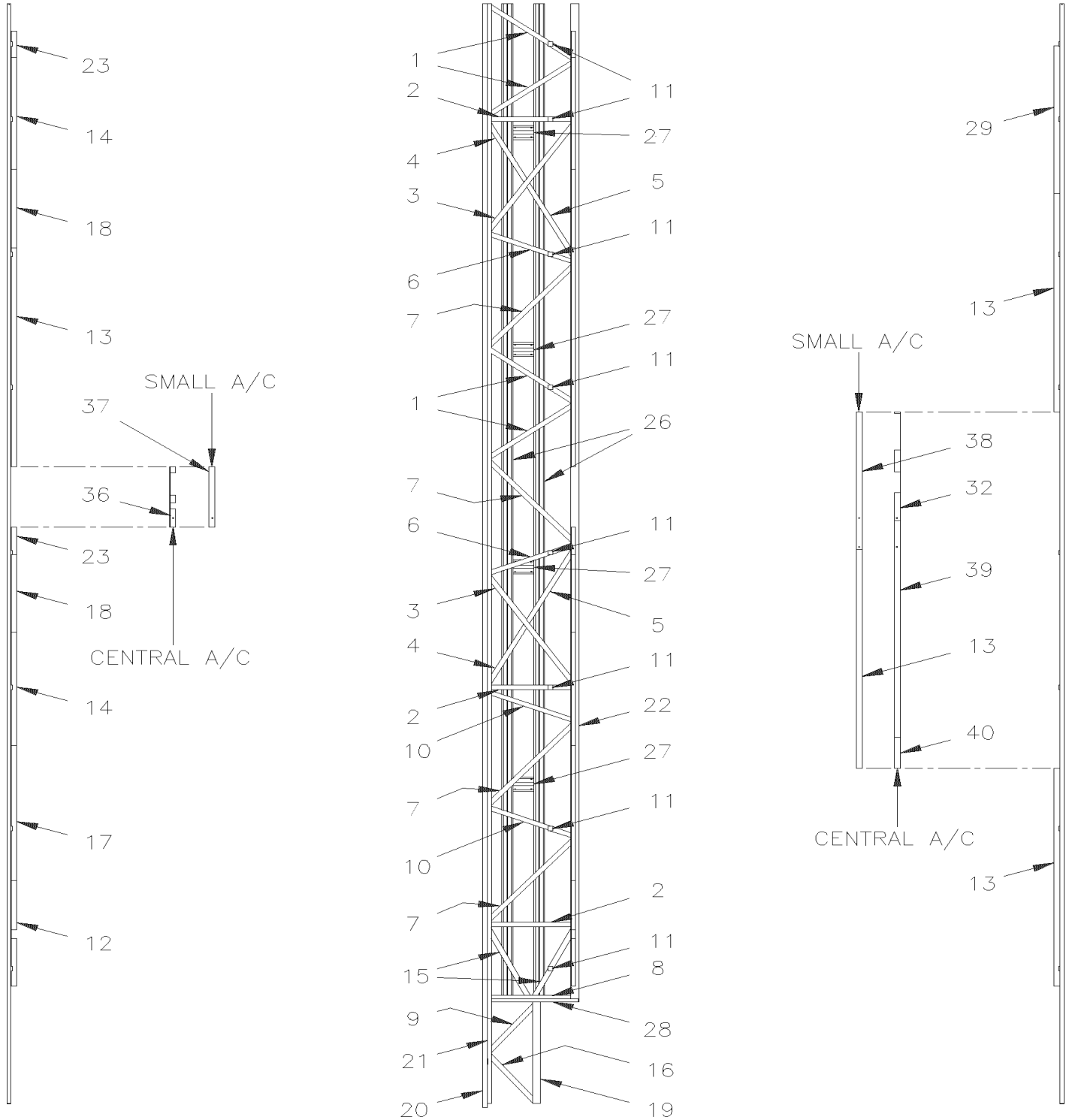
TOP VIEW LH

LH FROM INSIDE

TOP VIEW RH

| | | |
|---------------------------------------|--------------|-----------------|
| From Y-7046 To 8-9339 | Date:10/2022 | PAGE:Y2-1891-60 |
| LOWER WALL STRUCTURE - MTH 45' | | |

FRONT



TOP VIEW LH

LH FROM INSIDE

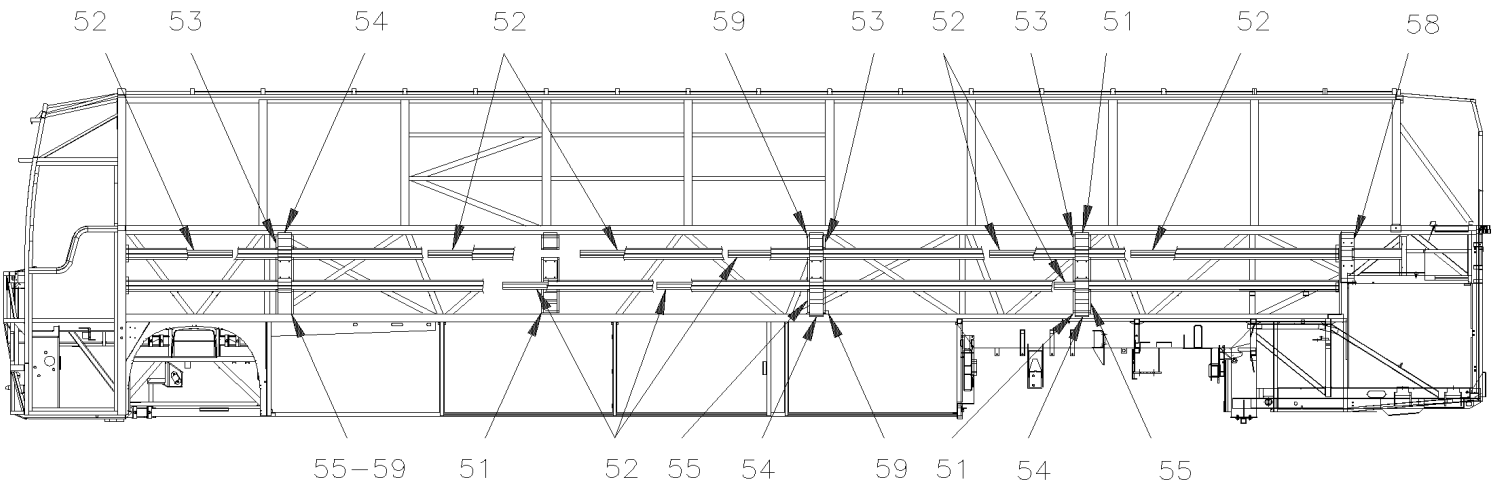
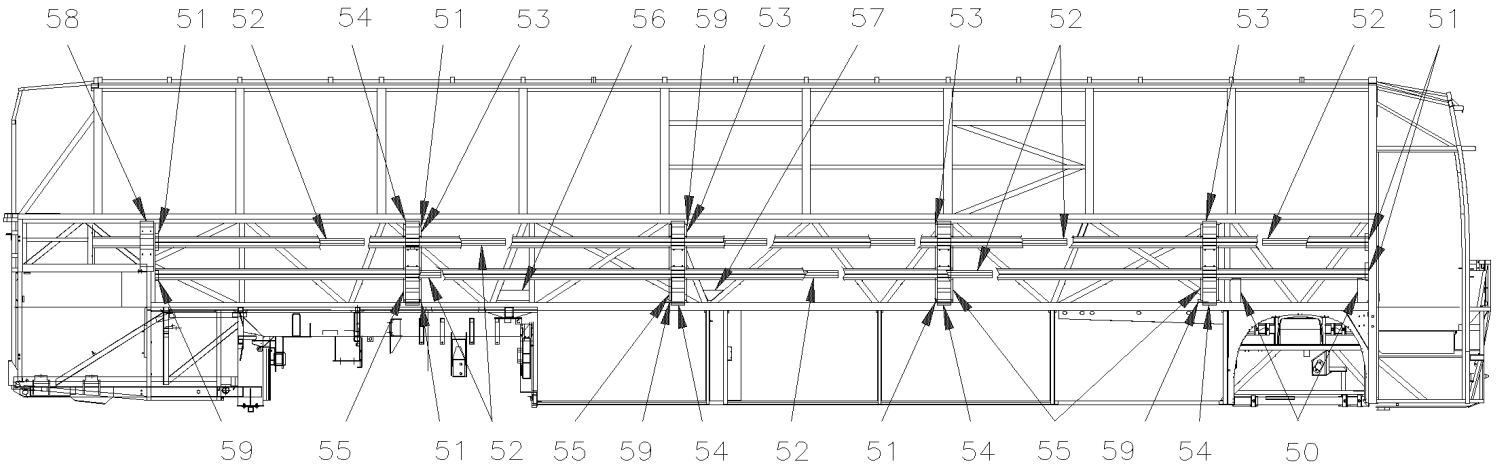
TOP VIEW RH

From Y-7046 To 8-9339

Date:10/2022

PAGE:Y2-1891-60

LOWER WALL STRUCTURE - MTH 45'



| | | |
|---------------------------------------|--------------|-----------------|
| From Y-7046 To 8-9339 | Date:10/2022 | PAGE:Y2-1891-60 |
| LOWER WALL STRUCTURE - MTH 45' | | |

| Item# | Part | Description | X L I I 4 5 | X L I I M T H 4 0 | X L I I M T H 4 5 | X L I I M T H 4 5 E | NOTES |
|-------|--------|--------------------|----------------------------|---|---|--|-------|
| 1 | 231200 | TUBE | | | 4 | | |
| 1 | 231571 | TUBE | | | 4 | | A |
| 2 | 231201 | TUBE | | | 3 | | |
| 2 | 231516 | TUBE | | | 3 | | A |
| 3 | 231202 | TUBE | | | 2 | | |
| 3 | 231515 | TUBE | | | 2 | | A |
| 4 | 231203 | TUBE | | | 2 | | |
| 4 | 231511 | TUBE | | | 2 | | A |
| 5 | 231204 | TUBE | | | 2 | | |
| 5 | 231512 | TUBE | | | 2 | | A |
| 6 | 231206 | TUBE | | | 2 | | |
| 6 | 231513 | TUBE | | | 2 | | A |
| 7 | 231207 | TUBE | | | 4 | | |
| 7 | 231572 | TUBE | | | 4 | | A |
| 8 | 231568 | TUBE | | | 1 | | |
| 9 | 231210 | TUBE | | | 1 | | |
| 10 | 231208 | TUBE | | | 2 | | |
| 10 | 231574 | TUBE | | | 2 | | A |
| 11 | 231217 | FASTENER | | | 8 | | |
| 11 | 231248 | ANGLE | | | 2 | | A |
| 12 | 231241 | ANGLE | | | 1 | | |
| 13 | 231222 | ANGLE | | | 1 | | |
| 14 | 231276 | ANGLE | | | 2 | | |
| 14 | 231354 | ANGLE | | | 1 | | A |
| 15 | 231223 | TUBE | | | 2 | | |
| 15 | 231515 | TUBE | | | 2 | | A |
| 16 | 231414 | TUBE | | | 1 | | |
| 17 | 231319 | ANGLE | | | 1 | | |
| 18 | 231354 | ANGLE | | | 2 | | |
| 18 | 231276 | ANGLE | | | 1 | | A |
| 19 | 231215 | TUBE | | | 1 | | |
| 20 | 231458 | TUBE | | | AR | | |
| 21 | 231459 | TUBE | | | AR | | |
| 22 | 231460 | TUBE | | | AR | | |
| 23 | 231248 | ANGLE | | | 2 | | |
| 26 | 231488 | HORIZONTAL FORM | | | AR | | |
| 27 | 231272 | CENTRAL FORM | | | 4 | | |
| 28 | 231225 | VERTICAL TUBE ASSY | | | 1 | | |
| 29 | 231491 | ANGLE | | | 1 | | |
| 32 | 231247 | ANGLE | | | 1 | | |
| 36 | 231353 | ANGLE | | | 1 | | |
| 37 | 231244 | ANGLE | | | 1 | | |

| | | |
|---------------------------------------|--------------|-----------------|
| From Y-7046 To 8-9339 | Date:10/2022 | PAGE:Y2-1891-60 |
| LOWER WALL STRUCTURE - MTH 45' | | |

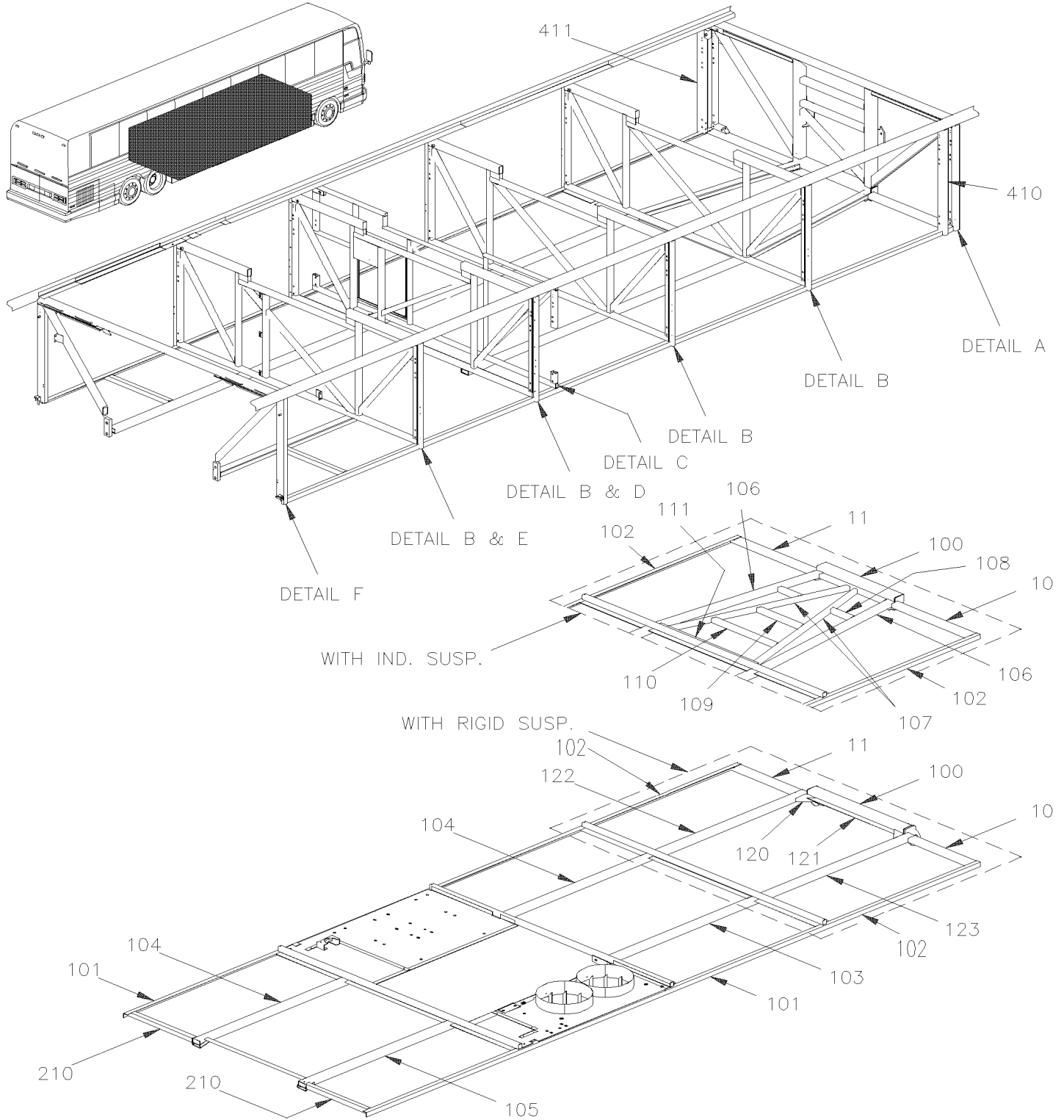
| Item# | Part | Description | X L I I 4 5 | X L I I M T H 4 0 | X L I I M T H 4 5 | X L I I M T H 4 5 E | NOTES |
|-------|--------|-----------------------------------|----------------------------|---|---|--|-------|
| 38 | 231245 | ANGLE | | | 1 | | |
| 39 | 231246 | ANGLE | | | 1 | | |
| 40 | 231277 | ANGLE | | | 1 | | |
| 50 | 231501 | ANCHOR PLATE / "ZIPDEE" | | | 2 | | |
| 51 | 231489 | ANGLE 28.6MM X 28.6MM X 160MM | | | 8 | | |
| 52 | 231275 | REINFORCEMENT | | | 10 | | |
| 53 | 231274 | UPPER FORM | | | 8 | | |
| 54 | 473867 | PANEL JUNCTION / S.B. To 5-8468 | | | 8 | | |
| 54 | 477610 | PANEL JUNCTION / B.A. From 5-8469 | | | 8 | | |
| 55 | 231273 | LOWER FORM | | | 8 | | |
| 56 | 231503 | ANCHOR PLATE | | | 1 | | |
| 57 | 231502 | ANCHOR PLATE / "ZIPDEE" | | | 1 | | |
| 58 | 473868 | PANEL JUNCTION / S.B. To 5-8468 | | | 2 | | |
| 58 | 477611 | PANEL JUNCTION / B.A. From 5-8469 | | | 2 | | |
| 59 | 231508 | BRACKET | | | 4 | | |
| | | | | | | | |
| | | | | | | | |
| | | A) WITH SLIDE OUT | | | | | |

From Y-7046 To 6-8906

Date:10/2022

PAGE:Y2-1893-00

BAGGAGE COMPARTMENT STRUCTURE

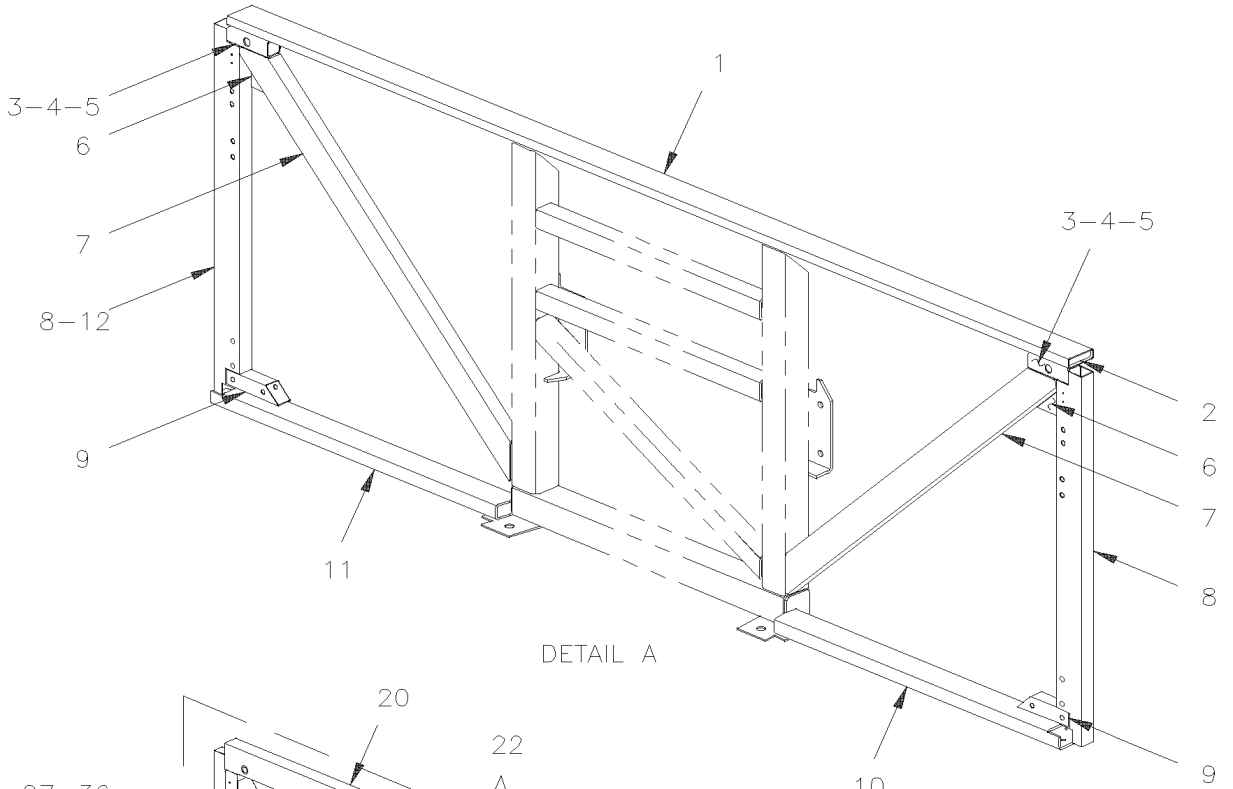


From Y-7046 To 6-8906

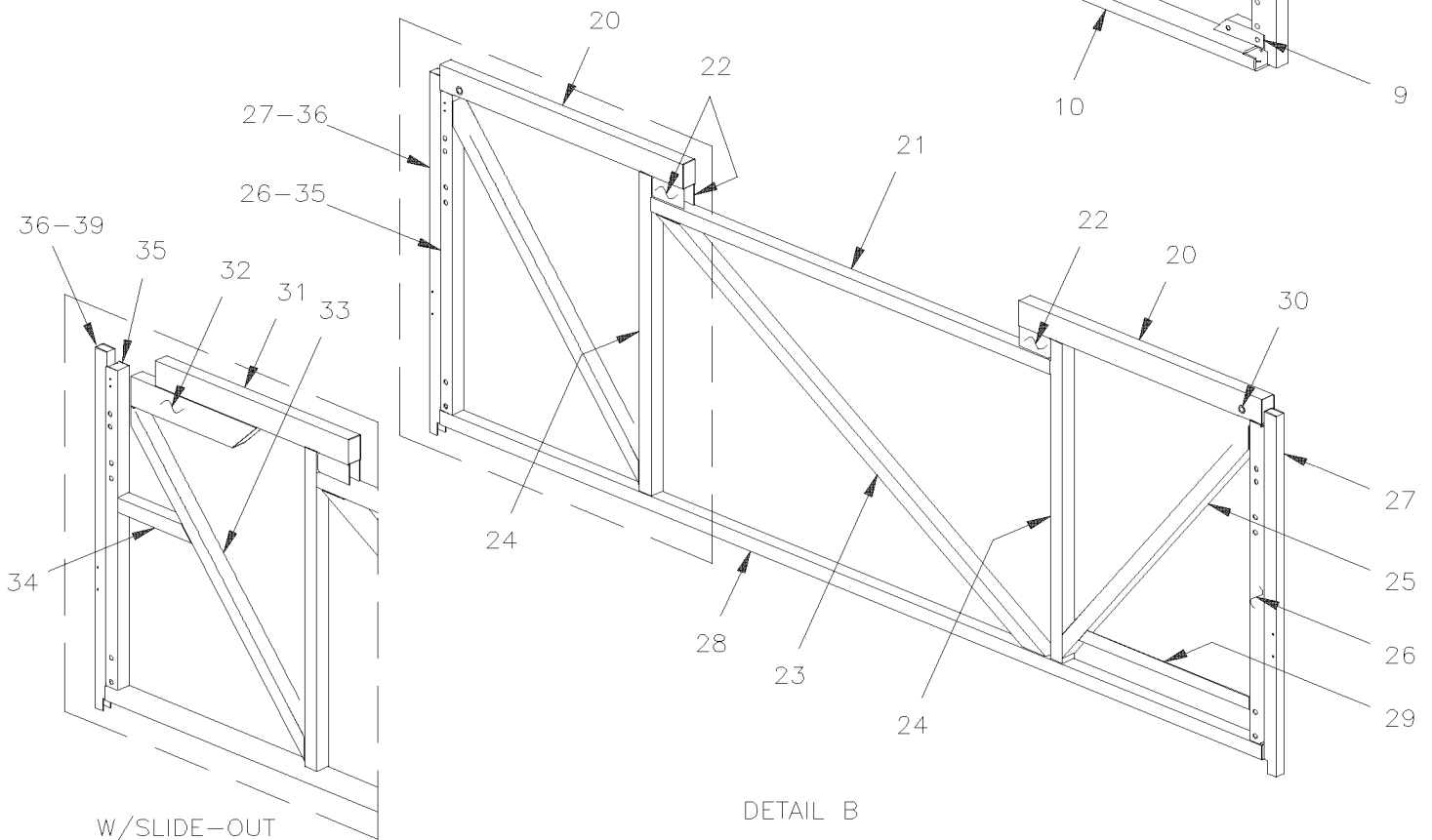
Date:10/2022

PAGE:Y2-1893-00

BAGGAGE COMPARTMENT STRUCTURE



DETAIL A



DETAIL B

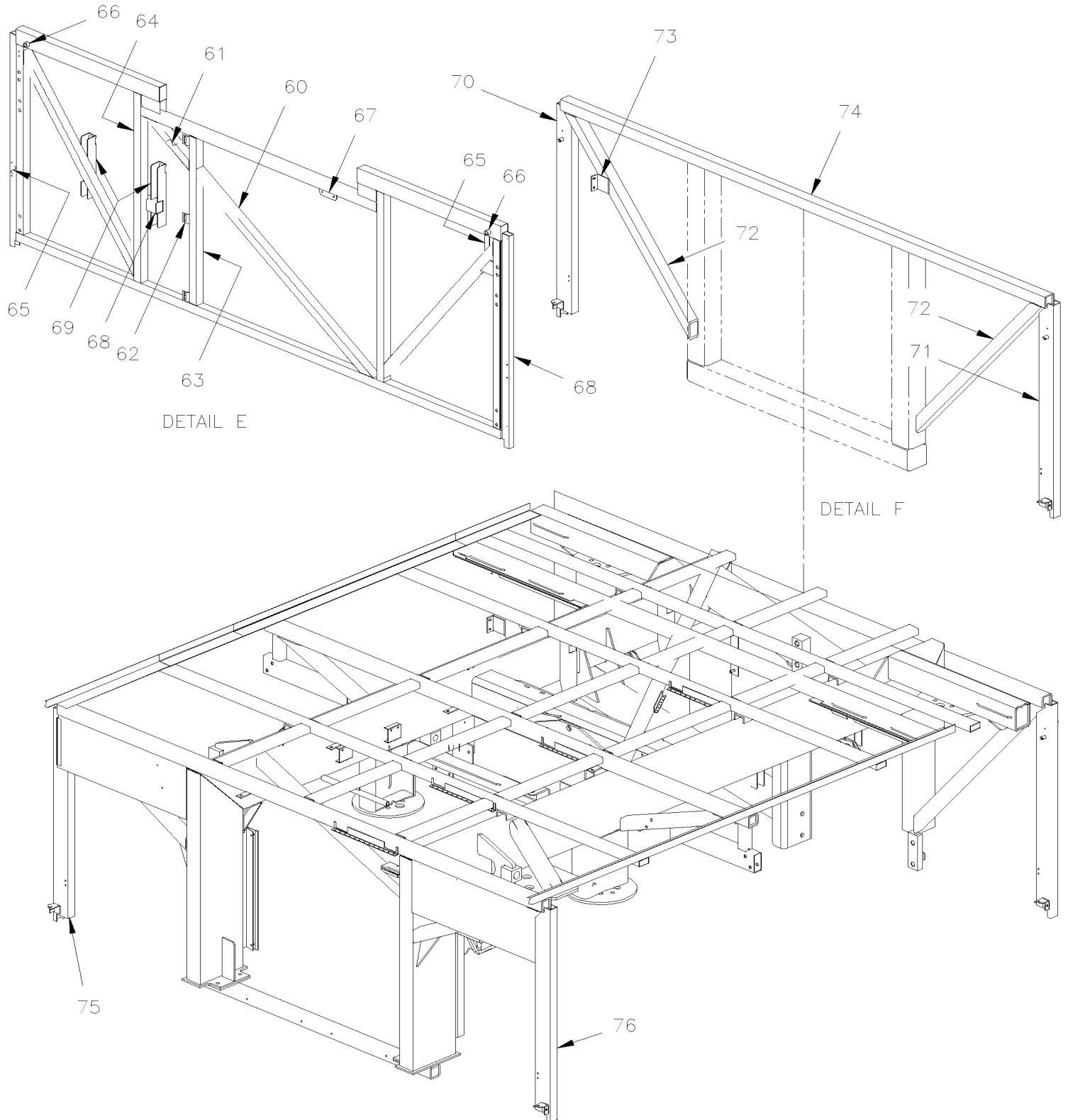
W/SLIDE-OUT

From Y-7046 To 6-8906

Date:10/2022

PAGE:Y2-1893-00

BAGGAGE COMPARTMENT STRUCTURE

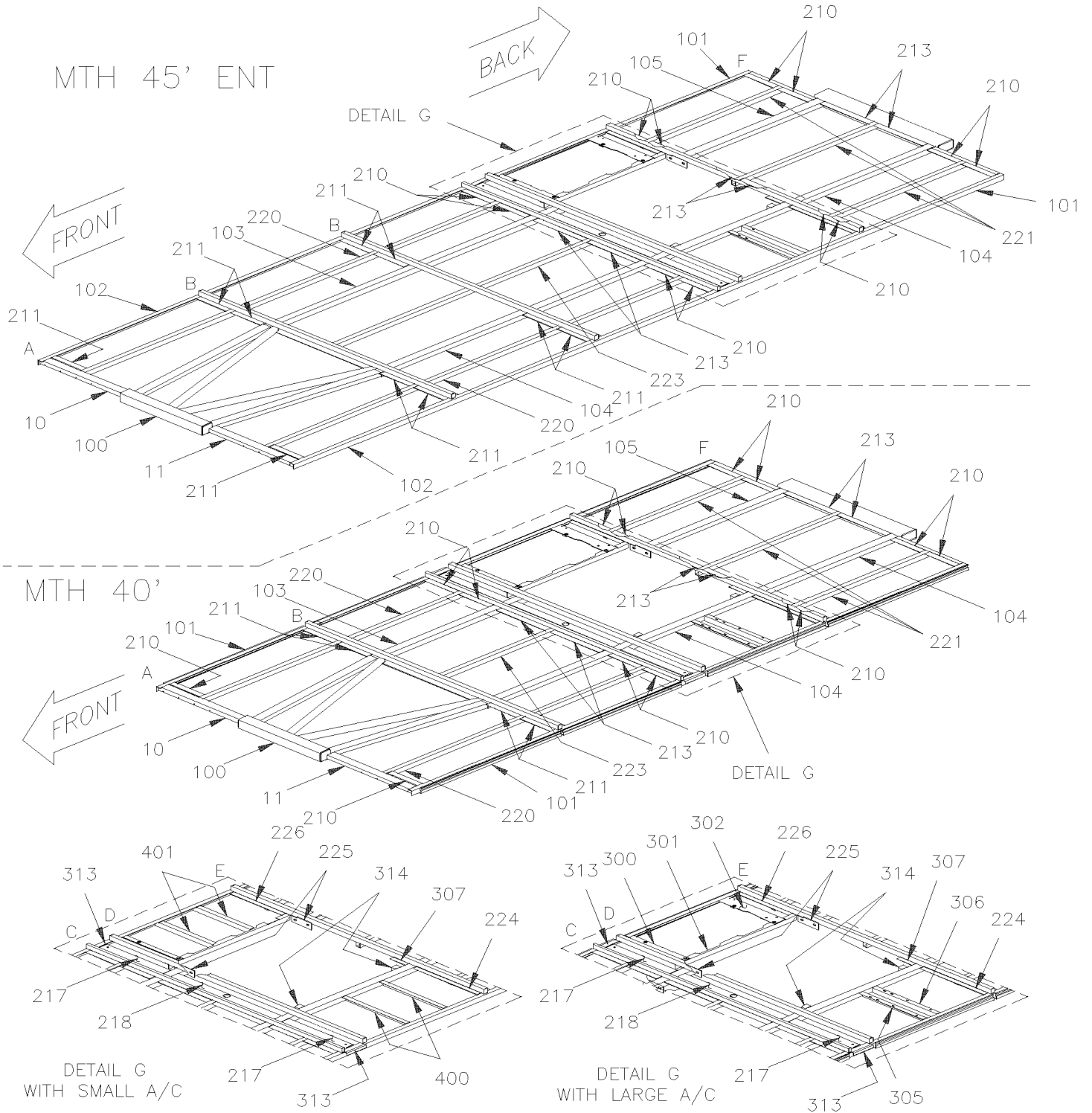


From Y-7046 To 6-8906

Date:10/2022

PAGE:Y2-1893-00

BAGGAGE COMPARTMENT STRUCTURE



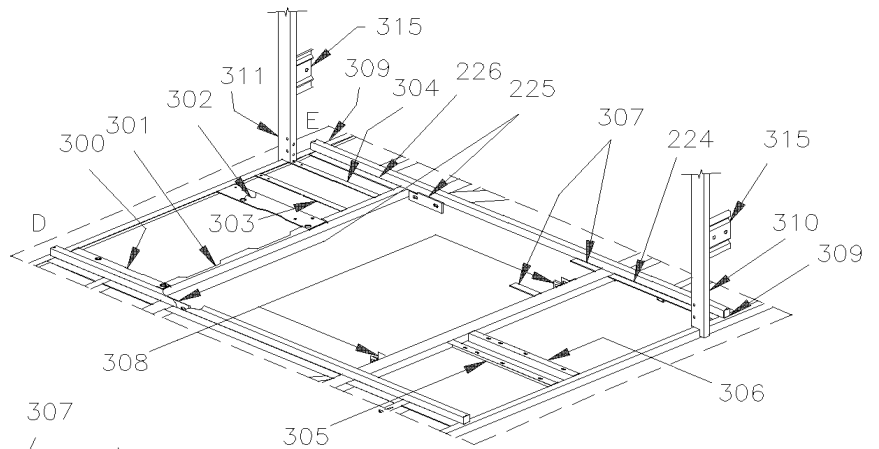
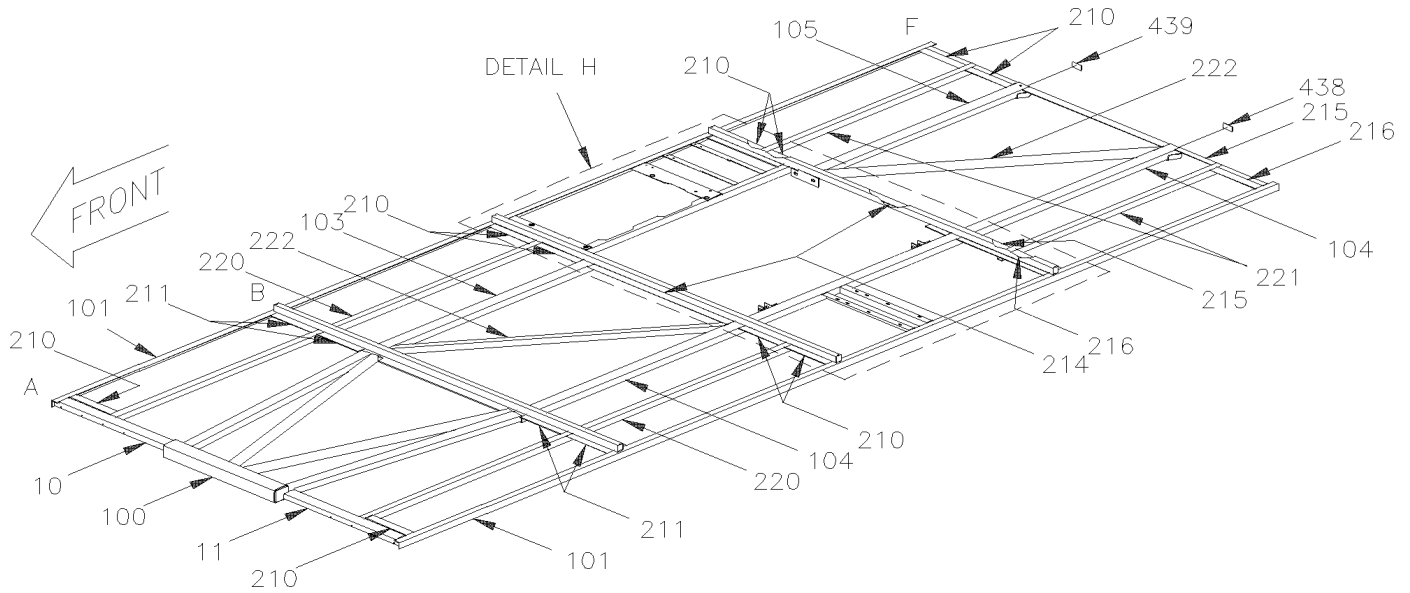
From Y-7046 To 6-8906

Date:10/2022

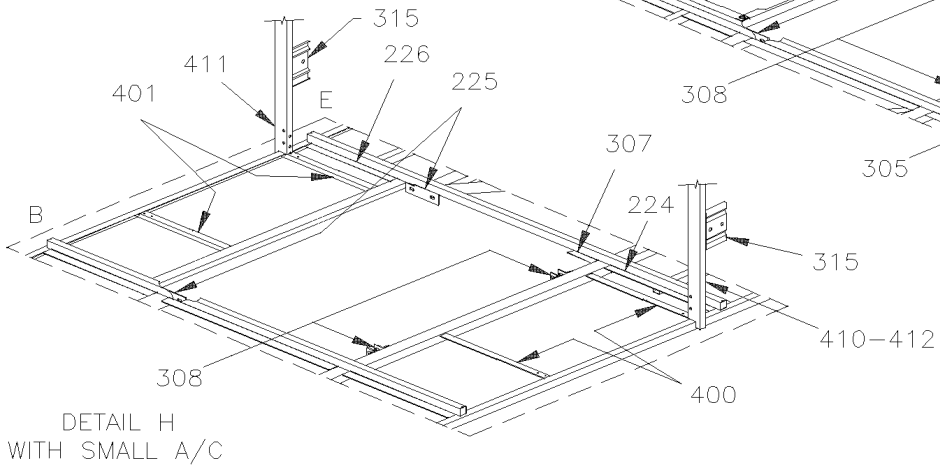
PAGE:Y2-1893-00

BAGGAGE COMPARTMENT STRUCTURE

MTH 45'

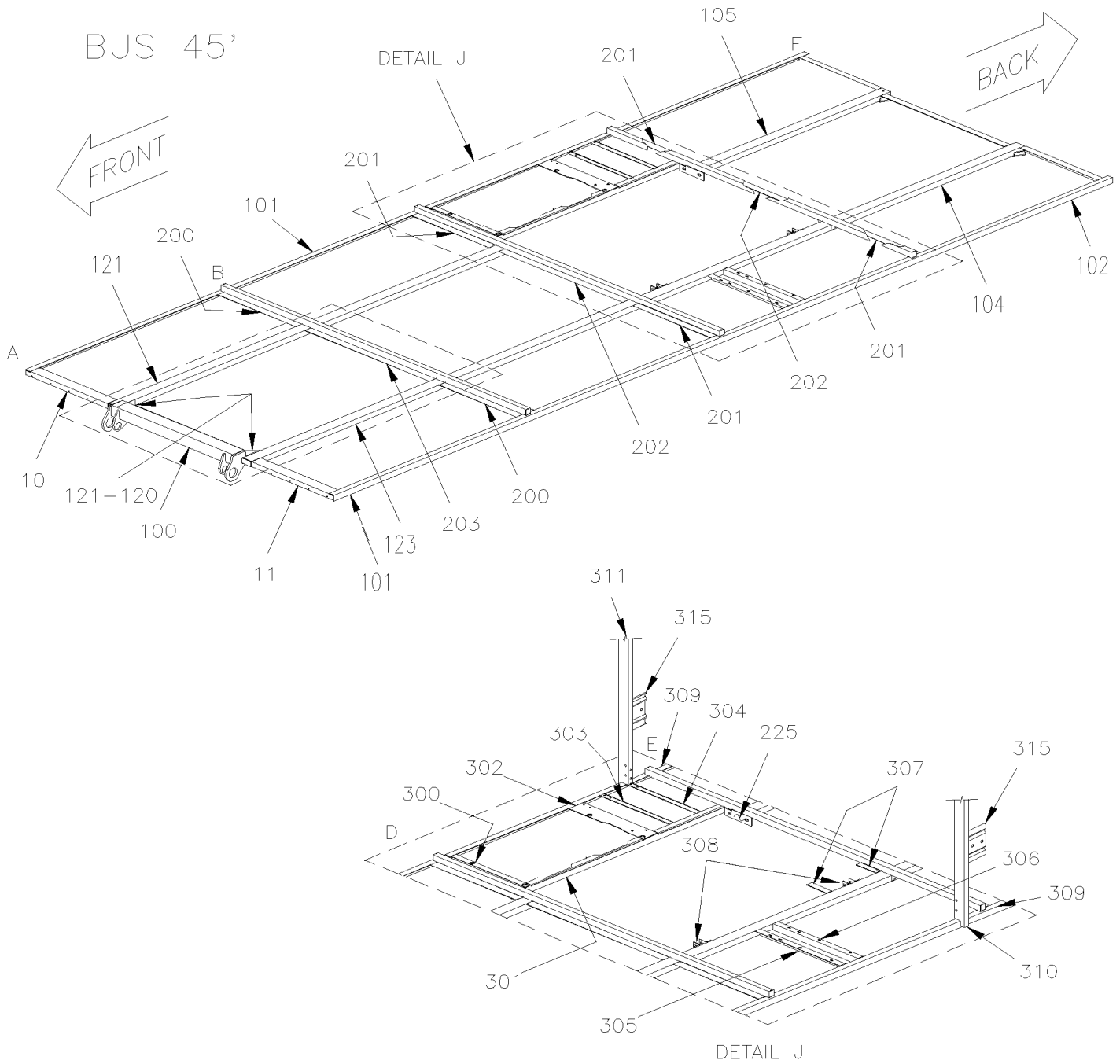


DETAIL H WITH LARGE A/C



DETAIL H WITH SMALL A/C

| | | |
|--------------------------------------|--------------|-----------------|
| From Y-7046 To 6-8906 | Date:10/2022 | PAGE:Y2-1893-00 |
| BAGGAGE COMPARTMENT STRUCTURE | | |



| | | |
|--------------------------------------|--------------|-----------------|
| From Y-7046 To 6-8906 | Date:10/2022 | PAGE:Y2-1893-00 |
| BAGGAGE COMPARTMENT STRUCTURE | | |

| Item# | Part | Description | X L I I 4 5 | X L I I M T H 4 0 | X L I I M T H 4 5 | X L I I M T H 4 5 E | N O T E S |
|-------|--------|--|----------------------------|---|---|--|-----------------------|
| 1 | 213082 | TUBE 2489MM | 1 | | | | |
| 2 | 214466 | PLATE, CLOSING / TUBE 18MM x 69MM | 2 | | | | |
| 3 | 213149 | TUBE 120MM | 2 | | | | |
| 4 | 260126 | TUBE, VERTICAL FRAME / REAR ENGINE DOOR / 1524MM | 2 | | | | |
| 5 | 213891 | INSERT 50MM LG | 2 | | | | |
| NS | 260120 | PLATE, CLOSING / TUBE 33MM x 33MM | 2 | | | | |
| 6 | 213083 | REINFORCEMENT 120MM x 109MM To Y-7720 | 2 | | | | |
| 6 | 214671 | REINFORCEMENT 79MM x 90MM From Y-7721 | 2 | | | | |
| 7 | 214306 | TUBE 1122MM To 2-7751 | 2 | | | | |
| 7 | 213080 | TUBE 1121MM To 2-7751 | 2 | | | | |
| 7 | 214650 | TUBE 1126MM From 2-7752 | 2 | | | | |
| 8 | 240491 | POST L.H. & R.H. 895MM From 2-7894 | 2 | | | | |
| 8 | 214391 | POST L.H. & R.H. 895MM To 1-7680 | 2 | | | | |
| 8 | 240625 | POST R.H. 895MM From 2-7894 To 3-7990 | 1 | | | | |
| 8 | 240434 | POST R.H. 895MM From 3-7991 To 4-8193 | 1 | | | | |
| 8 | 240638 | POST R.H. 895MM From 4-8194 | 1 | | | | |
| 9 | 210081 | TUBE 6" LOWER ATTACHMENT | 2 | | | | |
| 10 | 214222 | TUBE 669MM | 1 | | | | R |
| 10 | 213079 | TUBE 847MM | 1 | | | | I |
| 11 | 214223 | TUBE 669MM | 1 | | | | R |
| 11 | 213085 | TUBE 847MM | 1 | | | | I |
| 13 | 214391 | POST L.H. & R.H. 895MM To 1-7680 | 1 | | | | |
| 13 | 240491 | POST L.H. & R.H. 895MM From 1-7681 To 2-7893 | 1 | | | | |
| 13 | 240624 | POST L.H. 895MM From 2-7894 To 3-7990 | 1 | | | | |
| 13 | 240605 | POST L.H. 895MM From 3-7991 To 3-8164 | 1 | | | | |
| 20 | 240115 | TUBE 738MM x 1 1/2" 1 1/2" To 4-8244 | 2 | | | | |
| NS | 240124 | TUBE 738MM x 1" x 1 1/2" To 4-8244 | 1 | | | | |
| 20 | 240634 | TUBE 738MM x 1 1/2" 2 1/2" From 4-8245 | 2 | | | | |
| 21 | 240113 | TUBE 1209MM | 1 | | | | |
| 22 | 240117 | CLOSING PLATE 51MM X 45MM | 4 | | | | |
| 23 | 240114 | TUBE 1374MM | 1 | | | | |
| 24 | 240139 | TUBE 794MM To 2-7751 | 2 | | | | |
| 24 | 240108 | TUBE 794MM From 2-7752 | 2 | | | | |
| 25 | 240116 | TUBE 951MM | 2 | | | | |
| 26 | 240346 | POST EXTERIOR To 1-7680 | 2 | | | | |
| 26 | 240484 | POST INTERIOR 794MM From 1-7681 To 3-7990 | 2 | | | | |
| 26 | 240608 | POST INTERIOR 794MM From 3-7991 | 2 | | | | |
| 27 | 240386 | POST EXTERIOR 895MM | 1 | | | | |
| 28 | 240134 | TUBE 2489MM To 1-7680 | 1 | | | | |
| 28 | 240485 | TUBE 2489MM From 1-7681 | 1 | | | | |
| 29 | 240515 | TUBE / HOSTESS SEAT SUPPORT / 515MM | 1 | | | | |
| 30 | 480376 | ATTACHMENT, DOOR ARM / 63.5MM | 2 | | | | |

| | | |
|--------------------------------------|--------------|-----------------|
| From Y-7046 To 6-8906 | Date:10/2022 | PAGE:Y2-1893-00 |
| BAGGAGE COMPARTMENT STRUCTURE | | |

| Item# | Part | Description | X L I I 4 5 | X L I I M T H 4 0 | X L I I M T H 4 5 | X L I I M T H 4 5 E | N O T E S |
|-------|-------------------|---|----------------------------|---|---|--|-----------------------|
| 40 | 240107 | TUBE 1073MM | 1 | | | | |
| 41 | 240109 | TUBE 277MM | 1 | | | | |
| 42 | 240451 | ANGLE 22MM x 28MM x 38MM | 3 | | | | |
| 43 | 240390 | POST EXTERIOR L.H. ASSY / WRETAINER STRIP / 895MM | 1 | | | | |
| 44 | 240484 | POST INTERIOR 794MM From 1-7681 To 3-7990 | 2 | | | | |
| 44 | 240608 | POST INTERIOR 794MM From 3-7991 | 2 | | | | |
| 45 | 240389 | POST EXTERIOR R.H. ASSY / WRETAINER STRIP / 895MM | 1 | | | | |
| 46 | 220424 | ATTACHMENT, DOOR ARM / 58.8MM | 2 | | | | |
| 46 | 220424 | ATTACHMENT, DOOR ARM / 58.8MM | 2 | | | | |
| 47 | 284555 | LOCK SUPPORT / (WELDED TO STRUCTURE) | 2 | | | | |
| 53 | 240110 | TUBE 705MM | 1 | | | | |
| 54 | 240108 | TUBE 794MM | 1 | | | | |
| 60 | 240107 | TUBE 1073MM | 1 | | | | |
| 61 | 240109 | TUBE 277MM | 1 | | | | |
| 62 | 240451 | ANGLE 22MM x 28MM x 38MM | 3 | | | | |
| 63 | 240110 | TUBE 705MM | 1 | | | | |
| 64 | 240108 | TUBE 794MM | 1 | | | | |
| 66 | 220424 | ATTACHMENT, DOOR ARM / 58.8MM | 2 | | | | |
| 67 | 240314 | ANCHOR PLATE 25MM x 90MM | 1 | | | | |
| 70 | 240422 | POST ASSY FORWARD FENDER / STREETSIDE To 1-7680 | 1 | | | | |
| 70 | 240488 | POST ASSY FORWARD FENDER / STREETSIDE From 1-7681 To 3-7990 | 1 | | | | |
| 70 | 240603 | POST ASSY FORWARD FENDER / STREETSIDE From 3-7991 | 1 | | | | |
| 71 | 240421 | POST ASSY FORWARD FENDER / CURBSIDE To 1-7680 | 1 | | | | |
| 71 | 240490 | POST ASSY FORWARD FENDER / CURBSIDE From 1-7681 To 3-7990 | 1 | | | | |
| 71 | 240606 | POST ASSY FORWARD FENDER / CURBSIDE From 3-7991 | 1 | | | | |
| 72 | 170262 | TUBE 986MM | 2 | | | | |
| 73 | 172428 | SUPPORT VALVE HEIGHT CONTROL | 2 | | | | |
| 74 | 170487 | TUBE 98" | 1 | | | | |
| 75 | 214051 | POST ASSY BACKWARD FENDER / STREETSIDE To 3-8164 | 1 | | | | |
| 75 | 214626 | POST ASSY BACKWARD FENDER / STREETSIDE From 4-8165 | 1 | | | | |
| . NS | 213939 | . CATCH FENDER LOWER From 4-8165 | 1 | | | | |
| . NS | 5001337 | . NUT INS FL HEX M8-1.25 0.5-3.0 Z050 From 4-8165 | 2 | | | | |
| . NS | 5001344 | . NUT INS FL HEX M6-1.0 0.5-3.0 SS From 4-8165 | 2 | | | | |
| 76 | 214052 | POST ASSY BACKWARD FENDER / CURBSIDE To 3-8164 | 1 | | | | |
| . NS | 260726 | . TUBE 857MM To 3-8164 | 1 | | | | |
| . NS | 213942 | . CATCH FENDER LOWER To 3-8164 | 1 | | | | |
| 76 | 214627 | POST ASSY BACKWARD FENDER / CURBSIDE From 4-8165 | 1 | | | | |
| . NS | 213942 | . CATCH FENDER LOWER From 4-8165 | 1 | | | | |
| 100 | Y2-1897-00 | FRONT SUB-FRAME / W/I BEAM RIGID SUSPENSION | | | | | |
| 100 | Y2-1897-50 | FRONT SUB-FRAME / W/INDEPENDENT SUSPENSION - 16500 LBS | | | | | |
| 100 | Y2-1897-51 | FRONT SUB-FRAME / W/INDEPENDENT SUSPENSION - 18000 LBS | | | | | |
| 101 | 221136 | ANGLE 1/8"x1 1/2"X6354MM (250") / SS | 2 | | | | |

| | | |
|--------------------------------------|---------------------|------------------------|
| From Y-7046 To 6-8906 | Date:10/2022 | PAGE:Y2-1893-00 |
| BAGGAGE COMPARTMENT STRUCTURE | | |

| Item# | Part | Description | X L I I 4 5 | X L I I M T H 4 0 | X L I I M T H 4 5 | X L I I M T H 4 5 E | N O T E S |
|-------|--------|--|----------------------------|---|---|--|-----------------------|
| 102 | 220872 | ANGLE 1/8"x1 1/2"X1524MM (60") / SS | 2 | | | | |
| 103 | 221181 | TUBE 1649MM | 1 | | | | |
| 104 | 221180 | TUBE 4764MM | 1 | | | | |
| 105 | 221182 | TUBE 1581MM | 1 | | | | |
| 106 | 221183 | TUBE 1526MM | 2 | | | | |
| 107 | 221143 | TUBE 1534MM To 1-7680 | 2 | | | | |
| 107 | 221193 | TUBE 1535MM From 1-7681 | 2 | | | | |
| 108 | 221147 | TUBE 228MM To 1-7680 | 2 | | | | |
| 108 | 221197 | TUBE 224MM From 1-7681 | 2 | | | | |
| 109 | 221146 | TUBE 446MM To 1-7680 | 1 | | | | |
| 109 | 221196 | TUBE 462MM From 1-7681 | 1 | | | | |
| 110 | 221145 | TUBE 1054MM To 1-7680 | 1 | | | | |
| 110 | 221195 | TUBE 668MM From 1-7681 | 1 | | | | |
| 111 | 221144 | TUBE 1018MM To 1-7680 | 1 | | | | |
| 111 | 221194 | TUBE 1018MM From 1-7681 | 1 | | | | |
| 120 | 214287 | REINFORCEMENT "TRIANGULAR SHAPE" To 1-7680 | 2 | | | | |
| 120 | 213629 | REINFORCEMENT "TRIANGULAR SHAPE" From 1-7681 | 2 | | | | |
| 121 | 213630 | TUBE 900MM | 1 | | | | |
| 122 | 221139 | TUBE 6307MM To 1-7680 | 1 | | | | |
| 122 | 221184 | TUBE 6308MM From 1-7681 | 1 | | | | |
| 123 | 221140 | TUBE 3197MM To 1-7680 | 1 | | | | |
| 123 | 221185 | TUBE 3197MM From 1-7681 | 1 | | | | |
| 200 | 221199 | SUPPORT FLOOR 140MM X 636MM | 2 | | | | |
| 201 | 220958 | SUPPORT FLOOR 101MM X 636MM To 1-7680 | 4 | | | | |
| 201 | 221198 | SUPPORT FLOOR 50MM X 638MM From 1-7681 | 4 | | | | |
| 202 | 220957 | SUPPORT FLOOR 50MM X 1016MM To 1-7680 | 2 | | | | |
| 202 | 221201 | SUPPORT FLOOR 50MM X 1218MM From 1-7681 | 2 | | | | |
| 203 | 221202 | SUPPORT FLOOR 140MM X 1018MM | 1 | | | | |
| 210 | 220286 | SUPPORT FLOOR 101MM X 298MM To 2-7770 | 1 | | | | |
| 210 | 221243 | SUPPORT FLOOR 50MM X 298MM From 2-7771 | 1 | | | | |
| 211 | 220285 | SUPPORT FLOOR 76MM X 298MM To 2-7770 | 1 | | | | |
| 211 | 221245 | SUPPORT FLOOR 130MM X 299MM From 2-7771 | 1 | | | | |
| 224 | 221106 | FLOOR SUPPORT | 1 | | | | |
| 225 | 220834 | PLATE UNION 7 3/4" X 2" | 2 | | | | |
| 226 | 221104 | SUPPORT FLOOR 38MM X 515MM | 1 | | | | |
| 300 | 213244 | SUPPORT | 1 | | | | |
| 301 | 213442 | SUPPORT ANGLE 1606MM | 1 | | | | |
| 302 | 213243 | SUPPORT | 1 | | | | |
| 303 | 220977 | ANGLE 19MM X 38MM X 587MM | 1 | | | | |
| 304 | 215539 | SUPPORT JACK / CURRENT DEC 2003 | 1 | | | | |
| 305 | 213593 | SUPPORT / JACK ACCESSORIES | 1 | | | | |
| 305 | 220401 | ANGLE SUPPORT 668MM To 1-7408 | 1 | | | | |

| | | |
|-----------------------|--------------|-----------------|
| From Y-7046 To 6-8906 | Date:10/2022 | PAGE:Y2-1893-00 |
|-----------------------|--------------|-----------------|

BAGGAGE COMPARTMENT STRUCTURE

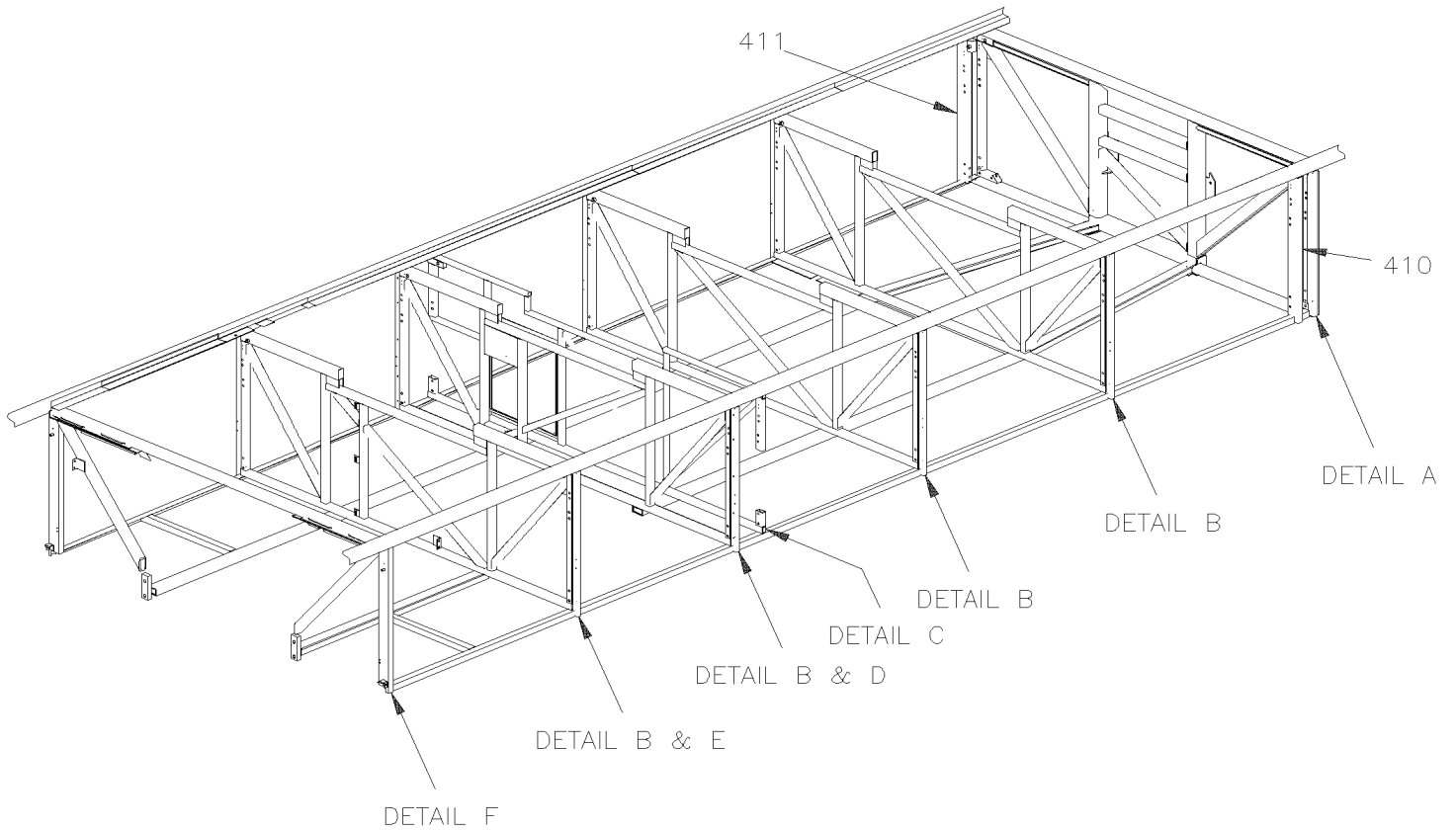
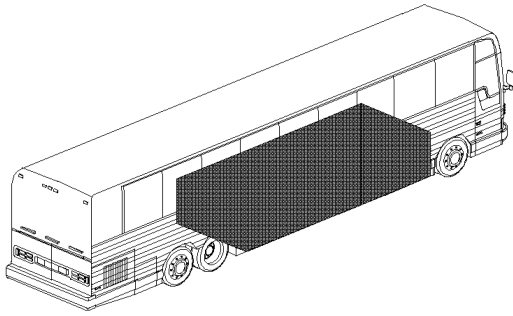
| Item# | Part | Description | X L I I 4 5 | X L I I M T H 4 0 | X L I I M T H 4 5 | X L I I M T H 4 5 E | N O T E S |
|-------|--------|---|----------------------------|---|---|--|-----------------------|
| 305 | 221178 | ANGLE SUPPORT 668MM From 1-7409 | 1 | | | | |
| 306 | 220400 | ANGLE SUPPORT 668MM To 1-7408 | 1 | | | | |
| 306 | 221177 | ANGLE SUPPORT 668MM From 1-7409 | 1 | | | | |
| 307 | 214196 | SHIM 38MM X 149MM GA11 | 2 | | | | |
| 308 | 220854 | ANGLE 2" X 1 1/2" ST To 5-8630 | 2 | | | | |
| 308 | 221440 | ANGLE 2" X 1 1/2" SS From 5-8631 | 2 | | | | |
| 309 | 210338 | ANGLE 1" x 125MM | 2 | | | | |
| 309 | 214534 | SUPPORT "U" 125MM | 2 | | | | |
| 310 | 213578 | POST ASSY L.H. / W/STRIKER ATTACHMENT To 1-7680 | 1 | | | | |
| 310 | 213930 | POST ASSY L.H. / W/STRIKER ATTACHMENT From 1-7681 To 3-7990 | 1 | | | | |
| 310 | 214728 | POST ASSY L.H. / W/STRIKER ATTACHMENT From 3-7991 | 1 | | | | |
| 311 | 213643 | POST ASSY R.H. / W/STRIKER ATTACHMENT To 1-7680 | 1 | | | | |
| 311 | 213931 | POST ASSY R.H. / W/STRIKER ATTACHMENT From 1-7681 To 3-7990 | 1 | | | | |
| 311 | 214708 | POST ASSY R.H. / W/STRIKER ATTACHMENT From 3-7991 | 1 | | | | |
| 315 | 240457 | REINFORCEMENT ASSY 125MM | 2 | | | | |
| 400 | 221000 | SUPPORT | 2 | | | | |
| 401 | 220870 | ANGLE SUPPORT 22 1/4" | 2 | | | | |
| | | | | | | | |
| | | | | | | | |
| | | | | | | | |
| | | | | | | | |
| | | I) WITH INDEPENDANT SUSPENSION | | | | | |
| | | R) WITH I BEAM RIGID SUSPENSION | | | | | |

From Y-7046 To 6-8805

Date:10/2022

PAGE:Y2-1893-50

BAGGAGE COMPARTMENT STRUCTURE

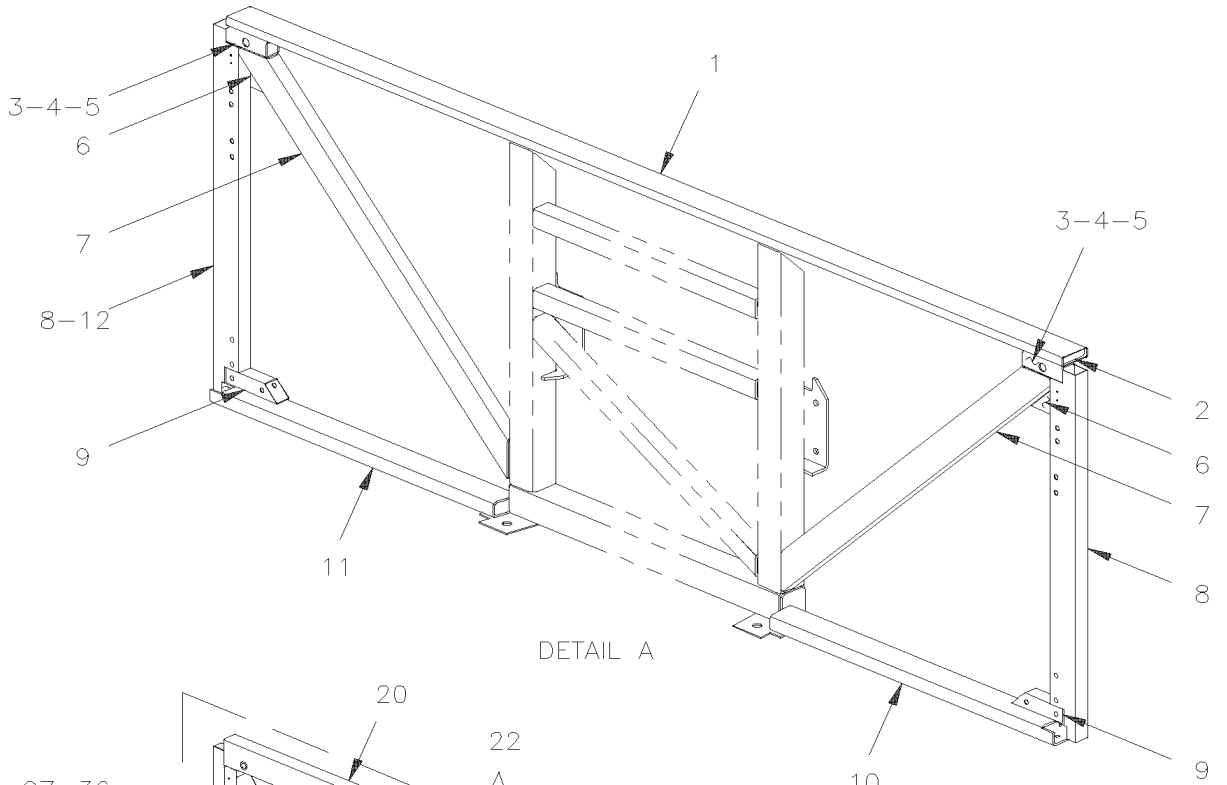


From Y-7046 To 6-8805

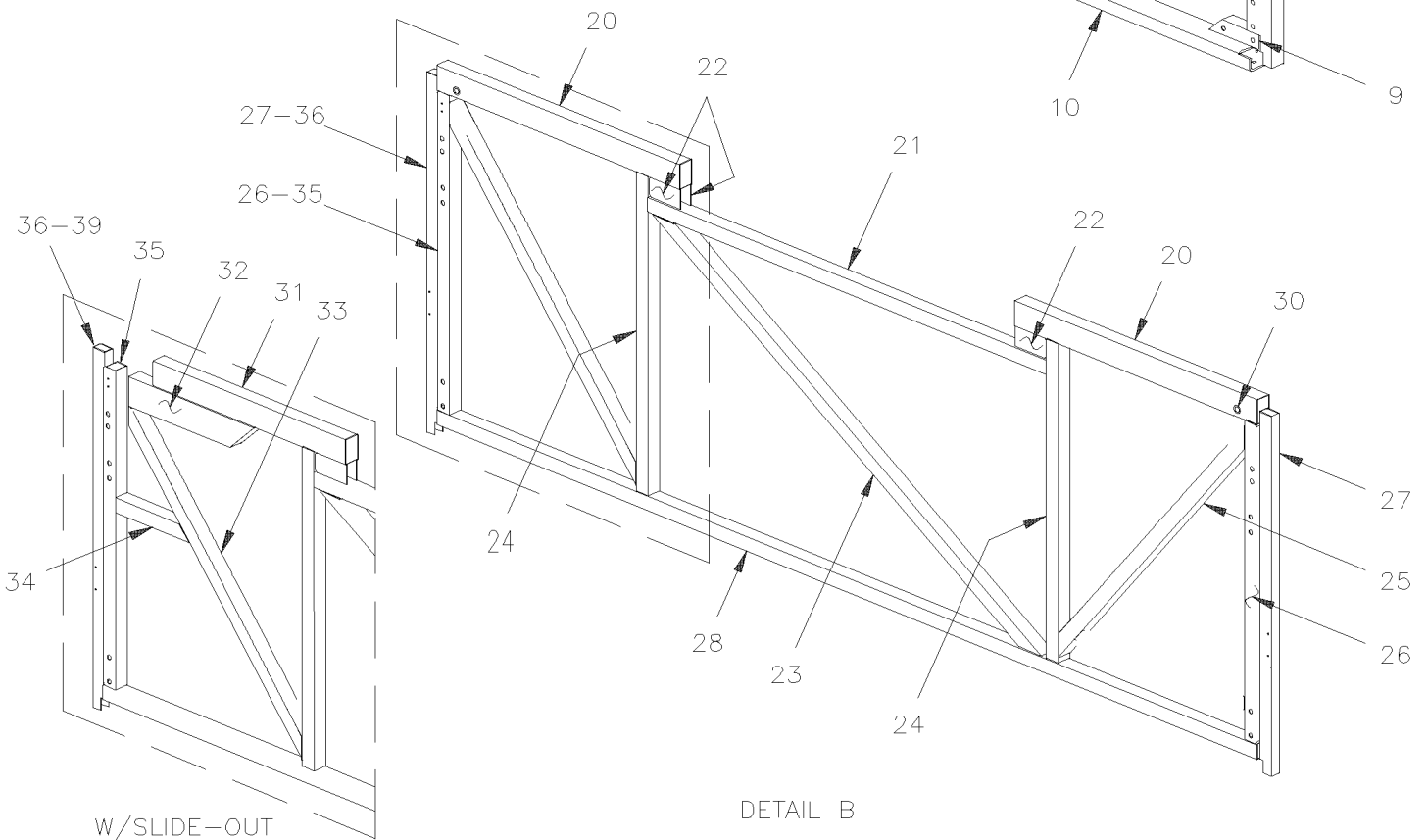
Date:10/2022

PAGE:Y2-1893-50

BAGGAGE COMPARTMENT STRUCTURE



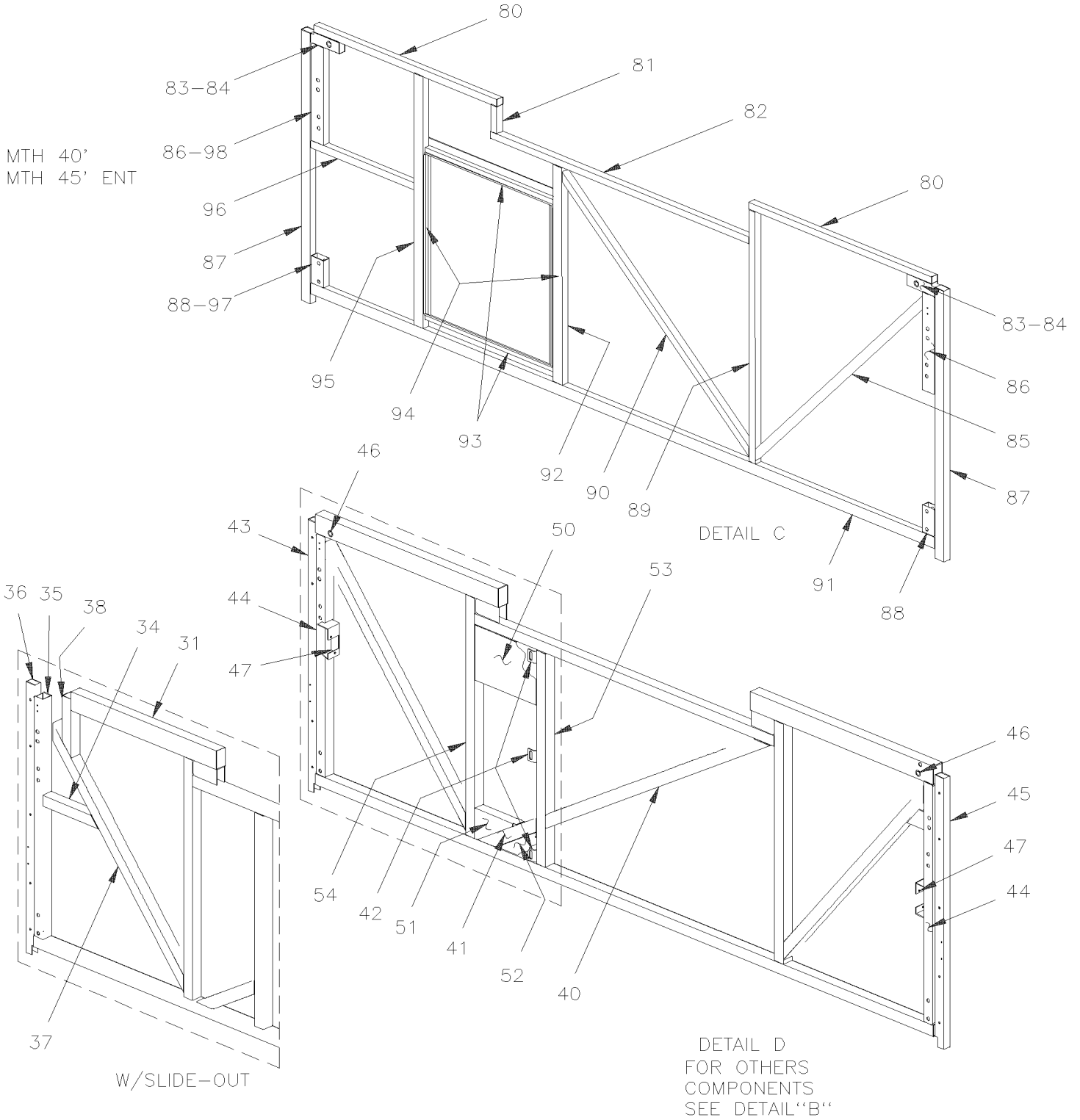
DETAIL A



DETAIL B

W/SLIDE-OUT

| | | |
|--------------------------------------|--------------|-----------------|
| From Y-7046 To 6-8805 | Date:10/2022 | PAGE:Y2-1893-50 |
| BAGGAGE COMPARTMENT STRUCTURE | | |

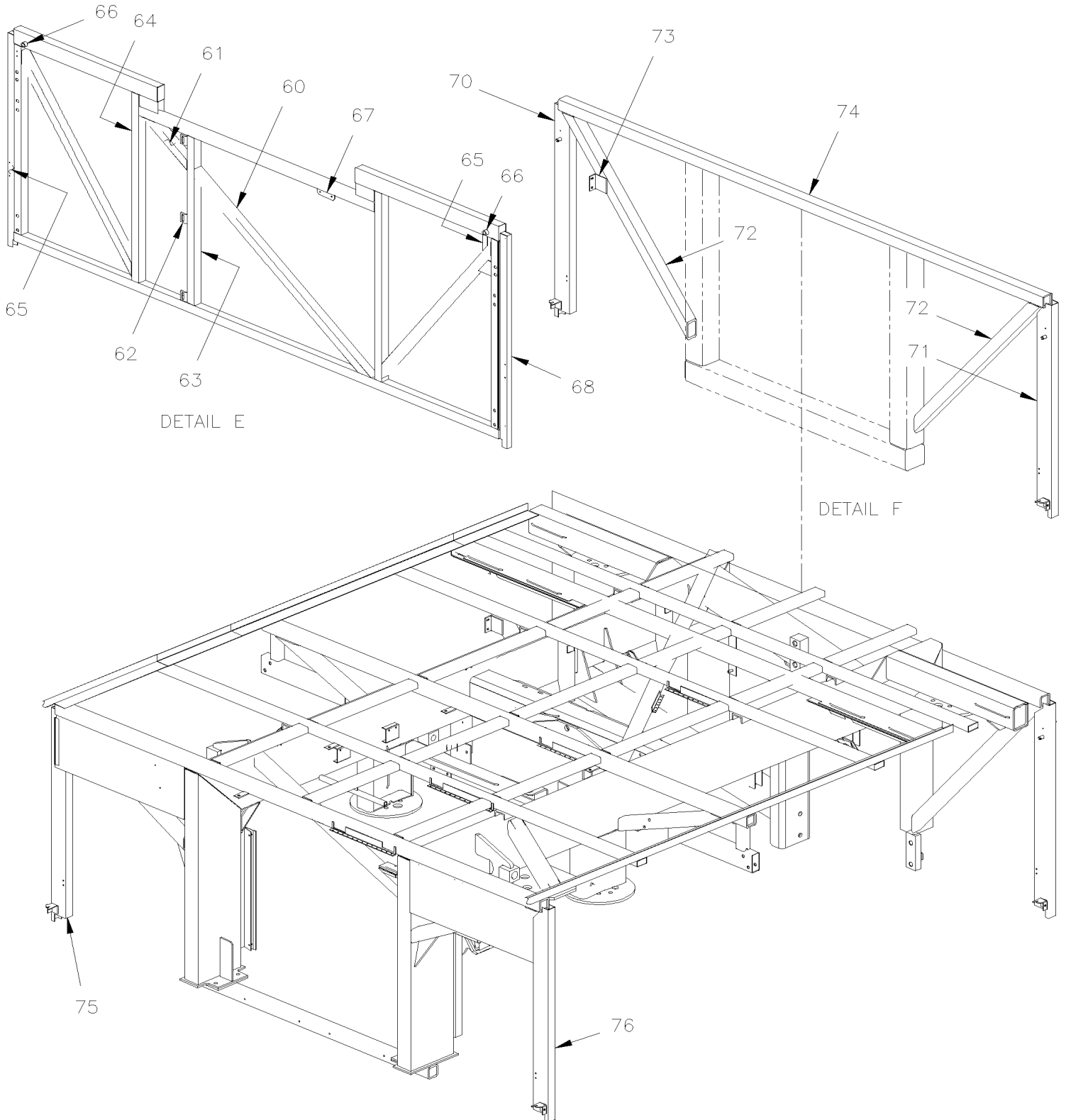


From Y-7046 To 6-8805

Date:10/2022

PAGE:Y2-1893-50

BAGGAGE COMPARTMENT STRUCTURE

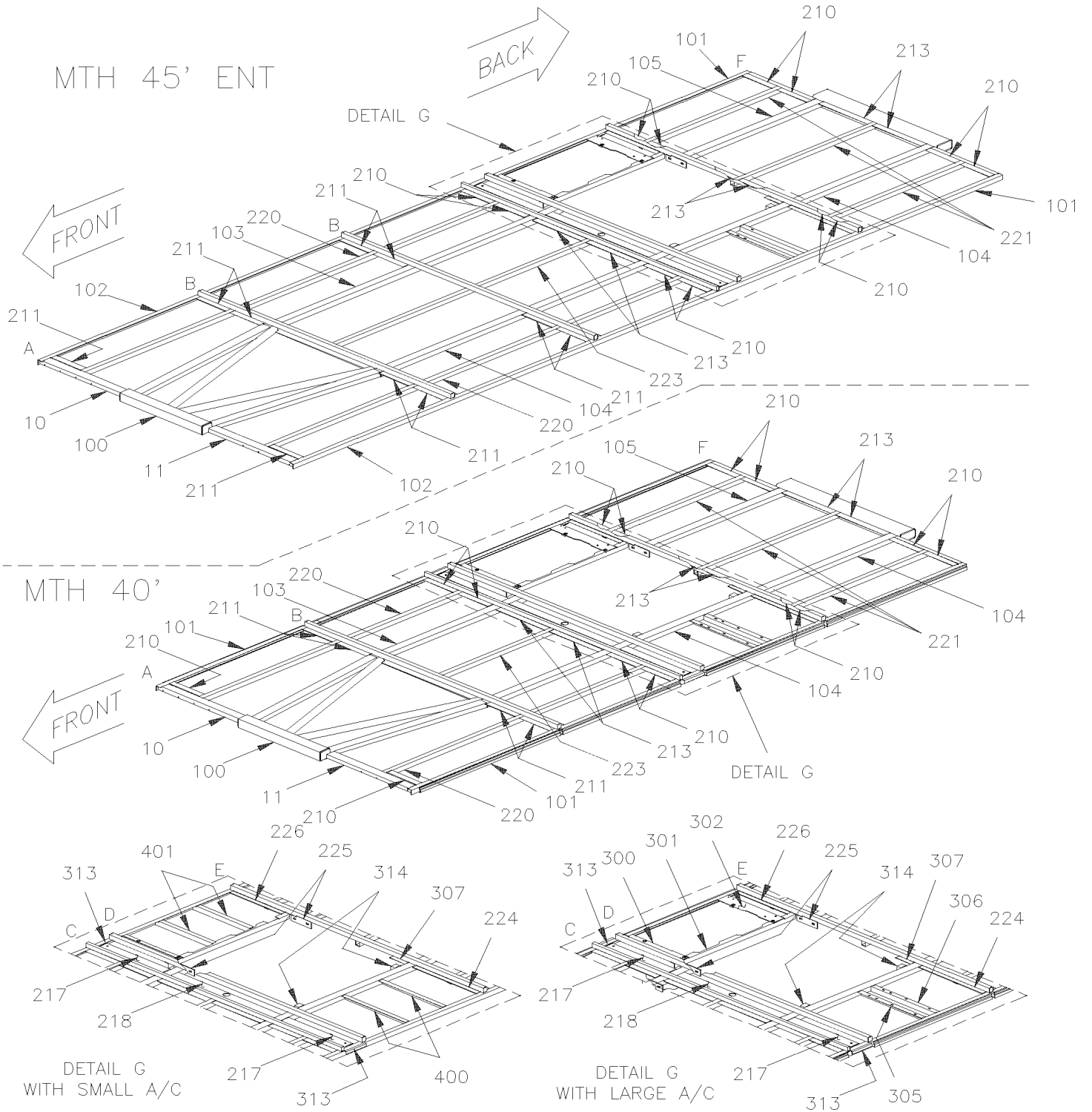


From Y-7046 To 6-8805

Date:10/2022

PAGE:Y2-1893-50

BAGGAGE COMPARTMENT STRUCTURE

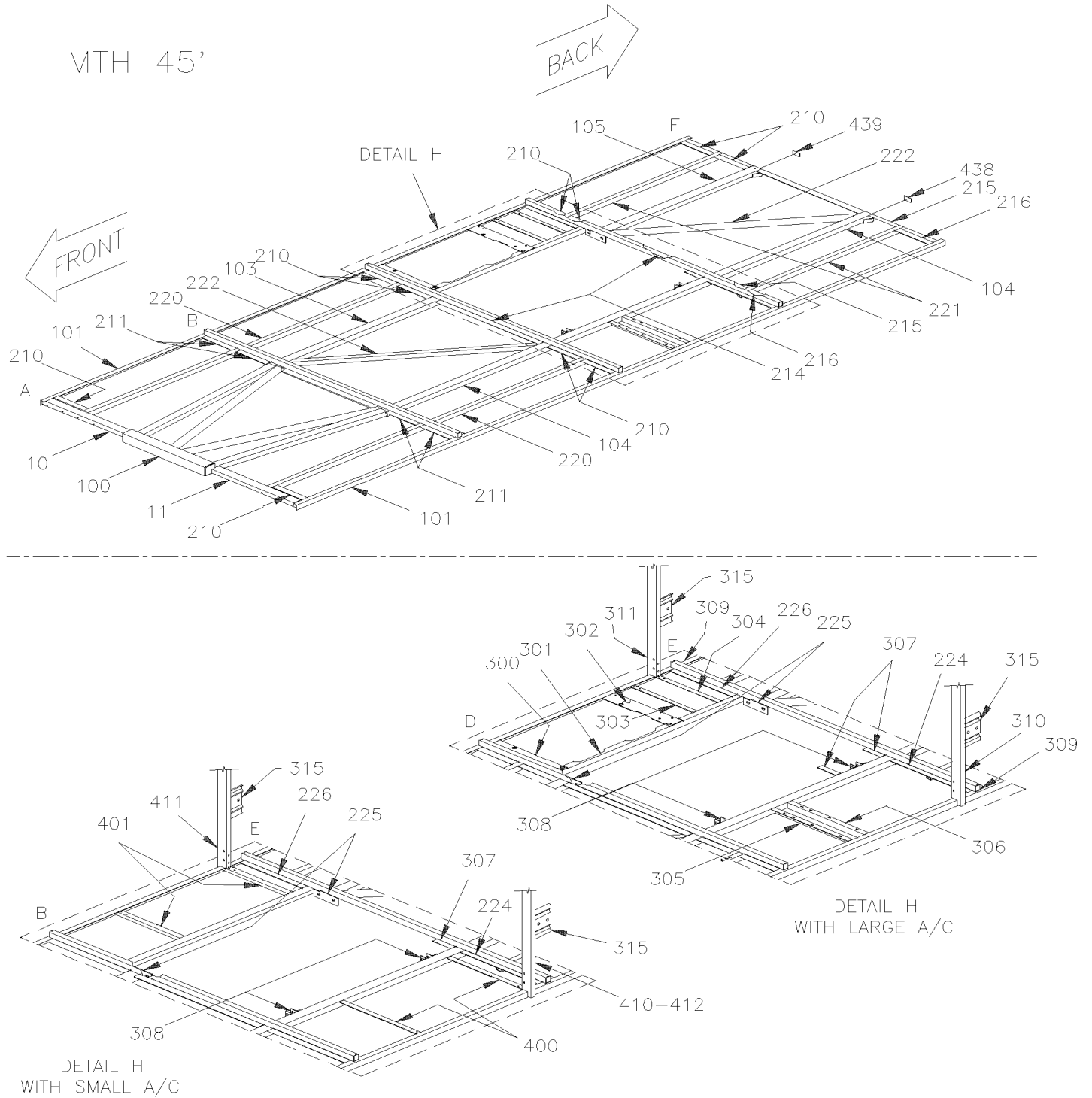


From Y-7046 To 6-8805

Date:10/2022

PAGE:Y2-1893-50

BAGGAGE COMPARTMENT STRUCTURE



| | | |
|--------------------------------------|--------------|-----------------|
| From Y-7046 To 6-8805 | Date:10/2022 | PAGE:Y2-1893-50 |
| BAGGAGE COMPARTMENT STRUCTURE | | |

| Item# | Part | Description | X L I I 4 5 | X L I I M T H 4 0 | X L I I M T H 4 5 | X L I I M T H 4 5 E | N O T E S |
|-------|--------|---|----------------------------|---|---|--|-----------------------|
| 1 | 213082 | TUBE 2489MM | | 1 | 1 | 1 | |
| 2 | 214466 | PLATE, CLOSING / TUBE 18MM x 69MM | | 2 | 2 | 2 | |
| 3 | 213149 | TUBE 120MM | | 2 | 2 | 2 | |
| 4 | 260126 | TUBE, VERTICAL FRAME / REAR ENGINE DOOR / 1524MM | | 2 | 2 | 2 | |
| 5 | 213891 | INSERT 50MM LG | | 2 | 2 | 2 | |
| NS | 260120 | PLATE, CLOSING / TUBE 33MM x 33MM | | 2 | 2 | 2 | |
| 6 | 213083 | REINFORCEMENT 120MM x 109MM To Y-7720 | | 2 | 2 | 2 | |
| 6 | 214671 | REINFORCEMENT 79MM x 90MM From Y-7721 | | 2 | 2 | 2 | |
| 7 | 214306 | TUBE 1122MM To 2-7751 | | 2 | 2 | 2 | |
| 7 | 213080 | TUBE 1121MM To 2-7751 | | 2 | 2 | 2 | |
| 7 | 214650 | TUBE 1126MM From 2-7752 | | 2 | 2 | 2 | |
| 8 | 240491 | POST L.H. & R.H. 895MM From 2-7894 | | 2 | 2 | | |
| 8 | 214391 | POST L.H. & R.H. 895MM To 1-7680 | | 2 | 2 | | |
| 8 | 240625 | POST R.H. 895MM From 2-7894 To 3-7990 | | 1 | 1 | 1 | |
| 8 | 240434 | POST R.H. 895MM From 3-7991 To 4-8193 | | 1 | 1 | 1 | |
| 8 | 240638 | POST R.H. 895MM From 4-8194 | | 1 | 1 | 1 | |
| 9 | 210081 | TUBE 6" LOWER ATTACHMENT | | 2 | 2 | 2 | |
| 10 | 213079 | TUBE 847MM | | 1 | 1 | 1 | |
| 11 | 213085 | TUBE 847MM | | 1 | 1 | 1 | |
| 12 | 214614 | POST L.H. / W/SLIDE OUT / 895MM From 2-7806 To 3-8164 | | | 1 | | |
| 12 | 248453 | POST L.H. / W/SLIDE OUT / 895MM From 4-8165 | | | 1 | | |
| 13 | 214391 | POST L.H. & R.H. 895MM To 1-7680 | | 1 | 1 | 1 | |
| 13 | 240491 | POST L.H. & R.H. 895MM From 1-7681 To 2-7893 | | 1 | 1 | 1 | |
| 13 | 240624 | POST L.H. 895MM From 2-7894 To 3-7990 | | 1 | 1 | 1 | |
| 13 | 240605 | POST L.H. 895MM From 3-7991 To 3-8164 | | 1 | 1 | 1 | |
| 20 | 240115 | TUBE 738MM x 1 1/2" 1 1/2" To 4-8244 | | 2 | 2 | 2 | |
| NS | 240124 | TUBE 738MM x 1" x 1 1/2" To 4-8244 | | 1 | 1 | 1 | |
| 20 | 240634 | TUBE 738MM x 1 1/2" 2 1/2" From 4-8245 | | 2 | 2 | 2 | |
| 21 | 240113 | TUBE 1209MM | | 1 | 1 | 1 | |
| 22 | 240117 | CLOSING PLATE 51MM X 45MM | | 4 | 4 | 4 | |
| 23 | 240114 | TUBE 1374MM | | 1 | 1 | 1 | |
| 24 | 240139 | TUBE 794MM To 2-7751 | | 2 | 2 | 2 | |
| 24 | 240108 | TUBE 794MM From 2-7752 | | 2 | 2 | 2 | |
| 25 | 240116 | TUBE 951MM | | 2 | 2 | 2 | |
| 26 | 240346 | POST EXTERIOR To 1-7680 | | 2 | 2 | 2 | |
| 26 | 240484 | POST INTERIOR 794MM From 1-7681 To 3-7990 | | 2 | 2 | 2 | |
| 26 | 240608 | POST INTERIOR 794MM From 3-7991 | | 2 | 2 | 2 | |
| 26 | 240497 | TUBE 794MM | | 1 | 1 | 1 | H |
| 27 | 240386 | POST EXTERIOR 895MM | | 1 | 1 | 1 | |
| 28 | 240134 | TUBE 2489MM To 1-7680 | | 1 | 1 | 1 | |
| 28 | 240485 | TUBE 2489MM From 1-7681 | | 1 | 1 | 1 | |
| 30 | 480376 | ATTACHMENT, DOOR ARM / 63.5MM | | 2 | 2 | 2 | |

| | | |
|--------------------------------------|--------------|-----------------|
| From Y-7046 To 6-8805 | Date:10/2022 | PAGE:Y2-1893-50 |
| BAGGAGE COMPARTMENT STRUCTURE | | |

| Item# | Part | Description | X L I I 4 5 | X L I I M T H 4 0 | X L I I M T H 4 5 | X L I I M T H 4 5 E | N O T E S |
|-------|--------|--|----------------------------|---|---|--|-----------------------|
| 31 | 240583 | TUBE 584MM To 4-8244 | | | 1 | | |
| 31 | 240635 | TUBE 584MM From 4-8245 | | | 1 | | |
| 32 | 214611 | TUBE 408MM | | | 1 | | |
| 33 | 240581 | TUBE 880MM | | | 1 | | |
| 34 | 240585 | TUBE 223MM | | | 1 | | |
| 35 | 240584 | POST EXTERIOR 808MM To 3-7990 | | | 1 | | |
| 35 | 240622 | POST EXTERIOR 808MM From 3-7991 | | | 1 | | |
| 36 | 240601 | POST ASSY W/HINGE RETAINER STRIP / 859.5MM | | | 1 | | |
| 37 | 240587 | TUBE | | | 1 | | |
| 38 | 240586 | TUBE | | | 1 | | |
| 39 | 240503 | POST EXTERIOR / W/7 HOLES 1/4-28 / 860MM From 2-7764 | | | 1 | | |
| 40 | 240107 | TUBE 1073MM | | 1 | 1 | 1 | |
| 41 | 240109 | TUBE 277MM | | 1 | 1 | 1 | |
| 42 | 240451 | ANGLE 22MM x 28MM x 38MM | | | 3 | | |
| 43 | 240386 | POST EXTERIOR 895MM | | 1 | 1 | 1 | |
| 43 | 240390 | POST EXTERIOR L.H. ASSY / WRETAINER STRIP / 895MM | | 1 | 1 | 1 | |
| 44 | 240484 | POST INTERIOR 794MM From 1-7681 To 3-7990 | | 2 | 2 | 2 | |
| 44 | 240608 | POST INTERIOR 794MM From 3-7991 | | 2 | 2 | 2 | |
| 45 | 240386 | POST EXTERIOR 895MM | | 1 | 1 | 1 | |
| 45 | 240389 | POST EXTERIOR R.H. ASSY / WRETAINER STRIP / 895MM | | 1 | 1 | 1 | |
| 46 | 480376 | ATTACHMENT, DOOR ARM / 63.5MM | | 2 | 2 | 2 | |
| 46 | 220424 | ATTACHMENT, DOOR ARM / 58.8MM | | 2 | | 2 | |
| 46 | 220424 | ATTACHMENT, DOOR ARM / 58.8MM | | | 2 | | |
| 47 | 284555 | LOCK SUPPORT / (WELDED TO STRUCTURE) | | | 2 | | |
| 50 | 240379 | UPPER SUPPORT PLATE "U" | | 1 | | 1 | |
| 51 | 240380 | LOWER SUPPORT R.H. | | 1 | | 1 | |
| 52 | 240408 | LOWER SUPPORT L.H. | | 1 | | 1 | |
| 53 | 240382 | TUBE 704MM | | 1 | | 1 | |
| 53 | 240110 | TUBE 705MM | | | 1 | | |
| 54 | 240381 | TUBE 793MM | | 1 | | 1 | |
| 54 | 240108 | TUBE 794MM | | | 1 | | |
| 60 | 240107 | TUBE 1073MM | | 1 | 1 | 1 | |
| 61 | 240109 | TUBE 277MM | | 1 | 1 | 1 | |
| 62 | 240451 | ANGLE 22MM x 28MM x 38MM | | 3 | 3 | 3 | |
| 63 | 240110 | TUBE 705MM | | 1 | 1 | 1 | |
| 64 | 240108 | TUBE 794MM | | 1 | 1 | 1 | |
| 65 | 240398 | POST EXTERIOR L.H. 895MM | | 1 | 1 | 1 | |
| 65 | 240503 | POST EXTERIOR / W/7 HOLES 1/4-28 / 860MM | | 1 | 1 | | |
| 66 | 220424 | ATTACHMENT, DOOR ARM / 58.8MM | | 2 | 2 | 2 | |
| 66 | 480376 | ATTACHMENT, DOOR ARM / 63.5MM | | 2 | | 2 | |
| 67 | 240314 | ANCHOR PLATE 25MM x 90MM | | 1 | 1 | 1 | |
| 68 | 240386 | POST EXTERIOR 895MM | | 1 | 1 | 1 | |

| | | |
|--------------------------------------|--------------|-----------------|
| From Y-7046 To 6-8805 | Date:10/2022 | PAGE:Y2-1893-50 |
| BAGGAGE COMPARTMENT STRUCTURE | | |

| Item# | Part | Description | X L I I 4 5 | X L I I M T H 4 0 | X L I I M T H 4 5 | X L I I M T H 4 5 E | N O T E S |
|-------|---------|---|----------------------------|---|---|--|-----------------------|
| 68 | 240397 | POST EXTERIOR R.H. 895MM | | 1 | 1 | | |
| 70 | 240422 | POST ASSY FORWARD FENDER / STREETSIDE To 1-7680 | | 1 | 1 | 1 | |
| 70 | 240488 | POST ASSY FORWARD FENDER / STREETSIDE From 1-7681 To 3-7990 | | 1 | 1 | 1 | |
| 70 | 240603 | POST ASSY FORWARD FENDER / STREETSIDE From 3-7991 | | 1 | 1 | 1 | |
| 71 | 240421 | POST ASSY FORWARD FENDER / CURBSIDE To 1-7680 | | 1 | 1 | 1 | |
| 71 | 240490 | POST ASSY FORWARD FENDER / CURBSIDE From 1-7681 To 3-7990 | | 1 | 1 | 1 | |
| 71 | 240606 | POST ASSY FORWARD FENDER / CURBSIDE From 3-7991 | | 1 | 1 | 1 | |
| 72 | 170262 | TUBE 986MM | | 2 | 2 | 2 | |
| 73 | 172428 | SUPPORT VALVE HEIGHT CONTROL | | 2 | 2 | 2 | |
| 74 | 170487 | TUBE 98" | | 1 | 1 | 1 | |
| 75 | 214051 | POST ASSY BACKWARD FENDER / STREETSIDE To 3-8164 | | 1 | 1 | 1 | |
| 75 | 214626 | POST ASSY BACKWARD FENDER / STREETSIDE From 4-8165 | | 1 | 1 | 1 | |
| . NS | 213939 | . CATCH FENDER LOWER From 4-8165 | | 1 | 1 | 1 | |
| . NS | 5001337 | . NUT INS FL HEX M8-1.25 0.5-3.0 Z050 From 4-8165 | | 2 | 2 | 2 | |
| . NS | 5001344 | . NUT INS FL HEX M6-1.0 0.5-3.0 SS From 4-8165 | | 2 | 2 | 2 | |
| 76 | 214052 | POST ASSY BACKWARD FENDER / CURBSIDE To 3-8164 | | 1 | 1 | 1 | |
| . NS | 260726 | . TUBE 857MM To 3-8164 | | 1 | 1 | 1 | |
| . NS | 213942 | . CATCH FENDER LOWER To 3-8164 | | 1 | 1 | 1 | |
| 76 | 214627 | POST ASSY BACKWARD FENDER / CURBSIDE From 4-8165 | | 1 | 1 | 1 | |
| . NS | 213942 | . CATCH FENDER LOWER From 4-8165 | | 1 | 1 | 1 | |
| 80 | 240463 | TUBE 736MM | | 2 | | 2 | |
| 81 | 240361 | TUBE 89MM | | 2 | | 2 | |
| 82 | 240363 | TUBE 1042MM | | 1 | | 1 | |
| 83 | 240365 | TUBE 112MM | | 2 | | 2 | |
| 83 | 240464 | ATTACHMENT "U", DOOR HINGE / 112MM | | 2 | | 2 | |
| 84 | 240371 | TUBE 38.1MM | | 2 | | 2 | |
| 85 | 240367 | TUBE 1020MM | | 1 | | 1 | |
| 86 | 240364 | TUBE 323MM To 3-7990 | | 2 | | 2 | |
| 86 | 240609 | TUBE 323MM From 3-7991 | | 2 | | 2 | |
| 87 | 240394 | TUBE 895MM | | 2 | | 2 | |
| 88 | 240500 | TUBE 90MM To 3-7990 | | 2 | | 2 | |
| 88 | 240610 | TUBE 90MM From 3-7991 | | 2 | | 2 | |
| 89 | 240362 | TUBE 832MM | | 1 | | 1 | |
| 90 | 240366 | TUBE 1022MM | | 1 | | 1 | |
| 91 | 240359 | TUBE 2517MM To 3-7990 | | 1 | | 1 | |
| 91 | 240499 | TUBE 2517MM From 3-7991 | | 1 | | 1 | |
| 92 | 240427 | TUBE 717MM | | 1 | | 1 | |
| 93 | 240409 | REINFORCEMENT "Z" SHAPE 522MM | | 2 | | 2 | |
| 94 | 240429 | REINFORCEMENT 525MM | | 2 | | 2 | |
| 95 | 240428 | TUBE 832MM | | 1 | | 1 | |
| 96 | 240384 | TUBE 414MM | | 1 | | 1 | |
| 97 | 240531 | TUBE 130MM To 5-8813 | | 1 | | | |

| | | |
|--------------------------------------|---------------------|------------------------|
| From Y-7046 To 6-8805 | Date:10/2022 | PAGE:Y2-1893-50 |
| BAGGAGE COMPARTMENT STRUCTURE | | |

| Item# | Part | Description | X L I I 4 5 | X L I I M T H 4 0 | X L I I M T H 4 5 | X L I I M T H 4 5 E | N O T E S |
|-------|-------------------|---|----------------------------|---|---|--|-----------------------|
| 98 | 240532 | TUBE 170MM To 5-8813 | | 1 | | | |
| 100 | Y2-1897-00 | FRONT SUB-FRAME / W/ BEAM RIGID SUSPENSION | | | | | |
| 100 | Y2-1897-50 | FRONT SUB-FRAME / W/INDEPENDENT SUSPENSION - 16500 LBS | | | | | |
| 100 | Y2-1897-51 | FRONT SUB-FRAME / W/INDEPENDENT SUSPENSION - 18000 LBS | | | | | |
| 101 | 221136 | ANGLE 1/8"x1 1/2"X6354MM (250") / SS | | | 2 | | |
| 101 | 221135 | ANGLE 1/8"x1 1/2"X5464MM (215") / SS | | 2 | | 2 | |
| 102 | 220872 | ANGLE 1/8"x1 1/2"X1524MM (60") / SS | | | | 2 | |
| 103 | 221081 | TUBE 1478MM To 3-8164 | | 1 | | | |
| 103 | 221284 | TUBE 1480MM From 4-8165 To 5-8813 | | 1 | | | |
| 103 | 221022 | TUBE 1647MM To 3-8164 | | | 1 | | |
| 103 | 221276 | TUBE 1649MM From 4-8165 | | | 1 | | |
| 103 | 221039 | TUBE 2282MM To 3-8164 | | | | 1 | |
| 103 | 221280 | TUBE 2885MM From 4-8165 | | | | 1 | |
| 104 | 221046 | TUBE 4044MM To 3-8164 | | 1 | | | |
| 104 | 221285 | TUBE 4044MM From 4-8165 To 5-8813 | | 1 | | | |
| 104 | 221021 | TUBE 4759MM To 3-8164 | | | 1 | | |
| 104 | 221278 | TUBE 4760MM From 4-8165 | | | 1 | | |
| 104 | 221050 | TUBE 5448MM To 3-8164 | | | | 1 | |
| 104 | 221281 | TUBE 5450MM From 4-8165 | | | | 1 | |
| 105 | 221032 | TUBE 1409MM To 3-8164 | | 1 | | | |
| 105 | 211282 | TUBE From 4-8165 To 5-8813 | | 1 | | | |
| 105 | 220835 | TUBE 1581MM To 3-8164 | | | 1 | | |
| 105 | 221277 | TUBE 1581MM From 4-8165 | | | 1 | | |
| 105 | 221032 | TUBE 1409MM To 3-8164 | | | | 1 | |
| 105 | 221282 | TUBE 1410MM From 4-8165 | | | | 1 | |
| 106 | 221129 | TUBE 1355MM To 3-8164 | | 2 | | | |
| 106 | 221286 | TUBE 1656MM From 4-8165 To 5-8813 | | 2 | | | |
| 106 | 221126 | TUBE 1526MM To 3-8164 | | | 2 | | |
| 106 | 221279 | TUBE 1526MM From 4-8165 | | | 2 | | |
| 106 | 221132 | TUBE 1474MM To 3-8164 | | | | 2 | |
| 106 | 221283 | TUBE 1474MM From 4-8165 | | | | 2 | |
| 107 | 214078 | TUBE 1614MM To 3-8164 | | | 2 | | |
| 107 | 221290 | TUBE 1692MM From 4-8165 | | | 2 | | |
| 107 | 214092 | TUBE 1449MM To 3-8164 | | 2 | | | |
| 107 | 221291 | TUBE 1542MM From 4-8165 To 5-8813 | | 2 | | | |
| 107 | 214104 | TUBE 1562MM To 3-8164 | | | | 2 | |
| 107 | 221292 | TUBE 1642MM From 4-8165 | | | | 2 | |
| 210 | 220286 | SUPPORT FLOOR 101MM X 298MM To 2-7770 | | AR | AR | AR | |
| 210 | 221243 | SUPPORT FLOOR 50MM X 298MM From 2-7771 | | AR | AR | AR | |
| 211 | 220285 | SUPPORT FLOOR 76MM X 298MM | | AR | AR | AR | |
| 211 | 221245 | SUPPORT FLOOR 130MM X 299MM | | AR | AR | AR | |
| 212 | 220287 | SUPPORT FLOOR 203MM X 299MM To 1-7680 | | 4 | | | |

| | | |
|--------------------------------------|--------------|-----------------|
| From Y-7046 To 6-8805 | Date:10/2022 | PAGE:Y2-1893-50 |
| BAGGAGE COMPARTMENT STRUCTURE | | |

| Item# | Part | Description | X L I I 4 5 | X L I I M T H 4 0 | X L I I M T H 4 5 | X L I I M T H 4 5 E | N O T E S |
|-------|--------|---|----------------------------|---|---|--|-----------------------|
| 212 | 220287 | SUPPORT FLOOR 203MM X 299MM To 1-7680 | | | 2 | | |
| 212 | 220287 | SUPPORT FLOOR 203MM X 299MM To 1-7680 | | | | 6 | |
| 212 | 221245 | SUPPORT FLOOR 130MM X 299MM From 1-7681 To 5-8813 | | 4 | | | |
| 212 | 221245 | SUPPORT FLOOR 130MM X 299MM From 1-7681 | | | 2 | | |
| 212 | 221245 | SUPPORT FLOOR 130MM X 299MM From 1-7681 | | | | 6 | |
| 213 | 220464 | SUPPORT FLOOR 76MM X 488MM To 2-7770 | | AR | | AR | |
| 213 | 221250 | SUPPORT FLOOR 50MM X 488MM From 2-7771 | | AR | | AR | |
| 213 | 221162 | SUPPORT FLOOR 76MM X 507MM To 2-7770 | | AR | | AR | |
| 213 | 221249 | SUPPORT FLOOR 50MM X 507MM From 2-7771 | | AR | | AR | |
| 214 | 220850 | SUPPORT FLOOR 76MM X 940MM | | | 2 | | |
| 214 | 221161 | SUPPORT FLOOR 76MM X 1015MM To 2-7770 | | | 2 | | |
| 214 | 221248 | SUPPORT FLOOR 50MM X 1015MM From 2-7771 | | | 2 | | |
| 215 | 220936 | SUPPORT FLOOR 76MM X 222MM To 2-7770 | | | 2 | | |
| 215 | 221247 | SUPPORT FLOOR 50MM X 222MM From 2-7771 | | | 2 | | |
| 216 | 220935 | SUPPORT FLOOR 100MM X 374MM To 2-7770 | | | 2 | | |
| 216 | 221246 | SUPPORT FLOOR 50MM X 374MM From 2-7771 | | | 2 | | |
| 217 | 213342 | SUPPORT 660MM | | 2 | | 2 | |
| 218 | 213343 | SUPPORT 1016MM | | 1 | | 1 | |
| 220 | 221083 | TUBE 2578MM To 5-8813 | | 2 | | | |
| 220 | 221153 | TUBE 4077MM To 5-8813 | | 2 | | | |
| 220 | 221134 | TUBE 3119MM | | | 2 | | |
| 220 | 221086 | TUBE 4102MM | | | | 2 | |
| 220 | 221153 | TUBE 4077MM | | | | 2 | |
| 221 | 220466 | TUBE 1403MM To 5-8813 | | 3 | | | |
| 221 | 220829 | TUBE 62MM | | | 2 | | |
| 221 | 220466 | TUBE 1403MM | | | | 3 | |
| 222 | 220851 | TUBE 1829MM To Y-7121 | | | 2 | | |
| 222 | 221158 | TUBE 1805MM From Y-7122 | | | 2 | | |
| 223 | 221084 | TUBE 1196MM To 5-8813 | | 1 | | | |
| 223 | 221085 | TUBE 2616MM | | | | 1 | |
| 224 | 221106 | FLOOR SUPPORT | | 1 | 1 | 1 | |
| 225 | 220834 | PLATE UNION 7 3/4" X 2" | | 2 | 2 | 2 | |
| 226 | 221104 | SUPPORT FLOOR 38MM X 515MM | | 1 | 1 | 1 | |
| 300 | 213244 | SUPPORT | | 1 | 1 | 1 | |
| 301 | 213245 | SUPPORT ANGLE 1228MM | | 1 | | 1 | |
| 301 | 213442 | SUPPORT ANGLE 1606MM | | | 1 | | |
| 302 | 213243 | SUPPORT | | 1 | | 1 | |
| 303 | 214494 | PANEL CONDENSOR SEPARATOR BACKWARD | | | 1 | | |
| 304 | 220977 | ANGLE 19MM X 38MM X 587MM | | | 1 | | |
| 305 | 220401 | ANGLE SUPPORT 668MM To 1-7408 | | 1 | 1 | 1 | |
| 305 | 221178 | ANGLE SUPPORT 668MM From 1-7409 | | 1 | 1 | 1 | |
| 306 | 220400 | ANGLE SUPPORT 668MM To 1-7408 | | 1 | 1 | 1 | |

| | | |
|--------------------------------------|--------------|-----------------|
| From Y-7046 To 6-8805 | Date:10/2022 | PAGE:Y2-1893-50 |
| BAGGAGE COMPARTMENT STRUCTURE | | |

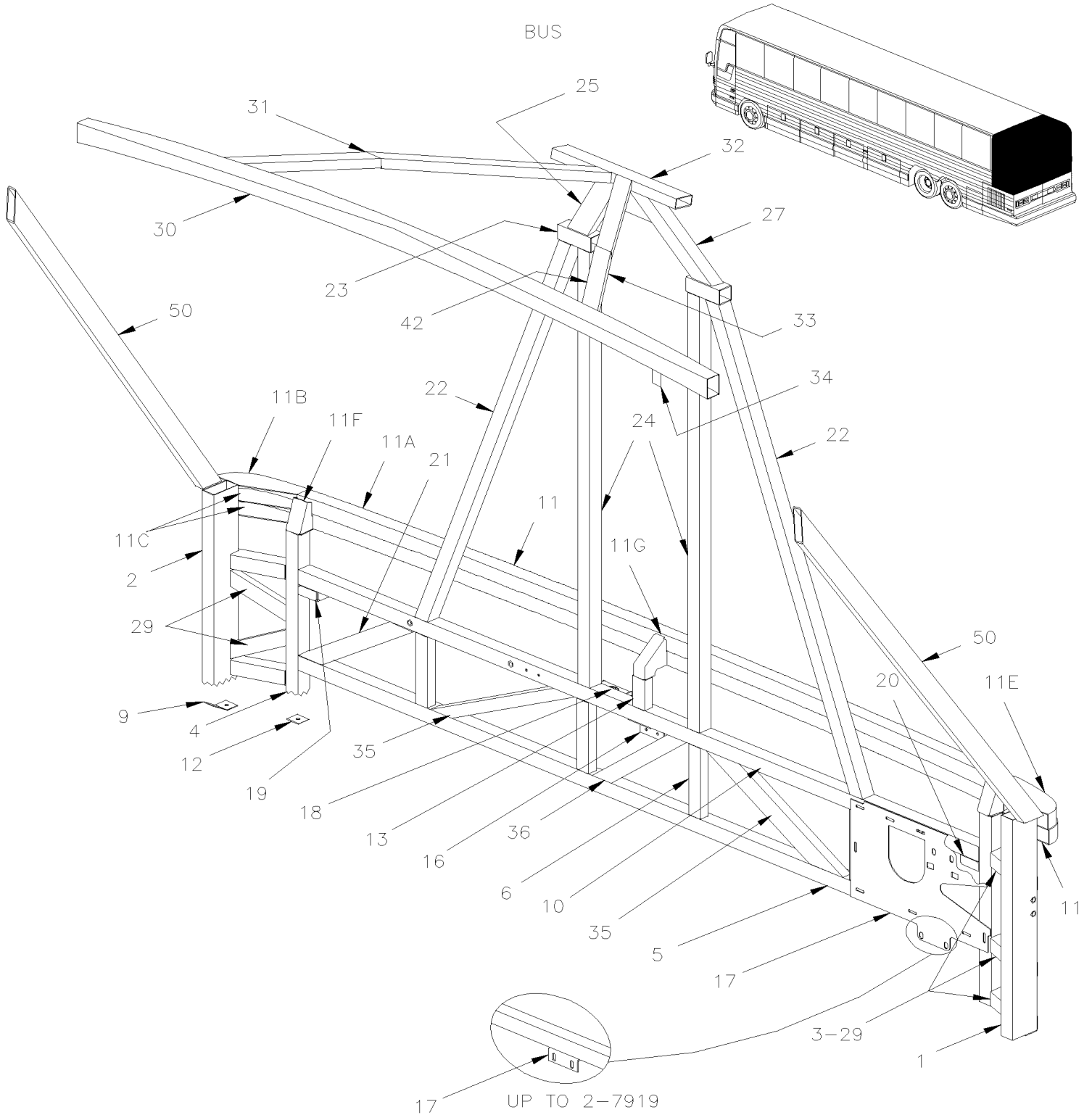
| Item# | Part | Description | X L I I 4 5 | X L I I M T H 4 0 | X L I I M T H 4 5 | X L I I M T H 4 5 E | N O T E S |
|-------|--------|--|----------------------------|---|---|--|-----------------------|
| 306 | 221177 | ANGLE SUPPORT 668MM From 1-7409 | | 1 | 1 | 1 | |
| 307 | 214196 | SHIM 38MM X 149MM GA11 | | 2 | 2 | 2 | |
| 308 | 220854 | ANGLE 2" X 1 1/2" ST | | | 4 | | |
| 309 | 210338 | ANGLE 1" x 125MM | | | 2 | | |
| 309 | 214534 | SUPPORT "U" 125MM | | | 2 | | |
| 310 | 213578 | POST ASSY L.H. / W/STRIKER ATTACHMENT To 1-7680 | | | 1 | | |
| 310 | 213930 | POST ASSY L.H. / W/STRIKER ATTACHMENT From 1-7681 To 3-7990 | | | 1 | | |
| 310 | 214728 | POST ASSY L.H. / W/STRIKER ATTACHMENT From 3-7991 | | | 1 | | |
| NS | 214318 | ANGLE 450MM | | | 1 | | |
| 311 | 213643 | POST ASSY R.H. / W/STRIKER ATTACHMENT To 1-7680 | | | 1 | | |
| 311 | 213931 | POST ASSY R.H. / W/STRIKER ATTACHMENT From 1-7681 To 3-7990 | | | 1 | | |
| 311 | 214708 | POST ASSY R.H. / W/STRIKER ATTACHMENT From 3-7991 | | | 1 | | |
| 313 | 221043 | ANGLE 194MM | | 2 | | 2 | |
| 314 | 213058 | ATTACHMENT "HAT" FORM / FUEL TANK To 5-8637 | | 2 | | 2 | |
| 314 | 215720 | ATTACHMENT ASSY / FUEL TANK From 5-8638 | | 2 | | 2 | |
| 315 | 240457 | REINFORCEMENT ASSY 125MM | | | 2 | | |
| 400 | 221000 | SUPPORT | | | 2 | | |
| 400 | 221034 | ANGLE SUPPORT 668MM | | 2 | | 2 | |
| 401 | 220870 | ANGLE SUPPORT 22 1/4" | | 2 | 2 | 2 | |
| 402 | 221077 | ANGLE 1606MM | | | 1 | | |
| 410 | 213352 | POST ASSY W/INSERT TO FIX PANTO ARM / FIXED AT L.H. SIDE OF DOOR | | | 1 | 1 | |
| 410 | 213579 | POST ASSY W/INSERT TO FIX PANTO ARM / FIXED AT L.H. SIDE OF DOOR To 1-7680 | | | 1 | 1 | |
| 410 | 212926 | POST ASSY W/INSERT TO FIX PANTO ARM / FIXED AT L.H. SIDE OF DOOR From 1-7681 To 3-7990 | | | 1 | 1 | |
| 410 | 214707 | POST ASSY W/INSERT TO FIX PANTO ARM / FIXED AT L.H. SIDE OF DOOR From 3-7991 | | | 1 | 1 | |
| 411 | 213353 | POST ASSY W/INSERT TO FIX PANTO ARM / FIXED AT R.H. SIDE OF DOOR | | | 1 | 1 | |
| 411 | 213580 | POST ASSY W/INSERT TO FIX PANTO ARM / FIXED AT R.H. SIDE OF DOOR To 1-7680 | | | 1 | 1 | |
| 411 | 212851 | POST ASSY W/INSERT TO FIX PANTO ARM / FIXED AT R.H. SIDE OF DOOR From 1-7681 To 3-7990 | | | 1 | 1 | |
| 411 | 214706 | POST ASSY W/INSERT TO FIX PANTO ARM / FIXED AT R.H. SIDE OF DOOR From 3-7991 | | | 1 | 1 | |
| 412 | 214594 | POST / STREETSIDE W/SLIDE-OUT | | | 1 | | S |
| 438 | 229036 | REINFORCEMENT L.H. | | | 1 | | |
| | | | | | | | |
| | | | | | | | |
| | | H) WITH HINGE DOOR | | | | | |
| | | S) WITH SLIDE-OUT | | | | | |

From Y-7046 To 8-9339

Date:10/2022

PAGE:Y2-1894-00

REAR CAP - STRUCTURE

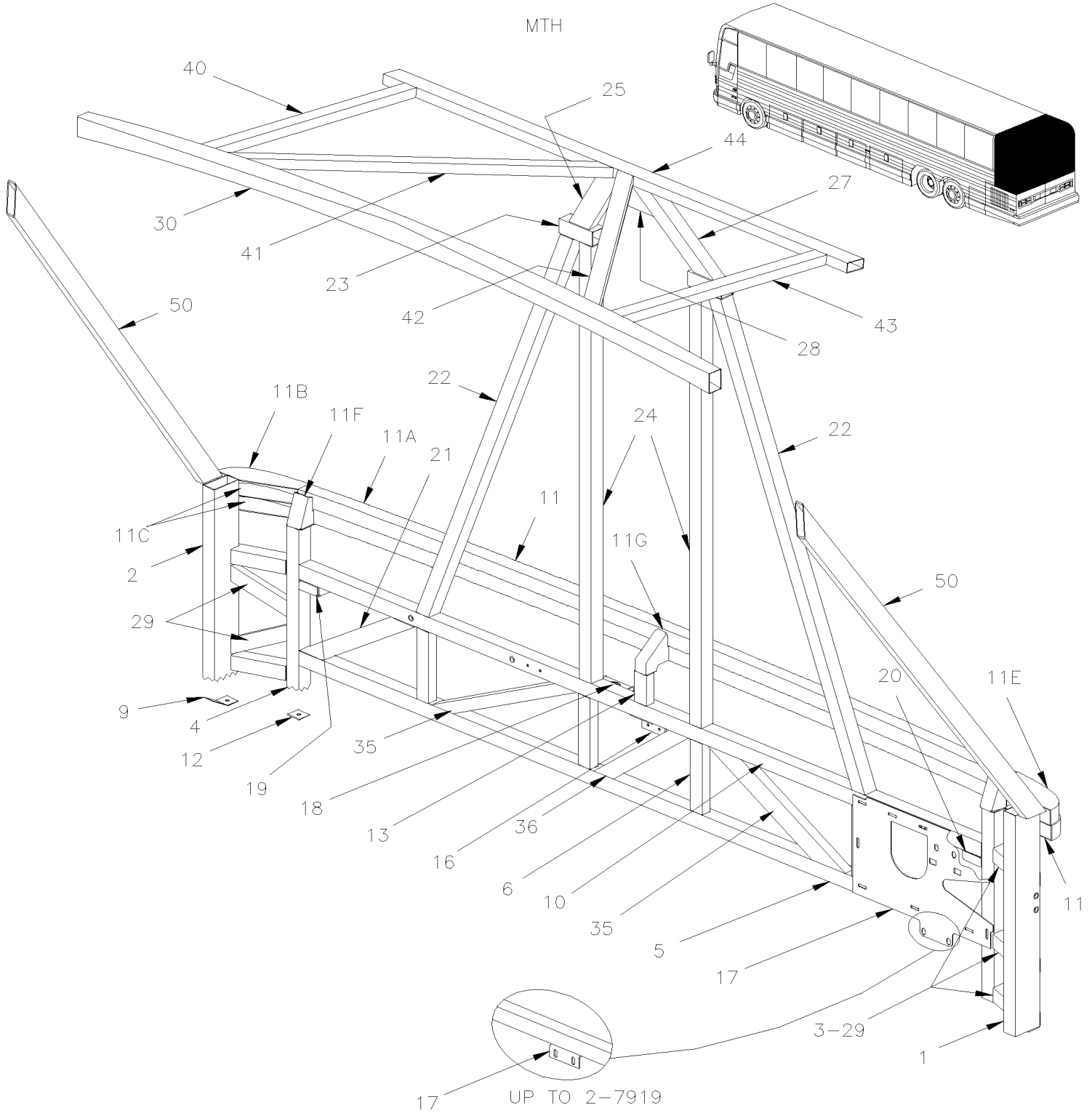


From Y-7046 To 8-9339

Date:10/2022

PAGE:Y2-1894-00

REAR CAP - STRUCTURE



| | | |
|-----------------------------|--------------|-----------------|
| From Y-7046 To 8-9339 | Date:10/2022 | PAGE:Y2-1894-00 |
| REAR CAP - STRUCTURE | | |

| Item# | Part | Description | X L I I 4 5 | X L I I M T H 4 0 | X L I I M T H 4 5 | X L I I M T H 4 5 E | NOTES |
|-------|---------|---|----------------------------|---|---|--|-------|
| 1 | 260746 | LEFT CORNER TUBE / MTH 89" | | | | 1 | |
| 1 | 260809 | LEFT CORNER TUBE / BUS To 6-8906 | 1 | | | | |
| 1 | 260752 | LEFT CORNER TUBE / MTH 83" & MTH 86" | | 1 | 1 | 1 | |
| 1 | 214014 | CLOSING PLATE From 2-7920 | 2 | 2 | 2 | 2 | |
| 2 | 260745 | RIGHT CORNER TUBE / MTH 89" | | | | 1 | |
| 2 | 260810 | RIGHT CORNER TUBE / BUS To 6-8906 | 1 | | | | |
| 2 | 260754 | RIGHT CORNER TUBE / MTH 83" & MTH 86" | | 1 | 1 | 1 | |
| 2 | 214014 | CLOSING PLATE From 2-7920 | 2 | 2 | 2 | 2 | |
| 3 | 260740 | TUBE 172MM | 6 | 6 | 6 | 6 | |
| 4 | 260805 | TUBE / MTH 89" | | | | 2 | |
| 4 | 260804 | TUBE / BUS To 6-8906 | 2 | | | | |
| 4 | 260747 | TUBE / MTH 83" & MTH 86" | | 1 | 1 | 1 | |
| 5 | 260748 | TUBE To 2-7888 | 1 | 1 | 1 | 1 | |
| 5 | 260919 | TUBE From 2-7889 To 3-8164 | 1 | 1 | 1 | 1 | |
| 5 | 260942 | TUBE From 4-8165 | 1 | 1 | 1 | 1 | |
| 6 | 260756 | VERTICAL TUBE To 2-7888 | 4 | 4 | 4 | 4 | |
| 6 | 260921 | TUBE VERTICAL From 2-7889 | 4 | 4 | 4 | 4 | |
| 9 | 260759 | BUTT PLATE | 2 | 2 | 2 | 2 | |
| 10 | 260793 | TUBE To 2-7888 | 1 | 1 | 1 | 1 | |
| 10 | 260920 | TUBE From 2-7889 | 1 | 1 | 1 | 1 | |
| 11 | 260781P | REAR FORMING TUBE ASSY | 1 | 1 | 1 | 1 | |
| . A | 260852 | . TUBE | 1 | 1 | 1 | 1 | |
| . B | 261185 | . CORNER ASSY | 2 | 2 | 2 | 2 | |
| . D | 261186 | . CORNER ASSY | 2 | 2 | 2 | 2 | |
| . F | 260757 | . SUPPORT SIDE POST | 2 | 2 | 2 | 2 | |
| . G | 260813 | . SUPPORT CENTER POST | 1 | 1 | 1 | 1 | |
| 12 | 260760 | BUTT PLATE | 2 | 2 | 2 | 2 | |
| 13 | 260786 | TUBE SUPPORT 152MM / MTH 89" | | | | 1 | |
| 13 | 260753 | TUBE SUPPORT 76MM / MTH 83" & MTH86" | | 1 | 1 | 1 | |
| 16 | 285988 | ANGLE STOPPER LH ENGINE DOOR To 2-7888 | 1 | 1 | 1 | 1 | |
| 16 | 287229 | ANGLE STOPPER LH ENGINE DOOR From 2-7889 | 1 | 1 | 1 | 1 | |
| 17 | 260818 | SUPPORT / SURGE TANK To 2-7919 | 1 | 1 | 1 | 1 | |
| 17 | 214908 | SUPPORT / SURGE TANK From 2-7920 | 1 | 1 | 1 | 1 | |
| 18 | 282869 | FLOATING NUT ASSY WITH CASE To 1-7627 | 1 | 1 | 1 | 1 | |
| 18 | 287943 | FLOATING NUT ASSY WITH CASE From 1-7628 To 2-7888 | 1 | 1 | 1 | 1 | |
| 18 | 287230 | SUPPORT ASSY W/NUT From 2-7889 | 1 | 1 | 1 | 1 | |
| 19 | 285916 | FIXATION PLATE | 1 | 1 | 1 | 1 | |
| 20 | 285991 | FIXATION PLATE | 1 | 1 | 1 | 1 | |
| 21 | 260922 | TUBE From 2-7889 To 3-8164 | 1 | 1 | 1 | 1 | |
| 21 | 260944 | TUBE From 4-8165 | 1 | 1 | 1 | 1 | |
| 22 | 271226 | TUBE | 2 | 2 | 2 | 2 | |
| 23 | 271227 | TUBE | 2 | 2 | 2 | 2 | |

| | | |
|-----------------------------|--------------|-----------------|
| From Y-7046 To 8-9339 | Date:10/2022 | PAGE:Y2-1894-00 |
| REAR CAP - STRUCTURE | | |

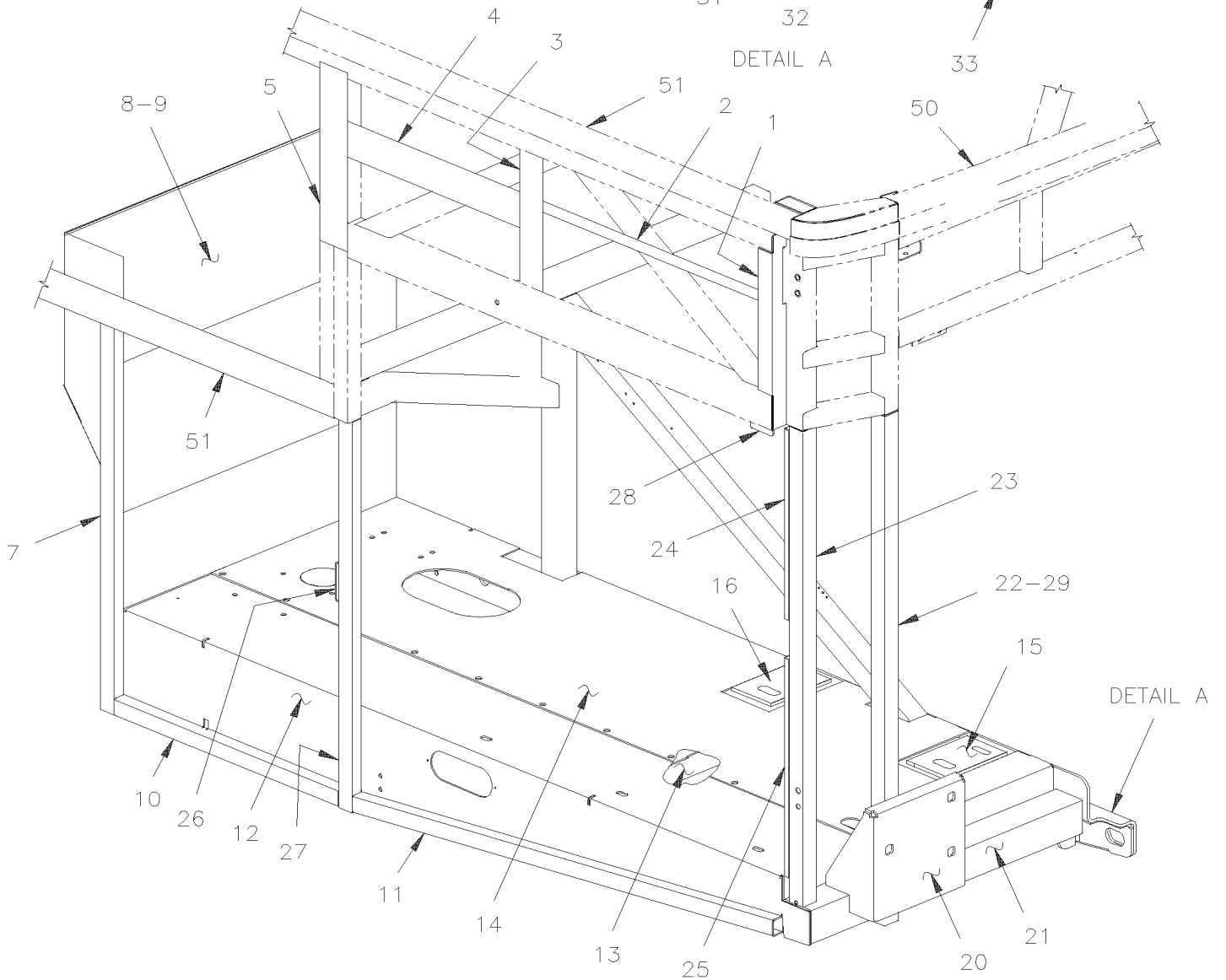
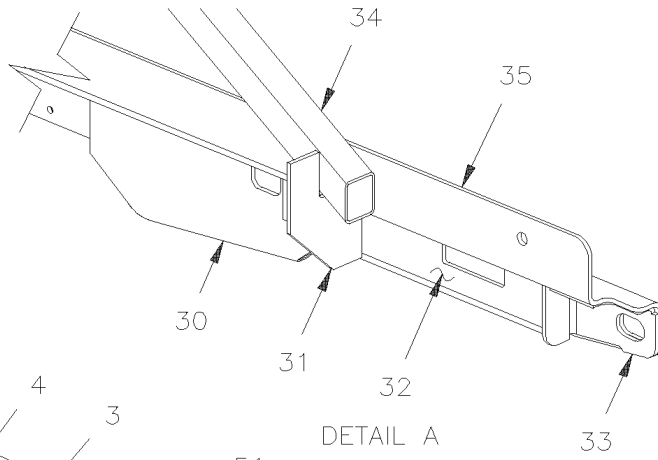
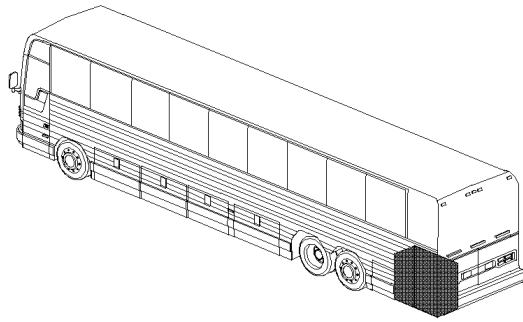
| Item# | Part | Description | X L I I 4 5 | X L I I M T H 4 0 | X L I I M T H 4 5 | X L I I M T H 4 5 E | N O T E S |
|-------|-------------------|-------------------------------|----------------------------|---|---|--|-----------------------|
| 24 | 271225 | TUBE | 2 | 2 | 2 | 2 | |
| 25 | 271232 | TUBE / MTH 83" | | 1 | 1 | | |
| 25 | 271233 | TUBE / MTH 86" | | 1 | 1 | 1 | |
| 25 | 271234 | TUBE / MTH 89" | | | | 1 | |
| 25 | 271236 | TUBE / BUS To 6-8906 | 1 | | | | |
| 27 | 271229 | TUBE / MTH 83" | | 1 | 1 | | |
| 27 | 271230 | TUBE / MTH 86" | | 1 | 1 | 1 | |
| 27 | 271231 | TUBE / MTH 89" | | | | 1 | |
| 27 | 271235 | TUBE / BUS To 6-8906 | 1 | | | | |
| 28 | 271228 | REINFORCEMENT / MTH | | 1 | 1 | 1 | |
| 28 | 271253 | REINFORCEMENT / BUS | 1 | | | | |
| 29 | 260960 | TUBE 202MM | 4 | 4 | 4 | 4 | |
| 30 | 271290 | ARCH / ROOF 1932.7MM (76") | 1 | 1 | 1 | 1 | |
| 31 | 260789 | REAR TUBE To 6-8906 | 1 | | | | |
| 32 | 260749 | TUBE 400MM To 6-8906 | 1 | | | | |
| 33 | 260751 | REAR RIGHT TUBE To 6-8906 | 1 | | | | |
| 34 | 214341 | PIPE SUPPORT To 6-8906 | 1 | | | | |
| 35 | 260962 | TUBE | 2 | 2 | 2 | 2 | |
| 36 | 260963 | TUBE | 1 | 1 | 1 | 1 | |
| 40 | 271120 | TUBE | | 2 | 2 | 2 | |
| 41 | 271122 | TUBE | | 1 | 1 | 1 | |
| 42 | 271121 | TUBE | | 1 | 1 | 1 | |
| 43 | 271117 | TUBE | | 1 | 1 | 1 | |
| 50 | Y2-1890-10 | STRUCTURE WALL - UPPER | | | | | |
| | | | | | | | |
| | | | | | | | |
| | | | | | | | |

From Y-7046 To 3-8164

Date:10/2022

PAGE:Y2-1894-05

REAR LH - STRUCTURE



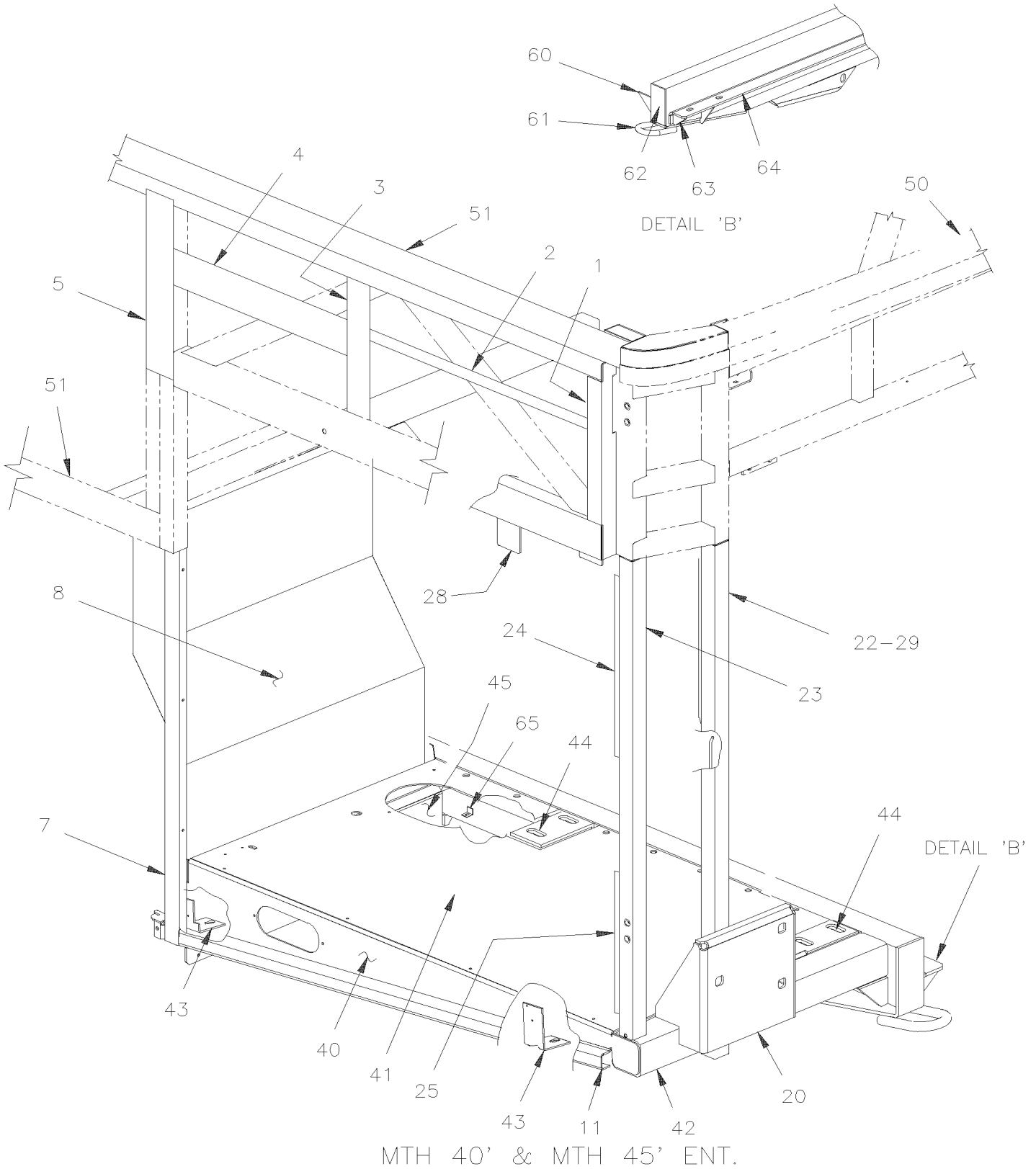
BUS 45' & MTH 45'

From Y-7046 To 3-8164

Date:10/2022

PAGE:Y2-1894-05

REAR LH - STRUCTURE



| | | |
|----------------------------|--------------|-----------------|
| From Y-7046 To 3-8164 | Date:10/2022 | PAGE:Y2-1894-05 |
| REAR LH - STRUCTURE | | |

| Item# | Part | Description | X L I I 4 5 | X L I I M T H 4 0 | X L I I M T H 4 5 | X L I I M T H 4 5 E | N O T E S |
|-------|--------|--|----------------------------|---|---|--|-----------------------|
| 1 | 260811 | ANGLE CURB-SIDE | 1 | | | | |
| 1 | 260761 | ANGLE CURB-SIDE | | 1 | 1 | | |
| 1 | 260806 | ANGLE CURB-SIDE | | | | 1 | |
| 2 | 231280 | SHAPED BAR LH | | 1 | 1 | 1 | |
| 3 | 231493 | ANGLE LH | 1 | | | | |
| 4 | 231281 | SHAPED BAR To 3-8044 | | 1 | 1 | 1 | |
| 4 | 231601 | SHAPED BAR From 3-8045 | | 1 | 1 | 1 | |
| 5 | 231581 | SHAPED BAR LH VERTICAL To 3-8044 | | 1 | 1 | 1 | |
| 5 | 231604 | SHAPED BAR LH VERTICAL From 3-8045 | | 1 | 1 | 1 | |
| 7 | 214051 | POST ASSY BACKWARD FENDER / STREETSIDE | 1 | 1 | 1 | 1 | |
| 8 | 260831 | FENDER PANEL STREETSIDE To 2-7764 | 1 | 1 | 1 | 1 | |
| 8 | 260860 | FENDER PANEL STREETSIDE From 2-7765 | 1 | 1 | 1 | 1 | |
| 9 | 450119 | SUPPORT RECEIVER TANK | | | 1 | | |
| 9 | 452375 | SUPPORT RECEIVER TANK | | | 1 | | |
| 10 | 260742 | TUBE 600MM To 2-7849 | 1 | | 1 | | |
| 11 | 260741 | TUBE 1132MM To 2-7849 | 1 | 1 | 1 | 1 | |
| 12 | 260822 | SIDE MEMBER RADIATOR FLOOR PANEL To 2-7849 | 1 | | 1 | | |
| 12 | 260912 | SIDE MEMBER RADIATOR FLOOR PANEL From 2-7850 | 1 | | 1 | | |
| 13 | 260689 | ANGLE MUFFLER SUPPORT / BACKWARD / 28 5/8" | 1 | | 1 | | |
| 13 | 260662 | ANGLE MUFFLER SUPPORT / FORWARD / 28 5/8" | 1 | | 1 | | |
| 14 | 213749 | FLOOR FAN RADIATOR To 2-7764 | 1 | | 1 | | |
| 14 | 214564 | FLOOR FAN RADIATOR From 2-7765 | 1 | | 1 | | |
| 15 | 171792 | SUPPORT FAN RADIATOR / BACKWARD | 1 | | 1 | | |
| 15 | 212598 | SUPPORT FAN RADIATOR | 1 | | 1 | | |
| 16 | 171793 | SUPPORT FAN RADIATOR / FORWARD | 1 | | 1 | | |
| 20 | 213795 | BRACKET BUMPER L.H. / (WELDED AT STRUCTURE) To 4-8181 | 1 | 1 | 1 | 1 | |
| 20 | 214637 | BRACKET BUMPER L.H. & R.H. / (WELDED AT STRUCTURE) From 4-8182 | 1 | 1 | 1 | 1 | |
| 20 | 216083 | BRACKET BUMPER L.H. & R.H. / (WELDED AT STRUCTURE) | 1 | | | | R |
| 21 | 260640 | TUBE 726MM | 1 | | 1 | | |
| 22 | 260730 | TUBE INTERIOR / 1118MM | 1 | 1 | 1 | 1 | |
| 23 | 260729 | TUBE / STREETSIDE CORNER / 1043MM | 1 | 1 | 1 | 1 | |
| 24 | 260827 | SPACER "U" 417MM | 1 | | 1 | | |
| 25 | 260826 | SPACER "U" 478MM | 1 | 1 | 1 | 1 | |
| 26 | 284534 | SUPPORT STRIKER PIN | 1 | | 1 | | |
| 27 | 260843 | POST BACKWARD L.H. SERVICE DOOR / STREETSIDE | 1 | | 1 | | |
| 28 | 286161 | STRICKING PLATE | 1 | 1 | 1 | 1 | |
| 29 | 212655 | ATTACHMENT ROD / WELDED (TO FIX ANYTHING) / 373MM x 11MM DEEP | AR | AR | AR | AR | |
| 30 | 171472 | PROTECTOR L.H. | 1 | | 1 | | |
| 31 | 260644 | PLATE REINFORCEMENT | 2 | | 2 | | |
| 32 | 172545 | REINFORCEMENT L.H. | 1 | | 1 | | |
| 33 | 172547 | REINFORCEMENT L.H. | 1 | | 1 | | |
| 34 | 171483 | TUBE 1208MM | 1 | | 1 | | |

| | | |
|----------------------------|--------------|-----------------|
| From Y-7046 To 3-8164 | Date:10/2022 | PAGE:Y2-1894-05 |
| REAR LH - STRUCTURE | | |

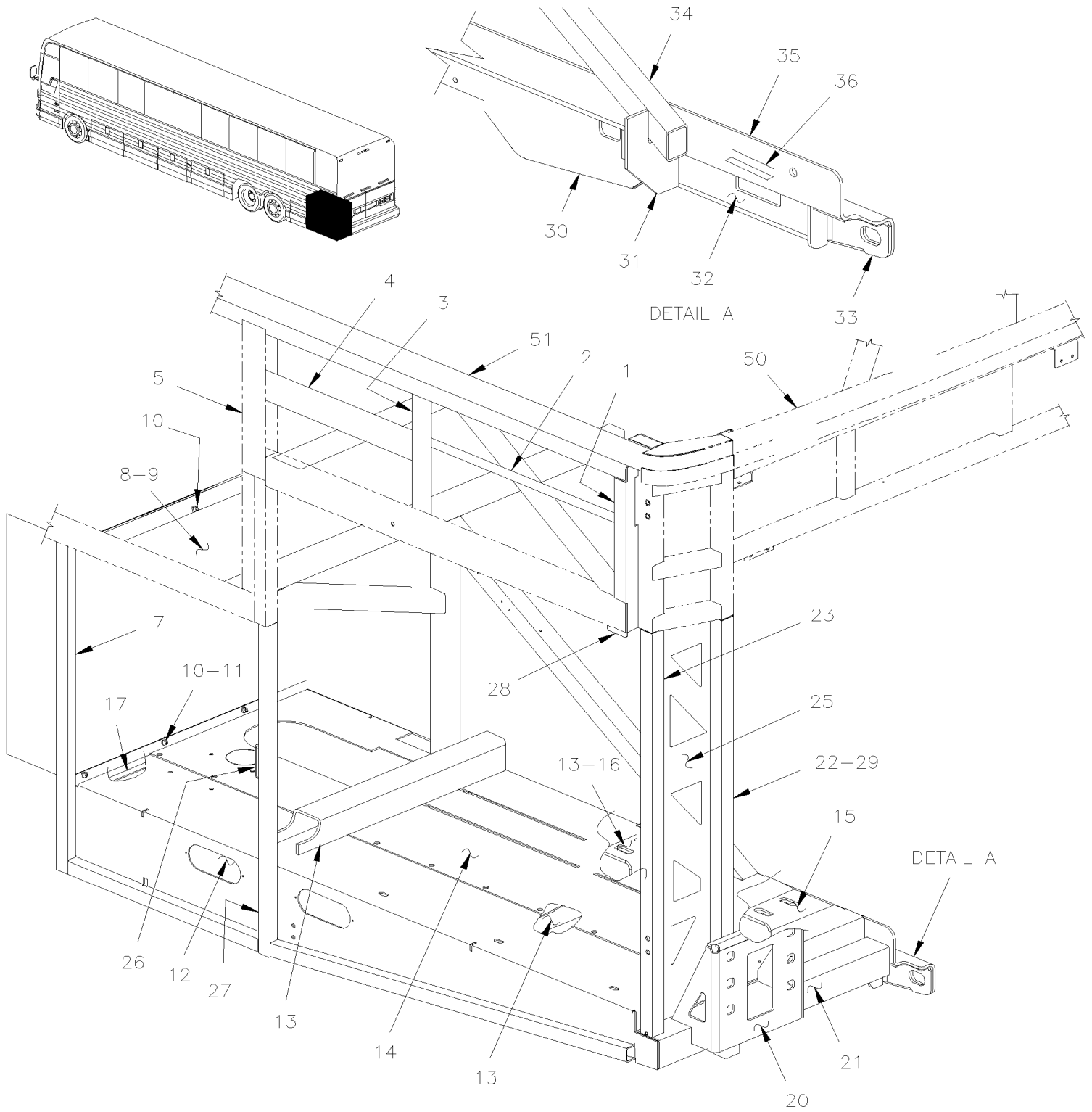
| Item# | Part | Description | X L I I 4 5 | X L I I M T H 4 0 | X L I I M T H 4 5 | X L I I M T H 4 5 E | N O T E S |
|-------|-------------------|--|----------------------------|---|---|--|-----------------------|
| 35 | 172540 | BEAM L.H. "Z" FORM | 1 | | 1 | | |
| 36 | 215083 | ANGLE 190MM | 4 | | 4 | | |
| 40 | 260823 | SIDE MEMBER RADIATOR FLOOR PANEL To 2-7849 | | 1 | | 1 | |
| 40 | 260909 | SIDE MEMBER RADIATOR FLOOR PANEL From 2-7850 | | 1 | | 1 | |
| 41 | 213748 | PLATE, SUPPORT / FAN GEARBOX | | 1 | | 1 | |
| 42 | 260160 | TUBE 656MM | | 1 | | 1 | |
| 43 | 260632 | SUPPORT, ANGLE / MUFFLER (WELDED) To 2-7849 | | 2 | | 2 | |
| 43 | 260913 | SUPPORT, ANGLE / MUFFLER (WELDED) From 2-7850 | | 2 | | 2 | |
| 44 | 212598 | SUPPORT FAN RADIATOR | | 2 | | 2 | |
| 45 | 260846 | FENDER PANEL LOWER | | 1 | | 1 | |
| 50 | Y2-1894-00 | REAR CAP - STRUCTURE | | | | | |
| 51 | Y2-1891-00 | LOWER WALL STRUCTURE - BUS | | | | | |
| 51 | Y2-1891-50 | LOWER WALL STRUCTURE - MTH 40' | | | | | |
| 51 | Y2-1891-55 | LOWER WALL STRUCTURE - MTH 45' ENT 86" | | | | | |
| 51 | Y2-1891-56 | LOWER WALL STRUCTURE - MTH 45' ENT 89" | | | | | |
| 51 | Y2-1891-60 | LOWER WALL STRUCTURE - MTH 45' | | | | | |
| 60 | 260259 | REINFORCEMENT | | 2 | | 2 | |
| 61 | 410293 | EYE, TOW | | 1 | | 1 | |
| 62 | Call order desk | BEAM LOWER ASSY W/CLOSING END | | 1 | | 1 | P |
| 63 | 010795 | REINFORCEMENT, LOWER SUPPORT To Y-7279 | | 2 | | 2 | |
| NS | 172539 | REINFORCEMENT From Y-7280 | | 2 | | 2 | |
| 63 | 172536 | REINFORCEMENT From Y-7280 | | 1 | | 1 | |
| 64 | 171475 | SUPPORT ENGINE CRADLE To Y-7279 | | 1 | | 1 | |
| 64 | 172535 | SUPPORT ENGINE CRADLE From Y-7280 | | 1 | | 1 | |
| 65 | 211564 | SUPPORT, ANGLE / MUFFLER (WELDED) | | 2 | | 2 | |
| | | | | | | | |
| | | | | | | | |
| | | | | | | | |
| | | R) WITH OPTION REAR BUMPER "ROMEO RIM" SEE PAGE Y2-1850-15 | | | | | |
| | | P) CALL ORDER DESK FOR SPECIFIC APPLICATION (V.I.N.) | | | | | |

From 4-8165 To 8-9339

Date:10/2022

PAGE:Y2-1894-06

REAR LH - STRUCTURE



BUS 45' & MTH 45'

| | | |
|----------------------------|--------------|-----------------|
| From 4-8165 To 8-9339 | Date:10/2022 | PAGE:Y2-1894-06 |
| REAR LH - STRUCTURE | | |

| Item# | Part | Description | X L I I 4 5 | X L I I M T H 4 0 | X L I I M T H 4 5 | X L I I M T H 4 5 E | N O T E S |
|-------|---------|---|----------------------------|---|---|--|-----------------------|
| 1 | 260811 | ANGLE CURB-SIDE To 6-8906 | 1 | | | | |
| 1 | 260761 | ANGLE CURB-SIDE | | 1 | 1 | | |
| 1 | 260806 | ANGLE CURB-SIDE | | | | 1 | |
| 2 | 231280 | SHAPED BAR LH | | 1 | 1 | 1 | |
| 3 | 231493 | ANGLE LH To 6-8906 | 1 | | | | |
| 4 | 231601 | SHAPED BAR | | 1 | 1 | 1 | |
| 5 | 231604 | SHAPED BAR LH VERTICAL | | 1 | 1 | 1 | |
| 7 | 214626 | POST ASSY BACKWARD FENDER / STREETSIDE | 1 | 1 | 1 | 1 | |
| . NS | 213939 | . CATCH FENDER LOWER | 1 | 1 | 1 | 1 | |
| . NS | 5001337 | . NUT INS FL HEX M8-1.25 0.5-3.0 Z050 | 2 | 2 | 2 | 2 | |
| . NS | 5001344 | . NUT INS FL HEX M6-1.0 0.5-3.0 SS | 2 | 2 | 2 | 2 | |
| 8 | 260860 | FENDER PANEL STREETSIDE To 6-8906 | 1 | | | | |
| 8 | 260373 | FENDER PANEL ASSY / STREETSIDE To 4-8295 | | | 1 | | |
| . NS | 260375 | . FENDER ACCESS PANEL To 4-8295 | | | 1 | | |
| . NS | 5001009 | . NUT AN 1/4 NYL To 4-8295 | | | 12 | | |
| . NS | 5001184 | . SCREW TP PAN PH #12x1/2 SS To 4-8295 | | | 12 | | |
| . NS | 506002 | . TAPE RUB ADH1 CC POL 3/16" x 1/2" x 40' / GREY 2520 To 4-8295 | | | 1 | | |
| 8 | 215351 | FENDER PANEL ASSY / STREETSIDE From 4-8296 | | | 1 | | |
| . NS | 260375 | . FENDER ACCESS PANEL From 4-8296 | | | 1 | | |
| . NS | 955269 | . SCREW CAP HEX M6-1.0x12 G8.8 ZG603 From 4-8296 | | | 12 | | |
| . NS | 955920 | . WASHER LO SPT 6.5x11.5x1.6 ZP From 4-8296 | | | 12 | | |
| . NS | 506002 | . TAPE RUB ADH1 CC POL 3/16" x 1/2" x 40' / GREY 2520 From 4-8296 | | | 1 | | |
| 8 | 215074 | FENDER PANEL ASSY / STREETSIDE To 4-8295 | | 1 | | 1 | |
| . NS | 260376 | . FENDER ACCESS PANEL To 4-8295 | | 1 | | 1 | |
| . NS | 5001009 | . NUT AN 1/4 NYL To 4-8295 | | 12 | | 12 | |
| . NS | 5001184 | . SCREW TP PAN PH #12x1/2 SS To 4-8295 | | 12 | | 12 | |
| . NS | 506002 | . TAPE RUB ADH1 CC POL 3/16" x 1/2" x 40' / GREY 2520 To 4-8295 | | 1 | | 1 | |
| 8 | 215348 | FENDER PANEL ASSY / STREETSIDE From 4-8296 | | 1 | | 1 | |
| . NS | 260376 | . FENDER ACCESS PANEL From 4-8296 | | 1 | | 1 | |
| . NS | 955269 | . SCREW CAP HEX M6-1.0x12 G8.8 ZG603 From 4-8296 | | 12 | | 12 | |
| . NS | 955920 | . WASHER LO SPT 6.5x11.5x1.6 ZP From 4-8296 | | 12 | | 12 | |
| . NS | 506002 | . TAPE RUB ADH1 CC POL 3/16" x 1/2" x 40' / GREY 2520 From 4-8296 | | 1 | | 1 | |
| 9 | 260375 | . FENDER ACCESS PANEL | 1 | | 1 | | |
| 9 | 260376 | . FENDER ACCESS PANEL | | 1 | | 1 | |
| NS | 506002 | . TAPE RUB ADH1 CC POL 3/16" x 1/2" x 40' / GREY 2520 | AR | AR | AR | AR | |
| 10 | 5001009 | . NUT AN 1/4 NYL To 4-8295 | 12 | 12 | 12 | 12 | |
| 11 | 502848 | . SCREW TC CAP HEXF 1/4-20x3/4 N500 To 4-8295 | 12 | 12 | 12 | 12 | |
| 11 | 955269 | . SCREW CAP HEX M6-1.0x12 G8.8 ZG603 From 4-8296 | 12 | 12 | 12 | 12 | |
| NS | 955920 | . WASHER LO SPT 6.5x11.5x1.6 ZP From 4-8296 | 12 | 12 | 12 | 12 | |
| 12 | 260865 | FLOOR FAN RADIATOR To 4-8295 | 1 | | 1 | | |
| 12 | 215375 | SIDE MEMBER RADIATOR FLOOR PANEL From 4-8296 | 1 | | 1 | | |
| 13 | 260864 | ANGLE MUFFLER SUPPORT 755MM BACKWARD | 1 | | 1 | | |

| | | |
|----------------------------|--------------|-----------------|
| From 4-8165 To 8-9339 | Date:10/2022 | PAGE:Y2-1894-06 |
| REAR LH - STRUCTURE | | |

| Item# | Part | Description | X L I I 4 5 | X L I I M T H 4 0 | X L I I M T H 4 5 | X L I I M T H 4 5 E | N O T E S |
|-------|-------------------|---|----------------------------|---|---|--|-----------------------|
| 13 | 260947 | SUPPORT MUFFLE "U" SHAPE 727MM / FORWARD | 1 | | 1 | | |
| 14 | 214770 | FLOOR FAN RADIATOR To 6-8906 | 1 | | | | |
| 14 | 214572 | FLOOR FAN RADIATOR To 4-8295 | | | 1 | | |
| 14 | 215373 | FLOOR FAN RADIATOR From 4-8296 To 4-8364 | | | 1 | | |
| 15 | 260873 | SUPPORT FAN RADIATOR / BACKWARD | 1 | | 1 | | |
| 15 | 212598 | SUPPORT FAN RADIATOR | 1 | | 1 | | |
| 16 | 260874 | SUPPORT FAN RADIATOR / FORWARD | 1 | | 1 | | |
| 17 | 260863 | ANGLE SUPPORT 727MM To 5-8523 | 1 | | 1 | | |
| 17 | 261000 | ANGLE SUPPORT 727MM From 5-8524 | 1 | | 1 | | |
| 20 | 214637 | BRACKET BUMPER L.H. & R.H. / (WELDED AT STRUCTURE) | 1 | 1 | 1 | 1 | |
| 20 | 216083 | BRACKET BUMPER L.H. & R.H. / (WELDED AT STRUCTURE) | 1 | | | | R |
| 21 | 260640 | TUBE 726MM | 1 | | 1 | | |
| 22 | 260889 | TUBE INTERIOR / 1118MM | 1 | 1 | 1 | 1 | |
| 23 | 260894 | TUBE / STREETSIDE CORNER / 1043MM | 1 | 1 | 1 | 1 | |
| 25 | 260959 | REINFORCEMENT / POST From 4-8264 | 2 | 2 | 2 | 2 | |
| 26 | 284534 | SUPPORT STRIKER PIN To 6-8906 | 1 | | | | |
| 27 | 260887 | POST BACKWARD L.H. SERVICE DOOR / STREETSIDE To 6-8906 | 1 | | | | |
| 28 | 286161 | STRICKING PLATE To 6-8906 | 1 | | | | |
| 29 | 212655 | ATTACHMENT ROD / WELDED (TO FIX ANYTHING) / 373MM x 11MM DEEP | AR | AR | AR | AR | |
| 30 | 171472 | PROTECTOR L.H. To 4-8345 | 1 | | 1 | | |
| 30 | 172650 | PROTECTOR L.H. From 4-8346 | 1 | | 1 | | |
| 31 | 260891 | FLOOR R.H. | 1 | | 1 | | |
| 32 | 172545 | REINFORCEMENT L.H. | 1 | | 1 | | |
| 33 | 172547 | REINFORCEMENT L.H. | 1 | | 1 | | |
| 34 | 172655 | TUBE 1224MM | 1 | | 1 | | |
| 35 | 172540 | BEAM L.H. "Z" FORM To 4-8345 | 1 | | 1 | | |
| 35 | 172853 | BEAM L.H. "Z" FORM From 4-8346 | 1 | | 1 | | |
| 36 | 215083 | ANGLE 190MM | 4 | | 4 | | |
| 40 | 260964 | SIDE MEMBER RADIATOR FLOOR PANEL | | 1 | | 1 | |
| 41 | 172732 | SUPPORT FAN RADIATOR / FORWARD | | 1 | | 1 | |
| 42 | 260160 | TUBE 656MM | | 1 | | 1 | |
| 43 | 260936 | SUPPORT, ANGLE / MUFFLER (WELDED) | | 1 | | 1 | |
| 44 | 260931 | SUPPORT FAN RADIATOR / BACKWARD | | 1 | | 1 | |
| 45 | 260935 | FENDER PANEL LOWER To 5-8523 | | 1 | | 1 | |
| 45 | 260999 | FENDER PANEL LOWER From 5-8524 | | 1 | | 1 | |
| 46 | 260934 | SUPPORT, ANGLE / MUFFLER (WELDED) | | 1 | | 1 | |
| 46 | 260931 | SUPPORT FAN RADIATOR / BACKWARD | | 1 | | 1 | |
| 50 | Y2-1894-00 | REAR CAP - STRUCTURE | | | | | |
| 51 | Y2-1891-00 | LOWER WALL STRUCTURE - BUS | | | | | |
| 51 | Y2-1891-50 | LOWER WALL STRUCTURE - MTH 40' | | | | | |
| 51 | Y2-1891-55 | LOWER WALL STRUCTURE - MTH 45' ENT 86" | | | | | |
| 51 | Y2-1891-56 | LOWER WALL STRUCTURE - MTH 45' ENT 89" | | | | | |

| | | |
|-----------------------|--------------|-----------------|
| From 4-8165 To 8-9339 | Date:10/2022 | PAGE:Y2-1894-06 |
|-----------------------|--------------|-----------------|

REAR LH - STRUCTURE

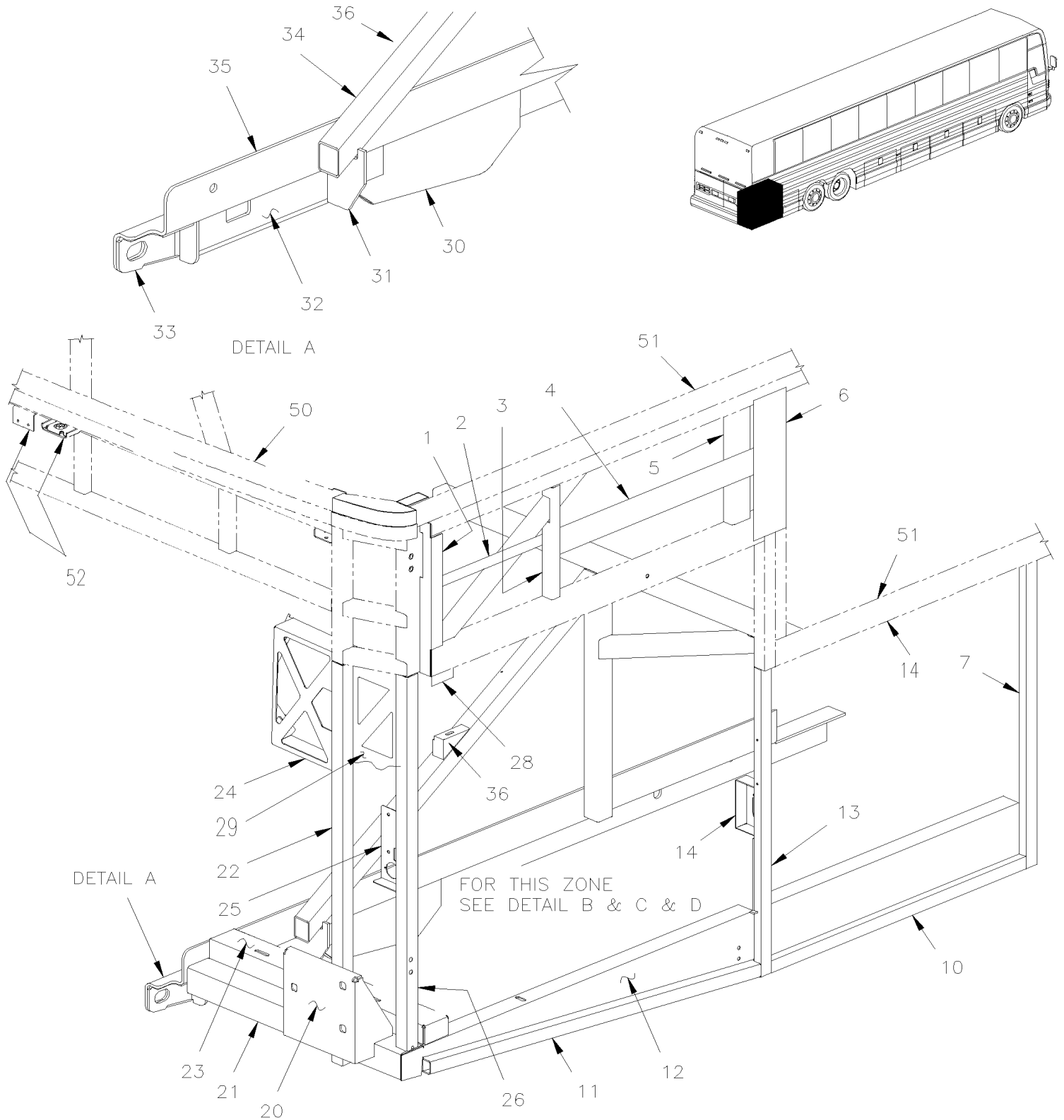
| Item# | Part | Description | X L I I 4 5 | X L I I M T H 4 0 | X L I I M T H 4 5 | X L I I M T H 4 5 E | N O T E S |
|-------|-----------------|--|----------------------------|---|---|--|-----------------------|
| 51 | Y2-1891-60 | LOWER WALL STRUCTURE - MTH 45' | | | | | |
| 60 | 260259 | REINFORCEMENT | | 2 | | 2 | |
| 61 | 410293 | EYE, TOW | | 1 | | 1 | |
| 62 | Call order desk | BEAM LOWER ASSY W/CLOSING END | | 1 | | 1 | P |
| 63 | 172539 | REINFORCEMENT | | 2 | | 2 | |
| 63 | 172536 | REINFORCEMENT | | 1 | | 1 | |
| 64 | 172535 | SUPPORT ENGINE CRADLE To 4-8345 | | 1 | | 1 | |
| 64 | 172844 | SUPPORT ENGINE CRADLE From 4-8346 | | 1 | | 1 | |
| 65 | 217912 | SUPPORT, ANGLE / MUFFLER (WELDED) | | 2 | | 2 | |
| 66 | Call order desk | ANGLE SUPPORT / BACKWARD | | 1 | | 1 | P |
| 67 | 215085 | ANGLE SUPPORT / FORWARD | | 1 | | 1 | |
| | | | | | | | |
| | | | | | | | |
| | | R) WITH OPTION REAR BUMPER "ROMEO RIM" SEE PAGE Y2-1850-15 | | | | | |
| | | P) CALL ORDER DESK FOR SPECIFIC APPLICATION (V.I.N.) | | | | | |

From Y-7046 To 7-9095

Date:10/2022

PAGE:Y2-1894-10

REAR RH - STRUCTURE

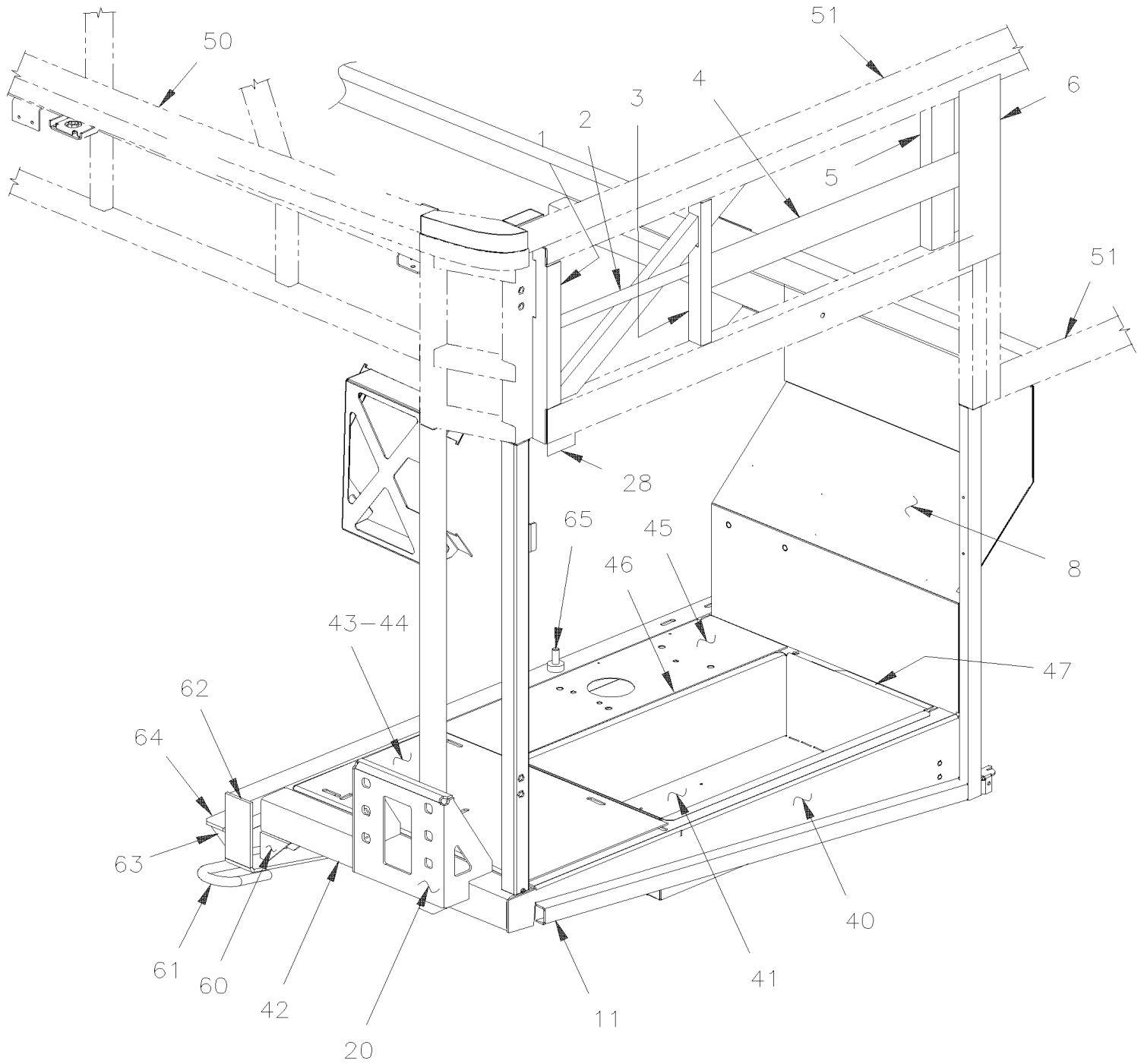


From Y-7046 To 7-9095

Date:10/2022

PAGE:Y2-1894-10

REAR RH - STRUCTURE



DETAIL "D"

MTH 40' & MTH 45' ENT.

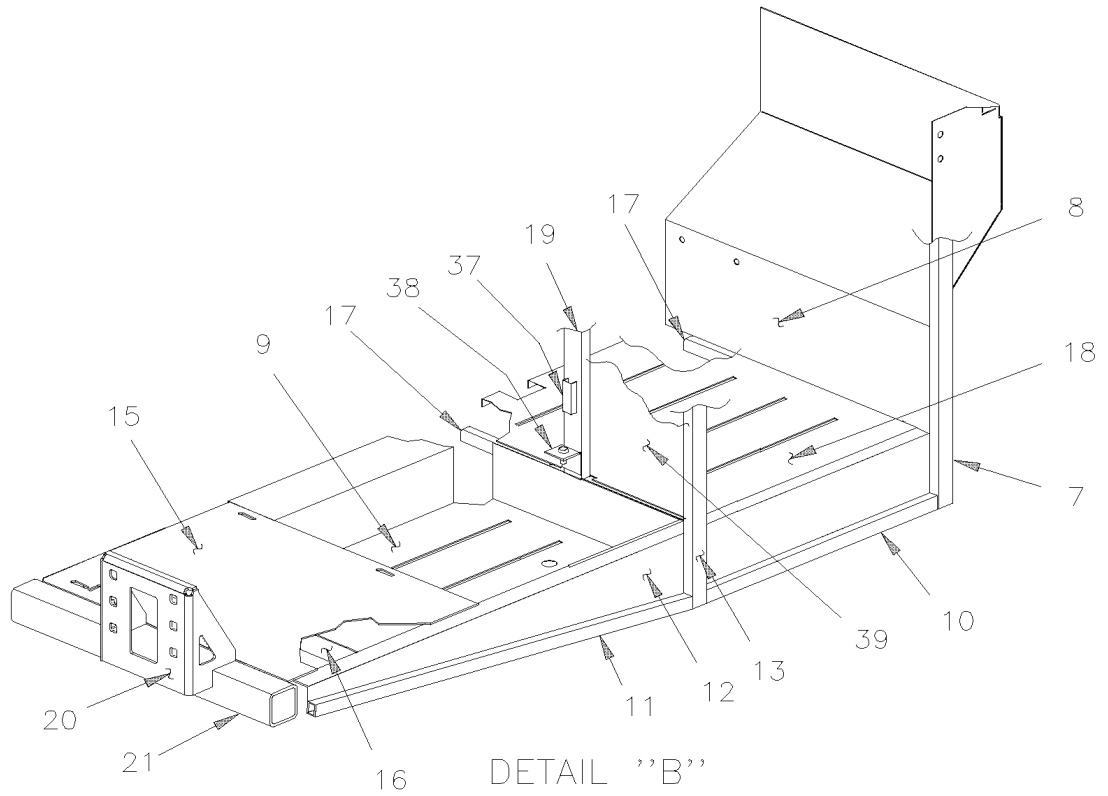
From Y-7046 To 7-9095

Date:10/2022

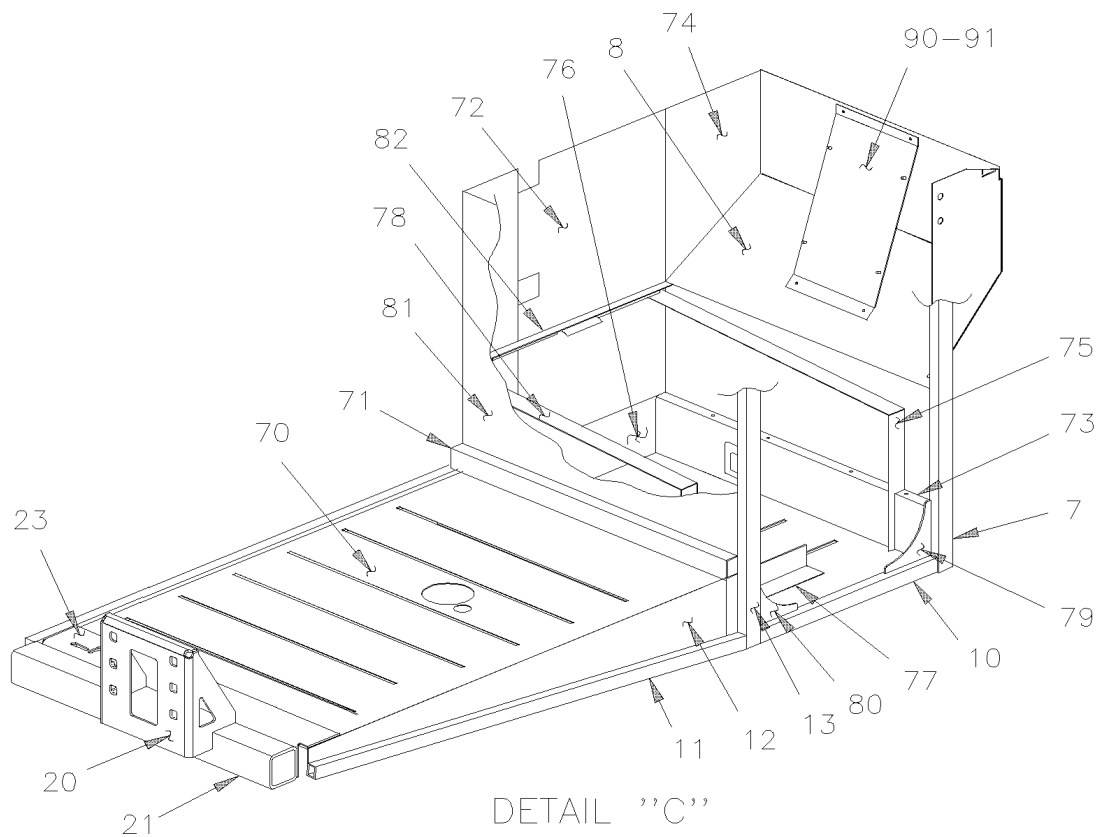
PAGE:Y2-1894-10

REAR RH - STRUCTURE

MTH-45'



BUS-45'



| | | |
|----------------------------|--------------|-----------------|
| From Y-7046 To 7-9095 | Date:10/2022 | PAGE:Y2-1894-10 |
| REAR RH - STRUCTURE | | |

| Item# | Part | Description | X L I I 4 5 | X L I I M T H 4 0 | X L I I M T H 4 5 | X L I I M T H 4 5 E | N O T E S |
|-------|--------|--|----------------------------|---|---|--|-----------------------|
| 1 | 260812 | ANGLE STREETSIDE To 6-8906 | 1 | | | | |
| 1 | 260758 | ANGLE STREETSIDE | | 1 | 1 | | |
| 1 | 260801 | ANGLE STREETSIDE | | | | 1 | |
| 2 | 231279 | SHAPED BAR RH | | 1 | 1 | 1 | |
| 3 | 231494 | ANGLE RH To 6-8906 | 1 | | | | |
| 4 | 231281 | SHAPED BAR To 3-8044 | | 1 | 1 | 1 | |
| 4 | 231601 | SHAPED BAR From 3-8045 | | 1 | 1 | 1 | |
| 5 | 231278 | SHAPED BAR | | 1 | 1 | | |
| 5 | 231580 | SHAPED BAR To 3-8044 | | 1 | 1 | 1 | |
| 5 | 231604 | SHAPED BAR LH VERTICAL From 3-8045 | | 1 | 1 | | |
| 6 | 473868 | PANEL JUNCTION / S.B. | | 1 | 1 | | |
| 7 | 214052 | POST ASSY BACKWARD FENDER / CURBSIDE To 3-8164 | | 1 | 1 | 1 | |
| . NS | 260726 | . TUBE 857MM To 3-8164 | | 1 | 1 | 1 | |
| . NS | 213942 | . CATCH FENDER LOWER To 3-8164 | | 1 | 1 | 1 | |
| 7 | 214627 | POST ASSY BACKWARD FENDER / CURBSIDE From 4-8165 | 1 | 1 | 1 | 1 | |
| . NS | 213942 | . CATCH FENDER LOWER From 4-8165 | 1 | 1 | 1 | 1 | |
| 8 | 260830 | FENDER PANEL CURBSIDE | 1 | 1 | 1 | 1 | |
| 9 | 260720 | FLOOR BOX R.H. FOWARD COMPRESSOR BATTERIES SECTION | | | 1 | | |
| 10 | 260742 | TUBE 600MM To 2-7849 | 1 | | 1 | | |
| 11 | 260741 | TUBE 1132MM To 2-7849 | 1 | 1 | 1 | 1 | |
| 12 | 260820 | SIDE MEMBER FLOOR SUPPORT R.H. To 2-7849 | 1 | | 1 | | |
| 12 | 260927 | SIDE MEMBER FLOOR SUPPORT R.H. From 2-7850 | 1 | | 1 | | |
| 13 | 260726 | TUBE 857MM | 1 | | 1 | | |
| 14 | 284534 | SUPPORT STRIKER PIN To 6-8906 | 1 | | | | |
| 15 | 260819 | SUPPORT FLOOR A/C COMPRESSOR To 3-8164 | | | 1 | | |
| 15 | 260893 | SUPPORT FLOOR A/C COMPRESSOR From 4-8165 | | | 1 | | |
| 16 | 260706 | REINFORCEMENT "U" 725MM x 44MM | | | 1 | | |
| 17 | 260744 | REINFORCEMENT "U" 725MM x 38MM To 5-8523 | | | 2 | | |
| 17 | 261001 | REINFORCEMENT "U" 725MM x 38MM From 8-8524 | | | 2 | | |
| 18 | 260790 | FLOOR R.H. / SERVICE COMPARTMENT | | | 1 | | |
| 19 | 260724 | TUBE 712MM To 6-8805 | | | 1 | | |
| 20 | 213755 | BRACKET BUMPER R.H. / (WELDED AT STRUCTURE) To 4-8181 | 1 | 1 | 1 | 1 | |
| 20 | 214637 | BRACKET BUMPER L.H. & R.H. / (WELDED AT STRUCTURE) From 4-8182 | 1 | 1 | 1 | 1 | |
| 20 | 216083 | BRACKET BUMPER L.H. & R.H. / (WELDED AT STRUCTURE) | 1 | | | | R |
| 21 | 260640 | TUBE 726MM | 1 | | 1 | | |
| 22 | 260730 | TUBE INTERIOR / 1118MM | 1 | 1 | 1 | 1 | |
| 23 | 260824 | SUPPORT REAR COMPRESSOR To 6-8906 | 1 | | | | |
| 24 | 213702 | SUPPORT AIR FILTER To 2-7767 | 1 | 1 | 1 | 1 | |
| 24 | 213951 | SUPPORT AIR FILTER From 2-7768 | 1 | 1 | 1 | 1 | |
| 25 | 213957 | SUPPORT BACK-UP ALARM To 1-7694 | 1 | 1 | 1 | 1 | |
| 25 | 214609 | SUPPORT BACK-UP ALARM From 1-7695 To 2-7808 | 1 | 1 | 1 | 1 | |
| 25 | 219045 | SUPPORT BACK-UP ALARM From 2-7809 | 1 | 1 | 1 | 1 | |

| | | |
|----------------------------|--------------|-----------------|
| From Y-7046 To 7-9095 | Date:10/2022 | PAGE:Y2-1894-10 |
| REAR RH - STRUCTURE | | |

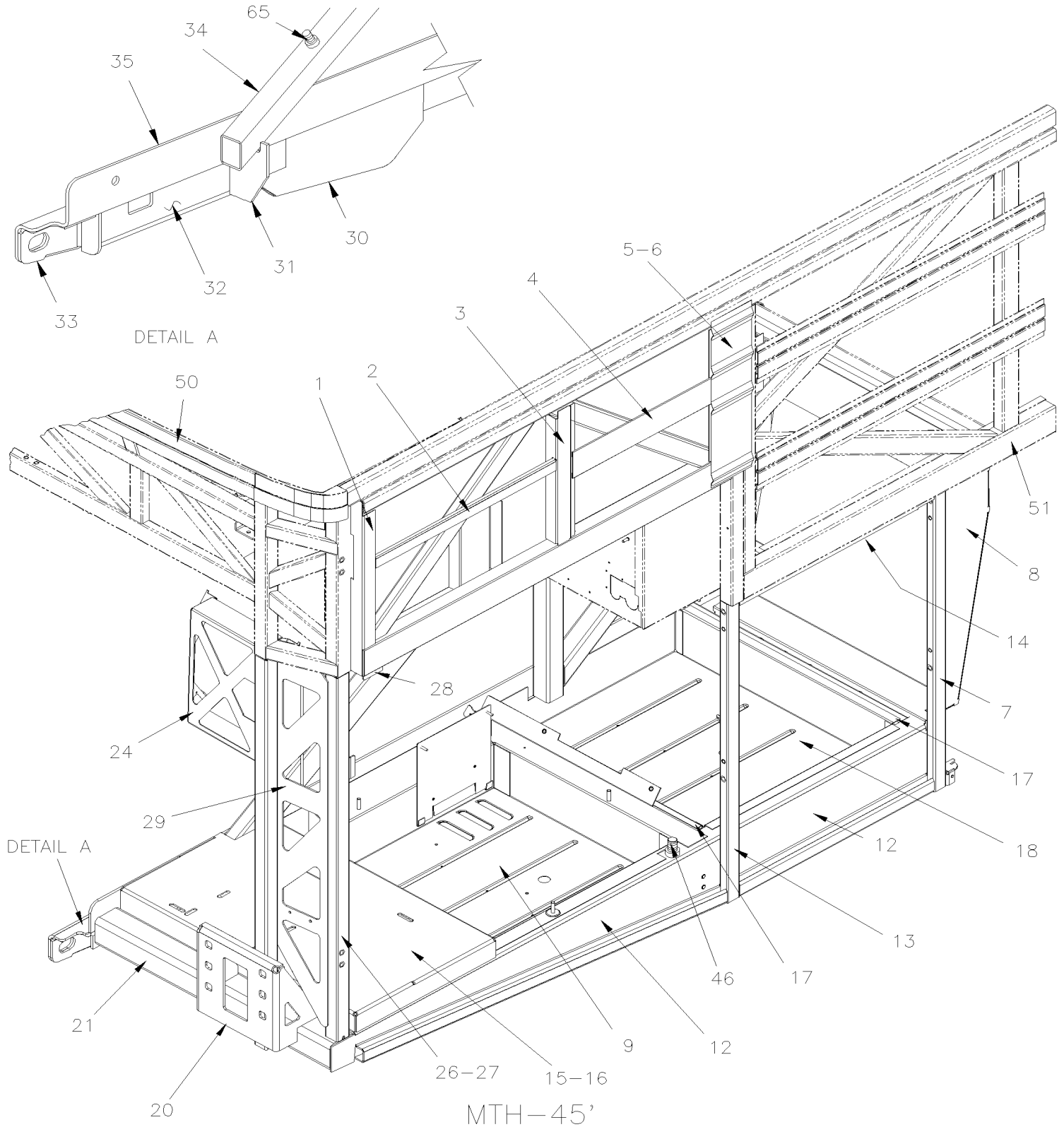
| Item# | Part | Description | X L I I 4 5 | X L I I M T H 4 0 | X L I I M T H 4 5 | X L I I M T H 4 5 E | N O T E S |
|-------|-------------------|---|----------------------------|---|---|--|-----------------------|
| 26 | 260750 | TUBE / CURBSIDE CORNER / 1043MM | 1 | 1 | 1 | 1 | |
| . NS | 5001337 | . NUT INS FL HEX M8-1.25 0.5-3.0 Z050 | 4 | 4 | 4 | 4 | |
| . NS | 286161 | . STRICKING PLATE | 1 | 1 | 1 | 1 | |
| 27 | 215278 | SUPPORT BACK-UP ALARM | 1 | 1 | 1 | 1 | |
| 28 | 286161 | STRICKING PLATE To 3-8164 | 1 | 1 | 1 | 1 | |
| 29 | 260959 | REINFORCEMENT / POST | 1 | 1 | 1 | 1 | |
| 30 | 171473 | PROTECTOR R.H. | 1 | | 1 | | |
| 31 | 260644 | PLATE REINFORCEMENT | 1 | | 1 | | |
| 31 | 260718 | PLATE REINFORCEMENT | 1 | | 1 | | |
| 32 | 171476 | REINFORCEMENT R.H. To Y-7279 | 1 | | 1 | | |
| 32 | 172546 | REINFORCEMENT R.H. From Y-7280 | 1 | | 1 | | |
| 33 | 171469 | REINFORCEMENT R.H. To Y-7279 | 1 | | 1 | | |
| 33 | 172548 | REINFORCEMENT R.H. From Y-7280 | 1 | | 1 | | |
| 34 | 171483 | TUBE 1208MM To 3-8164 | 1 | | 1 | | |
| 34 | 172655 | TUBE 1224MM From 4-8165 | 1 | | 1 | | |
| 35 | 171444 | BEAM R.H. "Z" FORM To Y-7279 | 1 | | 1 | | |
| 35 | 172544 | BEAM R.H. "Z" FORM From Y-7280 To 4-8345 | 1 | | 1 | | |
| 35 | 172852 | BEAM R.H. "Z" FORM From 4-8346 | 1 | | 1 | | |
| 36 | 260714 | SUPPORT | 1 | | | | |
| 37 | 121507 | SUPPORT "U" 70MM To 6-8805 | | | | 1 | |
| 38 | 212233 | RETAINER BATERIE HOLDER To 6-8805 | | | | 1 | |
| 39 | 260763 | PANEL SUPPORT From 1-7441 | | | | 1 | |
| 39 | 260858 | PANEL SUPPORT From 1-7442 To 3-8164 | | | | 1 | |
| 39 | 260940 | PANEL SUPPORT From 4-8165 To 6-8805 | | | | 1 | |
| 40 | 260821 | SIDE MEMBER FLOOR SUPPORT R.H. To 2-7849 | | 1 | | 1 | |
| 40 | 260902 | SIDE MEMBER FLOOR SUPPORT R.H. From 2-7850 | | 1 | | 1 | |
| 41 | 260837 | FLOOR R.H. / BATTERIES COMPARTMENT | | 1 | | 1 | |
| 42 | 260160 | TUBE 656MM | | 1 | | 1 | |
| 43 | 260851 | SUPPORT FLOOR A/C COMPRESSOR | | 1 | | 1 | |
| 44 | 260712 | REINFORCEMENT 653MM x 44MM | | 1 | | 1 | |
| 45 | 260838 | FLOOR R.H. / REAR SIDE ENG CRADLE | | 1 | | 1 | |
| 46 | 260850 | SUPPORT "U" 708MM | | 1 | | 1 | |
| 47 | 260844 | SUPPORT "U" 655MM To 5-8523 | | 1 | | 1 | |
| 47 | 261003 | SUPPORT "U" 655MM From 5-8524 | | 1 | | 1 | |
| 50 | Y2-1894-00 | REAR CAP - STRUCTURE | | | | | |
| 51 | Y2-1891-00 | LOWER WALL STRUCTURE - BUS | | | | | |
| 51 | Y2-1891-50 | LOWER WALL STRUCTURE - MTH 40' | | | | | |
| 51 | Y2-1891-55 | LOWER WALL STRUCTURE - MTH 45' ENT 86" | | | | | |
| 51 | Y2-1891-56 | LOWER WALL STRUCTURE - MTH 45' ENT 89" | | | | | |
| 51 | Y2-1891-60 | LOWER WALL STRUCTURE - MTH 45' | | | | | |
| 52 | Y2-1870-10 | ENGINE DOOR ASSY - INSTALLATION | | | | | |
| 60 | 260259 | REINFORCEMENT | | 2 | | 2 | |

From 7-9096 To 8-9339

Date:10/2022

PAGE:Y2-1894-11

REAR RH - STRUCTURE

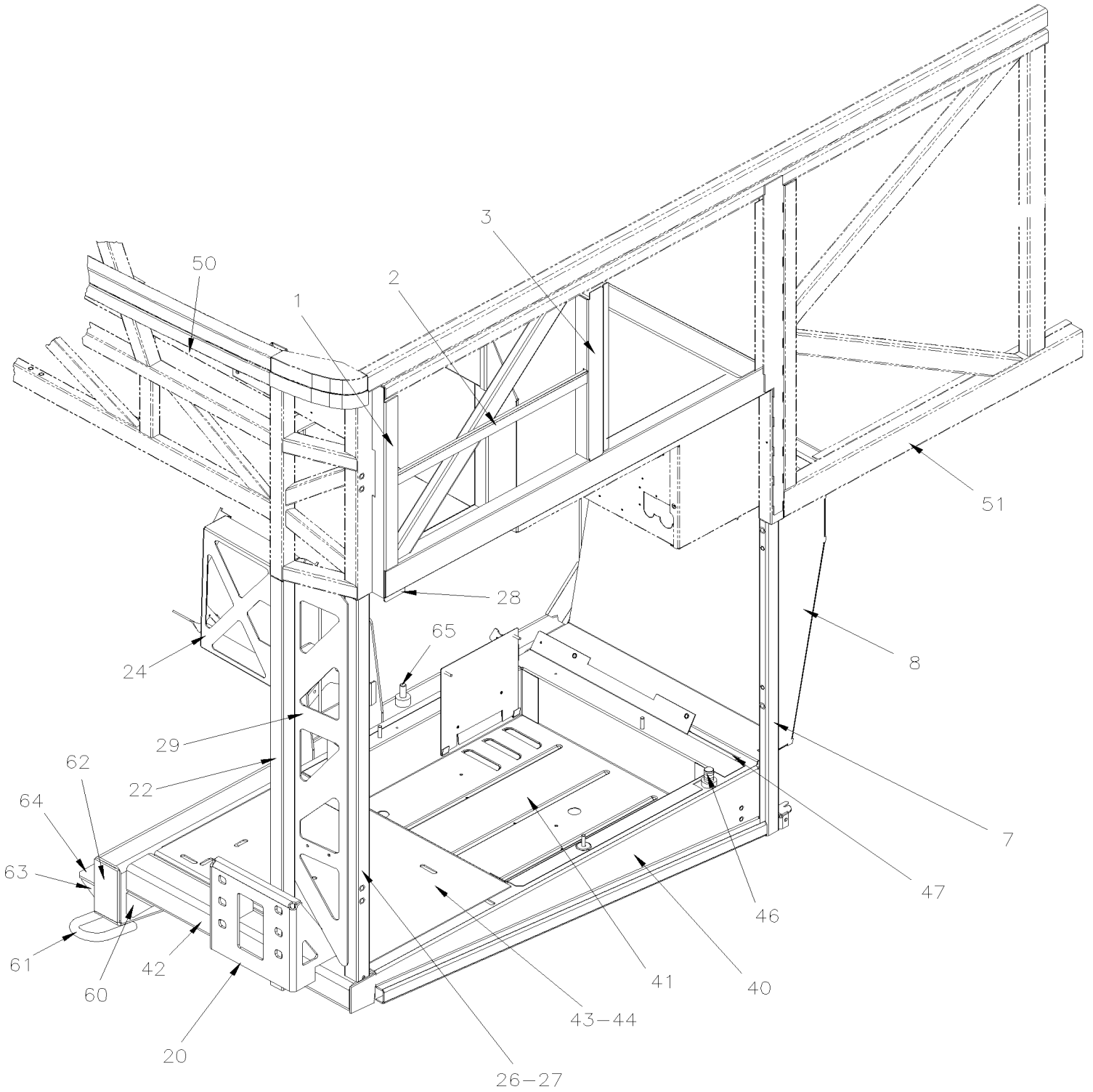


From 7-9096 To 8-9339

Date:10/2022

PAGE:Y2-1894-11

REAR RH - STRUCTURE



MTH-45' ENT.

| | | |
|----------------------------|--------------|-----------------|
| From 7-9096 To 8-9339 | Date:10/2022 | PAGE:Y2-1894-11 |
| REAR RH - STRUCTURE | | |

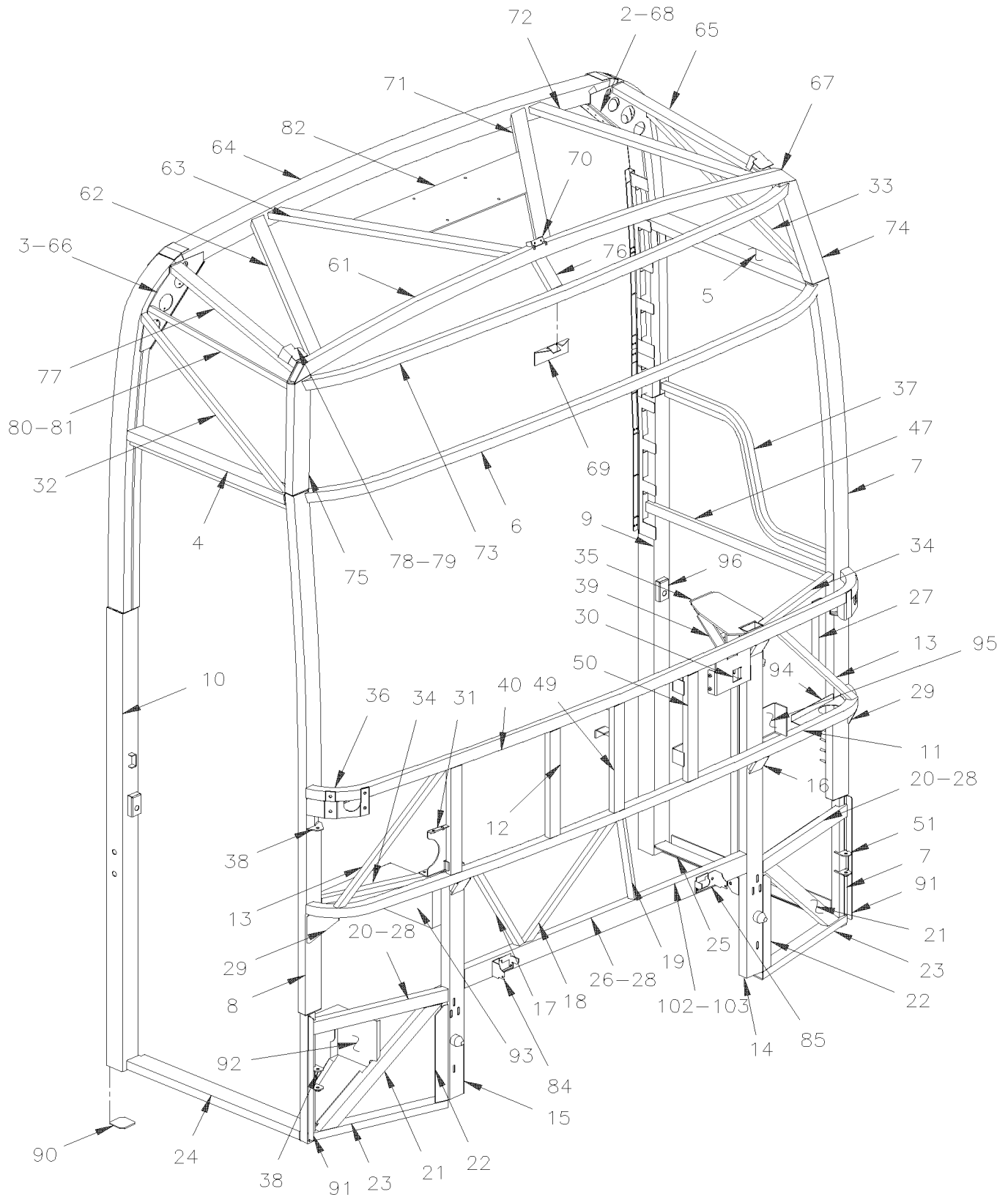
| Item# | Part | Description | X L I I 4 5 | X L I I M T H 4 0 | X L I I M T H 4 5 | X L I I M T H 4 5 E | N O T E S |
|-------|-----------------|--|----------------------------|---|---|--|-----------------------|
| 1 | 260758 | ANGLE STREETSIDE | | | 1 | | |
| 1 | 260801 | ANGLE STREETSIDE | | | | 1 | |
| 2 | 231279 | SHAPED BAR RH | | | 1 | | |
| 3 | 231602 | SHAPED BAR | | | 1 | | |
| 4 | 231601 | SHAPED BAR | | | 1 | 1 | |
| 5 | 231580 | SHAPED BAR | | | 1 | | |
| 5 | 231604 | SHAPED BAR LH VERTICAL | | | 1 | | |
| 6 | 477611 | PANEL JUNCTION / B.A. | | | 1 | | |
| 7 | 261151 | POST ASSY BACKWARD FENDER / CURBSIDE | | | 1 | 1 | |
| . NS | 213942 | . CATCH FENDER LOWER | | | 1 | 1 | |
| . NS | 5001337 | . NUT INS FL HEX M8-1.25 0.5-3.0 Z050 | | | 2 | 2 | |
| . NS | 5001344 | . NUT INS FL HEX M6-1.0 0.5-3.0 SS | | | 2 | 2 | |
| 8 | 261145 | FENDER PANEL CURBSIDE | | | 1 | 1 | |
| 9 | 261156 | FLOOR BOX R.H. FOWARD COMPRESSOR BATTERIES SECTION | | | 1 | | |
| 12 | 260927 | SIDE MEMBER FLOOR SUPPORT R.H. | | | 1 | | |
| 13 | 261150 | TUBE 857MM | | | 1 | | |
| . NS | 289416 | . SUPPORT KETCH | | | 1 | | |
| . NS | 5001337 | . NUT INS FL HEX M8-1.25 0.5-3.0 Z050 | | | 2 | | |
| . NS | 5001344 | . NUT INS FL HEX M6-1.0 0.5-3.0 SS | | | 2 | | |
| 14 | 286133 | ANGLE 12 x 20 x 595MM | | | 1 | | |
| 14 | 286127 | ANGLE 30 x 35 x 32MM | | | 1 | | |
| 15 | Call order desk | SUPPORT FLOOR A/C COMPRESSOR To 8-9371 | | | 1 | | P |
| 15 | 261171 | SUPPORT FLOOR A/C COMPRESSOR From 8-9372 | | | 1 | | |
| 16 | 260706 | REINFORCEMENT "U" 725MM x 44MM | | | 1 | | |
| 17 | 261001 | REINFORCEMENT "U" 725MM x 38MM To 8-9371 | | | 2 | | |
| 17 | 261004 | REINFORCEMENT "U" 655MM x 38MM From 8-9372 | | | 2 | | |
| 18 | 261161 | FLOOR R.H. / SERVICE COMPARTMENT To 8-9371 | | | 1 | | |
| 18 | 261005 | FLOOR R.H. / SERVICE COMPARTMENT From 8-9372 | | | 1 | | |
| 20 | 214637 | BRACKET BUMPER L.H. & R.H. / (WELDED AT STRUCTURE) To 8-9371 | | | 1 | 1 | |
| 20 | 216033 | BRACKET BUMPER L.H. & R.H. / (WELDED AT STRUCTURE) From 8-9372 | | | 1 | 1 | |
| 21 | 260640 | TUBE 726MM To 8-9371 | | | 1 | | |
| 21 | 261159 | TUBE 657MM From 8-9372 | | | 1 | | |
| 22 | 260889 | TUBE INTERIOR / 1118MM | | | 1 | 1 | |
| 24 | 213951 | SUPPORT AIR FILTER | | | 1 | 1 | |
| 26 | 260750 | TUBE / CURBSIDE CORNER / 1043MM To 8-9371 | | | 1 | 1 | |
| . NS | 5001337 | . NUT INS FL HEX M8-1.25 0.5-3.0 Z050 To 8-9371 | | | 4 | 4 | |
| . NS | 286161 | . STRICKING PLATE To 8-9371 | | | 1 | 1 | |
| 26 | 261131 | TUBE / CURBSIDE CORNER / 1046MM From 8-9372 | | | 1 | 1 | |
| . NS | 5001337 | . NUT INS FL HEX M8-1.25 0.5-3.0 Z050 From 8-9372 | | | 2 | 2 | |
| 27 | 215278 | SUPPORT BACK-UP ALARM To 8-9371 | | | 1 | 1 | |
| 27 | 216100 | SUPPORT BACK-UP ALARM From 8-9372 | | | 1 | 1 | |
| 28 | 286161 | STRICKING PLATE | | | 1 | 1 | |

From Y-7046 To 8-9339

Date:10/2022

PAGE:Y2-1895-00

FRONT STRUCTURE



| | | | |
|-----------------------|--|--------------|-----------------|
| From Y-7046 To 8-9339 | | Date:10/2022 | PAGE:Y2-1895-00 |
|-----------------------|--|--------------|-----------------|

FRONT STRUCTURE

| Item# | Part | Description | X L I I 4 5 | X L I I M T H 4 0 | X L I I M T H 4 5 | X L I I M T H 4 5 E | N O T E S |
|-------|---------|---|----------------------------|---|---|--|-----------------------|
| | 251006P | FRONT STRUCTURE ASSY W/FRONT ROOF / 80" To 6-8906 | 1 | | | | |
| | 251003P | FRONT STRUCTURE ASSY W/FRONT ROOF / 86" | | 1 | 1 | 1 | |
| | 250951P | FRONT STRUCTURE ASSY W/FRONT ROOF / 83" | | 1 | 1 | | |
| | 251005P | FRONT STRUCTURE ASSY W/FRONT ROOF / 89" | | | | 1 | |
| 2 | 251092 | . REAR REINFORCEMENT PLATE L.H. | 1 | 1 | 1 | 1 | |
| 3 | 251093 | . REAR REINFORCEMENT PLATE R.H. | 1 | 1 | 1 | 1 | |
| 4 | 251074 | . TUBE ASSY UPPER DOOR | 1 | 1 | 1 | 1 | |
| 4 | 251214 | .. TUBE | 1 | 1 | 1 | 1 | |
| 4 | 251077 | .. PLATE 743.6MM X 3/16" | 1 | 1 | 1 | 1 | |
| 5 | 251064 | . TUBE ASSY UPPER DRIVER WINDOW | 1 | 1 | 1 | 1 | |
| 5 | 250952 | .. TUBE | 1 | 1 | 1 | 1 | |
| 5 | 251057 | .. PLATE 743.6MM X 3/16" | 1 | 1 | 1 | 1 | |
| 6 | 250928 | . TUBE / WITH SMALL WINDSHIELD ONLY | | 1 | 1 | 1 | |
| 7 | 250985 | . POST ASSY FRONT L.H. To 5-8358 | 1 | | | | |
| 7 | 251217 | . POST ASSY FRONT L.H. From 5-8359 To 6-8906 | 1 | | | | |
| . A | 251553 | .. TUBE LOWER 1"½ X 1"½ X 521MM From 5-8359 To 6-8906 | 1 | | | | |
| . B | 251218 | .. TUBE 1½" X 3" X 1856MM From 5-8359 To 6-8906 | 1 | | | | |
| . C | 251055 | .. SEAL DOOR BAR UPPER 974MM From 5-8359 To 6-8906 | 1 | | | | |
| . D | 251033 | .. HINGE SUPPORT LOWER From 5-8359 To 6-8906 | 1 | | | | |
| . E | 250962 | .. CLOSING PLATE / UPPER TUBE 33 X 71MM From 5-8359 To 6-8906 | 2 | | | | |
| . F | 251096 | .. SEAL DOOR BAR LOWER 1232MM From 5-8359 To 6-8906 | 1 | | | | |
| . G | 251082 | .. HINGE SUPPORT UPPER From 5-8359 To 6-8906 | 1 | | | | |
| . H | 502737 | .. SCREW CAP HEX M6-1.0x25 SS BK From 5-8359 To 6-8906 | 4 | | | | |
| . I | 251221 | .. STOPPER DOOR From 5-8359 To 6-8906 | 1 | | | | |
| 7 | 250997 | . POST ASSY FRONT L.H. / MTH 83" To Y-7128 | | 1 | 1 | | |
| 7 | 250993 | . POST ASSY FRONT L.H. / MTH 86" To 5-8358 | | 1 | 1 | 1 | |
| 7 | 251551 | . POST ASSY FRONT L.H. / MTH 86" From 5-8359 | | 1 | 1 | 1 | |
| 7 | 250989 | . POST ASSY FRONT L.H. / MTH 89" To 5-8358 | | | | 1 | |
| 7 | 251558 | . POST ASSY FRONT L.H. / MTH 89" From 5-8359 | | | | 1 | |
| 7 | 250926 | .. TUBE 1½" X 3" X 1883MM To 5-8358 | 1 | | | | |
| 7 | 251218 | .. TUBE 1½" X 3" X 1856MM From 5-8359 To 6-8906 | 1 | | | | |
| 7 | 250920 | .. TUBE 1½" X 3" X 1960MM / MTH 83" To Y-7128 | | 1 | 1 | | |
| 7 | 250922 | .. TUBE 1½" X 3" X 2036MM / MTH 86" To 5-8358 | | 1 | 1 | 1 | |
| 7 | 251554 | .. TUBE 1½" X 3" X 2008MM / MTH 86" From 5-8359 | | 1 | 1 | 1 | |
| 7 | 250924 | .. TUBE 1½" X 3" X 2112MM / MTH 89" To 5-8358 | | | | 1 | |
| 7 | 251559 | .. TUBE 1½" X 3" X 2085MM / MTH 89" From 5-8359 | | | | 1 | |
| 7 | 251096 | .. SEAL DOOR BAR LOWER 1232MM To 6-8906 | 1 | | | | |
| 7 | 251060 | .. SEAL DOOR BAR LOWER 1309MM To Y-7128 | | 1 | 1 | | |
| 7 | 251071 | .. SEAL DOOR BAR LOWER 1038MM | | 1 | 1 | 1 | |
| 7 | 251072 | .. SEAL DOOR BAR LOWER 1461MM | | | | 1 | |
| 7 | 251055 | .. SEAL DOOR BAR UPPER 974MM | 1 | 1 | 1 | 1 | |
| 7 | 250962 | .. CLOSING PLATE / UPPER TUBE 33 X 71MM | 1 | 1 | 1 | 1 | |

| | | | |
|------------------------|--|--------------|-----------------|
| From Y-7046 To 8-9339 | | Date:10/2022 | PAGE:Y2-1895-00 |
| FRONT STRUCTURE | | | |

| Item# | Part | Description | X L I I 4 5 | X L I I M T H 4 0 | X L I I M T H 4 5 | X L I I M T H 4 5 E | N O T E S |
|-------|--------|---|----------------------------|---|---|--|-----------------------|
| 7 | 251082 | .. HINGE SUPPORT UPPER | 1 | 1 | 1 | 1 | |
| 7 | 251033 | .. HINGE SUPPORT LOWER | 1 | 1 | 1 | 1 | |
| 7 | 250935 | .. TUBE LOWER 1"½ X 1"½ X 497MM To 5-8358 | 1 | 1 | 1 | 1 | |
| 7 | 251553 | .. TUBE LOWER 1"½ X 1"½ X 521MM From 5-8359 | 1 | 1 | 1 | 1 | |
| 7 | 251221 | .. STOPPER DOOR From 5-8359 | 1 | 1 | 1 | 1 | |
| 7 | 502737 | .. SCREW CAP HEX M6-1.0x25 SS BK | 4 | 4 | 4 | 4 | |
| 8 | 250986 | .. POST ASSY FRONT R.H. To 5-8358 | 1 | | | | |
| 8 | 251219 | .. POST ASSY FRONT R.H. From 5-8359 To 6-8906 | 1 | | | | |
| . A | 251553 | .. TUBE LOWER 1"½ X 1"½ X 521MM From 5-8359 To 6-8906 | 1 | | | | |
| . B | 251220 | .. TUBE 1½" X 3" X 1856MM From 5-8359 To 6-8906 | 1 | | | | |
| . C | 251020 | .. SEAL DOOR BAR 2272MM From 5-8359 To 6-8906 | 1 | | | | |
| . D | 251001 | .. HINGE SUPPORT / LOWER From 5-8359 To 6-8906 | 1 | | | | |
| . E | 250962 | .. CLOSING PLATE / UPPER TUBE 33 X 71MM From 5-8359 To 6-8906 | 2 | | | | |
| . F | 251083 | .. HINGE SUPPORT / UPPER From 5-8359 To 6-8906 | 1 | | | | |
| 8 | 250998 | .. POST ASSY FRONT R.H. / MTH 83" To Y-7128 | | 1 | 1 | | |
| 8 | 250994 | .. POST ASSY FRONT R.H. / MTH 86" To 5-8358 | | 1 | 1 | 1 | |
| 8 | 251552 | .. POST ASSY FRONT R.H. / MTH 86" From 5-8359 | | 1 | 1 | 1 | |
| 8 | 250990 | .. POST ASSY FRONT R.H. / MTH 89" To 5-8358 | | | | 1 | |
| 8 | 251557 | .. POST ASSY FRONT R.H. / MTH 89" From 5-8359 | | | | 1 | |
| 8 | 250927 | .. TUBE 1" X 3" X 1883MM To 5-8358 | 1 | | | | |
| 8 | 251220 | .. TUBE 1½" X 3" X 1856MM From 5-8359 To 6-8906 | 1 | | | | |
| 8 | 250921 | .. TUBE 1" X 3" X 1960MM / MTH 83" To Y-7128 | | 1 | 1 | | |
| 8 | 250923 | .. TUBE 1" X 3" X 2036MM / MTH 86" To 5-8358 | | 1 | 1 | 1 | |
| 8 | 251555 | .. TUBE 1" X 3" X 2008MM / MTH 86" From 5-8359 | | 1 | 1 | 1 | |
| 8 | 250925 | .. TUBE 1" X 3" X 2112MM / MTH 89" To 5-8358 | | | | 1 | |
| 8 | 251560 | .. TUBE 1" X 3" X 2085MM / MTH 89" From 5-8359 | | | | 1 | |
| 8 | 251020 | .. SEAL DOOR BAR 2272MM To 6-8906 | 1 | | | | |
| 8 | 251010 | .. SEAL DOOR BAR 2355MM To Y-7128 | | 1 | 1 | | |
| 8 | 251016 | .. SEAL DOOR BAR UPPER 1038MM | | 1 | 1 | 1 | |
| 8 | 251072 | .. SEAL DOOR BAR LOWER 1461MM | | | | 1 | |
| 8 | 250962 | .. CLOSING PLATE / UPPER TUBE 33 X 71MM | 1 | 1 | 1 | 1 | |
| 8 | 251083 | .. HINGE SUPPORT / UPPER | 1 | 1 | 1 | 1 | |
| 8 | 251001 | .. HINGE SUPPORT / LOWER | 1 | 1 | 1 | 1 | |
| 8 | 250935 | .. TUBE LOWER 1"½ X 1"½ X 497MM To 5-8358 | 1 | 1 | 1 | 1 | |
| 8 | 251553 | .. TUBE LOWER 1"½ X 1"½ X 521MM From 5-8359 | 1 | 1 | 1 | 1 | |
| 9 | 250987 | .. POST ASSY REAR L.H. To 6-8906 | 1 | | | | |
| . A | 250984 | .. TUBE 3"X3" X 1684MM To 6-8906 | 1 | | | | |
| . B | 271091 | .. TUBE UPPER / BUS & MTH 83" To 6-8906 | 1 | | | | |
| . C | 271088 | .. PLATE JUNCTION / CENTER OF PO 73MM X 76MM To 6-8906 | 1 | | | | |
| . D | 251094 | .. DOUBLE To 6-8906 | 1 | | | | |
| . E | 271187 | .. CABLE SUPPORT To 6-8906 | 2 | | | | |
| . F | 251056 | .. SEAL DOOR BAR UPPER 579MM / BUS & MTH 83" To 6-8906 | 1 | | | | |

| | | | |
|-----------------------|--|--------------|-----------------|
| From Y-7046 To 8-9339 | | Date:10/2022 | PAGE:Y2-1895-00 |
|-----------------------|--|--------------|-----------------|

FRONT STRUCTURE

| Item# | Part | Description | X L I I 4 5 | X L I I M T H 4 0 | X L I I M T H 4 5 | X L I I M T H 4 5 E | N O T E S |
|-------|-----------------|--|----------------------------|---|---|--|-----------------------|
| . G | 251114 | .. SEAL DOOR BAR LOWER 1630MM To 6-8906 | 1 | | | | |
| . H | 5001112 | .. STUD WD WOC M6-1.0X12 SS To 6-8906 | 3 | | | | |
| . J | 231497 | .. PLATE WITH TOOTH 759MM x 23MM To 6-8906 | 1 | | | | |
| 9 | 250999 | .. POST ASSY REAR L.H. / MTH 83" To Y-7128 | | 1 | 1 | | |
| 9 | 250995 | .. POST ASSY REAR L.H. / MTH 86" | | 1 | 1 | 1 | |
| 9 | 250982 | .. POST ASSY REAR L.H. / MTH 89" | | | | 1 | |
| 9 | 250984 | .. TUBE 3"X3" X 1684MM To 6-8906 | 1 | | | | |
| 9 | 271086 | .. TUBE / MTH 83" & MTH 86" / 3" X 3" X 1760MM | | 1 | 1 | 1 | |
| 9 | 271244 | .. TUBE 3" X 3" X 1836MM / MTH 89" | | | | 1 | |
| 9 | 271091 | .. TUBE UPPER / BUS & MTH 83" | 1 | 1 | 1 | | |
| 9 | 271090 | .. TUBE UPPER / 1352MM / MTH 86" & MTH 89" | | 1 | 1 | 1 | |
| 9 | Call order desk | .. TUBE INTERIOR / BUS & MTH 83" / 1037MM | 1 | 1 | 1 | | P |
| 9 | 251098 | .. TUBE INTERIOR / MTH 86" & MTH 89" / 1114MM | | 1 | 1 | 1 | |
| 9 | 251114 | .. SEAL DOOR BAR LOWER 1630MM To 6-8906 | 1 | | | | |
| 9 | 251059 | .. SEAL DOOR BAR LOWER 1707MM /MTH 83" & MTH | | 1 | 1 | 1 | |
| 9 | 251113 | .. SEAL DOOR BAR LOWER 1781MM / MTH 89" | | | | 1 | |
| 9 | 251056 | .. SEAL DOOR BAR UPPER 579MM / BUS & MTH 83" | 1 | 1 | 1 | | |
| 9 | 251078 | .. SEAL DOOR BAR UPPER 656MM / MTH 86" & MTH | | 1 | 1 | 1 | |
| 9 | 271088 | .. PLATE JUNCTION / CENTER OF PO 73MM X 76MM | 1 | 1 | 1 | 1 | |
| 9 | 271187 | .. CABLE SUPPORT | 2 | 2 | 2 | 2 | |
| 10 | 250988 | .. POST ASSY REAR R.H. To 6-8906 | 1 | | | | |
| . A | 251167 | .. TUBE ASSY 3" X 3" X 1684MM To 6-8906 | 1 | | | | |
| . B | 271091 | .. TUBE UPPER / BUS & MTH 83" To 6-8906 | 1 | | | | |
| . C | 271088 | .. PLATE JUNCTION / CENTER OF PO 73MM X 76MM To 6-8906 | 1 | | | | |
| . D | 251094 | .. DOUBLE To 6-8906 | 1 | | | | |
| . E | 251021 | .. SEAL DOOR BAR 2274MM To 6-8906 | 1 | | | | |
| . F | 231497 | .. PLATE WITH TOOTH 759MM x 23MM To 6-8906 | 1 | | | | |
| 10 | 251000 | .. POST ASSY REAR R.H. / MTH 83" To Y-7128 | | 1 | 1 | | |
| 10 | 250996 | .. POST ASSY REAR R.H. / MTH 86" | | 1 | 1 | 1 | |
| 10 | 250983 | .. POST ASSY REAR R.H. / MTH 89" | | | | 1 | |
| 10 | 251167 | .. TUBE ASSY 3" X 3" X 1684MM To 6-8906 | 1 | | | | |
| 10 | 271086 | .. TUBE / MTH 83" & MTH 86" / 3" X 3" X 1760MM | | 1 | 1 | 1 | |
| 10 | 271244 | .. TUBE 3" X 3" X 1836MM / MTH 89" | | | | 1 | |
| 10 | 271091 | .. TUBE UPPER / BUS & MTH 83" | 1 | 1 | 1 | | |
| 10 | 271090 | .. TUBE UPPER / 1352MM / MTH 86" & MTH 89" | | 1 | 1 | 1 | |
| 10 | Call order desk | .. TUBE INTERIOR / BUS & MTH 83" / 1037MM | 1 | 1 | 1 | | P |
| 10 | 251098 | .. TUBE INTERIOR / MTH 86" & MTH 89" / 1114MM | | 1 | 1 | 1 | |
| 10 | 251021 | .. SEAL DOOR BAR 2274MM | 1 | 1 | 1 | | |
| 10 | 251011 | .. SEAL DOOR BAR / MTH 83" To Y-7128 | | 1 | 1 | | |
| 10 | 251016 | .. SEAL DOOR BAR UPPER 1038MM | 1 | 1 | 1 | | |
| 10 | 251019 | .. SEAL DOOR BAR / MTH 89" | | | | 1 | |
| 10 | 251463 | .. SEAL DOOR BAR LOWER 1463MM / MTH 89" | | | | 1 | |

| | | |
|------------------------|--------------|-----------------|
| From Y-7046 To 8-9339 | Date:10/2022 | PAGE:Y2-1895-00 |
| FRONT STRUCTURE | | |

| Item# | Part | Description | X L I I 4 5 | X L I I M T H 4 0 | X L I I M T H 4 5 | X L I I M T H 4 5 E | N O T E S |
|-------|--------|---|----------------------------|---|---|--|-----------------------|
| 10 | 271088 | .. PLATE JUNCTION / CENTER OF PO 73MM X 76MM | 1 | 1 | 1 | 1 | |
| 10 | 251012 | .. STRIKER PIN RETAINER | | 1 | 1 | 1 | |
| 10 | 251085 | .. CATCH / DOOR LOCK RETAINER | | 1 | 1 | 1 | |
| 11 | 250929 | . TUBE | 1 | 1 | 1 | 1 | |
| 12 | 251031 | . TUBE To 6-8906 | 1 | | | | |
| 12 | 251028 | . TUBE / MTH 83" To Y-7128 | | 1 | 1 | | |
| 12 | 251029 | . TUBE / MTH 86" | | 1 | 1 | 1 | |
| 12 | 251030 | . TUBE / MTH 89" | | | | 1 | |
| 13 | 251046 | . TUBE To 6-8906 | 2 | | | | |
| 13 | 251042 | . TUBE / MTH 83" To Y-7128 | | 2 | 2 | | |
| 13 | 251044 | . TUBE / MTH 86" | | 2 | 2 | 2 | |
| 13 | 251045 | . TUBE / MTH 89" | | 2 | 2 | 2 | |
| 14 | 251039 | . TUBE L.H. ASSY / 1253MM To 6-8906 | 1 | | | | |
| 14 | 251036 | . TUBE L.H. ASSY / MTH 83" / 1329MM To Y-7128 | | 1 | 1 | | |
| 14 | 251037 | . TUBE L.H. ASSY / MTH 86" / 1405MM | | 1 | 1 | 1 | |
| 14 | 251038 | . TUBE L.H. ASSY / MTH 89" / 1482MM | | | | 1 | |
| 14 | 251009 | .. TUBE L.H. / 1253MM To 6-8906 | 1 | | | | |
| 14 | 250943 | .. TUBE L.H. / MTH 83" / 1329MM To Y-7128 | | 1 | 1 | | |
| 14 | 251007 | .. TUBE L.H. / MTH 86" / 1405MM | | 1 | 1 | 1 | |
| 14 | 251008 | .. TUBE L.H. / MTH 89" / 1482MM | | | | 1 | |
| 14 | 251097 | .. TUBE L.H. REAR / 587MM To 6-8906 | 1 | | | | |
| 14 | 251062 | .. TUBE L.H. REAR / 768MM | | 1 | 1 | 1 | |
| 14 | 281345 | .. SUPPORT DOOR ARM | 1 | 1 | 1 | 1 | |
| 14 | 161097 | .. PLATE 150MM X 170MM | 1 | 1 | 1 | 1 | |
| 14 | 161098 | .. REINFORCEMENT | 1 | 1 | 1 | 1 | |
| 14 | 410657 | .. CENTER PIN To 2-7764 | 1 | 1 | 1 | 1 | |
| 14 | 410973 | .. CENTER PIN From 2-7765 | 1 | 1 | 1 | 1 | |
| 15 | 251041 | . TUBE R.H. ASSY / 701MM To 6-8906 | 1 | | | | |
| 15 | 251040 | . TUBE R.H. ASSY / 882MM | | 1 | 1 | 1 | |
| 15 | 251015 | .. TUBE R.H. / 701MM To 6-8906 | 1 | | | | |
| 15 | 250970 | .. TUBE R.H. / 882MM | | 1 | 1 | 1 | |
| 15 | 281345 | .. SUPPORT DOOR ARM | 1 | 1 | 1 | 1 | |
| 15 | 251120 | .. CLOSING PLATE | 1 | 1 | 1 | 1 | |
| 15 | 410657 | .. CENTER PIN | | 1 | 1 | 1 | |
| 16 | 250947 | . SUPPORT | 3 | 3 | 3 | 3 | |
| 17 | 251032 | . TUBE | | 1 | 1 | 1 | |
| 18 | 251013 | . TUBE | | 1 | 1 | 1 | |
| 19 | 251043 | . TUBE | | 1 | 1 | 1 | |
| 20 | 250945 | . TUBE | 2 | 2 | 2 | 2 | |
| 21 | 250948 | . TUBE | 2 | 2 | 2 | 2 | |
| 22 | 251027 | . PLATE To 3-8108 | 2 | 2 | 2 | 2 | |
| 22 | 251215 | . PLATE From 3-8109 | 2 | 2 | 2 | 2 | |

| | | | |
|------------------------|--|--------------|-----------------|
| From Y-7046 To 8-9339 | | Date:10/2022 | PAGE:Y2-1895-00 |
| FRONT STRUCTURE | | | |

| Item# | Part | Description | X L I I 4 5 | X L I I M T H 4 0 | X L I I M T H 4 5 | X L I I M T H 4 5 E | N O T E S |
|-------|-------------------|---|----------------------------|---|---|--|-----------------------|
| 23 | 172220 | . TUBE | 2 | 2 | 2 | 2 | |
| 24 | 251014 | . TUBE LOWER STEP | 1 | 1 | 1 | 1 | |
| 25 | 251070 | . TUBE LOWER SERVICE DOOR ASSY | 1 | 1 | 1 | 1 | |
| 25 | 172215 | .. PROFILE | 1 | 1 | 1 | 1 | |
| 25 | 251026 | .. PLATE | 1 | 1 | 1 | 1 | |
| 26 | 250946 | . TUBE To 1-7378 | 1 | 1 | 1 | 1 | |
| 26 | 251192 | . TUBE From 1-7379 To 2-7764 | 1 | 1 | 1 | 1 | |
| 26 | 251212 | . TUBE From 2-7765 | 1 | 1 | 1 | 1 | |
| 27 | 251105 | . DASH SUPPORT | 1 | 1 | 1 | 1 | |
| 27 | 251107 | . DASH SUPPORT / MTH 89" | | | | 1 | |
| 28 | 212655 | . ATTACHMENT ROD / WELDED (TO FIX ANYTHING) / 373MM x 11MM DEEP | 5 | 5 | 5 | 5 | |
| 29 | 251047 | . REINFORCEMENT | 2 | 2 | 2 | 2 | |
| 30 | 251086 | . SUPPORT WIPER L.H. | 1 | 1 | 1 | 1 | |
| 31 | 251087 | . SUPPORT WIPER R.H. | 1 | 1 | 1 | 1 | |
| 32 | 251050 | . TUBE / WITH SMALL WINDSHIELD ONLY | | 1 | 1 | 1 | |
| 33 | 251051 | . TUBE / WITH SMALL WINDSHIELD ONLY | | 1 | 1 | 1 | |
| 34 | 251049 | . TUBE | 1 | 1 | 1 | 1 | |
| 35 | 161095 | . REINFORCEMENT | 1 | 1 | 1 | 1 | |
| 36 | 064901 | . DOOR SWITCH SUPPORT | | 1 | 1 | 1 | |
| 37 | 251065 | . TUBE ASSY "S" SHAPE / BUS & MTH 83" | 1 | 1 | | | |
| 37 | 251054 | .. TUBE "S" SHAPE / BUS & MTH 83" | 1 | 1 | | | |
| 37 | 251058 | .. PLATE "S" SHAPE / BUS & MTH 83" | 1 | 1 | 1 | 1 | |
| 37 | 251073 | . TUBE ASSY "S" SHAPE / MTH 86" & MTH 89" | | 1 | 1 | 1 | |
| 37 | 251075 | .. TUBE "S" SHAPE / MTH 86" & MTH 89" | | 1 | 1 | 1 | |
| 37 | 251076 | .. PLATE "S" SHAPE / MTH 86" & MTH 89" | | 1 | 1 | 1 | |
| 38 | Y2-1862-60 | ENTRANCE DOOR FRAME - INSTALLATION | | | | | |
| 38 | 251083 | . HINGE SUPPORT / UPPER | 1 | 1 | 1 | 1 | |
| 38 | 251001 | . HINGE SUPPORT / LOWER | 1 | 1 | 1 | 1 | |
| 39 | 161096 | . STEERING SUPPORT | 1 | 1 | 1 | 1 | |
| 40 | 251184 | . TUBE WINDSHIELD ASSY | 1 | 1 | 1 | 1 | |
| 40 | 251181 | .. SUPPORT L.H. | 1 | 1 | 1 | 1 | |
| 40 | 251182 | .. SUPPORT R.H. | 1 | 1 | 1 | 1 | |
| 40 | 251183 | .. TUBE | 1 | 1 | 1 | 1 | |
| 41 | 251185 | . STOPPER SERVICE DOOR | 1 | 1 | 1 | 1 | |
| 47 | 251176 | . TUBE | 1 | 1 | 1 | 1 | |
| 48 | 251179 | . TUBE ASSY / W/CYLINDER SUPPORT To 6-8906 | 1 | | | | |
| 49 | 251153 | . TUBE CENTER ASSY To 6-8906 | 1 | | | | |
| 49 | 251147 | . TUBE CENTER ASSY / MTH 83" To Y-7128 | | 1 | 1 | | |
| 49 | 251149 | . TUBE CENTER ASSY / MTH 86" | | 1 | 1 | 1 | |
| 49 | 251151 | . TUBE CENTER ASSY / MTH 89" | | 1 | 1 | 1 | |
| 49 | 251031 | .. TUBE To 6-8906 | 1 | | | | |
| 49 | 251028 | .. TUBE / MTH 83" | | 1 | 1 | | |

| | | |
|------------------------|--------------|-----------------|
| From Y-7046 To 8-9339 | Date:10/2022 | PAGE:Y2-1895-00 |
| FRONT STRUCTURE | | |

| Item# | Part | Description | X L I I 4 5 | X L I I M T H 4 0 | X L I I M T H 4 5 | X L I I M T H 4 5 E | N O T E S |
|-------|-----------------|---|----------------------------|---|---|--|-----------------------|
| 49 | 251029 | . . TUBE / MTH 86" | | 1 | 1 | 1 | |
| 49 | 251030 | . . TUBE / MTH 89" | | 1 | 1 | 1 | |
| 49 | 251104 | . . SUPPORT | 1 | 1 | 1 | 1 | |
| 50 | 251154 | . TUBE ASSY L.H. To 6-8906 | 1 | | | | |
| 50 | 251148 | . TUBE ASSY L.H. / MTH 83" To Y-7128 | | 1 | 1 | | |
| 50 | 251150 | . TUBE ASSY L.H. / MTH 86" | | 1 | 1 | 1 | |
| 50 | 251152 | . TUBE ASSY L.H. / MTH 89" | | 1 | 1 | 1 | |
| 50 | 251031 | . . TUBE To 6-8906 | 1 | | | | |
| 50 | 251028 | . . TUBE / MTH 83" To Y-7128 | | 1 | 1 | | |
| 50 | 251029 | . . TUBE / MTH 86" | | 1 | 1 | 1 | |
| 50 | 251031 | . . TUBE | | 1 | 1 | 1 | |
| 50 | 251103 | . . SUPPORT | 2 | 2 | 2 | 2 | |
| 51 | 251033 | . HINGE SUPPORT LOWER | 1 | 1 | 1 | 1 | |
| 61 | 271397 | . TUBE | 1 | 1 | 1 | 1 | |
| 62 | 271141 | . TUBE R.H. | 1 | 1 | 1 | 1 | |
| 63 | 271356 | . TUBE R.H. CENTER | 1 | 1 | 1 | 1 | |
| 64 | Call order desk | . ARCH ASSY | 1 | 1 | 1 | 1 | P |
| 64 | 251084 | . . ARCH | 1 | 1 | 1 | 1 | |
| 64 | 251117 | . . REINFORCEMENT | 2 | 2 | 2 | 2 | |
| 64 | 251088 | . . JOINT | 2 | 2 | 2 | 2 | |
| 64 | 251089 | . . PLATE | 2 | 2 | 2 | 2 | |
| 64 | 251135 | . . ROD POSITION | 1 | 1 | 1 | 1 | |
| 65 | 271142 | . TUBE UPPER L.H. | 1 | 1 | 1 | 1 | |
| 66 | 251090 | . FRONT REINFORCEMENT PLATE L.H. | 1 | 1 | 1 | 1 | |
| 67 | 271394 | . PLATE / (EACH SIDE) | 2 | 2 | 2 | 2 | |
| 68 | 251091 | . FRONT REINFORCEMENT | 1 | 1 | 1 | 1 | |
| 69 | 251155 | . SUPPORT UPPER WINDSHIELD | 1 | 1 | 1 | 1 | |
| 70 | 251145 | . SUPPORT ROLLER BLIND / CENTER To Y-7244 | 1 | 1 | 1 | 1 | |
| 70 | 251541 | . SUPPORT ROLLER BLIND / CENTER From Y-7245 | 1 | 1 | 1 | 1 | |
| 71 | 271357 | . TUBE L.H. CENTER | 1 | 1 | 1 | 1 | |
| 72 | 271204 | . TUBE L.H. | 1 | 1 | 1 | 1 | |
| 73 | 271205 | . TUBE UPPER WINDSHIELD | 1 | 1 | 1 | 1 | |
| 74 | 271395 | . TUBE L.H. CORNER | 1 | 1 | 1 | 1 | |
| 75 | 271396 | . TUBE | 1 | 1 | 1 | 1 | |
| 76 | 271216 | . TUBE CENTER | 1 | 1 | 1 | 1 | |
| 77 | 271218 | . TUBE UPPER R.H. | 1 | 1 | 1 | 1 | |
| 78 | 251146 | . SUPPORT ROLLER BLIND L.H. To Y-7244 | 1 | 1 | 1 | 1 | |
| 78 | 251543 | . SUPPORT ROLLER BLIND L.H. From Y-7245 | 1 | 1 | 1 | 1 | |
| 79 | 251159 | . SUPPORT ROLLER BLIND R.H. To Y-7244 | 1 | 1 | 1 | 1 | |
| 79 | 251542 | . SUPPORT ROLLER BLIND R.H. From Y-7245 | 1 | 1 | 1 | 1 | |
| 80 | 251161 | . SUPPORT INTERIOR R.H. To 6-8906 | 1 | | | | |
| 81 | 251160 | . SUPPORT INTERIOR L.H. To 6-8906 | 1 | | | | |

| | | | |
|-----------------------|--|--------------|-----------------|
| From Y-7046 To 8-9339 | | Date:10/2022 | PAGE:Y2-1895-00 |
|-----------------------|--|--------------|-----------------|

FRONT STRUCTURE

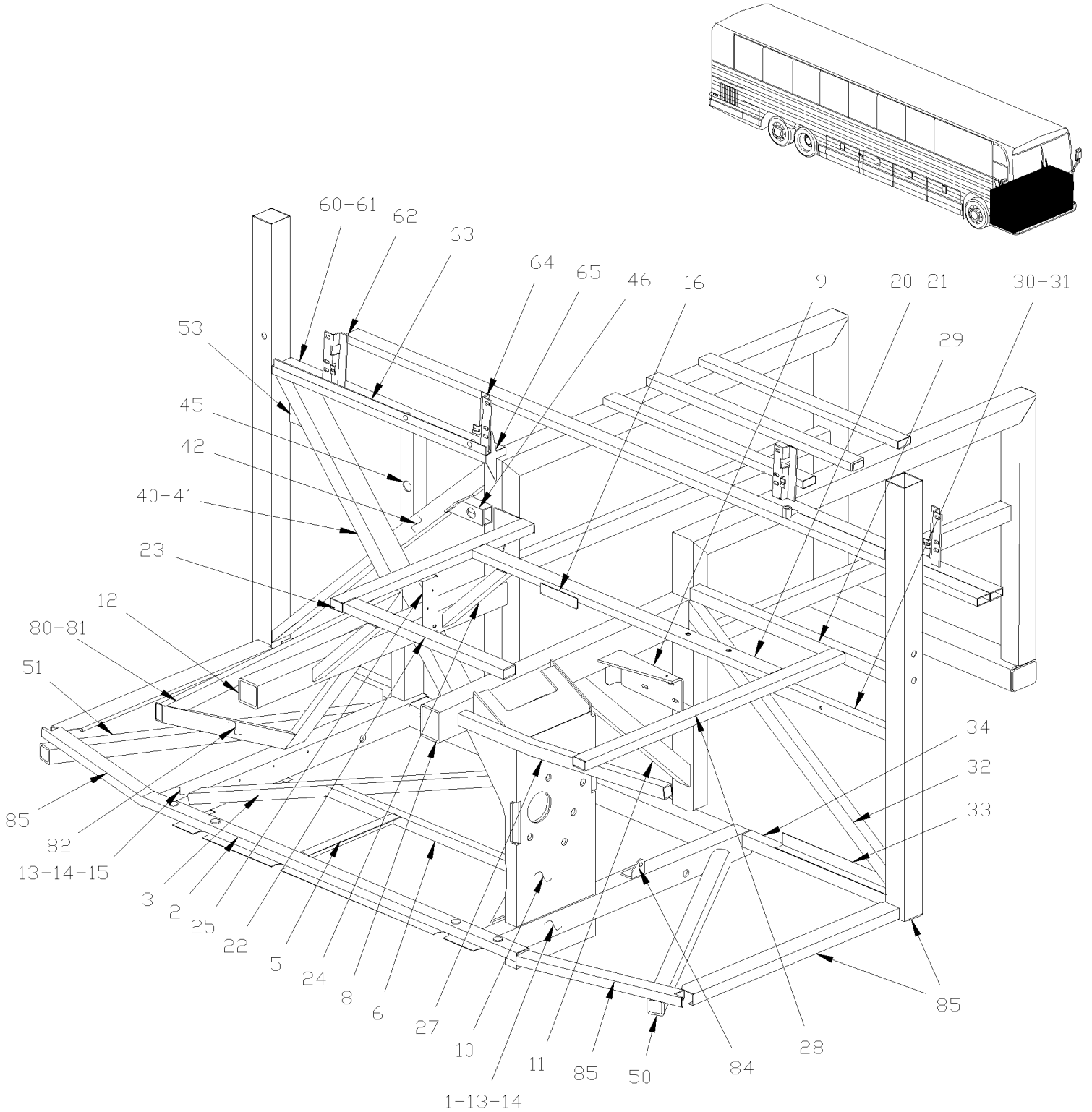
| Item# | Part | Description | X L I I 4 5 | X L I I M T H 4 0 | X L I I M T H 4 5 | X L I I M T H 4 5 E | N O T E S |
|-------|--------|--|----------------------------|---|---|--|-----------------------|
| 82 | 251157 | . SUPPORT MONITOR CENTER To 6-8906 | 1 | | | | |
| 82 | 256121 | . SUPPORT MONITOR CENTER / W/FLAT SCREEN 10" To 6-8906 | 1 | | | | |
| 82 | 251223 | . SUPPORT MONITOR CENTER / W/FLAT SCREEN 15" To 6-8906 | 1 | | | | |
| 84 | 287255 | . SUPPORT SPAGNOLET To 3-8108 | 1 | | | | |
| 84 | 287423 | . SUPPORT SPAGNOLET From 3-8109 To 6-8906 | 1 | | | | |
| 84 | 287255 | . SUPPORT SPAGNOLET To 4-8207 | | 1 | 1 | 1 | |
| 84 | 287423 | . SUPPORT SPAGNOLET From 4-8208 | | 1 | 1 | 1 | |
| 85 | 287255 | . SUPPORT SPAGNOLET To 3-8108 | 1 | | | | A |
| 85 | 287423 | . SUPPORT SPAGNOLET From 3-8109 To 6-8906 | 1 | | | | A |
| 85 | 287255 | . SUPPORT SPAGNOLET To 4-8207 | | 1 | 1 | 1 | A |
| 85 | 287423 | . SUPPORT SPAGNOLET From 4-8208 | | 1 | 1 | 1 | A |
| 90 | 251119 | . CLOSING PLATE 68MM X 68MM | 2 | 2 | 2 | 2 | |
| 91 | 474103 | . ANGLE / MOULDING SUPPORT | 2 | 2 | 2 | 2 | |
| 92 | 172360 | . PANEL HINGE BOX / SS | 1 | 1 | 1 | 1 | |
| 93 | 172359 | . PANEL FRONT CONER / SS | 1 | 1 | 1 | 1 | |
| 94 | 214107 | . PANEL FRONT CONER / SS | 1 | 1 | 1 | 1 | |
| 95 | 251102 | . SUPPORT / DASH | 1 | 1 | 1 | 1 | |
| 96 | 287961 | . SUPPORT | 1 | 1 | 1 | 1 | |
| 102 | 214243 | . TUBE / TUBE 26 AND DR 92MM x 1 1/2" x 3" To 6-8906 | 1 | | | | |
| 103 | 251079 | . PANEL FRONT / TUBE 26 & 11 | 1 | | | | |
| | | | | | | | |
| | | | | | | | |
| | | | | | | | |
| | | A) RH SIDE ONLY | | | | | |
| | | P) CALL ORDER DESK FOR SPECIFIC APPLICATION (V.I.N.) | | | | | |

From Y-7046 To 6-8906

Date:10/2022

PAGE:Y2-1895-10

FRONT LOWER FLOOR STRUCTURE - BUS

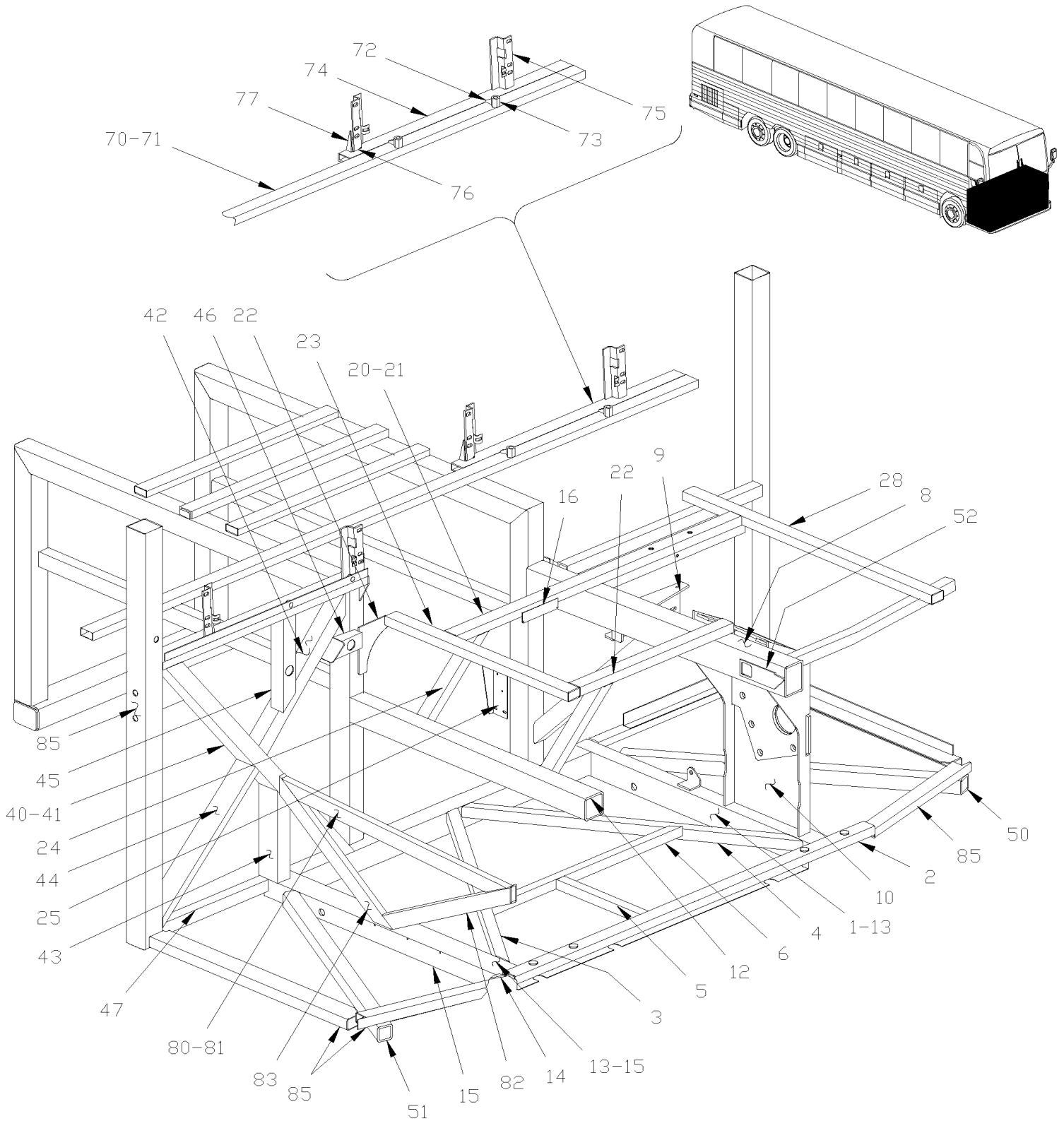


From Y-7046 To 6-8906

Date:10/2022

PAGE:Y2-1895-10

FRONT LOWER FLOOR STRUCTURE - BUS



| | | |
|--|--------------|-----------------|
| From Y-7046 To 6-8906 | Date:10/2022 | PAGE:Y2-1895-10 |
| FRONT LOWER FLOOR STRUCTURE - BUS | | |

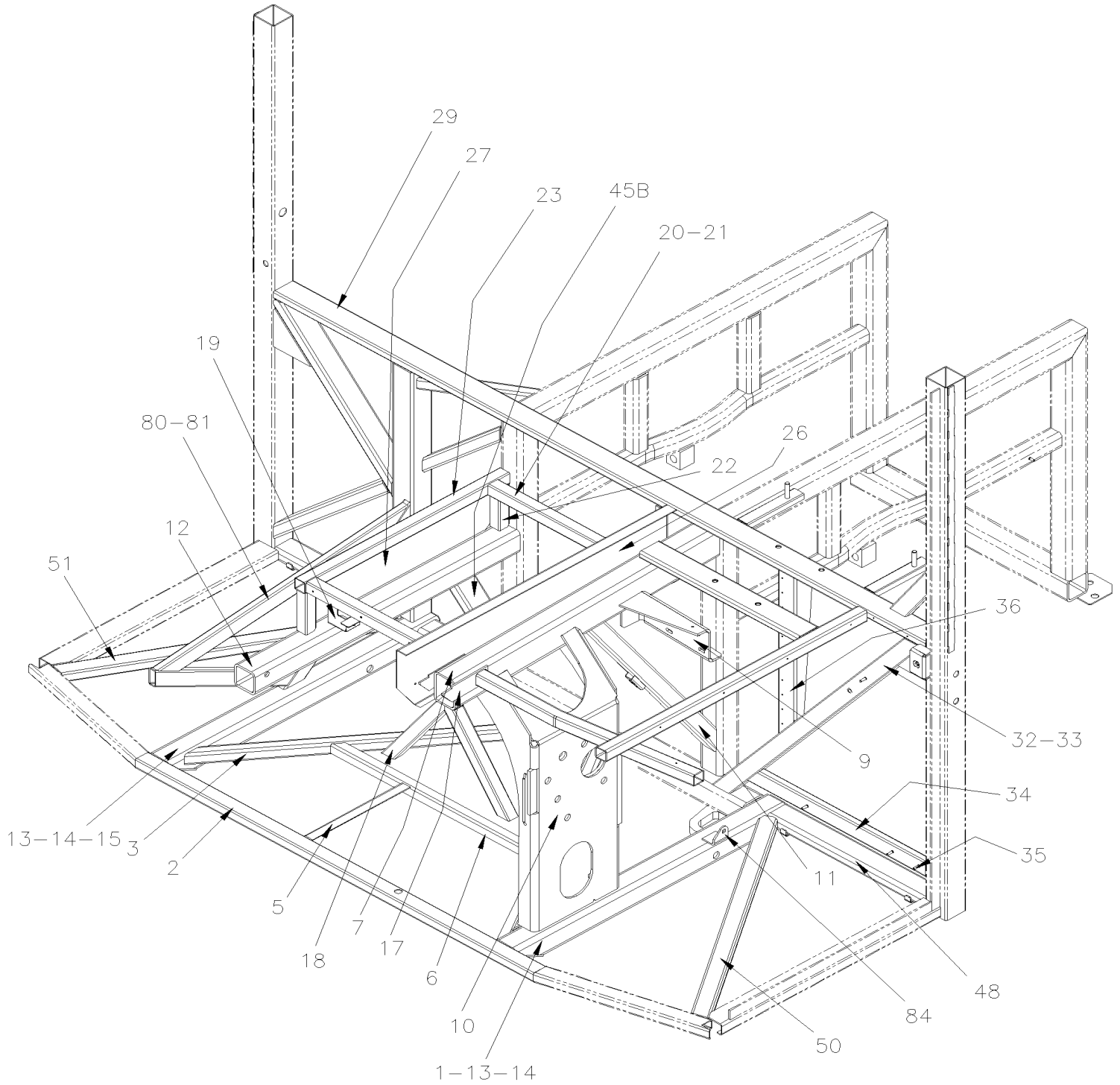
| Item# | Part | Description | X L I I 4 5 | X L I I M T H 4 0 | X L I I M T H 4 5 | X L I I M T H 4 5 E | N O T E S |
|-------|-----------------|---|----------------------------|---|---|--|-----------------------|
| 1 | 172203 | TUBE | 1 | | | | |
| 2 | 287937 | TUBE / HINGE ASSY To 2-7763 | 1 | | | | |
| 2 | 287317 | TUBE / HINGE ASSY From 2-7764 | 1 | | | | |
| 3 | 172255 | TUBE | 1 | | | | |
| 4 | 172258 | TUBE | 1 | | | | |
| 5 | 172227 | ANGLE | 1 | | | | |
| 6 | 172257 | TUBE | 1 | | | | |
| 8 | 172273 | TUBE 1022MM | 1 | | | | |
| 9 | 172281 | SUPPORT BRAKE VALVE | 1 | | | | |
| 10 | 172440 | SUPPORT GEAR BOX STEERING / W/ "ZF" To 4-8250 | 1 | | | | |
| 10 | 172856 | SUPPORT GEAR BOX STEERING / W/ "ZF" From 4-8251 To 6-8832 | 1 | | | | |
| 10 | 173095 | SUPPORT GEAR BOX STEERING / W/ "ZF" From 6-8833 | 1 | | | | |
| | | | | | | | |
| | | | | | | | |
| 11 | 214238 | TUBE 691MM | 1 | | | | |
| 12 | 213855 | TUBE 981MM To 2-7763 | 1 | | | | |
| 12 | 214598 | TUBE 981MM From 2-7764 | 1 | | | | |
| 13 | 220944 | CLOSING PLATE 67MM X 67MM | 2 | | | | |
| 14 | 172204 | CLOSING PLATE 115MM X 68MM | 2 | | | | |
| 15 | 172525 | TUBE | 1 | | | | |
| 16 | 172560 | SUPPORT / PARKING BRAKE OVERRULE | 1 | | | | |
| 20 | Call order desk | FLOOR ASSY / STEPWELL & DRIVER'S | 1 | | | | P |
| 21 | 214140 | . TUBE / BACKWARD | 1 | | | | |
| 22 | 214239 | . TUBE / FORWARD | 1 | | | | |
| 23 | 214240 | . TUBE / CURBSIDE | 1 | | | | |
| 24 | 214141 | . TUBE | 2 | | | | |
| 25 | 453315 | . SUPPORT / A/C VALVE | 1 | | | | |
| 26 | 214241 | . PLATE SUPPORT | 1 | | | | |
| 27 | 213962 | TUBE FRONT DRIVER'S FLOOR SUPPORT | 1 | | | | |
| 28 | 214138 | TUBE STREETSIDE DRIVER'S FLOOR SUPPORT | 1 | | | | |
| 29 | 214266 | TUBE DRIVER'S FLOOR REAR / W/IND SUSPENTION | 1 | | | | |
| 29 | 214139 | TUBE DRIVER'S FLOOR REAR / W/RIGID SUSPENTION | 1 | | | | |
| 30 | 214300 | "Z" FRAME ASSY To 2-7881 | 1 | | | | |
| 30 | 214772 | "Z" FRAME ASSY From 2-7882 | 1 | | | | |
| 31 | 214317 | . TUBE ASSY UPPER | 1 | | | | |
| 32 | 214309 | . TUBE TRANSVERSALE / STREET SIDE / 1032MM | 1 | | | | |
| NS | 5001354 | . STUD WD WOC M6-1.0X20 SS From 2-7882 | 1 | | | | |
| 33 | 214318 | . ANGLE 450MM To 2-7881 | 1 | | | | |
| 33 | 214773 | . ANGLE 450MM From 2-7882 | 1 | | | | |
| 34 | 172267 | TUBE 584MM | 1 | | | | |
| 40 | Call order desk | "X" FRAME ASSY | 1 | | | | P |
| 41 | 214217 | . TUBE 1152MM | 1 | | | | |

From Y-7046 To 6-8906

Date:10/2022

PAGE:Y2-1895-50

FRONT LOWER FLOOR STRUCTURE - MTH

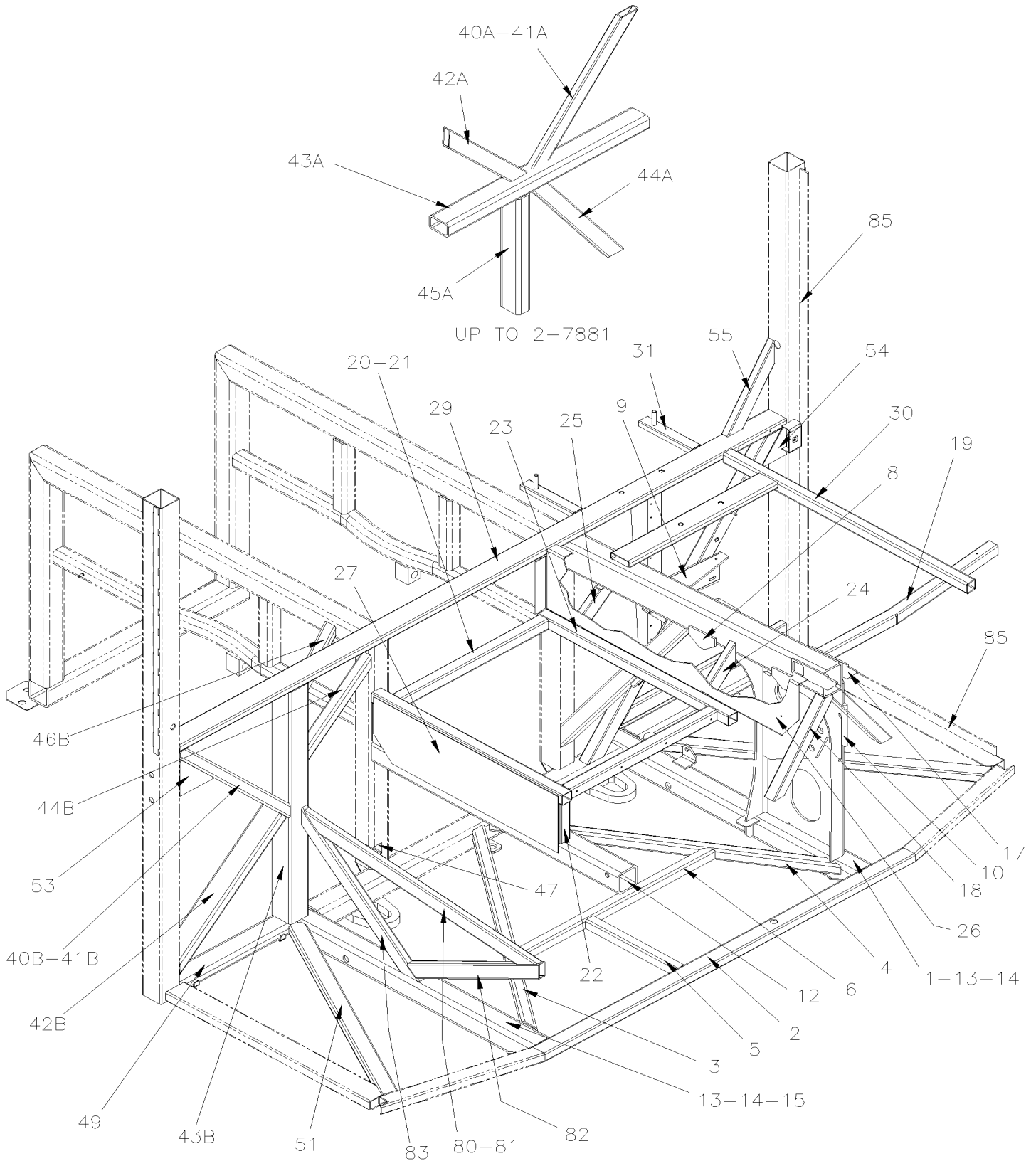


From Y-7046 To 6-8906

Date:10/2022

PAGE:Y2-1895-50

FRONT LOWER FLOOR STRUCTURE - MTH



| | | |
|--|--------------|-----------------|
| From Y-7046 To 6-8906 | Date:10/2022 | PAGE:Y2-1895-50 |
| FRONT LOWER FLOOR STRUCTURE - MTH | | |

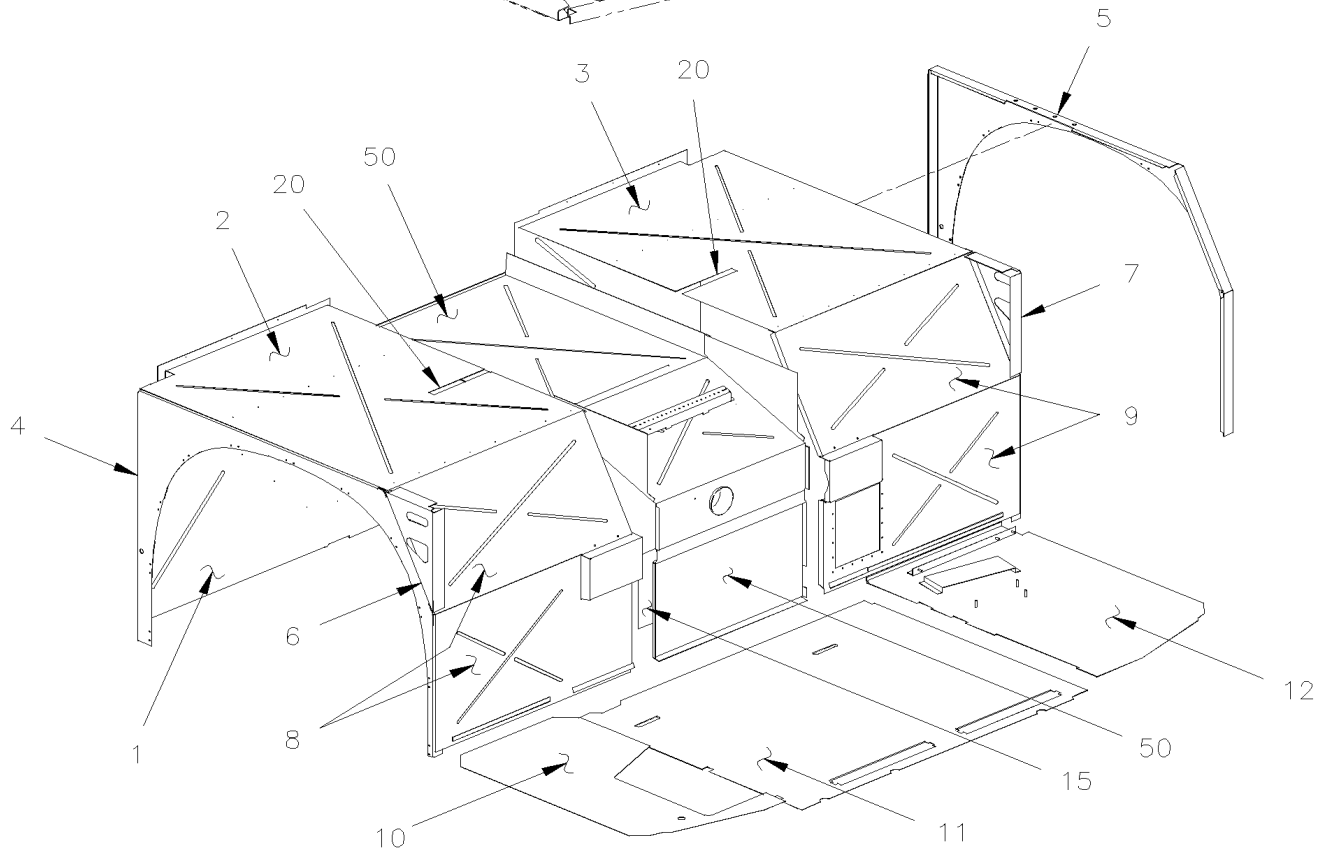
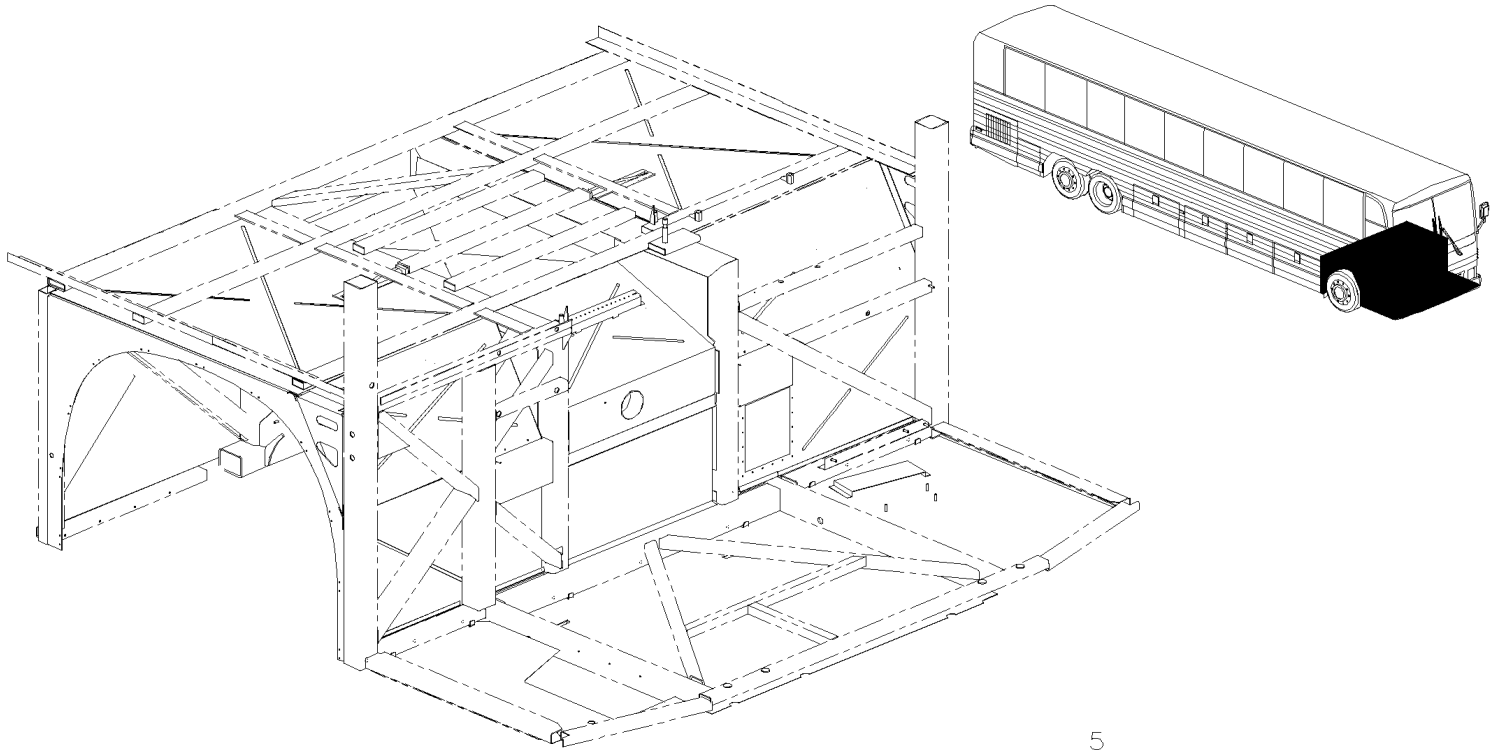
| Item# | Part | Description | X L I I 4 5 | X L I I M T H 4 0 | X L I I M T H 4 5 | X L I I M T H 4 5 E | N O T E S |
|-------|---------|---|----------------------------|---|---|--|-----------------------|
| 1 | 172824 | BRACE, GEAR BOX SUPPORT To 4-8193 | | 1 | 1 | 1 | |
| 1 | 172862 | BRACE, GEAR BOX SUPPORT From 4-8194 To 6-8832 | | | | | |
| 1 | 173140 | BRACE, GEAR BOX SUPPORT From 6-8833 | | 1 | 1 | 1 | |
| 2 | 286095 | TUBE / HINGE ASSY To 1-7378 | | 1 | 1 | 1 | |
| 2 | 287937 | TUBE / HINGE ASSY From 1-7379 To 2-7764 | | 1 | 1 | 1 | |
| 2 | 287317 | TUBE / HINGE ASSY From 2-7765 | | 1 | 1 | 1 | |
| 3 | 172255 | TUBE | | 1 | 1 | 1 | |
| 4 | 172258 | TUBE | | 1 | 1 | 1 | |
| 5 | 172227 | ANGLE | | 1 | 1 | 1 | |
| 6 | 172257 | TUBE | | 1 | 1 | 1 | |
| 7 | 172273 | TUBE 1022MM | | 1 | 1 | 1 | |
| 8 | 172796 | REINFORCMENT "TRIANGULAR SHAPE 100MM x60MM From 4-8165 | | 2 | 2 | 2 | |
| 9 | 172281 | SUPPORT BRAKE VALVE | | 1 | 1 | 1 | |
| 10 | 172312 | SUPPORT GEAR BOX STEERING / W/ "ZF" To 4-8193 | | 1 | 1 | 1 | |
| 10 | 172799 | SUPPORT GEAR BOX STEERING / W/ "ZF" From 4-8194 To 4-8237 | | 1 | 1 | 1 | |
| 10 | 172858 | SUPPORT GEAR BOX STEERING / W/ "ZF" From 4-8238 To 6-8832 | | 1 | 1 | 1 | |
| 10 | 173092 | SUPPORT GEAR BOX STEERING / W/ "ZF" From 6-8833 | | 1 | 1 | 1 | |
| 11 | 213856 | TUBE 837MM | | 1 | 1 | 1 | |
| 12 | 213855 | TUBE 981MM To 2-7764 | | 1 | 1 | 1 | |
| 12 | 214598 | TUBE 981MM From 2-7765 | | 1 | 1 | 1 | |
| 13 | 220944 | CLOSING PLATE 67MM X 67MM | | 2 | 2 | 2 | |
| 14 | 172204 | CLOSING PLATE 115MM X 68MM | | 2 | 2 | 2 | |
| 15 | 172203 | TUBE | | 1 | 1 | 1 | |
| 17 | 251048 | REINFORCEMENT | | 2 | 2 | 2 | |
| 18 | 213847 | TUBE | | 2 | 2 | 2 | |
| 19 | 373567 | SUPPORT / WATER PUMP To 4-8298 | | 1 | 1 | 1 | |
| 19 | 172870 | SUPPORT / WATER PUMP From 4-8299 | | 1 | 1 | 1 | |
| 20 | 172304P | FLOOR ASSY | | 1 | 1 | 1 | |
| 21 | 172285 | . TUBE 584MM | | 2 | 2 | 2 | |
| 22 | 172288 | . TUBE 144MM | | 2 | 2 | 2 | |
| 23 | 172289 | . TUBE / CURBSIDE 758MM | | 2 | 2 | 2 | |
| 24 | 172299 | TUBE / FORWARD / BETWEN FLOOR & TUBE #8 | | 1 | 1 | 1 | |
| 25 | 172300 | TUBE / BACWARD / BETWEN FLOOR & TUBE #8 | | 1 | 1 | 1 | |
| 26 | 213934 | SUPPORT FLOOR | | 1 | 1 | 1 | |
| 27 | 172351 | PANEL | | 1 | 1 | 1 | |
| 28 | 213962 | TUBE FRONT DRIVER' S FLOOR SUPPORT | | 1 | 1 | 1 | |
| 29 | 213929 | TUBE ASSY | | 1 | 1 | 1 | |
| 30 | 218169 | DRIVER'S FLOOR ASSY | | 1 | 1 | 1 | |
| 31 | 214284 | ATTACHMENT SAFETY BELT | | 2 | 2 | 2 | |
| 32 | 214301 | "Z" FRAME ASSY | | 1 | 1 | 1 | |
| 33 | 213964 | . TUBE TRANSVERSALE / STREET SIDE / 1154MM | | 1 | 1 | 1 | |
| 34 | 213965 | . TUBE | | 1 | 1 | 1 | |

From Y-7046 To 6-8906

Date:10/2022

PAGE:Y2-1896-00

FRONT SHEATING - BUS



| | | |
|-----------------------------|--------------|-----------------|
| From Y-7046 To 6-8906 | Date:10/2022 | PAGE:Y2-1896-00 |
| FRONT SHEATING - BUS | | |

| Item# | Part | Description | X L I I 4 5 | X L I I M T H 4 0 | X L I I M T H 4 5 | X L I I M T H 4 5 E | N O T E S |
|-------|-------------------|---|----------------------------|---|---|--|-----------------------|
| 1 | 214271 | PANEL BACKWARD W/TOP FRONT FENDER / CURBSIDE To 2-7805 | 1 | | | | R |
| 1 | 214289 | PANEL BACKWARD W/TOP FRONT FENDER / STREETSIDE To 2-7805 | 1 | | | | R |
| NS | 214224 | PANEL BACKWARD CENTER To 2-7805 | 1 | | | | R |
| 1 | 214324 | PANEL BACKWARD W/TOP FRONT FENDER / CURBSIDE To 2-7805 | 1 | | | | I |
| 1 | 214323 | PANEL BACKWARD W/TOP FRONT FENDER / STREETSIDE To 2-7805 | 1 | | | | I |
| 1 | 212775 | PANEL BACKWARD CENTER To 2-7805 | 1 | | | | I |
| 1 | 214670 | PANEL BACKWARD FRONT FENDER / ONE PIECE From 2-7806 | 1 | | | | IR |
| 2 | 214676 | PANEL FENDER TOP / CURBSIDE To 2-7805 | 1 | | | | R |
| 2 | 214702 | PANEL FENDER TOP / CURBSIDE From 2-7806 To 4-8244 | 1 | | | | I |
| 2 | 215335 | PANEL FENDER TOP / CURBSIDE From 2-8245 | 1 | | | | I |
| 3 | 214675 | PANEL FENDER TOP / STREETSIDE From 2-7806 | 1 | | | | R |
| 3 | 214701 | PANEL FENDER TOP / STREETSIDE From 2-7806 To 4-8244 | 1 | | | | I |
| 3 | 215334 | PANEL FENDER TOP / STREETSIDE From 4-8245 | 1 | | | | I |
| 4 | 214328 | PANEL SIDE FENDER / CURBSIDE To 4-8193 | 1 | | | | |
| 4 | 213700 | PANEL SIDE FENDER / CURBSIDE From 4-8194 | 1 | | | | |
| 5 | 214327 | PANEL SIDE FENDER / STREETSIDE To 1-7507 | 1 | | | | |
| 5 | 214211 | PANEL SIDE FENDER / STREETSIDE From 1-7508 To 4-8193 | 1 | | | | |
| 5 | 213698 | PANEL SIDE FENDER / STREETSIDE From 4-8194 | 1 | | | | |
| 6 | 214393 | CLOSING PLATE TRIANGULAR SHAPE / CURBSIDE To Y-7102 | 1 | | | | |
| 6 | 214410 | CLOSING PLATE TRIANGULAR SHAPE / CURBSIDE From Y-7103 | 1 | | | | |
| 7 | 214392 | CLOSING PLATE TRIANGULAR SHAPE / STREETSIDE To Y-7102 | 1 | | | | |
| 7 | 214409 | CLOSING PLATE TRIANGULAR SHAPE / STREETSIDE From Y-7103 | 1 | | | | |
| 8 | 214303 | PANEL FORWARD FRONT FENDER / CURBSIDE | 1 | | | | R |
| 8 | 214326 | PANEL FORWARD FRONT FENDER / CURBSIDE To 2-7768 | 1 | | | | I |
| 8 | 213651 | PANEL FORWARD FRONT FENDER / CURBSIDE From 2-7769 | 1 | | | | I |
| 9 | 214302 | PANEL FORWARD FRONT FENDER / STREETSIDE | 1 | | | | R |
| 9 | 214325 | PANEL FORWARD FRONT FENDER / STREETSIDE To 2-7768 | 1 | | | | I |
| 9 | 213631 | PANEL FORWARD FRONT FENDER / STREETSIDE From 2-7769 To 4-8193 | 1 | | | | I |
| 9 | 213944 | PANEL FORWARD FRONT FENDER / STREETSIDE From 4-8194 | 1 | | | | I |
| 10 | 214244 | FLOOR PANEL UNDER STEPWELL / CURBSIDE To 2-7881 | 1 | | | | |
| 10 | 214730 | FLOOR PANEL UNDER STEPWELL / CURBSIDE From 2-7882 | 1 | | | | |
| 11 | 172496 | FLOOR PANEL CENTER PART W/SPARE TIRE To 2-7763 | 1 | | | | |
| 11 | 172653 | FLOOR PANEL CENTER PART W/SPARE TIRE From 2-7764 To 2-7881 | 1 | | | | |
| 11 | 172683 | FLOOR PANEL CENTER PART W/SPARE TIRE From 2-7882 To 6-8832 | 1 | | | | |
| 11 | 173099 | FLOOR PANEL CENTER PART W/SPARE TIRE From 6-8833 | 1 | | | | |
| 12 | 172324 | FLOOR PANEL STEERING COMPARTMENT / STREETSIDE To 2-7881 | 1 | | | | |
| 12 | 214729 | FLOOR PANEL STEERING COMPARTMENT / STREETSIDE From 2-7882 To 3-8108 | 1 | | | | |
| 12 | 215090 | FLOOR PANEL STEERING COMPARTMENT / STREETSIDE From 3-8109 | 1 | | | | |
| 20 | 214511 | CLOSING PLATE "U" FORM / 270MM To 4-8244 | 2 | | | | I |
| 20 | 215333 | CLOSING PLATE "U" FORM / 154MM From 4-8245 | 2 | | | | I |
| 50 | Y2-1897-00 | FRONT SUB-FRAME / W/I BEAM RIGID SUSPENSION | | | | | |
| 50 | Y2-1897-50 | FRONT SUB-FRAME / W/INDEPENDENT SUSPENSION - 16500 LBS | | | | | |

| | | |
|-----------------------------|--------------|-----------------|
| From Y-7046 To 6-8906 | Date:10/2022 | PAGE:Y2-1896-00 |
| FRONT SHEATING - BUS | | |

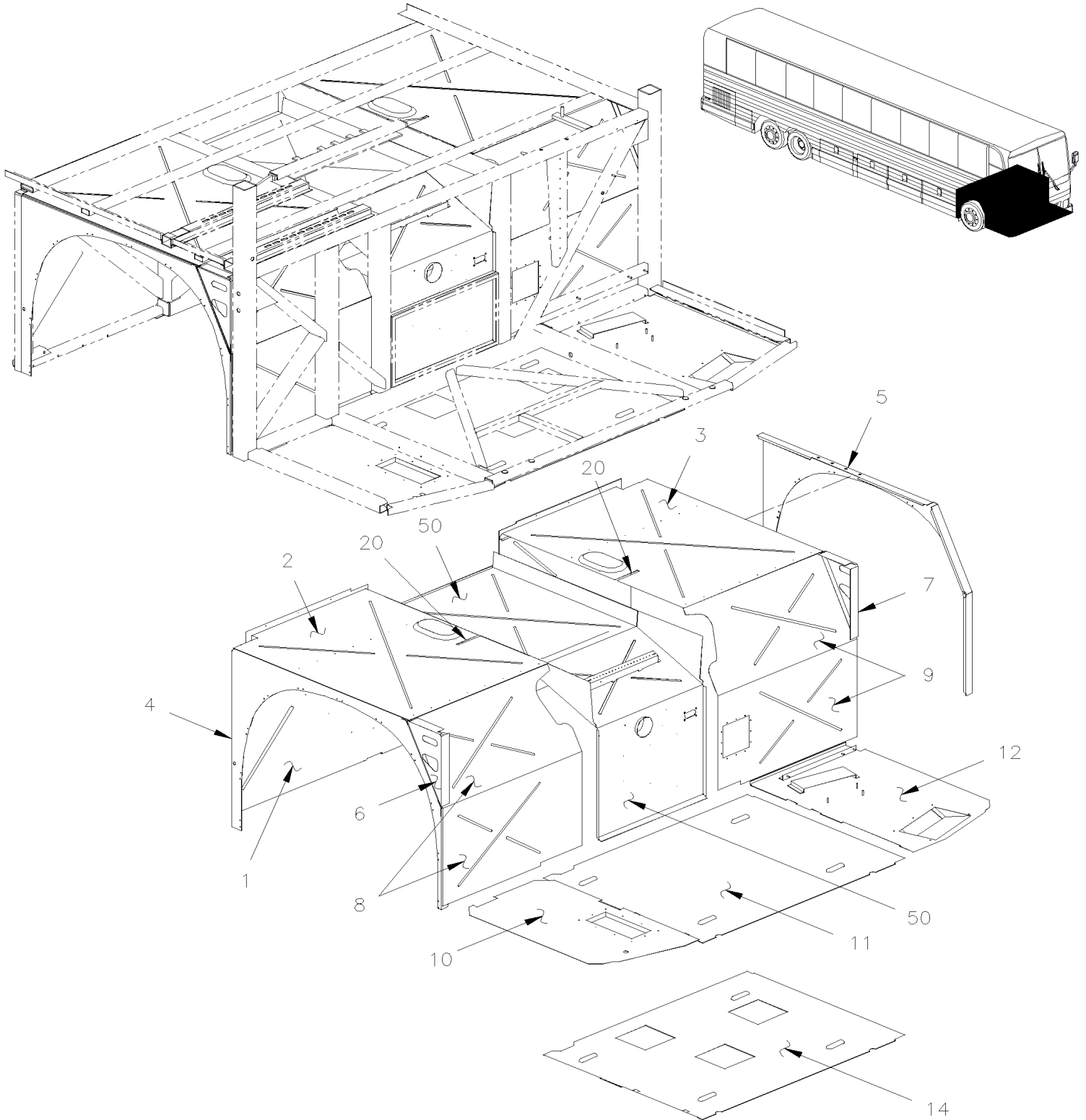
| Item# | Part | Description | X L I I 4 5 | X L I I M T H 4 0 | X L I I M T H 4 5 | X L I I M T H 4 5 E | N O T E S |
|-------|------------|--|----------------------------|---|---|--|-----------------------|
| 50 | Y2-1897-51 | FRONT SUB-FRAME / W/INDEPENDENT SUSPENSION - 18000 LBS | | | | | |
| | | | | | | | |
| | | | | | | | |
| | | I) WITH INDEPENDANT SUSPENSION | | | | | |
| | | R) WITH I BEAM RIGID SUSPENSION | | | | | |

From Y-7046 To 8-9339

Date:10/2022

PAGE:Y2-1896-50

FRONT SHEATING - MTH



| | | | |
|-----------------------------|--|--------------|-----------------|
| From Y-7046 To 8-9339 | | Date:10/2022 | PAGE:Y2-1896-50 |
| FRONT SHEATING - MTH | | | |

| Item# | Part | Description | X L I I 4 5 | X L I I M T H 4 0 | X L I I M T H 4 5 | X L I I M T H 4 5 E | N O T E S |
|-------|--------|--|----------------------------|---|---|--|-----------------------|
| 1 | 214324 | PANEL BACKWARD W/TOP FRONT FENDER / CURBSIDE To 2-7805 | | 1 | 1 | 1 | |
| 1 | 214323 | PANEL BACKWARD W/TOP FRONT FENDER / STREETSIDE To 2-7805 | | 1 | 1 | 1 | |
| NS | 212775 | PANEL BACKWARD CENTER To 2-7805 | | 1 | 1 | 1 | |
| 1 | 214670 | PANEL BACKWARD FRONT FENDER / ONE PIECE From 2-7806 | | 1 | 1 | 1 | |
| 2 | 214702 | PANEL FENDER TOP / CURBSIDE From 2-7806 To 4-8244 | | 1 | 1 | 1 | |
| 2 | 215335 | PANEL FENDER TOP / CURBSIDE From 4-8245 To 7-8949 | | 1 | 1 | 1 | |
| 2 | 216010 | PANEL FENDER TOP / CURBSIDE From 7-8950 | | 1 | 1 | 1 | |
| 3 | 214701 | PANEL FENDER TOP / STREETSIDE From 2-7806 To 4-8244 | | 1 | 1 | 1 | |
| 3 | 215334 | PANEL FENDER TOP / STREETSIDE From 4-8245 To 7-8949 | | 1 | 1 | 1 | |
| 3 | 216006 | PANEL FENDER TOP / STREETSIDE From 7-8950 | | 1 | 1 | 1 | |
| 3 | 214210 | PANEL FENDER STOP / STREETSIDE / W/SLIDE-OUT From 1-7508 To 2-7805 | | | 1 | | S |
| 3 | 214667 | PANEL FENDER STOP / STREETSIDE / W/SLIDE-OUT From 2-7806 To 4-8244 | | | 1 | | S |
| 3 | 215336 | PANEL FENDER STOP / STREETSIDE / W/SLIDE-OUT From 4-8245 | | | 1 | | S |
| 4 | 214328 | PANEL SIDE FENDER / CURBSIDE To 2-7805 | | 1 | 1 | 1 | |
| 4 | 213700 | PANEL SIDE FENDER / CURBSIDE From 2-7806 | | 1 | 1 | 1 | |
| 5 | 214327 | PANEL SIDE FENDER / STREETSIDE To 1-7507 | | 1 | 1 | 1 | |
| 5 | 214211 | PANEL SIDE FENDER / STREETSIDE From 1-7508 To 4-8193 | | 1 | 1 | 1 | |
| 5 | 213698 | PANEL SIDE FENDER / STREETSIDE From 4-8194 | | 1 | 1 | 1 | |
| 5 | 214666 | PANEL SIDE FENDER / STREETSIDE To 2-7805 | | | 1 | | S |
| 5 | 213699 | PANEL SIDE FENDER / STREETSIDE From 2-7806 | | | 1 | | |
| 6 | 214393 | CLOSING PLATE TRIANGULAR SHAPE / CURBSIDE To Y-7102 | | 1 | 1 | 1 | |
| 6 | 214410 | CLOSING PLATE TRIANGULAR SHAPE / CURBSIDE From Y-7103 | | 1 | 1 | 1 | |
| 7 | 214392 | CLOSING PLATE TRIANGULAR SHAPE / STREETSIDE To Y-7102 | | 1 | 1 | 1 | |
| 7 | 214409 | CLOSING PLATE TRIANGULAR SHAPE / STREETSIDE From Y-7103 | | 1 | 1 | 1 | |
| 8 | 214326 | PANEL FORWARD FRONT FENDER / CURBSIDE To 2-7768 | | 1 | 1 | 1 | |
| 8 | 213651 | PANEL FORWARD FRONT FENDER / CURBSIDE From 2-7769 To 7-8949 | | 1 | 1 | 1 | |
| 8 | 216008 | PANEL FORWARD FRONT FENDER / CURBSIDE From 7-8950 | | 1 | 1 | 1 | |
| 9 | 214325 | PANEL FORWARD FRONT FENDER / STREETSIDE To 2-7768 | | 1 | 1 | 1 | |
| 9 | 213631 | PANEL FORWARD FRONT FENDER / STREETSIDE From 2-7769 To 4-8193 | | 1 | 1 | 1 | |
| 9 | 213944 | PANEL FORWARD FRONT FENDER / STREETSIDE From 4-8194 To 7-8949 | | 1 | 1 | 1 | |
| 9 | 216007 | PANEL FORWARD FRONT FENDER / STREETSIDE From 7-8950 | | 1 | 1 | 1 | |
| 10 | 172228 | FLOOR PANEL UNDER STEPWELL / CURBSIDE To 2-7881 | | 1 | 1 | 1 | |
| 10 | 214731 | FLOOR PANEL UNDER STEPWELL / CURBSIDE From 2-7882 | | 1 | 1 | 1 | |
| 11 | 172222 | FLOOR PANEL CENTER PART STD W/MTH To 2-7763 | | 1 | 1 | 1 | |
| 11 | 172634 | FLOOR PANEL CENTER PART STD W/MTH From 2-7764 To 2-7881 | | 1 | 1 | 1 | |
| 11 | 172684 | FLOOR PANEL CENTER PART STD W/MTH From 2-7882 To 4-8193 | | 1 | 1 | 1 | |
| 11 | 172826 | FLOOR PANEL CENTER PART STD W/MTH From 4-8194 To 6-8832 | | 1 | 1 | 1 | |
| 11 | 173098 | FLOOR PANEL CENTER PART STD W/MTH W/O SPARE TIRE From 6-8833 | | 1 | 1 | 1 | |
| 11 | 173011 | FLOOR PANEL CENTER PART WITHOUT HOLE From 4-8194 | | 1 | 1 | 1 | O |
| 12 | 172324 | FLOOR PANEL STEERING COMPARTMENT / STREETSIDE | | 1 | 1 | 1 | |
| 12 | 219915 | FLOOR PANEL STEERING COMPARTMENT / STREETSIDE | | 1 | 1 | 1 | |
| 14 | 214089 | FLOOR PANEL CENTER PART "OPTION MARATHON" To 2-7763 | | 1 | 1 | 1 | M |

| | | |
|-----------------------------|--------------|-----------------|
| From Y-7046 To 8-9339 | Date:10/2022 | PAGE:Y2-1896-50 |
| FRONT SHEATING - MTH | | |

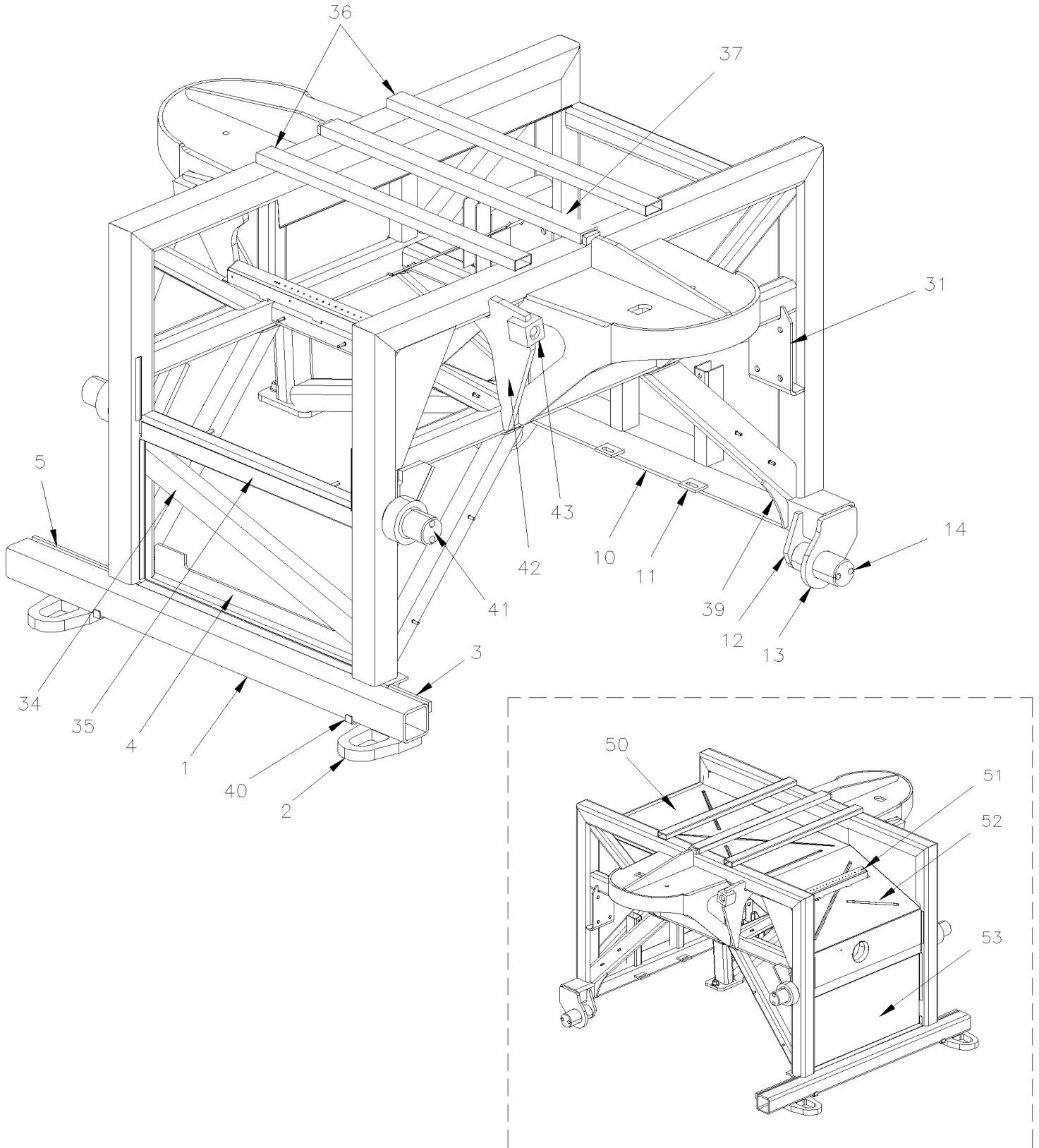
| Item# | Part | Description | X L I I 4 5 | X L I I M T H 4 0 | X L I I M T H 4 5 | X L I I M T H 4 5 E | N O T E S |
|-------|-------------------|---|----------------------------|---|---|--|-----------------------|
| 14 | 214672 | FLOOR PANEL CENTER PART "OPTION MARATHON" From 2-7764 To 2-7881 | | 1 | 1 | 1 | M |
| 14 | 172685 | FLOOR PANEL CENTER PART "OPTION MARATHON" From 2-7882 To 3-8164 | | 1 | 1 | 1 | M |
| 14 | 172825 | FLOOR PANEL CENTER PART "OPTION MARATHON" From 4-8165 To 6-8832 | | 1 | 1 | 1 | M |
| 14 | 173100 | FLOOR PANEL CENTER PART "OPTION MARATHON" From 6-8833 | | 1 | 1 | 1 | M |
| 20 | 214511 | CLOSING PLATE "U" FORM / 270MM To 4-8244 | | 2 | 2 | 2 | |
| 20 | 215333 | CLOSING PLATE "U" FORM / 154MM From 4-8245 | | 2 | 2 | 2 | |
| 50 | Y2-1897-50 | FRONT SUB-FRAME / W/INDEPENDENT SUSPENSION - 16500 LBS | | | | | |
| 50 | Y2-1897-51 | FRONT SUB-FRAME / W/INDEPENDENT SUSPENSION - 18000 LBS | | | | | |
| | | | | | | | |
| | | | | | | | |
| | | M) WITH "MARATHON" CONVERTER'S | | | | | |
| | | O) WITHOUT PERFORATION | | | | | |
| | | S) WITH "SLIDEOUT" | | | | | |

From Y-7046 To 6-8906

Date:10/2022

PAGE:Y2-1897-00

FRONT SUB-FRAME / W/I BEAM RIGID SUSPENSION

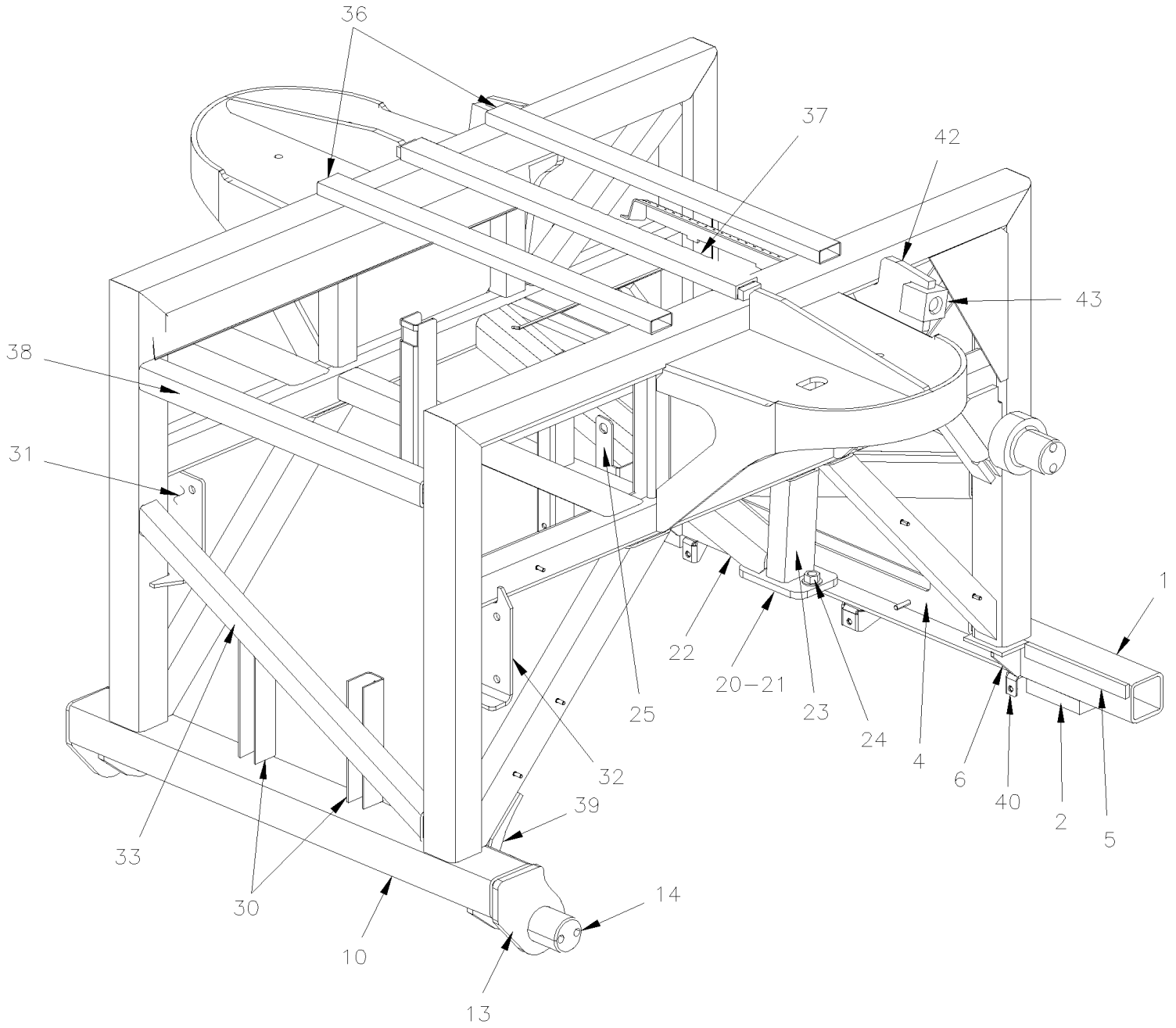


From Y-7046 To 6-8906

Date:10/2022

PAGE:Y2-1897-00

FRONT SUB-FRAME / W/I BEAM RIGID SUSPENSION



From Y-7046 To 6-8906 Date:10/2022 PAGE:Y2-1897-00

FRONT SUB-FRAME / W/I BEAM RIGID SUSPENSION

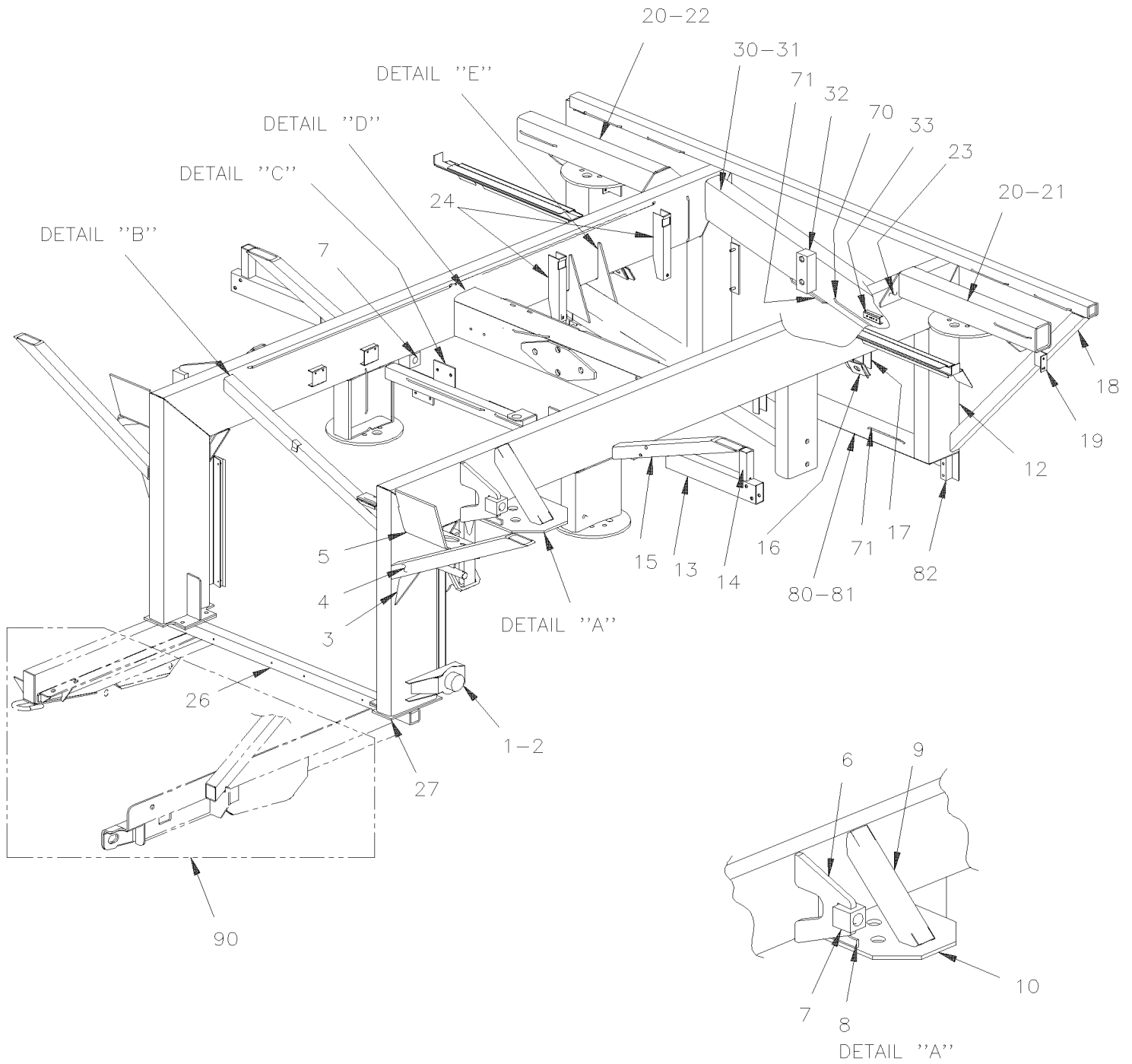
| Item# | Part | Description | X L I I 4 5 | X L I I M T H 4 0 | X L I I M T H 4 5 | X L I I M T H 4 5 E | NOTES |
|-------|---------|--|----------------------------|---|---|--|-------|
| | 172400P | FRONT SUBFRAME ASSY | 1 | | | | |
| 1 | 172467 | FRONT LOWER TUBE ASSY | 1 | | | | |
| 1 | 172265 | . TUBE 1206MM | 1 | | | | |
| 2 | 171991 | . ATTACHMENT / TOWING | 2 | | | | |
| 3 | 172469 | . SPACER 152MM | 1 | | | | |
| 4 | 172454 | . ANGLE | 1 | | | | |
| 5 | 172468 | . SPACER 50MM | 1 | | | | |
| 6 | 171709 | . REINFORCEMENT | 2 | | | | |
| 10 | 172159 | REAR LOWER TUBE ASSY | 1 | | | | |
| 11 | 141649 | . ATTACHMENT / (WELDED TO FRAME) | 2 | | | | |
| 12 | 172528 | . REINFORCEMENT | 2 | | | | |
| 13 | 172434 | . REINFORCEMENT | 2 | | | | |
| 14 | 171049 | . PIN ATTACHMENT / SUSPENSION ROD To 1-7594 | 2 | | | | |
| 14 | 131695 | . PIN RADIUS ROD (WELDED TO STRUCTURE) From 1-7597 | 1 | | | | |
| 20 | 172416 | . ATTACHMENT PANHARD / FRONT | 1 | | | | |
| 21 | 172417 | . PLATE | 1 | | | | |
| NS | 502164 | . PIN DOWEL M16 X 40MM | 1 | | | | |
| 22 | 172391 | . TUBE | 1 | | | | |
| 23 | 172390 | . TUBE | 1 | | | | |
| 24 | 5001474 | . NUT HEXF M16-2.0 DP | 2 | | | | |
| 25 | 172493 | . SUPPORT HEIGHT CONTROL VALVE (WELDED) | 1 | | | | |
| 30 | 172489 | SUPPORT AIR TANK / WELDED TO STRUCTURE | 2 | | | | |
| 31 | 172398 | ATTACHMENT SWAY BAR STREETSIDE | 1 | | | | |
| 32 | 172399 | ATTACHMENT SWAY BAR CURBSIDE | 1 | | | | |
| 33 | 171713 | TUBE 779MM | 1 | | | | |
| 34 | 172432 | TUBE 721MM | 1 | | | | |
| 35 | 172395 | TUBE 661MM | 1 | | | | |
| 36 | 171886 | TUBE 785MM | 2 | | | | |
| 37 | 172410 | U-BEAM 1" X 2" X 788MM | 1 | | | | |
| 38 | 171712 | TUBE 661MM | 2 | | | | |
| 39 | 172474 | REINFORCEMENT | 2 | | | | |
| 40 | 460441 | SUPPORT / AIR SHIELD / CENTER | 1 | | | | |
| 41 | 172436 | PIN RADIUS ROD (WELDED TO STRUCTURE) | 2 | | | | |
| 42 | 172397 | ATTACHMENT SHOCK ABSORBER | 2 | | | | |
| 43 | 171032 | SUPPORT 1"-14 / SHOCK ABSORBER / 55MM | 2 | | | | |
| 50 | 212774 | PANEL CENTRAL BACKWARD | 1 | | | | |
| 51 | 172235 | SUPPORT PIPE & HARNESS | 1 | | | | |
| 52 | 172305 | PANEL CENTRAL FORWARD | 1 | | | | |
| 53 | 214225 | PANEL CENTRAL FRONT LOWER | 1 | | | | |
| 53 | 214771 | PANEL CENTRAL FRONT LOWER / W/SPARE TIRE | 1 | | | | |

From Y-7046 To 8-9339

Date:10/2022

PAGE:Y2-1897-10

REAR SUB-FRAME BUS & MTH-45'

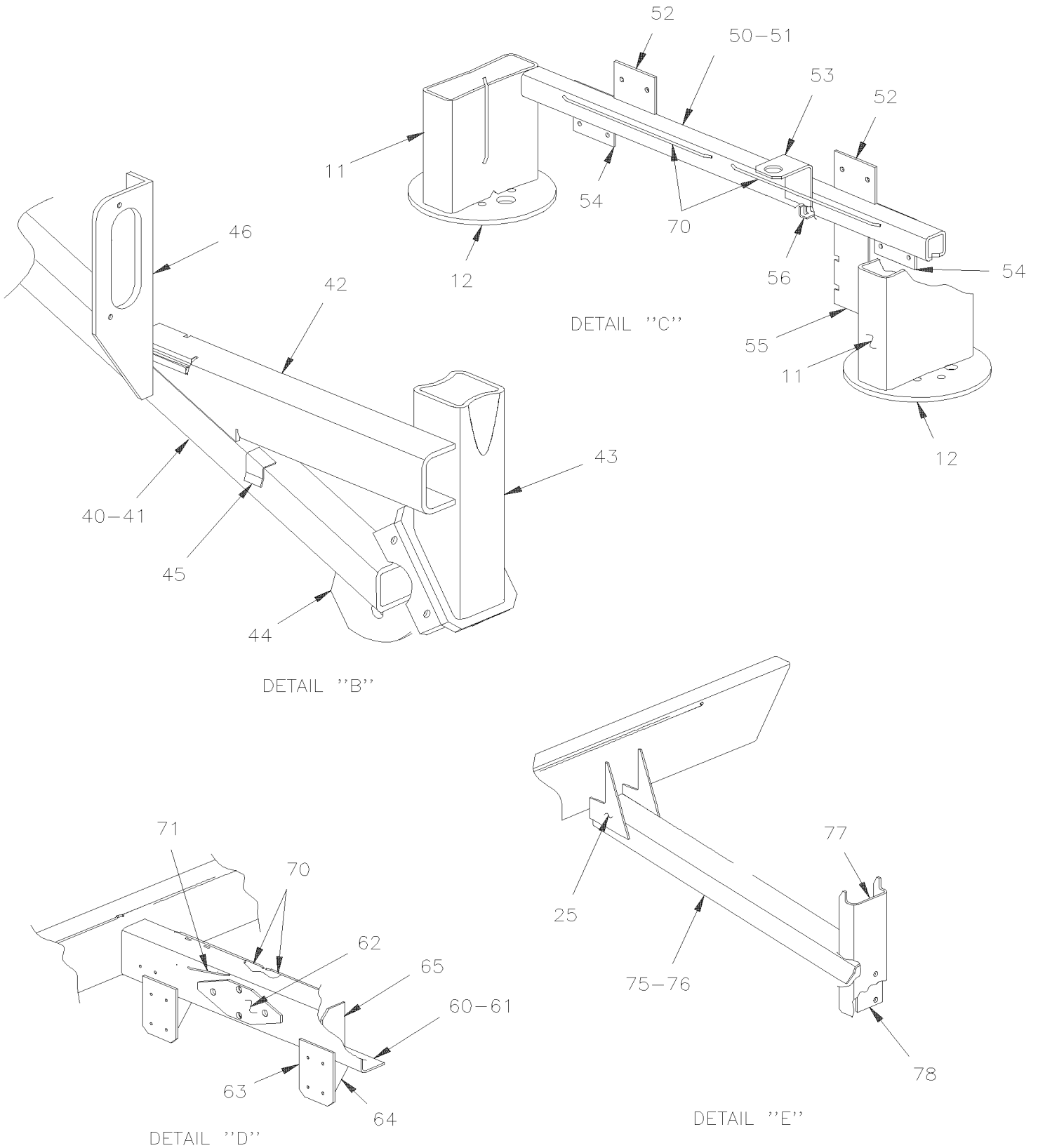


From Y-7046 To 8-9339

Date:10/2022

PAGE:Y2-1897-10

REAR SUB-FRAME BUS & MTH-45'



| | | |
|---|--------------|-----------------|
| From Y-7046 To 8-9339 | Date:10/2022 | PAGE:Y2-1897-10 |
| REAR SUB-FRAME BUS & MTH-45' | | |

| Item# | Part | Description | X L I I 4 5 | X L I I M T H 4 0 | X L I I M T H 4 5 | X L I I M T H 4 5 E | NOTES |
|-------|-----------------|--|----------------------------|---|---|--|-------|
| | | "WARNING" - "WARNING" -"WARNING" - "WARNING" | | | | | |
| | | FOR MTH-45 ENT FROM 7-9096 | | | | 1 | |
| | | SEE NEXT PAGE Y2-1897-11 | | | | 1 | |
| 1 | 171451 | PIN ATTACHMENT / SUSPENSION ROD | 2 | | 2 | | |
| 1 | 171049 | PIN ATTACHMENT / SUSPENSION ROD To 7-9095 | | 2 | | 2 | |
| 2 | 171452 | PLATE REINFORCEMENT L.H. | 1 | | 1 | | |
| 2 | 171454 | PLATE REINFORCEMENT R.H. | 1 | | 1 | | |
| 2 | 171574 | PLATE REINFORCEMENT To 7-9095 | | 2 | | 2 | |
| 2 | 171051 | PLATE REINFORCEMENT To 7-9095 | | 1 | | 1 | |
| 3 | 170448 | GUSSET, FLOOR TUBE REINFORCEMENT | 2 | | 2 | | |
| 4 | 170261 | TUBE 738MM | 2 | | 2 | | |
| 5 | 172277P | BRACKET / R.H. | 1 | | 1 | | |
| 5 | 172278P | BRACKET / L.H. | 1 | | 1 | | |
| 6 | Call order desk | SUPPORT SHOCK ASSY To 3-7987 | 2 | | 2 | | P |
| 6 | Call order desk | SUPPORT SHOCK ASSY From 3-7988 To 4-8215 | 2 | | 2 | | P |
| 6 | Call order desk | SUPPORT SHOCK ASSY From 4-8216 | 2 | | 2 | | P |
| 7 | 171032 | . SUPPORT 1"-14 / SHOCK ABSORBER / 55MM | 1 | | 1 | | |
| 8 | 171392 | REINFORCEMENT | 4 | | 4 | | |
| 9 | 171389 | REINFORCEMENT "U" 329MM To 2-7855 | 2 | | 2 | | |
| 9 | 172702 | REINFORCEMENT "U" 313MM From 2-7856 | 2 | | 2 | | |
| 10 | 171390 | SUPPORT | 2 | | 2 | | |
| 11 | 131572 | SUPPORT | 1 | | 1 | | |
| 12 | 131356 | BELLOW PLATE | 2 | | 2 | | |
| 13 | 212606 | TUBE 430MM | 2 | | 2 | | |
| 13 | 212581 | TUBE 675MM To 7-9095 | | 2 | | 2 | |
| 14 | 212605 | TUBE 111MM | 2 | | 2 | | |
| 14 | 212580 | TUBE 162MM To 7-9095 | | 2 | | 2 | |
| 15 | 171505 | TUBE 635MM | 2 | | 2 | | |
| 16 | 214381 | SUPPORT PROTECTOR BELLOW | 1 | | 1 | | |
| 16 | 215239 | SUPPORT PROTECTOR BELLOW / STREETSIDE | 1 | | 1 | | |
| 16 | 215240 | SUPPORT PROTECTOR BELLOW / CURBSIDE | 1 | | 1 | | |
| 17 | 172147 | SUPPORT "U" / AIR TANK / 263MM | 2 | | 2 | | |
| 18 | 170262 | TUBE 986MM | 2 | | 2 | | |
| 19 | 172428 | SUPPORT VALVE HEIGHT CONTROL | 2 | | 2 | | |
| 20 | 171398 | TUBE | 2 | | 2 | | |
| 21 | 121568 | SUPPORT SHOCK ASSY CURB SIDE | 1 | | 1 | | |
| . NS | 171032 | . SUPPORT 1"-14 / SHOCK ABSORBER / 55MM | 1 | | 1 | | |
| 22 | 121564 | SUPPORT SHOCK ASSY STREET SIDE | 1 | | 1 | | |
| . NS | 171032 | . SUPPORT 1"-14 / SHOCK ABSORBER / 55MM | 1 | | 1 | | |
| 23 | 170254 | ATTACHMENT PLATE | 2 | | 2 | | |
| 24 | 171600 | SUPPORT "U" / AIR TANK / 250MM | 2 | | 2 | | |

| | | |
|---|--------------|-----------------|
| From Y-7046 To 8-9339 | Date:10/2022 | PAGE:Y2-1897-10 |
| REAR SUB-FRAME BUS & MTH-45' | | |

| Item# | Part | Description | X L I I 4 5 | X L I I M T H 4 0 | X L I I M T H 4 5 | X L I I M T H 4 5 E | N O T E S |
|-------|-----------------|---|----------------------------|---|---|--|-----------------------|
| 25 | 171501 | REINFORCEMENT | 2 | | 2 | | |
| 26 | 171605 | BAR, TRANSMISSION PROTECTOR | 1 | | 1 | | |
| 27 | 171482 | ATTACHMENT PLATE | 1 | | 1 | | |
| 30 | Call order desk | BEAM, RADIUS ROD SUPPORT | 1 | | 1 | | P |
| 31 | 130799 | . TUBE 42 7/16" | 1 | | 1 | | |
| 32 | 214126 | . ANCHOR BLOCK | 1 | | 1 | | |
| 33 | 121507 | . SUPPORT "U" 70MM | 1 | | 1 | | |
| 40 | Call order desk | ATTACHMENT LATERAL ROD ASSY To 5-8369 | 1 | | 1 | | P |
| 40 | Call order desk | ATTACHMENT LATERAL ROD ASSY From 5-8370 | 1 | | 1 | | P |
| 41 | 171775 | . TUBE 1122MM | 1 | | 1 | | |
| 42 | 171774 | . TUBE 453MM To 5-8369 | 1 | | 1 | | |
| 42 | 172973 | . TUBE 454MM From 5-8370 | 1 | | 1 | | |
| 43 | 171773 | . TUBE 265MM | 1 | | 1 | | |
| 44 | 131297 | . SUPPORT ASSY / (WELDED) To 1-7475 | 1 | | 1 | | |
| 44 | 131691 | . SUPPORT ASSY / (WELDED) From 1-7476 To 6-8844 | 1 | | 1 | | |
| 44 | 131785 | . SUPPORT ASSY / (WELDED) From 6-8845 | 1 | | 1 | | |
| 45 | 071081 | . SUPPORT | 2 | | 2 | | |
| 46 | 142187 | . SUPPORT PING TANK | 1 | | 1 | | |
| 47 | 172972 | . TUBE 111MM | 1 | | 1 | | |
| 50 | Call order desk | TUBE ASSY W/VALVE SUPPORT To 6-8906 | 1 | | | | P R |
| 50 | Call order desk | TUBE ASSY W/VALVE SUPPORT | 1 | | 1 | | P I |
| 51 | 171373 | . TUBE 1014MM | 1 | | 1 | | |
| 52 | 171397 | . SUPPORT VALVE | 2 | | 2 | | |
| 53 | 171993 | . SUPPORT VALVE INVERSION | 2 | | 2 | | I |
| 54 | 171312 | . SUPPORT, BULKHEAD ASSY / W/O ABS OPTION | 1 | | 1 | | |
| 55 | 171973 | . SUPPORT AIR TANK | 2 | | 2 | | |
| 56 | 172991 | . ATTACHMENT | 2 | | 2 | | |
| 60 | 171977P | CHANNEL W/REINFORCEMENT / TRIPODE REAR AXLE / 1015MM WIDE To 5-8358 | 1 | | | | R |
| 60 | 172987P | CHANNEL W/REINFORCEMENT / TRIPODE REAR AXLE / 1015MM WIDE From 5-8359 To 6-8906 | 1 | | | | R |
| 60 | 171241P | CHANNEL W/REINFORCEMENT / TRIPODE REAR AXLE / 1015MM WIDE To 5-8358 | | 1 | 1 | 1 | I |
| 60 | 172988P | CHANNEL W/REINFORCEMENT / TRIPODE REAR AXLE / 1015MM WIDE From 5-8359 | | 1 | 1 | 1 | I |
| 61 | 171059 | . REINFORCEMENT "C" 1015MM To 5-8358 | 1 | | 1 | | |
| 61 | 172986 | . REINFORCEMENT "C" 1015MM From 5-8359 | 1 | | 1 | | |
| 62 | 172307 | . REINFORCEMENT PLATE (LOZANGE FORM) | 1 | | 1 | | |
| 63 | 171978 | . SUPPORT | | 2 | 2 | 2 | I |
| 64 | 171976 | . REINFORCEMENT | | 2 | 2 | 2 | I |
| 65 | 171536 | . REINFORCEMENT | | 2 | 2 | 2 | I |
| 70 | 212655 | ATTACHMENT ROD / WELDED (TO FIX ANYTHING) / 373MM x 11MM DEEP | AR | | AR | | |
| 71 | 214025 | ATTACHMENT ROD / WELDED (TO FIX ANYTHING) / 177MM x 11MM DEEP | AR | | AR | | |
| 75 | 172425 | ATTACHMENT LATERAL ROD ASSY To Y-7079 | 1 | | 1 | | |
| 75 | 172509 | ATTACHMENT LATERAL ROD ASSY From Y-7080 To 1-7149 | 1 | | 1 | | |
| 75 | Call order desk | ATTACHMENT LATERAL ROD ASSY From 1-7150 | 1 | | 1 | | P |

| | | |
|---|--------------|-----------------|
| From Y-7046 To 8-9339 | Date:10/2022 | PAGE:Y2-1897-10 |
| REAR SUB-FRAME BUS & MTH-45' | | |

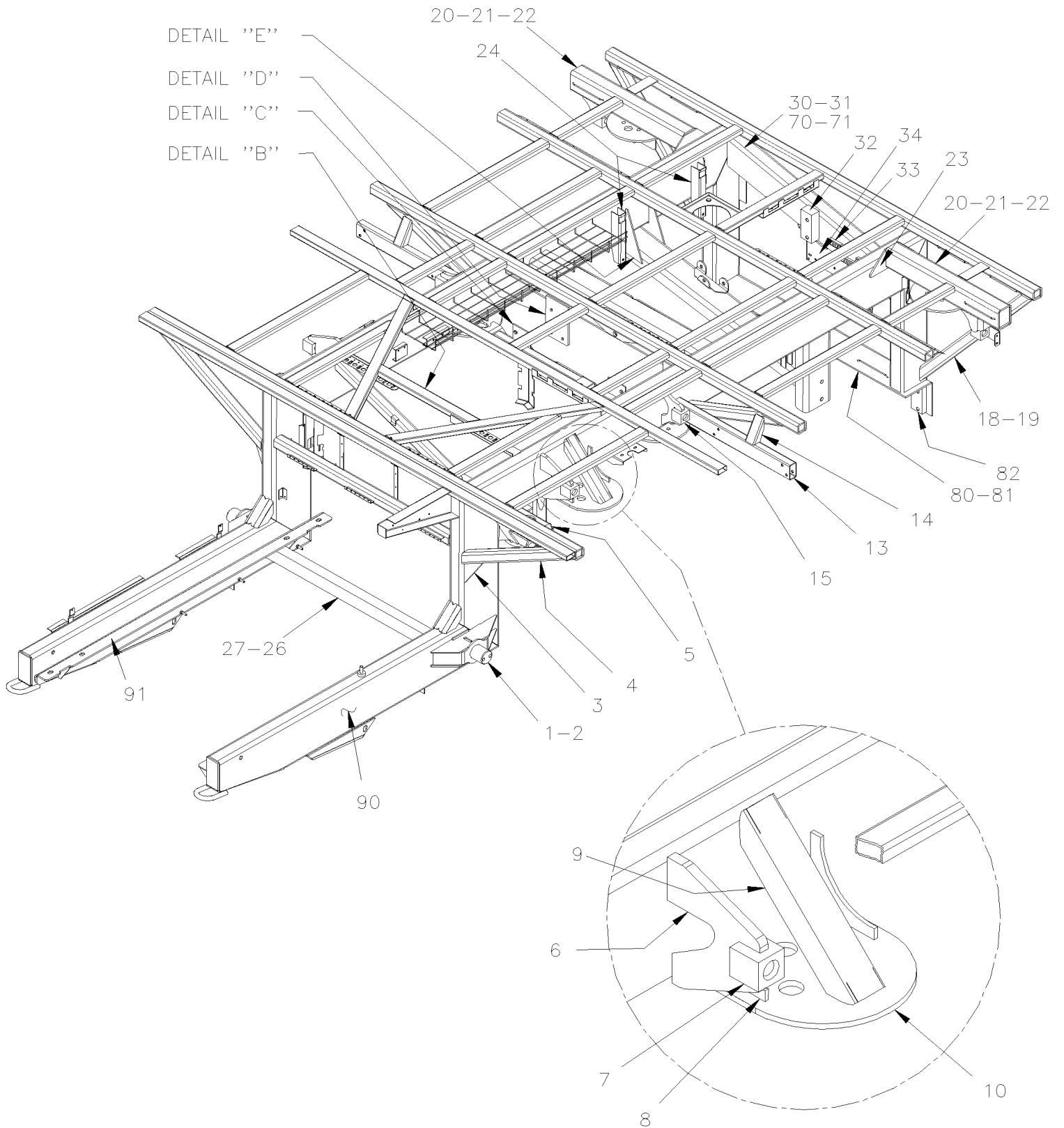
| Item# | Part | Description | X L I I 4 5 | X L I I M T H 4 0 | X L I I M T H 4 5 | X L I I M T H 4 5 E | N O T E S |
|-------|-------------------|--|----------------------------|---|---|--|-----------------------|
| 76 | 172426 | . CHANNEL "C" 1115MM | 1 | | 1 | | |
| 77 | 172427 | . CHANNEL "C" 422MM To Y-7079 | 1 | | 1 | | |
| 77 | 172507 | . CHANNEL "J" 422MM From Y-7080 To 1-7149 | 1 | | 1 | | |
| 77 | 172516 | . CHANNEL "J" 422MM From 1-7650 | 1 | | 1 | | |
| 78 | 172226 | . REINFORCEMENT SUPPORT | 1 | | 1 | | |
| 80 | Call order desk | REAR RADIUS ROD ATTACHMENT ANGLE ASSY To 3-8164 | 1 | | 1 | | P |
| 80 | Call order desk | REAR RADIUS ROD ATTACHMENT ANGLE ASSY From 4-8165 | 1 | | 1 | | P |
| 80 | Call order desk | REAR RADIUS ROD ATTACHMENT ANGLE ASSY | | | 1 | | P S |
| 81 | 214131 | . ANGLE | 1 | | 1 | | |
| 81 | 214577 | . ANGLE | 1 | | 1 | | |
| 81 | 172992 | . ANGLE From 6-8906 | | | 1 | | S |
| 82 | 214388 | . ANCHOR BLOCK | 1 | | 1 | | |
| 90 | Y2-1894-05 | REAR LH - STRUCTURE | | | | | |
| 90 | Y2-1894-06 | REAR LH - STRUCTURE | | | | | |
| 90 | Y2-1894-10 | REAR RH - STRUCTURE | | | | | |
| | | | | | | | |
| | | | | | | | |
| | | I) WITH INDEPENDANT SUSPENSION | | | | | |
| | | R) WITH I BEAM RIGID SUSPENSION | | | | | |
| | | S) WITH "SLIDEOUT" | | | | | |
| | | P) CALL ORDER DESK FOR SPECIFIC APPLICATION (V.I.N.) | | | | | |

From 7-9096 To 8-9339

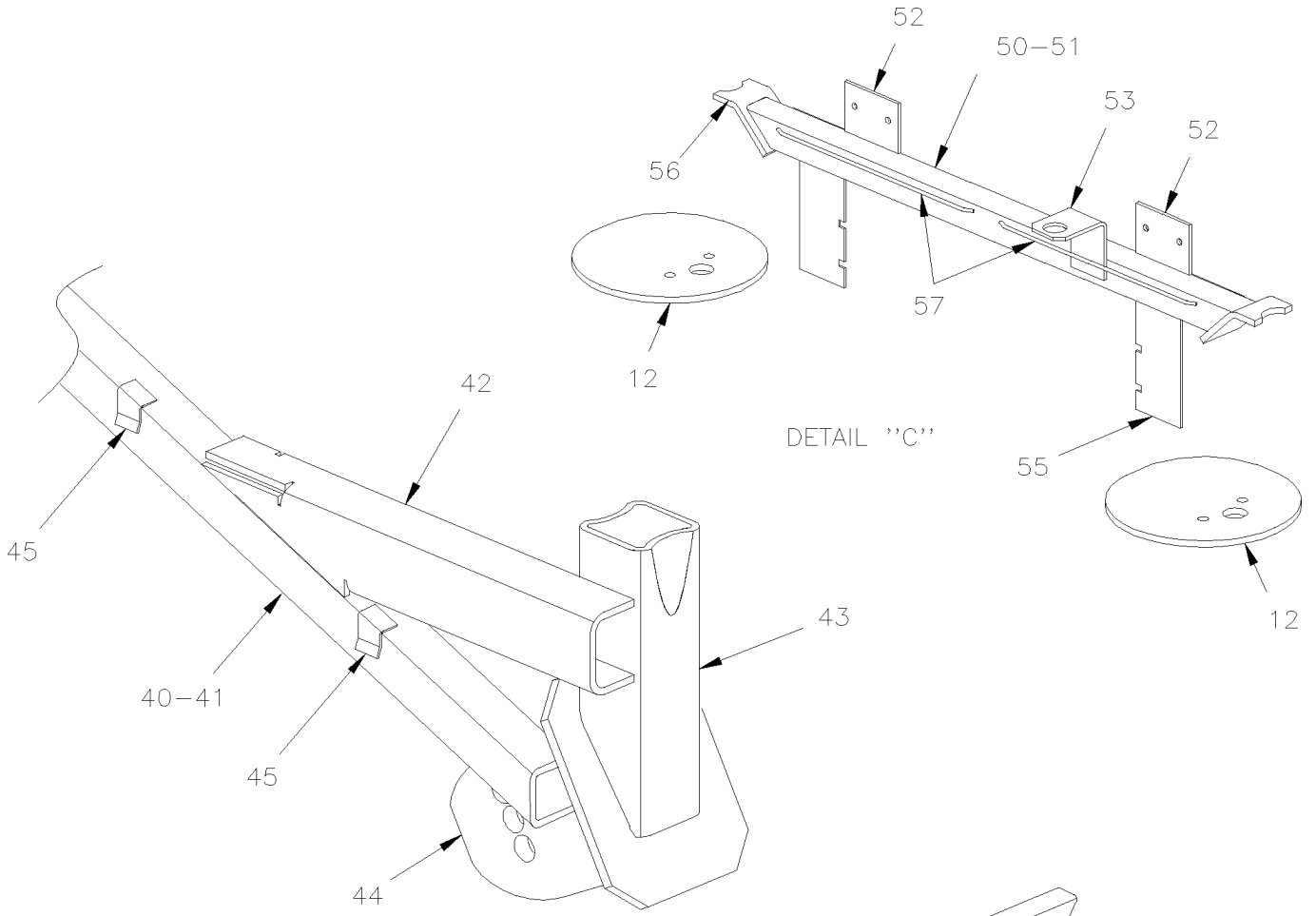
Date:10/2022

PAGE:Y2-1897-11

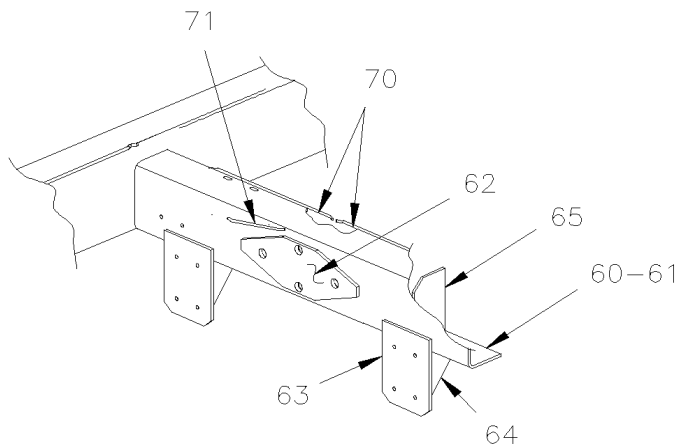
REAR SUB-FRAME MTH-45' ENT



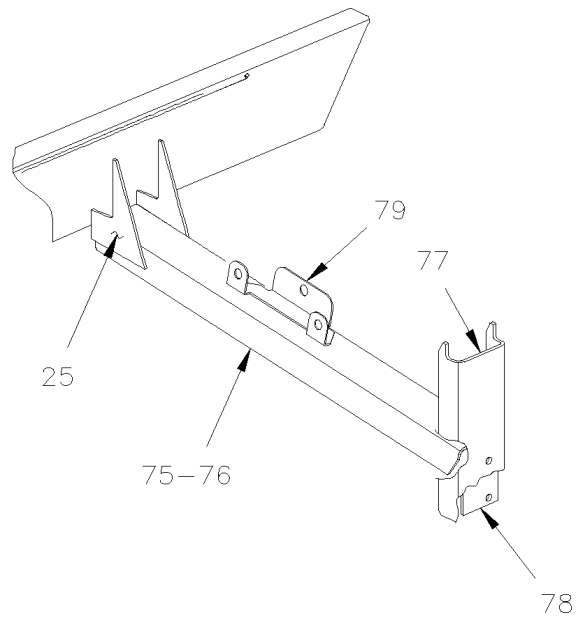
| | | |
|-----------------------------------|--------------|-----------------|
| From 7-9096 To 8-9339 | Date:10/2022 | PAGE:Y2-1897-11 |
| REAR SUB-FRAME MTH-45' ENT | | |



DETAIL "B"



DETAIL "D"



DETAIL "E"

| | | |
|-----------------------------------|--------------|-----------------|
| From 7-9096 To 8-9339 | Date:10/2022 | PAGE:Y2-1897-11 |
| REAR SUB-FRAME MTH-45' ENT | | |

| Item# | Part | Description | X L I I 4 5 | X L I I M T H 4 0 | X L I I M T H 4 5 | X L I I M T H 4 5 E | NOTES |
|-------|-----------------|---|----------------------------|---|---|--|-------|
| 1 | 173111P | PIN ATTACHMENT / SUSPENSION ROD | | | | 2 | |
| 2 | 171049 | . PIN ATTACHMENT / SUSPENSION ROD | | | | 1 | |
| 2 | 173112 | . PLATE REINFORCEMENT UPPER & LOWER | | | | 2 | |
| 2 | 173113 | . PLATE REINFORCEMENT FRONT | | | | 1 | |
| 2 | 173189 | . PLATE REAR | | | | 1 | |
| 3 | 170448 | GUSSET, FLOOR TUBE REINFORCEMENT | | | | 2 | |
| 4 | 170261 | TUBE 738MM | | | | 2 | |
| 5 | 173154 | BRACKET / R.H. | | | | 1 | |
| 5 | 173155P | BRACKET / L.H. | | | | 1 | |
| 6 | Call order desk | SUPPORT SHOCK ASSY | | | | 2 | P T |
| 7 | 171032 | . SUPPORT 1"-14 / SHOCK ABSORBER / 55MM | | | | 1 | |
| 8 | 171392 | REINFORCEMENT | | | | 4 | |
| 9 | 172702 | REINFORCEMENT "U" 313MM | | | | 2 | |
| 10 | 173156 | BELLOW PLATE | | | | 2 | |
| 12 | 131356 | BELLOW PLATE | | | | 2 | |
| 13 | 215498 | TUBE SPLASHGUARD SUPPORT | | | | 2 | |
| 14 | 215497 | REINFORCMENT | | | | 2 | |
| 15 | 173115 | SUPPORT SHOCK ASSY | | | | 1 | |
| 18 | 170262 | TUBE 986MM | | | | 2 | |
| 19 | 173146 | SUPPORT VALVE HEIGHT CONTROL | | | | 2 | |
| 20 | 171398 | TUBE | | | | 2 | |
| 21 | 173135 | SUPPORT SHOCK ABSORBER BLOCK | | | | 1 | |
| 22 | 171032 | SUPPORT 1"-14 / SHOCK ABSORBER / 55MM | | | | 1 | |
| 23 | 170254 | ATTACHMENT PLATE | | | | 2 | |
| 24 | 171600 | SUPPORT "U" / AIR TANK / 250MM | | | | 2 | S |
| 24 | 172147 | SUPPORT "U" / AIR TANK / 263MM | | | | 2 | C |
| 25 | 171501 | REINFORCEMENT | | | | 2 | |
| 26 | 171605 | BAR, TRANSMISSION PROTECTOR | | | | 1 | |
| 27 | 171482 | ATTACHMENT PLATE | | | | 1 | |
| 30 | Call order desk | BEAM, RADIUS ROD SUPPORT | | | | 1 | P |
| 31 | 130799 | . TUBE 42 7/16" | | | | 1 | |
| 32 | 215824 | . ANCHOR BLOCK | | | | 1 | |
| 33 | 121507 | . SUPPORT "U" 70MM | | | | 1 | |
| 34 | 173134 | SUPPORT VALVE | | | | 1 | |
| 40 | Call order desk | ATTACHMENT LATERAL ROD ASSY | | | | 1 | P |
| 41 | 173138 | . TUBE | | | | 1 | |
| 42 | 173116 | . TUBE | | | | 1 | |
| 43 | 173139 | . TUBE | | | | 1 | |
| 44 | 131785 | . SUPPORT ASSY / (WELDED) | | | | 1 | |
| 45 | 071081 | . SUPPORT | | | | 2 | |
| 50 | Call order desk | TUBE ASSY W/VALVE & TANK SUPPORT | | | | 1 | P |
| 51 | 173143 | . TUBE | | | | 1 | |

| | | |
|-----------------------------------|--------------|-----------------|
| From 7-9096 To 8-9339 | Date:10/2022 | PAGE:Y2-1897-11 |
| REAR SUB-FRAME MTH-45' ENT | | |

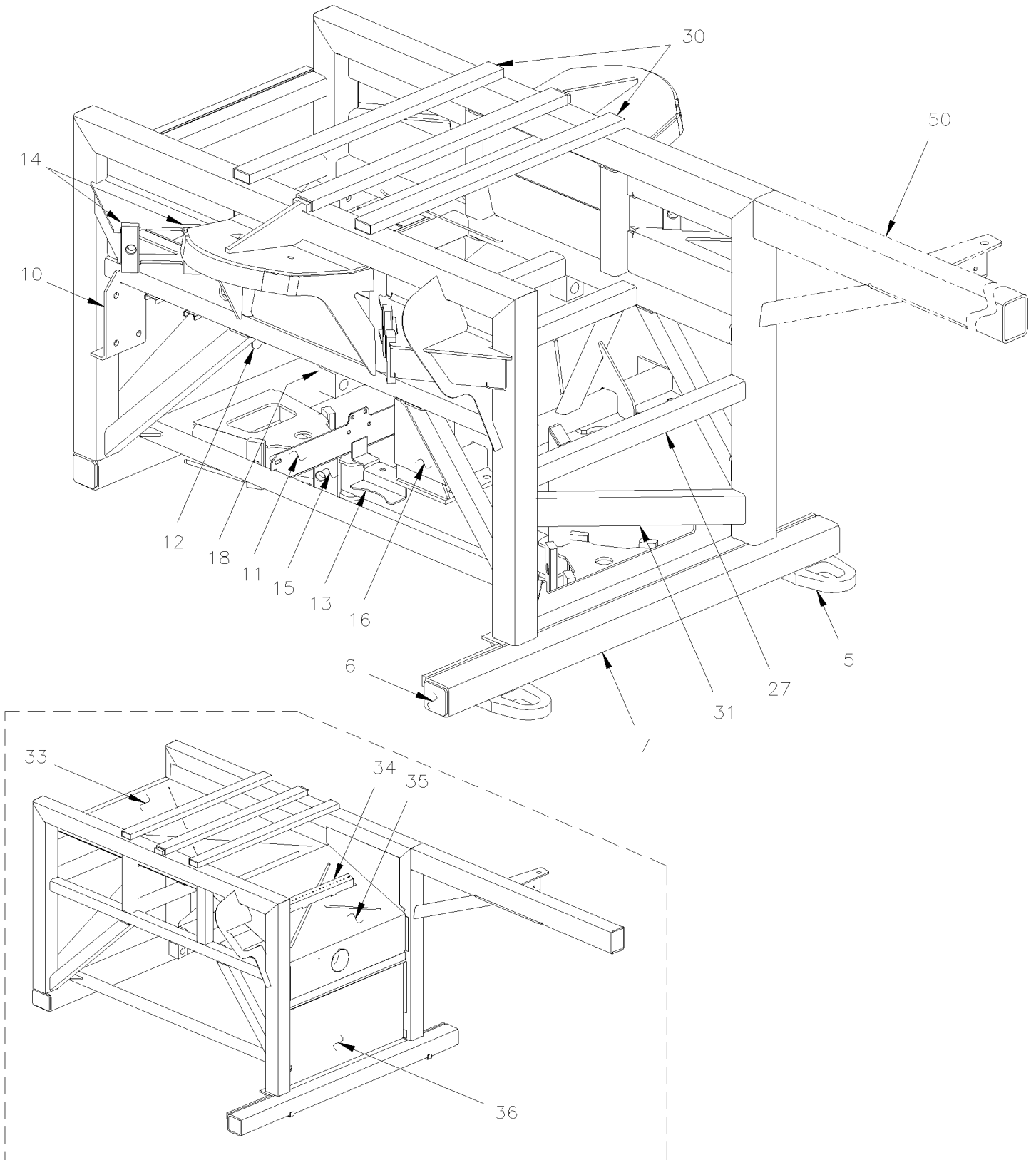
| Item# | Part | Description | X L I I 4 5 | X L I I M T H 4 0 | X L I I M T H 4 5 | X L I I M T H 4 5 E | N O T E S |
|-------|-------------------|---|----------------------------|---|---|--|-----------------------|
| 52 | 171397 | . SUPPORT VALVE | | | | 2 | |
| 53 | 171993 | . SUPPORT VALVE INVERSION | | | | 1 | |
| 55 | 171973 | . SUPPORT AIR TANK | | | | 2 | |
| 56 | 173145 | . PLATE SUPPORT TUBE | | | | 2 | |
| 57 | 214025 | ATTACHMENT ROD / WELDED (TO FIX ANYTHING) / 177MM x 11MM DEEP | | | | 4 | |
| 60 | 173144P | CHANNEL W/REINFORCEMENT / TRIPODE REAR AXLE / 1015MM WIDE | | | | 1 | |
| 61 | 172986 | . REINFORCEMENT "C" 1015MM | | | | 1 | |
| 62 | 172307 | . REINFORCEMENT PLATE (LOZANGE FORM) | | | | 1 | |
| 63 | 171978 | . SUPPORT | | | | 2 | |
| 64 | 171976 | . REINFORCEMENT | | | | 2 | |
| 65 | 171536 | . REINFORCEMENT | | | | 2 | |
| 70 | 212655 | ATTACHMENT ROD / WELDED (TO FIX ANYTHING) / 373MM x 11MM DEEP | | | | AR | |
| 71 | 214025 | ATTACHMENT ROD / WELDED (TO FIX ANYTHING) / 177MM x 11MM DEEP | | | | AR | |
| 75 | 173149P | ATTACHMENT LATERAL ROD ASSY | | | | 1 | |
| 76 | 172426 | . CHANNEL "C" 1115MM | | | | 1 | |
| 77 | 172516 | . CHANNEL "J" 422MM | | | | 1 | |
| 78 | 172226 | . REINFORCEMENT SUPPORT | | | | 1 | |
| 79 | 173171 | . SUPPORT AIR DRYER | | | | 1 | |
| 80 | Call order desk | REAR RADIUS ROD ATTACHMENT ANGLE ASSY | | | | 1 | P |
| 81 | 173290 | . ANGLE | | | | 1 | |
| 82 | 173291 | . ANCHOR BLOCK | | | | 1 | |
| NS | 173191 | SUPPORT MULTI-FUNCTION 371MM To 8-9310 | | | | AR | |
| 88 | 173403 | SUPPORT MULTI-FUNCTION 395MM From 8-9311 | | | | 1 | |
| NS | 173192 | SUPPORT MULTI-FUNCTION 360MM | | | | AR | |
| 90 | Y2-1894-11 | REAR RH - STRUCTURE | | | | | |
| 91 | Y2-1894-06 | REAR LH - STRUCTURE | | | | | |
| | | | | | | | |
| | | | | | | | |
| | | | | | | | |
| | | C) CURBE SIDE | | | | | |
| | | S) STREET SIDE | | | | | |
| | | T) USE FOR TAG AXLE SHOCK | | | | | |
| | | P) CALL ORDER DESK FOR SPECIFIC APPLICATION (V.I.N.) | | | | | |

From Y-7046 To 3-8164

Date:10/2022

PAGE:Y2-1897-50

FRONT SUB-FRAME / W/INDEPENDENT SUSPENSION - 16500 LBS

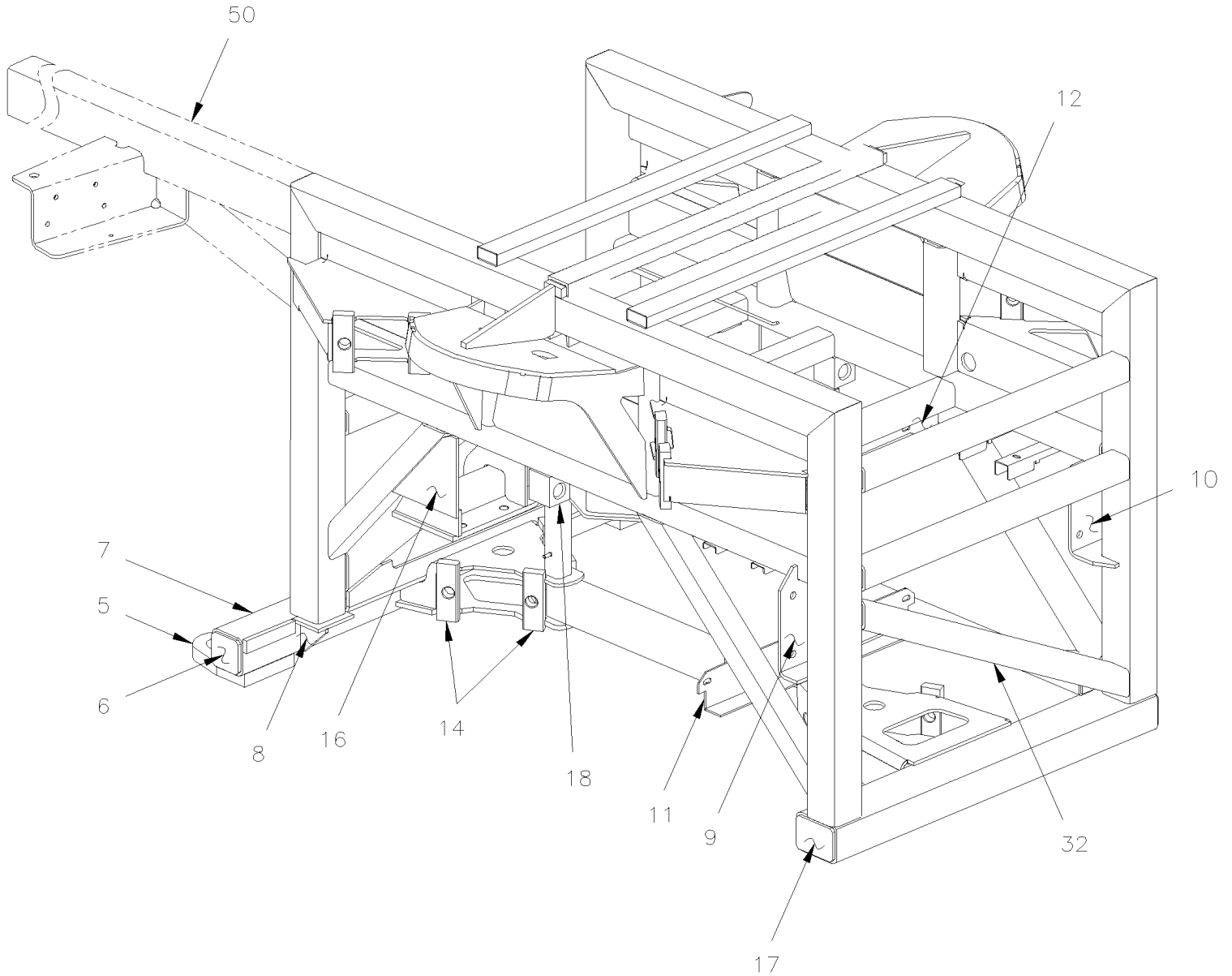


From Y-7046 To 3-8164

Date:10/2022

PAGE:Y2-1897-50

FRONT SUB-FRAME / W/INDEPENDENT SUSPENSION - 16500 LBS



| | | |
|---|--------------|-----------------|
| From Y-7046 To 3-8164 | Date:10/2022 | PAGE:Y2-1897-50 |
| FRONT SUB-FRAME / W/INDEPENDENT SUSPENSION - 16500 LBS | | |

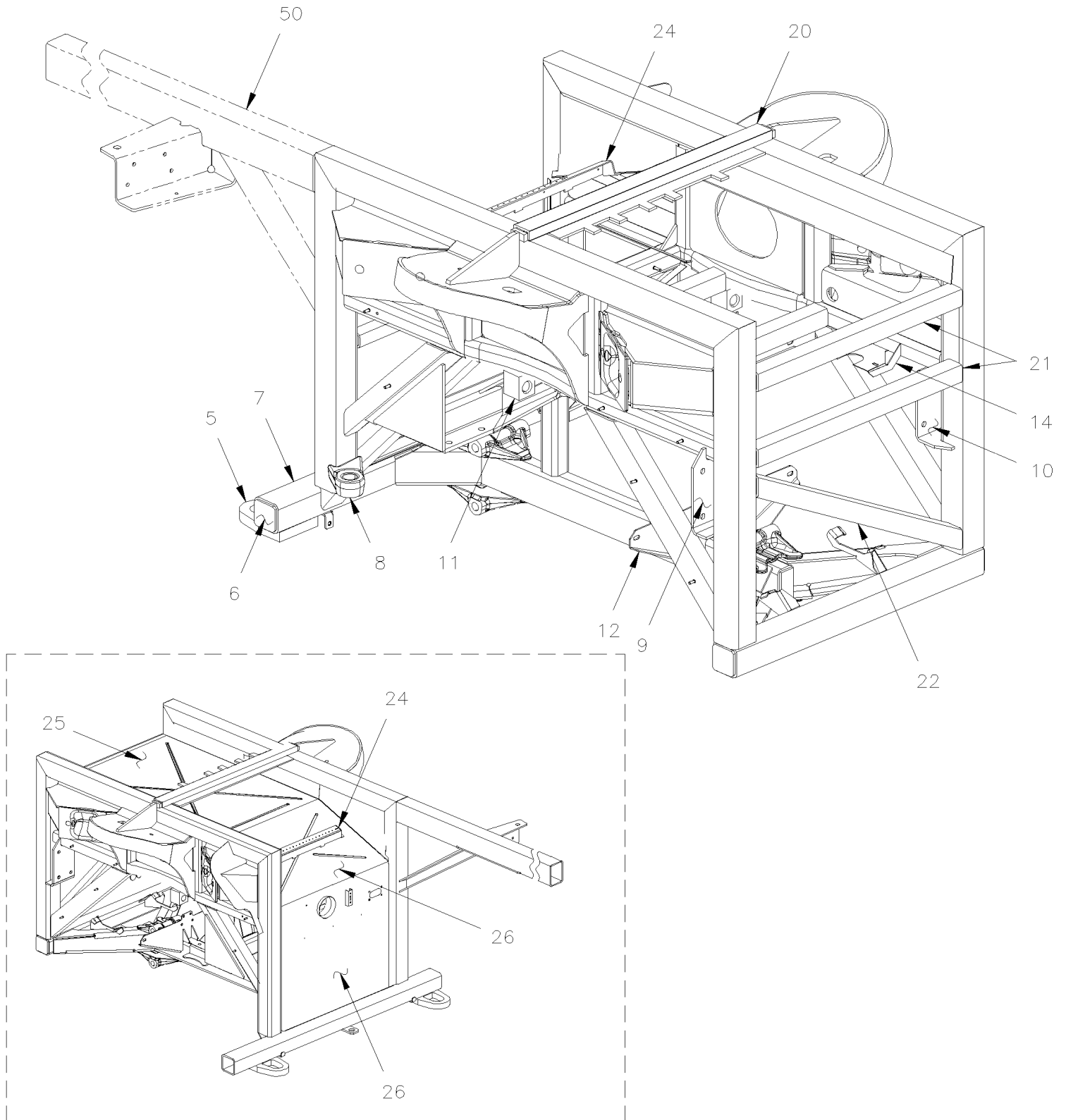
| Item# | Part | Description | X L I I 4 5 | X L I I M T H 4 0 | X L I I M T H 4 5 | X L I I M T H 4 5 E | NOTES |
|-------|-------------------|---|--------------------------------|---|---|--|-------|
| | 172522P | FRONT SUB-FRAME ASSY / XL-II BUS W/IND 16500 | 1 | | | | |
| | 172301P | FRONT SUB-FRAME ASSY / XL-II MTH W/IND 16500 | | 1 | 1 | 1 | M |
| 5 | 171991 | . ATTACHMENT / TOWING | 2 | 2 | 2 | 2 | |
| 6 | 220944 | . CLOSING PLATE 67MM X 67MM | 2 | 2 | 2 | 2 | |
| 7 | 172082 | . TUBE 1095MM | 1 | 1 | 1 | 1 | |
| 8 | 171709 | . REINFORCEMENT | 2 | 2 | 2 | 2 | |
| 9 | 171908 | . ATTACHMENT SWAY BAR STREETSIDE | 1 | 1 | 1 | 1 | |
| 10 | 171718 | . ATTACHMENT SWAY BAR CURBSIDE | 1 | 1 | 1 | 1 | |
| 11 | 171942 | . SUPPORT AIR TANK / LOWER | 1 | 1 | 1 | 1 | |
| 12 | 171815 | . SUPPORT AIR TANK / UPPER | 1 | 1 | 1 | 1 | |
| 13 | 172193 | . SUPPORT AIR TANK / LOWER | 1 | 1 | 1 | 1 | |
| 14 | 171789 | . ATTACHMENT 38MM WIDE | 14 | 14 | 14 | 14 | |
| 15 | 171710 | . ATTACHMENT 57MM WIDE | 2 | 2 | 2 | 2 | |
| 16 | 171856 | . REINFORCEMENT | 2 | 2 | 2 | 2 | |
| 17 | 171888 | . CLOSING PLATE 67MM X 92MM | 2 | 2 | 2 | 2 | |
| 18 | 110627 | . ATTACHMENT PIN 1"-14 / SHOCK ABSORBER / 50.8MM LONG | 2 | 2 | 2 | 2 | |
| 27 | 171712 | . TUBE 661MM | 5 | 5 | 5 | 5 | |
| 30 | 171886 | . TUBE 785MM | 2 | 2 | 2 | 2 | |
| 30 | 172410 | . U-BEAM 1" X 2" X 788MM | 1 | 1 | 1 | 1 | |
| 31 | 172432 | . TUBE 721MM | 1 | 1 | 1 | 1 | |
| 32 | 171713 | . TUBE 779MM | 1 | 1 | 1 | 1 | |
| 33 | 212774 | . PANEL CENTRAL BACKWARD | 1 | 1 | 1 | 1 | |
| 34 | 172235 | . SUPPORT PIPE & HARNESS | 1 | 1 | 1 | 1 | |
| 35 | 172305 | PANEL CENTRAL FORWARD | 1 | 1 | 1 | 1 | |
| 36 | 214762 | PANEL CENTRAL FRONT LOWER / W/SPARE TIRE | 1 | | | | |
| 36 | 212773 | PANEL CENTRAL FRONT LOWER | | 1 | 1 | 1 | |
| 36 | 213208 | CLOSING PANEL REAR TIRE | | 1 | 1 | 1 | M |
| 50 | Y2-1895-10 | FRONT LOWER FLOOR STRUCTURE - BUS | | | | | |
| | | | | | | | |
| | | | | | | | |
| | | | | | | | |
| | | M) WITH "MARATHON" CONVERTER'S | | | | | |

From 4-8165 To 8-9339

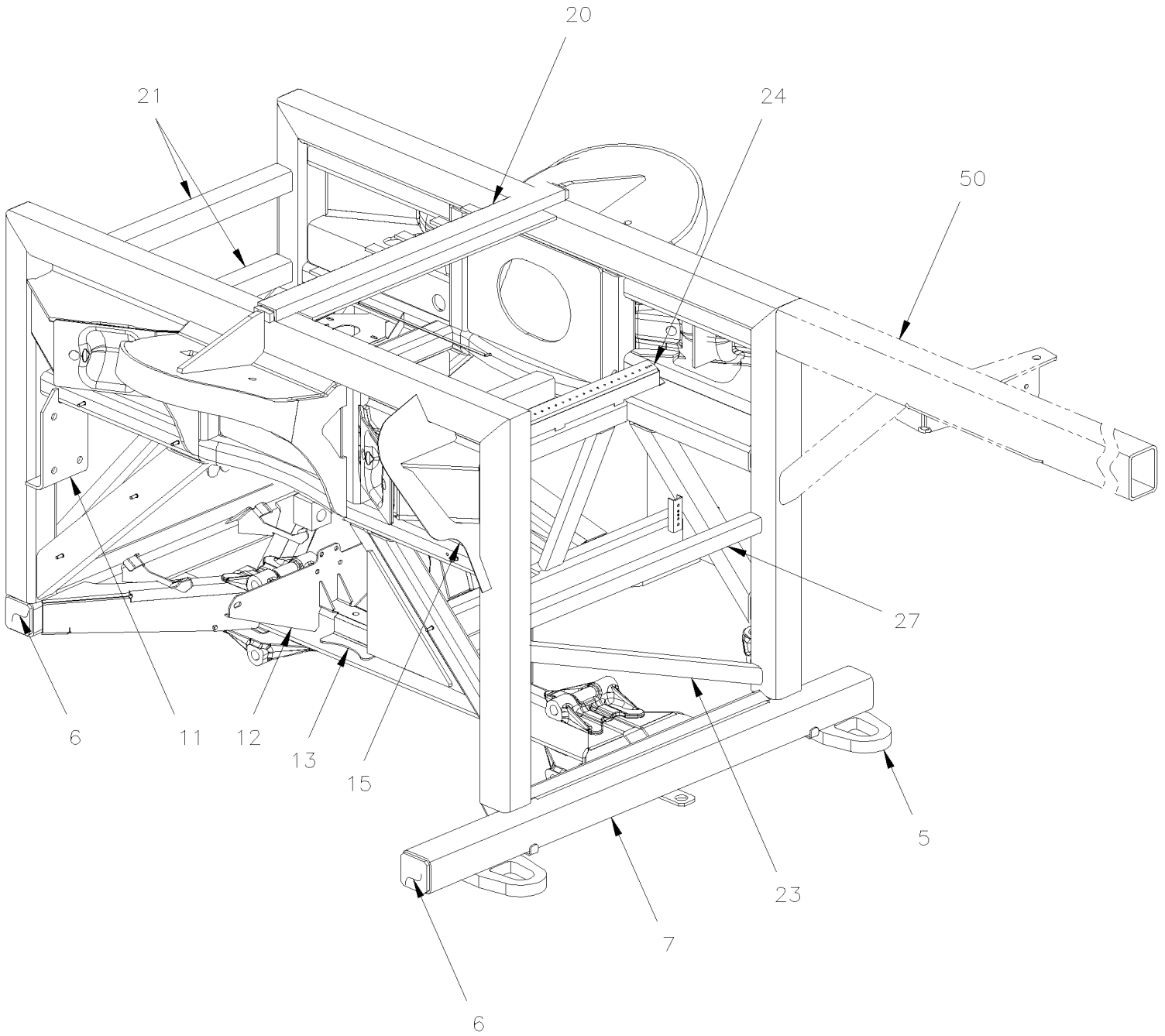
Date:10/2022

PAGE:Y2-1897-51

FRONT SUB-FRAME / W/INDEPENDENT SUSPENSION - 18000 LBS



| | | |
|--|--------------|-----------------|
| From 4-8165 To 8-9339 | Date:10/2022 | PAGE:Y2-1897-51 |
| FRONT SUB-FRAME / W/INDEPENDENT SUSPENSION - 18000 LBS | | |



| | | |
|---|--------------|-----------------|
| From 4-8165 To 8-9339 | Date:10/2022 | PAGE:Y2-1897-51 |
| FRONT SUB-FRAME / W/INDEPENDENT SUSPENSION - 18000 LBS | | |

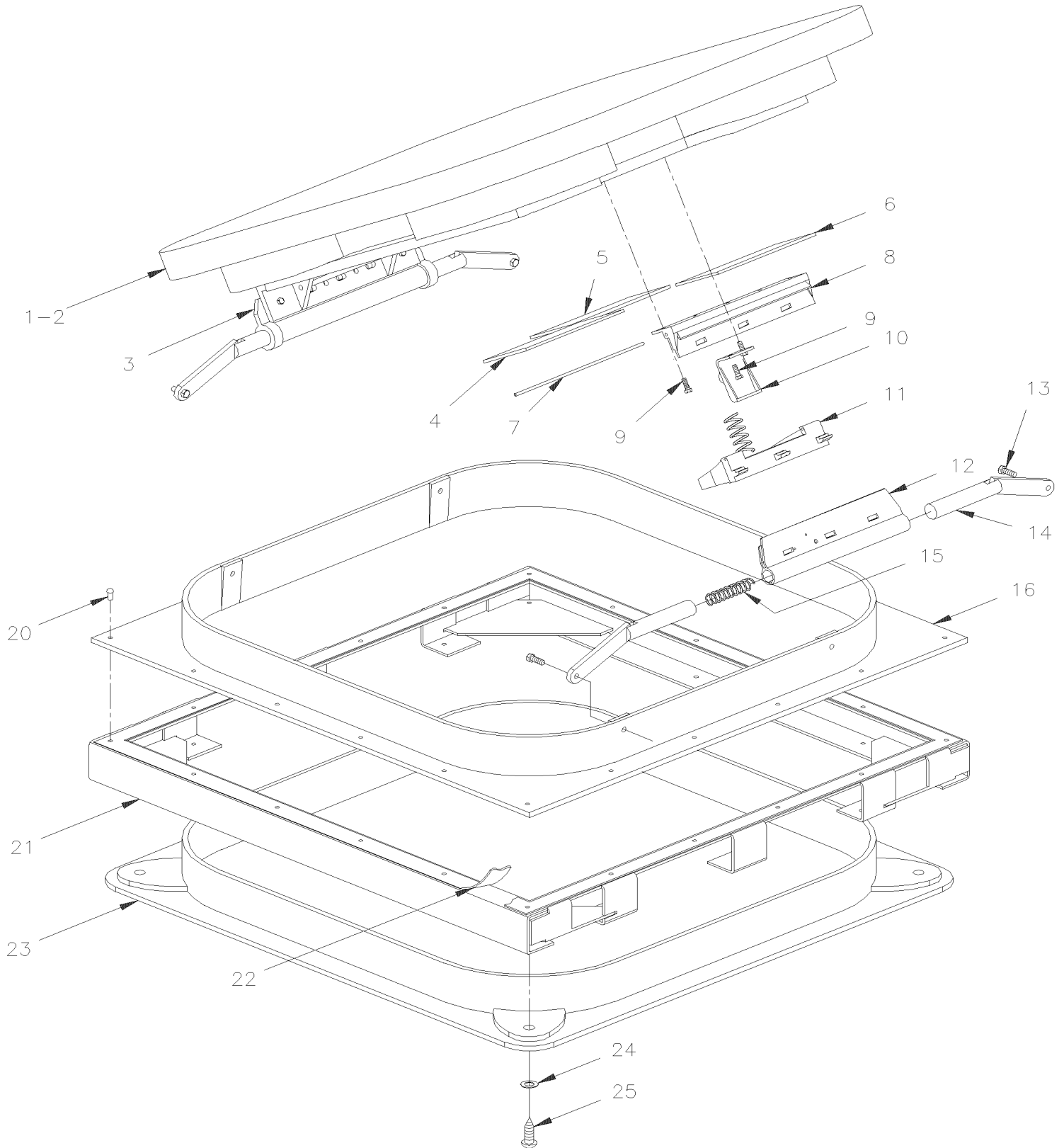
| Item# | Part | Description | X L I I 4 5 | X L I I M T H 4 0 | X L I I M T H 4 5 | X L I I M T H 4 5 E | N O T E S |
|-------|-------------------|--|----------------------------|---|---|--|-----------------------|
| | 172792P | FRONT SUB-FRAME ASSY / XL-II BUS W/IND 18000 To 6-8906 | 1 | | | | |
| | 172724P | FRONT SUB-FRAME ASSY / XL-II MTH W/IND 18000 | | 1 | 1 | 1 | |
| 5 | 171991 | . ATTACHMENT / TOWING | 2 | 2 | 2 | 2 | |
| 6 | 220944 | . CLOSING PLATE 67MM X 67MM | 6 | 6 | 6 | 6 | |
| 7 | 172265 | . TUBE 1206MM | 1 | 1 | 1 | 1 | |
| 8 | 172731 | . SUPPORT POWER STEERING CYLINDER | | 1 | 1 | 1 | |
| 9 | 171908 | . ATTACHMENT SWAY BAR STREETSIDE | 1 | 1 | 1 | 1 | |
| 10 | 171718 | . ATTACHMENT SWAY BAR CURBSIDE | 1 | 1 | 1 | 1 | |
| 11 | 110627 | . ATTACHMENT PIN 1"-14 / SHOCK ABSORBER / 50.8MM LONG | 2 | 2 | 2 | 2 | |
| 12 | 172704 | . SUPPORT AIR TANK / LOWER | 1 | 1 | 1 | 1 | |
| 13 | 172705 | . SUPPORT AIR TANK / LOWER | 1 | 1 | 1 | 1 | |
| 14 | 131746 | . SUPPORT AIR TANK / BELLOW To 6-8805 | | 2 | 2 | 2 | |
| 14 | 173028 | . SUPPORT CURBSIDE From 6-8806 | | 1 | 1 | 1 | |
| 14 | 173029 | . SUPPORT STREET SIDE From 6-8806 | | 1 | 1 | 1 | |
| NS | 131747 | . SUPPORT L.H. "KNEELING" TANK To 6-8906 | 1 | | | | |
| NS | 131748 | . SUPPORT R.H. "KNEELING" TANK To 6-8906 | 1 | | | | |
| 15 | 172868 | . PLATE To 7-8949 | 2 | 2 | 2 | 2 | |
| 15 | 173282 | . PLATE From 7-8950 | | 2 | 2 | 2 | |
| 20 | 172736 | . REINFORCEMENT SUPPORT | 1 | 1 | 1 | 1 | |
| 21 | 171712 | . TUBE 661MM | 3 | 3 | 3 | 3 | |
| 22 | 171713 | . TUBE 779MM | 1 | 1 | 1 | 1 | |
| 23 | 172712 | . TUBE 733MM | 1 | 1 | 1 | 1 | |
| 24 | 172235 | . SUPPORT PIPE & HARNESS | 1 | 1 | 1 | 1 | |
| 25 | 212774 | . PANEL CENTRAL BACKWARD | 1 | 1 | 1 | 1 | |
| 26 | 172849 | . PANEL CENTRAL FORWARD & LOWER To 6-8906 | 1 | | | | |
| 26 | 172716 | . PANEL CENTRAL FORWARD & LOWER | | 1 | 1 | 1 | |
| 26 | 172842 | . PANEL CENTRAL FORWARD & LOWER | | 1 | 1 | 1 | M |
| 26 | 213802 | . PANEL / CENTER / R.H. W/SMALL A/C SYSTEM | | 1 | 1 | 1 | M |
| 27 | 172719 | . TUBE 661MM | 1 | 1 | 1 | 1 | |
| 50 | Y2-1895-10 | FRONT LOWER FLOOR STRUCTURE - BUS | | | | | |
| | | | | | | | |
| | | | | | | | |
| | | | | | | | |
| | | M) USE ONLY WITH "MARATHON" CONVERTER | | | | | |

From Y-7046 To 5-8699

Date:10/2022

PAGE:Y2-1898-00

ESCAPE HATCH - INSTALLATION



| | | |
|------------------------------------|--------------|-----------------|
| From Y-7046 To 5-8699 | Date:10/2022 | PAGE:Y2-1898-00 |
| ESCAPE HATCH - INSTALLATION | | |

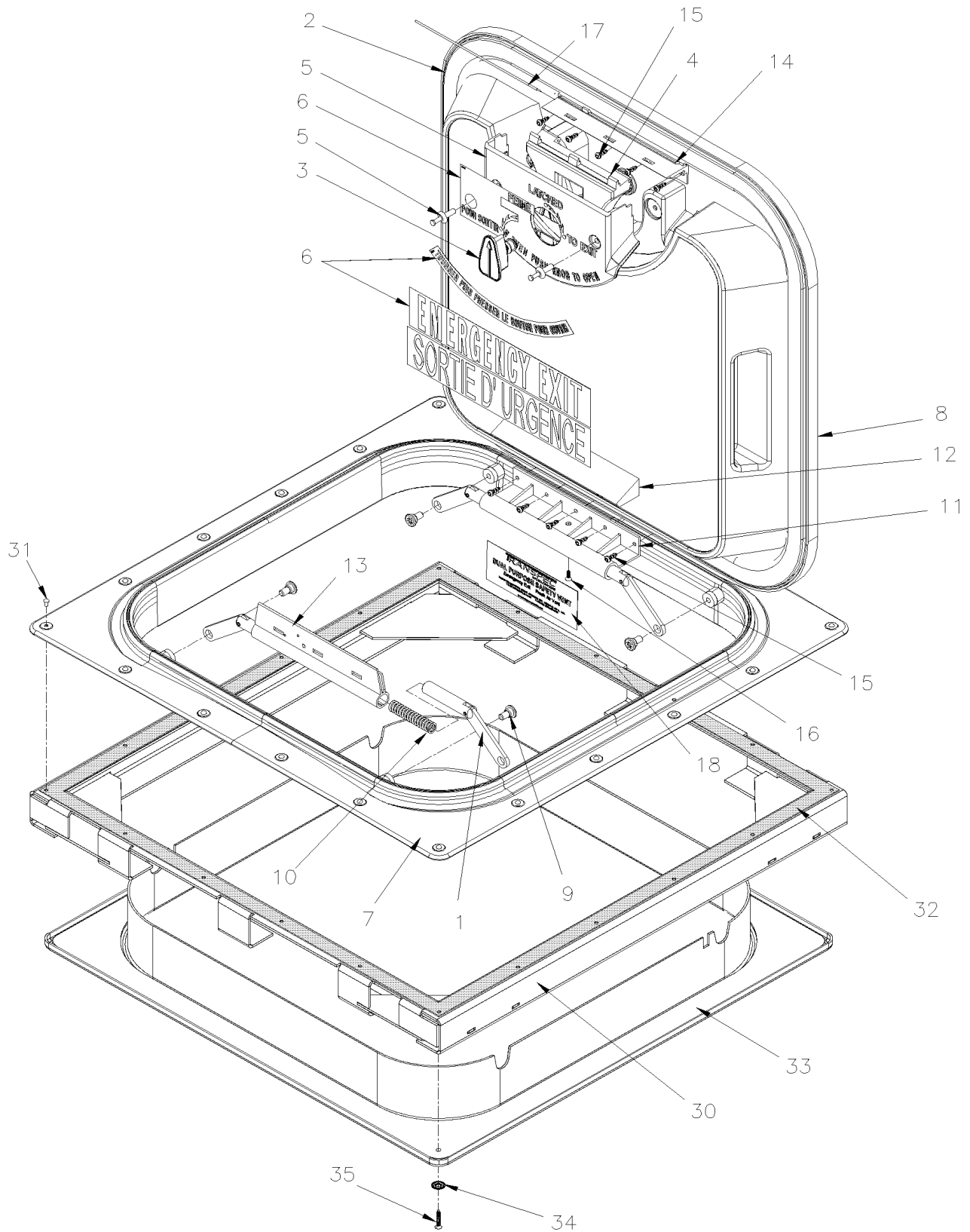
| Item# | Part | Description | X L I I 4 5 | X L I I M T H 4 0 | X L I I M T H 4 5 | X L I I M T H 4 5 E | N O T E S |
|-------|----------|---|----------------------------|---|---|--|-----------------------|
| 1 | 950291 | HATCH ASSY / 23" X 23" GREY | 1 | 1 | 1 | 1 | |
| 2 | 950069 | . SEAL, GASKET KIT | 1 | 1 | 1 | 1 | |
| 3 | N.S.S. | . HINGE | 1 | 1 | 1 | 1 | 1 |
| 4 | 291263 | . DECAL / "EMERGENCY..." / ENGLISH & FRANCAIS | 1 | 1 | 1 | 1 | |
| 5 | 291265 | . DECAL, "INSTRUCTION... FRENCH..." | 1 | 1 | 1 | 1 | |
| 5 | 403651 | . DECAL, "EMEREGENCY... JAPAN" | 1 | 1 | 1 | 1 | |
| 5 | 403696 | . DECAL / BRAILLE / EMERGENCY EXIT ONLY / ENGLISH & FRANCAIS | 1 | 1 | 1 | 1 | |
| 6 | 291264 | . DECAL, "SORTIE D'URGENCE..." | 1 | 1 | 1 | 1 | |
| 7 | 950046 | . DECAL "EMERGENCY..." | 1 | 1 | 1 | 1 | |
| 8 | 790373 | . BASE, RELEASE / GREY | 1 | 1 | 1 | 1 | |
| 9 | N.S.P. | . SCREW | AR | AR | AR | AR | 2 |
| 10 | 790236 | . TAB, BLACK | 1 | 1 | 1 | 1 | |
| 11 | 790371 | . HANDLE, RELEASE W/SPRING / GREY | 1 | 1 | 1 | 1 | |
| 12 | 790375 | . HINGE, RELEASE / GREY | 1 | 1 | 1 | 1 | |
| 13 | 790372 | . SCREW SHR HEXS 7/16x3/16 {5/16-18 | 4 | 4 | 4 | 4 | |
| 13 | 950449 | . SCREW CAP BUT TORX 5/16-18x3/4 BK G8 | 4 | 4 | 4 | 4 | |
| NS | 950450 | . SPACER BUSHING 5/16I.D.x 7/16O.D.x 3/16TH | 4 | 4 | 4 | 4 | |
| 14 | 790436 | . LINK & LEVER ASSY | 4 | 4 | 4 | 4 | |
| 15 | 790449 | . SPRING COMPRESSION / .549 O.D. x 2.590 x .078 | 4 | 4 | 4 | 4 | |
| 16 | 950205 | . FRAME ASSY, EXTERIOR FIBERGLASS / 23" X 23" GREY | 1 | 1 | 1 | 1 | |
| NS | 680532 | . SEALANT SIKA #221 / GREY / 310ml CARTRIDGE | 1 | 1 | 1 | 1 | |
| 17 | N8891498 | . HINGE COVER GREY | 1 | 1 | 1 | 1 | |
| 18 | 790662 | . RELEASE HINGE SHIELD ASSY GREY | 1 | 1 | 1 | 1 | |
| 19 | 790663 | . RELEASE KNOB W/SCREW / RED | 1 | 1 | 1 | 1 | |
| 20 | 504546 | RIVET CHY MONOLOK PRDG 1/4x5/8 ZP | AR | AR | AR | AR | |
| 21 | 292398 | FRAME ASSY, MOUNTING 23" X 23" | 1 | 1 | 1 | 1 | |
| 22 | 680093 | SEALANT TAPE BUTYL / GREY / 1/16"x1 1/2"x50' /71079B11760 | AR | AR | AR | AR | |
| 23 | 291720 | MOULDING, INTERIOR 23" X 23" GREY | 1 | 1 | 1 | 1 | |
| 24 | 504399 | WASHER RETAINER SNAP CAP #10 | 4 | 4 | 4 | 4 | |
| 25 | 500641 | SCREW TP PAN PH #8x3/4 Z050 | 4 | 4 | 4 | 4 | |
| NS | 504400 | SNAP CAP #10 FINISHING BLACK | 4 | 4 | 4 | 4 | |
| | | | | | | | |
| | | | | | | | |
| | | 1) NOT SOLD SEPARATELY | | | | | |
| | | 2) NOT SOLD BY PREVOST (SEE MANUFACTURING PART NUMBER AT END OF DESCRIPTION LINE) | | | | | |

From 5-8700 To 8-9339

Date:10/2022

PAGE:Y2-1898-01

ESCAPE HATCH - INSTALLATION



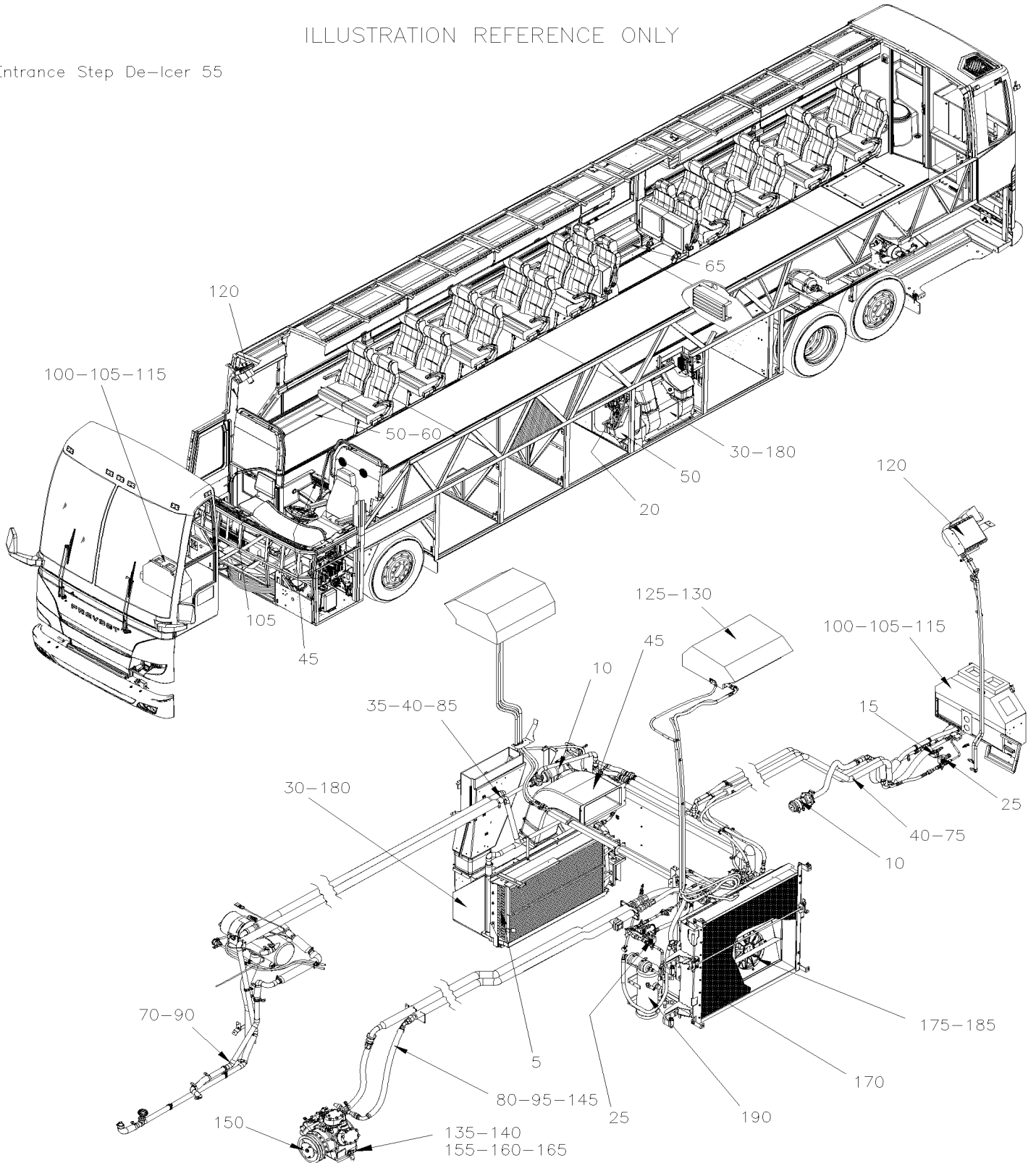
| | | |
|------------------------------------|--------------|-----------------|
| From 5-8700 To 8-9339 | Date:10/2022 | PAGE:Y2-1898-01 |
| ESCAPE HATCH - INSTALLATION | | |

| Item# | Part | Description | X L I I 4 5 | X L I I M T H 4 0 | X L I I M T H 4 5 | X L I I M T H 4 5 E | N O T E S |
|-------|----------|---|----------------------------|---|---|--|-----------------------|
| | 950396 | HATCH ASSY / 23" X 23" GREY / LOW PROFILE GREY / ENG & FRENCH | 1 | 1 | 1 | 1 | |
| 1 | 790436 | . LINK & LEVER ASSY | 4 | 4 | 4 | 4 | |
| 2 | 950069 | . SEAL, GASKET KIT | 1 | 1 | 1 | 1 | |
| 3 | 790663 | . RELEASE KNOB W/SCREW / RED | 1 | 1 | 1 | 1 | |
| 4 | 790664 | . RELEASE HANDLE ASSY GREY | 1 | 1 | 1 | 1 | |
| 4 | 790371 | . HANDLE, RELEASE W/SPRING / GREY | 1 | 1 | 1 | 1 | |
| 5 | 790662 | . RELEASE HINGE SHIELD ASSY GREY | 1 | 1 | 1 | 1 | |
| 6 | 950690 | . DECAL KIT INSTRUCTION / ENGLISH & FRANCAIS | 1 | 1 | 1 | 1 | |
| NS | 950229 | . DECAL KIT INSTRUCTION / ENGLISH & FRANCAIS | 1 | 1 | 1 | 1 | |
| NS | 403651 | . DECAL, "EMEREGENCY... JAPAN" | AR | AR | AR | AR | |
| NS | 405775 | . DECAL / BRAILLE / EMERGENCY EXIT ONLY / ENGLISH & FRANCAIS | AR | AR | AR | AR | |
| 7 | 950205 | . FRAME ASSY, EXTERIOR FIBERGLASS / 23" X 23" GREY | 1 | 1 | 1 | 1 | |
| 8 | 950464 | . COVER ASSY / LOW PROFILE / GREY ENGLISH & FRENCH | 1 | 1 | 1 | 1 | A |
| 9 | 790372 | . SCREW SHR HEXS 7/16x3/16 {5/16-18 | 4 | 4 | 4 | 4 | |
| 9 | 950449 | . SCREW CAP BUT TORX 5/16-18x3/4 BK G8 | 4 | 4 | 4 | 4 | |
| NS | 950450 | . SPACER BUSHING 5/16I.D.x 7/16O.D.x 3/16TH | 4 | 4 | 4 | 4 | |
| 10 | 790449 | . SPRING COMPRESSION / .549 O.D. x 2.590 x .078 | 4 | 4 | 4 | 4 | |
| 11 | N.S.S. | . HINGE COVER SECTION | 1 | 1 | 1 | 1 | 1 |
| 12 | N8891498 | . HINGE COVER GREY | 1 | 1 | 1 | 1 | |
| 13 | 790375 | . HINGE, RELEASE / GREY | 1 | 1 | 1 | 1 | |
| 14 | 6982866 | . HANDLE BASE | 1 | 1 | 1 | 1 | |
| 15 | N8880007 | . SPECIAL TORX SCREW #10 x 1/2 SS | 10 | 10 | 10 | 10 | |
| 16 | 7775130 | . SCREW FL PH #8 x 1/2 SS | 1 | 1 | 1 | 1 | |
| 17 | 950693 | . HINGE PIN SS | 1 | 1 | 1 | 1 | |
| 18 | N8891500 | DECAL PURPOSE SAFETY VENT | 1 | 1 | 1 | 1 | |
| | | | | | | | |
| 30 | 292398 | FRAME ASSY, MOUNTING 23" X 23" | 1 | 1 | 1 | 1 | |
| NS | 680532 | SEALANT SIKA #221 / GREY / 310ml CARTRIDGE | 1 | 1 | 1 | 1 | |
| 31 | 504546 | RIVET CHY MONOLOK PRDG 1/4x5/8 ZP | 20 | 20 | 20 | 20 | |
| 32 | 680093 | SEALANT TAPE BUTYL / GREY / 1/16"x1 1/2"x50' /71079B11760 | AR | AR | AR | AR | |
| 33 | 291720 | MOULDING, INTERIOR 23" X 23" GREY | 1 | 1 | 1 | 1 | |
| 34 | 500464 | WASHER FN CKF .210x.540 SS | 4 | 4 | 4 | 4 | |
| 35 | 500629 | SCREW TP OV PH #8x1 Z050 | 4 | 4 | 4 | 4 | |
| | | | | | | | |
| | | | | | | | |
| | | | | | | | |
| | | A) INCLUDED ITEMS 2-3-4-5-6-8-11-12-15-16-17 | | | | | |
| | | 1) NOT SOLD SEPARATELY | | | | | |

| | | |
|----------------------------|--------------|-------|
| | Date:10/2022 | Y2-22 |
| HEATING & AIR CONDITIONING | | |

ILLUSTRATION REFERENCE ONLY

Entrance Step De-Icer 55



| | | Date:10/2022 | Y2-22 | | | | |
|----------------------------|------------|---|----------------------------|---|---|--|-------|
| HEATING & AIR CONDITIONING | | | | | | | |
| Item# | Part | Description | X L I I 4 5 | X L I I M T H 4 0 | X L I I M T H 4 5 | X L I I M T H 4 5 E | NOTES |
| 1 | Y2-2200-00 | AIR CONDITIONING SYSTEM From Y-7046 To 8-9339 | | | | | |
| 2 | Y2-2200-05 | HEATING SYSTEM From Y-7046 To 8-9339 | | | | | |
| 3 | Y2-2200-50 | AIR CONDITIONING SYSTEM From Y-7046 To 8-9339 | | | | | |
| 5 | Y2-2205-00 | HEATER & EVAPORATOR COIL - INSTALLATION From Y-7046 To 6-8906 | | | | | |
| 5 | Y2-2205-01 | HEATER & EVAPORATOR COIL - INSTALLATION From 6-8806 To 8-9339 | | | | | |
| 10 | Y2-2206-00 | WATER PUMP #871052 & #871204 From Y-7046 To 4-8205 | | | | | |
| 10 | Y2-2206-01 | WATER PUMP #871342 SEALLESS From 4-8206 To 8-9339 | | | | | |
| 10 | 871327 | WATER PUMP / "ROTRON" 24 V "SPECIAL OPTION" From Y-7046 To 6-8905 | | | | | |
| 10 | Y2-2206-50 | WATER PUMP #871032 From Y-7046 To 8-9339 | | | | | |
| 10 | Y2-2206-99 | WATER PUMP #871342 SEALLESS "RETROFIT" From Y-7046 To 8-9339 | | | | | |
| 15 | Y2-2207-00 | WATER VALVE - W/MAIN HEATER From Y-7046 To 2-7881 | | | | | |
| 15 | Y2-2207-01 | WATER VALVE - W/2 WAYS From 2-7822 To 8-9339 | | | | | |
| 15 | Y2-2207-02 | WATER VALVE - W/3 WAYS BY-PASS From 6-8806 To 8-9339 | | | | | |
| 15 | Y2-2207-10 | WATER VALVE - W/DRIVER'S HEATER From Y-7046 To 8-9339 | | | | | |
| 15 | Y2-2207-20 | WATER VALVE - BYPASS W/WATER HEATER From Y-7046 To 6-8906 | | | | | |
| 15 | Y2-2207-99 | WATER VALVE - W/2 WAYS / SERVICE From 2-7822 To 8-9339 | | | | | |
| 20 | Y2-2208-00 | A/C EXPANSION VALVE From Y-7046 To 8-9339 | | | | | |
| 25 | Y2-2208-10 | REFRIGERANT SOLENOID VALVE From Y-7046 To 8-9339 | | | | | |
| 30 | Y2-2210-00 | HEATER & EVAPORATOR BLOWER - INSTALLATION From Y-7046 To 8-9339 | | | | | |
| 30 | Y2-2210-01 | HEATER & EVAPORATOR BLOWER - INSTALLATION From 6-8806 To 8-9339 | | | | | |
| 35 | Y2-2210-10 | WATER PUMP & FILTER - INSTALLATION From Y-7046 To 8-9339 | | | | | |
| 35 | Y2-2210-11 | WATER PUMP - INSTALLATION From 6-8806 To 8-9339 | | | | | |
| 40 | Y2-2210-20 | WATER PUMP & FILTER - W/SMALL A/C From Y-7046 To 8-9339 | | | | | |
| 45 | Y2-2220-00 | UNDER FLOOR AIR DUCTING From Y-7046 To 6-8906 | | | | | |
| 45 | Y2-2220-01 | UNDER FLOOR AIR DUCTING From 6-8806 To 8-9339 | | | | | |
| 50 | Y2-2221-10 | DUCTING HEATER & A/C - BUS FLOOR From Y-7046 To 6-8906 | | | | | |
| 55 | Y2-2221-20 | ENTRANCE STEP DE-ICER From Y-7046 To 6-8906 | | | | | |
| 60 | Y2-2221-50 | DUCTING HEATER & A/C - MTH FLOOR From Y-7046 To 8-9339 | | | | | |
| 65 | Y2-2221-80 | AIR DUCT W.C.L. DOOR "RICON" From Y-7046 To 6-8906 | | | | | |
| 70 | Y2-2222-00 | HEATER LINE REAR SECTION - BUS From Y-7046 To 2-7764 | | | | | |
| 70 | Y2-2222-01 | HEATER LINE REAR SECTION - BUS From 2-7765 To 3-8164 | | | | | |
| 70 | Y2-2222-02 | HEATER LINE REAR SECTION - BUS From 4-8165 To 6-8906 | | | | | |
| 75 | Y2-2222-10 | A/C & HEATING LINE FRONT SECTION From Y-7046 To 8-9339 | | | | | |
| 80 | Y2-2222-15 | A/C LINE REAR SECTION W/05G From Y-7046 To 8-9339 | | | | | |
| 85 | Y2-2222-20 | HEATER LINE & PIPING - CENTRAL SYSTEM From Y-7046 To 8-9339 | | | | | |
| 90 | Y2-2222-30 | HEATER LINE REAR SECTION - MTH From Y-7046 To 3-8164 | | | | | |
| 90 | Y2-2222-31 | HEATER LINE REAR SECTION - MTH From 4-8165 To 8-9339 | | | | | |
| 95 | Y2-2222-50 | SMALL A/C LINES & HOSES WITH DETROIT S-60 & R134A From Y-7046 To 3-8164 | | | | | |
| 95 | Y2-2222-51 | SMALL A/C LINES & HOSES WITH DETROIT S-60 & R134A From 4-8165 To 8-9339 | | | | | |
| 100 | Y2-2225-00 | DRIVER'S HEATER & DEFROSTER ASSY From Y-7046 To 5-8469 | | | | | |
| 100 | Y2-2225-01 | DRIVER'S HEATER & DEFROSTER ASSY From 5-8470 To 7-9095 | | | | | |
| 100 | Y2-2225-02 | DRIVER'S HEATER & DEFROSTER ASSY WITH MUX From 7-9096 To 8-9339 | | | | | |

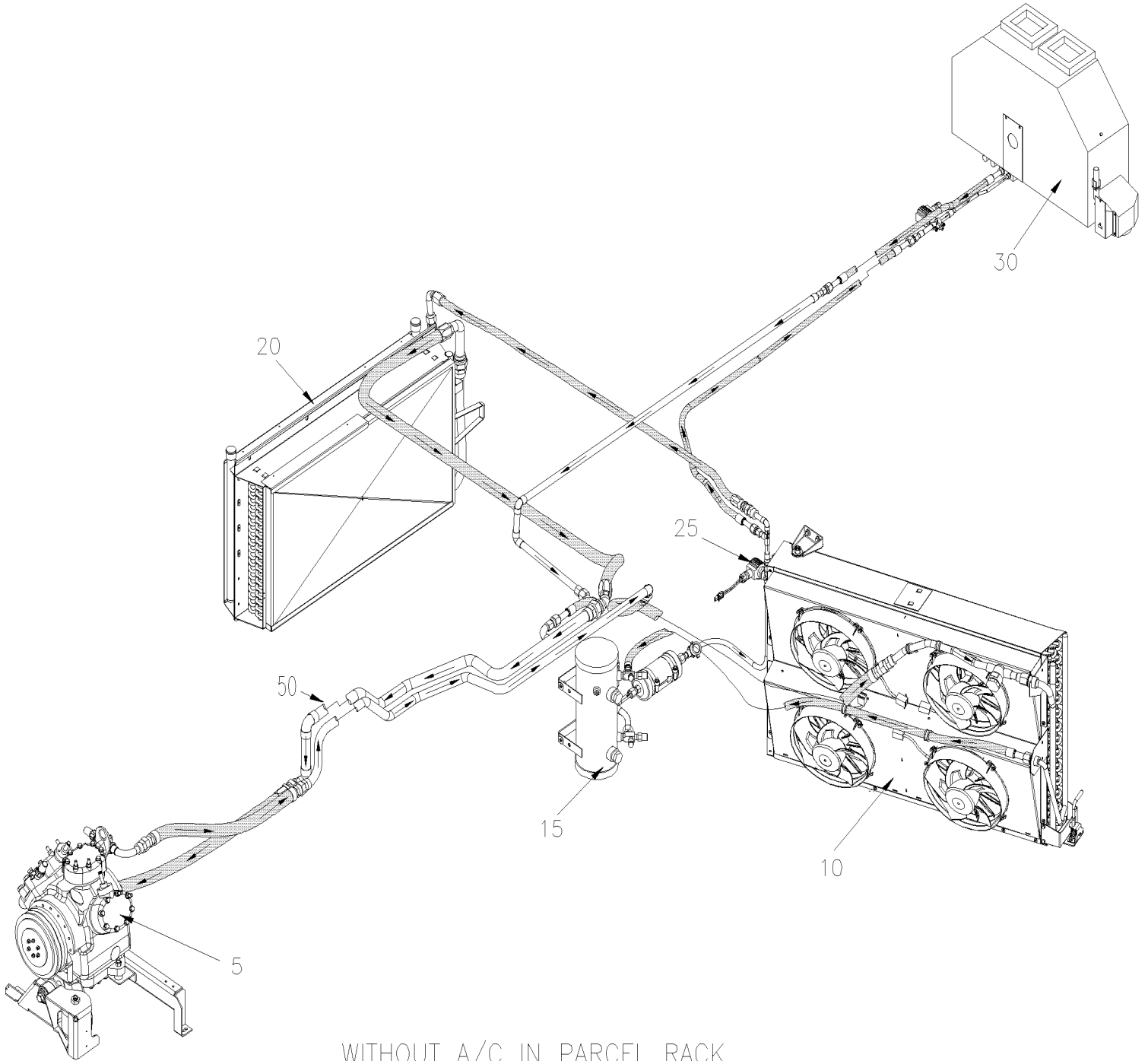
| | | Date:10/2022 | Y2-22 | | | | |
|----------------------------|------------|--|----------------------------|---|---|--|-------|
| HEATING & AIR CONDITIONING | | | | | | | |
| Item# | Part | Description | X L I I 4 5 | X L I I M T H 4 0 | X L I I M T H 4 5 | X L I I M T H 4 5 E | NOTES |
| 105 | Y2-2230-00 | DEFROSTER - INSTALLATION From Y-7046 To 8-9339 | | | | | |
| 115 | 870844 | BLOWER & MOTOR ASSY - "M.C.C." "CW" / FAN END From Y-7046 To 6-8906 | | | | | L |
| 115 | 871360 | BLOWER & MOTOR ASSY - "M.C.C." "CCW" / FAN END From 5-8470 To 8-9339 | | | | | D |
| 120 | Y2-2240-10 | UPPER WINDSHIELD FAN - INSTALLATION From 3-8131 To 8-9339 | | | | | |
| 125 | Y2-2240-20 | BLOWER VENTILATION - PARCEL RACK From Y-7046 To 6-8906 | | | | | |
| 130 | Y2-2240-25 | BLOWER ASSY - PARCEL RACK From Y-7046 To 6-8906 | | | | | |
| 135 | Y2-2245-00 | A/C COMPRESSOR 05G - INSTALLATION From Y-7046 To 8-9339 | | | | | |
| 135 | Y2-2245-01 | A/C COMPRESSOR "ROTOVANE" - INSTALLATION From Y-7046 To 7-9095 | | | | | |
| 135 | Y2-2245-03 | A/C COMPRESSOR 05G - INSTALLATION - MUX From 7-9096 To 8-9339 | | | | | |
| 140 | Y2-2245-10 | A/C COMPRESSOR SMALL - INSTALLATION From Y-7046 To 3-8164 | | | | | |
| 140 | Y2-2245-11 | A/C COMPRESSOR SMALL - INSTALLATION From 4-8165 To 8-9339 | | | | | |
| 145 | Y2-2245-30 | A/C AUXILIARY LINE / PARCEL RACK From Y-7046 To 3-8164 | | | | | |
| 145 | Y2-2245-31 | A/C AUXILIARY LINE / PARCEL RACK From 4-8165 To 6-8906 | | | | | |
| 150 | Y2-2246-00 | A/C CLUTCH 05G - HOUSING MOUNTED From Y-7046 To 8-9339 | | | | | |
| 155 | Y2-2250-00 | A/C COMPRESSOR ASSY 05G - THREE PORT From Y-7046 To 6-8795 | | | | | |
| 155 | Y2-2250-01 | A/C COMPRESSOR ASSY 05G - TWIN PORT From 6-8796 To 8-9339 | | | | | |
| 160 | Y2-2250-15 | A/C ELECTRIC UNLOADER - W/05G COMPRESSOR From Y-7046 To 8-9339 | | | | | |
| 165 | Y2-2251-00 | GASKET - 05G A/C COMPRESSOR From Y-7046 To 8-9339 | | | | | |
| 170 | Y2-2255-00 | CONDENSOR - INSTALLATION LARGE SYSTEM From Y-7046 To 6-8906 | | | | | |
| 170 | Y2-2255-10 | CONDENSOR - INSTALLATION SMALL A/C SYSTEM From Y-7046 To 3-8164 | | | | | |
| 170 | Y2-2255-11 | CONDENSOR - INSTALLATION SMALL A/C SYSTEM From 4-8165 To 8-9339 | | | | | |
| 170 | Y2-2255-50 | CONDENSOR - INSTALLATION LARGE SYSTEM From Y-7046 To 8-9339 | | | | | |
| 175 | Y2-2260-05 | CONDENSOR FAN - INSTALLATION From Y-7046 To 8-9339 | | | | | |
| 175 | Y2-2260-99 | CONDENSOR 4 FANS - INSTALLATION / "RETROFIT" From Y-7046 To 8-9339 | | | | | |
| 180 | Y2-2265-00 | MOTOR - EVAPORATOR - "PREVOST" - T-17 From Y-7046 To 4-8212 | | | | | |
| 180 | Y2-2265-01 | MOTOR - EVAPORATOR - "PREVOST" - T-17 - 2 SPEEDS From 3-8102 To 8-9339 | | | | | |
| 180 | Y2-2265-02 | MOTOR - EVAPORATOR BRUSHLESS From Y-7046 To 6-8906 | | | | | |
| 185 | Y2-2265-50 | MOTOR - CONDENSOR - "PREVOST" - TF-12 From Y-7046 To 2-7825 | | | | | |
| 185 | Y2-2265-51 | MOTOR - CONDENSOR - "PREVOST" - T11G From 2-7826 To 6-8855 | | | | | |
| 185 | Y2-2265-52 | MOTOR - CONDENSOR - "PREVOST" - T114 From 6-8856 To 8-9339 | | | | | |
| 185 | Y2-2265-53 | MOTOR - CONDENSOR BRUSHLESS From Y-7046 To 6-8906 | | | | | |
| 190 | Y2-2270-00 | RECEIVER TANK & FILTER DRYER From Y-7046 To 8-9339 | | | | | |
| | | | | | | | |
| | | | | | | | |
| | | D) USE WITH FRONT DEFROSTER | | | | | |
| | | L) USE WITH LAVATORY FAN | | | | | |

From Y-7046 To 8-9339

Date:10/2022

PAGE:Y2-2200-00

AIR CONDITIONING SYSTEM



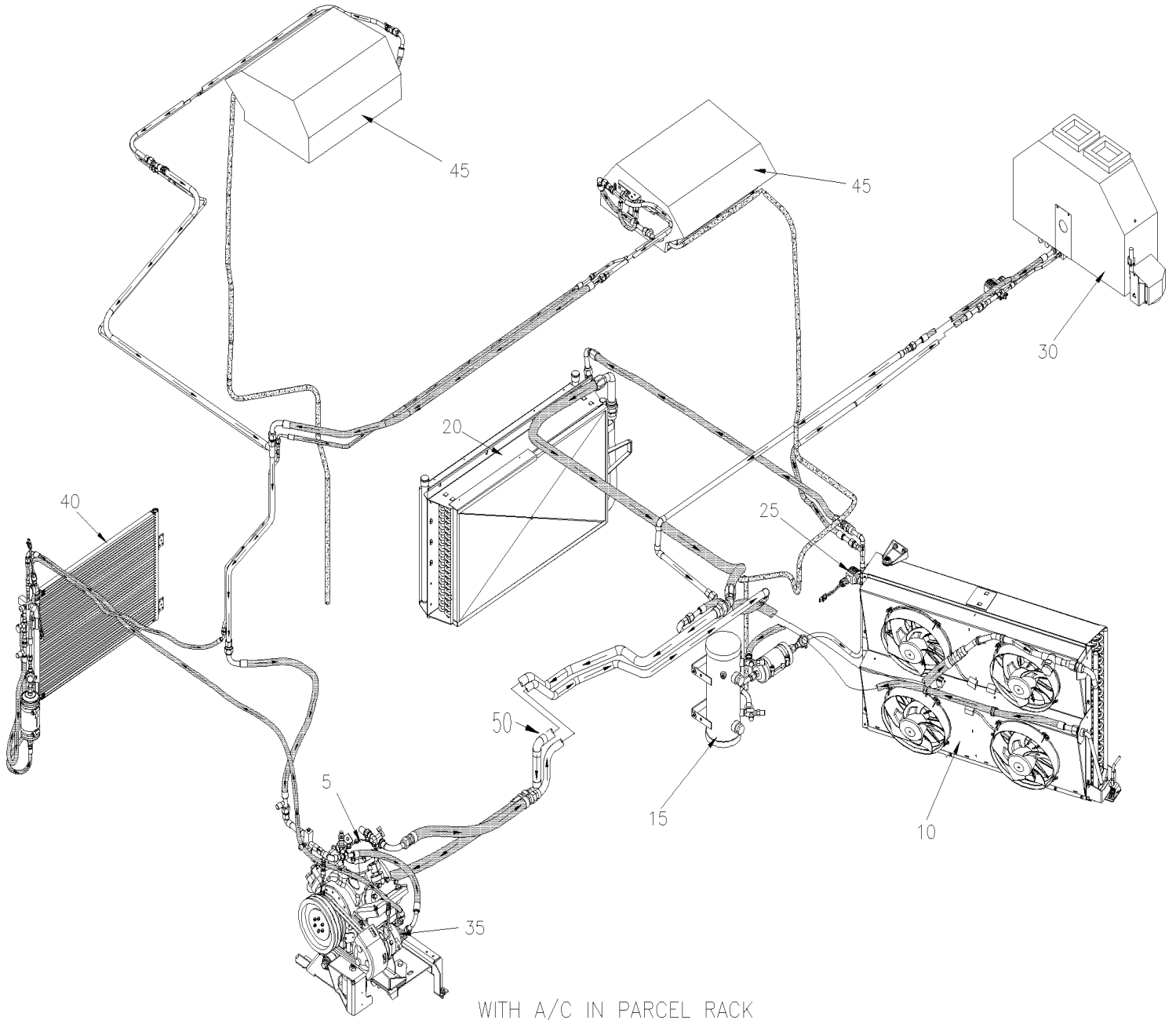
WITHOUT A/C IN PARCEL RACK

From Y-7046 To 8-9339

Date:10/2022

PAGE:Y2-2200-00

AIR CONDITIONING SYSTEM



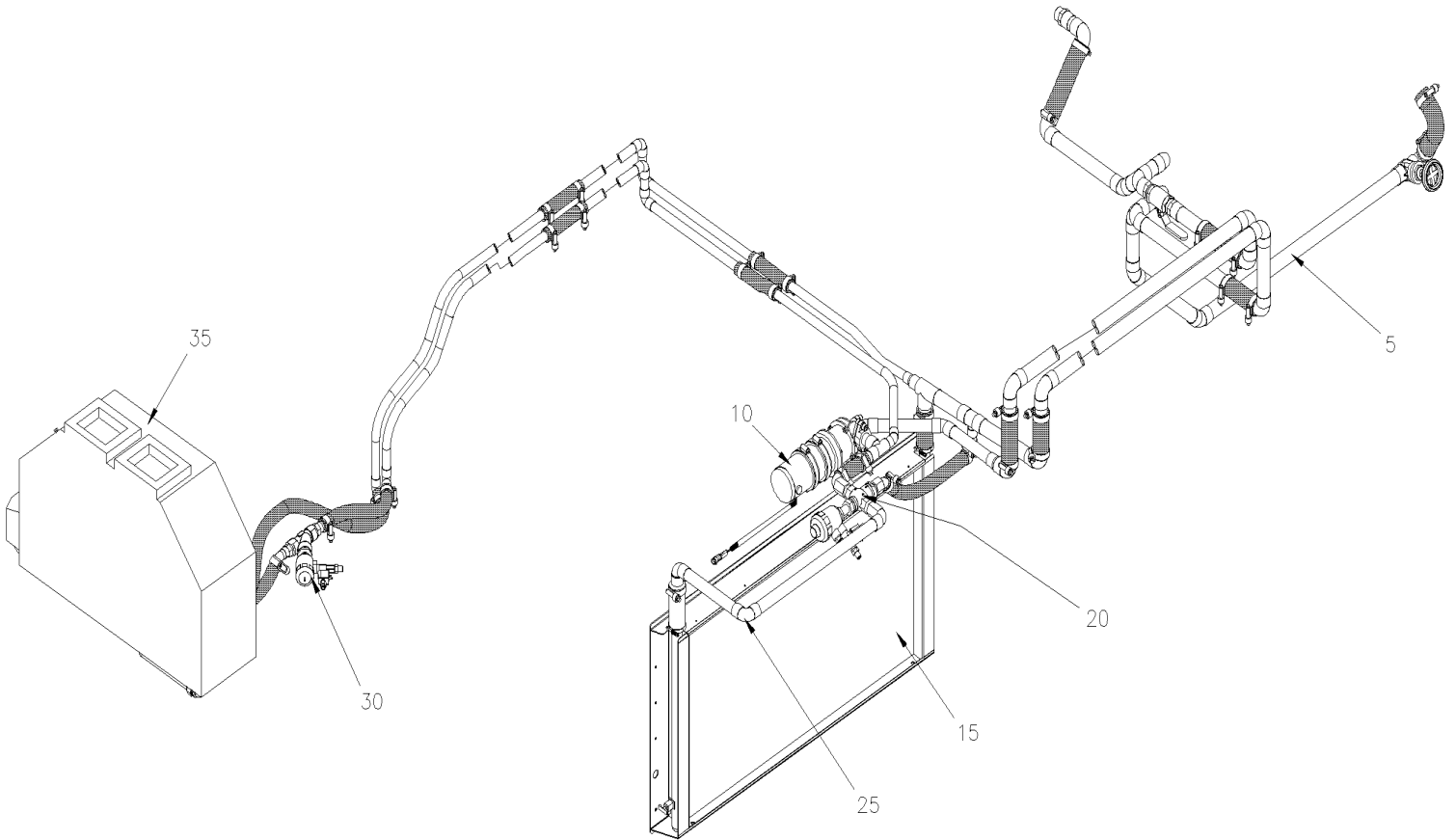
From Y-7046 To 8-9339

Date:10/2022

PAGE:Y2-2200-05

HEATING SYSTEM

WITHOUT WATER HEATER



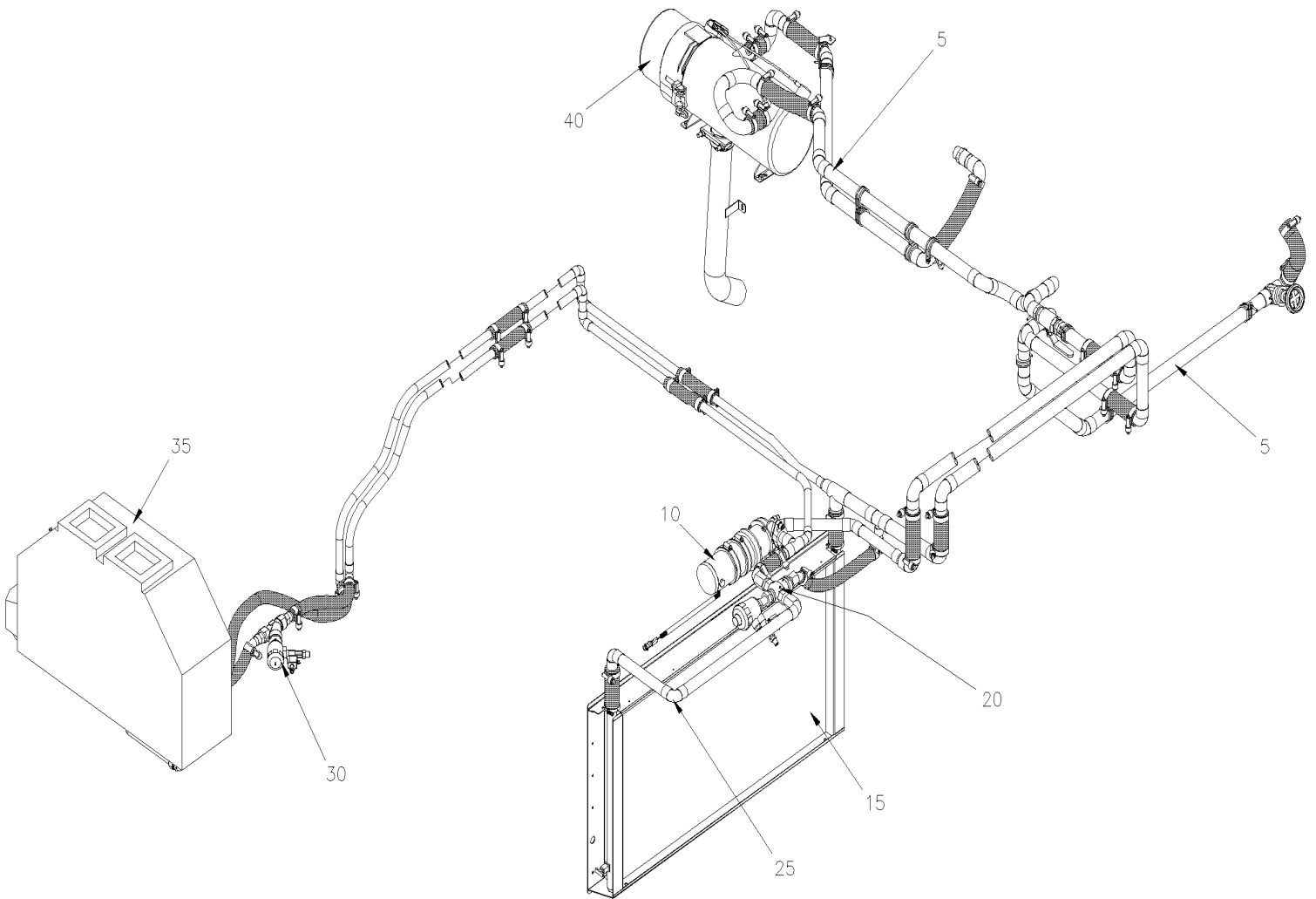
From Y-7046 To 8-9339

Date:10/2022

PAGE:Y2-2200-05

HEATING SYSTEM

WITH WATER HEATER



| | | |
|-----------------------|--------------|-----------------|
| From Y-7046 To 8-9339 | Date:10/2022 | PAGE:Y2-2200-05 |
| HEATING SYSTEM | | |

| Item# | Part | Description | X L I I 4 5 | X L I I M T H 4 0 | X L I I M T H 4 5 | X L I I M T H 4 5 E | N O T E S |
|-------|------------|---|--------------------------------|---|---|--|-----------------------|
| 5 | Y2-2222-00 | HEATER LINE REAR SECTION - BUS | | | | | |
| 5 | Y2-2222-01 | HEATER LINE REAR SECTION - BUS | | | | | |
| 5 | Y2-2222-02 | HEATER LINE REAR SECTION - BUS | | | | | |
| 5 | Y2-2222-30 | HEATER LINE REAR SECTION - MTH | | | | | |
| 5 | Y2-2222-31 | HEATER LINE REAR SECTION - MTH | | | | | |
| 10 | Y2-2206-00 | WATER PUMP #871052 & #871204 | | | | | |
| 15 | Y2-2205-00 | HEATER & EVAPORATOR COIL - INSTALLATION | | | | | |
| 15 | Y2-2210-00 | HEATER & EVAPORATOR BLOWER - INSTALLATION | | | | | |
| 20 | Y2-2207-00 | WATER VALVE - W/MAIN HEATER | | | | | |
| 20 | Y2-2207-01 | WATER VALVE - W/2 WAYS | | | | | |
| 20 | Y2-2207-02 | WATER VALVE - W/3 WAYS BY-PASS | | | | | |
| 25 | Y2-2210-10 | WATER PUMP & FILTER - INSTALLATION | | | | | |
| 30 | Y2-2207-10 | WATER VALVE - W/DRIVER'S HEATER | | | | | |
| 35 | Y2-2230-00 | DEFROSTER - INSTALLATION | | | | | |
| 40 | Y2-2350-10 | WATER HEATER - INSTALLATION | | | | | |
| 40 | Y2-2350-11 | WATER HEATER - INSTALLATION | | | | | |
| | | | | | | | |
| | | | | | | | |
| | | | | | | | |
| | | | | | | | |

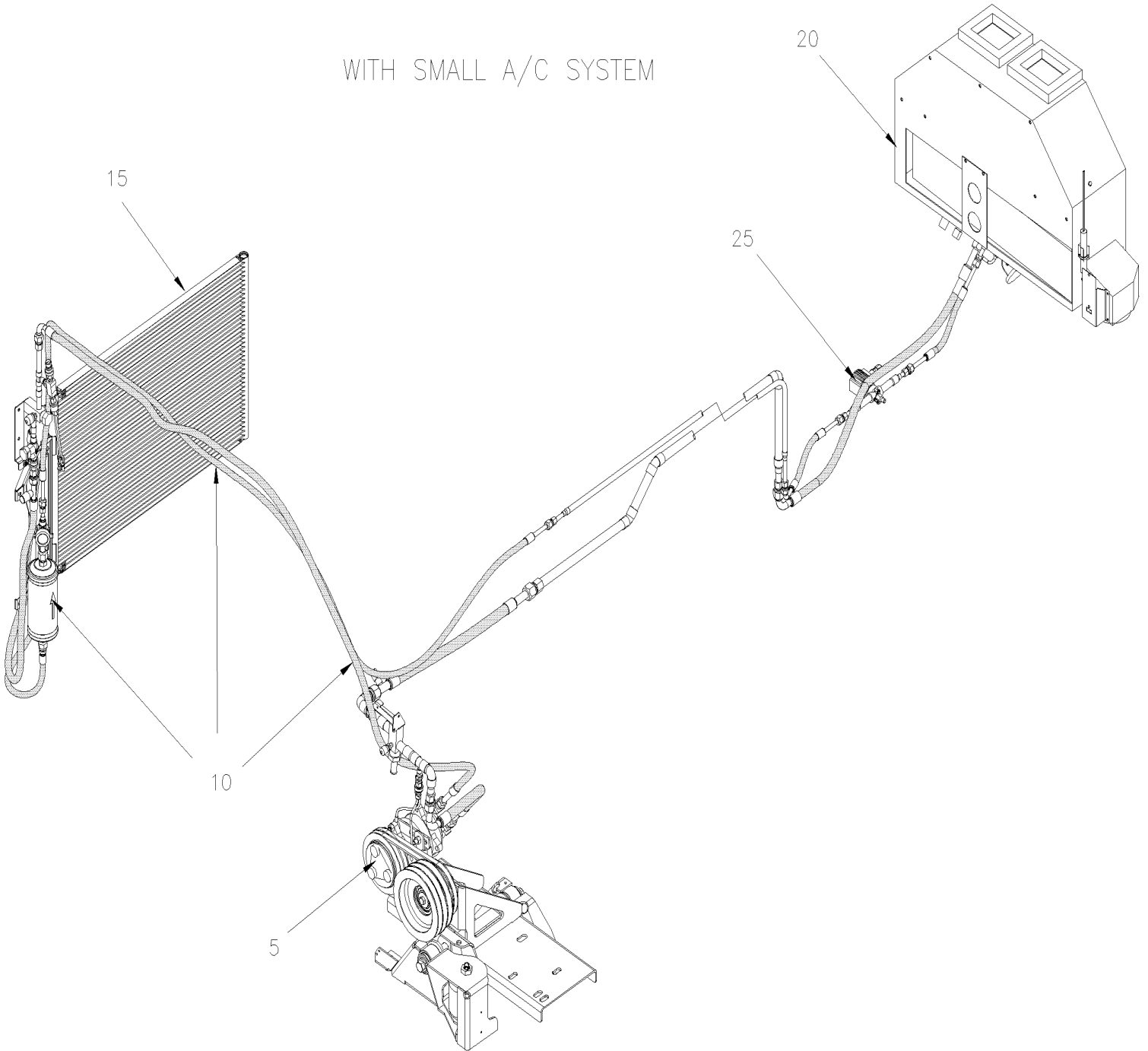
From Y-7046 To 8-9339

Date:10/2022

PAGE:Y2-2200-50

AIR CONDITIONING SYSTEM

WITH SMALL A/C SYSTEM



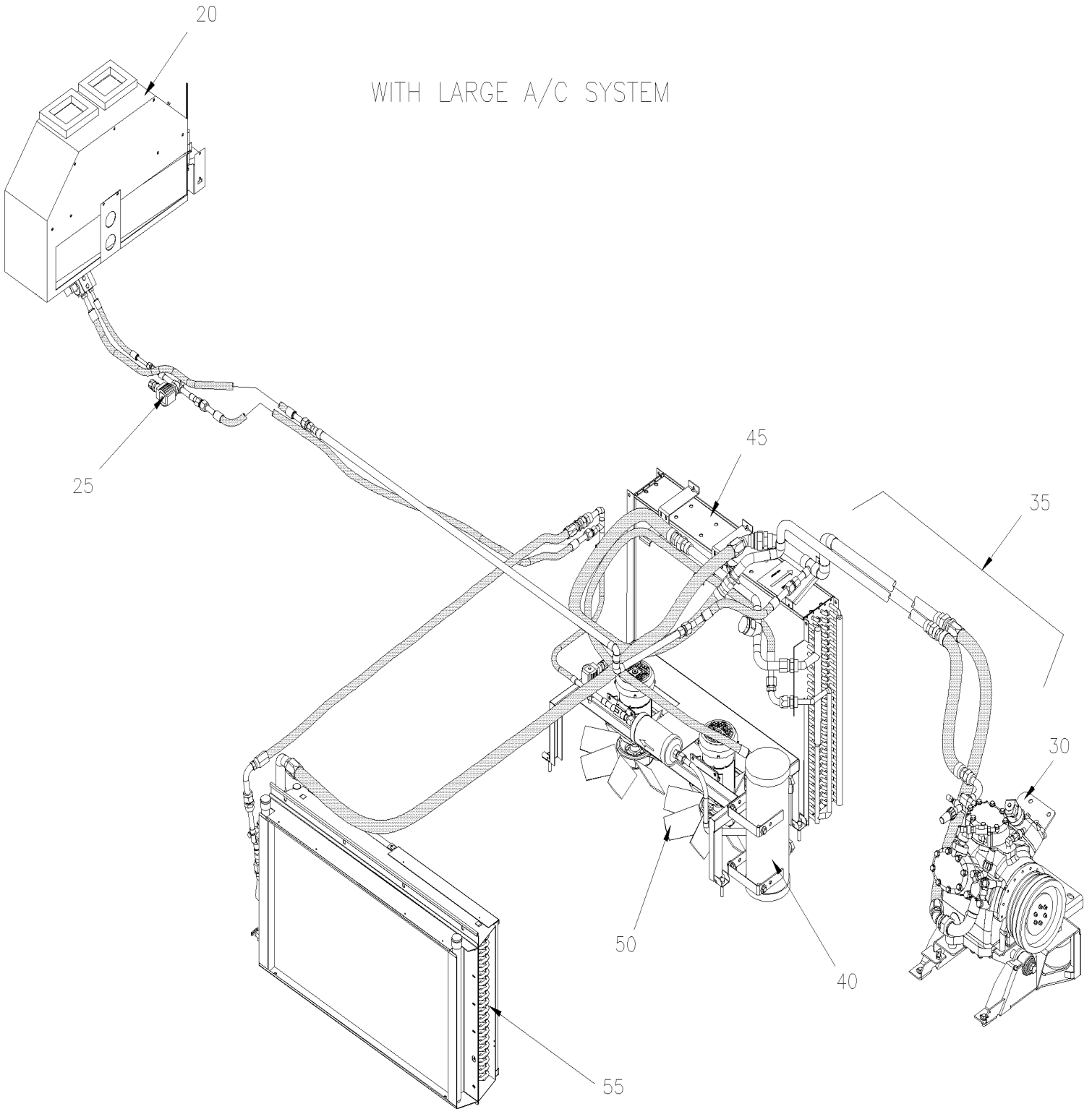
From Y-7046 To 8-9339

Date:10/2022

PAGE:Y2-2200-50

AIR CONDITIONING SYSTEM

WITH LARGE A/C SYSTEM



| | | |
|-----------------------|--------------|-----------------|
| From Y-7046 To 8-9339 | Date:10/2022 | PAGE:Y2-2200-50 |
|-----------------------|--------------|-----------------|

AIR CONDITIONING SYSTEM

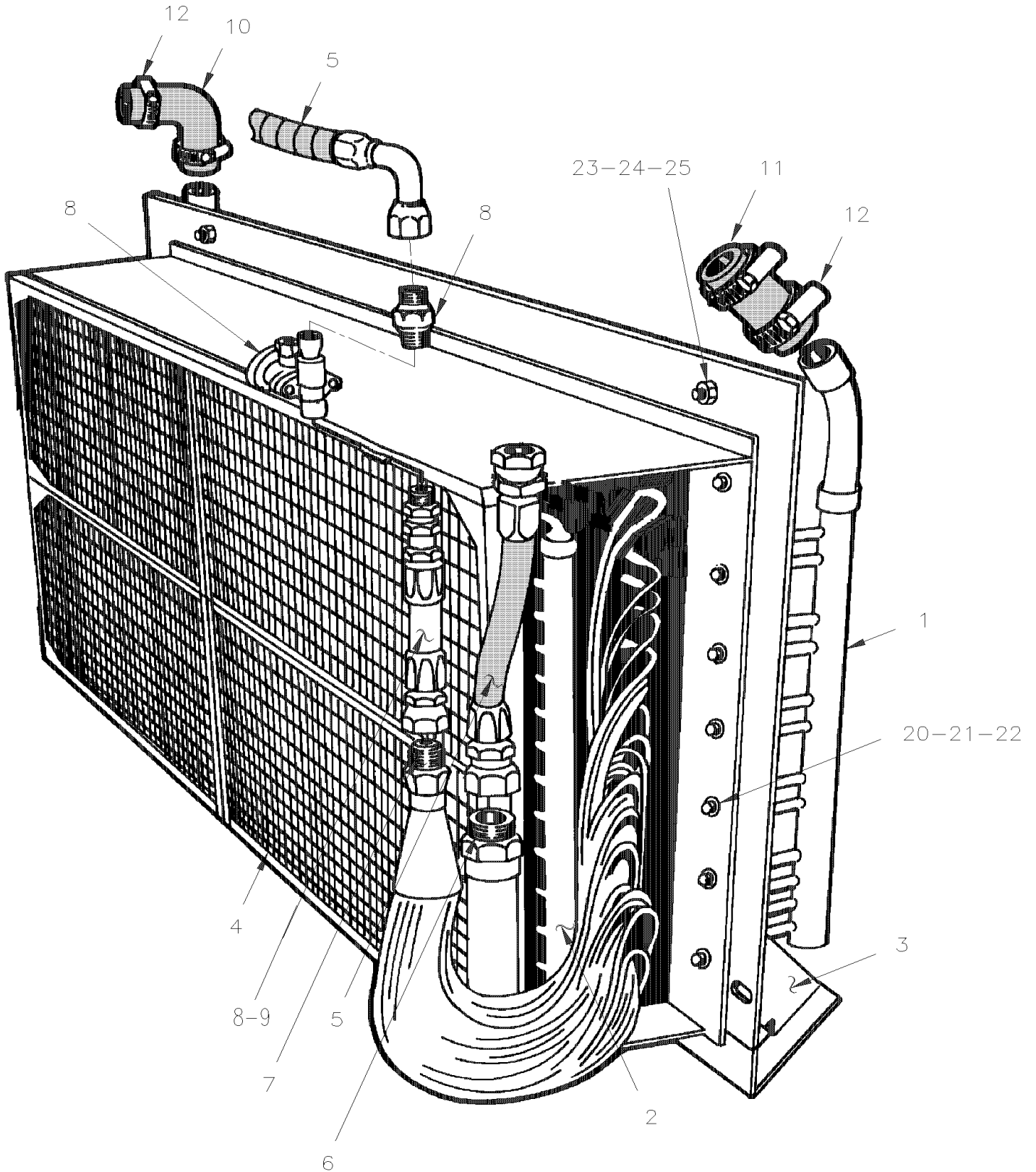
| Item# | Part | Description | X L I I 4 5 | X L I I M T H 4 0 | X L I I M T H 4 5 | X L I I M T H 4 5 E | N O T E S |
|-------|------------|---|----------------------------|---|---|--|-----------------------|
| 5 | Y2-2245-10 | A/C COMPRESSOR SMALL - INSTALLATION | | | | | |
| 5 | Y2-2245-11 | A/C COMPRESSOR SMALL - INSTALLATION | | | | | |
| 10 | Y2-2222-50 | SMALL A/C LINES & HOSES WITH DETROIT S-60 & R134A | | | | | |
| 10 | Y2-2222-51 | SMALL A/C LINES & HOSES WITH DETROIT S-60 & R134A | | | | | |
| 15 | Y2-2255-10 | CONDENSOR - INSTALLATION SMALL A/C SYSTEM | | | | | |
| 15 | Y2-2255-11 | CONDENSOR - INSTALLATION SMALL A/C SYSTEM | | | | | |
| 20 | Y2-2225-00 | DRIVER'S HEATER & DEFROSTER ASSY | | | | | |
| 20 | Y2-2225-01 | DRIVER'S HEATER & DEFROSTER ASSY | | | | | |
| 20 | Y2-2225-02 | DRIVER'S HEATER & DEFROSTER ASSY WITH MUX | | | | | |
| 20 | Y2-2230-00 | DEFROSTER - INSTALLATION | | | | | |
| 25 | Y2-2208-10 | REFRIGERANT SOLENOID VALVE | | | | | |
| 30 | Y2-2245-00 | A/C COMPRESSOR 05G - INSTALLATION | | | | | |
| 30 | Y2-2245-03 | A/C COMPRESSOR 05G - INSTALLATION - MUX | | | | | |
| 30 | Y2-2250-00 | A/C COMPRESSOR ASSY 05G - THREE PORT | | | | | |
| 30 | Y2-2250-01 | A/C COMPRESSOR ASSY 05G - TWIN PORT | | | | | |
| 35 | Y2-2222-15 | A/C LINE REAR SECTION W/05G | | | | | |
| 40 | Y2-2270-00 | RECEIVER TANK & FILTER DRYER | | | | | |
| 45 | Y2-2255-00 | CONDENSOR - INSTALLATION LARGE SYSTEM | | | | | |
| 50 | Y2-2260-05 | CONDENSOR FAN - INSTALLATION | | | | | |
| 55 | Y2-2205-00 | HEATER & EVAPORATOR COIL - INSTALLATION | | | | | |
| 55 | Y2-2205-01 | HEATER & EVAPORATOR COIL - INSTALLATION | | | | | |
| | | | | | | | |
| | | | | | | | |
| | | | | | | | |

From Y-7046 To 6-8906

Date:10/2022

PAGE:Y2-2205-00

HEATER & EVAPORATOR COIL - INSTALLATION

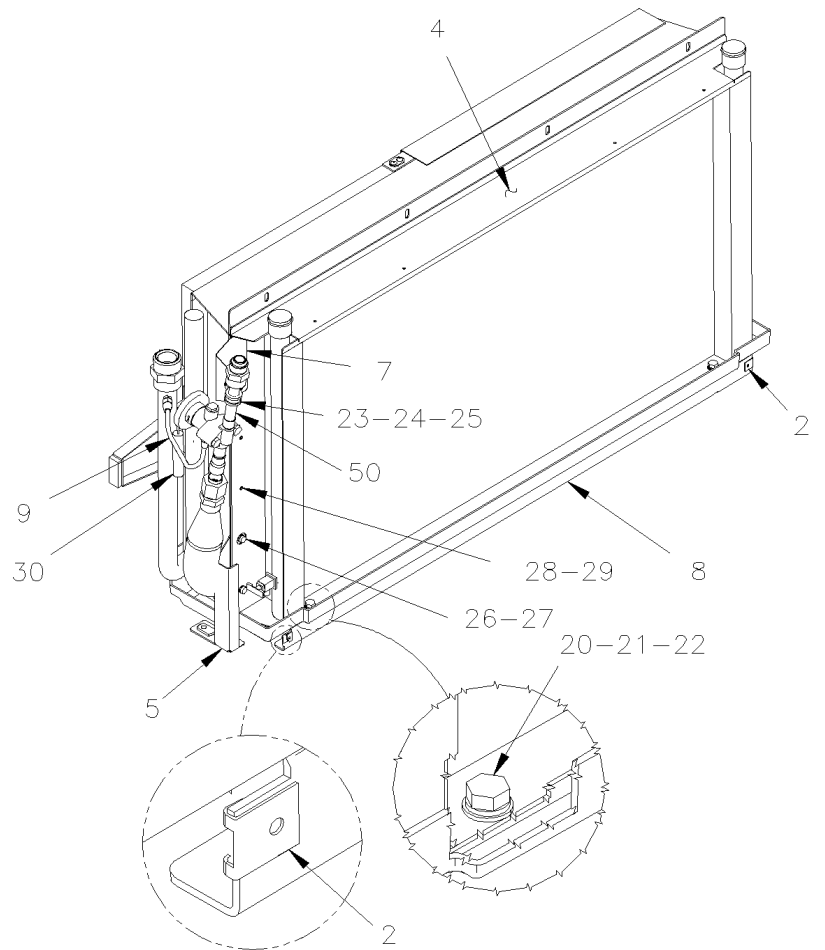
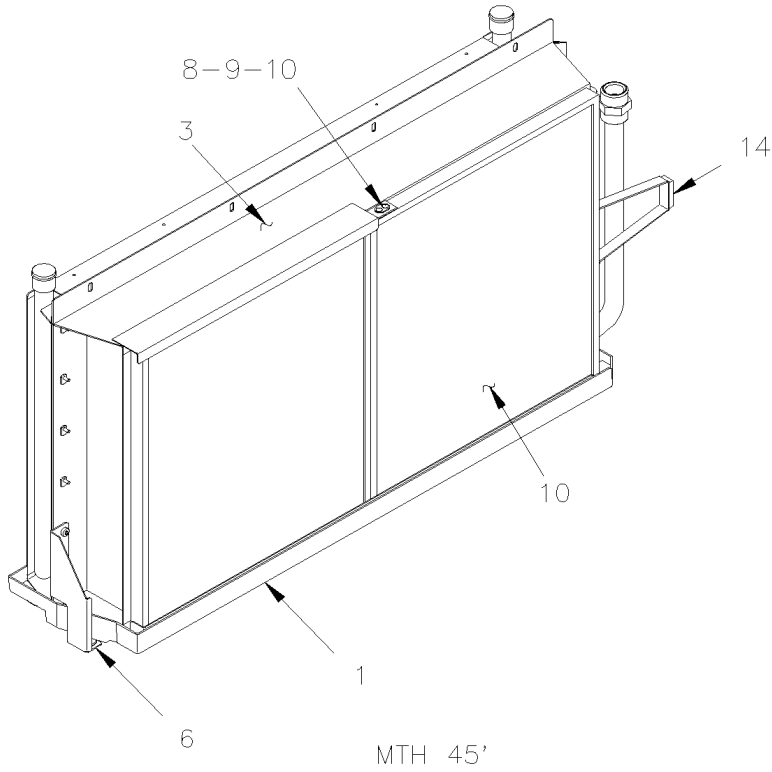


| | | |
|-----------------------|--------------|-----------------|
| From Y-7046 To 6-8906 | Date:10/2022 | PAGE:Y2-2205-00 |
|-----------------------|--------------|-----------------|

HEATER & EVAPORATOR COIL - INSTALLATION

| Item# | Part | Description | X L I I 4 5 | X L I I M T H 4 0 | X L I I M T H 4 5 | X L I I M T H 4 5 E | N O T E S |
|-------|-------------------|---|----------------------------|---|---|--|-----------------------|
| 1 | 19506148 | COIL HEATER | 1 | | | | |
| 1 | 19506148 | COIL HEATER To 6-8805 | | 1 | 1 | 1 | |
| NS | 506337 | RUBBER CHANNEL / 3/32" x 11/32" INT "U" SHAPE / ROUND C.T.L. | AR | | | | |
| 1 | 506337 | RUBBER CHANNEL / 3/32" x 11/32" INT "U" SHAPE / ROUND C.T.L. To 6-8805 | | AR | AR | AR | |
| 2 | 871070 | COIL EVAPORATOR | 1 | | | | |
| 2 | 871070 | COIL EVAPORATOR To 6-8805 | | 1 | 1 | 1 | |
| 3 | 452096 | SUPPORT ASSY / EVAPORATOR | 1 | | | | |
| 3 | 452096 | SUPPORT ASSY / EVAPORATOR To 6-8805 | | 1 | 1 | 1 | |
| NS | 371793 | RUBBER 36" X 3/4" X 3/16" THICK | 1 | | | | |
| 3 | 371793 | RUBBER 36" X 3/4" X 3/16" THICK To 6-8805 | | 1 | 1 | 1 | |
| NS | 371735 | RUBBER 4 3/4" X 2 7/8" X 3/16" THICK | 2 | | | | |
| 3 | 371735 | RUBBER 4 3/4" X 2 7/8" X 3/16" THICK To 6-8805 | | 1 | 1 | 1 | |
| NS | 506277 | TAPE RUB ADH1 CC POL 1/2" x 3/4" x 15' / GREY 2520X | AR | | | | |
| 3 | 506277 | TAPE RUB ADH1 CC POL 1/2" x 3/4" x 15' / GREY 2520X To 6-8805 | | AR | AR | AR | |
| 4 | Y2-2220-00 | UNDER FLOOR AIR DUCTING | | | | | |
| 5 | Y2-2270-00 | RECEIVER TANK & FILTER DRYER | | | | | |
| 6 | 501803 | O-RING / ORS FITTING / #20 NEO | AR | AR | AR | AR | |
| NS | 501829 | O-RING / ORS FITTING / #12 NEO | AR | AR | AR | AR | |
| 7 | 507209 | O-RING .424 ID | 1 | 1 | 1 | 1 | |
| 8 | Y2-2208-00 | A/C EXPANSION VALVE | | | | | |
| 9 | 453072 | TUBE STABILISATOR A/C PRESSURE | 1 | | | | |
| 9 | 453072 | TUBE STABILISATOR A/C PRESSURE To 6-8905 | | 1 | 1 | 1 | |
| 10 | 372131 | ELBOW 90° REDUCER 1 1/8" I.D.W/3 1/4" x 1 3/8 I.D. W 5 1/4" C/C | 1 | | | | |
| 101 | 372131 | ELBOW 90° REDUCER 1 1/8" I.D.W/3 1/4" x 1 3/8 I.D. W 5 1/4" C/C To 6-8805 | | 1 | | 1 | |
| 11 | 051383 | HOSE / W/CENTRAL A/C SYSTEM / 1 3/8" I.D. X 150MM | 1 | | | | |
| 113 | 051383 | HOSE / W/CENTRAL A/C SYSTEM / 1 3/8" I.D. X 150MM To 6-8805 | | 1 | | 1 | |
| 114 | 503392 | . HOSE SILICONE 4PLY 1 3/8" I.D. x 4' | AR | AR | AR | AR | |
| 12 | 504292 | HOSE CLAMP / 1"5/16-2"1/4 SS / E.T. 28 | 4 | 4 | 4 | 4 | |
| 20 | 500386 | SCREW MA RND PH #10-24x1/2 Z050 | 20 | 20 | 20 | 20 | |
| 21 | 500470 | WASHER LO SPT .193x.334x.047 Z050 | 20 | 20 | 20 | 20 | |
| 22 | 500964 | WASHER FL .203x.500x.047 Z050 | 20 | 20 | 20 | 20 | |
| 23 | 500044 | SCREW CAP HEX 3/8-24x3/4 G5 Z050 | 2 | 2 | 2 | 2 | |
| 24 | 500478 | WASHER LO SPT .380x.683x.094 Z050 | AR | AR | AR | AR | |
| 25 | 500444 | WASHER FL .406x.812x.065 Z050 | 2 | 2 | 2 | 2 | |
| | | | | | | | |
| | | | | | | | |
| | | | | | | | |

| | | |
|--|--------------|-----------------|
| From 6-8806 To 8-9339 | Date:10/2022 | PAGE:Y2-2205-01 |
| HEATER & EVAPORATOR COIL - INSTALLATION | | |



| | | |
|-----------------------|--------------|-----------------|
| From 6-8806 To 8-9339 | Date:10/2022 | PAGE:Y2-2205-01 |
|-----------------------|--------------|-----------------|

HEATER & EVAPORATOR COIL - INSTALLATION

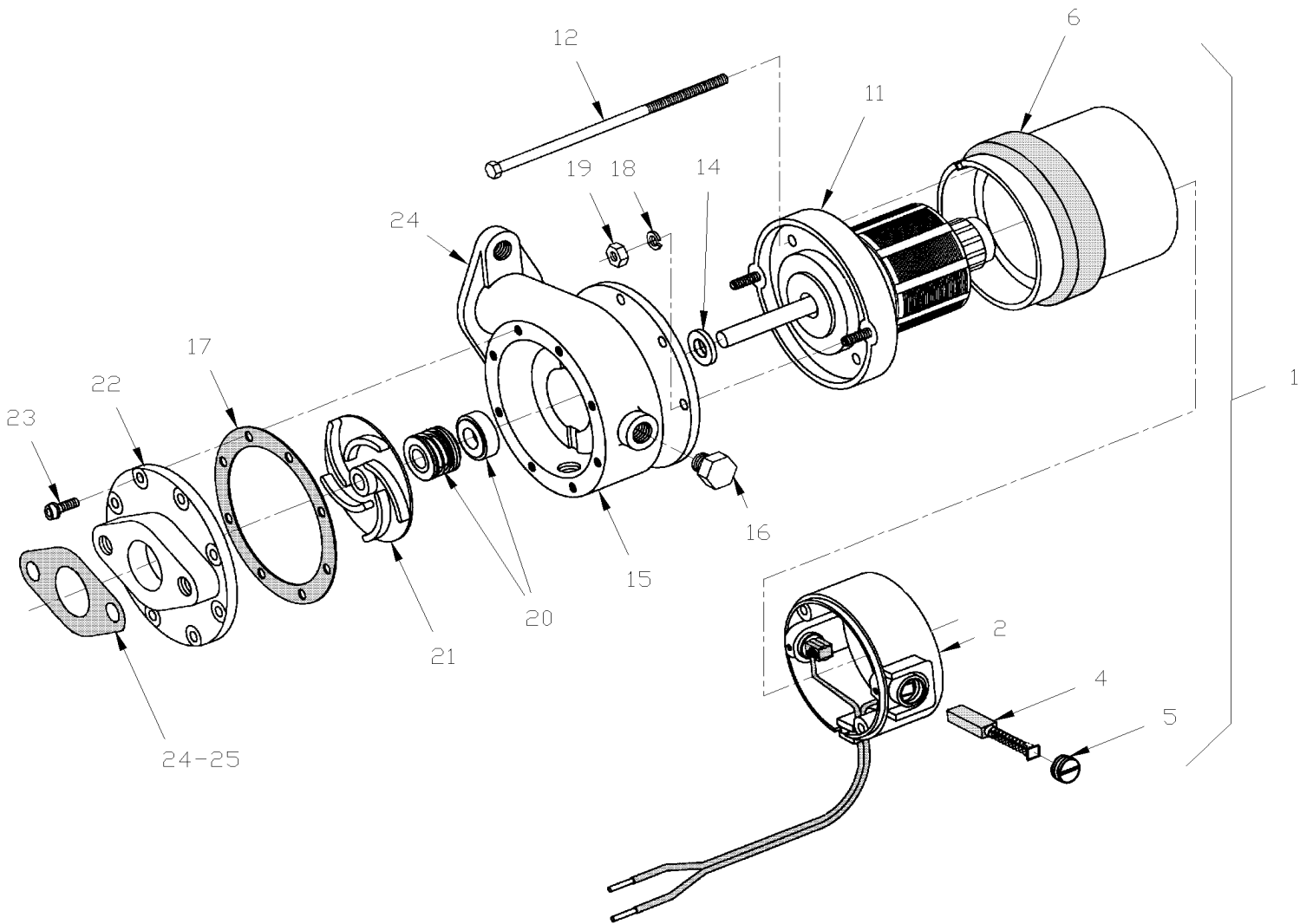
| Item# | Part | Description | X L I I 4 5 | X L I I M T H 4 0 | X L I I M T H 4 5 | X L I I M T H 4 5 E | N O T E S |
|-------|-------------------|---|----------------------------|---|---|--|-----------------------|
| 1 | 453994 | DRAIN PAN | | 1 | 1 | 1 | |
| 2 | 481249 | NUT | | 2 | 2 | 2 | |
| 3 | 950390 | COIL EVAPORATOR | | 1 | 1 | 1 | |
| . NS | 501829 | . O-RING / ORS FITTING / #12 NEO | | 1 | 1 | 1 | |
| . NS | 501803 | . O-RING / ORS FITTING / #20 NEO | | 1 | 1 | 1 | |
| 4 | 871372 | COIL HEATER | | 1 | 1 | 1 | |
| 5 | 453983 | SUPPORT EVAPORATOR / FORWARD | | 1 | 1 | 1 | |
| 6 | 453984 | SUPPORT EVAPORATOR / BACKWARD | | 1 | 1 | 1 | |
| 7 | 454257 | SUPPORT VALVE EXPANSION | | 1 | 1 | 1 | |
| 8 | 453982 | SUPPORT HEATER CORE | | 1 | 1 | 1 | |
| 9 | 454256 | TUBE STABILISATOR A/C PRESSURE | | 1 | 1 | 1 | |
| 10 | 374150P | FILTER ASSY | | | 1 | | |
| . NS | 871379 | . FILTER 1" x 21" x 19" | | | 2 | | |
| . NS | 284439 | . PLATE, STRAP RETAINING / OBLONG 16.5MM x 25.4MM W/2 HOLES | | | 2 | | |
| . NS | 379060 | . HANDLE 20" x 6" | | | 1 | | |
| 11 | 871379 | . FILTER 1" x 21" x 19" | | | 2 | | |
| 11 | 284439 | . PLATE, STRAP RETAINING / OBLONG 16.5MM x 25.4MM W/2 HOLES | | | 4 | | |
| 12 | 504379 | . RIVET POP DOME OE 3/16x1/4 SS | | | AR | | |
| 12 | 505507 | . STRAP NYLON 1" WIDE / S.L. | | | AR | | |
| 13 | 504340 | . RIVET POP DOME OE 1/8x3/16 SS | | | AR | | |
| NS | 506040 | . TAPE RUB ADH1 CC EPDM 5/16" x 3/4" x 25' / BLACK OR GREY 144X | | | AR | | |
| 14 | 372910 | . HANDLE 6" x 6" | | | 1 | | |
| 15 | 871383 | FILTER 1" x 38" x 10 1/2" | | 2 | | 2 | |
| 16 | 374231 | SLIDING GUIDE 55MM | | 1 | | 1 | |
| 17 | 374228 | HANDLE UPPER W/RETAINER SLOT | | 1 | | 1 | |
| 18 | 374232 | SUPPORT LOWER GUIDE | | 1 | | 1 | |
| 20 | 502780 | SCREW CAP HEX M8-1.25x25 SS BK | | 1 | 1 | 1 | |
| 21 | 5001341 | WASHER FL 8.4x17.0x1.6 SS | | 1 | 1 | 1 | |
| 23 | 952629 | CLAMP / 5/8" I.D. | | 1 | 1 | 1 | |
| 24 | 500588 | SCREW CAP HEX M4-0.7x20 G8.8 Z050 | | 1 | 1 | 1 | |
| 25 | 500964 | WASHER FL .203x.500x.047 Z050 | | 1 | 1 | 1 | |
| 26 | 955269 | SCREW CAP HEX M6-1.0x12 G8.8 ZG603 | | 6 | 6 | 6 | |
| 27 | 502573 | WASHER FL 6.4x12.5x1.6 SS | | 4 | 4 | 4 | |
| 28 | 500510 | SCREW MA BDG PH #10-32x3/4 SS EMN | | 8 | 8 | 8 | |
| 29 | 500914 | WASHER LO SPT .193x.334x.047 N500 | | 8 | 8 | 8 | |
| 30 | 680091 | TAPE INSULATING / 1/8" x 2" x 30' / BLACK PT-1 | | 1 | 1 | 1 | |
| 50 | Y2-2208-00 | A/C EXPANSION VALVE | 1 | 1 | 1 | 1 | |
| NS | 504340 | RIVET POP DOME OE 1/8x3/16 SS | | AR | | AR | |
| | | | | | | | |
| | | | | | | | |
| | | | | | | | |

From Y-7046 To 4-8205

Date:10/2022

PAGE:Y2-2206-00

WATER PUMP #871052 & #871204



| | | |
|---|--------------|-----------------|
| From Y-7046 To 4-8205 | Date:10/2022 | PAGE:Y2-2206-00 |
| WATER PUMP #871052 & #871204 | | |

| Item# | Part | Description | X L I I 4 5 | X L I I M T H 4 0 | X L I I M T H 4 5 | X L I I M T H 4 5 E | N O T E S |
|-------|--------|--|----------------------------|---|---|--|-----------------------|
| | 372536 | PUMP WATER ASSY W/CONNECTORS, RUBBER ADH & | | 1 | 1 | 1 | A |
| NS | 504026 | . HOSE CLAMP / 2"13/16-3"3/4 SS / HS-52 | | 2 | 2 | 2 | |
| NS | 506728 | . TAPE RUB ADH1 NEO 1/4" x 3/4" x 10' / BLACK | | AR | AR | AR | |
| NS | 373222 | . PUMP WATER ASSY W/CONNECTORS | 1 | | | | B |
| NS | 561566 | .. CONNECTOR / WEATHER PACK / PH 2C / BLACK / PED 12010973 | 1 | | | | |
| NS | 561568 | .. PIN TERMINAL / 16-14 / PED 12089305 | 2 | | | | |
| NS | 561786 | .. CABLE SEAL / GRAY / PED 15324980 | 2 | | | | |
| | 871204 | .. WATER PUMP ASSY / 24V / (31726) | 1 | 1 | 1 | 1 | R |
| 1 | | ... MOTOR ASSY (28538) | 1 | 1 | 1 | 1 | |
| 2 | N.S.P. | ... HEAD ASSY (28884) | 1 | 1 | 1 | 1 | 2 |
| 2 | N.S.S. | ... BRUSH HOLDER | 2 | 2 | 2 | 2 | 1 |
| 4 | 871062 | ... BRUSH | 2 | 2 | 2 | 2 | |
| 5 | 871063 | ... CAP BRUSH | 2 | 2 | 2 | 2 | |
| 6 | N.S.P. | ... STATOR ASSY (28883) | 1 | 1 | 1 | 1 | 2 |
| 11 | N.S.P. | ... ARMATURE ADAPTOR ASSY (28882) | 1 | 1 | 1 | 1 | 2 |
| 11 | N.S.S. | ... BEARING | 2 | 2 | 2 | 2 | 1 |
| 12 | N.S.S. | ... STUD CASE #10-32 X 5" | 2 | 2 | 2 | 2 | 1 |
| 14 | 870440 | .. SLINGER | 1 | 1 | 1 | 1 | |
| 15 | N.S.P. | .. CARRIER / PUMP (21586) | 1 | 1 | 1 | 1 | 2 |
| 16 | 501303 | .. PLUG SQUARE HEAD / PIPE FITTING / 1/8NPT-M BR | 2 | 2 | 2 | 2 | |
| 17 | 870439 | .. GASKET / CARRIER To 1-7409 | 1 | 1 | 1 | 1 | |
| 17 | 871205 | .. GASKET / CARRIER From 1-7410 | 1 | 1 | 1 | 1 | |
| 18 | 500470 | .. WASHER LO SPT .193x.334x.047 Z050 | 2 | 2 | 2 | 2 | |
| 19 | 500700 | .. NUT HEX #10-32 Z050 | 2 | 2 | 2 | 2 | |
| 20 | 870437 | .. KIT SEAL To 1-7409 | 1 | 1 | 1 | 1 | |
| 20 | 871310 | .. KIT SEAL From 1-7410 | 1 | 1 | 1 | 1 | |
| 21 | 870436 | .. IMPELLER | 1 | 1 | 1 | 1 | |
| 22 | N.S.P. | .. FLANGE ADAPTOR (21634) | 1 | 1 | 1 | 1 | 2 |
| 23 | N.S.P. | .. SCREW #8-32 X 1/2 / BRASS | 8 | 8 | 8 | 8 | 2 |
| 24 | 870441 | GASKET PUMP INLET & OUTLET | 2 | 2 | 2 | 2 | |
| 25 | 871207 | QUAD RING | 1 | 1 | 1 | 1 | |
| | | | | | | | |
| | | | | | | | |
| | | A) W/SMALL SYSTEM / UNDER DRIVER'S FLOOR | | | | | |
| | | B) W/LARGE SYSTEM / IN EVAPORATOR COMPARTMENT | | | | | |
| | | R) THOSE PUMP MAY BE SUPPERSEDED BY KIT #374027 WITH "SEALLESS PUMP" SEE PAGE Y2-2206-99 | | | | | |
| | | 1) NOT SOLD SEPARATELY | | | | | |
| | | 2) NOT SOLD BY PREVOST (SEE MANUFACTURING PART NUMBER AT END OF DESCRIPTION LINE) | | | | | |

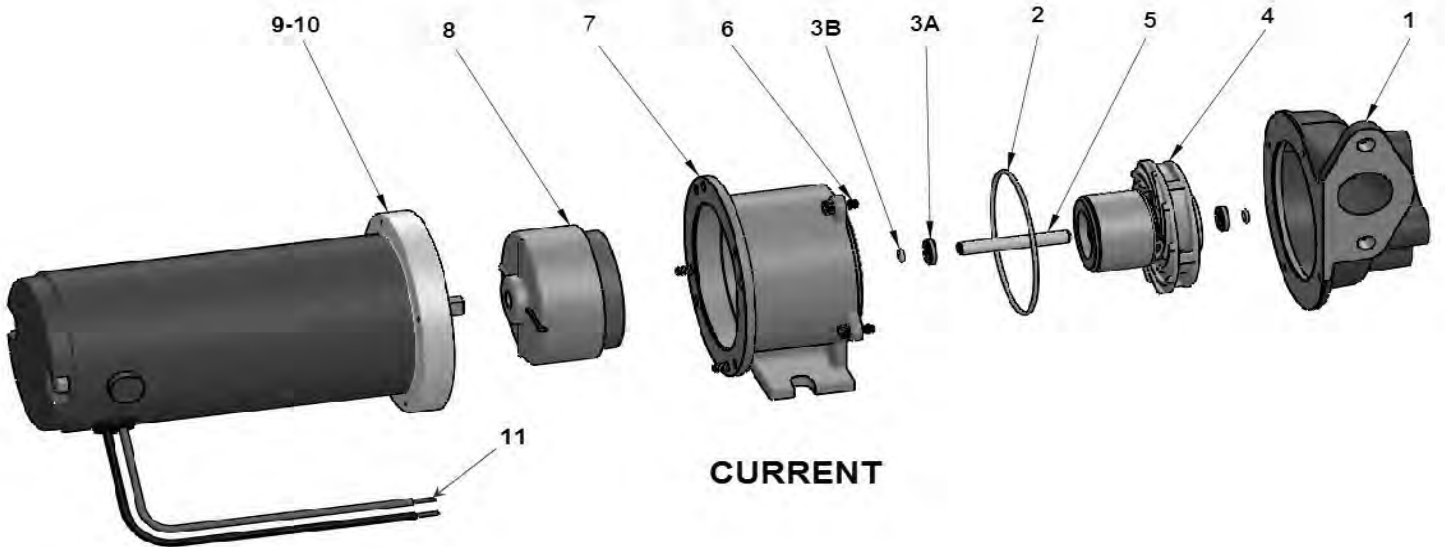
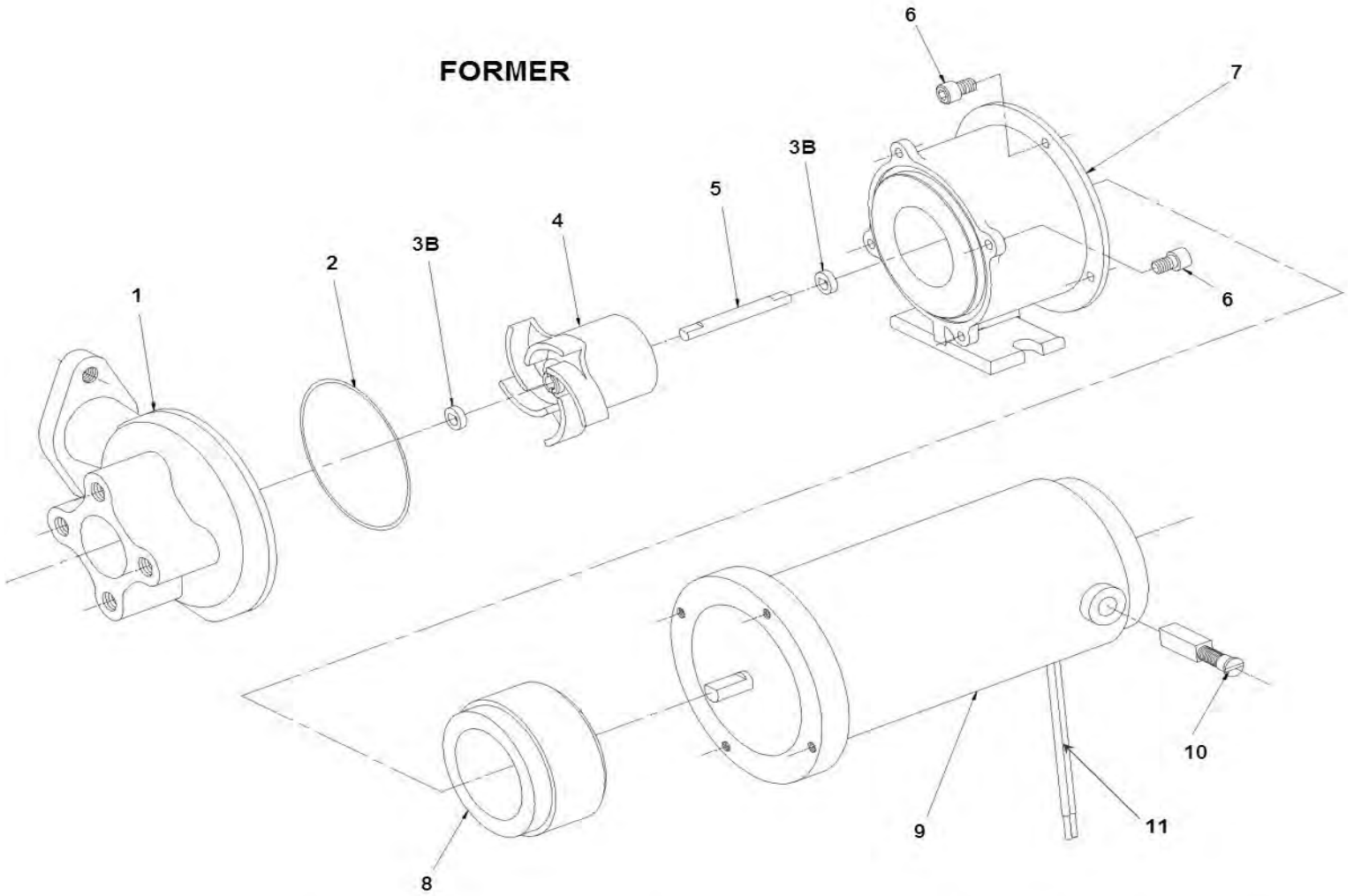
From 4-8206 To 8-9339

Date:10/2022

PAGE:Y2-2206-01

WATER PUMP #871342 SEALLESS

FORMER



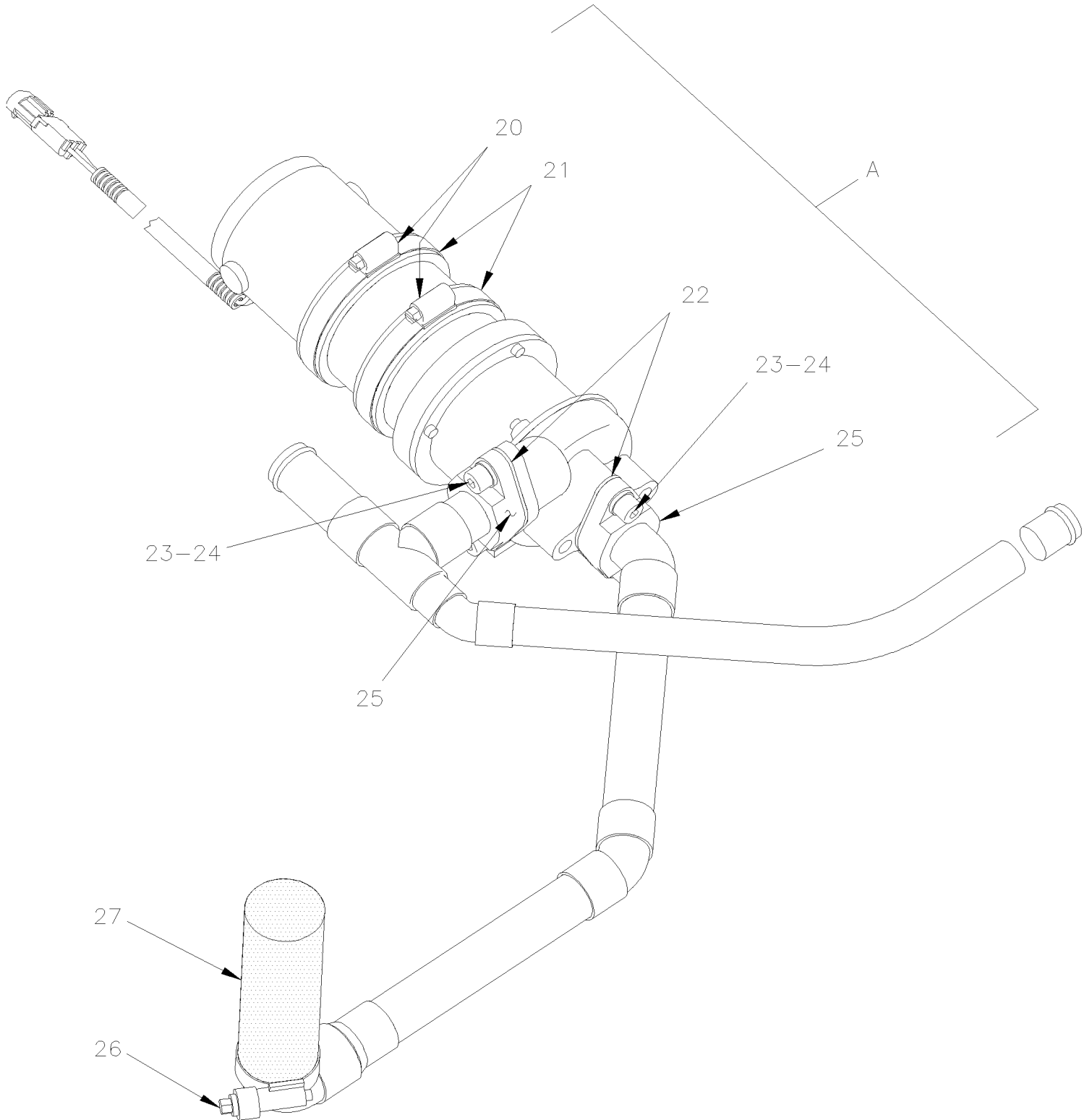
CURRENT

From 4-8206 To 8-9339

Date:10/2022

PAGE:Y2-2206-01

WATER PUMP #871342 SEALLESS



| | | |
|------------------------------------|--------------|-----------------|
| From 4-8206 To 8-9339 | Date:10/2022 | PAGE:Y2-2206-01 |
| WATER PUMP #871342 SEALLESS | | |

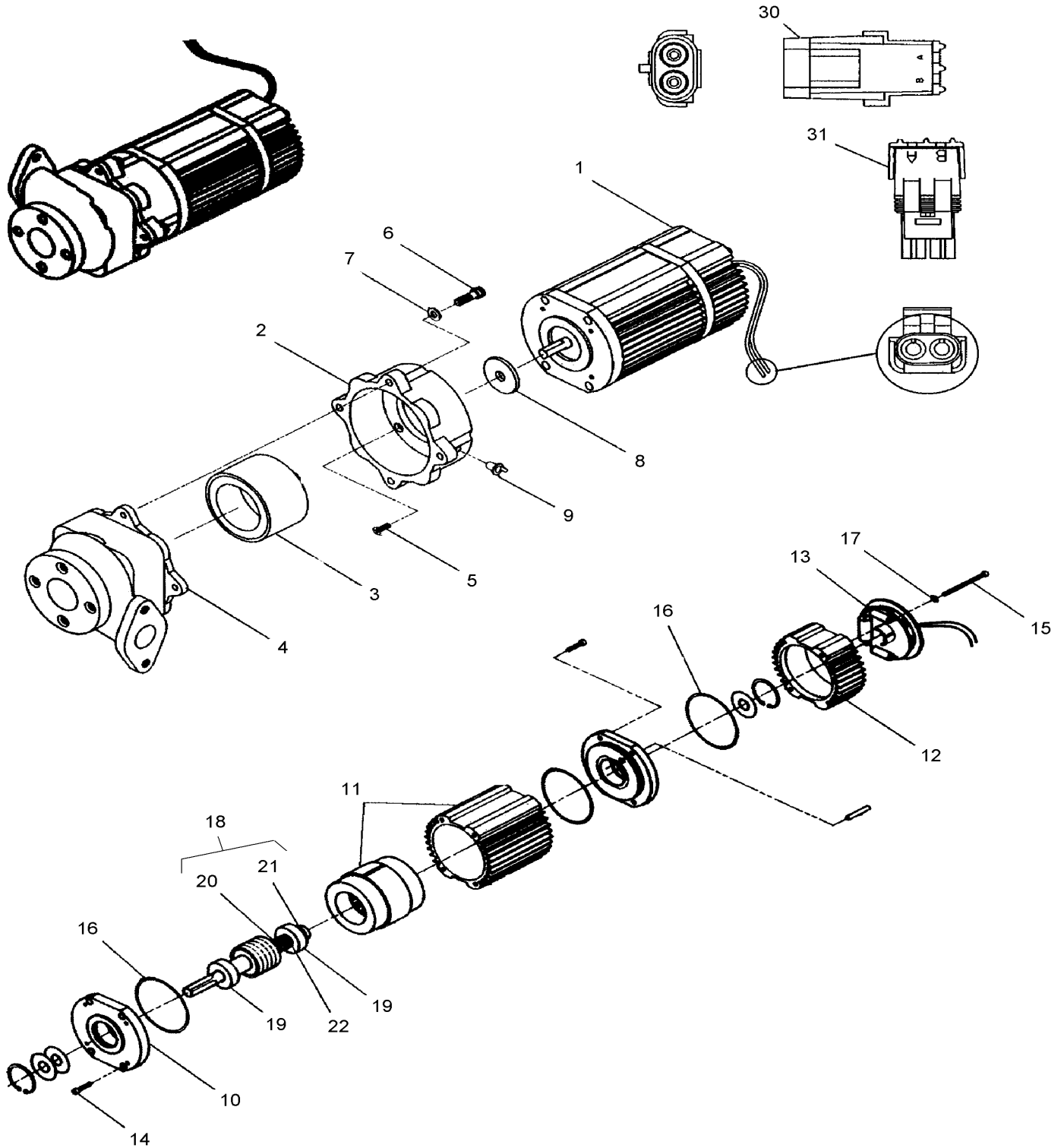
| Item# | Part | Description | X L I I 4 5 | X L I I M T H 4 0 | X L I I M T H 4 5 | X L I I M T H 4 5 E | N O T E S |
|-------|-----------------|--|----------------------------|---|---|--|-----------------------|
| | 374032 | PUMP WATER ASSY WITH CONNECTOR / SEALLESS MODEL | 1 | | | | |
| | 374032 | PUMP WATER ASSY WITH CONNECTOR / SEALLESS MODEL To 6-8806 | | 1 | 1 | 1 | |
| | 871414 | WATER PUMP ASSY / 24V / SEALLESS / "MP PUMPS" | 1 | 1 | 1 | 1 | A |
| | 871342 | . WATER PUMP ASSY / 24V / SEALLESS / "MP PUMPS" | 1 | 1 | 1 | 1 | |
| 1 | N.S.S. | .. HOUSING | 1 | 1 | 1 | 1 | 1 |
| 2 | 871236 | .. O-RING | 1 | 1 | 1 | 1 | |
| 3A | 870138 | .. O-RING | 2 | 2 | 2 | 2 | C |
| 3B | 871239 | .. WASHER SS | 2 | 2 | 2 | 2 | F |
| 3B | Call order desk | .. WASHER THRUST | 2 | 2 | 2 | 2 | P C |
| 4 | 871240 | .. ROTOR ASSY | 1 | 1 | 1 | 1 | F |
| 4 | 870117 | .. ROTOR ASSY | 1 | 1 | 1 | 1 | C |
| 5 | 871241 | .. SHAFT SS | 1 | 1 | 1 | 1 | F |
| 5 | Call order desk | .. SHAFT SS | 1 | 1 | 1 | 1 | P C |
| 6 | G1094056 | .. SCREW CAP HEXS 8-32x3/8 | 8 | 8 | 8 | 8 | |
| 7 | G1094057 | .. ADAPTOR | 1 | 1 | 1 | 1 | |
| 8 | 871242 | .. DRIVE MAGNET | 1 | 1 | 1 | 1 | |
| 9 | 871322 | .. MOTOR ASSY 24V | 1 | 1 | 1 | 1 | |
| 10 | 871323 | .. BRUSH | 2 | 2 | 2 | 2 | |
| 11 | 561566 | . CONNECTOR / WEATHER PACK / PH 2C / BLACK / PED 12010973 | 1 | 1 | 1 | 1 | |
| NS | 561568 | . PIN TERMINAL / 16-14 / PED 12089305 | 2 | 2 | 2 | 2 | |
| NS | 561786 | . CABLE SEAL / GRAY / PED 15324980 | 2 | 2 | 2 | 2 | |
| 20 | 504235 | HOSE CLAMP / 3"9/16"-4"1/2 SS / HS-64 From 6-8806 | | 2 | 2 | 2 | |
| 21 | 506728 | TAPE RUB ADH1 NEO 1/4" x 3/4" x 10' / BLACK From 6-8806 | | AR | AR | AR | |
| 22 | 870441 | GASKET PUMP INLET & OUTLET From 6-8806 | | 2 | 2 | 2 | |
| 23 | 5001580 | SCREW CAP HEXS 3/8-16x7/8 From 6-8806 | | 4 | 4 | 4 | |
| 24 | 500478 | WASHER LO SPT .380x.683x.094 Z050 From 6-8806 | | 4 | 4 | 4 | |
| 25 | 871206 | FLANGE ADAPTOR / W/QUAD RING From 6-8806 | | 2 | 2 | 2 | |
| 26 | 504657 | HOSE CLAMP / 1"1/16-2" C.T. 9424 From 6-8806 | | 1 | 1 | 1 | |
| 27 | 503392 | HOSE SILICONE 4PLY 1 3/8" I.D. x 4' From 6-8806 | | AR | AR | AR | |
| A | Call order desk | PUMP WATER ASSY W/PIPE & CONNECTOR / SEALLESS MODEL From 6-8806 | | 1 | 1 | 1 | P |
| . NS | 374864 | . COPPER TUBE, OUTPUT ASSY From 6-8806 | | 1 | 1 | 1 | |
| . NS | 374865 | . COPPER TUBE, INPUT ASSY From 6-8806 | | 1 | 1 | 1 | |
| | | | | | | | |
| | | A) THIS PUMP IS PACKAGING INDIVIDUALLY WITHOUT ELECTRICAL CONNECTORS | | | | | |
| | | C) CURRENT | | | | | |
| | | F) FORMER | | | | | |
| | | 1) NOT SOLD SEPARATELY | | | | | |
| | | P) CALL ORDER DESK FOR SPECIFIC APPLICATION (V.I.N.) | | | | | |

From Y-7046 To 6-8905

Date:10/2022

PAGE:871327

WATER PUMP / "ROTRON" 24 V "SPECIAL OPTION"

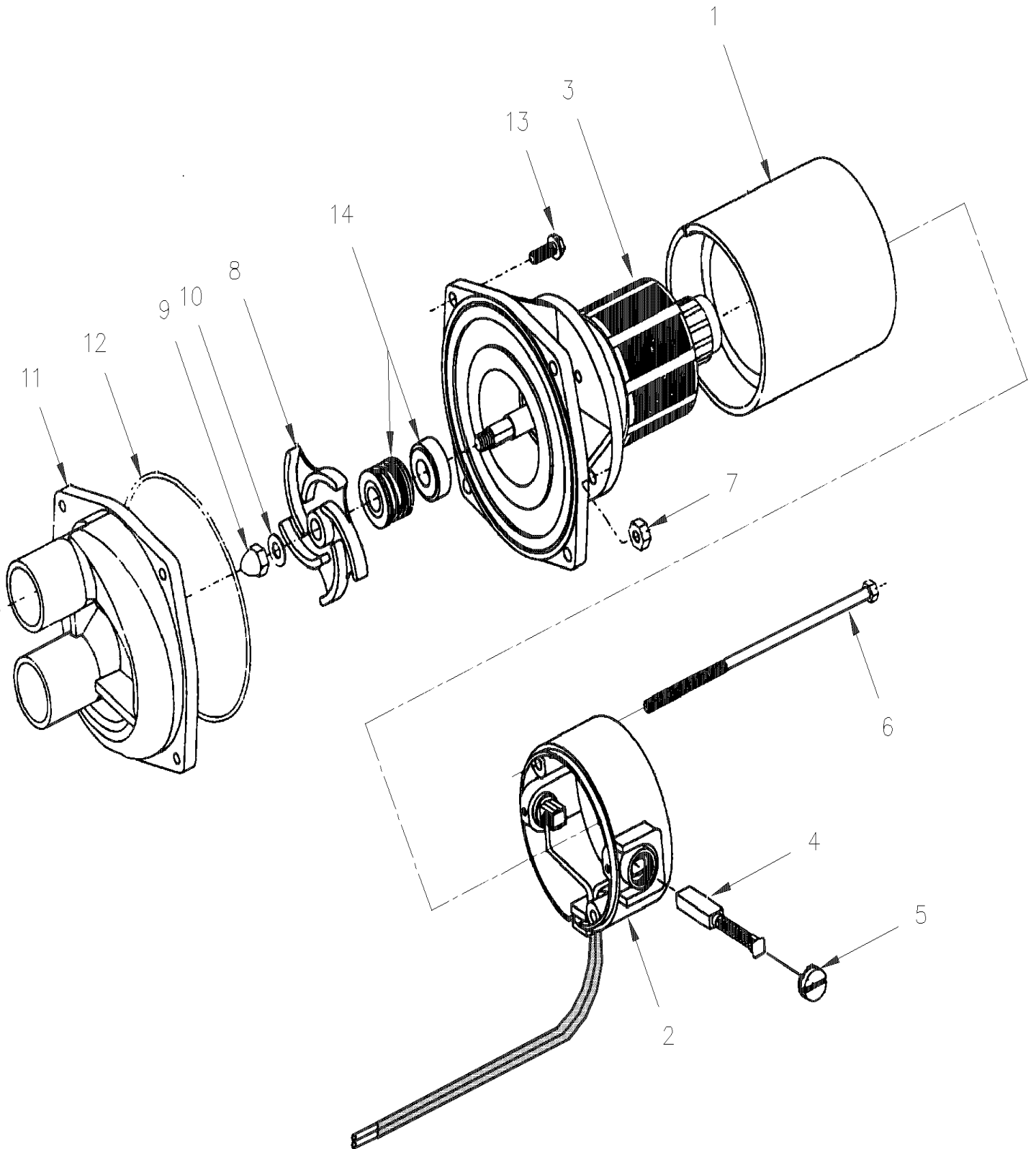


From Y-7046 To 8-9339

Date:10/2022

PAGE:Y2-2206-50

WATER PUMP #871032



| | | |
|---------------------------|--------------|-----------------|
| From Y-7046 To 8-9339 | Date:10/2022 | PAGE:Y2-2206-50 |
| WATER PUMP #871032 | | |

| Item# | Part | Description | X L I I 4 5 | X L I I M T H 4 0 | X L I I M T H 4 5 | X L I I M T H 4 5 E | NOTES |
|-------|--------|---|----------------------------|---|---|--|-------|
| | 064174 | PUMP WATER ASSY WITH CONNECTOR | | 1 | 1 | 1 | |
| NS | 561566 | . CONNECTOR / WEATHER PACK / PH 2C / BLACK / PED 12010973 | | 1 | 1 | 1 | |
| NS | 561568 | . PIN TERMINAL / 16-14 / PED 12089305 | | 1 | 1 | 1 | |
| NS | 561786 | . CABLE SEAL / GRAY / PED 15324980 | | 2 | 2 | 2 | |
| NS | 871032 | . WATER PUMP ASSY / 24V / (29232) | | 1 | 1 | 1 | |
| 1 | N.S.P. | .. STATOR ASSY (28840) | | 1 | 1 | 1 | 2 |
| 2 | N.S.P. | .. HEAD ASSY (28836) | | 1 | 1 | 1 | 2 |
| 2 | N.S.S. | .. BRUSH HOLDER | | 2 | 2 | 2 | 1 |
| 3 | N.S.P. | .. ARMATURE ADAPTOR ASSY (28839) | | 1 | 1 | 1 | 2 |
| 3 | N.S.S. | .. BEARING | | 2 | 2 | 2 | 1 |
| 4 | 871062 | .. BRUSH | | 2 | 2 | 2 | |
| 5 | 871063 | .. CAP BRUSH | | 2 | 2 | 2 | |
| 6 | N.S.P. | .. STUD CASE #10-32 X 5" | | 2 | 2 | 2 | 2 |
| NS | 500470 | .. WASHER LO SPT .193x.334x.047 Z050 | | 2 | 2 | 2 | |
| 7 | 500700 | .. NUT HEX #10-32 Z050 | | 2 | 2 | 2 | |
| 8 | 871066 | . IMPELLER | | 1 | 1 | 1 | |
| 10 | 871068 | . GASKET PUMP | | 2 | 2 | 2 | |
| 11 | 871047 | . COVER | | 1 | 1 | 1 | |
| 12 | 871065 | . O-RING | | 1 | 1 | 1 | |
| 13 | N.S.P. | . SCREW #8-32 X 1/2 / BRASS | | 8 | 8 | 8 | 2 |
| 14 | 871064 | . KIT SEAL | | 1 | 1 | 1 | |
| 14 | N.S.P. | . MOTOR ASSY / (28748) | | 1 | 1 | 1 | 2 |
| 15 | 482616 | SUPPORT WATER PUMP | | 1 | 1 | 1 | |
| | | | | | | | |
| | | 1) NOT SOLD SEPARATELY | | | | | |
| | | 2) NOT SOLD BY PREVOST (SEE MANUFACTURING PART NUMBER AT END OF DESCRIPTION LINE) | | | | | |

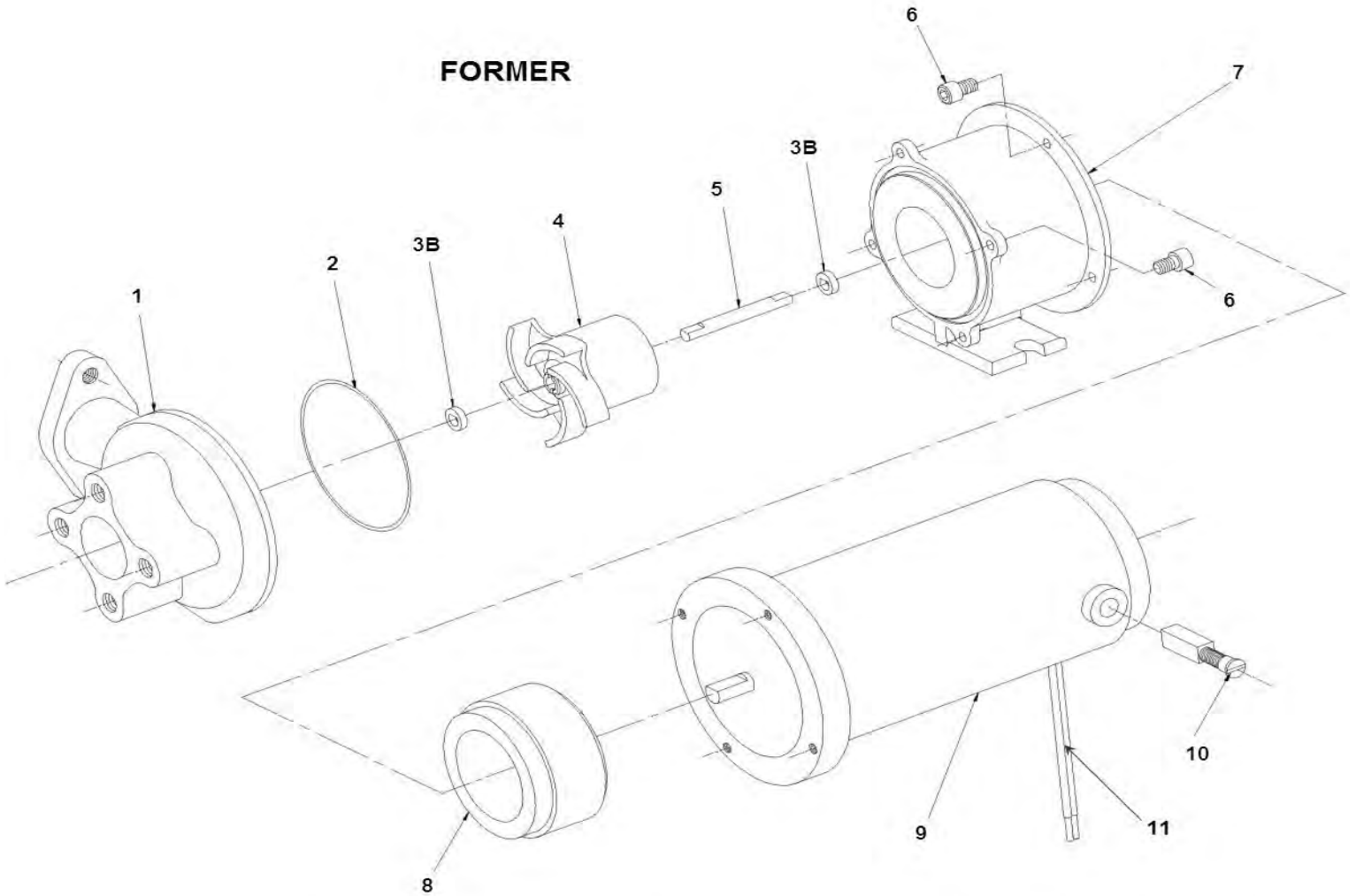
From Y-7046 To 8-9339

Date:10/2022

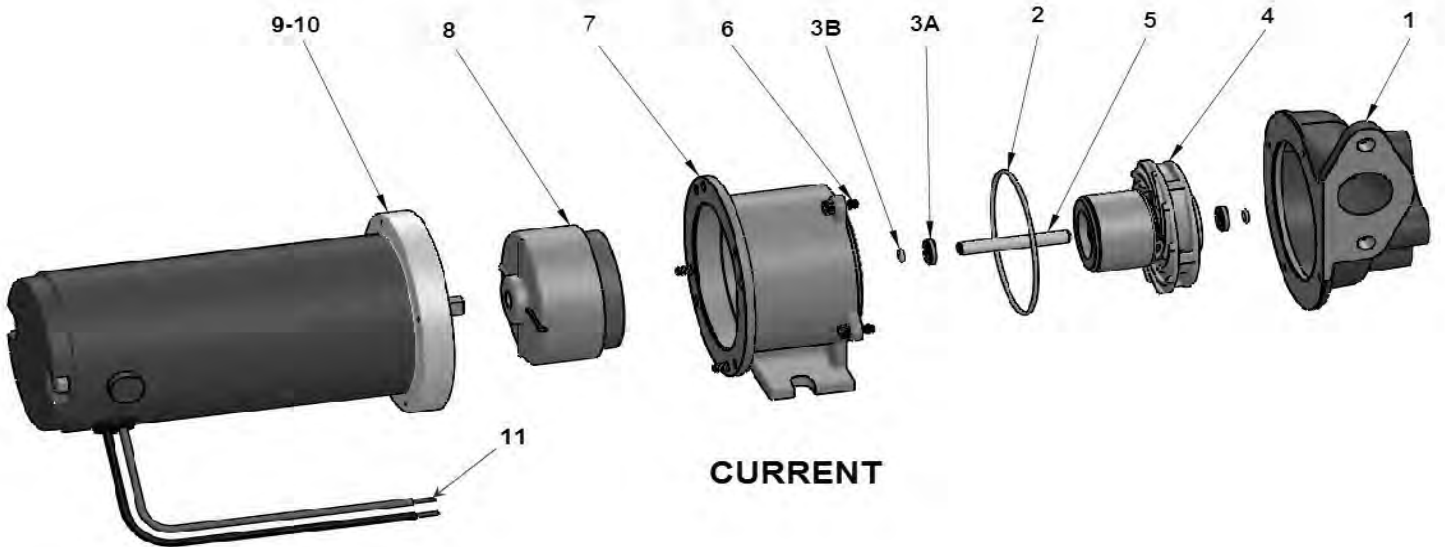
PAGE:Y2-2206-99

WATER PUMP #871342 SEALLESS "RETROFIT"

FORMER



CURRENT



| | | |
|---|--------------|-----------------|
| From Y-7046 To 8-9339 | Date:10/2022 | PAGE:Y2-2206-99 |
| WATER PUMP #871342 SEALLESS "RETROFIT" | | |

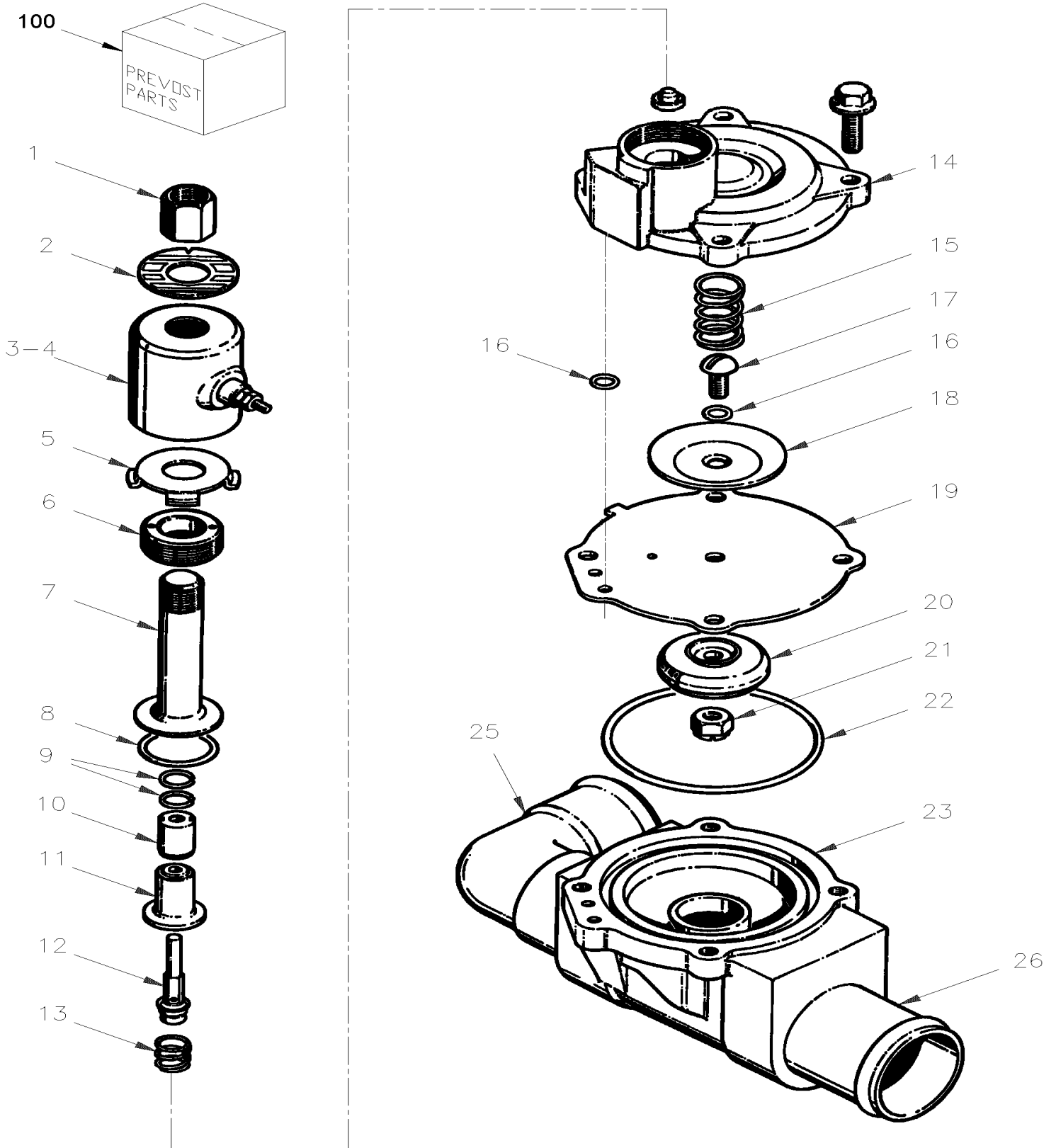
| Item# | Part | Description | X L I I 4 5 | X L I I M T H 4 0 | X L I I M T H 4 5 | X L I I M T H 4 5 E | N O T E S |
|-------|-----------------|--|----------------------------|---|---|--|-----------------------|
| | 374032 | PUMP WATER ASSY WITH CONNECTOR / SEALLESS MODEL | 1 | 1 | 1 | 1 | |
| | 871414 | . WATER PUMP ASSY / 24V / SEALLESS / "MP PUMPS" | 1 | 1 | 1 | 1 | B |
| | 871342 | . WATER PUMP ASSY / 24V / SEALLESS / "MP PUMPS" | 1 | 1 | 1 | 1 | |
| 1 | N.S.S. | .. HOUSING | 1 | 1 | 1 | 1 | 1 |
| 2 | 871236 | .. O-RING | 1 | 1 | 1 | 1 | |
| 3A | 870138 | .. O-RING | 2 | 2 | 2 | 2 | C |
| 3B | 871239 | .. WASHER SS | 2 | 2 | 2 | 2 | F |
| 3B | Call order desk | .. WASHER THRUST | 2 | 2 | 2 | 2 | P C |
| 4 | 871240 | .. ROTOR ASSY | 1 | 1 | 1 | 1 | F |
| 4 | 870117 | .. ROTOR ASSY | 1 | 1 | 1 | 1 | C |
| 5 | 871241 | .. SHAFT SS | 1 | 1 | 1 | 1 | F |
| 5 | Call order desk | .. SHAFT SS | 1 | 1 | 1 | 1 | P C |
| 6 | G1094056 | .. SCREW CAP HEXS 8-32x3/8 | 8 | 8 | 8 | 8 | |
| 7 | G1094057 | .. ADAPTOR | 1 | 1 | 1 | 1 | |
| 8 | 871242 | .. DRIVE MAGNET | 1 | 1 | 1 | 1 | |
| 9 | 871322 | .. MOTOR ASSY 24V | 1 | 1 | 1 | 1 | |
| 10 | 871323 | .. BRUSH | 2 | 2 | 2 | 2 | |
| 11 | 561566 | . CONNECTOR / WEATHER PACK / PH 2C / BLACK / PED 12010973 | 1 | 1 | 1 | 1 | |
| 11 | 561568 | . PIN TERMINAL / 16-14 / PED 12089305 | 2 | 2 | 2 | 2 | |
| 11 | 561786 | . CABLE SEAL / GRAY / PED 15324980 | 2 | 2 | 2 | 2 | |
| NS | 374027 | KIT, RETROFIT SEALLESS WATER PUMP To 4-8205 | 1 | 1 | 1 | 1 | |
| NS | 374053 | WATER PUMP ASSY W/SUPPORT / W/"XL" / MTH To 4-8205 | | 1 | 1 | 1 | A |
| . NS | IS-03044 | . SEE INSTRUCTION SHEET To 4-8205 | | 1 | 1 | 1 | A |
| | | | | | | | |
| | | | | | | | |
| | | A) WITH SMALL A/C SYSTEM | | | | | |
| | | B) BATHIS PUMP IS PACKAGING INDIVIDUALLY WITHOUT ELECTRICAL CONNECTORS | | | | | |
| | | C) CURRENT | | | | | |
| | | F) FORMER | | | | | |
| | | 1) NOT SOLD SEPARATELY | | | | | |
| | | P) CALL ORDER DESK FOR SPECIFIC APPLICATION (V.I.N.) | | | | | |

From Y-7046 To 2-7881

Date:10/2022

PAGE:Y2-2207-00

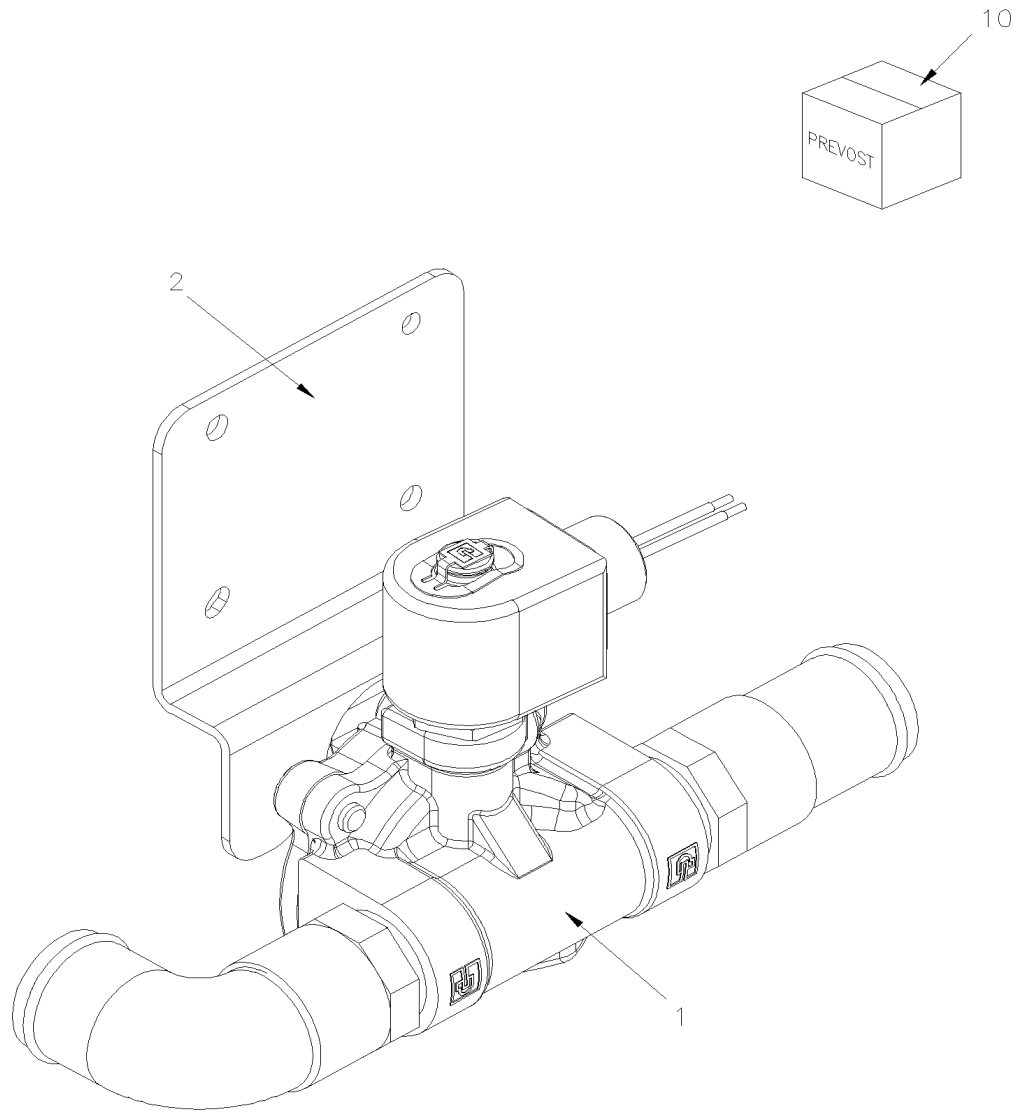
WATER VALVE - W/MAIN HEATER



| | | |
|------------------------------------|--------------|-----------------|
| From Y-7046 To 2-7881 | Date:10/2022 | PAGE:Y2-2207-00 |
| WATER VALVE - W/MAIN HEATER | | |

| Item# | Part | Description | X L I I 4 5 | X L I I M T H 4 0 | X L I I M T H 4 5 | X L I I M T H 4 5 E | N O T E S |
|-------|---------------|---|----------------------------|---|---|--|-----------------------|
| | 371798 | WATER VALVE ASSY | 1 | 1 | 1 | 1 | B |
| NS | 870873 | . VALVE WATER / 24 V | 1 | 1 | 1 | 1 | B |
| | 374669 | . VALVE WATER / 24 V / ASSY | 1 | 1 | 1 | 1 | B |
| 1 | 870866 | .. NUT, SKINNER VALVE COIL MOUNT | 1 | 1 | 1 | 1 | |
| 2 | N.S.S. | .. NAMEPLATE | 1 | 1 | 1 | 1 | 1 |
| 3 | N.S.S. | .. HOUSING | 1 | 1 | 1 | 1 | 1 |
| 4 | 870865 | .. COIL 24V | 1 | 1 | 1 | 1 | |
| 5 | N.S.S. | .. FLUX PLATE | 1 | 1 | 1 | 1 | 1 |
| 6 | N.S.S. | .. FLANGE | 1 | 1 | 1 | 1 | 1 |
| 7 | 870968 | .. SLEEVE ASSY | 1 | 1 | 1 | 1 | |
| 8 | 870853 | .. SEAL FLANGE | 1 | 1 | 1 | 1 | |
| 9 | 870854 | .. SNUBBER | 1 | 1 | 1 | 1 | |
| 10 | 870855 | .. PLUNGER ASSY | 1 | 1 | 1 | 1 | |
| 11 | N.S.S. | .. STOP | 1 | 1 | 1 | 1 | 1 |
| 12 | 870852 | .. SEAL RETAINER | 1 | 1 | 1 | 1 | |
| 13 | 870851 | .. SPRING | 1 | 1 | 1 | 1 | |
| 14 | N.S.S. | .. COVER | 1 | 1 | 1 | 1 | 1 |
| 15 | 870856 | .. SPRING | 1 | 1 | 1 | 1 | |
| 16 | 870857 | .. O-RING | 1 | 1 | 1 | 1 | |
| 17 | N.S.S. | .. SCREW | 1 | 1 | 1 | 1 | 1 |
| 18 | N.S.S. | .. SUPPORT PLATE | 1 | 1 | 1 | 1 | 1 |
| 19 | 870859 | .. DIAPHRAGM | 1 | 1 | 1 | 1 | |
| 20 | 870860 | .. SEAL | 1 | 1 | 1 | 1 | |
| 21 | N.S.S. | .. LOCK NUT | 1 | 1 | 1 | 1 | 1 |
| 22 | 870822 | .. O-RING | 1 | 1 | 1 | 1 | |
| 23 | N.S.S. | .. BODY | 1 | 1 | 1 | 1 | 1 |
| 26 | 371725 | SUPPORT / WATER VALVE | 1 | 1 | 1 | 1 | |
| 50 | 374830 | WATER VALVE ASSY | 1 | 1 | 1 | 1 | |
| 100 | 870876 | KIT REPAIR | 1 | 1 | 1 | 1 | A |
| NS | 870875 | . DIAPHRAGM | 1 | 1 | 1 | 1 | A |
| | | A) THIS KIT INCLUDES ITEMS #8,9,10,12,13,15,16,19,20,22 | | | | | |
| | | B) 870873 NO LONGER AVAILABLE REPLACE BY 374830 | | | | | |
| | | 1) NOT SOLD SEPARATELY | | | | | |

| | | |
|-----------------------|--------------|-------------|
| From Y-7046 To 2-7881 | Date:10/2022 | PAGE:374830 |
| WATER VALVE ASSY | | |

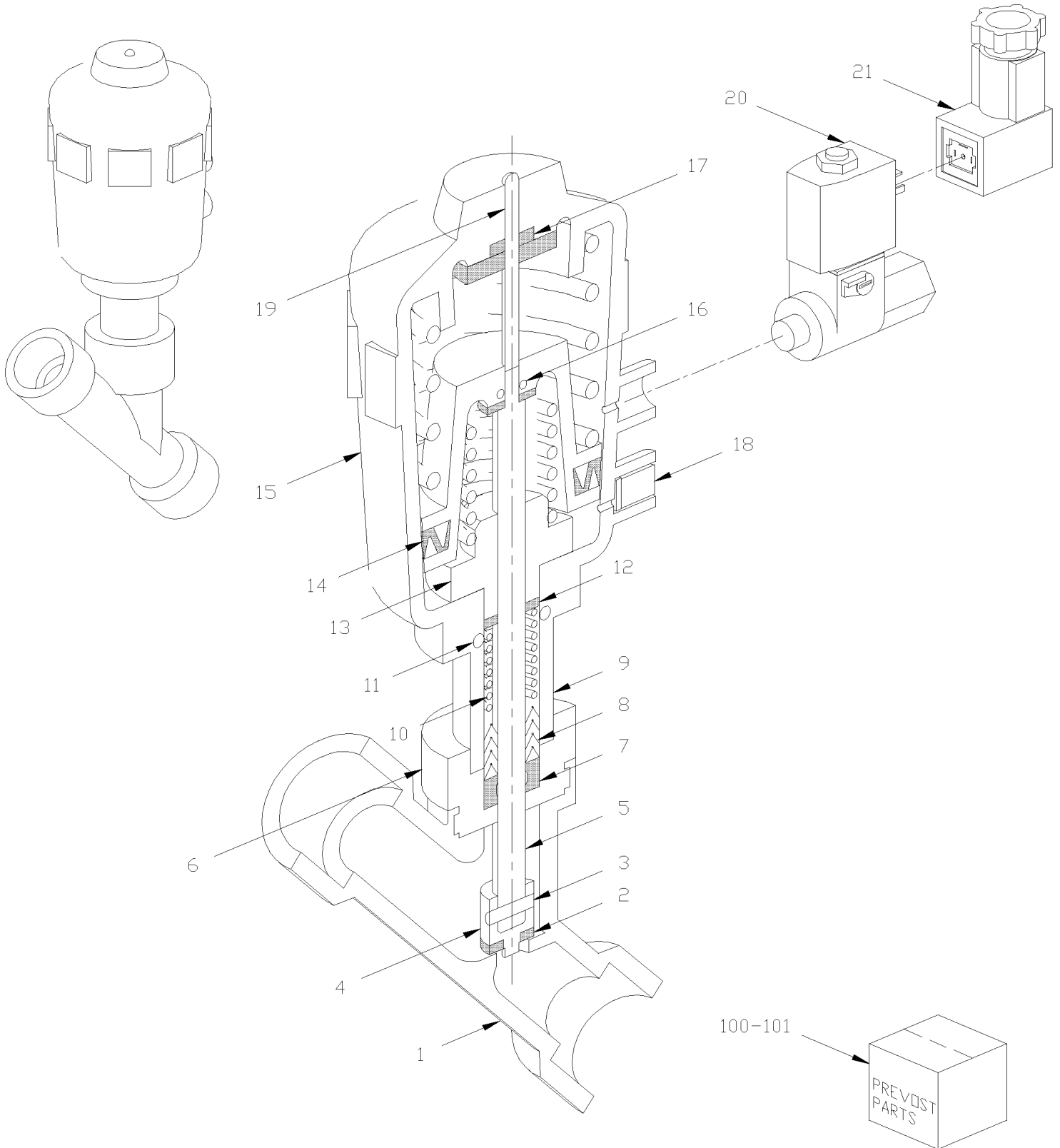


From 2-7822 To 8-9339

Date:10/2022

PAGE:Y2-2207-01

WATER VALVE - W/2 WAYS

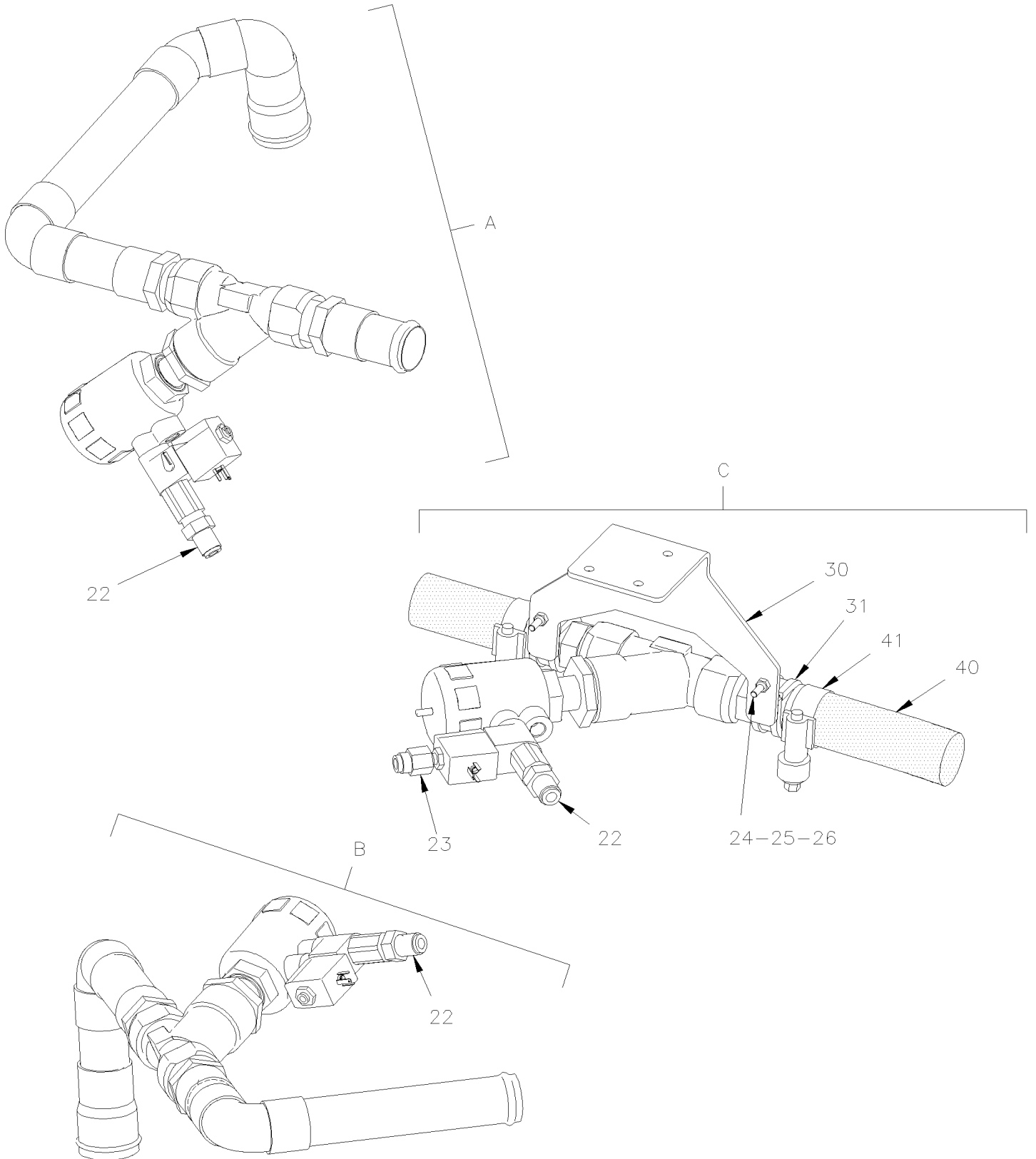


From 2-7822 To 8-9339

Date:10/2022

PAGE:Y2-2207-01

WATER VALVE - W/2 WAYS



| | | |
|-------------------------------|--------------|-----------------|
| From 2-7822 To 8-9339 | Date:10/2022 | PAGE:Y2-2207-01 |
| WATER VALVE - W/2 WAYS | | |

| Item# | Part | Description | X L I I 4 5 | X L I I M T H 4 0 | X L I I M T H 4 5 | X L I I M T H 4 5 E | N O T E S |
|-------|-----------------|--|----------------------------|---|---|--|-----------------------|
| | 871252 | . WATER VALVE ASSY / 24V | 1 | 1 | 1 | 1 | |
| 1 | N.S.S. | .. BODY | 1 | 1 | 1 | 1 | 1 |
| 2 | N.S.S. | .. SEAL | 1 | 1 | 1 | 1 | 1 |
| 3 | N.S.S. | .. PIN | 1 | 1 | 1 | 1 | 1 |
| 4 | N.S.S. | .. SWIVEL PLATE | 1 | 1 | 1 | 1 | 1 |
| 5 | N.S.S. | .. SPINDLE | 1 | 1 | 1 | 1 | 1 |
| 6 | N.S.S. | .. NIPPLE | 1 | 1 | 1 | 1 | 1 |
| 7 | N.S.S. | .. WIPER | 1 | 1 | 1 | 1 | 1 |
| 8 | N.S.S. | .. V-SEAL | 3 | 3 | 3 | 3 | 1 |
| 9 | N.S.S. | .. TUBE | 1 | 1 | 1 | 1 | 1 |
| 10 | N.S.S. | .. SPRING | 1 | 1 | 1 | 1 | 1 |
| 11 | N.S.S. | .. O-RING | 1 | 1 | 1 | 1 | 1 |
| 12 | N.S.S. | .. LIP SEAL | 1 | 1 | 1 | 1 | 1 |
| 13 | N.S.S. | .. SCREW | 1 | 1 | 1 | 1 | 1 |
| 14 | N.S.S. | .. CYLINDER SEAL | 1 | 1 | 1 | 1 | 1 |
| 15 | N.S.S. | .. ACTUATOR CASING | 1 | 1 | 1 | 1 | 1 |
| 16 | N.S.S. | .. O-RING | 1 | 1 | 1 | 1 | 1 |
| 17 | N.S.S. | .. LIP SEAL | 1 | 1 | 1 | 1 | 1 |
| 18 | N.S.S. | .. CONE GLAND 1/8" | 2 | 2 | 2 | 2 | 1 |
| 19 | N.S.S. | .. POSITION INDICATOR | 1 | 1 | 1 | 1 | 1 |
| 20 | 871313 | . SOLENOID VALVE 24V 4 WATTS 1/8SPT X 1/4NPT | 1 | 1 | 1 | 1 | |
| . NS | 871391 | .. COIL 24V 4 WATTS | 1 | 1 | 1 | 1 | |
| 21 | 563204 | . CONNECTOR / SOCKET HOUSING ASSY 4C / BURKET 303148 | 1 | 1 | 1 | 1 | |
| 22 | 641332 | MALE CONNECTOR / PUSH-IN FITTING / #4x1/4NPT-M BR | 1 | 1 | 1 | 1 | |
| 23 | 642028 | MALE CONNECTOR / PUSH-IN FITTING / 6MM x M5-0.8 BR | 1 | 1 | 1 | 1 | |
| 24 | 500588 | SCREW CAP HEX M4-0.7x20 G8.8 Z050 | 2 | 2 | 2 | 2 | |
| 25 | 500438 | WASHER FL .187x.437x.050 Z050 | 2 | 2 | 2 | 2 | |
| 26 | 500540 | SCREW TP CAP HEX 5/16x1/4 ZP | 2 | 2 | 2 | 2 | |
| 30 | 374147 | SUPPORT WATER VALVE From 6-8806 | | 1 | 1 | 1 | A |
| 31 | 952635 | CLAMP / 1" I.D. | 2 | 2 | 2 | 2 | |
| 40 | 503684 | HOSE SILICONE 1 PLY 7/8" I.D. x 100' / S.L. | AR | AR | AR | AR | |
| 41 | 504646 | HOSE CLAMP / 11/16"-1"1/4 / C.T. 9412 | 2 | 2 | 2 | 2 | |
| 100 | 871311 | SEAL KIT / WATER SIDE | 1 | 1 | 1 | 1 | |
| 101 | 871312 | SEAL KIT / AIR PISTON SIDE | 1 | 1 | 1 | 1 | |
| A | 373864 | WATER VALVE ASSY W/PIPE From 2-7882 To 6-8805 | | 1 | 1 | 1 | |
| B | 373889 | WATER VALVE ASSY W/PIPE From 2-7876 | 1 | | | | |
| C | Call order desk | WATER VALVE ASSY W/PIPE & SUPPORT From 6-8806 | | 1 | 1 | 1 | P |
| | | | | | | | |
| | | | | | | | |
| | | A) IN SPARE COMPARTMENT-LOCALISER | | | | | |
| | | 1) NOT SOLD SEPARATELY | | | | | |

| | | |
|-----------------------|--------------|-----------------|
| From 2-7822 To 8-9339 | Date:10/2022 | PAGE:Y2-2207-01 |
|-----------------------|--------------|-----------------|

WATER VALVE - W/2 WAYS

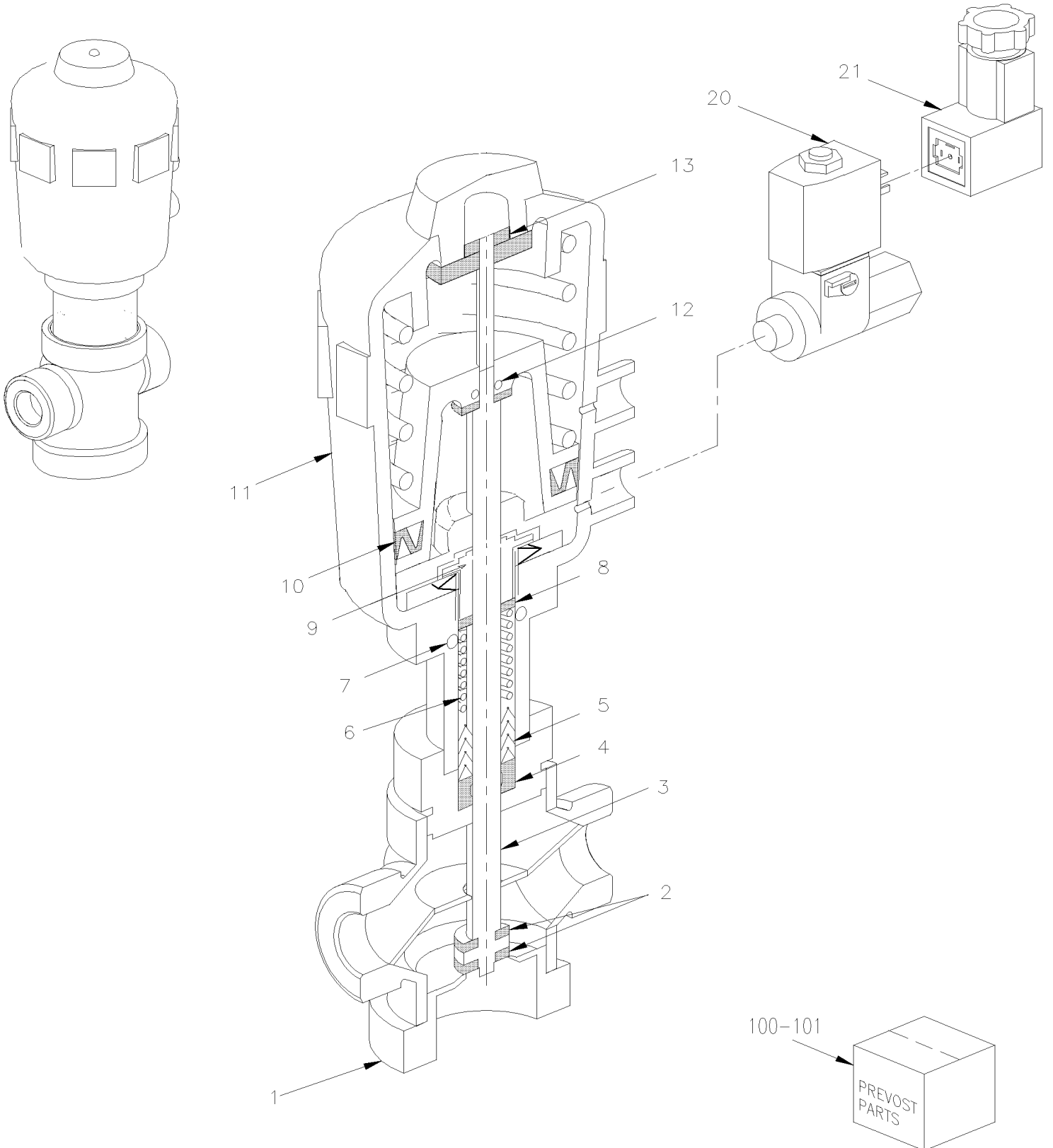
| Item# | Part | Description | X L I I 4 5 | X L I I M T H 4 0 | X L I I M T H 4 5 | X L I I M T H 4 5 E | N O T E S |
|-------|------|--|--------------------------------|---|---|--|-----------------------|
| | | P) CALL ORDER DESK FOR SPECIFIC APPLICATION (V.I.N.) | | | | | |

From 6-8806 To 8-9339

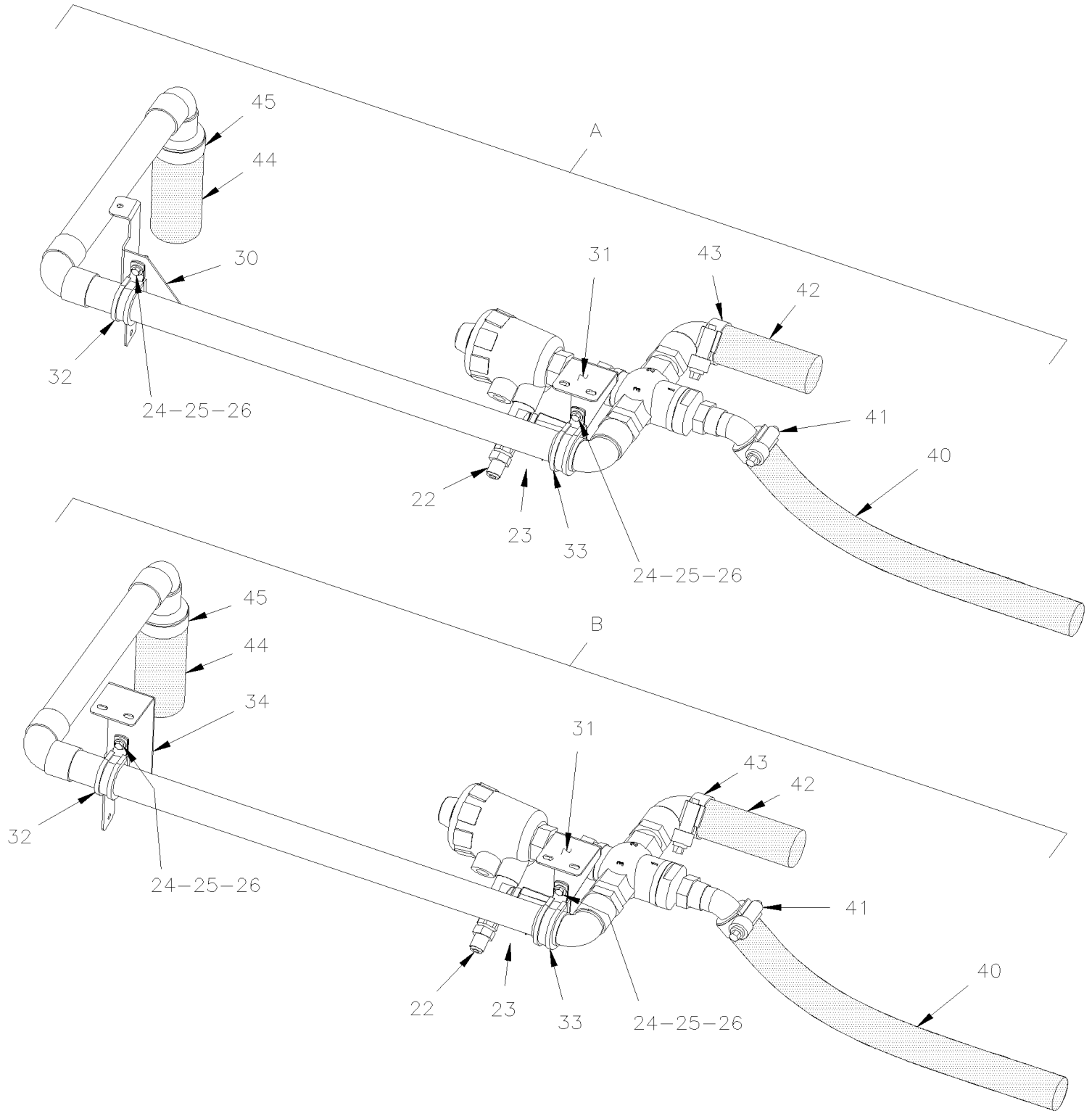
Date:10/2022

PAGE:Y2-2207-02

WATER VALVE - W/3 WAYS BY-PASS



| | | |
|--------------------------------|--------------|-----------------|
| From 6-8806 To 8-9339 | Date:10/2022 | PAGE:Y2-2207-02 |
| WATER VALVE - W/3 WAYS BY-PASS | | |



| | | |
|-----------------------|--------------|-----------------|
| From 6-8806 To 8-9339 | Date:10/2022 | PAGE:Y2-2207-02 |
|-----------------------|--------------|-----------------|

WATER VALVE - W/3 WAYS BY-PASS

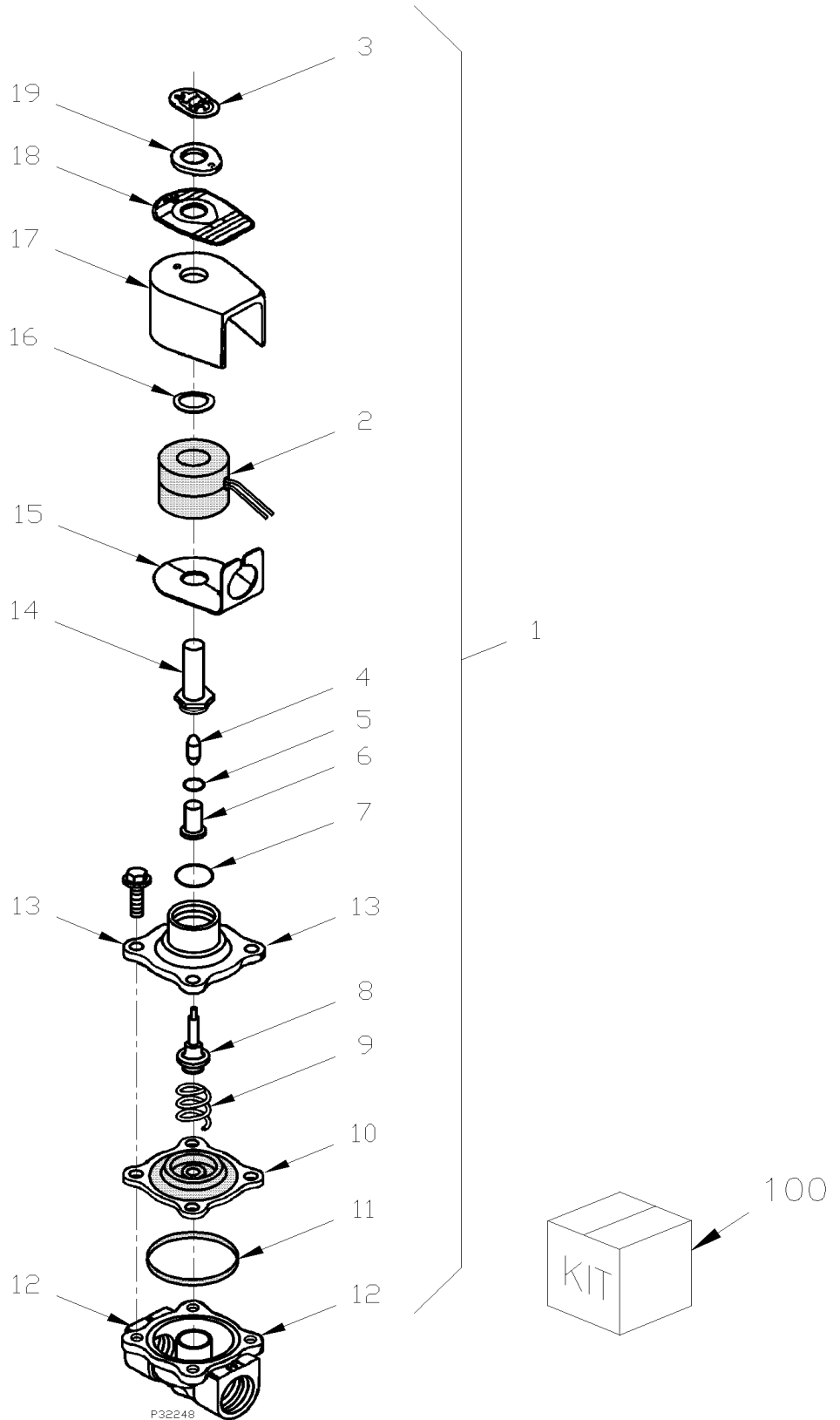
| Item# | Part | Description | X L I I 4 5 | X L I I M T H 4 0 | X L I I M T H 4 5 | X L I I M T H 4 5 E | N O T E S |
|-------|------|--|--------------------------------|---|---|--|-----------------------|
| | | | | | | | |
| | | 1) NOT SOLD SEPARATELY | | | | | |
| | | P) CALL ORDER DESK FOR SPECIFIC APPLICATION (V.I.N.) | | | | | |

From Y-7046 To 8-9339

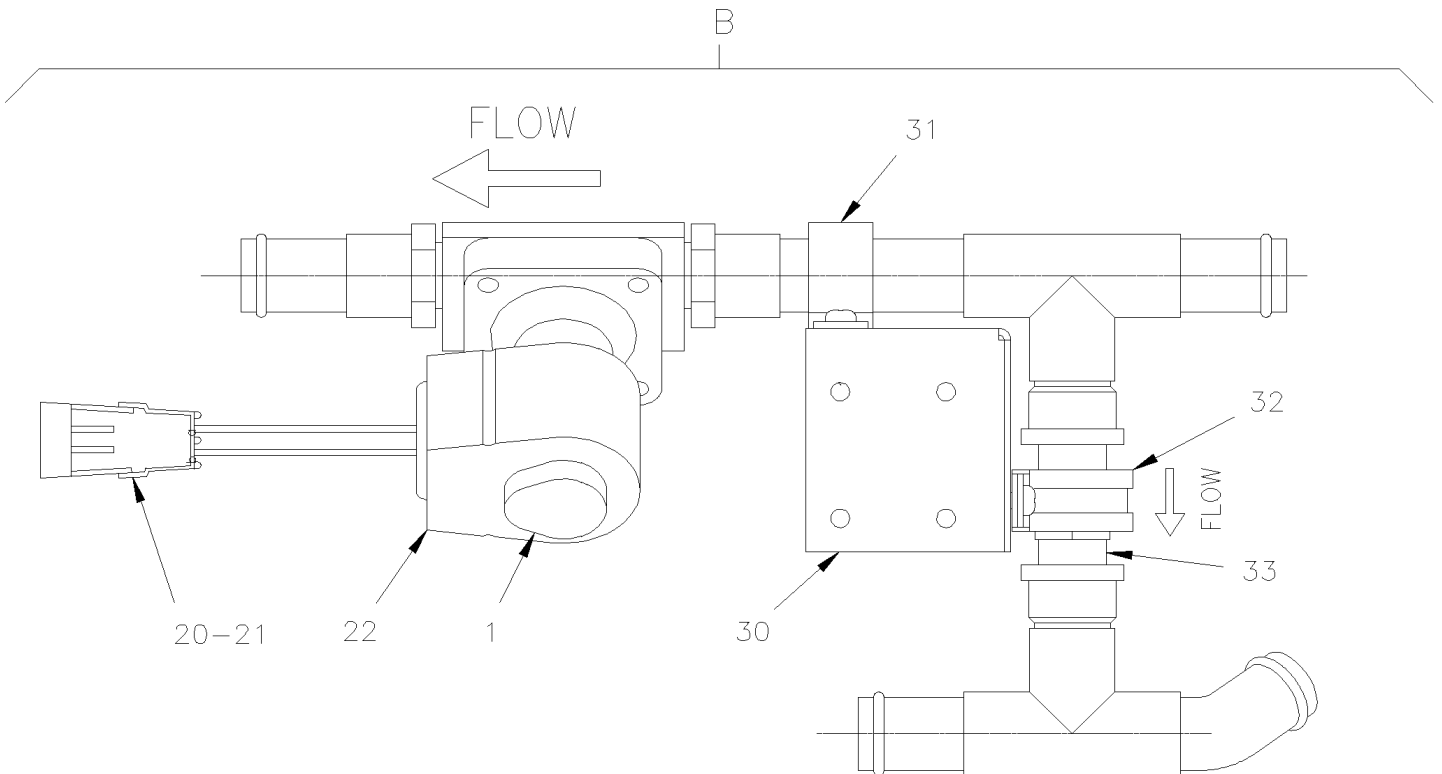
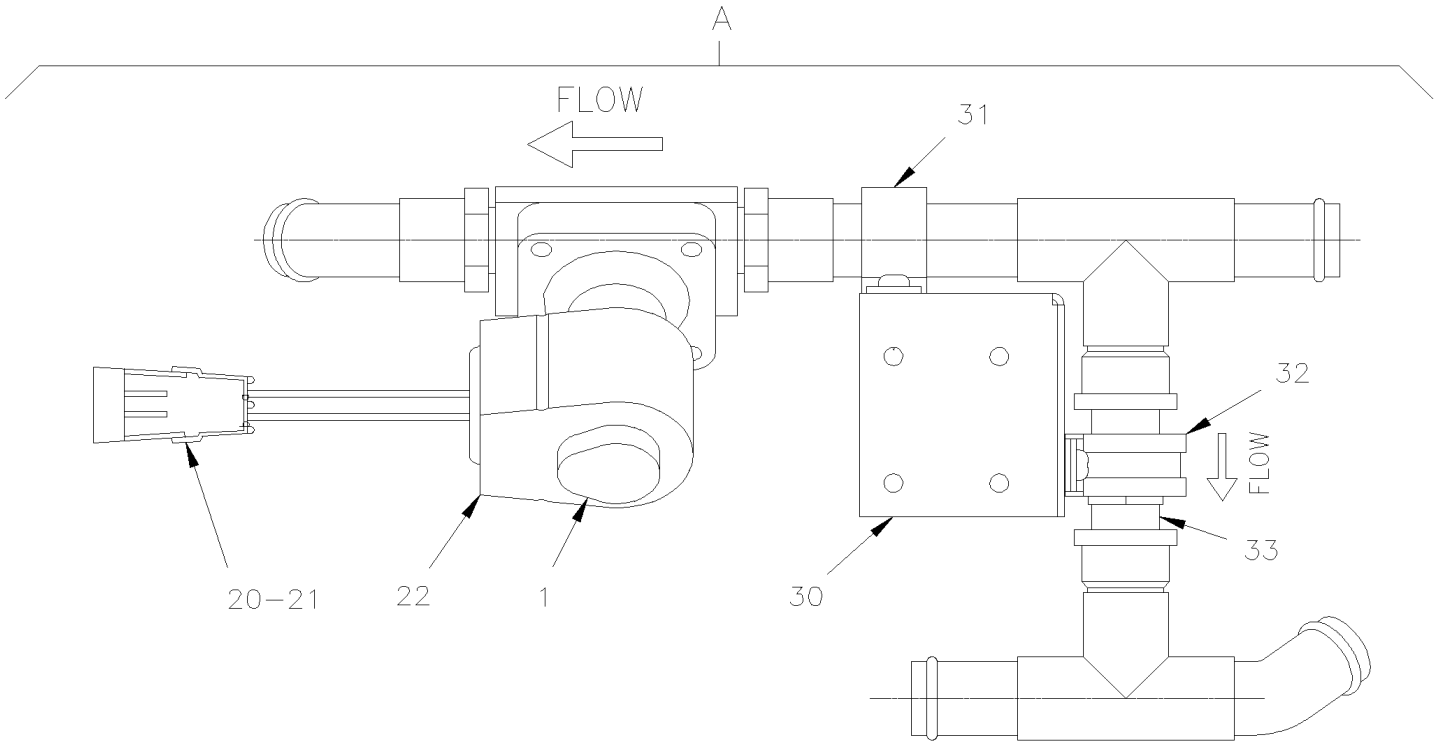
Date:10/2022

PAGE:Y2-2207-10

WATER VALVE - W/DRIVER'S HEATER



| | | |
|--|--------------|-----------------|
| From Y-7046 To 8-9339 | Date:10/2022 | PAGE:Y2-2207-10 |
| WATER VALVE - W/DRIVER'S HEATER | | |



| | | |
|--|--------------|-----------------|
| From Y-7046 To 8-9339 | Date:10/2022 | PAGE:Y2-2207-10 |
| WATER VALVE - W/DRIVER'S HEATER | | |

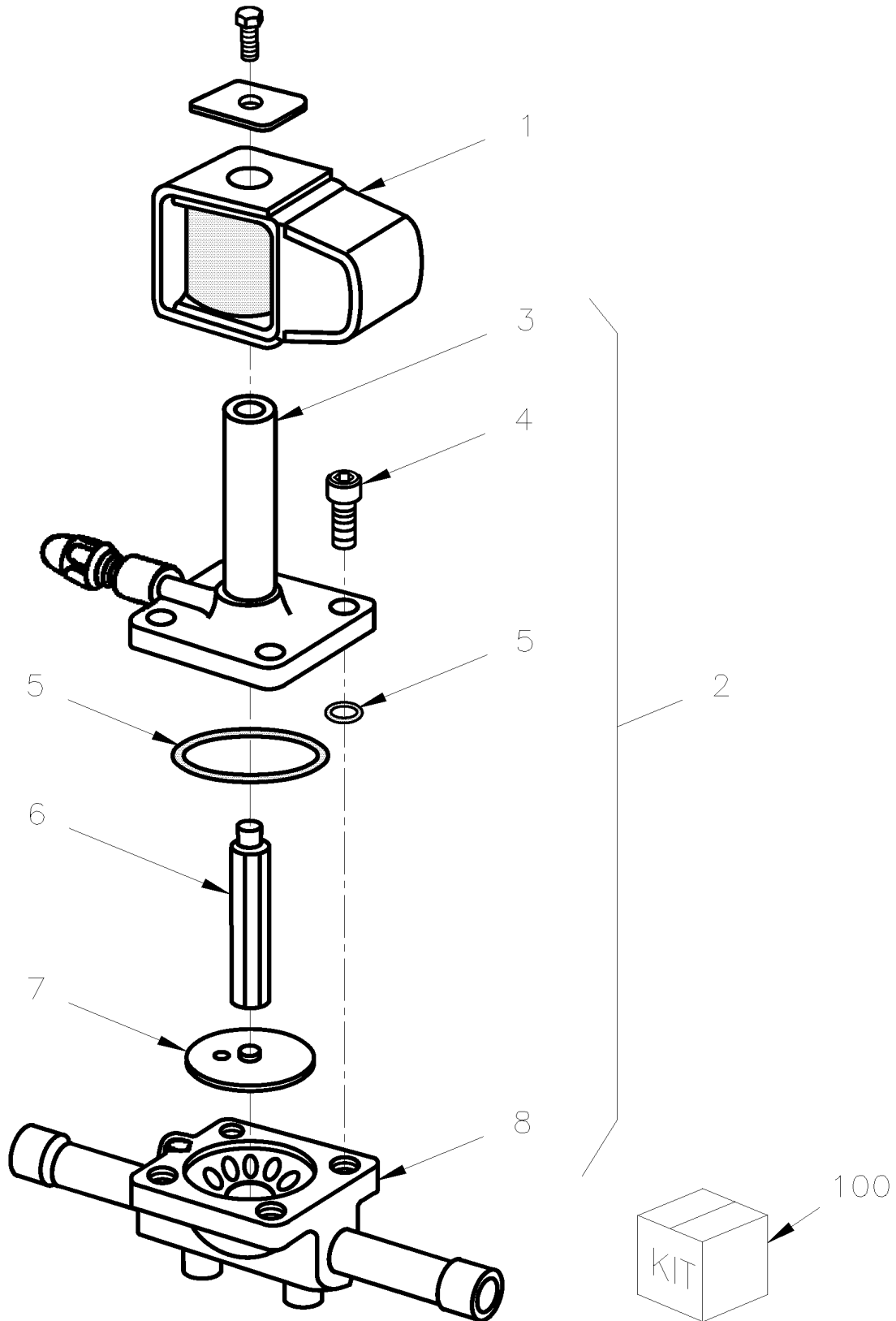
| Item# | Part | Description | X L I I 4 5 | X L I I M T H 4 0 | X L I I M T H 4 5 | X L I I M T H 4 5 E | N O T E S |
|-------|-----------------|---|----------------------------|---|---|--|-----------------------|
| | 372854 | . VALVE ASSY / W/CONNECTOR | 1 | 1 | 1 | 1 | |
| 1 | 870812 | . . VALVE WATER ASSY / 24 V | 1 | 1 | 1 | 1 | |
| 2 | 870960 | . . . COIL 24V | 1 | 1 | 1 | 1 | |
| 3 | N.S.S. | . . . RETAINING CLIP | 1 | 1 | 1 | 1 | 1 |
| 4 | N.S.S. | . . . CORE | 1 | 1 | 1 | 1 | 1 |
| 5 | N.S.S. | . . . PLUG NUT GASKET | 1 | 1 | 1 | 1 | 1 |
| 6 | N.S.S. | . . . PLUG NUT ASSY | 1 | 1 | 1 | 1 | 1 |
| 7 | N.S.S. | . . . GASKET | 1 | 1 | 1 | 1 | 1 |
| 8 | N.S.S. | . . . DISC HOLDER | 1 | 1 | 1 | 1 | 1 |
| 9 | N.S.S. | . . . SPRING | 1 | 1 | 1 | 1 | 1 |
| 10 | N.S.S. | . . . DIAPHRAGM | 1 | 1 | 1 | 1 | 1 |
| 11 | N.S.S. | . . . GASKET | 1 | 1 | 1 | 1 | 1 |
| 12 | N.S.S. | . . . BODY | 1 | 1 | 1 | 1 | 1 |
| 13 | N.S.S. | . . . VALVE BONNET | 1 | 1 | 1 | 1 | 1 |
| 14 | N.S.S. | . . . SOLENOID BASE | 1 | 1 | 1 | 1 | 1 |
| 15 | N.S.S. | . . . HOUSING | 1 | 1 | 1 | 1 | 1 |
| 16 | N.S.S. | . . . SPRING WASHER | 1 | 1 | 1 | 1 | 1 |
| 17 | N.S.S. | . . . COVER | 1 | 1 | 1 | 1 | 1 |
| 18 | N.S.S. | . . . NAMEPLATE | 1 | 1 | 1 | 1 | 1 |
| 19 | N.S.S. | . . . SPACER | 1 | 1 | 1 | 1 | 1 |
| 20 | 561566 | . CONNECTOR / WEATHER PACK / PH 2C / BLACK / PED 12010973 | 1 | 1 | 1 | 1 | |
| NS | 561565 | . CABLE SEAL / GREEN / PED 15324982 | 2 | 2 | 2 | 2 | |
| NS | 561568 | . PIN TERMINAL / 16-14 / PED 12089305 | 2 | 2 | 2 | 2 | |
| 21 | 560931 | . DIODE / 3AMPS | 1 | 1 | 1 | 1 | |
| 22 | 504356 | . GROMMET / .625x.875x.062x.312x1.125 | 1 | 1 | 1 | 1 | |
| 30 | 373642 | . SUPPORT / WATER VALVE | 1 | 1 | 1 | 1 | |
| 31 | 952633 | . CLAMP / 7/8" I.D. | 1 | 1 | 1 | 1 | |
| 32 | 952635 | . CLAMP / 1" I.D. | 1 | 1 | 1 | 1 | |
| 33 | 870727 | . CHECK VALVE 1/2 NPT | 1 | 1 | 1 | 1 | |
| 100 | 870872 | KIT REPAIR | AR | AR | AR | AR | |
| A | Call order desk | WATER VALVE ASSY / W/PIPE | 1 | | | | P |
| B | 373645P | WATER VALVE ASSY / W/PIPE | | 1 | 1 | 1 | |
| | | | | | | | |
| | | | | | | | |
| | | 1) NOT SOLD SEPARATELY | | | | | |
| | | P) CALL ORDER DESK FOR SPECIFIC APPLICATION (V.I.N.) | | | | | |

From Y-7046 To 6-8906

Date:10/2022

PAGE:Y2-2207-20

WATER VALVE - BYPASS W/WATER HEATER

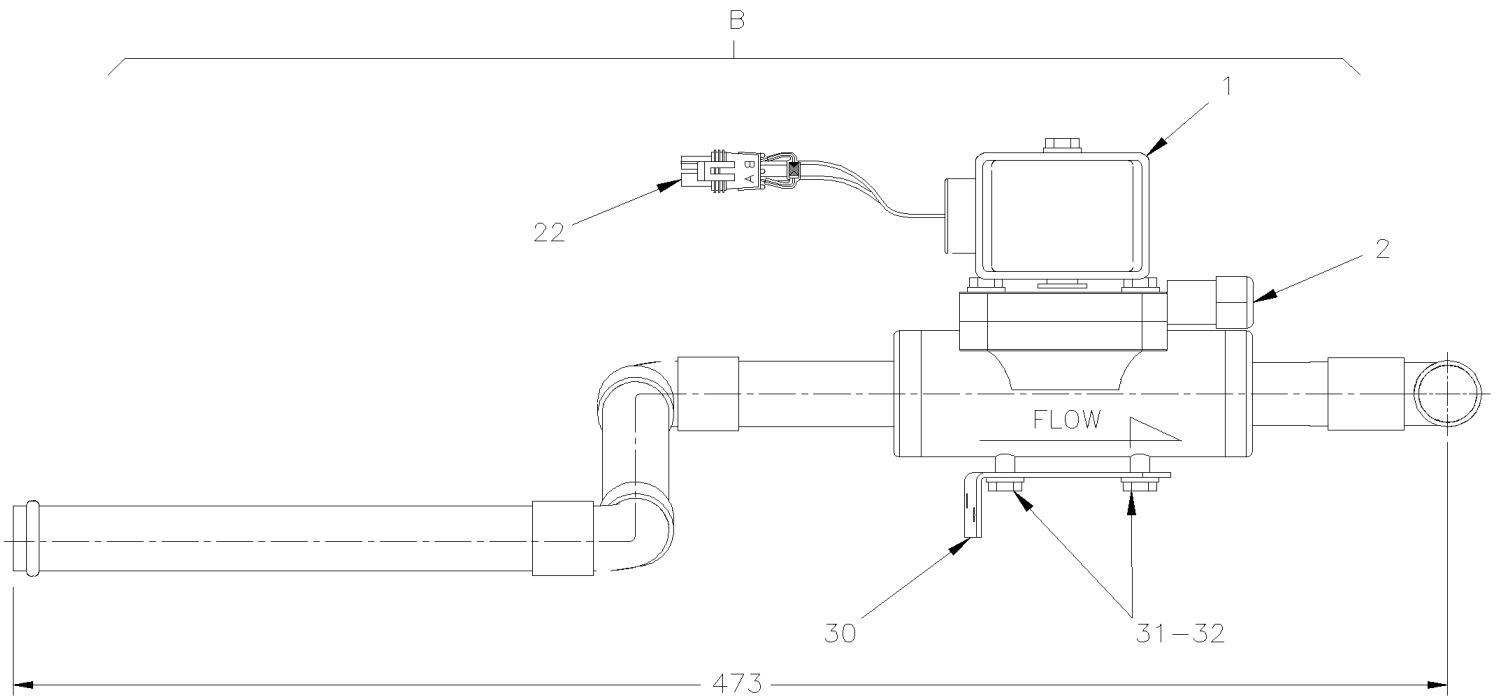
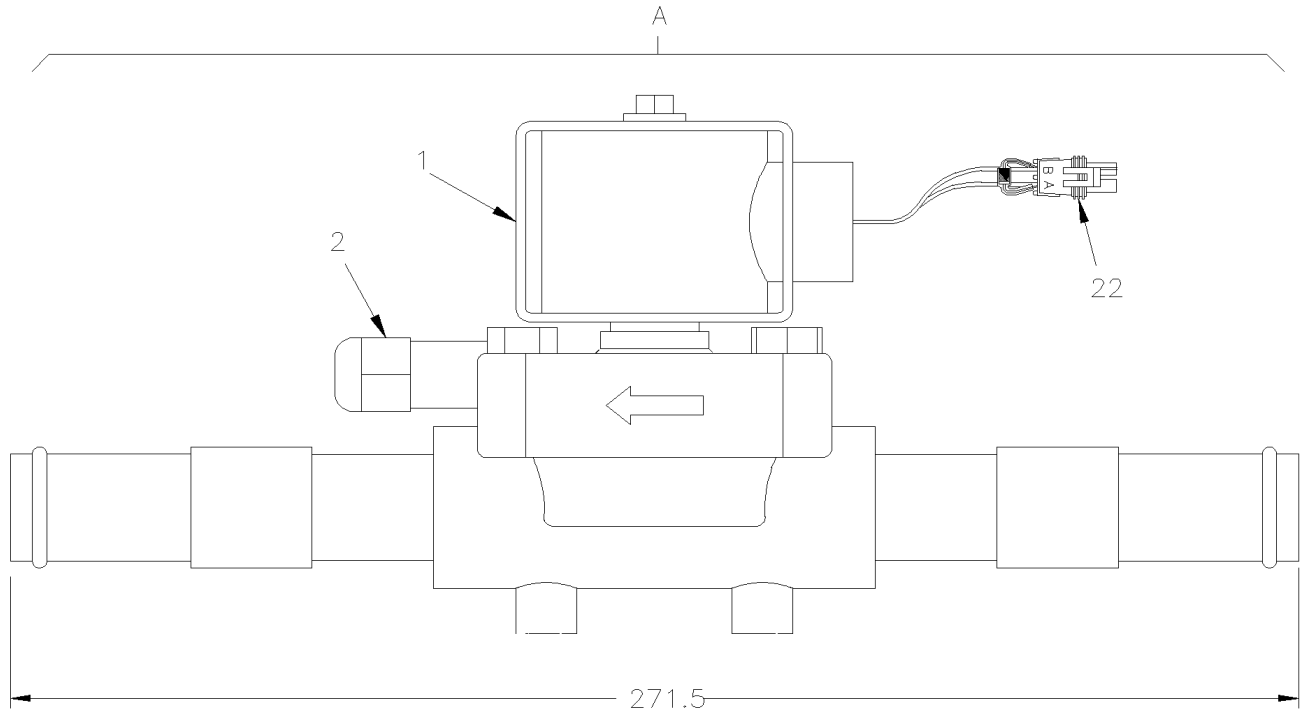


From Y-7046 To 6-8906

Date:10/2022

PAGE:Y2-2207-20

WATER VALVE - BYPASS W/WATER HEATER

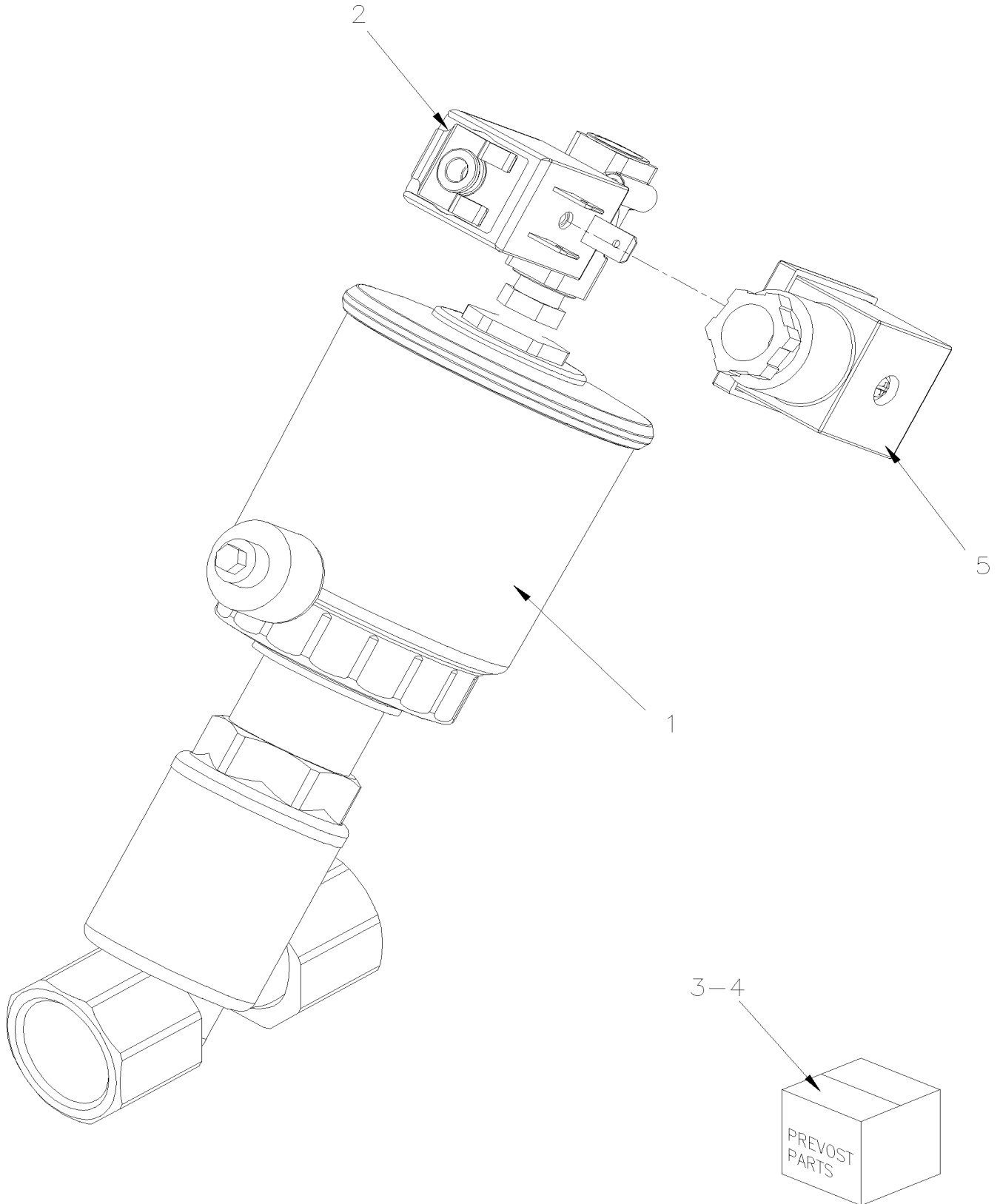


| | | |
|-----------------------|--------------|-----------------|
| From Y-7046 To 6-8906 | Date:10/2022 | PAGE:Y2-2207-20 |
|-----------------------|--------------|-----------------|

WATER VALVE - BYPASS W/WATER HEATER

| Item# | Part | Description | X L I I 4 5 | X L I I M T H 4 0 | X L I I M T H 4 5 | X L I I M T H 4 5 E | N O T E S |
|-------|--------|---|----------------------------|---|---|--|-----------------------|
| 1 | 950055 | . COIL 24V To 7-9259 | 1 | 1 | 1 | 1 | |
| 1 | 950953 | . COIL 24V / SERVICE From 7-9260 | 1 | 1 | 1 | 1 | |
| 2 | 870886 | . VALVE WATER BYPASS To 7-9259 | 1 | 1 | 1 | 1 | |
| 2 | 950952 | . VALVE WATER BYPASS / SERVICE From 7-9260 | 1 | 1 | 1 | 1 | |
| 3 | N.S.S. | . . BONNET & ENCLOSING TUBE ASSY | 1 | 1 | 1 | 1 | 1 |
| 4 | 500238 | . . SCREW CAP HEXS 1/4-20x3/4 ZP | 4 | 4 | 4 | 4 | |
| 5 | N.S.S. | . . O-RING | 1 | 1 | 1 | 1 | 1 |
| 6 | N.S.S. | . . PLUNGER ASSY | 1 | 1 | 1 | 1 | 1 |
| 7 | N.S.S. | . . DIAPHRAGM ASSY | 1 | 1 | 1 | 1 | 1 |
| 8 | N.S.S. | . . BODY | 1 | 1 | 1 | 1 | 1 |
| 22 | 561690 | . CONNECTOR / WEATHER PACK / SH 2C / BLACK / PED 12015792 | 1 | 1 | 1 | 1 | |
| NS | 561689 | . SOCKET TERMINAL / 20-18 / PED 12089188 | 2 | 2 | 2 | 2 | |
| NS | 561565 | . CABLE SEAL / GREEN / PED 15324982 | 2 | 2 | 2 | 2 | |
| 30 | 373748 | . SUPPORT / BY-PASS VALVE | | 1 | 1 | 1 | |
| 31 | 500162 | . SCREW CAP HEX 1/4-20x1/2 G5 Z050 | | 2 | 2 | 2 | |
| 32 | 500473 | . WASHER LO SPT .262x.489x.062 Z050 | | 2 | 2 | 2 | |
| NS | 373311 | SUPPORT / BY-PASS VALVE | 1 | | | | |
| 100 | 870980 | KIT REPAIR To 7-9259 | AR | AR | AR | AR | |
| A | 373310 | WATER BY-PASS VALVE ASSY / W/TUBE & CONNECTOR | 1 | | | | |
| B | 373750 | WATER BY-PASS VALVE ASSY / W/TUBE & CONNECTOR | | 1 | 1 | 1 | |
| | | | | | | | |
| | | | | | | | |
| | | | | | | | |
| | | | | | | | |
| | | 1) NOT SOLD SEPARATELY | | | | | |

| | | |
|----------------------------------|--------------|-----------------|
| From 2-7822 To 8-9339 | Date:10/2022 | PAGE:Y2-2207-99 |
| WATER VALVE - W/2 WAYS / SERVICE | | |



| | | |
|---|--------------|-----------------|
| From 2-7822 To 8-9339 | Date:10/2022 | PAGE:Y2-2207-99 |
| WATER VALVE - W/2 WAYS / SERVICE | | |

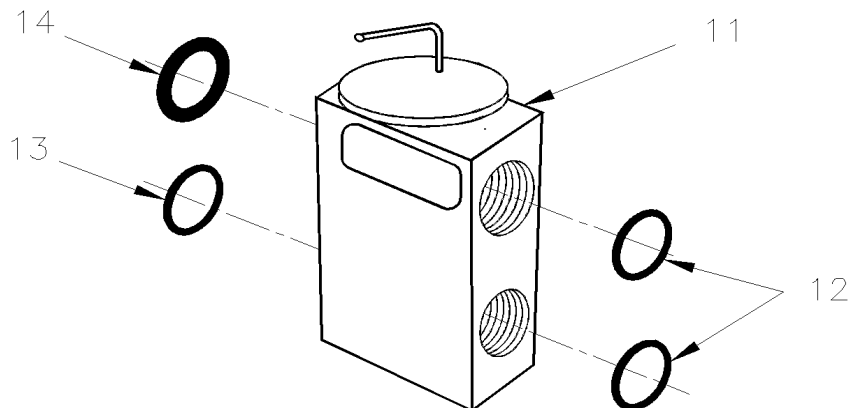
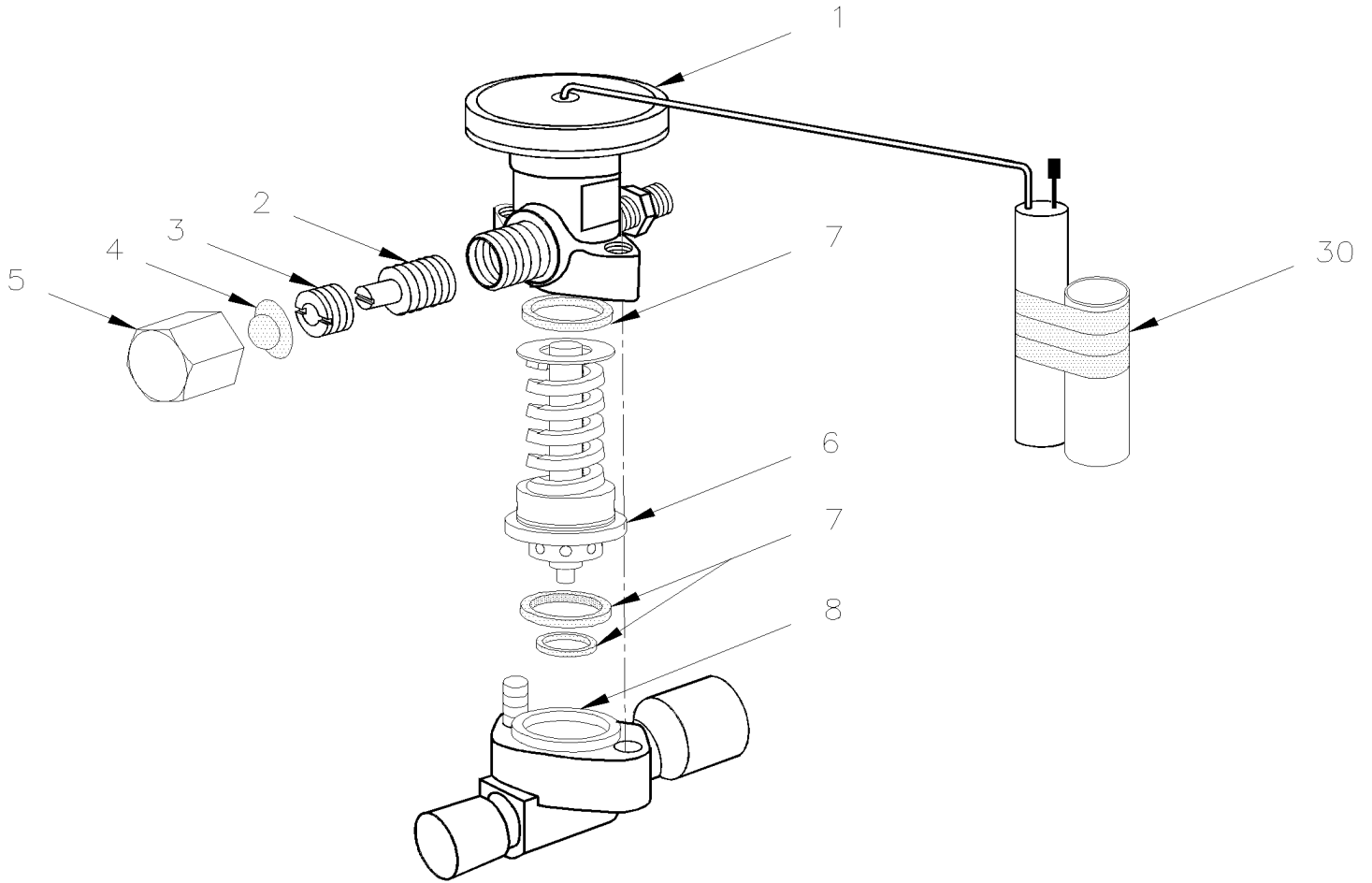
| Item# | Part | Description | X L I I 4 5 | X L I I M T H 4 0 | X L I I M T H 4 5 | X L I I M T H 4 5 E | N O T E S |
|-------|--------|---|----------------------------|---|---|--|-----------------------|
| 1 | 871454 | WATER VALVE ASSY / 24V | 1 | 1 | 1 | 1 | |
| 2 | 871458 | . VALVE PILOT | 1 | 1 | 1 | 1 | |
| 3 | 871459 | . VALVE PSITON SERVICE KIT | 1 | 1 | 1 | 1 | |
| . NS | N.S.S. | .. VALVE PSITON SERVICE KIT | 1 | 1 | 1 | 1 | 1 |
| . NS | N.S.S. | .. WASHER | 1 | 1 | 1 | 1 | 1 |
| . NS | N.S.S. | .. WASHER | 1 | 1 | 1 | 1 | 1 |
| . NS | N.S.S. | .. SEAL | 1 | 1 | 1 | 1 | 1 |
| 4 | 871460 | . CONNECTOR KIT | 1 | 1 | 1 | 1 | |
| 5 | 641385 | CONNECTOR / SOCKET HOUSING ASSY 3C / PNEUMAC 54934-01 | 1 | 1 | 1 | 1 | |
| | | | | | | | |
| | | | | | | | |
| | | 1) NOT SOLD SEPARATELY | | | | | |

From Y-7046 To 8-9339

Date:10/2022

PAGE:Y2-2208-00

A/C EXPANSION VALVE

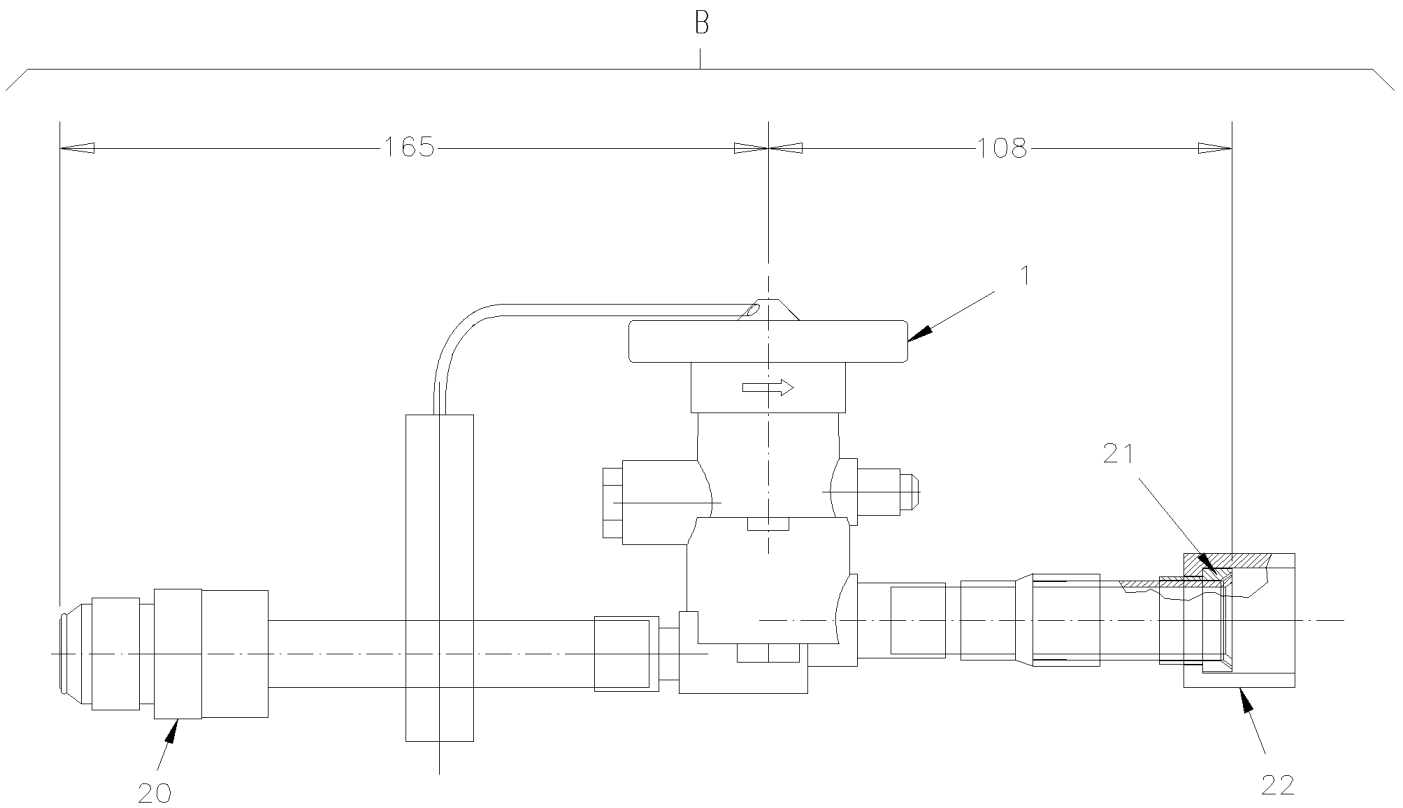
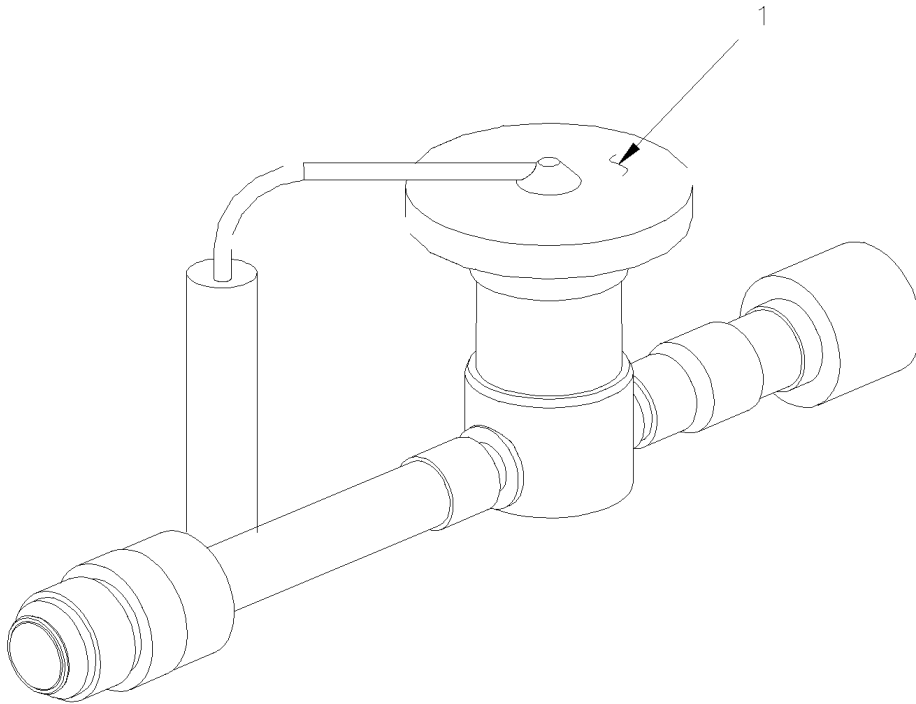


From Y-7046 To 8-9339

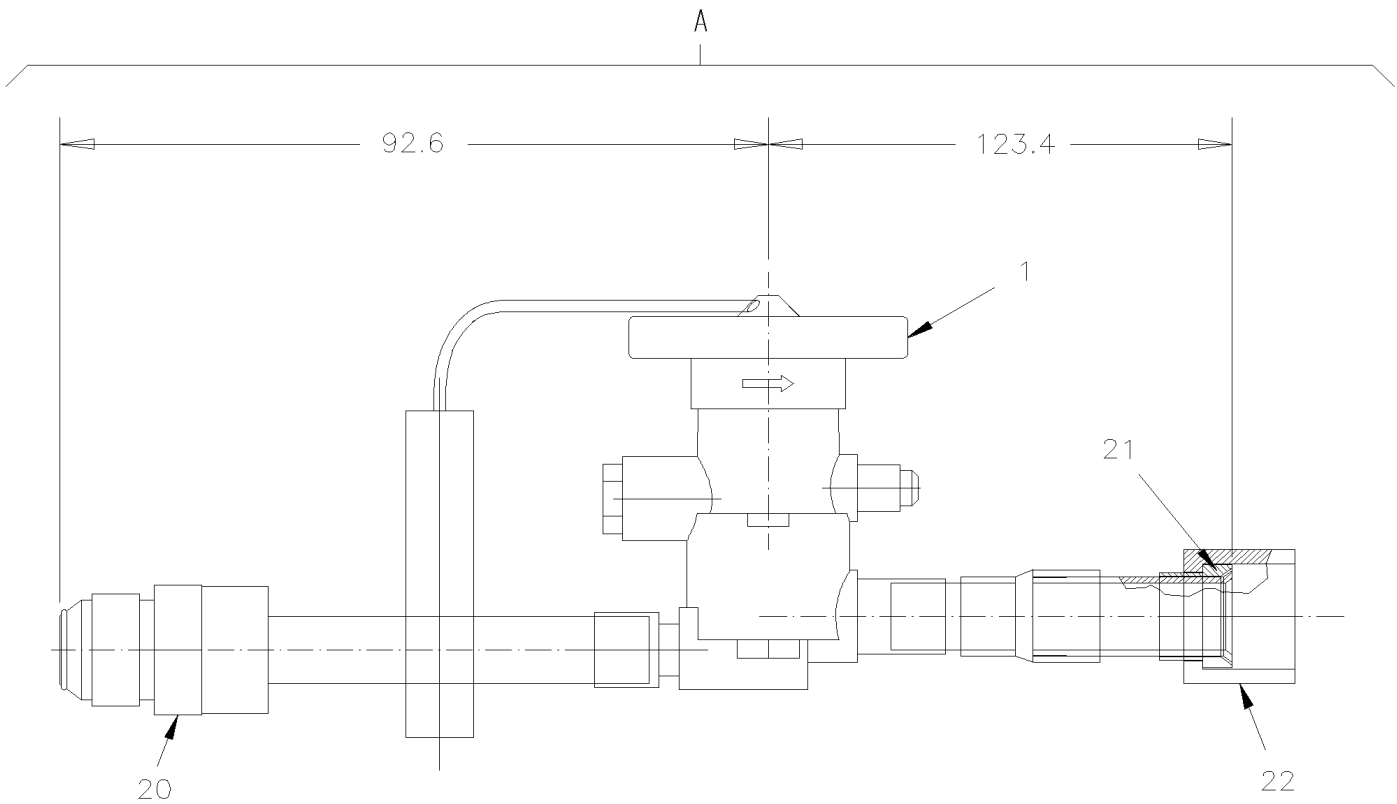
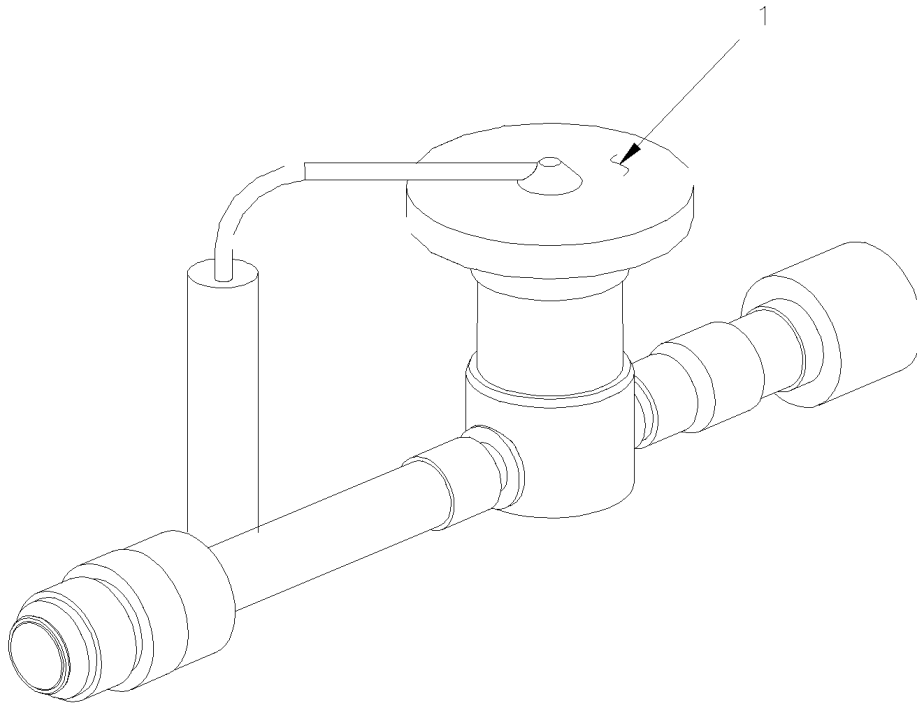
Date:10/2022

PAGE:Y2-2208-00

A/C EXPANSION VALVE



| | | |
|----------------------------|--------------|-----------------|
| From Y-7046 To 8-9339 | Date:10/2022 | PAGE:Y2-2208-00 |
| A/C EXPANSION VALVE | | |



| | | |
|----------------------------|--------------|-----------------|
| From Y-7046 To 8-9339 | Date:10/2022 | PAGE:Y2-2208-00 |
| A/C EXPANSION VALVE | | |

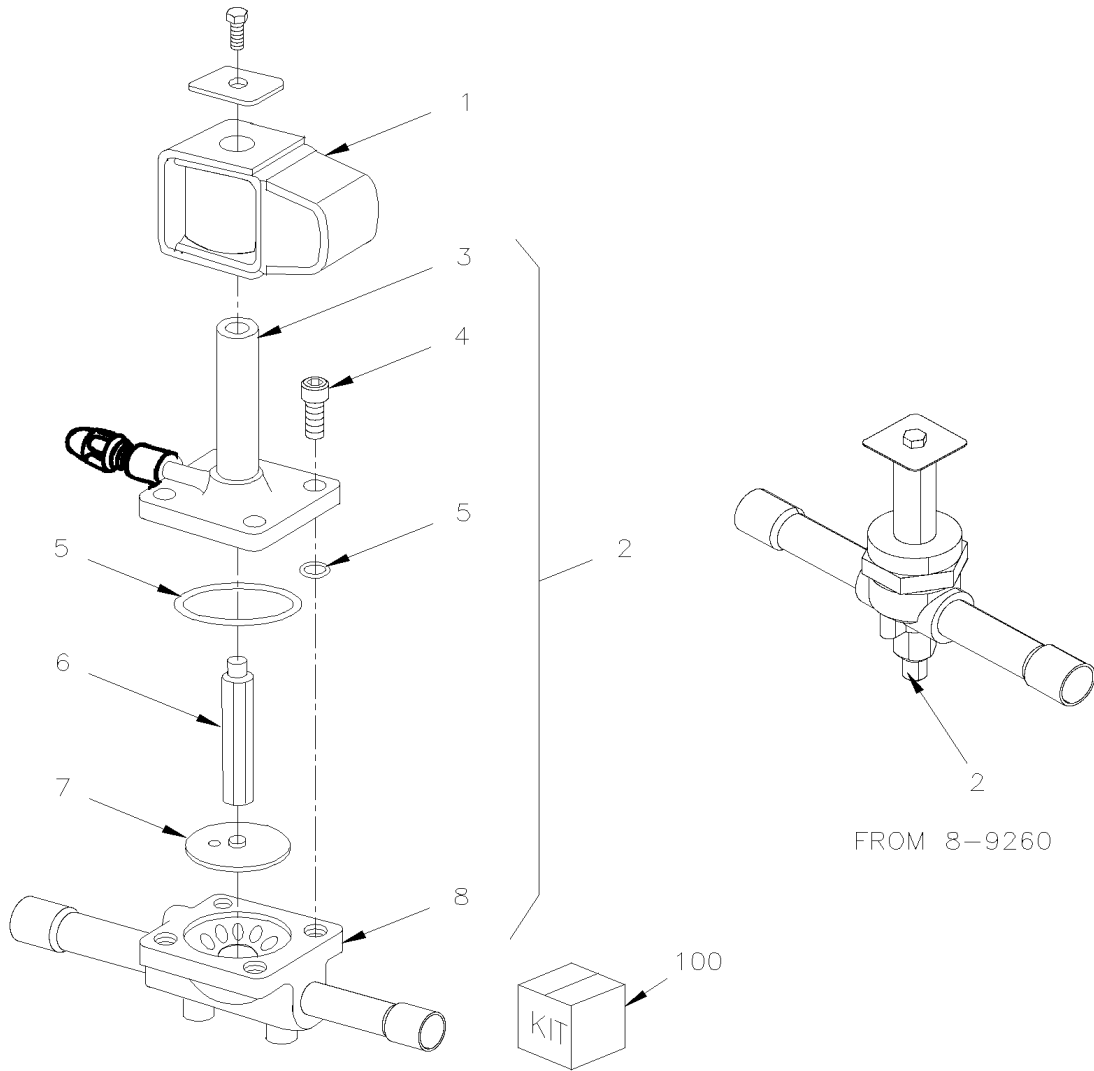
| Item# | Part | Description | X L I I 4 5 | X L I I M T H 4 0 | X L I I M T H 4 5 | X L I I M T H 4 5 E | N O T E S |
|-------|--------|--|----------------------------|---|---|--|-----------------------|
| | 871344 | VALVE, EXPANSION ASSY / WITH PIPE From 4-8165 | | 1 | 1 | 1 | A |
| | 950320 | . VALVE, EXPANSION 5 1/2 TON | 1 | 1 | 1 | 1 | |
| 1 | 950241 | .. ELEMENT POWER R134A | 1 | 1 | 1 | 1 | |
| 1 | 950241 | .. ELEMENT POWER R134A From 4-8165 | | 1 | 1 | 1 | A |
| 2 | 870622 | .. ADJUSTING STEM & PACKING ASSY | 1 | 1 | 1 | 1 | |
| 3 | 870621 | .. NUT PACKING | 1 | 1 | 1 | 1 | |
| 4 | N.S.S. | .. SEAL | 1 | 1 | 1 | 1 | 1 |
| 5 | 870619 | .. NUT CAP | 1 | 1 | 1 | 1 | |
| 6 | 950317 | .. CAGE ASSY & SPRING / B6B | 1 | 1 | 1 | 1 | |
| 6 | 950258 | .. CAGE ASSY & SPRING / B3B From 4-8165 | | 1 | 1 | 1 | A |
| 7 | 870709 | .. SET GASKET | 1 | 1 | 1 | 1 | |
| 8 | N.S.S. | .. FLANGE BODY | 1 | 1 | 1 | 1 | 1 |
| 8 | 504634 | T-CLIP / 7/8" - 1" | 1 | 1 | 1 | 1 | |
| 8 | 504637 | CABLE TIE / 3/16" x 13" | 1 | 1 | 1 | 1 | |
| 11 | 950221 | VALVE, EXPANSION / DRIVER'S W/R134A | 1 | 1 | 1 | 1 | |
| 12 | 507279 | O-RING / ORS FITTING / #8 NEO | 1 | 1 | 1 | 1 | |
| 13 | 507278 | O-RING / ORS FITTING / #4 NEO | 1 | 1 | 1 | 1 | |
| 14 | 507344 | O-RING / ORS FITTING / #10 NEO | 1 | 1 | 1 | 1 | |
| 20 | 507525 | ADAPTER JIC @ BRAZE W/O-RING / / #12JIC-Mx#10BRAZE-F BR | 1 | 1 | 1 | 1 | |
| . NS | 501829 | . O-RING / ORS FITTING / #12 NEO | 1 | 1 | 1 | 1 | |
| 21 | 507518 | SLEEVE / JIC 37° FITTING / #12 STL | 1 | 1 | 1 | 1 | |
| 22 | 507519 | NUT / JIC 37° FITTING / #12JIC-F STL | 1 | 1 | 1 | 1 | |
| 30 | 680091 | TAPE INSULATING / 1/8" x 2" x 30' / BLACK PT-1 | 1 | 1 | 1 | 1 | |
| A | 453391 | VALVE, EXPANSION ASSY / WITH PIPE | 1 | | | | |
| A | 453391 | VALVE, EXPANSION ASSY / WITH PIPE To 6-8805 | | 1 | 1 | 1 | |
| B | 453985 | VALVE, EXPANSION ASSY / WITH PIPE From 6-8806 | | 1 | 1 | 1 | |
| | | | | | | | |
| | | | | | | | |
| | | A) WITH SMALL A/C SYSTEM INSTALL ON FRONT DEFROSTER ASSY | | | | | |
| | | 1) NOT SOLD SEPARATELY | | | | | |

From Y-7046 To 8-9339

Date:10/2022

PAGE:Y2-2208-10

REFRIGERANT SOLENOID VALVE

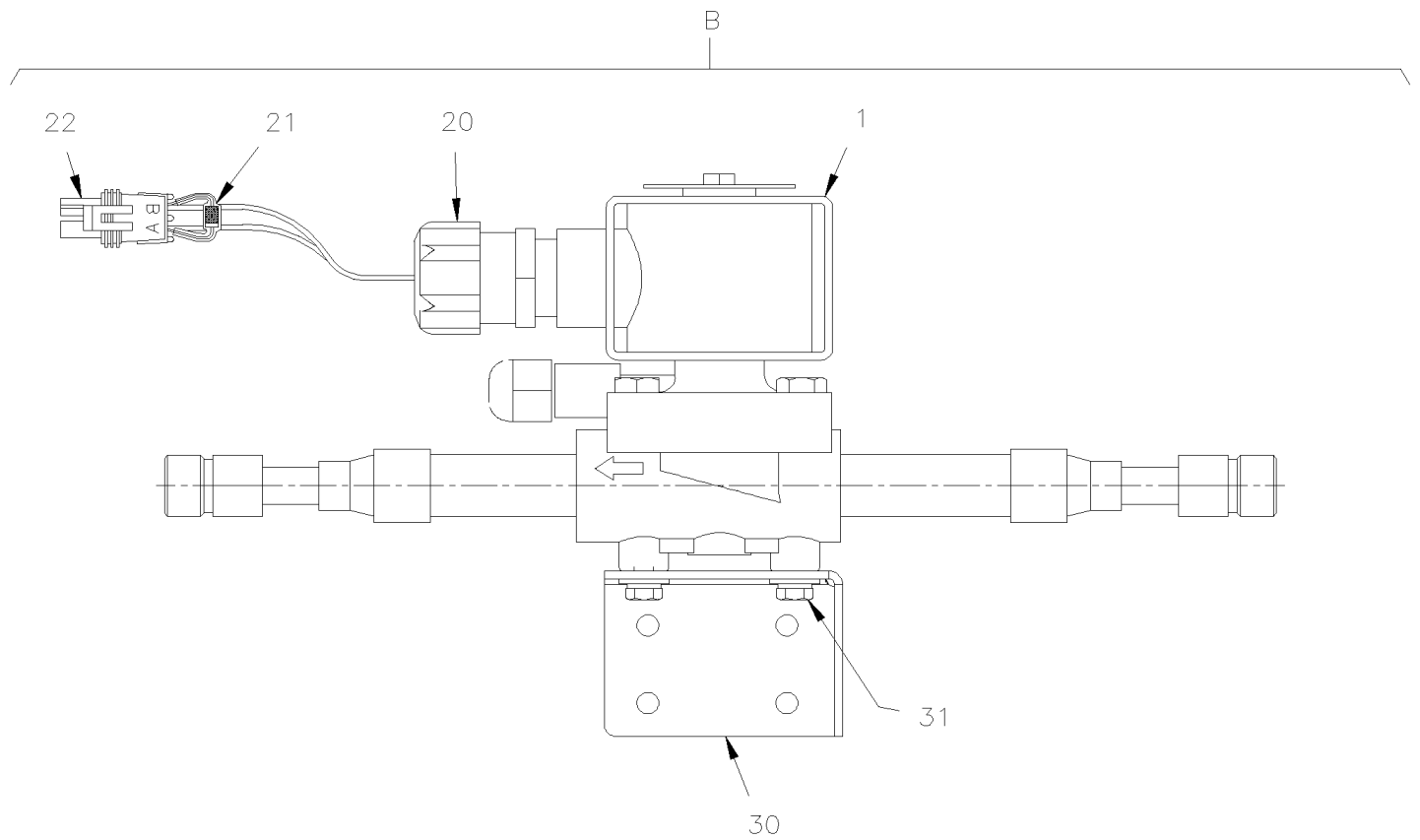
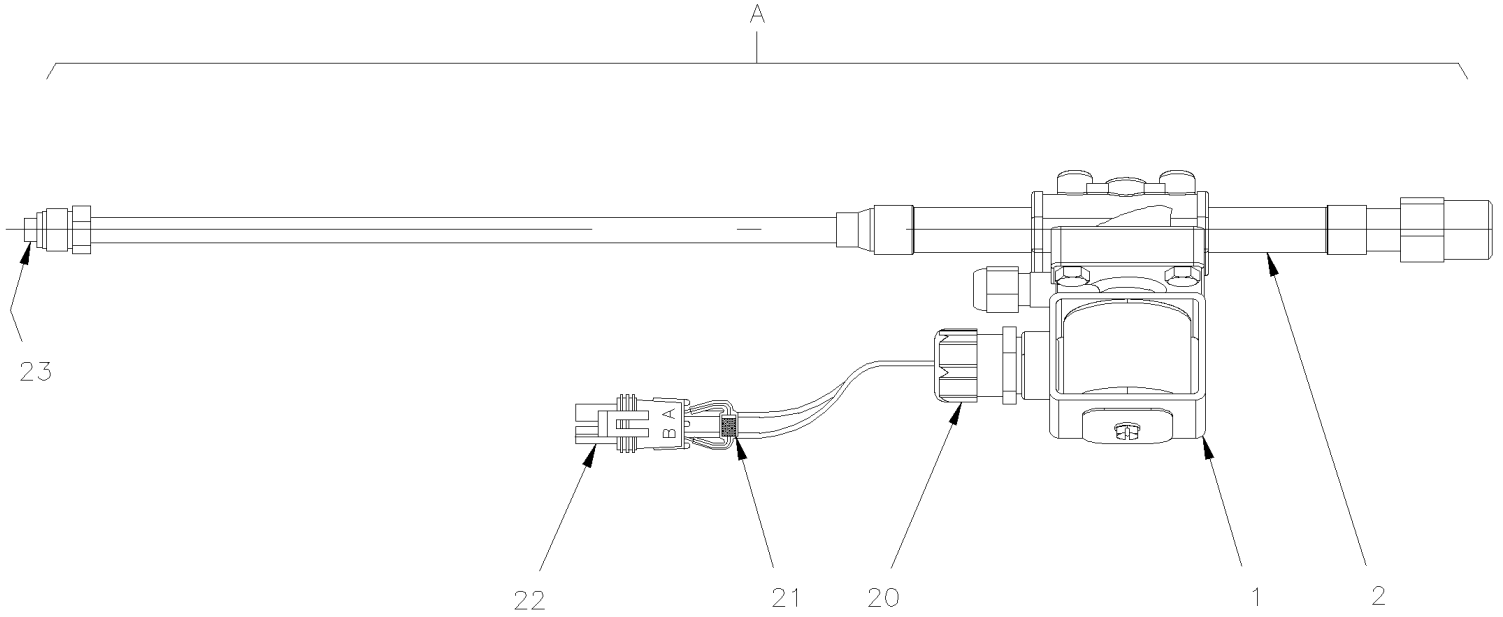


From Y-7046 To 8-9339

Date:10/2022

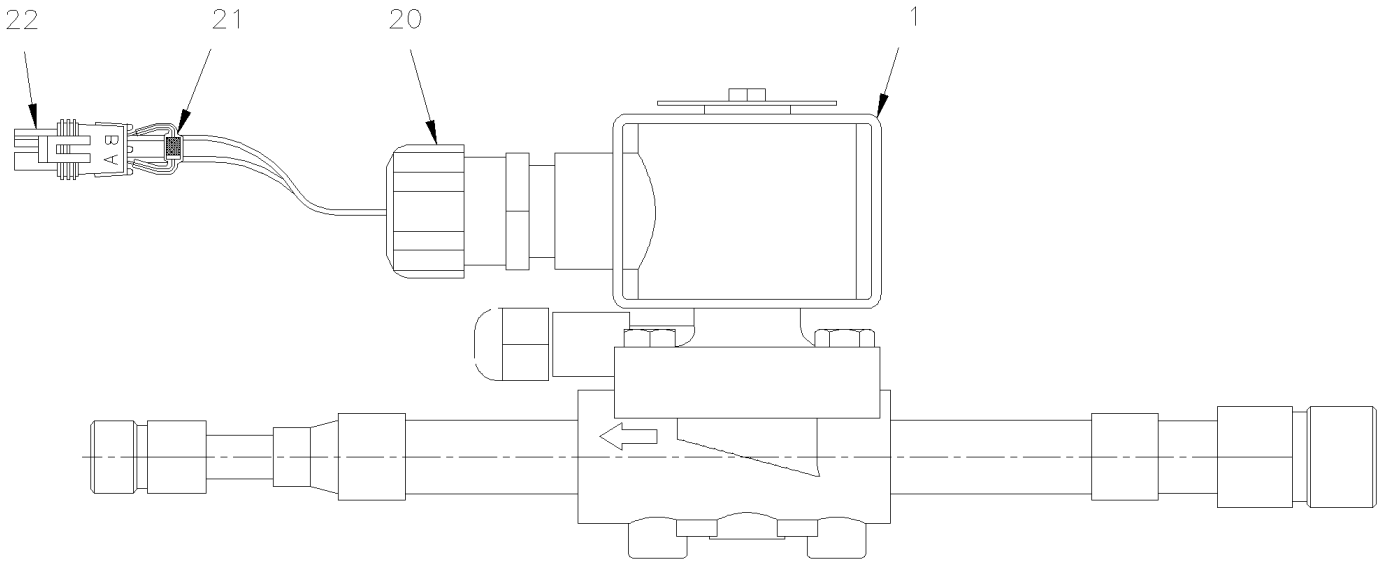
PAGE:Y2-2208-10

REFRIGERANT SOLENOID VALVE



| | | | |
|----------------------------|--|--------------|-----------------|
| From Y-7046 To 8-9339 | | Date:10/2022 | PAGE:Y2-2208-10 |
| REFRIGERANT SOLENOID VALVE | | | |

C



| | | |
|-----------------------|--------------|-----------------|
| From Y-7046 To 8-9339 | Date:10/2022 | PAGE:Y2-2208-10 |
|-----------------------|--------------|-----------------|

REFRIGERANT SOLENOID VALVE

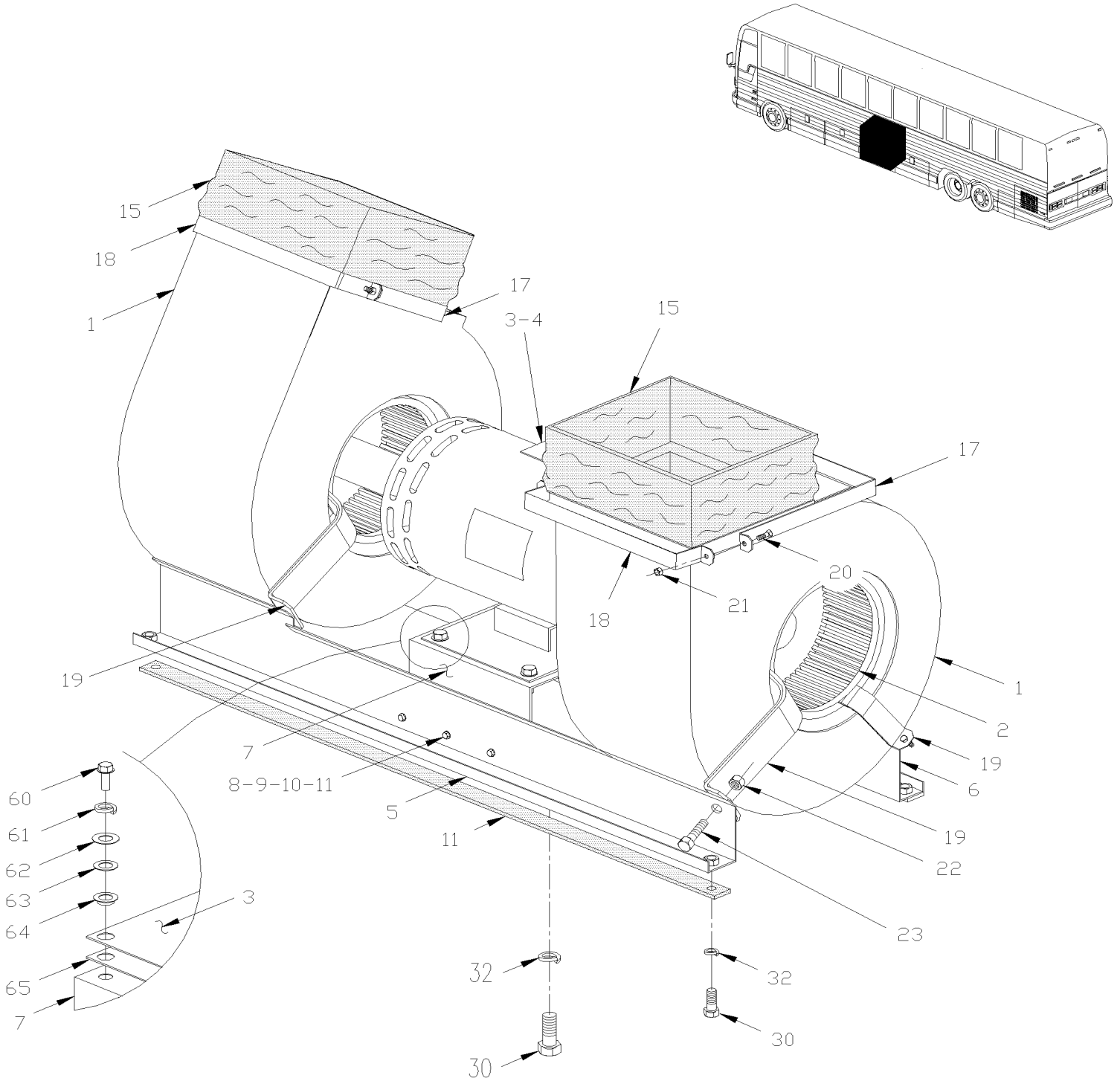
| Item# | Part | Description | X L I I 4 5 | X L I I M T H 4 0 | X L I I M T H 4 5 | X L I I M T H 4 5 E | N O T E S |
|-------|--------|---|----------------------------|---|---|--|-----------------------|
| 1 | 950055 | . COIL 24V To 7-9259 | 1 | 1 | 1 | 1 | |
| 1 | 950953 | . COIL 24V / SERVICE From 7-9260 | 1 | 1 | 1 | 1 | |
| 2 | 950087 | . VALVE REFRIGERANT SOLENOID To 7-9259 | 1 | 1 | 1 | 1 | |
| 2 | 950951 | . VALVE REFRIGERANT SOLENOID From 7-9260 | 1 | 1 | 1 | 1 | |
| 3 | N.S.S. | . . BONNET & ENCLOSING TUBE ASSY | 1 | 1 | 1 | 1 | 1 |
| 4 | 500238 | . . SCREW CAP HEXS 1/4-20x3/4 ZP | 4 | 4 | 4 | 4 | |
| 5 | N.S.S. | . . O-RING | 1 | 1 | 1 | 1 | 1 |
| 6 | N.S.S. | . . PLUNGER ASSY | 1 | 1 | 1 | 1 | 1 |
| 7 | N.S.S. | . . DIAPHRAGM ASSY | 1 | 1 | 1 | 1 | 1 |
| 8 | N.S.S. | . . BODY | 1 | 1 | 1 | 1 | 1 |
| NS | 500160 | . SCREW CAP HEX #10-24x1/2 Z050 | 2 | 2 | 2 | 2 | |
| 20 | 560434 | . CONNECTOR 1/2" PIPE | 1 | 1 | 1 | 1 | |
| 21 | 560931 | . DIODE / 3AMPS | 1 | 1 | 1 | 1 | |
| 22 | 561690 | . CONNECTOR / WEATHER PACK / SH 2C / BLACK / PED 12015792 | 1 | 1 | 1 | 1 | |
| NS | 561565 | . CABLE SEAL / GREEN / PED 15324982 | 2 | 2 | 2 | 2 | |
| NS | 561578 | . SOCKET TERMINAL / 16-14 / PED 12010182 | 2 | 2 | 2 | 2 | |
| 23 | 507278 | . O-RING / ORS FITTING / #4 NEO | 1 | | | | |
| 30 | 453315 | . SUPPORT / A/C VALVE | | 1 | 1 | 1 | |
| 31 | 500041 | . SCREW CAP HEX #10-24x3/8 SS | | 2 | 2 | 2 | |
| NS | 500470 | . WASHER LO SPT .193x.334x.047 Z050 | | 2 | 2 | 2 | |
| NS | 500964 | . WASHER FL .203x.500x.047 Z050 | | 2 | 2 | 2 | |
| 100 | 950056 | KIT REPAIR To 7-9259 | AR | AR | AR | AR | |
| A | 453422 | VALVE ASSY / REFRIGERANT SOLENOID | 1 | | | | A |
| B | 453318 | VALVE ASSY / REFRIGERANT SOLENOID | | 1 | 1 | 1 | B |
| C | 453151 | VALVE ASSY / REFRIGERANT SOLENOID | | 1 | 1 | 1 | A |
| | | | | | | | |
| | | | | | | | |
| | | | | | | | |
| | | A) IN SPARE COMPARTMENT | | | | | |
| | | B) IN SPARE COMPARTEMENT WITH SMALL A/C SYSTEM | | | | | |
| | | 1) NOT SOLD SEPARATELY | | | | | |

From Y-7046 To 8-9339

Date:10/2022

PAGE:Y2-2210-00

HEATER & EVAPORATOR BLOWER - INSTALLATION

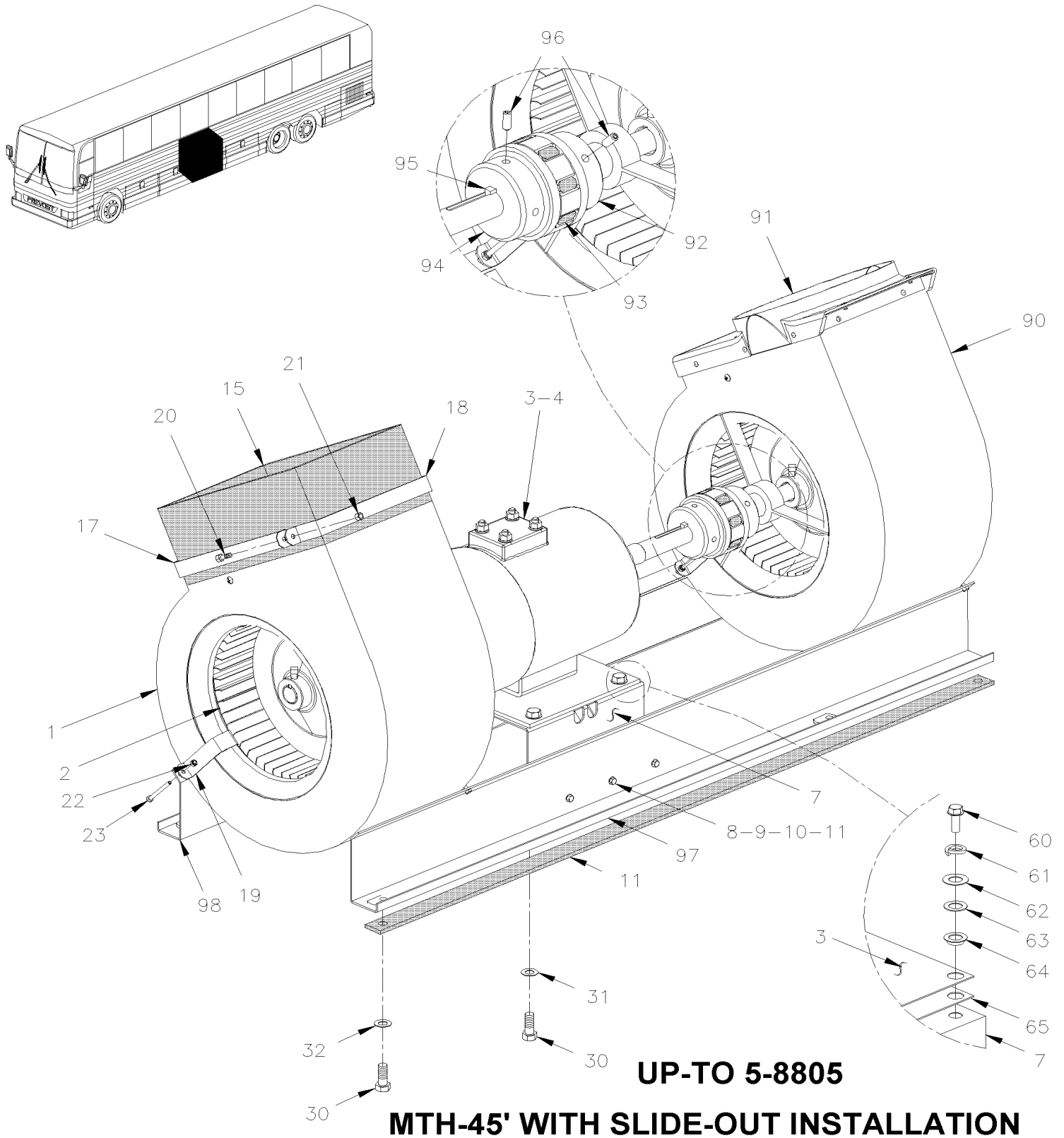


From Y-7046 To 8-9339

Date:10/2022

PAGE:Y2-2210-00

HEATER & EVAPORATOR BLOWER - INSTALLATION



| | | |
|-----------------------|--------------|-----------------|
| From Y-7046 To 8-9339 | Date:10/2022 | PAGE:Y2-2210-00 |
|-----------------------|--------------|-----------------|

HEATER & EVAPORATOR BLOWER - INSTALLATION

| Item# | Part | Description | X L I I 4 5 | X L I I M T H 4 0 | X L I I M T H 4 5 | X L I I M T H 4 5 E | N O T E S |
|-------|-------------------|--|----------------------------|---|---|--|-----------------------|
| | 450849P | MOTOR & BLOWER To 1-7456 | 1 | 1 | 1 | 1 | A |
| | 453700 | MOTOR & BLOWER From 1-7457 To 3-8164 | 1 | 1 | 1 | 1 | |
| | 454049P | MOTOR & BLOWER From 4-8165 | 1 | | | | |
| | 454049P | MOTOR & BLOWER From 4-8165 To 6-8805 | | 1 | 1 | 1 | |
| | Call order desk | MOTOR & BLOWER From 4-8165 To 6-8805 | | | 1 | | PS |
| | 871008 | . HOUSING FAN ASSY / HOUSING DEFLECTOR & BLOW To 1-7456 | 2 | 2 | 2 | 2 | |
| | 871209 | . HOUSING FAN ASSY / HOUSING DEFLECTOR & BLO From 1-7457 | 1 | | | | |
| | 871209 | . HOUSING FAN ASSY / HOUSING DEFLECTOR & BLO From 1-7457 To 6-8805 | | 1 | 1 | 1 | |
| 1 | 870828 | .. HOUSING DEFLECTOR & BLOWER To 1-7456 | 1 | 1 | 1 | 1 | |
| 1 | 871210 | .. HOUSING DEFLECTOR & BLOWER From 1-7457 | 1 | | | | |
| 1 | 871210 | .. HOUSING DEFLECTOR & BLOWER From 1-7457 To 6-8805 | | 1 | 1 | 1 | |
| 2 | 870827 | .. BLOWER WHEEL | 1 | | | | |
| 2 | 870827 | .. BLOWER WHEEL To 6-8805 | | 1 | 1 | 1 | |
| NS | 870879 | .. DEFLECTOR / "J" SHAPE | 1 | | | | |
| 2 | 870879 | .. DEFLECTOR / "J" SHAPE To 6-8805 | | 1 | 1 | 1 | |
| 3 | Y2-2265-00 | . MOTOR - EVAPORATOR - "PREVOST" - T-17 | | | | | |
| 3 | Y2-2265-01 | . MOTOR - EVAPORATOR - "PREVOST" - T-17 - 2 SPEEDS | | | | | |
| NS | 451131 | . KEY SQ 3/16" x 3/16"x 2 7/8" | 2 | 2 | 2 | 2 | |
| NS | 451173 | . SHIM 1/8" TH. | AR | AR | AR | AR | |
| NS | 451172 | . SHIM .074" TH. | AR | AR | AR | AR | |
| NS | 451124 | . SHIM 3/8" TH. | AR | AR | AR | AR | |
| 4 | 453336 | . BASE ASSY To 1-7456 | 1 | 1 | 1 | 1 | |
| 4 | 453699 | . BASE ASSY From 1-7457 | 1 | | | | |
| 4 | 453699 | . BASE ASSY From 1-7457 To 6-8805 | | 1 | 1 | 1 | |
| 5 | 453287 | .. SUPPORT To 1-7456 | 1 | 1 | 1 | 1 | |
| 5 | 453697 | .. SUPPORT From 1-7457 | 1 | | | | |
| 5 | 453697 | .. SUPPORT From 1-7457 To 6-8805 | | 1 | 1 | 1 | |
| 6 | 453286 | .. SUPPORT To 1-7456 | 1 | 1 | 1 | 1 | |
| 6 | 453698 | .. SUPPORT From 1-7457 | 1 | | | | |
| 6 | 453698 | .. SUPPORT From 1-7457 To 6-8805 | | 1 | 1 | 1 | |
| 7 | 453283 | .. BASE SUB ASSY | 1 | | | | |
| 7 | 453283 | .. BASE SUB ASSY To 6-8805 | | 1 | 1 | 1 | |
| NS | 500297 | ... NUT WD FLRET 5/16-24 | 4 | 4 | 4 | 4 | H |
| NS | 500296 | ... NUT WD FLRET 3/8-24 | 4 | 4 | 4 | 4 | H |
| 8 | 5001447 | .. SCREW CAP HEX #10-24x5/8 PT SS BK | 6 | 6 | 6 | 6 | |
| 9 | 5001180 | .. NUT HEX NYRT #10-24 SS | 6 | 6 | 6 | 6 | |
| 10 | 5001137 | .. WASHER FL .203x.438x.050 SS | 6 | 6 | 6 | 6 | |
| 11 | 506071 | .. TAPE RUB ADH1 CC POL 1/8" x 1/2" x 50' / GREY 2520X | AR | AR | AR | AR | |
| NS | 506207 | .. TAPE RUB ADH1 CC POL 3/16" x 1" x 50' / GREY 2520X | AR | AR | AR | AR | |
| 15 | 450967 | FLEXIBLE DUCT 76MM HEIGHT To 1-7456 | 2 | 2 | 2 | 2 | |
| 15 | 453679 | FLEXIBLE DUCT / HEIGHT 100MM From 1-7457 | 2 | | | | |
| 15 | 453679 | FLEXIBLE DUCT / HEIGHT 100MM From 1-7457 To 6-8805 | | 2 | 2 | 2 | |

From Y-7046 To 8-9339

Date:10/2022

PAGE:Y2-2210-00

HEATER & EVAPORATOR BLOWER - INSTALLATION

| Item# | Part | Description | X L I I 4 5 | X L I I M T H 4 0 | X L I I M T H 4 5 | X L I I M T H 4 5 E | N O T E S |
|-------|----------|--|----------------------------|---|---|--|-----------------------|
| 16 | 500657 | SCREW TC TR PH #10-24x1/2 Z050 To 1-7456 | AR | AR | AR | AR | |
| 16 | 500964 | WASHER FL .203x.500x.047 Z050 | AR | AR | AR | AR | |
| 17 | 453680 | RETAINER STRAP / "U" SHAPE 183MM X 215MM SS | 2 | | | | |
| 17 | 453680 | RETAINER STRAP / "U" SHAPE 183MM X 215MM SS To 6-8805 | | 2 | 2 | 2 | |
| 18 | 453681 | RETAINER STRAP / "U" SHAPE 183MM X 40MM SS | 2 | | | | |
| 18 | 453681 | RETAINER STRAP / "U" SHAPE 183MM X 40MM SS To 6-8805 | | 2 | 2 | 2 | |
| NS | 506210 | TAPE RUB ADH1 URE 1/2" x 3/4" x 20' / GREY 1820 | AR | AR | AR | AR | |
| 19 | 453689 | HOOK ASSY | 3 | 3 | 3 | 3 | |
| 20 | 502708 | SCREW CAP HEX M5-0.8x35 SS | 4 | 4 | 4 | 4 | |
| 21 | 502782 | NUT HEX NYRT M5-0.8 Z050 | 4 | 4 | 4 | 4 | |
| 22 | 500539 | NUT HEX NYRT M4-0.7 N500 | 3 | 3 | 3 | 3 | |
| 23 | 70314700 | SCREW CAP HEX M4-0.7X45 SS | 3 | 3 | 3 | 3 | |
| 30 | 502905 | SCREW CAP HEX 5/16-24x1 G5 ZG603 | 4 | 4 | 4 | 4 | |
| 31 | 5001448 | WASHER FL .343x.875x.062 SS18-8 | 4 | 4 | 4 | 4 | |
| 32 | 500261 | WASHER FL .390x1.500x.083 N500 | 4 | 4 | 4 | 4 | |
| 60 | 5001446 | SCREW CAP HEX 5/16-24x1 SS EMN | 4 | 4 | 4 | 4 | |
| 61 | 500035 | WASHER LO SPT .317x.586x.078 SS | 4 | 4 | 4 | 4 | |
| 62 | 5001448 | WASHER FL .343x.875x.062 SS18-8 | 4 | 4 | 4 | 4 | |
| 63 | 502723 | WASHER FL .386x.750x.050 NYL | 4 | 4 | 4 | 4 | |
| 64 | 504503 | BUSHING, NYLON 5/16 DIA. | 4 | 4 | 4 | 4 | |
| 65 | 452896 | INSULATED PAD | 1 | 1 | 1 | 1 | |
| NS | 454001 | SUPPORT / SPEED CONTROL / W/SLIDE OUT To 3-8164 | | | 2 | | B |
| NS | 502556 | WASHER FL 4.3x9.0x0.8 SS To 3-8164 | | | 10 | | B |
| NS | 502636 | WASHER LO SPT 4.1x7.6x0.9 Z050 To 3-8164 | | | 10 | | B |
| NS | 502685 | SCREW CAP HEX M4-0.7x20 SS EMN To 3-8164 | | | 10 | | B |
| 90 | 373994 | HOUSING FAN ASSY / HOUSING DEFLECTOR & BLOW To 6-8805 | | | 1 | | |
| 90 | 871334 | . BLOWER ASSY W/FAN To 6-8805 | | | 1 | | |
| 91 | 871333 | . TRANSITION ADAPTOR HOSE To 6-8805 | | | 1 | | |
| 91 | 504339 | . RIVET POP DOME OE 1/8x3/8 SS To 6-8805 | | | 12 | | |
| 91 | 374012 | ANGLE SUPPORT To 6-8805 | | | 1 | | |
| 91 | 504229 | HOSE CLAMP / 6"1/2-8"1/2 SS / HS-100 To 6-8805 | | | 2 | | |
| 92 | 871338 | COUPLING 3/4" To 6-8805 | | | 1 | | |
| 93 | 5061049 | SPIDER 38 DURO 64 HYTREL To 6-8805 | | | 1 | | |
| 94 | 871336 | COUPLING 7/8" To 6-8805 | | | 1 | | |
| 95 | 476039 | STEP KEY To 6-8805 | | | 1 | | |
| 96 | 5001282 | SCREW SET HEXS CUP 1/4-20x5/8 To 6-8805 | | | 3 | | |
| 97 | 454915 | SUPPORT To 6-8805 | | | 1 | | S |
| 98 | 454916 | SUPPORT To 6-8805 | | | 1 | | S |
| | | | | | | | |
| | | | | | | | |
| | | | | | | | |
| | | | | | | | |
| | | A) THIS PART NUMBER INCLUDE MOTOR, SEE PAGE Y2-2265-00 | | | | | |

| | | |
|-----------------------|--------------|-----------------|
| From Y-7046 To 8-9339 | Date:10/2022 | PAGE:Y2-2210-00 |
|-----------------------|--------------|-----------------|

HEATER & EVAPORATOR BLOWER - INSTALLATION

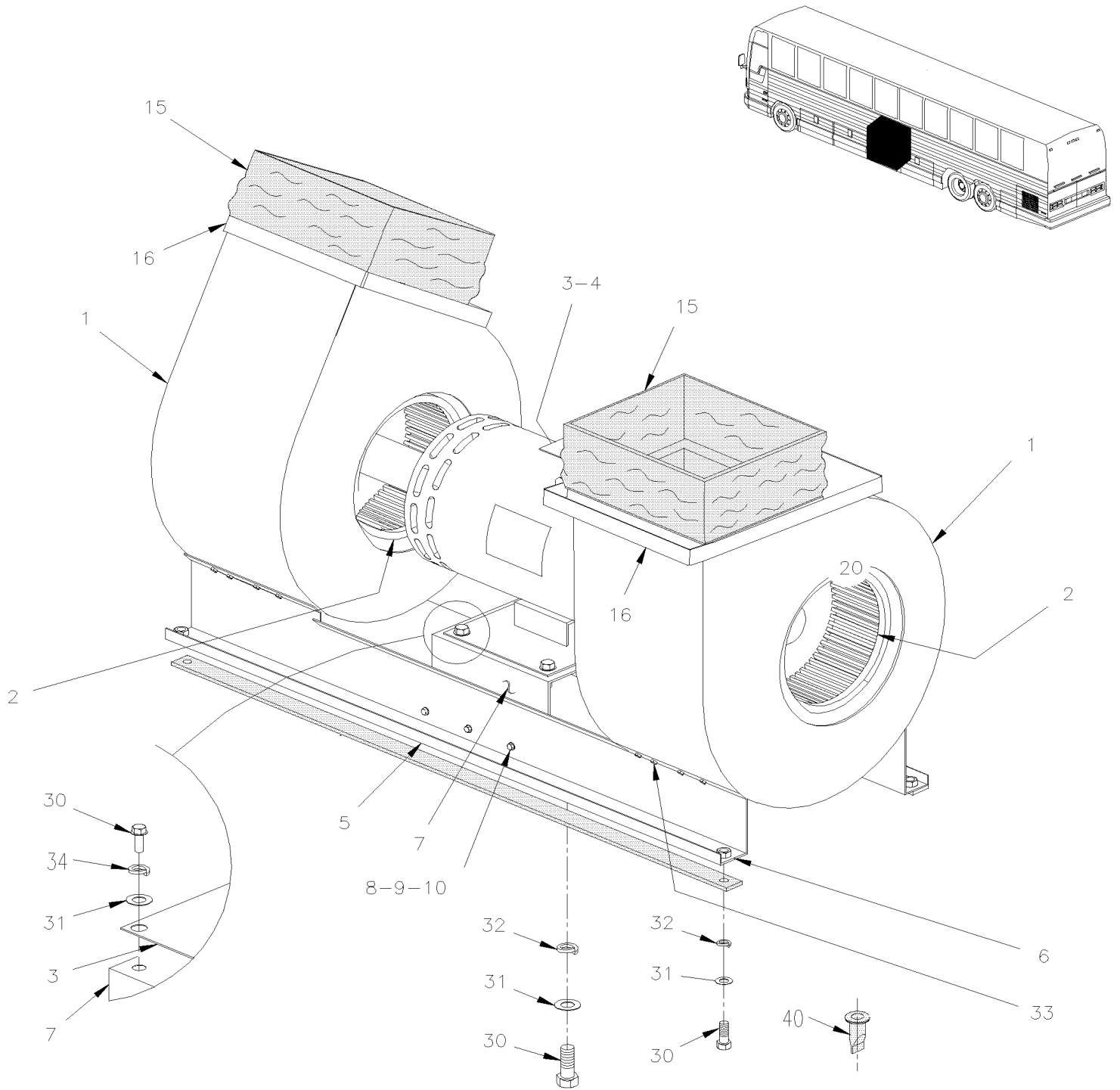
| Item# | Part | Description | X L I I 4 5 | X L I I M T H 4 0 | X L I I M T H 4 5 | X L I I M T H 4 5 E | N O T E S |
|-------|------|--|----------------------------|---|---|--|-----------------------|
| | | B) FIXED ON MOTOR BASE WITH "SLIDE-OUT" ONLY | | | | | |
| | | H) WELDED | | | | | |
| | | S) WITH "SLIDE OUT" | | | | | |
| | | P) CALL ORDER DESK FOR SPECIFIC APPLICATION (V.I.N.) | | | | | |

From 6-8806 To 8-9339

Date:10/2022

PAGE:Y2-2210-01

HEATER & EVAPORATOR BLOWER - INSTALLATION

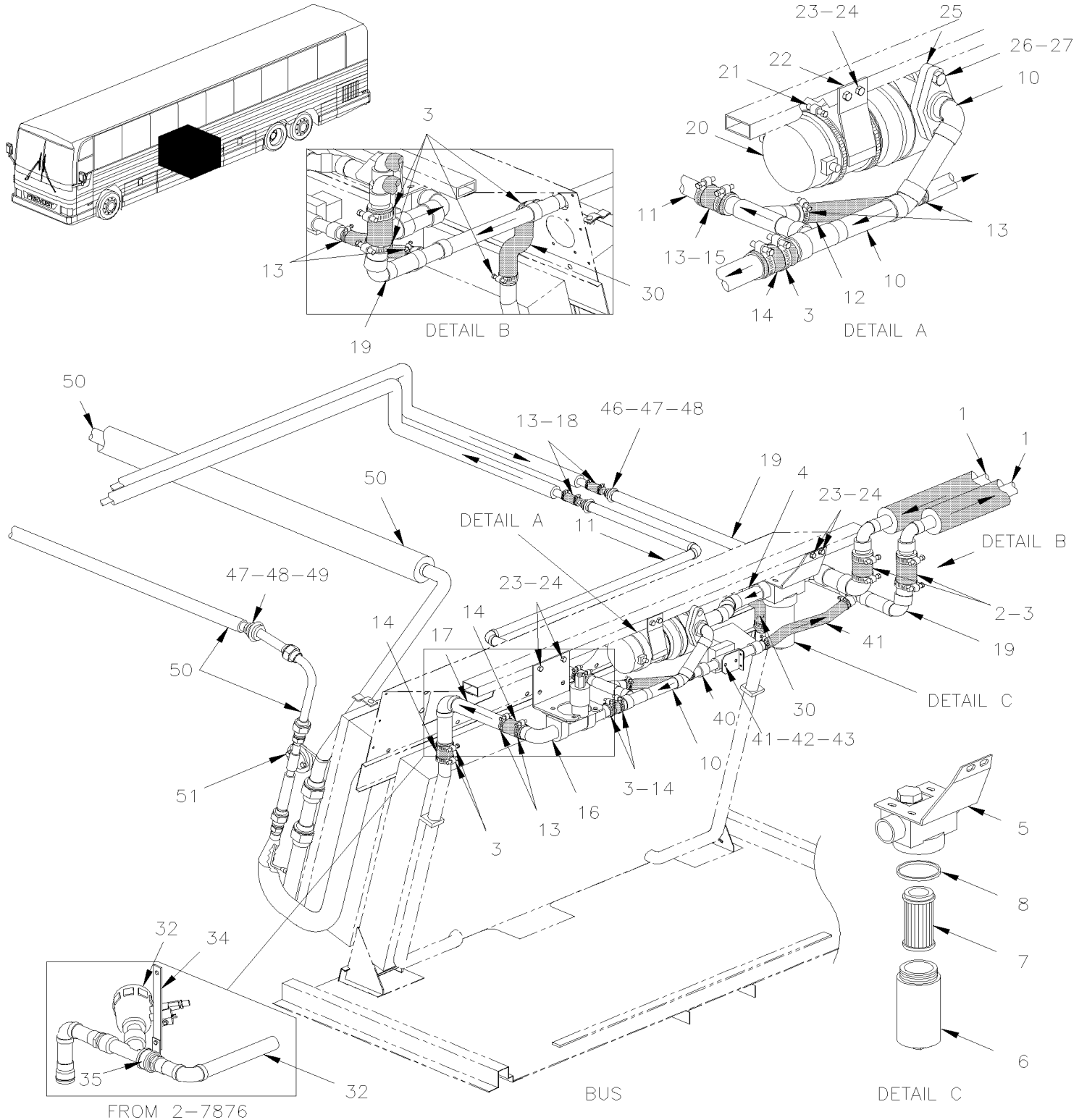


From Y-7046 To 8-9339

Date:10/2022

PAGE:Y2-2210-10

WATER PUMP & FILTER - INSTALLATION

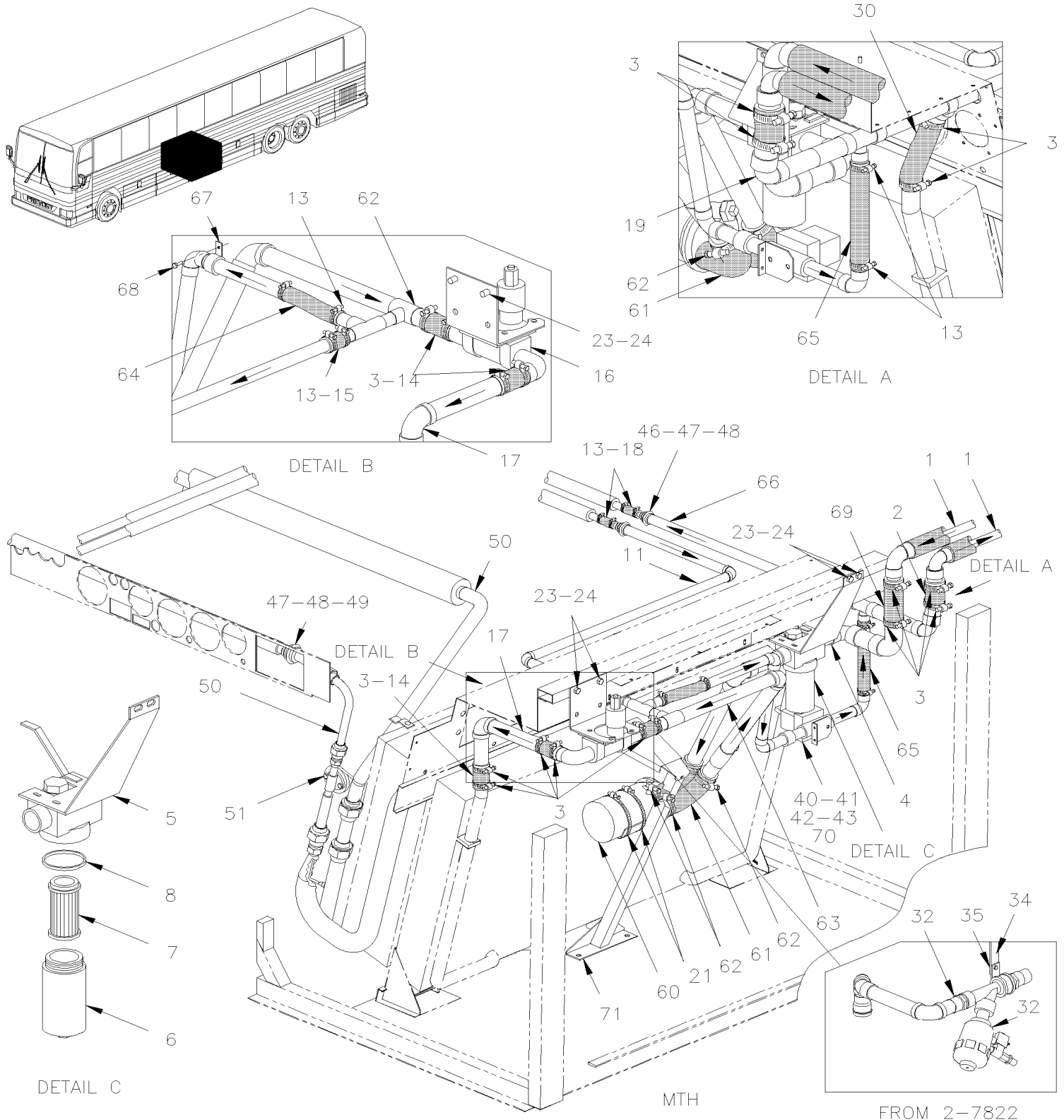


From Y-7046 To 8-9339

Date:10/2022

PAGE:Y2-2210-10

WATER PUMP & FILTER - INSTALLATION



| | | |
|-----------------------|--------------|-----------------|
| From Y-7046 To 8-9339 | Date:10/2022 | PAGE:Y2-2210-10 |
|-----------------------|--------------|-----------------|

WATER PUMP & FILTER - INSTALLATION

| Item# | Part | Description | X L I I 4 5 | X L I I M T H 4 0 | X L I I M T H 4 5 | X L I I M T H 4 5 E | N O T E S |
|-------|------------|--|----------------------------|---|---|--|-----------------------|
| 1 | Y2-2222-00 | HEATER LINE REAR SECTION - BUS To 2-7764 | 1 | | | | |
| 1 | Y2-2222-01 | HEATER LINE REAR SECTION - BUS From 2-7765 To 3-8164 | 1 | | | | |
| 1 | Y2-2222-02 | HEATER LINE REAR SECTION - BUS From 4-8165 | 1 | | | | |
| 1 | Y2-2222-30 | HEATER LINE REAR SECTION - MTH To 3-8164 | | 1 | 1 | 1 | |
| 1 | Y2-2222-31 | HEATER LINE REAR SECTION - MTH From 4-8165 | | 1 | 1 | 1 | |
| 2 | 371855 | HOSE 1 3/8" I.D. 3" | 2 | | | | |
| 2 | 371855 | HOSE 1 3/8" I.D. 3" | | 1 | 1 | 1 | |
| 3 | 504657 | HOSE CLAMP / 1"1/16-2" C.T. 9424 | AR | AR | AR | AR | |
| 4 | 373684 | FILTER ASSY W/TUBE | 1 | | | | |
| 4 | 373013 | FILTER ASSY W/TUBE | | | 1 | | |
| 4 | 373333 | FILTER ASSY W/TUBE | | 1 | | 1 | |
| 4 | 373874 | FILTER ASSY W/TUBE | | | 1 | | D |
| 4 | 374002 | FILTER ASSY W/TUBE | 1 | | | | E |
| 5 | 372862 | . SUPPORT / WATER FILTER | 1 | | | | |
| 5 | 372994 | . SUPPORT / WATER FILTER | | 1 | 1 | 1 | F |
| 5 | 871028 | . FILTER "PARKER" ASSY | 1 | 1 | 1 | 1 | |
| 6 | 871043 | . BOWL | 1 | 1 | 1 | 1 | |
| 7 | 871029 | . CARTRIDGE | 1 | 1 | 1 | 1 | |
| 8 | 871044 | . SEAL BOWL | 2 | 2 | 2 | 2 | |
| 10 | 373683 | PIPE ASSY / WATER PUMP OUTLET To 2-7875 | 1 | | | | B |
| 10 | 373891 | PIPE ASSY / WATER PUMP OUTLET From 2-7876 To 4-8205 | 1 | | | | B |
| 10 | 374046 | PIPE ASSY / WATER PUMP OUTLET From 4-8206 | 1 | | | | B |
| 10 | 373685 | PIPE ASSY / WATER PUMP OUTLET To 2-7875 | 1 | | 1 | | C |
| 10 | 373890 | PIPE ASSY / WATER PUMP OUTLET From 2-7876 To 4-8205 | 1 | | 1 | | C |
| 10 | 374048 | PIPE ASSY / WATER PUMP OUTLET From 4-8206 | 1 | | 1 | | C |
| 10 | 374001 | PIPE ASSY / WATER PUMP OUTLET | 1 | | | | E |
| 11 | 371746 | TUBE ASSY / TO DRIVER'S HEATER To 4-8205 | 1 | 1 | 1 | 1 | |
| 11 | 374047 | TUBE ASSY / TO DRIVER'S HEATER From 4-8206 | 1 | 1 | 1 | 1 | |
| 12 | 372191 | HOSE / PIPE & BYPASS / 7/8" I.D. 10" | 2 | | | | |
| 13 | 504646 | HOSE CLAMP / 11/16"-1"1/4 / C.T. 9412 | 4 | | | | |
| 14 | 051383 | HOSE / W/CENTRAL A/C SYSTEM / 1 3/8" I.D. X 150MM | 2 | | 2 | | |
| 15 | 372053 | HOSE 7/8" I.D. X 6.5" To 4-8205 | 1 | | 1 | | |
| 15 | 372191 | HOSE / PIPE & BYPASS / 7/8" I.D. 10" From 4-8206 | 1 | | 1 | | |
| 16 | Y2-2207-00 | WATER VALVE - W/MAIN HEATER | | | | | |
| 17 | 371745 | PIPE ASSY / WATER VALVE OUTLET & HEATER To 2-7821 | 1 | 1 | 1 | 1 | |
| 18 | 371532 | HOSE 7/8" I.D. 6" | 2 | 2 | 2 | 2 | |
| 19 | 373308 | RETURN JCT TUBE ASSY / W/BYPASS VALVE | 1 | | | | |
| 20 | Y2-2206-00 | WATER PUMP #871052 & #871204 | | | | | |
| 21 | 504025 | HOSE CLAMP / 2"5/16-3"1/4 SS / HS-44 | 2 | 2 | 2 | 2 | |
| 22 | 373429 | SUPPORT / WATER PUMP | 1 | | | | |
| 23 | 500536 | SCREW TP HEXW SLT #14x1 ZP | 6 | | | | |
| 24 | 500473 | WASHER LO SPT .262x.489x.062 Z050 | 6 | | | | |

WATER PUMP & FILTER - INSTALLATION

| Item# | Part | Description | X L L I I 4 5 | X L I I M T H 4 0 | X L I I M T H 4 5 | X L I I M T H 4 5 E | N O T E S |
|-------|-------------------|---|---------------------------------|---|---|--|-----------------------|
| | | | | | | | |
| 25 | 870441 | GASKET PUMP INLET & OUTLET | 1 | | | | |
| NS | 871207 | QUAD RING | 1 | | | | A |
| 26 | 500497 | SCREW CAP HEXS 3/8-16x3/4 ZP | 4 | | | | |
| 27 | 500478 | WASHER LO SPT .380x.683x.094 Z050 | 4 | | | | |
| 30 | 372131 | ELBOW 90° REDUCER 1 1/8" I.D.W/3 1/4" x 1 3/8 I.D. W 5 1/4" C/C | 1 | | | | |
| 32 | Y2-2207-01 | WATER VALVE - W/2 WAYS | | | | | |
| 34 | 373884 | ATTACHMENT WATER VALVE From 2-7822 | | 1 | 1 | 1 | |
| 34 | 373893 | ATTACHMENT WATER VALVE From 2-7876 | 1 | | | | |
| 34 | 373876 | ATTACHMENT WATER VALVE | | | 1 | | D |
| 35 | 952641 | CLAMP / 1 5/16" I.D. From 2-7822 | | 1 | 1 | 1 | |
| 40 | Y2-2207-20 | WATER VALVE - BYPASS W/WATER HEATER | | | | | |
| 41 | 373311 | SUPPORT / BY-PASS VALVE | 1 | | 1 | | |
| 42 | 500162 | SCREW CAP HEX 1/4-20x1/2 G5 Z050 | 1 | | | | |
| 43 | 502709 | WASHER FL .260x.687x.050 XLN BK | 1 | | | | |
| 44 | 500638 | SCREW TP PAN PH #8x1/2 Z050 | 2 | | | | |
| 45 | 500470 | WASHER LO SPT .193x.334x.047 Z050 | 2 | | | | |
| 46 | 504383 | CUFF END BELLOW / 7/8" I.D. x 1 1/2" x 2 1/4" | 2 | | | | |
| 47 | 504022 | HOSE CLAMP / 3/4"-1"3/4 SS / HS-20 | 4 | | | | |
| 48 | 451075 | PROTECTOR HOSE SPLIT / 7/8" O.D. x 3" | 2 | | | | |
| 49 | 504384 | CUFF END BELLOW / 1 1/4" I.D. x 1 3/4" x 4" | 2 | | | | |
| 50 | Y2-2222-10 | A/C & HEATING LINE FRONT SECTION | | | | | |
| 51 | Y2-2208-00 | A/C EXPANSION VALVE | | | | | |
| 60 | Y2-2206-50 | WATER PUMP #871032 | | | | | |
| 61 | 372131 | ELBOW 90° REDUCER 1 1/8" I.D.W/3 1/4" x 1 3/8 I.D. W 5 1/4" C/C | | 2 | 2 | 2 | |
| 62 | 504451 | HOSE CLAMP STEPLESS SPRING SS / OETIKER / 1.3-1.6 | | 2 | 2 | 2 | |
| 63 | 373744 | PIPE ASSY / WATER PUMP OUTLET To 2-7821 | | 1 | 1 | 1 | B |
| 63 | 373051 | PIPE ASSY / WATER PUMP OUTLET To 2-7821 | | 1 | 1 | 1 | C |
| 63 | 373869 | PIPE ASSY / WATER PUMP OUTLET From 2-7822 | | | 1 | | C D |
| 64 | 373134 | HOSE /WATER VALVE & HEATER / 7/8" I.D. 229MM | | 1 | 1 | 1 | |
| 65 | 371554 | HOSE 7/8" I.D. X 7.5" | | | 1 | | |
| 65 | 371533 | HOSE 7/8" I.D. X 5.25" | | 1 | | 1 | |
| 66 | 373749 | RETURN JCT TUBE ASSY / W/BYPASS VALVE To 2-7821 | | | 1 | | |
| 66 | 372136 | RETURN JCT TUBE ASSY / W/O BYPASS VALVE | | | 1 | | |
| 66 | 373875 | RETURN JCT TUBE ASSY To 2-7909 | | | 1 | | D |
| 66 | 373915 | RETURN JCT TUBE ASSY From 2-7910 | | | 1 | | D |
| 67 | 952633 | CLAMP / 7/8" I.D. | | | 1 | | |
| 68 | 500642 | SCREW TP PAN PH #10x3/4 Z050 | | | 3 | | |
| 69 | 371858 | HOSE 1 3/8" I.D. 7" | | 1 | 1 | 1 | |
| 70 | 373748 | SUPPORT / BY-PASS VALVE | | | 1 | | |
| 71 | 482616 | SUPPORT WATER PUMP | | 1 | 1 | 1 | |

| | | |
|-----------------------|--------------|-----------------|
| From Y-7046 To 8-9339 | Date:10/2022 | PAGE:Y2-2210-10 |
|-----------------------|--------------|-----------------|

WATER PUMP & FILTER - INSTALLATION

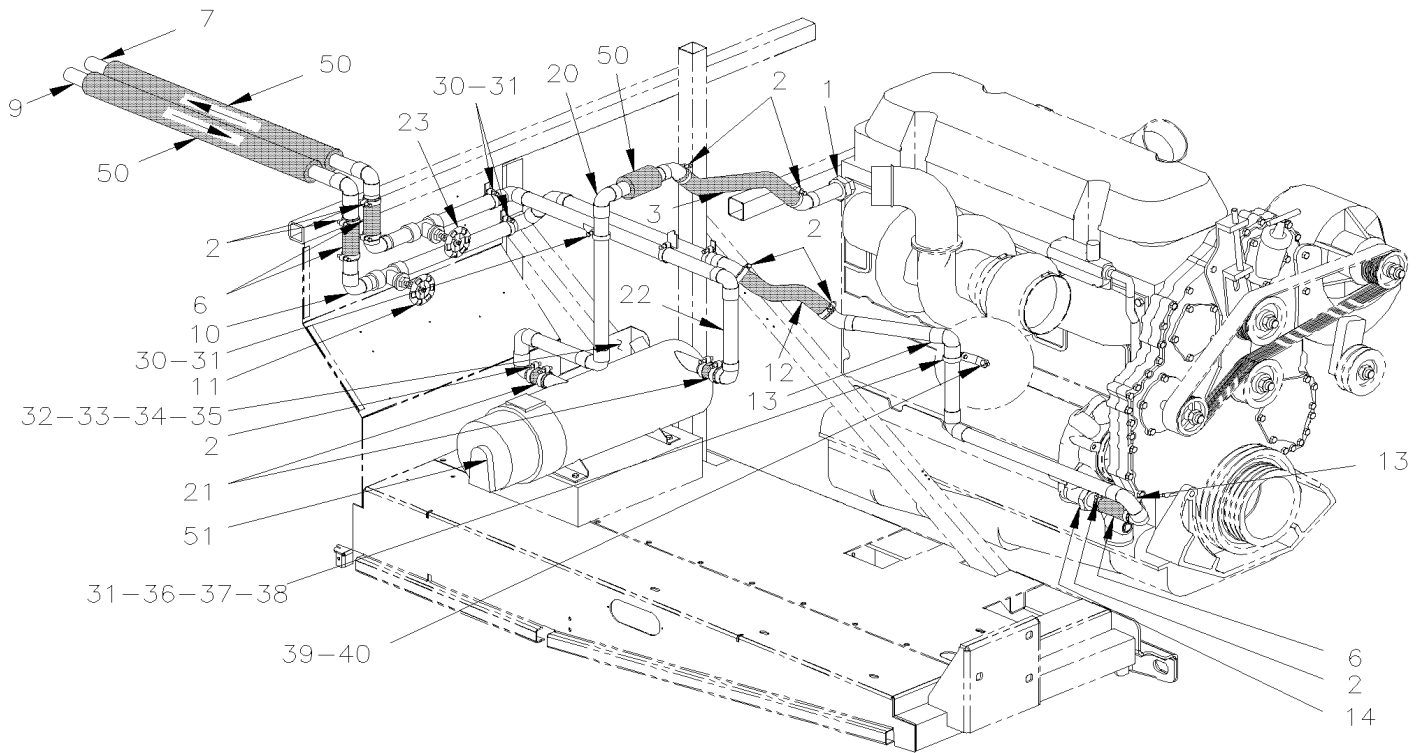
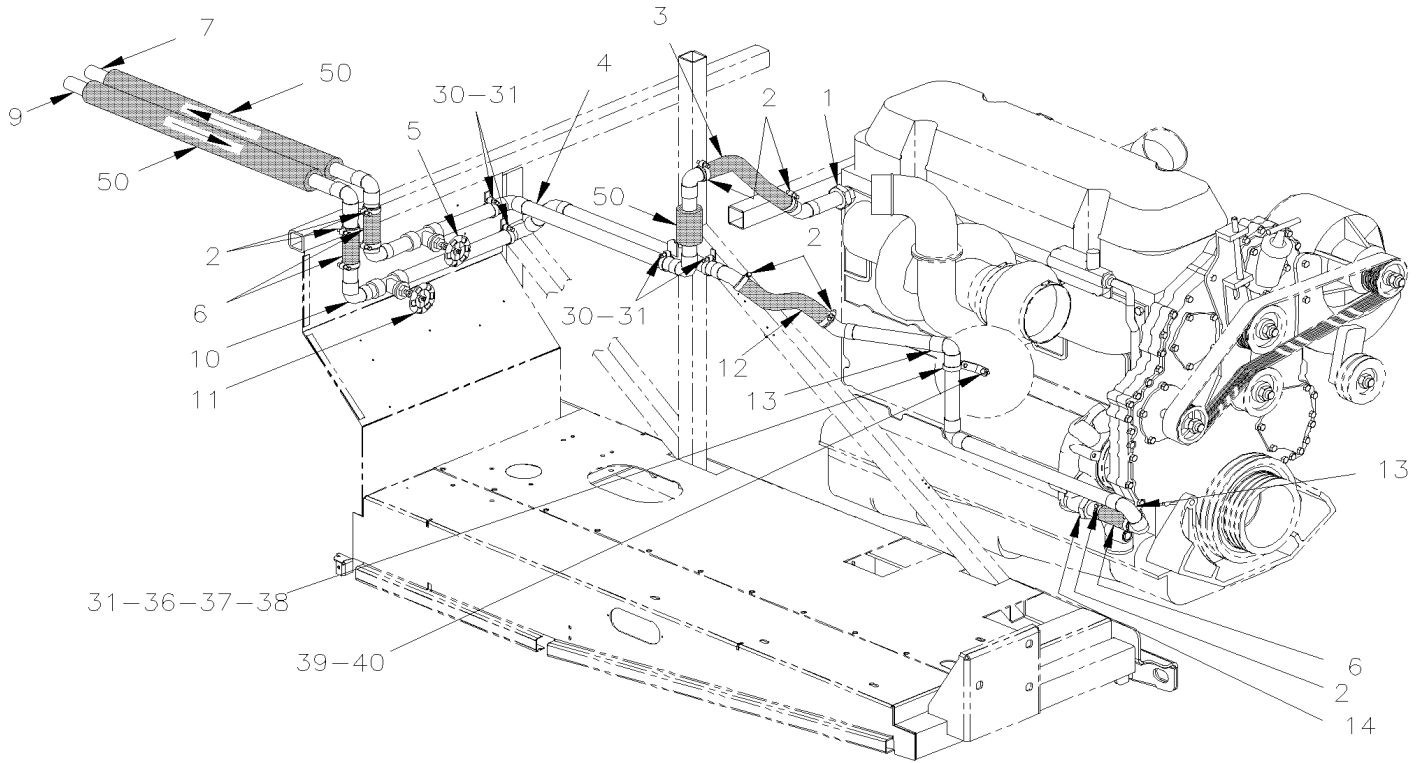
| Item# | Part | Description | X L I I 4 5 | X L I I M T H 4 0 | X L I I M T H 4 5 | X L I I M T H 4 5 E | N O T E S |
|-------|------|--|----------------------------|---|---|--|-----------------------|
| | | A) INLET SIDE | | | | | |
| | | B) WITH BY-PASS WATER VALVE | | | | | |
| | | C) WITHOUT BYPASS WATER VALVE | | | | | |
| | | D) USE WITH "SLIDE-OUT" | | | | | |
| | | E) WITH ROTRON PUMP | | | | | |
| | | F) USE ALSO FOR FEED LINE WITH MTH-40 & MTH-45 ENT | | | | | |

From Y-7046 To 8-9339

Date:10/2022

PAGE:Y2-2222-02

HEATER LINE REAR SECTION - BUS



| | | |
|-----------------------|--------------|-----------------|
| From Y-7046 To 8-9339 | Date:10/2022 | PAGE:Y2-2222-02 |
|-----------------------|--------------|-----------------|

HEATER LINE REAR SECTION - BUS

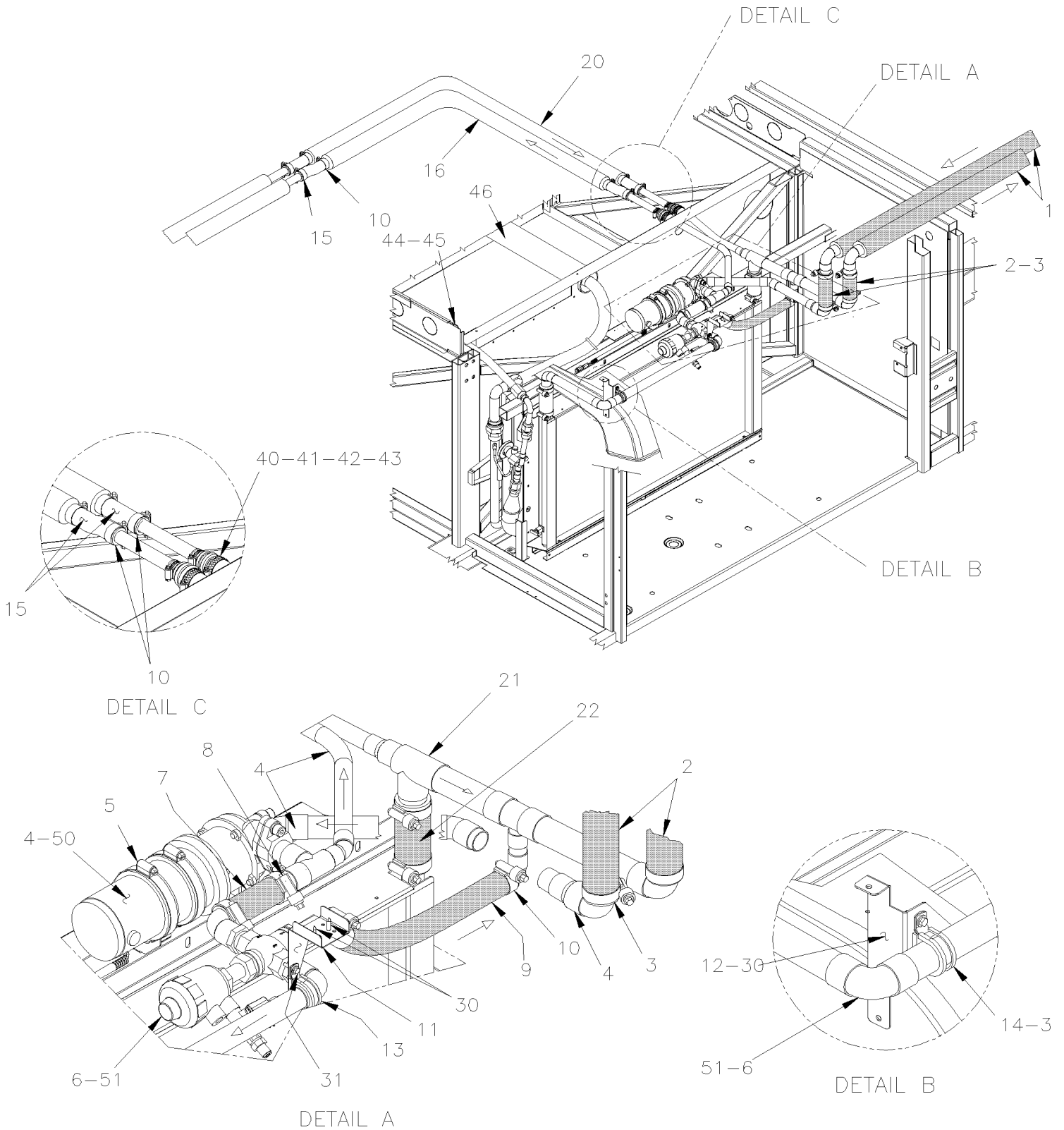
| Item# | Part | Description | X L I I 4 5 | X L I I M T H 4 0 | X L I I M T H 4 5 | X L I I M T H 4 5 E | N O T E S |
|-------|------|--|----------------------------|---|---|--|-----------------------|
| | | P) CALL ORDER DESK FOR SPECIFIC APPLICATION (V.I.N.) | | | | | |

From 6-8806 To 8-9339

Date:10/2022

PAGE:Y2-2210-11

WATER PUMP - INSTALLATION



| | | |
|----------------------------------|--------------|-----------------|
| From 6-8806 To 8-9339 | Date:10/2022 | PAGE:Y2-2210-11 |
| WATER PUMP - INSTALLATION | | |

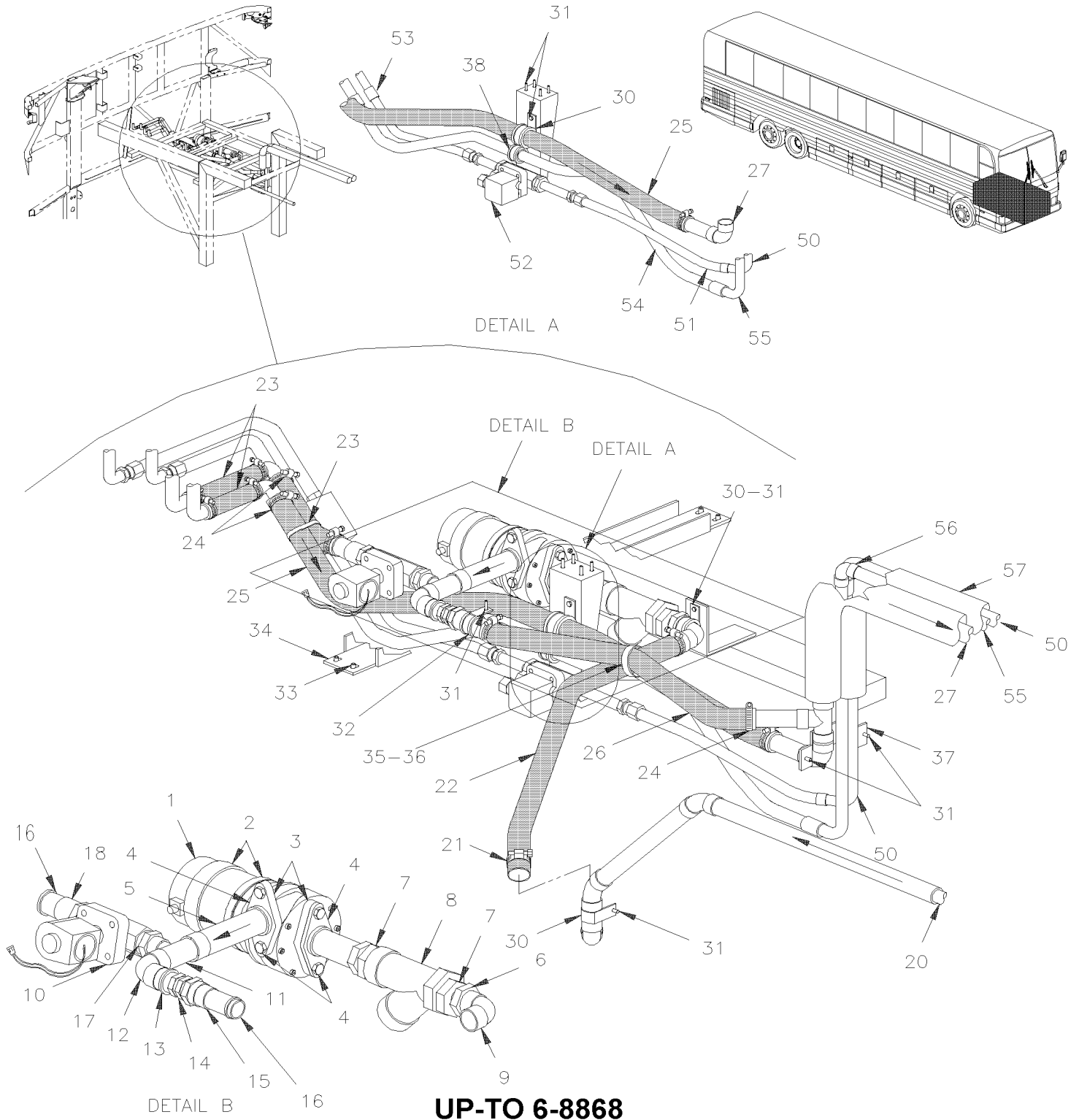
| Item# | Part | Description | X L I I 4 5 | X L I I M T H 4 0 | X L I I M T H 4 5 | X L I I M T H 4 5 E | N O T E S |
|-------|-----------------|---|----------------------------|---|---|--|-----------------------|
| 1 | Y2-2222-31 | HEATER LINE REAR SECTION - MTH | 1 | 1 | 1 | 1 | |
| 2 | 503392 | HOSE SILICONE 4PLY 1 3/8" I.D. x 4' | | AR | AR | AR | |
| 3 | 504657 | HOSE CLAMP / 1"1/16-2" C.T. 9424 | | AR | AR | AR | |
| 4 | Call order desk | PUMP WATER ASSY W/PIPE & CONNECTOR / SEALLESS MODEL | | 1 | 1 | 1 | P |
| . NS | 374864 | . COPPER TUBE, OUTPUT ASSY | | 1 | 1 | 1 | |
| . NS | 374865 | . COPPER TUBE, INPUT ASSY | | 1 | 1 | 1 | |
| 5 | 504235 | HOSE CLAMP / 3"9/16"-4"1/2 SS / HS-64 | | 2 | 2 | 2 | |
| NS | 506728 | TAPE RUB ADH1 NEO 1/4" x 3/4" x 10' / BLACK | | AR | AR | AR | |
| 6 | Call order desk | WATER VALVE ASSY W/PIPE & SUPPORT | | | 1 | | P |
| . NS | 374281 | . ADAPTOR 7/8" I.D. WELDED x 3/4" B.P.T. MALE | | | 1 | | |
| . NS | 374282 | . ADAPTOR 1 1/8" I.D. WELDED x 3/4" B.P.T. MALE | | | 2 | | |
| 6 | 374198P | WATER VALVE ASSY W/PIPE & SUPPORT | | 1 | | 1 | |
| 7 | 503652 | HOSE SILICONE 2PLY 1 1/8" I.D. x 3' | | AR | AR | AR | |
| 8 | 504658 | HOSE CLAMP / 13/16"-1"3/4 / C.T. 9420 | | AR | AR | AR | |
| 9 | 503651 | HOSE SILICONE 2PLY 7/8" I.D. x 3' | | AR | AR | AR | |
| 10 | 504646 | HOSE CLAMP / 11/16"-1"1/4 / C.T. 9412 | | AR | AR | AR | |
| 11 | 374217 | SUPPORT WATER VALVE BACKWARD | | 1 | 1 | 1 | |
| 12 | 374194 | SUPPORT WATER VALVE | | 1 | 1 | 1 | |
| 12 | 374195 | SUPPORT WATER VALVE FORWARD | | 1 | 1 | 1 | |
| 13 | 952639 | CLAMP / 1"1/4 I.D. | | 1 | 1 | 1 | |
| 14 | 952637 | CLAMP / 1"1/16 I.D. | | 1 | 1 | 1 | |
| 15 | 371532 | HOSE 7/8" I.D. 6" | | 1 | 1 | 1 | |
| 16 | Call order desk | PIPE ASSY / 1428MM BACKWARD SECTION | | 1 | 1 | 1 | P |
| 20 | Call order desk | PIPE ASSY / 1432MM BACKWARD SECTION | | 1 | 1 | 1 | P |
| 21 | 374124 | PIPE ASSY / RETURN LINE / W/BYPASS VALVE OR W/OUT BY PASS | | 1 | 1 | 1 | |
| 22 | 051383 | HOSE / W/CENTRAL A/C SYSTEM / 1 3/8" I.D. X 150MM | | 1 | 1 | 1 | |
| 30 | 500957 | SCREW TP BDG PH #10x3/4 N500 | | AR | AR | AR | |
| 31 | 500588 | SCREW CAP HEX M4-0.7x20 G8.8 Z050 | | 2 | 2 | 2 | |
| NS | 500438 | WASHER FL .187x.437x.050 Z050 | | 2 | 2 | 2 | |
| NS | 500590 | NUT HEX NYRT M4-0.7 Z050 | | 2 | 2 | 2 | |
| 40 | 504383 | CUFF END BELLOW / 7/8" I.D. x 1 1/2" x 2 1/4" | | 2 | 2 | 2 | |
| 41 | 451075 | PROTECTOR HOSE SPLIT / 7/8" O.D. x 3" | | 2 | 2 | 2 | |
| 42 | 504022 | HOSE CLAMP / 3/4"-1"3/4 SS / HS-20 | | AR | AR | AR | |
| 43 | 504016 | CABLE TIE / 5/16" X 14"1/2 | | AR | AR | AR | |
| 44 | 504024 | HOSE CLAMP / 1"13/16"-2"3/4 SS / HS-36 | | 1 | 1 | 1 | |
| 45 | 504384 | CUFF END BELLOW / 1 1/4" I.D. x 1 3/4" x 4" | | 1 | 1 | 1 | |
| 46 | 454238 | TUBE PVC / 3" x 1137MM | | 1 | 1 | 1 | |
| 50 | Y2-2206-01 | WATER PUMP #871342 SEALLESS | | | | | |
| 51 | Y2-2207-02 | WATER VALVE - W/3 WAYS BY-PASS | | | | | |
| 52 | Y2-2270-00 | RECEIVER TANK & FILTER DRYER | | | | | |
| 53 | Y2-2208-00 | A/C EXPANSION VALVE | | | | | |
| 54 | Y2-2205-01 | HEATER & EVAPORATOR COIL - INSTALLATION | | | | | |

| | | |
|-----------------------|--------------|-----------------|
| From 6-8806 To 8-9339 | Date:10/2022 | PAGE:Y2-2210-11 |
|-----------------------|--------------|-----------------|

WATER PUMP - INSTALLATION

| Item# | Part | Description | X L I I 4 5 | X L I I M T H 4 0 | X L I I M T H 4 5 | X L I I M T H 4 5 E | N O T E S |
|-------|------|--|--------------------------------|---|---|--|-----------------------|
| | | | | | | | |
| | | | | | | | |
| | | | | | | | |
| | | P) CALL ORDER DESK FOR SPECIFIC APPLICATION (V.I.N.) | | | | | |

| | | |
|--|--------------|-----------------|
| From Y-7046 To 8-9339 | Date:10/2022 | PAGE:Y2-2210-20 |
| WATER PUMP & FILTER - W/SMALL A/C | | |

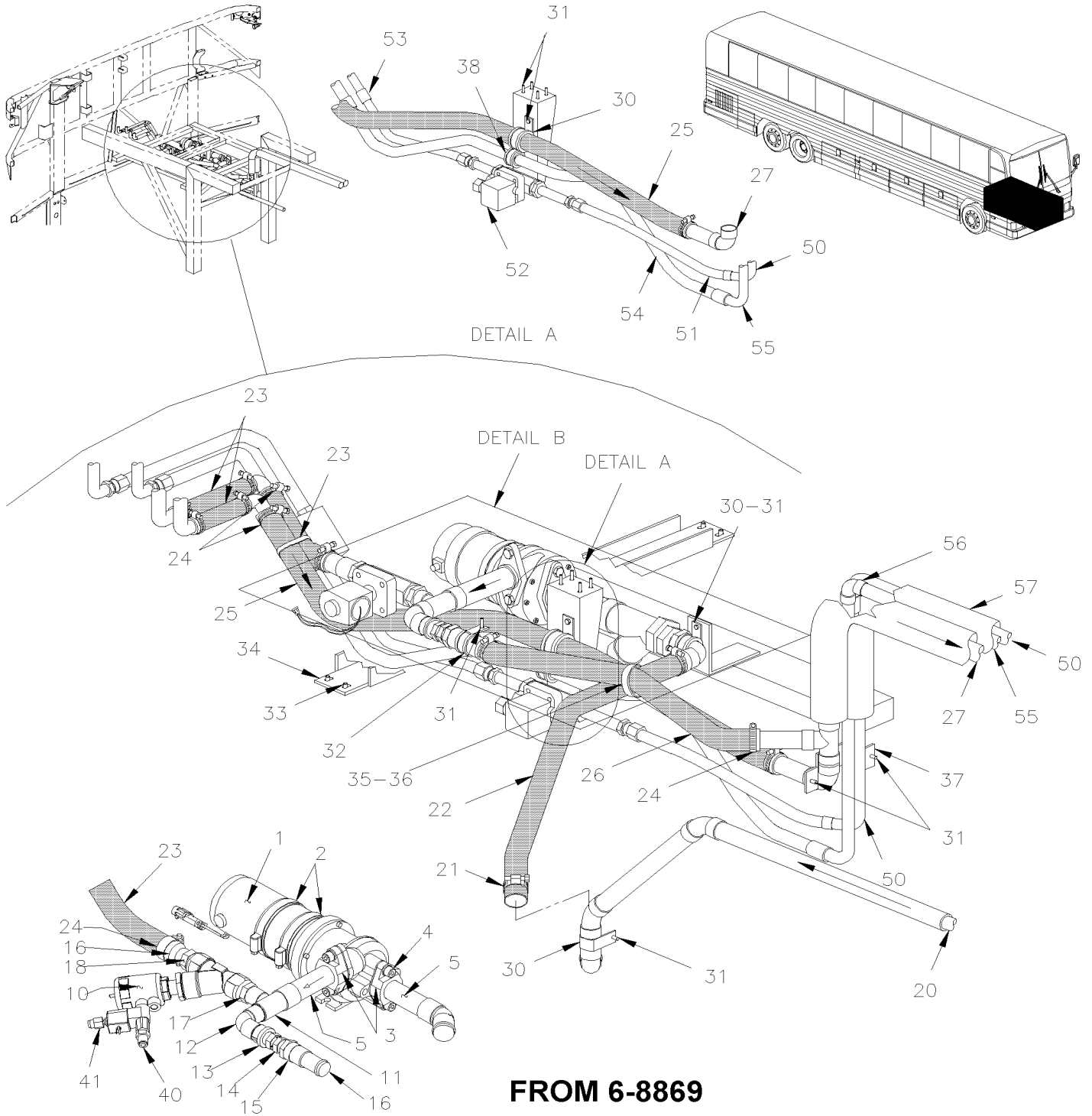


From Y-7046 To 8-9339

Date:10/2022

PAGE:Y2-2210-20

WATER PUMP & FILTER - W/SMALL A/C



| | | |
|--|--------------|-----------------|
| From Y-7046 To 8-9339 | Date:10/2022 | PAGE:Y2-2210-20 |
| WATER PUMP & FILTER - W/SMALL A/C | | |

| Item# | Part | Description | X L I I 4 5 | X L I I M T H 4 0 | X L I I M T H 4 5 | X L I I M T H 4 5 E | N O T E S |
|-------|-------------------|---|----------------------------|---|---|--|-----------------------|
| | Call order desk | WATER PUMP ASSY W/STRAINER & VALVE To 4-8228 | | 1 | 1 | 1 | P |
| | Call order desk | WATER PUMP ASSY W/STRAINER & VALVE From 4-8229 To 6-8868 | | 1 | 1 | 1 | P |
| | Call order desk | WATER PUMP ASSY W/WATER VALVE From 6-8869 | | | 1 | 1 | P |
| 1 | Y2-2206-00 | WATER PUMP #871052 & #871204 To 4-8205 | | | | | |
| 1 | Y2-2206-01 | WATER PUMP #871342 SEALLESS From 4-8206 | | | | | |
| 2 | 504026 | HOSE CLAMP / 2"13/16-3"3/4 SS / HS-52 | | 2 | 2 | 2 | |
| NS | 506728 | TAPE RUB ADH1 NEO 1/4" x 3/4" x 10' / BLACK | | AR | AR | AR | |
| 3 | 870862 | FLANGE ADAPTOR / W/GASKET To 1-7409 | | 2 | 2 | 2 | |
| 3 | 871206 | FLANGE ADAPTOR / W/QUAD RING From 1-7410 | | 2 | 2 | 2 | |
| NS | 870441 | GASKET PUMP INLET & OUTLET To 1-7409 | | 2 | 2 | 2 | |
| NS | 871207 | QUAD RING From 1-7410 To 4-8228 | | 2 | 2 | 2 | |
| NS | 870441 | GASKET PUMP INLET & OUTLET From 4-8229 | | 2 | 2 | 2 | |
| 4 | 500695 | SCREW CAP HEXS 3/8-16x1 ZP To 4-8228 | | 4 | 4 | 4 | |
| 4 | 5001580 | SCREW CAP HEXS 3/8-16x7/8 From 4-8229 | | 4 | 4 | 4 | |
| NS | 500478 | WASHER LO SPT .380x.683x.094 Z050 | | 4 | 4 | 4 | |
| 5 | 503199 | COPPER TUBE 1.125" O.D.x .050" x 240" | | AR | AR | AR | |
| 6 | 501794 | ADAPTER / COPPER @ PIPE / 1Mx3/4NPT-M To 4-8228 | | 2 | 2 | 2 | |
| 6 | 501553 | ADAPTER / COPPER @ PIPE / 1Fx1NPT-M From 4-8229 To 6-8868 | | 2 | 2 | 2 | |
| 7 | 501922 | ADAPTER / PIPE FITTING / 3/4NPT-Fx1 1/4NPT-M BR To 4-8228 | | 2 | 2 | 2 | |
| 8 | 870807 | STRAINER FILTER, WATER 1" 1/4" N.P.T. To 4-8228 | | 1 | 1 | 1 | |
| 8 | 871348 | STRAINER FILTER, WATER 1" N.P.T. From 4-8229 | | 1 | 1 | 1 | |
| 9 | 373617 | ELBOW 90° W/BEAD To 6-8805 | | 1 | 1 | 1 | |
| 9 | 372675 | ELBOW 45° W/BEAD From 6-8806 | | 1 | 1 | 1 | |
| 10 | Y2-2207-10 | WATER VALVE - W/DRIVER'S HEATER | | | | | |
| 10 | Y2-2207-01 | WATER VALVE - W/2 WAYS | | | | | |
| 11 | 501963 | UNION TEE / COPPER TUBE / 1Fx3/4Fx3/4F | | 1 | 1 | 1 | |
| 12 | 501217 | STREET ELBOW 90° SHORT RADIUS / COPPER TUBE / 3/4Mx3/4F | | 1 | 1 | 1 | |
| 13 | 501889 | ADAPTER / COPPER @ PIPE / 3/4Mx1/2NPT-F | | 1 | 1 | 1 | |
| 14 | 870727 | CHECK VALVE 1/2 NPT | | 1 | 1 | 1 | |
| 15 | 501568 | ADAPTER / COPPER @ PIPE / 3/4Fx1/2NPT-F | | 1 | 1 | 1 | |
| 16 | 503198 | COPPER TUBE .875" O.D. x .045" x 240" | | AR | AR | AR | |
| 17 | 501896 | ADAPTER / COPPER @ PIPE / 3/4Fx3/4NPT-M | | 1 | 1 | 1 | |
| 18 | 501866 | ADAPTER / COPPER @ PIPE / 3/4Fx3/4NPT-M | | 1 | 1 | 1 | |
| 20 | Call order desk | PIPE ASSY / 6472MM To 5-8561 | | 1 | | | P |
| 20 | Call order desk | PIPE ASSY / 2905MM BACKWARD SECTION From 5-8562 | | 1 | | | P |
| 20 | Call order desk | PIPE ASSY / 3496MM FORWARD SECTION From 5-8562 | | 1 | | | P |
| 20 | Call order desk | PIPE ASSY / 7356MM To 5-8561 | | | 1 | | P |
| 20 | Call order desk | PIPE ASSY / 3289MM BACKWARD SECTION From 5-8562 | | | 1 | | P |
| 20 | Call order desk | PIPE ASSY / 3996MM FORWARD SECTION From 5-8562 | | | 1 | | P |
| 20 | Call order desk | PIPE ASSY / 7996MM To 5-8561 | | | | 1 | P |
| 20 | Call order desk | PIPE ASSY / 4429MM BACKWARD SECTION From 5-8562 | | | | 1 | P |
| 20 | Call order desk | PIPE ASSY / 3496MM FORWARD SECTION From 5-8562 | | | | 1 | P |

| | | |
|--|--------------|-----------------|
| From Y-7046 To 8-9339 | Date:10/2022 | PAGE:Y2-2210-20 |
| WATER PUMP & FILTER - W/SMALL A/C | | |

| Item# | Part | Description | X L I I 4 5 | X L I I M T H 4 0 | X L I I M T H 4 5 | X L I I M T H 4 5 E | N O T E S |
|-------|-------------------|--|----------------------------|---|---|--|-----------------------|
| 21 | 504658 | HOSE CLAMP / 13/16"-1"3/4 / C.T. 9420 | | 2 | 2 | 2 | |
| 22 | 373618 | HOSE 1 1/8" I.D. X 605MM To 6-8868 | | 1 | 1 | 1 | |
| 22 | 374220 | HOSE 1 1/8" I.D. X 670MM From 6-8869 | | 1 | 1 | 1 | |
| 23 | Y2-2230-00 | DEFROSTER - INSTALLATION | | | | | |
| 24 | 504646 | HOSE CLAMP / 11/16"-1"1/4 / C.T. 9412 | | AR | AR | AR | |
| 25 | 373619 | HOSE 7/8" I.D. X 855MM | | 1 | 1 | 1 | |
| 26 | 373674 | HOSE 7/8" I.D. X 390MM | | 1 | 1 | 1 | |
| . NS | 503684 | . HOSE SILICONE 1 PLY 7/8" I.D. x 100' / S.L. | | AR | AR | AR | |
| 27 | Call order desk | PIPE ASSY / 6512MM To 5-8561 | | 1 | | | P |
| 27 | Call order desk | PIPE ASSY / 2963MM BACKWARD SECTION From 5-8562 | | 1 | | | P |
| 27 | Call order desk | PIPE ASSY / 3469MM FORWARD SECTION From 5-8562 | | 1 | | | P |
| 27 | Call order desk | PIPE ASSY / 7382MM To 5-8561 | | | 1 | | P |
| 27 | Call order desk | PIPE ASSY / 2963MM BACKWARD SECTION From 5-8562 | | | 1 | | P |
| 27 | Call order desk | PIPE ASSY / 4221MM FORWARD SECTION From 5-8562 | | | 1 | | P |
| 27 | Call order desk | PIPE ASSY / 8036MM To 5-8561 | | | | 1 | P |
| 27 | Call order desk | PIPE ASSY / 4037MM BACKWARD SECTION From 5-8562 | | | | 1 | P |
| 27 | Call order desk | PIPE ASSY / 3919MM FORWARD SECTION From 5-8562 | | | | 1 | P |
| 30 | 952639 | CLAMP / 1"1/4 I.D. | | AR | AR | AR | |
| 31 | 500642 | SCREW TP PAN PH #10x3/4 Z050 | | AR | AR | AR | |
| 32 | 952635 | CLAMP / 1" I.D. | | AR | AR | AR | |
| 33 | 502526 | SCREW TC BDG PH #12-24x3/4 Z050 | | 4 | 4 | 4 | |
| 34 | 172355 | SUPPORT / VALVE | | 1 | 1 | 1 | |
| 35 | 504637 | CABLE TIE / 3/16" x 13" | | AR | AR | AR | |
| 36 | 504586 | WASHER FL SPACER .450x.625x.875 NYL | | AR | AR | AR | |
| 37 | 452906 | SUPPORT | | 1 | 1 | 1 | |
| 38 | 952631 | CLAMP / 3/4" I.D. | | AR | AR | AR | |
| 40 | 641332 | MALE CONNECTOR / PUSH-IN FITTING / #4x1/4NPT-M BR From 6-8869 | | | 1 | 1 | |
| 41 | 642028 | MALE CONNECTOR / PUSH-IN FITTING / 6MM x M5-0.8 BR From 6-8869 | | | 1 | 1 | |
| 50 | 453319 | PIPE ASSY | | 1 | 1 | 1 | |
| 51 | 453333 | HOSE ASSY / PIPE & VALVE #6 205MM | | 1 | 1 | 1 | |
| . NS | 507278 | . O-RING / ORS FITTING / #4 NEO | | 2 | 2 | 2 | |
| 51 | 455212 | HOSE ASSY / PIPE & VALVE #6 205MM | | 1 | 1 | 1 | S |
| . NS | 507278 | . O-RING / ORS FITTING / #4 NEO | | 2 | 2 | 2 | S |
| 52 | Y2-2208-10 | REFRIGERANT SOLENOID VALVE | | | | | |
| 53 | 453331 | HOSE ASSY / VALVE & EVAPORATOR / #6 250MM To 3-8164 | | 1 | 1 | 1 | |
| . NS | 507278 | . O-RING / ORS FITTING / #4 NEO To 3-8164 | | 2 | 2 | 2 | |
| 53 | 455210 | HOSE ASSY / VALVE & EVAPORATOR / #6 250MM To 3-8164 | | 1 | 1 | 1 | S |
| . NS | 507278 | . O-RING / ORS FITTING / #4 NEO To 3-8164 | | 2 | 2 | 2 | S |
| 53 | 454109 | HOSE ASSY / VALVE & EVAPORATOR / #6 205MM | | 1 | 1 | 1 | A |
| . NS | 507278 | . O-RING / ORS FITTING / #4 NEO | | 2 | 2 | 2 | A |
| 53 | 455290 | HOSE ASSY / VALVE & EVAPORATOR / #6 205MM | | 1 | 1 | 1 | AS |
| . NS | 507278 | . O-RING / ORS FITTING / #4 NEO | | 2 | 2 | 2 | AS |

| | | |
|--|--------------|-----------------|
| From Y-7046 To 8-9339 | Date:10/2022 | PAGE:Y2-2210-20 |
| WATER PUMP & FILTER - W/SMALL A/C | | |

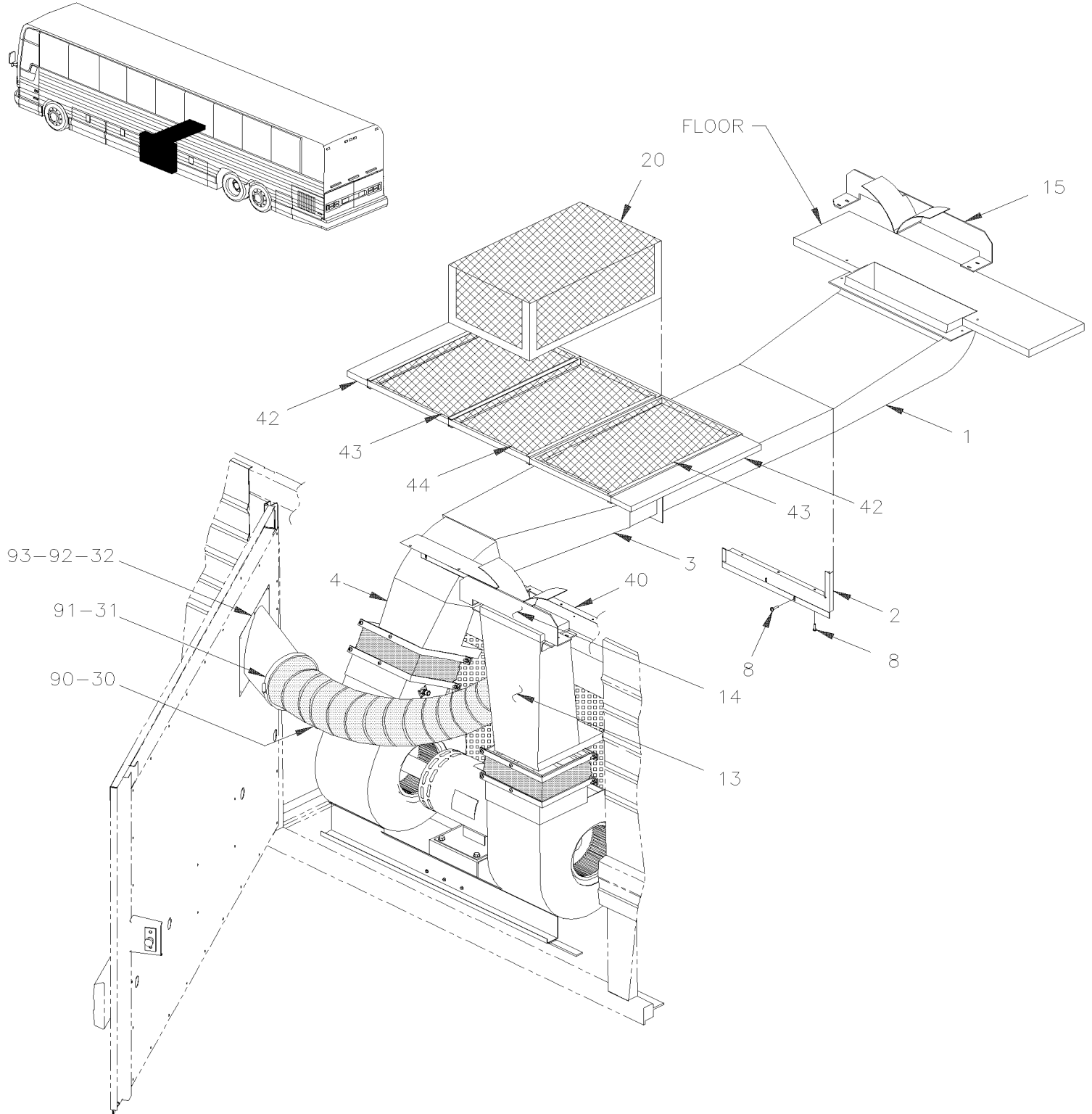
| Item# | Part | Description | X L I I 4 5 | X L I I M T H 4 0 | X L I I M T H 4 5 | X L I I M T H 4 5 E | N O T E S |
|-------|-----------------|--|----------------------------|---|---|--|-----------------------|
| 54 | 453332 | HOSE ASSY / EXPANSION VALVE OUTLET / #10 820MM To 3-8164 | | 1 | 1 | 1 | |
| . NS | 507344 | . O-RING / ORS FITTING / #10 NEO To 3-8164 | | 2 | 2 | 2 | |
| 54 | 455211 | HOSE ASSY / EXPANSION VALVE OUTLET / #10 820MM To 3-8164 | | 1 | 1 | 1 | S |
| . NS | 507344 | . O-RING / ORS FITTING / #10 NEO To 3-8164 | | 2 | 2 | 2 | S |
| 54 | 454107 | HOSE ASSY / EXPANSION VALVE OUTLET / #10 875MM | | 1 | 1 | 1 | A |
| . NS | 507344 | . O-RING / ORS FITTING / #10 NEO | | 2 | 2 | 2 | A |
| 54 | 455289 | HOSE ASSY / EXPANSION VALVE OUTLET / #10 875MM | | 1 | 1 | 1 | AS |
| . NS | 507344 | . O-RING / ORS FITTING / #10 NEO | | 2 | 2 | 2 | AS |
| 55 | Call order desk | PIPE | | 1 | | 1 | P |
| 55 | Call order desk | PIPE ASSY | | | 1 | | P |
| 56 | 453704 | PIPE | | 1 | 1 | 1 | |
| 57 | 506283 | PIPE INSULATING / 1 5/8" I.D. X 1/2" TH. X 72 / APT15812 | | 1 | 1 | 1 | |
| | | | | | | | |
| | | | | | | | |
| | | | | | | | |
| | | A) ALSO USE WITH "SELTEC" RETROFIT | | | | | |
| | | S) SERVICE | | | | | |
| | | P) CALL ORDER DESK FOR SPECIFIC APPLICATION (V.I.N.) | | | | | |

From Y-7046 To 6-8906

Date:10/2022

PAGE:Y2-2220-00

UNDER FLOOR AIR DUCTING

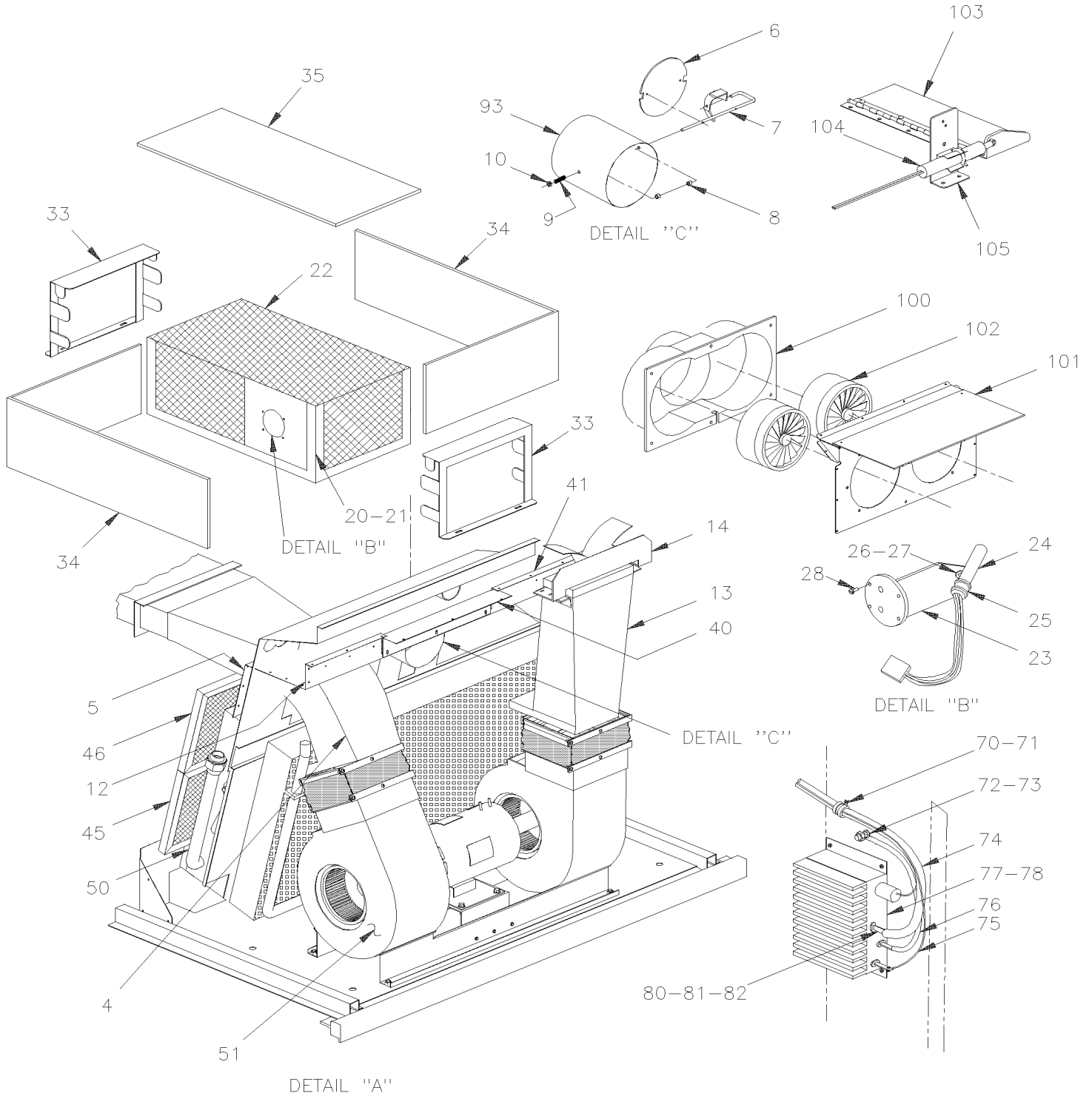


From Y-7046 To 6-8906

Date:10/2022

PAGE:Y2-2220-00

UNDER FLOOR AIR DUCTING



| | | |
|--------------------------------|--------------|-----------------|
| From Y-7046 To 6-8906 | Date:10/2022 | PAGE:Y2-2220-00 |
| UNDER FLOOR AIR DUCTING | | |

| Item# | Part | Description | X L I I 4 5 | X L I I M T H 4 0 | X L I I M T H 4 5 | X L I I M T H 4 5 E | N O T E S |
|-------|-----------------|--|----------------------------|---|---|--|-----------------------|
| 1 | 452923 | DUCT ASSY To 6-8805 | | 1 | | 1 | |
| 1 | 453055 | DUCT ASSY To Y-7207 | 1 | | 1 | | |
| 1 | 453603 | DUCT ASSY From Y-7208 | 1 | | | | |
| 1 | 453603 | DUCT ASSY From Y-7208 To 6-8805 | | | 1 | | |
| 2 | 452922 | CLOSING PANEL ASSY | 1 | | | | |
| 2 | 452922 | CLOSING PANEL ASSY To 6-8805 | | 1 | 1 | 1 | |
| 3 | 452806 | DUCT ASSY | 1 | | | | |
| 3 | 452806 | DUCT ASSY To 6-8805 | | 1 | 1 | 1 | |
| 4 | 450856 | DUCT , L.H. OUTLET EVAPORATOR FAN | 1 | | | | |
| 4 | 450856 | DUCT , L.H. OUTLET EVAPORATOR FAN To 6-8805 | | 1 | 1 | 1 | |
| 5 | 453457 | PANEL ASSY W/DAMPER / UPPER EVAPORATOR To 5-8644 | 1 | | | | D |
| 5 | Call order desk | PANEL ASSY W/DAMPER / UPPER EVAPORATOR From 5-8645 | 1 | | | | P |
| 5 | 453458 | PANEL ASSY W/DAMPER / UPPER EVAPORATOR To 6-8805 | | 1 | 1 | 1 | |
| 5 | 485415 | PANEL ASSY W/O DAMPER / UPPER EVAPORATOR / "SPECIAL OPTION" HYDRO QC | 1 | | | | |
| 6 | 452943 | . DAMPER | 1 | | | | |
| 6 | 452943 | . DAMPER To 6-8805 | | 1 | 1 | 1 | |
| 7 | 452945 | . PIVOT | 1 | | | | |
| 7 | 452945 | . PIVOT To 6-8805 | | 1 | 1 | 1 | |
| NS | 504107 | . RIVET POP DOME OE 1/8x5/16 AL | 1 | 1 | 1 | 1 | |
| 8 | 504083 | . SNAP BUSHING / .250x.468.406 | 2 | | | | |
| 8 | 504083 | . SNAP BUSHING / .250x.468.406 To 6-8805 | | 1 | 1 | 1 | |
| 9 | 502146 | . SPRING COMPRESSION / .437 O.D. x .750 x .047 | 2 | | | | |
| 9 | 502146 | . SPRING COMPRESSION / .437 O.D. x .750 x .047 To 6-8805 | | 1 | 1 | 1 | |
| 10 | 500770 | . NUT HEX STO 1/4-20 Z050 | 1 | 1 | 1 | 1 | |
| NS | 500440 | . WASHER FL .250x.562x.065 Z050 | 1 | 1 | 1 | 1 | |
| 13 | 452878 | DUCT, R.H. OUTLET / EVAPORATOR FAN | 1 | | | | |
| 13 | 452878 | DUCT, R.H. OUTLET / EVAPORATOR FAN To 6-8805 | | 1 | 1 | 1 | |
| 14 | 453362 | DEFLECTOR ASSY / EVAPORATOR SIDE | 1 | | | | |
| 14 | 453362 | DEFLECTOR ASSY / EVAPORATOR SIDE To 6-8805 | | 1 | 1 | 1 | |
| 15 | 453363 | DEFLECTOR ASSY / CONDENSOR SIDE | 1 | | | | |
| 15 | 453363 | DEFLECTOR ASSY / CONDENSOR SIDE To 6-8805 | | 1 | 1 | 1 | |
| 20 | 453541 | BOX ASSY / AIR RETURN To 1-7493 | 1 | | | | |
| 20 | 453629 | BOX ASSY / AIR RETURN From 1-7494 | 1 | | | | |
| 20 | 453629 | BOX ASSY / AIR RETURN From 1-7494 To 2-7877 | | 1 | 1 | 1 | |
| 20 | 453791 | . TEMPERATURE SENSOR ASSY W/SUPPORT From 2-7878 | | 1 | 1 | 1 | A |
| 21 | 453032 | . BASE / AIR RETURN | 1 | | | | |
| 21 | 453032 | . BASE / AIR RETURN To 2-7877 | | 1 | 1 | 1 | |
| 22 | 453031 | . GRILL / AIR RETURN BOX | 1 | | | | |
| 22 | 453789 | . GRILL / AIR RETURN From 2-7878 | | 1 | 1 | 1 | A |
| 23 | 453033 | . SUPPORT / TEMPERATURE SENSOR | 1 | | | | |
| 23 | 453033 | . SUPPORT / TEMPERATURE SENSOR To 2-7877 | | 1 | 1 | 1 | |
| 23 | 453792 | . SUPPORT TERMISTOR From 2-7878 | | 1 | 1 | 1 | A |

| | | |
|-----------------------|--------------|-----------------|
| From Y-7046 To 6-8906 | Date:10/2022 | PAGE:Y2-2220-00 |
|-----------------------|--------------|-----------------|

UNDER FLOOR AIR DUCTING

| Item# | Part | Description | X L I I 4 5 | X L I I M T H 4 0 | X L I I M T H 4 5 | X L I I M T H 4 5 E | N O T E S |
|-------|-------------------|--|----------------------------|---|---|--|-----------------------|
| 24 | 563026 | . SENSOR THERMISTOR ASSY ("KEYSTONE") To 1-7493 | 1 | 1 | 1 | 1 | |
| 24 | 563063 | . SENSOR THERMISTOR ASSY / TEMPERATURE / ("DELPHI") From 1-7494 | 1 | 1 | 1 | 1 | |
| 25 | 952624 | . CLAMP / 1/4" I.D. | 1 | 1 | 1 | 1 | |
| 26 | 500387 | . SCREW MA RND PH #10-24x3/4 Z050 | 1 | 1 | 1 | 1 | |
| 27 | 500786 | . NUT HEX #10-24 Z050 | 1 | 1 | 1 | 1 | |
| 28 | 500638 | SCREW TP PAN PH #8x1/2 Z050 | 2 | 2 | 2 | 2 | |
| 30 | 452988 | HOSE 6" I.D. 38" | 1 | 1 | 1 | 1 | |
| 31 | 504324 | HOSE CLAMP / 4"1/2-6"1/2 SS / HS-96 | 1 | 1 | 1 | 1 | |
| 32 | 452947 | HOSE ADAPTOR, EVAPORATOR DOOR | 1 | 1 | 1 | 1 | |
| 33 | 457420 | SUPPORT RETURN AIR FILTER / "SPECIAL OPTION" HYDRO QC | 2 | | | | |
| 34 | 871377 | FILTER ASSY RECIRCULATING 1/4" X 6" X 27 1/8" / "SPECIAL OPTION" HYDRO QC | 2 | | | | |
| 35 | 871378 | FILTER ASSY RECIRCULATING 1/4" X9 3/8" X 17 3/4" / "SPECIAL OPTION" HYDRO QC | 1 | | | | |
| 40 | 482219 | CLOSING PANEL ASSY To 6-8805 | | 1 | 1 | 1 | |
| 41 | 482035 | SLIDING TRACK / BACKWARD / 354MM To 6-8805 | | 1 | 1 | 1 | |
| 42 | 482047 | PANEL ASSY W/SLIDING TRACK To 6-8805 | | 1 | 1 | 1 | |
| 43 | 482049 | FILTER ASSY W/SLIDING TRACK & RIVET To 6-8805 | | 1 | 1 | 1 | |
| 44 | 871034 | FILTER 13" x 21" To 6-8805 | | 1 | 1 | 1 | |
| 45 | 373337 | FILTER LOWER 10" X 37" | 1 | | | | |
| 46 | 373336 | FILTER UPPER 10" X 37" | 1 | | | | |
| 47 | 482034 | SLIDING TRACK / FORWARD / 250MM To 6-8805 | | 1 | 1 | 1 | |
| 50 | Y2-2205-00 | HEATER & EVAPORATOR COIL - INSTALLATION | | | | | |
| 51 | Y2-2210-00 | HEATER & EVAPORATOR BLOWER - INSTALLATION | | | | | |
| 70 | 952627 | CLAMP / 1/2" I.D. To 4-8212 | | AR | AR | AR | |
| 71 | 500638 | SCREW TP PAN PH #8x1/2 Z050 To 4-8212 | | AR | AR | AR | |
| 72 | 500998 | NUT HEX 1/2-13 BR To 4-8212 | | 1 | 1 | 1 | |
| 73 | 500857 | WASHER LO INT .512x.900x.045 Z050 To 4-8212 | | 1 | 1 | 1 | |
| 74 | 063841 | CABLE / SPEED CONTROL & MOTOR #0A To 4-8212 | | 1 | 1 | 1 | |
| 75 | 063840 | CABLE / SPEED CONTROL & MOTOR #166B To 4-8212 | | 1 | 1 | 1 | |
| 76 | 063625 | CABLE / GROUND & SPEED CONTROL #0 To 4-8212 | | 1 | 1 | 1 | |
| 77 | 871086 | CONTROL SPEED To 4-8212 | | 1 | 1 | 1 | |
| 77 | 454001 | SUPPORT / SPEED CONTROL / W/SLIDE OUT To 4-8212 | | | 2 | | B |
| 77 | 502556 | WASHER FL 4.3x9.0x0.8 SS To 4-8212 | | | 10 | | B |
| 77 | 502636 | WASHER LO SPT 4.1x7.6x0.9 Z050 To 4-8212 | | | 10 | | B |
| 77 | 502685 | SCREW CAP HEX M4-0.7x20 SS EMN To 4-8212 | | | 10 | | B |
| 78 | 500535 | SCREW TP CAP HEX #14x3/4 Z050 To 4-8212 | | 4 | 4 | 4 | |
| 80 | 502531 | SCREW CAP HEX M6-1.0x16 G8.8 Z050 To 4-8212 | | 3 | 3 | 3 | |
| 81 | 502621 | NUT HEX STO M6-1.0 Z050 To 4-8212 | | 3 | 3 | 3 | |
| 82 | 500440 | WASHER FL .250x.562x.065 Z050 To 4-8212 | | 3 | 3 | 3 | |
| 90 | 373999 | HOSE 4" I.D. X 960MM To 6-8805 | | | 1 | | C |
| 91 | 504235 | HOSE CLAMP / 3"9/16"-4"1/2 SS / HS-64 To 6-8805 | | | 2 | | C |
| 92 | 871337 | HOSE ADAPTOR, EVAPORATOR DOOR To 6-8805 | | | 1 | | C |
| 93 | 871332 | ELBOW 20 DEG REDUCER / 156MM TO 100MM To 6-8805 | | | 1 | | C |

| | | |
|-----------------------|--------------|-----------------|
| From Y-7046 To 6-8906 | Date:10/2022 | PAGE:Y2-2220-00 |
|-----------------------|--------------|-----------------|

UNDER FLOOR AIR DUCTING

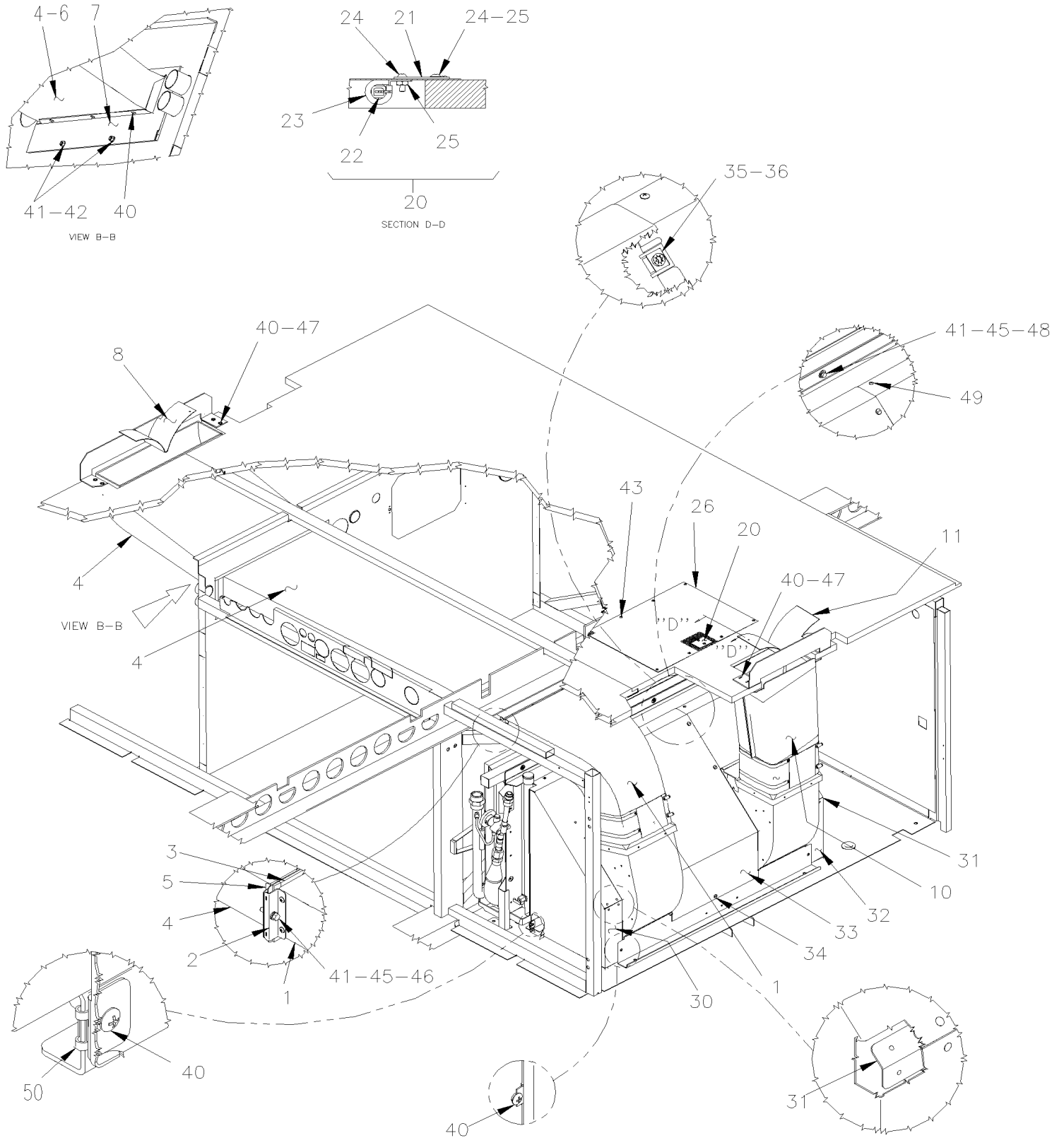
| Item# | Part | Description | X L I I 4 5 | X L I I M T H 4 0 | X L I I M T H 4 5 | X L I I M T H 4 5 E | N O T E S |
|-------|--------|---|----------------------------|---|---|--|-----------------------|
| 93 | 682484 | TAPE ALUMINUM ADH1 .005" x 3" x 300' ALUMINUM FSK3" To 6-8805 | | | | AR | C |
| 100 | 453872 | FRESCH AIR From 5-8645 | 1 | | | | E |
| 101 | 453873 | SUPPORT AXIAL FAN From 5-8645 | 1 | | | | E |
| 102 | 871361 | AXIAL FAN ASSY 12/28V / 230CFM From 5-8645 | 2 | | | | E |
| 103 | 453887 | FRESCH AIR DAMPER ASSY From 5-8645 | 1 | | | | E F |
| 104 | 405661 | SUPPORT ACTUATOR From 5-8645 | 1 | | | | E F |
| 105 | 373415 | ACTUATOR ASSY From 5-8645 | 1 | | | | E F |
| NS | 453892 | KIT, RETROFIT FRESCH AIR DAMPER | 1 | | | | |
| | | | | | | | |
| | | | | | | | |
| | | A) THIS MOUNTING IT FLAT ON FLOOR | | | | | |
| | | B) FIXED ON MOTOR BASE WITH "SLIDE-OUT" ONLY | | | | | |
| | | C) WITH "SLIDE OUT" ONLY | | | | | |
| | | D) FOR PRODUCT IMPROVMENT, ASK KIT #4538927 | | | | | |
| | | E) THOSE PARTS ARE ALSO INCLUDED IN KIT #4538927 | | | | | |
| | | F) THOSE PARTS ARE LOCATED BACK OF MIRROR IN LAVATORY | | | | | |
| | | P) CALL ORDER DESK FOR SPECIFIC APPLICATION (V.I.N.) | | | | | |

From 6-8806 To 8-9339

Date:10/2022

PAGE:Y2-2220-01

UNDER FLOOR AIR DUCTING

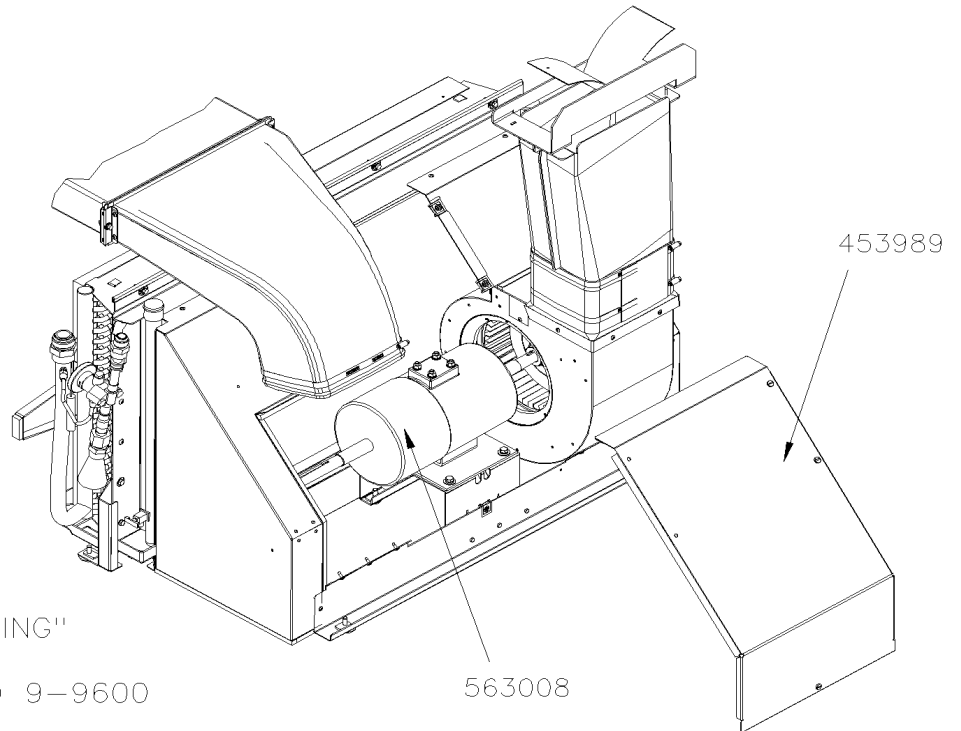


From 6-8806 To 8-9339

Date:10/2022

PAGE:Y2-2220-01

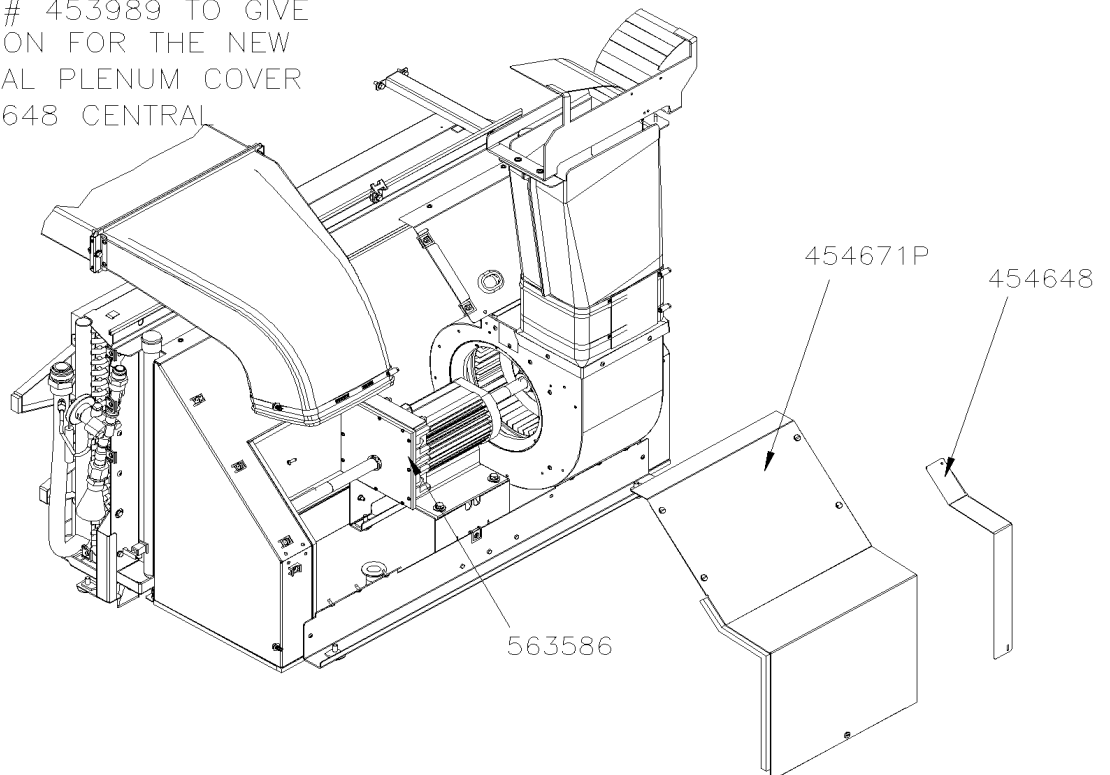
UNDER FLOOR AIR DUCTING



WARNING" – "WARNING" –"WARNING"

FOR VEHICULE FROM 6-8806 TO 9-9600

IF YOU REPLACE THE EVAPORATOR MOTOR # 563008 WITH THE BRUSHLESS # 563586 YOU HAVE TO REPLACE # 453989 TO GIVE A CLEARANCE INSTALLATION FOR THE NEW MOTOR. THE NEW CENTRAL PLENUM COVER # 454671P WITH # 454648 CENTRAL SUPPORT



| | | |
|--------------------------------|--------------|-----------------|
| From 6-8806 To 8-9339 | Date:10/2022 | PAGE:Y2-2220-01 |
| UNDER FLOOR AIR DUCTING | | |

| Item# | Part | Description | X L I I 4 5 | X L I I M T H 4 0 | X L I I M T H 4 5 | X L I I M T H 4 5 E | N O T E S |
|-------|-----------------|---|----------------------------|---|---|--|-----------------------|
| 1 | Call order desk | DUCT, L.H. OUTLET EVAPORATOR FAN | | 1 | 1 | 1 | P |
| 1 | 453978 | . DUCT | | 1 | 1 | 1 | |
| 2 | 454236 | . ATTACHMENT | | 2 | 2 | 2 | |
| 3 | 453997 | . GASKET | | 1 | 1 | 1 | |
| 4 | Call order desk | DUCT UNDER FLOOR ASSY | | 1 | 1 | 1 | P |
| 4 | 453976 | . DUCT | | 4 | 4 | 4 | |
| 5 | 454235 | . ATTACHMENT W/NUT | | 1 | 1 | 1 | |
| NS | 500957 | . SCREW TP BDG PH #10x3/4 N500 | | 4 | 4 | 4 | |
| NS | 506268 | . TAPE RUB ADH1 URE 3/8" x 1/2" x 25' / GREY 1820 | | AR | AR | AR | |
| 6 | 454306 | . PLATE SEALING INSIDE | | 1 | 1 | 1 | |
| 7 | 454305 | PLATE SEALING | | 1 | 1 | 1 | |
| 8 | 454253 | DEFLECTOR ASSY CONDENSOR SIDE | | 1 | 1 | 1 | |
| 10 | 453979 | DUCT, R,H, OUTLET EVAPORATOR FAN | | 1 | 1 | 1 | |
| 11 | 454284 | DEFLECTOR ASSY EVAPORATOR SIDE | | 1 | 1 | 1 | |
| 20 | 453791 | TEMPERATURE SENSOR ASSY W/SUPPORT | | 1 | 1 | 1 | |
| 21 | 453792 | . SUPPORT TERMISTOR | | 1 | 1 | 1 | |
| 22 | 563063 | . SENSOR THERMISTOR ASSY / TEMPERATURE / ("DELPHI") | | 1 | 1 | 1 | |
| 23 | 952637 | . CLAMP / 1"1/16 I.D. | | 1 | 1 | 1 | |
| 24 | 500416 | . SCREW MA PAN PH #10-32x1/2 BK | | 1 | 1 | 1 | |
| 25 | 500700 | . NUT HEX #10-32 Z050 | | 1 | 1 | 1 | |
| 26 | 453789 | . GRILL / AIR RETURN | | 1 | 1 | 1 | |
| 30 | 453987 | PLENUM FORWARD SECTION | | 1 | 1 | 1 | |
| 31 | 453991 | REINFORCMENT | | 2 | 2 | 2 | |
| 31 | 504112 | RIVET POP DOME OE 1/8x1/8 AL | | 8 | 8 | 8 | |
| 32 | 453988 | PLENUM BACKWARD SECTION | | 1 | 1 | 1 | |
| 33 | 453989 | PLENUM CENTRAL SECTION | | 1 | 1 | 1 | |
| 33A | 454671P | PLENUM CENTRAL SECTION | | 1 | 1 | 1 | |
| 33B | 454648 | SUPPORT PLENUM CENTRAL SECTION | | 1 | 1 | 1 | |
| 34 | 504681 | STUD 6MM (DZUS) | | 5 | 5 | 5 | |
| 35 | 504604 | FASTENER | | 5 | 5 | 5 | |
| 36 | 504605 | RECEPTACLE 6 MM | | 5 | 5 | 5 | |
| 40 | 500957 | SCREW TP BDG PH #10x3/4 N500 | | 17 | 17 | 17 | |
| 41 | 502737 | SCREW CAP HEX M6-1.0x25 SS BK | | 2 | 2 | 2 | |
| 42 | 502681 | NUT HEX NYRT M6-1.0 N500 G8 | | 2 | 2 | 2 | |
| 43 | 500642 | SCREW TP PAN PH #10x3/4 Z050 | | 9 | 9 | 9 | |
| 44 | 502737 | SCREW CAP HEX M6-1.0x25 SS BK | | 2 | 2 | 2 | |
| 45 | 502573 | WASHER FL 6.4x12.5x1.6 SS | | 2 | 2 | 2 | |
| 46 | 502853 | WASHER LO SPT 6.1x11.8x1.6 N500 | | 6 | 6 | 6 | |
| 47 | 500804 | WASHER FL .203x.500x.047 N500 | | 4 | 4 | 4 | |
| 48 | 500411 | WASHER FL .260x.697x.050 SS | | 4 | 4 | 4 | |
| 49 | 502868 | SCREW TC TR PH #10-16x1/2 N500 | | 16 | 16 | 16 | |
| 50 | 502904 | NUT SPR J #10A .035-.050 N500 | | AR | AR | AR | |

| | | |
|-----------------------|--------------|-----------------|
| From 6-8806 To 8-9339 | Date:10/2022 | PAGE:Y2-2220-01 |
|-----------------------|--------------|-----------------|

UNDER FLOOR AIR DUCTING

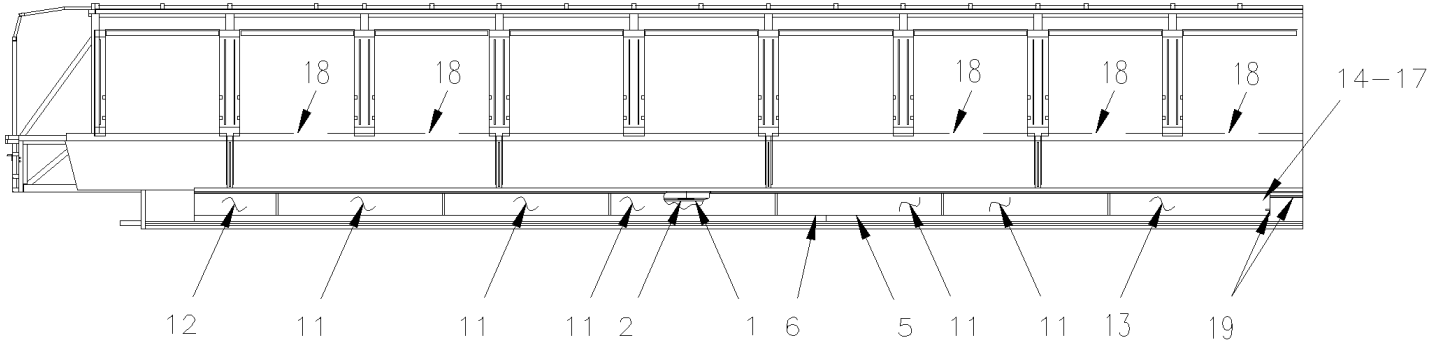
| Item# | Part | Description | X L I I 4 5 | X L I I M T H 4 0 | X L I I M T H 4 5 | X L I I M T H 4 5 E | N O T E S |
|-------|------|--|--------------------------------|---|---|--|-----------------------|
| | | | | | | | |
| | | | | | | | |
| | | | | | | | |
| | | P) CALL ORDER DESK FOR SPECIFIC APPLICATION (V.I.N.) | | | | | |

From Y-7046 To 6-8906

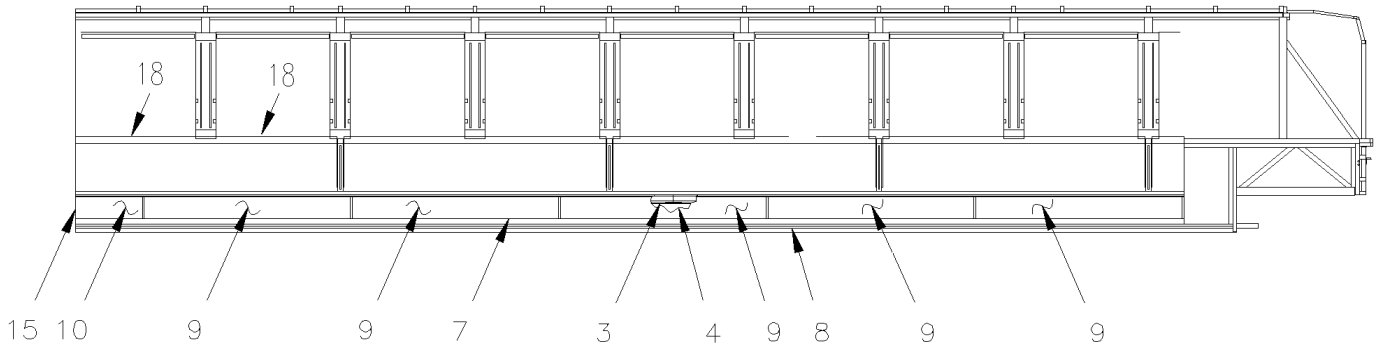
Date:10/2022

PAGE:Y2-2221-10

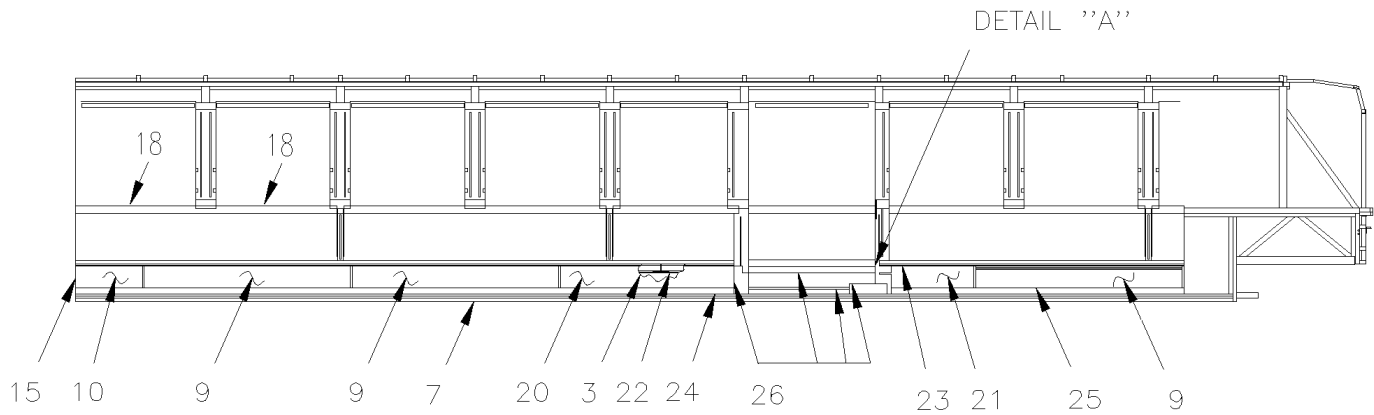
DUCTING HEATER & A/C - BUS FLOOR



LEFT SIDE



RIGHT SIDE



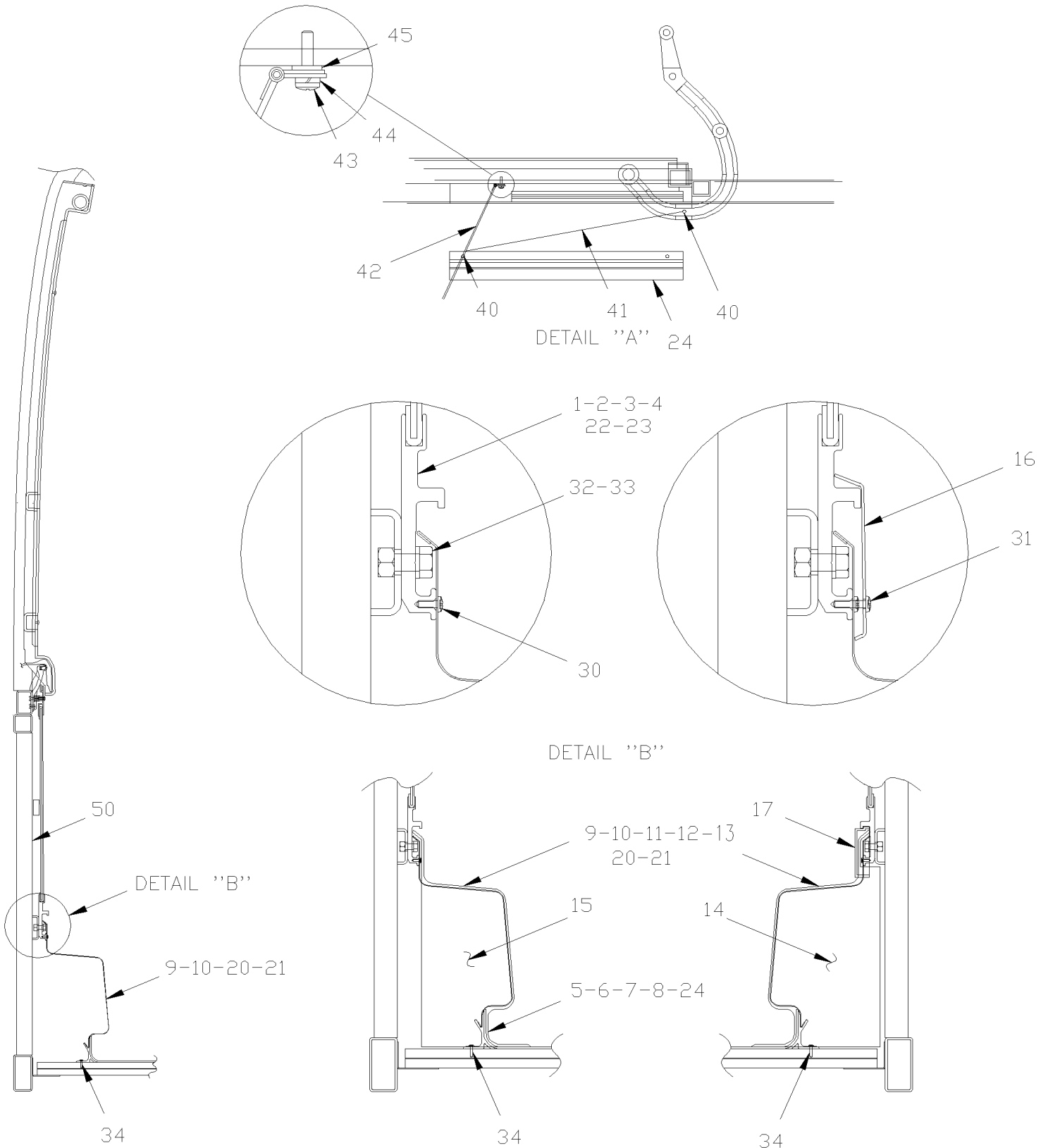
RIGHT SIDE WITH W.C.L.

From Y-7046 To 6-8906

Date:10/2022

PAGE:Y2-2221-10

DUCTING HEATER & A/C - BUS FLOOR



| | | |
|---|--------------|-----------------|
| From Y-7046 To 6-8906 | Date:10/2022 | PAGE:Y2-2221-10 |
| DUCTING HEATER & A/C - BUS FLOOR | | |

| Item# | Part | Description | X L I I 4 5 | X L I I M T H 4 0 | X L I I M T H 4 5 | X L I I M T H 4 5 E | N O T E S |
|-------|--------|---|----------------------------|---|---|--|-----------------------|
| 1 | 327016 | EXTRUSION, LOWER WALL 5651MM To 2-7761 | 1 | | | | |
| 1 | 327631 | EXTRUSION, LOWER WALL / GREY 5651MM From 2-7762 | 1 | | | | |
| 2 | 327017 | EXTRUSION, LOWER WALL 5335MM To 2-7761 | 1 | | | | |
| 2 | 327632 | EXTRUSION, LOWER WALL 5335MM / GREY From 2-7762 | 1 | | | | |
| 3 | 327014 | EXTRUSION, LOWER WALL 5651MM To 2-7761 | 1 | | | | |
| 3 | 327629 | EXTRUSION, LOWER WALL / GREY 5651MM From 2-7762 | 1 | | | | |
| 4 | 327015 | EXTRUSION, LOWER WALL 4969.6MM To 2-7761 | 1 | | | | |
| 4 | 327630 | EXTRUSION, LOWER WALL 4969.6MM / GREY From 2-7762 | 1 | | | | |
| 5 | 326648 | EXTRUSION, FLOOR 4512MM | 1 | | | | |
| 7 | 326847 | EXTRUSION, FLOOR 6065MM | 1 | | | | |
| 8 | 326653 | EXTRUSION, FLOOR 4272MM | 1 | | | | |
| 9 | 326696 | DUCT, AIR 2000MM To 2-7850 | 3 | | | | |
| 9 | 327688 | DUCT, AIR 2000 MM / GREY From 2-7851 | 3 | | | | |
| 10 | 326834 | DUCT, AIR 751MM To 2-7850 | 1 | | | | |
| 10 | 327697 | DUCT, AIR 751MM / GREY From 2-7851 | 1 | | | | |
| 11 | 326758 | DUCT, AIR 1615MM To 2-7850 | 5 | | | | |
| 11 | 327695 | DUCT, AIR 1615MM / GREY From 2-7851 | 1 | | | | |
| 12 | 326761 | DUCT, AIR 1130MM To 2-7850 | 1 | | | | |
| 12 | 327696 | DUCT, AIR 1130MM / GREY From 2-7851 | 1 | | | | |
| 13 | 327267 | DUCT, AIR 1691MM To 2-7850 | 1 | | | | |
| 13 | 327698 | DUCT, AIR 1691MM / GREY From 2-7851 | 1 | | | | |
| 14 | 326841 | CAP CLOSING / L.H. FRONT DUCT | 1 | | | | |
| 15 | 327345 | CAP CLOSING / R.H. FRONT DUCT | 1 | | | | |
| 16 | 328984 | MOULDING, COVER CABLE / 203MM To 2-7850 | 1 | | | | |
| 16 | 327742 | MOULDING, COVER CABLE / GREY / 203MM From 2-7851 | 1 | | | | |
| 16 | 327436 | MOULDING, COVER CABLE / 330MM To 2-7850 | 1 | | | | |
| 16 | 327709 | MOULDING, COVER CABLE / GREY / 330MM From 2-7851 | 1 | | | | |
| 16 | 327073 | MOULDING, COVER CABLE / 360MM To 2-7850 | 1 | | | | |
| 16 | 327706 | MOULDING, COVER CABLE / GREY / 360MM From 2-7851 | 1 | | | | |
| 16 | 327074 | MOULDING, COVER CABLE / 390MM To 2-7850 | 1 | | | | |
| 16 | 327707 | MOULDING, COVER CABLE / GREY / 390MM From 2-7851 | 1 | | | | |
| 16 | 327075 | MOULDING, COVER CABLE / 465MM To 2-7850 | 1 | | | | |
| 16 | 327708 | MOULDING, COVER CABLE / GREY / 465MM From 2-7851 | 1 | | | | |
| 16 | 327072 | MOULDING, COVER CABLE / 530MM To 2-7850 | 1 | | | | |
| 16 | 327705 | MOULDING, COVER CABLE / GREY / 530MM From 2-7851 | 1 | | | | |
| 17 | 327269 | FINISHING MOULDING / PLASTIC CAP 200MM x 88MM | 1 | | | | |
| 18 | 453690 | RESTRICTION AIR DIFFUSOR / "U" SHAPE 757MM | 7 | | | | |
| 19 | 506035 | TAPE RUB ADH1 NEO 1/2" x 1" x 15' / BLACK 1220X | AR | | | | |
| 20 | 328766 | DUCT 1741MM To 2-7850 | 1 | | | | |
| 20 | 327699 | DUCT, AIR 1741MM / GREY From 2-7851 | 1 | | | | |
| 21 | 328767 | DUCT 866MM To 2-7850 | 1 | | | | |
| 21 | 327737 | DUCT, AIR 866MM / GREY From 2-7851 | 1 | | | | |

| | | |
|---|--------------|-----------------|
| From Y-7046 To 6-8906 | Date:10/2022 | PAGE:Y2-2221-10 |
| DUCTING HEATER & A/C - BUS FLOOR | | |

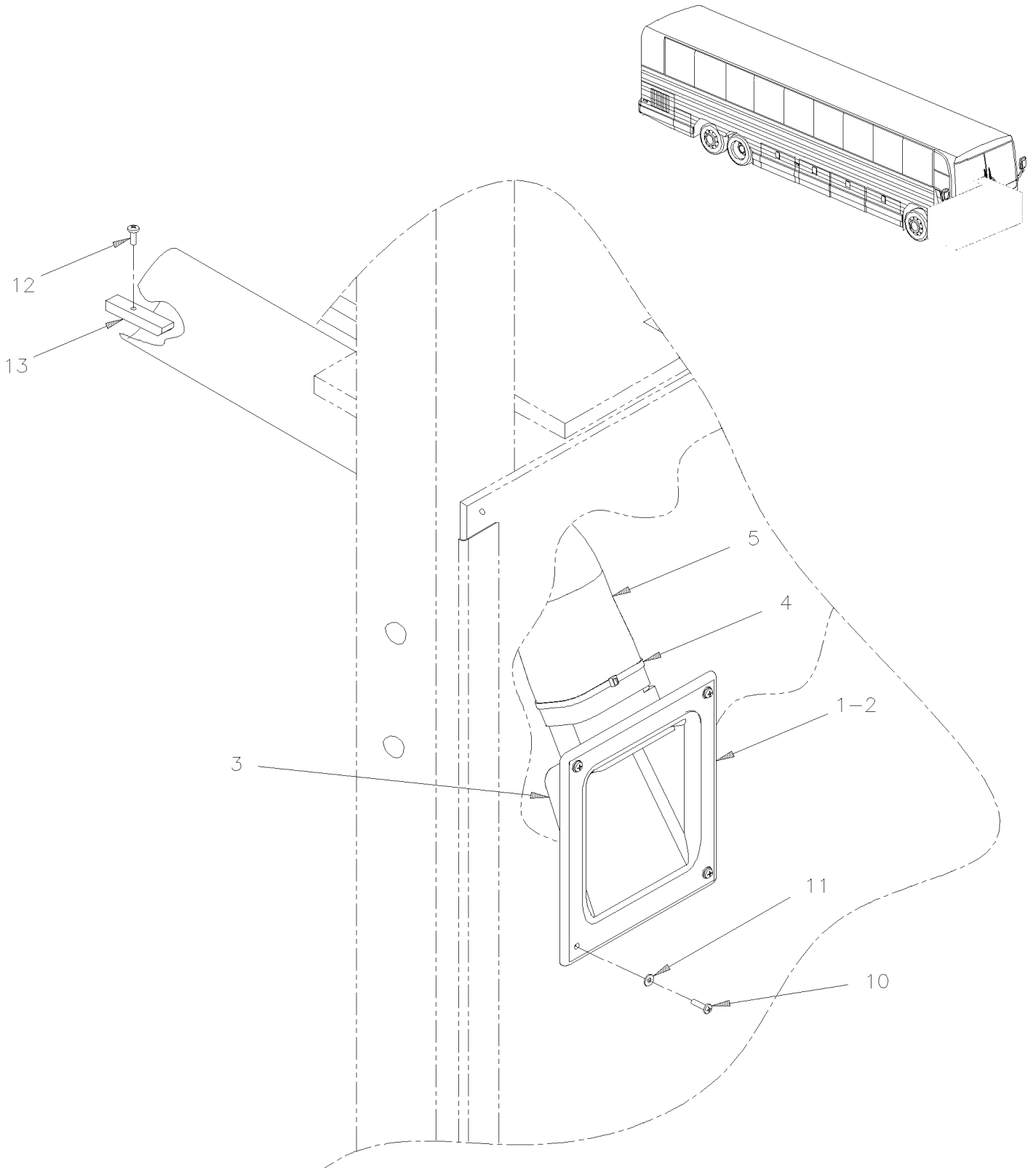
| Item# | Part | Description | X L I I 4 5 | X L I I M T H 4 0 | X L I I M T H 4 5 | X L I I M T H 4 5 E | N O T E S |
|-------|-------------------|--|----------------------------|---|---|--|-----------------------|
| 22 | 328762 | EXTRUSION, LOWER WALL 775MM To 2-7843 | 1 | | | | |
| 22 | 327771 | EXTRUSION, LOWER WALL / GREY 775MM From 2-7844 | 1 | | | | |
| 23 | 328763 | EXTRUSION, LOWER WALL 2878MM To 2-7843 | 1 | | | | |
| 23 | 327772 | EXTRUSION, LOWER WALL 2878MM From 2-7844 | 1 | | | | |
| 24 | 328764 | EXTRUSION, LOWER WALL / GREY 367MM | 1 | | | | |
| 25 | 328765 | EXTRUSION, LOWER WALL 2817MM | 1 | | | | |
| 26 | Y2-2221-80 | AIR DUCT W.C.L. DOOR "RICON" | 1 | | | | |
| 30 | 500417 | SCREW TP PAN PH #6x3/8 Z050 | 84 | | | | |
| 31 | 500583 | SCREW TP PAN PH #6x1/2 Z050 | 56 | | | | |
| 32 | 5001473 | SCREW CAP HEXS 5/16-18x3/4 NYRT | 20 | | | | |
| 33 | 500441 | WASHER FL .312x.734x.065 Z050 | 20 | | | | |
| 34 | 500552 | SCREW TP OV PH #6x3/4 Z050 | 34 | | | | |
| NS | 500463 | WASHER FN CKF .187x.500x.090 BR Z050 | 34 | | | | |
| 40 | 504106 | RIVET POP DOME OE 1/8x1/4 AL | 1 | | | | |
| 41 | 327522 | WIRE ASSY | 1 | | | | |
| 42 | 328888 | DUCT CLOSING TRAP ASSY | 1 | | | | |
| 43 | 500658 | SCREW TC PAN PH #10-24x3/4 Z050 | 1 | | | | |
| 44 | 500470 | WASHER LO SPT .193x.334x.047 Z050 | 1 | | | | |
| 45 | 5001137 | WASHER FL .203x.438x.050 SS | 1 | | | | |
| 50 | 850073 | ALUMINUM WALL COVERING ADHESIVE / 28 1/2" X 448" | 2 | | | | |
| NS | 862967 | SAFETY BELT CUTTER / W.C.L. / EMERGENCY | 1 | | | | |
| | | | | | | | |
| | | | | | | | |
| | | | | | | | |
| | | | | | | | |

From Y-7046 To 6-8906

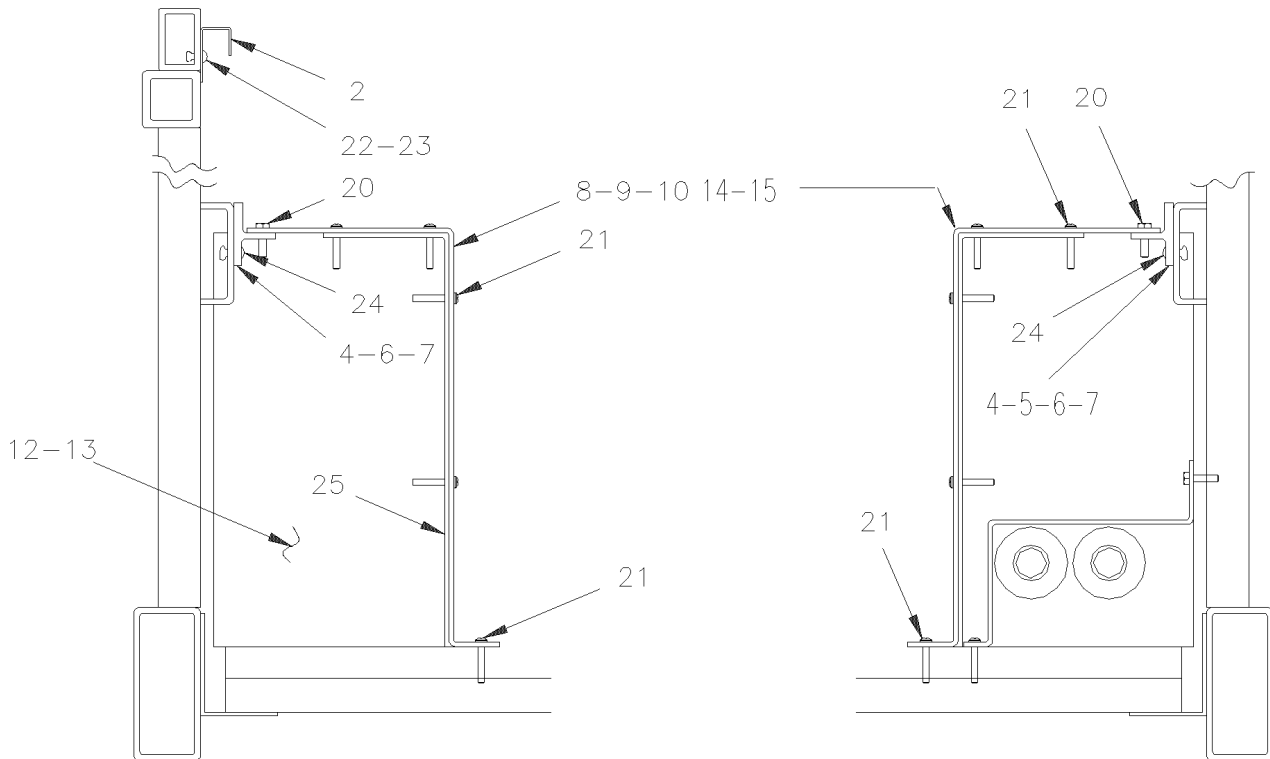
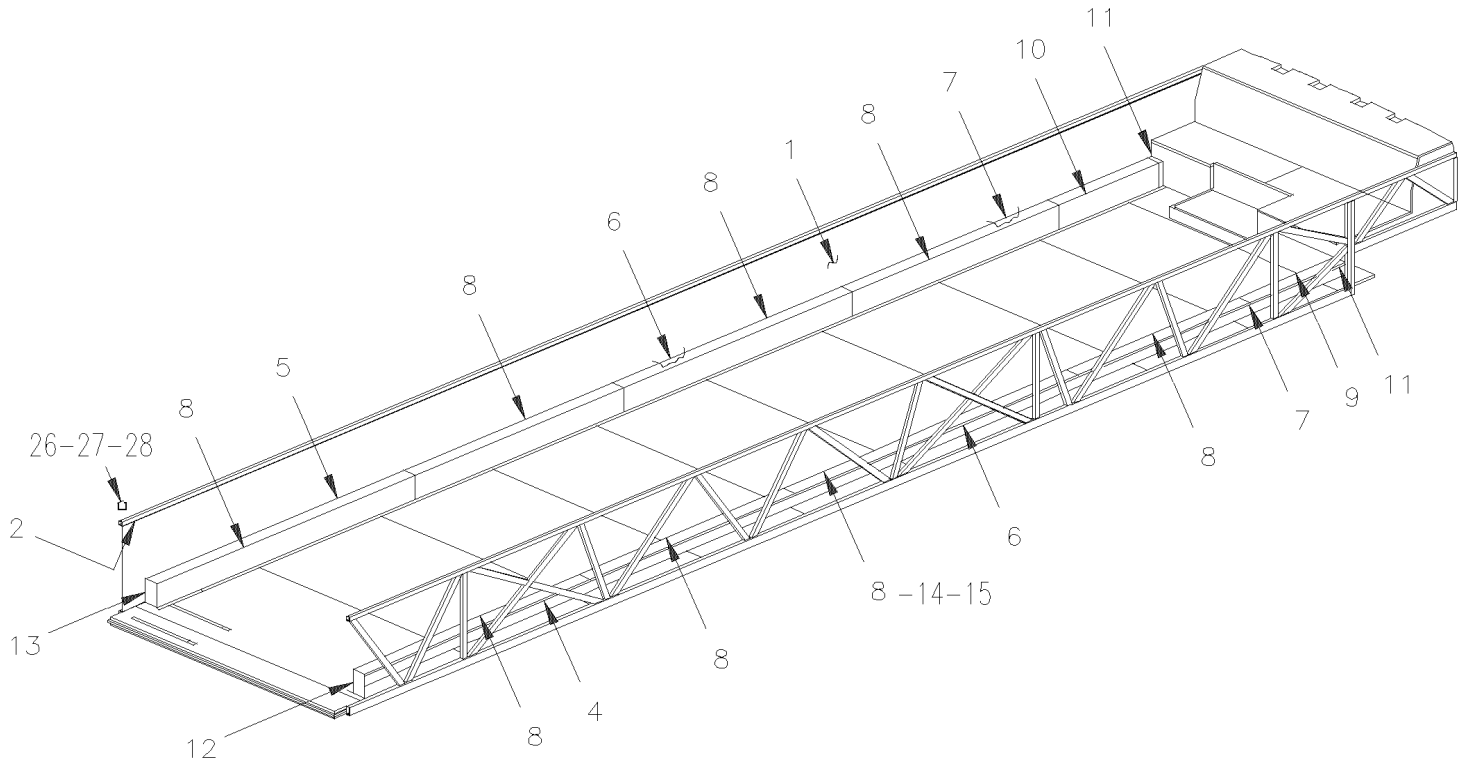
Date:10/2022

PAGE:Y2-2221-20

ENTRANCE STEP DE-ICER



| | | |
|----------------------------------|--------------|-----------------|
| From Y-7046 To 8-9339 | Date:10/2022 | PAGE:Y2-2221-50 |
| DUCTING HEATER & A/C - MTH FLOOR | | |



| | | |
|---|--------------|-----------------|
| From Y-7046 To 8-9339 | Date:10/2022 | PAGE:Y2-2221-50 |
| DUCTING HEATER & A/C - MTH FLOOR | | |

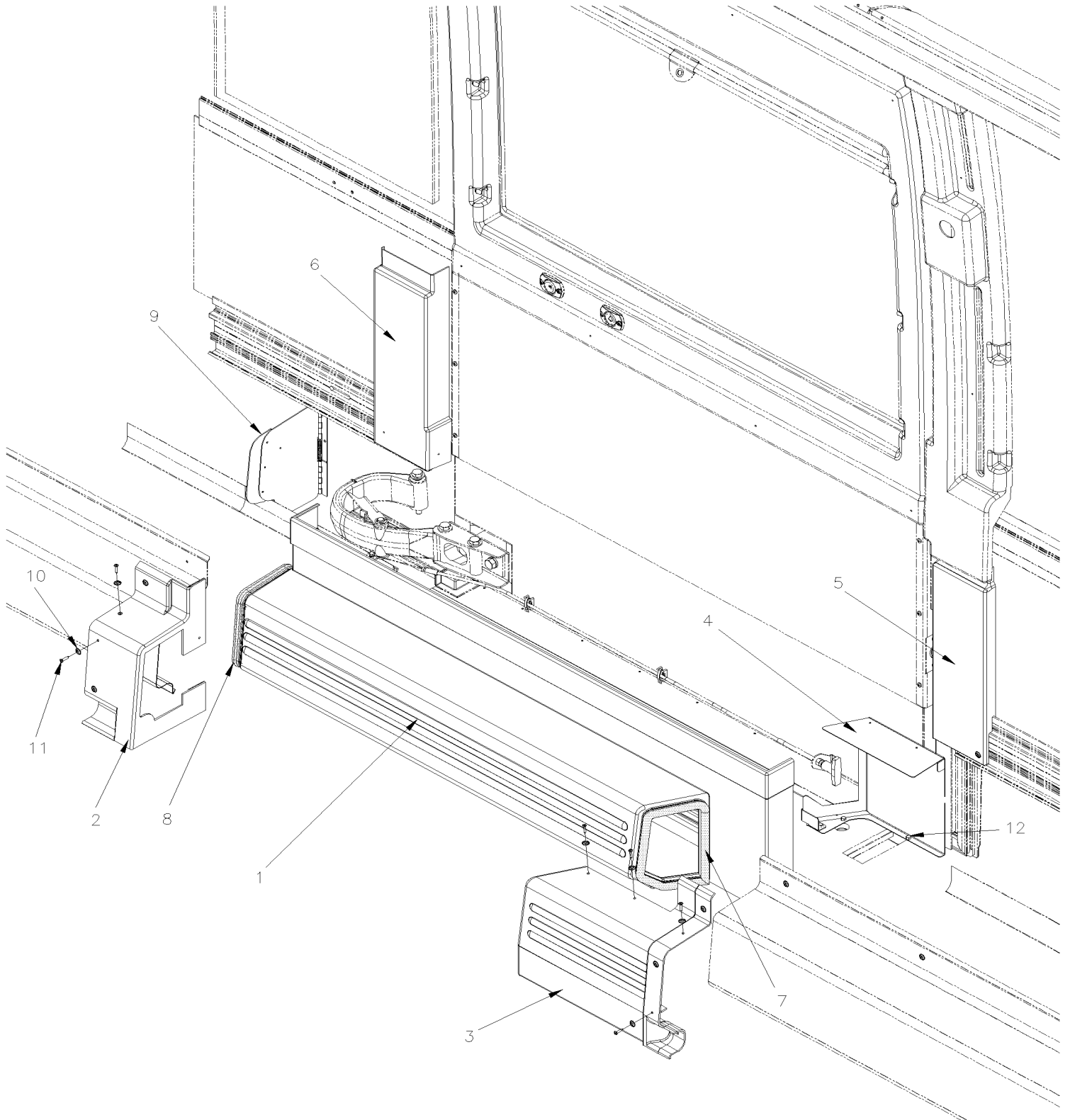
| Item# | Part | Description | X L I I 4 5 | X L I I M T H 4 0 | X L I I M T H 4 5 | X L I I M T H 4 5 E | N O T E S |
|-------|--------|--|----------------------------|---|---|--|-----------------------|
| 1 | 850065 | ALUMINUM WALL COVERING ADHESIVE / 32 1/4" X 455" | | 1 | 1 | 1 | |
| 2 | 320186 | AIR GRILL & SPACER 48"LG / BELOW WINDOW | | 18 | | | |
| 2 | 320186 | AIR GRILL & SPACER 48"LG / BELOW WINDOW | | | 20 | 20 | |
| 2 | 378243 | AIR GRILL & SPACER / BELOW WINDOW | | | 1 | | |
| 4 | 373706 | "T" SUPPORT, AIR DUCT | | | 1 | | |
| 4 | 372602 | "T" SUPPORT, AIR DUCT 3849MM | | | | 1 | |
| 4 | 373709 | "T" SUPPORT, AIR DUCT | | 1 | | | |
| 5 | 373492 | "T" SUPPORT, AIR DUCT 3936MM | | | 1 | | |
| 5 | 373716 | "T" SUPPORT, AIR DUCT | | | | 1 | |
| 5 | 373712 | "T" SUPPORT, AIR DUCT | | 1 | | | |
| 6 | 373707 | "T" SUPPORT, AIR DUCT | | | 2 | | |
| 6 | 373714 | "T" SUPPORT, AIR DUCT | | | | 1 | |
| 6 | 373710 | "T" SUPPORT, AIR DUCT | | 2 | | | |
| 7 | 373708 | "T" SUPPORT, AIR DUCT | | | 1 | | |
| 7 | 373715 | "T" SUPPORT, AIR DUCT | | | | 1 | |
| 7 | 373958 | "T" SUPPORT, AIR DUCT 2815MM | | | 1 | | |
| 7 | 373711 | "T" SUPPORT, AIR DUCT | | 2 | | | |
| 8 | 371712 | AIR DUCT 2438MM | | 6 | | | |
| 8 | 371712 | AIR DUCT 2438MM | | | 8 | 8 | |
| 8 | 374202 | DUCT 1657MM From 6-8806 | | | 6 | | |
| 8 | 374203 | DUCT 2046MM From 6-8806 | | | | 3 | |
| 9 | 373631 | DUCT / L.H. REAR 1242MM | | | 1 | 1 | |
| 9 | 373658 | DUCT / L.H. REAR 2121MM | | 1 | | | |
| 10 | 373632 | DUCT / R.H. REAR 1379MM | | | 1 | 1 | |
| 10 | 373659 | DUCT / R.H. REAR 2267MM | | 1 | | | |
| 11 | 506025 | RUBBER CHANNEL / 1/18" x 5/16" INT "U" SHAPE / SQUARE C.T.L. | | AR | AR | AR | |
| 12 | 371716 | CAP L.H. / FRONT | | | 1 | | |
| 12 | 374218 | CAP L.H. / FRONT / W/SLIDE OUT From 6-8806 | | | | 1 | |
| 13 | 371715 | CAP R.H. / FRONT | | | 1 | | |
| 14 | 373934 | DUCT 1090MM | | | 1 | | |
| 14 | 373631 | DUCT / L.H. REAR 1242MM From 1-7460 To 3-8164 | | | 1 | | |
| 14 | 373957 | DUCT / W/SLIDE OUT 590MM From 4-8165 To 6-8805 | | | 1 | | |
| 14 | 374180 | AIR DUCT 450MM / W/SLIDE OUT From 6-8806 | | | 1 | | |
| 15 | 374209 | DUCT / W/SUPPORT 588MM From 6-8806 | | | 1 | | |
| 15 | 374181 | AIR DUCT 1826MM / W/SLIDE OUT From 6-8806 | | | 1 | | |
| 20 | 500657 | SCREW TC TR PH #10-24x1/2 Z050 | | AR | AR | AR | |
| 21 | 500641 | SCREW TP PAN PH #8x3/4 Z050 | | AR | AR | AR | |
| 22 | 500437 | WASHER FL .125x.375x.040 Z050 | | AR | AR | AR | |
| 23 | 504105 | RIVET POP DOME OE 1/8x3/16 AL | | AR | AR | AR | |
| 24 | 504379 | RIVET POP DOME OE 3/16x1/4 SS | | AR | AR | AR | |
| 25 | 506236 | TAPE RUB ADH1 CC POL 1/16" x 1/2" x 100' / GREY 2520 | | AR | AR | AR | |
| 26 | 293854 | SUPPORT SWITCH / REMOTE OPERATIONAL MODEL From 7-9096 | | 1 | 1 | 1 | |

From Y-7046 To 6-8906

Date:10/2022

PAGE:Y2-2221-80

AIR DUCT W.C.L. DOOR "RICON"



| | | |
|-------------------------------------|--------------|-----------------|
| From Y-7046 To 6-8906 | Date:10/2022 | PAGE:Y2-2221-80 |
| AIR DUCT W.C.L. DOOR "RICON" | | |

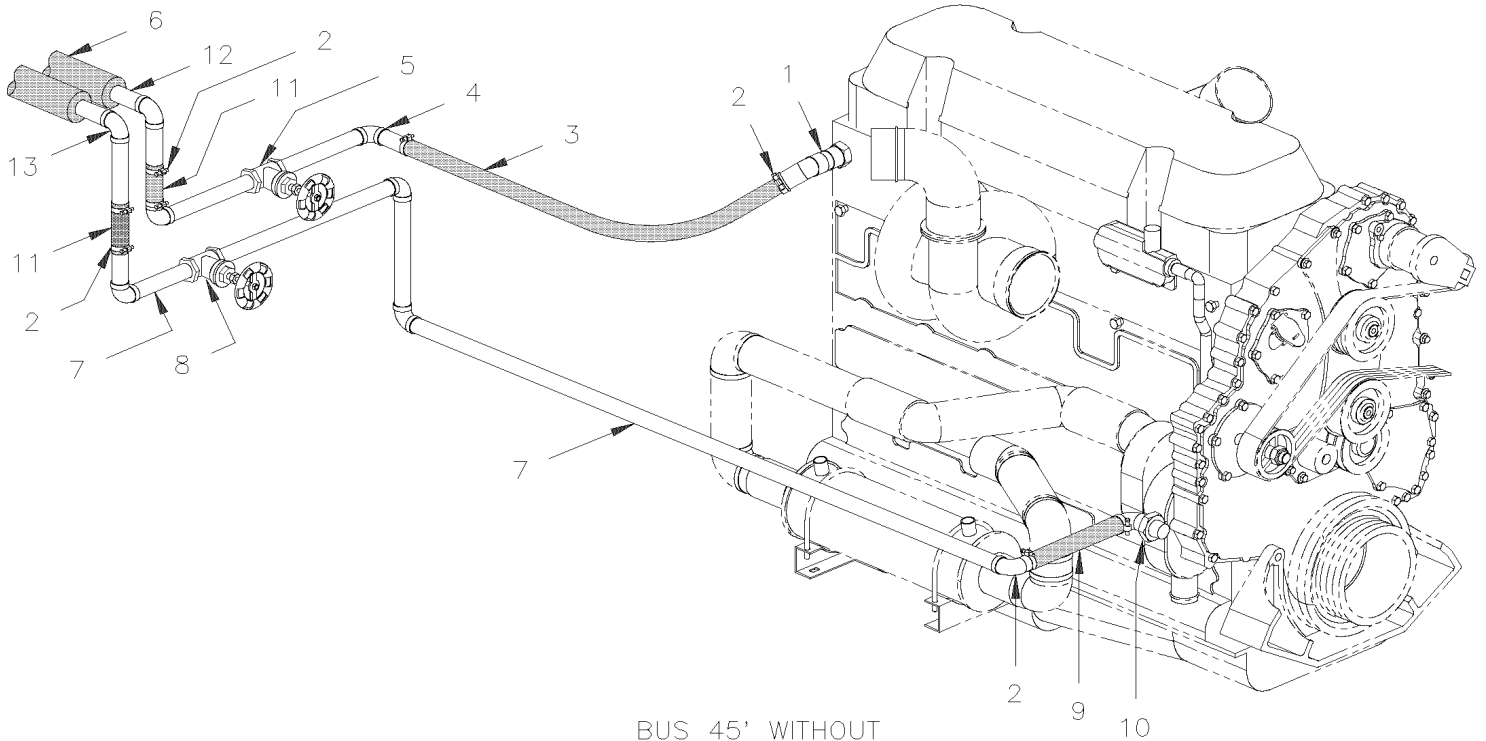
| Item# | Part | Description | X L I I 4 5 | X L I I M T H 4 0 | X L I I M T H 4 5 | X L I I M T H 4 5 E | N O T E S |
|-------|---------|---|----------------------------|---|---|--|-----------------------|
| 1 | 328774 | DUCT DOOR WCL | 1 | | | | |
| 2 | 328775 | DUCT WCL FRONT CAP | 1 | | | | |
| 3 | 328771 | DUCT REAR END TOP / W.C.L. DOOR To 4-8290 | 1 | | | | |
| 3 | 327797 | DUCT REAR END TOP / W.C.L. DOOR From 4-8291 | 1 | | | | |
| 4 | 328782 | DUCT REAR END BOTTOM / W.C.L. DOOR To 4-8290 | 1 | | | | |
| 4 | 327796 | DUCT REAR END BOTTOM / W.C.L. DOOR From 4-8291 | 1 | | | | |
| 5 | 329538 | MOLDING, FINISHING | 1 | | | | |
| 6 | 327432 | MOLDING, FINISHING | 1 | | | | |
| 7 | 327511 | SEAL DUCT 546MM | 1 | | | | |
| . NS | 5061011 | . RUBBER EXTRUSION TRIM SEAL / GRIP .090/.120 / 5/8" HOLLOW BULB C.T.L. | AR | | | | |
| 8 | 327519 | SEAL DUCT 590MM | 1 | | | | |
| . NS | 5061011 | . RUBBER EXTRUSION TRIM SEAL / GRIP .090/.120 / 5/8" HOLLOW BULB C.T.L. | AR | | | | |
| NS | 680030 | ADHESIVE ADCHEM #EC847 / 1 Liter | AR | | | | |
| 9 | 328888 | DUCT CLOSING TRAP ASSY | 1 | | | | |
| 9 | 504106 | RIVET POP DOME OE 1/8x1/4 AL | 1 | | | | |
| 9 | 327522 | WIRE ASSY | 1 | | | | |
| 10 | 500643 | SCREW TP PAN PH #12x3/4 Z050 | AR | | | | |
| 11 | 500552 | SCREW TP OV PH #6x3/4 Z050 | AR | | | | |
| 12 | 5001169 | SCREW TP CAP HEXW #12x3/4 SS410 | 3 | | | | |
| | | | | | | | |
| | | | | | | | |
| | | | | | | | |

From Y-7046 To 2-7764

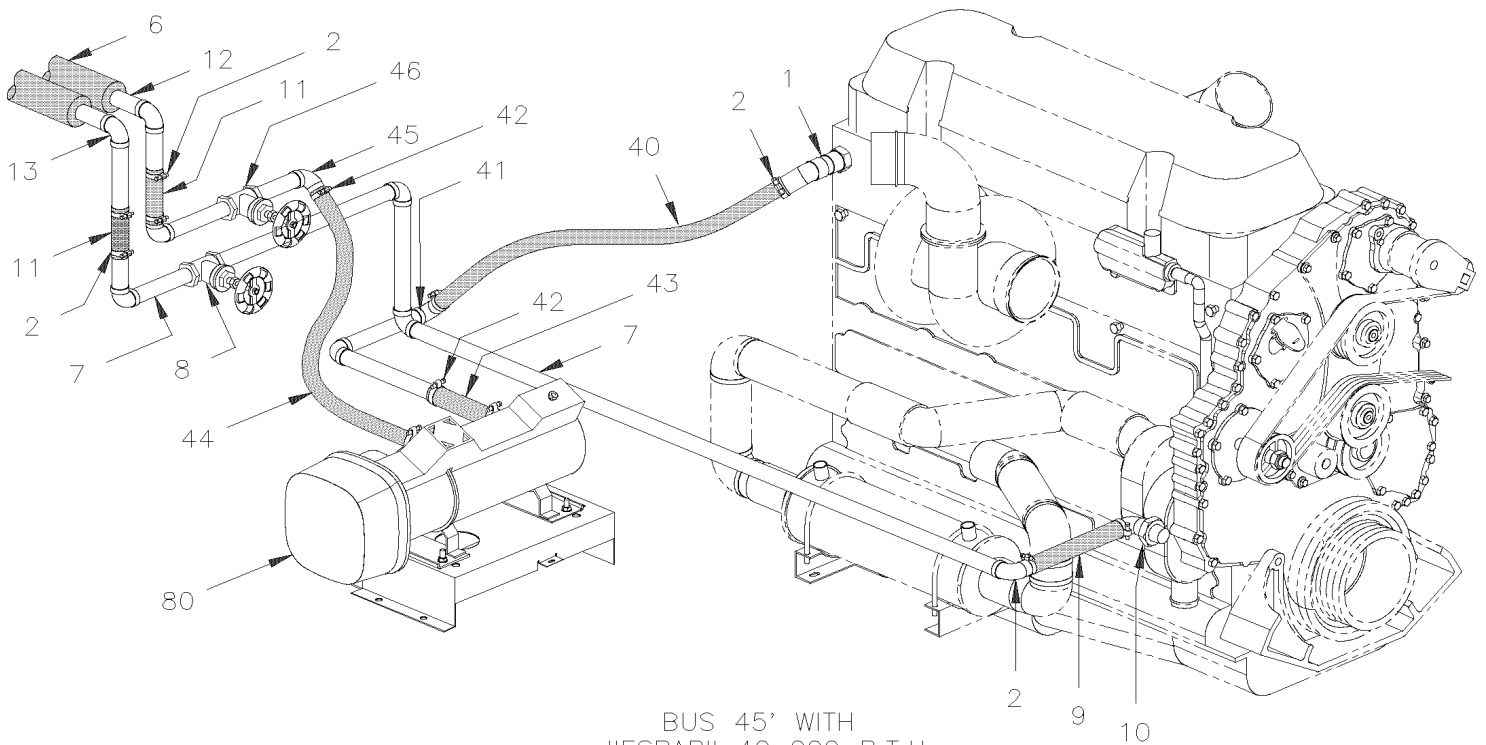
Date:10/2022

PAGE:Y2-2222-00

HEATER LINE REAR SECTION - BUS



BUS 45' WITHOUT
WATER HEATER



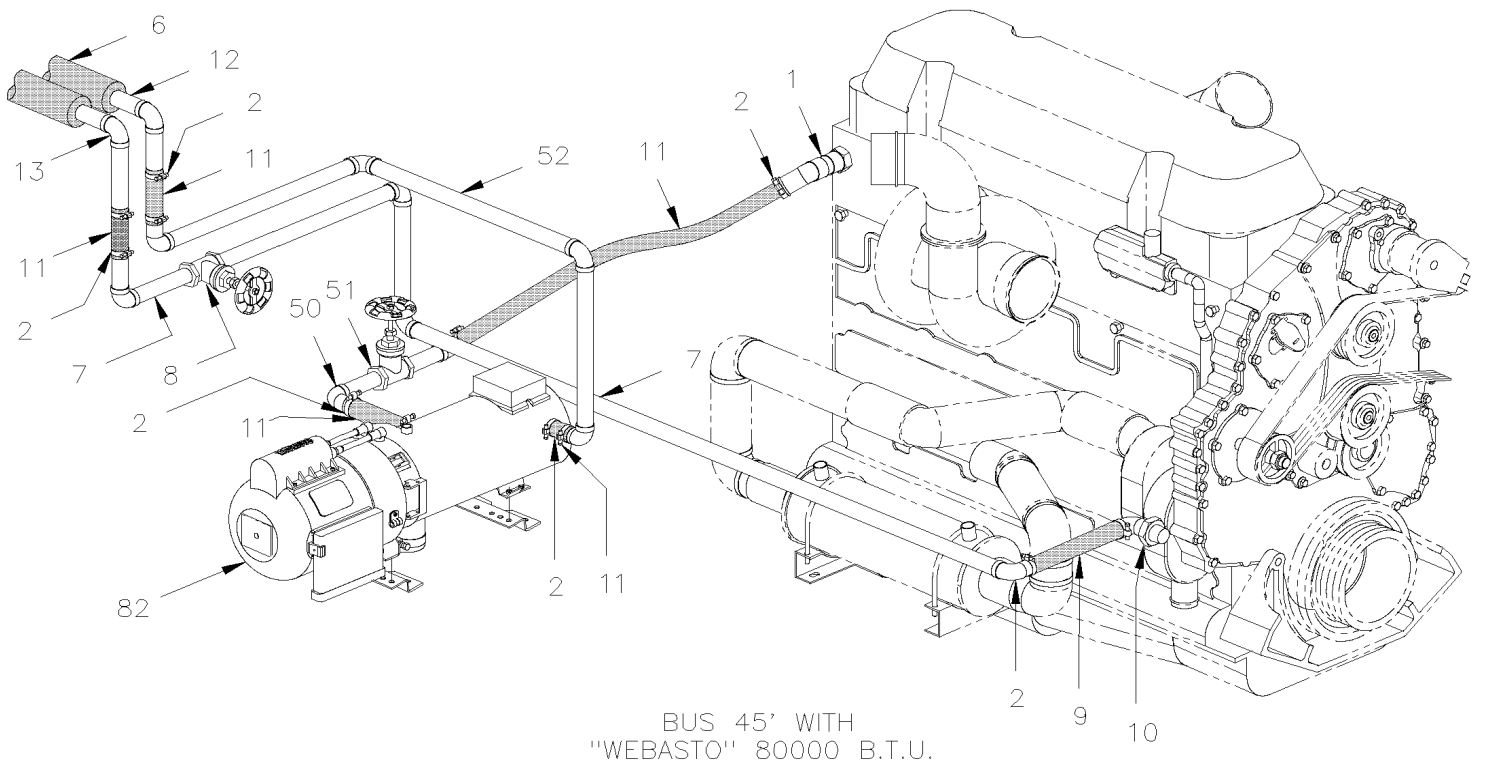
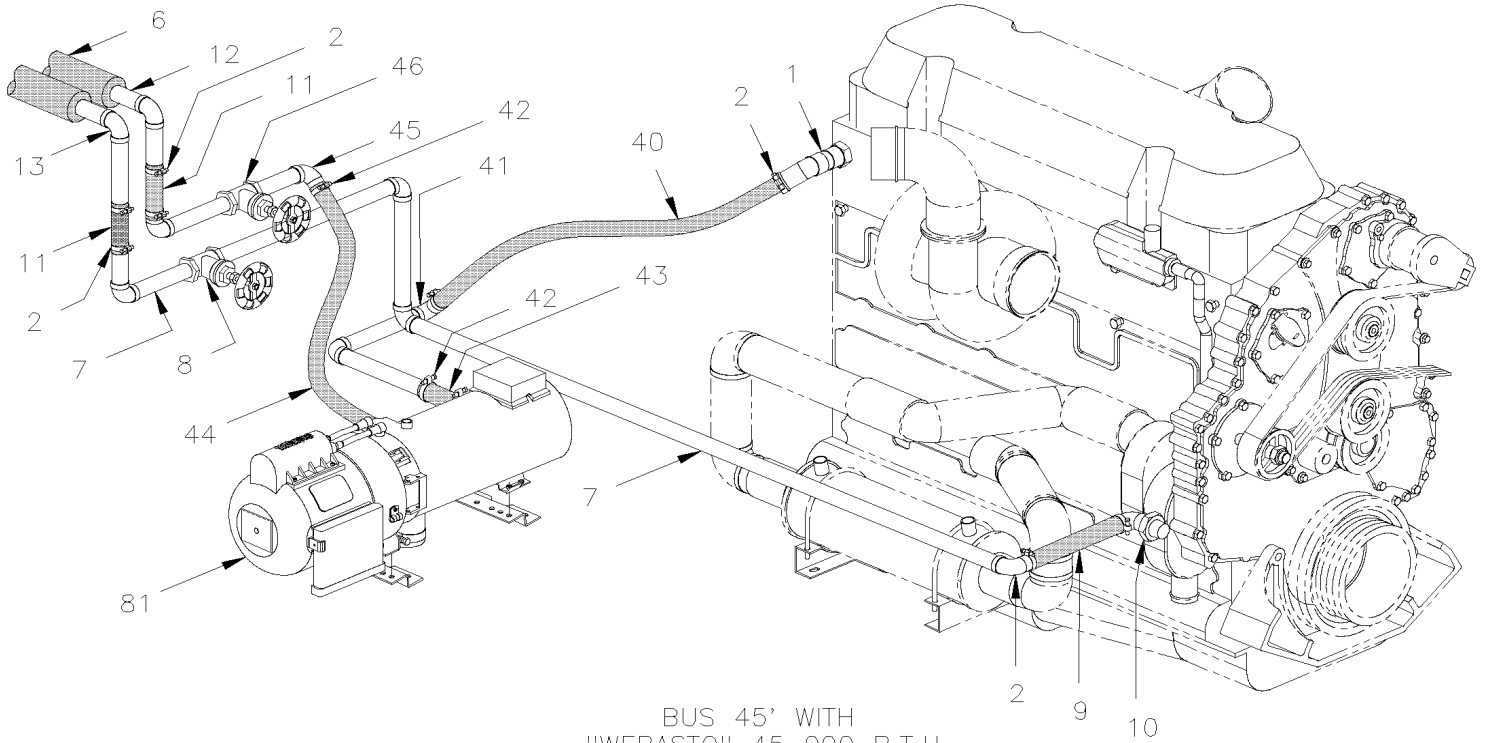
BUS 45' WITH
"ESPAR" 40 000 B.T.U.

From Y-7046 To 2-7764

Date:10/2022

PAGE:Y2-2222-00

HEATER LINE REAR SECTION - BUS



| | | |
|---------------------------------------|--------------|-----------------|
| From Y-7046 To 2-7764 | Date:10/2022 | PAGE:Y2-2222-00 |
| HEATER LINE REAR SECTION - BUS | | |

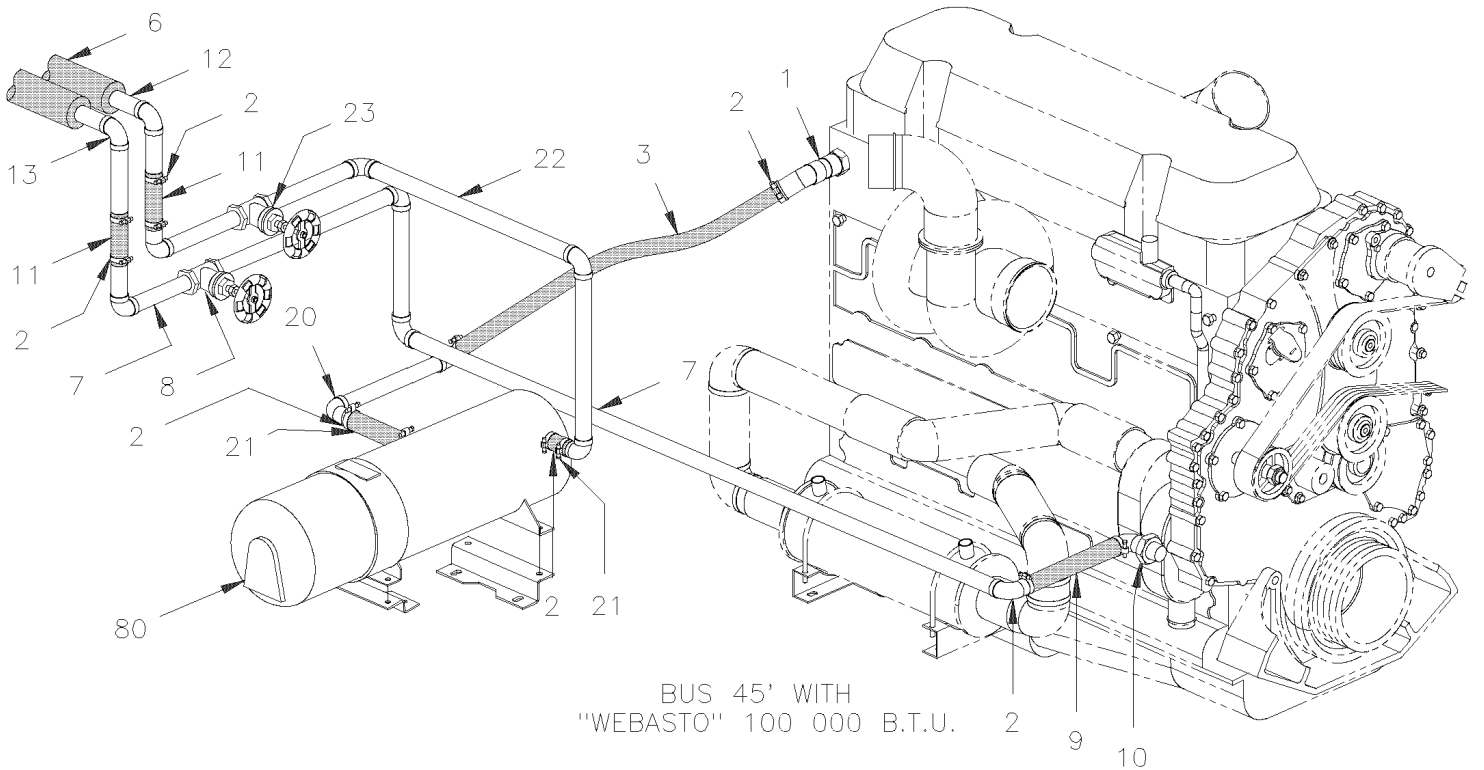
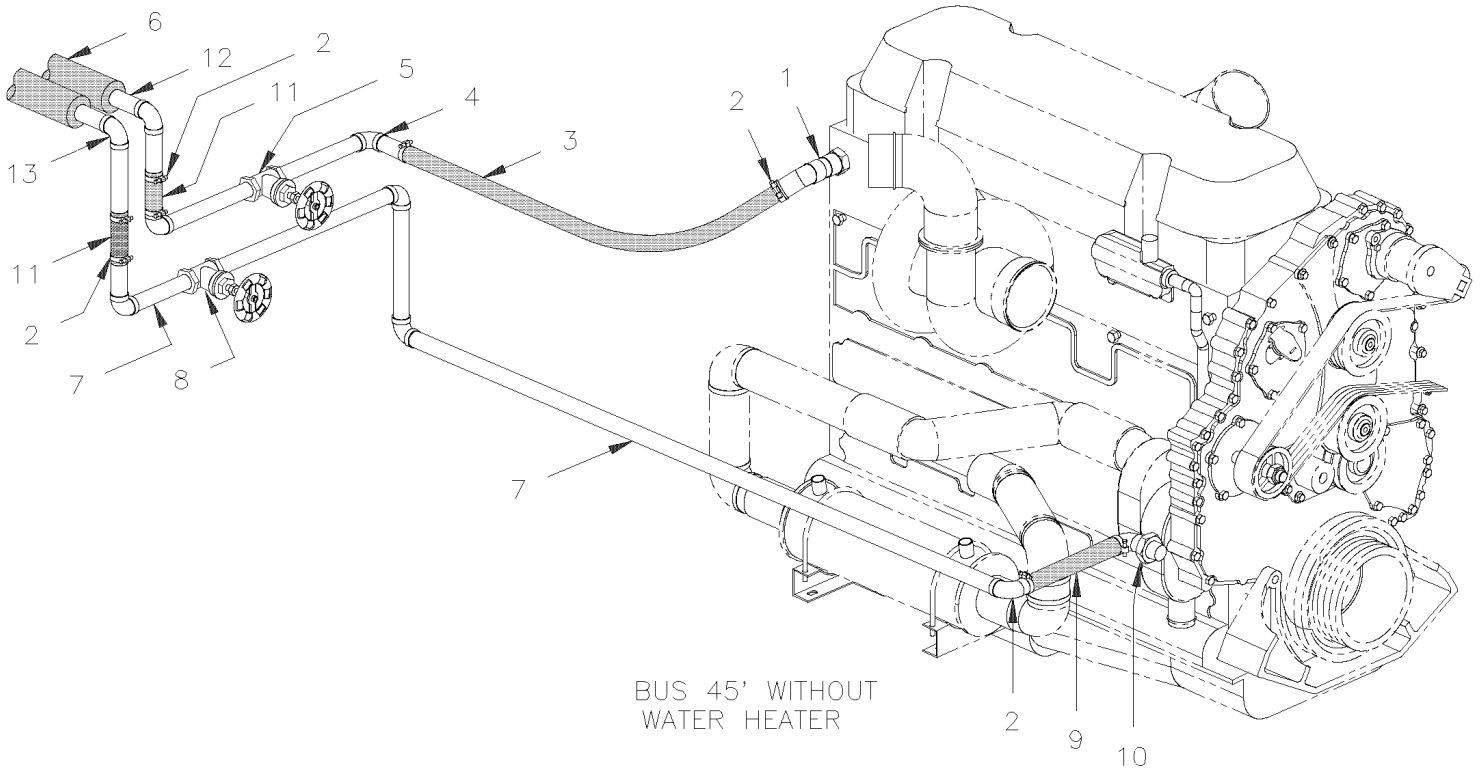
| Item# | Part | Description | X L I I 4 5 | X L I I M T H 4 0 | X L I I M T H 4 5 | X L I I M T H 4 5 E | N O T E S |
|-------|-----------------|---|----------------------------|---|---|--|-----------------------|
| 1 | 373040 | ADAPTOR ELBOW 45° / CYLINDER HEAD EXIT | 1 | | | | |
| 2 | 504657 | HOSE CLAMP / 1"1/16-2" C.T. 9424 | AR | | | | |
| 3 | 373287 | HOSE / ENGINE OUTLET / 1 3/8" I.D. 914MM | 1 | | | | |
| 4 | 373052 | PIPE ASSY HEATING / FEED LINE | 1 | | | | |
| 5 | 501861 | . GATE VALVE 1 1/4" (WELDED) | 1 | | | | |
| 6 | 506242 | PIPE INSULATING / 1 3/8" I.D. X 1/2" TH. X 72 / APT13812 | AR | | | | |
| 7 | 373014 | PIPE RETURN / ENGINE WATER PUMP | 1 | | | | |
| 7 | 373895 | PIPE RETURN / ENGINE WATER PUMP | 1 | | | | B |
| 8 | 501861 | . GATE VALVE 1 1/4" (WELDED) | 1 | | | | |
| 9 | 371858 | HOSE 1 3/8" I.D. 7" | 1 | | | | |
| 10 | 372958 | ADAPTOR ELBOW 90° / WATER PUMP INLET | 1 | | | | |
| 11 | 371855 | HOSE 1 3/8" I.D. 3" | 2 | | | | |
| 12 | Call order desk | PIPE ASSY HEATING / FEED LINE | 1 | | | | P |
| 13 | Call order desk | PIPE ASSY HEATING / RETURN LINE /W/"SLIDE-OUT" | 1 | | | | P |
| 40 | 373359 | HOSE 1 3/8" I.D. 762MM | 1 | | | | |
| . NS | 503392 | . HOSE SILICONE 4PLY 1 3/8" I.D. x 4' | AR | | | | |
| . NS | 505111 | . COIL PROTECTOR / PLASTIC / #22 | AR | | | | |
| 41 | 373095 | PIPE ASSY / WATER HEATER INLET | 1 | | | | |
| 42 | 504646 | HOSE CLAMP / 11/16"-1"1/4 / C.T. 9412 | 2 | | | | |
| 43 | 403641 | HOSE 3/4" I.D. 53MM | 1 | | | | |
| 44 | 373481 | HOSE 3/4" I.D. 533MM | 1 | | | | |
| 45 | 373094 | PIPE | 1 | | | | |
| 46 | 501861 | . GATE VALVE 1 1/4" (WELDED) | 1 | | | | |
| 50 | 373042 | PIPE | 1 | | | | |
| 50 | 373779 | PIPE | 1 | | | | A |
| 51 | 501861 | . GATE VALVE 1 1/4" (WELDED) | 1 | | | | |
| 52 | 373041 | PIPE | 1 | | | | |
| 52 | 373778 | PIPE ASSY / W/GATE VALVE | 1 | | | | A |
| 80 | 871085 | WATER HEATER - "WEBASTO" 45,000 B.T.U. | | | | | |
| 81 | 871097 | WATER HEATER - "ESPAR" 41,000 B.T.U. | | | | | |
| 82 | 871036 | WATER HEATER - "WEBASTO" 80,000 B.T.U. | | | | | |
| | | | | | | | |
| | | | | | | | |
| | | | | | | | |
| | | | | | | | |
| | | A) WITH "PROHEAT" 80,000 B.T.U. | | | | | |
| | | B) USE ONLY WITH "MODINE" OIL COOLER RETROFIT KIT #071269 | | | | | |
| | | P) CALL ORDER DESK FOR SPECIFIC APPLICATION (V.I.N.) | | | | | |

From 2-7765 To 3-8164

Date:10/2022

PAGE:Y2-2222-01

HEATER LINE REAR SECTION - BUS



| | | |
|---------------------------------------|--------------|-----------------|
| From 2-7765 To 3-8164 | Date:10/2022 | PAGE:Y2-2222-01 |
| HEATER LINE REAR SECTION - BUS | | |

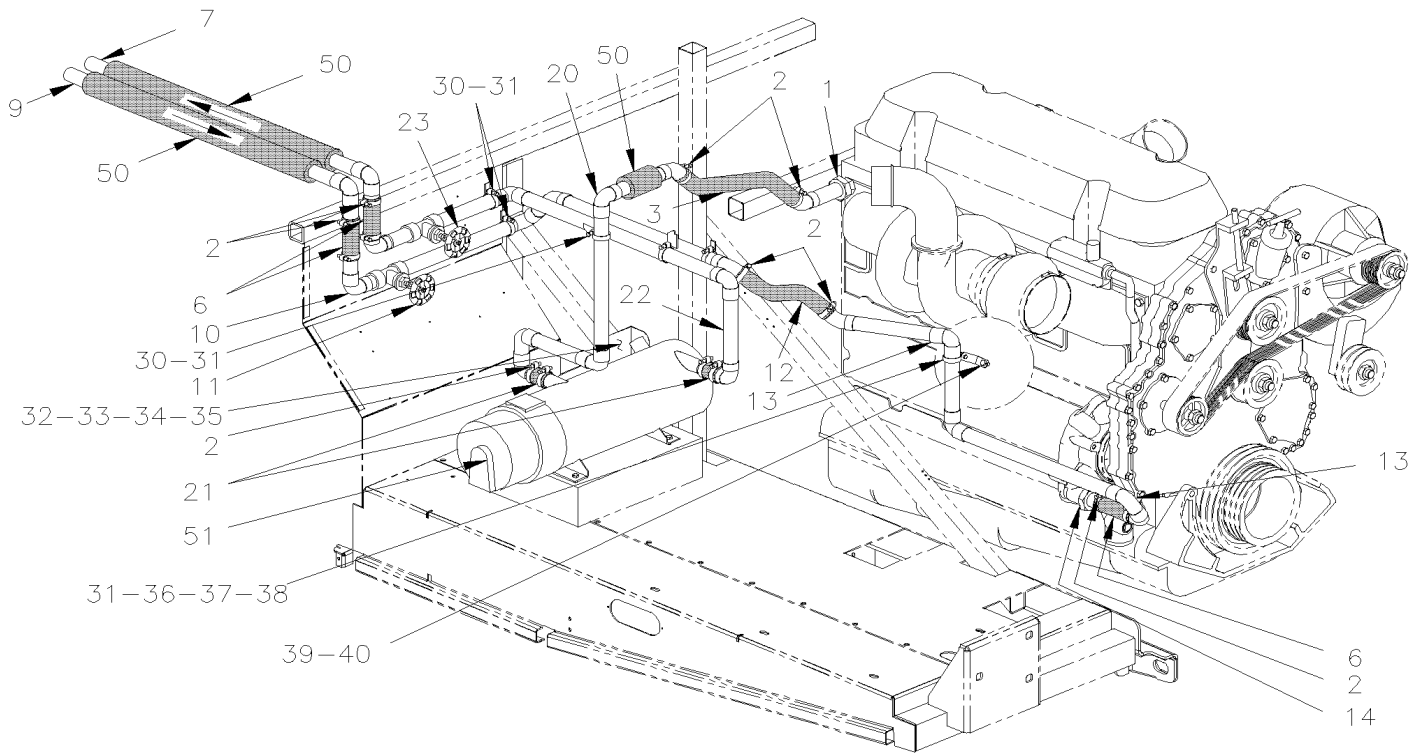
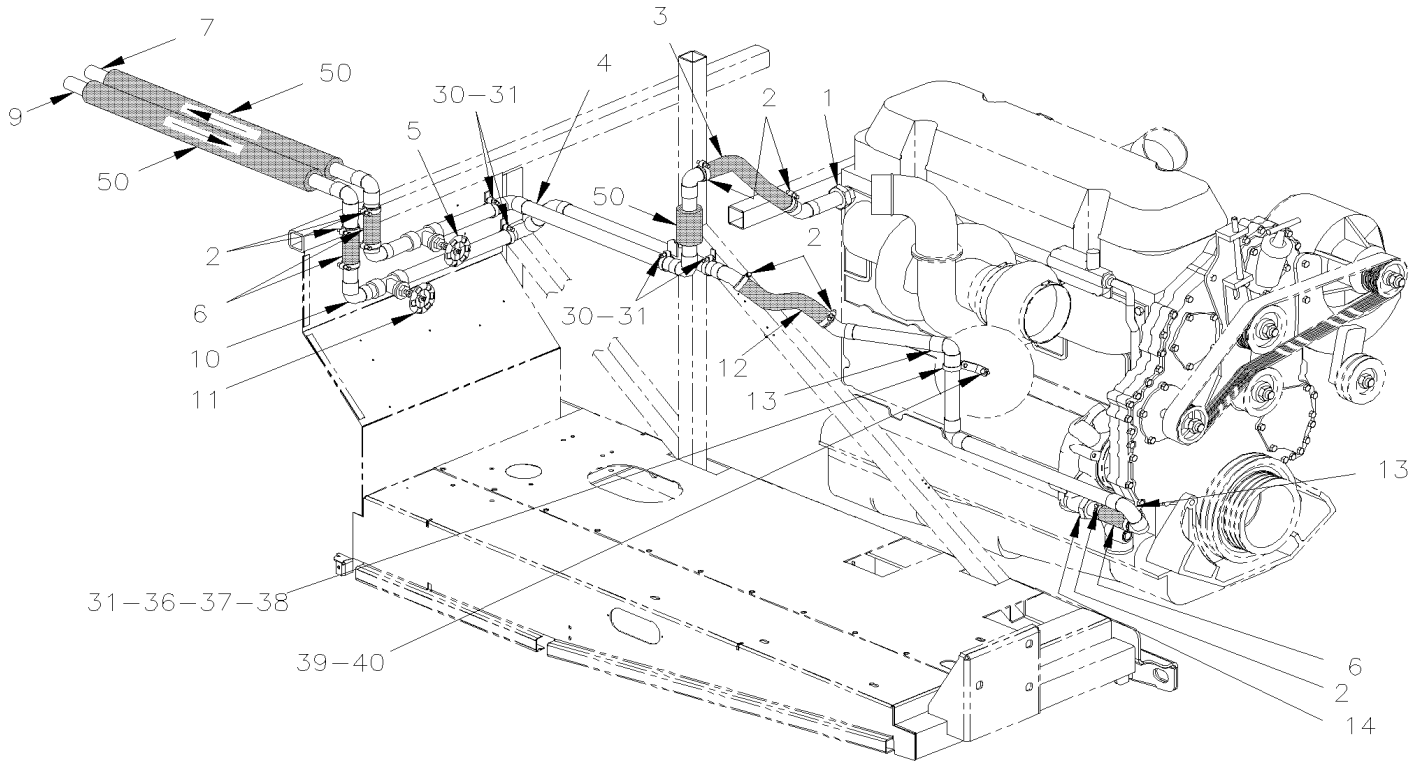
| Item# | Part | Description | X L I I 4 5 | X L I I M T H 4 0 | X L I I M T H 4 5 | X L I I M T H 4 5 E | NOTES |
|-------|-----------------|---|----------------------------|---|---|--|-------|
| 1 | 373040 | ADAPTOR ELBOW 45°/ CYLINDER HEAD EXIT | 1 | | | | |
| 2 | 504657 | HOSE CLAMP / 1"1/16-2" C.T. 9424 | AR | | | | |
| 3 | 373287 | HOSE / ENGINE OUTLET / 1 3/8" I.D. 914MM | 1 | | | | |
| 4 | 373052 | PIPE ASSY HEATING / FEED LINE | 1 | | | | |
| 5 | 501861 | . GATE VALVE 1 1/4" (WELDED) | 1 | | | | |
| 6 | 506242 | PIPE INSULATING / 1 3/8" I.D. X 1/2" TH. X 72 / APT13812 | AR | | | | |
| 7 | 373014 | PIPE RETURN / ENGINE WATER PUMP | 1 | | | | |
| 7 | 373928 | PIPE RETURN / ENGINE WATER PUMP | 1 | | | | B |
| 8 | 501861 | . GATE VALVE 1 1/4" (WELDED) | 1 | | | | |
| 9 | 371858 | HOSE 1 3/8" I.D. 7" | 1 | | | | |
| 10 | 372958 | ADAPTOR ELBOW 90° / WATER PUMP INLET | 1 | | | | |
| 11 | 371855 | HOSE 1 3/8" I.D. 3" | 2 | | | | |
| 12 | Call order desk | PIPE ASSY HEATING / FEED LINE | 1 | | | | P |
| 13 | Call order desk | PIPE ASSY HEATING / RETURN LINE /W/"SLIDE-OUT" | 1 | | | | P |
| 20 | 373785 | PIPE ASSY | 1 | | | | |
| 21 | 373483 | HOSE REDUCER / 1 1/2" I.D.x1 3/8" I.D. x 76MM | 2 | | | | |
| 22 | 373784 | PIPE ASSY | 1 | | | | |
| 23 | 501861 | . GATE VALVE 1 1/4" (WELDED) | 1 | | | | |
| 80 | 871202 | WATER HEATER - "SPHEROS" 100,000 B.T.U. | | | | | |
| 80 | 871100 | WATER HEATER - "PROHEAT" 80,000 B.T.U. | | | | | |
| | | | | | | | |
| | | | | | | | |
| | | B) USE ONLY WITH "MODINE" OIL COOLER RETROFIT KIT #071269 | | | | | |
| | | P) CALL ORDER DESK FOR SPECIFIC APPLICATION (V.I.N.) | | | | | |

From 4-8165 To 6-8906

Date:10/2022

PAGE:Y2-2222-02

HEATER LINE REAR SECTION - BUS



| | | |
|---------------------------------------|---------------------|------------------------|
| From 4-8165 To 6-8906 | Date:10/2022 | PAGE:Y2-2222-02 |
| HEATER LINE REAR SECTION - BUS | | |

| Item# | Part | Description | X L I I 4 5 | X L I I M T H 4 0 | X L I I M T H 4 5 | X L I I M T H 4 5 E | NOTES |
|-------|-----------------|---|----------------------------|---|---|--|-------|
| 1 | 373888 | HOSE ADAPTOR ELBOW 45° 1 3/8" X 1" NPT / CYLINDER HEAD EXIT | 1 | | | | |
| 2 | 504657 | HOSE CLAMP / 1"1/16-2" C.T. 9424 | AR | | | | |
| 3 | 503392 | HOSE SILICONE 4PLY 1 3/8" I.D. x 4' | 1 | | | | |
| 4 | Call order desk | PIPE ASSY HEATING / FEED LINE | 1 | | | | P |
| 5 | 501861 | . GATE VALVE 1 ¼" (WELDED) | 1 | | | | |
| 6 | 371855 | HOSE 1 3/8" I.D. 3" | 2 | | | | |
| 7 | Call order desk | PIPE ASSY HEATING / FEED LINE | 2 | | | | P |
| 9 | Call order desk | PIPE ASSY HEATING / RETURN LINE /W/"SLIDE-OUT" | 1 | | | | P |
| 10 | 373857P | PIPE ASSY HEATING / RETURN LINE | 1 | | | | |
| 11 | 501861 | . GATE VALVE 1 ¼" (WELDED) | 1 | | | | |
| 12 | 503392 | HOSE SILICONE 4PLY 1 3/8" I.D. x 4' | 1 | | | | |
| 13 | Call order desk | PIPE ASSY HEATING / RETURN LINE To 5-8592 | 1 | | | | P A |
| 13 | 374153P | PIPE ASSY HEATING / RETURN LINE From 5-8593 | 1 | | | | |
| 14 | 373894 | ADAPTOR STRAIGHT 86MM / WATER PUMP INLET | 1 | | | | |
| 20 | 373861P | PIPE ASSY / "WEBASTO" / FEED LINE | 1 | | | | |
| 20 | Call order desk | PIPE ASSY / "PROHEAT" / FEED LINE From 5-8453 | 1 | | | | P |
| 21 | 373483 | HOSE REDUCER / 1 1/2" I.D.x1 3/8" I.D. x 76MM | 2 | | | | |
| 22 | 373852P | PIPE ASSY TO HEATING / FEED LINE | 1 | | | | |
| 22 | Call order desk | PIPE ASSY TO HEATING / FEED LINE "/ W/"PROHEAT" From 5-8453 | 1 | | | | P |
| 23 | 501861 | . GATE VALVE 1 ¼" (WELDED) | 1 | | | | |
| 30 | 500642 | SCREW TP PAN PH #10x3/4 Z050 | AR | | | | |
| 31 | 952641 | CLAMP / 1 5/16" I.D. | AR | | | | |
| 32 | 500946 | SCREW TP BDG PH #8x1/2 N500 | 1 | | | | |
| 33 | 955271 | SCREW CAP HEX M6-1.0x16 G8.8 ZG603 | 1 | | | | |
| 34 | 502853 | WASHER LO SPT 6.1x11.8x1.6 N500 | 3 | | | | |
| 35 | 500855 | WASHER FL .188x.438x.049 N500 | 1 | | | | |
| 36 | 502841 | NUT HEX NYRT M5-0.8 N500 | 1 | | | | |
| 37 | 502746 | SCREW MA PAN PH M5-0.8x20 SS BK | 1 | | | | |
| 38 | 500804 | WASHER FL .203x.500x.047 N500 | 1 | | | | |
| 39 | 500820 | SCREW CAP HEX M8-1.25x16 G10.9 N500 | 1 | | | | |
| NS | 502889 | WASHER LO SPT 8.1x12.7x2.0 N500 | 1 | | | | |
| 40 | 373905 | SUPPORT, PIPE HEATER LINE RETURN To 5-8592 | 1 | | | | |
| 40 | 374154 | SUPPORT, PIPE HEATER LINE RETURN From 5-8593 | 1 | | | | |
| 50 | 506242 | PIPE INSULATING / 1 3/8" I.D. X 1/2" TH. X 72 / APT13812 | AR | | | | |
| 51 | 871202 | WATER HEATER - "SPHEROS" 100,000 B.T.U. | | | | | |
| NS | 871370 | ELBOW 90° SHORT / EXHAUST "PROHEAT" From 5-8453 | 1 | | | | |
| NS | 871371 | ELBOW 90° LONG / EXHAUST "PROHEAT" From 5-8453 | 1 | | | | |
| NS | 540061 | U-CLAMP / 2 3/4" I.D. From 5-8453 | 1 | | | | |
| | | | | | | | |
| | | | | | | | |
| | | | | | | | |
| | | | | | | | |
| | | A) FOR PRODUCT IMPROVEMENT IT SUPPERSEDED BY 374153P | | | | | |

| | | |
|-----------------------|--------------|-----------------|
| From 4-8165 To 6-8906 | Date:10/2022 | PAGE:Y2-2222-02 |
|-----------------------|--------------|-----------------|

HEATER LINE REAR SECTION - BUS

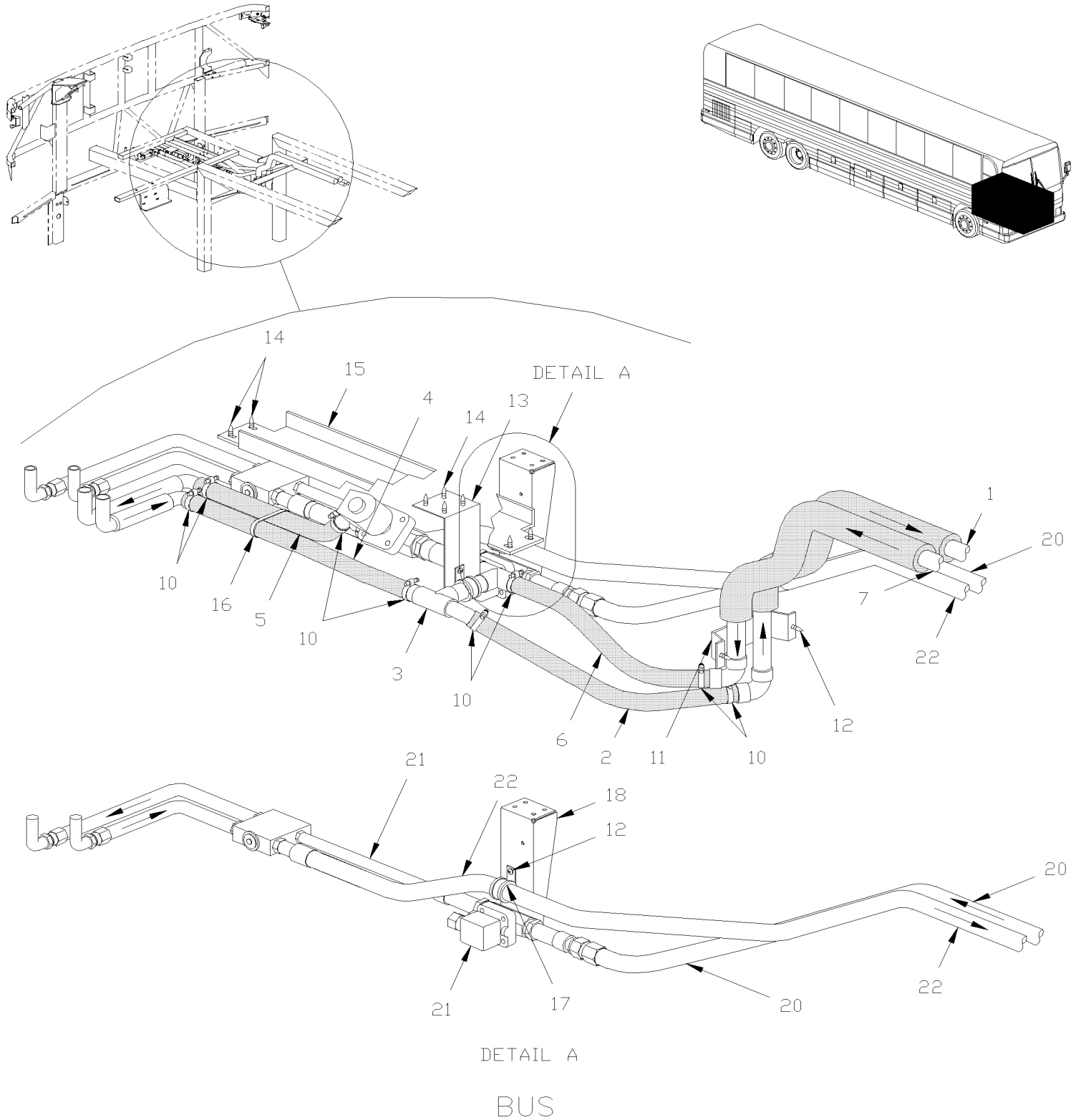
| Item# | Part | Description | X L I I 4 5 | X L I I M T H 4 0 | X L I I M T H 4 5 | X L I I M T H 4 5 E | N O T E S |
|-------|------|--|--------------------------------|---|---|--|-----------------------|
| | | P) CALL ORDER DESK FOR SPECIFIC APPLICATION (V.I.N.) | | | | | |

From Y-7046 To 8-9339

Date:10/2022

PAGE:Y2-2222-10

A/C & HEATING LINE FRONT SECTION

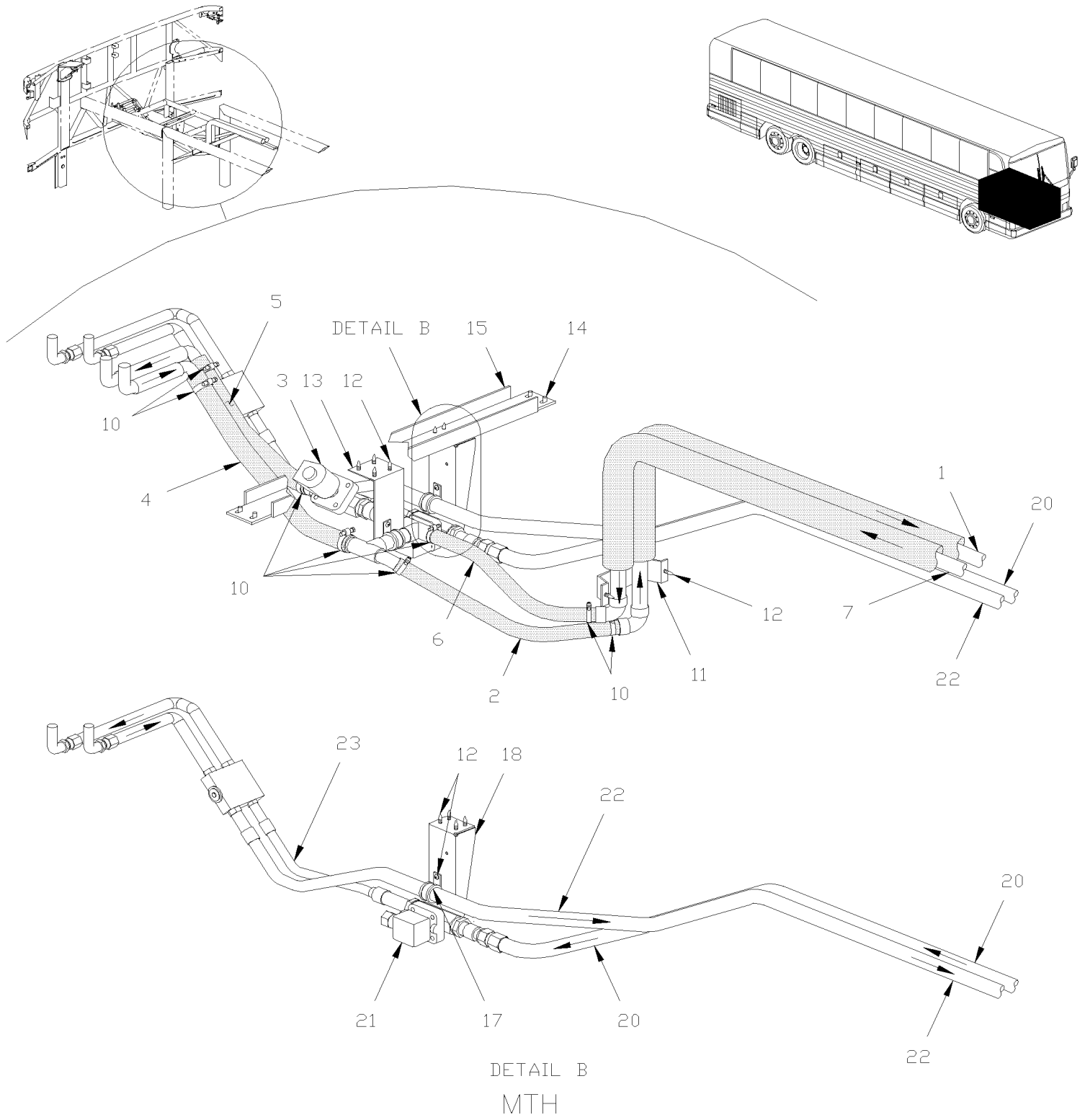


From Y-7046 To 8-9339

Date:10/2022

PAGE:Y2-2222-10

A/C & HEATING LINE FRONT SECTION



| | | |
|---|--------------|-----------------|
| From Y-7046 To 8-9339 | Date:10/2022 | PAGE:Y2-2222-10 |
| A/C & HEATING LINE FRONT SECTION | | |

| Item# | Part | Description | X L I I 4 5 | X L I I M T H 4 0 | X L I I M T H 4 5 | X L I I M T H 4 5 E | N O T E S |
|-------|-----------------|---|----------------------------|---|---|--|-----------------------|
| 1 | Call order desk | PIPE ASSY / 5626MM To 5-8561 | 1 | | | | P |
| 1 | Call order desk | PIPE ASSY / 4094MM From 5-8562 | 1 | | | | P |
| 1 | Call order desk | PIPE ASSY / 3496MM FORWARD SECTION From 5-8562 | 1 | | | | P |
| 1 | Call order desk | PIPE ASSY / 5295MM To 5-8561 | | 1 | | | P |
| 1 | 374099P | PIPE ASSY / 3377MM BACKWARD SECTION From 5-8562 | | 1 | | | |
| 1 | 374100P | PIPE ASSY / 1844MM FORWARD SECTION From 5-8562 | | 1 | | | |
| 1 | Call order desk | PIPE ASSY / 5526MM To 5-8561 | | | 1 | | P |
| 1 | Call order desk | PIPE ASSY / 4119MM FORWARD SECTION From 5-8562 | | | 1 | | P |
| 1 | Call order desk | PIPE ASSY / 1432MM BACKWARD SECTION From 5-8562 | | | 1 | | P |
| 1 | Call order desk | PIPE ASSY / 6819MM To 5-8561 | | | | 1 | P |
| 1 | Call order desk | PIPE ASSY / 4998MM FORWARD SECTION From 5-8562 | | | | 1 | P |
| 1 | Call order desk | PIPE ASSY / 1744MM BACKWARD SECTION From 5-8562 | | | | 1 | P |
| 2 | 373653 | HOSE 7/8" I.D. 515MM | 1 | 1 | 1 | 1 | |
| . NS | 503684 | . HOSE SILICONE 1 PLY 7/8" I.D. x 100' / S.L. | AR | AR | AR | AR | |
| 3 | Call order desk | WATER VALVE ASSY / W/PIPE | 1 | | | | P |
| 3 | 373645P | WATER VALVE ASSY / W/PIPE To 6-8805 | | 1 | 1 | 1 | |
| 3 | Call order desk | WATER VALVE ASSY W/PIPE & SUPPORT From 6-8806 | | 1 | 1 | 1 | P |
| 4 | 373791 | HOSE 7/8" I.D. 450MM | 1 | | | | |
| 4 | 373652 | HOSE 7/8" I.D. 500MM | | 1 | 1 | 1 | |
| . NS | 503684 | . HOSE SILICONE 1 PLY 7/8" I.D. x 100' / S.L. | | AR | AR | AR | |
| 5 | 373688 | HOSE 7/8" I.D. 260MM | 1 | | | | |
| 5 | 373651 | HOSE 7/8" I.D. 320MM | | 1 | 1 | 1 | |
| . NS | 503684 | . HOSE SILICONE 1 PLY 7/8" I.D. x 100' / S.L. | | AR | AR | AR | |
| 6 | 373654 | HOSE 7/8" I.D. 365MM | 1 | 1 | 1 | 1 | |
| . NS | 503684 | . HOSE SILICONE 1 PLY 7/8" I.D. x 100' / S.L. | AR | AR | AR | AR | |
| 7 | Call order desk | PIPE ASSY / 5572MM To 5-8561 | 1 | | | | P |
| 7 | Call order desk | PIPE ASSY / FORWARD SECTION From 5-8562 | 1 | | | | P |
| 7 | Call order desk | PIPE ASSY / 1453MM BACKWARD SECTION From 5-8562 | 1 | | | | P |
| 7 | Call order desk | PIPE ASSY / 5228MM To 5-8561 | | 1 | | | P |
| 7 | 374097P | PIPE ASSY / 3309MM FORWARD SECTION From 5-8562 | | 1 | | | |
| 7 | 374098P | PIPE ASSY / 1843MM BACKWARD SECTION From 5-8562 | | 1 | | | |
| 7 | Call order desk | PIPE ASSY / 5572MM To 5-8561 | | | 1 | | P |
| 7 | Call order desk | PIPE ASSY / 4069MM FORWARD SECTION From 5-8562 | | | 1 | | P |
| 7 | Call order desk | PIPE ASSY / 1428MM BACKWARD SECTION From 5-8562 | | | 1 | | P |
| 7 | Call order desk | PIPE ASSY / 6752MM To 5-8561 | | | | 1 | P |
| 7 | Call order desk | PIPE ASSY / 4829MM FORWARD SECTION From 5-8562 | | | | 1 | P |
| 7 | Call order desk | PIPE ASSY / 1849MM BACKWARD SECTION From 5-8562 | | | | 1 | P |
| 10 | 504646 | HOSE CLAMP / 11/16"-1"1/4 / C.T. 9412 | 8 | 8 | 8 | 8 | |
| 11 | 452906 | SUPPORT | 1 | | 1 | | |
| 12 | 500642 | SCREW TP PAN PH #10x3/4 Z050 | AR | | AR | | |
| 13 | 373642 | SUPPORT / WATER VALVE | 1 | | | | |
| NS | 374147 | SUPPORT WATER VALVE From 6-8806 | | 1 | 1 | 1 | |

| | | |
|---|--------------|-----------------|
| From Y-7046 To 8-9339 | Date:10/2022 | PAGE:Y2-2222-10 |
| A/C & HEATING LINE FRONT SECTION | | |

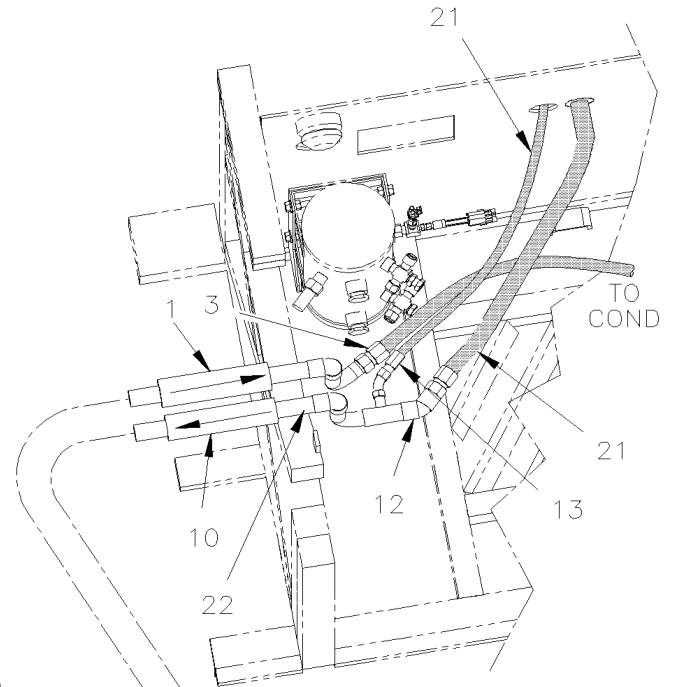
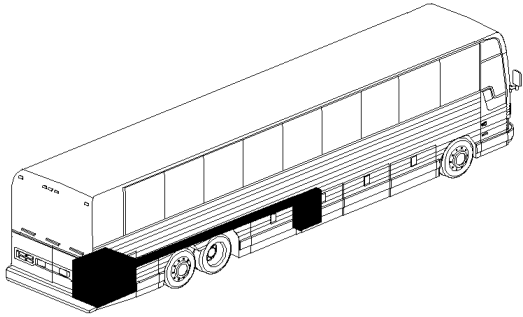
| Item# | Part | Description | X L I I 4 5 | X L I I M T H 4 0 | X L I I M T H 4 5 | X L I I M T H 4 5 E | N O T E S |
|-------|--------|--|----------------------------|---|---|--|-----------------------|
| 14 | 502526 | SCREW TC BDG PH #12-24x3/4 Z050 | AR | AR | AR | AR | |
| 15 | 373686 | SUPPORT / VALVE | 1 | | | | |
| 15 | 172355 | SUPPORT / VALVE | | 1 | 1 | 1 | |
| 16 | 504637 | CABLE TIE / 3/16" x 13" | AR | | | | |
| 17 | 952631 | CLAMP / 3/4" I.D. | 1 | 1 | 1 | 1 | |
| 18 | 453315 | SUPPORT / A/C VALVE | | 1 | 1 | 1 | |
| 20 | 453389 | HOSE ASSY / #10 5970MM | 1 | | 1 | | |
| . NS | 507344 | . O-RING / ORS FITTING / #10 NEO | 2 | | 2 | | |
| 20 | 455218 | HOSE ASSY / #10 5970MM | 1 | | 1 | | S |
| . NS | 507344 | . O-RING / ORS FITTING / #10 NEO | 2 | | 2 | | S |
| 20 | 453488 | HOSE ASSY / #10 5075MM | | 1 | | | |
| . NS | 507344 | . O-RING / ORS FITTING / #10 NEO | | 2 | | | |
| 20 | 455251 | HOSE ASSY / #10 5075MM | | 1 | | | S |
| . NS | 507344 | . O-RING / ORS FITTING / #10 NEO | | 2 | | | S |
| 20 | 453482 | HOSE ASSY / #10 7160MM | | | | 1 | |
| . NS | 507344 | . O-RING / ORS FITTING / #10 NEO | | | | 2 | |
| 20 | 455248 | HOSE ASSY / #10 6795MM | | | | 1 | S |
| . NS | 507344 | . O-RING / ORS FITTING / #10 NEO | | | | 2 | S |
| 21 | 453422 | VALVE ASSY / REFRIGERANT SOLENOID | 1 | | | | |
| 21 | 453151 | VALVE ASSY / REFRIGERANT SOLENOID | | 1 | 1 | 1 | |
| 22 | 453390 | HOSE ASSY / #10 4560MM | 1 | | 1 | | |
| . NS | 507344 | . O-RING / ORS FITTING / #10 NEO | 2 | | 2 | | |
| 22 | 455219 | HOSE ASSY / #10 4560MM | 1 | | 1 | | S |
| . NS | 507344 | . O-RING / ORS FITTING / #10 NEO | 2 | | 2 | | S |
| 22 | 453487 | HOSE ASSY / #10 4220MM | | 1 | | | |
| . NS | 507344 | . O-RING / ORS FITTING / #10 NEO | | 2 | | | |
| 22 | 455250 | HOSE ASSY / #10 4220MM | | 1 | | | S |
| . NS | 507344 | . O-RING / ORS FITTING / #10 NEO | | 2 | | | S |
| 22 | 453476 | HOSE ASSY / #10 5745MM | | | | 1 | |
| . NS | 507344 | . O-RING / ORS FITTING / #10 NEO | | | | 2 | |
| 22 | 455246 | HOSE ASSY / #10 5745MM | | | | 1 | S |
| . NS | 507344 | . O-RING / ORS FITTING / #10 NEO | | | | 2 | S |
| 23 | 453331 | HOSE ASSY / VALVE & EVAPORATOR / #6 250MM | | 1 | 1 | 1 | |
| . NS | 507278 | . O-RING / ORS FITTING / #4 NEO | | 2 | 2 | 2 | |
| 23 | 455210 | HOSE ASSY / VALVE & EVAPORATOR / #6 250MM | | 1 | 1 | 1 | S |
| . NS | 507278 | . O-RING / ORS FITTING / #4 NEO | | 2 | 2 | 2 | S |
| | | | | | | | |
| | | | | | | | |
| | | | | | | | |
| | | | | | | | |
| | | S) SERVICE | | | | | |
| | | P) CALL ORDER DESK FOR SPECIFIC APPLICATION (V.I.N.) | | | | | |

From Y-7046 To 8-9339

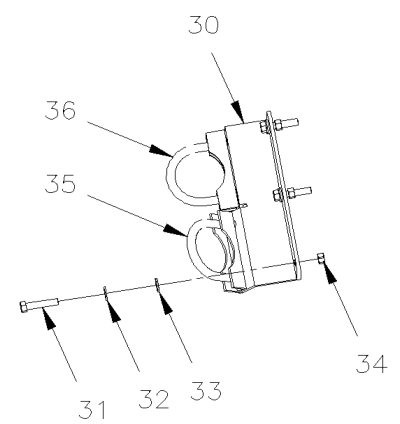
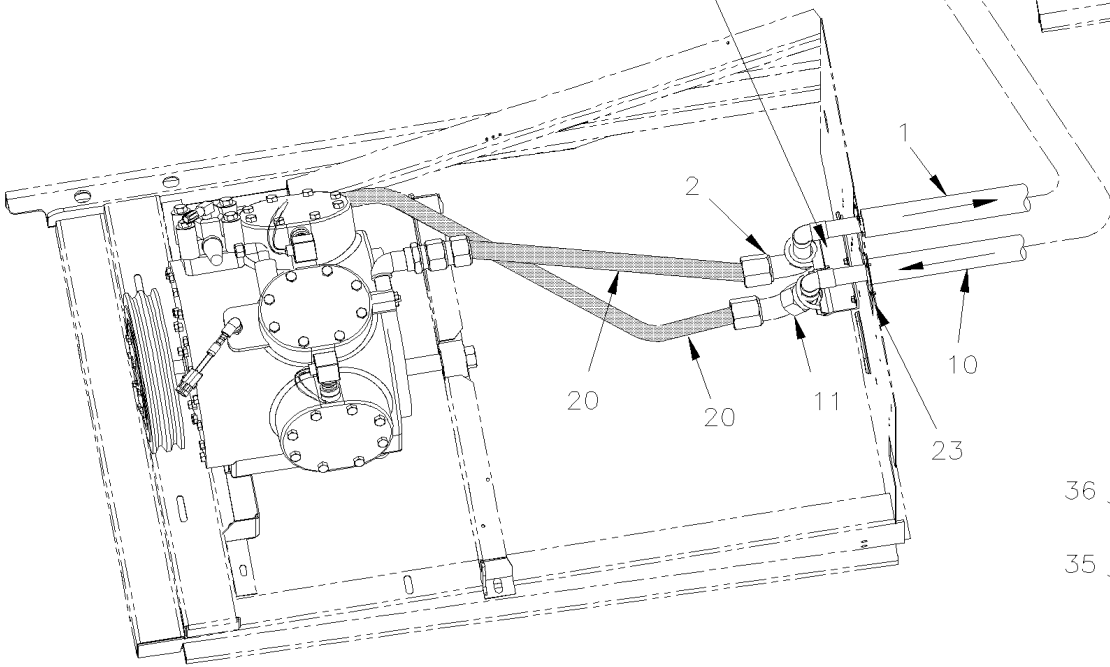
Date:10/2022

PAGE:Y2-2222-15

A/C LINE REAR SECTION W/05G



DETAIL "A"



DETAIL "A"

| | | |
|------------------------------------|--------------|-----------------|
| From Y-7046 To 8-9339 | Date:10/2022 | PAGE:Y2-2222-15 |
| A/C LINE REAR SECTION W/05G | | |

| Item# | Part | Description | X L I I 4 5 | X L I I M T H 4 0 | X L I I M T H 4 5 | X L I I M T H 4 5 E | N O T E S |
|-------|-------------------|--|----------------------------|---|---|--|-----------------------|
| 1 | 453539 | TUBE ASSY, PRESSURE / A/C COMPRESSOR To 2-7762 | 1 | | | | |
| 1 | 454016 | TUBE ASSY, PRESSURE / A/C COMPRESSOR From 2-7763 | 1 | | | | |
| 1 | 453601 | TUBE ASSY, PRESSURE / A/C COMPRESSOR / W/"RICON" | 1 | | | | R |
| 1 | 453608 | TUBE ASSY, PRESSURE / A/C COMPRESSOR / W/"RICON" To 2-7863 | 1 | | | | F |
| 1 | 453793 | TUBE ASSY, PRESSURE / A/C COMPRESSOR W/"RICON" From 2-7864 | 1 | | | | F |
| 1 | 453540 | TUBE ASSY, PRESSURE / A/C COMPRESSOR | | 1 | | 1 | |
| 1 | 453538 | TUBE ASSY, PRESSURE / A/C COMPRESSOR | | | 1 | | |
| 2 | 501718 | ADAPTER JIC @ BRAZE W/O-RING // #16JIC-Mx#18BRAZE-F BR | 1 | 1 | 1 | 1 | |
| . NS | 501802 | . O-RING / ORS FITTING / #16 NEO | 1 | 1 | 1 | 1 | |
| 3 | 501718 | ADAPTER JIC @ BRAZE W/O-RING // #16JIC-Mx#18BRAZE-F BR | 1 | 1 | 1 | 1 | |
| . NS | 501802 | . O-RING / ORS FITTING / #16 NEO | 1 | 1 | 1 | 1 | |
| 10 | Call order desk | TUBE ASSY, VACUUM / A/C COMPRESSOR | 1 | | | | P |
| 10 | 453600 | TUBE ASSY, VACUUM / A/C COMPRESSOR / W/"RICON" To 4-8278 | 1 | | | | R |
| 10 | 453871P | TUBE ASSY, VACUUM / A/C COMPRESSOR / W/"RICON" From 4-8279 | 1 | | | | R |
| 10 | 453609 | TUBE ASSY, VACUUM / A/C COMPRESSOR / W/"RICON" To 4-8278 | 1 | | | | F |
| 10 | 453870 | TUBE ASSY, VACUUM / A/C COMPRESSOR / W/"RICON" From 4-8279 | 1 | | | | F |
| 10 | 453467P | TUBE ASSY, VACUUM / A/C COMPRESSOR | | 1 | | 1 | |
| 10 | Call order desk | TUBE ASSY, VACUUM / A/C COMPRESSOR To 6-8805 | | | 1 | | P |
| 10 | 454244 | TUBE ASSY, VACUUM / A/C COMPRESSOR From 6-8806 | | | 1 | | |
| NS | 453723 | SUPPORT PIPE From 2-7864 | 1 | | | | |
| 11 | 501717 | . ADAPTER JIC @ BRAZE W/O-RING // #20JIC-Mx#22BRAZE-F BR | 1 | 1 | 1 | 1 | |
| . NS | 501803 | . . O-RING / ORS FITTING / #20 NEO | 1 | 1 | 1 | 1 | |
| 12 | 501717 | . ADAPTER JIC @ BRAZE W/O-RING // #20JIC-Mx#22BRAZE-F BR | 1 | 1 | 1 | 1 | |
| . NS | 501803 | . . O-RING / ORS FITTING / #20 NEO | 1 | 1 | 1 | 1 | |
| 13 | 5011099 | . ADAPTER "TUBE-O" @ BRAZE / #12TUBE-O-Mx#14 BR | 1 | 1 | 1 | 1 | |
| 20 | Y2-2245-00 | A/C COMPRESSOR 05G - INSTALLATION | | | | | |
| 21 | Y2-2270-00 | RECEIVER TANK & FILTER DRYER | | | | | |
| 22 | 326738 | PLATE CLOSING AROUND PIPE / SMALL | 1 | | 1 | | |
| 22 | 453677 | PLATE CLOSING AROUND PIPES / W/"RICON" | 1 | | 1 | | F |
| 23 | 483041 | PLATE CLOSING AROUND PIPE | | 1 | 1 | 1 | |
| 30 | 457411 | SUPPORT | 1 | | | | |
| 31 | 502758 | SCREW CAP HEX M6-1.0x30 G8.8 N500 | 3 | | | | |
| 32 | 500411 | WASHER FL .260x.697x.050 SS | 3 | | | | |
| 33 | 502768 | WASHER FL RUB .312x.625x.125 NEO | 3 | | | | |
| 34 | 5001182 | NUT HEX NYRT M6-1.0 SS | 3 | | | | |
| 35 | 540057 | U-CLAMP / 1 3/8" | 1 | | | | |
| 36 | 540058 | U-CLAMP / 1 5/8" | 1 | | | | |
| | | | | | | | |
| | | | | | | | |
| | | F) FRONT SECTION WITH W.C.L. "RICON" | | | | | |
| | | R) REAR SECTION WITH W.C.L. "RICON" | | | | | |

| | | |
|-----------------------|--------------|-----------------|
| From Y-7046 To 8-9339 | Date:10/2022 | PAGE:Y2-2222-15 |
|-----------------------|--------------|-----------------|

A/C LINE REAR SECTION W/05G

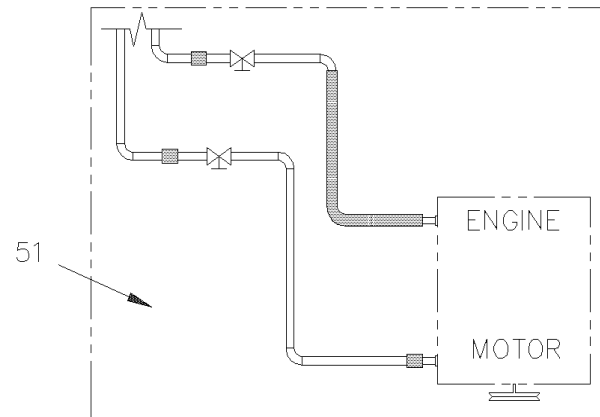
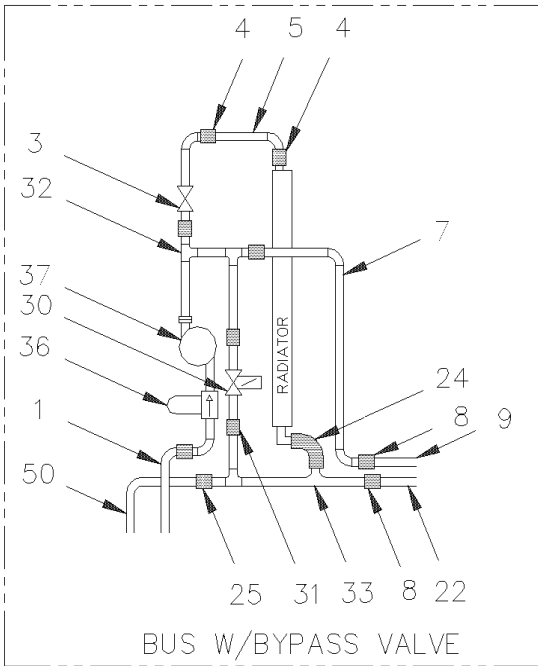
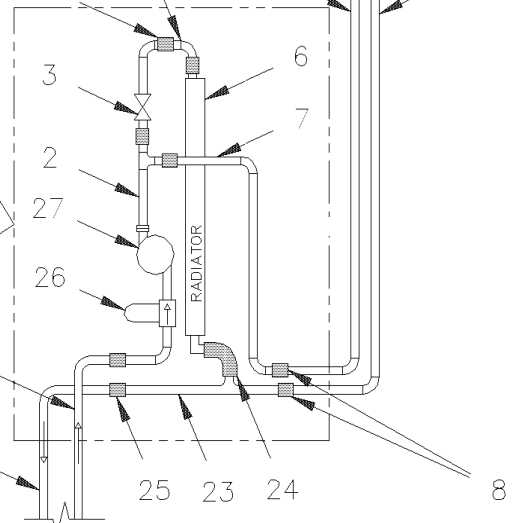
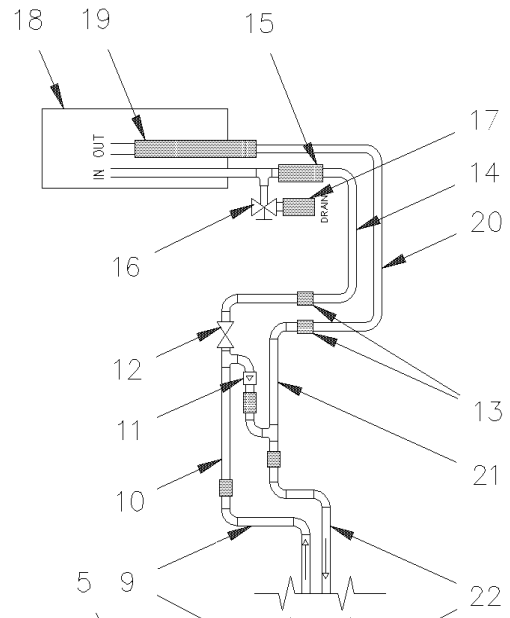
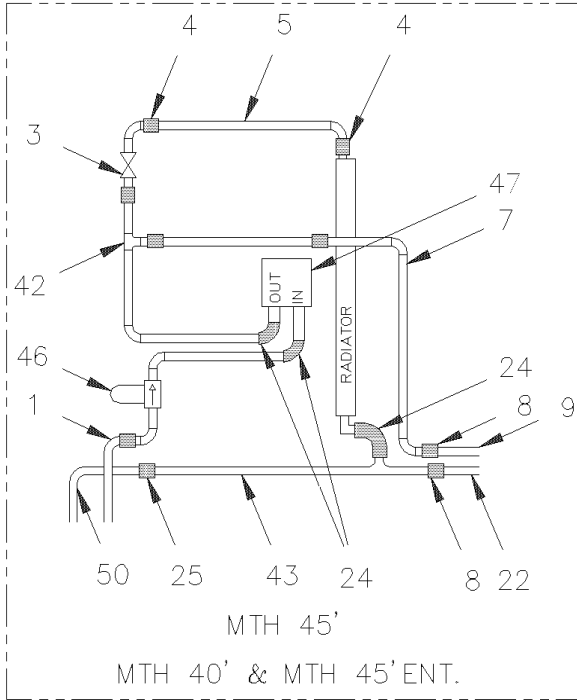
| Item# | Part | Description | X L I I 4 5 | X L I I M T H 4 0 | X L I I M T H 4 5 | X L I I M T H 4 5 E | N O T E S |
|-------|------|--|--------------------------------|---|---|--|-----------------------|
| | | P) CALL ORDER DESK FOR SPECIFIC APPLICATION (V.I.N.) | | | | | |

From Y-7046 To 8-9339

Date:10/2022

PAGE:Y2-2222-20

HEATER LINE & PIPING - CENTRAL SYSTEM



| | | |
|-----------------------|--------------|-----------------|
| From Y-7046 To 8-9339 | Date:10/2022 | PAGE:Y2-2222-20 |
|-----------------------|--------------|-----------------|

HEATER LINE & PIPING - CENTRAL SYSTEM

| Item# | Part | Description | X L I I 4 5 | X L I I M T H 4 0 | X L I I M T H 4 5 | X L I I M T H 4 5 E | N O T E S |
|-------|-------------------|---|----------------------------|---|---|--|-----------------------|
| 1 | Call order desk | PIPE ASSY HEATING / RETURN LINE | | 1 | | 1 | PS |
| 1 | 372029 | PIPE ASSY HEATING / FEED LINE | 1 | | 1 | | |
| 2 | 371744 | PIPE ASSY / WATER PUMP OUTLET | 1 | | | | C |
| 3 | Y2-2207-00 | WATER VALVE - W/MAIN HEATER | | | | | |
| 4 | 051383 | HOSE / W/CENTRAL A/C SYSTEM / 1 3/8" I.D. X 150MM | 2 | 2 | 2 | 2 | |
| 5 | 371745 | PIPE ASSY / WATER VALVE OUTLET & HEATER | 1 | 1 | 1 | 1 | |
| 6 | Y2-2205-00 | HEATER & EVAPORATOR COIL - INSTALLATION | | | | | |
| 7 | 371746 | TUBE ASSY / TO DRIVER'S HEATER To 4-8205 | 1 | 1 | 1 | 1 | |
| 7 | 374047 | TUBE ASSY / TO DRIVER'S HEATER From 4-8206 | 1 | 1 | 1 | 1 | |
| 8 | 371532 | HOSE 7/8" I.D. 6" | 2 | 2 | 2 | 2 | |
| 9 | 372816 | TUBE ASSY, HEATING | | 1 | | | |
| 9 | 373194 | TUBE ASSY, HEATING | 1 | | 1 | | |
| 9 | 373196 | TUBE ASSY, HEATING | | | | 1 | |
| 10 | 372814 | TUBE ASSY, DEFROSTER | 1 | 1 | 1 | 1 | |
| 11 | 870807 | STRAINER FILTER, WATER 1" 1/4" N.P.T. | 1 | 1 | 1 | 1 | |
| 12 | Y2-2207-10 | WATER VALVE - W/DRIVER'S HEATER | | | | | |
| 13 | 372053 | HOSE 7/8" I.D. X 6.5" To 4-8205 | 2 | 2 | 2 | 2 | |
| 13 | 372191 | HOSE / PIPE & BYPASS / 7/8" I.D. 10" From 4-8206 | 1 | 1 | 1 | 1 | |
| 14 | 372755 | TUBE ASSY | 1 | 1 | 1 | 1 | |
| 15 | 372751 | HOSE 3/4" I.D. | 1 | | | | |
| 15 | 372758 | HOSE 3/4" I.D. 19" | | 1 | | 1 | |
| 17 | 560384 | PLASTIC TUBING / 3/8" / CLEAR | AR | AR | AR | AR | |
| NS | 504656 | BUMPER PLUG / 3/8X41/64X1/4 | 1 | 1 | 1 | 1 | |
| 19 | 372750 | HOSE 3/4" I.D. | 1 | | | | |
| 19 | 372759 | HOSE 3/4" I.D. | | 1 | 1 | 1 | |
| 20 | 372843 | TUBE ASSY | 1 | 1 | 1 | 1 | |
| 20 | 372754 | TUBE ASSY | 1 | 1 | 1 | 1 | |
| 21 | 372815 | TUBE ASSY, DEFROSTER | 1 | 1 | 1 | 1 | |
| 22 | 372817 | TUBE ASSY, HEATING | | 1 | | | |
| 22 | 373197 | TUBE ASSY, HEATING | | | | 1 | |
| 22 | 373192 | TUBE ASSY, HEATING | 1 | | 1 | | |
| 23 | 372136 | RETURN JCT TUBE ASSY / W/O BYPASS VALVE | 1 | 1 | 1 | 1 | |
| 24 | 372131 | ELBOW 90° REDUCER 1 1/8" I.D.W/3 1/4" x 1 3/8 I.D. W 5 1/4" C/C | 1 | 1 | 1 | 1 | Q |
| 25 | 371855 | HOSE 1 3/8" I.D. 3" | 2 | 2 | 2 | 2 | |
| 26 | Y2-2222-00 | HEATER LINE REAR SECTION - BUS | | | | | |
| 27 | Y2-2206-00 | WATER PUMP #871052 & #871204 | | | | | |
| 30 | 373110 | WATER BYPASS VALVE /. (2222-00 & 20) | 1 | | | | |
| 31 | 372191 | HOSE / PIPE & BYPASS / 7/8" I.D. 10" | 2 | | | | |
| 32 | 373307 | PIPE ASSY / WATER PUMP OUTLET | 1 | | | | B |
| 33 | 373308 | RETURN JCT TUBE ASSY / W/BYPASS VALVE | 1 | | | | B |
| 36 | 373329 | FILTER ASSY W/TUBE | 1 | | | | |
| 37 | Y2-2206-00 | WATER PUMP #871052 & #871204 | | | | | |

| | | |
|-----------------------|--------------|-----------------|
| From Y-7046 To 8-9339 | Date:10/2022 | PAGE:Y2-2222-20 |
|-----------------------|--------------|-----------------|

HEATER LINE & PIPING - CENTRAL SYSTEM

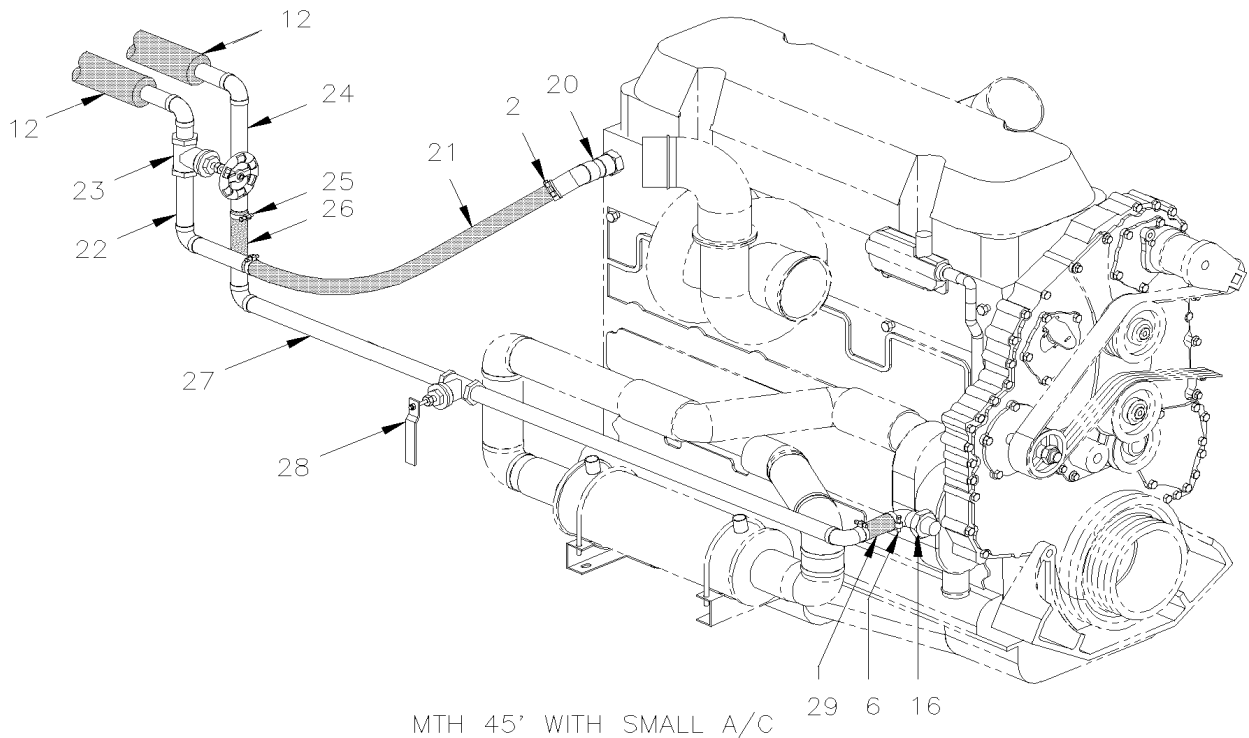
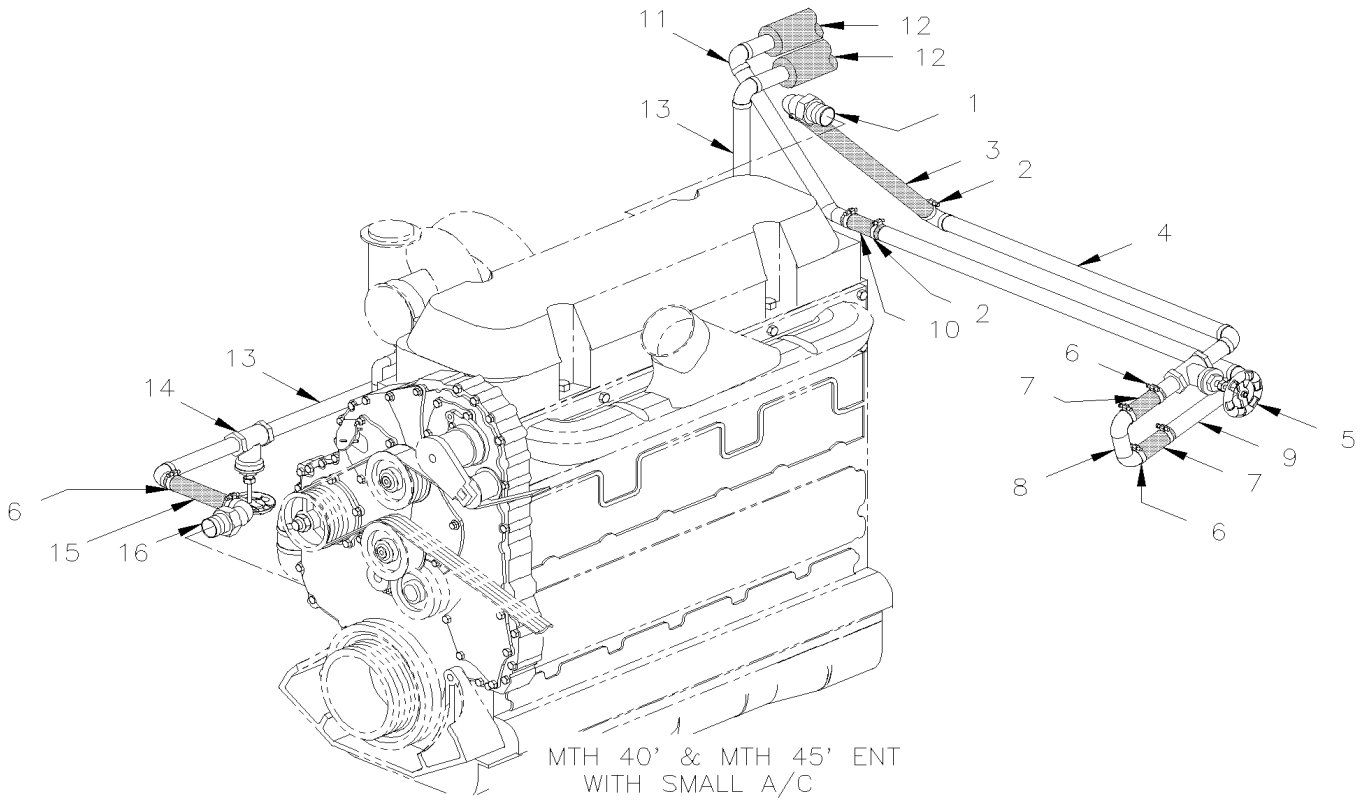
| Item# | Part | Description | X L I I 4 5 | X L I I M T H 4 0 | X L I I M T H 4 5 | X L I I M T H 4 5 E | N O T E S |
|-------|-------------------|--|----------------------------|---|---|--|-----------------------|
| 42 | 373051 | PIPE ASSY / WATER PUMP OUTLET | | 1 | | 1 | |
| 43 | 373316 | RETURN JCT TUBE ASSY / W/O BYPASS VALVE | | 1 | | 1 | |
| 43 | 373316 | RETURN JCT TUBE ASSY / W/O BYPASS VALVE | | | 1 | | |
| 46 | 373013 | FILTER ASSY W/TUBE | | | 1 | | |
| 46 | 373333 | FILTER ASSY W/TUBE | | 1 | | 1 | |
| 47 | Y2-2206-50 | WATER PUMP #871032 | | | | | |
| 50 | Call order desk | PIPE ASSY HEATING / RETURN LINE | | 1 | | 1 | P T |
| 50 | Call order desk | PIPE ASSY HEATING / RETURN LINE /W/"SLIDE-OUT" | 1 | | 1 | | P |
| 51 | Y2-2222-00 | HEATER LINE REAR SECTION - BUS | | | | | |
| | | | | | | | |
| | | B) WATER BYPASS VALVE | | | | | |
| | | C) WATER BYPASS VALVE | | | | | |
| | | Q) TUBE & HEATER COIL | | | | | |
| | | S) FEED LINE | | | | | |
| | | T) RETURN LINE | | | | | |
| | | P) CALL ORDER DESK FOR SPECIFIC APPLICATION (V.I.N.) | | | | | |

From Y-7046 To 3-8164

Date:10/2022

PAGE:Y2-2222-30

HEATER LINE REAR SECTION - MTH

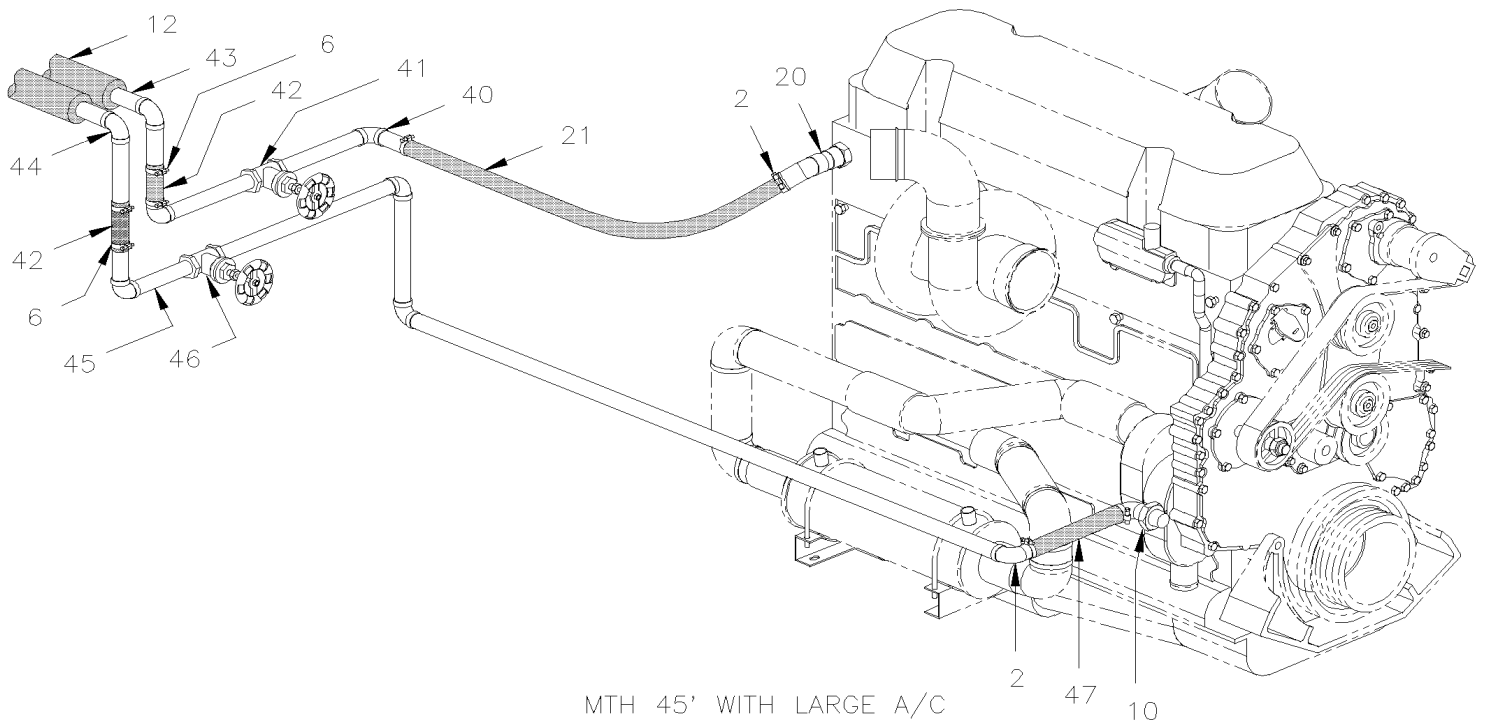
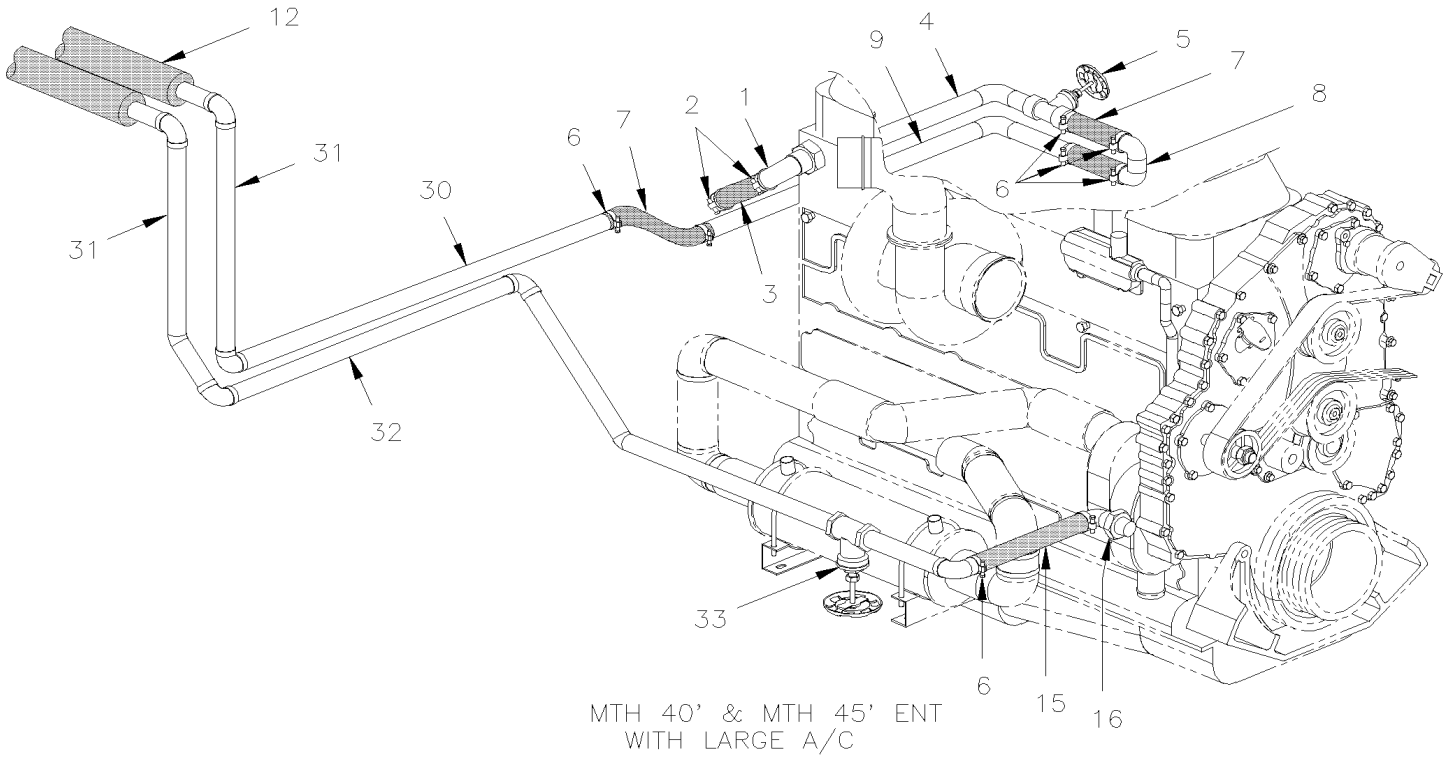


From Y-7046 To 3-8164

Date:10/2022

PAGE:Y2-2222-30

HEATER LINE REAR SECTION - MTH



| | | |
|---------------------------------------|--------------|-----------------|
| From Y-7046 To 3-8164 | Date:10/2022 | PAGE:Y2-2222-30 |
| HEATER LINE REAR SECTION - MTH | | |

| Item# | Part | Description | X L I I 4 5 | X L I I M T H 4 0 | X L I I M T H 4 5 | X L I I M T H 4 5 E | N O T E S |
|-------|-----------------|--|----------------------------|---|---|--|-----------------------|
| 1 | 373217 | ADAPTOR ELBOW 90° / CYLINDER HEAD EXIT / STD | | 1 | | 1 | |
| 2 | 504319 | HOSE CLAMP / 1"-1"1/2 SS / E.T. 16 | | AR | | AR | |
| 3 | 373298 | HOSE 1 3/8" I.D. 216MM | | 1 | | 1 | |
| 4 | 373224 | PIPE | | 1 | | 1 | |
| 5 | 501861 | . GATE VALVE 1 1/4" (WELDED) | | 1 | | 1 | |
| 6 | 504657 | HOSE CLAMP / 1"1/16-2" C.T. 9424 | | AR | | AR | |
| 7 | 371855 | HOSE 1 3/8" I.D. 3" | | 2 | | 2 | |
| 8 | 373225 | PIPE "U" SHAPE | | 1 | | 1 | |
| 9 | 373226 | PIPE | | 1 | | 1 | |
| 10 | 371885 | PIPE | | 1 | | 1 | |
| 11 | 373398 | PIPE | | 1 | | 1 | |
| 12 | 506242 | PIPE INSULATING / 1 3/8" I.D. X 1/2" TH. X 72 / APT13812 | | AR | | AR | |
| 13 | 373399 | PIPE | | 1 | | 1 | |
| 14 | 501861 | . GATE VALVE 1 1/4" (WELDED) | | 1 | | 1 | |
| 15 | 373145 | HOSE 1 3/8" I.D. 260MM | | 1 | | 1 | |
| 16 | 372958 | ADAPTOR ELBOW 90° / WATER PUMP INLET | | 1 | | 1 | |
| 20 | 373040 | ADAPTOR ELBOW 45° / CYLINDER HEAD EXIT | | | 1 | | |
| 21 | 373287 | HOSE / ENGINE OUTLET / 1 3/8" I.D. 914MM | | | 1 | | |
| 22 | 373396 | PIPE | | | 1 | | |
| 23 | 501861 | . GATE VALVE 1 1/4" (WELDED) | | | 1 | | |
| 24 | 373397 | PIPE | | | 1 | | |
| 25 | 504646 | HOSE CLAMP / 11/16"-1"1/4 / C.T. 9412 | | | 2 | | |
| 26 | 372053 | HOSE 7/8" I.D. X 6.5" | | | 1 | | |
| 27 | 373066 | PIPE / ENGINE INLET | | | 1 | | |
| 28 | 501958 | . GATE VALVE 7/8" (WELDED) | | | 1 | | |
| 29 | 373236 | HOSE / ENGINE INLET / 1 3/8" I.D. 195MM | | | 1 | | |
| 30 | 373101 | PIPE / W/O HEATER | | 1 | | 1 | |
| 31 | Call order desk | PIPE ASSY HEATING / RETURN LINE | | 2 | | 2 | P |
| 32 | 373079 | PIPE RETURN / ENGINE WATER PUMP | | 1 | | 1 | |
| 33 | 501861 | . GATE VALVE 1 1/4" (WELDED) | | 1 | | 1 | |
| 40 | 373052 | PIPE ASSY HEATING / FEED LINE | | | 1 | | |
| 41 | 501861 | . GATE VALVE 1 1/4" (WELDED) | | | 1 | | |
| 42 | 051383 | HOSE / W/CENTRAL A/C SYSTEM / 1 3/8" I.D. X 150MM | | | 2 | | |
| 43 | Call order desk | PIPE ASSY HEATING / FEED LINE | | | 1 | | P |
| 43 | Call order desk | PIPE ASSY HEATING / FEED LINE /W/"SLIDE-OUT" To 2-7908 | | | 1 | | P |
| 43 | Call order desk | PIPE ASSY HEATING / FEED LINE /W/"SLIDE-OUT" From 2-7909 | | | 1 | | P |
| 44 | Call order desk | PIPE ASSY HEATING / RETURN LINE /W/"SLIDE-OUT" | | | 1 | | P |
| 44 | Call order desk | PIPE ASSY HEATING / RETURN LINE /W/"SLIDE-OUT" To 2-7908 | | | 1 | | P |
| 44 | Call order desk | PIPE ASSY HEATING / RETURN LINE /W/"SLIDE-OUT" From 2-7909 | | | 1 | | P |
| 45 | 373014 | PIPE RETURN / ENGINE WATER PUMP | | | 1 | | |
| 46 | 501861 | . GATE VALVE 1 1/4" (WELDED) | | | 1 | | |
| 47 | 371858 | HOSE 1 3/8" I.D. 7" | | | 1 | | |

| | | |
|-----------------------|--------------|-----------------|
| From Y-7046 To 3-8164 | Date:10/2022 | PAGE:Y2-2222-30 |
|-----------------------|--------------|-----------------|

HEATER LINE REAR SECTION - MTH

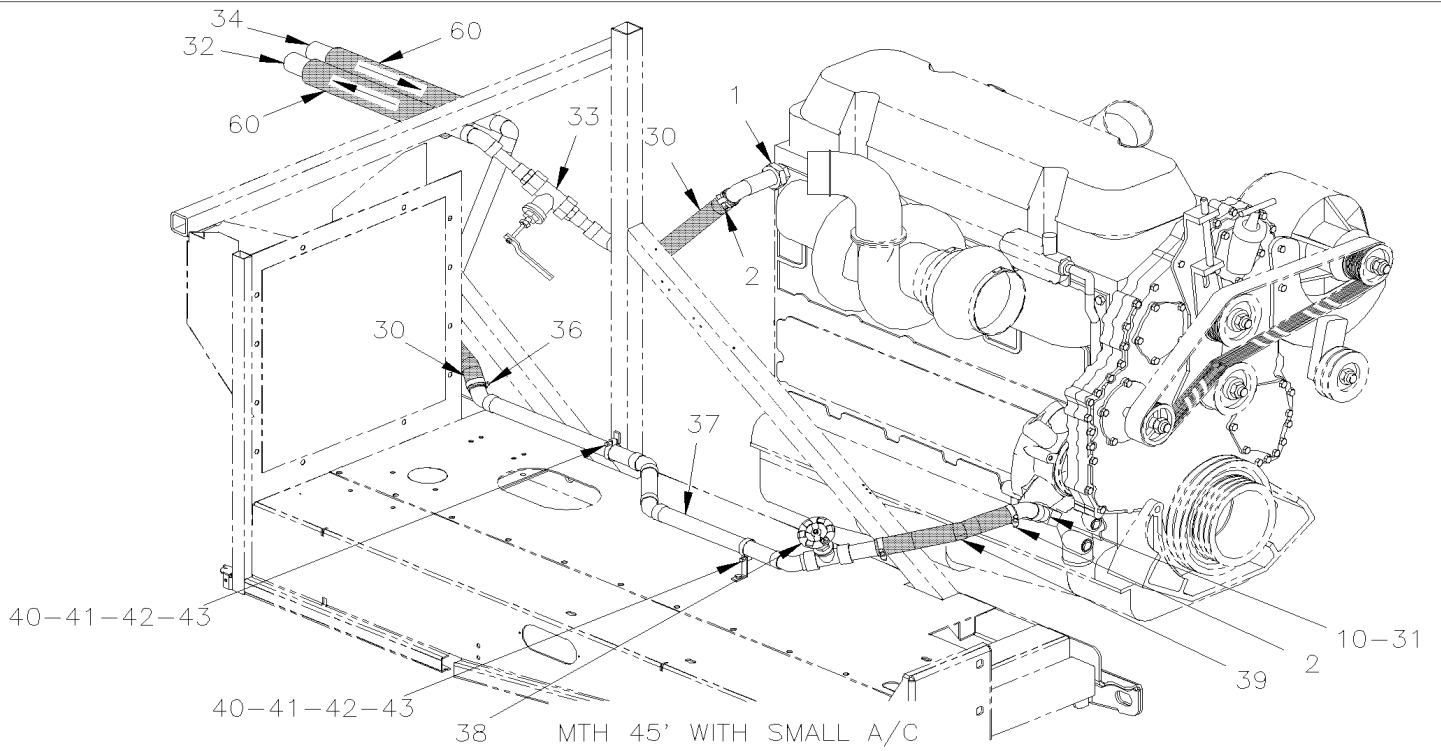
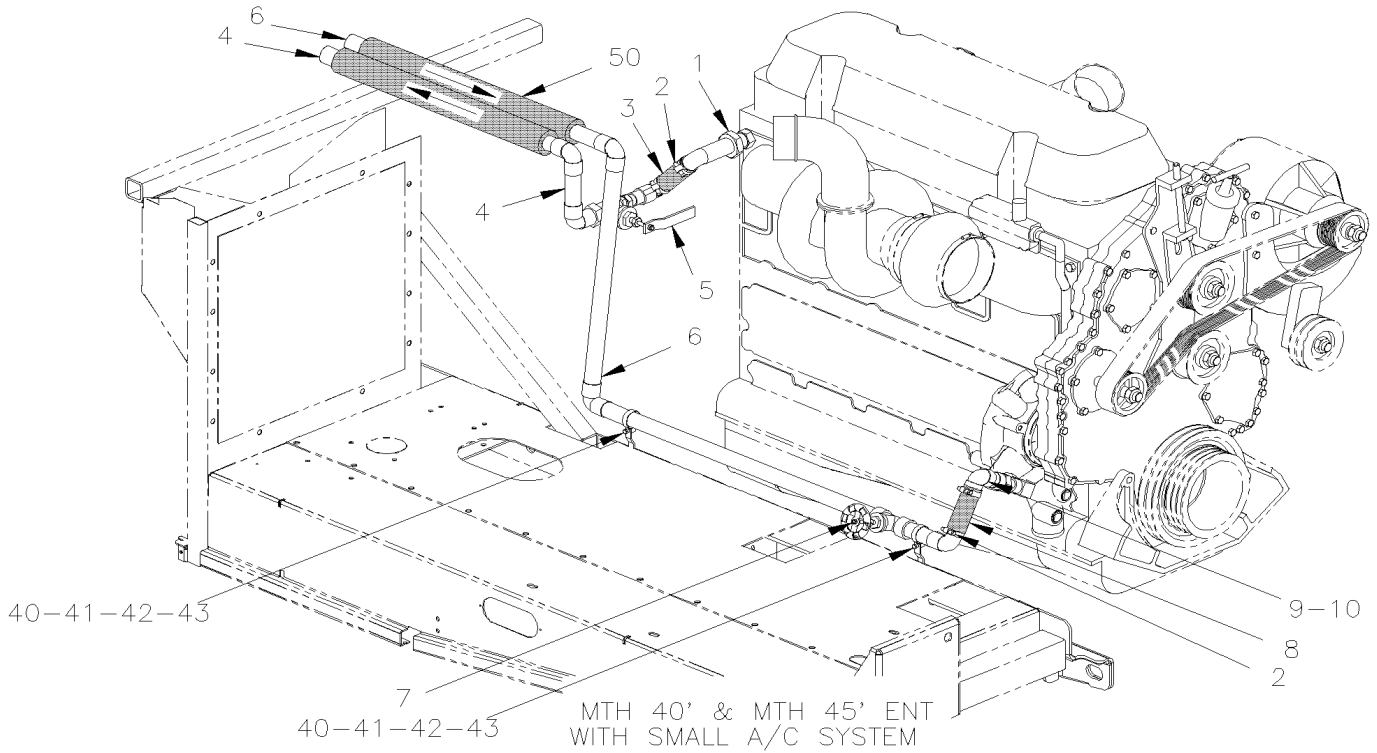
| Item# | Part | Description | X L I I 4 5 | X L I I M T H 4 0 | X L I I M T H 4 5 | X L I I M T H 4 5 E | N O T E S |
|-------|------|--|----------------------------|---|---|--|-----------------------|
| | | | | | | | |
| | | | | | | | |
| | | | | | | | |
| | | P) CALL ORDER DESK FOR SPECIFIC APPLICATION (V.I.N.) | | | | | |

From 4-8165 To 8-9339

Date:10/2022

PAGE:Y2-2222-31

HEATER LINE REAR SECTION - MTH

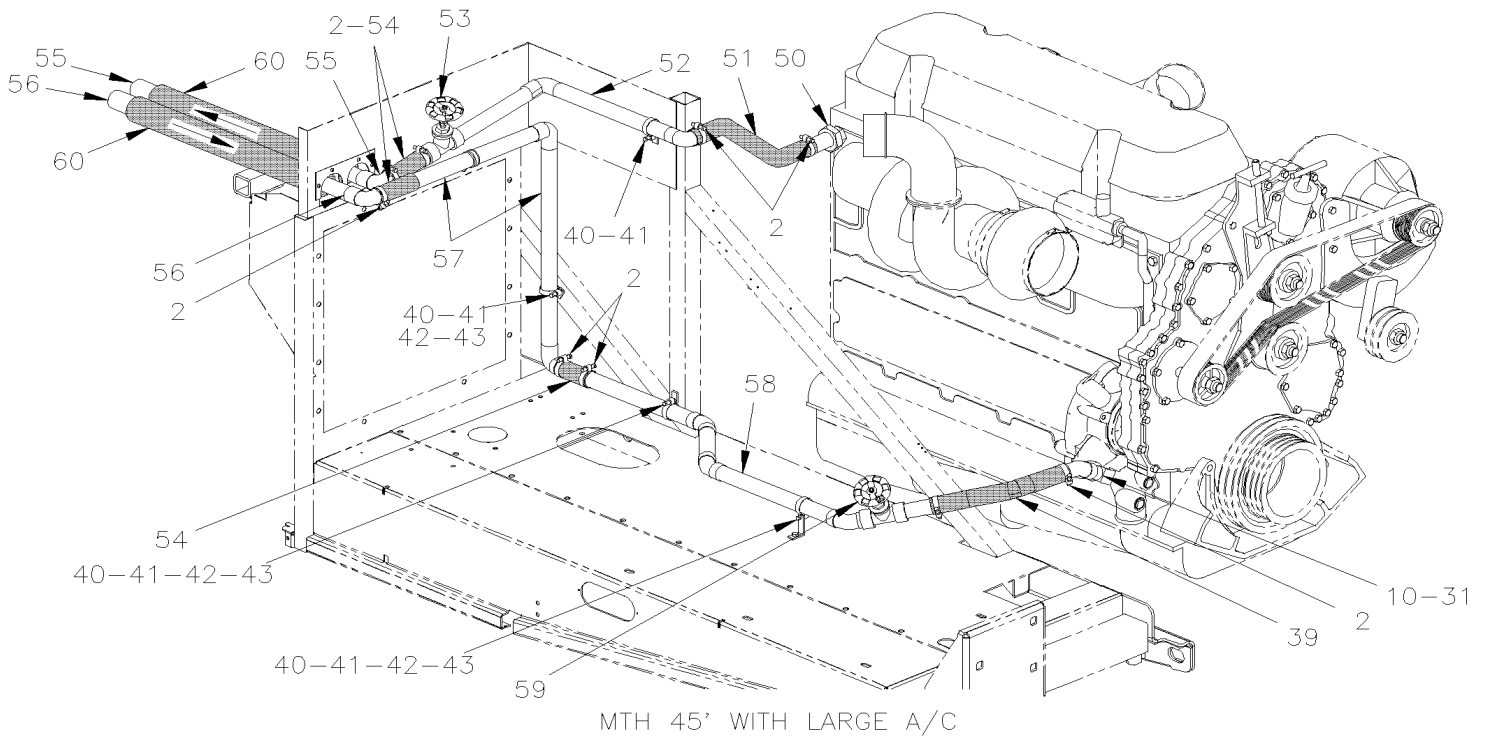
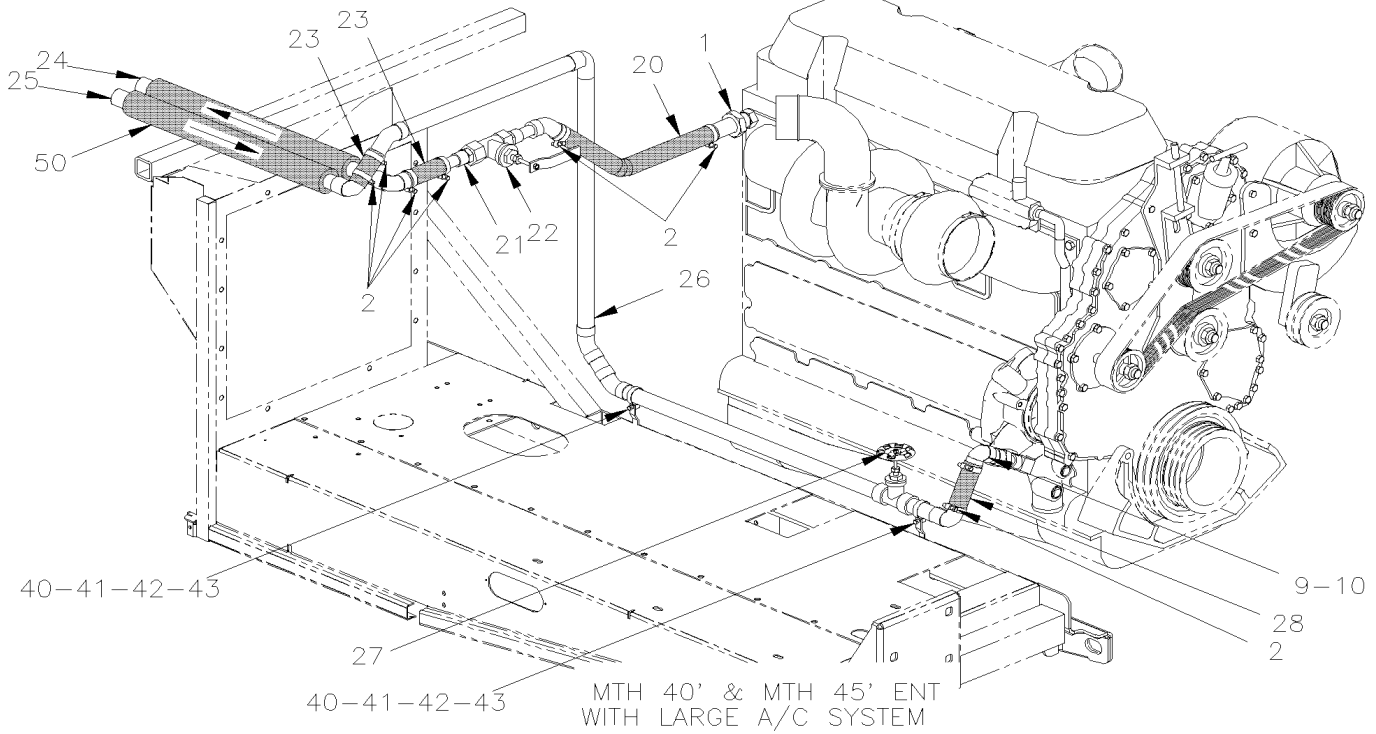


From 4-8165 To 8-9339

Date:10/2022

PAGE:Y2-2222-31

HEATER LINE REAR SECTION - MTH



| | | |
|---------------------------------------|---------------------|------------------------|
| From 4-8165 To 8-9339 | Date:10/2022 | PAGE:Y2-2222-31 |
| HEATER LINE REAR SECTION - MTH | | |

| Item# | Part | Description | X L I I 4 5 | X L I I M T H 4 0 | X L I I M T H 4 5 | X L I I M T H 4 5 E | N O T E S |
|-------|-----------------|---|----------------------------|---|---|--|-----------------------|
| 1 | 373866 | HOSE ADAPTOR ELBOW 90° 1 3/8" X 1" NPT / CYLINDER HEAD EXIT | | 1 | | 1 | |
| 1 | 373902 | HOSE ADAPTOR STRAIGHT 1 3/8" X 1" NPT / CYLINDER HEAD EXIT | | 1 | | 1 | |
| 2 | 504657 | HOSE CLAMP / 1"1/16-2" C.T. 9424 | | 1 | | 1 | |
| 3 | 373298 | HOSE 1 3/8" I.D. 216MM | | 1 | | 1 | |
| 4 | Call order desk | PIPE ASSY HEATING / FEED LINE / W/SMALL AC SYSTEM To 5-8561 | | 1 | | 1 | P |
| 4 | Call order desk | PIPE ASSY HEATING / FEED LINE / W/SMALL A/C SYSTHEM From 5-8562 To 7-9095 | | 1 | | 1 | P |
| 4 | Call order desk | PIPE ASSY HEATING / FEED LINE / W/SMALL A/C SYSTHEM From 7-9096 | | | | 1 | P |
| 5 | 870966 | . BALL VALVE 1" NPT-F To 8-9174 | | 1 | | 1 | |
| 5 | 871419 | . BALL VALVE 1" NPT-F From 8-9175 | | 1 | | 1 | |
| 5 | 501553 | . ADAPTER / COPPER @ PIPE / 1Fx1NPT-M | | 2 | | 2 | |
| 6 | Call order desk | PIPE ASSY HEATING / RETURN LINE / W/SMALL A/C SYSTHEM To 7-9095 | | 1 | | 1 | P |
| 6 | Call order desk | PIPE ASSY HEATING / RETURN LINE / W/SMALL A/C SYSTHEM From 7-9096 | | | | 1 | P |
| 7 | 501958 | . GATE VALVE 7/8" (WELDED) | | 1 | | 1 | |
| 8 | 371535 | . HOSE 1 3/8" I.D. X 127MM To 5-8492 | | 1 | | 1 | |
| 8 | 374136 | . ELBOW 90° X 1 3/8" I.D. / 75MM x 194MM C/C / SILICONE From 5-8493 | | 1 | | 1 | |
| 9 | 373944 | ADAPTOR ELBOW 90° 137MM / WATER PUMP INLET / W/SMALL A To 5-8492 | | 1 | | 1 | F |
| 9 | 373894 | ADAPTOR STRAIGHT 86MM / WATER PUMP INLET From 5-8493 | | 1 | | 1 | |
| 10 | 507339 | STREET ELBOW 90° / PIPE FITTING / 3/4NPT-Mx3/4NPT-F BR | | 1 | | 1 | |
| 20 | 373954 | HOSE 1 3/8" I.D. 610MM | | 1 | | 1 | |
| 21 | 373945 | PIPE ASSY HEATING / FEED LINE | | 1 | | 1 | |
| 22 | 870966 | . BALL VALVE 1" NPT-F To 8-9174 | | 1 | | 1 | |
| 22 | 871419 | . BALL VALVE 1" NPT-F From 8-9175 | | | | 1 | |
| 22 | 501997 | . ADAPTER / COPPER @ PIPE / 1 1/4Fx1NPT-M | | 2 | | 2 | |
| 23 | 051383 | . HOSE / W/CENTRAL A/C SYSTEM / 1 3/8" I.D. X 150MM | | 1 | | 1 | |
| 24 | 373946P | PIPE ASSY HEATING / FEED LINE To 6-8805 | | 1 | | 1 | |
| 24 | Call order desk | PIPE ASSY HEATING / FEED LINE From 6-8806 | | 1 | | 1 | P |
| 25 | 372670P | PIPE ASSY HEATING / RETURN LINE To 6-8805 | | 1 | | 1 | |
| 25 | Call order desk | PIPE ASSY HEATING / RETURN LINE From 6-8806 | | 1 | | 1 | P |
| 26 | 372753 | PIPE ASSY HEATING / RETURN LINE | | 1 | | 1 | |
| 27 | 501861 | . GATE VALVE 1 1/4" (WELDED) | | 1 | | 1 | |
| 28 | 371858 | . HOSE 1 3/8" I.D. 7" To 5-8492 | | 1 | | 1 | F |
| 28 | 374136 | . ELBOW 90° X 1 3/8" I.D. / 75MM x 194MM C/C / SILICONE From 5-8493 | | 1 | | 1 | |
| 30 | 373942 | HOSE 1 3/8" x 305MM | | | 1 | | |
| 31 | 373907 | ADAPTOR ELBOW 45° / WATER PUMP INLET | | | 1 | | |
| 32 | Call order desk | PIPE ASSY HEATING / FEED LINE To 5-8561 | | | 1 | | P |
| 32 | Call order desk | PIPE ASSY HEATING / FEED LINE From 5-8562 | | | 1 | | P |
| 33 | 870966 | . BALL VALVE 1" NPT-F To 8-9174 | | | 1 | | |
| 33 | 871419 | . BALL VALVE 1" NPT-F From 8-9175 | | | 1 | | |
| 33 | 501553 | . ADAPTER / COPPER @ PIPE / 1Fx1NPT-M | | | 2 | | |
| 34 | Call order desk | PIPE ASSY HEATING / RETURN LINE | | | 1 | | P |
| 35 | 372837 | HOSE 7/8" I.D. 16 1/2" | | | 1 | | |
| 36 | 504646 | HOSE CLAMP / 11/16"-1"1/4 / C.T. 9412 | | | 4 | | |

| | | |
|-----------------------|--------------|-----------------|
| From 4-8165 To 8-9339 | Date:10/2022 | PAGE:Y2-2222-31 |
|-----------------------|--------------|-----------------|

HEATER LINE REAR SECTION - MTH

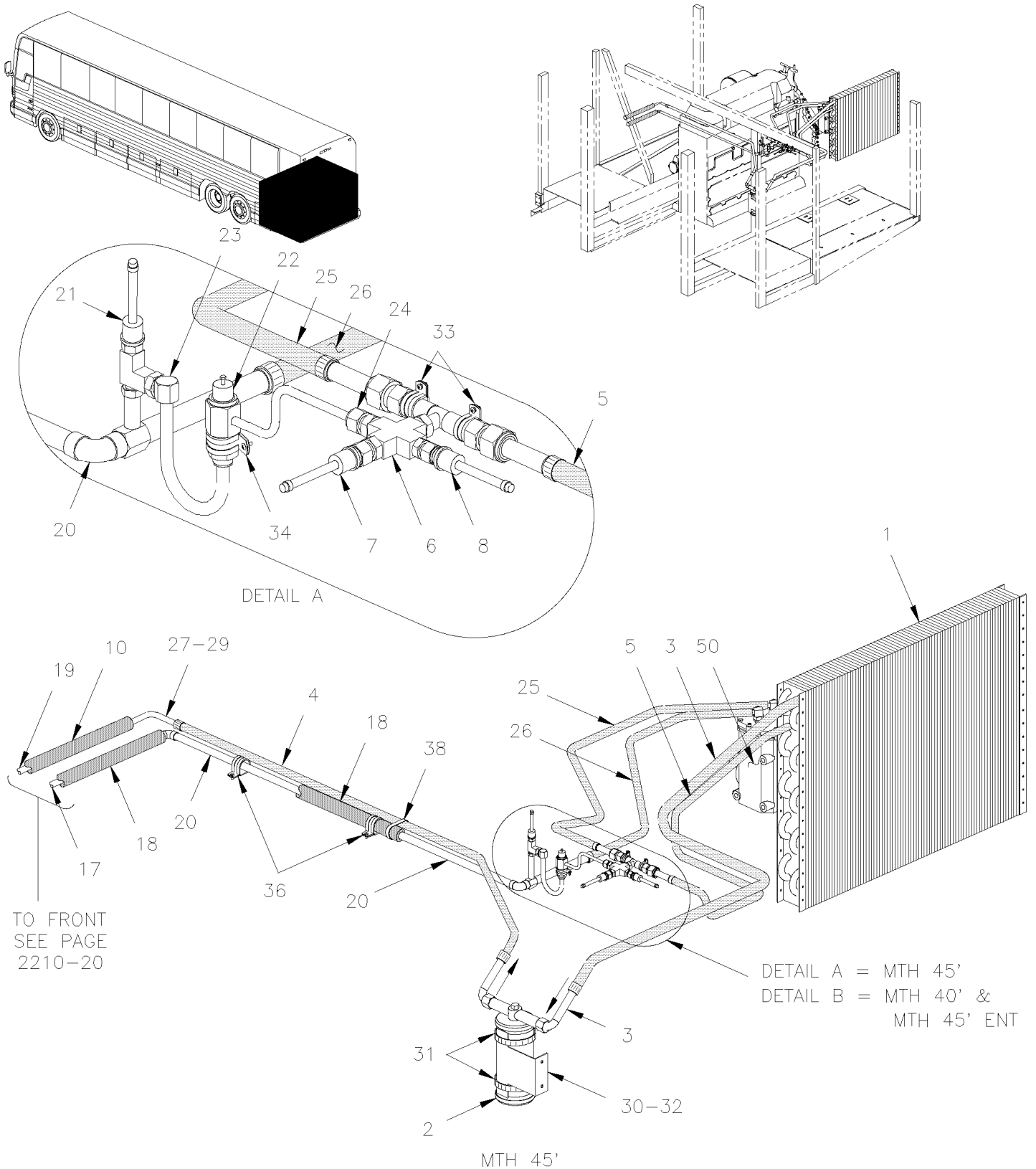
| Item# | Part | Description | X L I I 4 5 | X L I I M T H 4 0 | X L I I M T H 4 5 | X L I I M T H 4 5 E | N O T E S |
|-------|-----------------|--|----------------------------|---|---|--|-----------------------|
| 37 | Call order desk | PIPE RETURN / ENGINE WATER PUMP | | | 1 | | P |
| 38 | 501861 | . GATE VALVE 1 1/4" (WELDED) | | | 1 | | |
| 39 | 373145 | HOSE 1 3/8" I.D. 260MM | | 1 | 1 | 1 | |
| 40 | 952633 | CLAMP / 7/8" I.D. | | AR | AR | AR | |
| 40 | 952641 | CLAMP / 1 5/16" I.D. | | AR | AR | AR | |
| 41 | 502746 | SCREW MA PAN PH M5-0.8x20 SS BK | | AR | AR | AR | |
| 42 | 500804 | WASHER FL .203x.500x.047 N500 | | AR | AR | AR | |
| 43 | 502841 | NUT HEX NYRT M5-0.8 N500 | | AR | AR | AR | |
| 50 | 373888 | HOSE ADAPTOR ELBOW 45° 1 3/8" X 1" NPT / CYLINDER HEAD EXIT | | | 1 | | |
| 51 | 503392 | HOSE SILICONE 4PLY 1 3/8" I.D. x 4' | | | AR | | |
| 52 | Call order desk | PIPE ASSY HEATING / FEED LINE | | | 1 | | P |
| 52 | Call order desk | PIPE ASSY HEATING / FEED LINE | | | 1 | | P |
| 53 | 501861 | . GATE VALVE 1 1/4" (WELDED) | | | 1 | | |
| 54 | 371855 | HOSE 1 3/8" I.D. 3" | | | 2 | | |
| 55 | Call order desk | PIPE ASSY HEATING / FEED LINE | | | 1 | | P |
| 55 | Call order desk | PIPE ASSY HEATING / FEED LINE /W/"SLIDE-OUT" To 6-8805 | | | 1 | | P |
| 56 | Call order desk | PIPE ASSY HEATING / RETURN LINE | | | 1 | | P |
| 56 | Call order desk | PIPE ASSY HEATING / RETURN LINE /W/"SLIDE-OUT" To 6-8805 | | | 1 | | P |
| 57 | Call order desk | PIPE ASSY HEATING / RETURN LINE | | | 1 | | P |
| 58 | 373901P | PIPE RETURN / ENGINE WATER PUMP | | | 1 | | |
| 59 | 501861 | . GATE VALVE 1 1/4" (WELDED) | | | 1 | | |
| 60 | 506242 | PIPE INSULATING / 1 3/8" I.D. X 1/2" TH. X 72 / APT13812 | | AR | AR | AR | |
| NS | WB04-09 | SEE WARRANTY BULLETIN | | 1 | 1 | 1 | |
| | | | | | | | |
| | | | | | | | |
| | | F) FOR PRODUCT IMPROVEMENT, ASK PARTS #373894 & #374136. SEE WARRANTY BULLETIN | | | | | |
| | | P) CALL ORDER DESK FOR SPECIFIC APPLICATION (V.I.N.) | | | | | |

From Y-7046 To 3-8164

Date:10/2022

PAGE:Y2-2222-50

SMALL A/C LINES & HOSES WITH DETROIT S-60 & R134A

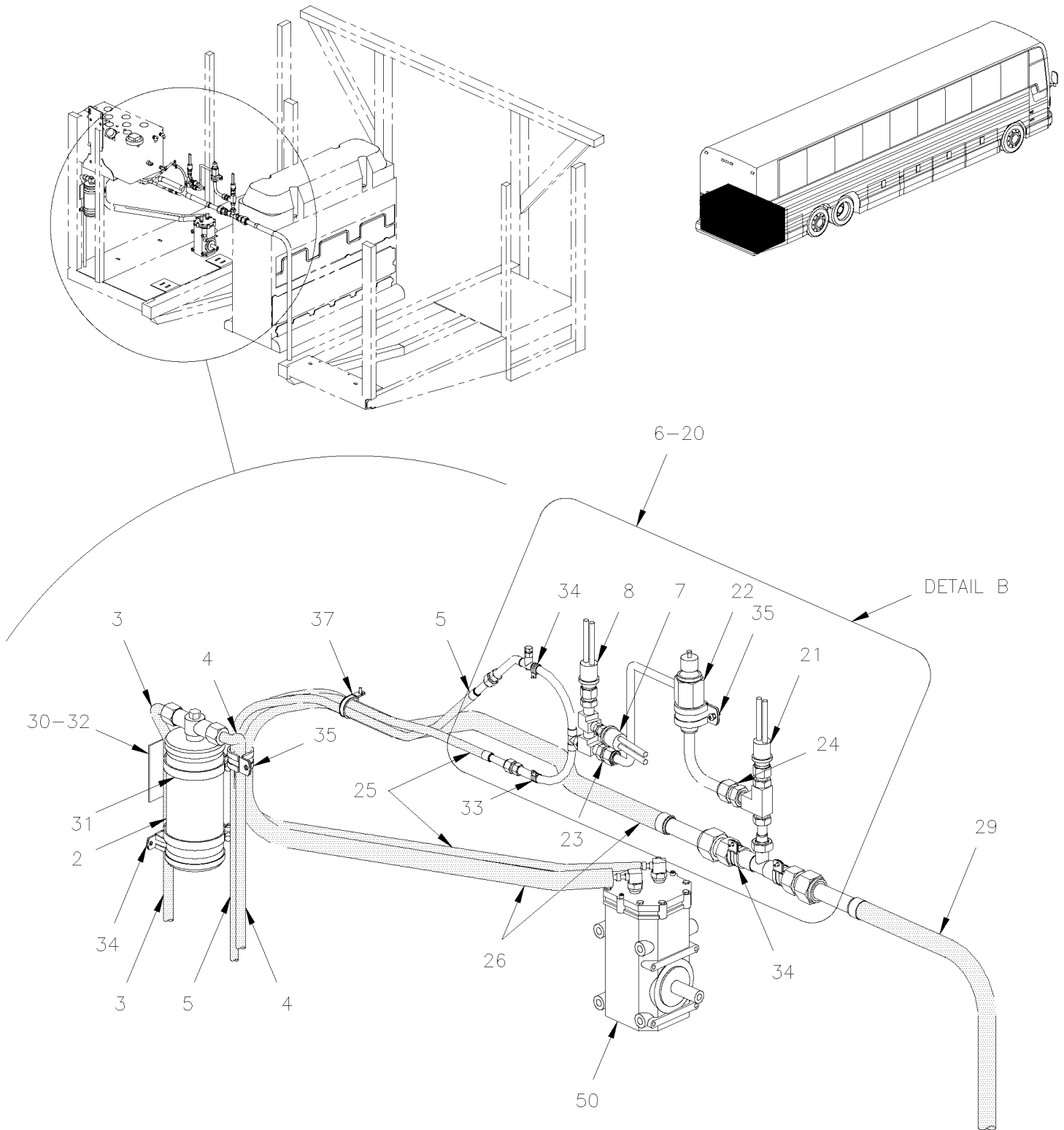


From Y-7046 To 3-8164

Date:10/2022

PAGE:Y2-2222-50

SMALL A/C LINES & HOSES WITH DETROIT S-60 & R134A



MTH 40' &
MTH 45' ENT

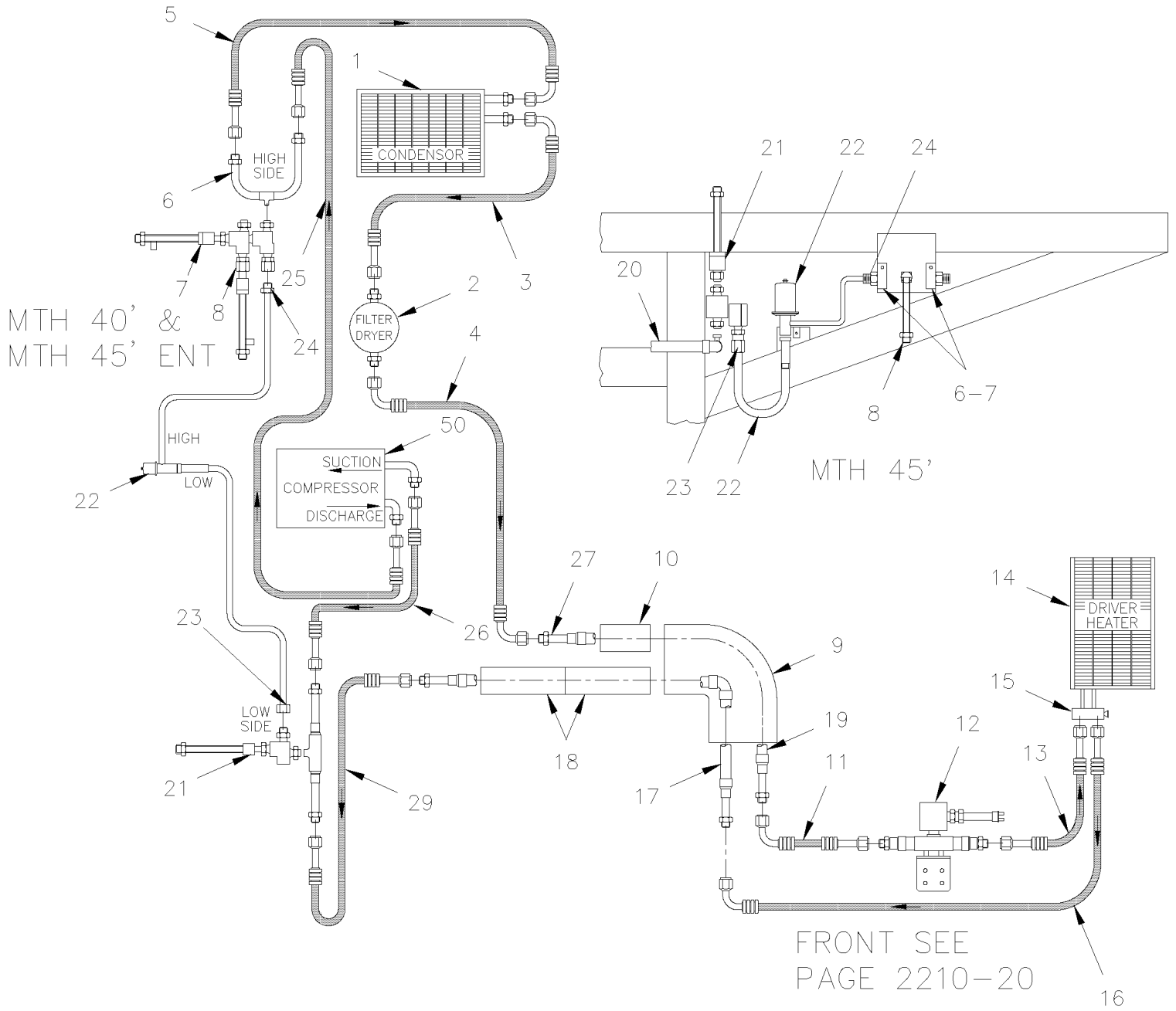
TO FRONT SEE
PAGE 2210-20

From Y-7046 To 3-8164

Date:10/2022

PAGE:Y2-2222-50

SMALL A/C LINES & HOSES WITH DETROIT S-60 & R134A



| | | |
|--|--------------|-----------------|
| From Y-7046 To 3-8164 | Date:10/2022 | PAGE:Y2-2222-50 |
| SMALL A/C LINES & HOSES WITH DETROIT S-60 & R134A | | |

| Item# | Part | Description | X L I I 4 5 | X L I I M T H 4 0 | X L I I M T H 4 5 | X L I I M T H 4 5 E | N O T E S |
|-------|-------------------|---|----------------------------|---|---|--|-----------------------|
| 1 | 950018 | CONDENSOR COIL To Y-7367 | | 1 | 1 | 1 | |
| 1 | 950335 | CONDENSOR COIL From Y-7368 | | 1 | 1 | 1 | |
| 1 | IS14130 | RETROFIT KIT FOR OBSOLETE CONDENSORS 950018 & 950335 | | 1 | 1 | 1 | |
| 2 | 950220 | DRYER, RECEIVER TANK | | 1 | 1 | 1 | |
| 3 | 453474 | HOSE ASSY / CONDENSER & RECEIVER / #6 3900MM | | 1 | | 1 | |
| . NS | 507278 | . O-RING / ORS FITTING / #4 NEO | | 2 | | 2 | |
| 3 | 455245 | HOSE ASSY / CONDENSER & RECEIVER / #6 3900MM | | 1 | | 1 | S |
| . NS | 507278 | . O-RING / ORS FITTING / #4 NEO | | 2 | | 2 | S |
| 3 | 453170 | HOSE ASSY / CONDENSER & RECEIVER / #6 1100MM | | | 1 | | |
| . NS | 507278 | . O-RING / ORS FITTING / #4 NEO | | | 2 | | |
| 3 | 455191 | HOSE ASSY / CONDENSER & RECEIVER / #6 1100MM | | | 1 | | S |
| . NS | 507278 | . O-RING / ORS FITTING / #4 NEO | | | 2 | | S |
| 4 | 453469 | HOSE ASSY / DRYER OUTLET / #6 3850MM | | 1 | | 1 | |
| . NS | 507278 | . O-RING / ORS FITTING / #4 NEO | | 2 | | 2 | |
| 4 | 455240 | HOSE ASSY / DRYER OUTLET / #6 3850MM | | 1 | | 1 | S |
| . NS | 507278 | . O-RING / ORS FITTING / #4 NEO | | 2 | | 2 | S |
| 4 | 453313 | HOSE ASSY / DRYER OUTLET / W/R-134a / #6 1664MM | | | 1 | | |
| . NS | 507278 | . O-RING / ORS FITTING / #4 NEO | | | 2 | | |
| 4 | 455209 | HOSE ASSY / DRYER OUTLET / W/R-134a / #6 1664MM | | | 1 | | S |
| . NS | 507278 | . O-RING / ORS FITTING / #4 NEO | | | 2 | | S |
| 5 | 453471 | HOSE ASSY /COND INLET & HI-SIDE / W/R-134a/ #8 4750MM | | 1 | | 1 | |
| . NS | 507343 | . O-RING / ORS FITTING / #8 NEO | | 2 | | 2 | |
| 5 | 455242 | HOSE ASSY /COND INLET & HI-SIDE / W/R-134a/ #8 4750MM | | 1 | | 1 | S |
| . NS | 507343 | . O-RING / ORS FITTING / #8 NEO | | 2 | | 2 | S |
| 5 | 453169 | HOSE ASSY /COND INLET & HI-SIDE / W/R-134a/ #8 860MM | | | 1 | | |
| . NS | 507343 | . O-RING / ORS FITTING / #8 NEO | | | 2 | | |
| 5 | 455190 | HOSE ASSY /COND INLET & HI-SIDE / W/R-134a/ #8 860MM | | | 1 | | S |
| . NS | 507343 | . O-RING / ORS FITTING / #8 NEO | | | 2 | | S |
| 6 | 453437 | TUBE ASSY / HI&LOW SIDE W/PLATE HOLDER | | 1 | | 1 | |
| 6 | 453383 | TUBE ASSY / HI-SIDE W/R134A | | | 1 | | |
| 7 | 453380 | . PRESSURE SWITCH N.C. 350-245 20PS001MB350K245R | | 1 | 1 | 1 | |
| 8 | 452832 | . PRESSURE SWITCH N.O. 170-130 20SP001MA170J130J | | 1 | 1 | 1 | |
| NS | 950249 | . SCHRADER VALVE 1/4NPT-M | | 2 | 2 | 2 | |
| 9 | 506283 | PIPE INSULATING / 1 5/8" I.D. X 1/2" TH. X 72 / APT15812 | | AR | AR | AR | |
| 10 | 506215 | PIPE INSULATING / 1/2" I.D. X 1/2" TH. X 72" / APT01212 | | AR | AR | AR | |
| 11 | 453333 | HOSE ASSY / PIPE & VALVE #6 205MM | | 1 | 1 | 1 | |
| . NS | 507278 | . O-RING / ORS FITTING / #4 NEO | | 2 | 2 | 2 | |
| 11 | 455212 | HOSE ASSY / PIPE & VALVE #6 205MM | | 1 | 1 | 1 | S |
| . NS | 507278 | . O-RING / ORS FITTING / #4 NEO | | 2 | 2 | 2 | S |
| 12 | Y2-2208-10 | REFRIGERANT SOLENOID VALVE | | | | | |
| 13 | 453331 | HOSE ASSY / VALVE & EVAPORATOR / #6 250MM | | 1 | 1 | 1 | |
| . NS | 507278 | . O-RING / ORS FITTING / #4 NEO | | 2 | 2 | 2 | |

| | | |
|--|--------------|-----------------|
| From Y-7046 To 3-8164 | Date:10/2022 | PAGE:Y2-2222-50 |
| SMALL A/C LINES & HOSES WITH DETROIT S-60 & R134A | | |

| Item# | Part | Description | X L I I 4 5 | X L I I M T H 4 0 | X L I I M T H 4 5 | X L I I M T H 4 5 E | N O T E S |
|-------|-------------------|--|----------------------------|---|---|--|-----------------------|
| 13 | 455210 | HOSE ASSY / VALVE & EVAPORATOR / #6 250MM | | 1 | 1 | 1 | S |
| . NS | 507278 | . O-RING / ORS FITTING / #4 NEO | | 2 | 2 | 2 | S |
| 14 | Y2-2225-00 | DRIVER'S HEATER & DEFROSTER ASSY | | | | | |
| 15 | Y2-2208-00 | A/C EXPANSION VALVE | | | | | |
| 16 | 453332 | HOSE ASSY / EXPANSION VALVE OUTLET / #10 820MM | | 1 | | 1 | |
| . NS | 507344 | . O-RING / ORS FITTING / #10 NEO | | 2 | | 2 | |
| 16 | 455211 | HOSE ASSY / EXPANSION VALVE OUTLET / #10 820MM | | 1 | | 1 | S |
| . NS | 507344 | . O-RING / ORS FITTING / #10 NEO | | 2 | | 2 | S |
| 17 | Call order desk | PIPE ASSY | | 1 | 1 | 1 | P |
| 18 | 506276 | PIPE INSULATING / 7/8" I.D. X 1/2" TH. X 72 / APT07812 | | AR | AR | AR | |
| 19 | 453319 | PIPE ASSY | | 1 | 1 | 1 | |
| 20 | 453437 | TUBE ASSY / HI&LOW SIDE W/PLATE HOLDER To 2-7888 | | 1 | | 1 | |
| 20 | 453727 | TUBE ASSY / HI&LOW SIDE W/PLATE HOLDER From 2-7889 | | 1 | | 1 | |
| 20 | 452843 | TUBE ASSY W/LOW PRESSURE SWITCH | | | 1 | | |
| 21 | 452831 | . PRESSURE SWITCH N.O. 30-5 20SP001MA030C005C | | 1 | 1 | 1 | |
| NS | 950249 | SCHRADER VALVE 1/4NPT-M | | 1 | 1 | 1 | |
| 22 | 452586 | VALVE, BYPASS ASSY / W/R134A "U" SHAPE | | | 1 | | |
| 22 | 452434 | VALVE, BYPASS ASSY / W/R134A | | 1 | | 1 | |
| 22 | 950065 | . BY-PASS VALVE | | 1 | | 1 | |
| 23 | 5011080 | MALE CONNECTOR / ORS FITTING / #6ORS-Mx1/4NPT-M STL | | 1 | 1 | 1 | L |
| 23 | 5011082 | ADAPTOR / ORS@COPPER TUBE / #6ORS-Fx#6COPPER TUBE | | 1 | 1 | 1 | L |
| 24 | 5011079 | MALE CONNECTOR / ORS FITTING / #4ORS-Mx1/4NPT-M STL | | 1 | 1 | 1 | H |
| NS | 5011081 | ADAPTOR / ORS@COPPER TUBE / #4ORS-Fx#4COPPER TUBE | | 1 | 1 | 1 | H |
| 25 | 453472 | HOSE ASSY / #8 1500MM | | 1 | | 1 | |
| 25 | 455243 | HOSE ASSY / #8 1500MM | | 1 | | 1 | S |
| . NS | 507343 | . O-RING / ORS FITTING / #8 NEO | | 2 | | 2 | S |
| . NS | 950358 | . PROTECTOR CAP LOW PRESSURE PORT / "TUBE-O" | | 1 | | 1 | S |
| 25 | 453409 | HOSE ASSY / #8 1055MM | | | 1 | | |
| . NS | 507343 | . O-RING / ORS FITTING / #8 NEO | | | 2 | | |
| . NS | 950358 | . PROTECTOR CAP LOW PRESSURE PORT / "TUBE-O" | | | 1 | | |
| 25 | 455225 | HOSE ASSY / #8 1055MM | | | 1 | | S |
| . NS | 507343 | . O-RING / ORS FITTING / #8 NEO | | | 2 | | S |
| . NS | 950358 | . PROTECTOR CAP LOW PRESSURE PORT / "TUBE-O" | | | 1 | | S |
| 26 | 453473 | HOSE ASSY / #12 1850MM | | 1 | | 1 | |
| . NS | 507344 | . O-RING / ORS FITTING / #10 NEO | | 2 | | 2 | |
| . NS | 950367 | . PROTECTOR CAP HIGH PRESSURE PORT / "TUBE-O" | | 1 | | 1 | |
| 26 | 455244 | HOSE ASSY / #12 1850MM | | 1 | | 1 | S |
| . NS | 507344 | . O-RING / ORS FITTING / #10 NEO | | 2 | | 2 | S |
| . NS | 950367 | . PROTECTOR CAP HIGH PRESSURE PORT / "TUBE-O" | | 1 | | 1 | S |
| 26 | 453408 | HOSE ASSY / COMPRESSOR INLET/W/R-134a / #12 654MM | | | 1 | | |
| . NS | 507344 | . O-RING / ORS FITTING / #10 NEO | | | 2 | | |
| . NS | 950367 | . PROTECTOR CAP HIGH PRESSURE PORT / "TUBE-O" | | | 1 | | |

| | | |
|--|--------------|-----------------|
| From Y-7046 To 3-8164 | Date:10/2022 | PAGE:Y2-2222-50 |
| SMALL A/C LINES & HOSES WITH DETROIT S-60 & R134A | | |

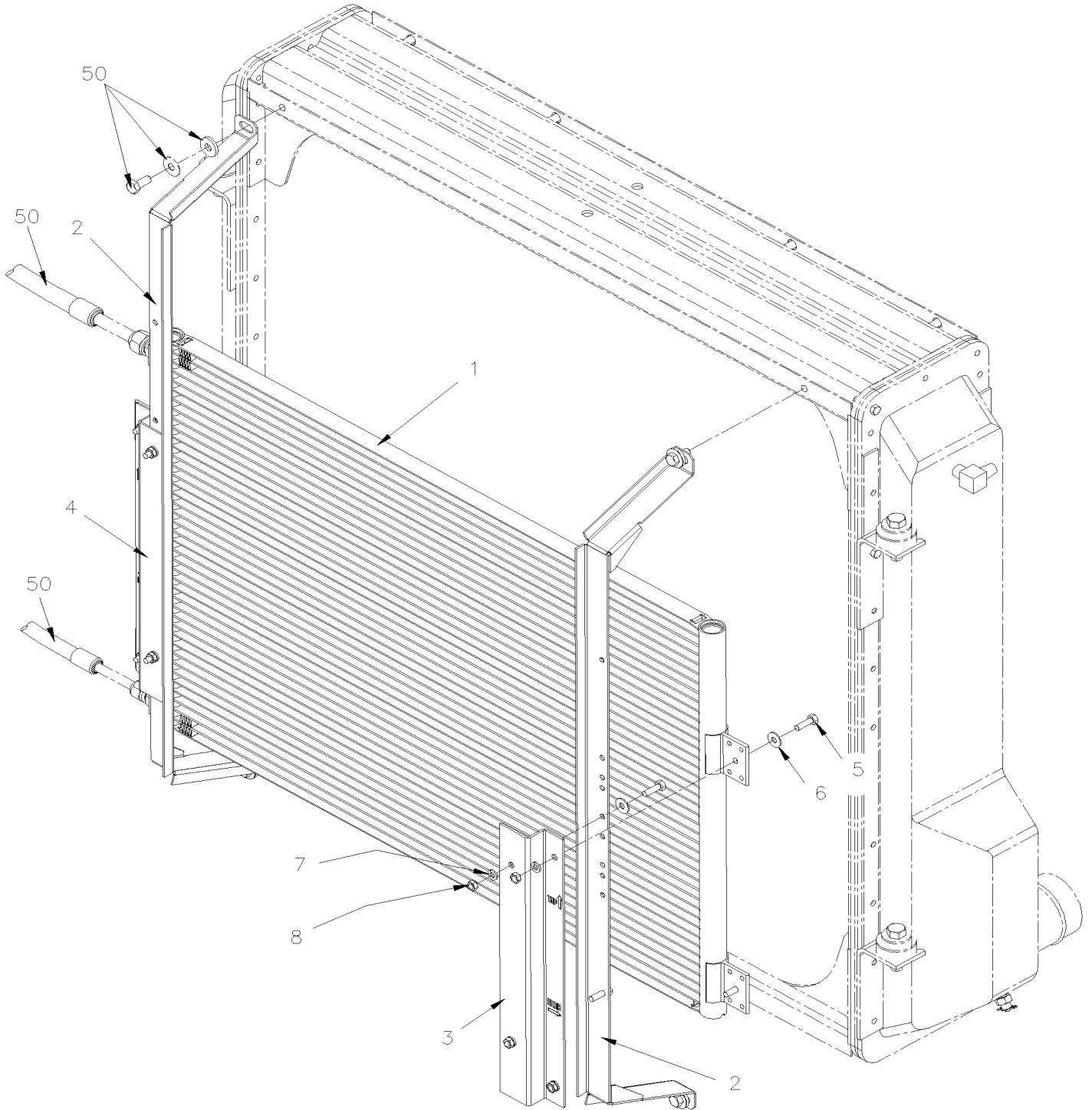
| Item# | Part | Description | X L I I 4 5 | X L I I M T H 4 0 | X L I I M T H 4 5 | X L I I M T H 4 5 E | N O T E S |
|-------|-------------------|--|----------------------------|---|---|--|-----------------------|
| 26 | 455224 | HOSE ASSY / COMPRESSOR INLET/W/R-134a / #12 654MM | | | 1 | | S |
| . NS | 507344 | . O-RING / ORS FITTING / #10 NEO | | | 2 | | S |
| . NS | 950367 | . PROTECTOR CAP HIGH PRESSURE PORT / "TUBE-O" | | | 1 | | S |
| 27 | 452437 | PIPE ASSY | | 1 | 1 | 1 | |
| 29 | 453470 | HOSE ASSY / #12 1725MM | | 1 | | 1 | |
| . NS | 507344 | . O-RING / ORS FITTING / #10 NEO | | 2 | | 2 | |
| 29 | 455241 | HOSE ASSY / #12 1725MM | | 1 | | 1 | S |
| . NS | 507344 | . O-RING / ORS FITTING / #10 NEO | | 2 | | 2 | S |
| 30 | 452375 | SUPPORT RECEIVER TANK | | | 1 | | |
| 31 | 504025 | HOSE CLAMP / 2"5/16-3"1/4 SS / HS-44 | | 2 | 2 | 2 | |
| 32 | 500923 | SCREW TC CAP HEX 1/4-20x3/4 Z050 | | 2 | 2 | 2 | |
| 33 | 952627 | CLAMP / 1/2" I.D. | | AR | AR | AR | |
| 34 | 952629 | CLAMP / 5/8" I.D. | | AR | AR | AR | |
| 35 | 952637 | CLAMP / 1"1/16 I.D. | | AR | AR | AR | |
| 36 | 952639 | CLAMP / 1"1/4 I.D. | | AR | AR | AR | |
| 37 | 562060 | CLAMP / 1 3/4" I.D. | | AR | AR | AR | |
| 38 | 504637 | CABLE TIE / 3/16" x 13" | | AR | AR | AR | |
| NS | 500642 | SCREW TP PAN PH #10x3/4 Z050 | | AR | AR | AR | |
| NS | 500613 | SCREW TP PAN PH #10x1/2 Z050 | | AR | AR | AR | |
| NS | 500657 | SCREW TC TR PH #10-24x1/2 Z050 | | AR | AR | AR | |
| 50 | Y2-2245-10 | A/C COMPRESSOR SMALL - INSTALLATION | | | | | |
| | | | | | | | |
| | | | | | | | |
| | | | | | | | |
| | | H) TO FIX BY PASS TO HIGH PRESSURE SIDE | | | | | |
| | | L) TO FIX BY PASS TO LOW PRESSURE SIDE | | | | | |
| | | S) SERVICE | | | | | |
| | | P) CALL ORDER DESK FOR SPECIFIC APPLICATION (V.I.N.) | | | | | |

From Y-7046 To 3-8164

Date:10/2022

PAGE:IS14130

RETROFIT KIT FOR OBSOLETE CONDENSORS 950018 & 950335

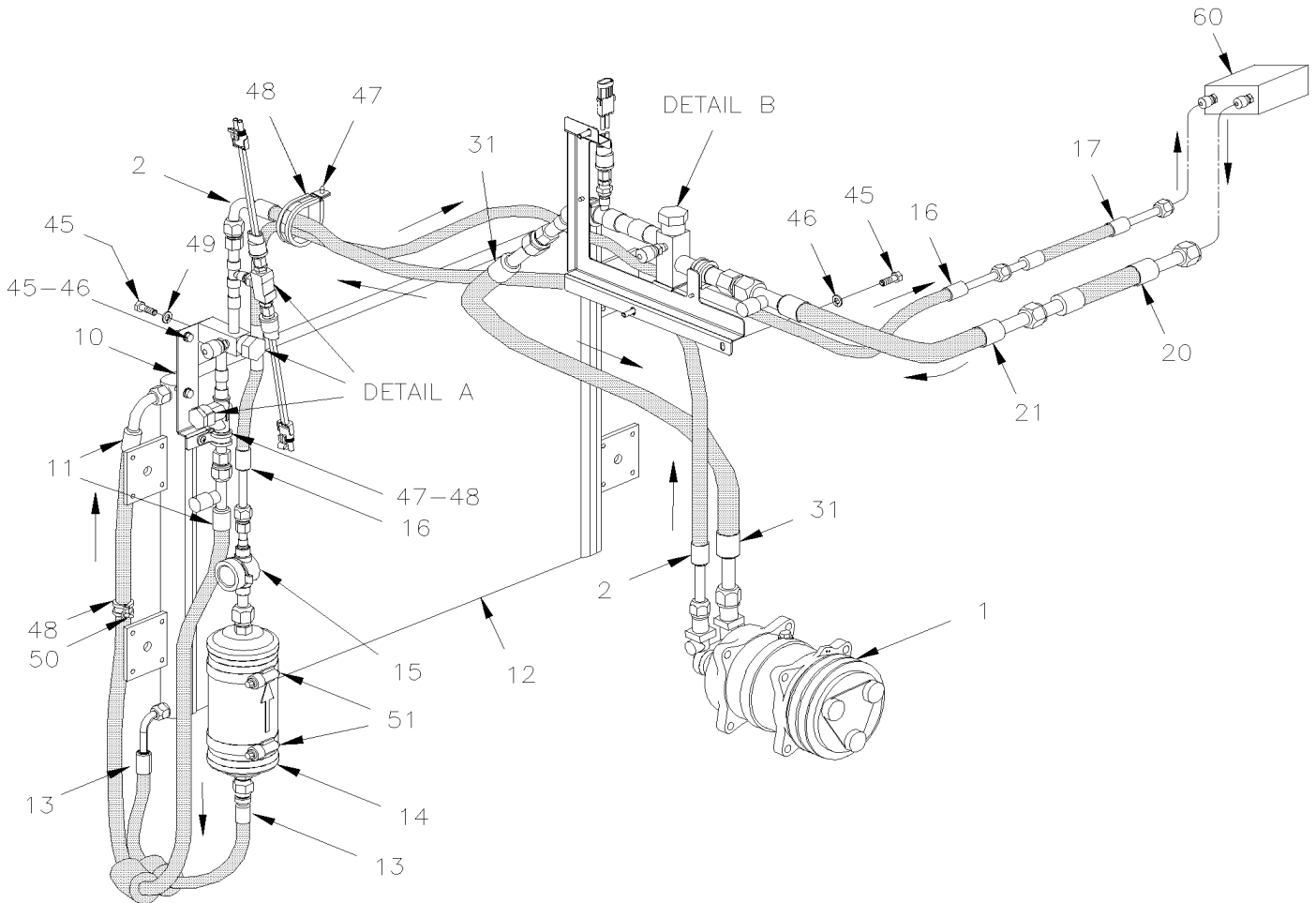
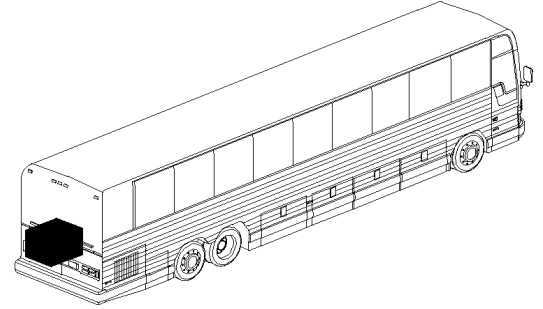
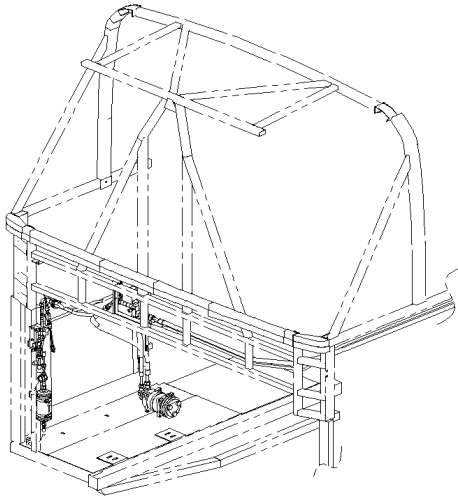


From 4-8165 To 8-9339

Date:10/2022

PAGE:Y2-2222-51

SMALL A/C LINES & HOSES WITH DETROIT S-60 & R134A

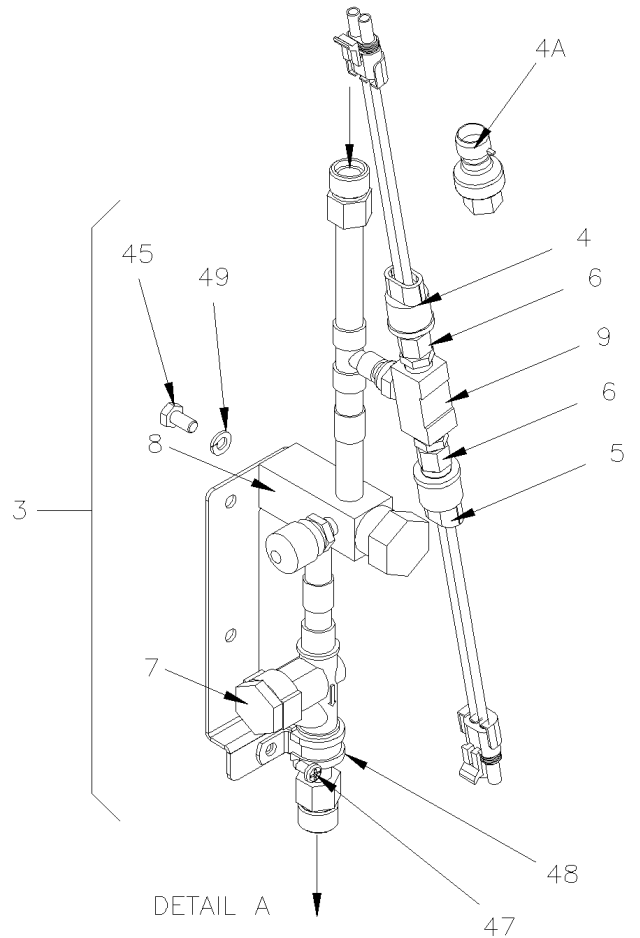
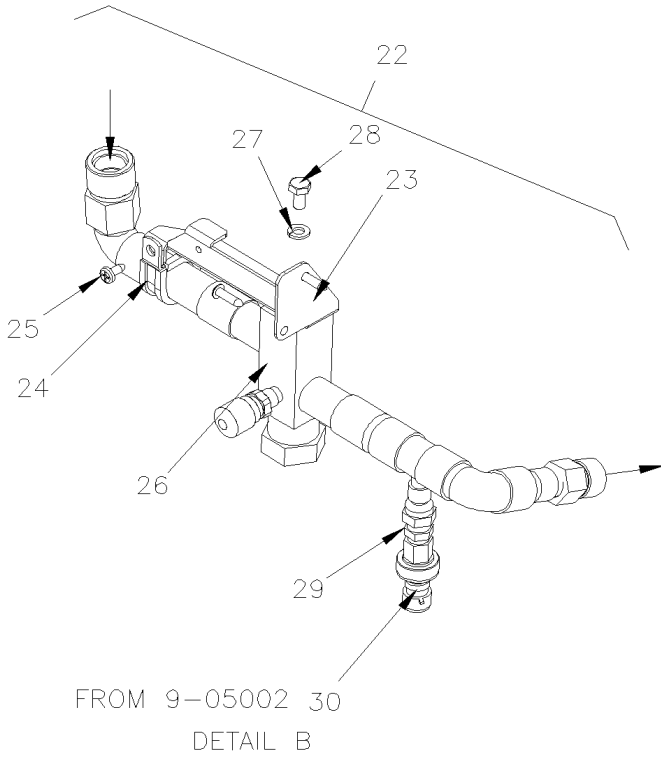
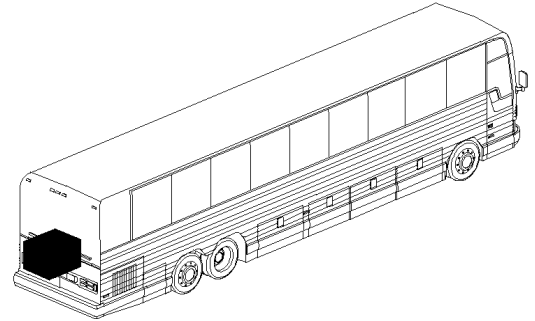
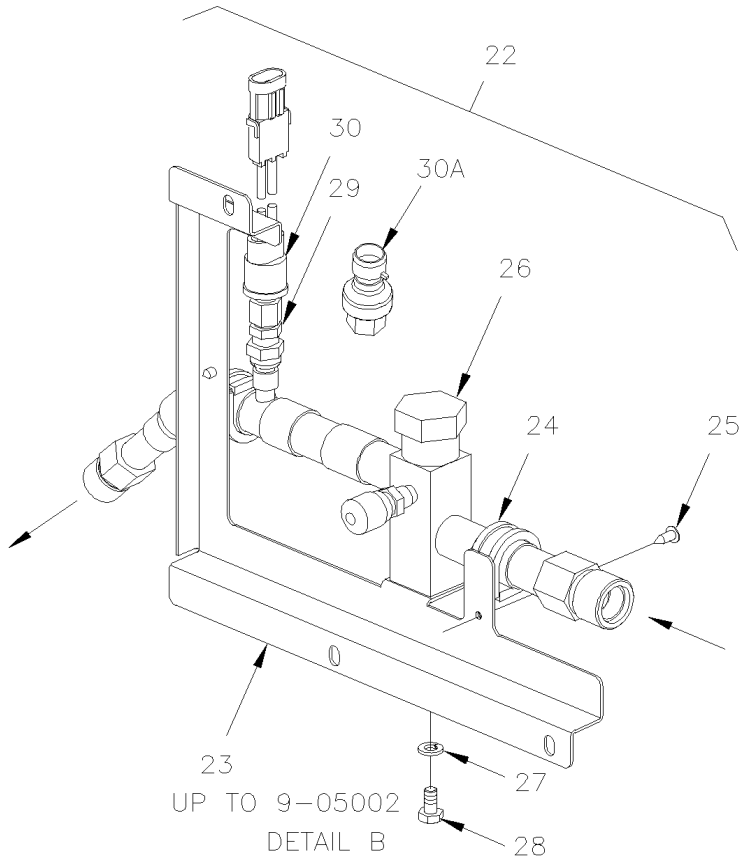


From 4-8165 To 8-9339

Date:10/2022

PAGE:Y2-2222-51

SMALL A/C LINES & HOSES WITH DETROIT S-60 & R134A



| | | |
|--|--------------|-----------------|
| From 4-8165 To 8-9339 | Date:10/2022 | PAGE:Y2-2222-51 |
| SMALL A/C LINES & HOSES WITH DETROIT S-60 & R134A | | |

| Item# | Part | Description | X L I I 4 5 | X L I I M T H 4 0 | X L I I M T H 4 5 | X L I I M T H 4 5 E | N O T E S |
|-------|------------|---|----------------------------|---|---|--|-----------------------|
| 1 | Y2-2245-11 | A/C COMPRESSOR SMALL - INSTALLATION | | | | | |
| 2 | 454067 | HOSE ASSY / #8 960MM To 7-9095 | | 1 | | 1 | C |
| . NS | 507343 | . O-RING / ORS FITTING / #8 NEO To 7-9095 | | 2 | | 2 | C |
| 2 | 455276 | HOSE ASSY / #8 960MM To 7-9095 | | 1 | | 1 | C S |
| . NS | 507343 | . O-RING / ORS FITTING / #8 NEO To 7-9095 | | 2 | | 2 | C S |
| 2 | 454353 | HOSE ASSY / #8 2482MM From 7-9096 | | | | 1 | |
| . NS | 507343 | . O-RING / ORS FITTING / #8 NEO From 7-9096 | | | | 2 | |
| 2 | 455302 | HOSE ASSY / #8 2482MM From 7-9096 | | | | 1 | S |
| . NS | 507343 | . O-RING / ORS FITTING / #8 NEO From 7-9096 | | | | 2 | S |
| 2 | 454098 | HOSE ASSY / #8 875MM To 7-9095 | | | 1 | | |
| . NS | 507343 | . O-RING / ORS FITTING / #8 NEO To 7-9095 | | | 2 | | |
| 2 | 455288 | HOSE ASSY / #8 875MM To 7-9095 | | | 1 | | S |
| . NS | 507343 | . O-RING / ORS FITTING / #8 NEO To 7-9095 | | | 2 | | S |
| 2 | 453899 | HOSE ASSY / #8 1257MM To 3-8164 | | | 1 | | A |
| . NS | 507343 | . O-RING / ORS FITTING / #8 NEO To 3-8164 | | | 2 | | A |
| 2 | 455272 | HOSE ASSY / #8 1257MM To 3-8164 | | | 1 | | A S |
| . NS | 507343 | . O-RING / ORS FITTING / #8 NEO To 3-8164 | | | 2 | | A S |
| 3 | 454066 | VALVE ASSY / HI-SIDE | | 1 | 1 | 1 | |
| 4 | 454084 | . PRESSURE SWITCH N.O. 195-150 20PS001MA195K150K To 7-9095 | | 1 | 1 | 1 | |
| 4A | 563423 | . TRANSDUSER -6.7 to 420 LBS / 1/8 NPT-F From 7-9096 | | | 1 | 1 | |
| . NS | 563159 | . . CONNECTOR / METRI-PACK 150 / SH 3C / PED 12065287 From 7-9096 | | | 1 | 1 | |
| 5 | 453380 | . PRESSURE SWITCH N.C. 350-245 20PS001MB350K245R | | 1 | 1 | 1 | |
| 6 | 950249 | . SCHRADER VALVE 1/4NPT-M | | 2 | 2 | 2 | |
| 7 | 950326 | . CHECK VALVE | | 1 | 1 | 1 | |
| 8 | 950376 | . VALVE SERVICE HIGH PRESSURE | | 1 | 1 | 1 | |
| 9 | 501894 | . MALE BRANCHE TEE / PIPE FITTING / 1/4NPT-Fx1/4NPT-Fx1/4NPT-M BR | | 1 | 1 | 1 | |
| 10 | 454072 | SUPPORT / HIGHT PRESSURE VALVE | | 1 | 1 | 1 | |
| 11 | 454070 | HOSE ASSY / #8 1325MM | | 1 | | 1 | |
| . NS | 507343 | . O-RING / ORS FITTING / #8 NEO | | 2 | | 2 | |
| 11 | 455278 | HOSE ASSY / #8 1325MM | | 1 | | 1 | S |
| . NS | 507343 | . O-RING / ORS FITTING / #8 NEO | | 2 | | 2 | S |
| 11 | 454074 | HOSE ASSY / #8 1175MM | | | 1 | | |
| . NS | 507343 | . O-RING / ORS FITTING / #8 NEO | | | 2 | | |
| 11 | 455280 | HOSE ASSY / #8 1175MM | | | 1 | | S |
| . NS | 507343 | . O-RING / ORS FITTING / #8 NEO | | | 2 | | S |
| 11 | 453900 | HOSE ASSY / #8 685MM To 3-8164 | | | 1 | | A |
| . NS | 507343 | . O-RING / ORS FITTING / #8 NEO To 3-8164 | | | 2 | | A |
| 11 | 455273 | HOSE ASSY / #8 685MM To 3-8164 | | | 1 | | A S |
| . NS | 507343 | . O-RING / ORS FITTING / #8 NEO To 3-8164 | | | 2 | | A S |
| 11 | 454142 | HOSE ASSY / #8 1215MM To 3-8164 | | 1 | | 1 | B |
| . NS | 507343 | . O-RING / ORS FITTING / #8 NEO To 3-8164 | | 2 | | 2 | B |
| 11 | 455291 | HOSE ASSY / #8 1215MM To 3-8164 | | 1 | | 1 | B S |

| | | |
|--|--------------|-----------------|
| From 4-8165 To 8-9339 | Date:10/2022 | PAGE:Y2-2222-51 |
| SMALL A/C LINES & HOSES WITH DETROIT S-60 & R134A | | |

| Item# | Part | Description | X L I I 4 5 | X L I I M T H 4 0 | X L I I M T H 4 5 | X L I I M T H 4 5 E | N O T E S |
|-------|-------------------|---|----------------------------|---|---|--|-----------------------|
| . NS | 507343 | . O-RING / ORS FITTING / #8 NEO To 3-8164 | | 2 | | 2 | B S |
| 11 | 453643 | HOSE ASSY / #8 2220MM From 4-7937 To 4-7937 | | | 1 | | |
| . NS | 507343 | . O-RING / ORS FITTING / #8 NEO From 4-7937 To 4-7937 | | | 2 | | |
| 11 | 455262 | HOSE ASSY / #8 2220MM From 4-7937 To 4-7937 | | | 1 | | S |
| . NS | 507343 | . O-RING / ORS FITTING / #8 NEO From 4-7937 To 4-7937 | | | 2 | | S |
| 12 | Y2-2255-11 | CONDENSOR - INSTALLATION SMALL A/C SYSTEM | | | | | |
| 13 | 454069 | HOSE ASSY / #6 515MM | | 1 | | 1 | |
| . NS | 507278 | . O-RING / ORS FITTING / #4 NEO | | 1 | | 1 | |
| 13 | 454077 | HOSE ASSY / #6 475MM | | | 1 | | |
| . NS | 507278 | . O-RING / ORS FITTING / #4 NEO | | | 2 | | |
| 13 | 453901 | HOSE ASSY / #6 1257MM To 3-8164 | | | 1 | | A |
| . NS | 507278 | . O-RING / ORS FITTING / #4 NEO To 3-8164 | | | 1 | | A |
| 13 | 454141 | HOSE ASSY / #6 375MM To 3-8164 | | 1 | | 1 | B |
| 13 | 453642 | HOSE ASSY / #6 600MM From 4-7937 To 4-7937 | | | 1 | | |
| . NS | 507278 | . O-RING / ORS FITTING / #4 NEO From 4-7937 To 4-7937 | | | 2 | | |
| 14 | 950370 | FILTER DRYER | | 1 | 1 | 1 | |
| . NS | 507085 | . O-RING 7/16" I.D X 1/32" | | 1 | 1 | 1 | |
| 15 | 453514 | MOISTURE INDICATOR ASSY | | 1 | 1 | 1 | |
| . NS | 950379 | . MOISTURE INDICATOR | | 1 | 1 | 1 | |
| 15 | 950379 | . MOISTURE INDICATOR | | 1 | 1 | 1 | |
| 15 | 950029 | . CAP, MOISTURE INDICATOR | | 1 | 1 | 1 | |
| 16 | 454075 | HOSE ASSY / #6 2690MM | | 1 | 1 | 1 | |
| . NS | 507278 | . O-RING / ORS FITTING / #4 NEO | | 2 | 2 | 2 | |
| 16 | 455281 | HOSE ASSY / #6 2690MM | | 1 | 1 | 1 | S |
| . NS | 507278 | . O-RING / ORS FITTING / #4 NEO | | 2 | 2 | 2 | S |
| 16 | 453641 | HOSE ASSY / #6 3000MM From 4-7937 To 4-7937 | | | 1 | | |
| . NS | 507278 | . O-RING / ORS FITTING / #4 NEO From 4-7937 To 4-7937 | | | 2 | | |
| 16 | 455261 | HOSE ASSY / #6 3000MM From 4-7937 To 4-7937 | | | 1 | | S |
| . NS | 507278 | . O-RING / ORS FITTING / #4 NEO From 4-7937 To 4-7937 | | | 2 | | S |
| 17 | 453319 | PIPE ASSY | | 1 | 1 | 1 | |
| 20 | Call order desk | PIPE ASSY | | 1 | | | P |
| 20 | Call order desk | PIPE ASSY | | | 1 | | P |
| 20 | Call order desk | PIPE ASSY | | | | 1 | P |
| 21 | 454097 | HOSE ASSY / #12 1895MM To 7-9095 | | 1 | | 1 | C |
| . NS | 507280 | . O-RING / ORS FITTING / #12 NEO To 7-9095 | | 2 | | 2 | C |
| 21 | 455287 | HOSE ASSY / #12 1895MM To 7-9095 | | 1 | | 1 | C S |
| . NS | 507280 | . O-RING / ORS FITTING / #12 NEO To 7-9095 | | 2 | | 2 | C S |
| 21 | 454351 | HOSE ASSY / #12 847MM From 7-9096 | | 1 | | 1 | |
| . NS | 507280 | . O-RING / ORS FITTING / #12 NEO From 7-9096 | | 2 | | 2 | |
| 21 | 455300 | HOSE ASSY / #12 847MM From 7-9096 | | 1 | | 1 | S |
| . NS | 507280 | . O-RING / ORS FITTING / #12 NEO From 7-9096 | | 2 | | 2 | S |
| . NS | 505110 | . COIL PROTECTOR / PLASTIC / #12 From 7-9096 | | AR | | AR | S |

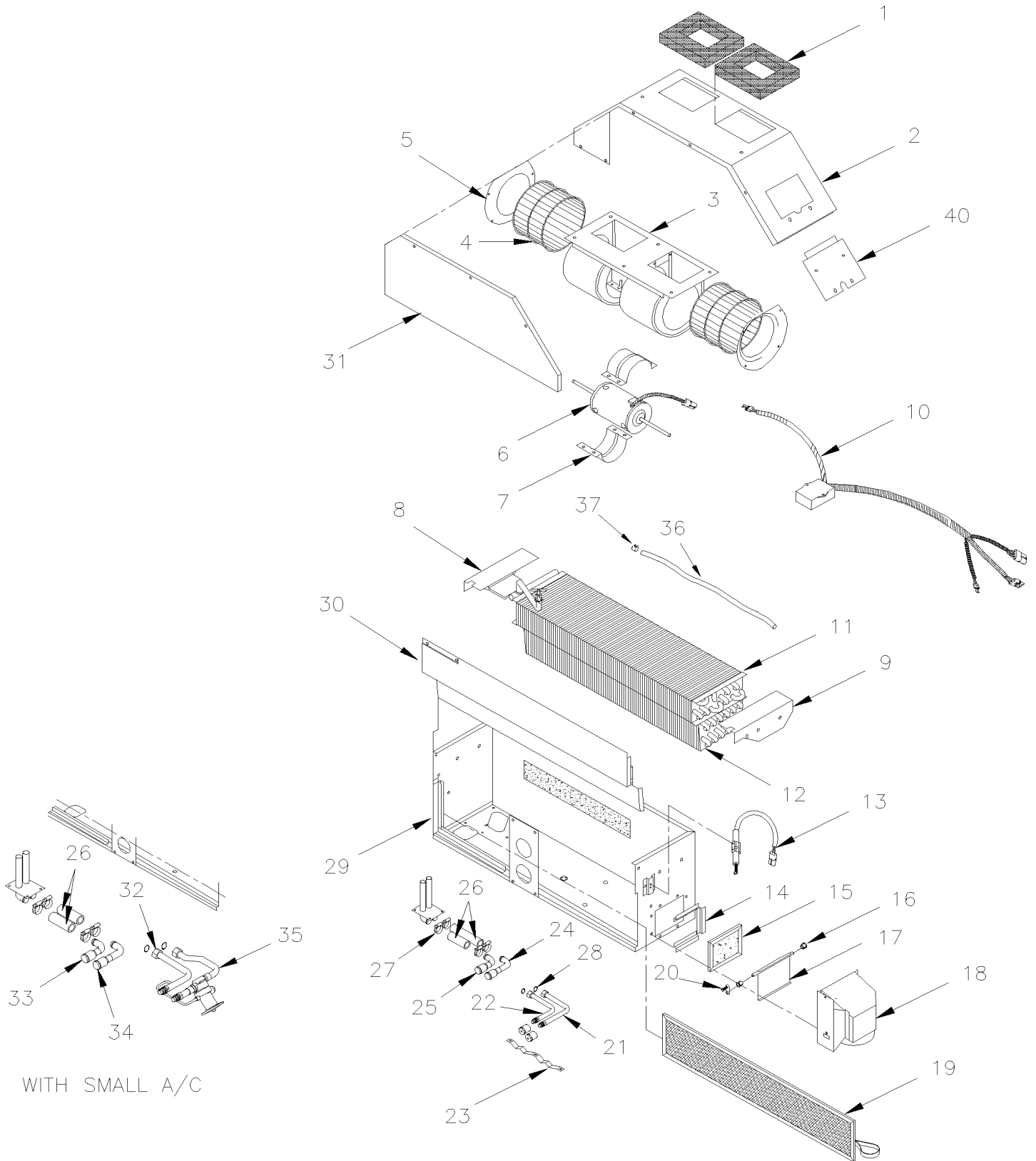
| | | |
|--|--------------|-----------------|
| From 4-8165 To 8-9339 | Date:10/2022 | PAGE:Y2-2222-51 |
| SMALL A/C LINES & HOSES WITH DETROIT S-60 & R134A | | |

| Item# | Part | Description | X L I I 4 5 | X L I I M T H 4 0 | X L I I M T H 4 5 | X L I I M T H 4 5 E | N O T E S |
|-------|-----------------|--|----------------------------|---|---|--|-----------------------|
| 21 | 454097 | HOSE ASSY / #12 1895MM | | | 1 | | C |
| . NS | 507280 | . O-RING / ORS FITTING / #12 NEO | | | 2 | | C |
| 21 | 455287 | HOSE ASSY / #12 1895MM | | | 1 | | C S |
| . NS | 507280 | . O-RING / ORS FITTING / #12 NEO | | | 2 | | C S |
| 21 | 453470 | HOSE ASSY / #12 1725MM From 4-7937 To 4-7937 | | | 1 | | |
| . NS | 507344 | . O-RING / ORS FITTING / #10 NEO From 4-7937 To 4-7937 | | | 2 | | |
| 21 | 455241 | HOSE ASSY / #12 1725MM From 4-7937 To 4-7937 | | | 1 | | S |
| . NS | 507344 | . O-RING / ORS FITTING / #10 NEO From 4-7937 To 4-7937 | | | 2 | | S |
| 22 | 454061 | VALVE ASSY W/SUPPORT / LOW SIDE | | 1 | 1 | 1 | |
| 22 | 455143 | VALVE ASSY W/SUPPORT / LOW SIDE From 7-9096 | | | 1 | | |
| 22 | Call order desk | VALVE ASSY W/SUPPORT / LOW SIDE From 7-9096 | | | | 1 | P |
| 23 | 454063 | . SUPPORT / LOW PRESSURE VALVE | | 1 | 1 | 1 | |
| 23 | 454354 | . SUPPORT / LOW PRESSURE VALVE From 7-9096 | | | | 1 | |
| 24 | 952635 | . CLAMP / 1" I.D. | | 1 | 1 | 1 | |
| 25 | 509805 | . SCREW TP PAN PH #10x1/2 BK | | 1 | 1 | 1 | |
| 26 | 950377 | . VALVE SERVICE LOW PRESSURE To 7-9109 | | 1 | 1 | 1 | |
| 26 | 950950 | . VALVE SERVICE LOW PRESSURE | | 1 | 1 | 1 | |
| . NS | 950235 | . . GAUGE ADAPTOR ASSY / W/BLUE CAP FOR R-134A / SUCTION SIDE (ALUMINUM) | | 1 | 1 | 1 | |
| 27 | 955920 | . WASHER LO SPT 6.5x11.5x1.6 ZP | | 1 | 1 | 1 | |
| 28 | 502772 | . SCREW CAP HEX 1/4-20x1/2 G5 N500 | | 1 | 1 | 1 | |
| 29 | 950249 | . SCHRADER VALVE 1/4NPT-M | | 1 | 1 | 1 | |
| 30 | 452831 | . PRESSURE SWITCH N.O. 30-5 20SP001MA030C005C To 7-9095 | | 1 | 1 | 1 | |
| 30A | 563423 | . TRANSDUSER -6.7 to 420 LBS / 1/8 NPT-F From 7-9096 | | | 1 | 1 | |
| . NS | 563159 | . . CONNECTOR / METRI-PACK 150 / SH 3C / PED 12065287 From 7-9096 | | | 1 | 1 | |
| 31 | 454071 | HOSE ASSY / #12 780MM To 7-9095 | | 1 | 1 | 1 | C |
| . NS | 507344 | . O-RING / ORS FITTING / #10 NEO To 7-9095 | | 2 | 2 | 2 | C |
| 31 | 455279 | HOSE ASSY / #12 780MM To 7-9095 | | 1 | 1 | 1 | C S |
| . NS | 507344 | . O-RING / ORS FITTING / #10 NEO To 7-9095 | | 2 | 2 | 2 | C S |
| 31 | 454352 | HOSE ASSY / #12 475MM From 7-9096 | | | | 1 | |
| . NS | 507344 | . O-RING / ORS FITTING / #10 NEO From 7-9096 | | | | 2 | |
| 31 | 455301 | HOSE ASSY / #12 475MM From 7-9096 | | | | 1 | S |
| . NS | 507344 | . O-RING / ORS FITTING / #10 NEO From 7-9096 | | | | 2 | S |
| 31 | 453898 | HOSE ASSY / #10 890MM To 3-8164 | | | 1 | | A |
| . NS | 507344 | . O-RING / ORS FITTING / #10 NEO To 3-8164 | | | 2 | | A |
| 31 | 455271 | HOSE ASSY / #10 890MM To 3-8164 | | | 1 | | A S |
| . NS | 507344 | . O-RING / ORS FITTING / #10 NEO To 3-8164 | | | 2 | | A S |
| 40 | 504586 | WASHER FL SPACER .450x.625x.875 NYL | | 1 | 1 | 1 | |
| 41 | 504637 | CABLE TIE / 3/16" x 13" | | AR | AR | AR | |
| 42 | 504458 | CLAMP / 1 5/8" I.D. | | AR | AR | AR | |
| 43 | 500642 | SCREW TP PAN PH #10x3/4 Z050 | | AR | AR | AR | |
| 45 | 955920 | WASHER LO SPT 6.5x11.5x1.6 ZP | | AR | AR | AR | |
| 46 | 502830 | SCREW CAP HEX M6-1.0x20 G8.8 N500 | | AR | AR | AR | |

| | | |
|--|--------------|-----------------|
| From 4-8165 To 8-9339 | Date:10/2022 | PAGE:Y2-2222-51 |
| SMALL A/C LINES & HOSES WITH DETROIT S-60 & R134A | | |

| Item# | Part | Description | X L I I 4 5 | X L I I M T H 4 0 | X L I I M T H 4 5 | X L I I M T H 4 5 E | N O T E S |
|-------|-------------------|--|--------------------------------|---|---|--|-----------------------|
| 47 | 952629 | CLAMP / 5/8" I.D. | | AR | AR | AR | |
| 48 | 509805 | SCREW TP PAN PH #10x1/2 BK | | 3 | 3 | 3 | |
| 49 | 502772 | SCREW CAP HEX 1/4-20x1/2 G5 N500 | | 1 | 1 | 1 | |
| 50 | 952629 | CLAMP / 5/8" I.D. | | 1 | 1 | 1 | |
| 51 | 504026 | HOSE CLAMP / 2"13/16-3"3/4 SS / HS-52 | | 1 | 1 | 1 | |
| 60 | Y2-2240-20 | BLOWER VENTILATION - PARCEL RACK | | | | | |
| NS | 454222 | KIT, RETROFIT "SELTEC" COMPRESSOR / WMTH 40' To 3-8164 | | 1 | | | |
| . NS | IS-04009 | . SEE INSTRUCTION SHEET To 3-8164 | | 1 | | | |
| NS | 454223 | KIT, RETROFIT "SELTEC" COMPRESSOR / WMTH 45' To 3-8164 | | | | 1 | |
| . NS | IS-04009 | . SEE INSTRUCTION SHEET To 3-8164 | | | | 1 | |
| NS | 453897 | KIT, RETROFIT "SELTEC" COMPRESSOR /W/W5 ONLY To 3-8164 | | | 1 | | |
| . NS | IS-03152 | . SEE INSTRUCTION SHEET To 3-8164 | | | 1 | | |
| | | | | | | | |
| | | | | | | | |
| | | | | | | | |
| | | A) USE ONLY WITH RETROFIT KIT #453897 | | | | | |
| | | B) USE ONLY WITH RETROFIT KIT #454222 & #454223 | | | | | |
| | | C) USE ALSO WITH RETROFIT KIT #454222 & #454223 | | | | | |
| | | S) SERVICE | | | | | |
| | | P) CALL ORDER DESK FOR SPECIFIC APPLICATION (V.I.N.) | | | | | |

| | | |
|---|--------------|-----------------|
| From Y-7046 To 5-8469 | Date:10/2022 | PAGE:Y2-2225-00 |
| DRIVER'S HEATER & DEFROSTER ASSY | | |



| | | |
|---|--------------|-----------------|
| From Y-7046 To 5-8469 | Date:10/2022 | PAGE:Y2-2225-00 |
| DRIVER'S HEATER & DEFROSTER ASSY | | |

| Item# | Part | Description | X L I I 4 5 | X L I I M T H 4 0 | X L I I M T H 4 5 | X L I I M T H 4 5 E | N O T E S |
|-------|----------------|--|----------------------------|---|---|--|-----------------------|
| | 871182 | DEFROSTER & A/C UNIT ASSY To 3-8108 | 1 | | | | |
| | 871325 | DEFROSTER & A/C UNIT ASSY From 3-8109 | 1 | | | | |
| | 871178 | DEFROSTER & A/C UNIT ASSY | | 1 | 1 | 1 | |
| | 871339 | DEFROSTER & A/C UNIT ASSY From 4-8165 | | 1 | 1 | 1 | A |
| 1 | 871129 | . SEAL | 1 | 1 | 1 | 1 | |
| 2 | 871223 | . COVER | 1 | 1 | 1 | 1 | |
| 3 | 871131 | . BLOWER ASSY 24V / W/SINGLE MOTOR MOUNT / WITH CONNECTOR | 1 | 1 | 1 | 1 | C |
| 3 | N8893462 | . BLOWER ASSY 24V / W/SINGLE MOTOR MOUNT / WITH CONNECTOR | 1 | 1 | 1 | 1 | |
| 3 | 871132 | . . BLOWER HOUSING | 1 | 1 | 1 | 1 | |
| 4 | 871133 | . . BLOWER WHEEL / PLASTIC 5 1/8" x 3 1/2" x 5/16" x I.D. | 2 | 2 | 2 | 2 | |
| NS | N8888160 | . . SPRING CLIP | 2 | 2 | 2 | 2 | |
| 5 | 871134 | . . VENTURI | 2 | 2 | 2 | 2 | |
| 6 | 871135 | . . MOTOR ASSY / 24V | 1 | 1 | 1 | 1 | |
| 6 | N8893990 | . . MOTOR ASSY / 24V / WITH CONNECTOR | 1 | 1 | 1 | 1 | |
| 7 | 871136 | . . MOTOR MOUNTING | 2 | 2 | 2 | 2 | |
| 8 | 871137 | . BRACKET L.H. | 1 | 1 | 1 | 1 | |
| 9 | 871138 | . BRACKET R.H. | 1 | 1 | 1 | 1 | |
| 10 | 871139 | . MODULE CONTROL FAN SPEED /W/SINGLE MOTOR / (STAMPED 35-0060) | 1 | 1 | 1 | 1 | |
| 10 | IS19923 | . HVAC MODULE REPLACEMENT | 1 | 1 | 1 | 1 | |
| 11 | 871140 | . HEATER COIL | 1 | 1 | 1 | 1 | |
| . NS | 870127 | . . DRAIN VALVE ROBINET VIDANGE | 1 | 1 | 1 | 1 | |
| 12 | 871141 | . EVAPORATOR COIL | 1 | 1 | 1 | 1 | |
| 13 | 871142 | . ACTUATOR, THERMAL | 1 | 1 | 1 | 1 | |
| 14 | 871143 | . CHANNEL, FILTER F/A | 1 | 1 | 1 | 1 | |
| 15 | 871144 | . FILTER / FRESH AIR 1/4" x 3 5/8" x 5 1/4" | 1 | 1 | 1 | 1 | |
| 16 | 871025 | . BUSHING / CABLE PIVOT | 2 | 2 | 2 | 2 | |
| 17 | 871145 | . DAMPER TRAP | 1 | 1 | 1 | 1 | |
| 18 | 871224 | . BOX, FRESH AIR To 3-8108 | 1 | | | | |
| 18 | 871225 | . BOX, FRESH AIR From 3-8109 | 1 | | | | |
| 18 | 871225 | . BOX, FRESH AIR | | 1 | 1 | 1 | |
| 19 | 871147 | . FILTER / RECIRCULATING 1/4" x 6 1/4" x 28" | 1 | 1 | 1 | 1 | |
| 20 | 871148 | . LEVER , F/A DAMPER | 1 | 1 | 1 | 1 | |
| 20 | 5001410 | . SCREW MA CHE PH M4-0.7x16 SS | 1 | 1 | 1 | 1 | |
| 20 | 502557 | . NUT HEX NYRT M4-0.7 SS | 1 | 1 | 1 | 1 | |
| 21 | 871229 | . TUBE, A/C | | 1 | 1 | 1 | |
| 21 | 871233 | . TUBE, A/C | 1 | | | | |
| 22 | 871228 | . TUBE, A/C | | 1 | 1 | 1 | |
| 22 | 871232 | . TUBE, A/C | 1 | | | | |
| 23 | 871226 | . TUBE SUPPORT | 1 | 1 | 1 | 1 | |
| NS | 871238 | . TUBE SUPPORT | 2 | | | | |
| NS | 871237 | . TUBE SUPPORT | 1 | 1 | 1 | 1 | |
| 24 | 871231 | . TUBE HEATER | | 1 | 1 | 1 | |

| | | |
|---|--------------|-----------------|
| From Y-7046 To 5-8469 | Date:10/2022 | PAGE:Y2-2225-00 |
| DRIVER'S HEATER & DEFROSTER ASSY | | |

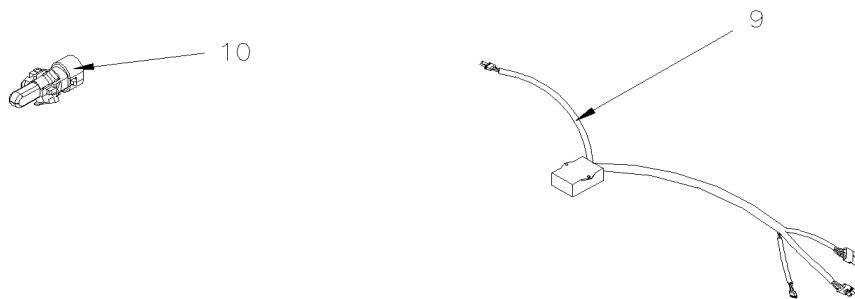
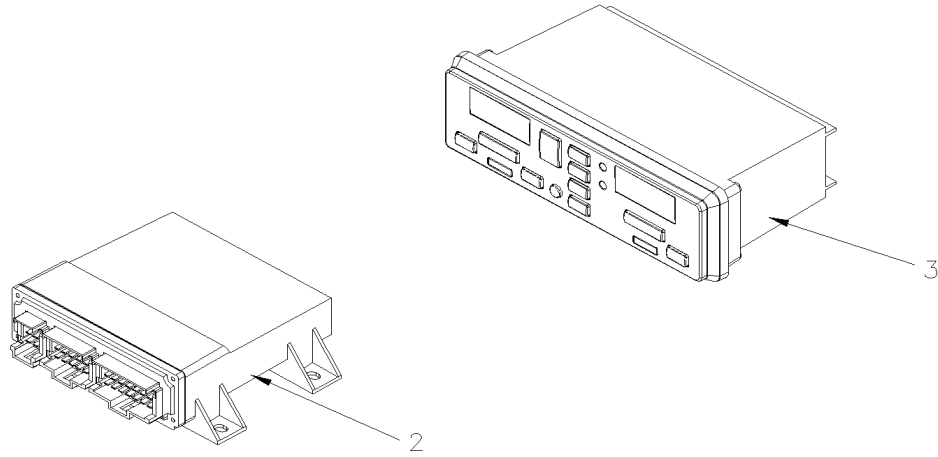
| Item# | Part | Description | X L I I 4 5 | X L I I M T H 4 0 | X L I I M T H 4 5 | X L I I M T H 4 5 E | N O T E S |
|-------|-------------------|--|----------------------------|---|---|--|-----------------------|
| 24 | 871235 | . TUBE HEATER | 1 | | | | |
| 25 | 871230 | . TUBE HEATER | | 1 | 1 | 1 | |
| 25 | 871234 | . TUBE HEATER | 1 | | | | |
| 26 | 503007 | . HOSE 2 PLY / RADIATOR HOSE / 5/8" I.D. / S.L. | AR | AR | AR | AR | |
| 27 | 504646 | . HOSE CLAMP / 11/16"-1"1/4 / C.T. 9412 | 4 | 4 | 4 | 4 | |
| 28 | 507279 | . O-RING / ORS FITTING / #8 NEO | 2 | 2 | 2 | 2 | |
| 28 | Y2-2208-00 | . A/C EXPANSION VALVE | | | | | |
| 29 | N.P.N. | . CASING | 1 | 1 | 1 | 1 | 4 |
| 30 | 871155 | . COVER | 1 | 1 | 1 | 1 | |
| 31 | 871156 | . COVER / BLOWER ACCESS | 1 | 1 | 1 | 1 | |
| NS | 5001047 | . . SCREW TC PAN PH M5-0.8X10 ZP | 17 | 17 | 17 | 17 | |
| 32 | 871343 | . TUBE A/C From 4-8165 | | 1 | 1 | 1 | A B |
| 33 | 871230 | . TUBE HEATER From 4-8165 | | 1 | 1 | 1 | A |
| 34 | 871231 | . TUBE HEATER From 4-8165 | | 1 | 1 | 1 | A |
| 35 | 871344 | . VALVE, EXPANSION ASSY / WITH PIPE From 4-8165 | | 1 | 1 | 1 | A B |
| 36 | 8860148 | . TUBE, NYLON 5/16 O.D. / BLACK S.L. | AR | AR | AR | AR | |
| 37 | N8888160 | . SPRING CLIP | 1 | 1 | 1 | 1 | |
| 40 | 871227 | . HARNESS COVER | 1 | 1 | 1 | 1 | |
| | | | | | | | |
| | | | | | | | |
| | | | | | | | |
| | | A) WITH SMALL A/C SYSTEM AND "SELTEC" COMPRESSOR | | | | | |
| | | B) USE ALSO WITH KIT #453897 | | | | | |
| | | C) FOR PRODUCT IMPROVMENT, ASK #871359 AS SHOWN AT PAGE Y2-2225-01 | | | | | |
| | | 4) NO PARTS NUMBER | | | | | |

From Y-7046 To 5-8469

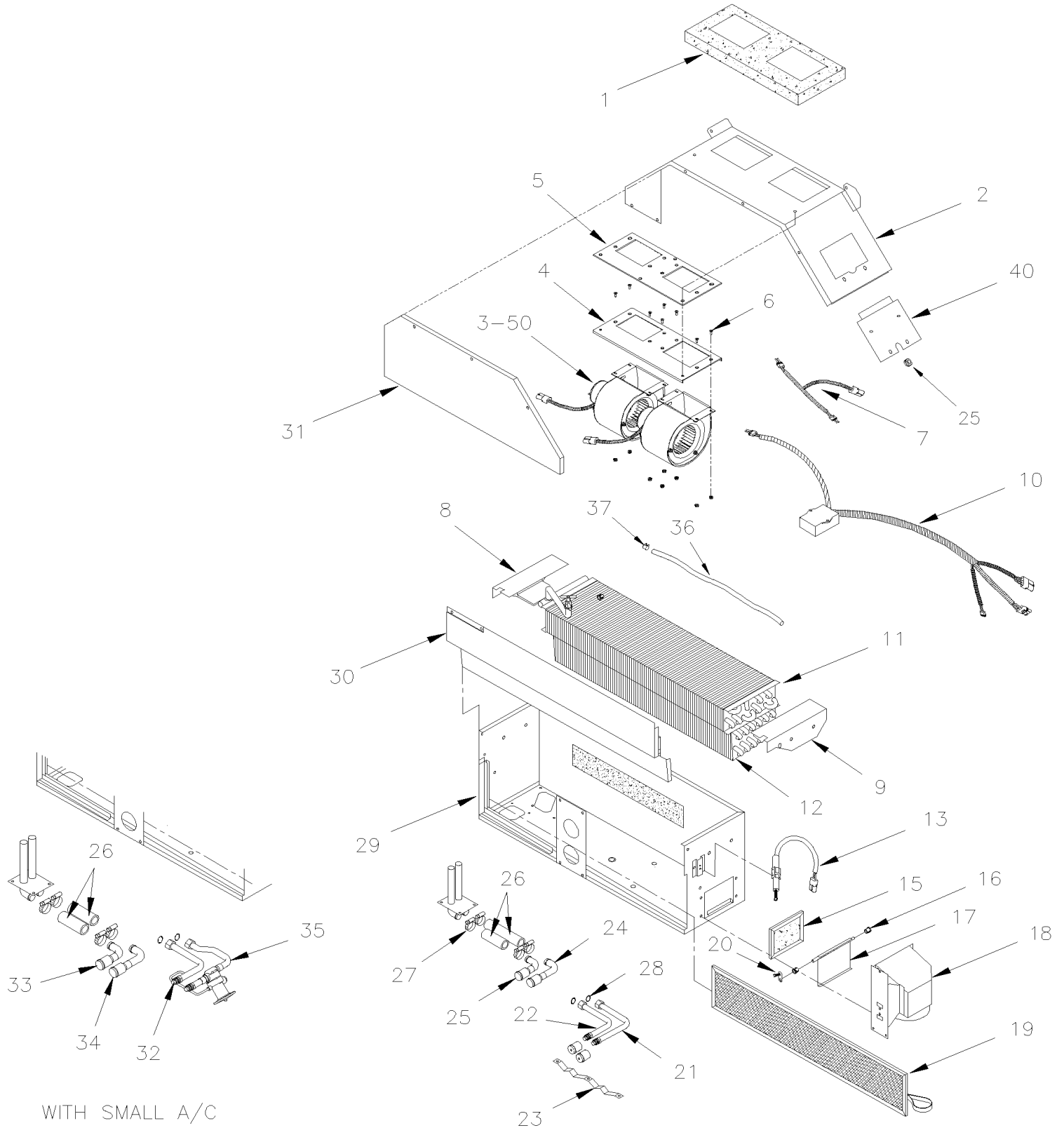
Date:10/2022

PAGE:IS19923

HVAC MODULE REPLACEMENT



| | | |
|----------------------------------|--------------|-----------------|
| From 5-8470 To 7-9095 | Date:10/2022 | PAGE:Y2-2225-01 |
| DRIVER'S HEATER & DEFROSTER ASSY | | |



WITH SMALL A/C

| | | |
|---|--------------|-----------------|
| From 5-8470 To 7-9095 | Date:10/2022 | PAGE:Y2-2225-01 |
| DRIVER'S HEATER & DEFROSTER ASSY | | |

| Item# | Part | Description | X L I I 4 5 | X L I I M T H 4 0 | X L I I M T H 4 5 | X L I I M T H 4 5 E | N O T E S |
|-------|----------------|---|----------------------------|---|---|--|-----------------------|
| | 871357 | DEFROSTER & A/C UNIT ASSY To 6-8906 | 1 | | | | |
| | 871356 | DEFROSTER & A/C UNIT ASSY | | 1 | 1 | 1 | |
| | 871358 | DEFROSTER & A/C UNIT ASSY | | 1 | 1 | 1 | A |
| 1 | 871129 | . SEAL | 1 | 1 | 1 | 1 | |
| 2 | 871223 | . COVER | 1 | 1 | 1 | 1 | |
| 3 | 871359 | . BLOWER ASSY 24V / W/DOUBLE MOTOR MOUNT | 2 | 2 | 2 | 2 | |
| 3 | 871360 | .. BLOWER & MOTOR ASSY - "M.C.C." "CCW" / FAN END | 2 | 2 | 2 | 2 | |
| 4 | 871362 | .. PLATE MOUNTING | 1 | 1 | 1 | 1 | |
| 5 | 871363 | .. SEAL PLATE MOUNTING | 1 | 1 | 1 | 1 | |
| 6 | 684605 | .. SCREW CAP HEXS #10-32x1/2 | 8 | 8 | 8 | 8 | |
| NS | 500423 | .. NUT HEX NYRT #10-32 SS | 8 | 8 | 8 | 8 | |
| 7 | 871364 | .. CABLE HARNESS | 1 | 1 | 1 | 1 | |
| 8 | 871137 | . BRACKET L.H. | 1 | 1 | 1 | 1 | |
| 9 | 871138 | . BRACKET R.H. | 1 | 1 | 1 | 1 | |
| 10 | 871380 | . MODULE CONTROL FAN SPEED / W/DOUBLE MOTOR (STAMPED 35-0520) | 1 | 1 | 1 | 1 | |
| 10 | IS19923 | . HVAC MODULE REPLACEMENT To 7-9095 | 1 | 1 | 1 | 1 | |
| 11 | 871140 | . HEATER COIL | 1 | 1 | 1 | 1 | |
| NS | 870127 | .. DRAIN VALVE ROBINET VIDANGE | 1 | 1 | 1 | 1 | |
| 12 | 871141 | . EVAPORATOR COIL | 1 | 1 | 1 | 1 | |
| 13 | 871142 | . ACTUATOR, THERMAL | 1 | 1 | 1 | 1 | |
| 15 | 871144 | . FILTER / FRESH AIR 1/4" x 3 5/8" x 5 1/4" | 1 | 1 | 1 | 1 | |
| 16 | 871025 | . BUSHING / CABLE PIVOT | 2 | 2 | 2 | 2 | |
| 17 | 871145 | . DAMPER TRAP | 1 | 1 | 1 | 1 | |
| 18 | 871225 | . BOX, FRESH AIR | 1 | 1 | 1 | 1 | |
| 19 | 871147 | . FILTER / RECIRCULATING 1/4" x 6 1/4" x 28" | 1 | 1 | 1 | 1 | |
| 20 | 871148 | . LEVER , F/A DAMPER | 1 | 1 | 1 | 1 | |
| 20 | 5001410 | . SCREW MA CHE PH M4-0.7x16 SS | 1 | 1 | 1 | 1 | |
| 20 | 502557 | . NUT HEX NYRT M4-0.7 SS | 1 | 1 | 1 | 1 | |
| 21 | 871229 | . TUBE, A/C | | 1 | 1 | 1 | |
| 21 | 871233 | . TUBE, A/C To 6-8906 | 1 | | | | |
| 22 | 871228 | . TUBE, A/C | | 1 | 1 | 1 | |
| 22 | 871232 | . TUBE, A/C To 6-8906 | 1 | | | | |
| 23 | 871226 | . TUBE SUPPORT | | 1 | 1 | 1 | |
| NS | 871238 | . TUBE SUPPORT To 6-8906 | 2 | | | | |
| NS | 871237 | . TUBE SUPPORT To 6-8906 | 1 | | | | |
| 24 | 871231 | . TUBE HEATER To 6-8906 | 1 | | | | |
| 24 | 871235 | . TUBE HEATER To 6-8906 | 1 | | | | |
| 25 | 871230 | . TUBE HEATER | | 1 | 1 | 1 | |
| 25 | 871234 | . TUBE HEATER To 6-8906 | 1 | | | | |
| 26 | 503007 | . HOSE 2 PLY / RADIATOR HOSE / 5/8" I.D. / S.L. | AR | AR | AR | AR | |
| 27 | 504646 | . HOSE CLAMP / 11/16"-1"1/4 / C.T. 9412 | 4 | 4 | 4 | 4 | |
| 28 | 507279 | . O-RING / ORS FITTING / #8 NEO | 2 | 2 | 2 | 2 | |

| | | |
|---|--------------|-----------------|
| From 5-8470 To 7-9095 | Date:10/2022 | PAGE:Y2-2225-01 |
| DRIVER'S HEATER & DEFROSTER ASSY | | |

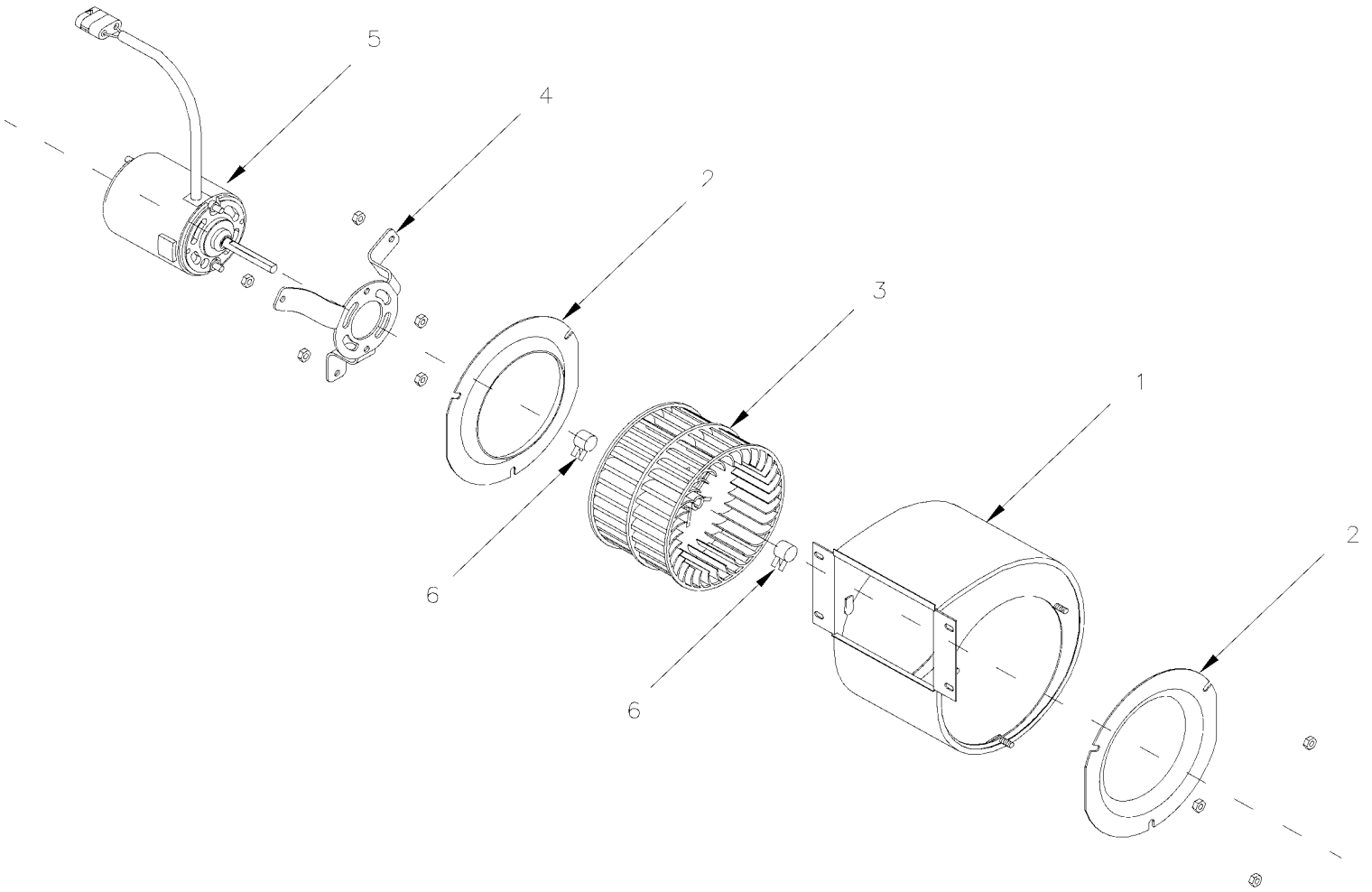
| Item# | Part | Description | X L I I 4 5 | X L I I M T H 4 0 | X L I I M T H 4 5 | X L I I M T H 4 5 E | N O T E S |
|-------|------------|--------------------------------------|----------------------------|---|---|--|-----------------------|
| 28 | Y2-2208-00 | . A/C EXPANSION VALVE | | | | | |
| 29 | N.P.N. | . CASING | 1 | 1 | 1 | 1 | 4 |
| 30 | 871155 | . COVER | 1 | 1 | 1 | 1 | |
| 31 | 871156 | . COVER / BLOWER ACCESS | 1 | 1 | 1 | 1 | |
| NS | 5001047 | . . SCREW TC PAN PH M5-0.8X10 ZP | 17 | 17 | 17 | 17 | |
| 32 | 871343 | . TUBE A/C | | 1 | 1 | 1 | A |
| 33 | 871230 | . TUBE HEATER | | 1 | 1 | 1 | A |
| 34 | 871231 | . TUBE HEATER | | 1 | 1 | 1 | A |
| 35 | 871344 | . VALVE, EXPANSION ASSY / WITH PIPE | | 1 | 1 | 1 | A |
| 36 | 8860148 | . TUBE, NYLON 5/16 O.D. / BLACK S.L. | 1 | 1 | 1 | 1 | |
| 37 | N8888160 | . SPRING CLIP | 1 | 1 | 1 | 1 | |
| 40 | 871227 | . HARNESS COVER | 1 | 1 | 1 | 1 | |
| | | | | | | | |
| | | | | | | | |
| | | A) WITH SMALL A/C SYSTEM | | | | | |
| | | 4) NO PARTS NUMBER | | | | | |

From 5-8470 To 7-9095

Date:10/2022

PAGE:871360

BLOWER & MOTOR ASSY - "M.C.C." "CCW" / FAN END

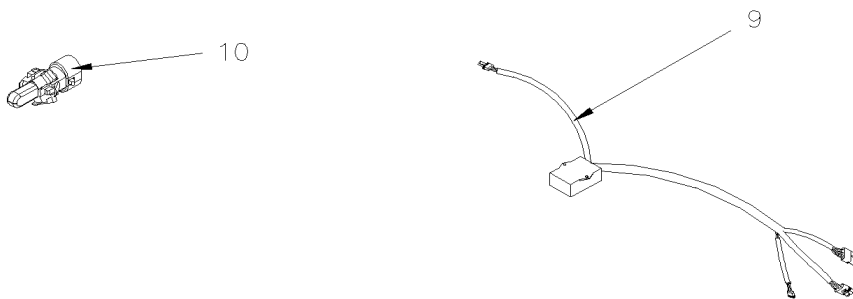
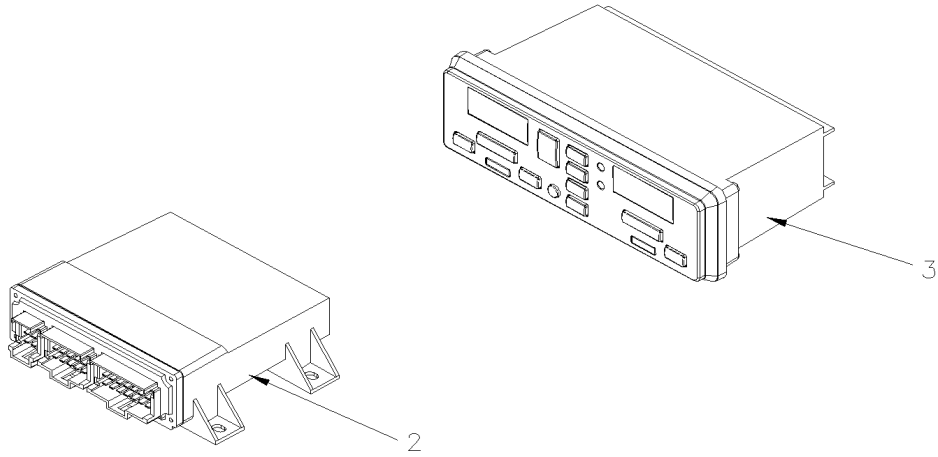


To 7-9095

Date:10/2022

PAGE:IS19923

HVAC MODULE REPLACEMENT

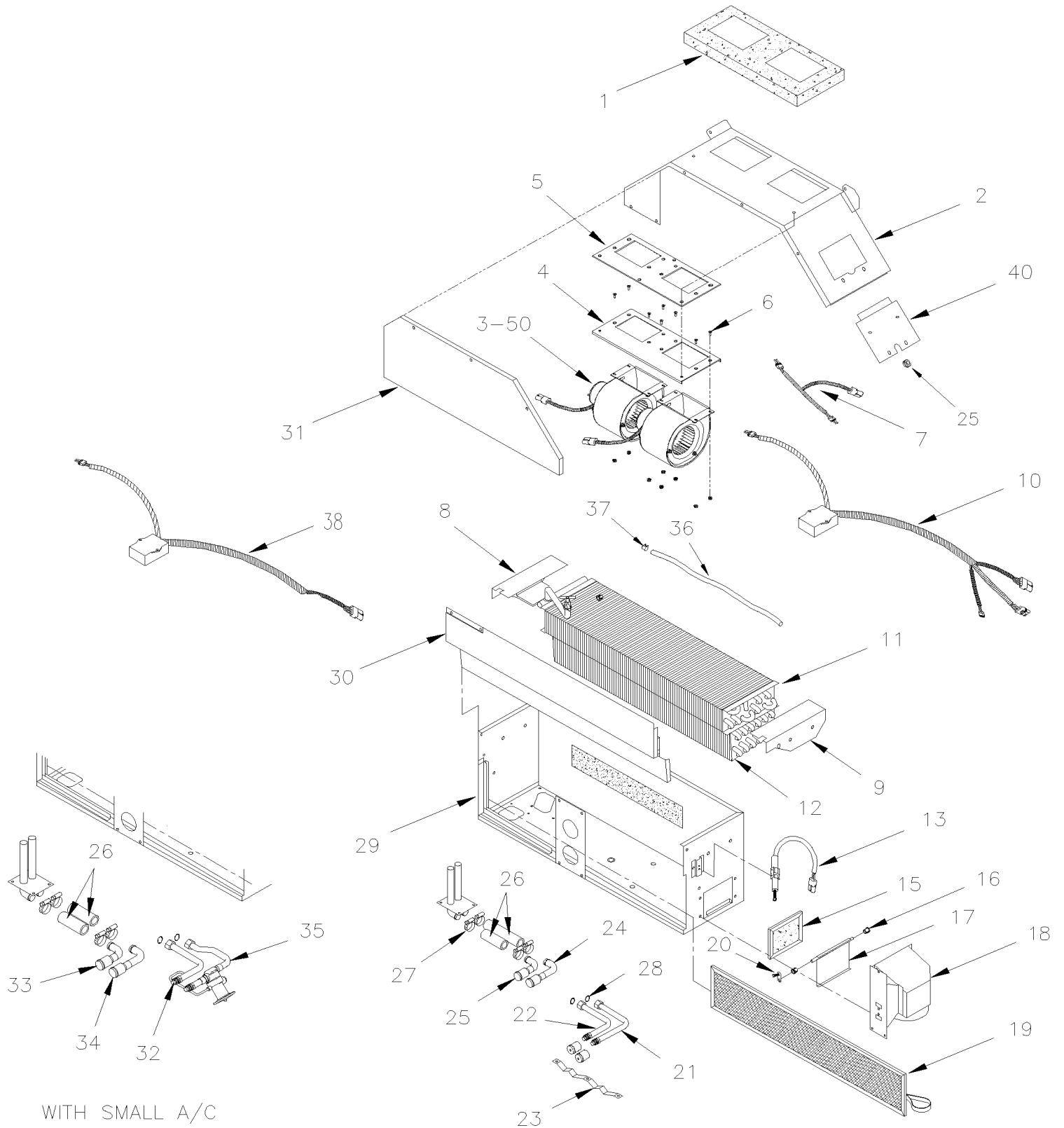


From 7-9096 To 8-9339

Date:10/2022

PAGE:Y2-2225-02

DRIVER'S HEATER & DEFROSTER ASSY WITH MUX



| | | |
|-----------------------|--------------|-----------------|
| From 7-9096 To 8-9339 | Date:10/2022 | PAGE:Y2-2225-02 |
|-----------------------|--------------|-----------------|

DRIVER'S HEATER & DEFROSTER ASSY WITH MUX

| Item# | Part | Description | X L I I 4 5 | X L I I M T H 4 0 | X L I I M T H 4 5 | X L I I M T H 4 5 E | NOTES |
|-------|-------------------|--|----------------------------|---|---|--|-------|
| | 871415 | DEFROSTER & A/C UNIT ASSY | | | 1 | 1 | |
| | 871416 | DEFROSTER & A/C UNIT ASSY MUX | | | 1 | 1 | A |
| 1 | 871129 | . SEAL | | | 1 | 1 | |
| 2 | 871223 | . COVER | | | 1 | 1 | |
| 3 | 871359 | . BLOWER ASSY 24V / W/DOUBLE MOTOR MOUNT | | | 2 | 2 | |
| 3 | 871360 | .. BLOWER & MOTOR ASSY - "M.C.C." "CCW" / FAN END | | | 2 | 2 | |
| 4 | 871362 | .. PLATE MOUNTING | | | 1 | 1 | |
| 5 | 871363 | .. SEAL PLATE MOUNTING | | | 1 | 1 | |
| 6 | 684605 | .. SCREW CAP HEXS #10-32x1/2 | | | 8 | 8 | |
| NS | 500423 | .. NUT HEX NYRT #10-32 SS | | | 8 | 8 | |
| 7 | 871364 | .. CABLE HARNESS | | | 1 | 1 | |
| 8 | 871137 | . BRACKET L.H. | | | 1 | 1 | |
| 9 | 871138 | . BRACKET R.H. | | | 1 | 1 | |
| 10 | 871353 | . MODULE CONTROL FAN SPEED / W/DOUBLE MOTOR | | | 1 | 1 | |
| 11 | 871140 | . HEATER COIL | | | 1 | 1 | |
| . NS | 870127 | .. DRAIN VALVE ROBINET VIDANGE | | | 1 | 1 | |
| 12 | 871141 | . EVAPORATOR COIL | | | 1 | 1 | |
| 13 | 871142 | . ACTUATOR, THERMAL | | | 1 | 1 | |
| 15 | 871144 | . FILTER / FRESH AIR 1/4" x 3 5/8" x 5 1/4" | | | 1 | 1 | |
| 16 | 871025 | . BUSHING / CABLE PIVOT | | | 2 | 2 | |
| 17 | 871145 | . DAMPER TRAP | | | 1 | 1 | |
| 18 | 871225 | . BOX, FRESH AIR | | | 1 | 1 | |
| 19 | 871147 | . FILTER / RECIRCULATING 1/4" x 6 1/4" x 28" | | | 1 | 1 | |
| 20 | 871148 | . LEVER , F/A DAMPER | | | 1 | 1 | |
| 20 | 5001410 | . SCREW MA CHE PH M4-0.7x16 SS | | | 1 | 1 | |
| 20 | 502557 | . NUT HEX NYRT M4-0.7 SS | | | 1 | 1 | |
| 21 | 871229 | . TUBE, A/C | | | 1 | 1 | |
| 22 | 871228 | . TUBE, A/C | | | 1 | 1 | |
| 23 | 871226 | . TUBE SUPPORT | | | 1 | 1 | |
| NS | 871237 | . TUBE SUPPORT | | | 1 | 1 | |
| 24 | 871231 | . TUBE HEATER | | | 1 | 1 | |
| 25 | 871230 | . TUBE HEATER | | | 1 | 1 | |
| 26 | 503007 | . HOSE 2 PLY / RADIATOR HOSE / 5/8" I.D. / S.L. | | | AR | AR | |
| 27 | 504646 | . HOSE CLAMP / 11/16"-1"1/4 / C.T. 9412 | | | 4 | 4 | |
| 28 | 507279 | . O-RING / ORS FITTING / #8 NEO | | | 2 | 2 | |
| 28 | Y2-2208-00 | . A/C EXPANSION VALVE | | | | | |
| 29 | N.P.N. | . CASING | | | 1 | 1 | 4 |
| 30 | 871155 | . COVER | | | 1 | 1 | |
| 31 | 871156 | . COVER / BLOWER ACCESS | | | 1 | 1 | |
| NS | 5001047 | .. SCREW TC PAN PH M5-0.8X10 ZP | | | 17 | 17 | |
| 32 | 871343 | . TUBE A/C | | | 1 | 1 | A |
| 33 | 871230 | . TUBE HEATER | | | 1 | 1 | A |

From 7-9096 To 8-9339 Date:10/2022 PAGE:Y2-2225-02

DRIVER'S HEATER & DEFROSTER ASSY WITH MUX

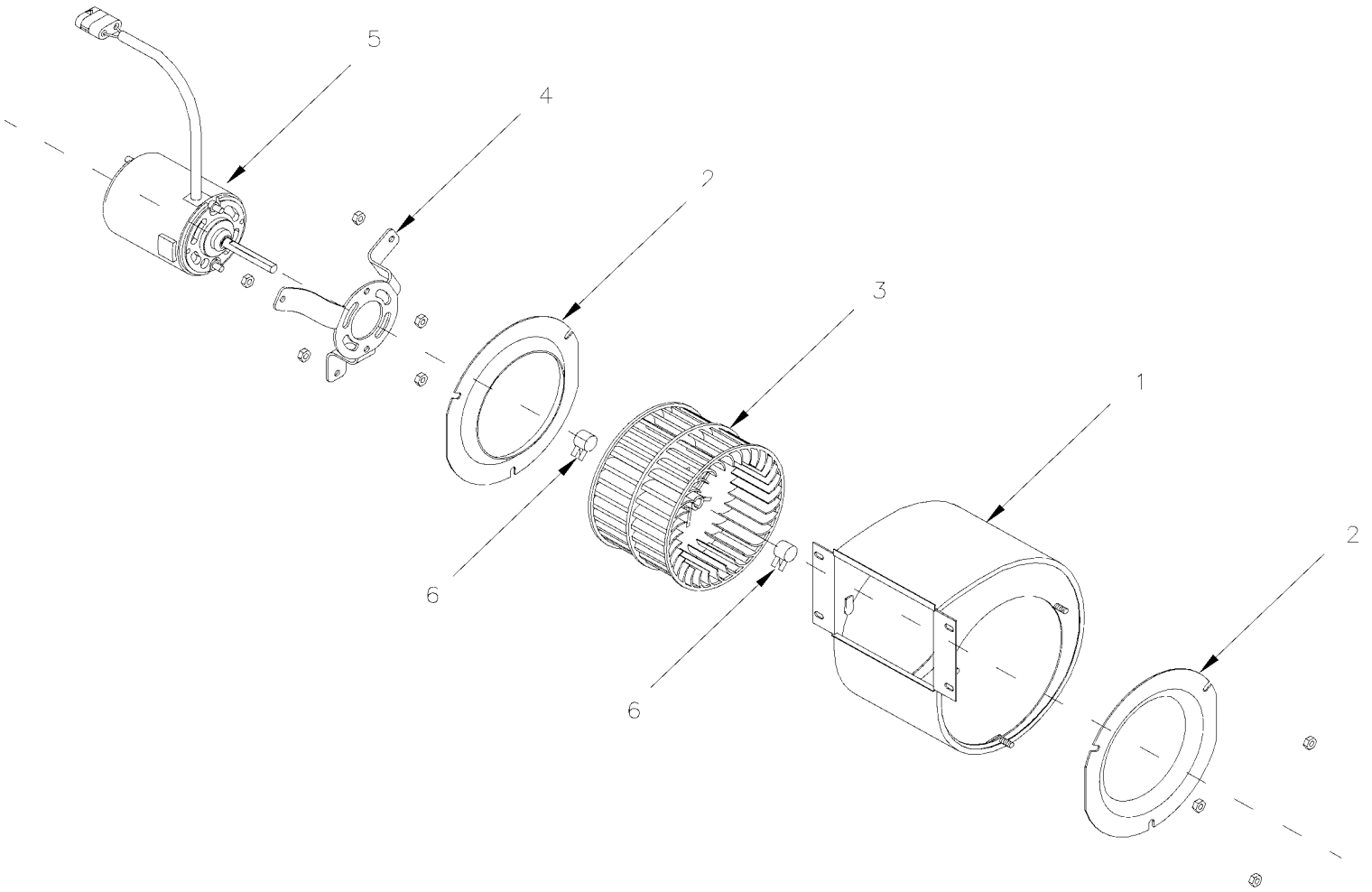
| Item# | Part | Description | X L I I 4 5 | X L I I M T H 4 0 | X L I I M T H 4 5 | X L I I M T H 4 5 E | N O T E S |
|-------|----------|--------------------------------------|----------------------------|---|---|--|-----------------------|
| 34 | 871231 | . TUBE HEATER | | | 1 | 1 | A |
| 35 | 871344 | . VALVE, EXPANSION ASSY / WITH PIPE | | | 1 | 1 | A |
| 36 | 8860148 | . TUBE, NYLON 5/16 O.D. / BLACK S.L. | | | 1 | 1 | |
| 37 | N8888160 | . SPRING CLIP | | | 1 | 1 | |
| 40 | 871227 | . HARNESS COVER | | | 1 | 1 | |
| | | | | | | | |
| | | | | | | | |
| | | A) WITH SMALL A/C SYSTEM | | | | | |
| | | 4) NO PARTS NUMBER | | | | | |

From 7-9096 To 8-9339

Date:10/2022

PAGE:871360

BLOWER & MOTOR ASSY - "M.C.C." "CCW" / FAN END

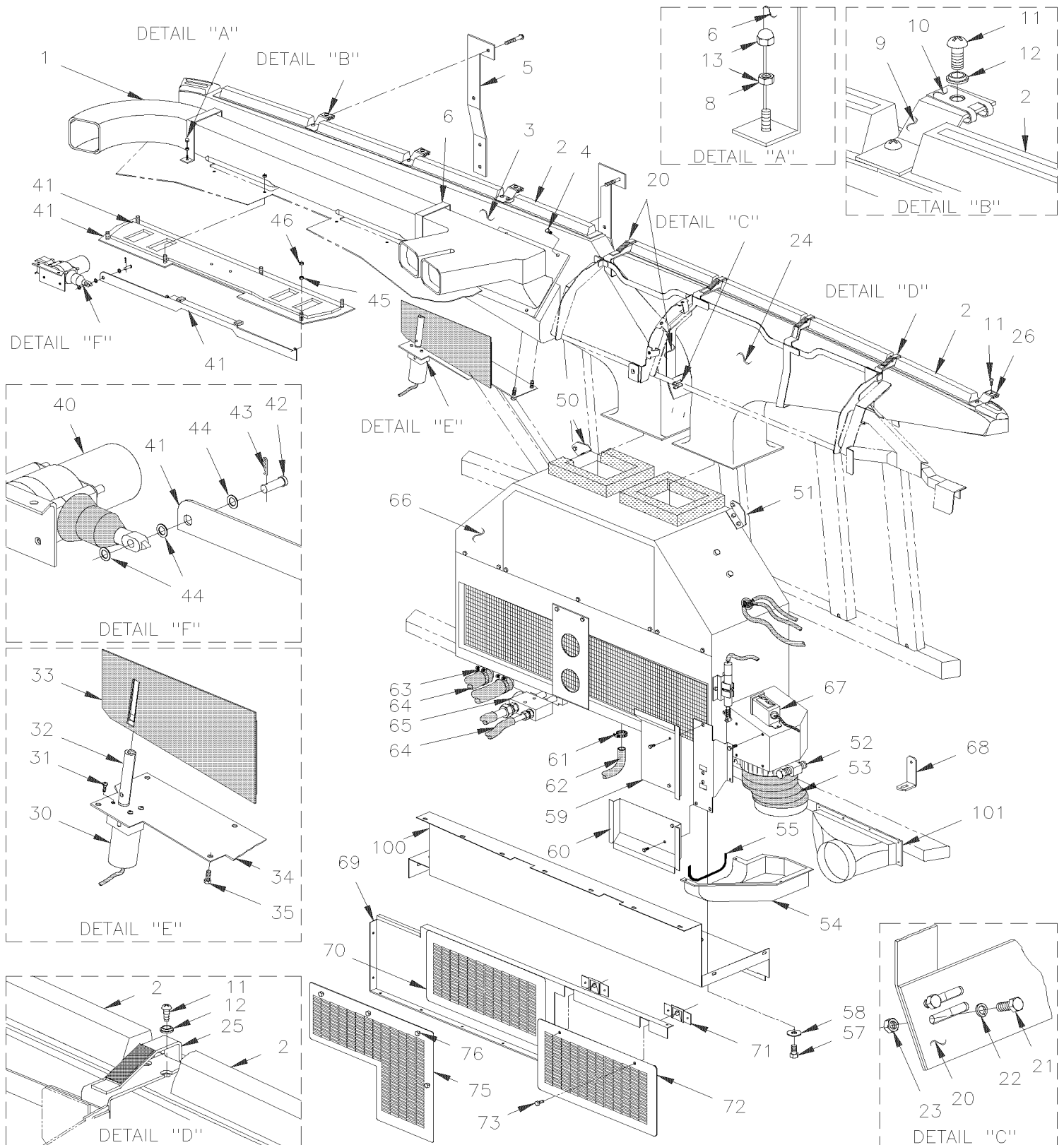


From Y-7046 To 8-9339

Date:10/2022

PAGE:Y2-2230-00

DEFROSTER - INSTALLATION

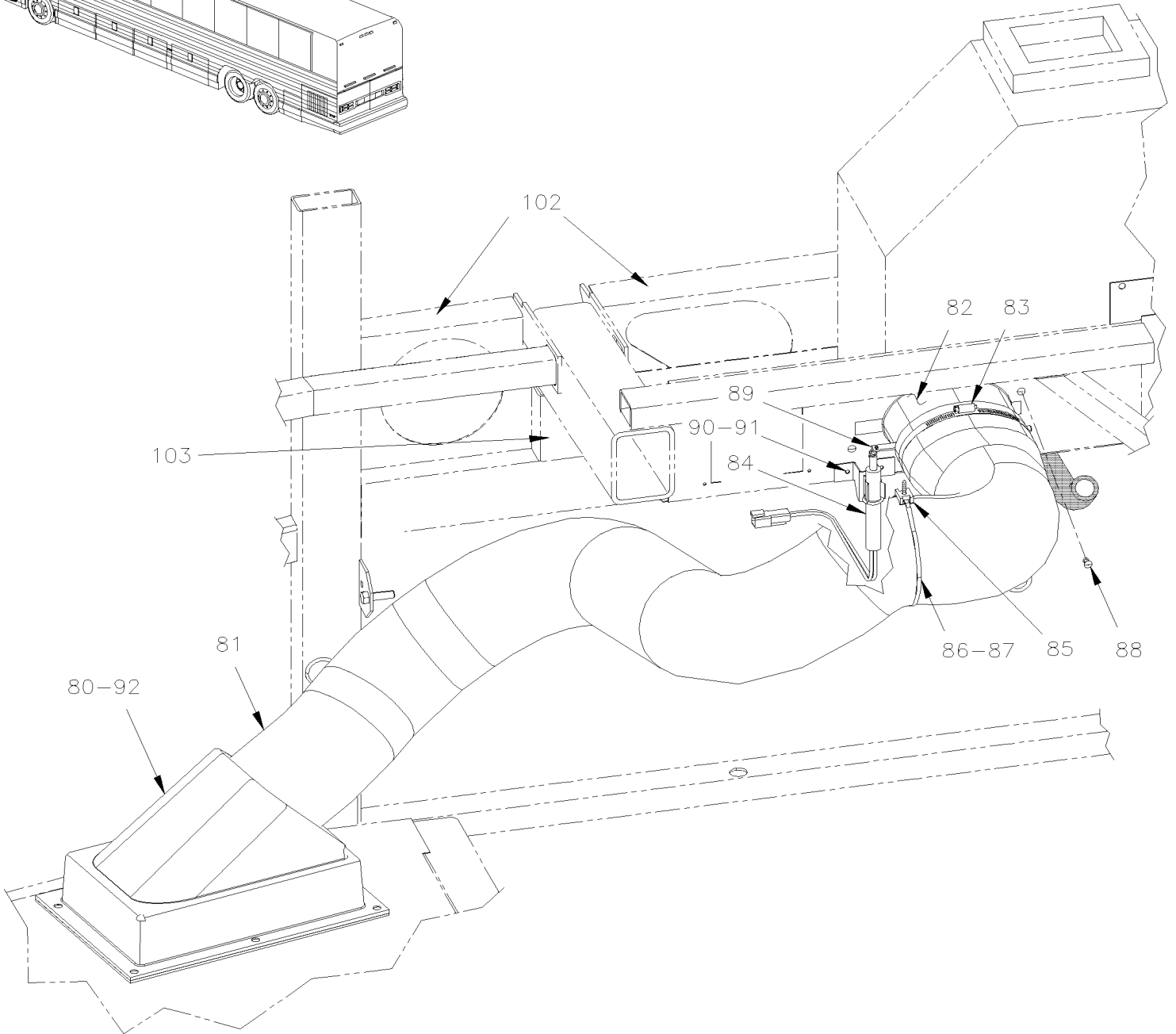
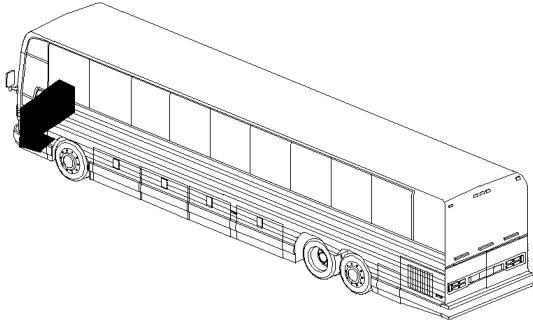


From Y-7046 To 8-9339

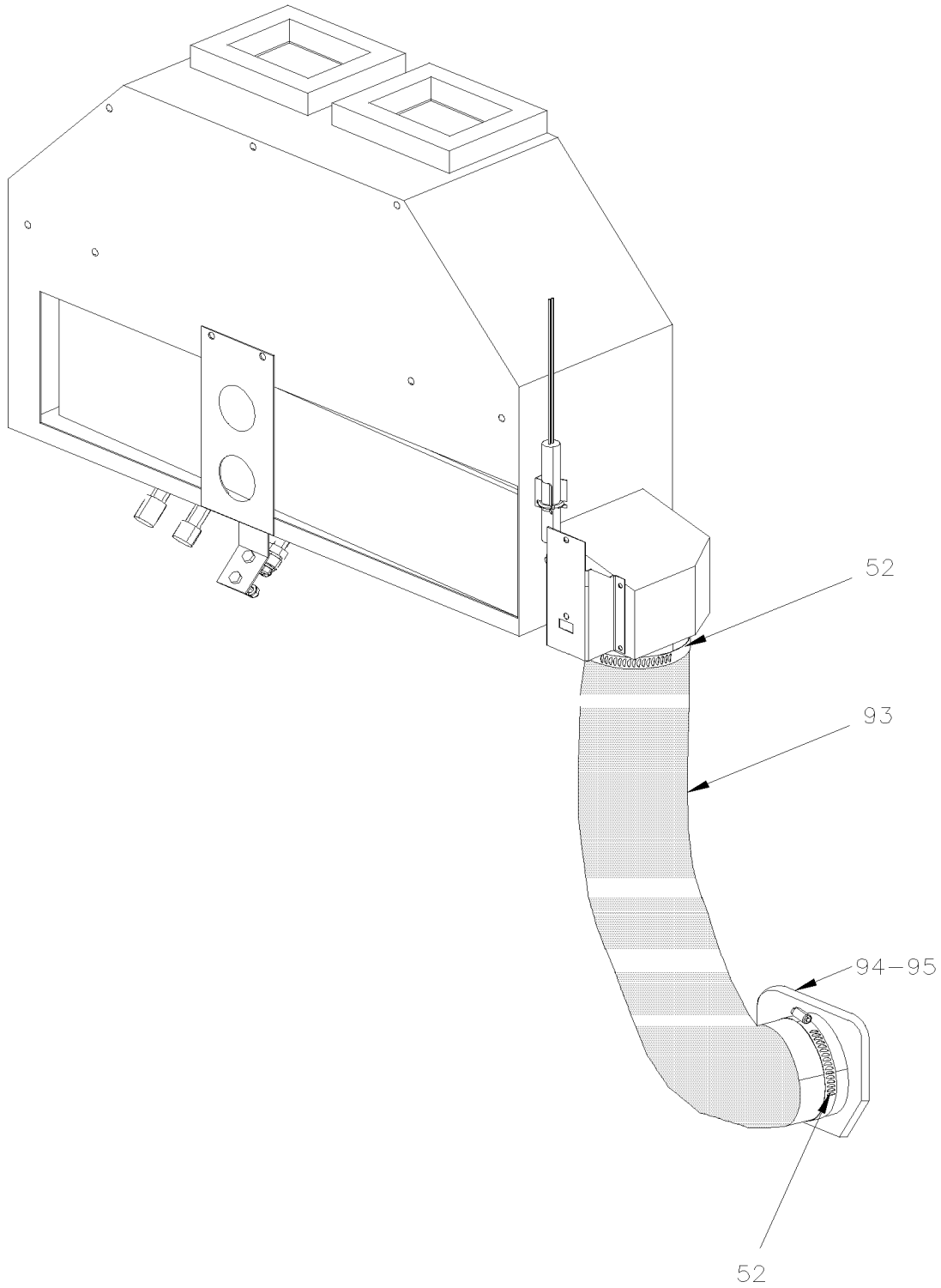
Date:10/2022

PAGE:Y2-2230-00

DEFROSTER - INSTALLATION



| | | |
|--------------------------|--------------|-----------------|
| From Y-7046 To 8-9339 | Date:10/2022 | PAGE:Y2-2230-00 |
| DEFROSTER - INSTALLATION | | |



| | | |
|---------------------------------|--------------|-----------------|
| From Y-7046 To 8-9339 | Date:10/2022 | PAGE:Y2-2230-00 |
| DEFROSTER - INSTALLATION | | |

| Item# | Part | Description | X L I I 4 5 | X L I I M T H 4 0 | X L I I M T H 4 5 | X L I I M T H 4 5 E | N O T E S |
|-------|---------|---|----------------------------|---|---|--|-----------------------|
| 1 | 392057 | DUCT DRIVER LH SECTION To 2-7864 | 1 | 1 | 1 | 1 | G |
| 1 | 392211 | DUCT DRIVER LH SECTION From 2-7865 | 1 | 1 | 1 | 1 | G |
| 1 | 392084 | DUCT DRIVER RH SECTION To 2-7864 | 1 | 1 | 1 | 1 | G |
| 1 | 392212 | DUCT DRIVER RH SECTION From 2-7865 | 1 | 1 | 1 | 1 | G |
| NS | 391003 | . SEAL DUCT From 2-7865 | 1 | 1 | 1 | 1 | G |
| NS | 392064 | SUPPORT | 1 | 1 | 1 | 1 | |
| NS | 392085 | . DEFLECTOR (INSIDE DUCT) | 1 | 1 | 1 | 1 | |
| 2 | 392045 | LOUVER To 5-8532 | 8 | | | | |
| 2 | 392045 | LOUVER From 5-8533 To 6-8906 | 2 | | | | |
| 2 | 392276 | LOUVER From 5-8533 To 6-8906 | 6 | | | | |
| 2 | 392045 | LOUVER | | 8 | 8 | 8 | |
| NS | 392046 | LOUVER CORNER | 2 | 2 | 2 | 2 | |
| 3 | 392014 | DEFROSTER DUCT ASSY STREETSIDE To 6-8906 | 1 | | | | B |
| 3 | 391925 | DEFROSTER DUCT STREETSIDE To 6-8906 | 1 | | | | |
| 3 | 392044 | DEFROSTER DUCT STREETSIDE | | 1 | 1 | 1 | |
| NS | 392292 | GASKET / DRIVER'S DUCT & WINDSHIELD DUCT | 1 | 1 | 1 | 1 | |
| NS | 391979 | DEFLECTOR / (INSIDE OF DUCT) | 1 | 1 | 1 | 1 | |
| NS | 392160 | SUPPORT / DEFROSTER DUCT | | 1 | 1 | 1 | |
| NS | 392161 | SUPPORT / DEFROSTER DUCT MTH 89" | | | | 1 | |
| 4 | 500641 | SCREW TP PAN PH #8x3/4 Z050 | 1 | 1 | 1 | 1 | |
| 4 | 500841 | SCREW TP PAN PH #14x3/4 Z050 | | | | | |
| 5 | 392016 | STRAP / TO FIX DUCT LH TO STRUCTURE To 2-7864 | 2 | 2 | 2 | 2 | |
| 6 | 392015 | STRAP / TO FIX DUCT DRIVER TO STRUCTURE To 2-7864 | 2 | 2 | 2 | 2 | |
| 8 | 502557 | NUT HEX NYRT M4-0.7 SS | 4 | 4 | 4 | 4 | |
| 10 | 5001405 | NUT SPR U M4-0.7 0.8-4.0x9.5 | AR | AR | AR | AR | |
| 11 | 5001411 | SCREW MA FL PH M4-0.7x20 BK | AR | AR | AR | AR | |
| 12 | 500345 | WASHER FN CKF .187x.500x.090 BR BK | AR | AR | AR | AR | |
| 13 | 5001404 | NUT HEX CAP M4-0.7 SS | 4 | 4 | 4 | 4 | |
| 20 | 391956 | STRUCTURE / R.H. To 6-8906 | 1 | | | | |
| 20 | 391996 | STRUCTURE / R.H. | | 1 | 1 | 1 | |
| 21 | 502529 | SCREW MA BDG PH M5-0.8x12 BZC | 2 | 2 | 2 | 2 | |
| 22 | 500440 | WASHER FL .250x.562x.065 Z050 | 2 | 2 | 2 | 2 | |
| 23 | 502782 | NUT HEX NYRT M5-0.8 Z050 | 2 | 2 | 2 | 2 | |
| 24 | 391923 | DEFROSTER DUCT CURBSIDE To Y-7133 | 1 | 1 | 1 | 1 | |
| 24 | 392049 | DEFROSTER DUCT CURBSIDE From Y-7134 | 1 | 1 | 1 | 1 | |
| NS | 453585 | HOSE ADAPTOR / CURBSIDE DUCT From Y-7134 | 1 | 1 | 1 | 1 | C |
| NS | 453584 | HOSE ADAPTOR / WINDSHIELD From Y-7134 | 1 | 1 | 1 | 1 | C |
| NS | 453588 | HOSE 510MM From Y-7134 | 1 | 1 | 1 | 1 | C |
| NS | 392268 | DEFLECTOR From 5-8361 To 6-8906 | 1 | | | | |
| 25 | 392018 | STRAP R.H. / TO FIX DUCT TO STRUCTURE | 1 | 1 | 1 | 1 | |
| 25 | 392019 | STRAP L.H. / TO FIX DUCT TO STRUCTURE | 1 | 1 | 1 | 1 | |
| 26 | 392017 | SUPPORT / R.H. WINDSHIELD | 1 | 1 | 1 | 1 | |

| | | |
|---------------------------------|--------------|-----------------|
| From Y-7046 To 8-9339 | Date:10/2022 | PAGE:Y2-2230-00 |
| DEFROSTER - INSTALLATION | | |

| Item# | Part | Description | X L I I 4 5 | X L I I M T H 4 0 | X L I I M T H 4 5 | X L I I M T H 4 5 E | N O T E S |
|-------|---------|---|----------------------------|---|---|--|-----------------------|
| 30 | 391962 | DAMPER | 1 | 1 | 1 | 1 | |
| 30 | 392282 | DAMPER ASSY From 6-8906 | | | 1 | 1 | |
| 30 | 871424 | . MOTOR | 1 | 1 | 1 | 1 | |
| 31 | N.P.N. | . SCREW | 7 | 7 | 7 | 7 | 4 |
| 32 | N.P.N. | . SHAFT | 1 | 1 | 1 | 1 | 4 |
| 33 | N.P.N. | . TRAP ASSY | 1 | 1 | 1 | 1 | 4 |
| 34 | N.P.N. | . PLATE | 1 | 1 | 1 | 1 | 4 |
| 35 | N.P.N. | SCREW | 4 | 4 | 4 | 4 | 4 |
| NS | 563429 | SWITCH MAGNETIC ASSY | 1 | 1 | 1 | 1 | |
| . NS | 562641 | . MAGNET | 1 | 1 | 1 | 1 | |
| 40 | 890009 | LOCK ACTUATOR / 12V | 1 | 1 | 1 | 1 | |
| . NS | 562076 | . CONNECTOR / PACK-CON I / FEMALE HOUSING / 2C / PED 8911772 | 1 | 1 | 1 | 1 | |
| 41 | 392063 | DAMPER, FOOT ASSY | 1 | 1 | 1 | 1 | |
| 42 | 502023 | . PIN, CLEVIS 1/4 x 51/64 | 1 | 1 | 1 | 1 | |
| 43 | 502180 | . PIN HITCH CLIP 3/32 x 1/2 Z050 | 1 | 1 | 1 | 1 | |
| 44 | 500411 | . WASHER FL .260x.697x.050 SS | 2 | 2 | 2 | 2 | |
| NS | 563429 | . SWITCH MAGNETIC ASSY | 1 | 1 | 1 | 1 | |
| . NS | 562641 | . . MAGNET | 1 | 1 | 1 | 1 | |
| 45 | N.P.N. | SPACER | 6 | 6 | 6 | 6 | 4 |
| 46 | 5001036 | SCREW MA PAN PH M4-0.7x10 Z050 | 6 | 6 | 6 | 6 | |
| 50 | 373551 | ATTACHMENT L.H. | 1 | 1 | 1 | 1 | |
| 51 | 373552 | ATTACHMENT R.H. | 1 | 1 | 1 | 1 | |
| NS | 500642 | SCREW TP PAN PH #10x3/4 Z050 | 2 | 2 | 2 | 2 | |
| NS | 504114 | RIVET POP DOME OE 3/16x1/4 AL | 4 | 4 | 4 | 4 | |
| 52 | 504235 | HOSE CLAMP / 3"9/16"-4"1/2 SS / HS-64 | 2 | 2 | 2 | 2 | |
| 53 | 373630 | HOSE 4" I.D. X 350MM To 4-8207 | | 1 | 1 | 1 | |
| 53 | 373955 | HOSE 4" I.D. X 500MM From 3-8109 To 6-8906 | 1 | | | | |
| 53 | 503434 | . HOSE FLEXIBLE / AIR DUCT 4" I.D. X 12' / RUBBER | AR | AR | AR | AR | |
| 54 | 373681 | DUCT FRESH AIR To 3-8108 | 1 | | | | D |
| 55 | 373727 | RUBBER SEAL W/"U" SHAPE CLIP / 7/16 O.D. X 180MM To 3-8108 | 1 | | | | D |
| 55 | 373738 | RUBBER SEAL W/"U" SHAPE CLIP / 7/16 O.D. X 2500MM To 3-8108 | 1 | | | | D |
| 55 | 506302 | RUBBER EXTRUSION TRIM SEAL / GRIP .024 / 7/16" HOLLOW BULB C.T.L. To 3-8108 | AR | | | | D |
| 57 | 500179 | SCREW CAP HEX 5/16-18x3/4 G5 Z050 | 3 | 3 | 3 | 3 | |
| 58 | 500462 | WASHER FL .343x1.500x.083 SS | 3 | 3 | 3 | 3 | |
| NS | 500476 | WASHER LO SPT .317x.586x.078 Z050 | 3 | 3 | 3 | 3 | |
| 59 | 453430 | DEFLECTOR, UPPER To 6-8906 | 1 | | | | |
| 59 | 453343 | DEFLECTOR, UPPER | | 1 | 1 | 1 | |
| NS | 453345 | FOAM 5" X 3" X 1" | | 1 | 1 | 1 | |
| 60 | 453431 | DEFLECTOR, LOWER To 6-8906 | 1 | | | | |
| NS | 502761 | SCREW TP BDG PH #10x3/4 SS BK | 5 | 5 | 5 | 5 | |
| NS | 500803 | NUT SPR J #10A .035-.050 | 5 | 5 | 5 | 5 | |
| NS | 506268 | TAPE RUB ADH1 URE 3/8" x 1/2" x 25' / GREY 1820 | AR | AR | AR | AR | |

| | | |
|-----------------------|--------------|-----------------|
| From Y-7046 To 8-9339 | Date:10/2022 | PAGE:Y2-2230-00 |
|-----------------------|--------------|-----------------|

DEFROSTER - INSTALLATION

| Item# | Part | Description | X L I I 4 5 | X L I I M T H 4 0 | X L I I M T H 4 5 | X L I I M T H 4 5 E | N O T E S |
|-------|-------------------|---|----------------------------|---|---|--|-----------------------|
| 61 | 504014 | HOSE CLAMP / 1/4"-5/8" SS / HM-4 | 2 | 2 | 2 | 2 | |
| 62 | 373424 | HOSE 1/2" I.D. X 985MM To 6-8906 | 1 | | | | |
| 62 | 373680 | HOSE 1/2" I.D. X 1135MM | | 1 | 1 | 1 | |
| 62 | 503666 | HOSE 1/2" I.D. 100' / S.L. | AR | AR | AR | AR | |
| NS | 504356 | GROMMET / .625x.875x.062x.312x1.125 | 1 | 1 | 1 | 1 | |
| NS | 590286 | DRAIN BOOT 1 1/4" I.D. X 4" / FLAT | 1 | 1 | 1 | 1 | |
| 63 | 504646 | HOSE CLAMP / 11/16"-1"1/4 / C.T. 9412 | 2 | 2 | 2 | 2 | |
| 64 | Y2-2222-10 | A/C & HEATING LINE FRONT SECTION | | | | | |
| 65 | Y2-2208-00 | A/C EXPANSION VALVE | | | | | |
| 66 | Y2-2225-00 | DRIVER'S HEATER & DEFROSTER ASSY To 5-8469 | | | | | |
| 66 | Y2-2225-01 | DRIVER'S HEATER & DEFROSTER ASSY From 5-8470 To 7-9095 | | | | | |
| 66 | Y2-2225-02 | DRIVER'S HEATER & DEFROSTER ASSY WITH MUX From 7-9096 | | | | | |
| 67 | 950035 | THERMOSTAT | | 1 | 1 | 1 | A |
| NS | 500583 | SCREW TP PAN PH #6x1/2 Z050 | | 2 | 2 | 2 | A |
| 68 | 373754 | ANGLE SUPPORT / CURBSIDE / 25MM X 35MM X 65MM | 1 | 1 | 1 | 1 | |
| 69 | 373640 | GRILLE ASSY W/SUPPORT | | 1 | 1 | 1 | |
| 69 | 373633 | . SUPPORT | | 1 | 1 | 1 | |
| 70 | 453338 | . GRILL AIR / FRONT STEPWELL / RETURN / 200MM X 408MM | | 1 | 1 | 1 | |
| 71 | 504605 | . RECEPTACLE 6 MM | | 2 | 2 | 2 | |
| NS | 681283 | . TAPE RUB ADH2 ACRYLIC .045" x 1/2" x 108' / WHITE 4945 | | AR | AR | AR | |
| NS | 506268 | . TAPE RUB ADH1 URE 3/8" x 1/2" x 25' / GREY 1820 | | AR | AR | AR | |
| 72 | 453341 | GRILL AIR / FRONT STEPWELL / RETURN / 197MM X 408MM | | 1 | 1 | 1 | |
| 73 | 504681 | . STUD 6MM (DZUS) | | 2 | 2 | 2 | |
| NS | 504604 | . FASTENER | | 2 | 2 | 2 | |
| 75 | 453428 | GRILL AIR / FRONT STEPWELL / RETURN / 309MM X 424MM To 6-8906 | 1 | | | | |
| 76 | 504681 | . STUD 6MM (DZUS) To 6-8906 | 4 | | | | |
| 76 | 504604 | . FASTENER To 6-8906 | 4 | | | | |
| 80 | 373990 | AIR INLET ASSY To 6-8906 | 1 | | | | |
| . NS | 373952 | . AIR INLET To 6-8906 | 1 | | | | |
| . NS | 373989 | . SCREEN 171MM X 284MM SS To 6-8906 | 1 | | | | |
| 81 | 373993 | HOSE 5" I.D. 1600MM To 6-8906 | 1 | | | | |
| . NS | 503741 | . HOSE FLEXIBLE / AIR DUCT 5" I.D. X 12' / PLASTIC To 6-8906 | AR | | | | |
| 82 | 373984 | AIR INLET ASSY W/ DAMPER To 6-8906 | 1 | | | | |
| . NS | 373969 | . AIR INLET To 6-8906 | 1 | | | | |
| . NS | 453954 | . DAMPER TRAP To 6-8906 | 1 | | | | |
| . NS | 453953 | . SHAFT To 6-8906 | 1 | | | | |
| 83 | 504324 | HOSE CLAMP / 4"1/2-6"1/2 SS / HS-96 To 6-8906 | 1 | | | | |
| 84 | 373415 | ACTUATOR ASSY To 6-8906 | 1 | | | | |
| 85 | 500235 | SCREW TP BDG PH #6x3/4 N500 To 6-8906 | 1 | | | | |
| 86 | 504013 | TIE MOUNT / 1/4" X 1/4" I.D. To 6-8906 | 1 | | | | |
| 87 | 504637 | CABLE TIE / 3/16" x 13" To 6-8906 | 4 | | | | |
| 88 | 504379 | RIVET POP DOME OE 3/16x1/4 SS To 6-8906 | 10 | | | | |

| | | |
|---------------------------------|--------------|-----------------|
| From Y-7046 To 8-9339 | Date:10/2022 | PAGE:Y2-2230-00 |
| DEFROSTER - INSTALLATION | | |

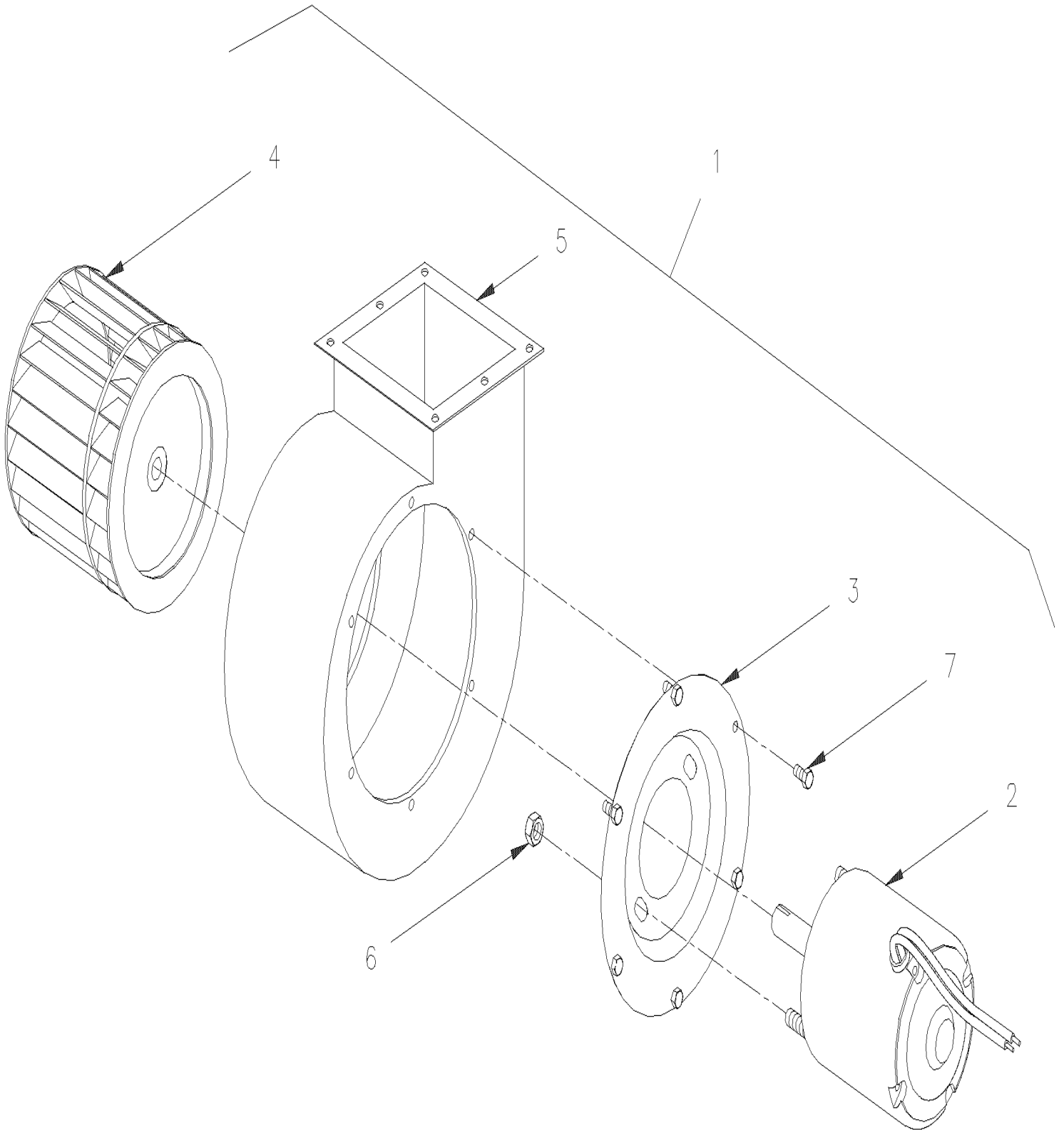
| Item# | Part | Description | X L I I 4 5 | X L I I M T H 4 0 | X L I I M T H 4 5 | X L I I M T H 4 5 E | N O T E S |
|-------|-------------------|---|----------------------------|---|---|--|-----------------------|
| 89 | 503402 | TUBE, NYLON 1/4 O.D. / BLACK S.L. To 6-8906 | AR | | | | |
| 90 | 172780 | SUPPORT / ACTUATOR To 6-8906 | 1 | | | | |
| 91 | 504104 | RIVET POP DOME OE 1/8x1/8 SS To 6-8906 | 2 | | | | |
| 92 | 215126 | ATTACHMENT STRIP / "Z" SHAPE / 25MM X 115MM To 6-8906 | 2 | | | | |
| 93 | 373955 | HOSE 4" I.D. X 500MM From 3-8109 | 1 | | | | |
| 93 | 374010 | HOSE 4" I.D. X 650MM From 4-8208 | | 1 | 1 | 1 | |
| 94 | 373930 | HOSE ADAPTOR 4" From 3-8109 | 1 | 1 | 1 | 1 | |
| 95 | 373997 | GRILLE 111MM X 111MM To 3-8108 | 1 | 1 | 1 | 1 | |
| 95 | 373933 | GRILLE 111MM X 111MM From 3-8109 | 1 | 1 | 1 | 1 | |
| 95 | 476156 | CLOSING PLATE 39MM X 257MM To 3-8108 | 1 | 1 | 1 | 1 | |
| 95 | 476159 | CLOSING PLATE 55MM X 257MM To 3-8108 | 1 | 1 | 1 | 1 | |
| 95 | 373996 | HOSE ADAPTOR 4" O.D. | 1 | | | | |
| 100 | 172356 | SUPPORT / DEFROST & A/C UNIT To 3-8108 | 1 | | | | |
| 100 | 172753 | SUPPORT / DEFROST & A/C UNIT From 3-8109 To 6-8906 | 1 | | | | |
| 100 | 172316 | SUPPORT / DEFROST & A/C UNIT | | 1 | 1 | 1 | |
| 101 | Y2-1851-00 | FRONT CAP - INSTALLATION | | | | | |
| 102 | 251079 | PANEL FRONT / TUBE 26 & 11 To 6-8906 | 1 | | | | |
| 103 | 214243 | TUBE / TUBE 26 AND DR 92MM x 1 1/2" x 3" To 6-8906 | 1 | | | | |
| NS | 373998 | KIT, ADAPTOR HEATER HOSE / NEW AIR INLET STREET SIDE / NEW AIR INLET STREETSIDE To 3-8108 | AR | | | | E |
| . NS | IS-02086 | . SEE INSTRUCTION SHEET To 3-8108 | 1 | | | | E |
| NS | 374011 | KIT, ADAPTOR HEATER HOSE / NEW AIR INLET CURBSIDE / NEW AIR INLET CURBSIDE To 4-8207 | | 1 | 1 | 1 | F |
| . NS | IS-02113 | . SEE INSTRUCTION SHEET To 4-8207 | | 1 | 1 | 1 | F |
| NS | 373995 | KIT, ADAPTOR HEATER HOSE / NEW AIR INLET CURBSIDE / NEW AIR INLET CURBSIDE To 3-8108 | 1 | 1 | 1 | 1 | |
| . NS | IS-02054 | . SEE INSTRUCTION SHEET To 3-8108 | 1 | 1 | 1 | 1 | |
| NS | 871318 | DEFROSTER DUCT DEFLECTOR REPLACEMENT KIT To 5-8469 | 1 | 1 | 1 | 1 | |
| . NS | IS-04902 | . SEE INSTRUCTION SHEET To 5-8469 | 1 | 1 | 1 | 1 | |
| | | | | | | | |
| | | | | | | | |
| | | A) WITH SMALL A/C SYSTEM ONLY | | | | | |
| | | B) INCLUDE ITEMS 2, 3, & 30 TO 35 | | | | | |
| | | C) FEED AIR TO CENTER POST WINDSHIELD | | | | | |
| | | D) FOR PRODUCT IMPROVEMENT "WINDSHEILD DEFROSTER" ASK KIT# 373998 | | | | | |
| | | E) KIT INCLUDES ALL ITEMS 80 TO 92 | | | | | |
| | | F) KIT INCLUDES ALL ITEMS 93 -94 & 95 | | | | | |
| | | G) FOR PRODUCT IMPROVEMENT, USE KIT #871318 AND SEE INSTRUCTION SHEET IS-04902 | | | | | |
| | | 4) NO PARTS NUMBER | | | | | |

From Y-7046 To 6-8906

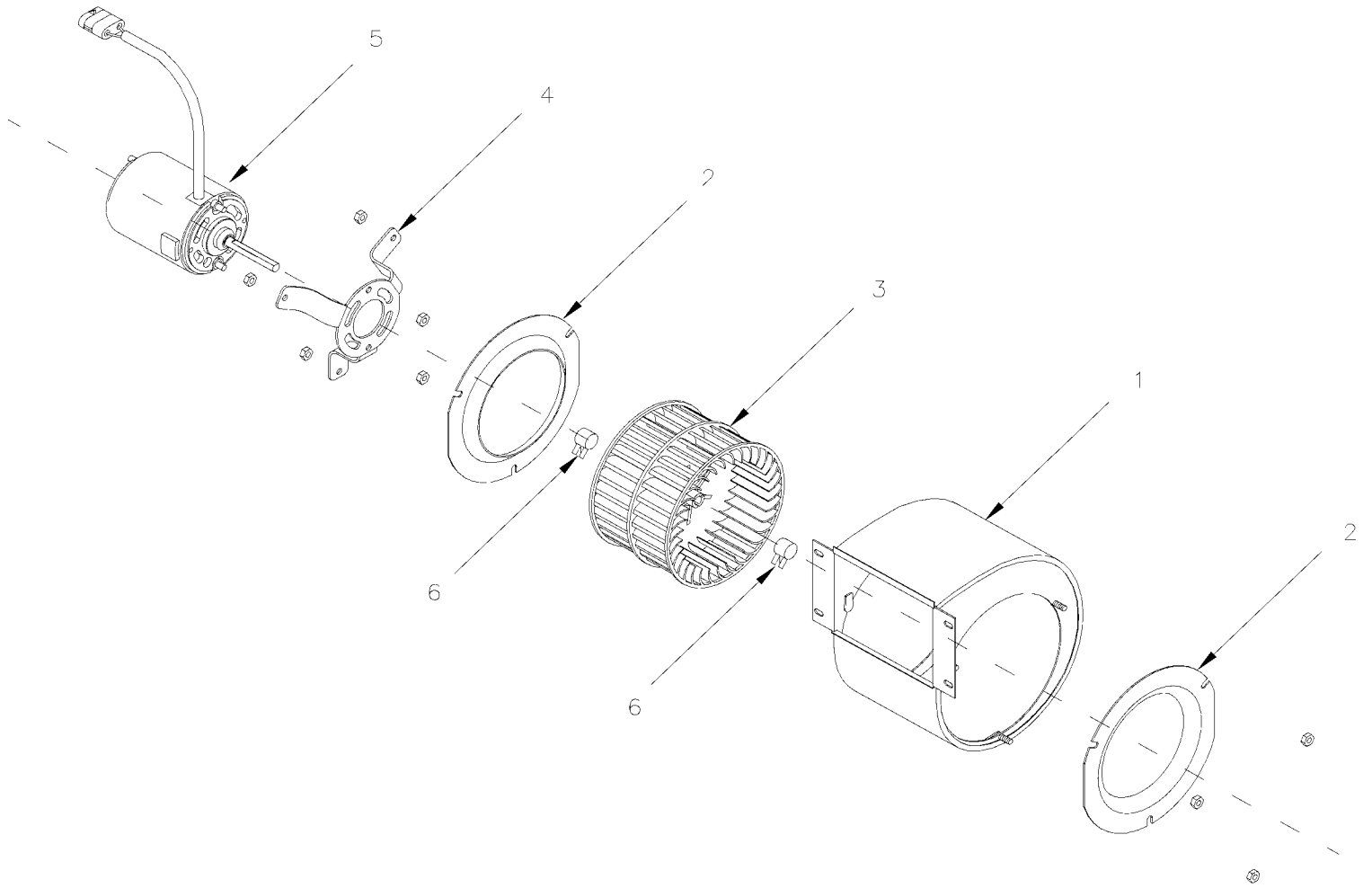
Date:10/2022

PAGE:870844

BLOWER & MOTOR ASSY - "M.C.C." "CW" / FAN END



| | | |
|--|--------------|-------------|
| From 5-8470 To 8-9339 | Date:10/2022 | PAGE:871360 |
| BLOWER & MOTOR ASSY - "M.C.C." "CCW" / FAN END | | |

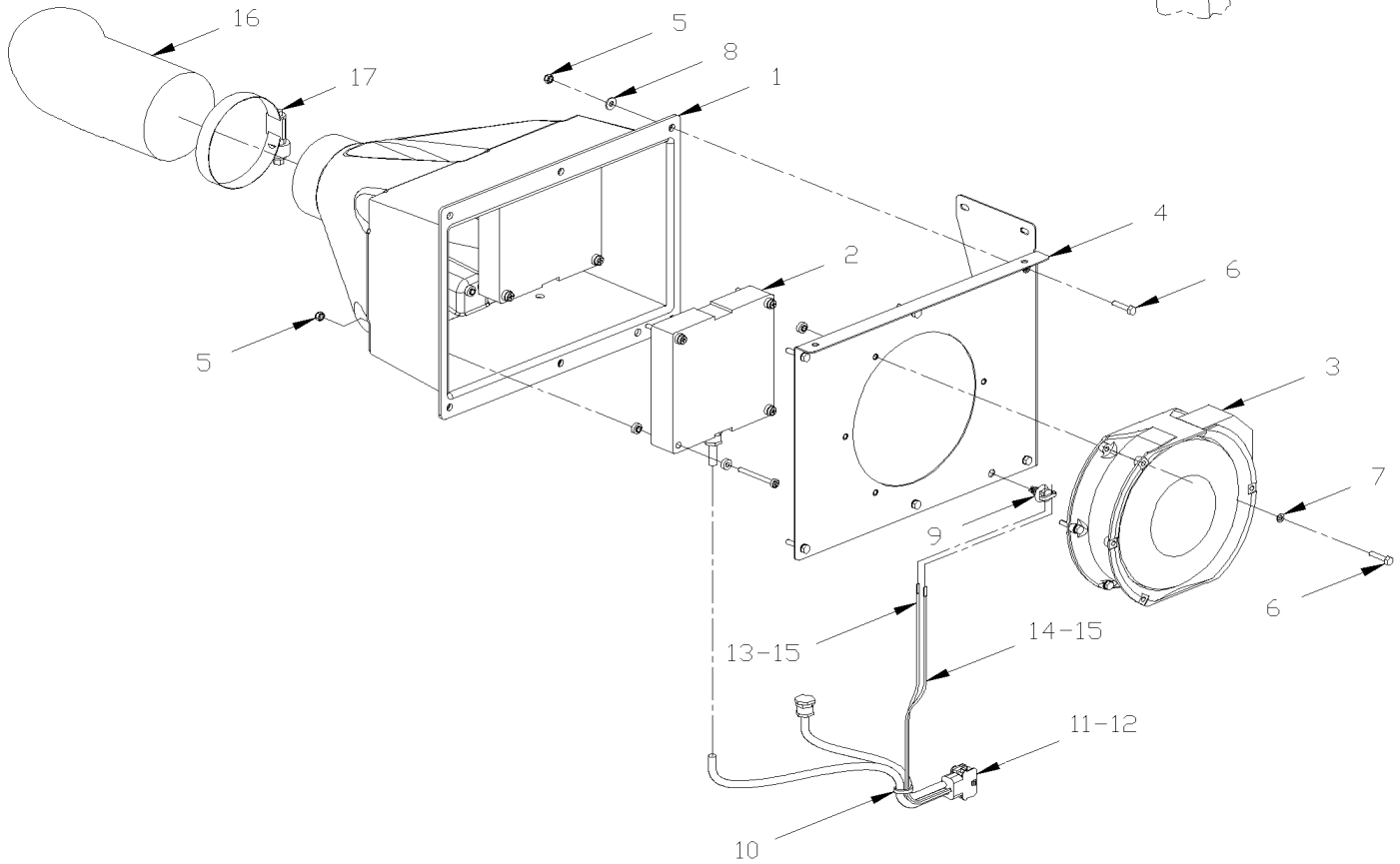
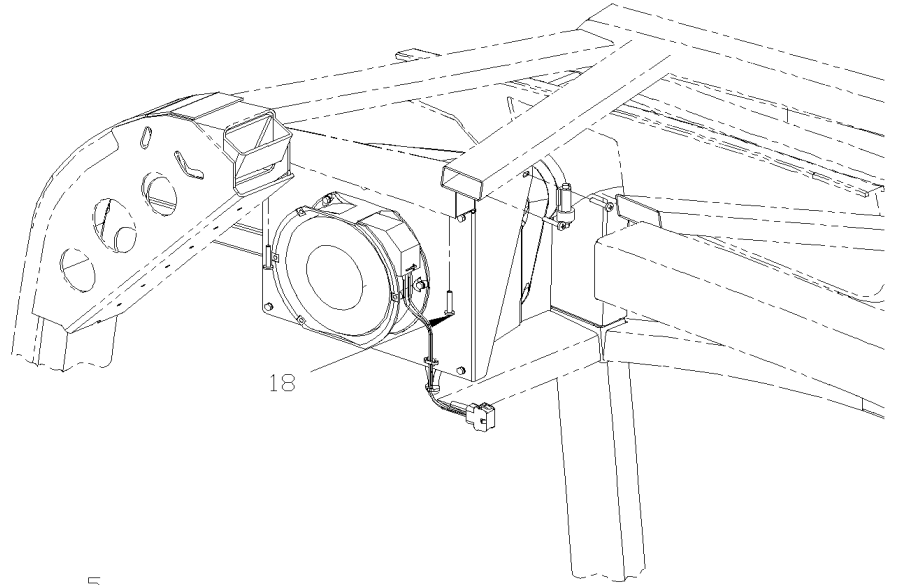
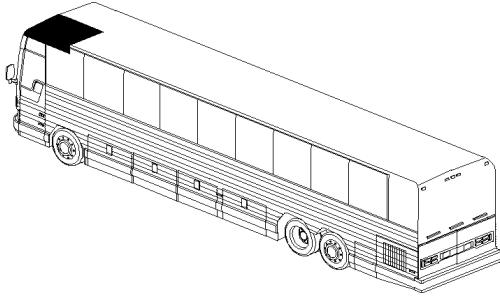


From 3-8131 To 8-9339

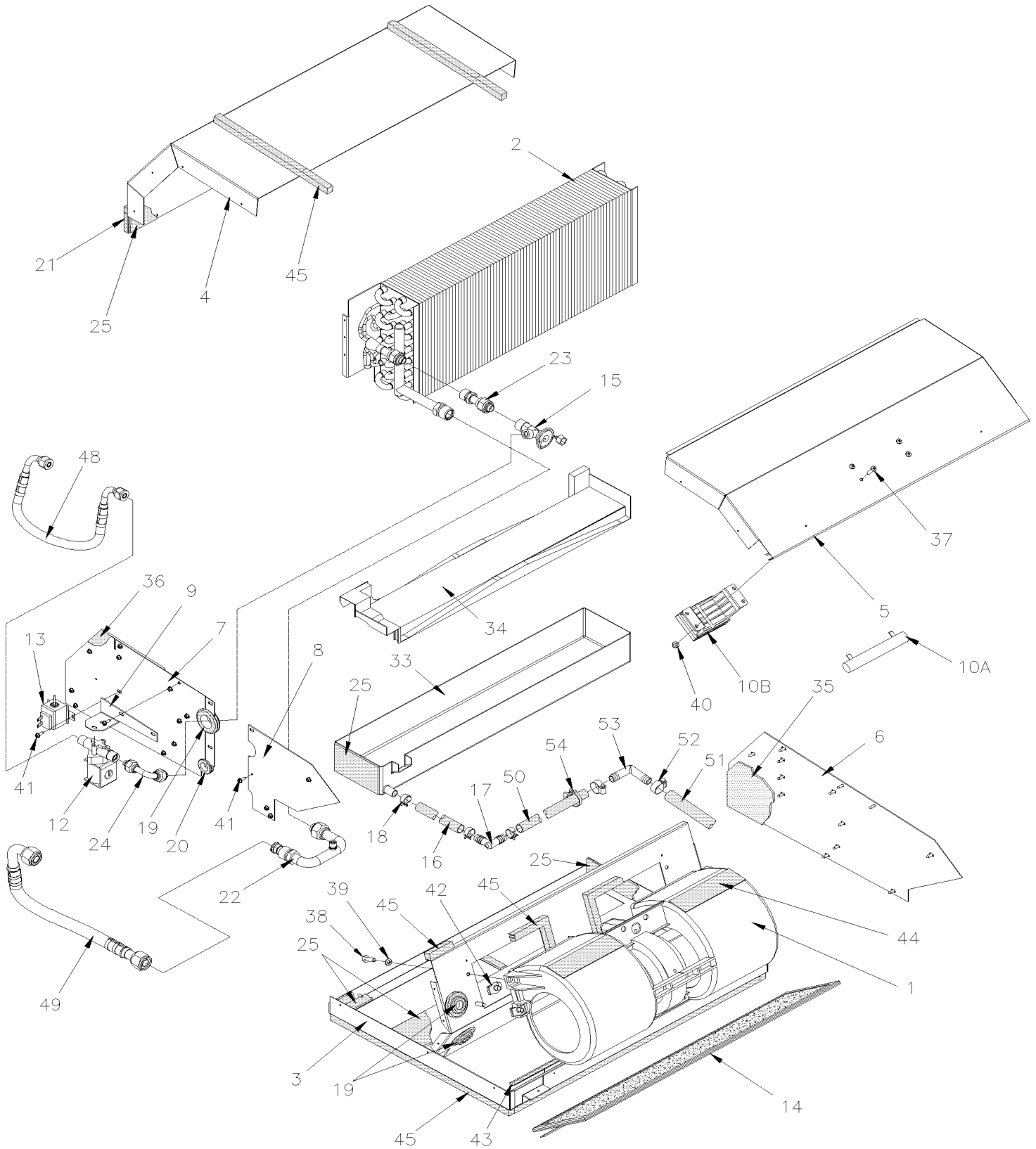
Date:10/2022

PAGE:Y2-2240-10

UPPER WINDSHIELD FAN - INSTALLATION



| | | |
|---|--------------|-----------------|
| From Y-7046 To 6-8906 | Date:10/2022 | PAGE:Y2-2240-20 |
| BLOWER VENTILATION - PARCEL RACK | | |

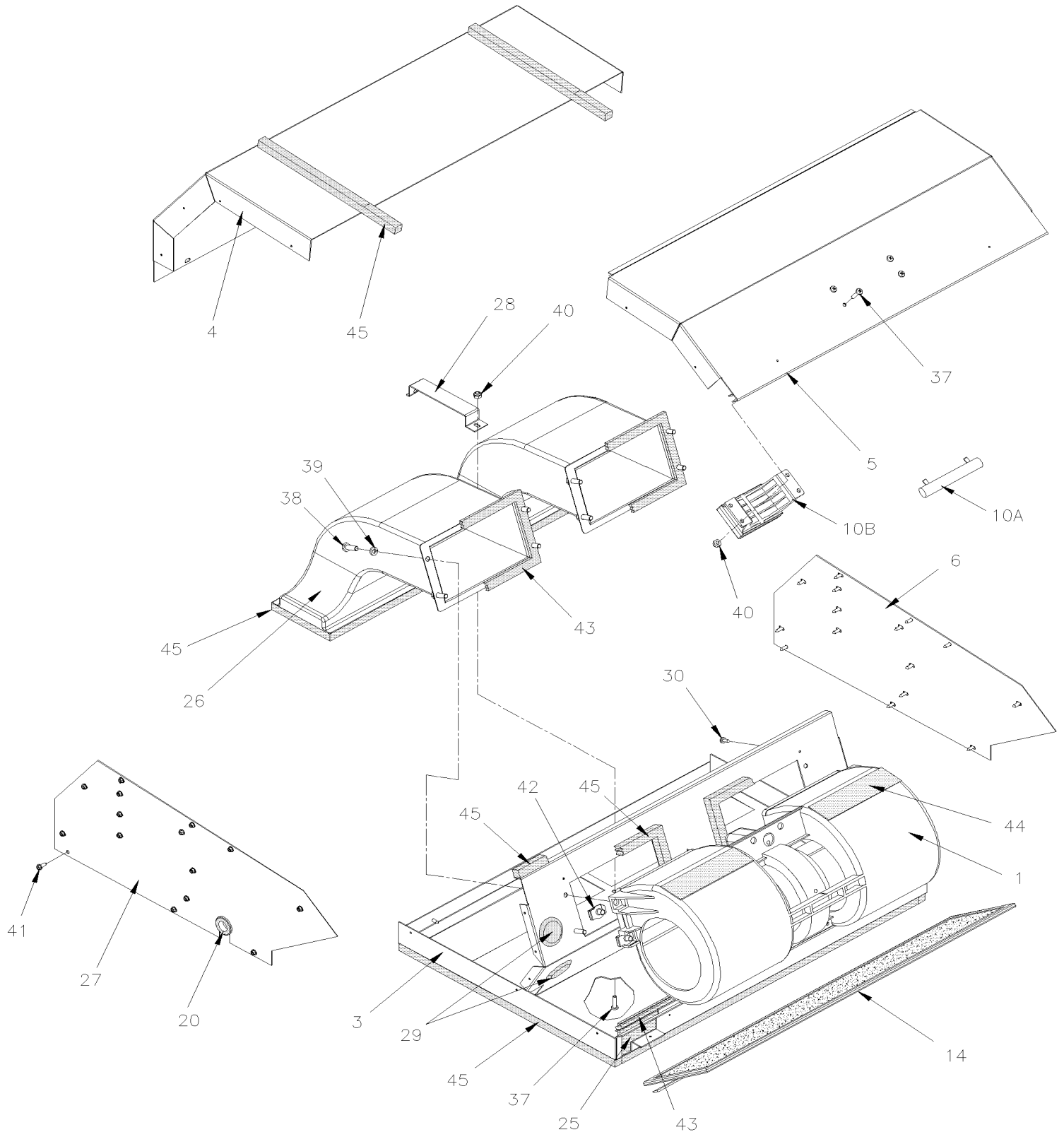


From Y-7046 To 6-8906

Date:10/2022

PAGE:Y2-2240-20

BLOWER VENTILATION - PARCEL RACK



| | | |
|---|--------------|-----------------|
| From Y-7046 To 6-8906 | Date:10/2022 | PAGE:Y2-2240-20 |
| BLOWER VENTILATION - PARCEL RACK | | |

| Item# | Part | Description | X L I I 4 5 | X L I I M T H 4 0 | X L I I M T H 4 5 | X L I I M T H 4 5 E | N O T E S |
|-------|-------------------|--|----------------------------|---|---|--|-----------------------|
| | 950328 | VENTILATION UNIT ASSY W/A/C SYSTEM | 1 | | | | |
| | 871173 | VENTILLATION UNIT ASSY | 1 | | | | |
| 1 | Y2-2240-25 | . BLOWER ASSY - PARCEL RACK | | | | | |
| 2 | 950321 | . EVAPORATOR COIL | 1 | | | | |
| 3 | 871266 | . BASE PLATE ASSY | 1 | | | | |
| 4 | 871189 | . TOP COVER | 1 | | | | |
| 5 | 871268 | . BLOWER COVER | 1 | | | | |
| 6 | 871267 | . LEFT SIDE PANEL | 1 | | | | |
| 7 | 871278 | . RIGHT SIDE PANEL FRONT | 1 | | | | |
| 8 | 871279 | . RIGHT SIDE PANEL REAR | 1 | | | | |
| 9 | 871280 | . SOLENOID MOUNTING BRACKET | 1 | | | | |
| 10A | 871261 | . RESISTOR 100 WATT / CYLINDRICAL | 1 | | | | |
| 10B | 871453 | . MODULE RESISTOR 100 WATT | 1 | | | | |
| 11 | 871264 | . WIRE HARNESS | 1 | | | | |
| 12 | 871282 | . LIQUID FREON SOLENOID | 1 | | | | |
| 13 | 871283 | . THERMOSTAT | 1 | | | | |
| 14 | 871159 | . FILTER 1/4" x 5 3/4" x 23" | 1 | | | | |
| 15 | 871277 | . EXPANSION VALVE | 1 | | | | |
| 16 | 503707 | . HOSE / PVC REINFORCED 1/2" I.D. 100' / S.L. | 2 | | | | |
| 17 | 5011230 | . UNION ELBOW 90° / HOSE BARB FITTING / #8x#8 PLAS | 1 | | | | |
| 18 | Call order desk | . HOSE CLAMP 1/2" | 3 | | | | P |
| 19 | G5009550 | . GROMMET 5/8" | 3 | | | | |
| 20 | N8889852 | . GROMMET | 1 | | | | |
| 21 | Call order desk | . MOLDING 5/16x172 | AR | | | | P |
| 22 | 871276 | . LO-SIDE TAIL PIPE ELBOW | 1 | | | | |
| 23 | 871275 | . HARDLINE - TXV TO COIL | 1 | | | | |
| 24 | 871281 | . HARDLINE - TXV TO SOLENOID | 1 | | | | |
| 25 | Call order desk | . NEOPRENE / 1/8" | AR | | | | P |
| 26 | 871262 | . DUCT ASSY | 2 | | | | |
| 27 | 871265 | . RIGHT SIDE PANEL | 1 | | | | |
| 28 | Call order desk | . BRACKET | 1 | | | | P |
| 29 | Call order desk | . HOLE PLUG 1 1/4" | 2 | | | | P |
| 30 | Call order desk | . SCREW TP PAN PH #8x1/2 | 4 | | | | P |
| 33 | 871273 | . DRAIN PAN | 1 | | | | |
| 34 | Call order desk | . INSERT / DRAIN PAN | 1 | | | | P |
| 35 | Call order desk | . FOAM / 1/8" | 1 | | | | P |
| 36 | Call order desk | . FOAM / 1/8" | 1 | | | | P |
| 37 | N8890509 | . SCREW MA PAN PH #10-32x3/4 ZP | 4 | | | | |
| 38 | Call order desk | . SCREW CAP HEX 1/4-20x3/4 | 4 | | | | P |
| 39 | N8892465 | . WASHER LO SPT 1/4 | 4 | | | | |
| 40 | Call order desk | . NUT HEX NYRT #10-32 | 4 | | | | P |
| 41 | Call order desk | . SCREW TC CAP HEXW SLT #8-32 X 1/2" | 35 | | | | P |

| | | |
|---|--------------|-----------------|
| From Y-7046 To 6-8906 | Date:10/2022 | PAGE:Y2-2240-20 |
| BLOWER VENTILATION - PARCEL RACK | | |

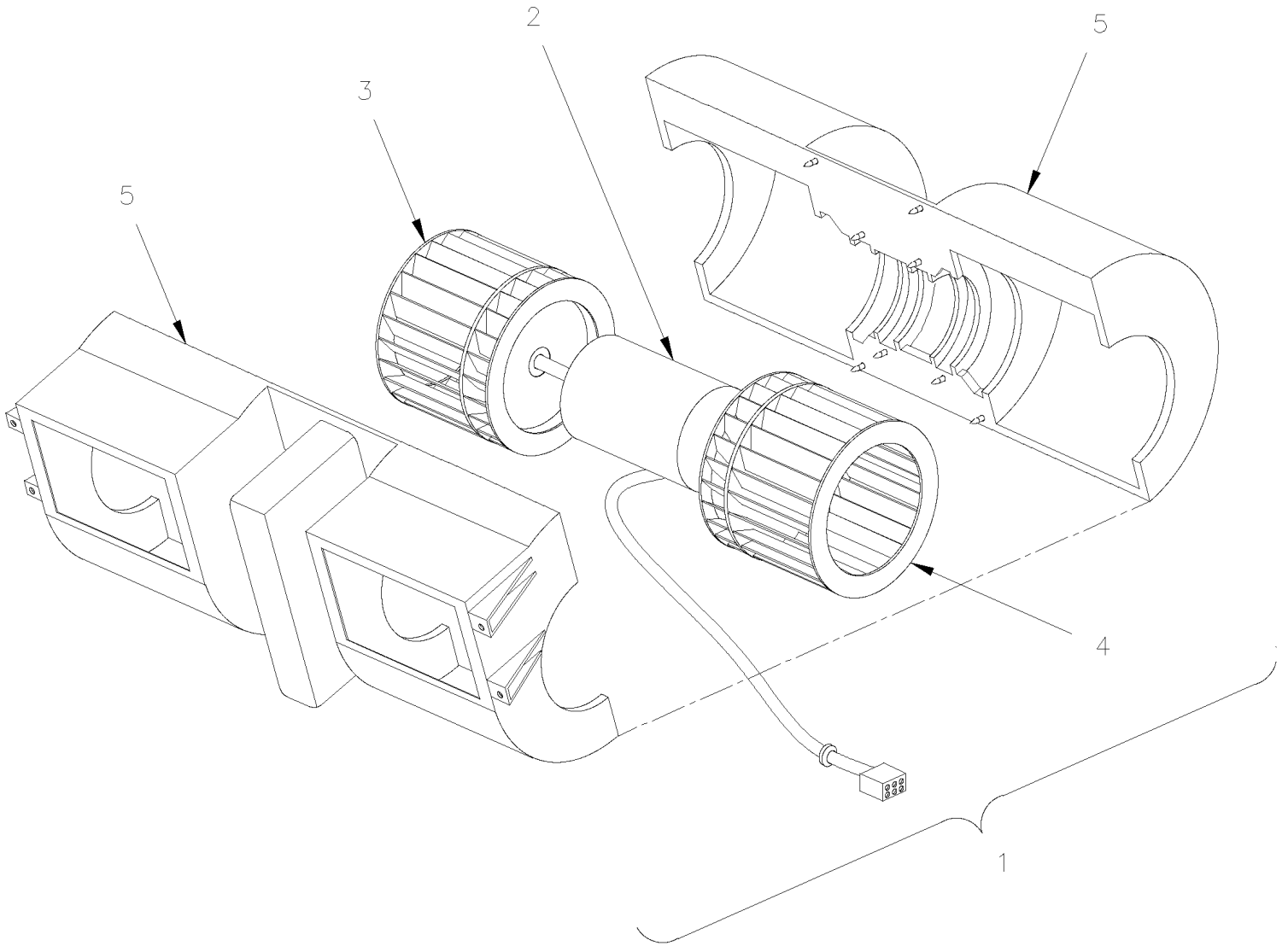
| Item# | Part | Description | X L I I 4 5 | X L I I M T H 4 0 | X L I I M T H 4 5 | X L I I M T H 4 5 E | N O T E S |
|-------|-------------------|---|----------------------------|---|---|--|-----------------------|
| 42 | Call order desk | . NUT SPR U 1/4-20 | 4 | | | | P |
| 43 | N8889679 | . FOAM / 3/16"x1/2" | AR | | | | |
| 44 | Call order desk | . FOAM / 1/16"x5" | AR | | | | P |
| 45 | Call order desk | . FOAM / 1/2"x1/2" | AR | | | | P |
| 48 | 453493 | HOSE ASSY / #6 245MM | 1 | | | | |
| . NS | 507278 | . O-RING / ORS FITTING / #4 NEO | 2 | | | | |
| 48 | 455253 | HOSE ASSY / #6 260MM | 1 | | | | S |
| . NS | 507278 | . O-RING / ORS FITTING / #4 NEO | 2 | | | | S |
| 49 | 453492 | HOSE ASSY / #10 250MM | 1 | | | | |
| . NS | 507344 | . O-RING / ORS FITTING / #10 NEO | 2 | | | | |
| 49 | 455252 | HOSE ASSY / #10 214MM | 1 | | | | S |
| . NS | 507344 | . O-RING / ORS FITTING / #10 NEO | 2 | | | | S |
| 50 | 453800 | HOSE 1/2" I.D. X 560MM From 4-8228 | 1 | | | | C |
| 50 | 453801 | HOSE 1/2" I.D. x 380MM From 4-8228 | 1 | | | | ST |
| 50 | 503707 | HOSE / PVC REINFORCED 1/2" I.D. 100' / S.L. From 4-8228 | AR | | | | |
| 51 | 453495 | HOSE 1/2" I.D. X 3800MM To 4-8227 | 1 | | | | |
| 51 | 453802 | HOSE 1/2" I.D. x 3400MM From 4-8228 | 1 | | | | |
| 51 | 503707 | . HOSE / PVC REINFORCED 1/2" I.D. 100' / S.L. | AR | | | | |
| 52 | 504230 | HOSE CLAMP / 3/8"-7/8" SS / HS-6 | 2 | | | | |
| 53 | 5011230 | UNION ELBOW 90° / HOSE BARB FITTING / #8x#8 PLAS | 1 | | | | |
| 54 | 504013 | TIE MOUNT / 1/4" X 1/4" I.D. | AR | | | | |
| 54 | 504273 | CABLE TIE / 1/8" X 3"1/2 | AR | | | | |
| 54 | 504118 | RIVET POP DOME OE 3/16x3/8 AL | AR | | | | |
| 60 | Y2-2245-30 | A/C AUXILIARY LINE / PARCEL RACK To 3-8164 | | | | | |
| 60 | Y2-2245-31 | A/C AUXILIARY LINE / PARCEL RACK From 4-8165 | | | | | |
| | | | | | | | |
| | | | | | | | |
| | | | | | | | |
| | | C) CURB SIDE | | | | | |
| | | S) SERVICE | | | | | |
| | | ST) SERVICE STREET SIDE | | | | | |
| | | P) CALL ORDER DESK FOR SPECIFIC APPLICATION (V.I.N.) | | | | | |

From Y-7046 To 6-8906

Date:10/2022

PAGE:Y2-2240-25

BLOWER ASSY - PARCEL RACK



| | | |
|----------------------------------|--------------|-----------------|
| From Y-7046 To 6-8906 | Date:10/2022 | PAGE:Y2-2240-25 |
| BLOWER ASSY - PARCEL RACK | | |

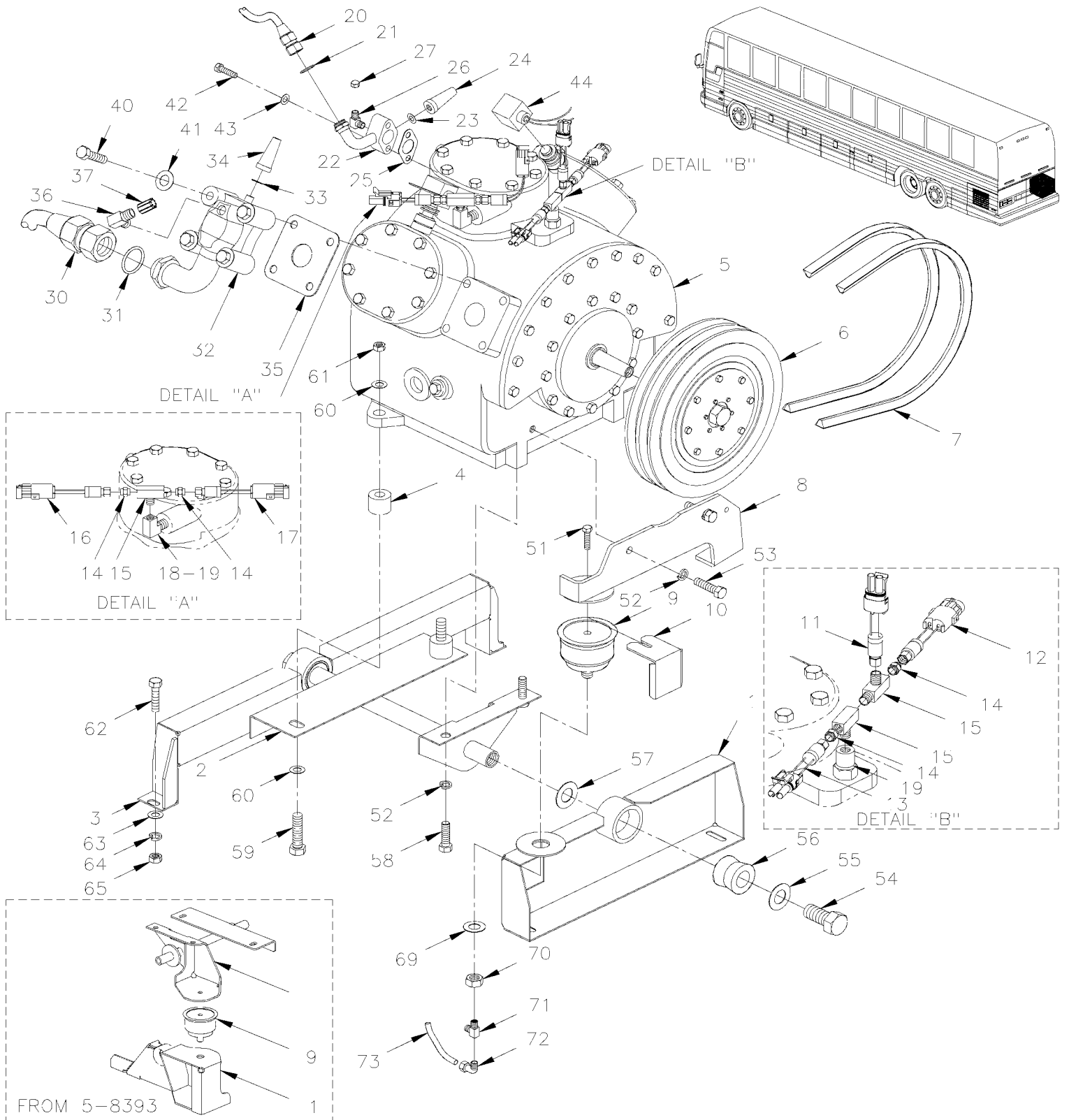
| Item# | Part | Description | X L I I 4 5 | X L I I M T H 4 0 | X L I I M T H 4 5 | X L I I M T H 4 5 E | N O T E S |
|-------|--------|--------------------|--------------------------------|---|---|--|-----------------------|
| 1 | 871157 | BLOWER ASSY 24V | 2 | | | | |
| 2 | N.P.N. | . MOTOR 24V | 1 | | | | 4 |
| 3 | N.P.N. | . BLOWER WHEEL | 1 | | | | 4 |
| 4 | N.P.N. | . BLOWER WHEEL | 1 | | | | 4 |
| 5 | N.P.N. | . HOUSING | 1 | | | | 4 |
| | | | | | | | |
| | | | | | | | |
| | | 4) NO PARTS NUMBER | | | | | |

From Y-7046 To 8-9339

Date:10/2022

PAGE:Y2-2245-00

A/C COMPRESSOR 05G - INSTALLATION



| | | |
|--|--------------|-----------------|
| From Y-7046 To 8-9339 | Date:10/2022 | PAGE:Y2-2245-00 |
| A/C COMPRESSOR 05G - INSTALLATION | | |

| Item# | Part | Description | X L I I 4 5 | X L I I M T H 4 0 | X L I I M T H 4 5 | X L I I M T H 4 5 E | N O T E S |
|-------|-------------------|--|----------------------------|---|---|--|-----------------------|
| 1 | 453041 | SUPPORT ASSY To 2-7809 | 1 | 1 | 1 | 1 | |
| 1 | 451082 | SUPPORT ASSY From 2-7810 To 4-8197 | 1 | 1 | 1 | 1 | |
| 1 | 453655 | SUPPORT ASSY From 4-8198 To 4-8358 | 1 | 1 | 1 | 1 | |
| 1 | 454190 | SUPPORT ASSY From 5-8359 | 1 | 1 | 1 | 1 | |
| 2 | 452733 | SUPPORT ASSY To 2-7809 | 1 | 1 | 1 | 1 | |
| 2 | 451086 | SUPPORT ASSY From 2-7810 To 4-8197 | 1 | 1 | 1 | 1 | |
| 2 | 453656 | SUPPORT ASSY From 4-8198 To 4-8358 | 1 | 1 | 1 | 1 | |
| 2 | 453651 | SUPPORT ASSY From 5-8359 | 1 | 1 | 1 | 1 | |
| 3 | 453312 | SUPPORT ASSY / W/60 To 2-7809 | 1 | | | | |
| 3 | 451073 | SUPPORT ASSY / W/60 From 2-7810 | 1 | | | | |
| 3 | 452732 | SUPPORT ASSY / W/60 To 2-7809 | | 1 | 1 | 1 | |
| 3 | 451053 | SUPPORT ASSY / W/60 From 2-7810 To 4-8197 | | 1 | 1 | 1 | |
| 3 | 453649 | SUPPORT OPPOSITE PULLEY SIDE W/60 From 4-8198 | 1 | 1 | 1 | 1 | |
| 4 | 452268 | SLEEVE SPACER | 2 | 2 | 2 | 2 | |
| 5 | Y2-2250-00 | A/C COMPRESSOR ASSY 05G - THREE PORT To 6-8795 | 1 | 1 | 1 | 1 | |
| 5 | Y2-2250-01 | A/C COMPRESSOR ASSY 05G - TWIN PORT From 6-8796 | 1 | 1 | 1 | 1 | |
| 6 | Y2-2246-00 | A/C CLUTCH 05G - HOUSING MOUNTED | | | | | |
| 7 | 506664 | V-BELT / BX-97 / SET OF 2 9212-0390 | | 1 | 1 | 1 | |
| 7 | 506681 | V-BELT / BX-100 9013-2100 | 1 | | | | |
| 8 | 453040 | TENSIONER FOR BELLOW To 2-7809 | 1 | 1 | 1 | 1 | |
| 8 | 452050 | TENSIONER FOR BELLOW From 2-7810 To 4-8197 | 1 | 1 | 1 | 1 | |
| 8 | 453647 | TENSIONER FOR BELLOW From 4-8198 To 4-8358 | 1 | 1 | 1 | 1 | |
| 9 | 950208 | BELLOW ASSY / BELT TENSIONER / 3" O.D. To 4-8358 | 1 | 1 | 1 | 1 | |
| NS | 504695 | . HOSE CLAMP STEPLESS SPRING SS / OETIKER / 2.9-3.3 To 4-8358 | 1 | 1 | 1 | 1 | |
| 9 | 550840 | BELLOW ASSY / BELT TENSIONER / 4" O.D. From 5-8359 | 1 | 1 | 1 | 1 | |
| 10 | 453059 | BELLOW PROTECTOR To 4-8358 | 1 | 1 | 1 | 1 | |
| 11 | 950246 | PRESSURE SWITCH N.C. 25-37 LO-UNLOAD W/WIRE BLACK | 1 | 1 | 1 | 1 | |
| 12 | 452831 | PRESSURE SWITCH N.O. 30-5 20SP001MA030C005C | 1 | 1 | 1 | 1 | |
| 13 | 950245 | PRESSURE SWITCH N.C. 20-30 LO-UNLOAD W/WIRE BLACK | 1 | 1 | 1 | 1 | |
| 14 | 950249 | SCHRADER VALVE 1/4NPT-M | 1 | 1 | 1 | 1 | |
| 15 | 501894 | MALE BRANCHE TEE / PIPE FITTING / 1/4NPT-Fx1/4NPT-Fx1/4NPT-M BR | 1 | 1 | 1 | 1 | |
| NS | 501338 | MALE RUN TEE / PIPE FITTING / 1/4NPT-Mx1/4NPT-Fx1/4NPT-F BR | 1 | 1 | 1 | 1 | |
| 16 | 453380 | PRESSURE SWITCH N.C. 350-245 20PS001MB350K245R | 1 | 1 | 1 | 1 | |
| 17 | 452421 | PRESSURE SWITCH N.O. 280-220 20SP001MA280K220R | 1 | 1 | 1 | 1 | |
| 17 | 950250 | HARNESS CABLE ASSY / SWITCHES & CLUTCH | 1 | 1 | 1 | 1 | |
| 18 | 501332 | STREET ELBOW 90° / PIPE FITTING / 1/4NPT-Mx1/4NPT-F BR | 1 | 1 | 1 | 1 | |
| 19 | 5011184 | FEMALE CONNECTOR / PIPE @ ORB / 1/4NPT-Fx#4ORB-M STL | AR | AR | AR | AR | |
| 20 | 452625 | HOSE ASSY / DISCHARGE W/R-134a / #16 485MM To Y-7143 | | 1 | 1 | 1 | |
| 20 | 453571 | HOSE ASSY / DISCHARGE W/R-134a / #16 485MM From Y-7144 To 1-7560 | | 1 | 1 | 1 | |
| 20 | 453718 | HOSE ASSY / DISCHARGE W/R-134a / #16 583MM / SS BELLOW From 1-7561 | | 1 | 1 | 1 | |
| 20 | 452725 | HOSE ASSY / DISCHARGE W/R-134a / #16 630MM To Y-7143 | 1 | | | | |
| 20 | 453572 | HOSE ASSY / DISCHARGE W/R-134a / #16 630MM From Y-7144 To 1-7560 | 1 | | | | |

| | | |
|--|--------------|-----------------|
| From Y-7046 To 8-9339 | Date:10/2022 | PAGE:Y2-2245-00 |
| A/C COMPRESSOR 05G - INSTALLATION | | |

| Item# | Part | Description | X L I I 4 5 | X L I I M T H 4 0 | X L I I M T H 4 5 | X L I I M T H 4 5 E | N O T E S |
|-------|-------------------|--|----------------------------|---|---|--|-----------------------|
| 20 | 453719 | HOSE ASSY / DISCHARGE W/R-134a / #16 737MM / SS BELLOW From 1-7561 | 1 | | | | |
| 20 | 505182 | . COIL PROTECTOR / PLASTIC / #16 | AR | AR | AR | AR | |
| 21 | 501802 | O-RING / ORS FITTING / #16 NEO | 2 | 2 | 2 | 2 | |
| 22 | 950267 | VALVE ASSY / DISCHARGE / W/R134A | 1 | 1 | 1 | 1 | |
| 22 | 950281 | VALVE ASSY / DISCHARGE / W/R134A | 1 | 1 | 1 | 1 | |
| 23 | 870751 | . GASKET | 1 | 1 | 1 | 1 | |
| 24 | 870752 | . GASKET, CAP SEAL | 1 | 1 | 1 | 1 | |
| 25 | 870753 | GASKET / DISCHARGE VALVE | 1 | 1 | 1 | 1 | |
| 26 | 5011133 | ELBOW 90° 1/8 NPT X M15 / W/R134A | 1 | 1 | 1 | 1 | |
| NS | 5011134 | GAUGE ADAPTOR ASSY M15 / W/BLACK CAP W/R134A | 1 | 1 | 1 | 1 | |
| 27 | 950287 | SCHROUDER CAP / HIGH PRESSURE | 1 | 1 | 1 | 1 | |
| 28 | 5011184 | FEMALE CONNECTOR / PIPE @ ORB / 1/4NPT-Fx#4ORB-M STL | AR | AR | AR | AR | |
| 30 | 452528 | HOSE ASSY / SUCTION W/R-134a / #20 1040MM | 1 | | | | |
| 30 | 453353 | HOSE ASSY / SUCTION W/R-134a / #20 1100MM To 7-9095 | | 1 | 1 | 1 | |
| 30 | 454304 | HOSE ASSY / SUCTION W/R-134a / #20 1000MM From 7-9096 | | 1 | 1 | 1 | |
| 31 | 501803 | O-RING / ORS FITTING / #20 NEO | 2 | 2 | 2 | 2 | |
| 32 | 950265 | VALVE ASSY / SUCTION / W/R134A | 1 | 1 | 1 | 1 | |
| 33 | 870751 | . GASKET | 1 | 1 | 1 | 1 | |
| 34 | 870752 | . GASKET, CAP SEAL | 1 | 1 | 1 | 1 | |
| 35 | 870754 | GASKET / SUCTION VALVE | 1 | 1 | 1 | 1 | |
| 36 | 5011131 | ELBOW 90° 1/4 NPT X M13 / W/R134A | 1 | 1 | 1 | 1 | |
| NS | 5011132 | GAUGE ADAPTOR ASSY M13 / W/BLACK CAP W/R134A | 1 | 1 | 1 | 1 | |
| 37 | 950288 | SCHROUDER CAP / LOW PRESSURE | 1 | 1 | 1 | 1 | |
| 40 | 870755 | SCREW CAP HEX 1/2-13x2 1/2 G5 ZP | 4 | 4 | 4 | 4 | |
| 41 | 870756 | GASKET | 4 | 4 | 4 | 4 | |
| 42 | 870877 | SCREW CAP HEX 5/16-18x2 G5 ZP | 2 | 2 | 2 | 2 | |
| 43 | 870750 | GASKET | 2 | 2 | 2 | 2 | |
| 44 | Y2-2250-15 | A/C ELECTRIC UNLOADER - W/05G COMPRESSOR | | | | | |
| 45 | 501037 | MALE ELBOW 90° / SAE 45° FITTING / #4FL-Mx1/4NPT-M BR | 1 | 1 | 1 | 1 | |
| NS | 5011184 | FEMALE CONNECTOR / PIPE @ ORB / 1/4NPT-Fx#4ORB-M STL | AR | AR | AR | AR | |
| 51 | 500845 | SCREW CAP HEX 5/16-18x1/2 G5 Z050 To 4-8358 | 1 | 1 | 1 | 1 | |
| 51 | 502926 | SCREW CAP HEX 3/8-16x7/8 G5 N500 From 5-8359 | 1 | 1 | 1 | 1 | |
| NS | 500832 | WASHER FL .406x.812x.065 N500 From 5-8359 | 1 | 1 | 1 | 1 | |
| 52 | 500478 | WASHER LO SPT .380x.683x.094 Z050 To 4-8358 | 2 | 2 | 2 | 2 | |
| 53 | 500191 | SCREW CAP HEX 3/8-16x1 G5 Z050 To 4-8358 | 2 | 2 | 2 | 2 | |
| 54 | 500225 | SCREW CAP HEX 5/8-11x1 G5 Z050 | 2 | 2 | 2 | 2 | |
| 55 | 5001151 | WASHER CON 16.5x50.0x4.5 ZP | 2 | 2 | 2 | 2 | |
| 56 | 630062 | BUSHING / RUBBER / (ONE PIECE) 2" x 1.005" I.D. | 2 | 2 | 2 | 2 | |
| 57 | 500997 | WASHER FL 1.062x2.500x.125 SS | 2 | 2 | 2 | 2 | |
| 58 | 500192 | SCREW CAP HEX 3/8-16x1 1/4 G5 Z050 | 2 | 2 | 2 | 2 | |
| 59 | 500096 | SCREW CAP HEX 1/2-20x3 G5 Z050 | 2 | 2 | 2 | 2 | |
| 60 | 500446 | WASHER FL .531x1.250x.125 Z050 | 4 | 4 | 4 | 4 | |

| | | |
|--|--------------|-----------------|
| From Y-7046 To 8-9339 | Date:10/2022 | PAGE:Y2-2245-00 |
| A/C COMPRESSOR 05G - INSTALLATION | | |

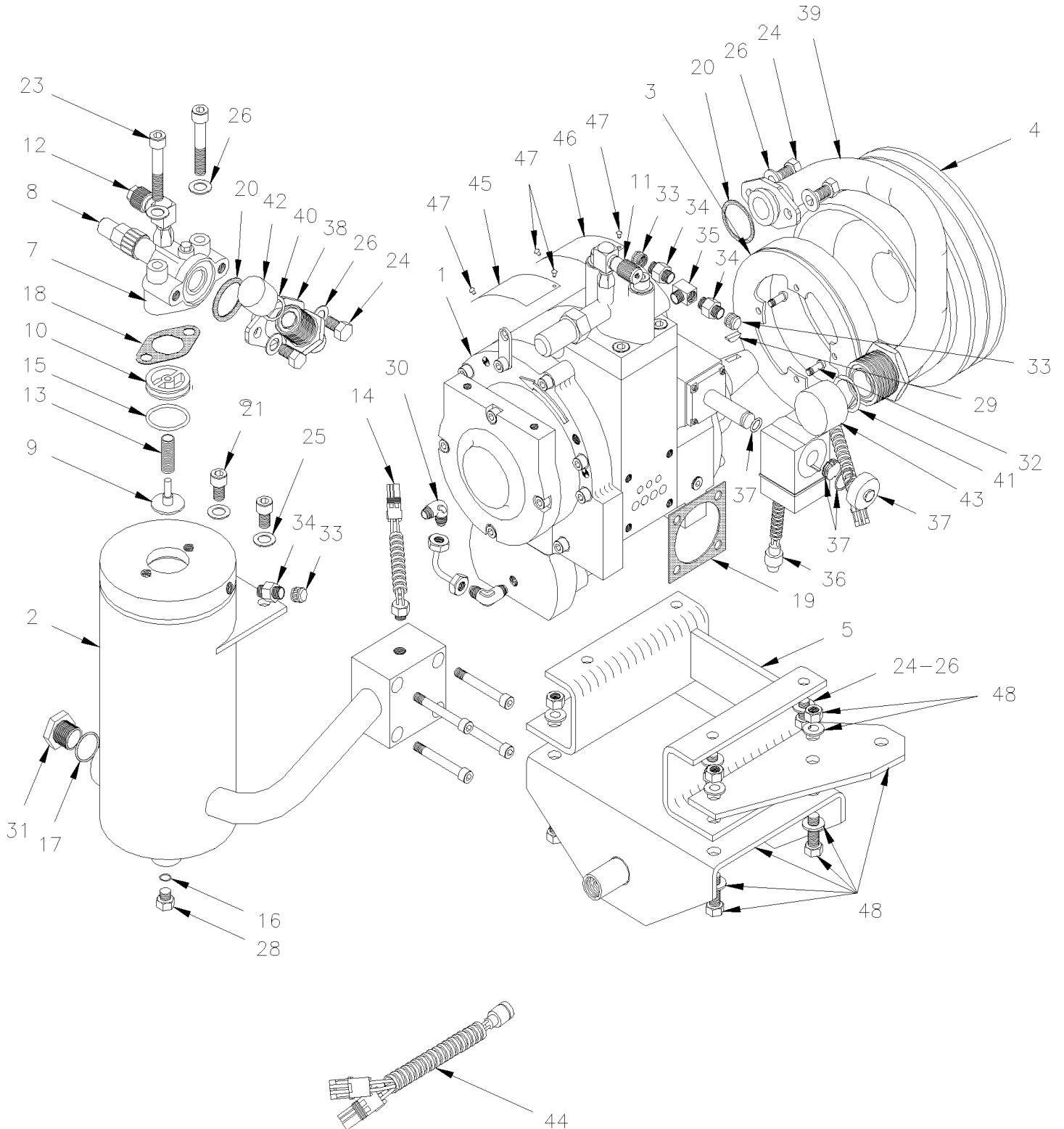
| Item# | Part | Description | X L I I 4 5 | X L I I M T H 4 0 | X L I I M T H 4 5 | X L I I M T H 4 5 E | N O T E S |
|-------|---------|--|----------------------------|---|---|--|-----------------------|
| 61 | 500718 | NUT HEX STO 1/2-20 Z050 | 2 | 2 | 2 | 2 | |
| 62 | 502549 | SCREW CAP HEX M10-1.5x35 G8.8 Z050 | 5 | 5 | 5 | 5 | |
| 63 | 500445 | WASHER FL .437x1.000x.083 Z050 | 5 | 5 | 5 | 5 | |
| 64 | 502616 | WASHER LO SPT 10.2x18.1x2.2 SS | 5 | 5 | 5 | 5 | |
| 65 | 500680 | NUT HEX STO M10-1.5 Z050 | 5 | 5 | 5 | 5 | |
| 69 | 5001150 | WASHER FL 17.0x30.0x3.0 N500 To 4-8358 | 1 | 1 | 1 | 1 | |
| 69 | 500218 | WASHER LO SPT .380x.683x.098 DP320 From 5-8359 | 1 | 1 | 1 | 1 | |
| 70 | 500792 | NUT HEX 5/8-11 Z050 To 4-8358 | 1 | 1 | 1 | 1 | |
| 70 | 502917 | NUT HEX JAM 3/4-16 G2 N500 From 5-8359 | 1 | 1 | 1 | 1 | |
| 71 | 501707 | ADAPTER TEE / SAE 45° FITTING / #4FL-Mx1/8NPT-Mx1/8NPT-F BR | 1 | 1 | 1 | 1 | |
| 72 | 641369 | MALE ELBOW 90° NON-SWIVEL / PUSH-IN FITTING / #4x1/8NPT-M BR | 1 | 1 | 1 | 1 | |
| 73 | 503402 | TUBE, NYLON 1/4 O.D. / BLACK S.L. | AR | AR | AR | AR | |
| | | | | | | | |
| | | | | | | | |
| | | | | | | | |

From Y-7046 To 7-9095

Date:10/2022

PAGE:Y2-2245-01

A/C COMPRESSOR "ROTOVANE" - INSTALLATION



| | | |
|---|--------------|-----------------|
| From Y-7046 To 7-9095 | Date:10/2022 | PAGE:Y2-2245-01 |
| A/C COMPRESSOR "ROTOVANE" - INSTALLATION | | |

| Item# | Part | Description | X L I I 4 5 | X L I I M T H 4 0 | X L I I M T H 4 5 | X L I I M T H 4 5 E | N O T E S |
|-------|----------|--------------------------------------|----------------------------|---|---|--|-----------------------|
| 1 | 950331 | A/C COMPRESSOR ASSY "ROTO-VANE" | 1 | | | | |
| 2 | 950337 | . OIL SEPARATOR ASSY | 1 | | | | |
| 3 | 950338 | . CLUTCH COIL 24V ASSY | 1 | | | | |
| 4 | 950339 | . CLUTCH PULLEY ASSY | 1 | | | | |
| 5 | 950340 | . STAND | 1 | | | | |
| 6 | 950341 | . OIL LINE ASSY | 1 | | | | |
| 7 | 950342 | . VALVE - SHUT OFF | 1 | | | | |
| 8 | 950343 | . VALVE STEM CAP | 1 | | | | |
| 9 | 950344 | . VALVE - DISCHARGE - NON RETURN | 1 | | | | |
| 10 | 950345 | . VALVE BRIDGE - DISCHARGE | 1 | | | | |
| 11 | 950346 | . LOW PRESSURE ADAPTOR HFC-134A-90° | 1 | | | | |
| 12 | 950347 | . HIGH PRESSURE ADAPTOR HFC-134A-90° | 1 | | | | |
| 13 | 950348 | . SPRING - NON RETURN VALVE | 1 | | | | |
| 14 | 950349 | . TEMPERATURE SWITCH | 1 | | | | |
| 15 | 950350 | . O-RING NO.2-220 - VITON V0747 | 1 | | | | |
| 16 | 950351 | . O-RING NO.3-906 - VITON V0747 | 1 | | | | |
| 17 | 950352 | . O-RING NO. -024 - TEFLON Z1415-95 | 1 | | | | |
| 18 | 950354 | . GASKET - FLANGE | 1 | | | | |
| 19 | 950353 | . GASKET - DISCHARGE MANIFOLD | 1 | | | | |
| 20 | 950355 | . GASKET - 42 O.D. X 35 I.D. | 2 | | | | |
| 21 | 502755 | . SCREW CAP HEXS M8-1.25x20 PT Z050 | 2 | | | | |
| 22 | 70314704 | . SCREW CAP HEXS M8-1.25x50 G8.8 ZP | 4 | | | | |
| 23 | 70314705 | . SCREW CAP HEXS M10-1.5x60 G8.8 ZP | 2 | | | | |
| 24 | N.P.N. | . HEX. CAP SCREW (M10X1.5) X 20 | 8 | | | | 4 |
| 25 | N.P.N. | . WASHER - PLAIN M8 | 2 | | | | 4 |
| 26 | N.P.N. | . WASHER - PLAIN M10 | 10 | | | | 4 |
| 27 | N.P.N. | . PLUG 1/8" NPT | 1 | | | | 4 |
| 28 | N.P.N. | . PLUG 9/16" - 18 | 1 | | | | 4 |
| 29 | 950356 | . KEY - WOODRUFF 5 X 6.5 | 1 | | | | |
| 30 | N.P.N. | . ELBOW 1/4" X 1/8" NPT | 2 | | | | 4 |
| 31 | 950357 | . SIGHTGLASS 1-1/8" UNEF | 1 | | | | |
| 32 | 70314706 | . SCREW MA PAN PH M6-1.0x10 ZP | 4 | | | | |
| 33 | N.P.N. | . PLASTIC CAP | 3 | | | | 4 |
| 34 | 950030 | . SCHRADER VALVE 1/8NPT-M | 3 | | | | |
| 35 | N.P.N. | . PIPE FITTING TEE 1/8" NPT | 1 | | | | 4 |
| 36 | 950359 | . SOLENOID COIL 24V ASSY | 1 | | | | |
| 37 | 950360 | . SEAL KIT | 1 | | | | |
| 38 | 950361 | . DISCHARGE TUBE ASSY | 1 | | | | |
| 39 | 950362 | . SUCTION TUBE ASSY | 1 | | | | |
| 40 | 950363 | . O-RING | 1 | | | | |
| 41 | 950364 | . O-RING | 1 | | | | |
| 42 | N.P.N. | . PLASTIC CAP TS-16 | 1 | | | | 4 |

| | | |
|-----------------------|--------------|-----------------|
| From Y-7046 To 7-9095 | Date:10/2022 | PAGE:Y2-2245-01 |
|-----------------------|--------------|-----------------|

A/C COMPRESSOR "ROTOVANE" - INSTALLATION

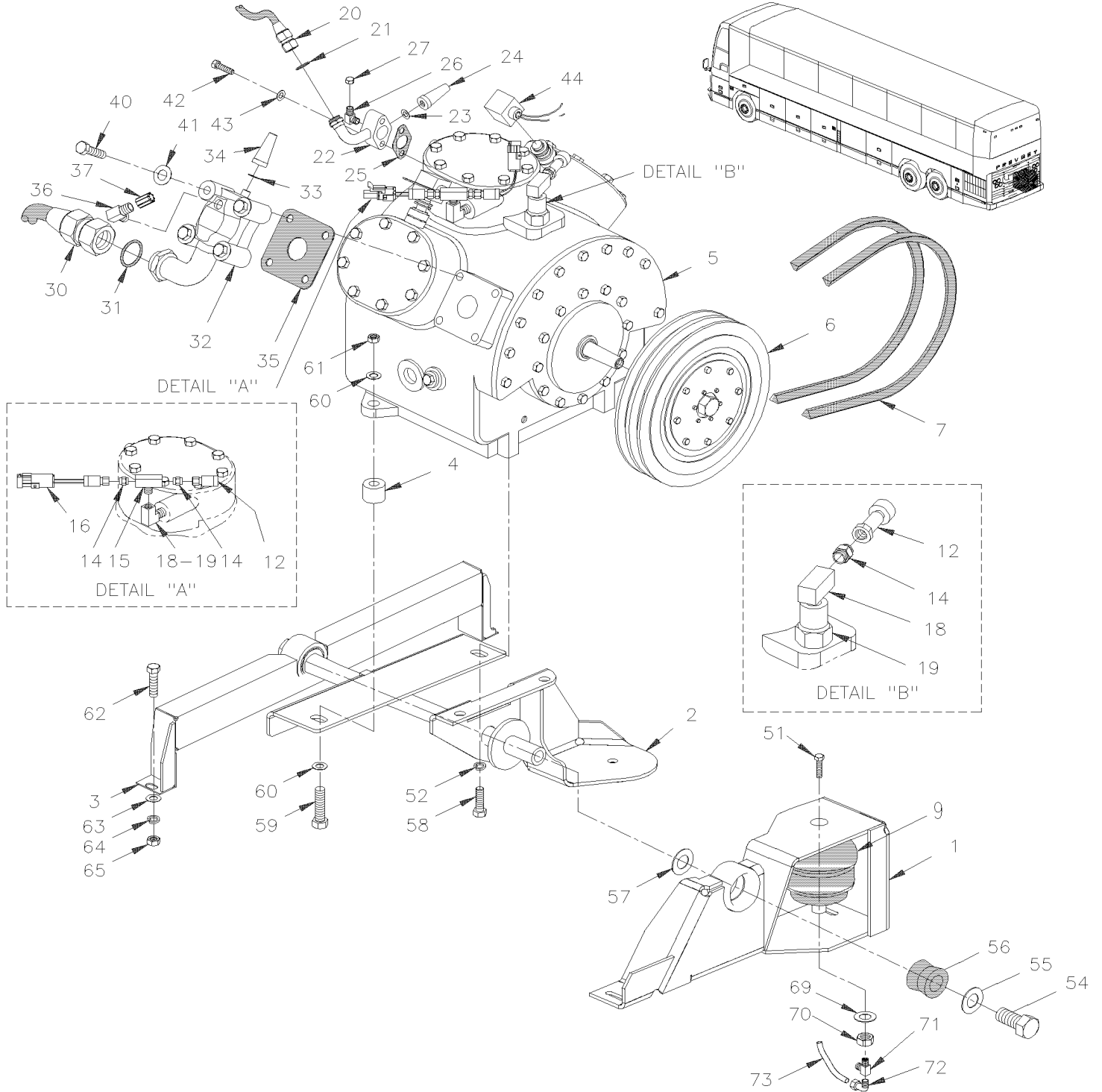
| Item# | Part | Description | X L I I 4 5 | X L I I M T H 4 0 | X L I I M T H 4 5 | X L I I M T H 4 5 E | N O T E S |
|-------|---------|---------------------------|--------------------------------|---|---|--|-----------------------|
| 43 | N.P.N. | . PLASTIC CAP TS-20 | 1 | | | | 4 |
| 44 | 950365 | . WIRING HARNESS | 1 | | | | |
| 45 | N.P.N. | . LABEL - PART NO. | 1 | | | | 4 |
| 46 | N.P.N. | . LABEL - ALUMINUM | 1 | | | | 4 |
| 47 | 5001197 | . SCREW DRV RND #4x1/4 ZP | 4 | | | | |
| 48 | 950366 | . MOUNTING BASE - KIT | 1 | | | | |
| | | | | | | | |
| | | | | | | | |
| | | 4) NO PARTS NUMBER | | | | | |

From 7-9096 To 8-9339

Date:10/2022

PAGE:Y2-2245-03

A/C COMPRESSOR 05G - INSTALLATION - MUX



| | | |
|--|--------------|-----------------|
| From 7-9096 To 8-9339 | Date:10/2022 | PAGE:Y2-2245-03 |
| A/C COMPRESSOR 05G - INSTALLATION - MUX | | |

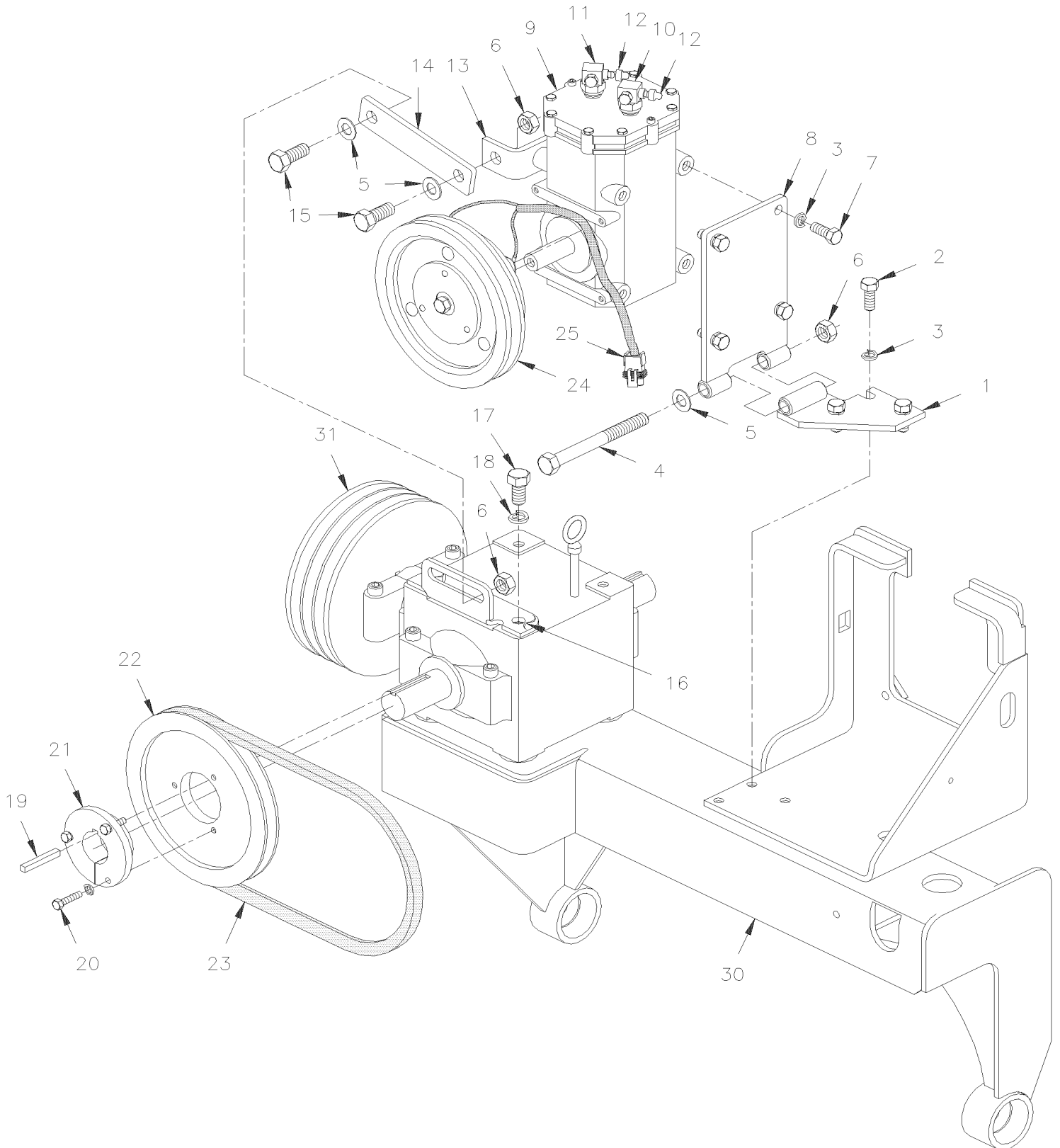
| Item# | Part | Description | X L I I 4 5 | X L I I M T H 4 0 | X L I I M T H 4 5 | X L I I M T H 4 5 E | N O T E S |
|-------|-------------------|---|----------------------------|---|---|--|-----------------------|
| 1 | 454190 | SUPPORT ASSY | | | 1 | 1 | |
| 2 | 453651 | SUPPORT ASSY | | | 1 | 1 | |
| 3 | 453649 | SUPPORT OPPOSITE PULLEY SIDE W/60 | | | 1 | 1 | |
| 4 | 452268 | SLEEVE SPACER | | | 2 | 2 | |
| 5 | Y2-2250-00 | A/C COMPRESSOR ASSY 05G - THREE PORT | | | | | |
| 6 | Y2-2246-00 | A/C CLUTCH 05G - HOUSING MOUNTED | | | | | |
| 7 | 506864 | V-BELT / BX-100 / SET OF 2 9212-0404 | | | 1 | 1 | |
| 7 | 506681 | V-BELT / BX-100 9013-2100 | | | AR | AR | |
| 9 | 550840 | BELLOW ASSY / BELT TENSIONER / 4" O.D. | | | 1 | 1 | |
| 11 | 950246 | PRESSURE SWITCH N.C. 25-37 LO-UNLOAD W/WIRE BLACK | | | 1 | 1 | |
| 12 | 563423 | TRANSDUSER -6.7 to 420 LBS / 1/8 NPT-F | | | 2 | 2 | |
| NS | 563159 | . CONNECTOR / METRI-PACK 150 / SH 3C / PED 12065287 | | | 1 | 1 | |
| 13 | 950245 | PRESSURE SWITCH N.C. 20-30 LO-UNLOAD W/WIRE BLACK | | | 1 | 1 | |
| NS | 501338 | MALE RUN TEE / PIPE FITTING / 1/4NPT-Mx1/4NPT-Fx1/4NPT-F BR | | | 1 | 1 | |
| 14 | 950249 | SCHRADER VALVE 1/4NPT-M | | | 1 | 1 | |
| 15 | 501894 | MALE BRANCHE TEE / PIPE FITTING / 1/4NPT-Fx1/4NPT-Fx1/4NPT-M BR | | | 1 | 1 | |
| 16 | 453380 | PRESSURE SWITCH N.C. 350-245 20PS001MB350K245R | | | 1 | 1 | |
| 18 | 501332 | STREET ELBOW 90° / PIPE FITTING / 1/4NPT-Mx1/4NPT-F BR | | | 1 | 1 | |
| 19 | 5011184 | FEMALE CONNECTOR / PIPE @ ORB / 1/4NPT-Fx#4ORB-M STL | | | AR | AR | |
| 20 | 454275 | HOSE ASSY / DISCHARGE W/R-134a / #16 687MM / SS BELLOW | | | 1 | 1 | |
| 21 | 507345 | O-RING / ORS FITTING / #16 NEO | | | 2 | 2 | |
| 22 | 950378 | VALVE ASSY / DISCHARGE / W/R134A | | | 1 | 1 | |
| 23 | 870751 | . GASKET | | | 1 | 1 | |
| 24 | 870752 | . GASKET, CAP SEAL | | | 1 | 1 | |
| 25 | 870753 | GASKET / DISCHARGE VALVE | | | 1 | 1 | |
| 26 | 5011133 | ELBOW 90° 1/8 NPT X M15 / W/R134A | | | 1 | 1 | |
| NS | 5011134 | GAUGE ADAPTOR ASSY M15 / W/BLACK CAP W/R134A | | | 1 | 1 | |
| 27 | 950287 | SCHROUDER CAP / HIGH PRESSURE | | | 1 | 1 | |
| 30 | 454304 | HOSE ASSY / SUCTION W/R-134a / #20 1000MM | | | 1 | 1 | |
| 31 | 507346 | O-RING / ORS FITTING / #24 NEO | | | 2 | 2 | |
| 32 | 950264 | VALVE ASSY / SUCTION / W/R134A | | | 1 | 1 | |
| 33 | 870751 | . GASKET | | | 1 | 1 | |
| 34 | 870752 | . GASKET, CAP SEAL | | | 1 | 1 | |
| 35 | 870754 | GASKET / SUCTION VALVE | | | 1 | 1 | |
| 36 | 5011131 | ELBOW 90° 1/4 NPT X M13 / W/R134A | | | 1 | 1 | |
| NS | 5011132 | GAUGE ADAPTOR ASSY M13 / W/BLACK CAP W/R134A | | | 1 | 1 | |
| 37 | 950288 | SCHROUDER CAP / LOW PRESSURE | | | 1 | 1 | |
| 40 | 870755 | SCREW CAP HEX 1/2-13x2 1/2 G5 ZP | | | 4 | 4 | |
| 41 | 870756 | GASKET | | | 4 | 4 | |
| 42 | 870877 | SCREW CAP HEX 5/16-18x2 G5 ZP | | | 2 | 2 | |
| 43 | 870750 | GASKET | | | 2 | 2 | |
| 44 | Y2-2250-15 | A/C ELECTRIC UNLOADER - W/05G COMPRESSOR | | | | | |

From Y-7046 To 3-8164

Date:10/2022

PAGE:Y2-2245-10

A/C COMPRESSOR SMALL - INSTALLATION



| | | |
|--|--------------|-----------------|
| From Y-7046 To 3-8164 | Date:10/2022 | PAGE:Y2-2245-10 |
| A/C COMPRESSOR SMALL - INSTALLATION | | |

| Item# | Part | Description | X L I I 4 5 | X L I I M T H 4 0 | X L I I M T H 4 5 | X L I I M T H 4 5 E | N O T E S |
|-------|-------------------|---|----------------------------|---|---|--|-----------------------|
| 1 | 452444 | PIVOT ASSY / SUPPORT | 1 | 1 | 1 | 1 | |
| 2 | 502559 | SCREW CAP HEX M10-1.5x25 G8.8 Z050 | 3 | 3 | 3 | 3 | |
| 3 | 500257 | WASHER LO SPT 10.2x18.1x2.2 Z050 | 9 | 9 | 9 | 9 | |
| 4 | 500105 | SCREW CAP HEX 1/2-20x5 1/2 G5 ZP | 1 | 1 | 1 | 1 | |
| 5 | 571351 | WASHER, 1/2" I.D. FLAT | 5 | 5 | 5 | 5 | |
| 6 | 500718 | NUT HEX STO 1/2-20 Z050 | 5 | 5 | 5 | 5 | |
| 7 | 500191 | SCREW CAP HEX 3/8-16x1 G5 Z050 | 6 | 6 | 6 | 6 | |
| 8 | 452471 | PIVOT ASSY / COMPRESSOR | 1 | 1 | 1 | 1 | |
| 9 | 950219 | A/C COMPRESSOR ASSY "TECUMSEH" / R-134A | 1 | 1 | 1 | 1 | |
| 9 | 950393 | A/C COMPRESSOR ASSY "CCI" / R-134A | 1 | 1 | 1 | 1 | S |
| 9 | 950487 | KEY / SHAFT | 1 | 1 | 1 | 1 | |
| 10 | 950076 | VALVE ASSY / DISCHARGE / W/O-RING 1/2" / W/"TECUMSEH" COMPRESSOR | 1 | 1 | 1 | 1 | |
| 10 | 950235 | GAUGE ADAPTOR ASSY / W/BLUE CAP FOR R-134A / SUCTION SIDE (ALUMINUM) | 1 | 1 | 1 | 1 | |
| NS | 950368 | ADAPTOR FITTING / O-RING PORT TO ROTOLOCK | 2 | 2 | 2 | 2 | A |
| NS | 950369 | SEAL TEFLON / O-RING PORT TO ROTOLOCK | 2 | 2 | 2 | 2 | A |
| NS | 950383 | SEAL TEFLON / O-RING PORT TO ROTOLOCK | 2 | 2 | 2 | 2 | A |
| 11 | 950077 | VALVE ASSY / SUCTION / W/O-RING 5/8" / W/"TECUMSEH" COMPRESSOR | 1 | 1 | 1 | 1 | |
| 11 | 950234 | GAUGE ADAPTOR ASSY / W/RED CAP FOR R-134A / DISCHARGE SIDE (ALUMINUM) | 1 | 1 | 1 | 1 | |
| 12 | 950157 | . CAP VALVE / PROTECTOR / STEEL | 1 | 1 | 1 | 1 | |
| 13 | 453122 | TENSIONNER SUPPORT | 1 | 1 | 1 | 1 | |
| 14 | 452442 | TENSIONNER | 2 | 2 | 2 | 2 | |
| 15 | 500086 | SCREW CAP HEX 1/2-20x1 1/4 G5 Z050 | 4 | 4 | 4 | 4 | |
| 16 | 452443 | TENSIONER BRACKET / GEARBOX | 2 | 2 | 2 | 2 | |
| 17 | 500213 | SCREW CAP HEX 1/2-13x1 G5 Z050 | 4 | 4 | 4 | 4 | |
| 18 | 500482 | WASHER LO SPT .506x.873x.125 Z050 | 4 | 4 | 4 | 4 | |
| 19 | 550186 | KEY 1/4" X 1/4" X 1 1/4" | 1 | 1 | 1 | 1 | |
| 20 | 500167 | SCREW CAP HEX 1/4-20x1 1/4 G5 PT Z050 | 3 | 3 | 3 | 3 | |
| NS | 500473 | WASHER LO SPT .262x.489x.062 Z050 | 3 | 3 | 3 | 3 | |
| 21 | 950230 | CONE BUSHING 1 1/4 I.D X 2 1/8 O.D. X 3 5/16 | 1 | 1 | 1 | 1 | |
| 22 | 950211 | PULLEY DRIVE 7.15 O.D. / SINGLE "V" | 1 | 1 | 1 | 1 | |
| 23 | 506685 | V-BELT / A-35 9002-2035 | 1 | 1 | 1 | 1 | |
| 24 | 950079 | PULLEY ASSY W/COIL 24V | 1 | 1 | 1 | 1 | |
| 25 | 561566 | CONNECTOR / WEATHER PACK / PH 2C / BLACK / PED 12010973 | 1 | 1 | 1 | 1 | |
| NS | 561568 | PIN TERMINAL / 16-14 / PED 12089305 | 2 | 2 | 2 | 2 | |
| NS | 561565 | CABLE SEAL / GREEN / PED 15324982 | 2 | 2 | 2 | 2 | |
| 30 | Y2-0520-00 | FAN DRIVE - INSTALLATION - SHORT | | | | | |
| 31 | Y2-0520-00 | FAN DRIVE - INSTALLATION - SHORT | | | | | |
| NS | 451144 | OIL DIPSTICK / (REQUIRED TO CHANGE) | 1 | 1 | 1 | 1 | |
| NS | 454222 | KIT, RETROFIT "SELTEC" COMPRESSOR / W/MTH 40' To 3-8164 | | 1 | | | C |
| . NS | IS-04009 | . SEE INSTRUCTION SHEET To 3-8164 | | 1 | | | C |
| NS | 454223 | KIT, RETROFIT "SELTEC" COMPRESSOR / W/MTH 45' To 3-8164 | | | | 1 | |
| . NS | IS-04009 | . SEE INSTRUCTION SHEET To 3-8164 | | | | 1 | |

From Y-7046 To 3-8164 Date:10/2022 PAGE:Y2-2245-10

A/C COMPRESSOR SMALL - INSTALLATION

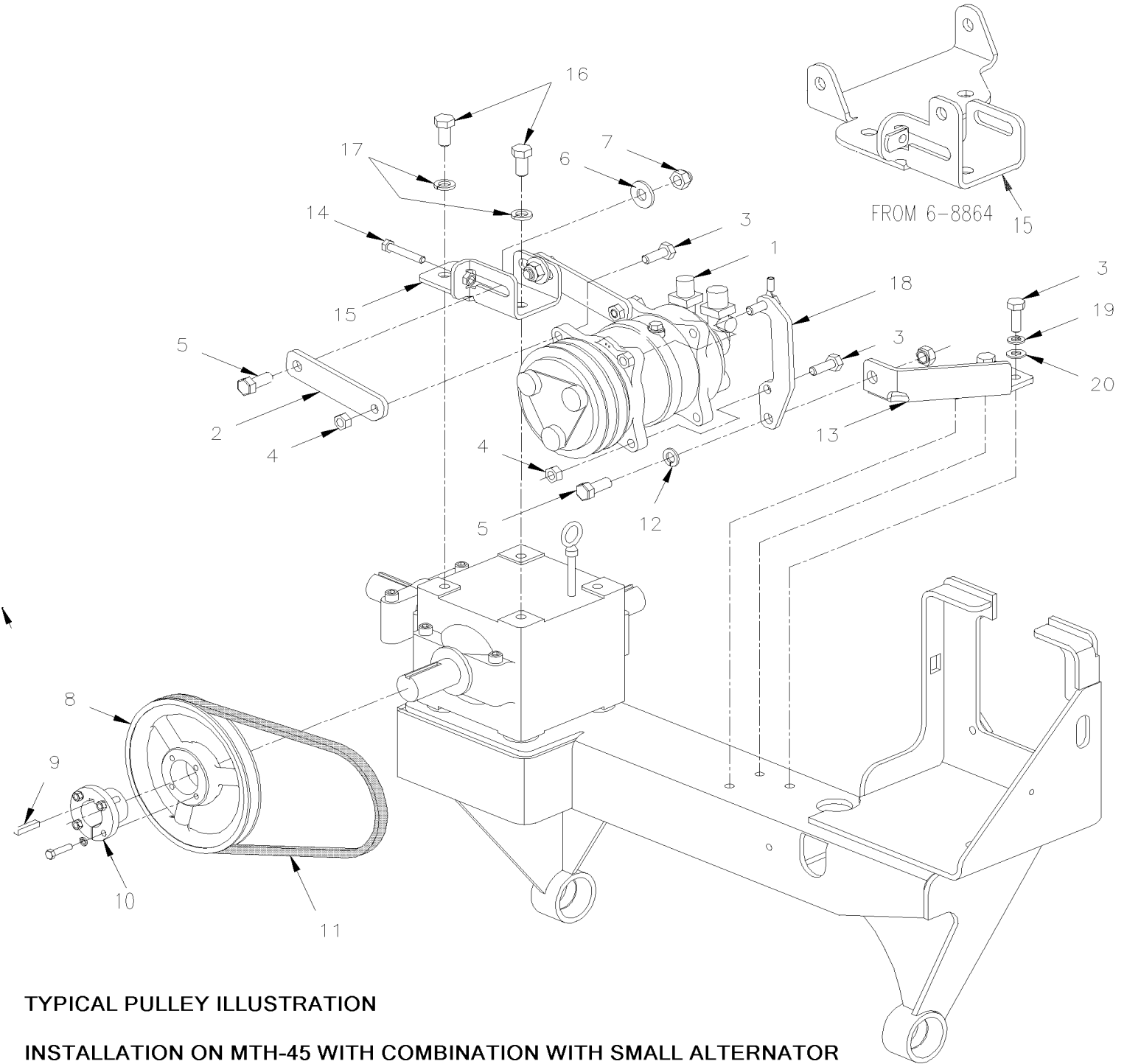
| Item# | Part | Description | X L I I 4 5 | X L I I M T H 4 0 | X L I I M T H 4 5 | X L I I M T H 4 5 E | N O T E S |
|-------|----------|---|----------------------------|---|---|--|-----------------------|
| NS | 454140 | KIT, RETROFIT "SELTEC" COMPRESSOR / W/A/C IN PARCEL RACK ONLY To 3-8164 | 1 | | | | B |
| . NS | IS-03045 | . SEE INSTRUCTION SHEET To 3-8164 | 1 | | | | B |
| NS | 453897 | KIT, RETROFIT "SELTEC" COMPRESSOR /W/W5 ONLY To 3-8164 | | | 1 | | |
| . NS | IS-03152 | . SEE INSTRUCTION SHEET To 3-8164 | | | 1 | | |
| | | | | | | | |
| | | | | | | | |
| | | A) SOME COMPRESSOR MODEL REQUIRES ALL THOSE ITEMS TO INSTALL SERVICING VALVE INLET AND OUTLET | | | | | |
| | | B) THIS KIT INCLUDES ALL COMPONENTS FOR BUS EQUIPPED WITH A/C IN PARCEL RACK | | | | | |
| | | C) THIS KIT INCLUDES ALL COMPONENTS FOR MTH | | | | | |
| | | S) SERVICE AFTERMARKET | | | | | |

From 4-8165 To 8-9339

Date:10/2022

PAGE:Y2-2245-11

A/C COMPRESSOR SMALL - INSTALLATION



TYPICAL PULLEY ILLUSTRATION

INSTALLATION ON MTH-45 WITH COMBINATION WITH SMALL ALTERNATOR

SEE PAGE Y2-0610-54

| | | |
|-----------------------|--------------|-----------------|
| From 4-8165 To 8-9339 | Date:10/2022 | PAGE:Y2-2245-11 |
|-----------------------|--------------|-----------------|

A/C COMPRESSOR SMALL - INSTALLATION

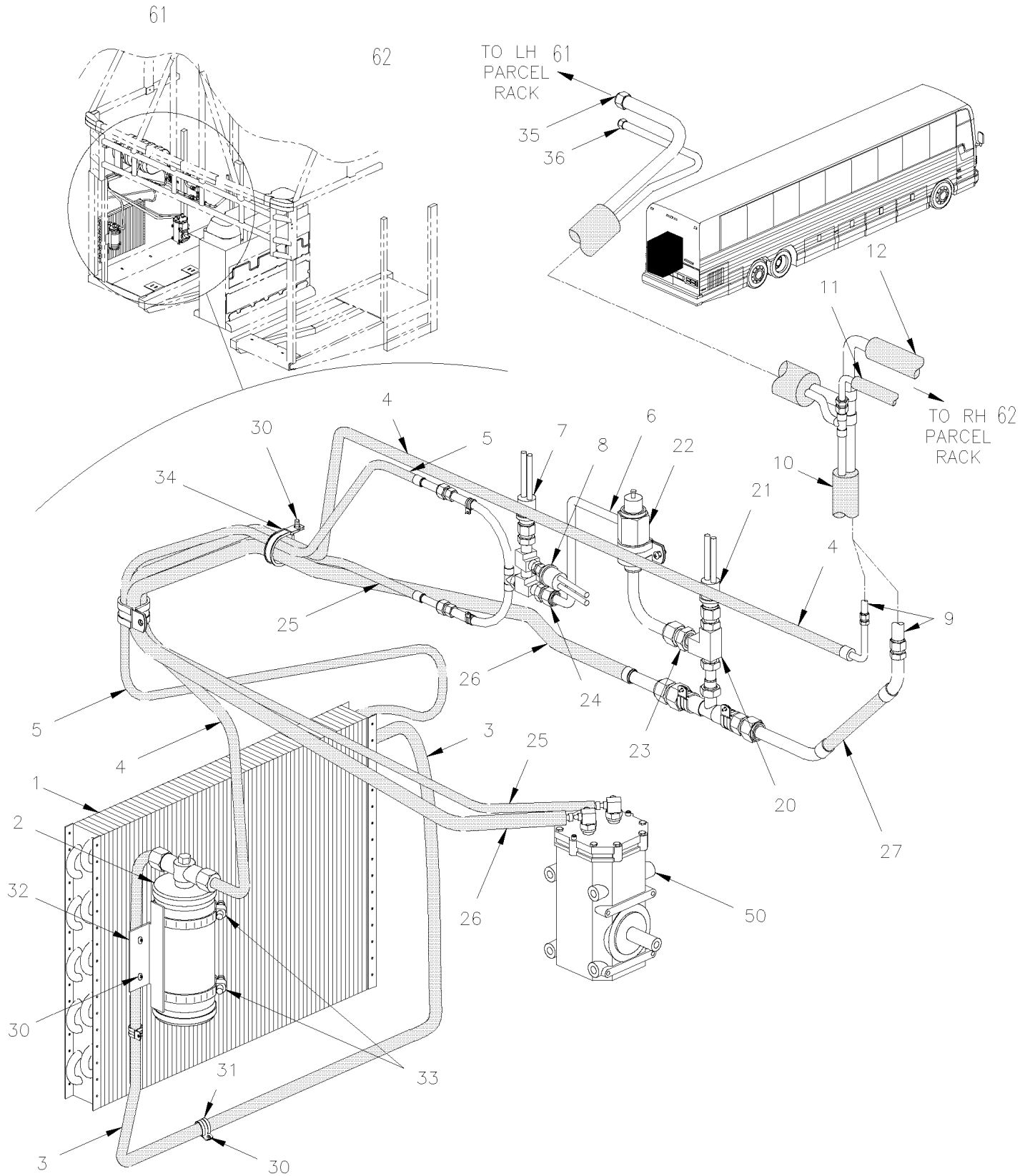
| Item# | Part | Description | X L I I 4 5 | X L I I M T H 4 0 | X L I I M T H 4 5 | X L I I M T H 4 5 E | N O T E S |
|-------|-------------------|--|----------------------------|---|---|--|-----------------------|
| 1 | 950372 | A/C COMPRESSOR ASSY "TH16HD" | 1 | 1 | 1 | 1 | |
| . NS | 950445 | . MANIFOLD FITTING 3/4-16 & 7/8-14 | 1 | 1 | 1 | 1 | |
| 2 | 454060 | TENSIONER 116.6MM C/C To 4-8228 | 2 | 2 | 2 | 2 | |
| 2 | 454143 | TENSIONER 122.7MM C/C From 4-8229 | 2 | 2 | | 2 | |
| 2 | 454143 | TENSIONER 122.7MM C/C From 4-8829 To 6-8863 | | | 2 | | |
| 2 | 454316 | TENSIONER 122.7MM C/C / OFFSET From 6-8864 | | | 2 | | |
| 3 | 500603 | SCREW CAP HEX SLT #10-24x2 Z050 | 7 | 7 | 7 | 7 | |
| 4 | 5001758 | NUT HEX STO M10-1.5 N500 | 4 | 4 | 4 | 4 | |
| 5 | 970970 | SCREW CAP HEX M12-1.75x30 G8.8 ZG603 | 3 | 3 | 3 | 3 | |
| 6 | 971084 | NUT HEX STO M12-1.75 ZG603 | 2 | 2 | 2 | 2 | |
| 7 | 500211 | WASHER FL .531x1.250x.125 N500 | 2 | 2 | 2 | 2 | |
| 8 | 950374 | PULLEY DRIVE 7.25 O.D. / SINGLE "V" To 4-4952 | 1 | 1 | 1 | 1 | |
| 8 | 950388 | PULLEY DRIVE 7.25 O.D. / SINGLE "V" From 4-4953 To 5-8631 | 1 | 1 | 1 | 1 | |
| 8 | 950392 | PULLEY DRIVE 7.25 O.D. / DOUBLE "V" From 5-8632 | 1 | 1 | | 1 | |
| 8 | 950392 | PULLEY DRIVE 7.25 O.D. / DOUBLE "V" To 6-8863 | | | 1 | | |
| 8 | 950397 | PULLEY DRIVE 7.15 O.D. / TRIPLE "V" From 6-8864 | | | 1 | | |
| 9 | 550186 | KEY 1/4" X 1/4" X 1 1/4" | 1 | 1 | | 1 | |
| 9 | 550186 | KEY 1/4" X 1/4" X 1 1/4" To 6-8863 | | | 1 | | |
| 9 | 550293 | KEY 1/4" X 1/4" X 1 13/16" From 6-8864 | | | 1 | | |
| 10 | 950375 | CONE BUSHING 1 1/4 I.D X 2 1/8 O.D. X 3 5/16 To 4-4952 | 1 | 1 | 1 | 1 | |
| 10 | 950389 | CONE BUSHING 1 1/4 I.D X 2 1/8 O.D. X 3 5/16 From 4-4953 | 1 | 1 | | 1 | |
| 10 | 950389 | CONE BUSHING 1 1/4 I.D X 2 1/8 O.D. X 3 5/16 From 4-4953 To 6-8863 | | | 1 | | |
| 10 | 950398 | CONE BUSHING 1 1/4 I.D X 2 1/8 O.D. X 3 5/16 From 6-8864 | | | 1 | | |
| 11 | 506685 | V-BELT / A-35 9002-2035 | 2 | 2 | 2 | 2 | |
| 12 | 500747 | WASHER LO SPT 12.2x21.1x2.5 N500 | 1 | 1 | 1 | 1 | |
| 13 | 454057 | PIVOT ASSY / SUPPORT To 4-8228 | 1 | 1 | 1 | 1 | |
| 13 | 454137 | PIVOT ASSY / SUPPORT From 4-8229 | 1 | 1 | | 1 | |
| 13 | 454137 | PIVOT ASSY / SUPPORT From 4-8229 To 6-8863 | | | 1 | | |
| 13 | 454318 | PIVOT ASSY / SUPPORT From 6-8863 | | | 1 | | |
| 14 | 502757 | SCREW CAP HEX M8-1.25x50 G8.8 N500 | 1 | 1 | 1 | 1 | |
| 15 | 454059 | TENSIONNER SUPPORT To 4-8228 | 1 | 1 | 1 | 1 | |
| 15 | 454127 | TENSIONNER SUPPORT From 4-8229 | 1 | 1 | | 1 | |
| 15 | 454127 | TENSIONNER SUPPORT To 6-8863 | | | 1 | | |
| 15 | 066496 | SUPPORT ALTERNATOR & A/C COMPRESSOR From 6-8864 | | | 1 | | |
| 16 | 5001565 | SCREW CAP HEX 1/2-13x1 G5 N500 | 2 | 2 | 2 | 2 | |
| 17 | 500944 | WASHER LO SPT .506x.873x.125 N500 | 2 | 2 | 2 | 2 | |
| 18 | 454058 | PIVOT ASSY / COMPRESSOR To 4-8228 | 1 | 1 | 1 | 1 | |
| 18 | 454138 | PIVOT ASSY / COMPRESSOR From 4-8229 | 2 | 2 | 2 | 2 | |
| 19 | 3852496 | WASHER LO SPT 10.2x18.1x2.2 ZG603 | 3 | 3 | 3 | 3 | |
| 20 | 500832 | WASHER FL .406x.812x.065 N500 | 3 | 3 | 3 | 3 | |
| 50 | Y2-0610-54 | ALTERNATOR MOUNTING / "BOSCH" - 24V/140A / GEARBOX INSTAL | | | | | |

From Y-7046 To 3-8164

Date:10/2022

PAGE:Y2-2245-30

A/C AUXILIARY LINE / PARCEL RACK



| | | |
|---|--------------|-----------------|
| From Y-7046 To 3-8164 | Date:10/2022 | PAGE:Y2-2245-30 |
| A/C AUXILIARY LINE / PARCEL RACK | | |

| Item# | Part | Description | X L I I 4 5 | X L I I M T H 4 0 | X L I I M T H 4 5 | X L I I M T H 4 5 E | N O T E S |
|-------|-----------------|---|----------------------------|---|---|--|-----------------------|
| 1 | 950018 | CONDENSOR COIL To Y-7367 | 1 | | | | |
| 1 | 950336 | CONDENSOR COIL From Y-7368 | 1 | | | | |
| 1 | IS14130 | RETROFIT KIT FOR OBSOLETE CONDENSORS 950018 & 950335 | 1 | | | | |
| 2 | 950220 | DRYER, RECEIVER TANK | 1 | | | | |
| 3 | 453449 | HOSE ASSY / CONDENSER & RECEIVER / #6 2370MM | 1 | | | | |
| . NS | 507278 | . O-RING / ORS FITTING / #4 NEO | 2 | | | | |
| 3 | 455236 | HOSE ASSY / CONDENSER & RECEIVER / #6 2370MM | 1 | | | | S |
| . NS | 507278 | . O-RING / ORS FITTING / #4 NEO | 2 | | | | S |
| 4 | 453446 | HOSE ASSY / DRYER OUTLET / #6 1965MM | 1 | | | | |
| . NS | 507278 | . O-RING / ORS FITTING / #4 NEO | 2 | | | | |
| 4 | 455233 | HOSE ASSY / DRYER OUTLET / #6 1965MM | 1 | | | | S |
| . NS | 507278 | . O-RING / ORS FITTING / #4 NEO | 2 | | | | S |
| 5 | 453450 | HOSE ASSY /COND INLET & HI-SIDE / W/R-134a/ #8 1800MM | 1 | | | | |
| . NS | 507343 | . O-RING / ORS FITTING / #8 NEO | 2 | | | | |
| 5 | 455237 | HOSE ASSY /COND INLET & HI-SIDE / W/R-134a/ #8 1800MM | 1 | | | | S |
| . NS | 507343 | . O-RING / ORS FITTING / #8 NEO | 2 | | | | S |
| 6 | 453437 | TUBE ASSY / HI&LOW SIDE W/PLATE HOLDER | 1 | | | | |
| 7 | 453380 | . PRESSURE SWITCH N.C. 350-245 20PS001MB350K245R | 1 | | | | |
| 8 | 452832 | . PRESSURE SWITCH N.O. 170-130 20SP001MA170J130J | 1 | | | | |
| NS | 950030 | . SCHRADER VALVE 1/8NPT-M | AR | | | | |
| NS | 950249 | . SCHRADER VALVE 1/4NPT-M | AR | | | | |
| 9 | Call order desk | PIPE ASSY / ENGINE COMPARTMENT & PARCEL RACK | 1 | | | | P |
| 10 | 506267 | PIPE INSULATING / 1 1/8" I.D. X 1/2" TH. X / APT11812 | AR | | | | |
| 11 | 453455 | HOSE ASSY / PIPE & R.H. PARCEL RACK #6 1850MM | 1 | | | | |
| . NS | 507278 | . O-RING / ORS FITTING / #4 NEO | 2 | | | | |
| 11 | 455239 | HOSE ASSY / PIPE & R.H. PARCEL RACK #6 1850MM | 1 | | | | S |
| . NS | 507278 | . O-RING / ORS FITTING / #4 NEO | 2 | | | | S |
| 12 | 453454 | HOSE ASSY / #12 1800MM | 1 | | | | |
| . NS | 507344 | . O-RING / ORS FITTING / #10 NEO | 1 | | | | |
| . NS | 507280 | . O-RING / ORS FITTING / #12 NEO | 1 | | | | |
| 12 | 455238 | HOSE ASSY / #12 1800MM | 1 | | | | S |
| . NS | 507344 | . O-RING / ORS FITTING / #10 NEO | 1 | | | | S |
| . NS | 507280 | . O-RING / ORS FITTING / #12 NEO | 1 | | | | S |
| 20 | 453437 | TUBE ASSY / HI&LOW SIDE W/PLATE HOLDER To 2-7888 | 1 | | | | |
| 20 | 453727 | TUBE ASSY / HI&LOW SIDE W/PLATE HOLDER From 2-7889 | 1 | | | | |
| 21 | 452831 | . PRESSURE SWITCH N.O. 30-5 20SP001MA030C005C | 1 | | | | |
| 22 | 452434 | . VALVE, BYPASS ASSY / W/R134A | 1 | | | | |
| 22 | 950065 | . BY-PASS VALVE | 1 | | | | |
| 23 | 5011080 | . MALE CONNECTOR / ORS FITTING / #6ORS-Mx1/4NPT-M STL | 1 | | | | L |
| 23 | 5011082 | . ADAPTOR / ORS@COPPER TUBE / #6ORS-Fx#6COPPER TUBE | 1 | | | | L |
| 24 | 5011079 | . MALE CONNECTOR / ORS FITTING / #4ORS-Mx1/4NPT-M STL | 1 | | | | H |
| 24 | 5011081 | . ADAPTOR / ORS@COPPER TUBE / #4ORS-Fx#4COPPER TUBE | 1 | | | | H |

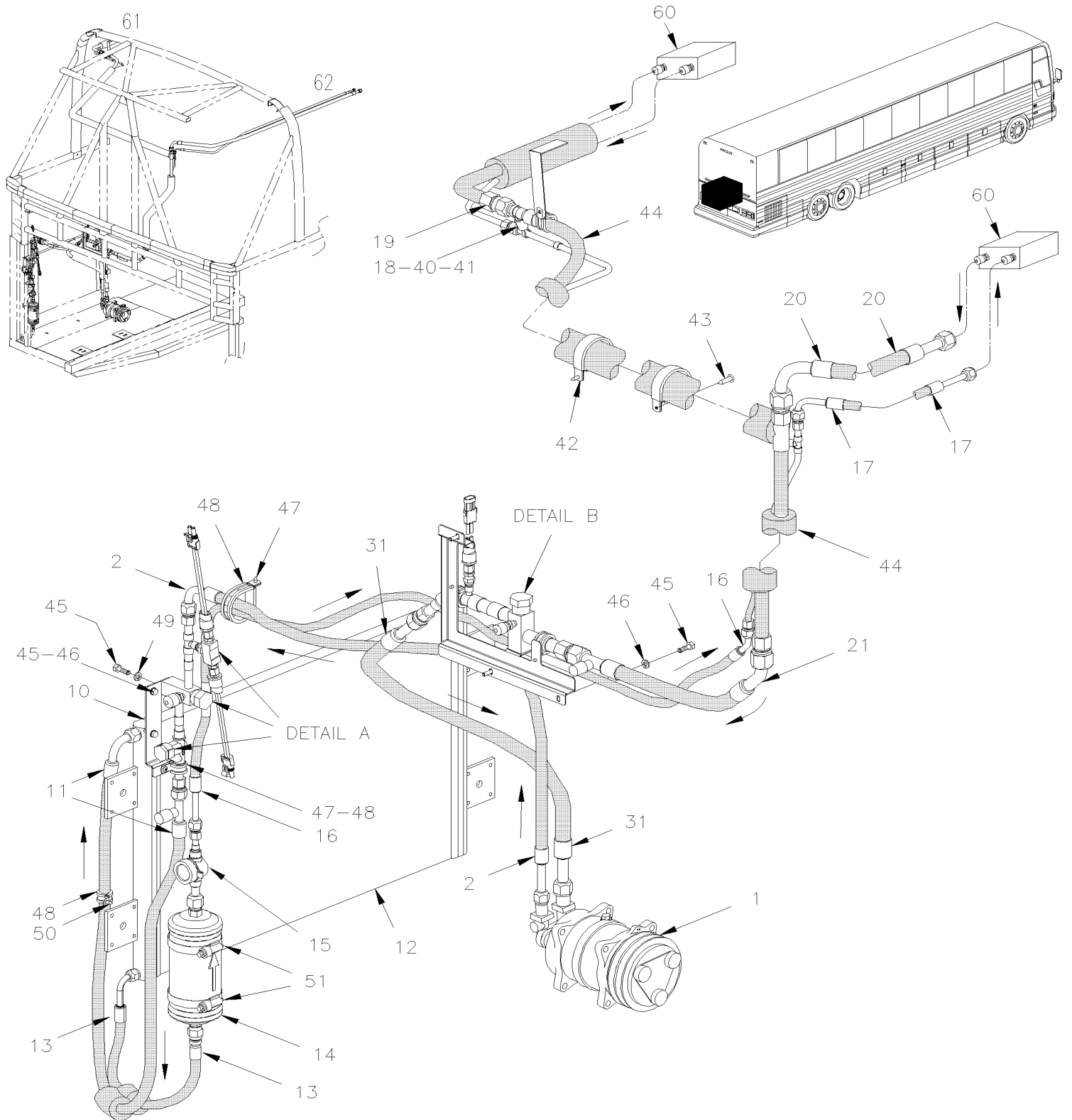
| | | |
|---|--------------|-----------------|
| From Y-7046 To 3-8164 | Date:10/2022 | PAGE:Y2-2245-30 |
| A/C AUXILIARY LINE / PARCEL RACK | | |

| Item# | Part | Description | X L I I 4 5 | X L I I M T H 4 0 | X L I I M T H 4 5 | X L I I M T H 4 5 E | N O T E S |
|-------|-------------------|---|----------------------------|---|---|--|-----------------------|
| 25 | 453448 | HOSE ASSY / #8 1530MM | 1 | | | | |
| . NS | 507343 | . O-RING / ORS FITTING / #8 NEO | 2 | | | | |
| . NS | 950358 | . PROTECTOR CAP LOW PRESSURE PORT / "TUBE-O" | 1 | | | | |
| 25 | 455235 | HOSE ASSY / #8 1530MM | 1 | | | | S |
| . NS | 507343 | . O-RING / ORS FITTING / #8 NEO | 2 | | | | S |
| . NS | 950358 | . PROTECTOR CAP LOW PRESSURE PORT / "TUBE-O" | 1 | | | | S |
| 26 | 453447 | HOSE ASSY / #12 1900MM | 1 | | | | |
| . NS | 507344 | . O-RING / ORS FITTING / #10 NEO | 2 | | | | |
| . NS | 950367 | . PROTECTOR CAP HIGH PRESSURE PORT / "TUBE-O" | 1 | | | | |
| 26 | 455234 | HOSE ASSY / #12 1900MM | 1 | | | | S |
| . NS | 507344 | . O-RING / ORS FITTING / #10 NEO | 2 | | | | S |
| . NS | 950367 | . PROTECTOR CAP HIGH PRESSURE PORT / "TUBE-O" | 1 | | | | S |
| 27 | 453445 | HOSE ASSY / LOW PRES. TUBE & PIPE / #12 400MM | 1 | | | | |
| . NS | 507280 | . O-RING / ORS FITTING / #12 NEO | 2 | | | | |
| 27 | 455232 | HOSE ASSY / LOW PRES. TUBE & PIPE / #12 400MM | 1 | | | | S |
| . NS | 507280 | . O-RING / ORS FITTING / #12 NEO | 2 | | | | S |
| 30 | 500642 | SCREW TP PAN PH #10x3/4 Z050 | AR | | | | |
| 31 | 560481 | CLAMP / 5/8" I.D. | AR | | | | |
| 31 | 560483 | CLAMP / 7/8" I.D. | AR | | | | |
| 31 | 504458 | CLAMP / 1 5/8" I.D. | AR | | | | |
| 32 | 451510 | SUPPORT / DRYER | 1 | | | | |
| 33 | 504025 | HOSE CLAMP / 2"5/16-3"1/4 SS / HS-44 | 2 | | | | |
| 34 | 562060 | CLAMP / 1 3/4" I.D. | AR | | | | |
| 35 | 507343 | O-RING / ORS FITTING / #8 NEO | 1 | | | | |
| 36 | 507278 | O-RING / ORS FITTING / #4 NEO | 1 | | | | |
| 50 | Y2-2245-10 | A/C COMPRESSOR SMALL - INSTALLATION | | | | | |
| 51 | Y2-2240-20 | BLOWER VENTILATION - PARCEL RACK | | | | | |
| NS | 454140 | KIT, RETROFIT "SELTEC" COMPRESSOR / W/A/C IN PARCEL RACK ONLY To 3-8164 | 1 | | | | A |
| . NS | IS-03045 | . SEE INSTRUCTION SHEET To 3-8164 | 1 | | | | A |
| | | FOR VEHICLE 4-7965 SEE PAGE Y2-2245-31 | | | | | |
| | | FOR HOSES INSTALLATION | | | | | |
| NS | Y2-2245-31 | A/C AUXILIARY LINE / PARCEL RACK | | | | | |
| | | | | | | | |
| 61 | 453451 | PIPE ASSY A/C L.H. PARCEL RACK | | | | | |
| 62 | 453452 | PIPE ASSY A/C R.H. PARCEL RACK | | | | | |
| | | FOR VEHICLE 4-7965 | | | | | |
| | | USE WITH NEXT FOLLOWING PARTS | | | | | |
| | | | | | | | |
| 70 | 453413 | HOSE ASSY / #8 1500MM From 4-7965 To 4-7965 | 1 | | | | |
| . NS | 507343 | . O-RING / ORS FITTING / #8 NEO From 4-7965 To 4-7965 | 2 | | | | |
| 70 | 455228 | HOSE ASSY / #8 1500MM From 4-7965 To 4-7965 | 1 | | | | S |

| | | |
|---|--------------|-----------------|
| From Y-7046 To 3-8164 | Date:10/2022 | PAGE:Y2-2245-30 |
| A/C AUXILIARY LINE / PARCEL RACK | | |

| Item# | Part | Description | X L I I 4 5 | X L I I M T H 4 0 | X L I I M T H 4 5 | X L I I M T H 4 5 E | N O T E S |
|-------|--------|---|----------------------------|---|---|--|-----------------------|
| . NS | 507343 | . O-RING / ORS FITTING / #8 NEO From 4-7965 To 4-7965 | 2 | | | | S |
| 70 | 453447 | HOSE ASSY / #12 1900MM From 4-7965 To 4-7965 | 1 | | | | |
| . NS | 507344 | . O-RING / ORS FITTING / #10 NEO From 4-7965 To 4-7965 | 2 | | | | |
| . NS | 950367 | . PROTECTOR CAP HIGH PRESSURE PORT / "TUBE-O" From 4-7965 To 4-7965 | 1 | | | | |
| 70 | 455234 | HOSE ASSY / #12 1900MM From 4-7965 To 4-7965 | 1 | | | | S |
| . NS | 507344 | . O-RING / ORS FITTING / #10 NEO From 4-7965 To 4-7965 | 2 | | | | S |
| . NS | 950367 | . PROTECTOR CAP HIGH PRESSURE PORT / "TUBE-O" From 4-7965 To 4-7965 | 1 | | | | S |
| 70 | 453514 | MOISTURE INDICATOR ASSY From 4-7965 To 4-7965 | 1 | | | | |
| . NS | 950379 | . MOISTURE INDICATOR From 4-7965 To 4-7965 | 1 | | | | |
| 70 | 453642 | HOSE ASSY / #6 600MM From 4-7965 To 4-7965 | 1 | | | | |
| . NS | 507278 | . O-RING / ORS FITTING / #4 NEO From 4-7965 To 4-7965 | 2 | | | | |
| 70 | N.P.N. | HOSE ASSY / #6 600MM From 4-7965 To 4-7965 | 1 | | | | 4 S |
| 70 | 453643 | HOSE ASSY / #8 2220MM From 4-7965 To 4-7965 | 1 | | | | |
| . NS | 507343 | . O-RING / ORS FITTING / #8 NEO From 4-7965 To 4-7965 | 2 | | | | |
| 70 | 455262 | HOSE ASSY / #8 2220MM From 4-7965 To 4-7965 | 1 | | | | S |
| . NS | 507343 | . O-RING / ORS FITTING / #8 NEO From 4-7965 To 4-7965 | 2 | | | | S |
| 70 | 453730 | HOSE ASSY / #6 1595MM From 4-7965 To 4-7965 | 1 | | | | |
| . NS | 507278 | . O-RING / ORS FITTING / #4 NEO From 4-7965 To 4-7965 | 2 | | | | |
| 70 | 455265 | HOSE ASSY / #6 1595MM From 4-7965 To 4-7965 | 1 | | | | S |
| . NS | 507278 | . O-RING / ORS FITTING / #4 NEO From 4-7965 To 4-7965 | 2 | | | | S |
| 70 | 950381 | CONDENSOR COIL From 4-7965 To 4-7965 | 1 | | | | |
| 70 | 950467 | CONDENSOR COIL E-COAT LT-8 From 4-7965 To 4-7965 | 1 | | | | |
| 70 | 950370 | FILTER DRYER From 4-7965 To 4-7965 | 1 | | | | |
| . NS | 507085 | . O-RING 7/16" I.D X 1/32" From 4-7965 To 4-7965 | 1 | | | | |
| 70 | 504026 | HOSE CLAMP / 2"13/16-3"3/4 SS / HS-52 From 4-7965 To 4-7965 | 2 | | | | |
| | | | | | | | |
| | | | | | | | |
| | | | | | | | |
| | | A) THIS KIT INCLUDES ALL COMPONENTS REQUIRED TO MAKE CHANGE | | | | | |
| | | H) TO FIX BY PASS TO HIGH PRESSURE SIDE | | | | | |
| | | L) TO FIX BY PASS TO LOW PRESSURE SIDE | | | | | |
| | | S) SERVICE | | | | | |
| | | 4) NO PARTS NUMBER | | | | | |
| | | P) CALL ORDER DESK FOR SPECIFIC APPLICATION (V.I.N.) | | | | | |

| | | |
|----------------------------------|--------------|-----------------|
| From 4-8165 To 6-8906 | Date:10/2022 | PAGE:Y2-2245-31 |
| A/C AUXILIARY LINE / PARCEL RACK | | |

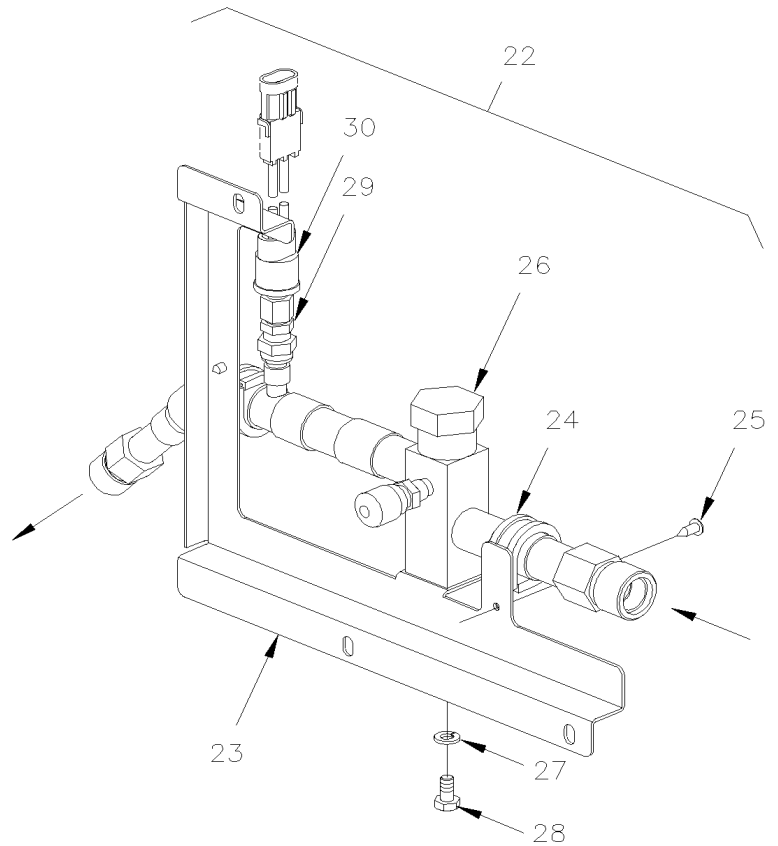
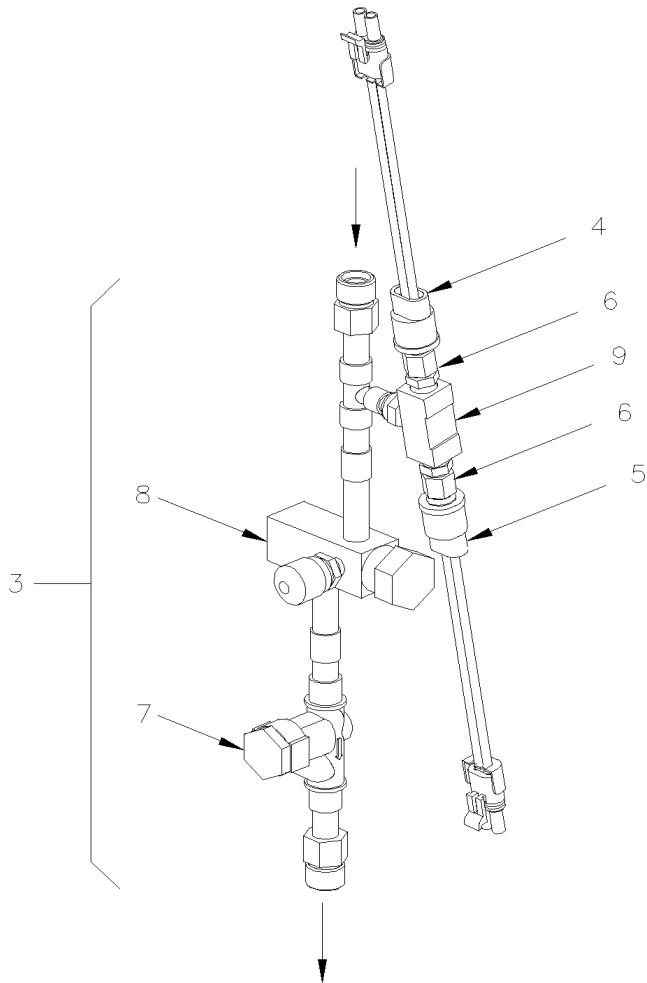
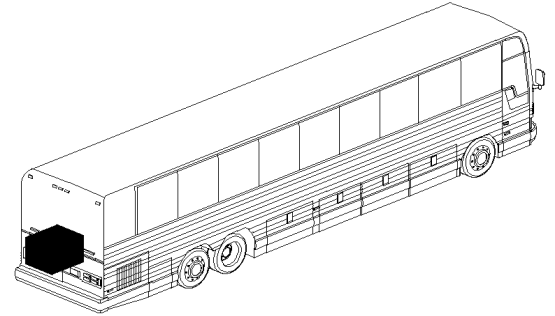
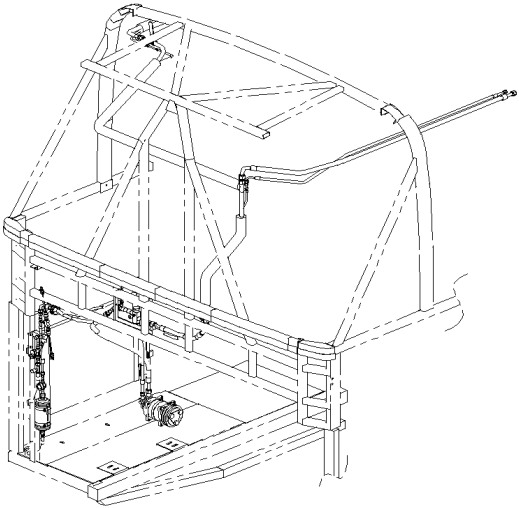


From 4-8165 To 6-8906

Date:10/2022

PAGE:Y2-2245-31

A/C AUXILIARY LINE / PARCEL RACK



DETAIL A

DETAIL B

| | | |
|---|--------------|-----------------|
| From 4-8165 To 6-8906 | Date:10/2022 | PAGE:Y2-2245-31 |
| A/C AUXILIARY LINE / PARCEL RACK | | |

| Item# | Part | Description | X L I I 4 5 | X L I I M T H 4 0 | X L I I M T H 4 5 | X L I I M T H 4 5 E | N O T E S |
|-------|-------------------|---|----------------------------|---|---|--|-----------------------|
| 1 | Y2-2245-11 | A/C COMPRESSOR SMALL - INSTALLATION | | | | | |
| 2 | 454067 | HOSE ASSY / #8 960MM | 1 | | | | A |
| . NS | 507343 | . O-RING / ORS FITTING / #8 NEO | 2 | | | | A |
| 2 | 455276 | HOSE ASSY / #8 960MM | 1 | | | | AS |
| . NS | 507343 | . O-RING / ORS FITTING / #8 NEO | 2 | | | | AS |
| 3 | 454066 | VALVE ASSY / HI-SIDE | 1 | | | | |
| 4 | 454084 | . PRESSURE SWITCH N.O. 195-150 20PS001MA195K150K | 1 | | | | |
| 5 | 453380 | . PRESSURE SWITCH N.C. 350-245 20PS001MB350K245R | 1 | | | | |
| 6 | 950249 | . SCHRADER VALVE 1/4NPT-M | 2 | | | | |
| 7 | 950326 | . CHECK VALVE | 1 | | | | |
| 8 | 950376 | . VALVE SERVICE HIGH PRESSURE | 1 | | | | |
| 9 | 501894 | . MALE BRANCHE TEE / PIPE FITTING / 1/4NPT-Fx1/4NPT-Fx1/4NPT-M BR | 1 | | | | |
| 10 | 454072 | SUPPORT / HIGHT PRESSURE VALVE | 1 | | | | |
| 11 | 454070 | HOSE ASSY / #8 1325MM | 1 | | | | |
| . NS | 507343 | . O-RING / ORS FITTING / #8 NEO | 2 | | | | |
| 11 | 455278 | HOSE ASSY / #8 1325MM | 1 | | | | S |
| . NS | 507343 | . O-RING / ORS FITTING / #8 NEO | 2 | | | | S |
| 12 | Y2-2255-11 | CONDENSOR - INSTALLATION SMALL A/C SYSTEM | | | | | |
| 13 | 454069 | HOSE ASSY / #6 515MM | 1 | | | | |
| . NS | 507278 | . O-RING / ORS FITTING / #4 NEO | 1 | | | | |
| 14 | 950370 | FILTER DRYER | 1 | | | | |
| . NS | 507085 | . O-RING 7/16" I.D X 1/32" | 1 | | | | |
| 15 | 453514 | MOISTURE INDICATOR ASSY | 1 | | | | |
| . NS | 950379 | . MOISTURE INDICATOR | 1 | | | | |
| 15 | 950379 | . MOISTURE INDICATOR | 1 | | | | |
| 15 | 950029 | . CAP, MOISTURE INDICATOR | 1 | | | | |
| 16 | 454068 | HOSE ASSY / #6 1675MM | 1 | | | | A |
| . NS | 507278 | . O-RING / ORS FITTING / #4 NEO | 1 | | | | A |
| 16 | 455277 | HOSE ASSY / #6 1675MM | 1 | | | | S |
| . NS | 507278 | . O-RING / ORS FITTING / #4 NEO | 1 | | | | S |
| 17 | 453454 | HOSE ASSY / #12 1800MM | 1 | | | | |
| . NS | 507344 | . O-RING / ORS FITTING / #10 NEO | 1 | | | | |
| . NS | 507280 | . O-RING / ORS FITTING / #12 NEO | 1 | | | | |
| 17 | 455238 | HOSE ASSY / #12 1800MM | 1 | | | | S |
| . NS | 507344 | . O-RING / ORS FITTING / #10 NEO | 1 | | | | S |
| . NS | 507280 | . O-RING / ORS FITTING / #12 NEO | 1 | | | | S |
| 18 | 507278 | O-RING / ORS FITTING / #4 NEO | 1 | | | | |
| 19 | 507343 | O-RING / ORS FITTING / #8 NEO | 1 | | | | |
| 20 | 453455 | HOSE ASSY / PIPE & R.H. PARCEL RACK #6 1850MM | 1 | | | | |
| . NS | 507278 | . O-RING / ORS FITTING / #4 NEO | 2 | | | | |
| 20 | 455239 | HOSE ASSY / PIPE & R.H. PARCEL RACK #6 1850MM | 1 | | | | S |
| . NS | 507278 | . O-RING / ORS FITTING / #4 NEO | 2 | | | | S |

| | | |
|---|--------------|-----------------|
| From 4-8165 To 6-8906 | Date:10/2022 | PAGE:Y2-2245-31 |
| A/C AUXILIARY LINE / PARCEL RACK | | |

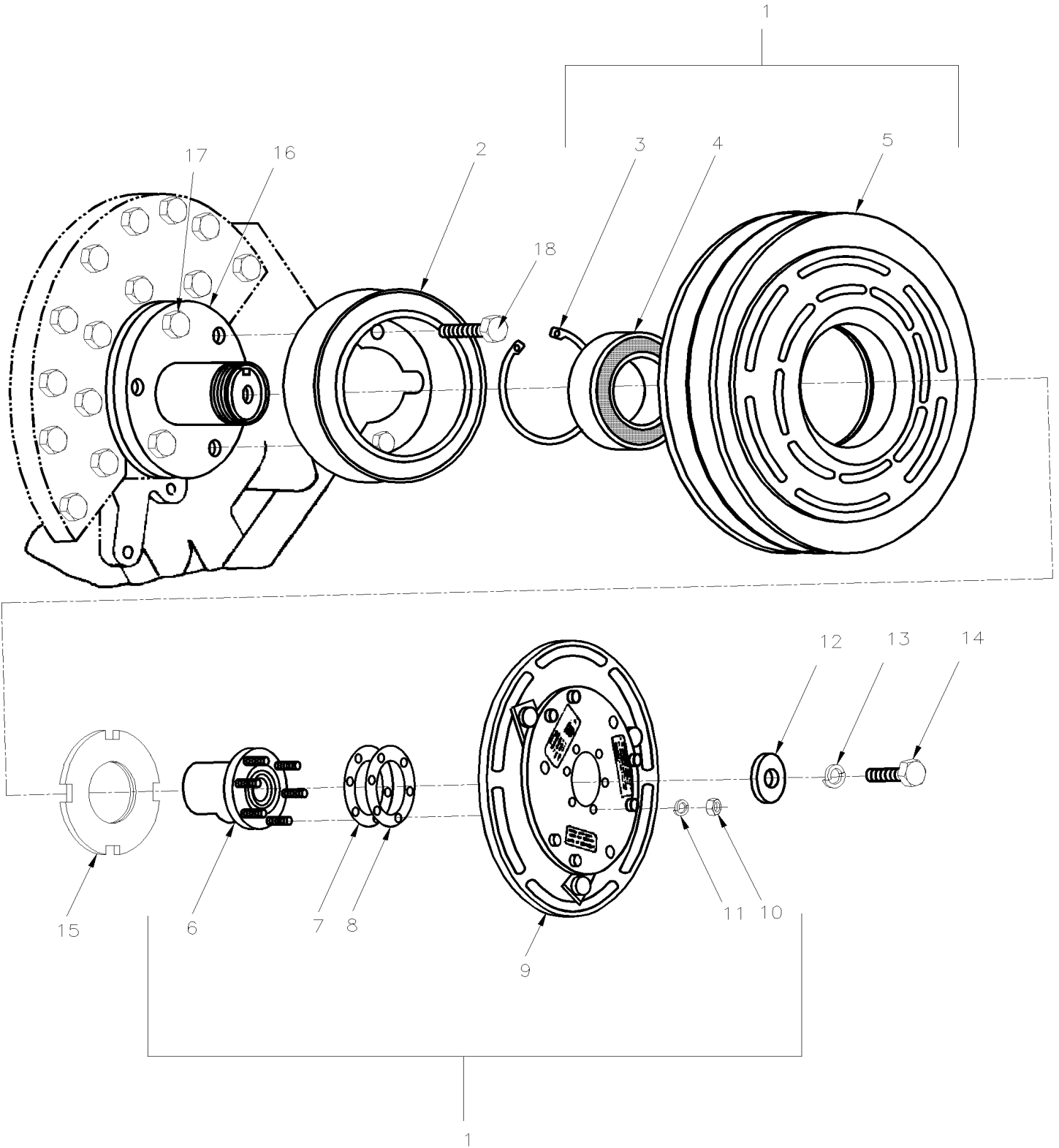
| Item# | Part | Description | X L I I 4 5 | X L I I M T H 4 0 | X L I I M T H 4 5 | X L I I M T H 4 5 E | N O T E S |
|-------|-------------------|---|----------------------------|---|---|--|-----------------------|
| 21 | 454062 | HOSE ASSY / #12 355MM | 1 | | | | |
| . NS | 507280 | . O-RING / ORS FITTING / #12 NEO | 2 | | | | |
| 21 | 455275 | HOSE ASSY / #12 355MM | 1 | | | | S |
| . NS | 507280 | . O-RING / ORS FITTING / #12 NEO | 2 | | | | S |
| 22 | 454061 | VALVE ASSY W/SUPPORT / LOW SIDE | 1 | | | | |
| 23 | 454063 | . SUPPORT / LOW PRESSURE VALVE | 1 | | | | |
| 24 | 952635 | . CLAMP / 1" I.D. | 1 | | | | |
| 25 | 509805 | . SCREW TP PAN PH #10x1/2 BK | 1 | | | | |
| 26 | 950377 | . VALVE SERVICE LOW PRESSURE O.E.M. | 1 | | | | |
| 26 | 950950 | . VALVE SERVICE LOW PRESSURE | 1 | | | | |
| . NS | 950235 | . . GAUGE ADAPTOR ASSY / W/BLOCK CAP FOR R-134A / SUCTION SIDE (ALUMINUM) | 1 | | | | |
| 27 | 955920 | . WASHER LO SPT 6.5x11.5x1.6 ZP | 1 | | | | |
| 28 | 502772 | . SCREW CAP HEX 1/4-20x1/2 G5 N500 | 1 | | | | |
| 29 | 950249 | . SCHRADER VALVE 1/4NPT-M | 1 | | | | |
| 30 | 452831 | . PRESSURE SWITCH N.O. 30-5 20SP001MA030C005C | 1 | | | | |
| 31 | 454071 | HOSE ASSY / #12 780MM | 1 | | | | A |
| . NS | 507344 | . O-RING / ORS FITTING / #10 NEO | 2 | | | | A |
| 31 | 455279 | HOSE ASSY / #12 780MM | 1 | | | | AS |
| . NS | 507344 | . O-RING / ORS FITTING / #10 NEO | 2 | | | | AS |
| 40 | 504586 | WASHER FL SPACER .450x.625x.875 NYL | 1 | | | | |
| 41 | 504637 | CABLE TIE / 3/16" x 13" | AR | | | | |
| 42 | 504458 | CLAMP / 1 5/8" I.D. | AR | | | | |
| 43 | 500642 | SCREW TP PAN PH #10x3/4 Z050 | AR | | | | |
| 44 | Call order desk | PIPE ASSY / ENGINE COMPARTMENT & PARCEL RACK | 1 | | | | P |
| 45 | 955920 | WASHER LO SPT 6.5x11.5x1.6 ZP | AR | | | | |
| 46 | 502830 | SCREW CAP HEX M6-1.0x20 G8.8 N500 | AR | | | | |
| 47 | 952629 | CLAMP / 5/8" I.D. | AR | | | | |
| 48 | 509805 | SCREW TP PAN PH #10x1/2 BK | 3 | | | | |
| 49 | 502772 | SCREW CAP HEX 1/4-20x1/2 G5 N500 | 1 | | | | |
| 50 | 952629 | CLAMP / 5/8" I.D. | 1 | | | | |
| 51 | 504026 | HOSE CLAMP / 2"13/16-3"3/4 SS / HS-52 | 1 | | | | |
| 60 | Y2-2240-20 | BLOWER VENTILATION - PARCEL RACK | | | | | |
| 61 | 453451 | PIPE ASSY A/C L.H. PARCEL RACK | 1 | | | | |
| 62 | 453452 | PIPE ASSY A/C R.H. PARCEL RACK | 1 | | | | |
| | | | | | | | |
| | | | | | | | |
| | | | | | | | |
| | | A) USE ALSO WITH RETROFIT KIT # 454140 UP TO 3-8164 | | | | | |
| | | S) SERVICE | | | | | |
| | | P) CALL ORDER DESK FOR SPECIFIC APPLICATION (V.I.N.) | | | | | |

From Y-7046 To 8-9339

Date:10/2022

PAGE:Y2-2246-00

A/C CLUTCH 05G - HOUSING MOUNTED



| | | |
|---|--------------|-----------------|
| From Y-7046 To 8-9339 | Date:10/2022 | PAGE:Y2-2246-00 |
| A/C CLUTCH 05G - HOUSING MOUNTED | | |

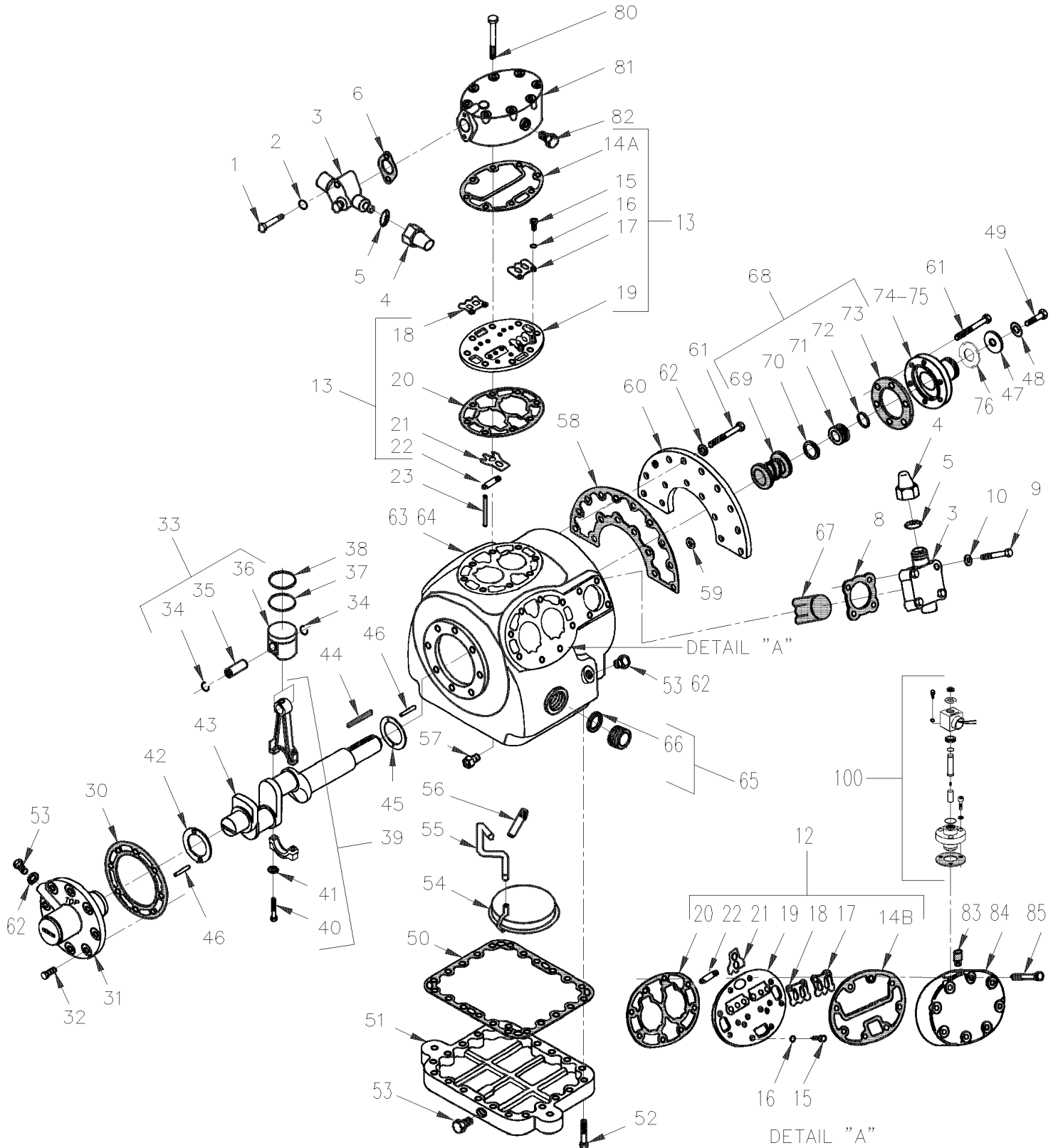
| Item# | Part | Description | X L I I I 4 5 | X L I I I M T H 4 0 | X L I I I M T H 4 5 | X L I I I M T H 4 5 E | N O T E S |
|-------|--------|---|---------------------------------|--|--|---|-----------------------|
| 1 | 950204 | CLUTCH HOUSING-MOUNTED/24V DC 9" DIA 2B GROVE | 1 | 1 | 1 | 1 | |
| 2 | 950156 | COIL 24V | 1 | 1 | 1 | 1 | A |
| 3 | 950146 | . CIRCLIP INTERNAL | 1 | 1 | 1 | 1 | |
| 4 | 950141 | . BEARING | 1 | 1 | 1 | 1 | |
| 5 | N.S.S. | . PULLEY | 1 | 1 | 1 | 1 | 1 |
| 6 | N.S.S. | . HUB DRIVE | 1 | 1 | 1 | 1 | 1 |
| 7 | 950104 | . SHIM 0.010 | 1 | 1 | 1 | 1 | |
| 8 | 950103 | . SHIM 0.020 | 5 | 5 | 5 | 5 | |
| 9 | N.S.S. | . ARMATURE | 1 | 1 | 1 | 1 | 1 |
| 10 | 500769 | . NUT HEX 1/4-20 Z050 | 6 | 6 | 6 | 6 | |
| 11 | 500473 | . WASHER LO SPT .262x.489x.062 Z050 | 6 | 6 | 6 | 6 | |
| NS | 561813 | CONNECTOR / SURE-SEAL / FEMALE HOUSING 2C / ITT CANNON 120-1804-000 | 1 | 1 | 1 | 1 | |
| NS | 561023 | PIN TERMINAL / 18-14 / ITT CANNON 030-2196-001 | 1 | 1 | 1 | 1 | |
| NS | 561024 | SOCKET TERMINAL / 18-14 / ITT CANNON 031-1267-001 | 1 | 1 | 1 | 1 | |
| NS | 561815 | CLAMP W/ 2 / ITT CANNON 029-0263-000 | 1 | 1 | 1 | 1 | |
| 12 | 870784 | WASHER 13/32" I.D. X 1 1/2" O.D. X 3/16" TH | 1 | 1 | 1 | 1 | |
| 13 | 500478 | WASHER LO SPT .380x.683x.094 Z050 | 1 | 1 | 1 | 1 | |
| 14 | 870785 | SCREW CAP HEX 3/8-24x7/8 G8 ZP | 1 | 1 | 1 | 1 | |
| 15 | 950093 | NUT / W/HUB MOUNTING ONLY | 1 | 1 | 1 | 1 | |
| 16 | 950092 | HUB HOUSING MOUNT To 6-8795 | 1 | 1 | 1 | 1 | |
| 16 | 950408 | HUB HOUSING MOUNT W/GROOVE FOR TWIN PORT From 6-8796 | 1 | 1 | 1 | 1 | |
| . NS | 950409 | . SEAL, LIP, SHAFT SEAL / W/TWIN PORT ONLY From 6-8796 | 1 | 1 | 1 | 1 | |
| . NS | 870795 | . GASKET, HUB BEARING From 6-8796 | 1 | 1 | 1 | 1 | |
| 17 | 500192 | SCREW CAP HEX 3/8-16x1 1/4 G5 Z050 | 6 | 6 | 6 | 6 | |
| 18 | 186679 | SCREW CAP HEX 3/8-16x1 1/4 G8 ZP | 1 | 1 | 1 | 1 | |
| NS | 950105 | SOCKET / TOOL FOR INSTALLATION | | | | | |
| NS | 950106 | PUSHER ROTOR / TOOL | | | | | |
| NS | 950107 | SPANNER WRENCH / TOOL | | | | | |
| | | | | | | | |
| | | | | | | | |
| | | | | | | | |
| | | | | | | | |
| | | A) THIS COIL IS NOT INCLUDE WITH #950204 | | | | | |
| | | 1) NOT SOLD SEPARATELY | | | | | |

From Y-7046 To 6-8795

Date:10/2022

PAGE:Y2-2250-00

A/C COMPRESSOR ASSY 05G - THREE PORT



| | | |
|---|--------------|-----------------|
| From Y-7046 To 6-8795 | Date:10/2022 | PAGE:Y2-2250-00 |
| A/C COMPRESSOR ASSY 05G - THREE PORT | | |

| Item# | Part | Description | X L I I 4 5 | X L I I M T H 4 0 | X L I I M T H 4 5 | X L I I M T H 4 5 E | N O T E S |
|-------|-------------------|---|----------------------------|---|---|--|-----------------------|
| NS | 950298D | A/C COMPRESSOR ASSY / W/41 C.F.M. / REMAN / W/O OIL & ACCESSORIES | | | | | |
| 1 | 870877 | . SCREW CAP HEX 5/16-18x2 G5 ZP | 2 | 2 | 2 | 2 | |
| 2 | 870750 | . GASKET | 2 | 2 | 2 | 2 | |
| 3 | Y2-2245-00 | . A/C COMPRESSOR 05G - INSTALLATION | | | | | |
| 4 | 870446 | .. CAP SEAL | 1 | 1 | 1 | 1 | |
| 5 | 870752 | .. . GASKET, CAP SEAL | 1 | 1 | 1 | 1 | |
| 6 | 870753 | . GASKET / DISCHARGE VALVE | 1 | 1 | 1 | 1 | |
| 8 | 870754 | . GASKET / SUCTION VALVE | 1 | 1 | 1 | 1 | |
| 9 | 870755 | . SCREW CAP HEX 1/2-13x2 1/2 G5 ZP | 4 | 4 | 4 | 4 | |
| 10 | 870756 | . GASKET | 4 | 4 | 4 | 4 | |
| 12 | 950325 | . VALVE PLATE ASSY / SIDE BANK | 4 | 4 | 4 | 4 | |
| 12 | 870800 | .. CHECK VALVE ASSY / UNLOADER | 2 | 2 | 2 | 2 | |
| 13 | 950324 | . VALVE PLATE ASSY / CENTER BANK | 1 | 1 | 1 | 1 | |
| 14A | 870760 | .. GASKET, CENTER CYLINDER HEAD | 1 | 1 | 1 | 1 | |
| 14B | 870797 | .. GASKET, L.H & R.H CYLINDER HEAD | 1 | 1 | 1 | 1 | |
| 15 | 870761 | .. SCREW CAP HEXS 1/4-28 x 3/8" | 4 | 4 | 4 | 4 | |
| 16 | 500473 | .. WASHER LO SPT .262x.489x.062 Z050 | 4 | 4 | 4 | 4 | |
| 17 | 870762 | .. VALVE STOP DISCHARGE | 2 | 2 | 2 | 2 | |
| 18 | 870763 | .. VALVE DISCHARGE | 2 | 2 | 2 | 2 | |
| 19 | N.S.S. | .. PLATE VALVE | 1 | 1 | 1 | 1 | 1 |
| 20 | 870764 | .. GASKET, VALVE PLATE | 1 | 1 | 1 | 1 | |
| 21 | 950276 | .. VALVE SUCTION | 2 | 2 | 2 | 2 | |
| 22 | 870766 | .. SPRING / SUCTION VALVE | 2 | 2 | 2 | 2 | |
| 23 | 870767 | . PIN DOWEL VALVE PLATE | 4 | 4 | 4 | 4 | |
| 30 | 870771 | . GASKET / OIL PUMP | 1 | 1 | 1 | 1 | |
| 31 | 950286 | . OIL PUMP ASSY / (LOW PROFIL) | 1 | 1 | 1 | 1 | |
| 32 | 500192 | . SCREW CAP HEX 3/8-16x1 1/4 G5 Z050 | 8 | 8 | 8 | 8 | |
| 33 | 950272 | . PISTON & PIN ASSY / STANDARD / W/41 CFM | 6 | 6 | 6 | 6 | |
| 33 | 950274 | . PISTON & PIN ASSY/.020" OVERSIZE / W/41 CFM | 6 | 6 | 6 | 6 | |
| 34 | N.S.S. | .. RETAINER | 2 | 2 | 2 | 2 | 1 |
| 35 | N.S.S. | .. PIN | 1 | 1 | 1 | 1 | 1 |
| 36 | N.S.S. | .. PISTON SINGLE RING | 1 | 1 | 1 | 1 | 1 |
| 37 | 870774 | . RING / W/DOUBLE RING PISTON ONLY | 6 | 6 | 6 | 6 | |
| 38 | 870775 | . RING COMPRESSION / STANDARD | 6 | 6 | 6 | 6 | |
| 38 | 870815 | . RING COMPRESSION / .020" OVERSIZE | 6 | 6 | 6 | 6 | |
| 39 | 870776 | . CONNECTING ROD & CLIP ASSY / STANDARD | 6 | 6 | 6 | 6 | |
| 39 | 870816 | . CONNECTING ROD & CLIP ASSY / .010" OVERSIZE | 6 | 6 | 6 | 6 | |
| NS | 870767 | .. PIN DOWEL VALVE PLATE | 2 | 2 | 2 | 2 | |
| 40 | 870777 | .. BOLT | 2 | 2 | 2 | 2 | |
| 41 | 500440 | .. WASHER FL .250x.562x.065 Z050 | 1 | 1 | 1 | 1 | |
| 42 | 870778 | . WASHER THRUST / PUMP END | 1 | 1 | 1 | 1 | |

| | | |
|---|--------------|-----------------|
| From Y-7046 To 6-8795 | Date:10/2022 | PAGE:Y2-2250-00 |
| A/C COMPRESSOR ASSY 05G - THREE PORT | | |

| Item# | Part | Description | X L I I 4 5 | X L I I M T H 4 0 | X L I I M T H 4 5 | X L I I M T H 4 5 E | N O T E S |
|-------|-------------------|---|----------------------------|---|---|--|-----------------------|
| 43 | 950273 | . CRANKSHAFT ASSY / W/41 CFM | 1 | 1 | 1 | 1 | |
| 44 | 950140 | . KEY CRANKSHAFT / W/HOUSING-MOUNTED CLUTCH | 1 | 1 | 1 | 1 | |
| 45 | 870781 | . WASHER THRUST | 1 | 1 | 1 | 1 | |
| 46 | 870782 | . PIN STRAIGHT 1/8" DIA. X 1/2" | 2 | 2 | 2 | 2 | |
| NS | 870783 | . PIN STRAIGHT .094" X 5/16" | 2 | 2 | 2 | 2 | |
| 47 | 870784 | . WASHER 13/32" I.D. X 1 1/2" O.D. X 3/16" TH | 1 | 1 | 1 | 1 | |
| 48 | 500478 | . WASHER LO SPT .380x.683x.094 Z050 | 1 | 1 | 1 | 1 | |
| 49 | 870785 | . SCREW CAP HEX 3/8-24x7/8 G8 ZP | 1 | 1 | 1 | 1 | |
| 50 | 870786 | . GASKET, BOTTOM PLATE | 1 | 1 | 1 | 1 | |
| 51 | 950444 | . PLATE BOTTOM | 1 | 1 | 1 | 1 | |
| 52 | 500191 | . SCREW CAP HEX 3/8-16x1 G5 Z050 | 22 | 22 | 22 | 22 | |
| 53 | 950303 | . PLUG, O-RING / (CURRENT) | 2 | 2 | 2 | 2 | |
| 54 | 870787 | . SCREEN ASSY / OIL FILTER | 1 | 1 | 1 | 1 | |
| 55 | 870788 | . TUBE / OIL SUCTION | 1 | 1 | 1 | 1 | |
| 56 | 870789 | . VALVE / OIL RELIEF | 1 | 1 | 1 | 1 | |
| 57 | 870790 | . CHECK VALVE ASSY / OIL RETURN | 2 | 2 | 2 | 2 | |
| 58 | 870791 | . GASKET, SHAFT END COVER | 1 | 1 | 1 | 1 | |
| 59 | 950139 | . WASHER .393x.622x.031 | 2 | 2 | 2 | 2 | |
| 60 | 870792 | . FLANGE | 1 | 1 | 1 | 1 | |
| 61 | 500192 | . SCREW CAP HEX 3/8-16x1 1/4 G5 Z050 | 21 | 21 | 21 | 21 | |
| 62 | 950139 | . WASHER .393x.622x.031 | 21 | 21 | 21 | 21 | |
| 63 | N.S.S. | . CRANKCASE | 1 | 1 | 1 | 1 | 1 |
| 64 | 950283 | . BEARING, MAIN SEAL END | 1 | 1 | 1 | 1 | |
| 65 | 870768 | . SIGHT GLASS ASSY | 2 | 2 | 2 | 2 | |
| 66 | 870769 | . GASKET, SIGHT GLASS | 2 | 2 | 2 | 2 | |
| 67 | 870770 | . STRAINER SUCTION | 1 | 1 | 1 | 1 | |
| 68 | 950327 | . SHAFT SEAL ASSY / W/HOUSING-MOUNTED CLUTCH | 1 | 1 | 1 | 1 | |
| 69 | N.S.S. | . SEAL / SHAFT | 1 | 1 | 1 | 1 | 1 |
| 70 | 870794 | . RING CARBON | 1 | 1 | 1 | 1 | |
| 71 | N.S.S. | . RING WEAR | 1 | 1 | 1 | 1 | 1 |
| 72 | N.S.S. | . O-RING | 1 | 1 | 1 | 1 | 1 |
| 73 | 870795 | . GASKET, HUB BEARING | 1 | 1 | 1 | 1 | |
| 74 | 950092 | . HUB HOUSING MOUNT | 1 | 1 | 1 | 1 | |
| 75 | N.S.S. | . RING FELT & RETAINING | 1 | 1 | 1 | 1 | 1 |
| 76 | 950093 | . NUT / W/HUB MOUNTING ONLY | 1 | 1 | 1 | 1 | |
| 80 | G1091280 | . SCREW CAP HEX 3/8-16 X 3"1/4 | 8 | 8 | 8 | 8 | |
| 81 | 870757 | . HEAD CYLINDER / CENTER BANK | 1 | 1 | 1 | 1 | |
| 82 | 501303 | . PLUG SQUARE HEAD / PIPE FITTING / 1/8NPT-M BR | 1 | 1 | 1 | 1 | |
| 83 | 870799 | . STRAINER | 1 | 1 | 1 | 1 | |
| 84 | 870798 | HEAD CYLINDER / UNLOADER | 1 | 1 | 1 | 1 | |
| 85 | 502694 | SCREW CAP HEX 3/8-16x3 1/4 G5 ZP | 1 | 1 | 1 | 1 | |
| 100 | Y2-2250-15 | A/C ELECTRIC UNLOADER - W/05G COMPRESSOR | 1 | 1 | 1 | 1 | |

| | | |
|---|--------------|-----------------|
| From Y-7046 To 6-8795 | Date:10/2022 | PAGE:Y2-2250-00 |
| A/C COMPRESSOR ASSY 05G - THREE PORT | | |

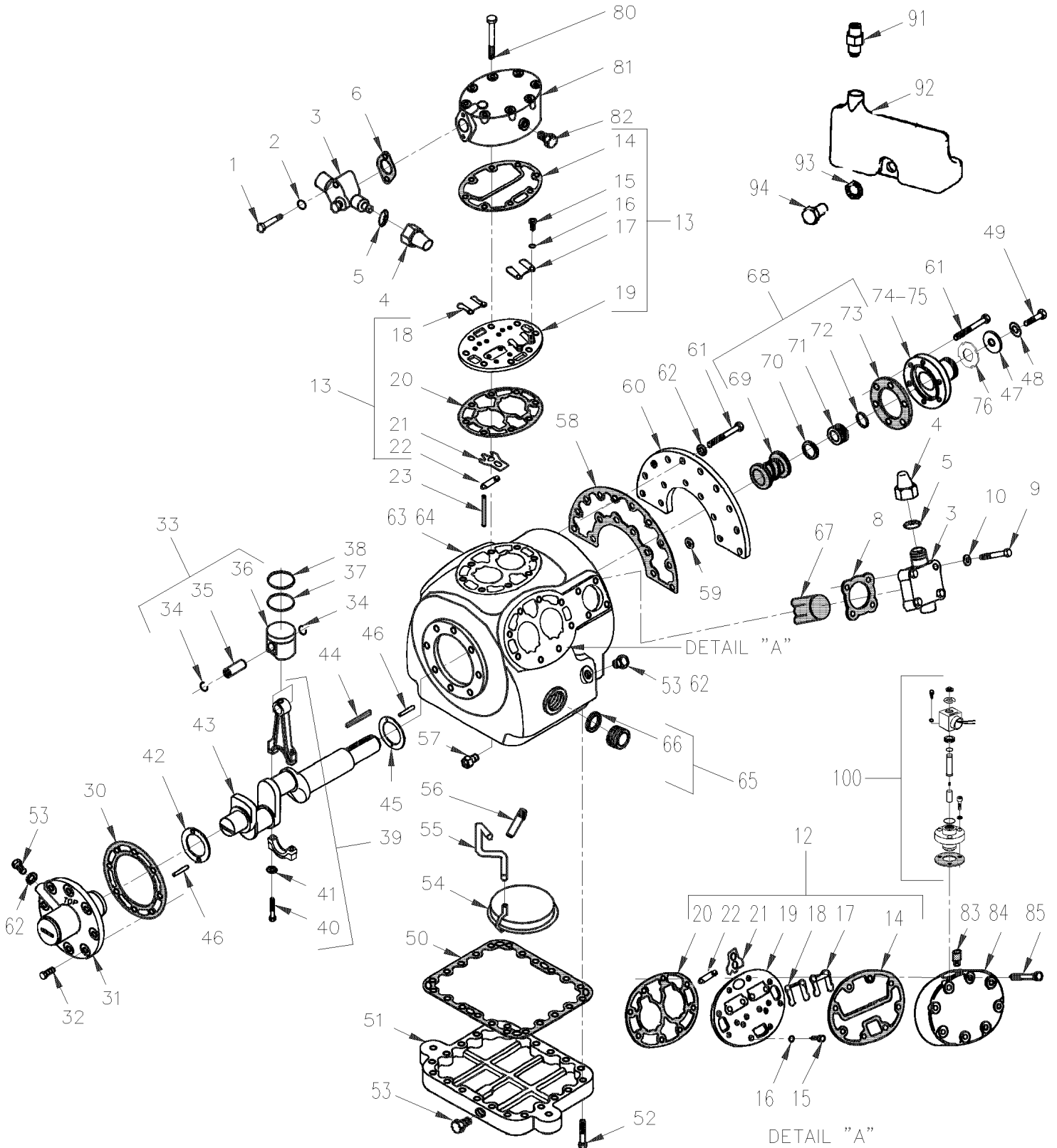
| Item# | Part | Description | X L I I 4 5 | X L I I M T H 4 0 | X L I I M T H 4 5 | X L I I M T H 4 5 E | N O T E S |
|-------|--------|---|----------------------------|---|---|--|-----------------------|
| | | | | | | | |
| 101 | 950236 | REFRIGERANT OIL POE / USE W/134A (4LITER) | AR | AR | AR | AR | |
| | | | | | | | |
| | | | | | | | |
| | | 1) NOT SOLD SEPARATELY | | | | | |

From 6-8796 To 8-9339

Date:10/2022

PAGE:Y2-2250-01

A/C COMPRESSOR ASSY 05G - TWIN PORT



| | | |
|--|--------------|-----------------|
| From 6-8796 To 8-9339 | Date:10/2022 | PAGE:Y2-2250-01 |
| A/C COMPRESSOR ASSY 05G - TWIN PORT | | |

| Item# | Part | Description | X L I I 4 5 | X L I I M T H 4 0 | X L I I M T H 4 5 | X L I I M T H 4 5 E | N O T E S |
|-------|-------------------|--|----------------------------|---|---|--|-----------------------|
| NS | 950401 | A/C COMPRESSOR ASSY REBUILT / W/41 C.F.M W/O ACCESSORIES TWIN PORT | | | | | |
| 1 | 870877 | . SCREW CAP HEX 5/16-18x2 G5 ZP | 2 | 2 | 2 | 2 | |
| 2 | 870750 | . GASKET | 2 | 2 | 2 | 2 | |
| 3 | Y2-2245-00 | . A/C COMPRESSOR 05G - INSTALLATION | | | | | |
| 4 | 870446 | . . CAP SEAL | 1 | 1 | 1 | 1 | |
| 5 | 870752 | . . . GASKET, CAP SEAL | 1 | 1 | 1 | 1 | |
| 6 | 950425 | . GASKET / DISCHARGE VALVE / (METAL) | 1 | 1 | 1 | 1 | |
| 8 | 950423 | . GASKET / SUCTION VALVE / (METAL) | 1 | 1 | 1 | 1 | |
| 9 | 870755 | . SCREW CAP HEX 1/2-13x2 1/2 G5 ZP | 4 | 4 | 4 | 4 | |
| 10 | 870756 | . GASKET | 4 | 4 | 4 | 4 | |
| 12 | 950415 | . VALVE PLATE ASSY / SIDE BANK / W/TWIN PORT ONLY | 2 | 2 | 2 | 2 | |
| NS | 870800 | . . CHECK VALVE ASSY / UNLOADER | 2 | 2 | 2 | 2 | |
| 13 | 950414 | . VALVE PLATE ASSY / CENTER BANK / W/TWIN PORT ONLY | 1 | 1 | 1 | 1 | |
| 14 | 950421 | . . GASKET, CYLINDER HEAD / W/TWIN PORT ONLY | 1 | 1 | 1 | 1 | |
| 15 | 870761 | . . SCREW CAP HEXS 1/4-28 x 3/8" | 4 | 4 | 4 | 4 | |
| 16 | 500473 | . . WASHER LO SPT .262x.489x.062 Z050 | 4 | 4 | 4 | 4 | |
| 17 | 950416 | . . VALVE DISCHARGE / W/TWIN PORT ONLY | 2 | 2 | 2 | 2 | |
| 18 | 950417 | . . BACKER VALVE DISCHARGE / W/TWIN PORT ONLY | 2 | 2 | 2 | 2 | |
| 19 | N.S.S. | . . PLATE VALVE | 1 | 1 | 1 | 1 | 1 |
| 20 | 950420 | . . GASKET, VALVE PLATE / W/TWIN PORT ONLY | 1 | 1 | 1 | 1 | |
| 21 | 950418 | . . VALVE SUCTION / W/TWIN PORT ONLY | 2 | 2 | 2 | 2 | |
| 22 | 950419 | . . SPRING / SUCTION VALVE / W/TWIN PORT ONLY | 2 | 2 | 2 | 2 | |
| 23 | 870767 | . PIN DOWEL VALVE PLATE | 4 | 4 | 4 | 4 | |
| 30 | 870771 | . GASKET / OIL PUMP | 1 | 1 | 1 | 1 | |
| 31 | 950403 | . OIL PUMP ASSY / W/TWIN PORT ONLY | 1 | 1 | 1 | 1 | |
| 32 | 500192 | . SCREW CAP HEX 3/8-16x1 1/4 G5 Z050 | 8 | 8 | 8 | 8 | |
| 33 | 950272 | . PISTON & PIN ASSY / STANDARD / W/41 CFM | 6 | 6 | 6 | 6 | |
| 33 | 950274 | . PISTON & PIN ASSY/.020" OVERSIZE / W/41 CFM | 6 | 6 | 6 | 6 | |
| 34 | N.S.S. | . . RETAINER | 2 | 2 | 2 | 2 | 1 |
| 35 | N.S.S. | . . PIN | 1 | 1 | 1 | 1 | 1 |
| 36 | N.S.S. | . . PISTON SINGLE RING | 1 | 1 | 1 | 1 | 1 |
| 37 | 870774 | . RING / W/DOUBLE RING PISTON ONLY | 6 | 6 | 6 | 6 | |
| 38 | 870775 | . RING COMPRESSION / STANDARD | 6 | 6 | 6 | 6 | |
| 38 | 870815 | . RING COMPRESSION / .020" OVERSIZE | 6 | 6 | 6 | 6 | |
| 39 | 870776 | . CONNECTING ROD & CLIP ASSY / STANDARD | 6 | 6 | 6 | 6 | |
| 39 | 870816 | . CONNECTING ROD & CLIP ASSY / .010" OVERSIZE | 6 | 6 | 6 | 6 | |
| NS | 870767 | . . PIN DOWEL VALVE PLATE | 2 | 2 | 2 | 2 | |
| 40 | 870777 | . . BOLT | 2 | 2 | 2 | 2 | |
| 41 | 500440 | . . WASHER FL .250x.562x.065 Z050 | 1 | 1 | 1 | 1 | |
| 42 | 870778 | . WASHER THRUST / PUMP END | 1 | 1 | 1 | 1 | |
| 43 | 950406 | . CRANKSHAFT ASSY / W/41 CFM / W/TWIN PORT ONLY | 1 | 1 | 1 | 1 | |

| | | |
|--|--------------|-----------------|
| From 6-8796 To 8-9339 | Date:10/2022 | PAGE:Y2-2250-01 |
| A/C COMPRESSOR ASSY 05G - TWIN PORT | | |

| Item# | Part | Description | X L I I 4 5 | X L I I M T H 4 0 | X L I I M T H 4 5 | X L I I M T H 4 5 E | N O T E S |
|-------|----------|---|----------------------------|---|---|--|-----------------------|
| 44 | 950140 | . KEY CRANKSHAFT / W/HOUSING-MOUNTED CLUTCH | 1 | 1 | 1 | 1 | |
| 45 | 870781 | . WASHER THRUST | 1 | 1 | 1 | 1 | |
| 46 | 870782 | . PIN STRAIGHT 1/8" DIA. X 1/2" | 2 | 2 | 2 | 2 | |
| NS | 870783 | . PIN STRAIGHT .094" X 5/16" | 2 | 2 | 2 | 2 | |
| 47 | 870784 | . WASHER 13/32" I.D. X 1 1/2" O.D. X 3/16" TH | 1 | 1 | 1 | 1 | |
| 48 | 500478 | . WASHER LO SPT .380x.683x.094 Z050 | 1 | 1 | 1 | 1 | |
| 49 | 870785 | . SCREW CAP HEX 3/8-24x7/8 G8 ZP | 1 | 1 | 1 | 1 | |
| 50 | 950402 | . GASKET, BOTTOM PLATE / (METAL) | 1 | 1 | 1 | 1 | |
| 51 | 950444 | . PLATE BOTTOM | 1 | 1 | 1 | 1 | |
| 52 | 500191 | . SCREW CAP HEX 3/8-16x1 G5 Z050 | 22 | 22 | 22 | 22 | |
| 53 | 950303 | . PLUG, O-RING / (CURRENT) | 2 | 2 | 2 | 2 | |
| 54 | 870787 | . SCREEN ASSY / OIL FILTER | 1 | 1 | 1 | 1 | |
| 55 | 870788 | . TUBE / OIL SUCTION | 1 | 1 | 1 | 1 | |
| 56 | 870789 | . VALVE / OIL RELIEF | 1 | 1 | 1 | 1 | |
| 57 | 870790 | . CHECK VALVE ASSY / OIL RETURN | 2 | 2 | 2 | 2 | |
| 58 | 950412 | . GASKET, SHAFT END COVER / W/TWIN PORT ONLY | 1 | 1 | 1 | 1 | |
| 59 | 950139 | . WASHER .393x.622x.031 | 2 | 2 | 2 | 2 | |
| 60 | 870792 | . FLANGE | 1 | 1 | 1 | 1 | |
| 61 | 500192 | . SCREW CAP HEX 3/8-16x1 1/4 G5 Z050 | 21 | 21 | 21 | 21 | |
| 62 | 950139 | . WASHER .393x.622x.031 | 21 | 21 | 21 | 21 | |
| 63 | N.S.S. | . CRANKCASE | 1 | 1 | 1 | 1 | 1 |
| 64 | 950283 | . . BEARING, MAIN SEAL END | 1 | 1 | 1 | 1 | |
| 65 | 870768 | . SIGHT GLASS ASSY | 2 | 2 | 2 | 2 | |
| 66 | 870769 | . . GASKET, SIGHT GLASS | 2 | 2 | 2 | 2 | |
| 67 | 870770 | . STRAINER SUCTION | 1 | 1 | 1 | 1 | |
| 68 | 950407 | . SHAFT SEAL ASSY / W/HOUSING-MOUNTED CLUTCH / W/TWIN PORT ONLY | 1 | 1 | 1 | 1 | |
| 69 | N.S.S. | . . SEAL / SHAFT | 1 | 1 | 1 | 1 | 1 |
| 70 | 870794 | . . RING CARBON | 1 | 1 | 1 | 1 | |
| 71 | N.S.S. | . . RING WEAR | 1 | 1 | 1 | 1 | 1 |
| 72 | N.S.S. | . . O-RING | 1 | 1 | 1 | 1 | 1 |
| 73 | 870795 | . . GASKET, HUB BEARING | 1 | 1 | 1 | 1 | |
| 74 | 950408 | . HUB HOUSING MOUNT W/GROOVE FOR TWIN PORT | 1 | 1 | 1 | 1 | |
| NS | 950409 | . . SEAL, LIP, SHAFT SEAL / W/TWIN PORT ONLY | 1 | 1 | 1 | 1 | |
| NS | 870795 | . . GASKET, HUB BEARING | 1 | 1 | 1 | 1 | |
| 75 | 950409 | . SEAL, LIP, SHAFT SEAL / W/TWIN PORT ONLY | 1 | 1 | 1 | 1 | |
| 76 | 950093 | . NUT / W/HUB MOUNTING ONLY | 1 | 1 | 1 | 1 | |
| 80 | G1091280 | . SCREW CAP HEX 3/8-16 X 3"1/4 | 8 | 8 | 8 | 8 | |
| 81 | 870757 | . HEAD CYLINDER / CENTER BANK | 1 | 1 | 1 | 1 | |
| 82 | 501303 | . PLUG SQUARE HEAD / PIPE FITTING / 1/8NPT-M BR | 1 | 1 | 1 | 1 | |
| 83 | 870799 | . STRAINER | 1 | 1 | 1 | 1 | |
| 84 | 950426 | HEAD CYLINDER / UNLOADER / W/TWIN PORT ONLY | 1 | 1 | 1 | 1 | |
| 85 | 502694 | SCREW CAP HEX 3/8-16x3 1/4 G5 ZP | 1 | 1 | 1 | 1 | |

| | | |
|--|--------------|-----------------|
| From 6-8796 To 8-9339 | Date:10/2022 | PAGE:Y2-2250-01 |
| A/C COMPRESSOR ASSY 05G - TWIN PORT | | |

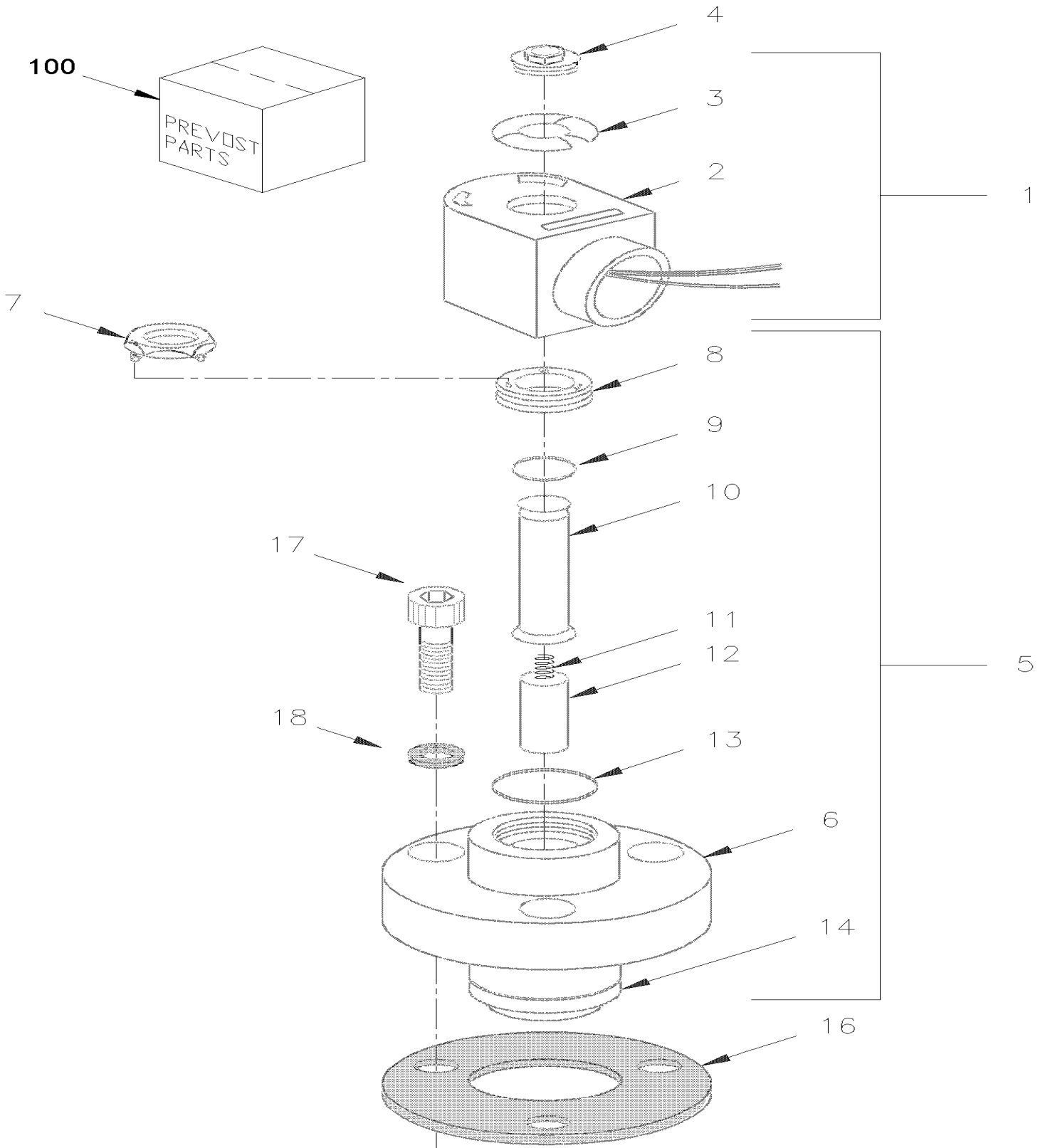
| Item# | Part | Description | X L I I 4 5 | X L I I M T H 4 0 | X L I I M T H 4 5 | X L I I M T H 4 5 E | N O T E S |
|-------|-------------------|---|----------------------------|---|---|--|-----------------------|
| 91 | 950410 | ACCESS VALVE / W/TWIN PORT ONLY | 1 | 1 | 1 | 1 | |
| 92 | 950411 | RESERVOIR / W/TWIN PORT ONLY | 1 | 1 | 1 | 1 | |
| 93 | 500856 | WASHER LO INT .384x.692x.040 ZP | 1 | 1 | 1 | 1 | |
| 94 | 950967 | SCREW CAP HEX 3/8-16 X 3/4 G8 | 1 | 1 | 1 | 1 | |
| 100 | Y2-2250-15 | A/C ELECTRIC UNLOADER - W/05G COMPRESSOR | 1 | 1 | 1 | 1 | |
| NS | 950236 | REFRIGERANT OIL POE / USE W/134A (4LITER) | AR | AR | AR | AR | |
| | | | | | | | |
| | | | | | | | |
| | | 1) NOT SOLD SEPARATELY | | | | | |

From Y-7046 To 8-9339

Date:10/2022

PAGE:Y2-2250-15

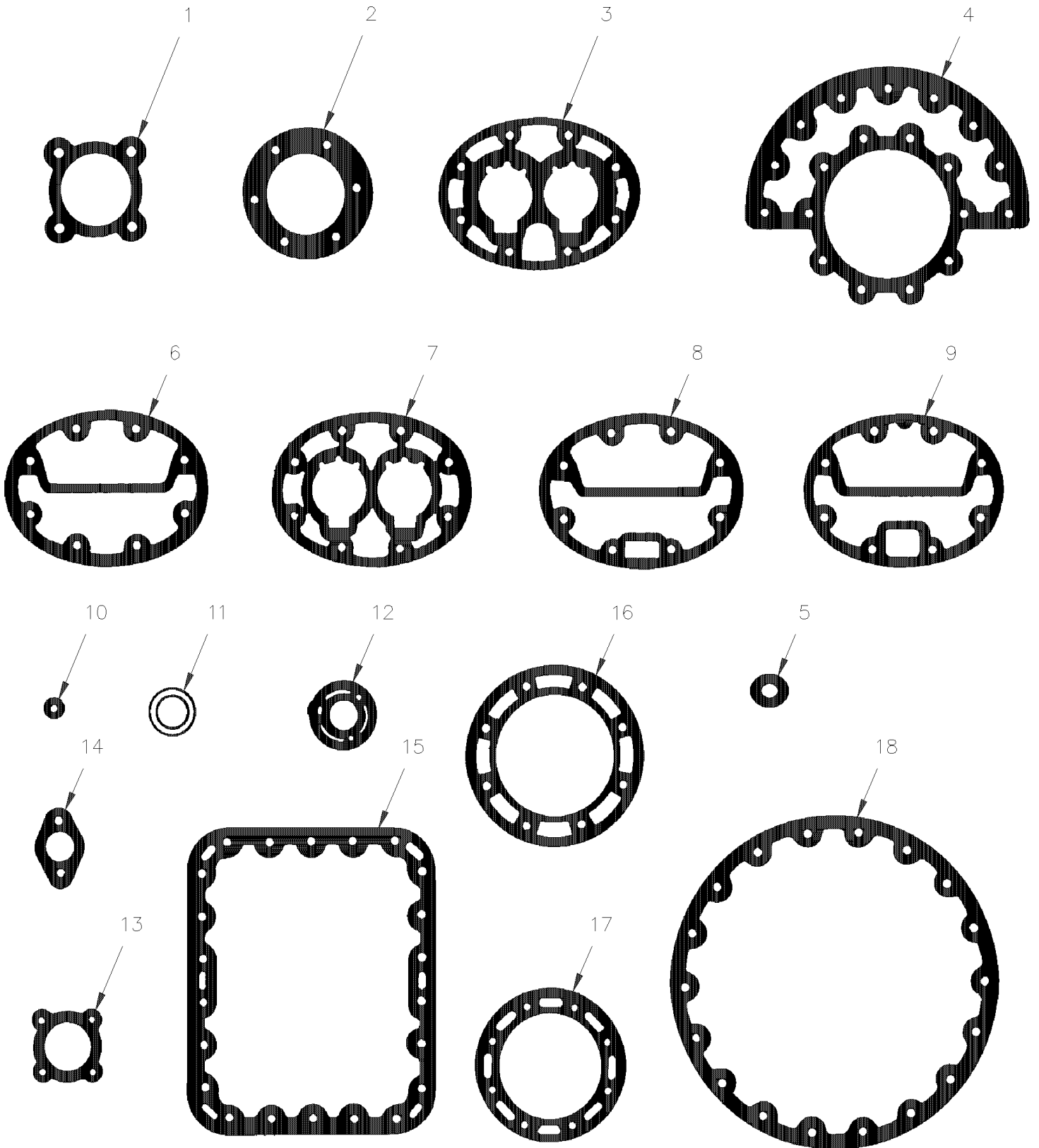
A/C ELECTRIC UNLOADER - W/05G COMPRESSOR



| | | | |
|---|--|--------------|-----------------|
| From Y-7046 To 8-9339 | | Date:10/2022 | PAGE:Y2-2250-15 |
| A/C ELECTRIC UNLOADER - W/05G COMPRESSOR | | | |

| Item# | Part | Description | X L I I 4 5 | X L I I M T H 4 0 | X L I I M T H 4 5 | X L I I M T H 4 5 E | N O T E S |
|-------|---------|--|----------------------------|---|---|--|-----------------------|
| | 063969 | COIL ASSY W/CONNECTOR | 2 | 2 | 2 | 2 | |
| 1 | 950096 | . COIL 24V | 1 | 1 | 1 | 1 | |
| 2 | N.S.S. | .. COIL | 1 | 1 | 1 | 1 | 1 |
| 3 | N.S.S. | .. NAMEPLATE / VOLTAGE | 1 | 1 | 1 | 1 | 1 |
| 4 | N.S.S. | .. CAP, SNAP | 1 | 1 | 1 | 1 | 1 |
| 4 | N.S.S. | .. CAP, SNAP | 1 | 1 | 1 | 1 | 1 |
| NS | 561566 | .. CONNECTOR / WEATHER PACK / PH 2C / BLACK / PED 12010973 | 1 | 1 | 1 | 1 | |
| NS | 561578 | .. SOCKET TERMINAL / 16-14 / PED 12010182 | 2 | 2 | 2 | 2 | |
| NS | 561786 | .. CABLE SEAL / GRAY / PED 15324980 | 2 | 2 | 2 | 2 | |
| 5 | 950095 | BODY / UNLOADER VALVE | 1 | 1 | 1 | 1 | |
| 6 | N.S.S. | . BODY, VALVE | 1 | 1 | 1 | 1 | 1 |
| 7 | N.S.S. | . NUT / FOR REMOVING OR REPLACING TUBE COLLAR | 1 | 1 | 1 | 1 | 1 |
| 8 | N.S.S. | . COLLAR / TUBE | 1 | 1 | 1 | 1 | 1 |
| 9 | N.S.S. | . O-RING | 1 | 1 | 1 | 1 | 1 |
| 10 | N.S.S. | . TUBE | 1 | 1 | 1 | 1 | 1 |
| 11 | N.S.S. | . SPRING, PLUNGER | 1 | 1 | 1 | 1 | 1 |
| 12 | N.S.S. | . PLUNGER | 1 | 1 | 1 | 1 | 1 |
| 13 | N.S.S. | . O-RING | 1 | 1 | 1 | 1 | 1 |
| 14 | 870818 | . RING, PISTON | 1 | 1 | 1 | 1 | |
| 16 | 870820 | GASKET, UNLOADER | 1 | 1 | 1 | 1 | |
| 17 | 5001415 | SCREW CAP HEXS 1/4-28x3/4 | 3 | 3 | 3 | 3 | |
| 18 | 950305 | GASKET / W/ALLEN BOLT | 3 | 3 | 3 | 3 | |
| 100 | 950413 | KIT, STEM REPAIR | 1 | 1 | 1 | 1 | B |
| | | | | | | | |
| | | | | | | | |
| | | B) INCLUDE ITEMS # 7, 10, 11,12 & 13 | | | | | |
| | | 1) NOT SOLD SEPARATELY | | | | | |

| | | |
|------------------------------------|--------------|-----------------|
| From Y-7046 To 8-9339 | Date:10/2022 | PAGE:Y2-2251-00 |
| GASKET - 05G A/C COMPRESSOR | | |



| | | |
|------------------------------------|--------------|-----------------|
| From Y-7046 To 8-9339 | Date:10/2022 | PAGE:Y2-2251-00 |
| GASKET - 05G A/C COMPRESSOR | | |

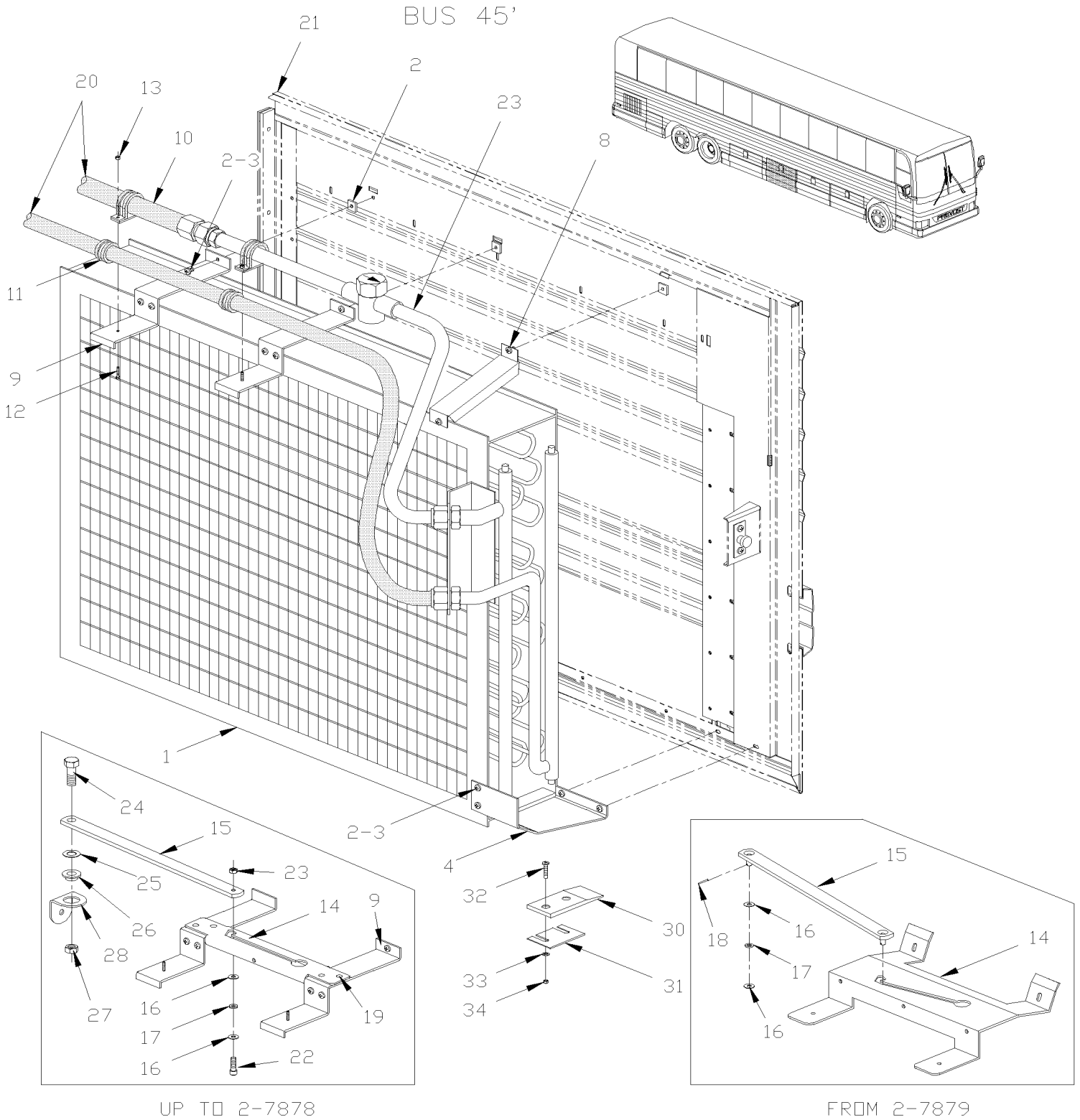
| Item# | Part | Description | X L I I 4 5 | X L I I M T H 4 0 | X L I I M T H 4 5 | X L I I M T H 4 5 E | N O T E S |
|-------|--------|--|----------------------------|---|---|--|-----------------------|
| | 870829 | KIT GASKET | 1 | 1 | 1 | 1 | |
| 1 | 870754 | . GASKET / SUCTION VALVE | 1 | 1 | 1 | 1 | |
| 2 | 870795 | . GASKET, HUB BEARING | 1 | 1 | 1 | 1 | |
| 3 | 870764 | . GASKET, VALVE PLATE | 3 | 3 | 3 | 3 | |
| 4 | N.S.S. | . GASKET, END FLANGE | 1 | 1 | 1 | 1 | 1 |
| 5 | 870791 | . GASKET, SHAFT END COVER | 2 | 2 | 2 | 2 | |
| 6 | N.S.S. | . GASKET, LEFT & RIGHT CYLINDER HEAD - STANDARDS | 2 | 2 | 2 | 2 | 1 |
| 7 | N.S.S. | . GASKET, VALVE PLATE | 3 | 3 | 3 | 3 | 1 |
| 8 | 870760 | . GASKET, CENTER CYLINDER HEAD | 1 | 1 | 1 | 1 | |
| 9 | 870797 | . GASKET, L.H & R.H CYLINDER HEAD | 2 | 2 | 2 | 2 | |
| 10 | N.S.S. | . GASKET, OIL SUPPLY TUBE | 1 | 1 | 1 | 1 | 1 |
| 11 | 870769 | . GASKET, SIGHT GLASS | 2 | 2 | 2 | 2 | |
| 12 | 870820 | . GASKET, UNLOADER | 2 | 2 | 2 | 2 | |
| 13 | N.S.S. | . GASKET, OIL PUMP COVER | 1 | 1 | 1 | 1 | 1 |
| 14 | 870753 | . GASKET / DISCHARGE VALVE | 2 | 2 | 2 | 2 | |
| 15 | 870786 | . GASKET, BOTTOM PLATE | 1 | 1 | 1 | 1 | |
| 16 | 870771 | . GASKET / OIL PUMP | 1 | 1 | 1 | 1 | |
| 17 | N.S.S. | . GASKET, SHAFT | 1 | 1 | 1 | 1 | 1 |
| 18 | N.S.S. | . GASKET, MOTOR END COVER | 1 | 1 | 1 | 1 | 1 |
| NS | 870791 | . GASKET, SHAFT END COVER | 1 | 1 | 1 | 1 | |
| | | | | | | | |
| | | | | | | | |
| | | 1) NOT SOLD SEPARATELY | | | | | |

From Y-7046 To 6-8906

Date:10/2022

PAGE:Y2-2255-00

CONDENSOR - INSTALLATION LARGE SYSTEM



| | | |
|--|--------------|-----------------|
| From Y-7046 To 6-8906 | Date:10/2022 | PAGE:Y2-2255-00 |
| CONDENSOR - INSTALLATION LARGE SYSTEM | | |

| Item# | Part | Description | X L I I 4 5 | X L I I M T H 4 0 | X L I I M T H 4 5 | X L I I M T H 4 5 E | N O T E S |
|-------|-------------------|---|----------------------------|---|---|--|-----------------------|
| 1 | 950259 | CONDENSOR ALUMINUM | 1 | | | | |
| . NS | 501802 | . O-RING / ORS FITTING / #16 NEO | 1 | | | | |
| . NS | 501829 | . O-RING / ORS FITTING / #12 NEO | 1 | | | | |
| 1 | 453279 | CONDENSOR ALUMINUM / W/BLACK E-COAT | 1 | | | | |
| . NS | 501802 | . O-RING / ORS FITTING / #16 NEO | 1 | | | | |
| . NS | 501829 | . O-RING / ORS FITTING / #12 NEO | 1 | | | | |
| 1 | 950260 | CONDENSOR COPPER | 1 | | | | |
| . NS | 501802 | . O-RING / ORS FITTING / #16 NEO | 1 | | | | |
| . NS | 501829 | . O-RING / ORS FITTING / #12 NEO | 1 | | | | |
| 1 | 453278 | CONDENSOR COPPER / W/BLACK E-COAT | 1 | | | | |
| . NS | 501802 | . O-RING / ORS FITTING / #16 NEO | 1 | | | | |
| . NS | 501829 | . O-RING / ORS FITTING / #12 NEO | 1 | | | | |
| NS | 370357 | DECAL "CLEAN REGULARY" | 1 | | | | |
| 2 | 481249 | NUT To 2-7753 | 37 | | | | |
| 2 | 483107 | SUPPORT / HOSE & STRAP RETAINER From 2-7754 | 2 | | | | |
| 3 | 5001087 | SCREW TP BDG PH #10x1/2 SS To 2-7753 | 37 | | | | |
| 3 | 5001181 | SCREW CAP HEX M6-1.0x12 SS From 2-7754 | 37 | | | | |
| NS | 500411 | WASHER FL .260x.697x.050 SS From 2-7754 | 37 | | | | |
| 4 | 482322 | SUPPORT | 1 | | | | |
| 8 | 480908 | REINFORCEMENT, UPPER | 1 | | | | |
| 9 | 450970 | SUPPORT / HOSE CLAMP To 2-7752 | 2 | | | | |
| 9 | 483107 | SUPPORT / HOSE & STRAP RETAINER From 2-7753 To 2-7878 | 2 | | | | |
| 9 | 453607 | SUPPORT / HOSE CLAMP To 2-7878 | 2 | | | | A |
| 10 | 952637 | CLAMP / 1"1/16 I.D. | 2 | | | | |
| 11 | 952633 | CLAMP / 7/8" I.D. | 2 | | | | |
| 11 | 952641 | CLAMP / 1 5/16" I.D. | 2 | | | | |
| 12 | 500603 | SCREW CAP HEX SLT #10-24x2 Z050 | 2 | | | | |
| 13 | 500767 | NUT HEX #10-24 Z050 | 2 | | | | |
| 14 | 288141 | ARM GUIDE RETAINER To 2-7878 | 1 | | | | |
| 14 | 483684 | SUPPORT & ARM GUIDE RETAINER From 2-7879 | 1 | | | | |
| 15 | 283772 | ARM RETAINING To 2-7878 | 1 | | | | |
| 15 | 288811 | ARM DOOR RETAINER From 2-7879 | 1 | | | | |
| 16 | 5001448 | WASHER FL .343x.875x.062 SS18-8 From 2-7879 | 1 | | | | |
| 17 | 502768 | WASHER FL RUB .312x.625x.125 NEO From 2-7879 | 1 | | | | |
| 18 | 502094 | PIN, COTTER 1/16 x 1/2 SS From 2-7879 | 1 | | | | |
| 19 | 500260 | SCREW TC FL PH #8-32x3/4 BK To 2-7878 | 1 | | | | |
| 20 | Y2-2270-00 | RECEIVER TANK & FILTER DRYER | | | | | |
| 21 | Y2-1863-00 | CONDENSOR DOOR ASSY - BUS | | | | | |
| 22 | 502625 | SCREW SHR HEXS 5/16x3/8 {1/4-20 To 2-7878 | 1 | | | | |
| 23 | 500771 | NUT HEX 1/4-20 SS To 2-7878 | 1 | | | | |
| 24 | 500046 | SCREW CAP HEX 3/8-24x1 G5 Z050 To 2-7878 | 1 | | | | |
| 25 | 500270 | WASHER FL .406x1.000x.063 SS To 2-7878 | 1 | | | | |

| | | |
|--|--------------|-----------------|
| From Y-7046 To 6-8906 | Date:10/2022 | PAGE:Y2-2255-00 |
| CONDENSOR - INSTALLATION LARGE SYSTEM | | |

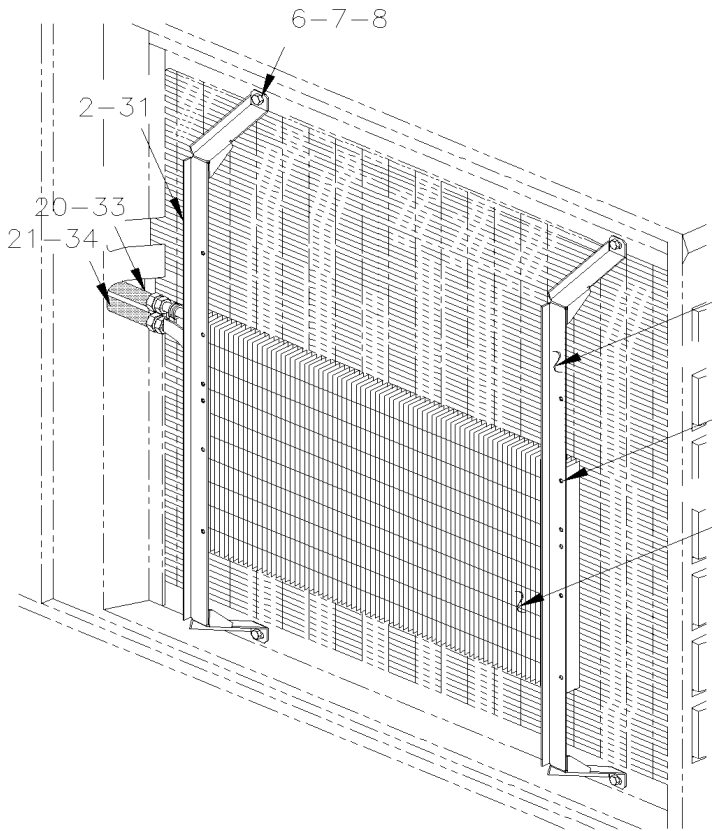
| Item# | Part | Description | X L I I 4 5 | X L I I M T H 4 0 | X L I I M T H 4 5 | X L I I M T H 4 5 E | N O T E S |
|-------|--------|---|----------------------------|---|---|--|-----------------------|
| 26 | 507254 | BUSHING NYLINER W/SHOULDER To 2-7878 | 1 | | | | |
| 27 | 500704 | NUT HEX STO 3/8-24 Z050 To 2-7878 | 1 | | | | |
| 28 | 288142 | SUPPORT To 2-7878 | 1 | | | | |
| 30 | 482328 | BLOCK SUPPORT | 1 | | | | |
| 31 | 482329 | SHIM | AR | | | | |
| 32 | 500346 | SCREW MA FL PH 1/4-20x1 SS BK | 2 | | | | |
| 33 | 500473 | WASHER LO SPT .262x.489x.062 Z050 | 2 | | | | |
| 34 | 500771 | NUT HEX 1/4-20 SS | 2 | | | | |
| | | | | | | | |
| | | | | | | | |
| | | A) COACH EQUIPPED WITH AUXILIARY SUPPORTAUTOCAR | | | | | |

From Y-7046 To 3-8164

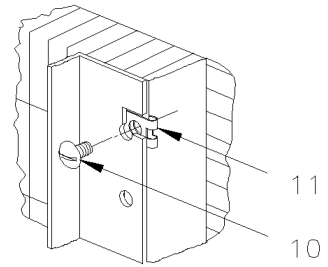
Date:10/2022

PAGE:Y2-2255-10

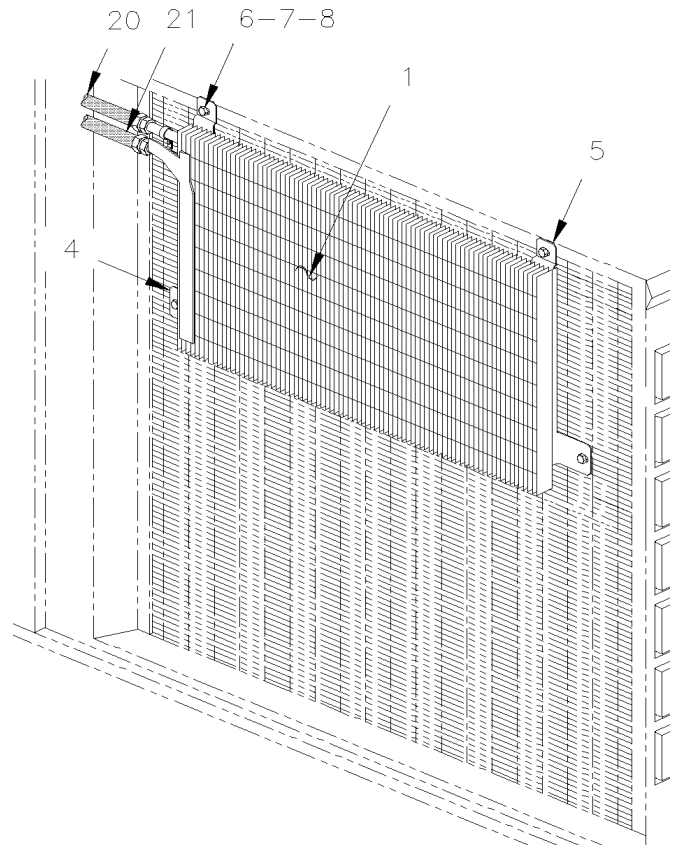
CONDENSOR - INSTALLATION SMALL A/C SYSTEM



2-32
DETAIL "A"



DETAIL "A"



| | | |
|--|--------------|-----------------|
| From Y-7046 To 3-8164 | Date:10/2022 | PAGE:Y2-2255-10 |
| CONDENSOR - INSTALLATION SMALL A/C SYSTEM | | |

| Item# | Part | Description | X L I I 4 5 | X L I I M T H 4 0 | X L I I M T H 4 5 | X L I I M T H 4 5 E | N O T E S |
|-------|----------------|---|----------------------------|---|---|--|-----------------------|
| 1 | 950018 | CONDENSOR COIL To Y-7367 | 1 | 1 | 1 | 1 | |
| 1 | 950335 | CONDENSOR COIL From Y-7368 To 3-8164 | | 1 | 1 | 1 | |
| 1 | 950336 | CONDENSOR COIL From Y-7368 To 3-8164 | 1 | | | | |
| 1 | IS14130 | RETROFIT KIT FOR OBSOLETE CONDENSORS 950018 & 950335 | 1 | 1 | 1 | 1 | |
| 2 | 052258 | SUPPORT To Y-7142 | 2 | | | | |
| 2 | 052382 | SUPPORT From Y-7143 | 2 | | | | |
| 4 | 453138 | SUPPORT FORWARD To Y-7142 | | 1 | 1 | 1 | |
| 4 | 453586 | SUPPORT FORWARD From Y-7143 | | 1 | 1 | 1 | |
| 5 | 453181 | SUPPORT BACKWARD To Y-7142 | | 1 | 1 | 1 | |
| 5 | 453587 | SUPPORT BACKWARD From Y-7143 | | 1 | 1 | 1 | |
| 6 | 500179 | SCREW CAP HEX 5/16-18x3/4 G5 Z050 | 4 | 4 | 4 | 4 | |
| 7 | 502583 | WASHER LO SERR 8.15x22.3x1.0 Z050 | 4 | 4 | 4 | 4 | |
| 8 | 500985 | WASHER FL .343x.875x.125 Z050 | 4 | 4 | 4 | 4 | |
| 10 | 5001087 | SCREW TP BDG PH #10x1/2 SS | 6 | 6 | 6 | 6 | |
| 11 | 500981 | NUT SPR U #10-23/32x5/8 | 6 | 6 | 6 | 6 | |
| 20 | 453450 | HOSE ASSY /COND INLET & HI-SIDE / W/R-134a/ #8 1800MM | 1 | | | | |
| . NS | 507343 | . O-RING / ORS FITTING / #8 NEO | 2 | | | | |
| 20 | 455237 | HOSE ASSY /COND INLET & HI-SIDE / W/R-134a/ #8 1800MM | 1 | | | | S |
| . NS | 507343 | . O-RING / ORS FITTING / #8 NEO | 2 | | | | S |
| 20 | 453471 | HOSE ASSY /COND INLET & HI-SIDE / W/R-134a/ #8 4750MM | | 1 | | 1 | |
| . NS | 507343 | . O-RING / ORS FITTING / #8 NEO | | 2 | | 2 | |
| 20 | 455242 | HOSE ASSY /COND INLET & HI-SIDE / W/R-134a/ #8 4750MM | | 1 | | 1 | S |
| . NS | 507343 | . O-RING / ORS FITTING / #8 NEO | | 2 | | 2 | S |
| 20 | 453169 | HOSE ASSY /COND INLET & HI-SIDE / W/R-134a/ #8 860MM | | | 1 | | |
| . NS | 507343 | . O-RING / ORS FITTING / #8 NEO | | | 2 | | |
| 20 | 455190 | HOSE ASSY /COND INLET & HI-SIDE / W/R-134a/ #8 860MM | | | 1 | | S |
| . NS | 507343 | . O-RING / ORS FITTING / #8 NEO | | | 2 | | S |
| NS | 505181 | . COIL PROTECTOR / PLASTIC / #8 | AR | AR | AR | AR | |
| NS | 560479 | CLAMP / 3/8" I.D. | 1 | 1 | 1 | 1 | |
| 21 | 453170 | HOSE ASSY / CONDENSER & RECEIVER / #6 1100MM | | | 1 | | |
| . NS | 507278 | . O-RING / ORS FITTING / #4 NEO | | | 2 | | |
| 21 | 455191 | HOSE ASSY / CONDENSER & RECEIVER / #6 1100MM | | | 1 | | S |
| . NS | 507278 | . O-RING / ORS FITTING / #4 NEO | | | 2 | | S |
| 21 | 453474 | HOSE ASSY / CONDENSER & RECEIVER / #6 3900MM | | 1 | | 1 | |
| . NS | 507278 | . O-RING / ORS FITTING / #4 NEO | | 2 | | 2 | |
| 21 | 455245 | HOSE ASSY / CONDENSER & RECEIVER / #6 3900MM | | 1 | | 1 | S |
| . NS | 507278 | . O-RING / ORS FITTING / #4 NEO | | 2 | | 2 | S |
| 21 | 453449 | HOSE ASSY / CONDENSER & RECEIVER / #6 2370MM | 1 | | | | |
| . NS | 507278 | . O-RING / ORS FITTING / #4 NEO | 2 | | | | |
| 21 | 455236 | HOSE ASSY / CONDENSER & RECEIVER / #6 2370MM | 1 | | | | S |
| . NS | 507278 | . O-RING / ORS FITTING / #4 NEO | 2 | | | | S |
| NS | 560480 | CLAMP / 1/2" I.D. | 1 | 1 | 1 | 1 | |

| | | |
|-----------------------|--------------|-----------------|
| From Y-7046 To 3-8164 | Date:10/2022 | PAGE:Y2-2255-10 |
|-----------------------|--------------|-----------------|

CONDENSOR - INSTALLATION SMALL A/C SYSTEM

| Item# | Part | Description | X L I I 4 5 | X L I I M T H 4 0 | X L I I M T H 4 5 | X L I I M T H 4 5 E | N O T E S |
|-------|----------|---|----------------------------|---|---|--|-----------------------|
| NS | 500638 | SCREW TP PAN PH #8x1/2 Z050 | 2 | 2 | 2 | 2 | |
| 21 | 052252 | CLOSING RUBBER PAD / 85MM x 110MM x 1/16" | 1 | 1 | 1 | 1 | |
| | | NEXT FOLLOWING ITEMS ARE RELATED | | | | | |
| | | WITH RETROFIT W/"SELTEC" COMPRESSOR | | | | | |
| 30 | 950381 | CONDENSOR COIL | 1 | 1 | 1 | 1 | E |
| 30 | 950467 | CONDENSOR COIL E-COAT LT-8 | 1 | 1 | 1 | 1 | E |
| 31 | 454230 | SUPPORT FORWARD To 3-8164 | | 1 | 1 | | A |
| 32 | 454133 | SUPPORT / BACKWARD To 3-8164 | 1 | | | 1 | BC |
| 32 | 454229 | SUPPORT BACKWARD To 3-8164 | | 1 | 1 | | A |
| 33 | 454134 | SUPPORT / FORWARD To 3-8164 | 1 | | | 1 | BC |
| 33 | 453900 | HOSE ASSY / #8 685MM To 3-8164 | | | 1 | | A |
| . NS | 507343 | . O-RING / ORS FITTING / #8 NEO To 3-8164 | | | 2 | | A |
| 33 | 455273 | HOSE ASSY / #8 685MM To 3-8164 | | | 1 | | AS |
| . NS | 507343 | . O-RING / ORS FITTING / #8 NEO To 3-8164 | | | 2 | | AS |
| 33 | 454142 | HOSE ASSY / #8 1215MM To 3-8164 | | 1 | | 1 | F |
| . NS | 507343 | . O-RING / ORS FITTING / #8 NEO To 3-8164 | | 2 | | 2 | F |
| 33 | 455291 | HOSE ASSY / #8 1215MM To 3-8164 | | 1 | | 1 | FS |
| . NS | 507343 | . O-RING / ORS FITTING / #8 NEO To 3-8164 | | 2 | | 2 | FS |
| 34 | 454109 | HOSE ASSY / VALVE & EVAPORATOR / #6 205MM To 3-8164 | | | 1 | | A |
| . NS | 507278 | . O-RING / ORS FITTING / #4 NEO To 3-8164 | | | 2 | | A |
| 34 | 455290 | HOSE ASSY / VALVE & EVAPORATOR / #6 205MM To 3-8164 | | | 1 | | AS |
| . NS | 507278 | . O-RING / ORS FITTING / #4 NEO To 3-8164 | | | 2 | | AS |
| 34 | 454141 | HOSE ASSY / #6 375MM To 3-8164 | | 1 | | 1 | F |
| NS | 453897 | KIT, RETROFIT "SELTEC" COMPRESSOR /W/W5 ONLY | | | 1 | | |
| . NS | IS-03152 | . SEE INSTRUCTION SHEET | | | 1 | | |
| NS | 454140 | KIT, RETROFIT "SELTEC" COMPRESSOR / W/A/C IN PARCEL RACK ONLY To 3-8164 | 1 | | | | |
| . NS | IS-03045 | . SEE INSTRUCTION SHEET To 3-8164 | 1 | | | | |
| NS | 454222 | KIT, RETROFIT "SELTEC" COMPRESSOR / W/MTH 40' To 3-8164 | | 1 | | | |
| . NS | IS-04009 | . SEE INSTRUCTION SHEET To 3-8164 | | 1 | | | |
| NS | 454223 | KIT, RETROFIT "SELTEC" COMPRESSOR / W/MTH 45' To 3-8164 | | | | 1 | |
| . NS | IS-04009 | . SEE INSTRUCTION SHEET To 3-8164 | | | | 1 | |
| | | A) USE ONLY WITH RETROFIT KIT #453897 W / MTH-45 | | | | | |
| | | B) USE ONLY WITH RETROFIT KIT #454140 W / BUSS | | | | | |
| | | C) USE ONLY WITH RETROFIT KIT #454223 W / MTH-45S | | | | | |
| | | E) USE WITH ALL RETROFIT KITS | | | | | |

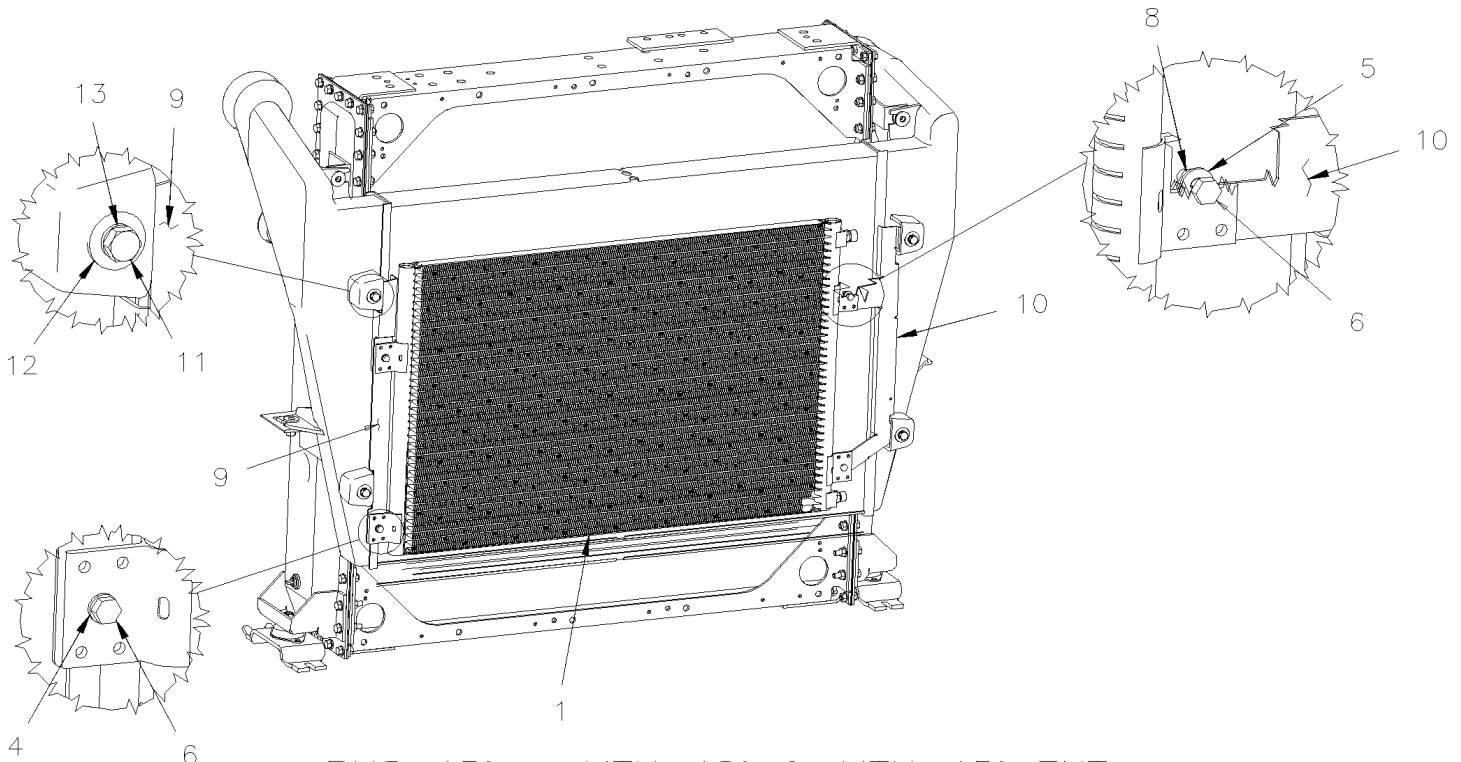
| From Y-7046 To 3-8164 | | Date:10/2022 | PAGE:Y2-2255-10 | | | | |
|---|------|--|--------------------------------|---|---|--|-----------------------|
| CONDENSOR - INSTALLATION SMALL A/C SYSTEM | | | | | | | |
| Item# | Part | Description | X L I I 4 5 | X L I I M T H 4 0 | X L I I M T H 4 5 | X L I I M T H 4 5 E | N O T E S |
| | | F) USE ONLY WITH RETROFIT KIT #454140, #454222 & #454223 | | | | | |
| | | S) SERVICE | | | | | |

From 4-8165 To 8-9339

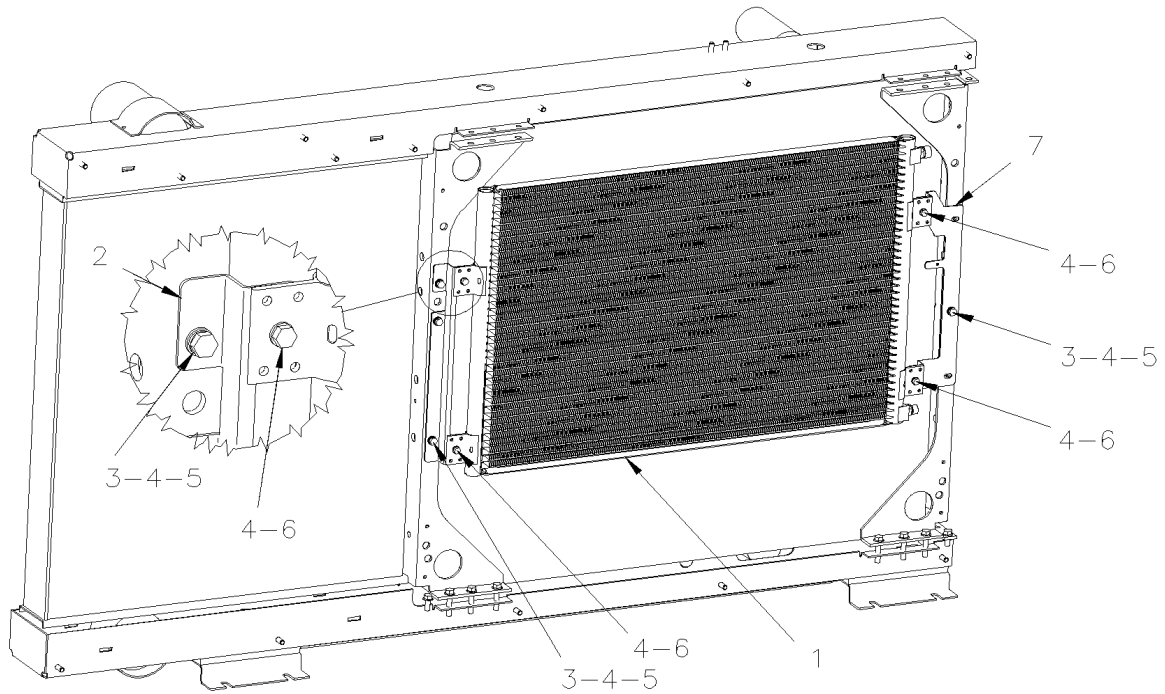
Date:10/2022

PAGE:Y2-2255-11

CONDENSOR - INSTALLATION SMALL A/C SYSTEM



BUS 45' - MTH 40' & MTH 45' ENT



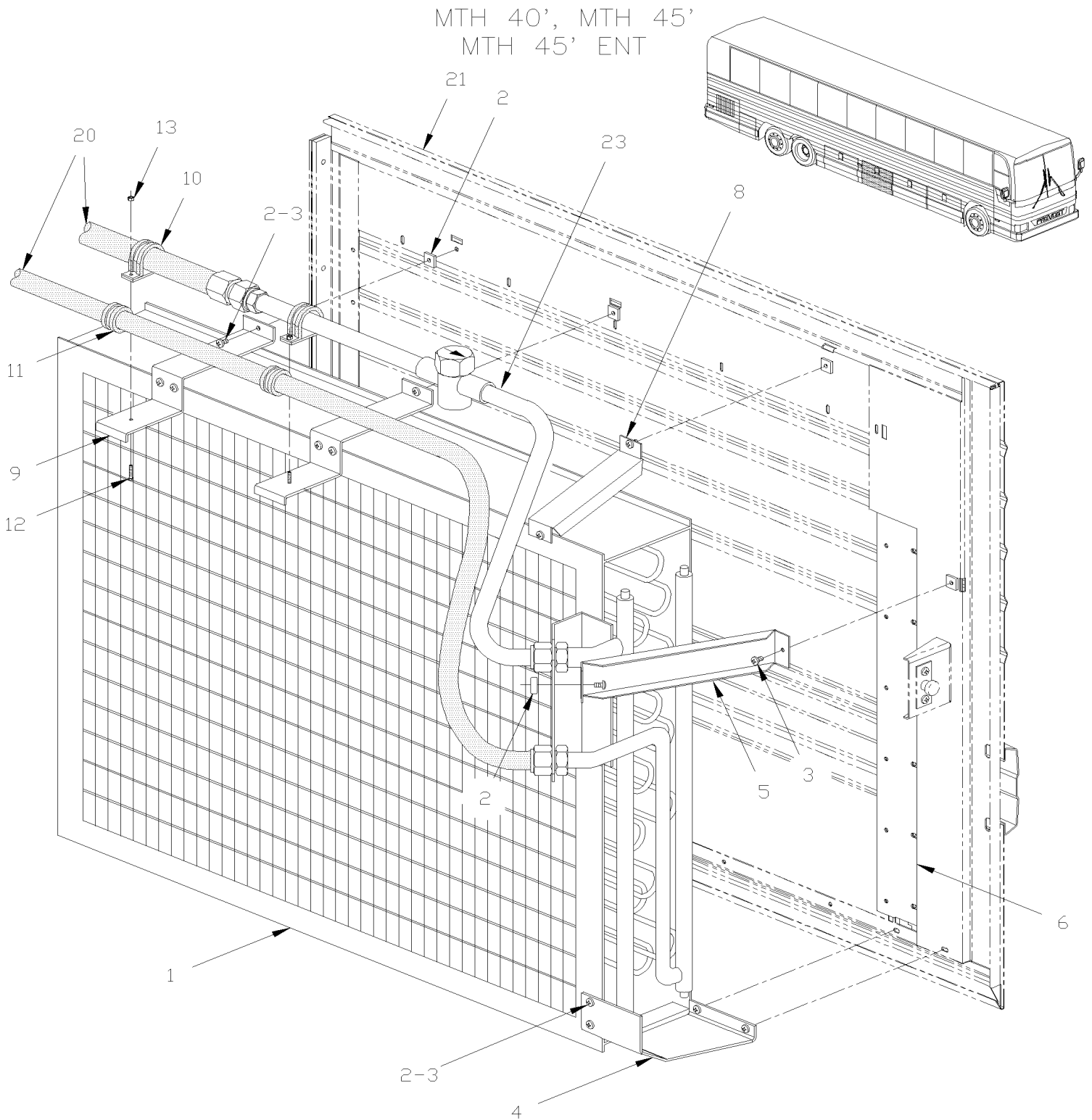
MTH 45'

From Y-7046 To 8-9339

Date:10/2022

PAGE:Y2-2255-50

CONDENSOR - INSTALLATION LARGE SYSTEM



| | | |
|--|--------------|-----------------|
| From Y-7046 To 8-9339 | Date:10/2022 | PAGE:Y2-2255-50 |
| CONDENSOR - INSTALLATION LARGE SYSTEM | | |

| Item# | Part | Description | X L I I 4 5 | X L I I M T H 4 0 | X L I I M T H 4 5 | X L I I M T H 4 5 E | N O T E S |
|-------|-------------------|--|----------------------------|---|---|--|-----------------------|
| 1 | 870654 | CONDENSOR ALUMINUM 36 1/2" x 28" x 6" | | 1 | 1 | 1 | |
| . NS | 501802 | . O-RING / ORS FITTING / #16 NEO | | 1 | 1 | 1 | |
| . NS | 501829 | . O-RING / ORS FITTING / #12 NEO | | 1 | 1 | 1 | |
| 1 | 453277 | CONDENSOR ALUMINUM / W/BLACK E-COAT 36 1/2" x 28" x 6" | | 1 | 1 | 1 | |
| . NS | 501802 | . O-RING / ORS FITTING / #16 NEO | | 1 | 1 | 1 | |
| . NS | 501829 | . O-RING / ORS FITTING / #12 NEO | | 1 | 1 | 1 | |
| 1 | 870729 | CONDENSOR COPPER 36 1/2" x 28" x 6" | | 1 | 1 | 1 | |
| . NS | 501802 | . O-RING / ORS FITTING / #16 NEO | | 1 | 1 | 1 | |
| . NS | 501829 | . O-RING / ORS FITTING / #12 NEO | | 1 | 1 | 1 | |
| 1 | 453276 | CONDENSOR COPPER / W/BLACK E-COAT 36 1/2" x 28" x 6" | | 1 | 1 | 1 | |
| . NS | 501802 | . O-RING / ORS FITTING / #16 NEO | | 1 | 1 | 1 | |
| . NS | 501829 | . O-RING / ORS FITTING / #12 NEO | | 1 | 1 | 1 | |
| NS | 370357 | DECAL "CLEAN REGULARY" | | 1 | 1 | 1 | |
| 2 | 481249 | NUT | | 39 | 39 | 39 | |
| 3 | 500524 | SCREW TP PAN PH #12x5/8 SS | | 39 | 39 | 39 | |
| 4 | 480909 | REINFORCEMENT, LOWER | | 1 | 1 | 1 | |
| 5 | 481054 | REINFORCEMENT, SIDE | | 1 | 1 | 1 | |
| 6 | 480912 | REINFORCEMENT, VERTICAL | | 1 | 1 | 1 | |
| 8 | 480908 | REINFORCEMENT, UPPER | | 1 | 1 | 1 | |
| 9 | 450970 | SUPPORT / HOSE CLAMP | | 2 | 2 | 2 | |
| 10 | 504458 | CLAMP / 1 5/8" I.D. | | 2 | 2 | 2 | |
| 11 | 560872 | CLAMP / 1"1/16 I.D. | | 2 | 2 | 2 | |
| NS | 501801 | O-RING / ORS FITTING / #8 NEO | | 1 | 1 | 1 | A |
| NS | 507169 | O-RING 1/2 I.D. | | 1 | 1 | 1 | B |
| NS | 501802 | O-RING / ORS FITTING / #16 NEO | | 2 | 2 | 2 | A |
| 12 | 500603 | SCREW CAP HEX SLT #10-24x2 Z050 | | 2 | 2 | 2 | |
| 13 | 500767 | NUT HEX #10-24 Z050 | | 2 | 2 | 2 | |
| 20 | Y2-2222-10 | A/C & HEATING LINE FRONT SECTION | | | | | |
| 21 | Y2-1863-51 | CONDENSOR DOOR ASSY | | | | | |
| 21 | Y2-1863-50 | CONDENSOR DOOR ASSY | | | | | |
| 23 | Y2-2270-00 | RECEIVER TANK & FILTER DRYER | | | | | |
| | | | | | | | |
| | | | | | | | |
| | | | | | | | |
| | | | | | | | |
| | | A) HOSE & CONDENSER | | | | | |
| | | B) TO HOSE #11 / HOSE & RECEIVER TANK | | | | | |

| | | |
|-------------------------------------|--------------|-----------------|
| From Y-7046 To 8-9339 | Date:10/2022 | PAGE:Y2-2260-05 |
| CONDENSOR FAN - INSTALLATION | | |

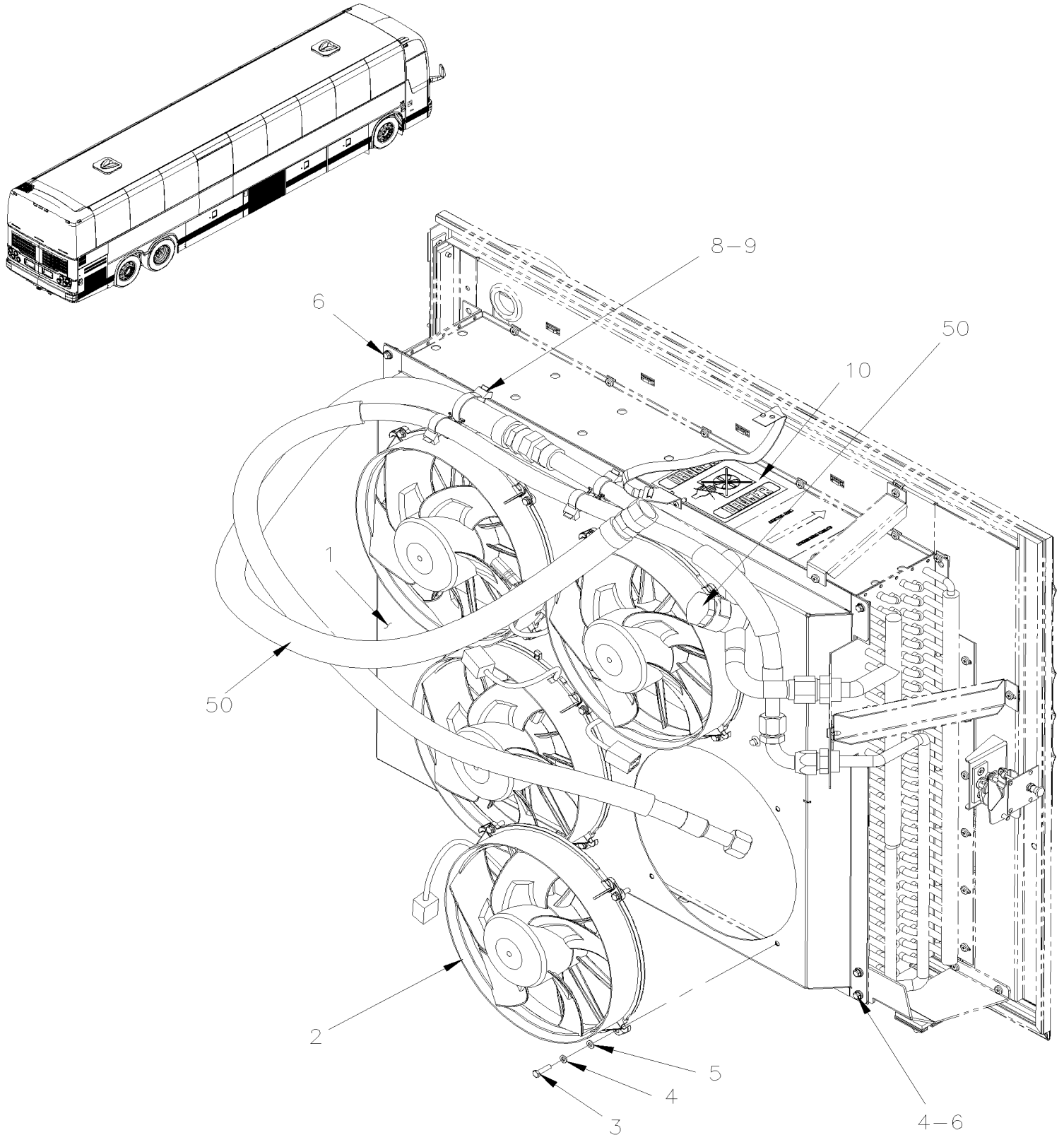
| Item# | Part | Description | X L I I 4 5 | X L I I M T H 4 0 | X L I I M T H 4 5 | X L I I M T H 4 5 E | N O T E S |
|-------|-------------------|---|----------------------------|---|---|--|-----------------------|
| 2 | 510342 | INSULATOR, RUBBER MOUNT | 4 | 4 | 4 | 4 | |
| 3 | 452929 | PROTECTOR GRILL | 1 | 1 | 1 | 1 | |
| 5 | Y2-2265-50 | MOTOR - CONDENSOR - "PREVOST" - TF-12 To 2-7825 | | | | | |
| 5 | Y2-2265-51 | MOTOR - CONDENSOR - "PREVOST" - T11G From 2-7826 To 6-8855 | | | | | |
| 5 | Y2-2265-52 | MOTOR - CONDENSOR - "PREVOST" - T114 From 6-8856 | | | | | |
| 5 | Y2-2265-53 | MOTOR - CONDENSOR BRUSHLESS From RETROFIT | | | | | |
| 6 | 372612 | FAN BLADE AXIAL 8 BLADES | 2 | 2 | 2 | 2 | |
| 7 | 452069 | KEY | 2 | 2 | 2 | 2 | |
| 9 | 452898 | FAN MOTOR SUPPORT | 1 | 1 | 1 | 1 | |
| 9 | 453618 | FAN MOTOR SUPPORT | 1 | 1 | 1 | 1 | |
| 10 | 452011 | PROTECTOR MOTOR COVER PLASTIC To 6-8855 | 2 | 2 | 2 | 2 | |
| 11 | 502568 | SCREW MA PAN PH M6-1.0x20 EMN To 6-8855 | 4 | 4 | 4 | 4 | |
| 12 | 500468 | WASHER FL .281x1.250x.065 Z050 To 6-8855 | 4 | 4 | 4 | 4 | |
| 20 | 402792 | DECAL / "DANGER" SHUT DOWN A/C BEFORE SERVI. / ENGLISH & FRANCAIS | 1 | 1 | 1 | 1 | |
| 20 | 405637 | DECAL / "DANGER" SHUT DOWN A/C BEFORE SERVI. / ENGLISH & SPANISH | 1 | 1 | 1 | 1 | |
| 21 | 453066 | DECAL R134A / NOMINAL CHARGE 24 LBS // ENGLISH & FRANCAIS | 1 | 1 | 1 | 1 | |
| 21 | 454180 | DECAL R134A / NOMINAL CHARGE 24 LBS // ENGLISH & SPANISH | 1 | 1 | 1 | 1 | |
| 30 | 502830 | SCREW CAP HEX M6-1.0x20 G8.8 N500 | 8 | 8 | 8 | 8 | |
| 31 | 502860 | NUT HEX STO M6-1.0 N500 | 8 | 8 | 8 | 8 | |
| 32 | 500411 | WASHER FL .260x.697x.050 SS | 8 | 8 | 8 | 8 | |
| 33 | 502859 | NUT HEX NYRT M10-1.5 N500 | 8 | 8 | 8 | 8 | |
| 34 | 500897 | WASHER FL .437x1.000x.083 N500 | 1 | 1 | 1 | 1 | |
| 35 | 500623 | SCREW TC PAN PH #10-24x3/4 N500 | 10 | 10 | 10 | 10 | |
| 36 | 5001137 | WASHER FL .203x.438x.050 SS | 10 | 10 | 10 | 10 | |
| 50 | Y2-2220-00 | UNDER FLOOR AIR DUCTING To 7-9095 | | | | | |
| 50 | Y2-2220-01 | UNDER FLOOR AIR DUCTING From 7-9096 | | | | | |
| 51 | Y2-1865-20 | EVAPORATOR & CONDENSOR WALL | | | | | |
| 52 | Y2-2270-00 | RECEIVER TANK & FILTER DRYER | | | | | |
| 53 | Y2-0621-00 | A/C JUNCTION BOX ASSY To 7-9095 | | | | | |
| 53 | Y2-0621-50 | A/C CONDENSOR MOTOR RELAY From 7-9096 | | | | | |
| 54 | 063211 | CABLE ASSY | 1 | 1 | 1 | 1 | |
| 55 | 064383 | CABLE ASSY / TO A/C PRESSURE SWITCH | 1 | 1 | 1 | 1 | |
| NS | 504397 | GROMMET / .750x1.062x.062x.375x1.375 | 1 | 1 | 1 | 1 | |
| NS | 504398 | GROMMET / 1.000x1.375x.062x.437x1.750 | 1 | 1 | 1 | 1 | |
| NS | 680096 | SEALANT BUTYL ALUM / GREY / 310ml CARTRIDGE | 1 | 1 | 1 | 1 | |
| NS | 500658 | SCREW TC PAN PH #10-24x3/4 Z050 | 4 | 4 | 4 | 4 | |
| | | | | | | | |
| | | | | | | | |
| | | | | | | | |

From Y-7046 To 8-9339

Date:10/2022

PAGE:Y2-2260-99

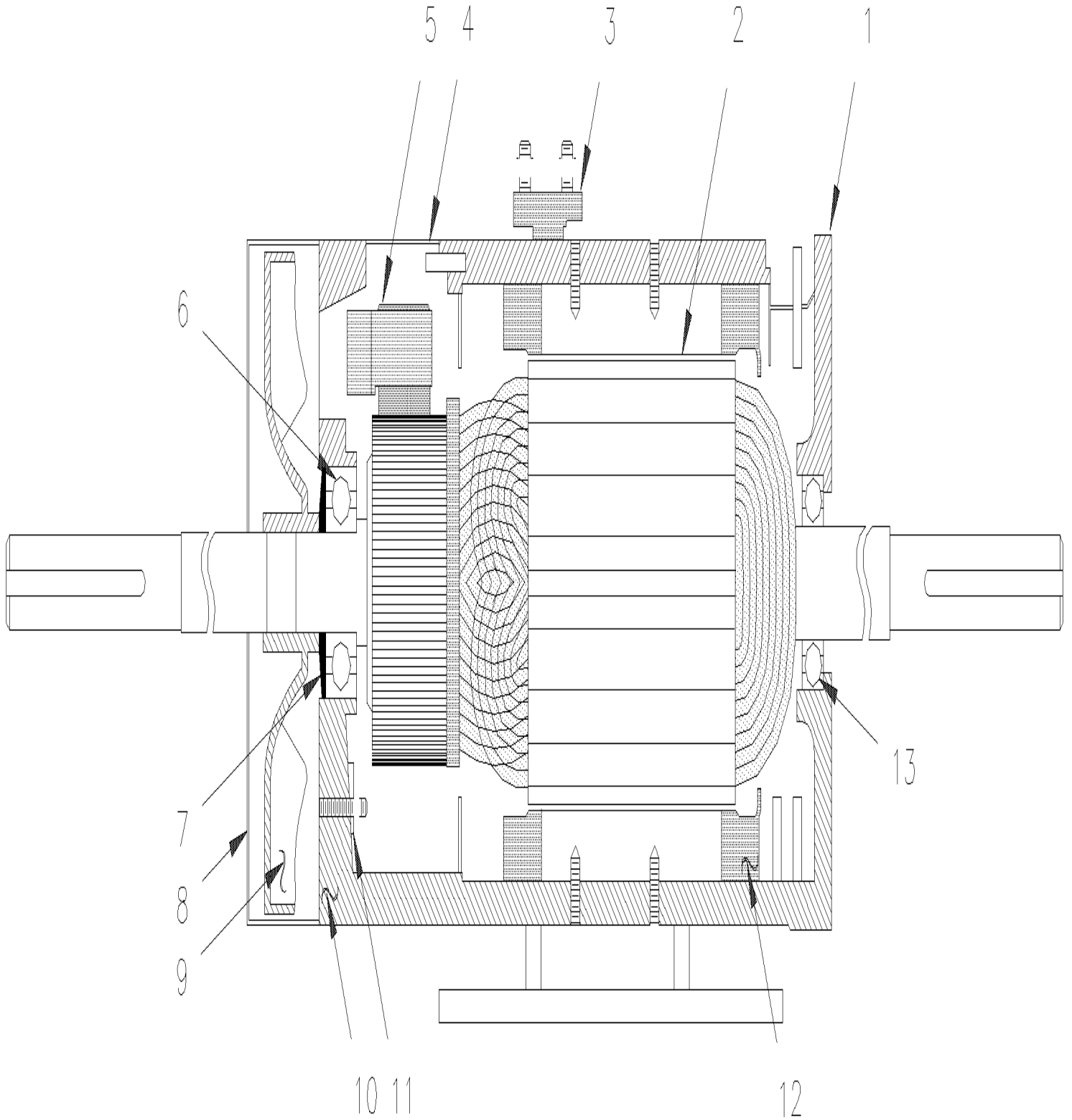
CONDENSOR 4 FANS - INSTALLATION / "RETROFIT"



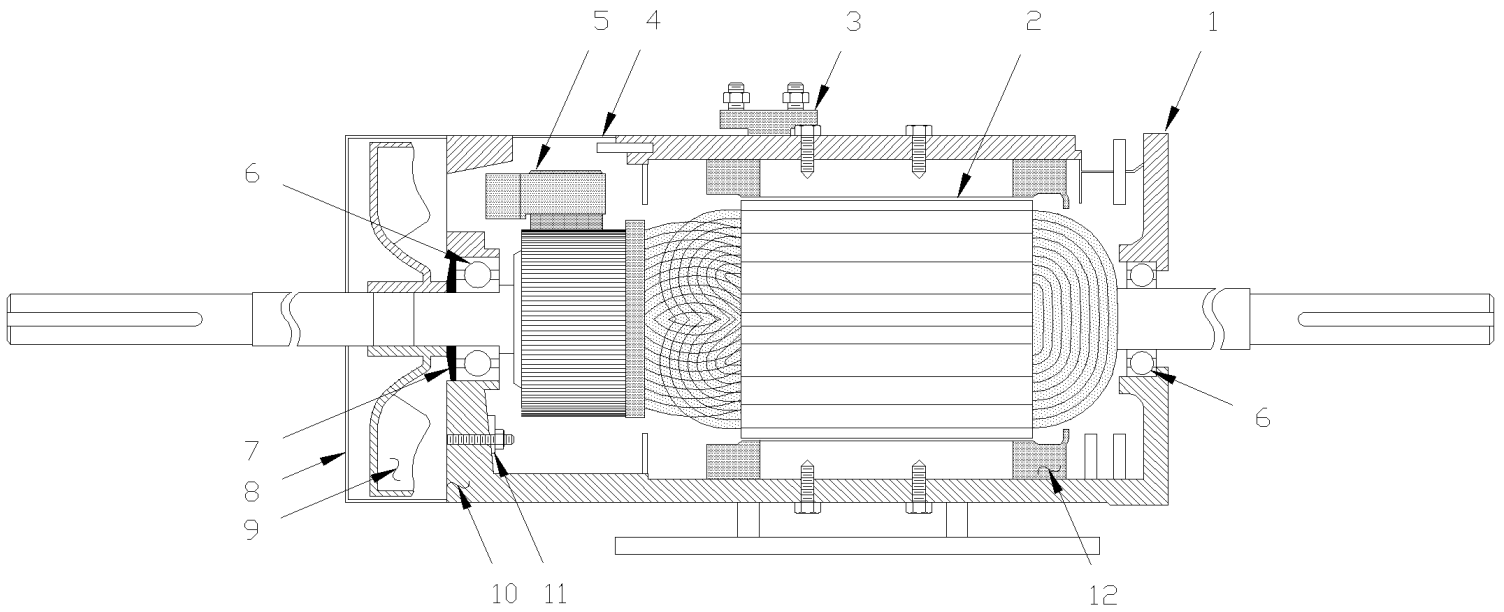
| | | |
|---|--------------|-----------------|
| From Y-7046 To 8-9339 | Date:10/2022 | PAGE:Y2-2260-99 |
| CONDENSOR 4 FANS - INSTALLATION / "RETROFIT" | | |

| Item# | Part | Description | X L I I 4 5 | X L I I M T H 4 0 | X L I I M T H 4 5 | X L I I M T H 4 5 E | N O T E S |
|-------|-------------------|---|----------------------------|---|---|--|-----------------------|
| | | THIS LIST ARE FOR REFERENCE ONLY | | | | | |
| | | "WARNING" - "WARNING" - "WARNING" | | | | | |
| | | KEEP HOSE APPART WHEN DOOR IS CLOSE TO PREVENT FRICTION BETWEEN HOSES | | | | | |
| 1 | 454264 | SHROUD FAN | 1 | | | | B |
| 1 | 455153 | SHROUD FAN | | 1 | 1 | 1 | |
| 2 | 563461 | CONDENSOR FAN ASSY 24V | 4 | 4 | 4 | 4 | |
| . NS | 563691 | . CONNECTOR / JUNIOR POWER TIMER / SH 6C / AMP 1-963212-1 | 1 | 1 | 1 | 1 | |
| 2 | 565881 | CONDENSOR FAN ASSY 24V | 4 | 4 | 4 | 4 | |
| . NS | 563691 | . CONNECTOR / JUNIOR POWER TIMER / SH 6C / AMP 1-963212-1 | 1 | 1 | 1 | 1 | |
| 3 | 5001433 | SCREW CAP HEX M6-1.0x25 SS | 18 | 18 | 18 | 18 | |
| 4 | 502570 | WASHER LO SPT 6.1x11.8x1.6 SS | 20 | 20 | 20 | 20 | |
| 5 | 502573 | WASHER FL 6.4x12.5x1.6 SS | 18 | 18 | 18 | 18 | |
| 6 | 5001730 | SCREW CAP HEXF M6-1.0x16 G10.9 N500 | 5 | 5 | 5 | 5 | |
| NS | 5001654 | WASHER FL 6.4x17.0x3.0 SS | 3 | 3 | 3 | 3 | |
| NS | 5001182 | NUT HEX NYRT M6-1.0 SS | 3 | 3 | 3 | 3 | |
| 7 | 509815 | TIE MOUNT / ATTACHMENT W/TREE MOUNT | 4 | 4 | 4 | 4 | |
| 8 | 509490 | ATTACHMENT DOUBLE USE WITH CABLE TIE | 2 | 2 | 2 | 2 | |
| 9 | 509491 | CABLE TIE / 13MM x 383MM | 4 | 4 | 4 | 4 | |
| 10 | 402792 | DECAL / "DANGER" SHUT DOWN A/C BEFORE SERVI. / ENGLISH & FRANCAIS | 1 | 1 | 1 | 1 | |
| 10 | 405637 | DECAL / "DANGER" SHUT DOWN A/C BEFORE SERVI. / ENGLISH & SPANISH | 1 | 1 | 1 | 1 | |
| 10 | 370357 | DECAL "CLEAN REGULARY" | 1 | 1 | 1 | 1 | |
| 11 | 066875 | CABLE RJB TO CONDENSOR FANS & FUEL SENSOR | 1 | 1 | 1 | 1 | A |
| 11 | 563691 | . CONNECTOR / JUNIOR POWER TIMER / SH 6C / AMP 1-963212-1 | 4 | 4 | 4 | 4 | |
| 11 | 563692 | . SOCKET TERMINAL / 20-16 / AMP 964285-2 | 24 | 24 | 24 | 24 | |
| 11 | 562590 | . WIRE CABLE 18 / RED / TXL | AR | AR | AR | AR | |
| 11 | 562587 | . WIRE CABLE 18 / BLACK / TXL | AR | AR | AR | AR | |
| 49 | 504751 | ROTATIF SPACER DOUBLE / SMALL | AR | AR | AR | AR | |
| 49 | 504752 | ROTATIF SPACER DOUBLE / LARGE | AR | AR | AR | AR | |
| 50 | Y2-2270-00 | RECEIVER TANK & FILTER DRYER | | | | | |
| | | | | | | | |
| | | A) WITH THIS CABLE YOU MAY BE USE ONLY FANS MOTORS SECTIONS OR ORDER CONNECTORS BELOW SEPARATELY | | | | | |
| | | B) FOR BUS XL-45 YOU RQUIRE TO BE CUT IN CENTER WITH OVERLAPS 47MM WITH RIVETS ON TOTAL LENGTH | | | | | |

| | | |
|---------------------------------------|--------------|-----------------|
| From Y-7046 To 4-8212 | Date:10/2022 | PAGE:Y2-2265-00 |
| MOTOR - EVAPORATOR - "PREVOST" - T-17 | | |



| | | |
|--|--------------|-----------------|
| From 3-8102 To 8-9339 | Date:10/2022 | PAGE:Y2-2265-01 |
| MOTOR - EVAPORATOR - "PREVOST" - T-17 - 2 SPEEDS | | |



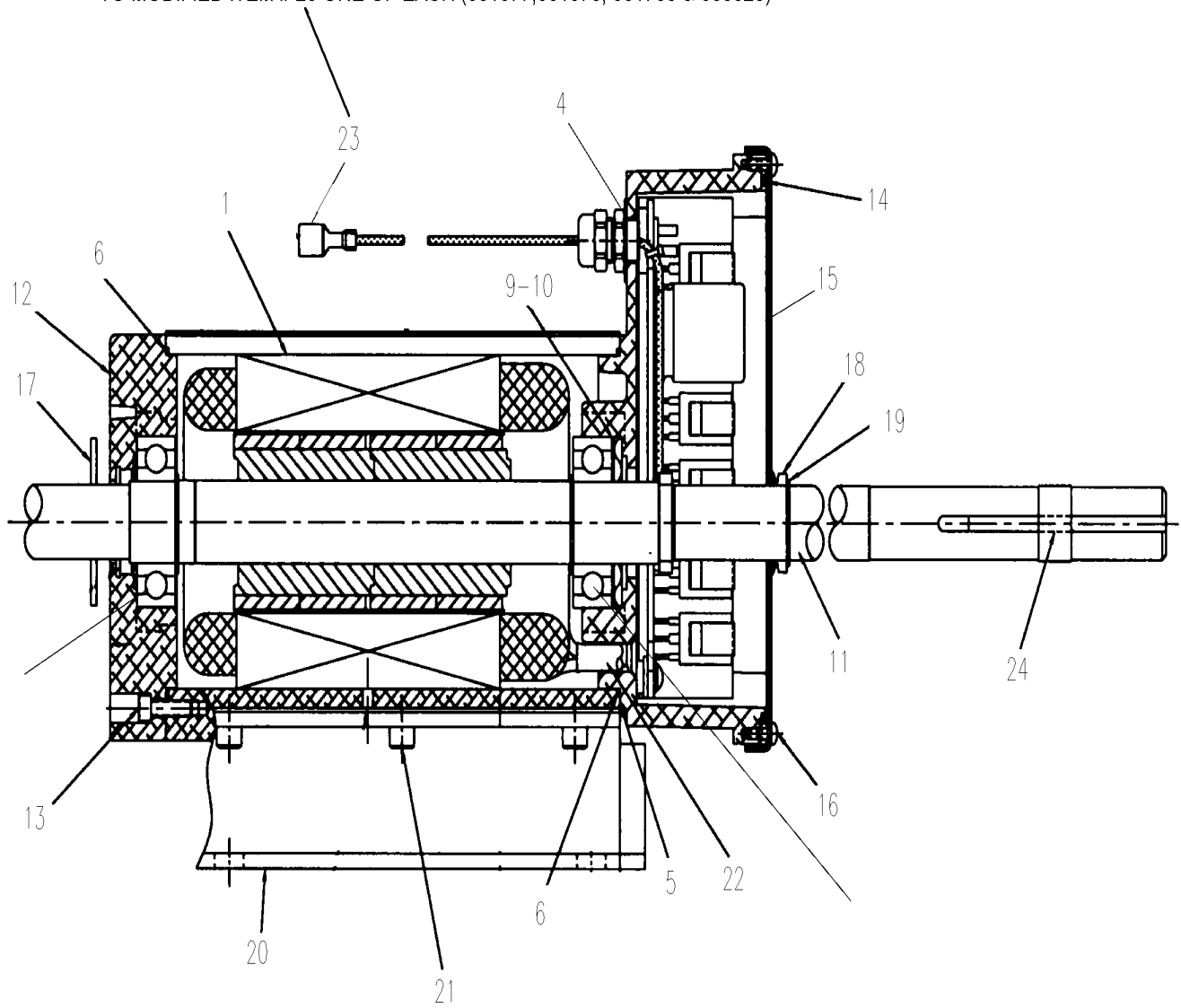
From Y-7046 To 6-8906

Date:10/2022

PAGE:Y2-2265-02

MOTOR - EVAPORATOR BRUSHLESS

NOTE.: IN REPLACEMENT OF FORMER MOTOR MODEL YOU REQUIRE THOSE PARTS TO MODIFIED ITEM # 23 ONE OF EACH (561577,561578, 561786 & 563623)



| | | |
|-------------------------------------|--------------|-----------------|
| From Y-7046 To 6-8906 | Date:10/2022 | PAGE:Y2-2265-02 |
| MOTOR - EVAPORATOR BRUSHLESS | | |

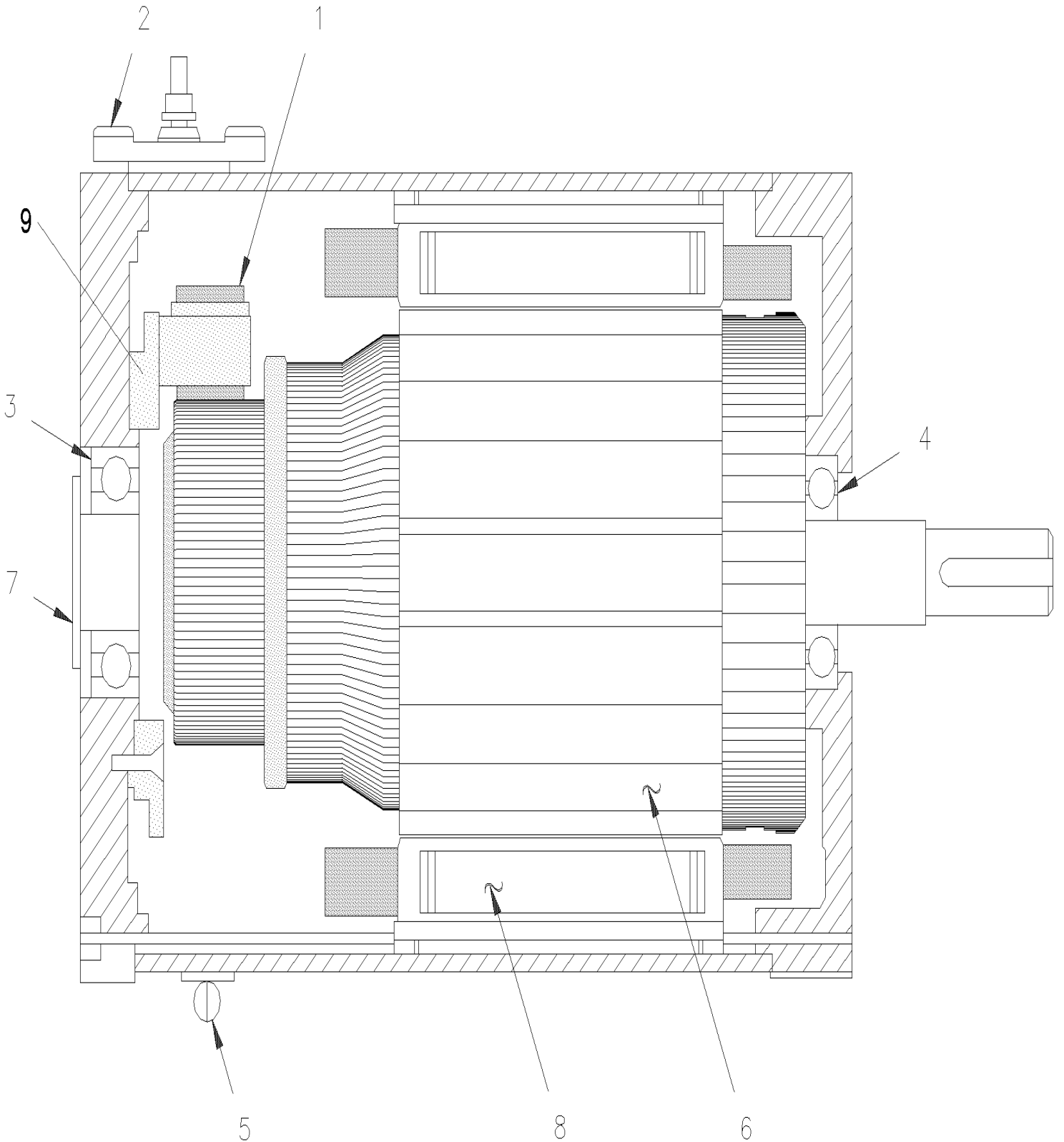
| Item# | Part | Description | X L I I 4 5 | X L I I M T H 4 0 | X L I I M T H 4 5 | X L I I M T H 4 5 E | N O T E S |
|-------|-----------------|--|----------------------------|---|---|--|-----------------------|
| | 563586 | MOTOR EVAPORATOR BRUSHLESS / (E-50348-0A) | 1 | | | | S |
| | 564216 | MOTOR EVAPORATOR BRUSHLESS / 2 SPEEDS | 1 | | | | |
| | | "WARNING" - "WARNING" -"WARNING" - "WARNING" | | | | | |
| | | THE FOLLOWING PARTS NUMBER ARE NOT | | | | | |
| | | "PREVOST" NUMBER AND IT NOT IN S.A.P. SYSTEM | | | | | |
| | | THEY ARE O.E.M. MFG NUMBER | | | | | |
| 1 | Call order desk | . MOTOR ASSY / COMPLETE | 1 | | | | P |
| 4 | 564621 | . CONTROLLER ASSEMBLY | 1 | | | | |
| 5 | Call order desk | . GASKET | 1 | | | | P |
| 6 | Call order desk | . O-RING 3.989" x .070" | 1 | | | | P |
| 7 | Call order desk | . SCREW MA PAN 8-32 x ? | 1 | | | | P |
| 8 | Call order desk | . HEAT-SHRINK TUBING | 1 | | | | P |
| 9 | Call order desk | . WAVE SPRING | 1 | | | | P |
| 10 | Call order desk | . SHIM | 1 | | | | P |
| 11 | Call order desk | . SHAFT / ROTOR ASSY W/KEYS | 1 | | | | P |
| 12 | Call order desk | . ENDBELL | 1 | | | | P |
| 13 | Call order desk | . SCREW MA PAN 8-32 x .875" | 1 | | | | P |
| 14 | Call order desk | . O-RING SEAL | 1 | | | | P |
| 15 | Call order desk | . COVER | 1 | | | | P |
| 16 | Call order desk | . SCREW MA PAN #6-32 | 1 | | | | P |
| 17 | Call order desk | . SLINGER | 1 | | | | P |
| 18 | Call order desk | . V-SEAL | 1 | | | | P |
| 19 | Call order desk | . EXTERNAL RETAINING RING | 1 | | | | P |
| 20 | Call order desk | . BASE PLATE | 1 | | | | P |
| 21 | Call order desk | . SCREW CAP HEXS 1/4-20 x ? | 1 | | | | P |
| 22 | Call order desk | . TUBING | 1 | | | | P |
| 23 | Call order desk | . TERMINAL (0.032 X 0.25) | 1 | | | | P |
| 24 | Call order desk | . KEY SQUARE 3/16" x 3" | 1 | | | | P |
| 30 | 032937 | KIT / SHAFT SHIELD | 1 | | | | S |
| . NS | 033188 | . SHIELD / SHAFT | 1 | | | | S |
| . NS | 500443 | . SCREW TP PAN PH #8x1/2 N500 | 5 | | | | S |
| . NS | IS-10125 | . SEE INSTRUCTION SHEET | 1 | | | | S |
| | | S) USE WITH OLD MOTOR 563586 WITHOUT SEAL ON THE SHAFT | | | | | |
| | | P) CALL ORDER DESK FOR SPECIFIC APPLICATION (V.I.N.) | | | | | |

From Y-7046 To 2-7825

Date:10/2022

PAGE:Y2-2265-50

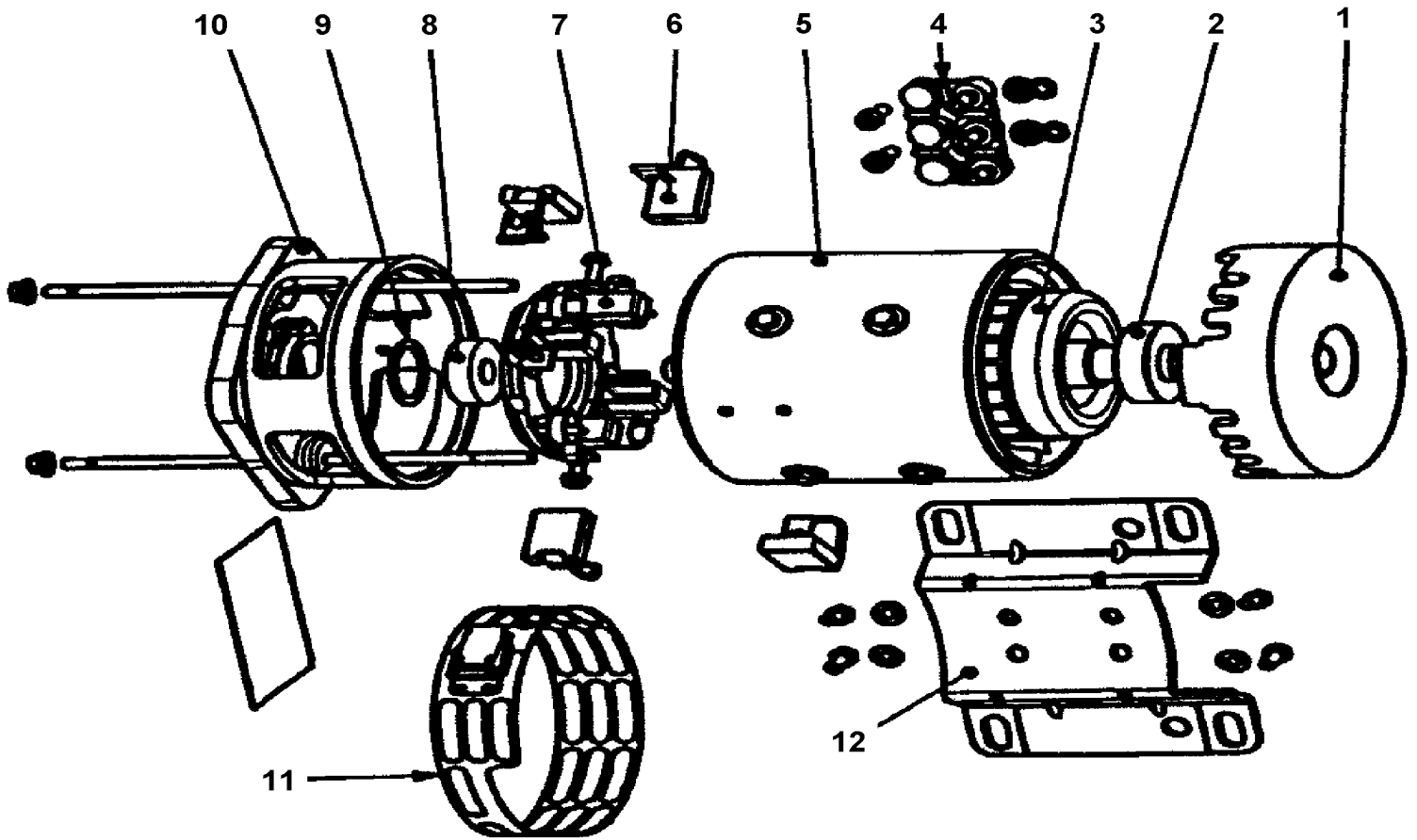
MOTOR - CONDENSOR - "PREVOST" - TF-12



| | | |
|--|--------------|-----------------|
| From Y-7046 To 2-7825 | Date:10/2022 | PAGE:Y2-2265-50 |
| MOTOR - CONDENSOR - "PREVOST" - TF-12 | | |

| Item# | Part | Description | X L I I 4 5 | X L I I M T H 4 0 | X L I I M T H 4 5 | X L I I M T H 4 5 E | N O T E S |
|-------|--------|---|----------------------------|---|---|--|-----------------------|
| | 562579 | MOTOR / .57 HP / 1950 RPM / MODEL TF-12 / W/2" SHAFT | 2 | 2 | | 2 | A |
| 1 | 561914 | . BRUSH | 4 | 4 | | 4 | |
| 2 | 561913 | . BOARD, TERMINAL | 1 | 1 | | 1 | |
| NS | 502581 | . NUT HEX M6-1.0 Z050 | 2 | 2 | | 2 | |
| 3 | 507226 | . BALL BEARING | 1 | 1 | | 1 | |
| 4 | 507308 | . BALL BEARING | 1 | 1 | | 1 | |
| 5 | 562097 | . STRAP ASSY W/HOOK | 1 | 1 | | 1 | |
| 6 | 563119 | . ARMATURE / TF12 / W/2" SHAFT | 1 | 1 | | 1 | |
| 7 | 562653 | . CAP PROTECTOR | 1 | 1 | | 1 | |
| 8 | 563121 | . FIELD COIL ASSY | 2 | 2 | | 2 | |
| 9 | 563072 | . COVER ASSY / WITH BRUSH HOLDER | 1 | 1 | | 1 | |
| NS | 562545 | . . SPRING, TORSION / .875 O.D. x .317 x .0 | 4 | 4 | | 4 | |
| 50 | 066644 | KIT RETROFIT MOTOR T114 W/CONNECTORS / W/2" SHAFT | 1 | 1 | | 1 | |
| NS | 563595 | PIN TERMINAL / 12-10 / PED 12052139 | 2 | 2 | | 2 | |
| NS | 563596 | SOCKET TERMINAL / 12 / PED 12065197 | 2 | 2 | | 2 | |
| NS | 563597 | CABLE SEAL / PURPLE / PED 15324990 | 4 | 4 | | 4 | |
| NS | 563599 | CAP LOCK CONNECTOR / GRAY / PED 12020833 | 1 | 1 | | 1 | |
| NS | 563600 | CONNECTOR / METRI-PACK 480 / 2C PH / PED 12052613 | 1 | 1 | | 1 | |
| NS | 563601 | CONNECTOR / METRI-PACK 480 / 2C SH / PED 12065863 | 1 | 1 | | 1 | |
| NS | 563602 | SECONDARY LOCK / METRI-PACK 480 / 2C / BLACK / PED 12059897 | 2 | 2 | | 2 | |
| | | | | | | | |
| | | | | | | | |
| | | | | | | | |
| | | A) THIS MOTORS IT SUPPERSEDED BY KIT # 066644 | | | | | |

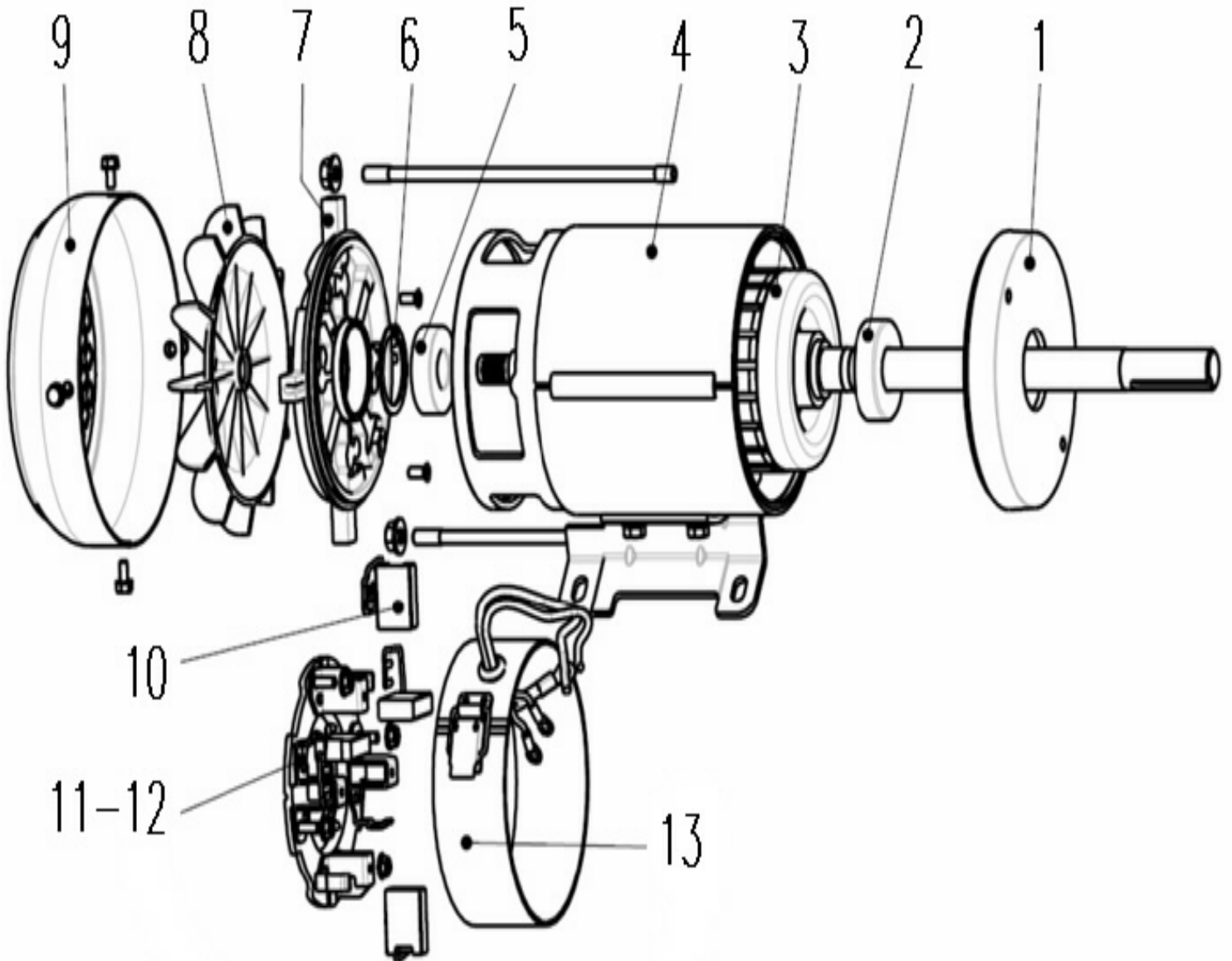
| | | |
|--------------------------------------|--------------|-----------------|
| From 2-7826 To 6-8855 | Date:10/2022 | PAGE:Y2-2265-51 |
| MOTOR - CONDENSOR - "PREVOST" - T11G | | |



| | | |
|---|--------------|-----------------|
| From 2-7826 To 6-8855 | Date:10/2022 | PAGE:Y2-2265-51 |
| MOTOR - CONDENSOR - "PREVOST" - T11G | | |

| Item# | Part | Description | X L I I 4 5 | X L I I M T H 4 0 | X L I I M T H 4 5 | X L I I M T H 4 5 E | N O T E S |
|-------|----------|---|----------------------------|---|---|--|-----------------------|
| | 563051 | MOTOR / .57 HP / 1950 RPM / MODEL TF-11G / W/2" SHAFT | 2 | 2 | 2 | 2 | A B |
| 1 | 563114 | . COVER | 1 | 1 | 1 | 1 | |
| 2 | 507226 | . BALL BEARING | 1 | 1 | 1 | 1 | |
| 3 | 563112 | . ARMATURE / T11G / W/2" SHAFT | 1 | 1 | 1 | 1 | |
| 4 | 563117 | . BLOCK TERMINAL | 1 | 1 | 1 | 1 | |
| 5 | 563110 | . FIELD COIL ASSY | 1 | 1 | 1 | 1 | |
| 6 | 561914 | . BRUSH | 4 | 4 | 4 | 4 | |
| 7 | 563111 | . BRUSH HOLDER ASSY | 1 | 1 | 1 | 1 | |
| 7 | 562545 | . . SPRING, TORSION / .875 O.D. x .317 x .0 | 4 | 4 | 4 | 4 | |
| 8 | 560974 | . BALL BEARING | 1 | 1 | 1 | 1 | |
| 9 | 561211 | . WASHER SPRING | 1 | 1 | 1 | 1 | |
| 10 | 563113 | . COVER COMUTATOR END | 1 | 1 | 1 | 1 | |
| 11 | 563116 | . GRILL PROTECTOR | 1 | 1 | 1 | 1 | |
| 12 | 563115 | . REMOVABLE SOCKET | 1 | 1 | 1 | 1 | |
| 50 | 453625 | KIT RETROFIT MOTOR / W/2" SHAFT | 1 | 1 | 1 | 1 | |
| . NS | IS-00051 | . SEE INSTRUCTION SHEET | 1 | 1 | 1 | 1 | |
| 50 | 066644 | KIT RETROFIT MOTOR T114 W/CONNECTORS / W/2" SHAFT | 1 | 1 | 1 | 1 | |
| NS | 563595 | PIN TERMINAL / 12-10 / PED 12052139 | 2 | 2 | 2 | 2 | |
| NS | 563596 | SOCKET TERMINAL / 12 / PED 12065197 | 2 | 2 | 2 | 2 | |
| NS | 563597 | CABLE SEAL / PURPLE / PED 15324990 | 4 | 4 | 4 | 4 | |
| NS | 563599 | CAP LOCK CONNECTOR / GRAY / PED 12020833 | 1 | 1 | 1 | 1 | |
| NS | 563600 | CONNECTOR / METRI-PACK 480 / 2C PH / PED 12052613 | 1 | 1 | 1 | 1 | |
| NS | 563601 | CONNECTOR / METRI-PACK 480 / 2C SH / PED 12065863 | 1 | 1 | 1 | 1 | |
| NS | 563602 | SECONDARY LOCK / METRI-PACK 480 / 2C / BLACK / PED 12059897 | 2 | 2 | 2 | 2 | |
| | | | | | | | |
| | | | | | | | |
| | | A) THIS MOTOR IS INCLUDE IN KIT #453625 | | | | | |
| | | B) THIS MOTORS IT SUPPERSEDED BY KIT # 066644 | | | | | |

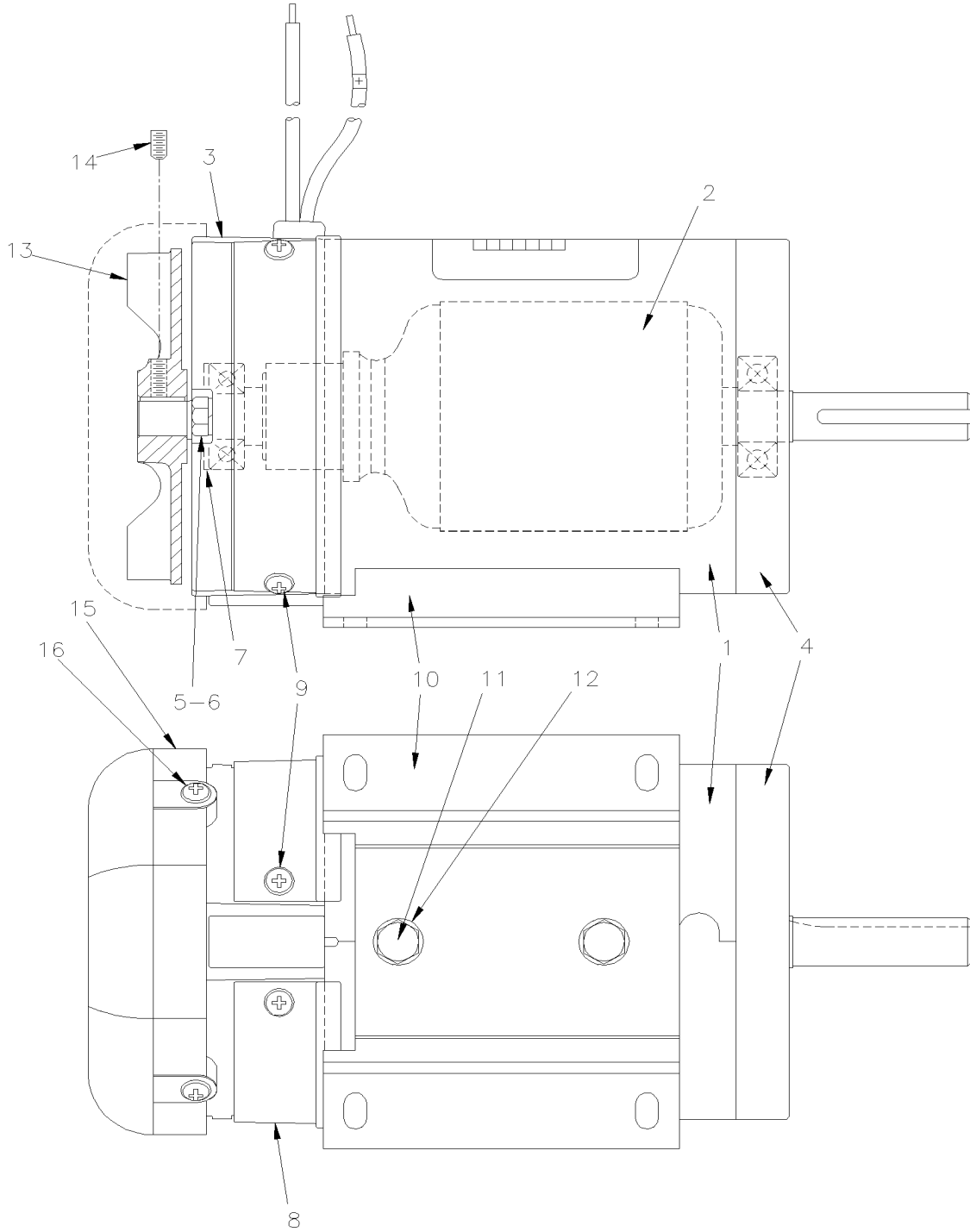
| | | |
|--------------------------------------|--------------|-----------------|
| From 6-8856 To 8-9339 | Date:10/2022 | PAGE:Y2-2265-52 |
| MOTOR - CONDENSOR - "PREVOST" - T114 | | |



| | | |
|---|--------------|-----------------|
| From 6-8856 To 8-9339 | Date:10/2022 | PAGE:Y2-2265-52 |
| MOTOR - CONDENSOR - "PREVOST" - T114 | | |

| Item# | Part | Description | X L I I 4 5 | X L I I M T H 4 0 | X L I I M T H 4 5 | X L I I M T H 4 5 E | N O T E S |
|-------|-----------------|---|----------------------------|---|---|--|-----------------------|
| | Call order desk | MOTOR / .57 HP / 1950 RPM / MODEL T114 / W/2" SHAFT & CONNECTORS | 1 | | 1 | 1 | P |
| | 563454 | . MOTOR / .57 HP / 1950 RPM / MODEL T114 / W/2" SHAFT / US MOTOR | 2 | | 2 | 2 | C |
| | 560424 | . MOTOR / .57 HP / 1950 RPM // W/2" SHAFT / SCOTT DC SERVICE | 2 | | 2 | 2 | C |
| 1 | 563729 | .. COVER | | | | | |
| 2 | 560974 | .. BALL BEARING | 1 | | 1 | 1 | |
| 3 | 563726 | .. ARMATURE / T114 / W/2" SHAFT | | | | | |
| 4 | 563727 | .. PERMANENT MAGNET / ASSY W/CASE | | | | | |
| 5 | 0907240 | .. BALL BEARING | 1 | | 1 | 1 | |
| 6 | N.P.N. | .. PRELOAD WASHER | 1 | | 1 | 1 | 4 |
| 7 | 563728 | .. COVER COMMUTATOR END | | | | | |
| 8 | 563730 | .. FAN | | | | | |
| 9 | 563732 | .. COVER FAN PROTECTOR | | | | | |
| 10 | 561914 | .. BRUSH | 4 | | 4 | 4 | |
| 11 | 563111 | .. BRUSH HOLDER ASSY | 1 | | 1 | 1 | |
| 12 | 562545 | ... SPRING, TORSION / .875 O.D. x .317 x .0 | 4 | | 4 | 4 | |
| 13 | 563731 | .. PROTECTOR GRILL | | | | | |
| NS | 563595 | . PIN TERMINAL / 12-10 / PED 12052139 | 2 | | 2 | 2 | |
| NS | 563596 | . SOCKET TERMINAL / 12 / PED 12065197 | 2 | | 2 | 2 | |
| NS | 563597 | . CABLE SEAL / PURPLE / PED 15324990 | 4 | | 4 | 4 | |
| NS | 563599 | . CAP LOCK CONNECTOR / GRAY / PED 12020833 | 1 | | 1 | 1 | |
| NS | 563600 | . CONNECTOR / METRI-PACK 480 / 2C PH / PED 12052613 | 1 | | 1 | 1 | |
| NS | 563601 | . CONNECTOR / METRI-PACK 480 / 2C SH / PED 12065863 | 1 | | 1 | 1 | |
| NS | 563602 | . SECONDARY LOCK / METRI-PACK 480 / 2C / BLACK / PED 12059897 | 2 | | 2 | 2 | |
| | | | | | | | |
| | | | | | | | |
| | | C) SERVICE PARTS OF MOTOR ARE NOT INTERCHANGEABLE BETWEEN 563454 AND 560424 | | | | | |
| | | 4) NO PARTS NUMBER | | | | | |
| | | P) CALL ORDER DESK FOR SPECIFIC APPLICATION (V.I.N.) | | | | | |

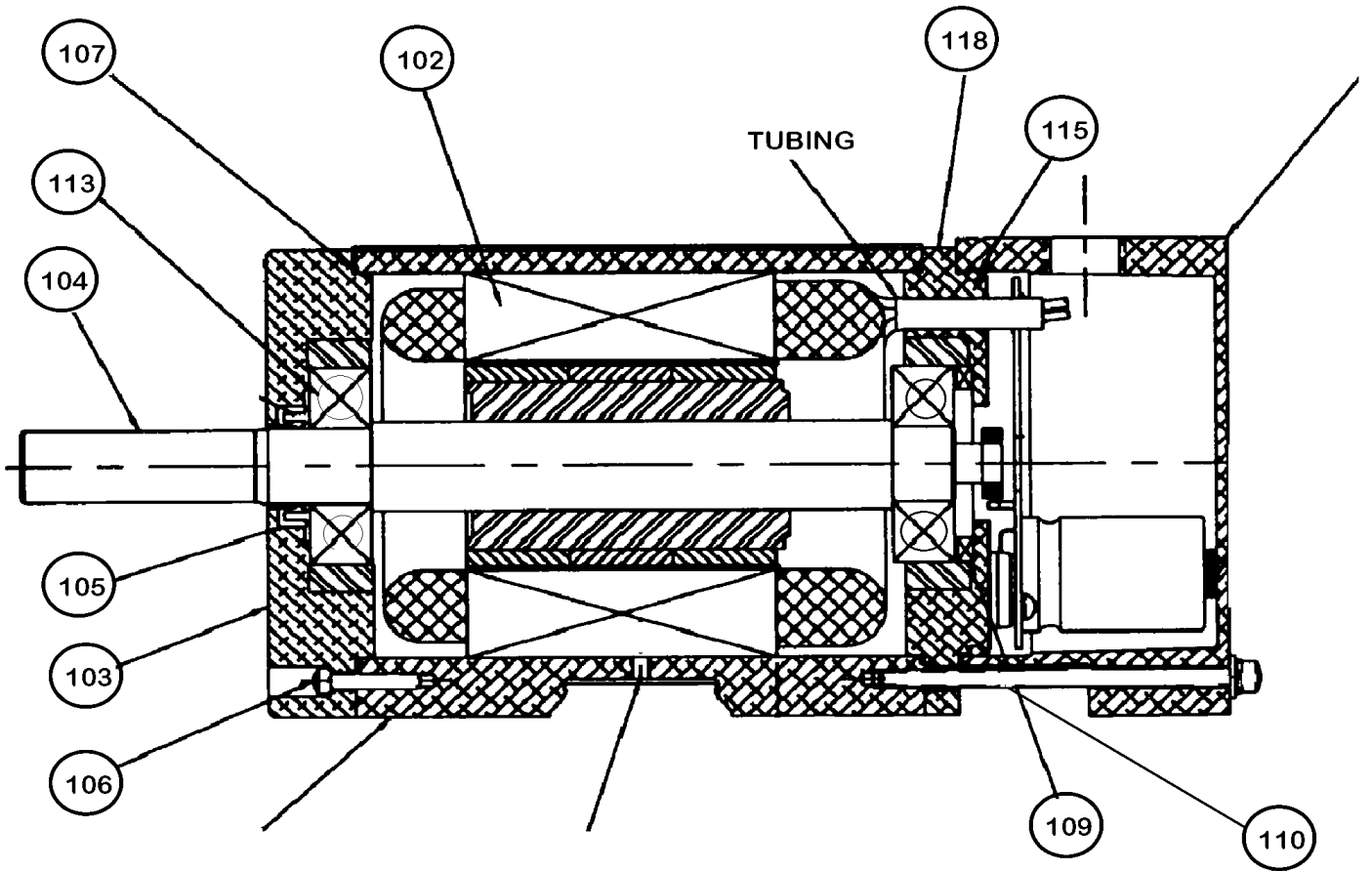
| | | |
|--|--------------|-------------|
| From 6-8856 To 8-9339 | Date:10/2022 | PAGE:560424 |
| MOTOR / .57 HP / 1950 RPM // W/2" SHAFT / SCOTT DC | | |



| | | |
|---|--------------|-------------|
| From 6-8856 To 8-9339 | Date:10/2022 | PAGE:560424 |
| MOTOR / .57 HP / 1950 RPM // W/2" SHAFT / SCOTT DC | | |

| Item# | Part | Description | X L I I I 4 5 | X L I I I M T H 4 0 | X L I I I M T H 4 5 | X L I I I M T H 4 5 E | N O T E S |
|-------|-----------------|--|-------------------------------------|--|--|---|-----------------------|
| 1 | Call order desk | FRAME ASSEMBLY | 1 | 1 | 1 | 1 | P |
| 2 | Call order desk | ARMATURE ASSEMBLY | 1 | 1 | 1 | 1 | P |
| 3 | Call order desk | BRUSH END ASSEMBLY | 1 | 1 | 1 | 1 | P |
| 3 | 560423 | . BRUSH | 1 | 1 | 1 | 1 | |
| 4 | Call order desk | DRIVE END CAP | 1 | 1 | 1 | 1 | P |
| 5 | Call order desk | SCREW CAP HEX 1/4-20x6 3/4 | 2 | 2 | 2 | 2 | P |
| 6 | Call order desk | WASHER LOCK SPRING 1/4 | 2 | 2 | 2 | 2 | P |
| 7 | Call order desk | WASHER SPRING | 1 | 1 | 1 | 1 | P |
| 8 | Call order desk | BRUSH ACCESS COVER | 2 | 2 | 2 | 2 | P |
| 9 | Call order desk | SCREW MA PAN PH #10-32x3/8 | 1 | 1 | 1 | 1 | P |
| 10 | Call order desk | BASE | 1 | 1 | 1 | 1 | P |
| 11 | Call order desk | SCREW CAP HEX 5/16-18x1/2 | 2 | 2 | 2 | 2 | P |
| 12 | Call order desk | WASHER LO INT 5/16 | 2 | 2 | 2 | 2 | P |
| 13 | Call order desk | FAN 12 BLADES | 1 | 1 | 1 | 1 | P |
| 14 | Call order desk | SCREW SET HEXS CUP #10-32x3/8 | 1 | 1 | 1 | 1 | P |
| 15 | Call order desk | FAN COVER W/VENT SLOTS | 1 | 1 | 1 | 1 | P |
| 16 | Call order desk | SCREW MA PAN PH #10-32x3/4 | 4 | 4 | 4 | 4 | P |
| | | | | | | | |
| | | | | | | | |
| | | | | | | | |
| | | P) CALL ORDER DESK FOR SPECIFIC APPLICATION (V.I.N.) | | | | | |

| | | |
|-----------------------------|--------------|-----------------|
| From Y-7046 To 6-8906 | Date:10/2022 | PAGE:Y2-2265-53 |
| MOTOR - CONDENSOR BRUSHLESS | | |

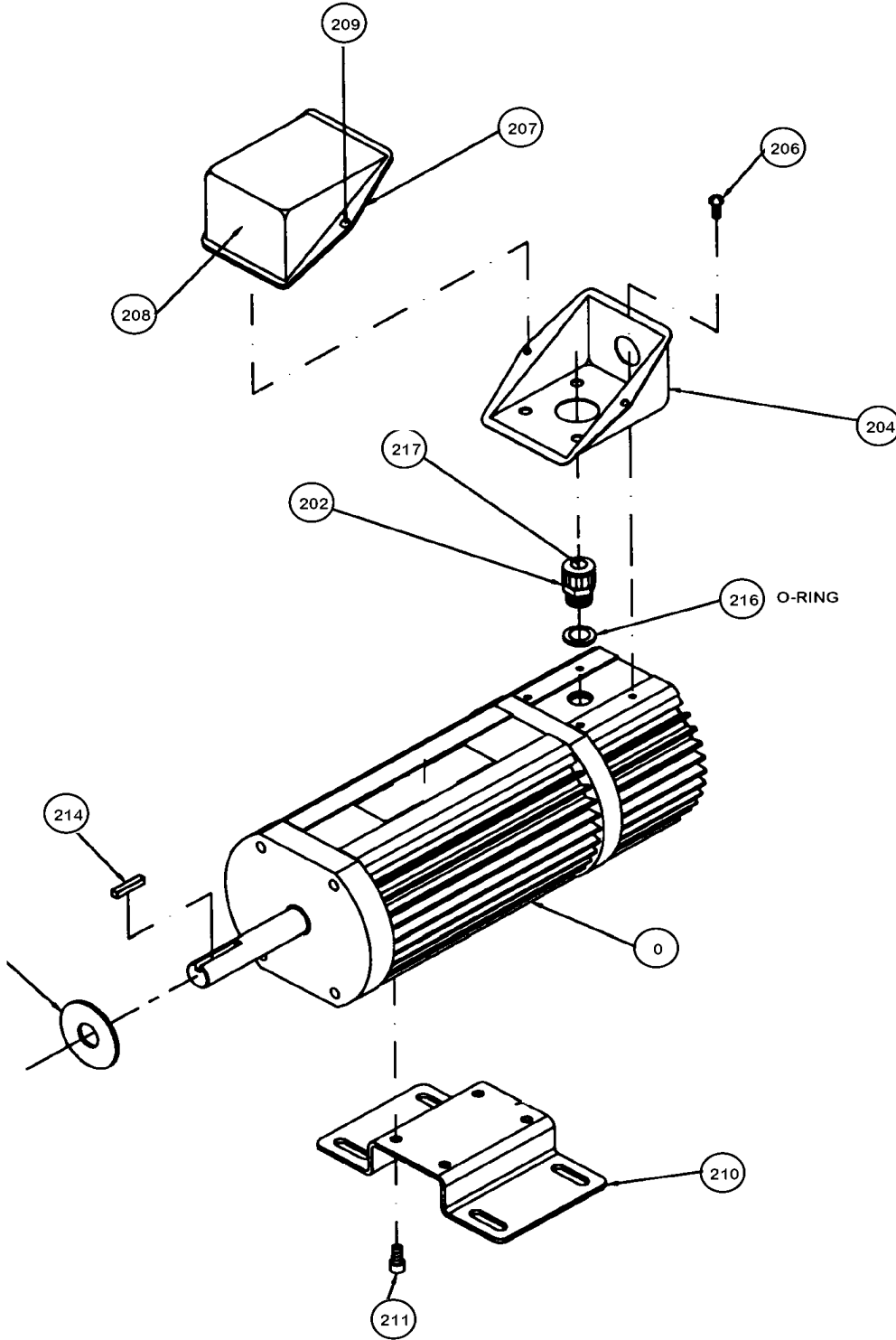


From Y-7046 To 6-8906

Date:10/2022

PAGE:Y2-2265-53

MOTOR - CONDENSOR BRUSHLESS



| | | |
|------------------------------------|--------------|-----------------|
| From Y-7046 To 6-8906 | Date:10/2022 | PAGE:Y2-2265-53 |
| MOTOR - CONDENSOR BRUSHLESS | | |

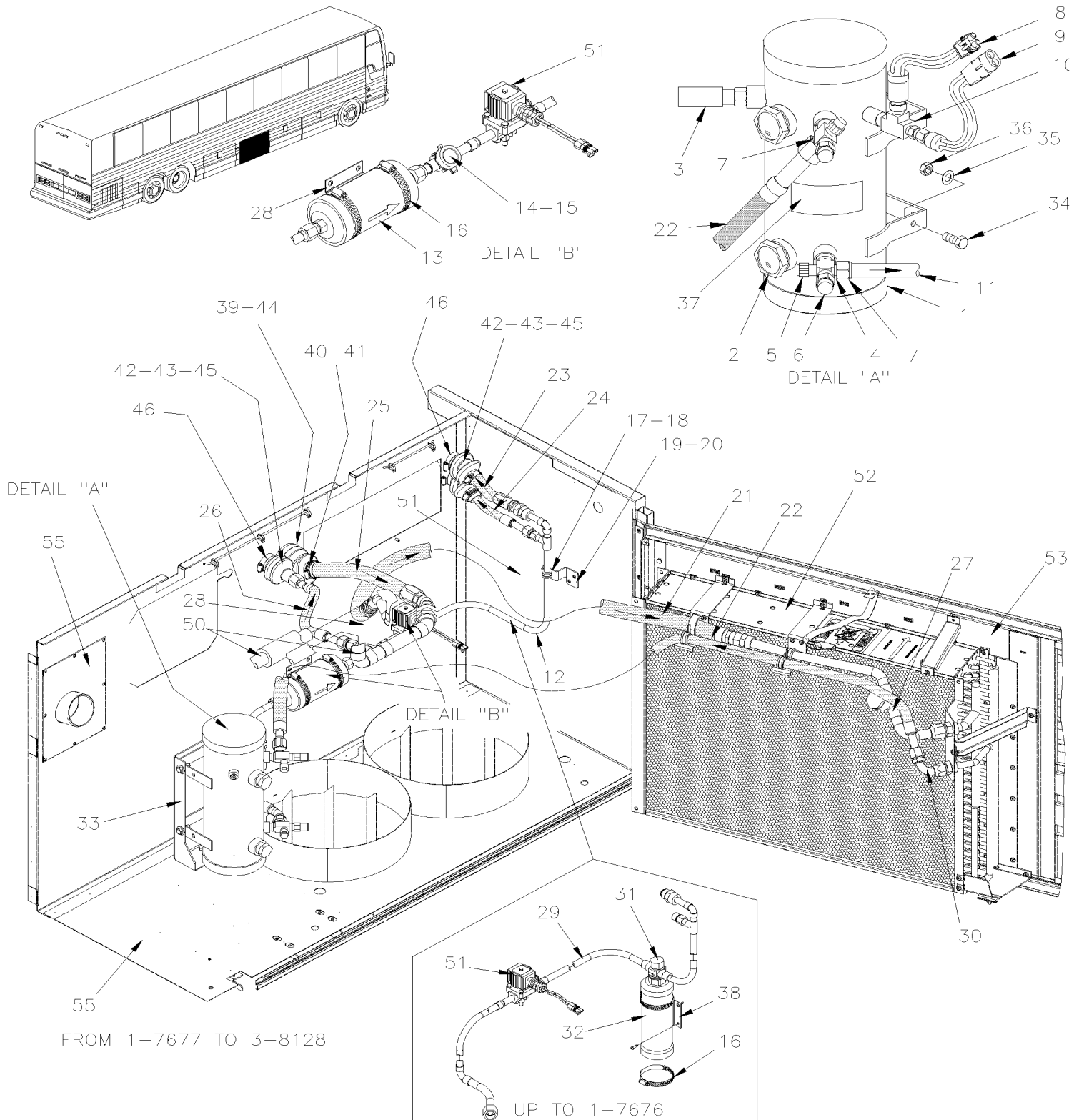
| Item# | Part | Description | X L I I 4 5 | X L I I M T H 4 0 | X L I I M T H 4 5 | X L I I M T H 4 5 E | N O T E S |
|-------|-----------------|--|----------------------------|---|---|--|-----------------------|
| | 563585 | MOTOR CONDENSOR BRUSHLESS / (E-50599-0) | 2 | 2 | 2 | 2 | |
| 102 | Call order desk | . STATOR/HOUSING ASSY | 1 | 1 | 1 | 1 | P |
| 103 | Call order desk | . REAR ENDBELL | 1 | 1 | 1 | 1 | P |
| 104 | Call order desk | . SHAFT / ROTOR ASSY W/BEARING & KEY | 1 | 1 | 1 | 1 | P |
| 105 | 19510465 | . LIP SEAL | 1 | 1 | 1 | 1 | |
| 106 | 19501109 | . SCREW MA PAN 8-32 x .875" | 4 | 4 | 4 | 4 | |
| 107 | 19504444 | . O-RING 3.989" x .070" | 2 | 2 | 2 | 2 | |
| 109 | N8885731 | . SHIM 1.56" I.D. x 2.04 O.D. | 1 | 1 | 1 | 1 | |
| 110 | N8885730 | . WAVE SPRING | 1 | 1 | 1 | 1 | |
| 113 | 19501284 | . BEARING | 2 | 2 | 2 | 2 | |
| 115 | N8885727 | . O-RING 3.737" x .103" | 2 | 2 | 2 | 2 | |
| 116 | Call order desk | . ELECTRONICS HOUSING | 1 | 1 | 1 | 1 | P |
| 118 | Call order desk | . ENDCAP / ELECTRONICS ASSY | 1 | 1 | 1 | 1 | P |
| 120 | 19512159 | . WASHER FLAT #10 | 4 | 4 | 4 | 4 | |
| 121 | Call order desk | . WASHER LOCK #10 | 1 | 1 | 1 | 1 | P |
| 122 | Call order desk | . SCREW FIL HEAD #10 | 1 | 1 | 1 | 1 | P |
| 125 | Call order desk | . SCREW CAP HEXS 10-24 x .062" | 1 | 1 | 1 | 1 | P |
| 202 | Call order desk | . STRAIN-RELIEF KIT | 1 | 1 | 1 | 1 | P |
| 204 | 19501285 | . JUNCTION BOX / (BOTTOM HALF) | 1 | 1 | 1 | 1 | |
| 206 | Call order desk | . SCREW MA PAN 10-24 | 1 | 1 | 1 | 1 | P |
| 207 | Call order desk | . GASKET JCT BOX | 1 | 1 | 1 | 1 | P |
| 208 | 19501283 | . JUNCTION BOX / (TOP HALF) | 1 | 1 | 1 | 1 | |
| 209 | 19501282 | . SCREW 6-32 | 2 | 2 | 2 | 2 | |
| 210 | Call order desk | . BASE PLATE | 1 | 1 | 1 | 1 | P |
| 211 | Call order desk | . SCREW CAP HEXS 1/4-20 x ? | 1 | 1 | 1 | 1 | P |
| 214 | Call order desk | . KEY | 1 | 1 | 1 | 1 | P |
| | | | | | | | |
| | | | | | | | |
| | | | | | | | |
| | | P) CALL ORDER DESK FOR SPECIFIC APPLICATION (V.I.N.) | | | | | |

From Y-7046 To 8-9339

Date:10/2022

PAGE:Y2-2270-00

RECEIVER TANK & FILTER DRYER

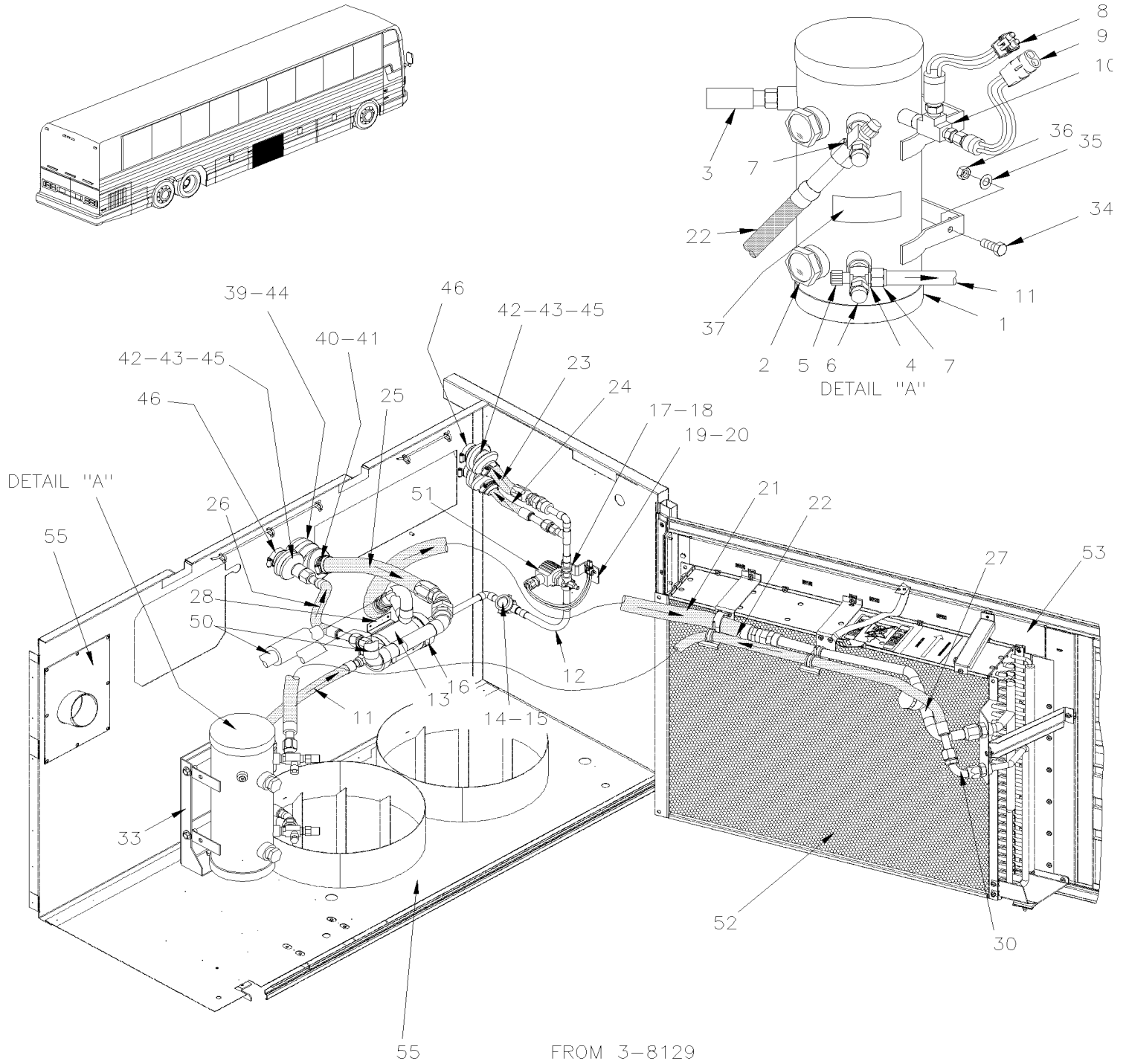


From Y-7046 To 8-9339

Date:10/2022

PAGE:Y2-2270-00

RECEIVER TANK & FILTER DRYER



| | | |
|---|--------------|-----------------|
| From Y-7046 To 8-9339 | Date:10/2022 | PAGE:Y2-2270-00 |
| RECEIVER TANK & FILTER DRYER | | |

| Item# | Part | Description | X L I I 4 5 | X L I I M T H 4 0 | X L I I M T H 4 5 | X L I I M T H 4 5 E | N O T E S |
|-------|-----------------|--|----------------------------|---|---|--|-----------------------|
| 1 | 950261 | RECEIVER TANK ASSY | 1 | 1 | 1 | 1 | |
| . NS | 950428 | . SIGHTGLASS / W/BALL 1NPT-M (FORMER) | 1 | 1 | 1 | 1 | |
| . NS | 951198 | . SIGHTGLASS / W/BALL 1 1/4NPT-F (CURRENT) | 1 | 1 | 1 | 1 | |
| 2 | 871001 | . SIGHT GLASS ASSY 1 NPT | 2 | 2 | 2 | 2 | |
| 3 | 870890 | VALVE, SAFETY 450 PSI | 1 | 1 | 1 | 1 | |
| 4 | 950228 | VALVE ASSY / SERVICE / INLET & OUTLET | 2 | 2 | 2 | 2 | |
| . NS | 950284 | . CAP / PROTECTOR / FOR GAUGE | 1 | 1 | 1 | 1 | |
| . NS | 507169 | . O-RING 1/2 I.D. | 1 | 1 | 1 | 1 | |
| 5 | 950285 | CAP VALVE / PROTECTOR / PLASTIC | 1 | 1 | 1 | 1 | |
| 6 | 950284 | CAP / PROTECTOR / FOR GAUGE | 1 | 1 | 1 | 1 | |
| 7 | 507169 | O-RING 1/2 I.D. | 2 | 2 | 2 | 2 | |
| 8 | 452832 | PRESSURE SWITCH N.O. 170-130 20SP001MA170J130J | 1 | 1 | 1 | 1 | |
| 9 | 062644 | PRESSURE SWITCH N.O. 120-90 20SP001AA120G090E | 1 | 1 | 1 | 1 | |
| NS | 950249 | SCHRADER VALVE 1/4NPT-M | 2 | 2 | 2 | 2 | |
| 10 | 501338 | MALE RUN TEE / PIPE FITTING / 1/4NPT-Mx1/4NPT-Fx1/4NPT-F BR | 1 | 1 | 1 | 1 | |
| 11 | 454043 | HOSE ASSY / #12 565MM From 3-8129 | 1 | 1 | 1 | 1 | |
| NS | 507370 | O-RING #10 From 3-8129 | 1 | 1 | 1 | 1 | |
| 12 | 453678P | FILTER DRYER ASSY From 1-7677 To 3-8128 | 1 | | 1 | | |
| . NS | 457419 | . PIPE ASSY / FILTER DRIER "INLET SECTION" / RECEIVERTANK & FILTER From 1-7677 To 3-8128 | 1 | | 1 | | |
| . NS | 501829 | . O-RING / ORS FITTING / #12 NEO From 1-7677 To 3-8128 | 1 | | 1 | | |
| 12 | Call order desk | FILTER DRYER ASSY From 3-8129 To 4-8205 | 1 | | 1 | | P |
| . NS | 501829 | . O-RING / ORS FITTING / #12 NEO From 3-8129 To 4-8205 | 1 | | 1 | | |
| 12 | Call order desk | FILTER DRYER ASSY From 4-8206 | 1 | | 1 | | P |
| . NS | 501829 | . O-RING / ORS FITTING / #12 NEO From 4-8206 | 1 | | 1 | | |
| 12 | Call order desk | FILTER DRYER ASSY From 1-7677 To 3-8128 | | 1 | | 1 | P |
| . NS | 501829 | . O-RING / ORS FITTING / #12 NEO From 1-7677 To 3-8128 | | 1 | | 1 | |
| . NS | 7771832 | . TUBE ASSY From 1-7677 To 3-8128 | | 1 | | 1 | |
| 12 | 454045P | FILTER DRYER ASSY From 3-8129 | | | | 1 | |
| . NS | 501829 | . O-RING / ORS FITTING / #12 NEO From 3-8129 | | | | 1 | |
| 13 | 950332 | . FILTER DRYER From 1-7677 | 1 | | 1 | 1 | |
| . NS | 507370 | . . O-RING #10 From 1-7677 | 1 | | 1 | 1 | U |
| 14 | 950334 | . MOISTURE INDICATOR From 1-7677 | 1 | | 1 | 1 | |
| 15 | 950029 | . . CAP, MOISTURE INDICATOR | 1 | | 1 | 1 | |
| 16 | 504025 | HOSE CLAMP / 2"5/16-3"1/4 SS / HS-44 | 2 | 2 | 2 | 2 | |
| 17 | 952629 | CLAMP / 5/8" I.D. | 1 | 1 | 1 | 1 | |
| 18 | 500588 | SCREW CAP HEX M4-0.7x20 G8.8 Z050 | 1 | 1 | 1 | 1 | |
| 18 | 502834 | WASHER LO SPT 4.1x7.6x0.9 N500 | 1 | 1 | 1 | 1 | |
| 18 | 500438 | WASHER FL .187x.437x.050 Z050 | 1 | 1 | 1 | 1 | |
| 18 | 500590 | NUT HEX NYRT M4-0.7 Z050 | 1 | 1 | 1 | 1 | |
| 19 | 452077 | ANGLE SUPPORT, FILTER ASSY | 1 | 1 | 1 | 1 | |
| 20 | 500957 | SCREW TP BDG PH #10x3/4 N500 | 2 | 2 | 2 | 2 | |
| 21 | 453602 | HOSE ASSY / PIPE TO COND / #16 1143MM To 1-7560 | 1 | 1 | 1 | 1 | |

| | | |
|---|--------------|-----------------|
| From Y-7046 To 8-9339 | Date:10/2022 | PAGE:Y2-2270-00 |
| RECEIVER TANK & FILTER DRYER | | |

| Item# | Part | Description | X L I I 4 5 | X L I I M T H 4 0 | X L I I M T H 4 5 | X L I I M T H 4 5 E | N O T E S |
|-------|--------|---|----------------------------|---|---|--|-----------------------|
| 21 | 453779 | HOSE ASSY / PIPE TO COND / #16 1143MM / SS BELLOW From 1-7561 | 1 | 1 | 1 | 1 | |
| NS | 501802 | O-RING / ORS FITTING / #16 NEO | 1 | 1 | 1 | 1 | |
| NS | 507169 | O-RING 1/2 I.D. | 1 | 1 | 1 | 1 | |
| 22 | 453048 | HOSE ASSY / #12 2350MM | 1 | | | | |
| 22 | 453394 | HOSE ASSY / #12 1830MM | | 1 | 1 | 1 | |
| 22 | 455220 | HOSE ASSY / #12 1830MM SERVICE | | 1 | 1 | 1 | S |
| NS | 507280 | O-RING / ORS FITTING / #12 NEO | | 2 | 2 | 2 | S |
| 23 | 453397 | HOSE ASSY / #12 1340MM | 1 | | | | |
| 23 | 453397 | HOSE ASSY / #12 1340MM To 6-8805 | | 1 | 1 | 1 | |
| 23 | 454240 | HOSE ASSY / #12 1579MM From 6-8806 | | | 1 | 1 | |
| NS | 505182 | COIL PROTECTOR / PLASTIC / #16 From 6-8806 | | | AR | AR | |
| 24 | 453389 | HOSE ASSY / #10 5970MM | 1 | | 1 | | |
| NS | 507344 | O-RING / ORS FITTING / #10 NEO | 2 | | 2 | | |
| 24 | 455218 | HOSE ASSY / #10 5970MM SERVICE | 1 | | 1 | | S |
| NS | 507344 | O-RING / ORS FITTING / #10 NEO | 2 | | 2 | | S |
| 24 | 453488 | HOSE ASSY / #10 5075MM To Y-7128 | | 1 | | | |
| NS | 507344 | O-RING / ORS FITTING / #10 NEO To Y-7128 | | 2 | | | |
| 24 | 455251 | HOSE ASSY / #10 5075MM SERVICE To Y-7128 | | 1 | | | S |
| NS | 507344 | O-RING / ORS FITTING / #10 NEO To Y-7128 | | 2 | | | S |
| 24 | 453482 | HOSE ASSY / #10 7160MM To 6-8805 | | | | 1 | |
| NS | 507344 | O-RING / ORS FITTING / #10 NEO To 6-8805 | | | | 2 | |
| 24 | 455248 | HOSE ASSY / #10 6795MM SERVICE To 6-8805 | | | | 1 | S |
| NS | 507344 | O-RING / ORS FITTING / #10 NEO To 6-8805 | | | | 2 | S |
| 24 | 453476 | HOSE ASSY / #10 5745MM From 6-8806 | | | | 1 | |
| NS | 507344 | O-RING / ORS FITTING / #10 NEO From 6-8806 | | | | 2 | |
| 24 | 455246 | HOSE ASSY / #10 5745MM SERVICE From 6-8806 | | | | 1 | S |
| NS | 507344 | O-RING / ORS FITTING / #10 NEO From 6-8806 | | | | 2 | S |
| 25 | 453347 | HOSE ASSY / #20 84" | 1 | | | | |
| NS | 504442 | CUFF END BELLOW / 1 1/4" I.D. x 3 1/2" x 4 1/2" | 1 | | | | |
| 25 | 453347 | HOSE ASSY / #20 84" To 6-8805 | | | 1 | | |
| NS | 504442 | CUFF END BELLOW / 1 1/4" I.D. x 3 1/2" x 4 1/2" To 6-8805 | | | 1 | | |
| 25 | 454239 | HOSE ASSY / #20 2210MM From 6-8806 | | | 1 | | |
| NS | 501803 | O-RING / ORS FITTING / #20 NEO From 6-8806 | | | 1 | | |
| 25 | 452556 | HOSE ASSY / #20 95" To 6-8805 | | 1 | | 1 | |
| 25 | 454289 | HOSE ASSY / #20 95" From 6-8806 | | | | 1 | |
| 26 | 453628 | HOSE ASSY / #12 270MM | 1 | | 1 | | |
| NS | 507280 | O-RING / ORS FITTING / #12 NEO | 2 | | 2 | | |
| 26 | 455260 | HOSE ASSY / #12 270MM SERVICE | 1 | | 1 | | S |
| NS | 507280 | O-RING / ORS FITTING / #12 NEO | 2 | | 2 | | S |
| 26 | 453702 | HOSE ASSY / #12 280MM | 1 | | | | W |
| NS | 507280 | O-RING / ORS FITTING / #12 NEO | 2 | | | | W |
| 26 | 455264 | HOSE ASSY / #12 280MM SERVICE | 1 | | | | SW |

| | | |
|---|--------------|-----------------|
| From Y-7046 To 8-9339 | Date:10/2022 | PAGE:Y2-2270-00 |
| RECEIVER TANK & FILTER DRYER | | |

| Item# | Part | Description | X L I I 4 5 | X L I I M T H 4 0 | X L I I M T H 4 5 | X L I I M T H 4 5 E | N O T E S |
|-------|-------------------|--|----------------------------|---|---|--|-----------------------|
| . NS | 507280 | . O-RING / ORS FITTING / #12 NEO | 2 | | | | SW |
| 26 | 453483 | HOSE ASSY / #12 385MM | | 1 | | 1 | |
| . NS | 507280 | . O-RING / ORS FITTING / #12 NEO | | 2 | | 2 | |
| 26 | 455249 | HOSE ASSY / #12 316MM SERVICE | | 1 | | 1 | S |
| . NS | 507280 | . O-RING / ORS FITTING / #12 NEO | | 2 | | 2 | S |
| 27 | 453543 | PIPE ASSY WITH CHECK VALVE From Y-7191 | 1 | | | | |
| 27 | 453542 | PIPE ASSY WITH CHECK VALVE From Y-7191 | | 1 | 1 | 1 | |
| 28 | 453711 | BRACKET, FILTER From 1-7677 | | | 1 | 1 | |
| 29 | 453376P | FILTER DRYER ASSY To Y-7307 | 1 | | 1 | | |
| 29 | 453597P | FILTER DRYER ASSY From Y-7308 To 1-7676 | 1 | | 1 | | |
| 29 | Call order desk | FILTER DRYER ASSY To 1-7676 | | 1 | | 1 | P |
| 30 | 507544 | SWIVEL NUT ELBOW 90° SHORT / JIC 37° FITTING/ #12JIC-Fx#12JIC-Mx1.82 STL From Y-7191 | | | 1 | 1 | |
| 30 | 501829 | O-RING / ORS FITTING / #12 NEO From Y-7191 | | | 1 | 1 | |
| 31 | 870646 | MOISTURE INDICATOR To 1-7676 | 1 | 1 | 1 | 1 | |
| 32 | 950262 | FILTER DRYER ASSY / W/R134a To 1-7676 | 1 | 1 | 1 | 1 | |
| . NS | 951196 | . O-RING TEFLON 1 3/8" I.D. x 1 5/8" O.D. To 1-7676 | 1 | 1 | 1 | 1 | |
| 33 | 454044 | SUPPORT RECEIVER TANK | | | 1 | 1 | |
| 34 | 500065 | SCREW CAP HEX M10-1.5x30 G10.9 DP | | | 4 | 4 | |
| 35 | 500897 | WASHER FL .437x1.000x.083 N500 | | | 4 | 4 | |
| 36 | 5001760 | NUT HEXF STO M10-1.5 G8 ZP | | | 6 | 6 | |
| 37 | 453066 | DECAL R134A / NOMINAL CHARGE 24 LBS // ENGLISH & FRANCAIS | | | 1 | 1 | |
| 37 | 454180 | DECAL R134A / NOMINAL CHARGE 24 LBS // ENGLISH & SPANISH | | | 1 | 1 | |
| 38 | 452547 | BRACKET, FILTER To 1-7676 | 1 | 1 | 1 | 1 | |
| 39 | 504442 | CUFF END BELLOW / 1 1/4" I.D. x 3 1/2" x 4 1/2" | | | 1 | 1 | |
| 40 | 504026 | HOSE CLAMP / 2"13/16-3"3/4 SS / HS-52 | | | 1 | 1 | |
| 41 | 504022 | HOSE CLAMP / 3/4"-1"3/4 SS / HS-20 | | | 1 | 1 | |
| 42 | 372103 | PROTECTOR HOSE SPLIT / 1 1/8" O.D. x 3" | | | 3 | 3 | |
| 43 | 504016 | CABLE TIE / 5/16" X 14"1/2 | | | AR | AR | |
| 44 | 451075 | PROTECTOR HOSE SPLIT / 7/8" O.D. x 3" | | | 1 | 1 | |
| 45 | 504384 | CUFF END BELLOW / 1 1/4" I.D. x 1 3/4" x 4" | 3 | 3 | 3 | 3 | |
| 46 | 504024 | HOSE CLAMP / 1"13/16"-2"3/4 SS / HS-36 | 6 | 6 | 6 | 6 | |
| 50 | Y2-2222-15 | A/C LINE REAR SECTION W/05G | | | | | |
| 51 | Y2-2208-10 | REFRIGERANT SOLENOID VALVE | | | | | |
| 52 | Y2-2255-00 | CONDENSOR - INSTALLATION LARGE SYSTEM | | | | | |
| 53 | Y2-1863-00 | CONDENSOR DOOR ASSY - BUS | | | | | |
| 53 | Y2-1863-50 | CONDENSOR DOOR ASSY | | | | | |
| 53 | Y2-1863-51 | CONDENSOR DOOR ASSY | | | | | |
| 55 | Y2-1865-20 | EVAPORATOR & CONDENSOR WALL | | | | | |
| | | | | | | | |
| | | | | | | | |
| | | | | | | | |
| | | S) SERVICE | | | | | |

| | | |
|-----------------------|--------------|-----------------|
| From Y-7046 To 8-9339 | Date:10/2022 | PAGE:Y2-2270-00 |
|-----------------------|--------------|-----------------|

RECEIVER TANK & FILTER DRYER

| Item# | Part | Description | X L I I 4 5 | X L I I M T H 4 0 | X L I I M T H 4 5 | X L I I M T H 4 5 E | N O T E S |
|-------|------|--|----------------------------|---|---|--|-----------------------|
| | | W) WITH W.C.L. | | | | | |
| | | P) CALL ORDER DESK FOR SPECIFIC APPLICATION (V.I.N.) | | | | | |
| | | U) UNDER CONSTRUCTION | | | | | |

| | | |
|-------------|--------------|-------|
| | Date:10/2022 | Y2-23 |
| ACCESSORIES | | |

Accessories Air System 5
"SLIDE-OUT" Air System 10

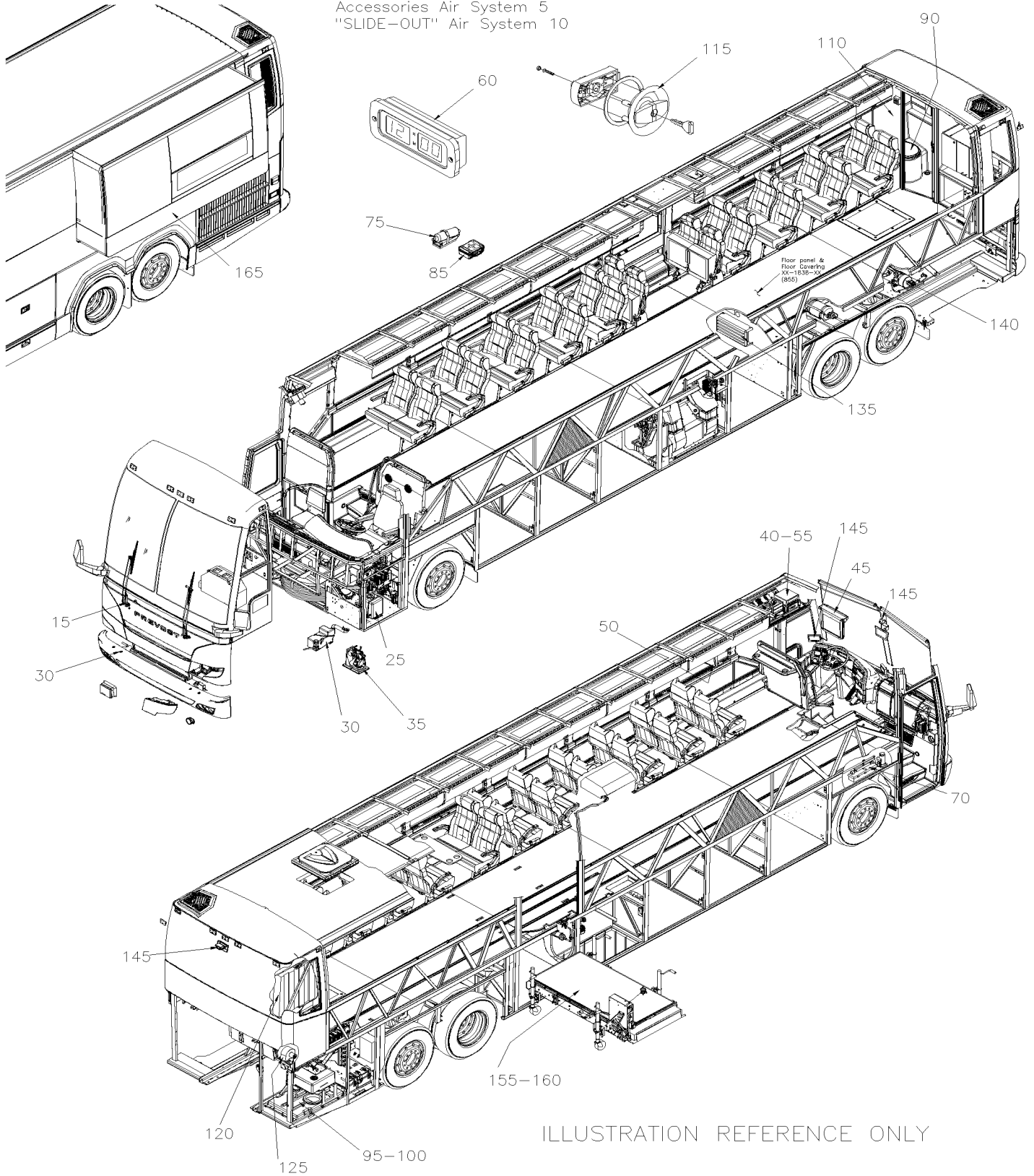


ILLUSTRATION REFERENCE ONLY

| | | Date:10/2022 | Y2-23 | | | | |
|-------------|------------|--|----------------------------|---|---|--|-------|
| ACCESSORIES | | | | | | | |
| Item# | Part | Description | X L I I 4 5 | X L I I M T H 4 0 | X L I I M T H 4 5 | X L I I M T H 4 5 E | NOTES |
| 5 | Y2-2300-00 | ACCESSORIES AIR SYSTEM From Y-7046 To 7-9095 | | | | | |
| 5 | Y2-2300-50 | ACCESSORIES AIR SYSTEM - MTH From 7-9096 To 8-9339 | | | | | |
| 10 | Y2-2300-90 | "SLIDE-OUT" AIR SYSTEM From Y-7046 To 6-8805 | | | | | |
| 15 | Y2-2305-00 | LOWER WINDSHIELD WIPER From Y-7046 To 8-9339 | | | | | |
| 15 | Y2-2305-05 | LOWER WINDSHIELD WIPER - INSTALLATION From Y-7046 To 8-9339 | | | | | |
| 25 | Y2-2305-20 | WINDSHIELD WASHER - INSTALLATION From Y-7046 To 8-9339 | | | | | |
| 30 | Y2-2305-25 | HEAD LAMP CLEANING WASHER TANK From 7-9003 To 8-9339 | | | | | |
| 35 | Y2-2310-00 | HORN - INSTALLATION From Y-7046 To 8-9339 | | | | | |
| 40 | Y2-2315-00 | SOUND SYSTEM & ACCESSORIES - "R.E.I." From Y-7046 To 6-8906 | | | | | |
| 40 | Y2-2315-20 | INDIVIDUAL STATIONS - "R.E.I." From Y-7046 To 6-8906 | | | | | |
| 40 | Y2-2315-30 | SOUND SYSTEM - "KARAOKE" & DVD From Y-7046 To 4-8270 | | | | | |
| 40 | Y2-2315-60 | ROOF ANTENNA & WIRING "R.E.I." From Y-7046 To 6-8906 | | | | | |
| 40 | Y2-2315-99 | SUBWOOFER - INSTALLATION From RETROFIT | | | | | |
| 45 | Y2-2317-00 | FRONT MONITOR - VIDEO - "R.E.I." From Y-7046 To 6-8578 | | | | | |
| 45 | Y2-2317-01 | FRONT MONITOR FLAT SCREEN - VIDEO - "R.E.I." From 5-8579 To 6-8906 | | | | | |
| 50 | Y2-2317-10 | SIDE MONITOR - VIDEO - "R.E.I." From Y-7046 To 6-8906 | | | | | |
| 50 | Y2-2317-11 | SIDE MONITOR FLAT SCREEN - VIDEO -"R.E.I." From Y-7046 To 6-8906 | | | | | |
| 55 | Y2-2317-12 | BACK SEAT MONITOR SCREEN - VIDEO -"R.E.I." From 5-8678 To 6-8906 | | | | | |
| 55 | Y2-2317-20 | VIDEO VHS PLAYER - INSTALLATION "R.E.I." From Y-7046 To 6-8906 | | | | | |
| 55 | Y2-2317-30 | VIDEO & AUDIO SYSTEM - INSTALLATION From 4-8271 To 5-8592 | | | | | |
| 55 | Y2-2317-31 | VIDEO & AUDIO SYSTEM - INSTALLATION From 5-8593 To 6-8906 | | | | | |
| 55 | Y2-2317-99 | VIDEO & AUDIO SYSTEM - INSTALLATION From RETROFIT | | | | | |
| 60 | Y2-2318-00 | CLOCK (DIGITAL) From Y-7046 To 6-8906 | | | | | |
| 70 | Y2-2320-00 | JACK & FLARE KIT - INSTALLATION From Y-7046 To 8-9339 | | | | | |
| 75 | Y2-2320-30 | EXTINGUISHER - INSTALLATION From Y-7046 To 8-9339 | | | | | |
| 85 | Y2-2320-40 | FIRST AID KIT & AXE - INSTALLATION From Y-7046 To 6-8906 | | | | | |
| 90 | Y2-2325-00 | LAVATORY - ACCESSORIES From Y-7046 To 6-8906 | | | | | |
| 95 | Y2-2326-00 | TOILET PUMP ASSY From Y-7046 To 6-8906 | | | | | |
| 100 | Y2-2327-00 | SUMP TANK - PLASTIC From Y-7046 To 6-8906 | | | | | |
| 110 | Y2-2328-00 | LAVATORY WALL - INSTALLATION From Y-7046 To 6-8906 | | | | | |
| 115 | Y2-2329-00 | LAVATORY DOOR LOCK & SWITCH From Y-7046 To 6-8906 | | | | | |
| 120 | Y2-2330-00 | WATER & SUMP TANK - INSTALLATION From Y-7046 To 6-8906 | | | | | |
| 125 | Y2-2337-00 | LAVATORY FAN - INSTALLATION From Y-7046 To 6-8906 | | | | | |
| 135 | Y2-2345-40 | POWERVERTER - 24/110 VOLTS - 1000 WATTS From Y-7046 To 6-8906 | | | | | |
| 135 | Y2-2345-41 | POWERVERTER - 24/110 VOLTS - 5000 WATTS From Y-7046 To 6-8906 | | | | | |
| 135 | Y2-2345-42 | POWERVERTER - 24/110 VOLTS - 1800 WATTS From Y-7046 To 6-8906 | | | | | |
| 135 | Y2-2345-43 | 110 VOLT - OUTLET From Y-7046 To 6-8906 | | | | | |
| 135 | Y2-2345-99 | 110 VOLT - OUTLET / "RETROFIT" From Y-7046 To 6-8906 | | | | | |
| 140 | Y2-2350-10 | WATER HEATER - INSTALLATION From Y-7046 To 2-7764 | | | | | |
| 140 | Y2-2350-11 | WATER HEATER - INSTALLATION From 2-7765 To 6-8906 | | | | | |
| 145 | Y2-2355-00 | BACK-UP CAMERA & MONITOR - INSTALLATION From Y-7046 To 6-8906 | | | | | |
| 145 | Y2-2355-10 | FRONT CAMERA - INSTALLATION From Y-7046 To 6-8906 | | | | | |

| | | |
|--------------------|--------------|-------|
| | Date:10/2022 | Y2-23 |
| ACCESSORIES | | |

| Item# | Part | Description | X L I I 4 5 | X L I I M T H 4 0 | X L I I M T H 4 5 | X L I I M T H 4 5 E | N O T E S |
|-------|------------|--|----------------------------|---|---|--|-----------------------|
| | | | | | | | |
| 155 | Y2-2370-10 | W.C.L. - DECAL From Y-7046 To 6-8906 | | | | | |
| 155 | Y2-2370-20 | W.C.L. SEAT BELTS From Y-7046 To 6-8906 | | | | | |
| 160 | Y2-2380-00 | W.C.L. "RICON" - INSTALLATION MODEL "F9A" From Y-7046 To 1-7680 | | | | | |
| 160 | Y2-2380-01 | W.C.L. "RICON" - INSTALLATION MODEL "HC-L002" From 1-7681 To 4-8330 | | | | | |
| 160 | Y2-2380-02 | W.C.L. "RICON" REMOVABLE - INSTALLATION MODEL "F9T" & "F9TF" From 4-8331 To 6-8906 | | | | | |
| 160 | Y2-2380-05 | W.C.L. "RICON" MODEL "F9A" From Y-7046 To 1-7680 | | | | | |
| 160 | Y2-2380-06 | W.C.L. "RICON" MODEL "HC-L002" From 1-7681 To 4-8278 | | | | | |
| 160 | Y2-2380-07 | W.C.L. "RICON" REMOVABLE MODEL "F9T" From 4-8279 To 5-8605 | | | | | |
| 160 | Y2-2380-08 | W.C.L. "RICON" REMOVABLE MODEL "F9TF" From 5-8606 To 6-8906 | | | | | |
| 160 | Y2-2380-10 | W.C.L. "RICON" - LIFT ENCLOSURE ASSY MODEL "F9A" From Y-7046 To 1-7680 | | | | | |
| 160 | Y2-2380-11 | W.C.L. "RICON" - LIFT ENCLOSURE ASSY MODEL "HC-L002" From 1-7681 To 4-8278 | | | | | |
| 160 | Y2-2380-12 | W.C.L. "RICON" - LIFT ENCLOSURE ASSY MODEL "F9T" & "F9TF" From 4-8279 To 6-8906 | | | | | |
| 160 | Y2-2380-20 | W.C.L. "RICON" - PLATFORM ASSY MODEL "F9A" From Y-7046 To 1-7680 | | | | | |
| 160 | Y2-2380-21 | W.C.L. "RICON" - PLATFORM ASSY MODEL "HC-L002" From 1-7681 To 4-8278 | | | | | |
| 160 | Y2-2380-22 | W.C.L. "RICON" - PLATFORM ASSY MODEL "F9T" From 4-8279 To 5-8605 | | | | | |
| 160 | Y2-2380-23 | W.C.L. "RICON" - PLATFORM ASSY MODEL "F9TF" From 5-8606 To 6-8906 | | | | | |
| 160 | Y2-2380-30 | W.C.L. "RICON" - TRAVELING FRAME ASSY MODEL "F9A" From Y-7046 To 1-7680 | | | | | |
| 160 | Y2-2380-31 | W.C.L. "RICON" - TRAVELING FRAME ASSY MODEL "HC-L002" From 1-7681 To 4-8278 | | | | | |
| 160 | Y2-2380-32 | W.C.L. "RICON" - TRAVELING FRAME ASSY MODEL "F9T" & "F9TF" From 1-8279 To 6-8906 | | | | | |
| 160 | Y2-2380-40 | W.C.L. "RICON" - CARRIAGE ASSY MODEL "F9A" From Y-7046 To 1-7680 | | | | | |
| 160 | Y2-2380-41 | W.C.L. "RICON" - CARRIAGE ASSY MODEL "HC-L002" From 1-7681 To 4-8278 | | | | | |
| 160 | Y2-2380-42 | W.C.L. "RICON" - CARRIAGE ASSY MODEL "F9T" & "F9TF" From 4-8279 To 6-8906 | | | | | |
| 160 | Y2-2380-50 | W.C.L. "RICON" - BRIDGE PLATE ASSY 9" MODEL "F9A" From Y-7046 To 1-7680 | | | | | |
| 160 | Y2-2380-51 | W.C.L. "RICON" - BRIDGE PLATE ASSY 9" MODEL "HC-L002" From 1-7681 To 4-8278 | | | | | |
| 160 | Y2-2380-52 | W.C.L. "RICON" - BRIDGE PLATE ASSY 9" MODEL "F9T" & "F9TF" From 4-8279 To 6-8906 | | | | | |
| 160 | Y2-2380-60 | W.C.L. "RICON" - PUMP INSTALLATION MODEL "F9A" From Y-7046 To 1-7680 | | | | | |
| 160 | Y2-2380-61 | W.C.L. "RICON" - PUMP INSTALLATION MODEL "HC-L002" From 1-7681 To 4-8278 | | | | | |
| 160 | Y2-2380-62 | W.C.L. "RICON" - PUMP INSTALLATION MODEL "F9T" & "F9TF" From 4-8279 To 6-8906 | | | | | |
| 160 | Y2-2380-65 | W.C.L. "RICON" - PUMP ASSY From Y-7046 To 6-8906 | | | | | |
| 160 | Y2-2380-70 | W.C.L. "RICON" - RELEASE HANDLE MODEL "HC-L002" From 1-7681 To 4-8278 | | | | | |
| 165 | Y2-2390-00 | "SLIDE-OUT" INFLATED SEAL & LOCKING PIN From Y-7046 To 6-8805 | | | | | |
| 165 | Y2-2390-01 | "SLIDE-OUT" INFLATED SEAL From 6-8806 To 8-9339 | | | | | |
| 165 | Y2-2390-05 | "SLIDE-OUT" CONTROL INSTALLATION From Y-7046 To 6-8805 | | | | | |
| 165 | Y2-2390-06 | "SLIDE-OUT" CONTROL PANEL - INSTALLATION From Y-7046 To 2-7780 | | | | | |
| 165 | Y2-2390-10 | "SLIDE-OUT" AIR CONTROL PANEL From Y-7046 To 2-7780 | | | | | |
| 165 | Y2-2390-11 | "SLIDE-OUT" AIR CONTROL PANEL From 2-7781 To 6-8805 | | | | | |
| 165 | Y2-2390-12 | "SLIDE-OUT" AIR CONTROL PANEL - MUX From 6-8806 To 8-9339 | | | | | |
| 165 | Y2-2390-20 | "SLIDE-OUT" - FRONT MECHANISM - INSTALLATION From Y-7046 To 6-8805 | | | | | |
| 165 | Y2-2390-21 | "SLIDE-OUT" - FRONT MECHANISM - INSTALLATION From 6-8806 To 8-9339 | | | | | |
| 165 | Y2-2390-30 | "SLIDE-OUT" - REAR MECHANISM INSTALLATION From Y-7046 To 6-8805 | | | | | |
| 165 | Y2-2390-31 | "SLIDE-OUT" - REAR MECHANISM INSTALLATION From 6-8806 To 8-9339 | | | | | |
| 165 | Y2-2390-40 | "SLIDE-OUT" - BED SUPPORT From Y-7046 To 6-8805 | | | | | |

| | | |
|--------------------|--------------|-------|
| | Date:10/2022 | Y2-23 |
| ACCESSORIES | | |

| Item# | Part | Description | X L I I 4 5 | X L I I M T H 4 0 | X L I I M T H 4 5 | X L I I M T H 4 5 E | N O T E S |
|-------|------------|--|--------------------------------|---|---|--|-----------------------|
| 165 | Y2-2390-41 | "SLIDE-OUT" - BED SUPPORT From 6-8806 To 8-9339 | | | | | |
| 165 | Y2-2390-50 | "SLIDE-OUT" - INSTALLATION From Y-7046 To 6-8805 | | | | | |
| 165 | Y2-2390-51 | "SLIDE-OUT" - INSTALLATION From 6-8806 To 8-9339 | | | | | |
| 165 | Y2-2390-70 | "SLIDE-OUT" - CYLINDER LOCK PIN ASSY From Y-7046 To 6-8805 | | | | | |

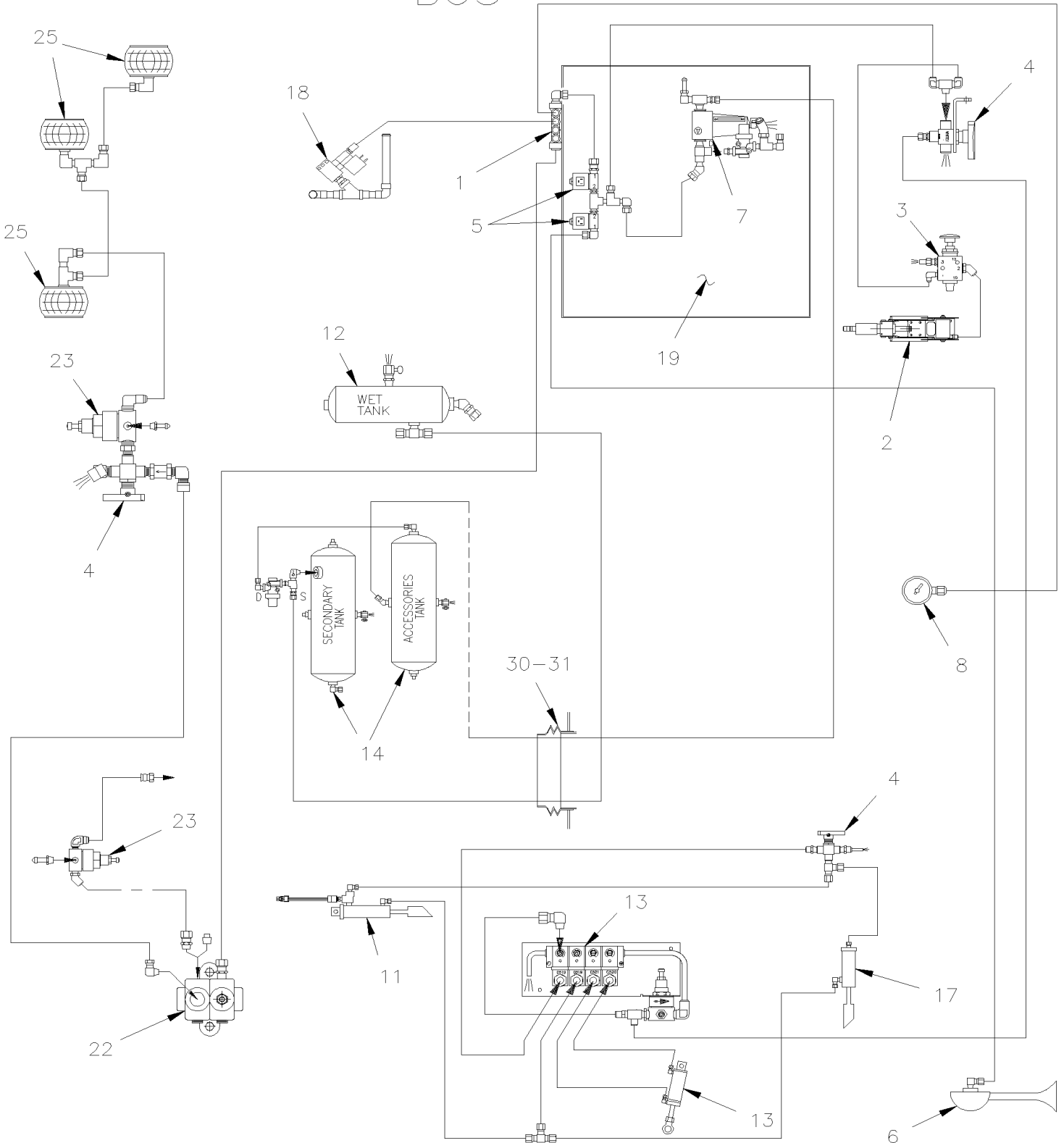
From Y-7046 To 7-9095

Date:10/2022

PAGE:Y2-2300-00

ACCESSORIES AIR SYSTEM

BUS



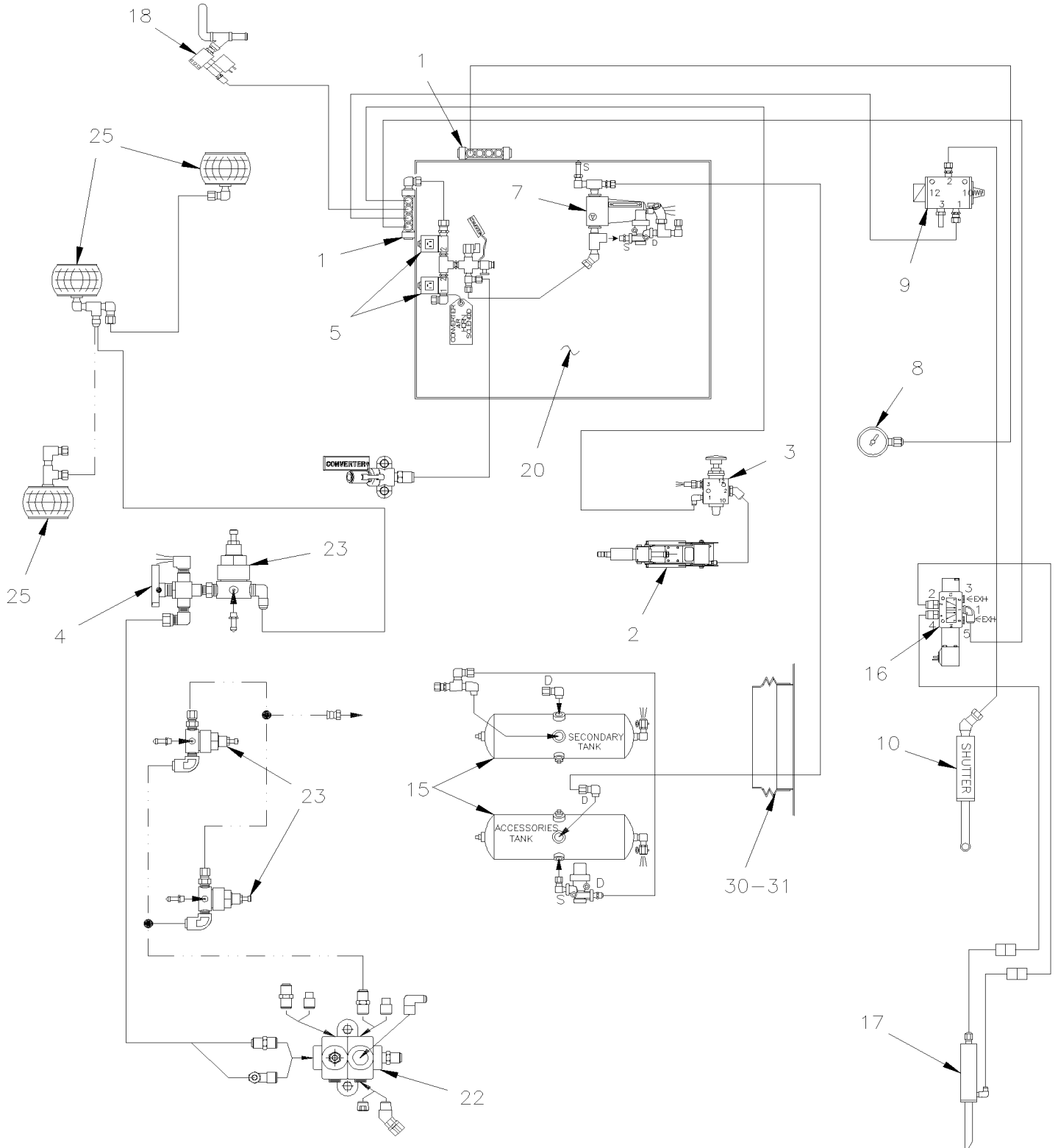
From Y-7046 To 7-9095

Date:10/2022

PAGE:Y2-2300-00

ACCESSORIES AIR SYSTEM

MTH



| | | |
|-----------------------|--------------|-----------------|
| From Y-7046 To 7-9095 | Date:10/2022 | PAGE:Y2-2300-00 |
|-----------------------|--------------|-----------------|

ACCESSORIES AIR SYSTEM

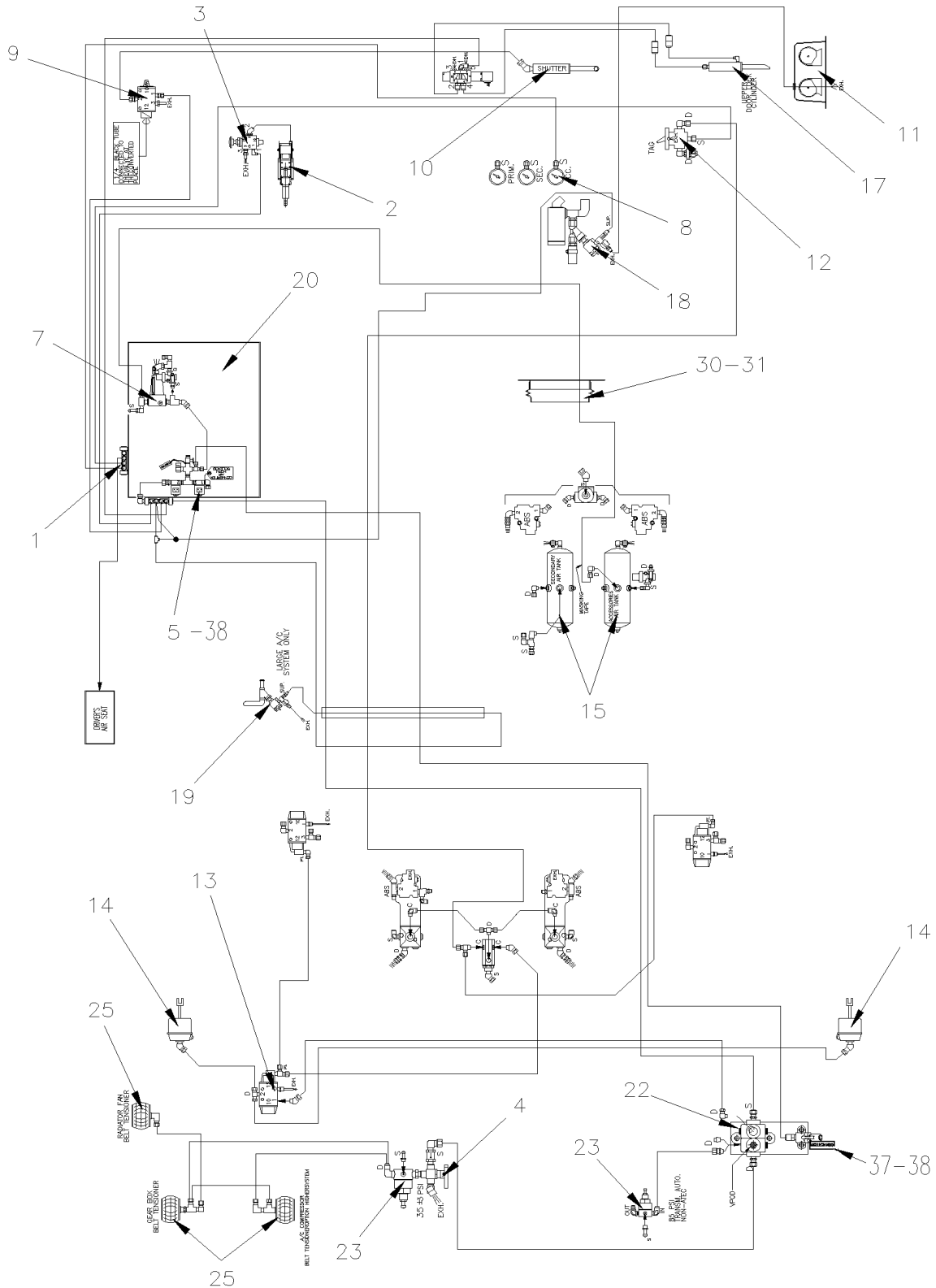
| Item# | Part | Description | X L I I 4 5 | X L I I M T H 4 0 | X L I I M T H 4 5 | X L I I M T H 4 5 E | N O T E S |
|-------|------|--------------------|--------------------------------|---|---|--|-----------------------|
| | | | | | | | |
| | | 4) NO PARTS NUMBER | | | | | |

From 7-9096 To 8-9339

Date:10/2022

PAGE:Y2-2300-50

ACCESSORIES AIR SYSTEM - MTH



| | | |
|-----------------------|--------------|-----------------|
| From 7-9096 To 8-9339 | Date:10/2022 | PAGE:Y2-2300-50 |
|-----------------------|--------------|-----------------|

ACCESSORIES AIR SYSTEM - MTH

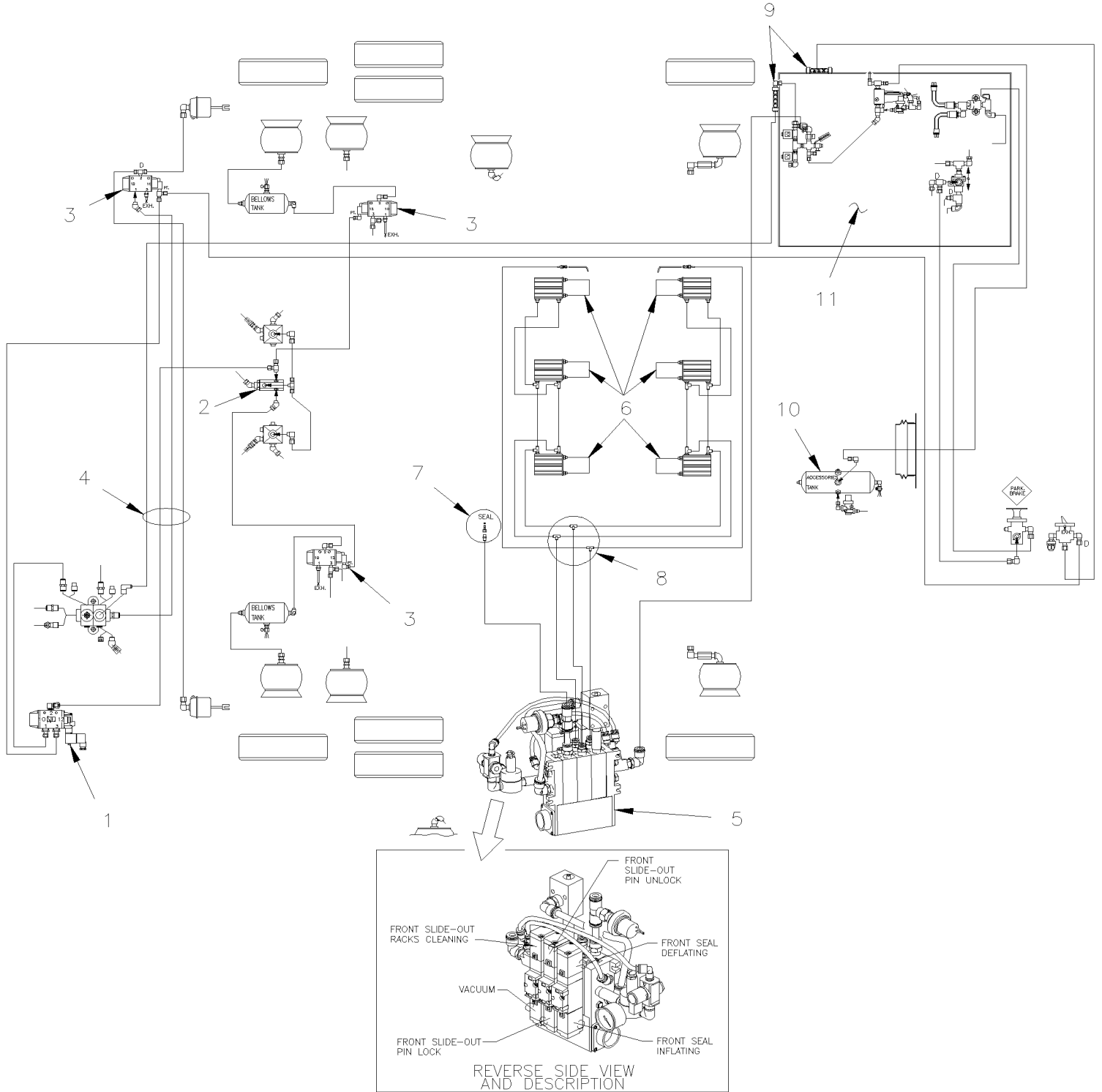
| Item# | Part | Description | X L I I 4 5 | X L I I M T H 4 0 | X L I I M T H 4 5 | X L I I M T H 4 5 E | N O T E S |
|-------|-------------------|---|----------------------------|---|---|--|-----------------------|
| 1 | 641415 | MANIFOLD / PUSH-IN FITTING / 2x#6 / 4x#4 PLAS | | 1 | 1 | 1 | |
| 2 | Y2-1405-00 | STEERING WHEEL & COLUMN ASSY | | | | | |
| 3 | 641445 | VALVE, 3 WAYS, 2 POSITIONS MECHANICAL | | 1 | 1 | 1 | |
| . NS | 641992 | . KNOB | | 1 | 1 | 1 | |
| 4 | 641417 | VALVE, 3 WAYS 1/8NPT-Fx1/8NPT-Fx1/8NPT-F BR | | 1 | 1 | 1 | |
| . NS | 642014 | . HANDLE / RED | | 1 | 1 | 1 | |
| 4 | 642161 | VALVE, 3 WAYS 1/8NPT-Fx1/8NPT-Fx1/8NPT-F BR / SERVICE | | 1 | 1 | 1 | |
| . NS | 642014 | . HANDLE / RED | | 1 | 1 | 1 | |
| 5 | 562804 | VALVE, 2 WAYS N.C. | | 2 | 2 | 2 | |
| . NS | 562848 | . CONNECTOR / SOCKET HOUSING ASSY 3C / PNEUMAC 54933-05 | | 1 | 1 | 1 | |
| 7 | Y2-1220-15 | AIR FILTER - ACCESSORIES | | | | | |
| 8 | Y2-0645-20 | CENTER DASHBOARD PANEL | | | | | |
| 9 | N.P.N. | SUPPLIED BY CONVERTER | | | | | 4 |
| 10 | 051570 | SHUTTER ASSY | | 1 | 1 | 1 | |
| . NS | 550568 | . CYLINDER AIR / SHUTTER / W/4" MOUNT | | 1 | 1 | 1 | |
| . NS | 550569 | . BOOT RUBBER | | 1 | 1 | 1 | |
| . NS | 550577 | . SPRING EXTENSION / .350 O.D. x 6.875 x .069 | | 1 | 1 | 1 | |
| . NS | 550179 | . BUSHING 5/16" I.D. / NYLON | | AR | AR | AR | |
| 11 | Y2-2310-00 | HORN - INSTALLATION | | | | | |
| 12 | 640136 | VALVE, CONTROL TW-1 | | 1 | 1 | 1 | |
| . NS | 641156 | . REPAIR KIT / TW-1 | | 1 | 1 | 1 | |
| 13 | 641274 | VALVE, 3 WAYS, 2 POSITIONS N.C. | | 1 | 1 | 1 | |
| 14 | Y2-1615-10 | TAG AXLE - LIFTING | | | | | |
| 15 | 141834 | AIR TANK / 1303 IN ³ / 8" O.D. X 27" 1/2 | | 2 | 2 | 2 | |
| 17 | 287012 | UPPER LOCK ASSY | | 1 | 1 | 1 | |
| 18 | Y2-2207-01 | WATER VALVE - W/2 WAYS | | | | | |
| 19 | Y2-2207-02 | WATER VALVE - W/3 WAYS BY-PASS | | | | | |
| 20 | Y2-1640-52 | LEVEL-LOW - CONTROL PANEL & VALVES | | | | | |
| 22 | 640055 | MANIFOLD / PIPE FITTING / 7 PORTS 1/4NPT-F STL | | 1 | 1 | 1 | |
| 23 | 641472 | AIR PRESSURE REGULATOR 1/4" NPT / COPPER | | 2 | 2 | 2 | |
| 25 | 550840 | BELLOW ASSY / BELT TENSIONER / 4" O.D. | | 3 | 3 | 3 | |
| 30 | 504499 | CUFF END BELLOW / 2 7/8" I.D. x 3 5/8" x 4 7/16 | | 1 | 1 | 1 | |
| 31 | 141567 | PROTECTOR RUBBER 100MM | | 1 | 1 | 1 | |
| 37 | 640488 | VALVE, AIR FILL 1/8" NPT | | 1 | 1 | 1 | |
| . NS | 650164 | . CAP VALVE / CHROME | | 1 | 1 | 1 | |
| 38 | 5011129 | NEEDLE VALVE 1/4 NPT M x 1/4 NPT F | | 1 | 1 | 1 | |
| | | | | | | | |
| | | | | | | | |
| | | 4) NO PARTS NUMBER | | | | | |

From Y-7046 To 6-8805

Date:10/2022

PAGE:Y2-2300-90

"SLIDE-OUT" AIR SYSTEM

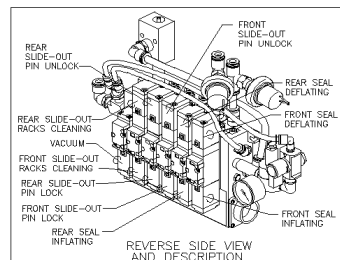
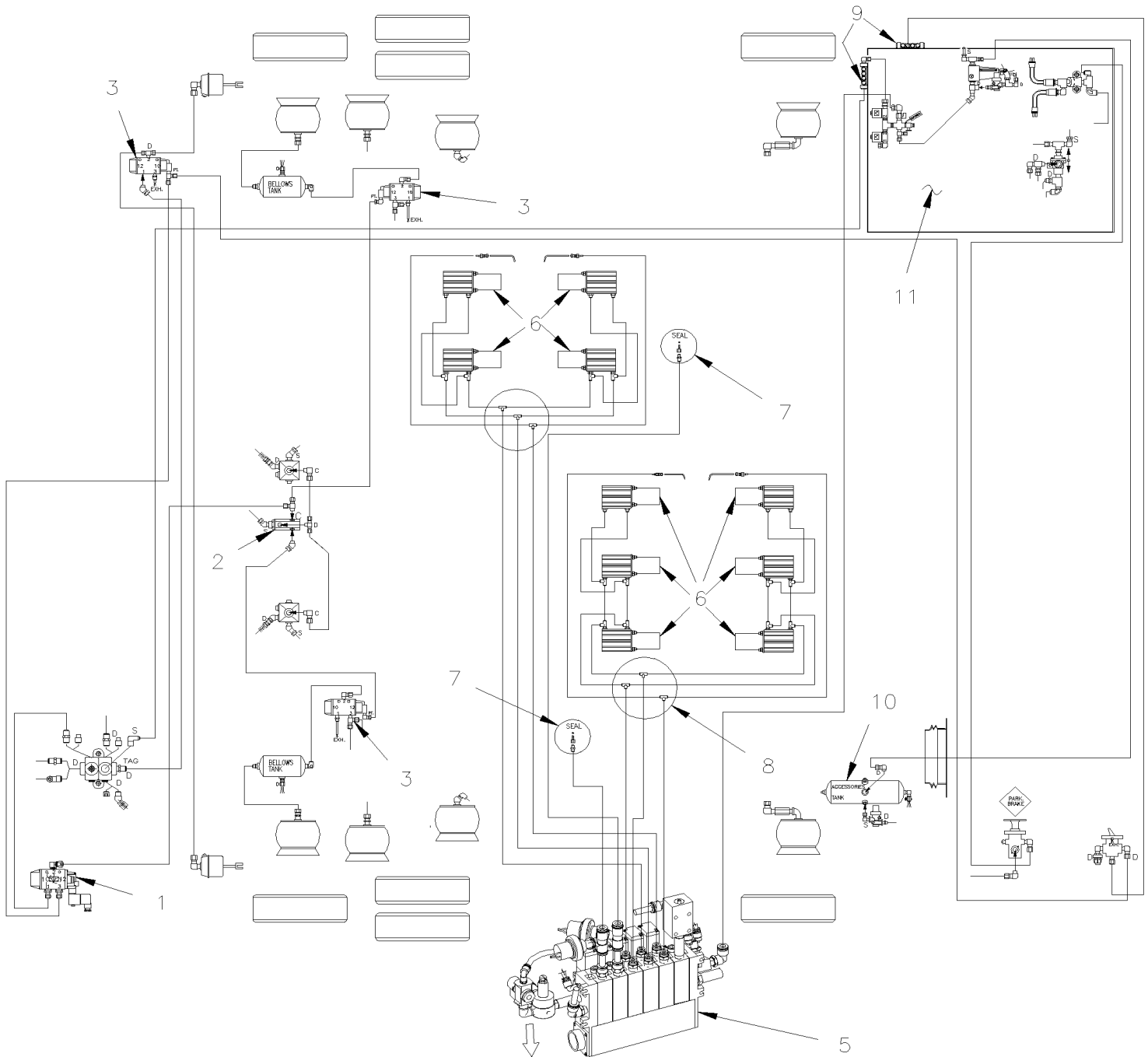


From Y-7046 To 6-8805

Date:10/2022

PAGE:Y2-2300-90

"SLIDE-OUT" AIR SYSTEM

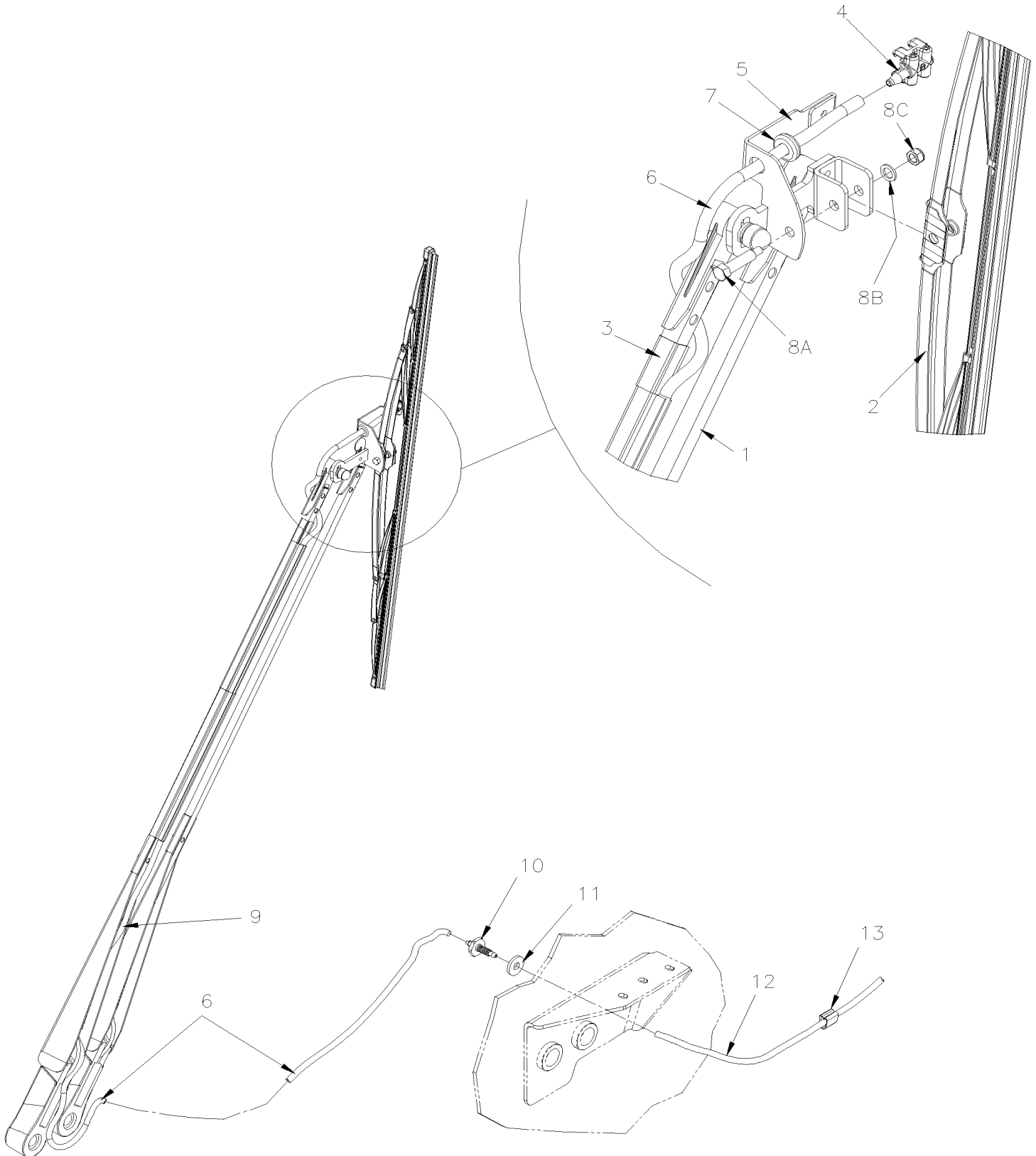


From Y-7046 To 8-9339

Date:10/2022

PAGE:Y2-2305-00

LOWER WINDSHIELD WIPER

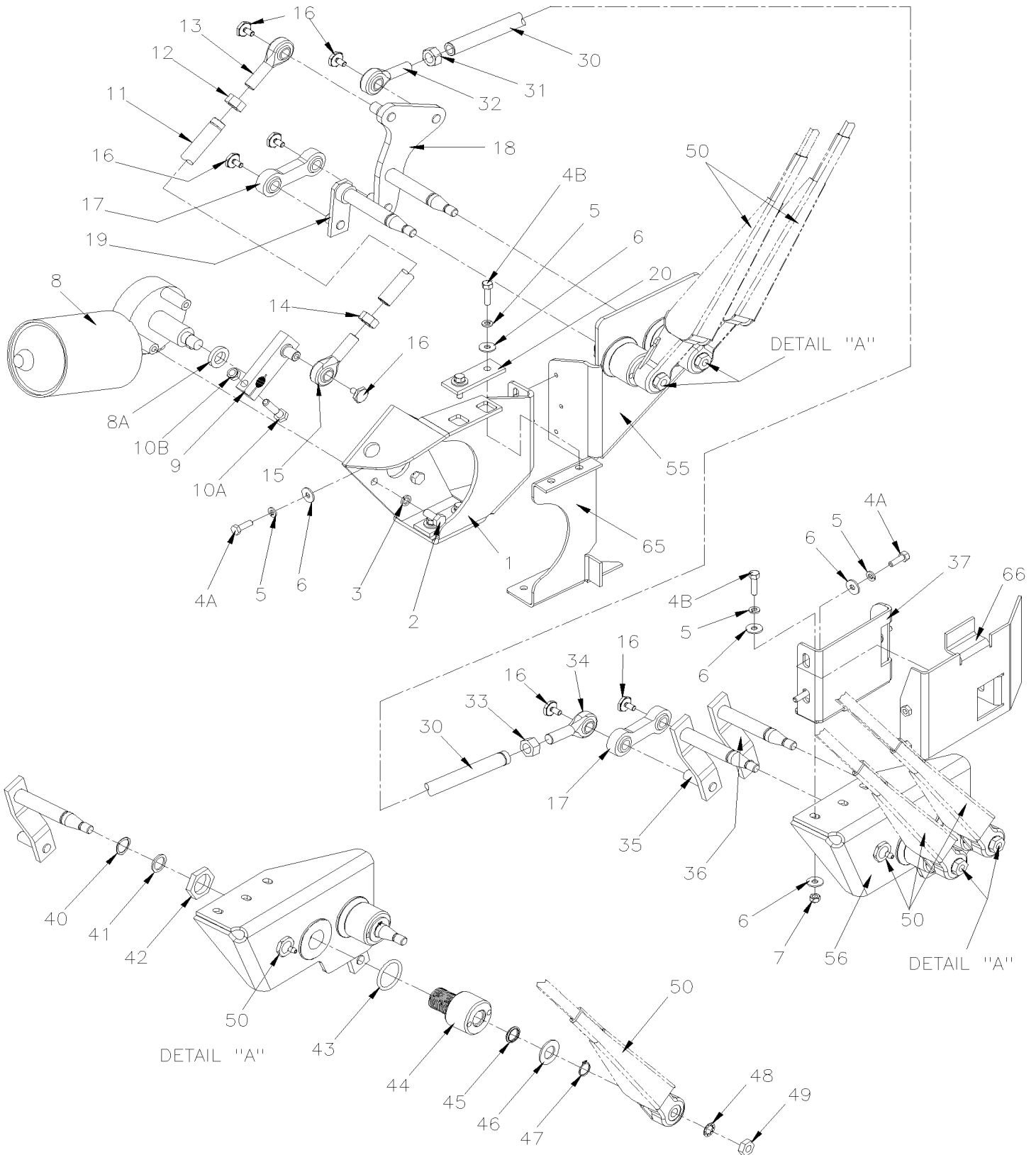


From Y-7046 To 8-9339

Date:10/2022

PAGE:Y2-2305-05

LOWER WINDSHIELD WIPER - INSTALLATION



| | | |
|--|--------------|-----------------|
| From Y-7046 To 8-9339 | Date:10/2022 | PAGE:Y2-2305-05 |
| LOWER WINDSHIELD WIPER - INSTALLATION | | |

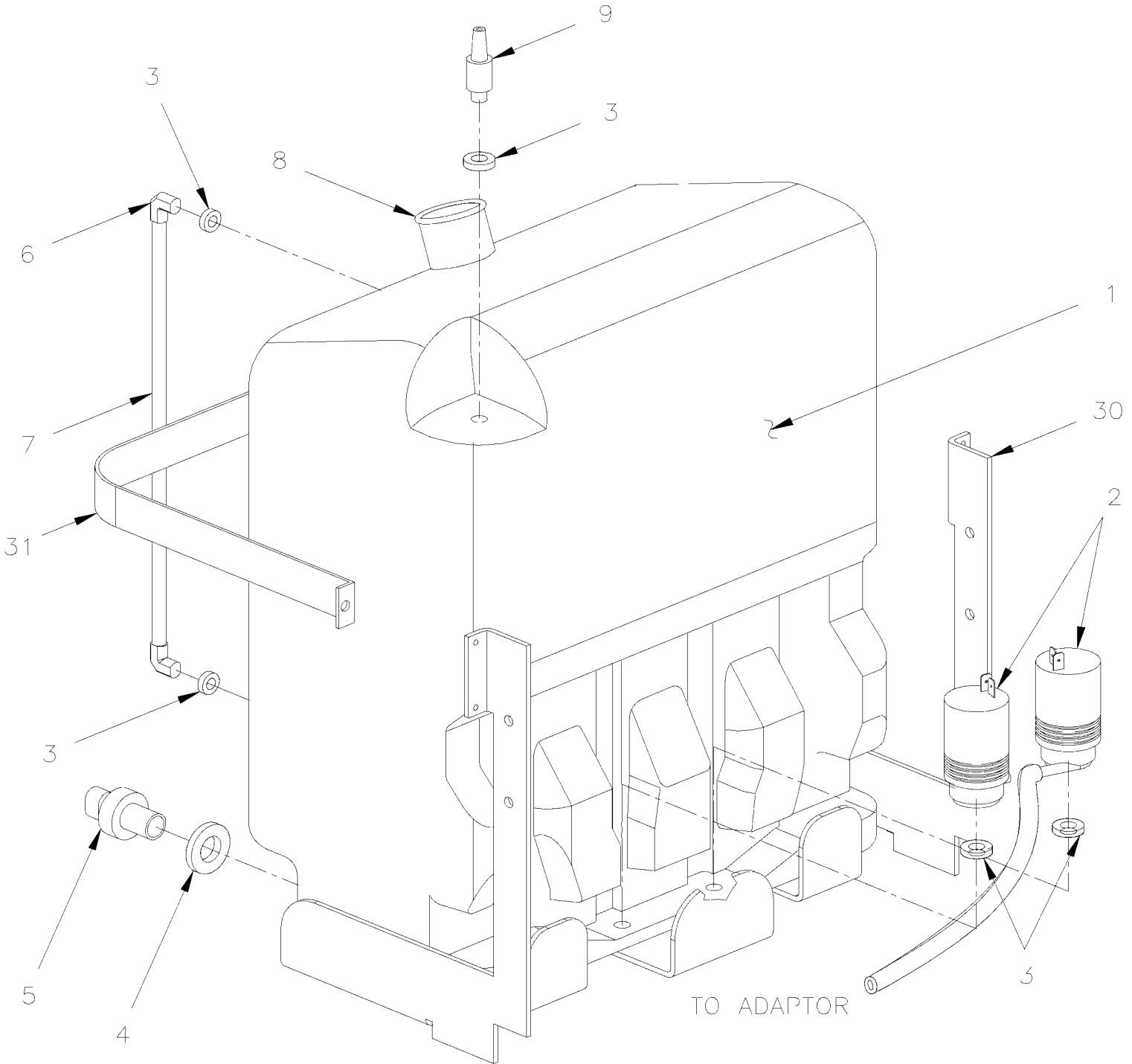
| Item# | Part | Description | X L I I 4 5 | X L I I M T H 4 0 | X L I I M T H 4 5 | X L I I M T H 4 5 E | N O T E S |
|-------|---------|--|----------------------------|---|---|--|-----------------------|
| 1 | 300415 | SUPPORT ELECTRIC MOTOR | 1 | 1 | 1 | 1 | |
| 1 | 300543 | SHIM 20GA | 1 | 1 | 1 | 1 | |
| 1 | 300544 | SHIM 24GA | 1 | 1 | 1 | 1 | |
| 2 | 5001217 | SCREW CAP HEX M8-1.25x20 G10.9 | 3 | 3 | 3 | 3 | |
| 3 | 500942 | WASHER LO SPT 8.1x14.8x2.0 N500 | 3 | 3 | 3 | 3 | |
| 4A | 502830 | SCREW CAP HEX M6-1.0x20 G8.8 N500 | 6 | 6 | 6 | 6 | |
| 4B | 5001209 | SCREW CAP HEX M6-1.0x25 G8.8 Z050 | 7 | 7 | 7 | 7 | |
| 5 | 502564 | WASHER LO SPT 6.1x11.8x1.6 Z050 | 13 | 13 | 13 | 13 | |
| 6 | 5001462 | WASHER FL 6.4x18.0x1.6 Z050 | 16 | 16 | 16 | 16 | |
| 7 | 502681 | NUT HEX NYRT M6-1.0 N500 G8 | 3 | 3 | 3 | 3 | |
| 8 | 800328 | MOTOR WIPER ASSY / 24V / BOSCH | 1 | 1 | 1 | 1 | |
| 8A | 300424 | WASHER | 1 | 1 | 1 | 1 | |
| 9 | 300406 | CRANK ARM To 1-7605 | 1 | 1 | 1 | 1 | |
| 9 | 300445 | CRANK ARM From 1-7606 | 1 | 1 | 1 | 1 | |
| 10A | 502651 | . SCREW CAP HEX M8-1.25x35 G8.8 Z050 | 1 | 1 | 1 | 1 | |
| 10B | 500868 | . NUT HEX NYRT M8-1.25 Z050 | 1 | 1 | 1 | 1 | |
| 11 | 300363 | ROD ASSY 254MM C/C | 1 | 1 | 1 | 1 | |
| 11 | 300344 | . ROD 179MM | 1 | 1 | 1 | 1 | |
| 12 | 5001466 | . NUT HEX LH M12-1.75 N500 | 1 | 1 | 1 | 1 | |
| 13 | 502253 | . ROD END MALE L.H. M12-1.75-L.HH / 12MM I.D. | 1 | 1 | 1 | 1 | |
| 14 | 5001757 | . NUT HEX M12-1.75 N500 | 1 | 1 | 1 | 1 | |
| 15 | 502252 | . ROD END MALE M12-1.75 / 12MM I.D. | 1 | 1 | 1 | 1 | |
| 16 | 504680 | RING RETAINER / EXT 12 x 11.35 x 0.60 To 1-7605 | 7 | 7 | 7 | 7 | |
| 16 | 507613 | SCREW CAP HEX M6-1.0x12 / W/17MM HEAD ZP From 1-7606 | 7 | 7 | 7 | 7 | |
| 17 | 300338 | DOUBLE LINK 60MM To 1-7605 | 1 | 1 | 1 | 1 | |
| 17 | 502256 | DOUBLE LINK 60MM From 1-7606 | 1 | 1 | 1 | 1 | |
| 18 | 300416 | COUPLING PLATE ASSY To 1-7605 | 1 | 1 | 1 | 1 | |
| 18 | 300442 | COUPLING PLATE ASSY From 1-7606 To 3-8088 | 1 | 1 | 1 | 1 | |
| 18 | 300496 | COUPLING PLATE ASSY From 3-8089 | 1 | 1 | 1 | 1 | |
| 19 | 300412 | DRIVE LEVER ASSY EXT To 1-7605 | 1 | 1 | 1 | 1 | |
| 19 | 300443 | DRIVE LEVER ASSY EXT From 1-7606 To 3-8088 | 1 | 1 | 1 | 1 | |
| 19 | 300497 | DRIVE LEVER ASSY EXT From 3-8089 | 1 | 1 | 1 | 1 | |
| 20 | 300426 | PLATE 25MMx70MM | 2 | 2 | 2 | 2 | |
| 30 | 300362 | ROD ASSY 1168MM C/C | 1 | 1 | 1 | 1 | |
| 30 | 300332 | . ROD 1093MM | 1 | 1 | 1 | 1 | |
| 31 | 5001757 | . NUT HEX M12-1.75 N500 | 1 | 1 | 1 | 1 | |
| 32 | 502252 | . ROD END MALE M12-1.75 / 12MM I.D. | 1 | 1 | 1 | 1 | |
| 33 | 5001466 | . NUT HEX LH M12-1.75 N500 | 1 | 1 | 1 | 1 | |
| 34 | 502253 | . ROD END MALE L.H. M12-1.75-L.HH / 12MM I.D. | 1 | 1 | 1 | 1 | |
| 35 | 300345 | DRIVE LEVER ASSY INT. To 1-7605 | 1 | 1 | 1 | 1 | |
| 35 | 300436 | DRIVE LEVER ASSY INT. From 1-7606 To 3-8088 | 1 | 1 | 1 | 1 | |
| 35 | 300498 | DRIVE LEVER ASSY INT. From 3-8089 | 1 | 1 | 1 | 1 | |

| | | |
|-----------------------|--------------|-----------------|
| From Y-7046 To 8-9339 | Date:10/2022 | PAGE:Y2-2305-05 |
|-----------------------|--------------|-----------------|

LOWER WINDSHIELD WIPER - INSTALLATION

| Item# | Part | Description | X L I I 4 5 | X L I I M T H 4 0 | X L I I M T H 4 5 | X L I I M T H 4 5 E | N O T E S |
|-------|-------------------|---|----------------------------|---|---|--|-----------------------|
| 36 | 300378 | DRIVE LEVER ASSY EXT. To 1-7605 | 1 | 1 | 1 | 1 | |
| 36 | 300435 | DRIVE LEVER ASSY EXT. From 1-7606 To 3-8088 | 1 | 1 | 1 | 1 | |
| 36 | 300500 | DRIVE LEVER ASSY EXT. From 3-8089 | 1 | 1 | 1 | 1 | |
| 37 | 300336 | TRANSITION SUPPORT | 1 | 1 | 1 | 1 | |
| 40 | 5001471 | WASHER SPR WAVE .855x.650x.015 | 4 | 4 | 4 | 4 | |
| 41 | 5001459 | WASHER SPR WAVE 16.0x22.0x1.5 | 4 | 4 | 4 | 4 | |
| 42 | 5001463 | NUT HEX JAM 1-14 Z050 | 4 | 4 | 4 | 4 | |
| 43 | 507366 | O-RING | 4 | 4 | 4 | 4 | |
| 44 | 300333 | CAP-HOUSING | 4 | 4 | 4 | 4 | |
| . NS | 5001455 | . BUSHING BRASS 16X20X20 | 2 | 2 | 2 | 2 | |
| NS | 680739 | GREASE SYNTHETIC / RED 20KG | AR | AR | AR | AR | |
| 45 | 507369 | O-RING W/BACKING | 4 | 4 | 4 | 4 | |
| 46 | 5001460 | WASHER FL .640x1.188x0.073 SS | 4 | 4 | 4 | 4 | |
| 47 | 504691 | RING RETAINER / EXT .625 x .588 x .035" / SS | 4 | 4 | 4 | 4 | |
| 48 | 500823 | WASHER LO INT 10.5x18.0x0.9 BK | 4 | 4 | 4 | 4 | |
| 49 | 502567 | NUT HEX M10-1.5 SS | 4 | 4 | 4 | 4 | |
| NS | 680038 | THREAD LOCKER LOCTITE #243 / BLUE / 50ml | AR | AR | AR | AR | |
| 50 | Y2-2305-00 | LOWER WINDSHIELD WIPER | | | | | |
| 55 | N.S.S. | SUPPORT R.H. | 1 | 1 | 1 | 1 | 1 A |
| 56 | N.S.S. | SUPPORT L.H. | 1 | 1 | 1 | 1 | 1 A |
| 65 | 251087 | SUPPORT WIPER R.H. | 1 | 1 | 1 | 1 | |
| 66 | 251086 | SUPPORT WIPER L.H. | 1 | 1 | 1 | 1 | |
| | | | | | | | |
| | | | | | | | |
| | | | | | | | |
| | | A) THIS PART IS FIXED IN FRONT FIBERGLASS CAP | | | | | |
| | | 1) NOT SOLD SEPARATELY | | | | | |

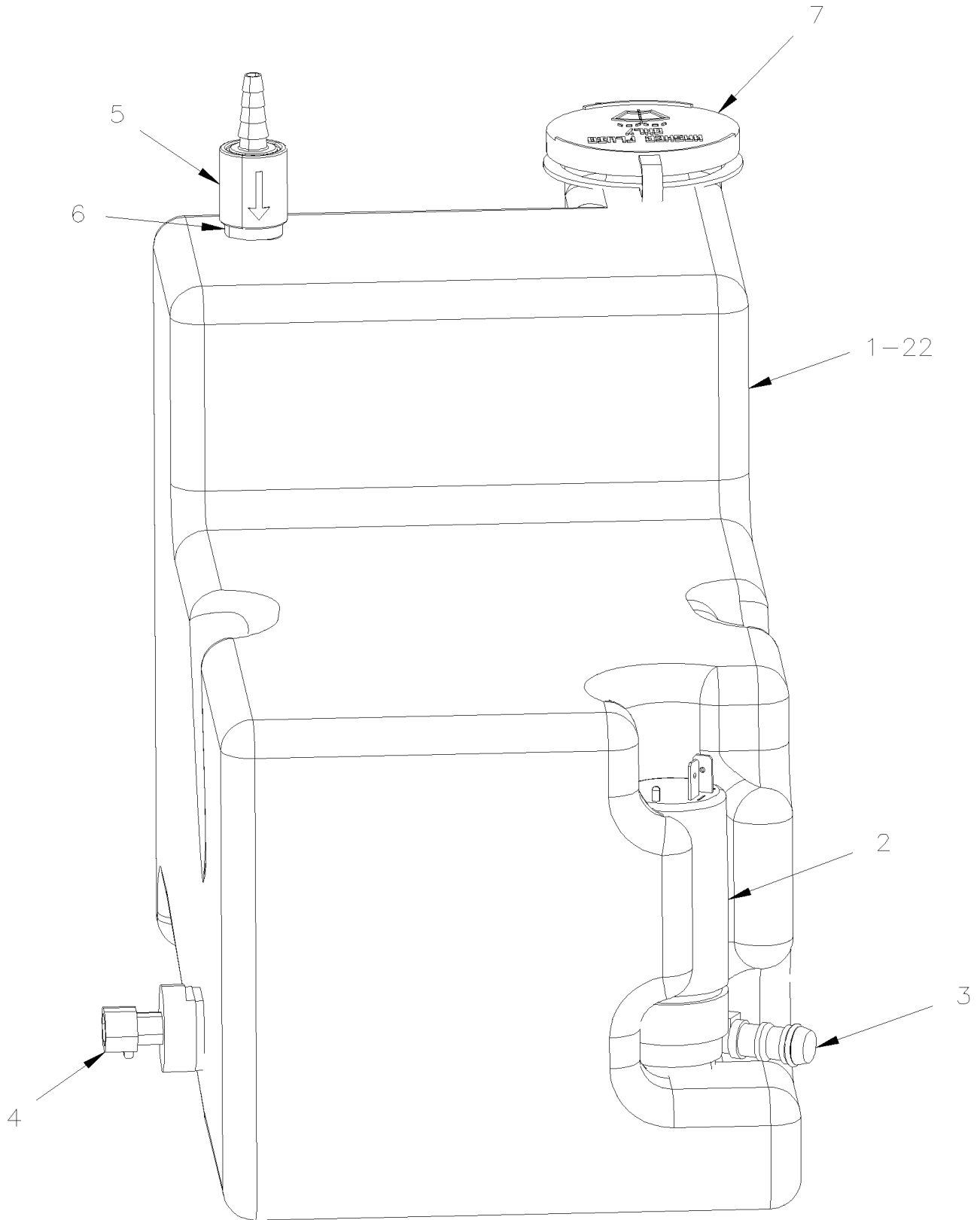
| | | |
|----------------------------------|--------------|-----------------|
| From Y-7046 To 8-9339 | Date:10/2022 | PAGE:Y2-2305-20 |
| WINDSHIELD WASHER - INSTALLATION | | |



| | | |
|---|--------------|-----------------|
| From Y-7046 To 8-9339 | Date:10/2022 | PAGE:Y2-2305-20 |
| WINDSHIELD WASHER - INSTALLATION | | |

| Item# | Part | Description | X L I I 4 5 | X L I I M T H 4 0 | X L I I M T H 4 5 | X L I I M T H 4 5 E | N O T E S |
|-------|--------|--|----------------------------|---|---|--|-----------------------|
| 1 | 800326 | WINDSHIELD WASHER TANK | 1 | 1 | 1 | 1 | |
| 2 | 800346 | . PUMP WINDSHIELD WASHER 24V | 2 | 2 | 2 | 2 | |
| 3 | 800348 | . SEAL RETAINER | 5 | 5 | 5 | 5 | |
| 4 | 800349 | . SEAL RETAINER | 1 | 1 | 1 | 1 | |
| 5 | 800347 | . SENSOR LEVEL-LOW / "BOSCH" | 1 | 1 | 1 | 1 | S |
| . NS | 562426 | . . CONNECTOR / METRI-PACK 150.2 P2S / SH 2C / PED 12162193 | 1 | 1 | 1 | 1 | S |
| . NS | 562857 | . . SOCKET TERMINAL / 18-16 / PED 12089340 | 2 | 2 | 2 | 2 | S |
| 5 | 800364 | SENSOR LEVEL-LOW | 1 | 1 | 1 | 1 | S |
| . NS | 563409 | . CONNECTOR / SUPERSEAL 1.5 SERIES / SH 2C / AMP 282080-1 | 1 | 1 | 1 | 1 | S |
| . NS | 562607 | . SOCKET TERMINAL / 20-16 / AMP 183025-1 | 2 | 2 | 2 | 2 | S |
| 5 | 067948 | CABLE ASSY / ADAPTOR / NEW LEVEL (SERVICE ONLY) | 1 | 1 | 1 | 1 | S |
| 6 | 800352 | . ELBOW 90° | 2 | 2 | 2 | 2 | |
| 7 | 560382 | . PLASTIC TUBING / 1/4" / CLEAR | AR | AR | AR | AR | |
| 8 | 800350 | . COVER WASHER RESERVOIR | 1 | 1 | 1 | 1 | |
| 9 | 800351 | . CHECK VALVE | 1 | 1 | 1 | 1 | |
| 20 | 503002 | HOSE / EPDM 5/32" I.D. / S.L. | AR | AR | AR | AR | |
| 30 | 288920 | SUPPORT / WINDSHIELD WASHER TANK | 1 | 1 | 1 | 1 | A |
| 31 | 288919 | STRAP RETAINING SS / 330MM x 218MM | 1 | 1 | 1 | 1 | A |
| 32 | 800364 | SENSOR LEVEL-LOW | 1 | 1 | 1 | 1 | |
| . NS | 563409 | . CONNECTOR / SUPERSEAL 1.5 SERIES / SH 2C / AMP 282080-1 | 1 | 1 | 1 | 1 | |
| . NS | 562607 | . SOCKET TERMINAL / 20-16 / AMP 183025-1 | 2 | 2 | 2 | 2 | |
| 33 | 066561 | CABLE ASSY / ADAPTOR / FORMER LEVEL & NEW LEVEL (SERVICE ONLY) | 1 | 1 | 1 | 1 | |
| | | | | | | | |
| | | | | | | | |
| | | | | | | | |
| | | A) OPTION | | | | | |
| | | S) THIS SENSOR LEVEL IT SUPPERSEDED BY # 800364 AND YOU NEED CABLE ADAPTOR # 067948 TO REPLACE | | | | | |

| | | |
|---------------------------------------|--------------|-----------------|
| From 7-9003 To 8-9339 | Date:10/2022 | PAGE:Y2-2305-25 |
| HEAD LAMP CLEANING WASHER TANK | | |

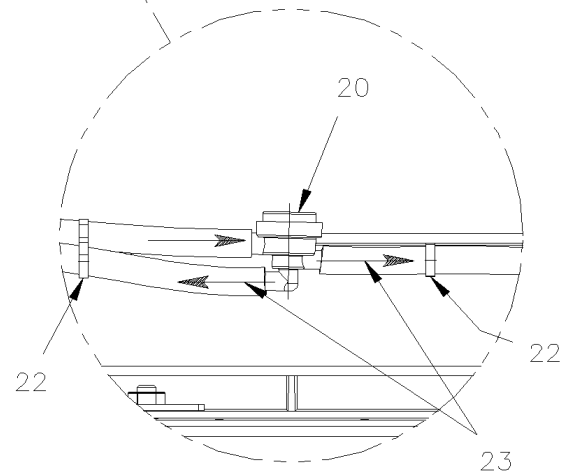
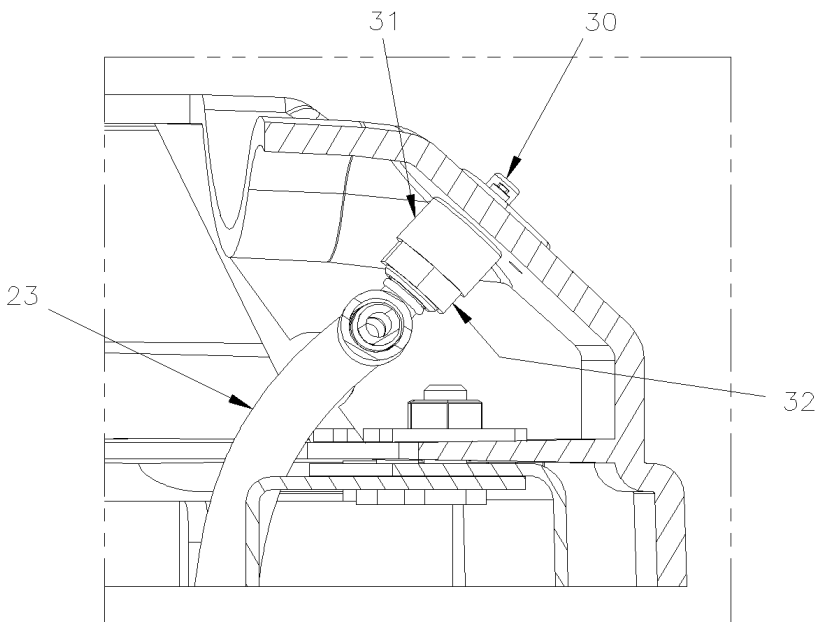
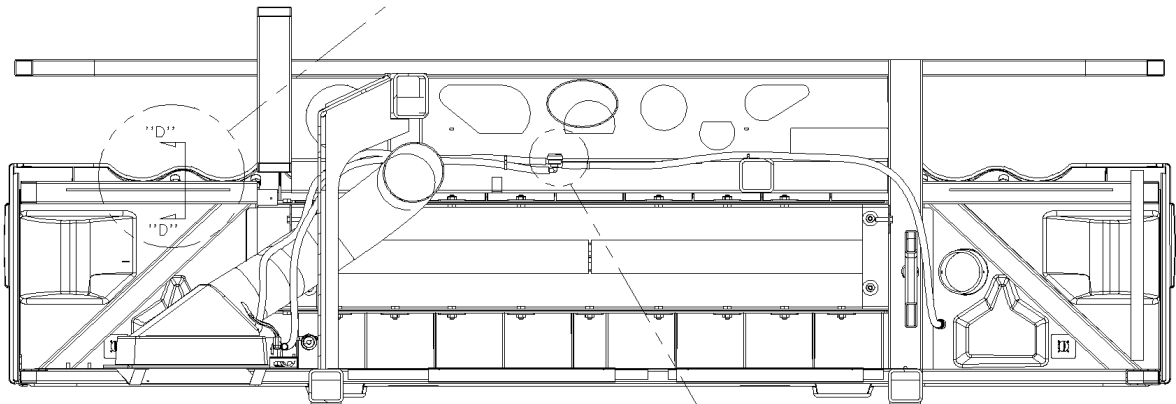
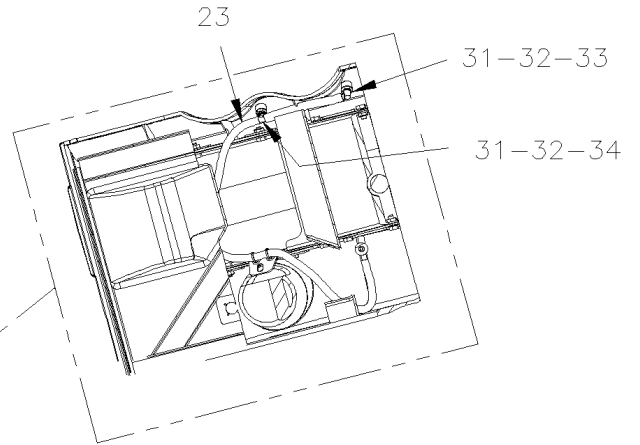
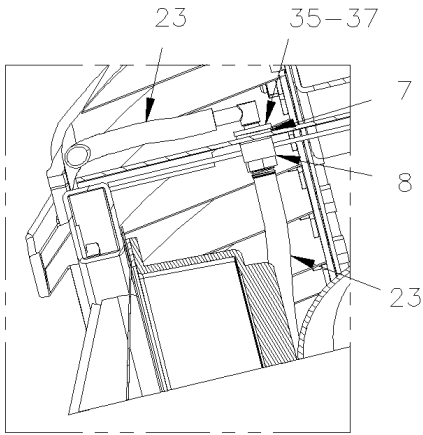


From 7-9003 To 8-9339

Date:10/2022

PAGE:Y2-2305-25

HEAD LAMP CLEANING WASHER TANK



SECTION D-D

| | | |
|---------------------------------------|--------------|-----------------|
| From 7-9003 To 8-9339 | Date:10/2022 | PAGE:Y2-2305-25 |
| HEAD LAMP CLEANING WASHER TANK | | |

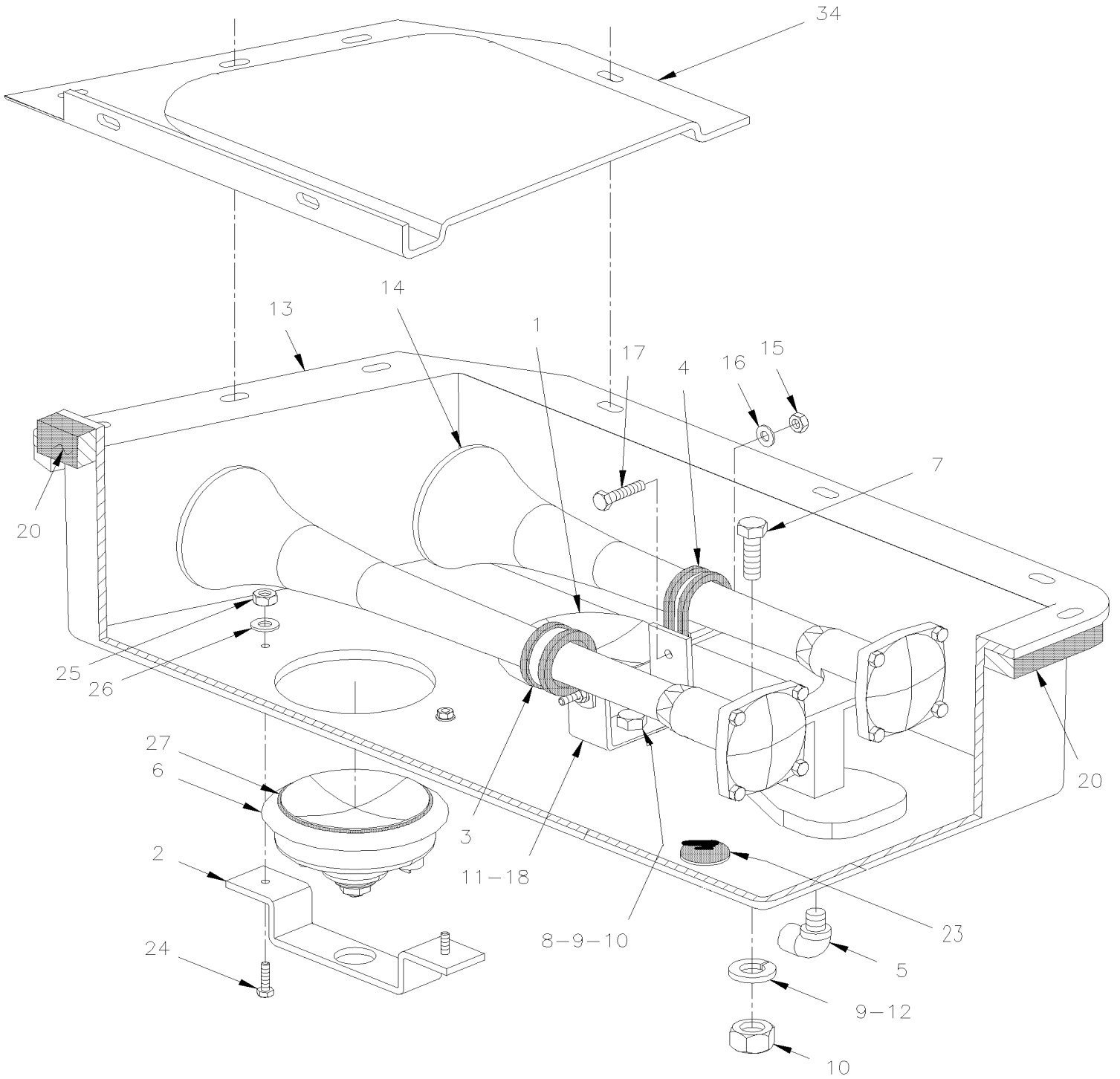
| Item# | Part | Description | X L I I 4 5 | X L I I M T H 4 0 | X L I I M T H 4 5 | X L I I M T H 4 5 E | N O T E S |
|-------|----------|---|--------------------------------|---|---|--|-----------------------|
| | 300573P | HEADLAMP WASHER TANK ASSY | 1 | 1 | 1 | 1 | |
| 1 | 300577P | . HEADLAMP WASHER TANK | 1 | 1 | 1 | 1 | |
| 2 | 800367 | . PUMP SEALBEAM WASHER | 1 | 1 | 1 | 1 | |
| 3 | 800368 | . GROMMET PUMP | 1 | 1 | 1 | 1 | |
| 4 | 800364 | . SENSOR LEVEL-LOW | 1 | 1 | 1 | 1 | |
| . NS | 563409 | . . CONNECTOR / SUPERSEAL 1.5 SERIES / SH 2C / AMP 282080-1 | 1 | 1 | 1 | 1 | |
| . NS | 562607 | . . SOCKET TERMINAL / 20-16 / AMP 183025-1 | 2 | 2 | 2 | 2 | |
| 5 | 800351 | . CHECK VALVE | 1 | 1 | 1 | 1 | |
| 6 | 800348 | . SEAL RETAINER | 1 | 1 | 1 | 1 | |
| 7 | 20462640 | . COVER WASHER RESERVOIR | 1 | 1 | 1 | 1 | |
| 8 | 800373 | NUT NOZZLE ADAPTOR | 4 | 4 | 4 | 4 | |
| 20 | 800371 | VALVE CENTRAL | 1 | 1 | 1 | 1 | |
| 21 | 504731 | TIE RUBBER BELT, W/HOOK 15" | 1 | 1 | 1 | 1 | |
| 22 | 504637 | CABLE TIE / 3/16" x 13" | 1 | 1 | 1 | 1 | |
| 23 | 800376 | HOSE HEADLAMP WASHER / 5M | AR | AR | AR | AR | |
| 30 | 800372 | NOZZLE SEALBEAM WASHER | 4 | 4 | 4 | 4 | |
| 31 | 800374 | SPACER NOZZLE WASHER | 4 | 4 | 4 | 4 | |
| 32 | 502881 | NUT HEX JAM THN 5/8-18x3/8 N500 | 4 | 4 | 4 | 4 | |
| 33 | 800369 | ELBOW NOZZLE ADAPTOR | 6 | 6 | 6 | 6 | |
| 34 | 800370 | TEE CONNECTOR | 2 | 2 | 2 | 2 | |
| 35 | 800375 | ADAPTOR WALL / FRONT FACE | 2 | 2 | 2 | 2 | |
| 36 | 800373 | NUT NOZZLE ADAPTOR | 2 | 2 | 2 | 2 | |
| 37 | 507214 | O-RING | 2 | 2 | 2 | 2 | |
| NS | 300563 | RESERVOIR SUPPORT FOR HOOK / HEADLAMP WASH. | 2 | 2 | 2 | 2 | |
| NS | 300570 | RESERVOIR SUPPORT SIDE | 4 | 4 | 4 | 4 | |
| 41 | 509815 | TIE MOUNT / ATTACHMENT W/TREE MOUNT | 4 | 4 | 4 | 4 | |
| | | | | | | | |
| 50 | 430632 | RETROFIT KIT, HEADLAMP WASHER / SERIES "XLII" & "X3" | 1 | 1 | 1 | 1 | |
| | | | | | | | |
| | | | | | | | |

From Y-7046 To 8-9339

Date:10/2022

PAGE:Y2-2310-00

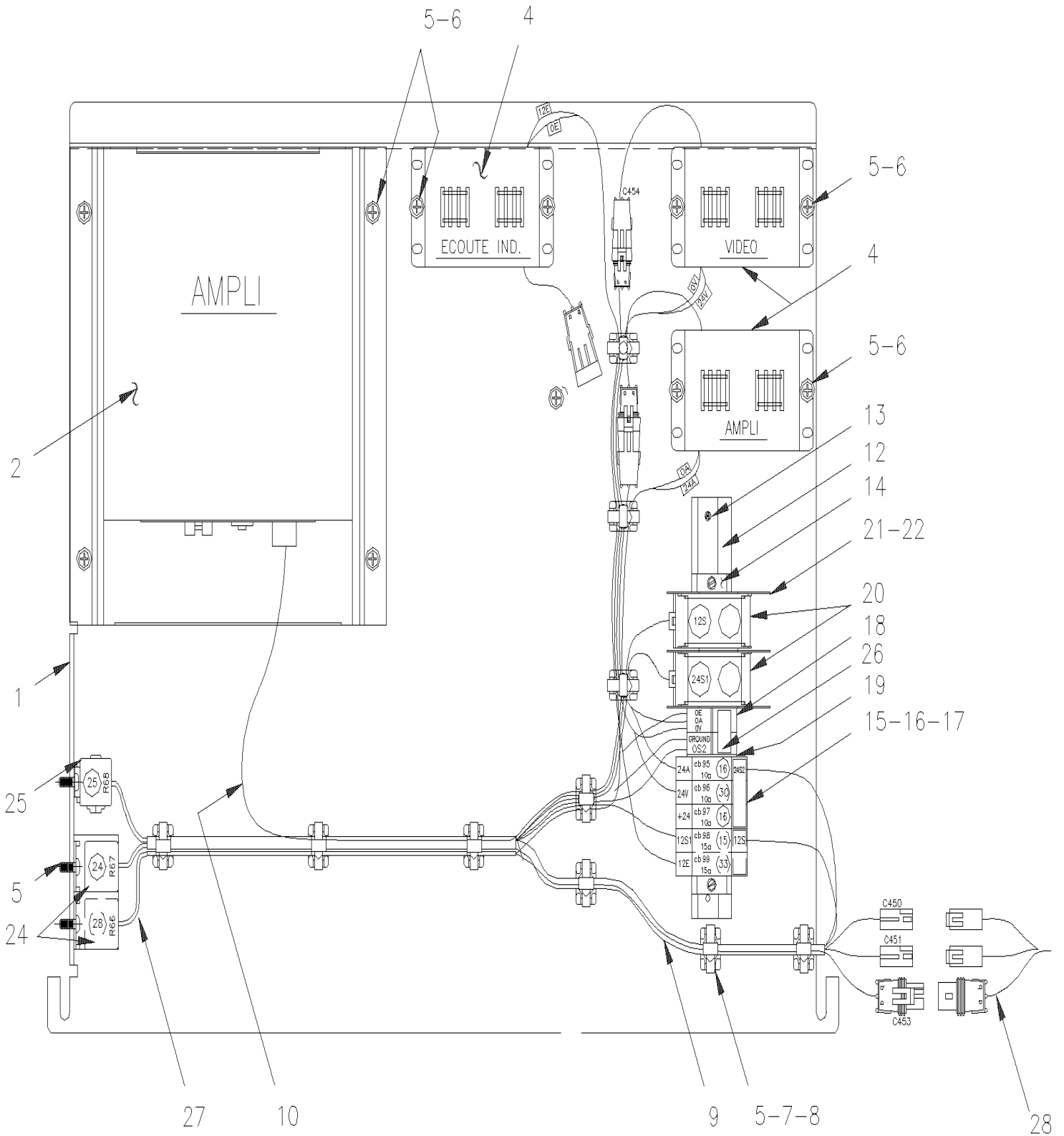
HORN - INSTALLATION



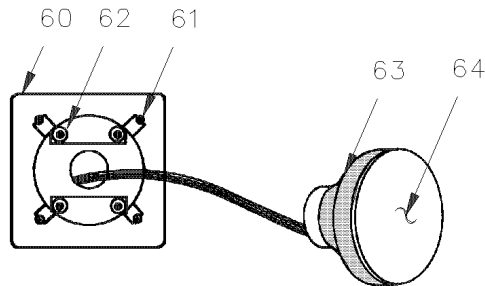
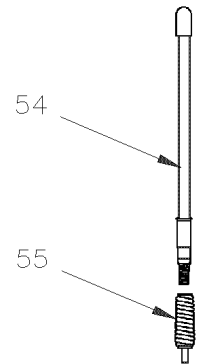
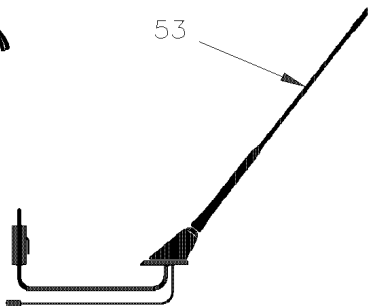
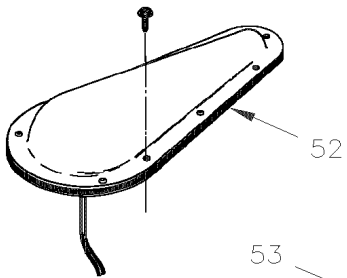
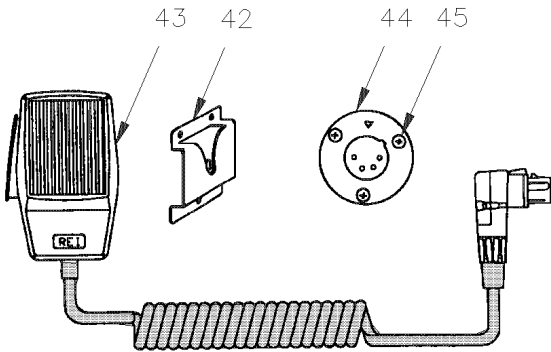
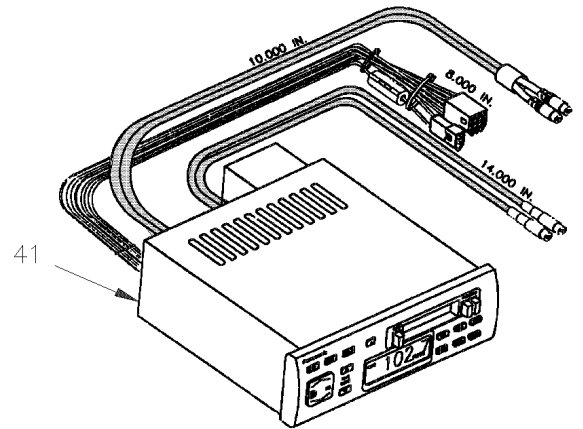
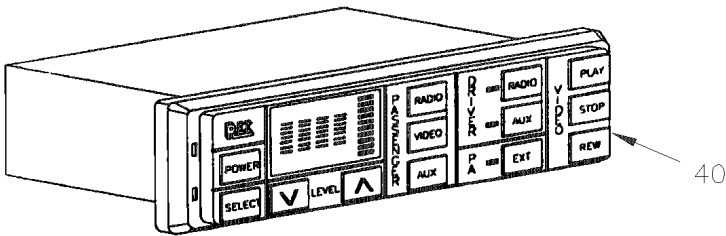
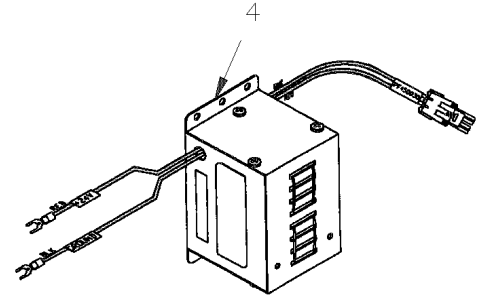
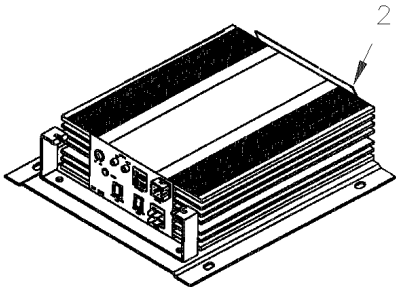
| | | |
|----------------------------|--------------|-----------------|
| From Y-7046 To 8-9339 | Date:10/2022 | PAGE:Y2-2310-00 |
| HORN - INSTALLATION | | |

| Item# | Part | Description | X L I I 4 5 | X L I I M T H 4 0 | X L I I M T H 4 5 | X L I I M T H 4 5 E | N O T E S |
|-------|---------|--|----------------------------|---|---|--|-----------------------|
| 1 | 563036 | HORN 12V-445HZ | 1 | 1 | 1 | 1 | |
| 2 | 142094 | SUPPORT To 3-8077 | 1 | 1 | 1 | 1 | |
| 2 | 142283 | SUPPORT From 3-8078 | 1 | 1 | 1 | 1 | |
| NS | 680066 | ADHESIVE / ADBOND #5014 / 23.6ML BOTTLE From 3-8078 | AR | AR | AR | AR | |
| 3 | 952635 | CLAMP / 1" I.D. | 1 | 1 | 1 | 1 | |
| 4 | 952639 | CLAMP / 1"1/4 I.D. | 1 | 1 | 1 | 1 | |
| 5 | 641369 | MALE ELBOW 90° NON-SWIVEL / PUSH-IN FITTING / #4x1/8NPT-M BR | 1 | 1 | 1 | 1 | |
| NS | 680098 | THREAD SEALANT LOCTITE #567 / WHITE / 250ml | AR | AR | AR | AR | |
| 6 | 563035 | HORN 12V-335HZ | 1 | 1 | 1 | 1 | |
| 7 | 500182 | SCREW CAP HEX 5/16-18x1 1/4 G5 PT Z050 To 3-8077 | 1 | 1 | 1 | 1 | |
| 7 | 500544 | SCREW CAP HEX M8-1.25x30 G8.8 Z050 From 3-8078 | 1 | 1 | 1 | 1 | |
| 8 | 500179 | SCREW CAP HEX 5/16-18x3/4 G5 Z050 To 3-8077 | 1 | 1 | 1 | 1 | |
| 8 | 502790 | SCREW CAP HEX M8-1.25x20 G8.8 Z050 From 3-8078 | 1 | 1 | 1 | 1 | |
| 9 | 500476 | WASHER LO SPT .317x.586x.078 Z050 To 3-8077 | 2 | 2 | 2 | 2 | |
| 10 | 500778 | NUT HEX 5/16-18 N500 To 3-8077 | 2 | 2 | 2 | 2 | |
| 11 | 141122 | REINFORCEMENT To 3-8077 | 1 | 1 | 1 | 1 | |
| 12 | 141121 | REINFORCEMENT To 3-8077 | 1 | 1 | 1 | 1 | |
| 13 | 142098 | PLASTIC BOX, HORN To 3-8077 | 1 | 1 | 1 | 1 | |
| 13 | 142286 | PLASTIC BOX, HORN From 3-8078 | 1 | 1 | 1 | 1 | |
| 14 | 640093 | HORN AIR | 1 | 1 | 1 | 1 | |
| 15 | 500590 | NUT HEX NYRT M4-0.7 Z050 | 2 | 2 | 2 | 2 | |
| 16 | 500591 | WASHER FL 4.3x9.0x0.8 Z050 | 2 | 2 | 2 | 2 | |
| 17 | 500588 | SCREW CAP HEX M4-0.7x20 G8.8 Z050 | 2 | 2 | 2 | 2 | |
| 18 | 141120 | SUPPORT / AIR HORN | 1 | 1 | 1 | 1 | |
| 20 | 506339 | TAPE RUB ADH1 NIT 1/4" x 1" x 35' / BLACK 1220 | AR | AR | AR | AR | |
| 21 | 065593 | ALARM "KNEELING" To 6-8906 | 1 | | | | |
| NS | 563164 | . ALARM "KNEELING" To 6-8906 | 1 | | | | |
| 22 | 502631 | SCREW CAP HEX M6-1.0x20 G8.8 Z050 To 6-8906 | 2 | | | | |
| 23 | 504625 | GROMMET / .250x.750x.250x.437x1.000 To 6-8906 | 1 | | | | |
| NS | 504317 | PLUG BUTTON / .718 O.D. / NICKEL | | 1 | 1 | 1 | |
| 24 | 5001036 | SCREW MA PAN PH M4-0.7x10 Z050 To 3-8077 | 4 | 4 | 4 | 4 | |
| 25 | 500590 | NUT HEX NYRT M4-0.7 Z050 To 3-8077 | 4 | 4 | 4 | 4 | |
| 26 | 500964 | WASHER FL .203x.500x.047 Z050 To 3-8077 | 8 | 8 | 8 | 8 | |
| 27 | 142135 | GASKET | 2 | 2 | 2 | 2 | |
| 31 | 065593 | ALARM "KNEELING" From 3-8078 | 1 | 1 | 1 | 1 | |
| NS | 563164 | . ALARM "KNEELING" From 3-8078 | 1 | 1 | 1 | 1 | |
| 32 | 504317 | PLUG BUTTON / .718 O.D. / NICKEL From 3-8078 | 1 | 1 | 1 | 1 | |
| 33 | 502631 | SCREW CAP HEX M6-1.0x20 G8.8 Z050 From 3-8078 | 2 | 2 | 2 | 2 | |
| 34 | 142309 | DEFLECTOR From 3-8138 | 1 | 1 | 1 | 1 | |
| NS | 500658 | SCREW TC PAN PH #10-24x3/4 Z050 From 3-8138 | 13 | 13 | 13 | 13 | |
| NS | 500964 | WASHER FL .203x.500x.047 Z050 From 3-8138 | 13 | 13 | 13 | 13 | |
| NS | 065257 | HARNES / HORN & CONNECTOR | 1 | 1 | 1 | 1 | |

| | | |
|---------------------------------------|--------------|-----------------|
| From Y-7046 To 6-8906 | Date:10/2022 | PAGE:Y2-2315-00 |
| SOUND SYSTEM & ACCESSORIES - "R.E.I." | | |



| | | |
|---------------------------------------|--------------|-----------------|
| From Y-7046 To 6-8906 | Date:10/2022 | PAGE:Y2-2315-00 |
| SOUND SYSTEM & ACCESSORIES - "R.E.I." | | |



| | | |
|--|--------------|-----------------|
| From Y-7046 To 6-8906 | Date:10/2022 | PAGE:Y2-2315-00 |
| SOUND SYSTEM & ACCESSORIES - "R.E.I." | | |

| Item# | Part | Description | X L I I 4 5 | X L I I M T H 4 0 | X L I I M T H 4 5 | X L I I M T H 4 5 E | N O T E S |
|-------|--------|--|----------------------------|---|---|--|-----------------------|
| | | PA & AMPLI PLATE ASSY / SOUND SYSTEM | 1 | | | | E |
| 1 | 404296 | . PLATE MOUNTING | 1 | | | | E |
| 2 | 900802 | . AMPLI AUDIO & VIDEO / SYST 2000 To 2-7807 | 1 | | | | G |
| 2 | 901056 | . AMPLI AUDIO & VIDEO / SYST 3000 From 2-7808 | 1 | | | | |
| 2 | 901491 | . ADAPATER / AMPLI AUDIO & VIDEO / SYST 3000 To 2-7807 | 1 | | | | G |
| 4 | 404225 | . NOISE FILTER / P/A, VIDEO & HOOKUP INDIVIDU / 450030 | AR | | | | |
| 5 | 500657 | . SCREW TC TR PH #10-24x1/2 Z050 | AR | | | | |
| 6 | 500964 | . WASHER FL .203x.500x.047 Z050 | AR | | | | |
| 7 | 504013 | . TIE MOUNT / 1/4" X 1/4" I.D. | 10 | | | | |
| 8 | 504637 | . CABLE TIE / 3/16" x 13" | AR | | | | |
| 9 | 404252 | . CABLE ASSY / MASTER | 1 | | | | |
| 10 | 404256 | . CABLE ASSY / FILTER & AMPLI / 28" To 2-7807 | 1 | | | | |
| 10 | 405314 | . CABLE ASSY 28" / FILTER & AMPLI From 2-7808 | 1 | | | | |
| 12 | 380885 | . RAIL SUPPORT / 225MM | 1 | | | | |
| 13 | 504006 | . RIVET POP CK OE 1/8x5/16 AL | 3 | | | | |
| 14 | 561729 | . STOPPER | 2 | | | | |
| NS | 405134 | . HEAD PROTECTOR ASSY 700MM | 1 | | | | F |
| NS | 404402 | . SUPPORT / PLATE ASSY | 1 | | | | |
| NS | 404579 | . DECAL "SOUND SYSTEM" | 1 | | | | |
| 15 | 561793 | . BREAKER 15AMPS / 24V / | 1 | | | | |
| 16 | 561792 | . BREAKER 10AMPS / 24V / | 2 | | | | |
| 17 | 380887 | . BUS BAR / W/3 HOLES 38MM | 2 | | | | |
| NS | 381236 | . DUMMY ASSY W/SCREW | 1 | | | | |
| 17 | 502531 | . SCREW CAP HEX M6-1.0x16 G8.8 Z050 | 3 | | | | |
| 18 | 561726 | . BLOCK JUNCTION | 2 | | | | |
| 19 | 561728 | . END CLOSING | 1 | | | | |
| 20 | 561727 | . SCREW MA PAN PH | 2 | | | | |
| 21 | 561731 | . COVER SUPPORT | 3 | | | | |
| 22 | 561732 | . COVER / PROTECTOR / 2 BLOCKS | 1 | | | | |
| 24 | 561707 | . RELAY 24V S.P.D.T. W/RESISTOR / To 5-8577 | 2 | | | | |
| 24 | 563332 | . RELAY 24V S.P.D.T. W/RESISTOR / "VOLVO" (20374662) From 5-8578 | 2 | | | | |
| 25 | 561991 | . RELAY 24V S.P.S.T. / 70 AMPS N.O. | 1 | | | | |
| 26 | 380886 | . BUS BAR / W/2 HOLES 25MM | 2 | | | | |
| 27 | 404284 | CABLE ASSY / VIDEO FILTERS VCP & AMPLI | 1 | | | | |
| 28 | 404876 | . CABLE ASSY / DASH & PLATE IN BAGGAGE To 1-7436 | 1 | | | | |
| 28 | 405183 | . CABLE ASSY / DASH & PLATE IN BAGGAGE From 1-7437 To 2-7807 | 1 | | | | |
| 28 | 405315 | . CABLE ASSY / DASH & PLATE IN BAGGAGE From 2-7808 To 4-8270 | 1 | | | | |
| 28 | 405484 | CABLE ASSY / DASH & PLATE IN BAGGAGE From 4-8271 To 5-8592 | 1 | | | | |
| 28 | 409124 | CABLE ASSY / DASH & PLATE IN BAGGAGE From 5-8593 To 6-8797 | 1 | | | | |
| 28 | 409148 | CABLE ASSY / DASH & PLATE IN BAGGAGE From 6-8798 | 1 | | | | |
| 40 | 900803 | CONTROL HEAD / "R.E.I." SYSTEM 2000 | 1 | | | | |
| . NS | 563064 | . BULB (CONTROL HEAD GREEN) / 12VOLTS / 2700 | 1 | | | | |

| | | |
|--|--------------|-----------------|
| From Y-7046 To 6-8906 | Date:10/2022 | PAGE:Y2-2315-00 |
| SOUND SYSTEM & ACCESSORIES - "R.E.I." | | |

| Item# | Part | Description | X L I I 4 5 | X L I I M T H 4 0 | X L I I M T H 4 5 | X L I I M T H 4 5 E | N O T E S |
|-------|----------------|---|----------------------------|---|---|--|-----------------------|
| 41 | 900984 | RADIO "PANASONIC" CQ-DP22 / AM/FM/CD / 700717 To 2-7809 | 1 | | | | |
| 41 | 901053 | RADIO "PANASONIC" CD-DF401U (CQ-DP102U) / AM / (700721 or 700788) From 2-7810 To 6-8797 | 1 | | | | |
| 41 | 901179 | RADIO "PANASONIC" CQ-C3301U / AM/FM/CD & XM / 700966 >> 710171 From 6-8798 | 1 | | | | |
| 41 | 903302 | RADIO "R.E.I." R805 MOD2000 / AM/FM/CD/MP3 / 710152 | 1 | | | | |
| 41 | 900917 | RADIO "PANASONIC" CQ-R 115 SEUC / 700590 To 1-7450 | 1 | | | | |
| 41 | 901032 | RADIO "PANASONIC" CQ-R 145 CAHH / 700760 or 700914 From 1-7451 | 1 | | | | |
| 42 | 900859 | BRACKET, MOUNTING / MICROPHONE | 1 | | | | |
| NS | 500638 | SCREW TP PAN PH #8x1/2 Z050 | 3 | | | | |
| 42 | 7770304 | HANDS FREE MICROPHONE | 1 | | | | |
| 43 | 900808 | MICROPHONE / W/6' CORD / "REI" TYPE C.B. | 1 | | | | |
| NS | 900721 | CONNECTOR MICROPHONE 90° / R4F | 1 | | | | |
| 43 | 900829 | MICROPHONE / W/10' CORD / "REI" TYPE C.B. | 1 | | | | |
| NS | 900721 | CONNECTOR MICROPHONE 90° / R4F | 1 | | | | |
| NS | 900900 | CABLE MICROPHONE 10' / "REI" | 1 | | | | |
| 43 | 901286 | MICROPHONE / W/10' CORD / "REI" TYPE C.B. | 1 | | | | |
| NS | 900721 | CONNECTOR MICROPHONE 90° / R4F | 1 | | | | |
| NS | 900900 | CABLE MICROPHONE 10' / "REI" | 1 | | | | |
| 44 | 404226 | OUTLET, MICROPHONE / 12" W/CONNECTOR | AR | | | | |
| 44 | 900247 | OUTLET / MICROPHONE | 1 | | | | |
| NS | 404239 | CABLE ASSY / "Y" FOR MICROPONE 9" / 1F/2M | 1 | | | | |
| 45 | 504108 | RIVET POP DOME OE 1/8x1/2 AL | 3 | | | | |
| 52 | 900668 | ANTENNA ASSY / CELLULAR / "TEARDROP" To 5-8465 | 1 | | | | |
| 52 | 901124 | ANTENNA ASSY / CELLULAR From 5-8466 | 1 | | | | |
| 53 | 900661 | ANTENNA, RADIO / W/AMPLIFIER | 1 | | | | |
| NS | 901068 | ANTENNA STICK / REPLACEMENT | 1 | | | | |
| NS | 900663 | ADAPTOR / RADIO & ANTENNA CABLE / MOTOROLA MALE to EURO FEMA | 1 | | | | |
| NS | 900875 | CABLE RADIO ANTENNA / M/F 6' | 1 | | | | |
| NS | 900775 | Y RADIO ANTENNA CABLE / TO USE W/2 RADIOS | AR | | | | |
| 54 | 900472 | ANTENNA ASSY / C.B. / 25" | 1 | | | | |
| 55 | 900895 | SPRING EXTENSION / .828 O.D. x 3.010 X .104 W/3/8 | 1 | | | | |
| NS | 900889 | CABLE, ANTENNA 22' / 511386 | 1 | | | | |
| 60 | 405063 | RECEPTACLE ASSY / DRIVER'S To 1-7428 | 2 | | | | |
| 61 | 502811 | NUT SPR J #8A-B .168-.198 | 8 | | | | |
| NS | 500360 | SCREW TP FL PH #8x1 1/4 BK | 8 | | | | |
| 62 | 500643 | SCREW TP PAN PH #12x3/4 Z050 | 8 | | | | |
| NS | 500440 | WASHER FL .250x.562x.065 Z050 | 8 | | | | |
| 63 | 900874 | SPEAKER / 5 1/4" DRIVER'S To 1-7428 | 2 | | | | A |
| 63 | 901050 | SPEAKER "JVC" 30WATTS | 2 | | | | B |
| 63 | 901025 | SPEAKER / 4" DRIVER'S From 1-7429 To 3-8067 | 2 | | | | |
| 63 | 901050 | SPEAKER "JVC" 30WATTS From 3-8068 | 2 | | | | |
| 64 | 900873 | GRILLE / 5 1/4" SPEAKER To 1-7428 | 2 | | | | A |
| 64 | 901024 | GRILL SPEAKER "JVC" From 1-7429 To 1-7695 | 2 | | | | B |

| | | |
|-----------------------|--------------|-----------------|
| From Y-7046 To 6-8906 | Date:10/2022 | PAGE:Y2-2315-00 |
|-----------------------|--------------|-----------------|

SOUND SYSTEM & ACCESSORIES - "R.E.I."

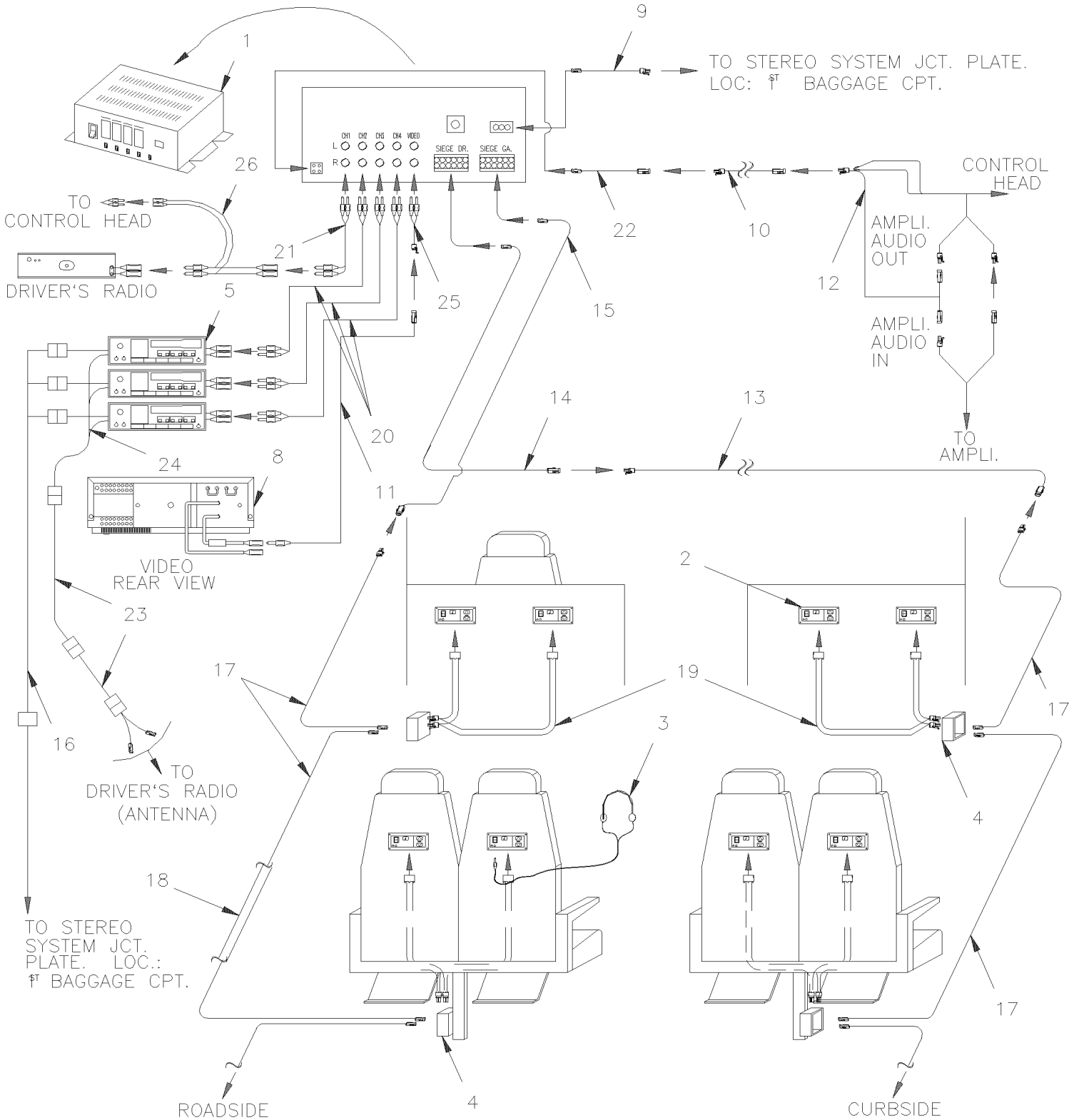
| Item# | Part | Description | X L I I 4 5 | X L I I M T H 4 0 | X L I I M T H 4 5 | X L I I M T H 4 5 E | N O T E S |
|-------|--------|--|----------------------------|---|---|--|-----------------------|
| 64 | 901038 | GRILLE / SPEAKER STAMPED "PREVOST" From 1-7696 | 1 | | | | |
| NS | 500649 | SCREW TP BDG PH #6x3/4 BK To 1-7428 | AR | | | | |
| NS | 502665 | SCREW TP OV PH #6x3/4 SS EMN From 1-7429 | 4 | | | | |
| NS | 404762 | CABLE ASSY / DRIVER'S SPEAKER & CONSOLE To 1-7428 | 1 | | | | |
| NS | 405181 | CABLE ASSY / DRIVER'S SPEAKER & CONSOLE From 1-7429 | 1 | | | | |
| NS | 900976 | MICROPHONE / W/GOOSE NECK 37" To 1-7691 | 1 | | | | |
| 70 | 901045 | MICROPHONE / W/GOOSE NECK 36" From 1-7992 | 1 | | | | |
| NS | 504234 | SPRING CLIP 5/16" | 2 | | | | D |
| NS | 500409 | SCREW TP PAN PH #8x1/2 BK | 2 | | | | |
| NS | 404430 | SUPPORT GOOSE NECK | 1 | | | | |
| NS | 500576 | SCREW TC PAN PH #6-32x1/2 Z050 | 3 | | | | |
| NS | 404285 | HARNES ASSY / MAIN CONTROL 2000 SYSTEM | 1 | | | | |
| NS | 404302 | CABLE ASSY 20' / 510520 / | 1 | | | | |
| NS | 404283 | CABLE ASSY / FILTER VCP & CONTROL HEAD / 20' | 1 | | | | |
| NS | 404251 | CABLE ASSY / AMPLI & SPEAKER /16' | 1 | | | | |
| NS | 404255 | CABLE ASSY / 24V POWER / 13" | 1 | | | | |
| NS | 404291 | CABLE ASSY / MASTER P/A & BACK-UP P/A / 12" | 1 | | | | |
| NS | 404231 | CABLE ASSY / MICRO M/F / 10' | 1 | | | | |
| NS | 404289 | CABLE ASSY / MICRO M/M / 20' | 1 | | | | |
| NS | 404239 | CABLE ASSY / "Y" FOR MICROPONE 9" / 1F/2M | 1 | | | | |
| NS | 405314 | CABLE ASSY 28" / FILTER & AMPLI | 1 | | | | H |
| NS | 405319 | CABLE ASSY / RCA TO AMPLI / SERVICE | 1 | | | | H |
| NS | 405320 | CABLE ASSY / POWER 9 CIRC TO 8 CIRC / SERVICE | 1 | | | | H |
| NS | 405321 | CABLE ASSY SPEAKER / CINCH TO MOLEX / SERVICE | 1 | | | | H |
| | | | | | | | |
| | | | | | | | |
| | | A) SOLD ALSO IN KIT 900887 | | | | | |
| | | B) USE WITH "ORLEAN OPTION" | | | | | |
| | | D) TO FIX GOOSE NECK TO POST | | | | | |
| | | E) THIS PLATE IS LOCATED IN 1ST L.H. BAGGAGE COMPARTMENT | | | | | |
| | | F) "OPTION" ORLEAN EXPRESS | | | | | |
| | | G) THIS AMPLI IT SUPPERSEDED BY #901056 + #405320 + #405321 + 405319 + 405314 & 901491 | | | | | |
| | | H) FOR SERVICE ONLY | | | | | |

From Y-7046 To 6-8906

Date:10/2022

PAGE:Y2-2315-20

INDIVIDUAL STATIONS - "R.E.I."



NOTE: RADIOS, ITEM #1, ARE LOCATED IN THE PARCEL RACK ON LEFT SIDE (2 DOOR).

| | | |
|---------------------------------------|--------------|-----------------|
| From Y-7046 To 6-8906 | Date:10/2022 | PAGE:Y2-2315-20 |
| INDIVIDUAL STATIONS - "R.E.I." | | |

| Item# | Part | Description | X L I I 4 5 | X L I I M T H 4 0 | X L I I M T H 4 5 | X L I I M T H 4 5 E | N O T E S |
|-------|-------------------|--|----------------------------|---|---|--|-----------------------|
| 1 | 900845 | ENTERTAINER CONTROL MODULE | 1 | | | | |
| NS | 404542 | SIDE PANEL FINISHING | 2 | | | | |
| 2 | 900827 | SELECTOR HEAD SET MODULE To 1-7296 | AR | | | | |
| 2 | 901006 | SELECTOR HEAD SET MODULE From 1-7297 | AR | | | | |
| NS | 363644 | HEADREST REINFORCEMENT | AR | | | | B |
| 3 | 900881 | HEAD SET EARPHONE | AR | | | | |
| NS | 900882 | FOAM CUSHION PAD / (SET OF 2) / FOR 900881 | 1 | | | | |
| 4 | 900828 | JUNCTION BOX MODULE SINGLE To 1-7296 | AR | | | | |
| 4 | 900899 | JUNCTION BOX MODULE DOUBLE To 1-7296 | AR | | | | |
| 4 | 901007 | JUNCTION BOX MODULE SINGLE From 1-7297 | AR | | | | |
| NS | 405197 | SUPPORT CONTROLE AUDIO | AR | | | | |
| NS | 502631 | SCREW CAP HEX M6-1.0x20 G8.8 Z050 | 4 | | | | |
| NS | 5001432 | WASHER LO INT .256x.478x.028 SS 410 | 4 | | | | |
| NS | 502511 | NUT HEX NYRT M6-1.0 Z050 | 4 | | | | |
| NS | 504622 | GROMMET / 1.500x1.750x.062x.437x2.125 | 1 | | | | |
| NS | 952624 | CLAMP / 1/4" I.D. | 1 | | | | |
| 5 | 900853 | RADIO "SONY" XR350MK2 AM/FM/CASS. | 1 | | | | |
| 5 | 900869 | RADIO "SONY" CDX2160 AM/FM/CD To 1-7667 | 1 | | | | |
| 5 | 901046 | RADIO "SONY" CDXL550X AM/FM/CD From 1-7668 | 1 | | | | |
| 5 | 900849 | PLATE RADIO "DUMMY" | AR | | | | |
| 5 | 404488 | SUPPORT, RADIO | 1 | | | | |
| NS | 502698 | SCREW MA PAN PH M4-0.7x16 SS BK | 1 | | | | |
| NS | 500022 | WASHER LO INT .168x.340x.023 Z050 | 1 | | | | |
| 8 | Y2-2317-20 | VIDEO VHS PLAYER - INSTALLATION "R.E.I." | | | | | |
| 8 | 900842 | CD CHARGER / 6 DISCS / "PANASONIC" CX-DP 601 To 1-7138 | 1 | | | | |
| 8 | 900911 | CARTRIDGE 6 DISCS To Y-7138 | 1 | | | | |
| 8 | 900987 | CD CHARGER / 8 DISCS / "PANASONIC" CX-DP801 / MODIFIED From Y-7139 To 2-7869 | 1 | | | | |
| 8 | 901057 | CD CHARGER / 8 DISCS / "PANASONIC" CX-DP88 / MODIFIED From 2-7870 | 1 | | | | |
| 9 | 064486 | CABLE ASSY 24V POWER / ENT MODULE / 33.5' | 1 | | | | |
| 10 | 404302 | CABLE ASSY 20' / 510520 / | 1 | | | | |
| 11 | 404380 | CABLE ASSY RCA / M/M / USE WITH 2 VIDEOS / 510300 | 1 | | | | |
| NS | 900857 | CABLE ASSY / CD & RADIO IN DASH To Y-7138 | 1 | | | | |
| 11 | 900988 | CABLE ASSY / CD & RADIO IN DASH From Y-7139 To 2-7869 | 1 | | | | |
| 11 | 901058 | CABLE ASSY CD / DIN / 280" From 2-7870 | 1 | | | | |
| 11 | 901059 | CABLE RCA / 2M/2M / 23' From 2-7870 | 1 | | | | |
| 12 | 404288 | CABLE ASSY / "Y" 9" CONTROL HEAD & ENTERTAINMENT MODULE | 1 | | | | |
| 13 | 404363 | CABLE ASSY 14.5' To 1-7196 | 1 | | | | |
| 13 | 901021 | CABLE ASSY From 1-7197 | 1 | | | | |
| 14 | 404499 | CABLE ASSY / ENTERTAINMENT MODULE RIGHT SEAT To 1-7196 | 1 | | | | |
| 14 | 901020 | CABLE ASSY / ENTERTAINMENT MODULE RIGHT SEAT From 1-7197 | 1 | | | | |
| 15 | 404497 | CABLE ASSY / ENTERTAINMENT MODULE LEFT SEAT To 1-7196 | 1 | | | | |
| 15 | 901019 | CABLE ASSY / ENTERTAINMENT MODULE LEFT SEAT From 1-7197 | 1 | | | | |

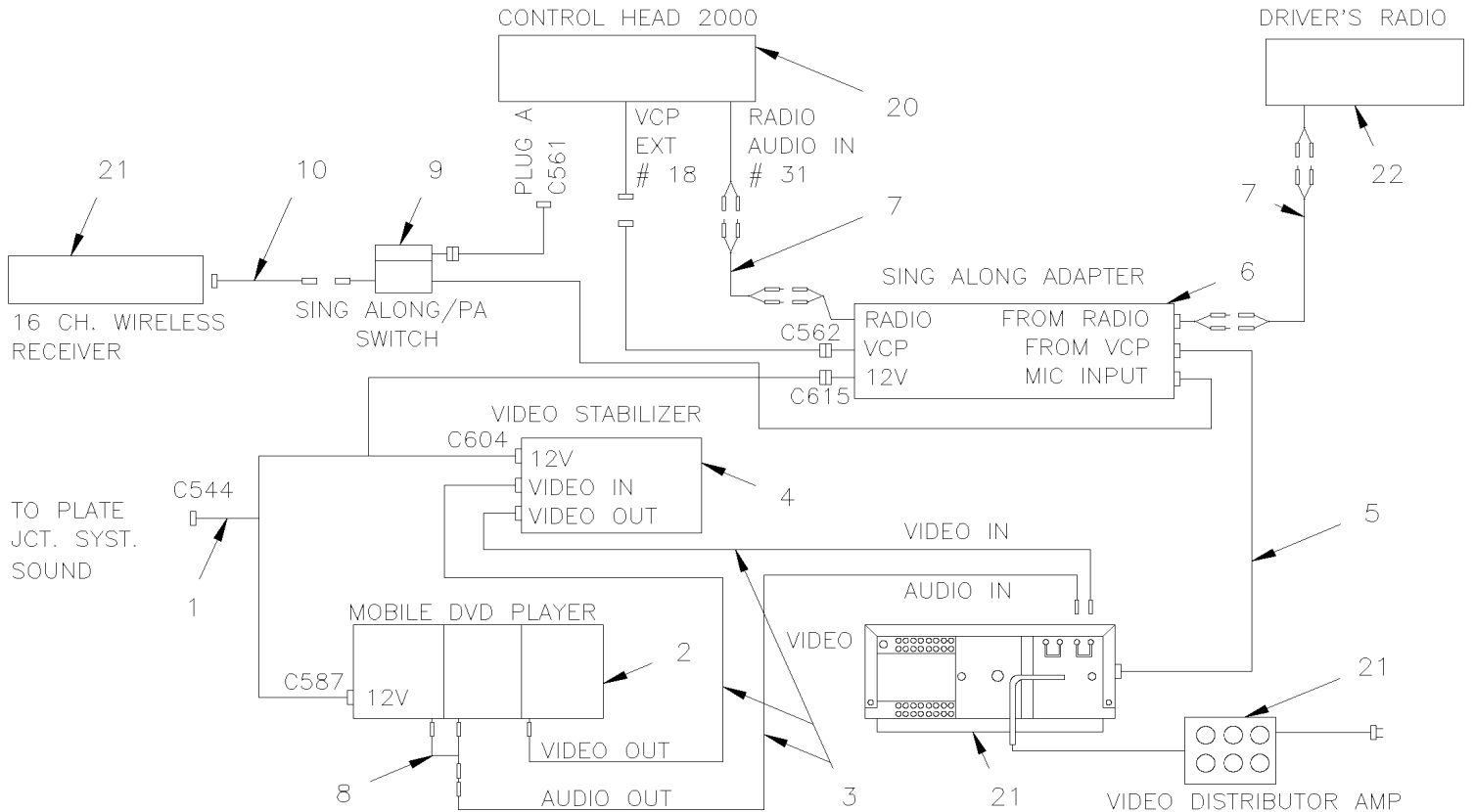
| | | |
|-----------------------|--------------|-----------------|
| From Y-7046 To 6-8906 | Date:10/2022 | PAGE:Y2-2315-20 |
|-----------------------|--------------|-----------------|

INDIVIDUAL STATIONS - "R.E.I."

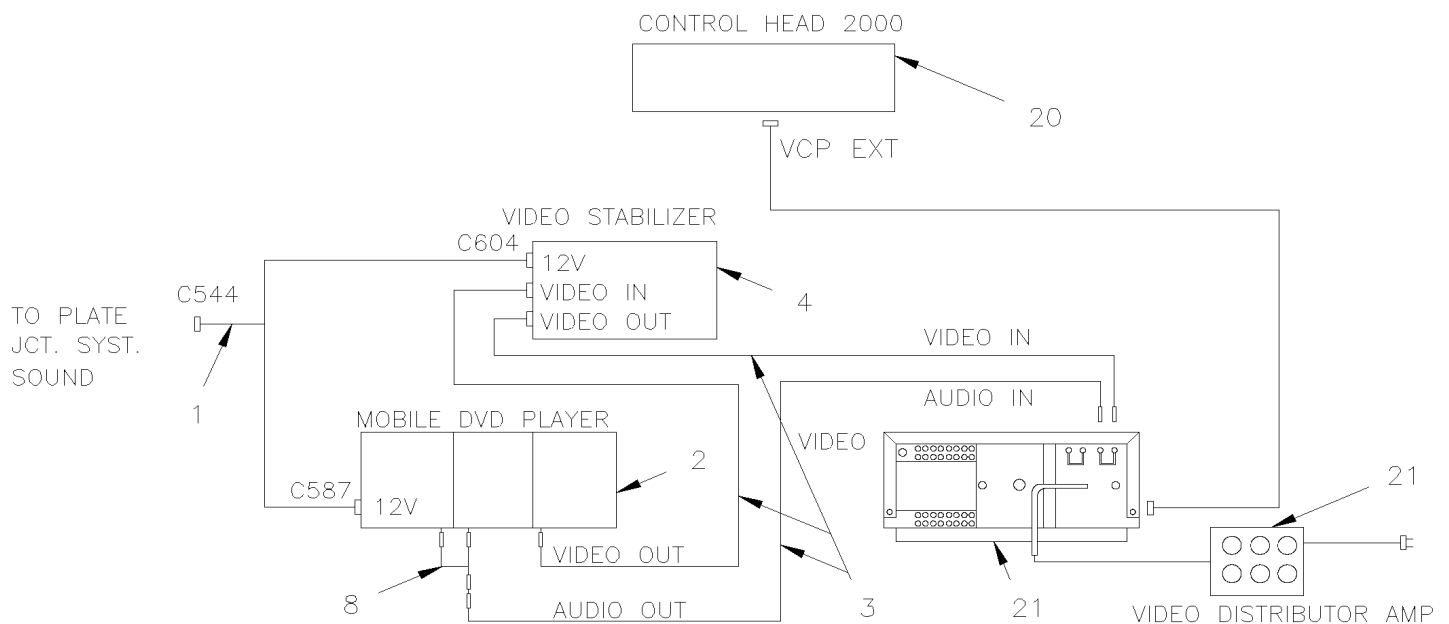
| Item# | Part | Description | X L I I 4 5 | X L I I M T H 4 0 | X L I I M T H 4 5 | X L I I M T H 4 5 E | N O T E S |
|-------|--------|---|----------------------------|---|---|--|-----------------------|
| 16 | 404504 | CABLE ASSY / RADIO POWER To 5-8592 | 1 | | | | |
| 17 | 404275 | CABLE ASSY / JCT BOX MODULE & JCT BOX MODULE To 1-7196 | 2 | | | | |
| 17 | 901018 | CABLE ASSY / 2 JCT BOX MODULES From 1-7197 | 1 | | | | |
| 17 | 065567 | CABLE ASSY / 2 JCT BOX MODULES | 1 | | | | |
| 18 | 325056 | PROTECTOR MOULDING | 1 | | | | |
| 19 | 404269 | CABLE SEAT ASSY "Y" 40" / JCT BOX & CHANNEL SELECTOR CHANNEL SELECTOR To 1-7196 | 2 | | | | |
| 19 | 901008 | CABLE SEAT ASSY / JCT BOX & CHANNEL SELECTOR From 1-7197 | 1 | | | | |
| 19 | 404501 | CABLE SEAT ASSY / JCT BOX & CHANNEL SELECTOR CHANNEL SELECTOR | 1 | | | | A |
| 20 | 900856 | CABLE RCA / 2M/2M / 3' | 1 | | | | |
| 21 | 900855 | CABLE RCA / 2M/2M / 20' | 1 | | | | |
| 22 | 404498 | CABLE ADAPTOR INTER. MODULE / 511211 | 1 | | | | |
| 23 | 900774 | CABLE, ANTENNA EXTENSION / 12' | 1 | | | | |
| 24 | 900775 | Y RADIO ANTENNA CABLE / TO USE W/2 RADIOS | AR | | | | |
| 25 | 900758 | ADAPTOR "Y" RCA / 1F/2M / 9" | 1 | | | | |
| 26 | 900671 | ADAPTOR "Y" RCA / 1M/2F / 4" | 1 | | | | |
| NS | 404525 | INSULATING, NOISE | 1 | | | | |
| | | | | | | | |
| | | | | | | | |
| | | A) USE WITH SINGLE SEAT ONLY | | | | | |
| | | B) USE WITH SELECTOR HEAD SET MODULE FIX ON THE HEADREST | | | | | |

| | | |
|---|--------------|-----------------|
| From Y-7046 To 4-8270 | Date:10/2022 | PAGE:Y2-2315-30 |
| SOUND SYSTEM - "KARAOKE" & DVD | | |

VCP & DVD WITH KARAOKE



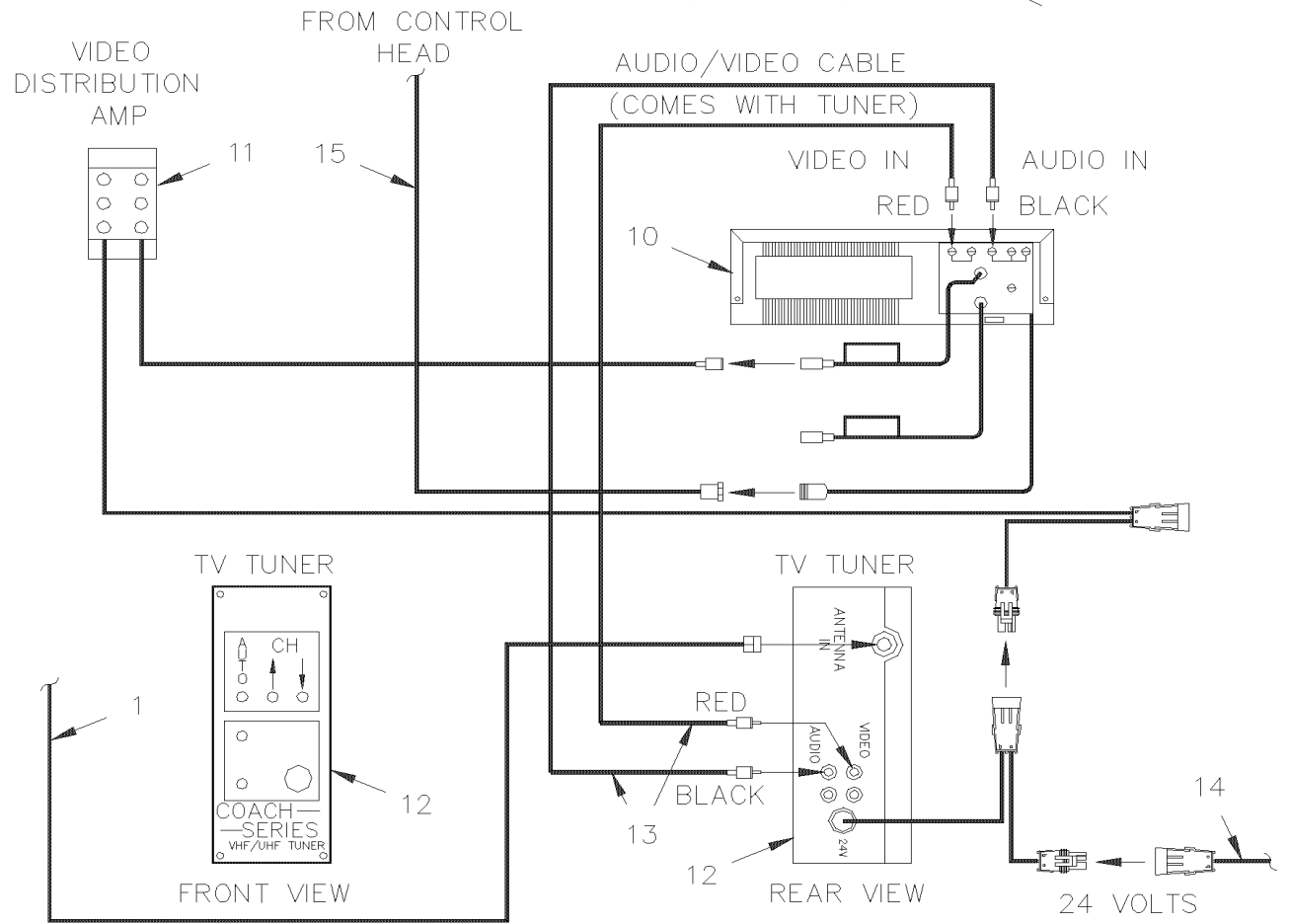
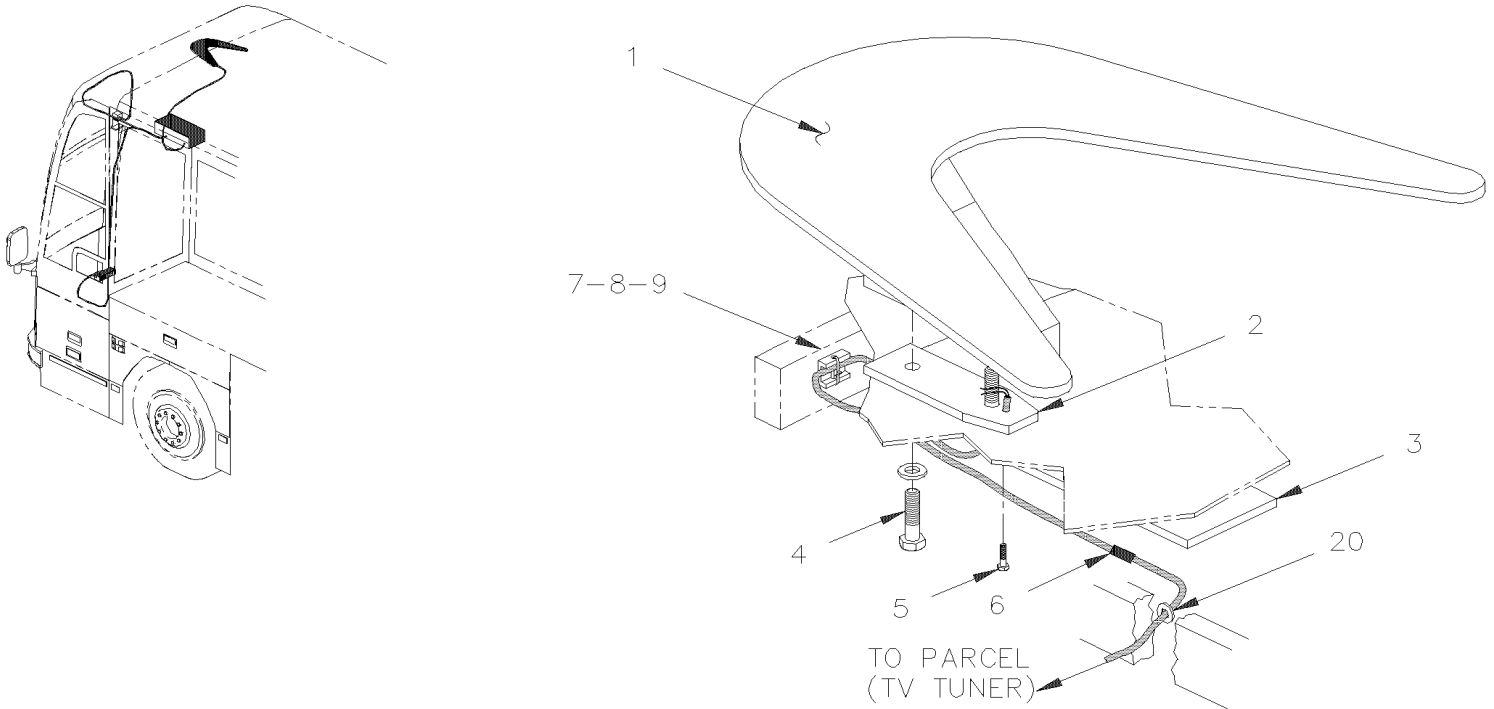
VCP & DVD



| | | |
|---|--------------|-----------------|
| From Y-7046 To 4-8270 | Date:10/2022 | PAGE:Y2-2315-30 |
| SOUND SYSTEM - "KARAOKE" & DVD | | |

| Item# | Part | Description | X L I I I 4 5 | X L I I I M T H 4 0 | X L I I I M T H 4 5 | X L I I I M T H 4 5 E | N O T E S |
|-------|-------------------|---|---------------------------------|--|--|---|-----------------------|
| 1 | 405187 | CABLE ASSY DVD | 1 | | | | |
| 2 | 901033 | DVD REI To 3-8022 | 1 | | | | |
| 2 | 901069 | DVD REI / MP3 From 3-8023 | 1 | | | | |
| 3 | 404380 | CABLE ASSY RCA / M/M / USE WITH 2 VIDEOS / 510300 | 1 | | | | |
| 4 | 901034 | STABILIZER VIDEO MODIFIED | 1 | | | | A |
| 5 | 405190 | HARNESS INTERFACE VIDEO/SING ALONE ADAP | 1 | | | | |
| 6 | 901035 | ADAPTOR KARAOKE | 1 | | | | |
| 7 | 900855 | CABLE RCA / 2M/2M / 20' | 1 | | | | |
| 8 | 900758 | ADAPTOR "Y" RCA / 1F/2M / 9" | 1 | | | | |
| 9 | 901036 | SWITCH KARAOKE | 1 | | | | |
| 10 | 405191 | HARNESS WIRE LESS MIC/SING ALONE ADAPTOR | 1 | | | | |
| 20 | 900803 | CONTROL HEAD / "R.E.I." SYSTEM 2000 | 1 | | | | |
| . NS | 563064 | . BULB (CONTROL HEAD GREEN) / 12VOLTS / 2700 | 1 | | | | |
| 21 | Y2-2317-20 | VIDEO VHS PLAYER - INSTALLATION "R.E.I." | | | | | |
| 22 | Y2-2315-00 | SOUND SYSTEM & ACCESSORIES - "R.E.I." | | | | | |
| NS | 405660 | KIT, DVD REPLACEMENT | AR | | | | |
| . NS | IS-04036 | . SEE INSTRUCTION SHEET | 1 | | | | |
| NS | 405659 | KIT, VIDEO STABILIZATOR REPLACEMENT | AR | | | | |
| . NS | IS-03099 | . SEE INSTRUCTION SHEET | 1 | | | | |
| | | | | | | | |
| | | | | | | | |
| | | | | | | | |
| | | A) THIS PART IS SUPERSEDED BY KIT #405659 | | | | | |

| | | |
|---|--------------|-----------------|
| From Y-7046 To 6-8906 | Date:10/2022 | PAGE:Y2-2315-60 |
| ROOF ANTENNA & WIRING "R.E.I." | | |



| | | |
|---|--------------|-----------------|
| From Y-7046 To 6-8906 | Date:10/2022 | PAGE:Y2-2315-60 |
| ROOF ANTENNA & WIRING "R.E.I." | | |

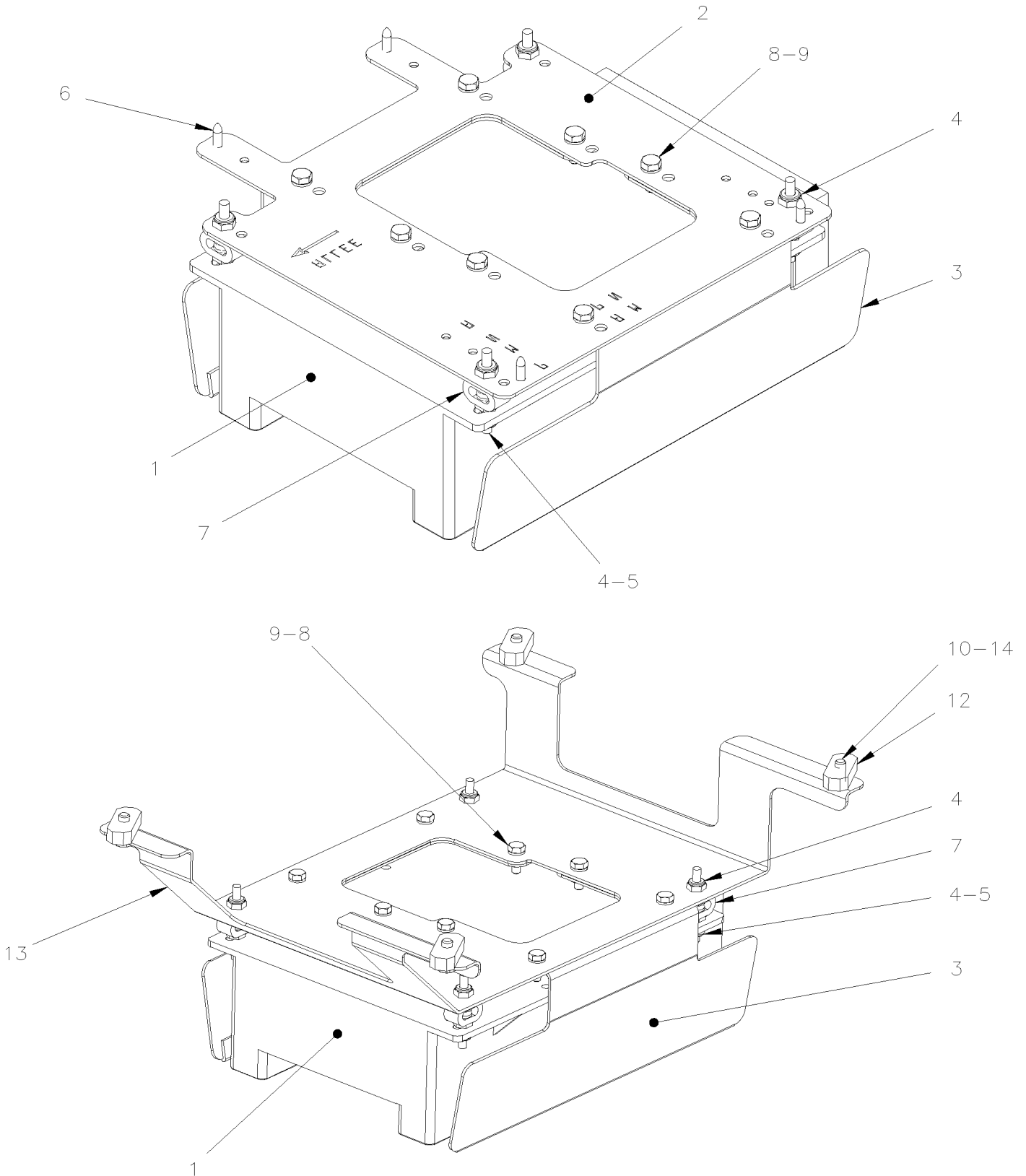
| Item# | Part | Description | X L I I 4 5 | X L I I M T H 4 0 | X L I I M T H 4 5 | X L I I M T H 4 5 E | NOTES |
|-------|-------------------|--|----------------------------|---|---|--|-------|
| 1 | 900794 | ANTENNA, ROOF / "WINTENNA" MODEL 2 3/4" | 1 | | | | |
| NS | 403355 | DECAL / VEHICLE HEIGHT 11' 9" | 1 | | | | |
| NS | 901071 | SATELLITE RADIO RECEIVER | 1 | | | | S |
| NS | 901072 | ADAPTOR "Y" RCA / 1M/2M | 1 | | | | S |
| NS | 901073 | CABLE RCA / 1M/1F / 6' | 1 | | | | S |
| NS | 901062 | CABLE RCA / 2M/2F / 23' | 1 | | | | S |
| NS | 900758 | ADAPTOR "Y" RCA / 1F/2M / 9" | 1 | | | | S |
| 2 | 403298 | GASKET, ANTENNA | 1 | | | | |
| 3 | 404345 | PLATE, REINFORCEMENT / ROOF | 1 | | | | |
| 4 | 5001209 | SCREW CAP HEX M6-1.0x25 G8.8 Z050 | 1 | | | | |
| NS | 500441 | WASHER FL .312x.734x.065 Z050 | 1 | | | | |
| 5 | 500617 | SCREW TP PAN PH #8x1 Z050 | 1 | | | | |
| 5 | 5001209 | SCREW CAP HEX M6-1.0x25 G8.8 Z050 | 1 | | | | |
| 5 | 500441 | WASHER FL .312x.734x.065 Z050 | 1 | | | | |
| 6 | 560786 | SHRINK TUBING / .500" - .250" / BLACK / ALPHA FIT-300-1/2-4B | AR | | | | |
| 7 | 504006 | RIVET POP CK OE 1/8x5/16 AL | 4 | | | | |
| 8 | 504013 | TIE MOUNT / 1/4" X 1/4" I.D. | 4 | | | | |
| 9 | 504637 | CABLE TIE / 3/16" x 13" | 4 | | | | |
| 10 | Y2-2317-20 | VIDEO VHS PLAYER - INSTALLATION "R.E.I." | | | | | |
| 12 | 900814 | TUNER TV 24V To 2-7744 | 1 | | | | |
| 12 | 901054 | TUNER TV 24V From 2-7745 | 1 | | | | |
| NS | 404589 | PROTECTOR VIDEO BOX | 1 | | | | |
| NS | 405186 | INTERFACE CABLE ASSY | 1 | | | | A |
| 13 | 900785 | CABLE RCA / 2M/2M / 10' | 1 | | | | |
| 14 | 404572 | CABLE ASSY / DASH COMPONENT & HARNESS ABOVE To 1-7436 | 1 | | | | |
| 14 | 405183 | CABLE ASSY / DASH & PLATE IN BAGGAGE From 1-7437 To 2-7807 | 1 | | | | |
| 14 | 405315 | CABLE ASSY / DASH & PLATE IN BAGGAGE From 2-7808 To 4-8270 | 1 | | | | |
| 14 | 405484 | CABLE ASSY / DASH & PLATE IN BAGGAGE From 4-8271 | 1 | | | | |
| 14 | 404571 | CABLE ASSY / DASH & PARCEL RACK To 6-8797 | 1 | | | | |
| 14 | 409149 | CABLE ASSY / DASH & PARCEL RACK / AUDIO From 6-8798 | 1 | | | | |
| 15 | 404283 | CABLE ASSY / FILTER VCP & CONTROL HEAD / 20' | 1 | | | | |
| 20 | 504063 | GROMMET / .562x.812x.062x.312x1.062 | 1 | | | | |
| | | | | | | | |
| | | | | | | | |
| | | | | | | | |
| | | A) USE WITH #901054 UP TO 2-7744 | | | | | |
| | | S) WITH SATELLITE RADIO RECEIVE | | | | | |

From RETROFIT

Date:10/2022

PAGE:Y2-2315-99

SUBWOOFER - INSTALLATION



| | | | |
|---------------------------------|--|--------------|-----------------|
| From RETROFIT | | Date:10/2022 | PAGE:Y2-2315-99 |
| SUBWOOFER - INSTALLATION | | | |

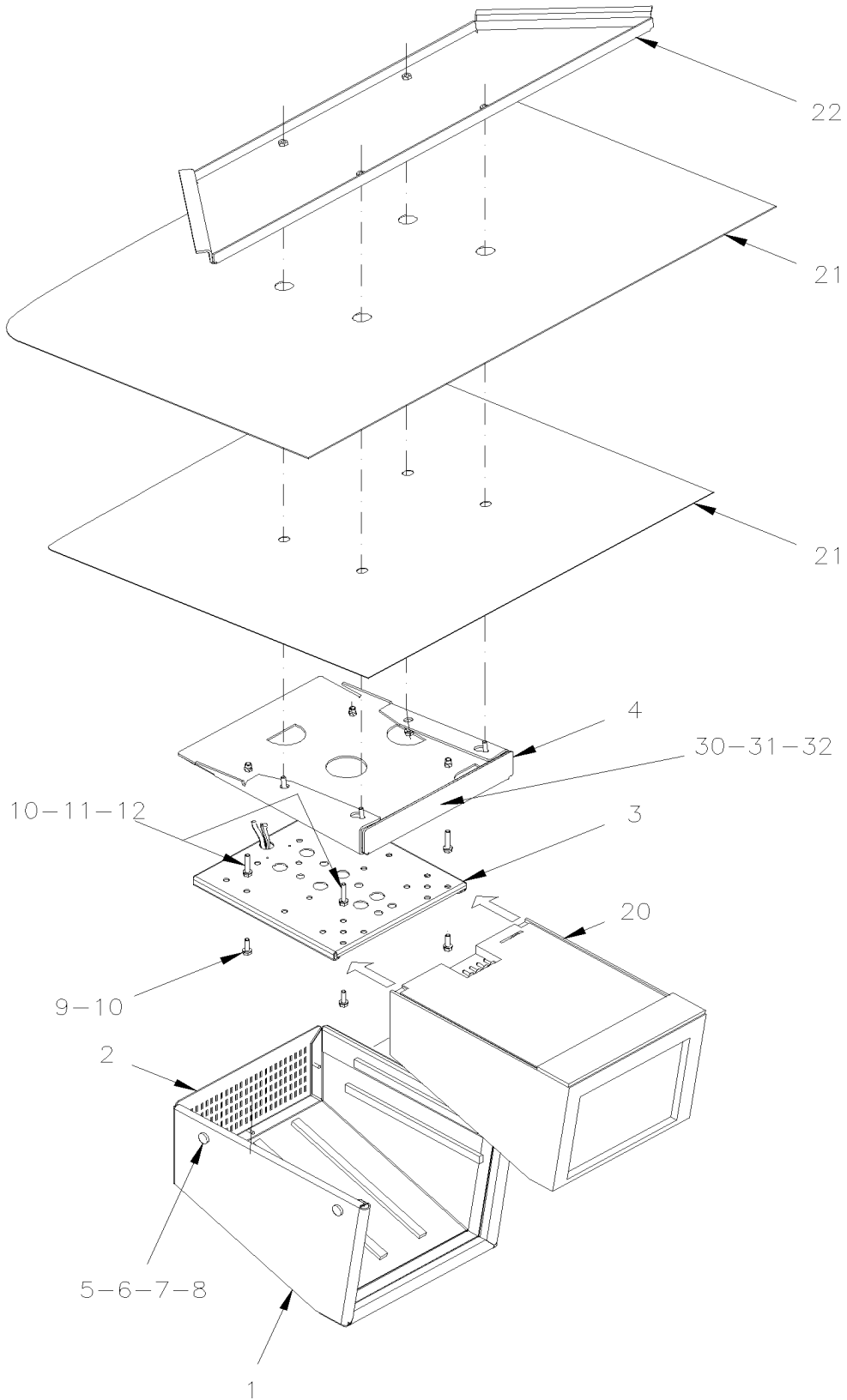
| Item# | Part | Description | X L I I 4 5 | X L I I M T H 4 0 | X L I I M T H 4 5 | X L I I M T H 4 5 E | N O T E S |
|-------|---------|--|--------------------------------|---|---|--|-----------------------|
| 1 | 901193 | SUBWOOFER ASSY | 1 | | | | |
| 2 | 405780 | PLATE MOUNTING | 1 | | | | |
| 3 | 405829 | DEFLECTOR SPEAKER | 2 | | | | |
| 4 | 502874 | NUT HEX NYRT 1/4-20 N500 | 8 | | | | |
| 5 | 500877 | WASHER FL .250x.562x.065 N500 | 8 | | | | |
| 6 | 500526 | SCREW TP CAP HEXW #12x3/4 N500 | 4 | | | | |
| 7 | 5060076 | RUBBER CUSHION ABSORBANT | 4 | | | | |
| 8 | 500163 | SCREW CAP HEX 1/4-20x3/4 G5 Z050 | 16 | | | | |
| 9 | 500473 | WASHER LO SPT .262x.489x.062 Z050 | 16 | | | | |
| 10 | 500476 | WASHER LO SPT .317x.586x.078 Z050 | 4 | | | | A |
| 12 | 5001642 | T NUT 5/16-18 | 4 | | | | A |
| 13 | 405787 | PLATE MOUNTING "AMERICAN SEATING ONLY" | 1 | | | | A |
| 14 | 500179 | SCREW CAP HEX 5/16-18x3/4 G5 Z050 | 4 | | | | A |
| NS | 405851 | KIT , SUBWOOFER ASSY / SERIES "XL" | 1 | | | | B C |
| NS | 066743 | . CABLE EXTENSION 2M / SUBWOOFER | 2 | | | | |
| NS | 066817 | . CABLE ASSY W/SUBWOOFER / SERIES "XL" | 1 | | | | |
| | | | | | | | |
| | | | | | | | |
| | | | | | | | |
| | | A) USE ONLY WITH "AMERICAN SEATING" ONLY | | | | | |
| | | B) THIS KIT DO NOT INCLUDE FOLLOWING ITEMS.: # 2 OR 13 & 10, 12 & 14 | | | | | |
| | | C) THIS KIT DO NOT INCLUDE FOLLOWING ITEMS.: # 2 OR 13 & 10, 12 & 14 | | | | | |

From Y-7046 To 6-8578

Date:10/2022

PAGE:Y2-2317-00

FRONT MONITOR - VIDEO - "R.E.I."



| | | |
|---|--------------|-----------------|
| From Y-7046 To 6-8578 | Date:10/2022 | PAGE:Y2-2317-00 |
| FRONT MONITOR - VIDEO - "R.E.I." | | |

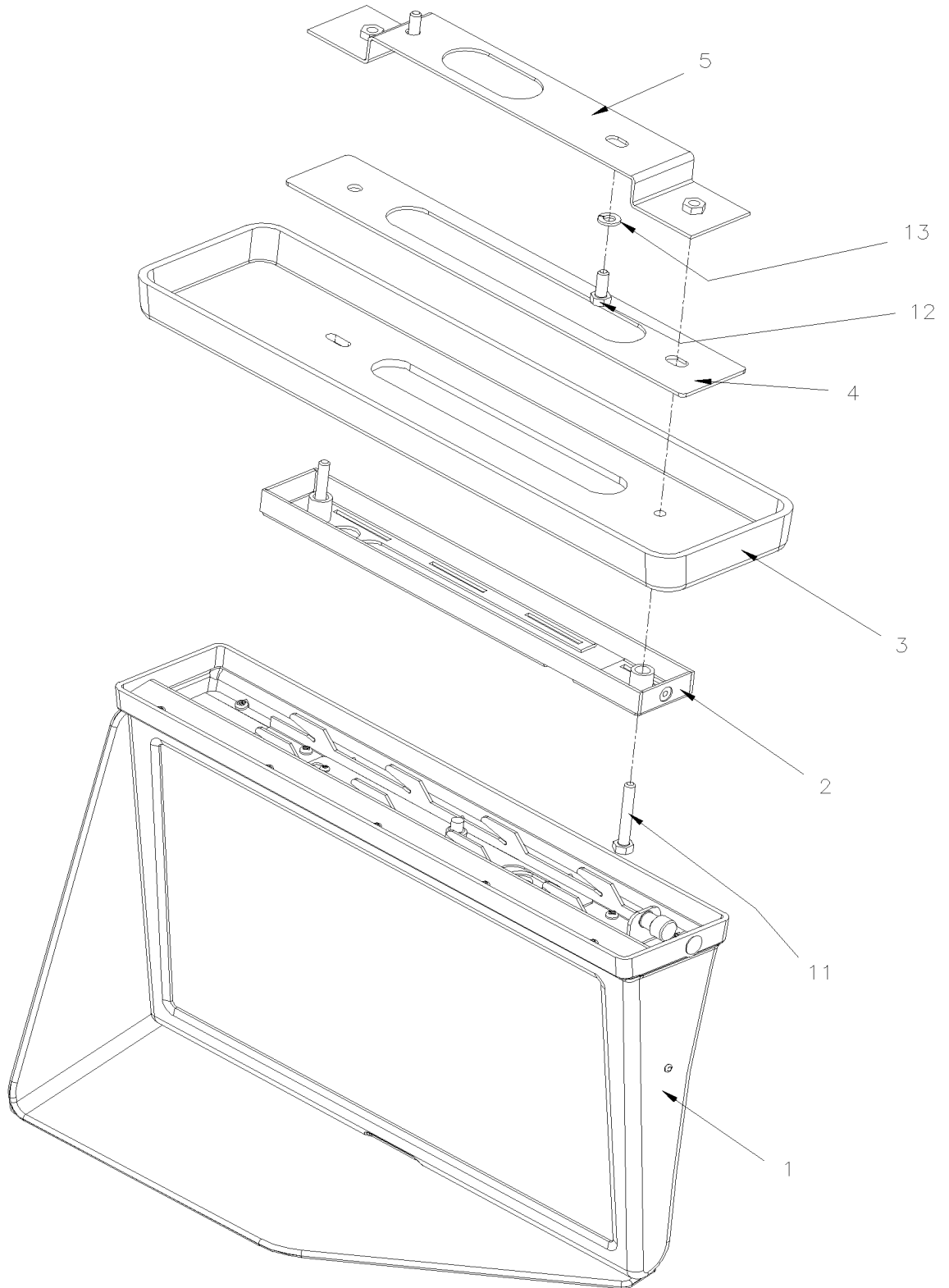
| Item# | Part | Description | X L I I 4 5 | X L I I M T H 4 0 | X L I I M T H 4 5 | X L I I M T H 4 5 E | N O T E S |
|-------|-------------------|--|----------------------------|---|---|--|-----------------------|
| 1 | 404395P | BOX COVER ASSY / W/ISSUS / S.C.C. | 1 | | | | |
| 1 | 404369 | . BOX | 1 | | | | |
| 2 | 404393 | . GRILLE | 1 | | | | |
| 2 | 405054 | . FOAM SIDE | 2 | | | | |
| 2 | 405055 | . FOAM BOTTOM SHORT | 1 | | | | |
| 2 | 405056 | . FOAM BOTTOM LONG | 1 | | | | |
| NS | 500409 | SCREW TP PAN PH #8x1/2 BK | 3 | | | | |
| NS | 506228 | TAPE RUB ADH1 CC POL 1/4" x 1/2" x 37.5' / GREY 2520X | AR | | | | |
| 3 | 404306 | MONITOR SLIDE BRACKET To 4-8270 | 1 | | | | |
| . NS | 900862 | . KEY MONITOR LOCK To 4-8270 | 1 | | | | |
| 3 | 405496 | MONITOR SLIDE BRACKET From 4-8271 | 1 | | | | |
| . NS | 900862 | . KEY MONITOR LOCK From 4-8271 | 1 | | | | |
| 3 | 900862 | . KEY MONITOR LOCK | 1 | | | | |
| 4 | 405031P | SUPPORT ASSY / W/ISSUS / S.C.C. | 1 | | | | |
| NS | 405174 | . DECAL "EMPTYING PLUG" | 1 | | | | |
| 5 | 403497 | SPACER | 4 | | | | |
| 6 | 500640 | SCREW TP PAN PH #6x3/4 Z050 | 4 | | | | |
| 7 | 504399 | WASHER RETAINER SNAP CAP #10 | 4 | | | | |
| 8 | 504400 | SNAP CAP #10 FINISHING BLACK | 4 | | | | |
| 9 | 502631 | SCREW CAP HEX M6-1.0x20 G8.8 Z050 | 4 | | | | |
| 10 | 502564 | WASHER LO SPT 6.1x11.8x1.6 Z050 | 10 | | | | |
| 11 | 502818 | SCREW CAP HEX M6-1.0x35 G8.8 Z050 | 4 | | | | |
| 12 | 500411 | WASHER FL .260x.697x.050 SS | 4 | | | | |
| 20 | 900809 | MONITOR 2000 24V To 3-8057 | 1 | | | | |
| 20 | 901070 | MONITOR 2000 24V From 3-8058 | 1 | | | | |
| 20 | 400316 | KIT CENTRAL MONITOR LCD | 1 | | | | |
| 21 | Y2-1837-00 | CEILING PANELS & MOULDING - BUS | | | | | |
| 22 | Y2-1895-00 | FRONT STRUCTURE | | | | | |
| 30 | 405425 | DECAL MOUNTING PLATE / 275MM X 46MM To 5-8605 | 1 | | | | |
| 30 | 405707 | DECAL MOUNTING PLATE / 250MM X 46MM From 5-8606 | 1 | | | | |
| 31 | 404636 | DECAL / "WATCH YOUR STEP" To 5-8605 | 1 | | | | |
| 31 | 405708 | DECAL / "WATCH YOUR STEP" From 5-8606 To 6-8843 | 1 | | | | |
| 31 | 409155 | DECAL / "WATCH YOUR STEP" 35 x 235 From 6-8843 | 1 | | | | |
| 31 | 404637 | DECAL / "ATTENTION À LA MARCHE" / BILINGUAL To 5-8456 | 1 | | | | |
| 31 | 405689 | DECAL / "ATTENTION À LA MARCHE" / BILINGUAL From 5-8457 To 5-8605 | 1 | | | | |
| 31 | 405709 | DECAL / "ATTENTION À LA MARCHE" / BILINGUAL From 5-8606 To 6-8843 | 1 | | | | |
| 31 | 409156 | DECAL / "ATTENTION À LA MARCHE" / BILINGUAL 35 x 235 From 6-8843 | 1 | | | | |
| 31 | 405648 | DECAL / "WATCH YOUR STEP" / "CUINDADO CON EL To 5-8605 | 1 | | | | |
| 31 | 405710 | DECAL / "WATCH YOUR STEP" / "CUINDADO CON EL From 5-8606 To 6-8843 | 1 | | | | |
| 31 | 409157 | DECAL / "WATCH YOUR STEP" / "CUINDADO CON EL 35 x 235 From 6-8843 | 1 | | | | |
| 32 | 504108 | RIVET POP DOME OE 1/8x1/2 AL | 2 | | | | |

From Y-7046 To 6-8578

Date:10/2022

PAGE:400316

KIT CENTRAL MONITOR LCD

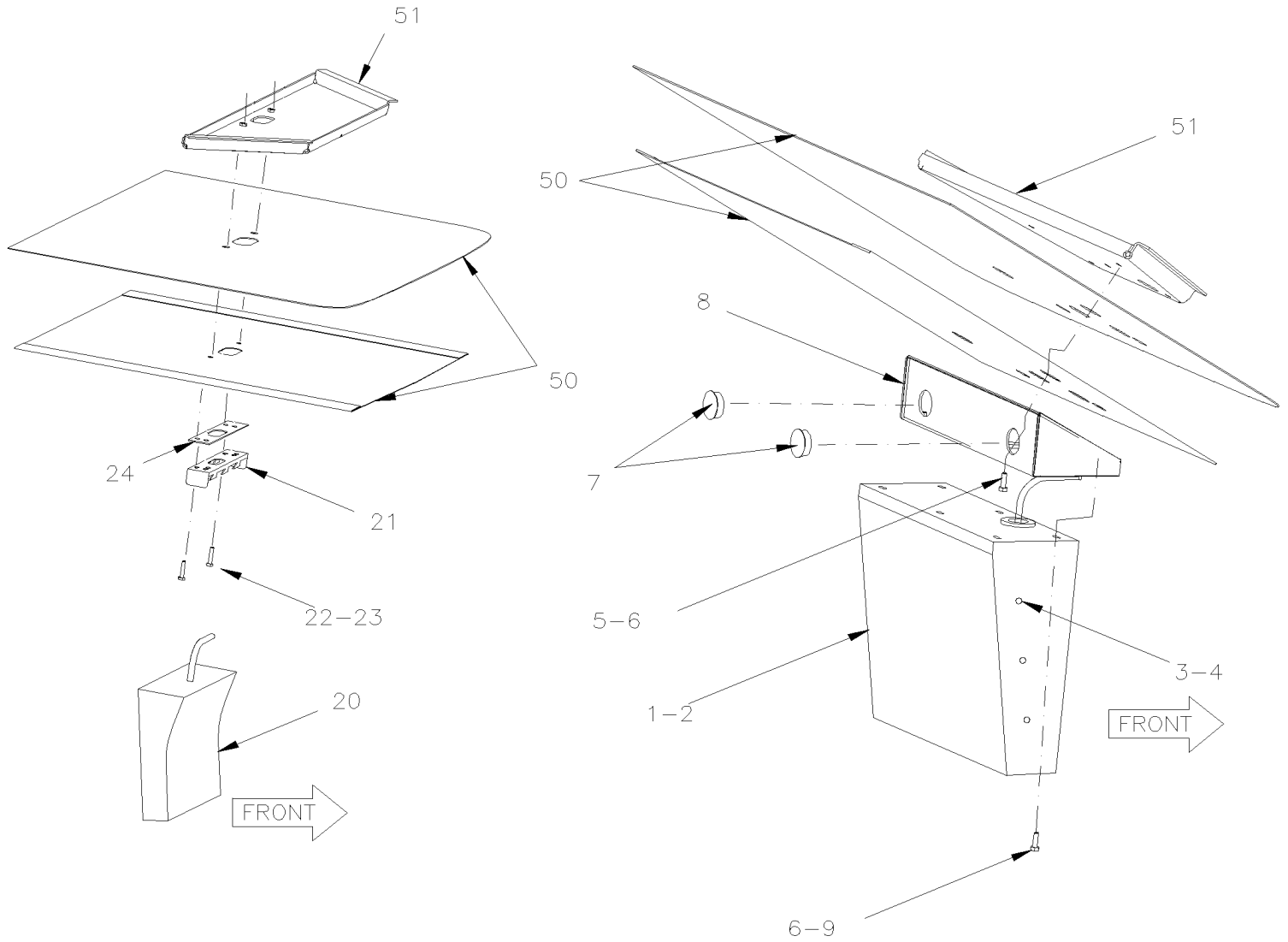


From 5-8579 To 6-8906

Date:10/2022

PAGE:Y2-2317-01

FRONT MONITOR FLAT SCREEN - VIDEO - "R.E.I."



| | | |
|---|--------------|-----------------|
| From 5-8579 To 6-8906 | Date:10/2022 | PAGE:Y2-2317-01 |
| FRONT MONITOR FLAT SCREEN - VIDEO - "R.E.I." | | |

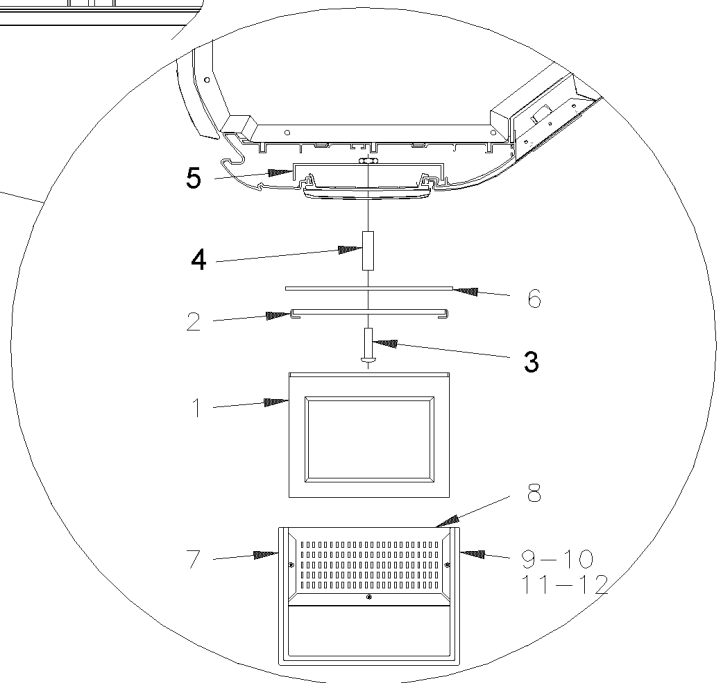
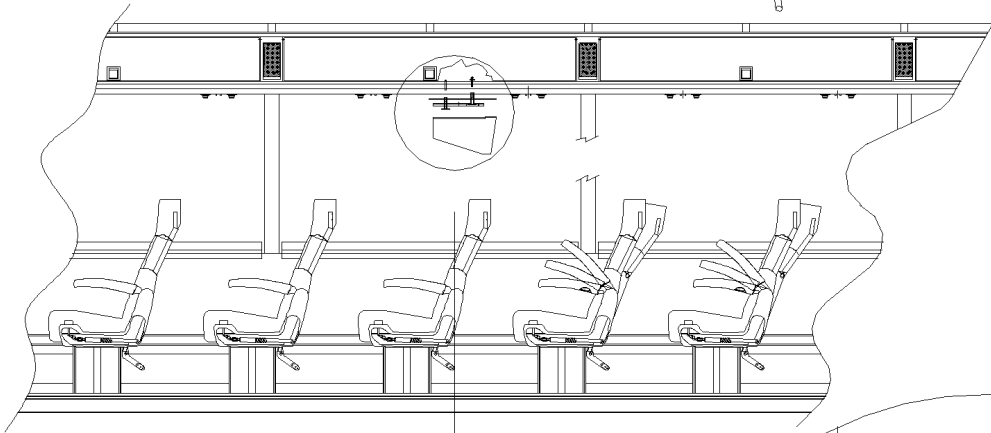
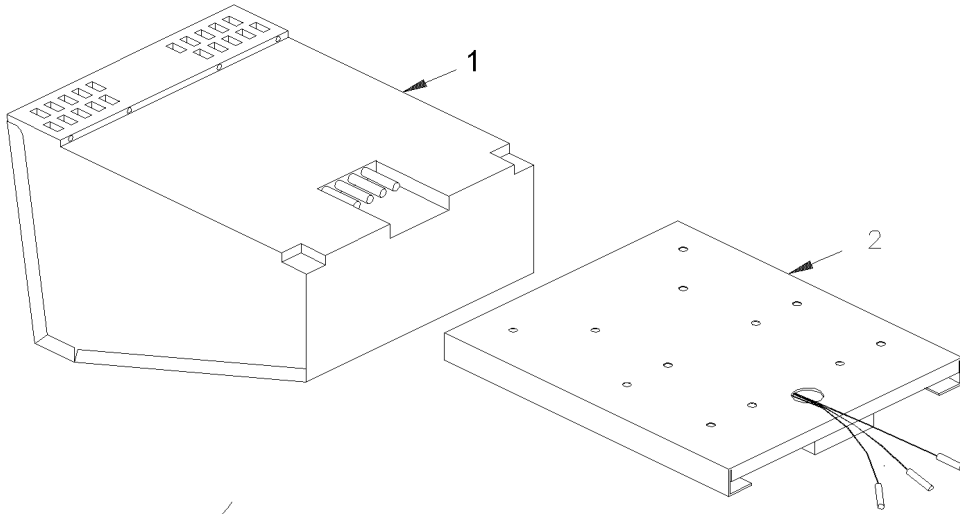
| Item# | Part | Description | X L I I 4 5 | X L I I M T H 4 0 | X L I I M T H 4 5 | X L I I M T H 4 5 E | N O T E S |
|-------|-------------------|---|----------------------------|---|---|--|-----------------------|
| 1 | 901084 | MONITOR 15" LCD | 1 | | | | |
| 2 | 901085 | SUPPORT CENTRAL MONITOR / W/FLAT SCREEN 15" | 1 | | | | |
| 2 | 502843 | SCREW CAP HEX M6-1.0x45 G8.8 N500 | 2 | | | | |
| 3 | 500697 | SCREW TP BDG PH M5x8 BK | 6 | | | | |
| 4 | 500840 | WASHER LO EXT .195x.410x.025 N500 | 6 | | | | |
| 5 | 502533 | SCREW CAP HEX M6-1.0x30 G8.8 Z050 | 5 | | | | |
| 6 | 502582 | WASHER LO SERR 6.1x16.2x0.9 Z050 | AR | | | | |
| 7 | 507295 | HOLE PLUG BUTTON / 1.375 O.D. BLACK | 2 | | | | |
| 8 | 251224 | SUPPORT MONITOR | 1 | | | | |
| 9 | 502631 | SCREW CAP HEX M6-1.0x20 G8.8 Z050 | 1 | | | | |
| | | MONITOR 10" | | | | | |
| 20 | 901130 | MONITOR 10" LCD 24V To 6-8843 | 1 | | | | |
| . NS | 901138 | . PLUG CAP / GREY OVER SCREW 12.51MM O.D. To 6-8843 | 1 | | | | |
| 20 | 903214 | MONITOR 10" LCD 24V From 6-8844 | 1 | | | | |
| . NS | 901243 | . PLUG CAP / GREY OVER SCREW 9.31MM O.D. From 6-8844 | 1 | | | | |
| 20 | 406731 | KIT, CENTRAL MONITOR REI 10.1" X3 SAV | 1 | | | | |
| . NS | 901547 | . MONITOR, LCD REI 10.1" | 1 | | | | |
| . NS | 406724 | . SUPPORT, MONITOR 10.1" ASSY | 1 | | | | |
| NS | 409160 | DECAL MOUNTING PLATE From 6-8844 | 1 | | | | |
| 21 | 407590 | SUPPORT CENTRAL MONITOR / W/FLAT SCREEN 10" To 6-8843 | 1 | | | | |
| 21 | 407599 | SUPPORT CENTRAL MONITOR / W/FLAT SCREEN 10" From 6-8844 | 1 | | | | |
| 22 | 502533 | SCREW CAP HEX M6-1.0x30 G8.8 Z050 To 6-8843 | 2 | | | | |
| 22 | 502843 | SCREW CAP HEX M6-1.0x45 G8.8 N500 From 6-8844 | 2 | | | | |
| 23 | 955920 | WASHER LO SPT 6.5x11.5x1.6 ZP | 2 | | | | |
| 24 | 341117 | SHIM To 6-8843 | 1 | | | | |
| 24 | 341124 | SHIM From 6-8844 | 1 | | | | |
| 25 | 405858 | SHIELD SCREEN DEFLECTOR / W/10" SCREEN / PLASTIC GREY | 1 | | | | |
| 50 | Y2-1837-00 | CEILING PANELS & MOULDING - BUS | | | | | |
| 51 | Y2-1895-00 | FRONT STRUCTURE | | | | | |
| | | | | | | | |
| | | | | | | | |
| | | | | | | | |

From Y-7046 To 6-8906

Date:10/2022

PAGE:Y2-2317-10

SIDE MONITOR - VIDEO - "R.E.I."



| | | |
|--|--------------|-----------------|
| From Y-7046 To 6-8906 | Date:10/2022 | PAGE:Y2-2317-10 |
| SIDE MONITOR - VIDEO - "R.E.I." | | |

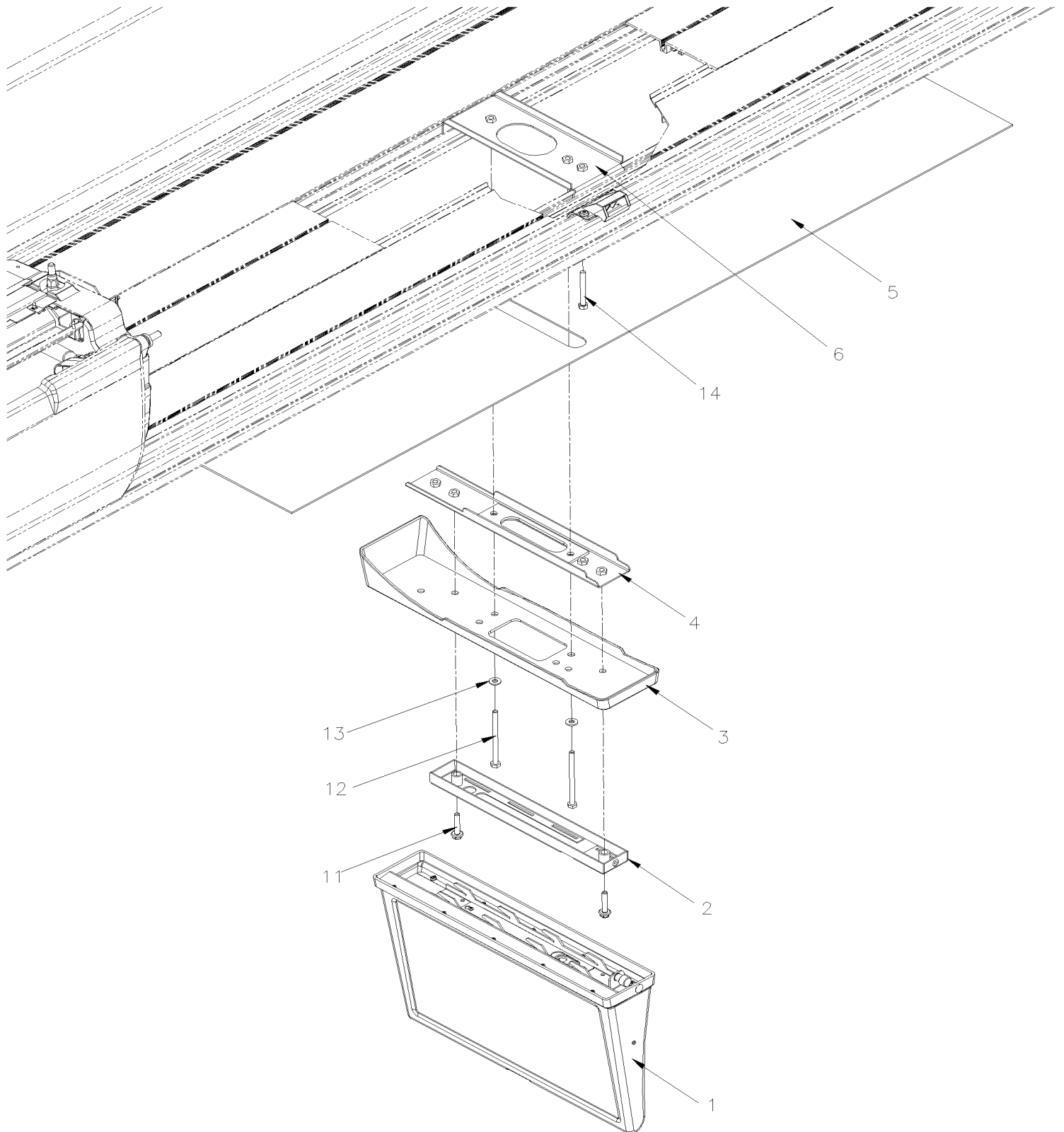
| Item# | Part | Description | X L I I 4 5 | X L I I M T H 4 0 | X L I I M T H 4 5 | X L I I M T H 4 5 E | N O T E S |
|-------|-------------------|---|----------------------------|---|---|--|-----------------------|
| 1 | 900809 | MONITOR 2000 24V To 3-8057 | AR | | | | |
| 1 | 901070 | MONITOR 2000 24V From 3-8058 | AR | | | | |
| 1 | 400321 | KIT PARCEL RACK MONITOR LCD | 1 | | | | |
| 2 | 404306 | MONITOR SLIDE BRACKET To 4-8270 | AR | | | | |
| . NS | 900862 | . KEY MONITOR LOCK To 4-8270 | 1 | | | | |
| 2 | 405496 | MONITOR SLIDE BRACKET From 4-8271 | AR | | | | |
| . NS | 900862 | . KEY MONITOR LOCK From 4-8271 | 1 | | | | |
| 2 | 900862 | . KEY MONITOR LOCK | 1 | | | | |
| 3 | 5001485 | SCREW CAP HEX M10-1.5x60 G8.8 Z050 | 2 | | | | |
| 4 | 404610 | SPACER 5/8" O.D. TUBE X 35MM | 1 | | | | |
| 5 | 404611 | . SUPPORT | 1 | | | | |
| 6 | 404388P | COVER ASSY | 1 | | | | |
| 7 | 404370P | BOX COVER ASSY / W/ISSUS / S.C.C. | 1 | | | | |
| 7 | 404369 | . BOX | 1 | | | | |
| 8 | 404371 | . GRILLE | 1 | | | | |
| NS | 500409 | . SCREW TP PAN PH #8x1/2 BK | 3 | | | | |
| 9 | 500640 | SCREW TP PAN PH #6x3/4 Z050 | 4 | | | | |
| 10 | 504399 | WASHER RETAINER SNAP CAP #10 | 4 | | | | |
| 11 | 504400 | SNAP CAP #10 FINISHING BLACK | 4 | | | | |
| 12 | 403497 | SPACER | 4 | | | | A |
| 20 | Y2-2317-20 | VIDEO VHS PLAYER - INSTALLATION "R.E.I." | | | | | |
| | | | | | | | |
| | | | | | | | |
| | | | | | | | |
| | | A) SUPPORT & CEILING | | | | | |

From Y-7046 To 6-8906

Date:10/2022

PAGE:400321

KIT PARCEL RACK MONITOR LCD

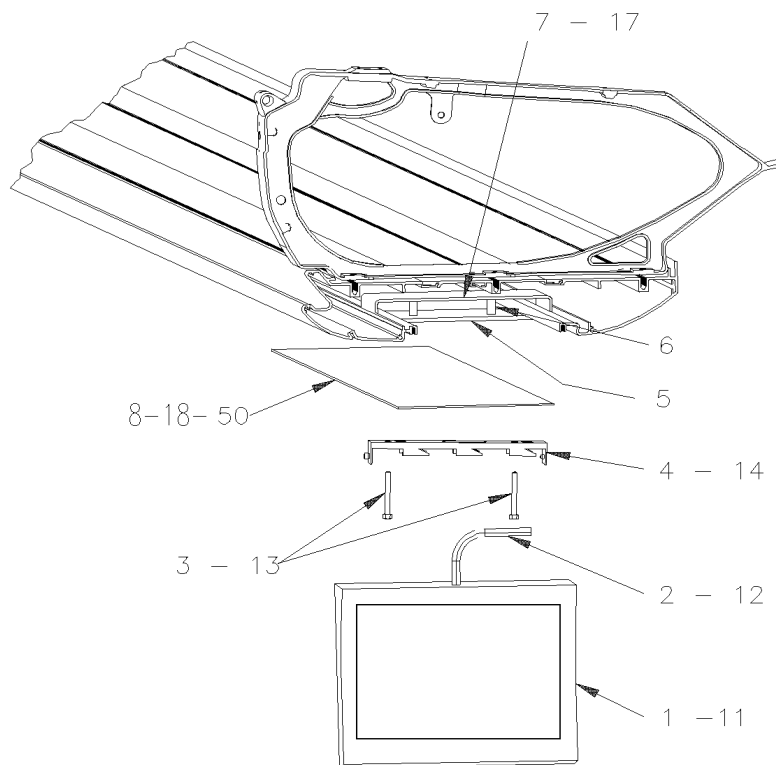


From Y-7046 To 6-8906

Date:10/2022

PAGE:Y2-2317-11

SIDE MONITOR FLAT SCREEN - VIDEO - "R.E.I."



| | | |
|---|--------------|-----------------|
| From Y-7046 To 6-8906 | Date:10/2022 | PAGE:Y2-2317-11 |
| SIDE MONITOR FLAT SCREEN - VIDEO -"R.E.I." | | |

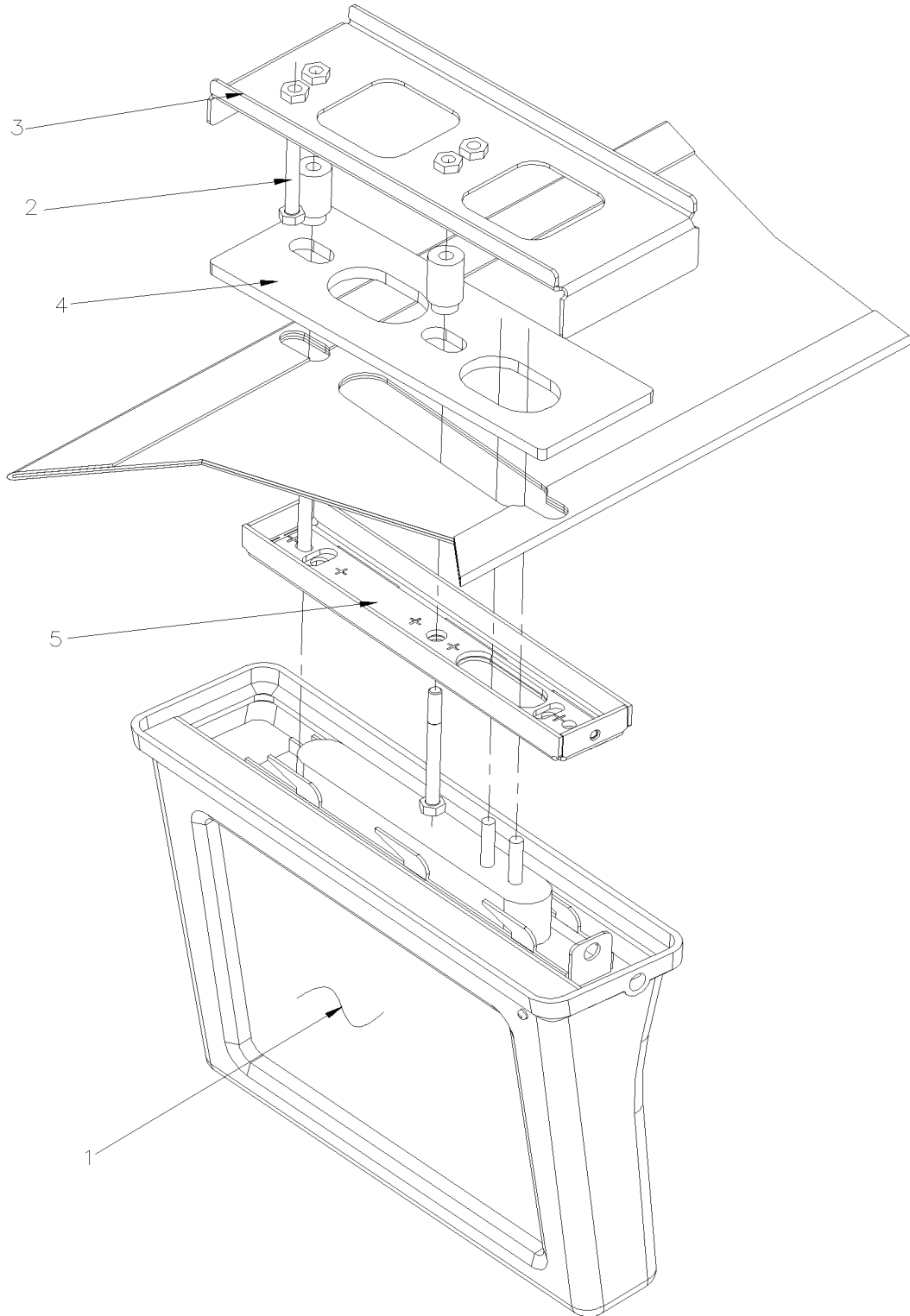
| Item# | Part | Description | X L I I 4 5 | X L I I M T H 4 0 | X L I I M T H 4 5 | X L I I M T H 4 5 E | N O T E S |
|--|-------------------|---|----------------------------|---|---|--|-----------------------|
| 1 | 901130 | MONITOR 10" LCD 24V To 6-8843 | AR | | | | |
| . NS | 901138 | . PLUG CAP / GREY OVER SCREW 12.51MM O.D. To 6-8843 | 1 | | | | |
| 1 | 903214 | MONITOR 10" LCD 24V From 6-8844 | 1 | | | | |
| . NS | 901243 | . PLUG CAP / GREY OVER SCREW 9.31MM O.D. From 6-8844 | 1 | | | | |
| 1 | 406729 | KIT, PARCEL RACK MONITOR REI 10.1" SAV | 1 | | | | |
| 2 | 561681 | CONVOLUTED TUBING / SLIT / BLACK & GRAY / .350" | 1 | | | | |
| 3 | 502541 | SCREW CAP HEX M6-1.0x65 G8.8 Z050 | 2 | | | | |
| 4 | 901131 | SUPPORT MONITOR / W/FLAT SCREEN 10" To 6-8843 | AR | | | | |
| 4 | 903213 | SUPPORT CENTRAL MONITOR / W/FLAT SCREEN 10" From 6-8844 | 1 | | | | |
| 5 | 407564 | SHIM / BLACK PLASTIC / 50MM X 207MM | AR | | | | |
| 6 | 407561 | SPACER 5/8" OD TUBE X 24MM / W/FL 6MM | AR | | | | |
| 7 | 407562 | SUPPORT MONITOR R.H. To 6-8843 | AR | | | | |
| 7 | 409151 | SUPPORT MONITOR R.H. From 6-8844 | 1 | | | | |
| 7 | 407563 | SUPPORT MONITOR L.H. To 6-8843 | AR | | | | |
| 7 | 409150 | SUPPORT MONITOR L.H. From 6-8844 | 1 | | | | |
| 8 | 310653P | PANEL 655MM / 382MM POSITION SCREEN / L.H. W/10" LCD SCREEN | 1 | | | | |
| 8 | 310654P | PANEL 655MM / 382MM POSITION SCREEN / R.H. W/ LCD SCREEN | 1 | | | | |
| 11 | 901086 | MONITOR 12" LCD / FOLDING | AR | | | | |
| 12 | 405461 | CABLE ASSY / 24V POWER / W/12" MONITOR / 10' / 511824 | AR | | | | |
| 12 | 405462 | CABLE ASSY / 24V POWER / W/12" MONITOR / 511693 / 15' | AR | | | | |
| 12 | 405463 | CABLE ASSY / 24V POWER / W/12" MONITOR / 35' / 511825 | AR | | | | |
| NS | 500195 | SCREW CAP HEX 3/8-16x2 1/2 G5 Z050 | AR | | | | |
| NS | 502510 | WASHER FL .375x.875x.083 | AR | | | | |
| 13 | 500478 | WASHER LO SPT .380x.683x.094 Z050 | AR | | | | |
| 14 | 901089 | SUPPORT MONITOR / W/FLAT SCREEN 12" FOLDING | AR | | | | |
| 17 | 901087 | SUPPORT SIDE MONITOR TRANSITION L.H. | AR | | | | |
| 17 | 901088 | SUPPORT SIDE MONITOR TRANSITION R.H. | AR | | | | |
| 18 | 312761P | PANEL 315MM | 1 | | | | |
| 18 | 312840P | PANEL 753MM | 1 | | | | |
| 18 | Call order desk | PANEL 243MM | 1 | | | | P |
| 18 | 313328P | PANEL 388MM | 1 | | | | |
| 50 | Y2-1836-00 | PARCEL RACK | | | | | |
| P) CALL ORDER DESK FOR SPECIFIC APPLICATION (V.I.N.) | | | | | | | |

From Y-7046 To 6-8906

Date:10/2022

PAGE:406729

KIT, PARCEL RACK MONITOR REI 10.1" SAV

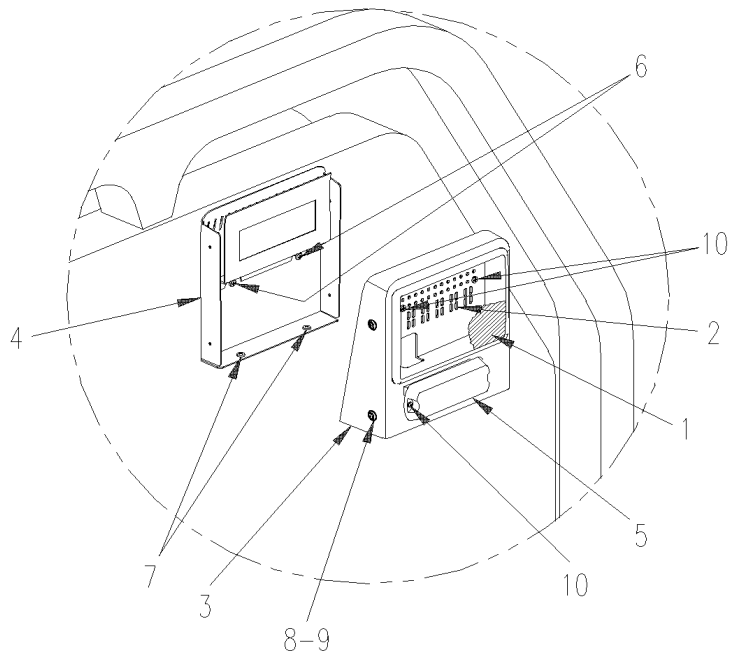
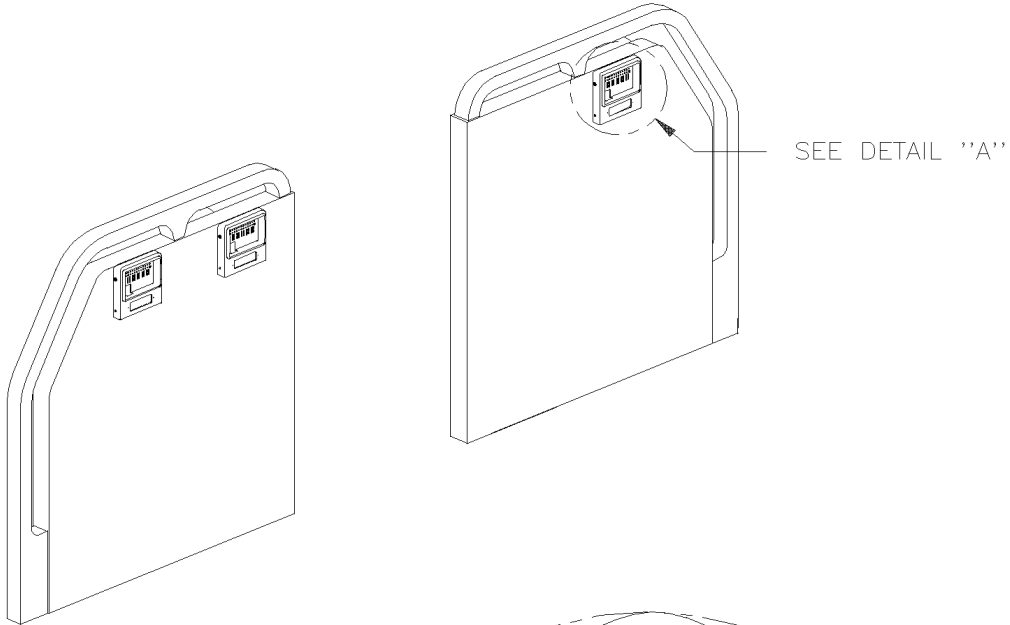


From 5-8678 To 6-8906

Date:10/2022

PAGE:Y2-2317-12

BACK SEAT MONITOR SCREEN - VIDEO - "R.E.I."



DETAIL "A"

| | | |
|-----------------------|--------------|-----------------|
| From 5-8678 To 6-8906 | Date:10/2022 | PAGE:Y2-2317-12 |
|-----------------------|--------------|-----------------|

BACK SEAT MONITOR SCREEN - VIDEO - "R.E.I."

| Item# | Part | Description | X L I I 4 5 | X L I I M T H 4 0 | X L I I M T H 4 5 | X L I I M T H 4 5 E | NOTES |
|-------|---------|--|----------------------------|---|---|--|-------|
| | | FLAT SCREEN 5" HEADREST AND FRONT MODESTY | | | | | |
| 1 | 901160 | MONITOR 5" LCD 24V / HEADREST | AR | | | | |
| 2 | 901159 | BOX LCD HEADREST | AR | | | | |
| NS | 901158 | CONTROL BOX HEADREST | 1 | | | | |
| 3 | 405736 | COVER MONITOR 5" LCD / MODESTY PANEL / FIXEX ON MODESTY PANEL | A | | | | |
| 4 | 405740 | SUPPORT ASSY MONITOR 5" LCD / MODESTY PANEL / FIXEX ON MODESTY PANEL | 1 | | | | |
| 5 | 901006 | SELECTOR HEAD SET MODULE | 1 | | | | |
| 6 | 500617 | SCREW TP PAN PH #8x1 Z050 | 2 | | | | |
| 7 | 500638 | SCREW TP PAN PH #8x1/2 Z050 | 2 | | | | |
| 8 | 500504 | SCREW TC OV PH #6-32x1/2 BK | 4 | | | | |
| 9 | 500345 | WASHER FN CKF .187x.500x.090 BR BK | 4 | | | | |
| 10 | 5001479 | SCREW TP BDG PH #6x3/8 SS EMN | 4 | | | | |
| 11 | 500604 | SCREW TC TR PH #10-24x1/2 | 4 | | | | |
| | | ALLS FOLLOWING ITEMS ARE RELATED WITH "FIRTS CLASS TOURS" | | | | | |
| | | WITH "V.I.N." 5-8678 / 5-8687 & 5-8692 | | | | | |
| NS | 901151 | ANTENNA ROOF / XM RADIO | 3 | | | | |
| NS | 901149 | RECEIVER / XM "SATELLITE" | 3 | | | | |
| NS | 901150 | CABLE / XM TUNER & RADIO | 3 | | | | |
| NS | 901148 | RADIO "PANASONIC" CQ-C3301U / AM/FM/CD & XM / 700972 | 3 | | | | |
| NS | 901153 | BOX MODULE ENTERTAINER / 3XM RADIO | 1 | | | | |
| NS | 901178 | CABLE POWER 12' ENTERTAINER MODULE BOX | 1 | | | | |
| NS | 901111 | KIT, DSS SATELLITE TV RECEIVER | 1 | | | | |
| NS | 901147 | RECEIVER / "SATELLITE" LOW PROFILE | 1 | | | | |
| NS | 405754 | SUPPORT ANTENNA "DSS" | 1 | | | | |
| NS | 901174 | CABLE POWER 10' | 2 | | | | |
| NS | 901175 | CABLE POWER 60' | 3 | | | | |
| NS | 901158 | CONTROL BOX HEADREST | 3 | | | | |
| NS | 901161 | CABLE INTERFACE 6' / INTERFACE BOX & LCD S | 3 | | | | |
| NS | 901162 | CABLE INTERFACE EXTENTION / CONT / CCD | 3 | | | | |
| NS | 901177 | CABLE POWER INTERFACE 12' / SEATS | 10 | | | | |
| NS | 901155 | CABLE AUDIO RJ45 14' | 3 | | | | |
| NS | 901168 | CABLE COAXIAL 3' RG6 | 3 | | | | |
| NS | 901167 | CABLE COAXIAL 9' RG6 | 20 | | | | |
| NS | 901169 | CABLE COAXIAL 35' RG6 | 2 | | | | |
| NS | 901154 | SELECTOR 4 CHANNELS | 1 | | | | |
| NS | 901156 | CABLE AUDIO 8 CIRCUITS | 1 | | | | |
| NS | 901157 | CABLE COAXIAL 3' BNC | 5 | | | | |
| NS | 901173 | CABLE INTERFACE AMPLI / 8 CHANELS MODULATOR | 1 | | | | |

From 5-8678 To 6-8906 Date:10/2022 PAGE:Y2-2317-12

BACK SEAT MONITOR SCREEN - VIDEO - "R.E.I."

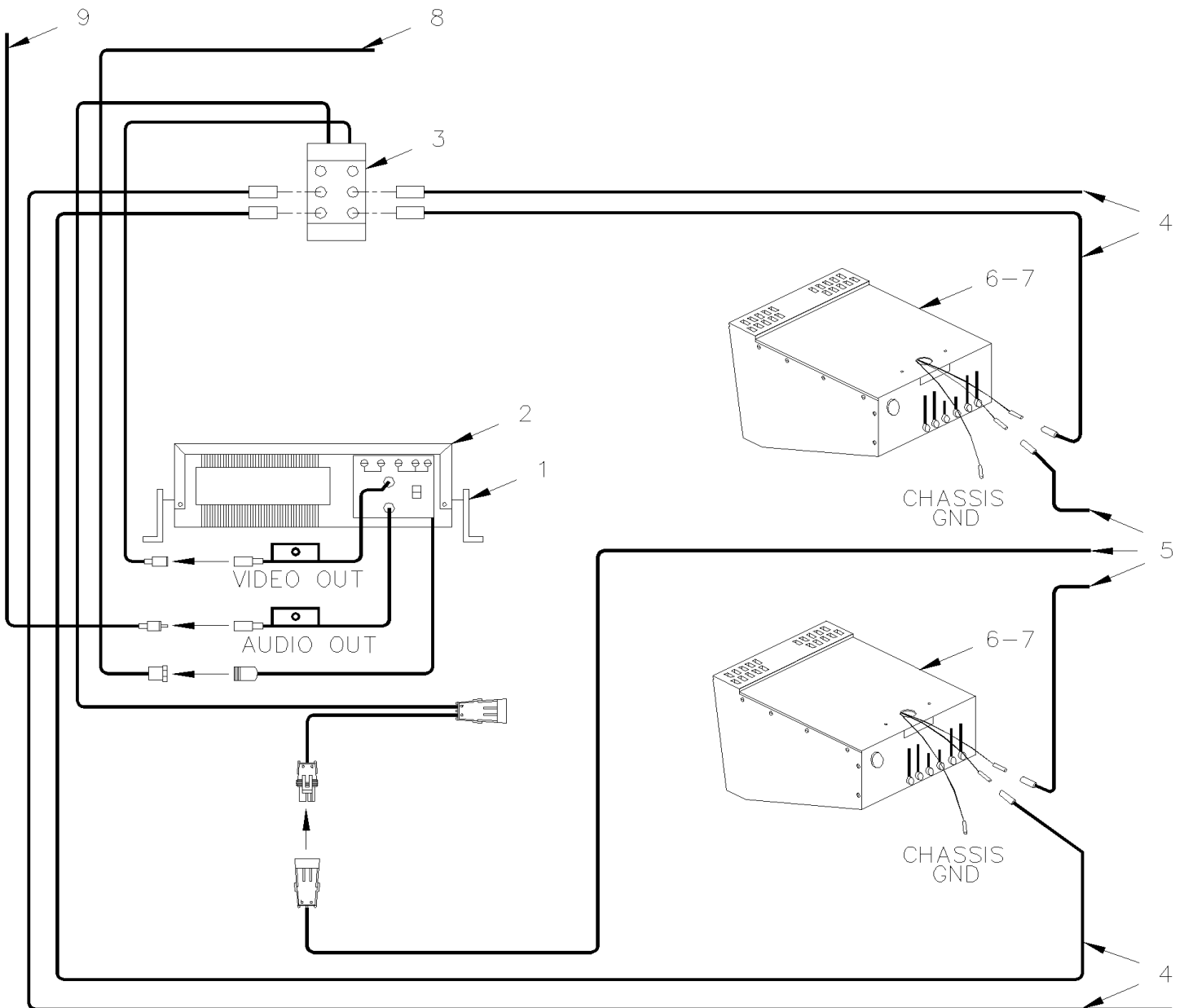
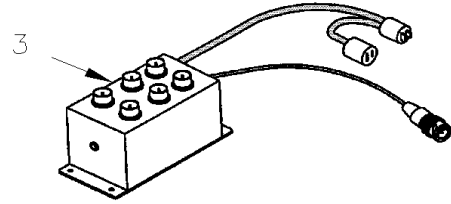
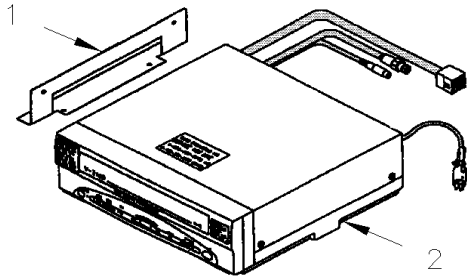
| Item# | Part | Description | X L I I 4 5 | X L I I M T H 4 0 | X L I I M T H 4 5 | X L I I M T H 4 5 E | NOTES |
|-------|-----------|---|----------------------------|---|---|--|-------|
| NS | 901163 | MODULATOR VIDEO 3 CHANNELS | 3 | | | | |
| NS | 901164 | DIVIDER 3 VIDEOS | 2 | | | | |
| NS | 901165 | AMPLI VIDEO | 3 | | | | |
| NS | 901166 | SPLITER VIDEO 2 WAY | 13 | | | | |
| NS | 901172 | CONNECTOR ADAPTOR / RCA F/GP / 110716 | 6 | | | | |
| NS | 901152 | CD CHARGER MODEL CX-DP880U | 2 | | | | |
| NS | 404225 | NOISE FILTER / P/A, VIDEO & HOOKUP INDIVIDU / 450030 | 7 | | | | |
| NS | 404288 | CABLE ASSY / "Y" 9" CONTROL HEAD & ENTERTAINMENT MODULE | 1 | | | | |
| NS | 405753 | SUPPORT DVD / USE WITH 3 DVD | 1 | | | | |
| NS | 901116 | DVD REI / MP3 | 3 | | | | |
| NS | 901264 | REMOTE CONTROL / DVD REI | 1 | | | | |
| NS | 409125 | MOUNTING PLATE | 2 | | | | |
| NS | 901082 | CABLE RCA / 1M/1M / 6' | 7 | | | | |
| NS | 901102 | 8 CHANNEL AMPLIFIER MODULE | 1 | | | | |
| NS | 901106 | AUDIO FILTER | 4 | | | | |
| NS | 901135 | CABLE RCA / 3M/3M / 3' | 7 | | | | |
| NS | 901117 | VIDEO DISTRIBUTION AMPLI W/BNC | 1 | | | | |
| NS | 901119 | CABLE POWER DVA/VIDEO | 1 | | | | |
| 87 | 901403 | VIDEO DISTRIBUTION AMPLI W/BNC | 1 | | | | S |
| NS | 562207 | CONNECTOR / BNC / FEMALE / RCA MALE / AMP 12343 | 5 | | | | |
| NS | 901107 | CABLE ADAPTOR RCA TO MOLEX / 4" | 3 | | | | |
| NS | 901106 | AUDIO FILTER | 6 | | | | |
| NS | 900881 | HEAD SET EARPHONE | AR | | | | |
| NS | 900882 | FOAM CUSHION PAD / (SET OF 2) / FOR 900881 | 1 | | | | |
| NS | D060993 | DIAGRAM PAGE 28.1 SP4 & SP5 WIRING INSTALL | 1 | | | | |
| NS | D.060993 | DIAGRAM PAGE 28.3 SP2 WIRING INSTALL | 1 | | | | |
| NS | D..060993 | DIAGRAM PAGE 28.6 SP2 WIRING INSTALL | 1 | | | | |
| | | | | | | | |
| | | | | | | | |
| | | S) FOR SERVICE | | | | | |

From Y-7046 To 6-8906

Date:10/2022

PAGE:Y2-2317-20

VIDEO VHS PLAYER - INSTALLATION "R.E.I."



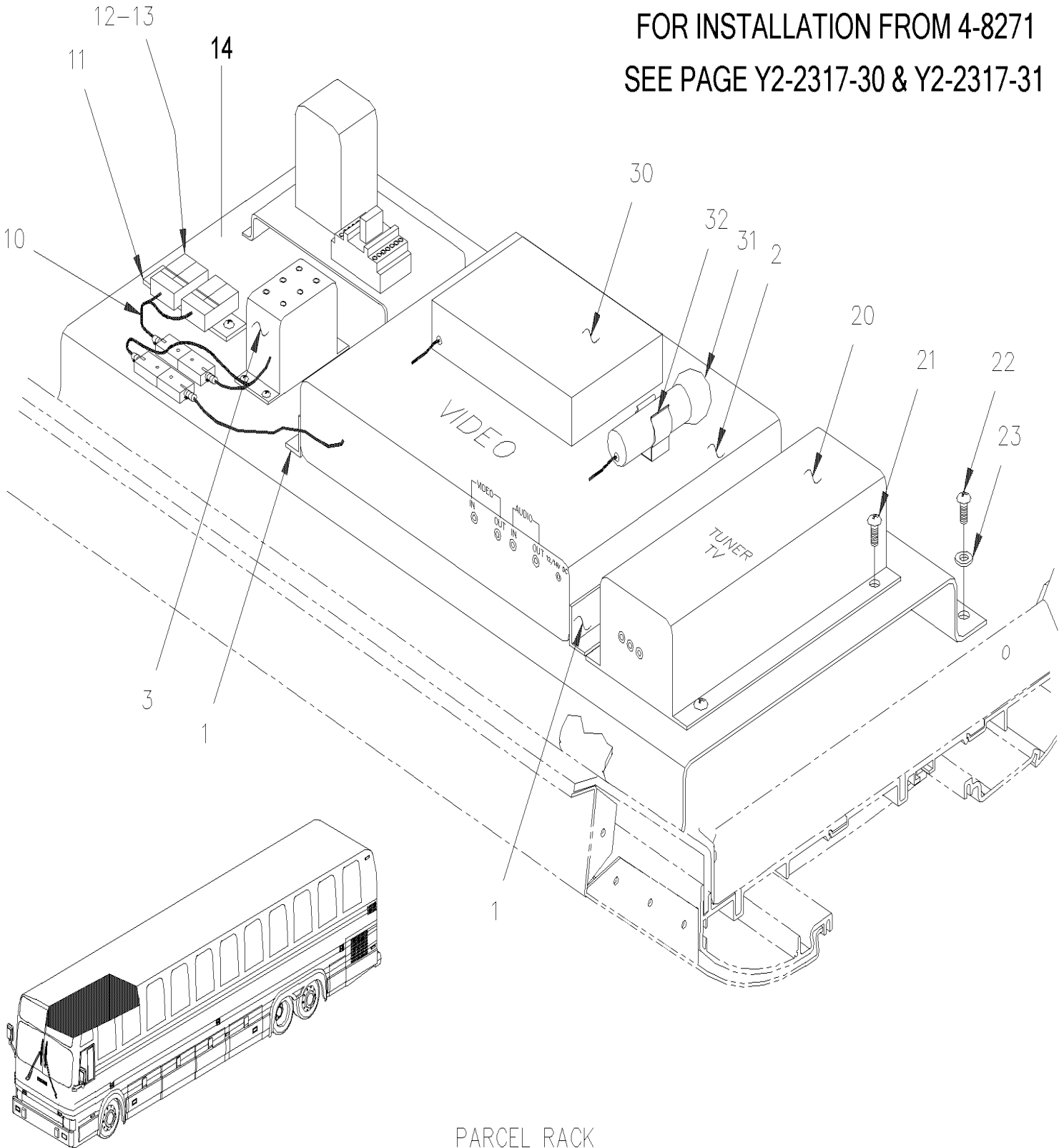
From Y-7046 To 6-8906

Date:10/2022

PAGE:Y2-2317-20

VIDEO VHS PLAYER - INSTALLATION "R.E.I."

FOR INSTALLATION FROM 4-8271
SEE PAGE Y2-2317-30 & Y2-2317-31



| | | |
|-----------------------|--------------|-----------------|
| From Y-7046 To 6-8906 | Date:10/2022 | PAGE:Y2-2317-20 |
|-----------------------|--------------|-----------------|

VIDEO VHS PLAYER - INSTALLATION "R.E.I."

| Item# | Part | Description | X L I I 4 5 | X L I I M T H 4 0 | X L I I M T H 4 5 | X L I I M T H 4 5 E | N O T E S |
|--------|-----------|--|----------------------------|---|---|--|-----------------------|
| 1 | 900823 | VCP R.H. ADAPTOR BRACKET To 1-7436 | 1 | | | | |
| 1 | 900824 | VCP L.H. ADAPTOR BRACKET To 1-7436 | 1 | | | | |
| 1 | 901028 | VCP R.H. ADAPTOR BRACKET From 1-7437 To 4-8270 | 1 | | | | |
| 1 | 901029 | VCP L.H. ADAPTOR BRACKET From 1-7437 To 4-8270 | 1 | | | | |
| 1 | 405500 | VCP R.H. ADAPTOR BRACKET From 4-8271 | 1 | | | | |
| 1 | 405501 | VCP L.H. ADAPTOR BRACKET From 4-8271 | 1 | | | | |
| 2 | 900806 | VIDEO V-2100 VCP, SYS 2000 24V To 1-7436 | 1 | | | | |
| 2 | 901030 | VIDEO V-3000 VCP, SYS 2000 24V From 1-7437 | 1 | | | | |
| . NS | 901065 | . REMOTE CONTROL / VDO REI V-3000 From 1-7437 | 1 | | | | |
| 2 | 7770197 | KIT, VHS TO DVD CONVERSION | 1 | | | | |
| . NS | 901339 | . DVD PLAYER 12V | 1 | | | | |
| . . NS | 901377 | . . REMOTE CONTROL / DVD R.E.I. | 1 | | | | |
| . NS | 407639 | . SUPPORT, DVD | 1 | | | | |
| . NS | 901347 | . CABLE ASSY / W/2 BNC FEMALE/ FEMALE 1" | 1 | | | | |
| . NS | 901564 | . ADAPTOR, RCA MALE TO BNC FEMALE | 1 | | | | |
| . NS | 563071 | . CONNECTOR / MINI FIT JR / SH 4C / MOLEX 39-01-3042 | 1 | | | | |
| . NS | 562593 | . WIRE CABLE 18 / YELLOW / TXL | AR | | | | |
| . NS | 562587 | . WIRE CABLE 18 / BLACK / TXL | AR | | | | |
| . NS | 562463 | . SOCKET TERMINAL / 24-18 / MOLEX 39-00-0039 | 2 | | | | |
| . NS | 563622 | . BUTT SPLICE / 22-18 / RED / W/THERMORETRAC / PANDUIT BSH18-Q | 2 | | | | |
| . NS | 5001017 | . SCREW TC CAP HEXW #10-24x1/2 Z050 | 4 | | | | |
| . NS | 502853 | . WASHER LO SPT 6.1x11.8x1.6 N500 | 1 | | | | |
| . NS | IS-16901A | . SEE INSTRUCTION SHEET | 1 | | | | |
| NS | 900884 | SWITCH VIDEO / USE WITH 2 VIDEO | 1 | | | | |
| NS | 404380 | CABLE ASSY RCA / M/M / USE WITH 2 VIDEOS / 510300 | 1 | | | | |
| 3 | 900807 | VIDEO DISTRIBUTION AMPLI W/BNC To 2-7744 | 1 | | | | |
| 3 | 901055 | VIDEO DISTRIBUTION AMPLI W/BNC From 2-7745 To 5-8437 | 1 | | | | |
| 3 | 901117 | VIDEO DISTRIBUTION AMPLI W/BNC From 5-8438 | 1 | | | | |
| . NS | 901119 | . CABLE POWER DVA/VIDEO From 5-8438 | 1 | | | | |
| 3 | 901403 | VIDEO DISTRIBUTION AMPLI W/BNC | 1 | | | | S |
| 4 | 404232 | CABLE ASSY COAX / RG-59 / 10' / 510443 | AR | | | | |
| 4 | 404233 | CABLE ASSY COAX / RG-59 / 15' / 511062 | AR | | | | |
| 4 | 404234 | CABLE ASSY COAX / RG-59 / 20' / 510407 | AR | | | | |
| 4 | 404235 | CABLE ASSY COAX / RG-59 / 24' / 510414 | AR | | | | |
| 4 | 404236 | CABLE ASSY COAX / RG-59 / 33' / 510928 | AR | | | | |
| 4 | 404237 | CABLE ASSY COAX / RG-59 / 44' / 510929 | AR | | | | |
| 5 | 404244 | CABLE ASSY / 24V POWER / 10' To 4-8270 | AR | | | | RC |
| 5 | 405487 | CABLE ASSY / 24V POWER / 10' From 4-8271 | AR | | | | R |
| 5 | 404245 | CABLE ASSY / 24V POWER / 15' To 4-8270 | AR | | | | RC |
| 5 | 405488 | CABLE ASSY / 24V POWER / 15' From 4-8271 | AR | | | | R |
| 5 | 404246 | CABLE ASSY / 24V POWER / 20' To 4-8270 | AR | | | | RC |
| 5 | 405489 | CABLE ASSY / 24V POWER / 20' From 4-8271 | AR | | | | R |

| | | |
|-----------------------|--------------|-----------------|
| From Y-7046 To 6-8906 | Date:10/2022 | PAGE:Y2-2317-20 |
|-----------------------|--------------|-----------------|

VIDEO VHS PLAYER - INSTALLATION "R.E.I."

| Item# | Part | Description | X L I I 4 5 | X L I I M T H 4 0 | X L I I M T H 4 5 | X L I I M T H 4 5 E | N O T E S |
|-------|-------------------|--|----------------------------|---|---|--|-----------------------|
| 5 | 404247 | CABLE ASSY / 24V POWER / 25' To 4-8270 | AR | | | | RC |
| 5 | 405490 | CABLE ASSY / 24V POWER / 25' From 4-8271 | AR | | | | R |
| 5 | 404248 | CABLE ASSY / 24V POWER / 30' To 4-8270 | AR | | | | RC |
| 5 | 405491 | CABLE ASSY / 24V POWER / 30' From 4-8271 | AR | | | | R |
| 5 | 404249 | CABLE ASSY / 24V POWER / 35' To 4-8270 | AR | | | | RC |
| 5 | 405492 | CABLE ASSY / 24V POWER / 35' From 4-8271 | AR | | | | R |
| 5 | 404250 | CABLE ASSY / 24V POWER / 40' To 4-8270 | AR | | | | RC |
| 5 | 405493 | CABLE ASSY / 24V POWER / 40' From 4-8271 | AR | | | | R |
| 5 | 405379 | CABLE ASSY / 24V POWER / 60' To 4-8270 | AR | | | | RC |
| 5 | 405494 | CABLE ASSY / 24V POWER / 60' From 4-8271 | AR | | | | R |
| 6 | Y2-2317-00 | FRONT MONITOR - VIDEO - "R.E.I." | | | | | |
| 7 | Y2-2317-10 | SIDE MONITOR - VIDEO - "R.E.I." | | | | | |
| 8 | 404283 | CABLE ASSY / FILTER VCP & CONTROL HEAD / 20' | 1 | | | | |
| 9 | 900783 | CABLE RCA / 2M/2M / 10' | 1 | | | | |
| 10 | 404255 | CABLE ASSY / 24V POWER / 13" | 1 | | | | |
| 11 | 380904 | RAIL SUPPORT / 80MM | 1 | | | | |
| 12 | 561726 | BLOCK JUNCTION | 4 | | | | |
| 12 | 381813 | BUS BAR / W/2 HOLES 25MM | 1 | | | | |
| 13 | 561728 | END CLOSING | 1 | | | | |
| 14 | 404588 | MOUNTING PLATE To 4-8270 | 1 | | | | |
| 14 | 405482 | MOUNTING PLATE From 4-8271 To 5-8592 | 1 | | | | |
| 14 | 409125 | MOUNTING PLATE From 5-8593 | 1 | | | | |
| NS | 404589 | PROTECTOR VIDEO BOX | 1 | | | | |
| 14 | Y2-2317-30 | VIDEO & AUDIO SYSTEM - INSTALLATION | 1 | 1 | 1 | 1 | |
| 20 | 900814 | TUNER TV 24V To 2-7744 | 1 | | | | |
| 20 | 901054 | TUNER TV 24V From 2-7745 | 1 | | | | |
| NS | 405186 | INTERFACE CABLE ASSY | 1 | | | | B |
| 21 | 500654 | SCREW TC BDG PH #8-32x1/2 Z050 | 4 | | | | |
| 22 | 500841 | SCREW TP PAN PH #14x3/4 Z050 | 6 | | | | |
| 23 | 500441 | WASHER FL .312x.734x.065 Z050 | 6 | | | | |
| 30 | 900952 | RECEIVER WIRELESS MICROPHONE / 16-CHANNEL To 5-8412 | 1 | | | | A |
| NS | 901300 | ANTENNA RIGID / REAR OF RECEIVER To 5-8412 | 1 | | | | A |
| 30 | 901201 | RECEIVER WIRELESS MICROPHONE / 16 CHANNEL From 5-8413 | 1 | | | | |
| 31 | 900954 | MICROPHONE, WIRELESS / 16 CHANNEL | 1 | | | | A |
| NS | 685199 | BATTERY 1.5V / TYPE "AA" / RECHARGEABLE | AR | | | | A |
| 32 | 900953 | STATION WIRELESS BATTERY CHARGING 16 CHANNEL | 1 | | | | |
| | | | | | | | |
| | | | | | | | |
| | | | | | | | |
| | | A) 170,3 MHZ TO 174,8 MHZ | | | | | |
| | | B) USE WITH #901054 UP TO 2-7744 | | | | | |
| | | R) CABLE W/R.E.I. MONITOR USE W/CON 1 # 563071 & 3 TERM # 562483 | | | | | |

| | | |
|-----------------------|--------------|-----------------|
| From Y-7046 To 6-8906 | Date:10/2022 | PAGE:Y2-2317-20 |
|-----------------------|--------------|-----------------|

VIDEO VHS PLAYER - INSTALLATION "R.E.I."

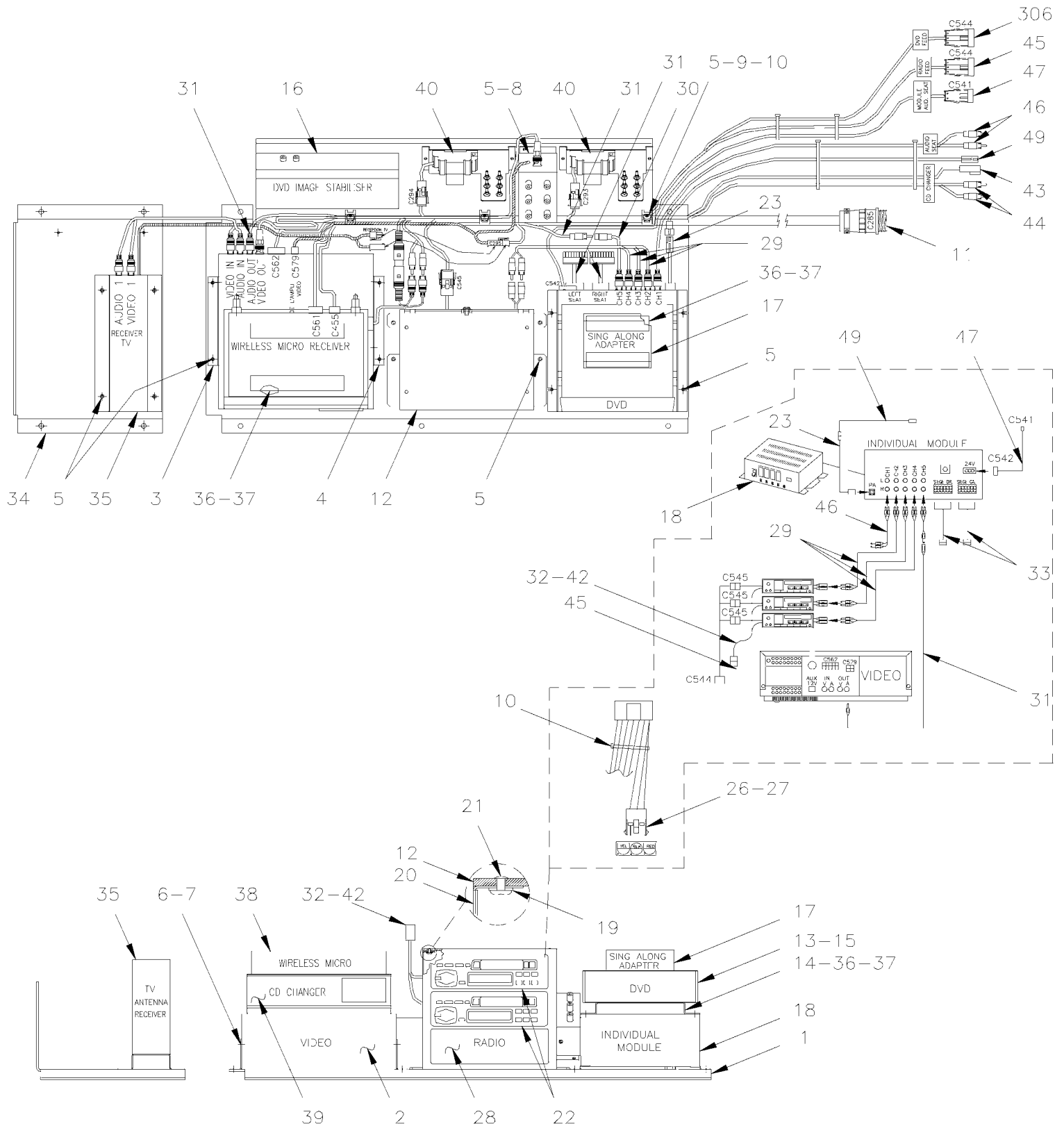
| Item# | Part | Description | X L I I 4 5 | X L I I M T H 4 0 | X L I I M T H 4 5 | X L I I M T H 4 5 E | N O T E S |
|-------|------|---|--------------------------------|---|---|--|-----------------------|
| | | RC) CABLE W/R.E.I. MONITOR USE W/CON 1 # 562554 | | | | | |
| | | S) FOR SERVICE | | | | | |

From 4-8271 To 5-8592

Date:10/2022

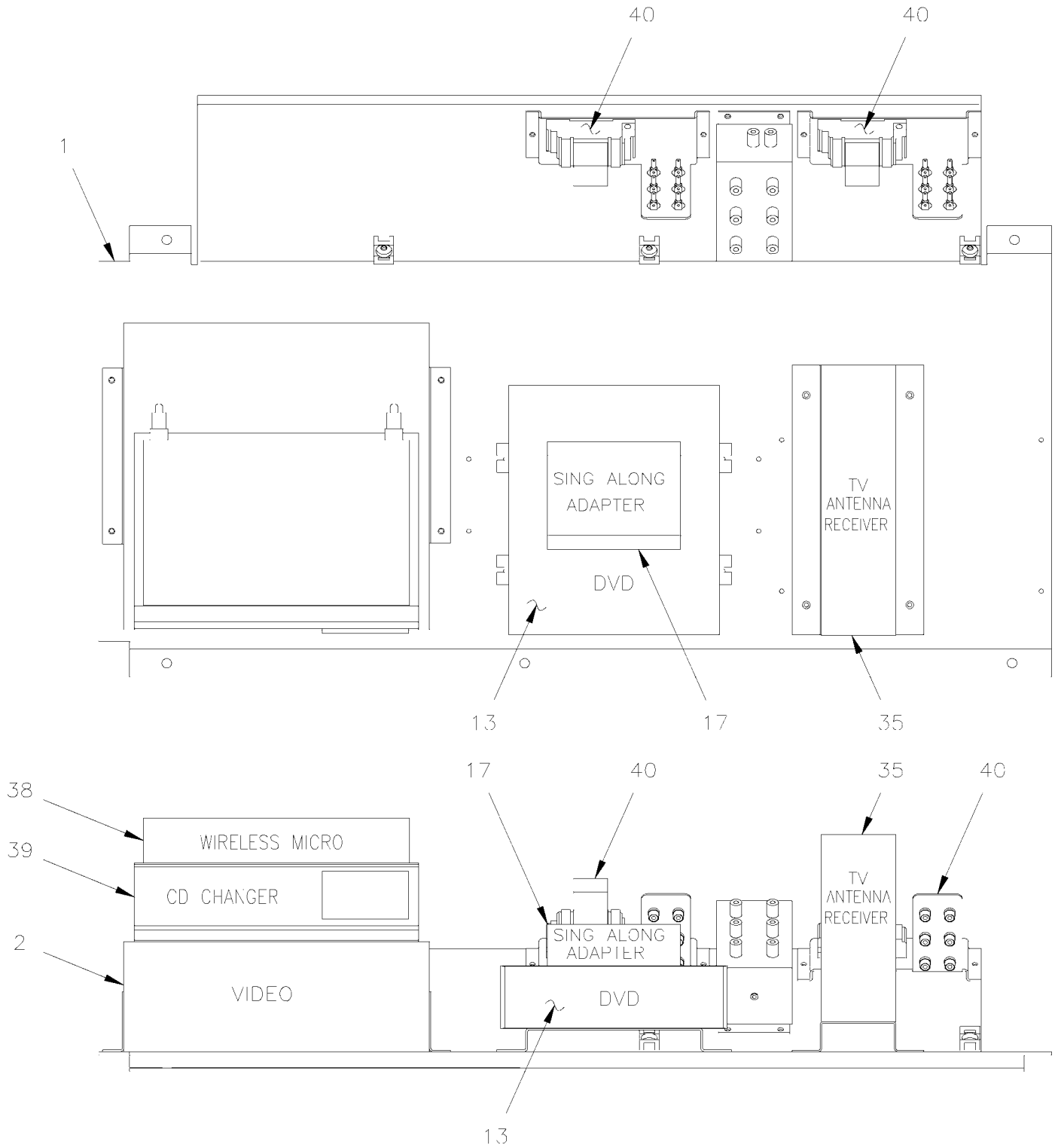
PAGE:Y2-2317-30

VIDEO & AUDIO SYSTEM - INSTALLATION



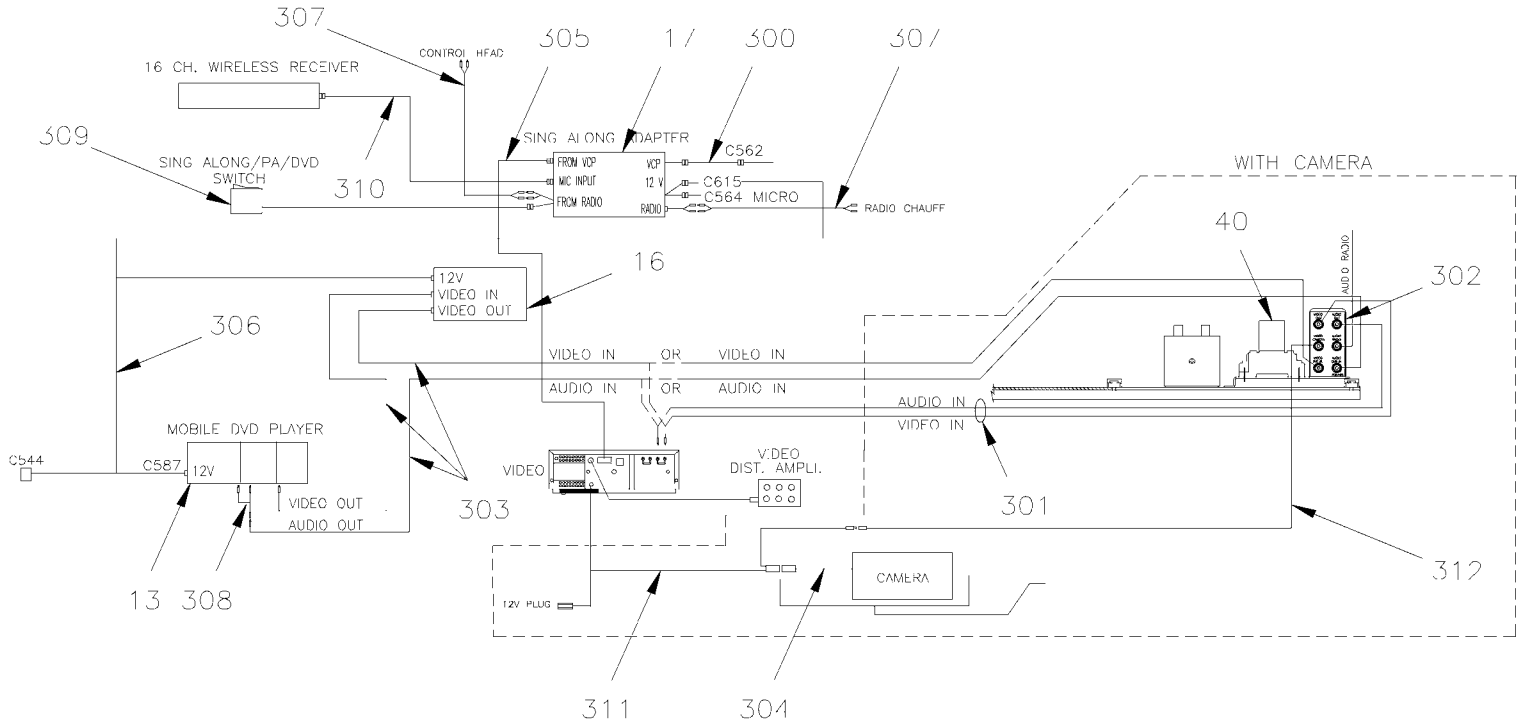
| | | |
|--|--------------|-----------------|
| From 4-8271 To 5-8592 | Date:10/2022 | PAGE:Y2-2317-30 |
| VIDEO & AUDIO SYSTEM - INSTALLATION | | |

COMPONENTS POSITION W/O INDIVIDUAL LISTENING

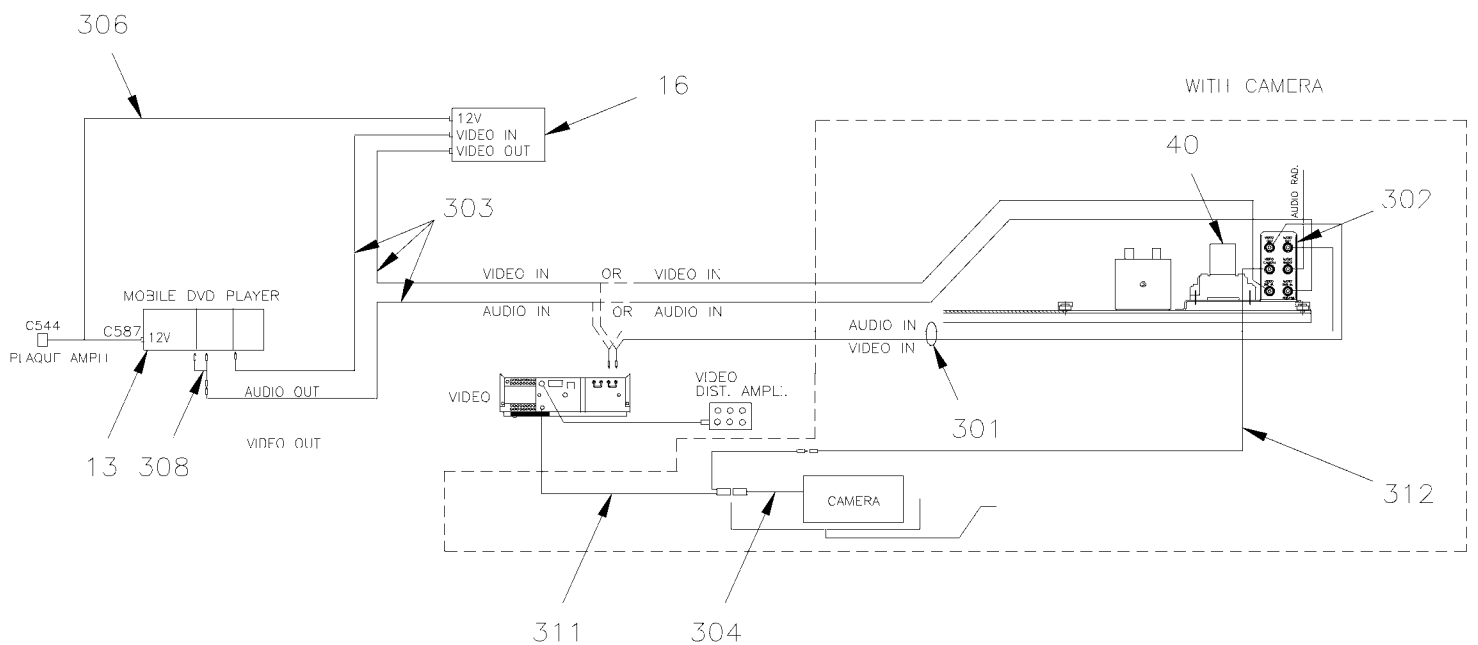


| | | |
|--|--------------|-----------------|
| From 4-8271 To 5-8592 | Date:10/2022 | PAGE:Y2-2317-30 |
| VIDEO & AUDIO SYSTEM - INSTALLATION | | |

VCP, DVD SING ALONG WITH OR WITHOUT CAMERA

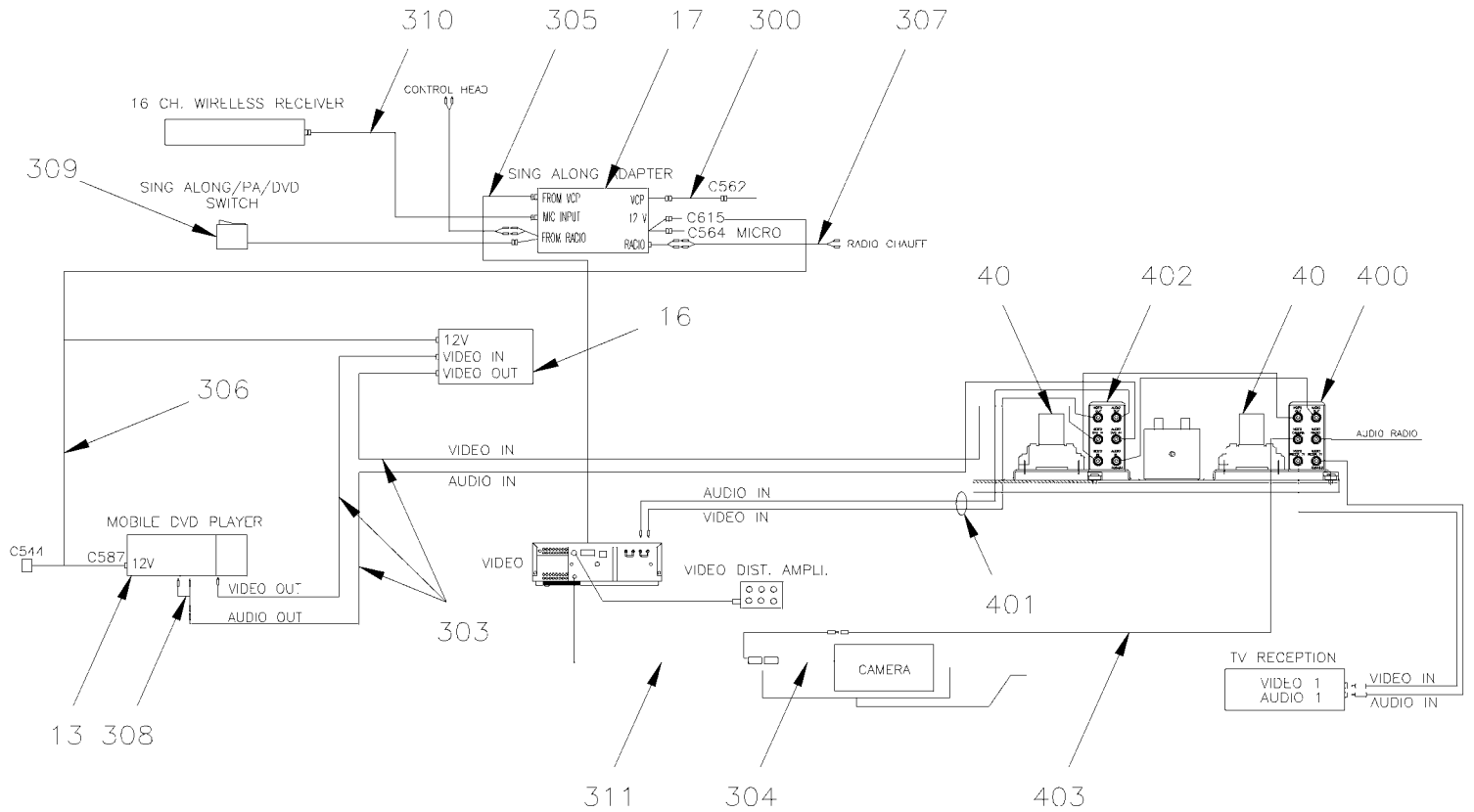


VCP, DVD WITH OR WITHOUT CAMERA

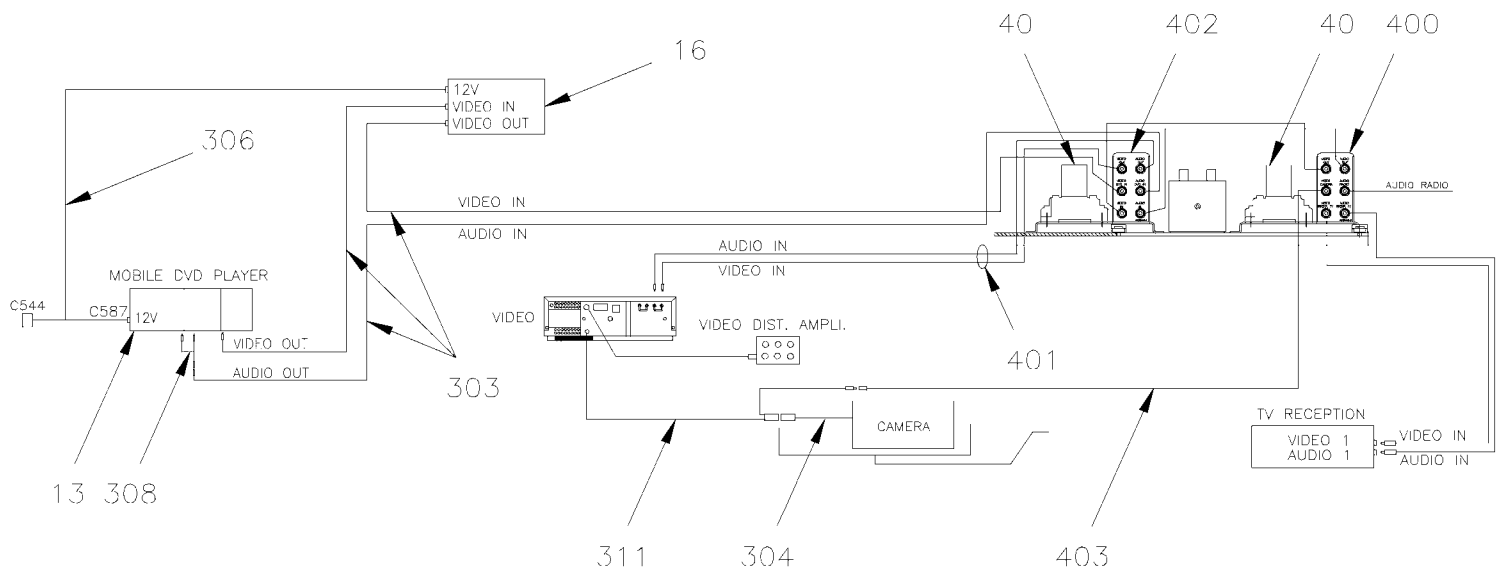


| | | |
|--|--------------|-----------------|
| From 4-8271 To 5-8592 | Date:10/2022 | PAGE:Y2-2317-30 |
| VIDEO & AUDIO SYSTEM - INSTALLATION | | |

VCP, DVD SING ALONG, CAMERA AND TV RECPTION

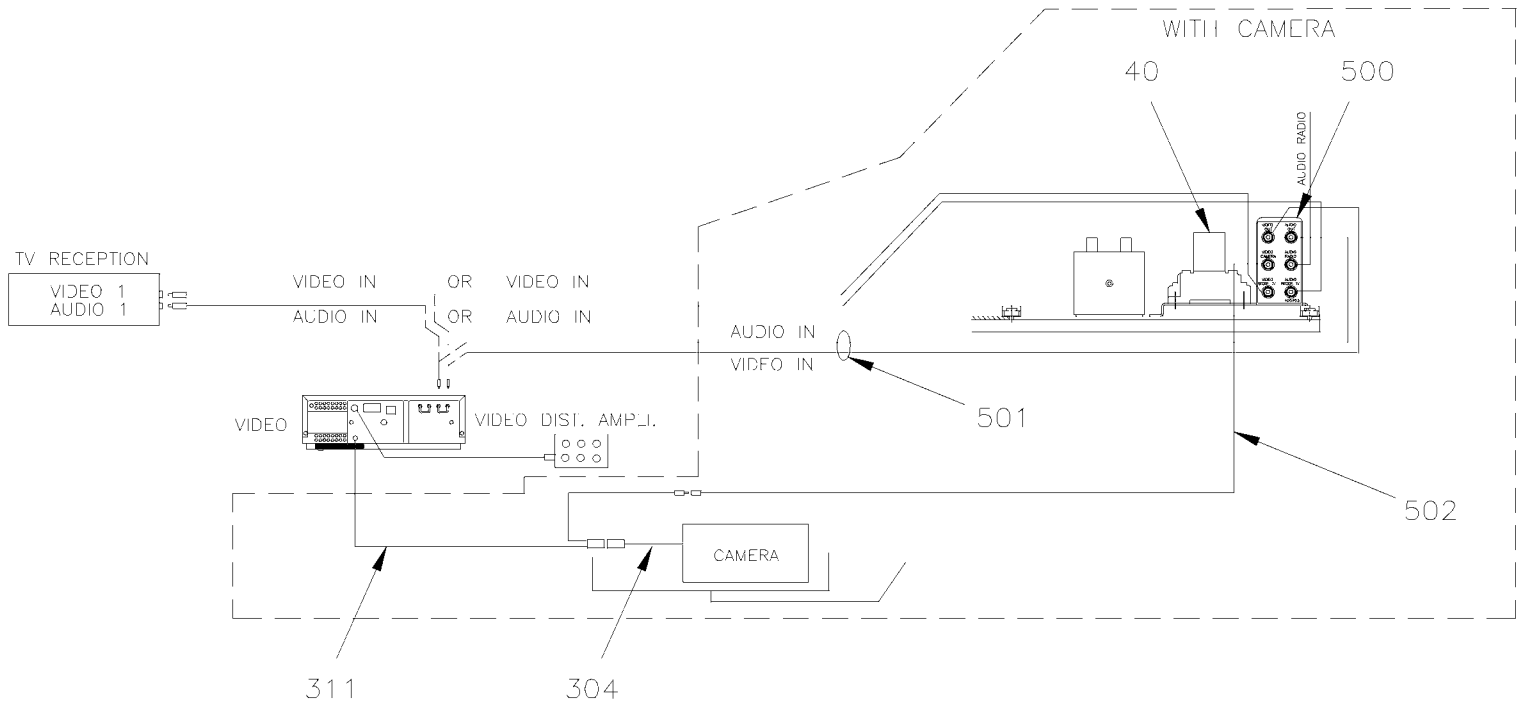


VCP, DVD, CAMERA AND TV RECEPTION

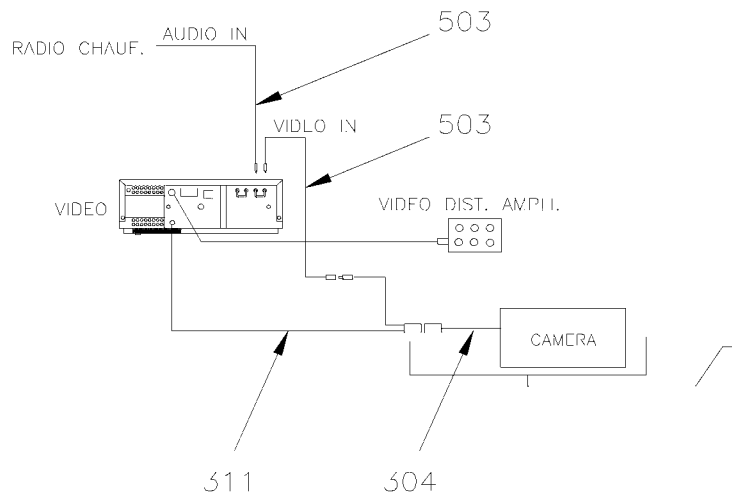


| | | |
|--|--------------|-----------------|
| From 4-8271 To 5-8592 | Date:10/2022 | PAGE:Y2-2317-30 |
| VIDEO & AUDIO SYSTEM - INSTALLATION | | |

VCP, TV RECEPTION WITH OR WITHOUT CAMERA



VCP WITH CAMERA



| | | |
|--|--------------|-----------------|
| From 4-8271 To 5-8592 | Date:10/2022 | PAGE:Y2-2317-30 |
| VIDEO & AUDIO SYSTEM - INSTALLATION | | |

| Item# | Part | Description | X L I I 4 5 | X L I I M T H 4 0 | X L I I M T H 4 5 | X L I I M T H 4 5 E | N O T E S |
|--------|-----------|--|----------------------------|---|---|--|-----------------------|
| 1 | 405482 | MOUNTING PLATE | 1 | | | | |
| 2 | 901030 | VIDEO V-3000 VCP, SYS 2000 24V | 1 | | | | |
| . NS | 901065 | . REMOTE CONTROL / VDO REI V-3000 | 1 | | | | |
| 2 | 7770197 | KIT, VHS TO DVD CONVERSION | 1 | | | | |
| . NS | 901339 | . DVD PLAYER 12V | 1 | | | | |
| . . NS | 901377 | . . REMOTE CONTROL / DVD R.E.I. | 1 | | | | |
| . NS | 407639 | . SUPPORT, DVD | 1 | | | | |
| . NS | 901347 | . CABLE ASSY / W/2 BNC FEMALE/ FEMALE 1" | 1 | | | | |
| . NS | 901564 | . ADAPTOR, RCA MALE TO BNC FEMALE | 1 | | | | |
| . NS | 563071 | . CONNECTOR / MINI FIT JR / SH 4C / MOLEX 39-01-3042 | 1 | | | | |
| . NS | 562593 | . WIRE CABLE 18 / YELLOW / TXL | AR | | | | |
| . NS | 562587 | . WIRE CABLE 18 / BLACK / TXL | AR | | | | |
| . NS | 562463 | . SOCKET TERMINAL / 24-18 / MOLEX 39-00-0039 | 2 | | | | |
| . NS | 563622 | . BUTT SPLICE / 22-18 / RED / W/THERMORETRAC / PANDUIT BSH18-Q | 2 | | | | |
| . NS | 5001017 | . SCREW TC CAP HEXW #10-24x1/2 Z050 | 4 | | | | |
| . NS | 502853 | . WASHER LO SPT 6.1x11.8x1.6 N500 | 1 | | | | |
| . NS | IS-16901A | . SEE INSTRUCTION SHEET | 1 | | | | |
| 3 | 405501 | VCP L.H. ADAPTOR BRACKET | 1 | | | | |
| 4 | 405500 | VCP R.H. ADAPTOR BRACKET | 1 | | | | |
| 5 | 500654 | SCREW TC BDG PH #8-32x1/2 Z050 | AR | | | | |
| 6 | 5001036 | SCREW MA PAN PH M4-0.7x10 Z050 | 4 | | | | |
| 7 | 502636 | WASHER LO SPT 4.1x7.6x0.9 Z050 | 4 | | | | |
| 8 | 901055 | VIDEO DISTRIBUTION AMPLI W/BNC To 5-8437 | 1 | | | | |
| 8 | 901117 | VIDEO DISTRIBUTION AMPLI W/BNC From 5-8438 | 1 | | | | |
| . NS | 901119 | . CABLE POWER DVA/VIDEO From 5-8438 | 1 | | | | |
| 8 | 901403 | VIDEO DISTRIBUTION AMPLI W/BNC | 1 | | | | S |
| 9 | 504013 | TIE MOUNT / 1/4" X 1/4" I.D. | 3 | | | | |
| 10 | 504637 | CABLE TIE / 3/16" x 13" | AR | | | | |
| 11 | 405486 | HARNESS, VIDEO PANEL | 1 | | | | |
| 12 | 404488 | SUPPORT, RADIO | 1 | | | | |
| 13 | 901069 | DVD REI / MP3 To 4-8290 | 1 | | | | |
| 13 | 901096 | DVD REI / MP3 From 4-8291 To 5-8437 | 1 | | | | |
| . NS | 901098 | . REMOTE CONTROL "MP3" DVD From 4-8291 To 5-8437 | 1 | | | | |
| 13 | 901116 | DVD REI / MP3 From 5-8438 | 1 | | | | |
| . NS | 901264 | . REMOTE CONTROL / DVD REI From 5-8438 | 1 | | | | |
| 14 | 405499 | SUPPORT DVD | 2 | | | | |
| 15 | 901074 | KIT, TRIM PANEL DVD | 1 | | | | |
| 16 | 901034 | STABILIZER VIDEO MODIFIED | 1 | | | | A |
| 17 | 901035 | ADAPTOR KARAOKE | 1 | | | | |
| 18 | 900845 | ENTERTAINER CONTROL MODULE | 1 | | | | |
| 19 | 500437 | WASHER FL .125x.375x.040 Z050 | 8 | | | | |
| 20 | 404542 | SIDE PANEL FINISHING | 2 | | | | |

| | | |
|--|--------------|-----------------|
| From 4-8271 To 5-8592 | Date:10/2022 | PAGE:Y2-2317-30 |
| VIDEO & AUDIO SYSTEM - INSTALLATION | | |

| Item# | Part | Description | X L I I 4 5 | X L I I M T H 4 0 | X L I I M T H 4 5 | X L I I M T H 4 5 E | N O T E S |
|-------|-------------------|--|----------------------------|---|---|--|-----------------------|
| 21 | 504475 | RIVET POP CK OE 1/8x3/16 AL | 8 | | | | |
| 22 | 901078 | RADIO "PIONEER" KEH-P1010 AM/FM/CASS. | 1 | | | | |
| 22 | 901046 | RADIO "SONY" CDXL550X AM/FM/CD | 1 | | | | |
| 23 | 404498 | CABLE ADAPTOR INTER. MODULE / 511211 | 1 | | | | |
| 24 | 5001036 | SCREW MA PAN PH M4-0.7x10 Z050 | 1 | | | | |
| 25 | 500022 | WASHER LO INT .168x.340x.023 Z050 | 1 | | | | |
| 26 | 561667 | CONNECTOR / UNIVERSAL MATE-N-LOK / PH 3C / AMP 1-480701-0 | 1 | | | | |
| 27 | 562122 | PIN TERMINAL / 20-14 / AMP 350547-1 | 2 | | | | |
| 28 | 900849 | PLATE RADIO "DUMMY" | AR | | | | |
| 29 | 900856 | CABLE RCA / 2M/2M / 3' | 1 | | | | |
| 30 | 900758 | ADAPTOR "Y" RCA / 1F/2M / 9" | 1 | | | | |
| 31 | 404380 | CABLE ASSY RCA / M/M / USE WITH 2 VIDEOS / 510300 | 1 | | | | |
| 32 | 900775 | Y RADIO ANTENNA CABLE / TO USE W/2 RADIOS | 1 | | | | |
| 33 | 901022 | CABLE SEAT AUDIO | 2 | | | | |
| 34 | 405483 | PANEL TV RECEIVER | 1 | | | | |
| 35 | 901054 | TUNER TV 24V | 1 | | | | |
| 36 | 506755 | VELCRO / HOOK ADHESIF 1" x 75' | AR | | | | |
| 37 | 506756 | VELCRO / LOOP ADHESIF 1" x 75' | AR | | | | |
| 38 | 900952 | RECEIVER WIRELESS MICROPHONE / 16-CHANNEL To 5-8412 | 1 | | | | |
| NS | 901300 | . ANTENNA RIGID / REAR OF RECEIVER To 5-8412 | 1 | | | | |
| 38 | 901201 | RECEIVER WIRELESS MICROPHONE / 16 CHANNEL From 5-8413 | 1 | | | | |
| 39 | 901057 | CD CHARGER / 8 DISCS / "PANASONIC" CX-DP88 / MODIFIED | 1 | | | | |
| 40 | Y2-2355-10 | FRONT CAMERA - INSTALLATION | | | | | |
| 42 | 900663 | ADAPTOR / RADIO & ANTENNA CABLE / MOTOROLA MALE to EURO FEMA | 1 | | | | |
| 43 | 901058 | CABLE ASSY CD / DIN / 280" | 1 | | | | |
| 44 | 901059 | CABLE RCA / 2M/2M / 23' | 1 | | | | |
| 45 | 404504 | CABLE ASSY / RADIO POWER To 5-8592 | 1 | | | | |
| 46 | 900855 | CABLE RCA / 2M/2M / 20' | 1 | | | | |
| 47 | 064486 | CABLE ASSY 24V POWER / ENT MODULE / 33.5' To 5-8592 | 1 | | | | |
| 49 | 404302 | CABLE ASSY 20' / 510520 / | 1 | | | | |
| 300 | 405326 | WIRING HARNESS | 1 | | | | |
| 301 | 900856 | CABLE RCA / 2M/2M / 3' | 1 | | | | |
| 302 | 405455 | DECAL, VCR CAMERA & DVD RELAY / ENGLISH | 1 | | | | |
| 302 | 405651 | DECAL, VCR CAMERA & DVD RELAY / ENGLISH & SPANISH | 1 | | | | |
| 303 | 404380 | CABLE ASSY RCA / M/M / USE WITH 2 VIDEOS / 510300 | 2 | | | | |
| 304 | 900912 | CABLE ASSY / FRONT CAMERA | 1 | | | | |
| 305 | 405190 | HARNESS INTERFACE VIDEO/SING ALONE ADAP | 1 | | | | |
| 306 | 405657 | CABLE ASSY DVD | 1 | | | | |
| 307 | 900855 | CABLE RCA / 2M/2M / 20' | 2 | | | | |
| 308 | 900758 | ADAPTOR "Y" RCA / 1F/2M / 9" | 1 | | | | |
| 309 | 901036 | SWITCH KARAOKE | 1 | | | | |
| 310 | 405191 | HARNESS WIRE LESS MIC/SING ALONE ADAPTOR | 1 | | | | |

From 4-8271 To 5-8592 Date:10/2022 PAGE:Y2-2317-30

VIDEO & AUDIO SYSTEM - INSTALLATION

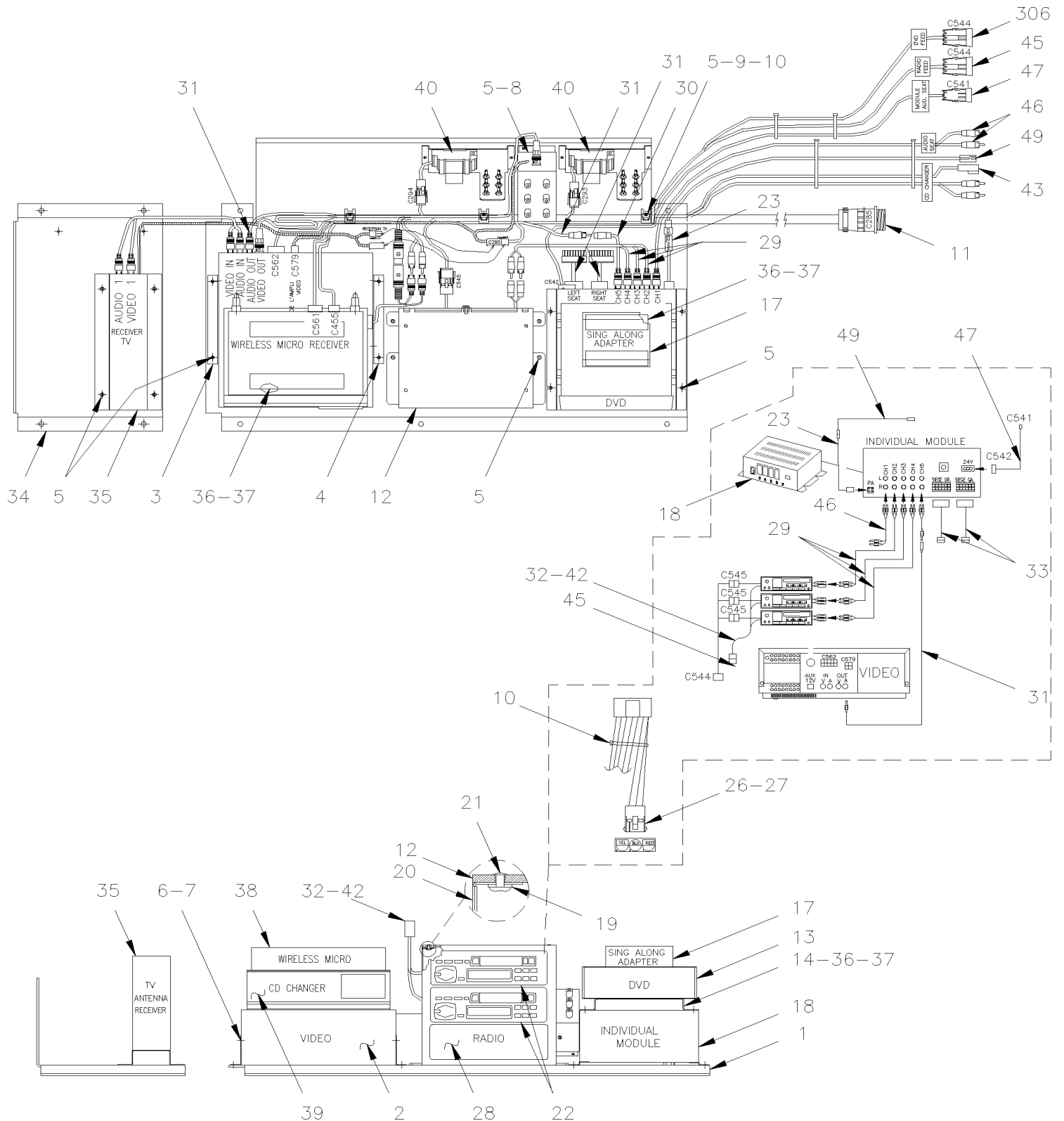
| Item# | Part | Description | X L I I 4 5 | X L I I M T H 4 0 | X L I I M T H 4 5 | X L I I M T H 4 5 E | N O T E S |
|-------|----------|---|--------------------------------|---|---|--|-----------------------|
| 311 | 900913 | CABLE ASSY / VIDEO & FRONT CAMERA | 1 | | | | |
| 312 | 900918 | CABLE RCA / 1M/1F/ 3' | 1 | | | | |
| 400 | 405453 | DECAL, VCR, CAMERA & TV RELAY | 1 | | | | |
| 401 | 900856 | CABLE RCA / 2M/2M / 3' | 1 | | | | |
| 402 | 405454 | DECAL, VCR & DVD RELAY | 1 | | | | |
| 403 | 900918 | CABLE RCA / 1M/1F/ 3' | 1 | | | | |
| 500 | 405453 | DECAL, VCR, CAMERA & TV RELAY | 1 | | | | |
| 501 | 900856 | CABLE RCA / 2M/2M / 3' | 1 | | | | |
| 502 | 900918 | CABLE RCA / 1M/1F/ 3' | 1 | | | | |
| 503 | 900866 | CABLE RCA / 1M/1M / 25' | 1 | | | | |
| NS | 405660 | KIT, DVD REPLACEMENT | 1 | | | | |
| . NS | IS-04036 | . SEE INSTRUCTION SHEET | 1 | | | | |
| NS | 405659 | KIT, VIDEO STABILIZATOR REPLACEMENT | 1 | | | | |
| . NS | IS-03099 | . SEE INSTRUCTION SHEET | 1 | | | | |
| | | | | | | | |
| | | | | | | | |
| | | A) THIS PART IS SUPERSEDED BY KIT #405659 | | | | | |
| | | S) FOR SERVICE | | | | | |

From 5-8593 To 6-8906

Date:10/2022

PAGE:Y2-2317-31

VIDEO & AUDIO SYSTEM - INSTALLATION



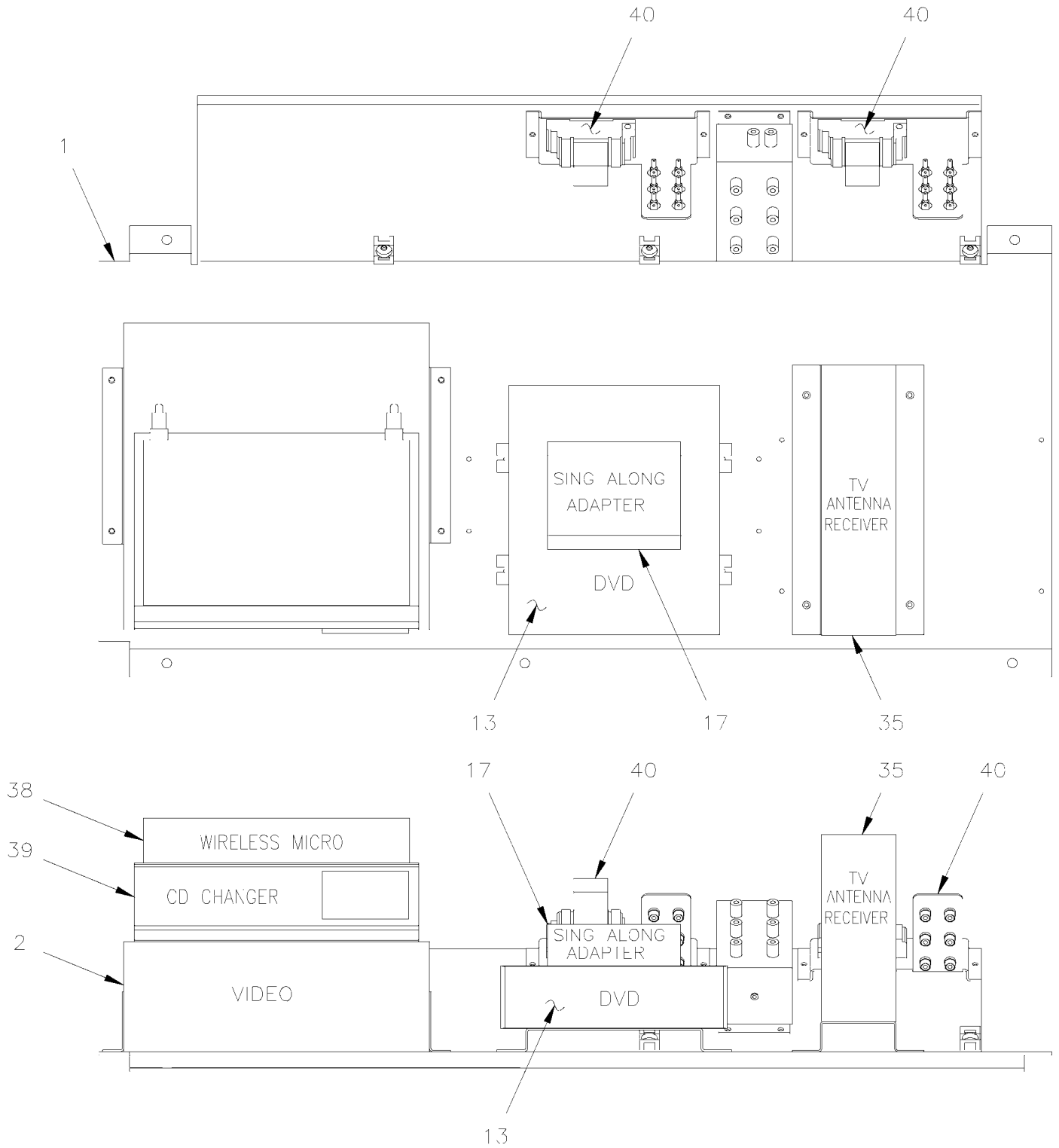
From 5-8593 To 6-8906

Date:10/2022

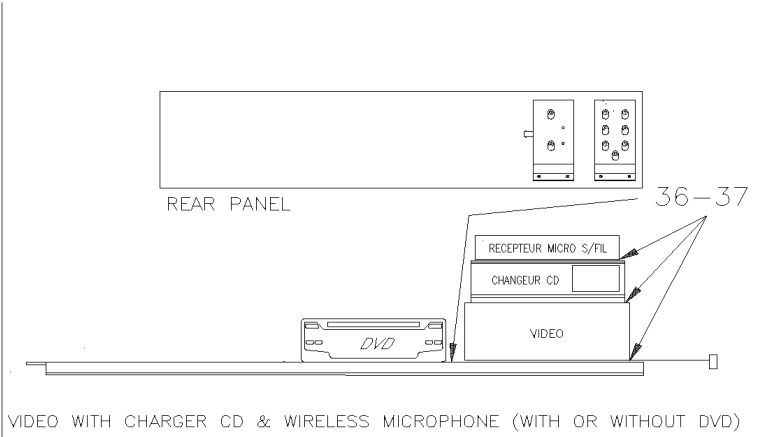
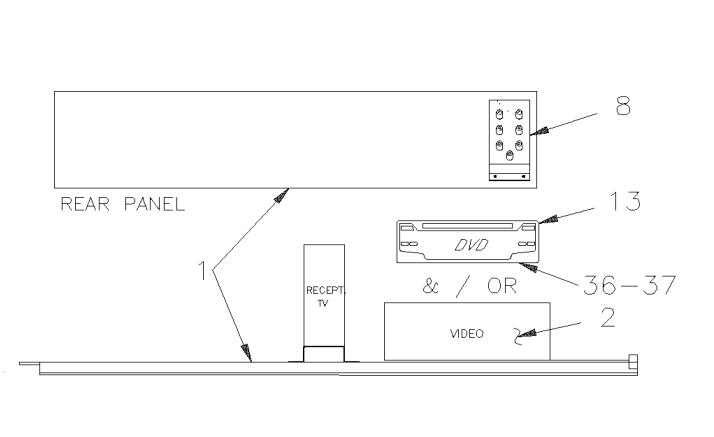
PAGE:Y2-2317-31

VIDEO & AUDIO SYSTEM - INSTALLATION

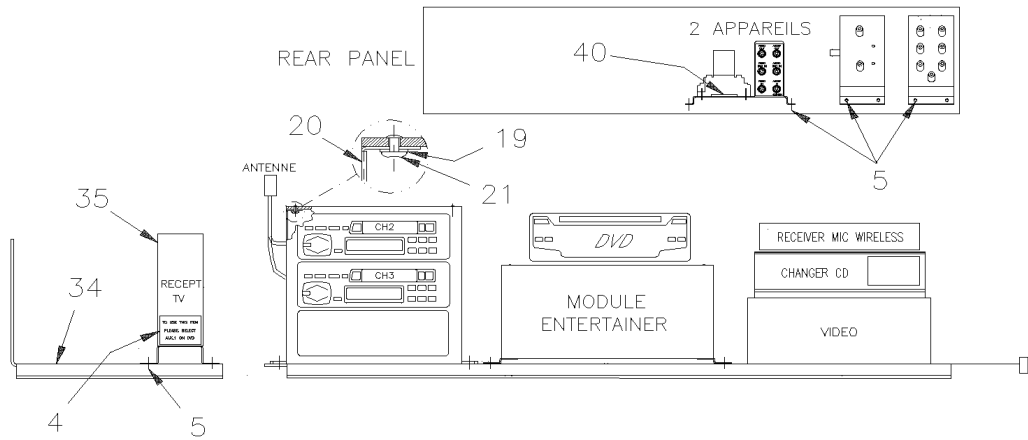
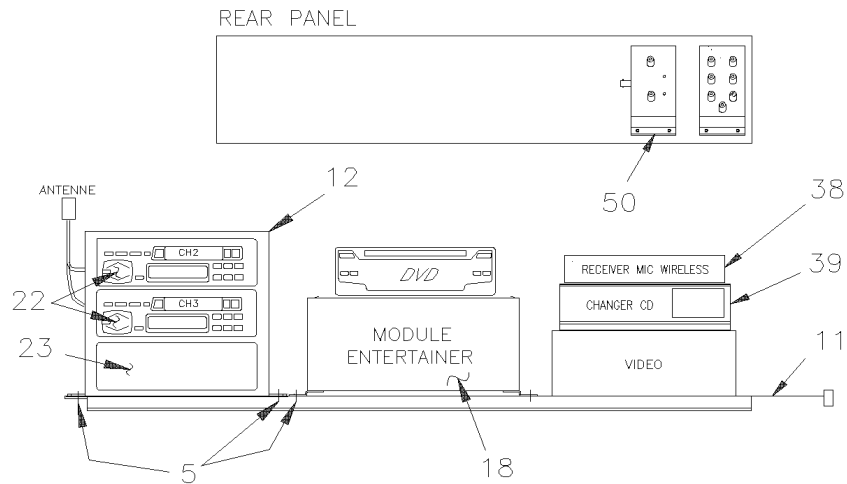
COMPONENTS POSITION
W/O INDIVIDUAL LISTENING



| | | |
|--|--------------|-----------------|
| From 5-8593 To 6-8906 | Date:10/2022 | PAGE:Y2-2317-31 |
| VIDEO & AUDIO SYSTEM - INSTALLATION | | |



VIDEO WITH CHARGER CD & WIRELESS MICROPHONE (WITH OR WITHOUT DVD)

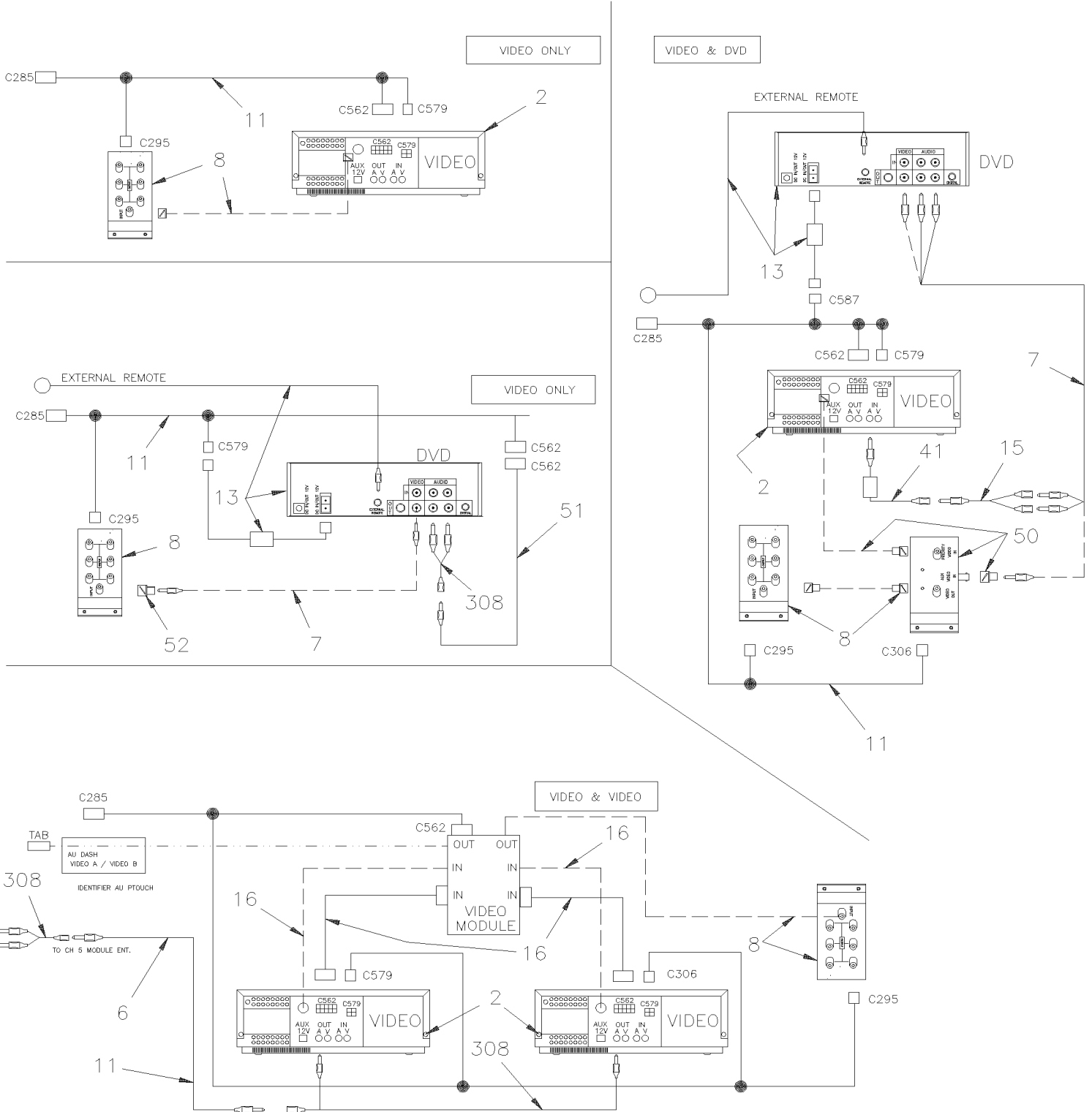


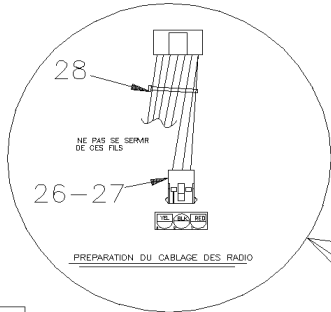
From 5-8593 To 6-8906

Date:10/2022

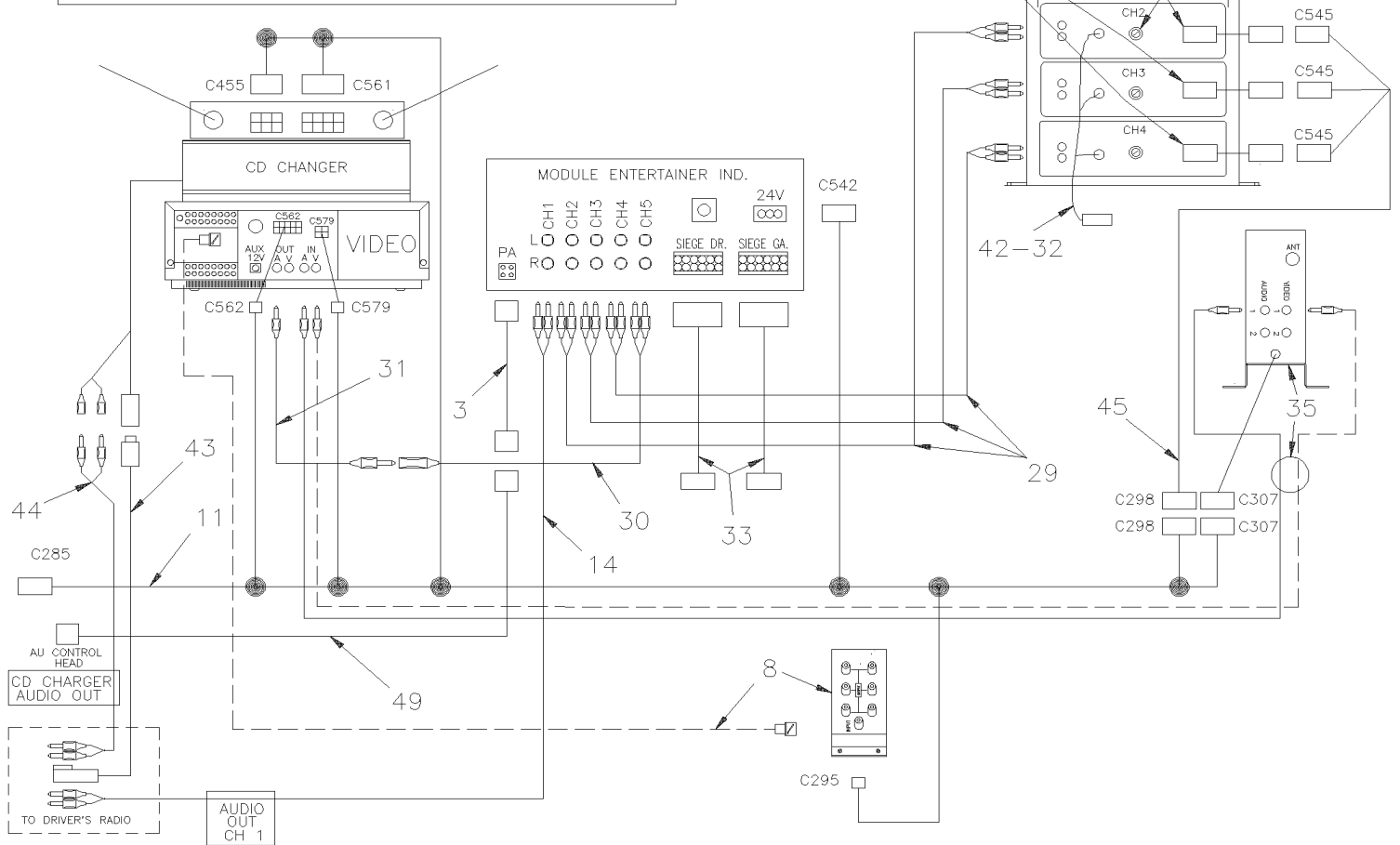
PAGE:Y2-2317-31

VIDEO & AUDIO SYSTEM - INSTALLATION

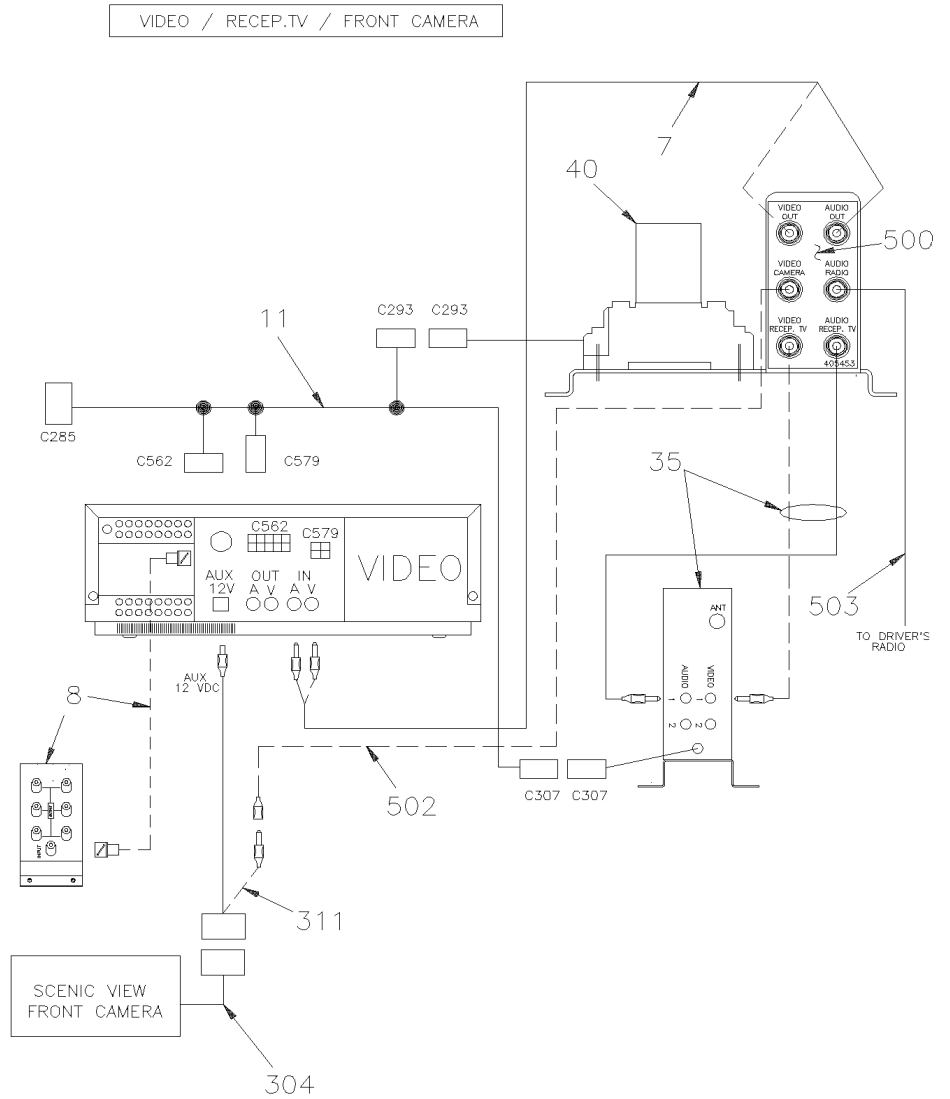
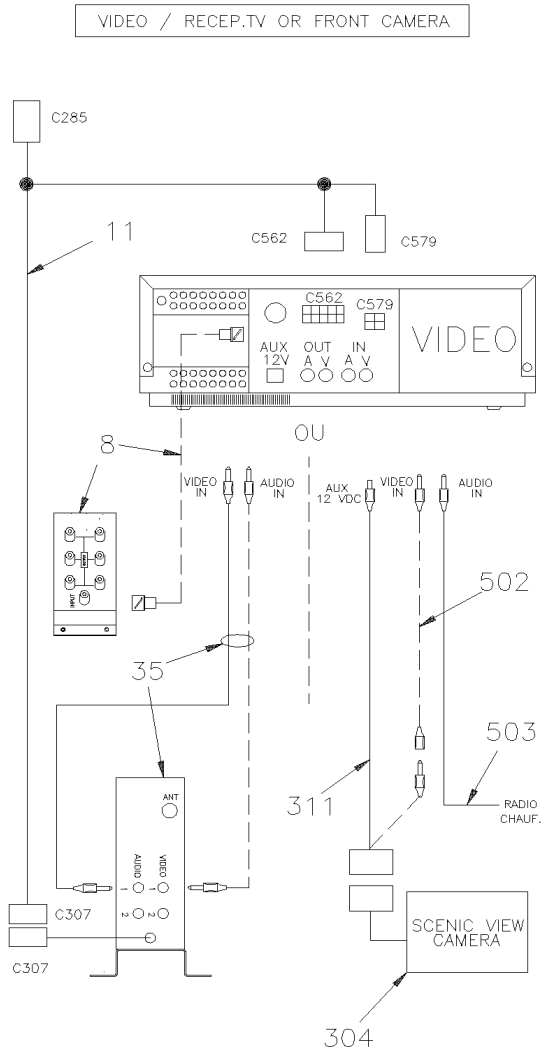




VIDEO / ENTER / CHARGER CD / MICRO WIRELESS / RECEP. TV



| | | |
|--|--------------|-----------------|
| From 5-8593 To 6-8906 | Date:10/2022 | PAGE:Y2-2317-31 |
| VIDEO & AUDIO SYSTEM - INSTALLATION | | |



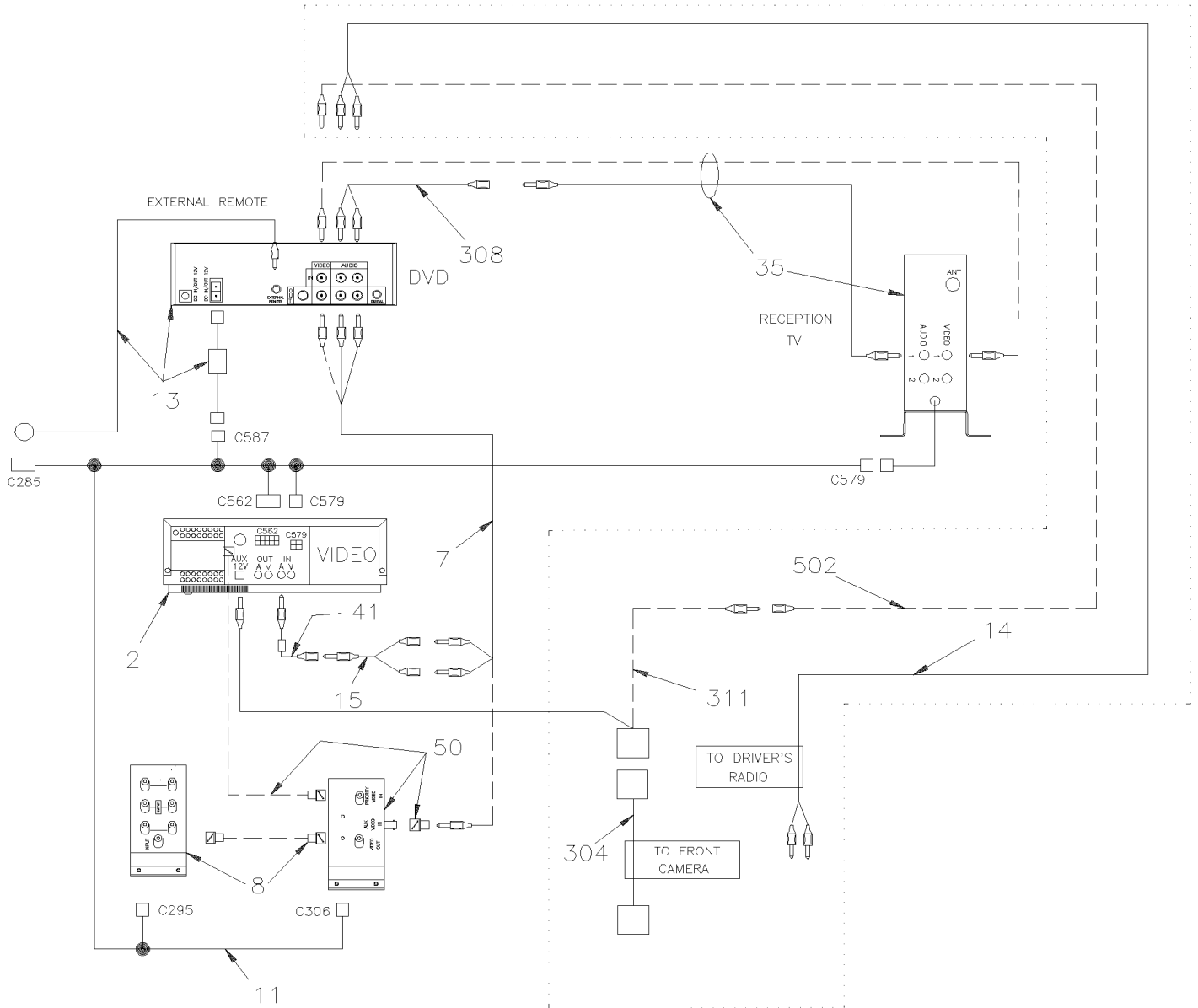
From 5-8593 To 6-8906

Date:10/2022

PAGE:Y2-2317-31

VIDEO & AUDIO SYSTEM - INSTALLATION

VIDEO / DVD / RECEPTION TV OR FRONT CAMERA

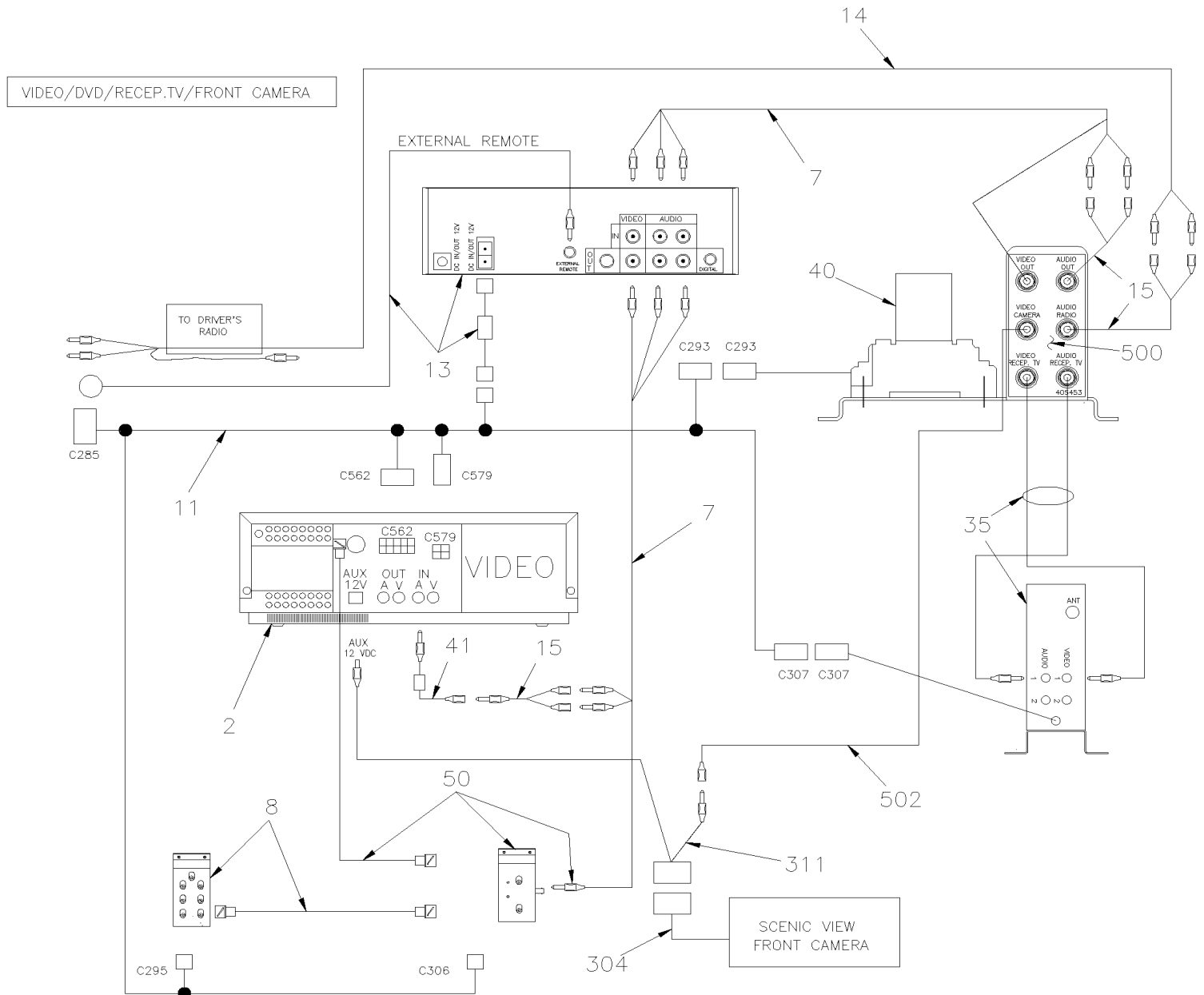


From 5-8593 To 6-8906

Date:10/2022

PAGE:Y2-2317-31

VIDEO & AUDIO SYSTEM - INSTALLATION



| | | |
|--|--------------|-----------------|
| From 5-8593 To 6-8906 | Date:10/2022 | PAGE:Y2-2317-31 |
| VIDEO & AUDIO SYSTEM - INSTALLATION | | |

| Item# | Part | Description | X L I I 4 5 | X L I I M T H 4 0 | X L I I M T H 4 5 | X L I I M T H 4 5 E | N O T E S |
|--------|-----------|--|----------------------------|---|---|--|-----------------------|
| 1 | 409125 | MOUNTING PLATE | 1 | | | | |
| 2 | 901030 | VIDEO V-3000 VCP, SYS 2000 24V | 1 | | | | |
| . NS | 901065 | . REMOTE CONTROL / VDO REI V-3000 | 1 | | | | |
| 2 | 7770197 | KIT, VHS TO DVD CONVERSION | 1 | | | | |
| . NS | 901339 | . DVD PLAYER 12V | 1 | | | | |
| . . NS | 901377 | . . REMOTE CONTROL / DVD R.E.I. | 1 | | | | |
| . NS | 407639 | . SUPPORT, DVD | 1 | | | | |
| . NS | 901347 | . CABLE ASSY / W/2 BNC FEMALE/ FEMALE 1" | 1 | | | | |
| . NS | 901564 | . ADAPTOR, RCA MALE TO BNC FEMALE | 1 | | | | |
| . NS | 563071 | . CONNECTOR / MINI FIT JR / SH 4C / MOLEX 39-01-3042 | 1 | | | | |
| . NS | 562593 | . WIRE CABLE 18 / YELLOW / TXL | AR | | | | |
| . NS | 562587 | . WIRE CABLE 18 / BLACK / TXL | AR | | | | |
| . NS | 562463 | . SOCKET TERMINAL / 24-18 / MOLEX 39-00-0039 | 2 | | | | |
| . NS | 563622 | . BUTT SPLICE / 22-18 / RED / W/THERMORETRAC / PANDUIT BSH18-Q | 2 | | | | |
| . NS | 5001017 | . SCREW TC CAP HEXW #10-24x1/2 Z050 | 4 | | | | |
| . NS | 502853 | . WASHER LO SPT 6.1x11.8x1.6 N500 | 1 | | | | |
| . NS | IS-16901A | . SEE INSTRUCTION SHEET | 1 | | | | |
| 3 | 405501 | VCP L.H. ADAPTOR BRACKET | 1 | | | | |
| 4 | 405500 | VCP R.H. ADAPTOR BRACKET | 1 | | | | |
| 5 | 500654 | SCREW TC BDG PH #8-32x1/2 Z050 | AR | | | | |
| 6 | 5001036 | SCREW MA PAN PH M4-0.7x10 Z050 | 4 | | | | |
| 7 | 502636 | WASHER LO SPT 4.1x7.6x0.9 Z050 | 4 | | | | |
| 8 | 901117 | VIDEO DISTRIBUTION AMPLI W/BNC | 1 | | | | |
| . NS | 901119 | . CABLE POWER DVA/VIDEO | 1 | | | | |
| 8 | 901403 | VIDEO DISTRIBUTION AMPLI W/BNC | 1 | | | | S |
| 9 | 504013 | TIE MOUNT / 1/4" X 1/4" I.D. | 3 | | | | |
| 10 | 504637 | CABLE TIE / 3/16" x 13" | AR | | | | |
| 11 | 409122 | HARNESS, VIDEO PANEL To 6-8797 | 1 | | | | |
| 11 | 409146 | HARNESS, VIDEO PANEL From 6-8798 | 1 | | | | |
| 12 | 404488 | SUPPORT, RADIO | 1 | | | | |
| 13 | 901116 | DVD REI / MP3 | 1 | | | | |
| . NS | 901264 | . REMOTE CONTROL / DVD REI | 1 | | | | |
| 14 | 405499 | SUPPORT DVD | 2 | | | | |
| 15 | 900671 | ADAPTOR "Y" RCA / 1M/2F / 4" | 1 | | | | |
| 16 | 901119 | CABLE POWER DVA/VIDEO | 1 | | | | |
| 17 | 901035 | ADAPTOR KARAOKE | 1 | | | | |
| 18 | 900845 | ENTERTAINER CONTROL MODULE | 1 | | | | |
| 19 | 500437 | WASHER FL .125x.375x.040 Z050 | 8 | | | | |
| 20 | 404542 | SIDE PANEL FINISHING | 2 | | | | |
| 21 | 504475 | RIVET POP CK OE 1/8x3/16 AL | 8 | | | | |
| 22 | 901078 | RADIO "PIONEER" KEH-P1010 AM/FM/CASS. | 1 | | | | |
| 22 | 901046 | RADIO "SONY" CDXL550X AM/FM/CD | 1 | | | | |

| | | |
|--|--------------|-----------------|
| From 5-8593 To 6-8906 | Date:10/2022 | PAGE:Y2-2317-31 |
| VIDEO & AUDIO SYSTEM - INSTALLATION | | |

| Item# | Part | Description | X L I I 4 5 | X L I I M T H 4 0 | X L I I M T H 4 5 | X L I I M T H 4 5 E | N O T E S |
|-------|-------------------|--|----------------------------|---|---|--|-----------------------|
| 23 | 404498 | CABLE ADAPTOR INTER. MODULE / 511211 | 1 | | | | |
| 24 | 5001036 | SCREW MA PAN PH M4-0.7x10 Z050 | 1 | | | | |
| 25 | 500022 | WASHER LO INT .168x.340x.023 Z050 | 1 | | | | |
| 26 | 561667 | CONNECTOR / UNIVERSAL MATE-N-LOK / PH 3C / AMP 1-480701-0 | 1 | | | | |
| 27 | 562122 | PIN TERMINAL / 20-14 / AMP 350547-1 | 2 | | | | |
| 28 | 900849 | PLATE RADIO "DUMMY" | AR | | | | |
| 29 | 900856 | CABLE RCA / 2M/2M / 3' | 1 | | | | |
| 30 | 900758 | ADAPTOR "Y" RCA / 1F/2M / 9" | 1 | | | | |
| 31 | 404380 | CABLE ASSY RCA / M/M / USE WITH 2 VIDEOS / 510300 | 1 | | | | |
| 32 | 900775 | Y RADIO ANTENNA CABLE / TO USE W/2 RADIOS | 1 | | | | |
| 33 | 901022 | CABLE SEAT AUDIO | 2 | | | | |
| 34 | 405483 | PANEL TV RECEIVER | 1 | | | | |
| 35 | 901054 | TUNER TV 24V | 1 | | | | |
| 36 | 506755 | VELCRO / HOOK ADHESIF 1" x 75' | AR | | | | |
| 37 | 506756 | VELCRO / LOOP ADHESIF 1" x 75' | AR | | | | |
| 38 | 901201 | RECEIVER WIRELESS MICROPHONE / 16 CHANNEL | 1 | | | | |
| 39 | 901057 | CD CHARGER / 8 DISCS / "PANASONIC" CX-DP88 / MODIFIED | 1 | | | | |
| 40 | Y2-2355-10 | FRONT CAMERA - INSTALLATION | | | | | |
| 41 | 901106 | AUDIO FILTER | 1 | | | | |
| 42 | 900663 | ADAPTOR / RADIO & ANTENNA CABLE / MOTOROLA MALE to EURO FEMA | 1 | | | | |
| 43 | 901058 | CABLE ASSY CD / DIN / 280" | 1 | | | | |
| 44 | 901059 | CABLE RCA / 2M/2M / 23' | 1 | | | | |
| 44 | 901110 | CABLE RCA / 2M/2M / 25' | 1 | | | | |
| 46 | 900855 | CABLE RCA / 2M/2M / 20' | 1 | | | | |
| 47 | 064486 | CABLE ASSY 24V POWER / ENT MODULE / 33.5' To 5-8592 | 1 | | | | |
| 49 | 404302 | CABLE ASSY 20' / 510520 / | 1 | | | | |
| 50 | 901120 | VIDEO SIGNAL DETECTOR / USE W/2 SIGNALS | 1 | | | | |
| 300 | 405326 | WIRING HARNESS | 1 | | | | |
| 301 | 900856 | CABLE RCA / 2M/2M / 3' | 1 | | | | |
| 302 | 405455 | DECAL, VCR CAMERA & DVD RELAY / ENGLISH | 1 | | | | |
| 302 | 405651 | DECAL, VCR CAMERA & DVD RELAY / ENGLISH & SPANISH | 1 | | | | |
| 303 | 404380 | CABLE ASSY RCA / M/M / USE WITH 2 VIDEOS / 510300 | 2 | | | | |
| 304 | 900912 | CABLE ASSY / FRONT CAMERA | 1 | | | | |
| 305 | 405190 | HARNESS INTERFACE VIDEO/SING ALONE ADAP | 1 | | | | |
| 306 | 405657 | CABLE ASSY DVD | 1 | | | | |
| 307 | 900855 | CABLE RCA / 2M/2M / 20' | 2 | | | | |
| 308 | 900758 | ADAPTOR "Y" RCA / 1F/2M / 9" | 1 | | | | |
| 309 | 901036 | SWITCH KARAOKE | 1 | | | | |
| 310 | 405191 | HARNESS WIRE LESS MIC/SING ALONE ADAPTOR | 1 | | | | |
| 311 | 900913 | CABLE ASSY / VIDEO & FRONT CAMERA | 1 | | | | |
| 312 | 900918 | CABLE RCA / 1M/1F/ 3' | 1 | | | | |
| 400 | 405453 | DECAL, VCR, CAMERA & TV RELAY | 1 | | | | |

From 5-8593 To 6-8906 Date:10/2022 PAGE:Y2-2317-31

VIDEO & AUDIO SYSTEM - INSTALLATION

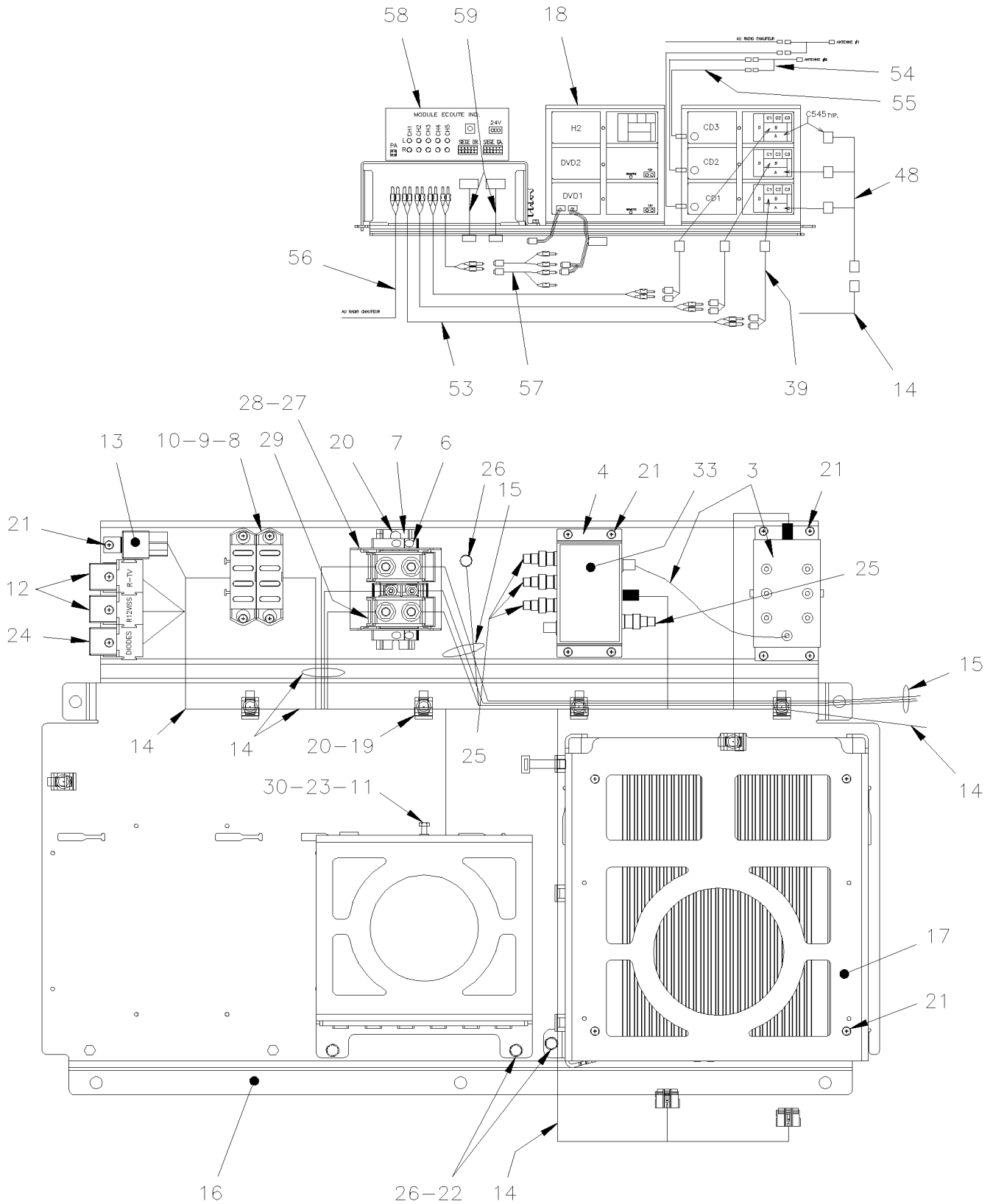
| Item# | Part | Description | X L I I 4 5 | X L I I M T H 4 0 | X L I I M T H 4 5 | X L I I M T H 4 5 E | N O T E S |
|-------|--------|-------------------------------|--------------------------------|---|---|--|-----------------------|
| 401 | 900856 | CABLE RCA / 2M/2M / 3' | 1 | | | | |
| 402 | 405454 | DECAL, VCR & DVD RELAY | 1 | | | | |
| 403 | 900918 | CABLE RCA / 1M/1F/ 3' | 1 | | | | |
| 500 | 405453 | DECAL, VCR, CAMERA & TV RELAY | 1 | | | | |
| 501 | 900856 | CABLE RCA / 2M/2M / 3' | 1 | | | | |
| 502 | 900918 | CABLE RCA / 1M/1F/ 3' | 1 | | | | |
| 503 | 900866 | CABLE RCA / 1M/1M / 25' | 1 | | | | |
| | | | | | | | |
| | | | | | | | |
| | | S) FOR SERVICE | | | | | |

From RETROFIT

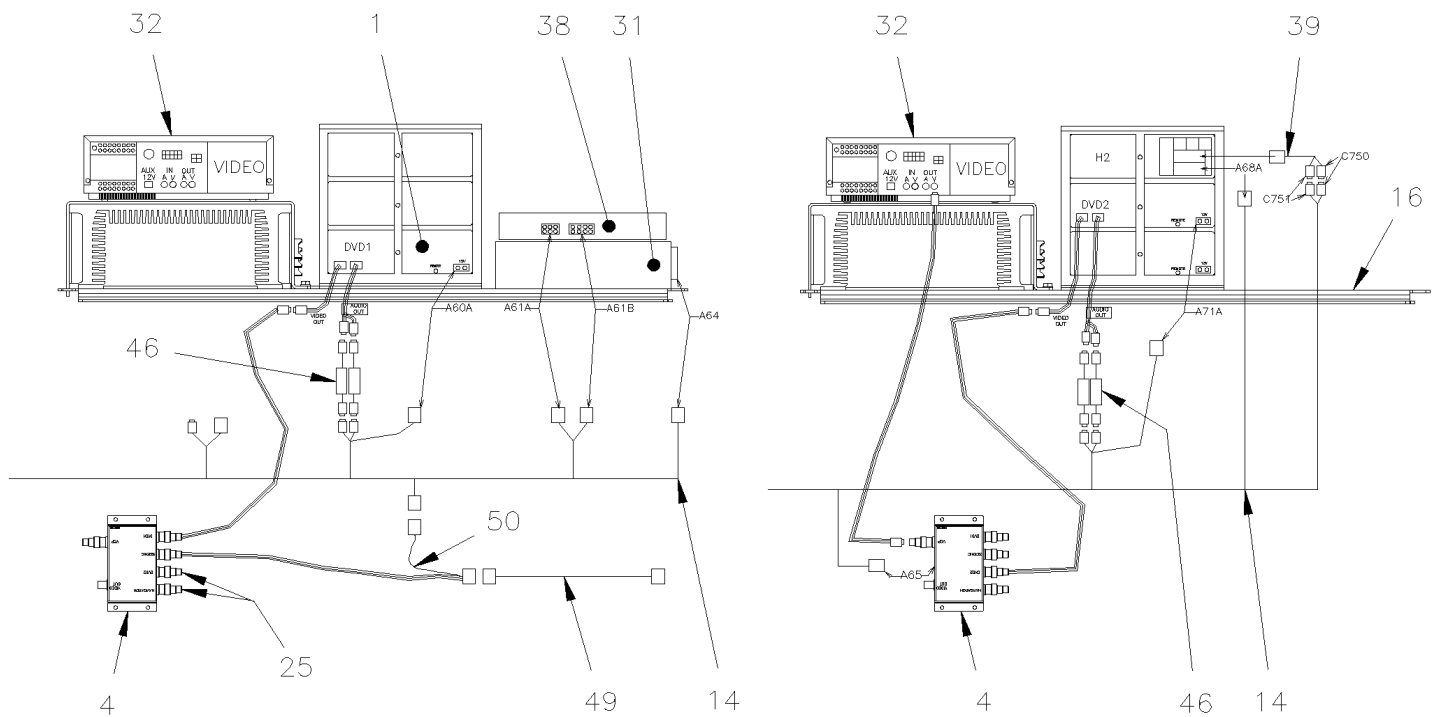
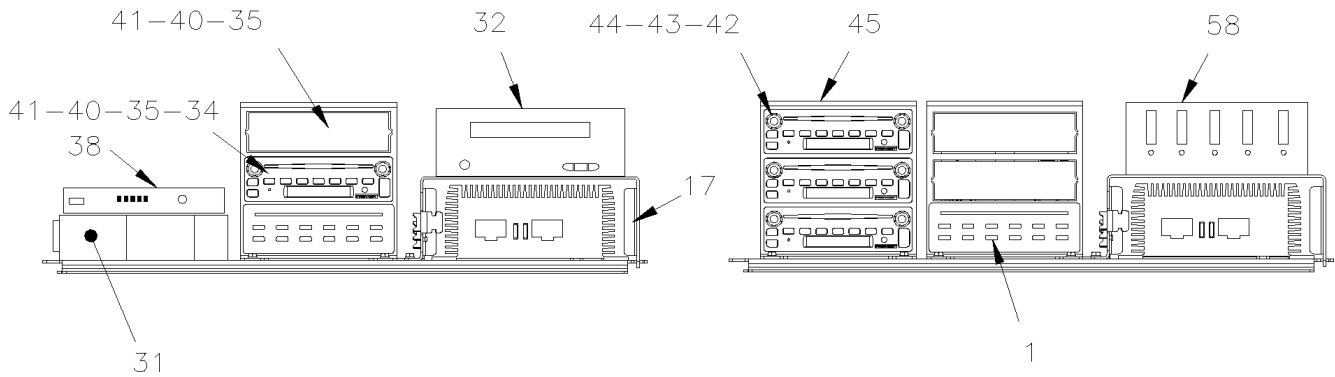
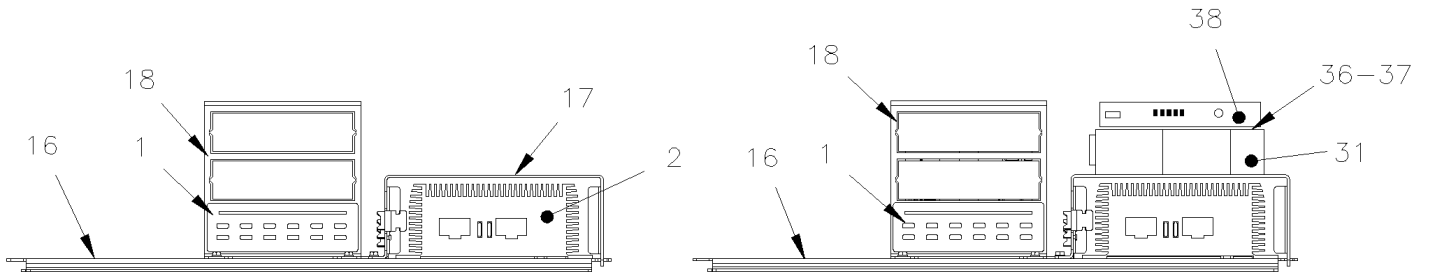
Date:10/2022

PAGE:Y2-2317-99

VIDEO & AUDIO SYSTEM - INSTALLATION



| | | |
|--|--------------|-----------------|
| From RETROFIT | Date:10/2022 | PAGE:Y2-2317-99 |
| VIDEO & AUDIO SYSTEM - INSTALLATION | | |

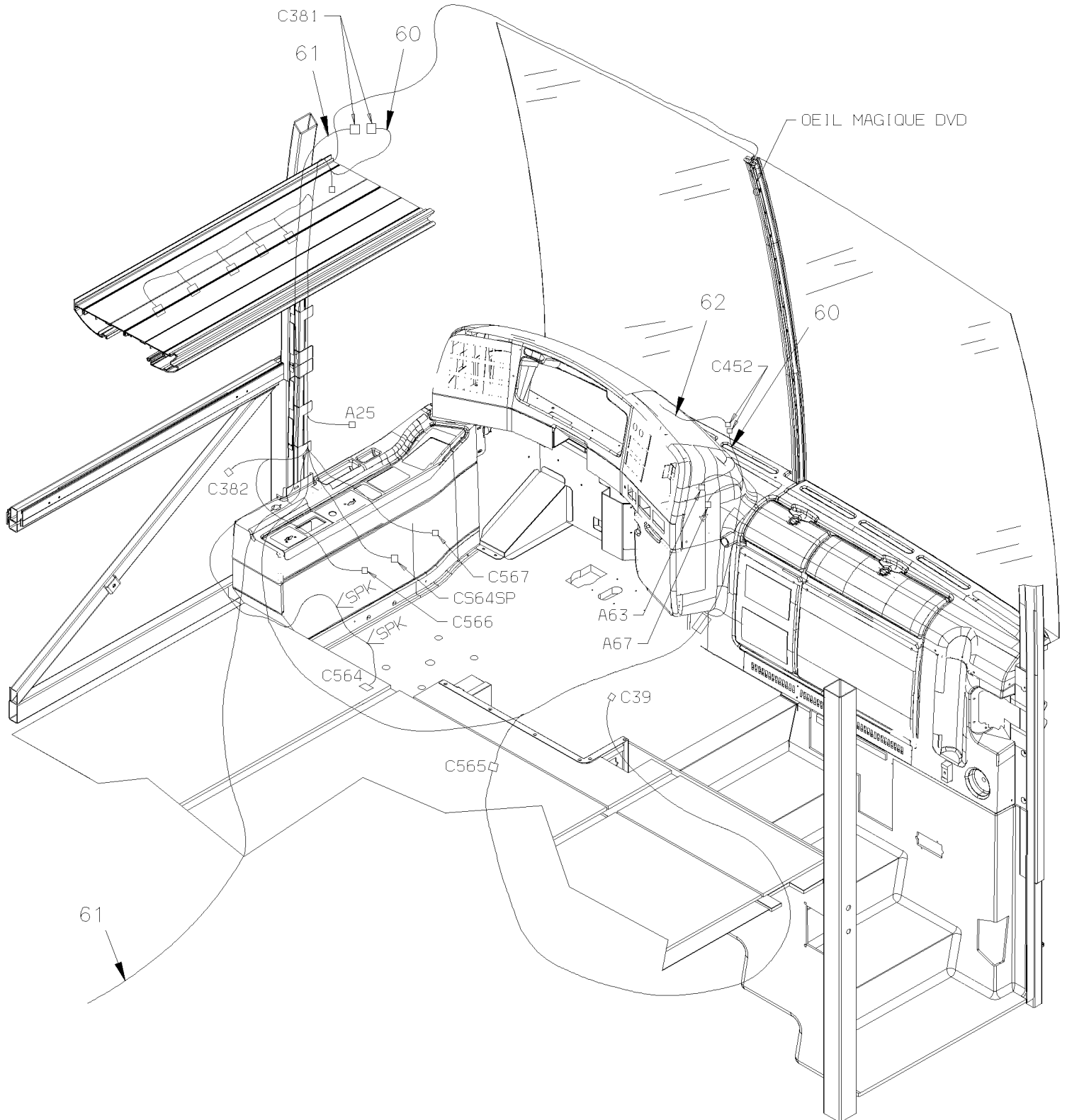


From RETROFIT

Date:10/2022

PAGE:Y2-2317-99

VIDEO & AUDIO SYSTEM - INSTALLATION



| | | | |
|--|--|--------------|-----------------|
| From RETROFIT | | Date:10/2022 | PAGE:Y2-2317-99 |
| VIDEO & AUDIO SYSTEM - INSTALLATION | | | |

| Item# | Part | Description | X L I I 4 5 | X L I I M T H 4 0 | X L I I M T H 4 5 | X L I I M T H 4 5 E | N O T E S |
|-------|---------|---|----------------------------|---|---|--|-----------------------|
| | 405845 | PLATE AUDIO ASSY WITH COMPONENTS | 1 | | | | |
| 1 | 901198 | . DVD PLAYER 12V (VOLVO) VD-404 | 1 | | | | |
| . NS | 901265 | . . REMOTE CONTROL / DVD VOLVO | 1 | | | | |
| . NS | 901302 | . . SENSOR ASSY W/CABLE / DVD REMOTE CONTROL | 1 | | | | |
| 1 | 901339 | . DVD PLAYER 12V | 1 | | | | |
| . NS | 901377 | . . REMOTE CONTROL / DVD R.E.I. | 1 | | | | |
| NS | 409294 | . CABLE INTERFACE DVD "VOLVO" to DVD "REI" 4 CONN. to 6 CONN. | 1 | | | | T |
| 2 | 901191 | . AMPLIFICATOR AUDIO / 400 WATTS / ONKYO | 1 | | | | |
| 3 | 901117 | . VIDEO DISTRIBUTION AMPLI W/BNC | 1 | | | | |
| . NS | 901119 | . . CABLE POWER DVA/VIDEO | 1 | | | | |
| 3 | 901403 | . VIDEO DISTRIBUTION AMPLI W/BNC | 1 | | | | T |
| 4 | 901199 | . SCREEN PLAY SELECTOR | 1 | | | | |
| 5 | 561726 | . BLOCK JUNCTION | 1 | | | | |
| 6 | 562645 | . STOPPER "U" RAIL | 2 | | | | |
| 7 | 382184 | . RAIL SUPPORT "U" SHAPE 112MM | 1 | | | | |
| 8 | 562598 | . FUSE / ATO 2 AMPS GREY | 1 | | | | |
| 8 | 562407 | . FUSE / ATO 10 AMPS RED | 4 | | | | |
| 9 | 562396 | . FUSE / ATO 30 AMPS GREEN | 1 | | | | |
| 10 | 562605 | . FUSE / ATO 20 AMPS YELLOW | 1 | | | | |
| 11 | 500470 | . WASHER LO SPT .193x.334x.047 Z050 | 1 | | | | |
| 12 | 563337 | . RELAY 12V S.P.D.T. W/RESISTOR / | 2 | | | | |
| 13 | 561991 | . RELAY 24V S.P.S.T. / 70 AMPS N.O. | 1 | | | | |
| 14 | 066770 | . CABLE ASSY / DASH & PARCEL RACK | 1 | | | | |
| 15 | 066866 | . CABLE POWER | 1 | | | | |
| 16 | 405884 | . PLATE SUPPORT MAIN SYSTEM | 1 | | | | |
| 17 | 405921 | . SUPPORT VIDEO OVER AMPLI | 1 | | | | |
| 18 | 405922 | . SUPPORT, RADIO (MORE THAN 3 RADIO) & DVD VOLVO | 1 | | | | |
| 18 | 406361 | . SUPPORT, RADIO (3 RADIO) & DVD REI | 1 | | | | |
| 18 | 406360 | . SUPPORT, RADIO (1RADIO) & DVD REI | 1 | | | | |
| 19 | 504013 | . TIE MOUNT / 1/4" X 1/4" I.D. | 9 | | | | |
| 20 | 504347 | . RIVET POP DOME OE 3/16x1/4 AL | 9 | | | | |
| 21 | 500564 | . SCREW MA RND PH #8-32x3/4 Z050 | 16 | | | | |
| 22 | 502631 | . SCREW CAP HEX M6-1.0x20 G8.8 Z050 | 8 | | | | |
| 23 | 502561 | . NUT HEX M5-0.8 Z050 | 1 | | | | |
| 24 | 901200 | . DIODE BLOCK ON RELAY BASE | 1 | | | | |
| 25 | 900777 | . CONNECTOR BNC PLUG TO RCA ADAPTOR / ELEC 21-142-0 | AR | | | | |
| 26 | 502564 | . WASHER LO SPT 6.1x11.8x1.6 Z050 | 1 | | | | |
| 27 | 562024 | . COVER / PROTECTOR / 3 BLOCKS | 1 | | | | |
| 28 | 561731 | . COVER SUPPORT | 2 | | | | |
| 29 | 561727 | . SCREW MA PAN PH | 2 | | | | |
| 30 | 5001146 | . SCREW CAP HEX M5-0.8x20 SS BK | 1 | | | | |
| 31 | 901116 | DVD REI / MP3 | 1 | | | | |

| | | | |
|--|--|--------------|-----------------|
| From RETROFIT | | Date:10/2022 | PAGE:Y2-2317-99 |
| VIDEO & AUDIO SYSTEM - INSTALLATION | | | |

| Item# | Part | Description | X L I I 4 5 | X L I I M T H 4 0 | X L I I M T H 4 5 | X L I I M T H 4 5 E | N O T E S |
|--------|-----------|--|----------------------------|---|---|--|-----------------------|
| . NS | 901264 | . REMOTE CONTROL / DVD REI | 1 | | | | |
| 32 | 901030 | VIDEO V-3000 VCP, SYS 2000 24V | 1 | | | | |
| . NS | 901065 | . REMOTE CONTROL / VDO REI V-3000 | 1 | | | | |
| 32 | 7770197 | KIT, VHS TO DVD CONVERSION | 1 | | | | |
| . NS | 901339 | . DVD PLAYER 12V | 1 | | | | |
| . . NS | 901377 | . . REMOTE CONTROL / DVD R.E.I. | 1 | | | | |
| . NS | 407639 | . SUPPORT, DVD | 1 | | | | |
| . NS | 901347 | . CABLE ASSY / W/2 BNC FEMALE/ FEMALE 1" | 1 | | | | |
| . NS | 901564 | . ADAPTOR, RCA MALE TO BNC FEMALE | 1 | | | | |
| . NS | 563071 | . CONNECTOR / MINI FIT JR / SH 4C / MOLEX 39-01-3042 | 1 | | | | |
| . NS | 562593 | . WIRE CABLE 18 / YELLOW / TXL | AR | | | | |
| . NS | 562587 | . WIRE CABLE 18 / BLACK / TXL | AR | | | | |
| . NS | 562463 | . SOCKET TERMINAL / 24-18 / MOLEX 39-00-0039 | 2 | | | | |
| . NS | 563622 | . BUTT SPLICE / 22-18 / RED / W/THERMORETRAC / PANDUIT BSH18-Q | 2 | | | | |
| . NS | 5001017 | . SCREW TC CAP HEXW #10-24x1/2 Z050 | 4 | | | | |
| . NS | 502853 | . WASHER LO SPT 6.1x11.8x1.6 N500 | 1 | | | | |
| . NS | IS-16901A | . SEE INSTRUCTION SHEET | 1 | | | | |
| 33 | 066733 | . DECAL "VIDEO DISTRIBUTION" | 1 | | | | |
| 34 | 901198 | DVD PLAYER 12V (VOLVO) VD-404 | AR | | | | S |
| . NS | 901265 | . REMOTE CONTROL / DVD VOLVO | 1 | | | | S |
| . NS | 901302 | . SENSOR ASSY W/CABLE / DVD REMOTE CONTROL | 1 | | | | S |
| 34 | 901339 | DVD PLAYER 12V | 1 | | | | |
| . NS | 901377 | . REMOTE CONTROL / DVD R.E.I. | 1 | | | | |
| NS | 409294 | CABLE INTERFACE DVD "VOLVO" to DVD "REI" 4 CONN. to 6 CONN. | 1 | | | | |
| 35 | 901190 | RADIO AM-FM-CD-CDX / "PRÉVOST" MP3 VR-300 | 1 | | | | |
| 36 | 506755 | VELCRO / HOOK ADHESIF 1" x 75' | AR | | | | |
| 37 | 506756 | VELCRO / LOOP ADHESIF 1" x 75' | AR | | | | |
| 38 | 901201 | RECEIVER WIRELESS MICROPHONE / 16 CHANNEL | 1 | | | | |
| 39 | 066804 | ADAPTOR AUDIO SIRIUS SH 8C x 2F RCA | 1 | | | | |
| . NS | 903217 | . CONVERTISSOR AUDIO | 1 | | | | |
| 40 | 901209 | RADIO "PREVOST" AM-FM-CD / "XM" READY (DELPHI) | 1 | | | | |
| 41 | 901218 | RADIO "PREVOST" AM-FM-CD / "SIRIUS" READY (DELPHI) | 1 | | | | |
| 42 | 901190 | RADIO AM-FM-CD-CDX / "PRÉVOST" MP3 VR-300 | 1 | | | | |
| 43 | 901218 | RADIO "PREVOST" AM-FM-CD / "SIRIUS" READY (DELPHI) | 1 | | | | |
| 44 | 901209 | RADIO "PREVOST" AM-FM-CD / "XM" READY (DELPHI) | 1 | | | | |
| 45 | N.P.N. | BOX | 1 | | | | 4 |
| 46 | 901106 | . AUDIO FILTER | 2 | | | | |
| 47 | 901106 | AUDIO FILTER | 1 | | | | |
| 49 | 900912 | CABLE ASSY / FRONT CAMERA | 1 | | | | |
| 50 | 066822 | CABLE ASSY / VIDEO & FRONT CAMERA | 1 | | | | |
| 53 | 900856 | CABLE RCA / 2M/2M / 3' | 1 | | | | |
| 54 | 900775 | Y RADIO ANTENNA CABLE / TO USE W/2 RADIOS | AR | | | | |

| | | | |
|--|--|--------------|-----------------|
| From RETROFIT | | Date:10/2022 | PAGE:Y2-2317-99 |
| VIDEO & AUDIO SYSTEM - INSTALLATION | | | |

| Item# | Part | Description | X L I I 4 5 | X L I I M T H 4 0 | X L I I M T H 4 5 | X L I I M T H 4 5 E | N O T E S |
|--------|----------|--|----------------------------|---|---|--|-----------------------|
| 55 | 900774 | CABLE, ANTENNA EXTENSION / 12' | AR | | | | |
| 56 | 901110 | CABLE RCA / 2M/2M / 25' | 1 | | | | |
| 57 | 900671 | ADAPTOR "Y" RCA / 1M/2F / 4" | AR | | | | |
| 58 | 900845 | ENTERTAINER CONTROL MODULE | 1 | | | | |
| 59 | 900671 | ADAPTOR "Y" RCA / 1M/2F / 4" | AR | | | | |
| 60 | 066770 | . CABLE ASSY / DASH & PARCEL RACK | 1 | | | | |
| 61 | 066748 | . CABLE POWER AUDIO | 1 | | | | |
| 62 | 066731 | . WIRING HARNESS DASHBOARD CENTRAL MODULE / MUX | 1 | | | | |
| NS | 405844 | KIT, RETROFIT "VOLVO" SOUND SYSTEM "XL" | 1 | | | | AB |
| NS | 066746 | . CABLE HARNESS / SPEAKER CURBSIDE RR / W/W.C.L. / 7 SP | 1 | | | | |
| NS | 066744 | . CABLE HARNESS / SPEAKER STREETSIDE / 16 SP | 1 | | | | |
| NS | 066745 | . CABLE HARNESS / SPEAKER CURBSIDE FRT / W/W.C.L. / 10 | 1 | | | | |
| NS | 066864 | . CABLE POWER AUDIO | 1 | | | | |
| 75 | 066796 | . RESISTOR 4 OHMS 25W W/CONNECTOR | 5 | | | | |
| NS | 066704 | . CABLE SPEAKER / JCT & LH & RH | 1 | | | | |
| NS | 319034 | . COVER L.H. ASSY / W/LIGHT & VENT HOLE | 1 | | | | |
| . NS | 313882 | . . COVER L.H. / W/VENT HOLE | 1 | | | | |
| NS | 901175 | . CABLE POWER 60' | 1 | | | | |
| NS | 901176 | . CABLE POWER INTERFACE 9' | 1 | | | | |
| NS | 901190 | . RADIO AM-FM-CD-CDX / "PREVOST" MP3 VR-300 | 1 | | | | |
| NS | 901192 | . CONTROL HEAD / "VOLVO" (VSS-04) | 1 | | | | |
| . NS | 901266 | . . REMOTE CONTROL / CONTROL HEAD VOLVO / VSS04 | 1 | | | | |
| | | WHEN CHANGE VSS04 TO VSS05 YOU NEED CONTROL HEAD 21516503 | | | | | |
| | | & HARNESS KIT 409439 & NEW RADIO | | | | | |
| | | 901417P OR 901418P OR 901419P | | | | | |
| 82 | IS08080 | . SOUND SELECTOR REPLACEMENT, VSS04 VS VSS05 | 1 | | | | |
| . NS | 900238 | . . CONTROL HEAD / "VOLVO" (VSS-05A) | 1 | | | | |
| . . NS | 21251311 | . . . REMOTE CONTROL / CONTROL HEAD VOLVO / VSS05 | 1 | | | | |
| . NS | 0610388 | . . CABLE INTERFACE VSS04 TO VSS05 | 1 | | | | |
| . NS | IS-08080 | . . SEE INSTRUCTION SHEET | 1 | | | | |
| 82 | 21516503 | . CONTROL HEAD / "VOLVO" (VSS-05) | 1 | | | | |
| . NS | 21251311 | . . REMOTE CONTROL / CONTROL HEAD VOLVO / VSS05 | 1 | | | | |
| 82 | 901417P | . RADIO "PREVOST" AM/FM/CD & MP3 BLUETOOTH COMPUTERIZ | 1 | | | | |
| 82 | 901418P | . RADIO "PREVOST" AM/FM/CD & MP3 BLUETOOTH SIRIUS COMPUTERIZ | 1 | | | | |
| 82 | 901419P | . RADIO "PREVOST" AM/FM/CD & MP3 BLUETOOTH & XM COMPUTERIZ | 1 | | | | |
| NS | 392305 | . ADAPTOR RADIO TO STRUCTURE | 1 | | | | |
| NS | 392312 | . PARTIAL STRUCTURE TO FIT "VOLVO" AUDIO SOUND | 1 | | | | |
| NS | 312596 | . COVER R.H. / PLAIN | 1 | | | | |
| NS | 392304 | . PANEL / FRONT INSTRUMENTATION | 1 | | | | |

| | | |
|--|--------------|-----------------|
| From RETROFIT | Date:10/2022 | PAGE:Y2-2317-99 |
| VIDEO & AUDIO SYSTEM - INSTALLATION | | |

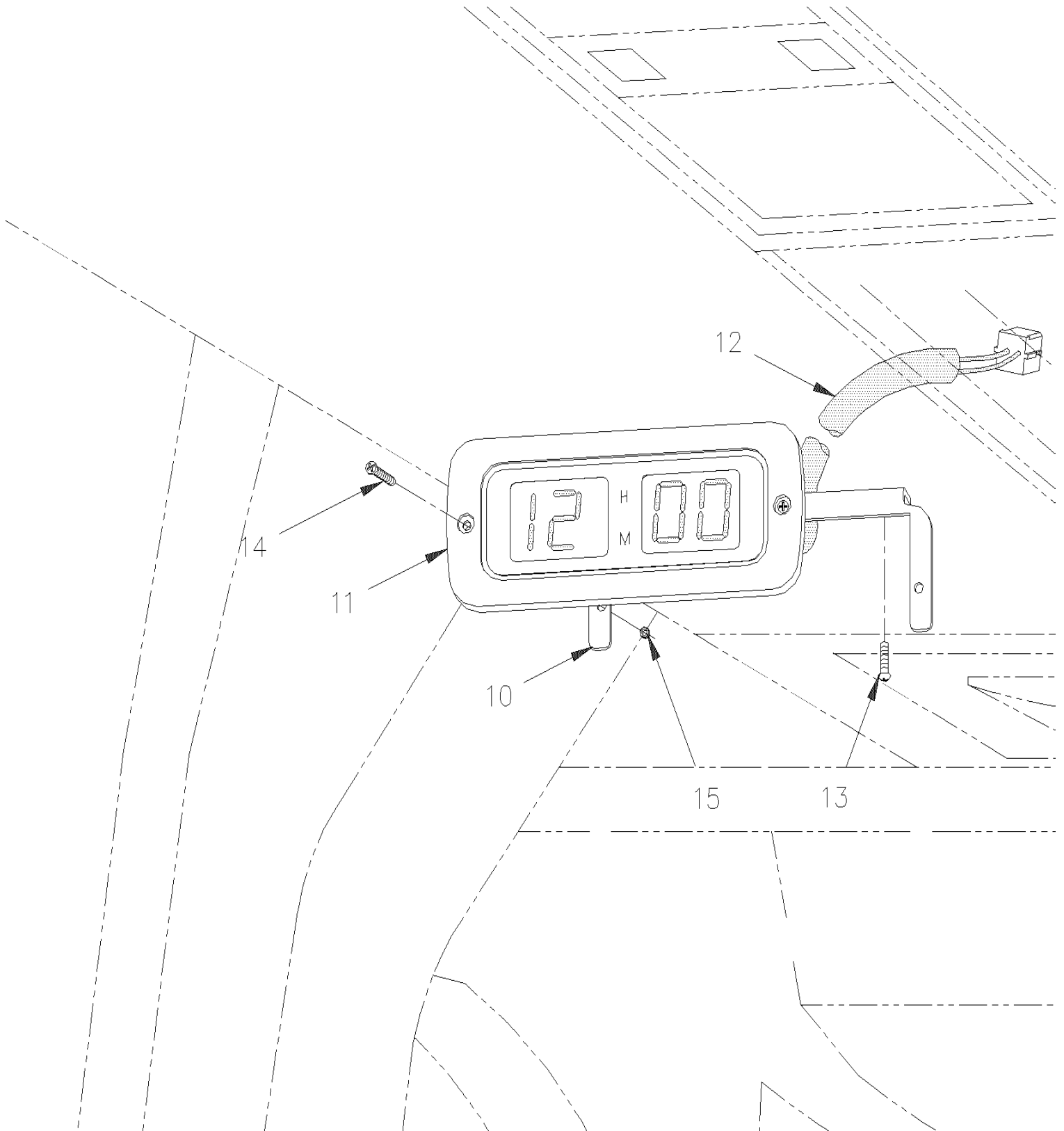
| Item# | Part | Description | X L I I 4 5 | X L I I M T H 4 0 | X L I I M T H 4 5 | X L I I M T H 4 5 E | N O T E S |
|--------|----------|--|----------------------------|---|---|--|-----------------------|
| 88 | 066863 | . CABLE GROUND | 1 | | | | |
| 90 | 430669 | KIT, REPLACEMENT DVD "VOLVO" TO "REI" | 1 | | | | |
| . NS | 409294 | . CABLE INTERFACE DVD "VOLVO" to DVD "REI" 4 CONN. to 6 CONN. | 1 | | | | |
| . NS | 901436 | . DVD PLAYER 12V | 1 | | | | |
| . . NS | 901264 | . . REMOTE CONTROL / DVD REI | 1 | | | | |
| . NS | 901347 | . CABLE ASSY / W/2 BNC FEMALE/ FEMALE 1" | 1 | | | | |
| . NS | IS-09048 | . SEE INSTRUCTION SHEET | 1 | | | | |
| | | | | | | | |
| | | | | | | | |
| | | A) THIS KIT INCLUDE ALL ITEMS LISTED BELOW THIS LINE AND PLATE AUDIO ASSY # 405845 ABOVE | | | | | |
| | | B) WITH THIS KIT YOU NEED ALSO READING LIGHT # 830186 OR 330379 | | | | | |
| | | S) THIS DVD MAY BY REPLACE BY ONE # 901339 AND ONE CABLE # 409294 | | | | | |
| | | T) FOR SERVICE | | | | | |
| | | 4) NO PARTS NUMBER | | | | | |

From Y-7046 To 6-8906

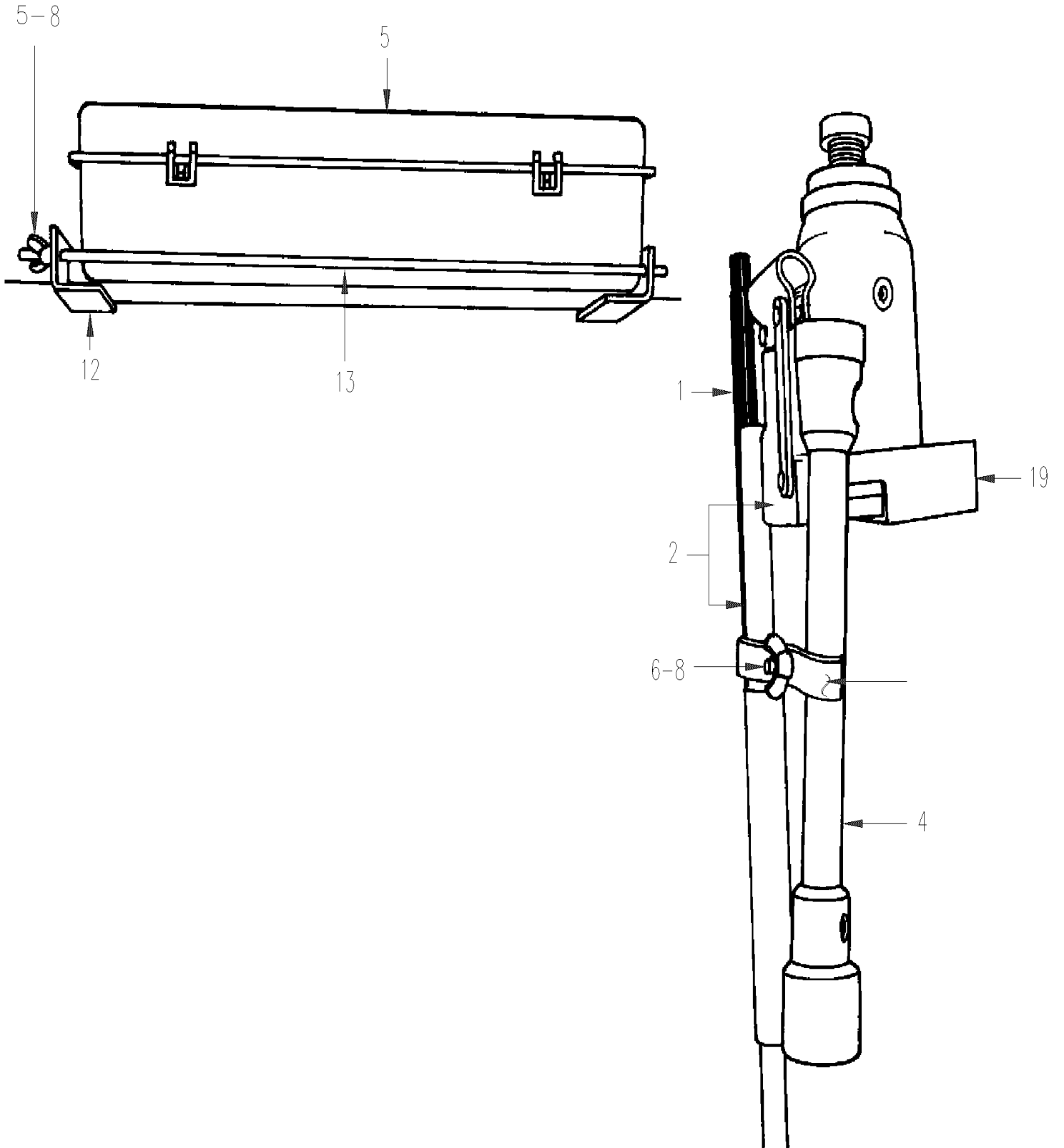
Date:10/2022

PAGE:Y2-2318-00

CLOCK (DIGITAL)



| | | |
|---------------------------------|--------------|-----------------|
| From Y-7046 To 8-9339 | Date:10/2022 | PAGE:Y2-2320-00 |
| JACK & FLARE KIT - INSTALLATION | | |

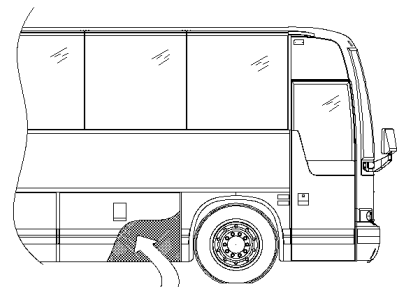
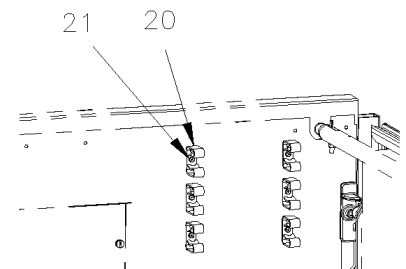
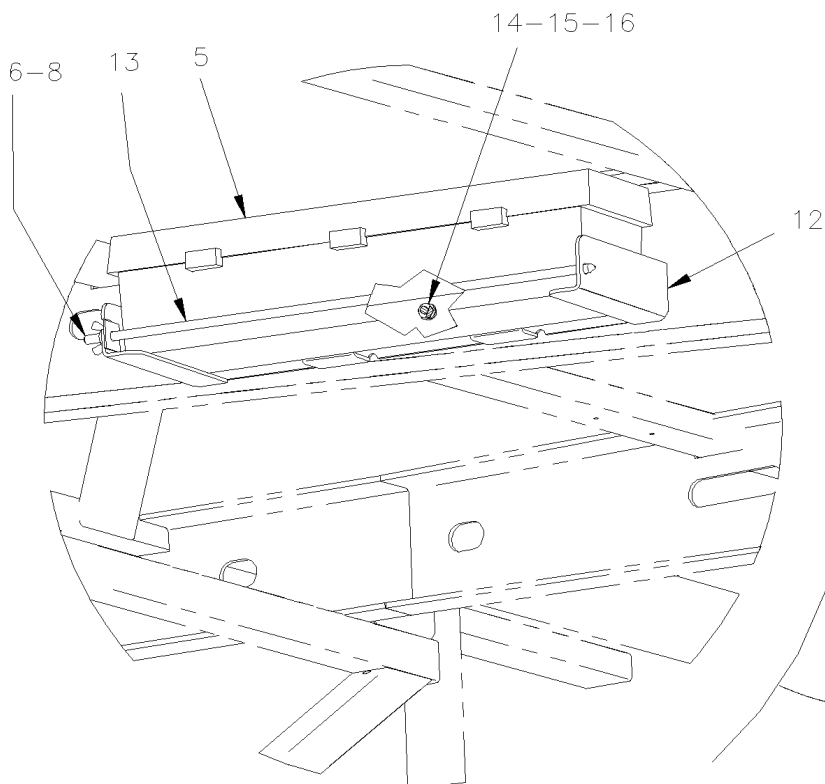
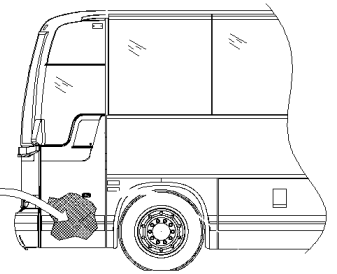
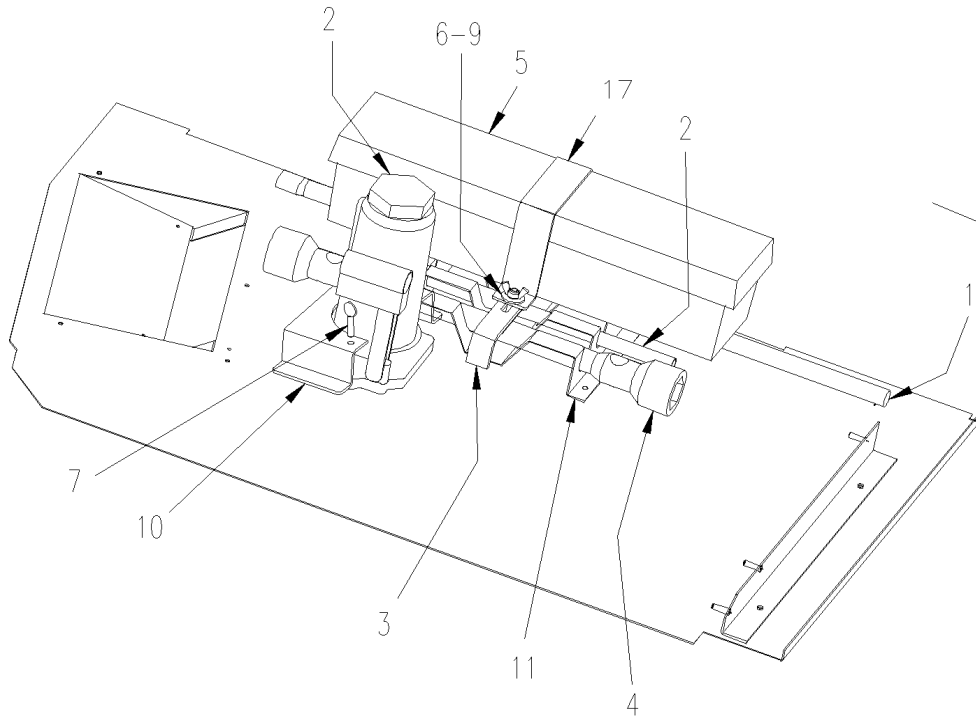


From Y-7046 To 8-9339

Date:10/2022

PAGE:Y2-2320-00

JACK & FLARE KIT - INSTALLATION



| | | |
|--|--------------|-----------------|
| From Y-7046 To 8-9339 | Date:10/2022 | PAGE:Y2-2320-00 |
| JACK & FLARE KIT - INSTALLATION | | |

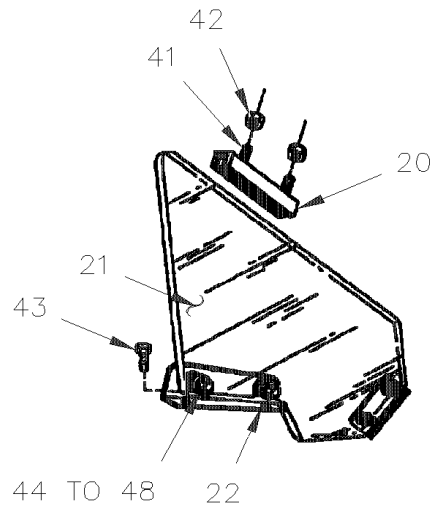
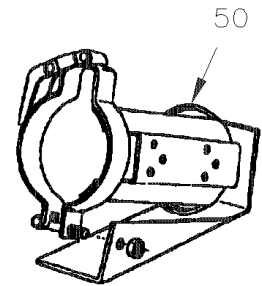
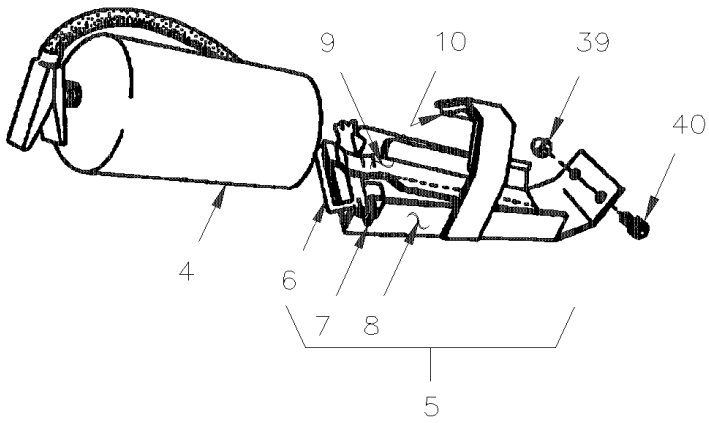
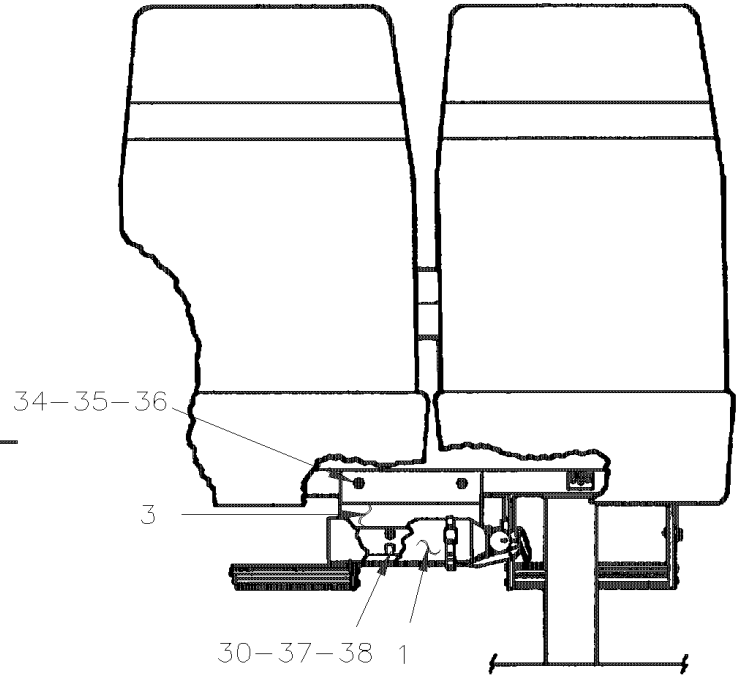
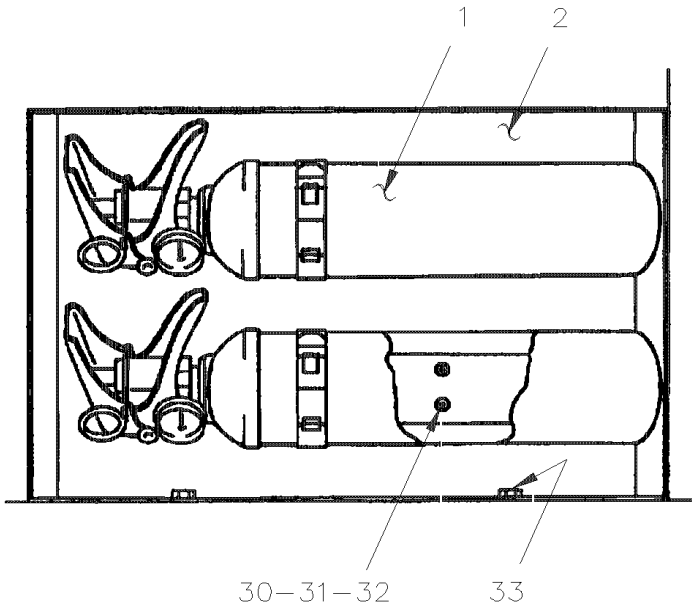
| Item# | Part | Description | X L I I 4 5 | X L I I M T H 4 0 | X L I I M T H 4 5 | X L I I M T H 4 5 E | N O T E S |
|-------|---------|--|----------------------------|---|---|--|-----------------------|
| 1 | 690002 | HANDLE, W/WRENCH WHEEL NUT | 1 | 1 | 1 | 1 | |
| 2 | 505505 | JACK, 12TONS | 1 | 1 | 1 | 1 | |
| 3 | 410556 | KEY (FOR FRONT BUMPER NUT) To 6-8906 | 1 | | | | |
| . NS | 410545 | . KEY To 6-8906 | 1 | | | | |
| . NS | 410557 | . RUBBER To 6-8906 | 1 | | | | |
| 4 | 690001 | WRENCH, WHEEL NUT 1 1/2" & 13/16 SQUARE | 1 | 1 | 1 | 1 | |
| 4 | 690005 | WRENCH, WHEEL 33 MM To 6-8906 | 1 | | | | |
| 5 | 930283 | FLARE KIT, TRIANGULAR | 1 | 1 | 1 | 1 | |
| 5 | 930442 | FLARE KIT, TRIANGULAR | 1 | 1 | 1 | 1 | S |
| 6 | 500782 | NUT WING 5/16-18 Z050 To 6-8906 | 1 | | | | B |
| 7 | 5001012 | SCREW TH 5/16-18x1 1/2 BZC | 2 | | | | |
| 8 | 502584 | WASHER LO SERR 8.2x26.3x1.8 Z050 | 2 | | | | |
| 9 | 502220 | WASHER FL .375x1.000x.125 RUB | 2 | | | | |
| 10 | 251226 | SUPPORT, JACK / WELDED TO STRUCTURE | 1 | | | | |
| 11 | 251227 | ATTACHMENT / HANDLE & WRENCH | 1 | | | | |
| 12 | 211010 | SUPPORT, FLARE KIT / BOLTED TO STRUCTURE To 6-8906 | 1 | | | | |
| 12 | 211220 | SUPPORT, FLARE KIT / BOLTED TO STRUCTURE | 1 | | | | S |
| 13 | 210280 | ROD, RETAINING / FLARE KIT | 1 | 1 | 1 | 1 | |
| 14 | 500440 | WASHER FL .250x.562x.065 Z050 | 3 | | | | |
| 15 | 502511 | NUT HEX NYRT M6-1.0 Z050 | 11 | | | | |
| 16 | 500771 | NUT HEX 1/4-20 SS | 3 | | | | |
| 17 | 407501 | STRAP RETAINER SS / FLARE KIT To 6-8906 | 1 | | | | B |
| 19 | 211525 | SUPPORT, JACK / WELDED TO STRUCTURE To 6-8906 | 1 | | | | |
| 19 | 211528 | SUPPORT, JACK / BOLTED TO STRUCTURE | | 1 | 1 | 1 | |
| 20 | 504585 | SPRING CLIP 3/4" | 6 | | | | C |
| 21 | 500654 | SCREW TC BDG PH #8-32x1/2 Z050 | 6 | | | | C |
| NS | 404670 | SUPPORT FLARE KIT / 12MM x 123MM To 6-8906 | 1 | | | | A |
| NS | 860489 | VELCRO / HOOK BLACK / 3/4" X 75' To 6-8906 | AR | | | | A |
| NS | 860490 | VELCRO / LOOP BLACK / 3/4" X 75' To 6-8906 | AR | | | | A |
| NS | 5001454 | SCREW MA BDG PH #4-40x1/2 SS To 6-8906 | 4 | | | | A |
| NS | 502520 | NUT HEX #4-40 Z050 To 6-8906 | 4 | | | | A |
| NS | 500581 | WASHER LO SPT .141x.250x.031 SS To 6-8906 | 4 | | | | A |
| NS | 500437 | WASHER FL .125x.375x.040 Z050 To 6-8906 | 4 | | | | A |
| 24 | 210275 | BRACKET, RETAINING / HANDLE & WRENCH | 1 | 1 | 1 | 1 | |
| NS | 210264 | SUPPORT / (WELDED TO STRUCTURE) To 6-8906 | 1 | | | | |
| | | | | | | | |
| | | | | | | | |
| | | | | | | | |
| | | A) COACH WITH FLARE KIT FIXED EVAPORATOR WALL | | | | | |
| | | B) COACH WITH FLARE KIT FIXED WITH SS STRAP | | | | | |
| | | C) COACH WITH FLARE KIT & TORCH | | | | | |
| | | S) SERVICE | | | | | |

From Y-7046 To 8-9339

Date:10/2022

PAGE:Y2-2320-30

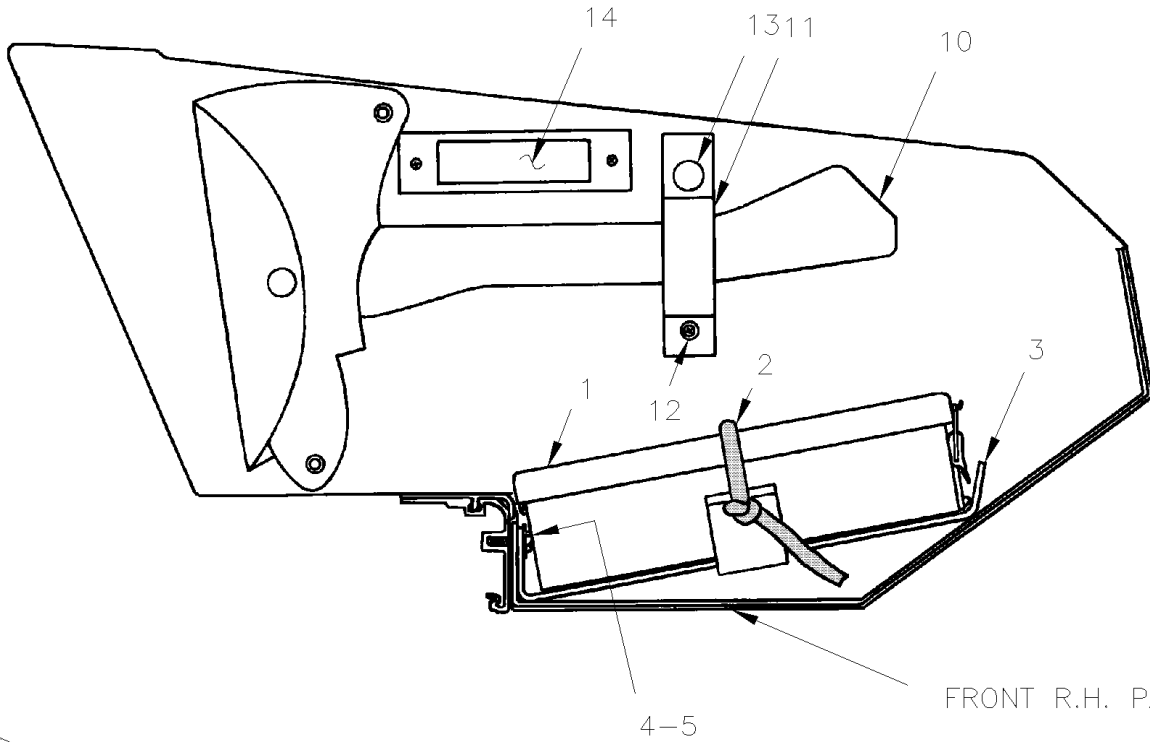
EXTINGUISHER - INSTALLATION



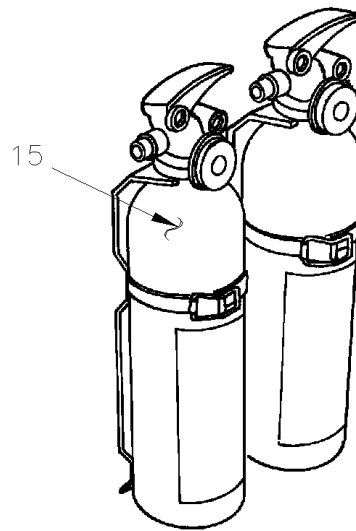
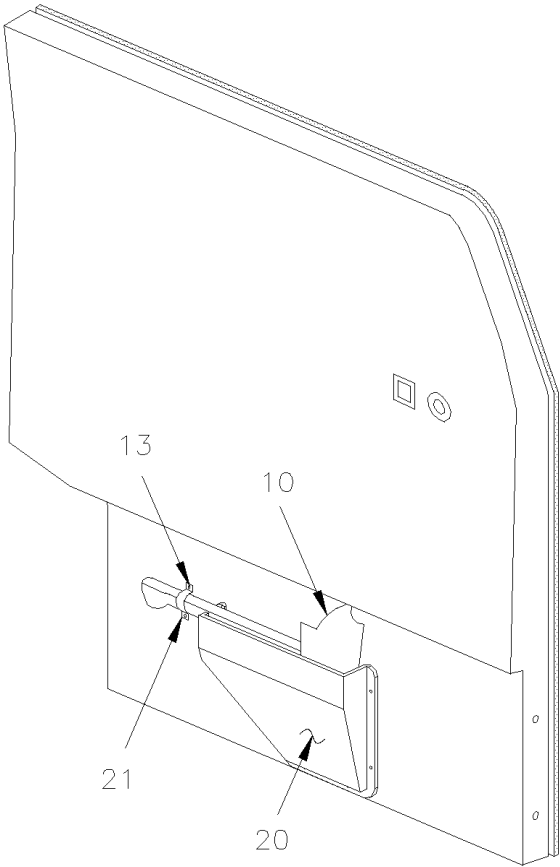
| | | |
|------------------------------------|--------------|-----------------|
| From Y-7046 To 8-9339 | Date:10/2022 | PAGE:Y2-2320-30 |
| EXTINGUISHER - INSTALLATION | | |

| Item# | Part | Description | X L I I 4 5 | X L I I M T H 4 0 | X L I I M T H 4 5 | X L I I M T H 4 5 E | N O T E S |
|-------|--------|---|----------------------------|---|---|--|-----------------------|
| 1 | 900702 | EXTINGUISHER 2.5 LBS / W/PLASTIC HANDLE | | 2 | 2 | 2 | |
| 1 | 901001 | EXTINGUISHER 2.5 LBS / W/METAL HANDLE | 2 | | | | |
| 2 | 324391 | SUPPORT ASSY / EXTINGUISHER | | 1 | 1 | 1 | |
| 3 | 324349 | SUPPORT ASSY / EXTINGUISHER | | 2 | 2 | 2 | |
| NS | 470949 | SPACER RUBBER 3/4" O.D. / S.Q. | 2 | | | | |
| NS | 900651 | EXTINGUISHER 20 LBS | 1 | | | | |
| NS | 403465 | SUPPORT / FOR EXTINGUISHER 20 LBS / UNDER SEAT | 1 | | | | |
| 4 | 900449 | EXTINGUISHER 10 LBS | 1 | | | | |
| NS | 900618 | SUPPORT | 1 | | | | |
| 4 | 900618 | SUPPORT | 1 | | | | |
| 5 | 403581 | SUPPORT ASSY / 10 LBS INTINGUISHER / IN PARCEL RACK | 1 | | | | |
| 6 | 402575 | HANDLE ASSY / TILTING SUPPORT | 1 | | | | |
| 7 | 402571 | CLIP, SPRING | 2 | | | | |
| 8 | 402569 | BRACKET ASSY / TILTING SUPPORT | 1 | | | | |
| 9 | 402567 | SUPPORT, TILTING | 1 | | | | |
| 9 | 505188 | PIN, SPRING 1/4" X 7/8" | 1 | | | | |
| 9 | 470949 | SPACER RUBBER 3/4" O.D. / S.Q. | 2 | | | | |
| 10 | 506235 | TAPE RUB ADH1 PVC.NITRIL 1/2" x 1" x 15' / BLACK 1210 | AR | | | | |
| 20 | 402555 | FIXTURE, UPPER | 2 | | | | |
| 21 | 404645 | GUARD, PLEXIGLASS | 1 | | | | |
| 22 | 404644 | FIXTURE, LOWER | 1 | | | | |
| 30 | 500572 | SCREW MA TR PH #10-24x1/2 SS BK | 8 | | | | |
| 31 | 500470 | WASHER LO SPT .193x.334x.047 Z050 | 8 | | | | |
| 32 | 500786 | NUT HEX #10-24 Z050 | 8 | | | | |
| 33 | 500535 | SCREW TP CAP HEX #14x3/4 Z050 | 4 | | | | |
| 34 | 500559 | SCREW MA TR PH 1/4-20x1 1/2 SS EMN | 4 | | | | |
| 35 | 500468 | WASHER FL .281x1.250x.065 Z050 | 4 | | | | |
| 36 | 500770 | NUT HEX STO 1/4-20 Z050 | 4 | | | | |
| 37 | 500964 | WASHER FL .203x.500x.047 Z050 | 8 | | | | |
| 38 | 500767 | NUT HEX #10-24 Z050 | 8 | | | | |
| 39 | 500772 | NUT HEX CAP 1/4-20 NP | 2 | | | | |
| 40 | 500394 | SCREW MA TR SLT 1/4-20x1/2 Z050 | 2 | | | | |
| 41 | 500510 | SCREW MA BDG PH #10-32x3/4 SS EMN | 4 | | | | |
| 42 | 500519 | NUT WELL #10-32x.518 | 4 | | | | |
| 43 | 500657 | SCREW TC TR PH #10-24x1/2 Z050 | 2 | | | | |
| 44 | 500607 | SCREW MA TR PH #10-24x1 SS | 4 | | | | |
| 45 | 500891 | NUT HEX CAP #10-24 Z050 | 6 | | | | |
| 46 | 900251 | BUSHING, RUBBER | 8 | | | | |
| 47 | 400380 | SPACER 5/16 O.D. x 17/32" x 18GA | 4 | | | | |
| 48 | 500989 | WASHER FL .219x.875x.062 Z050 | 4 | | | | |
| 50 | 401821 | SUPPORT / FOR EXTINGUISHER 10 LBS | AR | | | | |
| NS | 323290 | DECAL / FIRE EXTINGUISHER | 1 | | | | |

| | | |
|------------------------------------|--------------|-----------------|
| From Y-7046 To 6-8906 | Date:10/2022 | PAGE:Y2-2320-40 |
| FIRST AID KIT & AXE - INSTALLATION | | |



FRONT R.H. PARCEL RACK



| | | | |
|---|--|--------------|-----------------|
| From Y-7046 To 6-8906 | | Date:10/2022 | PAGE:Y2-2320-40 |
| FIRST AID KIT & AXE - INSTALLATION | | | |

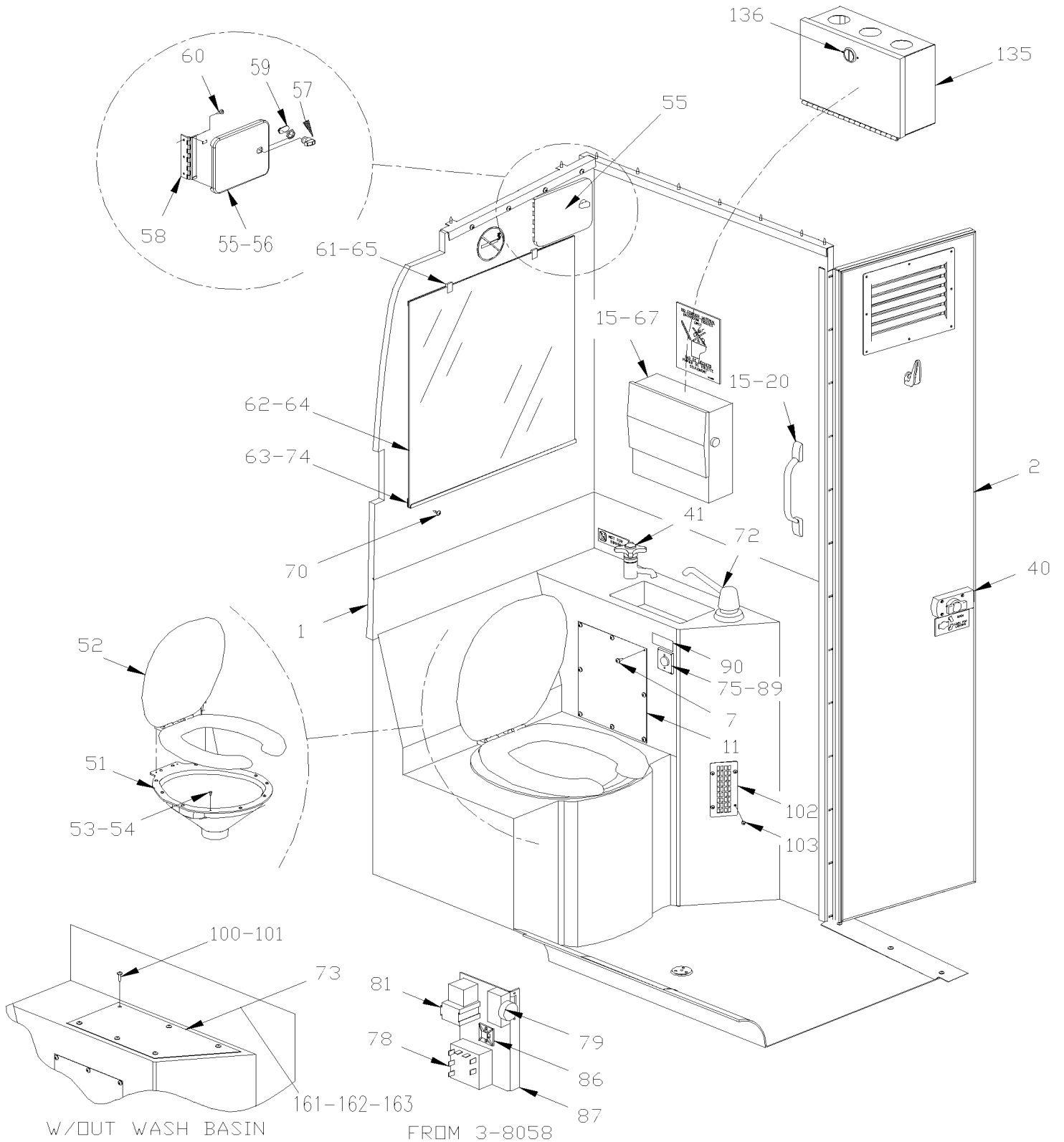
| Item# | Part | Description | X L I I 4 5 | X L I I M T H 4 0 | X L I I M T H 4 5 | X L I I M T H 4 5 E | N O T E S |
|-------|-------------------|---|----------------------------|---|---|--|-----------------------|
| 1 | 900289 | KIT, FIRST AID (LARGE) / MODEL #36 | 1 | | | | |
| 1 | 900767 | KIT, FIRST AID (EXTRA LARGE) / W / W.C.L. | 1 | | | | |
| 1 | 900990 | KIT, FIRST AID / SASKATCHEWAN MODEL From Y-7155 | 1 | | | | |
| 1 | 900991 | KIT, FIRST AID / MANITOBA & N-BRUNSWICK MODEL From Y-7155 | 1 | | | | |
| 1 | 900992 | KIT, FIRST AID / NOVA-SCOTIA MODEL From Y-7155 | 1 | | | | |
| 1 | 900993 | KIT, FIRST AID / ALBERTA MODEL From Y-7155 | 1 | | | | |
| 1 | 900994 | KIT, FIRST AID / NEWFUNLAND MODEL From Y-7155 | 1 | | | | |
| 1 | 900995 | KIT, FIRST AID / QUEBEC & BRI. COLUMBIA MODEL From Y-7155 | 1 | | | | |
| 1 | 900996 | KIT, FIRST AID / ONTARIO, I.P.E. & USA MODEL From Y-7155 | 1 | | | | |
| NS | 323292 | DECAL / FIRST AID | 1 | | | | |
| NS | 327524 | DECAL / FIRST AID / (PARCEL RACK DOOR) | 1 | | | | |
| 1 | 195889 | KIT "EMERGENCY CLEANING" BIOHAZARD CASE OF 25 | AR | | | | |
| 1 | 19503251 | KIT "EMERGENCY CLEANING" STANDARD | AR | | | | |
| 2 | 506621 | STRAP, RUBBER / S.L. | AR | | | | |
| NS | 504452 | CLAMP "E-Z CLIP" / "TUBE-O" / 7/16" / HC9-7 | 2 | | | | |
| NS | 502525 | WASHER FL .484x.750x.031 Z050 | 2 | | | | |
| 3 | 312806 | SUPPORT ASSY / W/FIRST AID KIT (LARGE) / 205MM | 1 | | | | |
| 3 | 312807 | SUPPORT ASSY / W/FIRST AID KIT (SMALL) / 139MM | 1 | | | | |
| 4 | 500841 | SCREW TP PAN PH #14x3/4 Z050 | 4 | | | | |
| 5 | 500473 | WASHER LO SPT .262x.489x.062 Z050 | 4 | | | | |
| 10 | 900046 | FIRE AXE To 5-8520 | 1 | | | | |
| 10 | 901132 | FIRE AXE From 5-8521 | 1 | | | | |
| 10 | 901134 | FIRE AXE CASE LEATHER From 5-8521 | 1 | | | | |
| NS | 323291 | DECAL / AXE | 1 | | | | |
| 11 | 403582 | STRAP / TO FIX AXE | 1 | | | | |
| NS | 506236 | TAPE RUB ADH1 CC POL 1/16" x 1/2" x 100' / GREY 2520 | AR | | | | |
| 12 | 504106 | RIVET POP DOME OE 1/8x1/4 AL | 1 | | | | |
| NS | 500157 | WASHER FL .125x.375x.032 SS | 3 | | | | |
| 13 | 504003 | FASTENER RIVET BASE | 3 | | | | |
| NS | 504107 | RIVET POP DOME OE 1/8x5/16 AL | 1 | | | | |
| 14 | Y2-0655-00 | INTERIOR LIGHTING | | | | | |
| 15 | Y2-2320-30 | EXTINGUISHER - INSTALLATION | | | | | |
| 20 | 405180 | SUPPORT ASSY W/BUMPER | 1 | | | | |
| 20 | 405115 | . SUPPORT / PLASTIC | 1 | | | | A |
| 20 | 405179 | . PROTECTOR, BOTTOM | 1 | | | | |
| NS | 500333 | . SCREW TP OV PH #6x3/4 BK | 1 | | | | |
| NS | 500345 | . WASHER FN CKF .187x.500x.090 BR BK | 1 | | | | |
| 21 | 404922 | STRAP / TO FIX AXE | 1 | | | | A |
| | | | | | | | |
| | | | | | | | |
| | | | | | | | |
| | | | | | | | |
| | | | | | | | |
| | | A) COACH WITH AXE INSTALLATION REAR DRIVER'S SEAT | | | | | |

From Y-7046 To 6-8906

Date:10/2022

PAGE:Y2-2325-00

LAVATORY - ACCESSORIES

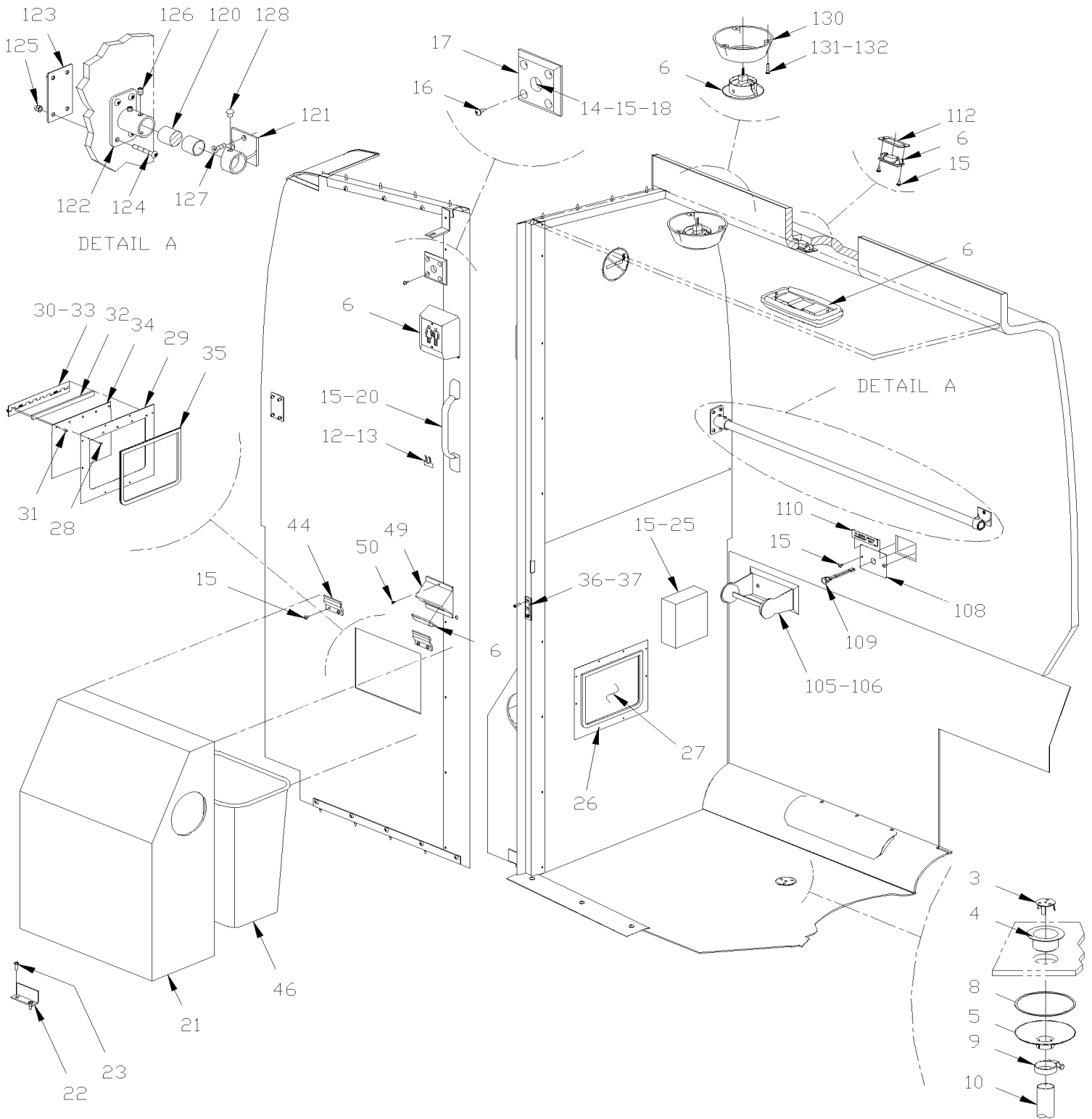


From Y-7046 To 6-8906

Date:10/2022

PAGE:Y2-2325-00

LAVATORY - ACCESSORIES



| | | |
|-------------------------------|--------------|-----------------|
| From Y-7046 To 6-8906 | Date:10/2022 | PAGE:Y2-2325-00 |
| LAVATORY - ACCESSORIES | | |

| Item# | Part | Description | X L I I 4 5 | X L I I M T H 4 0 | X L I I M T H 4 5 | X L I I M T H 4 5 E | N O T E S |
|-------|-------------------|---|----------------------------|---|---|--|-----------------------|
| 1 | 404923 | LAVATORY, FIBERGLASS To 3-8057 | 1 | | | | |
| 1 | 405412 | LAVATORY, FIBERGLASS From 3-8058 | 1 | | | | |
| 2 | Y2-2328-00 | LAVATORY WALL - INSTALLATION | | | | | |
| 3 | 401927 | GRILLE ASSY, STRAINER | 1 | | | | |
| 4 | 900219 | STRAINER ASSY, FLOOR | 1 | | | | |
| NS | 680025 | CAULKING STRIP 3/16" O.D. X 14' | AR | | | | |
| 5 | 900861 | PIGTAIL / DRAIN TUBE | 1 | | | | |
| 6 | Y2-0655-00 | INTERIOR LIGHTING | | | | | |
| 7 | 500583 | SCREW TP PAN PH #6x1/2 Z050 | 8 | | | | |
| 8 | 401737 | SEAL PLASTIC 1 11/16" I.D. | 1 | | | | |
| 9 | 504023 | HOSE CLAMP / 1"5/16-2"1/4 SS / HS-28 | 1 | | | | |
| 10 | 590109 | DRAIN BOOT 1" I.D. X 5" / AS SHOWN | 1 | | | | |
| 11 | 400807 | PLATE, CLOSING | 1 | | | | |
| 12 | 500417 | SCREW TP PAN PH #6x3/8 Z050 | 2 | | | | |
| 13 | 900859 | BRACKET, MOUNTING / MICROPHONE | 1 | | | | |
| 14 | 404226 | OUTLET, MICROPHONE / 12" W/CONNECTOR | 1 | | | | |
| NS | 562507 | CONNECTOR / (.093) / PH 4C / MOLEX 03-09-2049 | 1 | | | | |
| 15 | 500641 | SCREW TP PAN PH #8x3/4 Z050 | AR | | | | |
| 16 | 500663 | SCREW MA FL PH #6-32x3/4 ZP | 4 | | | | |
| 17 | 400686 | ADAPTOR, PLATE CLEAR PLASTIC 3"X3" / TO USE W/OUTLET ON PARCEL RACK | 1 | | | | |
| 18 | 500552 | SCREW TP OV PH #6x3/4 Z050 | AR | | | | |
| 20 | 900308 | HANDLE / LONG To 1-7715 | 1 | | | | |
| 20 | 901047 | HANDLE / SHORT From 1-7716 | 1 | | | | |
| 21 | 404450 | COVER, BASKET | 1 | | | | |
| 22 | 400860 | ANGLE / TO FIX DUSTBIN TO FLOOR / 3" | 1 | | | | |
| 23 | 500841 | SCREW TP PAN PH #14x3/4 Z050 | 2 | | | | |
| 25 | 900083 | DISPENSER / TOILET PAPER / (CHROME) | 1 | | | | |
| NS | 900085 | PAPER, TOILET / BOX OF 96 PACK | AR | | | | |
| 26 | 500640 | SCREW TP PAN PH #6x3/4 Z050 | 12 | | | | |
| 27 | 400768 | TRAP ASSY, ACCESS | 1 | | | | |
| 28 | 504339 | . RIVET POP DOME OE 1/8x3/8 SS | 5 | | | | |
| 29 | 400742 | . FRAME / WASTE CONTAINER TRAP | 1 | | | | |
| 30 | 400739 | . SPRING, TORSION / .375 I.D. x .437 x .032 | 2 | | | | |
| 31 | 504104 | . RIVET POP DOME OE 1/8x1/8 SS | 5 | | | | |
| 32 | 400740 | . SPACER / HINGE | 1 | | | | |
| 33 | 400741 | . HINGE / WASTE CONTAINER ACCESS TRAP | 1 | | | | |
| 34 | 400743 | . TRAP, ACCESS / WASTE CONTAINER | 1 | | | | |
| 35 | 509558 | . WEATHERSEAL SNAP-ON 1/8" / SINGLE LIP / WH / C.T.L. | AR | | | | |
| NS | 404634 | CLOSING PLATE / TO USE W/O WASTE CONTAINER | 1 | | | | |
| 36 | 400706 | CATCH PLATE 7/8" X 4 1/4" To 2-7922 | 1 | | | | |
| 36 | 405295 | CATCH PLATE From 2-7923 | 1 | | | | |
| 37 | 500354 | SCREW MA FL SLT #10-24x1/2 ZP To 2-7922 | 2 | | | | |

| | | |
|-------------------------------|--------------|-----------------|
| From Y-7046 To 6-8906 | Date:10/2022 | PAGE:Y2-2325-00 |
| LAVATORY - ACCESSORIES | | |

| Item# | Part | Description | X L I I 4 5 | X L I I M T H 4 0 | X L I I M T H 4 5 | X L I I M T H 4 5 E | N O T E S |
|-------|-------------------|--|----------------------------|---|---|--|-----------------------|
| 37 | 500353 | SCREW TP FL PH #8x3/4 BK From 2-7923 | 2 | | | | |
| 37 | 500786 | NUT HEX #10-24 Z050 To 2-7922 | 2 | | | | |
| 40 | Y2-2329-00 | LAVATORY DOOR LOCK & SWITCH | | | | | |
| 41 | Y2-2330-00 | WATER & SUMP TANK - INSTALLATION | | | | | |
| 44 | 404459 | BRACKET, RETAINING / TO FIX CONTAINER TO WALL | 2 | | | | |
| 46 | 900605 | TRASH CAN / BLACK PLASTIC | 1 | | | | |
| 49 | 327378 | LAMP SUPPORT | 1 | | | | |
| 50 | 500814 | SCREW TP BDG PH #6x3/4 BK | 2 | | | | |
| 51 | 405064 | BOWL ASSY, TOILET / GREY SS | 1 | | | | |
| . NS | 900759 | . SPRING / TRAP | 1 | | | | |
| . NS | 900760 | . TRAP | 1 | | | | |
| 52 | 900338 | SEAT & COVER ASSY, TOILET / "BEMIS" | 1 | | | | |
| NS | 504427 | NUT WELL 1/4-20 | 2 | | | | |
| NS | 500610 | SCREW MA RND PH 1/4x1 3/4 SS | 2 | | | | |
| 53 | 500574 | SCREW MA TR PH #10-24x1 1/4 SS | 12 | | | | |
| 54 | 500888 | NUT AN JK #10-24 | 12 | | | | |
| 55 | 404482 | ACCES DOOR ASSY To 2-7922 | 1 | | | | K |
| 55 | 405366 | ACCES DOOR ASSY / PLASTIC GREY From 2-7923 | 1 | | | | |
| 56 | 405364 | . ACCES DOOR / PLASTIC GREY From 2-7923 | 1 | | | | |
| 57 | 780538 | . LOCK From 2-7923 | 1 | | | | |
| . NS | 780539 | . . KEY / (CH751) From 2-7923 | 1 | | | | |
| 58 | 405365 | . HINGE From 2-7923 | 1 | | | | |
| 58 | 506785 | . TAPE RUB ADH2 CC POL 1/16" x 1/4" x 200' / BLACK 11C-N-A From 2-7923 | AR | | | | |
| NS | 682462 | . ADHESIVE SIKA #252 / BLACK / 310ml CARTRIDGE From 2-7923 | AR | | | | |
| 59 | 288755 | . PIVOT LOCK ACTUATOR 33.5MM From 2-7923 | 1 | | | | |
| 60 | 5001155 | SCREW TP PAN PH #8X3/4 N050 To 2-7922 | 8 | | | | |
| 60 | 500120 | SCREW TP BDG PH #6x1/2 SS From 2-7923 | 3 | | | | |
| 61 | 500495 | SCREW TP PAN PH #6x1 Z050 | 4 | | | | |
| 62 | 506071 | TAPE RUB ADH1 CC POL 1/8" x 1/2" x 50' / GREY 2520X | AR | | | | |
| 62 | 506236 | TAPE RUB ADH1 CC POL 1/16" x 1/2" x 100' / GREY 2520 | AR | | | | |
| 63 | 401134 | MOULDING, RETAINING / MIRROR | 1 | | | | |
| 64 | 402398 | MIRROR ASSY / REAR WALL | 1 | | | | |
| 65 | 504049 | CLIP, RETAINING / MIRROR | 4 | | | | |
| 67 | 900327 | DISPENSER / PAPER TOWELS | 1 | | | | |
| . NS | 900494 | . KEY, PAPER BOX | 1 | | | | |
| . NS | 901290 | . LOCK, PAPER BOX | 1 | | | | |
| NS | 900328 | TOWEL, PAPER | AR | | | | |
| 70 | 500614 | SCREW TP FL PH #6x3/4 Z050 | 4 | | | | |
| 72 | 900084 | DISPENSER / SOAP | 1 | | | | |
| NS | 19501055 | SOAP BASE ANGLED COUNTER MOUNT ROUND 2" O.D. / WHITE | AR | | | | |
| NS | 19503252 | SOAP BASE ANGLED COUNTER MOUNT ROUND 2" O.D. / BLACK | AR | | | | |
| NS | 19501054 | SOAP BASE 12° ANGLED COUNTER MOUNT ROUND 2" 5/8" / BLACK | AR | | | | |

| | | |
|-------------------------------|--------------|-----------------|
| From Y-7046 To 6-8906 | Date:10/2022 | PAGE:Y2-2325-00 |
| LAVATORY - ACCESSORIES | | |

| Item# | Part | Description | X L I I 4 5 | X L I I M T H 4 0 | X L I I M T H 4 5 | X L I I M T H 4 5 E | N O T E S |
|-------|----------|---|----------------------------|---|---|--|-----------------------|
| NS | 19503186 | HAND SANITIZER WATERLESS ALCOHOLIC SCREWABLE BOTTLE | AR | | | | |
| NS | 19503185 | HAND SANITIZER WATERLESS NON-ALCOHOLIC SCREWABLE BOTTLE | AR | | | | |
| NS | 19503187 | HAND & FACE REFRESHER TOWELLETTES | AR | | | | |
| 73 | 402002 | PLATE COVERING, WASHBASIN FORMICA | 1 | | | | |
| 74 | 500614 | SCREW TP FL PH #6x3/4 Z050 | 4 | | | | |
| 75 | 900349 | PUSH BUTTON, OPERATOR To 3-8057 | 1 | | | | |
| NS | 900348 | SWITCH, TIMER To 3-8057 | 1 | | | | A |
| NS | 900350 | BRACKET, MOUNTING To 3-8057 | 1 | | | | |
| NS | 065237 | CABLE ASSY / TIMER FLUSH PUMP To 3-8020 | 1 | | | | |
| NS | 065470 | CABLE ASSY / TIMER FLUSH PUMP From 3-8021 To 3-8057 | 1 | | | | |
| 75 | 382030 | FLUSH PUMP SWITCH ASSY From 3-8058 | 1 | | | | |
| 78 | 563327 | . TIME DELAY OFF From 3-8058 | 1 | | | | |
| NS | 065830 | . RESISTOR ASSY 1M OHMS 1/2 W From 3-8058 | 1 | | | | |
| 79 | 563326 | . PUSH BUTTON / OPERATOR / BLACK From 3-8058 | 1 | | | | |
| 81 | 561707 | . RELAY 24V S.P.D.T. W/RESISTOR / From 3-8058 To 5-8577 | 1 | | | | |
| 81 | 563332 | . RELAY 24V S.P.D.T. W/RESISTOR / "VOLVO" (20374662) From 5-8578 | 1 | | | | |
| NS | 502691 | . WASHER LO SPT 3.6x6.7x0.8 Z050 From 3-8058 | 4 | | | | |
| NS | 502630 | . WASHER FL .156x.375x.049 Z050 From 3-8058 | 1 | | | | |
| NS | 500852 | . SCREW TP BDG PH #6x3/8 N500 From 3-8058 | 1 | | | | |
| NS | 5001085 | . SCREW TP PAN PH #6x1 1/4 Z050 From 3-8058 | 1 | | | | |
| 86 | 562679 | . 4 WAY ADH. BACKED MOUNTS 1.000 x 1.000 x .160 From 3-8058 | 1 | | | | |
| NS | 504273 | . CABLE TIE / 1/8" X 3"1/2 From 3-8058 | 1 | | | | |
| 87 | 382031 | . SUPPORT From 3-8058 | 1 | | | | |
| NS | 065813 | . CABLE ASSY / TIMER FLUSH PUMP From 3-8058 | 1 | | | | |
| NS | 504226 | SNAP BUSHING / .391x.578x.406 | 1 | | | | |
| 89 | 403040 | PROTECTOR / EMERGENCY SWITCH / PLASTIC GREY / 44MM X 54MM From 3-8058 | 1 | | | | |
| 89 | 500148 | SCREW MA RND PH #6-32x1/2 SS From 3-8058 | 1 | | | | |
| 89 | 500120 | SCREW TP BDG PH #6x1/2 SS From 3-8058 | 2 | | | | |
| 89 | 502691 | WASHER LO SPT 3.6x6.7x0.8 Z050 From 3-8058 | 2 | | | | |
| 90 | 900351 | PLATE, ENGRAVED / "TO FLUSH..." BILINGUAL To 3-8057 | 1 | | | | |
| 90 | 402744 | DECAL / LAVATORY PUMP FLUSH / ENGLISH From 3-8058 | 1 | | | | |
| 90 | 405414 | DECAL / "FLUSH" / ENGLISH & FRANCAIS From 3-8058 | 1 | | | | |
| 100 | 500465 | WASHER FN CKF .278x.729x.119 SS | 6 | | | | |
| 101 | 500552 | SCREW TP OV PH #6x3/4 Z050 | 6 | | | | |
| 102 | 404103 | GRILLE 160MM X 70MM SS To 5-8512 | 1 | | | | |
| 102 | 405700 | GRILLE 160MM X 70MM SS From 5-8513 | 1 | | | | |
| 103 | 500638 | SCREW TP PAN PH #8x1/2 Z050 | 4 | | | | |
| 105 | 900656 | DISPENSER / TOILET PAPER ASSY (TO USE W/STD) ROLL) | 1 | | | | |
| NS | 900657 | PAPER, TOILET / ROLL S.Q. | AR | | | | |
| 106 | 500642 | SCREW TP PAN PH #10x3/4 Z050 | 2 | | | | |
| 108 | 325061 | PLATE / SS / SUPPORT / EMERGENCY SWITCH (2" X 3") | 1 | | | | |
| 109 | 401896 | KNOB EMERGENCY To 4-8216 | 1 | | | | |

| | | |
|-------------------------------|--------------|-----------------|
| From Y-7046 To 6-8906 | Date:10/2022 | PAGE:Y2-2325-00 |
| LAVATORY - ACCESSORIES | | |

| Item# | Part | Description | X L I I 4 5 | X L I I M T H 4 0 | X L I I M T H 4 5 | X L I I M T H 4 5 E | NOTES |
|-------|---------|---|----------------------------|---|---|--|-------|
| 109 | 561124 | . SWITCH / S.P.S.T. / N.O. / RED PUSH BUTTON To 4-8216 | 1 | | | | |
| 109 | 561676 | BUTTON / EMERGENCY From 4-8217 | 1 | | | | |
| 110 | 325062 | DECAL / "TO SIGNAL DRIVER..." / BILINGUAL To 4-8216 | 1 | | | | |
| 110 | 405452 | DECAL / "EMERGENCY CALL" / ENGLISH & FRANCAIS From 4-8217 | 1 | | | | |
| 110 | 325063 | DECAL / "TO SIGNAL DRIVER EMERGENCY" To 4-8216 | 1 | | | | |
| 110 | 402745 | DECAL / "EMERGENCY CALL" / ENGLISH From 4-8217 | 1 | | | | |
| 112 | 324944 | PLATE To 5-8592 | 1 | | | | |
| 120 | 403697 | TUBE 956MM | 1 | | | | |
| 121 | 900334 | BRACKET / TO FIX GRAB HANDLE | 1 | | | | |
| 122 | 900331 | BRACKET, MOUNTING / FRONT WALL HANDRAIL TUBE | 1 | | | | |
| 123 | 403538 | PLATE, FIXTURE / INTERIOR HANDRAIL | 1 | | | | |
| 124 | 5001071 | SCREW MA OV PH #10-32x1 1/2 Z050 | 4 | | | | |
| 125 | 500995 | NUT HEX CAP #10-32 Z050 | 4 | | | | |
| 126 | 500870 | SCREW SET HEXS CUP 1/4-28x3/16 | 2 | | | | |
| 127 | 500616 | SCREW TP FL PH #10x3/4 Z050 | 2 | | | | |
| 128 | 504340 | RIVET POP DOME OE 1/8x3/16 SS | 1 | | | | |
| 130 | 405244 | LAMP SUPPORT / LAVATORY To 2-7892 | 1 | | | | |
| 130 | 405371 | LAMP SUPPORT / LAVATORY GREY PLATINE From 2-7893 | 1 | | | | |
| 131 | 500564 | SCREW MA RND PH #8-32x3/4 Z050 From 2-7923 | 3 | | | | |
| 132 | 500678 | NUT WELL #8-32x.450 From 2-7923 | 3 | | | | |
| 135 | 404999 | DISPENSER SS / WET TOWELS | 1 | | | | |
| 135 | 402026 | . BOX | 1 | | | | |
| 136 | 900447 | . LOCK To 2-7726 | 1 | | | | |
| 136 | 900659 | ... KEY To 2-7726 | 1 | | | | |
| 136 | 901051 | . LOCK From 2-7727 | 1 | | | | |
| 136 | N.S.S. | ... KEY From 2-7727 | 1 | | | | 1 |
| NS | 500525 | . SCREW MA RND SLT #5-40x1/2 SS | 2 | | | | |
| NS | 500555 | . NUT HEX #5-40 SS | 2 | | | | |
| NS | 502649 | . WASHER LO EXT .141x.320x.022 Z050 | 2 | | | | |
| NS | 502556 | . WASHER FL 4.3x9.0x0.8 SS | 4 | | | | |
| NS | 900329 | CHEMICAL PACK / "INCA GOLD" / S.Q. | AR | | | | |
| | | ... NEXT PACKS ARE NO-FORMALDEHYDE | | | | | |
| NS | 900654 | CHEMICAL PACK / "INCA" FORMULE 104 / S.Q. | AR | | | | |
| NS | 900655 | CHEMICAL PACK / "TIMSEN-AIR" / (BOX OF 960) | AR | | | | |
| NS | 403678 | CHEMICAL PACK / "TIMSEN-AIR" / (BOX OF 40) | AR | | | | |
| NS | 900893 | CHEMICAL PACK / "CELESTE INDUSTRIE" / S.Q. | AR | | | | |
| NS | 900894 | CHEMICAL PACK / "CELESTE INDUSTRIE" / (BOX OF 100) | AR | | | | |
| NS | 065896 | KIT, RETROFIT / FLUSH PUMP W/1 SWITCH To 3-8058 | 1 | | | | |

| | | |
|-------------------------------|--------------|-----------------|
| From Y-7046 To 6-8906 | Date:10/2022 | PAGE:Y2-2325-00 |
| LAVATORY - ACCESSORIES | | |

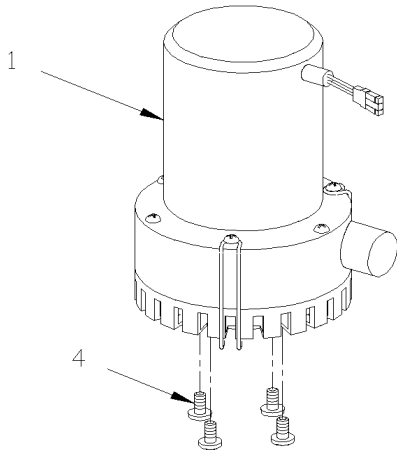
| Item# | Part | Description | X L I I 4 5 | X L I I M T H 4 0 | X L I I M T H 4 5 | X L I I M T H 4 5 E | N O T E S |
|--------|----------|--|----------------------------|---|---|--|-----------------------|
| . NS | IS-02112 | . SEE INSTRUCTION SHEET To 3-8058 | 1 | | | | |
| NS | 065898 | KIT, RETROFIT / FLUSH PUMP W/2 SWITCH / SERIE "XL" To 3-8058 | 1 | | | | |
| . NS | IS-02112 | . SEE INSTRUCTION SHEET To 3-8058 | 1 | | | | |
| NS | 405368 | KIT, CLEANING DOOR LAVATORY To 2-7923 | 1 | | | | |
| . NS | IS-02026 | . SEE INSTRUCTION SHEET To 2-7923 | 1 | | | | |
| 161 | 405303 | DISPENSER PLASTIC / WET TOWELS | 1 | | | | |
| . NS | 780538 | . LOCK | 1 | | | | |
| . . NS | 780539 | . . KEY / (CH751) | 1 | | | | |
| 162 | 500463 | WASHER FN CKF .187x.500x.090 BR Z050 | 4 | | | | |
| 163 | 500356 | WASHER LO SERR 6.1x16.0x0.9 N500 | 4 | | | | |
| | | A) THIS TIMER & SUPPORT ARE SUPPERSEDED BY KIT#065896 FOR VEHICULE EQUIPPED WITH ONE INSIDE OPERATING SWITCH OR BY KIT #065898 FOR VEHICULE EQUIPPED WITH EXTERIOR AUXILIARY SWITCH IN REAR ENGINE COMPARTMENT | | | | | |
| | | K) THIS PART IS SUPERSEDED BY KIT #405368 | | | | | |
| | | 1) NOT SOLD SEPARATELY | | | | | |

From Y-7046 To 6-8906

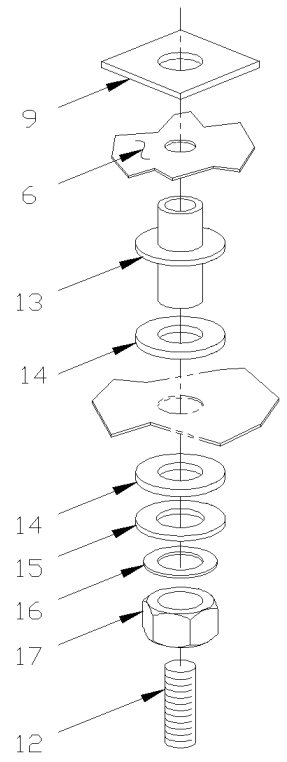
Date:10/2022

PAGE:Y2-2326-00

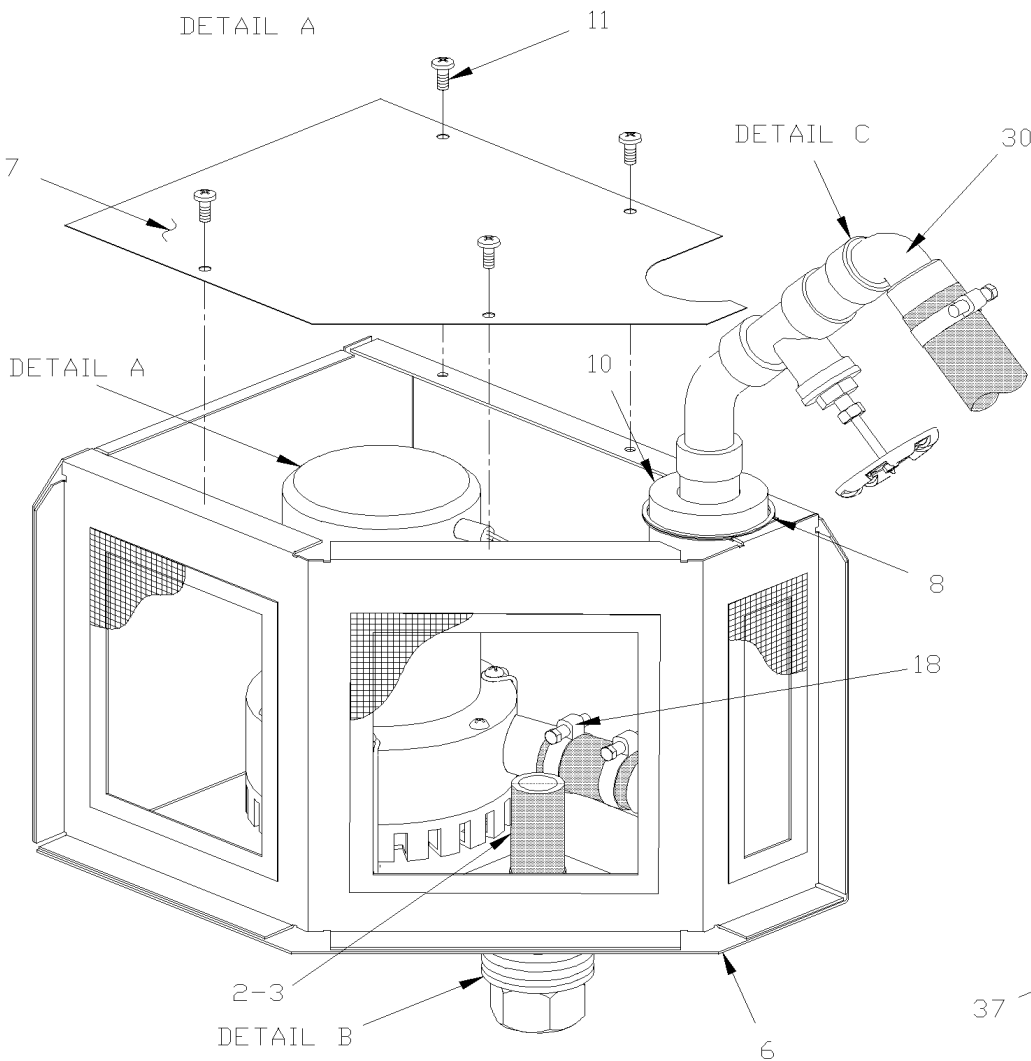
TOILET PUMP ASSY



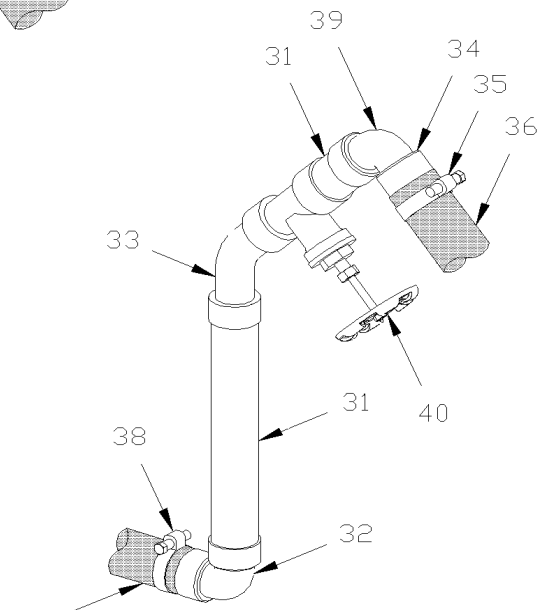
DETAIL A



DETAIL B



DETAIL B



DETAIL C

| | | |
|-------------------------|--------------|-----------------|
| From Y-7046 To 6-8906 | Date:10/2022 | PAGE:Y2-2326-00 |
| TOILET PUMP ASSY | | |

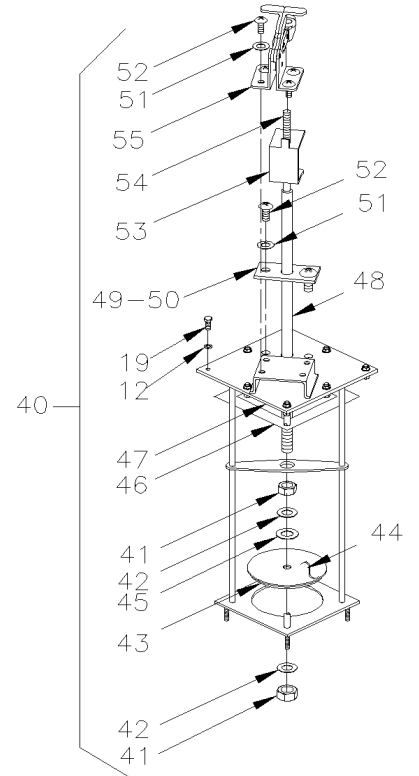
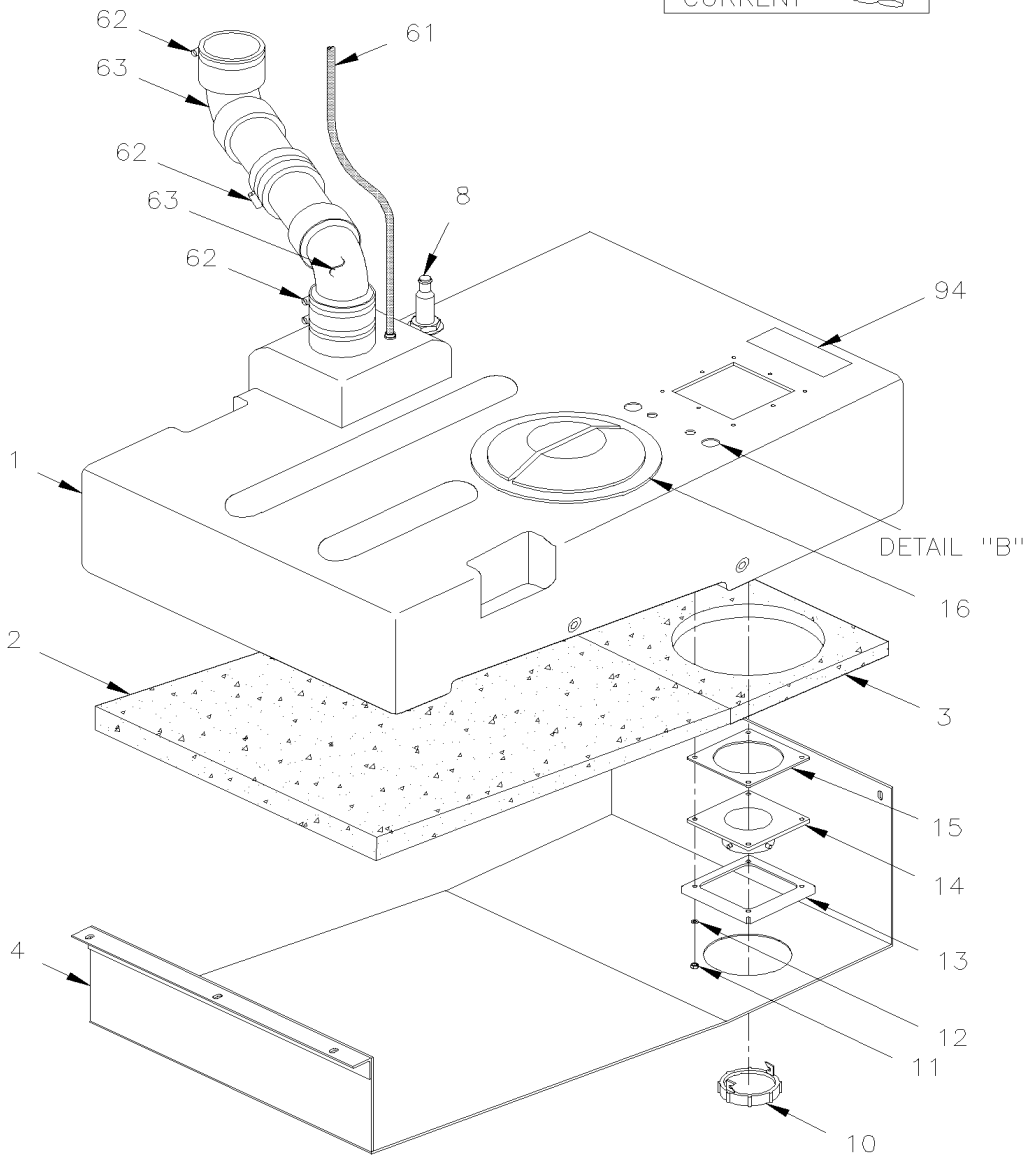
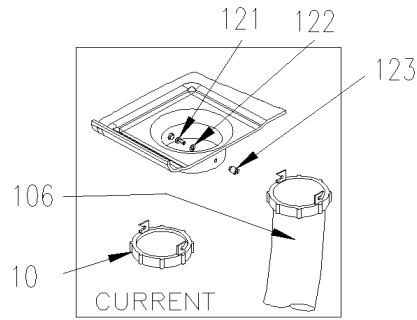
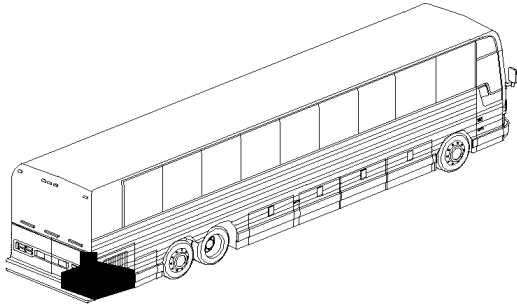
| Item# | Part | Description | X L I I 4 5 | X L I I M T H 4 0 | X L I I M T H 4 5 | X L I I M T H 4 5 E | N O T E S |
|-------|---------|--|----------------------------|---|---|--|-----------------------|
| 1 | 900960 | PUMP TOILET | 1 | | | | |
| 1 | 901421 | . BASE, STRAINER | 1 | | | | |
| 2 | 503455 | HOSE RADIATOR / 7/8" I.D. X 3' / "GREEN STRIPE" | AR | | | | |
| 3 | 504319 | HOSE CLAMP / 1"-1"1/2 SS / E.T. 16 | 1 | | | | |
| 4 | 500952 | SCREW TP BDG PH #8x1/2 SS | 4 | | | | |
| 6 | 404915 | BOX | 1 | | | | |
| 7 | 404133 | COVER ASSY | 1 | | | | |
| 8 | 506338 | RUBBER CHANNEL / 1/16" x 1/4" INT "U" SHAPE / ROUND C.T.L. | AR | | | | |
| 8 | 680096 | SEALANT BUTYL ALUM / GREY / 310ml CARTRIDGE | AR | | | | |
| 9 | 402652 | SEAL, RUBBER / LEVEL TUBE / 1/16" THICK / S.D. | 1 | | | | |
| 10 | 402653 | SEAL, RUBBER / TUBE & COVER | 1 | | | | |
| 11 | 502526 | SCREW TC BDG PH #12-24x3/4 Z050 | 4 | | | | |
| 12 | 501426 | NIPPLE / PIPE FITTING / 1/2NPT-Mx1/2NPT-Mx2 1/2 STL | 1 | | | | |
| 13 | 401748 | FLANGE ASSY | 1 | | | | |
| 13 | 408251 | FLANGE ASSY SERVICE | 1 | | | | |
| 14 | 400296 | SEAL NEOPRENE | 2 | | | | |
| 15 | 500456 | WASHER FL 1.062x2.000x.134 Z050 | 1 | | | | |
| 16 | 500491 | WASHER LO INT 1.019x1.637x.067 Z050 | 1 | | | | |
| 17 | 500746 | NUT HEX JAM 1-14 Z050 | 1 | | | | |
| 17 | 5001709 | NUT HEX JAM LH 1-14 ZP SERVICE | 1 | | | | |
| 18 | 504413 | HOSE CLAMP / 1"1/16-2" SS / HAS-24 | 1 | | | | |
| 30 | 402377 | TUBE ASSY W/GATE VALVE | 1 | | | | |
| 31 | 503198 | . COPPER TUBE .875" O.D. x .045" x 240" | AR | | | | |
| 32 | 501222 | . FEMALE ELBOW 90° SHORT RADIUS / COPPER TUBE / 1Fx3/4F | 1 | | | | |
| 33 | 501863 | . STREET ELBOW 45° / COPPER TUBE / 3/4Mx3/4F | 1 | | | | |
| 34 | 501193 | . COUPLING REDUCER / COPPER TUBE / 3/4Fx1/2F | 1 | | | | |
| 35 | 504019 | . HOSE CLAMP / 9/16"-1"1/16 SS / HS-10 | 1 | | | | |
| 36 | 900220 | . TUBE PVC / 5/8" I.D. / S.L. | 1 | | | | |
| 37 | 050937 | . HOSE / W/O BYPASS VALVE / 1 1/8" I.D. X 3" | 1 | | | | |
| 38 | 504022 | . HOSE CLAMP / 3/4"-1"3/4 SS / HS-20 | 1 | | | | |
| 39 | 501217 | . STREET ELBOW 90° SHORT RADIUS / COPPER TUBE / 3/4Mx3/4F | 1 | | | | |
| 40 | 501958 | . GATE VALVE 7/8" (WELDED) | 1 | | | | |
| | | | | | | | |
| | | | | | | | |
| | | | | | | | |

From Y-7046 To 6-8906

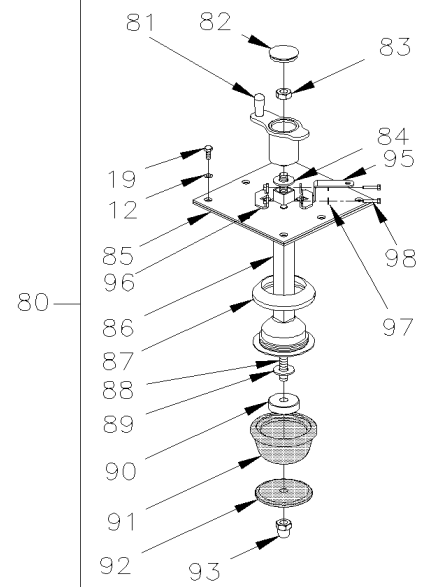
Date:10/2022

PAGE:Y2-2327-00

SUMP TANK - PLASTIC



UP TO 1-7740



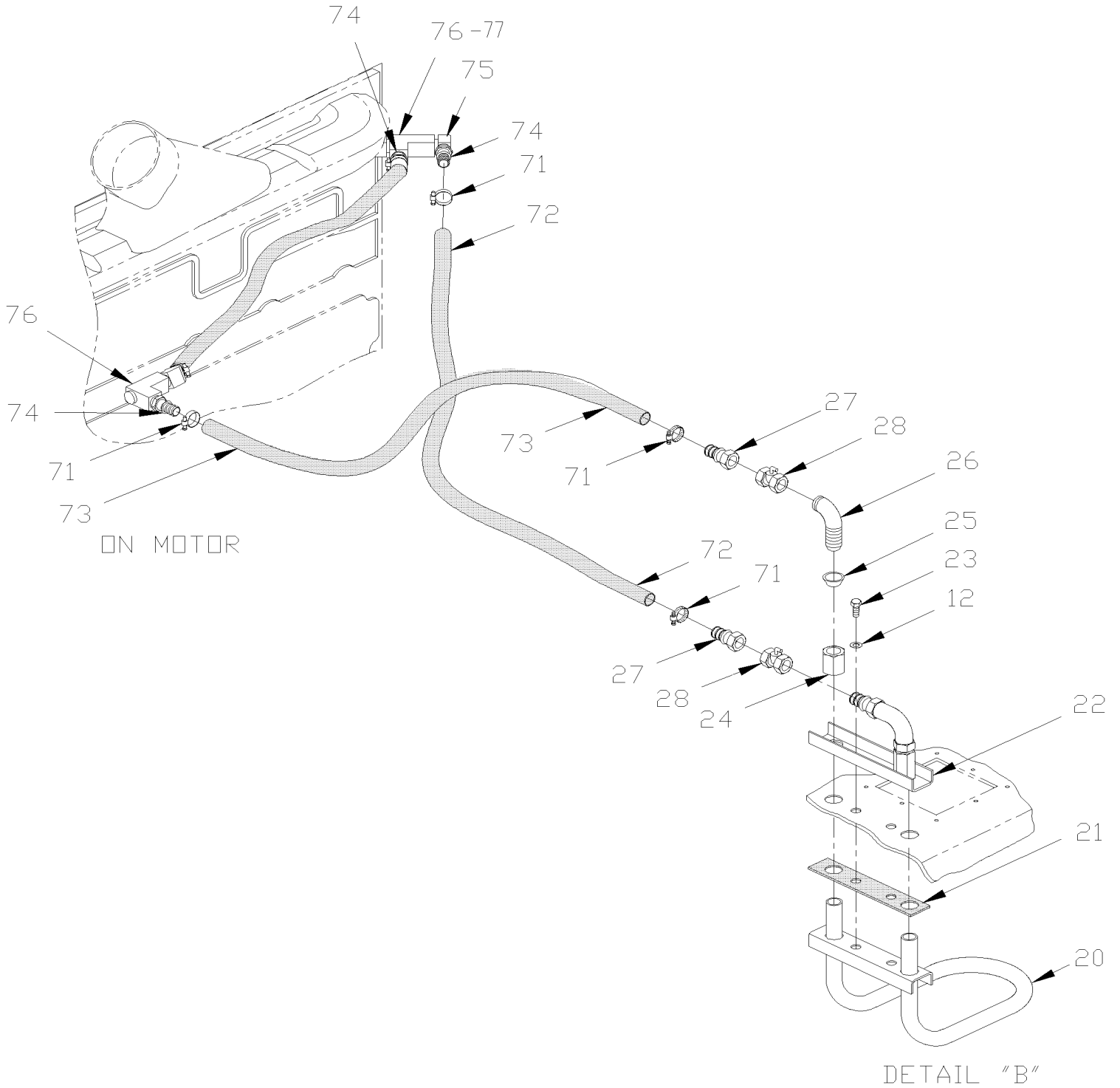
FROM 1-7741

From Y-7046 To 6-8906

Date:10/2022

PAGE:Y2-2327-00

SUMP TANK - PLASTIC



| | | |
|----------------------------|--------------|-----------------|
| From Y-7046 To 6-8906 | Date:10/2022 | PAGE:Y2-2327-00 |
| SUMP TANK - PLASTIC | | |

| Item# | Part | Description | X L I I 4 5 | X L I I M T H 4 0 | X L I I M T H 4 5 | X L I I M T H 4 5 E | N O T E S |
|-------|----------|---|----------------------------|---|---|--|-----------------------|
| | 407552 | SUMP TANK ASSY / (COMPLET FOR RETROFIT) | 1 | | | | |
| 1 | 404872 | SUMP TANK To 2-7740 | 1 | | | | |
| . NS | IS-99004 | . SEE INSTRUCTION SHEET To 2-7740 | 1 | | | | |
| . NS | D400291 | . EMPTYING PLUG INSTALLATION To 2-7740 | 1 | | | | |
| 1 | 405208 | SUMP TANK From 2-7741 | 1 | | | | |
| . NS | D400361 | . DIAGRAM INSTALL From 2-7741 | 1 | | | | |
| 2 | 404340 | INSULATOR PANEL | 1 | | | | A |
| 3 | 404341 | INSULATOR PANEL | 1 | | | | A |
| 4 | 404335 | BOTTOM PANEL | 1 | | | | A |
| NS | 955525 | SCREW CAP HEX 5/16-18x1 G5 ZG603 | 3 | | | | A |
| NS | 500441 | WASHER FL .312x.734x.065 Z050 | 9 | | | | A |
| NS | 500248 | NUT HEX STO 5/16-18 N500 | 3 | | | | A |
| 8 | 900280 | THRU HULL, CONNECTOR / PLASTIC | 1 | | | | A |
| NS | 409038 | GASKET | 1 | | | | A |
| 10 | 900520 | CAP To 1-7740 | 1 | | | | D |
| NS | 404972 | PLATE / TO FIXING EMTYING PLUG From 2-7741 | 1 | | | | D |
| NS | 404342 | GASKET From 2-7741 | 1 | | | | D |
| NS | 502564 | WASHER LO SPT 6.1x11.8x1.6 Z050 From 2-7741 | 4 | | | | D |
| NS | 502511 | NUT HEX NYRT M6-1.0 Z050 From 2-7741 | 4 | | | | D |
| 11 | 502511 | NUT HEX NYRT M6-1.0 Z050 To 1-7740 | 4 | | | | |
| 12 | 502564 | WASHER LO SPT 6.1x11.8x1.6 Z050 To 1-7740 | 12 | | | | |
| NS | 502582 | WASHER LO SERR 6.1x16.2x0.9 Z050 To 1-7740 | 4 | | | | |
| 13 | 404373 | PLATE To 1-7740 | 1 | | | | |
| 13 | 404972 | PLATE / TO FIXING EMTYING PLUG From 1-7741 | 1 | | | | C |
| 14 | 900522 | HOSE ADAPTOR / BAYONET FLANGE To 1-7740 | 1 | | | | |
| 15 | 404342 | GASKET To 1-7740 | 1 | | | | |
| 16 | 900825 | 8" CLOSED LID C/W RIM | 1 | | | | |
| 19 | 955269 | SCREW CAP HEX M6-1.0x12 G8.8 ZG603 | 12 | | | | |
| 20 | 404337 | HEATER ASSY | 1 | | | | |
| 21 | 404367 | GASKET | 1 | | | | |
| 22 | 404339 | SUPPORT PLATE | 1 | | | | |
| 23 | 502737 | SCREW CAP HEX M6-1.0x25 SS BK | 2 | | | | |
| 24 | 5011027 | NUT FLARELESS TUBE / JIC 37° FITTING / #10 STL | 2 | | | | |
| 25 | 5011028 | FERRULE FLARELESS TUBE / JIC 37° FITTING / #10 STL | 2 | | | | |
| 26 | 5011137 | UNION ELBOW 90° / JIC 37° FITTING / #10JIC-Mx#10JIC-M STL | 2 | | | | |
| 26 | 5011176 | MALE ELBOW 90° / JIC 37° FITTING / #10JIC-Mx#1/2NPT-M STL | 2 | | | | |
| 27 | 507605 | MALE CONNECTOR / HOSE BARB FITTING / #12x1/2NPT-M BR | 2 | | | | |
| 28 | 530096 | BALL VALVE 1/2" NPT 1/2 NPT F x 1/2 NPT F | 2 | | | | |
| | | | | | | | |
| 40 | 404148P | EMPTYING TRAP DOOR To 1-7740 | 1 | | | | B |
| 41 | 500875 | . NUT HEX M12-1.75 SS To 1-7740 | 1 | | | | |
| 42 | 500958 | . WASHER FL .531x1.062x.095 SS To 1-7740 | 2 | | | | |

| | | |
|----------------------------|--------------|-----------------|
| From Y-7046 To 6-8906 | Date:10/2022 | PAGE:Y2-2327-00 |
| SUMP TANK - PLASTIC | | |

| Item# | Part | Description | X L I I 4 5 | X L I I M T H 4 0 | X L I I M T H 4 5 | X L I I M T H 4 5 E | N O T E S |
|-------|---------|---|----------------------------|---|---|--|-----------------------|
| 43 | 404156 | . GASKET To 1-7740 | 1 | | | | |
| NS | 681285 | . ADHESIVE To 1-7740 | AR | | | | |
| 44 | 404100 | . CAP To 1-7740 | 1 | | | | |
| 45 | 404432 | . O-RING To 1-7740 | 1 | | | | |
| 46 | 404136 | . GASKET To 1-7740 | 1 | | | | |
| 47 | 404394 | . FRAME (WELDED) To 1-7740 | 1 | | | | |
| 48 | 404144 | . CENTER ROD To 1-7740 | 1 | | | | |
| 49 | 404396 | . PLATE To 1-7740 | 1 | | | | |
| NS | 680096 | . SEALANT BUTYL ALUM / GREY / 310ml CARTRIDGE To 1-7740 | AR | | | | |
| 50 | 507290 | . MOLYTHANE SEAL POLYPAK To 1-7740 | 1 | | | | |
| 51 | 502564 | . WASHER LO SPT 6.1x11.8x1.6 Z050 To 1-7740 | 6 | | | | |
| 52 | 502526 | . SCREW TC BDG PH #12-24x3/4 Z050 To 1-7740 | 8 | | | | |
| 53 | 404182 | . HOOK To 1-7740 | 1 | | | | |
| 54 | 504644 | . PROTECTOR CAP / BLACK / .281 I.D. x .500 To 1-7740 | 1 | | | | |
| 55 | 900834 | . LOCK LEVER To 1-7740 | 1 | | | | |
| 61 | 503406 | TUBE, NYLON 1/2 O.D. / GREEN S.L. | AR | | | | |
| NS | 641012 | BULKHEAD UNION / NTA FITTING / #8x3/8NPT-M BR | 1 | | | | A |
| 62 | 503532 | UNION / ABS PIPE / 3Fx3F NEO To 5-8569 | 3 | | | | |
| 62 | 504235 | HOSE CLAMP / 3"9/16"-4"1/2 SS / HS-64 From 5-8570 | 4 | | | | A |
| 63 | 404324 | TUBE ASSY / ABS To 5-8569 | 2 | | | | |
| 63 | 530211 | ELBOW 45° X 3 1/2" I.D. RUBBER From 5-8570 | 2 | | | | A |
| NS | 404325 | SEAL PLASTIC 4" I.D. / PIPE & FLOOR | 1 | | | | A |
| NS | 405711 | TUBE DRAIN 3 1/2" O.D. x 181MM SS From 5-8570 | 1 | | | | A |
| 71 | 504646 | HOSE CLAMP / 11/16"-1"1/4 / C.T. 9412 | 4 | | | | |
| 72 | 404427 | HOSE / HEATER & ENGINE / 3/4" I.D. 1260MM | 1 | | | | |
| 73 | 402618 | HOSE / HEATER & ENGINE / 3/4" I.D. 960MM | 1 | | | | |
| 73 | 503523 | HOSE SILICONE 1PLY 3/4" I.D. x 100' / S.L. | AR | | | | |
| 74 | 507605 | MALE CONNECTOR / HOSE BARB FITTING / #12x1/2NPT-M BR | 3 | | | | |
| 75 | 5011038 | MALE ELBOW 90° / BEADED HOSE BARB / #12x1/2NPT-M To 3-8164 | 1 | | | | |
| 76 | 501473 | MALE RUN TEE / PIPE FITTING / 1/2NPT-Mx1/2NPT-Fx1/2NPT-F BR To 3-8164 | 2 | | | | |
| 77 | 501528 | STREET ELBOW 45° / PIPE FITTING / 1/2NPT-Mx1/2NPT-F BR | 1 | | | | |
| 80 | 404948P | EMPTYING PLUG ASSY From 1-7741 | 1 | | | | C |
| 81 | 404953 | . CRANK From 1-7741 | 1 | | | | |
| 81 | 405446 | . CRANK W/FLANGE | 1 | | | | E |
| 82 | 689948 | . PLUG From 1-7741 | 1 | | | | |
| 83 | 502567 | . NUT HEX M10-1.5 SS From 1-7741 | 1 | | | | |
| 84 | 509802 | . WASHER FL .500x1.125x.081 BR From 1-7741 | 1 | | | | |
| 85 | 404949 | . PLATE ASSY / W/19MM SQ HOLE From 1-7741 | 1 | | | | |
| . NS | 404950 | . . PLATE From 1-7741 | 1 | | | | |
| . NS | 404951 | . . SEAL RUBBER / W/19MM SQ HOLE From 1-7741 | 1 | | | | |
| . NS | 405083 | . . SEAL RETAINER From 1-7741 | 1 | | | | |
| . NS | 504643 | . . RIVET POP DOME OE 1/8x1/2 SS From 1-7741 | 4 | | | | |

| | | |
|----------------------------|--------------|-----------------|
| From Y-7046 To 6-8906 | Date:10/2022 | PAGE:Y2-2327-00 |
| SUMP TANK - PLASTIC | | |

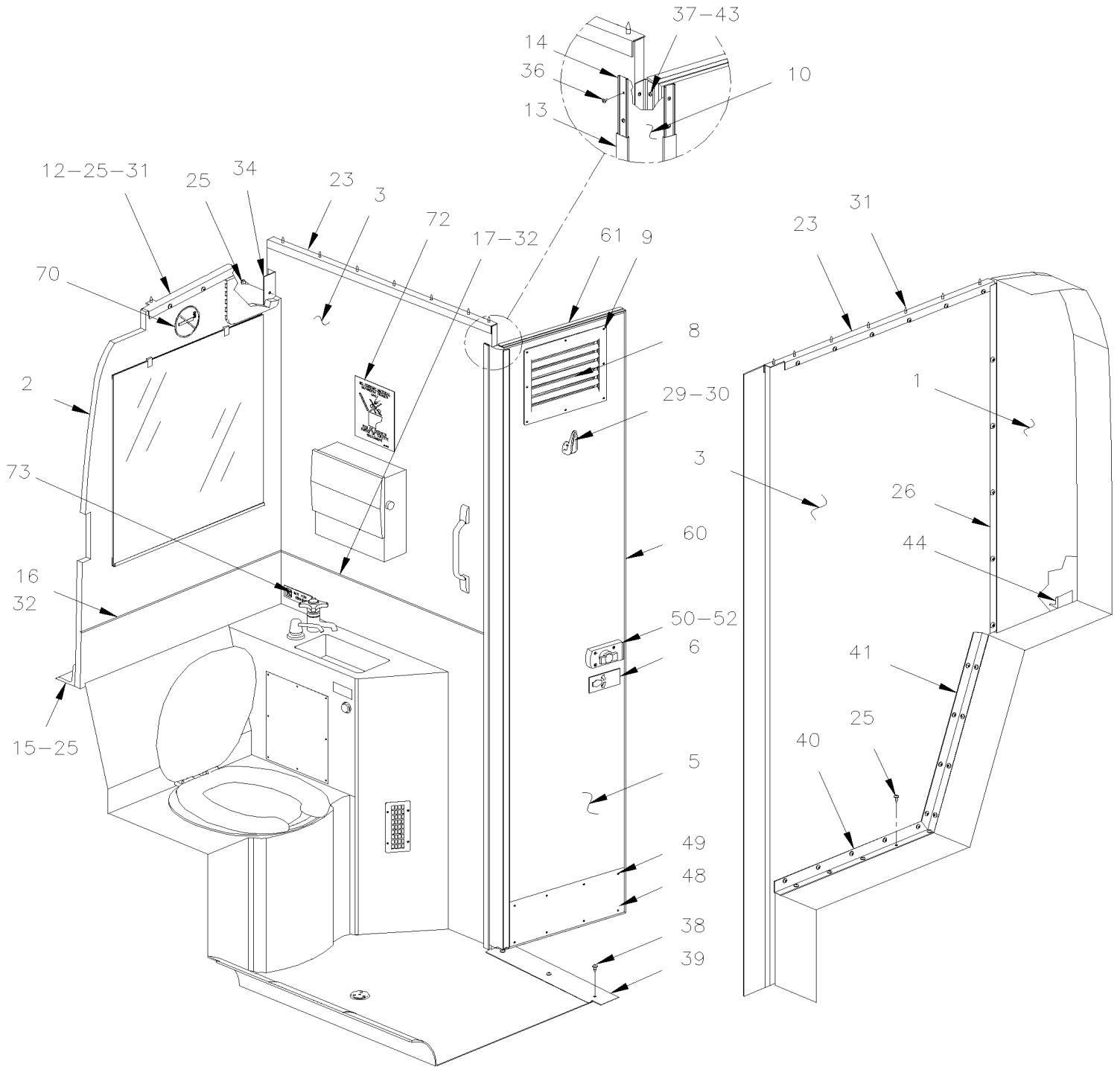
| Item# | Part | Description | X L I I 4 5 | X L I I M T H 4 0 | X L I I M T H 4 5 | X L I I M T H 4 5 E | N O T E S |
|-------|----------|--|----------------------------|---|---|--|-----------------------|
| 85 | 407499 | . PLATE ASSY / W/22MM SQ HOLE SERVICE From 1-7741 | 1 | | | | |
| . NS | 407497 | . . PLATE From 1-7741 | 1 | | | | |
| . NS | 407498 | . . SEAL RUBBER / W/22MM SQ HOLE From 1-7741 | 1 | | | | |
| . NS | 407496 | . . SEAL RETAINER FORMER ONE PIECE From 1-7741 | 1 | | | | |
| . NS | 409262 | . . SEAL RETAINER CURRENT TWO PIECES From 1-7741 | 2 | | | | |
| . NS | 504643 | . . RIVET POP DOME OE 1/8x1/2 SS From 1-7741 | 4 | | | | |
| 86 | 407494 | . TUBE PLASTIC From 1-7741 | 1 | | | | |
| 86 | 409257 | . TUBE PLASTIC SERVICE From 1-7741 | 1 | | | | |
| 87 | 404956 | . CLAMPING RING From 1-7741 | 1 | | | | |
| 87 | 409256 | . CLAMPING RING SERVICE From 1-7741 | 1 | | | | |
| 88 | 407495 | . ROD From 1-7741 | 1 | | | | |
| 89 | 5001443 | . WASHER FL 10.3x38.0x3.0 SS From 1-7741 | 1 | | | | |
| 90 | 404958 | . SPACER From 1-7741 To 3-8039 | 1 | | | | |
| 91 | 409989 | . PLUG RUBBER From 1-7741 | 1 | | | | |
| 92 | 404959 | . WASHER, CONIC From 1-7741 | 1 | | | | |
| 93 | 5001511 | . NUT HEX CAP M10-1.5 SS From 1-7741 | 1 | | | | |
| 94 | 405194 | . DECAL "OPENING & CLOSING SUMP TANK PICTOGRA | 1 | | | | A |
| 95 | 405439 | . HANDLE / USE W/SS TUBE ITEM # 86 | 1 | | | | E |
| 95 | 405437 | . HANDLE / USE W/PLASTIC TUBE ITEM # 86 | 1 | | | | F |
| 96 | 405436 | . COLLAR ASSY W/NUT | 1 | | | | E |
| 96 | 405438 | . COLLAR ASSY W/NUT | 1 | | | | F |
| 97 | 502570 | . WASHER LO SPT 6.1x11.8x1.6 SS | 2 | | | | |
| 98 | 5001165 | . SCREW CAP HEX M6-1.0x20 SS EMN | 2 | | | | |
| 100 | 405440 | KIT COLLAR & HANDLE / W/SS TUBE | 1 | | | | E |
| . NS | IS-02130 | . SEE INSTRUCTION SHEET | 1 | | | | E |
| 100 | 405441 | KIT COLLAR & HANDLE / W/PLASTIC TUBE | 1 | | | | F |
| . NS | IS-02130 | . SEE INSTRUCTION SHEET | 1 | | | | F |
| NS | 409990P | KIT EMPTYING PLUG SUMP TANK | 1 | | | | |
| 106 | 900525 | HOSE SUMP TANK | 1 | | | | D |
| 121 | 500557 | SCREW MA PAN PH #8-32x3/8 SS | 2 | | | | D |
| 122 | 502556 | WASHER FL 4.3x9.0x0.8 SS | 2 | | | | D |
| 123 | 405827 | ADAPTOR WITH SPECIAL NUT / TO FIX DUMP HOSE | 2 | | | | D |
| 123 | D400361 | DIAGRAM INSTALL | 1 | | | | D |
| | | | | | | | |
| | | | | | | | |
| | | A) FOR RETROFIT YOU NEED ALL THOSE ITEMS | | | | | |
| | | B) FOR PRODUCT IMPROVEMENT ASK KIT #409990P FOR INSTALLATION SEE DIAGRAM D-400291 | | | | | |
| | | C) USE AND INCLUDE WITH KIT 409990P | | | | | |
| | | D) FOR RETROFIT HOSE ADAPTOR TO DUMP SUMP WITH NEW MODEL OF TANK (#405208) YOU REQUIRE FOLLOWING PARTS AFTER REMOVE THE EXIT NIPPLE MOULDED TO TANK EFF.: 2-7741 | | | | | |
| | | E) USE WITH PLASTIC TUBE #86 | | | | | |
| | | F) USE WITH STAINLESS STEEL TUBE #86 | | | | | |

From Y-7046 To 6-8906

Date:10/2022

PAGE:Y2-2328-00

LAVATORY WALL - INSTALLATION

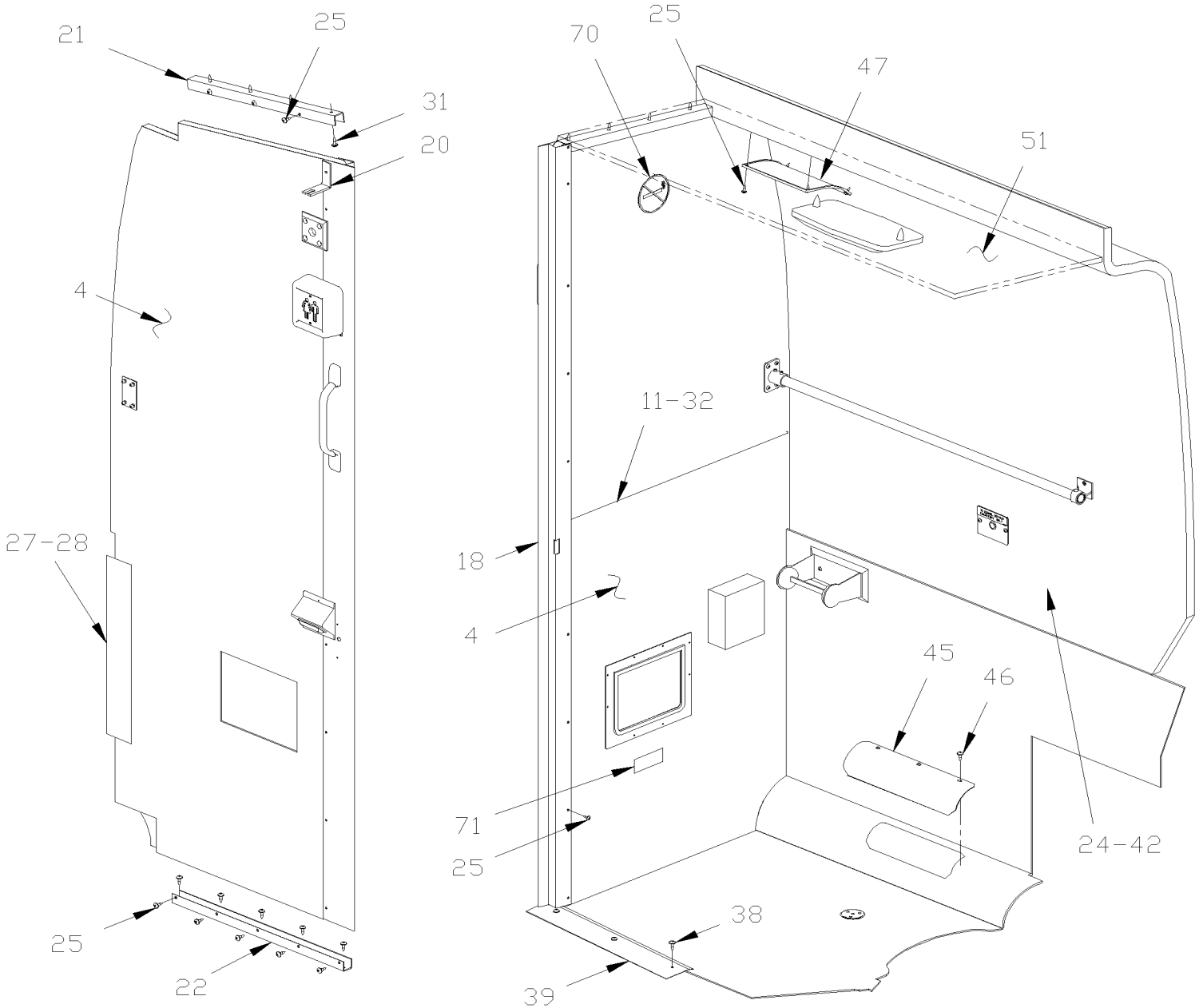


From Y-7046 To 6-8906

Date:10/2022

PAGE:Y2-2328-00

LAVATORY WALL - INSTALLATION



| | | |
|-------------------------------------|--------------|-----------------|
| From Y-7046 To 6-8906 | Date:10/2022 | PAGE:Y2-2328-00 |
| LAVATORY WALL - INSTALLATION | | |

| Item# | Part | Description | X L I I 4 5 | X L I I M T H 4 0 | X L I I M T H 4 5 | X L I I M T H 4 5 E | N O T E S |
|-------|-----------------|--|----------------------------|---|---|--|-----------------------|
| 1 | Call order desk | WALL ASSY, REAR SIDE / TISSUS / SPECIFY COLOR CODE | 1 | | | | P |
| 1 | Call order desk | WALL ASSY, REAR SIDE / CARPET / SPECIFY COLOR CODE | 1 | | | | P |
| 1 | Call order desk | WALL ASSY, REAR SIDE / FORMICA / SPECIFY COLOR CODE | 1 | | | | P |
| 2 | Call order desk | WALL ASSY, REAR To 2-7922 | 1 | | | | P |
| 2 | 405367P | WALL ASSY, REAR / W/WASH BASSIN From 2-7923 | 1 | | | | |
| 2 | Call order desk | WALL ASSY, REAR / W/OUT WASH BASIN From 9-9796 | 1 | | | | P |
| 3 | Call order desk | WALL ASSY, SIDE / TISSUS / SPECIFY COLOR CODE | 1 | | | | P |
| 3 | Call order desk | WALL ASSY, SIDE / CARPET / SPECIFY COLOR CODE | 1 | | | | P |
| 3 | Call order desk | WALL ASSY, SIDE / FORMICA / SPECIFY COLOR CODE | 1 | | | | P |
| 4 | Call order desk | WALL ASSY, FRONT / TISSUS / SPECIFY COLOR CODE | 1 | | | | P |
| 4 | Call order desk | WALL ASSY, FRONT / CARPET / SPECIFY COLOR CODE | 1 | | | | P |
| 4 | Call order desk | WALL ASSY, FRONT / FORMICA / SPECIFY COLOR CODE | 1 | | | | P |
| NS | 506001 | TAPE RUB ADH1 CC POL 1/8" x 3/4" x 50' / GREY 2520X To 2-7922 | AR | | | | |
| NS | 506003 | TAPE RUB ADH1 CC POL 3/16" x 3/4" x 40' / GREY 2520X From 2-7923 | AR | | | | |
| NS | 506264 | TAPE RUB ADH1 URE 3/4" x 1" x 12.5' / GREY 1820X | AR | | | | |
| 5 | 405279 | LAVATORY DOOR ASSY / FORMICA / SPECIFY COLOR CODE To 2-7922 | 1 | | | | |
| 5 | 405280 | LAVATORY DOOR ASSY / FORMICA / SPECIFY COLOR CODE From 2-7923 | 1 | | | | |
| 5 | 405281 | LAVATORY DOOR ASSY / CARPET / SPECIFY COLOR CODE To 2-7922 | 1 | | | | |
| 5 | 405282 | LAVATORY DOOR ASSY / CARPET / SPECIFY COLOR CODE From 2-7923 | 1 | | | | |
| 5 | 405283 | LAVATORY DOOR ASSY / TISSUS / SPECIFY COLOR CODE To 2-7922 | 1 | | | | |
| 5 | 405284 | LAVATORY DOOR ASSY / TISSUS / SPECIFY COLOR CODE From 2-7923 | 1 | | | | |
| 6 | 402741 | DECAL "VEROUILLER" To 2-7922 | 1 | | | | |
| 6 | 402743 | DECAL "LOCK FOR LIGHTING" To 2-7922 | 1 | | | | |
| 6 | 405222 | DECAL / LAVATORY OPEN / LOCK / ENGLISH From 2-7923 | 1 | | | | |
| 6 | 403820 | DECAL / LAVATORY OPEN / LOCK FOR LIGHTING / ENGLISH & FRANCAIS From 2-7923 | 1 | | | | |
| 6 | 405642 | DECAL / LAVATORY OPEN / LOCK FOR LIGHTING / ENGLISH & SPANISH From 2-7923 | 1 | | | | |
| 8 | 405065 | GRILL, VENT / MED GREY | 2 | | | | |
| 9 | 500409 | SCREW TP PAN PH #8x1/2 BK | AR | | | | |
| 10 | 405016 | LEATHERETTE / GREY / 125MM X 1990MM To 2-7922 | 1 | | | | |
| 10 | 405217 | LEATHERETTE / GREY / 125MM X 1990MM From 2-7923 | 1 | | | | |
| 11 | 403972 | MOULDING "J" FORM / 660MM (26") / F/F | 1 | | | | |
| 12 | 404926 | MOULDING / "U" SHAPE 520MM | 1 | | | | |
| 13 | 404970 | MOULDING CAP / SS 2100MM | 2 | | | | |
| 14 | 404971 | MOULDING RETAINER / 1980MM | 2 | | | | |
| 15 | 400719 | ANGLE, RETAINING / BEHIND REAR WALL / 30" | 1 | | | | |
| 16 | 403973 | MOULDING "J" FORM / 760MM (29 15/16") / F/F | 1 | | | | |
| NS | 404537 | SPACER WOOD | 1 | | | | |
| 17 | 400886 | MOULDING "J" FORM / 788MM (31") / A/A | 1 | | | | |
| 18 | 404973 | MOULDING DOOR To 2-7922 | 1 | | | | |
| 18 | 405212 | MOULDING DOOR From 2-7923 | 1 | | | | |
| 18 | 405206 | MOULDING DOOR To 2-7922 | 1 | | | | A |
| 18 | 405313 | MOULDING DOOR From 2-7923 | 1 | | | | A |

| | | |
|-------------------------------------|--------------|-----------------|
| From Y-7046 To 6-8906 | Date:10/2022 | PAGE:Y2-2328-00 |
| LAVATORY WALL - INSTALLATION | | |

| Item# | Part | Description | X L I I 4 5 | X L I I M T H 4 0 | X L I I M T H 4 5 | X L I I M T H 4 5 E | N O T E S |
|-------|-------------------|---|----------------------------|---|---|--|-----------------------|
| 18 | 405116 | MOULDING DOOR To 2-7922 | 1 | | | | B |
| 18 | 405223 | MOULDING DOOR From 2-7923 | 1 | | | | B |
| 20 | 315891 | ANGLE SUPPORT / (FIXED TO LAVATORY WALL) | 1 | | | | |
| 21 | 404924 | MOULDING / "U" SHAPE 460MM | 1 | | | | |
| 22 | 403700 | MOULDING / "U" SHAPE 533MM | 1 | | | | |
| 23 | 404925 | MOULDING "U" 873MM / | 1 | | | | |
| 24 | 326966 | WALL FIBERGLASS PANEL To 4-8216 | 1 | | | | |
| 24 | 328039 | WALL FIBERGLASS PANEL LAVATORY 1267MM From 4-8217 | 1 | | | | |
| NS | 500583 | SCREW TP PAN PH #6x1/2 Z050 | 20 | | | | |
| NS | 500463 | WASHER FN CKF .187x.500x.090 BR Z050 | 10 | | | | |
| NS | 506282 | TAPE RUB ADH1 CC POL 3/8" x 1" x 20' / GREY 2520 | AR | | | | |
| NS | 506071 | TAPE RUB ADH1 CC POL 1/8" x 1/2" x 50' / GREY 2520X | AR | | | | |
| 25 | 500641 | SCREW TP PAN PH #8x3/4 Z050 | AR | | | | |
| 26 | 404974 | CHANNEL / "Z" SHAPE 1112MM | 1 | | | | |
| 27 | 400725 | ANGLE, RETAINING 23" | 1 | | | | |
| 28 | 401173 | ANGLE, RETAINING 12" | 1 | | | | |
| 29 | 900297 | HOOK / COAT | 1 | | | | |
| 30 | 500626 | SCREW TP OV PH #8x3/4 Z050 | 2 | | | | |
| 31 | 504127 | RIVET POP DOME OE 3/16x3/4 AL To 1-7702 | 10 | | | | |
| 31 | 500641 | SCREW TP PAN PH #8x3/4 Z050 From 1-7703 | 8 | | | | |
| 32 | 500552 | SCREW TP OV PH #6x3/4 Z050 | 16 | | | | |
| 34 | 404933 | ANGLE / TO FIX SIDE WALL TO REAR WAL 1047.5MM | 1 | | | | |
| 36 | 500583 | SCREW TP PAN PH #6x1/2 Z050 | 33 | | | | |
| 37 | 500614 | SCREW TP FL PH #6x3/4 Z050 | 30 | | | | |
| 38 | 500640 | SCREW TP PAN PH #6x3/4 Z050 | 12 | | | | |
| 39 | 403705 | PROTECTOR, FLOOR 494MM | 1 | | | | |
| 40 | 404931 | ANGLE 800MM | 1 | | | | |
| 41 | 404934 | ANGLE 600MM | 1 | | | | |
| 42 | 500614 | SCREW TP FL PH #6x3/4 Z050 | AR | | | | |
| 43 | 780134 | HINGE NP .040 X 3/4 X 3/4 X 72" | 1 | | | | |
| 44 | 404975 | ANGLE / TO FIX REAR SIDE WALL 100MM | 1 | | | | |
| 45 | 400874 | PLATE, ACCESS / TOILET HEATING TUBE | 1 | | | | |
| 46 | 500638 | SCREW TP PAN PH #8x1/2 Z050 | 5 | | | | |
| 47 | 404998 | CLOSING PANEL | 1 | | | | |
| 48 | 405126 | PROTECTOR PANEL 460MM x 100MM SS | 1 | | | | |
| 49 | 500952 | SCREW TP BDG PH #8x1/2 SS | 6 | | | | |
| 50 | Y2-2329-00 | LAVATORY DOOR LOCK & SWITCH | | | | | |
| 51 | Y2-1837-00 | CEILING PANELS & MOULDING - BUS | | | | | |
| 52 | 405518 | PLATE RETAINING DOOR / 76MM X 31MM | 1 | | | | |
| 60 | 405006 | MOULDING "J" FORM / 1985MM / A/A | 1 | | | | C |
| 60 | 405005 | MOULDING "J" FORM / 1985MM / A/A | 1 | | | | D |
| 61 | 401490 | MOULDING "J" FORM / 463MM (18 1/4") / A/A | 1 | | | | C |

| | | |
|-------------------------------------|--------------|-----------------|
| From Y-7046 To 6-8906 | Date:10/2022 | PAGE:Y2-2328-00 |
| LAVATORY WALL - INSTALLATION | | |

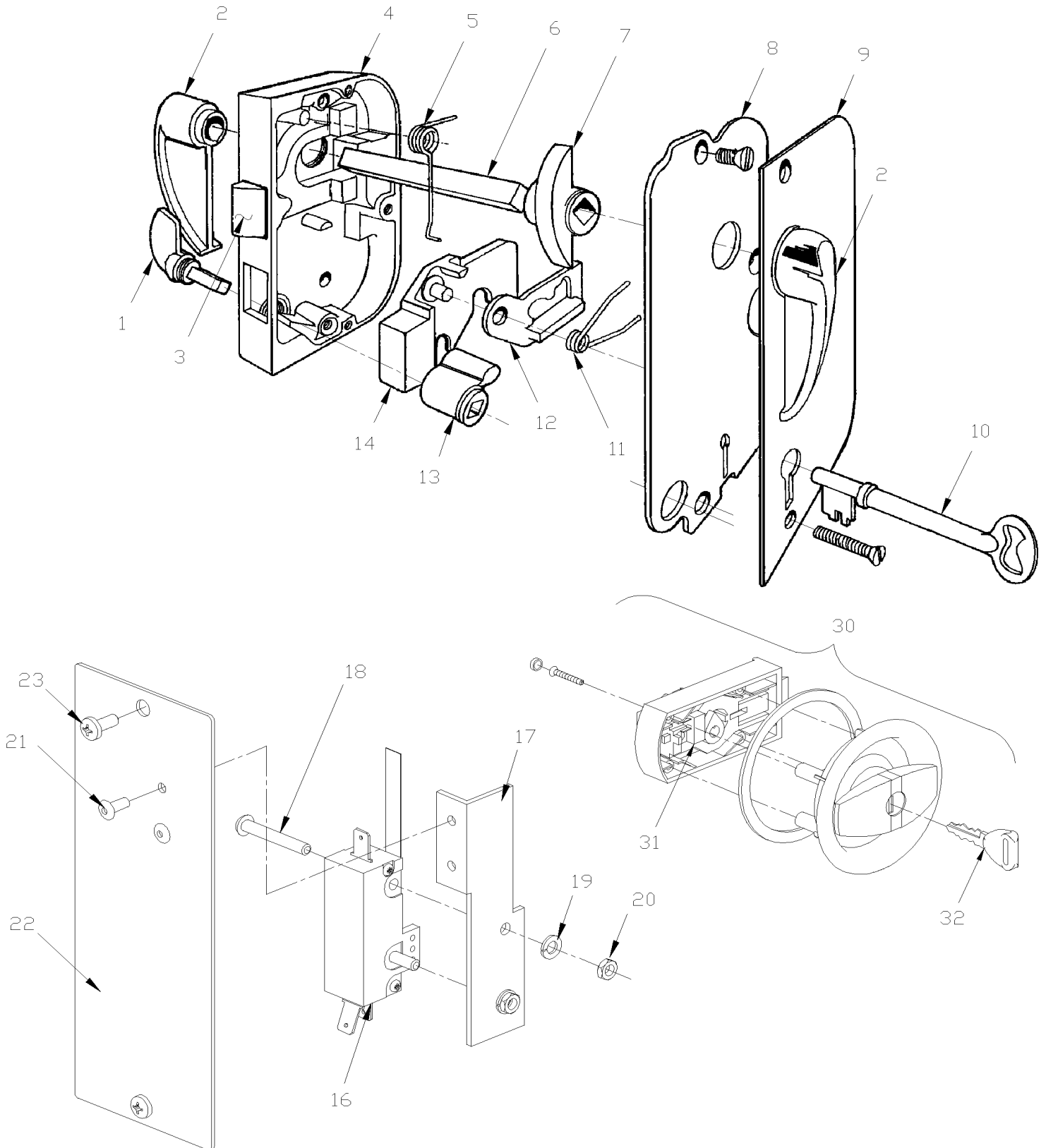
| Item# | Part | Description | X L I I 4 5 | X L I I M T H 4 0 | X L I I M T H 4 5 | X L I I M T H 4 5 E | N O T E S |
|-------|--------|--|----------------------------|---|---|--|-----------------------|
| 61 | 401309 | MOULDING "J" FORM / 463MM (18 1/4") / A/A | 1 | | | | D |
| 70 | 900313 | DECAL / "NO SMOKING" / 2 3/4" O.D. | 2 | | | | |
| 71 | 402742 | DECAL / "TRASH" / ENGLISH | 1 | | | | |
| 71 | 400746 | DECAL / "WASTE" / ENGLISH & FRANCAIS | 1 | | | | |
| 72 | 401956 | DECAL "NO FOREIGN MATERIAL..." / ENGLISH | 1 | | | | |
| 72 | 400583 | DECAL "NO FOREIGN MATERIAL..." / ENGLISH & FRANCAIS | 1 | | | | |
| 72 | 406184 | DECAL "NO FOREIGN MATERIAL..." / ENGLISH & SPANISH | 1 | | | | |
| 73 | 400127 | DECAL "DO NOT DRINK THIS WATER" / ENGLISH To 2-7922 | 1 | | | | |
| 73 | 402748 | DECAL / "NOT FOR DRINKING" / ENGLISH From 2-7923 | 1 | | | | |
| 73 | 400578 | DECAL "DO NOT DRINK THIS WATER" / BILINGUAL To 2-7922 | 1 | | | | |
| 73 | 405232 | DECAL / "DO NOT DRINK THIS WATER" / ENGLISH & FRANCAIS From 2-7923 | 1 | | | | |
| | | | | | | | |
| | | A) USE WITH AUXILIARY SWITCH FOR LAVATORY LIGHTNING | | | | | |
| | | B) USE WITH WASTE TRASH CAN LIGHTENING | | | | | |
| | | C) USE WITH DOOR WITH CARPET | | | | | |
| | | D) USE WITH DOOR WITH TISSUS | | | | | |
| | | P) CALL ORDER DESK FOR SPECIFIC APPLICATION (V.I.N.) | | | | | |

From Y-7046 To 6-8906

Date:10/2022

PAGE:Y2-2329-00

LAVATORY DOOR LOCK & SWITCH



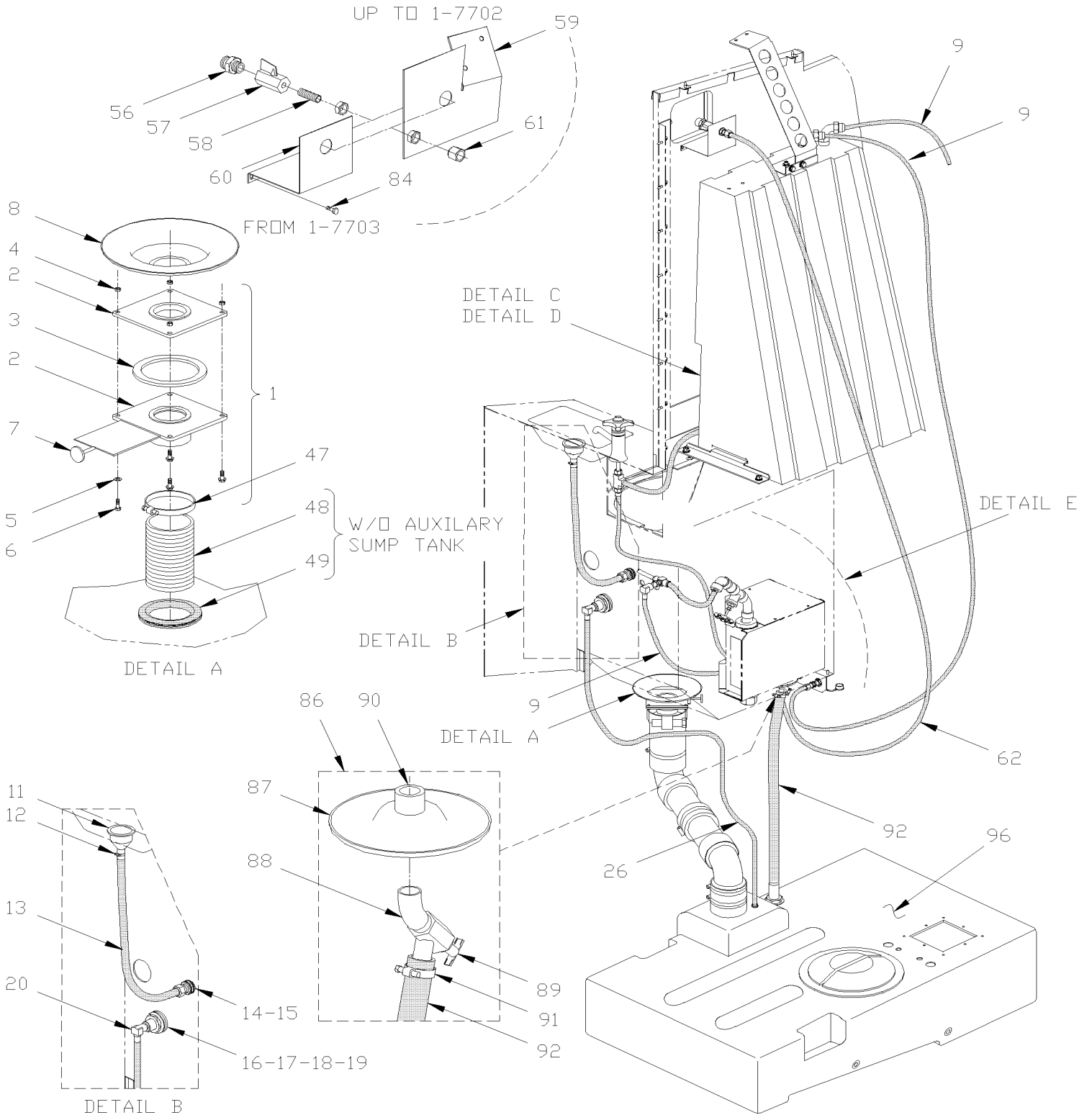
| | | |
|--|--------------|-----------------|
| From Y-7046 To 6-8906 | Date:10/2022 | PAGE:Y2-2329-00 |
| LAVATORY DOOR LOCK & SWITCH | | |

| Item# | Part | Description | X L I I 4 5 | X L I I M T H 4 0 | X L I I M T H 4 5 | X L I I M T H 4 5 E | N O T E S |
|-------|-------------------|--|----------------------------|---|---|--|-----------------------|
| | 900375 | LOCK ASSY, DOOR To 1-7686 | 1 | | | | |
| NS | 500887 | . SCREW MA FL PH #8-32x1 1/4 SS To 1-7686 | 3 | | | | A |
| 1 | 900629 | . THUMB, PIECE To 1-7686 | 1 | | | | |
| 2 | 900630 | . HANDLE, DOOR To 1-7686 | 2 | | | | |
| 3 | 900631 | . BOLT, LATCH To 1-7686 | 1 | | | | |
| 4 | N.S.S. | . CASE (ONLY) To 1-7686 | 1 | | | | 1 |
| 5 | 900632 | . SPRING, TORSION / .348 I.D. x .275 x .055 To 1-7686 | 1 | | | | |
| 6 | N.S.S. | . ROD, SQUARE 5/16" X S.L. To 1-7686 | AR | | | | 1 |
| 7 | 900633 | . FOLLOWER To 1-7686 | 1 | | | | |
| 8 | N.S.S. | . COVER, CASE To 1-7686 | 1 | | | | 1 |
| NS | 500272 | . SCREW MA FL PH #8-32x1/2 ZP To 1-7686 | 3 | | | | |
| 9 | 900634 | . ESCUTCHEON ASSY To 1-7686 | 1 | | | | |
| 10 | 900299 | . KEY / LAVATORY DOOR "ADAMS & WESTLAKE" To 1-7686 | 1 | | | | |
| 11 | 900635 | . SPRING, TORSION / .305 I.D. x .162 x .050 To 1-7686 | 1 | | | | |
| 12 | 900636 | . TUMBLER To 1-7686 | 1 | | | | |
| 13 | 900637 | . FOLLOWER / THUMB PIECE To 1-7686 | 1 | | | | |
| 14 | N.S.S. | . BOLT, DEAD To 1-7686 | 1 | | | | 1 |
| 15 | 400764 | SWITCH ASSY To 1-7686 | 1 | | | | |
| 16 | 560725 | . MICRO SWITCH To 1-7686 | 1 | | | | |
| 17 | 400765 | . SUPPORT / MICRO SWITCH To 1-7686 | 1 | | | | |
| 18 | 500380 | . SCREW MA RND SLT #5-40x1 BZC To 1-7686 | 2 | | | | |
| 19 | 500470 | . WASHER LO SPT .193x.334x.047 Z050 To 1-7686 | 1 | | | | |
| 20 | 500766 | . NUT HEX #5-40 ZP To 1-7686 | 2 | | | | |
| 21 | 504105 | . RIVET POP DOME OE 1/8x3/16 AL To 1-7686 | 2 | | | | |
| 22 | 400766 | . PLATE, CLOSING To 1-7686 | 1 | | | | |
| 22 | 402741 | DECAL "VEROUILLER" To 1-7686 | 1 | | | | |
| 22 | 402743 | DECAL "LOCK FOR LIGHTING" To 1-7686 | 1 | | | | |
| 22 | 405222 | DECAL / LAVATORY OPEN / LOCK / ENGLISH From 1-7687 | 1 | | | | |
| 22 | 403820 | DECAL / LAVATORY OPEN / LOCK FOR LIGHTING / ENGLISH & FRANCAIS From 1-7687 | 1 | | | | |
| 22 | 405642 | DECAL / LAVATORY OPEN / LOCK FOR LIGHTING / ENGLISH & SPANISH From 1-7687 | 1 | | | | |
| NS | 405207 | PLATE, CLOSING / 100MM x 57MM To 1-7686 | 1 | | | | B |
| 22 | 563083 | . SWITCH / OFF-ON / S.P.S.T. / BLACK To 1-7686 | 1 | | | | B |
| 23 | 500653 | SCREW TC PAN PH #8-32x1/4 Z050 To 1-7686 | 2 | | | | |
| 30 | 901039 | LOCK ASSY, DOOR From 1-7687 To 5-8521 | 1 | | | | |
| 30 | 901114 | LOCK ASSY, DOOR From 5-8522 | 1 | | | | |
| 31 | 563097 | . . MICRO SWITCH / N.C. From 1-7687 | 1 | | | | |
| 32 | 901066 | . . KEY / LAVATORY DOOR "HAPPICH" From 1-7687 To 5-8521 | 1 | | | | |
| 32 | Y2-1867-00 | KEY & CYLINDER CODE "FORD" & "NS" | | | | | C |
| NS | 064372 | WIRING HARNESS LAVATORY DOOR From 1-7687 | 1 | | | | |
| NS | 504531 | TIE MOUNT / 3/16" #10 SCREW / TA1S8-C From 1-7687 | 1 | | | | |
| NS | 504273 | CABLE TIE / 1/8" X 3"1/2 From 1-7687 | 1 | | | | |
| NS | 500417 | SCREW TP PAN PH #6x3/8 Z050 From 1-7687 | 1 | | | | |

| | | |
|--|--------------|-----------------|
| From Y-7046 To 6-8906 | Date:10/2022 | PAGE:Y2-2329-00 |
| LAVATORY DOOR LOCK & SWITCH | | |

| Item# | Part | Description | X L I I 4 5 | X L I I M T H 4 0 | X L I I M T H 4 5 | X L I I M T H 4 5 E | N O T E S |
|-------|------|--|--------------------------------|---|---|--|-----------------------|
| | | | | | | | |
| | | A) TO FIX LOCK ASSY TO DOOR | | | | | |
| | | B) USE WITH AUXILIARY SWITCH | | | | | |
| | | C) SEE #30 AT PAGE Y2-1867-00 FOR KEY CODE | | | | | |
| | | 1) NOT SOLD SEPARATELY | | | | | |

| | | |
|---|--------------|-----------------|
| From Y-7046 To 6-8906 | Date:10/2022 | PAGE:Y2-2330-00 |
| WATER & SUMP TANK - INSTALLATION | | |

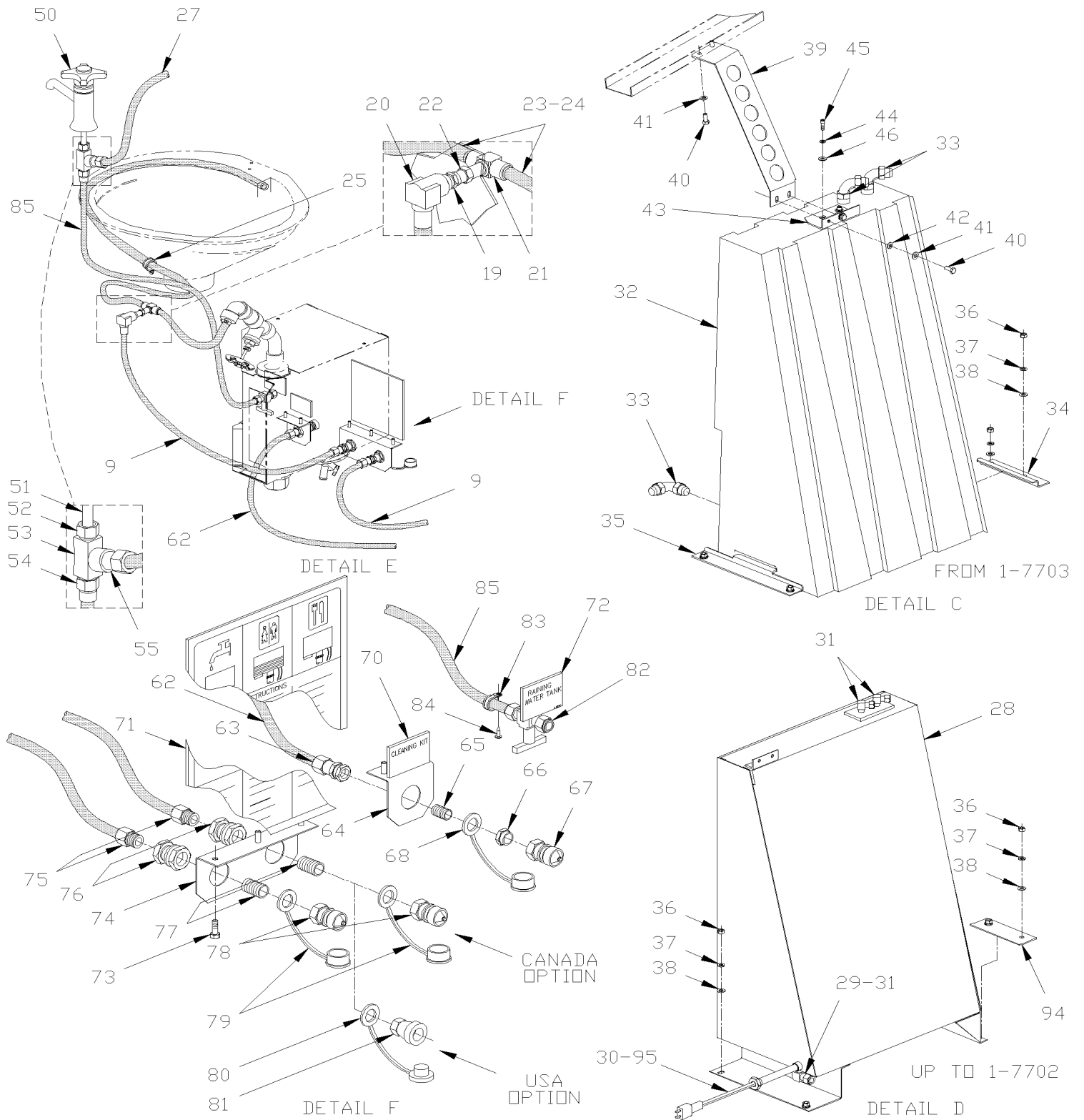


From Y-7046 To 6-8906

Date:10/2022

PAGE:Y2-2330-00

WATER & SUMP TANK - INSTALLATION



| | | |
|---|--------------|-----------------|
| From Y-7046 To 6-8906 | Date:10/2022 | PAGE:Y2-2330-00 |
| WATER & SUMP TANK - INSTALLATION | | |

| Item# | Part | Description | X L I I 4 5 | X L I I M T H 4 0 | X L I I M T H 4 5 | X L I I M T H 4 5 E | N O T E S |
|-------|---------|---|----------------------------|---|---|--|-----------------------|
| 1 | 403682 | THREADED VALVE ASSY W/SS HANDLE | 1 | | | | |
| 2 | 900197 | . THREADED VALVE ASSY W/PLASTIC HANDLE | 1 | | | | |
| 3 | 900330 | . . SEAL | 2 | | | | |
| 4 | 500769 | . . NUT HEX 1/4-20 Z050 | 4 | | | | |
| 5 | 500411 | . . WASHER FL .260x.697x.050 SS | 4 | | | | |
| 6 | 500994 | . . SCREW CAP HEX 1/4-20x1 3/4 G5 PT Z050 | 4 | | | | |
| 7 | 403109 | . HANDLE, THREADED VALVE / STANLESS STEEL | 1 | | | | |
| 7 | 680038 | . THREAD LOCKER LOCTITE #243 / BLUE / 50ml | AR | | | | |
| 8 | 404325 | SEAL PLASTIC 4" I.D. / PIPE & FLOOR | 1 | | | | |
| 9 | 503488 | TUBE, NYLON 1/2 O.D. / BLACK S.L./ | AR | | | | |
| 11 | 900509 | STRAINER / WASHBASIN | 1 | | | | |
| 12 | 504019 | HOSE CLAMP / 9/16"-1"1/16 SS / HS-10 | 2 | | | | |
| 13 | 503006 | HOSE 5/8" I.D. 50' / S.L. | AR | | | | |
| 14 | 900280 | THRU HULL, CONNECTOR / PLASTIC | 1 | | | | |
| 15 | 409038 | GASKET | 1 | | | | |
| 16 | 400296 | SEAL NEOPRENE | 1 | | | | |
| 17 | 500491 | WASHER LO INT 1.019x1.637x.067 Z050 | 1 | | | | |
| 18 | 500456 | WASHER FL 1.062x2.000x.134 Z050 | 1 | | | | |
| 19 | 640863 | BULKHEAD COUPLING / PIPE FITTING / 3/8NPT-Fx3/8NPT-F STL | 2 | | | | |
| 20 | 641376 | MALE ELBOW 90° NON-SWIVEL / PUSH-IN FITTING / #8x3/8NPT-M BR | 2 | | | | |
| 21 | 501626 | MALE BRANCH TEE/ COMPRESSION FITTING / #6x#6x1/4NPT-M BR | 1 | | | | |
| 22 | 501314 | BUSHING REDUCER / PIPE FITTING / 3/8NPT-Mx1/4NPT-F BR | 1 | | | | |
| 23 | 503404 | TUBE, NYLON 3/8 O.D. / BLACK S.L. | 2 | | | | |
| 24 | 503405 | INSERT / NTA FITTING / #6 SS | 1 | | | | |
| 25 | 952625 | CLAMP / 3/8" I.D. | 2 | | | | |
| 26 | 503406 | TUBE, NYLON 1/2 O.D. / GREEN S.L. | AR | | | | |
| 27 | 503488 | TUBE, NYLON 1/2 O.D. / BLACK S.L./ | AR | | | | |
| 28 | 401612 | WATER TANK ASSY To 1-7702 | 1 | | | | |
| 28 | 401591 | . WATER TANK WELDED / SS To 1-7702 | 1 | | | | |
| 29 | 400696 | . . COUPLING, BULK To 1-7702 | 1 | | | | |
| 30 | 501304 | . PLUG SQUARE HEAD / PIPE FITTING / 1/4NPT-M BR To 1-7702 | 1 | | | | |
| 31 | 641376 | . MALE ELBOW 90° NON-SWIVEL / PUSH-IN FITTING / #8x3/8NPT-M BR To 1-7702 | 3 | | | | |
| 32 | 405241P | WATER TANK ASSY / PLASTIC From 1-7703 | 1 | | | | |
| 32 | 900958 | . WATER TANK / PLASTIC From 1-7703 | 1 | | | | |
| 33 | 5011227 | . MALE ELBOW 90° / COMPRESSION FITTING / #8x3/8NPT-M PLAS WHITE From 1-7703 | 3 | | | | |
| 34 | 405236 | SUPPORT "Z" 178MM From 1-7703 | 1 | | | | |
| 35 | 405235 | SUPPORT "Z" 300MM From 1-7703 | 1 | | | | |
| 36 | 500778 | NUT HEX 5/16-18 N500 | 4 | | | | |
| 37 | 500476 | WASHER LO SPT .317x.586x.078 Z050 | 4 | | | | |
| 38 | 500473 | WASHER LO SPT .262x.489x.062 Z050 To 1-7702 | 4 | | | | |
| 38 | 500441 | WASHER FL .312x.734x.065 Z050 From 1-7703 | 4 | | | | |
| 39 | 404992 | SUPPORT UPPER WATER TANK To 1-7702 | 1 | | | | |

| | | |
|---|--------------|-----------------|
| From Y-7046 To 6-8906 | Date:10/2022 | PAGE:Y2-2330-00 |
| WATER & SUMP TANK - INSTALLATION | | |

| Item# | Part | Description | X L I I 4 5 | X L I I M T H 4 0 | X L I I M T H 4 5 | X L I I M T H 4 5 E | N O T E S |
|-------|---------|---|----------------------------|---|---|--|-----------------------|
| 39 | 405225 | SUPPORT UPPER WATER TANK From 1-7703 | 1 | | | | |
| 40 | 500517 | SCREW TC CAP HEXW 5/16-18x3/4 Z050 | 4 | | | | |
| 41 | 500476 | WASHER LO SPT .317x.586x.078 Z050 | 4 | | | | |
| 42 | 500441 | WASHER FL .312x.734x.065 Z050 | 2 | | | | |
| 43 | 405233 | ANGLE 114MM From 1-7703 | 1 | | | | |
| 44 | 500473 | WASHER LO SPT .262x.489x.062 Z050 From 1-7703 | 2 | | | | |
| 45 | 5001515 | SCREW CAP HEX 1/4-20x3/4 G8 Z050 From 1-7703 | 2 | | | | |
| 46 | 500441 | WASHER FL .312x.734x.065 Z050 From 1-7703 | 2 | | | | |
| 47 | 504235 | HOSE CLAMP / 3"9/16"-4"1/2 SS / HS-64 | 2 | | | | |
| 48 | 503039 | HOSE FLEXIBLE / 3 1/2" I.D. X 10' | AR | | | | |
| 49 | 509558 | WEATHERSEAL SNAP-ON 1/8" / SINGLE LIP / WH / C.T.L. | AR | | | | |
| 50 | 900582 | FAUCET | 1 | | | | |
| 51 | 501176 | FITTING STRAIGHT #8BBX | 1 | | | | |
| 52 | 501314 | BUSHING REDUCER / PIPE FITTING / 3/8NPT-Mx1/4NPT-F BR | 1 | | | | |
| 53 | 501527 | FEMALE UNION TEE / PIPE FITTING / 3/8NPT-Fx3/8NPT-Fx3/8NPT-F BR | 1 | | | | |
| 54 | 640990 | MALE CONNECTOR / NTA FITTING / #6x3/8NPT-M BR | 1 | | | | |
| 55 | 641376 | MALE ELBOW 90° NON-SWIVEL / PUSH-IN FITTING / #8x3/8NPT-M BR | 1 | | | | |
| 56 | 5011178 | MALE CONNECTOR / GARDEN FITTING / 3/4GARDEN-Mx3/8NPT-M BR | 1 | | | | |
| 57 | 5011180 | BALL VALVE 3/8 NPT M x 3/8 NPT M | 1 | | | | |
| 58 | 501325 | NIPPLE / PIPE FITTING / 3/8NPT-Mx3/8NPT-Mx1 BR | 1 | | | | |
| 59 | 405036 | ANGLE SUPPORT CLEANING VALVE To 1-7702 | 1 | | | | |
| 60 | 405234 | ANGLE SUPPORT CLEANING VALVE From 1-7703 | 1 | | | | |
| 61 | 641012 | BULKHEAD UNION / NTA FITTING / #8x3/8NPT-M BR | 1 | | | | |
| 62 | 503406 | TUBE, NYLON 1/2 O.D. / GREEN S.L. | AR | | | | |
| 63 | 641012 | BULKHEAD UNION / NTA FITTING / #8x3/8NPT-M BR | 1 | | | | |
| 64 | 405038 | SUPPORT | 1 | | | | |
| 65 | 501325 | NIPPLE / PIPE FITTING / 3/8NPT-Mx3/8NPT-Mx1 BR | 1 | | | | |
| 66 | 501534 | BUSHING REDUCER / PIPE FITTING / 1/2NPT-Mx3/8NPT-F BR | 1 | | | | |
| 67 | 900323 | NIPPLE / QUICK DISCONNECT "B SERIES" / #10x1/2NPT-F BR | 1 | | | | |
| 68 | 900326 | DUST CAP / QUICK DISCONNECT "B SERIES" / #10 VINYL | 1 | | | | |
| 70 | 403551 | DECAL / "CLEANING KIT" / ENGLISH | 1 | | | | |
| 71 | 400969 | DECAL / "FILL INSTRUCTION" / ENGLISH & FRANCAIS | 1 | | | | |
| 72 | 405298 | DECAL / "DRAINING WATER TANK" / ENGLISH | 1 | | | | |
| 72 | 405650 | DECAL / "DRAINING WATER TANK" / ENGLISH & SPANISH | 1 | | | | |
| 73 | 500613 | SCREW TP PAN PH #10x1/2 Z050 | 5 | | | | |
| 74 | 400378 | SUPPORT | 1 | | | | |
| 75 | 640873 | MALE CONNECTOR / AB FITTING / #8x1/2NPT-M BR | 2 | | | | |
| 76 | 501796 | BULKHEAD COUPLING / PIPE FITTING / 1/2NPT-Fx1/2NPT-Fx1 1/2 BR | 2 | | | | |
| 77 | 501424 | NIPPLE / PIPE FITTING / 1/2NPT-Mx1/2NPT-Mx1 1/8 BR | 2 | | | | |
| 78 | 900323 | NIPPLE / QUICK DISCONNECT "B SERIES" / #10x1/2NPT-F BR | 2 | | | | A |
| 78 | 900323 | NIPPLE / QUICK DISCONNECT "B SERIES" / #10x1/2NPT-F BR | 1 | | | | B |
| 79 | 900326 | DUST CAP / QUICK DISCONNECT "B SERIES" / #10 VINYL | 2 | | | | A |

| | | |
|---|--------------|-----------------|
| From Y-7046 To 6-8906 | Date:10/2022 | PAGE:Y2-2330-00 |
| WATER & SUMP TANK - INSTALLATION | | |

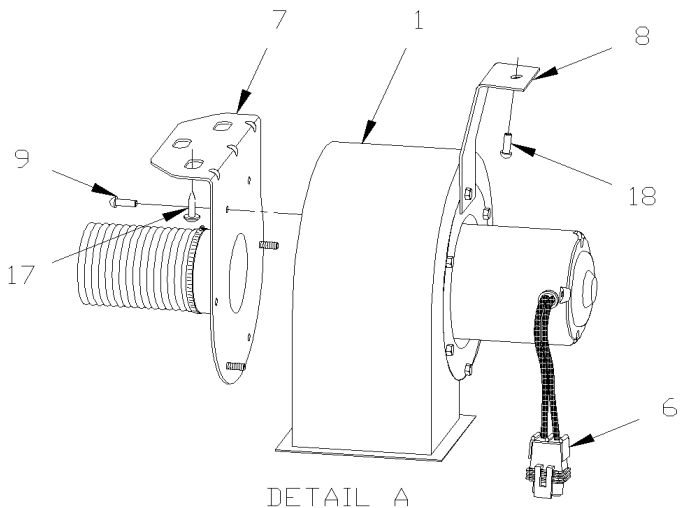
| Item# | Part | Description | X L I I 4 5 | X L I I M T H 4 0 | X L I I M T H 4 5 | X L I I M T H 4 5 E | N O T E S |
|-------|-------------------|--|----------------------------|---|---|--|-----------------------|
| 79 | 900326 | DUST CAP / QUICK DISCONNECT "B SERIES" / #10 VINYL | 1 | | | | B |
| 80 | 900325 | DUST PLUG / QUICK DISCONNECT "B SERIES" / #8 VINYL | 1 | | | | B |
| 81 | 900324 | COUPLER / QUICK DISCONNECT "B SERIES" / #8x1/2NPT-F BR | 1 | | | | B |
| 82 | 501791 | NEEDLE VALVE 3/8 TUBE 3/8 TUBE | 1 | | | | |
| 83 | 952625 | CLAMP / 3/8" I.D. | AR | | | | |
| 84 | 500641 | SCREW TP PAN PH #8x3/4 Z050 | AR | | | | |
| 85 | 503404 | TUBE, NYLON 3/8 O.D. / BLACK S.L. | AR | | | | |
| 86 | 402917 | DRAIN VALVE ASSY / WATER TANK | 1 | | | | |
| 87 | 401253 | . SEAL, PLASTIC 3/4" I.D. | 1 | | | | |
| 88 | 501330 | . STREET ELBOW 45° / PIPE FITTING / 3/8NPT-Mx3/8NPT-F BR | 1 | | | | |
| 89 | 501531 | . DRAIN VALVE 3/8 NPT M x 5/8 HOSE | 1 | | | | |
| 90 | 501534 | . BUSHING REDUCER / PIPE FITTING / 1/2NPT-Mx3/8NPT-F BR | 1 | | | | |
| 91 | 504019 | HOSE CLAMP / 9/16"-1"1/16 SS / HS-10 | 1 | | | | |
| 92 | 900220 | TUBE PVC / 5/8" I.D. / S.L. | AR | | | | |
| 94 | 401131 | PLATE ATTACH To 1-7702 | 1 | | | | |
| 95 | 562018 | HEATER, WATER To 1-7702 | 1 | | | | |
| 96 | Y2-2327-00 | SUMP TANK - PLASTIC | | | | | |
| NS | 680098 | THREAD SEALANT LOCTITE #567 / WHITE / 250ml | AR | | | | |
| | | | | | | | |
| | | | | | | | |
| | | | | | | | |
| | | A) CANADA OPTION | | | | | |
| | | B) USA OPTION | | | | | |

From Y-7046 To 6-8906

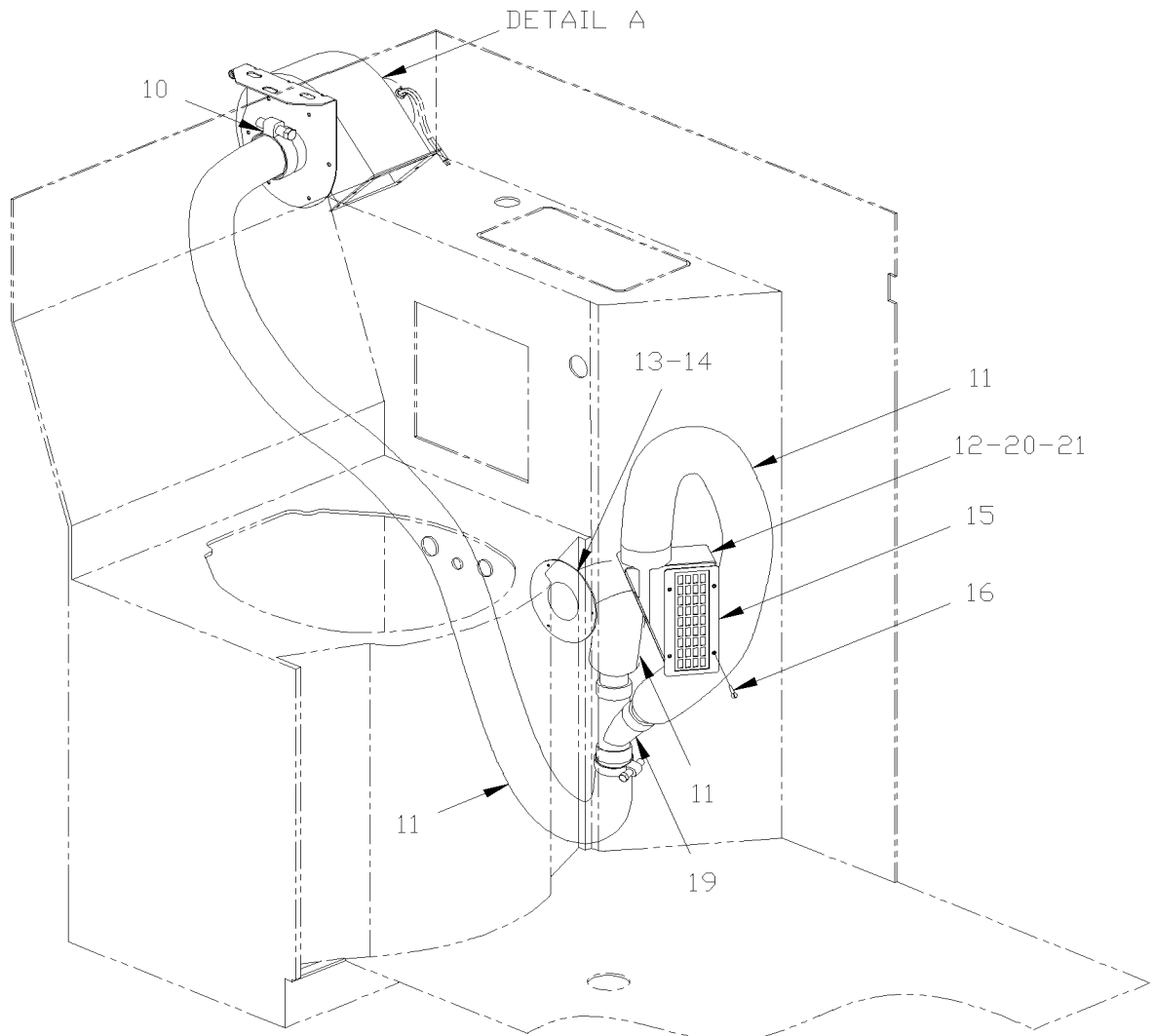
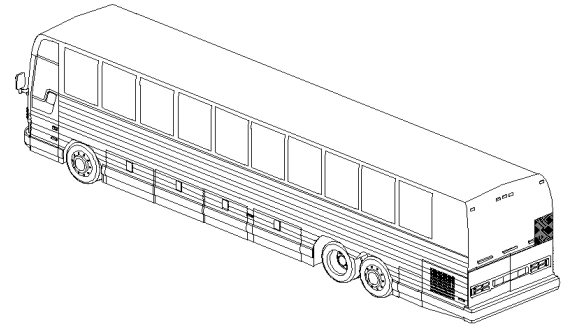
Date:10/2022

PAGE:Y2-2337-00

LAVATORY FAN - INSTALLATION



DETAIL A

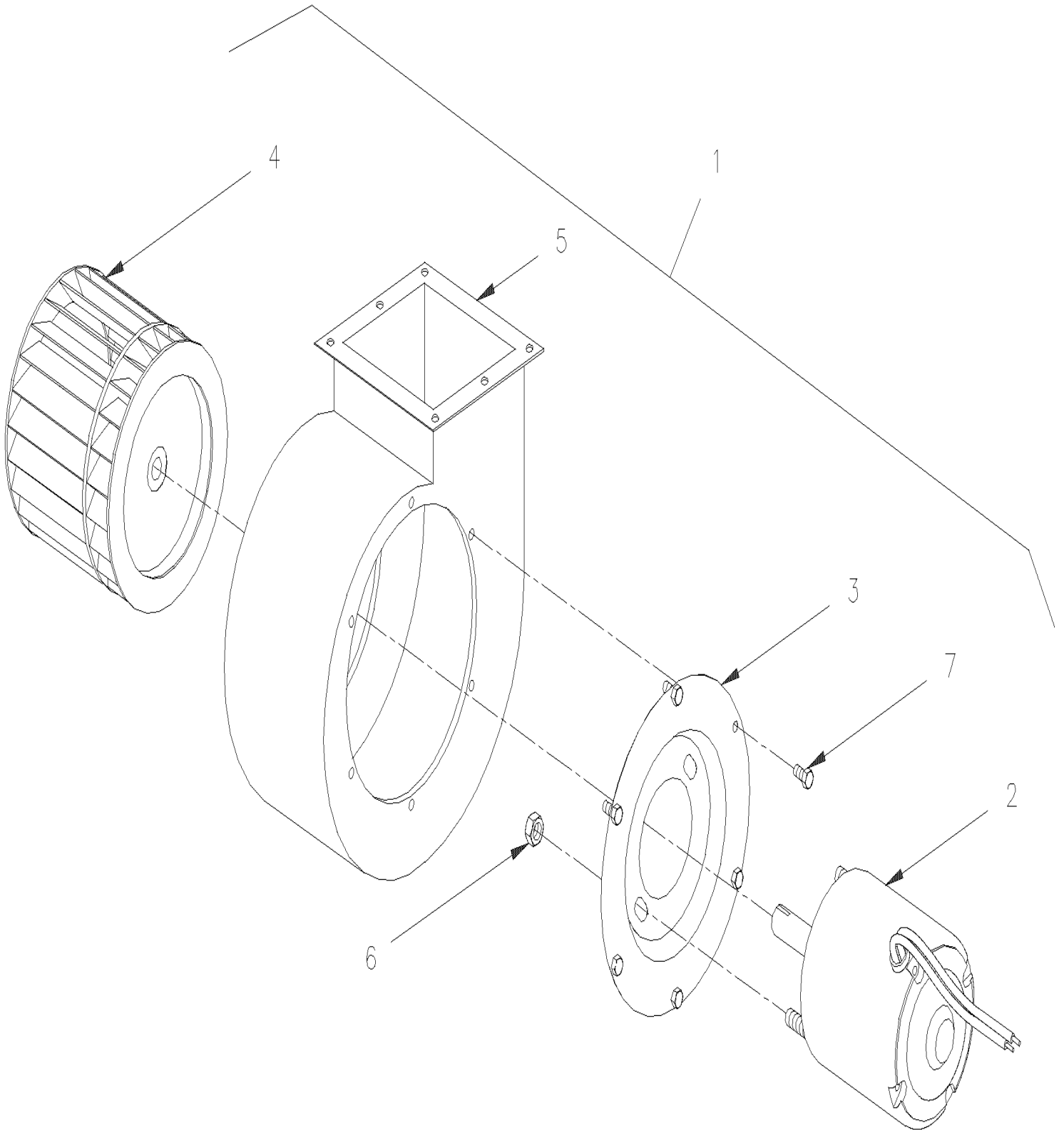


From Y-7046 To 6-8906

Date:10/2022

PAGE:870844

BLOWER & MOTOR ASSY - "M.C.C." "CW" / FAN END



| | | |
|---|--------------|-----------------|
| From Y-7046 To 6-8906 | Date:10/2022 | PAGE:Y2-2345-40 |
| POWERVERTER - 24/110 VOLTS - 1000 WATTS | | |



3-4-6-7

1

2

3-4-5

8

9

| | | |
|--|--------------|-----------------|
| From Y-7046 To 6-8906 | Date:10/2022 | PAGE:Y2-2345-40 |
| POWERVERTER - 24/110 VOLTS - 1000 WATTS | | |

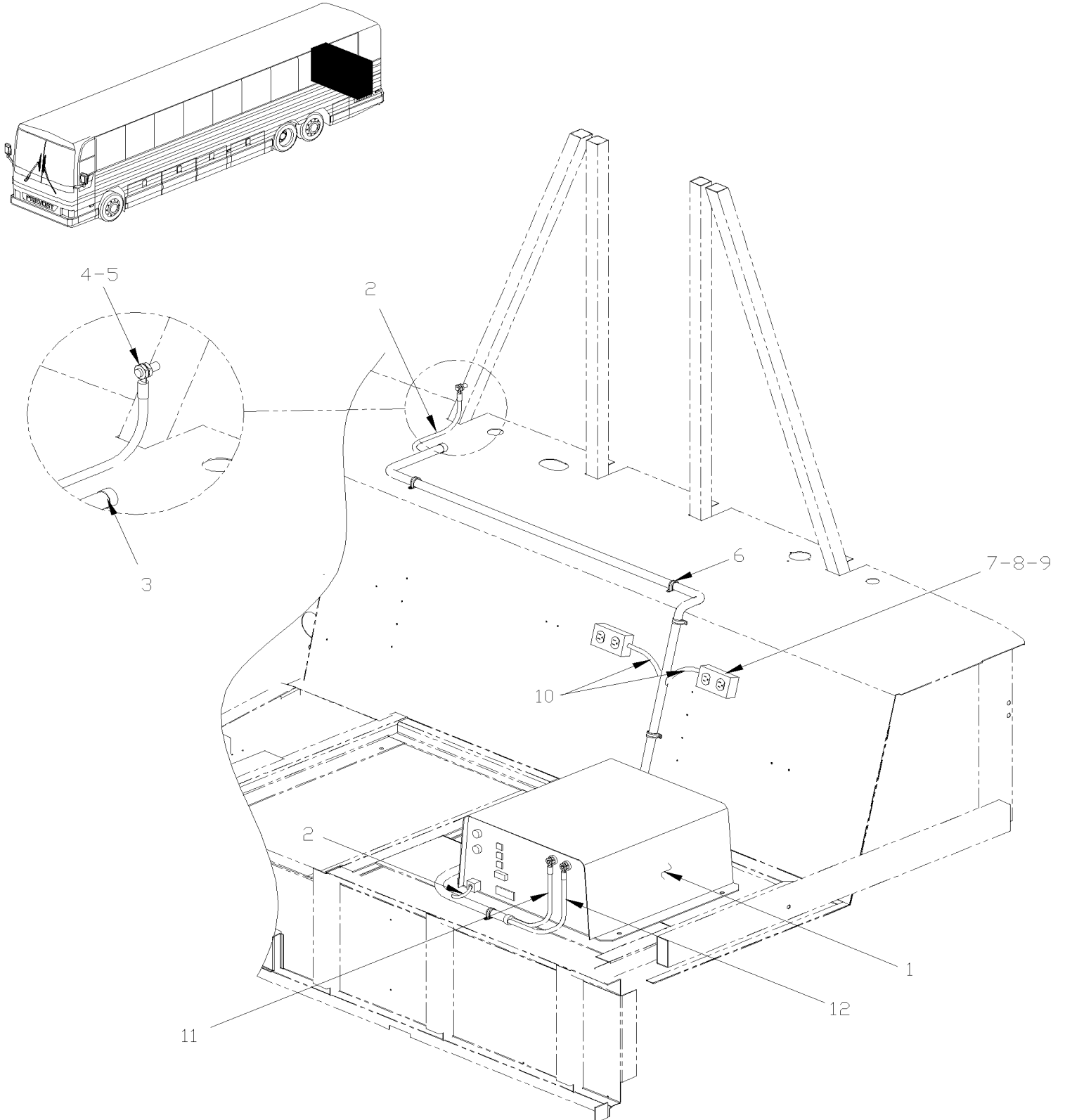
| Item# | Part | Description | X L I I 4 5 | X L I I M T H 4 0 | X L I I M T H 4 5 | X L I I M T H 4 5 E | NOTES |
|---|----------|--|----------------------------|---|---|--|-------|
| 1 | 065456 | SUPPORT, INVERTER | 1 | | | | |
| 2 | 562456 | POWERVERTER ASSY / 24/110 V 1000 WATTS | 1 | | | | A |
| 3 | 500642 | SCREW TP PAN PH #10x3/4 Z050 | 7 | | | | |
| 4 | 500470 | WASHER LO SPT .193x.334x.047 Z050 | 7 | | | | |
| 5 | 500803 | NUT SPR J #10A .035-.050 | 4 | | | | |
| 6 | 502513 | SCREW TP CAP HEX 5/16x1 Z050 | 3 | | | | |
| 7 | 500476 | WASHER LO SPT .317x.586x.078 Z050 | 3 | | | | |
| 8 | 065458 | CABLE MAIN | 1 | | | | |
| 9 | 504666 | GROMMET / 1.000x1.375x.250x.625x1.750 | 1 | | | | |
| 9 | 560933 | CONNECTOR / 15 AMPS / HUBBELL 5266-C | AR | | | | |
| 9 | 562595 | SPECIAL WIRE CABLE 14/3 / WHITE (BOAT CABLE) | AR | | | | |
| 9 | 562657 | PLUG DOUBLE 110 VAC MURAL / WHITE | AR | | | | |
| 9 | 562659 | COVER PLATE DOUBLE 110V OUTLET / WHITE | AR | | | | |
| 9 | 562661 | RECEPTACLE BOX / 110Vac outlet WHITE | AR | | | | |
| 9 | 562664 | PROTECTOR METALLIC 1"/CABLE | AR | | | | |
| NS | 065708 | KIT, INVERTER REPLACEMENT / BAGGAGE COMPARTMENT | 1 | | | | |
| . NS | IS-01028 | . SEE INSTRUCTION SHEET | 1 | | | | |
| NS | 065709 | KIT, INVERTER REPLACEMENT / LOUNGE SEAT W/GALLEY | 1 | | | | |
| . NS | IS-01028 | . SEE INSTRUCTION SHEET | 1 | | | | |
| A) THIS POWERVERTER IS SUPERSEDED BY KIT #065708 OR #065709 | | | | | | | |

From Y-7046 To 6-8906

Date:10/2022

PAGE:Y2-2345-41

POWERVERTER - 24/110 VOLTS - 5000 WATTS



| | | |
|--|--------------|-----------------|
| From Y-7046 To 6-8906 | Date:10/2022 | PAGE:Y2-2345-41 |
| POWERVERTER - 24/110 VOLTS - 5000 WATTS | | |

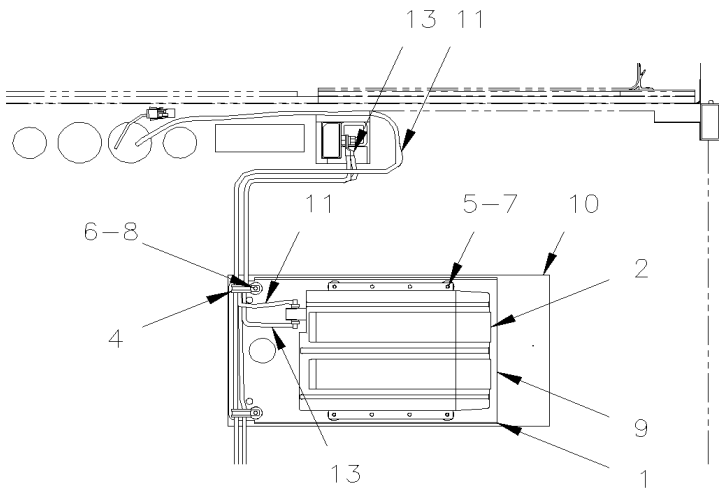
| Item# | Part | Description | X L I I I 4 5 | X L I I I M T H 4 0 | X L I I I M T H 4 5 | X L I I I M T H 4 5 E | NOTES |
|-------|-------------------|---|---------------------------------|--|--|---|-------|
| 1 | 562567 | POWERVERTER ASSY / 24/110 V 5000 WATTS | 1 | | | | |
| 2 | 065740 | CABLE ASSY | 1 | | | | |
| 3 | 504059 | GROMMET / 1.250x1.500x.094x.375x1.875 | 1 | | | | |
| 4 | 500998 | NUT HEX 1/2-13 BR | 1 | | | | |
| 5 | 500482 | WASHER LO SPT .506x.873x.125 Z050 | 1 | | | | |
| 6 | 952639 | CLAMP / 1"1/4 I.D. | 7 | | | | |
| 7 | 562657 | PLUG DOUBLE 110 VAC MURAL / WHITE | 2 | | | | |
| 8 | 562659 | COVER PLATE DOUBLE 110V OUTLET / WHITE | 2 | | | | |
| 9 | 562661 | RECEPTACLE BOX / 110Vac outlet WHITE | 2 | | | | |
| 10 | 562595 | SPECIAL WIRE CABLE 14/3 / WHITE (BOAT CABLE) | AR | | | | |
| 11 | 065738 | CABLE ASSY / SWITCH TO INVERTER / # 24P2 | 1 | | | | A |
| 11 | 065809 | CABLE ASSY / SWITCH TO INVERTER / # 24P2 | 1 | | | | B |
| 12 | 065739 | CABLE ASSY / BATTERIES TO INVERTER / 0A | 1 | | | | A |
| 12 | 065810 | CABLE ASSY / BATTERIES TO INVERTER / 0A | 1 | | | | B |
| NS | Y2-0615-10 | BATTERIES COMPARTMENT PANEL | 1 | 1 | 1 | 1 | |
| | | | | | | | |
| | | | | | | | |
| | | A) AS SHOW WITH INVERTER INSTALLATION ON LOUNGE SEAT | | | | | |
| | | B) WITH INVERTER INSTALLATION IN 4TH BAGGAGE COMPARTEMENT | | | | | |

From Y-7046 To 6-8906

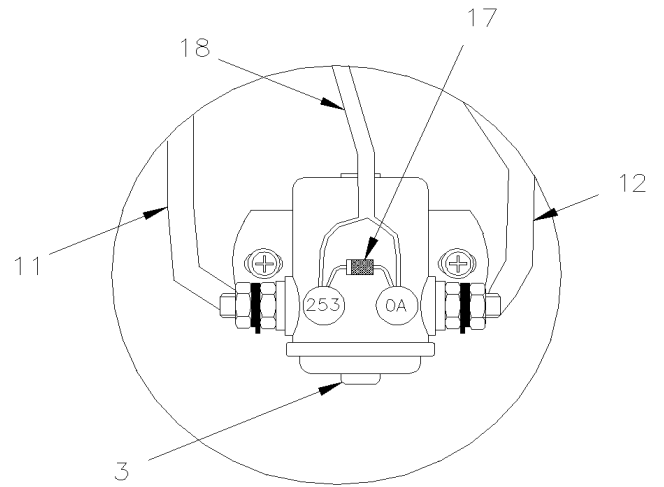
Date:10/2022

PAGE:Y2-2345-42

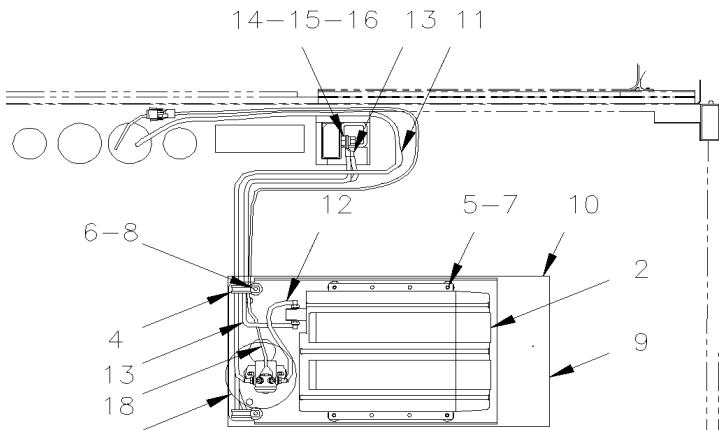
POWERVERTER - 24/110 VOLTS - 1800 WATTS



WITHOUT RELAY

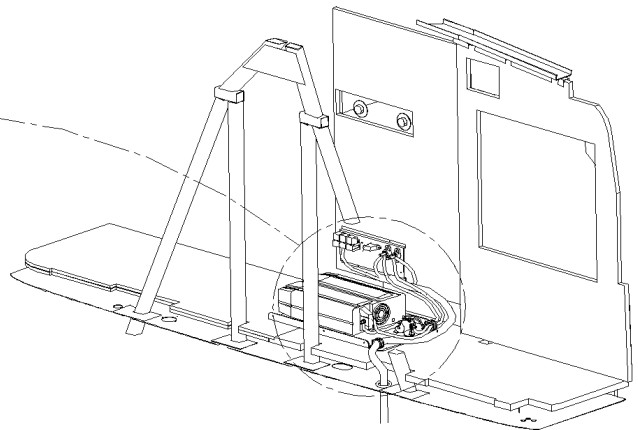
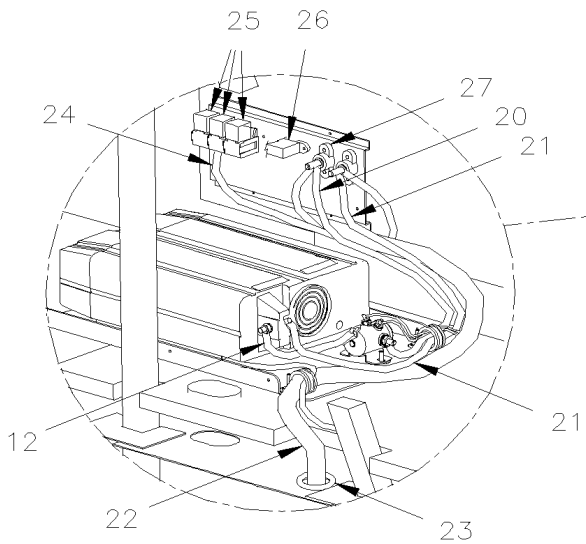


DETAIL A



WITH RELAY

DETAIL A



| | | |
|--|--------------|-----------------|
| From Y-7046 To 6-8906 | Date:10/2022 | PAGE:Y2-2345-42 |
| POWERVERTER - 24/110 VOLTS - 1800 WATTS | | |

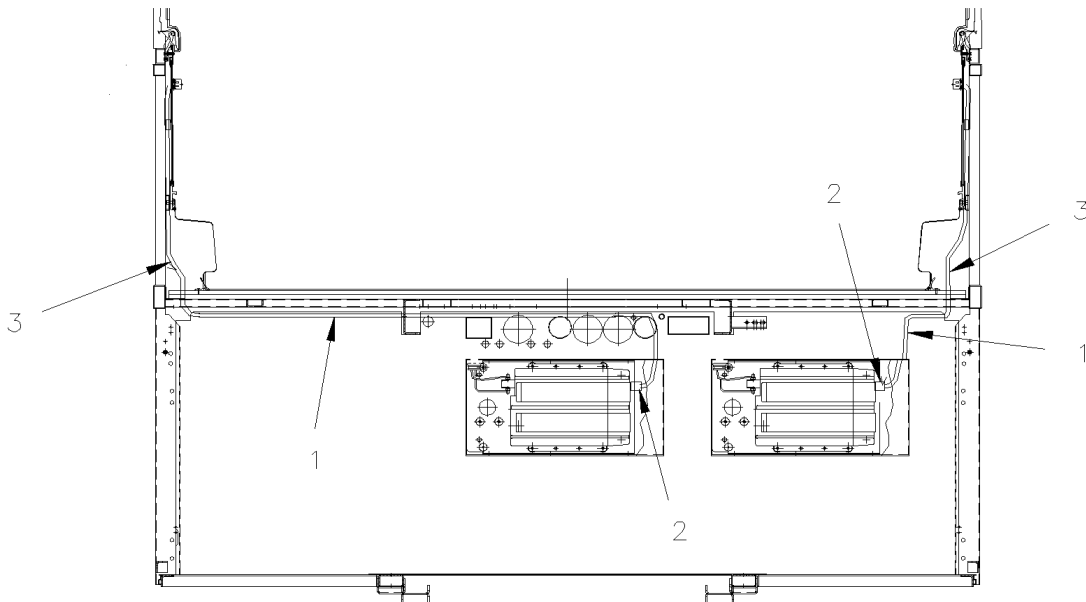
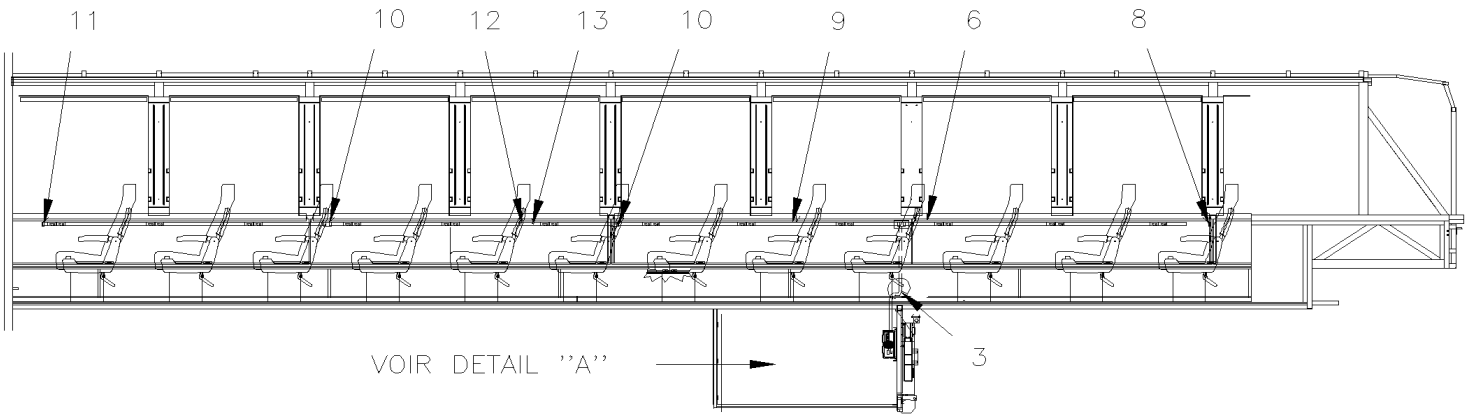
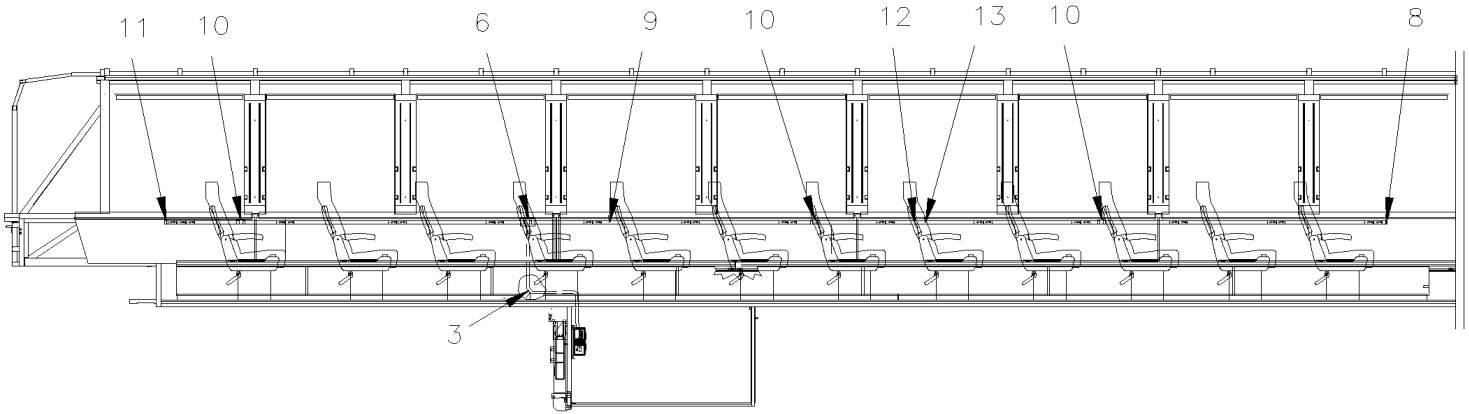
| Item# | Part | Description | X L I I 4 5 | X L I I M T H 4 0 | X L I I M T H 4 5 | X L I I M T H 4 5 E | N O T E S |
|-------|---------|--|--------------------------------|---|---|--|-----------------------|
| 1 | 065519 | INVERTER, SUPPORT | 1 | | | | |
| 2 | 563082 | POWERVERTER ASSY / 24/110 V 1800 WATTS W/DISPLAY ON INVERTER | 1 | | | | |
| 3 | 561005 | SWITCH MAGNETIC / 24V S.P.S.T. / 200AMPS N.O. | 1 | | | | |
| 4 | 952637 | CLAMP / 1"1/16 I.D. | 2 | | | | |
| 5 | 5001182 | NUT HEX NYRT M6-1.0 SS | 6 | | | | |
| 6 | 500590 | NUT HEX NYRT M4-0.7 Z050 | 2 | | | | |
| 7 | 502573 | WASHER FL 6.4x12.5x1.6 SS | 6 | | | | |
| 8 | 502637 | WASHER FL .200x.437x.037 SS | 2 | | | | |
| 9 | 563131 | POWERVERTER, COVER | 1 | | | | |
| 10 | 500572 | SCREW MA TR PH #10-24x1/2 SS BK | 6 | | | | |
| 11 | 065811 | CABLE | 1 | | | | |
| 12 | 065540 | CABLE ASSY #4 x 250MM | 1 | | | | |
| 13 | 065542 | CABLE ASSY #4 x 1750MM | 1 | | | | |
| 14 | 5001330 | SCREW CAP HEX 1/2-13x1 SS | 1 | | | | |
| 15 | 500998 | NUT HEX 1/2-13 BR | 1 | | | | |
| 16 | 500482 | WASHER LO SPT .506x.873x.125 Z050 | 1 | | | | |
| 17 | 060798 | DIODE ASSY | 1 | | | | |
| 18 | 065531 | CABLE INVERTER | 1 | | | | |
| 20 | 065707 | CABLE ASSY #24PV | 1 | | | | |
| 21 | 065706 | CABLE ASSY #0 | 1 | | | | |
| | | | | | | | |
| 24 | 065018 | CABLE ASSY W/LIGHT SWITCH | 1 | | | | A |
| 24 | 065705 | CABLE ASSY / W/REAR GALLEY RELAY | 1 | | | | B |
| 25 | 561707 | RELAY 24V S.P.D.T. W/RESISTOR / To 5-8577 | 3 | | | | |
| 25 | 563332 | RELAY 24V S.P.D.T. W/RESISTOR / "VOLVO" (20374662) From 5-8578 | 3 | | | | |
| | | | | | | | |
| 27 | 560422 | BLOCK, TERMINAL / 1 STUD 3/8-16 / BLACK | 2 | | | | |
| | | | | | | | |
| | | | | | | | |
| | | A) WITH ICE BOX | | | | | |
| | | B) WITH FRIGO | | | | | |

From Y-7046 To 6-8906

Date:10/2022

PAGE:Y2-2345-43

110 VOLT - OUTLET



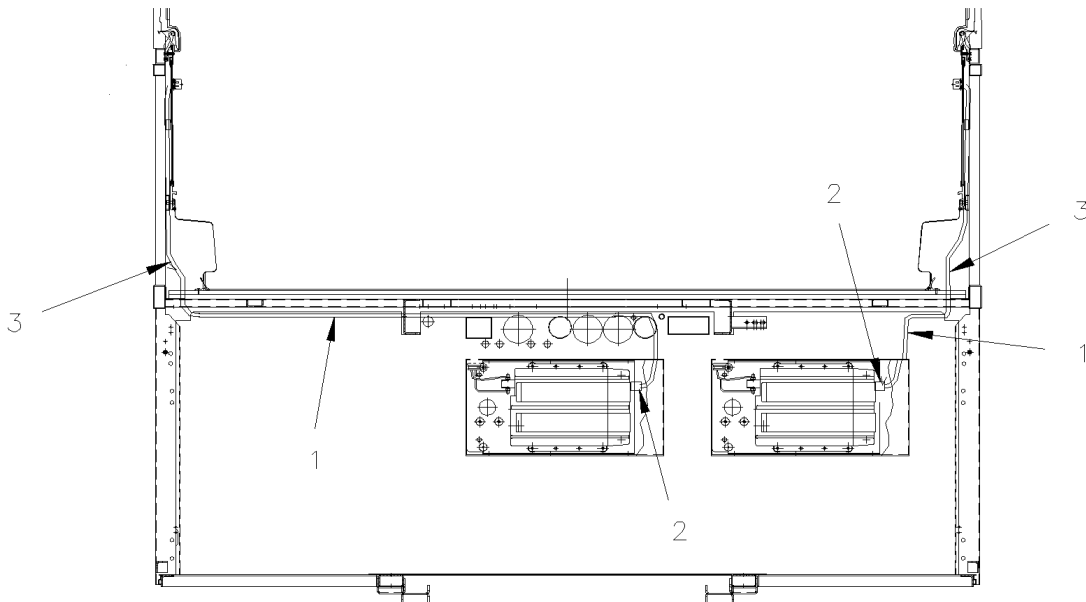
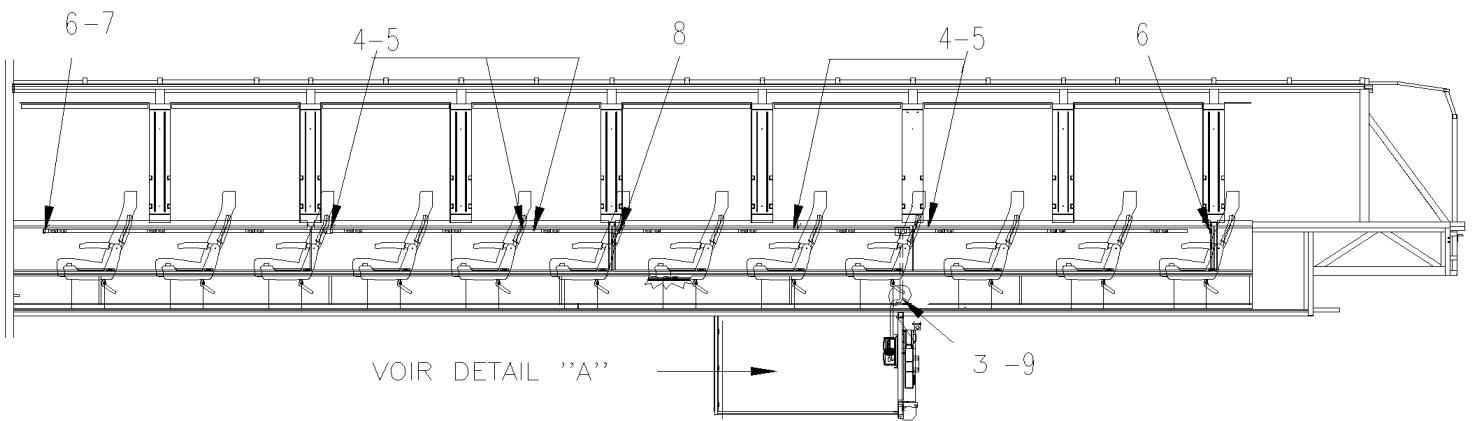
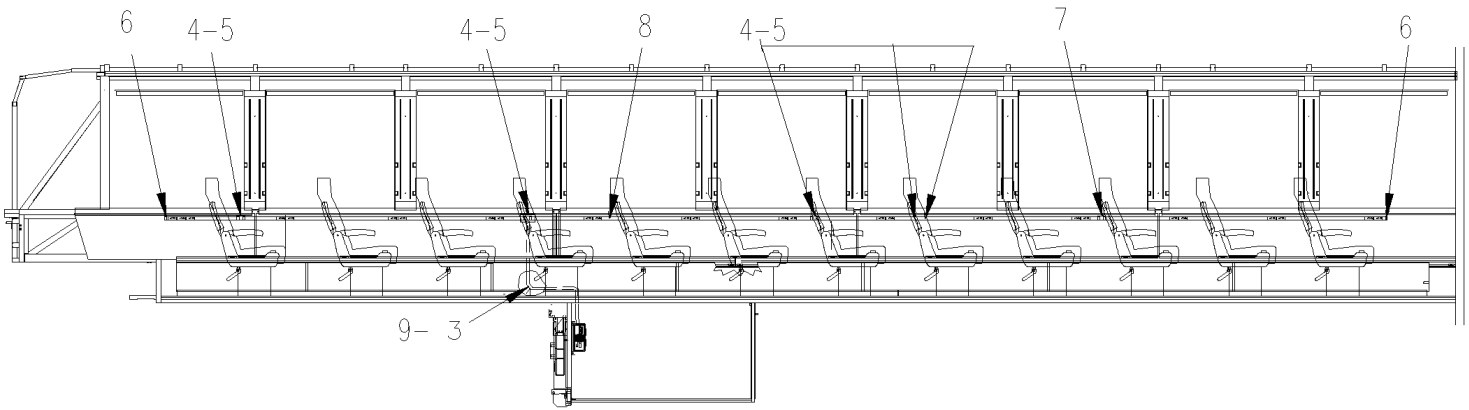
DETAIL "A"

From Y-7046 To 6-8906

Date:10/2022

PAGE:Y2-2345-99

110 VOLT - OUTLET / "RETROFIT"



DETAIL "A"

From Y-7046 To 6-8906

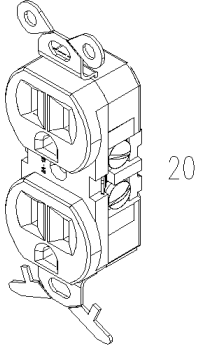
Date:10/2022

PAGE:Y2-2345-99

110 VOLT - OUTLET / "RETROFIT"

562657

WHITE



PLUG DOUBLE
OUTLET 110V

562659

WHITE

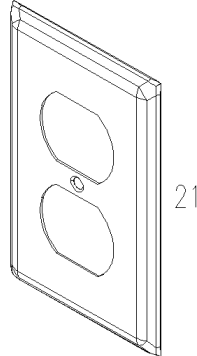
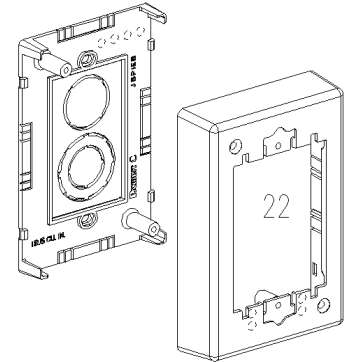


PLATE OUTLET 110V

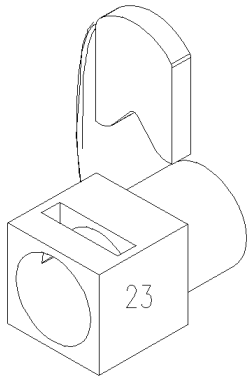
564129

WHITE



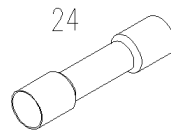
RECEPTACLE BOX
OUTLET 110V

564467



CONNECTOR IBERVILLE

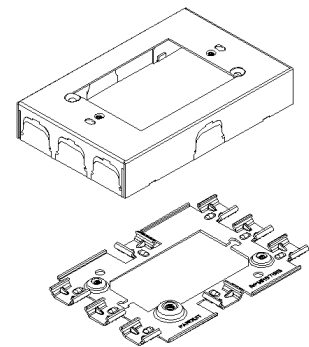
563624



24

563848

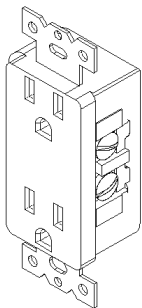
WHITE



RECEPTACLE BOX
OUTLET 110V

563846

WHITE



PLUG DOUBLE
OUTLET 110V

563847

WHITE

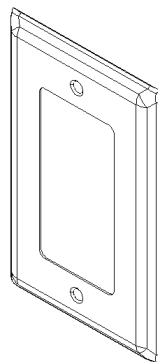


PLATE OUTLET 110V

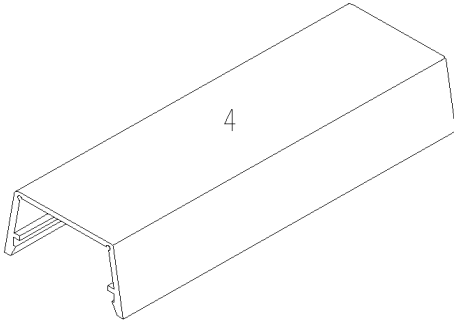
From Y-7046 To 6-8906

Date:10/2022

PAGE:Y2-2345-99

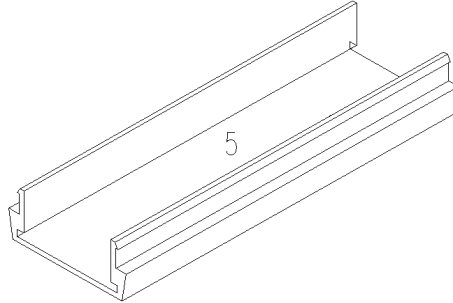
110 VOLT - OUTLET / "RETROFIT"

564151



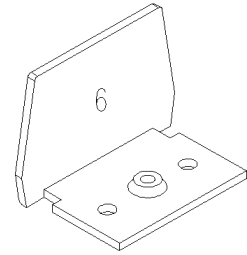
COVER ALUMINIUM
RACEWAY 110V

564152



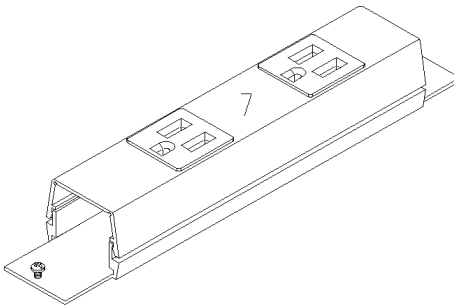
BASE ALUMINIUM
RACEWAY 110V

564153



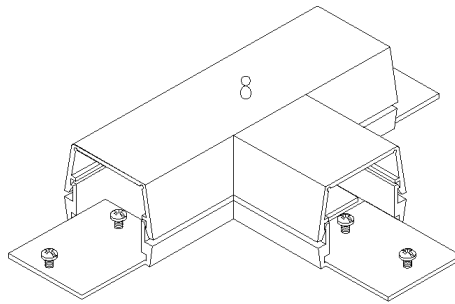
BLANK END FITTING
RACEWAY 110V

564154



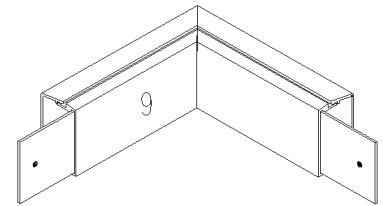
RECEPTACLE DOUBLE
RACEWAY 110V

564155



TEE
RACEWAY 110V

564156



ELNOW
RACEWAY 110V

| | | |
|---------------------------------------|--------------|-----------------|
| From Y-7046 To 6-8906 | Date:10/2022 | PAGE:Y2-2345-99 |
| 110 VOLT - OUTLET / "RETROFIT" | | |

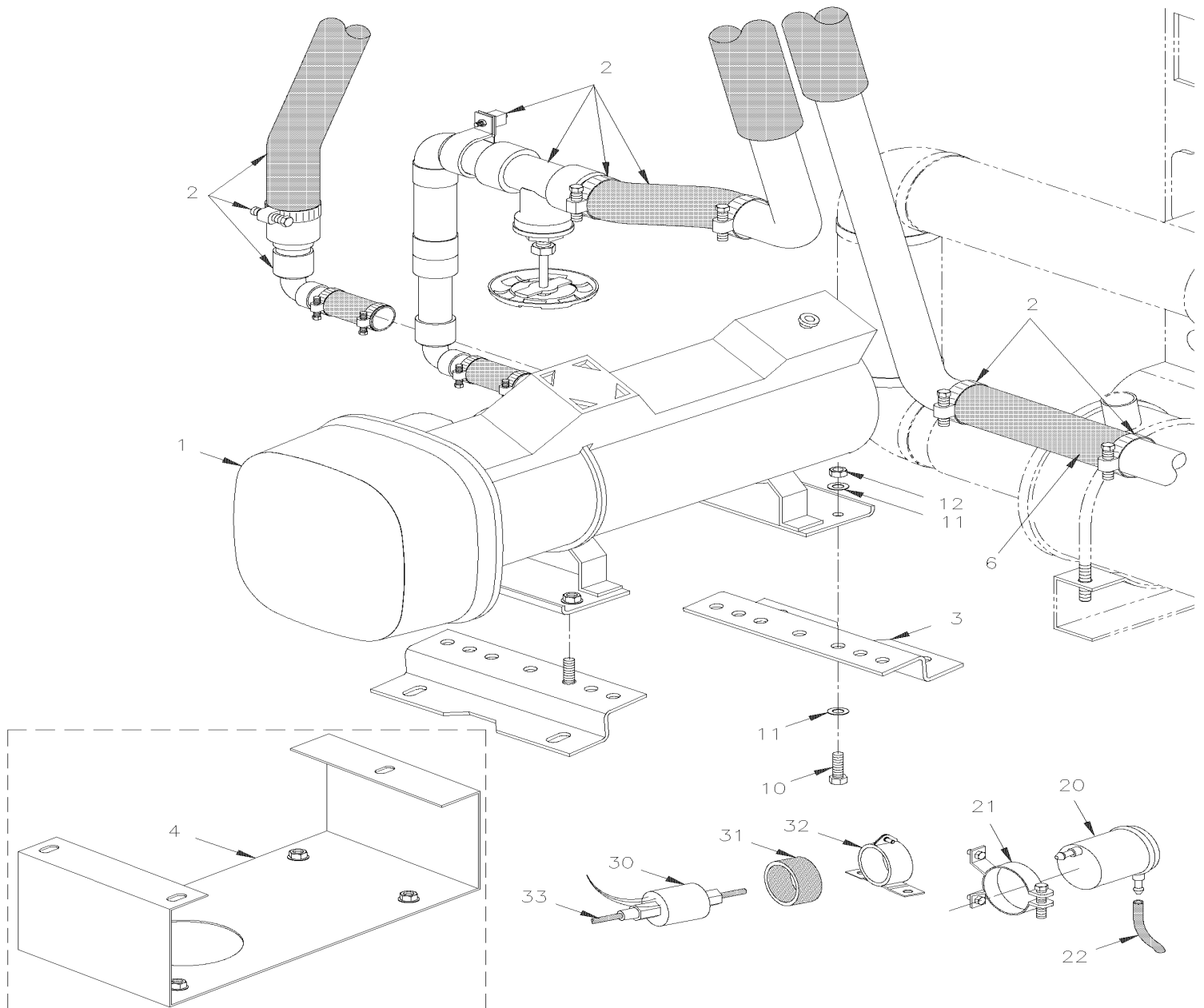
| Item# | Part | Description | X L I I 4 5 | X L I I M T H 4 0 | X L I I M T H 4 5 | X L I I M T H 4 5 E | NOTES |
|-------|--------|---|----------------------------|---|---|--|-------|
| 1 | 562664 | PROTECTOR METALLIC 1"/CABLE | AR | | | | |
| 2 | 560933 | CONNECTOR / 15 AMPS / HUBBELL 5266-C | AR | | | | |
| 3 | 562595 | SPECIAL WIRE CABLE 14/3 / WHITE (BOAT CABLE) | AR | | | | |
| 3 | N.P.N. | WIRE CABLE GA 16/3 | | | | | 4 |
| 4 | 564151 | RACEWAY BASE ALUMINUM 60" | AR | | | | |
| 5 | 564152 | RACEWAY COVER ALUMINUM 60" | AR | | | | |
| 6 | 564153 | BLANK END FITTING CLOSING | AR | | | | |
| 7 | 564154 | RECEPTACLE DOUBLE / IN-LINE 15 Amps | AR | | | | |
| 8 | 564155 | TEE ALUMINUM RACEWAY | AR | | | | |
| 9 | 564156 | ELBOW 90° EXTERNAL RACEWAY | AR | | | | |
| 20 | 562657 | PLUG DOUBLE 110 VAC MURAL / WHITE | AR | | | | |
| 21 | 562659 | COVER PLATE DOUBLE 110V OUTLET / WHITE | AR | | | | |
| 22 | 564129 | RECEPTACLE BOX / 110Vac outlet / WHITE | AR | | | | |
| 22 | 563848 | RECEPTACLE BOX / 100Vac outlet WHITE NYLON | AR | | | | |
| 23 | 564467 | CONNECTOR IBERVILLE 1/2" PLASTIC GREY | AR | | | | |
| 24 | 563624 | BUTT SPLICE / 12-10 / YELLOW / W/THERMORETRAC / PANDUIT BSH10-E | AR | | | | |
| 25 | 563846 | PLUG DOUBLE 110 VAC MURAL WHITE NYLON "DECORA" | AR | | | | |
| 26 | 562662 | PLUG DOUBLE 110 VAC MURAL WHITE NYLON "DECORA" | AR | | | | |
| 26 | 563847 | COVER PLATE DOUBLE 110V OUTLET WHITE NYLON | AR | | | | |
| 26 | 564507 | PLUG DOUBLE 110 VAC MURAL GREY NYLON "DECORA" | AR | | | | |
| 27 | 563847 | COVER PLATE DOUBLE 110V OUTLET WHITE NYLON | AR | | | | |
| 27 | 564508 | COVER PLATE DOUBLE 110V OUTLET SILVER | AR | | | | |
| | | | | | | | |
| | | | | | | | |
| | | | | | | | |
| | | 4) NO PARTS NUMBER | | | | | |

From Y-7046 To 2-7764

Date:10/2022

PAGE:Y2-2350-10

WATER HEATER - INSTALLATION

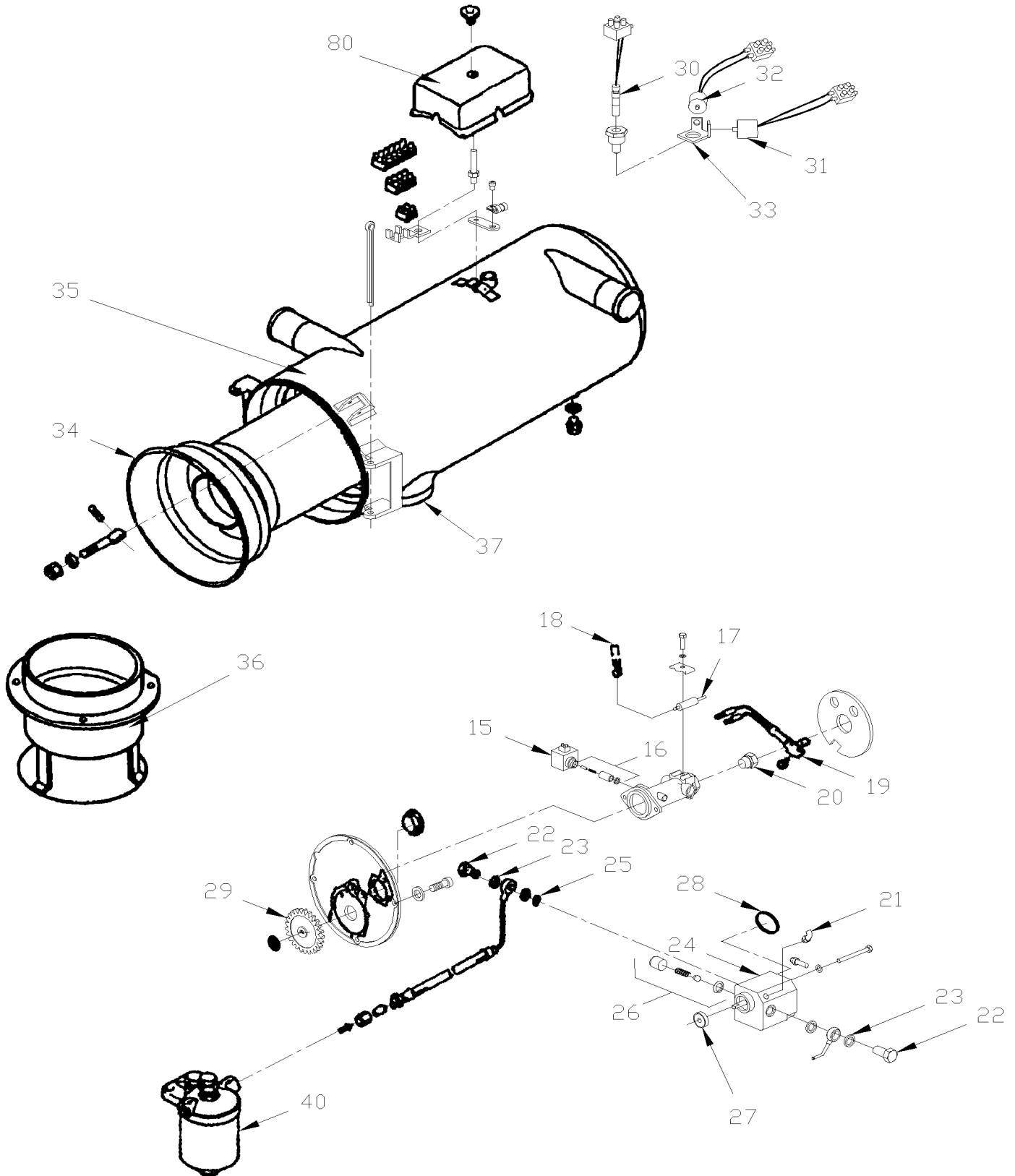


From Y-7046 To 2-7764

Date:10/2022

PAGE:871036

WATER HEATER - "WEBASTO" 80,000 B.T.U.

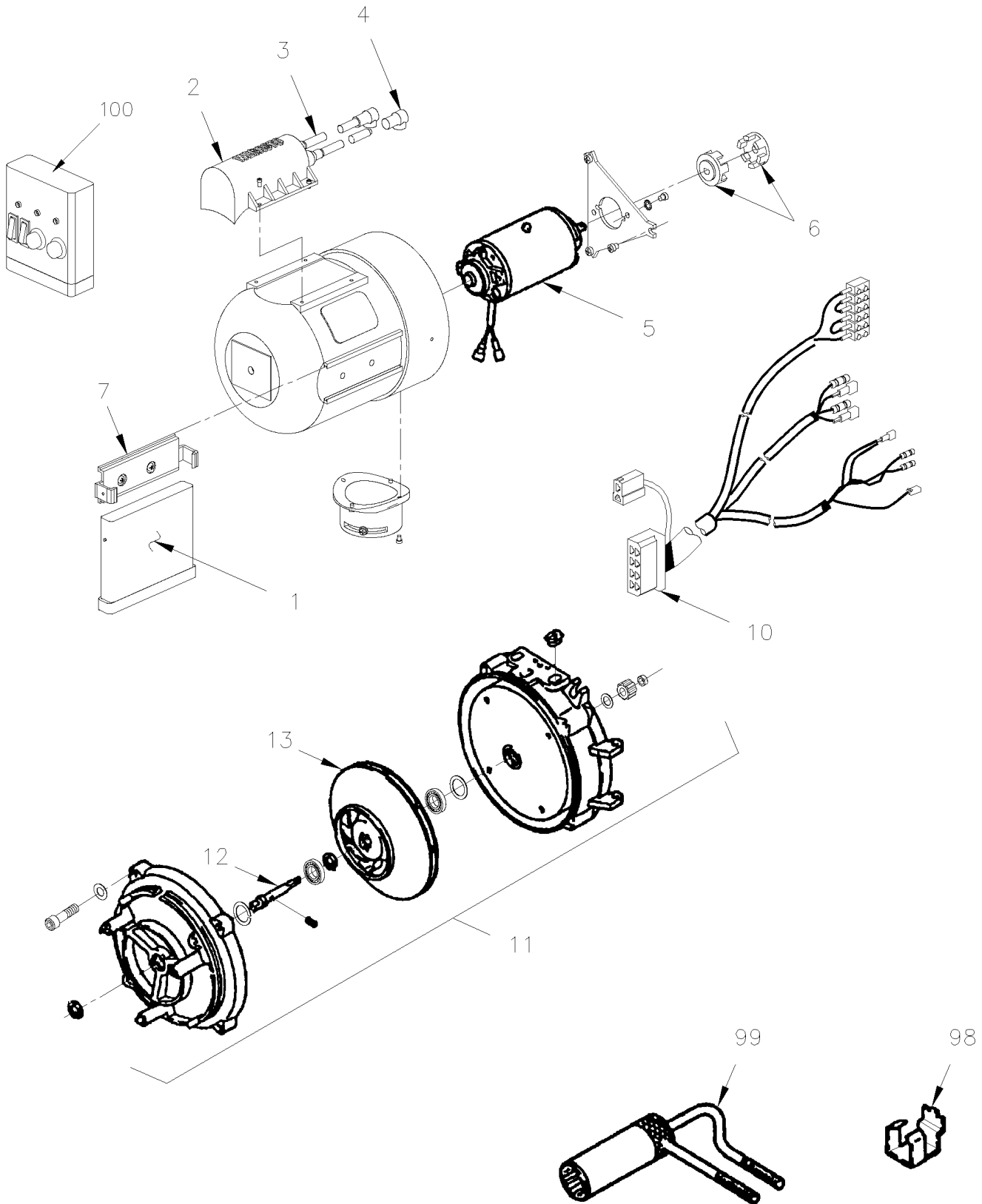


From Y-7046 To 2-7764

Date:10/2022

PAGE:871036

WATER HEATER - "WEBASTO" 80,000 B.T.U.



| | | |
|---|--------------|-------------|
| From Y-7046 To 2-7764 | Date:10/2022 | PAGE:871036 |
| WATER HEATER - "WEBASTO" 80,000 B.T.U. | | |

| Item# | Part | Description | X L I I 4 5 | X L I I M T H 4 0 | X L I I M T H 4 5 | X L I I M T H 4 5 E | N O T E S |
|-------|----------|--|----------------------------|---|---|--|-----------------------|
| | | WATER HEATER - "WEBASTO" 80,000 B.T.U. | 1 | 1 | 1 | 1 | |
| | N25810 | WATER HEATER - "WEBASTO" 80,000 B.T.U. | | | | | |
| NS | 871309 | BURNER HEAD ASSY 24V / DBW 2020 | 1 | 1 | 1 | 1 | |
| 1 | 870909 | . CONTROL UNIT 24V | 1 | 1 | 1 | 1 | A |
| . NS | 561186 | .. CONNECTOR / FASTIN-FASTON (.250) / RH 6C / AMP 925276-0 | 1 | 1 | 1 | 1 | A |
| . NS | 561597 | .. CONNECTOR / 56 SERIES / TAB RH 2C / BROWN / PED 2965981 | 1 | 1 | 1 | 1 | A |
| . NS | 562363 | .. CONNECTOR / FASTIN-FASTON (.250) / RH 8C / AMP 163007 | 1 | 1 | 1 | 1 | A |
| 2 | 870910 | . COIL, IGNITION | 1 | 1 | 1 | 1 | |
| 3 | 870911 | .. SOCKET | 2 | 2 | 2 | 2 | |
| 4 | 870912 | .. CABLE, HIGH TENSION / S.L. | AR | AR | AR | AR | |
| 5 | 870913 | . MOTOR ASSY / 24V | 1 | 1 | 1 | 1 | |
| 6 | 870939 | . CLUTCH | 2 | 2 | 2 | 2 | |
| 7 | N8883051 | . CLIP CONTROL UNIT | 1 | 1 | 1 | 1 | |
| 10 | 870914 | . WIRING HARNESS / W/TERMINAL BLOCK 6 C | 1 | 1 | 1 | 1 | |
| 11 | 870915 | . KIT, MOUNTING SHAFT | 1 | 1 | 1 | 1 | |
| 12 | 870916 | . SHAFT | 1 | 1 | 1 | 1 | |
| 13 | G1017453 | . ROTOR TURBINE | 1 | 1 | 1 | 1 | |
| 15 | 870917 | . SOLONOID VALVE / 24V | 1 | 1 | 1 | 1 | |
| 16 | 870919 | .. UNLOADER POWER ASSY | 1 | 1 | 1 | 1 | |
| 17 | 870920 | . ELECTRODE, IGNITION | 2 | 2 | 2 | 2 | |
| 18 | 870921 | . PLUG / ELECTRODE | 2 | 2 | 2 | 2 | |
| 19 | 870922 | . CELL, PHOTOELECTRIC | 1 | 1 | 1 | 1 | |
| 20 | 870918 | . NOZZLE 0.80GPH | 1 | 1 | 1 | 1 | |
| 20 | 871316 | NOZZLE 0.35GPH | AR | AR | AR | AR | |
| 20 | 871126 | NOZZLE 0.40GPH | AR | AR | AR | AR | |
| 20 | 192271 | NOZZLE 0.65GPH / PACK OF 12 | AR | AR | AR | AR | |
| 20 | G5007384 | NOZZLE 0.65GPH | AR | AR | AR | AR | |
| 20 | G1017473 | NOZZLE 0.65GPH | AR | AR | AR | AR | |
| 20 | 871291 | NOZZLE 0.85GPH | AR | AR | AR | AR | |
| 21 | 870928 | . PIPE, HIGH PRESSURE | 1 | 1 | 1 | 1 | |
| 22 | 870929 | . BANJO BOLT / M10-1.0 | 2 | 2 | 2 | 2 | |
| 23 | 870923 | . BANJO WASHER / M10 | 4 | 4 | 4 | 4 | |
| 24 | 870930 | . PUMP FUEL | 1 | 1 | 1 | 1 | |
| 25 | 870924 | .. FILTER | 1 | 1 | 1 | 1 | |
| 26 | 870925 | .. VALVE, PRESSURE CONTROL | 1 | 1 | 1 | 1 | |
| 27 | 870926 | .. GASKET | 1 | 1 | 1 | 1 | |
| 28 | 870927 | .. GASKET, RING | 1 | 1 | 1 | 1 | |
| 29 | 870931 | . SPUR GEAR | 1 | 1 | 1 | 1 | |
| 30 | 870932 | . FUSE THERMO 138°C (YELLOW) | 1 | 1 | 1 | 1 | |
| 31 | 870933 | . RELEASE, THERMO 117°C (GREEN) | 1 | 1 | 1 | 1 | |
| 32 | 870934 | . CONTROL THERMOSTAT 75°C GREEN & RED | 1 | 1 | 1 | 1 | |
| 33 | 870935 | . ANGLE BRACKET | 1 | 1 | 1 | 1 | |

| | | |
|---|--------------|-------------|
| From Y-7046 To 2-7764 | Date:10/2022 | PAGE:871036 |
| WATER HEATER - "WEBASTO" 80,000 B.T.U. | | |

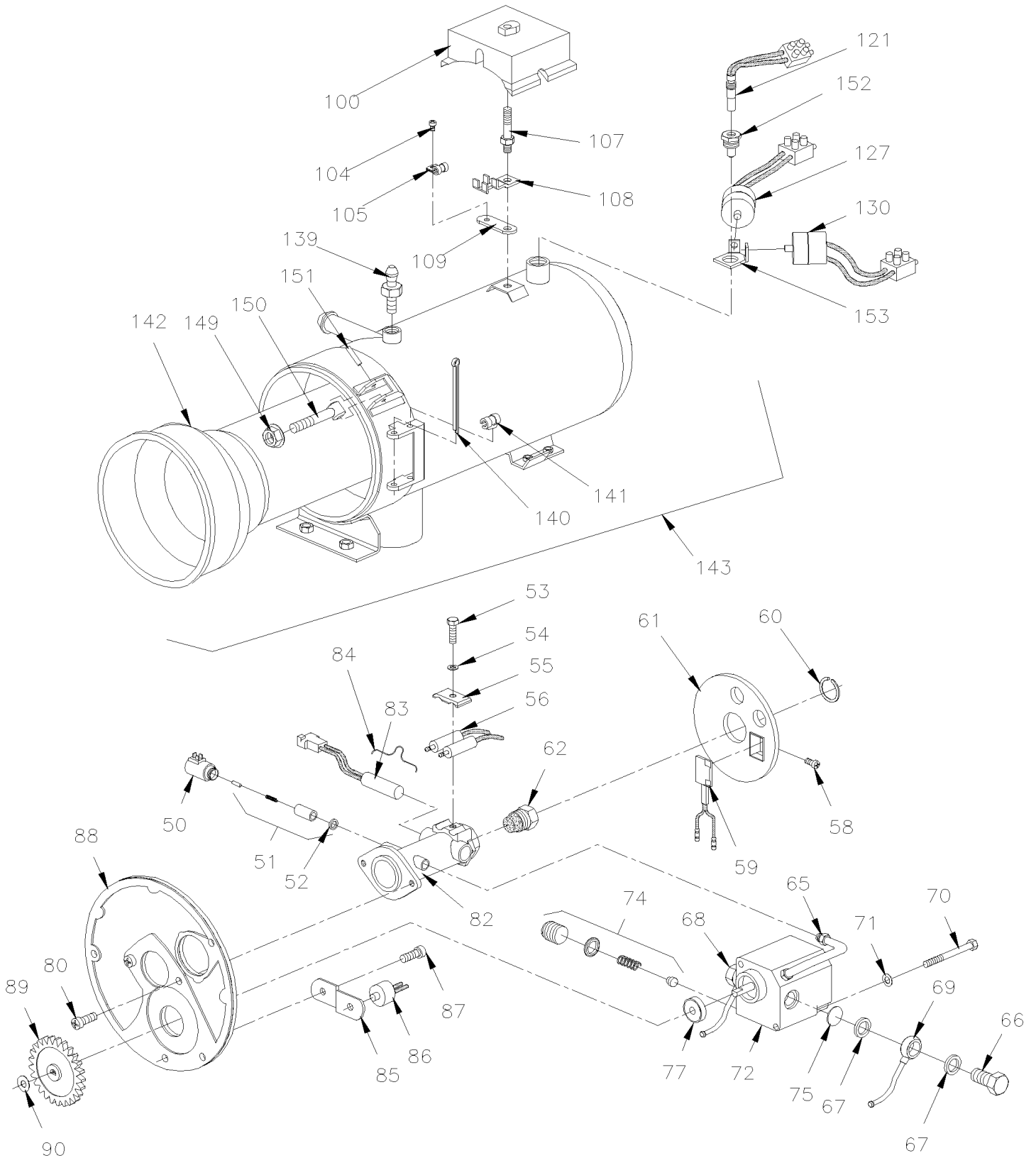
| Item# | Part | Description | X L I I 4 5 | X L I I M T H 4 0 | X L I I M T H 4 5 | X L I I M T H 4 5 E | N O T E S |
|-------|----------|---|----------------------------|---|---|--|-----------------------|
| 34 | 871057 | . CHAMBER, COMBUSTION / W/80,000 BTU | 1 | 1 | 1 | 1 | |
| 35 | 871251 | . HEAT EXCHANGER | 1 | 1 | 1 | 1 | |
| 36 | 870940 | . PIPE, OUTLET | 1 | 1 | 1 | 1 | |
| 37 | 871039 | EXHAUST PIPE SS 70MM O.D. X 1000MM | 1 | 1 | 1 | 1 | |
| | | SEE WATER HEATER - INSTALLATION | | | | | |
| 80 | N8883102 | CAP | 1 | 1 | 1 | 1 | |
| 98 | 870937 | GAUGE / IGNITION ELECTRODE | 1 | 1 | 1 | 1 | |
| 99 | 870938 | BOX WRENCH / HIGH PRESSURE NOZZLE | 1 | 1 | 1 | 1 | |
| 100 | 871319 | TESTING GEAR TOOL | AR | AR | AR | AR | |
| NS | 871246 | KIT, RETROFIT W/HEATER CONTROL BOX WATERTIGHT | AR | AR | AR | AR | |
| NS | 192273 | KIT NOZZLE W/OVERHEAT FUSE / DBW 2020 | AR | AR | AR | AR | B |
| NS | 065744 | KIT, RETROFIT BOX W/EXTENSION CABLE AND SUPP. | AR | AR | AR | AR | |
| NS | 192274 | KIT, MOTOR 24V W/BEARING, NOZZLE & O.H. FUSE / DBW 2020 | AR | AR | AR | AR | |
| NS | 192269 | KIT, ELECTRICAL REBUILT COMPONENTS 24V / DBW 2020 & DBW 300 | AR | AR | AR | AR | C |
| | | | | | | | |
| | | | | | | | |
| | | A) FOR PRODUCT IMPROVMENT USE KIT #871246 FOTR EXTEND WIRE CABLE BETWEEN CONTROL BOX AND WATER HEATER OR USE KIT #065744 FOR FIXED UNIT CONTROL BOX IN WATERPROOF BOX | | | | | |
| | | B) INCLUDES 2 ITEMS #20 & 30 | | | | | |
| | | C) INCLUDES ITEMS #1, 2, 3, 4, 10, 17, 19 & MORE | | | | | |

From Y-7046 To 2-7764

Date: 10/2022

PAGE: 871085

WATER HEATER - "WEBASTO" 45,000 B.T.U.

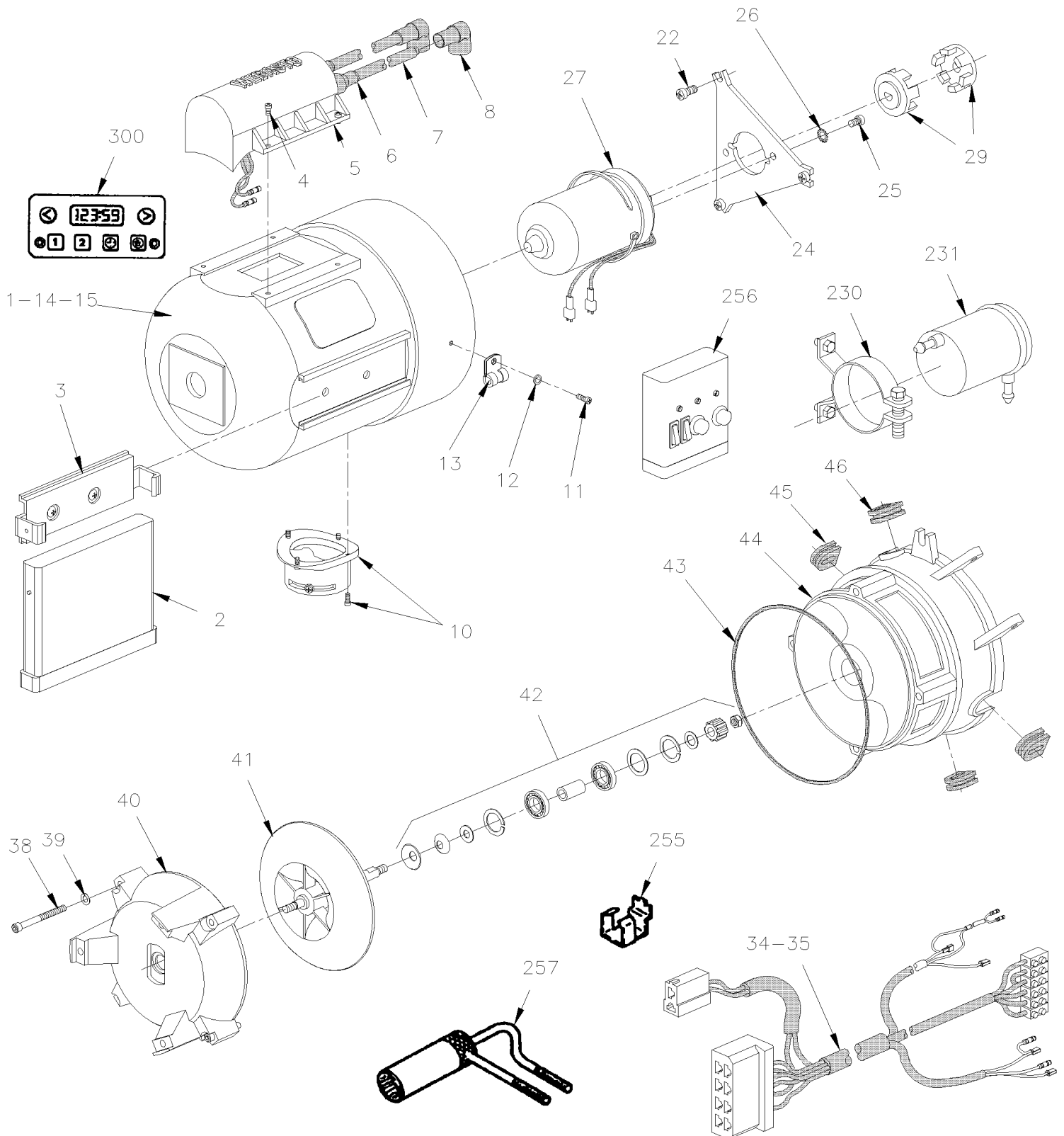


From Y-7046 To 2-7764

Date:10/2022

PAGE:871085

WATER HEATER - "WEBASTO" 45,000 B.T.U.



| | | |
|---|--------------|-------------|
| From Y-7046 To 2-7764 | Date:10/2022 | PAGE:871085 |
| WATER HEATER - "WEBASTO" 45,000 B.T.U. | | |

| Item# | Part | Description | X L I I 4 5 | X L I I M T H 4 0 | X L I I M T H 4 5 | X L I I M T H 4 5 E | N O T E S |
|-------|----------|---|----------------------------|---|---|--|-----------------------|
| | | WATER HEATER - "WEBASTO" 45,000 B.T.U. | 1 | 1 | 1 | 1 | |
| 1 | 871376 | . BURNER HEAD ASSY / 24V / DBW 2010 | 1 | 1 | 1 | 1 | |
| 2 | 870909 | . CONTROL UNIT 24V | 1 | 1 | 1 | 1 | A |
| . NS | 561186 | . . CONNECTOR / FASTIN-FASTON (.250) / RH 6C / AMP 925276-0 | 1 | 1 | 1 | 1 | A |
| . NS | 561597 | . . CONNECTOR / 56 SERIES / TAB RH 2C / BROWN / PED 2965981 | 1 | 1 | 1 | 1 | A |
| . NS | 562363 | . . CONNECTOR / FASTIN-FASTON (.250) / RH 8C / AMP 163007 | 1 | 1 | 1 | 1 | A |
| 3 | N8883051 | . CLIP CONTROL UNIT | 1 | 1 | 1 | 1 | |
| 4 | G1017468 | . SCREW M3.5x14 | 4 | 4 | 4 | 4 | |
| 5 | 871119 | . COIL, WATER HEATER IGNITER 24V | 1 | 1 | 1 | 1 | |
| 5 | 191768 | . COIL, WATER HEATER IGNITER 12V | 1 | 1 | 1 | 1 | |
| 6 | 870911 | . SOCKET | 2 | 2 | 2 | 2 | |
| 7 | 870912 | . CABLE, HIGH TENSION / S.L. | AR | AR | AR | AR | |
| 8 | G1017515 | . BOOT PLUG | 2 | 2 | 2 | 2 | |
| 10 | G1017415 | . INTAKE SOCKET | 1 | 1 | 1 | 1 | |
| 11 | G1093260 | . SCREW M4x12 | 4 | 4 | 4 | 4 | |
| 12 | G1017467 | . WASHER SERRATED A4.3 | 4 | 4 | 4 | 4 | |
| 13 | G1093261 | . CLAMP | 1 | 1 | 1 | 1 | |
| 14 | G1017517 | . PROTECTOR CAP W/LABEL | 1 | 1 | 1 | 1 | |
| 15 | G1017565 | . . DECAL "DANGER" | 2 | 2 | 2 | 2 | |
| 22 | 502529 | . SCREW MA BDG PH M5-0.8x12 BZC | 3 | 3 | 3 | 3 | |
| 22 | G1017423 | . SCREW W/WASHER AM5x12 | 3 | 3 | 3 | 3 | |
| 24 | G1093262 | . FLANGE | 1 | 1 | 1 | 1 | |
| 25 | 500344 | . SCREW MA RND PH M4-0.7x12 Z050 | 2 | 2 | 2 | 2 | |
| 25 | G1093260 | . SCREW M4x12 | 2 | 2 | 2 | 2 | |
| 26 | G1017467 | . WASHER SERRATED A4.3 | 2 | 2 | 2 | 2 | |
| 27 | 871120 | . MOTOR ASSY / 24V | 1 | 1 | 1 | 1 | |
| 27 | 191771 | . MOTOR ASSY / 12V | 1 | 1 | 1 | 1 | |
| 27 | G1017520 | . MOTOR ASSY / 24V | 1 | 1 | 1 | 1 | |
| 29 | 871121 | . CLUTCH HALF | 2 | 2 | 2 | 2 | |
| 29 | G1017518 | . CLUTCH HALF | 2 | 2 | 2 | 2 | |
| 34 | 871122 | . HARNESS, CABLE 4 WAYS | 1 | 1 | 1 | 1 | |
| 35 | 871123 | . HARNESS, CABLE 6 WAYS | 1 | 1 | 1 | 1 | |
| 35 | G1017522 | . CABLE HARNESS 6W | 1 | 1 | 1 | 1 | |
| 36 | G1017427 | . TERMINAL BLOCK 6W | 1 | 1 | 1 | 1 | |
| 36 | G101742 | . TERMINAL BLOCK 4W | 1 | 1 | 1 | 1 | |
| 38 | G1017546 | . SCREW CAP HEXS M5x35 | 4 | 4 | 4 | 4 | |
| 39 | G1017547 | . SPRING WASHER | 4 | 4 | 4 | 4 | |
| 40 | G1017523 | . MOTOR SUPPORT | 1 | 1 | 1 | 1 | |
| 41 | 871124 | . IMPELLER WITH SHAFT | 1 | 1 | 1 | 1 | |
| 41 | G1017524 | . IMPELLER WITH SHAFT | 1 | 1 | 1 | 1 | |
| 42 | 871125 | . PARTS FOR SHAFT MOUNTING | 1 | 1 | 1 | 1 | |
| 42 | G1017525 | . PARTS FOR SHAFT MOUNTING | 1 | 1 | 1 | 1 | |

| | | |
|---|--------------|-------------|
| From Y-7046 To 2-7764 | Date:10/2022 | PAGE:871085 |
| WATER HEATER - "WEBASTO" 45,000 B.T.U. | | |

| Item# | Part | Description | X L I I 4 5 | X L I I M T H 4 0 | X L I I M T H 4 5 | X L I I M T H 4 5 E | N O T E S |
|-------|----------|-------------------------------------|----------------------------|---|---|--|-----------------------|
| 43 | 871392 | . SEALING RING | 1 | 1 | 1 | 1 | |
| 43 | G1093264 | . SEALING RING | 1 | 1 | 1 | 1 | |
| 44 | 871393 | . BLOWER HOUSING | 1 | 1 | 1 | 1 | |
| 44 | G1093265 | . BLOWER HOUSING | 1 | 1 | 1 | 1 | |
| 45 | 871394 | . GROMMET L.H. SIDE | 2 | 2 | 2 | 2 | |
| 45 | G1017527 | . GROMMET L.H. SIDE | 2 | 2 | 2 | 2 | |
| 46 | 871395 | . GROMMET R.H. SIDE | 2 | 2 | 2 | 2 | |
| 46 | G1017528 | . GROMMET R.H. SIDE | 2 | 2 | 2 | 2 | |
| 50 | 870917 | . SOLONOID VALVE / 24V | 1 | 1 | 1 | 1 | |
| 50 | G1017456 | . SOLONOID VALVE / 24V | 1 | 1 | 1 | 1 | |
| 50 | 192305 | . SOLONOID VALVE / 12V | 1 | 1 | 1 | 1 | |
| 50 | G1093266 | . SOLONOID VALVE / 12V | 1 | 1 | 1 | 1 | |
| 51 | 870919 | . UNLOADER POWER ASSY | 1 | 1 | 1 | 1 | |
| 52 | 871297 | . . GASKET | 1 | 1 | 1 | 1 | |
| 53 | 502531 | . SCREW CAP HEX M6-1.0x16 G8.8 Z050 | 1 | 1 | 1 | 1 | |
| 53 | G1017437 | . SCREW CAP HEX | 1 | 1 | 1 | 1 | |
| 54 | G1017470 | . SPRING WASHER | 1 | 1 | 1 | 1 | |
| 55 | G1017461 | . CLAMP | 1 | 1 | 1 | 1 | |
| 56 | 870920 | . ELECTRODE, IGNITION | 2 | 2 | 2 | 2 | |
| 58 | 500560 | . SCREW MA PAN PH M4-0.7x6 Z050 | 1 | 1 | 1 | 1 | |
| 58 | G1017474 | . SCREW MA PAN PH M4x6 | 1 | 1 | 1 | 1 | |
| 59 | 870922 | . CELL, PHOTOELECTRIC | 1 | 1 | 1 | 1 | |
| 60 | G1017475 | . RETAINING RING | 1 | 1 | 1 | 1 | |
| 60 | G1017475 | . RETAINING RING | 1 | 1 | 1 | 1 | |
| 61 | 191679 | . DISC | 1 | 1 | 1 | 1 | |
| 62 | 871316 | . NOZZLE 0.35GPH | 1 | 1 | 1 | 1 | |
| 62 | 871126 | . NOZZLE 0.40GPH | 1 | 1 | 1 | 1 | |
| 62 | G1017532 | . NOZZLE 0.40GPH | 1 | 1 | 1 | 1 | |
| 62 | 192271 | . NOZZLE 0.65GPH / PACK OF 12 | AR | AR | AR | AR | |
| 62 | G5007384 | . NOZZLE 0.65GPH | AR | AR | AR | AR | |
| 62 | G1017473 | . NOZZLE 0.65GPH | AR | AR | AR | AR | |
| 62 | 871291 | . NOZZLE 0.85GPH | AR | AR | AR | AR | |
| 65 | 870928 | . PIPE, HIGH PRESSURE | 1 | 1 | 1 | 1 | |
| 66 | 870929 | . BANJO BOLT / M10-1.0 | 1 | 1 | 1 | 1 | |
| 67 | 870923 | . BANJO WASHER / M10 | 4 | 4 | 4 | 4 | |
| 68 | G1017533 | . FUEL LINE / (FEED LINE PRESSURE) | 1 | 1 | 1 | 1 | |
| 69 | G1017534 | . FUEL LINE / (RETURN) | 1 | 1 | 1 | 1 | |
| 70 | G1017441 | . SCREW CAP HEXS M4x30 | 2 | 2 | 2 | 2 | |
| 71 | G1017442 | . SPRING WASHER | 2 | 2 | 2 | 2 | |
| 72 | 871127 | . FUEL PUMP | 1 | 1 | 1 | 1 | |
| 72 | G1093267 | . FUEL PUMP | 1 | 1 | 1 | 1 | |
| 74 | 870925 | . . VALVE, PRESSURE CONTROL | 1 | 1 | 1 | 1 | |

| | | |
|---|--------------|-------------|
| From Y-7046 To 2-7764 | Date:10/2022 | PAGE:871085 |
| WATER HEATER - "WEBASTO" 45,000 B.T.U. | | |

| Item# | Part | Description | X L I I 4 5 | X L I I M T H 4 0 | X L I I M T H 4 5 | X L I I M T H 4 5 E | N O T E S |
|-------|----------|--|----------------------------|---|---|--|-----------------------|
| 75 | 870924 | . . . FILTER | 1 | 1 | 1 | 1 | |
| 77 | 870926 | . . . GASKET | 1 | 1 | 1 | 1 | |
| 80 | G1017424 | . SCREW W/WASHER AM5x12 | 2 | 2 | 2 | 2 | |
| 82 | G5007387 | . NOZZLE HOLDER | 1 | 1 | 1 | 1 | |
| 82 | N8883089 | . NOZZLE HOLDER | 1 | 1 | 1 | 1 | |
| 83 | G1017530 | . HEATING ELEMENT | 1 | 1 | 1 | 1 | |
| 84 | N8883147 | . HOLDING STRAP | 1 | 1 | 1 | 1 | |
| 85 | G1017417 | . BRACKET | 1 | 1 | 1 | 1 | |
| 86 | G1093269 | . NOZZLE PRE-HEAT THERMOSTAT | 1 | 1 | 1 | 1 | |
| 87 | G1017423 | . SCREW W/WASHER AM5x12 | 4 | 4 | 4 | 4 | |
| 88 | G1017536 | . NOZZLE HOLDER PLATE | 1 | 1 | 1 | 1 | |
| 89 | 870931 | . SPUR GEAR | 1 | 1 | 1 | 1 | |
| 90 | G1017439 | . RETAINING RING | 1 | 1 | 1 | 1 | |
| NS | G1017537 | . GREASE ISOFLEX LDS 18 | 1 | 1 | 1 | 1 | |
| 100 | N8883102 | . CAP | 1 | 1 | 1 | 1 | |
| 104 | G1017549 | . SCREW M4x8 | 1 | 1 | 1 | 1 | |
| 105 | G1017538 | . CLAMP | 1 | 1 | 1 | 1 | |
| 107 | G1017487 | . SCREW | 1 | 1 | 1 | 1 | |
| 108 | G1017488 | . BRACKET | 1 | 1 | 1 | 1 | |
| 109 | G1017489 | . JOINT | 1 | 1 | 1 | 1 | |
| 121 | 870932 | . FUSE THERMO 138°C (YELLOW) | 1 | 1 | 1 | 1 | |
| 127 | 870934 | . CONTROL THERMOSTAT 75°C GREEN & RED | 1 | 1 | 1 | 1 | |
| 128 | G1093271 | . CONTROL THERMOSTAT 70°C WHITE & ORANGE | 1 | 1 | 1 | 1 | |
| 130 | 870933 | . RELEASE, THERMO 117°C (GREEN) | 1 | 1 | 1 | 1 | |
| 139 | G1093273 | . BLEEDING VALVE | 1 | 1 | 1 | 1 | |
| 140 | G1017550 | . SECURRING CUTTER PIN | 1 | 1 | 1 | 1 | |
| 141 | G1017541 | . CABLE CLAMP | 1 | 1 | 1 | 1 | |
| 142 | 871128 | . CHAMBER, COMBUSTION | 1 | 1 | 1 | 1 | |
| 142 | G1017540 | . CHAMBER, COMBUSTION | 1 | 1 | 1 | 1 | |
| 143 | G1017542 | . HEAT EXCHANGER ASSY | 1 | 1 | 1 | 1 | |
| 149 | 5001110 | . NUT HEXF M6-1.0 Z050 | 2 | 2 | 2 | 2 | |
| 149 | G1017551 | . NUT W/WASHER | 2 | 2 | 2 | 2 | |
| 150 | G1093275 | . EYE BOLT AM6x45 | 2 | 2 | 2 | 2 | |
| 151 | G1017553 | . SLOTTED PIN | 2 | 2 | 2 | 2 | |
| 152 | G1017428 | . PLUG | 2 | 2 | 2 | 2 | |
| 153 | 870935 | . ANGLE BRACKET | 1 | 1 | 1 | 1 | |
| 153 | G1017479 | . ANGLE BRACKET | 1 | 1 | 1 | 1 | |
| 230 | 871038 | SUPPORT, FILTER FUEL | 1 | 1 | 1 | 1 | |
| 231 | 871037 | FILTER, FUEL | 1 | 1 | 1 | 1 | |
| 251 | 871096 | EXHAUST PIPE FLEXIBLE 38MM O.D. X 1000MM | 1 | 1 | 1 | 1 | |
| 255 | 870937 | GAUGE / IGNITION ELECTRODE | 1 | 1 | 1 | 1 | |
| 256 | 871319 | TESTING GEAR TOOL | AR | AR | AR | AR | |

| | | |
|-----------------------|--------------|-------------|
| From Y-7046 To 2-7764 | Date:10/2022 | PAGE:871085 |
|-----------------------|--------------|-------------|

WATER HEATER - "WEBASTO" 45,000 B.T.U.

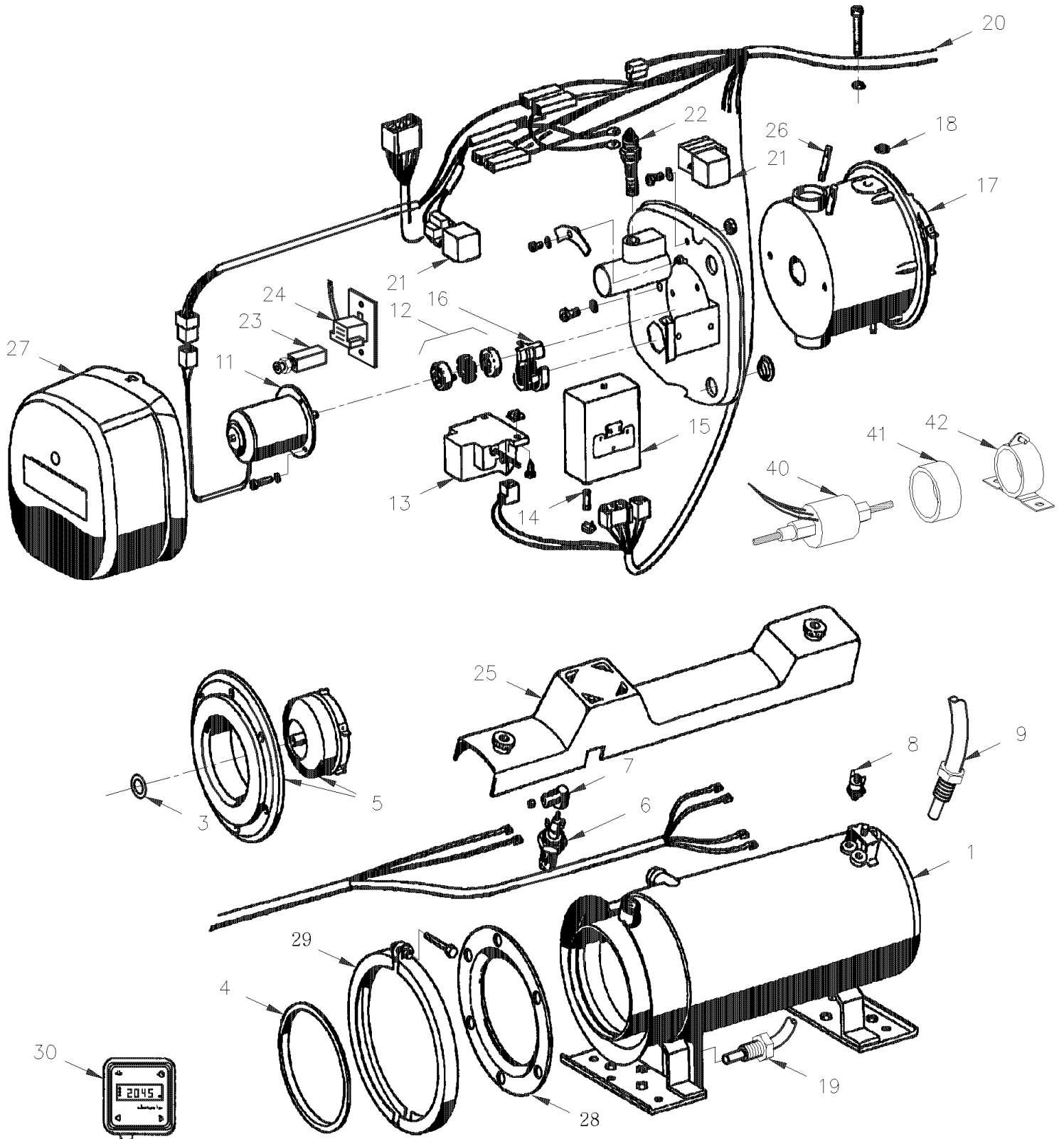
| Item# | Part | Description | X L I I 4 5 | X L I I M T H 4 0 | X L I I M T H 4 5 | X L I I M T H 4 5 E | N O T E S |
|-------|----------|---|----------------------------|---|---|--|-----------------------|
| 256 | N8887040 | TESTING GEAR TOOL | 1 | 1 | 1 | 1 | |
| 257 | 870938 | BOX WRENCH / HIGH PRESSURE NOZZLE | 1 | 1 | 1 | 1 | |
| 257 | N8887748 | BOX WRENCH / HIGH PRESSURE NOZZLE | 1 | 1 | 1 | 1 | |
| 258 | N8887750 | FUEL PRESSURE GAUGE | 1 | 1 | 1 | 1 | |
| 259 | G1093411 | MAINTENANCE MANUAL PAPER | 1 | 1 | 1 | 1 | |
| 300 | | SEE LATERAL CONSOL | 1 | 1 | 1 | 1 | |
| NS | 871246 | KIT, RETROFIT W/HEATER CONTROL BOX WATERTIGHT | AR | AR | AR | AR | |
| NS | 065744 | KIT, RETROFIT BOX W/EXTENSION CABLE AND SUPP. | AR | AR | AR | AR | |
| | | | | | | | |
| | | | | | | | |
| | | A) FOR PRODUCT IMPROVMENT USE KIT #871246 FOTR EXTEND WIRE CABLE BETWEEN CONTROL BOX AND WATER HEATER OR USE KIT #065744 FOR FIXED UNIT CONTROL BOX IN WATERPROOF BOX | | | | | |

From Y-7046 To 2-7764

Date:10/2022

PAGE:871097

WATER HEATER - "ESPAR" 41,000 B.T.U.



| | | |
|-----------------------|--------------|-------------|
| From Y-7046 To 2-7764 | Date:10/2022 | PAGE:871097 |
|-----------------------|--------------|-------------|

WATER HEATER - "ESPAR" 41,000 B.T.U.

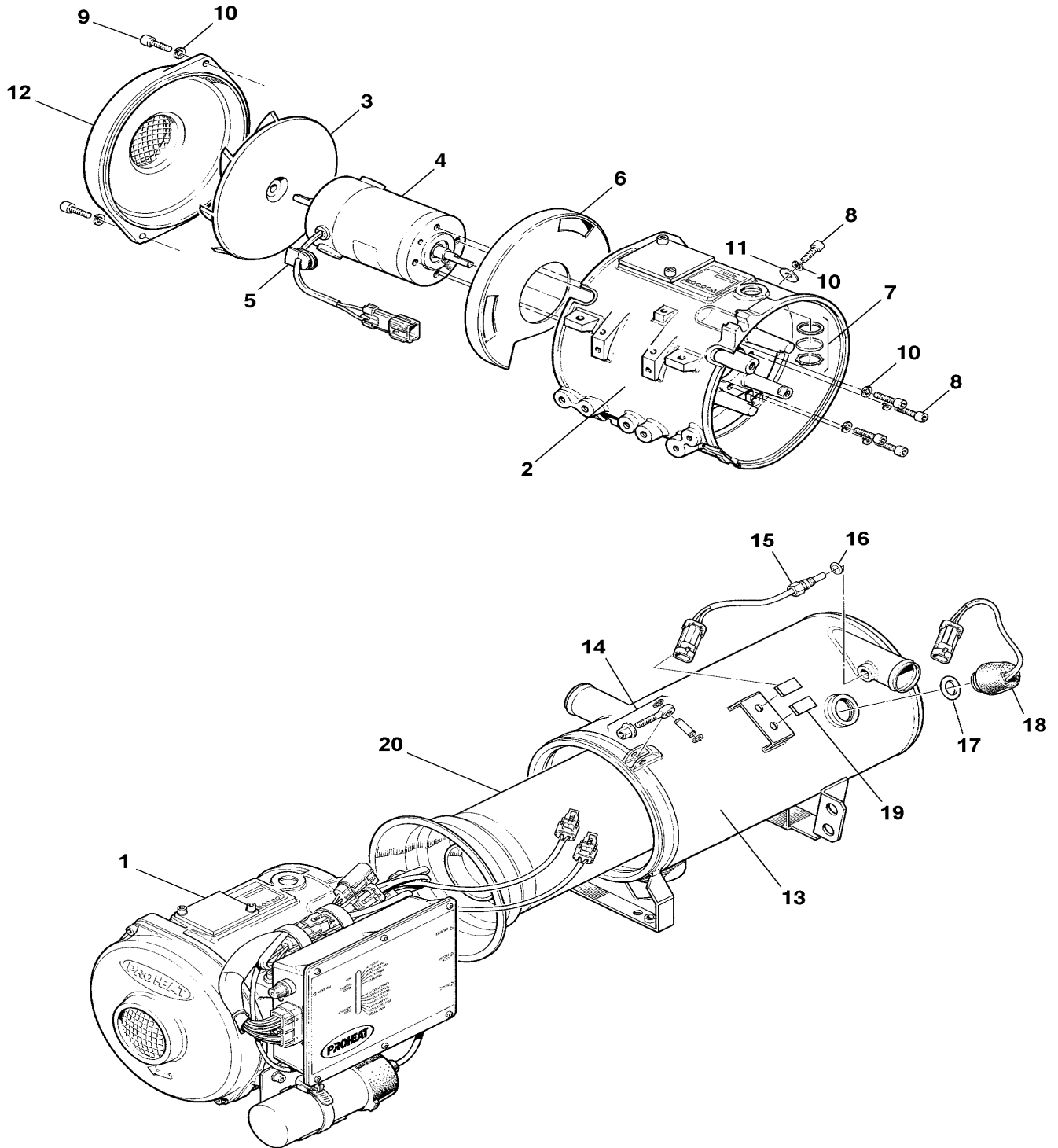
| Item# | Part | Description | X L I I 4 5 | X L I I M T H 4 0 | X L I I M T H 4 5 | X L I I M T H 4 5 E | N O T E S |
|-------|------|--|--------------------------------|---|---|--|-----------------------|
| | | A) WHEN IT'S THE FIRST ATOMIZER REPLACED, USE CONVERSION KIT #870984 | | | | | |

From Y-7257 To 4-8464

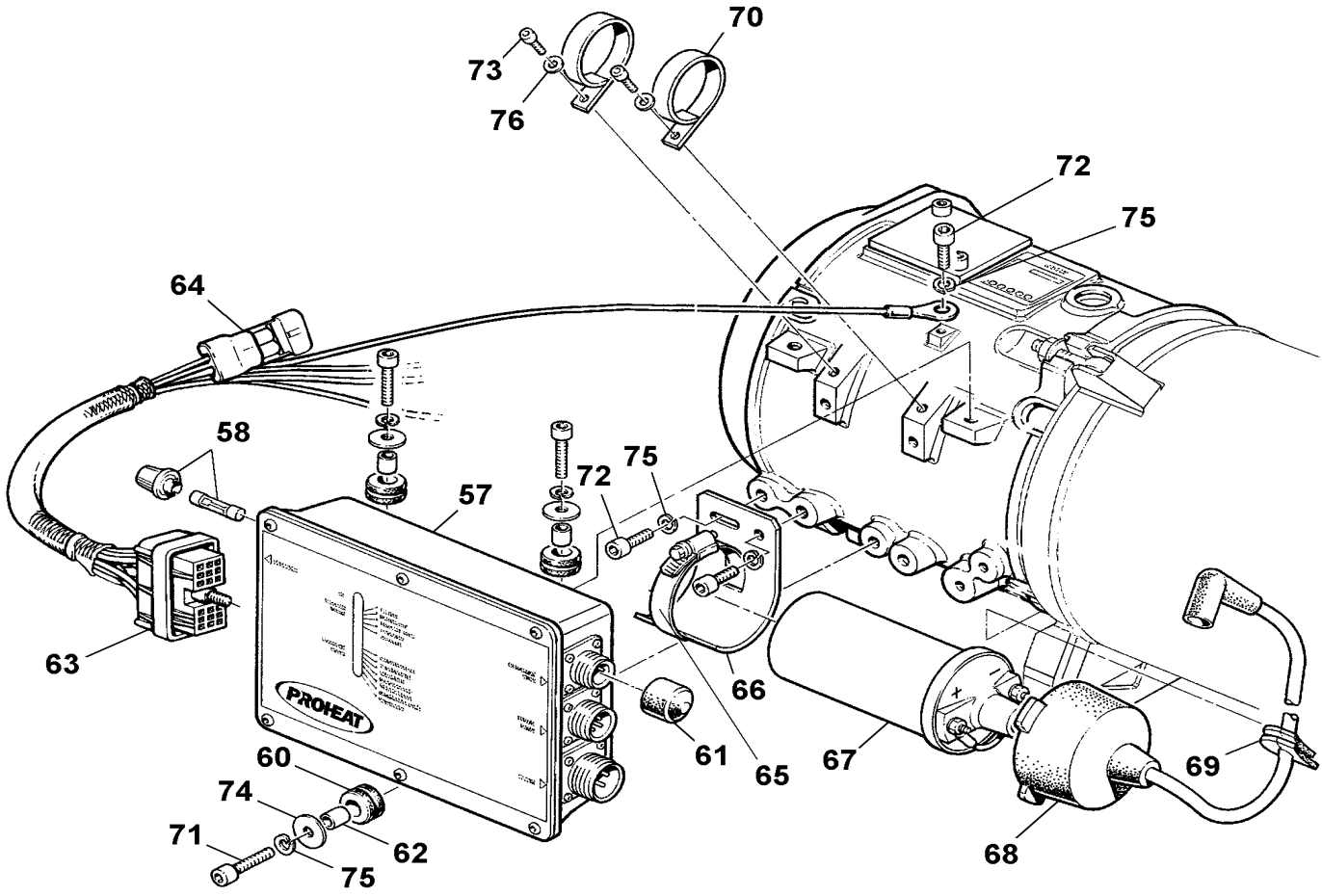
Date:10/2022

PAGE:871100

WATER HEATER - "PROHEAT" 80,000 B.T.U.



| | | |
|--|--------------|-------------|
| From Y-7257 To 4-8464 | Date:10/2022 | PAGE:871100 |
| WATER HEATER - "PROHEAT" 80,000 B.T.U. | | |



| | | |
|---|--------------|-------------|
| From Y-7257 To 4-8464 | Date:10/2022 | PAGE:871100 |
| WATER HEATER - "PROHEAT" 80,000 B.T.U. | | |

| Item# | Part | Description | X L I I 4 5 | X L I I M T H 4 0 | X L I I M T H 4 5 | X L I I M T H 4 5 E | N O T E S |
|-------|----------|--|----------------------------|---|---|--|-----------------------|
| | | WATER HEATER - "PROHEAT" 80,000 B.T.U. | 1 | 1 | 1 | 1 | |
| 1 | N8890283 | . BURNER HEAD ASM | 1 | 1 | 1 | 1 | |
| 2 | N8890292 | .. CASTING BURNER HEAD | 1 | 1 | 1 | 1 | |
| 3 | N8890294 | .. FAN BLADE | 1 | 1 | 1 | 1 | |
| NS | N8890347 | ... RETAINING RING | 1 | 1 | 1 | 1 | |
| 4 | N8890295 | .. MOTOR 24V | 1 | 1 | 1 | 1 | |
| 5 | N8890296 | .. GROMMET STYLE " D " | 1 | 1 | 1 | 1 | |
| 6 | N8890297 | .. BAFFLE AIR ADJUST | 1 | 1 | 1 | 1 | |
| 7 | N8890298 | .. SIGHT GLASS KIT | 1 | 1 | 1 | 1 | |
| 8 | N8890299 | .. SCREW CAP HEXS M6-1.0x20 ZP | 5 | 5 | 5 | 5 | |
| 9 | N8890300 | .. SCREW CAP HEXS M6-1.0x16 ZP | 2 | 2 | 2 | 2 | |
| 10 | N8890301 | .. WASHER LO SPT M6 ZP | 7 | 7 | 7 | 7 | |
| 11 | N8890302 | .. WASHER FL 1/4 ZP | 1 | 1 | 1 | 1 | |
| 12 | N8890293 | .. COVER | 1 | 1 | 1 | 1 | |
| 13 | N8890285 | . HEAT EXCHANGER | 1 | 1 | 1 | 1 | |
| 14 | N8890286 | .. EYE BOLT KIT | 2 | 2 | 2 | 2 | |
| 15 | N8890287 | . TEMPERATURE SENSOR | 1 | 1 | 1 | 1 | |
| 16 | N8890288 | .. O-RING | 1 | 1 | 1 | 1 | |
| 17 | N8890289 | . OVERHEAT BREAKER SENSOR | 1 | 1 | 1 | 1 | |
| 18 | N8890290 | .. O-RING | 1 | 1 | 1 | 1 | |
| 19 | N8890291 | . CLIP | 2 | 2 | 2 | 2 | |
| 20 | N8890284 | . COMBUSTION TUBE | 1 | 1 | 1 | 1 | |
| 21 | N8890306 | . FUEL DELIVERY UNIT | 1 | 1 | 1 | 1 | |
| 22 | N8890331 | .. FUEL PUMP | 1 | 1 | 1 | 1 | |
| 23 | N8890334 | ... RELIEF VALVE KIT | 1 | 1 | 1 | 1 | |
| 24 | N8890341 | ... PLUG HEX-HEAD / ORB FITTING / #2ORB-M BR | 1 | 1 | 1 | 1 | |
| 25 | N8890305 | ... ELBOW 1/4 ID HOSE x 1/8 NPT MALE | 1 | 1 | 1 | 1 | |
| 26 | N8890346 | ... ELBOW 1/4 JIC MALE x 1/8 NTP MALE | 1 | 1 | 1 | 1 | |
| 27 | N8890332 | .. FUEL REGULATOR | 1 | 1 | 1 | 1 | |
| 28 | N8890333 | ... O-RING | 2 | 2 | 2 | 2 | |
| 29 | N8890335 | .. SELENOID VALVE 24V | 1 | 1 | 1 | 1 | |
| 30 | N8890336 | ... O-RING | 1 | 1 | 1 | 1 | |
| 31 | N8890337 | .. NOZZLE | 1 | 1 | 1 | 1 | |
| 32 | N8890338 | ... O-RING | 1 | 1 | 1 | 1 | |
| 33 | N8890339 | .. FLAME SENSOR | 1 | 1 | 1 | 1 | |
| 34 | N8890340 | .. FLAME SHIELD | 1 | 1 | 1 | 1 | |
| 35 | N8890342 | .. ELECTRODE SPARK | 1 | 1 | 1 | 1 | |
| 36 | N8890348 | ... SET SCREW | 1 | 1 | 1 | 1 | |
| 37 | N8890343 | .. ELECTRODE GROUND | 1 | 1 | 1 | 1 | |
| 38 | N8890329 | .. SCREW CAP HEXS M4-0.7x10 ZP | 3 | 3 | 3 | 3 | |
| 39 | N8890344 | .. WASHER LO SPT ZP M4 | 3 | 3 | 3 | 3 | |
| 40 | N8890345 | .. NUT HEX ZP M4x.7x10MM | 1 | 1 | 1 | 1 | |

| | | |
|---|--------------|-------------|
| From Y-7257 To 4-8464 | Date:10/2022 | PAGE:871100 |
| WATER HEATER - "PROHEAT" 80,000 B.T.U. | | |

| Item# | Part | Description | X L I I 4 5 | X L I I M T H 4 0 | X L I I M T H 4 5 | X L I I M T H 4 5 E | N O T E S |
|-------|----------|--------------------------------------|----------------------------|---|---|--|-----------------------|
| 41 | N8890303 | . COMPRESSOR | 1 | 1 | 1 | 1 | |
| 42 | N8890304 | . . SCREW SET #10-32x3/8 | 1 | 1 | 1 | 1 | |
| 43 | N8890305 | . . ELBOW 1/4 ID HOSE x 1/8 NPT MALE | 2 | 2 | 2 | 2 | |
| 44 | N8890307 | . FUEL TUBE | 1 | 1 | 1 | 1 | |
| 45 | N8890296 | . GROMMET STYLE " D " | 2 | 2 | 2 | 2 | |
| 46 | N8890308 | . COUPLING 8MM | 1 | 1 | 1 | 1 | |
| 47 | N8890309 | . FITTING 1/4 ID X 1/8 NPT MALE | 1 | 1 | 1 | 1 | |
| 48 | N8890310 | . SPRING CLAMP | 1 | 1 | 1 | 1 | |
| 49 | N8890311 | . HOSE 3/16 ID | AR | AR | AR | AR | |
| 50 | N8890312 | . SCREW CAP HEXS M6-1.0x60 ZP | 2 | 2 | 2 | 2 | |
| 51 | N8890299 | . SCREW CAP HEXS M6-1.0x20 ZP | 2 | 2 | 2 | 2 | |
| 52 | N8890300 | . SCREW CAP HEXS M6-1.0x16 ZP | 2 | 2 | 2 | 2 | |
| 53 | N8890301 | . WASHER LO SPT M6 ZP | 6 | 6 | 6 | 6 | |
| 54 | N8890313 | . COVER | 1 | 1 | 1 | 1 | |
| 55 | N8890314 | . AIR FILTER | 1 | 1 | 1 | 1 | |
| 56 | N8890315 | . ELBOW 1/4 JIC MALE | 1 | 1 | 1 | 1 | |
| 57 | N8890316 | . CONTROL MODULE 24V | 1 | 1 | 1 | 1 | |
| 58 | N8890317 | . . FUSE HOLDER | 1 | 1 | 1 | 1 | |
| NS | 560062 | . . . FUSE / 15 AMPS / AGC-15 | 1 | 1 | 1 | 1 | |
| 60 | N8890320 | . . GROMMET | 3 | 3 | 3 | 3 | |
| 61 | N8890323 | . . VINYL CAP | 1 | 1 | 1 | 1 | |
| 62 | N8890319 | . SPACER | 3 | 3 | 3 | 3 | |
| 63 | N8890321 | . MAIN HARNESS | 1 | 1 | 1 | 1 | |
| 64 | N8890322 | . SUSTITUTION PLUG | 1 | 1 | 1 | 1 | |
| 65 | N8890324 | . CLAMP SS #32 | 1 | 1 | 1 | 1 | |
| 66 | N8890325 | . BRACKET "J" | 1 | 1 | 1 | 1 | |
| 67 | N8890326 | . IGNITION COIL | 1 | 1 | 1 | 1 | |
| 68 | N8890327 | . IGNITION LEAD & BOOT | 1 | 1 | 1 | 1 | |
| 69 | N8890296 | . GROMMET STYLE " D " | 1 | 1 | 1 | 1 | |
| 70 | N8890328 | . WIRE CLIP | 2 | 2 | 2 | 2 | |
| 71 | N8890299 | . SCREW CAP HEXS M6-1.0x20 ZP | 2 | 2 | 2 | 2 | |
| 72 | N8890300 | . SCREW CAP HEXS M6-1.0x16 ZP | 2 | 2 | 2 | 2 | |
| 73 | N8890329 | . SCREW CAP HEXS M4-0.7x10 ZP | 1 | 1 | 1 | 1 | |
| 74 | N8890302 | . WASHER FL 1/4 ZP | 3 | 3 | 3 | 3 | |
| 75 | N8890301 | . WASHER LO SPT M6 ZP | 6 | 6 | 6 | 6 | |
| 76 | N8890330 | . WASHER FL ZP M4 | 2 | 2 | 2 | 2 | |
| | | FOLLOWING ITEMS ARE RELATED WITH | | | | | |
| | | AUTOMATIC START | | | | | |
| | | WITH WATER HEATER INSTALLATION | | | | | |
| | | WITH BATTERIES CHARGER 110V | | | | | |

| | | |
|---|--------------|-------------|
| From Y-7257 To 4-8464 | Date:10/2022 | PAGE:871100 |
| WATER HEATER - "PROHEAT" 80,000 B.T.U. | | |

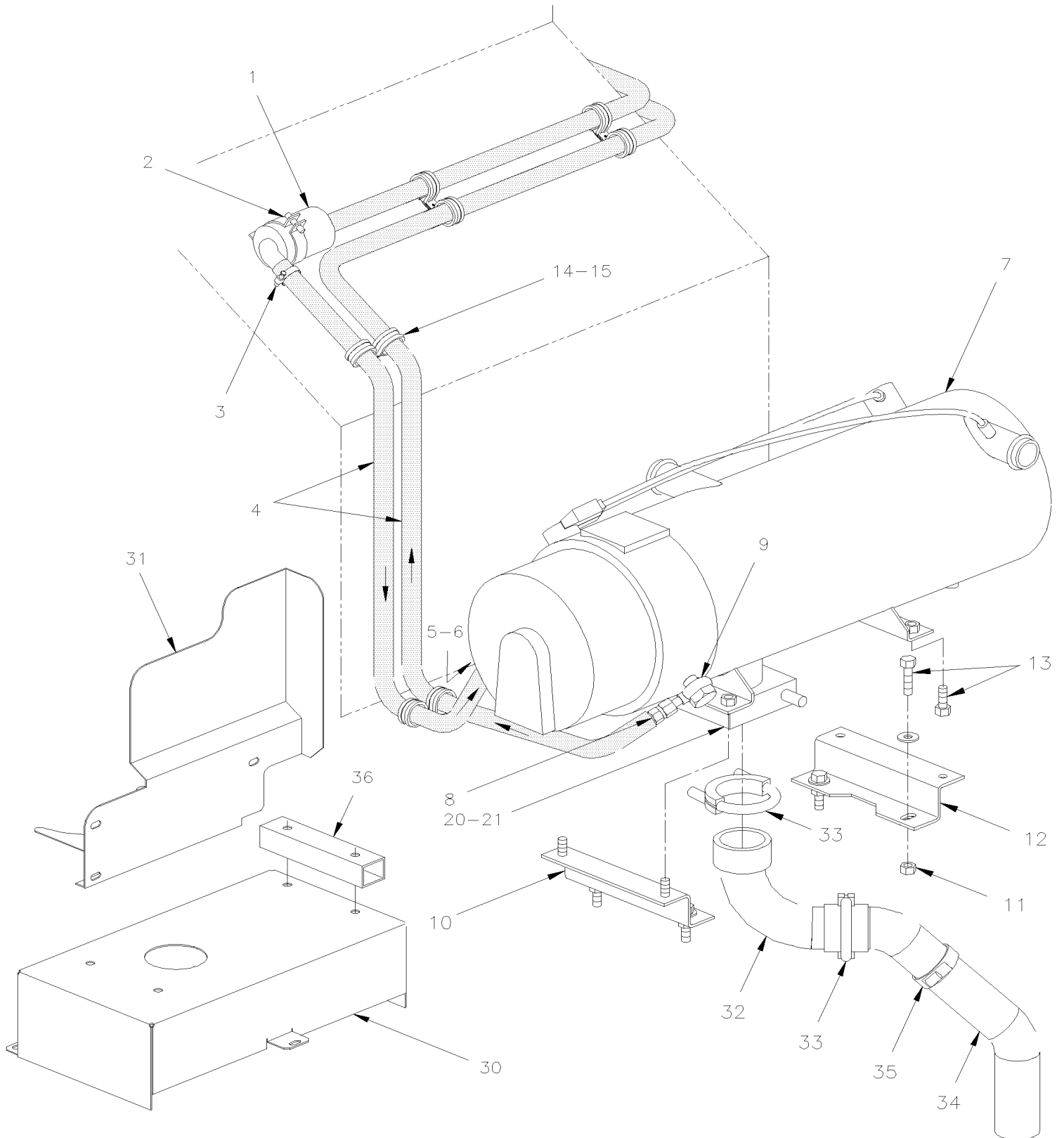
| Item# | Part | Description | X L I I 4 5 | X L I I M T H 4 0 | X L I I M T H 4 5 | X L I I M T H 4 5 E | N O T E S |
|-------|--------|--|--------------------------------|---|---|--|-----------------------|
| 111 | 066236 | CABLE I/F BATTERIES CHARGER / W/RELAY BASE | | | | | A |
| 111 | 068248 | CABLE I/F BATTERIES CHARGER / W/RELAY BASE | 1 | 1 | 1 | 1 | A |
| 112 | 066332 | CABLE ASSY POWER / W/FUSE HOLDER & RECTIFIER | | | | | A |
| 113 | 563332 | RELAY 24V S.P.D.T. W/RESISTOR / "VOLVO" (20374662) | | | | | A |
| 114 | 500946 | SCREW TP BDG PH #8x1/2 N500 | | | | | A |
| | | | | | | | |
| | | | | | | | |
| | | | | | | | |
| | | A) LOCATED NEAR EVAPORATOR MOTOR RELAY | | | | | |

From 2-7765 To 6-8906

Date:10/2022

PAGE:Y2-2350-11

WATER HEATER - INSTALLATION

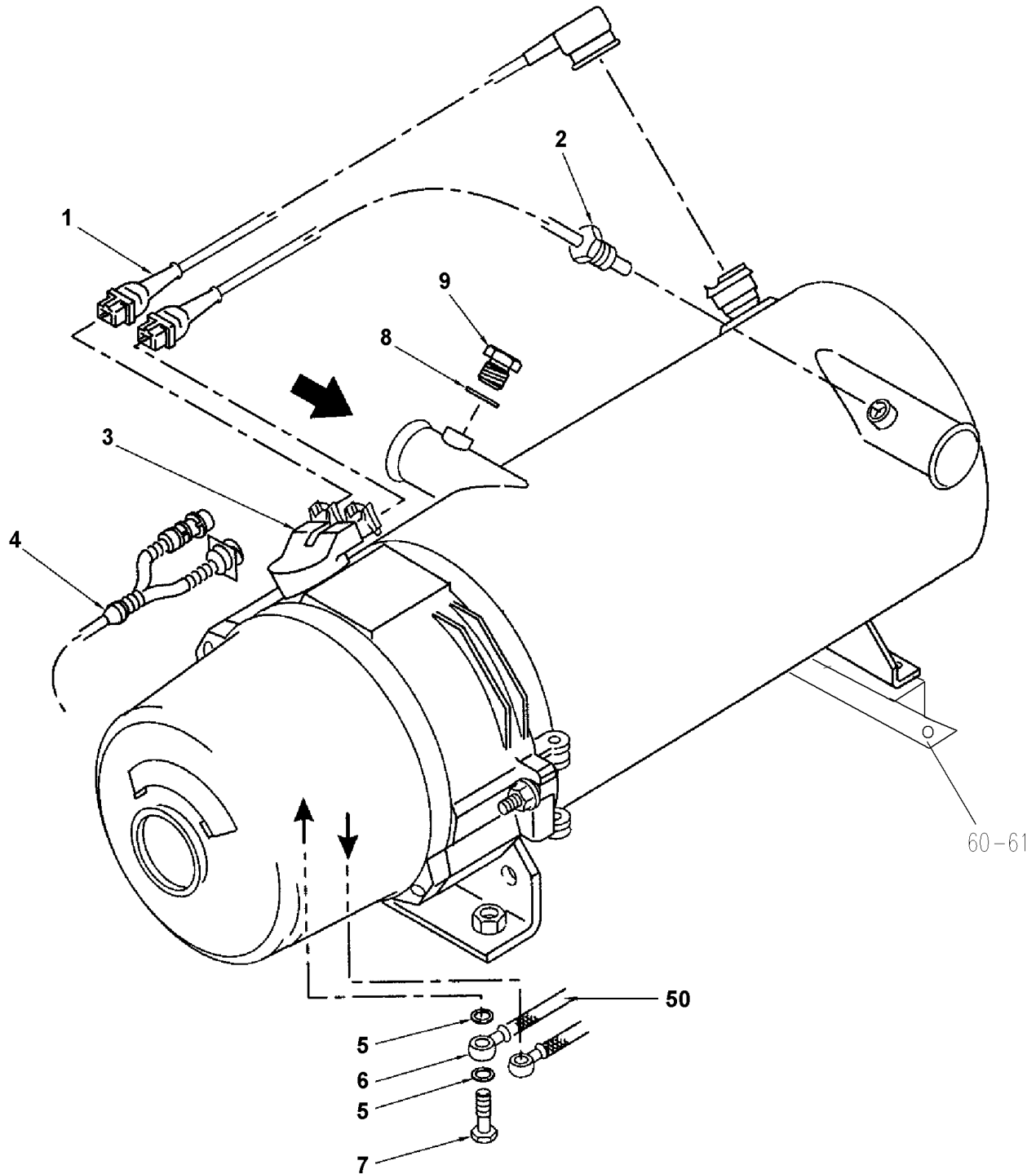


From 2-7765 To 6-8906

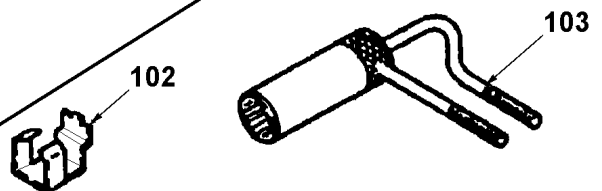
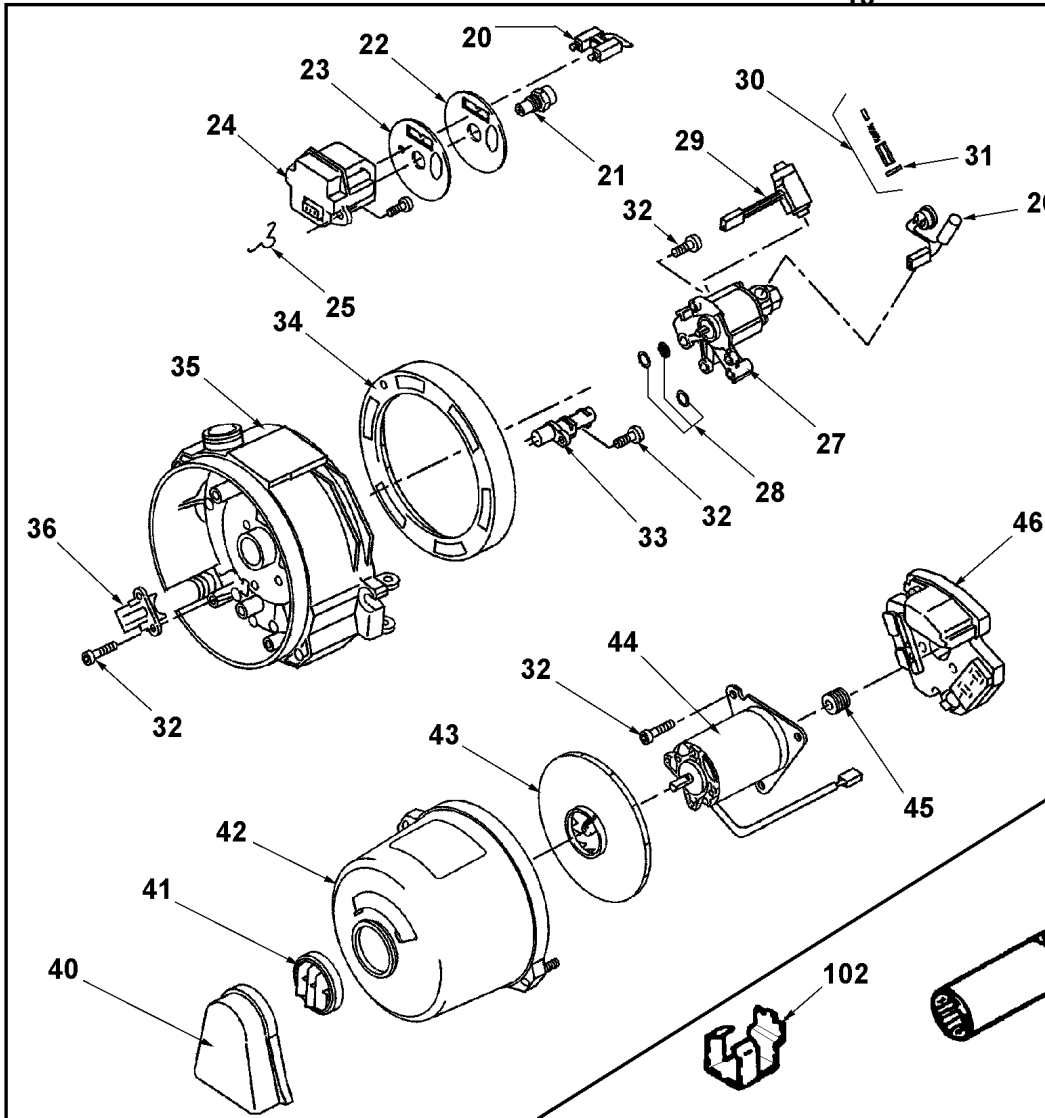
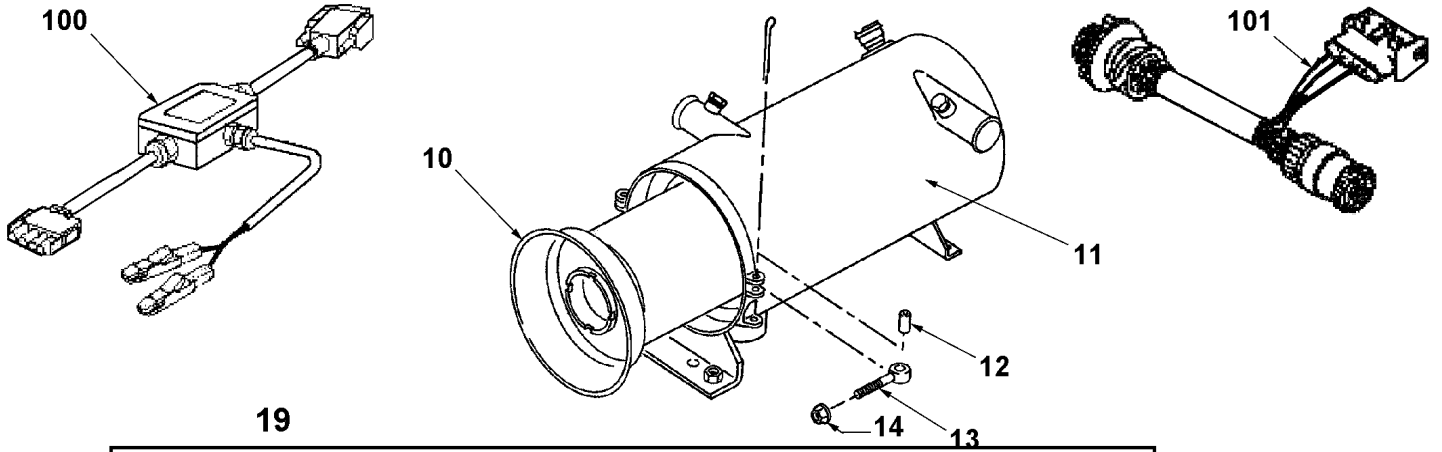
Date:10/2022

PAGE:871202

WATER HEATER - "SPHEROS" 100,000 B.T.U.



| | | |
|---|--------------|-------------|
| From 2-7765 To 6-8906 | Date:10/2022 | PAGE:871202 |
| WATER HEATER - "SPHEROS" 100,000 B.T.U. | | |



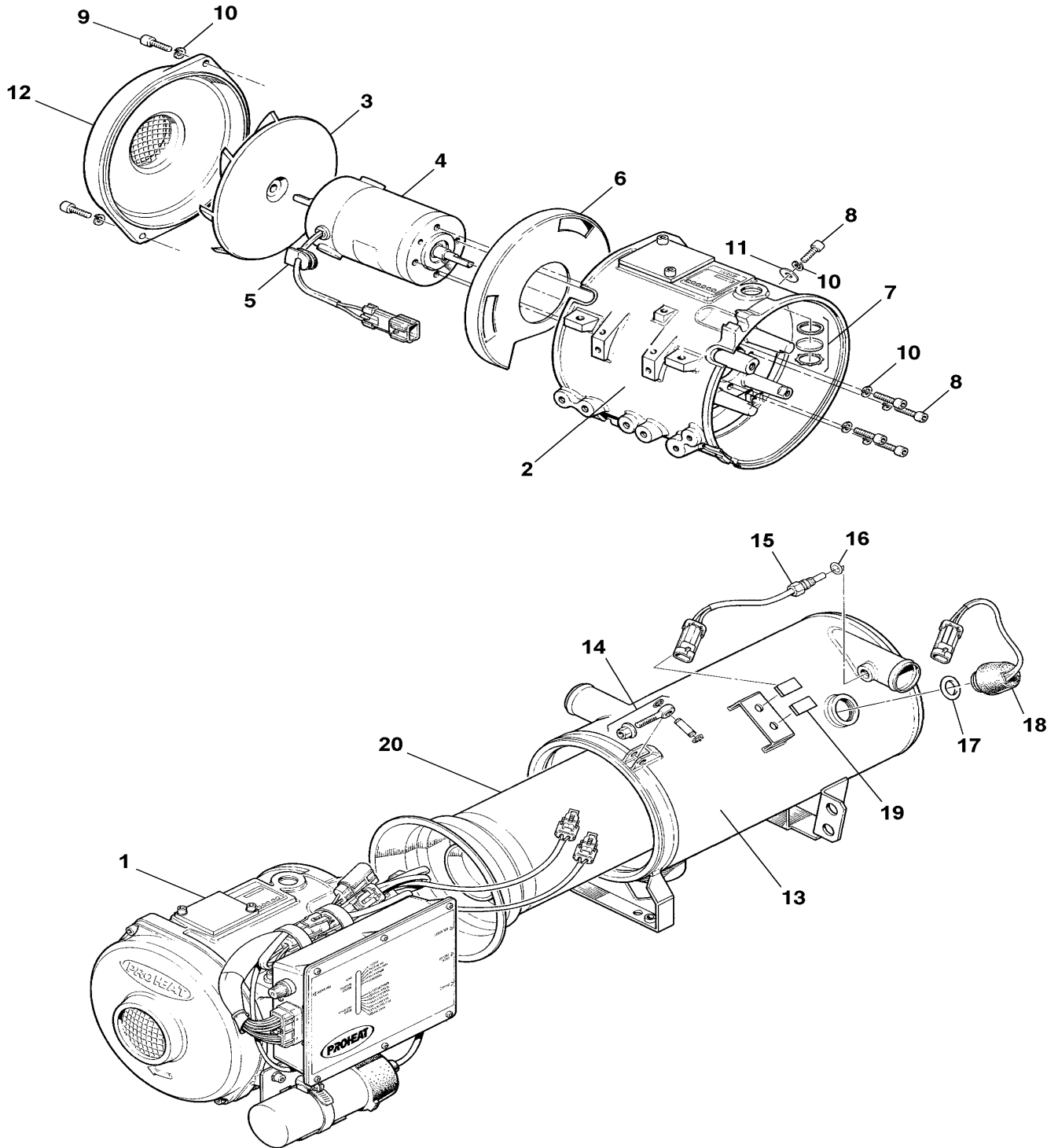
| | | |
|--|--------------|-------------|
| From 2-7765 To 6-8906 | Date:10/2022 | PAGE:871202 |
| WATER HEATER - "SPHEROS" 100,000 B.T.U. | | |

| Item# | Part | Description | X L I I 4 5 | X L I I M T H 4 0 | X L I I M T H 4 5 | X L I I M T H 4 5 E | N O T E S |
|-------|----------|---|----------------------------|---|---|--|-----------------------|
| | | WATER HEATER - "WEBASTO" 100,000 B.T.U. | 1 | 1 | 1 | 1 | |
| 1 | 871284 | . OVERHEAT PROTECTION | 1 | 1 | 1 | 1 | |
| 2 | 871285 | . TEMPERATURE SENSOR | 1 | 1 | 1 | 1 | |
| 2 | G1094742 | . TEMPERATURE SENSOR | 1 | 1 | 1 | 1 | |
| 3 | 194873 | . CABLE ASSY / WITH RUBBER BOOT / CONTROL & HARNESS CABLE | 1 | 1 | 1 | 1 | |
| 4 | 871286 | . MASTER WIRING HARNESS | 1 | 1 | 1 | 1 | |
| 5 | 870923 | . BANJO WASHER / M10 | 1 | 1 | 1 | 1 | |
| 6 | 5011237 | . BANJO UNION / 10MMx#4JIC-M | 1 | 1 | 1 | 1 | |
| 6 | 5011238 | . BANJO UNION / 10MMx#6JIC-M | 1 | 1 | 1 | 1 | |
| 7 | 870929 | . BANJO BOLT / M10-1.0 | 1 | 1 | 1 | 1 | |
| 8 | N.S.P. | . GASKET / (151 173) | 1 | 1 | 1 | 1 | 2 |
| 9 | N.S.P. | . PLUG / (199 87A) | 1 | 1 | 1 | 1 | 2 |
| 10 | 871288 | . COMBUSTION CHAMBER | 1 | 1 | 1 | 1 | |
| 11 | 871289 | . HEAT EXCHANGER | 1 | 1 | 1 | 1 | |
| NS | 871431 | .. STICKER WEBASTO | 1 | 1 | 1 | 1 | |
| 12 | N8890598 | . COLLAR | 2 | 2 | 2 | 2 | |
| 13 | N8890596 | . EYE BOLT | 2 | 2 | 2 | 2 | |
| 14 | 502692 | . NUT HEXF STO M8-1.25 Z050 | 1 | 1 | 1 | 1 | |
| 19 | N8894780 | . BURNER HEAD ASSY / 24V - "WEBASTO" THERMO 300 | 1 | 1 | 1 | 1 | |
| 19 | N8896417 | . BURNER HEAD ASSY / 24V - "WEBASTO" THERMO 350 | 1 | 1 | 1 | 1 | |
| 20 | 871290 | .. IGNATION ELECTRODE | 1 | 1 | 1 | 1 | |
| 21 | 871291 | .. NOZZLE 0.85GPH - "WEBASTO" THERMO 300 | 1 | 1 | 1 | 1 | |
| 21 | 870918 | .. NOZZLE 0.80GPH | AR | AR | AR | AR | |
| 22 | 871368 | .. PHOTODISC | 1 | 1 | 1 | 1 | |
| 23 | 871369 | .. PHOTODISC | 1 | 1 | 1 | 1 | |
| 24 | 871292 | .. ELECTRONIC IGNITION UNIT | 1 | 1 | 1 | 1 | |
| 25 | N8883147 | .. HOLDING STRAP | 1 | 1 | 1 | 1 | |
| 26 | 871293 | .. HEATING ELEMENT WITH THERMOSTAT | 1 | 1 | 1 | 1 | |
| 27 | 871294 | .. FUEL PUMP | 1 | 1 | 1 | 1 | |
| 28 | 871295 | ... SMALLL PARTS FOR FUEL PUMP | 1 | 1 | 1 | 1 | |
| 29 | 871296 | ... MAGNETIC COIL | 1 | 1 | 1 | 1 | |
| 30 | 870919 | ... UNLOADER POWER ASSY | 1 | 1 | 1 | 1 | |
| 31 | 871297 | ... GASKET | 1 | 1 | 1 | 1 | |
| 32 | 502653 | .. SCREW MA PAN PH M5-0.8x16 SS | AR | AR | AR | AR | |
| 33 | 871298 | .. FLAME DETECTOR | 1 | 1 | 1 | 1 | |
| 34 | 194824 | .. ADJUSTING RING | 1 | 1 | 1 | 1 | |
| 35 | N8890616 | .. HOUSING | 1 | 1 | 1 | 1 | |
| 35 | G1094733 | .. HOUSING | 1 | 1 | 1 | 1 | |
| 36 | N8890590 | .. CORE GRIP | 1 | 1 | 1 | 1 | |
| 36 | G1094734 | .. CORE GRIP | 1 | 1 | 1 | 1 | |
| 40 | 871299 | .. SPLASHGUARD | 1 | 1 | 1 | 1 | |
| 41 | 871300 | .. GRID | 1 | 1 | 1 | 1 | |

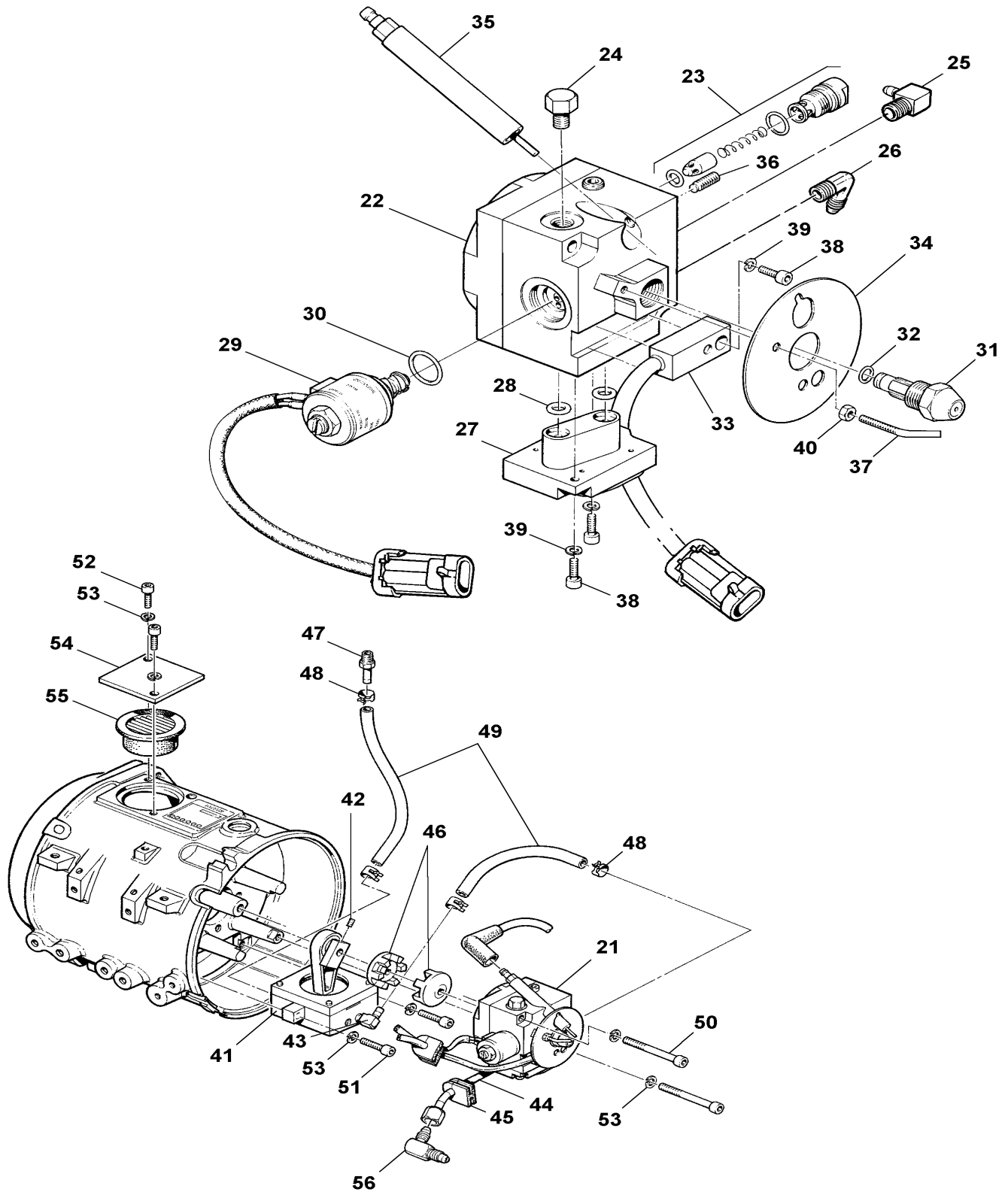
| | | |
|--|--------------|-------------|
| From 2-7765 To 6-8906 | Date:10/2022 | PAGE:871202 |
| WATER HEATER - "SPHEROS" 100,000 B.T.U. | | |

| Item# | Part | Description | X L I I I 4 5 | X L I I I M T H 4 0 | X L I I I M T H 4 5 | X L I I I M T H 4 5 E | N O T E S |
|-------|----------|---|---------------------------------|--|--|---|-----------------------|
| 42 | 871301 | ... HOOD | 1 | 1 | 1 | 1 | |
| NS | G1017565 | ... DECAL "DANGER" | 1 | 1 | 1 | 1 | |
| 43 | 871302 | ... FAN ROTOR | 1 | 1 | 1 | 1 | |
| 44 | 871303 | ... DRIVE ASSY | 1 | 1 | 1 | 1 | |
| 45 | 871304 | ... CLUTCH | 1 | 1 | 1 | 1 | |
| 46 | 871305 | ... ELECTRONIC CONTROL | 1 | 1 | 1 | 1 | |
| | | SEE WATER HEATER - INSTALLATION | | | | | |
| 60 | 374322 | SPACER ASSY 1" / "WATER HEATER & FENDER | 2 | 2 | 2 | 2 | |
| 61 | 500069 | SCREW CAP HEX M8-1.25x16 G10.9 DP | 4 | 4 | 4 | 4 | |
| NS | 5001341 | WASHER FL 8.4x17.0x1.6 SS | 4 | 4 | 4 | 4 | |
| NS | 5001161 | WASHER LO SPT 8.1x14.8x2.0 SS-304 | 4 | 4 | 4 | 4 | |
| NS | 5001188 | NUT HEX M8-1.25 SS | 4 | 4 | 4 | 4 | |
| 100 | 871320 | DIAGNOSTIC KIT VERSION 2.2 | AR | AR | AR | AR | |
| 100 | N8894700 | DIAGNOSTIC KIT VERSION 2.? | AR | AR | AR | AR | |
| 101 | 871321 | ADAPTOR HARNESS / W/ROUND CONECTORS | AR | AR | AR | AR | |
| 101 | 195314 | ADAPTOR HARNESS / W/RECTANGULAR CONECTORS | 1 | 1 | 1 | 1 | |
| 102 | 870937 | GAUGE / IGNITION ELECTRODE | AR | AR | AR | AR | |
| 103 | 870938 | BOX WRENCH / HIGH PRESSURE NOZZLE | AR | AR | AR | AR | |
| | | | | | | | |
| | | | | | | | |
| | | 2) NOT SOLD BY PREVOST (SEE MANUFACTURING PART NUMBER AT END OF DESCRIPTION LINE) | | | | | |

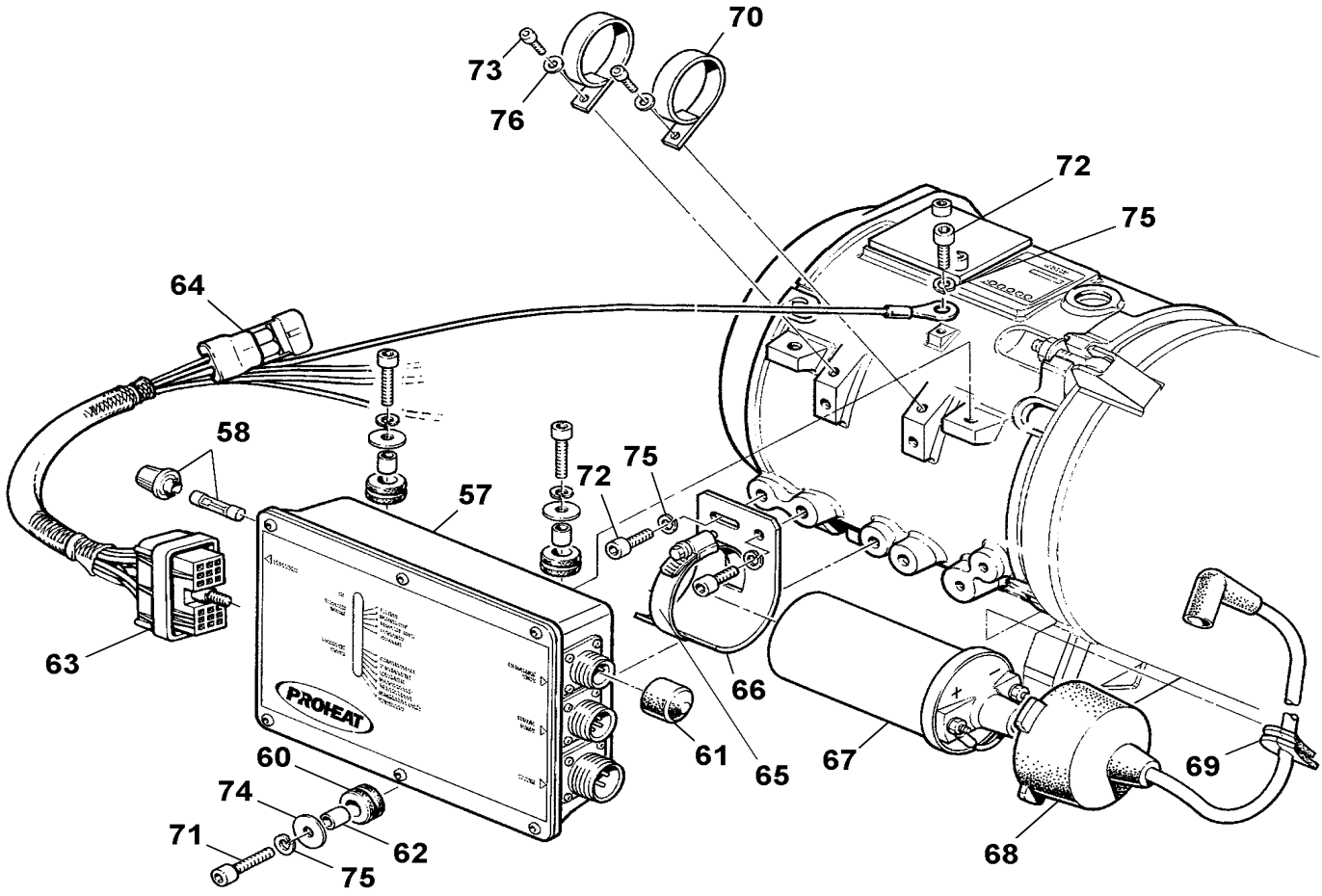
| | | |
|--|--------------|-------------|
| From Y-7257 To 4-8164 | Date:10/2022 | PAGE:871100 |
| WATER HEATER - "PROHEAT" 80,000 B.T.U. | | |



| | | |
|--|--------------|-------------|
| From Y-7257 To 4-8164 | Date:10/2022 | PAGE:871100 |
| WATER HEATER - "PROHEAT" 80,000 B.T.U. | | |



| | | |
|--|--------------|-------------|
| From Y-7257 To 4-8164 | Date:10/2022 | PAGE:871100 |
| WATER HEATER - "PROHEAT" 80,000 B.T.U. | | |



| | | |
|---|--------------|-------------|
| From Y-7257 To 4-8164 | Date:10/2022 | PAGE:871100 |
| WATER HEATER - "PROHEAT" 80,000 B.T.U. | | |

| Item# | Part | Description | X L I I 4 5 | X L I I M T H 4 0 | X L I I M T H 4 5 | X L I I M T H 4 5 E | N O T E S |
|-------|----------|--|----------------------------|---|---|--|-----------------------|
| | | WATER HEATER - "PROHEAT" 80,000 B.T.U. | 1 | 1 | 1 | 1 | |
| 1 | N8890283 | . BURNER HEAD ASM | 1 | 1 | 1 | 1 | |
| 2 | N8890292 | .. CASTING BURNER HEAD | 1 | 1 | 1 | 1 | |
| 3 | N8890294 | .. FAN BLADE | 1 | 1 | 1 | 1 | |
| NS | N8890347 | ... RETAINING RING | 1 | 1 | 1 | 1 | |
| 4 | N8890295 | .. MOTOR 24V | 1 | 1 | 1 | 1 | |
| 5 | N8890296 | .. GROMMET STYLE " D " | 1 | 1 | 1 | 1 | |
| 6 | N8890297 | .. BAFFLE AIR ADJUST | 1 | 1 | 1 | 1 | |
| 7 | N8890298 | .. SIGHT GLASS KIT | 1 | 1 | 1 | 1 | |
| 8 | N8890299 | .. SCREW CAP HEXS M6-1.0x20 ZP | 5 | 5 | 5 | 5 | |
| 9 | N8890300 | .. SCREW CAP HEXS M6-1.0x16 ZP | 2 | 2 | 2 | 2 | |
| 10 | N8890301 | .. WASHER LO SPT M6 ZP | 7 | 7 | 7 | 7 | |
| 11 | N8890302 | .. WASHER FL 1/4 ZP | 1 | 1 | 1 | 1 | |
| 12 | N8890293 | .. COVER | 1 | 1 | 1 | 1 | |
| 13 | N8890285 | . HEAT EXCHANGER | 1 | 1 | 1 | 1 | |
| 14 | N8890286 | .. EYE BOLT KIT | 2 | 2 | 2 | 2 | |
| 15 | N8890287 | . TEMPERATURE SENSOR | 1 | 1 | 1 | 1 | |
| 16 | N8890288 | .. O-RING | 1 | 1 | 1 | 1 | |
| 17 | N8890289 | . OVERHEAT BREAKER SENSOR | 1 | 1 | 1 | 1 | |
| 18 | N8890290 | .. O-RING | 1 | 1 | 1 | 1 | |
| 19 | N8890291 | . CLIP | 2 | 2 | 2 | 2 | |
| 20 | N8890284 | . COMBUSTION TUBE | 1 | 1 | 1 | 1 | |
| 21 | N8890306 | . FUEL DELIVERY UNIT | 1 | 1 | 1 | 1 | |
| 22 | N8890331 | .. FUEL PUMP | 1 | 1 | 1 | 1 | |
| 23 | N8890334 | ... RELIEF VALVE KIT | 1 | 1 | 1 | 1 | |
| 24 | N8890341 | ... PLUG HEX-HEAD / ORB FITTING / #2ORB-M BR | 1 | 1 | 1 | 1 | |
| 25 | N8890305 | ... ELBOW 1/4 ID HOSE x 1/8 NPT MALE | 1 | 1 | 1 | 1 | |
| 26 | N8890346 | ... ELBOW 1/4 JIC MALE x 1/8 NTP MALE | 1 | 1 | 1 | 1 | |
| 27 | N8890332 | .. FUEL REGULATOR | 1 | 1 | 1 | 1 | |
| 28 | N8890333 | ... O-RING | 2 | 2 | 2 | 2 | |
| 29 | N8890335 | .. SELENOID VALVE 24V | 1 | 1 | 1 | 1 | |
| 30 | N8890336 | ... O-RING | 1 | 1 | 1 | 1 | |
| 31 | N8890337 | .. NOZZLE | 1 | 1 | 1 | 1 | |
| 32 | N8890338 | ... O-RING | 1 | 1 | 1 | 1 | |
| 33 | N8890339 | .. FLAME SENSOR | 1 | 1 | 1 | 1 | |
| 34 | N8890340 | .. FLAME SHIELD | 1 | 1 | 1 | 1 | |
| 35 | N8890342 | .. ELECTRODE SPARK | 1 | 1 | 1 | 1 | |
| 36 | N8890348 | ... SET SCREW | 1 | 1 | 1 | 1 | |
| 37 | N8890343 | .. ELECTRODE GROUND | 1 | 1 | 1 | 1 | |
| 38 | N8890329 | .. SCREW CAP HEXS M4-0.7x10 ZP | 3 | 3 | 3 | 3 | |
| 39 | N8890344 | .. WASHER LO SPT ZP M4 | 3 | 3 | 3 | 3 | |
| 40 | N8890345 | .. NUT HEX ZP M4x.7x10MM | 1 | 1 | 1 | 1 | |

| | | |
|---|--------------|-------------|
| From Y-7257 To 4-8164 | Date:10/2022 | PAGE:871100 |
| WATER HEATER - "PROHEAT" 80,000 B.T.U. | | |

| Item# | Part | Description | X L I I 4 5 | X L I I M T H 4 0 | X L I I M T H 4 5 | X L I I M T H 4 5 E | N O T E S |
|-------|----------|--------------------------------------|----------------------------|---|---|--|-----------------------|
| 41 | N8890303 | . COMPRESSOR | 1 | 1 | 1 | 1 | |
| 42 | N8890304 | . . SCREW SET #10-32x3/8 | 1 | 1 | 1 | 1 | |
| 43 | N8890305 | . . ELBOW 1/4 ID HOSE x 1/8 NPT MALE | 2 | 2 | 2 | 2 | |
| 44 | N8890307 | . FUEL TUBE | 1 | 1 | 1 | 1 | |
| 45 | N8890296 | . GROMMET STYLE " D " | 2 | 2 | 2 | 2 | |
| 46 | N8890308 | . COUPLING 8MM | 1 | 1 | 1 | 1 | |
| 47 | N8890309 | . FITTING 1/4 ID X 1/8 NPT MALE | 1 | 1 | 1 | 1 | |
| 48 | N8890310 | . SPRING CLAMP | 1 | 1 | 1 | 1 | |
| 49 | N8890311 | . HOSE 3/16 ID | AR | AR | AR | AR | |
| 50 | N8890312 | . SCREW CAP HEXS M6-1.0x60 ZP | 2 | 2 | 2 | 2 | |
| 51 | N8890299 | . SCREW CAP HEXS M6-1.0x20 ZP | 2 | 2 | 2 | 2 | |
| 52 | N8890300 | . SCREW CAP HEXS M6-1.0x16 ZP | 2 | 2 | 2 | 2 | |
| 53 | N8890301 | . WASHER LO SPT M6 ZP | 6 | 6 | 6 | 6 | |
| 54 | N8890313 | . COVER | 1 | 1 | 1 | 1 | |
| 55 | N8890314 | . AIR FILTER | 1 | 1 | 1 | 1 | |
| 56 | N8890315 | . ELBOW 1/4 JIC MALE | 1 | 1 | 1 | 1 | |
| 57 | N8890316 | . CONTROL MODULE 24V | 1 | 1 | 1 | 1 | |
| 58 | N8890317 | . . FUSE HOLDER | 1 | 1 | 1 | 1 | |
| NS | 560062 | . . . FUSE / 15 AMPS / AGC-15 | 1 | 1 | 1 | 1 | |
| 60 | N8890320 | . . GROMMET | 3 | 3 | 3 | 3 | |
| 61 | N8890323 | . . VINYL CAP | 1 | 1 | 1 | 1 | |
| 62 | N8890319 | . SPACER | 3 | 3 | 3 | 3 | |
| 63 | N8890321 | . MAIN HARNESS | 1 | 1 | 1 | 1 | |
| 64 | N8890322 | . SUSTITUTION PLUG | 1 | 1 | 1 | 1 | |
| 65 | N8890324 | . CLAMP SS #32 | 1 | 1 | 1 | 1 | |
| 66 | N8890325 | . BRACKET "J" | 1 | 1 | 1 | 1 | |
| 67 | N8890326 | . IGNITION COIL | 1 | 1 | 1 | 1 | |
| 68 | N8890327 | . IGNITION LEAD & BOOT | 1 | 1 | 1 | 1 | |
| 69 | N8890296 | . GROMMET STYLE " D " | 1 | 1 | 1 | 1 | |
| 70 | N8890328 | . WIRE CLIP | 2 | 2 | 2 | 2 | |
| 71 | N8890299 | . SCREW CAP HEXS M6-1.0x20 ZP | 2 | 2 | 2 | 2 | |
| 72 | N8890300 | . SCREW CAP HEXS M6-1.0x16 ZP | 2 | 2 | 2 | 2 | |
| 73 | N8890329 | . SCREW CAP HEXS M4-0.7x10 ZP | 1 | 1 | 1 | 1 | |
| 74 | N8890302 | . WASHER FL 1/4 ZP | 3 | 3 | 3 | 3 | |
| 75 | N8890301 | . WASHER LO SPT M6 ZP | 6 | 6 | 6 | 6 | |
| 76 | N8890330 | . WASHER FL ZP M4 | 2 | 2 | 2 | 2 | |
| | | FOLLOWING ITEMS ARE RELATED WITH | | | | | |
| | | AUTOMATIC START | | | | | |
| | | WITH WATER HEATER INSTALLATION | | | | | |
| | | WITH BATTERIES CHARGER 110V | | | | | |

| | | |
|---|--------------|-------------|
| From Y-7257 To 4-8164 | Date:10/2022 | PAGE:871100 |
| WATER HEATER - "PROHEAT" 80,000 B.T.U. | | |

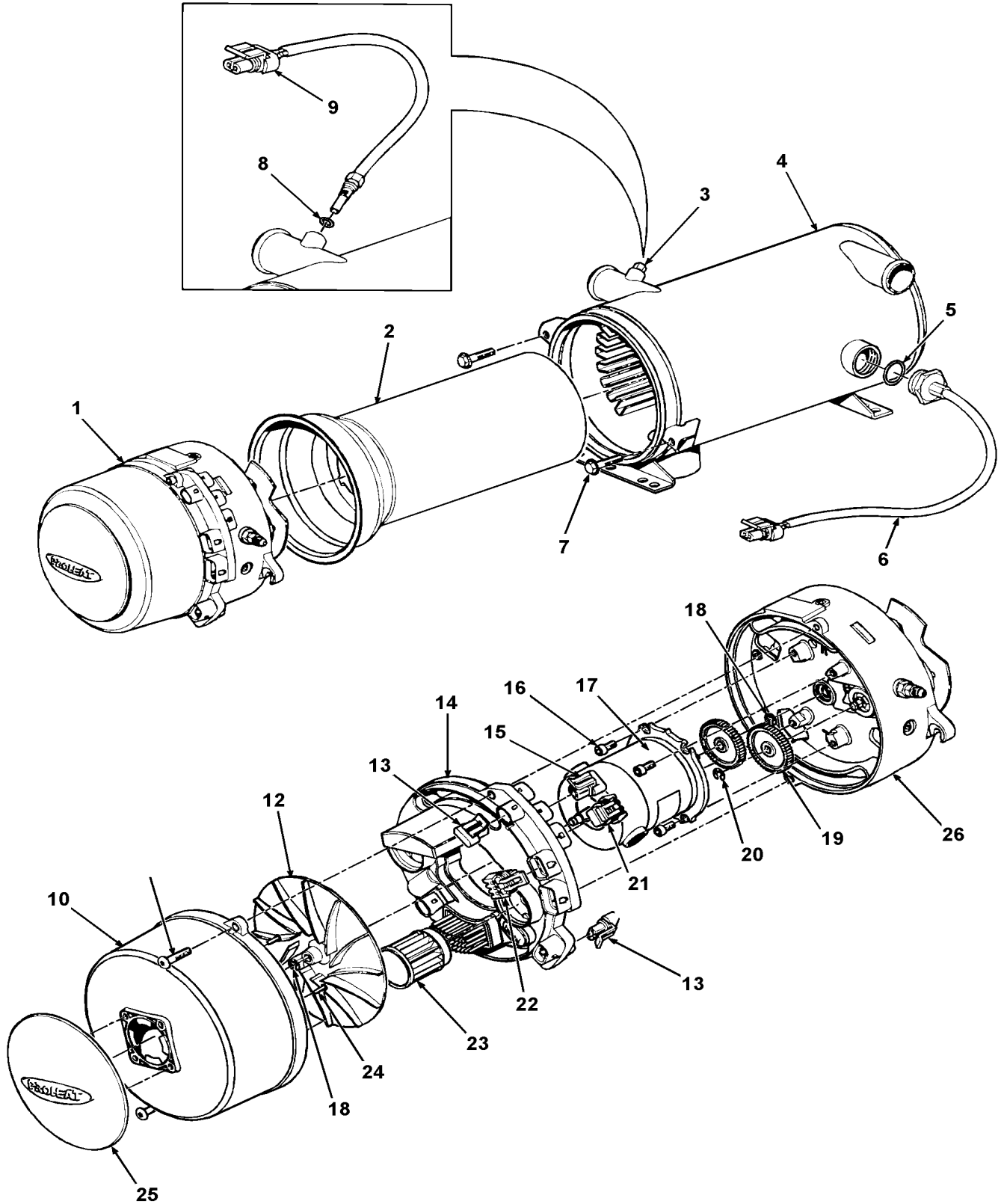
| Item# | Part | Description | X L I I 4 5 | X L I I M T H 4 0 | X L I I M T H 4 5 | X L I I M T H 4 5 E | N O T E S |
|-------|--------|--|----------------------------|---|---|--|-----------------------|
| 111 | 066236 | CABLE I/F BATTERIES CHARGER / W/RELAY BASE | | | | | A |
| 111 | 068248 | CABLE I/F BATTERIES CHARGER / W/RELAY BASE | 1 | 1 | 1 | 1 | A |
| 112 | 066332 | CABLE ASSY POWER / W/FUSE HOLDER & RECTIFIER | | | | | A |
| 113 | 563332 | RELAY 24V S.P.D.T. W/RESISTOR / "VOLVO" (20374662) | | | | | A |
| 114 | 500946 | SCREW TP BDG PH #8x1/2 N500 | | | | | A |
| | | | | | | | |
| | | | | | | | |
| | | | | | | | |
| | | A) LOCATED NEAR EVAPORATOR MOTOR RELAY | | | | | |

From 4-8165 To 6-8906

Date:10/2022

PAGE:871329

WATER HEATER - "PROHEAT" 80,000 B.T.U.

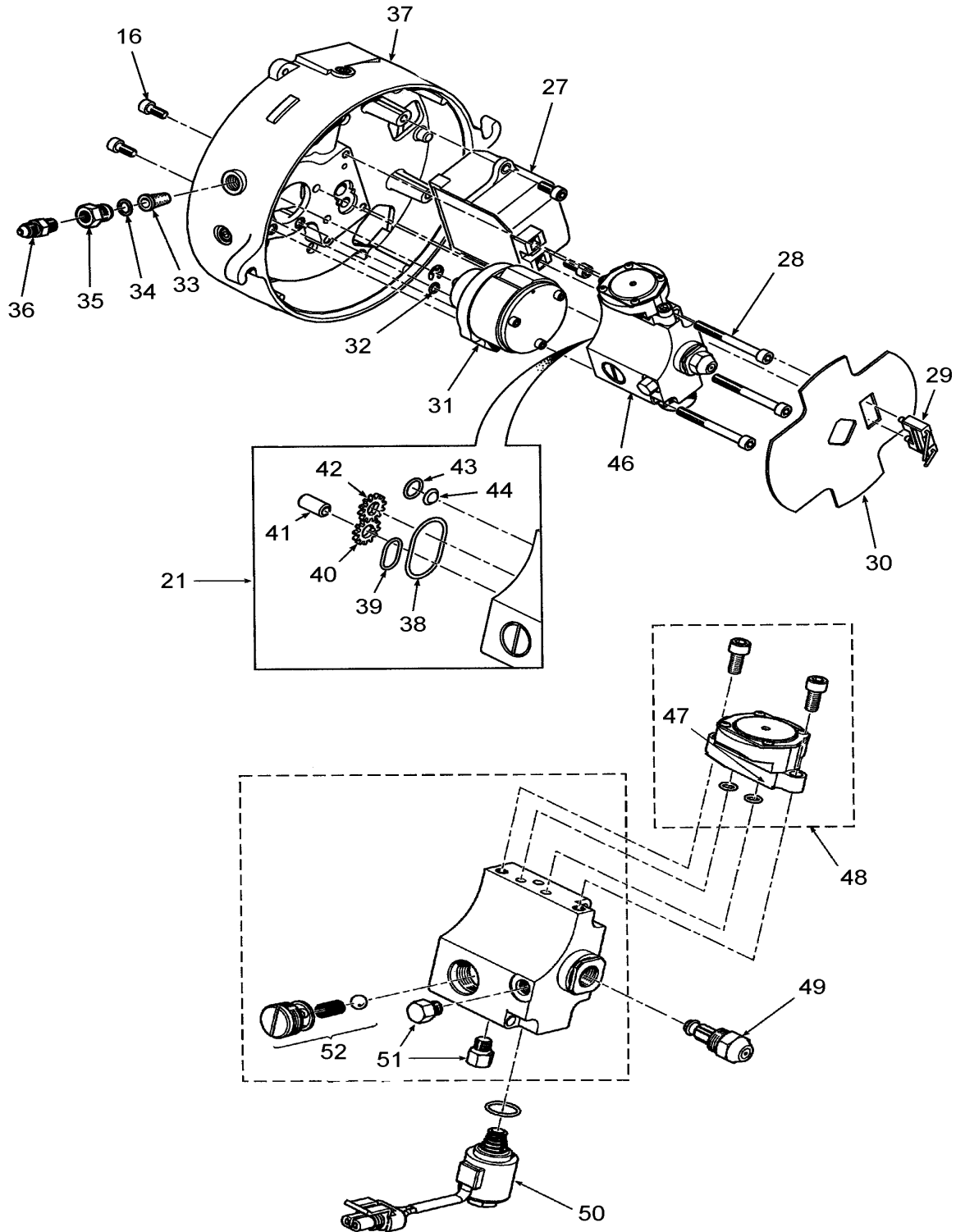


From 4-8165 To 6-8906

Date:10/2022

PAGE:871329

WATER HEATER - "PROHEAT" 80,000 B.T.U.



| | | |
|---|--------------|-------------|
| From 4-8165 To 6-8906 | Date:10/2022 | PAGE:871329 |
| WATER HEATER - "PROHEAT" 80,000 B.T.U. | | |

| Item# | Part | Description | X L I I 4 5 | X L I I M T H 4 0 | X L I I M T H 4 5 | X L I I M T H 4 5 E | N O T E S |
|-------|----------|--|----------------------------|---|---|--|-----------------------|
| NS | 065839 | CABLE ASSY INTERFACE W/"PRO-HEAT" M-80 To 4-4887 | | | | | |
| NS | 066172 | CABLE ASSY INTERFACE W/"PRO-HEAT" M-80 From 4-4888 | | | | | |
| NS | 065839 | CABLE ASSY INTERFACE W/"PRO-HEAT" M-80 To 5-8366 | | | | | |
| NS | 066172 | CABLE ASSY INTERFACE W/"PRO-HEAT" M-80 From 5-8367 To 7-8753 | | | | | |
| NS | 066172 | CABLE ASSY INTERFACE W/"PRO-HEAT" M-80 From 7-8754 | | | | | |
| | | WATER HEATER - "PROHEAT" 80,000 B.T.U. | 1 | 1 | 1 | 1 | |
| 1 | N8892398 | . BURNER HEAD ASSY | 1 | 1 | 1 | 1 | |
| 2 | N8892399 | . COMBUSTION TUBE | 1 | 1 | 1 | 1 | |
| 3 | N8892400 | . PLUG | 1 | 1 | 1 | 1 | |
| 4 | N8892401 | . HEAT EXCHANGER | 1 | 1 | 1 | 1 | |
| 5 | N8892402 | . O-RING, TEMPERATURE SENSOR, OVERHEAT | 1 | 1 | 1 | 1 | |
| 6 | N8892403 | . TEMPERATURE SENSOR, OVERHEAT | 1 | 1 | 1 | 1 | |
| 7 | N8892405 | . SCREW HEXW M8X1.25X30 (2/PKG) | 1 | 1 | 1 | 1 | |
| 8 | N8892406 | . O-RING, TEMPERATURE SENSOR | 1 | 1 | 1 | 1 | |
| 9 | N8892407 | . TEMPERATURE SENSOR, WITH O-RING | 1 | 1 | 1 | 1 | |
| 10 | N8892408 | . BLOWER HOUSING | 1 | 1 | 1 | 1 | |
| 11 | N8892409 | . SCREW CAP BUT HEXS SS M6X1X25 (2/PKG) | 1 | 1 | 1 | 1 | |
| 12 | N8892410 | . BLOWER | 1 | 1 | 1 | 1 | |
| 13 | N8892411 | . PLUG (2/PKG) | 1 | 1 | 1 | 1 | |
| 14 | N8892412 | . PRIMARY CONTROL MODULE | 1 | 1 | 1 | 1 | |
| 15 | N8892413 | . PLUG | 1 | 1 | 1 | 1 | |
| 16 | N8892414 | . SCREW CAP HEXS M6-1.0x16 ZP | 1 | 1 | 1 | 1 | |
| 17 | N8892415 | . MOTOR 24V | 1 | 1 | 1 | 1 | |
| 18 | N8892416 | . RETAINING RING (3/PKG) | 1 | 1 | 1 | 1 | |
| 19 | N8892417 | . GEAR SET | 1 | 1 | 1 | 1 | |
| 20 | N8892418 | . RETAINING RING (2/PKG) | 1 | 1 | 1 | 1 | |
| 21 | N8892419 | . PLUG, CAN BUS PRIMARY CONTROL MODULE | 1 | 1 | 1 | 1 | |
| 22 | N8892420 | . PLUG, DATALINK PRIMARY CONTROL MODULE | 1 | 1 | 1 | 1 | |
| 23 | N8892421 | . AIR FILTER | 1 | 1 | 1 | 1 | |
| 24 | N8892422 | . SCREW, AIR INLET | 1 | 1 | 1 | 1 | |
| 25 | N8892423 | . SPLASH GUARD | 1 | 1 | 1 | 1 | |
| 26 | N8892414 | . SCREW CAP HEXS M6-1.0x16 ZP | 1 | 1 | 1 | 1 | |
| 27 | N8892426 | . KIT IGNITION MODULE & ELECTRODE | 1 | 1 | 1 | 1 | |
| 28 | N8892427 | . SCREW CAP HEXS SS M6X1X60 (3/PKG) | 1 | 1 | 1 | 1 | |
| 29 | N8892428 | . IGNITION ELECTRODES | 1 | 1 | 1 | 1 | |
| 30 | N8892429 | . FLAME SHIELD | 1 | 1 | 1 | 1 | |
| 31 | N8892430 | . COMPRESSOR | 1 | 1 | 1 | 1 | |
| 32 | N8892431 | . O-RING (3/PKG) | 1 | 1 | 1 | 1 | |
| 33 | N8892432 | . FUEL FILTER | 1 | 1 | 1 | 1 | |
| 34 | N8892433 | . O-RING, FUEL FILTER | 1 | 1 | 1 | 1 | |
| 35 | N8892434 | . ADAPTER | 1 | 1 | 1 | 1 | |
| 36 | N8892435 | . MALE CONNECTOR / JIC 37° FITTING / #4JIC-Mx1/8NPT-M BR | 1 | 1 | 1 | 1 | |

| | | |
|---|--------------|-------------|
| From 4-8165 To 6-8906 | Date:10/2022 | PAGE:871329 |
| WATER HEATER - "PROHEAT" 80,000 B.T.U. | | |

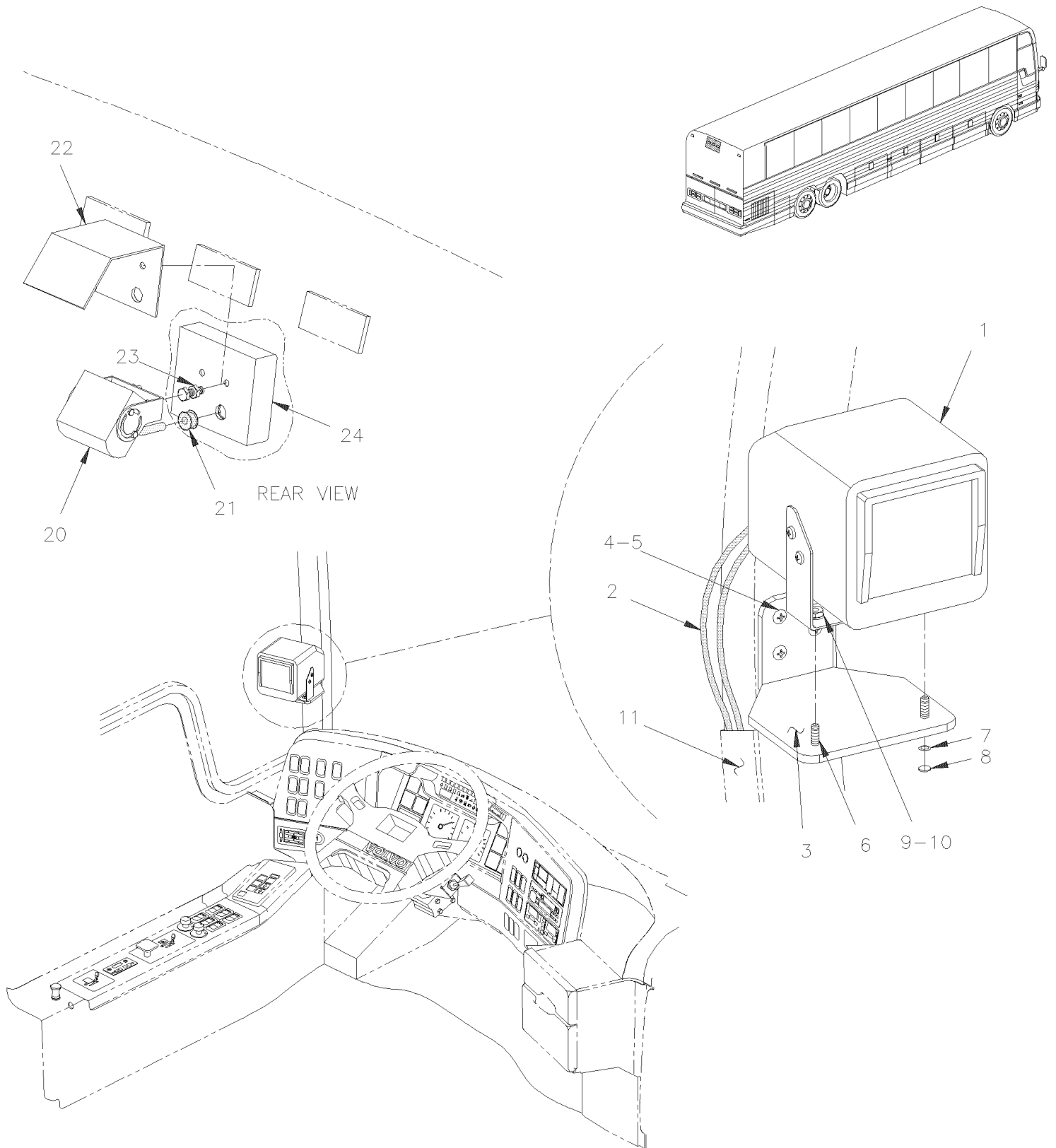
| Item# | Part | Description | X L I I 4 5 | X L I I M T H 4 0 | X L I I M T H 4 5 | X L I I M T H 4 5 E | NOTES |
|-------|----------|--|----------------------------|---|---|--|-------|
| 37 | N8892436 | . BURNER HEAD FLANGE ASSY | 1 | 1 | 1 | 1 | |
| 38 | N8892437 | . O-RING, GEAR PUMP | 1 | 1 | 1 | 1 | |
| 39 | N8892438 | . O-RING, AIR INTAKE | 1 | 1 | 1 | 1 | |
| 40 | N8892439 | . GEAR & PINION, FUEL PUMP | 1 | 1 | 1 | 1 | |
| 41 | N8892440 | . IDLER SHAFT, FUEL PUMP | 1 | 1 | 1 | 1 | |
| 42 | N8892441 | . GEAR DRIVE, FUEL PUMP | 1 | 1 | 1 | 1 | |
| 43 | N8892442 | . O-RING, FUEL INTAKE | 1 | 1 | 1 | 1 | |
| 44 | N8892443 | . SCREEN, INLET | 1 | 1 | 1 | 1 | |
| 45 | N8892444 | . FUEL PUMP SERVICE KIT | 1 | 1 | 1 | 1 | |
| 46 | N8892445 | . FUEL DELIVERY BLOCK ASM | 1 | 1 | 1 | 1 | |
| 47 | N8892446 | . O-RING (3/PKG) | 1 | 1 | 1 | 1 | |
| 48 | N8892447 | . REGULATOR ASM | 1 | 1 | 1 | 1 | |
| 49 | N8892448 | . NOZZLE | 1 | 1 | 1 | 1 | |
| 50 | N8892449 | . SOLENOID | 1 | 1 | 1 | 1 | |
| 51 | N8892450 | . PLUG HEX-HEAD / ORB FITTING / #2ORB-M BR | 1 | 1 | 1 | 1 | |
| 52 | N8892451 | . RELIEF VALVE KIT | 1 | 1 | 1 | 1 | |
| NS | N8892404 | . PROHEAT DATA LINK KIT | 1 | 1 | 1 | 1 | |
| | | | | | | | |
| | | FOLLOWING ITEMS ARE RELATED WITH | | | | | |
| | | AUTOMATIC START | | | | | |
| | | WITH WATER HEATER INSTALLATION | | | | | |
| | | WITH BATTERIES CHARGER 110V | | | | | |
| | | | | | | | |
| 111 | 066236 | CABLE I/F BATTERIES CHARGER / W/RELAY BASE | 1 | 1 | 1 | 1 | A |
| 111 | 068248 | CABLE I/F BATTERIES CHARGER / W/RELAY BASE | 1 | 1 | 1 | 1 | A |
| 111 | 066968 | CABLE ASSY W/FUSE HOLDER / W/"PRO-HEAT" M-80 / "OPTION" | 1 | 1 | 1 | 1 | |
| 112 | 066332 | CABLE ASSY POWER / W/FUSE HOLDER & RECTIFIER | 1 | 1 | 1 | 1 | A |
| 113 | 563332 | RELAY 24V S.P.D.T. W/RESISTOR / "VOLVO" (20374662) | 1 | 1 | 1 | 1 | A |
| 114 | 500946 | SCREW TP BDG PH #8x1/2 N500 | 1 | 1 | 1 | 1 | A |
| | | | | | | | |
| | | | | | | | |
| | | | | | | | |
| | | A) USE WHEN YOU DO NOT HAVE A FIRE SUPPRESSIONS SYSTEMEUTILISE SEULEMENT | | | | | |

From Y-7046 To 6-8906

Date:10/2022

PAGE:Y2-2355-00

BACK-UP CAMERA & MONITOR - INSTALLATION



| | | |
|-----------------------|--------------|-----------------|
| From Y-7046 To 6-8906 | Date:10/2022 | PAGE:Y2-2355-00 |
|-----------------------|--------------|-----------------|

BACK-UP CAMERA & MONITOR - INSTALLATION

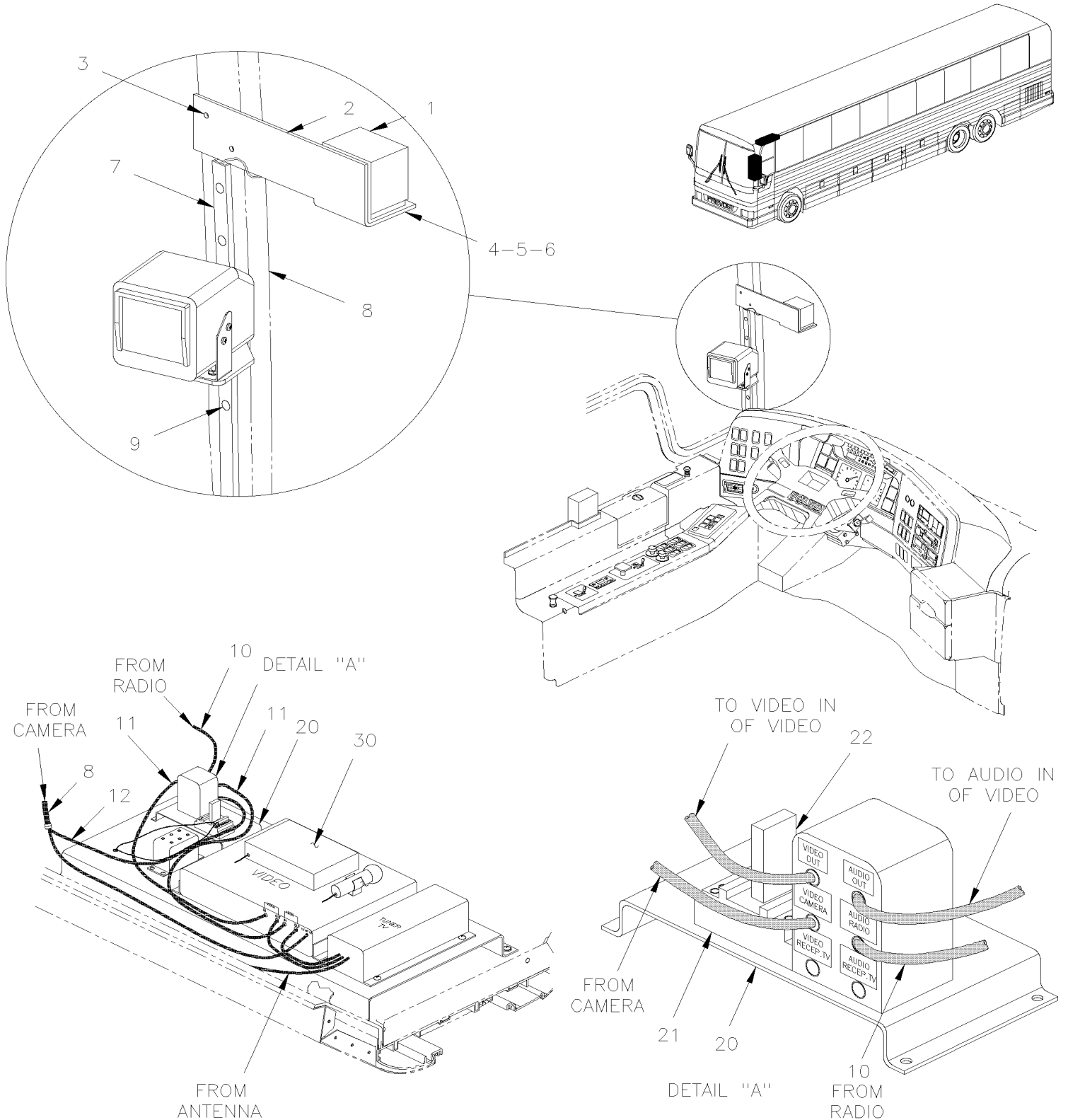
| Item# | Part | Description | X L I I 4 5 | X L I I M T H 4 0 | X L I I M T H 4 5 | X L I I M T H 4 5 E | N O T E S |
|-------|--------|---|----------------------------|---|---|--|-----------------------|
| 1 | 990334 | MONITOR - "CLARION" / BLACK & WHITE 12 VOLT | 1 | | | | |
| 2 | 065063 | CABLE ASSY / BACK-UP MONITOR | 1 | | | | |
| . NS | 990335 | . CABLE MONITOR "CLARION" | 1 | | | | |
| . NS | 560851 | . CONNECTOR / COM. MATE-N-LOCK / PH 4C / AMP 1-480426-0 | 1 | | | | |
| . NS | 504397 | . GROMMET / .750x1.062x.062x.375x1.375 | 1 | | | | |
| . NS | N.P.N. | . CABLE ASSY / BACK-UP MONITOR | AR | | | | 4 |
| 3 | 490900 | MONITOR SUPPORT | 1 | | | | |
| 3 | 500552 | SCREW TP OV PH #6x3/4 Z050 | 2 | | | | |
| 3 | 500463 | WASHER FN CKF .187x.500x.090 BR Z050 | 2 | | | | |
| 4 | 500630 | SCREW TP OV PH #10x1 Z050 | 3 | | | | |
| 5 | 500465 | WASHER FN CKF .278x.729x.119 SS | 3 | | | | |
| 6 | 500658 | SCREW TC PAN PH #10-24x3/4 Z050 | 2 | | | | |
| 9 | 500964 | WASHER FL .203x.500x.047 Z050 | 2 | | | | |
| 10 | 500767 | NUT HEX #10-24 Z050 | 2 | | | | |
| 11 | 327281 | MOULDING HIDE CABLE | 1 | | | | |
| 20 | 990303 | BACK-UP CAMERA - "CLARION" / BLACK & WHITE | 1 | | | | |
| 21 | 504625 | GROMMET / .250x.750x.250x.437x1.000 | 1 | | | | |
| 22 | 490853 | PROTECTOR, CAMERA | 1 | | | | |
| 23 | 502737 | SCREW CAP HEX M6-1.0x25 SS BK | 3 | | | | |
| NS | 502573 | WASHER FL 6.4x12.5x1.6 SS | 3 | | | | |
| NS | 502570 | WASHER LO SPT 6.1x11.8x1.6 SS | 3 | | | | |
| 24 | 680038 | THREAD LOCKER LOCTITE #243 / BLUE / 50ml | AR | | | | |
| 24 | 680532 | SEALANT SIKA #221 / GREY / 310ml CARTRIDGE | AR | | | | |
| | | | | | | | |
| | | | | | | | |
| | | | | | | | |
| | | | | | | | |
| | | 4) NO PARTS NUMBER | | | | | |

From Y-7046 To 6-8906

Date:10/2022

PAGE:Y2-2355-10

FRONT CAMERA - INSTALLATION

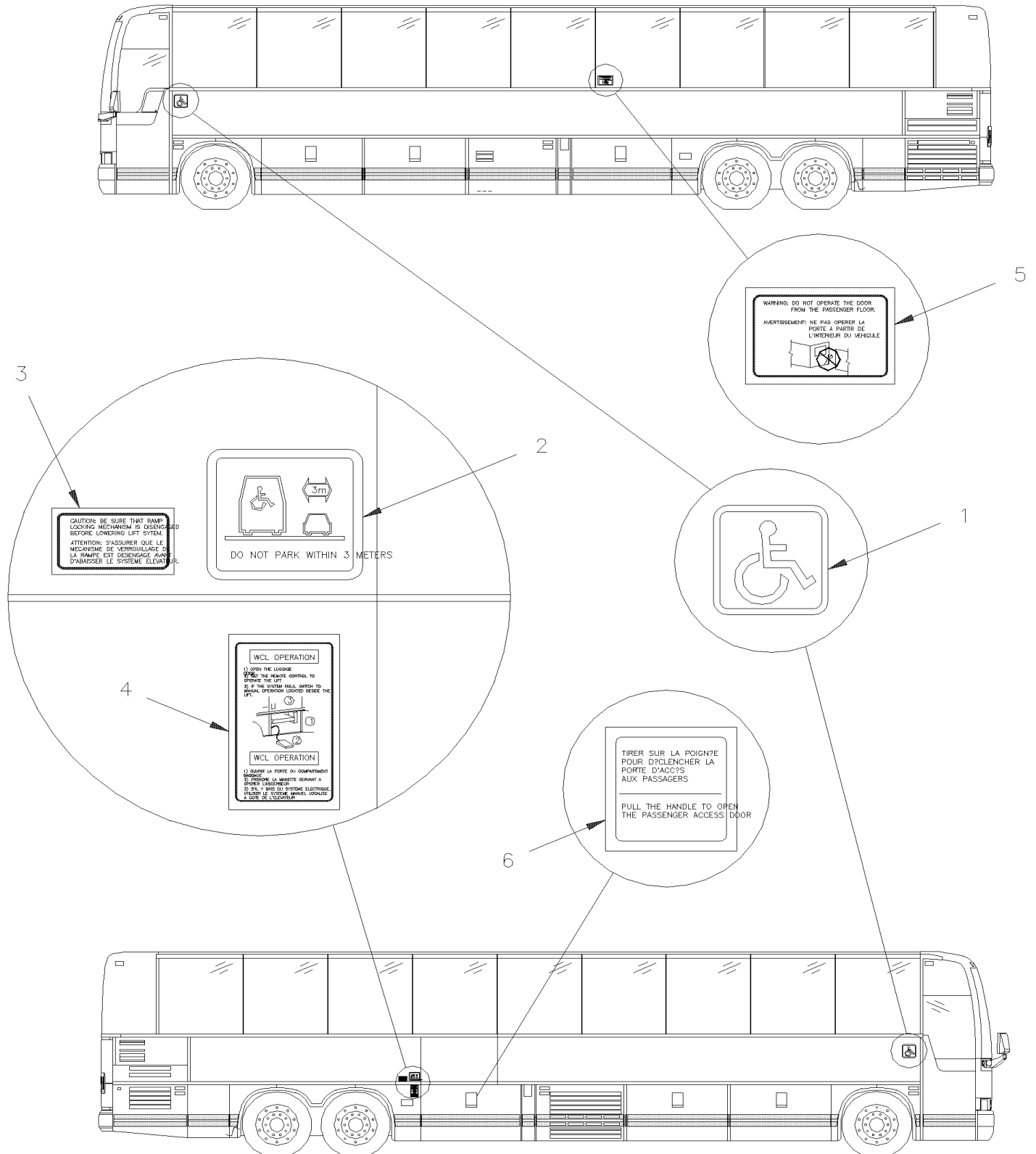


From Y-7046 To 6-8906

Date:10/2022

PAGE:Y2-2370-10

W.C.L. - DECAL

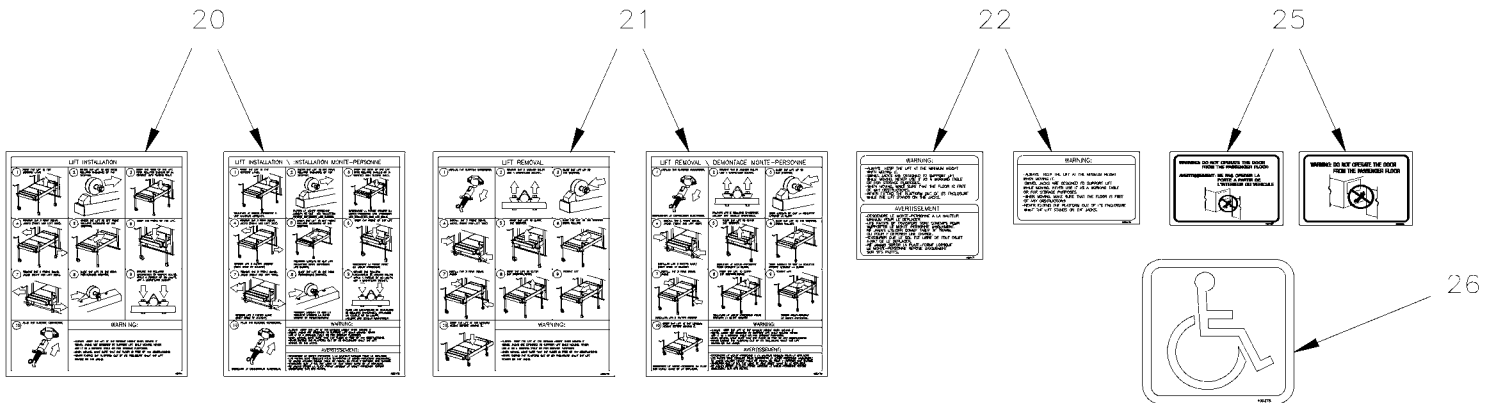
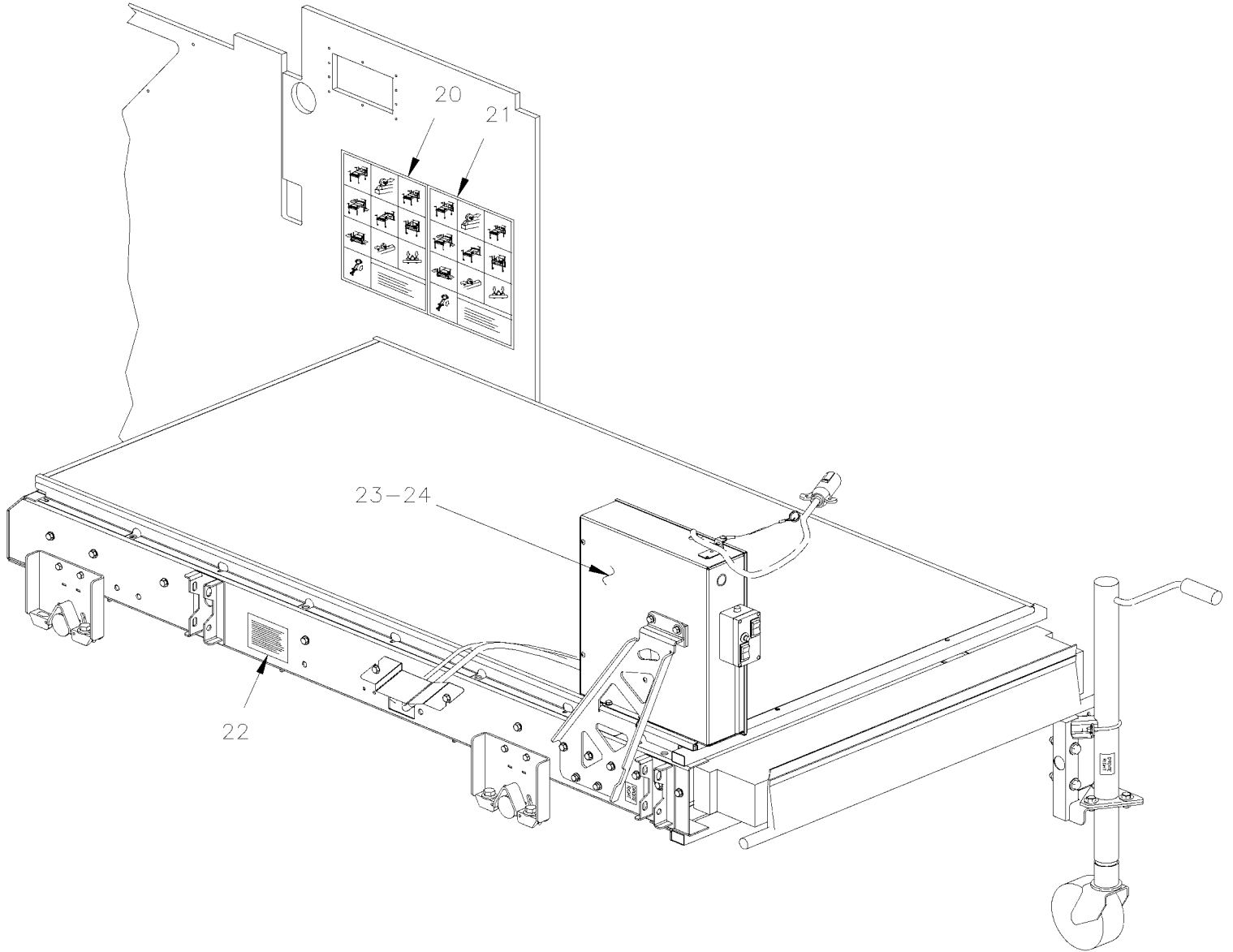


From Y-7046 To 6-8906

Date:10/2022

PAGE:Y2-2370-10

W.C.L. - DECAL

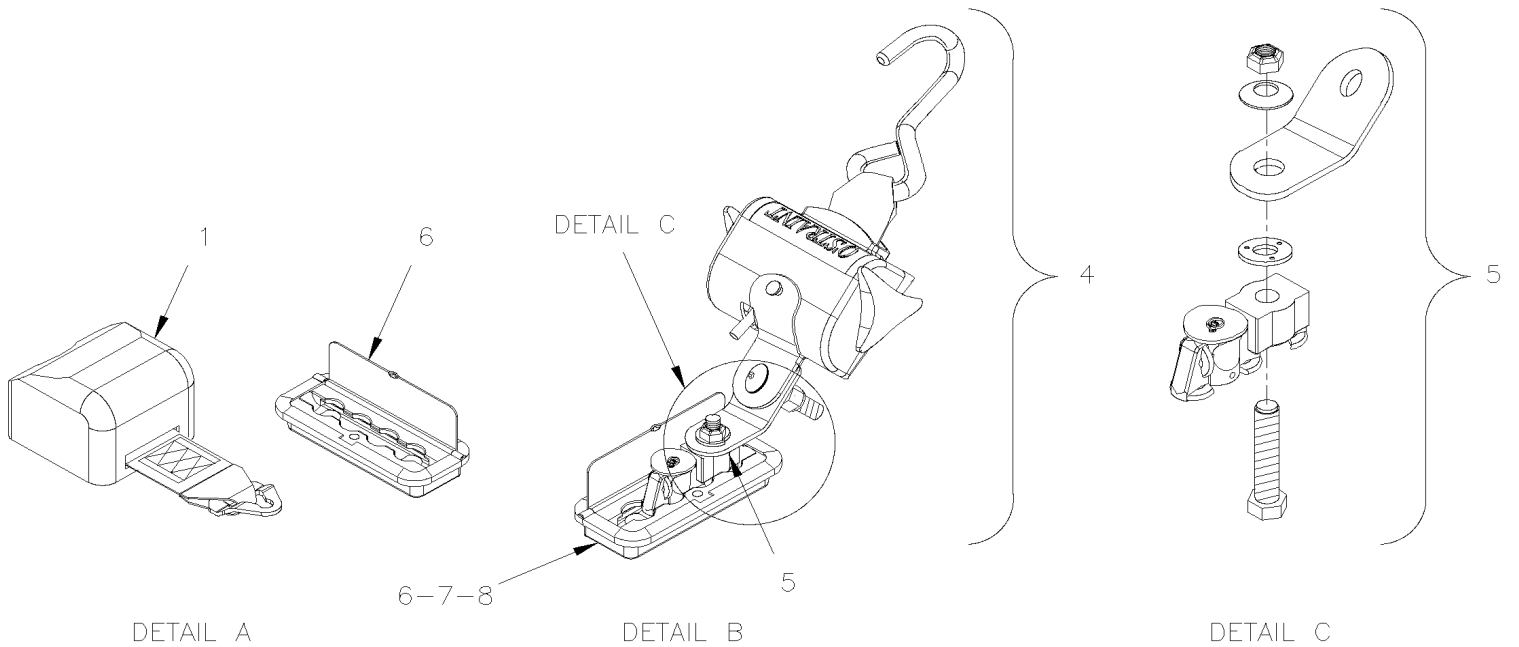
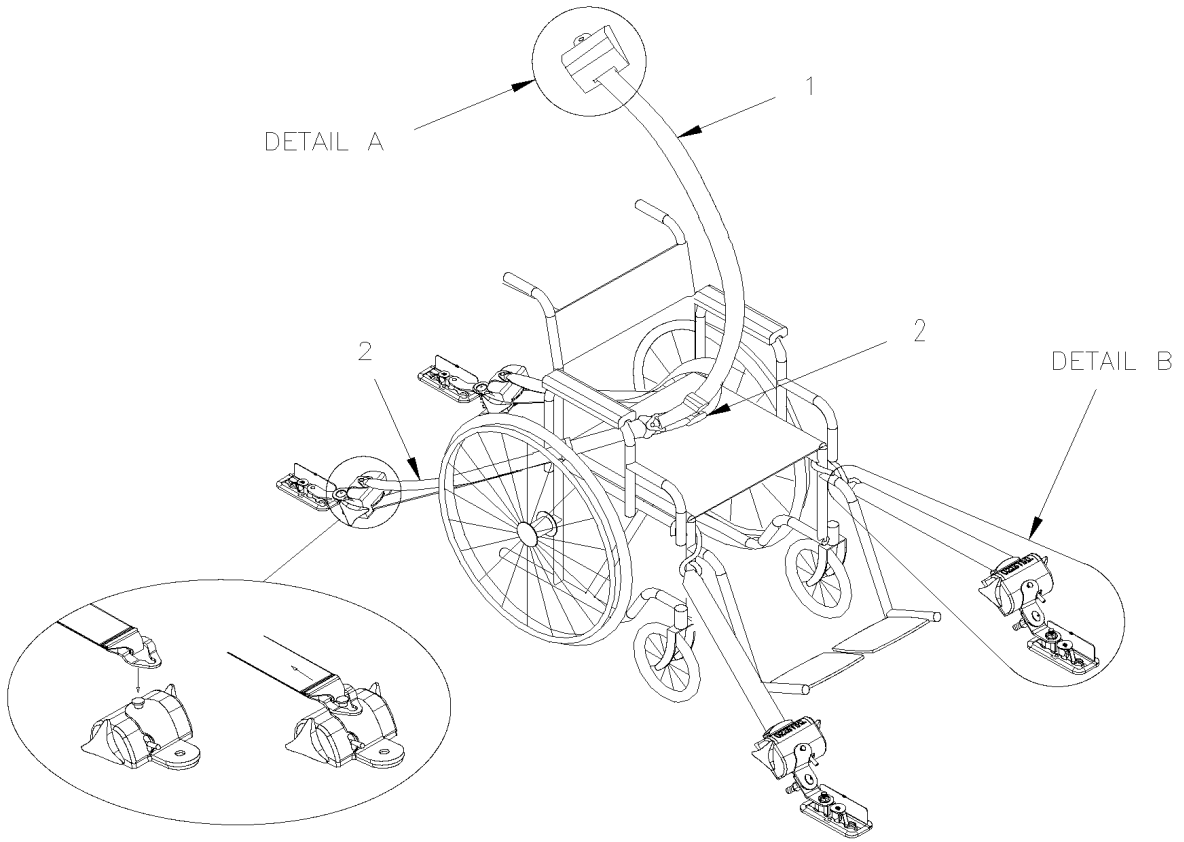


From Y-7046 To 6-8906

Date:10/2022

PAGE:Y2-2370-20

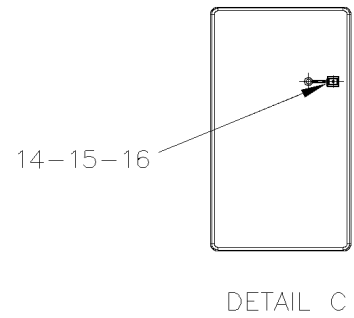
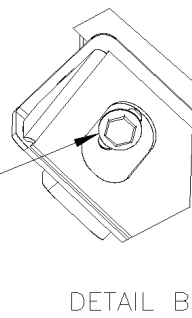
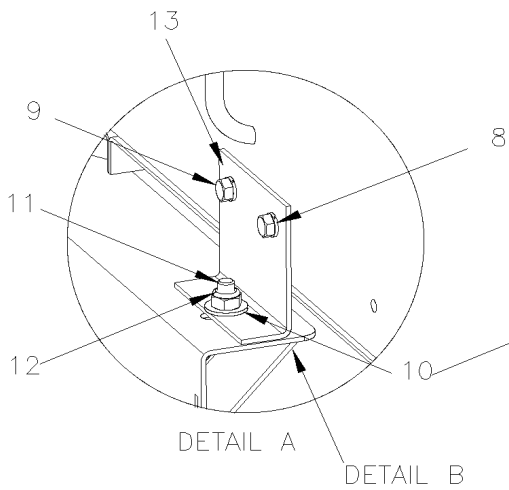
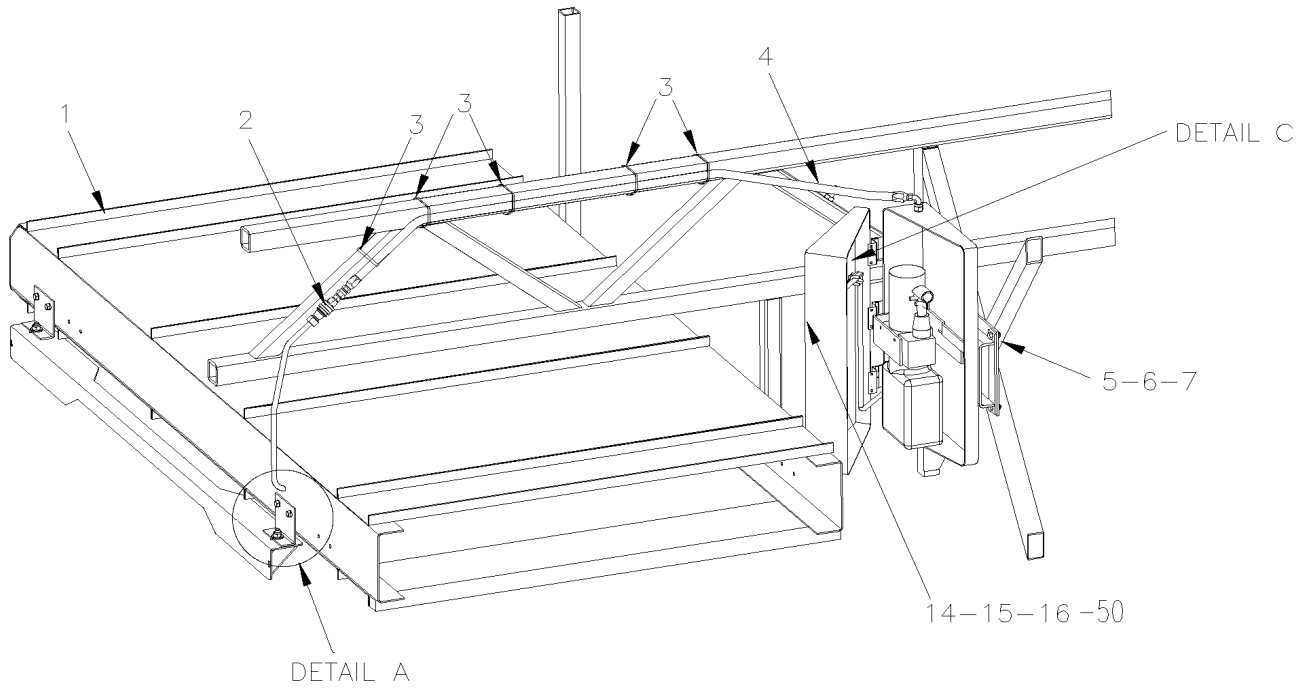
W.C.L. SEAT BELTS



| | | |
|--------------------------|--------------|-----------------|
| From Y-7046 To 6-8906 | Date:10/2022 | PAGE:Y2-2370-20 |
| W.C.L. SEAT BELTS | | |

| Item# | Part | Description | X L I I I 4 5 | X L I I I M T H 4 0 | X L I I I M T H 4 5 | X L I I I M T H 4 5 E | N O T E S |
|-------|--------|---|---------------------------------|--|--|---|-----------------------|
| | 861930 | KIT SAFETY BELT | AR | | | | A |
| 1 | 861931 | . RETRACTALE SHOULDER BELT | 1 | | | | |
| 2 | 861932 | . REGULAR LAP BELT / KIT MALE & FEMALE | 1 | | | | |
| 4 | 861934 | . RETACTABLE SEAT MOUNTED / BELT ASSY (SET OF 4 W/TRAC ADAPTOR) | 1 | | | | |
| 5 | 861935 | ... KIT TRAC ADAPTOR | 4 | | | | |
| 6 | 861929 | FLOOR POCKET W/COVER | 8 | | | | |
| NS | 862213 | SCREW CAP CK HEXS 5/16-18x1 3/4 SS | 2 | | | | |
| 7 | 223822 | SPACER 1/2" O.D. X 20MM | 16 | | | | |
| 8 | 223818 | ANCHOR PLATE | 8 | | | | |
| NS | 862967 | SAFETY BELT CUTTER / W.C.L. / EMERGENCY | 1 | | | | |
| | | | | | | | |
| | | | | | | | |
| | | A) INCLUDE ITEMS 1, 2, 3, 4, 5 & 7 | | | | | |

| | | |
|---|--------------|-----------------|
| From Y-7046 To 1-7680 | Date:10/2022 | PAGE:Y2-2380-00 |
| W.C.L. "RICON" - INSTALLATION MODEL "F9A" | | |

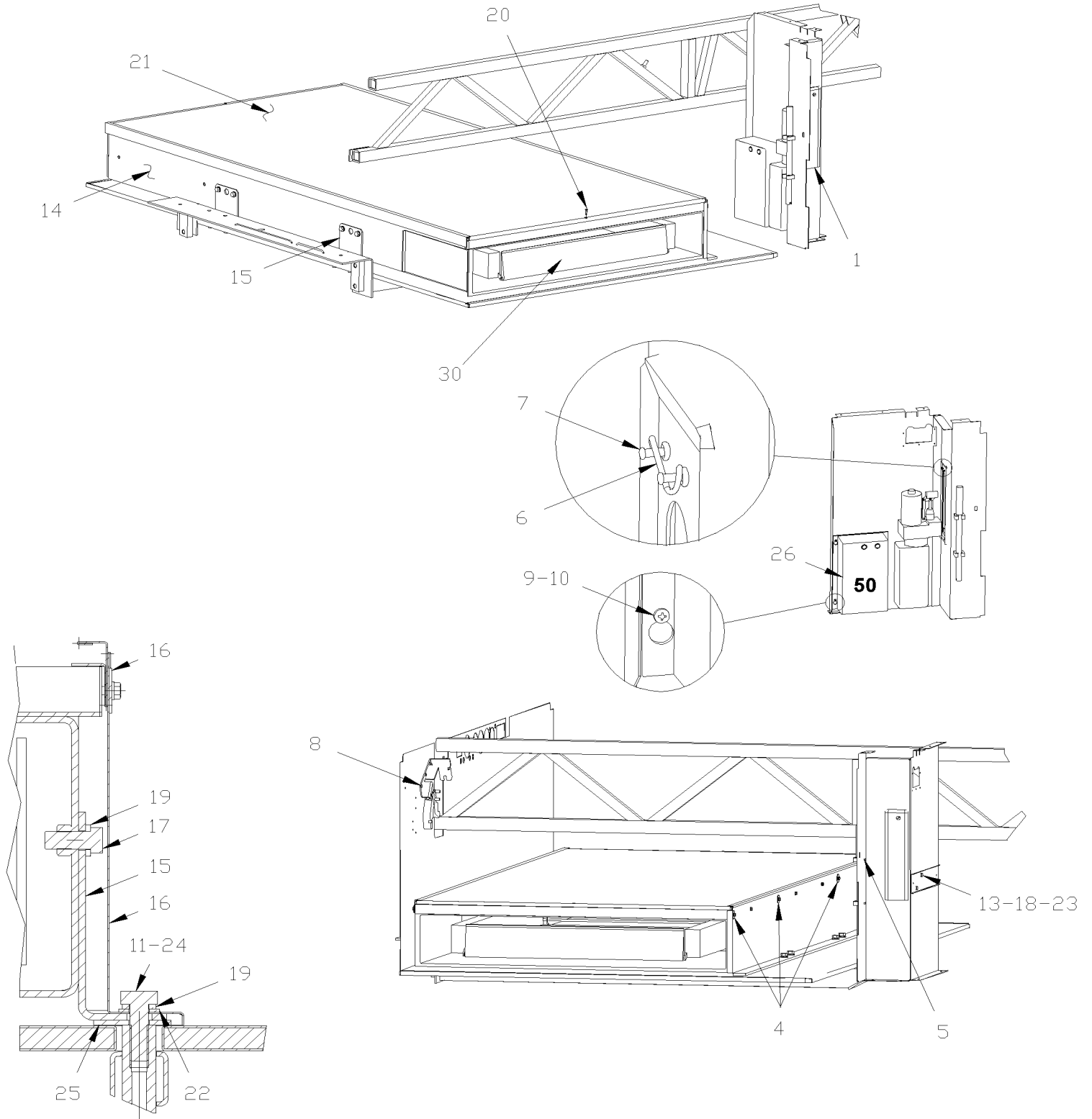


From 1-7681 To 4-8330

Date:10/2022

PAGE:Y2-2380-01

W.C.L. "RICON" - INSTALLATION MODEL "HC-L002"



| | | |
|--|--------------|-----------------|
| From 1-7681 To 4-8330 | Date:10/2022 | PAGE:Y2-2380-01 |
| W.C.L. "RICON" - INSTALLATION MODEL "HC-L002" | | |

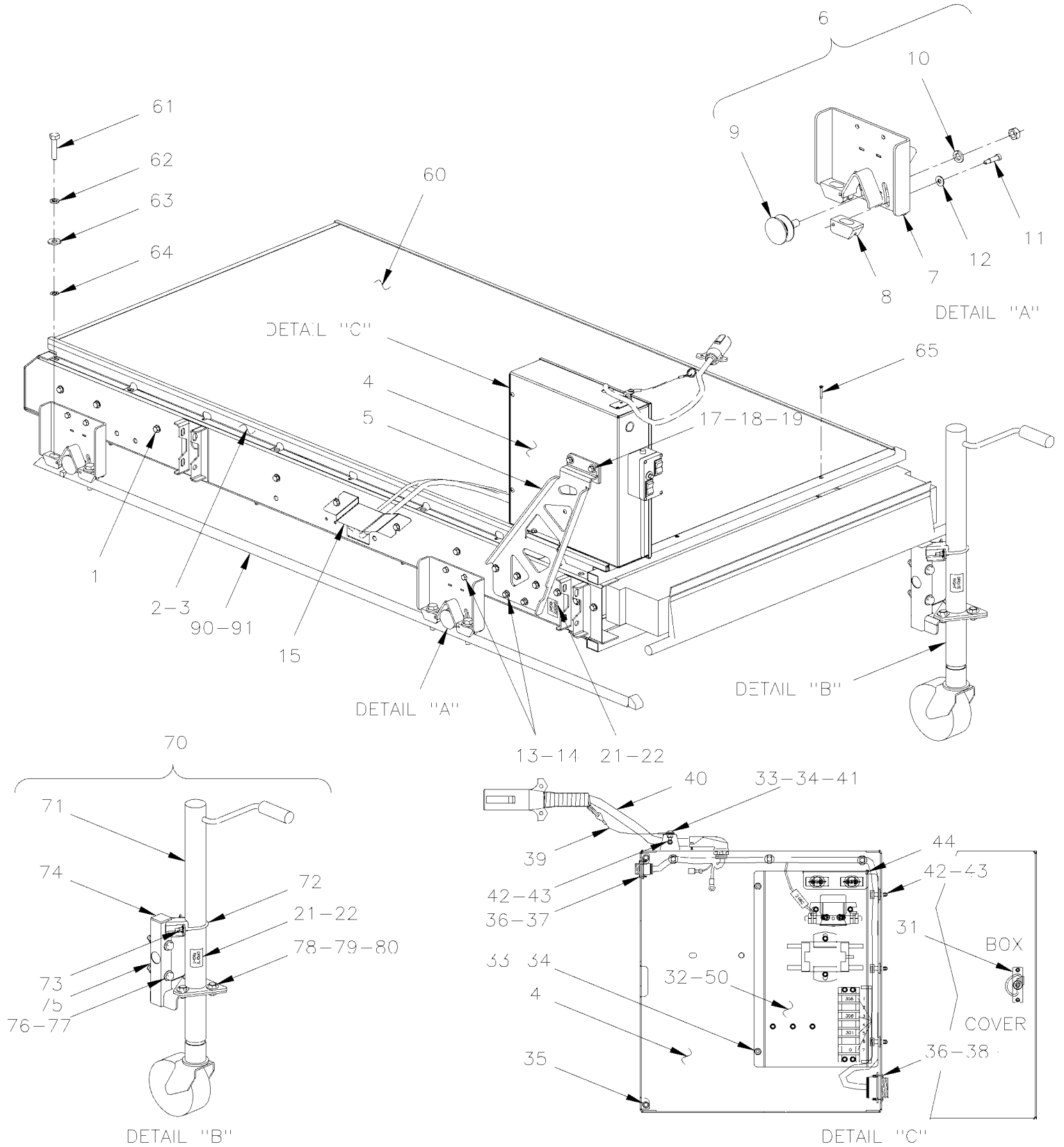
| Item# | Part | Description | X L I I 4 5 | X L I I M T H 4 0 | X L I I M T H 4 5 | X L I I M T H 4 5 E | N O T E S |
|-------|-------------------|--|----------------------------|---|---|--|-----------------------|
| 1 | 032475 | ACCESS DOOR / A/C COMPARTMENT 86MM x 353MM | 1 | | | | |
| 1 | 033182 | ACCESS DOOR W/HINGE / A/C COMPARTMENT | 1 | | | | |
| . NS | 033882 | . DOOR | 1 | | | | |
| . NS | 033183 | . HINGE | 1 | | | | |
| . NS | 901052 | . LATCH RUBBER | 1 | | | | |
| . NS | 506071 | . TAPE RUB ADH1 CC POL 1/8" x 1/2" x 50' / GREY 2520X | AR | | | | |
| 4 | 500468 | WASHER FL .281x1.250x.065 Z050 | 4 | | | | |
| 5 | 504248 | RIVET CHY Q PRDG 3/16x1/4 SS | 2 | | | | |
| 6 | 504365 | SPRING HOOK / DZUS 5/16 | 1 | | | | |
| 7 | 504339 | RIVET POP DOME OE 1/8x3/8 SS | 2 | | | | |
| 8 | 504459 | RIVET MGLP PRDG 1/4x3/8 SS | 8 | | | | |
| 9 | 500750 | SCREW MA TR PH M4-0.7x18 Z050 | 5 | | | | |
| 10 | 500022 | WASHER LO INT .168x.340x.023 Z050 | 5 | | | | |
| 11 | 680064 | OIL ANTICORROSIVE GREY (TECTYL) (20 LITERS) | AR | | | | |
| 12 | 500341 | SCREW SET HEXS CUP M12-1.75x20 | 8 | | | | |
| 13 | 504636 | HOLE PLUG BUTTON / .312 O.D. BLACK | 2 | | | | |
| 14 | 862026 | W.C.L. "RICON" - HC-L002 | 1 | | | | |
| 15 | 212767 | ANGLE | 4 | | | | |
| 16 | 482735 | SIDE PANEL PROTECTOR | 1 | | | | |
| 17 | 500850 | SCREW CAP HEX M12-1.75X25 G8.8 Z050 | 8 | | | | |
| 18 | 500845 | SCREW CAP HEX 5/16-18x1/2 G5 Z050 | 2 | | | | |
| 19 | 500482 | WASHER LO SPT .506x.873x.125 Z050 | 16 | | | | |
| 20 | 5001118 | SCREW TP FL PH #8x1 SS410 | 2 | | | | |
| 21 | 482654 | PANEL BAGGAGE FLOOR | 1 | | | | |
| 22 | 500958 | WASHER FL .531x1.062x.095 SS | 8 | | | | |
| 23 | 500476 | WASHER LO SPT .317x.586x.078 Z050 | 2 | | | | |
| 24 | 502731 | SCREW CAP HEX M12-1.75x40 G8.8 Z050 | 8 | | | | |
| 25 | 213921 | PLATE | 4 | | | | |
| 26 | 065536 | BOX TERMINAL PROTECTOR | 1 | | | | |
| 30 | Y2-2380-06 | W.C.L. "RICON" MODEL "HC-L002" | | | | | |
| 50 | Y2-2380-61 | W.C.L. "RICON" - PUMP INSTALLATION MODEL "HC-L002" To 4-8278 | | | | | |
| 50 | Y2-2380-62 | W.C.L. "RICON" - PUMP INSTALLATION MODEL "F9T" & "F9TF" From 4-8279 | | | | | |
| | | | | | | | |
| | | | | | | | |
| | | | | | | | |

From 4-8331 To 6-8906

Date:10/2022

PAGE:Y2-2380-02

W.C.L. "RICON" REMOVABLE - INSTALLATION MODEL "F9T" & "F9TF"



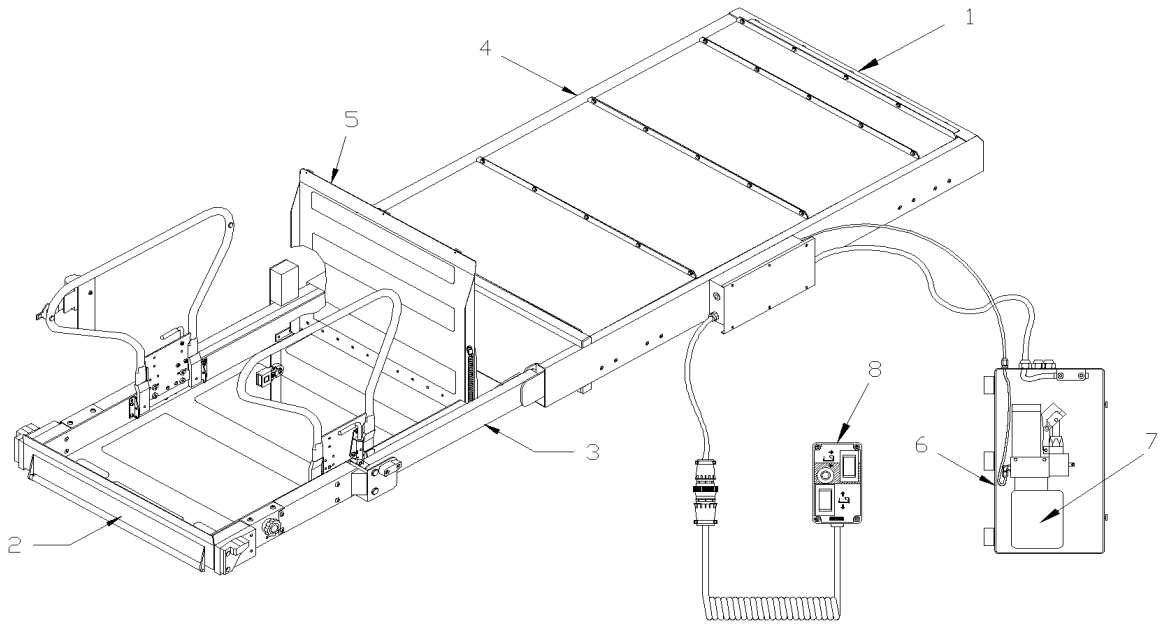
| | | |
|---|--------------|-----------------|
| From 4-8331 To 6-8906 | Date:10/2022 | PAGE:Y2-2380-02 |
| W.C.L. "RICON" REMOVABLE - INSTALLATION MODEL "F9T" & "F9TF" | | |

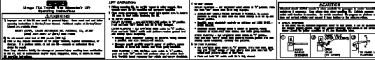
| Item# | Part | Description | X L I I I 4 5 | X L I I I M T H 4 0 | X L I I I M T H 4 5 | X L I I I M T H 4 5 E | NOTES |
|-------|---------|--|---------------------------------|--|--|---|-------|
| | 490891P | REMOVABLE W.C.L. COMPLETE ASSY W/ PUMP BOX ASSY / "F9TF" | 1 | | | | A |
| 1 | 862352 | W.C.L. "RICON" - F9T-DE004 From RETROFIT | 1 | | | | |
| 1 | 862662 | W.C.L. "RICON" - F9TF-DE004 | 1 | | | | |
| 2 | 490971 | SLIDING TRACK REMOVABLE R.H. | 1 | | | | |
| 3 | 490990 | SLIDING TRACK REMOVABLE L.H. | 1 | | | | |
| 4 | 364035 | BOX ASSY | 1 | | | | |
| 5 | 364029 | SUPPORT PUMP ASSY | 1 | | | | |
| 6 | 491008 | CARRIER ASSY / WWHEEL | 4 | | | | |
| 7 | 490998 | . PLATE SUPPORT | 1 | | | | |
| 8 | 490995 | . CALIPER | 1 | | | | |
| 9 | 990418 | . WHEEL / W/"V" GROOVE USE W/SCREW | 1 | | | | |
| NS | 500652 | . NUT HEX 1/2-20 SS | 1 | | | | |
| 10 | 500944 | . WASHER LO SPT .506x.873x.125 N500 | 2 | | | | |
| 11 | 502638 | . WASHER FL .312x.734x.065 N500 | 2 | | | | |
| 12 | 500631 | . SCREW SHR HEXS 5/16x3/4 {1/4-20 SS | 2 | | | | |
| 13 | 955525 | SCREW CAP HEX 5/16-18x1 G5 ZG603 | 10 | | | | |
| 14 | 500942 | WASHER LO SPT 8.1x14.8x2.0 N500 | 10 | | | | |
| NS | 502638 | WASHER FL .312x.734x.065 N500 | 2 | | | | |
| 15 | 491013 | PLATE PROTECTOR | 1 | | | | |
| 17 | 500347 | SCREW CAP HEX 5/16-18x1 1/4 SS | 2 | | | | |
| NS | 364031 | SPACER | 2 | | | | |
| 18 | 5001448 | WASHER FL .343x.875x.062 SS18-8 | 2 | | | | |
| 19 | 500035 | WASHER LO SPT .317x.586x.078 SS | 2 | | | | |
| 21 | 491002 | DECAL / GAUCHE / LEFT / ENGLISH & FRANCAIS | 1 | | | | |
| 21 | 491056 | DECAL / LEFT IZQUIERDA / ENGLISH & SPANISH | 1 | | | | |
| 22 | 491001 | DECAL / DROIT / RIGHT / ENGLISH & FRANCAIS | 1 | | | | |
| 22 | 491055 | DECAL / RIGHT DERECHA / ENGLISH & SPANISH | 1 | | | | |
| 30 | 491033 | BOX ASSY W/POWER PLATE | 1 | | | | |
| 31 | 504203 | SPRING LATCH / KNURLED STEEL KNOB | 1 | | | | |
| NS | 504105 | RIVET POP DOME OE 1/8x3/16 AL | 2 | | | | |
| 32 | 563370 | POWER PLATE ASSY "RICON" | 1 | | | | |
| 33 | 5001180 | NUT HEX NYRT #10-24 SS | 5 | | | | |
| 34 | 5001241 | SCREW MA TR PH #10-24x1/2 SS | 5 | | | | |
| 35 | 504498 | BUMPER PLUG / .406ODx.218THx.250HOLEx.125 | 2 | | | | |
| 36 | 500518 | SCREW MA BDG PH #4-40x1/2 Z050 | 8 | | | | |
| 37 | 561820 | NUT, RING #13 / 1.125" I.D. W/4 4-40 | 1 | | | | |
| 38 | 561823 | NUT, RING #23 / 1.812" I.D. W/4 4-40 | 1 | | | | |
| 39 | 502929 | CABLE RETAINING 150MM | 1 | | | | |
| 40 | 065857 | CABLE ASSY / POWER / W.C.L. "RICON" | 1 | | | | |
| 41 | 500964 | WASHER FL .203x.500x.047 Z050 | 1 | | | | |
| 42 | 509815 | TIE MOUNT / ATTACHMENT W/TREE MOUNT | AR | | | | |
| 43 | 504637 | CABLE TIE / 3/16" x 13" | AR | | | | |

| | | |
|---|--------------|-----------------|
| From 4-8331 To 6-8906 | Date:10/2022 | PAGE:Y2-2380-02 |
| W.C.L. "RICON" REMOVABLE - INSTALLATION MODEL "F9T" & "F9TF" | | |

| Item# | Part | Description | X L I I 4 5 | X L I I M T H 4 0 | X L I I M T H 4 5 | X L I I M T H 4 5 E | N O T E S |
|-------|-------------------|--|----------------------------|---|---|--|-----------------------|
| 44 | 506338 | RUBBER CHANNEL / 1/16" x 1/4" INT "U" SHAPE / ROUND C.T.L. | AR | | | | |
| NS | 680066 | ADHESIVE / ADBOND #5014 / 23.6ML BOTTLE | AR | | | | |
| 50 | Y2-2380-61 | W.C.L. "RICON" - PUMP INSTALLATION MODEL "HC-L002" To 4-8278 | | | | | |
| 50 | Y2-2380-62 | W.C.L. "RICON" - PUMP INSTALLATION MODEL "F9T" & "F9TF" From 4-8279 | 1 | 1 | 1 | 1 | |
| 60 | 990417 | PANEL FIBERGLASS / OVER W.C.L. "RICON" / 1000MM X 1940MM | 1 | | | | |
| 61 | 5001538 | SCREW CAP HEXF SERR M12-1.75x50 G500 | 8 | | | | |
| 62 | 500944 | WASHER LO SPT .506x.873x.125 N500 | 8 | | | | |
| 64 | 5001568 | NUT PUSH RND M12 ZP | 8 | | | | |
| 65 | 502903 | SCREW TC FL PH #10-24x1 1/4 N500 | 2 | | | | |
| 67 | 864071 | HARNESS, ELECTRICAL, MAIN, W/HYDRAULIC LINE | 1 | | | | |
| 70 | 490988P | TRANSPORTER JACK ASSY L.H. | 2 | | | | |
| 70 | 490989P | TRANSPORTER JACK ASSY R.H. | 2 | | | | |
| 71 | 990416 | . JACK | 1 | | | | |
| 72 | 503399 | . U-CLAMP / 2" I.D. X 1/4-20 | 1 | | | | |
| 73 | 500769 | . NUT HEX 1/4-20 Z050 | 2 | | | | |
| NS | 500441 | . WASHER FL .312x.734x.065 Z050 | 2 | | | | |
| NS | 500473 | . WASHER LO SPT .262x.489x.062 Z050 | 2 | | | | |
| 74 | 508394 | . GLIDE SQUARE END 1.5 X 1.5 TUBE 14GA / P | 1 | | | | |
| 75 | 490981 | . SUPPORT JACK L.H. | 1 | | | | |
| 75 | 490982 | . SUPPORT JACK R.H. | 1 | | | | |
| 76 | 5001862 | . SCREW CAP HEX M12-1.75x70 G10.9 N500 | 2 | | | | |
| 77 | 500860 | . NUT HEX M12-1.75 Z050 | 2 | | | | |
| NS | 500958 | . WASHER FL .531x1.062x.095 SS | 4 | | | | |
| 78 | 502559 | . SCREW CAP HEX M10-1.5x25 G8.8 Z050 | 3 | | | | |
| 79 | 502644 | . WASHER FL 10.5x30.0x2.5 Z050 | 3 | | | | |
| 80 | 500680 | . NUT HEX STO M10-1.5 Z050 | 3 | | | | |
| 90 | 215121 | TRACK W.C.L. BACKWARD | 1 | | | | |
| 91 | 255122 | TRACK W.C.L. FORWARD | 1 | | | | |
| 100 | Y2-2380-61 | W.C.L. "RICON" - PUMP INSTALLATION MODEL "HC-L002" To 4-8278 | | | | | |
| 101 | Y2-2380-62 | W.C.L. "RICON" - PUMP INSTALLATION MODEL "F9T" & "F9TF" From 4-8279 | | | | | |
| | | | | | | | |
| | | | | | | | |
| | | | | | | | |
| | | A) DO NOT INCLUDED TRANSPORTER JACK L.H. & R.H. | | | | | |


| | | |
|-----------------------------------|--------------|-----------------|
| From Y-7046 To 1-7680 | Date:10/2022 | PAGE:Y2-2380-05 |
| W.C.L. "RICON" MODEL "F9A" | | |




OPERATING INSTRUCTION DECAL
(PN 10102)


PART OF SERIAL NUMBER STICKER
(ONLY RICON REPLACEABLE)


ECLIPSE/MIRAGE PATENT NO. DECAL
(PN 32-10-170)


PART OF SERIAL NUMBER DECAL


WARNING DECAL
(PN 26217)

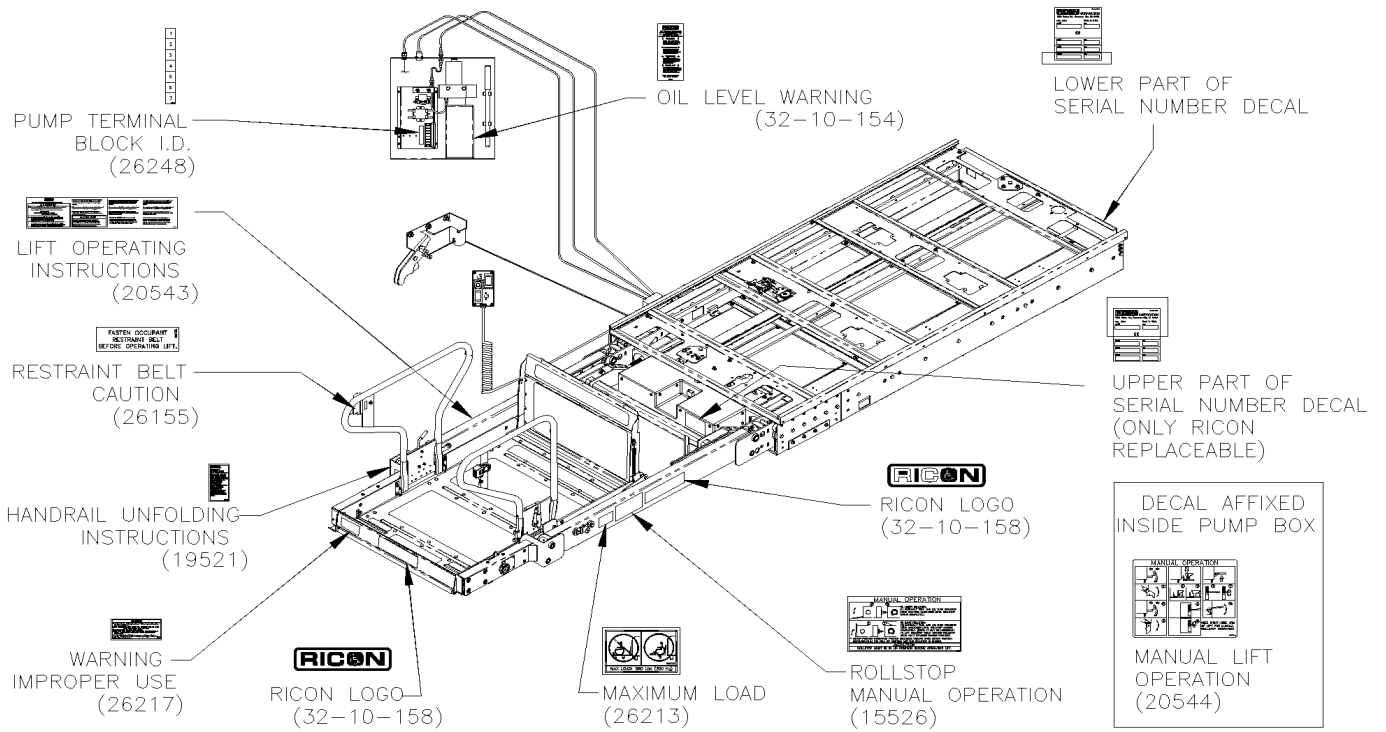
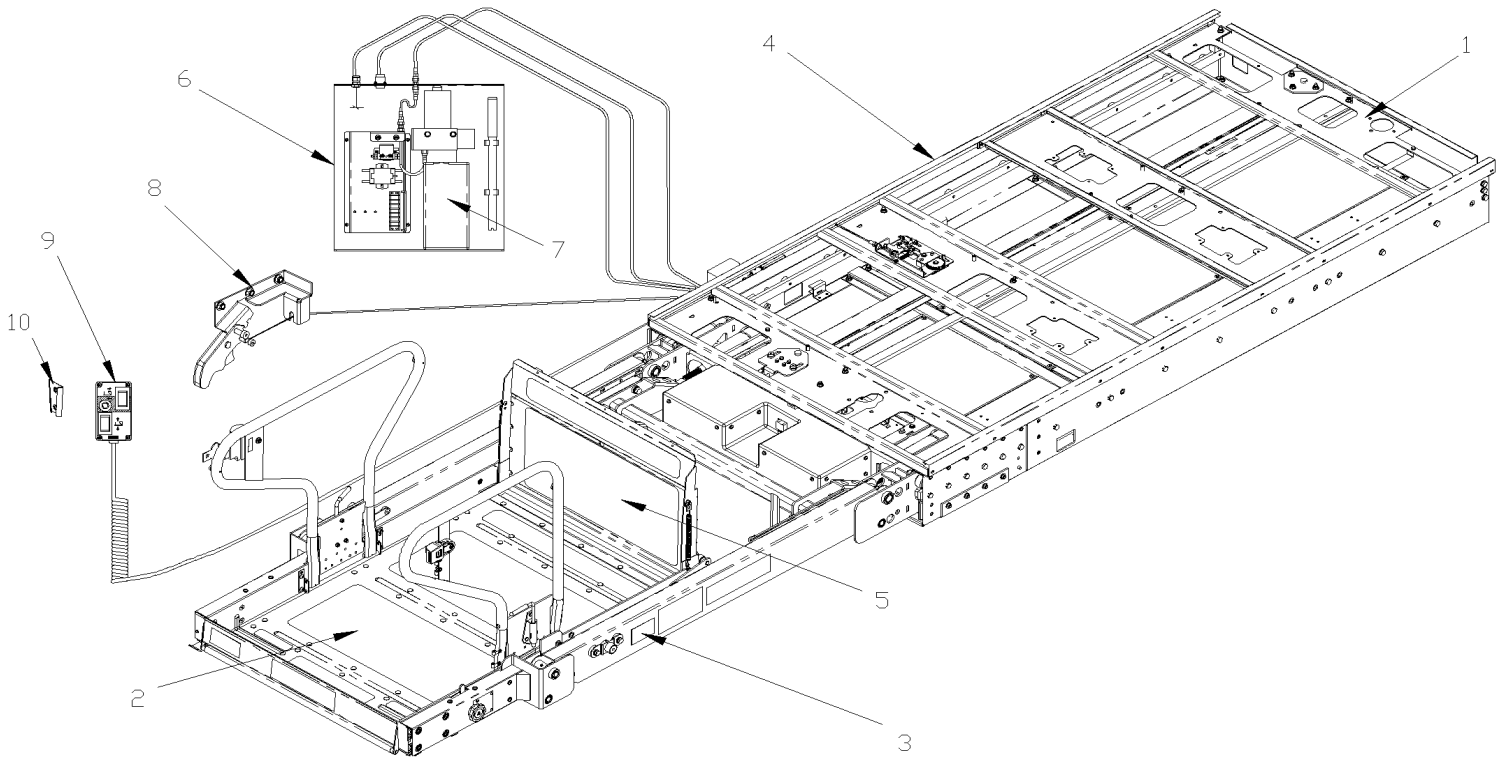

RICON LOGO DECAL
(PN 32-10-158)


MANUAL OPERATION ROLLSTOP DECAL
(PN 26207)


MAXIMUM LOAD DECAL
(PN 26213)


RICON LOGO DECAL
(PN 32-10-158)

| | | |
|--------------------------------|--------------|-----------------|
| From 1-7681 To 4-8278 | Date:10/2022 | PAGE:Y2-2380-06 |
| W.C.L. "RICON" MODEL "HC-L002" | | |

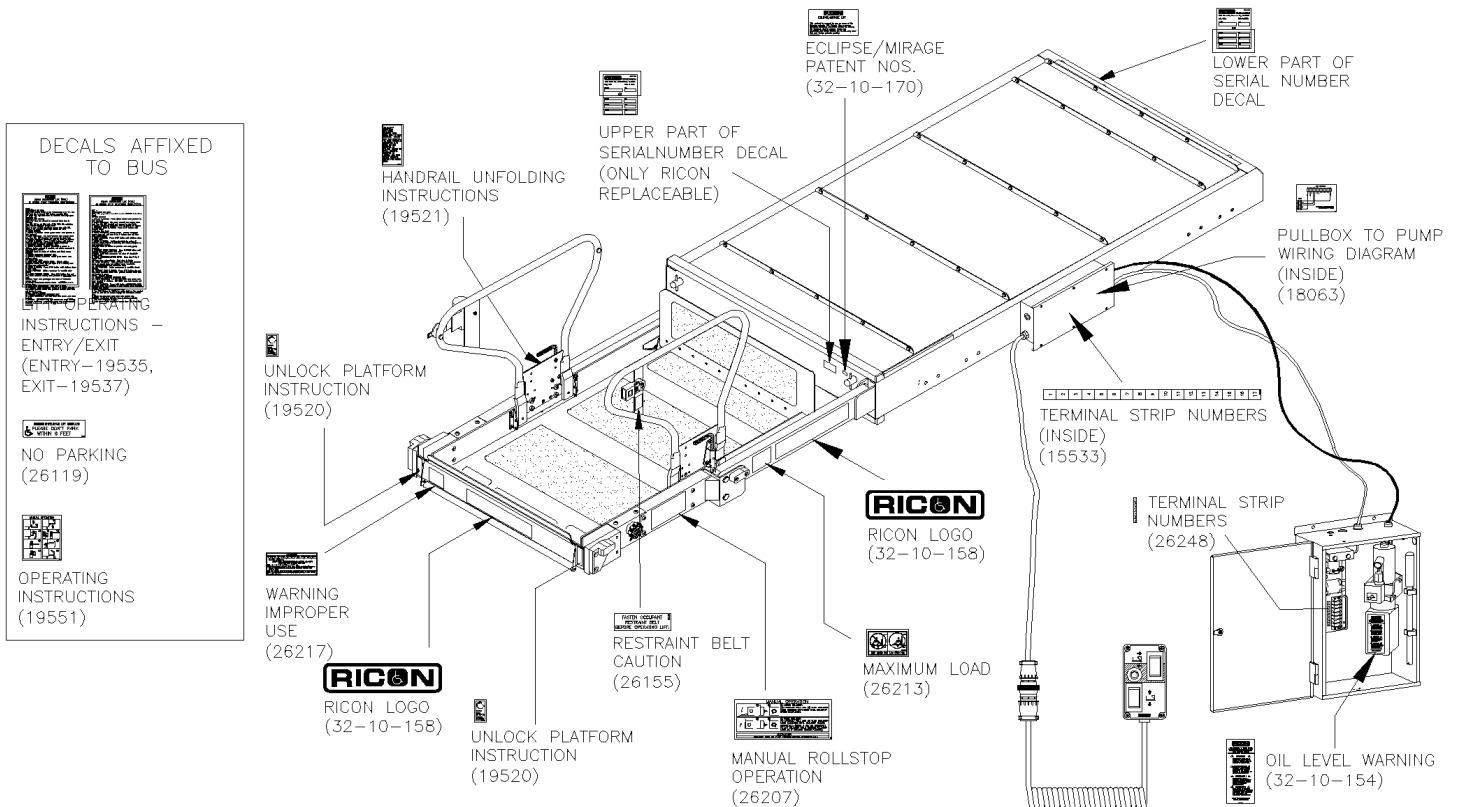
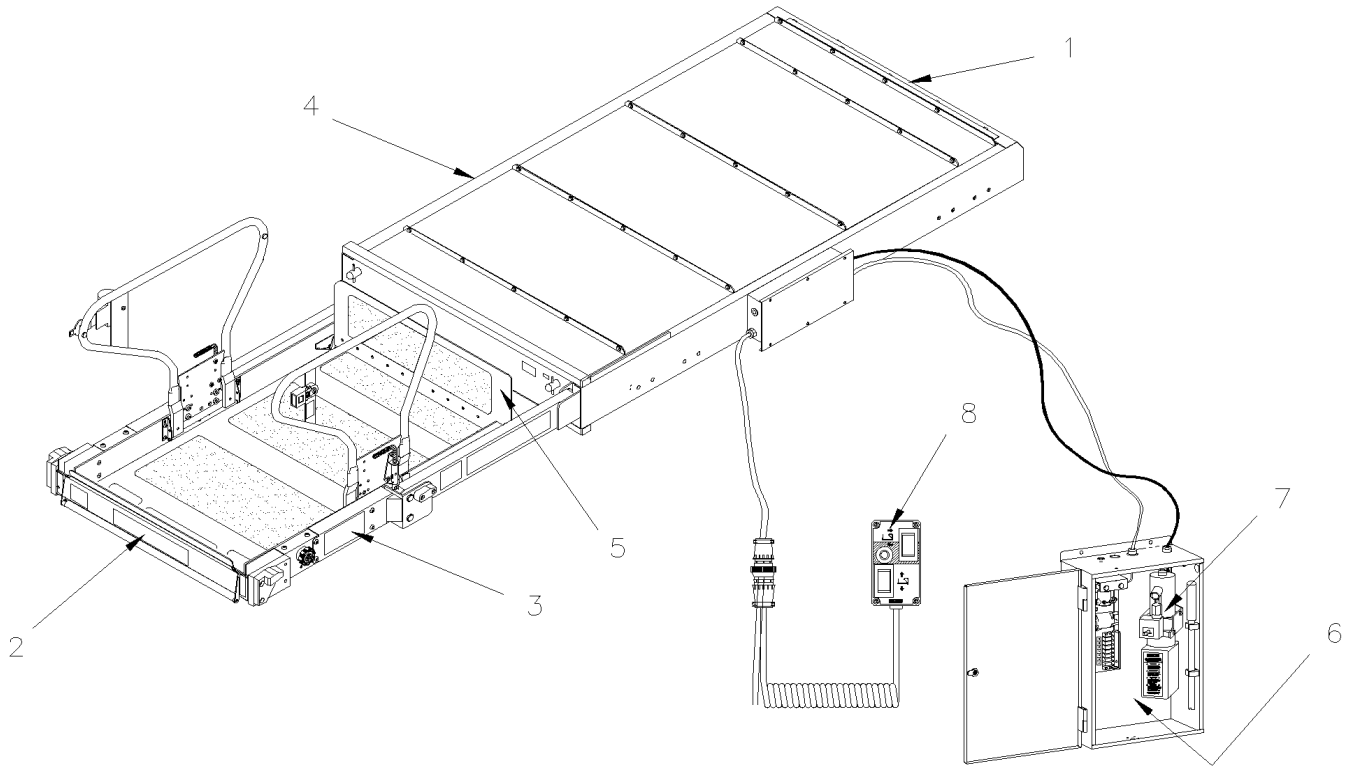


| | | |
|-----------------------|--------------|-----------------|
| From 1-7681 To 4-8278 | Date:10/2022 | PAGE:Y2-2380-06 |
|-----------------------|--------------|-----------------|

W.C.L. "RICON" MODEL "HC-L002"

| Item# | Part | Description | X L I I 4 5 | X L I I M T H 4 0 | X L I I M T H 4 5 | X L I I M T H 4 5 E | N O T E S |
|-------|-----------------|---|----------------------------|---|---|--|-----------------------|
| | 862026 | W.C.L. "RICON" - HC-L002 To 4-8278 | 1 | | | | |
| 1 | Y2-2380-11 | . W.C.L. "RICON" - LIFT ENCLOSURE ASSY MODEL "HC-L002" | | | | | |
| 2 | Y2-2380-21 | . W.C.L. "RICON" - PLATFORM ASSY MODEL "HC-L002" | | | | | |
| 3 | Y2-2380-31 | . W.C.L. "RICON" - TRAVELING FRAME ASSY MODEL "HC-L002" | | | | | |
| 4 | Y2-2380-41 | . W.C.L. "RICON" - CARRIAGE ASSY MODEL "HC-L002" | | | | | |
| 5 | Y2-2380-51 | . W.C.L. "RICON" - BRIDGE PLATE ASSY 9" MODEL "HC-L002" | | | | | |
| 6 | Y2-2380-61 | . W.C.L. "RICON" - PUMP INSTALLATION MODEL "HC-L002" | | | | | |
| 7 | Y2-2380-65 | . W.C.L. "RICON" - PUMP ASSY | | | | | |
| 8 | Y2-2380-70 | . W.C.L. "RICON" - RELEASE HANDLE MODEL "HC-L002" | | | | | |
| 9 | 862206 | . CONTROLER | 1 | | | | |
| . NS | 196844 | . . SWITCH / M/ON-OFF-M/ON S P.D.T WHITE | 1 | | | | |
| 10 | Call order desk | . MOUNTING BRACKET / CONTROLER | 1 | | | | P |
| | | | | | | | |
| | | | | | | | |
| | | P) CALL ORDER DESK FOR SPECIFIC APPLICATION (V.I.N.) | | | | | |

| | | |
|--------------------------------------|--------------|-----------------|
| From 4-8279 To 5-8605 | Date:10/2022 | PAGE:Y2-2380-07 |
| W.C.L. "RICON" REMOVABLE MODEL "F9T" | | |

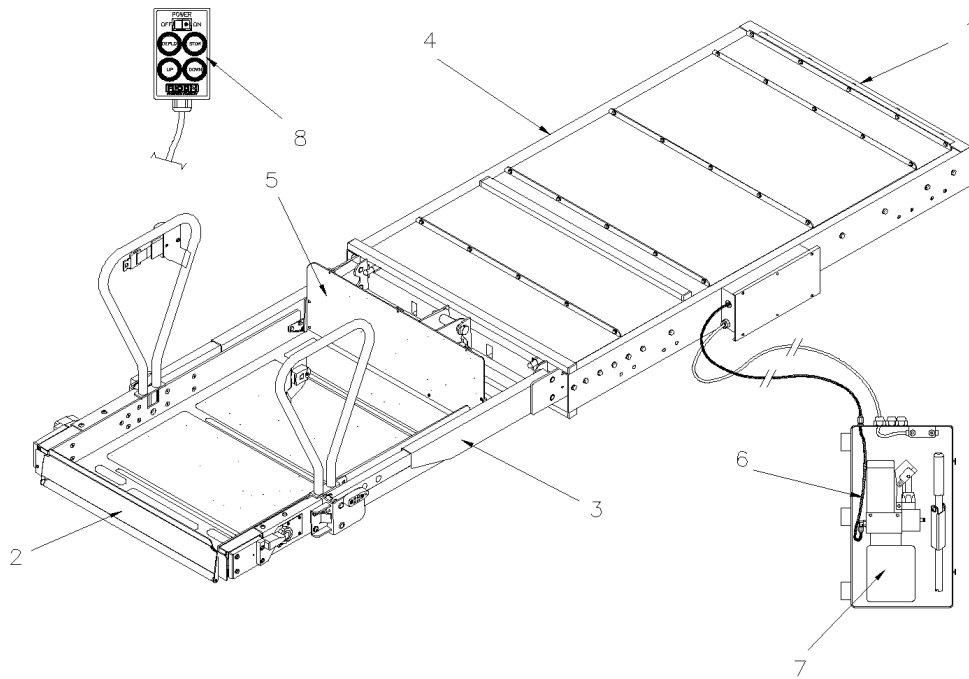


From 5-8606 To 6-8906

Date:10/2022

PAGE:Y2-2380-08

W.C.L. "RICON" REMOVABLE MODEL "F9TF"



DECALS AFFIXED TO VEHICLE

LIFT OPERATING INSTRUCTIONS, ENTRY AND EXIT
ENTRY-32159, EXIT-32160

LIFT OPERATING INSTRUCTIONS, ENTRY AND EXIT, FOR LIFTS WITH A STOP AT INTERMEDIATE HEIGHT
ENTRY-32154, EXIT-32155

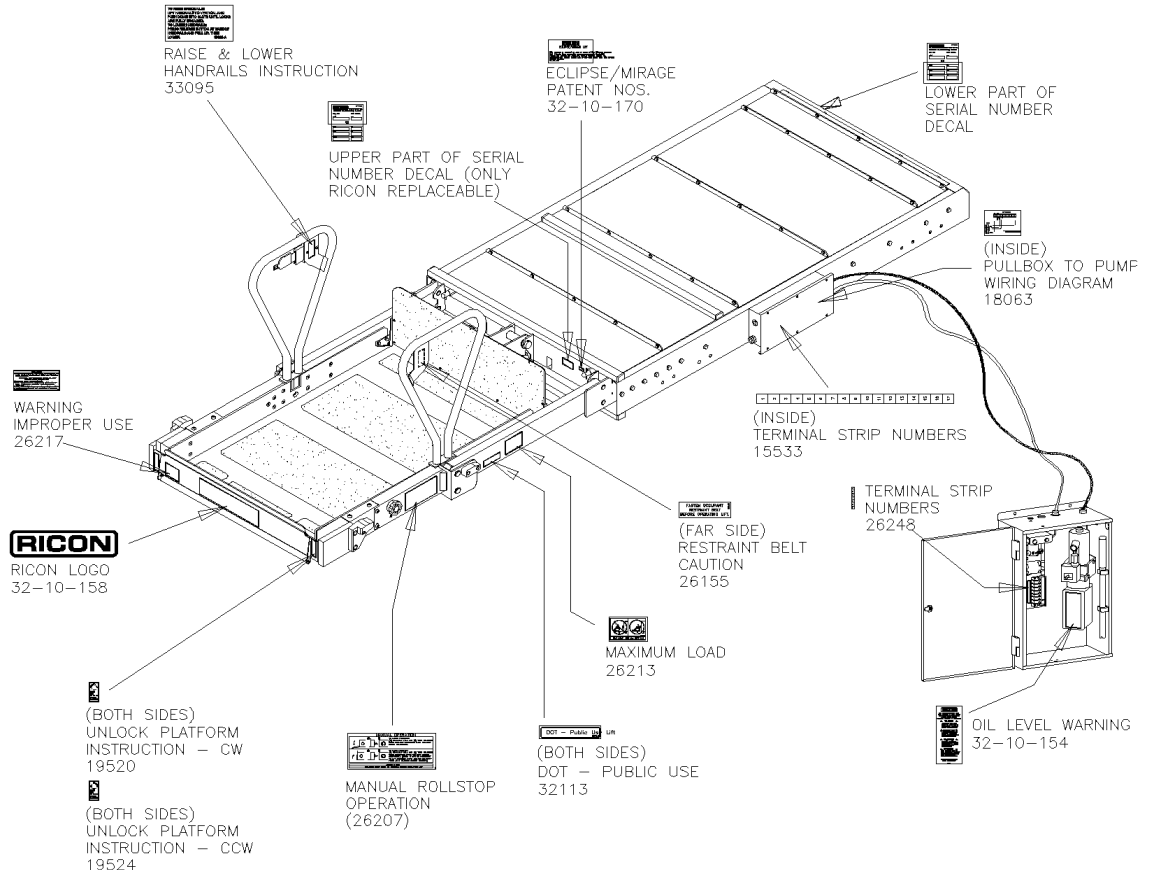
NO PARKING
(26119)

MANUAL OPERATING INSTRUCTIONS
(19551)

MANUAL OPERATING INSTRUCTIONS - ENGLISH-FRENCH
(29254)

PLATFORM STOW HEIGHT
PLATFORM STOW HEIGHT
(19550)

TWS WARNING
(31997)

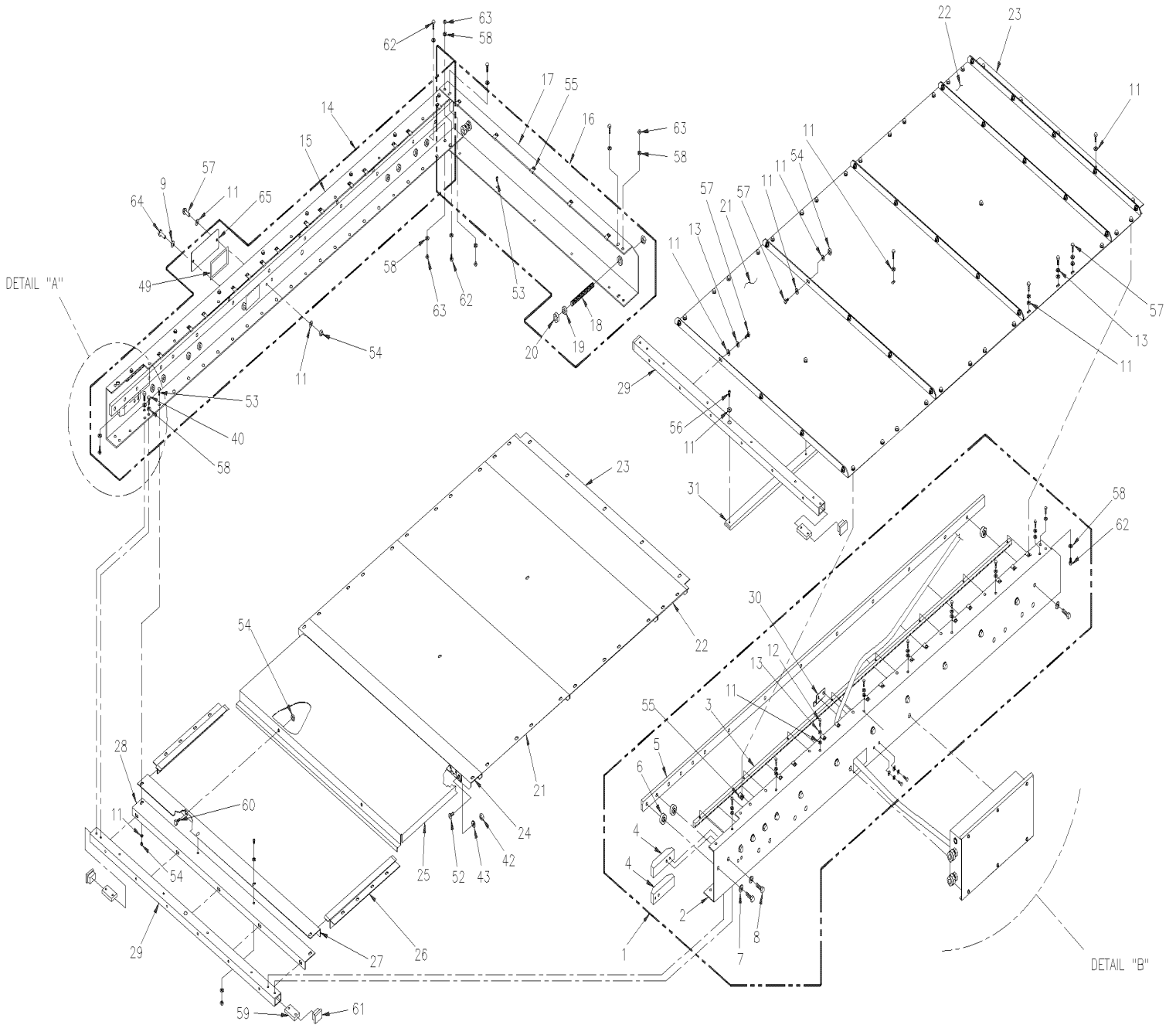


From Y-7046 To 1-7680

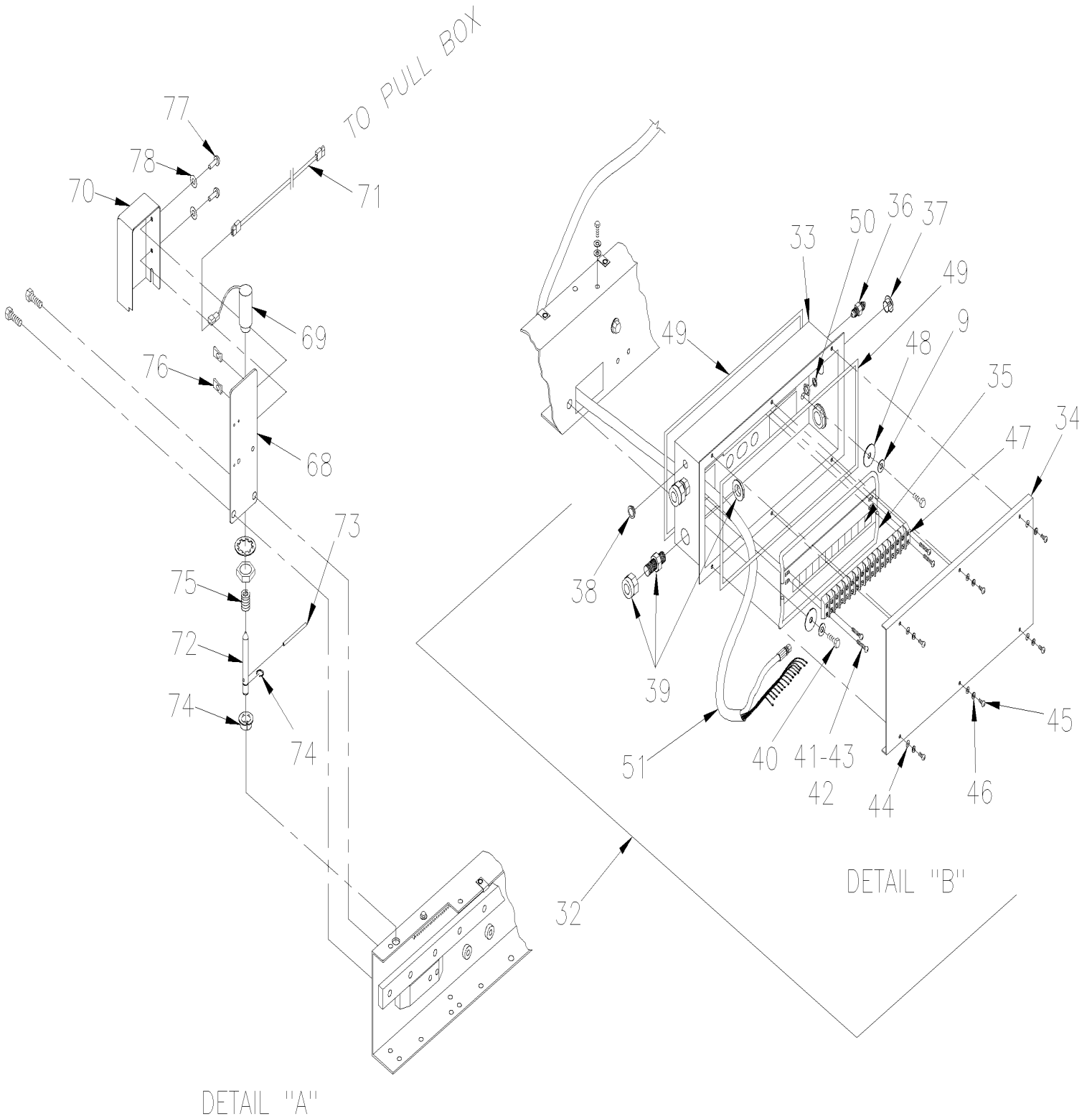
Date:10/2022

PAGE:Y2-2380-10

W.C.L. "RICON" - LIFT ENCLOSURE ASSY MODEL "F9A"



| | | |
|--|--------------|-----------------|
| From Y-7046 To 1-7680 | Date:10/2022 | PAGE:Y2-2380-10 |
| W.C.L. "RICON" - LIFT ENCLOSURE ASSY MODEL "F9A" | | |



| | | |
|---|--------------|-----------------|
| From Y-7046 To 1-7680 | Date:10/2022 | PAGE:Y2-2380-10 |
| W.C.L. "RICON" - LIFT ENCLOSURE ASSY MODEL "F9A" | | |

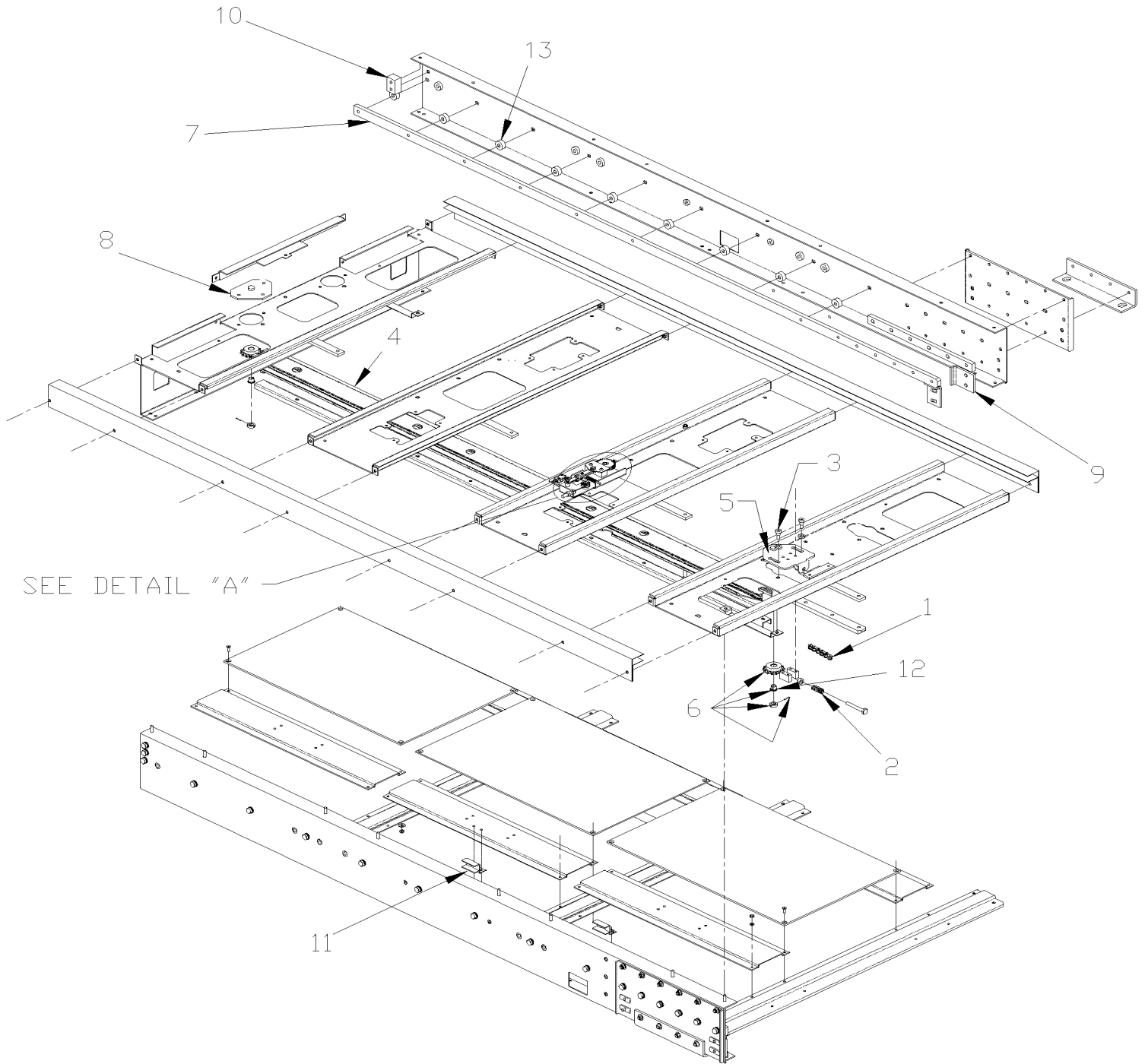
| Item# | Part | Description | X L I I 4 5 | X L I I M T H 4 0 | X L I I M T H 4 5 | X L I I M T H 4 5 E | N O T E S |
|-------|-----------------|---|----------------------------|---|---|--|-----------------------|
| 1 | Call order desk | CHANNEL / MTG FRAME / 78.81 / RH MECH ASSY | 1 | | | | P |
| 2 | Call order desk | CHANNEL / MTG FRAME / 78.81 / RH WELD ASSY | 1 | | | | P |
| 3 | 863006 | GEAR RACK | 2 | | | | |
| 4 | 862109 | STOP BLOCK | 2 | | | | |
| 4 | 862110 | STOP BLOCK | 2 | | | | |
| 5 | 862993 | RAIL, GUIDE, CARRIAGE | 2 | | | | |
| 6 | Call order desk | SPACER .40THK | 28 | | | | P |
| 7 | 500270 | WASHER FL .406x1.000x.063 SS | 28 | | | | |
| 8 | Call order desk | SCREW CAP HEX 3/8-16x1.00 SS | 1 | | | | P |
| 9 | 500035 | WASHER LO SPT .317x.586x.078 SS | 14 | | | | |
| 11 | 500411 | WASHER FL .260x.697x.050 SS | AR | | | | |
| 12 | 5001315 | SCREW CAP HEX 1/4-20x1 SS | 16 | | | | |
| 13 | 502570 | WASHER LO SPT 6.1x11.8x1.6 SS | 58 | | | | |
| 14 | Call order desk | CHANNEL / MTG FRAME / 78.81 / LH MECH ASSY | 1 | | | | P |
| 15 | Call order desk | CHANNEL / MTG FRAME / 78.81 / LH WELD ASSY | 1 | | | | P |
| 16 | Call order desk | CHANNEL / MTG FRAME / REAR ASSY | 1 | | | | P |
| 17 | Call order desk | CHANNEL / MTG FRAME / REAR WELD ASSY | 1 | | | | P |
| 18 | Call order desk | SOC SET 1/2-20x2.00 FLAT POINT / SS | 2 | | | | P |
| 19 | Call order desk | NUT HEX THN 1/2-20 | 4 | | | | P |
| 20 | 863008 | BUMPER, CARRIAGE STOP | 2 | | | | |
| 21 | Call order desk | COVER / 19.98" | 5 | | | | P |
| 22 | Call order desk | COVER / 6.67" | 2 | | | | P |
| 23 | Call order desk | BRACKET / COVER MOUNTING | 2 | | | | P |
| 24 | Call order desk | BRACKET / ACCESS DOOR MOUNTING | 1 | | | | P |
| 25 | Call order desk | PANEL / BOTTOM ACCESS COVER / TRIAN LIFT | 1 | | | | P |
| 26 | Call order desk | BRACKET / ACCESS DOOR SIDE SHIELD / WELD ASSY | 2 | | | | P |
| 27 | Call order desk | FLANGE / ACCESS DOOR ADJUSTEMENT | 1 | | | | P |
| 28 | Call order desk | FLANGE / ACCESS DOOR MOUNTING | 1 | | | | P |
| 29 | 862998 | TUBE, FORWARD CROSSMEMBER | 2 | | | | |
| 30 | Call order desk | BRACKET / HOSE/CABLE CLAMP ASSEMBLY | 1 | | | | P |
| 31 | Call order desk | RAIL / CARRIAGE GUIDE / SW | 1 | | | | P |
| 32 | Call order desk | PULL BOX / MECHANICAL ASSY | 1 | | | | P |
| 33 | Call order desk | BOX / PULL BOX | 1 | | | | P |
| 34 | Call order desk | COVER / PULL BOX | 1 | | | | P |
| 35 | Call order desk | TIE BAR / PULL BOX / WELD ASSY | 1 | | | | P |
| 36 | 863086 | FITTING, BUN, 1/4J, 2.08L | 1 | | | | |
| 37 | N8889990 | HOLE PLUG HEYCO | 1 | | | | |
| 38 | Call order desk | PLUG / 0.43 - 0.45 DIA / UP TO .06 THK / BLK | 1 | | | | P |
| 39 | Call order desk | STRAIN RELIEF / STRE THRU LIQ TIGHT | 3 | | | | P |
| 40 | Call order desk | SCREW CAP HEX 5/16-18x5/8 G5 | 10 | | | | P |
| 41 | Call order desk | SCREW CAP BUT #10-24x7/8 SS | 4 | | | | P |
| 42 | 5001180 | NUT HEX NYRT #10-24 SS | 9 | | | | |

From 1-7681 To 4-8278

Date:10/2022

PAGE:Y2-2380-11

W.C.L. "RICON" - LIFT ENCLOSURE ASSY MODEL "HC-L002"

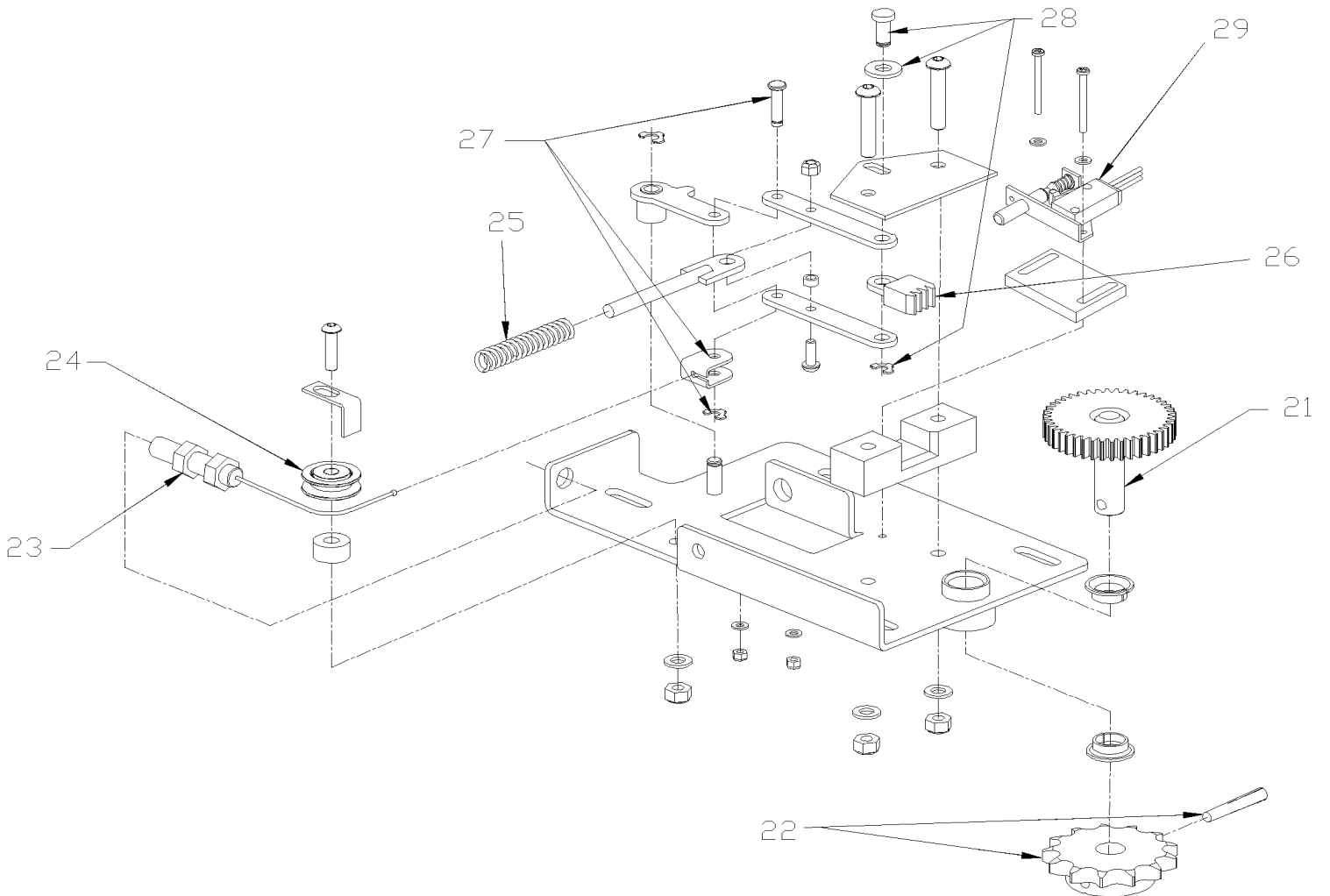


From 1-7681 To 4-8278

Date:10/2022

PAGE:Y2-2380-11

W.C.L. "RICON" - LIFT ENCLOSURE ASSY MODEL "HC-L002"



| | | |
|-----------------------|--------------|-----------------|
| From 1-7681 To 4-8278 | Date:10/2022 | PAGE:Y2-2380-11 |
|-----------------------|--------------|-----------------|

W.C.L. "RICON" - LIFT ENCLOSURE ASSY MODEL "HC-L002"

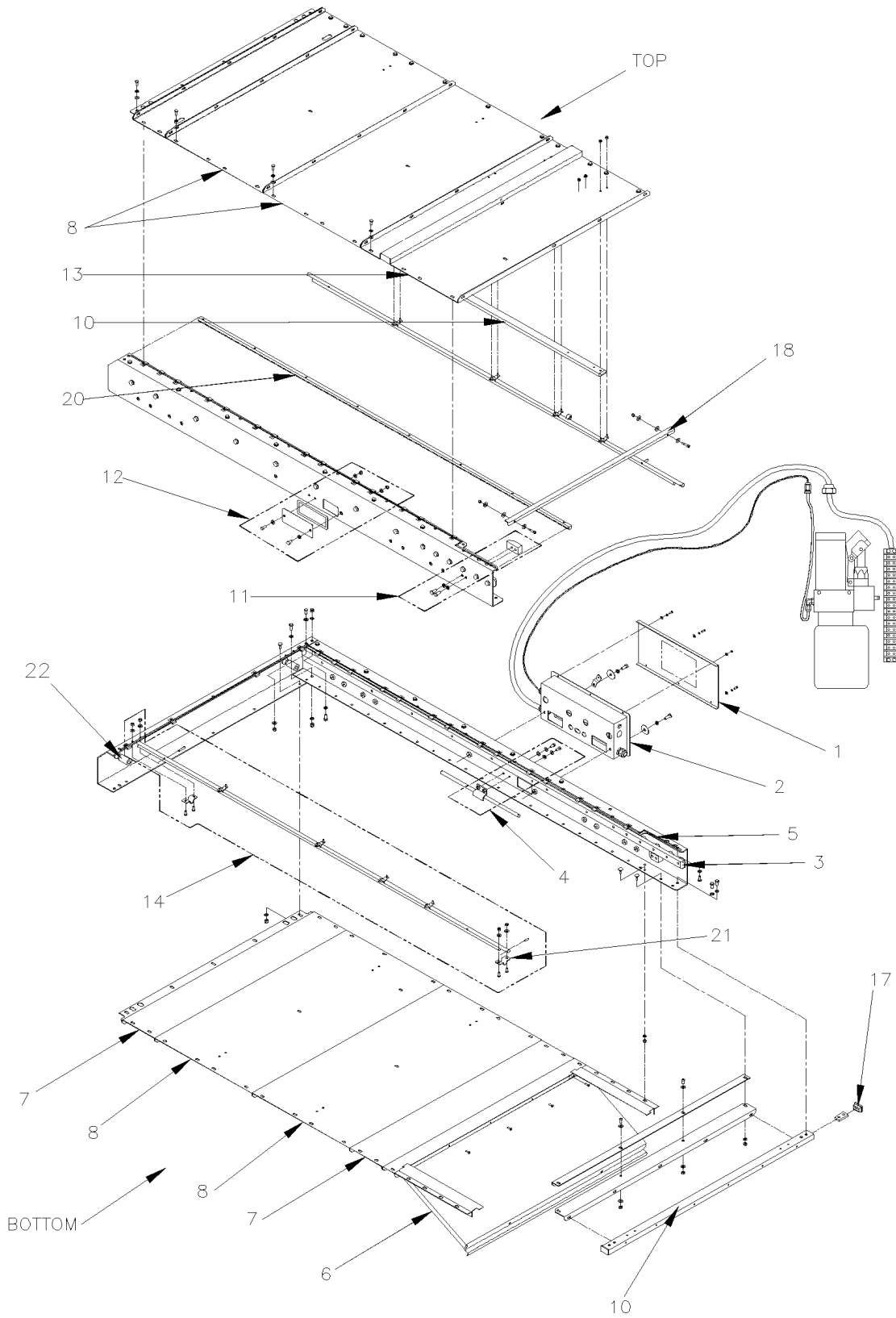
| Item# | Part | Description | X L I I I 4 5 | X L I I I M T H 4 0 | X L I I I M T H 4 5 | X L I I I M T H 4 5 E | N O T E S |
|-------|-----------------|--|---------------------------------|--|--|---|-----------------------|
| 1 | Call order desk | CHAIN, CARRIAGE DRIVE | 1 | | | | P |
| 2 | Call order desk | SPRING, COMP, .60ODX1.5" | 1 | | | | P |
| 3 | Call order desk | SCREW SHR HEXS 10x12{M8-1.25 | 4 | | | | P |
| 4 | Call order desk | CHAIN TRACK | 1 | | | | P |
| 5 | Call order desk | PLATE / SPROCKET SUPPORT / FRONT | 1 | | | | P |
| 6 | Call order desk | KIT, SPROCKET, #40, 14T, W/HDWR | 2 | | | | P |
| 7 | Call order desk | GUIDE, RAIL | 2 | | | | P |
| 8 | Call order desk | PLATE / SPROCKET SUPPORT / REAR | 1 | | | | P |
| 9 | Call order desk | CARRIAGE STOP / FRONT | 2 | | | | P |
| 10 | Call order desk | CARRIAGE STOP / REAR | 2 | | | | P |
| 11 | Call order desk | CLAMP, HARNESS | 2 | | | | P |
| 12 | Call order desk | BUSHING .50IDx.50W / (BAG OF TEN) | 2 | | | | P |
| 13 | Call order desk | SPACER / GUIDE RAIL / (BAG OF TEN) | 18 | | | | P |
| 21 | Call order desk | GEAR, CARRIAGE LOCK, W/SHAFT | 1 | | | | P |
| 22 | Call order desk | KIT, SPROCKET, 13T, #40, W/PIN | 1 | | | | P |
| 23 | Call order desk | CABLE ASSEMBLY, CARRIAGE LOCK, HC-L002 | 1 | | | | P |
| 24 | Call order desk | PULLEY, W-BEARING | 1 | | | | P |
| 25 | Call order desk | SPRING, COMP, .41ODX2.3L | 1 | | | | P |
| 27 | Call order desk | KIT, CLEVIS, W/PIN & CLIP | 1 | | | | P |
| 28 | Call order desk | KIT, PIN, W/CLIP | 1 | | | | P |
| 29 | 864026 | PLUNGER SWITCH / SEALED / TAPPED 6-32 | 1 | | | | |
| | | | | | | | |
| | | | | | | | |
| | | | | | | | |
| | | P) CALL ORDER DESK FOR SPECIFIC APPLICATION (V.I.N.) | | | | | |

From 4-8279 To 6-8906

Date:10/2022

PAGE:Y2-2380-12

W.C.L. "RICON" - LIFT ENCLOSURE ASSY MODEL "F9T" & "F9TF"



| | | |
|---|--------------|-----------------|
| From 4-8279 To 6-8906 | Date:10/2022 | PAGE:Y2-2380-12 |
| W.C.L. "RICON" - LIFT ENCLOSURE ASSY MODEL "F9T" & "F9TF" | | |

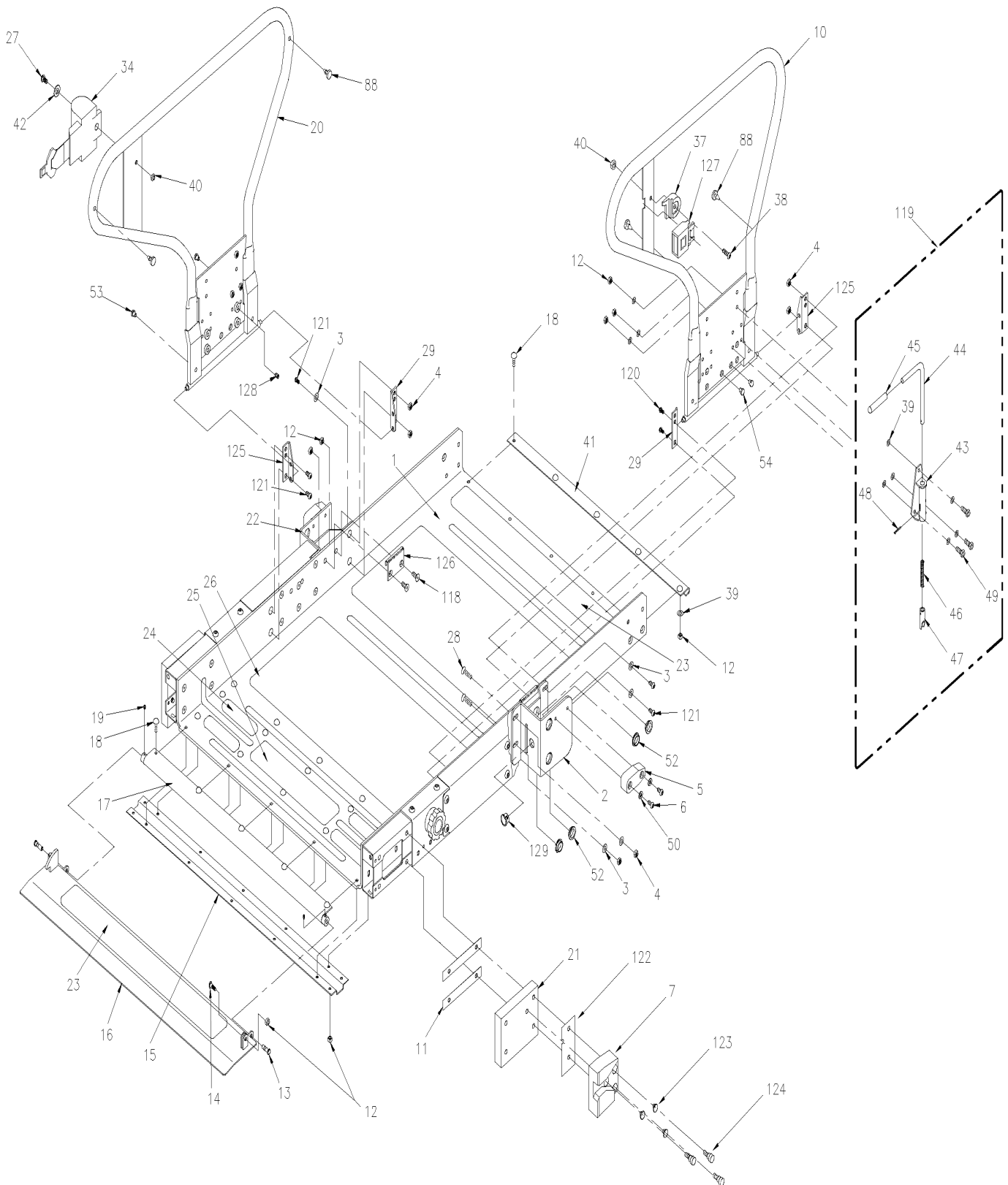
| Item# | Part | Description | X L I I I 4 5 | X L I I I M T H 4 0 | X L I I I M T H 4 5 | X L I I I M T H 4 5 E | N O T E S |
|-------|-----------------|--|-------------------------------------|--|--|---|-----------------------|
| 1 | 862991 | KIT, PULLBOX COVER | 1 | | | | |
| 2 | Call order desk | PULLBOX ASSY To 5-8605 | 1 | | | | P |
| 2 | 862992 | PULLBOX ASSY From 5-8606 | 1 | | | | |
| 3 | 862999 | RAIL, CARRIAGE GUIDE | 2 | | | | |
| 4 | 862994 | KIT, HOSE CLAMP | 1 | | | | |
| 5 | 19509886 | WEATHERSTRIP | 1 | | | | |
| 6 | 862995 | KIT, SERVICE ACCESS PANEL | 1 | | | | |
| 7 | 19509867 | KIT, ENCLOSURE COVER, 6.6" W/HDWR | 2 | | | | |
| 8 | 862997 | KIT, ENCLOSURE COVER, 19.98" | 4 | | | | |
| 10 | 862998 | TUBE, FORWARD CROSSMEMBER | 1 | | | | |
| 11 | 863000 | KIT, STOP BLOCK | 2 | | | | |
| 12 | 863001 | KIT, BLOCK-OFF PLATE | 1 | | | | |
| 13 | 863002 | KIT, ENCLOSURE COVER, LINKAGE | 1 | | | | |
| 14 | 863003 | KIT, PLATFORM RELEASE SHAFT / LH | 2 | | | | |
| 17 | 863004 | PLUG, RECTANGULAR, 1.0 X 1.5, NYLON, BLACK | 4 | | | | |
| 18 | 868231 | TIE BAR, PLATFORM RELEASE SHAFTS | 1 | | | | |
| 20 | 863006 | GEAR RACK | 2 | | | | |
| 21 | 863007 | BRACKET, PLATFORM RELEASE SHAFT | 4 | | | | |
| 22 | 863008 | BUMPER, CARRIAGE STOP | 2 | | | | |
| | | | | | | | |
| | | | | | | | |
| | | | | | | | |
| | | P) CALL ORDER DESK FOR SPECIFIC APPLICATION (V.I.N.) | | | | | |

From Y-7046 To 1-7680

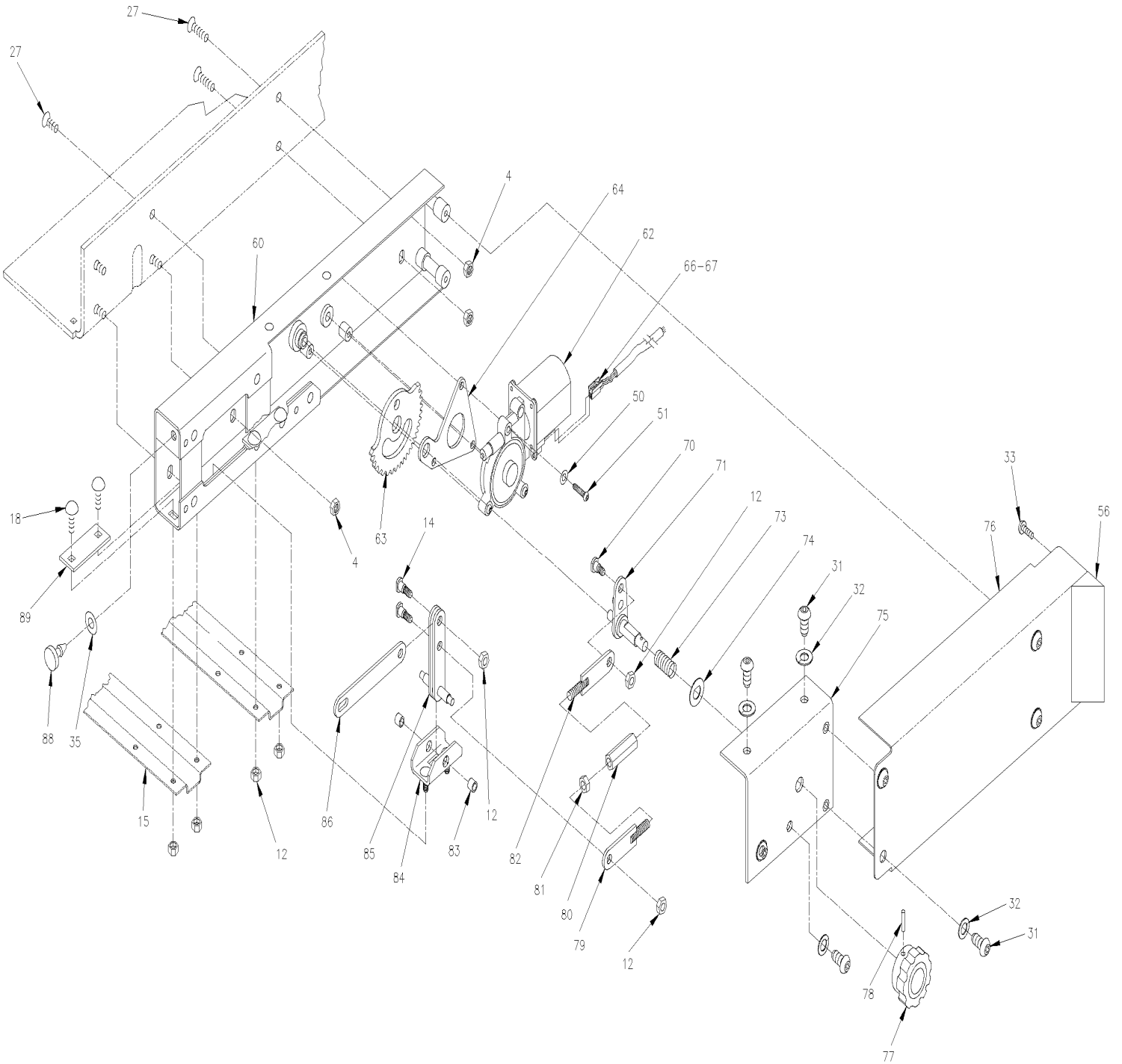
Date:10/2022

PAGE:Y2-2380-20

W.C.L. "RICON" - PLATFORM ASSY MODEL "F9A"



| | | |
|--|--------------|-----------------|
| From Y-7046 To 1-7680 | Date:10/2022 | PAGE:Y2-2380-20 |
| W.C.L. "RICON" - PLATFORM ASSY MODEL "F9A" | | |

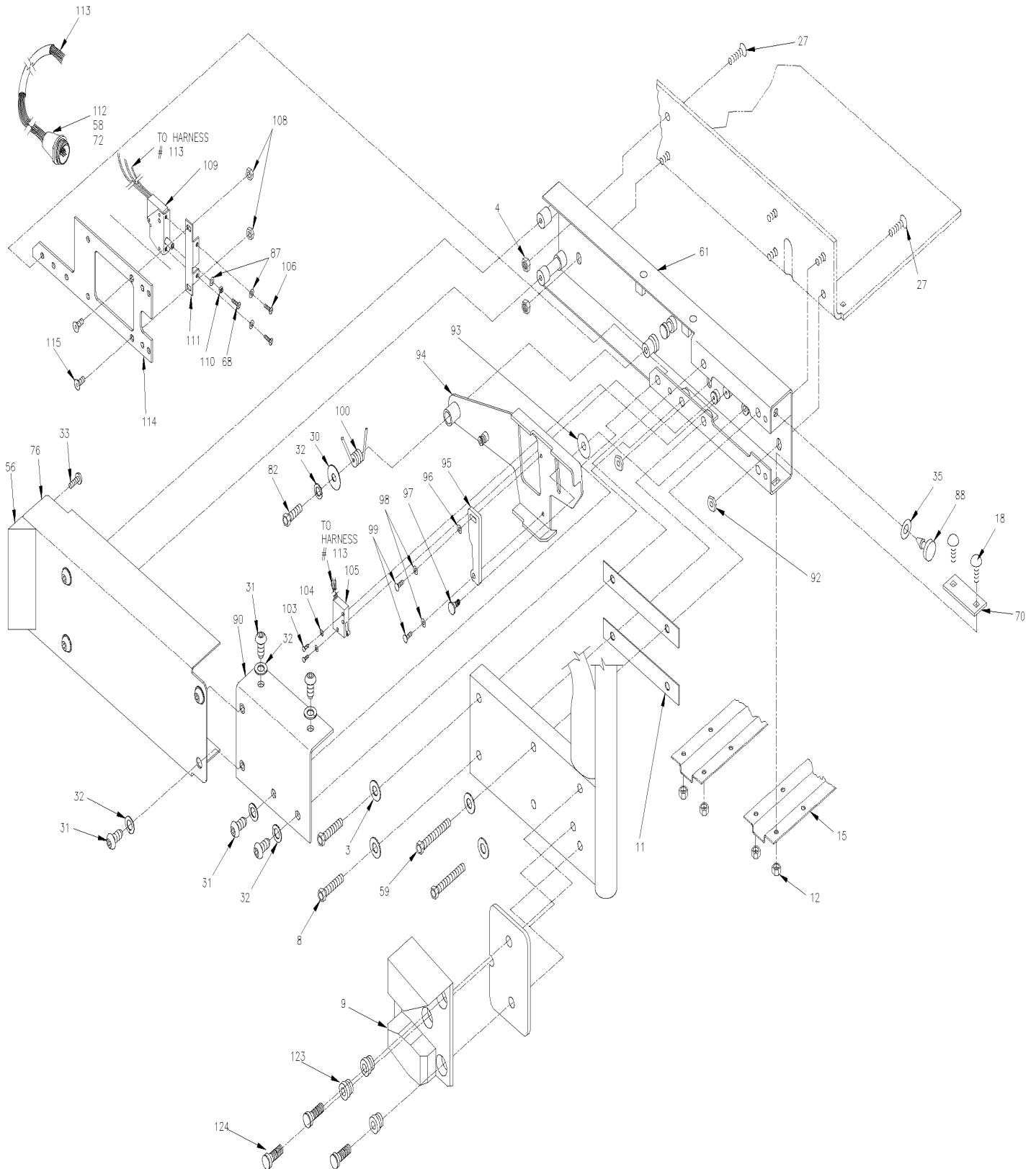


From Y-7046 To 1-7680

Date:10/2022

PAGE:Y2-2380-20

W.C.L. "RICON" - PLATFORM ASSY MODEL "F9A"



| | | |
|---|--------------|-----------------|
| From Y-7046 To 1-7680 | Date:10/2022 | PAGE:Y2-2380-20 |
| W.C.L. "RICON" - PLATFORM ASSY MODEL "F9A" | | |

| Item# | Part | Description | X L I I 4 5 | X L I I M T H 4 0 | X L I I M T H 4 5 | X L I I M T H 4 5 E | NOTES |
|-------|-----------------|---|----------------------------|---|---|--|-------|
| 1 | Call order desk | PLATFORM 32.25x47.00 | 1 | | | | P |
| 2 | 866132 | BRACKET-WASSY / PLATFORM PIVOT RH | 1 | | | | |
| 3 | Call order desk | WASHER FL .32x.75x.08 SS | 20 | | | | P |
| 4 | 500685 | NUT HEX NYRT 5/16-18 SS | AR | | | | |
| 5 | 862113 | STOW GUIDE | 2 | | | | |
| 6 | Call order desk | SCREW CAP BUT HEXS 1/4-20x3/4 SS | 4 | | | | P |
| 7 | 862114 | BLOCK / PLAFORM GUIDE / RH | 1 | | | | |
| 8 | Call order desk | SCREW CAP HEX 5/16-18x1 1/2 SS | 4 | | | | P |
| 9 | 862115 | BLOCK / PLAFORM GUIDE / LH | 1 | | | | |
| 10 | Call order desk | HANDRAIL WELD ASSEMBLY / FOLDING / RH | 1 | | | | P |
| 10 | Call order desk | HANDRAIL WELD ASSEMBLY / FOLDING / RH | 1 | | | | P |
| 11 | Call order desk | SHIM HANDRAIL .50THK | 4 | | | | P |
| 12 | 500771 | NUT HEX 1/4-20 SS | 47 | | | | |
| 13 | Call order desk | PIN-CLEVIS SS 5/16x1.00 | 2 | | | | P |
| 14 | N8886020 | SCREW SHR .250x.313 | 3 | | | | |
| 15 | Call order desk | STIFFENER / RIB / PRS / SW | 2 | | | | P |
| 16 | Call order desk | ROLLSTOP WELD ASSY / PRS / SW | 1 | | | | P |
| 17 | 863649 | STIFFENER, TUBE, PRS. PIVOT, WELD ASSY., SW | 1 | | | | |
| 18 | Call order desk | SCREW CRG 1/4-20x3/4 SS | 31 | | | | P |
| 19 | Call order desk | SCREW SET HEXS SS 1/4-20x1/4 1/4-20x1/4 SS | 2 | | | | P |
| 20 | Call order desk | HANDRAIL WELD ASSEMBLY / FOLDING / LH | 1 | | | | P |
| 21 | Call order desk | COVER-WASSY / RS | 2 | | | | P |
| 21 | Call order desk | COVER-WASSY / RS | 2 | | | | P |
| 22 | 866133 | BRACKET-WASSY / PLATFORM PIVOT LH | 1 | | | | |
| 23 | 863621 | SAFETY TREAD / 25.50x3.0 / SAFETY YELLOW | 2 | | | | |
| 24 | 863017 | SAFETY TREAD / 5.5x1.5 / SAFETY YELLOW | 4 | | | | |
| 25 | 863016 | SAFETY TREAD / 12.75x3.0 / SAFETY YELLOW | 1 | | | | |
| 26 | 863620 | SAFETY TREAD / 25.50x12 / OCEAN GREY | 2 | | | | |
| 27 | Call order desk | SCREW CAP CK HEXS 5/16-18x3/4 SS | 9 | | | | P |
| 28 | Call order desk | SCREW CAP CK HEXS 5/16-18x1.00 SS | 8 | | | | P |
| 29 | Call order desk | BRACKET-HANDRAIL PIVOT RH | 2 | | | | P |
| 30 | Call order desk | WASHER LO SPT 7/16 SS | 1 | | | | P |
| 31 | Call order desk | SCREW CAP BUT HEXS 5/16-18x1/2 SS | 16 | | | | P |
| 32 | Call order desk | WASHER LO SPT 5/16 SS | 17 | | | | P |
| 33 | Call order desk | SCREW MA PH #8-32x1/16 SS | 4 | | | | P |
| 34 | 862116 | RETRACTOR-RESTRAINT BELT | 1 | | | | |
| 35 | 500975 | WASHER FL .378x.620x.094 NYL | 2 | | | | |
| 37 | 860137 | BLOCK-BUCKLE MOUNT | 1 | | | | |
| 38 | Call order desk | SCREW CAP BUT HEXS 5/16-18x1 3/8 SS | 1 | | | | P |
| 39 | N8885992 | WASHER FL .250 SS | 23 | | | | |
| 40 | Call order desk | NUT HEX CAP 5/16-18 SS | 2 | | | | P |
| 41 | Call order desk | STIFFENER / PLATFORM REAR / SW-T | 1 | | | | P |

| | | |
|---|--------------|-----------------|
| From Y-7046 To 1-7680 | Date:10/2022 | PAGE:Y2-2380-20 |
| W.C.L. "RICON" - PLATFORM ASSY MODEL "F9A" | | |

| Item# | Part | Description | X L I I I 4 5 | X L I I I M T H 4 0 | X L I I I M T H 4 5 | X L I I I M T H 4 5 E | NOTES |
|-------|-----------------|--|---------------------------------|--|--|---|-------|
| 42 | Call order desk | WASHER COUNTER SINK | 1 | | | | P |
| 43 | Call order desk | BRACKET-WASSY / LATCH | 2 | | | | P |
| 45 | Call order desk | CAP-VINYL YLW .375-2.5 BLK LETTER. | 2 | | | | P |
| 46 | N.S.S. | SPRING 2.5X.50X.52 | 2 | | | | 1 |
| 47 | 864174 | KIT LATCH ASSY | 2 | | | | |
| 48 | Call order desk | ROLL PIN SS 1/8x1.00 | 2 | | | | P |
| 49 | Call order desk | SCREW CAP HEX 1/4-20x3/4 SS | 6 | | | | P |
| 50 | 502570 | WASHER LO SPT 6.1x11.8x1.6 SS | 10 | | | | |
| 51 | Call order desk | SCREW CAP BUT HEXS 1/4-20x.1 1/8 SS | 2 | | | | P |
| 52 | 863018 | BEARING, FLANGED, 3/4I.D. X 1/4W | 8 | | | | |
| 53 | 195003 | BUMPER-RUBBER .50X.31X.31 | 2 | | | | |
| 54 | Call order desk | BUMPER-RUBBER | 3 | | | | P |
| 56 | Call order desk | BLOCK-PRS COVER | 2 | | | | P |
| 58 | Call order desk | PIN MALE TAPE 66098-7 / (BAG OF TEN) | 6 | | | | P |
| 59 | Call order desk | SCREW CAP HEX 5/16-18x2.00 SS | 4 | | | | P |
| 60 | Call order desk | CHANNEL-WASSY / HOUSING / PRS / RH | 1 | | | | P |
| 60 | Call order desk | CHANNEL-WASSY / HOUSING / SHORT PRS / RH | 1 | | | | P |
| 61 | Call order desk | CHANNEL-WASSY / HOUSING / PRS / LH | 1 | | | | P |
| 61 | Call order desk | CHANNEL-WASSY / HOUSING / SHORT PRS / RH | 1 | | | | P |
| 62 | 862117 | KIT MOTOR, 24V W/HARDAWARE | 1 | | | | |
| 63 | 867628 | GEAR PRS | 1 | | | | |
| 64 | Call order desk | PLATE / KEEPER / PRS / GEAR | 1 | | | | P |
| 66 | 19518250 | TERMINAL CONNECTOR-2 CIRCUIT / PACK-CON | 1 | | | | |
| 67 | Call order desk | TERMINAL / PACK-CON SERIE 1 / HD FEM | 1 | | | | P |
| 68 | Call order desk | SCREW MA PAN PH #6-32x5/8 SS | 1 | | | | P |
| 70 | 862208 | BOLT-SHOULDER PRS | 1 | | | | |
| 71 | 862207 | RELEASE TRIGGER / WELD ASSY / PRS | 1 | | | | |
| 72 | Call order desk | STRAIN RELIEF | 1 | | | | P |
| 73 | 867693 | SPRING / MANUAL RELEASE TRIGGER / PRS | 1 | | | | |
| 74 | 867694 | WASHER 1/2 D/SHAPE 1.00X.30 | 1 | | | | |
| 75 | Call order desk | BRACKET / MANUAL RELEASE RH / WELD ASSY | 1 | | | | P |
| 76 | Call order desk | COVER/ PRS SW | 2 | | | | P |
| 77 | 862210 | KNOB KIT | 1 | | | | |
| 77 | 862118 | . KNOB / PWR ROLL STOP / MIRAGE | 1 | | | | |
| 78 | 862119 | . ROLL PIN SS 1/8x1 1/4 | 1 | | | | |
| 79 | 863623 | LINK / GEAR / WELD ASSEMBLY / RH | 1 | | | | |
| 80 | 863622 | LINK / HEX ADJUSTABLE / PRS | 1 | | | | |
| 81 | 5001189 | NUT HEX 5/16-18 SS | 1 | | | | |
| 82 | 863624 | LINK / GEAR / WELD ASSEMBLY / LH THD | 1 | | | | |
| 83 | Call order desk | BUSHING / PIVOT SHAFT / PRS | 2 | | | | P |
| 84 | Call order desk | BRACKET / MTG / COMP LINK / WELD ASSY | 1 | | | | P |
| 85 | Call order desk | LINK COMPENSATOR / WELD ASSY / PRS | 1 | | | | P |

| From Y-7046 To 1-7680 | | Date:10/2022 | PAGE:Y2-2380-20 | | | | |
|--|-----------------|--|---------------------------------|--|--|---|-------|
| W.C.L. "RICON" - PLATFORM ASSY MODEL "F9A" | | | | | | | |
| Item# | Part | Description | X L I I I 4 5 | X L I I I M T H 4 0 | X L I I I M T H 4 5 | X L I I I M T H 4 5 E | NOTES |
| 86 | Call order desk | LINK / ROLL STOP / PRS | 1 | | | | P |
| 87 | Call order desk | WASHER LO SPT #6 SS | 3 | | | | P |
| 88 | 862120 | BUMPER / RUBBER 1.000 O.D. x .13THK | 2 | | | | |
| 89 | Call order desk | KEEPER / REINFORCEMENT | 4 | | | | P |
| 90 | Call order desk | BRACKET / MANUAL RELEASE / LH / WELD ASSY | 1 | | | | P |
| 92 | Call order desk | T-NUT SS 5/16-18 | 4 | | | | P |
| 93 | Call order desk | WASHER FL .315x1.156x.062 NYL | 1 | | | | P |
| 94 | Call order desk | FOOT / PRS ACTUATOR / WELD ASSY | 1 | | | | P |
| 95 | 863041 | PLATE, ACTUATOR, SWITCH | 1 | | | | |
| 96 | Call order desk | WASHER FL #10 SS | 1 | | | | P |
| 97 | Call order desk | SHOULDER SCREW / FLAP LATCH | 1 | | | | P |
| 98 | N8885969 | WASHER LO SPT .193 SS | 2 | | | | |
| 99 | Call order desk | SCREW CAP BUT HEXS #10-24x3/8 SS | 2 | | | | P |
| 100 | 862121 | SPRING / LH / ROLLSTOP ACTUATOR RETURN | 1 | | | | |
| 103 | Call order desk | SCREW MA PAN PH #4-40x5/8 | 2 | | | | P |
| 104 | Call order desk | WASHER LO SPT #4 | 2 | | | | P |
| 105 | 862122 | LIMIT SWITCH / SEALED / PRS | 1 | | | | |
| 106 | Call order desk | SCREW MA PAN PH #6-32x1/4 SS | 2 | | | | P |
| 108 | 5001180 | NUT HEX NYRT #10-24 SS | 2 | | | | |
| 109 | 862123 | PLUNGER SWITCH / SEALED / TAPPED 6-32 | 1 | | | | |
| 109 | 864026 | PLUNGER SWITCH / SEALED / TAPPED 6-32 | 1 | | | | |
| 110 | 500553 | NUT HEX #6-32 SS | 1 | | | | |
| 111 | Call order desk | BRACKET / MOUNTING / LIMIT SWITCH / PRS | 1 | | | | P |
| 112 | Call order desk | RECEPTACLE / 9 PIN WO/FLANGE | 1 | | | | P |
| 113 | 863512 | HARNESS ASSY / ROLLSTOP SWITCH | 1 | | | | A |
| 113 | 863039 | . HARNESS, W/TWO ROLLSTOP SWITCHES | 1 | | | | |
| . NS | 865043 | . . ROLLSTOP PLUNGER | 1 | | | | |
| 114 | Call order desk | PLATE / REINF LH / WELD ASSY / PRS SW-T | 1 | | | | P |
| 115 | Call order desk | SCREW CAP CK HEXS #10-24x1/2 SS | 2 | | | | P |
| 118 | N8885961 | SCREW CAP FL HEXS 1/4-20x3/4 SS | 4 | | | | |
| 119 | 865085 | MECH ASSY-LATCH | 1 | | | | |
| 120 | Call order desk | SCREW CAP BUT HEXS 5/16-18x3/4 SS | 2 | | | | P |
| 121 | Call order desk | SCREW CAP BUT HEXS 5/16-18x1.00 SS | 6 | | | | P |
| 124 | Call order desk | SCREW CAP HEX 5/16-18x1/2 SS | 6 | | | | P |
| 125 | Call order desk | BRACKET-HANDRAIL / LH | 2 | | | | P |
| 126 | Call order desk | PLATE-HANDRAIL LOCK/ STRICKER | 2 | | | | P |
| 127 | 862124 | BUCKLE-RESTRAINT BELT W/O SWITCH | 1 | | | | |
| 127 | 862216 | BUCKLE-RESTRAINT BELT W/SWITCH | 1 | | | | |
| 128 | Call order desk | SCREW SET HEXS SS 5/16-18x.50 5/16-18x1/2 SS | 2 | | | | P |
| 129 | Call order desk | BUSHING .75x.25 THK SNAP IN | 1 | | | | P |
| | | | | | | | |
| | | | | | | | |

| | | |
|-----------------------|--------------|-----------------|
| From Y-7046 To 1-7680 | Date:10/2022 | PAGE:Y2-2380-20 |
|-----------------------|--------------|-----------------|

W.C.L. "RICON" - PLATFORM ASSY MODEL "F9A"

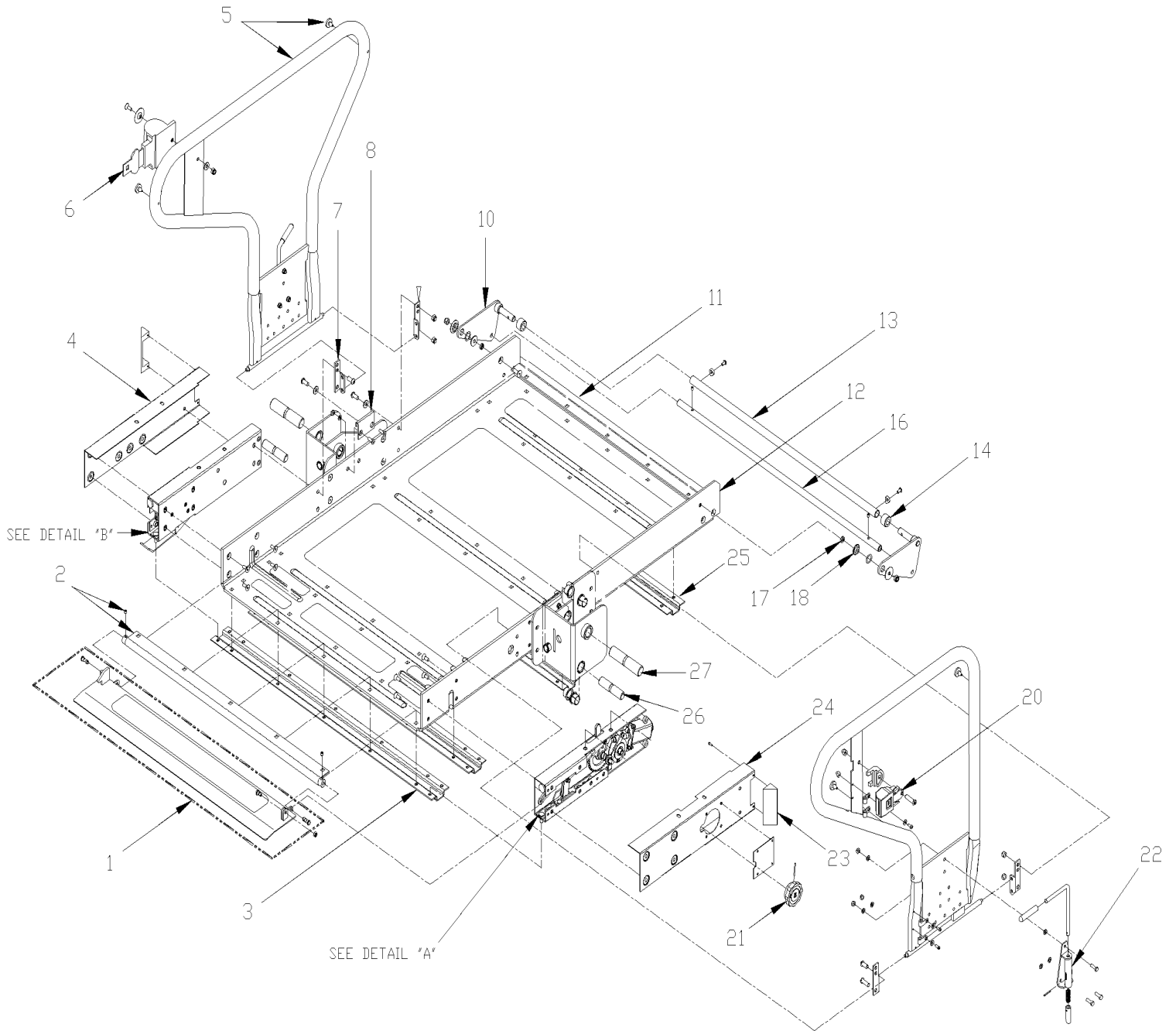
| Item# | Part | Description | X L I I 4 5 | X L I I M T H 4 0 | X L I I M T H 4 5 | X L I I M T H 4 5 E | N O T E S |
|-------|------|---|----------------------------|---|---|--|-----------------------|
| | | A) INCLUDE ITEMS 58, 68, 72, 87, 105, 108, 109, 110, 111, 112 & 113 | | | | | |
| | | 1) NOT SOLD SEPARATELY | | | | | |
| | | P) CALL ORDER DESK FOR SPECIFIC APPLICATION (V.I.N.) | | | | | |

From 1-7681 To 4-8278

Date:10/2022

PAGE:Y2-2380-21

W.C.L. "RICON" - PLATFORM ASSY MODEL "HC-L002"

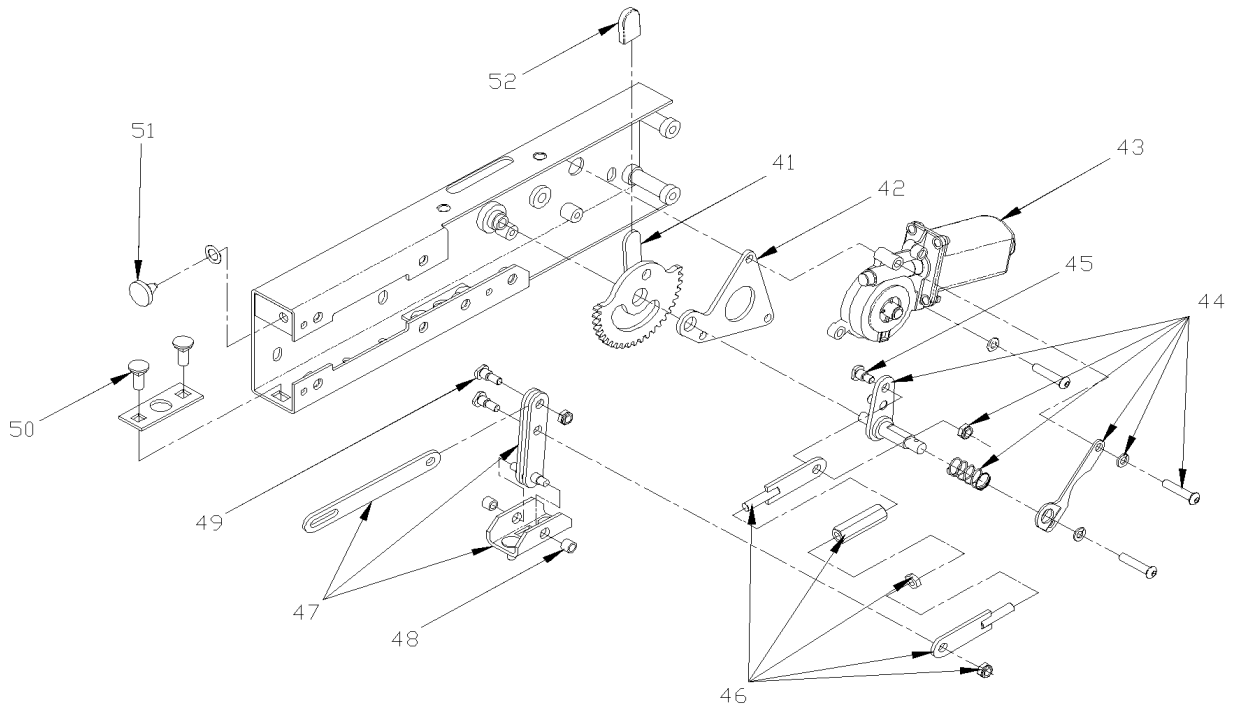


From 1-7681 To 4-8278

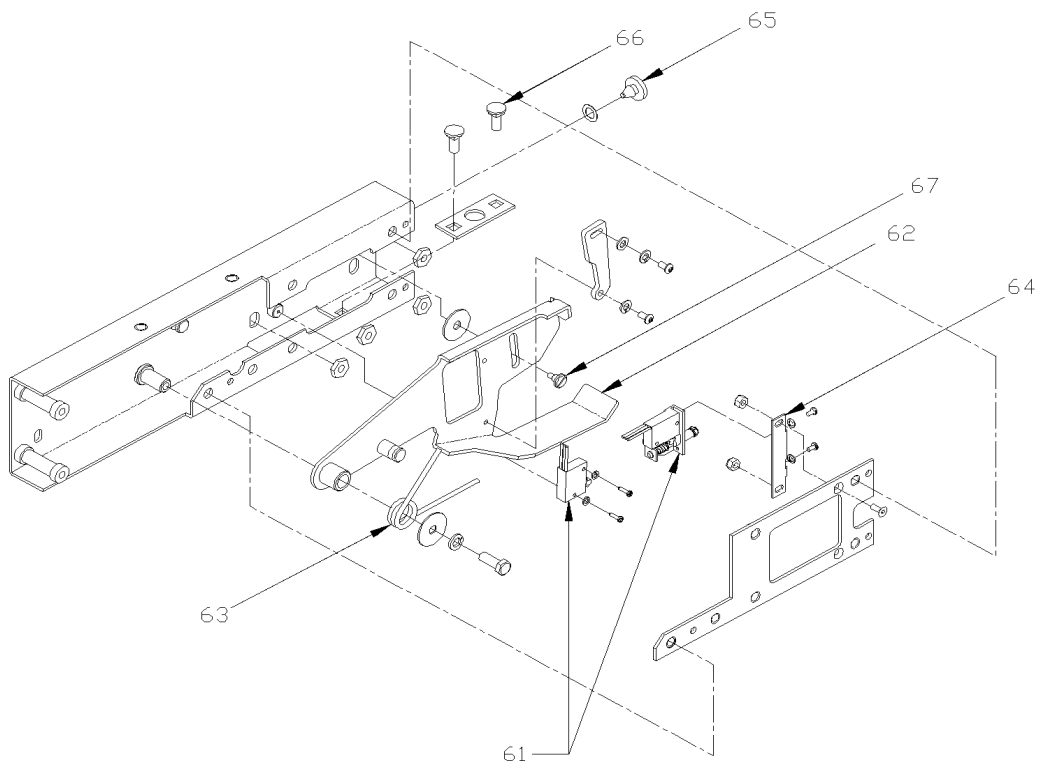
Date:10/2022

PAGE:Y2-2380-21

W.C.L. "RICON" - PLATFORM ASSY MODEL "HC-L002"



DETAIL "A"



DETAIL "B"

| | | |
|---|--------------|-----------------|
| From 1-7681 To 4-8278 | Date:10/2022 | PAGE:Y2-2380-21 |
| W.C.L. "RICON" - PLATFORM ASSY MODEL "HC-L002" | | |

| Item# | Part | Description | X L I I 4 5 | X L I I M T H 4 0 | X L I I M T H 4 5 | X L I I M T H 4 5 E | N O T E S |
|-------|-----------------|---|----------------------------|---|---|--|-----------------------|
| 1 | Call order desk | KIT ROLLSTOP ASSY / W/SAFETREAD | 1 | | | | P |
| 2 | Call order desk | KIT ROLLSTOP PIVOT / W/HARDWARE | 1 | | | | P |
| 3 | Call order desk | STIFFENER / PLATFORM / FRONT | 2 | | | | P |
| 4 | Call order desk | COVER / SIDE / ROLLSTOP LATCH | 1 | | | | P |
| 5 | 868136 | KIT HANDRAIL | 1 | | | | |
| 6 | 862116 | RETRACTOR-RESTRAINT BELT | 1 | | | | |
| 7 | Call order desk | BRACKET HANDRAIL PIVOT | 2 | | | | P |
| 8 | Call order desk | PLATE-HANDRAIL LOCK/ STRICKER | 2 | | | | P |
| 10 | Call order desk | STIRRUP / BRIDGEPLATE | 1 | | | | P |
| 11 | Call order desk | STIFFENER / PLATFORM / REAR | 1 | | | | P |
| 12 | Call order desk | PLATFORM 32.25"x48", W/SAFETREADS | 1 | | | | P |
| 13 | Call order desk | ROD / BRIDGEPLATE ACTUATOR | 1 | | | | P |
| 14 | Call order desk | ROLLER / BRIDGEPLATE ACTUATOR | 2 | | | | P |
| 16 | Call order desk | ROD / STIRRUP | 1 | | | | P |
| 17 | Call order desk | BUSHING / BRIDGEPLATE | 2 | | | | P |
| 18 | Call order desk | BUSHING / STIRRUP PIVOT | 2 | | | | P |
| 20 | 862216 | BUCKLE-RESTRAINT BELT W/SWITCH | 1 | | | | |
| 21 | 862210 | KNOB KIT | 1 | | | | |
| 22 | 864174 | KIT LATCH ASSY | 2 | | | | |
| 23 | Call order desk | DEFLECTOR / SIDE COVER | 2 | | | | P |
| 24 | Call order desk | COVER / SIDE / ROLLSTOP ACTUATOR | 1 | | | | P |
| 25 | Call order desk | STIFFENER / PLATFORM / MIDDLE | 2 | | | | P |
| 26 | Call order desk | PIN PIVOT .75x3.25 | 1 | | | | P |
| 27 | Call order desk | PIN PIVOT .75x4.25 | 1 | | | | P |
| 41 | Call order desk | GEAR, W/INDICATOR, PRS | 1 | | | | P |
| 42 | 863038 | COVER, ROLLSTOP, LH | 1 | | | | |
| 43 | 862117 | KIT MOTOR, 24V W/HARDWARE | 1 | | | | |
| 44 | Call order desk | KIT MANUAL RELEASE LEVER | 1 | | | | P |
| 45 | Call order desk | . SCREW SHR HEXS .310x.250{M6-1.0 | 1 | | | | P |
| 46 | Call order desk | KIT LINK ADJUSTABLE | 1 | | | | P |
| 47 | Call order desk | KIT COMPENSATOR LINKAGE | 1 | | | | P |
| 48 | Call order desk | . BUSHING / PIVOT SHAFT / PRS | 2 | | | | P |
| 49 | Call order desk | . SCREW M6-1.0x11 SS | 2 | | | | P |
| 50 | Call order desk | SCREW CRG M8-1.25x20 | 2 | | | | P |
| | Call order desk | | | | | | P |
| 52 | Call order desk | CAP, RED VINYL, W/ARROW, BAG OF TEN | 2 | | | | P |
| 61 | 863039 | HARNESS, W/TWO ROLLSTOP SWITCHES | 1 | | | | |
| . NS | 865043 | . ROLLSTOP PLUNGER | 1 | | | | |
| 62 | Call order desk | LATCH, ROLLSTOP | 1 | | | | P |
| 63 | 862121 | SPRING / LH / ROLLSTOP ACTUATOR RETURN | 1 | | | | |
| 64 | Call order desk | BRACKET / MOUNTING / LIMIT SWITCH / PRS | 1 | | | | P |
| 65 | 862120 | BUMPER / RUBBER 1.000 O.D. x .13THK | 1 | | | | |

| | | |
|--|--------------|-----------------|
| From 1-7681 To 4-8278 | Date:10/2022 | PAGE:Y2-2380-21 |
| W.C.L. "RICON" - PLATFORM ASSY MODEL "HC-L002" | | |

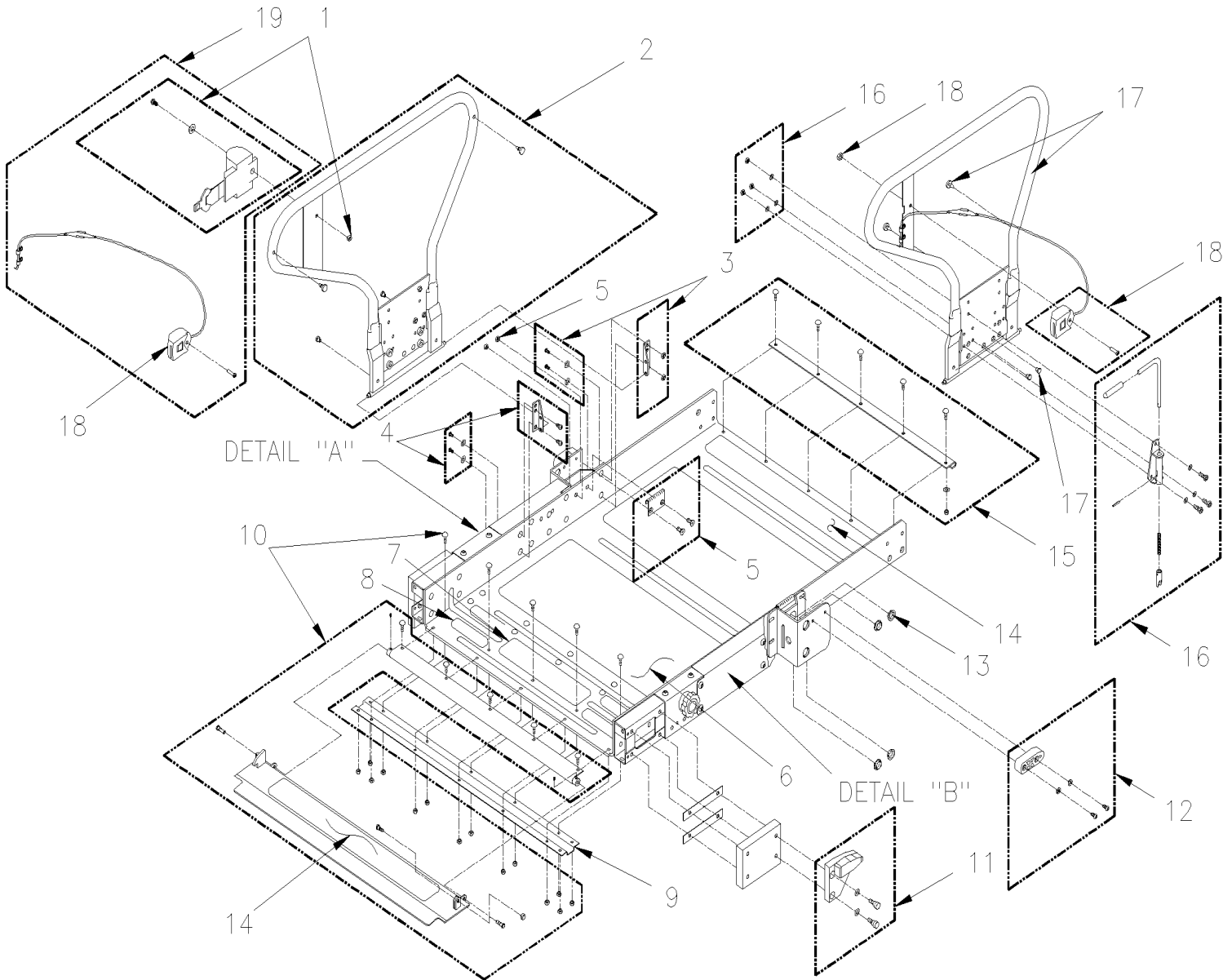
| Item# | Part | Description | X L I I 4 5 | X L I I M T H 4 0 | X L I I M T H 4 5 | X L I I M T H 4 5 E | N O T E S |
|-------|-----------------|--|----------------------------|---|---|--|-----------------------|
| 66 | Call order desk | SCREW CRG M8-1.25x20 | 2 | | | | P |
| 67 | Call order desk | SCREW, SHOULDER, LATCH | 1 | | | | P |
| | | | | | | | |
| | | | | | | | |
| | | P) CALL ORDER DESK FOR SPECIFIC APPLICATION (V.I.N.) | | | | | |

From 4-8279 To 5-8605

Date:10/2022

PAGE:Y2-2380-22

W.C.L. "RICON" - PLATFORM ASSY MODEL "F9T"

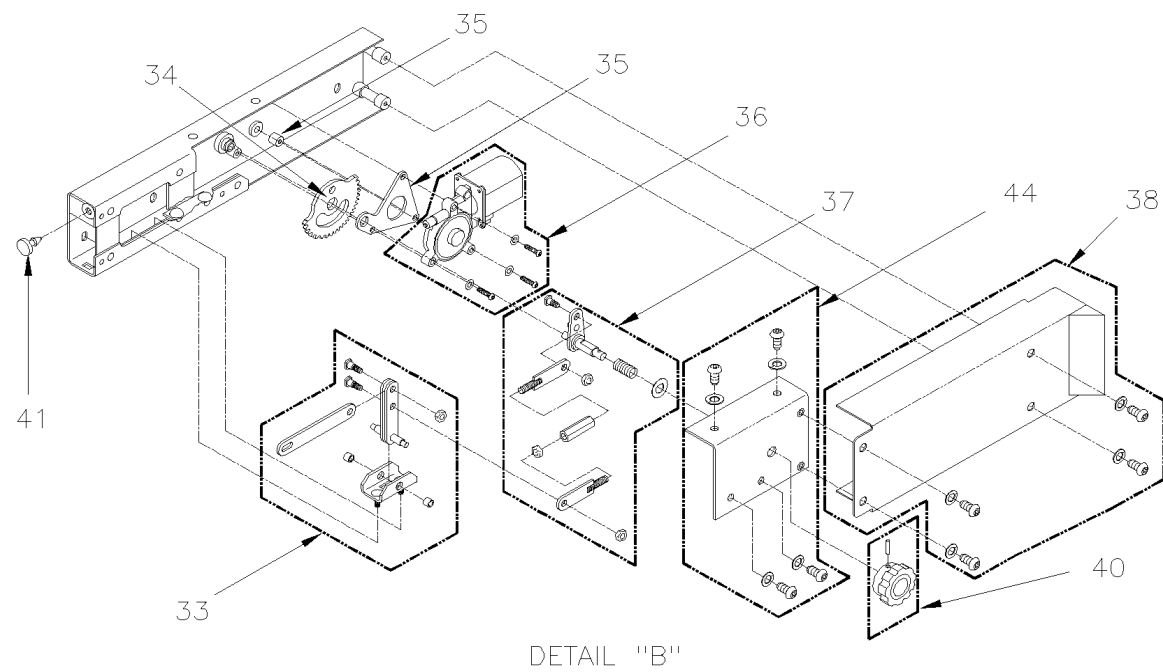
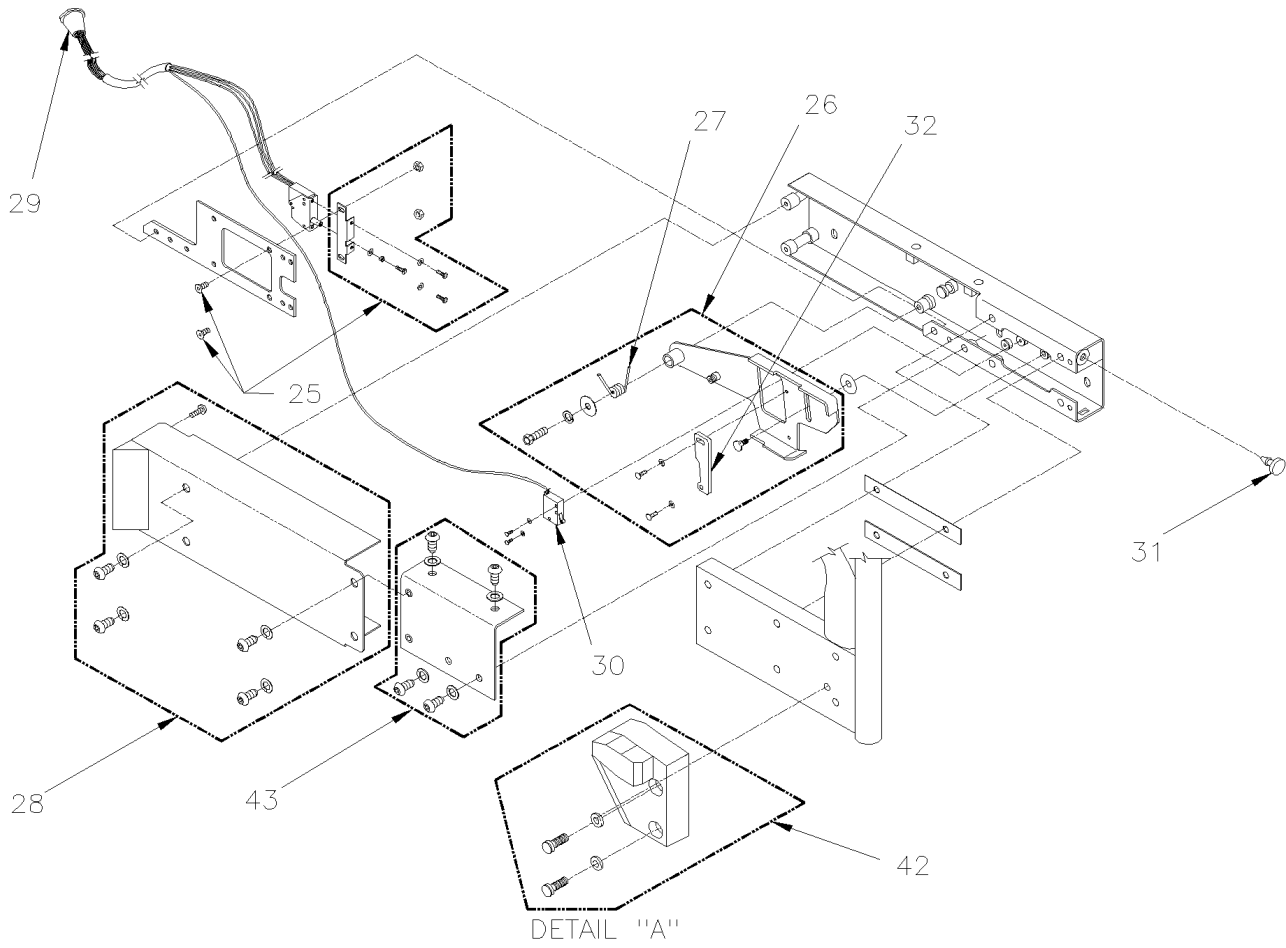


From 4-8279 To 5-8605

Date:10/2022

PAGE:Y2-2380-22

W.C.L. "RICON" - PLATFORM ASSY MODEL "F9T"



| | | |
|--|--------------|-----------------|
| From 4-8279 To 5-8605 | Date:10/2022 | PAGE:Y2-2380-22 |
| W.C.L. "RICON" - PLATFORM ASSY MODEL "F9T" | | |

| Item# | Part | Description | X L I I 4 5 | X L I I M T H 4 0 | X L I I M T H 4 5 | X L I I M T H 4 5 E | NOTES |
|-------|-----------------|--|----------------------------|---|---|--|-------|
| 1 | 862116 | RETRACTOR-RESTRAINT BELT | 1 | | | | |
| 2 | 19508803 | KIT, FOLDING HANDRAIL, LH | 1 | | | | |
| 3 | 19509877 | KIT, HANDRAIL PIVOT BRACKET ASSY RH | 1 | | | | |
| 4 | 19509878 | KIT, HANDRAIL PIVOT BRACKET ASSY RH | 1 | | | | |
| 5 | Call order desk | KIT, HANDRAIL STRIKER | 1 | | | | P |
| 6 | 863620 | SAFETY TREAD / 25.50x12 / OCEAN GREY | 1 | | | | |
| 7 | 863016 | SAFETY TREAD / 12.75x3.0 / SAFETY YELLOW | 1 | | | | |
| 8 | 863017 | SAFETY TREAD / 5.5x1.5 / SAFETY YELLOW | 1 | | | | |
| 9 | 19509879 | PLATFORM STIFFENER, FRONT | 4 | | | | |
| 10 | Call order desk | KIT, ROLLSTOP ASSY | 1 | | | | P |
| 11 | 862114 | BLOCK / PLAFORM GUIDE / RH | 1 | | | | |
| 12 | 862115 | BLOCK / PLAFORM GUIDE / LH | 1 | | | | |
| 13 | 863018 | BEARING, FLANGED, 3/4I.D. X 1/4W | 2 | | | | |
| 14 | 863621 | SAFETY TREAD / 25.50x3.0 / SAFETY YELLOW | 4 | | | | |
| 15 | 863021 | KIT, STIFFENER, PLATFORM, REAR | 1 | | | | |
| 16 | 864174 | KIT LATCH ASSY | 1 | | | | |
| 17 | 19508804 | KIT, FOLDING HANDRAIL, RH | 1 | | | | |
| 17 | 862120 | BUMPER / RUBBER 1.000 O.D. x .13THK | 2 | | | | |
| 17 | Call order desk | BUMPER / RUBBER 1.000 O.D. x .50THK | 2 | | | | P |
| 17 | Call order desk | BUMPER / RUBBER .870 O.D. x .40THK | 2 | | | | P |
| 17 | Call order desk | BUMPER / RUBBER .630 O.D. x .31THK | 4 | | | | P |
| 18 | 7775207 | KIT, SAFETY BELT BUCKLE ASSEMBLY WITH DETECTOR | 1 | | | | |
| 19 | 862124 | BUCKLE-RESTRAINT BELT W/O SWITCH | 1 | | | | |
| 25 | 863036 | KIT, MOUNTING BRACKET, LIMIT SWITCH | 1 | | | | |
| 26 | 863037 | KIT, ACTUATOR FOOT ASSY | 1 | | | | |
| 27 | 862121 | SPRING / LH / ROLLSTOP ACTUATOR RETURN | 1 | | | | |
| 28 | 19509874 | KIT, SIDE COVER | 1 | | | | |
| 29 | 863039 | HARNESS, W/TWO ROLLSTOP SWITCHES | 1 | | | | |
| . NS | 865043 | . ROLLSTOP PLUNGER | 1 | | | | |
| 30 | 863129 | LIMIT SWITCH | 1 | | | | |
| 31 | 862120 | BUMPER / RUBBER 1.000 O.D. x .13THK | 1 | | | | |
| 32 | 863041 | PLATE, ACTUATOR, SWITCH | 1 | | | | |
| 33 | 863031 | KIT, ROLLSTOP LINKAGE | 1 | | | | |
| 34 | 862996 | KIT, ROLLSTOP GEAR | 1 | | | | |
| 35 | 863032 | KIT, GEAR MOTOR MTG PLATE | 1 | | | | |
| 36 | 862117 | KIT MOTOR, 24V W/HARDAWARE | 1 | | | | |
| 37 | 863033 | KIT, GEAR LINKAGE | 1 | | | | |
| 38 | 19509874 | KIT, SIDE COVER | 1 | | | | |
| 40 | 862210 | KNOB KIT | 1 | | | | |
| 41 | 862120 | BUMPER / RUBBER 1.000 O.D. x .13THK | 1 | | | | |
| 42 | Call order desk | KIT, PLATFORM GUIDE LH | 1 | | | | P |
| 43 | 19509876 | KIT, ROLLSTOP RELEASE BRACKET | 1 | | | | |

| | | |
|-----------------------|--------------|-----------------|
| From 4-8279 To 5-8605 | Date:10/2022 | PAGE:Y2-2380-22 |
|-----------------------|--------------|-----------------|

W.C.L. "RICON" - PLATFORM ASSY MODEL "F9T"

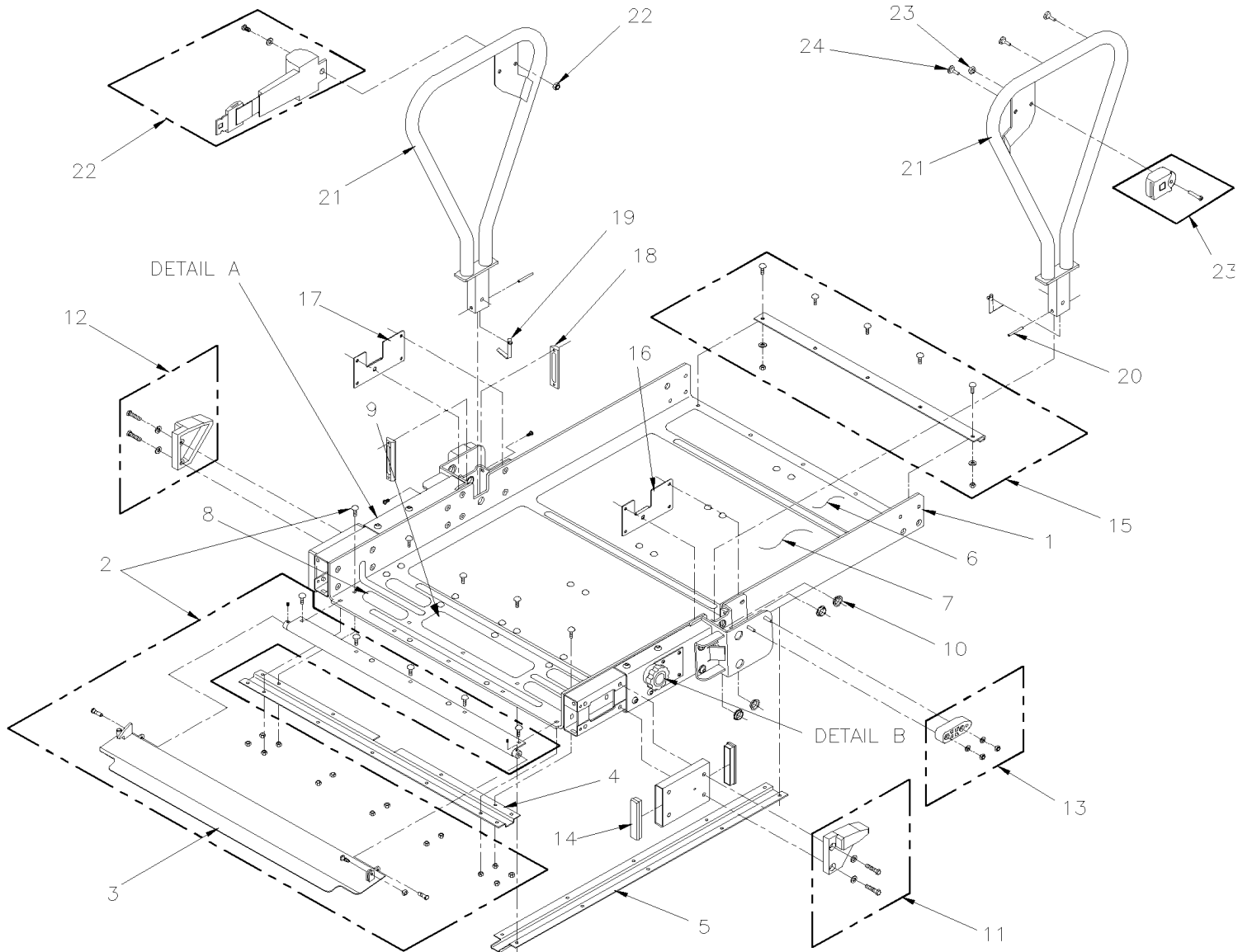
| Item# | Part | Description | X L I I 4 5 | X L I I M T H 4 0 | X L I I M T H 4 5 | X L I I M T H 4 5 E | N O T E S |
|-------|----------|--|----------------------------|---|---|--|-----------------------|
| 44 | 19509875 | KIT, ROLLSTOP ACTUATOR BRACKET | 1 | | | | |
| | | | | | | | |
| | | | | | | | |
| | | P) CALL ORDER DESK FOR SPECIFIC APPLICATION (V.I.N.) | | | | | |

From 5-8606 To 6-8906

Date:10/2022

PAGE:Y2-2380-23

W.C.L. "RICON" - PLATFORM ASSY MODEL "F9TF"

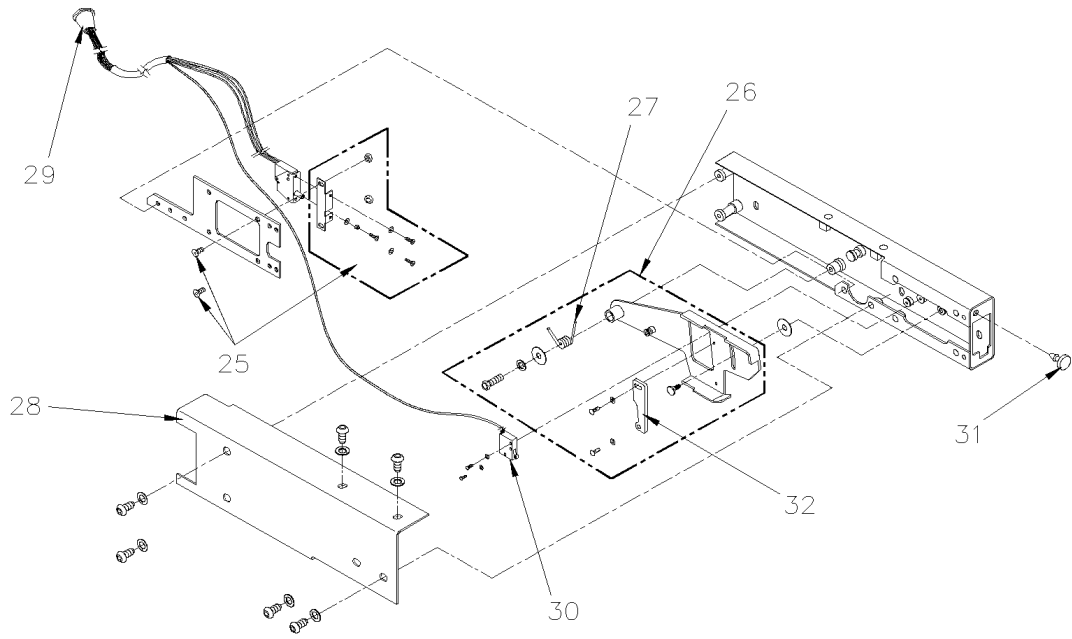


From 5-8606 To 6-8906

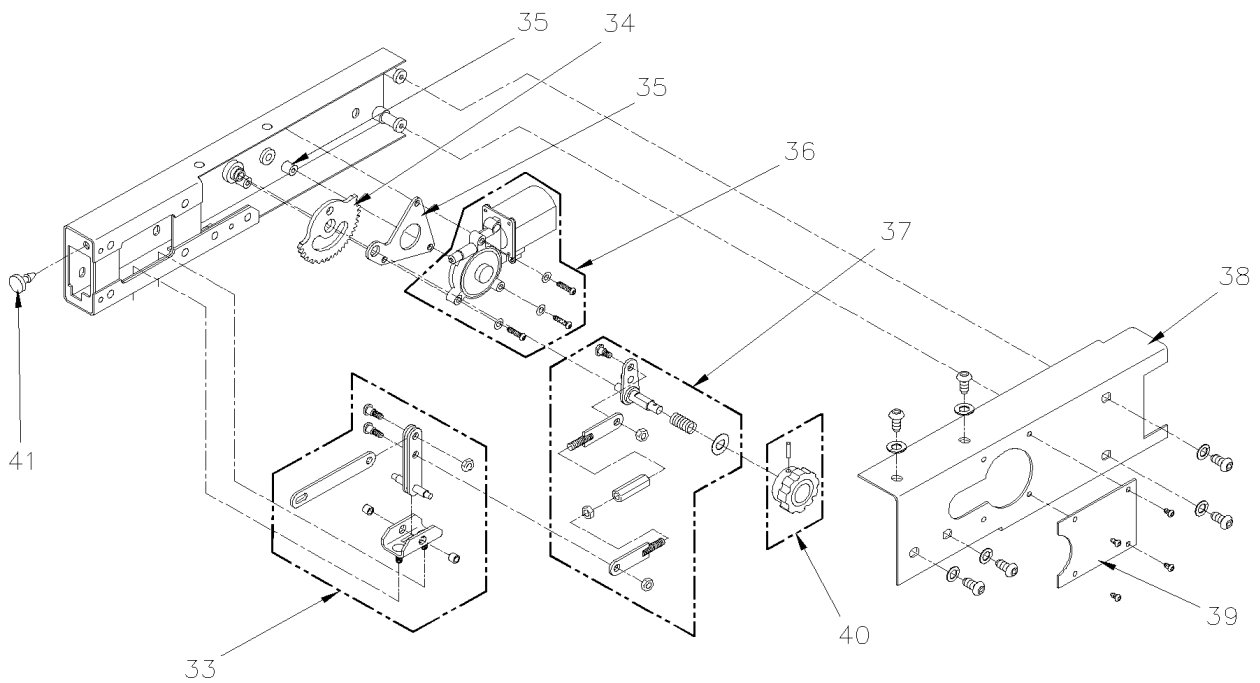
Date:10/2022

PAGE:Y2-2380-23

W.C.L. "RICON" - PLATFORM ASSY MODEL "F9TF"



DETAIL A



DETAIL B

| | | |
|--|--------------|-----------------|
| From 5-8606 To 6-8906 | Date:10/2022 | PAGE:Y2-2380-23 |
| W.C.L. "RICON" - PLATFORM ASSY MODEL "F9TF" | | |

| Item# | Part | Description | X | X | X | NOTES |
|-------|-----------------|--|---|---|---|-------|
| | | | L | L | L | |
| | | | I | I | I | |
| | | | I | I | I | |
| | | | 4 | M | M | |
| | | | 5 | T | T | |
| | | | | H | H | |
| | | | | 4 | 5 | |
| | | | | 0 | 5 | |
| | | | | | E | |
| 1 | 865627 | PLATFORM | 1 | | | |
| 2 | 863010 | KIT, ROLLSTOP ASSEMBLY | 1 | | | |
| 3 | Call order desk | ROLLSTOP, PAINTED | 1 | | | P |
| 4 | 865628 | STIFFENER & HARNESS CONDUIT, NOTCHED | 1 | | | |
| 5 | 865629 | HARNESS CONDUIT, FRONT TO REAR | 1 | | | |
| 6 | 863014 | SAFETREAD, 3.0 X 31.0, YELLOW | 1 | | | |
| 7 | 863015 | SAFETREAD, 16.0 X 31.0, GRAY | 1 | | | |
| 8 | 863016 | SAFETY TREAD / 12.75x3.0 / SAFETY YELLOW | 1 | | | |
| 9 | 863017 | SAFETY TREAD / 5.5x1.5 / SAFETY YELLOW | 4 | | | |
| 10 | 863018 | BEARING, FLANGED, 3/4I.D. X 1/4W | 1 | | | |
| 11 | 862114 | BLOCK / PLAFORM GUIDE / RH | 1 | | | |
| 12 | 862115 | BLOCK / PLAFORM GUIDE / LH | 1 | | | |
| 13 | 863019 | KIT, PLATFORM GUIDE, REAR | 2 | | | |
| 14 | 863020 | CAP, RECTANGULAR, SNAP-IN | 4 | | | |
| 15 | 863021 | KIT, STIFFENER, PLATFORM, REAR | 1 | | | |
| 16 | 865630 | PLATE, PIN LOCK, RH To FORMER | 1 | | | |
| 16 | 860098 | PLATE, PIN LOCK From CURRENT | 1 | | | |
| 17 | 865631 | PLATE, PIN LOCK, LH To FORMER | 1 | | | |
| 17 | 860098 | PLATE, PIN LOCK From CURRENT | 1 | | | |
| 18 | 863024 | HANDRAIL GUIDE | 4 | | | |
| 19 | 863618 | BUTTON, HANDRAIL LOCK | 2 | | | |
| 20 | 863026 | PIN, HANDRAIL PIVOT | 2 | | | |
| 21 | 864222 | HANDRAIL | 2 | | | |
| 22 | 863028 | KIT, SAFETY BELT W/RETRACTOR | 1 | | | |
| 23 | 863029 | KIT, SAFETY BELT BUCKLE ASSEMBLY | 1 | | | |
| 23 | 7775207 | KIT, SAFETY BELT BUCKLE ASSEMBLY WITH DETECTOR | 1 | | | |
| 24 | 862120 | BUMPER / RUBBER 1.000 O.D. x .13THK | 1 | | | |
| 25 | 863036 | KIT, MOUNTING BRACKET, LIMIT SWITCH | 1 | | | |
| 26 | 863037 | KIT, ACTUATOR FOOT ASSY | 1 | | | |
| 27 | 862121 | SPRING / LH / ROLLSTOP ACTUATOR RETURN | 1 | | | |
| 28 | 863038 | COVER, ROLLSTOP, LH | 1 | | | |
| 29 | 863039 | HARNESS, W/TWO ROLLSTOP SWITCHES | 1 | | | |
| NS | 865043 | . ROLLSTOP PLUNGER | 1 | | | |
| 30 | 863040 | SWITCH LIMIT, W/LEADS | 1 | | | |
| 31 | 862120 | BUMPER / RUBBER 1.000 O.D. x .13THK | 1 | | | |
| 32 | 863041 | PLATE, ACTUATOR, SWITCH | 1 | | | |
| 33 | 863031 | KIT, ROLLSTOP LINKAGE | 1 | | | |
| 34 | 862996 | KIT, ROLLSTOP GEAR | 1 | | | |
| 35 | 863032 | KIT, GEAR MOTOR MTG PLATE | 1 | | | |
| 36 | 862117 | KIT MOTOR, 24V W/HARDAWARE | 1 | | | |
| 37 | 863033 | KIT, GEAR LINKAGE | 1 | | | |
| 38 | 863034 | COVER, ROLLSTOP, RH | 1 | | | |

| | | |
|---|--------------|-----------------|
| From 5-8606 To 6-8906 | Date:10/2022 | PAGE:Y2-2380-23 |
| W.C.L. "RICON" - PLATFORM ASSY MODEL "F9TF" | | |

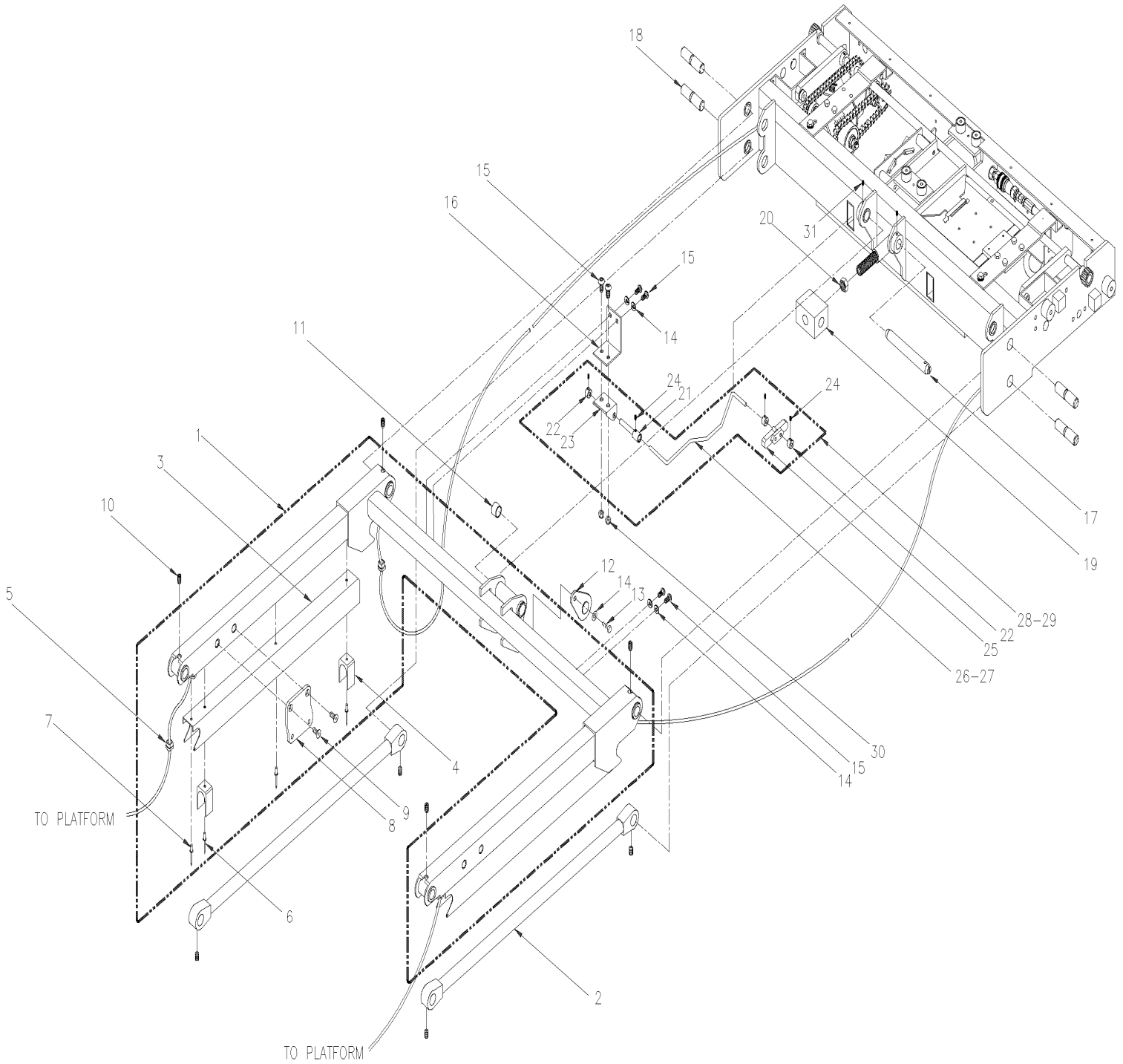
| Item# | Part | Description | X L I I 4 5 | X L I I M T H 4 0 | X L I I M T H 4 5 | X L I I M T H 4 5 E | N O T E S |
|-------|--------|--|----------------------------|---|---|--|-----------------------|
| 39 | 868236 | COVER PLATE, MANUAL RELEASE | 1 | | | | |
| 40 | 862210 | KNOB KIT | 1 | | | | |
| 41 | 862120 | BUMPER / RUBBER 1.000 O.D. x .13THK | 1 | | | | |
| | | | | | | | |
| | | | | | | | |
| | | P) CALL ORDER DESK FOR SPECIFIC APPLICATION (V.I.N.) | | | | | |

From Y-7046 To 1-7680

Date:10/2022

PAGE:Y2-2380-30

W.C.L. "RICON" - TRAVELING FRAME ASSY MODEL "F9A"



From Y-7046 To 1-7680

Date:10/2022

PAGE:Y2-2380-30

W.C.L. "RICON" - TRAVELING FRAME ASSY MODEL "F9A"

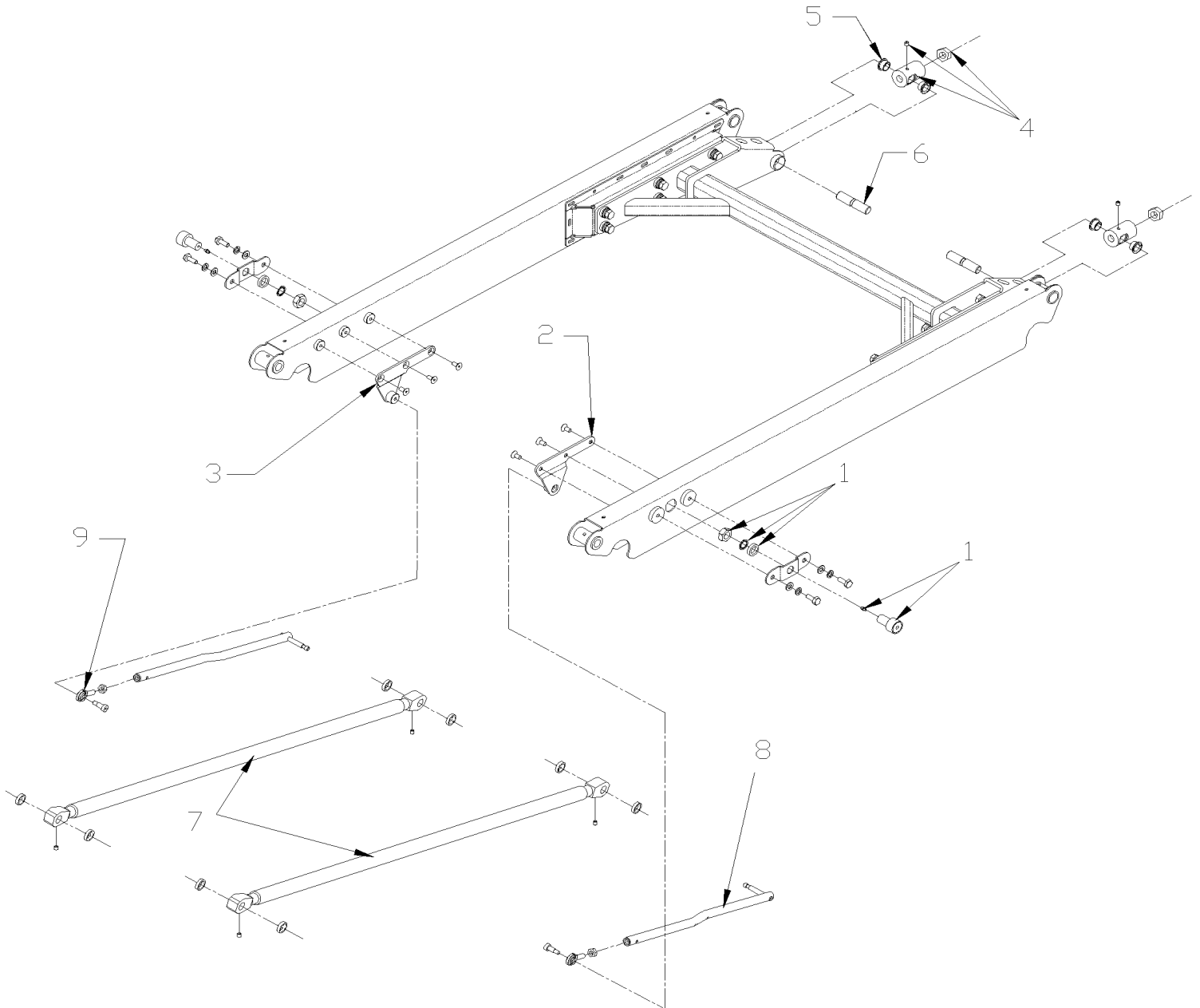
| Item# | Part | Description | X L I I 4 5 | X L I I M T H 4 0 | X L I I M T H 4 5 | X L I I M T H 4 5 E | NOTES |
|-------|-----------------|--|----------------------------|---|---|--|-------|
| 1 | 862125 | LIFTING FRAME-ASSY / 43.00 CENTERS / EXT | 1 | | | | |
| 2 | 862126 | ARM-WASSY / LOWER / 43.00 CENTERS | 2 | | | | |
| 3 | Call order desk | COVER-ARM 30.313 CENTERS | 2 | | | | P |
| 4 | Call order desk | BLOCK-ARM GUIDE | 4 | | | | P |
| 5 | Call order desk | STRAIN RELIEF | 4 | | | | P |
| 6 | Call order desk | RIVET STEEL 3/16x5/8 | 4 | | | | P |
| 7 | Call order desk | RIVET STEEL 3/16x3/8 | 4 | | | | P |
| 8 | Call order desk | PLATE-BRIDGE PLATE ACTUATOR MOUNT | 2 | | | | P |
| 9 | Call order desk | SCREW CAP FL HEXS 1/4-20x5/8 | 4 | | | | P |
| 10 | Call order desk | SCREW SET HEXS SS 5/16-18x.50 5/16-18x1/2 SS | 8 | | | | P |
| 11 | 862127 | BEARING DU / .75x.875x.63 | 6 | | | | |
| 12 | 862212 | KIT KEEPER PLATE | 1 | | | | |
| 13 | Call order desk | SCREW CAP HEX 5/16-18x5/8 SS | 2 | | | | P |
| 14 | Call order desk | WASHER LO SPT 5/16 SS | 6 | | | | P |
| 15 | Call order desk | SCREW CAP BUT 5/16-18x5/8 SS | 6 | | | | P |
| 16 | Call order desk | BRACKET-ACTUATOR ROD PIVOT / EXT | 1 | | | | P |
| 17 | 863055 | PIN, .75D X 6.0L | 1 | | | | |
| 18 | 862128 | PIN-PIVOT / LIFTING FRAME | 4 | | | | |
| 19 | 196113 | TRUNNION-CYLINDER | 1 | | | | |
| 20 | Call order desk | NUT HEX JAM 3/4-16 SS | 1 | | | | P |
| 21 | Call order desk | COLLAR-ACTUATOR ROD | 1 | | | | P |
| 22 | Call order desk | COLLAR .25x.63x.38 | 3 | | | | P |
| 23 | Call order desk | BRACKET-F9000 SERIES ELCT SYSTEM | 1 | | | | P |
| 24 | Call order desk | SCREW SET HEXS SS 10-32x1/4 #10-32x1/4 SS | 6 | | | | P |
| 25 | Call order desk | BLOCK-SWITCH ACTUATOR CAM | 1 | | | | P |
| 26 | Call order desk | ROD-SWITCH CAM ACTUATOR LH | 1 | | | | P |
| 27 | Call order desk | ROD-SWITCH CAM ACTUATOR RH | 1 | | | | P |
| 28 | 862129 | SWITCH ACTUATOR ASSY / LH | 1 | | | | |
| 29 | 862130 | SWITCH ACTUATOR ASSY / RH | 1 | | | | |
| 30 | Call order desk | NUT HEX THN 5/16-18 NYL | 2 | | | | P |
| 31 | Call order desk | SCREW SET HEXS SS 1/4-20x1/4 1/4-20x1/4 SS | 2 | | | | P |
| | | | | | | | |
| | | | | | | | |
| | | | | | | | |
| | | | | | | | |
| | | P) CALL ORDER DESK FOR SPECIFIC APPLICATION (V.I.N.) | | | | | |

From 1-7681 To 4-8278

Date:10/2022

PAGE:Y2-2380-31

W.C.L. "RICON" - TRAVELING FRAME ASSY MODEL "HC-L002"



| | | |
|-----------------------|--------------|-----------------|
| From 1-7681 To 4-8278 | Date:10/2022 | PAGE:Y2-2380-31 |
|-----------------------|--------------|-----------------|

W.C.L. "RICON" - TRAVELING FRAME ASSY MODEL "HC-L002"

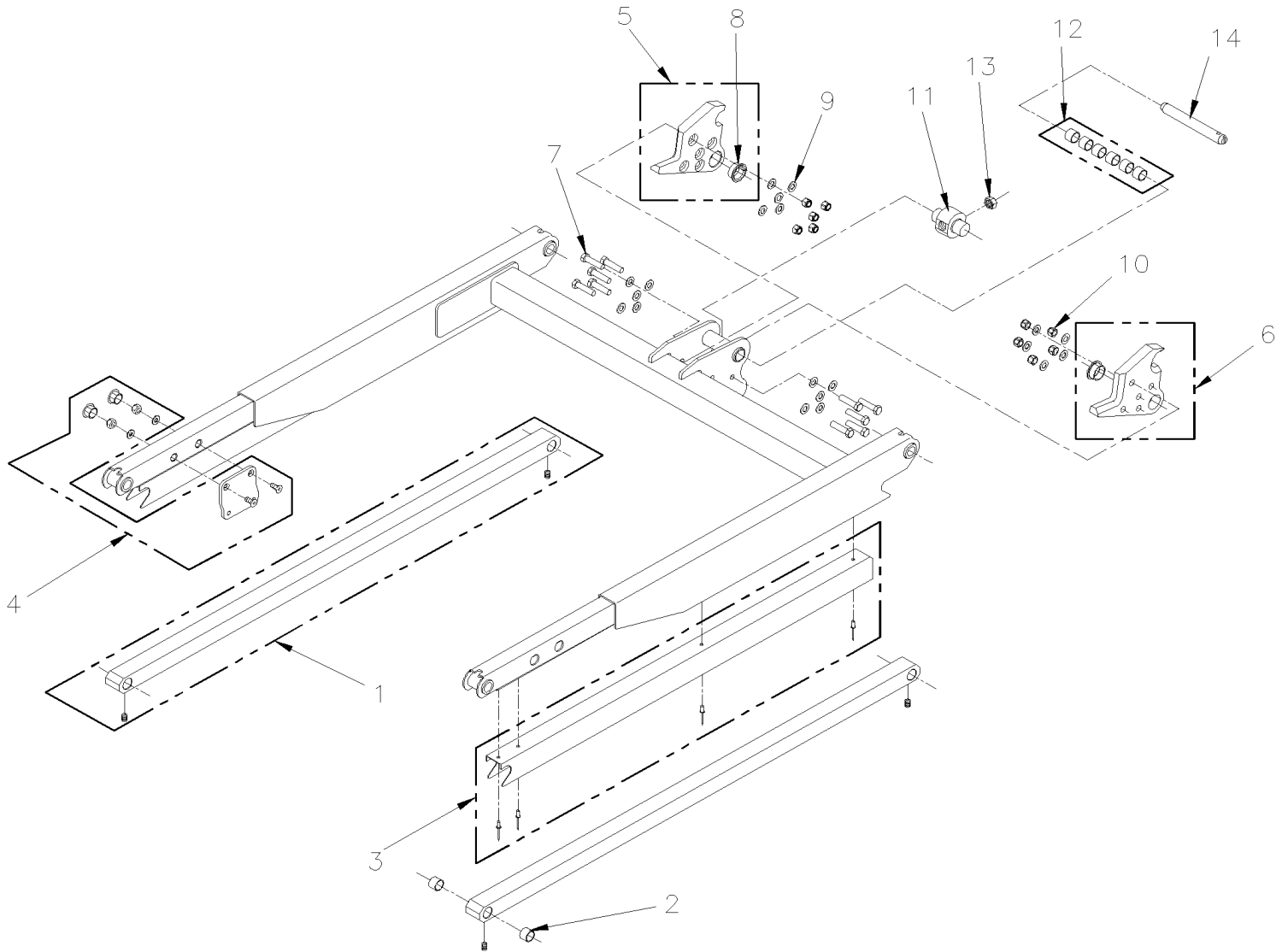
| Item# | Part | Description | X L I I 4 5 | X L I I M T H 4 0 | X L I I M T H 4 5 | X L I I M T H 4 5 E | NOTES |
|-------|-----------------|--|----------------------------|---|---|--|-------|
| 1 | Call order desk | KIT, ROLLER, 1.25ODX .75W, W/GREASE FITTING & | 2 | | | | P |
| 2 | Call order desk | BRACKET / ACTUATOR ROD RH | 1 | | | | P |
| 3 | Call order desk | BRACKET / ACTUATOR ROD LH | 1 | | | | P |
| 4 | Call order desk | KIT TRUNNION | 2 | | | | P |
| 5 | Call order desk | . BUSHING .75IDx.75W / (BAG OF 10) | 4 | | | | P |
| 6 | Call order desk | PIN PIVOT .75x3.25 | 2 | | | | P |
| 7 | Call order desk | KIT LOWER ARM | 2 | | | | P |
| 8 | Call order desk | KIT BRIDGEPLATE ACTUATOR | 2 | | | | P |
| 9 | Call order desk | ROD END, M10x14MM, M10-1.5 | 2 | | | | P |
| | | | | | | | |
| | | | | | | | |
| | | | | | | | |
| | | P) CALL ORDER DESK FOR SPECIFIC APPLICATION (V.I.N.) | | | | | |

From 1-8279 To 6-8906

Date:10/2022

PAGE:Y2-2380-32

W.C.L. "RICON" - TRAVELING FRAME ASSY MODEL "F9T" & "F9TF"

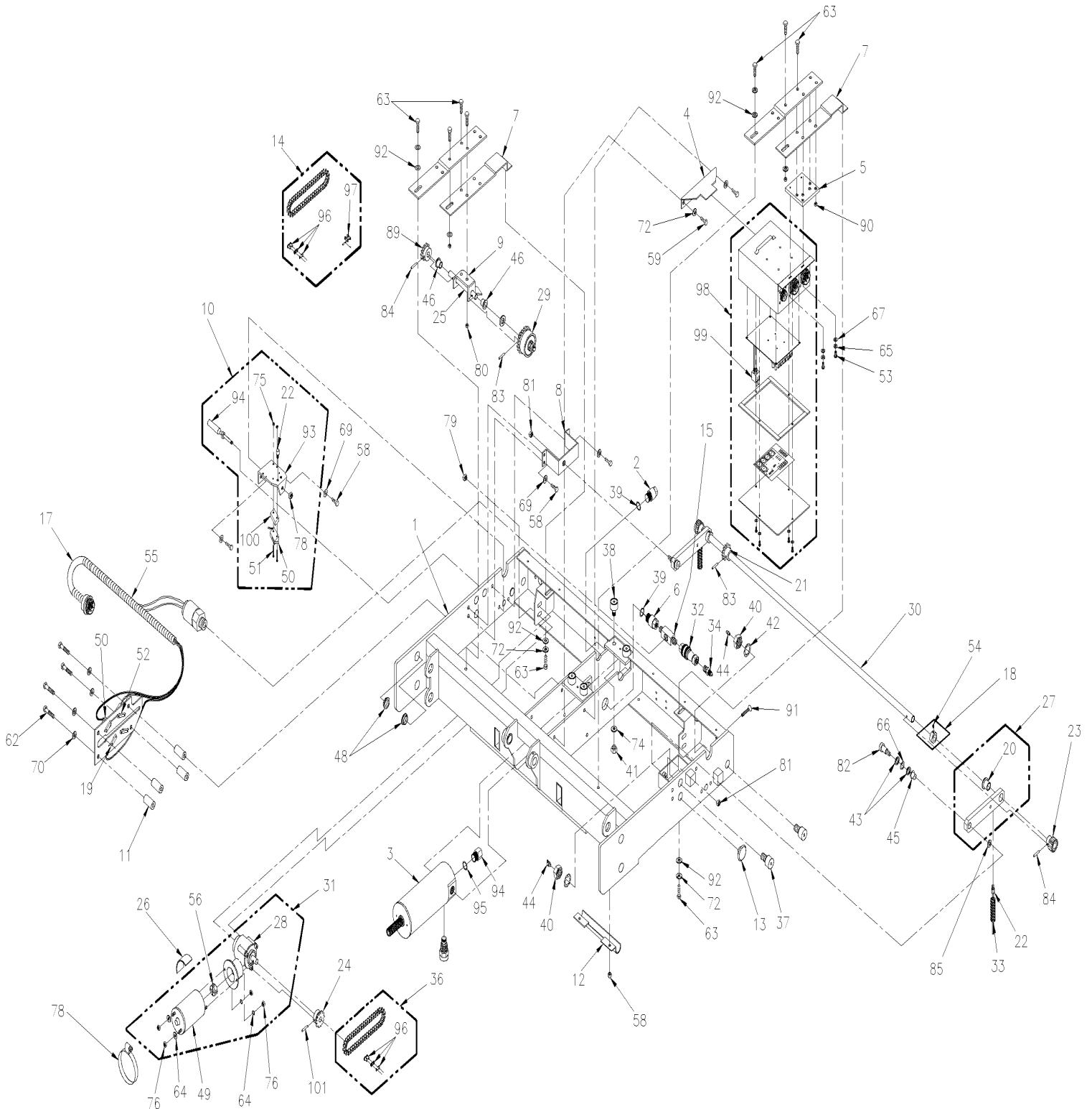


From Y-7046 To 1-7680

Date:10/2022

PAGE:Y2-2380-40

W.C.L. "RICON" - CARRIAGE ASSY MODEL "F9A"



| | | |
|---|--------------|-----------------|
| From Y-7046 To 1-7680 | Date:10/2022 | PAGE:Y2-2380-40 |
| W.C.L. "RICON" - CARRIAGE ASSY MODEL "F9A" | | |

| Item# | Part | Description | X L I I 4 5 | X L I I M T H 4 0 | X L I I M T H 4 5 | X L I I M T H 4 5 E | NOTES |
|-------|-----------------|--|----------------------------|---|---|--|-------|
| 1 | Call order desk | CARRIAGE-WASSY STANDARD | 1 | | | | P |
| 2 | Call order desk | FITTING / PIVOT | 1 | | | | P |
| 3 | 862131 | CYLINDER / HYDRAULIC / WO/INTERNAL POT | 1 | | | | |
| 4 | Call order desk | BRACKET-CARRIAGE ELECT BOX MTG | 1 | | | | P |
| 6 | 863583 | KIT, FITTING, PIVOT ¼ NPT, WITH O-RING | 1 | | | | |
| 7 | 863068 | BRACKET, IDLER SHAFT, REAR | 2 | | | | |
| 8 | Call order desk | BRACKET-ASSY / DRIVE SHAFT ARM / PIVOT | 2 | | | | P |
| 9 | Call order desk | SUPPORT / WASSY / IDLER SHAFT | 1 | | | | P |
| 10 | 862211 | MICRO SWITCH ASSY | 2 | | | | |
| 11 | Call order desk | SPACER-SWITCH PLATE / STAND OFF | 3 | | | | P |
| 12 | Call order desk | CLAMP-HARNESS | 1 | | | | P |
| 13 | Call order desk | BUTTON / CARRIAGE / GUIDE | 2 | | | | P |
| 14 | 862132 | CHAIN DRIVE / PRIMARY; TRAIN LIFT | 1 | | | | |
| 15 | 863583 | KIT, FITTING, PIVOT ¼ NPT, WITH O-RING | 1 | | | | |
| 16 | Call order desk | SWITCH PLATE | 1 | | | | P |
| 17 | 862133 | HARNESS-ASSY SWITCH PLATE UP TO SEPT 99 | 1 | | | | |
| 17 | 862134 | HARNESS-ASSY SWITCH PLATE W/PRESSURE SWITCH FROM SEPT 99 | 1 | | | | |
| 18 | Call order desk | COLLAR SET SCREW | 2 | | | | P |
| 19 | 862135 | BLOCK / SWITCH RETAINER / PLASTIC | 4 | | | | |
| 20 | Call order desk | BEARING DU .625x.719x.38 | 2 | | | | P |
| 21 | 862136 | SPOCKET 12 TEETH #35 .625 BORE | 1 | | | | |
| 22 | 862137 | BUTTON / SPRING SUPPROT | 2 | | | | |
| 23 | 862138 | GEAR 1.125PD / .63 FACE W/HUB | 2 | | | | |
| 24 | 862139 | SPOCKET 8 TEETH #35 .5 BORE | 1 | | | | |
| 25 | 862140 | SHAFT / INTERMEDIATE DRIVE .50x5.00 | 1 | | | | |
| 26 | Call order desk | GASKET / RUBBER 1/8x1/2 | 1 | | | | P |
| 27 | Call order desk | LINK / DRIVE SHAFT / PIVOT / ASSY | 2 | | | | P |
| 28 | 862141 | GEAR BOX / RATIO 24:1 | 1 | | | | |
| 29 | 862142 | CLUTCH / TORQUE LIMIT RICON | 1 | | | | |
| 30 | 862143 | SHAFT / FINAL DRIVE - DS200 | 1 | | | | |
| 31 | 862144 | GEAR-MOTOR ASSY 24V | 1 | | | | |
| 32 | 863236 | FITTING / QUICK-DISCONNECT 1/4 | 1 | | | | |
| 33 | 862145 | SPRING COMPRESSION .44x2.1 | 2 | | | | |
| 34 | 863732 | ADAPTOR STRAIGHT 1/4NPT-1/4JIC MALE | 1 | | | | |
| 36 | 862132 | CHAIN DRIVE / PRIMARY; TRAIN LIFT | 1 | | | | |
| 37 | Call order desk | CAM FOLLOWER 1 1/4x3/4 CRWND | 4 | | | | P |
| 38 | N8886024 | CAM FOLLOWER 1.00x5/8 / 7/16-20 | 4 | | | | |
| 39 | 863582 | O-RING / NITRILE .644x.87 | 2 | | | | |
| 40 | 863733 | NUT HEX JAM 3/16 | 5 | | | | |
| 41 | Call order desk | NUT HEX JAM 7/16-20 | 4 | | | | P |
| 42 | 863734 | WASHER LO INT 3/4 | 4 | | | | |
| 43 | Call order desk | WASHER NYL | 4 | | | | P |

| | | |
|---|--------------|-----------------|
| From Y-7046 To 1-7680 | Date:10/2022 | PAGE:Y2-2380-40 |
| W.C.L. "RICON" - CARRIAGE ASSY MODEL "F9A" | | |

| Item# | Part | Description | X L I I 4 5 | X L I I M T H 4 0 | X L I I M T H 4 5 | X L I I M T H 4 5 E | N O T E S |
|-------|-----------------|--|----------------------------|---|---|--|-----------------------|
| 44 | 863735 | FITTING / GREASE / 65DEG / PRESS-IN | 4 | | | | |
| 45 | Call order desk | BUSHING NY LINER .50x.50 | 2 | | | | P |
| 46 | 862146 | BUSHING 12 EDU08 3/4x1/2 | 2 | | | | |
| 47 | Call order desk | BUSHING 12 FDU08 1x1/2 | 1 | | | | P |
| 48 | 863018 | BEARING, FLANGED, 3/4I.D. X 1/4W | 8 | | | | |
| 49 | 862147 | MOTOR-1/4HP / 24VDC / SHORT SHAFT | 1 | | | | |
| 50 | 862122 | LIMIT SWITCH / SEALED / PRS | 1 | | | | |
| 51 | Call order desk | SCREW MA PAN PH #4-40x1 1/8 | 4 | | | | P |
| 52 | Call order desk | SCREW MA PAN PH #4-40x1.00 ZP | 8 | | | | P |
| 53 | Call order desk | SCREW MA PAN PH #8-32x1/2 SS | 2 | | | | P |
| 54 | Call order desk | SCREW SET HEXS 10-24x1/4 #10-24x1/4 | 2 | | | | P |
| 55 | 561482 | CONVOLUTED TUBING / UNSLIT / BLACK / .500" | 4 | | | | |
| 56 | Call order desk | COUPLING-ACTUATOR | 1 | | | | P |
| 58 | N.P.N. | SCREW CAP HEX SS 1/4-20X1/2 | 10 | | | | 4 |
| 59 | Call order desk | SCREW CAP HEX 5/16-18x1/2 SS | 2 | | | | P |
| 61 | Call order desk | SCREW CAP HEX 5/16-18x7/8 G5 | 1 | | | | P |
| 62 | Call order desk | SCREW CAP HEX 5/16-18x2 1/2 G5 | 3 | | | | P |
| 63 | Call order desk | SCREW CAP HEX 5/16-18x3/4 SS | 4 | | | | P |
| 64 | Call order desk | WASHER LO INT #10 | 4 | | | | P |
| 65 | Call order desk | WASHER LO SPT #8 SS | 2 | | | | P |
| 66 | Call order desk | WASHER SPR WAVE 1/2 | 2 | | | | P |
| 67 | Call order desk | WASHER FL #8 SS | 22 | | | | P |
| 69 | N8885992 | WASHER FL .250 SS | 10 | | | | |
| 70 | Call order desk | WASHER FL 5/16 | 3 | | | | P |
| 72 | Call order desk | WASHER LO SPT 5/16 SS | 10 | | | | P |
| 74 | N8886025 | WASHER LO EXT 7/16 SS | 4 | | | | |
| 75 | 500425 | NUT HEX NYRT #4-40 SS | 4 | | | | |
| 76 | Call order desk | NUT HEX #10-32 | 4 | | | | P |
| 78 | 5001352 | NUT HEX NYRT 1/4-20 SS | 2 | | | | |
| 79 | Call order desk | NUT HEX 5/16-18 SS | 2 | | | | P |
| 80 | 500685 | NUT HEX NYRT 5/16-18 SS | 2 | | | | |
| 81 | Call order desk | NUT HEX NYRT 3/8-16 | 2 | | | | P |
| 82 | 862148 | BOLT-SHOULDER 1/2x3/4 | 2 | | | | |
| 83 | 862149 | PIN "SPIROL" 5/32x1 1/4 | 2 | | | | |
| 84 | 862150 | PIN "SPIROL" 5/32x1.00 | 3 | | | | |
| 85 | Call order desk | WASHER .578x1.06x.310 NYL | 2 | | | | P |
| 86 | Call order desk | CLUTCH / TORQUE LIMITING WARNER | 1 | | | | P |
| 90 | 500685 | NUT HEX NYRT 5/16-18 SS | 4 | | | | |
| 91 | Call order desk | SCREW CAP FL HEXS 1/4-20x5/8 | 2 | | | | P |
| 92 | Call order desk | WASHER FL .32x.75x.08 SS | AR | | | | P |
| 93 | Call order desk | BRACKET-PLUNGER / MICRO SWITCH | 3 | | | | P |
| 94 | 863234 | PLUG 3/4-16 CAV / O-RING SEAL / HEX HD | 1 | | | | |

| | | |
|---|--------------|-----------------|
| From Y-7046 To 1-7680 | Date:10/2022 | PAGE:Y2-2380-40 |
| W.C.L. "RICON" - CARRIAGE ASSY MODEL "F9A" | | |

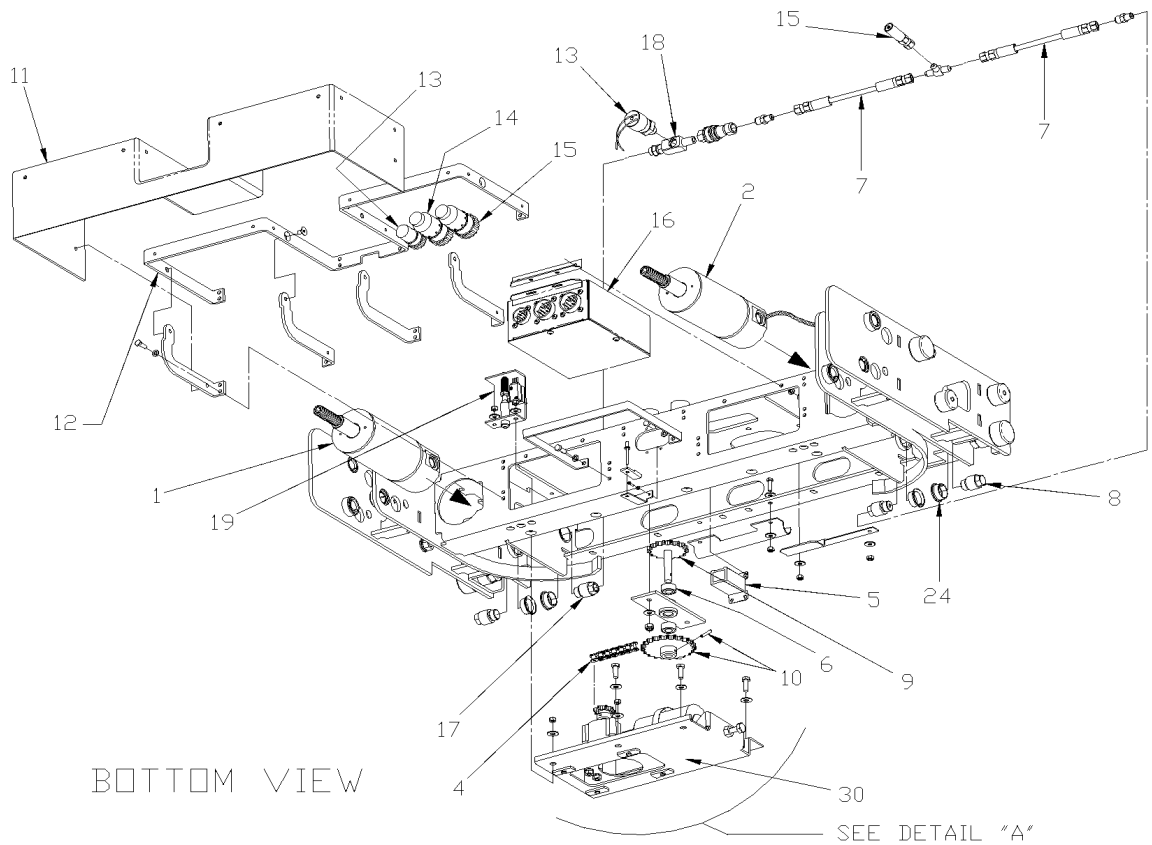
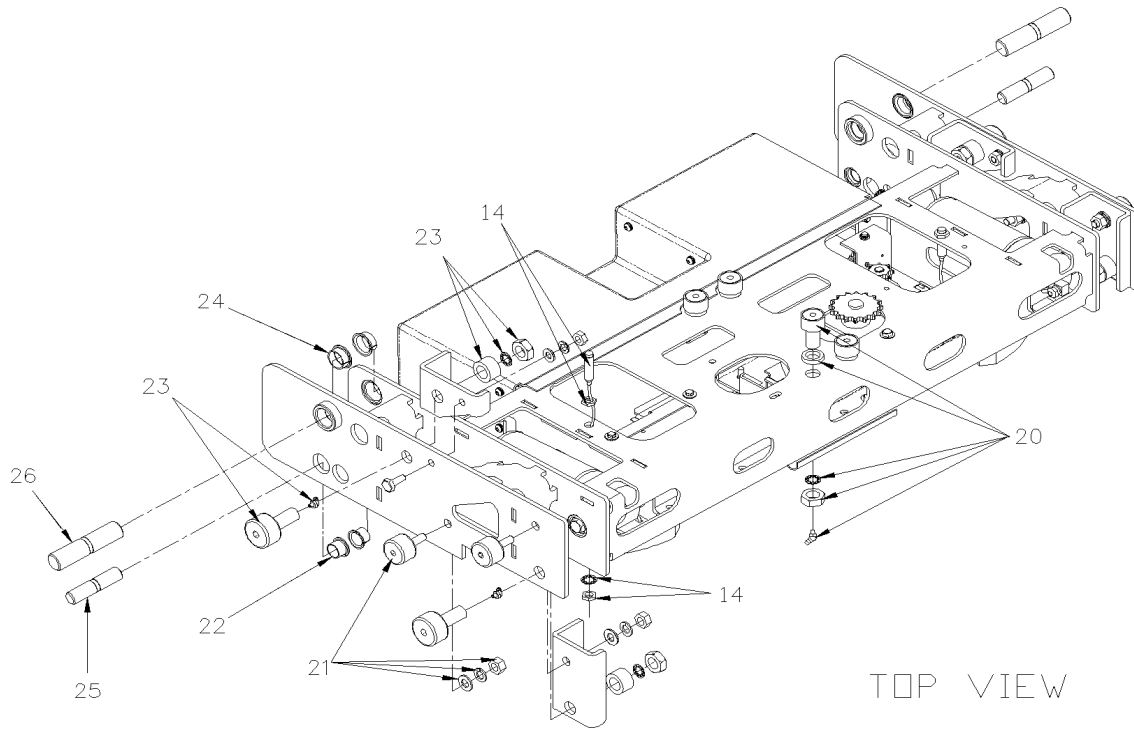
| Item# | Part | Description | X L I I 4 5 | X L I I M T H 4 0 | X L I I M T H 4 5 | X L I I M T H 4 5 E | NOTES |
|-------|-----------------|--|----------------------------|---|---|--|-------|
| NS | 862209 | SPRING | 1 | | | | |
| 95 | 863235 | SPACER-IMMEDIATE DRIVE | 1 | | | | |
| 96 | 862151 | LINK-MASTER NICKEL #35 | 2 | | | | |
| 97 | 862152 | OFFSET-LINK #35 - 1/2 LINK | 1 | | | | |
| 98 | 862099 | CONTROL BOX 24V / YELLOW / W STD W.C.L. | 1 | | | | |
| 98 | 862957 | CONTROL BOX 24V / YELLOW / W/REMOVABLE W.C.L. | 1 | | | | |
| 99 | 862153 | RELAY 12V | 1 | | | | |
| 100 | Call order desk | BRACKET / ALUM-LIMIT SWITCH | 1 | | | | P |
| 101 | 862154 | ROLL PIN 5/32x3/4 | 1 | | | | |
| | | | | | | | |
| | | | | | | | |
| | | 4) NO PARTS NUMBER | | | | | |
| | | P) CALL ORDER DESK FOR SPECIFIC APPLICATION (V.I.N.) | | | | | |

From 1-7681 To 4-8278

Date:10/2022

PAGE:Y2-2380-41

W.C.L. "RICON" - CARRIAGE ASSY MODEL "HC-L002"

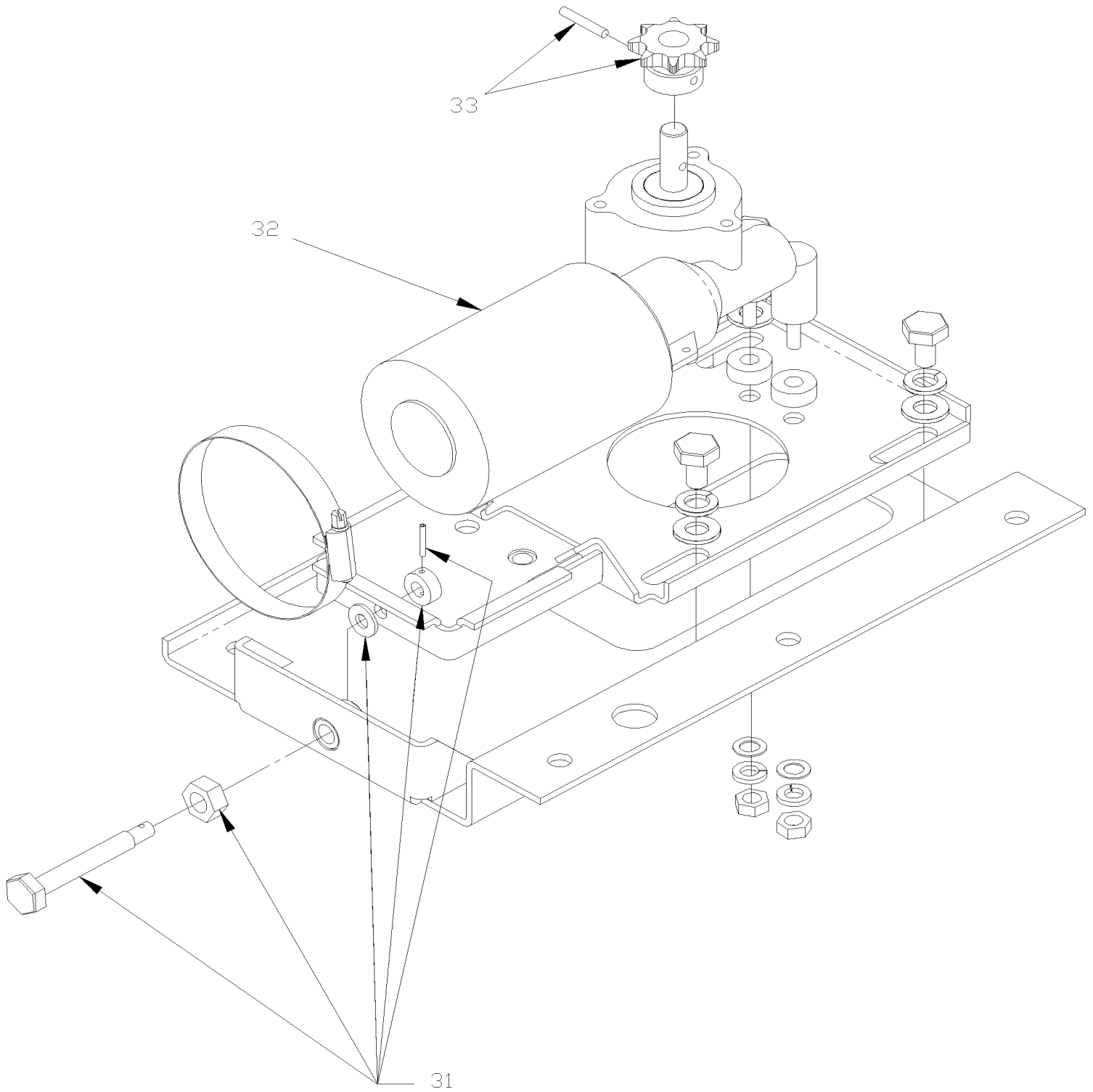


From 1-7681 To 4-8278

Date:10/2022

PAGE:Y2-2380-41

W.C.L. "RICON" - CARRIAGE ASSY MODEL "HC-L002"



DETAIL "A"

| | | |
|---|--------------|-----------------|
| From 1-7681 To 4-8278 | Date:10/2022 | PAGE:Y2-2380-41 |
| W.C.L. "RICON" - CARRIAGE ASSY MODEL "HC-L002" | | |

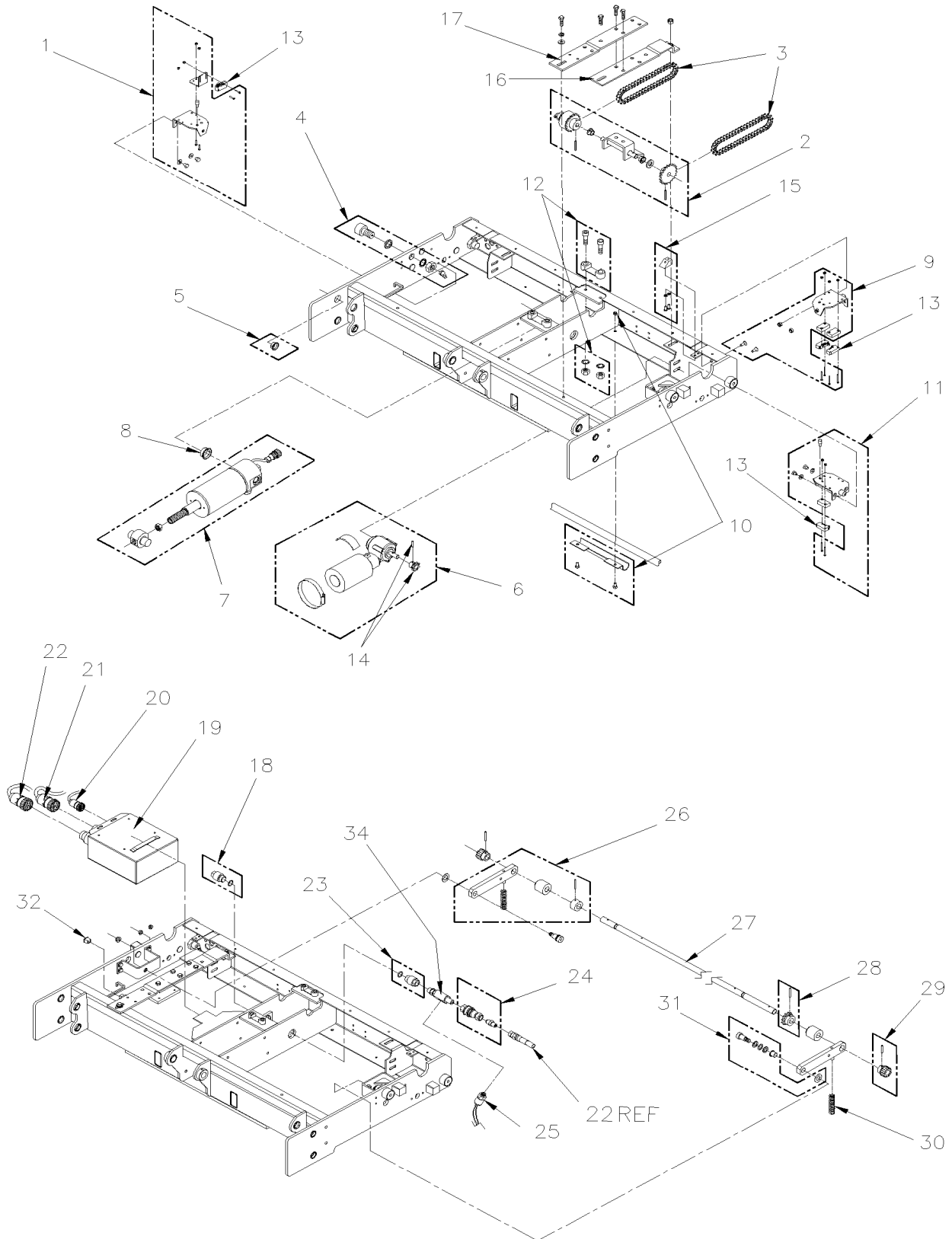
| Item# | Part | Description | X L I I 4 5 | X L I I M T H 4 0 | X L I I M T H 4 5 | X L I I M T H 4 5 E | NOTES |
|-------|-----------------|--|----------------------------|---|---|--|-------|
| 1 | 862214 | HYDRAULIC CYLINDER ASSY / W/O POTENTIOMETER | 1 | | | | |
| 2 | 862215 | HYDRAULIC CYLINDER ASSY / W/ POTENTIOMETER | 1 | | | | |
| 4 | Call order desk | CHAIN / PRIMARY / CARRIAGE MOTOR | 1 | | | | P |
| 5 | Call order desk | CYCLE COUNTER | 1 | | | | P |
| 6 | 860244 | BEARING .50IDx1.125OD | 2 | | | | |
| 7 | Call order desk | HYDRAULIC HOSE SYNFLEX / 7.25" | 2 | | | | P |
| 8 | Call order desk | FITTING / PIVOT | 2 | | | | P |
| 9 | 860249 | DRIVE SHAFT / W/SPROCKET | 1 | | | | |
| 10 | 860255 | KIT, SPROCKET, 22T, #40, W/PIN | 1 | | | | |
| 11 | Call order desk | COVER / CARRIAGE | 1 | | | | P |
| 12 | Call order desk | BRACKET MOUNTING / COVER | 1 | | | | P |
| 13 | 864346 | HARNESS CARRIAGE / W/PRESSURE SWITCH | 1 | | | | |
| 14 | 864345 | HARNESS CARRIAGE / W/PRESSURE SWITCH | 1 | | | | |
| 15 | Call order desk | HARNESS PUMP-PENDANT / W/HYDRAULIC HOSE | 1 | | | | P |
| 16 | 862434 | CONTROLLER 24V | 1 | | | | |
| 17 | 863583 | KIT, FITTING, PIVOT ¼ NPT, WITH O-RING | 2 | | | | |
| 18 | Call order desk | ADAPTOR / PRESSURE SWITCH | 1 | | | | P |
| 19 | Call order desk | STOW SWITCH ASSY | 1 | | | | P |
| 20 | 863059 | KIT, CARRIAGE ROLLER, 1 1/4 O.D. | 4 | | | | |
| 21 | Call order desk | KIT SHOCK ABSORBER | 4 | | | | P |
| 22 | Call order desk | BEARING DU .75IDx.50W, | 4 | | | | P |
| 23 | Call order desk | KIT ROLLER 1.75OD / W/GREASE FITTING | 4 | | | | P |
| 24 | 863062 | FLANGED BEARING, 1" I.D.B20 | 8 | | | | |
| 25 | Call order desk | PIN PIVOT .75x3.25 | 2 | | | | P |
| 26 | Call order desk | PIN PIVOT 1.00x4.25 | 2 | | | | P |
| NS | 863084 | DUST CAP, CONTROLLER PROGRAMMING CONNECTOR | 1 | | | | |
| 30 | Call order desk | MOTOR ASSEMBLY / CARRIAGE DRIVE | 1 | | | | P |
| 31 | Call order desk | . KIT ADJUSTMENT SCREW / DRIVE MOTOR | 1 | | | | P |
| 32 | 862144 | . GEAR-MOTOR ASSY 24V | 1 | | | | |
| 33 | Call order desk | . KIT SPROCKET 8T #40 / W/PIN | 1 | | | | P |
| | | | | | | | |
| | | | | | | | |
| | | P) CALL ORDER DESK FOR SPECIFIC APPLICATION (V.I.N.) | | | | | |

From 4-8279 To 6-8906

Date:10/2022

PAGE:Y2-2380-42

W.C.L. "RICON" - CARRIAGE ASSY MODEL "F9T" & "F9TF"



| | | |
|-----------------------|--------------|-----------------|
| From 4-8279 To 6-8906 | Date:10/2022 | PAGE:Y2-2380-42 |
|-----------------------|--------------|-----------------|

W.C.L. "RICON" - CARRIAGE ASSY MODEL "F9T" & "F9TF"

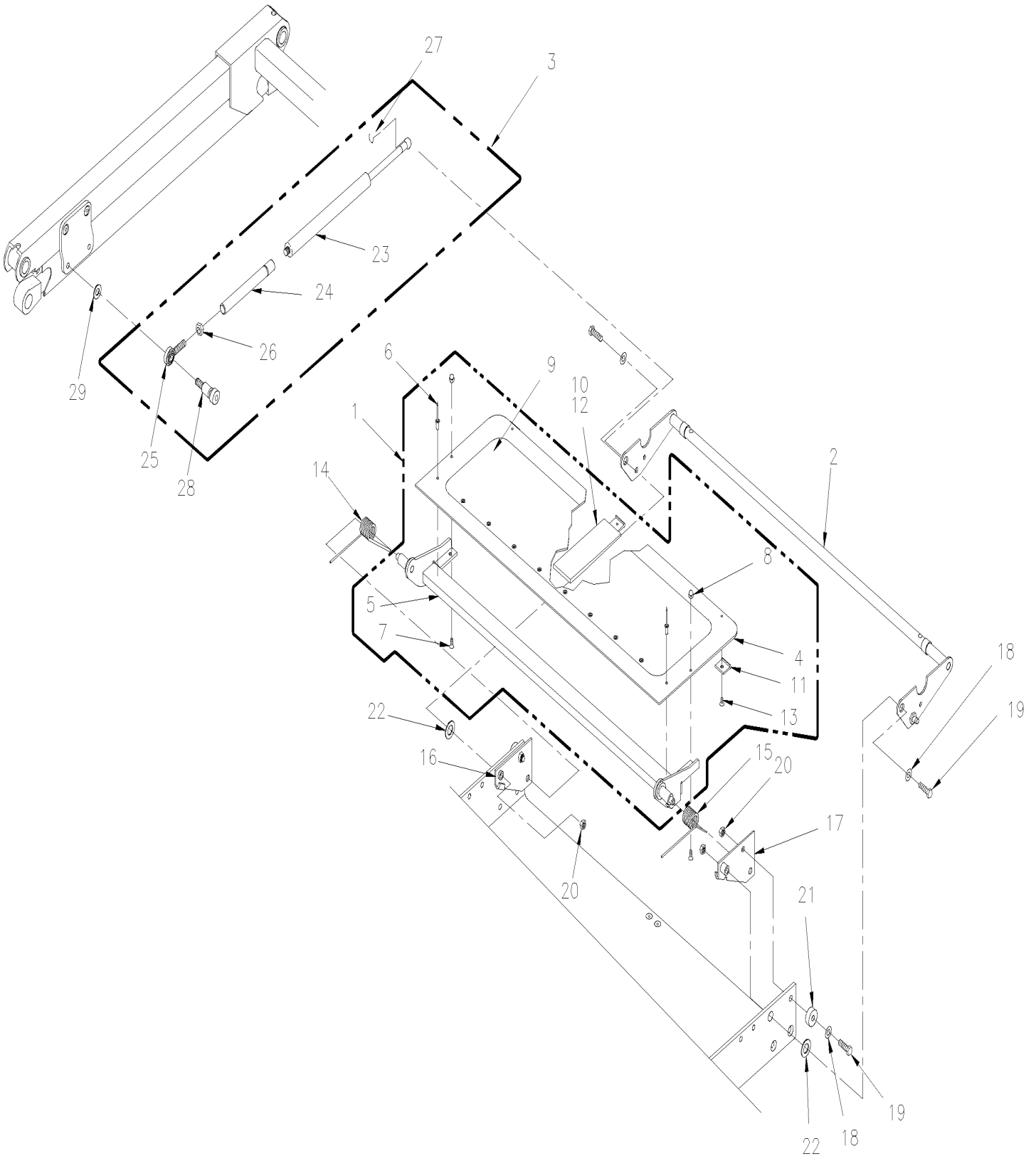
| Item# | Part | Description | X L I I 4 5 | X L I I M T H 4 0 | X L I I M T H 4 5 | X L I I M T H 4 5 E | NOTES |
|-------|----------|--|----------------------------|---|---|--|-------|
| 1 | 863056 | KIT, PLATFORM RELEASE SWITCH BRACKET | 1 | | | | |
| 2 | 863057 | KIT, INTERMEDIATE SHAFT ASSY | 1 | | | | |
| 3 | 863058 | DRIVE CHAIN | 2 | | | | |
| 4 | 19509869 | KIT, CARRIAGE ROLLER, 1 1/4 O.D. To 5-8605 | 4 | | | | |
| 4 | 863059 | KIT, CARRIAGE ROLLER, 1 1/4 O.D. From 5-8606 | 4 | | | | |
| 5 | 863128 | BEARING | 1 | | | | |
| 6 | 863060 | KIT, GEAR MOTOR ASSY, 24V | 1 | | | | |
| 7 | 864161 | HYDRAULIC CYLINDER ASSEMBLY To 5-8605 | 1 | | | | |
| 7 | 863061 | HYDRAULIC CYLINDER ASSEMBLY From 5-8606 | 1 | | | | |
| 8 | 863062 | FLANGED BEARING, 1" I.D.B20 | 1 | | | | |
| 9 | 863063 | KIT, STOW SWITCH BRACKET | 1 | | | | |
| 10 | 863064 | KIT, HARNESS CLAMP | 1 | | | | |
| 11 | 863065 | KIT, DEPLOY SWITCH BRACKET | 1 | | | | |
| 12 | N8892390 | KIT, GUIDE BLOCKS CARRIAGE | 1 | | | | |
| 13 | 863129 | LIMIT SWITCH | 4 | | | | |
| 14 | 863066 | KIT, SPROCKET, 8T | 1 | | | | |
| 15 | 863067 | KIT, MANUAL RELEASE RESET RAMP | 2 | | | | |
| 16 | 863068 | BRACKET, IDLER SHAFT, REAR | 1 | | | | |
| 17 | 863069 | BRACKET, IDLER SHAFT, FRONT | 1 | | | | |
| 18 | 863070 | KIT, PIVOT CAP, HYDRAULIC CYLINDER | 1 | | | | |
| 19 | 196349 | CONTROL BOX 24V / YELLOW (#29272) / W/REMOVABLE W.C.L. To 5-8605 | 1 | | | | |
| 19 | 862957 | CONTROL BOX 24V / YELLOW / W/REMOVABLE W.C.L. From 5-8606 | 1 | | | | |
| 20 | 863071 | HARNESS, ELECTRICAL, HYDRAULIC CYLINDER To 5-8605 | 1 | | | | |
| 20 | 863071 | HARNESS, ELECTRICAL, HYDRAULIC CYLINDER From 5-8606 | 1 | | | | |
| 21 | 866153 | HARNESS, ELECTRICAL, CARRIAGE To 5-8605 | 1 | | | | |
| 21 | 863072 | HARNESS, ELECTRICAL, CARRIAGE From 5-8606 | 1 | | | | |
| 22 | 19507735 | HARNESS, ELECTRICAL, MAIN, W/HYDRAULIC LINE To 5-8605 | 1 | | | | |
| 22 | 864071 | HARNESS, ELECTRICAL, MAIN, W/HYDRAULIC LINE From 5-8606 | 1 | | | | |
| 23 | 19509871 | KIT, PIVOT FITTING, HYDRAULIC CYLINDER To 5-8605 | 1 | | | | |
| 23 | 863074 | KIT, PIVOT FITTING, HYDRAULIC CYLINDER From 5-8606 | 1 | | | | |
| 24 | 863076 | KIT, QUICK DISCONNECT FITTING | 1 | | | | |
| 25 | 863077 | KIT, PRESSURE SWITCH, W/ELECTRICAL TERMINALS | 1 | | | | |
| 26 | 863078 | KIT, DRIVESHAFT LINK ASSY | 2 | | | | |
| 27 | 863079 | DRIVESHAFT, FINAL | 1 | | | | |
| 28 | 863080 | KIT, SPROCKET, 12 TEETH | 1 | | | | |
| 29 | 863081 | KIT, PINION GEAR, 18 TEETH | 2 | | | | |
| 30 | 863082 | SPRING, COM, .6090.D. X 2.53 | 2 | | | | |
| 31 | 863083 | KIT, BUSHING ASSY, DRIVESHAFT LINK | 2 | | | | |
| 32 | 863084 | DUST CAP, CONTROLLER PROGRAMMING CONNECTOR | 1 | | | | |
| 34 | 866059 | MANIFOLD, HYD, PRESSURE SWITCH (PACKAGED) | 1 | | | | |
| | | | | | | | |
| | | | | | | | |
| | | | | | | | |

From Y-7046 To 1-7680

Date:10/2022

PAGE:Y2-2380-50

W.C.L. "RICON" - BRIDGE PLATE ASSY 9" MODEL "F9A"



From Y-7046 To 1-7680 Date:10/2022 PAGE:Y2-2380-50

W.C.L. "RICON" - BRIDGE PLATE ASSY 9" MODEL "F9A"

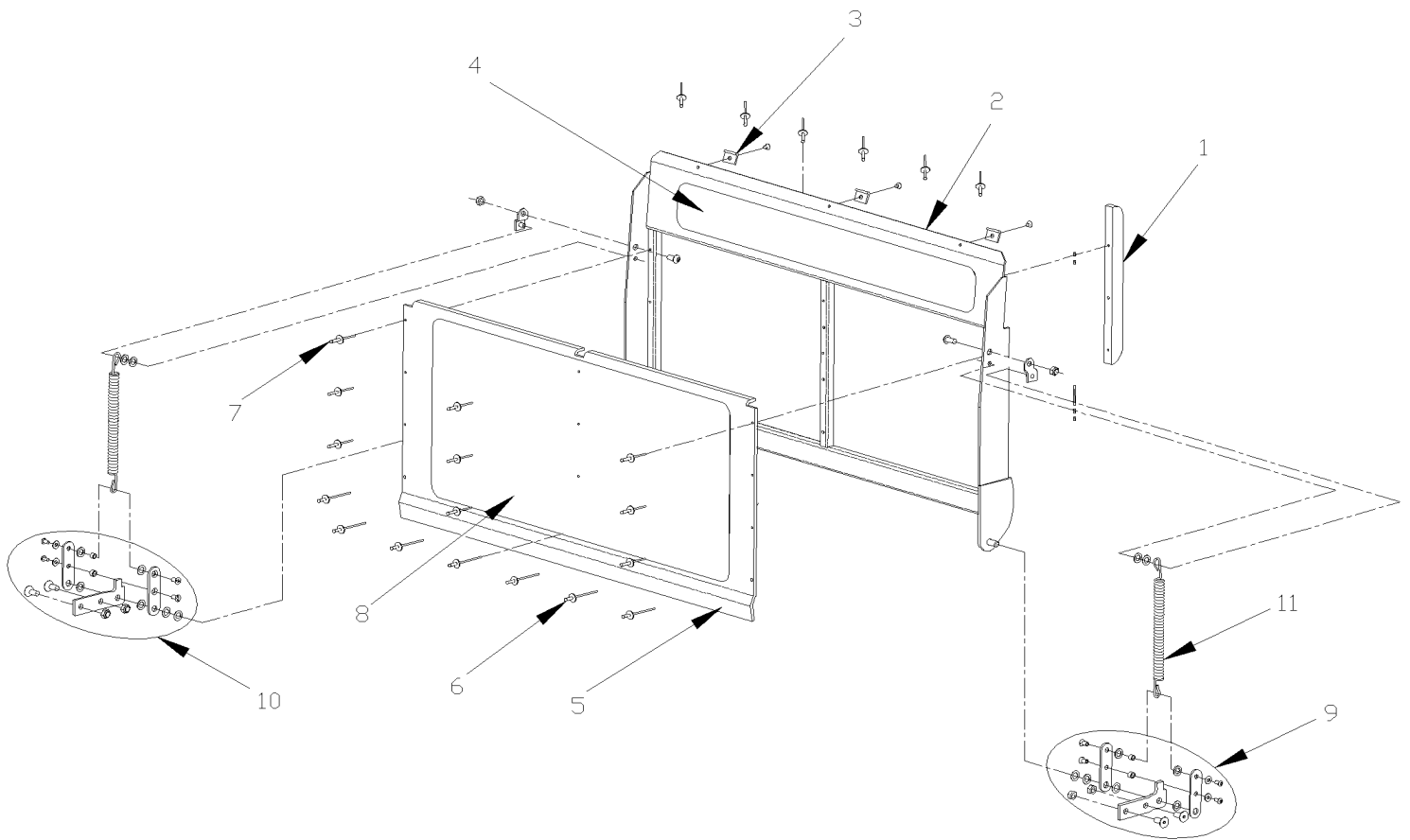
| Item# | Part | Description | X L I I I 4 5 | X L I I I M T H 4 0 | X L I I I M T H 4 5 | X L I I I M T H 4 5 E | NOTES |
|-------|-----------------|--|---------------------------------|--|--|---|-------|
| 1 | 860058 | BRIDGEPLATE ASSEMBLY 9" | 1 | | | | |
| 2 | 8611004 | STIRUP-W-ASSY / BRIDGEPLATE | 1 | | | | |
| 3 | Call order desk | ROD-ASSY / BRIDGEPLATE ACTUATOR 26" UTS | 2 | | | | P |
| 3 | 196586 | KIT, ACTUATOR ROD ASSEMBLY, BRIDGEPLATE | 2 | | | | |
| 4 | 860335 | PLATE-BRIDGE BLANK 9.00" | 1 | | | | |
| 5 | Call order desk | ASSY., WELD B-PLATE SUPPORT | 1 | | | | P |
| 6 | Call order desk | RIVET-BLIND AL 3/16x3/8 | 10 | | | | P |
| 7 | Call order desk | SCREW CAP CK HEXS #10-24x1/2 SS | 2 | | | | P |
| 8 | Call order desk | NUT HEX CAP #10-24 | 2 | | | | P |
| 9 | 860341 | SAFETY TREAD / 25.560x7.00 / SAFETY YELLOW | 1 | | | | |
| 10 | 860343 | BLOCK-BRIDGEPLATE GUIDE / BUMPER | 1 | | | | |
| 11 | 860346 | SKID-BRIDGEPLATE | 3 | | | | |
| 12 | 860347 | TAPE-ADHESIVE / TRANSFER 10MILx 1" WIDE | AR | | | | |
| 13 | Call order desk | SCREW MA FL PH #10-24x1/4 | 3 | | | | P |
| 14 | 863106 | SPRING, BRIDGEPLATE RETURN, LH | 1 | | | | |
| 15 | 863105 | SPRING, BRIDGEPLATE RETURN, RH | 1 | | | | |
| 16 | Call order desk | BRACKET-B-PLATE MOUNT / LH | 1 | | | | P |
| 17 | Call order desk | BRACKET-B-PLATE MOUNT / RH | 1 | | | | P |
| 18 | Call order desk | WASHER FL .32x.59x.06 SS | 4 | | | | P |
| 19 | Call order desk | SCREW CAP HEX 5/16-18x1 1/4 SS | 4 | | | | P |
| 20 | Call order desk | NUT HEX NYRT 5/16-18 SS | 4 | | | | P |
| 21 | Call order desk | BUSHING .75x.32x.38 | 2 | | | | P |
| 22 | Call order desk | WASHER FL .578x1.067x.062 NYL | 2 | | | | P |
| 23 | 862155 | SPRING-PNEUMATIC 100LBF 16.75" | 2 | | | | |
| 24 | 861709 | ROD-ASSY / B-PLATE ACTUATOR 26" UTS | 1 | | | | |
| 24 | Call order desk | ROD-ASSY / B-PLATE ACTUATOR 18.5"-23.5" UTS | 1 | | | | P |
| 25 | Call order desk | ROD END-(M) LT THD R1700 | 2 | | | | P |
| 26 | Call order desk | NUT HEX LH 3/8-24 | 2 | | | | P |
| 27 | 980017 | CLIP BALL STUD 10MM RETAINER | 2 | | | | |
| 28 | Call order desk | SCREW CAP HEX 5/16-18x1/2 SS | 2 | | | | P |
| 29 | Call order desk | STANDOFF-BRIDGEPLATE ACTUATOR | 2 | | | | P |
| | | | | | | | |
| | | | | | | | |
| | | | | | | | |
| | | | | | | | |
| | | P) CALL ORDER DESK FOR SPECIFIC APPLICATION (V.I.N.) | | | | | |

From 1-7681 To 4-8278

Date:10/2022

PAGE:Y2-2380-51

W.C.L. "RICON" - BRIDGE PLATE ASSY 9" MODEL "HC-L002"



| | | |
|-----------------------|--------------|-----------------|
| From 1-7681 To 4-8278 | Date:10/2022 | PAGE:Y2-2380-51 |
|-----------------------|--------------|-----------------|

W.C.L. "RICON" - BRIDGE PLATE ASSY 9" MODEL "HC-L002"

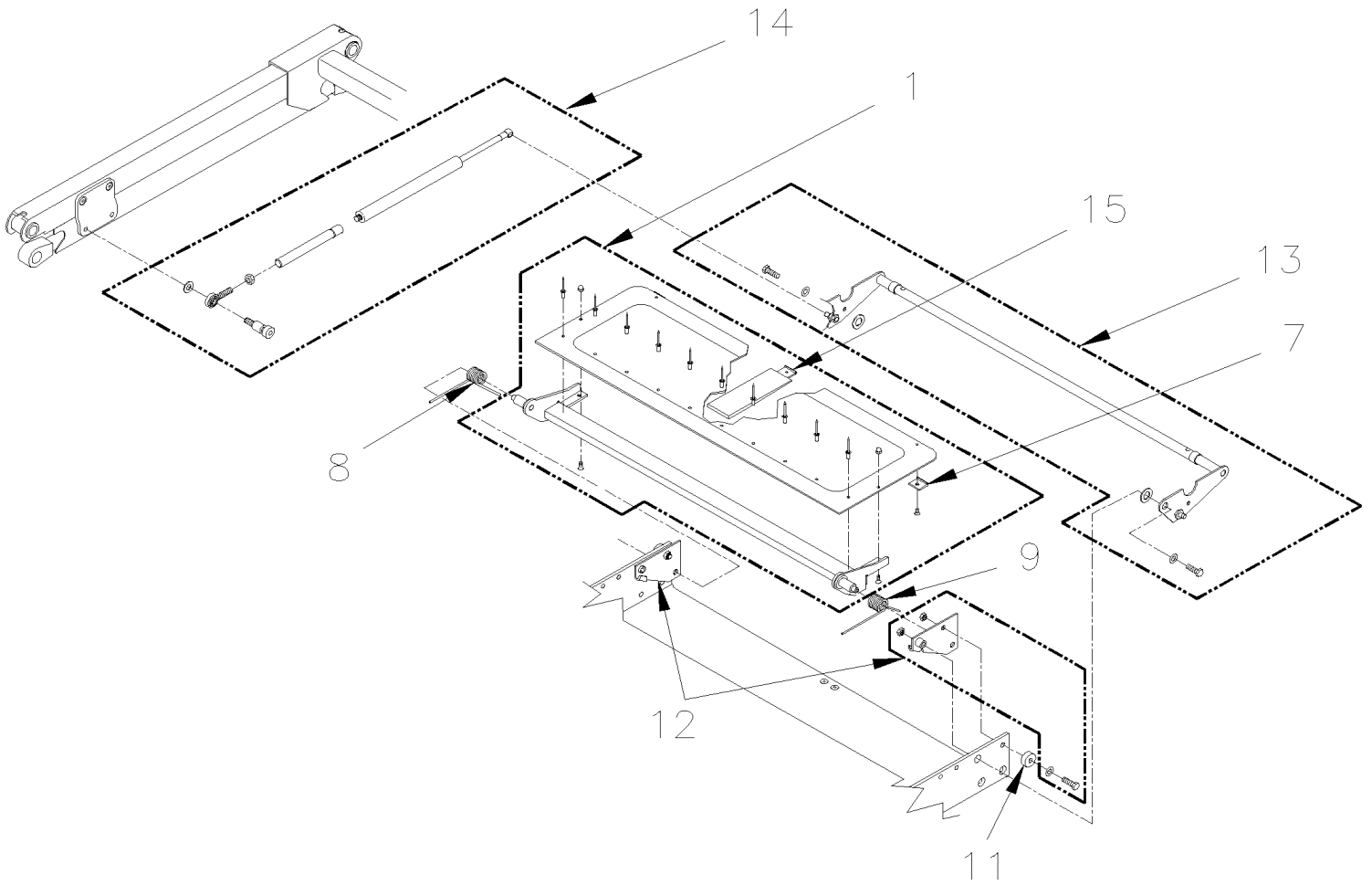
| Item# | Part | Description | X L I I I 4 5 | X L I I I M T H 4 0 | X L I I I M T H 4 5 | X L I I I M T H 4 5 E | N O T E S |
|-------|-----------------|--|---------------------------------|--|--|---|-----------------------|
| 1 | Call order desk | SLIDER, BRIDGEPLATE | 1 | | | | P |
| 2 | Call order desk | KIT, FRAME, BRIDGEPLATE | 1 | | | | P |
| 3 | 863103 | . SKID, BRIDGEPLATE BRACKET | 3 | | | | |
| 4 | 863621 | . SAFETY TREAD / 25.50x3.0 / SAFETY YELLOW | 1 | | | | |
| 5 | Call order desk | KIT, BRIDGEPLATE COVER, W/SAFETREAD | 1 | | | | P |
| 6 | Call order desk | . RIVET, 3/16, BAG OF 10 | 7 | | | | P |
| 7 | Call order desk | . RIVET, 1/8X1/2, BAG OF 10 | 9 | | | | P |
| 8 | 863620 | . SAFETY TREAD / 25.50x12 / OCEAN GREY | 1 | | | | |
| 9 | Call order desk | KIT, BRIDGEPLATE PIVOT LINK, W/HARDWARE, RI | 1 | | | | P |
| 10 | Call order desk | KIT, BRIDGEPLATE PIVOT LINK, W/HARDWARE, LEFT | 1 | | | | P |
| 11 | Call order desk | SPRING, EXTENSION, BRIDGEPLATE ASSIST | 2 | | | | P |
| | | | | | | | |
| | | | | | | | |
| | | | | | | | |
| | | P) CALL ORDER DESK FOR SPECIFIC APPLICATION (V.I.N.) | | | | | |

From 4-8279 To 6-8906

Date:10/2022

PAGE:Y2-2380-52

W.C.L. "RICON" - BRIDGE PLATE ASSY 9" MODEL "F9T" & "F9TF"

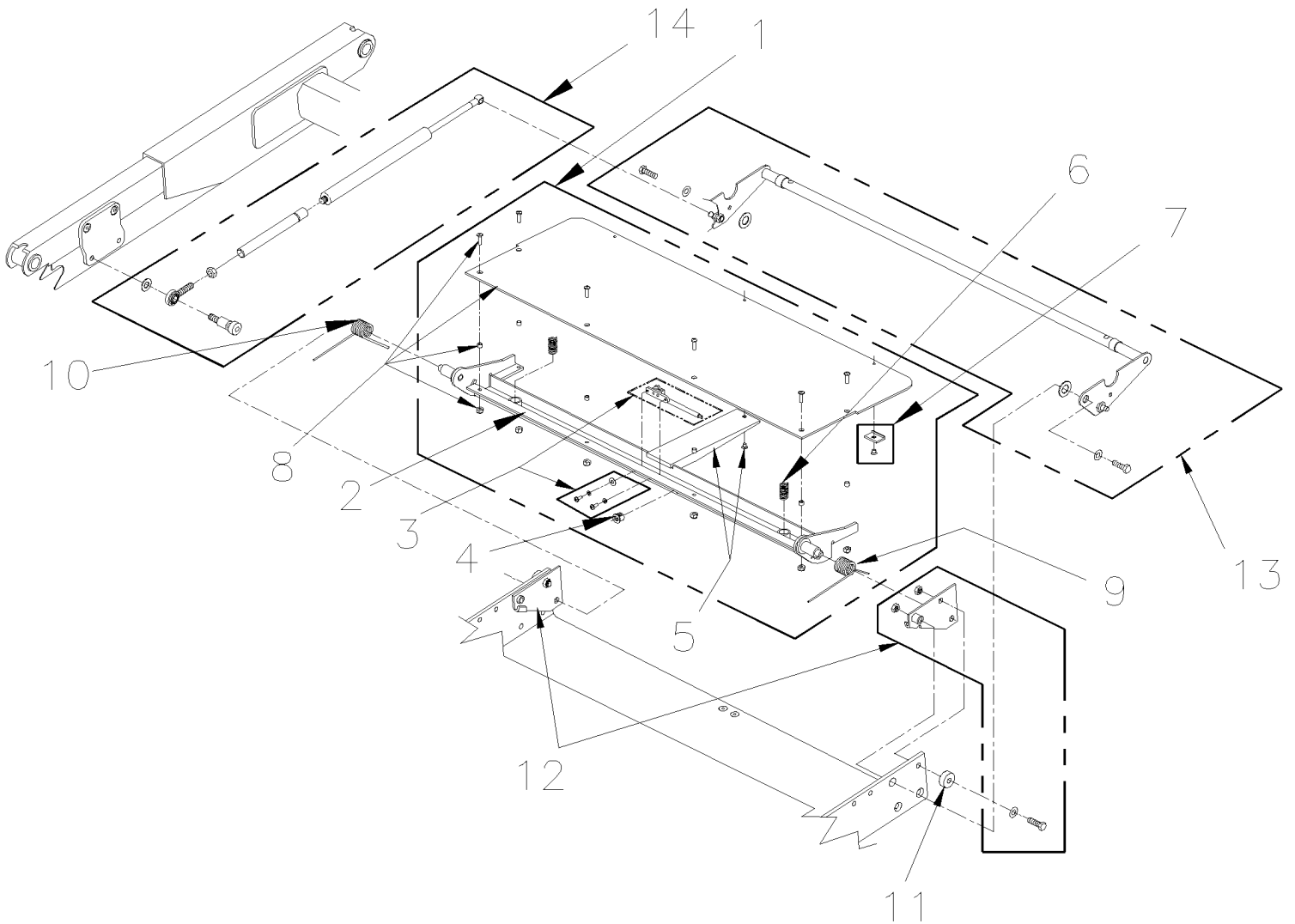


From 4-8279 To 6-8906

Date:10/2022

PAGE:Y2-2380-52

W.C.L. "RICON" - BRIDGE PLATE ASSY 9" MODEL "F9T" & "F9TF"

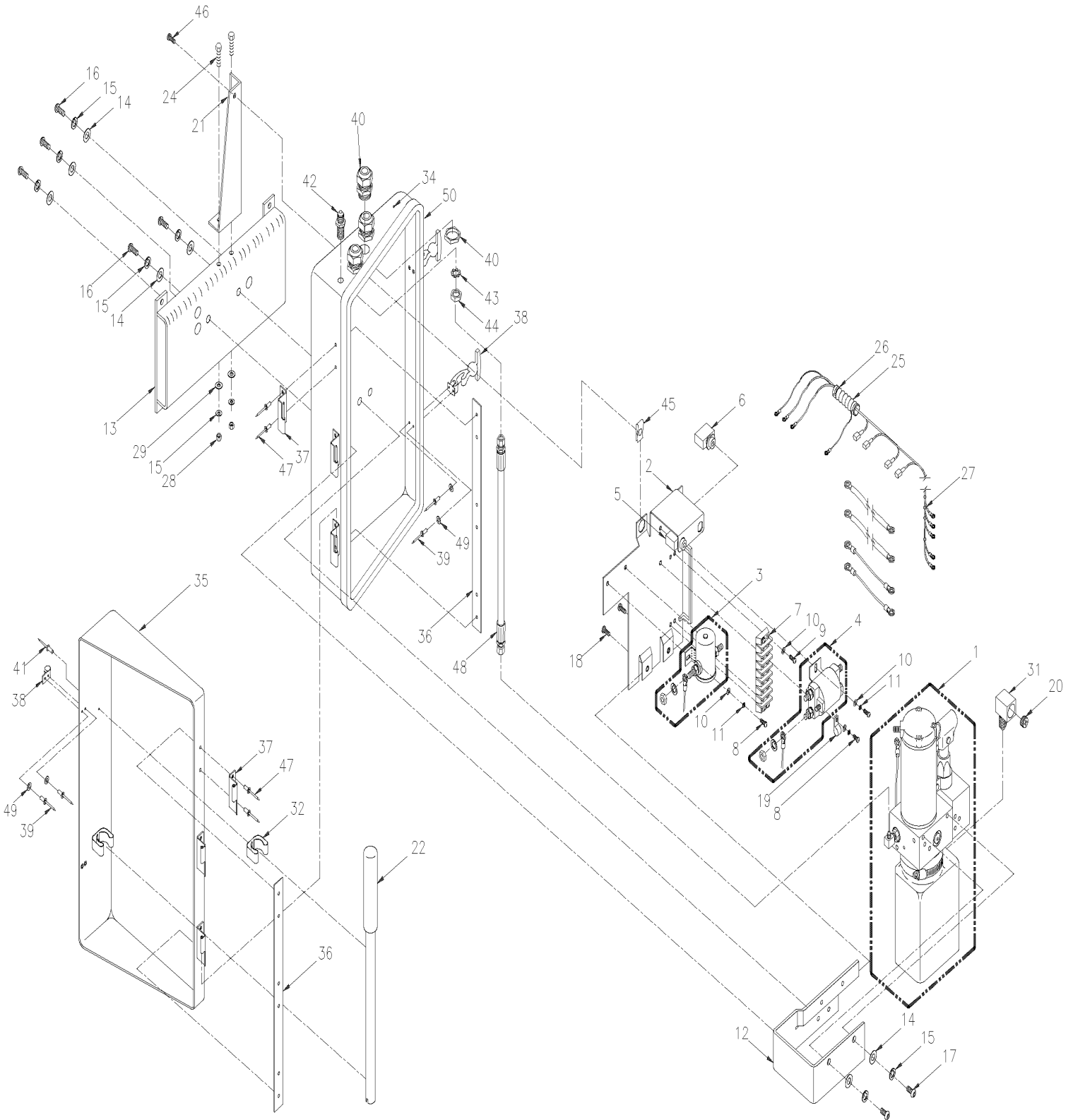


From Y-7046 To 1-7680

Date:10/2022

PAGE:Y2-2380-60

W.C.L. "RICON" - PUMP INSTALLATION MODEL "F9A"



| | | |
|---|--------------|-----------------|
| From Y-7046 To 1-7680 | Date:10/2022 | PAGE:Y2-2380-60 |
| W.C.L. "RICON" - PUMP INSTALLATION MODEL "F9A" | | |

| Item# | Part | Description | X L I I 4 5 | X L I I M T H 4 0 | X L I I M T H 4 5 | X L I I M T H 4 5 E | N O T E S |
|-------|-------------------|--|----------------------------|---|---|--|-----------------------|
| 1 | Y2-2380-65 | W.C.L. "RICON" - PUMP ASSY | | | | | |
| 2 | Call order desk | PLATE-WASSY / SOLENOID | 1 | | | | P |
| 3 | 862100 | SOLENOID / SP 24V | 1 | | | | |
| 4 | 862101 | SOLENOID-24V DP LARGE | 1 | | | | |
| 5 | 862102 | CIRCUIT BREAKER / 8AMP | 1 | | | | |
| 6 | 862103 | CIRCUIT BREAKER / 30AMPS | 1 | | | | |
| 6 | 860986 | CIRCUIT BREAKER / 50AMPS | 1 | | | | |
| 7 | Call order desk | TERMINAL STRIP / 10-18GA | 1 | | | | P |
| 8 | Call order desk | SCREW MA PH #10-32x5/16 SS | 4 | | | | P |
| 9 | Call order desk | SCREW MA PH #10-32x3/4 | 4 | | | | P |
| 10 | Call order desk | WASHER FL #10 SS | 8 | | | | P |
| 11 | N8885969 | WASHER LO SPT .193 SS | 4 | | | | |
| 12 | Call order desk | BRACKET-PUMP MOUNTING | 1 | | | | P |
| 13 | Call order desk | BRACKET-WASSY / PUMP MOUTING | 1 | | | | P |
| 14 | Call order desk | WASHER FL .32x.75x.08 SS | 7 | | | | P |
| 15 | Call order desk | WASHER LO SPT 5/16 SS | 11 | | | | P |
| 16 | Call order desk | SCREW CAP BUT HEXS 5/16-24x3/4 SS | 5 | | | | P |
| 17 | Call order desk | SCREW CAP BUT HEXS 5/16-18x3/4 SS | 2 | | | | P |
| 18 | Call order desk | SCREW CAP BUT HEXS #10-32x1/2 SS | 2 | | | | P |
| 19 | Call order desk | CLAMP / CABLE-3/8 | 1 | | | | P |
| 20 | 863095 | PLUG, BREATHER, RESERVOIR | 1 | | | | |
| 21 | Call order desk | BRACKET-STIFFENER | 1 | | | | P |
| 22 | 868483 | HANDLE-MANUAL BACKUP PUMP | 1 | | | | |
| 24 | Call order desk | SCREW CAP HEX 5/16-18x3/4 SS | 2 | | | | P |
| 25 | 561482 | CONVOLUTED TUBING / UNSLIT / BLACK / .500" | AR | | | | |
| 26 | 504012 | CABLE TIE / 3/16" X 6"1/2 | 2 | | | | |
| 27 | 504012 | CABLE TIE / 3/16" X 6"1/2 | 9 | | | | |
| 28 | 502600 | NUT HEX NYRT 5/16-18 Z050 | 2 | | | | |
| 29 | 5001189 | NUT HEX 5/16-18 SS | 2 | | | | |
| 31 | Call order desk | FITTING-STREET ELBOW / FEMALE | 1 | | | | P |
| 32 | 504585 | SPRING CLIP 3/4" | 2 | | | | |
| 34 | Call order desk | BASE-PUMP ENCLOSURE | 1 | | | | P |
| 35 | Call order desk | DOOR-PUMP ENCLOSURE | 1 | | | | P |
| 36 | Call order desk | PLATE REINFORCEMENT-PUMP ENCLOSURE | 2 | | | | P |
| 37 | Call order desk | HINGE SS 2.50x2.00 | 6 | | | | P |
| 38 | Call order desk | LATCH / DRAW-FLEXIBLE-HANDLE | 2 | | | | P |
| 39 | 504431 | RIVET POP DOME OE 1/8x3/8 AL | 8 | | | | |
| 40 | Call order desk | STRAIN RELIEF / STRE THRU LIQ TIGHT | 3 | | | | P |
| 41 | 504247 | RIVET POP DOME OE 5/32x3/8 AL | 2 | | | | |
| 42 | 863086 | FITTING, BUN, 1/4J, 2.08L | 1 | | | | |
| 43 | N8886025 | WASHER LO EXT 7/16 SS | 1 | | | | |
| 44 | Call order desk | NUT HEX JAM 7/16-20 | 1 | | | | P |

| | | |
|-----------------------|--------------|-----------------|
| From Y-7046 To 1-7680 | Date:10/2022 | PAGE:Y2-2380-60 |
|-----------------------|--------------|-----------------|

W.C.L. "RICON" - PUMP INSTALLATION MODEL "F9A"

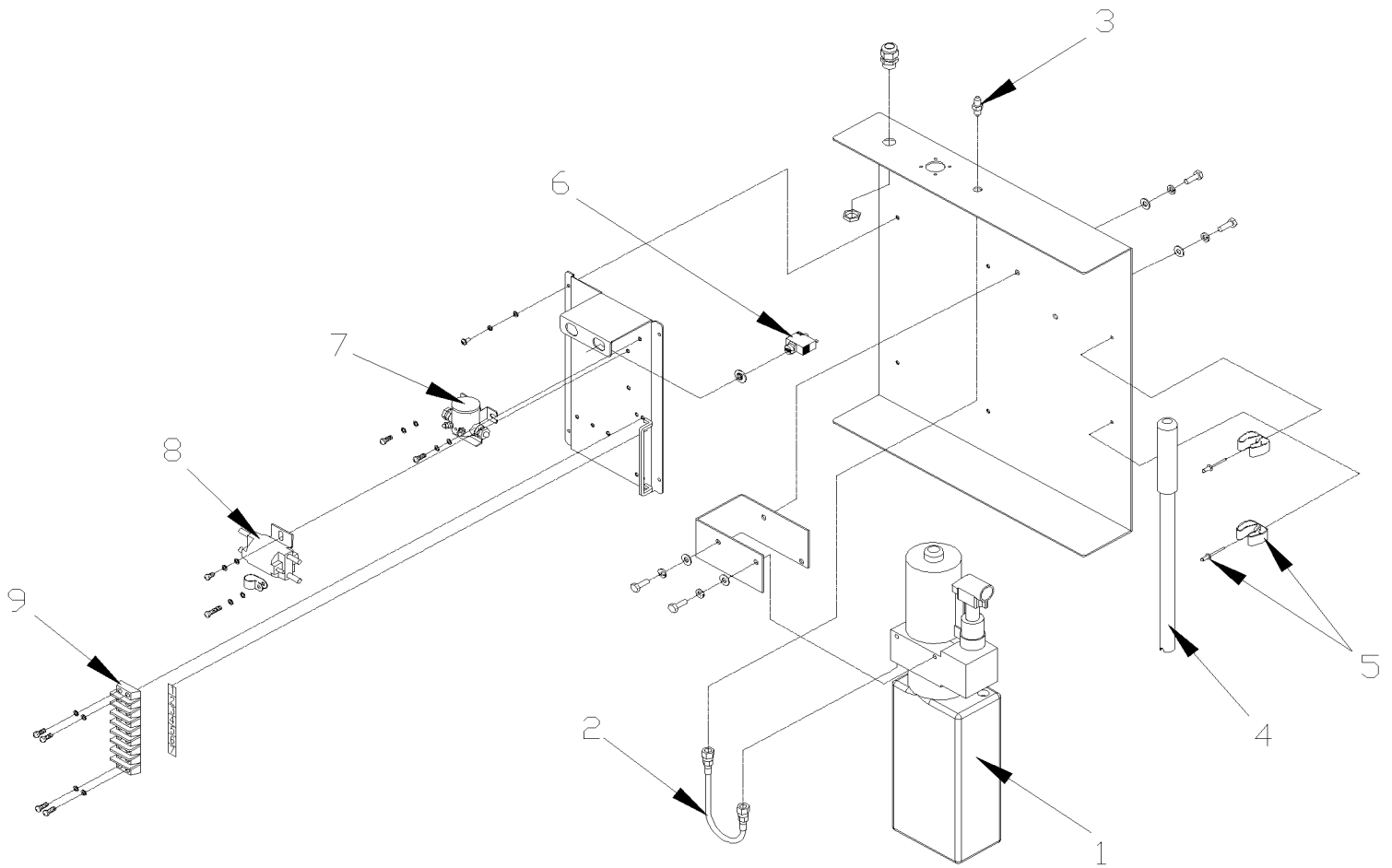
| Item# | Part | Description | X L I I 4 5 | X L I I M T H 4 0 | X L I I M T H 4 5 | X L I I M T H 4 5 E | N O T E S |
|-------|-----------------|--|----------------------------|---|---|--|-----------------------|
| 45 | 500837 | NUT SPR U 1/4-20 .064-.125 | 1 | | | | |
| 46 | Call order desk | SCREW CAP BUT HEXS 1/4-20x3/4 SS | 1 | | | | P |
| 47 | 504120 | RIVET POP DOME CLE 3/16x1/2 AL | 12 | | | | |
| 48 | Call order desk | HOSE-ASSY / 11"x 1/4JIC x1/4JIC | 1 | | | | P |
| 49 | Call order desk | WASHER FL #8 | 8 | | | | P |
| 50 | Call order desk | SEAL / DOOR-7/16X53/64 | AR | | | | P |
| | | | | | | | |
| | | | | | | | |
| | | | | | | | |
| | | P) CALL ORDER DESK FOR SPECIFIC APPLICATION (V.I.N.) | | | | | |

From 1-7681 To 4-8278

Date:10/2022

PAGE:Y2-2380-61

W.C.L. "RICON" - PUMP INSTALLATION MODEL "HC-L002"



From 1-7681 To 4-8278 Date:10/2022 PAGE:Y2-2380-61

W.C.L. "RICON" - PUMP INSTALLATION MODEL "HC-L002"

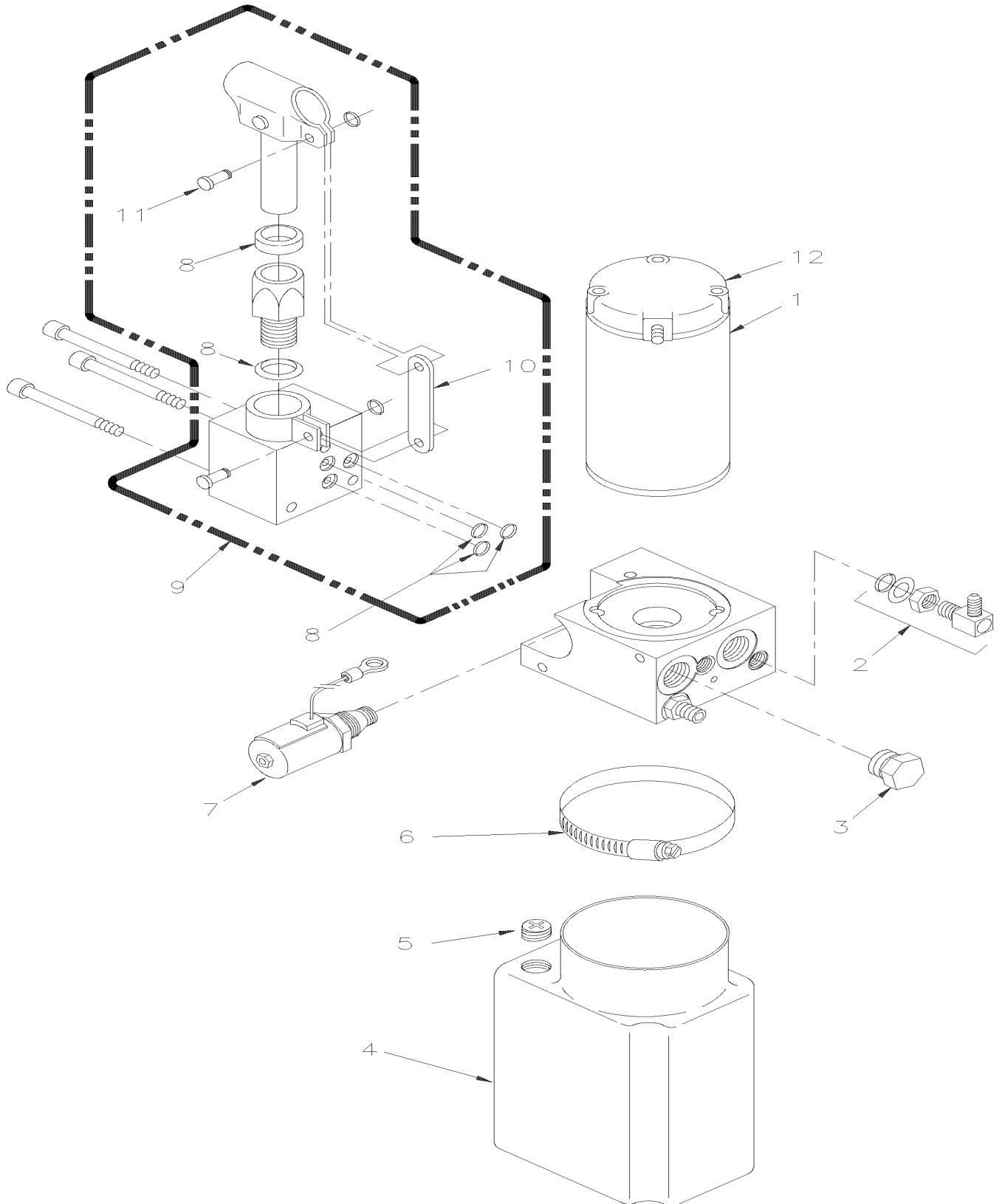
| Item# | Part | Description | X L I I 4 5 | X L I I M T H 4 0 | X L I I M T H 4 5 | X L I I M T H 4 5 E | N O T E S |
|-------|-----------------|--|----------------------------|---|---|--|-----------------------|
| 1 | Y2-2380-65 | W.C.L. "RICON" - PUMP ASSY | | | | | |
| 2 | Call order desk | HOSE-ASSY / 11"x 1/4JIC x1/4JIC | 1 | | | | P |
| 3 | Call order desk | HYDRAULIC FITTING / PUMP BOX | 1 | | | | P |
| 4 | 19502884 | HANDLE-MANUAL BACKUP PUMP | 1 | | | | |
| 5 | 19509865 | KIT TOOL CLIP / W/RIVET | 2 | | | | |
| 6 | 862103 | CIRCUIT BREAKER / 30AMPS | 1 | | | | |
| 7 | 862100 | SOLENOID / SP 24V | 1 | | | | |
| 8 | 862101 | SOLENOID-24V DP LARGE | 1 | | | | |
| 9 | 863088 | KIT, TERMINAL STRIP | 1 | | | | |
| | | | | | | | |
| | | | | | | | |
| | | | | | | | |
| | | P) CALL ORDER DESK FOR SPECIFIC APPLICATION (V.I.N.) | | | | | |

From Y-7046 To 6-8906

Date:10/2022

PAGE:Y2-2380-65

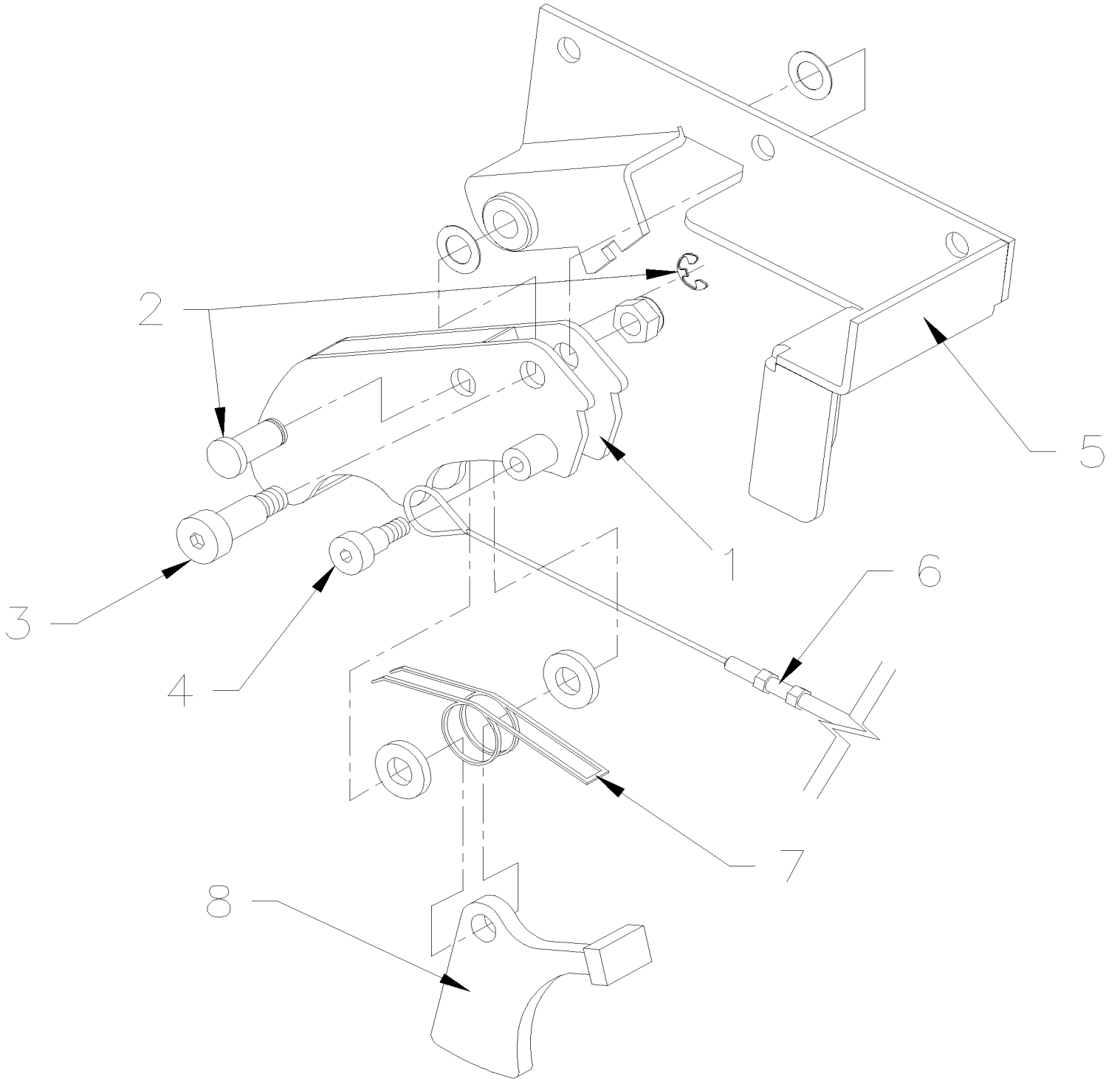
W.C.L. "RICON" - PUMP ASSY



| | | |
|-----------------------------------|--------------|-----------------|
| From Y-7046 To 6-8906 | Date:10/2022 | PAGE:Y2-2380-65 |
| W.C.L. "RICON" - PUMP ASSY | | |

| Item# | Part | Description | X L I I 4 5 | X L I I M T H 4 0 | X L I I M T H 4 5 | X L I I M T H 4 5 E | N O T E S |
|-------|--------|--|----------------------------|---|---|--|-----------------------|
| | 192298 | PUMP ASSY 2.0 KPSI / 24V To 1-7680 | 1 | | | | |
| | 860118 | PUMP ASSY 1.8 KPSI / 24V / W/LARGE RESERVOIR From 1-7681 To 4-8278 | 1 | | | | |
| | 863112 | PUMP ASSY 2.0 KPSI / 24V From 4-8279 To 5-8605 | 1 | | | | |
| | 863112 | PUMP ASSY 2.0 KPSI / 24V From 5-8606 | 1 | | | | |
| 1 | N.S.S. | . MOTOR ASSY. / 24V 3" MONARCCH PUMP | 1 | | | | 1 |
| 2 | 868147 | . FITTING / "L" 1/4 SAE O-RING BOSS 1/4 JIC | 1 | | | | |
| 3 | 860122 | . PLUG / 3/4-16 CAVITY / W/O-RING | 2 | | | | |
| 4 | 862105 | . RESERVOIR / RICON POWER UNIT / PLASTIC To 1-7680 | 1 | | | | |
| 4 | N.P.N. | . RESERVOIR / RICON POWER UNIT / PLASTIC From 1-7681 To 4-8278 | 1 | | | | 4 |
| 4 | 863092 | . RESERVOIR / RICON POWER UNIT / PLASTIC From 4-8279 | 1 | | | | |
| 5 | 863095 | . PLUG, BREATHER, RESERVOIR | 1 | | | | |
| 6 | 504235 | . HOSE CLAMP / 3"9/16"-4"1/2 SS / HS-64 | 1 | | | | |
| 7 | 862106 | . HYD. POPPET VALVE ASSY. / 24V DELTROL To 1-7680 | 1 | | | | |
| 7 | 860153 | . KIT DOWN VALVE / W/TERMINALS From 1-7681 | 1 | | | | |
| 8 | 862107 | . SEAL KIT / MANUAL BACK-UP PUMP | 1 | | | | |
| 9 | 863093 | . BACK-UP PUMP ASSY, MANUAL W/O HANDLE | 1 | | | | |
| 10 | 868253 | . BRACKET / TENSION LINK / MANARCH PUMP | 1 | | | | |
| 11 | 868254 | . PIN & RETAINING RING-BACKUP PUMP | 2 | | | | |
| 12 | 862108 | . KIT / PUMP MOTOR BRUSH SET | 1 | | | | |
| NS | 685682 | OIL HYDRAULIC W.C.L. (19 LITERS) | 1 | | | | |
| | | | | | | | |
| | | | | | | | |
| | | | | | | | |
| | | 1) NOT SOLD SEPARATELY | | | | | |
| | | 4) NO PARTS NUMBER | | | | | |

| | | |
|---|--------------|-----------------|
| From 1-7681 To 4-8278 | Date:10/2022 | PAGE:Y2-2380-70 |
| W.C.L. "RICON" - RELEASE HANDLE MODEL "HC-L002" | | |



| | | |
|---|--------------|-----------------|
| From 1-7681 To 4-8278 | Date:10/2022 | PAGE:Y2-2380-70 |
| W.C.L. "RICON" - RELEASE HANDLE MODEL "HC-L002" | | |

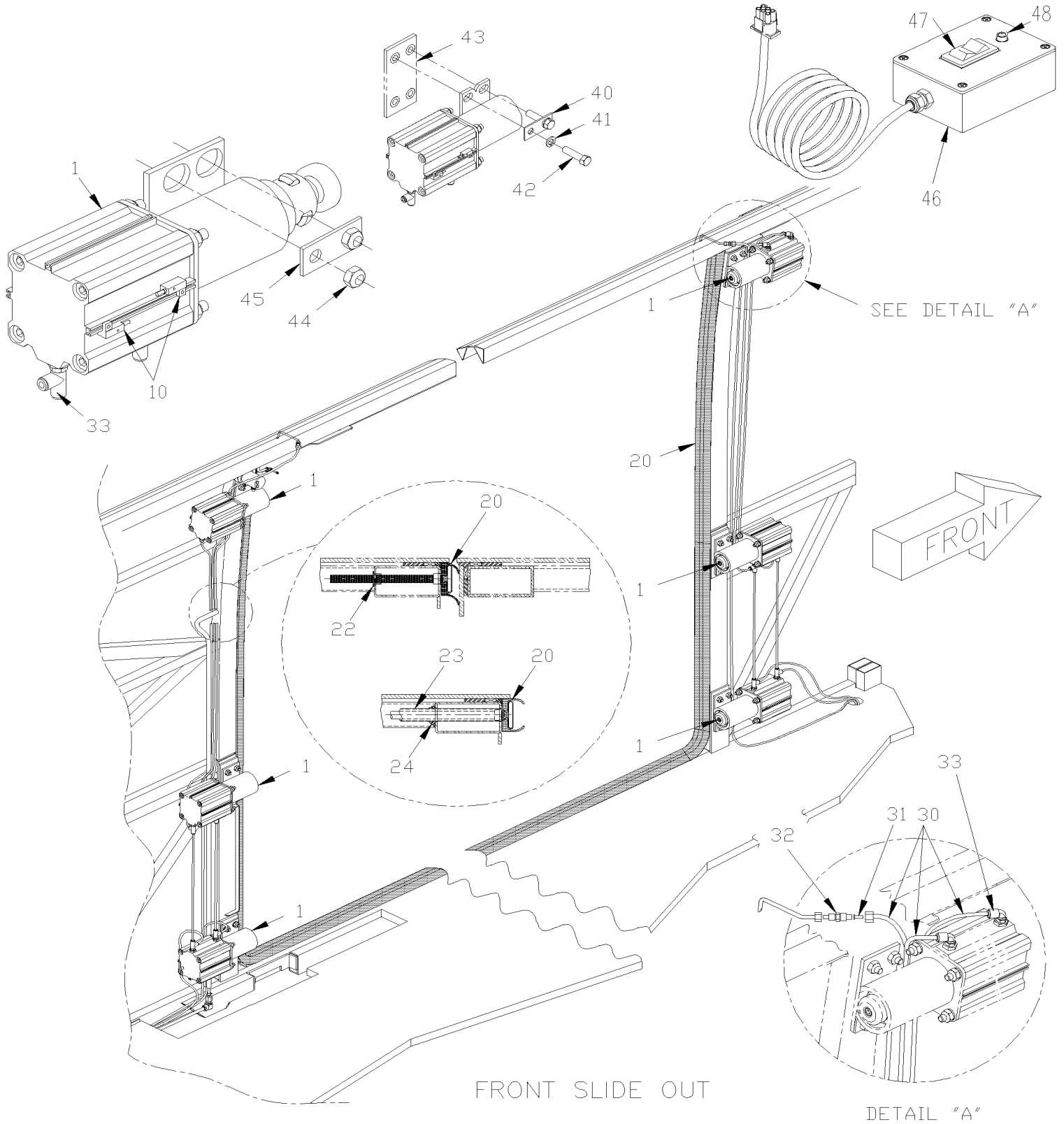
| Item# | Part | Description | X L I I 4 5 | X L I I M T H 4 0 | X L I I M T H 4 5 | X L I I M T H 4 5 E | N O T E S |
|-------|-----------------|--|----------------------------|---|---|--|-----------------------|
| 1 | Call order desk | HANDLE, CARRIAGE RELEASE, HC-L002 | 1 | | | | P |
| 2 | Call order desk | KIT, PIVOT PIN, TRIGGER | 1 | | | | P |
| 3 | Call order desk | SCREW SHR HEXS 10x20(M8-1.25 | 1 | | | | P |
| 4 | Call order desk | SCREW SHR HEXS 8x10(M6-1.0 | 1 | | | | P |
| 5 | Call order desk | BRACKET, CARRIAGE RELEASE | 1 | | | | P |
| 6 | Call order desk | CABLE ASSY, CARRIAGE RELEASE | 1 | | | | P |
| 7 | Call order desk | SPRING, TORSION, TRIGGER | 1 | | | | P |
| 8 | Call order desk | TRIGGER, CARRIAGE RELEASE | 1 | | | | P |
| | | | | | | | |
| | | | | | | | |
| | | | | | | | |
| | | P) CALL ORDER DESK FOR SPECIFIC APPLICATION (V.I.N.) | | | | | |

From Y-7046 To 6-8805

Date:10/2022

PAGE:Y2-2390-00

"SLIDE-OUT" INFLATED SEAL & LOCKING PIN

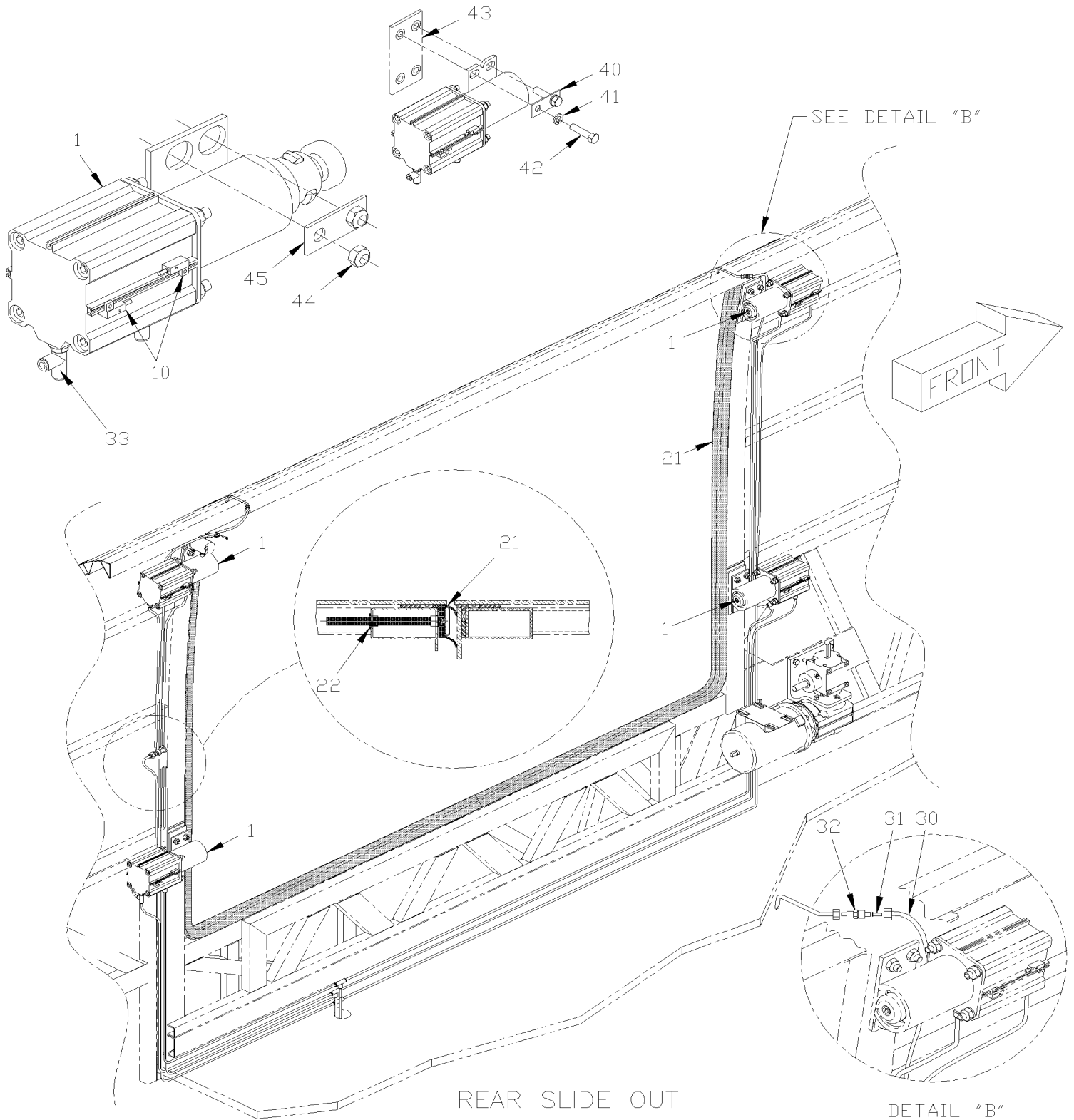


From Y-7046 To 6-8805

Date:10/2022

PAGE:Y2-2390-00

"SLIDE-OUT" INFLATED SEAL & LOCKING PIN



REAR SLIDE OUT

DETAIL "B"

| | | |
|-----------------------|--------------|-----------------|
| From Y-7046 To 6-8805 | Date:10/2022 | PAGE:Y2-2390-00 |
|-----------------------|--------------|-----------------|

"SLIDE-OUT" INFLATED SEAL & LOCKING PIN

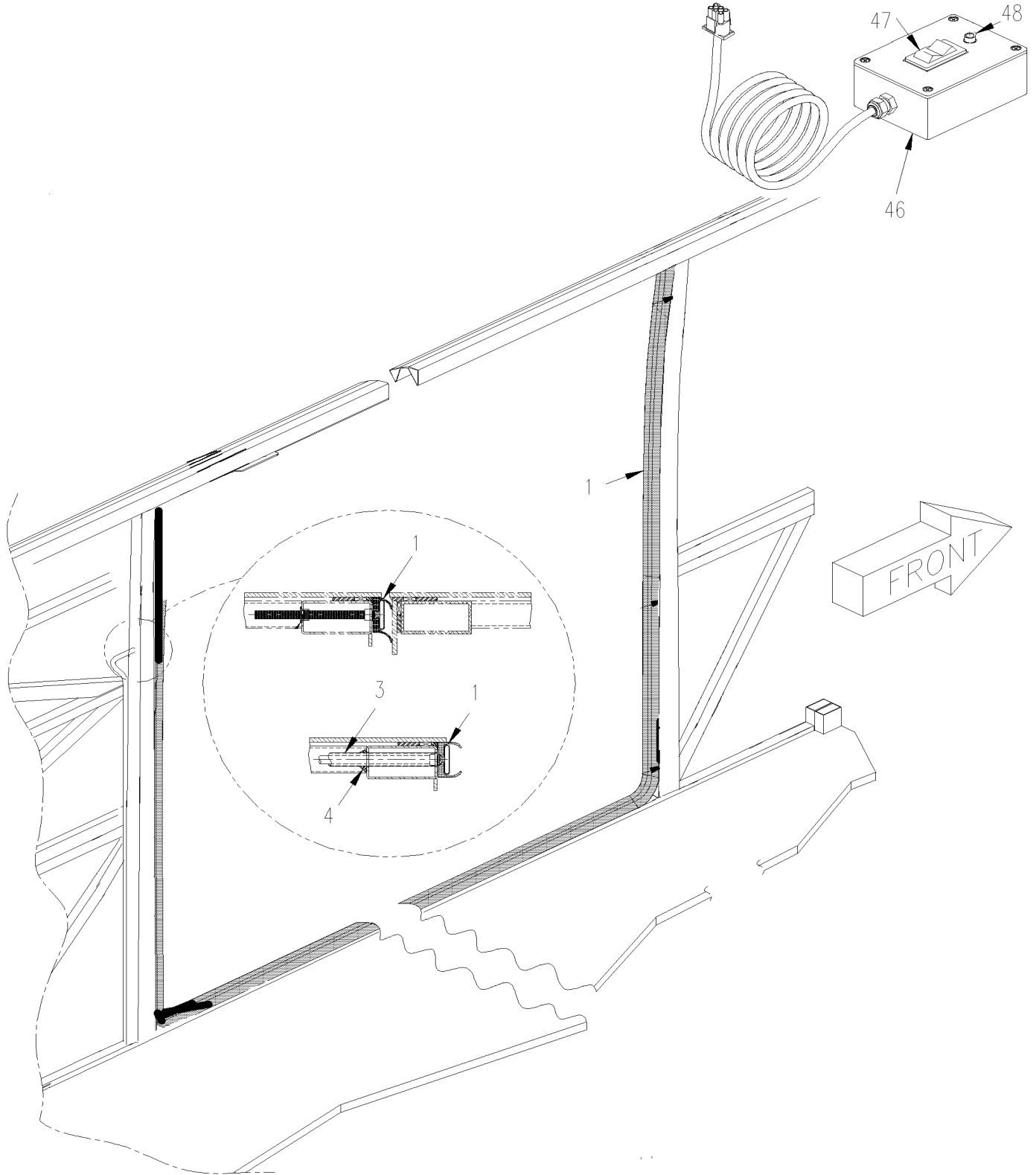
| Item# | Part | Description | X L I I 4 5 | X L I I M T H 4 0 | X L I I M T H 4 5 | X L I I M T H 4 5 E | N O T E S |
|-------|-------------------|--|----------------------------|---|---|--|-----------------------|
| 1 | Y2-2390-70 | "SLIDE-OUT" - CYLINDER LOCK PIN ASSY | | | | | |
| 10 | 690407 | LIMIT SWITCH ASSY W/CONNECTOR To 4-8251 | | | 2 | | |
| . NS | 690342 | . LIMIT SWITCH W/WIRE To 4-8251 | | | 1 | | |
| . NS | 690308 | . CONNECTOR / MINI UNIVERSAL MATE-N-LOK / SH 4C / AMP 172167-1 To 4-8251 | | | 1 | | |
| 10 | 065846 | LIMIT SWITCH ASSY W/CONNECTOR From 4-8252 | | | 2 | | |
| 10 | 563345 | LIMIT SWITCH W/WIRE From 4-8252 | | | 1 | | |
| 20 | 690228 | SEAL, INFLATABLE FRONT / "XL" 4465MM x 2039MM / 1500MM To 4-8251 | | | 1 | | |
| 20 | 476322 | SEAL, INFLATABLE FRONT / "XL" 4465MM x 2039MM / 1500MM From 4-8252 | | | 1 | | |
| 20 | 479433 | SEAL INSTALLATION / FRONT / "XL" 4465MM x 2039MM | | | 1 | | |
| . NS | 470966 | . SEAL INFLATABLE / REAR 4465MM x 2039MM | | | 1 | | |
| . NS | 470967 | . BASE SEAL / FRONT 4465MM x 2039MM | | | 1 | | |
| . NS | IS-16080 | . SEE INSTRUCTION SHEET | | | 1 | | |
| . NS | FI-16080 | . VOIR FEUILLE D'INSTRUCTION | | | 1 | | |
| 21 | 690229 | SEAL, INFLATABLE REAR 2330MM x 1673MM / 763MM To 4-8251 | | | 1 | | |
| 21 | 476321 | SEAL, INFLATABLE REAR 2330MM x 1673MM / 763MM From 4-8252 | | | 1 | | |
| 21 | 479435 | SEAL INSTALLATION / REAR 2330MM x 1673MM | | | 1 | | |
| . NS | 470960 | . SEAL INFLATABLE / REAR 2330MM x 1673MM | | | 1 | | |
| . NS | 470961 | . BASE SEAL / REAR 2330MM x 1673MM | | | 1 | | |
| . NS | IS-16080 | . SEE INSTRUCTION SHEET | | | 1 | | |
| . NS | FI-16080 | . VOIR FEUILLE D'INSTRUCTION | | | 1 | | |
| NS | 690323 | BRASS INSERT TUBE 5/16 I.D. | | | AR | | |
| NS | 690321 | BRASS INSERT TUBE 3/8 I.D. | | | AR | | |
| 22 | 507260 | BUSHING NYLINER W/SHOULDER .375x.437x.375x.594 | | | 2 | | |
| 23 | 503540 | TUBE, NYLON 5/8 O.D. / BLACK S.L. | | | AR | | |
| 24 | 682176 | SEALANT SIKA #221 / BLACK / 310ml CARTRIDGE | | | AR | | |
| NS | 690341 | GLUE PRISM 426 BLACK GEL | | | AR | | |
| NS | 690354 | PRIMER 770 | | | AR | | |
| 30 | 503402 | TUBE, NYLON 1/4 O.D. / BLACK S.L. | | | AR | | |
| 31 | 690324 | INSERT / COMPRESS-ALIGN FITTING / #4x.040 BR To 4-8251 | | | AR | | |
| 31 | 642012 | INSERT / COMPRESS-ALIGN FITTING / #4x.040 BR From 4-8252 | | | AR | | |
| 32 | 690322 | UNION REDUCER / COMPRESS-ALIGN FITTING / #4x#3 BR To 4-8251 | | | AR | | |
| 32 | 642011 | UNION REDUCER / COMPRESS-ALIGN FITTING / #4x#3 BR From 4-8252 | | | AR | | |
| 33 | Y2-2390-70 | "SLIDE-OUT" - CYLINDER LOCK PIN ASSY | | | | | |
| 40 | 690225 | PLATE | | | AR | | |
| 41 | 690264 | WASHER LO SPT 12.2x21.1x2.5 ZP | | | AR | | |
| 42 | 5001043 | SCREW CAP HEX M12-1.75x50 G8.8 Z050 | | | AR | | |
| 43 | 690263 | NUT RIV FL OKS OE ZP M12-1.75 | | | AR | | |
| 44 | 502617 | NUT HEX NYRT M10-1.5 Z050 | | | AR | | |
| 45 | 690125 | PLATE To 4-8251 | | | 1 | | |
| 45 | 144623 | PLATE From 4-8252 | | | 1 | | |
| NS | 144636 | SPACER 0.015" | | | AR | | |
| NS | 144637 | SPACER 0.031" | | | AR | | |

From 6-8806 To 8-9339

Date:10/2022

PAGE:Y2-2390-01

"SLIDE-OUT" INFLATED SEAL

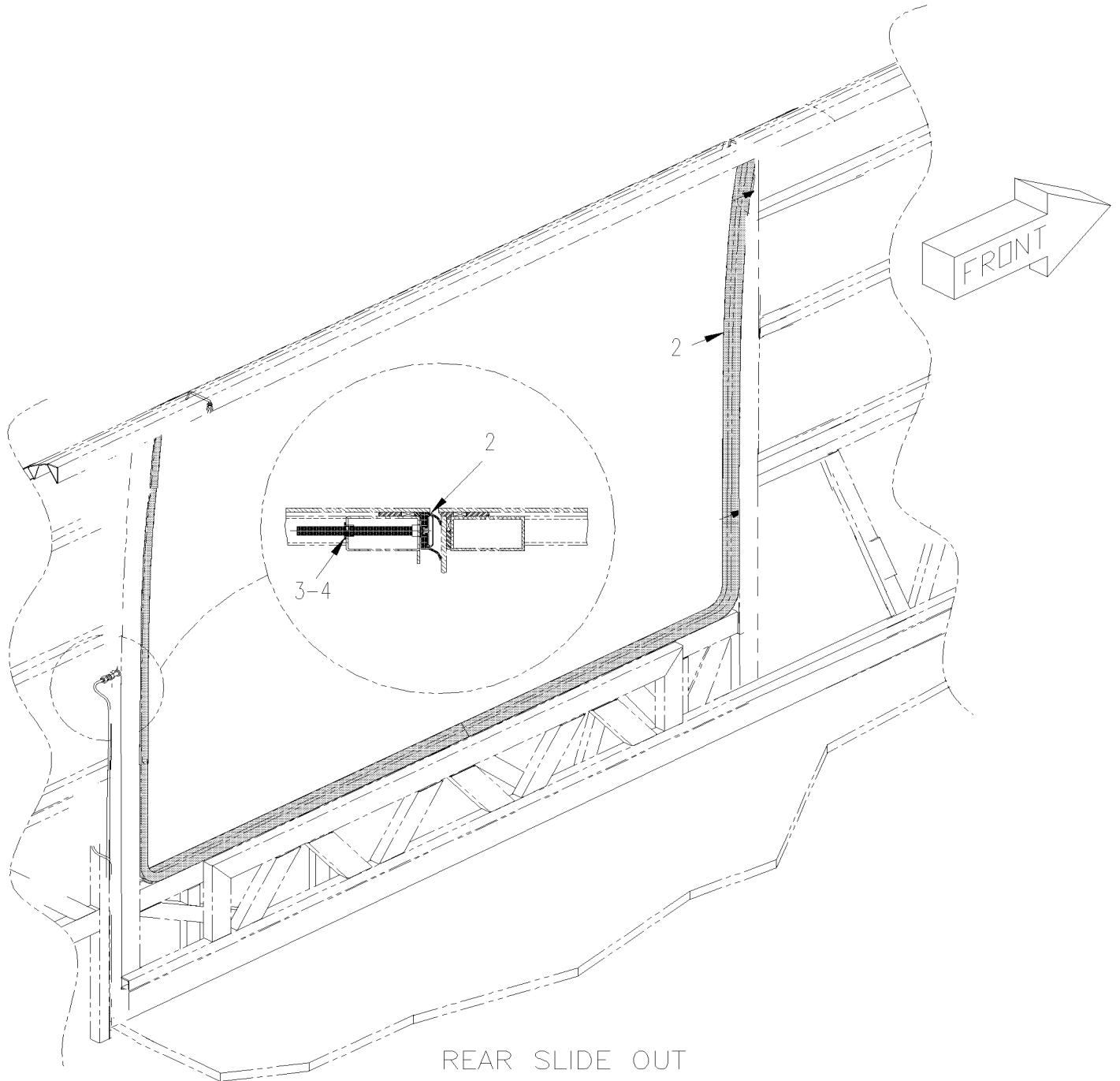


From 6-8806 To 8-9339

Date:10/2022

PAGE:Y2-2390-01

"SLIDE-OUT" INFLATED SEAL

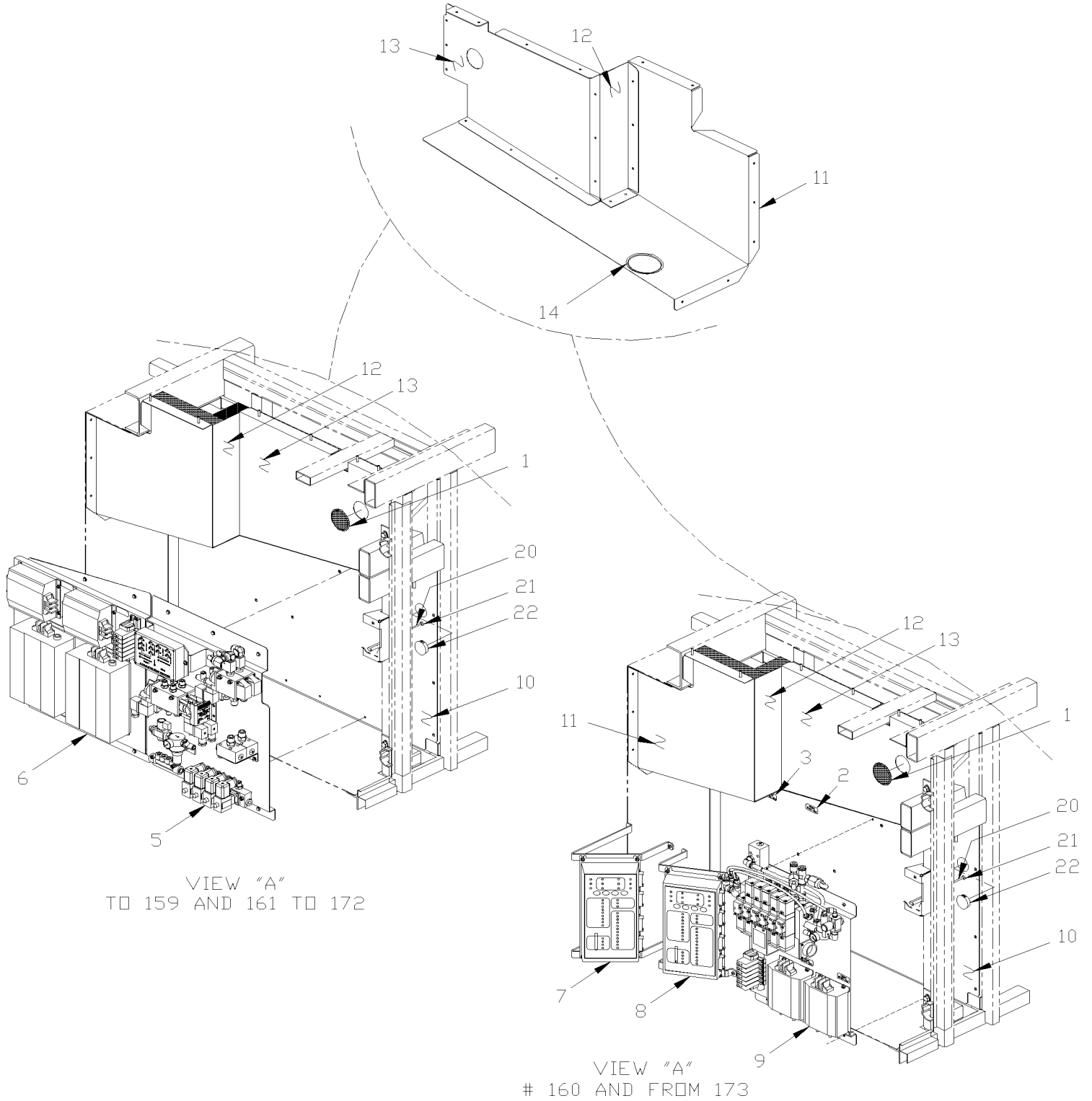


From Y-7046 To 6-8805

Date:10/2022

PAGE:Y2-2390-05

"SLIDE-OUT" CONTROL INSTALLATION



| | | |
|---|--------------|-----------------|
| From Y-7046 To 6-8805 | Date:10/2022 | PAGE:Y2-2390-05 |
| "SLIDE-OUT" CONTROL INSTALLATION | | |

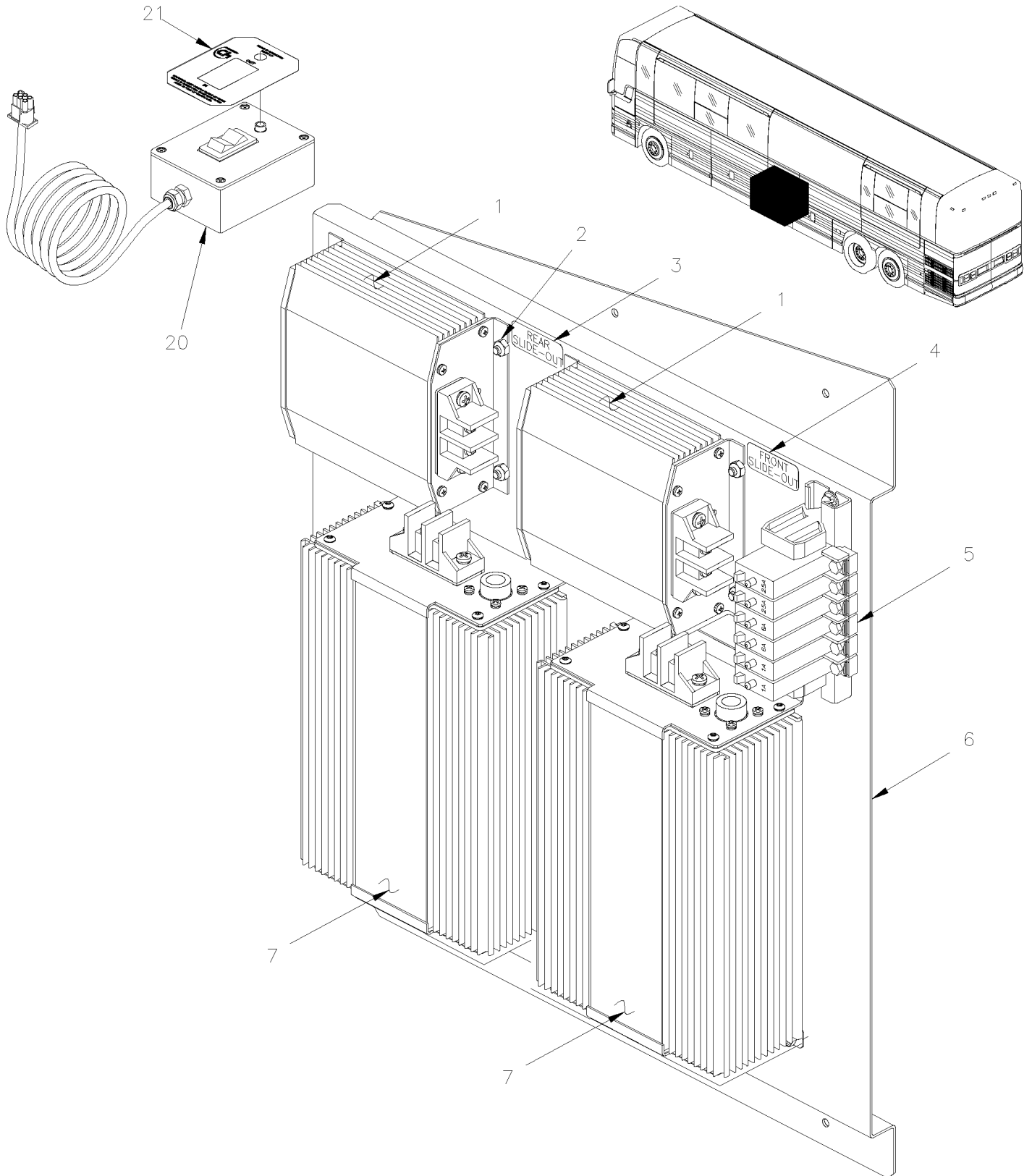
| Item# | Part | Description | X L I I 4 5 | X L I I M T H 4 0 | X L I I M T H 4 5 | X L I I M T H 4 5 E | N O T E S |
|-------|-------------------|--|----------------------------|---|---|--|-----------------------|
| 1 | 690286 | PLUG SNAP-IN 1 PLAS 2 1/8" X 0.05" EP. | | | 1 | | |
| 2 | 690096 | DECAL "FRONT SLIDE OUT" To 4-8251 | | | 1 | | |
| 2 | 065921 | DECAL "FRONT SLIDE OUT" From 4-8252 | | | 1 | | |
| 3 | 690097 | DECAL "REAR SLIDE OUT" STICKER To 4-8251 | | | 1 | | |
| 3 | 065922 | DECAL "REAR SLIDE OUT" STICKER From 4-8252 | | | 1 | | |
| 5 | Y2-2390-10 | "SLIDE-OUT" AIR CONTROL PANEL To 2-7780 | | | | | |
| 6 | Y2-2390-06 | "SLIDE-OUT" CONTROL PANEL - INSTALLATION To 2-7780 | | | | | |
| 7 | 065907 | SUPPORT / PRAN MODULE | | | 1 | | |
| 7 | 065908 | SUPPORT / PRAN MODULE | | | 1 | | A |
| 8 | 065906 | SUPPORT / PRAN MODULE | | | 1 | | |
| 8 | 065908 | SUPPORT / PRAN MODULE | | | 1 | | A |
| 9 | Y2-2390-11 | "SLIDE-OUT" AIR CONTROL PANEL From 2-7881 | | | | | |
| 10 | Call order desk | PANEL | | | 1 | | P |
| 11 | Call order desk | PANEL | | | 1 | | P |
| 12 | Call order desk | PANEL | | | 1 | | P |
| 13 | Call order desk | PANEL | | | 1 | | P |
| 14 | 506338 | RUBBER CHANNEL / 1/16" x 1/4" INT "U" SHAPE / ROUND C.T.L. | | | 1 | | |
| 20 | Call order desk | ROD OPENING 243MM | | | 1 | | P |
| 21 | 690288 | RUBBER GROMMET 5/16" | | | 1 | | |
| 22 | 504265 | PLUG 1 3/8" | | | 1 | | |
| | | | | | | | |
| | | | | | | | |
| | | A) WITH SMALL A/C SYSTEM | | | | | |
| | | P) CALL ORDER DESK FOR SPECIFIC APPLICATION (V.I.N.) | | | | | |

From Y-7046 To 2-7780

Date:10/2022

PAGE:Y2-2390-06

"SLIDE-OUT" CONTROL PANEL - INSTALLATION



From Y-7046 To 2-7780 Date:10/2022 PAGE:Y2-2390-06

"SLIDE-OUT" CONTROL PANEL - INSTALLATION

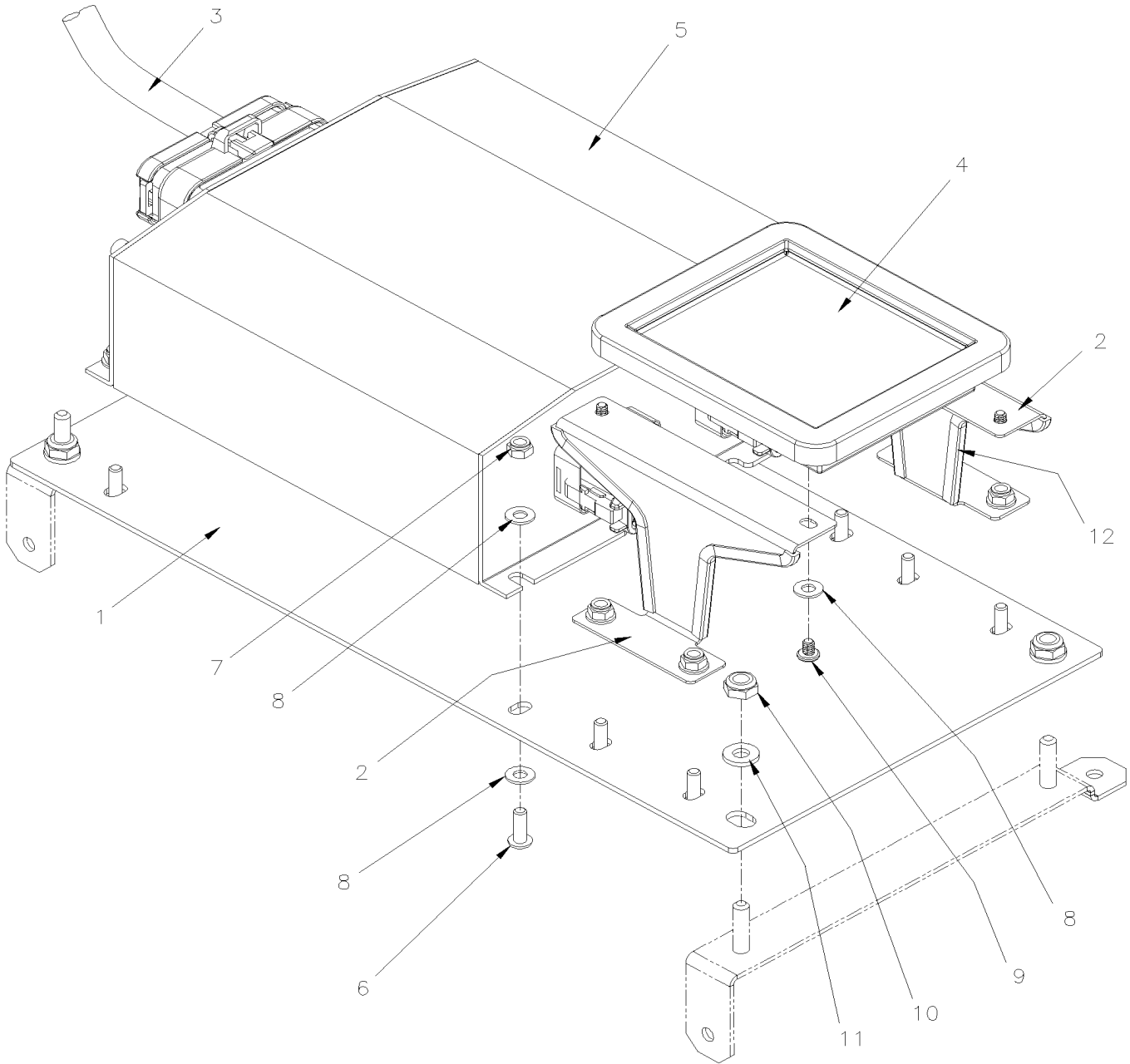
| Item# | Part | Description | X L I I 4 5 | X L I I M T H 4 0 | X L I I M T H 4 5 | X L I I M T H 4 5 E | N O T E S |
|-------|-------------------|---|----------------------------|---|---|--|-----------------------|
| | 690065 | ELECTRIC COMPONENTS PANEL | | | 1 | | |
| 1 | 690303 | . MODULE MOTOR DRIVE ASM 24V To Y-7398 | | | 2 | | A |
| 1 | 563318 | . MODULE MOTOR DRIVE ASM 24V From Y-7399 | | | 2 | | |
| 2 | 502782 | . NUT HEX NYRT M5-0.8 Z050 | | | 16 | | |
| 3 | 690097 | . DECAL "REAR SLIDE OUT" STICKER To 4-8251 | | | 1 | | |
| 3 | 065922 | . DECAL "REAR SLIDE OUT" STICKER From 4-8252 | | | 1 | | |
| 4 | 690096 | . DECAL "FRONT SLIDE OUT" To 4-8251 | | | 1 | | |
| 4 | 065921 | . DECAL "FRONT SLIDE OUT" From 4-8252 | | | 1 | | |
| 5 | Y2-0616-00 | . JUNCTION BOX COMPONENTS, RELAY & BREAKER | | | | | |
| 6 | 690062 | . ELECTRIC COMPONENTS PANELS | | | 1 | | |
| 7 | 690304 | . SLIDE OUT CONTROL MODUL | | | 2 | | |
| 7 | 0610320 | FRONT SLIDE-OUT MODULE REPLACEMENT KIT | | | 1 | | |
| 7 | 0610321 | REAR SLIDE-OUT MODULE REPLACEMENT KIT | | | 1 | | |
| 20 | 690087 | REMOTE CONTROL / SINGLE SLIDE-OUT To 1-7439 | | | AR | | |
| 20 | 382048 | REMOTE CONTROL / SINGLE SLIDE-OUT From 1-7450 | | | AR | | |
| . NS | 563380 | . SWITCH / M/ON-OFF-M/ON S P.D.T BLACK From 1-7450 | | | 1 | | |
| . NS | 564421 | . PILOT LIGHT GREEN / LED 24V From 1-7450 | | | 1 | | |
| . NS | 382047 | . DECAL "REMOTE CONTROL" From 1-7450 | | | 1 | | |
| 21 | 690091 | . DECAL "REMOTE CONTROL" To 4-8251 | | | 1 | | |
| 21 | 382047 | . DECAL "REMOTE CONTROL" From 4-8252 | | | 1 | | |
| NS | 690297 | HARNES DOUBLE XLII From 1-7450 | | | 1 | | |
| 22 | 065730 | KIT, RETROFIT SAFETY MODULE "SLIDE OUT" XLII To 1-7780 | | | AR | | |
| 23 | 065731 | KIT, RETROFIT SAFETY MODULE "SLIDE OUT" XLII From 1-7781 | | | AR | | |
| 24 | 563222 | SAFETY MODULE PR-4101 | | | 1 | | |
| | | | | | | | |
| | | | | | | | |
| | | A) THIS MOTOR CONTROL MODULE IT SUPERSEDED BY #563318 AND #563316 WITH KIT 065730 | | | | | |

From Y-7046 To 2-7780

Date:10/2022

PAGE:0610320

FRONT SLIDE-OUT MODULE REPLACEMENT KIT

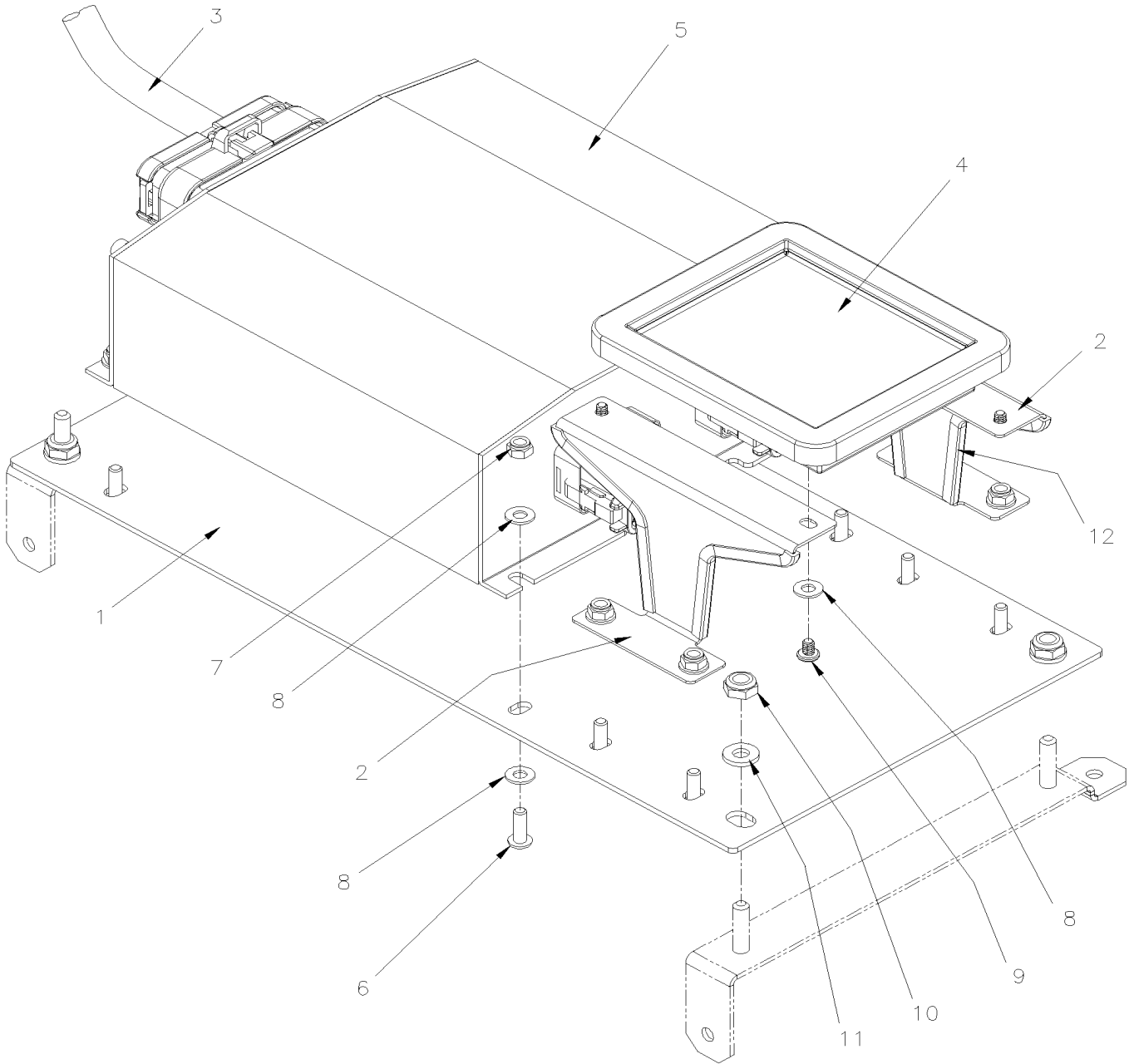


From Y-7046 To 2-7780

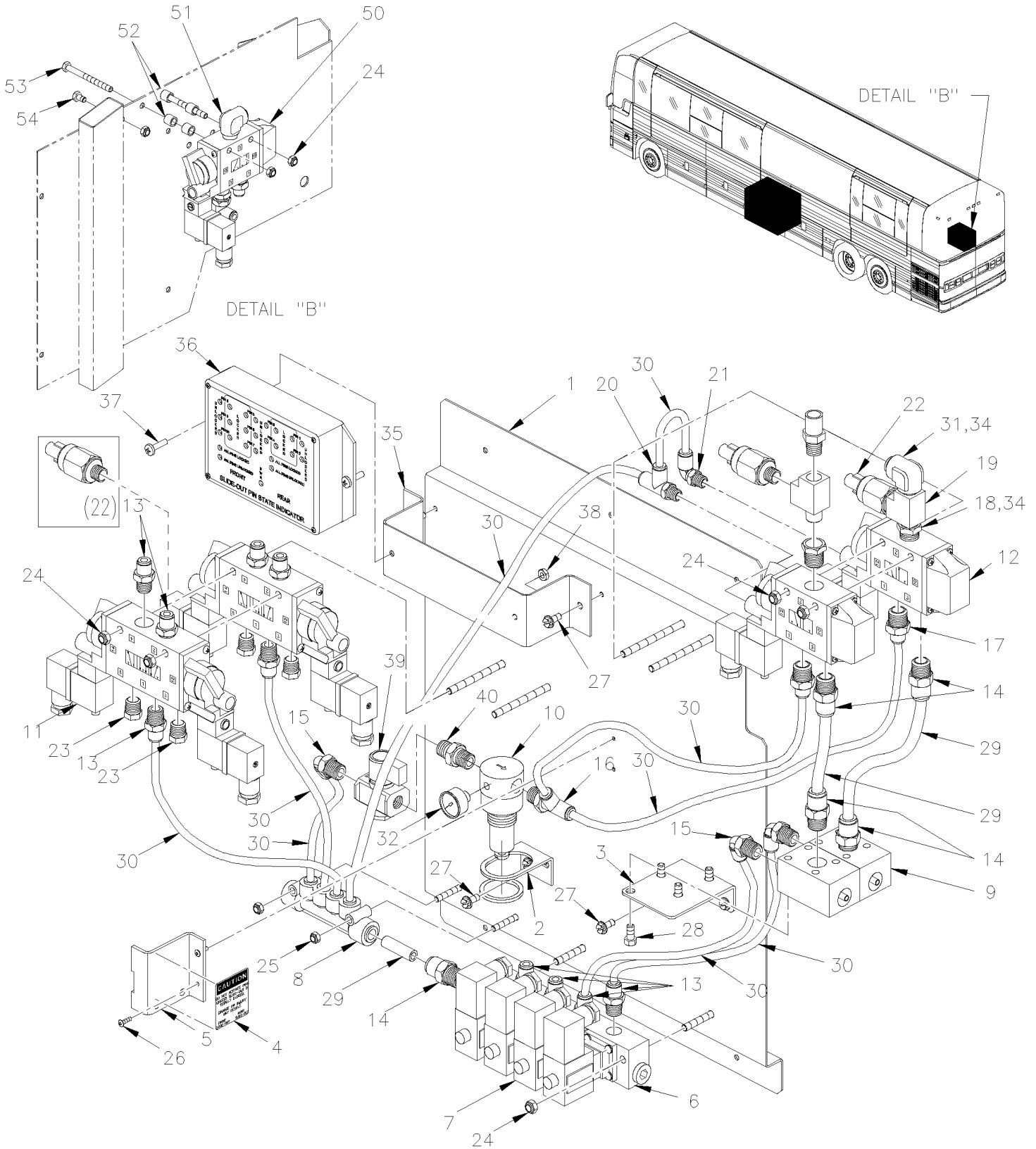
Date:10/2022

PAGE:0610321

REAR SLIDE-OUT MODULE REPLACEMENT KIT



| | | |
|--------------------------------------|--------------|-----------------|
| From Y-7046 To 2-7780 | Date:10/2022 | PAGE:Y2-2390-10 |
| "SLIDE-OUT" AIR CONTROL PANEL | | |



| | | |
|--------------------------------------|--------------|-----------------|
| From Y-7046 To 2-7780 | Date:10/2022 | PAGE:Y2-2390-10 |
| "SLIDE-OUT" AIR CONTROL PANEL | | |

| Item# | Part | Description | X L I I 4 5 | X L I I M T H 4 0 | X L I I M T H 4 5 | X L I I M T H 4 5 E | N O T E S |
|-------|--------|--|----------------------------|---|---|--|-----------------------|
| | 690064 | PNEUMATIC COMPONENTS PANEL | | | 1 | | |
| 1 | 690060 | PNEUMATIC COMPONENTS PANEL | | | 1 | | |
| 2 | 690381 | REGULATOR SEAT To TODAY | | | 1 | | |
| 2 | N.S.P. | REGULATOR SEAT / (6500087) From FUTUR | | | 1 | | 2 |
| 3 | 690061 | VACUUM GENERATOR SUPPORT | | | 1 | | |
| 4 | 690085 | DECAL, LOCK SECURITY | | | 1 | | |
| 5 | 690069 | PROTECTOR PLATE | | | 1 | | |
| 6 | 690349 | 4 PORTS VALVE MANIFOLD | | | 1 | | |
| 7 | 690350 | SOLENOID VALVE 2/2 N.C. | | | 4 | | |
| 8 | 690330 | MANIFOLD / PUSH-IN FITTING / 2x#6 / 4x#4 PLAS | | | 1 | | |
| 9 | 690344 | VACUUM GENERATORS | | | 2 | | |
| 10 | 690380 | PRESSURE REGULATOR To TODAY | | | 1 | | |
| 10 | N.S.P. | PRESSURE REGULATOR / (6500085) From FUTUR | | | 1 | | 2 |
| 11 | 690332 | VALVE, 5 WAYS, 3 POSITIONS / 2 SOLONIDS | | | 2 | | |
| . NS | 641929 | . COIL 24V | | | 2 | | |
| . NS | 641385 | . CONNECTOR / SOCKET HOUSING ASSY 3C / PNEUMAC 54934-01 | | | 1 | | |
| 12 | 690331 | VALVE, 3 WAYS, 2 POSITIONS N.O. | | | 2 | | |
| . NS | 641929 | . COIL 24V | | | 1 | | |
| . NS | 641169 | . SPOOL | | | 1 | | |
| . NS | 641385 | . CONNECTOR / SOCKET HOUSING ASSY 3C / PNEUMAC 54934-01 | | | 1 | | |
| 13 | 641242 | MALE CONNECTOR / PUSH-IN FITTING / #4x1/8NPT-M BR | | | 10 | | |
| 14 | 641330 | MALE CONNECTOR / PUSH-IN FITTING / #6x3/8NPT-M BR | | | 5 | | |
| 15 | 690327 | MALE ELBOW 90° SWIVEL / PUSH-IN FITTING / #4x1/4NPT-M BR | | | 3 | | |
| 16 | 690326 | RUN TEE PUSH-IN 1/4 NPT SWIVEL - 1/4 TUBE | | | 1 | | |
| 17 | 641347 | MALE CONNECTOR / PUSH-IN FITTING / #4x3/8NPT-M BR | | | 2 | | |
| 18 | 501314 | BUSHING REDUCER / PIPE FITTING / 3/8NTP-Mx1/4NPT-F BR | | | 2 | | |
| 19 | 501338 | MALE RUN TEE / PIPE FITTING / 1/4NPT-Mx1/4NPT-Fx1/4NPT-F BR | | | 2 | | |
| 20 | 690329 | MALE RUN TEE SWIVEL / PUSH-IN FITTING / #4x#4x1/8NPT-M BR | | | 1 | | |
| 21 | 690328 | MALE ELBOW 90° SWIVEL / PUSH-IN FITTING / #4x1/8NPT-M BR | | | 1 | | |
| 22 | 690361 | VACUUM SWITCH 16" HG | | | 2 | | |
| 22 | 690411 | PRESSURE SWITCH | | | AR | | H |
| 23 | 641926 | SILENCER / MUFLER / 1/4NPT-M | | | 4 | | |
| 23 | N17945 | SILENCER / MUFLER / 1/4NPT-M | | | 4 | | AS |
| 24 | 502511 | NUT HEX NYRT M6-1.0 Z050 | | | 6 | | |
| 25 | 502782 | NUT HEX NYRT M5-0.8 Z050 | | | 2 | | |
| 26 | 504107 | RIVET POP DOME OE 1/8x5/16 AL | | | 2 | | |
| 27 | 690275 | SCR TP HEXW SLT ZP #12-16 X 1/2 LG. | | | 4 | | |
| 28 | 500162 | SCREW CAP HEX 1/4-20x1/2 G5 Z050 | | | 4 | | |
| 29 | 503404 | TUBE, NYLON 3/8 O.D. / BLACK S.L. | | | 1 | | |
| 30 | 503402 | TUBE, NYLON 1/4 O.D. / BLACK S.L. | | | 1 | | |
| 31 | 641372 | MALE ELBOW 90° NON-SWIVEL / PUSH-IN FITTING / #6x1/4NPT-M BR | | | 2 | | |
| 32 | 690379 | PRESSURE GAUGE 1/8 NPT To TODAY | | | 1 | | |

| | | |
|--------------------------------------|--------------|-----------------|
| From Y-7046 To 2-7780 | Date:10/2022 | PAGE:Y2-2390-10 |
| "SLIDE-OUT" AIR CONTROL PANEL | | |

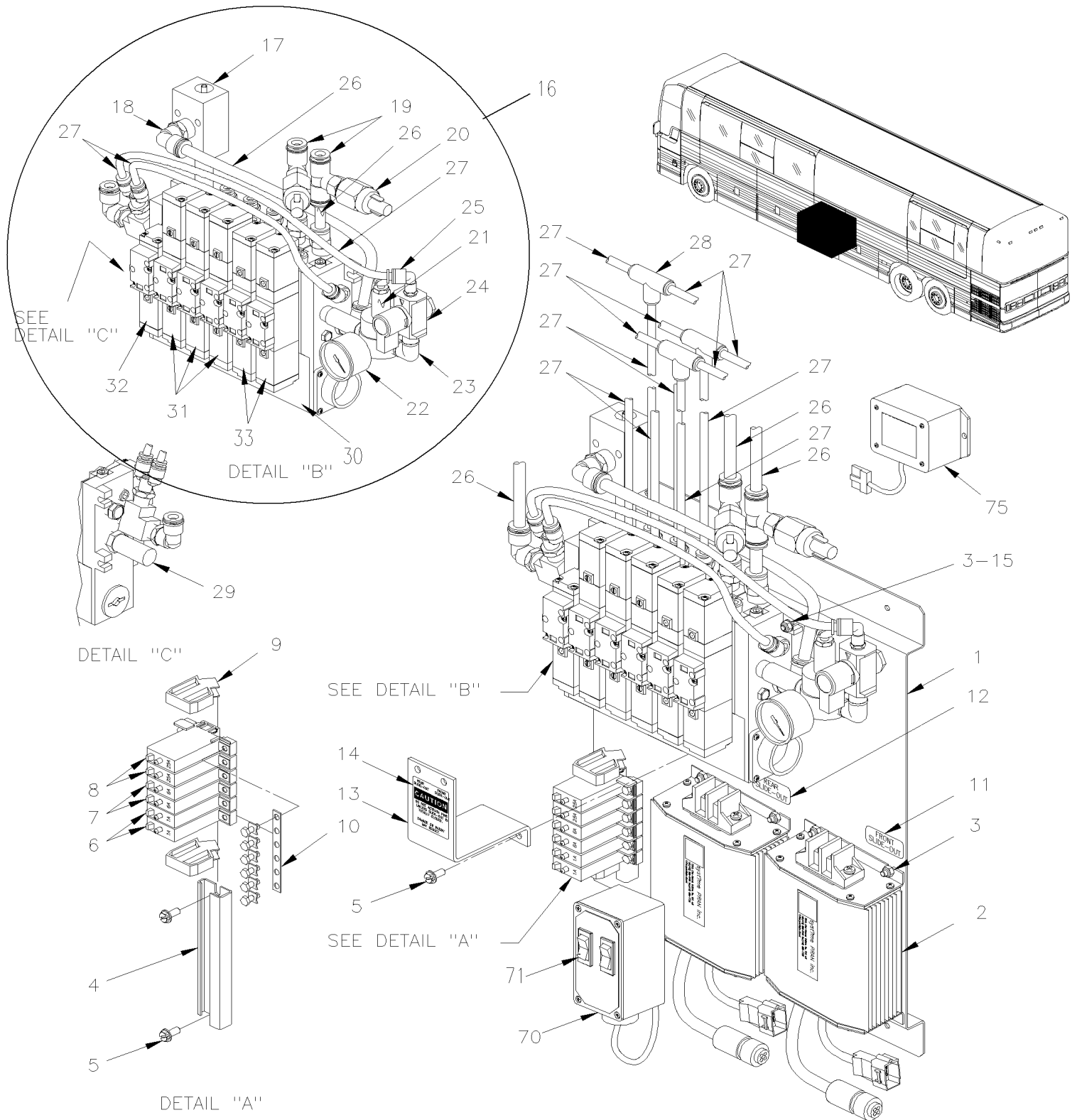
| Item# | Part | Description | X L I I 4 5 | X L I I M T H 4 0 | X L I I M T H 4 5 | X L I I M T H 4 5 E | NOTES |
|-------|---------|---|----------------------------|---|---|--|-------|
| 32 | N.S.P. | PRESSURE GAUGE 1/8 NPT / (6500088) From FUTUR | | | 1 | | 2 |
| 33 | 690382 | BRANCH TEE UNION PUSH-IN 1/4 TUBE | | | 3 | | |
| 34 | 680098 | THREAD SEALANT LOCTITE #567 / WHITE / 250ml | | | AR | | |
| 35 | 690248 | ELECTRONIC MODUL SUPPORT From 1-7450 | | | 1 | | |
| 36 | 690298 | PINS ELECTRONIC MODUL ASSY From 1-7450 | | | 1 | | |
| 37 | 500387 | SCREW MA RND PH #10-24x3/4 Z050 From 1-7450 | | | 2 | | |
| 38 | 5001180 | NUT HEX NYRT #10-24 SS From 1-7450 | | | 2 | | |
| 39 | 690351 | PORT RELIEVING SHUT-OFF VALVE From FUTUR | | | 1 | | |
| 40 | 501321 | NIPPLE HEX / PIPE FITTING / 1/4NPT-Mx1/4NPT-Mx1 3/8 BR From FUTUR | | | 1 | | |
| 50 | 641937 | VALVE, 3 WAYS, 2 POSITIONS N.C. / W/MAN OVERRIDE | | | 1 | | |
| . NS | 641929 | . COIL 24V | | | 1 | | |
| . NS | 641385 | . CONNECTOR / SOCKET HOUSING ASSY 3C / PNEUMAC 54934-01 | | | 1 | | |
| 51 | 641374 | MALE ELBOW 90° NON-SWIVEL / PUSH-IN FITTING / #4x3/8NPT-M BR | | | 1 | | |
| 52 | 5001357 | ROUND SPACER 7/16" O.D. X 5/16" I.D. X 13/32" | | | 4 | | |
| 53 | 502769 | SCREW CAP HEX M6-1.0x70 G10.9 DP | | | 2 | | |
| 54 | 5001106 | SCREW CAP HEX M6-1.0x10 G8.8 Z050 | | | 1 | | |
| NS | 690297 | HARNESS DOUBLE XLII | | | 1 | | |
| | | | | | | | |
| | | | | | | | |
| | | AS) AS SHOWN | | | | | |
| | | H) USE ONLY WITH "HIGH" ALTITUDE OPERATIONAL | | | | | |
| | | 2) NOT SOLD BY PREVOST (SEE MANUFACTURING PART NUMBER AT END OF DESCRIPTION LINE) | | | | | |

From 2-7781 To 6-8805

Date:10/2022

PAGE:Y2-2390-11

"SLIDE-OUT" AIR CONTROL PANEL

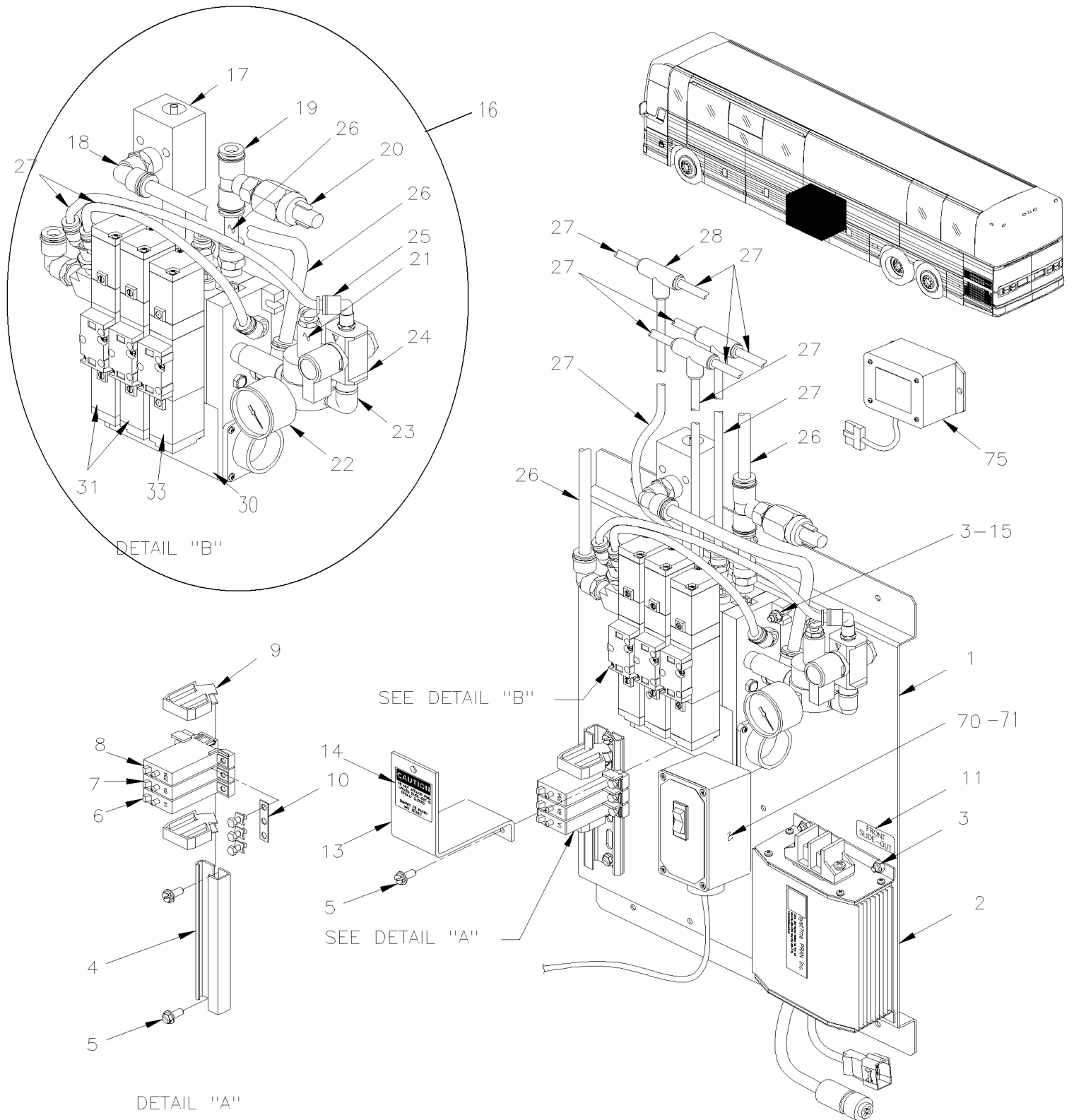


From 2-7781 To 6-8805

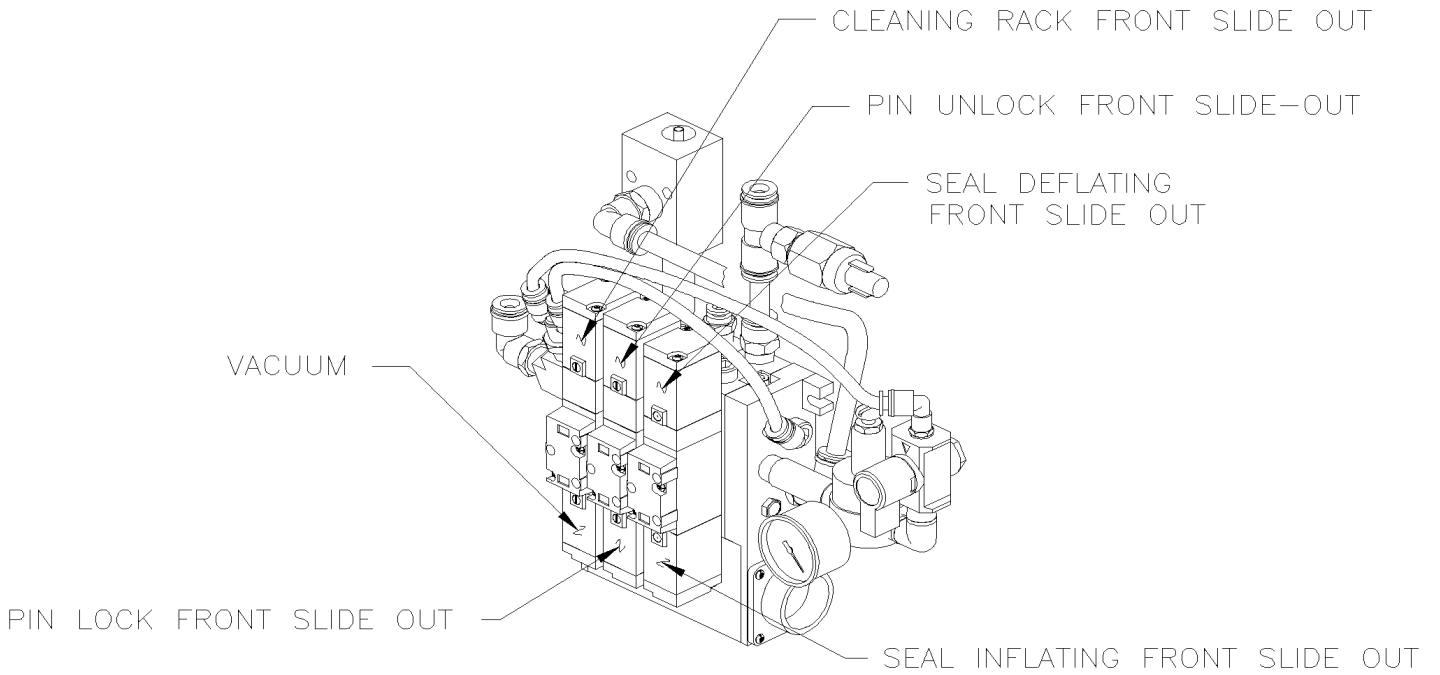
Date:10/2022

PAGE:Y2-2390-11

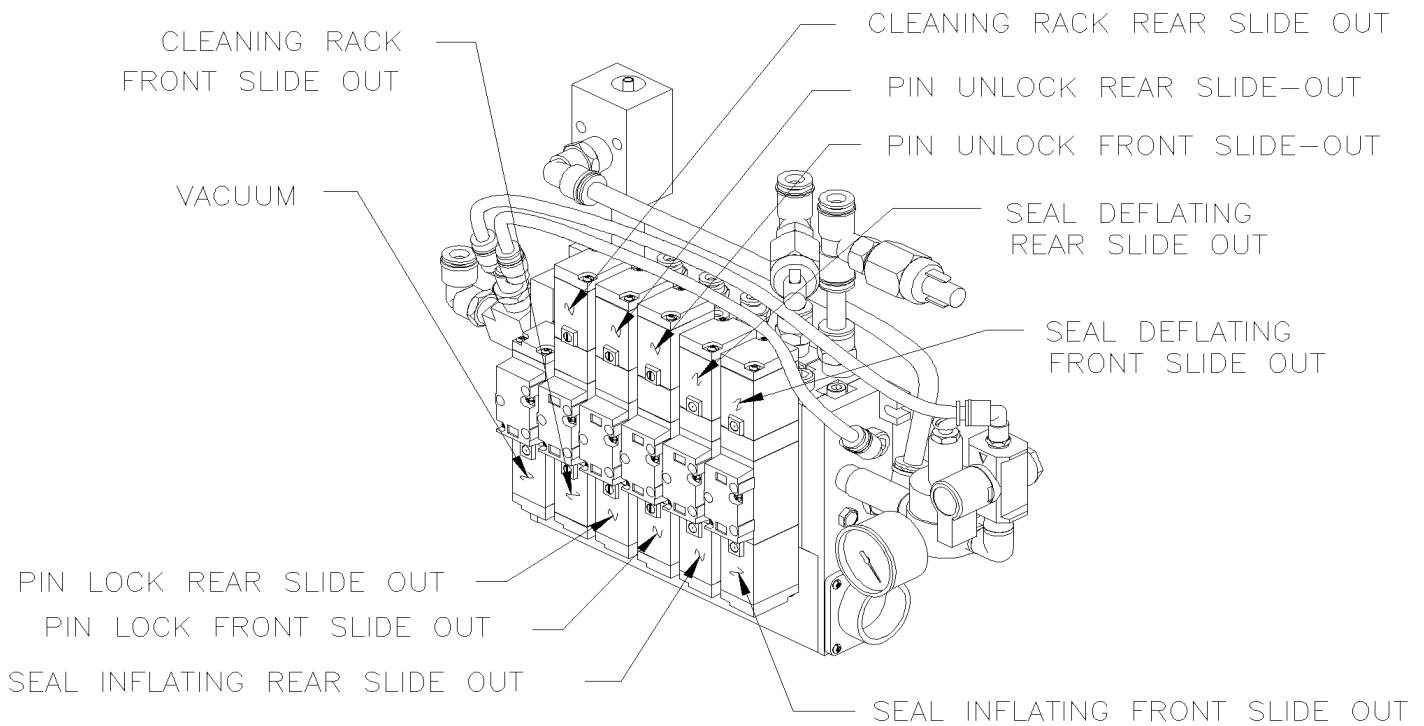
"SLIDE-OUT" AIR CONTROL PANEL



| | | |
|-------------------------------|--------------|-----------------|
| From 2-7781 To 6-8805 | Date:10/2022 | PAGE:Y2-2390-11 |
| "SLIDE-OUT" AIR CONTROL PANEL | | |



WITH FRONT SLIDE OUT ONLY



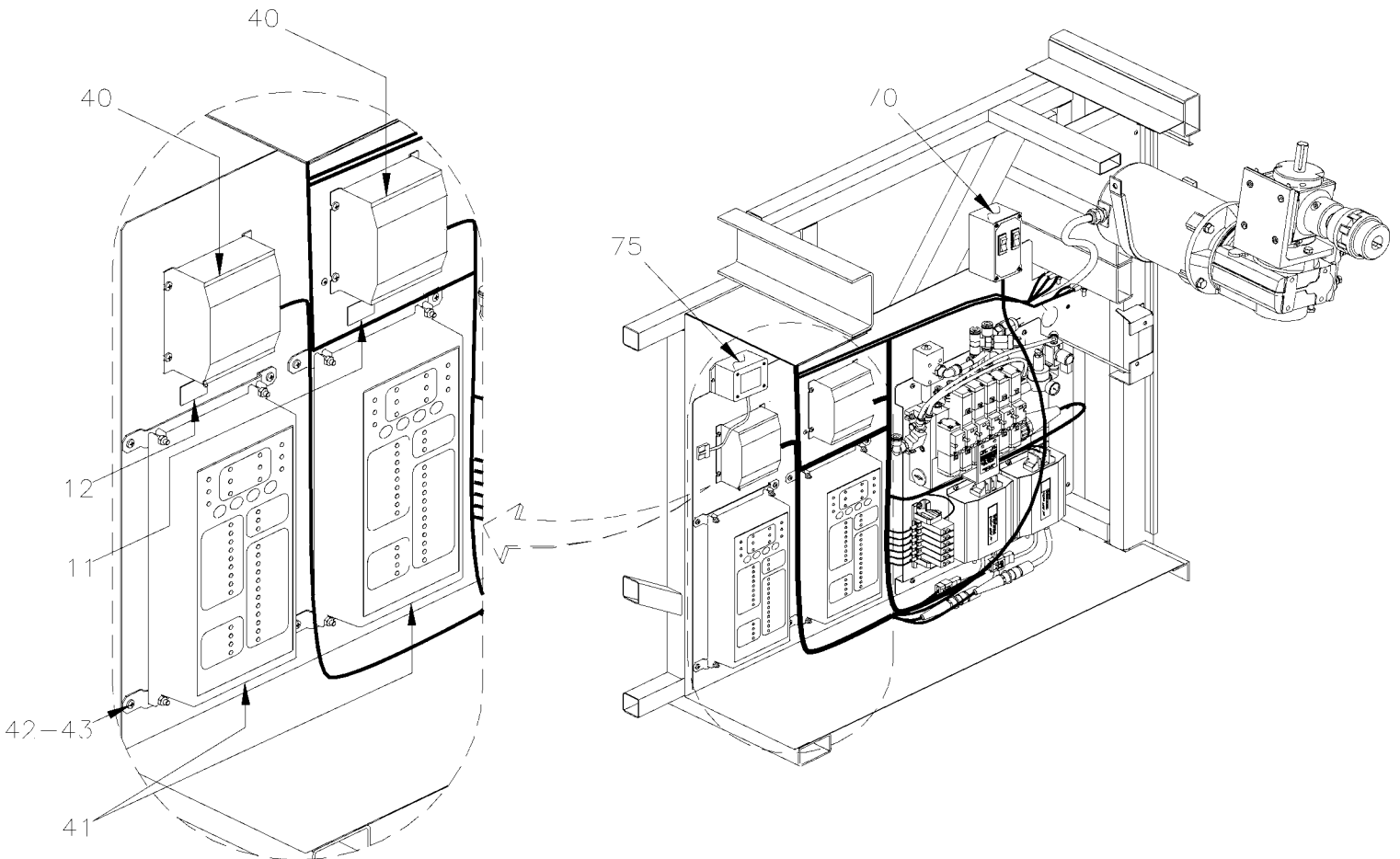
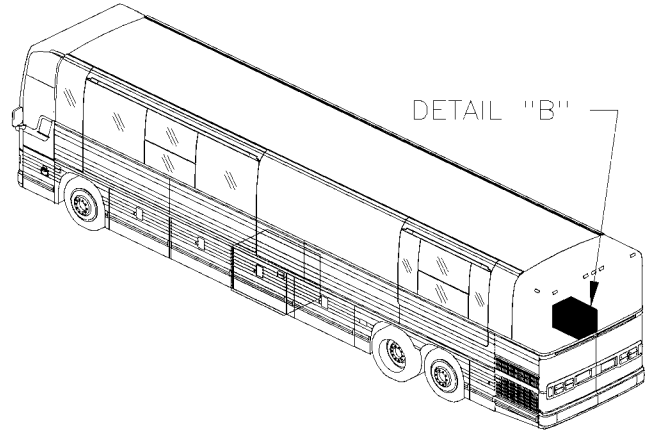
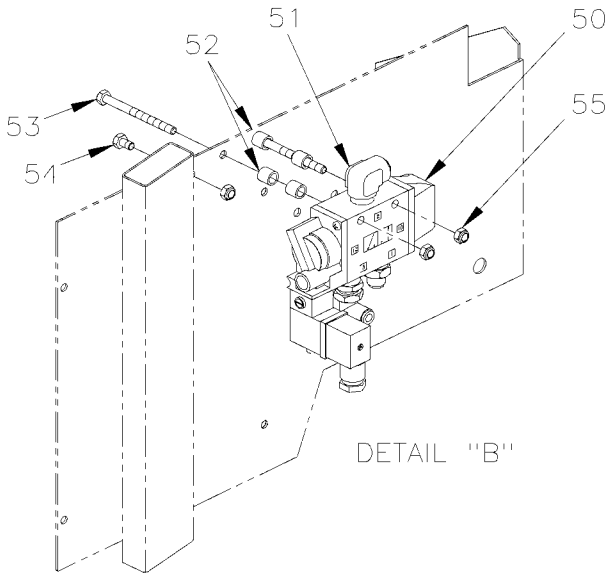
WITH FRONT & REAR SLIDE OUT

From 2-7781 To 6-8805

Date:10/2022

PAGE:Y2-2390-11

"SLIDE-OUT" AIR CONTROL PANEL



| | | |
|--------------------------------------|--------------|-----------------|
| From 2-7781 To 6-8805 | Date:10/2022 | PAGE:Y2-2390-11 |
| "SLIDE-OUT" AIR CONTROL PANEL | | |

| Item# | Part | Description | X L I I 4 5 | X L I I M T H 4 0 | X L I I M T H 4 5 | X L I I M T H 4 5 E | N O T E S |
|-------|--------|--|----------------------------|---|---|--|-----------------------|
| 1 | 065903 | SUPPORT / DRIVE CONTROL MODULE W/DOUBLE SLIDE-OUT | | | 1 | | |
| 1 | 065904 | SUPPORT / DRIVE CONTROL MODULE W/SINGLE SLIDE-OUT | | | 1 | | |
| 2 | 563319 | MODULE MOTOR DRIVE ASM 24V | | | 1 | | R |
| 2 | 563318 | MODULE MOTOR DRIVE ASM 24V | | | 1 | | F |
| 3 | 502783 | SCREW TP CAP HEXW #6x3/8 ZP To 4-8251 | | | 12 | | |
| 3 | 502841 | NUT HEX NYRT M5-0.8 N500 From 4-8252 | | | 12 | | |
| 4 | 690063 | RAIL SUPPORT / 100MM To 4-8251 | | | 1 | | |
| 4 | 381203 | RAIL SUPPORT / 100MM From 4-8252 | | | 1 | | |
| 5 | 690275 | SCR TP HEXW SLT ZP #12-16 X 1/2 LG. To 4-8251 | | | 4 | | |
| 5 | 502868 | SCREW TC TR PH #10-16x1/2 N500 From 4-8252 | | | 4 | | |
| 6 | 690356 | BREAKER 1AMP / 24V / To 4-8251 | | | 2 | | |
| 6 | 563382 | BREAKER 1AMP / 24V / From 4-8252 | | | 2 | | |
| 7 | 561790 | BREAKER 6AMPS / 24V / | | | 2 | | |
| 8 | 561795 | BREAKER 25AMPS / 24V / | | | 1 | | |
| 9 | 690357 | STOPPER To 4-8251 | | | 1 | | |
| 9 | 561729 | STOPPER From 4-8252 | | | 1 | | |
| 10 | 381817 | BUS BAR / W/6 HOLES 77MM | | | 1 | | |
| 10 | 381814 | BUS BAR / W/3 HOLES 38MM | | | 1 | | |
| 11 | 690096 | DECAL "FRONT SLIDE OUT" To 4-8251 | | | 1 | | |
| 11 | 065921 | DECAL "FRONT SLIDE OUT" From 4-8252 | | | 1 | | |
| 12 | 690097 | DECAL "REAR SLIDE OUT" STICKER To 4-8251 | | | 1 | | |
| 12 | 065922 | DECAL "REAR SLIDE OUT" STICKER From 4-8252 | | | 1 | | |
| 13 | 144819 | PROTECTOR VALVE / W/DOUBLE "SLIDE-OUT" To 5-8384 | | | 1 | | |
| 13 | 142345 | PROTECTOR VALVE / W/DOUBLE "SLIDE-OUT" From 5-8385 | | | 1 | | |
| 13 | 144825 | PROTECTOR VALVE / W/SINGLE "SLIDE-OUT" To 5-8384 | | | 1 | | |
| 13 | 142346 | PROTECTOR VALVE / W/SINGLE "SLIDE-OUT" From 5-8385 | | | 1 | | |
| 14 | 144823 | DECAL "DO NOT ACTIVE...." / W/DOUBLE "SLIDE-OUT" | | | 1 | | |
| 14 | 144824 | DECAL "DO NOT ACTIVE...." / W/SINGLE "SLIDE-OUT" | | | 1 | | |
| 15 | N.P.N. | FLAT WASHER M5 ZP | | | 4 | | 4 |
| 16 | 144821 | BLOCK VALVE ASSY COMPLET / W/SINGLE "SLIDE-OUT" To 5-8384 | | | 1 | | |
| 16 | 142372 | BLOCK VALVE ASSY COMPLET / W/SINGLE "SLIDE-OUT" From 5-8385 | | | 1 | | |
| 16 | 144820 | BLOCK VALVE ASSY COMPLET / W/DOUBLE "SLIDE-OUT" To 5-8384 | | | 1 | | |
| 16 | 142371 | BLOCK VALVE ASSY COMPLET / W/DOUBLE "SLIDE-OUT" From 5-8385 | | | 1 | | |
| 17 | 690344 | . VACUUM GENERATORS | | | 1 | | |
| 18 | 641375 | . MALE ELBOW 90° NON-SWIVEL / PUSH-IN FITTING / #6x3/8NPT-M BR | | | 1 | | |
| 19 | 642002 | . FEMALE BRANCH TEE / PUSH-IN FITTING / #6X#6X1/4NPT-F PLAS | | | 1 | | |
| 20 | 690361 | . VACUUM SWITCH 16" HG To 5-8384 | | | AR | | |
| 20 | 690423 | . VACUUM SWITCH 1" HG / W/2 WIRES From 5-8385 | | | AR | | |
| 20 | 690411 | . PRESSURE SWITCH | | | AR | | H |
| 21 | 690380 | . PRESSURE REGULATOR | | | 1 | | |
| 22 | 690379 | . PRESSURE GAUGE 1/8 NPT | | | 1 | | |
| 23 | 641999 | . MALE ELBOW 90° / PIPE FITTING / 3/8NPT-Mx3/8NPT-M BR | | | 1 | | |

| | | |
|--------------------------------------|--------------|-----------------|
| From 2-7781 To 6-8805 | Date:10/2022 | PAGE:Y2-2390-11 |
| "SLIDE-OUT" AIR CONTROL PANEL | | |

| Item# | Part | Description | X L I I 4 5 | X L I I M T H 4 0 | X L I I M T H 4 5 | X L I I M T H 4 5 E | N O T E S |
|-------|---------------|--|----------------------------|---|---|--|-----------------------|
| 24 | 690351 | . PORT RELIEVING SHUT-OFF VALVE | | | 1 | | |
| 25 | 641371 | . MALE ELBOW 90° NON-SWIVEL / PUSH-IN FITTING / #4x1/4NPT-M BR | | | 1 | | |
| 26 | 503404 | . TUBE, NYLON 3/8 O.D. / BLACK S.L. | | | AR | | |
| 27 | 503402 | . TUBE, NYLON 1/4 O.D. / BLACK S.L. | | | AR | | |
| 28 | 690382 | . BRANCH TEE UNION PUSH-IN 1/4 TUBE | | | 6 | | |
| 29 | N17945 | . SILENCER / MUFFLER / 1/4NPT-M | | | 1 | | AS |
| 29 | 641926 | . SILENCER / MUFFLER / 1/4NPT-M | | | 1 | | |
| 30 | 642006 | . BLOCK VALVE / W/DOUBLE "SLIDE-OUT" | | | 1 | | |
| 30 | 642007 | . BLOCK VALVE / W/SINGLE "SLIDE-OUT" | | | 1 | | |
| 30 | 642055 | . . BLOCK VALVE SUB ASSY / W/SINGLE SLIDE OUT | | | 1 | | S |
| 30 | 642056 | . . BLOCK VALVE SUB ASSY / W/DOUBLE SLIDE OUT | | | 1 | | D |
| 31 | 641996 | . . . SOLENOID VALVE 5/3 ASSY / W/DOUBLE COIL | | | AR | | |
| . NS | 642059 | GASKET VALVE BODY / RECTANGULAR | | | 1 | | |
| 32 | 641997 | . . . SOLENOID VALVE 5/2 ASSY / W/SIMPLE COIL 2 | | | 1 | | |
| . NS | 642059 | GASKET VALVE BODY / RECTANGULAR | | | 1 | | |
| 33 | 641995 | . . . SOLENOID VALVE 5/2 ASSY / W/DOUBLE COIL 2 | | | AR | | |
| . NS | 642059 | GASKET VALVE BODY / RECTANGULAR | | | 1 | | |
| 40 | 563222 | SAFETY MODULE PR-4101 | | | 2 | | |
| 41 | 563261 | MODULE CONTROLLER SLIDE-OUT / "PRAN" To 5-8384 | | | 2 | | |
| 41 | 062328 | FRONT SLIDE-OUT MODULE REPLACEMENT KIT To 5-8384 | | | 1 | | A |
| 41 | 062381 | REAR SLIDE-OUT MODULE REPLACEMENT KIT To 5-8384 | | | 1 | | A |
| 41 | 563430 | MODULE CONTROLLER SLIDE-OUT / "PRAN" From 5-8385 | | | 2 | | |
| 41 | 060481 | SLIDE-OUT MODULE REPLACEMENT KIT From 5-8385 | | | 2 | | A |
| 41 | 7770121 | DIAGNOSTIC TOOL | | | 1 | | |
| 42 | 065908 | SUPPORT / PRAN MODULE | | | 2 | | |
| 43 | 500854 | SCREW TC BDG PH #8-32x3/4 N500 | | | AR | | |
| 50 | 641937 | VALVE, 3 WAYS, 2 POSITIONS N.C. / W/MAN OVERRIDE | | | 1 | | |
| . NS | 641929 | . COIL 24V | | | 1 | | |
| . NS | 641385 | . CONNECTOR / SOCKET HOUSING ASSY 3C / PNEUMAC 54934-01 | | | 1 | | |
| 51 | 641374 | MALE ELBOW 90° NON-SWIVEL / PUSH-IN FITTING / #4x3/8NPT-M BR | | | 1 | | |
| 52 | 5001357 | ROUND SPACER 7/16" O.D. X 5/16" I.D. X 13/32" | | | 4 | | |
| 53 | 502769 | SCREW CAP HEX M6-1.0x70 G10.9 DP | | | 2 | | |
| 54 | 5001106 | SCREW CAP HEX M6-1.0x10 G8.8 Z050 | | | 1 | | |
| 55 | 502511 | NUT HEX NYRT M6-1.0 Z050 | | | 2 | | |
| 70 | 382091 | REMOTE CONTROL / DOUBLE SLIDE-OUT From 5-8385 | | | 1 | | |
| 71 | 563547 | . SWITCH / M/ON-OFF-M/ON D P.D.T WHITE From 5-8385 | | | 2 | | |
| 71 | 066171 | . DECAL From 5-8385 | | | 1 | | |
| 75 | 563540 | REGULATOR VOLTAGE / PRAN From 5-8385 | | | 1 | | |
| NS | 065797 | WIRING MAIN HARNESS / DOUBLE SLIDE-OUT XL2 From 3-8071 To 4-4757 | | | 1 | | |
| NS | 065832 | WIRING MAIN HARNESS / DOUBLE SLIDE-OUT XL2 From 4-4758 To 5-8494 | | | 1 | | |
| NS | 065992 | WIRING MAIN HARNESS / DOUBLE SLIDE-OUT XL2 From 5-8495 | | | 1 | | |
| NS | 065798 | WIRING MAIN HARNESS / SINGLE SLIDE-OUT XL2 From 3-8071 To 5-8494 | | | 1 | | |

| | | |
|--------------------------------------|--------------|-----------------|
| From 2-7781 To 6-8805 | Date:10/2022 | PAGE:Y2-2390-11 |
| "SLIDE-OUT" AIR CONTROL PANEL | | |

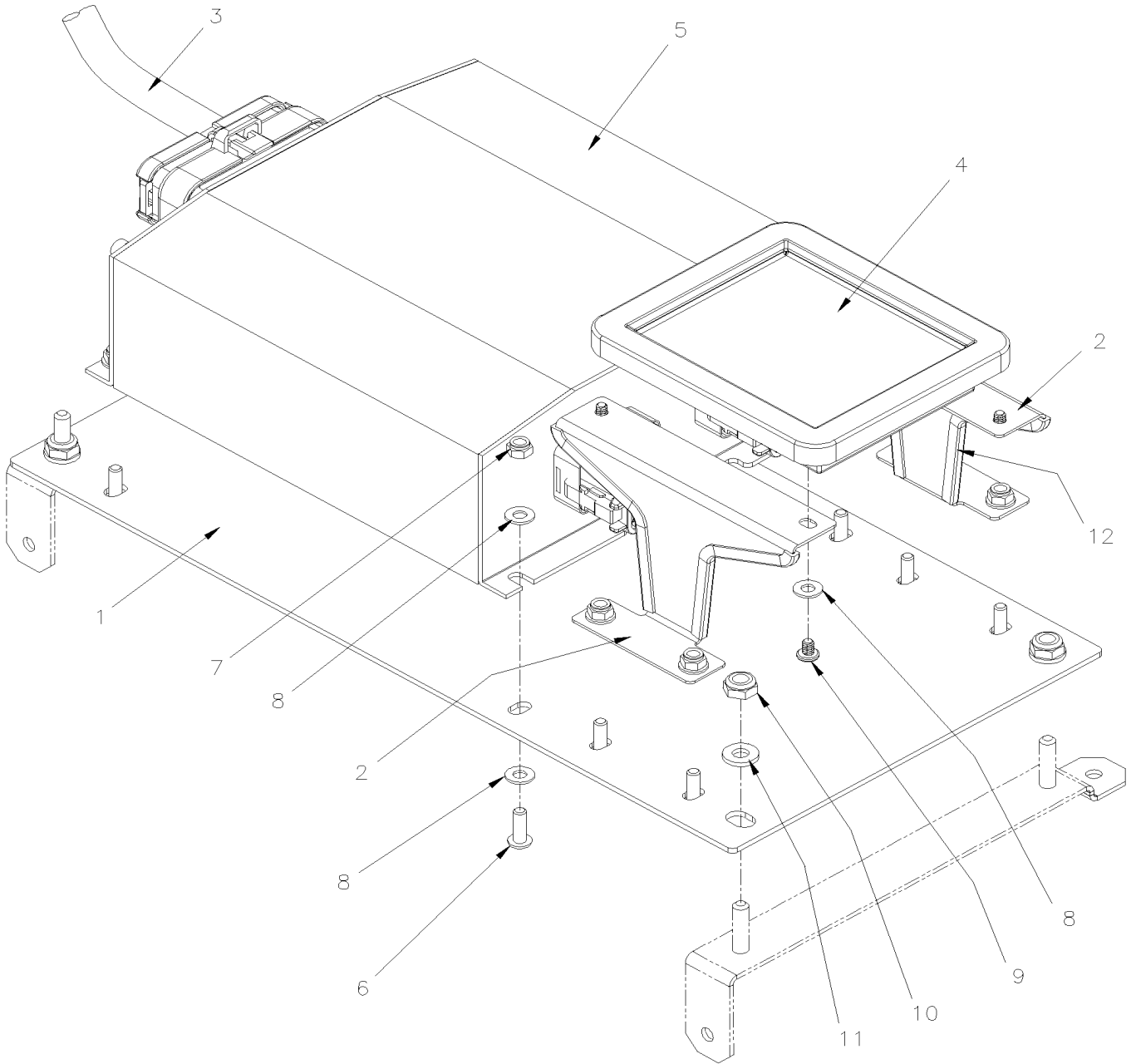
| Item# | Part | Description | X L I I 4 5 | X L I I M T H 4 0 | X L I I M T H 4 5 | X L I I M T H 4 5 E | N O T E S |
|-------|--------|--|--------------------------------|---|---|--|-----------------------|
| NS | 065993 | WIRING MAIN HARNESS / SINGLE SLIDE-OUT XL2 From 5-8495 | | | 1 | | |
| | | | | | | | |
| | | A) SERVICE ONLY | | | | | |
| | | AS) AS SHOWN | | | | | |
| | | D) INCLUDE ITEM # 31 QTY 3 , ITEM # 32 QTY 1 & ITEM # 33 QTY 2 | | | | | |
| | | F) USE WITH FRONT "SLIDE OUT" ONLY | | | | | |
| | | H) USE ONLY WITH "HIGH" ALTITUDE OPERATIONAL | | | | | |
| | | R) USE WITH REAR "SLIDE OUT" ONLY | | | | | |
| | | S) INCLUDE ITEM # 31 QTY 2 & ITEM # 33 QTY 1 | | | | | |
| | | 4) NO PARTS NUMBER | | | | | |

To 5-8384

Date:10/2022

PAGE:062328

FRONT SLIDE-OUT MODULE REPLACEMENT KIT

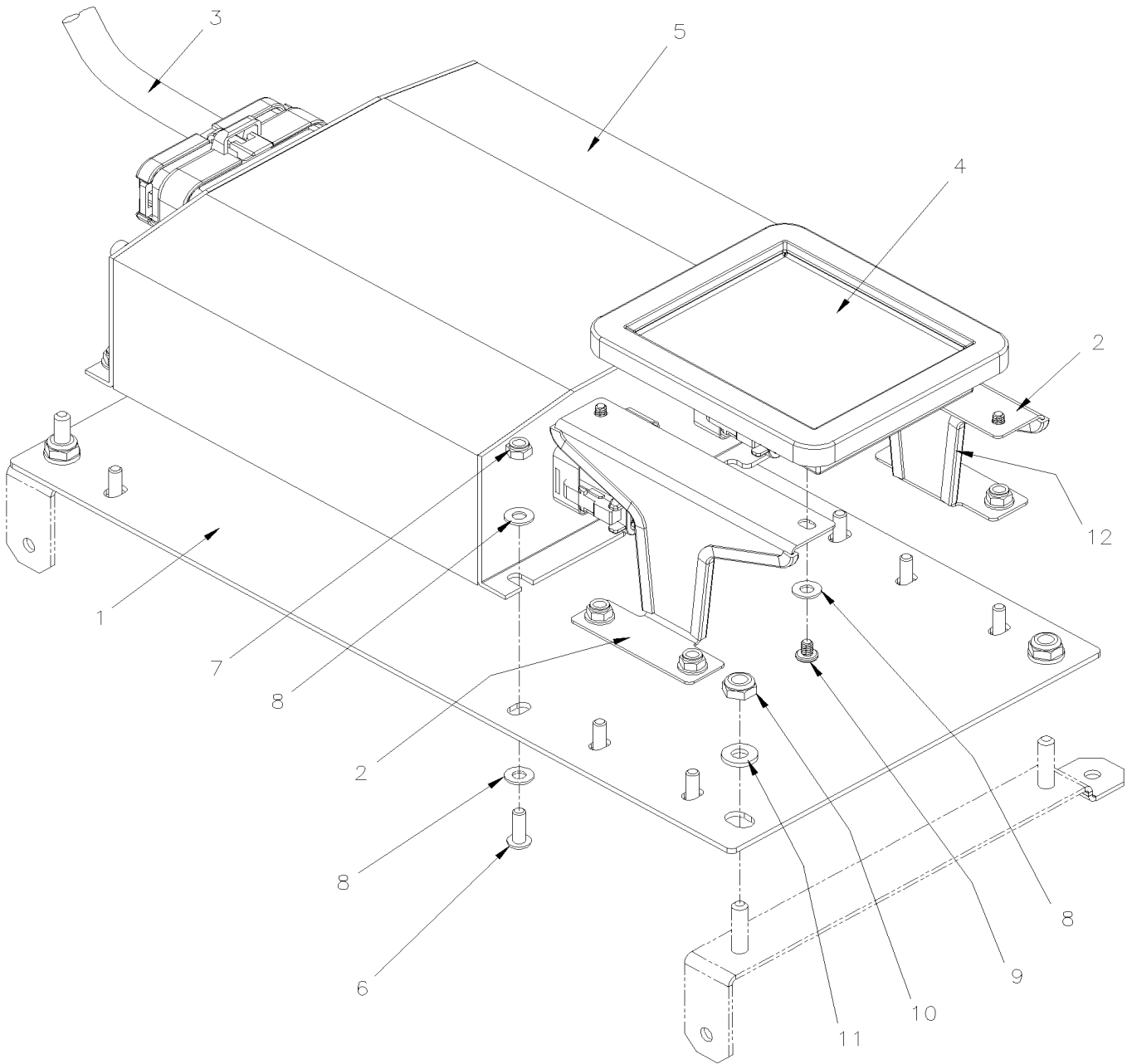


To 5-8384

Date:10/2022

PAGE:062381

REAR SLIDE-OUT MODULE REPLACEMENT KIT

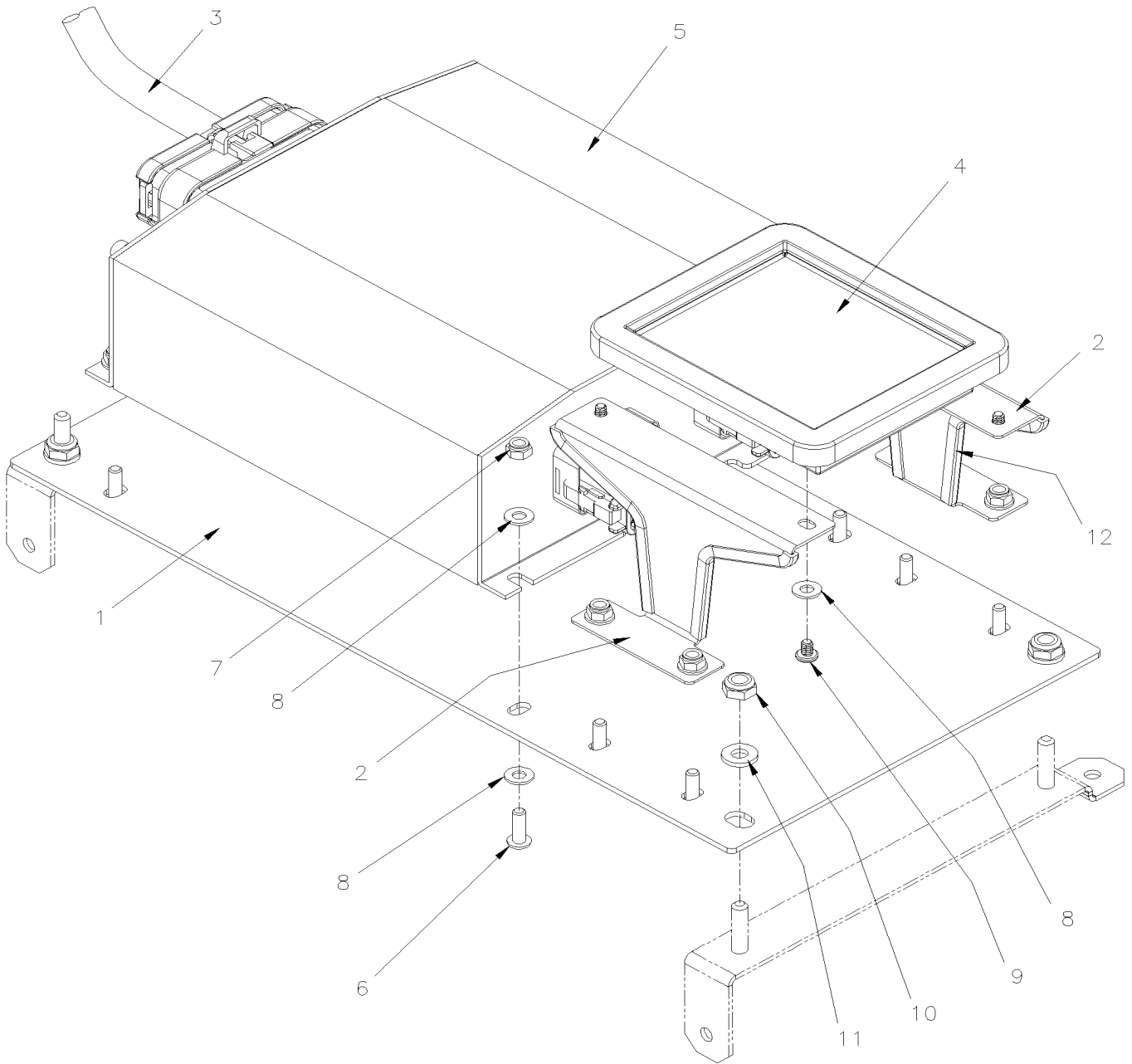


From 5-8385

Date:10/2022

PAGE:060481

SLIDE-OUT MODULE REPLACEMENT KIT

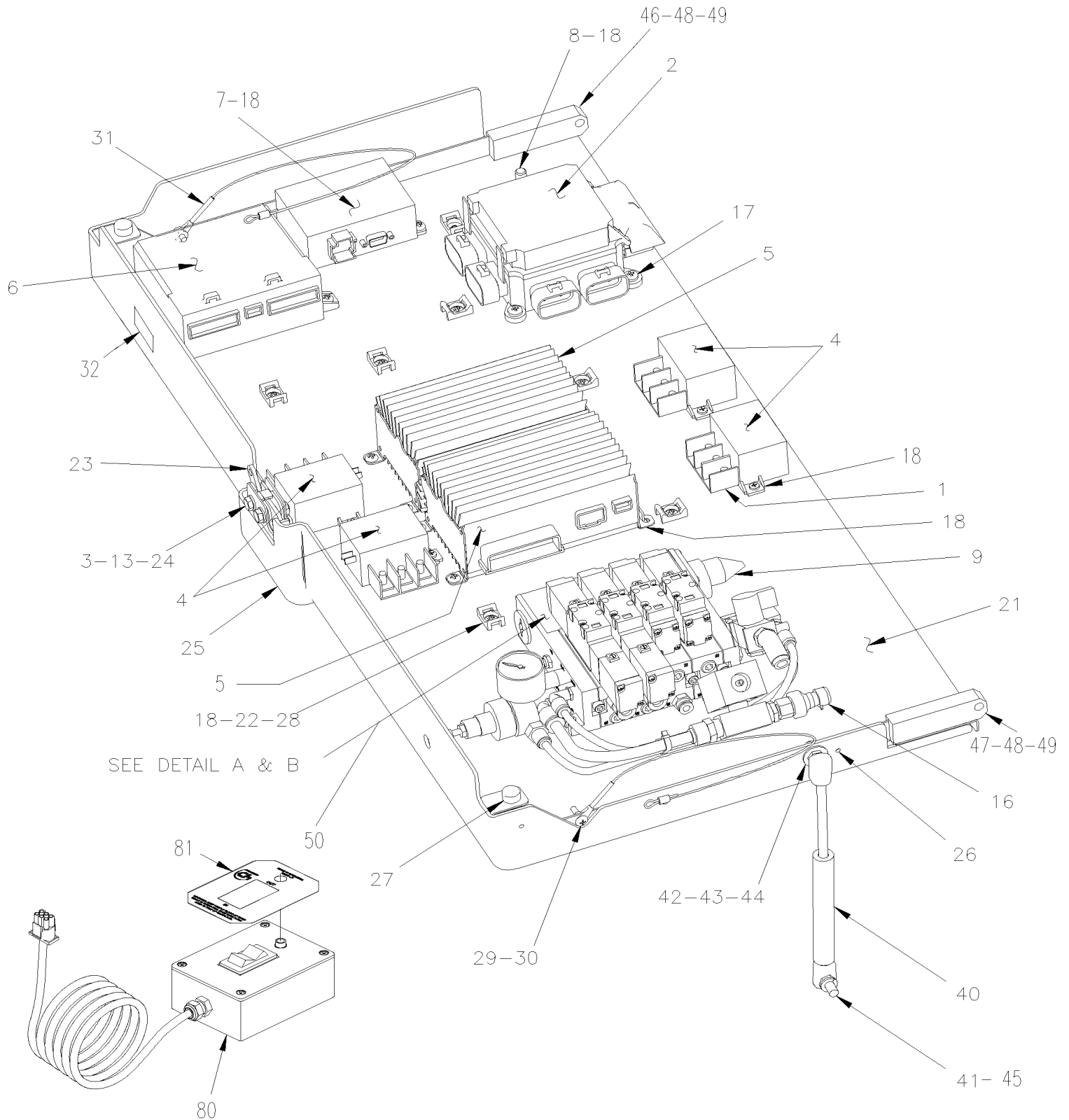


From 6-8806 To 8-9339

Date:10/2022

PAGE:Y2-2390-12

"SLIDE-OUT" AIR CONTROL PANEL - MUX



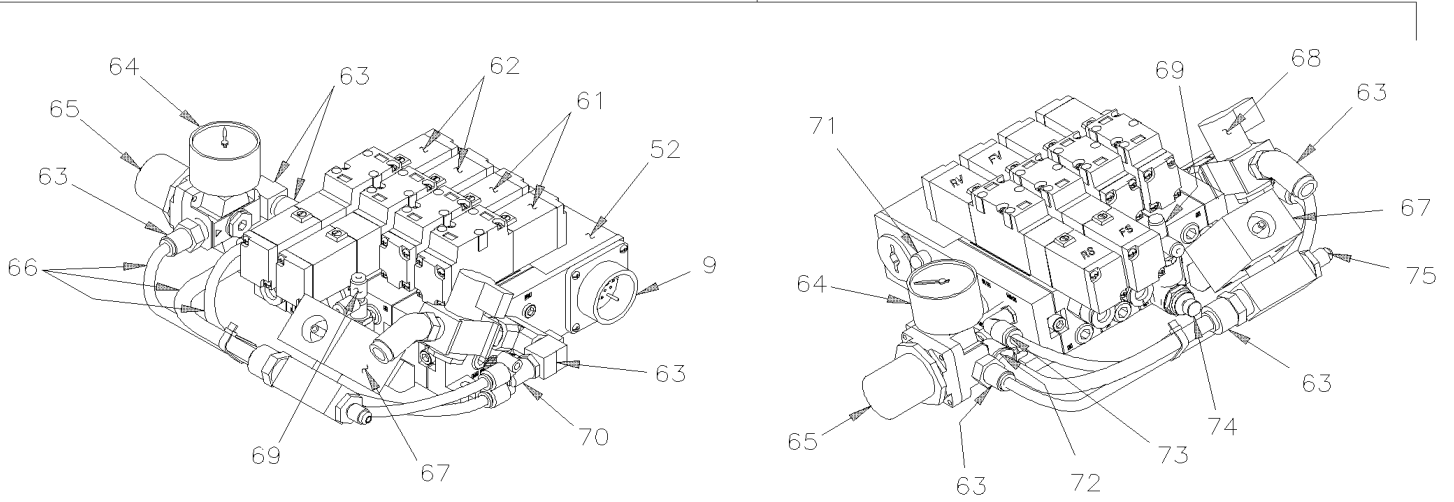
From 6-8806 To 8-9339

Date:10/2022

PAGE:Y2-2390-12

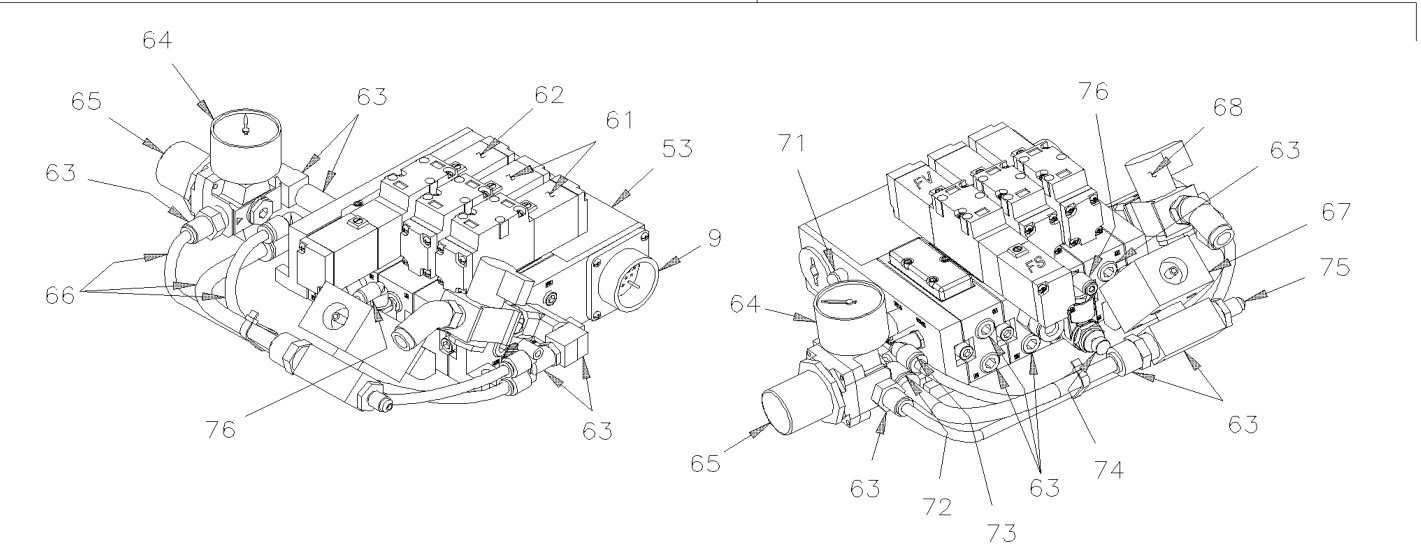
"SLIDE-OUT" AIR CONTROL PANEL - MUX

50



WITH DOOBLE SLIDE-OUT

51



WITH SINGLE SLIDE-OUT

| | | |
|--|--------------|-----------------|
| From 6-8806 To 8-9339 | Date:10/2022 | PAGE:Y2-2390-12 |
| "SLIDE-OUT" AIR CONTROL PANEL - MUX | | |

| Item# | Part | Description | X L I I 4 5 | X L I I M T H 4 0 | X L I I M T H 4 5 | X L I I M T H 4 5 E | N O T E S |
|-------|----------|--|----------------------------|---|---|--|-----------------------|
| 1 | 5001182 | NUT HEX NYRT M6-1.0 SS | | | 6 | 6 | |
| 2 | 563449 | VEC DISTRIBUTION MODULE / W/SLIDE-OUT To 7-9095 | | | 1 | 1 | |
| . NS | 564104 | . COVER / VEC BOX To 7-9095 | | | 1 | 1 | |
| . NS | 563004 | . FUSE / ATM 2 AMPS GREY To 7-9095 | | | 1 | 1 | |
| . NS | 563279 | . FUSE / ATM 3 AMPS VIOLET To 7-9095 | | | 1 | 1 | |
| . NS | 563280 | . FUSE / ATM 5 AMPS AMBER To 7-9095 | | | 1 | 1 | |
| . NS | 563005 | . FUSE / ATM 7.5 AMPS BROWN To 7-9095 | | | 1 | 1 | |
| . NS | 563284 | . FUSE / ATM 15 AMPS BLUE To 7-9095 | | | 1 | 1 | |
| . NS | 563282 | . FUSE / ATM 20 AMPS YELLOW To 7-9095 | | | 1 | 1 | |
| . NS | 563153 | . FUSE / ATM 25 AMPS NATURAL To 7-9095 | | | 1 | 1 | |
| . NS | 563165 | . FUSE / ATM 30 AMPS GREEN To 7-9095 | | | 1 | 1 | |
| . NS | 563181 | . CONNECTOR / SH 8C / YELLOW / BUSSMANN 32006-E21 To 7-9095 | | | 1 | 1 | |
| . NS | 563182 | . CONNECTOR / SH 8C / ORANGE / BUSSMANN 32006-G21 To 7-9095 | | | 1 | 1 | |
| . NS | 563183 | . CONNECTOR / SH 8C / RED / BUSSMANN 32006-F21 To 7-9095 | | | 1 | 1 | |
| . NS | 563184 | . CONNECTOR / SH 8C / GREEN / BUSSMANN 32006-C21 To 7-9095 | | | 1 | 1 | |
| . NS | 563185 | . CONNECTOR / SH 8C / BLACK / BUSSMANN 32006-A21 To 7-9095 | | | 1 | 1 | |
| . NS | 563186 | . CONNECTOR / SH 8C / GREY / BUSSMANN 32006-B21 To 7-9095 | | | 1 | 1 | |
| . NS | 563187 | . CONNECTOR / SH 8C / BROWN / BUSSMANN 32006-H21 To 7-9095 | | | 1 | 1 | |
| . NS | 563448 | . CONNECTOR / SH 8C / BLUE / BUSSMANN 32006-D21 To 7-9095 | | | 1 | 1 | |
| . NS | 19518268 | . COVER RUBBER RED To 7-9095 | | | 2 | 2 | |
| NS | 066259 | CABLE ASSY POWER VEC DISTRIBUTION To 7-9095 | | | 1 | 1 | |
| 3 | 500440 | WASHER FL .250x.562x.065 Z050 | | | 2 | 2 | |
| 4 | 563445 | RELAY POWER 24V 130 AMPS / S.P.D.T. N.O. | | | 4 | 4 | |
| 5 | 563273 | I/O B-MODULE VOLVO MULTIPLEX / ALUMINUM To 7-9116 | | | AR | AR | |
| . NS | 563132 | . CONNECTOR / SH 2C / YAZAKI 7283-6458-40 To 7-9116 | | | 1 | 1 | |
| . NS | 563133 | . CONNECTOR / JUNIOR POWER TIMER / SH 29C / AMP 1-963449-2 To 7-9116 | | | 1 | 1 | |
| . NS | 562957 | . CONNECTOR / SH 5C / GREEN / JAE IL-AG5-5S-S3C1 To 7-9116 | | | 1 | 1 | |
| 5 | 565865 | I/O B-MODULE VOLVO MULTIPLEX / ALUMINUM From 7-9117 | | | 1 | 1 | |
| . NS | 563132 | . CONNECTOR / SH 2C / YAZAKI 7283-6458-40 From 7-9117 | | | 1 | 1 | |
| . NS | 563133 | . CONNECTOR / JUNIOR POWER TIMER / SH 29C / AMP 1-963449-2 From 7-9117 | | | 1 | 1 | |
| . NS | 562957 | . CONNECTOR / SH 5C / GREEN / JAE IL-AG5-5S-S3C1 From 7-9117 | | | 1 | 1 | |
| 6 | 563274 | CECM VOLVO MULTIPLEX MODULE To 7-9095 | | | 1 | 1 | |
| 7 | 563295 | MASTER ID-MODULE VOLVO MULTIPLEX To 7-9095 | | | 1 | 1 | |
| . NS | 562794 | . CONNECTOR / JUNIOR POWER TIMER / SH 9C / AMP 964561-4 To 7-9095 | | | 1 | 1 | |
| 8 | 560422 | BLOCK, TERMINAL / 1 STUD 3/8-16 / BLACK | | | 1 | 1 | |
| 9 | 066261 | WIRING HARNESS SLIDE-OUT FRONT LEFT To 7-9095 | | | 1 | 1 | |
| 9 | 066790 | WIRING HARNESS SLIDE-OUT FRONT LEFT From 7-9096 | | | 1 | 1 | |
| 9 | 066260 | WIRING HARNESS SLIDE-OUT REAR LEFT To 7-9095 | | | 1 | | |
| 13 | 502819 | NUT HEX JAM 1/4-20 Z050 | | | 2 | 2 | |
| 15 | 500658 | SCREW TC PAN PH #10-24x3/4 Z050 | | | 4 | 4 | |
| 16 | 563459 | TRANSDUSER -14.7 to 100LBS / 1/8 NPT-F | | | 1 | 1 | |
| . NS | 563159 | . CONNECTOR / METRI-PACK 150 / SH 3C / PED 12065287 | | | 1 | 1 | |

| | | |
|--|--------------|-----------------|
| From 6-8806 To 8-9339 | Date:10/2022 | PAGE:Y2-2390-12 |
| "SLIDE-OUT" AIR CONTROL PANEL - MUX | | |

| Item# | Part | Description | X L I I 4 5 | X L I I M T H 4 0 | X L I I M T H 4 5 | X L I I M T H 4 5 E | N O T E S |
|-------|-------------------|---|----------------------------|---|---|--|-----------------------|
| 17 | 500841 | SCREW TP PAN PH #14x3/4 Z050 | | | 4 | 4 | |
| 18 | 502868 | SCREW TC TR PH #10-16x1/2 N500 | | | AR | AR | |
| 20 | 500638 | SCREW TP PAN PH #8x1/2 Z050 | | | 1 | 1 | |
| 21 | 066632 | PANEL MOUNTING / W/DOUBLE "SLIDE-OUT" | | | 1 | 1 | |
| 21 | 067538 | PANEL MOUNTING / W/TRIPLE "SLIDE-OUT" | | | 1 | 1 | |
| 22 | 504013 | TIE MOUNT / 1/4" X 1/4" I.D. | | | AR | AR | |
| 23 | 780778 | LOCK L.H. | | | 1 | 1 | |
| 24 | 500163 | SCREW CAP HEX 1/4-20x3/4 G5 Z050 | | | 1 | 1 | |
| 25 | 066380 | COVER PLASTIC | | | 1 | 1 | |
| 26 | 504105 | RIVET POP DOME OE 1/8x3/16 AL | | | 6 | 6 | |
| 27 | 504334 | BUMPER RUBBER / .625 OD x .406 TH x .156 HOLE | | | 1 | 1 | |
| NS | 500576 | SCREW TC PAN PH #6-32x1/2 Z050 | | | 2 | 2 | |
| 28 | 504637 | CABLE TIE / 3/16" x 13" | | | AR | AR | |
| 29 | 5001241 | SCREW MA TR PH #10-24x1/2 SS | | | 1 | 1 | |
| 30 | 5001180 | NUT HEX NYRT #10-24 SS | | | 1 | 1 | |
| 31 | Call order desk | CABLE RETAINER COVER | | | 1 | 1 | P |
| . NS | 283069 | . CABLE 1/16 DIA. / 565MM LG | | | 1 | 1 | |
| . NS | 780341 | . SLEEVE / TO HOLDING CABLE 1/16OD SS | | | 1 | 1 | |
| 32 | 066395 | DECAL "JCT BOX SLIDE-OUT " XL-II | | | 1 | 1 | |
| 40 | 980020 | CYLINDER GAZ / 244/164MM C/C / 35LBS To 7-9184 | | | 1 | 1 | |
| 40 | 980029 | CYLINDER GAZ / 354/219MM C/C / 46LBS From 7-9185 | | | 1 | 1 | |
| 41 | 980015 | BALL STUD / W/10 MM X M8-1.25 / 29.18 MM | | | 1 | 1 | |
| 42 | 980027 | BALL STUD / W/10 MM X M8-1.25 / 36.5MM | | | 1 | 1 | |
| 43 | 500332 | WASHER FL .328x.875x.062 N500 | | | 1 | 1 | |
| 44 | 500868 | NUT HEX NYRT M8-1.25 Z050 | | | 1 | 1 | |
| 45 | Call order desk | CYLINDER SUPPORT FIXED TO STRUCTURE | | | 1 | 1 | P |
| 46 | 066489 | HINGE BLOCK L.H. FIXED TO STRUCTURE | | | 1 | 1 | |
| 47 | 066490 | HINGE BLOCK R.H. FIXED TO STRUCTURE | | | 1 | 1 | |
| NS | 5001634 | SCREW SET HEXS CUP M6-1.0X12MM Z050 | | | 6 | 6 | |
| 48 | 507381 | BUSHING W/SHOULDER 1/4" I,D, | | | 2 | 2 | |
| 49 | 502180 | PIN HITCH CLIP 3/32 x 1/2 Z050 | | | 2 | 2 | |
| 50 | 144840 | CONTROL VALVE ASSY / W/DOUBLE "SLIDE-OUT" To 7-9095 | | | 1 | | |
| 50 | 144866 | CONTROL VALVE ASSY / W/DOUBLE "SLIDE-OUT" From 7-9096 | | | 1 | | |
| 51 | 144841 | CONTROL VALVE ASSY / W/SINGLE "SLIDE-OUT" To 7-9095 | | | 1 | 1 | |
| 51 | 144867 | CONTROL VALVE ASSY / W/SINGLE "SLIDE-OUT" From 7-9096 | | | 1 | 1 | |
| 52 | 642024 | . BLOCK VALVE / W/DOUBLE "SLIDE-OUT" | | | 1 | | D |
| 53 | 642025 | . BLOCK VALVE / W/SINGLE "SLIDE-OUT" | | | 1 | 1 | S |
| 61 | 641995 | . . SOLENOID VALVE 5/2 ASSY / W/DOUBLE COIL 2 | | | 1 | | |
| . NS | 642059 | . . . GASKET VALVE BODY / RECTANGULAR | | | 1 | | |
| 62 | 641997 | . . SOLENOID VALVE 5/2 ASSY / W/SIMPLE COIL 2 | | | 1 | 1 | |
| . NS | 642059 | . . . GASKET VALVE BODY / RECTANGULAR | | | 1 | 1 | |
| 63 | Y2-1201-00 | . FITTING - MISCELLANEOUS | 1 | 1 | 1 | 1 | |

From 6-8806 To 8-9339 Date:10/2022 PAGE:Y2-2390-12

"SLIDE-OUT" AIR CONTROL PANEL - MUX

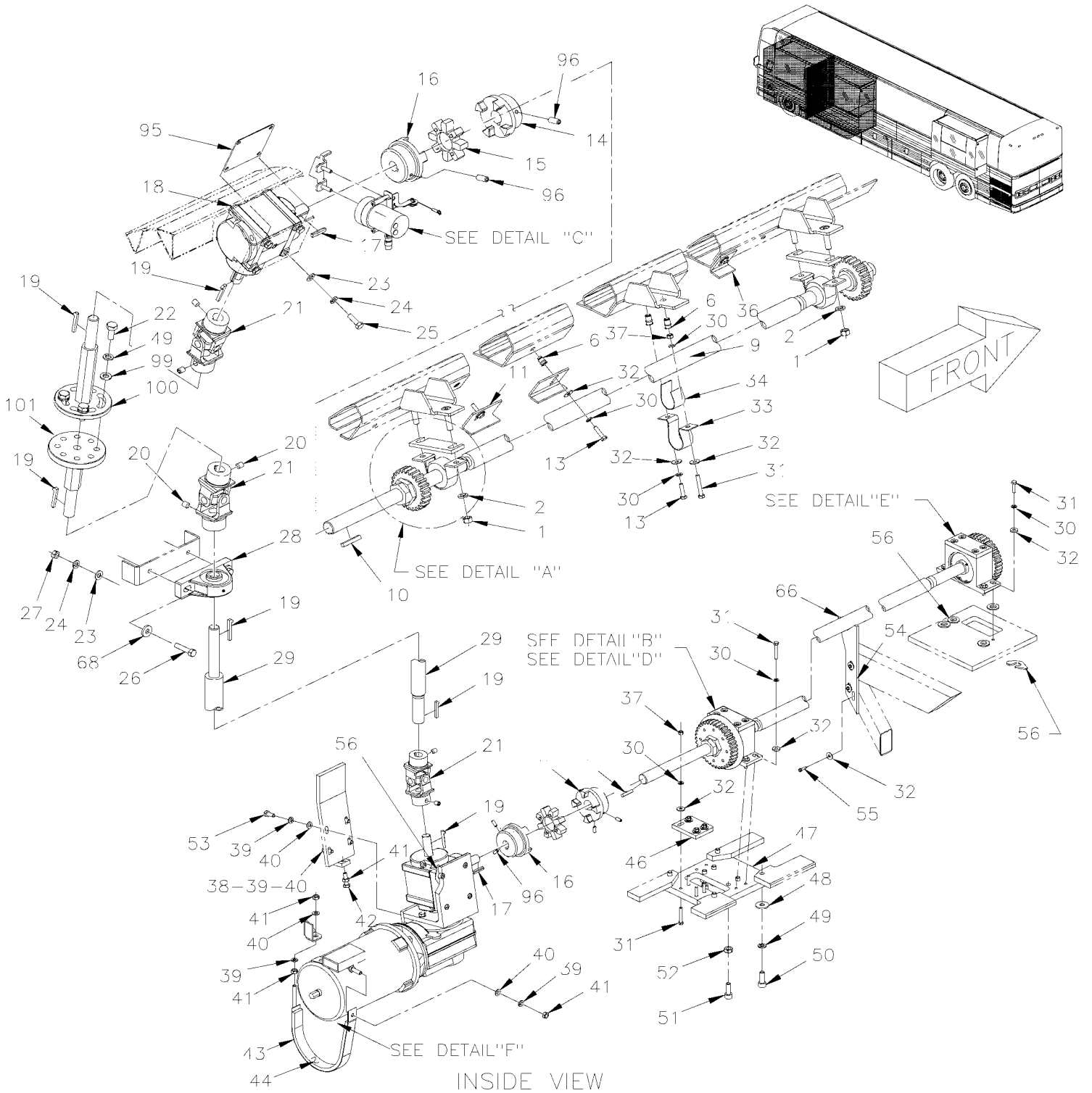
| Item# | Part | Description | X L I I 4 5 | X L I I M T H 4 0 | X L I I M T H 4 5 | X L I I M T H 4 5 E | NOTES |
|-------|-------------------|---|----------------------------|---|---|--|-------|
| 64 | 690379 | . PRESSURE GAUGE 1/8 NPT | | | 1 | 1 | |
| 65 | 647891 | . PRESSURE REGULATOR | | | 1 | 1 | |
| 66 | Y2-1202-00 | . TUBES PLASTIC / AIR D.O.T. | 1 | 1 | 1 | 1 | |
| 67 | 690344 | . VACUUM GENERATORS | | | 1 | 1 | |
| 68 | 690351 | . PORT RELIEVING SHUT-OFF VALVE | | | 1 | 1 | |
| 69 | 641920 | . MALE RUN TEE / PUSH-IN FITTING / #2x#2x1/4NPT-M PLAS | | | 1 | | |
| 70 | 642047 | . MALE BRANCH "Y" / PUSH-IN FITTING / #4X#4X1/4NPT-M PLAS | | | 1 | 1 | |
| 71 | 642048 | . SILENCER / MUFFLER / 1/8NPT-M | | | 1 | 1 | |
| 72 | 642051 | . MALE ELBOW 90° / PUSH-IN FITTING / #6x1/4NPT-M PLAS | | | 1 | 1 | |
| 73 | 642052 | . MALE ELBOW 90° / PUSH-IN FITTING / #2x3/8NPT-M PLAS | | | 1 | 1 | |
| 74 | 642050 | . AIR REGULATOR | | | 1 | 1 | |
| 75 | 642049 | . MALE CONNECTOR / PUSH-IN FITTING / #4x3/8NPT-M PLAS | | | 1 | 1 | |
| 76 | 642053 | . MALE ELBOW 90° / PUSH-IN FITTING / #2x1/4NPT-M PLAS | | | 1 | 1 | |
| 80 | 382048 | REMOTE CONTROL / SINGLE SLIDE-OUT | | | AR | AR | |
| . NS | 563380 | . SWITCH / M/ON-OFF-M/ON S P.D.T BLACK | | | 1 | 1 | |
| . NS | 564421 | . PILOT LIGHT GREEN / LED 24V | | | 1 | 1 | |
| . NS | 382047 | . DECAL "REMOTE CONTROL" | | | 1 | 1 | |
| 81 | 382047 | DECAL "REMOTE CONTROL" | | | 1 | 1 | |
| | | | | | | | |
| | | | | | | | |
| | | D) INCLUDE ITEM # 61 QTY 2 & ITEM # 62 QTY 2 | | | | | |
| | | S) INCLUDE ITEM # 61 QTY 1 & ITEM # 62 QTY 2 | | | | | |
| | | P) CALL ORDER DESK FOR SPECIFIC APPLICATION (V.I.N.) | | | | | |

From Y-7046 To 6-8805

Date:10/2022

PAGE:Y2-2390-20

"SLIDE-OUT" - FRONT MECHANISM - INSTALLATION



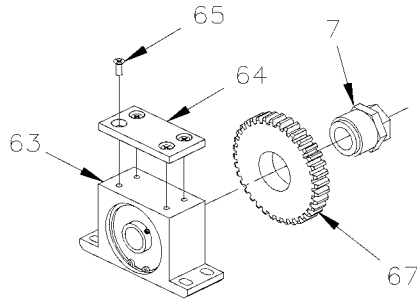
From Y-7046 To 6-8805

Date:10/2022

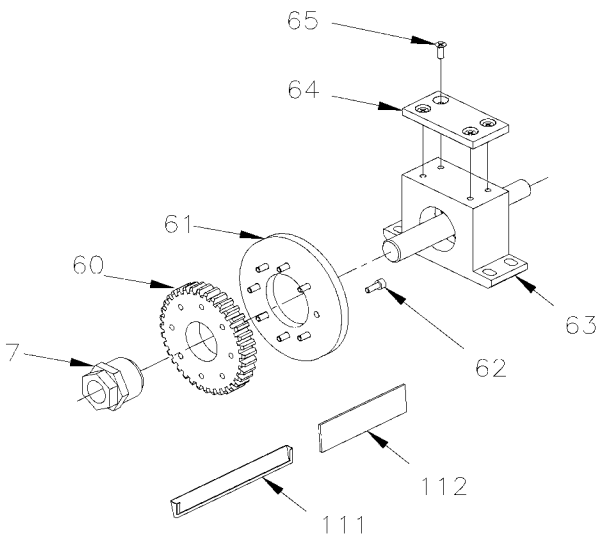
PAGE:Y2-2390-20

"SLIDE-OUT" - FRONT MECHANISM - INSTALLATION

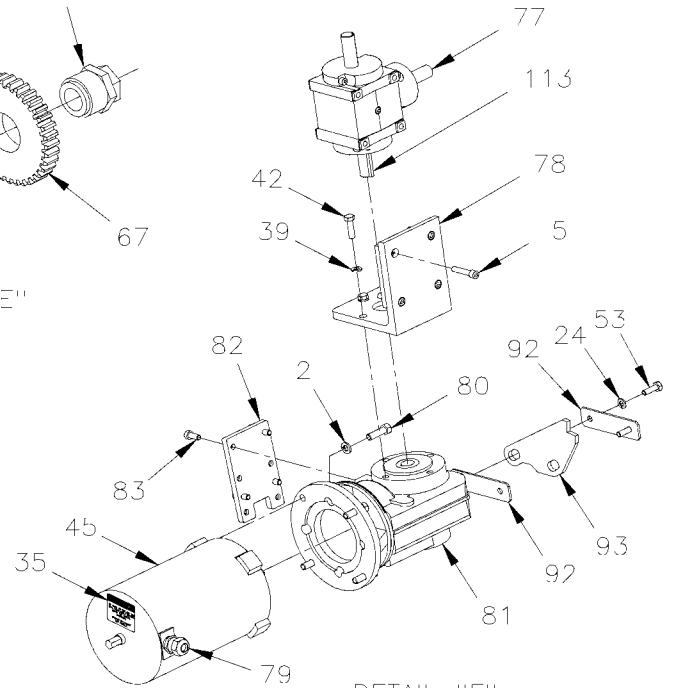
INSIDE VIEW



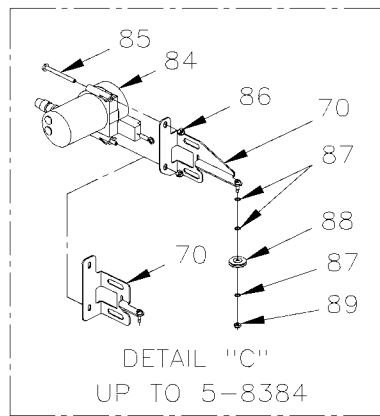
DETAIL "E"



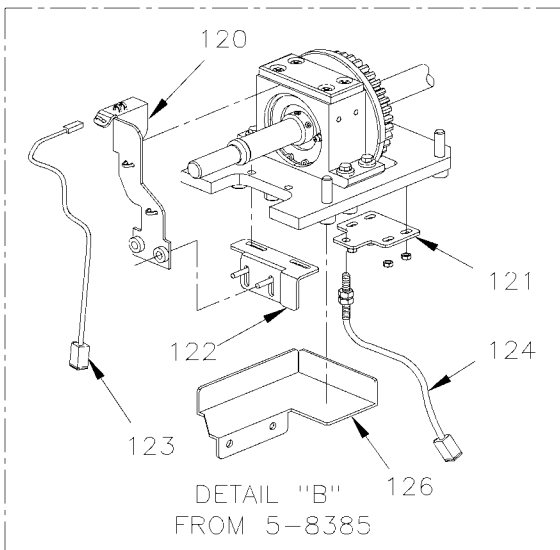
DETAIL "D"



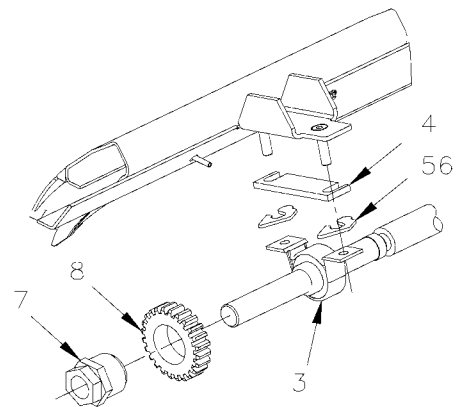
DETAIL "F"



DETAIL "C"
UP TO 5-8384



DETAIL "B"
FROM 5-8385



DETAIL "A"

| | | |
|-----------------------|--------------|-----------------|
| From Y-7046 To 6-8805 | Date:10/2022 | PAGE:Y2-2390-20 |
|-----------------------|--------------|-----------------|

"SLIDE-OUT" - FRONT MECHANISM - INSTALLATION

| Item# | Part | Description | X L I I 4 5 | X L I I M T H 4 0 | X L I I M T H 4 5 | X L I I M T H 4 5 E | NOTES |
|-------|---------|---|----------------------------|---|---|--|-------|
| 1 | 500783 | NUT HEX 3/8-16 Z050 | | | 4 | | |
| 2 | 500478 | WASHER LO SPT .380x.683x.094 Z050 | | | 4 | | |
| 3 | 690315 | PILLOW BLOCK LPB1 To 4-8251 | | | 2 | | |
| 3 | 507631 | PILLOW BLOCK LPB1 From 4-8252 | | | 2 | | |
| . NS | 5000101 | . PILLOW BLOCK From 4-8252 | | | 1 | | |
| . NS | 5000100 | . BEARING 1PO ID x 52MM OD From 4-8252 | | | 1 | | |
| 4 | 690019 | SPACER 6.35MM To 4-8251 | | | 2 | | |
| 4 | 479128 | SPACER 6.35MM From 4-8252 | | | 2 | | |
| 5 | 502512 | SCREW CAP HEXS 5/16-18x1 1/2 ZP | | | 4 | | |
| 6 | 690259 | NUT INS TYPE "A-L" OE M6-1.0 0.7-4.2 ZP To 4-8251 | | | 11 | | |
| 6 | 502842 | NUT INS TYPE "A-L" OE M6-1.0 0.7-4.2 Z050 From 4-8252 | | | 11 | | |
| 7 | 690313 | CPG TRANTORQUE GT To 4-8251 | | | 4 | | |
| 7 | 505523 | CPG TRANTORQUE GT From 4-8252 | | | 4 | | |
| 8 | 690075 | TOP GEAR To 4-8251 | | | 2 | | |
| 8 | 479115 | TOP GEAR From 4-8252 | | | 2 | | |
| 9 | 690042 | UPPER SHAFT To 4-8251 | | | 1 | | |
| 9 | 476198 | UPPER SHAFT From 4-8252 | | | 1 | | |
| 10 | 690006 | PARALLEL KEY To 4-8251 | | | 2 | | |
| 10 | 476160 | PARALLEL KEY From 4-8252 | | | 2 | | |
| 11 | 690031 | UPPER LIMITING KEY To 4-8251 | | | 1 | | |
| 11 | 476103 | UPPER LIMITING KEY From 4-8252 | | | 1 | | |
| 12 | 690267 | WASHER LO SERR 6.1x16.0x0.9 ZP To 4-8251 | | | 11 | | |
| 12 | 500356 | WASHER LO SERR 6.1x16.0x0.9 N500 From 4-8252 | | | 11 | | |
| 13 | 5001209 | SCREW CAP HEX M6-1.0x25 G8.8 Z050 | | | 10 | | |
| 14 | 690016 | COUPLING SHAFT DRIVE 1" I.D. / TYPE GS 38 To 3-7929 | | | 2 | | |
| 14 | 407513 | COUPLING SHAFT DRIVE 1" I.D. / TYPE GS 38 From 3-7930 | | | 2 | | |
| . NS | 502506 | . SCREW SET HEXS CUP M4-0.7x16 From 3-7930 | | | 1 | | |
| . NS | 5001282 | . SCREW SET HEXS CUP 1/4-20x5/8 From 3-7930 | | | 1 | | |
| NS | 502512 | SCREW CAP HEXS 5/16-18x1 1/2 ZP From 3-7930 | | | 1 | | |
| 15 | 690364 | SPIDER RUBBER / TYPE GS 38 To 4-8251 | | | 2 | | |
| 15 | 507632 | SPIDER RUBBER / TYPE GS 38 From 4-8252 | | | 2 | | |
| 16 | 690017 | COUPLING SHAFT DRIVE 3/4" I.D. / TYPE GS 38 To 3-7929 | | | 2 | | |
| 16 | 407512 | COUPLING SHAFT DRIVE 3/4" I.D. / TYPE GS 38 From 3-7930 | | | 2 | | |
| . NS | 502503 | . SCREW CAP HEXS 5/16-18x1 1/2 N500 From 3-7930 | | | 1 | | |
| . NS | 5001282 | . SCREW SET HEXS CUP 1/4-20x5/8 From 3-7930 | | | 1 | | |
| 16 | 502512 | SCREW CAP HEXS 5/16-18x1 1/2 ZP From 3-7930 | | | 1 | | |
| 17 | 690233 | STEP KEY To 4-8251 | | | 2 | | |
| 17 | 476039 | STEP KEY From 4-8252 | | | 2 | | |
| 18 | 690346 | RIGHT ANGLE GEARBOX UPPER RATIO 1:1 To 4-8251 | | | 1 | | |
| 18 | 970299 | RIGHT ANGLE GEARBOX UPPER RATIO 1:1 From 4-8252 | | | 1 | | |
| 19 | 690234 | KEY 3/16" X 3/16" To 4-8251 | | | 5 | | |
| 19 | 476037 | KEY 3/16" X 3/16" From 4-8252 | | | 5 | | |

| | | |
|-----------------------|--------------|-----------------|
| From Y-7046 To 6-8805 | Date:10/2022 | PAGE:Y2-2390-20 |
|-----------------------|--------------|-----------------|

"SLIDE-OUT" - FRONT MECHANISM - INSTALLATION

| Item# | Part | Description | X L I I 4 5 | X L I I M T H 4 0 | X L I I M T H 4 5 | X L I I M T H 4 5 E | N O T E S |
|-------|-----------------|---|----------------------------|---|---|--|-----------------------|
| 20 | 5001167 | SCREW SET HEXS CUP 3/8-16x1/2 | | | 6 | | |
| 21 | 505525 | U-JOINT ASSY 3/4" O.D.SHAFT X 5" To 3-8004 | | | 3 | | |
| 21 | 475977 | U-JOINT ASSY 3/4" O.D.SHAFT X 5" From 3-8005 | | | 3 | | |
| . NS | 476066 | . "C" CLAMP From 3-8005 | | | 2 | | |
| . NS | 500239 | . SCREW CAP HEXS 1/4-20x1 ZP From 3-8005 | | | 4 | | |
| . NS | 500319 | . SCREW SET HEXS CUP 5/16-18x1/2 From 3-8005 | | | 2 | | |
| 21 | 690320 | KIT, CROSS & BEARING 15/16" O.D. X 2 1/4" | | | 3 | | |
| NS | 500239 | . SCREW CAP HEXS 1/4-20x1 ZP From 3-8005 | | | 4 | | |
| NS | 500319 | . SCREW SET HEXS CUP 5/16-18x1/2 From 3-8005 | | | 2 | | |
| 22 | 502559 | SCREW CAP HEX M10-1.5x25 G8.8 Z050 | | | 4 | | |
| 23 | 500441 | WASHER FL .312x.734x.065 Z050 | | | 6 | | |
| 24 | 500476 | WASHER LO SPT .317x.586x.078 Z050 | | | 6 | | |
| 25 | 5001263 | SCREW CAP HEXS 5/16-18x1 ZP | | | 4 | | |
| 26 | 500183 | SCREW CAP HEX 5/16-18x1 1/2 G5 PT Z050 | | | 2 | | |
| 27 | 500778 | NUT HEX 5/16-18 N500 | | | 2 | | |
| 28 | 690317 | PILLOW BLOCK NP 3/4 To 4-8251 | | | 1 | | |
| 28 | 507630 | PILLOW BLOCK NP 3/4 From 4-8252 | | | 1 | | |
| 29 | 690039 | LOWER VERTICAL SHAFT To 4-8251 | | | 1 | | |
| 29 | 476197 | LOWER VERTICAL SHAFT From 4-8252 | | | 1 | | |
| 30 | 502564 | WASHER LO SPT 6.1x11.8x1.6 Z050 | | | 14 | | |
| 31 | 502793 | SCREW CAP HEX M6-1.0x45 G8.8 Z050 To 5-8384 | | | 13 | | |
| 31 | 5001209 | SCREW CAP HEX M6-1.0x25 G8.8 Z050 From 5-8385 | | | 13 | | |
| NS | 942605 | WASHER LO EXT 6.4x11.0x0.7 ZP From 5-8385 | | | AR | | |
| 32 | 690261 | WASHER FL 6.4x12.0x1.6 SS To 4-8251 | | | 23 | | |
| 32 | 502573 | WASHER FL 6.4x12.5x1.6 SS From 4-8252 | | | 23 | | |
| 33 | Call order desk | SUPPORT To Y-7193 | | | 1 | | P |
| 33 | 690126 | SUPPORT From Y-7194 To 4-8251 | | | 1 | | |
| 33 | 476203 | SUPPORT From 4-8252 | | | 1 | | |
| 34 | 690347 | PLASTIC PAD To 4-8251 | | | 1 | | |
| 34 | 5060057 | TAPE RUB ADH1 UHMW .050" X 1" X 50' From 4-8252 | | | 1 | | |
| 35 | 690236 | DECAL "MANUAL OPERATION" To 4-8251 | | | 2 | | |
| 35 | 476108 | DECAL "MANUAL OPERATION" From 4-8252 | | | 2 | | |
| 36 | 690110 | UPPER LIMITING KEY To 4-8251 | | | 1 | | |
| 36 | 476104 | UPPER LIMITING KEY From 4-8252 | | | 1 | | |
| 37 | 560365 | FIBER LOOMS / 1/4" / BLACK | | | 5 | | |
| 38 | 502790 | SCREW CAP HEX M8-1.25x20 G8.8 Z050 | | | 4 | | |
| 39 | 5001003 | WASHER LO SPT 8.1x12.7x2.0 Z050 | | | 6 | | |
| 40 | 500874 | WASHER FL 8.4x17.0x1.6 Z050 | | | 6 | | |
| 41 | 502543 | NUT HEX M8-1.25 Z050 | | | 4 | | |
| 42 | 500544 | SCREW CAP HEX M8-1.25x30 G8.8 Z050 | | | 1 | | |
| 43 | 690100 | STRAP ASSY To 4-8251 | | | 1 | | |
| 43 | 476074 | STRAP ASSY From 4-8252 | | | 1 | | |

| | | |
|-----------------------|--------------|-----------------|
| From Y-7046 To 6-8805 | Date:10/2022 | PAGE:Y2-2390-20 |
|-----------------------|--------------|-----------------|

"SLIDE-OUT" - FRONT MECHANISM - INSTALLATION

| Item# | Part | Description | X L I I 4 5 | X L I I M T H 4 0 | X L I I M T H 4 5 | X L I I M T H 4 5 E | N O T E S |
|-------|-----------------|--|----------------------------|---|---|--|-----------------------|
| 44 | 690338 | SELF SEALING SPONGE RUBBER 1" X 5/16" TH. | | | 1 | | |
| 45 | 690363 | MOTOR 1/3 HP To 4-8251 | | | 1 | | |
| 45 | 563315 | MOTOR 1/3 HP From 4-8252 | | | 1 | | |
| 46 | 690117 | PLASTIC STOPPER To 4-8251 | | | 1 | | |
| 46 | 476071 | PLASTIC STOPPER From 4-8252 | | | 1 | | |
| 47 | 690092 | MOUNTING PLATE To 2-7843 | | | 1 | | |
| 47 | 382015 | MOUNTING PLATE From 2-7844 To 5-8384 | | | 1 | | |
| 47 | 382060 | MOUNTING PLATE From 5-8385 | | | 1 | | |
| 48 | 502644 | WASHER FL 10.5x30.0x2.5 Z050 | | | 4 | | |
| 49 | 500257 | WASHER LO SPT 10.2x18.1x2.2 Z050 | | | 8 | | |
| 50 | 70314708 | SCREW CAP HEXS M10-1.5X30 G8.8 ZP | | | 4 | | |
| 51 | 500317 | SCREW CAP HEXS M10-1.5x45 G8.8 ZP | | | 4 | | |
| 52 | 500256 | NUT HEX M10-1.5 Z050 | | | 4 | | |
| 53 | 502589 | SCREW CAP HEX M8-1.25x25 G8.8 Z050 | | | 2 | | |
| 54 | 690018 | SHAFT SUPPORT To 4-8251 | | | 1 | | |
| 54 | 476070 | SHAFT SUPPORT From 4-8252 | | | 1 | | |
| 55 | 690272 | SCREW TC CAP HEXW TEKS #8-18x3/4 ZP | | | 3 | | |
| 56 | 690056 | SPACER 0.015" To 1-7574 | | | AR | | |
| 56 | 144636 | SPACER 0.015" To 1-7574 | | | AR | | |
| 56 | Call order desk | SPACER 0.015" From 1-7575 | | | AR | | P |
| 56 | 690057 | SPACER 0.031" To 1-7574 | | | AR | | |
| 56 | 144637 | SPACER 0.031" To 1-7574 | | | AR | | |
| 56 | Call order desk | SPACER 0.031" From 1-7575 | | | AR | | P |
| 56 | 690058 | SPACER 0.062" To 1-7574 | | | AR | | |
| 56 | 144638 | SPACER 0.062" To 1-7574 | | | AR | | |
| 56 | Call order desk | SPACER 0.062" From 1-7575 | | | AR | | P |
| 56 | 690059 | SPACER 0.125" To 1-7574 | | | AR | | |
| 56 | 144639 | SPACER 0.125" To 1-7574 | | | AR | | |
| 56 | Call order desk | SPACER 0.125" From 1-7575 | | | AR | | P |
| 56 | 690404 | SPACER 0,187" | | | AR | | |
| 56 | 144640 | SPACER 0,187" | | | AR | | |
| 56 | 690403 | SPACER 0,250" | | | AR | | |
| 56 | 144641 | SPACER 0,250" | | | AR | | |
| 60 | 690077 | GEAR To 4-8251 | | | 1 | | |
| 60 | 479105 | GEAR From 4-8252 | | | 1 | | |
| 61 | 690076 | GUIDE WHEEL To 4-8251 | | | 1 | | |
| 61 | 479102 | GUIDE WHEEL From 4-8252 | | | 1 | | |
| 62 | 966802 | SCREW CAP HEXS M6-1.0x16 G8.8 ZP | | | 8 | | |
| 63 | 690222 | PILLOW BLOCK ASSY W/BEARING & SKID PAD To 4-8251 | | | 2 | | |
| 63 | 479123 | PILLOW BLOCK ASSY W/BEARING & SKID PAD From 4-8252 To 5-8384 | | | 2 | | |
| 63 | 476399 | PILLOW BLOCK ASSY W/BEARING & SKID PAD / WITH 2 HOLES TO INSTALL REE From 5-8355 | | | 2 | | |
| 64 | 690037 | SLIDING PAD | | | 2 | | |

| | | |
|-----------------------|--------------|-----------------|
| From Y-7046 To 6-8805 | Date:10/2022 | PAGE:Y2-2390-20 |
|-----------------------|--------------|-----------------|

"SLIDE-OUT" - FRONT MECHANISM - INSTALLATION

| Item# | Part | Description | X L I I 4 5 | X L I I M T H 4 0 | X L I I M T H 4 5 | X L I I M T H 4 5 E | N O T E S |
|-------|-----------------|--|----------------------------|---|---|--|-----------------------|
| 65 | 5001198 | SCREW MA FL PH M6-1.0x16 Z050 | | | 8 | | |
| 66 | 690041 | LOWER SHAFT To 4-8251 | | | 1 | | |
| 66 | 476196 | LOWER SHAFT From 4-8252 | | | 1 | | |
| 67 | 690078 | GEAR To 4-8251 | | | 1 | | |
| 67 | 479103 | GEAR From 4-8252 | | | 1 | | |
| 68 | 500441 | WASHER FL .312x.734x.065 Z050 | | | 2 | | |
| NS | 680038 | THREAD LOCKER LOCTITE #243 / BLUE / 50ml | | | AR | | |
| 70 | 690070 | TRANSDUCER LINEAR SUPPORT To 2-7773 | | | 1 | | |
| 70 | 065850 | TRANSDUCER LINEAR SUPPORT From 2-7774 To 5-8384 | | | 1 | | |
| NS | 502511 | NUT HEX NYRT M6-1.0 Z050 To 5-8384 | | | 2 | | |
| NS | 690267 | WASHER LO SERR 6.1x16.0x0.9 ZP To 4-8251 | | | 2 | | |
| NS | 500356 | WASHER LO SERR 6.1x16.0x0.9 N500 From 4-8252 To 5-8384 | | | 2 | | |
| NS | 690261 | WASHER FL 6.4x12.0x1.6 SS To 4-8251 | | | 2 | | |
| NS | 502573 | WASHER FL 6.4x12.5x1.6 SS From 4-8252 To 5-8384 | | | 2 | | |
| 77 | 690249 | RIGHT ANGLE GEARBOX To 4-8251 | | | 1 | | |
| 77 | 970298 | RIGHT ANGLE GEARBOX LOWER RATIO 1:1.5 From 4-8252 | | | 1 | | |
| 78 | 690035 | SUPPORT ASSY To 4-8251 | | | 1 | | |
| 78 | 476087 | SUPPORT ASSY From 4-8252 | | | 1 | | |
| 79 | 690337 | CONNECTOR STRAIGHT-THRU / HEYCO #3231 / BLK 1/2NPT-M / .170-.450 To 4-8251 | | | 1 | | |
| 79 | 563336 | CONNECTOR STRAIGHT-THRU / HEYCO #3231 / BLK 1/2NPT-M / .170-.450 From 4-8252 | | | 1 | | |
| 80 | 500192 | SCREW CAP HEX 3/8-16x1 1/4 G5 Z050 | | | 4 | | |
| 81 | 690314 | REDUCER 140:1 To 4-8251 | | | 1 | | |
| 81 | 970297 | REDUCER 140:1 From 4-8252 | | | 1 | | |
| 82 | Call order desk | SUPPORT To Y-7362 | | | 1 | | P |
| 82 | 690124 | SUPPORT From Y-7363 To 1-7512 | | | 1 | | |
| 82 | 476082 | SUPPORT From 1-7513 | | | 1 | | |
| 83 | 690256 | SCREW CAP HEXS M8-1.25x18 G8.8 To 4-8251 | | | 4 | | |
| 83 | 5001573 | SCREW CAP HEXS M8-1.25x18 G8.8 From 4-8252 | | | 4 | | |
| 84 | 690388 | LINEAR POSITION TRANSDUCER To 4-8251 | | | 1 | | |
| 84 | 563346 | LINEAR POSITION TRANSDUCER From 4-8252 To 5-8384 | | | 1 | | |
| 85 | 690270 | SCREW MA PAN PH M4-0.7x45 ZP To 4-8251 | | | 2 | | |
| 85 | 502921 | SCREW MA PAN PH M4-0.7x45 Z050 From 4-8252 To 5-8384 | | | 2 | | |
| 86 | 500590 | NUT HEX NYRT M4-0.7 Z050 To 5-8384 | | | 2 | | |
| 87 | 690278 | SHIM RND 1/64" To 4-8251 | | | 3 | | |
| 87 | 502928 | NUT WD TAB M8-1.25 From 4-8252 To 5-8384 | | | 3 | | |
| 88 | 690279 | IDLER PULLEY To 4-8251 | | | 1 | | |
| 88 | 502924 | IDLER PULLEY From 4-8252 To 5-8384 | | | 1 | | |
| 89 | 500425 | NUT HEX NYRT #4-40 SS To 5-8384 | | | 1 | | |
| 92 | 690239 | SPACER | | | 2 | | |
| 93 | 690235 | REINFORCEMENT, MOTOR | | | 1 | | |
| NS | 682176 | SEALANT SIKA #221 / BLACK / 310ml CARTRIDGE | | | AR | | |
| 95 | 690245 | PLATE To 4-8251 | | | 1 | | |

| | | |
|-----------------------|--------------|-----------------|
| From Y-7046 To 6-8805 | Date:10/2022 | PAGE:Y2-2390-20 |
|-----------------------|--------------|-----------------|

"SLIDE-OUT" - FRONT MECHANISM - INSTALLATION

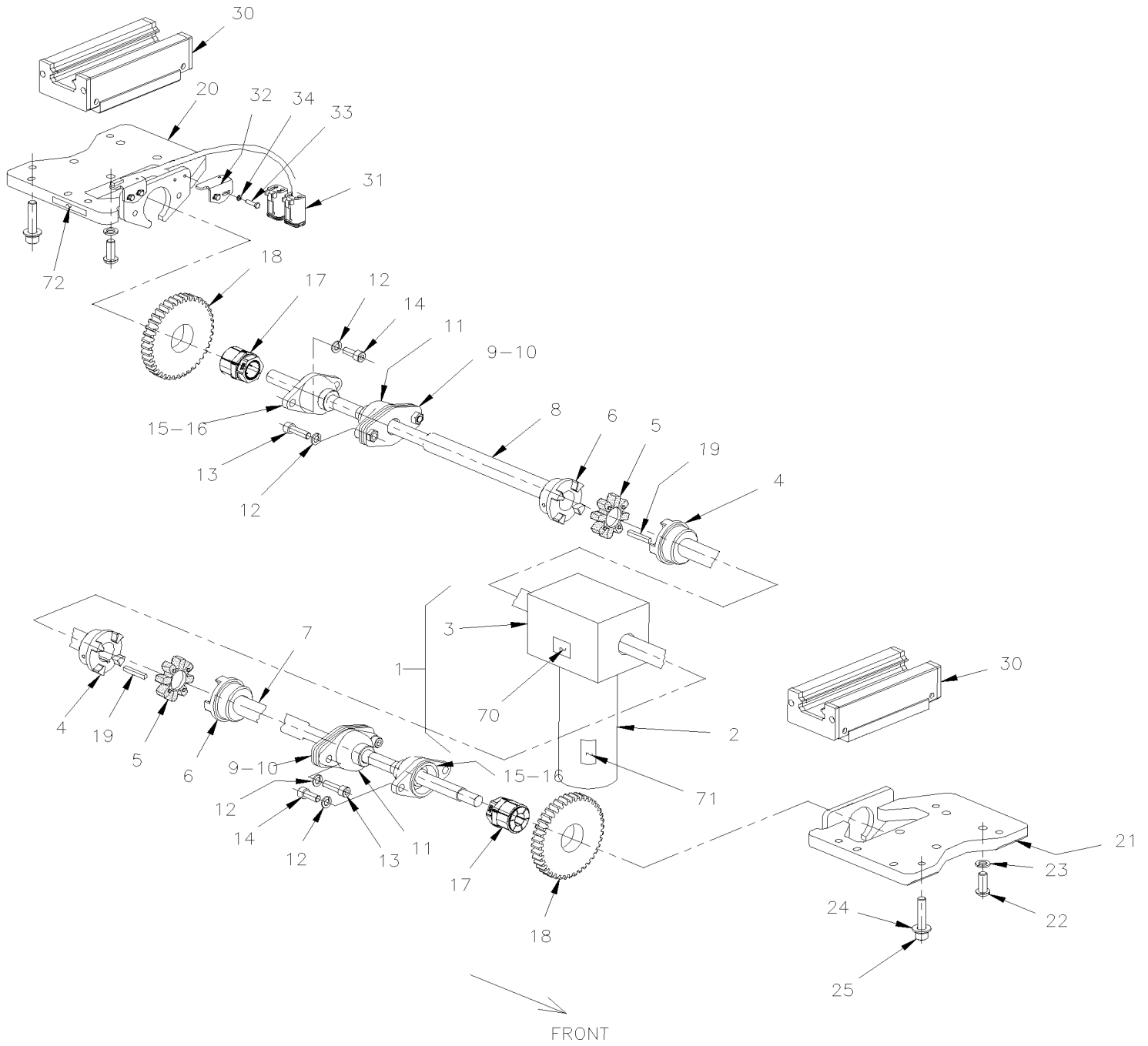
| Item# | Part | Description | X L I I 4 5 | X L I I M T H 4 0 | X L I I M T H 4 5 | X L I I M T H 4 5 E | N O T E S |
|-------|---------|--|----------------------------|---|---|--|-----------------------|
| 95 | 479129 | PLATE From 4-8252 | | | 1 | | |
| 96 | 5001282 | SCREW SET HEXS CUP 1/4-20x5/8 | | | 8 | | |
| 97 | 690219 | TUBE, AIR To 4-8251 | | | 2 | | |
| 97 | 144635 | TUBE, AIR From 4-8252 | | | 2 | | |
| NS | N25539 | THREAD LOCKER LOCTITE #262 / RED / 250ml | | | AR | | |
| 99 | 502644 | WASHER FL 10.5x30.0x2.5 Z050 | | | 4 | | |
| 100 | 690246 | SHAFT, UPPER (WELDED) To 4-8251 | | | 1 | | |
| 100 | 475988 | SHAFT, UPPER (WELDED) From 4-8252 | | | 1 | | |
| 101 | 690247 | SHAFT, BOTTOM (WELDED) To 4-8251 | | | 1 | | |
| 101 | 475985 | SHAFT, BOTTOM (WELDED) From 4-8252 | | | 1 | | |
| 111 | 221266 | GUTTER | | | 1 | | |
| 112 | 221267 | PLATE | | | 1 | | |
| 113 | 690007 | PARALLEL KEY To 4-8251 | | | 1 | | |
| 113 | 476037 | KEY 3/16" X 3/16" From 4-8252 | | | 1 | | |
| 120 | 066030 | SENSOR SUPPORT From 5-8385 | | | 1 | | |
| 121 | 066044 | SENSOR SUPPORT From 5-8385 | | | 1 | | |
| 122 | 066063 | SENSOR SUPPORT From 5-8385 | | | 1 | | |
| 123 | 066079 | LIMITING REED SWITCH ASSY W/LED S.P.D.T. / W/SLIDE OUT From 5-8385 | | | 1 | | ? |
| . NS | 563426 | . HALL EFFECT SENSOR From 5-8385 | | | 1 | | |
| . NS | 830122 | . LED GREEN / 24VOLTS / L-41-1302-5100A From 5-8385 | | | 1 | | |
| . NS | 562477 | . CONNECTOR / DT SERIES / SH 4C / GRAY / DEUTSCH DT06-4S From 5-8385 | | | 1 | | |
| 124 | 066080 | SWITCH PROXIMITY ASSY / TEETH READER SLIDE OUT From 5-8385 | | | 1 | | ? |
| . NS | 563321 | . SWITCH PROXIMITY / S.P.S.T. / W/2 WIRES / TEETH READER SLIDE OUT From 5-8385 | | | 1 | | |
| . NS | 563431 | . RESISTOR / 2.2K OHMS / 2 W From 5-8385 | | | 1 | | |
| . NS | 562479 | . CONNECTOR / DT SERIES / PH 4C / GRAY / DEUTSCH DT04-4P-C015 From 5-8385 | | | 1 | | |
| 126 | 476362 | GUARD SENSOR From 5-8385 | | | 1 | | |
| | | | | | | | |
| | | | | | | | |
| | | | | | | | |
| | | | | | | | |
| | | ?) SEE DETAIL SCREEN | | | | | |
| | | P) CALL ORDER DESK FOR SPECIFIC APPLICATION (V.I.N.) | | | | | |

From 6-8806 To 8-9339

Date:10/2022

PAGE:Y2-2390-21

"SLIDE-OUT" - FRONT MECHANISM - INSTALLATION

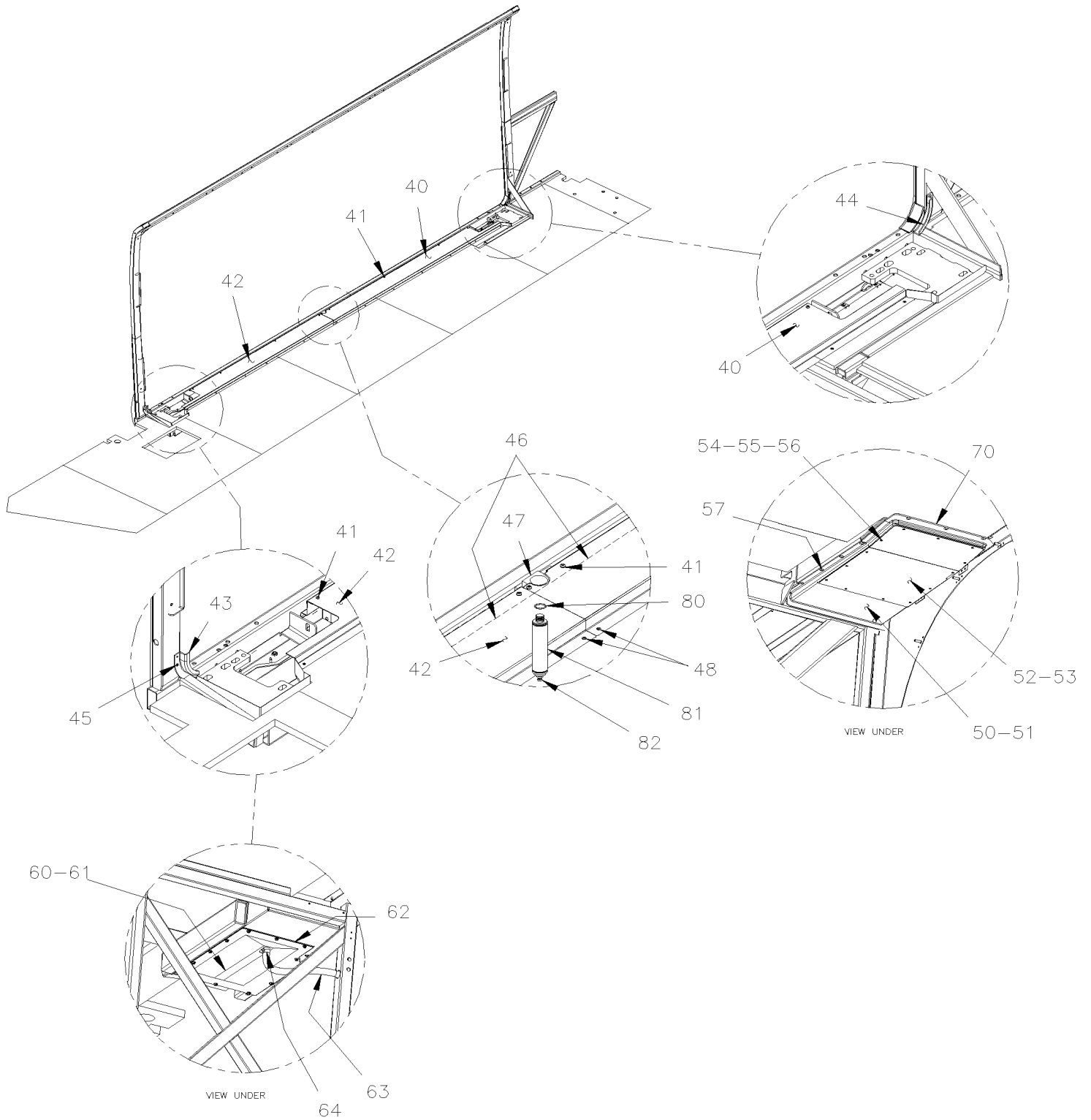


From 6-8806 To 8-9339

Date:10/2022

PAGE:Y2-2390-21

"SLIDE-OUT" - FRONT MECHANISM - INSTALLATION



| | | |
|---|--------------|-----------------|
| From 6-8806 To 8-9339 | Date:10/2022 | PAGE:Y2-2390-21 |
| "SLIDE-OUT" - FRONT MECHANISM - INSTALLATION | | |

| Item# | Part | Description | X L I I 4 5 | X L I I M T H 4 0 | X L I I M T H 4 5 | X L I I M T H 4 5 E | N O T E S |
|--------|---------|--|----------------------------|---|---|--|-----------------------|
| 1 | 066651 | MOTOR 24V ASSY W/CONNECTOR | | | 1 | 1 | ? |
| . NS | 563936 | . MOTOR 24V ASSY W/GEAR-BOX | | | 1 | 1 | |
| . . NS | 563937 | . . MOTOR 24V | | | 1 | 1 | |
| . . NS | 563938 | . . GEAR BOX RATIO 738/1 | | | 1 | 1 | |
| . NS | 561944 | . CONNECTOR / CPC SERIES 3 / PH 3C / AMP 206426-1 | | | 1 | 1 | |
| . NS | 561655 | . CABLE CLAMP / CPC / #17 / AMP 206070-8 | | | 1 | 1 | |
| . NS | 561698 | . PIN TERMINAL 16-12 / POWER CONTACT / AMP 66261-4 | | | 2 | 2 | |
| 2 | 563936 | . MOTOR 24V ASSY W/GEAR-BOX | | | 1 | 1 | |
| . NS | 563937 | . . MOTOR 24V | | | 1 | 1 | |
| . NS | 563938 | . . GEAR BOX RATIO 738/1 | | | 1 | 1 | |
| 3 | 563938 | . GEAR BOX RATIO 738/1 | | | 1 | 1 | |
| NS | 505533 | . KEY 6MM x 6MM x 40MM | | | 2 | 2 | |
| NS | 5001450 | SCREW CAP HEX M8-1.25x20 G10.9 DP | | | 4 | 4 | |
| NS | 500035 | WASHER LO SPT .317x.586x.078 SS | | | 4 | 4 | |
| 4 | 505530 | COUPLING SHAFT DRIVE 20MM I.D. / TYPE GS 28 | | | 2 | 2 | |
| 5 | 505529 | SPIDER RUBBER / TYPE GS 28 | | | 2 | 2 | |
| 6 | 505528 | COUPLING SHAFT DRIVE 1 1/8" I.D. / TYPE GS 28 | | | 2 | 2 | |
| 7 | 470138 | SHAFT / FORWARD / 1980MM | | | 1 | | |
| 7 | 476490 | SHAFT / FORWARD / 1925MM | | | | 1 | |
| 8 | 470136 | SHAFT / BACKWARD / 1789MM | | | 1 | | |
| 8 | 476485 | SHAFT / BACKWARD / 973MM | | | | 1 | |
| 9 | 470129 | PLATE TORQUE | | | 2 | 2 | |
| 10 | 470128 | SPACER 3/16" | | | AR | AR | |
| 11 | 507641 | PILLOW BEARING ASSY | | | 2 | 2 | |
| NS | 501499 | GREASE FITTING 45° / 1/4-28 | | | 2 | 2 | |
| NS | 684754 | GREASE OPTIMOL OLISTA / CARTRIDGE 14Oz | | | AR | AR | |
| NS | 477916 | CLOSING PLATE SS 168MM x 94MM | | | 2 | 2 | |
| NS | 477917 | PLATE PLASTIC 76MM x 74MM | | | 2 | 2 | |
| NS | 5001017 | SCREW TC CAP HEXW #10-24x1/2 Z050 | | | 8 | 8 | |
| NS | 500964 | WASHER FL .203x.500x.047 Z050 | | | 8 | 8 | |
| NS | 504511 | GROMMET / .500x1.000x.062x.250x1.250 | | | 1 | 1 | |
| 12 | 502616 | WASHER LO SPT 10.2x18.1x2.2 SS | | | 8 | 8 | |
| 13 | 5001620 | SCREW CAP HEXS M10-1.5X35 G10.9 G500 | | | 4 | 4 | |
| 14 | 5001616 | SCREW CAP HEXS M10-1.5X25 G10.9 DP | | | 4 | 4 | |
| 15 | 470116 | PILLOW BEARING ASSY | | | 2 | 2 | |
| 16 | 501490 | GREASE FITTING / 1/8 NPT | | | 1 | 1 | |
| 17 | 470118 | COUPLING TORQUE | | | 2 | 2 | |
| 18 | 470119 | GEAR 5 1/4" W/40TH | | | 2 | 2 | |
| 19 | 505527 | KEY SQUARE 1/4" x 1/4" x 1 3/4" | | | 2 | 2 | |
| 20 | 477752 | BASE GUIDE ASSY FORWARD | | | 1 | 1 | |
| 21 | 477753 | BASE GUIDE ASSY BACKWARD | | | 1 | 1 | |
| 22 | 5001621 | SCREW CAP HEXS M12-1.75x55 G10.9 DP | | | 8 | 8 | |

| | | |
|-----------------------|--------------|-----------------|
| From 6-8806 To 8-9339 | Date:10/2022 | PAGE:Y2-2390-21 |
|-----------------------|--------------|-----------------|

"SLIDE-OUT" - FRONT MECHANISM - INSTALLATION

| Item# | Part | Description | X L I I 4 5 | X L I I M T H 4 0 | X L I I M T H 4 5 | X L I I M T H 4 5 E | N O T E S |
|-------|-----------------|--|----------------------------|---|---|--|-----------------------|
| 22 | 5001615 | SCREW CAP BUT HEXS M12-1.75x30 G10.9 G500 | | | 8 | 8 | |
| 23 | 500747 | WASHER LO SPT 12.2x21.1x2.5 N500 | | | 8 | 8 | |
| 24 | 5001622 | SCREW CAP HEXS M12-1.75x40 G10.9 DP | | | 8 | 8 | |
| 25 | 5001623 | NUT HEX JAM M12x1.75 SS | | | 8 | 8 | |
| NS | 684420 | SCREW MARKER LOCK 90ml | | | AR | AR | |
| 30 | 470107 | GUIDE | | | 2 | 2 | |
| NS | 507642 | DUMMY RAIL GUIDE LINEAR BEARING 254MM / USE WITH 470107 ONLY | | | AR | AR | W |
| NS | 685232 | RAIL GUIDE EXTENSION TOOL L.H. | | | AR | AR | T |
| NS | 685233 | RAIL GUIDE EXTENSION TOOL R.H. | | | AR | AR | T |
| 31 | 066270 | LIMITING REED SWITCH ASSY W/LED S.P.D.T. / W/SLIDE OUT To 6-8935 | | | 2 | 2 | ? |
| . NS | 563426 | . HALL EFFECT SENSOR To 6-8935 | | | 1 | 1 | |
| . NS | 563452 | . LED GREEN / 5VOLTS To 6-8935 | | | 1 | 1 | |
| . NS | 562477 | . CONNECTOR / DT SERIES / SH 4C / GRAY / DEUTSCH DT06-4S To 6-8935 | | | 1 | 1 | |
| 31 | 066852 | LIMITING REED SWITCH ASSY W/LED S.P.D.T. / W/SLIDE OUT From 6-8936 | | | 2 | 2 | ? |
| . NS | 563426 | . HALL EFFECT SENSOR From 6-8936 | | | 1 | 1 | |
| . NS | 563452 | . LED GREEN / 5VOLTS From 6-8936 | | | 1 | 1 | |
| . NS | 562477 | . CONNECTOR / DT SERIES / SH 4C / GRAY / DEUTSCH DT06-4S From 6-8936 | | | 1 | 1 | |
| 32 | 477829 | SUPPORT LIMITING READ SWITCH | | | 1 | 1 | |
| 33 | 5001146 | SCREW CAP HEX M5-0.8x20 SS BK | | | 4 | 4 | |
| 34 | 500804 | WASHER FL .203x.500x.047 N500 | | | 4 | 4 | |
| 40 | 328175 | PROTECTOR PLATE FORWARD | | | 1 | | |
| 40 | 328219 | PROTECTOR PLATE FORWARD | | | | 1 | |
| 41 | 500799 | SCREW TC PAN PH #8-32x3/8 N500 | | | 9 | 9 | |
| 42 | 328176 | PROTECTOR PLATE BACKWARD | | | 1 | | |
| 42 | 328220 | PROTECTOR PLATE BACKWARD | | | | 1 | |
| 43 | 477748 | GUTTER MOULDING BACKWARD | | | 1 | 1 | |
| 44 | 477747 | GUTTER MOULDING FORWARD | | | 1 | 1 | |
| 45 | 504379 | RIVET POP DOME OE 3/16x1/4 SS | | | AR | AR | |
| 46 | 506227 | TAPE RUB ADH1 CC POL 1/16" x 3/4" x 100' / GREY 2520 | | | AR | AR | |
| 47 | 328224 | GASKET JOINT | | | 1 | 1 | |
| 48 | 5001349 | SCREW WO TR PH #8x7/8 | | | 13 | 13 | |
| 50 | 477740P | ACCESS PANEL ASSY / FORWARD | | | 1 | 1 | |
| 51 | 477737 | . RECEPTACLE BOX | | | 1 | 1 | |
| 52 | 477738 | . ACCESS PANEL | | | 1 | 1 | |
| 53 | 477739 | . GASKET | | | 1 | 1 | |
| 54 | 481249 | . NUT | | | 14 | 14 | |
| 55 | 5001605 | . SCREW TP HEXW SLT #12x3/4 SS | | | 14 | 14 | |
| 56 | 5001686 | . WASHER FL SEAL .218x.625x20GA SS | | | 14 | 14 | |
| 57 | 504248 | RIVET CHY Q PRDG 3/16x1/4 SS | | | 8 | 8 | |
| 60 | Call order desk | ACCESS PANEL ASSY W/DRAIN / BACKWARD | | | 1 | | P |
| 60 | Call order desk | ACCESS PANEL ASSY W/DRAIN / BACKWARD | | | | 1 | P |
| 61 | 477885 | . ACCESS PANEL | | | 1 | | |

| | | |
|---|--------------|-----------------|
| From 6-8806 To 8-9339 | Date:10/2022 | PAGE:Y2-2390-21 |
| "SLIDE-OUT" - FRONT MECHANISM - INSTALLATION | | |

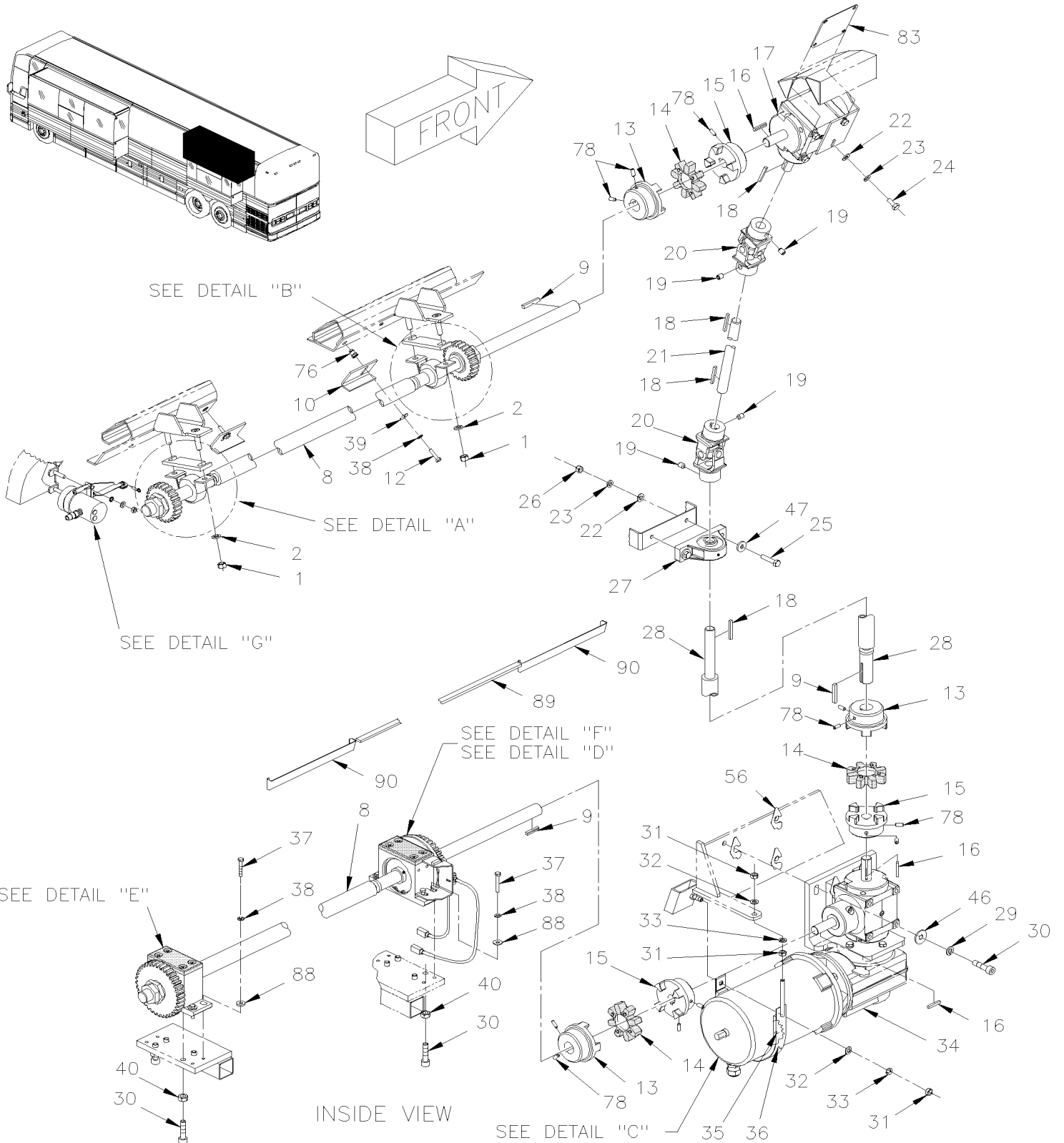
| Item# | Part | Description | X L I I 4 5 | X L I I M T H 4 0 | X L I I M T H 4 5 | X L I I M T H 4 5 E | N O T E S |
|-------|--------|--|----------------------------|---|---|--|-----------------------|
| 61 | 477941 | . ACCESS PANEL | | | | 1 | |
| 62 | 477886 | . GASKET | | | 1 | | |
| 62 | 477943 | . GASKET | | | | 1 | |
| 63 | 503707 | HOSE / PVC REINFORCED 1/2" I.D. 100' / S.L. | | | AR | AR | |
| 64 | 504230 | HOSE CLAMP / 3/8"-7/8" SS / HS-6 | | | 1 | 1 | |
| NS | 680532 | SEALANT SIKA #221 / GREY / 310ml CARTRIDGE | | | AR | AR | |
| NS | 684517 | ADHESIVE SIMSON #ISR 70-03 / GREY / 310ml CARTRIDGE | | | AR | AR | |
| 70 | 477987 | DECAL " ON OVERRIDE MUST BE LOW TORQUE..." | | | 1 | 1 | |
| 71 | 477989 | DECAL "SEAL MUST BE DEFLATED..." | | | 1 | 1 | |
| NS | 477988 | DECAL "PAT PENDING" | | | 1 | 1 | |
| 72 | 477990 | DECAL "THIS SLIDE-OUT PLATE IS FACTORY.." | | | 1 | 1 | |
| NS | 477991 | DECAL "CAUTION" DO NOT MAKE ANY MODI.." | | | 1 | 1 | |
| 80 | 507345 | O-RING / ORS FITTING / #16 NEO | | | 1 | 1 | |
| 81 | 642027 | CYLINDER 1 1/16" | | | 1 | 1 | |
| 82 | 641126 | MALE CONNECTOR / PUSH-IN FITTING / #2x1/8NPT-M BR | | | 1 | 1 | |
| | | | | | | | |
| | | | | | | | |
| | | T) THOSE RAIL EXTENTION TOOLS ARE FOR EASY REMOVED SLIDE-OUT FROM STRUCTURE | | | | | |
| | | W) "WARNING" YOUR REQUIRE THIS DUMMY BEFORE REMOVE THE SLIDE-OUT FROM STRUCTURE"AVERTISSEMENT" | | | | | |
| | | ?) SEE DETAIL SCREEN | | | | | |
| | | P) CALL ORDER DESK FOR SPECIFIC APPLICATION (V.I.N.) | | | | | |

From Y-7046 To 6-8805

Date:10/2022

PAGE:Y2-2390-30

"SLIDE-OUT" - REAR MECHANISM INSTALLATION

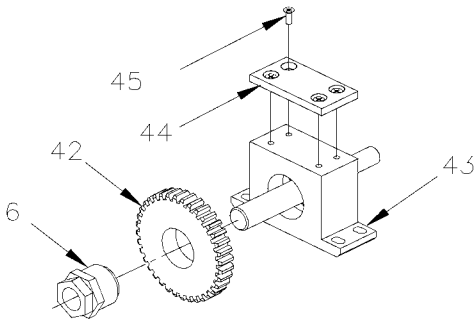


From Y-7046 To 6-8805

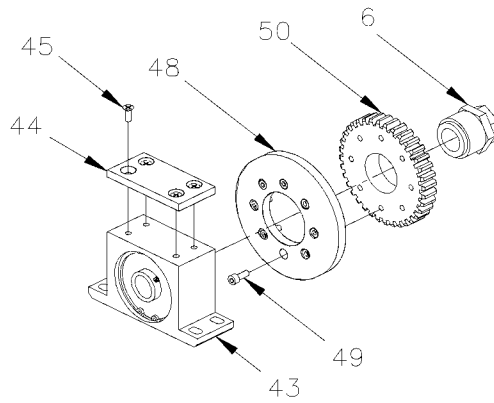
Date:10/2022

PAGE:Y2-2390-30

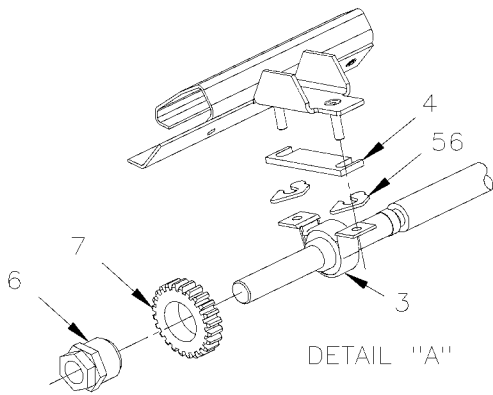
"SLIDE-OUT" - REAR MECHANISM INSTALLATION



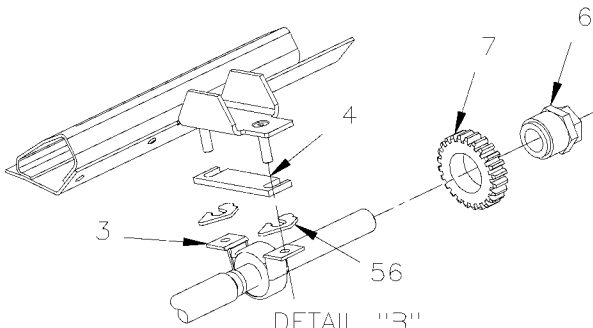
DETAIL "E"



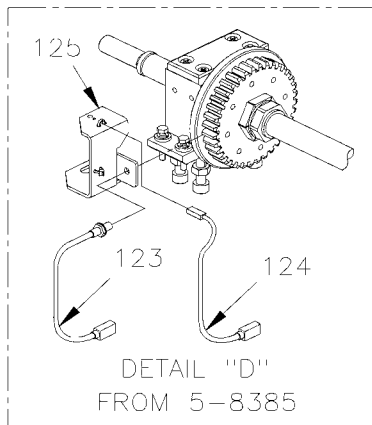
DETAIL "F"



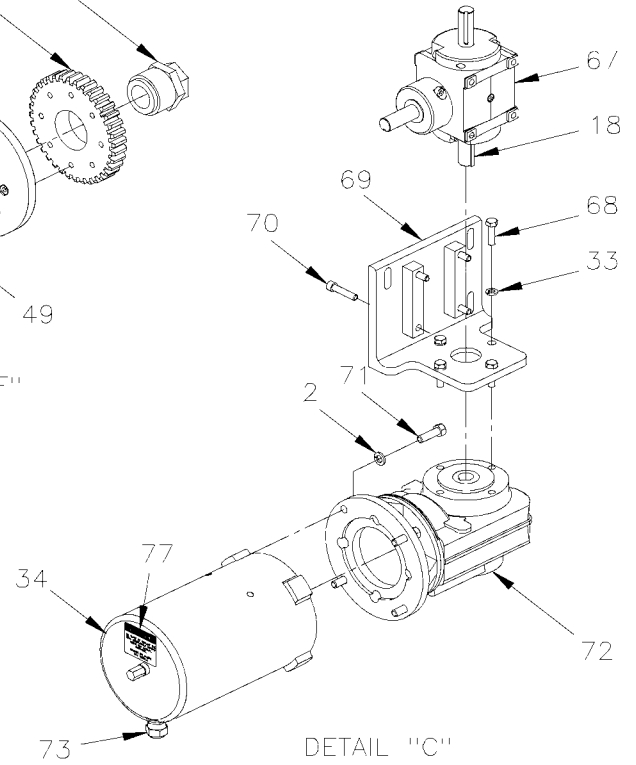
DETAIL "A"



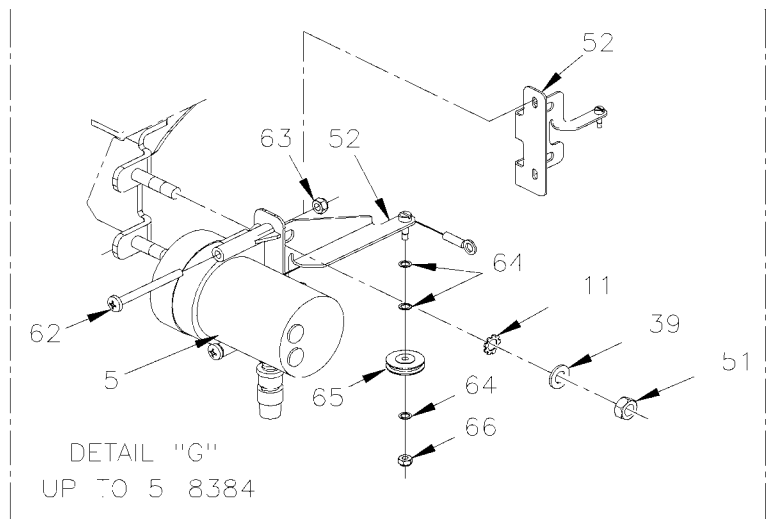
DETAIL "3"



DETAIL "D"
FROM 5-8385



DETAIL "C"



DETAIL "G"
UP TO 5-8384

INSIDE VIEW

| | | |
|--|--------------|-----------------|
| From Y-7046 To 6-8805 | Date:10/2022 | PAGE:Y2-2390-30 |
| "SLIDE-OUT" - REAR MECHANISM INSTALLATION | | |

| Item# | Part | Description | X L I I 4 5 | X L I I M T H 4 0 | X L I I M T H 4 5 | X L I I M T H 4 5 E | N O T E S |
|-------|---------|---|----------------------------|---|---|--|-----------------------|
| 1 | 500783 | NUT HEX 3/8-16 Z050 | | | 4 | | |
| 2 | 500478 | WASHER LO SPT .380x.683x.094 Z050 | | | 8 | | |
| 3 | 690315 | PILLOW BLOCK LPB1 To 4-8251 | | | 2 | | |
| 3 | 507631 | PILLOW BLOCK LPB1 From 4-8252 | | | 2 | | |
| . NS | 5000101 | . PILLOW BLOCK From 4-8252 | | | 1 | | |
| . NS | 5000100 | . BEARING 1PO ID x 52MM OD From 4-8252 | | | 1 | | |
| 4 | 690019 | SPACER 6.35MM To 4-8251 | | | 2 | | |
| 4 | 479128 | SPACER 6.35MM From 4-8252 | | | 2 | | |
| 5 | 690388 | LINEAR POSITION TRANSDUCER To 4-8251 | | | 1 | | |
| 5 | 563346 | LINEAR POSITION TRANSDUCER From 4-8252 To 5-8384 | | | 1 | | |
| 6 | 690313 | CPG TRANTORQUE GT To 4-8251 | | | 4 | | |
| 6 | 505523 | CPG TRANTORQUE GT From 4-8252 | | | 4 | | |
| 7 | 690075 | TOP GEAR To 4-8251 | | | 2 | | |
| 7 | 479115 | TOP GEAR From 4-8252 | | | 2 | | |
| 8 | 479117 | UPPER SHAFT | | | 1 | | |
| 8 | 690047 | UPPER SHAFT To 3-8164 | | | 2 | | |
| 8 | 479117 | UPPER SHAFT From 4-8165 | | | 1 | | |
| 8 | 479104 | LOWER SHAFT From 4-8165 | | | 1 | | |
| 9 | 690006 | PARALLEL KEY To 4-8251 | | | 3 | | |
| 9 | 476160 | PARALLEL KEY From 4-8252 | | | 3 | | |
| 10 | 690043 | UPPER LIMITING KEY To 4-8251 | | | 1 | | |
| 10 | 476102 | UPPER LIMITING KEY From 4-8252 | | | 1 | | |
| 11 | 690267 | WASHER LO SERR 6.1x16.0x0.9 ZP To 4-8251 | | | 7 | | |
| 11 | 500356 | WASHER LO SERR 6.1x16.0x0.9 N500 From 4-8252 | | | 7 | | |
| 12 | 5001209 | SCREW CAP HEX M6-1.0x25 G8.8 Z050 | | | 5 | | |
| 13 | 690016 | COUPLING SHAFT DRIVE 1" I.D. / TYPE GS 38 To 3-7929 | | | 3 | | |
| 13 | 407513 | COUPLING SHAFT DRIVE 1" I.D. / TYPE GS 38 From 3-7930 | | | 3 | | |
| . NS | 502506 | . SCREW SET HEXS CUP M4-0.7x16 From 3-7930 | | | 1 | | |
| . NS | 5001282 | . SCREW SET HEXS CUP 1/4-20x5/8 From 3-7930 | | | 1 | | |
| NS | 502512 | SCREW CAP HEXS 5/16-18x1 1/2 ZP From 3-7930 | | | 1 | | |
| 14 | 690365 | SPIDER RUBBER / TYPE GS 38 To 4-8251 | | | 3 | | |
| 14 | 507632 | SPIDER RUBBER / TYPE GS 38 From 4-8252 | | | 1 | | |
| 15 | 690017 | COUPLING SHAFT DRIVE 3/4" I.D. / TYPE GS 38 To 3-7929 | | | 3 | | |
| 15 | 407512 | COUPLING SHAFT DRIVE 3/4" I.D. / TYPE GS 38 From 3-7930 | | | 3 | | |
| . NS | 502503 | . SCREW CAP HEXS 5/16-18x1 1/2 N500 From 3-7930 | | | 1 | | |
| . NS | 5001282 | . SCREW SET HEXS CUP 1/4-20x5/8 From 3-7930 | | | 1 | | |
| 15 | 502512 | SCREW CAP HEXS 5/16-18x1 1/2 ZP From 3-7930 | | | 1 | | |
| NS | 502503 | SCREW CAP HEXS 5/16-18x1 1/2 N500 | | | 1 | | |
| 16 | 690233 | STEP KEY To 4-8251 | | | 3 | | |
| 16 | 476039 | STEP KEY From 4-8252 | | | 3 | | |
| 17 | 690346 | RIGHT ANGLE GEARBOX UPPER RATIO 1:1 To 4-8251 | | | 1 | | |
| 17 | 970299 | RIGHT ANGLE GEARBOX UPPER RATIO 1:1 From 4-8252 | | | 1 | | |

| | | |
|--|--------------|-----------------|
| From Y-7046 To 6-8805 | Date:10/2022 | PAGE:Y2-2390-30 |
| "SLIDE-OUT" - REAR MECHANISM INSTALLATION | | |

| Item# | Part | Description | X L I I 4 5 | X L I I M T H 4 0 | X L I I M T H 4 5 | X L I I M T H 4 5 E | N O T E S |
|-------|---------|--|----------------------------|---|---|--|-----------------------|
| 18 | 690007 | PARALLEL KEY To 4-8251 | | | 4 | | |
| 18 | 476037 | KEY 3/16" X 3/16" From 4-8252 | | | 4 | | |
| 19 | 5001167 | SCREW SET HEXS CUP 3/8-16x1/2 | | | 4 | | |
| 20 | 505525 | U-JOINT ASSY 3/4" O.D.SHAFT X 5" To 3-8004 | | | 2 | | |
| 20 | 475977 | U-JOINT ASSY 3/4" O.D.SHAFT X 5" From 3-8005 | | | 2 | | |
| . NS | 476066 | . "C" CLAMP From 3-8005 | | | 2 | | |
| . NS | 500239 | . SCREW CAP HEXS 1/4-20x1 ZP From 3-8005 | | | 4 | | |
| . NS | 500319 | . SCREW SET HEXS CUP 5/16-18x1/2 From 3-8005 | | | 2 | | |
| NS | 690320 | KIT, CROSS & BEARING 15/16" O.D. X 2 1/4" | | | 2 | | |
| 21 | 690040 | UPPER VERTICAL SHAFT To 4-8251 | | | 1 | | |
| 21 | 479127 | UPPER VERTICAL SHAFT From 4-8252 | | | 1 | | |
| 22 | 500441 | WASHER FL .312x.734x.065 Z050 | | | 6 | | |
| 23 | 500476 | WASHER LO SPT .317x.586x.078 Z050 | | | 6 | | |
| 24 | 5001263 | SCREW CAP HEXS 5/16-18x1 ZP | | | 4 | | |
| 25 | 500183 | SCREW CAP HEX 5/16-18x1 1/2 G5 PT Z050 | | | 2 | | |
| 26 | 500778 | NUT HEX 5/16-18 N500 | | | 2 | | |
| 27 | 690317 | PILLOW BLOCK NP 3/4 To 4-8251 | | | 1 | | |
| 27 | 507630 | PILLOW BLOCK NP 3/4 From 4-8252 | | | 1 | | |
| 28 | 690046 | LOWER VERTICAL SHAFT To 4-8251 | | | 1 | | |
| 28 | 479118 | LOWER VERTICAL SHAFT From 4-8252 | | | 1 | | |
| 29 | 500257 | WASHER LO SPT 10.2x18.1x2.2 Z050 | | | 3 | | |
| 30 | 500317 | SCREW CAP HEXS M10-1.5x45 G8.8 ZP | | | 11 | | |
| 31 | 502543 | NUT HEX M8-1.25 Z050 | | | 3 | | |
| 32 | 500874 | WASHER FL 8.4x17.0x1.6 Z050 | | | 2 | | |
| 33 | 5001209 | SCREW CAP HEX M6-1.0x25 G8.8 Z050 | | | 6 | | |
| 34 | 690363 | MOTOR 1/3 HP To 4-8251 | | | 1 | | |
| 34 | 563315 | MOTOR 1/3 HP From 4-8252 | | | 1 | | |
| 35 | 690338 | SELF SEALING SPONGE RUBBER 1" X 5/16" TH. | | | 1 | | |
| 36 | 690100 | STRAP ASSY To 4-8251 | | | 1 | | |
| 36 | 476074 | STRAP ASSY From 4-8252 | | | 1 | | |
| 37 | 502793 | SCREW CAP HEX M6-1.0x45 G8.8 Z050 | | | 8 | | |
| 38 | 502564 | WASHER LO SPT 6.1x11.8x1.6 Z050 | | | 8 | | |
| 39 | 690261 | WASHER FL 6.4x12.0x1.6 SS To 4-8251 | | | 10 | | |
| 39 | 502573 | WASHER FL 6.4x12.5x1.6 SS From 4-8252 | | | 10 | | |
| 40 | 500256 | NUT HEX M10-1.5 Z050 | | | 8 | | |
| 41 | 690045 | LOWER SHAFT | | | 1 | | |
| 42 | 690078 | GEAR To 4-8251 | | | 1 | | |
| 42 | 479103 | GEAR From 4-8252 | | | 1 | | |
| 43 | 690222 | PILLOW BLOCK ASSY W/BEARING & SKID PAD To 4-8251 | | | 2 | | |
| 43 | 479123 | PILLOW BLOCK ASSY W/BEARING & SKID PAD From 4-8252 To 5-8384 | | | 2 | | |
| 43 | 476399 | PILLOW BLOCK ASSY W/BEARING & SKID PAD / WITH 2 HOLES TO INSTALL REE From 5-8385 | | | 2 | | |
| 44 | 690037 | SLIDING PAD To 4-8251 | | | 2 | | |

| | | |
|-----------------------|--------------|-----------------|
| From Y-7046 To 6-8805 | Date:10/2022 | PAGE:Y2-2390-30 |
|-----------------------|--------------|-----------------|

"SLIDE-OUT" - REAR MECHANISM INSTALLATION

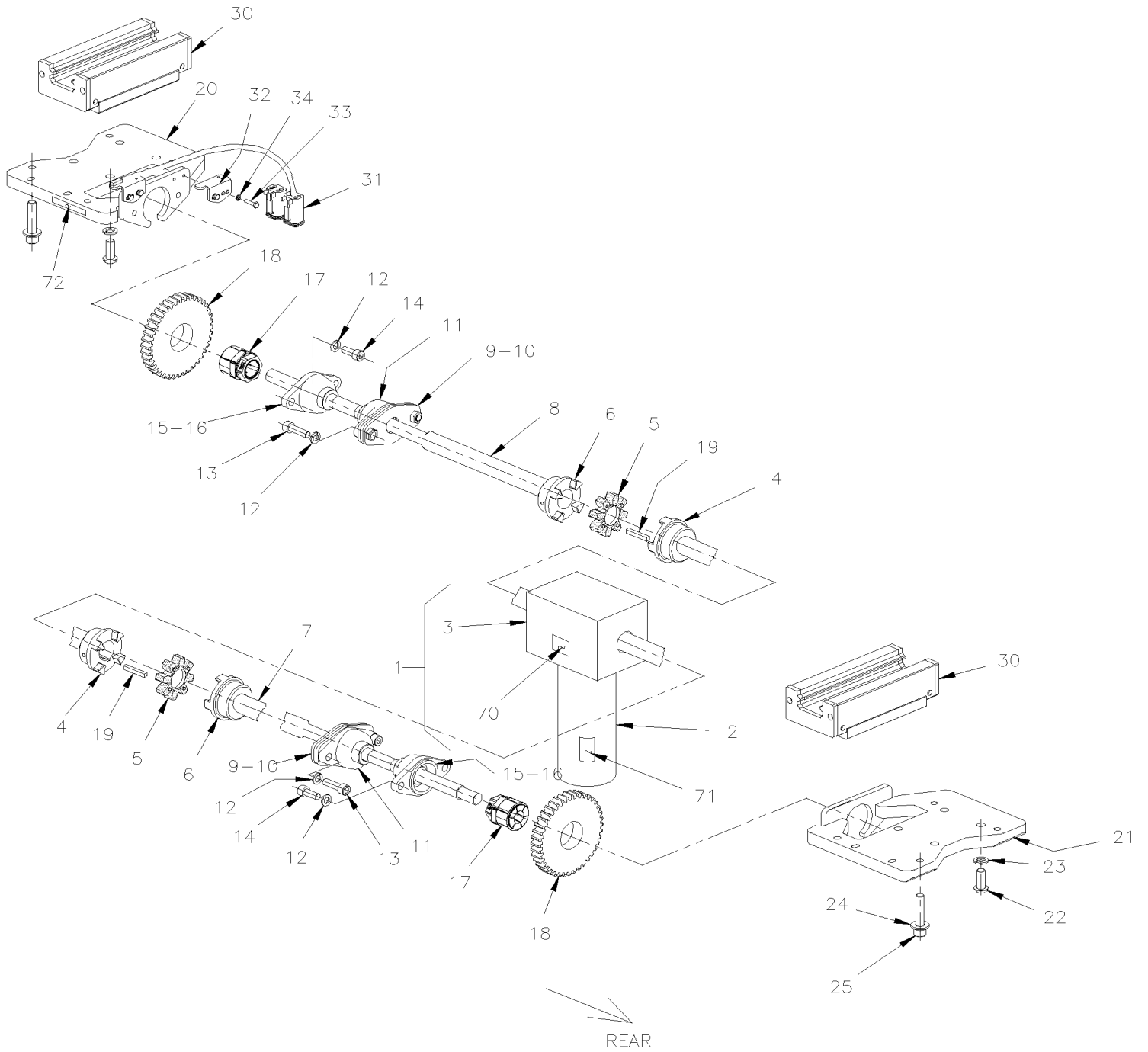
| Item# | Part | Description | X L I I 4 5 | X L I I M T H 4 0 | X L I I M T H 4 5 | X L I I M T H 4 5 E | N O T E S |
|-------|---------|--|----------------------------|---|---|--|-----------------------|
| 44 | 479101 | SLIDING PAD | | | 2 | | |
| 45 | 5001198 | SCREW MA FL PH M6-1.0x16 Z050 | | | 8 | | |
| 46 | 502644 | WASHER FL 10.5x30.0x2.5 Z050 | | | 3 | | |
| 47 | 500441 | WASHER FL .312x.734x.065 Z050 | | | 2 | | |
| 48 | 690076 | GUIDE WHEEL To 4-8251 | | | 1 | | |
| 48 | 479102 | GUIDE WHEEL From 4-8252 | | | 1 | | |
| 49 | 502531 | SCREW CAP HEX M6-1.0x16 G8.8 Z050 | | | 8 | | |
| 50 | 690077 | GEAR To 4-8251 | | | 1 | | |
| 50 | 479105 | GEAR From 4-8252 | | | 1 | | |
| 51 | 502511 | NUT HEX NYRT M6-1.0 Z050 To 5-8384 | | | 2 | | |
| 52 | 690070 | TRANSDUCER LINEAR SUPPORT To 2-7773 | | | 1 | | |
| 52 | 065850 | TRANSDUCER LINEAR SUPPORT From 2-7774 To 5-8384 | | | 1 | | |
| 56 | 690056 | SPACER 0.015" To 4-8251 | | | AR | | |
| 56 | 144636 | SPACER 0.015" From 4-8252 | | | AR | | |
| 56 | 690057 | SPACER 0.031" To 4-8251 | | | AR | | |
| 56 | 144637 | SPACER 0.031" From 4-8252 | | | AR | | |
| 56 | 690058 | SPACER 0.062" To 4-8251 | | | AR | | |
| 56 | 144638 | SPACER 0.062" From 4-8252 | | | AR | | |
| 56 | 690059 | SPACER 0.125" To 4-8251 | | | AR | | |
| 56 | 144639 | SPACER 0.125" From 4-8252 | | | AR | | |
| 56 | 690404 | SPACER 0,187" To 4-8251 | | | AR | | |
| 56 | 144640 | SPACER 0,187" From 4-8252 | | | AR | | |
| 56 | 690403 | SPACER 0,250" To 4-8251 | | | AR | | |
| 56 | 144641 | SPACER 0,250" From 4-8252 | | | AR | | |
| 62 | 690270 | SCREW MA PAN PH M4-0.7x45 ZP To 4-8251 | | | 2 | | |
| 62 | 502921 | SCREW MA PAN PH M4-0.7x45 Z050 From 4-8252 To 5-8384 | | | 2 | | |
| 63 | 500590 | NUT HEX NYRT M4-0.7 Z050 To 5-8384 | | | 2 | | |
| 64 | 690278 | SHIM RND 1/64" To 4-8251 | | | 3 | | |
| 64 | 502923 | SHIM RND 1/64" From 4-8252 To 5-8384 | | | 3 | | |
| 65 | 690279 | IDLER PULLEY To 4-8251 | | | 1 | | |
| 65 | 502924 | IDLER PULLEY From 4-8252 To 5-8384 | | | 1 | | |
| 66 | 500425 | NUT HEX NYRT #4-40 SS To 5-8384 | | | 1 | | |
| 67 | 690345 | RIGHT ANGLE GEARBOX LOWER RATIO 1:1.5 To 4-8251 | | | 1 | | |
| 67 | 970298 | RIGHT ANGLE GEARBOX LOWER RATIO 1:1.5 From 4-8252 | | | 1 | | |
| 68 | 500544 | SCREW CAP HEX M8-1.25x30 G8.8 Z050 | | | 4 | | |
| 69 | 690044 | SUPPORT ASSY | | | 1 | | |
| 70 | 502512 | SCREW CAP HEXS 5/16-18x1 1/2 ZP | | | 4 | | |
| 71 | 500192 | SCREW CAP HEX 3/8-16x1 1/4 G5 Z050 | | | 4 | | |
| 72 | 690314 | REDUCER 140:1 To 4-8251 | | | 1 | | |
| 72 | 970297 | REDUCER 140:1 From 4-8252 | | | 1 | | |
| 73 | 690337 | CONNECTOR STRAIGHT-THRU / HEYCO #3231 / BLK 1/2NPT-M / .170-.450 To 4-8251 | | | 1 | | |
| 73 | 563336 | CONNECTOR STRAIGHT-THRU / HEYCO #3231 / BLK 1/2NPT-M / .170-.450 From 4-8252 | | | 1 | | |

| | | | |
|-----------------------|--|--------------|-----------------|
| From Y-7046 To 6-8805 | | Date:10/2022 | PAGE:Y2-2390-30 |
|-----------------------|--|--------------|-----------------|

"SLIDE-OUT" - REAR MECHANISM INSTALLATION

| Item# | Part | Description | X L I I 4 5 | X L I I M T H 4 0 | X L I I M T H 4 5 | X L I I M T H 4 5 E | N O T E S |
|-------|---------|--|----------------------------|---|---|--|-----------------------|
| 76 | 690259 | NUT INS TYPE "A-L" OE M6-1.0 0.7-4.2 ZP To 4-8251 | | | 5 | | |
| 76 | 502842 | NUT INS TYPE "A-L" OE M6-1.0 0.7-4.2 Z050 From 4-8252 | | | 5 | | |
| 77 | 690236 | DECAL "MANUAL OPERATION" To 4-8251 | | | 2 | | |
| 77 | 476108 | DECAL "MANUAL OPERATION" From 4-8252 | | | 2 | | |
| 78 | 5001282 | SCREW SET HEXS CUP 1/4-20x5/8 | | | 12 | | |
| NS | 680038 | THREAD LOCKER LOCTITE #243 / BLUE / 50ml | | | AR | | |
| NS | N25539 | THREAD LOCKER LOCTITE #262 / RED / 250ml | | | AR | | |
| NS | 682176 | SEALANT SIKA #221 / BLACK / 310ml CARTRIDGE | | | AR | | |
| 83 | 690245 | PLATE To 4-8251 | | | 1 | | |
| 83 | 479129 | PLATE From 4-8252 | | | 1 | | |
| 88 | 690261 | WASHER FL 6.4x12.0x1.6 SS To 4-8251 | | | AR | | |
| 88 | 502573 | WASHER FL 6.4x12.5x1.6 SS From 4-8252 | | | AR | | |
| 89 | 690383 | TAPE RUB ADH1 NEO 3/16" x 1/2" x 40' / BLACK B3C To 4-8251 | | | AR | | |
| 89 | 506002 | TAPE RUB ADH1 CC POL 3/16" x 1/2" x 40' / GREY 2520 From 4-8252 | | | AR | | |
| 90 | 221266 | GUTTER To 4-8160 | | | 2 | | |
| 90 | 221270 | GUTTER / BACKWARD From 4-8165 | | | 1 | | |
| 90 | 221271 | GUTTER / FOWARD From 4-8165 | | | 1 | | |
| 123 | 066080 | SWITCH PROXIMITY ASSY / TEETH READER SLIDE OUT From 5-8385 | | | 1 | | ? |
| NS | 563321 | . SWITCH PROXIMITY / S.P.S.T. / W/2 WIRES / TEETH READER SLIDE OUT From 5-8385 | | | 1 | | |
| NS | 563431 | . RESISTOR / 2.2K OHMS / 2 W From 5-8385 | | | 1 | | |
| NS | 562479 | . CONNECTOR / DT SERIES / PH 4C / GRAY / DEUTSCH DT04-4P-C015 From 5-8385 | | | 1 | | |
| 124 | 066079 | LIMITING REED SWITCH ASSY W/LED S.P.D.T. / W/SLIDE OUT From 5-8385 | | | 1 | | ? |
| NS | 563426 | . HALL EFFECT SENSOR From 5-8385 | | | 1 | | |
| NS | 830122 | . LED GREEN / 24VOLTS / L-41-1302-5100A From 5-8385 | | | 1 | | |
| NS | 562477 | . CONNECTOR / DT SERIES / SH 4C / GRAY / DEUTSCH DT06-4S From 5-8385 | | | 1 | | |
| 125 | 066033 | SENSOR SUPPORT From 5-8385 | | | 1 | | |
| | | | | | | | |
| | | | | | | | |
| | | | | | | | |
| | | | | | | | |
| | | ?) SEE DETAIL SCREEN | | | | | |

| | | |
|---|--------------|-----------------|
| From 6-8806 To 8-9339 | Date:10/2022 | PAGE:Y2-2390-31 |
| "SLIDE-OUT" - REAR MECHANISM INSTALLATION | | |

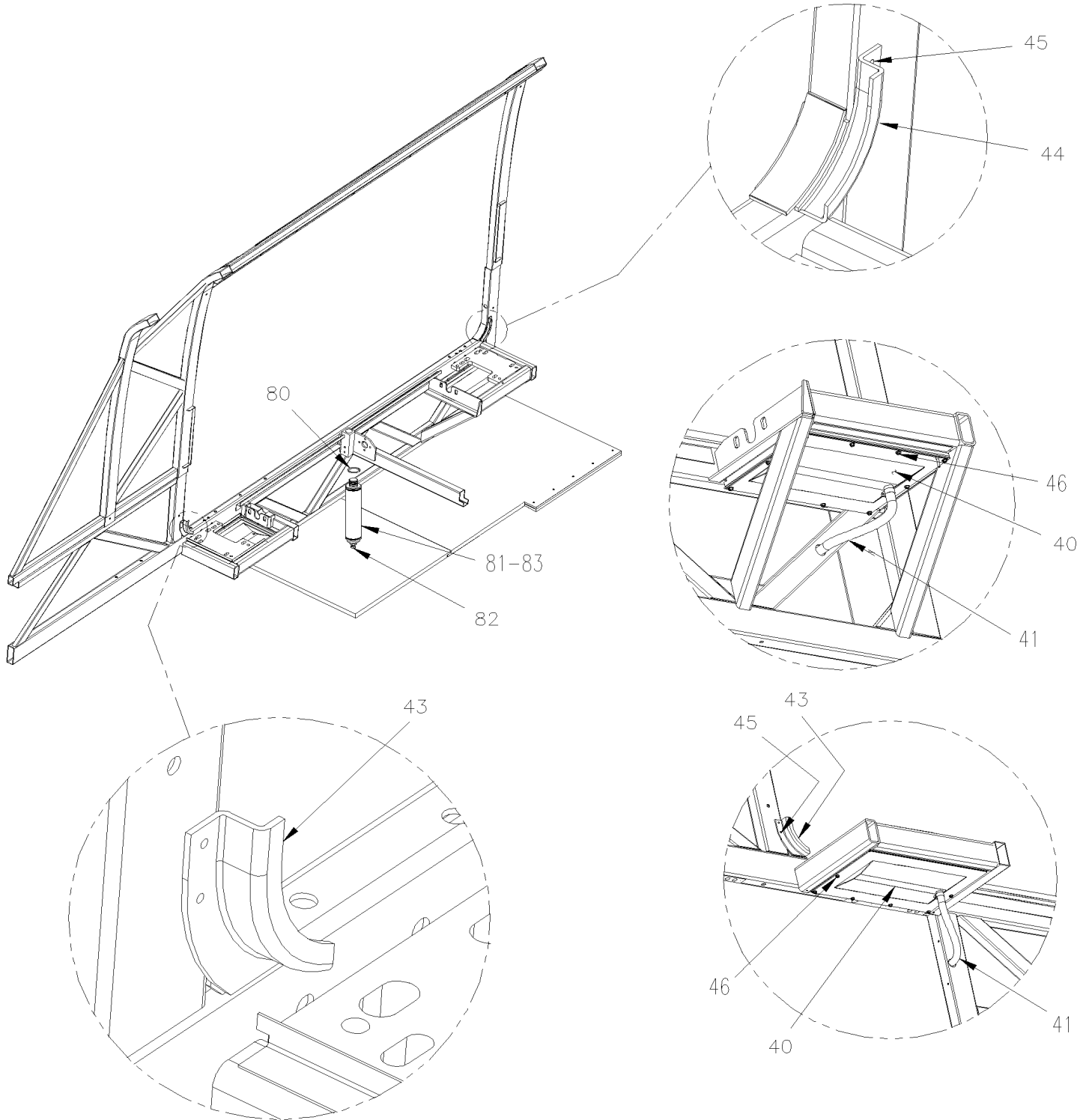


From 6-8806 To 8-9339

Date:10/2022

PAGE:Y2-2390-31

"SLIDE-OUT" - REAR MECHANISM INSTALLATION



| | | |
|-----------------------|--------------|-----------------|
| From 6-8806 To 8-9339 | Date:10/2022 | PAGE:Y2-2390-31 |
|-----------------------|--------------|-----------------|

"SLIDE-OUT" - REAR MECHANISM INSTALLATION

| Item# | Part | Description | X L I I 4 5 | X L I I M T H 4 0 | X L I I M T H 4 5 | X L I I M T H 4 5 E | N O T E S |
|--------|---------|--|----------------------------|---|---|--|-----------------------|
| 1 | 066651 | MOTOR 24V ASSY W/CONNECTOR To 7-9021 | | | 1 | | ? A |
| . NS | 563936 | . MOTOR 24V ASSY W/GEAR-BOX To 7-9021 | | | 1 | | A |
| . . NS | 563937 | . . MOTOR 24V To 7-9021 | | | 1 | | A |
| . . NS | 563938 | . . GEAR BOX RATIO 738/1 To 7-9021 | | | 1 | | A |
| . NS | 561944 | . CONNECTOR / CPC SERIES 3 / PH 3C / AMP 206426-1 To 7-9021 | | | 1 | | A |
| . NS | 561655 | . CABLE CLAMP / CPC / #17 / AMP 206070-8 To 7-9021 | | | 1 | | A |
| . NS | 561698 | . PIN TERMINAL 16-12 / POWER CONTACT / AMP 66261-4 To 7-9021 | | | 2 | | A |
| 1 | 066969 | MOTOR 24V ASSY W/CONNECTOR From 7-9022 | | | 1 | | ? |
| . NS | 564036 | . MOTOR 24V ASSY W/GEAR-BOX From 7-9022 | | | 1 | | |
| . . NS | 563937 | . . MOTOR 24V From 7-9022 | | | 1 | | |
| . . NS | 563938 | . . GEAR BOX RATIO 738/1 From 7-9022 | | | 1 | | |
| . NS | 561944 | . CONNECTOR / CPC SERIES 3 / PH 3C / AMP 206426-1 From 7-9022 | | | 1 | | |
| . NS | 561655 | . CABLE CLAMP / CPC / #17 / AMP 206070-8 From 7-9022 | | | 1 | | |
| . NS | 561698 | . PIN TERMINAL 16-12 / POWER CONTACT / AMP 66261-4 From 7-9022 | | | 2 | | |
| 2 | 563936 | . MOTOR 24V ASSY W/GEAR-BOX To 7-9021 | | | 1 | | |
| . NS | 563937 | . . MOTOR 24V To 7-9021 | | | 1 | | |
| . NS | 563938 | . . GEAR BOX RATIO 738/1 To 7-9021 | | | 1 | | |
| 2 | 564036 | . MOTOR 24V ASSY W/GEAR-BOX From 7-9022 | | | 1 | | |
| . NS | 563937 | . . MOTOR 24V From 7-9022 | | | 1 | | |
| . NS | 563938 | . . GEAR BOX RATIO 738/1 From 7-9022 | | | 1 | | |
| 3 | 563938 | . GEAR BOX RATIO 738/1 | | | 1 | | |
| NS | 505533 | . KEY 6MM x 6MM x 40MM | | | 2 | | |
| NS | 5001450 | SCREW CAP HEX M8-1.25x20 G10.9 DP | | | 4 | | |
| NS | 500035 | WASHER LO SPT .317x.586x.078 SS | | | 4 | | |
| 4 | 505530 | COUPLING SHAFT DRIVE 20MM I.D. / TYPE GS 28 | | | 2 | | |
| 5 | 505529 | SPIDER RUBBER / TYPE GS 28 | | | 2 | | |
| 6 | 505528 | COUPLING SHAFT DRIVE 1 1/8" I.D. / TYPE GS 28 | | | 2 | | |
| 7 | 470144 | SHAFT 859MM / BACKWARD | | | 1 | | |
| 8 | 470141 | SHAFT 776MM / FORWARD | | | 1 | | |
| 9 | 470129 | PLATE TORQUE | | | 2 | | |
| 10 | 470128 | SPACER 3/16" | | | AR | | |
| 11 | 507641 | PILLOW BEARING ASSY | | | 2 | | |
| NS | 501499 | GREASE FITTING 45° / 1/4-28 | | | 2 | | |
| NS | 684754 | GREASE OPTIMOL OLISTA / CARTRIDGE 14Oz | | | AR | | |
| 12 | 5001620 | SCREW CAP HEXS M10-1.5X35 G10.9 G500 | | | 4 | | |
| 13 | 502616 | WASHER LO SPT 10.2x18.1x2.2 SS | | | 4 | | |
| 14 | 5001616 | SCREW CAP HEXS M10-1.5X25 G10.9 DP | | | 4 | | |
| 15 | 470116 | PILLOW BEARING ASSY | | | 2 | | |
| 16 | 501490 | GREASE FITTING / 1/8 NPT | | | 1 | | |
| 17 | 470118 | COUPLING TORQUE | | | 2 | | |
| 18 | 470119 | GEAR 5 1/4" W/40TH | | | 2 | | |
| 19 | 505527 | KEY SQUARE 1/4" x 1/4" x 1 3/4" | | | 2 | | |

| | | |
|-----------------------|--------------|-----------------|
| From 6-8806 To 8-9339 | Date:10/2022 | PAGE:Y2-2390-31 |
|-----------------------|--------------|-----------------|

"SLIDE-OUT" - REAR MECHANISM INSTALLATION

| Item# | Part | Description | X L I I 4 5 | X L I I M T H 4 0 | X L I I M T H 4 5 | X L I I M T H 4 5 E | N O T E S |
|-------|-----------------|--|----------------------------|---|---|--|-----------------------|
| 20 | 477752 | BASE GUIDE ASSY FORWARD | | | 1 | | |
| 21 | 477753 | BASE GUIDE ASSY BACKWARD | | | 1 | | |
| 22 | 5001621 | SCREW CAP HEXS M12-1.75x55 G10.9 DP | | | 1 | | |
| 22 | 5001615 | SCREW CAP BUT HEXS M12-1.75x30 G10.9 G500 | | | 8 | | |
| 23 | 500747 | WASHER LO SPT 12.2x21.1x2.5 N500 | | | 8 | | |
| 24 | 5001622 | SCREW CAP HEXS M12-1.75x40 G10.9 DP | | | 8 | | |
| 25 | 5001623 | NUT HEX JAM M12x1.75 SS | | | 8 | | |
| NS | 684420 | SCREW MARKER LOCK 90ml | | | AR | | |
| 30 | 470107 | GUIDE | | | 2 | | |
| NS | 507642 | DUMMY RAIL GUIDE LINEAR BEARING 254MM / USE WITH 470107 ONLY | | | AR | | W |
| NS | 685232 | RAIL GUIDE EXTENSION TOOL L.H. | | | AR | | T |
| NS | 685233 | RAIL GUIDE EXTENSION TOOL R.H. | | | AR | | T |
| 31 | 066270 | LIMITING REED SWITCH ASSY W/LED S.P.D.T. / W/SLIDE OUT To 6-8935 | | | 2 | | ? |
| . NS | 563426 | . HALL EFFECT SENSOR To 6-8935 | | | 1 | | |
| . NS | 563452 | . LED GREEN / 5VOLTS To 6-8935 | | | 1 | | |
| . NS | 562477 | . CONNECTOR / DT SERIES / SH 4C / GRAY / DEUTSCH DT06-4S To 6-8935 | | | 1 | | |
| 31 | 066852 | LIMITING REED SWITCH ASSY W/LED S.P.D.T. / W/SLIDE OUT From 6-8936 | | | 2 | | ? |
| . NS | 563426 | . HALL EFFECT SENSOR From 6-8936 | | | 1 | | |
| . NS | 563452 | . LED GREEN / 5VOLTS From 6-8936 | | | 1 | | |
| . NS | 562477 | . CONNECTOR / DT SERIES / SH 4C / GRAY / DEUTSCH DT06-4S From 6-8936 | | | 1 | | |
| 32 | 470120 | SUPPORT LIMITING READ SWITCH | | | 2 | | |
| 33 | 5001146 | SCREW CAP HEX M5-0.8x20 SS BK | | | 4 | | |
| 34 | 500804 | WASHER FL .203x.500x.047 N500 | | | 4 | | |
| 40 | Call order desk | ACCESS PANEL ASSY W/DRAIN / FORWARD | | | 1 | | P |
| 40 | Call order desk | ACCESS PANEL ASSY W/DRAIN / BACKWARD | | | 1 | | P |
| 40 | 477888 | . ACCESS PANEL | | | 1 | | |
| 40 | 477892 | . ACCESS PANEL / BACKWARD | | | 1 | | |
| NS | 477889 | . GASKET | | | 2 | | |
| 41 | 503707 | . HOSE / PVC REINFORCED 1/2" I.D. 100' / S.L. | | | AR | | |
| NS | 504230 | . HOSE CLAMP / 3/8"-7/8" SS / HS-6 | | | 2 | | |
| 43 | 477748 | GUTTER MOULDING BACKWARD | | | 1 | | |
| 44 | 477747 | GUTTER MOULDING FORWARD | | | 1 | | |
| 45 | 504379 | RIVET POP DOME OE 3/16x1/4 SS | | | 4 | | |
| NS | 680532 | SEALANT SIKA #221 / GREY / 310ml CARTRIDGE | | | AR | | |
| NS | 684517 | ADHESIVE SIMSON #ISR 70-03 / GREY / 310ml CARTRIDGE | | | AR | | |
| 46 | 500526 | SCREW TP CAP HEXW #12x3/4 N500 | | | 16 | | |
| NS | 5001686 | WASHER FL SEAL .218x.625x20GA SS | | | 16 | | |
| 70 | 477987 | DECAL " ON OVERRIDE MUST BE LOW TORQUE..." | | | 1 | | |
| 71 | 477989 | DECAL "SEAL MUST BE DEFLATED..." To 9-9021 | | | 1 | | |
| 71 | 478251 | DECAL "SEAL MUST BE DEFLATED..." From 9-9022 | | | 1 | | |
| NS | 477988 | DECAL "PAT PENDING" | | | 1 | | |
| 72 | 477990 | DECAL "THIS SLIDE-OUT PLATE IS FACTORY..." | | | 1 | | |

| | | |
|-----------------------|--------------|-----------------|
| From 6-8806 To 8-9339 | Date:10/2022 | PAGE:Y2-2390-31 |
|-----------------------|--------------|-----------------|

"SLIDE-OUT" - REAR MECHANISM INSTALLATION

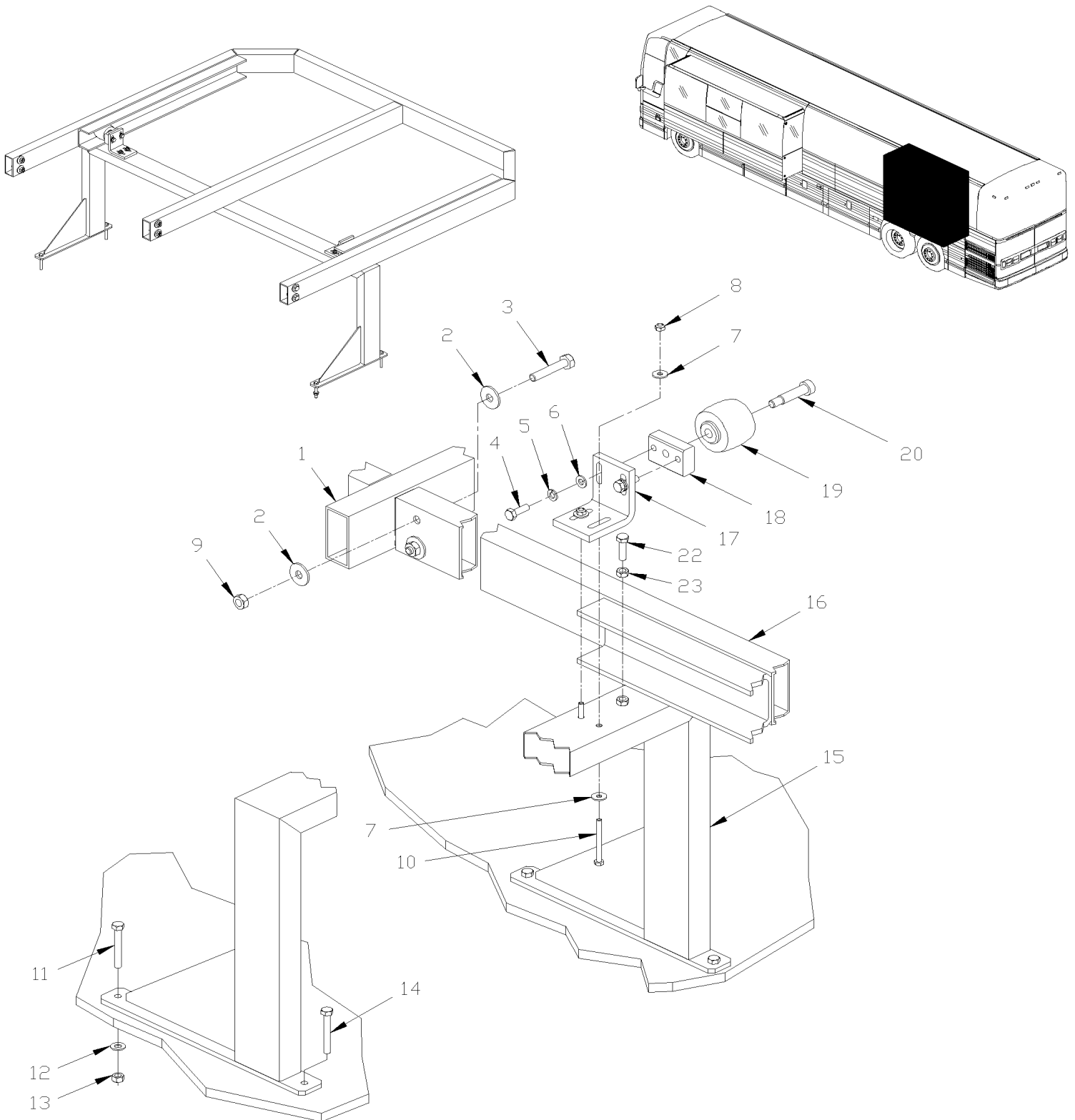
| Item# | Part | Description | X L I I 4 5 | X L I I M T H 4 0 | X L I I M T H 4 5 | X L I I M T H 4 5 E | N O T E S |
|-------|--------|---|----------------------------|---|---|--|-----------------------|
| NS | 477991 | DECAL "CAUTION" DO NOT MAKE ANY MODI.." | | | 1 | | |
| 80 | 507345 | O-RING / ORS FITTING / #16 NEO | | | 1 | | |
| 81 | 642027 | CYLINDER 1 1/16" | | | 1 | | |
| 82 | 641126 | MALE CONNECTOR / PUSH-IN FITTING / #2x1/8NPT-M BR | | | 1 | | |
| 83 | 470133 | SAFETY PIN 1 1/4" O.D. x 120MM To 8-9331 | | | 1 | | |
| 83 | 470182 | SAFETY PIN 1 1/4" O.D. x 116MM From 8-9332 | | | 1 | | |
| | | | | | | | |
| | | | | | | | |
| | | A) THIS MOTOR CHANGE POSITION YOU COULD BE CHANGE POSITION IF YOU REVERSE WIRE CABLE IN CONNECTOR | | | | | |
| | | T) THOSE RAIL EXTENTION TOOLS ARE FOR EASY REMOVED SLIDE-OUT FROM STRUCTURE | | | | | |
| | | W) WARNING YOU REQUIRE THIS DUMMY BEFORE REMOVE SLIDE-OUT FROM STRUCTURE | | | | | |
| | | ?) SEE DETAIL SCREEN | | | | | |
| | | P) CALL ORDER DESK FOR SPECIFIC APPLICATION (V.I.N.) | | | | | |

From Y-7046 To 6-8805

Date:10/2022

PAGE:Y2-2390-40

"SLIDE-OUT" - BED SUPPORT



| | | |
|----------------------------------|--------------|-----------------|
| From Y-7046 To 6-8805 | Date:10/2022 | PAGE:Y2-2390-40 |
| "SLIDE-OUT" - BED SUPPORT | | |

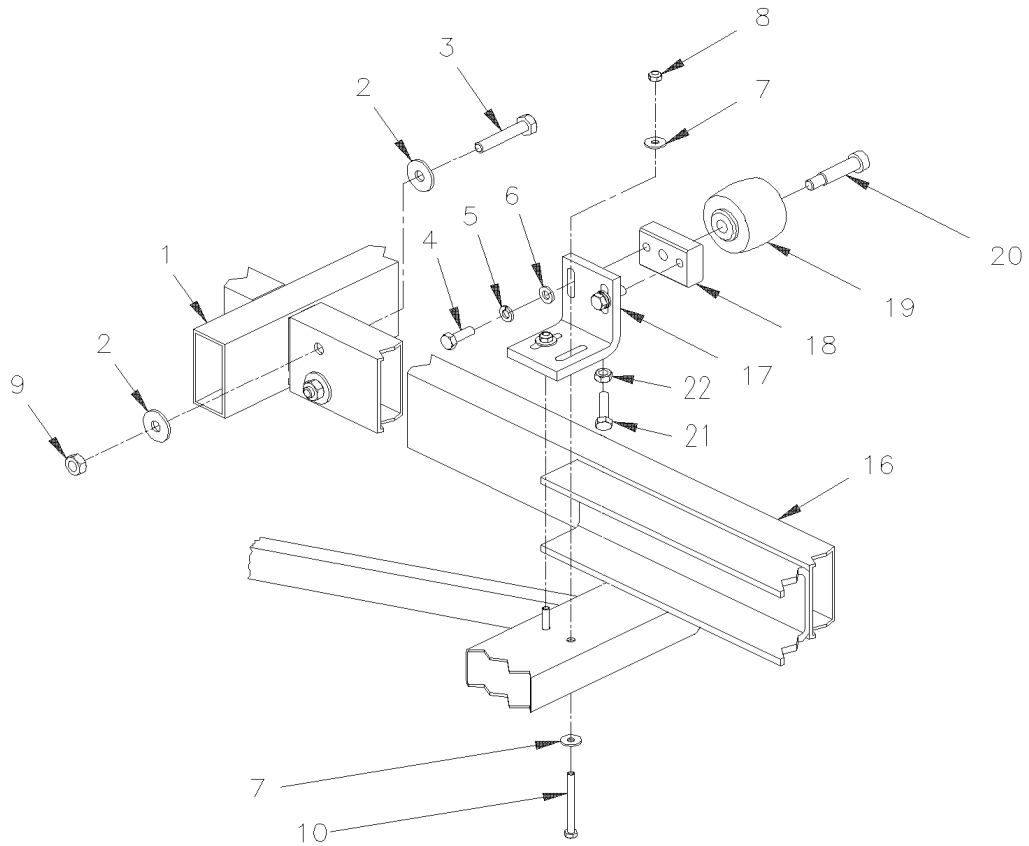
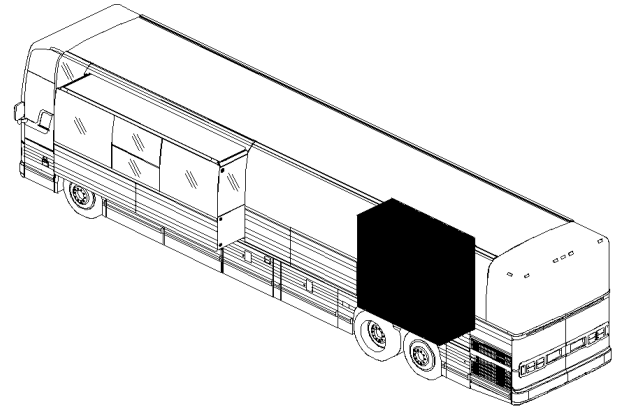
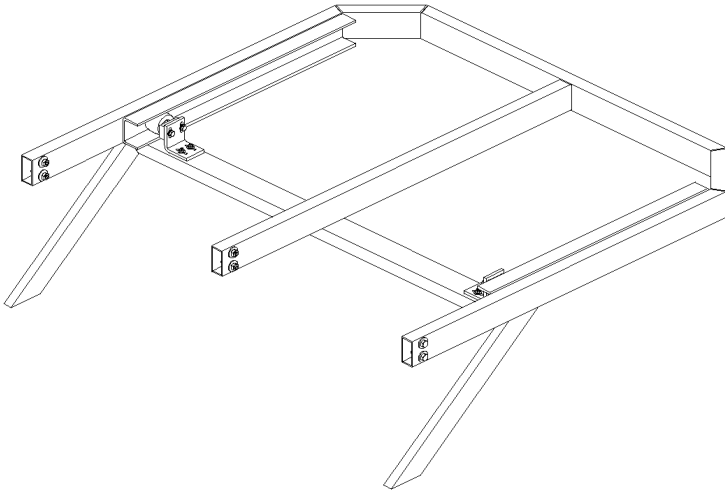
| Item# | Part | Description | X L I I 4 5 | X L I I M T H 4 0 | X L I I M T H 4 5 | X L I I M T H 4 5 E | N O T E S |
|-------|-----------------|--|----------------------------|---|---|--|-----------------------|
| 1 | Call order desk | REAR SLIDE-OUT ASSY To 4-8251 | | | 1 | | P |
| 1 | Call order desk | REAR SLIDE-OUT ASSY From 4-8252 | | | 1 | | P |
| 2 | 502644 | WASHER FL 10.5x30.0x2.5 Z050 | | | 12 | | |
| 3 | 5001485 | SCREW CAP HEX M10-1.5x60 G8.8 Z050 | | | 6 | | |
| 4 | 502589 | SCREW CAP HEX M8-1.25x25 G8.8 Z050 | | | 4 | | |
| 5 | 5001003 | WASHER LO SPT 8.1x12.7x2.0 Z050 | | | 4 | | |
| 6 | 500874 | WASHER FL 8.4x17.0x1.6 Z050 | | | 4 | | |
| 7 | 690261 | WASHER FL 6.4x12.0x1.6 SS | | | 14 | | |
| 7 | 502573 | WASHER FL 6.4x12.5x1.6 SS | | | 14 | | |
| 8 | 502611 | SCREW TP FL PH #6x1/2 Z050 | | | 10 | | |
| 9 | 500256 | NUT HEX M10-1.5 Z050 | | | 6 | | |
| 10 | 509839 | SCREW CAP HEX M6-1.0x60 G8.8 ZP | | | 4 | | |
| 11 | Call order desk | SCREW CAP HEX 5/16-18x2 1/4 SS | | | 2 | | P |
| 12 | 500441 | WASHER FL .312x.734x.065 Z050 | | | 1 | | |
| 13 | 500701 | NUT HEX 5/16-18 ZP | | | 1 | | |
| 14 | Call order desk | SCREW TP HEX CAP 5/16-12x2 1/4 ZP | | | 1 | | P |
| 15 | Call order desk | SUPPORT REAR BED To 4-8251 | | | 1 | | P |
| 15 | 226909P | SUPPORT REAR BED ASSY | | | 1 | | |
| 16 | 690215 | SUPPORT REAR BED To 4-8251 | | | 1 | | |
| 16 | 407525 | SUPPORT REAR BED From 4-8252 | | | 1 | | |
| 17 | 476178 | ANGLE SUPPORT | | | 2 | | |
| 18 | 476177 | PLATE | | | 2 | | |
| 19 | 476181 | WHEEL | | | 2 | | |
| 20 | 5001064 | SCREW SHR HEXS 12x40 (M10-1.5 | | | 2 | | |
| 21 | 680038 | THREAD LOCKER LOCTITE #243 / BLUE / 50ml | | | AR | | |
| 22 | 500544 | SCREW CAP HEX M8-1.25x30 G8.8 Z050 | | | 2 | | |
| 23 | 502543 | NUT HEX M8-1.25 Z050 | | | 2 | | |
| | | | | | | | |
| | | | | | | | |
| | | | | | | | |
| | | P) CALL ORDER DESK FOR SPECIFIC APPLICATION (V.I.N.) | | | | | |

From 6-8806 To 8-9339

Date:10/2022

PAGE:Y2-2390-41

"SLIDE-OUT" - BED SUPPORT



| | | |
|----------------------------------|--------------|-----------------|
| From 6-8806 To 8-9339 | Date:10/2022 | PAGE:Y2-2390-41 |
| "SLIDE-OUT" - BED SUPPORT | | |

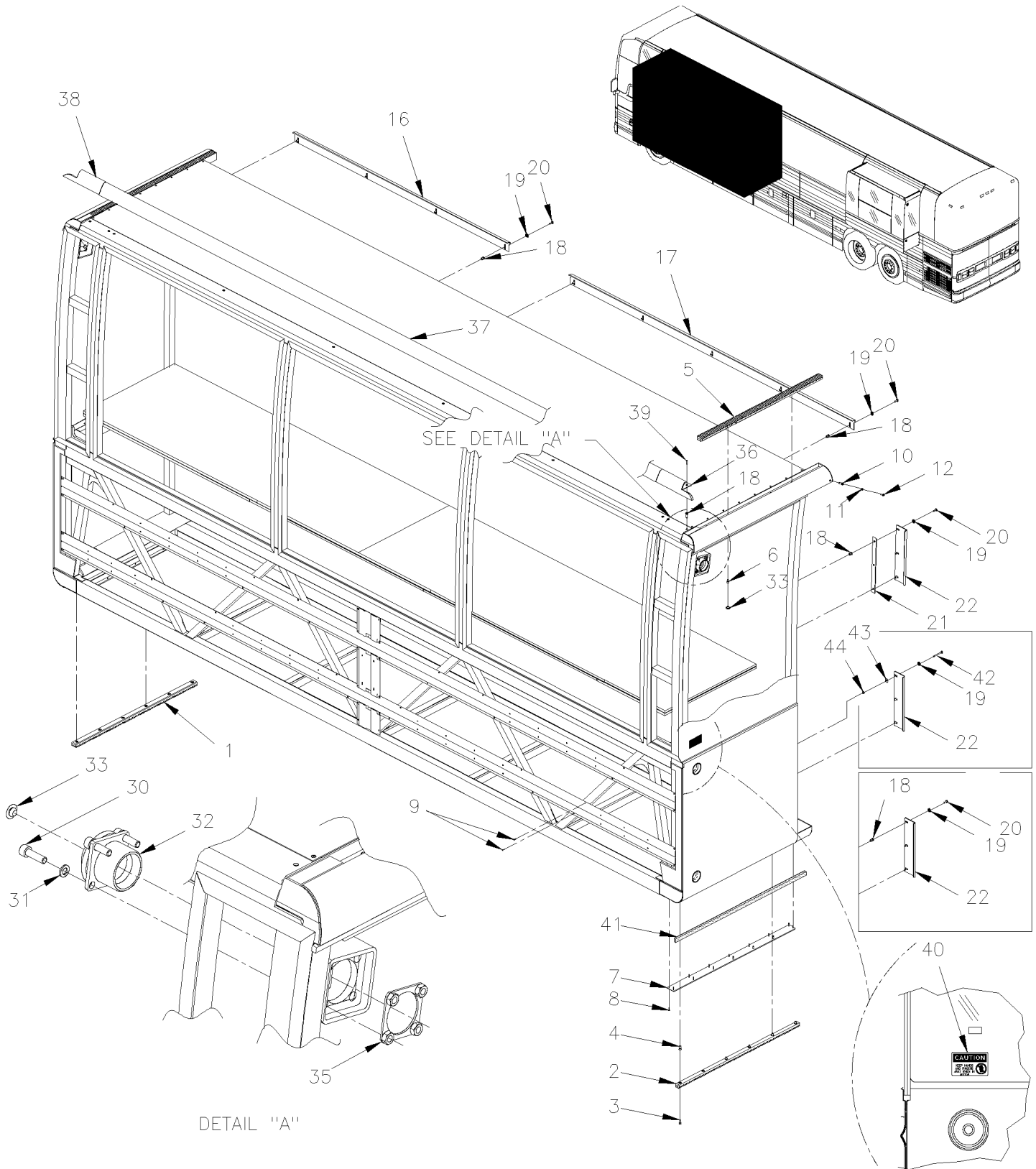
| Item# | Part | Description | X L I I 4 5 | X L I I M T H 4 0 | X L I I M T H 4 5 | X L I I M T H 4 5 E | NOTES |
|-------|-----------------|--|----------------------------|---|---|--|-------|
| 1 | Call order desk | REAR SLIDE-OUT ASSY 7.5' | | | 1 | | P |
| 2 | 502644 | WASHER FL 10.5x30.0x2.5 Z050 | | | 12 | | |
| 3 | 5001485 | SCREW CAP HEX M10-1.5x60 G8.8 Z050 | | | 6 | | |
| 4 | 502589 | SCREW CAP HEX M8-1.25x25 G8.8 Z050 | | | 4 | | |
| 5 | 5001003 | WASHER LO SPT 8.1x12.7x2.0 Z050 | | | 4 | | |
| 6 | 500874 | WASHER FL 8.4x17.0x1.6 Z050 | | | 4 | | |
| 7 | 500440 | WASHER FL .250x.562x.065 Z050 | | | 8 | | |
| 8 | 502511 | NUT HEX NYRT M6-1.0 Z050 | | | 4 | | |
| 9 | 5001570 | NUT HEX NYRT M10-1.5 Z050 | | | 6 | | |
| 10 | 509839 | SCREW CAP HEX M6-1.0x60 G8.8 ZP | | | 4 | | |
| 16 | 407525 | SUPPORT REAR BED | | | 1 | | |
| 17 | 477815 | ANGLE SUPPORT | | | 2 | | |
| 18 | 476177 | PLATE | | | 2 | | |
| 19 | 476181 | WHEEL | | | 2 | | |
| 20 | 5001064 | SCREW SHR HEXS 12x40 (M10-1.5 | | | 2 | | |
| NS | 680038 | THREAD LOCKER LOCTITE #243 / BLUE / 50ml | | | AR | | |
| 21 | 502651 | SCREW CAP HEX M8-1.25x35 G8.8 Z050 | | | 1 | | A |
| 22 | 502543 | NUT HEX M8-1.25 Z050 | | | 1 | | A |
| | | | | | | | |
| | | | | | | | |
| | | A) FIXED TO ANGLE TO ADJUST HEIGHT | | | | | |
| | | P) CALL ORDER DESK FOR SPECIFIC APPLICATION (V.I.N.) | | | | | |

From Y-7046 To 6-8805

Date:10/2022

PAGE:Y2-2390-50

"SLIDE-OUT" - INSTALLATION

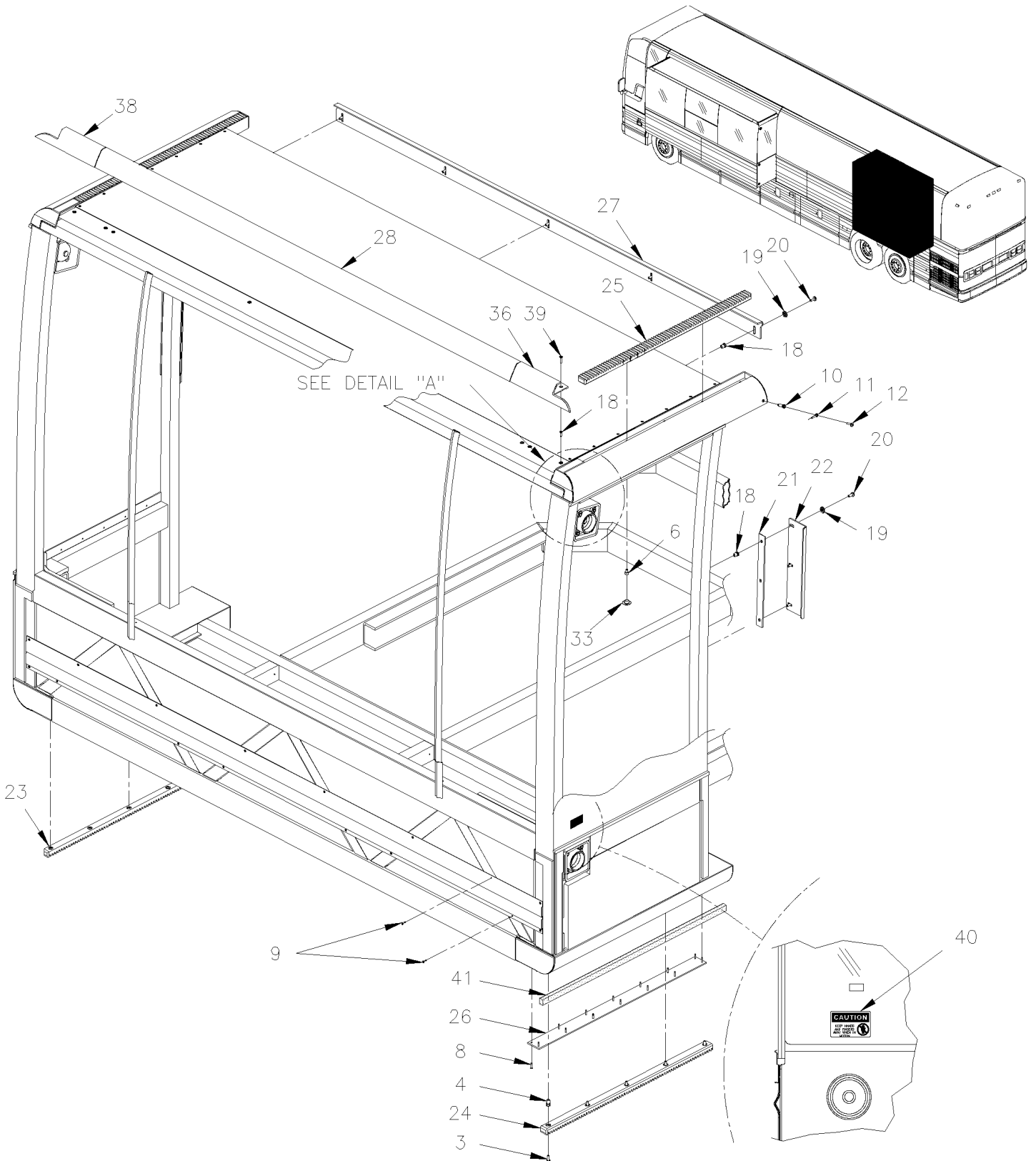


From Y-7046 To 6-8805

Date:10/2022

PAGE:Y2-2390-50

"SLIDE-OUT" - INSTALLATION



| | | |
|-----------------------------------|--------------|-----------------|
| From Y-7046 To 6-8805 | Date:10/2022 | PAGE:Y2-2390-50 |
| "SLIDE-OUT" - INSTALLATION | | |

| Item# | Part | Description | X L I I 4 5 | X L I I M T H 4 0 | X L I I M T H 4 5 | X L I I M T H 4 5 E | N O T E S |
|-------|-------------------|---|----------------------------|---|---|--|-----------------------|
| 1 | 690183 | FRONT BOTTOM RACK To 4-8251 | | | 1 | | |
| 1 | 407517 | FRONT BOTTOM RACK From 4-8252 | | | 1 | | |
| 2 | 690184 | FRONT BOTTOM RACK To 4-8251 | | | 1 | | |
| 2 | 407516 | FRONT BOTTOM RACK From 4-8252 | | | 1 | | |
| 3 | 966802 | SCREW CAP HEXS M6-1.0x16 G8.8 ZP | | | 12 | | |
| 4 | 690280 | NUT INS TYPE "A-L" OE M6-1.0 4.2-6.6 ZP To 4-8251 | | | 12 | | |
| 4 | 502839 | NUT INS TYPE "A-L" OE M6-1.0 4.2-6.6 Z050 From 4-8252 | | | 12 | | |
| 5 | 690196 | TOP RACK | | | 2 | | |
| 6 | 5001025 | SCREW CAP HEXS M6-1.0x12 G8.8 | | | 12 | | |
| 7 | 690138 | SLIDING PLATE / FORWARD / S.B. To 3-8251 | | | 2 | | |
| 7 | 490498 | SLIDING PLATE / FORWARD / S.B. From 3-8252 To 5-8468 | | | 1 | | |
| 7 | 491063 | SLIDING PLATE / FORWARD / S.B. From 5-8469 | | | 1 | | |
| NS | 476352 | SLIDING PLATE / BACKWARD / S.B. From 3-8252 To 5-8468 | | | 1 | | |
| NS | 477585 | SLIDING PLATE / BACKWARD / B.A. From 5-8469 | | | 1 | | |
| 8 | 504107 | RIVET POP DOME OE 1/8x5/16 AL | | | 28 | | |
| 9 | 504339 | RIVET POP DOME OE 1/8x3/8 SS | | | 52 | | |
| 10 | 690260 | NUT INS TYPE "A-L" OE M5-0.8 3.3-5.7 ZP To 4-8251 | | | 11 | | |
| 10 | 502879 | NUT INS TYPE "A-L" OE M5-0.8 3.3-5.7 ZP From 4-8252 | | | 11 | | |
| 11 | Y2-2390-20 | "SLIDE-OUT" - FRONT MECHANISM - INSTALLATION | | | | | |
| 12 | 690258 | SCREW MA PAN PH M5-0.8x16 ZP To 4-8251 | | | 1 | | |
| 12 | 502653 | SCREW MA PAN PH M5-0.8x16 SS From 4-8252 | | | 1 | | |
| 16 | 690200 | ROOF KEY To 1-7664 | | | 1 | | |
| 16 | 476179 | PLATE TOP STOPPER 1790MM From 1-7665 | | | 1 | | |
| 17 | 690140 | ROOF KEY To 1-7664 | | | 1 | | |
| 17 | 476179 | PLATE TOP STOPPER 1790MM From 1-7665 | | | 1 | | |
| 18 | 690259 | NUT INS TYPE "A-L" OE M6-1.0 0.7-4.2 ZP To 4-8251 | | | 21 | | |
| 18 | 502842 | NUT INS TYPE "A-L" OE M6-1.0 0.7-4.2 Z050 From 4-8252 | | | 21 | | |
| 19 | 690267 | WASHER LO SERR 6.1x16.0x0.9 ZP To 4-8251 | | | 32 | | |
| 19 | 500356 | WASHER LO SERR 6.1x16.0x0.9 N500 From 4-8252 | | | 32 | | |
| 20 | 5001209 | SCREW CAP HEX M6-1.0x25 G8.8 Z050 | | | 32 | | |
| 21 | 690214 | SPACER To 4-8251 | | | 2 | | |
| 21 | 476180 | SPACER From 4-8252 | | | 2 | | |
| 22 | 690141 | SIDE KEY To 4-8251 | | | 4 | | |
| 22 | 476176 | SIDE KEY STOPPER 300MM From 4-8252 | | | 4 | | |
| 23 | 690221 | FRONT BOTTOM RACK To 4-8251 | | | 1 | | |
| 23 | 407521 | FRONT BOTTOM RACK From 4-8252 | | | 1 | | |
| 24 | 690220 | FRONT BOTTOM RACK To 4-8251 | | | 1 | | |
| 24 | 407520 | FRONT BOTTOM RACK From 4-8252 | | | 1 | | |
| 25 | 690195 | TOP RACK To 4-8251 | | | 1 | | |
| 25 | 407522 | TOP RACK From 4-8252 | | | 1 | | |
| 26 | 690191 | SLIDING PLATE To 3-8251 | | | 2 | | |
| 26 | 490965 | SLIDING PLATE / FORWARD / S.B. From 3-8252 To 5-8468 | | | 1 | | |

| | | |
|-----------------------|--------------|-----------------|
| From Y-7046 To 6-8805 | Date:10/2022 | PAGE:Y2-2390-50 |
|-----------------------|--------------|-----------------|

"SLIDE-OUT" - INSTALLATION

| Item# | Part | Description | X L I I 4 5 | X L I I M T H 4 0 | X L I I M T H 4 5 | X L I I M T H 4 5 E | N O T E S |
|-------|-----------------|--|----------------------------|---|---|--|-----------------------|
| 26 | 491064 | SLIDING PLATE / FORWARD / S.B. From 5-8469 | | | 1 | | |
| NS | 476353 | SLIDING PLATE / FORWARD / S.B. From 3-8252 To 5-8468 | | | 1 | | |
| NS | 477584 | SLIDING PLATE / FORWARD / B.A. From 5-8469 | | | 1 | | |
| 27 | 690142 | ROOF KEY To 4-8251 | | | 1 | | |
| 27 | 476179 | PLATE TOP STOPPER 1790MM From 4-8252 | | | 1 | | |
| 28 | 690255 | KEY OUTSIDE ROOF ASSY W/RUBBER / CENTRAL REAR To Y-7266 | | | 1 | | |
| 28 | Call order desk | KEY OUTSIDE ROOF ASSY W/RUBBER / CENTRAL REAR From 4-8252 | | | 1 | | P |
| 28 | 476188 | . EXTRUSION / CENTRAL REAR / 1754MM | | | 1 | | |
| 28 | 476190 | . RUBBER EXTRUSION / RAW MATERIAL | | | AR | | |
| 28 | 470095 | . RUBBER EXTRUSION / RAW MATERIAL | | | 1 | | |
| 30 | 690271 | SCREW CAP HEXS M10-1.5x35 G10.9 To 4-8251 | | | 24 | | |
| 30 | 502877 | SCREW CAP HEXS M10-1.5x35 G10.9 From 4-8252 | | | 24 | | |
| 31 | 500257 | WASHER LO SPT 10.2x18.1x2.2 Z050 | | | 24 | | |
| 32 | 690144 | STEEL RECEPTACLE To 4-8251 | | | 6 | | |
| 32 | 407518 | STEEL RECEPTACLE From 4-8252 | | | 6 | | |
| 32 | 690216 | CHROMIUM-PLATED RECEPTACLE | | | 6 | | |
| 33 | 690285 | SNAP-IN PLUG 1/2" To 4-8251 | | | 18 | | |
| 33 | 502840 | SNAP-IN PLUG / .500 O.D. From 4-8252 | | | 18 | | |
| 34 | 690179 | FRONT S/O ASSY | | | 1 | | |
| 35 | 690139 | BOLTING PLATE ASSY To 4-8251 | | | 6 | | |
| 35 | 490964 | BOLTING PLATE ASSY From 4-8252 | | | 6 | | |
| 36 | 690212 | KEY OUTSIDE ROOF ASSY W/RUBBER / BACKWARD To 4-8251 | | | 1 | | |
| 36 | Call order desk | KEY OUTSIDE ROOF ASSY W/RUBBER / BACKWARD From 4-8252 | | | 1 | | P |
| 36 | 476186 | . KEY OUTSIDE ROOF EXTRUSION / BACKWARD | | | 1 | | |
| 36 | 476190 | . RUBBER EXTRUSION / RAW MATERIAL | | | AR | | |
| 36 | 470095 | . RUBBER EXTRUSION / RAW MATERIAL | | | AR | | |
| 37 | 690213 | KEY OUTSIDE ROOF ASSY W/RUBBER / CENTRAL FRONT From Y-7267 To 4-8251 | | | 1 | | |
| 37 | Call order desk | KEY OUTSIDE ROOF ASSY W/RUBBER / CENTRAL FRONT From 4-8252 | | | 1 | | P |
| 37 | 476189 | . EXTRUSION / CENTRAL FRONT / 3886MM | | | 1 | | |
| 37 | 476190 | . RUBBER EXTRUSION / RAW MATERIAL | | | 1 | | |
| 37 | 470095 | . RUBBER EXTRUSION / RAW MATERIAL | | | AR | | |
| 38 | 690211 | KEY OUTSIDE ROOF ASSY W/RUBBER / FORWARD To 4-8251 | | | 1 | | |
| 38 | Call order desk | KEY OUTSIDE ROOF ASSY W/RUBBER / FORWARD From 4-8252 | | | 1 | | P |
| 38 | 476187 | . KEY OUTSIDE ROOF / FORWARD | | | 1 | | |
| 38 | 476190 | . RUBBER EXTRUSION / RAW MATERIAL | | | AR | | |
| 38 | 470095 | . RUBBER EXTRUSION / RAW MATERIAL | | | AR | | |
| 39 | 502639 | SCREW MA FL PH M5-0.8X12 ZP To 1-7664 | | | 18 | | |
| 39 | 5001768 | SCREW MA FL TORX M6-1.0x20 G8.8 Z050 From 1-7665 | | | 18 | | |
| 40 | 690232 | DECAL " KEEP HANDS & FINGERS AWAY.." To 4-8251 | | | 2 | | |
| 40 | 476130 | DECAL " KEEP HANDS & FINGERS AWAY.." From 4-8252 | | | 1 | | |
| 41 | 506277 | TAPE RUB ADH1 CC POL 1/2" x 3/4" x 15' / GREY 2520X | | | AR | | |
| NS | N25539 | THREAD LOCKER LOCTITE #262 / RED / 250ml | | | AR | | |

| | | |
|-----------------------------------|--------------|-----------------|
| From Y-7046 To 6-8805 | Date:10/2022 | PAGE:Y2-2390-50 |
| "SLIDE-OUT" - INSTALLATION | | |

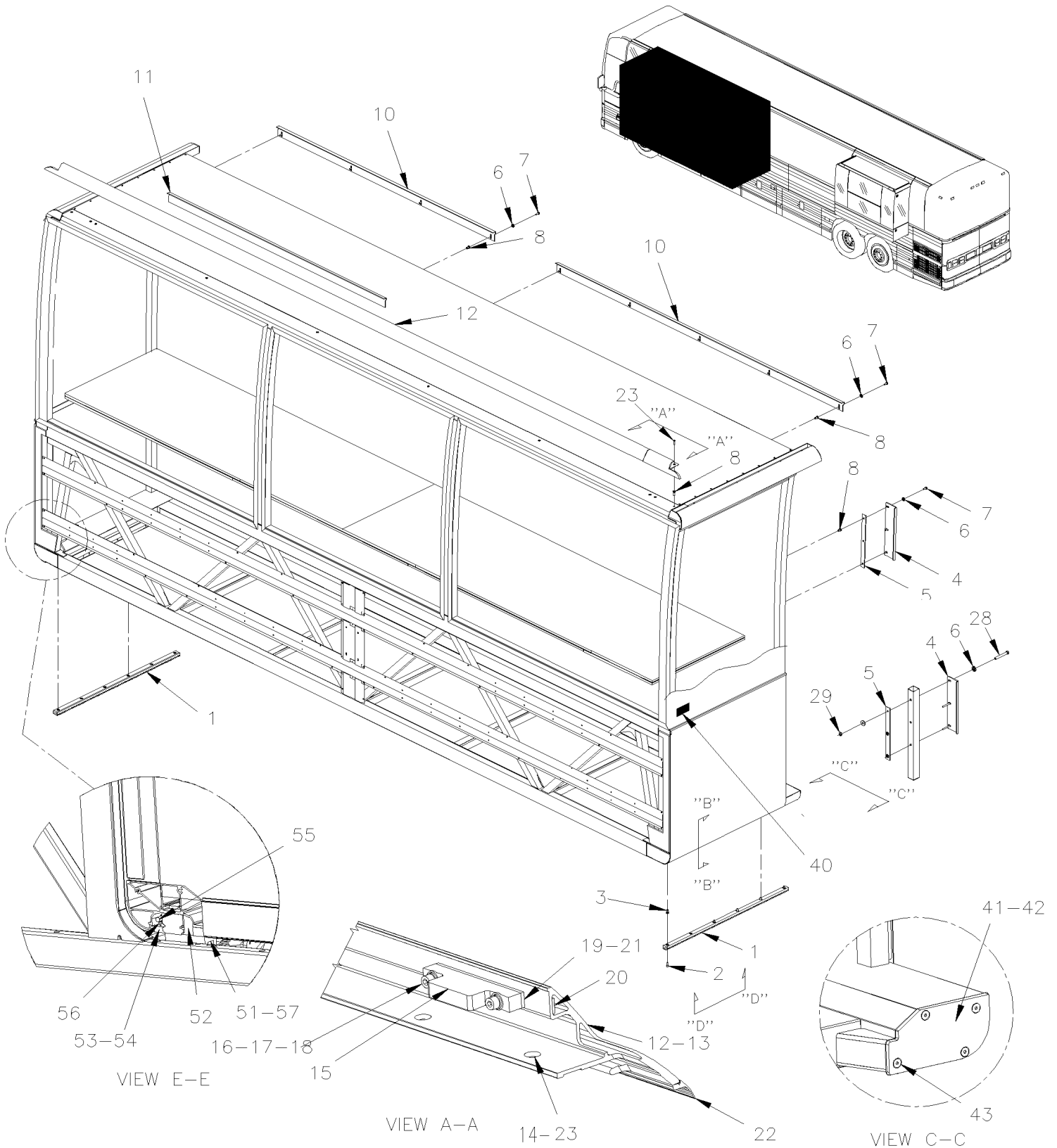
| Item# | Part | Description | X L I I 4 5 | X L I I M T H 4 0 | X L I I M T H 4 5 | X L I I M T H 4 5 E | N O T E S |
|-------|--------|--|----------------------------|---|---|--|-----------------------|
| 42 | N.P.N. | SCREW CAP HEX ZP M6 X 55 From 1-7665 | | | AR | | 4 |
| 43 | 690261 | WASHER FL 6.4x12.0x1.6 SS From 1-7665 To 4-8251 | | | AR | | |
| 43 | 502573 | WASHER FL 6.4x12.5x1.6 SS From 4-8252 | | | AR | | |
| 44 | 502511 | NUT HEX NYRT M6-1.0 Z050 From 1-7665 | | | AR | | |
| | | | | | | | |
| | | | | | | | |
| | | 4) NO PARTS NUMBER | | | | | |
| | | P) CALL ORDER DESK FOR SPECIFIC APPLICATION (V.I.N.) | | | | | |

From 6-8806 To 8-9339

Date:10/2022

PAGE:Y2-2390-51

"SLIDE-OUT" - INSTALLATION

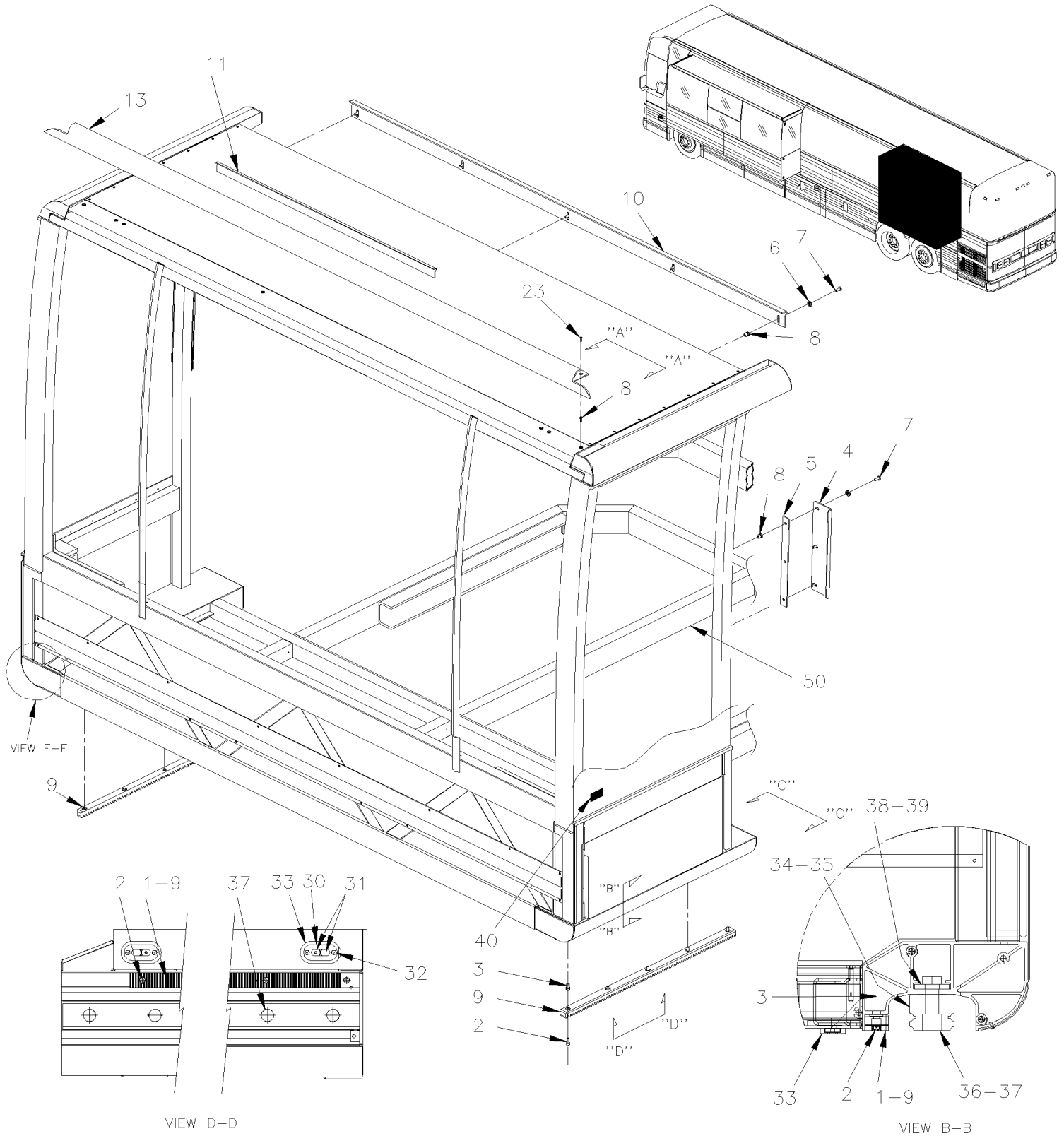


From 6-8806 To 8-9339

Date:10/2022

PAGE:Y2-2390-51

"SLIDE-OUT" - INSTALLATION



| | | |
|-----------------------------------|--------------|-----------------|
| From 6-8806 To 8-9339 | Date:10/2022 | PAGE:Y2-2390-51 |
| "SLIDE-OUT" - INSTALLATION | | |

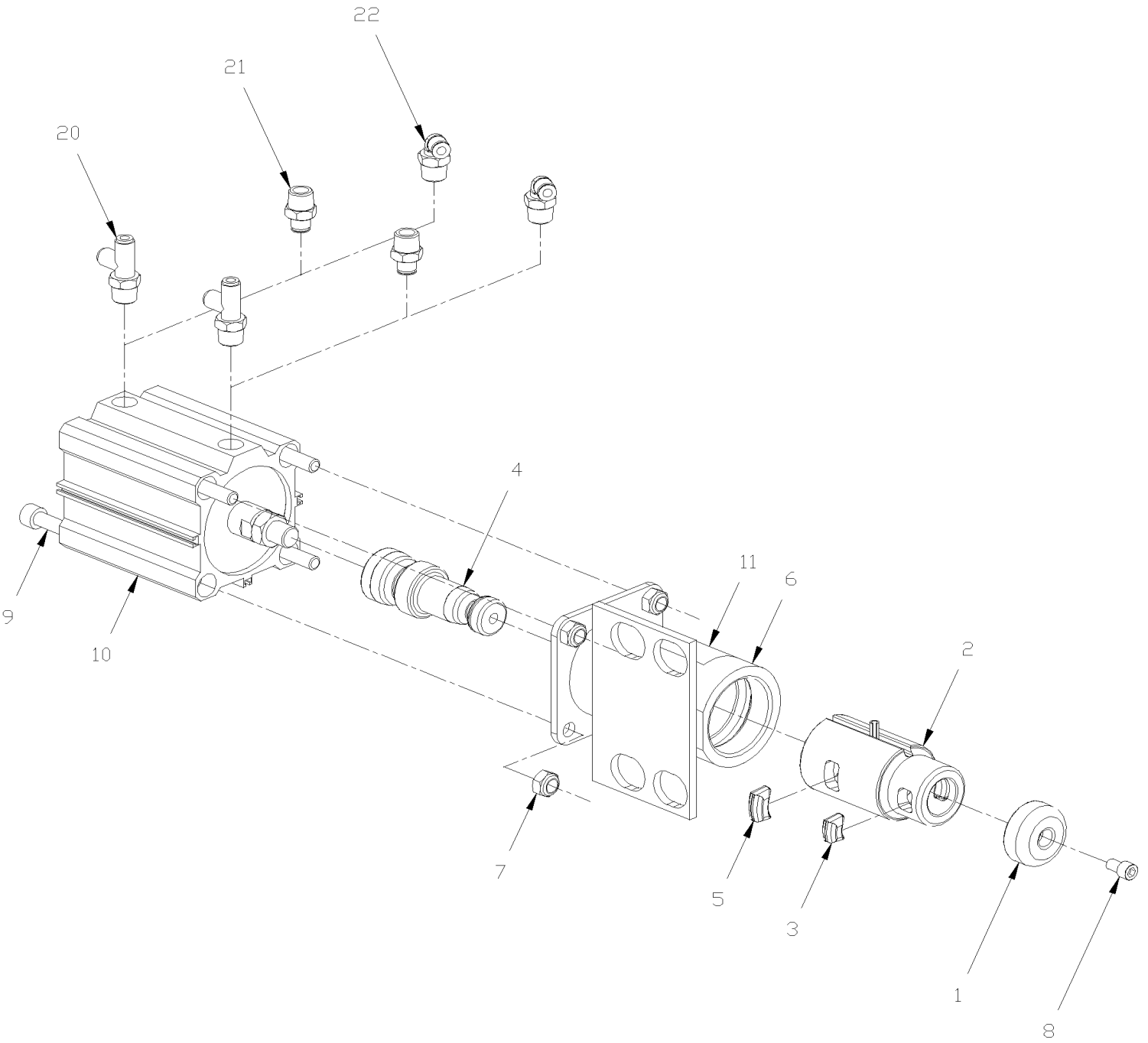
| Item# | Part | Description | X L I I 4 5 | X L I I M T H 4 0 | X L I I M T H 4 5 | X L I I M T H 4 5 E | N O T E S |
|-------|-----------------|--|----------------------------|---|---|--|-----------------------|
| 1 | 470125 | BOTTOM RACK 935MM | | | 2 | | |
| 1 | 470127 | BOTTOM RACK 785MM | | | | 2 | |
| 2 | 5001610 | SCREW CAP HEXS M6-1.0x25 SS EMN | | | AR | AR | |
| 3 | 502839 | NUT INS TYPE "A-L" OE M6-1.0 4.2-6.6 Z050 | | | AR | AR | |
| 4 | 476176 | SIDE KEY STOPPER 300MM | | | 4 | 4 | |
| 5 | 476180 | SPACER | | | AR | AR | |
| 6 | 5001586 | WASHER FL 6.4x17.0x3.0 Z050 | | | AR | AR | |
| 7 | 5001209 | SCREW CAP HEX M6-1.0x25 G8.8 Z050 | | | AR | AR | |
| 8 | 502842 | NUT INS TYPE "A-L" OE M6-1.0 0.7-4.2 Z050 | | | AR | AR | |
| 9 | 470127 | BOTTOM RACK 785MM | | | 2 | | |
| 10 | 477723 | PLATE TOP STOPPER 1354MM | | | 2 | | |
| 10 | 477723 | PLATE TOP STOPPER 1354MM | | | | 1 | |
| 11 | 477915 | INTERIOR KEY | | | 2 | | |
| 11 | 477915 | INTERIOR KEY | | | | 1 | |
| 12 | 47779P | TOP EXTRUSION ASSY FRONT SLIDE-OUT | | | 1 | | |
| 12 | Call order desk | TOP EXTRUSION ASSY FRONT SLIDE-OUT | | | | 1 | P |
| 13 | Call order desk | TOP EXTRUSION ASSY REAR SLIDE-OUT 7.5' | | | 1 | 1 | P |
| 14 | 477726 | . EXTRUSION & STOPPER / FRONT SLIDE-OUT | | | 1 | | |
| 14 | 477913 | . EXTRUSION & STOPPER / FRONT SLIDE-OUT | | | | 1 | |
| 14 | 477810 | . EXTRUSION & STOPPER / REAR SLIDE-OUT 7.5' | | | 1 | | |
| 15 | 477724 | . BUMPER | | | 2 | 2 | |
| 16 | 5001611 | . SCREW CAP HEXS M6-1.0x30 SS BK | | | 4 | 4 | |
| 17 | 502570 | . WASHER LO SPT 6.1x11.8x1.6 SS | | | 4 | 4 | |
| 18 | 502573 | . WASHER FL 6.4x12.5x1.6 SS | | | 4 | 4 | |
| 19 | 477725 | . SHIM 12.7MM x 101MM x 11GA | | | AR | AR | |
| 19 | 477807 | . SHIM 12.7MM x 101MM x 16GA | | | AR | AR | |
| 20 | 477778 | . ANCHOR PLATE W/THREAD | | | 2 | 2 | |
| 21 | 5001612 | . SCREW CAP FL HEXS M4-0.7x8 SS EMN | | | 2 | 2 | |
| 22 | 476190 | . RUBBER EXTRUSION / RAW MATERIAL To 7-9027 | | | AR | AR | |
| 22 | 470095 | . RUBBER EXTRUSION / RAW MATERIAL From 7-9028 | | | AR | AR | |
| 23 | 971850 | SCREW MA FL TORX M6-1.0x20 G8.8 ZP | | | AR | AR | |
| 28 | 509838 | SCREW CAP HEX M6-1.0x55 G8.8 ZP | | | 6 | 6 | |
| 29 | 502511 | NUT HEX NYRT M6-1.0 Z050 | | | 6 | 6 | |
| 30 | 470124 | SUPPORT MAGNET / ALUMINUM | | | 2 | 2 | |
| 31 | 562949 | MAGNET ROUND .200x.700 DIA | | | 4 | 4 | |
| 32 | 5001614 | SCREW CAP FL HEXS M4-0.7x16 SS EMN | | | 4 | 4 | |
| 33 | 476473 | GASKET MAGNET SUPPORT | | | 2 | 2 | |
| NS | 682176 | SEALANT SIKA #221 / BLACK / 310ml CARTRIDGE | | | AR | AR | |
| 34 | 470108 | RAIL GUIDE LINEAR BEARING 1058MM | | | 2 | | |
| 35 | 470126 | RAIL GUIDE LINEAR BEARING 904MM | | | 2 | 2 | |
| NS | 507642 | DUMMY RAIL GUIDE LINEAR BEARING 254MM / USE WITH 470107 ONLY | | | AR | AR | W |
| NS | 685232 | RAIL GUIDE EXTENSION TOOL L.H. | | | AR | AR | T |

| | | |
|-----------------------|--------------|-----------------|
| From 6-8806 To 8-9339 | Date:10/2022 | PAGE:Y2-2390-51 |
|-----------------------|--------------|-----------------|

"SLIDE-OUT" - INSTALLATION

| Item# | Part | Description | X L I I 4 5 | X L I I M T H 4 0 | X L I I M T H 4 5 | X L I I M T H 4 5 E | N O T E S |
|-------|-------------------|--|----------------------------|---|---|--|-----------------------|
| NS | 685233 | RAIL GUIDE EXTENSION TOOL R.H. | | | AR | AR | T |
| 36 | 5001617 | SCREW CAP HEXS M14-2.0x55 G10.9 DP | | | AR | AR | |
| NS | 680038 | THREAD LOCKER LOCTITE #243 / BLUE / 50ml | | | AR | AR | |
| 37 | 504721 | FINISHING PLUG / RAIL GUIDE | | | AR | AR | |
| 38 | 470104 | ATTACHMENT STRIP 1020MM | | | 2 | | |
| 39 | 477901 | ATTACHMENT STRIP 900MM | | | 2 | 2 | |
| 40 | 476130 | DECAL " KEEP HANDS & FINGERS AWAY.." | | | 1 | 1 | |
| 40 | 477989 | DECAL "SEAL MUST BE DEFLATED..." | | | 1 | 1 | |
| 41 | 477879 | CLOSING PLATE / FORWARD | | | 1 | 1 | |
| NS | 477744 | GASKET CLOSING PLATE / FORWARD | | | 1 | 1 | |
| 42 | 477681 | CLOSING PLATE / BACKWARD | | | 1 | 1 | |
| NS | 477790 | GASKET CLOSING PLATE / BACKWARD | | | 1 | 1 | |
| 43 | 5001617 | SCREW CAP HEXS M14-2.0x55 G10.9 DP | | | 8 | 8 | |
| 50 | Y2-2390-41 | "SLIDE-OUT" - BED SUPPORT | | | | | |
| 51 | 470114 | SPACER NYLON 100MM x 41MM x 35MM | | | 2 | 2 | |
| 52 | 476415 | SEALING BLOCK 77MM | | | 2 | 2 | |
| 53 | 476416 | SEALING BLOCK 77MM | | | 1 | 1 | |
| 54 | 476436 | SEALING BLOCK 77MM | | | 1 | 1 | |
| 55 | 5001603 | SCREW CAP HEXS M10-1.5x20 SS EMN | | | 2 | 2 | |
| 56 | 5001602 | SCREW SET HEXS FLAT M6-1.0x6 SS | | | 2 | 2 | |
| 57 | 5001604 | SCREW CAP HEXS M8-1.25x70 G8.8 G500 | | | 4 | 4 | |
| NS | 502889 | WASHER LO SPT 8.1x12.7x2.0 N500 | | | 4 | 4 | |
| | | | | | | | |
| | | | | | | | |
| | | T) THOSE RAIL EXTENTION TOOLS ARE FOR EASY REMOVED SLIDE-OUT FROM STRUCTURE | | | | | |
| | | W) "WARNING" YOU REQUIRE 2 OF THIS DUMMY BEFORE REMOVE THE SLIDE-OUT FROM STRUCTURE"AVERTISSEMENT" | | | | | |
| | | P) CALL ORDER DESK FOR SPECIFIC APPLICATION (V.I.N.) | | | | | |

| | | |
|--------------------------------------|--------------|-----------------|
| From Y-7046 To 6-8805 | Date:10/2022 | PAGE:Y2-2390-70 |
| "SLIDE-OUT" - CYLINDER LOCK PIN ASSY | | |



| | | |
|---|--------------|-----------------|
| From Y-7046 To 6-8805 | Date:10/2022 | PAGE:Y2-2390-70 |
| "SLIDE-OUT" - CYLINDER LOCK PIN ASSY | | |

| Item# | Part | Description | X L I I 4 5 | X L I I M T H 4 0 | X L I I M T H 4 5 | X L I I M T H 4 5 E | N O T E S |
|-------|-----------------|---|----------------------------|---|---|--|-----------------------|
| | N.P.N. | CYLINDER AIR ASSY / W/2 SHOES 5 DEG To 1-7918 | | | AR | | 4 |
| | 641976 | CYLINDER AIR ASSY / W/2 SHOES 7 DEG From 1-7919 | | | AR | | A |
| . NS | 690402 | . SLEEVE & SLIDING PIN ASSY W/SHOES 7 DEG From 1-7919 | | | 1 | | A |
| 1 | 641974 | .. SWIVEL HEAD To 4-8251 | | | 1 | | |
| 1 | 144627 | .. SWIVEL HEAD From 4-8252 | | | 1 | | |
| 2 | 690397 | .. SLEEVE SLIDING / 2 SHOES MODEL From 1-7919 To 4-8251 | | | 1 | | |
| 2 | 144628 | .. SLEEVE SLIDING / 2 SHOES MODEL From 4-8252 | | | 1 | | |
| 3 | 641967 | .. SHOE PIN SMALL 7 DEG From 1-7919 To 4-8251 | | | 2 | | |
| 3 | 144631 | .. SHOE PIN SMALL 7 DEG From 4-8252 | | | 1 | | |
| 4 | 641959 | .. SHAFT PIN 7 DEG From 1-7919 To 4-8251 | | | 1 | | |
| 4 | 144630 | .. SHAFT PIN 7 DEG From 4-8252 | | | 1 | | |
| 5 | 641968 | .. SHOE PIN LARGE 7 DEG From 1-7919 To 4-8251 | | | 2 | | |
| 5 | 144629 | .. SHOE PIN LARGE 7 DEG From 4-8252 | | | 1 | | |
| 6 | 641975 | . RECEPTACLE ASSY From 1-7919 To 4-8251 | | | 1 | | |
| 6 | 144624 | . RECEPTACLE ASSY From 4-8252 | | | 1 | | |
| 7 | 502859 | . NUT HEX NYRT M10-1.5 N500 To 4-8251 | | | 4 | | |
| 7 | 5001570 | . NUT HEX NYRT M10-1.5 Z050 From 4-8252 | | | 4 | | |
| 8 | 690393 | . SCREW CAP HEXS 5/16-18x1/2 ZP | | | 1 | | |
| 9 | 690417 | . SCREW CAP HEXS M10-1.5x140 | | | 4 | | |
| 10 | 690412 | . CYLINDER AIR | | | 1 | | |
| 11 | 144622 | DECAL / "DO NOT READJUST..." | | | 1 | | |
| 20 | 690329 | MALE RUN TEE SWIVEL / PUSH-IN FITTING / #4x#4x1/8NPT-M BR To 1-7499 | | | 1 | | |
| 20 | Call order desk | BUSHING REDUCER 3/8 NPT X 1/8 NPT To 1-7499 | | | 1 | | P |
| 20 | 641960 | MALE RUN TEE / PUSH-IN FITTING / #4x#4x3/8NPT-M PLAS From 1-7500 | | | 1 | | |
| 20 | 641961 | MALE RUN TEE / PUSH-IN / W/RESTRICTION #4x#4x 3/8NPT-M x .71ID PLAS From 1-7500 | | | 1 | | |
| 21 | 641242 | MALE CONNECTOR / PUSH-IN FITTING / #4x1/8NPT-M BR To 1-7499 | | | 1 | | |
| 21 | Call order desk | BUSHING REDUCER 3/8 NPT X 1/8 NPT To 1-7499 | | | 1 | | P |
| 21 | 641964 | MALE CONNECTOR / PUSH-IN FITTING / #4x3/8NPT-M PLAS From 1-7500 | | | 1 | | |
| 21 | 641965 | MALE CONNECTOR / PUSH-IN / W/RESTRICTION #4x 3/8NPT-M x .71ID PLAS From 1-7500 | | | 1 | | |
| 22 | 690328 | MALE ELBOW 90° SWIVEL / PUSH-IN FITTING / #4x1/8NPT-M BR To 1-7499 | | | 1 | | |
| 22 | Call order desk | BUSHING REDUCER 3/8 NPT X 1/8 NPT To 1-7499 | | | 1 | | P |
| 22 | 641962 | MALE ELBOW 90° / PUSH-IN FITTING / #4x3/8NPT-M PLAS From 1-7500 | | | 1 | | |
| 22 | 641963 | MALE ELBOW 90° / PUSH-IN / W/RESTRICTION #4x3/8NPT-M x .71ID PLAS From 1-7500 | | | 1 | | |
| | | | | | | | |
| | | | | | | | |
| | | A) THIS CYLINDER ARE SUPPERSEDED BY # 641976 | | | | | |
| | | 4) NO PARTS NUMBER | | | | | |
| | | P) CALL ORDER DESK FOR SPECIFIC APPLICATION (V.I.N.) | | | | | |

Date:10/2022

PAGE:ABBREVIATIONS

ABBREVIATIONS

| Item# | Part | Description | QTY | Notes |
|-------|----------|--------------------------|-----|-------|
| A | ABS | ANTILOCK BRAKING SYSTEM | | |
| A | ADH1 | ONE SIDE ADHESIVE | | |
| A | ADH2 | TWO SIDE ADHESIVE | | |
| A | AR | AS REQUIRED | | |
| A | ASSY | ASSEMBLY | | |
| B | BDG | BINDING | | |
| B | BEL | BELLEVILLE | | |
| B | BOW | BOWED | | |
| B | BR | BRASS | | |
| B | BRAZ | BRAZIER | | |
| B | BRZ | BRONZE | | |
| B | BUT | BUTTON | | |
| B | BZC | BRIGHT ZINC CHROMATE | | |
| C | C.E. | COMMUTATOR END | | |
| C | C.T. | CONSTANT TORQUE | | |
| C | C/C | CENTER/CENTER | | |
| C | CC | CLOSED CELL | | |
| C | CCW | COUNTERCLOCKWISE | | |
| C | CEB | CUFF END BELLOW | | |
| C | CHE | CHEESE | | |
| C | CHR | CHROME | | |
| C | CHY | CHERRY | | |
| C | CK | COUNTERSUNK | | |
| C | CKD | CLOSED KEYED | | |
| C | CKF | COUNTERSUNK FLUSH | | |
| C | CKS | CLOSED KEYLESS | | |
| C | CLE | CLOSE END | | |
| C | CON | CONCAVE | | |
| C | CONV | CONVOLUTED TUBING | | |
| C | COP | COPPER | | |
| C | CP | CADMIUM PLATED | | |
| C | CPG | COUPLING | | |
| C | CPV | CAPTIVE | | |
| C | CRG | CARRIAGE | | |
| C | CRS | COLD ROLLED STEEL | | |
| C | CSL | CASTLE | | |
| C | CT | CONSTANT TORQUE | | |
| C | CW | CLOCKWISE | | |
| C | CYL. | CYLINDER | | |
| D | D.E. | DRIVE END | | |
| D | D.P.D.T. | DOUBLE POLE DOUBLE THROW | | |
| D | DIA. | DIAMETER | | |
| D | DIFF | DIFFERENTIAL | | |
| D | DOB | DIAMETER OVER BALLS | | |
| D | DR | DRILL | | |
| D | DRV | DRIVE | | |
| D | DW | DOUBLE WAVE | | |
| E | ECU | ELECTRONIC CONTROL UNIT | | |
| E | EFF | EFFECTIVE | | |
| E | EMN | EMRALON | | |

Date:10/2022

PAGE:ABBREVIATIONS

ABBREVIATIONS

| Item# | Part | Description | QTY | Notes |
|-------|--------|---|-----|-------|
| E | ENG. | ENGINE | | |
| E | EXT | EXTERNAL | | |
| F | F | FEMALE | | |
| F | FER | FERRULE | | |
| F | FFB | FLAT FACE BOWED | | |
| F | FH | FITTING HOSE | | |
| F | FIB | FIBER | | |
| F | FIL | FILLISTER | | |
| F | FL | FLAT | | |
| F | FLRET | FLOATING RETAINER | | |
| F | FN | FINISHING | | |
| F | FORM | FORMICA | | |
| F | FRT | FRONT | | |
| F | FT | FULLY THREADED | | |
| G | G500 | MAGNI 565 GRAY / 500 HOURS SALT SPRAY | | |
| G | GAL | GALVANISED | | |
| G | GND | GROUND | | |
| H | H.P. | HIGH PRESSURE | | |
| H | HD | HEAVY DUTY | | |
| H | HEX | HEXAGONAL | | |
| H | HEXF | HEXAGONAL FLANGE | | |
| H | HEXH | HEXAGONAL HEAVY | | |
| H | HEXS | HEXAGONAL SOCKET | | |
| H | HEXW | HEXAGONAL WASHER | | |
| H | HI | HIGH | | |
| H | HK | HOOK | | |
| H | HRS | HOT ROLLED STEEL | | |
| H | HVAC | HEATING, VENTILATION & AIR CONDITIONING | | |
| H | HYD | HYDRAULIC | | |
| I | I.D. | INSIDE DIAMETER | | |
| I | INS | INSERT | | |
| I | INT | INTERNAL | | |
| J | JCT | JUNCTION | | |
| L | L.P. | LOW PRESSURE | | |
| L | LED | LIGHT-EMITTING DIODE | | |
| L | LGE | LARGE | | |
| L | LH | LEFT HAND | | |
| L | LO | LOCK | | |
| L | LUGG. | LUGGAGE | | |
| M | M | MALE | | |
| M | M & F | MALE & FEMALE | | |
| M | MA | MACHINE | | |
| M | MAX | MAXIMUM | | |
| M | MGLP | MAGNA-LOK | | |
| M | MIN | MINIMUM | | |
| M | MNB | MONOBOLT | | |
| M | MNL | MONEL | | |
| N | N.C. | NORMALY CLOSE | | |
| N | N.O. | NORMALY OPEN | | |
| N | N.P.N. | NO PARTS NUMBER | | |

Date:10/2022

PAGE:ABBREVIATIONS

ABBREVIATIONS

| Item# | Part | Description | QTY | Notes |
|-------|---------|--|-----|-------|
| N | N.S.P. | NOT SOLD AT PREVOST | | |
| N | N.S.S. | NOT SOLD SEPARATELY | | |
| N | N/A | NOT AVAILABLE | | |
| N | N500 | MAGNI 565 BLACK / 500 HOURS SALT SPRAY | | |
| N | NEG. | NEGATIVE | | |
| N | NEO | NEOPRENE | | |
| N | NERB | NEOPRENE & BRASS | | |
| N | NIT | NITRILE | | |
| N | NP | NICKEL PLATED | | |
| N | NPT | NATIONAL PIPE THREAD | | |
| N | NS | NOT SHOWN | | |
| N | NYAL | NYLON & ALUMINIUM | | |
| N | NYL | NYLON | | |
| N | NYRT | NYLON INSERT | | |
| O | O.D. | OUTSIDE DIAMETER | | |
| O | O.S. | OVERSIZE | | |
| O | OE | OPEN END | | |
| O | OKD | OPEN KEYED | | |
| O | OKS | OPEN KEYLESS | | |
| O | OPT. | OPTION | | |
| O | OV | OVAL | | |
| P | PH | PHILIPS | | |
| P | PHB | PHOSPHOR BRONZE | | |
| P | PHC | PHOSPHATE COATING | | |
| P | PLAS | PLASTIC | | |
| P | PLEX | PLEXIGLASS | | |
| P | PO | PUSH-ON | | |
| P | POL | POLYETHYLENE | | |
| P | POLCAR | POLYCARBONATE | | |
| P | POLY | POLYPROPYLENE | | |
| P | POLYA | POLYAMIDE | | |
| P | POLYP | POLYPROPYLENE | | |
| P | POS. | POSITIVE | | |
| P | PRDG | PROTRUDING | | |
| P | PROT | PROTECTIVE | | |
| P | PT | PARTIALLY THREADED | | |
| R | RBP | RUBBER BUMPER | | |
| R | RCT | RECEPTACLE | | |
| R | REC | RECTANGULAR | | |
| R | RES | RECESS | | |
| R | RET | RETANING / RETAINER | | |
| R | RH | RIGHT HAND | | |
| R | RND | ROUND | | |
| R | RR | REAR | | |
| R | RUB | RUBBER | | |
| R | RVT | RIVET | | |
| S | S.C.C. | SPECIFY COLOR CODE | | |
| S | S.D. | SPECIFY DIMENSION | | |
| S | S.L. | SPECIFY LENGHT | | |
| S | S.P.D.T | SINGLE POLE DOUBLE THROW | | |

Date:10/2022

PAGE:ABBREVIATIONS

ABBREVIATIONS

| Item# | Part | Description | QTY | Notes |
|-------|-------------|------------------------------|-----|-------|
| S | S.P.S.T | SINGLE POLE SINGLE THROW | | |
| S | SB | SATIN BLEND | | |
| S | SCT | SECTION | | |
| S | SERR | SERRATED | | |
| S | SG | SPRING GUARD | | |
| S | SHR | SHOULDER | | |
| S | SLE | SLEEVE | | |
| S | SLO | SELF LOCKING | | |
| S | SLT | SLOTTED | | |
| S | SM | SMALL | | |
| S | SOL | SOLID | | |
| S | SPE | SPECIAL | | |
| S | SPR | SPRING | | |
| S | SPT | SPLIT | | |
| S | SQ | SQUARE | | |
| S | SQS | SQUARE SOCKET | | |
| S | SS | STAINLESS STEEL | | |
| S | STD | STANDARD | | |
| S | STL | STEEL | | |
| S | STO | STOVER | | |
| S | SW | SWIVEL | | |
| S | SWL FITT. | SWIVEL FITT | | |
| T | TC | THREAD CUTTING | | |
| T | TH | THICKNESS | | |
| T | TP | TAPPING | | |
| T | TPG | TAPPING | | |
| T | TR | TRUSS | | |
| T | TRANS. | TRANSMISSION | | |
| T | TWAY | TWO WAY LOCK | | |
| T | TXV | THERMAL EXPANSION VALVE | | |
| U | U.S. | UNDERSIZE | | |
| V | VAC | VEHICLE ACCELERATION CONTROL | | |
| W | W | WITH | | |
| W | W.S. | WAVE SEAL | | |
| W | W/O | WITHOUT | | |
| W | WD | WELDED | | |
| W | WIND. | WINDOW | | |
| W | WO | WOOD | | |
| W | WOC | WITHOUT CERAMIC | | |
| X | XX-XXXX-XX | SEE PAGE | | |
| Y | YZP | YELLOW ZINC PLATED | | |
| Z | Z050 | ZINC PLATED | | |
| Z | ZG603 | ZINC IRON BLACK | | |
| Z | ZP | ZINC PLATED | | |
| N | N_A | NOT AVAILABLE | | |
| W | W_O | WITHOUT | | |
| C | C_C | CENTER/CENTER | | |
| A | ABBREVIATIC | ABBREVIATIONS | | |