

SECTION 2 COACH EXTERIOR

EXTERIOR VIEW..... 2

EXTERIOR LIGHTING..... 3

ENGINE COMPARTMENT CURBSIDE DOOR..... 4

ENGINE COMPARTMENT DOOR..... 4

DIESEL PARTICULATE FILTER ACCESS DOOR..... 5

MAIN POWER COMPARTMENT (BATTERY)..... 5

RADIATOR DOOR..... 6

SCR CATALYTIC CONVERTER ACCESS HATCH..... 6

A/C CONDENSER COMPARTMENT..... 6

EVAPORATOR COMPARTMENT..... 7

FRONT ELECTRICAL AND SERVICE COMPARTMENT..... 7

BAGGAGE COMPARTMENTS..... 8

FUEL AND DIESEL EXHAUST FLUID (DEF) FILLER NECK ACCESS..... 8

SPARE WHEEL COMPARTMENT..... 9

ENTRANCE DOOR..... 9

 ENTRANCE DOOR OPENING INTERIOR OPERATING SWITCHES..... 10

 ENTRANCE DOOR OPENING EXTERIOR OPERATING SWITCH..... 10

 DOOR OPERATION LOGIC..... 10

 EMERGENCY DOOR OPENING..... 10

WHEELCHAIR LIFT DOOR..... 10

REAR VIEW MIRRORS..... 11

 ELECTRICALLY ADJUSTED REAR VIEW MIRRORS (RAMCO)..... 11

BACK UP CAMERA..... 11

120 VOLTS CONNECTORS..... 11

 ENGINE BLOCK HEATER..... 11

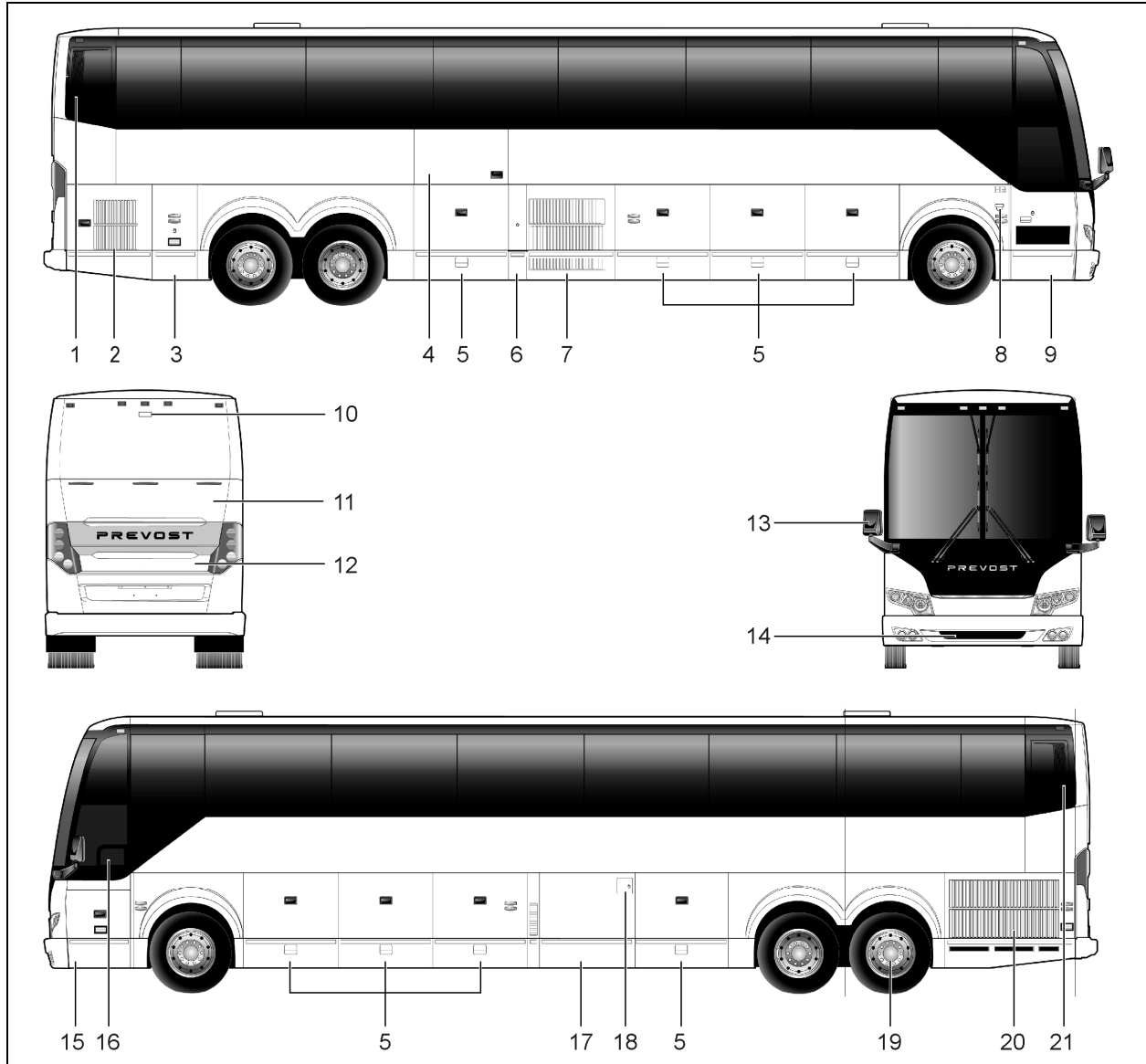
 BATTERY CHARGER..... 11

HUBODOMETER..... 11

TRAILER HITCH..... 12

2-2 COACH EXTERIOR

EXTERIOR VIEW

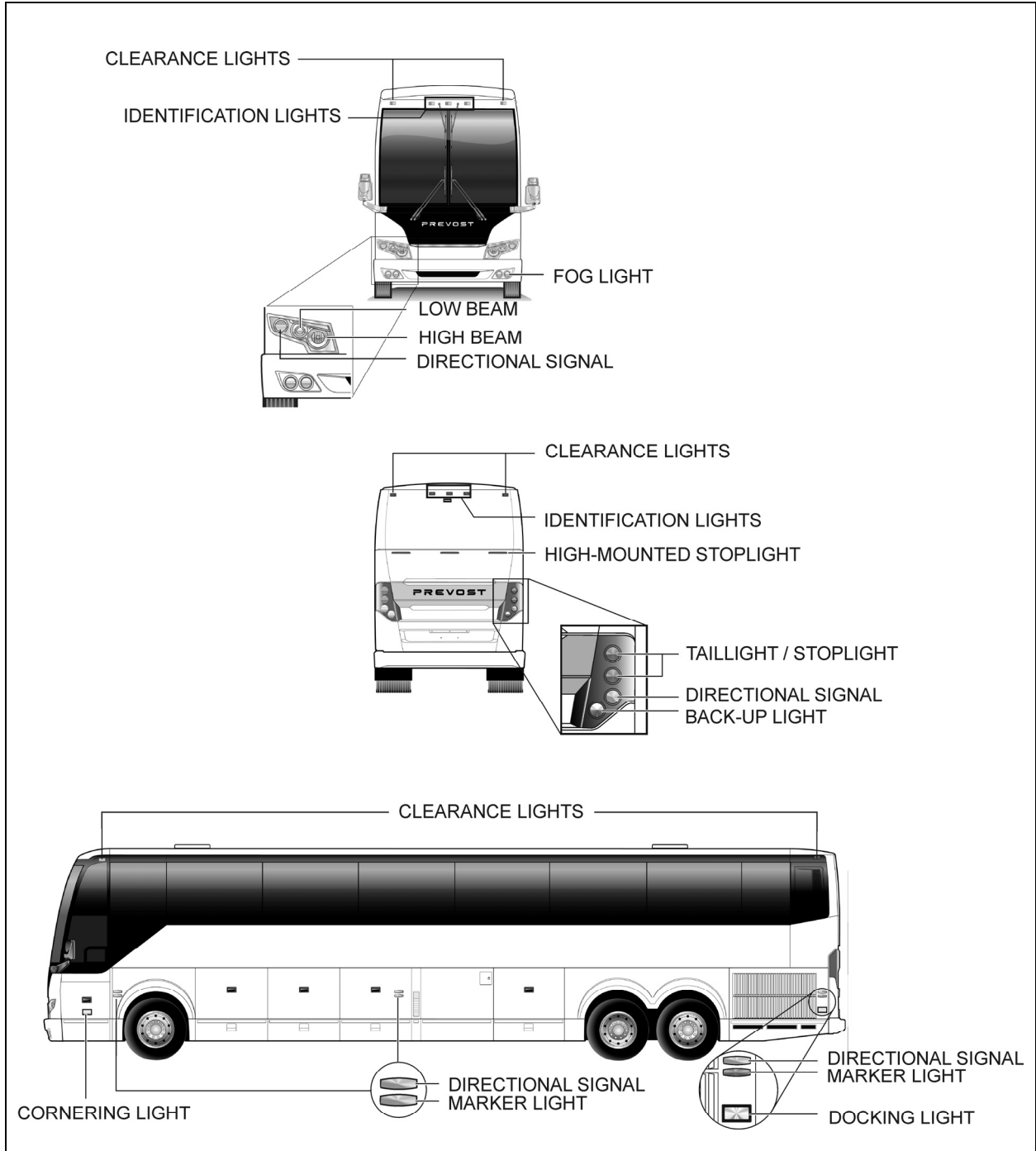


H3-45 (TYPICAL)

18688

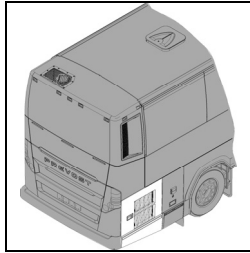
- | | |
|--|---|
| 1. Engine air intake | 11. Diesel Particulate Filter (DPF) access door |
| 2. Engine compartment curbside door | 12. Engine compartment rear door |
| 3. Main power compartment (battery compartment) | 13. Rear-view mirror |
| 4. Wheelchair access door (optional Ricon lift) | 14. Spare wheel compartment |
| 5. Baggage compartment | 15. Front electrical and service compartment |
| 6. Fuel filler neck and diesel exhaust fluid (DEF) filler neck access door | 16. Driver's power window |
| 7. Condenser compartment | 17. Evaporator compartment |
| 8. Entrance door control switch | 18. Fuel filler neck access door |
| 9. Entrance door | 19. Tag axle |
| 10. Back up camera (optional) | 20. Radiator door |
| | 21. SCR catalytic converter access door |

EXTERIOR LIGHTING



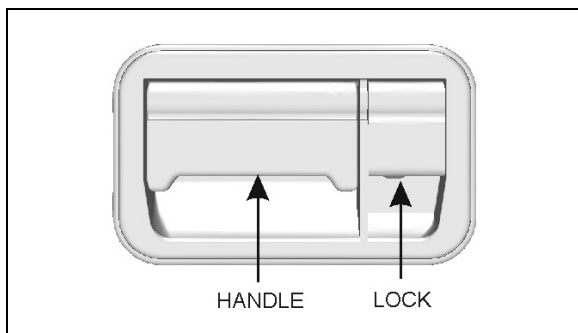
2-4 COACH EXTERIOR

ENGINE COMPARTMENT CURBSIDE DOOR



Lock this door using the exterior compartment key. To open, pull up the door handle to release the latch and then pull the door open.

The curbside door also has a safety catch to prevent it from closing inadvertently. Release the catch before attempting to close.



DOOR HANDLE

18184

The engine compartment curbside door provides access to the following (if equipped):

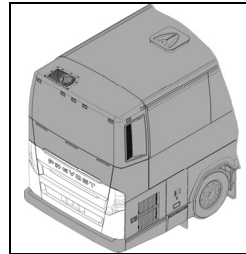
- Engine compartment rear door release lever
- Davco Fuel Pro 382 filtration system
- Primary & secondary air system fill valve
- Power steering fluid tank
- Booster block terminals
- Wet air tank drain cock
- Lavatory waste water tank access cap
- Engine air filter
- Battery charger 110-120 volts connector
- Engine block heater 110-120 volts connector



WARNING

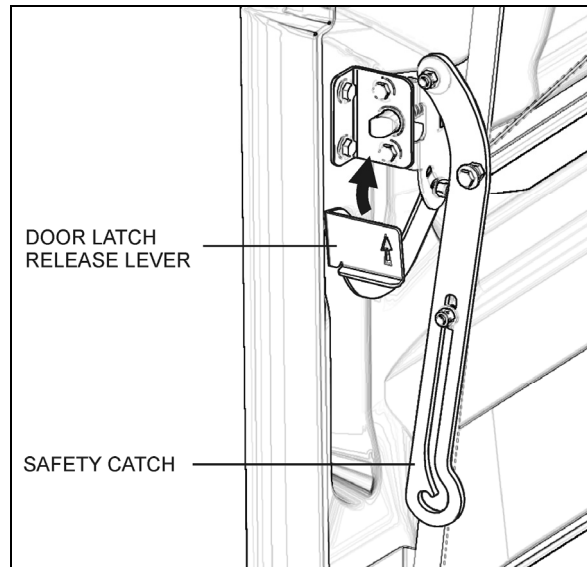
Unless otherwise stated, do not run the engine when the engine compartment curbside door is open.

ENGINE COMPARTMENT DOOR



To open the engine door, first open the curbside door. Lift the latch release lever. Unlatch the door and pull it out and up.

The door should stay open on it's own but it is recommended to always use the safety catch as shown. The lighting in the engine compartment turns on automatically when the door is open if the engine compartment light switch is set to ON and the ignition switch is set to ON or ACC. Use this switch located in the engine compartment to turn off the light if not required when the door is open for a prolonged period. When open or not closed properly, a pictogram appears on the instrument cluster DID. To close the door, lift it slightly and release the safety catch.



OPENING THE ENGINE COMPARTMENT DOOR

18331

This door provides access to the following equipment:

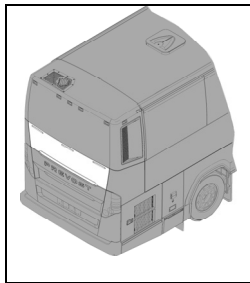
- Engine
- Alternators
- Belts
- Compressor(s)
- Starter selector switch (see *Section 6 Starting and Stopping Procedures*)
- Plates and certification
- Air filter restriction indicator

- Couplings and valves for lavatory maintenance
- Fresh water tank coupling
- Engine oil dipstick
- Transmission oil dipstick
- Cooling fluid surge tank & access cap

WARNING

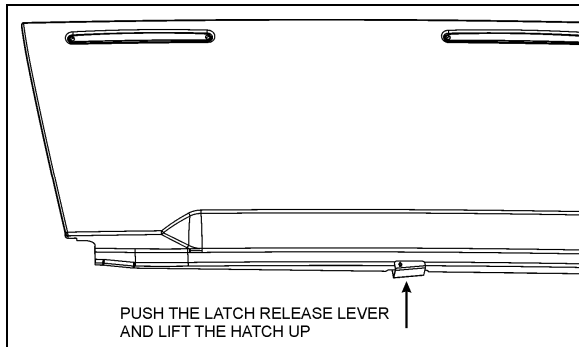
Unless otherwise stated, do not run the engine when the engine compartment door is open.

DIESEL PARTICULATE FILTER ACCESS DOOR



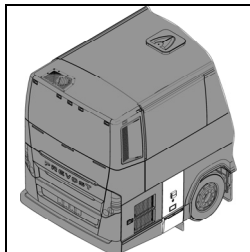
The engine door must be open before opening the DPF access door. To open the DPF access door, press the latch release lever. Using both hands, push the door up until it locks in place.

To close the door, press the latch release lever again and lower the door, holding it with both hands.



DIESEL PARTICULATE FILTER ACCESS DOOR

MAIN POWER COMPARTMENT (BATTERY)

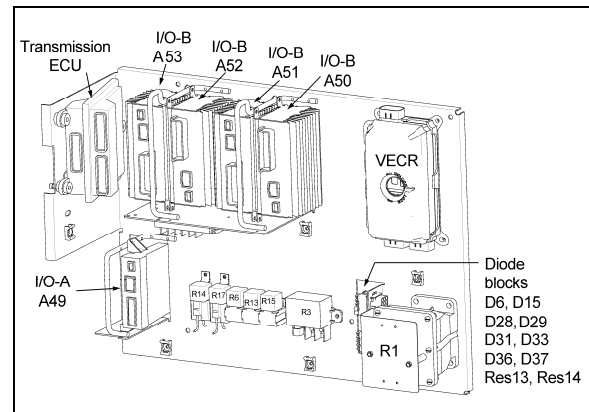


To unlock the main power compartment door, use the exterior compartment door key. The door will pop open.

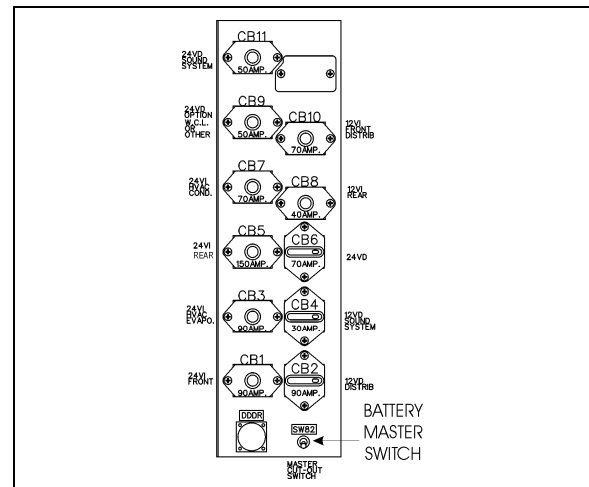
The compartment light turns on automatically when the door is open. A telltale light indicating that a compartment door is open will illuminate on the dashboard.

This compartment is closed off from the engine compartment and is used to house the batteries and electrical components. The following items are located in the main power compartment:

- (4x) 12-volts batteries
- Main circuit breakers (12 & 24 volts)
- Battery charger (optional)
- Vanner battery equalizer
- Battery master switch
- Rear junction box
- Rear multiplex modules
- Transmission Electronic Control Module for Allison transmission or Volvo I-Shift
- Rear fuse box (VECR)
- Relays
- Electronic ground stud



PARTIAL VIEW OF MAIN POWER COMPARTMENT

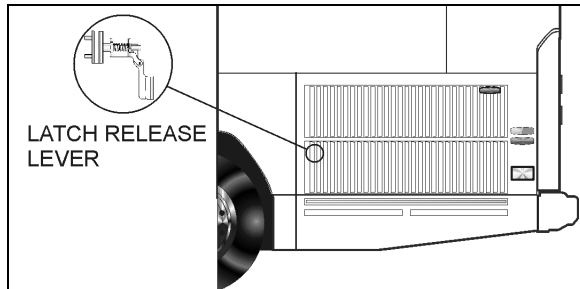


MAIN CIRCUIT BREAKERS 12 & 24 VOLTS

2-6 COACH EXTERIOR

RADIATOR DOOR

Open the engine radiator door by pushing on the latch release lever.



RADIATOR DOOR LATCH RELEASE LEVER LOCATION
18529

SCR CATALYTIC CONVERTER ACCESS HATCH

To gain access to the SCR catalytic converter:

1. Open the radiator door first;
2. Pull the catch connecting rod to unlock the access hatch;
3. Lift the hatch open;
4. Hold the door open by inserting the support rod free end into the receptacle located on the left side of the door.



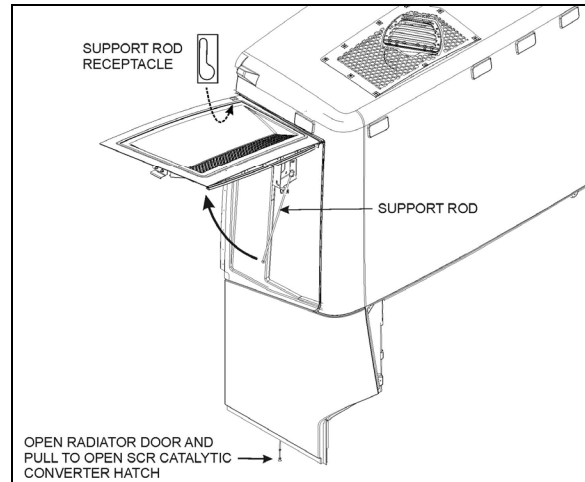
WARNING

After inserting the support rod into the receptacle, make sure that the rod supports the door securely from falling down on to your head or body.



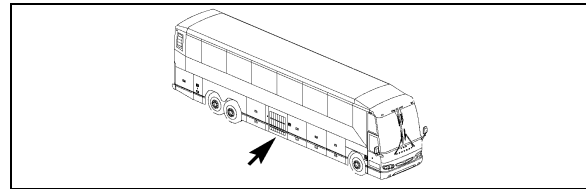
WARNING

External and internal temperatures remain hot long after engine has been shutdown. Allow the Aftertreatment Device and DPF to cool before handling. Wear protective clothing and glove while servicing.



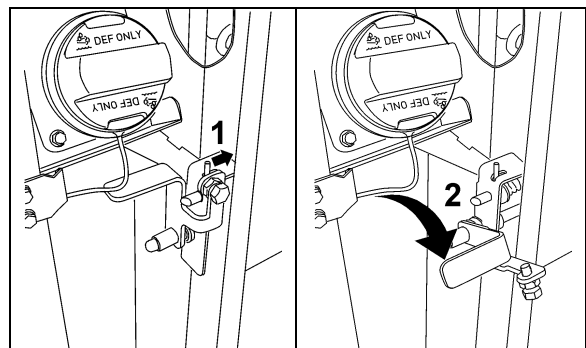
ACCESSING THE SCR CATALYTIC CONVERTER 04035

A/C CONDENSER COMPARTMENT

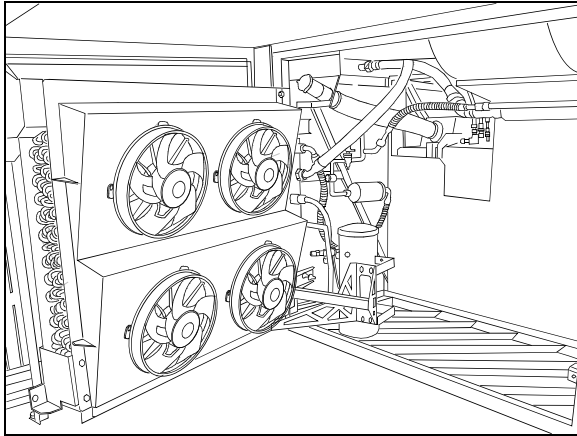


To open the condenser compartment door:

1. Open the fuel filler door first;
2. Move the latch bolt pin to the right as shown (step 1 on image);
3. Rotate the latch handle as shown (step 2);
4. Open the door on the right side when facing it.



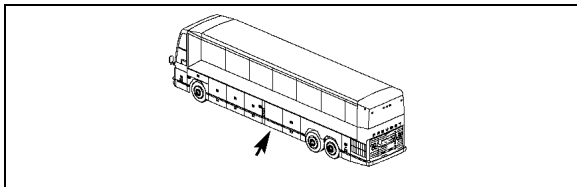
A/C CONDENSER COMPARTMENT DOOR OPENING



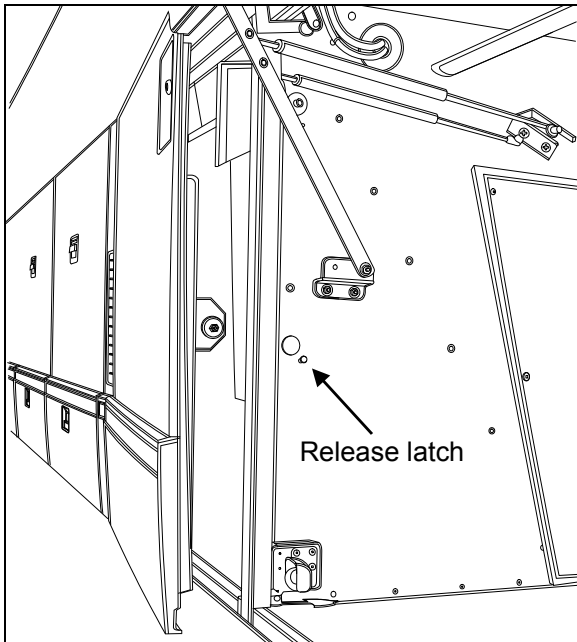
CONDENSER COMPARTMENT

22362

EVAPORATOR COMPARTMENT



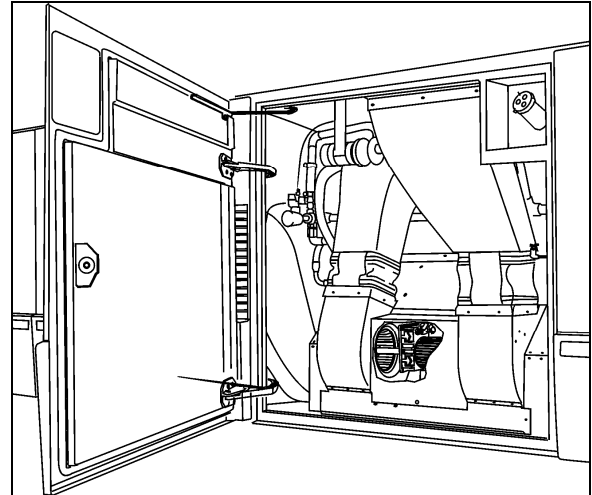
To access the evaporator compartment, pull the release latch located on the left side wall of the rearmost baggage compartment.



EVAPORATOR COMPARTMENT ACCESS

18306

The evaporator compartment contains relays, diodes and a multiplex electronic module mounted on a panel located on the R.H. side wall when facing the compartment.

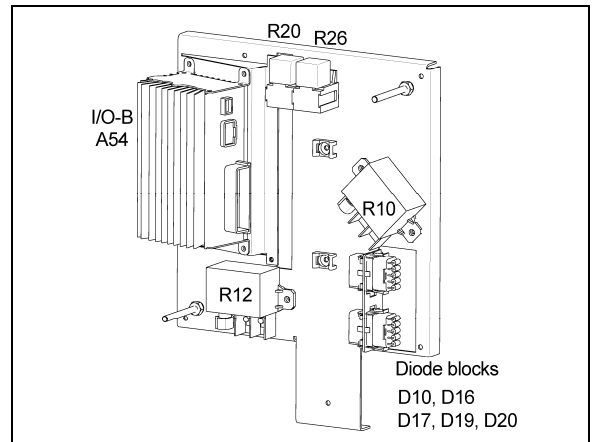


EVAPORATOR COMPARTMENT

22365

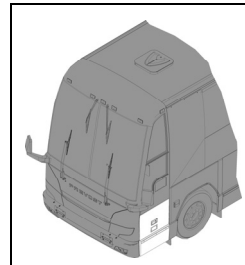
NOTE

It is important to keep the evaporator compartment door closed while checking the HVAC system to prevent faulty readings.



HVAC COMPONENTS PANEL

FRONT ELECTRICAL AND SERVICE COMPARTMENT



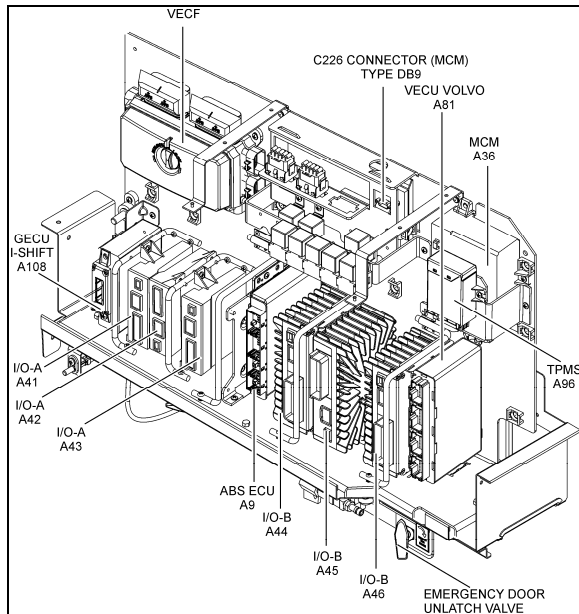
Unlock this compartment door using the exterior compartment key. The light in the front service compartment turns on automatically when the door is open.

The front electrical and service compartment provides access to the following:

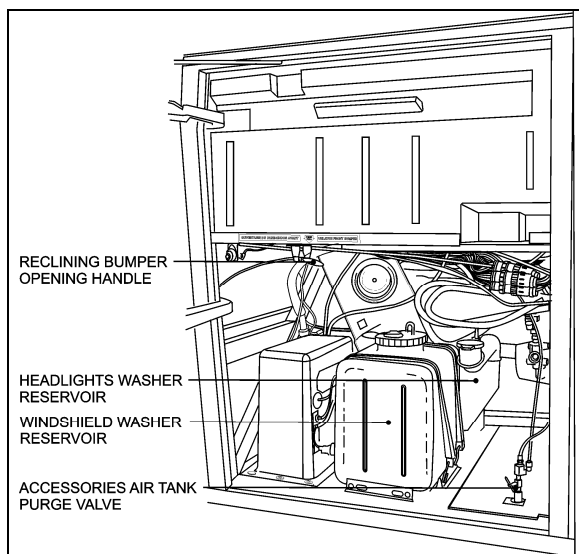
- Front fuse box (VECF) & spare fuses
- ABS module

2-8 COACH EXTERIOR

- VECU
- Front multiplex modules I/O-A, I/O-B;
- Relays & resistors
- Kneeling audible alarm
- Emergency door opening unlock valve
- Windshield washer reservoir
- Headlights washer reservoir
- Reclining bumper opening handle
- Accessories air tank purge valve
- Accessories air tank fill valve



FRONT ELECTRICAL & SERVICE COMPARTMENT



FRONT ELECTRICAL & SERVICE COMPARTMENT 14072

BAGGAGE COMPARTMENTS

Baggage compartments can hold a maximum load of 2500 lb each, spread evenly over the floor. The total combined weight of cargo and passengers must not exceed 15660 lb. The baggage compartments can be locked or unlocked by using the exterior compartment key.

Pressurized cylinders assist the opening and closing of the baggage compartment doors.

To close, pull the door down by the notch in the lower part of the door. Once below a certain point, release the door and the cylinders will slam the door shut. Push-in the top part of the door past the safety catch on both sides to fully close.

Lights in the baggage compartments turn on automatically when the door is open. A pictogram appears on the DID when a compartment door is open.



WARNING

To avoid injury, keep hands clear of door edge and door frame when closing.

NOTE

To prevent theft and vandalism, always lock all doors before leaving the vehicle unattended.

NOTE

The baggage compartment doors can be locked / unlocked with the optional baggage compartments locking system. The switch is located on the lateral control panel. Refer to Section 4 Controls and Instruments.

NOTE

To prevent the door from closing in case of defective cylinders, lock the door in open position by pushing it further towards the body of the coach, until it locks in place.

FUEL AND DIESEL EXHAUST FLUID (DEF) FILLER NECK ACCESS

Both fuel filler neck doors must be opened with the exterior compartment key. To open, turn the key ¼ turn clockwise and pull the door open.

NOTE

It is recommended to refuel from the curbside whenever possible, to avoid spilling fuel into the evaporator compartment. Any amount of fuel vapor in this compartment would be carried right up into the cabin by the HVAC system fresh air intake.

Moreover, the curbside filler neck access door is the only access to the DEF filler neck.

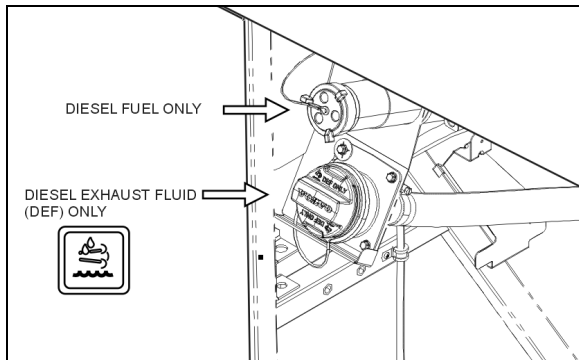
NOTE

Provided the vehicle is parked on level ground, an automatic nozzle will automatically shut off when tank is approximately 95% full.



CAUTION

Do not fill to more than 95% of the tank capacity. Do not "top off" the tank, doing so may result in fuel spillage when the fuel expands.



FUEL FILLER DOOR

03093



CAUTION

Diesel exhaust fluid DEF will begin to crystallize and freeze at 12°F (-11°C) and expand by 7% when frozen. To allow expansion without damaging the DEF tank, do not fill the tank with more than 15.9 gallons (60 liters).

During vehicle operation, the SCR system is designed to provide heating for the DEF tank and supply lines. If DEF freezes when the vehicle is shut down, start up and normal operation of the vehicle will not be inhibited. The SCR heating system is designed to quickly return the DEF to liquid form and the operation of the vehicle will not be impacted.

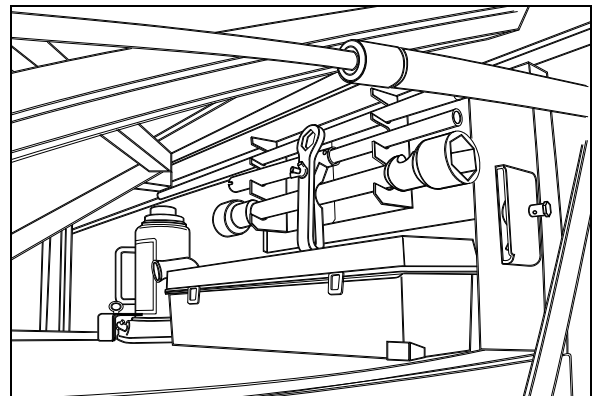
SPARE WHEEL COMPARTMENT

The spare wheel is located in the compartment behind the front bumper.



WARNING

This compartment is not designed for miscellaneous storage. Never store loose objects in this compartment because they can block the steering linkage mechanism.



TOOLS IN FIRST BAGGAGE COMPARTMENT

13015

To access the spare wheel compartment, pull on the release handle located in the front electrical and service compartment, near the lower door hinge. The bumper will lower gradually.

NOTE

The jack and tools are located in the first baggage compartment.

When closing the compartment, be sure the bumper is firmly in place.

ENTRANCE DOOR

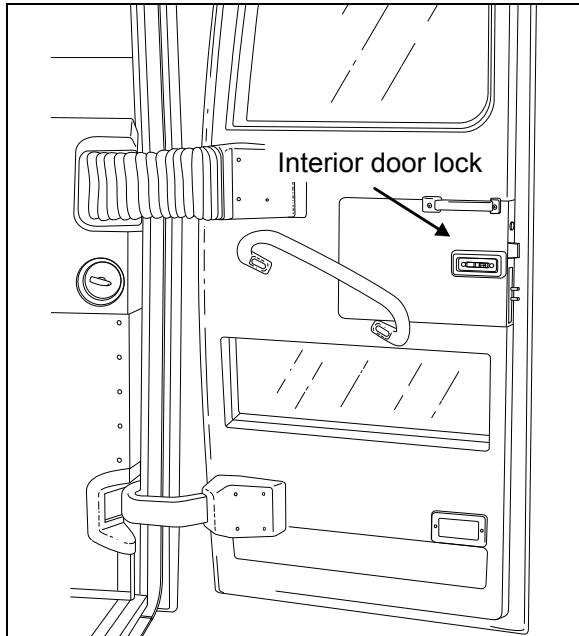
Lock or unlock the entrance door from outside the vehicle by turning the key in the door lock (counterclockwise to lock, clockwise to unlock).

To unlock the entrance door from the inside, slide the lock lever on the inside of the door to the left. If the orange tab on the door-lock lever is visible, the door is unlocked.

NOTE

If the interior lever is used to exit the coach and the key is not used to unlock the door, it will lock again upon closing. Remember to remove the keys upon exiting.

2-10 COACH EXTERIOR

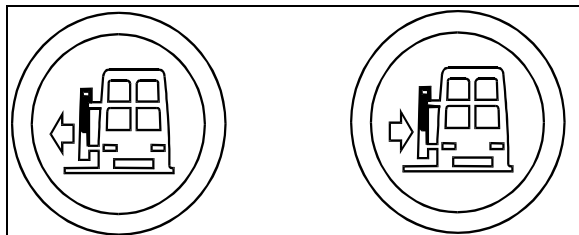


ENTRANCE DOOR

18437

ENTRANCE DOOR OPENING INTERIOR OPERATING SWITCHES

From the inside, open the door by pressing the door opening switch on the dashboard. Close by pressing the door closing switch on the dashboard. Refer to *Section 4 Controls and Instruments* for more information.

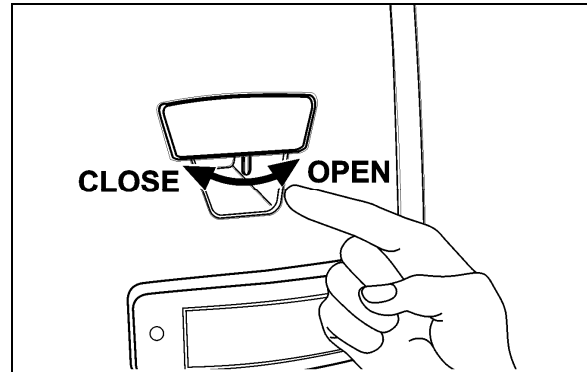


DASHBOARD SWITCHES

06464

ENTRANCE DOOR OPENING EXTERIOR OPERATING SWITCH

Opening and closing of the door may also be pneumatically controlled from the outside using the 3-position switch located on the door L.H. side. Open the door by pushing the switch forward, close by pushing the switch rearward.



EXTERIOR DOOR OPERATING SWITCH

18316

DOOR OPERATION LOGIC

If the switch is held in position until the door is fully open or closed, the system holds pressure in the door cylinder, locking the door in that position. The door can be open to any position by releasing the switch (or button, if inside) when the desired position is attained. However, the door is not locked in any position other than fully open or fully closed. The door can then be open or closed further by pushing or pulling on the door.

When the door is almost shut, a mechanism will finish the closing of the door. This works even when the door is shut manually.

EMERGENCY DOOR OPENING

Refer to *Section 7 Safety Features and Equipment*.

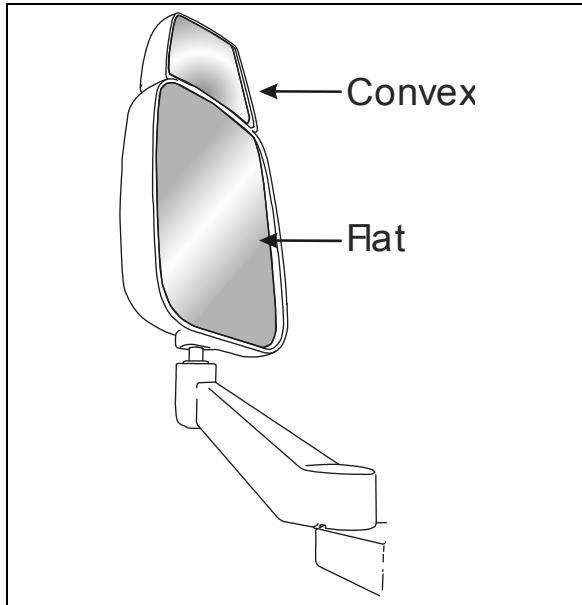
WHEELCHAIR LIFT DOOR

To open the optional wheelchair lift door, the coach must be parked on a flat and level surface with the parking brake applied. The wheelchair access door swings to the side and is maintained open by a locking mechanism. Open the baggage compartment containing the lift mechanism (Ricon only). The baggage compartment door is located directly below the wheelchair lift door and it opens to the side. If the parking brake is not applied, a switch in the door will activate the parking brake when it detects the door is open.

Open the door completely until it locks in the open position. To close the door, lift on the locking mechanism arm and slam the door shut. Refer to *Section 5 Other Features* for more information on operating the optional wheelchair lift.

REAR VIEW MIRRORS

The vehicle is equipped with flat-type and convex-type rear-view mirrors. Convex mirrors give a wide angle view. Objects viewed in convex-type rear-view mirrors appear smaller and are actually closer than they appear.



REAR VIEW MIRRORS

18443

To provide good visibility in cold weather, the mirrors can be equipped with heating elements. The elements are activated by a rocker switch located on the lateral control panel. Refer to *Section 4 Controls and Instruments*. Thermostats are used to prevent continuous operation of the heating elements.



CAUTION

Do not attach stick-on type convex mirror accessories to the heated mirror glass. This could impede uniform heat distribution on the mirror surface and could break the mirror glass.

ELECTRICALLY ADJUSTED REAR VIEW MIRRORS (RAMCO)

The mirrors are adjusted using the controls located on the lateral control panel. Refer to *Section 4 Controls and Instruments*. Manual adjustment is also possible.

Adjust the side-view mirrors until the side of the vehicle is visible. Adjust the flat-type mirror until the road behind is in full view.

BACK UP CAMERA

An optional back up camera is available which provides the driver with visual assistance when backing up. Rear-view TV monitor is located at the dashboard L.H. side on the windshield post. For additional information, refer to *Section 4 Controls & instruments* and *Section 8 Care and Maintenance*.

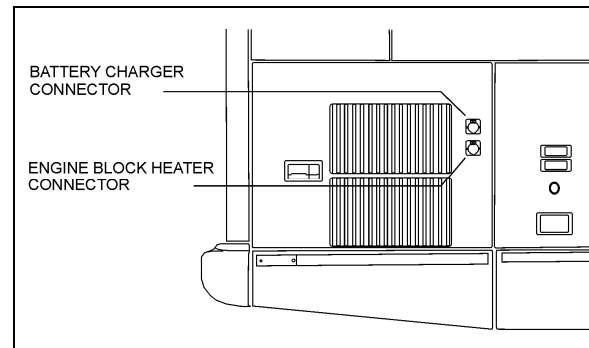
120 VOLTS CONNECTORS

ENGINE BLOCK HEATER

This connector connects with the engine block heater and the fresh water tank heater, if equipped. Refer to *Section 6 Starting and Stopping Procedures* for more details.

BATTERY CHARGER

This connector connects with the battery charger and allows for in-station lighting. Refer to *Section 5 Other Features*.



120 VOLTS CONNECTORS

06675

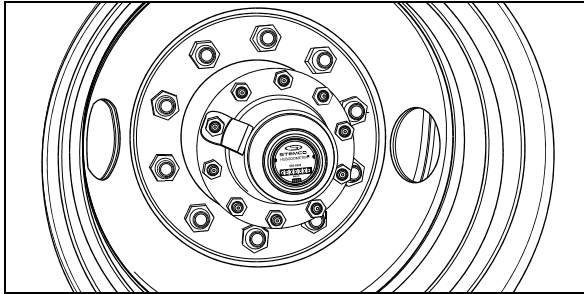
HUBODOMETER

An odometer may be installed on the curbside drive axle wheel hub. The odometer calculates the total distance in miles (or kilometers, depending on model installed) traveled by the coach since manufacture, including factory road testing.

NOTE

It is normal for hubodometer, transmission TCM/ECU or engine ECU to disagree on mileage.

2-12 COACH EXTERIOR



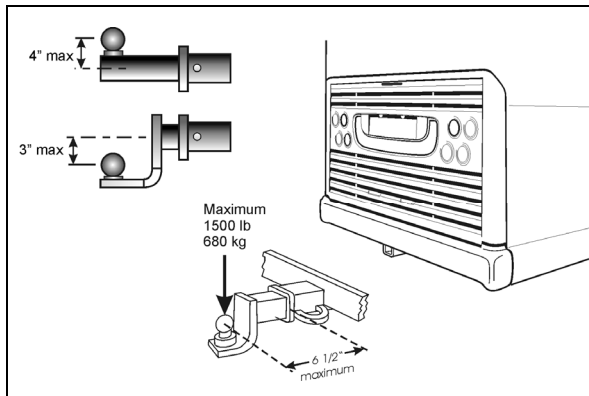
HUBDOMETER

13012

TRAILER HITCH

Your vehicle may be equipped as a special option with a factory installed trailer hitch which has been designed to meet SAE Class 4 specifications:

- **Maximum gross trailer weight: 20,000 lb (9,072 kg)**
- **Maximum tongue weight at 6 ½ inches (165 mm) or less from coupling receiver : 1,500 lb (680 kg)**



TRAILER HITCH

18487



WARNING

The draw bar and the ball used for towing the trailer should be rated for 20,000 lb capacity or more.



WARNING

Pulling a trailer weighing more than the recommended maximum gross weight may cause engine and transmission overheating, and also possible hitch failure.

NOTE

Pulling a trailer over long distances is considered as a "severe operating condition" for the vehicle and therefore, power plant requires more frequent servicing.



CAUTION

The minimum requirement for a trailer weighing up to 20,000 lb when coupled to a 20,000 lb Prevostr Trailer Hitch is as per the following :

- Trailer must comply with **Federal Motor Carrier Safety Regulations 393.52** regarding trailer breaking capability.
- The trailer coupling attachments meet the following minimum static test load requirements :
 - Longitudinal tension and compression: (1.5 x GVWR of trailer)
 - Transverse thrust : (0.5 x GVWR of trailer)
 - Vertical tension and compression: (0.5 x GVWR of trailer)

Loads indicated must be applied without incurring loss of attachments or distortion or failure which could affect the safe towing of trailer.

- The ball and trailer coupling should meet the following minimum test load requirements without incurring failure :
 - Longitudinal tension and compression : (Gross Trailer Weight of trailer x 3)
 - Transverse thrust : (Gross Trailer Weight of trailer x 1)
 - Vertical tension and compression : (Gross Trailer Weight of trailer x 1.3)

In this case, failure is identified as the point at which the coupling or ball will accept no additional test load without separation of the ball from the coupling ball socket, or the occurrence of a metal fracture of either coupling ball or coupling assembly, which results in separation of the ball from the coupling ball socket.

- Two lengths of safety chain shall be used. The strength rating (minimum breaking force) of each individual chain and its

connecting means shall be equal to, or exceed the trailer GVWR.

- E) Towing vehicle must be equipped with engine or transmission retarder. The engine or the transmission retarder on the vehicle must be functional at all time (to be inspected frequently).