

H3-41, H3-45 & V.I.P. 45
PARTS MANUAL



PREVOST
COACH MANUFACTURER

PARTS MANUAL



PA1160

10-2022

H3-41, H3-45 & V.I.P. 45 PARTS MANUAL



General information

A. Vehicle Identification Number (V.I.N.)

Each time spare parts have to be ordered, you must refer to your vehicle identification number serial number. In order to understand the meaning of this number, please refer to the following:

2 P C H 3 3 4 9 5 3 1 0 1 4417

H = VEHICLE MODEL

9 = VEHICLE LENGTH

3 = MODEL YEAR

4417 = SEQUENCE NUMBER

Vehicle Model

This manual covers vehicle model H3-41, H3-45 coaches and VIP bus shells.

H	H3-41 and H3-45 Coaches
V	V.I.P. Bus shell

Vehicle Length

1	41 feet	9	45 feet
----------	---------	----------	---------

Model Year

YEAR	CODE	YEAR	CODE	YEAR	CODE
2003	3	2006	6		
2004	4	2007	7		
2005	5	2008	8		

Sequence Number

This number represents the sequence the vehicle has followed on the assembly line.

B. Effective

This manual covers information for vehicles from the sequence number **3-4417 to 8-1043** for H3-41, H3-45 and VIP.

The heading of each page in this manual refers to an effective serial number and in the parts description, you may find additional information on the effective of a specific part to a serial number (refer to FROM).

In the description, you may also remark the expression UP TO which means that a component is effective to the vehicles manufactured before the specified serial number (refer to UP TO).

PARTS MANUAL

C. Illustrations

An exploded view is conveniently located at the beginning of each section and is meant to assist the user in identifying parts and components.

The illustrations show the typical construction of the different assemblies and , in all cases, may not reproduced the full detail or exact shape of parts shown, however, they represent parts which have same or similar function.

D. General

The information, illustrations and components/system descriptions contained in this manual are correct at time of publication. Prévost Car Inc., however, maintains a policy of continuous improvement of its product without imposing upon itself any obligation to install them on products previously manufactured.

Prévost Car Inc., reserves the right at any time to discontinue or change specifications, designs, features, models or equipment without incurring obligation.

PARTS MANUAL

E. Parts and Service Center

CANADA

Canadian Parts Customer Service 2955-A Watt Street Québec, Québec Canada, G1X 3W1	Toll free phone: 1 (800) 463-8876 Tel.: (418) 654-0174 Fax: (800) 939-0133 Fax: (418) 658-1723	Service Center British Columbia 11911 No. 5 Road Richmond, British Columbia Canada, V7A 4E9	Tel.: (604) 940-3306 Fax: (604) 940-3384
Service Center 850 Chemin Olivier Saint-Nicolas, Quebec Canada G7A 2N1	Toll free phone: 1 866 870-2046 Tel.: (418) 831-2046 Fax: (418) 831-7432	Service Ontario 8301-A Keele Street Vaughan, Ontario Canada, L4K 1Z6	Tel.: (905) 738-0881 Fax: (905) 738-0891
Service Center Alberta 292 MacDonald Crescent Fort McMurray, Alberta Canada T9H 4B6	Tel.: (780) 792-9526 Fax: (780) 743-0983		

UNITED STATES

US Parts Customer Service 2250 Point Blvd., Suite 410 Elgin, IL USA, 60123	Toll free phone 1 800 799-9938 Main office (847) 844-7680 Parts 1 800 621-5519	Prevost Parts & Service Center 800 South Cartwright Street Goodlettsville, TN USA, 37072	Toll free phone 1 877 299-8881 Main office (615) 299-8881 Fax: (615) 299-8816 After-Hours (615) 519-1372 Parts Emergency
Prevost Parts & Service Center 3384 De Forest Circle Mira Loma, CA USA, 91752	Toll free phone 1 800 421-9958 Main office (951) 360-2550 Fax: (951) 360-2560 After-Hours (951) 314-0226 Parts Emergency	Prevost Parts & Service Center 201 South Avenue South Plainfield, NJ USA, 07080	Toll free phone 1 800 223-0830 Main office (908) 222-7211 Fax: (908) 222-7304 Fax parts (908) 222-7305 After-Hours (201) 315-4064 Parts Emergency
Prevost Parts & Service Center 6821 Central Avenue, Newark, CA USA, 94560	Main office (310) 283-1852 After-Hours: (951) 314-0226 Parts Emergency	Prevost Parts & Service Center 15200 Frye Road Fort Worth, TX USA, 76155-2702	Service/Parts 1 866 773-8678 Main office (817) 685-0250 Fax : (817) 685-0460 After-Hours (817) 271-8653 Parts Emergency
Prevost Parts & Service Center 6931 Business Park Blvd North Jacksonville, FL USA, 32256	Toll free phone 1 800 874-7740 Main office (904) 886-4555 Fax: (904) 886-0092 After-Hours (904) 412-8023 Parts Emergency	Prevost Parts & Service Center 11851 Cutten Road Houston, TX USA, 77066	Service/Parts 1 877 602-0273 Main office (713) 849-8562 Fax: (281) 315-1571 After-Hours (346) 333-5520 Parts Emergency
Prevost Parts & Service Center 1300 Green Forest Court Winter Garden, FL USA, 34787	Toll free phone 1 866 726-6235 Main office (407) 554-0196 After-Hours: (407) 259-5720 Parts Emergency	Prevost Parts & Service Center 3715 N. Carnation St. Franklin Park, IL USA, 60131	Main office (847) 778-7475 Fax: (847) 737-2242 After-Hours 1 800 463-7738 Parts Emergency

PARTS MANUAL

KEY & ABBREVIATIONS

(XXXX-XX)	SEE PAGE	N/A	NOT AVAILABLE
<>	BETWEEN	NEG.	NEGATIVE
°	DEGREE	N.O.	NORMALLY OPEN
#	NUMBER	N.C.	NORMALLY CLOSE
??	INFORMATION NOT AVAILABLE AT TIME OF PUBLICATION	N.P.N.	NO PARTS NUMBER
ABS	ANTILOCK BRAKING SYSTEM	NPT	NATIONAL PIPE THREAD
AR	AS REQUIRED	NS	NOT SHOWN
ASSY	ASSEMBLY	N.S.P.	NOT SOLD AT PREVOST (SEE MANUFACTURING PART NUMBER AT THE END OF DESCRIPTION LINE)
CCW	COUNTERCLOCKWISE	N.S.S.	NOT SOLD SEPARATELY
C.E.	COMMUTATOR END	O.D.	OUTSIDE DIAMETER
CHR	CHROME	OPT.	OPTION
CW	CLOCKWISE	O.S.	OVERSIZE
CYL.	CYLINDER	PH	PHILLIPS
C/C	CENTER/CENTER	POS.	POSITIVE
D.E.	DRIVE END	RR	REAR
DIA.	DIAMETER	S.C.C.	SPECIFY COLOR CODE
DIFF.	DIFFERENTIAL	SCT	SECTION
D.P.D.T.	DOUBLE POLE DOUBLE THROW	S.D.	SPECIFY DIMENSION
ECU	ELECTRONIC CONTROL UNIT	S.L.	SPECIFY LENGHT
EDU	ELECTRONIC DISTRIBUTOR UNIT	SM	SMALL
EFF	EFFECTIVE	S.P.S.T.	SINGLE POLE SINGLE THROW
ENG.	ENGINE	S.P.D.T.	SINGLE POLE DOUBLE THROW
EXT	EXTERNAL	S.Q.	SPECIFY QUANTITY
FR	FRONT	SS	STAINLESS STEEL
GND	GROUND	STD	STANDARD
HD	HEAD	STO	STOVER
HEX	HEXAGONAL	SW	SWIVEL
H.P.	HIGH PRESSURE	SWL FITT.	SWIVEL FITTING
HVAC	HEATING, VENTILATION & AIR CONDITIONING	TPG	TAPING
HYD	HYDRAULIC	TH	THICKNESS
I.D.	INSIDE DIAMETER	TRANS.	TRANSMISSION
INT	INTERNAL	TXV	THERMAL EXPANSION VALVE
JCT	JUNCTION	U.S.	UNDERSIZE
LED	LIGHT-EMITTING DIODE	W	WITH
L.P.	LOW PRESSURE	W/O	WITHOUT
LUGG.	LUGGAGE	WIND.	WINDOW
M & F	MALE & FEMALE	ZP	ZINC PLATED

PARTS MANUAL

MEASUREMENT EQUIVALENTS

Fraction - Inches (dec.) - Millimeter

25.4mm = 1 inch

1mm = .03937 inch

fraction	decimal	mm	fraction	decimal	mm
1/64	0.0156	0.397	33/64	0.5156	13.097
1/32	0.0313	0.794	17/32	0.5313	13.494
-	0.0394	1	35/64	0.5469	13.891
3/64	0.0469	1.191	-	0.5512	14
1/16	0.0625	1.588	9/16	0.5625	14.288
5/64	0.0781	1.984	37/64	0.5781	14.684
-	0.0787	2	-	0.5906	15
3/32	0.0938	2.381	19/32	0.5938	15.081
7/64	0.1093	2.778	39/64	0.6094	15.478
-	0.1181	3	5/8	0.6250	15.875
1/8	0.1250	3.175	-	0.6299	16
9/64	0.1406	3.572	41/64	0.6406	16.272
5/32	0.1563	3.969	21/32	0.6563	16.669
-	0.1575	4	-	0.6693	17
11/64	0.1719	4.366	43/64	0.6719	17.066
3/16	0.1875	4.762	11/16	0.6875	17.462
-	0.1969	5	45/64	0.7031	17.859
13/64	0.2031	5.159	-	0.7087	18
7/32	0.2188	5.556	23/32	0.7188	18.256
15/64	0.2344	5.953	47/64	0.7344	18.653
-	0.2362	6	-	0.7480	19
1/4	0.2500	6.350	3/4	0.7500	19.050
17/64	0.2656	6.747	49/64	0.7656	19.447
-	0.2756	7	25/32	0.7813	19.844
9/32	0.2813	7.144	-	0.7874	20
19/64	0.2969	7.541	51/64	0.7969	20.241
5/16	0.3125	7.938	13/16	0.8125	20.638
-	0.3150	8	-	0.8268	21
21/64	0.3281	8.334	53/64	0.8281	21.034
11/32	0.3438	8.731	27/32	0.8438	21.431
-	0.3543	9	55/64	0.8594	21.828
23/64	0.3594	9.128	-	0.8661	22
3/8	0.3750	9.525	7/8	0.8750	22.225
25/64	0.3906	9.922	57/64	0.8096	22.622
-	0.3937	10	-	0.9055	23
13/32	0.4063	10.319	29/32	0.9063	23.019
27/64	0.4219	10.716	59/64	0.9219	23.416
-	0.4331	11	15/16	0.9375	23.812
7/16	0.4375	11.112	-	0.9449	24
29/64	0.4531	11.509	61/64	0.9531	24.209
15/32	0.4688	11.906	31/32	0.9688	24.606
-	0.4724	12	-	0.9843	25
31/64	0.4844	12.303	63/64	0.9844	25.003
12	0.5000	12.700	1/1	1	25.400
-	0.5118	13	-	-	-

PARTS MANUAL

TABLE OF CONTENTS

GENERAL	00
ENGINE	01
CLUTCH	02
FUEL	03
EXHAUST	04
COOLING	05
ELECTRICAL	06
TRANSMISSION	07
PROPELLER SHAFT	09
FRONT AXLE	10
REAR AXLE	11
BRAKE	12
WHEEL, HUBS & TIRES	13
STEERING	14
SUSPENSION	16
BODY	18
HEATING & AIR CONDITIONING	22
ACCESSORIES	23
WHEEL CHAIR LIFT	25

PARTS MANUAL

To have more information about fast moving parts, place an order for the book PA-1105 to your nearest parts order desk.

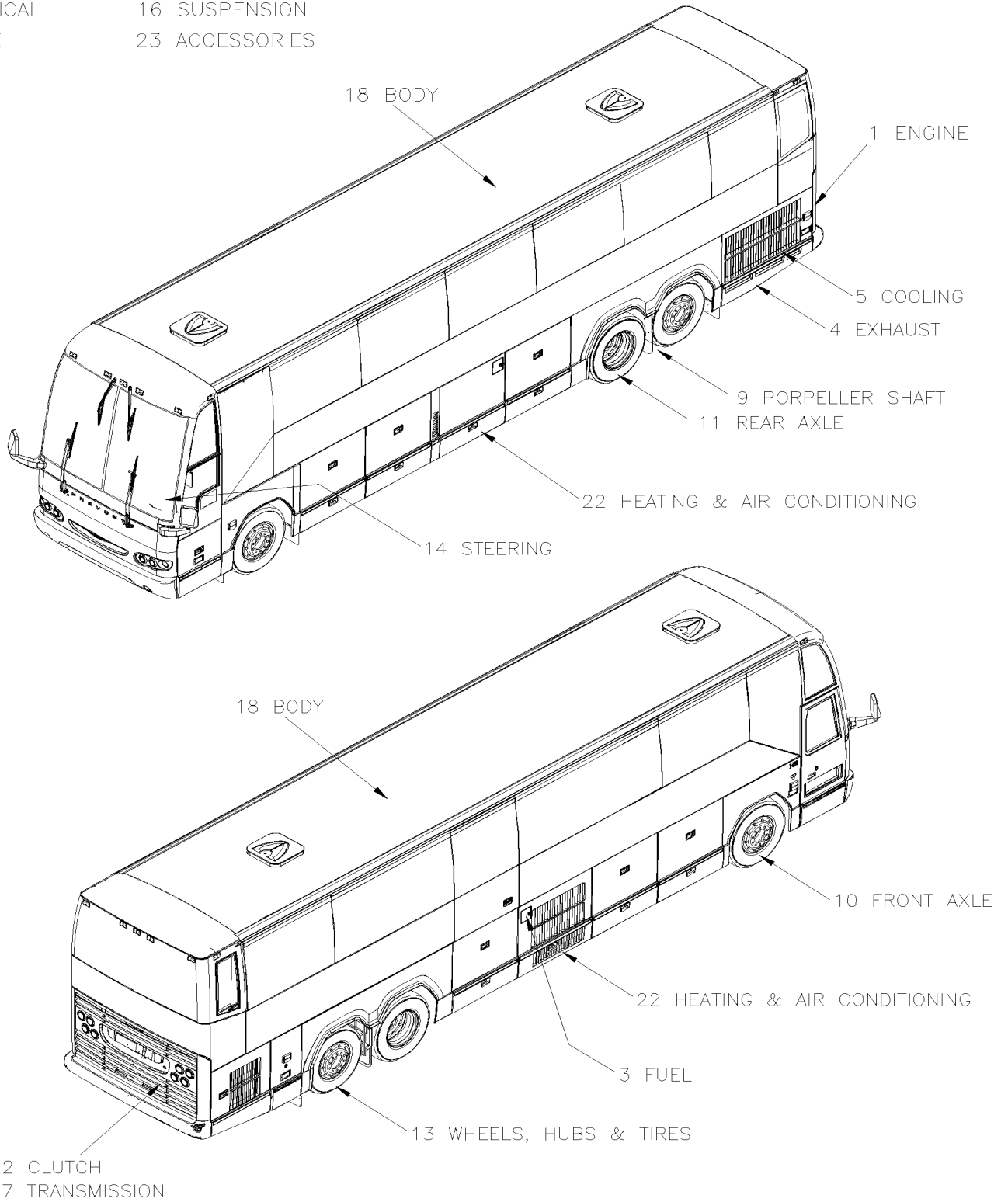
Thank you!



	Date:10/2022	PAGE: H3-2003 @ 2006
H3-41, H3-45 & VIP-45 / 2003 - 2006 / VIN FROM 3-4417 TO 8-1043		

6 ELECTRICAL
12 BRAKE

16 SUSPENSION
23 ACCESSORIES

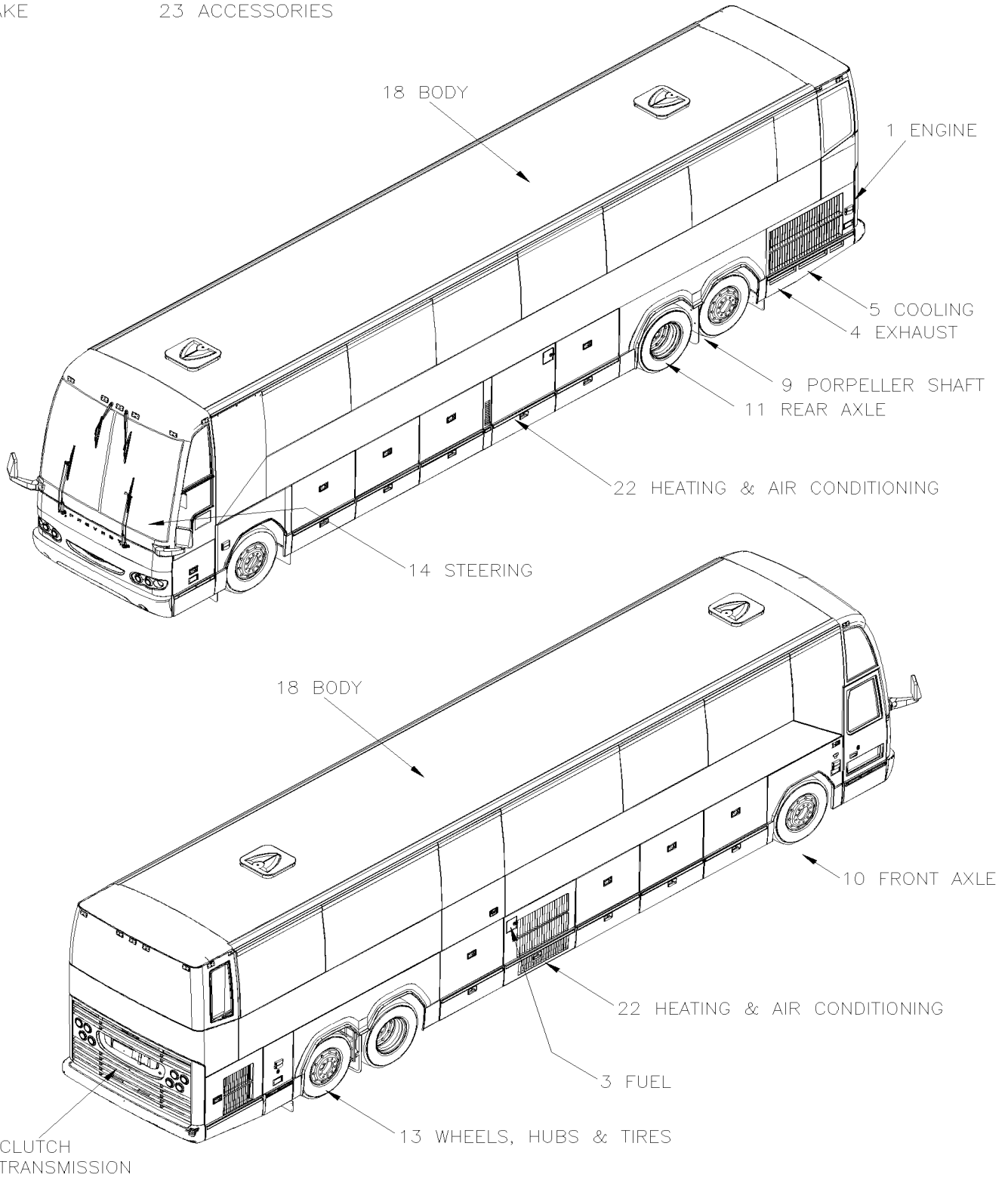




	Date:10/2022	PAGE: H3-2003 @ 2006
H3-41, H3-45 & VIP-45 / 2003 - 2006 / VIN FROM 3-4417 TO 8-1043		

6 ELECTRICAL
12 BRAKE

16 SUSPENSION
23 ACCESSORIES

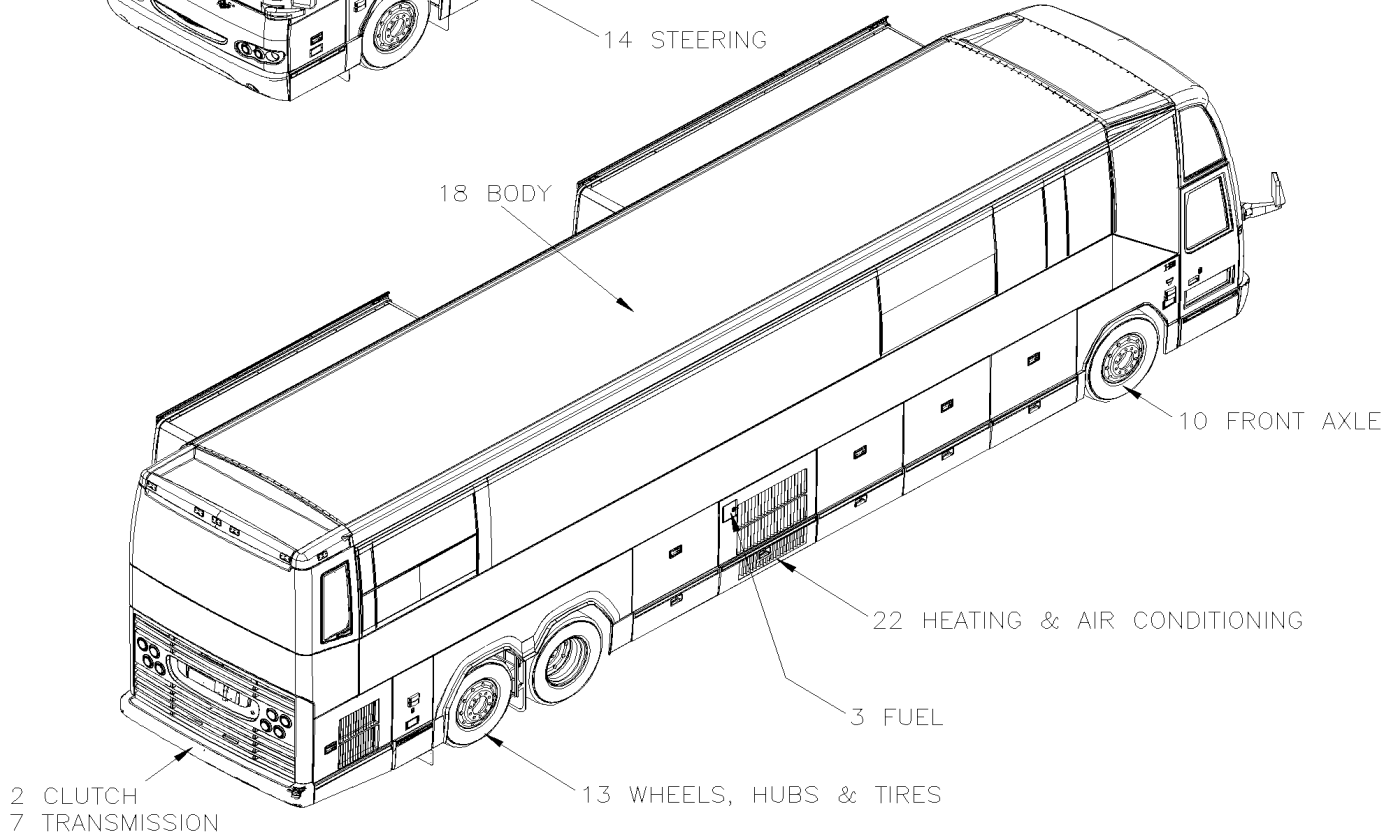
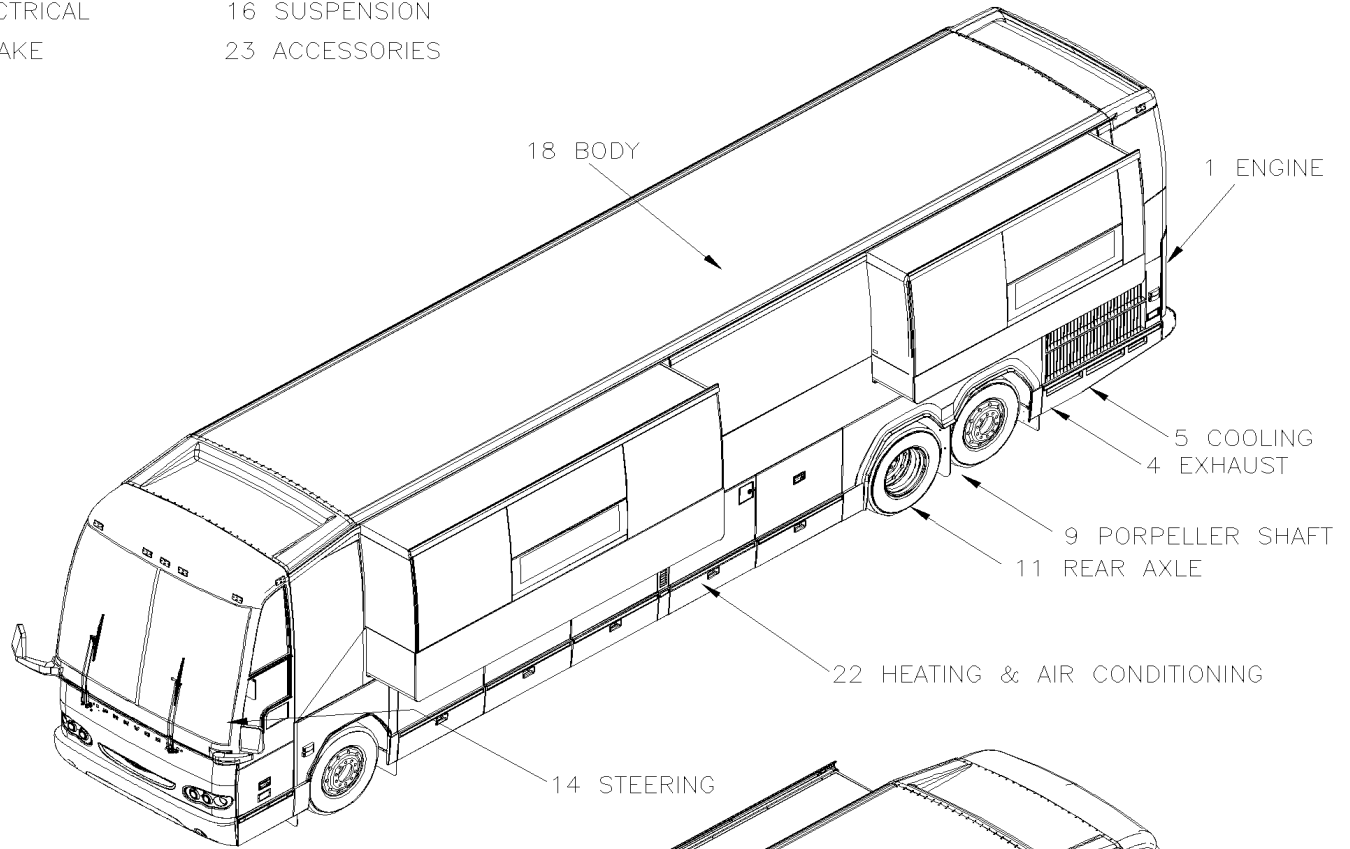




	Date:10/2022	PAGE: H3-2003 @ 2006
H3-41, H3-45 & VIP-45 / 2003 - 2006 / VIN FROM 3-4417 TO 8-1043		

6 ELECTRICAL
12 BRAKE

16 SUSPENSION
23 ACCESSORIES





Date:10/2022

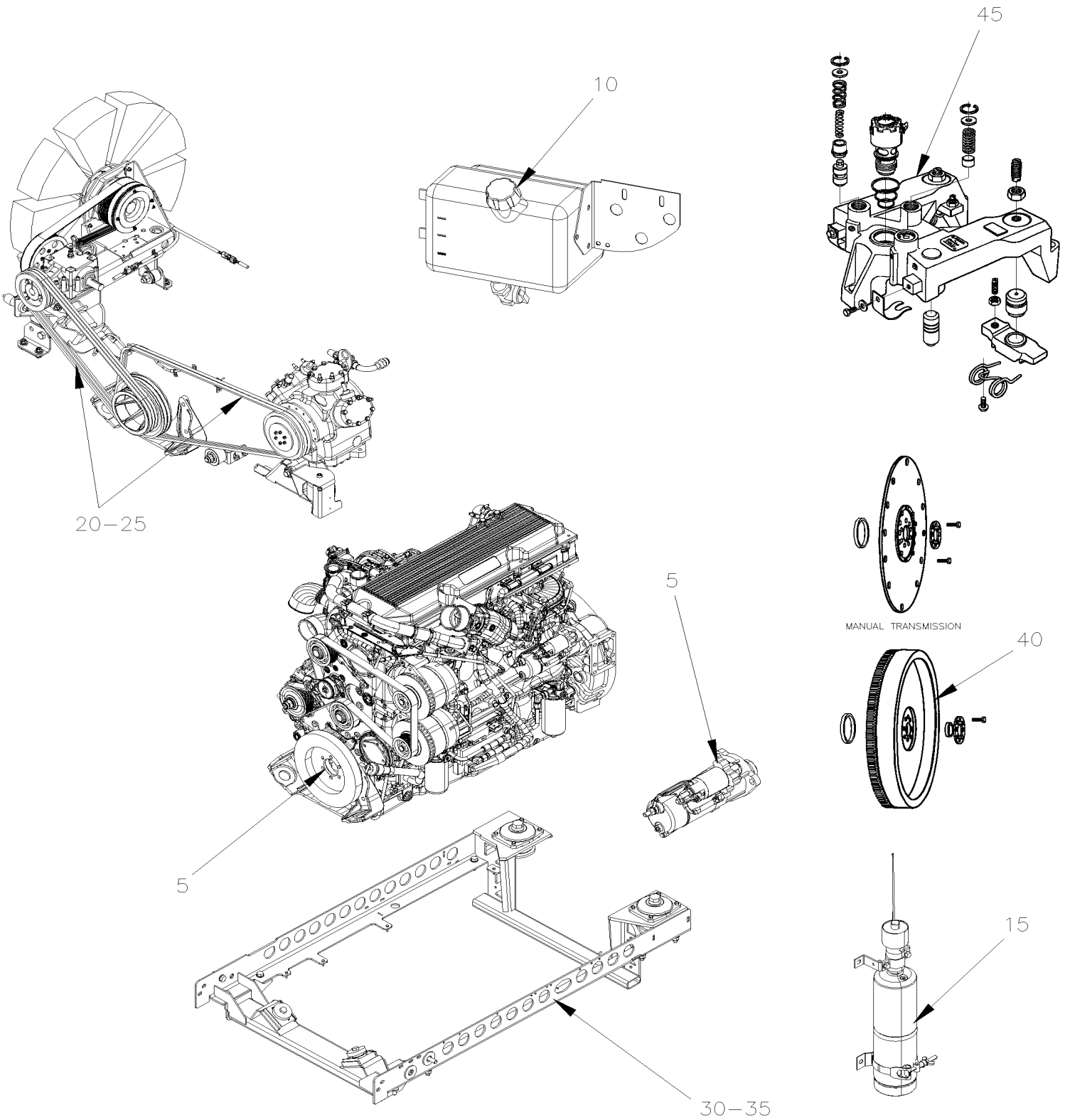
PAGE: H3-2003 @ 2006

H3-41, H3-45 & VIP-45 / 2003 - 2006 / VIN FROM 3-4417 TO 8-1043

Item#	Part	Description	H 3 4 1	H 3 4 5	V I P 4 5	N O T E S
		FOR VEHICLES FROM 7-0671 TO 8-1044 7-0671				
		IF YES USE BOOK H3 2007 TO TODAY (PA-1231)				
1	HF-01	ENGINE				
2	HF-02	CLUTCH				
3	HF-03	FUEL				
4	HF-04	EXHAUST				
5	HF-05	COOLING				
6	HF-06	ELECTRICAL				
7	HF-07	TRANSMISSION				
9	HF-09	PROPELLER SHAFT				
10	HF-10	FRONT AXLE				
11	HF-11	REAR AXLE				
12	HF-12	BRAKE				
13	HF-13	WHEELS, HUBS & TIRES				
14	HF-14	STEERING				
16	HF-16	SUSPENSION				
18	HF-18	BODY				
22	HF-22	HEATING & AIR CONDITIONING				
23	HF-23	ACCESSORIES				
30	HF-SEATSET-00	PASSENGER'S SEAT SET				
40	HF-DRIVER-00	DRIVER'S SEAT				



	Date:10/2022	HF-01
ENGINE		





		Date:10/2022	HF-01						
ENGINE									
Item#	Part	Description	H 3 4 1	H 3 4 5	V I P 4 5	N O T E S			
5	HF-0100-00	ENGINE WIRING HARNESS - INSTALLATION From 3-4417 To 8-1043							
10	HF-0105-00	ENGINE OIL RESERVOIR - PLASTIC From 3-4417 To 8-1043							
13	HF-0115-00	VPODS HOSE INSTALLATION From 4-4758 To 8-1043							
15	HF-0116-00	STARTING AID - INSTALLATION From 3-4417 To 8-1043							
20	HF-0120-00	DRIVE PULLEY & BELTS - W/2 "BOSCH" From 3-4417 To 8-1043							
20	HF-0120-50	DRIVE PULLEY & BELTS - V.I.P. From 3-4417 To 8-1043							
25	HF-0125-00	BELTS TENSIONERS - WITH DETROIT S-60 From 3-4417 To 3-4757							
25	HF-0125-01	BELTS TENSIONERS - WITH DETROIT S-60 From 4-4758 To 8-1043							
30	HF-0150-00	ENGINE CRADLE - WITH DETROIT S-60 From 3-4417 To 4-4857							
30	HF-0150-01	ENGINE CRADLE - WITH DETROIT S-60 From 4-4858 To 8-1043							
35	HF-0155-10	ENGINE TRANSMISSION GUARD & AIR SHIELD From 3-4417 To 8-1043							
40	HF-0160-00	FLYWHEEL - WITH MANUAL TRANS From 3-4417 To 8-1043							
45	HF-0165-00	JACOB'S - ENGINE BRAKE - WITH DETROIT S-60 From 3-4417 To 8-1043							



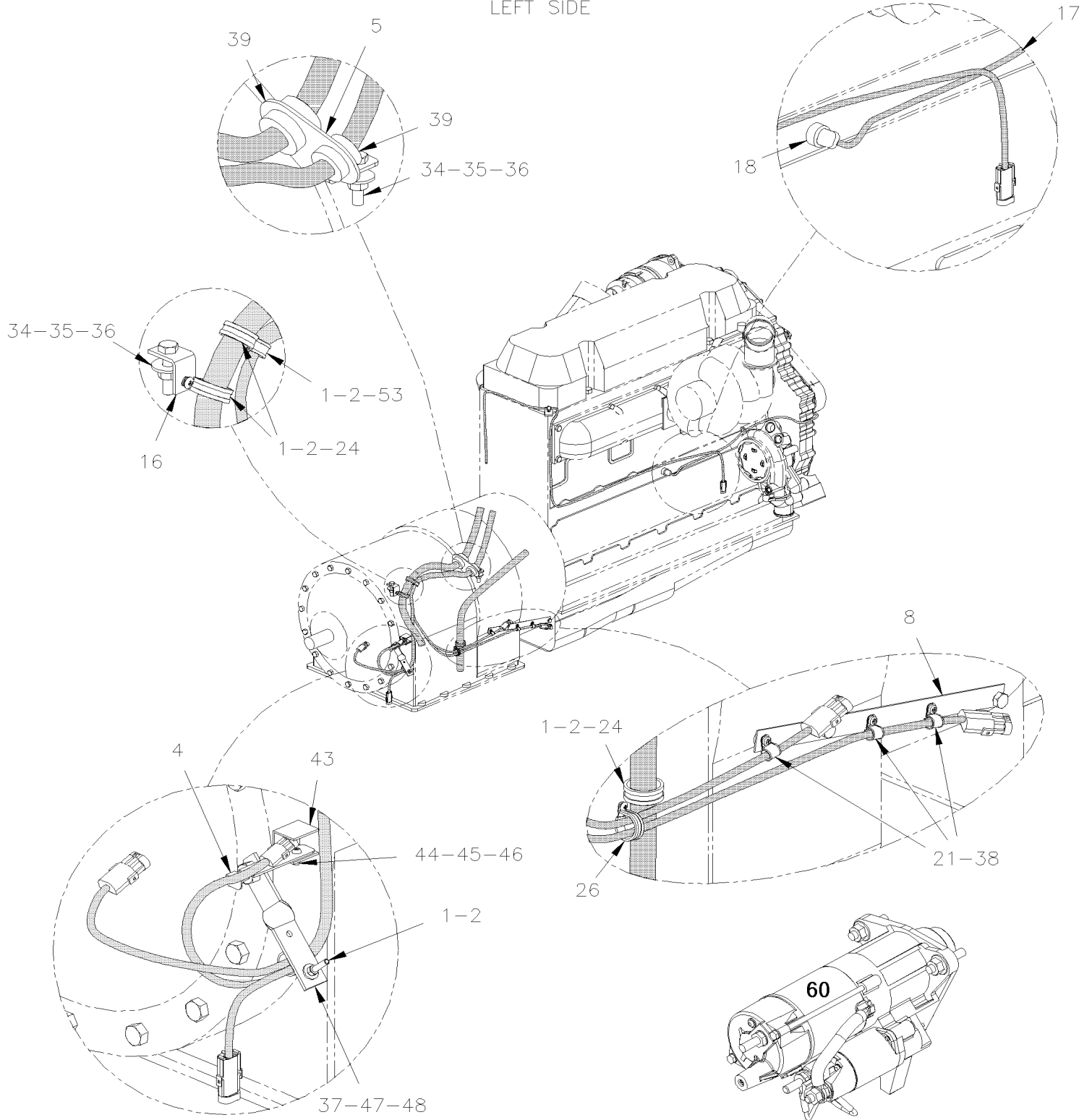
From 3-4417 To 8-1043

Date:10/2022

PAGE:HF-0100-00

ENGINE WIRING HARNESS - INSTALLATION

LEFT SIDE





From 3-4417 To 8-1043	Date:10/2022	PAGE:HF-0100-00
ENGINE WIRING HARNESS - INSTALLATION		

Item#	Part	Description	H 3 4 1	H 3 4 5	V I P 4 5	N O T E S
1	500574	SCREW MA TR PH #10-24x1 1/4 SS	AR	AR	AR	
2	500786	NUT HEX #10-24 Z050	AR	AR	AR	
3	500440	WASHER FL .250x.562x.065 Z050	AR	AR	AR	
4	504637	CABLE TIE / 3/16" x 13"	AR	AR	AR	
5	071035	SUPPORT CABLE HARNESS / W/2 HOLES / WTEC III To 5-0559	1	1	1	
5	071403	SUPPORT CABLE HARNESS / W/1 HOLE & 1 STUD / GEN IV From 5-0560	1	1	1	
6	Call order desk	SUPPORT HARNESS / LONG	1	1	1	P
7	010667	SUPPORT	2	2	2	
8	071029	SUPPORT CABLE / STRAP 298MM	1	1	1	
9	952631	CLAMP / 3/4" I.D.	6	6	6	
10	Call order desk	CABLE ASSY W/ALTERNATOR # 102-2/0	2	2	2	P
11	952637	CLAMP / 1"1/16 I.D.	3	3	3	
12	070368	SUPPORT	1	1	1	
13	062214	CABLE ASSY # 0C	1	1	1	
NS	062212	CABLE ASSY # 0B	1	1	1	
15	504016	CABLE TIE / 5/16" X 14"1/2	1	1	1	
16	061025	SUPPORT	1	1	1	
17	063295	CABLE ASSY / 110V BLOCK HEATER ENGINE SECTION	1	1	1	
18	560410	BLOCK HEATER	1	1	1	
19	5002254	WASHER FL .500X.750X.062, SS302	AR	AR	AR	
20	684013	RUBBER PROTECTOR / COLOR GUARD 14.5oz	AR	AR	AR	
21	952625	CLAMP / 3/8" I.D.	2	2	2	
22	065027	CABLE GROUND ALT "BOSCH"	2	2	2	
NS	065729	CABLE GROUND ALT "DELCO" From 3-4460	2	2	2	
22	065685	CABLE ASSY / ECU & "DELCO" 50DN			1	
23	065224	CABLE ASSY / ENGINE COMPT ACCESSORIES To 3-4757	1	1	1	
23	065606	CABLE ASSY / ENGINE COMPT ACCESSORIES From 4-4758 To 4-4831	1	1	1	
23	066007	CABLE ASSY / ENGINE COMPT ACCESSORIES From 4-4832 To 4-4867	1	1	1	
23	065980	CABLE ASSY / ENGINE COMPT ACCESSORIES From 4-4868 To 4-4963	1	1	1	
23	066201	CABLE ASSY / ENGINE COMPT ACCESSORIES From 4-4964	1	1	1	
23	065603	CABLE ASSY / ENGINE COMPT ACCESSORIES			1	A
24	952635	CLAMP / 1" I.D.	3	3	3	
25	500257	WASHER LO SPT 10.2x18.1x2.2 Z050	AR	AR	AR	
26	060025	CLAMP / 5/8" I.D / W/HOLE 13/32"	1	1	1	
NS	952629	CLAMP / 5/8" I.D.	1	1	1	
26	952629	CLAMP / 5/8" I.D.	2	2	2	
27	502559	SCREW CAP HEX M10-1.5x25 G8.8 Z050	AR	AR	AR	
28	500441	WASHER FL .312x.734x.065 Z050	AR	AR	AR	
29	500482	WASHER LO SPT .506x.873x.125 Z050	AR	AR	AR	
30	500857	WASHER LO INT .512x.900x.045 Z050	AR	AR	AR	
31	500850	SCREW CAP HEX M12-1.75X25 G8.8 Z050	AR	AR	AR	
32	061027	SUPPORT 2"1/2 LG	1	1	1	



From 3-4417 To 8-1043	Date:10/2022	PAGE:HF-0100-00
ENGINE WIRING HARNESS - INSTALLATION		

Item#	Part	Description	H 3 4 1	H 3 4 5	V I P 4 5	N O T E S
33	500860	NUT HEX M12-1.75 Z050	AR	AR	AR	
34	502549	SCREW CAP HEX M10-1.5x35 G8.8 Z050	AR	AR	AR	
35	500680	NUT HEX STO M10-1.5 Z050	AR	AR	AR	
36	502644	WASHER FL 10.5x30.0x2.5 Z050	AR	AR	AR	
37	061129	SUPPORT FLAT TWISTED / TUBE DIPSTICK	1	1	1	
38	5001036	SCREW MA PAN PH M4-0.7x10 Z050	AR	AR	AR	
39	065330	CABLE ASSY / TRANS & SPEED SWITCH / W/RETARDER To 3-4574	1	1	1	R
39	065750	CABLE ASSY / TRANS & SPEED SWITCH / W/RETARDER From 3-4575 To 5-0107	1	1	1	R
39	066208	CABLE HARNESS / SENSOR WTEC W/RETARDER / MUX From 5-0108	1	1	1	R
39	065331	CABLE ASSY / TRANS & SPEED SWITCH / W/O RETARDER To 3-4574	1	1	1	O
39	065751	CABLE ASSY / TRANS & SPEED SWITCH / W/O RETARDER From 3-4575 To 5-0107	1	1	1	O
39	066209	CABLE HARNESS / SENSOR WTEC W/OUT RETARDER / MUX From 5-0108	1	1	1	O
40	064942	CABLE ASSY / W/2 "BOSCH" 140 AMPS To 4-4963	1	1	1	
41	502561	NUT HEX M5-0.8 Z050	AR	AR	AR	
42	504601	CLAMP / 5/16" I.D. x .375 HOLE	1	1	1	R
43	065398	SUPPORT RETARDER TEMPERATURE SENSOR	1	1	1	R
44	500344	SCREW MA RND PH M4-0.7x12 Z050	AR	AR	AR	R
45	502524	NUT HEX M4-0.7 Z050	AR	AR	AR	R
46	502636	WASHER LO SPT 4.1x7.6x0.9 Z050	AR	AR	AR	R
47	071097	PROTECTOR SUPPORT SS 102MM X 90MM	1	1	1	R
48	071096	PROTECTOR SUPPORT SS ANGLE SHAPE 61MM X 73MM To 7-0936	1	1	1	O
49	071440	PROTECTOR SUPPORT SS "V" SHAPE 80MM HIGH From 7-0936	1	1	1	O
50	065697	SUPPORT HARNESS / LONG To 3-4757	1	1	1	
50	382033	PROTECTOR "E.C.M." / PLASTIC From 4-4758	1	1	1	
50	952627	CLAMP / 1/2" I.D.	3	3	3	
50	HF-0155-10	ENGINE TRANSMISSION GUARD & AIR SHIELD				
51	500257	WASHER LO SPT 10.2x18.1x2.2 Z050 To 3-4757	AR	AR	AR	
51	502862	SCREW CAP HEX M8-1.25x20 G8.8 N500 From 4-4758	AR	AR	AR	
NS	500381	WASHER FL 8.4x25.0x2.0 N500 From 4-4758	AR	AR	AR	
52	065231	CABLE ASSY SW24V TO STARTER To 3-4437	1	1	1	
52	065915	CABLE ASSY SW24V TO STARTER From 3-4438 To 5-0167	1	1	1	
52	066299	CABLE ASSY SW24V TO STARTER From 5-0168	1	1	1	
60	510485	STARTER MOTOR / 24V 42MT "DELCO" To 3-4716	1	1	1	F
60	510004	STARTER MOTOR / W/RELAY From 3-4717	1	1	1	
. NS	510011	. RELAY KIT From 3-4717	1	1	1	
. NS	510015	. SOLENOID KIT From 3-4717	1	1	1	
61	5001668	SCREW CB 12POINT 5/8-11x2 1/4	3	3	3	
NS	502884	WASHER LO SPT 16.2x27.4x3.5 N500	3	3	3	
NS	012260	KIT, RETROFIT STARTOR "MELCO" To 3-4716	1	1	1	
. NS	IS-02053C	. SEE INSTRUCTION SHEET To 3-4716	1	1	1	

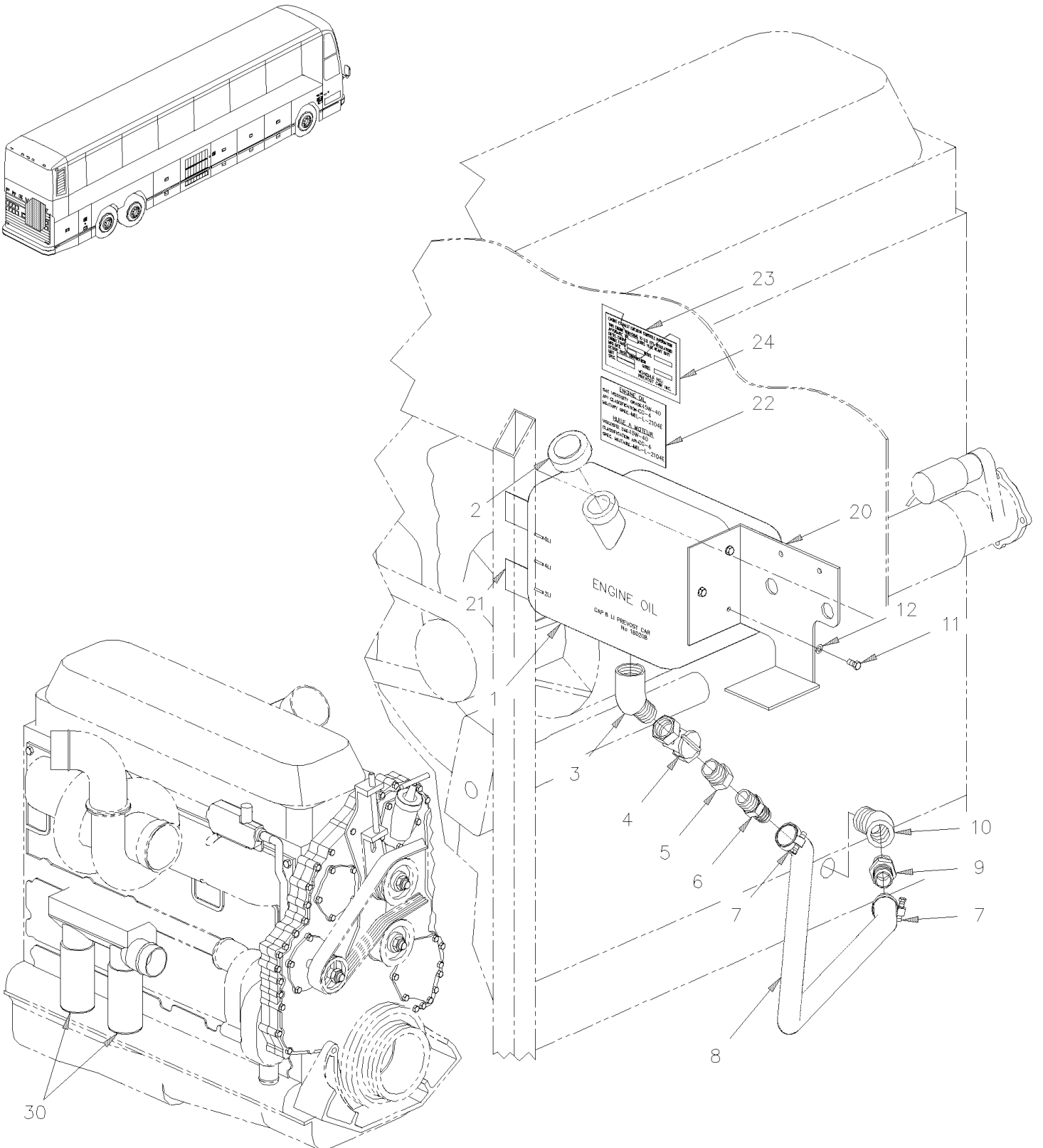


From 3-4417 To 8-1043	Date:10/2022	PAGE:HF-0100-00
-----------------------	--------------	-----------------

ENGINE WIRING HARNESS - INSTALLATION

Item#	Part	Description	H 3 4 1	H 3 4 5	V I P 4 5	N O T E S
		A) WITH SMALL A/C				
		F) FOR PRODUCT IMPROVEMENT, ASK KIT #012260 AND SEE INSTRUCTION SHEET				
		O) W/O RETARDER				
		R) WITH RETARDER				
		P) CALL ORDER DESK FOR SPECIFIC APPLICATION (V.I.N.)				

ENGINE OIL RESERVOIR - PLASTIC





From 3-4417 To 8-1043	Date:10/2022	PAGE:HF-0105-00
ENGINE OIL RESERVOIR - PLASTIC		

Item#	Part	Description	H 3 4 1	H 3 4 5	V I P 4 5	N O T E S
1	180208	TANK OIL	1	1		
2	683477	CAP	1	1		
3	5011051	STREET ELBOW 45° / PIPE FITTING / 3/4NPT-Mx3/4NPT-F BR	1	1		
4	5011045	VALVE 3/4"	1	1		
5	501462	BUSHING REDUCER / PIPE FITTING / 3/4NTP-Mx1/2NPT-F BR	1	1		
6	507605	MALE CONNECTOR / HOSE BARB FITTING / #12x1/2NPT-M BR	1	1		
7	504020	HOSE CLAMP / 9/16"-1"1/4 SS / HS-12	2	2		
8	180197	HOSE #16 1270MM	1	1		
8	503547	. HOSE / RUBBER #12 / S.L.	AR	AR		
9	501462	BUSHING REDUCER / PIPE FITTING / 3/4NTP-Mx1/2NPT-F BR	1	1		
NS	507605	MALE CONNECTOR / HOSE BARB FITTING / #12x1/2NPT-M BR	1	1		
10	5011051	STREET ELBOW 45° / PIPE FITTING / 3/4NPT-Mx3/4NPT-F BR	1	1		
10	501528	STREET ELBOW 45° / PIPE FITTING / 1/2NPT-Mx1/2NPT-F BR	1	1		
11	502531	SCREW CAP HEX M6-1.0x16 G8.8 Z050	6	6		
12	500411	WASHER FL .260x.697x.050 SS	1	1		
12	502564	WASHER LO SPT 6.1x11.8x1.6 Z050	6	6		
20	HF-1894-00	REAR STRUCTURE				
21	HF-1894-00	REAR STRUCTURE				
22	403536	DECAL "OIL SPEC" / ENGLISH & FRANCAIS To 3-4757	1	1	1	
22	012182	DECAL "OIL SPEC" 15W/40 / ENGLISH & FRANCAIS From 4-4758	1	1	1	
22	012261	DECAL "OIL SPEC" 15W/40 / ENGLISH & SPANISH From 4-4758	1	1	1	
23	011166	DECAL / V.I.N.	1	1	1	
24	681277	PROTECTOR TAPE / C.T.L.	AR	AR	AR	
30	510458	OIL FILTER, CARTRIDGE / PF-2100 / ENGINE / W/SERIES 60	2	2	2	

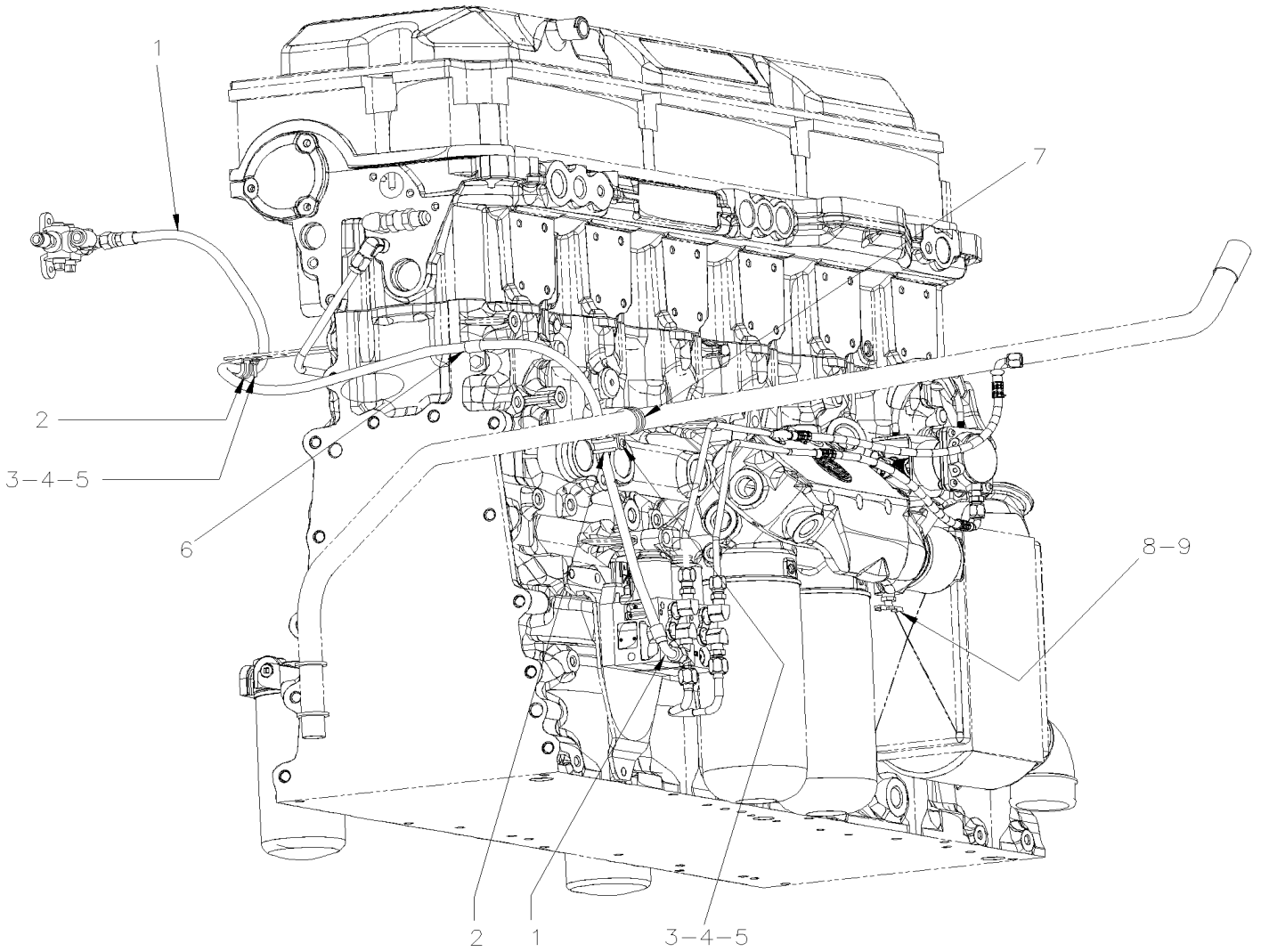


From 4-4758 To 8-1043

Date:10/2022

PAGE:HF-0115-00

VPODS HOSE INSTALLATION





From 4-4758 To 8-1043	Date:10/2022	PAGE:HF-0115-00
VPODS HOSE INSTALLATION		

Item#	Part	Description	H 3 4 1	H 3 4 5	V I P 4 5	N O T E S
1	012183	HOSE ASSY TEFLON #6 1525MM	1	1	1	
2	952627	CLAMP / 1/2" I.D.	2	2	2	
3	502677	SCREW MA RND PH M4-0.7x25 SS	2	2	2	
4	500539	NUT HEX NYRT M4-0.7 N500	2	2	2	
5	500855	WASHER FL .188x.438x.049 N500	2	2	2	
6	952633	CLAMP / 7/8" I.D.	1	1	1	
7	504601	CLAMP / 5/16" I.D. x .375 HOLE	1	1	1	
8	501129	EXTERNAL SEAL DRAIN 1/4 NPT	1	1	1	
9	680098	THREAD SEALANT LOCTITE #567 / WHITE / 250ml	AR	AR	AR	



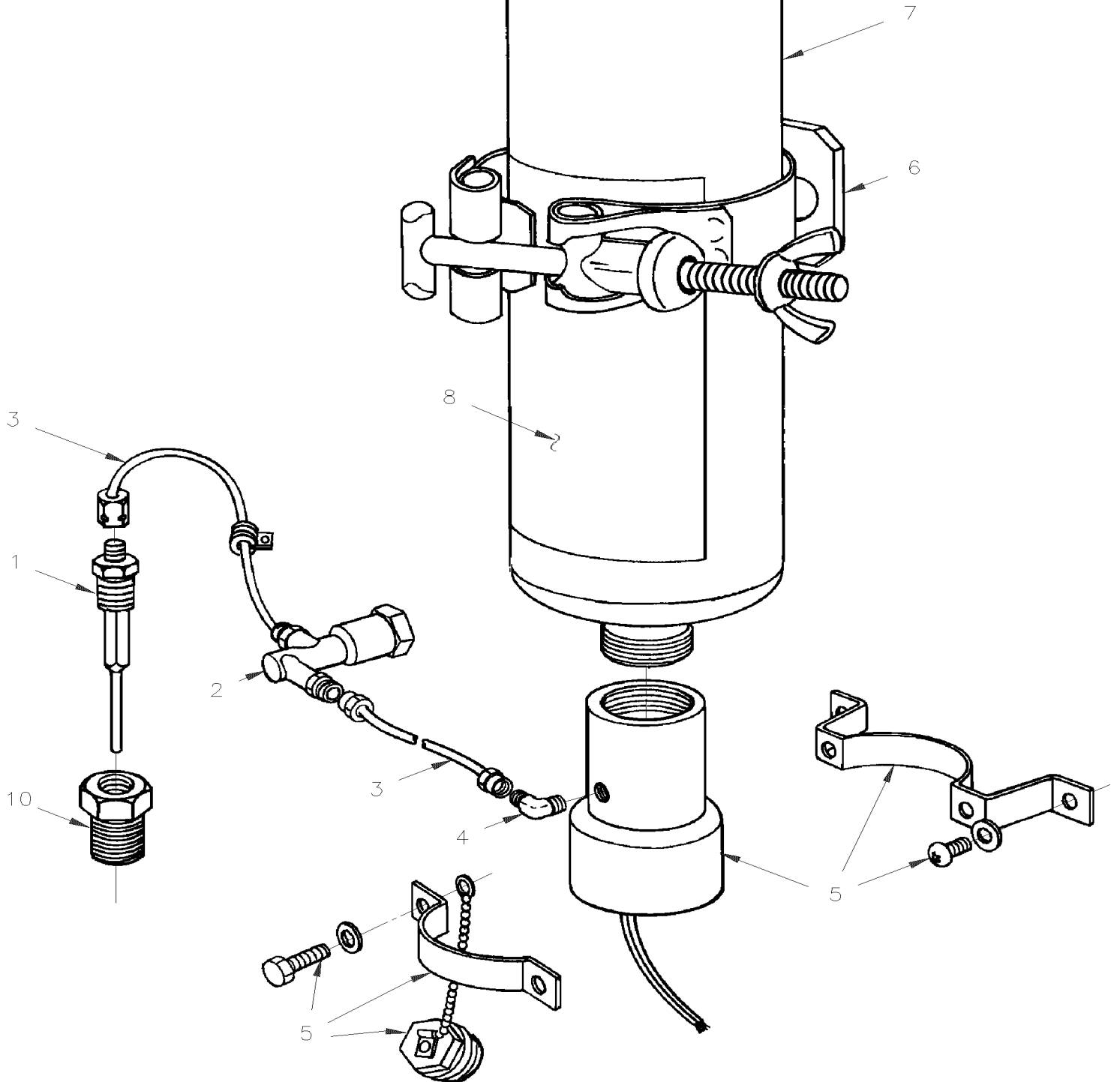
From 3-4417 To 8-1043

Date:10/2022

PAGE:HF-0116-00

STARTING AID - INSTALLATION

AUTOMATIC





From 3-4417 To 8-1043	Date:10/2022	PAGE:HF-0116-00
STARTING AID - INSTALLATION		

Item#	Part	Description	H 3 4 1	H 3 4 5	V I P 4 5	N O T E S
2	510169	THERMACLOZ	1	1	1	
3	503536	TUBE, NYLON 1/8 O.D. / BLACK S.L.	AR	AR	AR	
4	510171	ELBOW 90°	1	1	1	
5	011338	VALVE ASSY W/CONNECTOR	1	1	1	
5	510167	. VALVE	1	1	1	
6	510166	CLAMP CYLINDER	1	1	1	
6	502790	SCREW CAP HEX M8-1.25x20 G8.8 Z050	4	4	4	
6	502507	WASHER LO SPT 8.1x14.8x2.0 Z050	4	4	4	
6	502543	NUT HEX M8-1.25 Z050	4	4	4	
7	510173	CYLINDER DIESEL STARTING FUEL	1	1	1	
8	510172	DECAL	1	1	1	
NS	500165	SCREW CAP HEX 1/4-20x1 G5 Z050	2	2	2	A
10	501534	BUSHING REDUCER / PIPE FITTING / 1/2NPT-Mx3/8NPT-F BR	1	1	1	
NS	562698	SWITCH / OFF-M/ON / D.P.S.T. / W/GREEN LED	1	1	1	
NS	562734	CAP / ETHER	1	1	1	
NS	011437	SUPPORT / BOLTED ON FRAME	2	2	2	
		A) CYLINDER CLAMP				

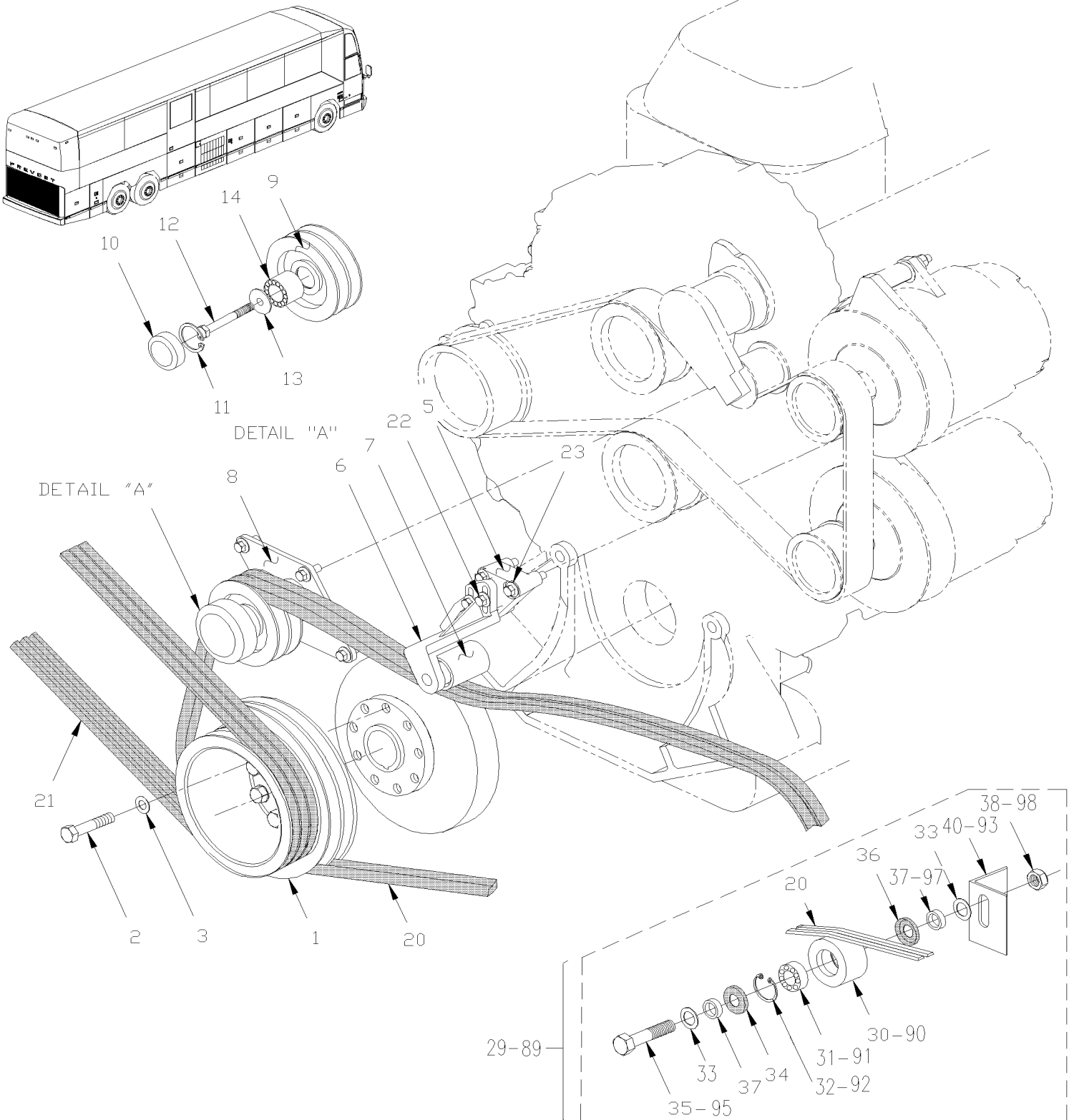


From 3-4417 To 8-1043

Date:10/2022

PAGE:HF-0120-00

DRIVE PULLEY & BELTS - W/2 "BOSCH"





From 3-4417 To 8-1043	Date:10/2022	PAGE:HF-0120-00
DRIVE PULLEY & BELTS - W/2 "BOSCH"		

Item#	Part	Description	H 3 4 1	H 3 4 5	V I P 4 5	N O T E S
1	011584	PULLEY W/60 (2V X 11" O.D. + 3V X 8" O.D. / BOLTED ON HUB To 3-4757	1	1		
1	019206	PULLEY W/60 (2V X 11" O.D. + 3V X 8" O.D. From 4-4758 To 4-4952	1	1		
1	012266	PULLEY W/60 (2V X 11" O.D. + 3V X 8" O.D. From 4-4952	1	1		
2	N.S.P.	BOLT 9/16-18 X 2"1/2 / (8929222)	9	9		2
3	N.S.P.	WASHER SPECIAL 9/16" / (5133981)	9	9		2
5	012064	ADAPTOR SNUBBER MOUNTING To 3-4757	1	1		
5	012191	ADAPTOR SNUBBER MOUNTING From 4-4758 To 4-4952	1	1		
5	012265	ADAPTOR SNUBBER MOUNTING From 4-4953 To 7-0945	1	1		
5	012455	ADAPTOR SNUBBER MOUNTING From 7-0946	1	1		
6	012063	SNUBBER ASSY To 4-4952	1	1		
6	012268	SNUBBER ASSY From 4-4953 To 7-0945	1	1		
6	012467	SNUBBER ASSY From 7-0946	1	1		
6	N.P.N.	. SUPPORT To 7-0945	1	1		4
6	012453	. SUPPORT From 7-0946	1	1		
7	N.P.N.	. ROLLER To 7-0945	1	1		4
7	012456	. ROLLER 48MM O.D. x 64MM From 7-0946	1	1		
7	N.P.N.	. BEARING To 7-0945	1	1		4
7	012458	. BEARING MODIFIED PREVOST From 7-0946	1	1		
NS	5006768	. SCREW DRV RND #14x5/8 Z050	1	1		
8	012058	PULLEY ASSY IDLER To 3-4757	1	1		
8	012269	PULLEY ASSY IDLER From 4-4758 To 7-0945	1	1		
8	012466	PULLEY ASSY IDLER From 7-0946	1	1		
9	N.P.N.	. PULLEY To 7-0945	1	1		4
9	012459	. PULLEY 116MM O.D. x 53.5MM From 7-0946	1	1		
10	510798	. PROTECTOR CAP / "PREVOST"	1	1		
11	N.P.N.	. SNAP RING To 7-0945	1	1		4
11	504040	. RING RETAINER / INT 2.440 x 1.860 x 0.078 STL BLK From 7-0946	1	1		
12	5001308	. SCREW CAP HEXF M10-1.5x40 G10.9 N500 To 7-0945	1	1		
12	500829	. SCREW CAP HEX M10-1.5x40 G8.8 From 7-0946	1	1		
13	012062	. WASHER FL 10.2 x38.1x5 ST	1	1		
14	510618	. BALL BEARING DBL ROW / 30MM x 62MM x 27 W	1	1		
NS	507371	. SEAL From 7-0946	1	1		
20	506681	V-BELT / BX-100 9013-2100	2	2		
20	506864	V-BELT / BX-100 / SET OF 2 9212-0404	1	1		
21	506748	V-BELT / AX-72 9012-2072 To 3-4757	3	3		
21	502918	SUPER V-BELT / 3BX-74 3/BX-74 From 4-4758 To 7-0775	1	1		
21	5060090	V-BELT / BX-74 / SET OF 3 From 7-0776	1	1		
22	955297	SCREW CAP HEX M8-1.25x25 G8.8 ZG603	1	1		
23	975102	SCREW CAP HEXF M10-1.5x60 G10.9 PHC	1	1		
29	453709	KIT, PULLEY ASSY W/ANGLE SUPPORT To 4-4849	1	1		
29	454186	KIT, PULLEY ASSY W/ANGLE SUPPORT / SERIES "H" From 4-4850	1	1		
30	052208	. PULLEY ASSY W/BEARING & SEAL / 43MM x 78MM	1	1		



From 3-4417 To 8-1043	Date:10/2022	PAGE:HF-0120-00
DRIVE PULLEY & BELTS - W/2 "BOSCH"		

Item#	Part	Description	H 3 4 1	H 3 4 5	V I P 4 5	N O T E S
30	052207	. . PULLEY BELT TENSIONER / 43MM x 78MM O.D. To 4-4952	1	1		
30	052594	. . PULLEY BELT TENSIONER / 43MM x 78MM O.D. From 4-4953	1	1		
31	507340	. . BALL BEARING 20 ID x 52 OD x 22.2 W	1	1		
32	504095	. . RING RETAINER / INT 2.00 x 2.12 x .062	1	1		
33	5001205	. . WASHER FL .875x1.375x.047	1	1		
34	507361	. . SEAL	1	1		
35	5001124	. . SCREW CAP HEX M20-2.5x80 G8.8 ZP	1	1		
36	507360	. . SEAL	1	1		
37	052205	. . SPACER 20MM I.D. X 12.5MM TH	1	1		
38	500809	. . NUT HEX STO M20-2.5 N500	1	1		
40	052393	. ANGLE SUPPORT / BOLTED TO ENGINE CRADLE To 4-4952	1	1		B
40	454184	. ANGLE SUPPORT / BOLTED TO ENGINE CRADLE / SERIES "H" From 4-4953	1	1		C
		B) INCLUDED IN KIT #453709				
		C) INCLUDED IN KIT #454186				
		2) NOT SOLD BY PREVOST (SEE MANUFACTURING PART NUMBER AT END OF DESCRIPTION LINE)				
		4) NO PARTS NUMBER				

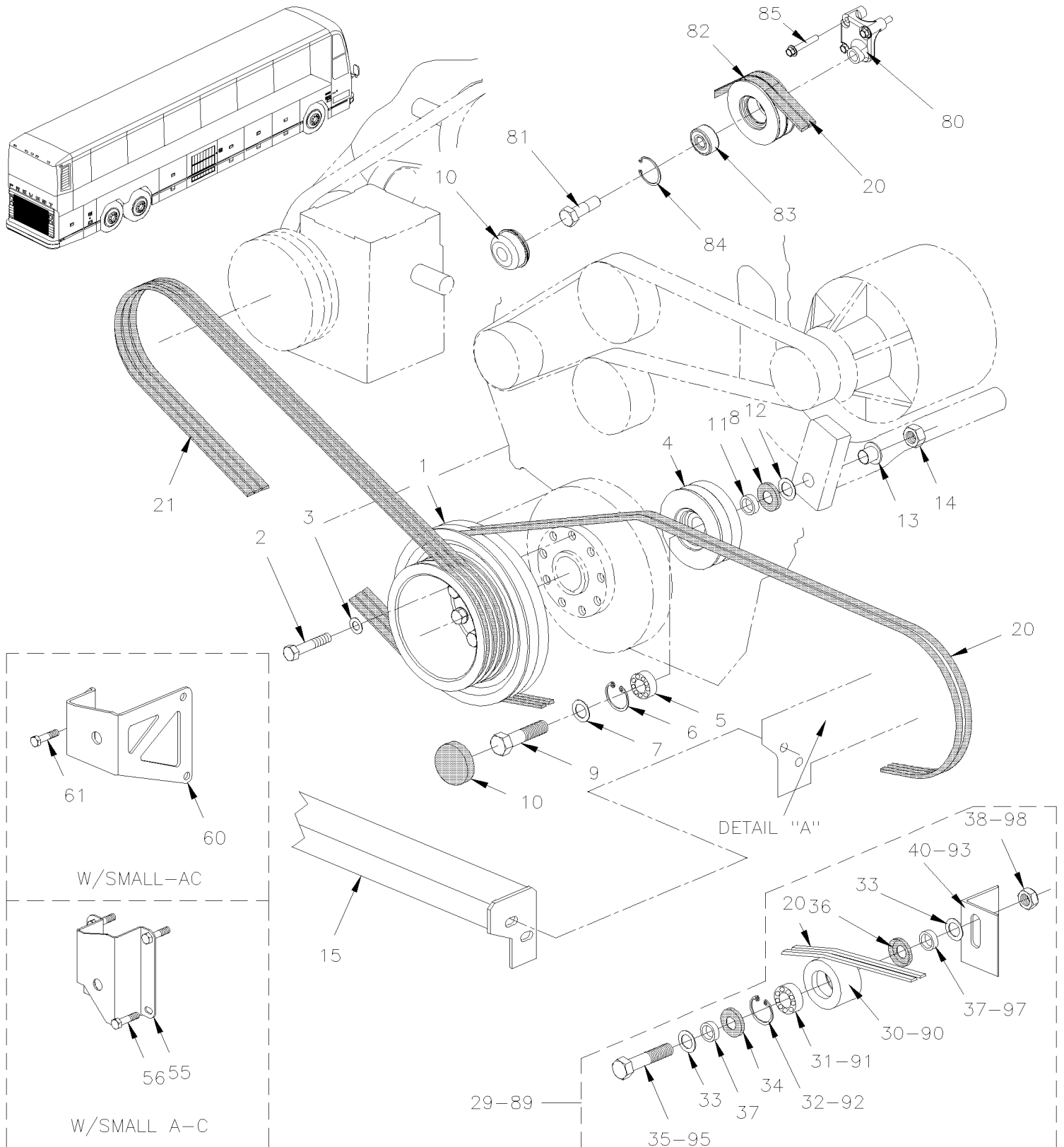


From 3-4417 To 8-1043

Date:10/2022

PAGE:HF-0120-50

DRIVE PULLEY & BELTS - V.I.P.





From 3-4417 To 8-1043	Date:10/2022	PAGE:HF-0120-50
DRIVE PULLEY & BELTS - V.I.P.		

Item#	Part	Description	H 3 4 1	H 3 4 5	V I P 4 5	N O T E S
1	011584	PULLEY W/60 (2V X 11" O.D. + 3V X 8" O.D. / BOLTED ON HUB To 3-4757			1	
1	019206	PULLEY W/60 (2V X 11" O.D. + 3V X 8" O.D. From 4-4758 To 4-4953			1	
1	012266	PULLEY W/60 (2V X 11" O.D. + 3V X 8" O.D. From 4-4954			1	
2	N.S.P.	BOLT 9/16-18 X 2 1/2" / (8929222)			9	2
3	N.S.P.	WASHER SPECIAL 9/16" / (5133981)			9	2
4	453078	PULLEY ASSY W/BEARING & SEAL / 5" O.D. X 2V			1	
4	453075	. PULLEY / 5" O.D. X 2V			1	
5	507340	. BALL BEARING 20 ID x 52 OD x 22.2 W			1	
6	504095	. RING RETAINER / INT 2.00 x 2.12 x .062			1	
7	502558	WASHER FL 21.0x37.0x3.0 G500			1	
8	507360	SEAL			1	
NS	680500	GREASE MERITOR / 400GR			1	
9	5001124	SCREW CAP HEX M20-2.5x80 G8.8 ZP			1	
9	983296	SCREW CAP HEX M20-2.5x90 G10.9 ZP			1	F
10	453076	CAP, DUST			1	
11	052219	SPACER 20MM I.D. X 19.44MM TH			1	
12	5001205	WASHER FL .875x1.375x.047			AR	
13	452276	CENTERING BUSHING, FLANGE			1	
14	500809	NUT HEX STO M20-2.5 N500			1	
15	HF-0150-00	ENGINE CRADLE - WITH DETROIT S-60				
20	506664	V-BELT / BX-97 / SET OF 2 9212-0390			2	F G
20	506197	SUPER V-BELT / 2B-97 9093-2097			AR	A
20	506787	V-BELT / BX-80 / SET OF 2 9212-0401 From 6-0436			1	E
20	506708	V-BELT / BX-77 9013-2077			2	E
20	506864	V-BELT / BX-100 / SET OF 2 9212-0404 From 6-0436			1	D G
20	506752	V-BELT / BX-96 / SET OF 2 9013-2096			2	
NS	506683	V-BELT / BX-31 9013-2031			1	E
21	506691	V-BELT / AX-73 9012-2073 To 3-4757			3	
21	509823	V-BELT / BX-74 9013-2074 From 4-4758 To 7-0775			3	
21	502918	SUPER V-BELT / 3BX-74 3/BX-74 From 4-4758 To 7-0775			1	
21	5060090	V-BELT / BX-74 / SET OF 3 From 7-0776			1	
29	453709	KIT, PULLEY ASSY W/ANGLE SUPPORT To 4-4849			1	
29	454186	KIT, PULLEY ASSY W/ANGLE SUPPORT / SERIES "H" From 4-4850			1	
30	052208	. PULLEY ASSY W/BEARING & SEAL / 43MM x 78MM			1	
30	052207	. . PULLEY BELT TENSIONER / 43MM x 78MM O.D. To 4-4952			1	
30	052594	. . PULLEY BELT TENSIONER / 43MM x 78MM O.D. From 4-4953			1	
31	507340	. . BALL BEARING 20 ID x 52 OD x 22.2 W			1	
32	504095	. . RING RETAINER / INT 2.00 x 2.12 x .062			1	
33	5001205	. . WASHER FL .875x1.375x.047			AR	
34	507361	. . SEAL			1	
35	5001124	. SCREW CAP HEX M20-2.5x80 G8.8 ZP			1	
36	507360	. SEAL			1	



From 3-4417 To 8-1043	Date:10/2022	PAGE:HF-0120-50
DRIVE PULLEY & BELTS - V.I.P.		

Item#	Part	Description	H 3 4 1	H 3 4 5	V I P 4 5	N O T E S
37	051895	. SPACER 20MM I.D. X 9MM TH			1	
37	052205	. SPACER 20MM I.D. X 12.5MM TH			2	
38	500809	. NUT HEX STO M20-2.5 N500			1	
40	052393	. ANGLE SUPPORT / BOLTED TO ENGINE CRADLE To 4-4849			1	B
40	454184	. ANGLE SUPPORT / BOLTED TO ENGINE CRADLE / SERIES "H" From 4-4850			1	C
55	453307	SUPPORT IDLER PULLEY / STEEL / W/SMALL A/C To 3-4757			1	
56	500080	SCREW CAP HEX 7/16-20x4 1/2 G5 Z050 To 3-4757			2	
60	453795	SUPPORT IDLER PULLEY / W/SMALL A/C From 4-4758			1	
61	502705	SCREW CAP HEX M12-1.75X25 G8.8 N500 From 4-4758			AR	
NS	500747	WASHER LO SPT 12.2x21.1x2.5 N500 From 4-4758			AR	
		A) THIS BELT IS "HI-POWER BAND"				
		B) INCLUDED IN KIT #453709				
		C) INCLUDED IN KIT #454186				
		D) USE W/2 ALT "BOSCH"				
		E) WITH SMALL A/C				
		F) WITH SERIES 50DN "DELCO"				
		G) WITH 05G A/C COMPRESSOR				
		2) NOT SOLD BY PREVOST (SEE MANUFACTURING PART NUMBER AT END OF DESCRIPTION LINE)				

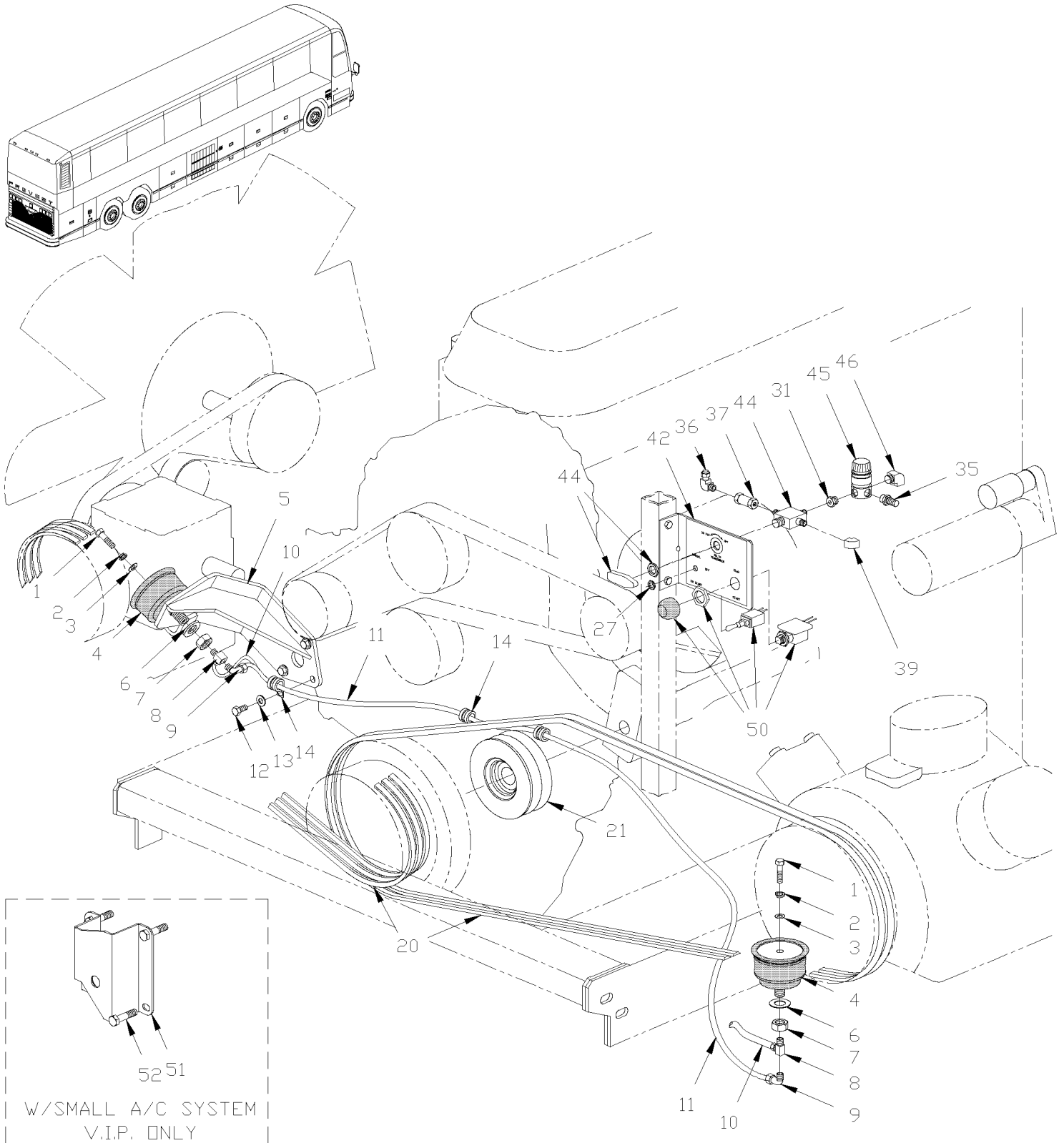


From 3-4417 To 3-4757

Date:10/2022

PAGE:HF-0125-00

BELTS TENSIONERS - WITH DETROIT S-60





From 3-4417 To 3-4757	Date:10/2022	PAGE:HF-0125-00
BELTS TENSIONERS - WITH DETROIT S-60		

Item#	Part	Description	H 3 4 1	H 3 4 5	V I P 4 5	N O T E S
1	500179	SCREW CAP HEX 5/16-18x3/4 G5 Z050	2	2	2	
2	500482	WASHER LO SPT .506x.873x.125 Z050	2	2	2	
3	500441	WASHER FL .312x.734x.065 Z050	2	2	2	
4	950208	BELLOW ASSY / BELT TENSIONER / 3" O.D.	1	1	1	
. NS	504695	. HOSE CLAMP STEPLESS SPRING SS / OETIKER / 2.9-3.3	1	1	1	
5	059055	SUPPORT BELLOW TENSIONER	1	1	1	
6	5001150	WASHER FL 17.0x30.0x3.0 N500	1	1	1	
7	500792	NUT HEX 5/8-11 Z050	1	1	1	
8	501707	ADAPTER TEE / SAE 45° FITTING / #4FL-Mx1/8NPT-Mx1/8NPT-F BR	1	1	1	
9	640996	MALE ELBOW 90° / NTA FITTING / #4x1/8NPT-M BR	1	1	1	
9	641127	MALE ELBOW 45° / NTA FITTING / #4x1/8NPT-M BR	2	2	2	
10	503402	TUBE, NYLON 1/4 O.D. / BLACK S.L.	AR	AR	AR	
11	052316	HOSE ASSY TEFLON #4 1278 MM	1	1		
11	050898	HOSE ASSY TEFLON #4 1278MM			1	C
11	052041	HOSE ASSY TEFLON #4 1230MM			1	B
12	500069	SCREW CAP HEX M8-1.25x16 G10.9 DP	3	3	3	
13	500874	WASHER FL 8.4x17.0x1.6 Z050	3	3	3	
14	504601	CLAMP / 5/16" I.D. x .375 HOLE	3	3	3	
20	HF-0120-00	DRIVE PULLEY & BELTS - W/2 "BOSCH"				
21	HF-0120-50	DRIVE PULLEY & BELTS - V.I.P.				
30	011894	DECAL "BELT TENSIONER"	1	1	1	
31	501650	NIPPLE REDUCER HEX / PIPE FITTING / 1/4NPT-Mx1/8NPT-Mx1 3/16 BR	2	2	2	
35	640488	VALVE, AIR FILL 1/8" NPT	1	1	1	
. NS	650164	. CAP VALVE / CHROME	1	1	1	
36	641074	FEMALE ELBOW 90° / NTA FITTING / #4x1/8NPT-F BR	1	1	1	
37	530175	VALVE, CHECK 1/8 NPT	1	1	1	
39	501331	STREET ELBOW 90° / PIPE FITTING / 1/8NPT-Mx1/8NPT-F BR	1	1	1	
40	502631	SCREW CAP HEX M6-1.0x20 G8.8 Z050	2	2	2	
41	502511	NUT HEX NYRT M6-1.0 Z050	2	2	2	
42	064539	PLATE SWITCH SUPPORT / W/2 SWITCHES	1	1	1	
NS	064540	DECAL / "MOTOR SWITCH REGULATOR" / 50PSI	1	1	1	
43	502663	SCREW MA BDG PH #10-32x1 SS EMN	1	1	1	
NS	502564	WASHER LO SPT 6.1x11.8x1.6 Z050	2	2	2	
44	641417	VALVE, 3 WAYS 1/8NPT-Fx1/8NPT-Fx1/8NPT-F BR	1	1	1	
. NS	642014	. HANDLE / RED	1	1	1	
44	642161	VALVE, 3 WAYS 1/8NPT-Fx1/8NPT-Fx1/8NPT-F BR / SERVICE	1	1	1	
. NS	642014	. HANDLE / RED	1	1	1	
45	641472	AIR PRESSURE REGULATOR 1/4" NPT / COPPER	1	1	1	
46	640997	MALE ELBOW 90° / NTA FITTING / #4x1/4NPT-M BR	1	1	1	
50	HF-0665-10	SWITCHES, LIGHTS, AJAR - UNDER FLOOR				
51	453307	SUPPORT IDLER PULLEY / STEEL / W/SMALL A/C			1	
52	500080	SCREW CAP HEX 7/16-20x4 1/2 G5 Z050			2	



From 3-4417 To 3-4757	Date:10/2022	PAGE:HF-0125-00
-----------------------	--------------	-----------------

BELTS TENSIONERS - WITH DETROIT S-60

Item#	Part	Description	H 3 4 1	H 3 4 5	V I P 4 5	N O T E S
60		FOLLOWING ITEMS ARE RELATED WITH A/C COMPRESSOR LOW AIR SAFETY SWITCH				A
NS	064906	CABLE ASSY / A/C CLUTCH & PRESSURE SWITCH	1	1		A
NS	452449	PRESSURE SWITCH N.O. 60-35 20SP001AA060E035E	1	1		
NS	142013	SUPPORT AIR REGULATOR / ANGLE 90DEG STYLE	1	1		
NS	500734	NUT HEX JAM 3/4-16 Z050	1	1		
NS	501310	ADAPTER / PIPE FITTING / 1/4NPT-Fx1/8NPT-M BR	1	1		
NS	641371	MALE ELBOW 90° NON-SWIVEL / PUSH-IN FITTING / #4x1/4NPT-M BR	2	2		
NS	503402	TUBE, NYLON 1/4 O.D. / BLACK S.L.	AR	AR		
NS	502848	SCREW TC CAP HEXF 1/4-20x3/4 N500	2	2		
NS	955920	WASHER LO SPT 6.5x11.5x1.6 ZP	2	2		
		A) W/LOW AIR PRESSURE ON BELT TENSIONER FOR CUT OFF A/C COMP CLUTCH SEE DIAGRAM D060949 PAGE 13.2 SP1 FOR MORE INFOMATION				
		B) WITH LARGE A/C				
		C) WITH SMALL A/C				

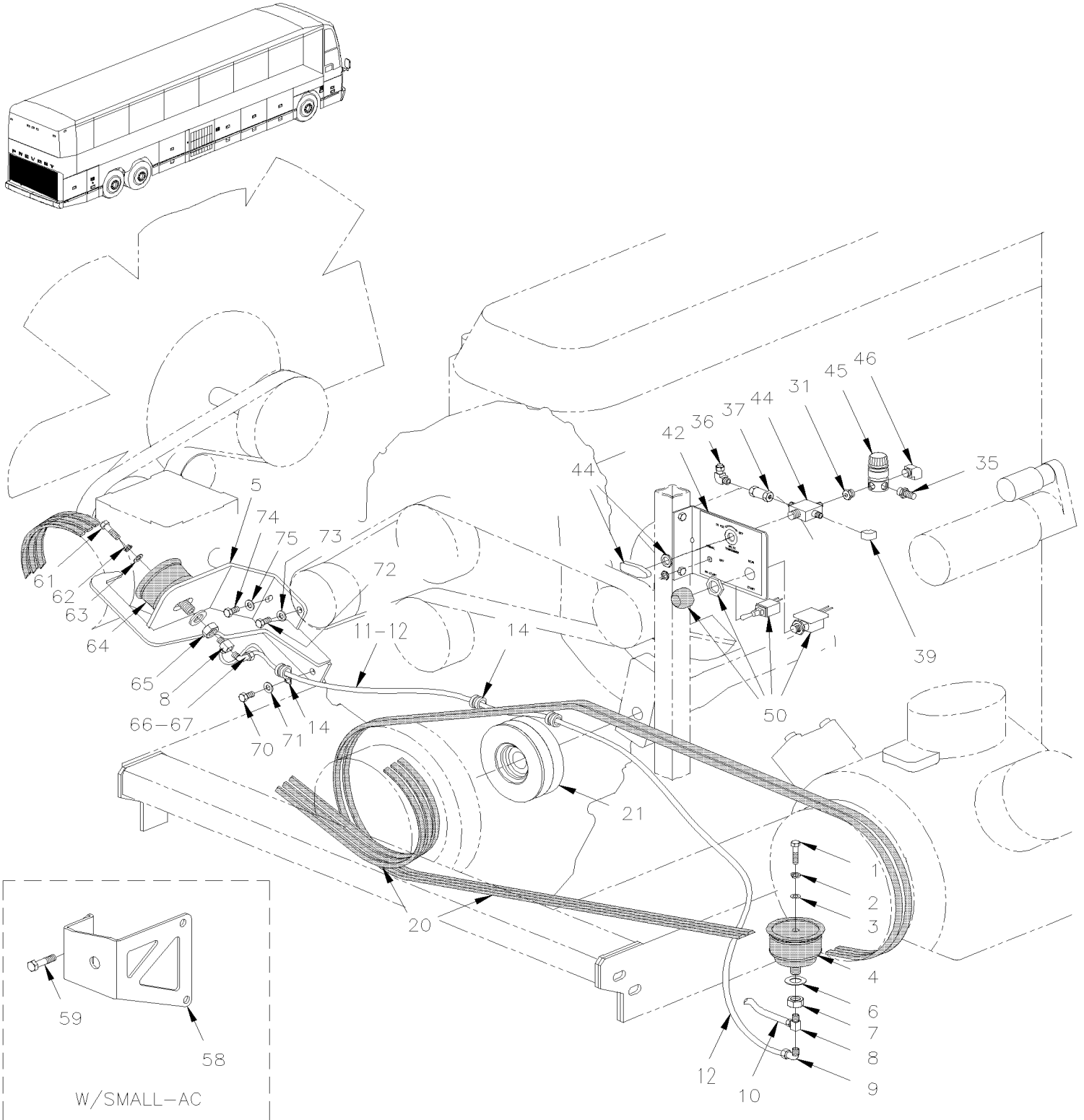


From 4-4758 To 8-1043

Date:10/2022

PAGE:HF-0125-01

BELTS TENSIONERS - WITH DETROIT S-60



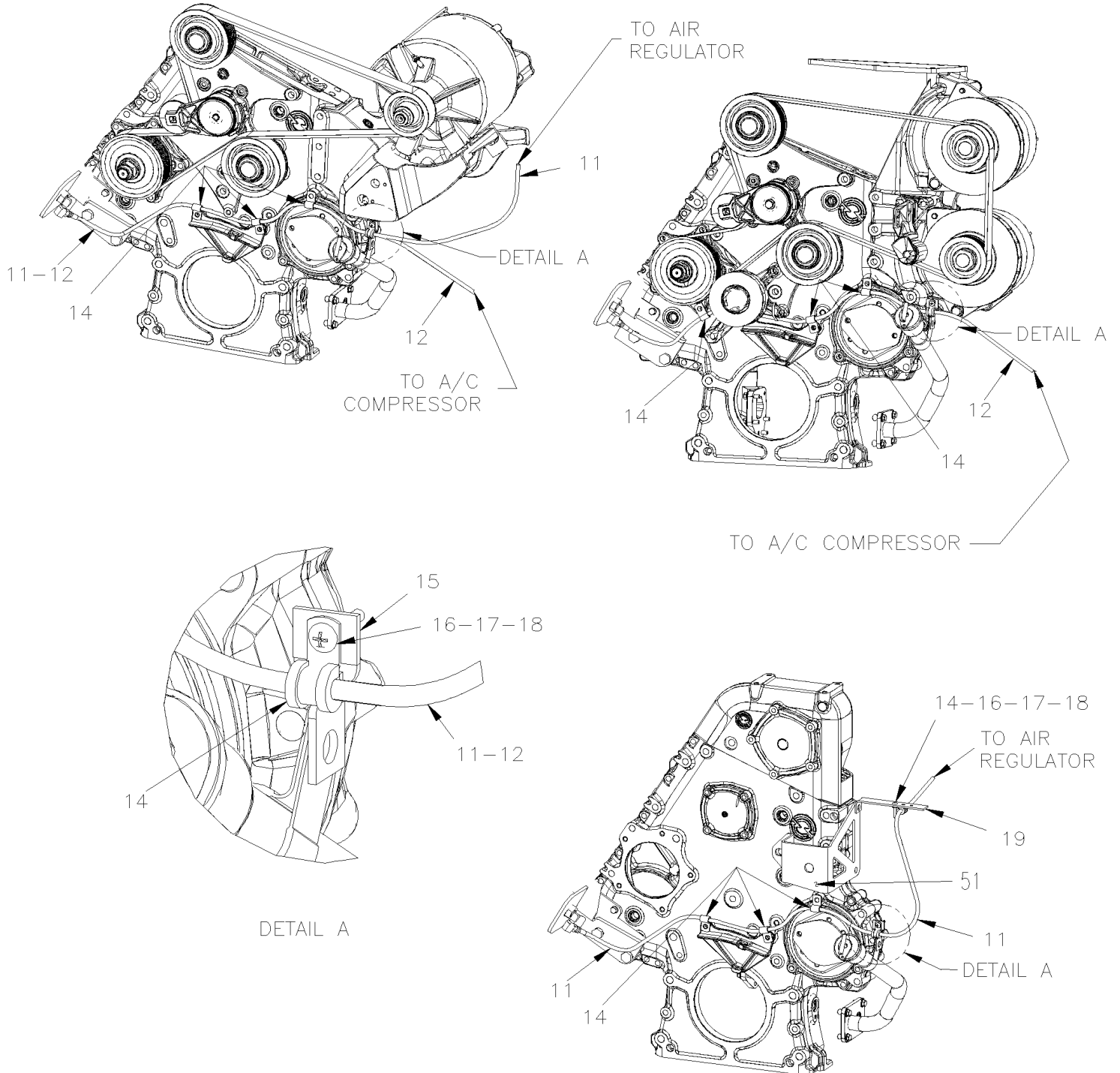


From 4-4758 To 8-1043

Date:10/2022

PAGE:HF-0125-01

BELTS TENSIONERS - WITH DETROIT S-60





From 4-4758 To 8-1043	Date:10/2022	PAGE:HF-0125-01
BELTS TENSIONERS - WITH DETROIT S-60		

Item#	Part	Description	H 3 4 1	H 3 4 5	V I P 4 5	N O T E S
1	500179	SCREW CAP HEX 5/16-18x3/4 G5 Z050 To 4-4914	2	2	2	
1	502916	SCREW CAP HEX 3/8-16x3/4 G8 N500 From 4-4915	1	1	1	
2	500482	WASHER LO SPT .506x.873x.125 Z050 To 4-4914	2	2	2	
2	500218	WASHER LO SPT .380x.683x.098 DP320 From 4-4915	1	1	1	
3	500441	WASHER FL .312x.734x.065 Z050 To 4-4914	2	2	2	
3	500832	WASHER FL .406x.812x.065 N500 From 4-4915	1	1	1	
4	950208	BELLOW ASSY / BELT TENSIONER / 3" O.D. To 4-4914	1	1	1	
. NS	504695	. HOSE CLAMP STEPLESS SPRING SS / OETIKER / 2.9-3.3 To 4-4914	1	1	1	
4	550840	BELLOW ASSY / BELT TENSIONER / 4" O.D. From 4-4915	1	1	1	
5	052488	SUPPORT BELLOW TENTIONER To 4-0001	1	1	1	F
. NS	WB04-05C	. SEE WARRANTY BULLETIN To 4-0001	1	1	1	F
5	052240	SUPPORT BELLOW TENTIONER From 4-0002 To 6-0457	1	1	1	F
. NS	WB04-05C	. SEE WARRANTY BULLETIN From 4-0002 To 6-0457	1	1	1	F
5	052709	SUPPORT BELLOW TENTIONER From 6-0458	1	1	1	
6	5001150	WASHER FL 17.0x30.0x3.0 N500 To 4-4914	1	1	1	
7	500792	NUT HEX 5/8-11 Z050 To 4-4914	1	1	1	
8	501707	ADAPTER TEE / SAE 45° FITTING / #4FL-Mx1/8NPT-Mx1/8NPT-F BR	1	1	1	
9	640996	MALE ELBOW 90° / NTA FITTING / #4x1/8NPT-M BR	1	1	1	
9	641127	MALE ELBOW 45° / NTA FITTING / #4x1/8NPT-M BR	2	2	2	
10	503402	TUBE, NYLON 1/4 O.D. / BLACK S.L.	AR	AR	AR	
11	052316	HOSE ASSY TEFLON #4 1278 MM			1	C
12	052316	HOSE ASSY TEFLON #4 1278 MM To 4-4914	1	1		
12	052570	HOSE ASSY TEFLON #4 1750MM From 4-4915	1	1		
12	052570	HOSE ASSY TEFLON #4 1750MM			1	B
NS	012183	HOSE ASSY TEFLON #6 1525MM	1	1	1	D
14	952624	CLAMP / 1/4" I.D.	AR	AR	AR	
15	061129	SUPPORT FLAT TWISTED / TUBE DIPSTICK	1	1	1	
16	500606	SCREW MA TR PH #10-24x3/4 SS	AR	AR	AR	
17	500914	WASHER LO SPT .193x.334x.047 N500	AR	AR	AR	
18	502882	NUT HEX #10-24 N500	AR	AR	AR	
19	010667	SUPPORT	1	1	1	
20	HF-0120-00	DRIVE PULLEY & BELTS - W/2 "BOSCH"				
21	HF-0120-50	DRIVE PULLEY & BELTS - V.I.P.				
30	011894	DECAL "BELT TENSIONER"	1	1	1	
31	501650	NIPPLE REDUCER HEX / PIPE FITTING / 1/4NPT-Mx1/8NPT-Mx1 3/16 BR	2	2	2	
35	640488	VALVE, AIR FILL 1/8" NPT	1	1	1	
. NS	650164	. CAP VALVE / CHROME	1	1	1	
36	641074	FEMALE ELBOW 90° / NTA FITTING / #4x1/8NPT-F BR	1	1	1	
37	530175	VALVE, CHECK 1/8 NPT	1	1	1	
39	501331	STREET ELBOW 90° / PIPE FITTING / 1/8NPT-Mx1/8NPT-F BR	1	1	1	
40	502631	SCREW CAP HEX M6-1.0x20 G8.8 Z050	2	2	2	
41	502511	NUT HEX NYRT M6-1.0 Z050	2	2	2	



From 4-4758 To 8-1043	Date:10/2022	PAGE:HF-0125-01
BELTS TENSIONERS - WITH DETROIT S-60		

Item#	Part	Description	H 3 4 1	H 3 4 5	V I P 4 5	N O T E S
42	064539	PLATE SWITCH SUPPORT / W/2 SWITCHES To 5-0167	1	1	1	
42	066382	PLATE SWITCH SUPPORT / W/3 SWITCHES From 5-0168	1	1	1	
NS	065741	DECAL / "MOTOR SWITCH REGULATOR" / 45PSI / W/2 SWITCHES / ENGLISH To 5-0167	1	1	1	
42	066051	DECAL / "MOTOR SWITCH REGULATOR" / 45PSI / W/2 SWITCHES / ENGLISH & SPANISH To 5-0167	1	1	1	
NS	066381	DECAL / "MOTOR SWITCH REGULATOR" / 45PSI / W/3 SWITCHES From 5-0168	1	1	1	
43	502663	SCREW MA BDG PH #10-32x1 SS EMN	1	1	1	
44	641417	VALVE, 3 WAYS 1/8NPT-Fx1/8NPT-Fx1/8NPT-F BR	1	1	1	
. NS	642014	. HANDLE / RED	1	1	1	
44	642161	VALVE, 3 WAYS 1/8NPT-Fx1/8NPT-Fx1/8NPT-F BR / SERVICE	1	1	1	
. NS	642014	. HANDLE / RED	1	1	1	
45	641472	AIR PRESSURE REGULATOR 1/4" NPT / COPPER	1	1	1	
50	HF-0665-10	SWITCHES, LIGHTS, AJAR - UNDER FLOOR				
51	HF-0120-50	DRIVE PULLEY & BELTS - V.I.P.				
58	453795	SUPPORT IDLER PULLEY / W/SMALL A/C			1	C
59	502705	SCREW CAP HEX M12-1.75X25 G8.8 N500			AR	C
NS	500747	WASHER LO SPT 12.2x21.1x2.5 N500			AR	C
61	502916	SCREW CAP HEX 3/8-16x3/4 G8 N500	1	1	1	
62	500218	WASHER LO SPT .380x.683x.098 DP320	1	1	1	
63	500832	WASHER FL .406x.812x.065 N500	1	1	1	
64	550840	BELLOW ASSY / BELT TENSIONER / 4" O.D.	1	1	1	
65	502917	NUT HEX JAM 3/4-16 G2 N500	1	1	1	
66	501036	MALE ELBOW 90° / SAE 45° FITTING / #4FL-Mx1/8NPT-M BR	1	1	1	
67	031054	HOSE ASSY TEFLON #4 770MM	1	1	1	
70	502914	SCREW CAP HEX M12-1.75x60 G8.8 N500	1	1	1	
71	500944	WASHER LO SPT .506x.873x.125 N500	2	2	2	
72	500820	SCREW CAP HEX M8-1.25x16 G10.9 N500	1	1	1	
73	500942	WASHER LO SPT 8.1x14.8x2.0 N500	1	1	1	
74	970978	SCREW CAP HEX M12-1.75x70 G8.8 ZG603	1	1	1	
75	500211	WASHER FL .531x1.250x.125 N500	1	1	1	
79		FOLLOWING ITEMS ARE RELATED WITH				A
		A/C COMPRESSOR LOW AIR SAFETY SWITCH				
NS	066346	CABLE ASSY / A/C CLUTCH & PRESSURE SWITCH	1	1		A
NS	452449	PRESSURE SWITCH N.O. 60-35 20SP001AA060E035E	1	1		
NS	142013	SUPPORT AIR REGULATOR / ANGLE 90DEG STYLE	1	1		
NS	500734	NUT HEX JAM 3/4-16 Z050	1	1		
NS	501310	ADAPTER / PIPE FITTING / 1/4NPT-Fx1/8NPT-M BR	2	2		
NS	641371	MALE ELBOW 90° NON-SWIVEL / PUSH-IN FITTING / #4x1/4NPT-M BR	2	2		
NS	503402	TUBE, NYLON 1/4 O.D. / BLACK S.L.	AR	AR		
NS	502848	SCREW TC CAP HEXF 1/4-20x3/4 N500	2	2		
NS	955920	WASHER LO SPT 6.5x11.5x1.6 ZP	2	2		



From 4-4758 To 8-1043	Date:10/2022	PAGE:HF-0125-01
BELTS TENSIONERS - WITH DETROIT S-60		

Item#	Part	Description	H 3 4 1	H 3 4 5	V I P 4 5	N O T E S
		A) W/LOW AIR PRESSURE ON BELT TENSIONER FOR CUT OFF A/C COMP CLUTCH SEE WIRING DIAGRAM D 060976 PAGE 13.1 SP2 FOR MORE INFOMATION				
		B) WITH LARGE A/C				
		C) WITH SMALL A/C				
		D) FROM REAR MANIFOLD TO VPOD ON ENGINE STREET SIDE				
		F) FOR PRODUCT IMPROVEMENT, ASK PART #052709 AND SEE WARRANTY BULLETIN WB04-05B				

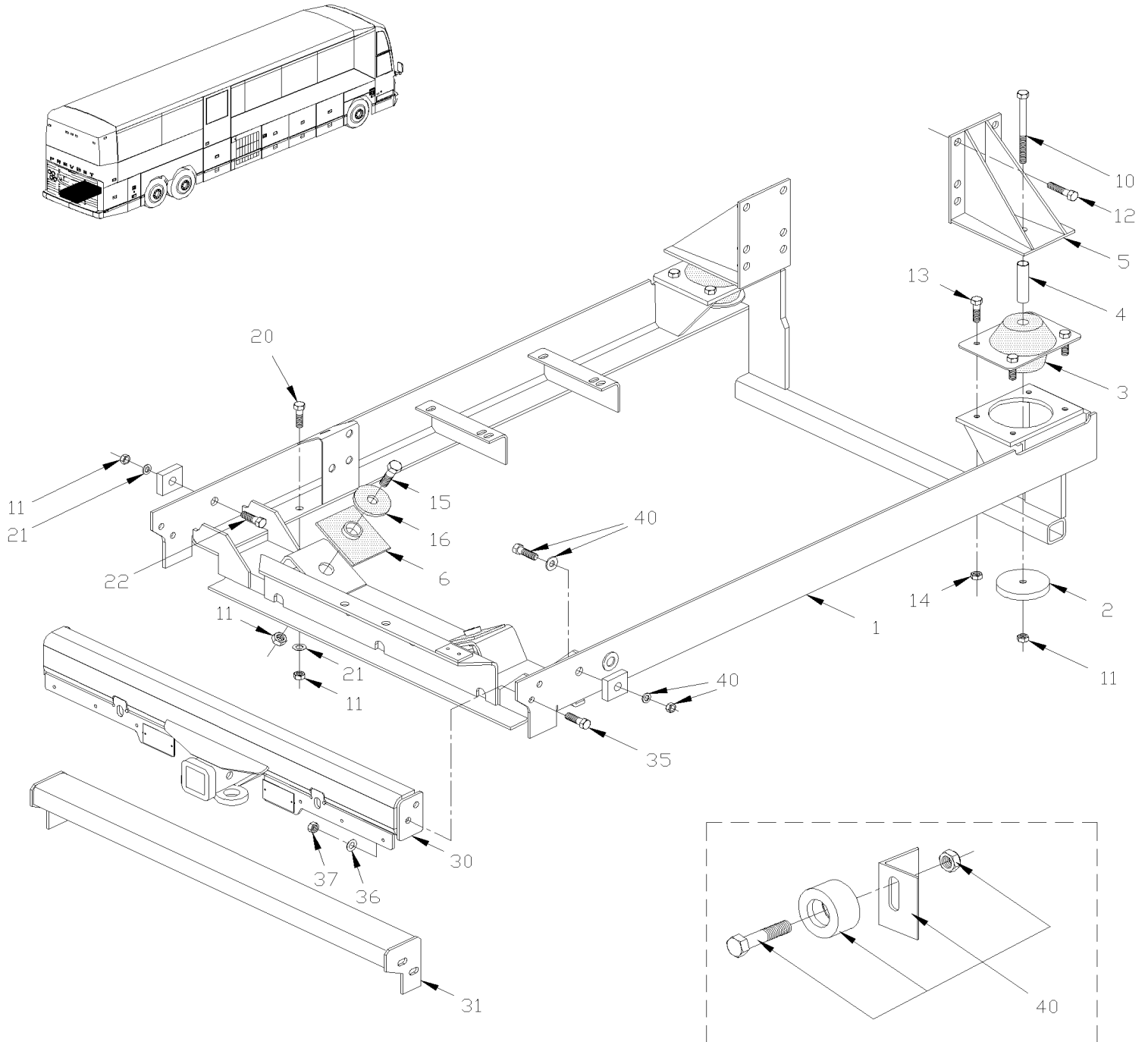


From 3-4417 To 4-4857

Date:10/2022

PAGE:HF-0150-00

ENGINE CRADLE - WITH DETROIT S-60



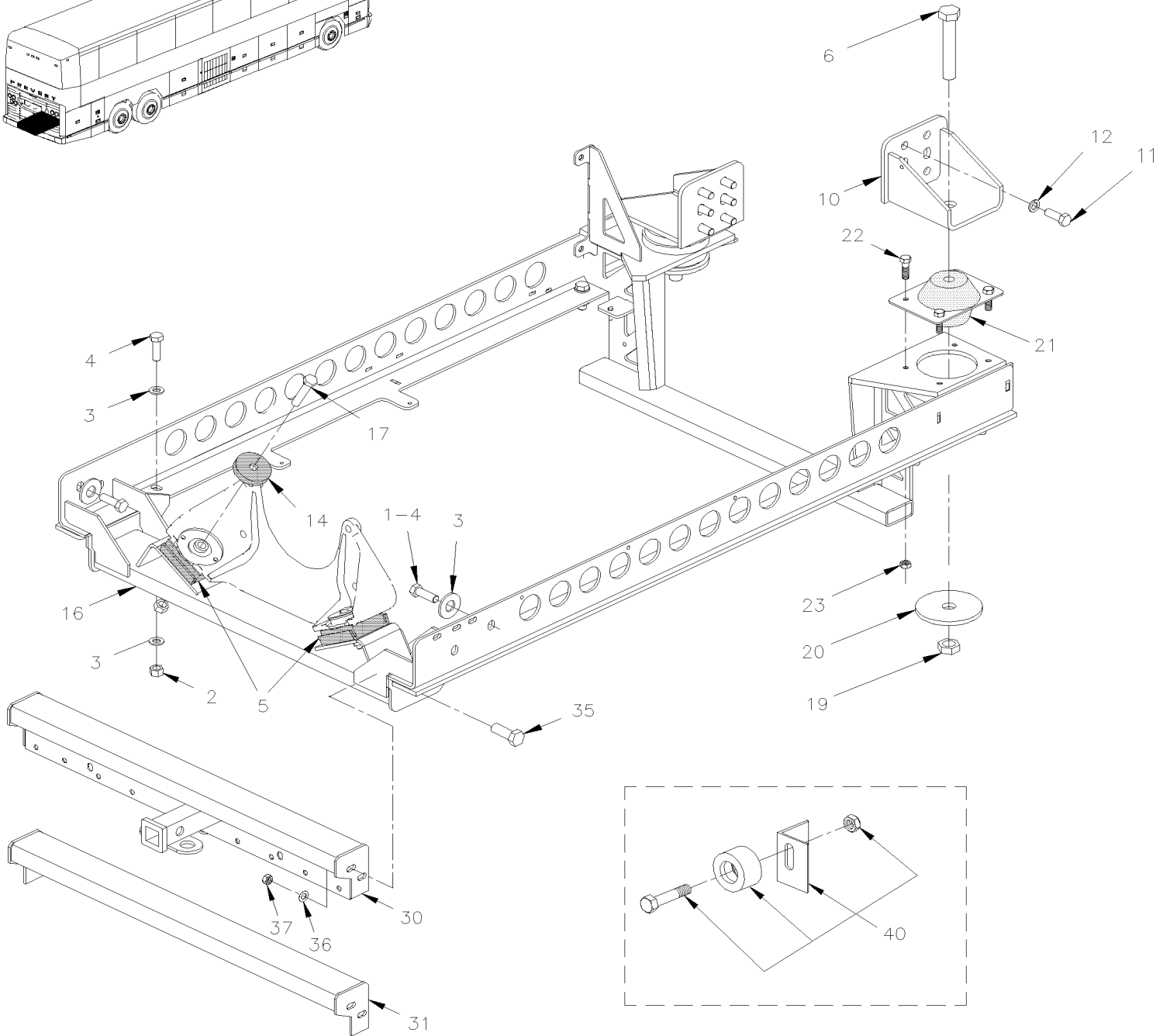
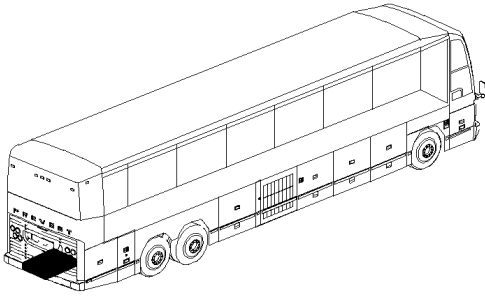


From 4-4858 To 8-1043

Date:10/2022

PAGE:HF-0150-01

ENGINE CRADLE - WITH DETROIT S-60





From 4-4858 To 8-1043	Date:10/2022	PAGE:HF-0150-01
ENGINE CRADLE - WITH DETROIT S-60		

Item#	Part	Description	H 3 4 1	H 3 4 5	V I P 4 5	N O T E S
1	500776	SCREW CAP HEX M16-2.0x110 G8.8 Z050	2	2	2	
2	500781	NUT HEX STO M16-2.0 DP	8	8	8	
3	5001150	WASHER FL 17.0x30.0x3.0 N500	14	14	14	
4	5001372	SCREW CAP HEX M16-2.0x50 G10.9 N500	8	8	8	
5	510427	INSULATOR, RUBBER MOUNT SQUARE	2	2	2	
6	500571	SCREW CAP HEX M24-3.0x150 G10.9 N500	2	2	2	
10	012194	SUPPORT REAR	2	2	2	
10	012282	SUPPORT REAR R.H. W/"ZF" TRANS	1	1		Z
10	012278	SUPPORT REAR L.H. W/"ZF" TRANS	1	1		Z
11	5001590	SCREW CAP HEX M16-2.0x40 G10.9 N500	12	12	12	
11	5001591	SCREW CAP HEX M16-1.5x35 G10.9 DP	8	8		Z
12	502884	WASHER LO SPT 16.2x27.4x3.5 N500	AR	AR	AR	
14	510428	INSULATOR, RUBBER MOUNT ROUND	2	2	2	
16	012376	ENGINE CRADLE / "ZF" TRANS	1	1		
16	012386	ENGINE CRADLE / W/WORLD, W/RETARDER	1	1		
16	012379	ENGINE CRADLE / W/WORLD, W/O RETARDER	1	1		
16	012837	ENGINE CRADLE / W/WORLD, W/O RETARDER & W/TRAILER HITCH			1	
16	012378	ENGINE CRADLE / W/WORLD, W/RETARDER & TRAILER HITCH			1	
16	012380	ENGINE CRADLE / W/WORLD, W/RETARDER & "ROMEO RIM" BUMPER	1	1		
16	012381	ENGINE CRADLE / W/WORLD, W/O RETARDER & "ROMEO RIM" BUMPER	1	1		
16	Call order desk	ENGINE CRADLE	1	1		P T
16	015994	. ENGINE CRADLE FIXING /	1	1		
17	5001501	SCREW CAP HEX M16-2.0x90 G10.9 Z050	2	2	2	
19	500570	NUT HEX STO M24-3.0 GR.10 N500	2	2	2	
20	510777	WASHER, INSULATOR	2	2	2	
20	012178	WASHER, INSULATOR	2	2	2	
21	510456	INSULATOR, RUBBER	2	2	2	
22	500781	NUT HEX STO M16-2.0 DP	2	2	2	
22	5001308	SCREW CAP HEXF M10-1.5x40 G10.9 N500	8	8	8	
23	5001758	NUT HEX STO M10-1.5 N500	8	8	8	
30	410778	PROTECTOR ASSY / W/TRAILER HITCH	1	1	1	
31	410577	PROTECTOR ASSY / WITHOUT TRAILER HITCH	1	1	1	
35	502731	SCREW CAP HEX M12-1.75x40 G8.8 Z050	4	4	4	
35	502544	SCREW CAP HEX M16-2.0x40 G8.8 Z050	4	4	4	
36	500446	WASHER FL .531x1.250x.125 Z050	4	4	4	
36	5001150	WASHER FL 17.0x30.0x3.0 N500	4	4	4	
37	500811	NUT HEX STO M12-1.75 G500	4	4	4	
37	500781	NUT HEX STO M16-2.0 DP	4	4	4	
40	HF-0120-00	DRIVE PULLEY & BELTS - W/2 "BOSCH"				
40	HF-0120-50	DRIVE PULLEY & BELTS - V.I.P.				



From 4-4858 To 8-1043	Date:10/2022	PAGE:HF-0150-01
-----------------------	--------------	-----------------

ENGINE CRADLE - WITH DETROIT S-60

Item#	Part	Description	H 3 4 1	H 3 4 5	V I P 4 5	N O T E S
		T) BUS WITH "TRAILER HITCH" 10000LBS				
		Z) WITH "ZF" TRANSMISSION				
		P) CALL ORDER DESK FOR SPECIFIC APPLICATION (V.I.N.)				

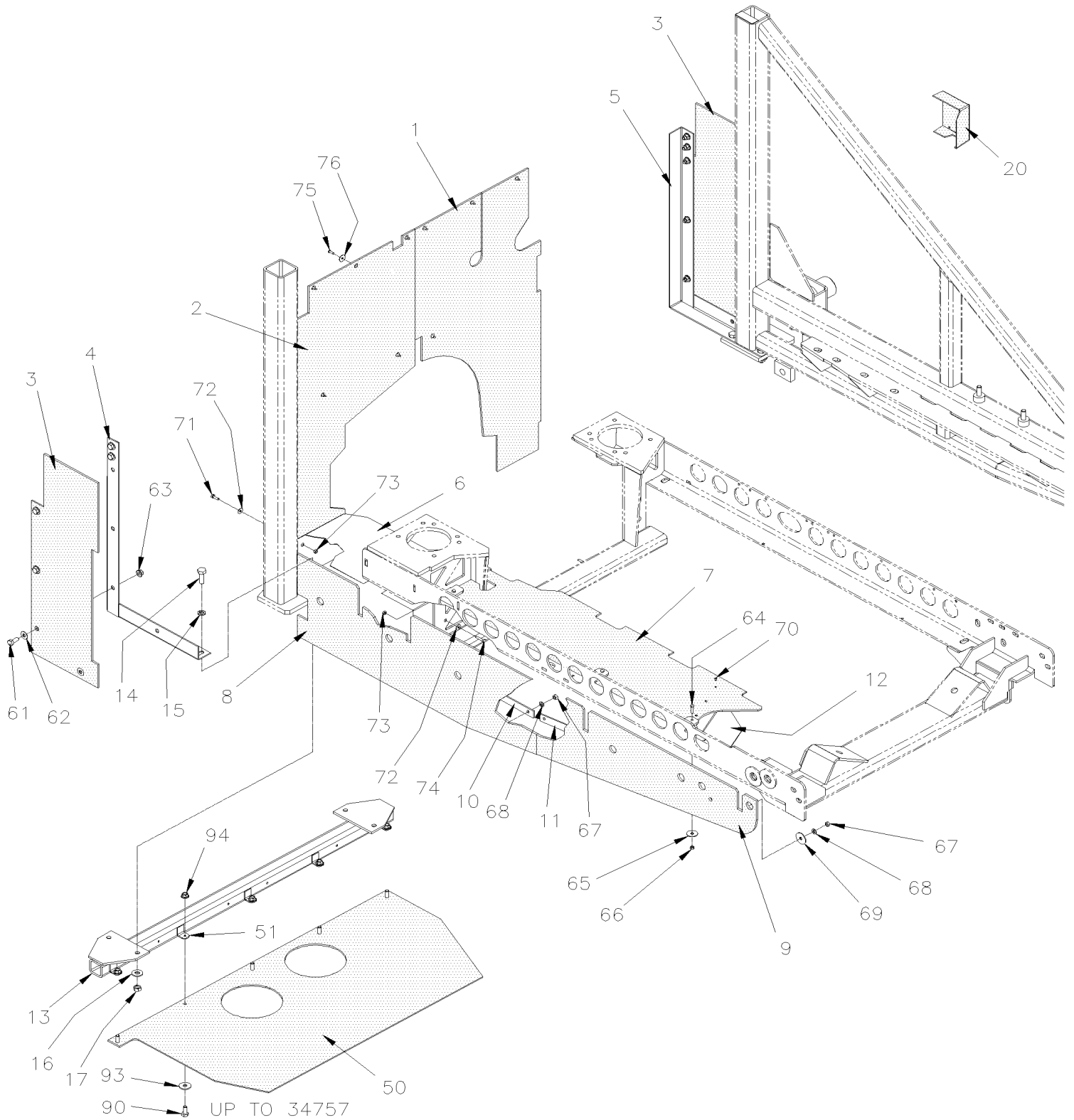


From 3-4417 To 8-1043

Date:10/2022

PAGE:HF-0155-10

ENGINE TRANSMISSION GUARD & AIR SHIELD



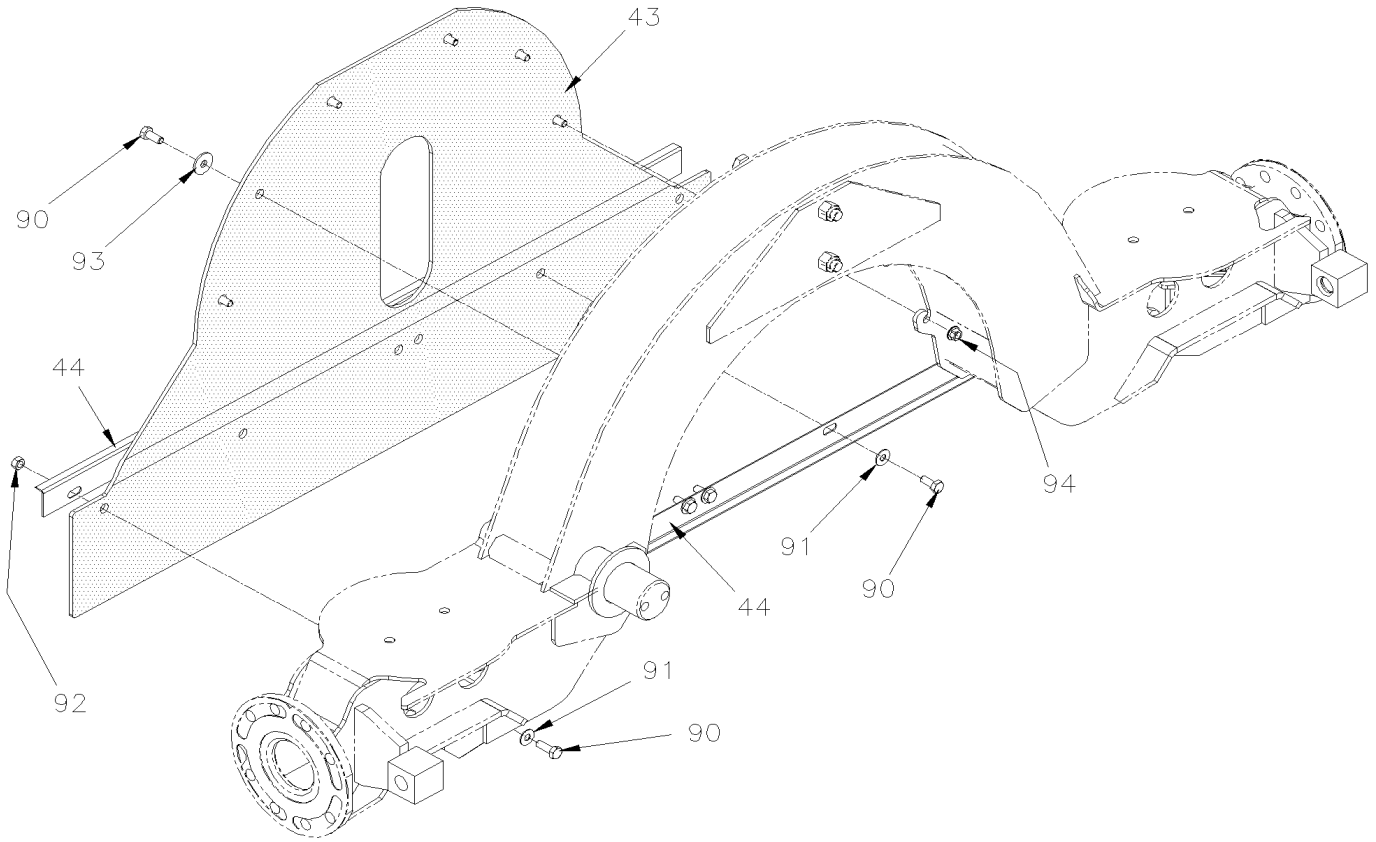


From 3-4417 To 8-1043

Date:10/2022

PAGE:HF-0155-10

ENGINE TRANSMISSION GUARD & AIR SHIELD





From 3-4417 To 8-1043	Date:10/2022	PAGE:HF-0155-10
ENGINE TRANSMISSION GUARD & AIR SHIELD		

Item#	Part	Description	H 3 4 1	H 3 4 5	V I P 4 5	N O T E S
1	011724	PROTECTOR R.H. / W/O RETARDER	1	1	1	
1	011733	PROTECTOR R.H. / W/RETARDER	1	1	1	
1	012392	PROTECTOR R.H. / W/"ZF" TRANS From 7-0821	1	1		
2	011723	PROTECTOR L.H. To 3-4757	1	1	1	
2	012179	PROTECTOR L.H. From 4-4758 To 4-4857	1	1	1	
2	012286	PROTECTOR L.H. / W/O RETARDER From 4-4858	1	1	1	
2	012177	PROTECTOR L.H. / W/RETARDER From 4-4858	1	1	1	
2	012203	PROTECTOR L.H. / W/"ZF" TRANS From 4-4758	1	1		
3	071095	PROTECTOR / BOTH SIDE	2	2	2	
4	071099	SUPPORT L.H.	1	1	1	
5	071098	SUPPORT R.H.	1	1	1	
6	012001	AIR SHIELD BOX SS To 3-4757	1	1	1	
6	012176	AIR SHIELD BOX SS / W/O RETARDER From 4-4857	1	1	1	
6	012246	AIR SHIELD BOX SS / W/RETARDER From 4-4857	1	1	1	
6	012224	AIR SHIELD BOX SS / W/"ZF" TRANS To 4-4857	1	1	1	
6	012273	AIR SHIELD BOX SS / W/"ZF" TRANS From 4-4858	1	1		
7	011999	AIR SHIELD To 3-4757	1	1	1	
7	012173	AIR SHIELD From 4-4758 To 4-4857	1	1	1	
7	012184	AIR SHIELD / W/RETARDER From 4-4858	1	1	1	
7	012201	AIR SHIELD / W/O RETARDER From 4-4858	1	1	1	
7	012227	AIR SHIELD / W/"ZF" TRANS From 4-4758 To 4-4857	1	1		
7	012272	AIR SHIELD / W/"ZF" TRANS From 4-4858	1	1		
NS	012229	AIR SHIELD SUPPORT W/"ZF" TRANS	1	1		
8	052374	AIR SHIELD / FORWARD To 4-4857	1	1	1	
8	052554	AIR SHIELD / FORWARD From 4-4858	1	1	1	
9	052376	AIR SHIELD / BACKWARD	1	1	1	
10	052377	PLATE ATTACHMENT 872MM	1	1	1	
11	052391	PLATE ATTACHMENT 600MM	1	1	1	
12	012301	DEFLECTOR PROTECTOR SS 110MM x 215MM / ENGINE COOLANT PIPE	1	1	1	O W
12	012469	DEFLECTOR PROTECTOR SS 110MM x 342MM / ENGINE COOLANT PIPE W/"ZF"	1	1		Z
13	171605	BAR, TRANSMISSION PROTECTOR	1	1	1	
14	502731	SCREW CAP HEX M12-1.75x40 G8.8 Z050	4	4	4	
15	500482	WASHER LO SPT .506x.873x.125 Z050	4	4	4	
16	500446	WASHER FL .531x1.250x.125 Z050	4	4	4	
17	500860	NUT HEX M12-1.75 Z050	4	4	4	
20	382033	PROTECTOR "E.C.M." / PLASTIC From 4-4758 To 4-4866	1	1	1	
43	071134	PROTECTOR	1	1	1	
44	071150	RENFORT	2	2	2	
50	071124	PROTECTOR / UNDER MOTOR LOWER To 3-4757	1	1	1	
51	071125	ANGLE SUPPORT To 3-4757	5	5	5	



From 3-4417 To 8-1043	Date:10/2022	PAGE:HF-0155-10
ENGINE TRANSMISSION GUARD & AIR SHIELD		

Item#	Part	Description	H 3 4 1	H 3 4 5	V I P 4 5	N O T E S
61	502804	SCREW CAP HEX M10-1.5x25 G8.8 N500	12	12	12	
62	500270	WASHER FL .406x1.000x.063 SS	12	12	12	
63	502216	NUT HEXF M10-1.5 SS	12	12	12	
64	502737	SCREW CAP HEX M6-1.0x25 SS BK	3	3	3	
65	5001467	WASHER FL .343x1.250x.062 SS18-8	3	3	3	
66	5001182	NUT HEX NYRT M6-1.0 SS	3	3	3	
67	502847	NUT HEX NYRT M8-1.25 N500	8	8	8	
68	5001341	WASHER FL 8.4x17.0x1.6 SS	8	8	8	
69	500462	WASHER FL .343x1.500x.083 SS	1	1	1	
70	504339	RIVET POP DOME OE 1/8x3/8 SS	3	3	3	
71	502622	SCREW CAP HEX M6-1.0x20 SS BK	2	2	2	
72	500411	WASHER FL .260x.697x.050 SS	4	4	4	
73	5001182	NUT HEX NYRT M6-1.0 SS	4	4	4	
74	502686	SCREW CAP HEX M6-1.0x30 SS BK	2	2	2	
75	500957	SCREW TP BDG PH #10x3/4 N500	9	9	9	
76	500805	WASHER FL .218x.875x.062 N500	9	9	9	
90	5001231	SCREW CAP HEX M10-1.5x25 SS	12	12	12	
91	500270	WASHER FL .406x1.000x.063 SS	6	6	6	
92	500680	NUT HEX STO M10-1.5 Z050	6	6	6	
93	5001417	WASHER FL 11.0x34.0x3.0 SS	6	6	6	
94	502216	NUT HEXF M10-1.5 SS	6	6	6	
95	502804	SCREW CAP HEX M10-1.5x25 G8.8 N500	16	16	16	
96	5001417	WASHER FL 11.0x34.0x3.0 SS	10	10	10	
97	5001760	NUT HEXF STO M10-1.5 G8 ZP	6	6	6	
		O) WITHOUT RETARDER				
		W) WITH RETARDER				
		Z) WITH "ZF" TRANSMISSION				



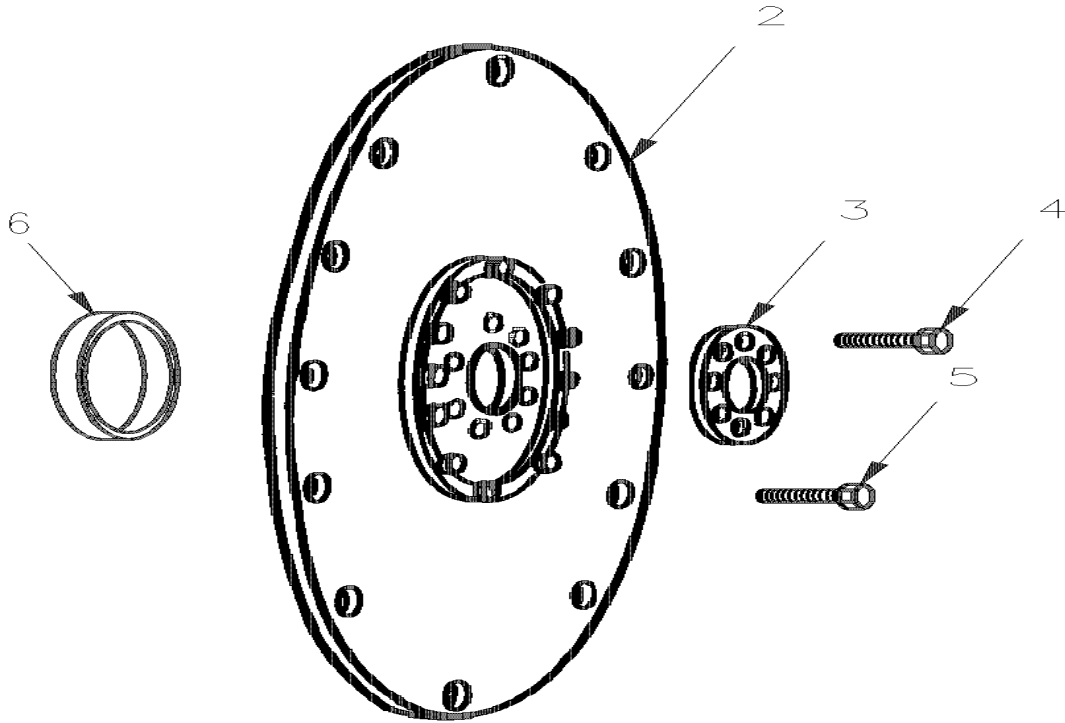
From 3-4417 To 8-1043

Date:10/2022

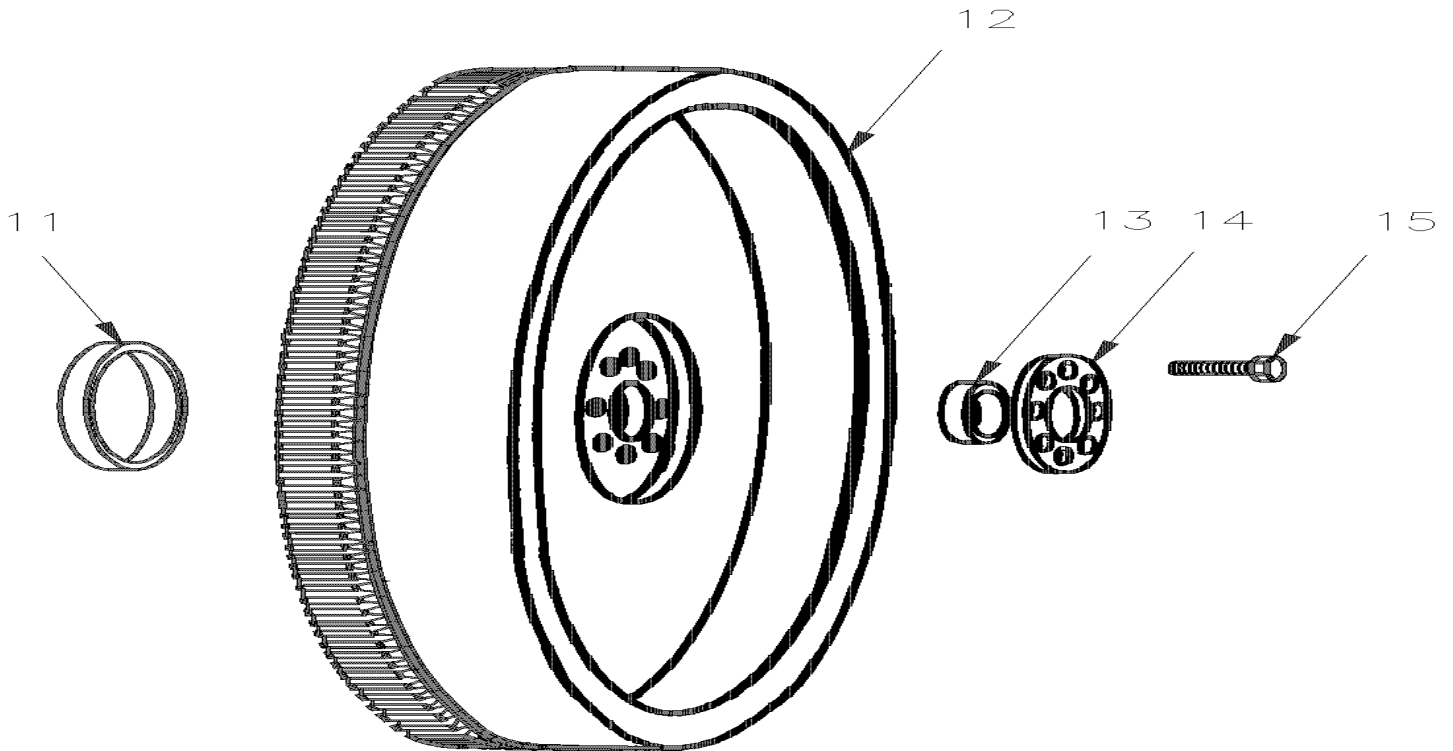
PAGE:HF-0160-00

FLYWHEEL - WITH MANUAL TRANS

AUTOMATIC TRANSMISSION



MANUAL TRANSMISSION





From 3-4417 To 8-1043	Date:10/2022	PAGE:HF-0160-00
FLYWHEEL - WITH MANUAL TRANS		

Item#	Part	Description	H 3 4 1	H 3 4 5	V I P 4 5	N O T E S
		SERIES 60 WITH AUTOMATIC TRANSMISSION				
	571728	KIT AUTO TRANS ADAPTOR FOR SERIES 60	1	1	1	
	510363	KIT AUTO TRANS ADAPTOR FOR SERIES 60	1	1	1	
2	N.S.P.	. PLATE FLEXIBLE 29513005	3	3	3	2
3	N.S.P.	. WEARPLATE 29514029	1	1	1	2
4	510476	. SCREW CAP HEX / FLEX PLATE / 9/16-18 X 1 3/4"	12	12	12	
4	510937	. SCREW PATCH LOCK M5-0.8x14	2	2	2	
4	N.S.P.	. HUB ADAPTOR 29510823	1	1	1	2
NS	295131006	RING GEAR ADAPTOR ASSY / W/AUTOMATIC TRANS	1	1	1	
5	5001217	SCREW CAP HEX M8-1.25x20 G10.9	12	12	12	
6	N.S.P.	SEAL OIL 23519651	1	1	1	2
		SERIES 60 WITH "ZF" TRANSMISSION				
11	N.S.P.	SEAL OIL 23519651	1	1		2
12	N.S.P.	FLYWHEEL 23529418	1	1		2
13	507113	BALL BEARING	1	1		
14	510225	PLATE SCUFF	1	1		
15	510476	SCREW CAP HEX / FLEX PLATE / 9/16-18 X 1 3/4"	12	12		
		2) NOT SOLD BY PREVOST (SEE MANUFACTURING PART NUMBER AT END OF DESCRIPTION LINE)				

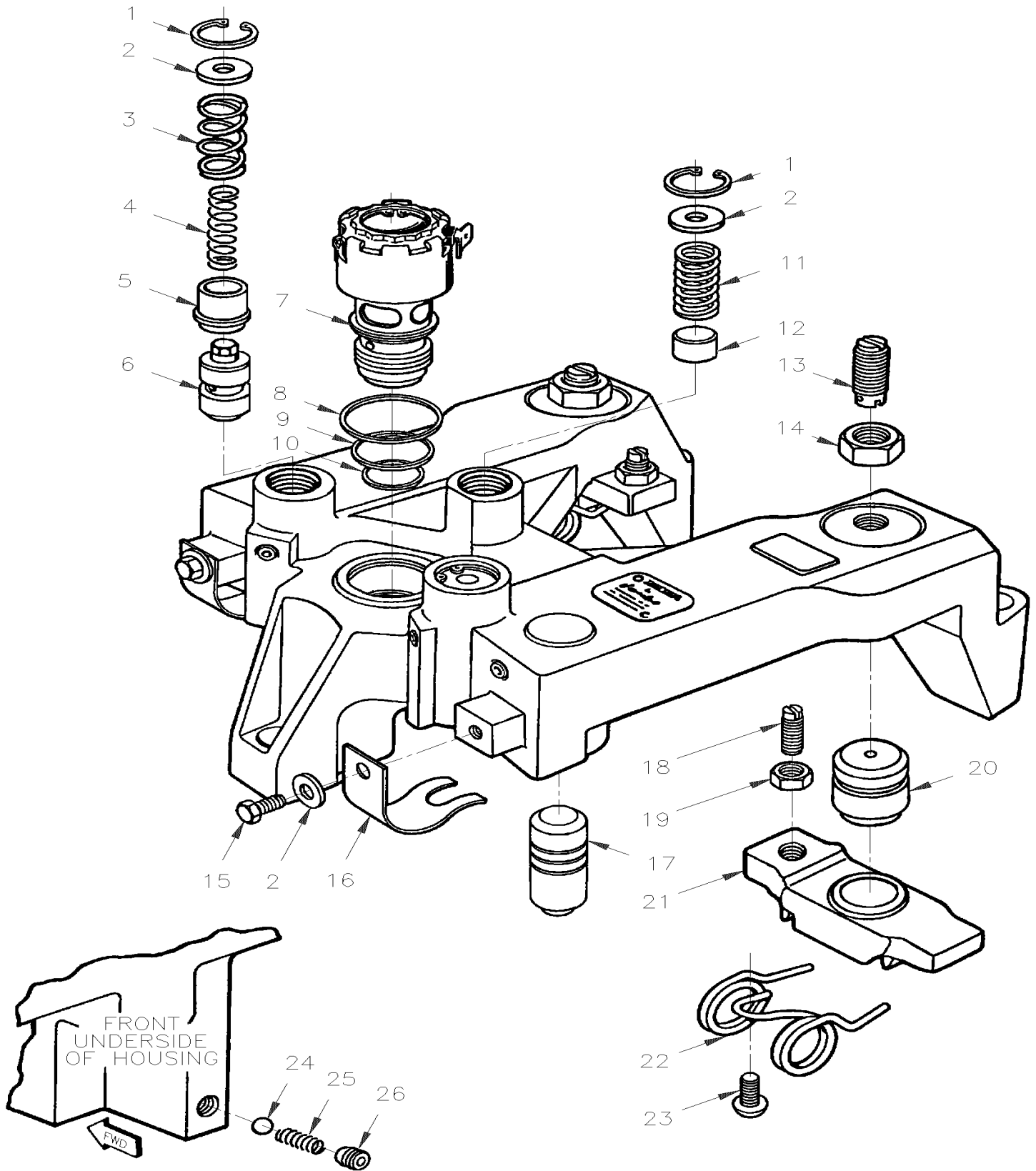


From 3-4417 To 8-1043

Date:10/2022

PAGE:HF-0165-00

JACOB'S - ENGINE BRAKE - WITH DETROIT S-60



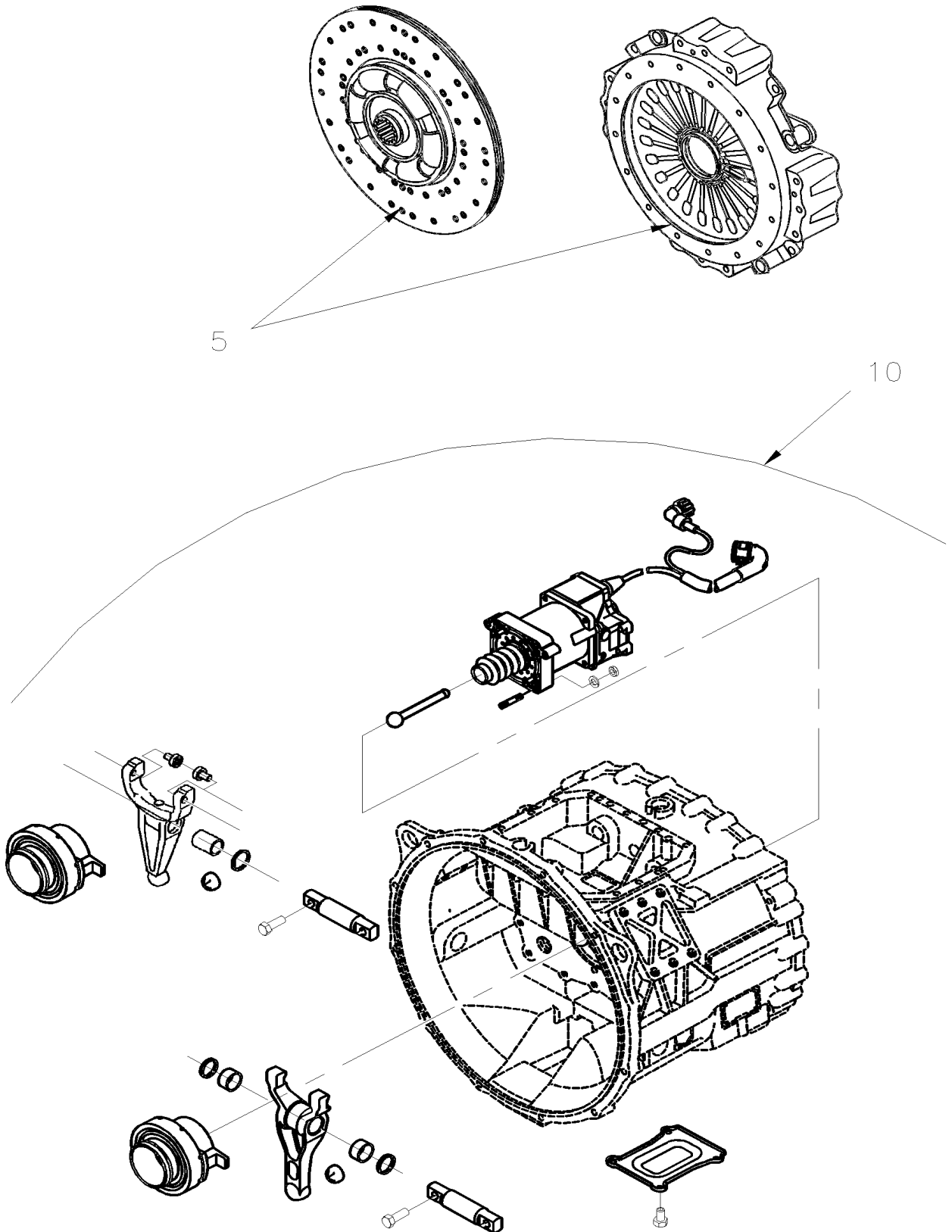


From 3-4417 To 8-1043	Date:10/2022	PAGE:HF-0165-00
JACOB'S - ENGINE BRAKE - WITH DETROIT S-60		

Item#	Part	Description	H 3 4 1	H 3 4 5	V I P 4 5	N O T E S
	N.S.P.	HOUSING ASSY - 12 VOLTS (#017122)	3	3	3	2
1	N.S.P.	. RETAINING RING (#012991)	3	3	3	2
2	N.S.P.	. COVER (#016505)	5	5	5	2
3	N.S.P.	. STOP SPRING (#001519)	2	2	2	2
4	N.S.P.	. SPRING (GREEN) (#001518)	2	2	2	2
5	N.S.P.	. COLLAR (#016557)	2	2	2	2
6	N.S.P.	. CONTROL VALVE (011930)	2	2	2	2
7	N.S.P.	. SOLENOID VALVE (#016440)	1	1	1	2
8	510411	. SEAL RING / UPPER	1	1	1	
9	510412	. SEAL RING / CENTER	1	1	1	
10	510413	. SEAL RING / LOWER	1	1	1	
11	N.S.P.	. SPRING (#012990)	1	1	1	2
12	N.S.P.	. PISTON - ACCUMULATOR (#012983)	1	1	1	2
13	N.S.P.	. RESET SCREW ASSY (#015931)	2	2	2	2
14	N.S.P.	. HEX NUT (#011395)	2	2	2	2
15	N.S.P.	. SCREW (#001492)	2	2	2	2
16	N.S.P.	. FLAT SPRING (#016535)	2	2	2	2
17	N.S.P.	. MASTER PISTON (#012981)	2	2	2	2
18	N.S.P.	. ADJUSTING SCREW (#011426)	2	2	2	2
19	N.S.P.	. HEX NUT (#001026)	2	2	2	2
20	N.S.P.	. SLAVE PISTON (#017048)	2	2	2	2
21	N.S.P.	. BRIDGE (#016771)	2	2	2	2
22	N.S.P.	. TORSION SPRING (#016812)	2	2	2	2
23	N.S.P.	. BUTTIONHEAD SCREW (#012996)	2	2	2	2
24	N.S.P.	. BALL (#001021)	2	2	2	2
25	N.S.P.	. BALL CHECK SPRING (#011720)	1	1	1	2
26	N.S.P.	. PIPE PLUG (#008888)	1	1	1	2
26	N.S.P.	SOLOINOID HARNESS EXTERNAL (#017393)	1	1	1	2
26	N.S.P.	SOLOINOID HARNESS INTERNAL (#017392)	1	1	1	2
26	N.S.P.	FILLER GAUGE .040 LASH / TO USE W/11.1 LITER (#017277)	AR	AR	AR	2
26	N.S.P.	FILLER GAUGE .020 LASH / TO USE W/12.7 LITER (#017277)	AR	AR	AR	2
		2) NOT SOLD BY PREVOST (SEE MANUFACTURING PART NUMBER AT END OF DESCRIPTION LINE)				



	Date:10/2022	HF-02
CLUTCH		





		Date:10/2022	HF-02			
CLUTCH						
Item#	Part	Description	H 3 4 1	H 3 4 5	V I P 4 5	N O T E S
5	HF-0205-00	CLUTCH PRESSURE PLATE WITH "ZF" TRANS From 3-4417 To 8-1043				
10	HF-0215-00	CLUTCH CONTROL REAR SECTION WITH "ZF" TRANS From 3-4417 To 8-1043				

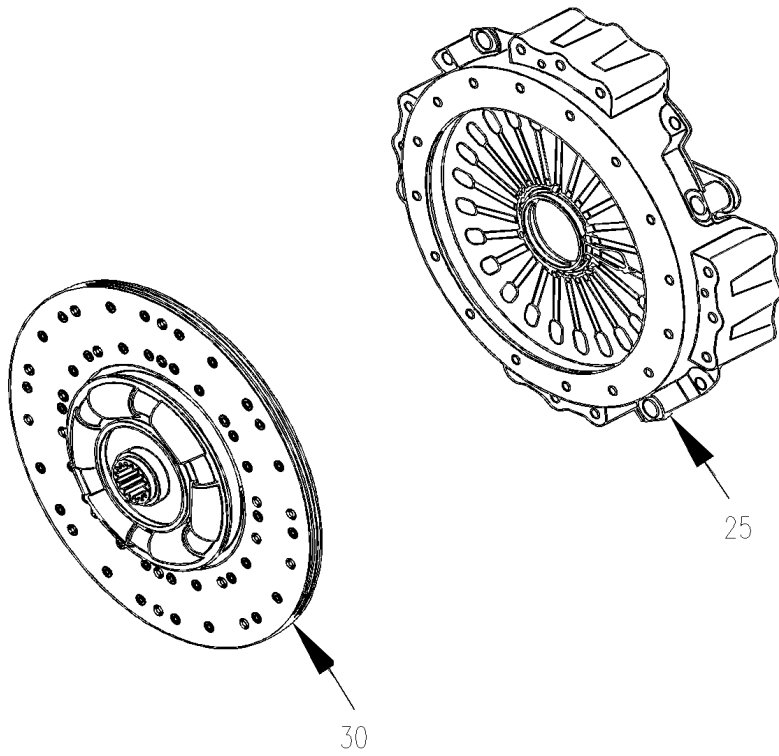


From 3-4417 To 8-1043

Date:10/2022

PAGE:HF-0205-00

CLUTCH PRESSURE PLATE WITH "ZF" TRANS





From 3-4417 To 8-1043	Date:10/2022	PAGE:HF-0205-00
-----------------------	--------------	-----------------

CLUTCH PRESSURE PLATE WITH "ZF" TRANS

Item#	Part	Description	H 3 4 1	H 3 4 5	V I P 4 5	N O T E S
25	571776	PRESSURE PLATE	1	1		
30	571775	CLUTCH ASSY	1	1		
NS	510476	SCREW CAP HEX / FLEX PLATE / 9/16-18 X 1 3/4"	12	12		

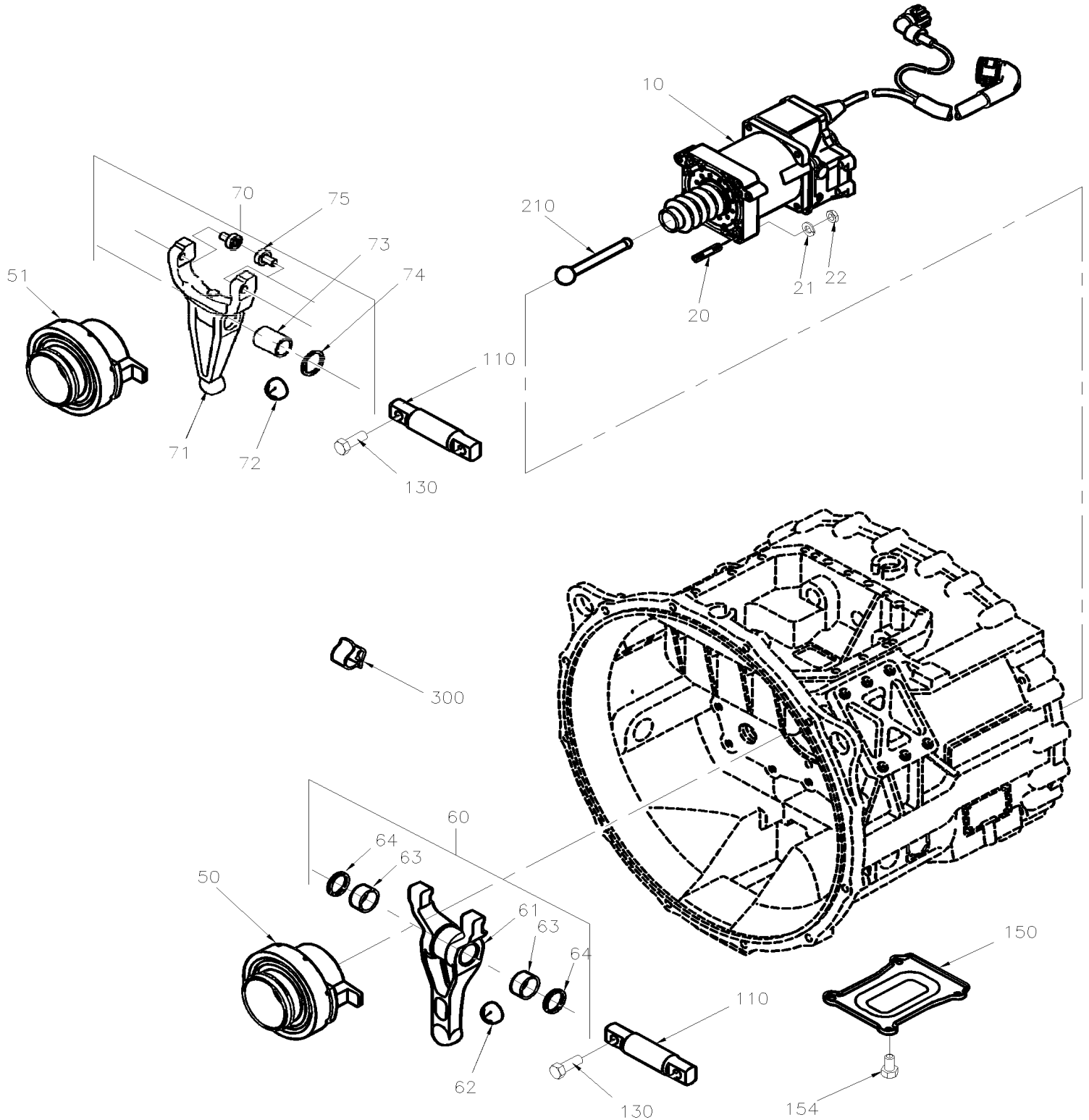


From 3-4417 To 8-1043

Date:10/2022

PAGE:HF-0215-00

CLUTCH CONTROL REAR SECTION WITH "ZF" TRANS





From 3-4417 To 8-1043	Date:10/2022	PAGE:HF-0215-00
CLUTCH CONTROL REAR SECTION WITH "ZF" TRANS		

Item#	Part	Description	H 3 4 1	H 3 4 5	V I P 4 5	N O T E S
	MI06-06	SEE MAINTENANCE INFORMATION				
10	572005	CLUTCH ACTUATOR ASSY WITH CABLE HARNESS / TO GS3 SHIFTER	1	1		
. NS	572135	. CHECK VALVE FILTER IN LINE CONNECTOR	1	1		
. NS	MI06-06	. SEE MAINTENANCE INFORMATION	1	1		
10	85109289	CLUTCH ACTUATOR ASSY WITH CABLE HARNESS / TO GS3 SHIFTER	1	1		
20	572007	STUD M8x45 8.8 DIN 835	4	4		
21	500874	WASHER FL 8.4x17.0x1.6 Z050	4	4		
22	572006	NUT HEX M8	4	4		
50	572008	RELEASE BEARING	1	1		
51	572088	RELEASE BEARING	1	1	1	
60	572009	RELEASE FORK ASSY	1	1		
61	572010	. RELEASE FORK	1	1		
62	572011	. BALL CUP	1	1		
63	572012	. BUSHING	2	2		
64	572013	. SHAFT SEAL	2	2		
		NEXT RELEASE FORK ASSY MAY BE ALSO				
		USE IN RETROFIT ASK PART NUMBER 572039				
70	572089	RELEASE FORK ASSY	1	1		
71	572090	. RELEASE FORK	1	1		
72	572011	. BALL CUP	1	1		
73	572091	. BUSHING	1	1		
74	572013	. SHAFT SEAL	1	1		
75	572092	. CAM FOLLOWER	2	2		
110	572014	RELEASE SHAFT	1	1		
130	572015	SCREW CAP HEX M12x50 G10.9 DIN 933	2	2		
150	572016	COVER	1	1		
154	502790	SCREW CAP HEX M8-1.25x20 G8.8 Z050	4	4		
210	572017	PRESSING ROD	1	1		
300	572018	CABLE CLIP	1	1		
300	572019	CABLE CLIP	1	1		
400	572039	KIT RETROFIT NEW FORK & BEARING RELEASE	1	1	1	
. NS	572089	. RELEASE FORK ASSY	1	1	1	
. NS	572090	. RELEASE FORK	1	1	1	
. NS	572011	. BALL CUP	1	1	1	
. NS	572091	. BUSHING	1	1	1	
. NS	572013	. SHAFT SEAL	2	2	2	
. NS	572092	. CAM FOLLOWER	2	2	2	



From 3-4417 To 8-1043	Date:10/2022	PAGE:HF-0215-00
-----------------------	--------------	-----------------

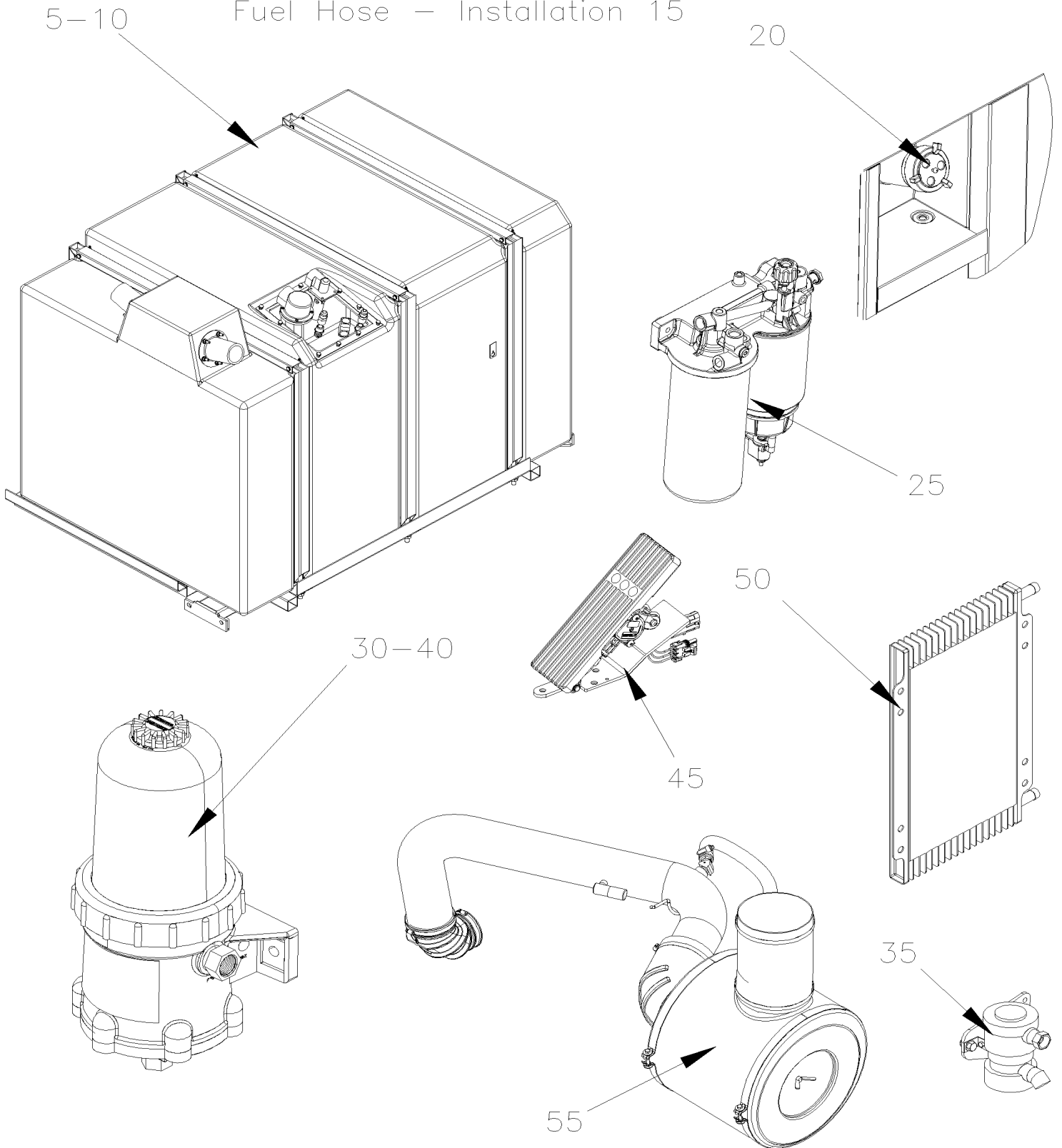
CLUTCH CONTROL REAR SECTION WITH "ZF" TRANS

Item#	Part	Description	H 3 4 1	H 3 4 5	V I P 4 5	N O T E S



	Date:10/2022	HF-03
FUEL		

5-10 Fuel Hose – Installation 15





		Date:10/2022	HF-03						
FUEL									
Item#	Part	Description	H 3 4 1	H 3 4 5	V I P 4 5	N O T E S			
5	HF-0305-00	FUEL TANK PLASTIC 230 GALLONS From 3-4417 To 8-1043							
10	HF-0306-00	FUEL TANK - INSTALLATION (PLASTIC) From 3-4417 To 8-1043							
15	HF-0310-00	FUEL HOSE - INSTALLATION From 3-4417 To 8-1043							
20	HF-0310-10	FUEL FILLING CAP From 3-4417 To 8-1043							
25	HF-0311-00	FUEL FILTER - PRIMARY & SECONDARY WITH DETROIT S-60 From 3-4417 To 8-1043							
30	HF-0311-15	FUEL FILTER / "PRO 382" From 3-4417 To 8-1043							
35	HF-0312-00	FUEL PUMP - AUXILIARY From 3-4417 To 8-1043							
40	HF-0312-10	FUEL PRO - INSTALLATION From 3-4417 To 3-4757							
40	HF-0312-11	FUEL PRO - INSTALLATION From 4-4758 To 8-1043							
45	HF-0315-10	ACCELERATOR PEDAL - ELECTRONIC From 3-4417 To 8-1043							
50	HF-0316-00	FUEL COOLER - INSTALLATION From 3-4417 To 3-4757							
50	HF-0316-01	FUEL COOLER - INSTALLATION From 4-4758 To 8-1043							
55	HF-0330-00	AIR FILTER & INTAKE - INSTALLATION WITH DETROIT S-60 From 3-4417 To 8-1043							

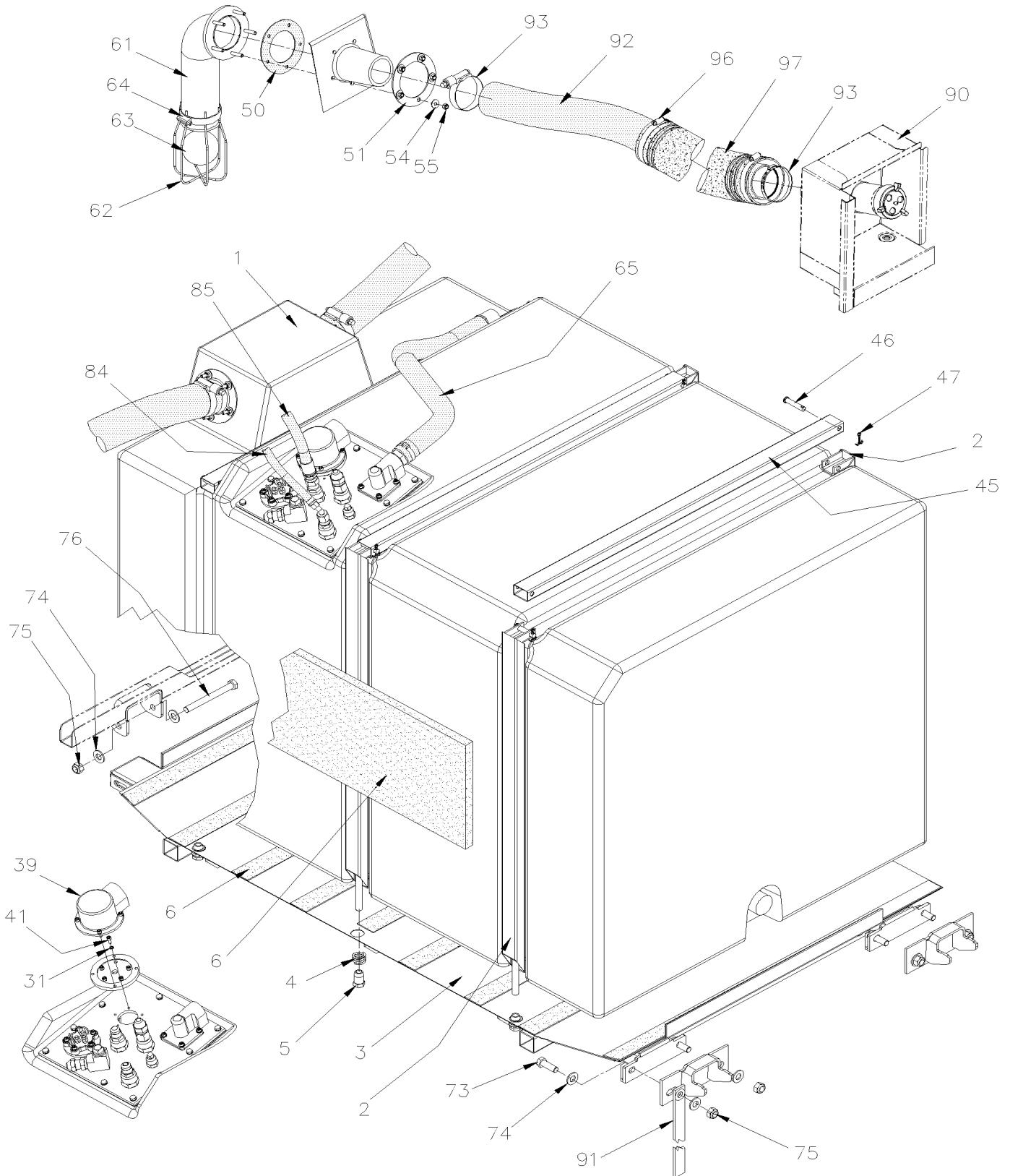


From 3-4417 To 8-1043

Date:10/2022

PAGE:HF-0305-00

FUEL TANK PLASTIC 230 GALLONS



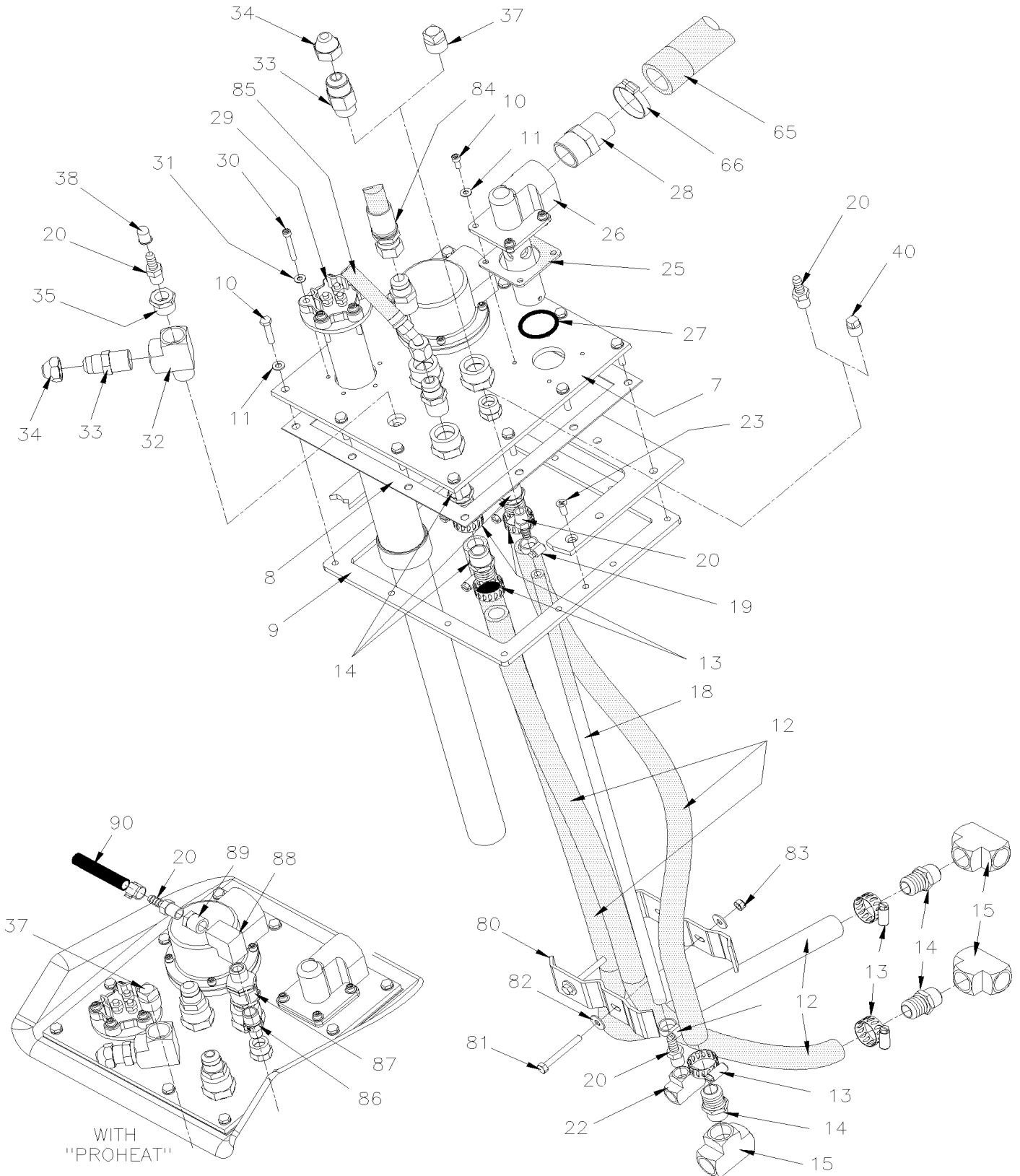


From 3-4417 To 8-1043

Date:10/2022

PAGE:HF-0305-00

FUEL TANK PLASTIC 230 GALLONS





From 3-4417 To 8-1043	Date:10/2022	PAGE:HF-0305-00
FUEL TANK PLASTIC 230 GALLONS		

Item#	Part	Description	H 3 4 1	H 3 4 5	V I P 4 5	N O T E S
	032001P	FUEL TANK ASSY / COMPLETE WITH FLOOR ASSY	1	1	1	
	032143	. FUEL TANK ASSY / W/OUT FLOOR & STRAP	1	1	1	
1	032481	. . FUEL TANK / 230 GALLONS US	1	1	1	
1	030009	. . FUEL TANK / SERVICE KIT	1	1	1	
. NS	030007	. . . FUEL TANK / 222 GALLONS US	1	1	1	
. NS	033959	. . . MAIN PLATE / RECTANGULAR SHAPE	1	1	1	
. NS	032956	. . . GASKET / RECTANGULAR SHAPE 250 x 190 MM	1	1	1	
. NS	033962	. . . INTERIOR FRAME ASSY / RECTANGULAR SHAPE	1	1	1	
. NS	032938	. . . GASKET	2	2	2	
. NS	5001392	. . . WASHER FL 6.0x12.0x1.5 COP	10	10	10	
. NS	507356	. . . O-RING	1	1	1	
. NS	531419	. . . GASKET, FUEL SENSOR	1	1	1	
. NS	531427	. . . GASKET / (SMALL)	1	1	1	
. NS	531428	. . . GASKET / (LARGE)	1	1	1	
. NS	531443	. . . GASKET / VALVE CONTROL LEVEL	1	1	1	
. NS	5001941	. . . SCREW CAP HEX M12-1.75x120 G10.9 N500	2	2	2	
. NS	500806	. . . SCREW CAP HEX M12-1.75X35 G10.9 G500	4	4	4	
. NS	500811	. . . NUT HEX STO M12-1.75 G500	6	6	6	
. NS	500958	. . . WASHER FL .531x1.062x.095 SS	12	12	12	
. NS	030082	. . . SPACER "U" 3.175MM	4	4	4	
. NS	030083	. . . SPACER "U" 0.953MM	4	4	4	
. NS	IS-14076	. . . SEE INSTRUCTION SHEET	1	1	1	
. NS	FI-14076	. . . VOIR FEUILLE D'INSTRUCTION	1	1	1	
2	032180	. STRAP RETAINER / SHORT To 3-4579	1	1	1	A
2	032445	. ATTACHMENT ASSY / 871MM From 3-4580	2	2	2	
2	032188	. STRAP RETAINER / LONG To 3-4579	2	2	2	A
2	032444	. ATTACHMENT ASSY / 817MM From 3-4580	1	1	1	
3	032631	. REMOVABLE FLOOR	1	1	1	
3	032066	. REMOVABLE FLOOR To 5-0258	1	1	1	
3	032627	. REMOVABLE FLOOR From 5-0259	1	1	1	
NS	032070	. BOTTOM SHEET METAL	1	1	1	
NS	682462	. ADHESIVE SIKA #252 / BLACK / 310ml CARTRIDGE	AR	AR	AR	
4	502210	. SPRING COMPRESSION / .975 O.D. x 1.250 x .125 To 5-0135	6	6	6	
4	502932	. SPRING COMPRESSION / SS .975 O.D. x 1.250 x .125 From 5-0136	6	6	6	
5	031930	. NUT HEX SPECIAL M12-1.75 ST To 5-0135	6	6	6	
5	032607	. NUT HEX SPECIAL M12-1.75 SS From 5-0136	6	6	6	
6	506758	. TAPE RUB ADH1 NEO 1/16"X 1 1/2"X50'	AR	AR	AR	
6	506757	. TAPE RUB ADH1 NEO 3/4" x 10" x 25 1/2" / BLACK 1220	2	2	2	
7	032191	. . MAIN PLATE To 8-1229	1	1		
7	032190	. . MAIN PLATE To 8-1229			1	
7	032770	. . MAIN PLATE From 8-1230	1	1	1	
8	032014	. . GASKET	1	1	1	



From 3-4417 To 8-1043	Date:10/2022	PAGE:HF-0305-00
FUEL TANK PLASTIC 230 GALLONS		

Item#	Part	Description	H 3 4 1	H 3 4 5	V I P 4 5	N O T E S
9	031988	. . INSIDE FRAME	1	1	1	
10	502686	. . SCREW CAP HEX M6-1.0x30 SS BK	12	12	12	
11	5001392	. . WASHER FL 6.0x12.0x1.5 COP	12	12	12	
12	531417	. . HOSE / 2556 / #10 X 48"	2	2	2	
12	531454	. . HOSE / 2556 / #10 X 25 1/2" AUX	AR	AR	AR	
13	504019	. . HOSE CLAMP / 9/16"-1"1/16 SS / HS-10	4	4	4	
14	501942	. . MALE CONNECTOR / PUSH-LOK FITTING / 1/2NPT-Mx#10 BR	4	4	4	
15	501472	. . FEMALE UNION TEE / PIPE FITTING / 1/2NPT-Fx1/2NPT-Fx1/2NPT-F BR	2	2	2	
18	531453	. . HOSE / 2556 / #4 X 25 1/2"	1	1		
19	504014	. . HOSE CLAMP / 1/4"-5/8" SS / HM-4	2	2	2	
20	507602	. . MALE CONNECTOR / PUSH-LOK FITTING / 1/4NPT-Mx#4 BR	1	1	1	
NS	5011064	. . MALE CONNECTOR / HOSE BARB FITTING / #3x1/4NPT-M BR AUX	AR	AR		
22	501618	. . MALE CONNECTOR / SAE 45° FITTING / #6FL-Mx1/2NPT-M BR	1	1	1	
23	5001198	. . SCREW MA FL PH M6-1.0x16 Z050	2	2	2	
25	531443	. . GASKET / VALVE CONTROL LEVEL	1	1	1	
26	504701	. . VALVE, FUEL TANK LEVEL CONTROL	1	1	1	
26	531459	. . VALVE, FUEL TANK LEVEL CONTROL EMCO	1	1		B
. NS	530212	. . . GASKET / VALVE CONTROL LEVEL	1	1		B
27	507356	. . O-RING	1	1	1	
28	501205	. . ADAPTER / COPPER @ PIPE / 1Mx1NPT-M	1	1	1	
29	531404	. . SENSOR, FUEL LEVEL / 31¼" / W/PLASTIC TAN	1	1	1	
30	5011135	. . SCREW CAP HEXS #10-24x1 1/2 N500	5	5	5	
31	500593	. . WASHER FL .200x.437x.036 BR	5	5	5	
32	501473	. . MALE RUN TEE / PIPE FITTING / 1/2NPT-Mx1/2NPT-Fx1/2NPT-F BR	1	1	1	
33	501616	. . MALE CONNECTOR / SAE 45° FITTING / #8FL-Mx1/2NPT-M BR	1	1	1	
34	501337	. . FEMALE UNION TEE / PIPE FITTING / 1/4NPT-Fx1/4NPT-Fx1/4NPT-F BR	1	1	1	
34	501053	. . CAP NUT / SAE 45° FITTING / #8FL-F BR			1	
35	501316	. . BUSHING REDUCER / PIPE FITTING / 1/2NPT-Mx1/4NPT-F BR	1	1	1	E
37	501306	. . PLUG SQUARE HEAD / PIPE FITTING / 1/2NPT-M BR	2	2	2	
38	680733	. . CAP PROTECTOR (NO-THREADED)	AR	AR	AR	
39	530156	. . VALVE PRESSURE	1	1	1	
. NS	531427	. . . GASKET / (SMALL)	1	1	1	
. NS	531428	. . . GASKET / (LARGE)	1	1	1	
40	501304	. . PLUG SQUARE HEAD / PIPE FITTING / 1/4NPT-M BR	1	1	1	
41	500143	. . SCREW CAP HEXS #10-24x1/2 N500	5	5	5	
45	032443	. . TRANSVERSAL CROSS BAR / 833.5 MM From 3-4580	3	3	3	
46	502121	. . PIN, CLEVIS 3/8 x 1.625 BZC	6	6	6	
47	502102	. . PIN, COTTER 1/8 x 1	6	6	6	
50	031804	. . GASKET	2	2	2	
50	032938	. . GASKET	2	2	2	
51	032436	. . PLATE EXTERIOR	2	2	2	
54	502511	NUT HEX NYRT M6-1.0 Z050	10	10	10	



From 3-4417 To 8-1043	Date:10/2022	PAGE:HF-0305-00
FUEL TANK PLASTIC 230 GALLONS		

Item#	Part	Description	H 3 4 1	H 3 4 5	V I P 4 5	N O T E S
55	500411	WASHER FL .260x.697x.050 SS	10	10	10	
61	032437	. TUBE BALL RETAINER	2	2	2	
61	032914	. TUBE BALL RETAINER	2	2	2	
62	032438	. BASKET	2	2	2	
63	032439	. BALL 2 3/4" O.D. To 6-0441	1	1	1	
63	032657	. BALL 70MM O.D. From 6-0442	2	2	2	
63	032871	. BALL 77MM O.D.	2	2	2	S
64	504293	. HOSE CLAMP / 2"5/16-3"1/4 SS / E.T. 44	2	2	2	
65	032415	. HOSE #16 X 28" LG	1	1	1	
. NS	503579	. . HOSE 1" I.D. X 50' / "GREEN STRIPE"	AR	AR	AR	
NS	504637	. CABLE TIE / 3/16" x 13"	1	1	1	
66	504021	. HOSE CLAMP / 11/16"-1"1/2 SS / HS-16	1	1	1	
73	500806	. SCREW CAP HEX M12-1.75X35 G10.9 G500	4	4	4	
74	500958	. WASHER FL .531x1.062x.095 SS	12	12	12	
75	5001695	. NUT HEX NYRT M12-1.75 Z050	6	6	6	
76	500889	. SCREW CAP HEX M12-1.75x120 G8.8 G500	2	2	2	
80	032240	. HOLDING PLATE / TO HOLD TUBE	2	2	2	
81	502656	. SCREW CAP HEX M6-1.0x50 SS	2	2	2	
82	500411	. WASHER FL .260x.697x.050 SS	4	4	4	
83	5001182	. NUT HEX NYRT M6-1.0 SS	2	2	2	
84	032505	HOSE ASSY / #8 5850MM	1	1	1	F
84	032144	HOSE ASSY / #8 6402MM	1	1	1	W
85	032102	HOSE ASSY / #6 7622MM	1	1	1	
86	501749	NIPPLE REDUCER HEX / PIPE FITTING / 3/8NPT-Mx1/4NPT-Mx1 13/32 BR	1	1		
87	530042	CHECK VALVE 3/8 NPT	1	1		
88	509863	FEMALE ELBOW 90° / PIPE FITTING / 3/8NPT-Fx3/8NPT-F BR	1	1		
89	501314	BUSHING REDUCER / PIPE FITTING / 3/8NPT-Mx1/4NPT-F BR	1	1		
90	HF-1875-00	FUEL TANK FILLING DOOR				
91	505056	ANTISTATIC STRAP / UNDER STRUCTURE	1	1		
92	032157	HOSE 2 1/2" I.D. x 702MM	1	1	1	
92	032158	HOSE 2 1/2" I.D. x 1175MM	1	1	1	
93	504562	HOSE CLAMP / 2"3/4-3"5/8 / C.T. 350	2	2	2	
93	504696	HOSE CLAMP EAR / 2.968"-3.090"	2	2	2	
96	504235	HOSE CLAMP / 3"9/16"-4"1/2 SS / HS-64	2	2	2	
97	032697	HOSE FLEXIBLE 3 1/2" I.D. X 626MM	1	1	1	
97	032568	HOSE FLEXIBLE 3 1/2" I.D. X 530MM	1	1	1	
100	032446	KIT, RETROFIT FUEL TANK STRAP From 3-4417 To 3-4579	1	1	1	
. NS	IS-00038A	. SEE INSTRUCTION SHEET From 3-4417 To 3-4579	1	1	1	



From 3-4417 To 8-1043	Date:10/2022	PAGE:HF-0305-00
FUEL TANK PLASTIC 230 GALLONS		

Item#	Part	Description	H 3 4 1	H 3 4 5	V I P 4 5	N O T E S
		A) FOR PRODUCT IMPROVEMENT USE KIT # 032446				
		B) WITH "EMCO" WEATON FILLER PIPE				
		E) W/100000 BTU WATER HEAT.				
		F) WITHOUT FUEL PRO				
		S) SERVICE				
		W) WITH FUEL PRO				

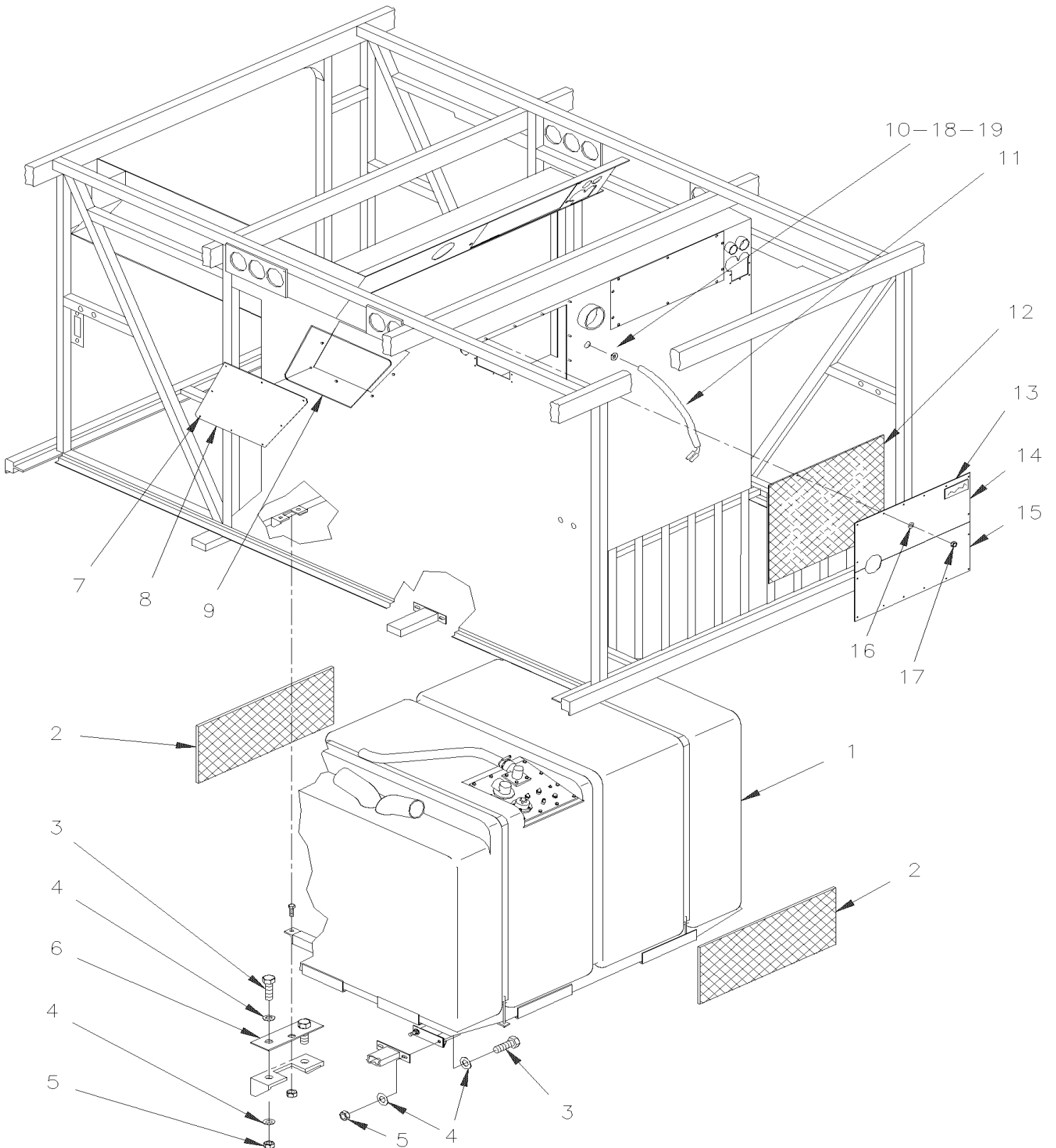


From 3-4417 To 8-1043

Date:10/2022

PAGE:HF-0306-00

FUEL TANK - INSTALLATION (PLASTIC)





From 3-4417 To 8-1043	Date:10/2022	PAGE:HF-0306-00
FUEL TANK - INSTALLATION (PLASTIC)		

Item#	Part	Description	H 3 4 1	H 3 4 5	V I P 4 5	N O T E S
1	HF-0305-00	FUEL TANK PLASTIC 230 GALLONS	1	1	1	
2	506757	TAPE RUB ADH1 NEO 3/4" x 10" x 25 1/2" / BLACK 1220	2	2	2	
3	500806	SCREW CAP HEX M12-1.75X35 G10.9 G500	AR	AR	AR	
4	500958	WASHER FL .531x1.062x.095 SS	AR	AR	AR	
5	500811	NUT HEX STO M12-1.75 G500	AR	AR	AR	
6	031565	BOTTOM PLATE	1	1	1	
7	504248	RIVET CHY Q PRDG 3/16x1/4 SS	AR	AR	AR	
8	482355	ACCESS PANEL	1	1	1	
9	506338	RUBBER CHANNEL / 1/16" x 1/4" INT "U" SHAPE / ROUND C.T.L.	AR	AR	AR	
10	504066	GROMMET / .687x1.000x.062x.375x1.312	1	1	1	
11	064116	CABLE ASSY / TO FUEL TANK	1	1	1	
13	031163	DECAL / "FUEL TANK ACCESS" / ENGLISH	1	1	1	
13	032561	DECAL / "FUEL TANK ACCESS" / ENGLISH & SPANISH	1	1	1	
18	680096	SEALANT BUTYL ALUM / GREY / 310ml CARTRIDGE	AR	AR	AR	
19	680066	ADHESIVE / ADBOND #5014 / 23.6ML BOTTLE	AR	AR	AR	

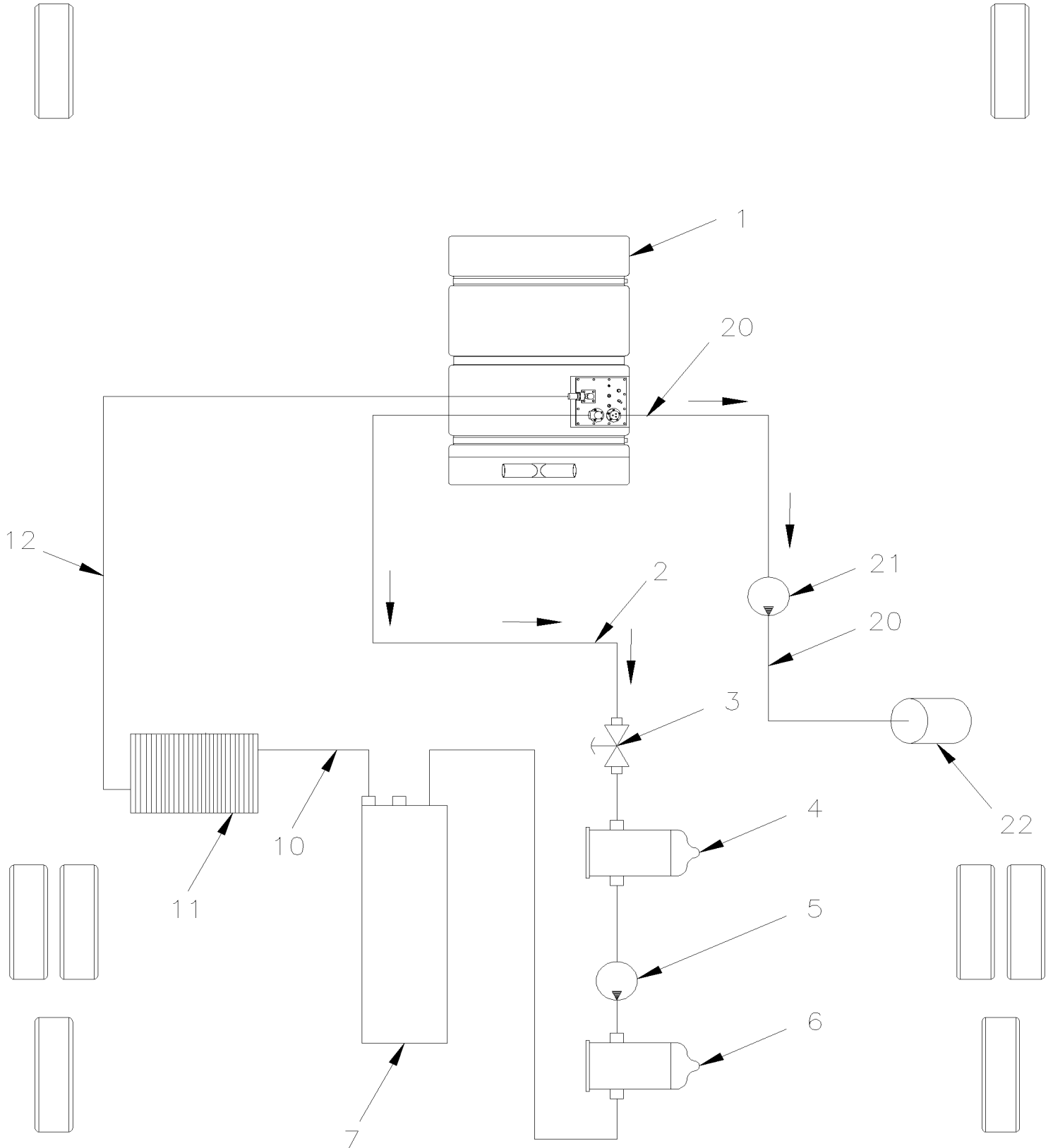


From 3-4417 To 8-1043

Date:10/2022

PAGE:HF-0310-00

FUEL HOSE - INSTALLATION





From 3-4417 To 8-1043	Date:10/2022	PAGE:HF-0310-00
FUEL HOSE - INSTALLATION		

Item#	Part	Description	H 3 4 1	H 3 4 5	V I P 4 5	N O T E S
1	HF-0305-00	FUEL TANK PLASTIC 230 GALLONS				
2	032144	HOSE ASSY / #8 6402MM To 3-4757	1	1	1	
2	032505	HOSE ASSY / #8 5850MM From 4-4758	1	1	1	
3	530096	BALL VALVE 1/2" NPT 1/2 NPT F x 1/2 NPT F	1	1	1	
4	530052	FILTER ASSY PRIMARY	1	1	1	
5	N.S.P.	FUEL PUMP / SUPPLY W/MOTOR	1	1	1	2
6	530051	FILTER ASSY SECONDARY	1	1	1	
		ENGINE CYLINDER HEAD				
10	032101	HOSE ASSY / FROM CYLINDER HEAD / #6 2552MM To 3-4757	1	1	1	
10	032529	HOSE ASSY / FROM CYLINDER HEAD / #6 2400MM From 4-4758 To 4-4866	1	1	1	
10	032564	HOSE ASSY / FROM CYLINDER HEAD / #6 2400MM From 4-4867	1	1	1	
10	031701	SUPPORT HOSE FUEL From 4-4758	AR	AR	AR	
11	HF-0316-00	FUEL COOLER - INSTALLATION To 3-4757				
11	HF-0316-01	FUEL COOLER - INSTALLATION From 4-4758				
12	032102	HOSE ASSY / #6 7622MM To 3-4757	1	1	1	
12	032505	HOSE ASSY / #8 5850MM From 4-4758	1	1	1	
		... FOLLOWING PART ARE USED				
		... WITH WATER HEATER				
20	503706	HOSE FC-332-4 #4	AR	AR	AR	
NS	504230	HOSE CLAMP / 3/8"-7/8" SS / HS-6	4	4	4	
21	871037	FILTER, FUEL	1	1	1	
NS	871038	SUPPORT, FILTER FUEL	1	1	1	
22	871202	WATER HEATER - "SPHEROS" 100,000 B.T.U.				
22	871100	WATER HEATER - "PROHEAT" 80,000 B.T.U.				
22	871329	WATER HEATER - "PROHEAT" 80,000 B.T.U.				
22	HF-2350-05	WATER HEATER - "OPTION" - "ESPAR" 103000 B.T.U.				
		2) NOT SOLD BY PREVOST (SEE MANUFACTURING PART NUMBER AT END OF DESCRIPTION LINE)				

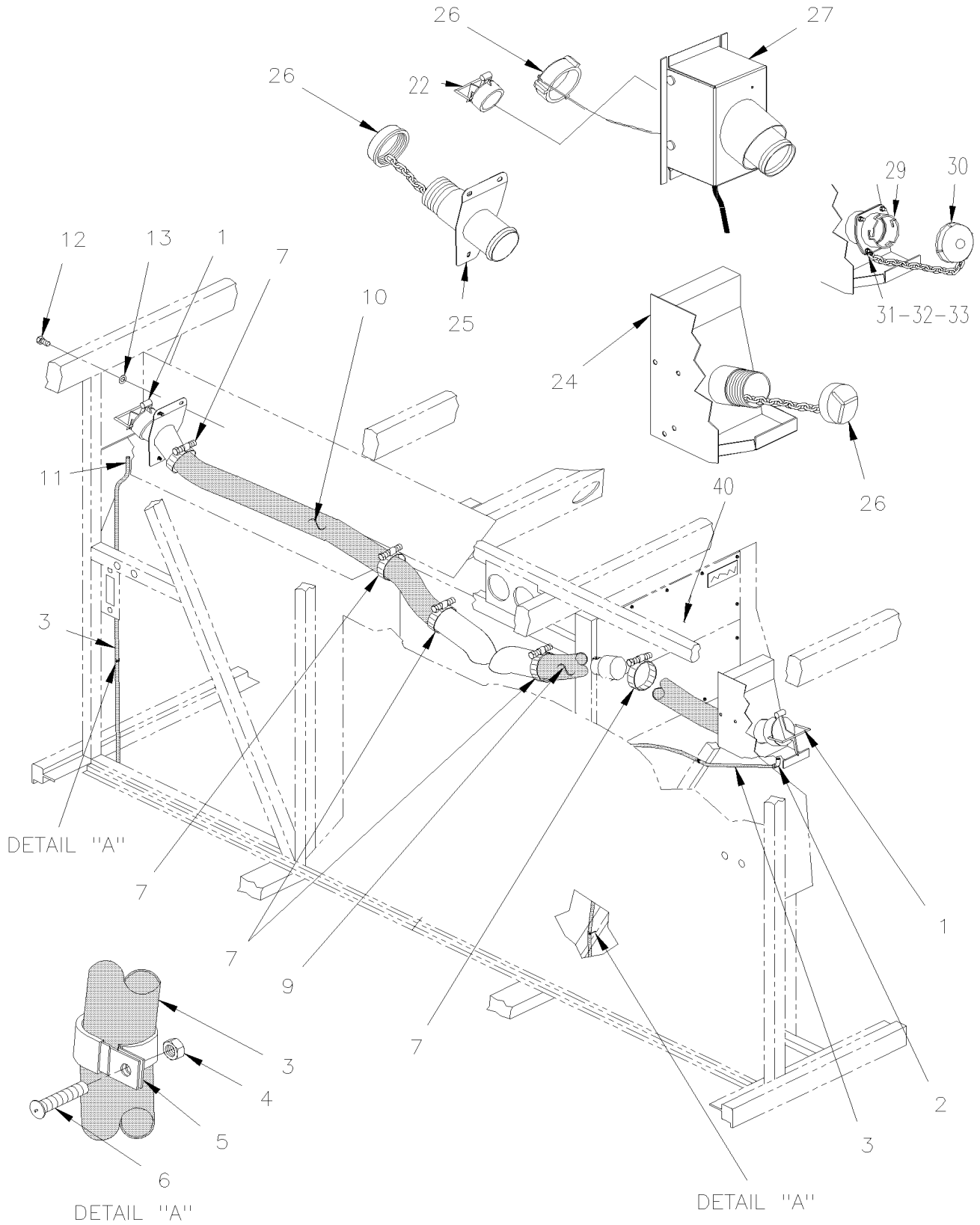


From 3-4417 To 8-1043

Date:10/2022

PAGE:HF-0310-10

FUEL FILLING CAP





From 3-4417 To 8-1043		Date:10/2022	PAGE:HF-0310-10
FUEL FILLING CAP			

Item#	Part	Description	H 3 4 1	H 3 4 5	V I P 4 5	N O T E S
		CAP FILLING / SEE DETAIL				
2	641366	MALE ELBOW 45° NON-SWIVEL / PUSH-IN FITTING / #6x1/4NPT-M BR	1	1	1	
3	503404	TUBE, NYLON 3/8 O.D. / BLACK S.L.	AR	AR	AR	
4	502557	NUT HEX NYRT M4-0.7 SS	5	5	5	
5	560479	CLAMP / 3/8" I.D.	AR	AR	AR	
6	502587	STUD WD WOC M4-0.7x25 SS	5	5	5	
7	504381	HOSE CLAMP / 2"3/4-3"5/8 SS / HT-350	4	4	4	
9	032157	HOSE 2 1/2" I.D. x 702MM	1	1	1	
9	032158	HOSE 2 1/2" I.D. x 1175MM	1	1	1	
NS	503475	. HOSE / FUEL / 2 1/2" I.D. / S.L.	AR	AR	AR	
NS	032568	HOSE FLEXIBLE 3 1/2" I.D. X 530MM	1	1	1	
NS	032697	HOSE FLEXIBLE 3 1/2" I.D. X 626MM	1	1	1	
NS	503746	. HOSE FLEXIBLE / AIR DUCT 3 1/2" I.D. X 12' PLASTIC	AR	AR	AR	
10	504562	HOSE CLAMP / 2"3/4-3"5/8 / C.T. 350	2	2	2	
11	641331	MALE CONNECTOR / PUSH-IN FITTING / #6x1/4NPT-M BR	2	2	2	
12	502563	SCREW CAP HEX M6-1.0x12 G8.8 Z050	AR	AR	AR	
13	502582	WASHER LO SERR 6.1x16.2x0.9 Z050	AR	AR	AR	
22	530015	FUEL FILLING CAP / HINGE TYPE CAP			1	A
. NS	531408	. SEAL GASKET			1	A
. NS	531409	. RETAINER RING GASKET			1	A
. NS	680446	. GLUE ADHESIVE / TO FIX CAP			AR	A
24	032273	FILLING CAP BOX ASSY R.H. / SCREW TYPE CAP	1	1	1	
25	032227	FILLING CAP ASSY L.H. / SCREW TYPE CAP To 4-4832	1	1	1	
26	531424	FUEL FILLING CAP / SCREW TYPE CAP	1	1	1	
27	030839	FILLING CAP BOX ASSY L.H. / SCREW TYPE CAP From 4-4833 To 7-0771	1	1	1	
27	030841	FILLING CAP BOX ASSY L.H. / SCREW TYPE CAP From 7-0772	1	1	1	
27	213967	FILLING CAP BOX ASSY L.H. & R.H. / HINGE TYPE CAP			2	A
29	531413	ADAPTOR	2	2	2	
30	531412	FUEL FILLING CAP / "EMCO WHEATON" TYPE	2	2	2	
31	502737	SCREW CAP HEX M6-1.0x25 SS BK	4	4	4	
32	502564	WASHER LO SPT 6.1x11.8x1.6 Z050	4	4	4	
33	500609	NUT HEX M6-1.0 Z050	4	4	4	
40	453168	ACCESS PANEL FUEL TANK W/SMALL A/C SYSTEM To 3-4579			1	A
40	454119	ACCESS PANEL FUEL TANK W/SMALL A/C SYSTEM From 3-4580			1	A
41	453877	INSULATING ACCESS PANEL From 3-4580			1	A
		A) WITH SMALL A/C				

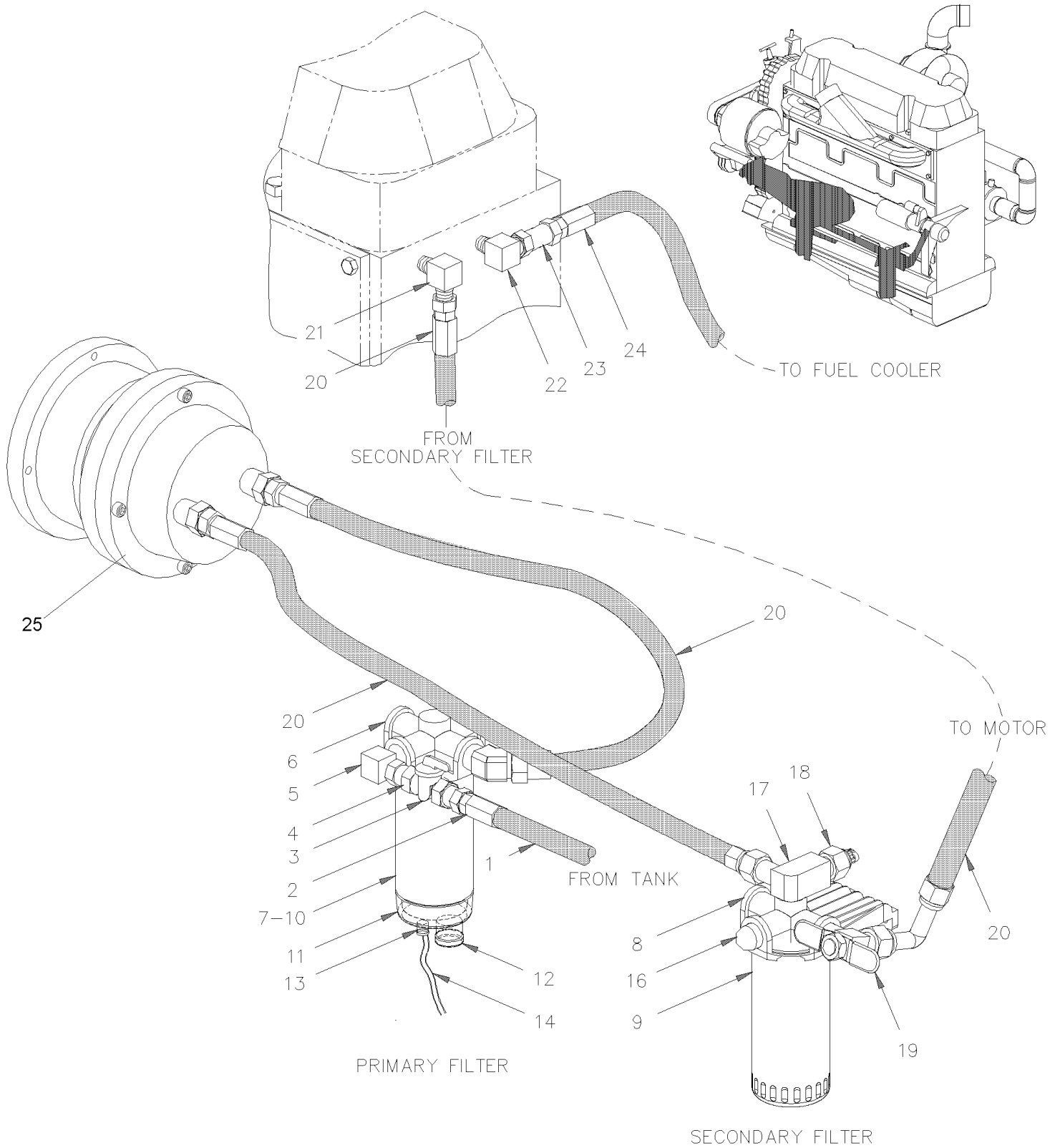


From 3-4417 To 8-1043

Date:10/2022

PAGE:HF-0311-00

FUEL FILTER - PRIMARY & SECONDARY WITH DETROIT S-60





From 3-4417 To 8-1043	Date:10/2022	PAGE:HF-0311-00
FUEL FILTER - PRIMARY & SECONDARY WITH DETROIT S-60		

Item#	Part	Description	H 3 4 1	H 3 4 5	V I P 4 5	N O T E S
1	032144	HOSE ASSY / #8 6402MM To 3-4757	1	1	1	
1	032505	HOSE ASSY / #8 5850MM From 4-4758	1	1	1	
2	501034	MALE CONNECTOR / SAE 45° FITTING / #10FL-Mx1/2NPT-M BR	1	1	1	
3	530096	BALL VALVE 1/2" NPT 1/2 NPT F x 1/2 NPT F	1	1	1	
4	501322	NIPPLE HEX / PIPE FITTING / 3/8NPT-Mx3/8NPT-Mx1 13/32 BR	1	1	1	
NS	501534	BUSHING REDUCER / PIPE FITTING / 1/2NPT-Mx3/8NPT-F BR	1	1	1	
5	501333	STREET ELBOW 90° / PIPE FITTING / 3/8NPT-Mx3/8NPT-F BR To 3-4757	1	1	1	E
5	5011260	FEMALE CONNECTOR SWIVEL / PUSH-LOK FITTING / #8FL-Fx#6 BR From 4-4758	1	1	1	E
5	501305	PLUG SQUARE HEAD / PIPE FITTING / 3/8NPT-M BR	AR	AR	AR	
6	530052	FILTER ASSY PRIMARY	1	1	1	
6	510157	. COVER / W/PRIMARY FILTER	1	1	1	
7	510137	. FUEL FILTER, CARTRIDGE / T-915 / PRIMARY	1	1	1	
8	530051	FILTER ASSY SECONDARY	1	1	1	
8	510344	. COVER / W/SECONDARY FILTER	1	1	1	
9	510128	. FUEL FILTER, CARTRIDGE / TP-916 / SECONDARY To 4-4866	1	1	1	
9	510794	. FUEL FILTER, CARTRIDGE // SECONDARY From 4-4867	1	1	1	
9	531465	COVER "BY-PASS" / SECONDARY FILTER	1	1	1	B
10	531390	CARTRIDGE / W/WATER SEPARATOR FILTER	1	1	1	A
11	531389	BOWL PLASTIC	1	1	1	
12	531397	. DRAIN VALVE & SEAL	1	1	1	
NS	531398	. O-RING	1	1	1	
13	531391	SENSOR / WATER LEVEL	1	1	1	
14	063715	CABLE ASSY / ENGINE ACC. & WATER SEPARATOR	1	1	1	
NS	561566	. CONNECTOR / WEATHER PACK / PH 2C / BLACK / PED 12010973	1	1	1	
NS	561565	. CABLE SEAL / GREEN / PED 15324982	2	2	2	
NS	561567	. PIN TERMINAL / 20-18 / PED 12089040	2	2	2	
NS	560483	CLAMP / 7/8" I.D.	1	1	1	D
16	950249	SCHRADER VALVE 1/4NPT-M To 3-4621	1	1	1	
16	504706	NIPPLE / QUICK DISCONNECT "SAE J1502" / #4x1/4NPT-M STL W/DUST CAP From 3-4622	1	1	1	
NS	195533	. DUST CAP / QUICK DISCONNECT "SAE J1502" / #4 From 3-4622	1	1	1	
17	N.S.P.	ELBOW ADAPTOR FUEL PRESSURE / (23505246-247)	1	1	1	2
18	N.S.P.	FUEL TEMP SENSOR / (23518092)	1	1	1	2
19	N.S.P.	ELBOW BALL VALVE	1	1	1	2
20	HF-0310-00	FUEL HOSE - INSTALLATION	1	1	1	
21	N.S.P.	ELBOW / (23513205) To 3-4757	1	1	1	2
22	N.S.P.	ELBOW / RESTRICTION / (8929725) To 3-4757	1	1	1	2
23	531415	CHECK VALVE To 3-4757	1	1	1	
23	7770472	CHECK VALVE From 4-4758	1	1	1	
24	HF-0316-00	FUEL COOLER - INSTALLATION To 3-4757				
24	HF-0316-01	FUEL COOLER - INSTALLATION From 4-4758				
25	N.S.P.	FUEL PUMP / SUPPLY W/MOTOR (23517845) To 3-4757	1	1	1	2



From 3-4417 To 8-1043	Date:10/2022	PAGE:HF-0311-00
-----------------------	--------------	-----------------

FUEL FILTER - PRIMARY & SECONDARY WITH DETROIT S-60

Item#	Part	Description	H 3 4 1	H 3 4 5	V I P 4 5	N O T E S
		A) FOR FILTER CARTRIDGE WATER SEPARATOR W/O PROBE SENSOR & PLASTIC BOWL USE PART #531407				
		B) USE WITH FUEL PRO INSTALLATION				
		D) FOR CABLE				
		E) W/PRIMARY				
		2) NOT SOLD BY PREVOST (SEE MANUFACTURING PART NUMBER AT END OF DESCRIPTION LINE)				

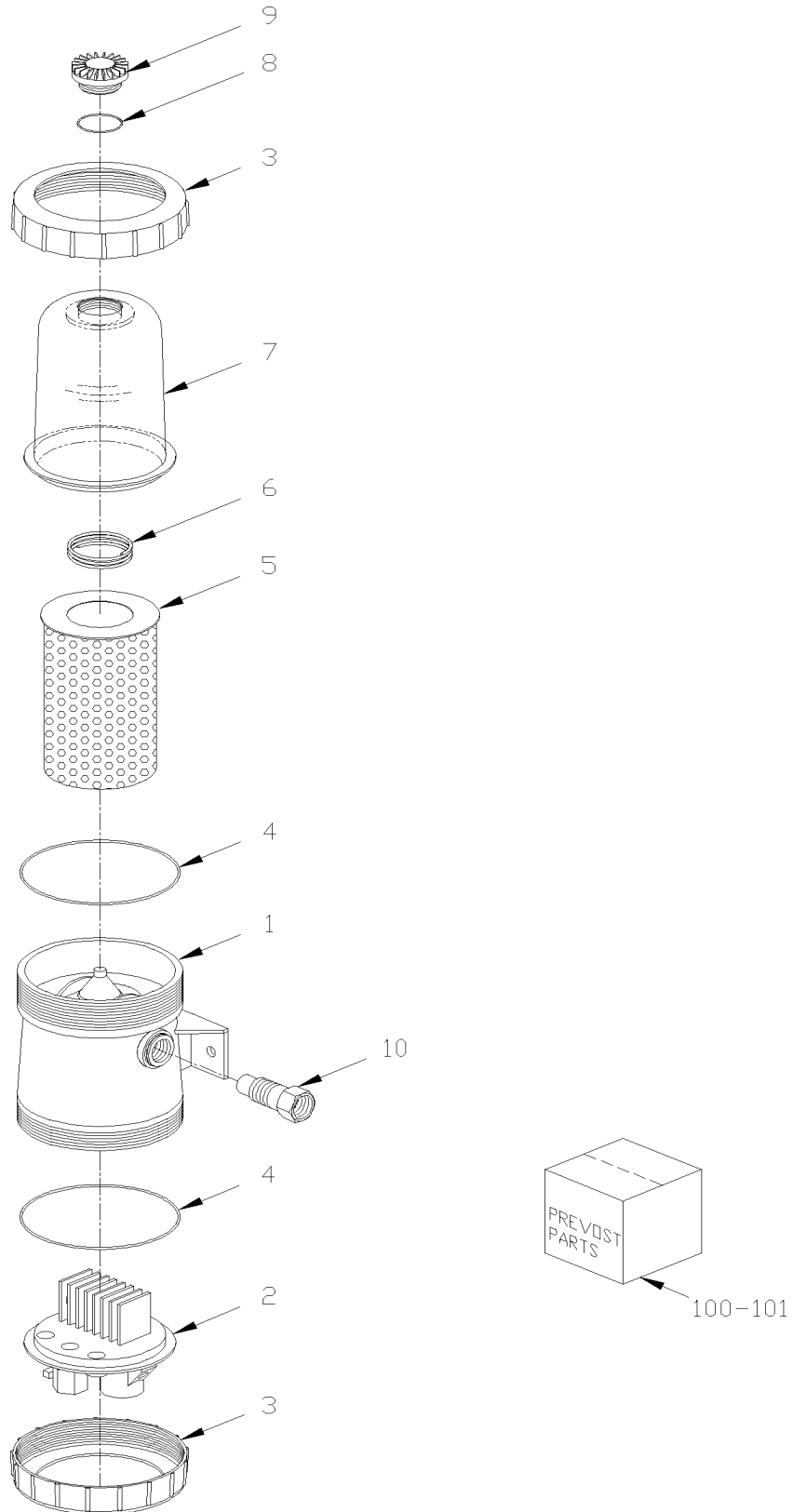


From 3-4417 To 8-1043

Date:10/2022

PAGE:HF-0311-15

FUEL FILTER / "PRO 382"





From 3-4417 To 8-1043	Date:10/2022	PAGE:HF-0311-15
FUEL FILTER / "PRO 382"		

Item#	Part	Description	H 3 4 1	H 3 4 5	V I P 4 5	N O T E S
	531448	FILTER ASSY "FUEL PRO 382" / W/HEATER ELEMENT To 4-4853	1	1	1	
	531468	FILTER ASSY "FUEL PRO 382" / WITHOUT HEATER ELEMENT From 4-4854	1	1	1	
1	N.S.S.	. BODY CASTING	1	1	1	1
2	N.S.S.	. FLUID HEATER BASE	1	1	1	1
3	531441	. COLLAR, COVER	2	2	2	
4	N.S.S.	. SEAL COVER	2	2	2	1
5	531437	. FILTER FUEL ELEMENT / To 4-4866	1	1	1	
5	510795	. FILTER FUEL, ELEMENT / W/"PRO FILTER" From 4-4867	1	1	1	
6	531440	. SPRING	1	1	1	
7	531438	. COVER, FILTER ELEMENT	1	1	1	
8	N.S.S.	. SEAL CAP VENT	1	1	1	1
9	531439	. CAP VENT	1	1	1	
10	N.S.P.	. CHECK VALVE / (23518325)	2	2	2	2
NS	500190	SCREW CAP HEX 3/8-16x3/4 G5 Z050	2	2	2	
NS	5001396	NUT SPR FL REC 3/8-16 .69x.91	2	2	2	
NS	500935	WASHER FL .390x1.500x.083	2	2	2	
NS	500265	NUT HEX STO 3/8-16 Z050	2	2	2	
100	531442	O-RING SET	1	1	1	A
. A	DAV380048	. ANTI TAMPER SEAL	1	1	1	A
. B	3946027	. O-RING	1	1	1	A
101	N.S.P.	CHECK VALVE REPAIR KIT / (23518326)	1	1	1	2
		A) INCLUDE ITEM #4 & 8				
		1) NOT SOLD SEPARATELY				
		2) NOT SOLD BY PREVOST (SEE MANUFACTURING PART NUMBER AT END OF DESCRIPTION LINE)				

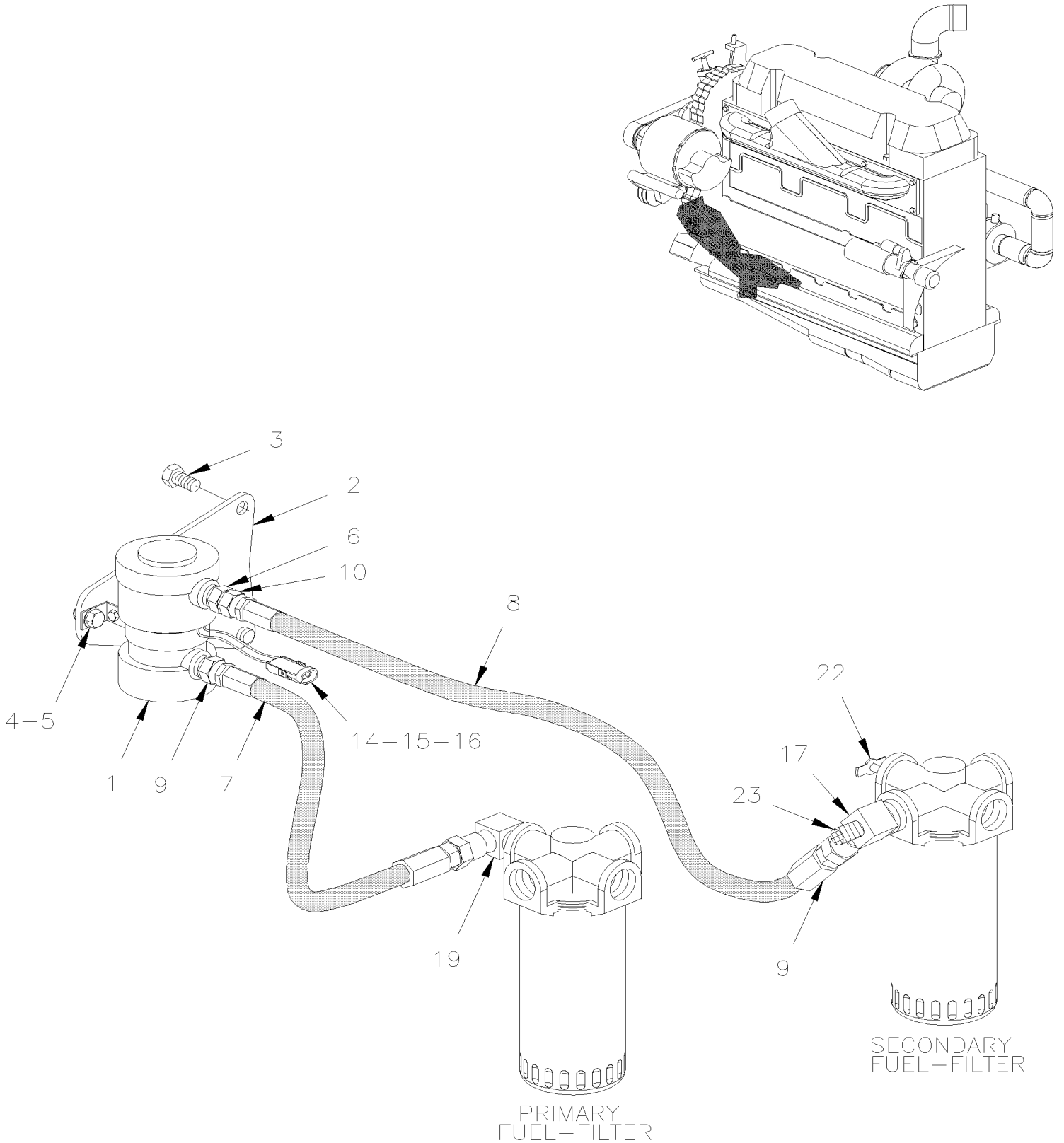


From 3-4417 To 8-1043

Date:10/2022

PAGE:HF-0312-00

FUEL PUMP - AUXILIARY





From 3-4417 To 8-1043	Date:10/2022	PAGE:HF-0312-00
FUEL PUMP - AUXILIARY		

Item#	Part	Description	H 3 4 1	H 3 4 5	V I P 4 5	N O T E S
1	531388	FUEL PUMP ELECTRICAL	1	1	1	
2	032254	SUPPORT To 3-4757	1	1	1	
3	502790	SCREW CAP HEX M8-1.25x20 G8.8 Z050 To 3-4757	2	2	2	
3	502651	SCREW CAP HEX M8-1.25x35 G8.8 Z050 To 3-4757	2	2	2	
3	502830	SCREW CAP HEX M6-1.0x20 G8.8 N500 From 4-4758	2	2	2	
4	500874	WASHER FL 8.4x17.0x1.6 Z050 To 3-4757	4	4	4	
4	502889	WASHER LO SPT 8.1x12.7x2.0 N500 From 4-4758	2	2	2	
4	500877	WASHER FL .250x.562x.065 N500 From 4-4758	2	2	2	
5	500868	NUT HEX NYRT M8-1.25 Z050 To 3-4757	4	4	4	
5	500232	NUT HEX M6-1.0 ZG603 From 4-4758	2	2	2	
6	501749	NIPPLE REDUCER HEX / PIPE FITTING / 3/8NPT-Mx1/4NPT-Mx1 13/32 BR To 3-4757	1	1	1	
6	5011253	SWIVEL NUT MALE CONNECTOR / JIC 37° FITTING / #6JIC-Fx1/4NPT-M STL From 4-4758	1	1	1	
7	032266	HOSE ASSY / #6 267MM To 3-4757	1	1	1	
7	039071	HOSE ASSY From 4-4758	1	1	1	
8	032021	HOSE ASSY / #8 212MM To 3-4757	1	1	1	
8	030972	HOSE ASSY / #6 255MM From 4-4758	1	1	1	
8	032275	HOSE ASSY / #6 756MM	1	1	1	
9	5011061	MALE ELBOW 90° / JIC 37° FITTING / #8JIC-Mx1/2NPT-M STL	1	1	1	
10	531405	CHECK VALVE 1/2 NPT	1	1	1	
14	501566	MALE ELBOW 45° / COPPER TUBE / 1Mx1M	1	1	1	
15	561568	PIN TERMINAL / 16-14 / PED 12089305	2	2	2	
16	561565	CABLE SEAL / GREEN / PED 15324982	2	2	2	
17	501338	MALE RUN TEE / PIPE FITTING / 1/4NPT-Mx1/4NPT-Fx1/4NPT-F BR To 3-4757	1	1	1	
17	501695	MALE ELBOW 90° / JIC 37° FITTING / #6JIC-Mx1/4NPT-M STL From 4-4758	1	1	1	
19	501587	MALE ELBOW 90° / JIC 37° FITTING / #8JIC-Mx3/8NPT-M STL	1	1	1	
22	501129	EXTERNAL SEAL DRAIN 1/4 NPT	1	1	1	
NS	501314	BUSHING REDUCER / PIPE FITTING / 3/8NTP-Mx1/4NPT-F BR	1	1	1	
23	950249	SCHRADER VALVE 1/4NPT-M To 3-4620	1	1	1	
23	504706	NIPPLE / QUICK DISCONNECT "SAE J1502" / #4x1/4NPT-M STL W/DUST CAP From 3-4621	1	1	1	
. NS	195533	. DUST CAP / QUICK DISCONNECT "SAE J1502" / #4 From 3-4621	1	1	1	
24	032833	KIT, RETROFIT AUX FUEL PUMP	1	1	1	
. NS	IS-08003	. SEE INSTRUCTION SHEET	1	1	1	

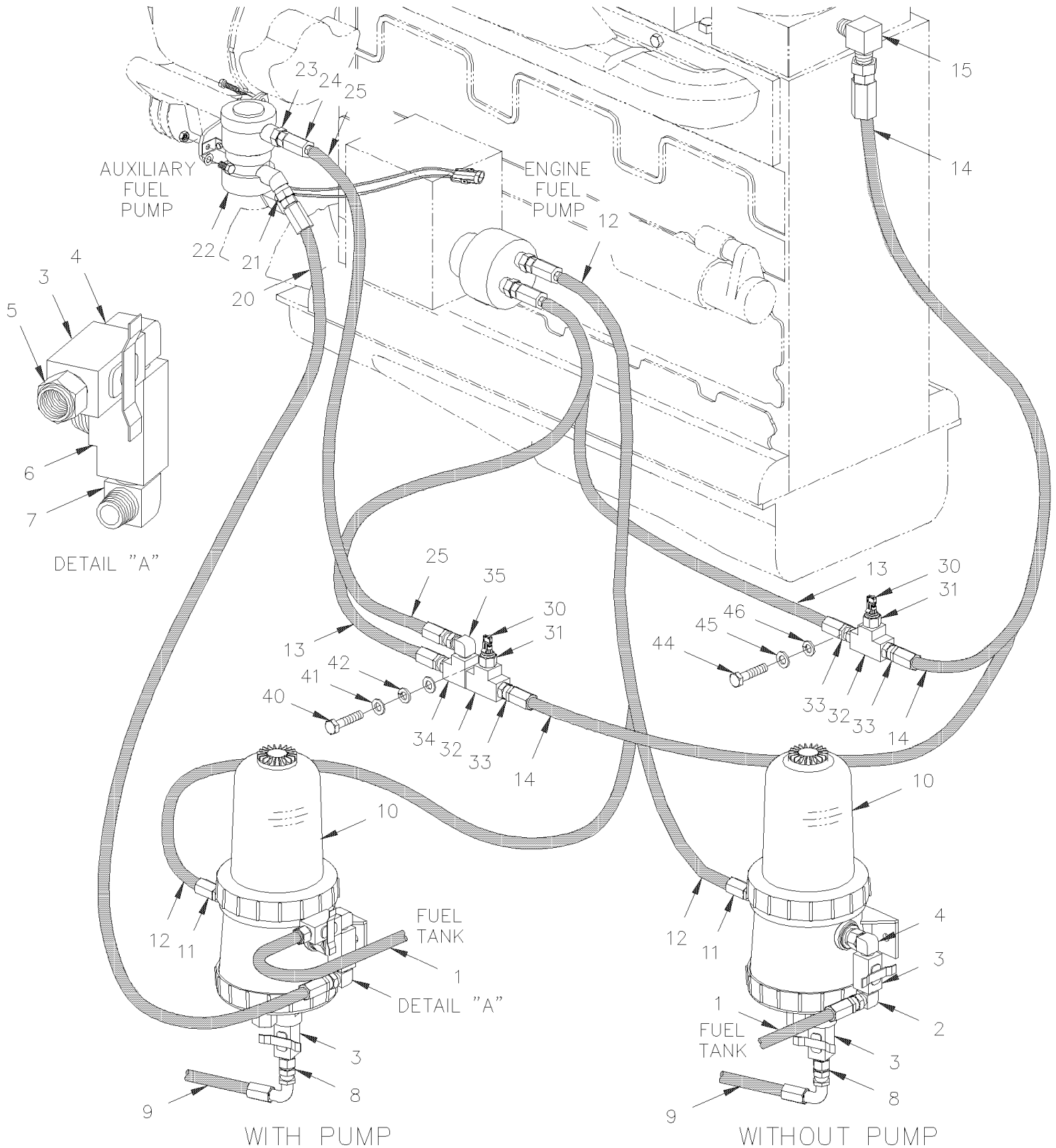


From 3-4417 To 3-4757

Date:10/2022

PAGE:HF-0312-10

FUEL PRO - INSTALLATION





From 3-4417 To 3-4757	Date:10/2022	PAGE:HF-0312-10
FUEL PRO - INSTALLATION		

Item#	Part	Description	H 3 4 1	H 3 4 5	V I P 4 5	N O T E S
1	032144	HOSE ASSY / #8 6402MM	1	1	1	
2	5011061	MALE ELBOW 90° / JIC 37° FITTING / #8JIC-Mx1/2NPT-M STL	1	1	1	
3	530096	BALL VALVE 1/2" NPT 1/2 NPT F x 1/2 NPT F	1	1	1	
4	501908	MALE ELBOW 90° / PIPE FITTING / 1/2NPT-Mx1/2NPT-M STL	1	1	1	
5	501616	MALE CONNECTOR / SAE 45° FITTING / #8FL-Mx1/2NPT-M BR	1	1	1	
6	507556	MALE BRANCHE TEE / PIPE FITTING / 1/2NPT-Fx1/2NPT-Fx1/2NPT-M BR	1	1	1	
7	5011056	MALE ELBOW 90° / JIC 37° FITTING / #6JIC-Mx1/2NPT-M STL	1	1	1	
8	501591	MALE CONNECTOR / JIC 37° FITTING / #6JIC-Mx1/2NPT-M STL	1	1	1	
9	032132	HOSE ASSY / DRAIN #6 460MM	1	1	1	
10	HF-0311-15	FUEL FILTER / "PRO 382"	1	1	1	
11	501739	MALE CONNECTOR / JIC 37° FITTING / #8JIC-Mx1/2NPT-M STL	1	1	1	
12	031833	HOSE ASSY / #8 813MM	1	1	1	
12	161082	HOSE ASSY / #8 622MM	1	1	1	C
13	N.S.P.	HOSE ASSY /FUEL PUMP & JUCTION / (23505202)	1	1	1	2
14	N.S.P.	HOSE ASSY / JUNCTION & ENGINE / (8929841)	1	1	1	2
15	N.S.P.	ELBOW 90° / (23513205)	1	1	1	2
20	032276	HOSE ASSY / #6 1220MM	1	1	1	C
21	501687	MALE CONNECTOR / JIC 37° FITTING / #6JIC-Mx1/4NPT-M STL	1	1	1	
22	HF-0312-00	FUEL PUMP - AUXILIARY	1	1	1	
23	501749	NIPPLE REDUCER HEX / PIPE FITTING / 3/8NPT-Mx1/4NPT-Mx1 13/32 BR	1	1	1	
24	531415	CHECK VALVE	1	1	1	
25	032275	HOSE ASSY / #6 756MM	1	1	1	
30	N.S.P.	FUEL TEMP SENSOR / (23518092)	1	1	1	2
31	501314	BUSHING REDUCER / PIPE FITTING / 3/8NPT-Mx1/4NPT-F BR	1	1	1	
32	501527	FEMALE UNION TEE / PIPE FITTING / 3/8NPT-Fx3/8NPT-Fx3/8NPT-F BR	1	1	1	
33	501617	MALE CONNECTOR / SAE 45° FITTING / #6FL-Mx3/8NPT-M BR	1	1	1	
34	501699	MALE RUN TEE / PIPE FITTING / 3/8NPT-Mx3/8NPT-Fx3/8NPT-F BR	1	1	1	
35	5011066	MALE ELBOW 90° / JIC 37° FITTING / #6JIC-Mx3/8NPT-M STL	1	1	1	
40	502559	SCREW CAP HEX M10-1.5x25 G8.8 Z050	1	1	1	
41	500257	WASHER LO SPT 10.2x18.1x2.2 Z050	1	1	1	
42	500935	WASHER FL .390x1.500x.083	1	1	1	
NS	070368	SUPPORT	1	1	1	
NS	560481	CLAMP / 5/8" I.D.	1	1	1	
NS	500774	NUT WING 1/4-20 ZP	1	1	1	
NS	500786	NUT HEX #10-24 Z050	1	1	1	
NS	500470	WASHER LO SPT .193x.334x.047 Z050	1	1	1	
44	500072	SCREW CAP HEX M10-1.5x45 G10.9 Z050	1	1	1	
45	500257	WASHER LO SPT 10.2x18.1x2.2 Z050	1	1	1	
46	500935	WASHER FL .390x1.500x.083	1	1	1	
NS	500446	WASHER FL .531x1.250x.125 Z050	1	1	1	



From 3-4417 To 3-4757		Date:10/2022	PAGE:HF-0312-10
-----------------------	--	--------------	-----------------

FUEL PRO - INSTALLATION

Item#	Part	Description	H 3 4 1	H 3 4 5	V I P 4 5	N O T E S
		C) USE WITH MODEL FUEL PRO 380E WITH KIT #032257				
		2) NOT SOLD BY PREVOST (SEE MANUFACTURING PART NUMBER AT END OF DESCRIPTION LINE)				

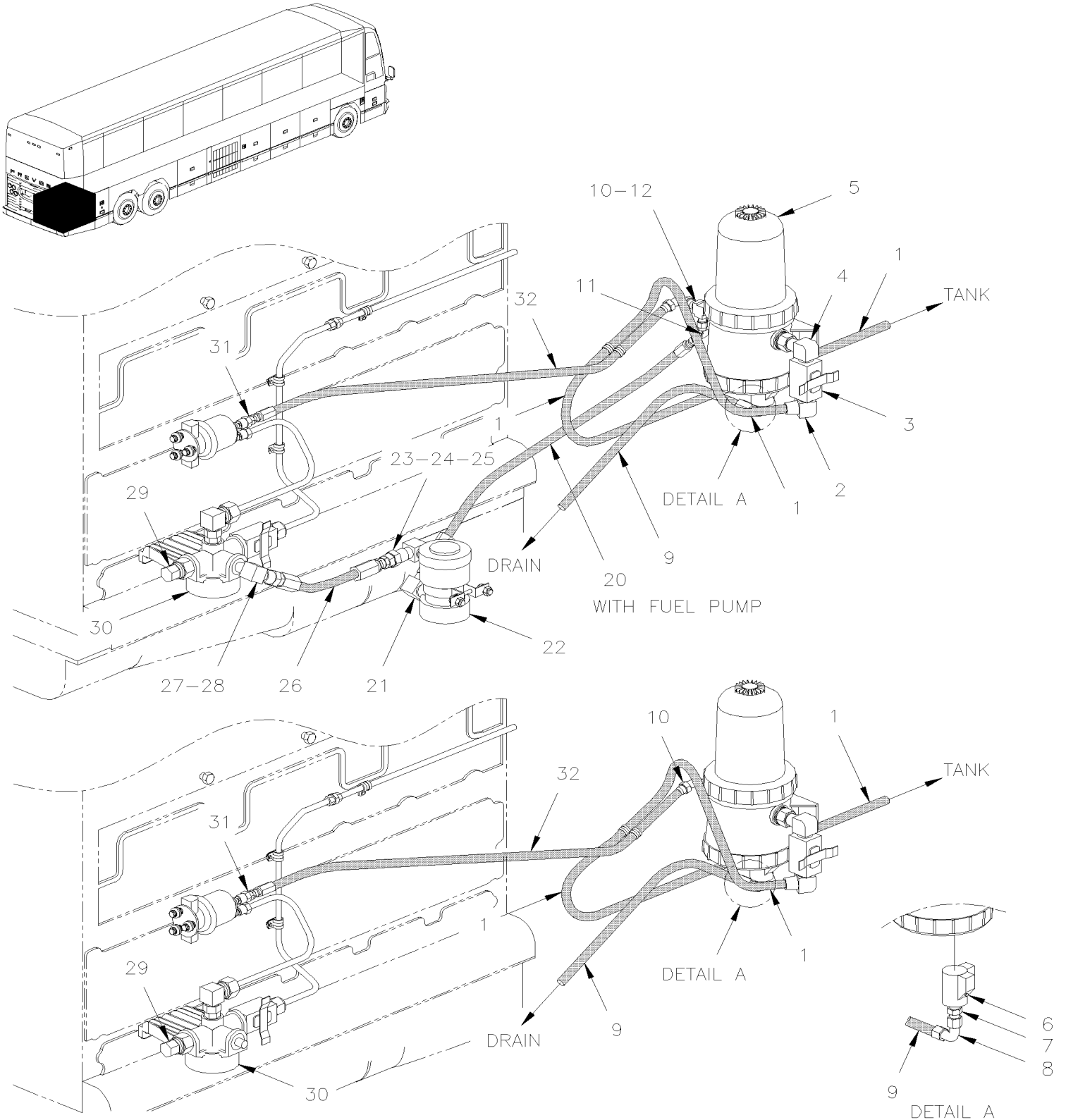


From 4-4758 To 8-1043

Date:10/2022

PAGE:HF-0312-11

FUEL PRO - INSTALLATION





From 4-4758 To 8-1043	Date:10/2022	PAGE:HF-0312-11
FUEL PRO - INSTALLATION		

Item#	Part	Description	H 3 4 1	H 3 4 5	V I P 4 5	N O T E S
1	032144	HOSE ASSY / #8 640MM	1	1	1	
2	501612	MALE ELBOW 90° / SAE 45° FITTING / #8FL-Mx1/2NPT-M BR	1	1	1	
3	530096	BALL VALVE 1/2" NPT 1/2 NPT F x 1/2 NPT F	1	1	1	
4	501713	MALE ELBOW 90° / PIPE FITTING / 1/2NPT-Mx1/2NPT-M BR	1	1	1	
5	HF-0311-15	FUEL FILTER / "PRO 382"				
6	501305	PLUG SQUARE HEAD / PIPE FITTING / 3/8NPT-M BR	1	1	1	
7	501591	MALE CONNECTOR / JIC 37° FITTING / #6JIC-Mx1/2NPT-M STL	1	1	1	
8	501618	MALE CONNECTOR / SAE 45° FITTING / #6FL-Mx1/2NPT-M BR	1	1	1	
9	032132	HOSE ASSY / DRAIN #6 460MM	1	1	1	
10	501473	MALE RUN TEE / PIPE FITTING / 1/2NPT-Mx1/2NPT-Fx1/2NPT-F BR	1	1	1	A
11	5011159	MALE ELBOW 45° / JIC 37° FITTING / #6JIC-Mx1/2NPT-M STL	1	1	1	A
12	501739	MALE CONNECTOR / JIC 37° FITTING / #8JIC-Mx1/2NPT-M STL	1	1	1	
20	032520	HOSE ASSY / #6 730MM	1	1	1	
21	501695	MALE ELBOW 90° / JIC 37° FITTING / #6JIC-Mx1/4NPT-M STL	1	1	1	
22	HF-0312-00	FUEL PUMP - AUXILIARY				
23	5011253	SWIVEL NUT MALE CONNECTOR / JIC 37° FITTING / #6JIC-Fx1/4NPT-M STL	1	1	1	
24	5011066	MALE ELBOW 90° / JIC 37° FITTING / #6JIC-Mx3/8NPT-M STL	1	1	1	
25	531415	CHECK VALVE	1	1	1	
26	030972	HOSE ASSY / #6 255MM	1	1	1	
27	501687	MALE CONNECTOR / JIC 37° FITTING / #6JIC-Mx1/4NPT-M STL	1	1	1	
28	501338	MALE RUN TEE / PIPE FITTING / 1/4NPT-Mx1/4NPT-Fx1/4NPT-F BR	1	1	1	
29	504706	NIPPLE / QUICK DISCONNECT "SAE J1502" / #4x1/4NPT-M STL W/DUST CAP	1	1	1	
. NS	195533	. DUST CAP / QUICK DISCONNECT "SAE J1502" / #4	1	1	1	
30	531465	COVER "BY-PASS" / SECONDARY FILTER	1	1	1	
31	5011247	MALE CONNECTOR / JIC 37° FITTING / #8JIC-MxM16-1.5 ORB-M STL	1	1	1	
32	031833	HOSE ASSY / #8 813MM	1	1	1	
		A) WITH FUEL PUMP ONLY				

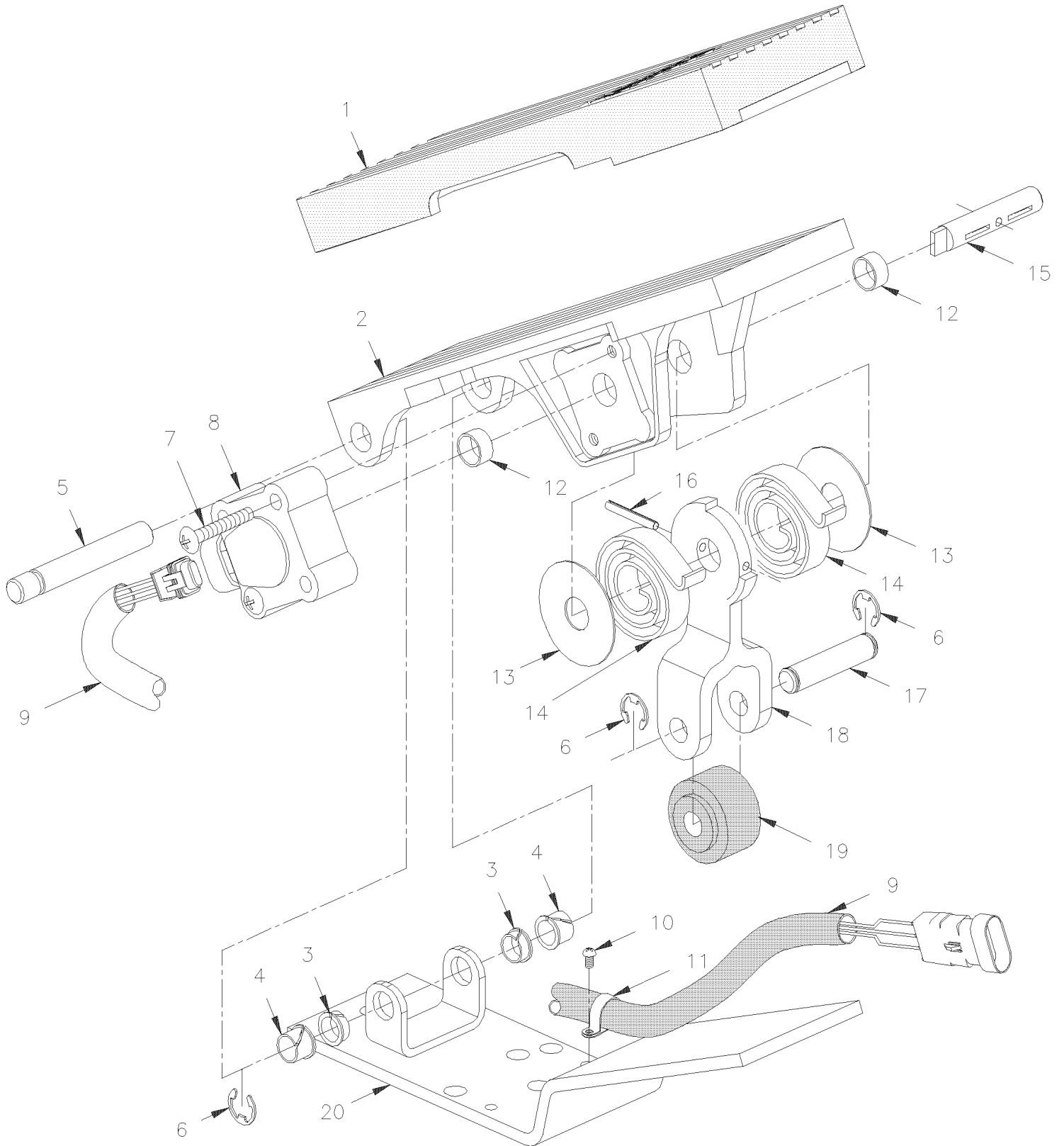


From 3-4417 To 8-1043

Date:10/2022

PAGE:HF-0315-10

ACCELERATOR PEDAL - ELECTRONIC





From 3-4417 To 8-1043 Date:10/2022 PAGE:HF-0315-10

ACCELERATOR PEDAL - ELECTRONIC

Item#	Part	Description	H 3 4 1	H 3 4 5	V I P 4 5	N O T E S
	531455	ACCELERATOR PEDAL ASSY	1	1	1	
1	531401	. THREADLE COVER	1	1	1	
2	N.S.S.	. THREADLE	1	1	1	1
3	N.S.S.	. BUSHING, INNER	2	2	2	1
4	507260	. BUSHING NYLINER W/SHOULDER .375x.437x.375x.594	2	2	2	
5	N.S.S.	. PIN, THREADLE	1	1	1	1
6	N.S.S.	. RING, SNAP 5/16" I.D.	3	3	3	1
7	500427	. SCREW MA RND PH #10-32x1 1/4 ZP	2	2	2	
8	531402	. POTENTIOMETER PEDAL SENSOR 0-5V	1	1	1	
9	N8887087	. WIRE HARNESS	1	1	1	
10	500883	. . SCREW TC PAN PH #8-32x3/8 Z050	2	2	2	
11	N.S.S.	. . CLIP	2	2	2	1
12	N.S.S.	. BUSHING, GARLOCK	2	2	2	1
13	N.S.S.	. THRUST, WASHER-OUTER	2	2	2	1
13	N.S.S.	. THRUST, WASHER-INNER	2	2	2	1
14	N.S.S.	. SPRING	2	2	2	1
15	N.S.S.	. SHAFT SENSOR DRIVE	1	1	1	1
16	505208	. SPRING, PIN 1/8 X 7/8	1	1	1	
17	N.S.S.	. ROLLER, PIN	1	1	1	1
18	N.S.S.	. LEVER, THREADLE	1	1	1	1
19	N.S.S.	. ROLLER	1	1	1	1
20	531462	. BASE PLATE / (includes item #5)	1	1	1	
NS	531393	KIT REPAIR / LOWER THREADLE PIN	1	1	1	A
NS	531394	KIT REPAIR / ROLLER	1	1	1	B
		A) INCLUDES ITEMS 3-4-5-6				
		B) INCLUDES ITEMS 6-18-19				
		1) NOT SOLD SEPARATELY				

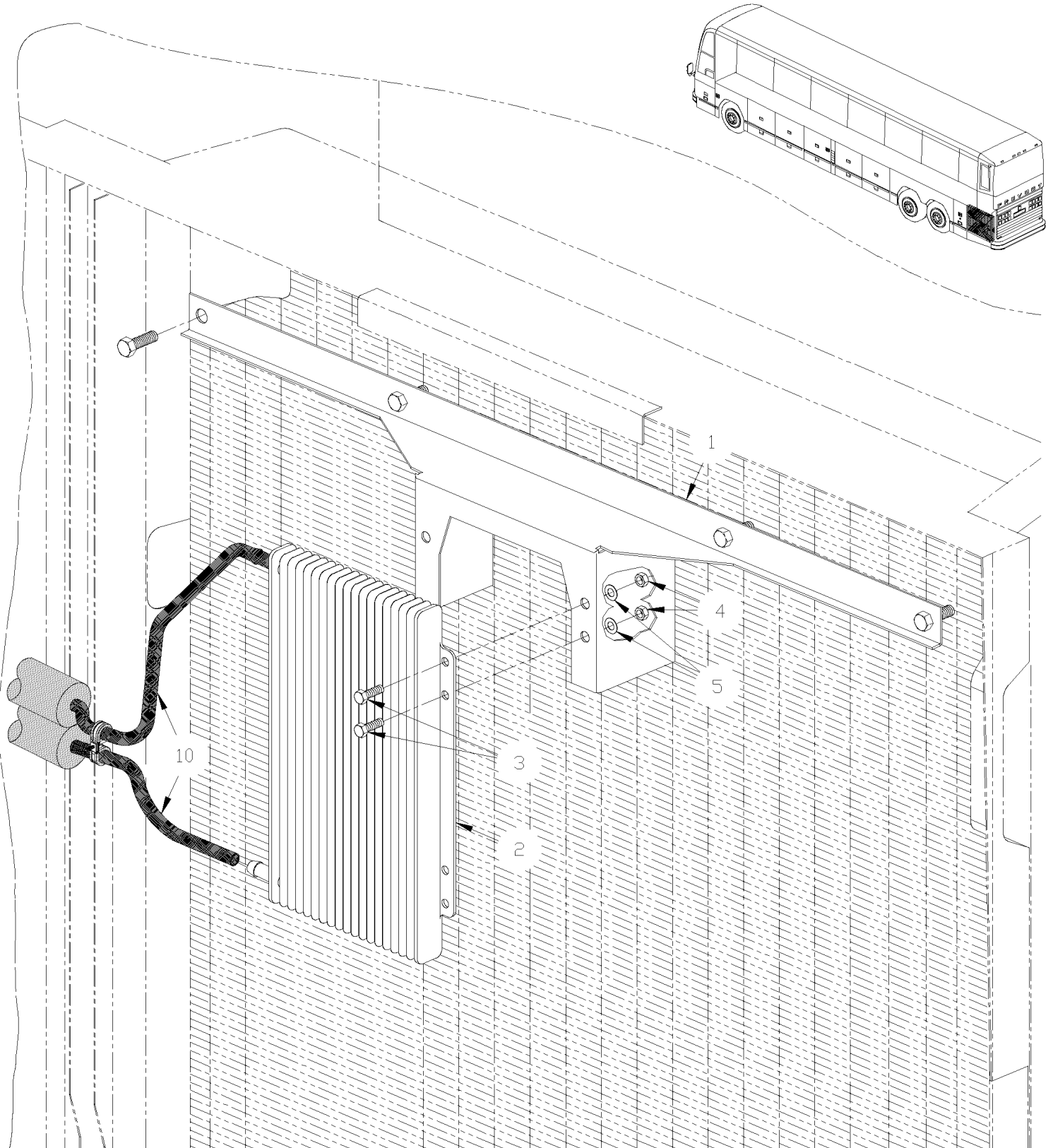


From 3-4417 To 3-4757

Date:10/2022

PAGE:HF-0316-00

FUEL COOLER - INSTALLATION





From 3-4417 To 3-4757	Date:10/2022	PAGE:HF-0316-00
FUEL COOLER - INSTALLATION		

Item#	Part	Description	H 3 4 1	H 3 4 5	V I P 4 5	N O T E S
1	032242	SUPPORT / FUEL COOLER	1	1		
1	032264	SUPPORT / FUEL COOLER / W/AIR COOLER OVER RAD & SMALL A/C			1	
1	032265	SUPPORT / FUEL COOLER / W/AIR COOLER OVER RAD & LARGE A/C			1	
2	531422	FUEL COOLER	1	1	1	
3	502563	SCREW CAP HEX M6-1.0x12 G8.8 Z050	4	4	4	
4	502565	NUT HEX M6-1.0 SS	4	4	4	
5	502570	WASHER LO SPT 6.1x11.8x1.6 SS	4	4	4	
10	HF-0310-00	FUEL HOSE - INSTALLATION				

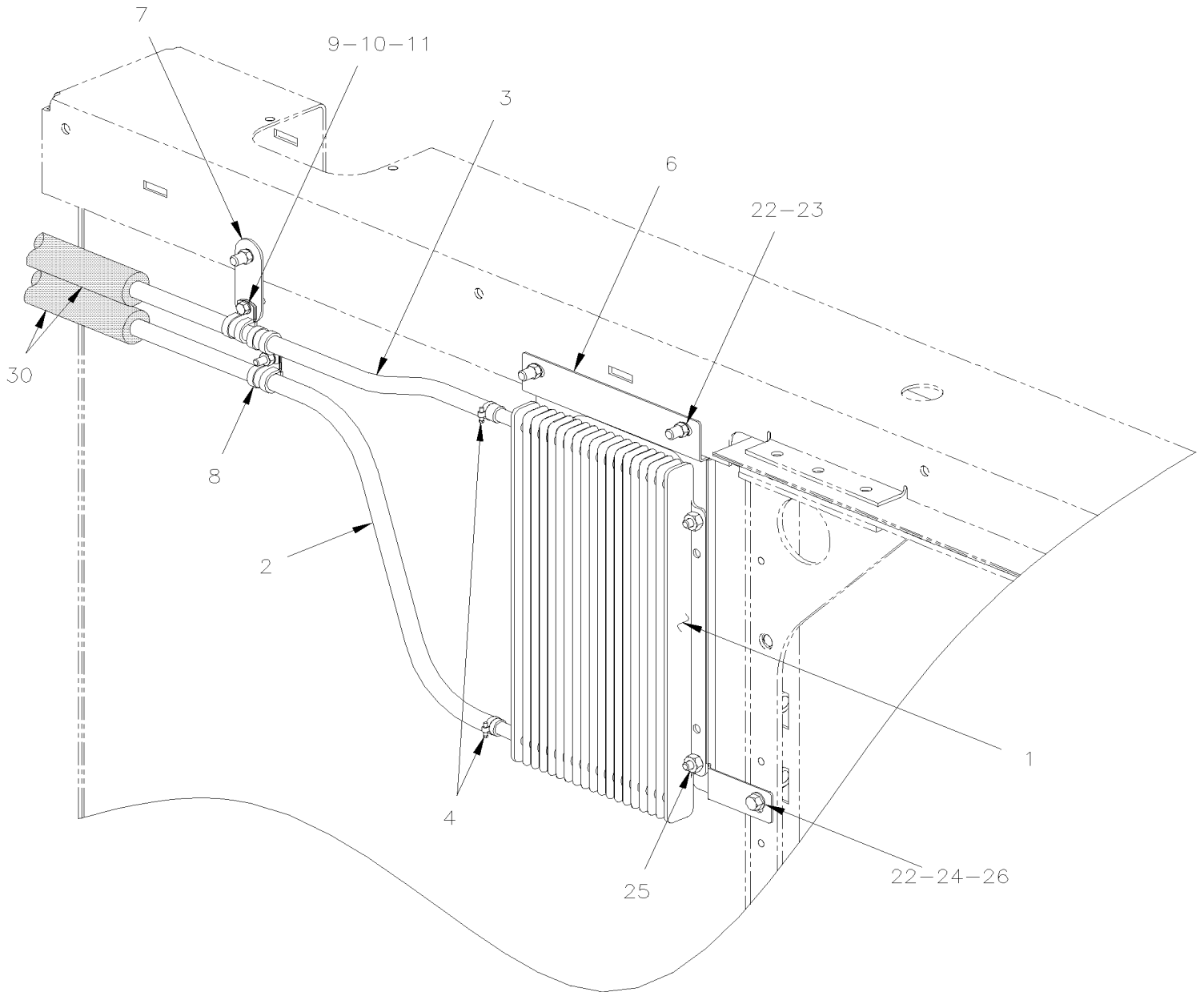


From 4-4758 To 8-1043

Date:10/2022

PAGE:HF-0316-01

FUEL COOLER - INSTALLATION





From 4-4758 To 8-1043	Date:10/2022	PAGE:HF-0316-01
FUEL COOLER - INSTALLATION		

Item#	Part	Description	H 3 4 1	H 3 4 5	V I P 4 5	N O T E S
1	531422	FUEL COOLER	1	1	1	
2	032529	HOSE ASSY / FROM CYLINDER HEAD / #6 2400MM To 4-4866	1	1	1	
2	032564	HOSE ASSY / FROM CYLINDER HEAD / #6 2400MM From 4-4867	1	1	1	
3	032102	HOSE ASSY / #6 7622MM	1	1	1	
4	504014	HOSE CLAMP / 1/4"-5/8" SS / HM-4	AR	AR	AR	
6	032502	SUPPORT FUEL COOLER	1	1	1	
7	031701	SUPPORT HOSE FUEL	1	1	1	
8	952629	CLAMP / 5/8" I.D.	AR	AR	AR	
NS	283770	SPACER / TO FIX RETAINING ARM	1	1	1	
9	500574	SCREW MA TR PH #10-24x1 1/4 SS	AR	AR	AR	
10	500914	WASHER LO SPT .193x.334x.047 N500	AR	AR	AR	
11	502882	NUT HEX #10-24 N500	1	1	1	
22	192288	WASHER FL 8.4x18.0x2.0 ZG603	3	3	3	
23	502902	NUT HEXF NYRT 5/16-18 N500	3	3	3	
24	500942	WASHER LO SPT 8.1x14.8x2.0 N500	1	1	1	
25	500836	SCREW CAP HEX 5/16-18x3/4 G5 N500	1	1	1	
26	502681	NUT HEX NYRT M6-1.0 N500 G8	3	3	3	
30	506216	PIPE INSULATING / 5/8" I.D. X 1/2" TH. X 72 / APT05812	AR	AR	AR	

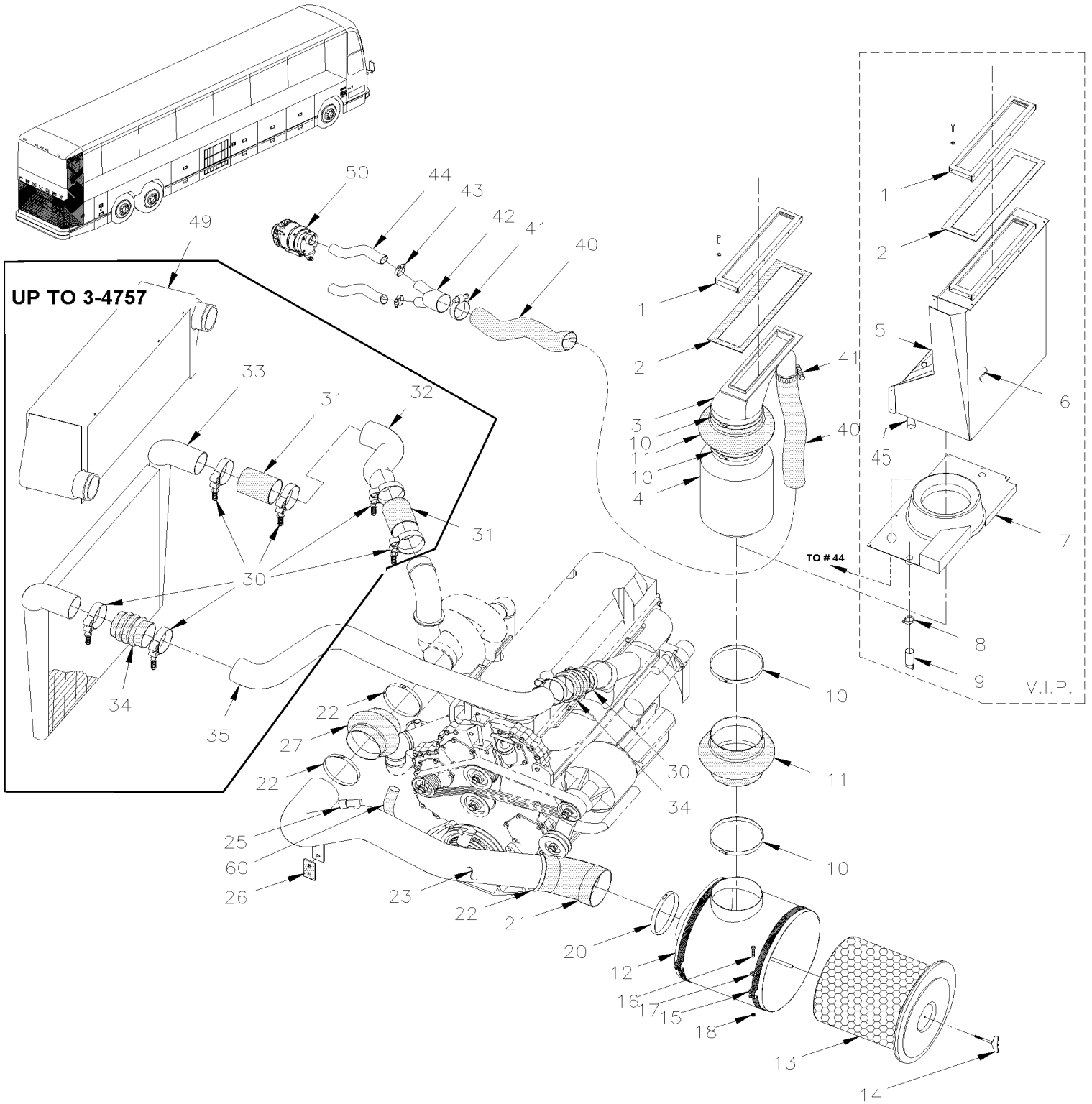


From 3-4417 To 8-1043

Date:10/2022

PAGE:HF-0330-00

AIR FILTER & INTAKE - INSTALLATION WITH DETROIT S-60





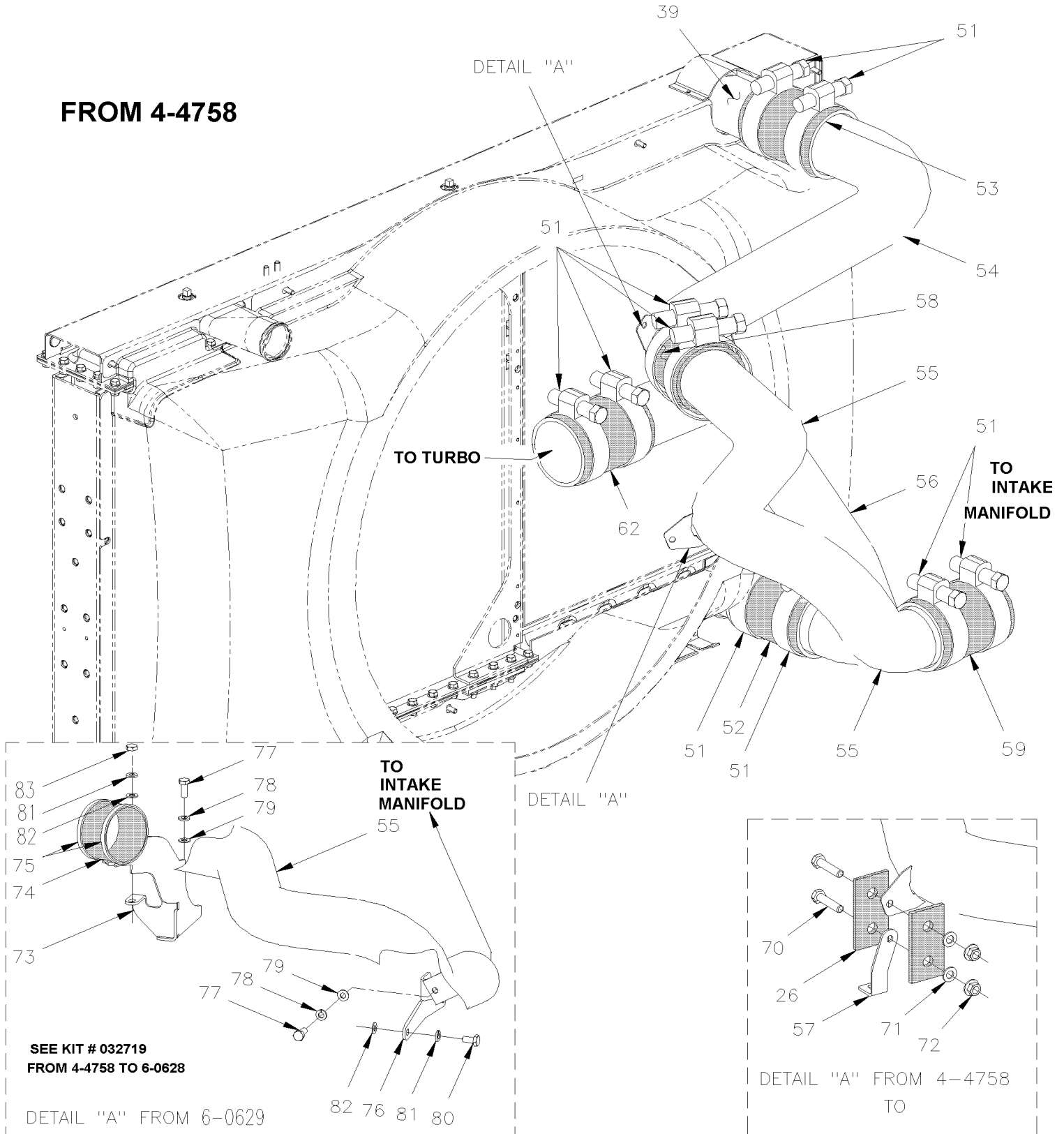
From 3-4417 To 8-1043

Date:10/2022

PAGE:HF-0330-00

AIR FILTER & INTAKE - INSTALLATION WITH DETROIT S-60

FROM 4-4758





From 3-4417 To 8-1043	Date:10/2022	PAGE:HF-0330-00
AIR FILTER & INTAKE - INSTALLATION WITH DETROIT S-60		

Item#	Part	Description	H 3 4 1	H 3 4 5	V I P 4 5	N O T E S
1	472247	GASKET / REAR CAR & DUCT	1	1	1	
2	472246	FRAME CHANNEL SS / TO FIX GASKET	1	1	1	
NS	500989	WASHER FL .219x.875x.062 Z050	AR	AR		D
NS	504487	RIVET MGLP PRDG 3/16x7/16 SS	AR	AR		D
3	032307	DUCT / AIR INTAKE W/ALT HOSE ADAPTOR OPEN	1	1		
4	530207	SEPARATOR	1	1		
. NS	531484	. DRAIN BOOT 3" I.D.	1	1		
5	031649	AIR INTAKE ASSY			1	
5	032647	AIR INTAKE ASSY / W"BOSCH" ALTERNATOR From 6-0436			1	B
5	032643	COVER AIR INTAKE / W"BOSCH" ALTERNATOR	1	1	1	B
5	500120	SCREW TP BDG PH #6x1/2 SS From 6-0436			16	B
6	031643	PANEL BACKWARD / AIR INTAKE To 6-0435			1	
6	032638	PANEL BACKWARD / AIR INTAKE / W"BOSCH" ALTER From 6-0436			1	B
NS	680114	SEALANT TAPE BUTYL / BLACK / 1/16"x3/4"x50' / 75211E760			AR	
7	031642	ADAPTOR			1	
7	032639	ADAPTOR / W"BOSCH" ALTERNATOR From 6-0436	1	1	1	B
NS	500641	SCREW TP PAN PH #8x3/4 Z050			34	
NS	502701	WASHER FL .172x.750x.031			34	
8	504021	HOSE CLAMP / 11/16"-1"1/2 SS / HS-16			2	
9	590109	DRAIN BOOT 1" I.D. X 5" / AS SHOWN			2	
10	504415	HOSE CLAMP / 7"1/4-9"1/4 SS / HS-152	4	4		
10	504415	HOSE CLAMP / 7"1/4-9"1/4 SS / HS-152			2	
11	530210	HOSE FLEXIBLE / 8" O.D. x 125MM	2	2		
11	530210	HOSE FLEXIBLE / 8" O.D. x 125MM			1	
12	530206	FILTER AIR 18"	1	1	1	
13	530197	. ELEMENT AIR FILTER 18"	1	1	1	
14	531420	. NUT WING 1/2-13 NY	1	1	1	
15	031465	STRAP MOUNTING / W/18" AIR FILTER	2	2	2	
NS	031639	ANGLE SUPPORT AIR FILTER / (FIXED AT TUBE)	2	2	2	
16	500183	SCREW CAP HEX 5/16-18x1 1/2 G5 PT Z050	2	2	2	
17	500441	WASHER FL .312x.734x.065 Z050	2	2	2	
18	500777	NUT HEX STO 5/16-18 Z050	2	2	2	
20	504229	HOSE CLAMP / 6"1/2-8"1/2 SS / HS-100	1	1	1	
21	530169	ELBOW 45° DEGRES / REDUCER 7" X 6"	1	1	1	
22	504324	HOSE CLAMP / 4"1/2-6"1/2 SS / HS-96	3	3	3	
23	032429	PIPE 5 1/2" O.D. / AIR FILTER & TURBO To 3-4757	1	1	1	
23	032494	PIPE 5 1/2" O.D. / AIR FILTER & TURBO From 4-4758 To 4-4857	1	1	1	
23	032563	PIPE 5 1/2" O.D. / AIR FILTER & TURBO From 4-4858	1	1	1	
NS	563275	HUMIDITY SENSOR 1/2" NPT / FIXED AT PIPE NEAR TURBO To 4-4858	1	1	1	
NS	510848	HUMIDITY SENSOR 3/8" NPT / FIXED AT PIPE NEAR TURBO From 4-4859	1	1	1	
NS	563404	CONNECTOR / APEX 2.8MM / SH 2C / BLACK / FCI 54200206 From 4-4859	1	1	1	
NS	563276	SOCKET TERMINAL / FCI J5-1811-66AU From 4-4859	2	2	2	



From 3-4417 To 8-1043	Date:10/2022	PAGE:HF-0330-00
AIR FILTER & INTAKE - INSTALLATION WITH DETROIT S-60		

Item#	Part	Description	H 3 4 1	H 3 4 5	V I P 4 5	N O T E S
25	530161	GAUGE AIR RESTRICTION 20" H2O 1/8" NPT	1	1	1	
26	040535	MUFFLER CONNECTION To 6-0630	1	1	1	
NS	032493	SUPPORT From 4-4758 To 4-4794	1	1		
NS	032492	SUPPORT From 4-4758 To 4-4794			1	
NS	032540	SPACER 1/2" O.D.X 12MM SS From 4-4795 To 6-0628	2	2	2	
NS	032541	RUBBER SUPPORT 106.5 x 48 / 2 Holes 72MM C/C From 4-4795 To 6-0628	1	1	1	
NS	282541	SPACER TUBE 31MM x 12.7MM x 8.5MM From 4-4795 To 6-0628			1	
NS	502757	SCREW CAP HEX M8-1.25x50 G8.8 N500 From 4-4795 To 6-0628	1	1		
NS	5001185	SCREW CAP HEX M8-1.25x80 SS BK From 4-4795 To 6-0628			1	
27	530102	REDUCER RUBBER / 5 1/2" X 5" DIA.	1	1	1	
27	531368	ELBOW REDUCER 90°	1	1		
30	531386	HOSE CLAMP SPRING LOAD / HEAVY DUTY 4"1/8-4"7/16	8	8	8	
31	531396	HOSE 4" I.D. 6 1/4"	2	2	2	F
32	031824	PIPE 4" O.D. / AIR COOLER & TURBO To 3-4757	1	1	1	
32	032263	PIPE 4" O.D. / AIR COOLER & TURBO To 3-4757			1	
33	550743	AIR COOLER ASSY To 3-4757	1	1		
34	531385	HOSE / W/3 RING / 4" I.D. 6" To 3-4757	2	2	2	
35	031928	PIPE 4" O.D. / AIR COOLER & MANIFOLD W/O AIR RESTRICTION GAUGE W/O RESTRICTION GAUGE To 3-4757	1	1	1	
35	032262	PIPE 4" O.D. / AIR COOLER & MANIFOLD To 3-4757			1	
39	550847	AIR COOLER ASSY / SIDE BY SIDE MODEL	1	1	1	
NS	MI06-02	. SEE MAINTENANCE INFORMATION	1	1	1	
39	550976	AIR COOLER ASSY / "duralite" / SIDE BY SIDE MODEL Dura-Lite	1	1	1	
40	064956	HOSE FLEXIBLE / 4" I.D. X 1660MM	1	1		
40	HF-0610-00	ALTERNATOR MOUNTING / "BOSCH" WITH DETROIT S-60				
41	504235	HOSE CLAMP / 3"9/16"-4"1/2 SS / HS-64	2	2		B
42	064834	ADAPTOR "Y"	1	1		B
NS	065038	ANGLE SUPPORT 76MM x 20MM	1	1	1	B G
43	504025	HOSE CLAMP / 2"5/16-3"1/4 SS / HS-44	4	4		B
44	064957	HOSE FLEXIBLE / 2 3/4" I.D. X 200MM	2	2		
44	066691	HOSE 2 1/2" I.D. 1250MM From 6-0436			1	B
NS	503674	. HOSE FLEXIBLE / AIR DUCT 2 1/2" I.D. X 25' From 6-0436			AR	B
44	066690	HOSE 2 1/2" I.D. 880MM From 6-0436			1	B
NS	503674	. HOSE FLEXIBLE / AIR DUCT 2 1/2" I.D. X 25' From 6-0436			AR	B
45	032645	PIPE ASSY 3 1/2" O.D. X 424MM / W/2 "BOSCH" ALTERNATOR From 6-0436			2	B
45	032641	PIPE 3 1/2" O.D. X 424MM (FIXED INSIDE) / W/2 "BOSCH" ALTERNATOR From 6-0436			1	B
49	550772	AIR COOLER ASSY / OVER COOLANT RADIATOR To 3-4757			1	
NS	MI06-02	. SEE MAINTENANCE INFORMATION To 3-4757			1	
50	HF-0605-00	ALTERNATOR 24V/140 AMPS / "BOSCH"				
51	550851	CLAMP JO SS/HD/CT/PS/SL 4.25" From 4-4758 To 4-4801	10	10	10	
51	531386	HOSE CLAMP SPRING LOAD / HEAVY DUTY 4"1/8-4"7/16 From 4-4802 To 4-4808	10	10	10	
51	032543	HOSE CLAMP SPRING LOAD / MODIFIED "PREVOST" / 4"1/8-4"7/16 From 4-4809	10	10	10	F
NS	531386	. HOSE CLAMP SPRING LOAD / HEAVY DUTY 4"1/8-4"7/16 From 4-4809	1	1	1	F



From 3-4417 To 8-1043	Date:10/2022	PAGE:HF-0330-00
AIR FILTER & INTAKE - INSTALLATION WITH DETROIT S-60		

Item#	Part	Description	H 3 4 1	H 3 4 5	V I P 4 5	N O T E S
. NS	502930	. SPRING COMPRESSION / .975 O.D. x 1.5 x .225 From 4-4809	1	1	1	F
. NS	500401	. WASHER FL .343x.875x.125 N500 From 4-4809	1	1	1	F
. NS	500897	. WASHER FL .437x1.000x.083 N500 From 4-4809	2	2	2	F
52	531463	HOSE 4" I.D. 4.33" / 500F° From 4-4758 To 4-4818	1	1	1	
52	531396	HOSE 4" I.D. 6 1/4" From 4-4819 To 6-0628	1	1	1	F
52	531471	HOSE SILICONE 4" I.D. 6 1/2" / 500F° From 6-0629	1	1	1	
53	531469	HOSE / W/2 RING / 4" I.D. 8" / 500°F To 6-0628	1	1	1	F
53	531396	HOSE 4" I.D. 6 1/4" From 6-0629	1	1	1	
53	531471	HOSE SILICONE 4" I.D. 6 1/2" / 500F° From 6-0629	1	1	1	
54	052466	PIPE 4" O.D. / AIR COOLER SIDE From 4-4758 To 6-0628	1	1	1	C
54	052566	PIPE 4" O.D. / AIR COOLER SIDE From 4-4758 To 6-0628	1	1	1	C
54	052566	PIPE 4" O.D. / AIR COOLER SIDE From 6-0629	1	1	1	
55	052467	PIPE 4" O.D. / MANIFOLD SIDE From 4-4758 To 6-0628	1	1	1	C
55	052567	PIPE 4" O.D. / MANIFOLD SIDE From 4-4758 To 6-0628	1	1	1	C
55	052567	PIPE 4" O.D. / MANIFOLD SIDE From 6-0629	1	1	1	
56	052465	PIPE 4" O.D. / AIR COOLER & TURBO From 4-4758 To 4-4794	1	1	1	
56	052581	PIPE 4" O.D. / AIR COOLER & TURBO From 4-4795	1	1	1	
57	052516	ANGLE SUPPORT, UPPER PIPE From 4-4758 To 6-0628	1	1	1	
58	531467	HOSE / W/2 RING / 4" I.D. 7" / 500F° From 4-4758 To 4-4818	3	3	3	F
58	531469	HOSE / W/2 RING / 4" I.D. 8" / 500°F From 4-4819	3	3	3	
59	531469	HOSE / W/2 RING / 4" I.D. 8" / 500°F From 4-4758 To 6-0628	1	1	1	
59	531463	HOSE 4" I.D. 4.33" / 500F° From 6-0629	1	1	1	
60	142290	HOSE / (SUCTION AIR COMPRESSOR) / #16 870MM To 3-4757	1	1	1	
60	032503	HOSE / (SUCTION AIR COMPRESSOR) / #16 920MM From 4-4758	1	1	1	
60	503739	HOSE (SUCTION) / 1" I.D. X 250' / C.T.L.	AR	AR	AR	
NS	5011240	MALE CONNECTOR / BEADED HOSE BARB / #16x3/4NPT-M BR From 4-4758	1	1	1	
NS	504021	HOSE CLAMP / 11/16"-1"1/2 SS / HS-16 From 4-4758	1	1	1	
NS	500569	SCREW MA RND PH 5/16-18x2 SS From 4-4758	1	1	1	
62	531467	HOSE / W/2 RING / 4" I.D. 7" / 500F° From 4-4758	1	1	1	
70	940142	SCREW CAP HEX M8-1.25x30 G8.8 ZG603 To 6-0628	2	2	2	
71	192288	WASHER FL 8.4x18.0x2.0 ZG603 To 6-0628	2	2	2	
72	946036	NUT HEX STO M8-1.25 ZG603 To 6-0628	2	2	2	
73	052614	SUPPORT From 6-0629	1	1	1	
74	531470	PROTECTOR SILICONE 4" I.D. X 1 3/4" WIDE From 6-0629	1	1	1	
75	531386	HOSE CLAMP SPRING LOAD / HEAVY DUTY 4"1/8-4"7/16 From 6-0629	1	1	1	
76	052615	SUPPORT "Y" SHAPE From 6-0629	1	1	1	
77	955297	SCREW CAP HEX M8-1.25x25 G8.8 ZG603 From 6-0629	2	2	2	
78	500942	WASHER LO SPT 8.1x14.8x2.0 N500 From 6-0629	2	2	2	
79	192288	WASHER FL 8.4x18.0x2.0 ZG603 From 6-0629	3	3	3	
80	502804	SCREW CAP HEX M10-1.5x25 G8.8 N500 From 6-0629	2	2	2	
81	3852496	WASHER LO SPT 10.2x18.1x2.2 ZG603 From 6-0629	3	3	3	
82	960143	WASHER FL 10.5x26.0x2.0 ZP From 6-0629	3	3	3	

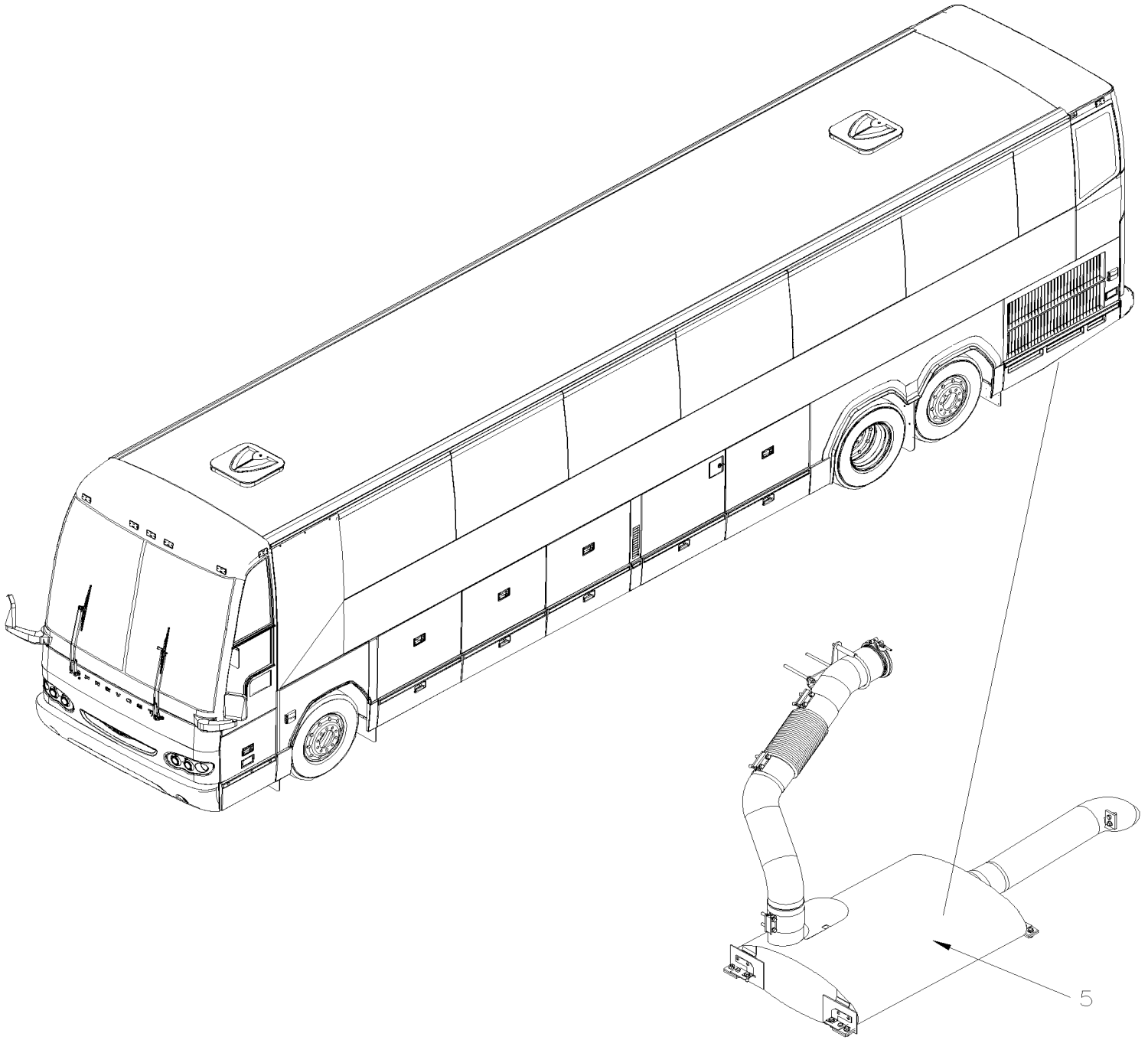


From 3-4417 To 8-1043	Date:10/2022	PAGE:HF-0330-00
AIR FILTER & INTAKE - INSTALLATION WITH DETROIT S-60		

Item#	Part	Description	H 3 4 1	H 3 4 5	V I P 4 5	N O T E S
83	500847	NUT HEX M10-1.5 N500 From 6-0629	1	1	1	
NS	531463	HOSE 4" I.D. 4.33" / 500F" From 6-0629	1	1	1	
NS	WB04-04	SEE WARRANTY BULLETIN From 4-4758 To 6-0628	1	1	1	
NS	032719	KIT RETROFIT, AIR COOLER ATTACHMENT From 4-4758 To 6-0628	1	1	1	
. NS	052614	. SUPPORT From 4-4758 To 6-0628	1	1	1	
. NS	052615	. SUPPORT "Y" SHAPE From 4-4758 To 6-0628	1	1	1	
. NS	192288	. WASHER FL 8.4x18.0x2.0 ZG603 From 4-4758 To 6-0628	2	2	2	
. NS	3852496	. WASHER LO SPT 10.2x18.1x2.2 ZG603 From 4-4758 To 6-0628	3	3	3	
. NS	500847	. NUT HEX M10-1.5 N500 From 4-4758 To 6-0628	1	1	1	
. NS	502889	. WASHER LO SPT 8.1x12.7x2.0 N500 From 4-4758 To 6-0628	2	2	2	
. NS	960143	. WASHER FL 10.5x26.0x2.0 ZP From 4-4758 To 6-0628	3	3	3	
. NS	955297	. SCREW CAP HEX M8-1.25x25 G8.8 ZG603 From 4-4758 To 6-0628	2	2	2	
. NS	502804	. SCREW CAP HEX M10-1.5x25 G8.8 N500 From 4-4758 To 6-0628	2	2	2	
. NS	531396	. HOSE 4" I.D. 6 1/4" From 4-4758 To 6-0628	1	1	1	
. NS	IS-03071	. SEE INSTRUCTION SHEET From 4-4758 To 6-0628	1	1	1	
		B) WITH "OPTION" 2 "BOSCH" ALTERNATOR FIXED TO ENGINE				
		C) FOR PRODUCT IMPROVEMENT, USE WITH KIT 032719 AND 052566 AND 052567				
		D) DUCT TO BODY				
		F) FOR PRODUCT IMPROVEMENT, SEE WARRANTY BULLETIN WB04-04				
		G) TO FIX Y ADAPTOR HOSE TO A/C COMPRESSOR HOSE				



	Date:10/2022	HF-04
EXHAUST		





		Date:10/2022	HF-04			
EXHAUST						
Item#	Part	Description	H 3 4 1	H 3 4 5	V I P 4 5	N O T E S
5	HF-0405-00	MUFFLER - INSTALLATION WITH DETROIT S-60 From 3-4417 To 8-1043				

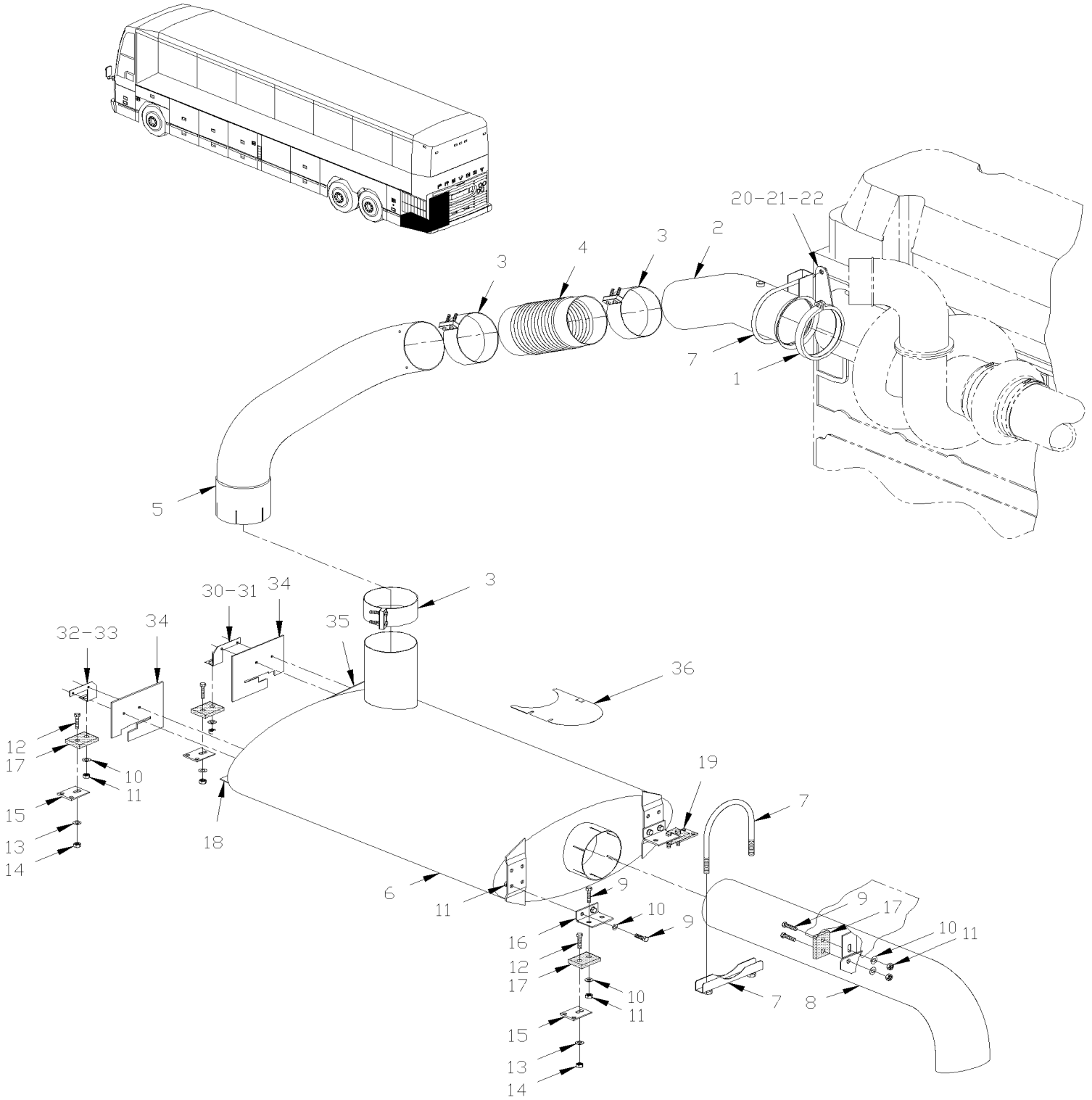


From 3-4417 To 8-1043

Date:10/2022

PAGE:HF-0405-00

MUFFLER - INSTALLATION WITH DETROIT S-60



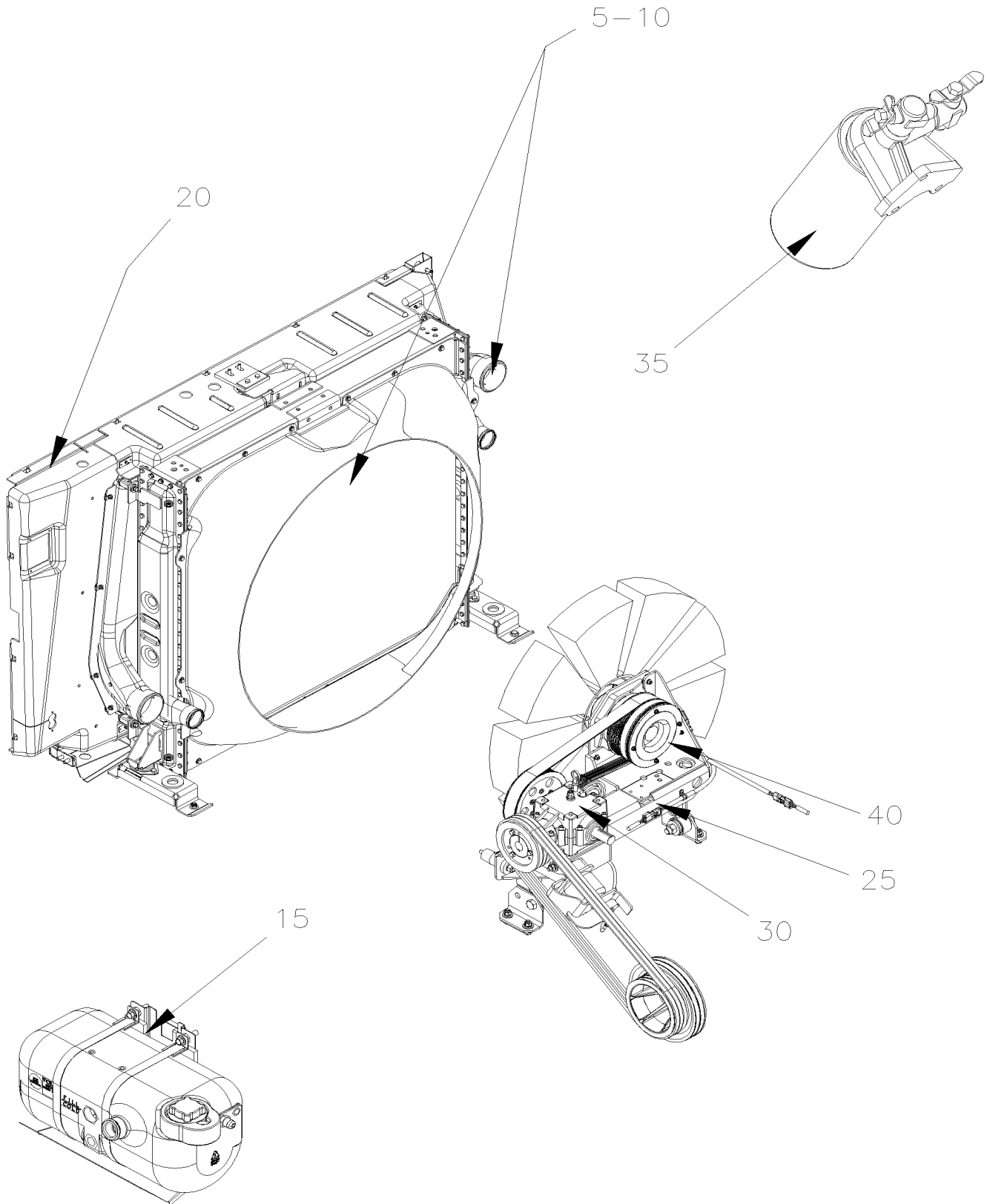


From 3-4417 To 8-1043	Date:10/2022	PAGE:HF-0405-00
MUFFLER - INSTALLATION WITH DETROIT S-60		

Item#	Part	Description	H 3 4 1	H 3 4 5	V I P 4 5	N O T E S
1	540047	V-CLAMP / 5.588" I.D. To 4-4843	1	1	1	
1	540056	V-CLAMP / 5.588" I.D. From 4-4844	1	1	1	
2	040525	PIPE, EXHAUST / UPPER	1	1	1	
3	540024	CLAMP BAND SEAL / BUTT JOINT / 5" I.D.x3"	3	3	3	
4	540031	BELLOWS - EXHAUST 5" I.D. x 11.87"	1	1	1	
5	040494	PIPE To 3-4757	1	1	1	
5	040566	PIPE From 4-4758	1	1	1	
6	540045	MUFFLER SERIES 50 & 60	1	1	1	
. NS	503008	. NUT SPR U M8-1.25 0.6-4.0	16	16	16	
6	540053	MUFFLER SERIES 50 & 60 / STAINLESS	1	1	1	
7	540018	U-CLAMP / (GUILLOTINE TYPE) / 5" I.D.	1	1	1	
8	040500	PIPE, TAIL To 3-4757	1	1	1	
8	040552	PIPE, TAIL From 4-4758	1	1	1	
9	502790	SCREW CAP HEX M8-1.25x20 G8.8 Z050	10	10	10	
10	502744	NUT HEX STO M8-1.25 Z050	10	10	10	
11	500874	WASHER FL 8.4x17.0x1.6 Z050	10	10	10	
12	502549	SCREW CAP HEX M10-1.5x35 G8.8 Z050	8	8	8	
13	500496	WASHER FL .437x.750x.054 Z050	8	8	8	
14	500680	NUT HEX STO M10-1.5 Z050	8	8	8	
15	040492	ATTACHMENT	1	1	1	
16	040465	SUPPORT ANGLE 30MM x 54MM x 72MM	4	4	4	
17	040988	MUFFLER CONNECTION	AR	AR	AR	S
18	212354	SUPPORT	1	1	1	
19	172100	SUPPORT UPPER (WELDED)	1	1	1	
20	040541	SUPPORT, PIPE To 3-4757	1	1	1	
20	040561	SUPPORT, PIPE From 4-4758	1	1	1	
21	510626	STUD M10-1.5 x 120	2	2	2	
22	500680	NUT HEX STO M10-1.5 Z050	2	2	2	
30	460422	SPLASH GUARD ASSY R.H.	1	1	1	
31	460421	. SUPPORT R.H.	1	1	1	
32	460420	SPLASH GUARD ASSY L.H.	1	1	1	
33	460419	. SUPPORT L.H.	1	1	1	
34	460418	. SPLASH GUARD	1	1	1	
35	460427	PROTECTOR 39MM X 229MM SS To 3-4637	1	1	1	A
35	460603	PROTECTOR 39MM X 249MM SS From 3-4638	1	1	1	
36	040562	CLOSING PLATE From 4-4758	1	1	1	
		A) THIS PROTECTOR IS INCLUDED IN ASSY #460295				
		S) SERVICE				



	Date:10/2022	HF-05
COOLING		





		Date:10/2022	HF-05						
COOLING									
Item#	Part	Description	H 3 4 1	H 3 4 5	V I P 4 5	N O T E S			
5	HF-0500-00	COOLANT PIPING WITH DETROIT S-60 From 3-4417 To 3-4757							
5	HF-0500-01	COOLANT PIPING WITH DETROIT S-60 From 4-4758 To 8-1043							
10	HF-0505-00	RADIATOR ASSY - BUS From 3-4417 To 3-4757							
10	HF-0505-01	RADIATOR ASSY From 4-4758 To 8-1043							
10	HF-0505-50	RADIATOR ASSY - V.I.P. From 3-4417 To 3-4757							
15	HF-0510-00	SURGE TANK From 3-4417 To 8-1043							
20	HF-0518-00	RADIATOR SEALING FRAME From 3-4417 To 3-4757							
20	HF-0518-01	RADIATOR SEALING FRAME From 4-4758 To 8-1043							
25	HF-0520-00	FAN DRIVE - INSTALLATION - SHORT From 3-4417 To 3-4757							
25	HF-0520-01	FAN DRIVE - INSTALLATION - LONG From 4-4758 To 6-0383							
25	HF-0520-02	FAN DRIVE - INSTALLATION - LONG From 6-0384 To 8-1043							
25	HF-0520-99	FAN DRIVE - INSTALLATION - SHORT - "RETROFIT" From 3-4417 To 3-4757							
30	HF-0525-00	GEARBOX "SUPERIOR" - #550810 & 550897 From 3-4417 To 8-1043							
35	HF-0530-00	COOLANT FILTER - INSTALLATION WITH DETROIT S-60 From 3-4417 To 3-4757							
35	HF-0530-01	COOLANT FILTER - INSTALLATION WITH DETROIT S-60 From 4-4758 To 8-1043							
40	HF-0540-00	FAN CLUTCH ASSY - #550803 - BUS From 3-4417 To 3-4519							
40	HF-0540-01	FAN CLUTCH ASSY - #550837 - BUS From 3-4520 To 3-4757							
40	HF-0540-02	FAN CLUTCH ASSY - #550836 - BUS From 4-4758 To 4-4967							
40	HF-0540-03	FAN CLUTCH ASSY - #550839 - BUS From 4-4968 To 8-1043							
40	HF-0540-50	FAN CLUTCH ASSY - #550802 - V.I.P. From 3-4417 To 3-4436							
40	HF-0540-51	FAN CLUTCH ASSY - #550836 - V.I.P. From 3-4437 To 3-4757							
40	HF-0540-52	FAN CLUTCH ASSY - #550839 - V.I.P. From 4-4758 To 8-1043							

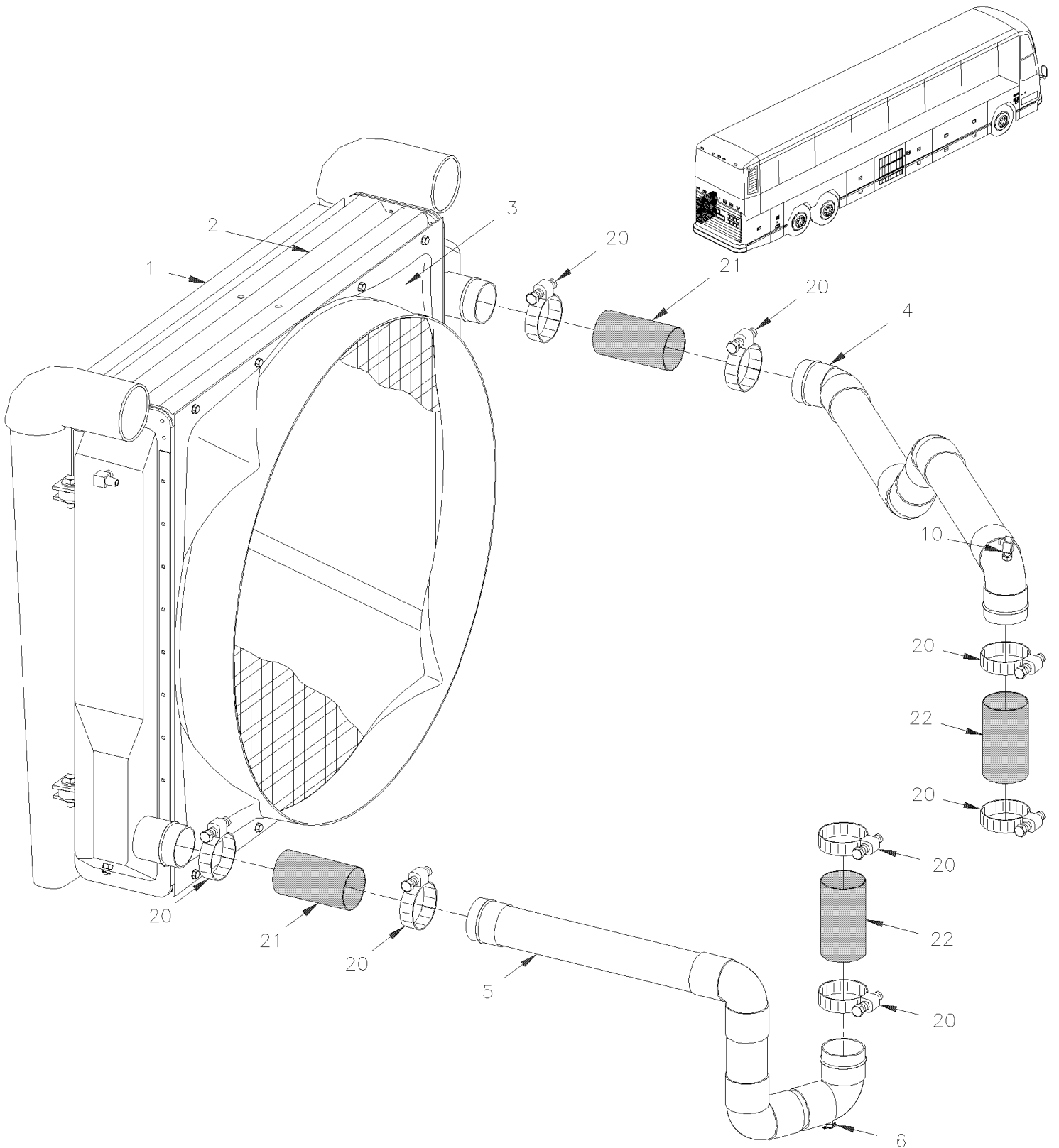


From 3-4417 To 3-4757

Date:10/2022

PAGE:HF-0500-00

COOLANT PIPING WITH DETROIT S-60





From 3-4417 To 3-4757	Date:10/2022	PAGE:HF-0500-00
COOLANT PIPING WITH DETROIT S-60		

Item#	Part	Description	H 3 4 1	H 3 4 5	V I P 4 5	N O T E S
1	HF-0330-00	AIR FILTER & INTAKE - INSTALLATION WITH DETROIT S-60				
2	HF-0505-00	RADIATOR ASSY - BUS				
2	HF-0505-50	RADIATOR ASSY - V.I.P.				
3	052195	SHROUD / W/36" FAN BLADE			1	
3	051837	SHROUD / W/32" FAN BLADE	1	1		
4	052038	PIPE / RADIATOR & THERMOSTAT HOUSING	1	1		
4	052220	PIPE / RADIATOR SIDE			1	
4	052242	PIPE / PIPE & THERMOSTAT HOUSING			1	
5	052025	PIPE / RADIATOR & ENGINE WATER PUMP	1	1		
5	052222	PIPE / RADIATOR & ENGINE WATER PUMP			1	
6	501129	EXTERNAL SEAL DRAIN 1/4 NPT	1	1	1	
20	504562	HOSE CLAMP / 2"3/4-3"5/8 / C.T. 350	8	8	8	
21	051604	HOSE 2 3/4" I.D. 130MM	2	2	2	
. NS	503395	. HOSE SILICONE 4PLY 2 3/4" I.D. x 3'	AR	AR	AR	
22	051873	HOSE 2 5/8" I.D. 100MM	2	2	2	
NS	503580	. HOSE SILICONE 2 5/8" I.D. x 3'	AR	AR	AR	
NS	503395	. HOSE SILICONE 4PLY 2 3/4" I.D. x 3'	AR	AR	AR	
30	500179	SCREW CAP HEX 5/16-18x3/4 G5 Z050	AR	AR	AR	
NS	500476	WASHER LO SPT .317x.586x.078 Z050	AR	AR	AR	

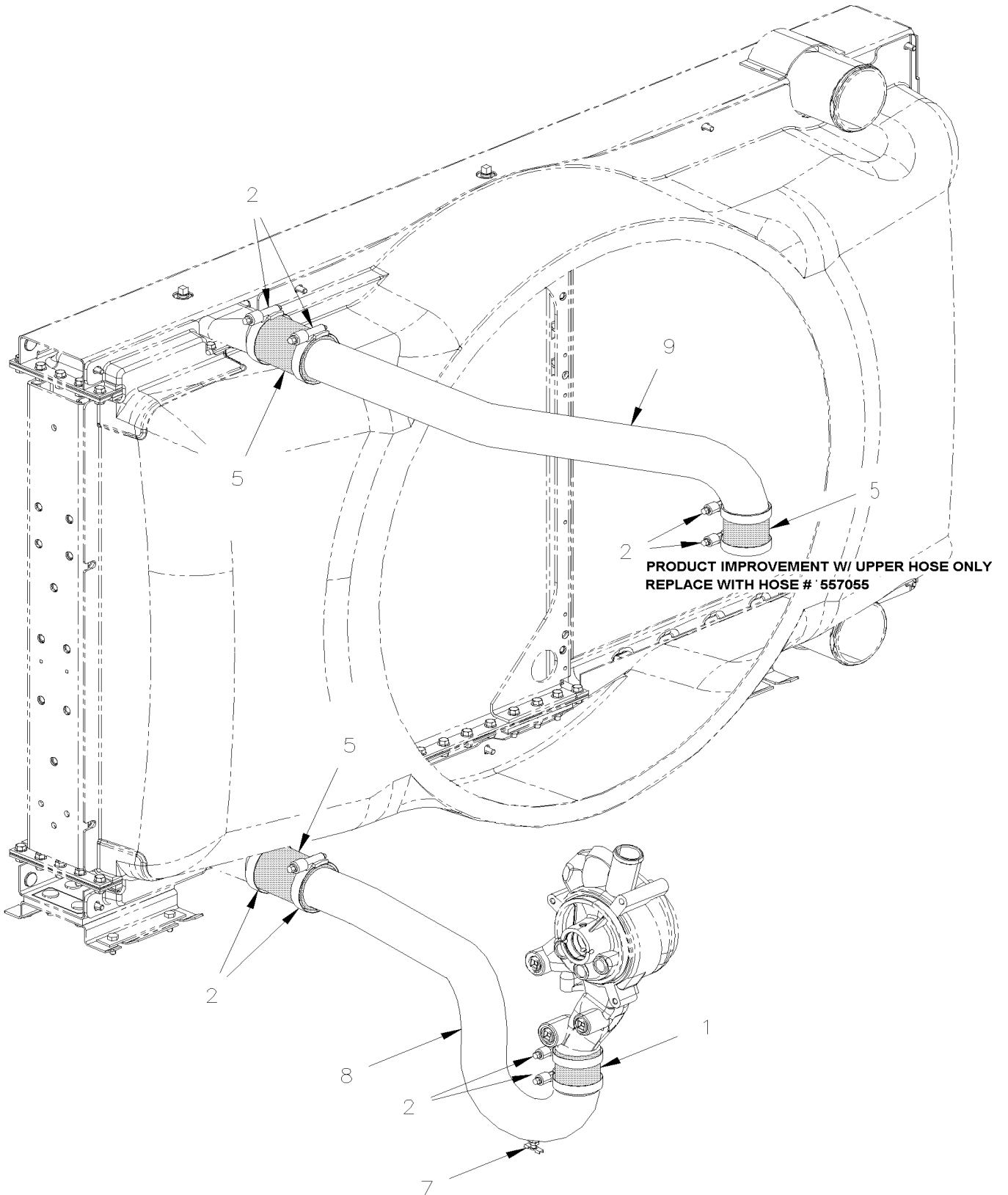


From 4-4758 To 8-1043

Date:10/2022

PAGE:HF-0500-01

COOLANT PIPING WITH DETROIT S-60





From 4-4758 To 8-1043	Date:10/2022	PAGE:HF-0500-01
COOLANT PIPING WITH DETROIT S-60		

Item#	Part	Description	H 3 4 1	H 3 4 5	V I P 4 5	N O T E S
1	052415	HOSE 2 1/2" I.D. 76MM	2	2	2	
1	557055	HOSE / W/HUMP 2 1/2" I.D. x 4" SERVICE	2	2	2	
2	504562	HOSE CLAMP / 2"3/4-3"5/8 / C.T. 350	8	8	8	
5	052416	HOSE 2 1/2" I.D. 105MM	2	2	2	
5	557055	HOSE / W/HUMP 2 1/2" I.D. x 4" SERVICE	2	2	2	
7	501129	EXTERNAL SEAL DRAIN 1/4 NPT	1	1	1	
8	052420	PIPE / RADIATOR & ENGINE WATER PUMP	1	1	1	
8	053530	PIPE / RADIATOR & ENGINE WATER PUMP SS SERVICE	1	1	1	
9	052419	PIPE / THERMOSTAT HOUSING SIDE	1	1	1	

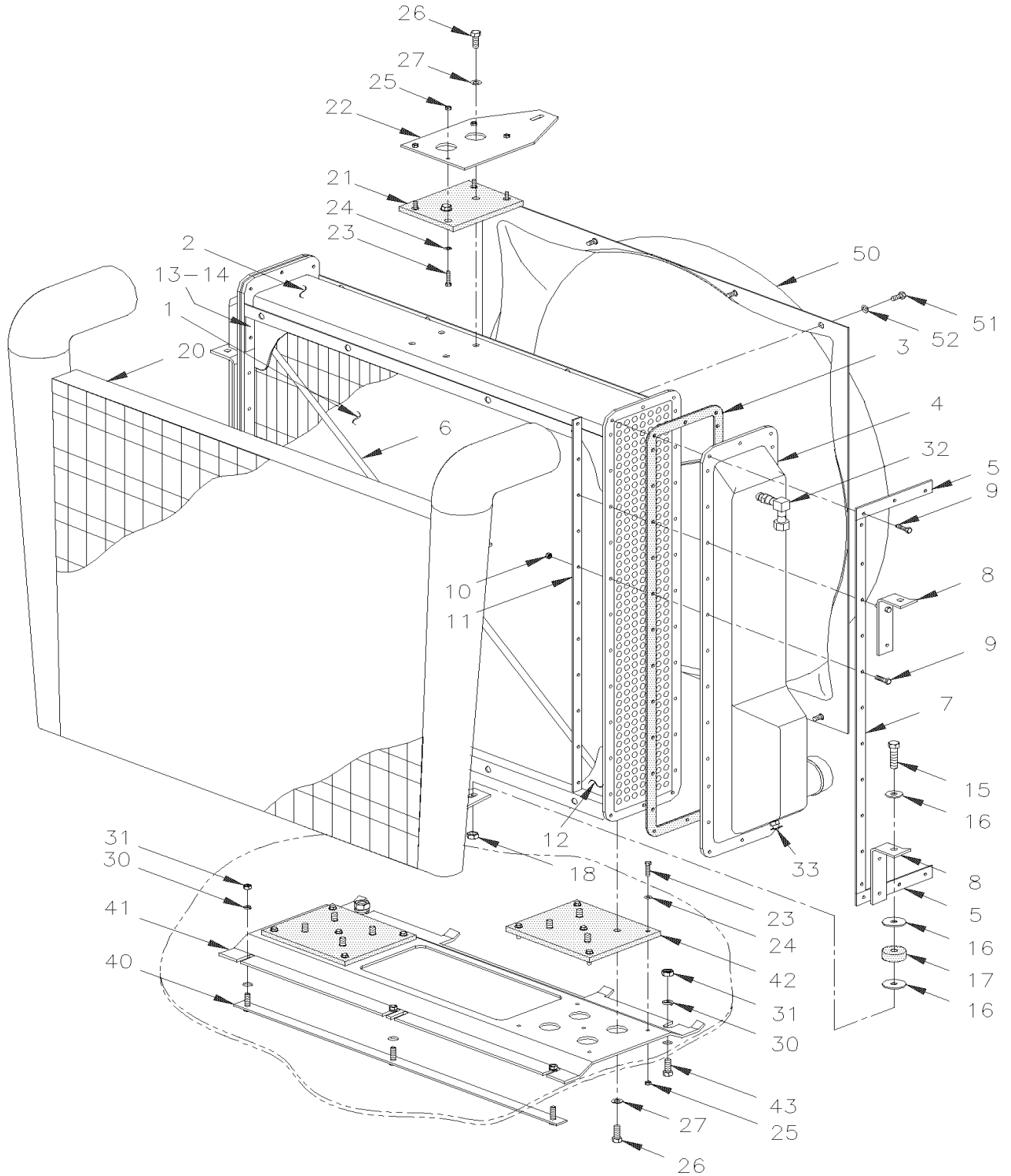


From 3-4417 To 3-4757

Date:10/2022

PAGE:HF-0505-00

RADIATOR ASSY - BUS





From 3-4417 To 3-4757	Date:10/2022	PAGE:HF-0505-00
RADIATOR ASSY - BUS		

Item#	Part	Description	H 3 4 1	H 3 4 5	V I P 4 5	N O T E S
	N.S.A.	RADIATOR ASSY / WATER & AIR COOLER	1	1		3
	550822	. RADIATOR ASSY / WATER	1	1		
1	550707	. . CORE	1	1		
2	550827	. . SUPPORT ASSY TOP	1	1		
3	550815	. . GASKET (ONE PIECE)	4	4		
4	550704	. . TANK / RADIATOR FRONT & REAR	2	2		
5	051704	. . STRIP / EXTERIOR 7"	4	4		
NS	550705	. . STRIP / INTERIOR 5.44"	4	4		
6	550829	. . REINFORCEMENT ROD 3/8" x 41"	2	2		
7	550702	. . STRIP / EXTERIOR 35.06"	4	4		
8	N.P.N.	. . ANGLE	1	1		4
9	500182	. . SCREW CAP HEX 5/16-18x1 1/4 G5 PT Z050	AR	AR		
10	500701	. . NUT HEX 5/16-18 ZP	AR	AR		
NS	500826	. . WASHER LO EXT .320x.610x.034 ZP	AR	AR		
11	550703	. . STRIP / INTERIOR 33.44"	4	4		
12	550828	. . SUPPORT ASSY BOTTOM	1	1		
13	550830	TIE BAR / UPPER & LOWER SUPPORT	2	2		
NS	550770	BUSHING	1	1		
14	500265	NUT HEX STO 3/8-16 Z050	4	4		
15	500831	SCREW CAP HEX 3/8-16x2 G5 ZP	4	4		
16	500446	WASHER FL .531x1.250x.125 Z050	8	8		
17	550685	BUSHING INSULATOR / RADIATORS	4	4		
18	500265	NUT HEX STO 3/8-16 Z050	4	4		
20	HF-0330-00	AIR FILTER & INTAKE - INSTALLATION WITH DETROIT S-60	1	1		
21	052060	RUBBER PAD / SUPPORT & RADIATOR 165MM x 127MM W/6 HOLES	1	1		
22	051982	PLATE SUPPORT UPPER RADIATOR	1	1		
23	502737	SCREW CAP HEX M6-1.0x25 SS BK	4	4		
24	500468	WASHER FL .281x1.250x.065 Z050	4	4		
25	502621	NUT HEX STO M6-1.0 Z050	4	4		
26	500191	SCREW CAP HEX 3/8-16x1 G5 Z050	2	2		
27	500445	WASHER FL .437x1.000x.083 Z050	2	2		
28	052058	ATTACHMENT, ANGLE 55.50MM X 72.50 X 50.80MM	1	1		
29	502597	SCREW CAP HEX M8-1.25x22 G8.8 EMN	6	6		
30	502584	WASHER LO SERR 8.2x26.3x1.8 Z050	6	6		
31	502543	NUT HEX M8-1.25 Z050	6	6		
32	501332	STREET ELBOW 90° / PIPE FITTING / 1/4NPT-Mx1/4NPT-F BR	1	1		
NS	501308	ADAPTER / PIPE FITTING / 1/4NPT-Fx1/4NPT-M BR	1	1		
NS	501027	MALE CONNECTOR / SAE 45° FITTING / #4FL-Mx1/4NPT-M BR	1	1		
33	501129	EXTERNAL SEAL DRAIN 1/4 NPT	1	1		
40	052224	ATTACHMENT, STRIP 768MM W/3 STUDS / TO FIX SUPPORT 364/364c/c	1	1		
41	052201	PLATE SUPPORT LOWER RADIATOR	1	1		
42	051836	RUBBER PAD / SUPPORT & RADIATOR 242MM x 165MM W/9 HOLES	2	2		



From 3-4417 To 3-4757	Date:10/2022	PAGE:HF-0505-00
RADIATOR ASSY - BUS		

Item#	Part	Description	H 3 4 1	H 3 4 5	V I P 4 5	N O T E S
43	502780	SCREW CAP HEX M8-1.25x25 SS BK	2	2		
50	051837	SHROUD / W/32" FAN BLADE	1	1		
51	500179	SCREW CAP HEX 5/16-18x3/4 G5 Z050	8	8		
52	500476	WASHER LO SPT .317x.586x.078 Z050	8	8		
NS	506001	TAPE RUB ADH1 CC POL 1/8" x 3/4" x 50' / GREY 2520X	AR	AR		
		3) NOT SOLD ASSEMBLY				
		4) NO PARTS NUMBER				

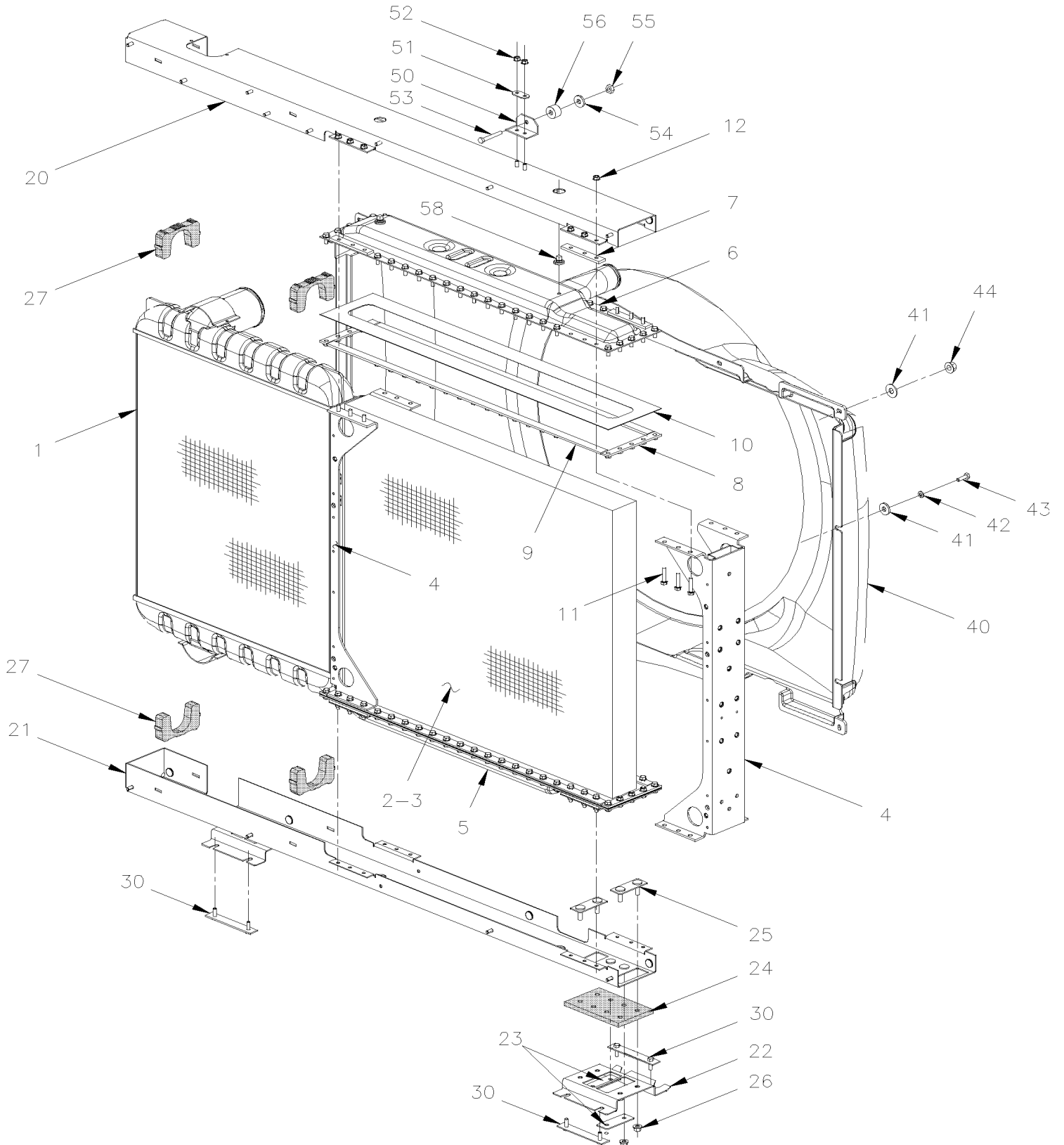


From 4-4758 To 8-1043

Date:10/2022

PAGE:HF-0505-01

RADIATOR ASSY





From 4-4758 To 8-1043	Date:10/2022	PAGE:HF-0505-01
RADIATOR ASSY		

Item#	Part	Description	H 3 4 1	H 3 4 5	V I P 4 5	N O T E S
	N.S.A.	RADIATOR & AIR COOLER / SIDE/SIDE	1	1	1	3 A
1	550847	. AIR COOLER ASSY / SIDE BY SIDE MODEL	1	1	1	
. NS	M106-02	. . SEE MAINTENANCE INFORMATION	1	1	1	
1	550976	. AIR COOLER ASSY / "duralite" / SIDE BY SIDE MODEL	1	1	1	
1	550959	. AIR COOLER ASSY / "TitanX" / SIDE BY SIDE MODEL	1	1	1	
2	550846	. RADIATOR ASSY	1	1	1	
3	550863	. . CORE	1	1	1	
4	550866	. . SIDE MEMBER	2	2	2	
5	550865	. . TANK BOTTOM	1	1	1	
6	550864	. . TANK TOP	1	1	1	
7	550867	. . REINFORCEMENT STRIP (TAPPED)	8	8	8	
8	550868	. . REINFORCEMENT STRIP	4	4	4	
9	550859	. . REINFORCEMENT STRIP	1	1	1	
10	550857	. . GASKET	2	2	2	
10	550952	. . GASKET	2	2	2	
11	500179	. . SCREW CAP HEX 5/16-18x3/4 G5 Z050	74	74	74	
11	500183	. . SCREW CAP HEX 5/16-18x1 1/2 G5 PT Z050	24	24	24	
12	5001083	. . NUT HEXF NYRT 5/16-18 Z050	76	76	76	
20	550869	. SUPPORT UPPER	1	1	1	
21	550870	. SUPPORT LOWER STEEL	1	1	1	A
21	053525	. SUPPORT LOWER STAINLESS STEEL	1	1	1	B
22	550861	. SUPPORT LOWER STEEL	2	2	2	A
22	053529	. SUPPORT LOWER STAINLESS STEEL	1	1	1	B
23	550862	. SUPPORT LOWER ASSY	4	4	4	
24	550872	. RUBBER PAD	2	2	2	
25	550871	. INSIDE STRIP SUPPORT	4	4	4	
26	500301	. NUT HEXF STO 3/8-16 Z050	16	16	16	
27	550873	. INSULATOR MOUNTING	4	4	4	
30	052497	ATTACHMENT STRIP 150MM W/2 STUDS	4	4	4	
40	052478	SHROUD / W/34" FAN BLADE	1	1		
40	052464	SHROUD / W/36" FAN BLADE			1	
41	500381	WASHER FL 8.4x25.0x2.0 N500	AR	AR	AR	
42	500942	WASHER LO SPT 8.1x14.8x2.0 N500	AR	AR	AR	
43	500836	SCREW CAP HEX 5/16-18x3/4 G5 N500	AR	AR	AR	
44	502902	NUT HEXF NYRT 5/16-18 N500	AR	AR	AR	
50	052525	ANGLE SUPPORT, UPPER RADIATOR	1	1	1	
51	052557	PLATE HOLDING / W/2 HOLES 1" C/C	1	1	1	
52	502902	NUT HEXF NYRT 5/16-18 N500	2	2	2	
53	500207	SCREW CAP HEX 3/8-16x2 1/2 G5 N500	1	1	1	
54	500832	WASHER FL .406x.812x.065 N500	1	1	1	
55	500208	NUT HEX STO 3/8-16 N500	1	1	1	
56	661074	BUSHING / RUBBER 3/4" x 5/8" I.D.	2	2	2	



From 4-4758 To 8-1043	Date:10/2022	PAGE:HF-0505-01
RADIATOR ASSY		

Item#	Part	Description	H 3 4 1	H 3 4 5	V I P 4 5	N O T E S
57	505217	SPACER 7/16" X 1 1/4"	1	1	1	
58	501037	MALE ELBOW 90° / SAE 45° FITTING / #4FL-Mx1/4NPT-M BR	1	1	1	
59	052936	KIT LOWER SUPPORT RADIATOR STAINLESS STEEL	1	1	1	
. NS	053525	. SUPPORT LOWER STAINLESS STEEL	1	1	1	
. NS	053529	. SUPPORT LOWER STAINLESS STEEL	1	1	1	
		A) FOR PRODUCT IMPROVMENT FOR LOWER STAINLESS SUPPORT ASK FOR KIT # 052936				
		B) THIS PART IT NOT INCLUDE WITH # 550819				
		3) NOT SOLD ASSEMBLY				

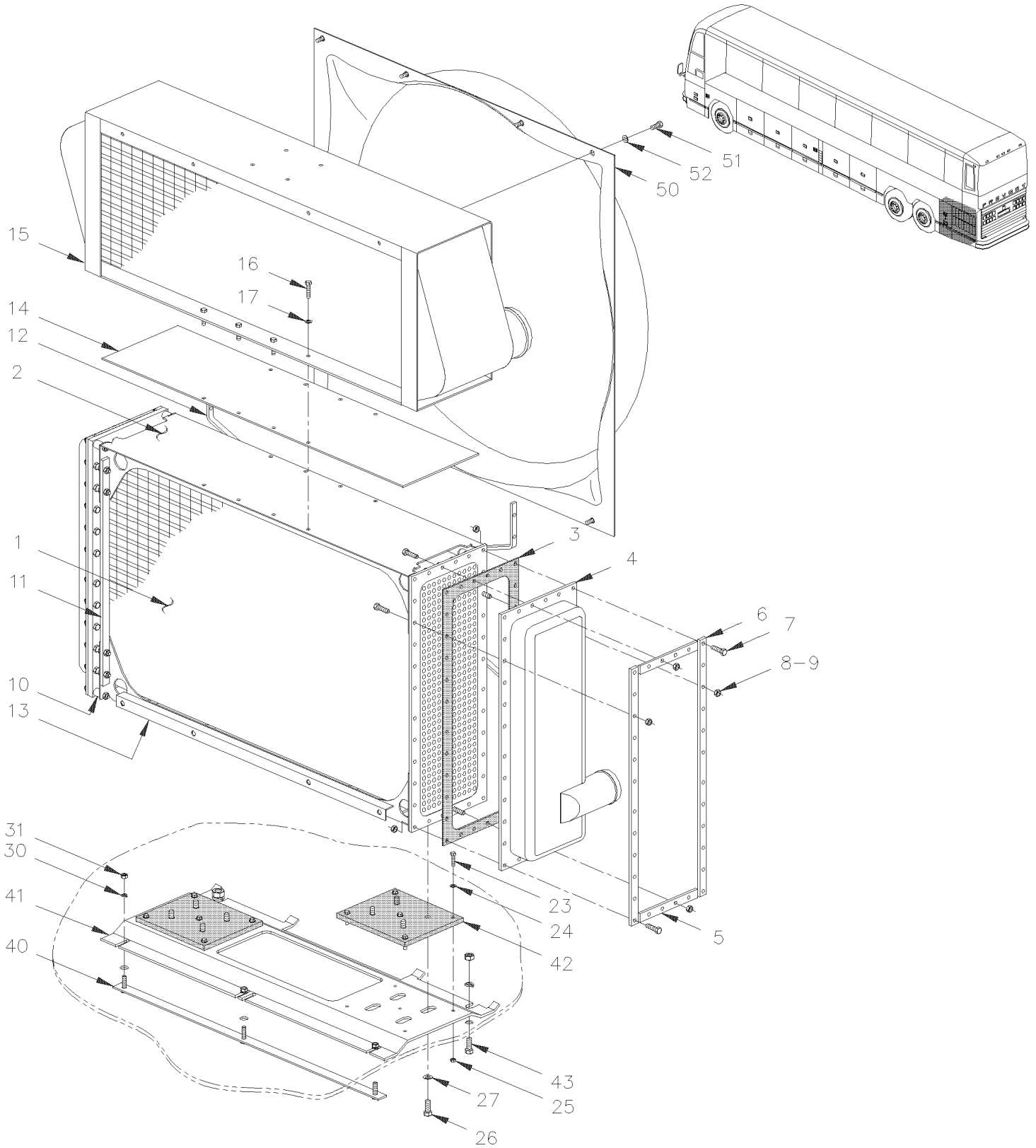


From 3-4417 To 3-4757

Date:10/2022

PAGE:HF-0505-50

RADIATOR ASSY - V.I.P.





From 3-4417 To 3-4757	Date:10/2022	PAGE:HF-0505-50
RADIATOR ASSY - V.I.P.		

Item#	Part	Description	H 3 4 1	H 3 4 5	V I P 4 5	N O T E S
	N.S.A.	RADIATOR ASSY / WATER & AIR COOLER			1	3
	550759	. RADIATOR ASSY / WATER			1	
1	550760	. . CORE			1	
2	550764	. . SUPPORT ASSY TOP			1	
3	550768	. . GASKET, HALF			4	
4	550761	. . TANK / RADIATOR FRONT			1	
4	550762	. . TANK / RADIATOR REAR			1	
5	550766	. . STRIP / EXTERIOR & INTERIOR 6 1/2"			8	
6	550767	. . STRIP / EXTERIOR & INTERIOR 22 1/2"			8	
8	500778	. . NUT HEX 5/16-18 N500			68	
9	500446	. . WASHER FL .531x1.250x.125 Z050			72	
10	550770	. . BUSHING			4	
NS	500183	. . SCREW CAP HEX 5/16-18x1 1/2 G5 PT Z050			4	
NS	500185	. . SCREW CAP HEX 5/16-18x2 1/4 G5 Z050			4	
NS	502600	. . NUT HEX NYRT 5/16-18 Z050			4	
11	550771	. . STRIP, TIE BAR 20"			1	
12	550763	. . REINFORCEMENT STRIP "Z" SHAPE			1	
13	550765	. . SUPPORT ASSY BOTTOM			1	
NS	550103	. . RUBBER PAD 10FT LG.			AR	
14	550769	. . STRIP, PLASTIC			1	
NS	500826	. . WASHER LO EXT .320x.610x.034 ZP			8	
NS	500181	. . SCREW CAP HEX 5/16-18x1 G5 Z050			8	
NS	500985	. . WASHER FL .343x.875x.125 Z050			8	
15	HF-0330-00	AIR FILTER & INTAKE - INSTALLATION WITH DETROIT S-60			1	
21	052060	RUBBER PAD / SUPPORT & RADIATOR 165MM x 127MM W/6 HOLES			1	
NS	500679	SCREW CAP HEX 3/8-16x5/8 G5 ZP			2	
23	502737	SCREW CAP HEX M6-1.0x25 SS BK			12	
24	500468	WASHER FL .281x1.250x.065 Z050			15	
25	502621	NUT HEX STO M6-1.0 Z050			12	
26	500191	SCREW CAP HEX 3/8-16x1 G5 Z050			12	
31	502543	NUT HEX M8-1.25 Z050			3	
32	501332	STREET ELBOW 90° / PIPE FITTING / 1/4NPT-Mx1/4NPT-F BR			1	
NS	501308	ADAPTER / PIPE FITTING / 1/4NPT-Fx1/4NPT-M BR			1	
NS	501027	MALE CONNECTOR / SAE 45° FITTING / #4FL-Mx1/4NPT-M BR			1	
33	501129	EXTERNAL SEAL DRAIN 1/4 NPT			1	
NS	501329	STREET ELBOW 45° / PIPE FITTING / 1/4NPT-Mx1/4NPT-F BR			1	
40	052224	ATTACHMENT, STRIP 768MM W/3 STUDS / TO FIX SUPPORT 364/364c/c			1	
41	052201	PLATE SUPPORT LOWER RADIATOR			1	
42	051836	RUBBER PAD / SUPPORT & RADIATOR 242MM x 165MM W/9 HOLES			2	
43	502780	SCREW CAP HEX M8-1.25x25 SS BK			2	
50	052195	SHROUD / W/36" FAN BLADE			1	
51	5001040	SCREW TC PAN PH #6-32x3/4 SS			4	



From 3-4417 To 3-4757	Date:10/2022	PAGE:HF-0505-50
RADIATOR ASSY - V.I.P.		

Item#	Part	Description	H 3 4 1	H 3 4 5	V I P 4 5	N O T E S
52	500157	WASHER FL .125x.375x.032 SS			4	
NS	506001	TAPE RUB ADH1 CC POL 1/8" x 3/4" x 50' / GREY 2520X			AR	
60	052110	ATTACHMENT / UPPER RADIATOR			AR	
61	660253	BUSHING / RUBBER / (ONE PIECE) 1 1/2" x 5/8" I.D.			1	
62	505217	SPACER 7/16" X 1 1/4"			1	
63	500935	WASHER FL .390x1.500x.083			2	
64	500195	SCREW CAP HEX 3/8-16x2 1/2 G5 Z050			1	
65	500265	NUT HEX STO 3/8-16 Z050			1	
66	500191	SCREW CAP HEX 3/8-16x1 G5 Z050			2	
67	500478	WASHER LO SPT .380x.683x.094 Z050			2	
		3) NOT SOLD ASSEMBLY				

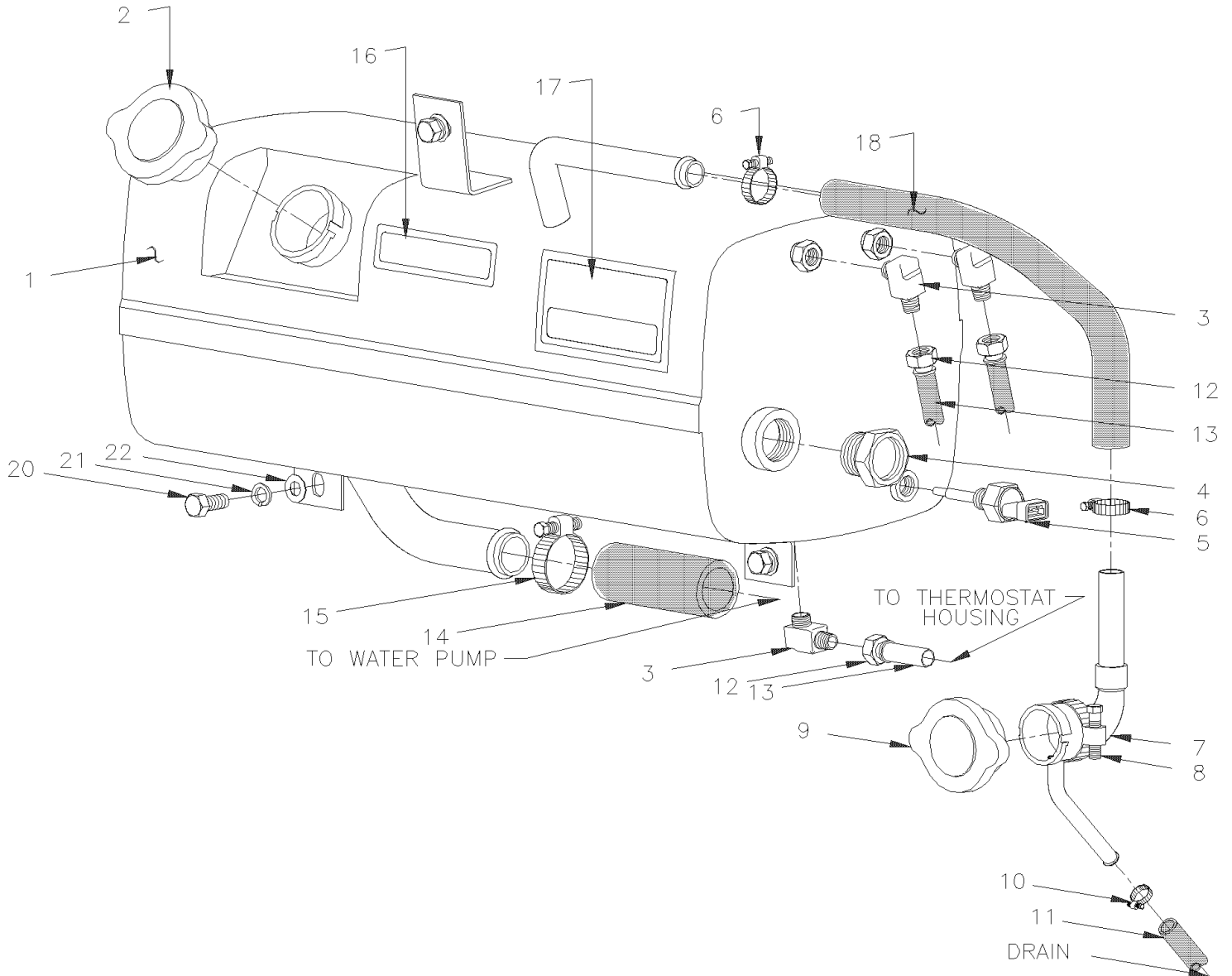
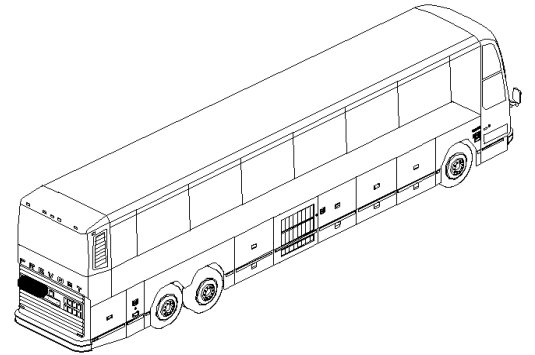


From 3-4417 To 8-1043

Date:10/2022

PAGE:HF-0510-00

SURGE TANK





From 3-4417 To 8-1043	Date:10/2022	PAGE:HF-0510-00
SURGE TANK		

Item#	Part	Description	H 3 4 1	H 3 4 5	V I P 4 5	N O T E S
1	052304	SURGE TANK ASSY To 3-4757	1	1	1	
1	052532	SURGE TANK ASSY From 4-4758	1	1	1	
1	053658	SURGE TANK ASSY AFTER MARKET	1	1	1	
2	052355	. CAP FILLER	1	1	1	
3	501037	. MALE ELBOW 90° / SAE 45° FITTING / #4FL-Mx1/4NPT-M BR	3	3	3	
4	550618	. SIGHT GLASS 1" NPT To 3-4757	1	1	1	
4	21331481	. SIGHT GLASS 1" NPT To 3-4757	1	1	1	
4	550850	. SIGHT GLASS 1/2" NPT From 4-4758	1	1	1	
. NS	N8881803	. . BODY 1/2 NPT From 4-4758	1	1	1	
. NS	N8881804	. . NUT BODY TO FIX GLASS From 4-4758	1	1	1	
. NS	N8881805	. . GLASS From 4-4758	1	1	1	
. NS	N8881806	. . O-RING From 4-4758	1	1	1	
5	562395	. SENSOR PROBE "LOW LEVEL COOLANT" / 1/4" NPT	1	1	1	
6	504019	HOSE CLAMP / 9/16"-1"1/16 SS / HS-10	2	2	2	
7	051495	PIPE ASSY	1	1	1	
9	550606	CAP PRESSURE / OVER 14 LBS	1	1	1	
10	504018	HOSE CLAMP / 7/16"-1" SS / HS-8	1	1	1	
11	052366	HOSE / LOWER / #6 1550MM	1	1	1	
. NS	503702	. HOSE / (SAFETY STRIPE) / 3/8" I.D. 50' / S.L.	AR	AR	AR	
11	503058	. HOSE / AIR BRAKE #6 / S.L.	AR	AR	AR	
12	501347	. FEMALE CONNECTOR SWIVEL / PUSH-LOK FITTING #4JIC-Fx#4 BR	2	2	2	
13	052332	HOSE ASSY / TO THERMOSTAT / #4 890MM To 3-4757	1	1		
13	052362	HOSE ASSY TEFLON #4 890MM To 3-4757	1	1	1	S
13	052331	HOSE ASSY / TO THERMOSTAT / #4 950MM To 3-4757			1	
13	052361	HOSE ASSY TEFLON #4 950MM To 3-4757	1	1	1	S
13	052330	HOSE ASSY / TO RADIATOR / #4 572MM To 3-4757	1	1	1	
13	052363	HOSE ASSY TEFLON #4 572MM To 3-4757	1	1	1	S
13	503692	. HOSE / (SAFETY STRIPE) / 1/4" I.D. 50' / S.L.	AR	AR	AR	
13	052542	HOSE ASSY / TO THERMOSTAT / #4 980MM From 4-4758	1	1	1	
13	052620	HOSE ASSY TEFLON #4 980MM From 4-4758	1	1	1	S
13	052507	HOSE ASSY / TO RADIATOR / #4 655MM From 4-4758	1	1	1	
13	052619	HOSE ASSY TEFLON #4 655MM From 4-4758	1	1	1	S
NS	052509	HOSE ASSY TEFLON #4 1170MM From 4-4758	1	1	1	
14	052389	HOSE 1" I.D. 1145MM To 3-4757	1	1	1	
14	052536	HOSE 1" I.D. X 1030MM From 4-4758	1	1	1	
14	503579	. HOSE 1" I.D. X 50' / "GREEN STRIPE"	AR	AR	AR	
NS	501663	MALE ELBOW 90° / JIC 37° FITTING / #16JIC-Mx3/4NPT-M STL To 4-4757	1	1	1	
NS	5011148	MALE ELBOW 90° / JIC 37° FITTING / #16JIC-Mx#12ORB-M STL SERVICE	1	1	1	
NS	5011147	FEMALE CONNECTOR SWIVEL / COLLAR FITTING / #16JIC-Fx#16 STL From 4-4758	1	1	1	
NS	5011255	MALE ELBOW 90° / JIC 37° FITTING / #16JIC-MxM33-2.0 ORB-M STL From 4-4758	1	1	1	
15	504658	HOSE CLAMP / 13/16"-1"3/4 / C.T. 9420	1	1	1	
16	050682	DECAL / ANTIFREEZE / ENGLISH & FRANCAIS To 4-4928	1	1	1	



From 3-4417 To 8-1043	Date:10/2022	PAGE:HF-0510-00
SURGE TANK		

Item#	Part	Description	H 3 4 1	H 3 4 5	V I P 4 5	N O T E S
16	052574	DECAL / ANTIFREEZE / ENGLISH & SPANISH To 4-4928	1	1	1	
16	052635	DECAL SPEC / ANTIFREEZE / W/ "DETROIT" ENGINE / ENGLISH & FRANCAIS From 4-4929	1	1	1	
17	050781	DECAL / COOLANT CAPACITY / 91 LITERS / ENGLISH & FRANCAIS	1	1	1	
18	051568	HOSE / UPPER / 5/8" I.D. 318MM	1	1	1	
18	503007	. HOSE 2 PLY / RADIATOR HOSE / 5/8" I.D. / S.L.	AR	AR	AR	
20	502790	SCREW CAP HEX M8-1.25x20 G8.8 Z050	3	3	3	
21	502507	WASHER LO SPT 8.1x14.8x2.0 Z050	3	3	3	
22	500874	WASHER FL 8.4x17.0x1.6 Z050	3	3	3	
NS	685125	ANTIFREEZE / ETHYLENE GLYCOL / SPEC #7SE298 & TMC RP-329, T	AR	AR	AR	
. NS	MI04-06	. SEE MAINTENANCE INFORMATION	1	1	1	
		S) OPTION WITH HOSE STAINLESS STEEL BRAIDED				

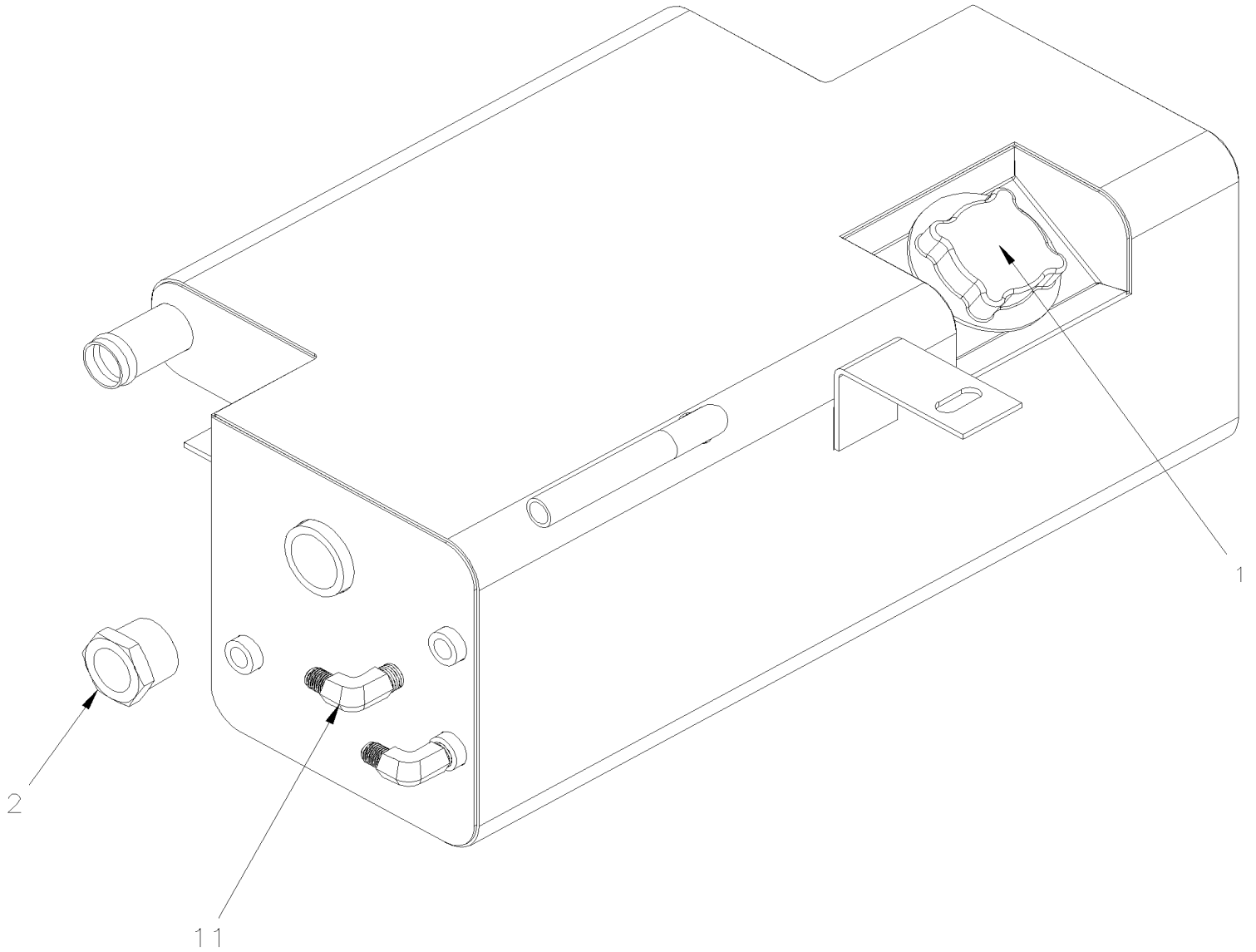


From 3-4417 To 8-1043

Date:10/2022

PAGE:053658

SURGE TANK ASSY AFTER MARKET





From 3-4417 To 8-1043	Date:10/2022	PAGE:053658
SURGE TANK ASSY AFTER MARKET		

Item#	Part	Description	H 3 4 1	H 3 4 5	V I P 4 5	N O T E S
1	3979593	FILLER CAP	1	1	1	
. NS	3979595	. SEAL	1	1	1	
2	21331481	SIGHT GLASS 1" NPT	1	1	1	
11	0273686	MALE ELBOW 90° / JIC 37° FITTING / #4JIC-Mx1/4NPT-M BR	1	1	1	

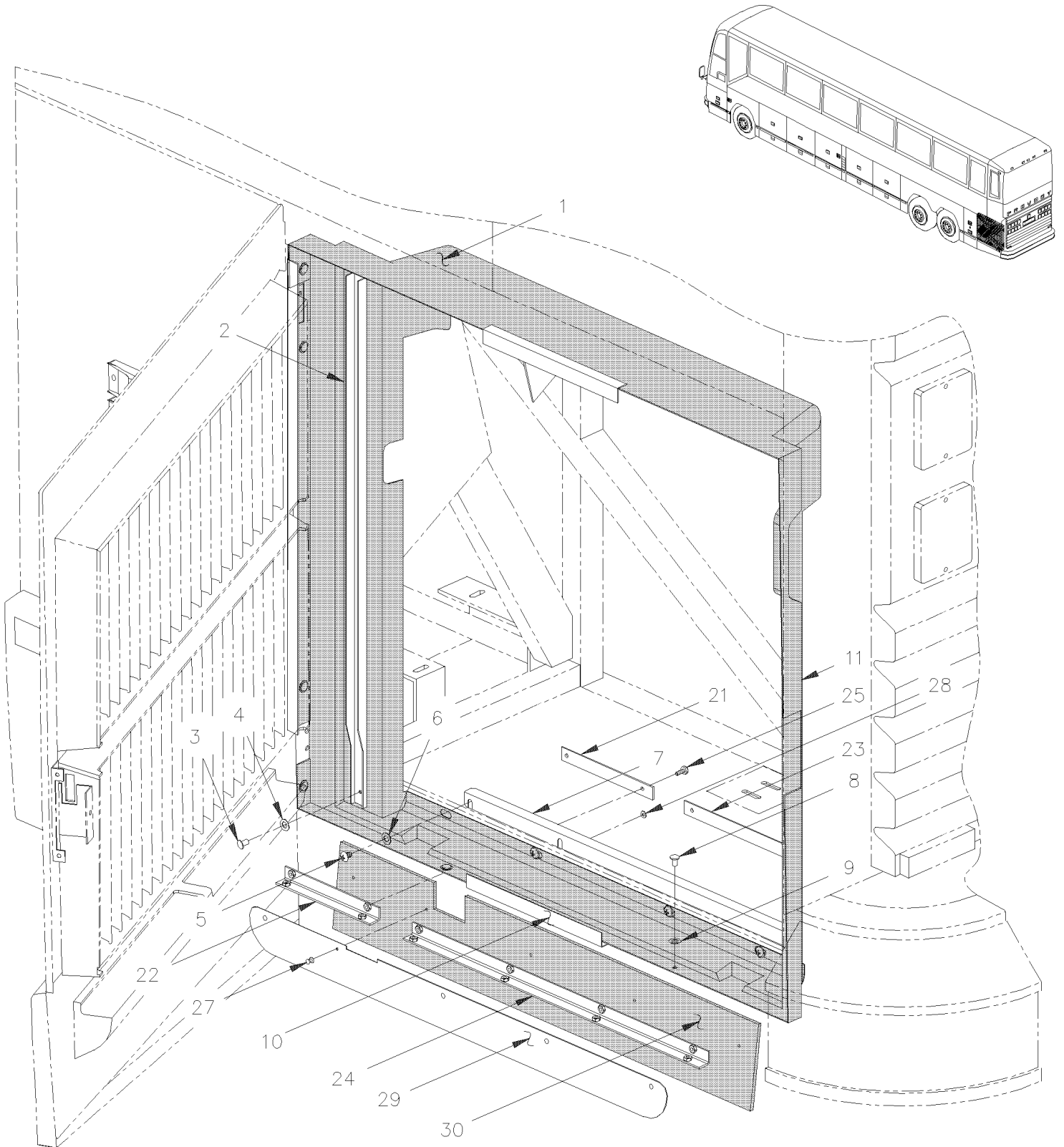


From 3-4417 To 3-4757

Date:10/2022

PAGE:HF-0518-00

RADIATOR SEALING FRAME





From 3-4417 To 3-4757	Date:10/2022	PAGE:HF-0518-00
-----------------------	--------------	-----------------

RADIATOR SEALING FRAME

Item#	Part	Description	H 3 4 1	H 3 4 5	V I P 4 5	N O T E S
1	052107	FRAME, SEALING	1	1		
1	052259	FRAME, SEALING			1	
1	052251	CLOSING PLATE 90MM X 42MM			1	
NS	506003	TAPE RUB ADH1 CC POL 3/16" x 3/4" x 40' / GREY 2520X	AR	AR	AR	G
NS	506007	TAPE RUB ADH1 CC NEO 3/4" x 1" x 10' / BLACK 1220	AR	AR	AR	G
2	051986	U CHANEL RETAINER	1	1	1	
3	504339	RIVET POP DOME OE 1/8x3/8 SS	7	7	7	
4	500437	WASHER FL .125x.375x.040 Z050	7	7	7	
5	500179	SCREW CAP HEX 5/16-18x3/4 G5 Z050	AR	AR	AR	
5	500845	SCREW CAP HEX 5/16-18x1/2 G5 Z050	AR	AR	AR	
6	502583	WASHER LO SERR 8.15x22.3x1.0 Z050	AR	AR	AR	
NS	504339	RIVET POP DOME OE 1/8x3/8 SS	7	7	7	
7	051985	ANGLE, RETAINER	1	1	1	
8	502673	SCREW TC PAN PH #6-32x1/2 SS	AR	AR	AR	
8	500874	WASHER FL 8.4x17.0x1.6 Z050	8	8	8	
9	502556	WASHER FL 4.3x9.0x0.8 SS	AR	AR	AR	
30	5001315	SCREW CAP HEX 1/4-20x1 SS	6	6	6	
30	500473	WASHER LO SPT .262x.489x.062 Z050	6	6	6	
30	500411	WASHER FL .260x.697x.050 SS	6	6	6	
NS	052375	DECAL / "WARNING WARRANTY....." / ENGLISH & FRANCAIS	1	1	1	
NS	052576	DECAL / "WARNING WARRANTY....." / ENGLISH & SPANISH	1	1	1	
		G) RADIATOR & FRAME				

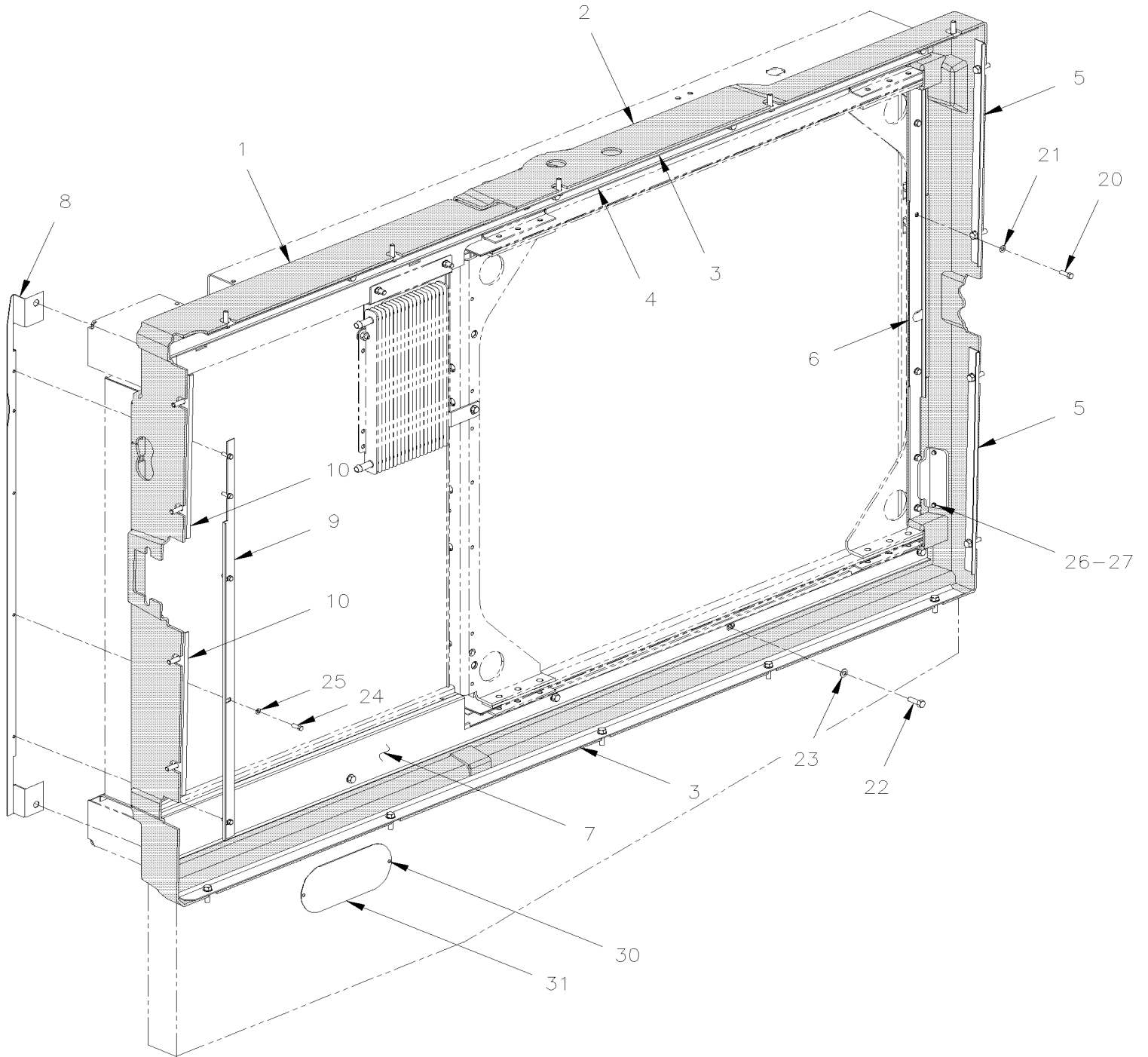


From 4-4758 To 8-1043

Date:10/2022

PAGE:HF-0518-01

RADIATOR SEALING FRAME





From 4-4758 To 8-1043	Date:10/2022	PAGE:HF-0518-01
RADIATOR SEALING FRAME		

Item#	Part	Description	H 3 4 1	H 3 4 5	V I P 4 5	N O T E S
1	052547	FRAME, SEALING / FORWARD	1	1	1	
2	052506	FRAME, SEALING / BACKWARD	1	1	1	
NS	506004	TAPE RUB ADH1 CC POL 3/8" x 1/2" x 20' / GREY 2520X	AR	AR	AR	
NS	506302	RUBBER EXTRUSION TRIM SEAL / GRIP .024 / 7/16" HOLLOW BULB C.T.L.	AR	AR	AR	
3	052520	ANGLE REINFORCEMENT 1630MM	2	2	2	
4	052513	ANGLE REINFORCEMENT 1628.4MM	2	2	2	
5	052454	ANGLE REINFORCEMENT 395MM	2	2	2	
6	052521	ANGLE REINFORCEMENT 760MM	1	1	1	
7	052543	ANGLE REINFORCEMENT 1613.4MM	1	1	1	
8	052537	ANGLE REINFORCEMENT 915MM	1	1	1	
9	052519	ANGLE REINFORCEMENT 700MM	1	1	1	
10	052533	ANGLE REINFORCEMENT 290MM	2	2	2	
20	502848	SCREW TC CAP HEXF 1/4-20x3/4 N500	6	6	6	
21	955920	WASHER LO SPT 6.5x11.5x1.6 ZP	6	6	6	
22	502902	NUT HEXF NYRT 5/16-18 N500	10	10	10	
23	192288	WASHER FL 8.4x18.0x2.0 ZG603	10	10	10	
24	500526	SCREW TP CAP HEXW #12x3/4 N500	25	25	25	
25	500877	WASHER FL .250x.562x.065 N500	25	25	25	
26	504339	RIVET POP DOME OE 1/8x3/8 SS	2	2	2	
27	5001067	WASHER FL .128x.312x.032 SS	2	2	2	
30	052200	CLOSING PLATE 80MM X 190MM	1	1	1	

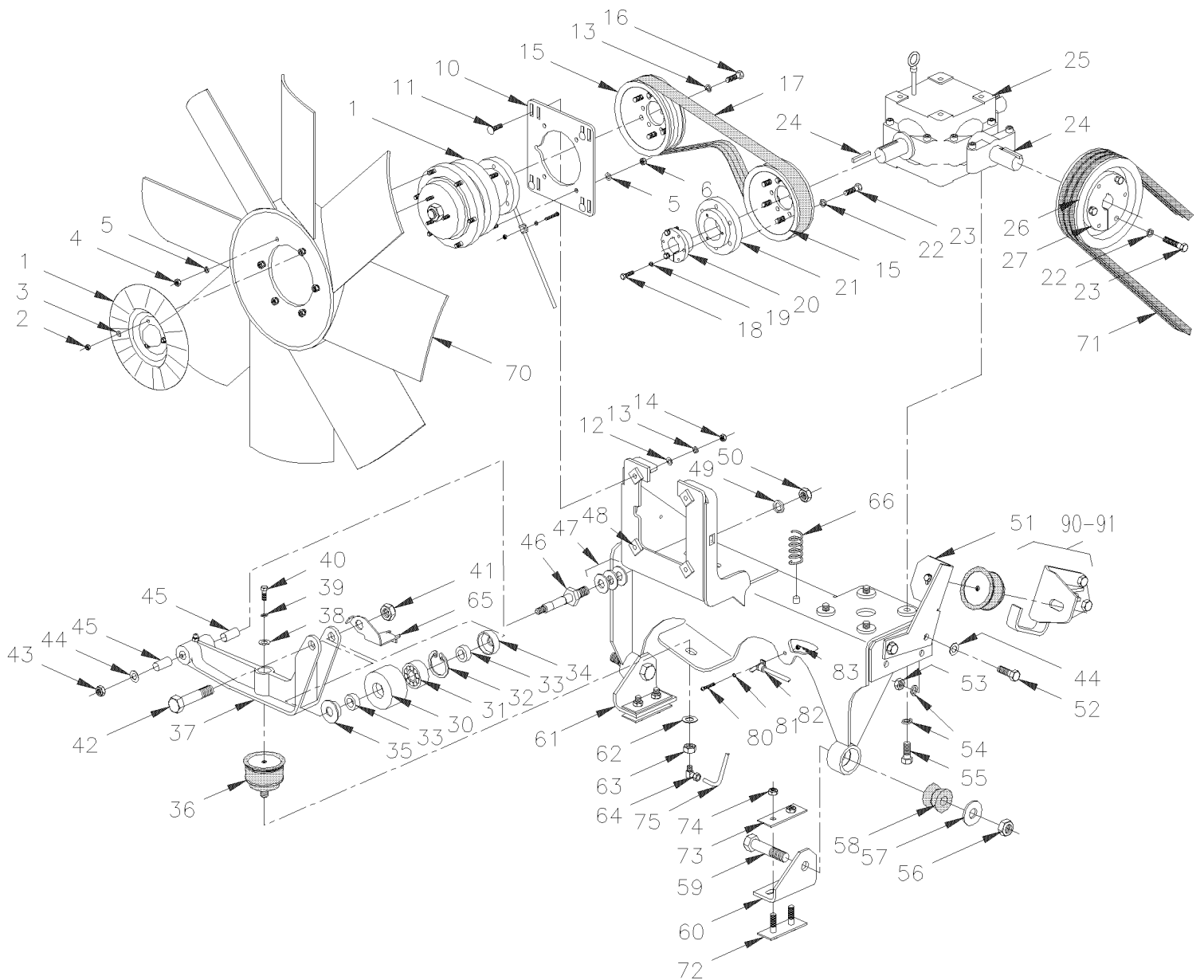
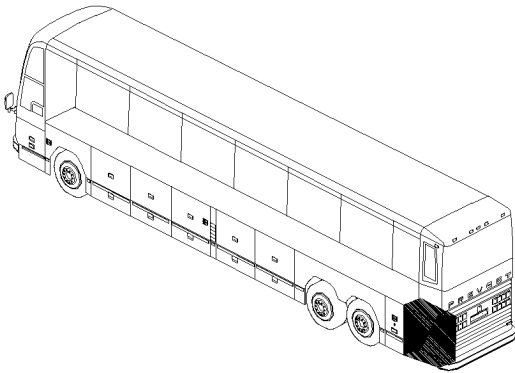


From 3-4417 To 3-4757

Date:10/2022

PAGE:HF-0520-00

FAN DRIVE - INSTALLATION - SHORT





From 3-4417 To 3-4757	Date:10/2022	PAGE:HF-0520-00
FAN DRIVE - INSTALLATION - SHORT		

Item#	Part	Description	H 3 4 1	H 3 4 5	V I P 4 5	N O T E S
	052006P	FAN DRIVE ASSY	1	1	1	
1	HF-0540-00	. FAN CLUTCH ASSY - #550803 - BUS				C
1	HF-0540-50	. FAN CLUTCH ASSY - #550802 - V.I.P.				C
2	502511	. . NUT HEX NYRT M6-1.0 Z050	3	3	3	
3	502573	. . WASHER FL 6.4x12.5x1.6 SS	3	3	3	
4	502543	. . NUT HEX M8-1.25 Z050	6	6	6	
5	500874	. . WASHER FL 8.4x17.0x1.6 Z050	8	8	8	
5	502644	. . WASHER FL 10.5x30.0x2.5 Z050			8	D
6	502744	. . NUT HEX STO M8-1.25 Z050	4	4	4	
6	500680	. . NUT HEX STO M10-1.5 Z050			4	D
10	051898	. PLATE TRANSITION / FAN CLUTCH & SUPPORT	1	1		
10	052196	. PLATE TRANSITION / FAN CLUTCH & SUPPORT			1	C
11	5001208	. SCREW CRG M8-1.25x30 G8.8 Z050	4	4	4	
12	500874	. WASHER FL 8.4x17.0x1.6 Z050	8	8	8	
13	5001003	. WASHER LO SPT 8.1x12.7x2.0 Z050	10	10	10	
14	502543	. NUT HEX M8-1.25 Z050	4	4	4	
15	051830	. PULLEY / W/10RIB X 6.10" DIA	2	2	2	
16	502528	. SCREW CAP HEX M8-1.25x20 G8.8 EMN	6	6	6	
17	506663	. MULTI V-BELT / 10 RIB 50" 5100495	1	1	1	
18	500177	. SCREW CAP HEX 1/4-20x1 G8 ZP	3	3	3	
19	500473	. WASHER LO SPT .262x.489x.062 Z050	3	3	3	
20	550690	. CONE BUSHING 1 1/4 I.D X 1 13/16 O.D. X 2 5	1	1	1	
21	050907	. COUPLING FAN / TO FIX PULLEY	3	3	3	
22	500478	. WASHER LO SPT .380x.683x.094 Z050	6	6	6	
23	500048	. SCREW CAP HEX 3/8-24x1 1/4 G5 ZP	6	6	6	
24	550186	. KEY 1/4" X 1/4" X 1 1/4"	2	2	2	
25	HF-0525-00	. GEARBOX "SUPERIOR" - #550810 & 550897				
26	051603	. PULLEY (3V X 7.40 DIA)	1	1	1	
27	550691	. CONE BUSHING 1 1/4 I.D X 3 O.D. X 4 5/8 O.D	1	1	1	
30	052208	. PULLEY ASSY W/BEARING & SEAL / 43MM x 78MM	1	1	1	
30	052207	. . PULLEY BELT TENSIONER / 43MM x 78MM O.D.	1	1	1	
31	507340	. . BALL BEARING 20 ID x 52 OD x 22.2 W	1	1	1	
32	504095	. . RING RETAINER / INT 2.00 x 2.12 x .062	1	1	1	
33	052205	. . SPACER 20MM I.D. X 12.5MM TH	2	2	2	
34	507361	. . SEAL	1	1	1	
35	507360	. . SEAL	1	1	1	
NS	680500	. . GREASE MERITOR / 400GR	AR	AR	AR	
36	950208	. BELLOW ASSY / BELT TENSIONER / 3" O.D.	2	2	2	
. NS	504695	. . HOSE CLAMP STEPLESS SPRING SS / OETIKER / 2.9-3.3	1	1	1	
37	051991	. ARM, BELT TENSIONER / IRON USE W 45MM WIDE PULLEY	1	1	1	
38	500985	. WASHER FL .343x.875x.125 Z050	1	1	1	
39	500476	. WASHER LO SPT .317x.586x.078 Z050	1	1	1	



From 3-4417 To 3-4757	Date:10/2022	PAGE:HF-0520-00
FAN DRIVE - INSTALLATION - SHORT		

Item#	Part	Description	H 3 4 1	H 3 4 5	V I P 4 5	N O T E S
40	5001132	. SCREW CAP HEX 5/16-18x7/8 G5 Z050	1	1	1	
41	500735	. NUT HEX STO 3/4-16 ZP	3	3	3	
42	500145	. SCREW CAP HEX 3/4-16x3 1/2 G5 Z050	3	3	3	
43	500811	. NUT HEX STO M12-1.75 G500	1	1	1	
44	500446	. WASHER FL .531x1.250x.125 Z050	1	1	1	
45	507293	. BUSHING NYLINED .625x.750x.750	2	2	2	
46	052003	. PIVOT / TO FIX TENSIONER TO SUPPORT	1	1	1	
46	501497	. GREASE FITTING / 1/4-28	1	1	1	
47	500449	. WASHER FL .625x1.500 SS	AR	AR	AR	
48	052209	. SUPPORT FAN CLUTCH & GEAR BOX / SHORT	1	1	1	
48	059056	. SUPPORT FAN CLUTCH & GEAR BOX / SHORT	1	1	1	
49	500802	. WASHER LO SPT 16.2x37.4x3.5 Z050	1	1	1	
50	502588	. NUT HEX M16-2.0 ZP	1	1	1	
51	059050	. SUPPORT / BELLOW TENSIONNER	1	1		
51	059049	. SUPPORT / BELLOW TENSIONNER			1	
52	500088	. SCREW CAP HEX 1/2-20x1 1/2 G5 ZP	2	2	2	
53	500716	. NUT HEX 1/2-20 Z050	2	2	2	
54	500482	. WASHER LO SPT .506x.873x.125 Z050	6	6	6	
55	500214	. SCREW CAP HEX 1/2-13x1 1/4 G5 Z050	4	4	4	
56	500145	. SCREW CAP HEX 3/4-16x3 1/2 G5 Z050	2	2	2	
57	500451	. WASHER FL .812x2.000x.148 ZP	2	2	2	
58	630002	. BUSHING / RUBBER / (TWO PIECES) 1" x 1.005" I.D.	2	2	2	
NS	507347	. SPACER / BUSHING	2	2	2	
59	500735	. NUT HEX STO 3/4-16 ZP	2	2	2	
60	059054	. SUPPORT, ANGLE / FRONT	1	1		
60	059053	. SUPPORT, ANGLE / FRONT			1	
61	059052	. SUPPORT, ANGLE / REAR	1	1		
61	059051	. SUPPORT, ANGLE / REAR			1	
62	5001150	. WASHER FL 17.0x30.0x3.0 N500	1	1	1	
63	500792	. NUT HEX 5/8-11 Z050	1	1	1	
64	501808	. MALE ELBOW 45° / SAE 45° FITTING / #4FL-Mx1/8NPT-M BR	1	1	1	
65	052206	SPRING ATTACHMENT W/45MM WIDE PULLEY	1	1	1	
66	502247	SPRING COMPRESSION / 1.250 O.D. x 2.5 x .125	1	1	1	
70	550686	FAN ASSY / CW 32" / 9 BLADES PLASTIC	AR	AR		
70	550686	FAN ASSY / CW 32" / 9 BLADES PLASTIC			1	
70	550757	FAN ASSY / CW 36" / 8 BLADES PLASTIC			1	
71	506748	V-BELT / AX-72 9012-2072	3	3		
71	506691	V-BELT / AX-73 9012-2073			3	
72	051779	ATTACHMENT PLATE ASSY / TO FIX ANGLE TO FLOOR	2	2	2	
73	050706	SPACER 3/8" TH	AR	AR	AR	
73	050705	SPACER 1/4" TH	AR	AR	AR	
74	500714	NUT HEX STO 7/16-20 Z050	4	4	4	



From 3-4417 To 3-4757	Date:10/2022	PAGE:HF-0520-00
FAN DRIVE - INSTALLATION - SHORT		

Item#	Part	Description	H 3 4 1	H 3 4 5	V I P 4 5	N O T E S
NS	500666	NUT SPR FL REC 7/16-20 .69x.91	4	4	4	
75	031145	HOSE ASSY TEFLON #4 611MM	1	1	1	
80	500574	SCREW MA TR PH #10-24x1 1/4 SS	1	1	1	
81	500470	WASHER LO SPT .193x.334x.047 Z050	2	2	2	
82	560503	CLAMP / 1/4" I.D.	1	1	1	
83	500786	NUT HEX #10-24 Z050	1	1	1	
90	059055	SUPPORT BELLOW TENSIONER	1	1	1	
91	HF-0125-00	BELTS TENSIONERS - WITH DETROIT S-60				
		C) THIS ITEM ARE NOT INCLUDE IN ASSY 052006P				
		D) WITH / #550758				

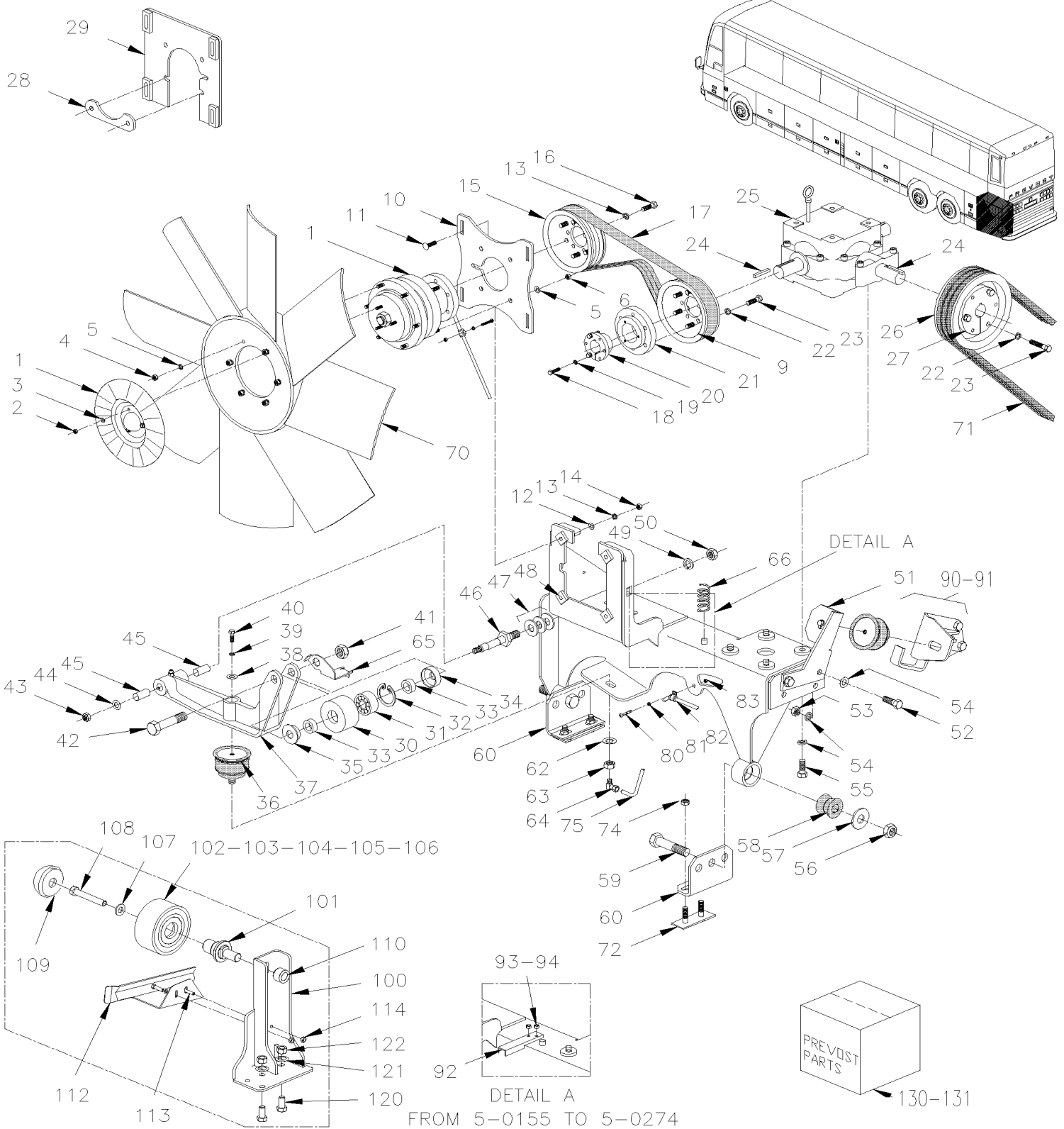


From 4-4758 To 6-0383

Date:10/2022

PAGE:HF-0520-01

FAN DRIVE - INSTALLATION - LONG



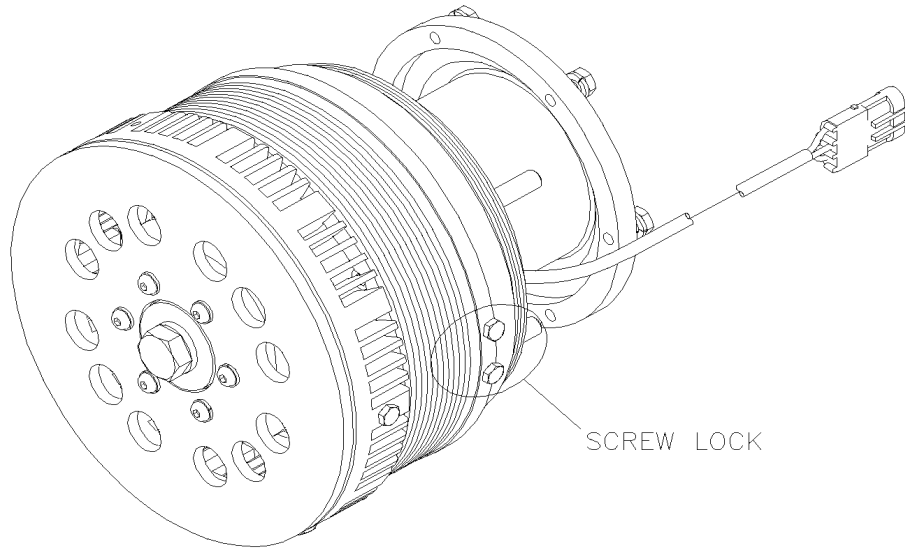


From 4-4758 To 6-0383

Date:10/2022

PAGE:HF-0520-01

FAN DRIVE - INSTALLATION - LONG





From 4-4758 To 6-0383	Date:10/2022	PAGE:HF-0520-01
FAN DRIVE - INSTALLATION - LONG		

Item#	Part	Description	H 3 4 1	H 3 4 5	V I P 4 5	N O T E S
	N.P.N.	FAN DRIVE ASSY				4
1	HF-0540-51	. FAN CLUTCH ASSY - #550836 - V.I.P. To 3-4757				
1	HF-0540-52	. FAN CLUTCH ASSY - #550839 - V.I.P. From 4-4758				
1	HF-0540-03	. FAN CLUTCH ASSY - #550839 - BUS				
2	502511	. . NUT HEX NYRT M6-1.0 Z050	3	3		
3	502573	. . WASHER FL 6.4x12.5x1.6 SS	3	3		
4	502543	. . NUT HEX M8-1.25 Z050	6	6	6	
5	500897	. . WASHER FL .437x1.000x.083 N500	8	8	8	
6	5001758	. . NUT HEX STO M10-1.5 N500	4	4	4	
9	051830	. PULLEY / W/10RIB X 6.10" DIA To 4-4952	1	1		
9	052587	. PULLEY / W/10RIB X 6.10" DIA From 4-4953 To 4-4967	1	1		
9	052584	. PULLEY / W/12RIB X 8.582" DIA From 4-4968	1	1		
9	059057	. PULLEY / W/12RIB X 8.582" DIA To 4-4952			1	
9	052584	. PULLEY / W/12RIB X 8.582" DIA From 4-4953			1	
10	052311	. PLATE TRANSITION / FAN CLUTCH & SUPPORT To 4-4852	1	1		
10	052572	. PLATE TRANSITION / FAN CLUTCH & SUPPORT From 4-4853 To 4-4967	1	1		
11	5001208	. SCREW CRG M8-1.25x30 G8.8 Z050	4	4		
11	502891	. SCREW CRG M8-1.25x40 G8.8 Z050	4	4	4	
12	500874	. WASHER FL 8.4x17.0x1.6 Z050	8	8		
13	5001003	. WASHER LO SPT 8.1x12.7x2.0 Z050	10	10	10	
14	502543	. NUT HEX M8-1.25 Z050	4	4	4	
15	051830	. PULLEY / W/10RIB X 6.10" DIA To 4-4952	1	1	1	
15	052587	. PULLEY / W/10RIB X 6.10" DIA From 4-4953	1	1	1	
16	502528	. SCREW CAP HEX M8-1.25x20 G8.8 EMN	6	6	6	
17	5060028	. MULTI V-BELT / 10 RIB 74.8" 20430262 To 4-4967	1	1		
17	507627	. MULTI V-BELT / 12 RIB 82 41/64" (2100) 827K12BU From 4-4968	1	1		D
17	506064	. MULTI V-BELT / 12 RIB 83 1/2" (2121) From 4-4968	1	1		E
17	507627	. MULTI V-BELT / 12 RIB 82 41/64" (2100) 827K12BU			1	D
17	506064	. MULTI V-BELT / 12 RIB 83 1/2" (2121)			1	E
18	500171	. SCREW CAP HEX 1/4-20x1 G5 N500	3	3	3	
19	955920	. WASHER LO SPT 6.5x11.5x1.6 ZP	3	3	3	
20	550690	. CONE BUSHING 1 1/4 I.D X 1 13/16 O.D. X 2 5 To 4-4952	1	1	1	
20	550879	. CONE BUSHING 1 1/4 I.D X 1 13/16 O.D. X 2 5 From 4-4953	1	1	1	
21	050907	. COUPLING FAN / TO FIX PULLEY To 4-4952	3	3	3	
21	052593	. COUPLING FAN / TO FIX PULLEY From 4-4953	1	1	1	
22	500218	. WASHER LO SPT .380x.683x.098 DP320	6	6	6	
23	502906	. SCREW CAP HEX 3/8-24x1 1/4 G5 N500	6	6	6	
24	550186	. KEY 1/4" X 1/4" X 1 1/4"	2	2	2	
25	HF-0525-00	. GEARBOX "SUPERIOR" - #550810 & 550897				
26	059059	. PULLEY (3V X 7.40 DIA) To 4-4952	1	1	1	
26	052586	. PULLEY (3V X 7.40 DIA) From 4-4953	1	1	1	
27	550691	. CONE BUSHING 1 1/4 I.D X 3 O.D. X 4 5/8 O.D To 4-4952	1	1	1	



From 4-4758 To 6-0383	Date:10/2022	PAGE:HF-0520-01
FAN DRIVE - INSTALLATION - LONG		

Item#	Part	Description	H 3 4 1	H 3 4 5	V I P 4 5	N O T E S
27	550878	. CONE BUSHING 1 1/4 I.D X 3 O.D. X 4 5/8 O.D From 4-4953	1	1	1	
28	052492	. PLATE			1	
28	052492	. PLATE From 4-4968	1	1		
29	052476	. PLATE TRANSITION / FAN CLUTCH & SUPPORT			1	
29	052476	. PLATE TRANSITION / FAN CLUTCH & SUPPORT From 4-4968	1	1		
30	052277	. PULLEY ASSY W/BEARING & SEAL / 45MM x 78MM To 5-0260	1	1	1	
30	052673	. PULLEY ASSY W/BEARING & SEAL / 54MM x 117MM From 5-0261	1	1	1	
30	052499	. . PULLEY / 45MM x 78MM O.D. To 4-4952	1	1	1	
30	052595	. . PULLEY / 45MM x 78MM O.D. From 4-4953 To 5-0260	1	1	1	
30	052673	. . PULLEY ASSY W/BEARING & SEAL / 54MM x 117MM From 5-0261	1	1	1	
31	507340	. . BALL BEARING 20 ID x 52 OD x 22.2 W To 5-0260	1	1	1	
31	510618	. . BALL BEARING DBL ROW / 30MM x 62MM x 27 W From 5-0261	1	1	1	
32	504095	. . RING RETAINER / INT 2.00 x 2.12 x .062 To 5-0260	1	1	1	
32	504040	. . RING RETAINER / INT 2.440 x 1.860 x 0.078 STL BLK From 5-0261	1	1	1	
33	052205	. . SPACER 20MM I.D. X 12.5MM TH To 5-0260	2	2	2	
34	507361	. . SEAL To 5-0260	1	1	1	
34	507371	. . SEAL From 5-0261	1	1	1	
35	507360	. . SEAL To 5-0260	1	1	1	
35	507371	. . SEAL From 5-0261	1	1	1	
NS	680500	. . GREASE MERITOR / 400GR To 5-0260	AR	AR	AR	
NS	680752	. . GREASE LITHIUM / BLUE From 5-0261	AR	AR	AR	
36	550840	. BELLOW ASSY / BELT TENSIONER / 4" O.D.	1	1	1	
37	051991	. ARM, BELT TENSIONER / IRON USE W 45MM WIDE PULLEY To 5-0260	1	1	1	
37	052624	. ARM, BELT TENSIONER / IRON USE W 54MM WIDE PULLEY From 5-0261	1	1	1	
38	3852162	. WASHER FL .312x.734x.065 ZG603 To 4-4967	1	1		
38	500444	. WASHER FL .406x.812x.065 Z050			1	
38	500444	. WASHER FL .406x.812x.065 Z050 From 4-4968	1	1		
39	500942	. WASHER LO SPT 8.1x14.8x2.0 N500 To 4-4967	1	1		
39	500478	. WASHER LO SPT .380x.683x.094 Z050			1	
39	500478	. WASHER LO SPT .380x.683x.094 Z050 From 4-4968	1	1		
40	500836	. SCREW CAP HEX 5/16-18x3/4 G5 N500 To 4-4967	1	1		
40	500191	. SCREW CAP HEX 3/8-16x1 G5 Z050			1	
40	500191	. SCREW CAP HEX 3/8-16x1 G5 Z050 From 4-4968	1	1		
41	500735	. NUT HEX STO 3/4-16 ZP	1	1	1	
NS	502558	. WASHER FL 21.0x37.0x3.0 G500	1	1	1	
42	500145	. SCREW CAP HEX 3/4-16x3 1/2 G5 Z050	1	1	1	
43	500811	. NUT HEX STO M12-1.75 G500 To 5-0260	1	1	1	
43	5001628	. NUT HEX NYRT M10-1.5 SS From 5-0261	1	1	1	
44	500446	. WASHER FL .531x1.250x.125 Z050 To 5-0260	1	1	1	
44	500270	. WASHER FL .406x1.000x.063 SS From 5-0261	1	1	1	
45	507293	. BUSHING NYLINED .625x.750x.750	2	2	2	
46	052485	. PIVOT / TO FIX TENSIONER TO SUPPORT To 5-0260	1	1	1	



From 4-4758 To 6-0383	Date:10/2022	PAGE:HF-0520-01
FAN DRIVE - INSTALLATION - LONG		

Item#	Part	Description	H 3 4 1	H 3 4 5	V I P 4 5	N O T E S
46	052670	. PIVOT / TO FIX TENSIONER TO SUPPORT From 5-0261	1	1	1	
46	501497	. GREASE FITTING / 1/4-28	1	1	1	
47	500449	. WASHER FL .625x1.500 SS	AR	AR	AR	
48	052539	. SUPPORT FAN CLUTCH & GEAR BOX / LONG To 4-4852	1	1	1	
48	052578	. SUPPORT FAN CLUTCH & GEAR BOX / LONG From 4-4853	1	1	1	
49	500802	. WASHER LO SPT 16.2x37.4x3.5 Z050	1	1	1	
50	502588	. NUT HEX M16-2.0 ZP	1	1	1	
51	052427	. BELLOW TENSIONER To 4-0001			1	F
. NS	WB04-05C	. . SEE WARRANTY BULLETIN To 4-0001			1	F
51	052616	. BELLOW TENSIONER To 4-0001	1	1		F
. NS	WB04-05C	. . SEE WARRANTY BULLETIN To 4-0001	1	1		F
51	052278	. BELLOW TENSIONER From 4-0002	1	1	1	
52	502875	. SCREW CAP HEX M12-1.75x40 G8.8 N50	2	2	2	
53	971072	. NUT HEX M12-1.75 ZG603	2	2	2	
54	500944	. WASHER LO SPT .506x.873x.125 N500	6	6		
NS	500211	. WASHER FL .531x1.250x.125 N500			2	
55	500214	. SCREW CAP HEX 1/2-13x1 1/4 G5 Z050	4	4	4	
56	500735	. NUT HEX STO 3/4-16 ZP	2	2	2	
57	500451	. WASHER FL .812x2.000x.148 ZP	2	2	2	
58	630002	. BUSHING / RUBBER / (TWO PIECES) 1" x 1.005" I.D.	2	2	2	
NS	507347	. SPACER / BUSHING	2	2	2	
59	500145	. SCREW CAP HEX 3/4-16x3 1/2 G5 Z050	2	2	2	
60	052494	. SUPPORT, ANGLE	2	2		
60	052429	. SUPPORT, ANGLE			2	
62	502901	. WASHER FL .625x1.469x.109 N500	1	1	1	
63	502915	. NUT HEX 5/8-11 N500	1	1		
63	502917	. NUT HEX JAM 3/4-16 G2 N500			1	
64	501036	. MALE ELBOW 90° / SAE 45° FITTING / #4FL-Mx1/8NPT-M BR	1	1	1	
65	052477	SPRING ATTACHMENT	1	1	1	
NS	502903	SCREW TC FL PH #10-24x1 1/4 N500	1	1	1	
66	502247	SPRING COMPRESSION / 1.250 O.D. x 2.5 x .125	1	1	1	
70	550832	FAN ASSY / CW 34" / 9 BLADES PLASTIC	1	1		
70	550838	FAN ASSY / CW 36" / 9 BLADES PLASTIC			1	
71	HF-0120-00	DRIVE PULLEY & BELTS - W/2 "BOSCH"				
71	HF-0120-50	DRIVE PULLEY & BELTS - V.I.P.				
72	051779	ATTACHMENT PLATE ASSY / TO FIX ANGLE TO FLOOR	2	2	2	
NS	050706	SPACER 3/8" TH	AR	AR	AR	
NS	050705	SPACER 1/4" TH	AR	AR	AR	
74	971072	NUT HEX M12-1.75 ZG603	4	4	4	
NS	5001568	NUT PUSH RND M12 ZP	4	4	4	
75	031054	HOSE ASSY TEFLON #4 770MM To 6-0383			1	
75	052535	HOSE ASSY TEFLON #4 662MM	1	1	1	



From 4-4758 To 6-0383	Date:10/2022	PAGE:HF-0520-01
FAN DRIVE - INSTALLATION - LONG		

Item#	Part	Description	H 3 4 1	H 3 4 5	V I P 4 5	N O T E S
75	052361	HOSE ASSY TEFLON #4 950MM From 6-0384			1	
80	500606	SCREW MA TR PH #10-24x3/4 SS	1	1	1	
81	500914	WASHER LO SPT .193x.334x.047 N500	2	2	2	
82	952624	CLAMP / 1/4" I.D.	1	1	1	
83	502882	NUT HEX #10-24 N500	1	1	1	
90	052488	SUPPORT BELLOW TENTIONER To 4-0001	1	1	1	C
. NS	WB04-05C	. SEE WARRANTY BULLETIN To 4-0001	1	1	1	C
90	052240	SUPPORT BELLOW TENTIONER From 4-0002 To 6-0457	1	1	1	C
. NS	WB04-05C	. SEE WARRANTY BULLETIN From 4-0002 To 6-0457	1	1	1	C
90	052709	SUPPORT BELLOW TENTIONER From 6-0458	1	1	1	
91	HF-0125-01	BELTS TENSIONERS - WITH DETROIT S-60				
92	052631	. STOPPER TENSIONER ARM / "U" SHAPE 40MM X 1 From 5-0155 To 5-0274	1	1	1	A
93	5001338	. SCREW CAP HEX M12-1.75x45 G10.9 N500 From 5-0155 To 5-0274	2	2	2	A
94	500811	. NUT HEX STO M12-1.75 G500 From 5-0155 To 5-0274	2	2	2	A
100	052661	SUPPORT UPPER PULLEY TENSIONER From 5-0275	1	1	1	
101	052626	SHAFT UPPER PULLEY TENSIONER From 5-0275	1	1	1	
102	052672	PULLEY ASSY W/BEARING & SHAFT / 54MM x 117MM From 5-0275	1	1	1	
103	052625	. PULLEY / 54MM x 117MM O.D. From 5-0275	1	1	1	
104	507371	. SEAL From 5-0275	1	1	1	
NS	680752	. GREASE LITHIUM / BLUE From 5-0275	1	1	1	
105	504040	. RING RETAINER / INT 2.440 x 1.860 x 0.078 STL BLK From 5-0275	1	1	1	
106	510618	. BALL BEARING DBL ROW / 30MM x 62MM x 27 W From 5-0275	1	1	1	
107	012062	WASHER FL 10.2 x38.1x5 ST From 5-0275	1	1	1	
108	500829	SCREW CAP HEX M10-1.5x40 G8.8 From 5-0275	1	1	1	
109	510798	PROTECTOR CAP / "PREVOST" From 5-0275	1	1	1	
110	500252	NUT SPR U #10-24 .156-.187 From 5-0275	1	1	1	
112	052666	AIR DEFLECTOR / BELT From 5-0275	1	1	1	
113	5001433	SCREW CAP HEX M6-1.0x25 SS From 5-0275	2	2	2	
114	5001182	NUT HEX NYRT M6-1.0 SS From 5-0275	2	2	2	
120	500806	SCREW CAP HEX M12-1.75X35 G10.9 G500 From 5-0275	1	1	1	
120	500065	SCREW CAP HEX M10-1.5x30 G10.9 DP From 5-0275	3	3	3	
121	500958	WASHER FL .531x1.062x.095 SS From 5-0275	1	1	1	
121	500270	WASHER FL .406x1.000x.063 SS From 5-0275	3	3	3	
122	500811	NUT HEX STO M12-1.75 G500 From 5-0275	1	1	1	
122	502616	WASHER LO SPT 10.2x18.1x2.2 SS From 5-0275	3	3	3	
NS	052675	KIT, RETROFIT UPPER TENSIONER & AIR DEFLEC / W/LONG FAN CLUTCH SUPPORT From 4-4511 To 4-4705	1	1		B
. NS	WB05-05C	. SEE WARRANTY BULLETIN From 4-4511 To 4-4705	1	1		B
130	052675	KIT, RETROFIT UPPER TENSIONER & AIR DEFLEC / W/LONG FAN CLUTCH SUPPORT From 4-4759 To 5-0260			1	B
. NS	WB05-05C	. SEE WARRANTY BULLETIN From 4-4759 To 5-0260			1	B
131	052756	KIT, RETRIFIT 550839 / LONG FAN DRIVE SUPPORT From 4-4511 To 4-4705	1	1		
. NS	WB05-05C	. SEE WARRANTY BULLETIN From 4-4511 To 4-4705	1	1		
131	052756	KIT, RETRIFIT 550839 / LONG FAN DRIVE SUPPORT From 4-4759 To 4-4969			1	



From 4-4758 To 6-0383	Date:10/2022	PAGE:HF-0520-01
FAN DRIVE - INSTALLATION - LONG		

Item#	Part	Description	H 3 4 1	H 3 4 5	V I P 4 5	N O T E S
. NS	WB05-05C	. SEE WARRANTY BULLETIN From 4-4759 To 4-4969			1	
		A) FOR PRODUCT IMPROVEMENT, ADD THESE PARTS UP TO 5-0154				
		B) ITEMS #100 TO #122 ARE INCLUDED IN KIT #052675				
		C) FOR PRODUCT IMPROVEMENT, ASK PART #052709 AND SEE WARRANTY BULLETI N WB04-05B				
		D) USE WITH FORMER FAN CLUTCH #550966 WITH SCREW LOCK SEE IMAGE				
		E) USE WITH CURRENT FAN CLUTCH #550966 WITH TAB LOCK SEE IMAGE				
		F) FOR PRODUCT IMPROVEMENT, ASK PART #052278 AND SEE WARRANTY BULLETIN WB04-05B				
		4) NO PARTS NUMBER				

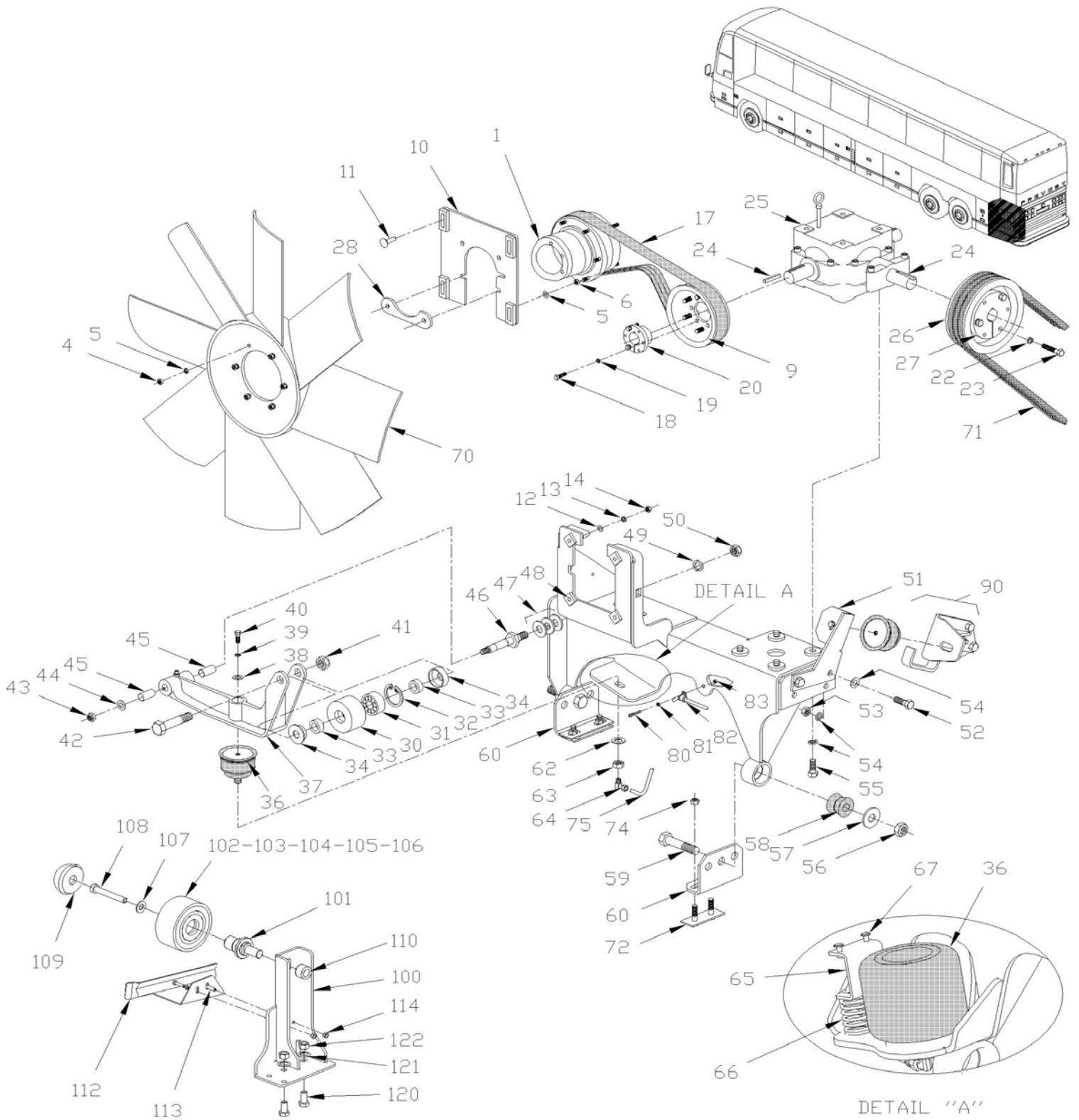


From 6-0384 To 8-1043

Date:10/2022

PAGE:HF-0520-02

FAN DRIVE - INSTALLATION - LONG



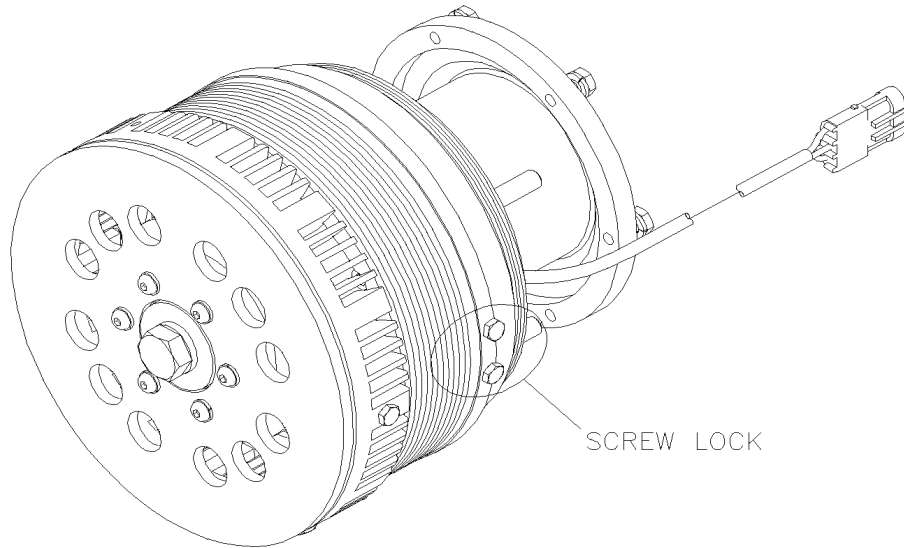


From 6-0384 To 8-1043

Date:10/2022

PAGE:HF-0520-02

FAN DRIVE - INSTALLATION - LONG





From 6-0384 To 8-1043	Date:10/2022	PAGE:HF-0520-02
FAN DRIVE - INSTALLATION - LONG		

Item#	Part	Description	H 3 4 1	H 3 4 5	V I P 4 5	N O T E S
	N.S.A.	FAN DRIVE ASSY	1	1	1	3
1	HF-0540-03	FAN CLUTCH ASSY - #550839 - BUS	1	1		
1	HF-0540-52	FAN CLUTCH ASSY - #550839 - V.I.P.			1	
4	502543	. . NUT HEX M8-1.25 Z050	6	6	6	
5	500897	. . WASHER FL .437x1.000x.083 N500	8	8	8	
6	5001758	. . NUT HEX STO M10-1.5 N500	4	4	4	
9	052584	. PULLEY / W/12RIB X 8.582" DIA	1	1	1	
10	052476	. PLATE TRANSITION / FAN CLUTCH & SUPPORT	1	1	1	
11	502891	. SCREW CRG M8-1.25x40 G8.8 Z050	4	4	4	
12	500874	. WASHER FL 8.4x17.0x1.6 Z050	8	8	8	
13	5001003	. WASHER LO SPT 8.1x12.7x2.0 Z050	10	10	10	
14	502543	. NUT HEX M8-1.25 Z050	4	4	4	
15	500897	. WASHER FL .437x1.000x.083 N500	4	4	4	
16	500680	. NUT HEX STO M10-1.5 Z050	4	4	4	
17	507627	. MULTI V-BELT / 12 RIB 82 41/64" (2100) 827K12BU	1	1	1	E
17	506064	. MULTI V-BELT / 12 RIB 83 1/2" (2121)	1	1	1	F
18	500171	. SCREW CAP HEX 1/4-20x1 G5 N500	3	3	3	
19	955920	. WASHER LO SPT 6.5x11.5x1.6 ZP	3	3	3	
20	550879	. CONE BUSHING 1 1/4 I.D X 1 13/16 O.D. X 2 5	1	1	1	
22	500218	. WASHER LO SPT .380x.683x.098 DP320	6	6	6	
23	502906	. SCREW CAP HEX 3/8-24x1 1/4 G5 N500	6	6	6	
24	550186	. KEY 1/4" X 1/4" X 1 1/4"	2	2	2	
25	HF-0525-00	. GEARBOX "SUPERIOR" - #550810 & 550897				
26	052586	. PULLEY (3V X 7.40 DIA)	1	1	1	
27	550878	. CONE BUSHING 1 1/4 I.D X 3 O.D. X 4 5/8 O.D	1	1	1	
28	052492	. PLATE	1	1	1	
30	Call order desk	. PULLEY ASSY W/BEARING & SEAL / 54MM x 117MM	1	1	1	P
30	052896	. . PULLEY ASSY W/BEARING / 54MM x 117MM O.D.	1	1	1	
30	052625	. . . PULLEY / 54MM x 117MM O.D.	1	1	1	
31	510618	. . . BALL BEARING DBL ROW / 30MM x 62MM x 27 W	1	1	1	
32	504040	. . . RING RETAINER / INT 2.440 x 1.860 x 0.078 STL BLK	1	1	1	
33	052627	. . BUSHING TRANSFER FAN	2	2	2	
34	507371	. . SEAL	2	2	2	
NS	680752	. . GREASE LITHIUM / BLUE	AR	AR	AR	
36	550840	. BELLOW ASSY / BELT TENSIONER / 4" O.D.	1	1	1	
37	052624	. ARM, BELT TENSIONER / IRON USE W 54MM WIDE PULLEY	1	1	1	
38	500444	. WASHER FL .406x.812x.065 Z050	1	1	1	
39	Call order desk	. WASHER LO SPT .380x.683x.094 Z050	1	1	1	P
40	Call order desk	. SCREW CAP HEX 3/8-16x1 G5 Z050	1	1	1	P
41	5001252	. NUT HEX STO M20-2.5 DP	1	1	1	
NS	502558	. WASHER FL 21.0x37.0x3.0 G500	1	1	1	
42	983296	. SCREW CAP HEX M20-2.5x90 G10.9 ZP	1	1	1	



From 6-0384 To 8-1043	Date:10/2022	PAGE:HF-0520-02
FAN DRIVE - INSTALLATION - LONG		

Item#	Part	Description	H 3 4 1	H 3 4 5	V I P 4 5	N O T E S
43	5001628	. NUT HEX NYRT M10-1.5 SS	1	1	1	
44	500270	. WASHER FL .406x1.000x.063 SS	1	1	1	
45	507293	. BUSHING NYLINED .625x.750x.750	2	2	2	
46	052670	. PIVOT / TO FIX TENSIONER TO SUPPORT	1	1	1	
NS	501497	. GREASE FITTING / 1/4-28	1	1	1	
47	500449	. WASHER FL .625x1.500 SS	AR	AR	AR	
48	052664	. SUPPORT FAN CLUTCH & GEAR BOX / LONG	1	1	1	
49	500802	. WASHER LO SPT 16.2x37.4x3.5 Z050	1	1	1	
50	502588	. NUT HEX M16-2.0 ZP	1	1	1	
51	052278	. BELLOW TENSIONER	1	1	1	
52	502875	. SCREW CAP HEX M12-1.75x40 G8.8 N50	2	2	2	
53	971072	. NUT HEX M12-1.75 ZG603	2	2	2	
54	500944	. WASHER LO SPT .506x.873x.125 N500	6	6	6	
NS	500211	. WASHER FL .531x1.250x.125 N500	2	2	2	
55	500214	. SCREW CAP HEX 1/2-13x1 1/4 G5 Z050	4	4	4	
56	Call order desk	. NUT HEX STO 3/4-16 ZP	2	2	2	P
57	500451	. WASHER FL .812x2.000x.148 ZP	2	2	2	
58	630002	. BUSHING / RUBBER / (TWO PIECES) 1" x 1.005" I.D.	2	2	2	
NS	507347	. SPACER / BUSHING	2	2	2	
59	500145	. SCREW CAP HEX 3/4-16x3 1/2 G5 Z050	2	2	2	
60	052494	. SUPPORT, ANGLE	2	2		
60	052429	. SUPPORT, ANGLE			2	
62	502901	. WASHER FL .625x1.469x.109 N500	1	1	1	
63	Call order desk	. NUT HEX JAM 3/4-16 G2 N500	1	1	1	P
64	501036	. MALE ELBOW 90° / SAE 45° FITTING / #4FL-Mx1/8NPT-M BR	1	1	1	
65	052688	. SPRING ATTACHMENT W/54MM WIDE PULLEY	1	1	1	A
NS	504487	. RIVET MGLP PRDG 3/16x7/16 SS	1	1	1	H
NS	502903	. SCREW TC FL PH #10-24x1 1/4 N500	1	1	1	G
66	502247	. SPRING COMPRESSION / 1.250 O.D. x 2.5 x .125	1	1	1	
67	504487	RIVET MGLP PRDG 3/16x7/16 SS	2	2	2	
70	550832	FAN ASSY / CW 34" / 9 BLADES PLASTIC	1	1		
70	550838	FAN ASSY / CW 36" / 9 BLADES PLASTIC			1	
71	HF-0120-00	DRIVE PULLEY & BELTS - W/2 "BOSCH"	1	1	1	
71	HF-0120-50	DRIVE PULLEY & BELTS - V.I.P.				
72	051779	ATTACHMENT PLATE ASSY / TO FIX ANGLE TO FLOOR	2	2	2	
74	971072	NUT HEX M12-1.75 ZG603	4	4	4	
NS	5001568	NUT PUSH RND M12 ZP	4	4	4	
75	052535	HOSE ASSY TEFLON #4 662MM	1	1	1	
75	031054	HOSE ASSY TEFLON #4 770MM	1	1	1	
80	500606	SCREW MA TR PH #10-24x3/4 SS	1	1	1	
81	500914	WASHER LO SPT .193x.334x.047 N500	2	2	2	
82	952624	CLAMP / 1/4" I.D.	1	1	1	



From 6-0384 To 8-1043	Date:10/2022	PAGE:HF-0520-02
FAN DRIVE - INSTALLATION - LONG		

Item#	Part	Description	H 3 4 1	H 3 4 5	V I P 4 5	N O T E S
83	502882	NUT HEX #10-24 N500	1	1	1	
90	052240	SUPPORT BELLOW TENTIONER To 6-0457	1	1	1	C
	NS WB04-05C	. SEE WARRANTY BULLETIN To 6-0457	1	1	1	C
90	Call order desk	SUPPORT BELLOW TENTIONER From 6-0458	1	1	1	P
91	HF-0125-01	BELTS TENSIONERS - WITH DETROIT S-60				
100	052661	SUPPORT UPPER PULLEY TENSIONER	1	1	1	
101	052626	SHAFT UPPER PULLEY TENSIONER	1	1	1	
102	052672	PULLEY ASSY W/BEARING & SHAFT / 54MM x 117MM	1	1	1	
103	052625	. PULLEY / 54MM x 117MM O.D.	1	1	1	
104	507371	. SEAL	1	1	1	
104	680752	. GREASE LITHIUM / BLUE	1	1	1	
105	504040	. RING RETAINER / INT 2.440 x 1.860 x 0.078 STL BLK	1	1	1	
106	510618	. BALL BEARING DBL ROW / 30MM x 62MM x 27 W	1	1	1	
107	012062	WASHER FL 10.2 x38.1x5 ST	1	1	1	
108	500829	SCREW CAP HEX M10-1.5x40 G8.8	1	1	1	
109	510798	PROTECTOR CAP / "PREVOST"	1	1	1	
110	500252	NUT SPR U #10-24 .156-.187	1	1	1	
112	052666	AIR DEFLECTOR / BELT	1	1	1	
113	5001433	SCREW CAP HEX M6-1.0x25 SS	2	2	2	
114	5001182	NUT HEX NYRT M6-1.0 SS	2	2	2	
120	500806	SCREW CAP HEX M12-1.75X35 G10.9 G500	1	1	1	
120	500065	SCREW CAP HEX M10-1.5x30 G10.9 DP	3	3	3	
121	500958	WASHER FL .531x1.062x.095 SS	1	1	1	
121	500270	WASHER FL .406x1.000x.063 SS	3	3	3	
122	500811	NUT HEX STO M12-1.75 G500	1	1	1	
122	502616	WASHER LO SPT 10.2x18.1x2.2 SS	3	3	3	
		A) PICTURE ARE DIFFERENT				
		C) FOR PRODUCT IMPROVEMENT, ASK PART #052709 AND SEE WARRANTY BULLETI N WB04-05B				
		E) USE WITH FORMER FAN CLUTCH #550966 WITH SCREW LOCK SEE IMAGE				
		F) USE WITH CURRENT FAN CLUTCH #550966 WITH TAB LOCK SEE IMAGE				
		G) TO FIX SPRING				
		H) TO FIX SPRING ATTACMENT TO ARM				
		3) NOT SOLD ASSEMBLY				
		P) CALL ORDER DESK FOR SPECIFIC APPLICATION (V.I.N.)				

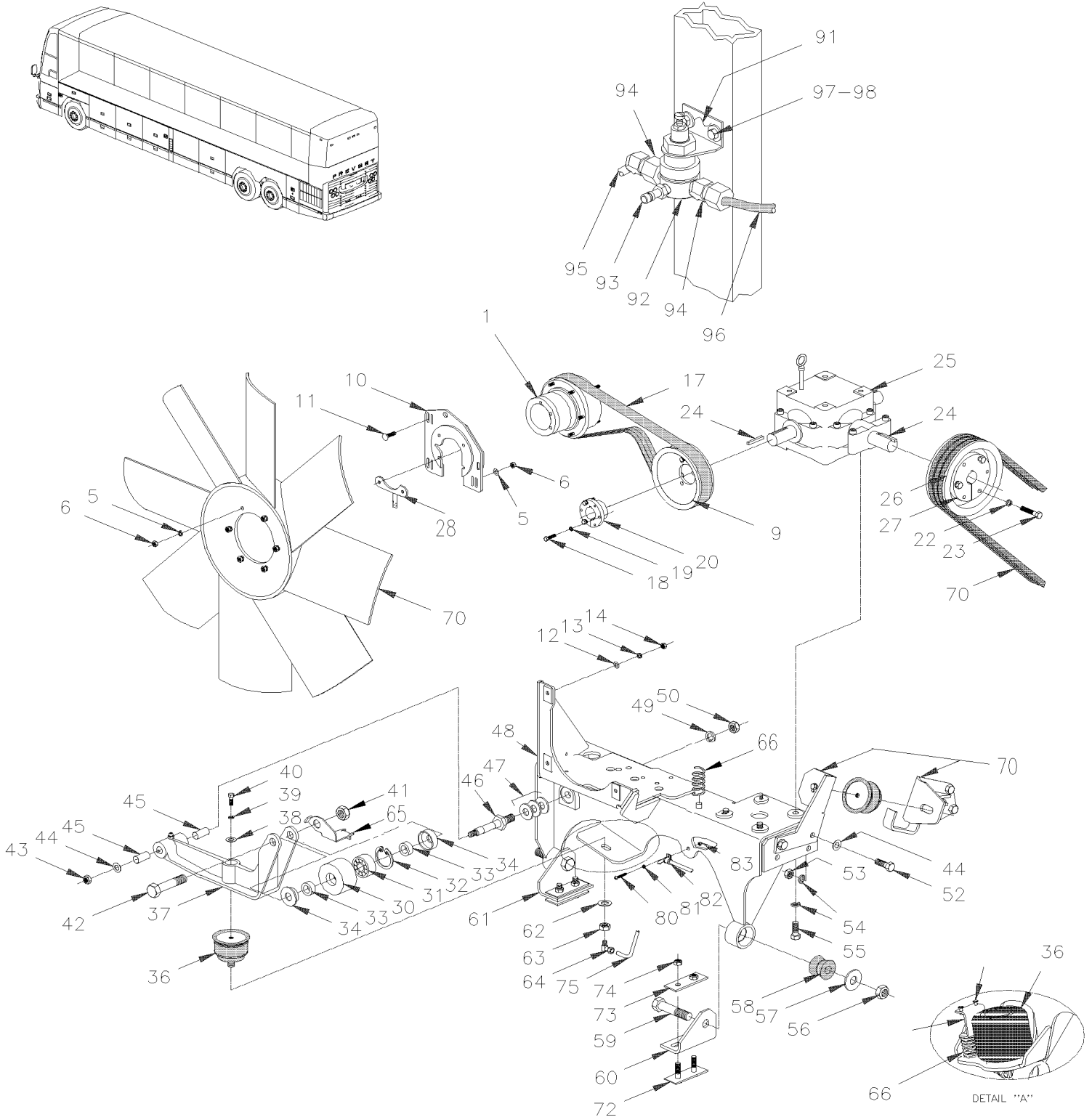


From 3-4417 To 3-4757

Date:10/2022

PAGE:HF-0520-99

FAN DRIVE - INSTALLATION - SHORT - "RETROFIT"



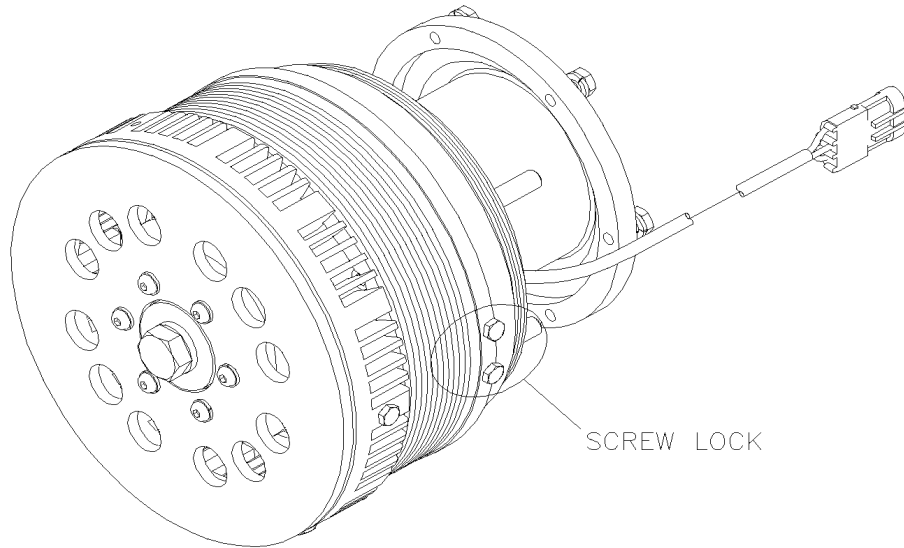


From 3-4417 To 3-4757

Date:10/2022

PAGE:HF-0520-99

FAN DRIVE - INSTALLATION - SHORT - "RETROFIT"





From 3-4417 To 3-4757	Date:10/2022	PAGE:HF-0520-99
FAN DRIVE - INSTALLATION - SHORT - "RETROFIT"		

Item#	Part	Description	H 3 4 1	H 3 4 5	V I P 4 5	N O T E S
NS	052665	KIT, UPGRADE ONLY / SMALL TO LARGE FAN CLUTCH To 3-4757	1	1	1	
. NS	IS-04106A	. SEE INSTRUCTION SHEET To 3-4757	1	1	1	
	052674	FAN DRIVE ASSY W/LARGE FAN CLUTCH 550839 To 3-4757	1	1	1	
1	HF-0540-52	. FAN CLUTCH ASSY - #550839 - V.I.P.				
4	502543	. . NUT HEX M8-1.25 Z050	6	6	6	
5	502644	. . WASHER FL 10.5x30.0x2.5 Z050	8	8	8	
6	5001758	. . NUT HEX STO M10-1.5 N500	4	4	4	
9	052584	. PULLEY / W/12RIB X 8.582" DIA	1	1	1	
10	052652	. PLATE TRANSITION / FAN CLUTCH & SUPPORT / W/550839 RETROFIT ONLY	1	1	1	
11	502891	. SCREW CRG M8-1.25x40 G8.8 Z050	3	3	3	
12	500874	. WASHER FL 8.4x17.0x1.6 Z050	3	3	3	
13	502889	. WASHER LO SPT 8.1x12.7x2.0 N500	3	3	3	
13	955920	. WASHER LO SPT 6.5x11.5x1.6 ZP	3	3	3	
14	502543	. NUT HEX M8-1.25 Z050	3	3	3	
17	5060071	. MULTI V-BELT / 12 RIB 57.48" (1460MM)	1	1	1	F
17	506060	. MULTI V-BELT / 12 RIB 58.39" (1483MM)	1	1	1	C
18	500171	. SCREW CAP HEX 1/4-20x1 G5 N500	3	3	3	
19	955920	. WASHER LO SPT 6.5x11.5x1.6 ZP	3	3	3	
20	550879	. CONE BUSHING 1 1/4 I.D X 1 13/16 O.D. X 2 5	1	1	1	
21	052593	. COUPLING FAN / TO FIX PULLEY	1	1	1	
22	500218	. WASHER LO SPT .380x.683x.098 DP320	3	3	3	
23	502906	. SCREW CAP HEX 3/8-24x1 1/4 G5 N500	3	3	3	
24	550186	. KEY 1/4" X 1/4" X 1 1/4"	2	2	2	
25	HF-0525-00	. GEARBOX "SUPERIOR" - #550810 & 550897				
26	051603	. PULLEY (3V X 7.40 DIA)	1	1	1	
27	550878	. CONE BUSHING 1 1/4 I.D X 3 O.D. X 4 5/8 O.D	1	1	1	
28	052691	. PLATE ASSY / W/RETAINER CABLE	1	1	1	
30	052676	. PULLEY ASSY W/BEARING & SEAL / 54MM x 75MM	1	1	1	
30	052677	. . PULLEY / 54MM WIDE x 75MM O.D.	1	1	1	
31	510618	. . BALL BEARING DBL ROW / 30MM x 62MM x 27 W	1	1	1	
32	504040	. . RING RETAINER / INT 2.440 x 1.860 x 0.078 STL BLK	1	1	1	
33	052627	. . BUSHING TRANSFER FAN	2	2	2	
34	507371	. . SEAL	2	2	2	
NS	680752	. . GREASE LITHIUM / BLUE	AR	AR	AR	
36	550840	. BELLOW ASSY / BELT TENSIONER / 4" O.D.	1	1	1	
37	051991	. ARM, BELT TENSIONER / IRON USE W 45MM WIDE PULLEY	1	1	1	
38	500444	. WASHER FL .406x.812x.065 Z050	1	1	1	
39	500478	. WASHER LO SPT .380x.683x.094 Z050	1	1	1	
40	500191	. SCREW CAP HEX 3/8-16x1 G5 Z050	1	1	1	



From 3-4417 To 3-4757	Date:10/2022	PAGE:HF-0520-99
FAN DRIVE - INSTALLATION - SHORT - "RETROFIT"		

Item#	Part	Description	H 3 4 1	H 3 4 5	V I P 4 5	N O T E S
41	5001252	. NUT HEX STO M20-2.5 DP	1	1	1	
NS	502558	. WASHER FL 21.0x37.0x3.0 G500	1	1	1	
42	983296	. SCREW CAP HEX M20-2.5x90 G10.9 ZP	1	1	1	
43	5001628	. NUT HEX NYRT M10-1.5 SS	1	1	1	
44	500446	. WASHER FL .531x1.250x.125 Z050	1	1	1	
45	507293	. BUSHING NYLINED .625x.750x.750	2	2	2	
46	052670	. PIVOT / TO FIX TENSIONER TO SUPPORT	1	1	1	
NS	501497	. GREASE FITTING / 1/4-28	1	1	1	
47	500449	. WASHER FL .625x1.500 SS	AR	AR	AR	
48	052649	. SUPPORT FAN CLUTCH & GEAR BOX / SHORT / W/550839 RETROFIT ONLY	1	1	1	
49	500802	. WASHER LO SPT 16.2x37.4x3.5 Z050	1	1	1	
50	502588	. NUT HEX M16-2.0 ZP	1	1	1	
52	502875	. SCREW CAP HEX M12-1.75x40 G8.8 N50	2	2	2	
53	500811	. NUT HEX STO M12-1.75 G500	2	2	2	
54	500944	. WASHER LO SPT .506x.873x.125 N500	6	6	6	
NS	500211	. WASHER FL .531x1.250x.125 N500	6	6	6	
55	500214	. SCREW CAP HEX 1/2-13x1 1/4 G5 Z050	4	4	4	
56	500735	. NUT HEX STO 3/4-16 ZP	2	2	2	
57	500451	. WASHER FL .812x2.000x.148 ZP	2	2	2	
58	630002	. BUSHING / RUBBER / (TWO PIECES) 1" x 1.005" I.D.	2	2	2	
NS	507347	. SPACER / BUSHING	2	2	2	
59	500145	. SCREW CAP HEX 3/4-16x3 1/2 G5 Z050	2	2	2	
60	059053	. SUPPORT, ANGLE / FRONT	1	1		
61	059051	. SUPPORT, ANGLE / REAR			1	
62	502901	. WASHER FL .625x1.469x.109 N500	1	1	1	
63	502917	. NUT HEX JAM 3/4-16 G2 N500	1	1	1	
64	501036	. MALE ELBOW 90° / SAE 45° FITTING / #4FL-Mx1/8NPT-M BR	1	1	1	
65	052655	SPRING ATTACHMENT	1	1	1	
66	502247	SPRING COMPRESSION / 1.250 O.D. x 2.5 x .125	1	1	1	
67	504487	RIVET MGLP PRDG 3/16x7/16 SS	2	2	2	
70	HF-0520-00	FAN DRIVE - INSTALLATION - SHORT				
72	051779	ATTACHMENT PLATE ASSY / TO FIX ANGLE TO FLOOR	2	2	2	
73	050706	SPACER 3/8" TH	AR	AR	AR	
73	050705	SPACER 1/4" TH	AR	AR	AR	
74	971072	NUT HEX M12-1.75 ZG603	4	4	4	
NS	5001568	NUT PUSH RND M12 ZP	4	4	4	
75	031054	HOSE ASSY TEFLON #4 770MM	1	1	1	
75	052535	HOSE ASSY TEFLON #4 662MM	1	1	1	
80	500606	SCREW MA TR PH #10-24x3/4 SS	1	1	1	
81	500914	WASHER LO SPT .193x.334x.047 N500	2	2	2	
82	952624	CLAMP / 1/4" I.D.	1	1	1	
83	502882	NUT HEX #10-24 N500	1	1	1	



From 3-4417 To 3-4757	Date:10/2022	PAGE:HF-0520-99
FAN DRIVE - INSTALLATION - SHORT - "RETROFIT"		

Item#	Part	Description	H 3 4 1	H 3 4 5	V I P 4 5	N O T E S
91	142013	SUPPORT AIR REGULATOR / ANGLE 90DEG STYLE	1	1	1	
92	641472	AIR PRESSURE REGULATOR 1/4" NPT / COPPER	1	1	1	
93	640488	VALVE, AIR FILL 1/8" NPT	1	1	1	
. NS	650164	. CAP VALVE / CHROME	1	1	1	
94	501027	MALE CONNECTOR / SAE 45° FITTING / #4FL-Mx1/4NPT-M BR	2	2	2	
95	052667	HOSE ASSY TEFLON #4 1524MM	1	1	1	
96	052668	HOSE ASSY TEFLON #4 1524MM	1	1	1	
NS	509815	TIE MOUNT / ATTACHMENT W/TREE MOUNT	3	3	3	
		C) USE WITH CURRENT FAN CLUTCH #550966 WITH TAB LOCK SEE IMAGE				
		F) USE WITH FORMER FAN CLUTCH #550966 WITH SCREW LOCK SEE IMAGE				

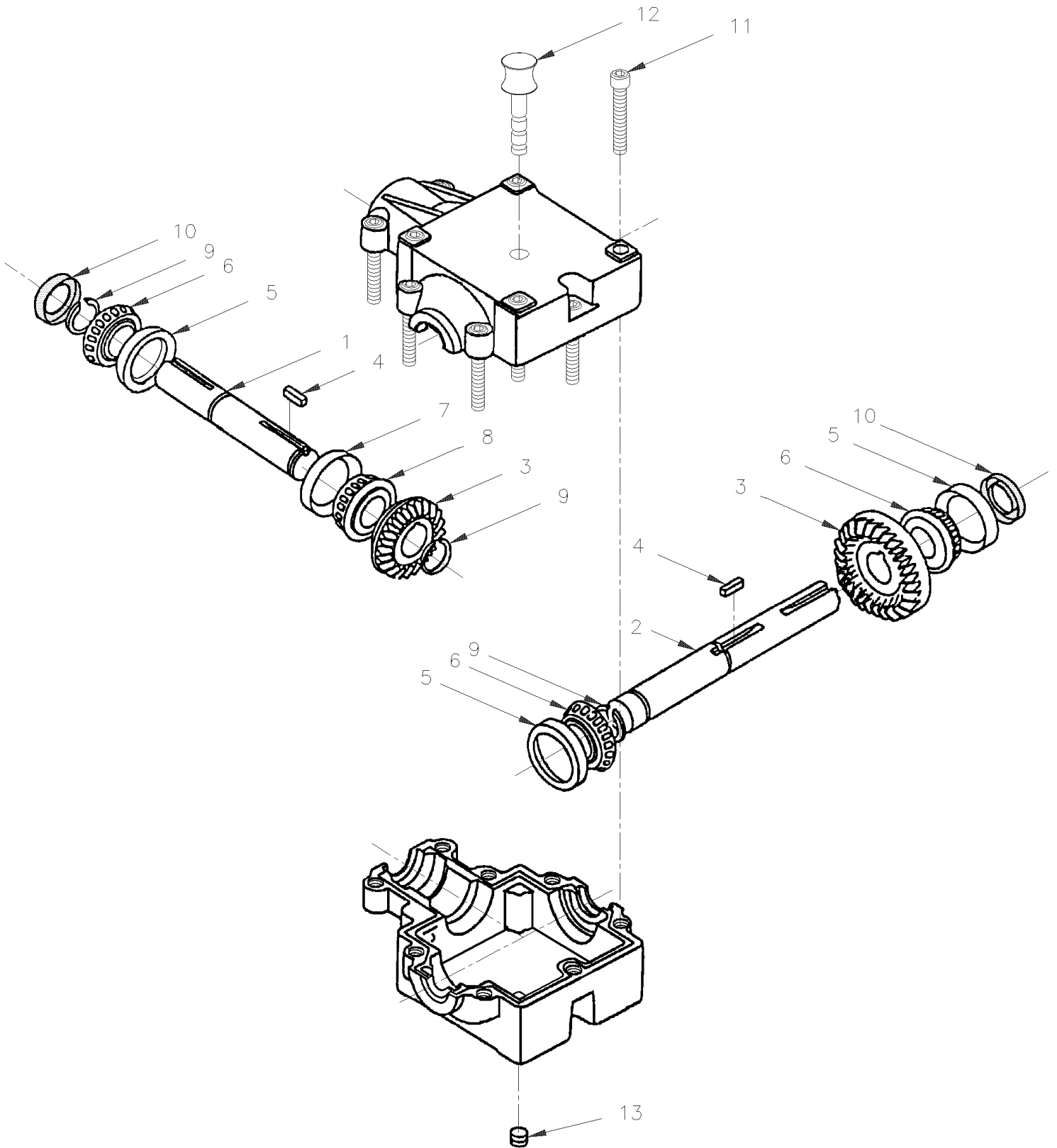


From 3-4417 To 8-1043

Date:10/2022

PAGE:HF-0525-00

GEARBOX "SUPERIOR" - #550810 & 550897





From 3-4417 To 8-1043	Date:10/2022	PAGE:HF-0525-00
GEARBOX "SUPERIOR" - #550810 & 550897		

Item#	Part	Description	H 3 4 1	H 3 4 5	V I P 4 5	N O T E S
	550810	GEARBOX ASSY (CW) To 5-0086	1	1	1	
	550897	GEARBOX ASSY (CW) From 5-0087	1	1	1	
1	550732	. PINION SHAFT ASSY / INPUT 1 1/4" O.D. To 5-0086	1	1	1	
1	550880	. PINION SHAFT ASSY / INPUT 1 1/4" O.D. From 5-0087	1	1	1	
2	550733	. CROSS SHAFT ASSY / OUTPUT 1 1 1/4" O.D. To 5-0086	1	1	1	
2	550881	. CROSS SHAFT ASSY / OUTPUT 1 1 1/4" O.D. From 5-0087	1	1	1	
3	N.S.S.	. GEAR / (SOLD ASSY W/SHAFT)	2	2	2	1
4	N.S.S.	. KEY	2	2	2	1
5	550697	. CUP BEARING	3	3	3	
6	550696	. CONE BEARING	3	3	3	
7	550735	. CUP BEARING	1	1	1	
8	550734	. CONE BEARING	1	1	1	
9	550698	. RETAINING RING / GEAR	2	2	2	
10	550695	. SEAL 1 1/4" I.D. / (200 X 125 X 31)	3	3	3	
11	N.S.P.	. SCREW 3/8-16 X 2 1/4"	9	9	9	2
12	550812	. DIPSTICK	1	1	1	
13	504599	MAGNETIC DRAIN PLUG 1/4 NPT	1	1	1	
NS	051933	DECAL	1	1	1	
NS	550790	DECAL	1	1	1	
NS	180217	OIL SYNTHETIC SCH 630 (1 LITER)	AR	AR	AR	
NS	683666	OIL SYNTHETIC SCH 630 (19 LITERS)	AR	AR	AR	
		1) NOT SOLD SEPARATELY				
		2) NOT SOLD BY PREVOST (SEE MANUFACTURING PART NUMBER AT END OF DESCRIPTION LINE)				

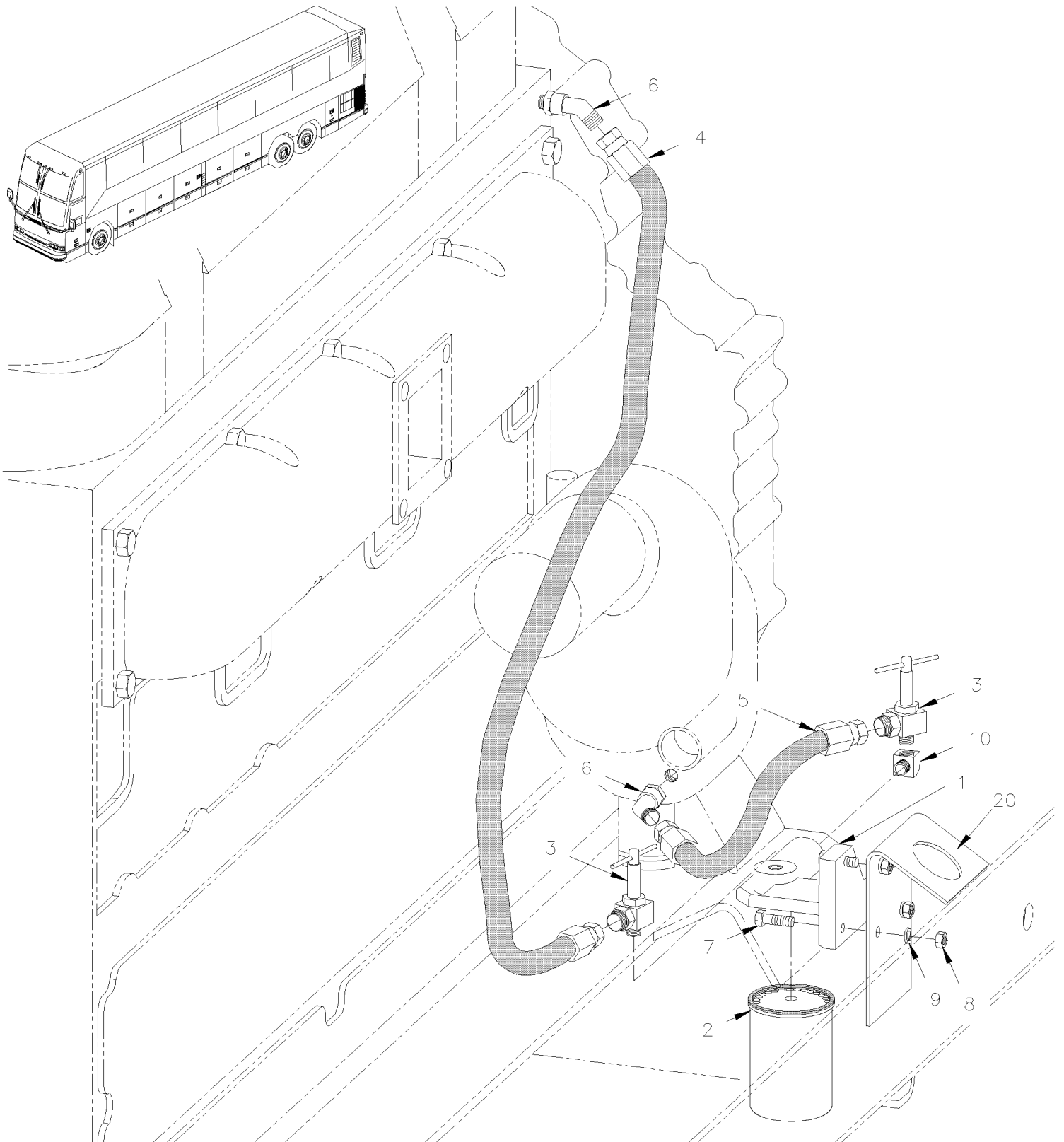


From 3-4417 To 3-4757

Date:10/2022

PAGE:HF-0530-00

COOLANT FILTER - INSTALLATION WITH DETROIT S-60





From 3-4417 To 3-4757	Date:10/2022	PAGE:HF-0530-00
COOLANT FILTER - INSTALLATION WITH DETROIT S-60		

Item#	Part	Description	H 3 4 1	H 3 4 5	V I P 4 5	N O T E S
1	550645	ADAPTOR HEAD, COOLANT FILTER	1	1	1	
1	550804	ADAPTOR HEAD, COOLANT FILTER	1	1	1	
2	550630	CARTRIGE "MAINTENANCE" "NALCOOL" 3000	1	1	1	
3	N.S.P.	VALVE, SHUTT-OFF 1/4 X 3/8 NPT (#330) W/HEATER HEAD	1	1	1	2
4	051902	HOSE ASSY / #6 865MM	1	1	1	
4	052362	HOSE ASSY TEFLON #4 890MM	1	1	1	S
5	051903	HOSE ASSY / #6 300MM	1	1	1	
5	052364	HOSE ASSY TEFLON #6 300MM	1	1	1	S
NS	503582	. HOSE #FC-300 HYDRAULIC / #6 S.L.	AR	AR	AR	
NS	501836	. FEMALE CONNECTOR SWIVEL / SAE 45° FITTING / #6FL-Fx#6 STL	2	2	2	
6	5011034	MALE ELBOW 45° / SAE 45° FITTING / #6FL-Mx1/4NPT-M BR	2	2	2	
7	502589	SCREW CAP HEX M8-1.25x25 G8.8 Z050	3	3	3	
8	502543	NUT HEX M8-1.25 Z050	3	3	3	
9	5001003	WASHER LO SPT 8.1x12.7x2.0 Z050	3	3	3	
10	501333	STREET ELBOW 90° / PIPE FITTING / 3/8NPT-Mx3/8NPT-F BR	1	1	1	
20	011632	SUPPORT / WELD TO CRADLE	1	1	1	
		S) OPTION WITH HOSE STAINLESS STEEL BRAIDED				
		2) NOT SOLD BY PREVOST (SEE MANUFACTURING PART NUMBER AT END OF DESCRIPTION LINE)				

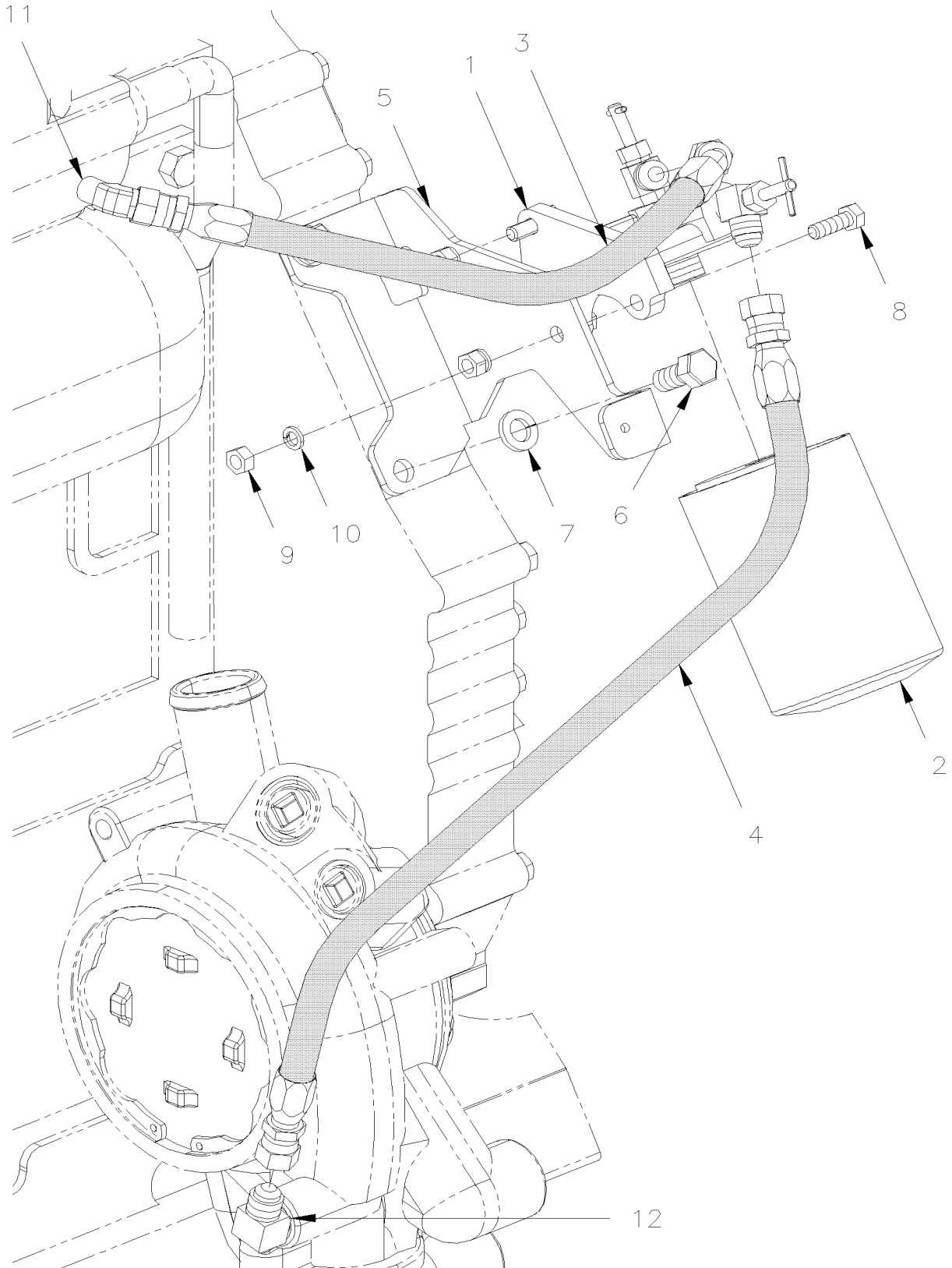


From 4-4758 To 8-1043

Date:10/2022

PAGE:HF-0530-01

COOLANT FILTER - INSTALLATION WITH DETROIT S-60



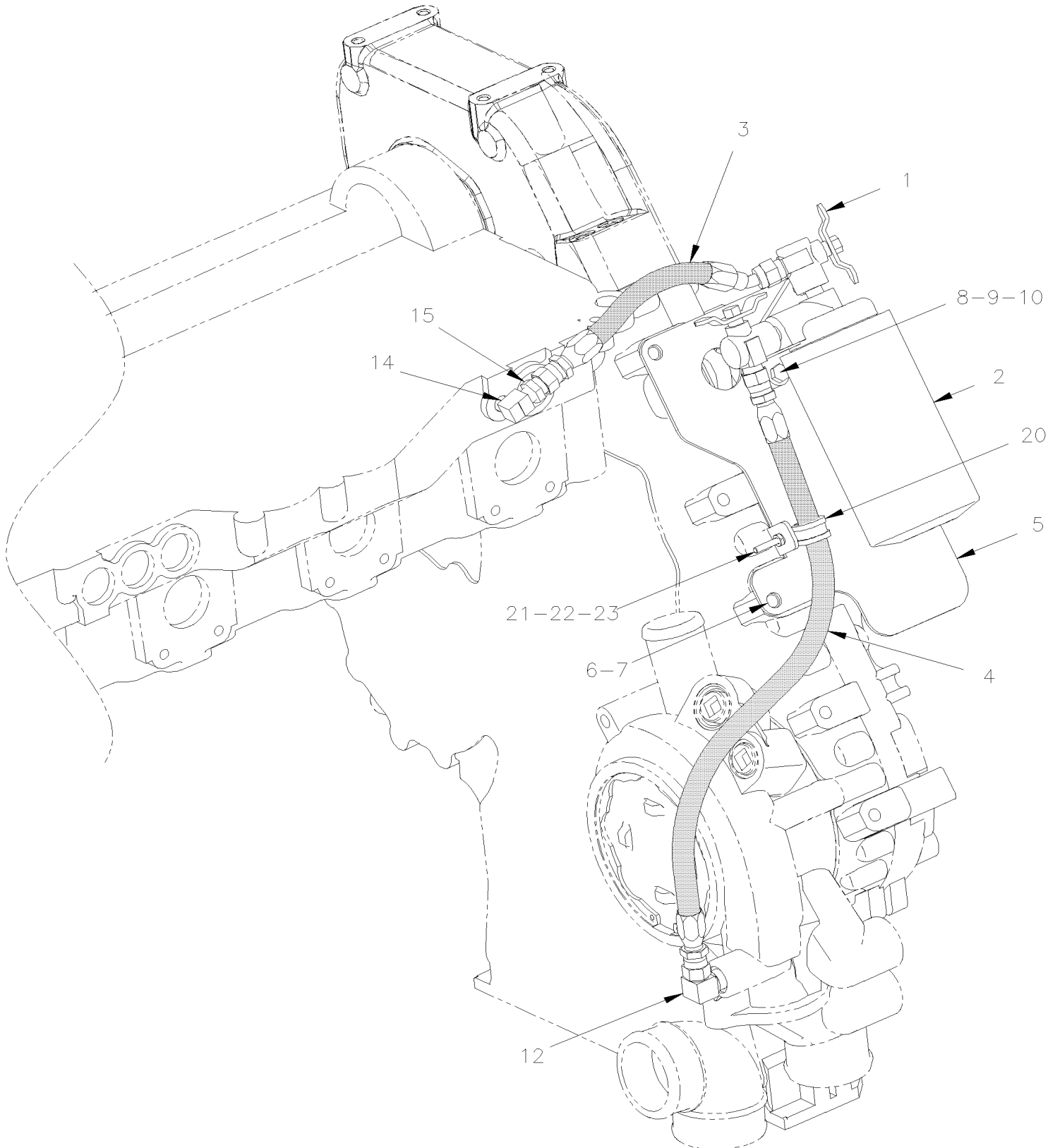


From 4-4758 To 8-1043

Date:10/2022

PAGE:HF-0530-01

COOLANT FILTER - INSTALLATION WITH DETROIT S-60





From 4-4758 To 8-1043	Date:10/2022	PAGE:HF-0530-01
COOLANT FILTER - INSTALLATION WITH DETROIT S-60		

Item#	Part	Description	H 3 4 1	H 3 4 5	V I P 4 5	N O T E S
1	550804	ADAPTOR HEAD, COOLANT FILTER To 4-4803	1	1	1	
1	550874	ADAPTOR HEAD, COOLANT FILTER From 4-4804	1	1	1	
1	550061	VALVE From 4-4804	2	2	2	
2	550630	CARTRIGE "MAINTENANCE" "NALCOOL" 3000	1	1	1	
3	052472	HOSE ASSY / #6 270MM To 4-4834	1	1	1	
3	052561	HOSE ASSY / #6 172MM From 4-4835	1	1	1	
3	052609	HOSE ASSY / #6 151MM From 4-4835	1	1	1	
3	052618	HOSE ASSY TEFLON #6 188MM From 4-4804	1	1	1	S
4	052471	HOSE ASSY / #6 540MM To 4-4803	1	1	1	
4	052562	HOSE ASSY / #6 465MM From 4-4804	1	1	1	
4	052617	HOSE ASSY TEFLON #6 500MM From 4-4804	1	1	1	S
5	052438	SUPPORT, COOLANT FILTER To 4-4803	1	1	1	
5	052560	SUPPORT, COOLANT FILTER From 4-4804	1	1	1	
6	502705	SCREW CAP HEX M12-1.75X25 G8.8 N500	2	2	2	
7	500747	WASHER LO SPT 12.2x21.1x2.5 N500	2	2	2	
8	955297	SCREW CAP HEX M8-1.25x25 G8.8 ZG603	3	3	3	
9	502851	NUT HEX M8-1.25 N500	3	3	3	
10	502889	WASHER LO SPT 8.1x12.7x2.0 N500	3	3	3	
11	5011034	MALE ELBOW 45° / SAE 45° FITTING / #6FL-Mx1/4NPT-M BR To 4-4803	1	1	1	
12	501042	MALE ELBOW 90° / SAE 45° FITTING / #6FL-Mx3/8NPT-M BR	AR	AR	AR	
14	501332	STREET ELBOW 90° / PIPE FITTING / 1/4NPT-Mx1/4NPT-F BR From 4-4804	1	1	1	
15	501029	MALE CONNECTOR / SAE 45° FITTING / #6FL-Mx1/4NPT-M BR From 4-4835	1	1	1	
15	5011266	MALE CONNECTOR LONG / JIC 37° FITTING / #6JIC-Mx1/4NPT-Mx2 1/4 STL From 4-4835	1	1	1	
20	952629	CLAMP / 5/8" I.D. From 4-4804	1	1	1	
21	500574	SCREW MA TR PH #10-24x1 1/4 SS From 4-4804	1	1	1	
22	502882	NUT HEX #10-24 N500 From 4-4804	1	1	1	
23	500914	WASHER LO SPT .193x.334x.047 N500 From 4-4804	1	1	1	
24	070368	SUPPORT	2	2	2	
25	061025	SUPPORT	1	1	1	
		S) OPTION WITH HOSE STAINLESS STEEL BRAIDED				

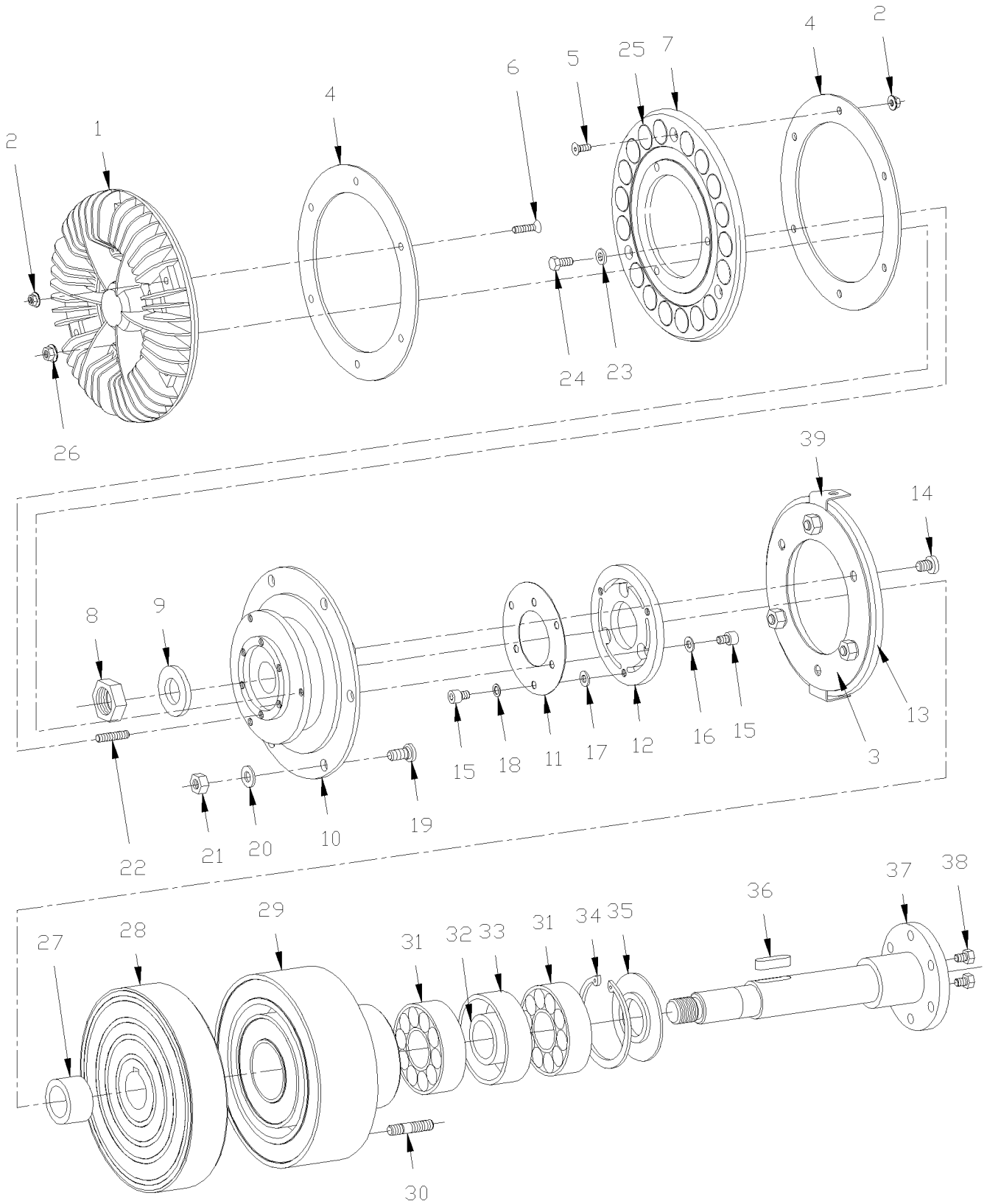


From 3-4417 To 3-4519

Date:10/2022

PAGE:HF-0540-00

FAN CLUTCH ASSY - #550803 - BUS





From 3-4417 To 3-4519	Date:10/2022	PAGE:HF-0540-00
FAN CLUTCH ASSY - #550803 - BUS		

Item#	Part	Description	H 3 4 1	H 3 4 5	V I P 4 5	N O T E S
	550803	FAN CLUTCH ASSY /	1	1		
1	550792	. COOLING FAN	1	1		
2	502782	. NUT HEX NYRT M5-0.8 Z050	9	9		
3	550667	. SPRING PLATE	1	1		
4	550659	. DISC	2	2		
5	502639	. SCREW MA FL PH M5-0.8X12 ZP	3	3		
6	N.P.N.	. SCREW, M5-0.8 X 25MM FLAT HEAD	6	6		4
7	550779	. MAGNET PLATE SUPPORT	1	1		
8	502767	. NUT HEX JAM M20-1.5 ZP	2	2		
9	502558	. WASHER FL 21.0x37.0x3.0 G500	2	2		
10	550780	. FLANGE DRIVEN ASSY W/BEARING	1	1		
. NS	550664	. . BEARING ASSY	1	1		
11	550781	. SPRING PLATE	1	1		
12	550782	. ARMATURE DISC / 1ST SPEED	1	1		
13	550783	. ARMATURE DISC / 2ND SPEED	1	1		
14	N.P.N.	. SOCKET HEAD CAP SCREW, M8-1.25 X 16MM (50-2755)	3	3		4
15	N.P.N.	. SOCKET HEAD CAP SCREW, M6-1.0 X 8MM (50-01025)	6	6		4
16	N.P.N.	. WASHER SHIM .05MM	3	3		4
17	N.P.N.	. WASHER	3	3		4
18	502564	. WASHER LO SPT 6.1x11.8x1.6 Z050	3	3		
19	550669	. STUD M8-1.25 X 19MM	6	6		B
20	500874	. WASHER FL 8.4x17.0x1.6 Z050	6	6		
21	502744	. NUT HEX STO M8-1.25 Z050	6	6		C
22	N.P.N.	. SET SCREW, M6-1.0 X 20MM	3	3		4
23	N.P.N.	. WASHER	3	3		4
24	5001106	. SCREW CAP HEX M6-1.0x10 G8.8 Z050	3	3		
25	550661	. MAGNET	18	18		
26	502511	. NUT HEX NYRT M6-1.0 Z050	3	3		
27	N.P.N.	. SPACER	1	1		4
28	550784	. ROTOR	1	1		
29	550785	. MAGNETIC COIL ASSY	1	1		
30	550675	. STUD M8-1.25 X 35MM	4	4		
31	507113	. BALL BEARING	2	2		
32	N.P.N.	. SPACER SMALL	1	1		4
33	N.P.N.	. SPACER LARGE	1	1		4
34	N.P.N.	. RETAINER RING (72 X 2.5)	1	1		4
35	N.P.N.	. DEFLECTOR	1	1		4
36	550671	. KEY (8 X 7 X 28)	1	1		
37	550786	. SHAFT	1	1		
38	5001106	. SCREW CAP HEX M6-1.0x10 G8.8 Z050	2	2		D
NS	561781	. CONNECTOR / WEATHER PACK / PH 3C / BLACK / PED 12010717	1	1		
NS	561567	. PIN TERMINAL / 20-18 / PED 12089040	3	3		



From 3-4417 To 3-4519	Date:10/2022	PAGE:HF-0540-00
FAN CLUTCH ASSY - #550803 - BUS		

Item#	Part	Description	H 3 4 1	H 3 4 5	V I P 4 5	N O T E S
NS	561565	. CABLE SEAL / GREEN / PED 15324982	3	3		
39	550713	. ANGLE	2	2		A
NS	502744	NUT HEX STO M8-1.25 Z050	4	4		
NS	500874	WASHER FL 8.4x17.0x1.6 Z050	4	4		
46	550965	FAN CLUTCH ASSY / ALTERNATIVE PART / FIRST INSTALLATION SEE MI11-26	1	1		
. NS	551002	. COOLING RING	1	1		
. NS	550062	. LOCKING TABS	1	1		
		A) (EMERGENCY)				
		B) TO FIX FAN BLADE				
		C) TO FIX FAN CLUTCH TO SUPPORT				
		D) EMERGENCY USE ONLY				
		4) NO PARTS NUMBER				



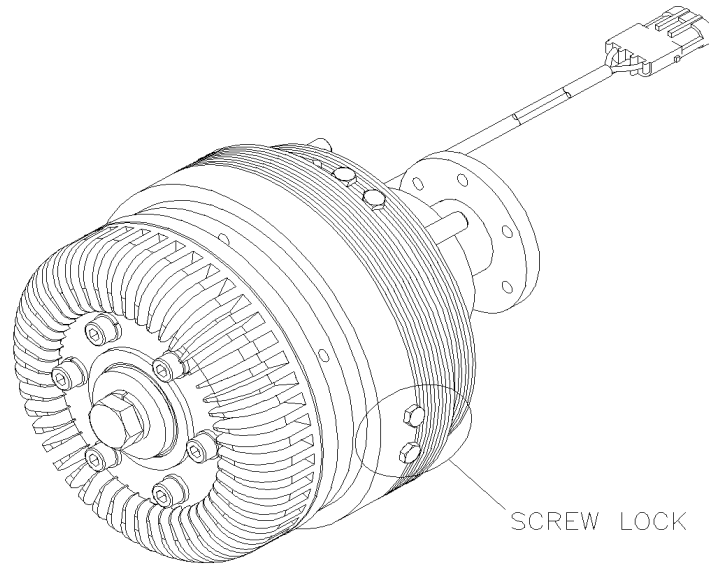
From 3-4417 To 3-4519

Date:10/2022

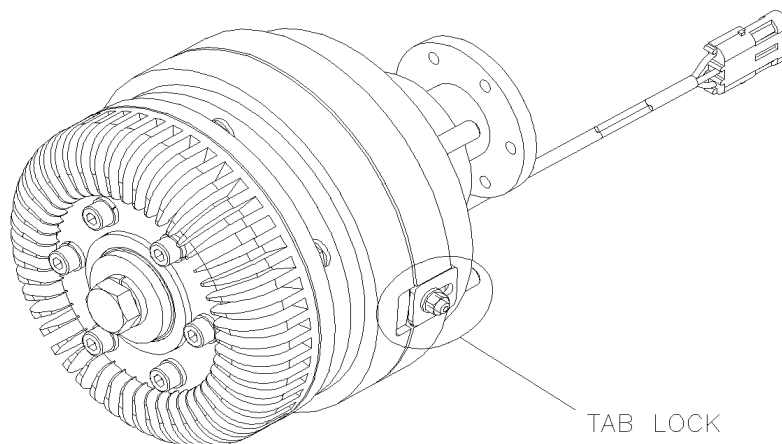
PAGE:550965

FAN CLUTCH ASSY / ALTERNATIVE PART / FIRST INSTALLATION SEE MI11-26

FORMER



CURRENT





From 3-4417 To 3-4519	Date:10/2022	PAGE:550965
FAN CLUTCH ASSY / ALTERNATIVE PART / FIRST INSTALLATION SEE MI11-26		

Item#	Part	Description	H 3 4 1	H 3 4 5	V I P 4 5	N O T E S
1		FORMER WITH SCREW LOCK	1	1	1	
2		CURRENT WITH TAB LOCK	1	1	1	

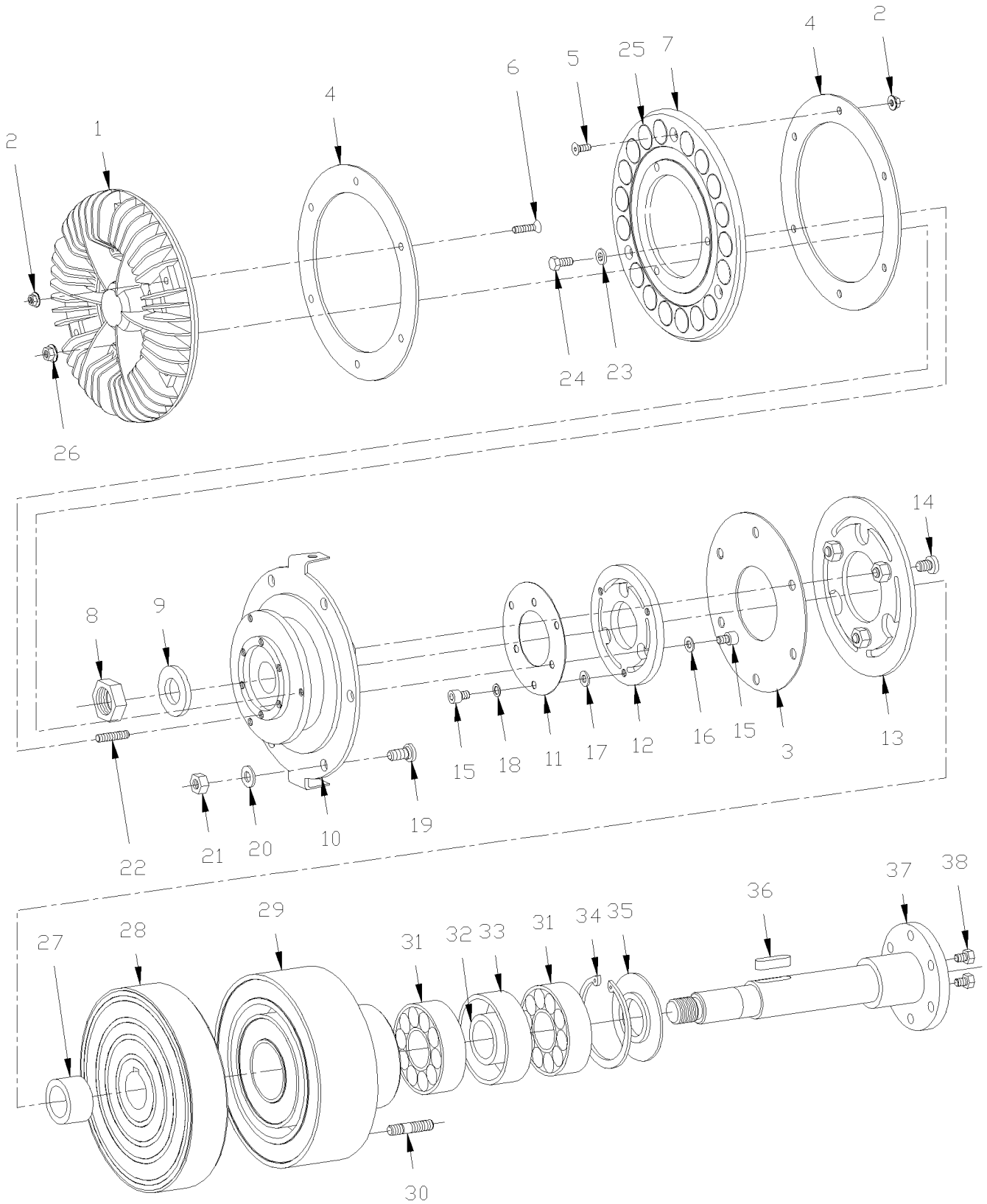


From 3-4520 To 3-4757

Date:10/2022

PAGE:HF-0540-01

FAN CLUTCH ASSY - #550837 - BUS





From 3-4520 To 3-4757	Date:10/2022	PAGE:HF-0540-01
FAN CLUTCH ASSY - #550837 - BUS		

Item#	Part	Description	H 3 4 1	H 3 4 5	V I P 4 5	N O T E S
	550837	FAN CLUTCH ASSY /	1	1		
. NS	550977	. REPAIR KIT	1	1		
1	550835	. COOLING FAN	1	1		
2	502782	. NUT HEX NYRT M5-0.8 Z050	9	9		
3	550667	. SPRING PLATE	1	1		
4	550659	. DISC	2	2		
5	502639	. SCREW MA FL PH M5-0.8X12 ZP	3	3		
6	N.P.N.	. SCREW, MA FL PH ZP M5-0.8 X 25MM	6	6		4
7	550779	. MAGNET PLATE SUPPORT	1	1		
8	502767	. NUT HEX JAM M20-1.5 ZP	1	1		
9	502558	. WASHER FL 21.0x37.0x3.0 G500	1	1		
10	550848	. FLANGE DRIVEN ASSY W/BEARING	1	1		
. NS	550664	. . BEARING ASSY	1	1		
11	550842	. SPRING PLATE	1	1		
12	550843	. ARMATURE DISC / 1ST SPEED	1	1		
13	550849	. ARMATURE DISC / 2ND SPEED	1	1		
14	N.P.N.	. . SOCKET HEAD CAP SCREW, M8-1.25 X 16MM (50-2755)	3	3		4
15	N.P.N.	. SOCKET HEAD CAP SCREW, M6-1.0 X 8MM (50-01025)	6	6		4
16	N.P.N.	. WASHER, SHIM .05MM	3	3		4
17	502573	. WASHER FL 6.4x12.5x1.6 SS	3	3		
18	502564	. WASHER LO SPT 6.1x11.8x1.6 Z050	3	3		
19	550669	. STUD M8-1.25 X 19MM	6	6		
20	500874	. WASHER FL 8.4x17.0x1.6 Z050	6	6		
21	502744	. NUT HEX STO M8-1.25 Z050	6	6		
22	N.P.N.	. SET SCREW, M6-1.0 X 20MM	3	3		4
23	N.P.N.	. WASHER	3	3		4
24	5001106	. SCREW CAP HEX M6-1.0x10 G8.8 Z050	3	3		
25	550661	. MAGNET	18	18		
26	502511	. NUT HEX NYRT M6-1.0 Z050	3	3		
27	N.P.N.	. SPACER	1	1		4
28	550776	. ROTOR	1	1		
29	550777	. MAGNETIC COIL ASSY	1	1		
30	550788	. STUD M10-1.5 X 35MM	4	4		
31	507113	. BALL BEARING	2	2		
32	N.P.N.	. SPACER SMALL	1	1		4
33	N.P.N.	. SPACER LARGE	1	1		4
34	N.P.N.	. RETAINER RING (72 X 2.5)	1	1		4
35	N.P.N.	. DEFLECTOR	1	1		4
36	550671	. KEY (8 X 7 X 28)	1	1		
37	550786	. SHAFT	1	1		
38	5001106	. SCREW CAP HEX M6-1.0x10 G8.8 Z050	4	4		A
NS	561781	CONNECTOR / WEATHER PACK / PH 3C / BLACK / PED 12010717	1	1		



From 3-4520 To 3-4757	Date:10/2022	PAGE:HF-0540-01
FAN CLUTCH ASSY - #550837 - BUS		

Item#	Part	Description	H 3 4 1	H 3 4 5	V I P 4 5	N O T E S
NS	561567	PIN TERMINAL / 20-18 / PED 12089040	3	3		
NS	561565	CABLE SEAL / GREEN / PED 15324982	3	3		
46	550965	FAN CLUTCH ASSY / ALTERNATIVE PART / FIRST INSTALLATION SEE MI11-26	1	1	1	
. NS	551002	. COOLING RING	1	1	1	
. NS	550062	. LOCKING TABS	1	1	1	
		A) EMERGENCY USE ONLY				
		4) NO PARTS NUMBER				



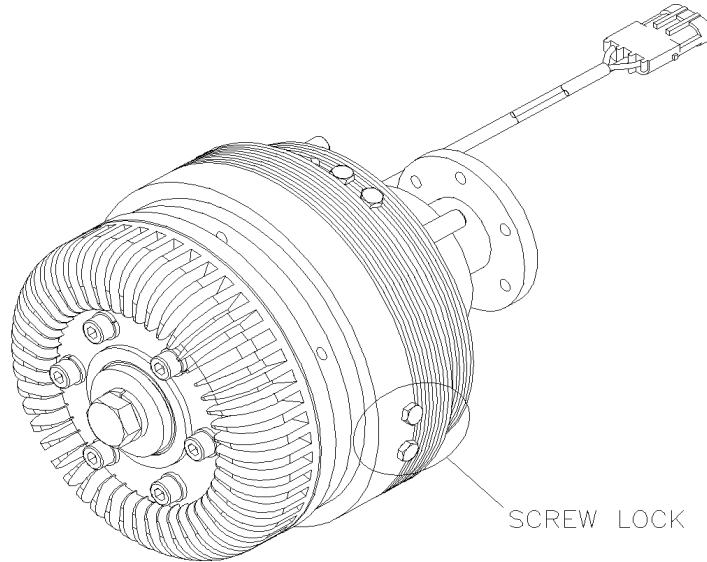
From 3-4520 To 3-4757

Date:10/2022

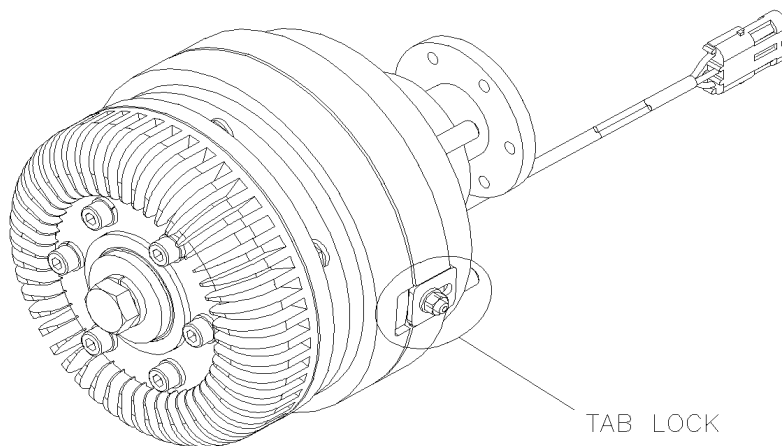
PAGE:550965

FAN CLUTCH ASSY / ALTERNATIVE PART / FIRST INSTALLATION SEE MI11-26

FORMER



CURRENT





From 3-4520 To 3-4757		Date:10/2022	PAGE:550965
-----------------------	--	--------------	-------------

FAN CLUTCH ASSY / ALTERNATIVE PART / FIRST INSTALLATION SEE MI11-26

Item#	Part	Description	H 3 4 1	H 3 4 5	V I P 4 5	N O T E S
1		FORMER WITH SCREW LOCK	1	1	1	
2		CURRENT WITH TAB LOCK	1	1	1	

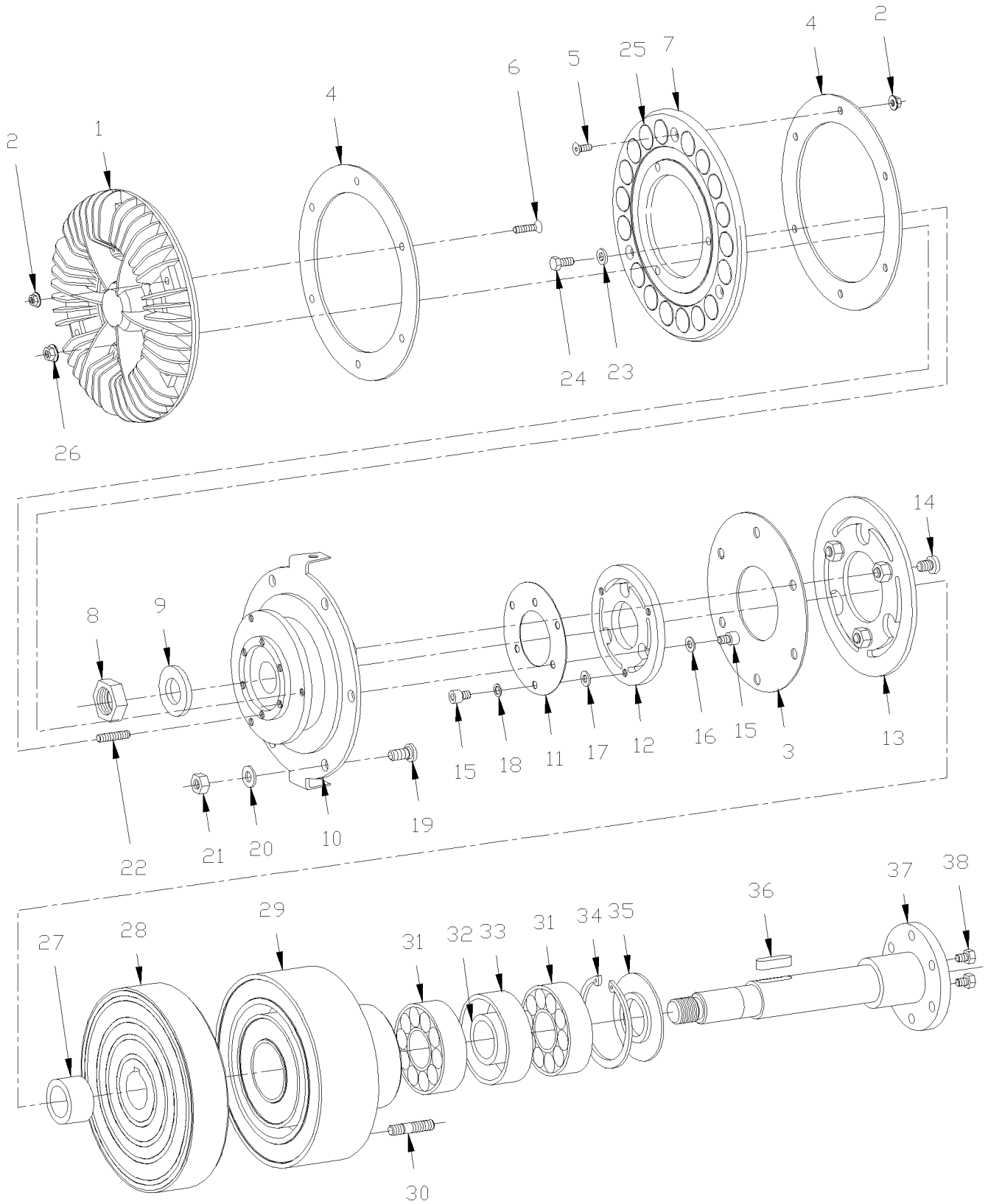


From 4-4758 To 4-4967

Date:10/2022

PAGE:HF-0540-02

FAN CLUTCH ASSY - #550836 - BUS





From 4-4758 To 4-4967	Date:10/2022	PAGE:HF-0540-02
FAN CLUTCH ASSY - #550836 - BUS		

Item#	Part	Description	H 3 4 1	H 3 4 5	V I P 4 5	N O T E S
	550836	FAN CLUTCH ASSY /	1	1		
1	550835	. COOLING FAN	1	1		
2	502782	. NUT HEX NYRT M5-0.8 Z050	9	9		
3	550667	. SPRING PLATE	1	1		
4	550659	. DISC	2	2		
5	502639	. SCREW MA FL PH M5-0.8X12 ZP	3	3		
6	N.P.N.	. SCREW, MA FL PH ZP M5-0.8 X 25MM	6	6		4
7	550779	. MAGNET PLATE SUPPORT	1	1		
8	502767	. NUT HEX JAM M20-1.5 ZP	1	1		
9	502558	. WASHER FL 21.0x37.0x3.0 G500	1	1		
10	550841	. FLANGE DRIVEN ASSY W/BEARING	1	1		
11	550842	. SPRING PLATE	1	1		
12	550843	. ARMATURE DISC / 1ST SPEED	1	1		
13	550783	. ARMATURE DISC / 2ND SPEED	1	1		
14	N.P.N.	. SOCKET HEAD CAP SCREW, M8-1.25 X 16MM (50-2755)	3	3		4
15	N.P.N.	. SOCKET HEAD CAP SCREW, M6-1.0 X 8MM (50-01025)	6	6		4
16	N.P.N.	. WASHER, SHIM .05MM	3	3		4
17	502573	. WASHER FL 6.4x12.5x1.6 SS	3	3		
18	502564	. WASHER LO SPT 6.1x11.8x1.6 Z050	3	3		
19	550669	. STUD M8-1.25 X 19MM	6	6		
20	500874	. WASHER FL 8.4x17.0x1.6 Z050	6	6		
21	502744	. NUT HEX STO M8-1.25 Z050	6	6		
22	N.P.N.	. SET SCREW, M6-1.0 X 20MM	3	3		4
23	N.P.N.	. WASHER	3	3		4
24	5001106	. SCREW CAP HEX M6-1.0x10 G8.8 Z050	3	3		
25	550661	. MAGNET	18	18		
26	502511	. NUT HEX NYRT M6-1.0 Z050	3	3		
27	N.P.N.	. SPACER	1	1		4
28	550776	. ROTOR	1	1		
29	550777	. MAGNETIC COIL ASSY	1	1		
30	550788	. STUD M10-1.5 X 35MM	4	4		
31	507113	. BALL BEARING	2	2		
32	N.P.N.	. SPACER SMALL	1	1		4
33	N.P.N.	. SPACER LARGE	1	1		4
34	N.P.N.	. RETAINER RING (72 X 2.5)	1	1		4
35	N.P.N.	. DEFLECTOR	1	1		4
36	550671	. KEY (8 X 7 X 28)	1	1		
37	550786	. SHAFT	1	1		
38	5001106	. SCREW CAP HEX M6-1.0x10 G8.8 Z050	4	4		A
NS	561781	CONNECTOR / WEATHER PACK / PH 3C / BLACK / PED 12010717	1	1		
NS	561567	PIN TERMINAL / 20-18 / PED 12089040	3	3		
NS	561565	CABLE SEAL / GREEN / PED 15324982	3	3		



From 4-4758 To 4-4967	Date:10/2022	PAGE:HF-0540-02
FAN CLUTCH ASSY - #550836 - BUS		

Item#	Part	Description	H 3 4 1	H 3 4 5	V I P 4 5	N O T E S
51	550965	FAN CLUTCH ASSY / ALTERNATIVE PART / FIRST INSTALLATION SEE MI11-26	1	1		
. NS	551002	. COOLING RING	1	1		
. NS	550062	. LOCKING TABS	1	1		
		A) EMERGENCY USE ONLY				
		4) NO PARTS NUMBER				



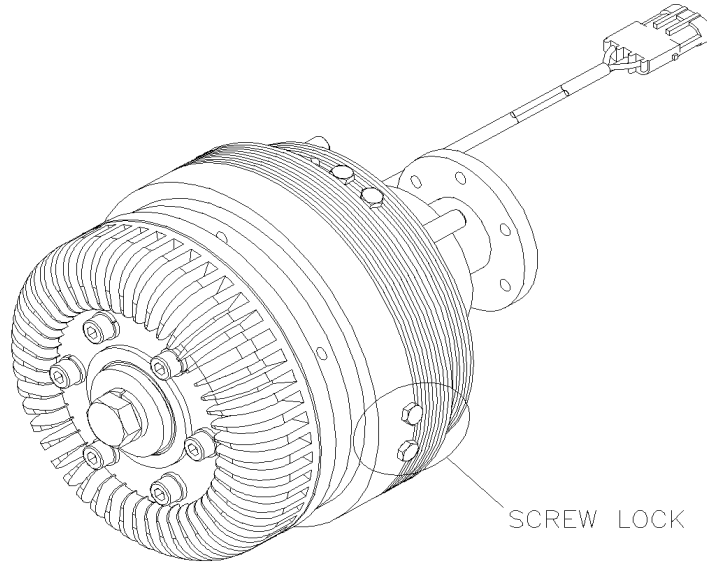
From 4-4758 To 4-4967

Date:10/2022

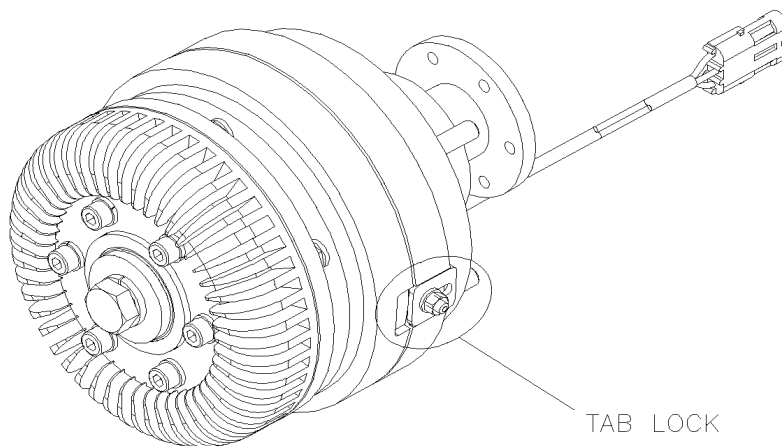
PAGE:550965

FAN CLUTCH ASSY / ALTERNATIVE PART / FIRST INSTALLATION SEE MI11-26

FORMER



CURRENT





From 4-4758 To 4-4967	Date:10/2022	PAGE:550965
FAN CLUTCH ASSY / ALTERNATIVE PART / FIRST INSTALLATION SEE MI11-26		

Item#	Part	Description	H 3 4 1	H 3 4 5	V I P 4 5	N O T E S
1		FORMER WITH SCREW LOCK	1	1	1	
2		CURRENT WITH TAB LOCK	1	1	1	

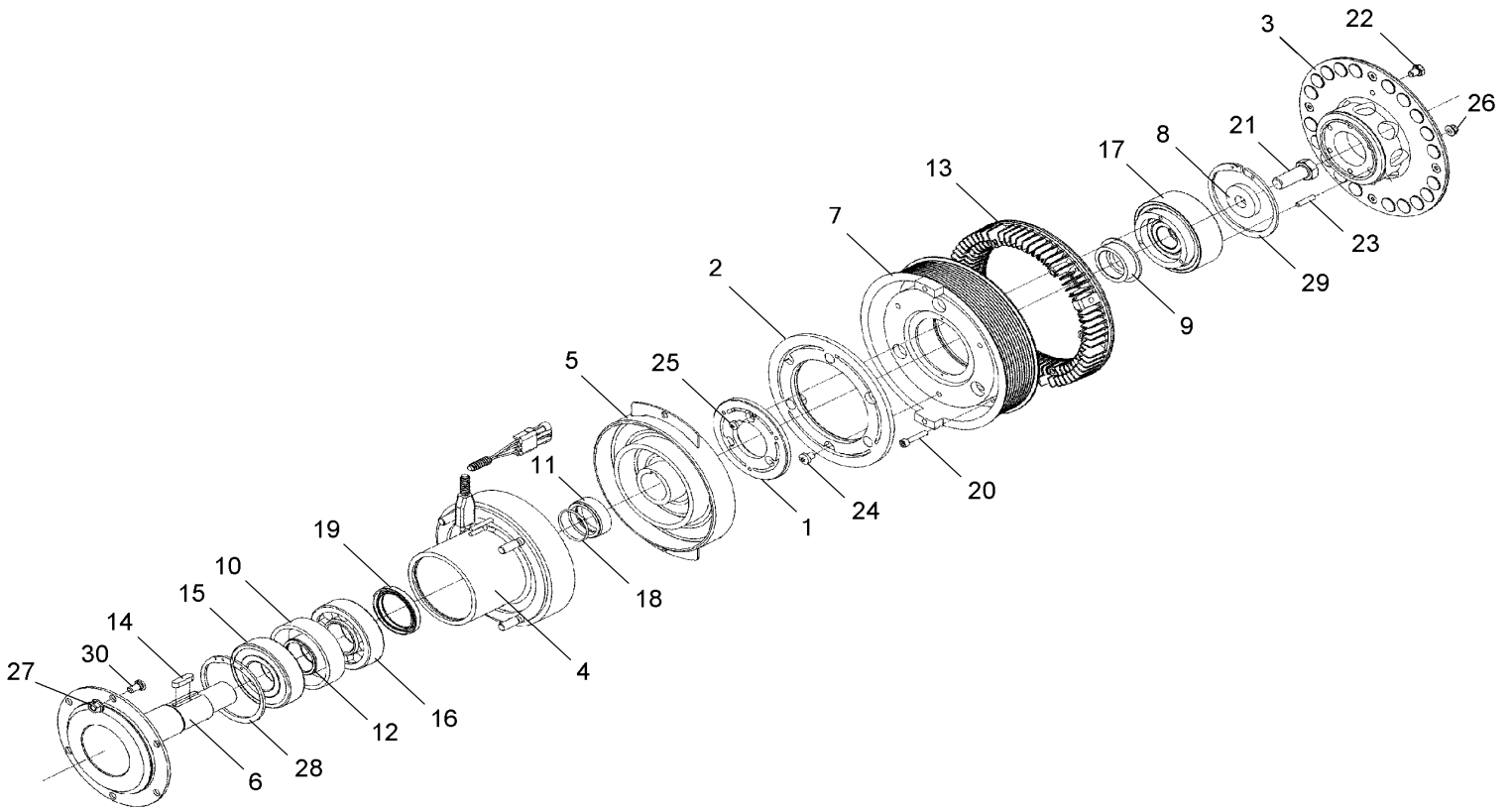


From 4-4968 To 8-1043

Date:10/2022

PAGE:HF-0540-03

FAN CLUTCH ASSY - #550839 - BUS





From 4-4968 To 8-1043	Date:10/2022	PAGE:HF-0540-03
FAN CLUTCH ASSY - #550839 - BUS		

Item#	Part	Description	H 3 4 1	H 3 4 5	V I P 4 5	N O T E S
	550839	FAN CLUTCH ASSY /	1	1		
. NS	IS-EB0140 A	. SEE INSTRUCTION SHEET	1	1		
1	N.S.S.	. ARMATURE DISC	1	1		1
2	N.S.S.	. ARMATURE DISC	1	1		1
3	550882	. MAGNET RING ASSY	1	1		
4	550883	. MAGNETIC COIL ASSY	1	1		
5	550884	. ROTOR	1	1		
6	550885	. SHAFT	1	1		
7	550890	. PULLEY ASSY WBEARING & DISC	1	1		A
8	550887	. WASHER	1	1		
9	550888	. BUSHING FLANGE	1	1		
10	N.P.N.	. SPACER	1	1		4
11	550893	. BUSHING W/GROOVE	1	1		
12	N.P.N.	. SPACER	1	1		4
13	550889	. COOLING RING	1	1		
14	550671	. KEY (8 X 7 X 28)	1	1		
15	550895	. BALL BEARING	1	1		
16	550894	. ROLLER BEARING	1	1		
17	550886	. BEARING ASSY	1	1		
18	550891	. O-RING 40 X 2.5	1	1		
19	550892	. SEAL 50 X 65 X 8	1	1		
20	N.P.N.	. SCREW CAP HEX S.ZP MG X 30 G8.8	6	6		4
21	N.P.N.	. SCREW CAP HEX M16 X 40 G10.9	1	1		4
22	500069	. SCREW CAP HEX M8-1.25x16 G10.9 DP	2	2		B
23	N.S.S.	. INSERT	3	3		1
24	N.S.S.	. INSERT	3	3		1
25		. SCREW M6 X 8	6	6		
26	502744	. NUT HEX STO M8-1.25 Z050	4	4		
27	500680	. NUT HEX STO M10-1.5 Z050	6	6		
28	N.P.N.	. RETAINER RING (90 X 3)	1	1		4
29	N.P.N.	. RETAINER RING (100 X 3)	1	1		4
30	N.P.N.	. INSERT	4	4		4
32	550966	FAN CLUTCH ASSY / ALTERNATIVE PART	1	1		
. NS	550062	. LOCKING TABS	1	1		
32	550057	FAN CLUTCH ASSY / ALTERNATIVE PART / SEE MI16-08	1	1		
. NS	550062	. LOCKING TABS	1	1		
33	IS17908	550057 FAN CLUTCH FIRST INSTALLATION / WITH LONG FAN DRIVE From 3-4758	1	1		
. NS	550057	. FAN CLUTCH ASSY / ALTERNATIVE PART / SEE MI16-08 From 3-4758	1	1		
. NS	550062	. . LOCKING TABS From 3-4758	1	1		
. NS	506064	. MULTI V-BELT / 12 RIB 83 1/2" (2121) From 3-4758	1	1		
. NS	5001758	. NUT HEX STO M10-1.5 N500 From 3-4758	4	4		



From 4-4968 To 8-1043	Date:10/2022	PAGE:HF-0540-03
FAN CLUTCH ASSY - #550839 - BUS		

Item#	Part	Description	H 3 4 1	H 3 4 5	V I P 4 5	N O T E S
. NS	500897	. WASHER FL .437x1.000x.083 N500 From 3-4758	4	4		
. NS	IS-17908	. SEE INSTRUCTION SHEET From 3-4758	1	1		
34	IS17909	550057 FAN CLUTCH FIRST INSTALLATION / WITH SHORT FAN DRIVE From 3-4437 To 3-4757	1	1		
. NS	550057	. FAN CLUTCH ASSY / ALTERNATIVE PART / SEE MI16-08 From 3-4437 To 3-4757	1	1		
. . NS	550062	. . LOCKING TABS From 3-4437 To 3-4757	1	1		
. NS	5002112	. MULTI V-BELT / 12 RIB 62.40" (1585MM) From 3-4437 To 3-4757	2	2		
. NS	502692	. NUT HEXF STO M8-1.25 Z050 From 3-4437 To 3-4757	3	3		
. NS	502891	. SCREW CRG M8-1.25x40 G8.8 Z050 From 3-4437 To 3-4757	3	3		
. NS	500874	. WASHER FL 8.4x17.0x1.6 Z050 From 3-4437 To 3-4757	3	3		
. NS	502644	. WASHER FL 10.5x30.0x2.5 Z050 From 3-4437 To 3-4757	4	4		
. NS	5001758	. NUT HEX STO M10-1.5 N500 From 3-4437 To 3-4757	4	4		
. NS	5001654	. WASHER FL 6.4x17.0x3.0 SS From 3-4437 To 3-4757	6	6		
. NS	502843	. SCREW CAP HEX M6-1.0x45 G8.8 N500 From 3-4437 To 3-4757	1	1		
. NS	502621	. NUT HEX STO M6-1.0 Z050 From 3-4437 To 3-4757	1	1		
. NS	IS-17909	. SEE INSTRUCTION SHEET From 3-4437 To 3-4757	1	1		
		A) INCLUDES ITEMS #1, 2, 17, 23, 24, 25 & 29				
		B) USE IN EMERGENCY ONLY				
		1) NOT SOLD SEPARATELY				
		4) NO PARTS NUMBER				

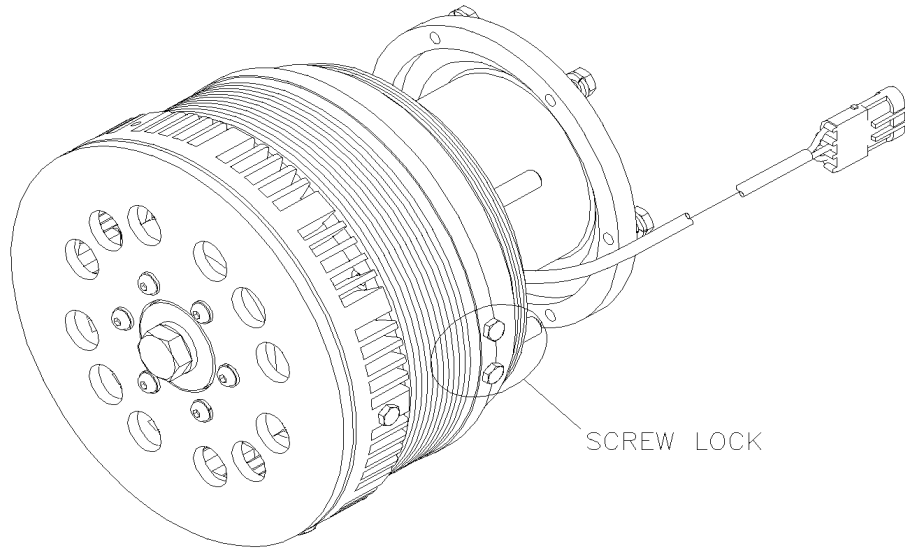


From 4-4968 To 8-1043

Date:10/2022

PAGE:550966

FAN CLUTCH ASSY / ALTERNATIVE PART





From 4-4968 To 8-1043	Date:10/2022	PAGE:550966
-----------------------	--------------	-------------

FAN CLUTCH ASSY / ALTERNATIVE PART

Item#	Part	Description	H 3 4 1	H 3 4 5	V I P 4 5	N O T E S
1		FORMER WITH SCREW LOCK	1	1	1	

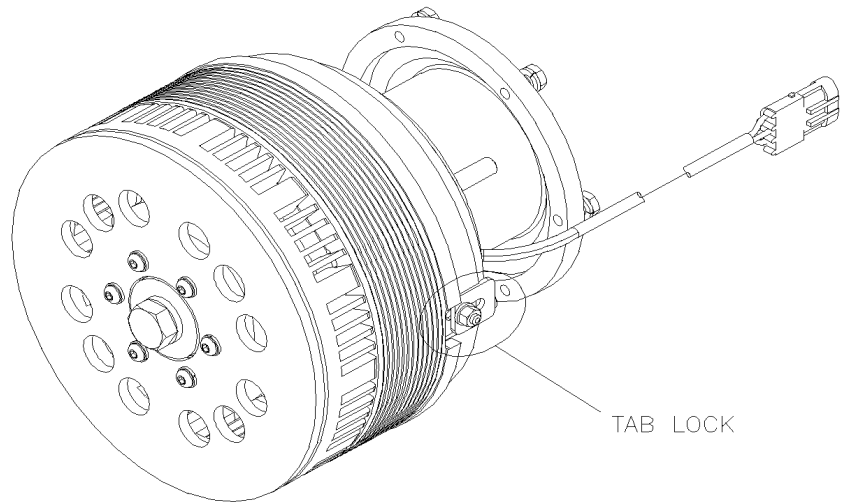


From 4-4968 To 8-1043

Date:10/2022

PAGE:550057

FAN CLUTCH ASSY / ALTERNATIVE PART / SEE MI16-08



TAB LOCK



From 4-4968 To 8-1043	Date:10/2022	PAGE:550057
FAN CLUTCH ASSY / ALTERNATIVE PART / SEE MI16-08		

Item#	Part	Description	H 3 4 1	H 3 4 5	V I P 4 5	N O T E S
2		WITH TAB LOCK	1	1	1	

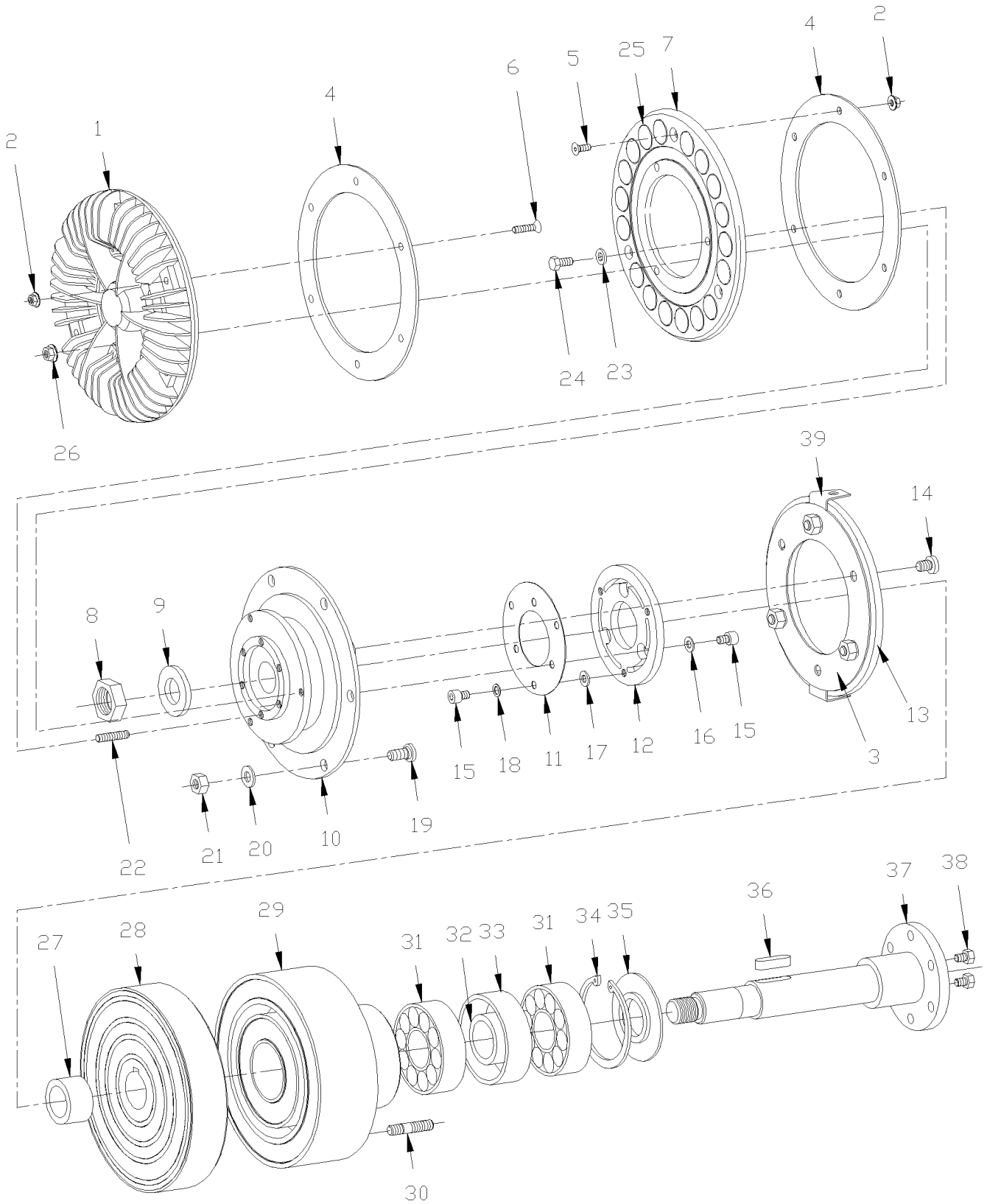


From 3-4417 To 3-4436

Date:10/2022

PAGE:HF-0540-50

FAN CLUTCH ASSY - #550802 - V.I.P.





From 3-4417 To 3-4436	Date:10/2022	PAGE:HF-0540-50
FAN CLUTCH ASSY - #550802 - V.I.P.		

Item#	Part	Description	H 3 4 1	H 3 4 5	V I P 4 5	N O T E S
	550802	FAN CLUTCH ASSY /			1	
1	550774	. COOLING FAN			1	
2	502782	. NUT HEX NYRT M5-0.8 Z050			9	
3	550667	. . SPRING PLATE			1	
4	550659	. DISC			2	
5	502639	. SCREW MA FL PH M5-0.8X12 ZP			3	
6	N.P.N.	. SCREW, MA FL PH ZP M5-0.8 X 25MM			6	4
7	550779	. MAGNET PLATE SUPPORT			1	
8	502767	. NUT HEX JAM M20-1.5 ZP			1	
9	502558	. WASHER FL 21.0x37.0x3.0 G500			1	
10	550780	. FLANGE DRIVEN ASSY W/BEARING			1	
. NS	550664	. . BEARING ASSY			1	
11	550781	. SPRING PLATE			1	
12	550782	. ARMATURE DISC / 1ST SPEED			1	
13	550783	. ARMATURE DISC / 2ND SPEED			1	
14	N.P.N.	. . SOCKET HEAD CAP SCREW, M8-1.25 X 16MM (50-2755)			3	4
15	N.P.N.	. SOCKET HEAD CAP SCREW, M6-1.0 X 8MM (50-01025)			6	4
16	N.P.N.	. WASHER, SHIM .05MM			3	4
17	502573	. WASHER FL 6.4x12.5x1.6 SS			3	
18	502564	. WASHER LO SPT 6.1x11.8x1.6 Z050			3	
19	550669	. STUD M8-1.25 X 19MM			6	
20	500874	. WASHER FL 8.4x17.0x1.6 Z050			6	
21	502744	. NUT HEX STO M8-1.25 Z050			6	
22	N.P.N.	. SET SCREW, M6-1.0 X 20MM			3	4
23	N.P.N.	. WASHER			3	4
24	5001106	. SCREW CAP HEX M6-1.0x10 G8.8 Z050			3	
25	550661	. MAGNET			18	
26	502511	. NUT HEX NYRT M6-1.0 Z050			3	
27	N.P.N.	. SPACER			1	4
28	550776	. ROTOR			1	
29	550777	. MAGNETIC COIL ASSY			1	
30	550788	. STUD M10-1.5 X 35MM			4	
31	507113	. BALL BEARING			2	
32	N.P.N.	. SPACER SMALL			1	4
33	N.P.N.	. SPACER LARGE			1	4
34	N.P.N.	. RETAINER RING (72 X 2.5)			1	4
35	N.P.N.	. DEFLECTOR			1	4
36	550671	. KEY (8 X 7 X 28)			1	
37	550786	. SHAFT			1	
38	5001106	. SCREW CAP HEX M6-1.0x10 G8.8 Z050			2	I
39	550713	. ANGLE			2	I
NS	561781	CONNECTOR / WEATHER PACK / PH 3C / BLACK / PED 12010717			1	



From 3-4417 To 3-4436	Date:10/2022	PAGE:HF-0540-50
FAN CLUTCH ASSY - #550802 - V.I.P.		

Item#	Part	Description	H 3 4 1	H 3 4 5	V I P 4 5	N O T E S
NS	561567	PIN TERMINAL / 20-18 / PED 12089040			3	
NS	561565	CABLE SEAL / GREEN / PED 15324982			3	
51	550965	FAN CLUTCH ASSY / ALTERNATIVE PART / FIRST INSTALLATION SEE MI11-26			1	
. NS	551002	. COOLING RING			1	
. NS	550062	. LOCKING TABS			1	
		1) EMERGENCY USE ONLY				
		4) NO PARTS NUMBER				



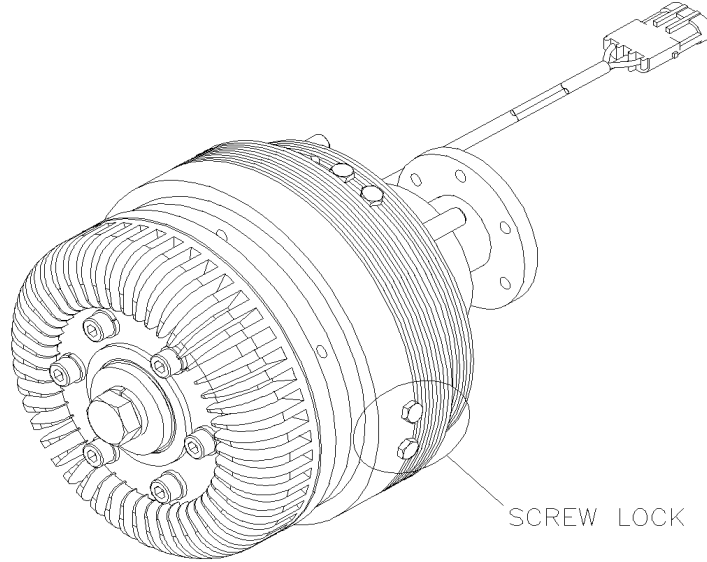
From 3-4417 To 3-4436

Date:10/2022

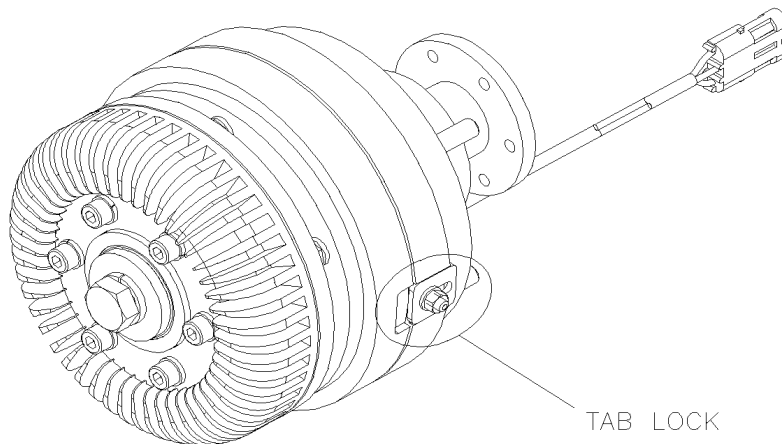
PAGE:550965

FAN CLUTCH ASSY / ALTERNATIVE PART / FIRST INSTALLATION SEE MI11-26

FORMER



CURRENT





From 3-4417 To 3-4436	Date:10/2022	PAGE:550965
FAN CLUTCH ASSY / ALTERNATIVE PART / FIRST INSTALLATION SEE MI11-26		

Item#	Part	Description	H 3 4 1	H 3 4 5	V I P 4 5	N O T E S
1		FORMER WITH SCREW LOCK	1	1	1	
2		CURRENT WITH TAB LOCK	1	1	1	

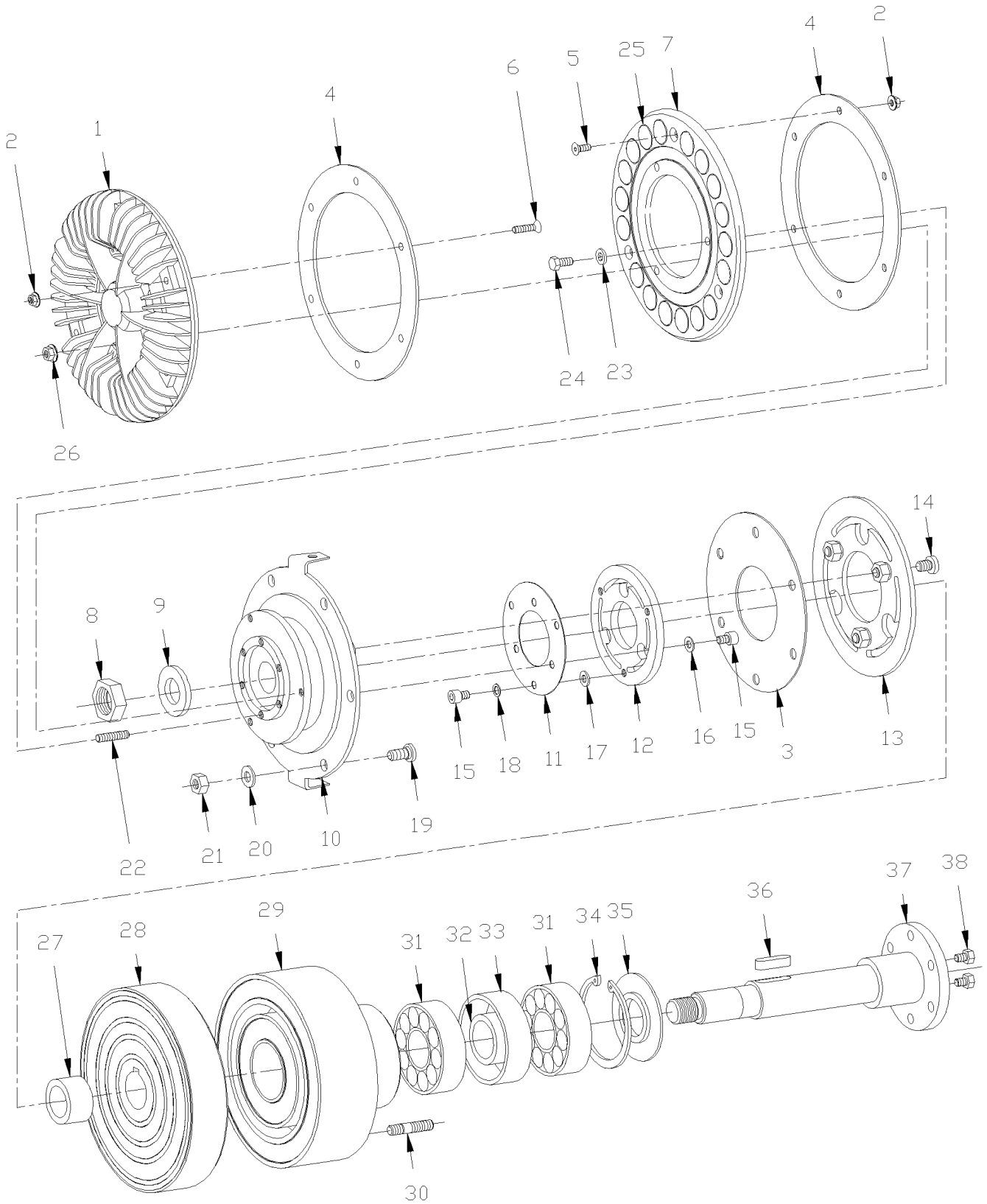


From 3-4437 To 3-4757

Date:10/2022

PAGE:HF-0540-51

FAN CLUTCH ASSY - #550836 - V.I.P.





From 3-4437 To 3-4757	Date:10/2022	PAGE:HF-0540-51
FAN CLUTCH ASSY - #550836 - V.I.P.		

Item#	Part	Description	H 3 4 1	H 3 4 5	V I P 4 5	N O T E S
	550836	FAN CLUTCH ASSY /			1	
1	550835	. COOLING FAN			1	
2	502782	. NUT HEX NYRT M5-0.8 Z050			9	
3	550667	. SPRING PLATE			1	
4	550659	. DISC			2	
5	502639	. SCREW MA FL PH M5-0.8X12 ZP			3	
6	N.P.N.	. SCREW, MA FL PH ZP M5-0.8 X 25MM			6	4
7	550779	. MAGNET PLATE SUPPORT			1	
8	502767	. NUT HEX JAM M20-1.5 ZP			1	
9	502558	. WASHER FL 21.0x37.0x3.0 G500			1	
10	550841	. FLANGE DRIVEN ASSY W/BEARING			1	
11	550842	. SPRING PLATE			1	
12	550843	. ARMATURE DISC / 1ST SPEED			1	
13	550783	. ARMATURE DISC / 2ND SPEED			1	
14	N.P.N.	. SOCKET HEAD CAP SCREW, M8-1.25 X 16MM (50-2755)			3	4
15	N.P.N.	. SOCKET HEAD CAP SCREW, M6-1.0 X 8MM (50-01025)			6	4
16	N.P.N.	. WASHER, SHIM .05MM			3	4
17	502573	. WASHER FL 6.4x12.5x1.6 SS			3	
18	502564	. WASHER LO SPT 6.1x11.8x1.6 Z050			3	
19	550669	. STUD M8-1.25 X 19MM			6	
20	500874	. WASHER FL 8.4x17.0x1.6 Z050			6	
21	502744	. NUT HEX STO M8-1.25 Z050			6	
22	N.P.N.	. SET SCREW, M6-1.0 X 20MM			3	4
23	N.P.N.	. WASHER			3	4
24	5001106	. SCREW CAP HEX M6-1.0x10 G8.8 Z050			3	
25	550661	. MAGNET			18	
26	502511	. NUT HEX NYRT M6-1.0 Z050			3	
27	N.P.N.	. SPACER			1	4
28	550776	. ROTOR			1	
29	550777	. MAGNETIC COIL ASSY			1	
30	550788	. STUD M10-1.5 X 35MM			4	
31	507113	. BALL BEARING			2	
32	N.P.N.	. SPACER SMALL			1	4
33	N.P.N.	. SPACER LARGE			1	4
34	N.P.N.	. RETAINER RING (72 X 2.5)			1	4
35	N.P.N.	. DEFLECTOR			1	4
36	550671	. KEY (8 X 7 X 28)			1	
37	550786	. SHAFT			1	
38	5001106	. SCREW CAP HEX M6-1.0x10 G8.8 Z050			4	A
NS	561781	CONNECTOR / WEATHER PACK / PH 3C / BLACK / PED 12010717			1	
NS	561567	PIN TERMINAL / 20-18 / PED 12089040			3	
NS	561565	CABLE SEAL / GREEN / PED 15324982			3	



From 3-4437 To 3-4757	Date:10/2022	PAGE:HF-0540-51
FAN CLUTCH ASSY - #550836 - V.I.P.		

Item#	Part	Description	H 3 4 1	H 3 4 5	V I P 4 5	N O T E S
51	550965	FAN CLUTCH ASSY / ALTERNATIVE PART / FIRST INSTALLATION SEE MI11-26			1	
. NS	551002	. COOLING RING			1	
. NS	550062	. LOCKING TABS			1	
		A) EMERGENCY USE ONLY				
		4) NO PARTS NUMBER				



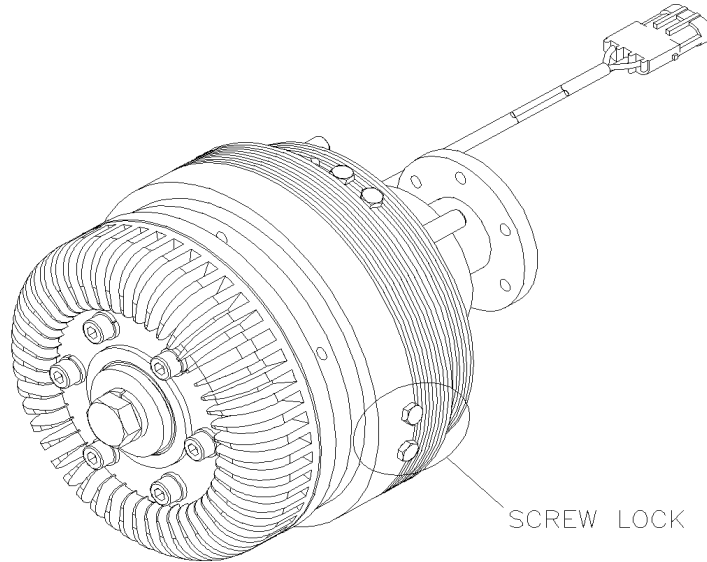
From 3-4437 To 3-4757

Date:10/2022

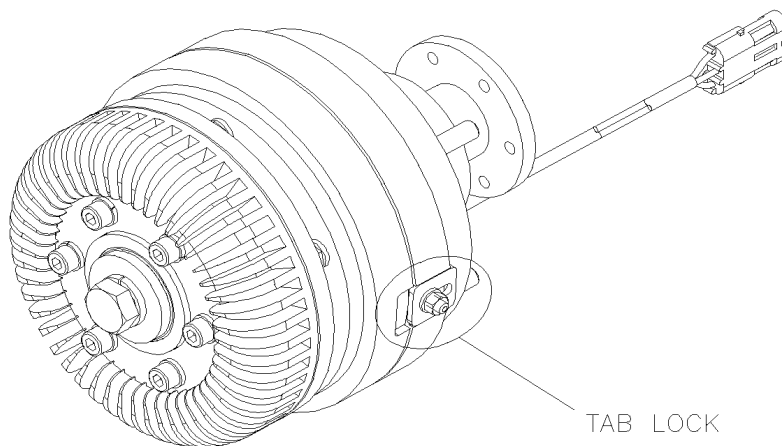
PAGE:550965

FAN CLUTCH ASSY / ALTERNATIVE PART / FIRST INSTALLATION SEE MI11-26

FORMER



CURRENT





From 3-4437 To 3-4757	Date:10/2022	PAGE:550965
FAN CLUTCH ASSY / ALTERNATIVE PART / FIRST INSTALLATION SEE MI11-26		

Item#	Part	Description	H 3 4 1	H 3 4 5	V I P 4 5	N O T E S
1		FORMER WITH SCREW LOCK	1	1	1	
2		CURRENT WITH TAB LOCK	1	1	1	

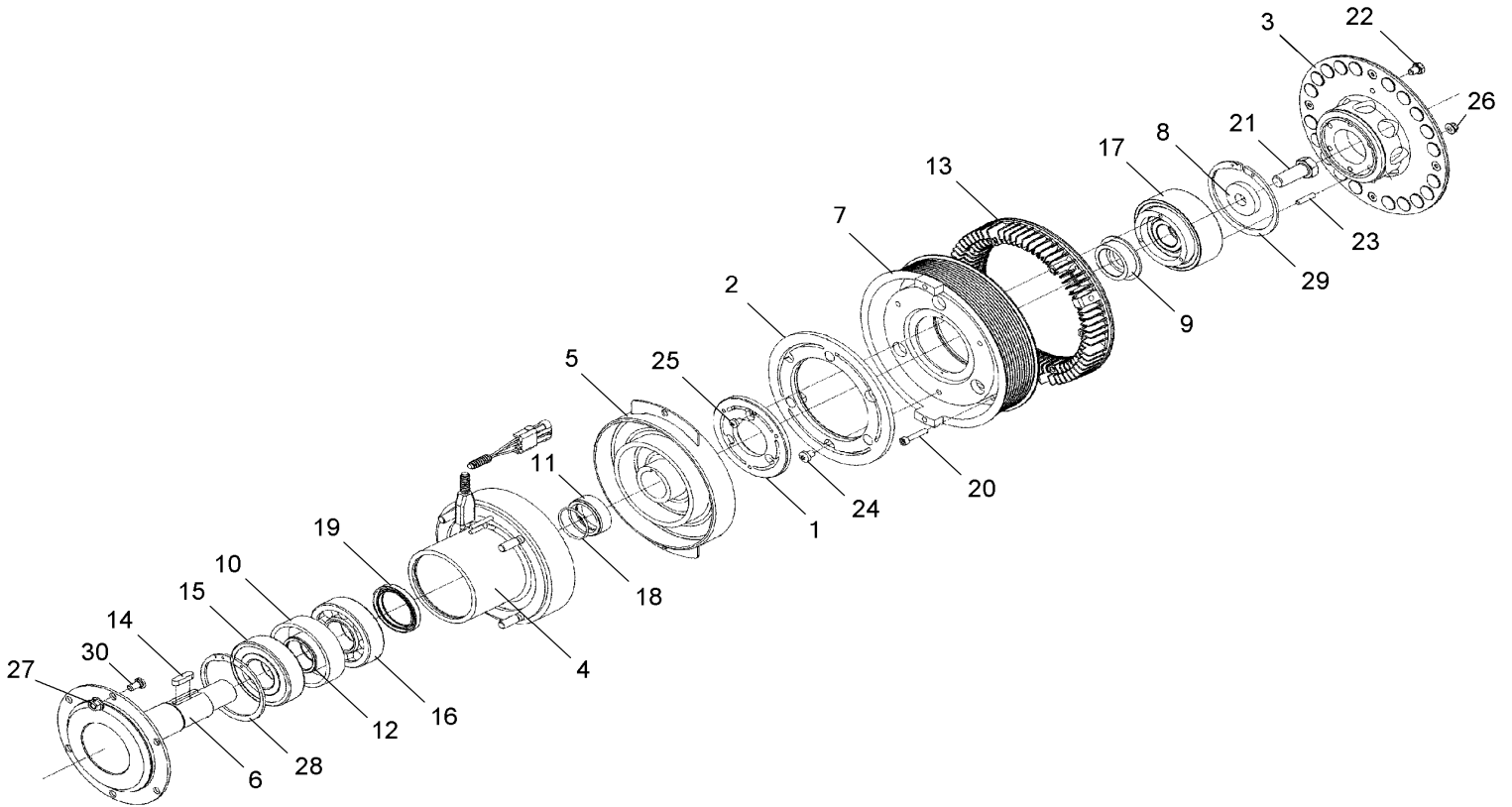


From 4-4758 To 8-1043

Date:10/2022

PAGE:HF-0540-52

FAN CLUTCH ASSY - #550839 - V.I.P.





From 4-4758 To 8-1043	Date:10/2022	PAGE:HF-0540-52
FAN CLUTCH ASSY - #550839 - V.I.P.		

Item#	Part	Description	H 3 4 1	H 3 4 5	V I P 4 5	N O T E S
	550839	FAN CLUTCH ASSY /			1	
. NS	IS-EB0140 A	. SEE INSTRUCTION SHEET			1	
1	N.S.S.	. ARMATURE DISC			1	1
2	N.S.S.	. ARMATURE DISC			1	1
3	550882	. MAGNET RING ASSY			1	
4	550883	. MAGNETIC COIL ASSY			1	
5	550884	. ROTOR			1	
6	550885	. SHAFT			1	
7	550890	. PULLEY ASSY WBEARING & DISC			1	A
8	550887	. WASHER			1	
9	550888	. BUSHING FLANGE			1	
10	N.P.N.	. SPACER			1	4
11	550893	. BUSHING W/GROOVE			1	
12	N.P.N.	. SPACER			1	4
13	550889	. COOLING RING			1	
14	550671	. KEY (8 X 7 X 28)			1	
15	550895	. BALL BEARING			1	
16	550894	. ROLLER BEARING			1	
17	550886	. BEARING ASSY			1	
18	550891	. O-RING 40 X 2.5			1	
19	550892	. SEAL 50 X 65 X 8			1	
20	N.P.N.	. SCREW CAP HEX S.ZP MG X 30 G8.8			6	4
21	N.P.N.	. SCREW CAP HEX M16 X 40 G10.9			1	4
22	500069	. SCREW CAP HEX M8-1.25x16 G10.9 DP			2	B
23	N.S.S.	. INSERT			3	1
24	N.S.S.	. INSERT			3	1
25		. SCREW M6 X 8			6	
26	502744	. NUT HEX STO M8-1.25 Z050			4	
27	500680	. NUT HEX STO M10-1.5 Z050			6	
28	N.P.N.	. RETAINER RING (90 X 3)			1	4
29	N.P.N.	. RETAINER RING (100 X 3)			1	4
30	N.P.N.	. INSERT			1	4
32	550966	FAN CLUTCH ASSY / ALTERNATIVE PART			1	
. NS	550062	. LOCKING TABS			1	
32	550057	FAN CLUTCH ASSY / ALTERNATIVE PART / SEE MI16-08			1	
. NS	550062	. LOCKING TABS			1	
33	IS17908	550057 FAN CLUTCH FIRST INSTALLATION / WITH LONG FAN DRIVE From 3-4758			1	
. NS	550057	. FAN CLUTCH ASSY / ALTERNATIVE PART / SEE MI16-08 From 3-4758			1	
. NS	550062	. . LOCKING TABS From 3-4758			1	
. NS	506064	. MULTI V-BELT / 12 RIB 83 1/2" (2121) From 3-4758			1	
. NS	5001758	. NUT HEX STO M10-1.5 N500 From 3-4758			4	



From 4-4758 To 8-1043	Date:10/2022	PAGE:HF-0540-52
FAN CLUTCH ASSY - #550839 - V.I.P.		

Item#	Part	Description	H 3 4 1	H 3 4 5	V I P 4 5	N O T E S
. NS	500897	. WASHER FL .437x1.000x.083 N500 From 3-4758			4	
. NS	IS-17908	. SEE INSTRUCTION SHEET From 3-4758			1	
34	IS17909	550057 FAN CLUTCH FIRST INSTALLATION / WITH SHORT FAN DRIVE From 3-4437 To 3-4757			1	
. NS	550057	. FAN CLUTCH ASSY / ALTERNATIVE PART / SEE MI16-08 From 3-4437 To 3-4757			1	
. . NS	550062	. . LOCKING TABS From 3-4437 To 3-4757			1	
. NS	5002112	. MULTI V-BELT / 12 RIB 62.40" (1585MM) From 3-4437 To 3-4757			2	
. NS	502692	. NUT HEXF STO M8-1.25 Z050 From 3-4437 To 3-4757			3	
. NS	502891	. SCREW CRG M8-1.25x40 G8.8 Z050 From 3-4437 To 3-4757			3	
. NS	500874	. WASHER FL 8.4x17.0x1.6 Z050 From 3-4437 To 3-4757			3	
. NS	502644	. WASHER FL 10.5x30.0x2.5 Z050 From 3-4437 To 3-4757			4	
. NS	5001758	. NUT HEX STO M10-1.5 N500 From 3-4437 To 3-4757			4	
. NS	5001654	. WASHER FL 6.4x17.0x3.0 SS From 3-4437 To 3-4757			6	
. NS	502843	. SCREW CAP HEX M6-1.0x45 G8.8 N500 From 3-4437 To 3-4757			1	
. NS	502621	. NUT HEX STO M6-1.0 Z050 From 3-4437 To 3-4757			1	
. NS	IS-17909	. SEE INSTRUCTION SHEET From 3-4437 To 3-4757			1	
		A) INCLUDES ITEMS #1, 2, 17, 23, 24, 25 & 29				
		B) USE IN EMERGENCY ONLY				
		1) NOT SOLD SEPARATELY				
		4) NO PARTS NUMBER				

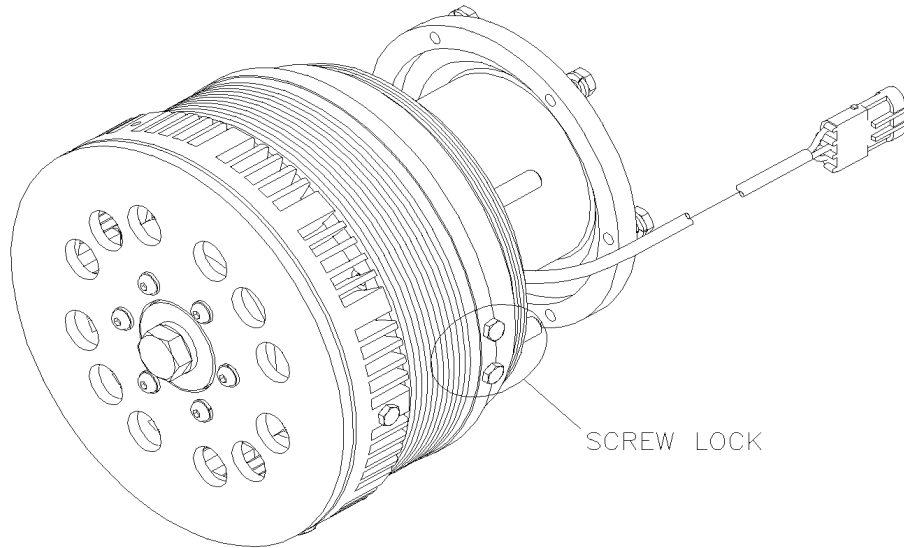


From 4-4758 To 8-1043

Date:10/2022

PAGE:550966

FAN CLUTCH ASSY / ALTERNATIVE PART





From 4-4758 To 8-1043	Date:10/2022	PAGE:550966
-----------------------	--------------	-------------

FAN CLUTCH ASSY / ALTERNATIVE PART

Item#	Part	Description	H 3 4 1	H 3 4 5	V I P 4 5	N O T E S
1		FORMER WITH SCREW LOCK	1	1	1	

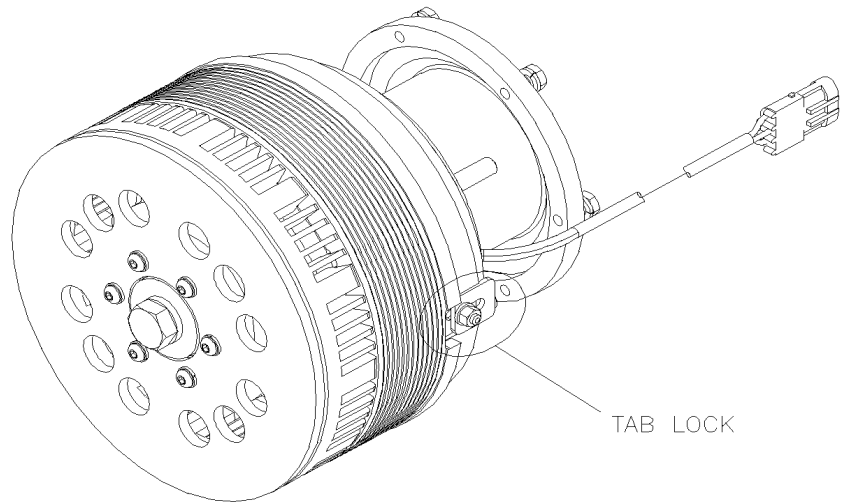


From 4-4758 To 8-1043

Date:10/2022

PAGE:550057

FAN CLUTCH ASSY / ALTERNATIVE PART / SEE MI16-08





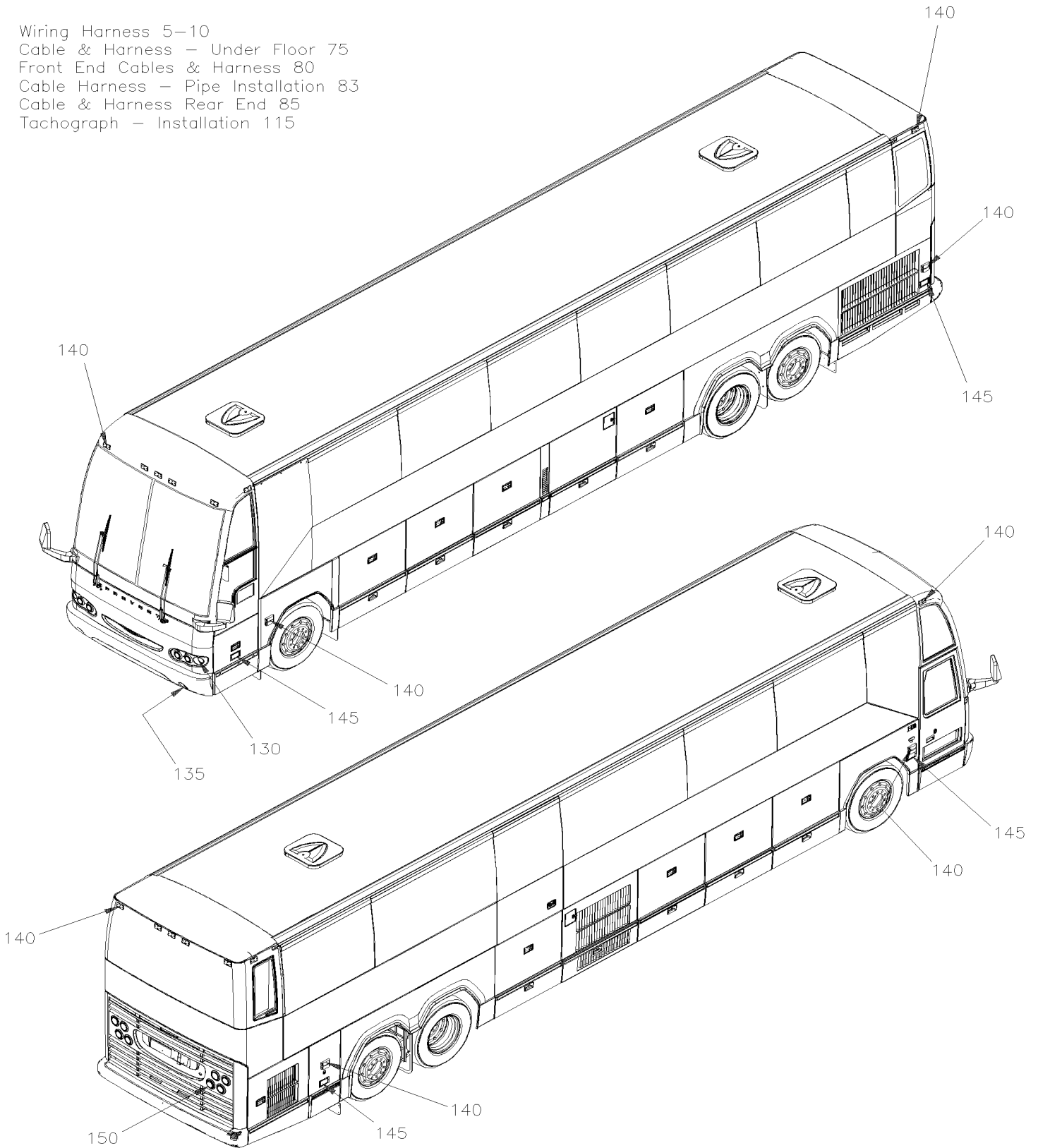
From 4-4758 To 8-1043	Date:10/2022	PAGE:550057
FAN CLUTCH ASSY / ALTERNATIVE PART / SEE MI16-08		

Item#	Part	Description	H 3 4 1	H 3 4 5	V I P 4 5	N O T E S
2		WITH TAB LOCK	1	1	1	



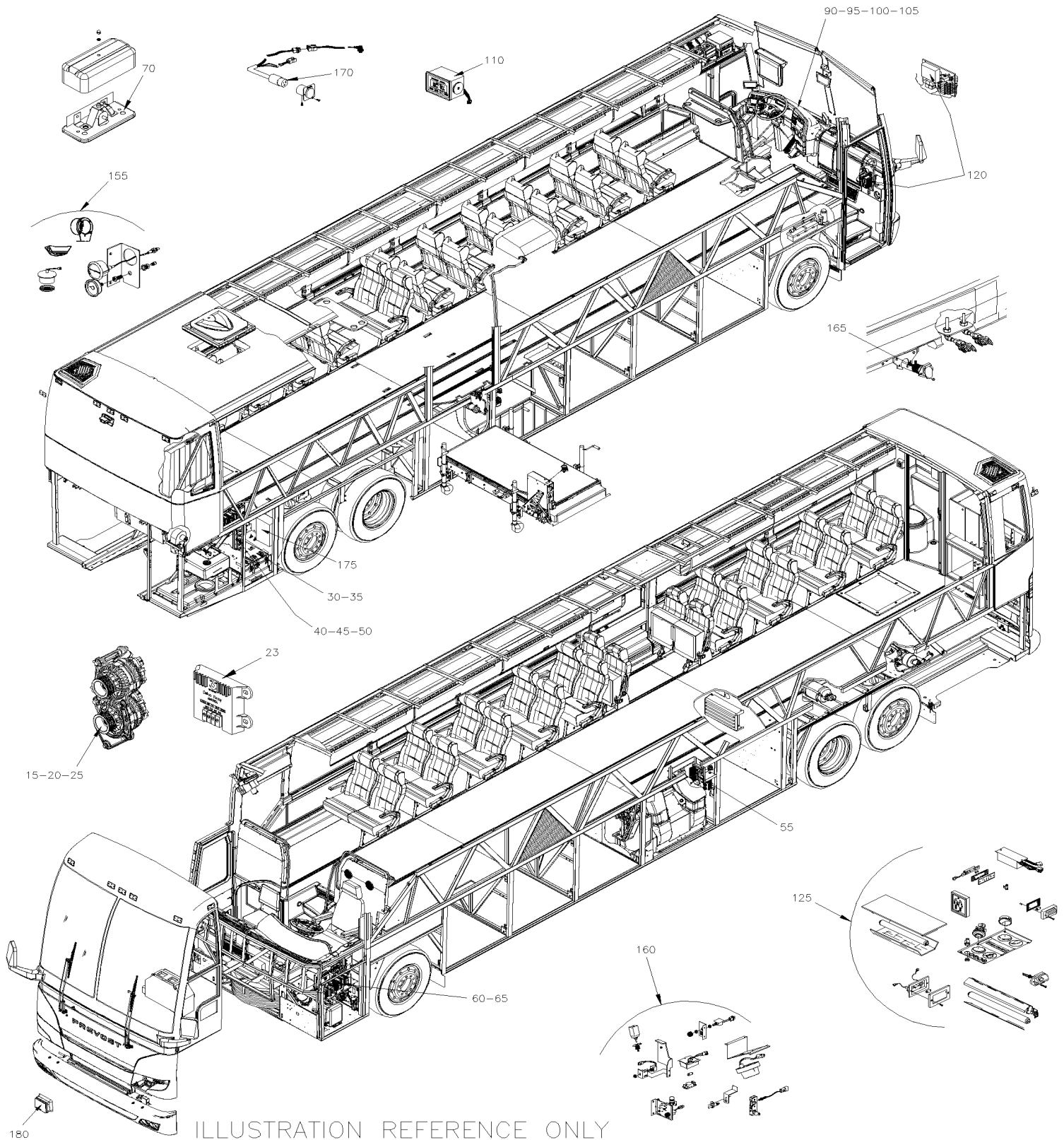
	Date:10/2022	HF-06
ELECTRICAL		

Wiring Harness 5-10
Cable & Harness - Under Floor 75
Front End Cables & Harness 80
Cable Harness - Pipe Installation 83
Cable & Harness Rear End 85
Tachograph - Installation 115





	Date:10/2022	HF-06
ELECTRICAL		





		Date:10/2022	HF-06			
ELECTRICAL						

Item#	Part	Description	H 3 4 1	H 3 4 5	V I P 4 5	N O T E S
5	HF-0600-00	WIRING HARNESS - BUS DIAGRAM D-060949 -C1 From 3-4417 To 3-4757				
5	HF-0600-01	WIRING HARNESS - BUS DIAGRAM D-060976-C1 From 4-4758 To 5-0107				
5	HF-0600-02	WIRING HARNESS - BUS / MUX DIAGRAM D-061020-C1 From 5-0108 To 8-1043				
10	HF-0600-50	WIRING HARNESS - V.I.P. DIAGRAM D-060978-C1 From 4-4758 To 6-0435				
10	HF-0600-51	WIRING HARNESS - V.I.P. / MUX DIAGRAM D-061040-C1 From 6-0436 To 8-1043				
15	HF-0605-00	ALTERNATOR 24V/140 AMPS / "BOSCH" From 3-4417 To 8-1043				
15	HF-0605-50	ALTERNATOR 24V/270 AMPS / "DELCO" #562235 From 3-4417 To 8-1043				
15	HF-0605-51	ALTERNATOR 12V/300 AMPS / "DELCO" #562355 From 3-4417 To 8-1043				
20	HF-0610-00	ALTERNATOR MOUNTING / "BOSCH" WITH DETROIT S-60 From 3-4417 To 3-4757				
20	HF-0610-01	ALTERNATOR MOUNTING / "BOSCH" WITH DETROIT S-60 From 4-4758 To 8-1043				
23	HF-0610-10	VOLTAGE REGULATOR - 24 VOLTS W/270 AMPS From 3-4417 To 3-4757				
25	HF-0610-50	ALTERNATOR MOUNTING / "DELCO" WITH DETROIT S-60 From 3-4417 To 3-4757				
25	HF-0610-51	ALTERNATOR MOUNTING / "DELCO" WITH DETROIT S-60 From 4-4758 To 8-1043				
25	HF-0610-53	ALTERNATOR MOUNTING / "DELCO" - 12V/145A / GEARBOX INSTAL From 3-4417 To 8-1043				
25	HF-0610-54	ALTERNATOR MOUNTING / "BOSCH" - 24V/140A / GEARBOX INSTAL From 3-4417 To 8-1043				
25	HF-0610-55	ALTERNATOR MOUNTING / 12V & 24V - V.I.P. From 3-4417 To 8-1043				
30	HF-0615-00	BATTERIES COMPARTMENT - INSTALLATION From 3-4417 To 3-4757				
30	HF-0615-01	BATTERIES COMPARTMENT - INSTALLATION From 4-4758 To 6-0435				
30	HF-0615-02	BATTERIES COMPARTMENT - INSTALLATION From 5-0108 To 8-1043				
35	HF-0615-50	BATTERIES COMPARTMENT PANEL From 3-4417 To 3-4757				
35	HF-0615-60	BATTERIES AUXILIARY - INSTALLATION From 3-4417 To 8-1043				
40	HF-0616-00	JUNCTION BOX COMPONENTS, RELAY & BREAKER From 3-4417 To 6-0435				
40	HF-0616-01	JUNCTION BOX COMPONENTS / MUX From 5-0168 To 8-1043				
45	HF-0616-10	BREAKER PANEL From 3-4417 To 6-0435				
45	HF-0616-11	BREAKER PANEL / MUX From 5-0168 To 8-1043				
50	HF-0620-00	REAR JUNCTION BOX ASSY From 3-4417 To 3-4757				
50	HF-0620-01	REAR JUNCTION BOX ASSY From 4-4758 To 6-0435				
50	HF-0620-02	REAR JUNCTION BOX ASSY / MUX From 5-0168 To 8-1043				
50	HF-0620-50	REAR JUNCTION BOX - INSTALLATION From 3-4417 To 3-4757				
55	HF-0621-00	A/C JUNCTION BOX ASSY From 3-4417 To 3-4757				
55	HF-0621-10	A/C CONDENSOR MOTOR RELAY From 3-4417 To 6-0435				
55	HF-0621-11	A/C ELECTRICAL PANEL ASSY / EVAPORATOR COMPARTMENT / MUX From 5-0168 To 8-1043				
60	HF-0625-00	FRONT JUNCTION PANEL From 3-4417 To 6-0435				
60	HF-0625-01	FRONT JUNCTION PANEL / MUX From 5-0168 To 8-1043				
65	HF-0625-50	FRONT JUNCTION BOX - INSTALLATION From 3-4417 To 6-0435				
65	HF-0625-51	FRONT JUNCTION BOX W/MUX - INSTALLATION From 5-0168 To 8-1043				
70	HF-0628-00	CHIME BELL - INSTALLATION From 3-4417 To 7-0854				
75	HF-0630-00	CABLE & HARNESS - UNDER FLOOR From 3-4417 To 6-0435				
75	HF-0630-01	CABLE & HARNESS - UNDER FLOOR - W/MUX From 6-0436 To 8-1043				
80	HF-0640-00	CABLE & HARNESS - FRONT END INSTALLATION From 3-4417 To 6-0435				
83	HF-0640-10	CABLE HARNESS - PIPE INSTALLATION From 3-4417 To 8-1043				
84	HF-0640-80	CABLE & HARNESS - W.C.L. "W/RICON" From 3-4417 To 5-0167				



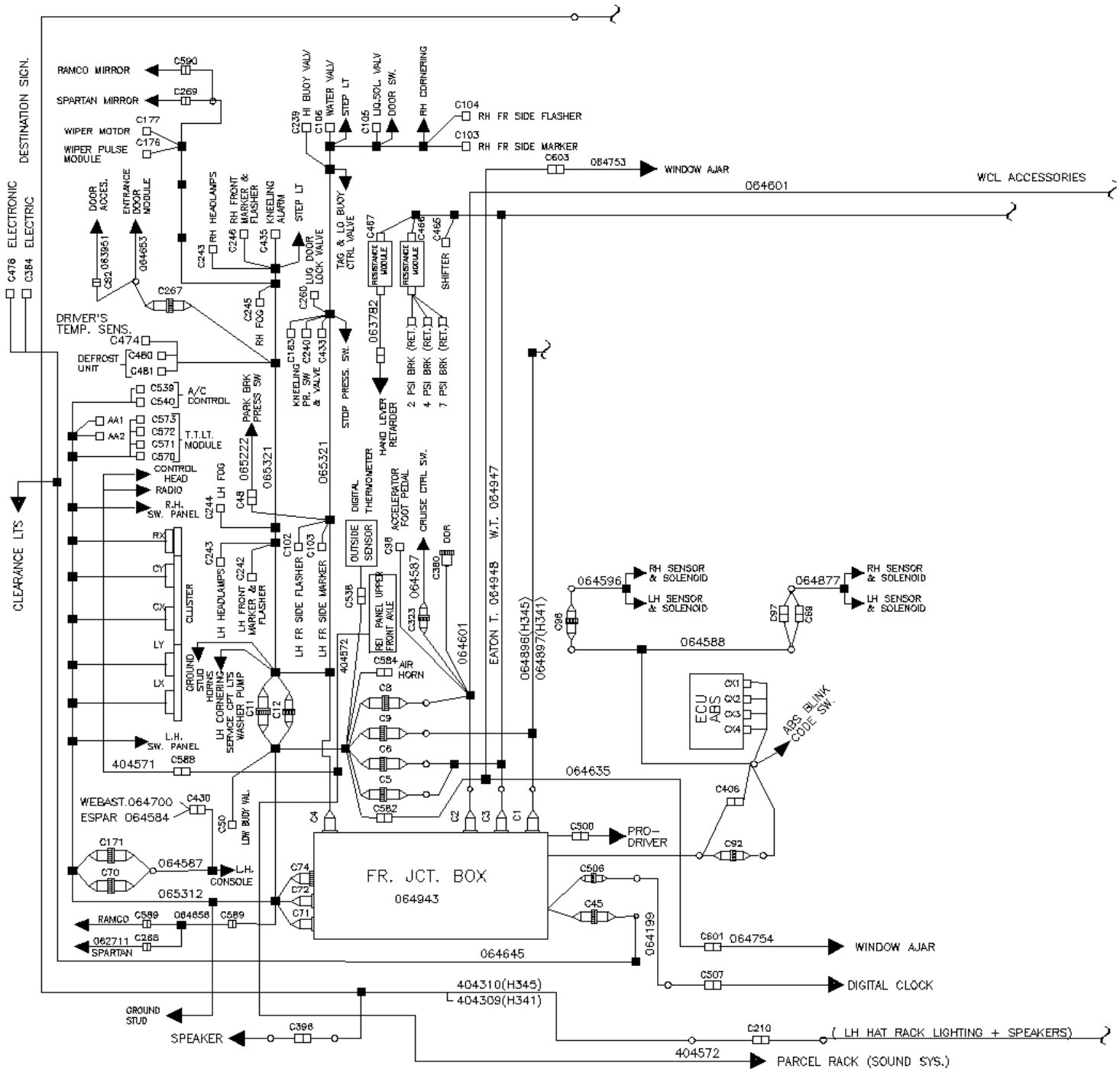
	Date:10/2022	HF-06
ELECTRICAL		

Item#	Part	Description	H 3 4 1	H 3 4 5	V I P 4 5	N O T E S
84	HF-0640-81	CABLE & HARNESS - W.C.L. "W/RICON" From 5-0168 To 8-1043				
85	HF-0641-00	CABLE & HARNESS - REAR END INSTALLATION From 3-4417 To 6-0435				
85	HF-0641-01	CABLE & HARNESS - REAR END INSTALLATION From 5-0168 To 8-1043				
90	HF-0645-00	SWITCHES L.H. CONSOLE - BUS From 3-4417 To 8-1043				
90	HF-0645-05	SWITCHES L.H. CONSOLE - V.I.P. From 3-4417 To 8-1043				
95	HF-0645-10	L.H. DASHBOARD PANEL From 3-4417 To 8-1043				
100	HF-0645-20	CENTER DASHBOARD PANEL From 3-4417 To 8-1043				
105	HF-0645-30	R.H. DASHBOARD PANEL From 3-4417 To 8-1043				
110	HF-0650-00	DATA HUB From 3-4417 To 5-0167				
115	HF-0650-10	TACHOGRAPH - INSTALLATION From 3-4417 To 5-0167				
120	HF-0650-50	KEYLESS MODULE From 3-4417 To 6-0435				
120	HF-0650-51	ENTRANCE DOOR MODULE - V.I.P. / MUX From 6-0436 To 8-1043				
125	HF-0655-00	INTERIOR LIGHTING From 3-4417 To 8-1043				
130	HF-0660-00	HEADLAMP "HALOGENE" & FRONT DIRECTIONAL LAMPS From 3-4417 To 8-1043				
130	HF-0660-01	HEADLAMP "XENON" & FRONT DIRECTIONAL LAMPS From 4-4851 To 8-1043				
135	HF-0661-00	FOG LAMP From 3-4417 To 8-1043				
140	HF-0662-00	CLEARANCE & MARKER LIGHT From 3-4417 To 8-1043				
145	HF-0663-00	DOCK & CORNERING LIGHT From 3-4417 To 8-1043				
150	HF-0664-00	REAR EXTERIOR LIGHTS & PLATE HOLDER From 3-4417 To 8-1043				
155	HF-0665-00	ENGINE COMPARTMENT - ELECTRIC COMPONENTS From 3-4417 To 8-1043				
160	HF-0665-10	SWITCHES, LIGHTS, AJAR - UNDER FLOOR From 3-4417 To 8-1043				
165	HF-0665-20	CABLE TRAILER - INSTALLATION - BUS From 3-4417 To 8-1043				
170	HF-0666-00	BLOCK HEATER RECEPTACLE From 3-4417 To 8-1043				
175	HF-0670-10	BATTERIES CHARGER - INSTALLATION From 3-4417 To 8-1043				
180	HF-0675-00	SYSTEM - "VORAD" From 3-4417 To 8-1043				



From 3-4417 To 3-4757	Date:10/2022	PAGE:HF-0600-00
WIRING HARNESS - BUS DIAGRAM D-060949 -C1		

A DRAWING FROM REV 04





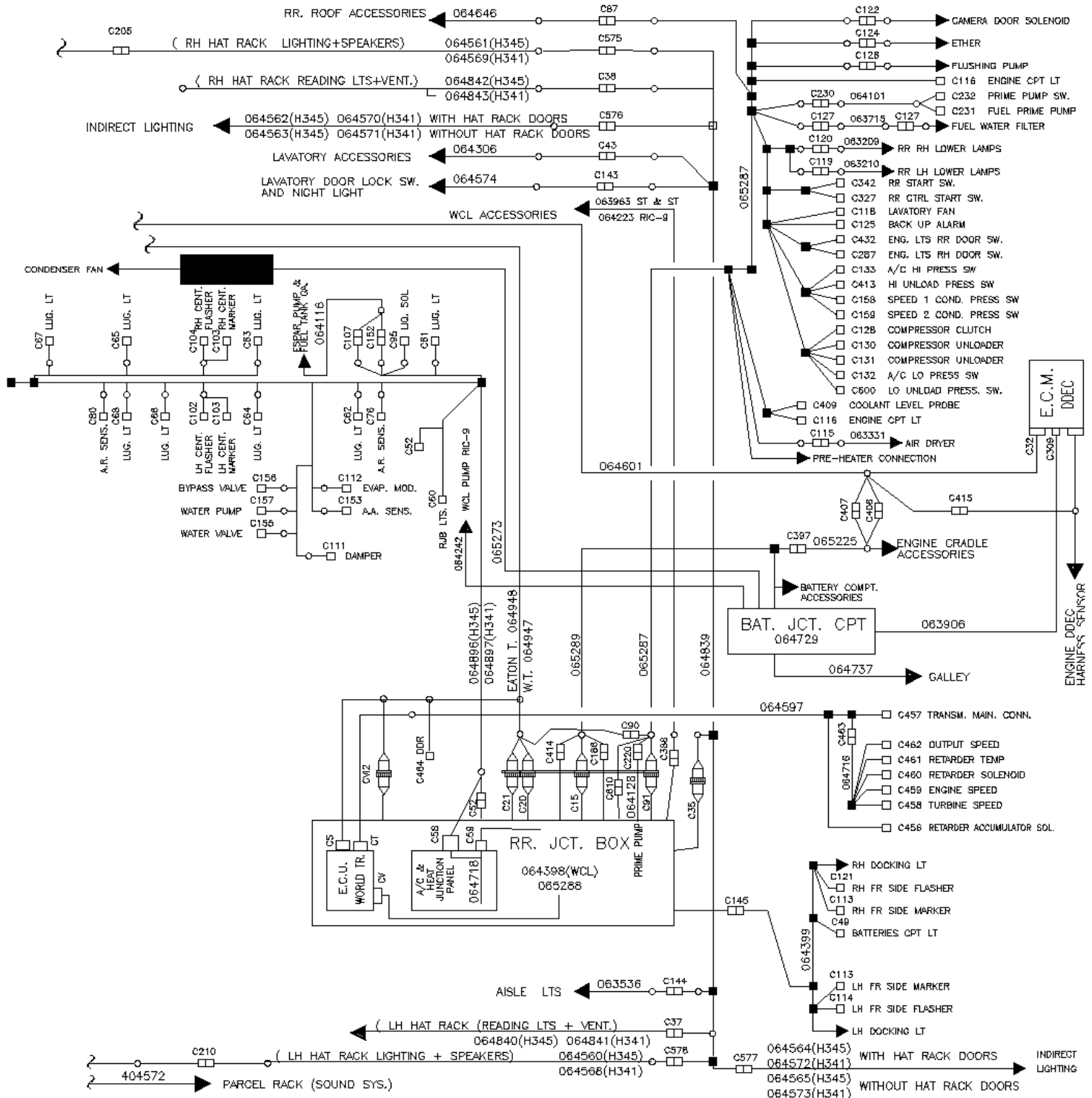
From 3-4417 To 3-4757

Date:10/2022

PAGE:HF-0600-00

WIRING HARNESS - BUS DIAGRAM D-060949 -C1

B DRAWING FROM REV 04





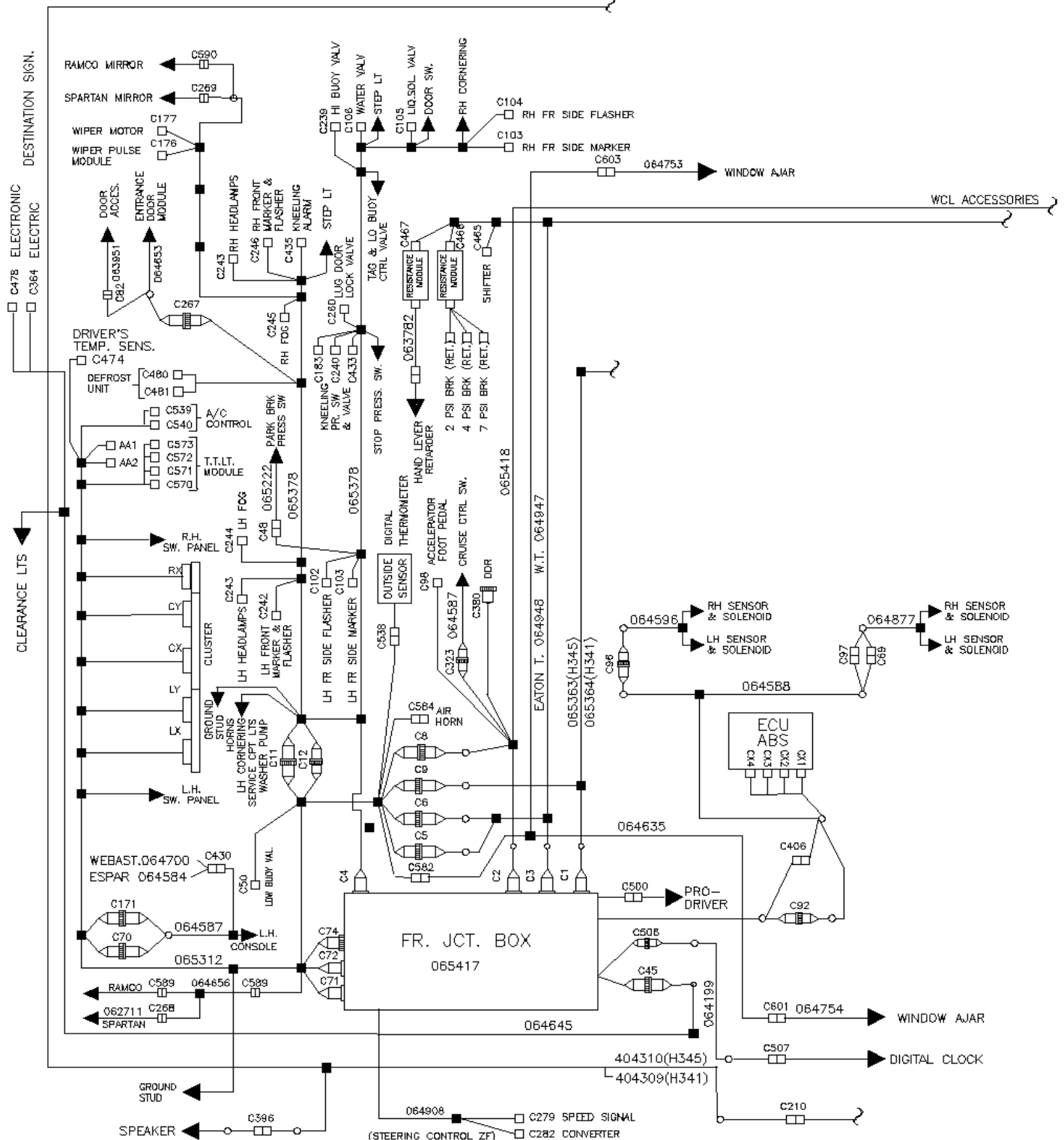
From 3-4417 To 3-4757

Date:10/2022

PAGE:HF-0600-00

WIRING HARNESS - BUS DIAGRAM D-060949 -C1

DRAWING FROM REV 15





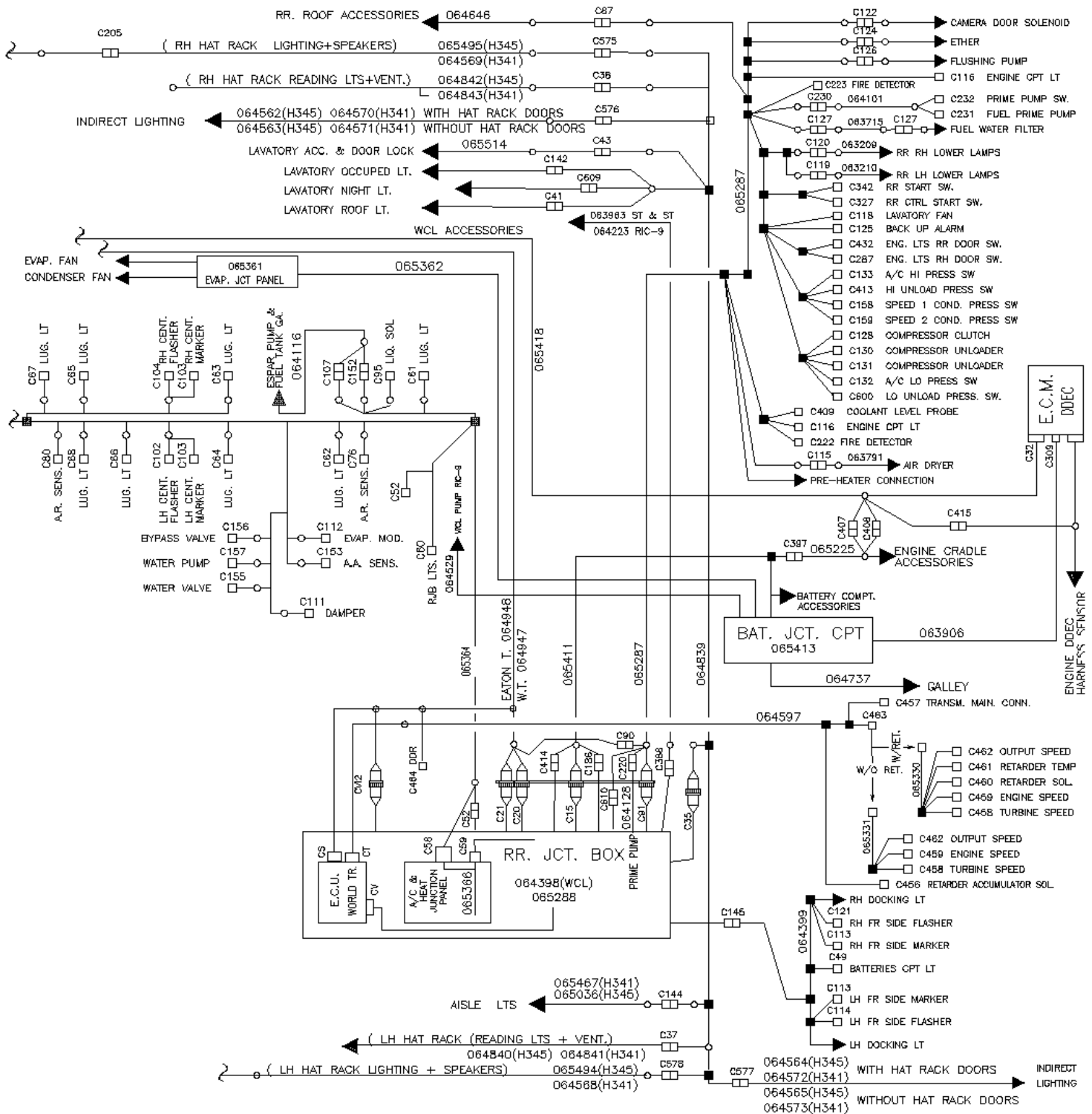
From 3-4417 To 3-4757

Date:10/2022

PAGE:HF-0600-00

WIRING HARNESS - BUS DIAGRAM D-060949 -C1

D **DRAWING FROM REV 15**





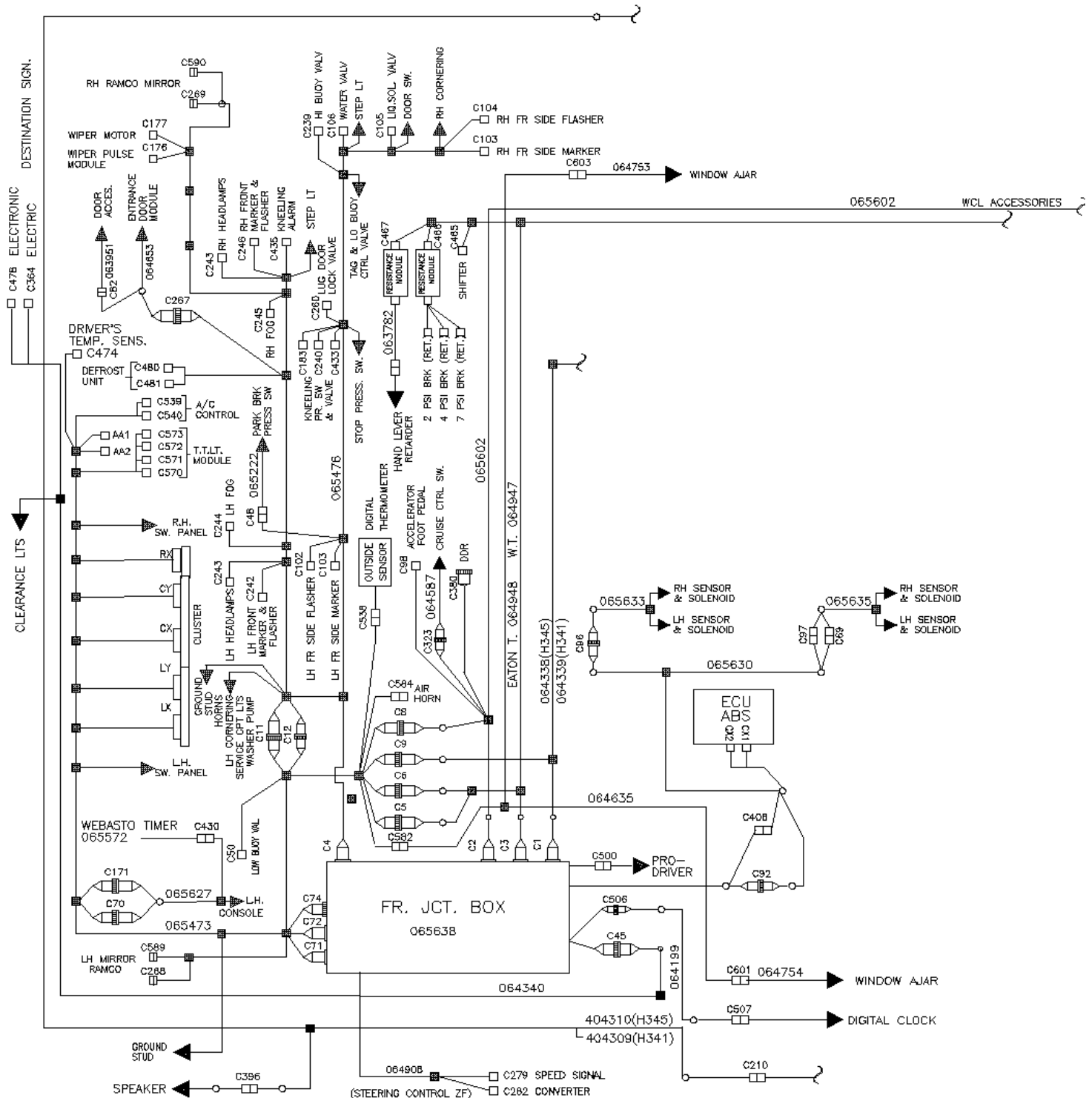
From 3-4417 To 3-4757

Date:10/2022

PAGE:HF-0600-00

WIRING HARNESS - BUS DIAGRAM D-060949 -C1

DRAWING FROM REV 24





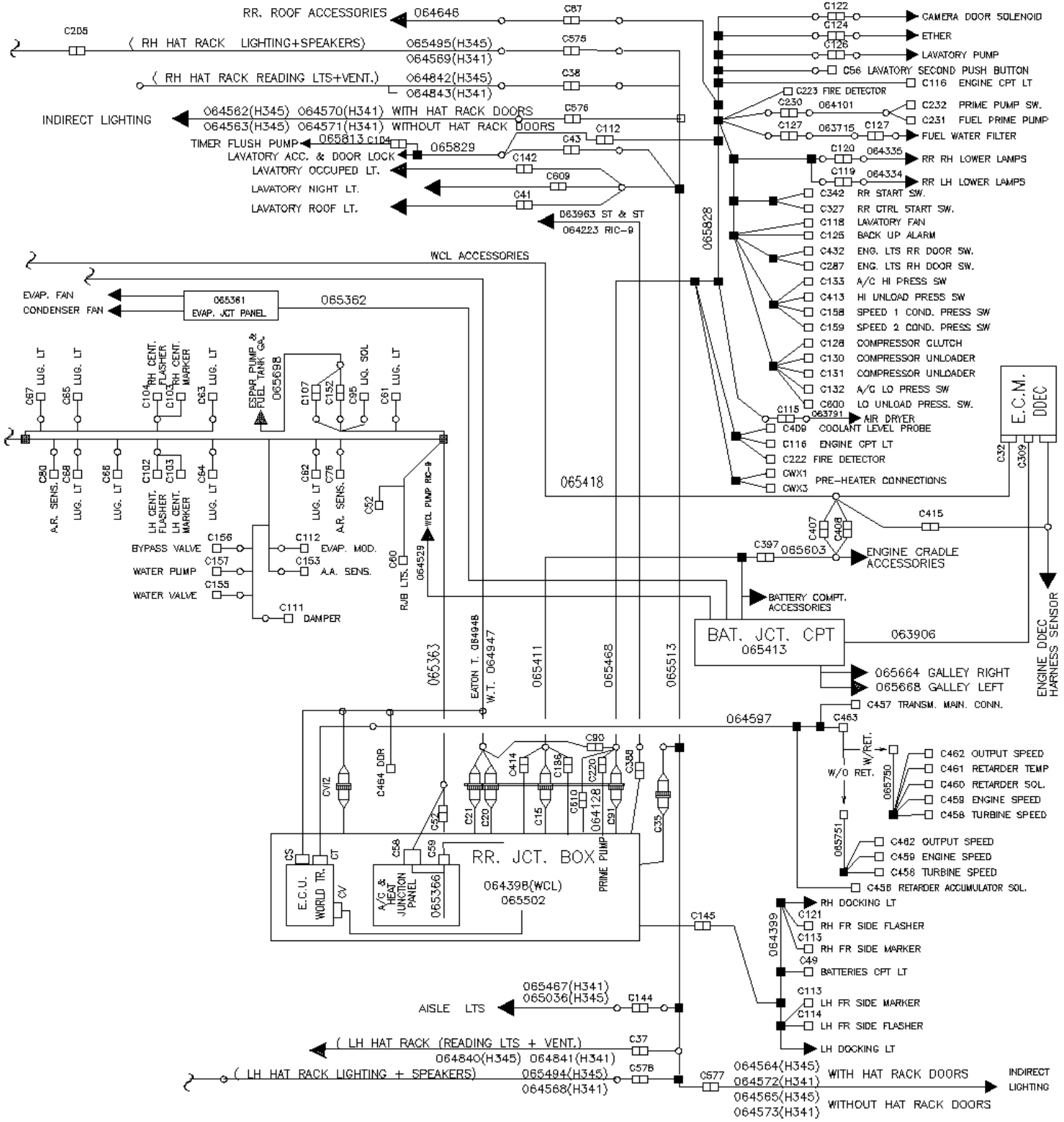
From 3-4417 To 3-4757

Date:10/2022

PAGE:HF-0600-00

WIRING HARNESS - BUS DIAGRAM D-060949 -C1

DRAWING FROM REV 24



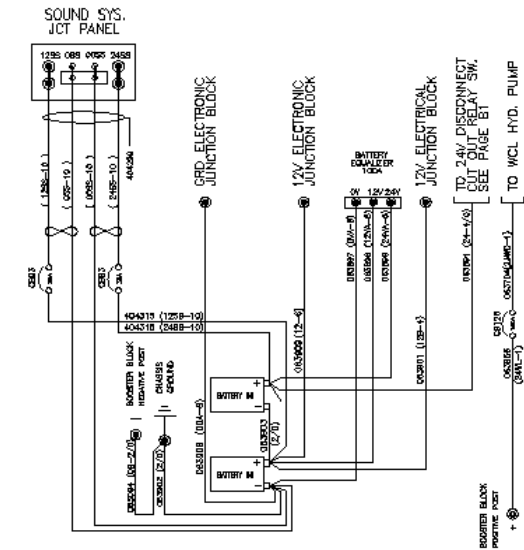


From 3-4417 To 3-4757

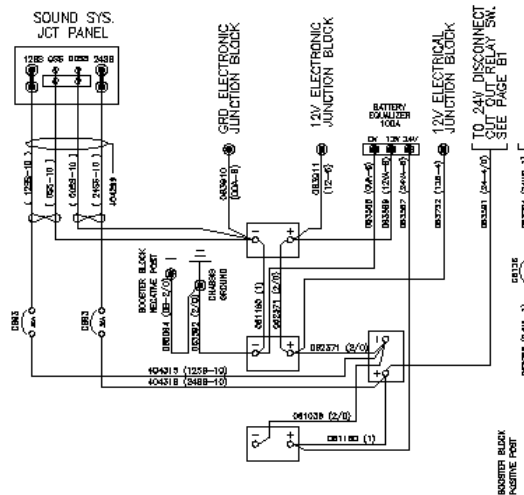
Date:10/2022

PAGE:HF-0600-00

WIRING HARNESS - BUS DIAGRAM D-060949 -C1



8D BATTERIES



STANDARD BATTERIES



From 3-4417 To 3-4757	Date:10/2022	PAGE:HF-0600-00
WIRING HARNESS - BUS DIAGRAM D-060949 -C1		

Item#	Part	Description	H 3 4 1	H 3 4 5	V I P 4 5	N O T E S
		IN BATTERIES COMPARTMENT				
1	063592	CABLE ASSY / B - TO GROUND	1	1		
2	062371	CABLE ASSY / B + TO B +	2	2		
3	061180	CABLE ASSY / B - TO B -	2	2		
4	061036	CABLE ASSY / B - TO B -	1	1		
5	063591	CABLE ASSY / RELAY BATTERY & BATTERY #24	1	1		
6	063732	CABLE ASSY / W/STD BATTERY / #12B	1	1		
7	063588	CABLE ASSY / #0VA	1	1		
7	065819	CABLE ASSY / #0VA	1	1		
8	063589	CABLE ASSY / #12VA	1	1		
8	065820	CABLE ASSY / #12VA	1	1		
9	063587	CABLE ASSY / #24VA	1	1		
9	065818	CABLE ASSY / #24VA	1	1		
10	065094	CABLE ASSY / BATTERY BOOSTER BLOCK / #0	1	1		
12	063910	CABLE ASSY / # 00A	1	1		
13	063911	CABLE ASSY / #12	1	1		
14	063966	CABLE ASSY / W/W.C.L. / #24 WL		1		
15	063704	CABLE ASSY / W/W.C.L. / #24WC		1		
		WITH BATTERIES 8D "OPTION"				
20	063902	CABLE ASSY / #0VA	1	1		
21	063901	CABLE ASSY / W/8D BATTERY / #12B	1	1		
22	063908	CABLE ASSY / #00A	1	1		
23	063903	CABLE ASSY / B + TO B -	1	1		
24	063909	CABLE ASSY / #12	1	1		
25	063897	CABLE ASSY / #0VA	1	1		
25	065821	CABLE ASSY / #0VA	1	1		
26	063898	CABLE ASSY / #12VA	1	1		
26	065822	CABLE ASSY / #12VA	1	1		
27	063899	CABLE ASSY / #24VA	1	1		
27	065823	CABLE ASSY / #24VA	1	1		
		INSIDE BATTERIES COMPARTMENT TO SOME COMPONENTS				
31	065414	CABLE ASSY	1	1		
		FROM BATTERIES JUNCTION COMPARTMENT TO E.C.M. & ENGINE ACCESSORIES				



From 3-4417 To 3-4757	Date:10/2022	PAGE:HF-0600-00
WIRING HARNESS - BUS DIAGRAM D-060949 -C1		

Item#	Part	Description	H 3 4 1	H 3 4 5	V I P 4 5	N O T E S
41	063906	CABLE ASSY / POWER E.C.U.	1	1		
42	065225	CABLE ASSY / ENGINE COMPT ACCESSORIES	1	1		
42	065603	CABLE ASSY / ENGINE COMPT ACCESSORIES	1	1		
43	065411	CABLE ASSY	1	1		
43	066411	CABLE POWER / RJB TO FJB	1	1		
44	064529	CABLE ASSY W.C.L. PUMP "RICON"	1	1		
45	065362	CABLE ASSY / RR BAT. COMPT & EVAPO. PANEL	1	1		
46	064737	CABLE ASSY / GALLEY	1	1		
46	065664	CABLE ASSY / RJB & GALLEY CURBSIDE	1	1		
46	065668	CABLE ASSY / RJB & GALLEY STREETSIDE	1	1		
		INSIDE REAR JUNCTION BOX				
51	065502	WIRING HARNESS RR JCT BOX BUS H3	1	1		
52	064398	WIRING HARNESS RR JCT BOX WCL	1	1		
53	064128	CABLE ASSY / STUD GRD & CONNECTOR C-220 IN REAR JUNCT.BOX	1	1		
		FROM REAR JUNCTION BOX				
		TO REAR ENGINE COMPARTMENT				
61	065490	CABLE HARNESS / ENGINE ACCESSORIES To 2-4419	1	1		
61	065625	CABLE HARNESS / ENGINE ACCESSORIES From 2-4420	1	1		
61	065468	CABLE HARNESS / ENGINE ACCESSORIES	1	1		
62	064646	CABLE HARNESS / ENGINE ACC. TO ROOF LIGHT	1	1		
63	064334	CABLE ASSY R.H. LAMP / REAR ENGINE DOOR	1	1		
64	064335	CABLE ASSY L.H. LAMP / REAR ENGINE DOOR	1	1		
65	063715	CABLE ASSY / ENGINE ACC. & WATER SEPARATOR	1	1		
67	063331	CABLE ASSY / AIR DRYER	1	1		
67	063791	CABLE ASSY / AIR DRYER AD-9 HEATER	1	1		
69	064101	CABLE ASSY / SWITCH & PUMP	1	1		
70	064399	CABLE ASSY / SIDE MARKER	1	1		
		FROM REAR JUNCTION BOX				
		TO PARCEL RACK & LAVATORY				
81	064839	CABLE POWER / PARCEL RACK & LAVATORY	1	1		
81	065513	CABLE POWER / PARCEL RACK & LAVATORY	1	1		
82	065514	CABLE ASSY / TIMER & ACCESSORIES To 3-4632	1	1		
82	065829	CABLE ASSY / TIMER & ACCESSORIES From 3-4633	1	1		
83	065813	CABLE ASSY / TIMER FLUSH PUMP	1	1		
84	064568	CABLE ASSY / DIRECT LIGHT & SPEAKER L.H.	1			
84	065494	CABLE ASSY / DIRECT LIGHT & SPEAKER L.H.		1		



From 3-4417 To 3-4757	Date:10/2022	PAGE:HF-0600-00
WIRING HARNESS - BUS DIAGRAM D-060949 -C1		

Item#	Part	Description	H 3 4 1	H 3 4 5	V I P 4 5	N O T E S
85	064569	CABLE ASSY / DIRECT LIGHT & SPEAKER R.H.	1			
85	065495	CABLE ASSY / DIRECT LIGHT & SPEAKER R.H.		1		
86	065467	CABLE ASSY / MAIN AISLE LAMP	1			
86	065036	CABLE ASSY / MAIN AISLE LAMP		1		
87	064573	CABLE HARNESS / IND LIGHT L.H. / W/O DDOR	1			
87	064572	CABLE HARNESS / IND LIGHT L.H. / W/DOOR	1			
87	064565	CABLE HARNESS / IND LIGHT L.H. / W/O DOOR		1		
87	064564	CABLE HARNESS / IND LIGHT L.H. / W/DOOR		1		
88	064571	CABLE HARNESS / IND LIGHT R.H. / W/O DOOR	1			
88	064570	CABLE HARNESS / IND LIGHT R.H. / W/DOOR	1			
88	064563	CABLE HARNESS / IND LIGHT R.H. / W/O DOOR		1		
88	064562	CABLE HARNESS / IND LIGHT R.H. / W/DOOR		1		
89	063963	CABLE ASSY / W.C.L. ACCESSORIES / "ST & ST"	1	1		
89	064223	CABLE ASSY / W.C.L. ACCESSORIES / "RICON"		1		
90	064843	CABLE HARNESS / READING LIGHT CURB SIDE	1			
90	064842	CABLE HARNESS / READING LIGHT CURB SIDE		1		
91	064841	CABLE HARNESS / READING LIGHT STREETSIDE	1			
91	064840	CABLE HARNESS / READING LIGHT STREETSIDE		1		
		FROM REAR JUNCTION BOX				
		TO COMPARTMENT UNDER FLOOR ACCESS.				
101	064339	CABLE ASSY BAGGAGE COMPARTMENT BUS	1			
101	064338	CABLE ASSY BAGGAGE COMPARTMENT BUS		1		
104	065698	CABLE ASSY / TO FUEL TANK	1	1		
		A/C JUNCTION PANEL				
106	065366	WIRING HARNESS A/C JUNCTION PANEL	1	1		
		FROM REAR JUNCTION BOX				
		VEHICLE WITH "WORLD" TRANSMISSION				
111	064947	CABLE ASSY / FRT SELECTOR & RR ECU & VIM	1	1		
112	063782	CABLE ASSY / RESISTANCE MODULE & SWITCH	1	1		
114	064597	CABLE ASSY / E.C.U. & TRANS SPEED SWITCH	1	1		
115	065330	CABLE ASSY / TRANS & SPEED SWITCH / W/RETARDER To 3-4573	1	1		
115	065750	CABLE ASSY / TRANS & SPEED SWITCH / W/RETARDER From 3-4574	1	1		
116	065331	CABLE ASSY / TRANS & SPEED SWITCH / W/O RETARDER To 3-4573	1	1		
116	065751	CABLE ASSY / TRANS & SPEED SWITCH / W/O RETARDER From 3-4574	1	1		
		FROM REAR JUNCTION BOX				



From 3-4417 To 3-4757	Date:10/2022	PAGE:HF-0600-00
WIRING HARNESS - BUS DIAGRAM D-060949 -C1		

Item#	Part	Description	H 3 4 1	H 3 4 5	V I P 4 5	N O T E S
		VEHICLE WITH "EATON" TRANSMISSION To 3-4757				
121	064948	CABLE ASSY / FRT SELECTOR & REAR JCT BOX To 3-4757				
		INSIDE FRONT JUNCTION BOX				
141	065556	WIRING HARNESS FRONT JUNCTION BOX To 2-4439	1	1		
141	065638	WIRING HARNESS FRONT JUNCTION BOX From 2-4440	1	1		
142	064908	CABLE ASSY TO STEERING SPEED SIGNAL ECU / W/"ZF" STEERING	1	1		
		FROM FRONT JUNCTION BOX				
		TO "ABS" MODULE				
161	064588	CABLE ASSY "ABS" To 2-4439	1	1		
161	065630	CABLE ASSY "ABS" From 2-4440	1	1		
162	064596	CABLE ASSY / FRONT WHEEL "ABS" To 2-4439	1	1		
162	065633	CABLE ASSY / FRONT "ABS" SENSOR & VALVE From 2-4440	1	1		
163	064877	CABLE ASSY / REAR WHEEL "ABS" To 2-4439	1	1		
163	065635	CABLE ASSY / REAR "ABS" SENSOR & VALVE From 2-4440	1	1		
		FROM FRONT JUNCTION BOX				
		FORWARD VEHICULE				
171	065602	CABLE ASSY / FRT JCT & E.C.M. "DDEC" IV To 3-4757	1	1		
172	063650	CABLE ASSY / SWITCH CRUISE CONTROL	1	1		
173	065476	CABLE ASSY / FRONT LOWER END	1	1		
174	064340	CABLE ASSY / ROOF	1	1		
175	065473	WIRING HARNESS DASHBOARD CENTRAL MODULE	1	1		
179	062711	CABLE ASSY / MIRROR INSIDE SIDE WINDSHIELD POST INSIDE SIDE WINDSHIELD POST C19	2	2		
		CABLE / CONNECTED AT HARNESS / # 175				
		FROM CABLE ASSY DASHBOARD MODULE				
181	065585	WIRING HARNESS DASHBOARD LEFT MODULE	1	1		
182	064584	WIRING HARNESS / W/ "ESPAR" PREHEATER	1	1		
183	064635	CABLE HARNESS / TO WINDOW AJAR	1	1		
184	064754	CABLE HARNESS / STREETSIDE WINDOW AJAR	1	1		
185	064753	CABLE HARNESS / CURBSIDE WINDOW AJAR	1	1		
186	064656	CABLE ASSY / L.H. CONSOLE TO L.H. MIRROR	1	1		
		CABLE / CONNECTED AT HARNESS / # 173				
		FROM CABLE ASSY FRONT LOWER END				



From 3-4417 To 3-4757	Date:10/2022	PAGE:HF-0600-00
WIRING HARNESS - BUS DIAGRAM D-060949 -C1		

Item#	Part	Description	H 3 4 1	H 3 4 5	V I P 4 5	N O T E S
191	064653	CABLE ASSY / ENTRANCE DOOR MODULE BUS	1	1		
192	063951	CABLE ASSY / DOOR ACCESSORIES	1	1		
193	065222	CABLE ASSY / PARKING BRAKE PRESSURE	1	1		
		FRONT UPPER CABLE				
		SOUND COMPONENTS				
204	404571	CABLE ASSY / DASH & PARCEL RACK C7	1	1		
205	404309	CABLE ASSY / HAT RACK / L.H. & R.H.	1	1		
205	404310	CABLE ASSY / HAT RACK / L.H. & R.H.	1	1		
206	404572	CABLE ASSY / DASH COMPONENT & HARNESS ABOVE	1	1		
209	404299	CABLE ASSY / SOUND SYSTEM FEED HARNESS (0SS 12SS 24SS)	1	1		
210	404315	CABLE ASSY 12SB	1	1		
211	404316	CABLE ASSY 24SB	1	1		
		FROM FRONT JUNCTION BOX				
		TO MISCELLANEOUS COMPONENTS				
221	064199	CABLE ASSY / CLOCK & FRONT JCT PANEL	1	1		



From 4-4758 To 5-0107

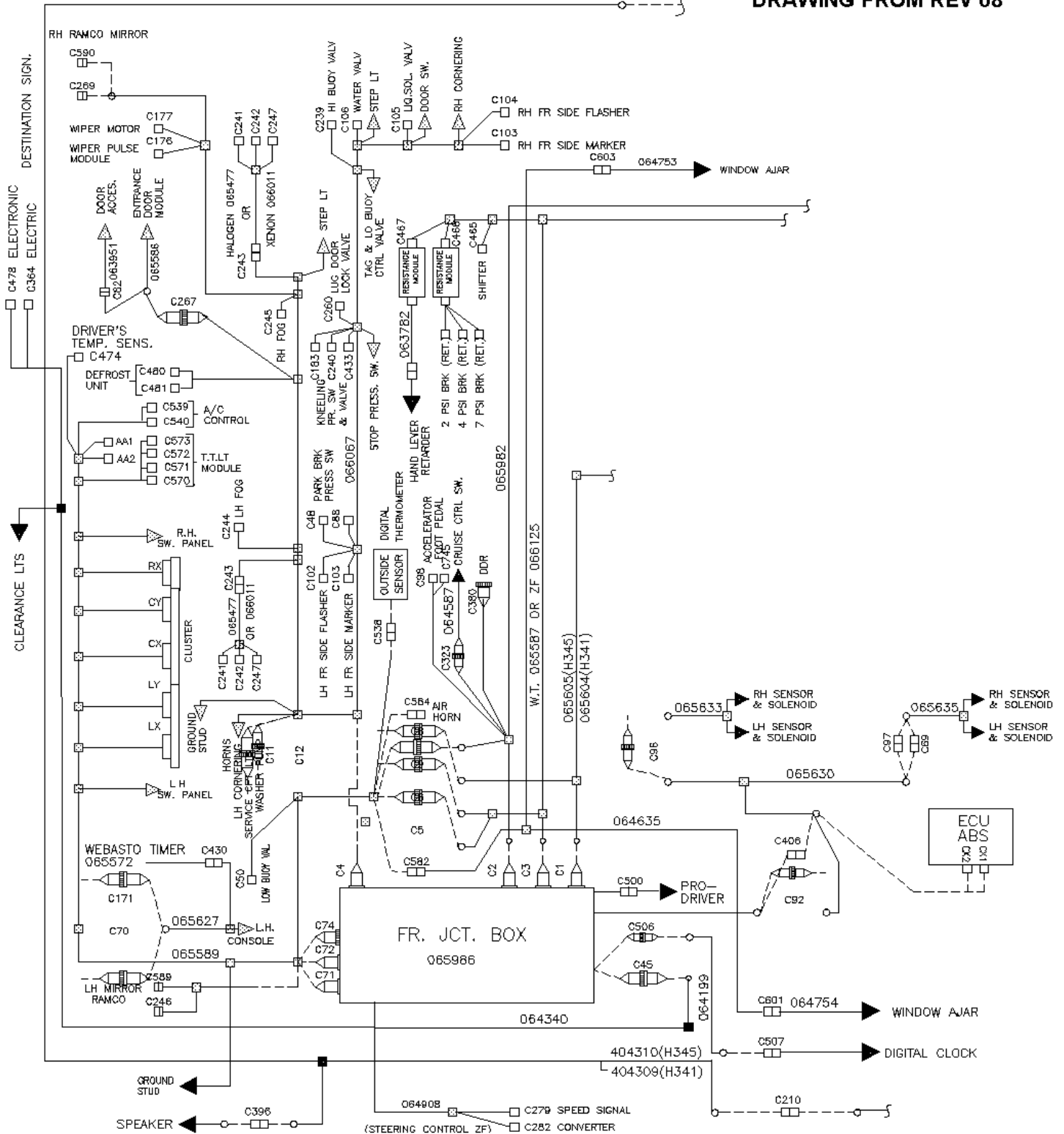
Date:10/2022

PAGE:HF-0600-01

WIRING HARNESS - BUS DIAGRAM D-060976-C1

A

DRAWING FROM REV 08





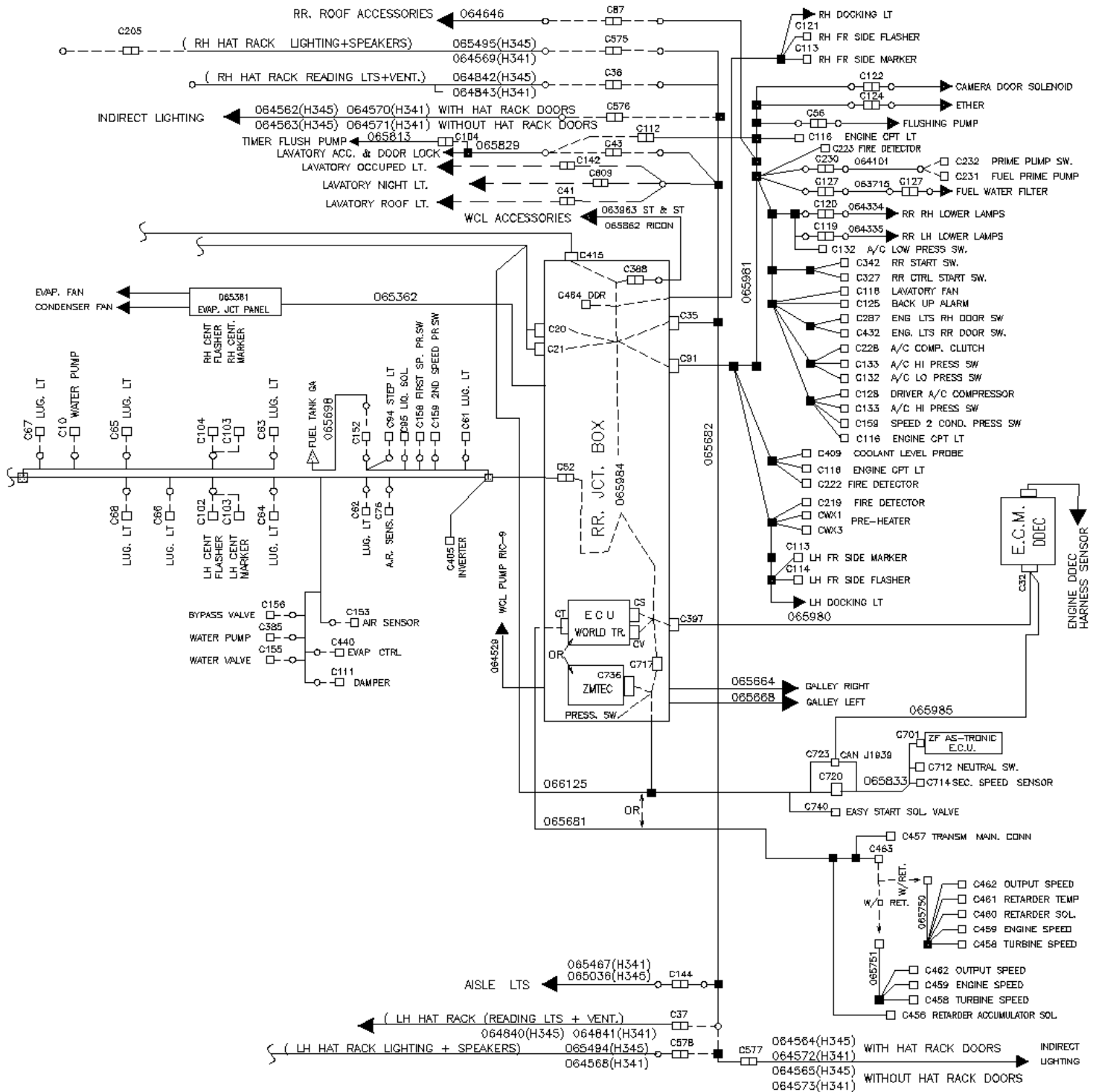
From 4-4758 To 5-0107

Date:10/2022

PAGE:HF-0600-01

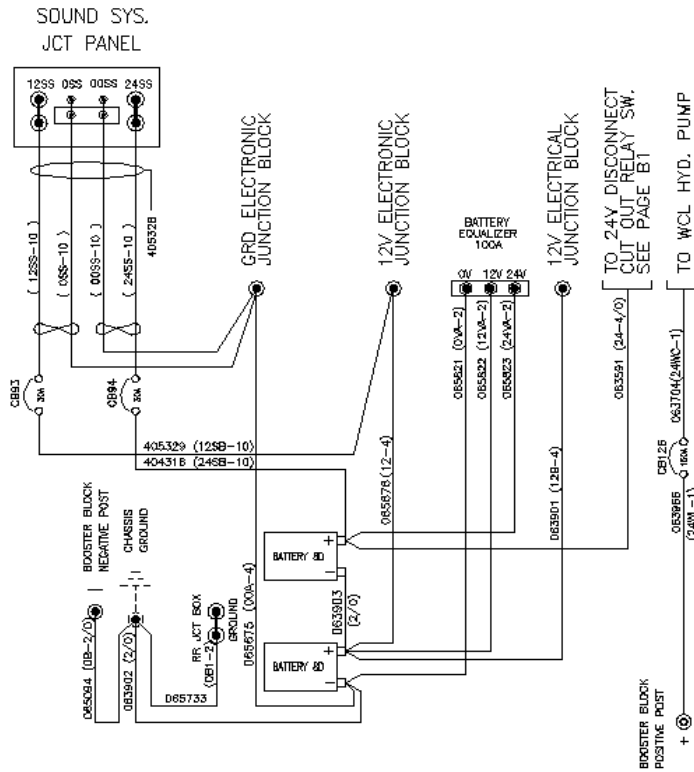
WIRING HARNESS - BUS DIAGRAM D-060976-C1

B DRAWING FROM REV 08

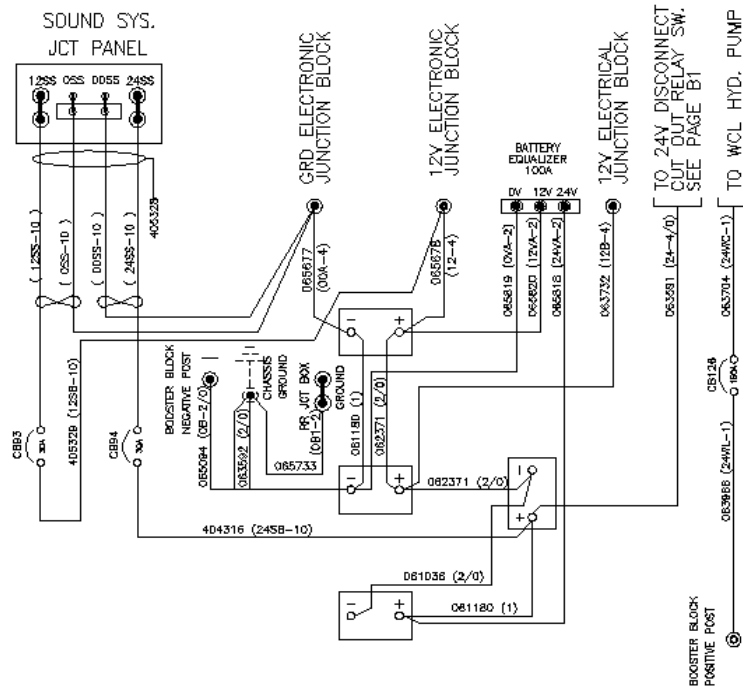




From 4-4758 To 5-0107	Date:10/2022	PAGE:HF-0600-01
WIRING HARNESS - BUS DIAGRAM D-060976-C1		



8D BATTERIES



STANDARD BATTERIES



From 4-4758 To 5-0107	Date:10/2022	PAGE:HF-0600-01
WIRING HARNESS - BUS DIAGRAM D-060976-C1		

Item#	Part	Description	H 3 4 1	H 3 4 5	V I P 4 5	N O T E S
		IN BATTERIES COMPARTMENT				
1	063592	CABLE ASSY / B - TO GROUND	1	1		
2	062371	CABLE ASSY / B + TO B +	2	2		
3	061180	CABLE ASSY / B - TO B -	2	2		
4	061036	CABLE ASSY / B - TO B -	1	1		
5	063591	CABLE ASSY / RELAY BATTERY & BATTERY #24	1	1		
6	063732	CABLE ASSY / W/STD BATTERY / #12B	1	1		
7	065819	CABLE ASSY / #0VA	1	1		
8	065820	CABLE ASSY / #12VA	1	1		
9	065818	CABLE ASSY / #24VA	1	1		
10	065094	CABLE ASSY / BATTERY BOOSTER BLOCK / #0	1	1		
11	065733	CABLE ASSY / TO RR JCT BOX / #0	1	1		
12	065677	CABLE ASSY / # 00A	1	1		
13	065678	CABLE ASSY / #12	1	1		
14	063966	CABLE ASSY / W/W.C.L. / #24 WL		1		
15	063704	CABLE ASSY / W/W.C.L. / #24WC		1		
16	065675	CABLE ASSY / # 00A	1	1		
		WITH BATTERIES 8D "OPTION"				
20	063902	CABLE ASSY / #0VA	1	1		
21	063901	CABLE ASSY / W/8D BATTERY / #12B	1	1		
23	063903	CABLE ASSY / B + TO B -	1	1		
24	065676	CABLE ASSY / #12	1	1		
25	065821	CABLE ASSY / #0VA	1	1		
26	065822	CABLE ASSY / #12VA	1	1		
27	065823	CABLE ASSY / #24VA	1	1		
		FROM REAR JUNCTION BOX				
		TO E.C.M. & ENGINE ACCESSORIES				
42	065606	CABLE ASSY / ENGINE COMPT ACCESSORIES To 4-4831	1	1		
42	066007	CABLE ASSY / ENGINE COMPT ACCESSORIES From 4-4832 To 4-4867	1	1		
42	065980	CABLE ASSY / ENGINE COMPT ACCESSORIES From 4-4868 To 4-4963	1	1		
42	066201	CABLE ASSY / ENGINE COMPT ACCESSORIES From 4-4964	1	1		
44	064529	CABLE ASSY W.C.L. PUMP "RICON"	1	1		
46	065664	CABLE ASSY / RJB & GALLEY CURBSIDE	1	1		
46	065668	CABLE ASSY / RJB & GALLEY STREETSIDE	1	1		
49	063963	CABLE ASSY / W.C.L. ACCESSORIES / "ST & ST"				
49	064223	CABLE ASSY / W.C.L. ACCESSORIES / "RICON" To 4-4704		1		
49	065862	CABLE ASSY / W.C.L. ACCESSORIES / "RICON" From 4-4705		1		



From 4-4758 To 5-0107	Date:10/2022	PAGE:HF-0600-01
WIRING HARNESS - BUS DIAGRAM D-060976-C1		

Item#	Part	Description	H 3 4 1	H 3 4 5	V I P 4 5	N O T E S
		INSIDE REAR JUNCTION BOX				
51	065544	WIRING HARNESS RR JCT BOX BUS H3 From 4-4758 To 4-4773	1	1		
51	065912	WIRING HARNESS RR JCT BOX BUS H3 From 4-4774 To 4-4810	1	1		
51	065936	WIRING HARNESS RR JCT BOX BUS H3 From 4-4811 To 4-4866	1	1		
51	065984	WIRING HARNESS RR JCT BOX BUS H3 From 4-4867 To 5-0167	1	1		
51	066110	WIRING HARNESS RR JCT BOX BUS H3 From 5-0168 To 5-0193	1	1		
		FROM REAR JUNCTION BOX				
		TO REAR ENGINE COMPARTMENT				
61	065679	CABLE HARNESS / ENGINE ACCESSORIES To 4-4866	1	1		
61	065981	CABLE HARNESS / ENGINE ACCESSORIES From 4-4867	1	1		
62	064646	CABLE HARNESS / ENGINE ACC. TO ROOF LIGHT	1	1		
62	066121	CABLE HARNESS / CLEARANCE LIGHT REAR SEE DRAWING	1	1		
63	063209	CABLE ASSY R.H. LAMP / REAR ENGINE DOOR	1	1		
63	064334	CABLE ASSY R.H. LAMP / REAR ENGINE DOOR	1	1		
64	063210	CABLE ASSY L.H. LAMP / REAR ENGINE DOOR	1	1		
64	064335	CABLE ASSY L.H. LAMP / REAR ENGINE DOOR	1	1		
65	063715	CABLE ASSY / ENGINE ACC. & WATER SEPARATOR	1	1		
69	064101	CABLE ASSY / SWITCH & PUMP	1	1		
		FROM REAR JUNCTION BOX				
		TO PARCEL RACK & LAVATORY				
81	065682	CABLE POWER / PARCEL RACK & LAVATORY				
82	065829	CABLE ASSY / TIMER & ACCESSORIES	1	1		
83	065813	CABLE ASSY / TIMER FLUSH PUMP	1	1		
84	064568	CABLE ASSY / DIRECT LIGHT & SPEAKER L.H.	1			
84	065494	CABLE ASSY / DIRECT LIGHT & SPEAKER L.H.		1		
85	064569	CABLE ASSY / DIRECT LIGHT & SPEAKER R.H.	1			
85	065495	CABLE ASSY / DIRECT LIGHT & SPEAKER R.H.		1		
86	065467	CABLE ASSY / MAIN AISLE LAMP	1			
86	065036	CABLE ASSY / MAIN AISLE LAMP		1		
87	064573	CABLE HARNESS / IND LIGHT L.H. / W/O DDOR	1			
87	064572	CABLE HARNESS / IND LIGHT L.H. / W/DOOR	1			
87	064565	CABLE HARNESS / IND LIGHT L.H. / W/O DOOR		1		
87	064564	CABLE HARNESS / IND LIGHT L.H. / W/DOOR		1		
88	064571	CABLE HARNESS / IND LIGHT R.H. / W/O DOOR	1			
88	064570	CABLE HARNESS / IND LIGHT R.H. / W/DOOR	1			
88	064563	CABLE HARNESS / IND LIGHT R.H. / W/O DOOR		1		



From 4-4758 To 5-0107	Date:10/2022	PAGE:HF-0600-01
WIRING HARNESS - BUS DIAGRAM D-060976-C1		

Item#	Part	Description	H 3 4 1	H 3 4 5	V I P 4 5	N O T E S
88	064562	CABLE HARNESS / IND LIGHT R.H. / W/DOOR		1		
90	064843	CABLE HARNESS / READING LIGHT CURB SIDE	1			
90	064842	CABLE HARNESS / READING LIGHT CURB SIDE		1		
91	064841	CABLE HARNESS / READING LIGHT STREETSIDE	1			
91	064840	CABLE HARNESS / READING LIGHT STREETSIDE		1		
		FROM REAR JUNCTION BOX				
		TO COMPARTMENT UNDER FLOOR				
101	065604	CABLE ASSY BAGGAGE COMPARTMENT BUS	1			
101	065605	CABLE ASSY BAGGAGE COMPARTMENT BUS		1		
103	065362	CABLE ASSY / RR BAT. COMPT & EVAPO. PANEL	1	1		
104	065698	CABLE ASSY / TO FUEL TANK	1	1		
		A/C RELAY BOX IN EVAPORATOR COMPARTMENT				
106	065361	CABLE ASSY / EVAPORATOR RELAY PANEL	1	1		
		FROM REAR JUNCTION BOX				
		OF VEHICLE WITH "WORLD" TRANSMISSION				
111	065587	CABLE ASSY / FRT SELECTOR & RR ECU & VIM	1	1		
112	063782	CABLE ASSY / RESISTANCE MODULE & SWITCH	1	1		
114	065681	CABLE ASSY / E.C.U. & TRANS SPEED SWITCH	1	1		
115	065750	CABLE ASSY / TRANS & SPEED SWITCH / W/RETARDER	1	1		
116	065751	CABLE ASSY / TRANS & SPEED SWITCH / W/O RETARDER	1	1		
		FROM REAR JUNCTION BOX				
		OF VEHICLE WITH "ZF" TRANSMISSION				
121	065838	CABLE ASSY / FRT SELECTOR & RR ECU "ZF"	1	1		
121	066125	CABLE ASSY / FRT SELECTOR & RR ECU "ZF"	1	1		
122	065833	CABLE ASSY / ECU & TRANS CONTROL "ZF"	1	1		
123	065985	CABLE ASSY / ECU "ZF" & ECM "DDEC"	1	1		
		INSIDE FRONT JUNCTION BOX				
141	065638	WIRING HARNESS FRONT JUNCTION BOX From 4-4440 To 4-4833	1	1		
141	065933	WIRING HARNESS FRONT JUNCTION BOX From 4-4834 To 4-4866	1	1		
141	065986	WIRING HARNESS FRONT JUNCTION BOX From 4-4867 To 5-0022	1	1		
141	066202	WIRING HARNESS FRONT JUNCTION BOX From 5-0023	1	1		
142	064908	CABLE ASSY TO STEERING SPEED SIGNAL ECU / W/"ZF" STEERING	1	1		



From 4-4758 To 5-0107	Date:10/2022	PAGE:HF-0600-01
WIRING HARNESS - BUS DIAGRAM D-060976-C1		

Item#	Part	Description	H 3 4 1	H 3 4 5	V I P 4 5	N O T E S
		FROM FRONT JUNCTION BOX TO "ABS" MODULE				
161	065630	CABLE ASSY "ABS"	1	1		
162	065633	CABLE ASSY / FRONT "ABS" SENSOR & VALVE	1	1		
163	065635	CABLE ASSY / REAR "ABS" SENSOR & VALVE	1	1		
		FROM FRONT JUNCTION BOX FORWARD VEHICULE				
171	065674	CABLE ASSY / DDEC IV To 4-4866	1	1		
171	065982	CABLE ASSY / DDEC V From 4-4867	1	1		
173	065588	CABLE ASSY / FRONT LOWER END To 4-4869	1	1		
173	066067	CABLE ASSY / FRONT LOWER END From 4-4870 To 5-0022	1	1		
173	066101	CABLE ASSY / FRONT LOWER END From 5-0023	1	1		
174	064340	CABLE ASSY / ROOF	1	1		
174	066118	CABLE ASSY / ROOF	1	1		
175	065589	WIRING HARNESS DASHBOARD CENTRAL MODULE To 5-0022	1	1		
175	066100	WIRING HARNESS DASHBOARD CENTRAL MODULE From 5-0023	1	1		
		CABLE / CONNECTED AT HARNESS / # 175 FROM HARNESS DASHBOARD MODULE				
181	065627	WIRING HARNESS DASHBOARD LEFT MODULE	1	1		
182	065572	WIRING HARNESS / W/ "WEBASTO" PREHEATER	1	1		
183	064635	CABLE HARNESS / TO WINDOW AJAR	1	1		
183	066337	CABLE HARNESS / WINDOW	1	1		
184	064754	CABLE HARNESS / STREETSIDE WINDOW AJAR	1	1		
184	066336	CABLE HARNESS / STREETSIDE WINDOW	1	1		
185	064753	CABLE HARNESS / CURBSIDE WINDOW AJAR	1	1		
185	066335	CABLE HARNESS / CURBSIDE WINDOW	1	1		
		CABLE / CONNECTED AT HARNESS / # 173 FROM CABLE ASSY/ FRONT LOWER END				
191	065586	CABLE ASSY / ENTRANCE DOOR MODULE	1	1		
192	063951	CABLE ASSY / DOOR ACCESSORIES	1	1		
193	065222	CABLE ASSY / PARKING BRAKE PRESSURE	1	1		
194	065477	CABLE ASSY / W/"HALOGENE" LAMPS / W/H3	2	2		
195	066011	CABLE ASSY / W/"XENON" LAMPS / W/H3	2	2		



From 4-4758 To 5-0107	Date:10/2022	PAGE:HF-0600-01
WIRING HARNESS - BUS DIAGRAM D-060976-C1		

Item#	Part	Description	H 3 4 1	H 3 4 5	V I P 4 5	N O T E S
		FRONT UPPER CABLE				
		SOUND COMPONENTS				
205	404309	CABLE ASSY / HAT RACK / L.H. & R.H.	1	1		
205	404310	CABLE ASSY / HAT RACK / L.H. & R.H.	1	1		
209	405328	CABLE ASSY / SOUND SYSTEM FEED HARNESS (0SS 12SS 24SS)	1	1		
210	405329	CABLE ASSY #12SB	1	1		
211	404316	CABLE ASSY 24SB	1	1		
		FROM FRONT JUNCTION BOX				
		TO MISCELLANEOUS COMPONENTS				
221	064199	CABLE ASSY / CLOCK & FRONT JCT PANEL	1	1		



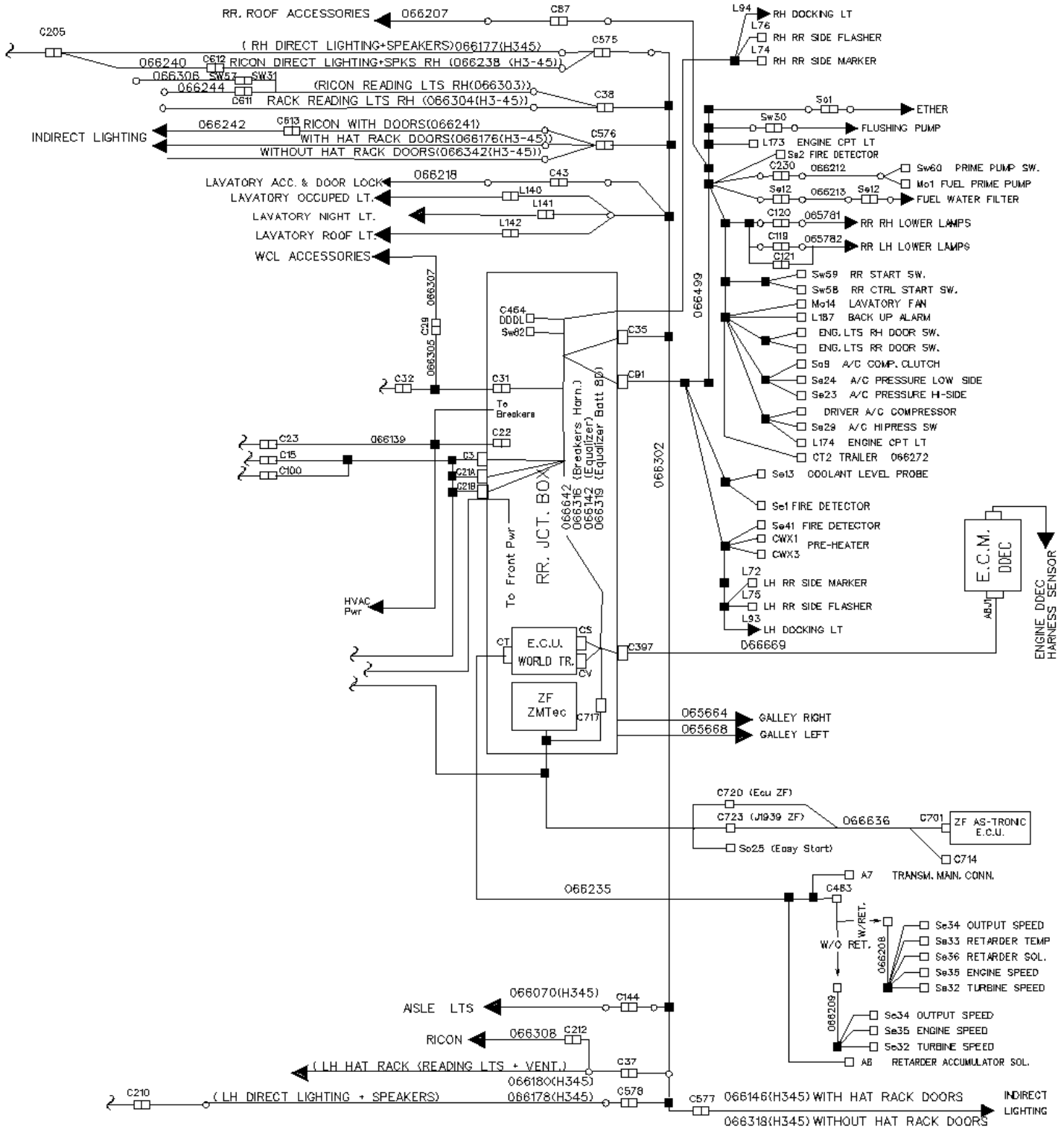
From 5-0108 To 8-1043

Date:10/2022

PAGE:HF-0600-02

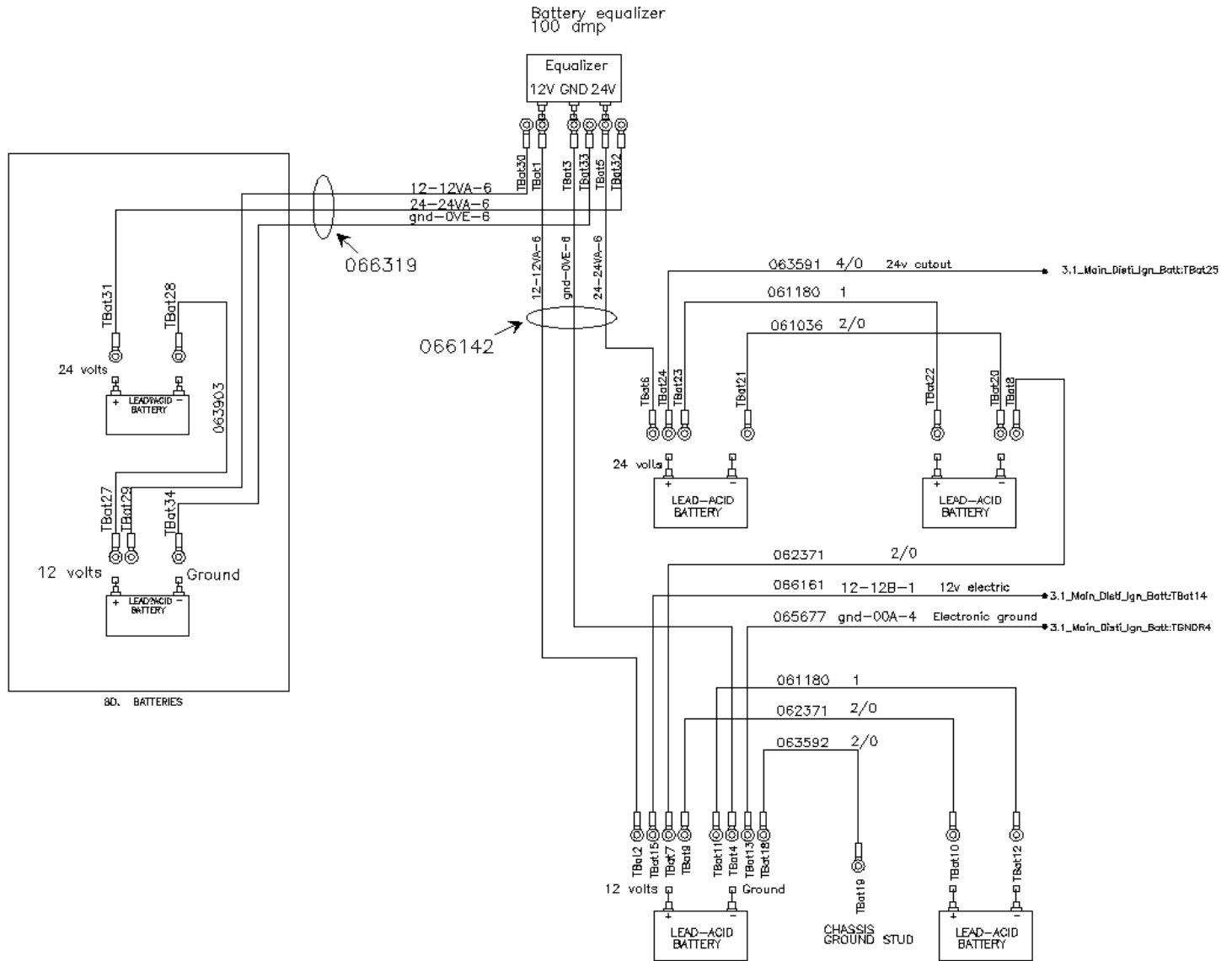
WIRING HARNESS - BUS / MUX DIAGRAM D-061020-C1

B DRAWING FROM REV 10





From 5-0108 To 8-1043	Date:10/2022	PAGE:HF-0600-02
WIRING HARNESS - BUS / MUX DIAGRAM D-061020-C1		





From 5-0108 To 8-1043	Date:10/2022	PAGE:HF-0600-02
WIRING HARNESS - BUS / MUX DIAGRAM D-061020-C1		

Item#	Part	Description	H 3 4 1	H 3 4 5	V I P 4 5	N O T E S
		IN BATTERIES COMPARTMENT				
1	063592	CABLE ASSY / B - TO GROUND	1	1		
2	062371	CABLE ASSY / B + TO B +	2	2		
3	061180	CABLE ASSY / B - TO B -	2	2		
4	061036	CABLE ASSY / B - TO B -	1	1		
5	063591	CABLE ASSY / RELAY BATTERY & BATTERY #24	1	1		
6	066161	CABLE POWER 12B / CB4 / MUX	1	1		
7	066142	CABLE HARNESS / EQUALIZER	1	1		
12	065677	CABLE ASSY / # 00A	1	1		
		WITH BATTERIES 8D "OPTION"				
23	063903	CABLE ASSY / B + TO B -	1	1		
29	066319	CABLE HARNESS / EQUALIZER / W/8D BATTERIES / MUX	1	1		
		FROM REAR JUNCTION BOX				
		TO E.C.M. & ENGINE ACCESSORIES				
42	066144	CABLE ASSY / ECU & REAR JCT BOX To 5-0108	1	1		
42	066329	CABLE ASSY / ECU & REAR JCT BOX From 5-0109 To 6-0427		1		
42	066669	CABLE ASSY / ECU & REAR JCT BOX From 6-0428	1	1		
44	066237	CABLE POWER / W.C.L. "RICON"		1		
44	066305	CABLE POWER / ACCESSORIES & W.C.L. "RICON"		1		
46	065664	CABLE ASSY / RJB & GALLEY CURBSIDE	1	1		
46	065668	CABLE ASSY / RJB & GALLEY STREETSIDE	1	1		
49	066307	CABLE ASSY / POWER / W.C.L. "RICON"	1	1	1	
		INSIDE REAR JUNCTION BOX				
51	066141	CABLE HARNESS / REAR JUNCTION BOX To 5-0108		1		
51	066315	CABLE HARNESS / REAR JUNCTION BOX From 5-0109 To 5-0167		1		
51	066498	CABLE HARNESS / REAR JUNCTION BOX From 5-0168 To 5-0222	1	1		
51	066642	CABLE HARNESS / REAR JUNCTION BOX From 5-0223 To 6-0560	1	1		
51	066696	CABLE HARNESS / REAR JUNCTION BOX From 6-0561	1	1		
52	064148	CABLE HARNESS / REAR JUNCTION BOX / CAN / MUX To 5-0108		1		
52	066317	CABLE HARNESS / REAR JUNCTION BOX / CAN / MUX From 5-0109 To 5-0167		1		
52	066423	CABLE HARNESS / REAR JUNCTION BOX / CAN / MUX From 5-0168 To 6-0427	1	1		
53	066139	CABLE POWER / BREAKERS & HVAC	1	1		
54	066316	CABLE ASSY / BREAKERS	1	1		
		FROM REAR JUNCTION BOX				



From 5-0108 To 8-1043	Date:10/2022	PAGE:HF-0600-02
WIRING HARNESS - BUS / MUX DIAGRAM D-061020-C1		

Item#	Part	Description	H 3 4 1	H 3 4 5	V I P 4 5	N O T E S
		TO ENGINE COMPARTMENT				
61	066143	CABLE HARNESS / ENGINE ACCESSORIES / W/MUX To 5-0167		1		
61	066499	CABLE HARNESS / ENGINE ACCESSORIES / W/MUX From 5-0168	1	1		
62	066207	CABLE HARNESS / CLEARANCE LIGHT REAR / MUX	1	1		
63	065781	CABLE ASSY R.H. LAMP / REAR ENGINE DOOR / MUX	1	1		
64	065782	CABLE ASSY L.H. LAMP / REAR ENGINE DOOR / MUX	1	1		
65	066213	CABLE ASSY / FUEL WATER FILTER	1	1		
69	066212	CABLE ASSY / PRIMER FUEL PUMP	1	1		
		FROM REAR JUNCTION BOX				
		TO PARCEL RACK & LAVATORY				
81	066145	CABLE POWER / PARCEL RACK & LAVATORY To 5-0167		1		
81	066302	CABLE POWER / PARCEL RACK & LAVATORY From 5-0168	1	1		
82	066218	CABLE ASSY / TIMER & ACCESSORIES / MUX	1	1		
84	066178	CABLE ASSY / DIRECT LIGHT & SPEAKER L.H. To 6-0560	1	1		
84	066712	CABLE ASSY / DIRECT LIGHT & SPEAKER L.H. From 6-0561	1	1		
85	066177	CABLE ASSY / DIRECT LIGHT & SPEAKER R.H. / MUX To 6-0560	1	1		
85	066711	CABLE ASSY / DIRECT LIGHT & SPEAKER R.H. From 6-0561	1	1		
85	066238	CABLE ASSY / DIRECT LIGHT & SPEAKER R.H. / RR / W/W.C.L. To 6-0560	1	1		
85	066701	CABLE, DIRECT LIGHT REAR RH / W/W.C.L. From 6-0561	1	1		
85	066240	CABLE ASSY / DIRECT LIGHT & SPEAKER R.H. / FR / W/W.C.L. To 6-0560	1	1		
85	066703	CABLE, DIRECT LIGHT FRONT RH / W/W.C.L. From 6-0561	1	1		
86	066070	CABLE ASSY / MAIN AISLE LAMP To 6-0560	1	1		
86	066707	CABLE ASSY / MAIN AISLE LAMP W/SUBWOOFER / SERIES "H" From 6-0561	1	1		
87	066146	CABLE HARNESS / IND LIGHT L.H. / W/DOOR / MUX	1	1		
87	066318	CABLE HARNESS / IND LIGHT L.H. / W/O DDOR / MUX	1	1		
88	066176	CABLE HARNESS / IND LIGHT R.H. / W/DOOR / MUX	1	1		
88	066342	CABLE HARNESS / IND LIGHT R.H. / W/O DOOR / MUX	1	1		
88	066241	CABLE HARNESS / IND LIGHT R.H. / W/DOOR RR / W/W.C.L.	1	1		
88	066242	CABLE HARNESS / IND LIGHT R.H. / W/DOOR FRT / W/W.C.L.	1	1		
90	066179	CABLE HARNESS / READING LIGHT CURB SIDE / MUX	1	1		
90	066304	CABLE HARNESS / READING LIGHT CURB SIDE / MUX To 6-0560	1	1		
90	066706	CABLE HARNESS / READING LIGHT CURB SIDE / MUX From 6-0561	1	1		
90	066243	CABLE HARNESS / READING LIGHT CURB SIDE / W/W.C.L.	1	1		
90	066303	CABLE HARNESS / READING LIGHT CURB SIDE / W/W.C.L.	1	1		
91	066180	CABLE HARNESS / READING LIGHT STREETSIDE To 6-0560	1	1		
91	066705	CABLE HARNESS / READING LIGHT STREETSIDE From 6-0561	1	1		
95	066244	CABLE HARNESS / READING LIGHT CURBSIDE FRONT / W/W.C.L. To 6-0560	1	1		
95	066709	CABLE HARNESS / READING LIGHT CURBSIDE FRONT / W/W.C.L. From 6-0561	1	1		
96	066306	CABLE ASSY / W/WCL	1	1		



From 5-0108 To 8-1043	Date:10/2022	PAGE:HF-0600-02
WIRING HARNESS - BUS / MUX DIAGRAM D-061020-C1		

Item#	Part	Description	H 3 4 1	H 3 4 5	V I P 4 5	N O T E S
98	066308	CABLE ASSY / TO L.H. WINDOW / W/W.C.L. FROM REAR JUNCTION BOX TO COMPARTMENT UNDER FLOOR ACCESORIES	1	1		
101	066140	CABLE ASSY / POWER ACCES TO ACCESORIES To 5-0290		1		
101	066523	CABLE ASSY / POWER ACCES TO ACCESORIES From 5-0291		1		
101	066412	CABLE ASSY / POWER ACCES TO ACCESORIES To 5-0290	1			
101	066524	CABLE ASSY / POWER ACCES TO ACCESORIES From 5-0291 To 5-0427	1			
101	066665	CABLE ASSY / POWER ACCES TO ACCESORIES From 5-0428	1			
103	066149	CABLE ASSY / EVAPO CAN To 5-0167		1		
103	066425	CABLE ASSY / EVAPO CAN From 5-0168 To 5-0428	1	1		
104	066221	CABLE HARNESS / FUEL TANK / MUX FROM REAR JUNCTION BOX VEHICLE WITH "WORLD" TRANSMISSION	1	1		
111	066138	CABLE ASSY / FRT SELECTOR & RR ECU & VIM To 5-0108		1		
111	066314	CABLE ASSY / FRT SELECTOR & RR ECU & VIM From 5-0109 To 5-0167		1		
111	066430	CABLE ASSY / FRT SELECTOR & RR ECU & VIM From 5-0168 To 5-0290		1		
111	066519	CABLE ASSY / FRT SELECTOR & RR ECU & VIM From 5-0291 To 5-0427		1		
111	066670	CABLE ASSY / FRT SELECTOR & RR ECU & VIM From 5-0428 To 6-0560		1		
111	066693	CABLE ASSY / FRT SELECTOR & RR ECU & VIM From 6-0561		1		
111	066403	CABLE ASSY / FRT SELECTOR & RR ECU & VIM To 5-0290	1			
111	066520	CABLE ASSY / FRT SELECTOR & RR ECU & VIM From 5-0291 To 5-0427	1			
111	066671	CABLE ASSY / FRT SELECTOR & RR ECU & VIM From 5-0428 To 6-0560	1			
111	066694	CABLE ASSY / FRT SELECTOR & RR ECU & VIM From 6-0561	1			
112	066210	CABLE ASSY / RESISTANCE MODULE & SWITCH / MUX	1	1		
114	065681	CABLE ASSY / E.C.U. & TRANS SPEED SWITCH To 5-0107		1		
114	066235	CABLE ASSY / E.C.U. & TRANS SPEED SWITCH / MUX From 5-0108 To 6-0560	1	1		
114	066697	CABLE ASSY / E.C.U. & TRANS SPEED SWITCH / MUX From 6-0561	1	1		
115	066208	CABLE HARNESS / SENSOR WTEC W/RETARDER / MUX To 6-0560	1	1		
116	066209	CABLE HARNESS / SENSOR WTEC W/OUT RETARDER / MUX FROM REAR JUNCTION BOX VEHICLE WITH "ZF" TRANSMISSION	1	1		
121	066239	CABLE ASSY / FRT SELECTOR & RR "ZMTec" To 5-0108		1		
121	066409	CABLE ASSY / FRT SELECTOR & RR "ZMTec" From 5-0176 To 5-0188	1			
121	066431	CABLE ASSY / FRT SELECTOR & RR "ZMTec" From 5-0168 To 5-0222		1		
121	066641	CABLE ASSY / FRT SELECTOR & RR "ZMTec" From 5-0223 To 6-0560	1	1		
121	066695	CABLE ASSY / FRT SELECTOR & RR "ZMTec" From 6-0561	1	1		



From 5-0108 To 8-1043	Date:10/2022	PAGE:HF-0600-02
WIRING HARNESS - BUS / MUX DIAGRAM D-061020-C1		

Item#	Part	Description	H 3 4 1	H 3 4 5	V I P 4 5	N O T E S
122	066636	CABLE ASSY / FRT SELECTOR & RR "ZMTec"	1	1		
. NS	563340	. CONNECTOR / SEAL CIRC. 2.5 SERIES / SH 4C / AMP 1-967325-1	1	1		
. NS	562877	. CONNECTOR / DT SERIES / PH 3C / GRAY / DEUTSCH DT04-3P-E008	1	1		
		FROM REAR JUNCTION BOX				
		TO FRONT JUNCTION BOX				
131	066411	CABLE POWER / RJB TO FJB	1			
131	066137	CABLE POWER / RJB TO FJB		1		
		INSIDE FRONT JUNCTION BOX				
141	066136	WIRING HARNESS FRONT JUNCTION BOX / W/MUX To 5-0108	1	1		
141	066312	WIRING HARNESS FRONT JUNCTION BOX / W/MUX From 5-0109 To 5-0290	1	1		A
141	066522	WIRING HARNESS FRONT JUNCTION BOX / W/MUX From 5-0291 To 7-0935	1	1		A
141	066734	CABLE ASSY ADAPTOR FOR LOWER WIPER To 5-0167		1		A
141	066666	WIRING HARNESS FRONT JUNCTION BOX / W/MUX & CAN From 7-0936	1	1		
141	066730	WIRING HARNESS FRONT JUNCTION BOX / W/MUX & CAN To 6-0560	1	1		
141	066728	WIRING HARNESS FRONT JUNCTION BOX / W/MUX From 6-0561	1	1		
142	064908	CABLE ASSY TO STEERING SPEED SIGNAL ECU / W/"ZF" STEERING	1	1		
143	066147	SERIES "H" CAN HARNESS / FRT JCT BOX To 5-0108		1		
143	066331	SERIES "H" CAN HARNESS / FRT JCT BOX From 5-0109 To 5-0167		1		
143	066426	SERIES "H" CAN HARNESS / FRT JCT BOX From 5-0168 To 6-0428	1	1		
143	068073	UNIVERSAL CAN HARNESS / FRT JCT BOX	1	1		
		FROM FRONT JUNCTION BOX				
		TO "ABS" MODULE				
161	062222	CABLE ASSY / FJB TO "ABS" & CABLE FRT & RR To 5-0108		1		
161	066313	CABLE ASSY / FJB TO "ABS" & CABLE FRT & RR From 5-0109	1	1		
162	066224	CABLE ASSY / FRONT "ABS" SENSOR & VALVE / MUX	1	1		
162	066986	CABLE ASSY / FRONT "ABS" SENSOR & VALVE / MUX & EPS From 7-0939	1	1		
163	066223	CABLE ASSY / REAR "ABS" SENSOR & VALVE / MUX	1	1		
164	066987	CABLE ASSY "ABS" PREMIUM & E.S.P. From 7-0939	1	1		
		FROM FRONT JUNCTION BOX				
		FORWARD VEHICULE				
173	066131	CABLE ASSY / FRONT LOWER END To 5-0167		1		
173	066427	CABLE ASSY / FRONT LOWER END From 5-0168 To 5-0211	1	1		
173	066558	CABLE ASSY / FRONT LOWER END From 5-0212 To 6-0398	1	1		
173	066645	CABLE ASSY / FRONT LOWER END From 6-0399 To 6-0427	1	1		



From 5-0108 To 8-1043	Date:10/2022	PAGE:HF-0600-02
WIRING HARNESS - BUS / MUX DIAGRAM D-061020-C1		

Item#	Part	Description	H 3 4 1	H 3 4 5	V I P 4 5	N O T E S
173	066667	CABLE ASSY / FRONT LOWER END From 6-0428 To 6-0559	1	1		
173	066732	CABLE ASSY / FRONT LOWER END From 6-0560	1	1		
174	066130	CABLE HARNESS / FRONT ROOF To 7-0953	1	1		
174	067172	CABLE HARNESS / FRONT ROOF From 7-0954	1	1		
175	066134	WIRING HARNESS DASHBOARD CENTRAL MODULE / MUX To 5-0167	1	1		A
175	066731	WIRING HARNESS DASHBOARD CENTRAL MODULE / MUX From 5-0168	1	1		
		CABLE / CONNECTED AT HARNESS / # 175				
		FROM DASHBOARD CENTRAL MODULE				
181	066135	WIRING HARNESS DASHBOARD LEFT MODULE / W/MUX	1	1		
182	066217	WIRING HARNESS / W/ "WEBASTO" PREHEATER / W/MUX	1	1		
183	066214	CABLE ASSY TO WINDOW AJAR BOTH SIDE	1	1		
183	066404	CABLE ASSY TO WINDOW AJAR BOTH SIDE	1	1		
184	066215	CABLE HARNESS / STREETSIDE WINDOW AJAR / MUX	1	1		
184	066344	CABLE HARNESS / STREETSIDE WINDOW AJAR / MUX	1	1		
185	066216	CABLE HARNESS / CURBSIDE WINDOW AJAR / MUX	1	1		
185	066343	CABLE HARNESS / CURBSIDE WINDOW AJAR / MUX	1	1		
		CABLE / CONNECTED AT HARNESS / # 173				
		FROM CABLE ASSY/ FRONT LOWER END				
191	066133	CABLE ASSY / ENTRANCE DOOR MODULE / MUX	1	1		
192	066211	CABLE ASSY / DOOR ACCESSORIES / MUX To 6-0398	1	1		
192	066647	CABLE ASSY / DOOR ACCESSORIES / MUX From 6-0399	1	1		
194	066220	CABLE ASSY / W/"HALOGENE" LAMPS / MUX	2	2		
195	066219	CABLE ASSY / "XENON" / MUX	2	2		
196	066132	CABLE ASSY / KNEELING PRESSURE SWITCH				
197	066428	CABLE ASSY CAN POWER LOGIC To 5-0211	1	1		
197	066560	CABLE ASSY CAN POWER LOGIC From 5-0212	1	1		
		FRONT UPPER CABLE				
		SOUND COMPONENTS				
205	404309	CABLE ASSY / HAT RACK / L.H. & R.H.	1			
205	404310	CABLE ASSY / HAT RACK / L.H. & R.H.		1		
		FROM FRONT JUNCTION BOX				
		TO MISCELLANEOUS COMPONENTS				
221	066206	CABLE ASSY TO DIGITAL CLOCK	1	1		



From 5-0108 To 8-1043	Date:10/2022	PAGE:HF-0600-02
WIRING HARNESS - BUS / MUX DIAGRAM D-061020-C1		

Item#	Part	Description	H 3 4 1	H 3 4 5	V I P 4 5	N O T E S
		A) SEE RETROFIT KIT 066736 FOR LOWER WIPER				



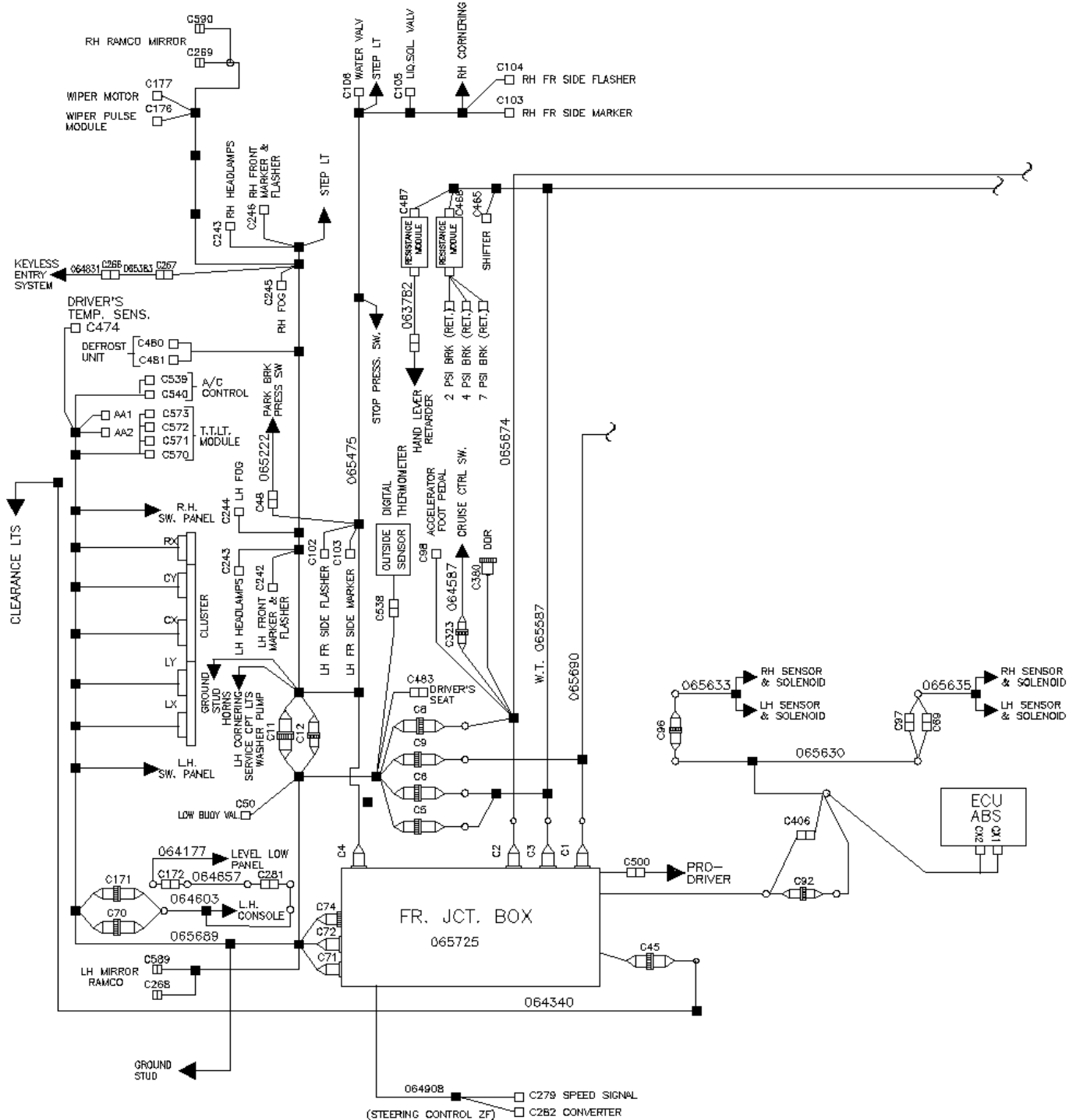
From 4-4758 To 6-0435

Date:10/2022

PAGE:HF-0600-50

WIRING HARNESS - V.I.P. DIAGRAM D-060978-C1

A DRAWING FROM REV 00





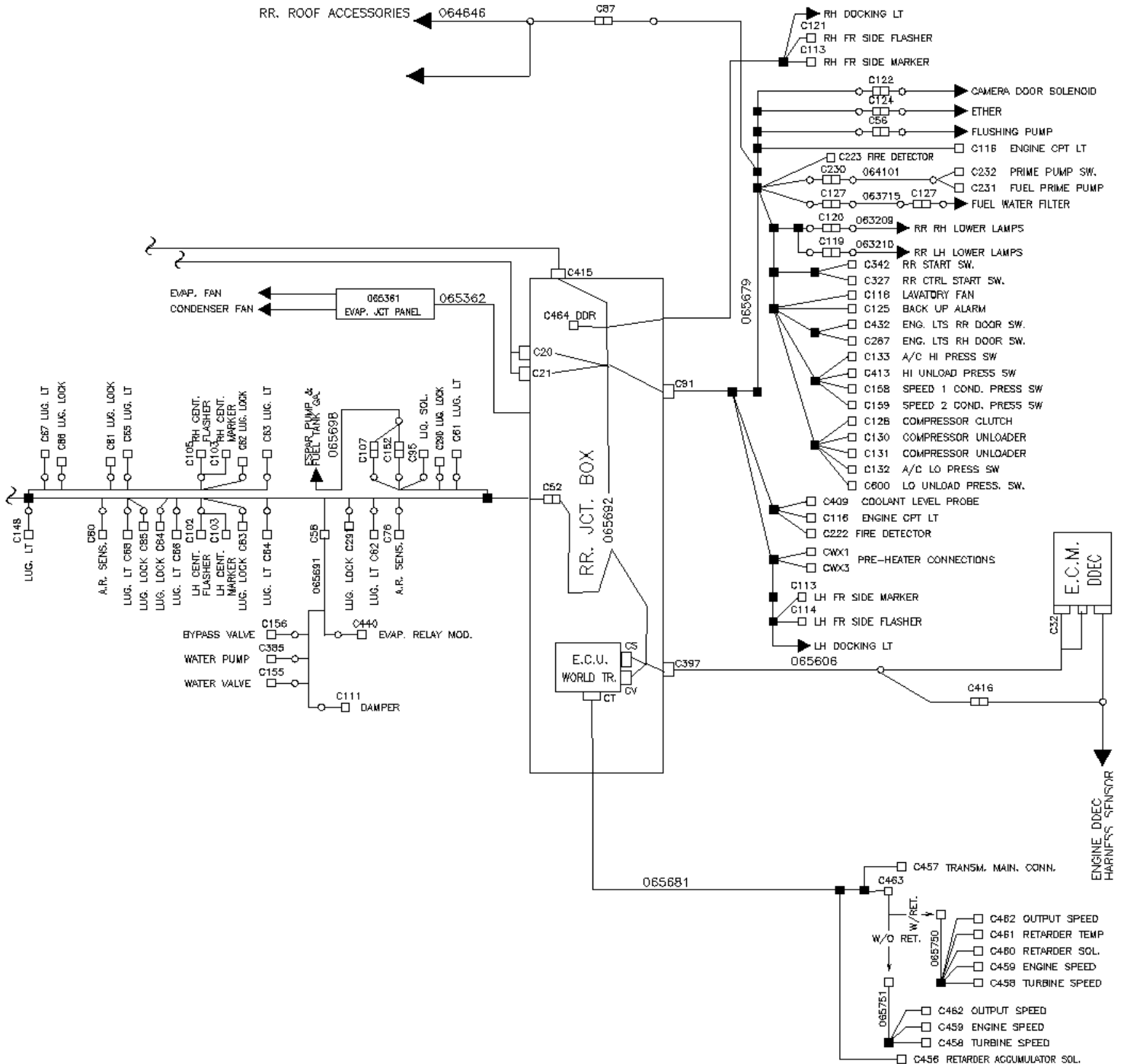
From 4-4758 To 6-0435

Date:10/2022

PAGE:HF-0600-50

WIRING HARNESS - V.I.P. DIAGRAM D-060978-C1

B DRAWING FROM REV 00



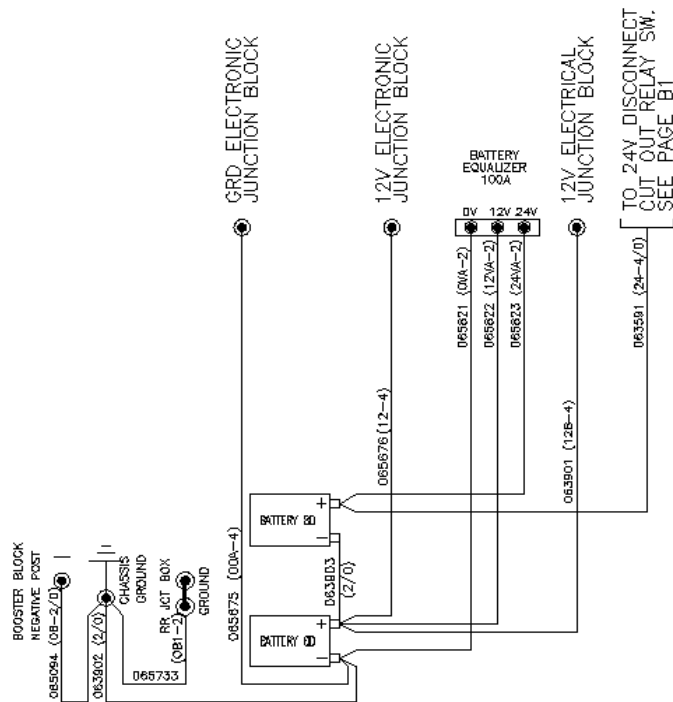


From 4-4758 To 6-0435

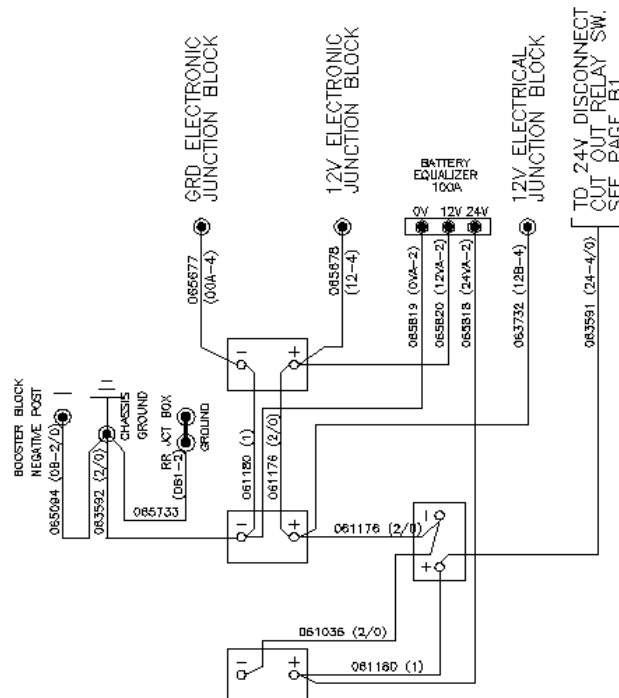
Date:10/2022

PAGE:HF-0600-50

WIRING HARNESS - V.I.P. DIAGRAM D-060978-C1



8D BATTERIES



STANDARD BATTERIES



From 4-4758 To 6-0435	Date:10/2022	PAGE:HF-0600-50
WIRING HARNESS - V.I.P. DIAGRAM D-060978-C1		

Item#	Part	Description	H 3 4 1	H 3 4 5	V I P 4 5	N O T E S
		IN BATTERIES COMPARTMENT				
1	063592	CABLE ASSY / B - TO GROUND			1	
2	061176	CABLE ASSY / B + TO B +			2	
3	061180	CABLE ASSY / B - TO B -			2	
4	061036	CABLE ASSY / B - TO B -			1	
5	063591	CABLE ASSY / RELAY BATTERY & BATTERY #24			1	
6	063732	CABLE ASSY / W/STD BATTERY / #12B			1	
7	065819	CABLE ASSY / #0VA			1	
8	065820	CABLE ASSY / #12VA			1	
9	065818	CABLE ASSY / #24VA			1	
10	065094	CABLE ASSY / BATTERY BOOSTER BLOCK / #0			1	
12	065677	CABLE ASSY / # 00A			1	
13	065678	CABLE ASSY / #12			1	
16	065733	CABLE ASSY / TO RR JCT BOX / #0			1	
		WITH BATTERIES 8D "OPTION"				
20	063902	CABLE ASSY / #0VA			1	
21	063901	CABLE ASSY / W/8D BATTERY / #12B			1	
23	063903	CABLE ASSY / B + TO B -			1	
24	065676	CABLE ASSY / #12			1	
25	065821	CABLE ASSY / #0VA			1	
26	065822	CABLE ASSY / #12VA			1	
27	065823	CABLE ASSY / #24VA			1	
28	065675	CABLE ASSY / # 00A			1	
		FROM REAR JUNCTION				
		TO E.C.M. & ENGINE COMPARTMENT				
42	065606	CABLE ASSY / ENGINE COMPT ACCESSORIES			1	
42	066007	CABLE ASSY / ENGINE COMPT ACCESSORIES			1	
42	065980	CABLE ASSY / ENGINE COMPT ACCESSORIES			1	
42	066201	CABLE ASSY / ENGINE COMPT ACCESSORIES			1	
45	065362	CABLE ASSY / RR BAT. COMPT & EVAPO. PANEL To 6-0435			1	
45	066453	CABLE POWER / BREAKERS & HVAC From 6-0436 To 8-1066			1	
45	067180	CABLE POWER / BREAKERS & HVAC From 8-1067 To 8-1291			1	
47	065685	CABLE ASSY / ECU & "DELCO" 50DN			1	
		INSIDE REAR JUNCTION BOX				
51	065692	CABLE ASSY REAR JCT BOX			1	



From 4-4758 To 6-0435	Date:10/2022	PAGE:HF-0600-50
WIRING HARNESS - V.I.P. DIAGRAM D-060978-C1		

Item#	Part	Description	H 3 4 1	H 3 4 5	V I P 4 5	N O T E S
51	065983	CABLE ASSY REAR JCT BOX			1	
51	066434	CABLE ASSY REAR JCT BOX			1	
		FROM REAR JUNCTION BOX				
		TO REAR ENGINE COMPARTMENT				
61	065679	CABLE HARNESS / ENGINE ACCESSORIES			1	
61	065981	CABLE HARNESS / ENGINE ACCESSORIES			1	
62	064646	CABLE HARNESS / ENGINE ACC. TO ROOF LIGHT NEED TO BE VERIFIED			1	
62	065277	CABLE HARNESS / ENGINE COMP. TO DEFLECTOR			1	
62	066120	CABLE HARNESS / ENGINE COMP. TO DEFLECTOR			1	
63	063209	CABLE ASSY R.H. LAMP / REAR ENGINE DOOR			1	
63	064334	CABLE ASSY R.H. LAMP / REAR ENGINE DOOR			1	
64	063210	CABLE ASSY L.H. LAMP / REAR ENGINE DOOR			1	
64	064335	CABLE ASSY L.H. LAMP / REAR ENGINE DOOR			1	
65	063715	CABLE ASSY / ENGINE ACC. & WATER SEPARATOR			1	
69	064101	CABLE ASSY / SWITCH & PUMP			1	
71	066119	CABLE HARNESS / CLEAR. LIGHT REAR IN DEFLECTOR			1	
		FROM REAR JUNCTION BOX				
		TO COMPARTMENT UNDER FLOOR				
101	065690	CABLE ASSY BAGGAGE COMPARTMENT VIP			1	
101	066021	CABLE ASSY BAGGAGE COMPARTMENT VIP			1	
101	066433	CABLE ASSY BAGGAGE COMPARTMENT VIP			1	
104	065698	CABLE ASSY / TO FUEL TANK			1	
106	065361	CABLE ASSY / EVAPORATOR RELAY PANEL			1	
106	065691	WIRING HARNESS EVAPORATOR COMPARTMENT.			1	
		FROM REAR JUNCTION BOX				
		OF VEHICLE WITH "WORLD" TRANSMISION				
111	065587	CABLE ASSY / FRT SELECTOR & RR ECU & VIM			1	
112	063782	CABLE ASSY / RESISTANCE MODULE & SWITCH			1	
114	065681	CABLE ASSY / E.C.U. & TRANS SPEED SWITCH			1	
115	065750	CABLE ASSY / TRANS & SPEED SWITCH / W/RETARDER			1	
116	065751	CABLE ASSY / TRANS & SPEED SWITCH / W/O RETARDER			1	
		INSIDE FRONT JUNCTION BOX				
141	065725	WIRING HARNESS FRONT JUNCTION BOX				
141	065934	WIRING HARNESS FRONT JUNCTION BOX			1	



From 4-4758 To 6-0435 Date:10/2022 PAGE:HF-0600-50

WIRING HARNESS - V.I.P. DIAGRAM D-060978-C1

Item#	Part	Description	H 3 4 1	H 3 4 5	V I P 4 5	N O T E S
141	065987	WIRING HARNESS FRONT JUNCTION BOX			1	
141	066203	WIRING HARNESS FRONT JUNCTION BOX			1	
142	064908	CABLE ASSY TO STEERING SPEED SIGNAL ECU / W/"ZF" STEERING			1	
		FROM FRONT JUNCTION BOX				
		TO "ABS" MODULE				
161	065630	CABLE ASSY "ABS"			1	
161	066369	CABLE ASSY "ABS"			1	
162	065633	CABLE ASSY / FRONT "ABS" SENSOR & VALVE			1	
163	065635	CABLE ASSY / REAR "ABS" SENSOR & VALVE			1	
		FROM FRONT JUNCTION BOX				
		FORWARD VEHICULE				
171	065674	CABLE ASSY / DDEC IV			1	
171	065982	CABLE ASSY / DDEC V			1	
173	065475	CABLE ASSY / FRONT LOWER END			1	
173	066069	CABLE ASSY / FRONT LOWER END			1	
173	066103	CABLE ASSY / FRONT LOWER END			1	
174	064340	CABLE ASSY / ROOF			1	
174	066118	CABLE ASSY / ROOF			1	
175	065689	WIRING HARNESS DASHBOARD CENTRAL MODULE			1	
175	066020	WIRING HARNESS DASHBOARD CENTRAL MODULE			1	
175	066102	WIRING HARNESS DASHBOARD CENTRAL MODULE			1	
175	066367	WIRING HARNESS DASHBOARD CENTRAL MODULE			1	
		CABLE / CONNECTED AT HARNESS / # 173				
		FROM MAJOR FRT ACCESSORIES				
176	065383	WIRING HARNESS KEYLESS MODULE			1	
177	064831	CABLE KEYLESS MODULE			1	
178	065222	CABLE ASSY / PARKING BRAKE PRESSURE			2	
		CABLE / CONNECTED AT HARNESS / # 175				
		FROM DASHBOARD CENTRAL MODULE				
181	064603	WIRING HARNESS DASHBOARD LEFT MODULE			1	
181	066366	WIRING HARNESS DASHBOARD LEFT MODULE			1	
182	064657	CABLE ASSY / W/"LEVEL LOW"			1	
183	064177	CABLE ASSY / VALVE "LEVEL-LOW"			1	
183	065429	CABLE ASSY / VALVE "LEVEL-LOW"			1	



From 4-4758 To 6-0435	Date:10/2022	PAGE:HF-0600-50
WIRING HARNESS - V.I.P. DIAGRAM D-060978-C1		

Item#	Part	Description	H 3 4 1	H 3 4 5	V I P 4 5	N O T E S
194	065477	CABLE ASSY / W/"HALOGENE" LAMPS / W/H3			1	
195	066011	CABLE ASSY / W/"XENON" LAMPS / W/H3			1	



From 6-0436 To 8-1043

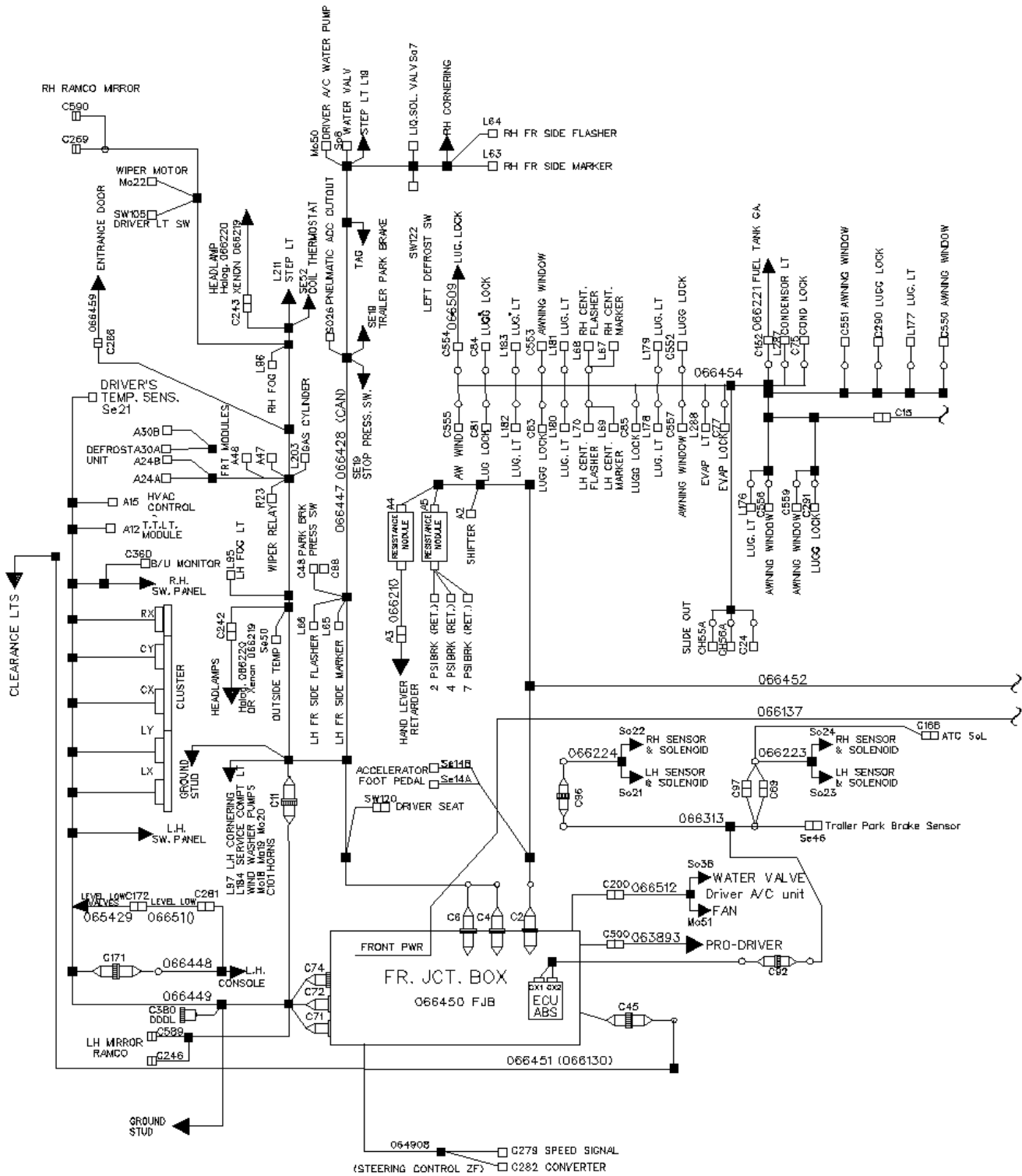
Date:10/2022

PAGE:HF-0600-51

WIRING HARNESS - V.I.P. / MUX DIAGRAM D-061040-C1



DRAWING FROM REV 00





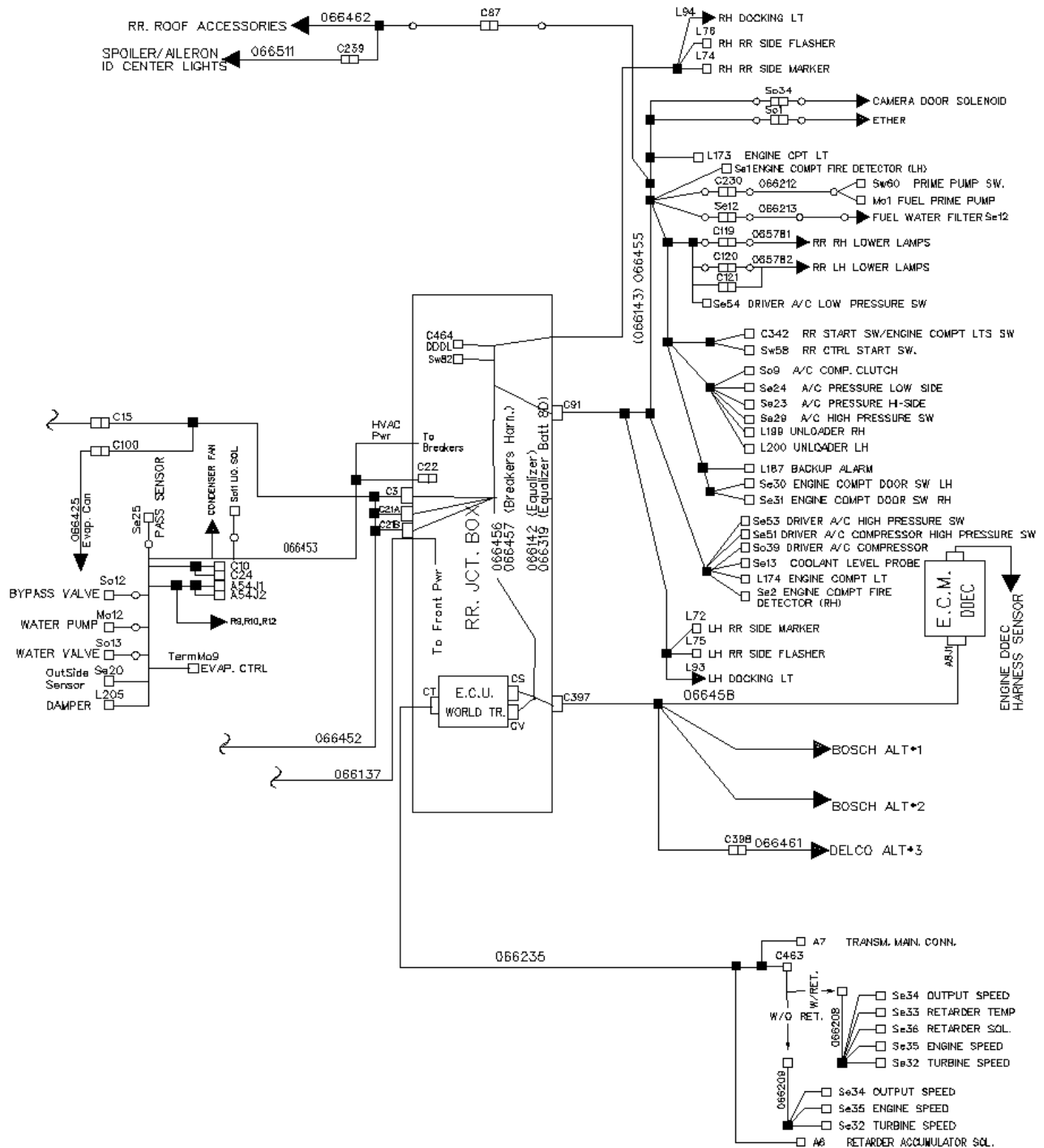
From 6-0436 To 8-1043

Date:10/2022

PAGE:HF-0600-51

WIRING HARNESS - V.I.P. / MUX DIAGRAM D-061040-C1

B DRAWING FROM REV 00



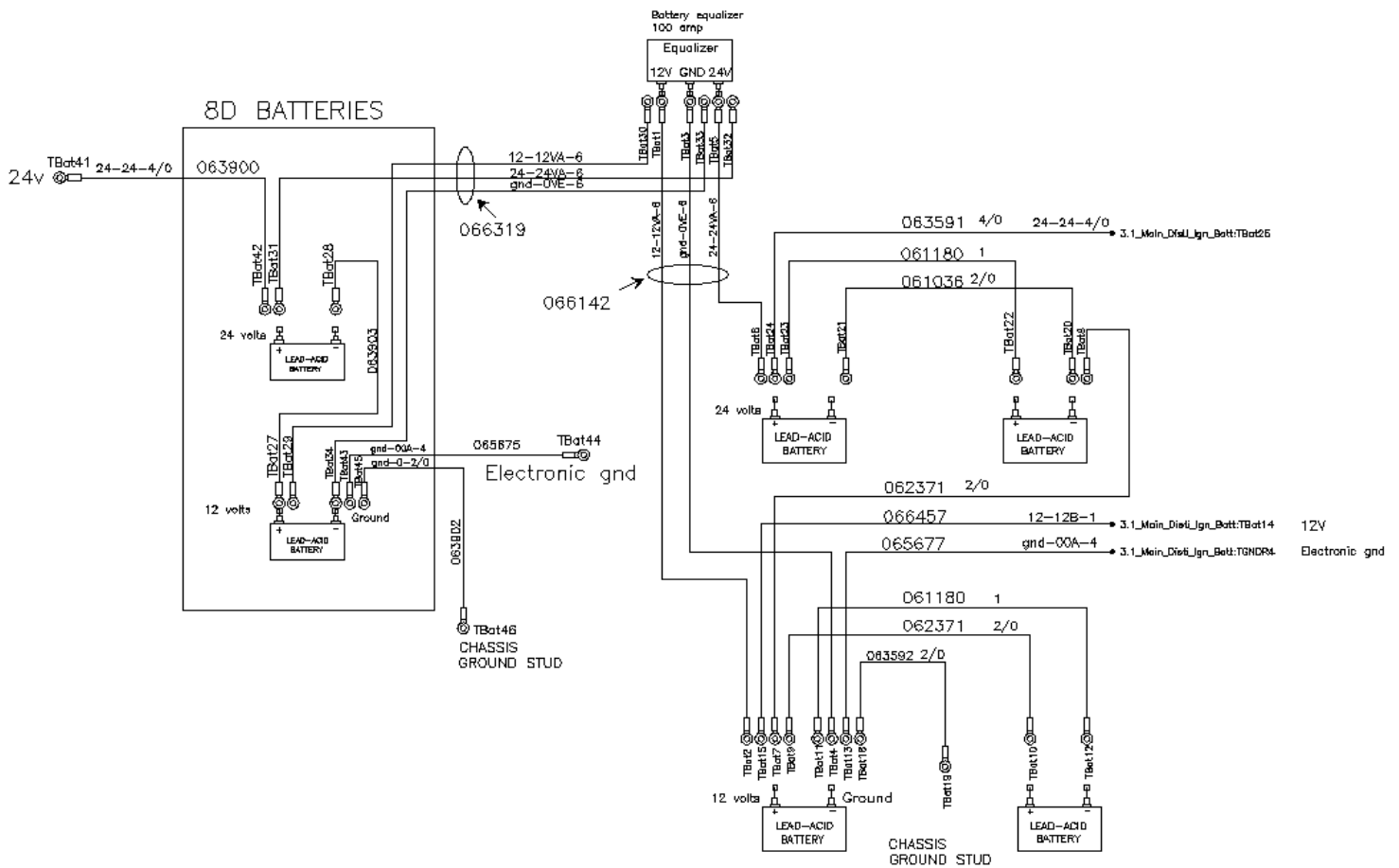


From 6-0436 To 8-1043

Date:10/2022

PAGE:HF-0600-51

WIRING HARNESS - V.I.P. / MUX DIAGRAM D-061040-C1





From 6-0436 To 8-1043	Date:10/2022	PAGE:HF-0600-51
WIRING HARNESS - V.I.P. / MUX DIAGRAM D-061040-C1		

Item#	Part	Description	H 3 4 1	H 3 4 5	V I P 4 5	N O T E S
		IN BATTERIES COMPARTMENT				
1	063592	CABLE ASSY / B - TO GROUND			1	
2	062371	CABLE ASSY / B + TO B +			2	
3	061180	CABLE ASSY / B - TO B -			2	
4	061036	CABLE ASSY / B - TO B -			1	
5	063591	CABLE ASSY / RELAY BATTERY & BATTERY #24			1	
6	066457	CABLE POWER 12B / CB4			1	
7	066142	CABLE HARNESS / EQUALIZER			1	
12	065677	CABLE ASSY / # 00A			1	
		WITH BATTERIES 8D "OPTION"				
20	063902	CABLE ASSY / #0VA			1	
23	063903	CABLE ASSY / B + TO B -			1	
27	063900	CABLE ASSY / RELAY BATTERY & BATTERY #24			1	
28	065675	CABLE ASSY / # 00A			1	
29	066319	CABLE HARNESS / EQUALIZER / W/8D BATTERIES / MUX			1	
		FROM REAR JUNCTION BOX				
		TO E.C.U. & ENGINE ACCESSORIES				
42	066458	CABLE ASSY / ECU & REAR JCT BOX			1	
47	066461	CABLE ASSY / ECU & "DELCO" 50DN			1	
		INSIDE REAR JUNCTION BOX				
51	066456	CABLE HARNESS / REAR JUNCTION BOX To 6-0560			1	
51	066766	CABLE HARNESS / REAR JUNCTION BOX From 6-0561			1	
53	066453	CABLE POWER / BREAKERS & HVAC			1	
54	066457	CABLE POWER 12B / CB4			1	
		FROM REAR JUNCTION BOX				
		TO ENGINE COMPARTMENT				
61	066143	CABLE HARNESS / ENGINE ACCESSORIES / W/MUX To 6-0435			1	
61	066455	CABLE HARNESS / ENGINE ACCESSORIES / W/MUX From 6-0436			1	
62	066462	CABLE HARNESS / ENGINE COMP. TO DEFLECTOR / MUX			1	
63	065781	CABLE ASSY R.H. LAMP / REAR ENGINE DOOR / MUX			1	
64	065782	CABLE ASSY L.H. LAMP / REAR ENGINE DOOR / MUX			1	
65	066213	CABLE ASSY / FUEL WATER FILTER			1	
69	066212	CABLE ASSY / PRIMER FUEL PUMP			1	



From 6-0436 To 8-1043	Date:10/2022	PAGE:HF-0600-51
WIRING HARNESS - V.I.P. / MUX DIAGRAM D-061040-C1		

Item#	Part	Description	H 3 4 1	H 3 4 5	V I P 4 5	N O T E S
70	066511	CABLE HARNESS / CLEAR. LIGHT REAR IN DEFLECTOR / MUX			1	
		FROM REAR JUNCTION BOX				
		TO COMPARTENT UNDER FLOOR				
101	066454	CABLE ASSY / POWER ACCES TO ACCESORIES			1	
103	066425	CABLE ASSY / EVAPO CAN			1	
104	066221	CABLE HARNESS / FUEL TANK / MUX			1	
109	066509	CABLE HARNESS ASSY / LUG. LOCK / W/MUX			1	
		FROM REAR JUNCTION BOX				
		OF VEHICLE WITH "WORLD" TRANSMISION				
111	066452	CABLE ASSY / FRT SELECTOR & RR ECU & VIM To 6-0559			1	
111	066767	CABLE ASSY / FRT SELECTOR & RR ECU & VIM From 6-0560 To 7-0771			1	
111	066862	CABLE FRT JCT BOX TO RR JCT BOX From 7-0772			1	
112	066210	CABLE ASSY / RESISTANCE MODULE & SWITCH / MUX			1	
114	066235	CABLE ASSY / E.C.U. & TRANS SPEED SWITCH / MUX			1	
115	066208	CABLE HARNESS / SENSOR WTEC W/RETARDER / MUX			1	
116	066209	CABLE HARNESS / SENSOR WTEC W/OUT RETARDER / MUX			1	
		FROM REAR JUNCTION BOX				
		TO FRONT JUNCTION BOX				
131	066137	CABLE POWER / RJB TO FJB			1	
		INSIDE FRONT JUNCTION BOX				
141	066450	WIRING HARNESS FRONT JUNCTION BOX / W/MUX To 6-0560				
141	066765	WIRING HARNESS FRONT JUNCTION BOX / W/MUX From 6-0561			1	
142	064908	CABLE ASSY TO STEERING SPEED SIGNAL ECU / W/"ZF" STEERING			1	
144	067073	CABLE ASSY W/DETROIT	1	1	1	
144	067074	CABLE ASSY VECU VOLVO	1	1	1	
		FROM FRONT JUNCTION BOX				
		TO "ABS" MODULE				
161	066313	CABLE ASSY / FJB TO "ABS" & CABLE FRT & RR			1	
161	066987	CABLE ASSY "ABS" PREMIUM & E.S.P.			1	
162	066224	CABLE ASSY / FRONT "ABS" SENSOR & VALVE / MUX			1	
162	066986	CABLE ASSY / FRONT "ABS" SENSOR & VALVE / MUX & EPS			1	
163	066223	CABLE ASSY / REAR "ABS" SENSOR & VALVE / MUX			1	



From 6-0436 To 8-1043	Date:10/2022	PAGE:HF-0600-51
WIRING HARNESS - V.I.P. / MUX DIAGRAM D-061040-C1		

Item#	Part	Description	H 3 4 1	H 3 4 5	V I P 4 5	N O T E S
		FROM FRONT JUNCTION BOX FORWARD VEHICULE				
173	066447	WIRING HARNESS FJB TO MAJOR FRT ACCESSORIES To 6-0560			1	
173	066769	WIRING HARNESS FJB TO MAJOR FRT ACCESSORIES From 6-0561			1	
174	066451	CABLE HARNESS / FRONT ROOF			1	
174	066130	CABLE HARNESS / FRONT ROOF To 7-0953			1	
174	067172	CABLE HARNESS / FRONT ROOF From 7-0954			1	
175	066449	WIRING HARNESS DASHBOARD CENTRAL MODULE / MUX To 6-0560			1	
175	066768	WIRING HARNESS DASHBOARD CENTRAL MODULE / MUX From 6-0561			1	
176	066512	CABLE ASSY / TO DRIVER'S A/C UNIT			1	
177	063893	CABLE ASSY / PRODRIVER POWER			1	
		CABLE / CONNECTED AT HARNESS / # 175 FROM DASHBOARD CENTRAL MODULE				
181	066448	WIRING HARNESS DASHBOARD LEFT MODULE / MUX			1	
182	066510	CABLE ASSY / W/"LEVEL LOW" / MUX			1	
183	065429	CABLE ASSY / VALVE "LEVEL-LOW"			1	
		CABLE / CONNECTED AT HARNESS / # 173 FROM CABLE ASSY / FRONT LOWER END				
191	066459	CABLE HARNESS / ENTRANCE DOOR			1	
192	066428	CABLE ASSY CAN POWER LOGIC			1	
194	066220	CABLE ASSY / W/"HALOGENE" LAMPS / MUX			2	
195	066219	CABLE ASSY / "XENON" / MUX			2	

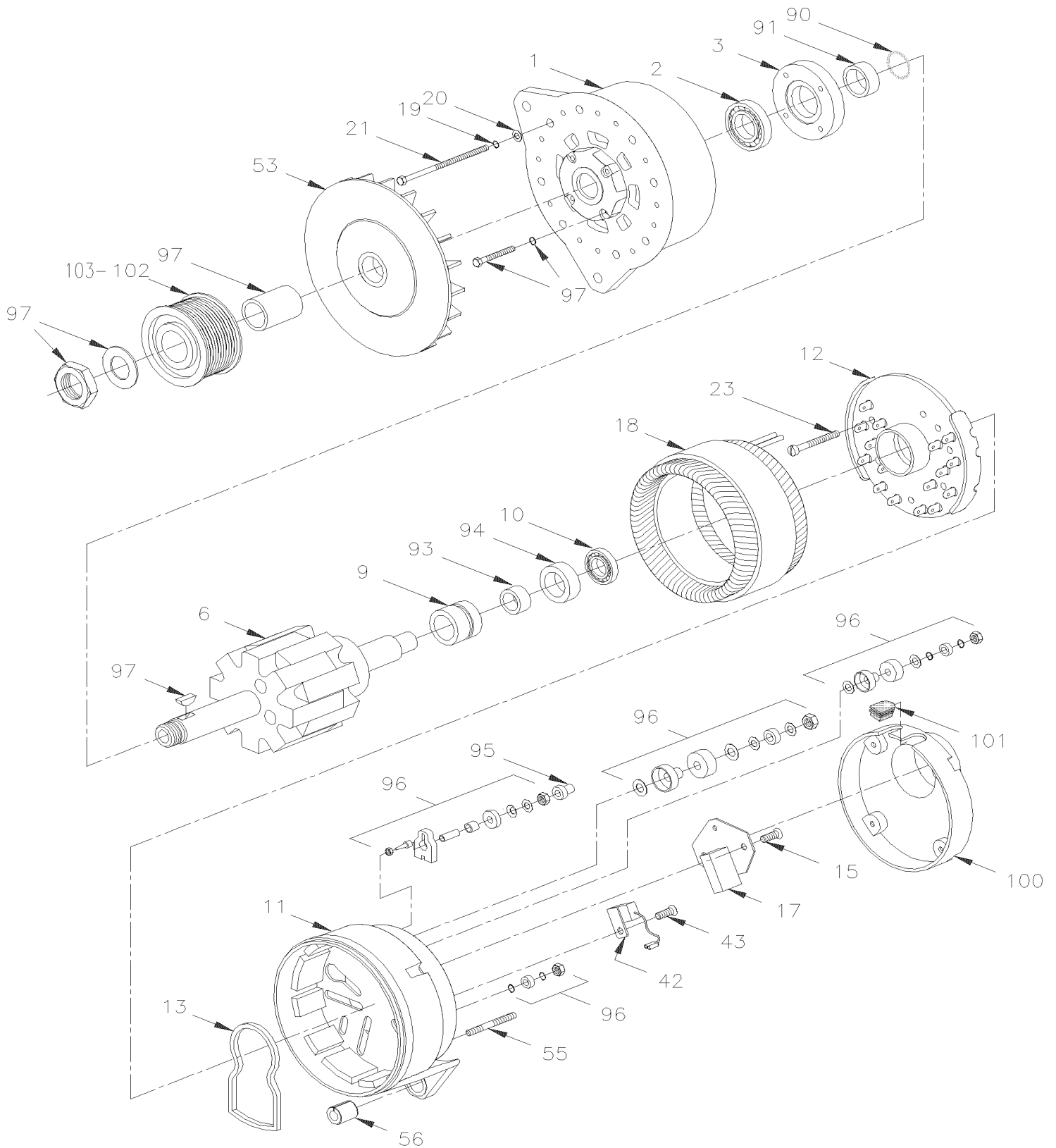


From 3-4417 To 8-1043

Date:10/2022

PAGE:HF-0605-00

ALTERNATOR 24V/140 AMPS / "BOSCH"





From 3-4417 To 8-1043	Date:10/2022	PAGE:HF-0605-00
ALTERNATOR 24V/140 AMPS / "BOSCH"		

Item#	Part	Description	H 3 4 1	H 3 4 5	V I P 4 5	N O T E S
	562752	ALTERNATOR ASSY 24V/140 AMPS	2	2		
1	562971	. DRIVE END SHIELD	1	1		
2	562972	. BALL BEARING	1	1		
3	562973	. COVER PLATE / (1 120 033 009)	1	1		
6	562974	. ROTOR / (1 124 037 004)	1	1		
9	562975	. . COLLECTOR-RING	1	1		
10	562976	. CYLINDER ROLLER BEARING	1	1		
NS	684922	. . GREASE "POLYREX" EM / TO USE W/"BOSCH" ALTERNATOR	AR	AR		
11	562977	. COLLECTOR-RING END SHIELD	1	1		
12	562978	. RECTIFIER PLATE ASSY / (1 127 320 973)	1	1		
13	562979	. . SEAL	1	1		
15	562980	. WASHER-AND-SCREW ASSEMBLY	3	3		
17	562981	. TRANSISTOR REGULATOR	1	1		
17	562982	. . COMPRESSION SPRING	2	2		
17	562983	. . BRUSH SET	2	2		
17	562984	. GASKET	1	1		
18	562985	. STATOR ASSY	1	1		
19	562986	. WASHER LOCK SPRING 6MM	4	4		
20	562987	. PLAIN WASHER	4	4		
21	562988	. OVAL-HEAD SCREW	4	4		
23	562989	. WASHER-AND-SCREW ASSEMBLY	3	3		
42	562990	. SUPPRESSION CAPACITOR	1	1		
43	562991	. OVAL-HEAD SCREW M6 X 10-5.8	1	1		
53	562992	. FAN	1	1		
55	562993	. STUD M6 X 35-5.6 / (2 912 212 207)	4	4		
56	562994	. EXPANSION BUSHING / (1 120 300 018)	1	1		
90	562995	. RETAINER DIN 9045-30 / (2916 600 016)	1	1		
91	562996	. SUPPORT RING / (1 120 114 002)	1	1		
93	562997	. SPACER RING	1	1		
94	562998	. RADIAL SEAL	1	1		
95	562999	. PROTECTIVE CAP	1	1		
96	563000	. PARTS SET TERMINAL B+,B-,D+,W /	1	1		
97	563001	. KIT NUT & WASHER M24-1.5 YC	1	1		
100	562851	AIR-INTAKE COVER	1	1		
101	563002	GROMMET / (1 120 312 000)	1	1		
102	065465	PULLEY ALTERNATOR / "BOSCH" / 12 RIB To 3-4757	1	1		
102	065835	PULLEY ALTERNATOR / "BOSCH" / 10 RIB From 4-4758 To 4-4952	1	1		
102	066062	PULLEY ALTERNATOR / "BOSCH" / 10 RIB From 4-4953	1	1		
103	HF-0610-00	ALTERNATOR MOUNTING / "BOSCH" WITH DETROIT S-60 To 3-4757				
103	HF-0610-01	ALTERNATOR MOUNTING / "BOSCH" WITH DETROIT S-60 From 4-4758				



From 3-4417 To 8-1043	Date:10/2022	PAGE:HF-0605-00
-----------------------	--------------	-----------------

ALTERNATOR 24V/140 AMPS / "BOSCH"

Item#	Part	Description	H 3 4 1	H 3 4 5	V I P 4 5	N O T E S

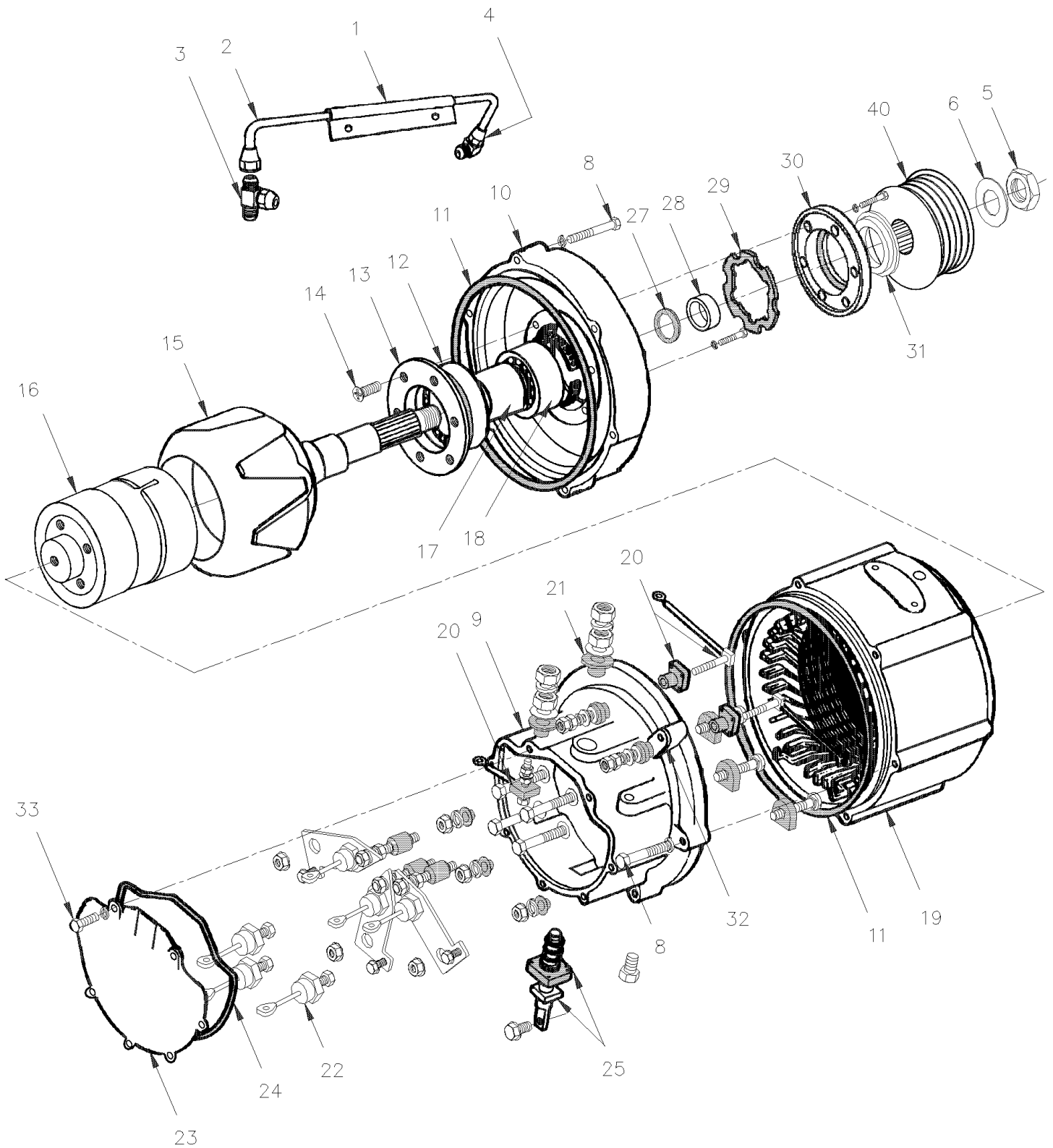


From 3-4417 To 8-1043

Date:10/2022

PAGE:HF-0605-50

ALTERNATOR 24V/270 AMPS / "DELCO" #562235





From 3-4417 To 8-1043	Date:10/2022	PAGE:HF-0605-50
ALTERNATOR 24V/270 AMPS / "DELCO" #562235		

Item#	Part	Description	H 3 4 1	H 3 4 5	V I P 4 5	N O T E S
	562235	ALTERNATOR ASSY 24V/270 AMPS To 4-4845	1	1	1	
	563437	ALTERNATOR ASSY 24V/270 AMPS From 4-4846	1	1	1	
1	561169	. CLAMP / OIL LINE TUBE	1	1	1	
2	562238	. OIL LINE TUBE	1	1	1	
3	561171	. TEE	1	1	1	
4	561170	. ELBOW 90°	1	1	1	
5	562457	. NUT, DRIVE END	1	1	1	
6	560973	. WASHER / PINION	1	1	1	
8	500170	. SCREW CAP HEX 1/4-20x2 G5 PT Z050	12	12	12	
NS	500473	. WASHER LO SPT .262x.489x.062 Z050	12	12	12	
9	N8885614	. FRAME RECTIFIER END To 4-4845	1	1	1	
9	563440	. FRAME RECTIFIER END From 4-4846	1	1	1	
10	562241	. FRAME D.E.	1	1	1	
. NS	562509	. . OIL SEAL 2.247" O.D.	1	1	1	
10	10523585	. FRAME D.E.	1	1	1	
11	562196	. O-RING	2	2	2	
12	562186	. BEARING INNER D.E.	1	1	1	
13	N8885671	. RETAINER BEARING (1941060)	1	1	1	
14	500371	. SCREW MA FL PH M4-0.7x8 N500	6	6	6	
15	562240	. ROTOR	1	1	1	
16	562182	. FIELD ASSY	1	1	1	
18	562184	. BEARING OUTER D.E.	1	1	1	
19	562694	. STATOR ASSY / W/FLEX LEAD To 4-4845	1	1	1	
19	563438	. STATOR ASSY / W/FLEX LEAD & INSULATOR From 4-4846	1	1	1	
20	560724	. STUD TERMINAL FIELD	2	2	2	
21	560846	. SLEEVE INSULATOR DC+ STUD	1	1	1	
22	562193	. DIODE (NEGATIF) / ALTERNATOR 50 DN	6	6	6	
23	562466	. COVER / RECTIFIER END / ALUMINUM DIE CAST	1	1	1	
24	562467	. . O-RING	1	1	1	
25	562450	. STUD TERMINAL DC +	1	1	1	
27	562242	. O-RING / SPACER COLLAR & BEARING	1	1	1	
28	562245	. SPACER COLLAR D.E.	1	1	1	
29	562243	. GASKET PLATE DRIVE END	1	1	1	
30	562244	. RETAINER BEARING D.E.	1	1	1	
31	562509	. . OIL SEAL 2.247" O.D.	1	1	1	
31	N8896697	. OIL SEAL W/FLANGE 30375" O.D.	1	1	1	
. NS	N8885631	. . O-RING / SPACER COLLAR & BEARING	1	1	1	
. NS	N8893250	. . SPACER COLLAR D.E.	1	1	1	
32	562386	. STRAP / FIELD TERMINAL & GROUND	1	1	1	
33	500163	. SCREW CAP HEX 1/4-20x3/4 G5 Z050	6	6	6	
40	510439	PULLEY ALTERNATOR 12 RIB To 3-4757	1	1	1	
40	510926	PULLEY ALTERNATOR 10 RIB From 4-4758	1	1	1	



From 3-4417 To 8-1043	Date:10/2022	PAGE:HF-0605-50
ALTERNATOR 24V/270 AMPS / "DELCO" #562235		

Item#	Part	Description	H 3 4 1	H 3 4 5	V I P 4 5	N O T E S

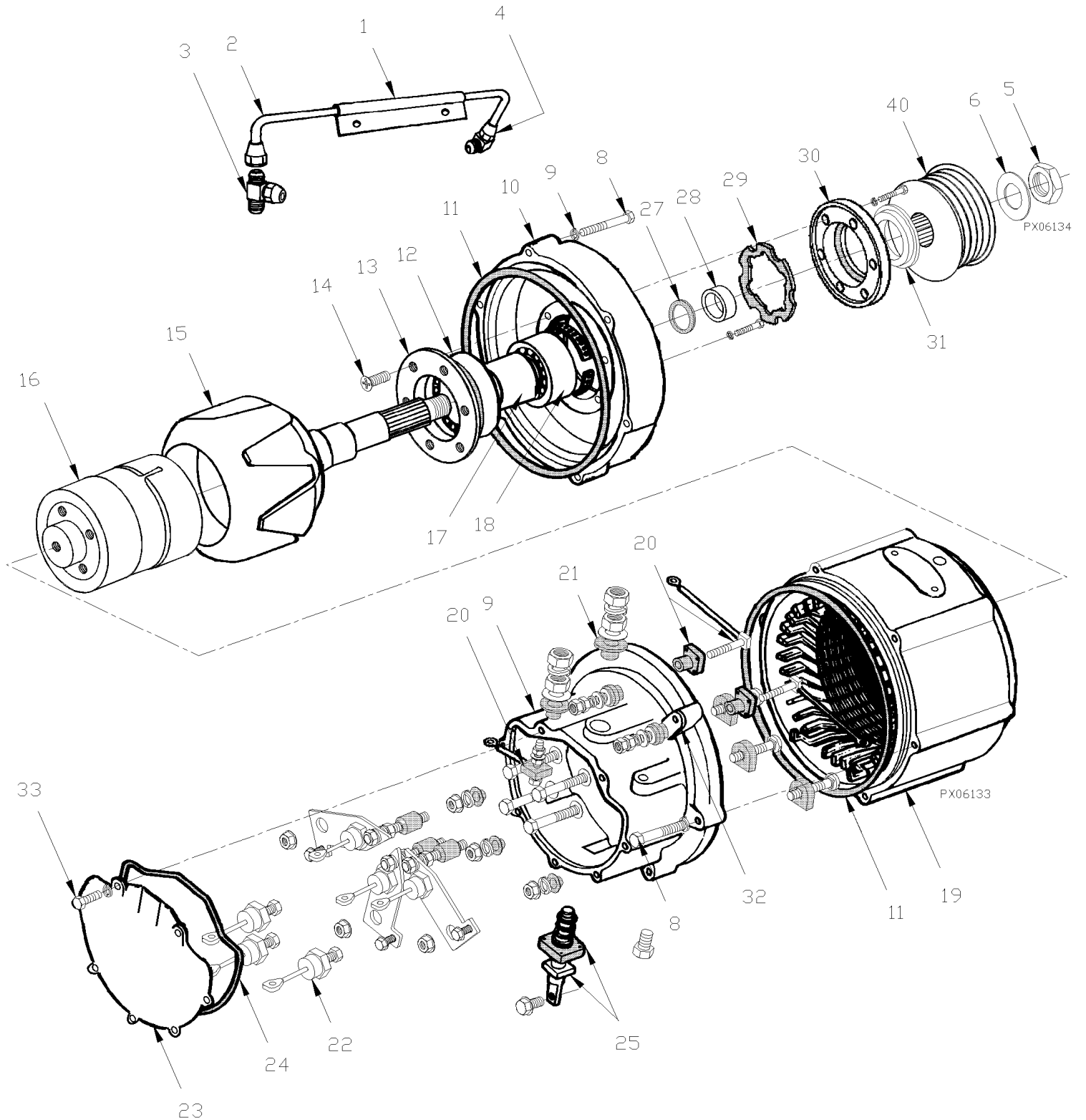


From 3-4417 To 8-1043

Date:10/2022

PAGE:HF-0605-51

ALTERNATOR 12V/300 AMPS / "DELCO" #562355





From 3-4417 To 8-1043	Date:10/2022	PAGE:HF-0605-51
ALTERNATOR 12V/300 AMPS / "DELCO" #562355		

Item#	Part	Description	H 3 4 1	H 3 4 5	V I P 4 5	N O T E S
	562355	ALTERNATOR ASSY 12V/300 AMPS /			1	
1	561169	. CLAMP / OIL LINE TUBE			1	
2	562238	. OIL LINE TUBE			1	
3	561171	. TEE			1	
4	561170	. ELBOW 90°			1	
5	562457	. NUT, DRIVE END			1	
6	560973	. WASHER / PINION			1	
8	500170	. SCREW CAP HEX 1/4-20x2 G5 PT Z050			12	
NS	500473	. WASHER LO SPT .262x.489x.062 Z050			12	
9	N8885614	. FRAME RECTIFIER END			1	
10	562241	. FRAME D.E.			1	
. NS	562509	. . OIL SEAL 2.247" O.D.			1	
10	10523585	. FRAME D.E.			1	
11	562196	. O-RING			2	
12	562186	. BEARING INNER D.E.			1	
13	N8885671	. RETAINER BEARING (1941060)			1	
14	500371	. SCREW MA FL PH M4-0.7x8 N500			6	
15	562240	. ROTOR			1	
16	562448	. FIELD ASSY			1	
18	562184	. BEARING OUTER D.E.			1	
19	562449	. STATOR ASSY / W/RIGID LEAD			1	
20	560724	. STUD TERMINAL FIELD			2	
21	560846	. SLEEVE INSULATOR DC+ STUD			1	
22	562193	. DIODE (NEGATIF) / ALTERNATOR 50 DN			6	
23	562466	. COVER / RECTIFIER END / ALUMINUM DIE CAST			1	
24	562467	. . O-RING			1	
25	562450	. STUD TERMINAL DC +			1	
27	562242	. O-RING / SPACER COLLAR & BEARING			1	
28	562245	. SPACER COLLAR D.E.			1	
29	562243	. GASKET PLATE DRIVE END			1	
30	562244	. RETAINER BEARING D.E.			1	
31	562509	. . OIL SEAL 2.247" O.D.			1	
31	N8896697	. OIL SEAL W/FLANGE 30375" O.D.			1	
. NS	N8885631	. . O-RING / SPACER COLLAR & BEARING			1	
. NS	N8893250	. . SPACER COLLAR D.E.			1	
32	562386	. STRAP / FIELD TERMINAL & GROUND			1	
33	500163	. SCREW CAP HEX 1/4-20x3/4 G5 Z050			6	
40	510439	PULLEY ALTERNATOR 12 RIB To 3-4757			1	
40	510926	PULLEY ALTERNATOR 10 RIB From 4-4758			1	

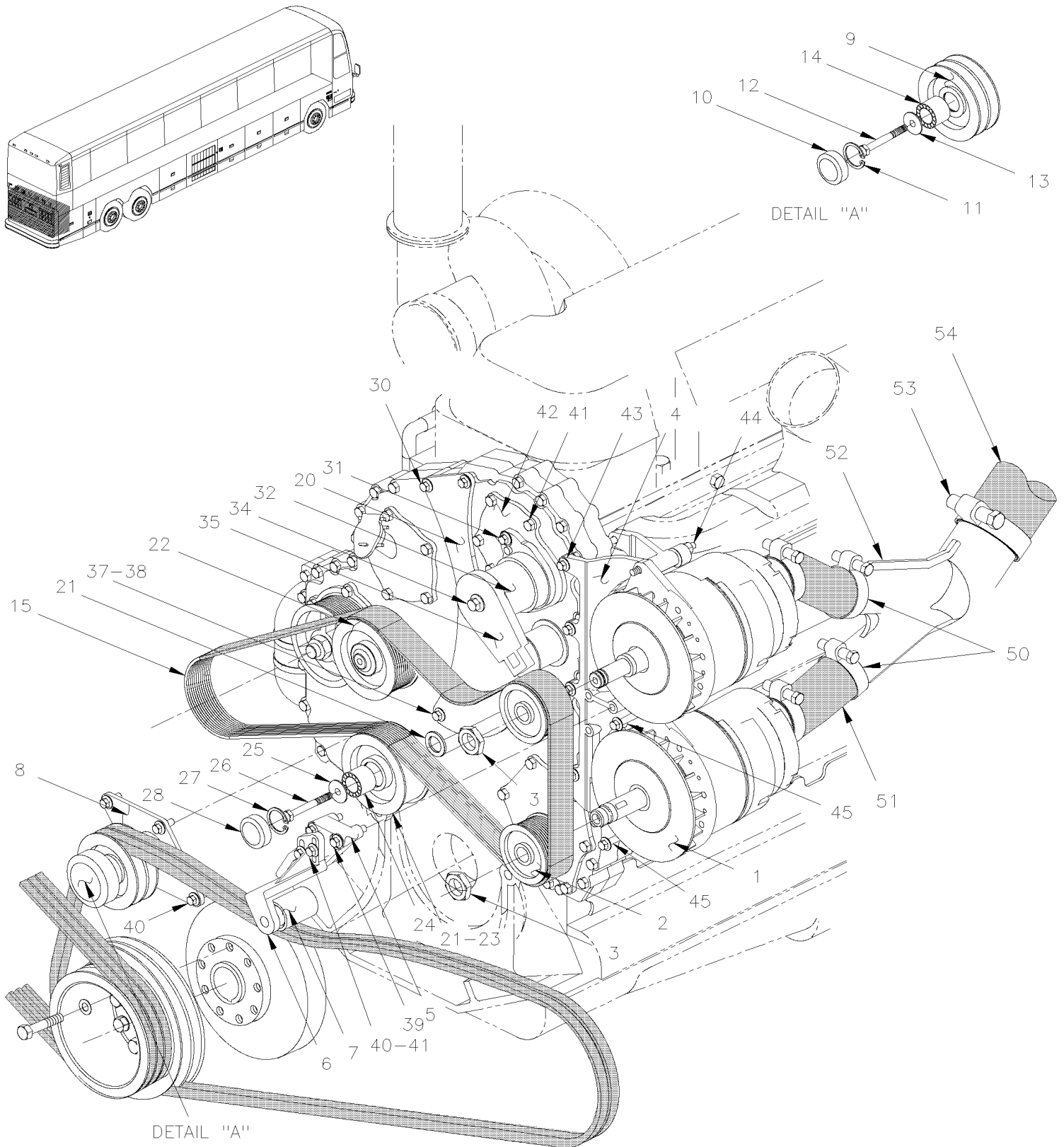


From 3-4417 To 3-4757

Date:10/2022

PAGE:HF-0610-00

ALTERNATOR MOUNTING / "BOSCH" WITH DETROIT S-60





From 3-4417 To 3-4757 Date:10/2022 PAGE:HF-0610-00

ALTERNATOR MOUNTING / "BOSCH" WITH DETROIT S-60

Item#	Part	Description	H 3 4 1	H 3 4 5	V I P 4 5	N O T E S
1	562752	ALTERNATOR ASSY 24V/140 AMPS	2	2		
2	065465	PULLEY ALTERNATOR / "BOSCH" / 12 RIB	2	2		
3	563001	KIT NUT & WASHER M24-1.5 YC	1	1		
4	510663	SUPPORT ALTERNATOR MOUNTING	1	1		
5	012064	ADAPTOR SNUBBER MOUNTING	1	1		
6	012063	SNUBBER ASSY	1	1		
6	N.S.P.	. SUPPORT / (23522973)	1	1		2
7	N.S.P.	. ROLLER / (23512825)	1	1		2
7	N.S.P.	. BEARING / (907394)	1	1		2
8	012058	PULLEY ASSY IDLER	1	1		
8	N.S.P.	. SUPPORT / (23521658)	1	1		2
9	N.S.P.	. PULLEY / (23519390)	1	1		2
10	N.S.P.	. PROTECTOR CAP / (05107293)	1	1		2
10	510798	. PROTECTOR CAP / "PREVOST"	1	1		B
11	N.S.P.	. SNAP RING / (23518223)	1	1		2
12	5001308	. SCREW CAP HEXF M10-1.5x40 G10.9 N500	1	1		
13	N.S.P.	. WASHER / (23518224)	1	1		2
13	N.S.S.	. SEAL / (23520961)	2	2		1
14	510618	. BALL BEARING DBL ROW / 30MM x 62MM x 27 W	1	1		
15	506865	MULTI V-BELT / 12 RIB 81 1/2" 208585	1	1		
15	506669	MULTI V-BELT / 12 RIB 72" (1830) 23521337	1	1		A
20	012065	IDLER PULLEY ASSY	1	1		
21	N.S.P.	. SEAL / (CR 14960) / (23521013)	2	2		2
22	N.S.P.	. PULLEY IDLER 12G / 5"1/4 O.D. / (23520994)	1	1		2
23	N.S.P.	. PULLEY BELT TENSIONER / 5 1/4 O.D. / (23520999)	2	2		2
24	510618	. BALL BEARING DBL ROW / 30MM x 62MM x 27 W	1	1		
25	N.S.P.	. WASHER / (23518224)	1	1		2
26	5001308	. SCREW CAP HEXF M10-1.5x40 G10.9 N500	2	2		
26	510627	. BOLT M10-1.5 X 45MM LH G10.9	1	1		
27	N.S.P.	. SNAP RING / (23519223)	1	1		2
28	N.S.P.	. PROTECTOR CAP / 05107293)	2	2		2
28	510798	. PROTECTOR CAP / "PREVOST"	1	1		B
30	975104	. SCREW CAP HEXF M10-1.5x85 G10.9 PHC	2	2		
31	969445	SCREW CAP HEXF M10-1.5x30 G10.9 PHC	1	1		
32	012103	AUTOMATIC TENSIONER ASSY	1	1		
32	N.S.S.	. SPRING	2	2		1
33	N.S.S.	. PROTECTOR CAP	1	1		1
34	975104	. SCREW CAP HEXF M10-1.5x85 G10.9 PHC	1	1		
35	N.S.S.	. LEVER	1	1		1
36	N.S.S.	. PULLEY	1	1		1
36	N.S.S.	. BEARING	1	1		1
36	N.S.S.	. PROTECTOR CAP	1	1		1



From 3-4417 To 3-4757	Date:10/2022	PAGE:HF-0610-00
ALTERNATOR MOUNTING / "BOSCH" WITH DETROIT S-60		

Item#	Part	Description	H 3 4 1	H 3 4 5	V I P 4 5	N O T E S
37	975121	SCREW CAP HEXF M14-2.0x50 G10.9 PHC	1	1		
38	975124	SCREW CAP HEXF M14-2.0x80 G10.9 PHC	1	1		
38	510642	STUD M14-2.0 X 92MM GR 10.9	1	1		
NS	510643	NUT HEXF M14-2.0 ZP	1	1		
39	5001595	SCREW CAP HEXF M10-1.5x60 G8.8 G500	3	3		
40	955297	SCREW CAP HEX M8-1.25x25 G8.8 ZG603	3	3		
41	510641	SCREW CAP HEXF M8-1.25x30 G10.9	5	5		
42	012104	TENSIONER, MOUNTING PLATE	1	1		
42	N.S.P.	O-RING / (8929253)	1	1		2
43	510635	SCREW CAP HEXF 7/16-14x5.50 ZP	4	4		
NS	510636	NUT HEXF 7/16-14 ZP	4	4		
44	510639	BOLT M12-1.5 X 80MM	1	1		
44	5001584	SCREW CAP HEX M12-1.5x150 G10.9 DP	1	1		
45	510637	. BOLT M12-1.5 X 50MM	2	2		
NS	5001585	WASHER FL 13.5x27x2.46-4.5 DP	6	6		
NS	975111	SCREW CAP HEXF M12-1.75x50MM G10.9 PHC	1	1		
50	504025	HOSE CLAMP / 2"5/16-3"1/4 SS / HS-44	4	4		
51	064957	HOSE FLEXIBLE / 2 3/4" I.D. X 200MM	2	2		
51	503686	. HOSE FLEXIBLE / AIR DUCT 2 3/4" I.D. X 25' / RUBBER	1	1		
52	064834	ADAPTOR "Y"	1	1		
NS	065038	ANGLE SUPPORT 76MM x 20MM	1	1		
53	504235	HOSE CLAMP / 3"9/16"-4"1/2 SS / HS-64	2	2		
54	064956	HOSE FLEXIBLE / 4" I.D. X 1660MM	1	1		
54	503688	. HOSE FLEXIBLE / AIR DUCT 4" I.D. X 25' / RUBBER	1	1		
		A) EMEGENCY USE ONLY				
		B) FIT ONLY WITH PULLEY SOLD BY "PREVOST"				
		1) NOT SOLD SEPARATELY				
		2) NOT SOLD BY PREVOST (SEE MANUFACTURING PART NUMBER AT END OF DESCRIPTION LINE)				

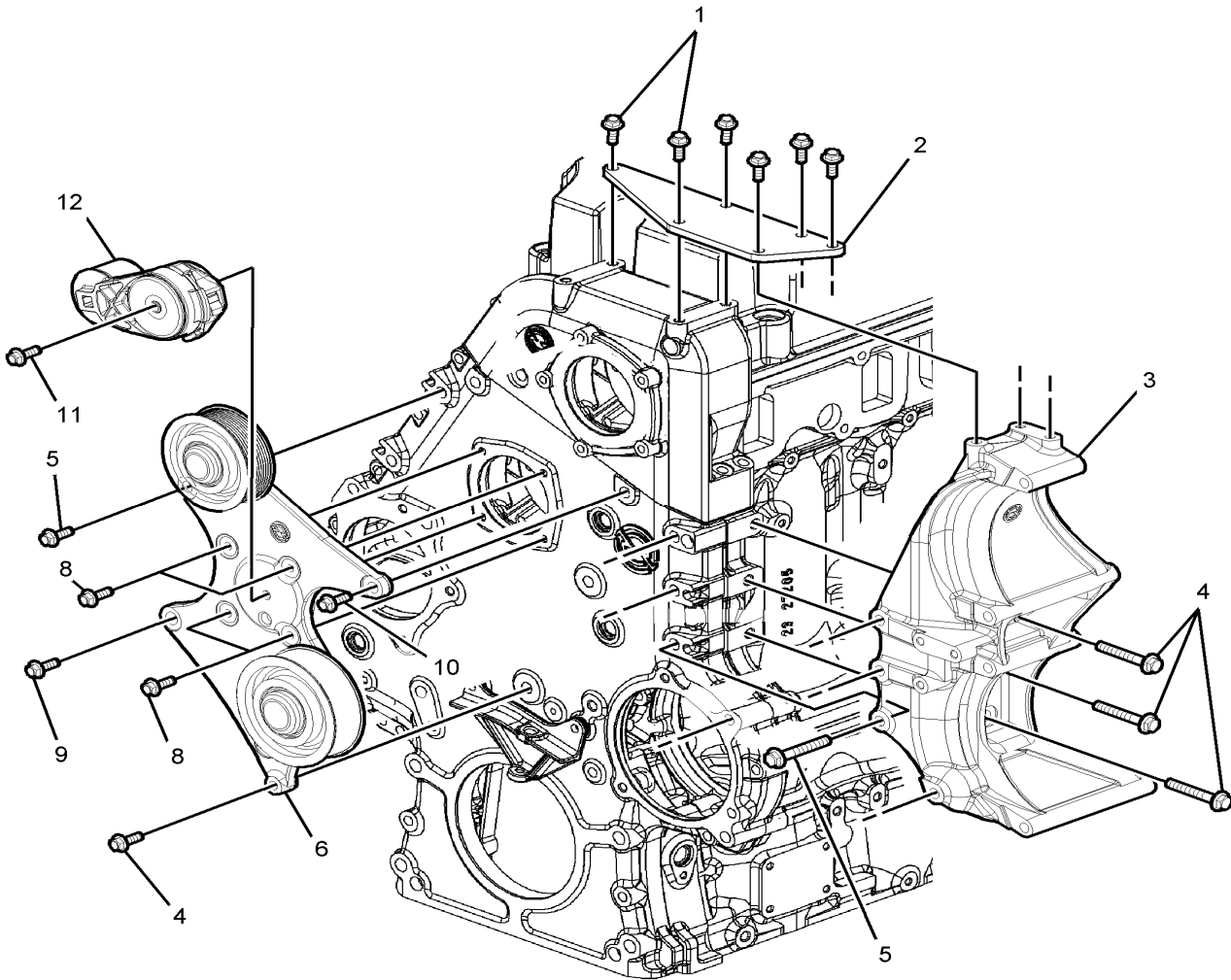


From 4-4758 To 8-1043

Date:10/2022

PAGE:HF-0610-01

ALTERNATOR MOUNTING / "BOSCH" WITH DETROIT S-60



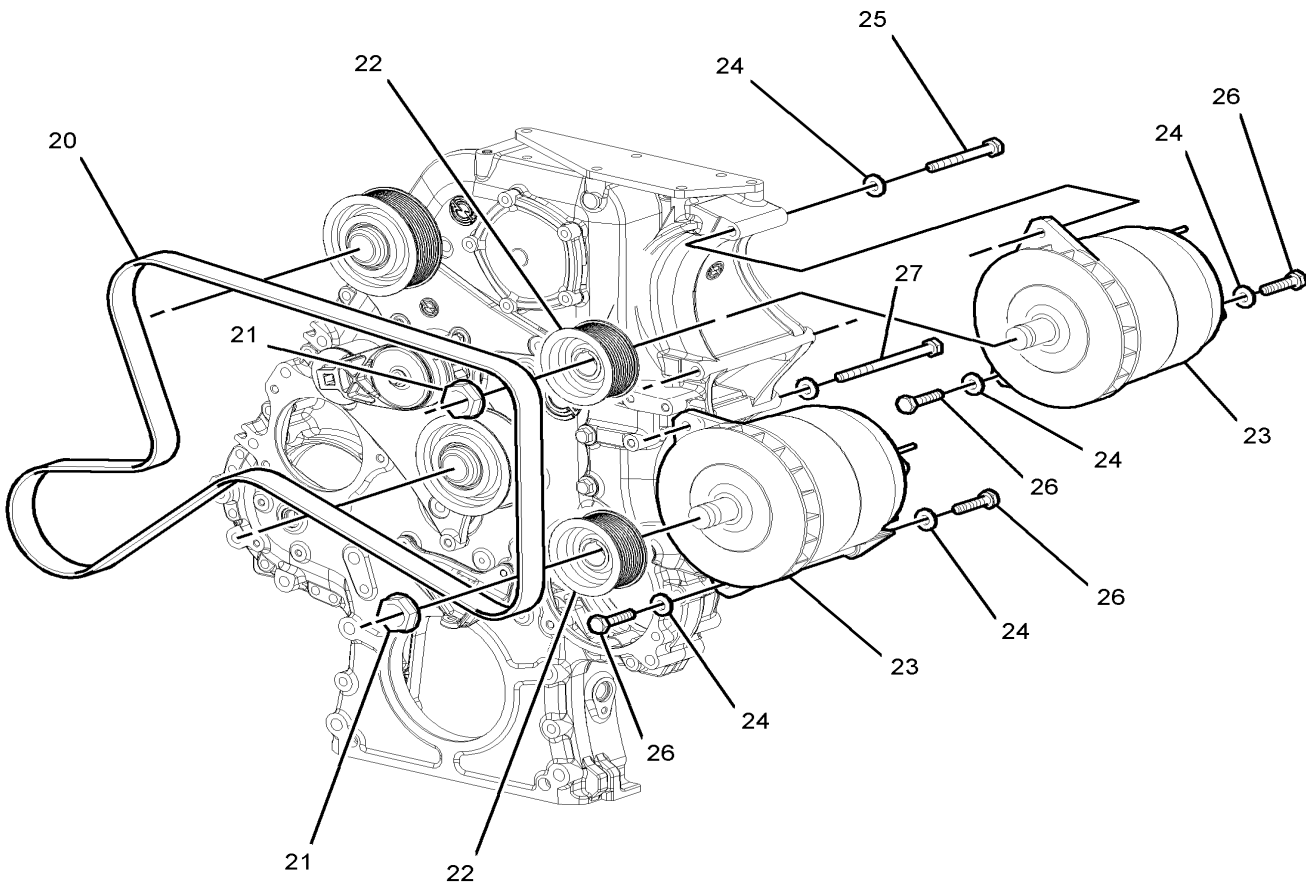


From 4-4758 To 8-1043

Date:10/2022

PAGE:HF-0610-01

ALTERNATOR MOUNTING / "BOSCH" WITH DETROIT S-60



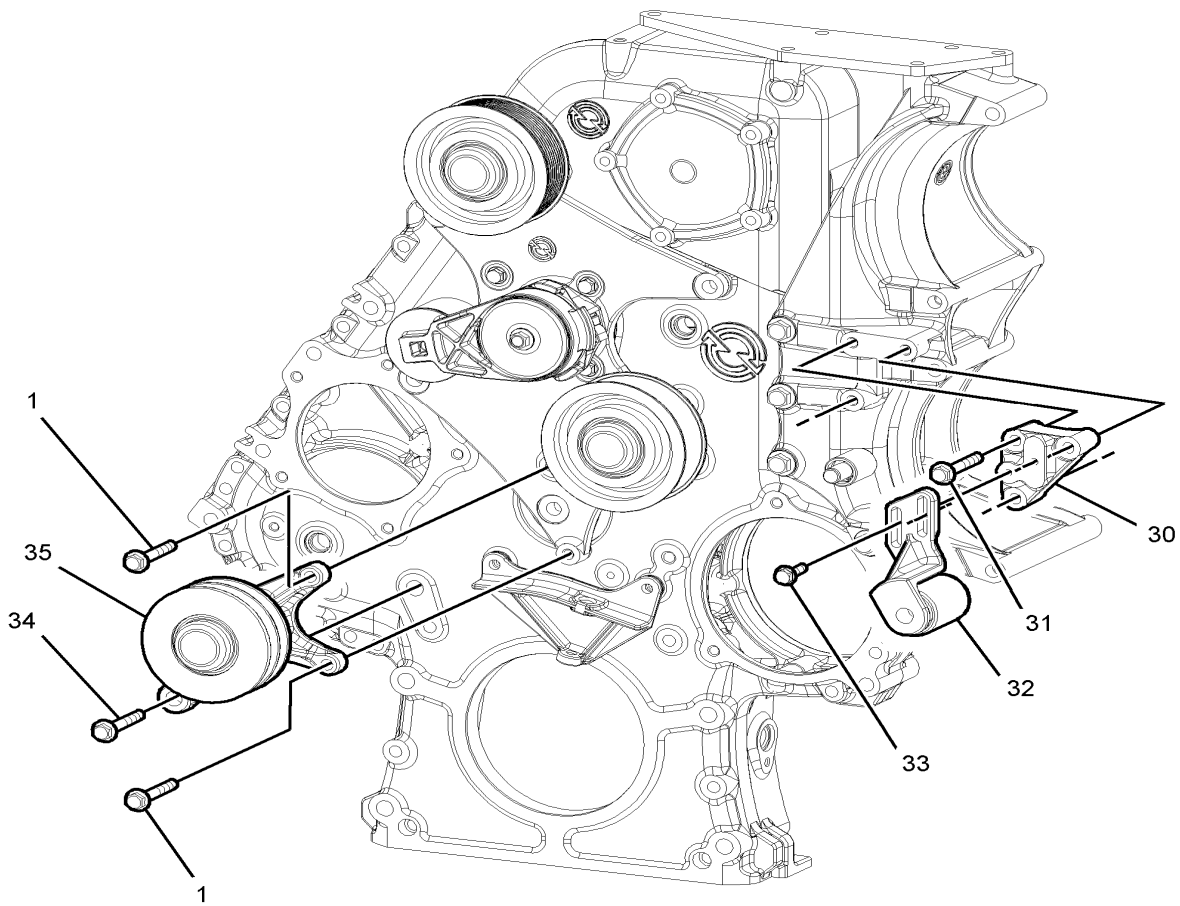


From 4-4758 To 8-1043

Date:10/2022

PAGE:HF-0610-01

ALTERNATOR MOUNTING / "BOSCH" WITH DETROIT S-60





From 4-4758 To 8-1043 Date:10/2022 PAGE:HF-0610-01

ALTERNATOR MOUNTING / "BOSCH" WITH DETROIT S-60

Item#	Part	Description	H 3 4 1	H 3 4 5	V I P 4 5	N O T E S
1	5001644	SCREW CAP HEXF M10-1.5x30 G8.8 G500	8	8	8	
2	23527310	STRAP	1	1	1	
3	23530258	BRACKET	1	1	1	
4	23528697	SCREW CAP HEXF M12-1.75x60 G10.9	4	4	4	
5	23528406	SCREW CAP HEXF M12-1.75x80 G10.9	6	6	6	
6	23530231	PULLEY ASSY FORMER	1	1	1	
6	23534290	PULLEY ASSY CURRENT	1	1	1	
8	11504822	SCREW CAP HEXF M9-1.25x30 G10.9	4	4	4	
9	23528698	SCREW CAP HEX M14-2.00x130 G10.9	1	1	1	
10	23528406	SCREW CAP HEXF M12-1.75x80 G10.9	2	2	2	
11	11503669	SCREW CAP HEX M10-1.50x80 G10.9	1	1	1	
12	012329	AUTOMATIC TENSIONER ASSY	1	1	1	
20	5060055	MULTI V-BELT / 10 RIB 87 7/8" (2232) 23530281	1	1	1	
20	5060056	MULTI V-BELT / 10 RIB 78 3/4" (2000) 23530282	1	1	1	A
21	563001	KIT NUT & WASHER M24-1.5 YC	2	2	2	
22	065835	PULLEY ALTERNATOR / "BOSCH" / 10 RIB To 4-4952	2	2	2	
22	066062	PULLEY ALTERNATOR / "BOSCH" / 10 RIB From 4-4953	2	2	2	
23	HF-0605-00	ALTERNATOR 24V/140 AMPS / "BOSCH"				
24	23509483	WASHER	6	6	6	
25	23528696	SCREW CAP HEX M12-1.50x100	1	1	1	
26	23523176	SCREW CAP HEX M12-1.75x50	4	4	4	
27	23523490	SCREW CAP HEX M12-1.50x150	1	1	1	
30	012265	ADAPTOR SNUBBER MOUNTING To 7-0945	1	1	1	
30	012455	ADAPTOR SNUBBER MOUNTING From 7-0946	1	1	1	
31	5001595	SCREW CAP HEXF M10-1.5x60 G8.8 G500	3	3	3	
32	012268	SNUBBER ASSY To 7-0945	1	1	1	
32	012467	SNUBBER ASSY From 7-0946	1	1	1	D
33	5001643	SCREW CAP HEXF M8-1.25x25 G8.8 G500	2	2	2	
34	5001596	SCREW CAP HEXF M14-2.0x90 G8.8 MAGNI 565	1	1	1	
35	012269	PULLEY ASSY IDLER To 7-0945	1	1	1	
35	012466	PULLEY ASSY IDLER From 7-0946	1	1	1	D
		A) EMERGENCY USE ONLY WITH ONE ALTERNATOR				
		D) SEE DETAIL AT PAGE HF-0120-00				

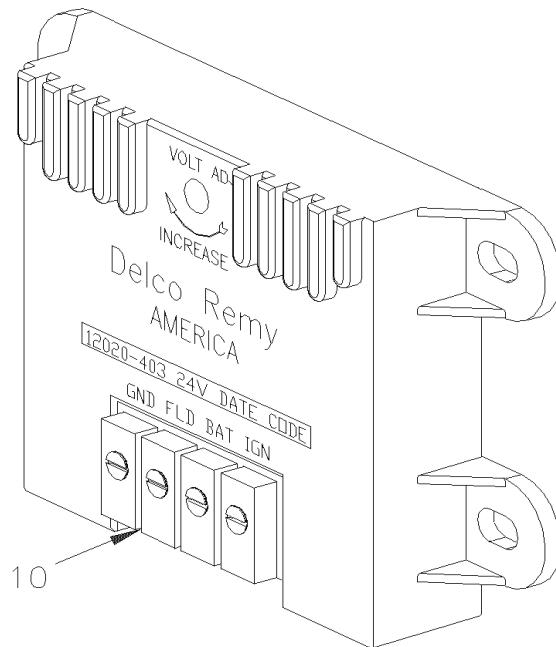


From 3-4417 To 3-4757

Date:10/2022

PAGE:HF-0610-10

VOLTAGE REGULATOR - 24 VOLTS W/270 AMPS





From 3-4417 To 3-4757	Date:10/2022	PAGE:HF-0610-10
VOLTAGE REGULATOR - 24 VOLTS W/270 AMPS		

Item#	Part	Description	H 3 4 1	H 3 4 5	V I P 4 5	N O T E S
10	562775	REGULATOR ASSY 24V / W/4 SCREWS To 3-4757			1	
NS	064577	JUMPER, WIRE To 3-4757			1	
10	563439	REGULATOR ASSY 24V / W/5 SCREWS From 4-4758			1	
10	564017	NOISE SUPPRESSOR CONDENSATOR / STAMPED			1	
. NS	MI06-04	. SEE MAINTENANCE INFORMATION			1	

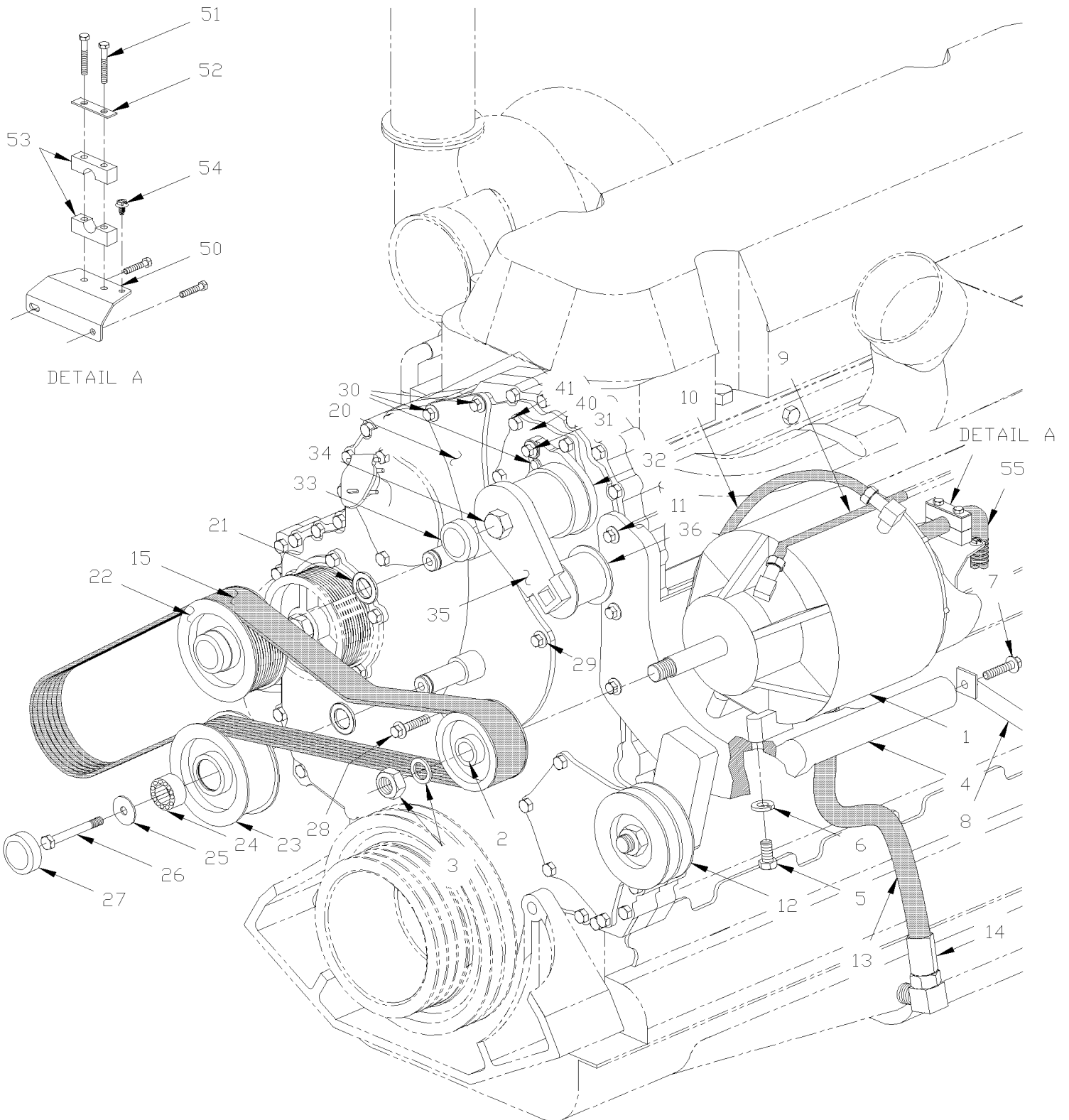


From 3-4417 To 3-4757

Date:10/2022

PAGE:HF-0610-50

ALTERNATOR MOUNTING / "DELCO" WITH DETROIT S-60





From 3-4417 To 3-4757	Date:10/2022	PAGE:HF-0610-50
ALTERNATOR MOUNTING / "DELCO" WITH DETROIT S-60		

Item#	Part	Description	H 3 4 1	H 3 4 5	V I P 4 5	N O T E S
1	562235	ALTERNATOR ASSY 24V/270 AMPS To 4-4845			1	
1	563437	ALTERNATOR ASSY 24V/270 AMPS From 4-4846			1	
NS	562355	ALTERNATOR ASSY 12V/300 AMPS /			1	
2	510439	PULLEY ALTERNATOR 12 RIB			1	
3	HF-0605-50	ALTERNATOR 24V/270 AMPS / "DELCO" #562235				
4	N.S.P.	SUPPORT ALTERNATOR MOUNTING / (23521128)			1	2
4	N.S.P.	KEY, WOODRUFF 3/16" X 7/8" / (120502)			2	2
5	N.S.P.	BOLT 1/2-13 X 2.00" / (00455001)			2	2
5	N.S.P.	BOLT 1/2-13 X 2.25" / (00186631)			2	2
6	N.S.P.	WASHER LO SPT ZP / (5132715)			4	2
7	N.S.P.	BOLT FLG M12-1.75 X 30MM / TO FIX BRACE / (11509528)			4	2
7	N.S.P.	BRACKET ALTERNATOR SUPPORT / ON BLOCK / (23511744)			1	2
7	N.S.P.	BOLT FLG M10-1.5 X 30MM / TO FIX SUPPORT ON BLOCK (11505299)			3	2
8	N.S.P.	BRACE ALTERNATOR SUPPORT / (23511743)			1	2
9	N.S.P.	HOSE ASSY 25.25" / #5 TEFLON OIL SUPPLY / (23504343)			1	2
10	N.S.P.	HOSE ASSY 21" / #4 ALT VENT TOP OF ALTERNATOR / (5133163)			1	2
11	N.S.P.	BOLT FLG 7/16-14 X 5.75 / (23521130)			2	2
NS	510635	SCREW CAP HEXF 7/16-14x5.50 ZP			1	
NS	510636	NUT HEXF 7/16-14 ZP			3	
12	HF-0125-00	BELTS TENSIONERS - WITH DETROIT S-60				
13	N.S.P.	HOSE ASSY 23.40" / #16 OIL DRAIN / (23517561)			1	2
13	N.S.P.	CONNECTOR 1" NPT 1" TUBE / OIL DRAIN / (09402713)			1	2
14	N.S.P.	ELBOW 90° 3/4" NPT 1" TUBE / OIL DRAIN / (02492119)			1	2
15	506782	MULTI V-BELT / 12 RIB 73" (1854) 23521000			1	
20	N.S.P.	IDLER PULLEY ASSY / (23520959)			1	2
21	N.S.P.	. SEAL / (CR 14960) / (23521013)			2	2
22	N.S.P.	. PULLEY IDLER 12G / 5 1/4" O.D. / (23520994)			1	2
23	N.S.P.	. PULLEY BELT TENSIONER / 5 1/4 O.D. / (23520999)			1	2
24	N.S.P.	. BEARING DBL ROW / (30BGS1D53) / (23518189)			1	2
25	N.S.P.	. WASHER / (23518224)			2	2
26	N.S.P.	. BOLT M10-1.5 X 45MM G10.9 / (23518303)			2	2
26	510627	. BOLT M10-1.5 X 45MM LH G10.9			1	
27	N.S.P.	. PROTECTOR CAP / (05107293)			2	2
28	975121	SCREW CAP HEXF M14-2.0x50 G10.9 PHC			1	
29	975124	SCREW CAP HEXF M14-2.0x80 G10.9 PHC			2	
30	975104	SCREW CAP HEXF M10-1.5x85 G10.9 PHC			3	
31	N.S.P.	BOLT FLG M10-1.5 X 30MM / (23511786)			1	2
32	012103	AUTOMATIC TENSIONER ASSY			1	
32	N.S.S.	. SPRING			2	1
33	N.S.S.	. PROTECTOR CAP			1	1
34	N.S.S.	. BOLT			1	1
35	N.S.S.	. LEVER			1	1



From 3-4417 To 3-4757	Date:10/2022	PAGE:HF-0610-50
ALTERNATOR MOUNTING / "DELCO" WITH DETROIT S-60		

Item#	Part	Description	H 3 4 1	H 3 4 5	V I P 4 5	N O T E S
36	N.S.S.	. PULLEY			1	1
36	N.S.S.	. BEARING			1	1
36	N.S.S.	PROTECTOR CAP			1	1
40	012104	TENSIONER, MOUNTING PLATE			1	
40	N.S.P.	O-RING / (8929253)			1	2
41	510641	SCREW CAP HEXF M8-1.25x30 G10.9			5	
50	065693	SUPPORT, DELCO ALT HARNESS From 3-4460			1	A
51	500170	SCREW CAP HEX 1/4-20x2 G5 PT Z050 From 3-4460			2	A
52	504614	PLATE RETAINING / COLLAR From 3-4460			1	A
53	504703	COLLAR 1/2" I.D. / TO FIX HOSE From 3-4460			1	A
54	509815	TIE MOUNT / ATTACHMENT W/TREE MOUNT From 3-4460			2	A
NS	504637	CABLE TIE / 3/16" x 13" From 3-4460			AR	A
55	065701	CABLE ASSY #102 From 3-4460			1	A
NS	065696	KIT, RETROFIT HARNESS SUPPORT W/"DELCO" ALT To 3-4459			AR	
		A) FOR PRODUCT IMPROVEMENT ASK FOR KIT #065696 INCLUDE ALL THOSE PARTS				
		1) NOT SOLD SEPARATELY				
		2) NOT SOLD BY PREVOST (SEE MANUFACTURING PART NUMBER AT END OF DESCRIPTION LINE)				

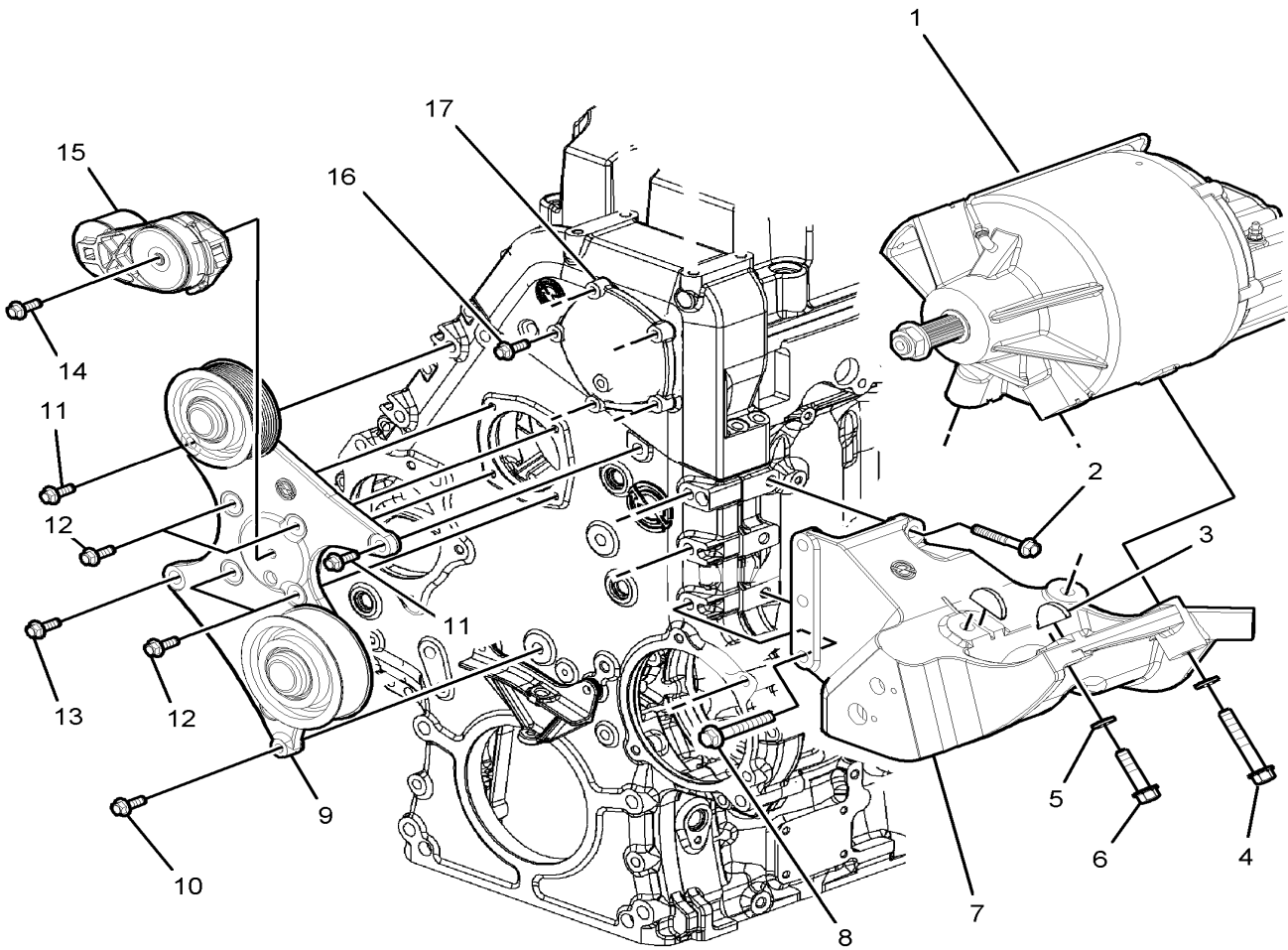


From 4-4758 To 8-1043

Date:10/2022

PAGE:HF-0610-51

ALTERNATOR MOUNTING / "DELCO" WITH DETROIT S-60



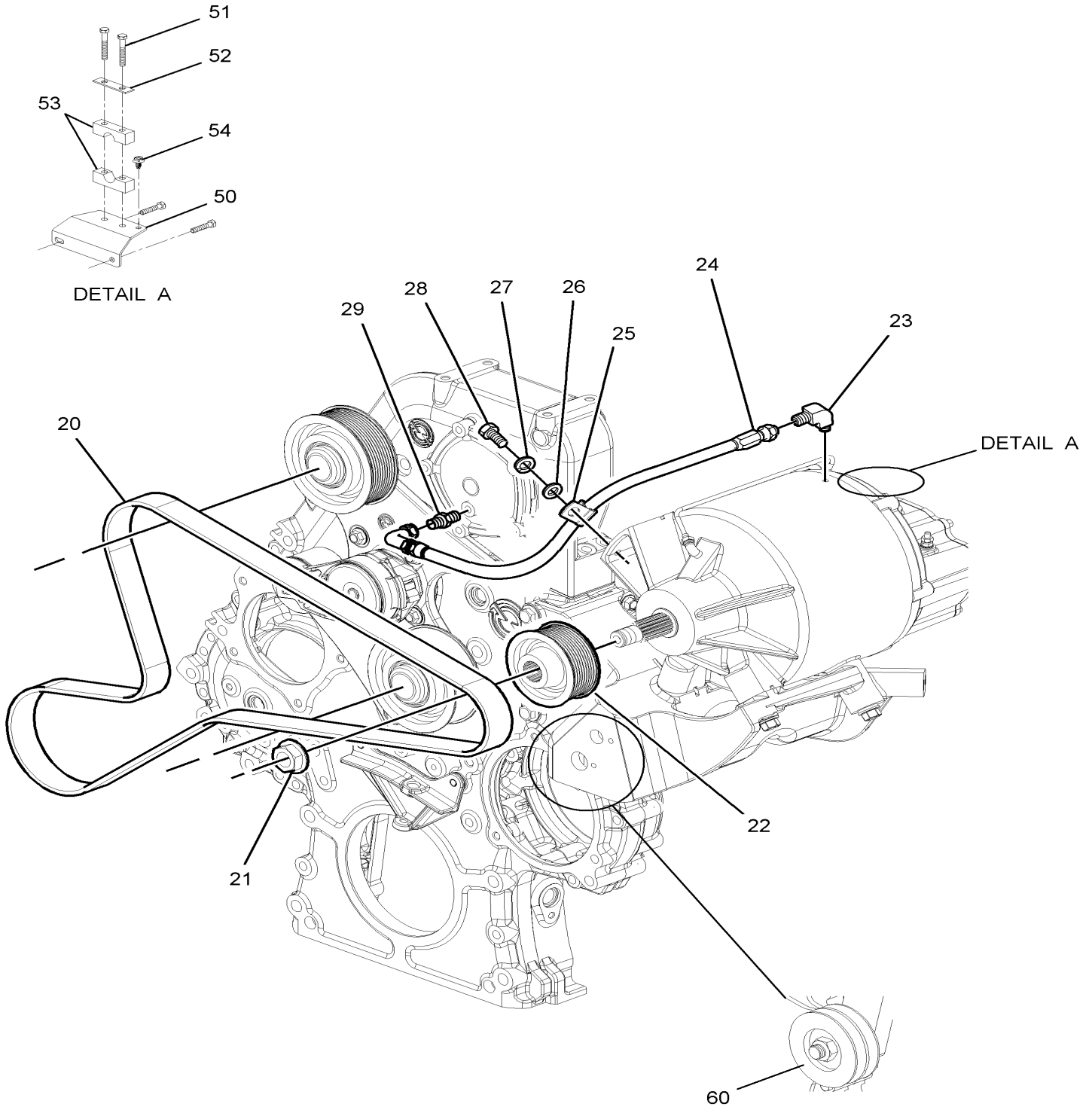


From 4-4758 To 8-1043

Date:10/2022

PAGE:HF-0610-51

ALTERNATOR MOUNTING / "DELCO" WITH DETROIT S-60



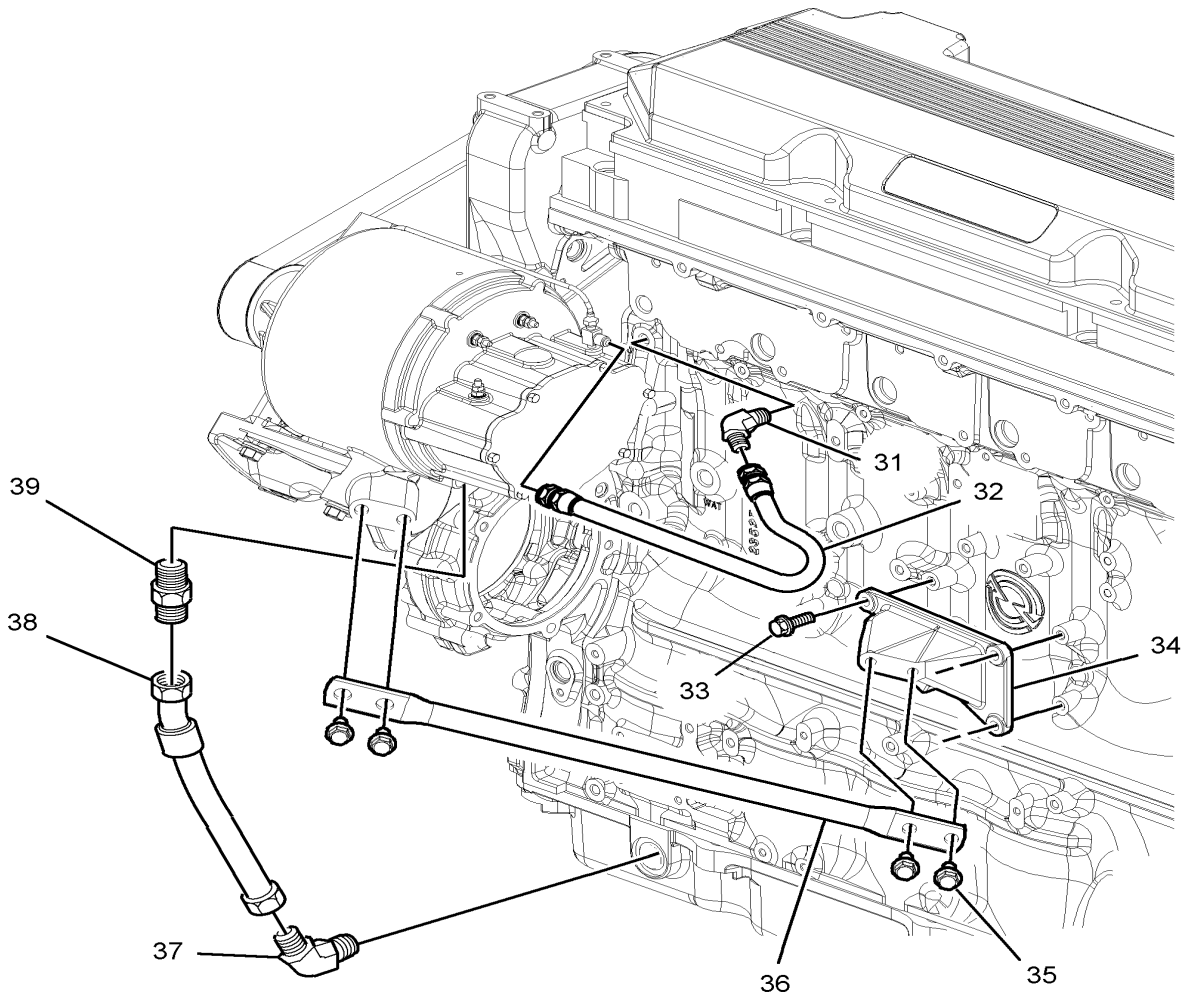


From 4-4758 To 8-1043

Date:10/2022

PAGE:HF-0610-51

ALTERNATOR MOUNTING / "DELCO" WITH DETROIT S-60





From 4-4758 To 8-1043	Date:10/2022	PAGE:HF-0610-51
ALTERNATOR MOUNTING / "DELCO" WITH DETROIT S-60		

Item#	Part	Description	H 3 4 1	H 3 4 5	V I P 4 5	N O T E S
1	HF-0605-51	ALTERNATOR 12V/300 AMPS / "DELCO" #562355				
2	23509520	SCREW CAP HEXF M12-1.75x47			2	
3	00120502	KEY, WOODRUFF 3/16" X 7/8"			2	
4	179893	SCREW CAP HEX 1/2-13x3.00			1	
5	5132715	WASHER			4	
6	0455001	SCREW CAP HEX 1/2-13x2 G8 ZP			3	
7	23530336	SUPPORT			1	
8	23528406	SCREW CAP HEXF M12-1.75x80 G10.9			3	
9	23530231	PULLEY ASSY FORMER			1	
9	23534290	PULLEY ASSY CURRENT	1	1	1	
10	23528697	SCREW CAP HEXF M12-1.75x60 G10.9			1	
11	23519770	SCREW CAP HEXF M12-1.75x75 G10.9			2	
12	5249900304	SCREW CAP HEXF M12-1.75x75 G10.9			4	
13	23528696	SCREW CAP HEX M12-1.50x100			1	
14	11503669	SCREW CAP HEX M10-1.50x80 G10.9			1	
15	012329	AUTOMATIC TENSIONER ASSY			1	
16	11504822	SCREW CAP HEXF M9-1.25x30 G10.9			5	
17	23530576	COVER			1	
20	5060056	MULTI V-BELT / 10 RIB 78 3/4" (2000) 23530282			1	
21	562457	NUT, DRIVE END			1	
22	510926	PULLEY ALTERNATOR 10 RIB			1	
23	8924998	ELBOW 1/4 NPT X 3/8 TUBE			1	
24	HAHU0185	HOSE			1	
25	23528937	CLIP			1	
26	500985	WASHER FL .343x.875x.125 Z050			1	
27	500480	WASHER LO SPT .443x.779x.109 Z050			1	
28	500305	SCREW CAP HEX 3/8-16x7/8 G5 Z050			1	
29	8929833	CONNECTOR 1/4 NPT X 1/4 TUBE			1	
31	23523489	ELBOW 1/4 NPT X 3/8 TUBE			1	
32	FKHH0182	HOSE ASSY #5 X 20.50"			1	
33	11505299	SCREW CAP HEX M10-1.50x30 G10.9			3	
34	23511744	SUPPORT			1	
35	11509528	SCREW CAP HEX M12-1.75x30 G10.9			4	
36	23530558	BRACE			1	
37	9402830	ELBOW 1" NPT X 1" TUBE			1	
38	BELM0194	HOSE ASSY /			1	
39	9402713	MALE CONNECTOR / JIC 37° FITTING / #16JIC-Mx1NPT-M STL			1	
50	065693	SUPPORT, DELCO ALT HARNESS			1	
51	500170	SCREW CAP HEX 1/4-20x2 G5 PT Z050			2	
52	504614	PLATE RETAINING / COLLAR			1	
53	504703	COLLAR 1/2" I.D. / TO FIX HOSE			1	
54	509815	TIE MOUNT / ATTACHMENT W/TREE MOUNT			2	



From 4-4758 To 8-1043	Date:10/2022	PAGE:HF-0610-51
ALTERNATOR MOUNTING / "DELCO" WITH DETROIT S-60		

Item#	Part	Description	H 3 4 1	H 3 4 5	V I P 4 5	N O T E S
60	HF-0120-50	DRIVE PULLEY & BELTS - V.I.P.				

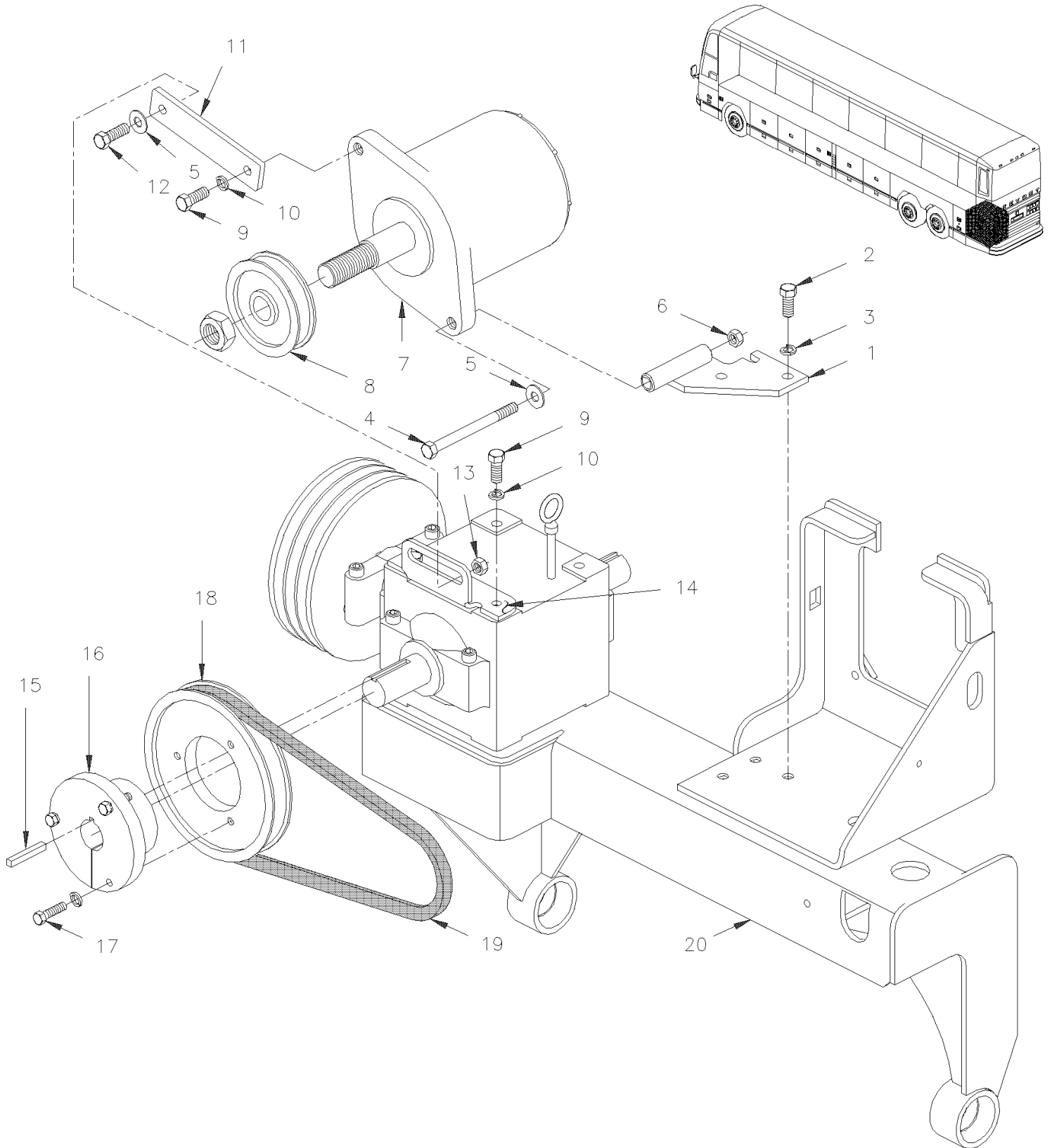


From 3-4417 To 8-1043

Date:10/2022

PAGE:HF-0610-53

ALTERNATOR MOUNTING / "DELCO" - 12V/145A / GEARBOX INSTAL





From 3-4417 To 8-1043 Date:10/2022 PAGE:HF-0610-53

ALTERNATOR MOUNTING / "DELCO" - 12V/145A / GEARBOX INSTAL

Item#	Part	Description	H 3 4 1	H 3 4 5	V I P 4 5	N O T E S
1	063777	PIVOT ASSY / SUPPORT			1	
NS	067526	SUPPORT PIVOT ALTERNATOR			1	RF
NS	067529	SUPPORT ALTERNATOR LOWER "BOSCH" 12V			1	RF
NS	067524	SUPPORT ALTERNATOR UPPER "BOSCH" 12V			1	RF
2	502559	SCREW CAP HEX M10-1.5x25 G8.8 Z050			3	
3	500257	WASHER LO SPT 10.2x18.1x2.2 Z050			3	
NS	502525	WASHER FL .484x.750x.031 Z050			3	
4	500106	SCREW CAP HEX 1/2-20x6 G5 PT Z050			1	
5	500958	WASHER FL .531x1.062x.095 SS			2	
6	500718	NUT HEX STO 1/2-20 Z050			1	
7	562911	ALTERNATOR ASSY 12V/145 AMPS / LEECE-NEVILLE			1	R
7	563523	ALTERNATOR ASSY 14V/160 AMPS / PRESTOLITE			1	
7	563734	ALTERNATOR ASSY 12V/200AMPS / HD10E 200A 14V			1	RF
8	562926	PULLEY 3.3" O.D. / W/ "LEECE-NEVILLE"			1	
NS	5001426	WASHER FL .875x1.375x.047 STL KEYWAY			1	
8	067065	PULLEY ALTERNATOR "BOSCH" / W/ 2V x 82.5MM OD			1	RF
NS	067208	PROTECTOR PULLEY PLASTIC BLACK			1	RF
9	500213	SCREW CAP HEX 1/2-13x1 G5 Z050			3	
10	500482	WASHER LO SPT .506x.873x.125 Z050			3	
11	063779	TENSIONER 154MM C/C To 3-4757			1	
11	065995	TENSIONER 254MM C/C From 4-4758			1	
11	067523	TENSIONER 77.3 MM C/C			1	RF
12	500214	SCREW CAP HEX 1/2-13x1 1/4 G5 Z050			1	
13	500968	NUT HEX STO 1/2-13 Z050			3	
14	452443	TENSIONER BRACKET / GEARBOX			1	RF
15	550186	KEY 1/4" X 1/4" X 1 1/4"			1	
15	550293	KEY 1/4" X 1/4" X 1 13/16"			1	RF
16	950230	CONE BUSHING 1 1/4 I.D X 2 1/8 O.D. X 3 5/16 To 4-4952			1	
16	950387	CONE BUSHING 1 1/4 I.D X 2 1/8 O.D. X 3 5/16 From 4-4953			1	
16	950389	CONE BUSHING 1 1/4 I.D X 2 1/8 O.D. X 3 5/16			1	RF
17	500167	SCREW CAP HEX 1/4-20x1 1/4 G5 PT Z050			3	
NS	500473	WASHER LO SPT .262x.489x.062 Z050			3	
18	950211	PULLEY DRIVE 7.15 O.D. / SINGLE "V" To 4-4952			1	
18	950386	PULLEY DRIVE 7.15 O.D. / SINGLE "V" From 4-4953			1	
18	950392	PULLEY DRIVE 7.25 O.D. / DOUBLE "V"			1	RF
19	506683	V-BELT / BX-31 9013-2031 To 3-4757			1	
19	5060058	V-BELT / BX-35 9013-2035 From 4-4758			1	
19	5060100	V-BELT / AX-32 9012-2032			1	RF
20	HF-0520-00	FAN DRIVE - INSTALLATION - SHORT To 3-4757				
20	HF-0520-01	FAN DRIVE - INSTALLATION - LONG From 4-4758				
NS	067513	KIT, RETROFIT 12V-200AMPS ALTERNATOR			1	



From 3-4417 To 8-1043	Date:10/2022	PAGE:HF-0610-53
-----------------------	--------------	-----------------

ALTERNATOR MOUNTING / "DELCO" - 12V/145A / GEARBOX INSTAL

Item#	Part	Description	H 3 4 1	H 3 4 5	V I P 4 5	N O T E S
. NS	IS-07038	. SEE INSTRUCTION SHEET			1	
NS	IS-07038	SEE INSTRUCTION SHEET			1	RF
		R) FOR PRODUCT IMPROVEMENT ASK FOR KIT # 067513 KIT 12V-200AMPS "BOSCH"				
		RF) THIS PARTS ARE INCLUDE IN RETROFIT KIT # 067513				

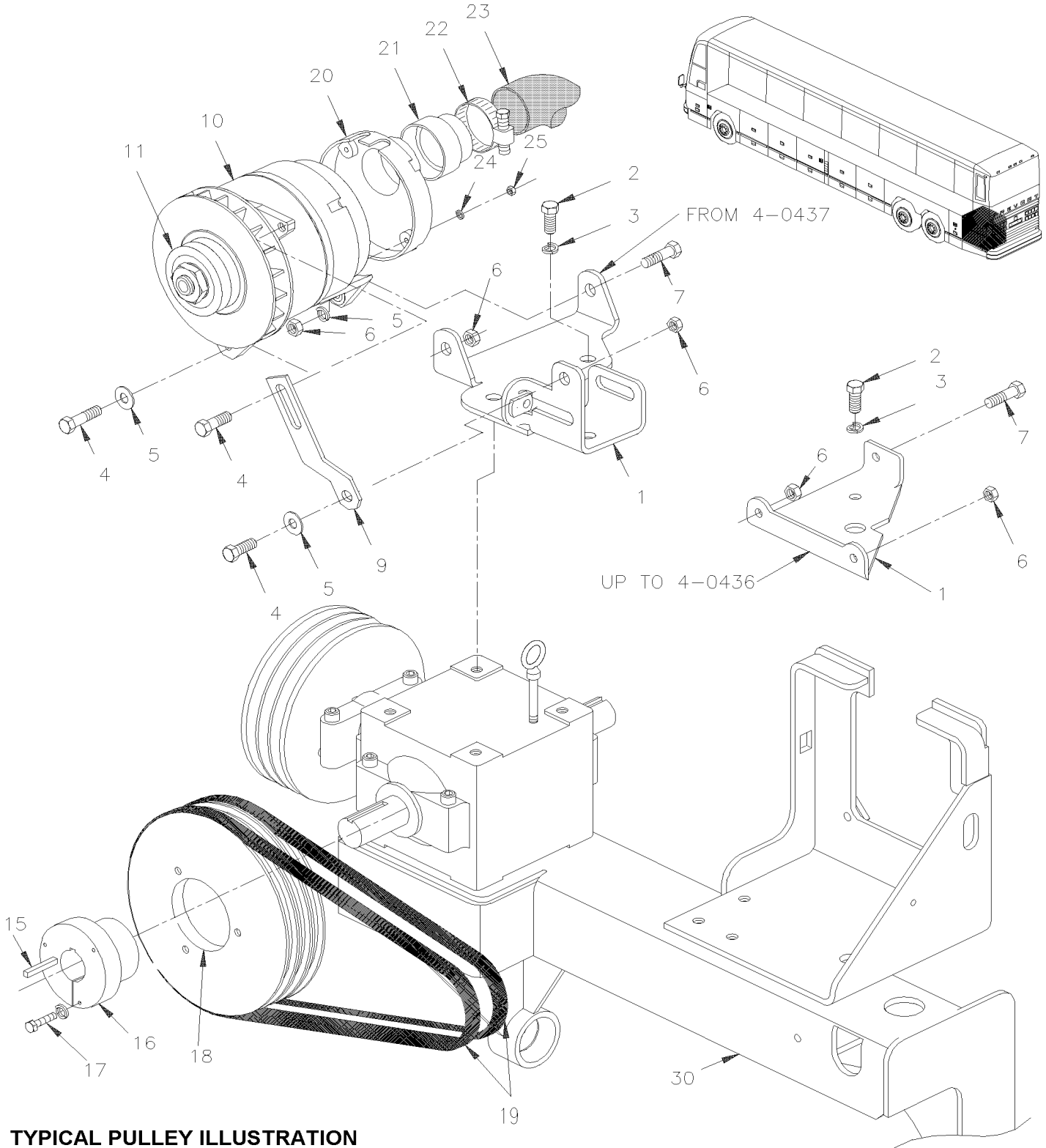


From 3-4417 To 8-1043

Date:10/2022

PAGE:HF-0610-54

ALTERNATOR MOUNTING / "BOSCH" - 24V/140A / GEARBOX INSTAL



TYPICAL PULLEY ILLUSTRATION



From 3-4417 To 8-1043 Date:10/2022 PAGE:HF-0610-54

ALTERNATOR MOUNTING / "BOSCH" - 24V/140A / GEARBOX INSTAL

Item#	Part	Description	H 3 4 1	H 3 4 5	V I P 4 5	N O T E S
1	064537	SUPPORT ALTERNATOR To 3-4757	1	1	1	
1	066162	SUPPORT ALTERNATOR From 4-4758 To 6-0436	1	1	1	
NS	066184	SPACER 35MM X 25.4 O.D. x 12.7 I.D. From 4-4758	3	3	3	A
1	066496	SUPPORT ALTERNATOR & A/C COMPRESSOR From 6-0437	1	1	1	
2	500214	SCREW CAP HEX 1/2-13x1 1/4 G5 Z050 To 3-4757	3	3	3	
2	500217	SCREW CAP HEX 1/2-13x2 1/2 G5 CP From 4-4758	3	3	3	
3	500482	WASHER LO SPT .506x.873x.125 Z050	3	3	3	
4	502731	SCREW CAP HEX M12-1.75x40 G8.8 Z050	3	3	3	
5	500958	WASHER FL .531x1.062x.095 SS	4	4	4	
6	500811	NUT HEX STO M12-1.75 G500	4	4	4	
7	5001043	SCREW CAP HEX M12-1.75x50 G8.8 Z050	1	1	1	
9	064890	TENSIONNER To 6-0436	1	1	1	
9	066495	TENSIONNER From 6-0437	1	1	1	
10	HF-0605-00	ALTERNATOR 24V/140 AMPS / "BOSCH"				
11	064543	PULLEY ALTERNATOR "BOSCH" / W/ 1Vx 88.9MM O.D.	1	1	1	
13	500968	NUT HEX STO 1/2-13 Z050	1	1	1	
15	550186	KEY 1/4" X 1/4" X 1 1/4"	1	1	1	
16	950230	CONE BUSHING 1 1/4 I.D X 2 1/8 O.D. X 3 5/16 To 4-4952	1	1	1	
16	950387	CONE BUSHING 1 1/4 I.D X 2 1/8 O.D. X 3 5/16 From 4-4953 To 6-0436	1	1	1	
16	950398	CONE BUSHING 1 1/4 I.D X 2 1/8 O.D. X 3 5/16 From 6-0437	1	1	1	
17	500167	SCREW CAP HEX 1/4-20x1 1/4 G5 PT Z050	3	3	3	
18	950211	PULLEY DRIVE 7.15 O.D. / SINGLE "V" To 4-4952	1	1	1	
18	950386	PULLEY DRIVE 7.15 O.D. / SINGLE "V" From 4-4953 To 6-0436	1	1	1	
18	950397	PULLEY DRIVE 7.15 O.D. / TRIPLE "V" From 6-0437	1	1	1	
19	506776	V-BELT / 5L-350 5L-350 To 3-4757	1	1	1	
19	5060070	V-BELT / B-35 B35-V-80 From 4-4758 To 6-0436	1	1	1	
20	562851	AIR-INTAKE COVER	1	1	1	
NS	504421	GROMMET / .625x.875x.187x.437x1.125	1	1	1	
21	064552	ADAPTOR To 3-4757	1	1	1	
22	504024	HOSE CLAMP / 1"13/16"-2"3/4 SS / HS-36 To 3-4757	1	1	1	
22	504025	HOSE CLAMP / 2"5/16-3"1/4 SS / HS-44 From 4-4758	1	1	1	
23	503674	HOSE FLEXIBLE / AIR DUCT 2 1/2" I.D. X 25' To 3-4757	AR	AR	AR	
23	064743	HOSE #44 X 1320MM From 4-4758	1	1	1	
24	502570	WASHER LO SPT 6.1x11.8x1.6 SS	4	4	4	
25	502565	NUT HEX M6-1.0 SS	4	4	4	
30	HF-0520-01	FAN DRIVE - INSTALLATION - LONG To 6-0383				
30	HF-0520-02	FAN DRIVE - INSTALLATION - LONG From 6-0384				
NS	064550	CABLE ASSY	1	1		
NS	064551	CABLE ASSY #0	1	1		
NS	064553	CABLE ASSY	1	1		



From 3-4417 To 8-1043	Date:10/2022	PAGE:HF-0610-54
-----------------------	--------------	-----------------

ALTERNATOR MOUNTING / "BOSCH" - 24V/140A / GEARBOX INSTAL

Item#	Part	Description	H 3 4 1	H 3 4 5	V I P 4 5	N O T E S
		A) BETWEEN SUPPORT & GEARBOX				

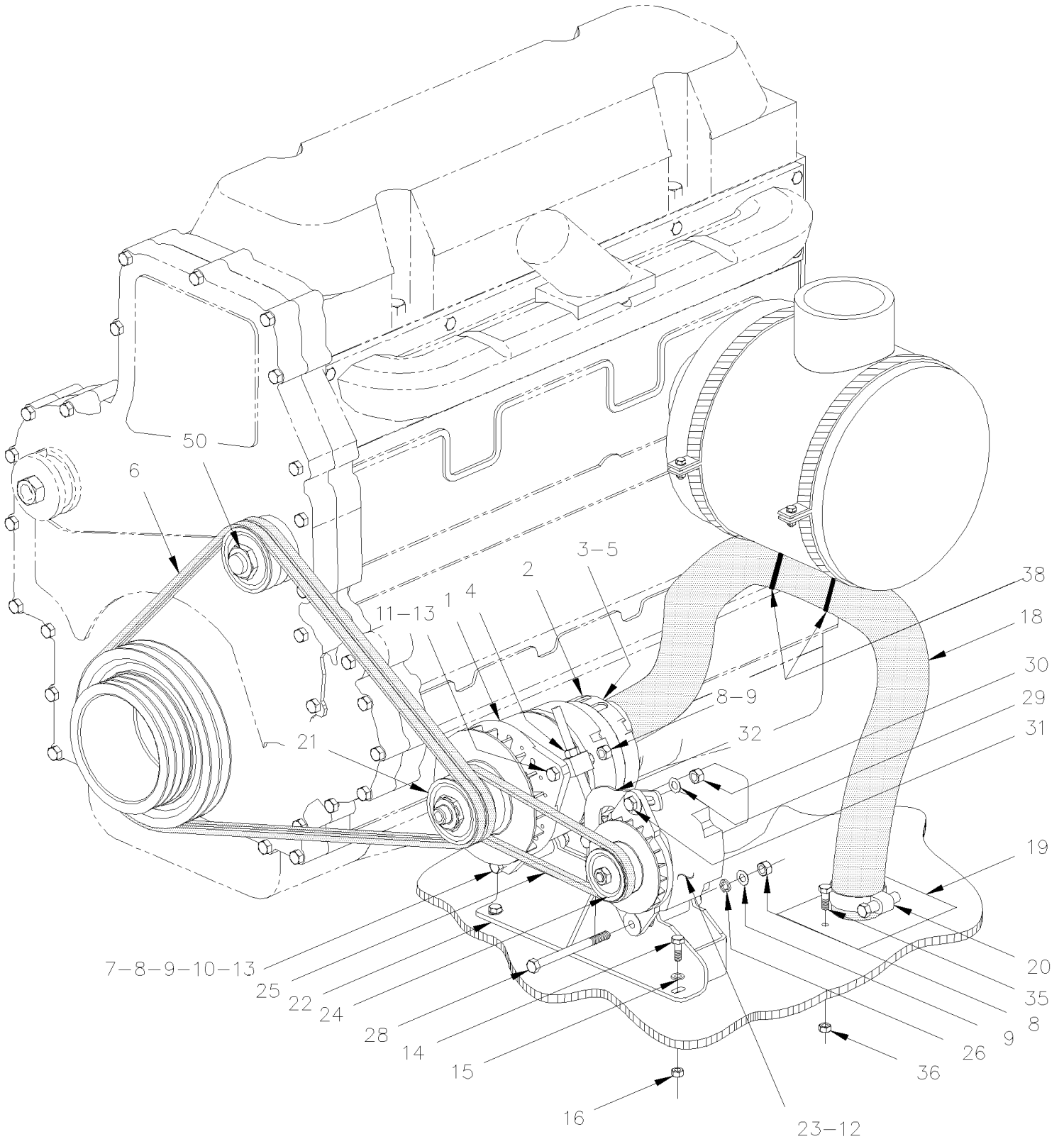


From 3-4417 To 8-1043

Date:10/2022

PAGE:HF-0610-55

ALTERNATOR MOUNTING / 12V & 24V - V.I.P.





From 3-4417 To 8-1043	Date:10/2022	PAGE:HF-0610-55
ALTERNATOR MOUNTING / 12V & 24V - V.I.P.		

Item#	Part	Description	H 3 4 1	H 3 4 5	V I P 4 5	N O T E S
1	562752	ALTERNATOR ASSY 24V/140 AMPS			1	
2	562851	AIR-INTAKE COVER			1	
NS	504421	GROMMET / .625x.875x.187x.437x1.125			1	
3	502581	NUT HEX M6-1.0 Z050			4	
4	562894	SCREW, TENSIONING W/BLOCK To 4-0015			1	
. NS	3036795	. TENSIONING SCREW To 4-0015			1	
. NS	3036796	. TENSION BLOCK To 4-0015			1	
. NS	3036797	. COLLET To 4-0015			1	
4	066254	SCREW, TENSIONING From 4-0016			1	
NS	066253	BLOCK From 4-0016			1	
NS	066252	COLLAR From 4-0016			1	
5	502573	WASHER FL 6.4x12.5x1.6 SS			4	
NS	502564	WASHER LO SPT 6.1x11.8x1.6 Z050			4	
6	506787	V-BELT / BX-80 / SET OF 2 9212-0401			1	
6	506708	V-BELT / BX-77 9013-2077			2	
7	5001174	SCREW CAP HEX M12-1.75x130 G8.8 Z050			1	
8	500860	NUT HEX M12-1.75 Z050			4	
9	500958	WASHER FL .531x1.062x.095 SS			4	
10	501043	MALE ELBOW 90° / SAE 45° FITTING / #8FL-Mx3/8NPT-M BR			1	
11	500835	SCREW CAP HEX M12-1.75x70 G8.8 Z050			2	
12	5001205	WASHER FL .875x1.375x.047			1	
13	500810	WASHER LO SPT 12.2x21.1x2.5 Z050			4	
14	500065	SCREW CAP HEX M10-1.5x30 G10.9 DP			3	
15	5001758	NUT HEX STO M10-1.5 N500			2	
16	960143	WASHER FL 10.5x26.0x2.0 ZP			3	
17	3852496	WASHER LO SPT 10.2x18.1x2.2 ZG603			1	
18	064743	HOSE #44 X 1320MM			1	
19	064770	SUPPORT ASSY			1	
20	504025	HOSE CLAMP / 2"5/16-3"1/4 SS / HS-44			2	
21	064721	PULLEY ALTERNATOR "BOSCH" / W/ 3V x 102.8MM OD To 4-4952			1	
21	066066	PULLEY ALTERNATOR "BOSCH" / W/ 3V x 102.8MM OD From 4-4953			1	
22	064748	SUPPORT ASSY			1	
23	561265	ALTERNATOR ASSY 12V/145 AMPS / DELCO			1	
23	562911	ALTERNATOR ASSY 12V/145 AMPS / LEECE-NEVILLE			1	
23	563523	ALTERNATOR ASSY 14V/160 AMPS / PRESTOLITE			1	
24	062418	PULLEY ALTERNATOR / W/1V x 3 1/4" O.D.			1	
24	562926	PULLEY 3.3" O.D. / W/ "LEECE-NEVILLE"			1	
NS	5001426	WASHER FL .875x1.375x.047 STL KEYWAY			1	
25	506683	V-BELT / BX-31 9013-2031			1	
26	500482	WASHER LO SPT .506x.873x.125 Z050			2	
28	5001390	SCREW CAP HEX M12-1.75x150 G8.8 ZP			1	
29	5001426	WASHER FL .875x1.375x.047 STL KEYWAY			1	



From 3-4417 To 8-1043	Date:10/2022	PAGE:HF-0610-55
ALTERNATOR MOUNTING / 12V & 24V - V.I.P.		

Item#	Part	Description	H 3 4 1	H 3 4 5	V I P 4 5	N O T E S
30	500789	NUT HEX 1/2-13 Z050			1	
31	502786	SCREW CAP HEX 1/2-13x1 1/2 G5 ZP			1	
32	064749	TENSIONNER W/"DELCO"			1	
32	064913	TENSIONNER W/"LEECE-NEVILLE"			1	
NS	064741	CABLE, GROUND ALTERNATOR BOSCH			1	
NS	064739	WIRING HARNESS ALTERNATOR BOSCH			1	
35	502790	SCREW CAP HEX M8-1.25x20 G8.8 Z050			1	
36	502692	NUT HEXF STO M8-1.25 Z050			1	
37	064774	SUPPORT			1	
38	504637	CABLE TIE / 3/16" x 13"			2	
50	HF-0120-50	DRIVE PULLEY & BELTS - V.I.P.				

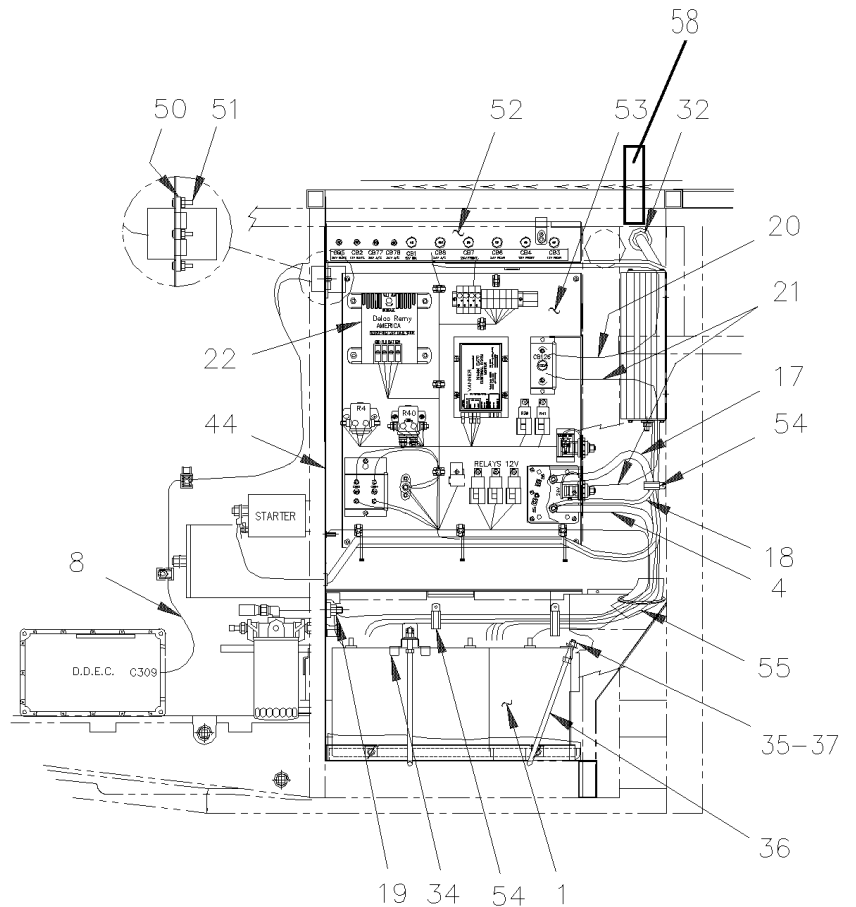
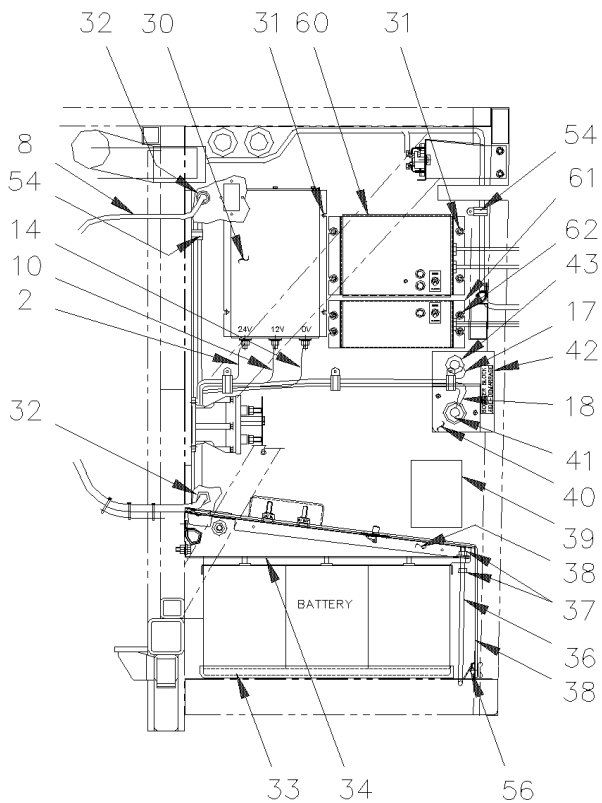
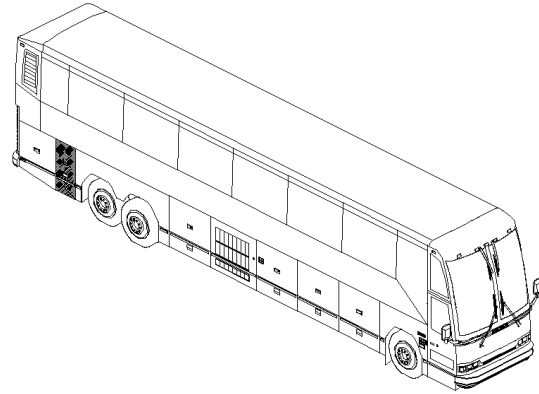
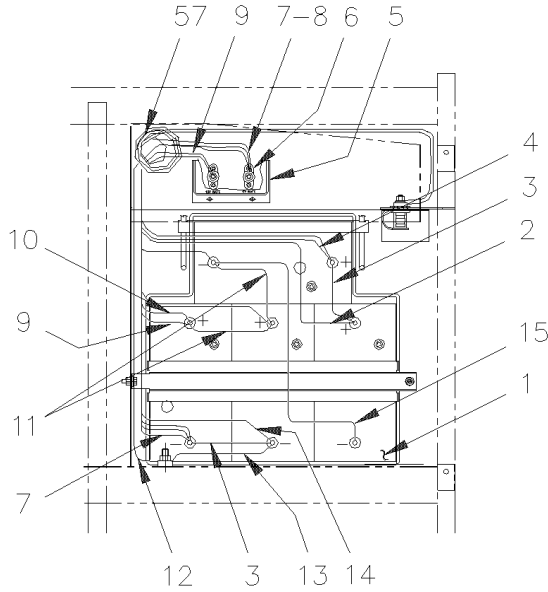


From 3-4417 To 3-4757

Date:10/2022

PAGE:HF-0615-00

BATTERIES COMPARTMENT - INSTALLATION



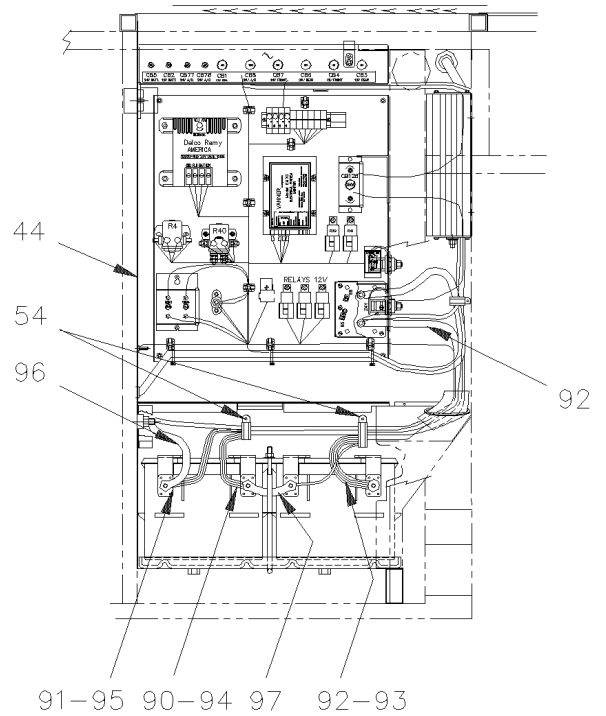
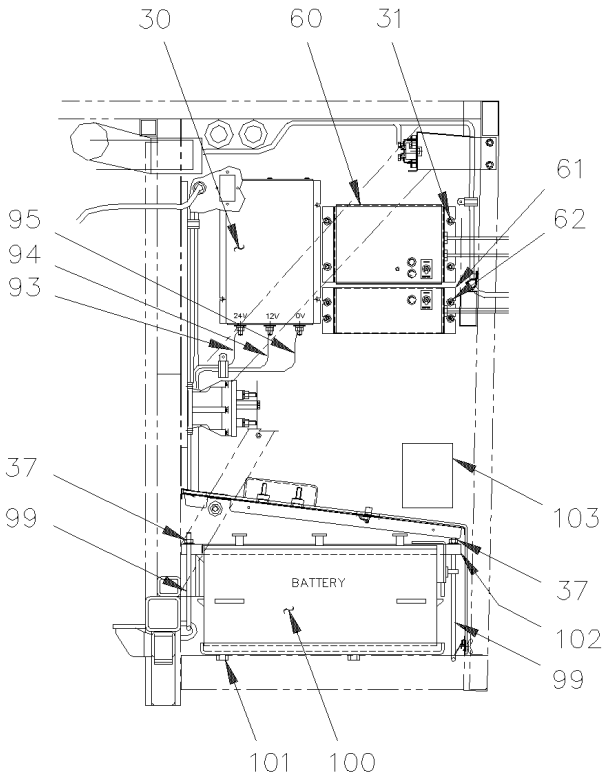
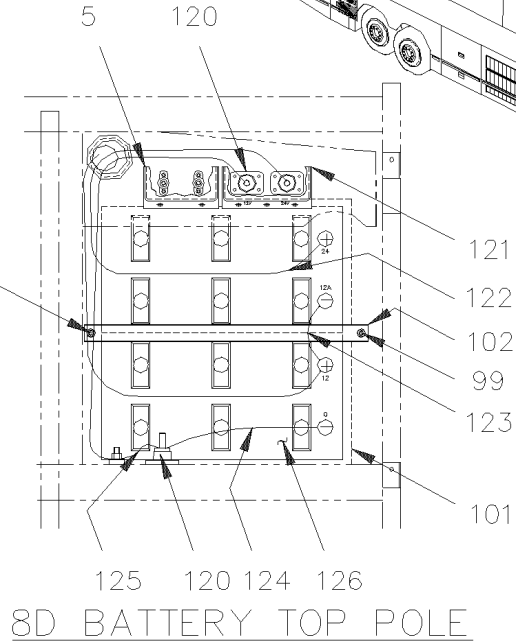
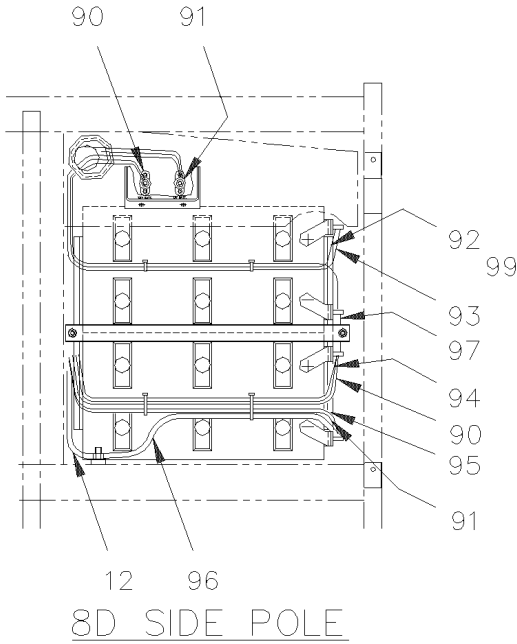
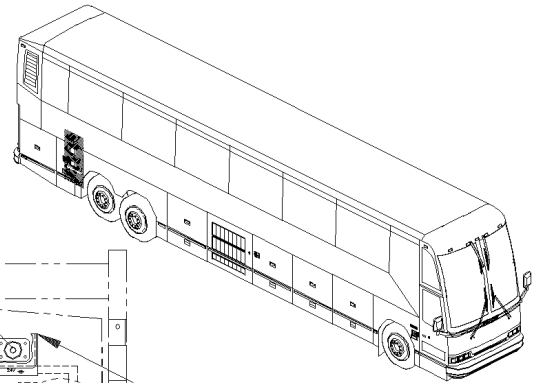


From 3-4417 To 3-4757

Date:10/2022

PAGE:HF-0615-00

BATTERIES COMPARTMENT - INSTALLATION





From 3-4417 To 3-4757	Date:10/2022	PAGE:HF-0615-00
BATTERIES COMPARTMENT - INSTALLATION		

Item#	Part	Description	H 3 4 1	H 3 4 5	V I P 4 5	N O T E S
1	563030	BATTERY 12V/930 CCA / GR31	4	4	4	
2	063587	CABLE ASSY / #24VA To 3-4715	1	1	1	
2	065818	CABLE ASSY / #24VA From 3-4716	1	1	1	
3	061180	CABLE ASSY / B - TO B -	2	2	2	
4	063591	CABLE ASSY / RELAY BATTERY & BATTERY #24	1	1	1	A
5	381223	COVER PROTECTOR	1	1	1	
NS	500638	SCREW TP PAN PH #8x1/2 Z050	2	2	2	
NS	500438	WASHER FL .187x.437x.050 Z050	2	2	2	
6	560422	BLOCK, TERMINAL / 1 STUD 3/8-16 / BLACK	2	2	2	
NS	502698	SCREW MA PAN PH M4-0.7x16 SS BK	4	4	4	
NS	502524	NUT HEX M4-0.7 Z050	4	4	4	
7	063910	CABLE ASSY / # 00A	1	1	1	
8	063906	CABLE ASSY / POWER E.C.U.	1	1	1	
9	063911	CABLE ASSY / #12	1	1	1	
10	063589	CABLE ASSY / #12VA To 3-4715	1	1	1	
10	065820	CABLE ASSY / #12VA From 3-4716	1	1	1	
11	062371	CABLE ASSY / B + TO B +	2	2	2	
12	065094	CABLE ASSY / BATTERY BOOSTER BLOCK / #0	1	1	1	
13	063592	CABLE ASSY / B - TO GROUND	1	1	1	
14	063588	CABLE ASSY / #0VA To 3-4715	1	1	1	
14	065819	CABLE ASSY / #0VA From 3-4716	1	1	1	
15	061036	CABLE ASSY / B - TO B -	1	1	1	
17	063621	CABLE ASSY / RELAY BATTERY & STARTOR #101	1	1	1	
18	065093	CABLE ASSY / TO BOOSTER BLOCK #24	1	1	1	
19	064229	CABLE ASSY / PUMP & GROUND / W.C.L. / #0 W		1		B
19	065095	CABLE ASSY / W/W.C.L. RICON 9000 / #24 WL	1	1		
20	065095	CABLE ASSY / W/W.C.L. RICON 9000 / #24 WL	1	1	1	
21	064228	CABLE ASSY / SWITCH & PUMP / W.C.L. / #24 WC		1		
22	562775	REGULATOR ASSY 24V / W/4 SCREWS	1	1	1	
NS	064577	JUMPER, WIRE	1	1	1	
30	563130	EQUALIZER "VANNER" 100AMPS To 3-4697	1	1	1	
30	563334	EQUALIZER "VANNER" 100AMPS From 3-4698	1	1	1	
30	563129	EQUALIZER "VANNER" 60AMPS	1	1	1	
31	502561	NUT HEX M5-0.8 Z050	AR	AR	AR	
NS	502573	WASHER FL 6.4x12.5x1.6 SS	AR	AR	AR	
32	504398	GROMMET / 1.000x1.375x.062x.437x1.750	1	1	1	
33	380671	TRAY, BATTERIES	1	1	1	
34	381600	BATTERIES SUPPORT	1	1	1	
35	381602	RACK BATTERIES	1	1	1	
36	381660	BATTERY SUP. HOOK 38-16x280MM SS	3	3		
37	500102	NUT HEX 3/8-16 SS	3	3	3	
NS	500257	WASHER LO SPT 10.2x18.1x2.2 Z050	3	3	3	



From 3-4417 To 3-4757	Date:10/2022	PAGE:HF-0615-00
-----------------------	--------------	-----------------

BATTERIES COMPARTMENT - INSTALLATION

Item#	Part	Description	H 3 4 1	H 3 4 5	V I P 4 5	N O T E S
38	381672	COVER BATTERIES ASSY / W/2 LATCH To 3-4453	1	1	1	
. NS	381671	. COVER PANEL To 3-4453	1	1	1	
. NS	504203	. SPRING LATCH / KNURLED STEEL KNOB To 3-4453	2	2	2	
. NS	504603	. STUD 6 MM (DZUS) To 3-4453	2	2	2	
. NS	504604	. FASTENER To 3-4453	2	2	2	
. NS	504339	. RIVET POP DOME OE 1/8x3/8 SS To 3-4453	4	4	4	
. NS	160295	. DECAL / "IT FORBIDDEN TO STOCK ANYTING IN TH. / ENGLISH & FRANCAIS To 3-4453	1	1	1	
38	381983	COVER BATTERIES ASSY / W/2 LATCH From 3-4454	1	1	1	
38	504203	. SPRING LATCH / KNURLED STEEL KNOB From 3-4454	2	2	2	
38	504717	. RIVET POP DOME OE 1/8x1/4 SS From 3-4454	4	4	4	
38	381982	. COVER PANEL From 3-4454	1	1	1	
38	506738	. TAPE RUB ADH1 CC POL 1/8" x 1" x 50' / GREY 2520 From 3-4454	AR	AR	AR	
38	160295	. DECAL / "IT FORBIDDEN TO STOCK ANYTING IN TH. / ENGLISH & FRANCAIS From 3-4454	1	1	1	
38	161191	DECAL / "IT FORBIDDEN TO STOCK ANYTING IN TH. / ENGLISH & SPANISH	1	1	1	
NS	402804	DECAL / "ALWAYS DISCONNECT..." / ENGLISH	1	1	1	
NS	405638	DECAL / "ALWAYS DISCONNECT..." / ENGLISH & SPANISH	1	1	1	
39	063751	DECAL BATTERY WIRING CABLE / ENGLISH	1	1	1	
39	066047	DECAL BATTERY WIRING CABLE / ENGLISH & SPANISH	1	1	1	
40	381210	SEPARATOR / FIBERGLASS RED	1	1	1	
NS	504118	RIVET POP DOME OE 3/16x3/8 AL	AR	AR	AR	
41	561856	BOOSTER BLOCK, REMOTE / RED	1	1	1	
42	062682	DECAL / "BOOSTER BLOCK" / ENGLISH & FRANCAIS	1	1	1	
42	066045	DECAL / "BOOSTER BLOCK" / ENGLISH & SPANISH	1	1	1	
43	561857	BOOSTER BLOCK, REMOTE / BLACK	1	1	1	
44	065525	DECAL BATTERY COMPARTMENT W/SMALL A/C SYSTEM			1	
50	680025	CAULKING STRIP 3/16" O.D. X 14'	AR	AR	AR	
51	500873	SCREW MA RND PH #8-32x3/4 SS BK	4	4	4	
NS	500764	NUT HEX #8-32 Z050	4	4	4	
52	HF-0616-10	BREAKER PANEL				
53	HF-0615-50	BATTERIES COMPARTMENT PANEL				
54	504458	CLAMP / 1 5/8" I.D.	2	2	2	
54	560480	CLAMP / 1/2" I.D.	2	2	2	
54	560912	CLAMP / 1"1/4 I.D.	AR	AR	AR	
54	560482	CLAMP / 3/4" I.D. / W/HOLE 3/16"	2	2	2	
54	561678	CLAMP / 2" I.D.	1	1	1	
54	562060	CLAMP / 1 3/4" I.D.	2	2	2	
NS	502679	NUT HEX NYRT M4-0.7 ZP	AR	AR	AR	
55	506283	PIPE INSULATING / 1 5/8" I.D. X 1/2" TH. X 72 / APT15812	AR	AR	AR	
56	504605	RECEPTACLE 6 MM	2	2	2	D
57	504606	GROMMET / 3.000x3.500x.062x.500x4.000	1	1	1	
58	328171	FLAPGATE ASSY 1 1/2" x 1 1/2" TUBE	1	1	1	
60	HF-0670-10	BATTERIES CHARGER - INSTALLATION				



From 3-4417 To 3-4757	Date:10/2022	PAGE:HF-0615-00
------------------------------	---------------------	------------------------

BATTERIES COMPARTMENT - INSTALLATION

Item#	Part	Description	H 3 4 1	H 3 4 5	V I P 4 5	N O T E S
61	502565	NUT HEX M6-1.0 SS	4	4	4	
62	502572	NUT WD RND M6-1.0 SS	4	4	4	
		FOLLOWING ITEMS ARE USED WITH				
		8D BATTERIES WITH SIDE POST				
90	063909	CABLE ASSY / #12	1	1		
91	063908	CABLE ASSY / #00A	1	1		
92	063900	CABLE ASSY / RELAY BATTERY & BATTERY #24	1	1		
93	063899	CABLE ASSY / #24VA To 3-4715	1	1		
93	065823	CABLE ASSY / #24VA From 3-4716	1	1		
94	063898	CABLE ASSY / #12VA To 3-4715	1	1		
94	065822	CABLE ASSY / #12VA From 3-4716	1	1		
95	063897	CABLE ASSY / #0VA To 3-4715	1	1		
95	065821	CABLE ASSY / #0VA From 3-4716	1	1		
96	063902	CABLE ASSY / #0VA	1	1		
97	063903	CABLE ASSY / B + TO B -	1	1		
99	381660	BATTERY SUP. HOOK 38-16x280MM SS	1	1		
100	561861	BATTERY 12V/8D / W/SIDE POSTS / DRY	AR	AR		
100	563031	BATTERY 12V/8D / W/TOP POSTS	2	2		
NS	563065	BATTERY KIT, SIDE POSTS / FOR 8D BATTERIES	AR	AR		
101	381670	TRAY, BATTERIES 8D	1	1		C
102	381669	RACK BATTERIES	1	1		
103	063912	DECAL BATTERIES WIRING CABLE / ENGLISH	1	1		
103	066048	DECAL BATTERIES WIRING CABLE / ENGLISH & SPANISH	1	1		
		FOLLOWING ITEMS ARE USED WITH				
		8D BATTERIES WITH TOP POST				
120	560177	BLOCK, TERMINAL / 1 STUD 1/2-13 / BLACK	3	3		
121	381780	PROTECTOR BOUNDS	1	1		
122	064376	CABLE ASSY / #24V	1	1		
123	064380	CABLE ASSY / #12V	1	1		
124	064377	CABLE ASSY / #0V	1	1		
125	064378	CABLE ASSY / BATTERY TO BOOSTER BLOCK / #0	1	1		
126	562665	BATTERY 12V/8D / W/TOP POSTS / WET	2	2		
		A) #24 RELAY BATTERY & BATTERY				
		B) #24 TO BOOST BLOCK				
		C) WITH 8D BATTERIES				



From 3-4417 To 3-4757	Date:10/2022	PAGE:HF-0615-00
-----------------------	--------------	-----------------

BATTERIES COMPARTMENT - INSTALLATION

Item#	Part	Description	H 3 4 1	H 3 4 5	V I P 4 5	N O T E S
		D) TO FIX PROTECTOR #38				

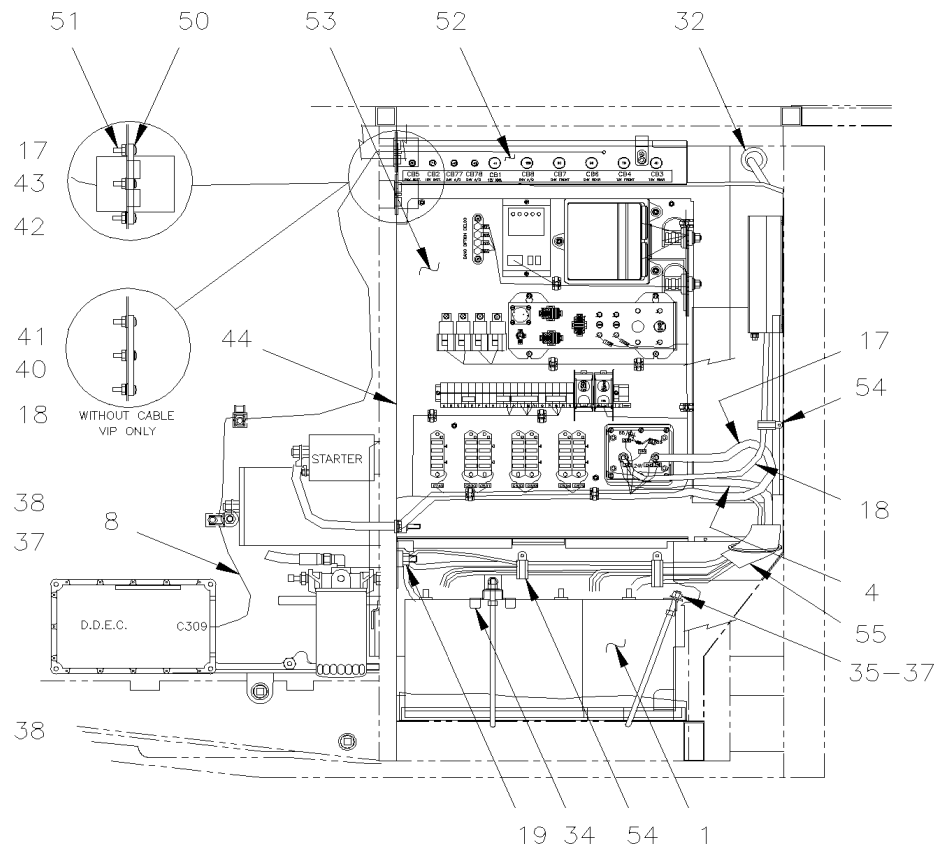
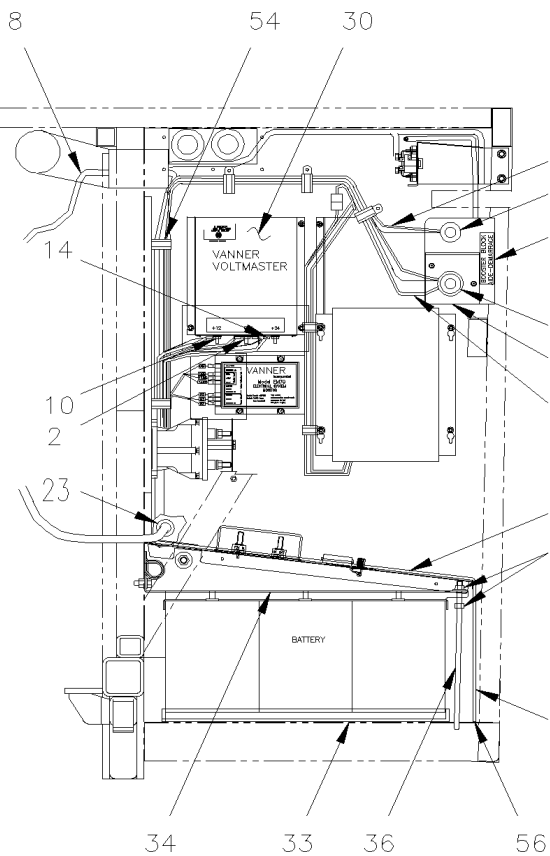
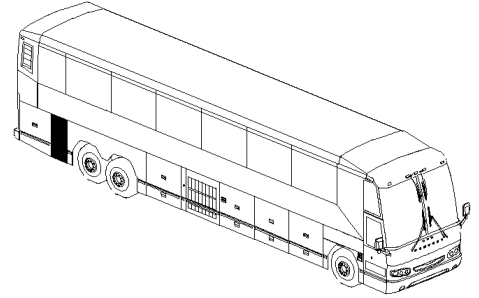
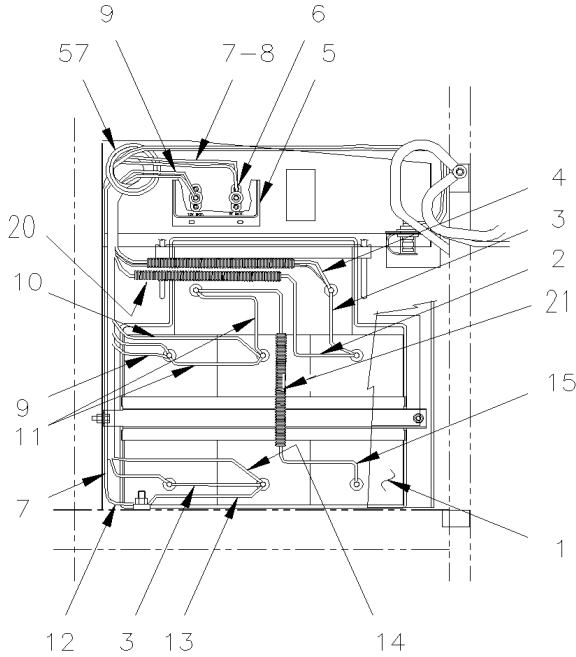


From 4-4758 To 6-0435

Date:10/2022

PAGE:HF-0615-01

BATTERIES COMPARTMENT - INSTALLATION



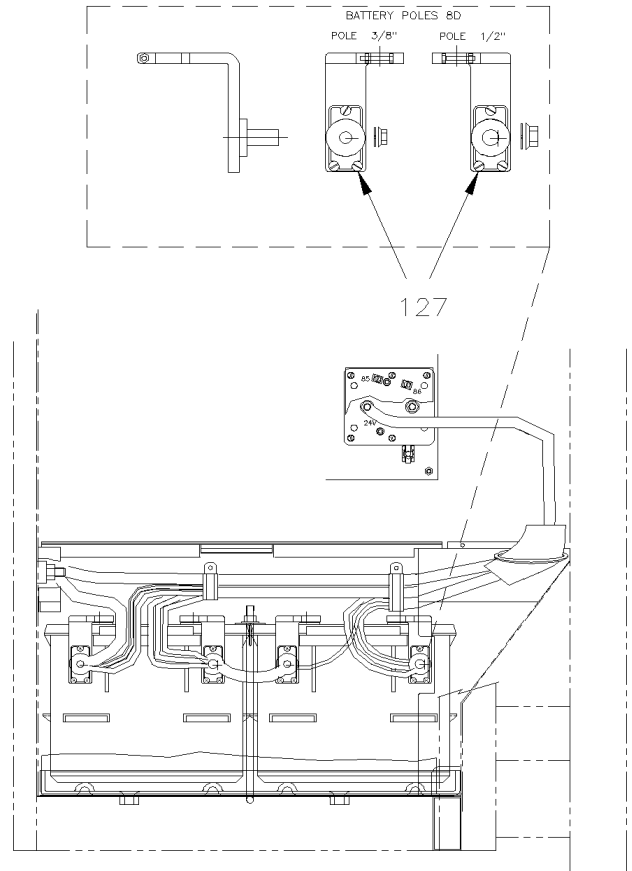
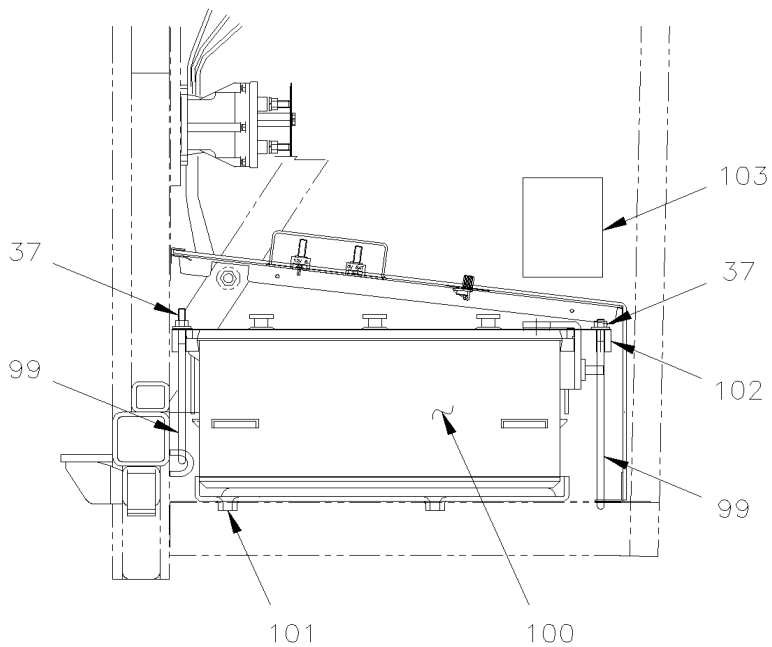
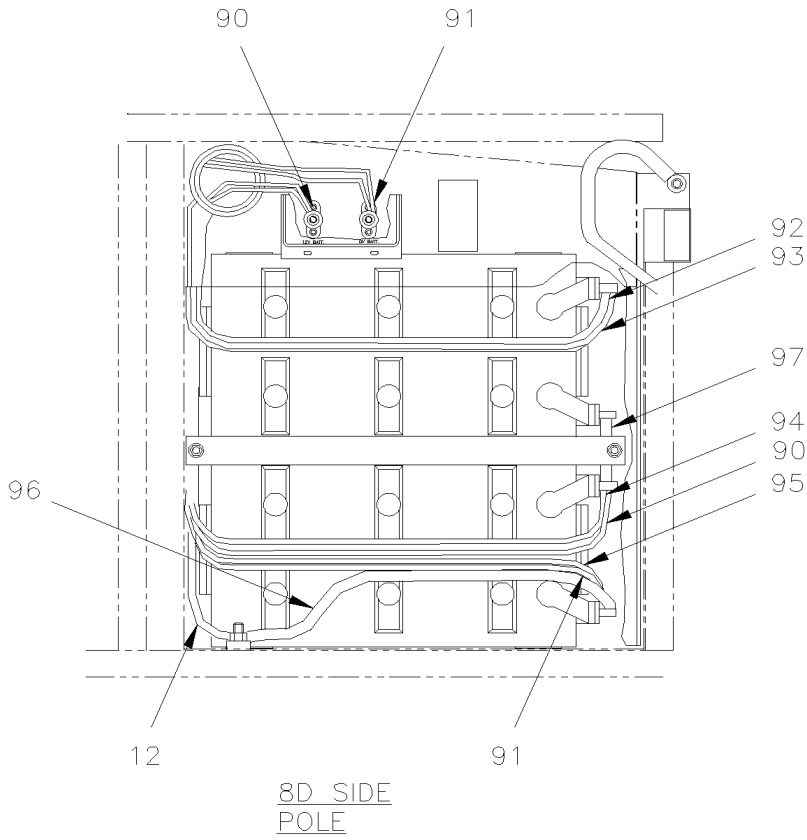
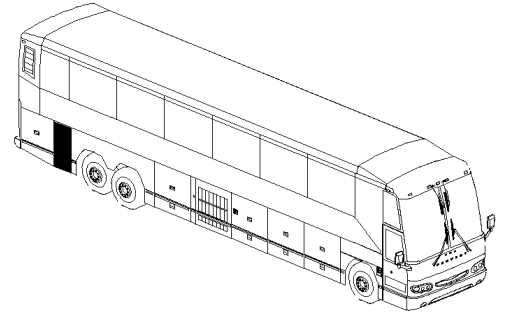


From 4-4758 To 6-0435

Date:10/2022

PAGE:HF-0615-01

BATTERIES COMPARTMENT - INSTALLATION





From 4-4758 To 6-0435	Date:10/2022	PAGE:HF-0615-01
-----------------------	--------------	-----------------

BATTERIES COMPARTMENT - INSTALLATION

Item#	Part	Description	H 3 4 1	H 3 4 5	V I P 4 5	N O T E S
1	563030	BATTERY 12V/930 CCA / GR31	4	4	4	
2	065818	CABLE ASSY / #24VA	1	1	1	
3	061180	CABLE ASSY / B - TO B -	2	2	2	
4	063591	CABLE ASSY / RELAY BATTERY & BATTERY #24	1	1	1	A
5	381223	COVER PROTECTOR	1	1	1	
NS	500638	SCREW TP PAN PH #8x1/2 Z050	2	2	2	
NS	500438	WASHER FL .187x.437x.050 Z050	2	2	2	
6	560422	BLOCK, TERMINAL / 1 STUD 3/8-16 / BLACK	2	2	2	
NS	502698	SCREW MA PAN PH M4-0.7x16 SS BK	4	4	4	
NS	502524	NUT HEX M4-0.7 Z050	4	4	4	
7	065677	CABLE ASSY / # 00A	1	1	1	
8	065680	CABLE ASSY / POWER E.C.U.	1	1	1	
9	065678	CABLE ASSY / #12	1	1	1	
10	065820	CABLE ASSY / #12VA	1	1	1	
11	062371	CABLE ASSY / B + TO B +	2	2	2	
12	065094	CABLE ASSY / BATTERY BOOSTER BLOCK / #0	1	1	1	
13	063592	CABLE ASSY / B - TO GROUND	1	1	1	
14	065819	CABLE ASSY / #0VA	1	1	1	
15	061036	CABLE ASSY / B - TO B -	1	1	1	
17	063621	CABLE ASSY / RELAY BATTERY & STARTOR #101	1	1	1	
18	065093	CABLE ASSY / TO BOOSTER BLOCK #24	1	1	1	
19	500998	NUT HEX 1/2-13 BR	1	1	1	
NS	500482	WASHER LO SPT .506x.873x.125 Z050	1	1	1	
20	562053	CONVOLUTED TUBING / UNSLIT / BLACK / 1.000"	AR	AR	AR	
21	562123	CONVOLUTED TUBING / UNSLIT / BLACK / .750	AR	AR	AR	
23	382151	TUBE PVC / 2" 30MM	1	1	1	
NS	504025	HOSE CLAMP / 2"5/16-3"1/4 SS / HS-44	1	1	1	
NS	504533	CUFF END BELLOW / 2 3/8" I.D. x 2 3/8" x 4"	1	1	1	
30	563334	EQUALIZER "VANNER" 100AMPS	1	1	1	
31	502561	NUT HEX M5-0.8 Z050	AR	AR	AR	
NS	502573	WASHER FL 6.4x12.5x1.6 SS	AR	AR	AR	
32	504398	GROMMET / 1.000x1.375x.062x.437x1.750	1	1	1	
33	380671	TRAY, BATTERIES	1	1	1	
34	381600	BATTERIES SUPPORT	1	1	1	
35	381602	RACK BATTERIES	1	1	1	
36	381660	BATTERY SUP. HOOK 38-16x280MM SS	3	3		
37	5001522	NUT HEXF LO 3/8-16 SS	3	3	3	
NS	500257	WASHER LO SPT 10.2x18.1x2.2 Z050	3	3	3	
38	381983	COVER BATTERIES ASSY / W/2 LATCH	1	1	1	
NS	504203	. SPRING LATCH / KNURLED STEEL KNOB	2	2	2	
NS	504717	. RIVET POP DOME OE 1/8x1/4 SS	4	4	4	
NS	381982	. COVER PANEL	1	1	1	



From 4-4758 To 6-0435	Date:10/2022	PAGE:HF-0615-01
-----------------------	--------------	-----------------

BATTERIES COMPARTMENT - INSTALLATION

Item#	Part	Description	H 3 4 1	H 3 4 5	V I P 4 5	N O T E S
NS	506738	. TAPE RUB ADH1 CC POL 1/8" x 1" x 50' / GREY 2520	AR	AR	AR	
NS	160295	. DECAL / "IT FORBIDDEN TO STOCK ANYTING IN TH. / ENGLISH & FRANCAIS	1	1	1	
NS	402804	DECAL / "ALWAYS DISCONNECT..." / ENGLISH	1	1	1	
NS	405638	DECAL / "ALWAYS DISCONNECT..." / ENGLISH & SPANISH	1	1	1	
39	063751	DECAL BATTERY WIRING CABLE / ENGLISH	1	1	1	
39	066047	DECAL BATTERY WIRING CABLE / ENGLISH & SPANISH	1	1	1	
40	381210	SEPARATOR / FIBERGLASS RED	1	1	1	
NS	504118	RIVET POP DOME OE 3/16x3/8 AL	AR	AR	AR	
41	561856	BOOSTER BLOCK, REMOTE / RED	1	1	1	
42	062682	DECAL / "BOOSTER BLOCK" / ENGLISH & FRANCAIS	1	1	1	
42	066045	DECAL / "BOOSTER BLOCK" / ENGLISH & SPANISH	1	1	1	
43	561857	BOOSTER BLOCK, REMOTE / BLACK	1	1	1	
44	065525	DECAL BATTERY COMPARTMENT W/SMALL A/C SYSTEM			1	
50	680025	CAULKING STRIP 3/16" O.D. X 14'	AR	AR	AR	
50	563210	GASKET / DRC SERIES / 24C / DEUTSCH DRC24-GKT	1	1		
50	563211	GASKET / DRC SERIES / 40C / DEUTSCH DRC40-GKT	1	1		
51	502698	SCREW MA PAN PH M4-0.7x16 SS BK	4	4	4	
NS	500764	NUT HEX #8-32 Z050	4	4	4	
52	HF-0616-10	BREAKER PANEL				
53	HF-0620-01	REAR JUNCTION BOX ASSY				
54	504458	CLAMP / 1 5/8" I.D.	2	2	2	
54	977742	CLAMP / 3/4" I.D.	2	2	2	
54	952629	CLAMP / 5/8" I.D.	1	1	1	
NS	502679	NUT HEX NYRT M4-0.7 ZP	AR	AR	AR	
55	506283	PIPE INSULATING / 1 5/8" I.D. X 1/2" TH. X 72 / APT15812	AR	AR	AR	
56	504605	RECEPTACLE 6 MM	2	2	2	D
57	504606	GROMMET / 3.000x3.500x.062x.500x4.000	1	1	1	
60	HF-0670-10	BATTERIES CHARGER - INSTALLATION				
61	502565	NUT HEX M6-1.0 SS	4	4	4	
62	502572	NUT WD RND M6-1.0 SS	4	4	4	
		FOLLOWING ITEMS ARE USED WITH				
		8D BATTERIES INSTALLATION				
90	065676	CABLE ASSY / #12	1	1		
91	065675	CABLE ASSY / # 00A	1	1		
92	063900	CABLE ASSY / RELAY BATTERY & BATTERY #24	1	1		
93	065823	CABLE ASSY / #24VA	1	1		
94	065822	CABLE ASSY / #12VA	1	1		
95	065821	CABLE ASSY / #0VA	1	1		
96	063902	CABLE ASSY / #0VA	1	1		
97	063903	CABLE ASSY / B + TO B -	1	1		



From 4-4758 To 6-0435 Date:10/2022 PAGE:HF-0615-01

BATTERIES COMPARTMENT - INSTALLATION

Item#	Part	Description	H 3 4 1	H 3 4 5	V I P 4 5	N O T E S
99	381660	BATTERY SUP. HOOK 38-16x280MM SS	1	1		
100	561861	BATTERY 12V/8D / W/SIDE POSTS / DRY	AR	AR		
100	563031	BATTERY 12V/8D / W/TOP POSTS	2	2		
101	381670	TRAY, BATTERIES 8D	1	1		
102	381669	RACK BATTERIES	1	1		
103	063912	DECAL BATTERIES WIRING CABLE / ENGLISH	1	1		
103	066048	DECAL BATTERIES WIRING CABLE / ENGLISH & SPANISH	1	1		
127	563065	BATTERY KIT, SIDE POSTS / FOR 8D BATTERIES	AR	AR		
NS	500960	NUT HEXF 3/8-16 ZP	1	1		
NS	500961	NUT HEXF 1/2-13 ZP	1	1		
		A) #24 RELAY BATTERY & BATTERY				
		D) TO FIX PROTECTOR #38				

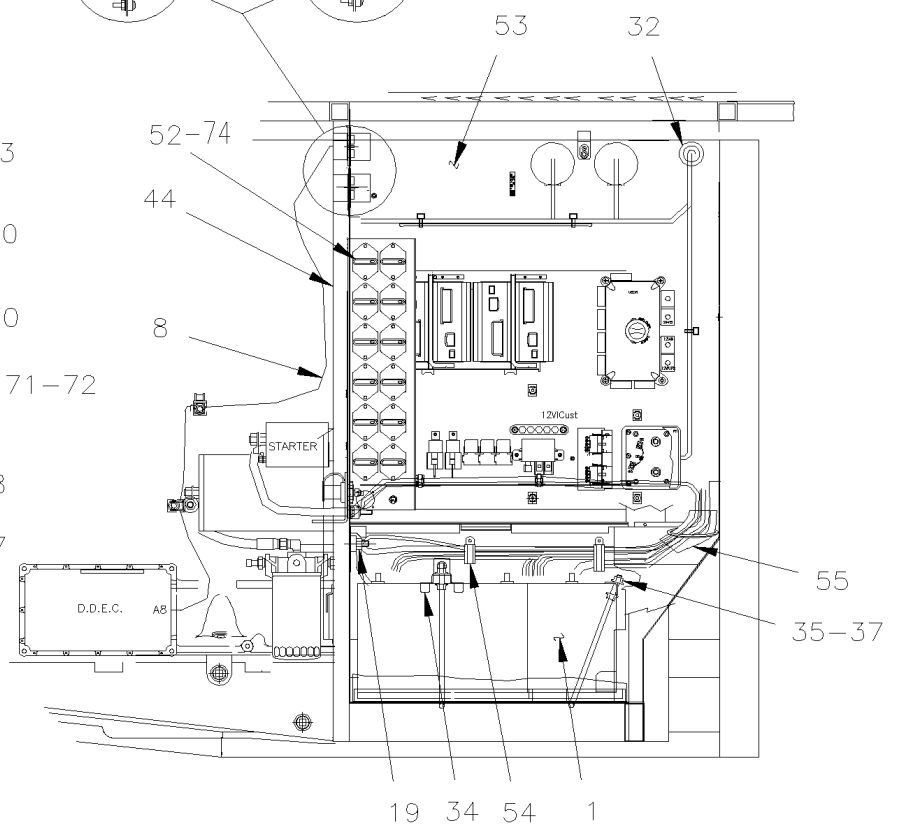
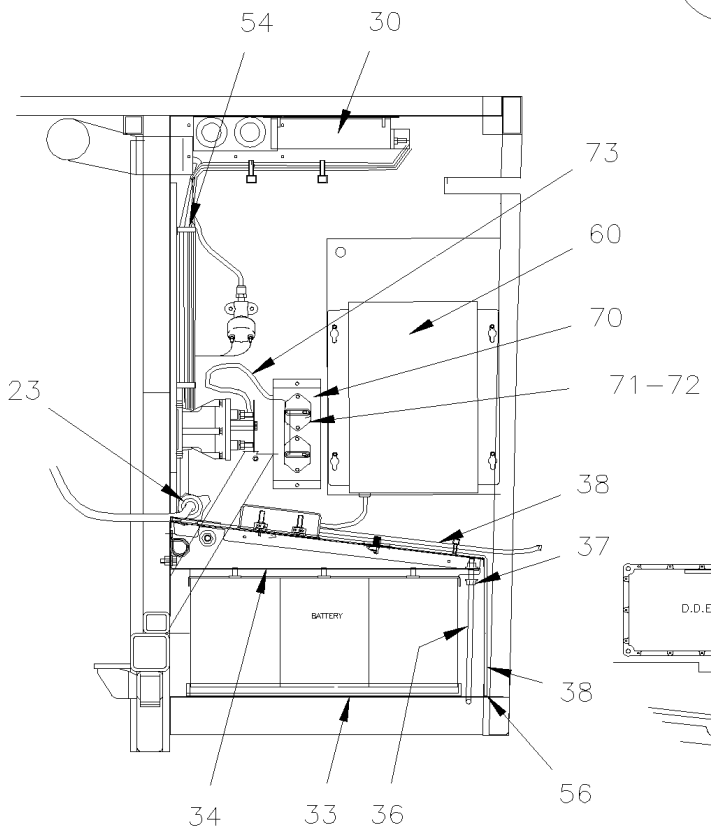
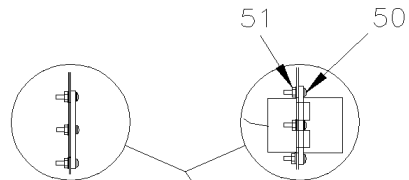
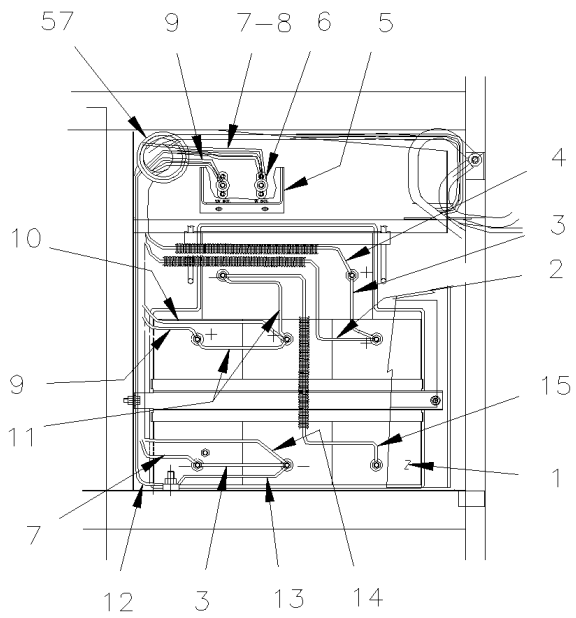
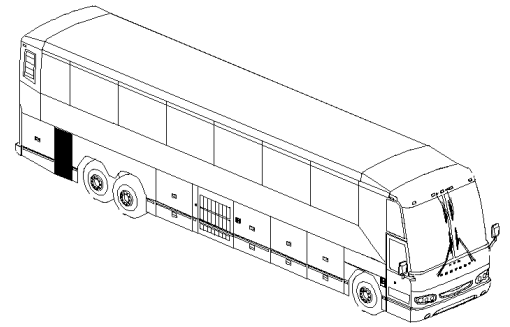


From 5-0108 To 8-1043

Date:10/2022

PAGE:HF-0615-02

BATTERIES COMPARTMENT - INSTALLATION



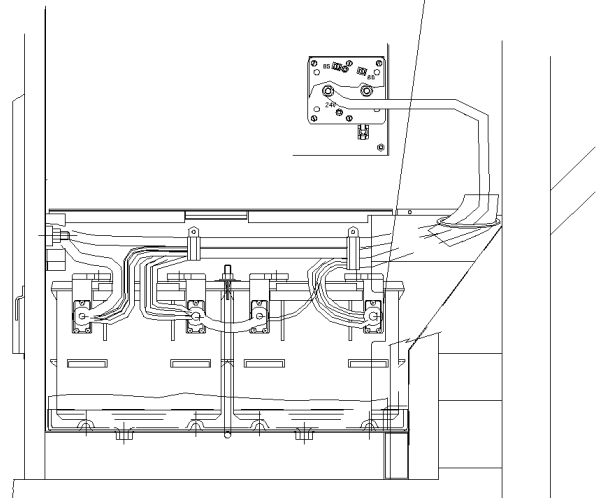
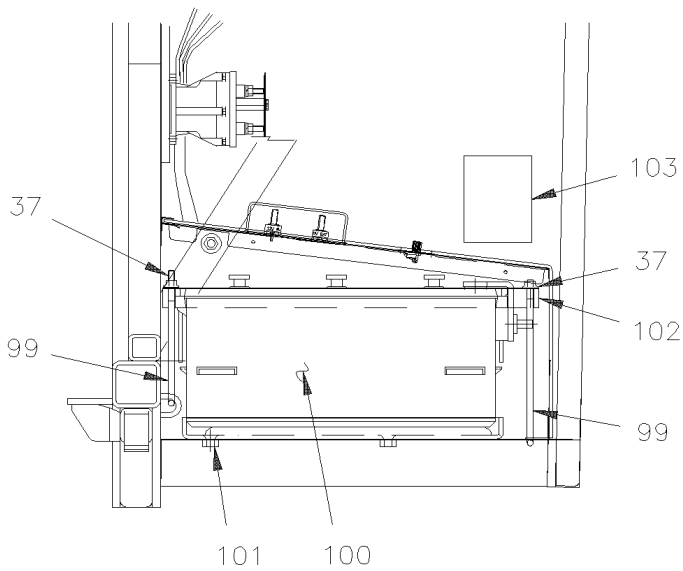
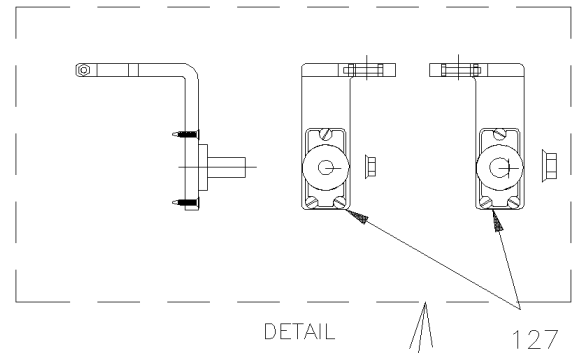
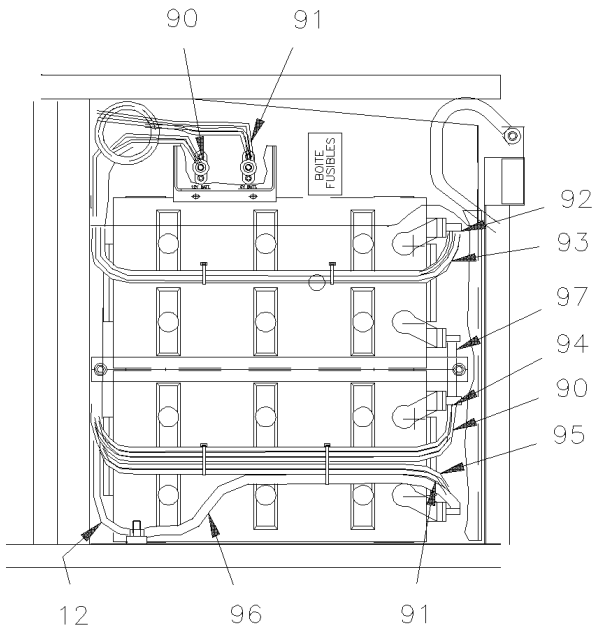
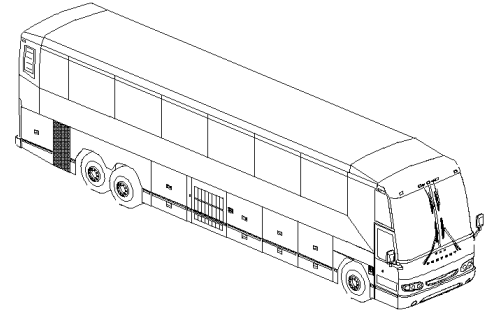


From 5-0108 To 8-1043

Date:10/2022

PAGE:HF-0615-02

BATTERIES COMPARTMENT - INSTALLATION





From 5-0108 To 8-1043	Date:10/2022	PAGE:HF-0615-02
-----------------------	--------------	-----------------

BATTERIES COMPARTMENT - INSTALLATION

Item#	Part	Description	H 3 4 1	H 3 4 5	V I P 4 5	N O T E S
1	563030	BATTERY 12V/930 CCA / GR31	4	4	4	
2	066142	CABLE HARNESS / EQUALIZER	1	1	1	
3	061180	CABLE ASSY / B - TO B -	2	2	2	
4	063591	CABLE ASSY / RELAY BATTERY & BATTERY #24	1	1	1	
5	381223	COVER PROTECTOR	1	1	1	
NS	500965	SCREW TC BDG PH #8-32x1/2 N500	6	6	6	
NS	500855	WASHER FL .188x.438x.049 N500	11	11	11	
6	560422	BLOCK, TERMINAL / 1 STUD 3/8-16 / BLACK	2	2	2	
NS	502698	SCREW MA PAN PH M4-0.7x16 SS BK	36	36	36	
7	065677	CABLE ASSY / # 00A x	1	1	1	
10	062371	CABLE ASSY / B + TO B +	2	2	2	
13	063592	CABLE ASSY / B - TO GROUND x	1	1	1	
15	061036	CABLE ASSY / B - TO B -	1	1	1	
19	500998	NUT HEX 1/2-13 BR	1	1	1	
NS	500482	WASHER LO SPT .506x.873x.125 Z050	1	1	1	
20	562053	CONVOLUTED TUBING / UNSLIT / BLACK / 1.000"	AR	AR	AR	
21	562123	CONVOLUTED TUBING / UNSLIT / BLACK / .750	AR	AR	AR	
23	382151	TUBE PVC / 2" 30MM	1	1	1	
NS	504025	HOSE CLAMP / 2"5/16-3"1/4 SS / HS-44	1	1	1	
23	504533	CUFF END BELLOW / 2 3/8" I.D. x 2 3/8" x 4"	1	1	1	
25	502841	NUT HEX NYRT M5-0.8 N500	4	4	4	
26	500804	WASHER FL .203x.500x.047 N500	4	4	4	
27	500914	WASHER LO SPT .193x.334x.047 N500	12	12	12	
28	502511	NUT HEX NYRT M6-1.0 Z050	4	4	4	
30	563334	EQUALIZER "VANNER" 100AMPS	1	1	1	
31	500877	WASHER FL .250x.562x.065 N500	2	2	2	
32	502780	SCREW CAP HEX M8-1.25x25 SS BK	1	1	1	
33	380671	TRAY, BATTERIES	1	1	1	
34	502583	WASHER LO SERR 8.15x22.3x1.0 Z050	1	1	1	
34	381600	BATTERIES SUPPORT	1	1	1	
35	381602	RACK BATTERIES	1	1	1	
36	381660	BATTERY SUP. HOOK 38-16x280MM SS	3	3	3	
37	5001522	NUT HEXF LO 3/8-16 SS	1	1	1	
38	381983	COVER BATTERIES ASSY / W/2 LATCH	1	1	1	
NS	504203	. SPRING LATCH / KNURLED STEEL KNOB	2	2	2	
NS	504717	. RIVET POP DOME OE 1/8x1/4 SS	4	4	4	
NS	381982	. COVER PANEL	1	1	1	
NS	506738	. TAPE RUB ADH1 CC POL 1/8" x 1" x 50' / GREY 2520	AR	AR	AR	
NS	160295	. DECAL / "IT FORBIDDEN TO STOCK ANYTING IN TH. / ENGLISH & FRANCAIS	1	1	1	
NS	402804	DECAL / "ALWAYS DISCONNECT..." / ENGLISH	1	1	1	
NS	405638	DECAL / "ALWAYS DISCONNECT..." / ENGLISH & SPANISH	1	1	1	
39	063751	DECAL BATTERY WIRING CABLE / ENGLISH	1	1	1	



From 5-0108 To 8-1043	Date:10/2022	PAGE:HF-0615-02
BATTERIES COMPARTMENT - INSTALLATION		

Item#	Part	Description	H 3 4 1	H 3 4 5	V I P 4 5	N O T E S
39	066047	DECAL BATTERY WIRING CABLE / ENGLISH & SPANISH	1	1	1	
40	381210	SEPARATOR / FIBERGLASS RED	1	1	1	
NS	504118	RIVET POP DOME OE 3/16x3/8 AL	2	2	2	
41	561856	BOOSTER BLOCK, REMOTE / RED	1	1	1	
42	062682	DECAL / "BOOSTER BLOCK" / ENGLISH & FRANCAIS	1	1	1	
42	066045	DECAL / "BOOSTER BLOCK" / ENGLISH & SPANISH	1	1	1	
46	504637	CABLE TIE / 3/16" x 13"	AR	AR	AR	
47	504013	TIE MOUNT / 1/4" X 1/4" I.D.	AR	AR	AR	
48	500539	NUT HEX NYRT M4-0.7 N500	10	10	10	
49	5001433	SCREW CAP HEX M6-1.0x25 SS	1	1	1	
50	563212	GASKET / DRC SERIES / 70C / DEUTSCH DRC70-GKT	2	2	2	
50	563210	GASKET / DRC SERIES / 24C / DEUTSCH DRC24-GKT	1	1	1	
NS	563096	GASKET MOUNTING / HD10 SERIES / 6C / DEUTSCH HD10-6-GKT	1	1	1	
52	HF-0616-11	BREAKER PANEL / MUX				
53	HF-0620-02	REAR JUNCTION BOX ASSY / MUX				
54	952635	CLAMP / 1" I.D.	1	1	1	
54	504458	CLAMP / 1 5/8" I.D.	2	2	2	
54	562060	CLAMP / 1 3/4" I.D.	1	1	1	
55	506283	PIPE INSULATING / 1 5/8" I.D. X 1/2" TH. X 72 / APT15812	AR	AR	AR	
57	504606	GROMMET / 3.000x3.500x.062x.500x4.000	1	1	1	
60	HF-0670-10	BATTERIES CHARGER - INSTALLATION				
61	955269	SCREW CAP HEX M6-1.0x12 G8.8 ZG603	2	2	2	
62	502567	NUT HEX M10-1.5 SS	2	2	2	
70	388811	SUPPORT BREAKER	1	1	1	
NS	502569	SCREW MA PAN PH M6-1.0x16 BK	4	4	4	
71	563553	BREAKER 50AMPS / 24V /	AR	AR	AR	
71	562683	BREAKER 90AMPS / 24V /	AR	AR	AR	
72	382088	BUS BAR / W/2 HOLES / 80MM C/C	1	1	1	
73	065543	CABLE ASSY #4 X 550MM	1	1	1	
74	382100	PROTECTOR / SIDE BREAKER	1	1	1	
77	502616	WASHER LO SPT 10.2x18.1x2.2 SS	1	1	1	
83	500379	NUT HEX 3/8-16 BR	2	2	2	
84	500478	WASHER LO SPT .380x.683x.094 Z050	2	2	2	
90	561821	NUT, RING #17 & 20 / 1.500" I.D W/4 4-40	2	2	2	
91	5001454	SCREW MA BDG PH #4-40x1/2 SS	4	4	4	
92	066155	DECAL PIN OUT / JCT BOX W/MUX	AR	AR	AR	
92	066902	DECAL REAR JCT BOX VIP W/MUX	1	1	1	
93	641462	PRESSURE SWITCH N.O. 4PSI / 1/4NPT W/10-32 / SL-5 BRAKE	1	1	1	

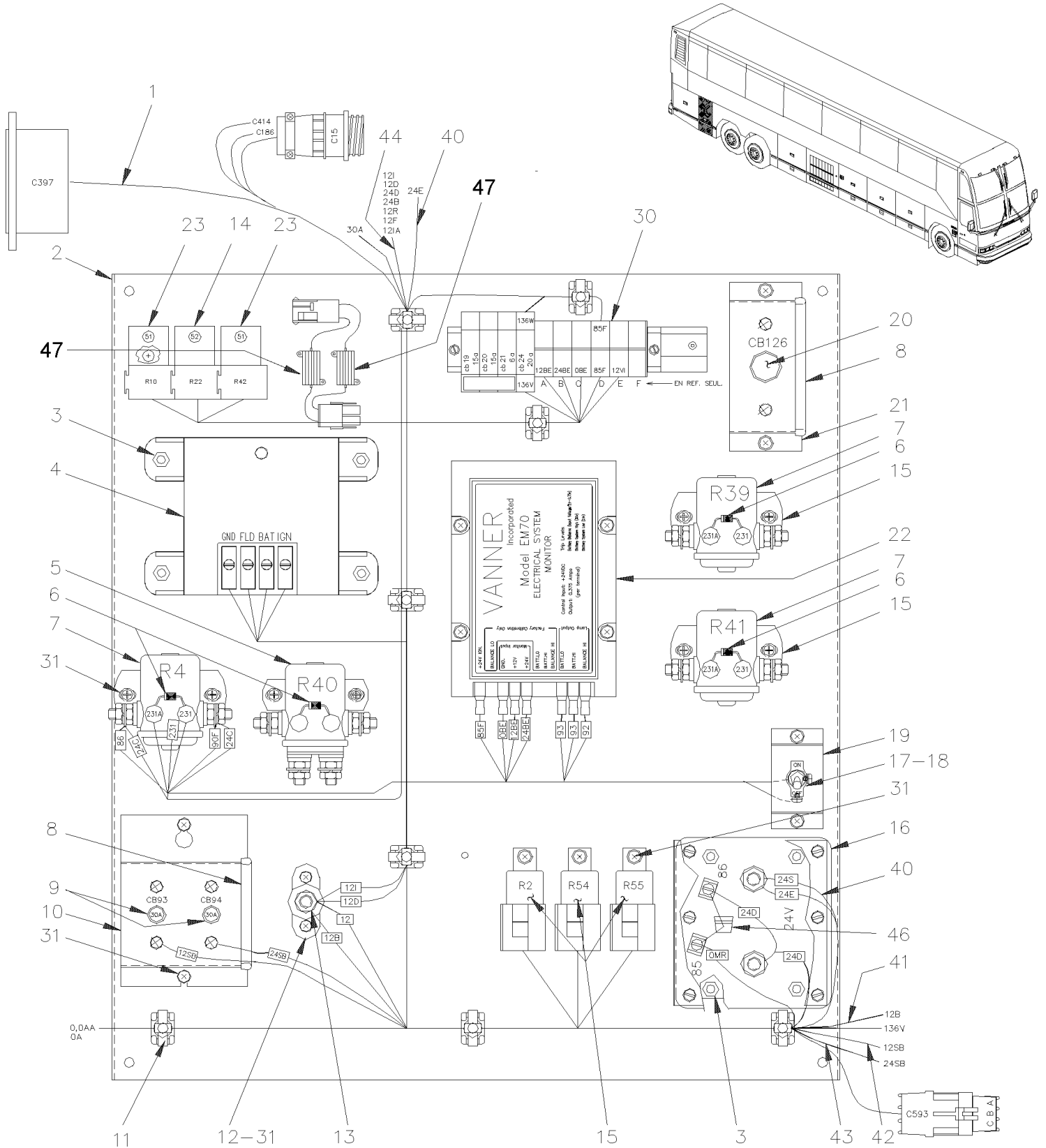


From 3-4417 To 3-4757

Date:10/2022

PAGE:HF-0615-50

BATTERIES COMPARTMENT PANEL





From 3-4417 To 3-4757	Date:10/2022	PAGE:HF-0615-50
-----------------------	--------------	-----------------

BATTERIES COMPARTMENT PANEL

Item#	Part	Description	H 3 4 1	H 3 4 5	V I P 4 5	N O T E S
1	065412	CABLE ASSY	1	1	1	
1	065410	CABLE ASSY / SPEED SENSOR			1	
2	381975	BATTERY COMPARTMENT PANEL SS	1	1	1	
3	502565	NUT HEX M6-1.0 SS	AR	AR	AR	
NS	502573	WASHER FL 6.4x12.5x1.6 SS	AR	AR	AR	
NS	502570	WASHER LO SPT 6.1x11.8x1.6 SS	AR	AR	AR	
4	562775	REGULATOR ASSY 24V / W/4 SCREWS	1	1	1	
NS	064577	JUMPER, WIRE	1	1	1	
5	561014	SWITCH MAGNETIC / 24V D.P.S.T. / 200AMPS N.O.	1	1	1	
6	060798	DIODE ASSY	AR	AR	AR	
7	561005	SWITCH MAGNETIC / 24V S.P.S.T. / 200AMPS N.O.	AR	AR	AR	
8	506338	RUBBER CHANNEL / 1/16" x 1/4" INT "U" SHAPE / ROUND C.T.L.	AR	AR	AR	
9	870690	BREAKER 30AMPS / 24V /	2	2		
10	381758	BASE, BREAKER	1	1		
11	504013	TIE MOUNT / 1/4" X 1/4" I.D.	8	8	8	
12	560422	BLOCK, TERMINAL / 1 STUD 3/8-16 / BLACK	1	1	1	
13	500379	NUT HEX 3/8-16 BR	1	1	1	
NS	500478	WASHER LO SPT .380x.683x.094 Z050	1	1	1	
14	561707	RELAY 24V S.P.D.T. W/RESISTOR / To 5-0142	AR	AR	AR	
14	563332	RELAY 24V S.P.D.T. W/RESISTOR / "VOLVO" (20374662) From 5-0143	AR	AR	AR	
15	561991	RELAY 24V S.P.S.T. / 70 AMPS N.O.	AR	AR	AR	
16	562364	RELAY 24V S.P.S.T. / 300 AMPS N.O. // BATTERY DISCONNECT	1	1	1	
17	560256	SWITCH / OFF-ON / S.P.S.T.	1	1	1	
18	562394	PLATE, INDICATING (ON/OFF)	1	1	1	
19	381594	SUPPORT, SWITCH	1	1	1	
20	560703	BREAKER 40AMPS / 24V /	AR	AR	AR	
20	560299	BREAKER 150AMPS / 24V /	AR	AR	AR	
20	562683	BREAKER 90AMPS / 24V /	AR	AR	AR	
21	381552	BASE, BREAKER	AR	AR	AR	
22	563032	MONITOR / BATTERY EQUALIZER	1	1	1	
23	562092	RELAY 12V S.P.D.T. W/DIODE / To 5-0142	2	2		
23	563337	RELAY 12V S.P.D.T. W/RESISTOR / From 5-0143	2	2		
NS	064766	CABLE ASSY / W/EATON TRANSMISSION	1	1		
30	HF-0616-00	JUNCTION BOX COMPONENTS, RELAY & BREAKER				
30	561790	BREAKER 6AMPS / 24V /	1	1	1	
30	561793	BREAKER 15AMPS / 24V /	2	2	2	
30	561794	BREAKER 20AMPS / 24V /	AR	AR	AR	
31	500883	SCREW TC PAN PH #8-32x3/8 Z050	AR	AR	AR	
NS	500022	WASHER LO INT .168x.340x.023 Z050	AR	AR	AR	
NS	500470	WASHER LO SPT .193x.334x.047 Z050	AR	AR	AR	
NS	500786	NUT HEX #10-24 Z050	AR	AR	AR	
NS	500438	WASHER FL .187x.437x.050 Z050	AR	AR	AR	



From 3-4417 To 3-4757	Date:10/2022	PAGE:HF-0615-50
BATTERIES COMPARTMENT PANEL		

Item#	Part	Description	H 3 4 1	H 3 4 5	V I P 4 5	N O T E S
40	063593	CABLE ASSY	1	1	1	
41	063732	CABLE ASSY / W/STD BATTERY / #12B	AR	AR	AR	
41	063901	CABLE ASSY / W/8D BATTERY / #12B	AR	AR		
42	404315	CABLE ASSY 12SB	1	1		
43	404316	CABLE ASSY 24SB	1	1		
44	064607	CABLE ASSY	1	1	1	
44	064729	CABLE ASSY W/SMALL A/C			1	
45	063730	CABLE ASSY	AR	AR	AR	
46	064792	DIODE ASSY	1	1	1	
. NS	561740	. DIODE / 3AMPS	1	1	1	
. NS	560082	. RING TERMINAL #10 / 16-14 / INSULATED / AMP 626033-2	1	1	1	
. NS	560815	. RING TERMINAL #10 / 22-18 / INSULATED / AMP 42037-2	1	1	1	
. NS	562499	. SHRINK TUBING / .250" - .125" / CLEAR / ALPHA FIT 221-1/4	AR	AR	AR	
47	064907	RESISTOR ASSY	1	1	1	

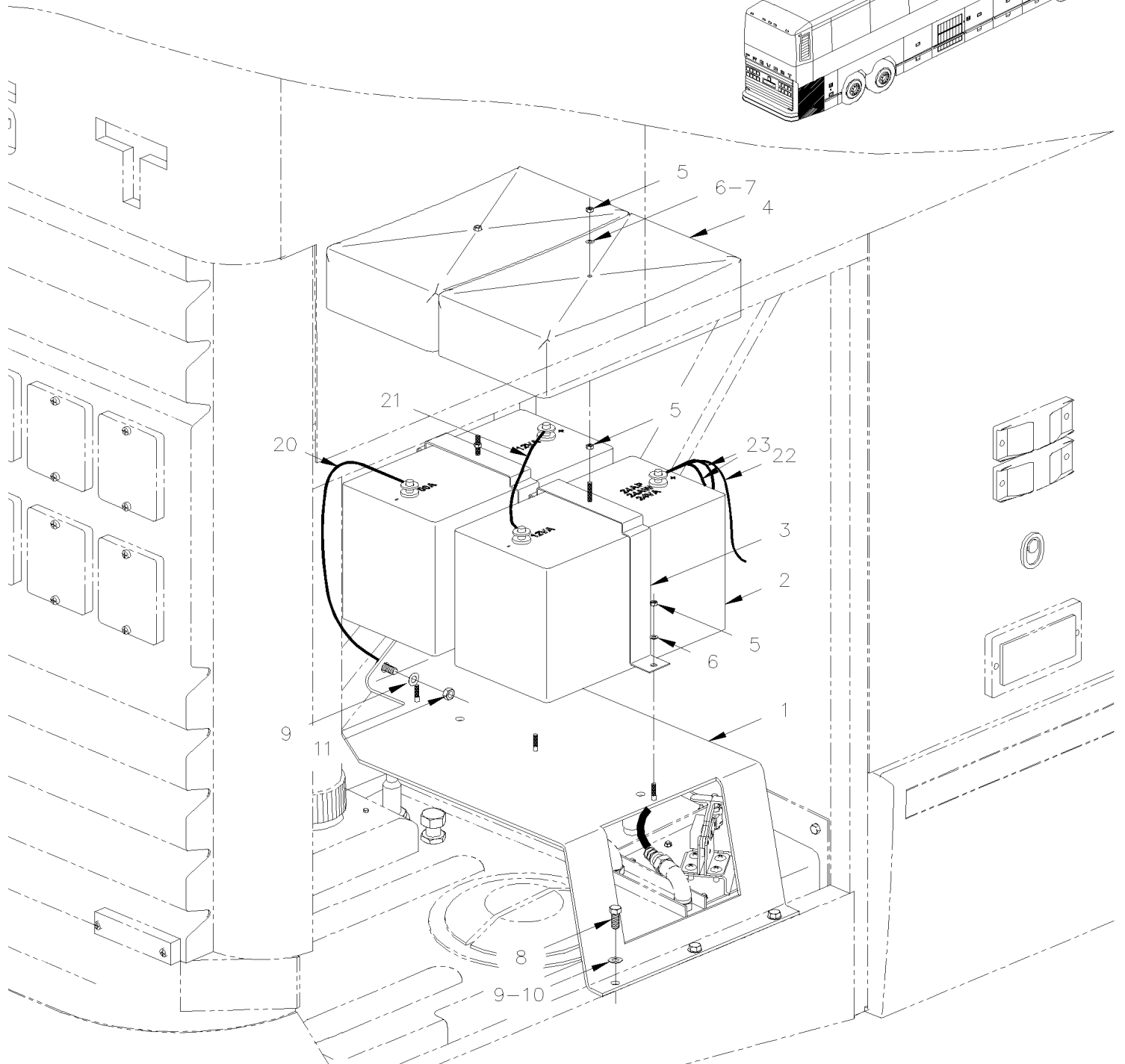
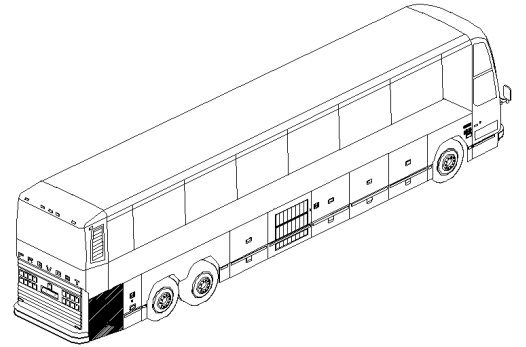


From 3-4417 To 8-1043

Date:10/2022

PAGE:HF-0615-60

BATTERIES AUXILIARY - INSTALLATION





From 3-4417 To 8-1043 Date:10/2022 PAGE:HF-0615-60

BATTERIES AUXILIARY - INSTALLATION

Item#	Part	Description	H 3 4 1	H 3 4 5	V I P 4 5	N O T E S
1	381956	BATTERY SUPPORT	1	1		
2	562626	BATTERY 12V/W/3/8-16POST / MARINE GEL	2	2		
2	563030	BATTERY 12V/930 CCA / GR31	1	1		
NS	562500	BATTERY WARMER 80 WATTS	2	2		
NS	562501	BATTERY WARMER 160 WATTS	2	2		
NS	065462	CABLE ASSY / 110V BATTERIES WARMER INSTALL	1	1		
3	381955	STRAP RETAINER	2	2		
4	880043	BOX, BATTERY	1	1		
5	502511	NUT HEX NYRT M6-1.0 Z050	6	6		
6	502573	WASHER FL 6.4x12.5x1.6 SS	6	6		
7	500950	WASHER FL .187x.625x.094 RUB	2	2		
8	502559	SCREW CAP HEX M10-1.5x25 G8.8 Z050	3	3		
9	502644	WASHER FL 10.5x30.0x2.5 Z050	3	3		
10	500257	WASHER LO SPT 10.2x18.1x2.2 Z050	3	3		
11	500256	NUT HEX M10-1.5 Z050	1	1		
NS	064046	CABLE ASSY / #24VA	1	1		
NS	560271	RELAY SOLOINOID 12V S.P.S.T. N.O.	AR	AR		
20	064044	CABLE ASSY / #00A	1	1		
21	063667	CABLE ASSY / #12VA	1	1		
22	064046	CABLE ASSY / #24VA To 3-4715	1	1		
22	065826	CABLE ASSY #24VA From 3-4716	1	1		
23	064125	WIRING HARNESS AUXILIARY BATTERIES / W/8D BATTERIES	1	1		

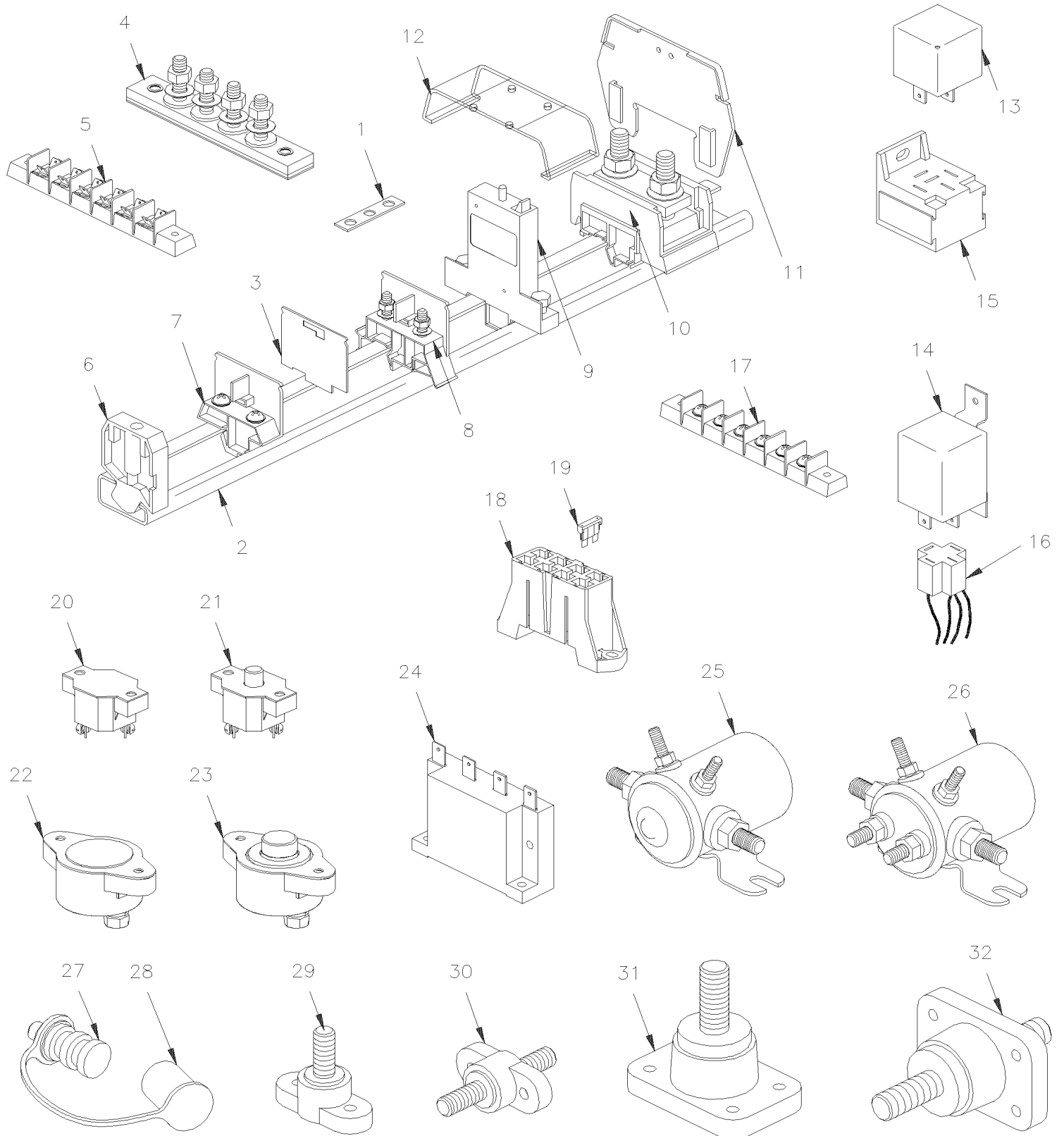


From 3-4417 To 6-0435

Date:10/2022

PAGE:HF-0616-00

JUNCTION BOX COMPONENTS, RELAY & BREAKER





From 3-4417 To 6-0435	Date:10/2022	PAGE:HF-0616-00
JUNCTION BOX COMPONENTS, RELAY & BREAKER		

Item#	Part	Description	H 3 4 1	H 3 4 5	V I P 4 5	N O T E S
1	381813	BUS BAR / W/2 HOLES 25MM	AR	AR	AR	
1	381814	BUS BAR / W/3 HOLES 38MM	AR	AR	AR	
1	381815	BUS BAR / W/4 HOLES 51MM	AR	AR	AR	
1	381816	BUS BAR / W/4 HOLES 64MM	AR	AR	AR	
1	381818	BUS BAR / W/4 HOLES 103MM	AR	AR	AR	
1	381817	BUS BAR / W/6 HOLES 77MM	AR	AR	AR	
1	381819	BUS BAR / W/8 HOLES 103MM	AR	AR	AR	
1	381820	BUS BAR / W/9 HOLES 117MM	AR	AR	AR	
1	880027	BUS BAR / W/10 HOLES 128MM	AR	AR	AR	
2	880026	RAIL SUPPORT / 2 METERS	AR	AR	AR	
2	381300	RAIL SUPPORT / 45MM	AR	AR	AR	
2	380927	RAIL SUPPORT / 72MM	AR	AR	AR	
2	380904	RAIL SUPPORT / 80MM	AR	AR	AR	
2	381203	RAIL SUPPORT / 100MM	AR	AR	AR	
2	380905	RAIL SUPPORT / 150MM	AR	AR	AR	
2	381249	RAIL SUPPORT / 155MM	AR	AR	AR	
2	380964	RAIL SUPPORT / 171MM	AR	AR	AR	
2	380839	RAIL SUPPORT / 180MM	AR	AR	AR	
2	380883	RAIL SUPPORT / 200MM	AR	AR	AR	
2	381638	RAIL SUPPORT / 209MM	AR	AR	AR	
2	380885	RAIL SUPPORT / 225MM	AR	AR	AR	
2	380793	RAIL SUPPORT / 230MM	AR	AR	AR	
2	380751	RAIL SUPPORT / 280MM	AR	AR	AR	
2	380756	RAIL SUPPORT / 290MM	AR	AR	AR	
2	380712	RAIL SUPPORT / 315MM	AR	AR	AR	
2	380838	RAIL SUPPORT / 320MM	AR	AR	AR	
2	380937	RAIL SUPPORT / 324MM	AR	AR	AR	
2	380914	RAIL SUPPORT / 350MM	AR	AR	AR	
2	380884	RAIL SUPPORT / 360MM	AR	AR	AR	
2	381124	RAIL SUPPORT / 460MM	AR	AR	AR	
2	381123	RAIL SUPPORT / 525MM	AR	AR	AR	
2	380713	RAIL SUPPORT / 605MM	AR	AR	AR	
2	380752	RAIL SUPPORT / 1050MM	AR	AR	AR	
3	561728	END CLOSING	AR	AR	AR	
4	560112	JUNCTION BLOCK W/2 STUDS	AR	AR	AR	
4	560113	JUNCTION BLOCK W/4 STUDS	AR	AR	AR	
4	562504	JUNCTION BLOCK W/6 STUDS	AR	AR	AR	
4	560291	JUNCTION BLOCK W/8 STUDS	AR	AR	AR	
4	560116	JUNCTION BLOCK W/10 STUDS	AR	AR	AR	
5	562373	CONNECTOR, MULTIPLE BLADE	AR	AR	AR	
6	561729	STOPPER	AR	AR	AR	
NS	500583	. SCREW TP PAN PH #6x1/2 Z050	1	1	1	



From 3-4417 To 6-0435	Date:10/2022	PAGE:HF-0616-00
JUNCTION BOX COMPONENTS, RELAY & BREAKER		

Item#	Part	Description	H 3 4 1	H 3 4 5	V I P 4 5	N O T E S
7	381236	DUMMY ASSY W/SCREW	AR	AR	AR	
NS	562198	. BLOCK JUNCTION	1	1	1	
NS	500583	. SCREW TP PAN PH #6x1/2 Z050	2	2	2	
NS	500438	. WASHER FL .187x.437x.050 Z050	2	2	2	
8	561726	BLOCK JUNCTION	AR	AR	AR	
9	690356	BREAKER 1AMP / 24V /	AR	AR	AR	
9	563382	BREAKER 1AMP / 24V /	AR	AR	AR	
9	561797	BREAKER 3AMPS / 24V /	AR	AR	AR	
9	561790	BREAKER 6AMPS / 24V /	AR	AR	AR	
9	561791	BREAKER 8AMPS / 24V /	AR	AR	AR	
9	561792	BREAKER 10AMPS / 24V /	AR	AR	AR	
9	561793	BREAKER 15AMPS / 24V /	AR	AR	AR	
9	561794	BREAKER 20AMPS / 24V /	AR	AR	AR	
9	561795	BREAKER 25AMPS / 24V /	AR	AR	AR	
NS	502660	. SCREW QUARTER TURN	2	2	2	
10	561727	SCREW MA PAN PH	AR	AR	AR	
NS	500615	. NUT HEX M8-1.25 BR	2	2	2	
11	561731	COVER SUPPORT	AR	AR	AR	
12	561730	COVER / PROTECTOR / 1 BLOCK	AR	AR	AR	
12	561732	COVER / PROTECTOR / 2 BLOCKS	AR	AR	AR	
12	562024	COVER / PROTECTOR / 3 BLOCKS	AR	AR	AR	
		RELAY IDENTIFICATION SEE NUMBER				
		STAMPED ON / BOSCH # / POTTER BRUMFIELD #				
13	562751	RELAY 6V S.P.D.T.	AR	AR	AR	
13	561538	RELAY 12V S.P.D.T. V 415 F11	AR	AR	AR	
13	561706	RELAY 12V S.P.D.T. W/DIODE /	AR	AR	AR	
13	562092	RELAY 12V S.P.D.T. W/DIODE / To 5-0142	AR	AR	AR	
13	563337	RELAY 12V S.P.D.T. W/RESISTOR / From 5-0143	AR	AR	AR	
13	561182	RELAY 24V S.P.S.T. N.O. VF4-11H11	AR	AR	AR	
13	561230	RELAY 24V S.P.D.T. VF4-15H	AR	AR	AR	
13	561557	RELAY 24V S.P.D.T. N.O.	AR	AR	AR	
13	561707	RELAY 24V S.P.D.T. W/RESISTOR / To 5-0142	AR	AR	AR	
13	563332	RELAY 24V S.P.D.T. W/RESISTOR / "VOLVO" (20374662) From 5-0143	AR	AR	AR	
14	561928	RELAY 12V S.P.D.T. / 50 AMPS N.O. VF7-41F	AR	AR	AR	
14	561991	RELAY 24V S.P.S.T. / 70 AMPS N.O.	AR	AR	AR	
15	561183	RELAY BASE / TAB TERMINAL / BOSCH 3334485008	AR	AR	AR	
16	562367	CONNECTOR / TAB HOUSING 4C / POTTER BRUMFIELD VCF7-1000	AR	AR	AR	
16	561908	TAB RECEPTACLE TERMINAL / 22-18 / AMP 60295-2	AR	AR	AR	
16	561108	TAB RECEPTACLE TERMINAL / 18-14 / AMP 42238-2	AR	AR	AR	
16	561181	TAB RECEPTACLE TERMINAL / 12 / AMP 60508-2	AR	AR	AR	



From 3-4417 To 6-0435	Date:10/2022	PAGE:HF-0616-00
JUNCTION BOX COMPONENTS, RELAY & BREAKER		

Item#	Part	Description	H 3 4 1	H 3 4 5	V I P 4 5	N O T E S
16	562368	TAB TERMINAL / 12-8 / AMP 280756-4	AR	AR	AR	
17	562173	JUNCTION BLOCK W/10 STUDS	AR	AR	AR	
17	560116	JUNCTION BLOCK W/10 STUDS	AR	AR	AR	
17	560291	JUNCTION BLOCK W/8 STUDS	AR	AR	AR	
17	562504	JUNCTION BLOCK W/6 STUDS	AR	AR	AR	
17	560113	JUNCTION BLOCK W/4 STUDS	AR	AR	AR	
17	560112	JUNCTION BLOCK W/2 STUDS	AR	AR	AR	
18	562621	FUSE BLOCK W/4 LEDS & WIRES	AR	AR	AR	A
. NS	381960	. PROTECTOR COVER FUSE HOLDER 49MM x 62MM "OPTION SPECIAL"	AR	AR	AR	A
18	562797	FUSE BLOCK W/4 LEDS & WIRES	AR	AR	AR	
. NS	381960	. PROTECTOR COVER FUSE HOLDER 49MM x 62MM "OPTION SPECIAL"	AR	AR	AR	
19	562597	FUSE / ATO 1AMP BLACK	AR	AR	AR	
19	562598	FUSE / ATO 2 AMPS GREY	AR	AR	AR	
19	562599	FUSE / ATO 3 AMPS VIOLET	AR	AR	AR	
19	562600	FUSE / ATO 4 AMPS PINK	AR	AR	AR	
19	562259	FUSE / ATO 5 AMPS AMBER	AR	AR	AR	
19	562602	FUSE / ATO 7.5 AMPS BROWN	AR	AR	AR	
19	562407	FUSE / ATO 10 AMPS RED	AR	AR	AR	
19	562604	FUSE / ATO 15 AMPS BLUE	AR	AR	AR	
19	562605	FUSE / ATO 20 AMPS YELLOW	AR	AR	AR	
19	562606	FUSE / ATO 25 AMPS NATURAL	AR	AR	AR	
19	562396	FUSE / ATO 30 AMPS GREEN	AR	AR	AR	
19	562608	FUSE / ATO 35 AMPS BLUE-GREEN	AR	AR	AR	
19	562609	FUSE / ATC 40 AMPS ORANGE	AR	AR	AR	
20	560295	BREAKER 6AMPS / 24V /	AR	AR	AR	
20	560296	BREAKER 10AMPS / 24V /	AR	AR	AR	
20	560297	BREAKER 20AMPS / 24V /	AR	AR	AR	
21	870690	BREAKER 30AMPS / 24V /	AR	AR	AR	
21	870093	BREAKER 40AMPS / 24V /	AR	AR	AR	
22	560794	BREAKER 90AMPS / 24V /	AR	AR	AR	
22	560308	BREAKER 150AMPS / 24V /	AR	AR	AR	
22	563355	BREAKER 50AMPS / 24V /	AR	AR	AR	
23	560703	BREAKER 40AMPS / 24V /	AR	AR	AR	A
23	562686	BREAKER 40AMPS / 24V /	AR	AR	AR	
23	561767	BREAKER 70AMPS / 24V /	AR	AR	AR	
23	562687	BREAKER 70AMPS / 24V /	AR	AR	AR	
23	560298	BREAKER 90AMPS / 24V /	AR	AR	AR	A
23	562683	BREAKER 90AMPS / 24V /	AR	AR	AR	
23	560465	BREAKER 105AMPS / 24V /	AR	AR	AR	
23	562685	BREAKER 105AMPS / 24V /	AR	AR	AR	
23	562397	BREAKER 120AMPS / 24V /	AR	AR	AR	
23	562688	BREAKER 120AMPS / 24V /	AR	AR	AR	



From 3-4417 To 6-0435	Date:10/2022	PAGE:HF-0616-00
JUNCTION BOX COMPONENTS, RELAY & BREAKER		

Item#	Part	Description	H 3 4 1	H 3 4 5	V I P 4 5	N O T E S
23	560299	BREAKER 150AMPS / 24V /	AR	AR	AR	A
23	562684	BREAKER 150AMPS / 24V /	AR	AR	AR	
NS	560838	BREAKER 200AMPS / 24V /	AR	AR	AR	
24	560772	TIME DELAY RELAY	AR	AR	AR	
25	560407	SWITCH MAGNETIC / 24V S.P.S.T. / 50AMPS N.O.	AR	AR	AR	
25	561005	SWITCH MAGNETIC / 24V S.P.S.T. / 200AMPS N.O.	AR	AR	AR	
26	561014	SWITCH MAGNETIC / 24V D.P.S.T. / 200AMPS N.O.	AR	AR	AR	
27	561856	BOOSTER BLOCK, REMOTE / RED	1	1	1	
27	561857	BOOSTER BLOCK, REMOTE / BLACK	1	1	1	
28	562691	. PROTECTOR CAP / RED	1	1	1	
28	562692	. PROTECTOR CAP / BLACK	1	1	1	
NS	381210	SEPARATOR / FIBERGLASS RED	AR	AR	AR	
29	560422	BLOCK, TERMINAL / 1 STUD 3/8-16 / BLACK	AR	AR	AR	
30	561102	BLOCK, JUNCTION / 2 STUD 3/8-16 / BLACK	AR	AR	AR	
31	560177	BLOCK, TERMINAL / 1 STUD 1/2-13 / BLACK	AR	AR	AR	
32	560176	BLOCK, JUNCTION / 2 STUD 1/2-13 / RED	AR	AR	AR	
		A) FORMER				

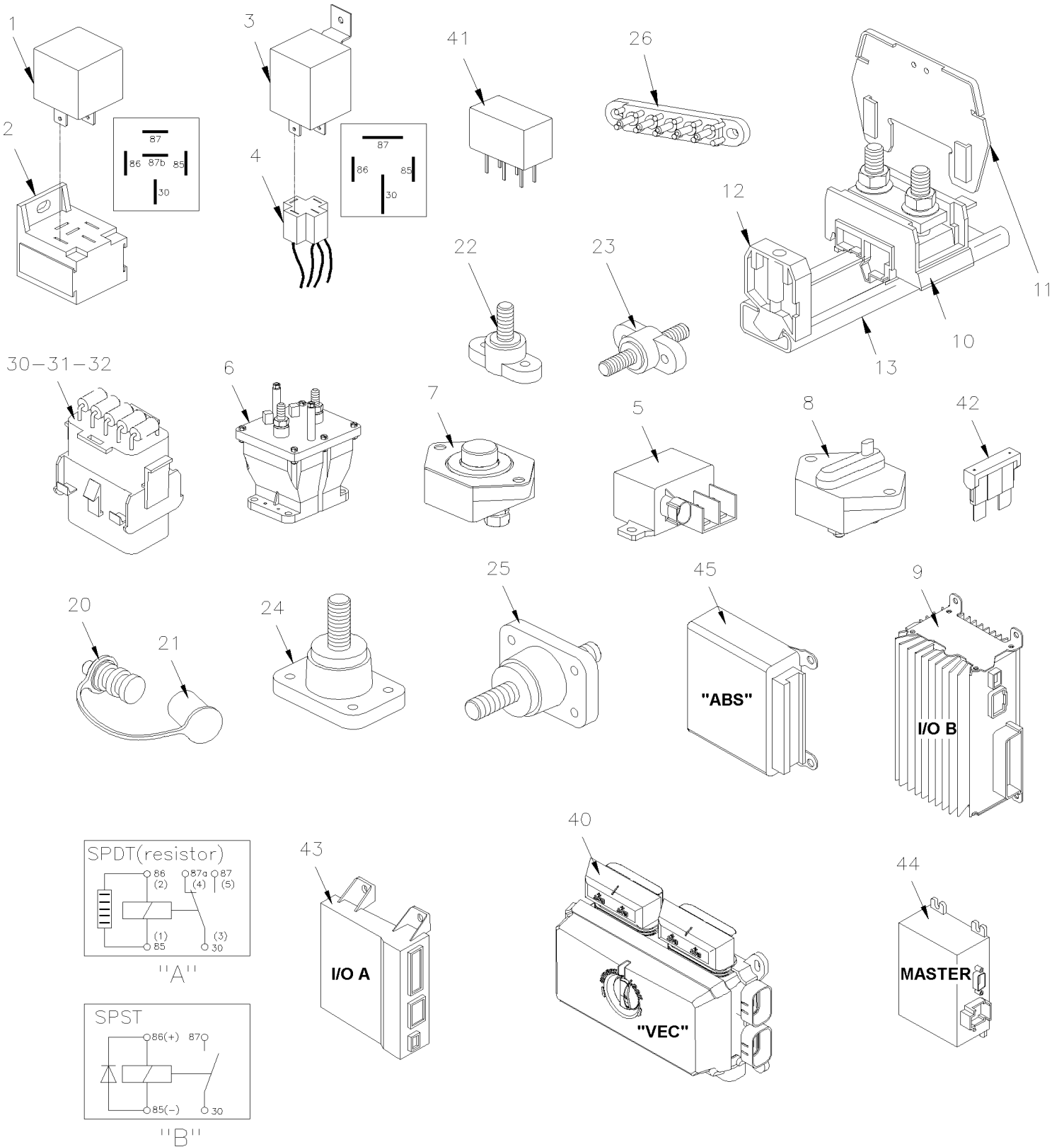


From 5-0168 To 8-1043

Date:10/2022

PAGE:HF-0616-01

JUNCTION BOX COMPONENTS / MUX





From 5-0168 To 8-1043	Date:10/2022	PAGE:HF-0616-01
JUNCTION BOX COMPONENTS / MUX		

Item#	Part	Description	H 3 4 1	H 3 4 5	V I P 4 5	N O T E S
1	563332	RELAY 24V S.P.D.T. W/RESISTOR / "VOLVO" (20374662)	AR	AR	AR	A
1	563337	RELAY 12V S.P.D.T. W/RESISTOR /	AR	AR	AR	A
2	561183	RELAY BASE / TAB TERMINAL / BOSCH 3334485008	AR	AR	AR	
3	561991	RELAY 24V S.P.S.T. / 70 AMPS N.O.	AR	AR	AR	
4	562367	CONNECTOR / TAB HOUSING 4C / POTTER BRUMFIELD VCF7-1000	AR	AR	AR	
5	563348	RELAY POWER 24V 200 AMPS / S.P.S.T. N.O.	AR	AR	AR	
. NS	5001182	. NUT HEX NYRT M6-1.0 SS	1	1	1	
. NS	502573	. WASHER FL 6.4x12.5x1.6 SS	1	1	1	
. NS	563409	. CONNECTOR / SUPERSEAL 1.5 SERIES / SH 2C / AMP 282080-1	1	1	1	
. NS	562607	. SOCKET TERMINAL / 20-16 / AMP 183025-1	1	1	1	
6	562364	RELAY 24V S.P.S.T. / 300 AMPS N.O. // BATTERY DISCONNECT	1	1	1	
7	562686	BREAKER 40AMPS / 24V /	AR	AR	AR	
7	562687	BREAKER 70AMPS / 24V /	AR	AR	AR	
7	562683	BREAKER 90AMPS / 24V /	AR	AR	AR	
7	562685	BREAKER 105AMPS / 24V /	AR	AR	AR	
7	562688	BREAKER 120AMPS / 24V /	AR	AR	AR	
7	562684	BREAKER 150AMPS / 24V /	AR	AR	AR	
8	563418	BREAKER 30AMPS / 24V /	AR	AR	AR	
8	563420	BREAKER 40AMPS / 24V /	AR	AR	AR	
8	563553	BREAKER 50AMPS / 24V /	AR	AR	AR	
8	563424	BREAKER 70AMPS / 24V /	AR	AR	AR	
8	563425	BREAKER 90AMPS / 24V /	AR	AR	AR	
8	563419	BREAKER 100AMPS / 24V /	AR	AR	AR	
8	563421	BREAKER 120AMPS / 24V /	AR	AR	AR	
8	563422	BREAKER 150AMPS / 24V /	AR	AR	AR	
9	563273	I/O B-MODULE VOLVO MULTIPLEX / ALUMINUM To 7-0791	AR	AR	AR	
. NS	563132	. CONNECTOR / SH 2C / YAZAKI 7283-6458-40 To 7-0791	1	1	1	
. NS	563133	. CONNECTOR / JUNIOR POWER TIMER / SH 29C / AMP 1-963449-2 To 7-0791	1	1	1	
. NS	562957	. CONNECTOR / SH 5C / GREEN / JAE IL-AG5-5S-S3C1 To 7-0791	1	1	1	
9	565865	I/O B-MODULE VOLVO MULTIPLEX / ALUMINUM From 7-0792	AR	AR	AR	
. NS	563132	. CONNECTOR / SH 2C / YAZAKI 7283-6458-40 From 7-0792	1	1	1	
. NS	563133	. CONNECTOR / JUNIOR POWER TIMER / SH 29C / AMP 1-963449-2 From 7-0792	1	1	1	
. NS	562957	. CONNECTOR / SH 5C / GREEN / JAE IL-AG5-5S-S3C1 From 7-0792	1	1	1	
10	561727	SCREW MA PAN PH	AR	AR	AR	
11	561731	COVER SUPPORT	AR	AR	AR	
12	562645	STOPPER "U" RAIL	AR	AR	AR	
13	382184	RAIL SUPPORT "U" SHAPE 112MM	AR	AR	AR	
13	382187	RAIL SUPPORT "U" SHAPE 400MM	AR	AR	AR	
20	561856	BOOSTER BLOCK, REMOTE / RED	AR	AR	AR	
20	561857	BOOSTER BLOCK, REMOTE / BLACK	AR	AR	AR	
21	562691	. PROTECTOR CAP / RED	1	1	1	
21	562692	. PROTECTOR CAP / BLACK	1	1	1	



From 5-0168 To 8-1043	Date:10/2022	PAGE:HF-0616-01
-----------------------	--------------	-----------------

JUNCTION BOX COMPONENTS / MUX

Item#	Part	Description	H 3 4 1	H 3 4 5	V I P 4 5	N O T E S
22	560422	BLOCK, TERMINAL / 1 STUD 3/8-16 / BLACK	AR	AR	AR	
23	561102	BLOCK, JUNCTION / 2 STUD 3/8-16 / BLACK	AR	AR	AR	
24	560177	BLOCK, TERMINAL / 1 STUD 1/2-13 / BLACK	AR	AR	AR	
25	560176	BLOCK, JUNCTION / 2 STUD 1/2-13 / RED	AR	AR	AR	
26	563218	JUNCTION BLOCK W/5 STUDS	AR	AR	AR	
30	381145	DIODE ASSY / W/5 3AMPS	AR	AR	AR	
31	382097	DIODE ASSY / W/3 3AMPS & 2 RESISTORS 270 OHMS	AR	AR	AR	
32	382175	DIODE ASSY / W/3 3AMPS & 2 RESISTORS 100 OHMS	AR	AR	AR	
40	563360	VEC DISTRIBUTION MODULE / REAR JCT BOX To 5-0167	1	1	1	
. NS	564104	. COVER / VEC BOX To 5-0167	1	1	1	
. NS	563269	. RELAY 24V S.P.D.T. W/RESISTOR / To 5-0167	3	3	3	
. NS	563004	. FUSE / ATM 2 AMPS GREY To 5-0167	1	1	1	
. NS	563279	. FUSE / ATM 3 AMPS VIOLET To 5-0167	1	1	1	
. NS	563005	. FUSE / ATM 7.5 AMPS BROWN To 5-0167	3	3	3	
. NS	563283	. FUSE / ATM 10 AMPS RED To 5-0167	17	17	17	
. NS	563284	. FUSE / ATM 15 AMPS BLUE To 5-0167	9	9	9	
. NS	563282	. FUSE / ATM 20 AMPS YELLOW To 5-0167	1	1	1	
. NS	563153	. FUSE / ATM 25 AMPS NATURAL To 5-0167	4	4	4	
. NS	563165	. FUSE / ATM 30 AMPS GREEN To 5-0167	1	1	1	
. NS	563181	. CONNECTOR / SH 8C / YELLOW / BUSSMANN 32006-E21 To 5-0167	1	1	1	
. NS	563182	. CONNECTOR / SH 8C / ORANGE / BUSSMANN 32006-G21 To 5-0167	1	1	1	
. NS	563183	. CONNECTOR / SH 8C / RED / BUSSMANN 32006-F21 To 5-0167	1	1	1	
. NS	563184	. CONNECTOR / SH 8C / GREEN / BUSSMANN 32006-C21 To 5-0167	1	1	1	
. NS	563185	. CONNECTOR / SH 8C / BLACK / BUSSMANN 32006-A21 To 5-0167	1	1	1	
. NS	563186	. CONNECTOR / SH 8C / GREY / BUSSMANN 32006-B21 To 5-0167	1	1	1	
. NS	563187	. CONNECTOR / SH 8C / BROWN / BUSSMANN 32006-H21 To 5-0167	1	1	1	
. NS	563448	. CONNECTOR / SH 8C / BLUE / BUSSMANN 32006-D21 To 5-0167	1	1	1	
. NS	19518268	. COVER RUBBER RED To 5-0167	2	2	2	
40	563556	VEC DISTRIBUTION MODULE / REAR JCT BOX From 5-0168	1	1	1	
. NS	564104	. COVER / VEC BOX From 5-0168	1	1	1	
. NS	563269	. RELAY 24V S.P.D.T. W/RESISTOR / From 5-0168	1	1	1	
. NS	563004	. FUSE / ATM 2 AMPS GREY From 5-0168	1	1	1	
. NS	563279	. FUSE / ATM 3 AMPS VIOLET From 5-0168	1	1	1	
. NS	563280	. FUSE / ATM 5 AMPS AMBER From 5-0168	1	1	1	
. NS	563005	. FUSE / ATM 7.5 AMPS BROWN From 5-0168	1	1	1	
. NS	563283	. FUSE / ATM 10 AMPS RED From 5-0168	1	1	1	
. NS	563284	. FUSE / ATM 15 AMPS BLUE From 5-0168	1	1	1	
. NS	563282	. FUSE / ATM 20 AMPS YELLOW From 5-0168	1	1	1	
. NS	563153	. FUSE / ATM 25 AMPS NATURAL From 5-0168	1	1	1	
. NS	563165	. FUSE / ATM 30 AMPS GREEN From 5-0168	1	1	1	
. NS	563699	. MINI BREAKER / 20 AMPS / SERIES 212 From 5-0168	2	2	2	
. NS	563181	. CONNECTOR / SH 8C / YELLOW / BUSSMANN 32006-E21 From 5-0168	1	1	1	



From 5-0168 To 8-1043	Date:10/2022	PAGE:HF-0616-01
-----------------------	--------------	-----------------

JUNCTION BOX COMPONENTS / MUX

Item#	Part	Description	H 3 4 1	H 3 4 5	V I P 4 5	N O T E S
. NS	563182	. CONNECTOR / SH 8C / ORANGE / BUSSMANN 32006-G21 From 5-0168	1	1	1	
. NS	563183	. CONNECTOR / SH 8C / RED / BUSSMANN 32006-F21 From 5-0168	1	1	1	
. NS	563184	. CONNECTOR / SH 8C / GREEN / BUSSMANN 32006-C21 From 5-0168	1	1	1	
. NS	563185	. CONNECTOR / SH 8C / BLACK / BUSSMANN 32006-A21 From 5-0168	1	1	1	
. NS	563186	. CONNECTOR / SH 8C / GREY / BUSSMANN 32006-B21 From 5-0168	1	1	1	
. NS	563187	. CONNECTOR / SH 8C / BROWN / BUSSMANN 32006-H21 From 5-0168	1	1	1	
. NS	563448	. CONNECTOR / SH 8C / BLUE / BUSSMANN 32006-D21 From 5-0168	1	1	1	
. NS	19518268	. COVER RUBBER RED From 5-0168	2	2	2	
40	563361	VEC DISTRIBUTION MODULE / FRONT JCT BOX	1	1	1	
. NS	564104	. COVER / VEC BOX	1	1	1	
. NS	563269	. RELAY 24V S.P.D.T. W/RESISTOR /	1	1	1	
. NS	563004	. FUSE / ATM 2 AMPS GREY	1	1	1	
. NS	563279	. FUSE / ATM 3 AMPS VIOLET	14	14	14	
. NS	563280	. FUSE / ATM 5 AMPS AMBER	2	2	2	
. NS	563005	. FUSE / ATM 7.5 AMPS BROWN	5	5	5	
. NS	563283	. FUSE / ATM 10 AMPS RED	6	6	6	
. NS	563284	. FUSE / ATM 15 AMPS BLUE	4	4	4	
. NS	563282	. FUSE / ATM 20 AMPS YELLOW	7	7	7	
. NS	563153	. FUSE / ATM 25 AMPS NATURAL	2	2	2	
. NS	563165	. FUSE / ATM 30 AMPS GREEN	3	3	3	
. NS	564464	. MINI BREAKER / 20 AMPS / SERIES 223	1	1	1	
. NS	563181	. CONNECTOR / SH 8C / YELLOW / BUSSMANN 32006-E21	1	1	1	
. NS	563182	. CONNECTOR / SH 8C / ORANGE / BUSSMANN 32006-G21	1	1	1	
. NS	563183	. CONNECTOR / SH 8C / RED / BUSSMANN 32006-F21	1	1	1	
. NS	563184	. CONNECTOR / SH 8C / GREEN / BUSSMANN 32006-C21	1	1	1	
. NS	563185	. CONNECTOR / SH 8C / BLACK / BUSSMANN 32006-A21	1	1	1	
. NS	563186	. CONNECTOR / SH 8C / GREY / BUSSMANN 32006-B21	1	1	1	
. NS	563187	. CONNECTOR / SH 8C / BROWN / BUSSMANN 32006-H21	1	1	1	
. NS	563448	. CONNECTOR / SH 8C / BLUE / BUSSMANN 32006-D21	1	1	1	
. NS	19518268	. COVER RUBBER RED	2	2	2	
41	563269	. RELAY 24V S.P.D.T. W/RESISTOR /	AR	AR	AR	A V
42	563004	. FUSE / ATM 2 AMPS GREY	AR	AR	AR	V
42	563279	. FUSE / ATM 3 AMPS VIOLET	AR	AR	AR	V
42	563280	. FUSE / ATM 5 AMPS AMBER	AR	AR	AR	V
42	563005	. FUSE / ATM 7.5 AMPS BROWN	AR	AR	AR	V
42	563283	. FUSE / ATM 10 AMPS RED	AR	AR	AR	V
42	563284	. FUSE / ATM 15 AMPS BLUE	AR	AR	AR	V
42	563282	. FUSE / ATM 20 AMPS YELLOW	AR	AR	AR	V
42	563153	. FUSE / ATM 25 AMPS NATURAL	AR	AR	AR	V
42	563165	. FUSE / ATM 30 AMPS GREEN	AR	AR	AR	V
43	563272	I/O A-MODULE VOLVO MULTIPLEX / BLACK To 7-0791	AR	AR	AR	
. NS	562767	. CONNECTOR / SH 30C / GREEN / JAE IL-AG5-30S-D3C1 To 7-0791	1	1	1	



From 5-0168 To 8-1043	Date:10/2022	PAGE:HF-0616-01
-----------------------	--------------	-----------------

JUNCTION BOX COMPONENTS / MUX

Item#	Part	Description	H 3 4 1	H 3 4 5	V I P 4 5	N O T E S
. NS	562957	. CONNECTOR / SH 5C / GREEN / JAE IL-AG5-5S-S3C1 To 7-0791	1	1	1	
. NS	563132	. CONNECTOR / SH 2C / YAZAKI 7283-6458-40 To 7-0791	1	1	1	
43	565864	I/O A-MODULE VOLVO MULTIPLEX / BLACK From 7-0792	AR	AR	AR	
. NS	562767	. CONNECTOR / SH 30C / GREEN / JAE IL-AG5-30S-D3C1 From 7-0792	1	1	1	
. NS	562957	. CONNECTOR / SH 5C / GREEN / JAE IL-AG5-5S-S3C1 From 7-0792	1	1	1	
. NS	563132	. CONNECTOR / SH 2C / YAZAKI 7283-6458-40 From 7-0792	1	1	1	
44	563295	MASTER ID-MODULE VOLVO MULTIPLEX	1	1	1	
. NS	562794	. CONNECTOR / JUNIOR POWER TIMER / SH 9C / AMP 964561-4	1	1	1	
44	069538	"MASTER ID" REPLACEMENT WITH "MCM" MODULE	1	1	1	D
. NS	069420	. HARNESS MCM	1	1	1	D
. NS	IS-11003	. SEE INSTRUCTION SHEET	1	1	1	D
45	7770363	CONTROL UNIT 12V / ABS 4 CH / UNPROGRAMMED	1	1	1	
45	641948P	CONTROL UNIT 12V / ABS 4 CH / PROGRAMMED	1	1	1	
50	068528	KIT, SERVICE / VEC REPLACEMENT (SAV)	AR	AR	AR	
. NS	564104	. . COVER / VEC BOX	1	1	1	
. NS	563269	. . RELAY 24V S.P.D.T. W/RESISTOR /	1	1	1	
. NS	563004	. . FUSE / ATM 2 AMPS GREY	1	1	1	
. NS	563279	. . FUSE / ATM 3 AMPS VIOLET	1	1	1	
. NS	563280	. . FUSE / ATM 5 AMPS AMBER	1	1	1	
. NS	563005	. . FUSE / ATM 7.5 AMPS BROWN	1	1	1	
. NS	563283	. . FUSE / ATM 10 AMPS RED	1	1	1	
. NS	563284	. . FUSE / ATM 15 AMPS BLUE	1	1	1	
. NS	563282	. . FUSE / ATM 20 AMPS YELLOW	1	1	1	
. NS	563153	. . FUSE / ATM 25 AMPS NATURAL	1	1	1	
. NS	563165	. . FUSE / ATM 30 AMPS GREEN	1	1	1	
. NS	563699	. . MINI BREAKER / 20 AMPS / SERIES 212	2	2	2	
. NS	563181	. . CONNECTOR / SH 8C / YELLOW / BUSSMANN 32006-E21	1	1	1	
. NS	563182	. . CONNECTOR / SH 8C / ORANGE / BUSSMANN 32006-G21	1	1	1	
. NS	563183	. . CONNECTOR / SH 8C / RED / BUSSMANN 32006-F21	1	1	1	
. NS	563184	. . CONNECTOR / SH 8C / GREEN / BUSSMANN 32006-C21	1	1	1	
. NS	563185	. . CONNECTOR / SH 8C / BLACK / BUSSMANN 32006-A21	1	1	1	
. NS	563186	. . CONNECTOR / SH 8C / GREY / BUSSMANN 32006-B21	1	1	1	
. NS	563187	. . CONNECTOR / SH 8C / BROWN / BUSSMANN 32006-H21	1	1	1	
. NS	563448	. . CONNECTOR / SH 8C / BLUE / BUSSMANN 32006-D21	1	1	1	
. NS	19518268	. . COVER RUBBER RED	2	2	2	
		A) SEE CONTACT CONFIGURATION "A"				
		D) CUSTOMER MUST CHECK ABS MODULE NUMBER BEFORE ORDERING. IF MODULE IS 642083 (BENDIX 5019416): MUST REPLACE BY 642206. ASK VIN TO CUSTOMER AND PROGRAM AT THE SAME TIME AS MCM				
		V) INSIDE OF "VEC"				

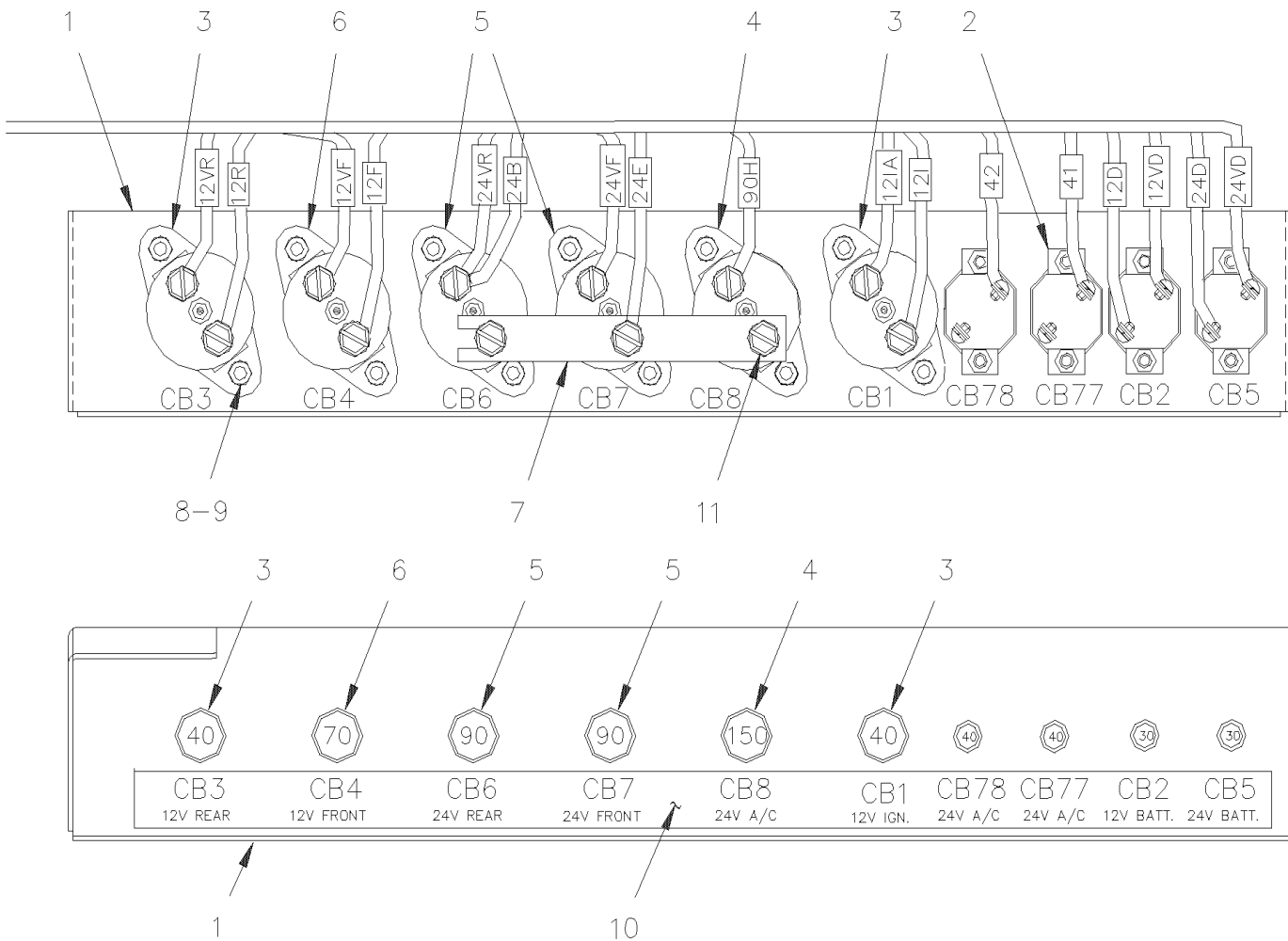
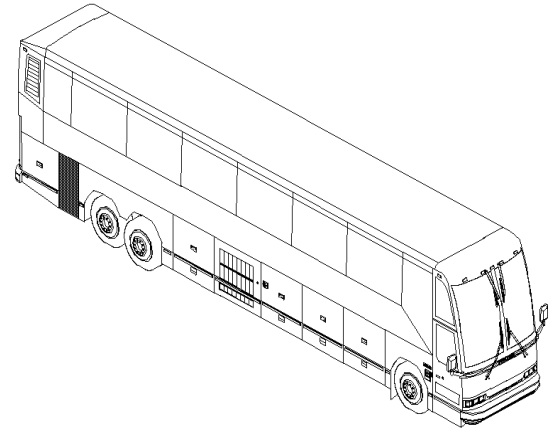


From 3-4417 To 6-0435

Date:10/2022

PAGE:HF-0616-10

BREAKER PANEL





From 3-4417 To 6-0435 Date:10/2022 PAGE:HF-0616-10

BREAKER PANEL

Item#	Part	Description	H 3 4 1	H 3 4 5	V I P 4 5	N O T E S
1	381800	SUPPORT BREAKER	1	1	1	
NS	506338	RUBBER CHANNEL / 1/16" x 1/4" INT "U" SHAPE / ROUND C.T.L.	AR	AR	AR	
2	870093	BREAKER 40AMPS / 24V /	AR	AR	AR	
2	870690	BREAKER 30AMPS / 24V /	AR	AR	AR	
3	562686	BREAKER 40AMPS / 24V /	AR	AR	AR	
4	562684	BREAKER 150AMPS / 24V /	AR	AR	AR	
5	562683	BREAKER 90AMPS / 24V /	AR	AR	AR	
6	562687	BREAKER 70AMPS / 24V /	1	1	1	A
6	562683	BREAKER 90AMPS / 24V /	1	1	1	
7	381047	BUS BAR / W/3 HOLES / 60MM C/C	1	1	1	
8	502524	NUT HEX M4-0.7 Z050	18	18	18	
9	502636	WASHER LO SPT 4.1x7.6x0.9 Z050	18	18	18	
10	064406	DECAL / BREAKER IDENTIFICATION	1	1	1	
11	500007	SCREW CAP HEX 1/4-28x3/4 G5 ZP	1	1	1	
		A) FOR PRODUCT IMPROVMENT OF INSTALLATION W/BREAKER 40 AMPS CB4 W/WIRE 12VF. USE KIT #065060				

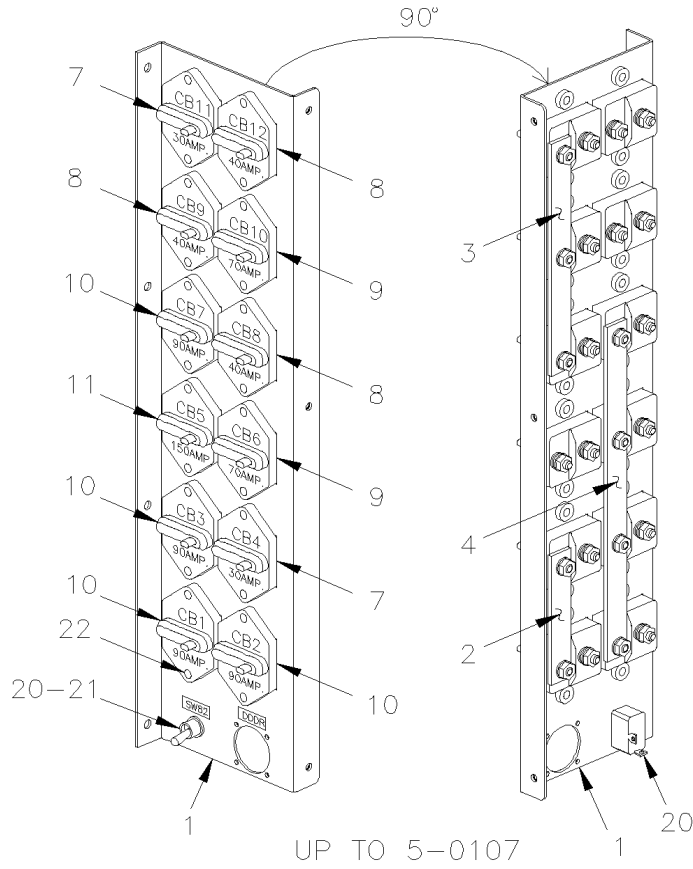


From 5-0168 To 8-1043

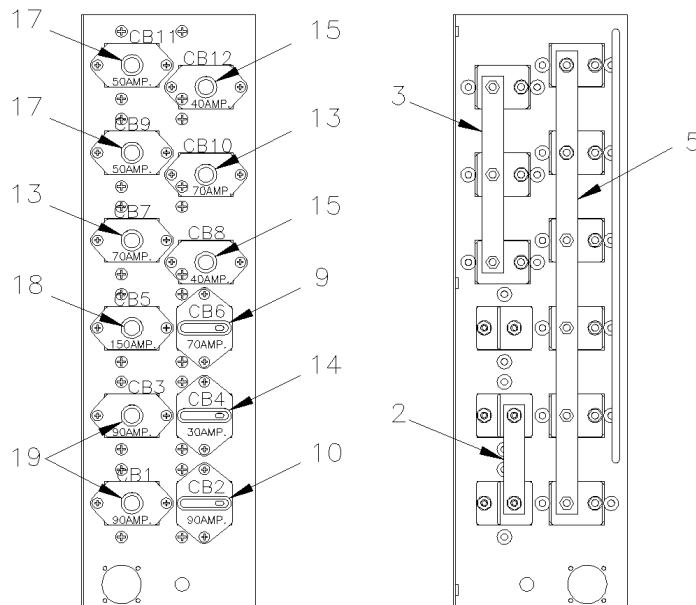
Date:10/2022

PAGE:HF-0616-11

BREAKER PANEL / MUX



BUS



FROM 5-0108



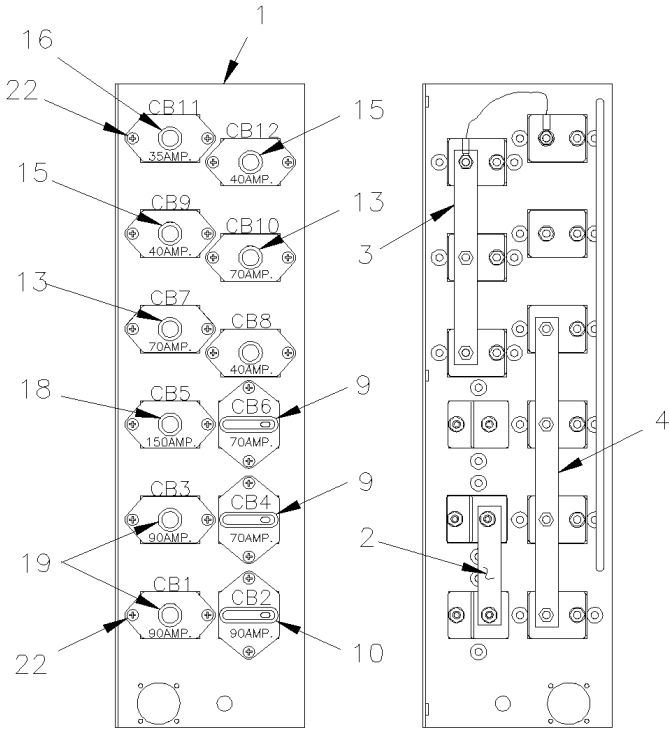
From 5-0168 To 8-1043

Date:10/2022

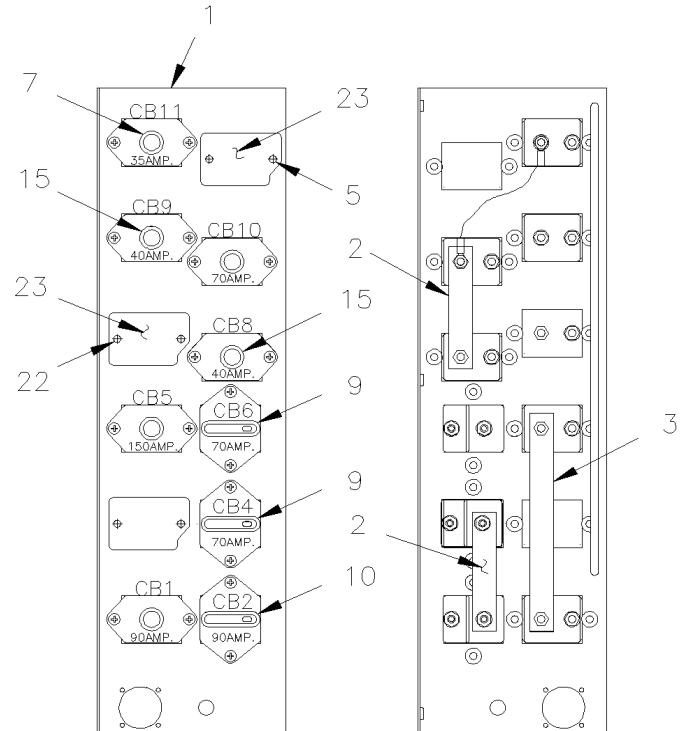
PAGE:HF-0616-11

BREAKER PANEL / MUX

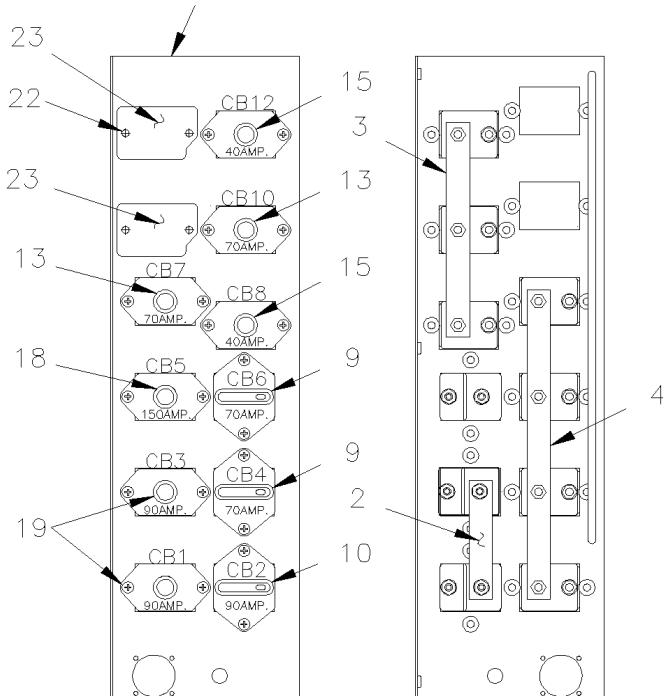
LARGE A/C & SLIDE-OUT



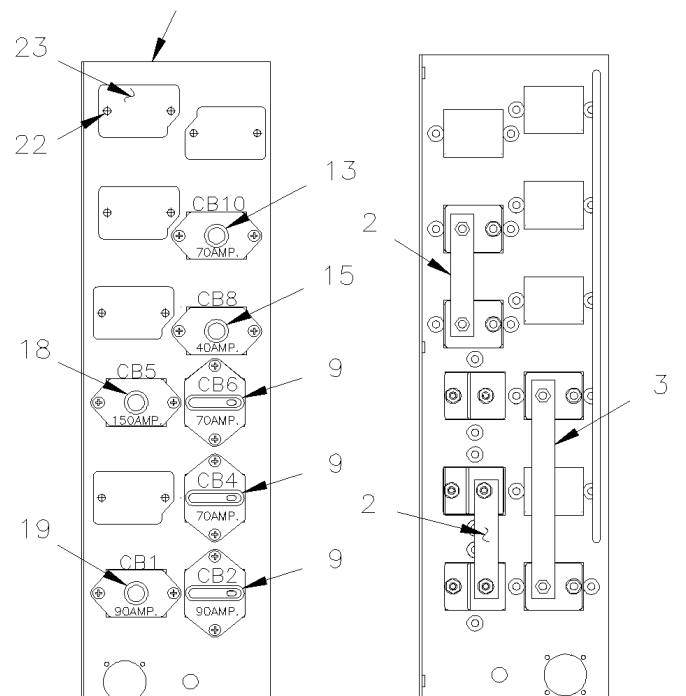
SMALL A/C & SLIDE-OUT



1 LARGE A/C



1 SMALL A/C





From 5-0168 To 8-1043	Date:10/2022	PAGE:HF-0616-11
BREAKER PANEL / MUX		

Item#	Part	Description	H 3 4 1	H 3 4 5	V I P 4 5	N O T E S
		"WARNING" - "WARNING" - "WARNING" - "WARNING"				
		THE FOUR NEXT SERIAL NUMBER ARE MULTIPLEXING 4-4933, 4-4963, 4-4995 & 4-0006				
1	382066	SUPPORT BREAKER H3-41,H3-45 To 5-0107	1	1	1	
1	382139	SUPPORT BREAKER From 5-0108	1	1	1	
2	382088	BUS BAR / W/2 HOLES / 80MM C/C	1	1	1	
3	382089	BUS BAR / W/3 HOLES / 80MM C/C	1	1	1	
4	382090	BUS BAR / W/4 HOLES / 80MM C/C	1	1	1	
5	382158	BUS BAR / W/6 HOLES / 80MM C/C	1	1	1	
6	382158	BUS BAR / W/6 HOLES / 80MM C/C	1	1	1	
7	563418	BREAKER 30AMPS / 24V / To 5-0107	2	2	2	
8	563420	BREAKER 40AMPS / 24V / To 5-0107	3	3	3	
9	563424	BREAKER 70AMPS / 24V /	2	2	2	
10	563425	BREAKER 90AMPS / 24V /	4	4	4	
11	563422	BREAKER 150AMPS / 24V /	1	1	1	
13	562687	BREAKER 70AMPS / 24V /	1	1	1	
14	563418	BREAKER 30AMPS / 24V / From 5-0108	1	1		
15	562686	BREAKER 40AMPS / 24V /	1	1	1	
16	563594	BREAKER 35AMPS / 24V / From 5-0108	1	1	1	
17	563355	BREAKER 50AMPS / 24V /	1	1	1	
18	562684	BREAKER 150AMPS / 24V /	1	1	1	
19	562683	BREAKER 90AMPS / 24V /	1	1	1	
20	563398	SWITCH / OFF-ON / D.P.S.T. / MUX	1	1	1	
21	562394	PLATE, INDICATING (ON/OFF)	1	1	1	
22	502569	SCREW MA PAN PH M6-1.0x16 BK	24	24	24	
23	382116	CLOSING PLATE BREAKER HOLE	AR	AR	AR	
NS	382100	PROTECTOR / SIDE BREAKER	1	1	1	
NS	066152	DECAL "REAR JCT BREAKER'S PANEL To 5-0167	1	1	1	
NS	066477	DECAL "REAR JCT BREAKER'S PANEL From 5-0168 To 5-0559	1	1	1	
NS	067125	DECAL "REAR JCT BREAKER'S PANEL From 5-0560	1	1	1	

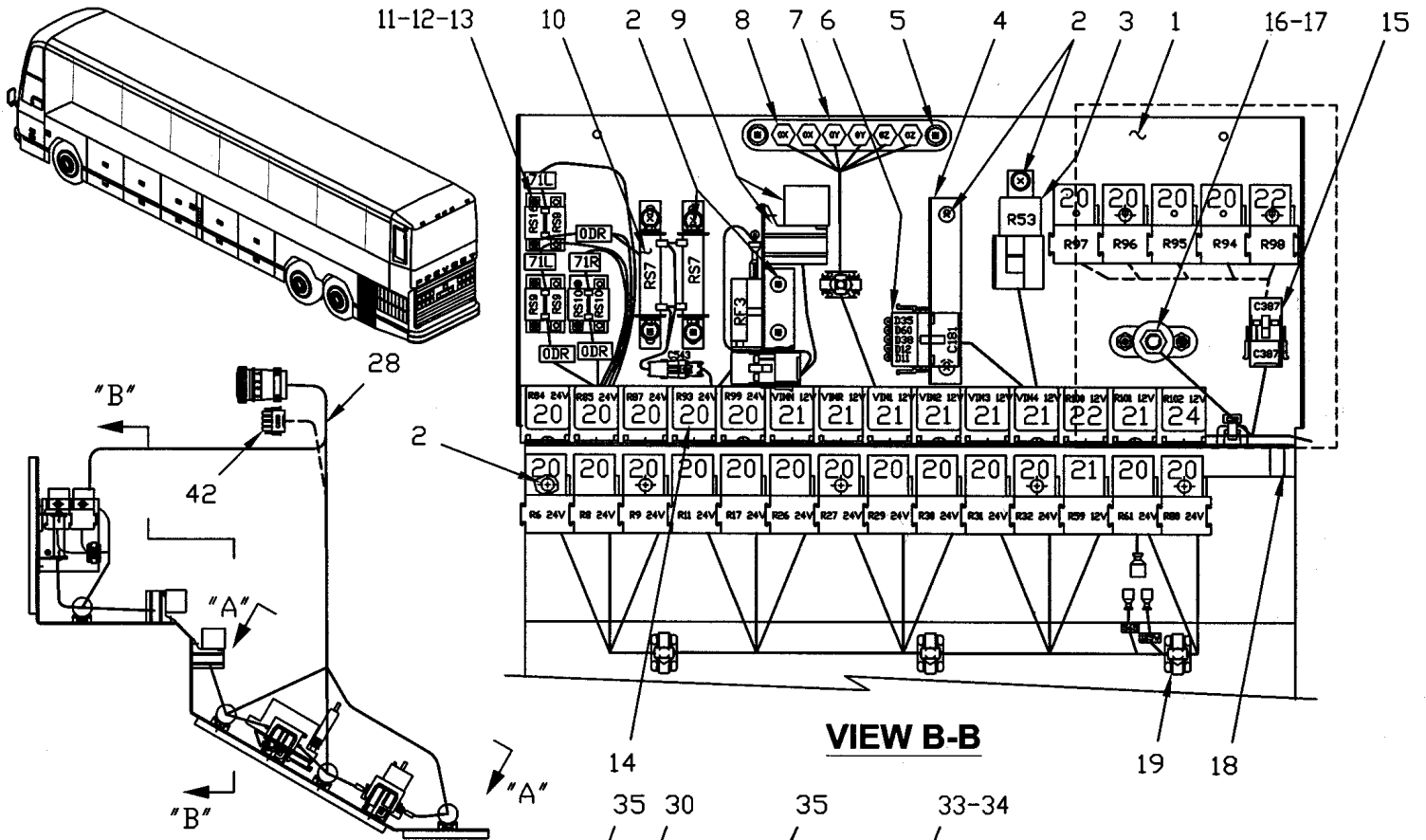


From 3-4417 To 3-4757

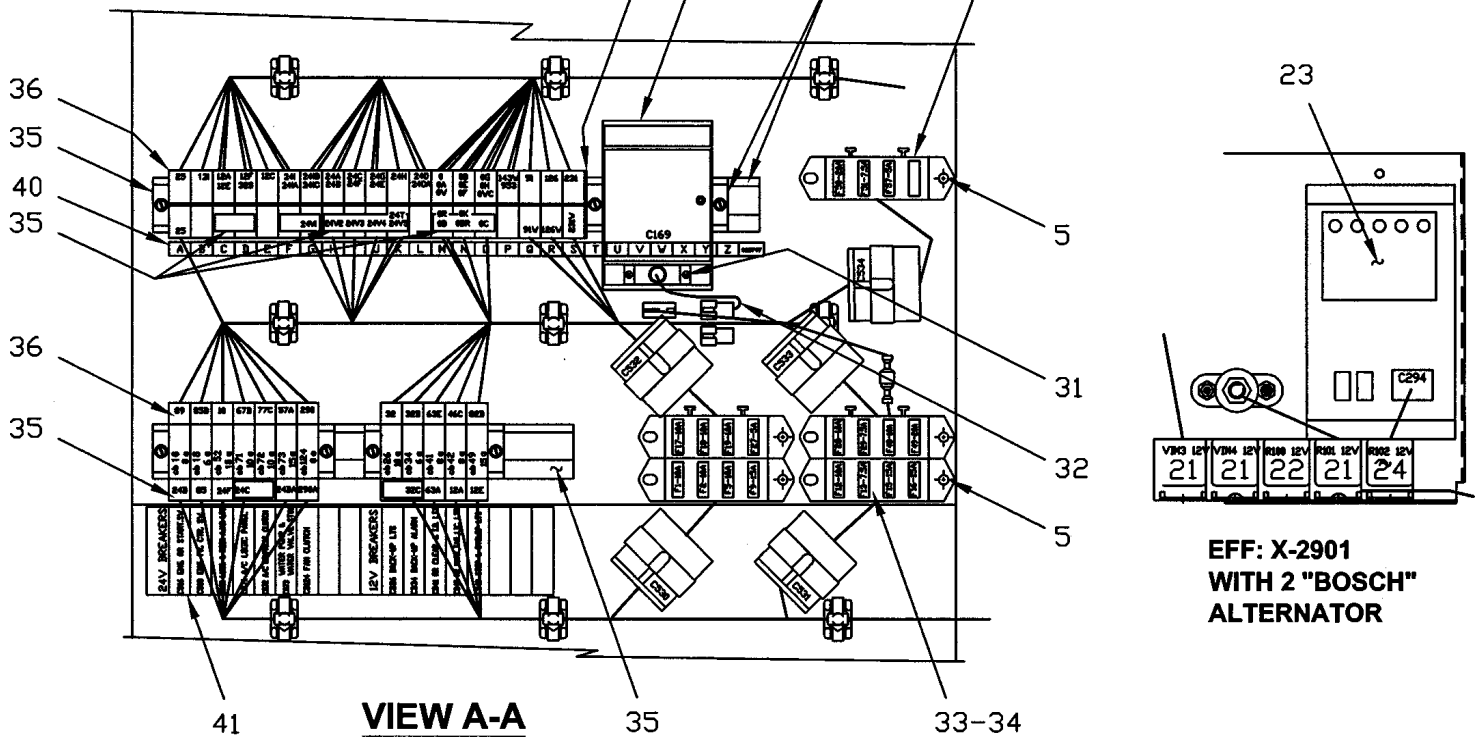
Date:10/2022

PAGE:HF-0620-00

REAR JUNCTION BOX ASSY



VIEW B-B



VIEW A-A

**EFF: X-2901
WITH 2 "BOSCH"
ALTERNATOR**



From 3-4417 To 3-4757	Date:10/2022	PAGE:HF-0620-00
REAR JUNCTION BOX ASSY		

Item#	Part	Description	H 3 4 1	H 3 4 5	V I P 4 5	N O T E S
1	381839	SUPPORT JUNCTION BOX	1	1	1	
2	500638	SCREW TP PAN PH #8x1/2 Z050	2	2	2	
NS	500022	WASHER LO INT .168x.340x.023 Z050	AR	AR	AR	
3	561991	RELAY 24V S.P.S.T. / 70 AMPS N.O.	1	1	1	
4	381144	SUPPORT W/RECTIFIER CONNECTOR	1	1	1	
5	500641	SCREW TP PAN PH #8x3/4 Z050	8	8	8	
6	381145	DIODE ASSY / W/5 3AMPS	1	1	1	
7	562504	JUNCTION BLOCK W/6 STUDS	1	1	1	
8	500765	NUT HEX #10-32 BR	6	6	6	
9	064206	FAN CLUTCH, MODULE ASSY	1	1	1	
10	064412	RESISTOR ASSY 0.82 OHM	1	1	1	
. NS	560823	. RESISTOR / 0.82 OHM	2	2	2	
. . NS	562959	. . SUPPORT, CERAMIC RESISTOR	1	1	1	
11	061976	RESISTOR ASSY 1 OHM 10 W	2	2	2	
12	380923	INSULATOR	2	2	2	
13	500583	SCREW TP PAN PH #6x1/2 Z050	4	4	4	
14	063643	WIRE ASSY	1	1	1	A
15	064944	CABLE ASSY	1	1		
16	560422	BLOCK, TERMINAL / 1 STUD 3/8-16 / BLACK	1	1	1	
17	500102	NUT HEX 3/8-16 SS	1	1	1	
17	500856	WASHER LO INT .384x.692x.040 ZP	1	1	1	
18	064898	CABLE ASSY BAGGAGE COMPARTMENT VIP	1	1		
18	064864	DECAL, RELAY, VIP			1	
18	064866	DECAL, RELAY / W/SMALL A/C SYSTEM			1	
18	065504	DECAL, RELAY, BUS	1	1	1	
18	065507	DECAL, RELAY, VIP			1	
18	065510	DECAL, RELAY, VIP / W/SMALL A/C			1	B
19	504013	TIE MOUNT / 1/4" X 1/4" I.D.	13	13	13	
NS	504637	CABLE TIE / 3/16" x 13"	13	13	13	
NS	504114	RIVET POP DOME OE 3/16x1/4 AL	13	13	13	
20	561707	RELAY 24V S.P.D.T. W/RESISTOR / To 5-0142	AR	AR	AR	
20	563332	RELAY 24V S.P.D.T. W/RESISTOR / "VOLVO" (20374662) From 5-0143	AR	AR	AR	
21	562092	RELAY 12V S.P.D.T. W/DIODE / To 5-0142	AR	AR	AR	
21	563337	RELAY 12V S.P.D.T. W/RESISTOR / From 5-0143	AR	AR	AR	
22	561538	RELAY 12V S.P.D.T. V 415 F11	AR	AR		
23	562947	CONTROL MODULE BOX / W / 2 "BOSCH" ALTERNATOR	1	1		
23	563004	. FUSE / ATM 2 AMPS GREY	1	1		
23	563005	. FUSE / ATM 7.5 AMPS BROWN	1	1		
28	065505	WIRING HARNESS RR JCT BOX VIP			1	
28	065508	WIRING HARNESS RR JCT BOX VIP / W/SMALL A/C W2 BOSCH			1	B
28	065502	WIRING HARNESS RR JCT BOX BUS H3	1	1		
30	381250	SWITCH, PROGRAMMABLE SPEED	1	1		C



From 3-4417 To 3-4757	Date:10/2022	PAGE:HF-0620-00
REAR JUNCTION BOX ASSY		

Item#	Part	Description	H 3 4 1	H 3 4 5	V I P 4 5	N O T E S
30	062767	. BOARD CIRCUIT "SPEED SWITCH"	1	1		
31	5001053	SCREW MA PAN PH #4-40x1/4 ZP	2	2		
32	064301	CABLE ASSY SPEED SWITCH / W/MANUAL TRANSMISSION ONLY	1	1		
33	562621	FUSE BLOCK W/4 LEDS & WIRES	5	5	5	
. NS	381960	. PROTECTOR COVER FUSE HOLDER 49MM x 62MM "OPTION SPECIAL"	AR	AR	AR	
34	562259	FUSE / ATO 5 AMPS AMBER	AR	AR	AR	
34	562602	FUSE / ATO 7.5 AMPS BROWN	AR	AR	AR	
34	562407	FUSE / ATO 10 AMPS RED	AR	AR	AR	
34	562604	FUSE / ATO 15 AMPS BLUE	AR	AR	AR	
34	562605	FUSE / ATO 20 AMPS YELLOW	AR	AR	AR	
NS	064505	SPARE FUSE BOX	1	1	1	
35	HF-0616-00	JUNCTION BOX COMPONENTS, RELAY & BREAKER				
36	561797	BREAKER 3AMPS / 24V /			AR	
36	561790	BREAKER 6AMPS / 24V /	AR	AR	AR	
36	561791	BREAKER 8AMPS / 24V /	AR	AR	AR	
36	561792	BREAKER 10AMPS / 24V /	AR	AR	AR	
36	561793	BREAKER 15AMPS / 24V /	AR	AR	AR	
40	063747	DECAL / JUNCTION BLOCKS	1	1	1	
41	064959	DECAL, BREAKER	1	1		
41	064863	DECAL, BREAKER			1	
41	064867	DECAL, BREAKER / W/SMALL A/C SYTEM			1	
42	064398	WIRING HARNESS RR JCT BOX WCL	1	1		
NS	065506	DECAL, REAR JUNCTION BOX V.I.P. / W/"DELCO"			1	
NS	065509	DECAL, REAR JUNCTION BOX V.I.P. / W/"BOSCH"			1	
		A) W/WATER HEATER ONLY				
		B) WITH SMALL A/C				
		C) W/KNEELING AND TRANSMISSION MANUAL OR W/TAG UNLAOD & AUTOMATIC TRANSMISSION				

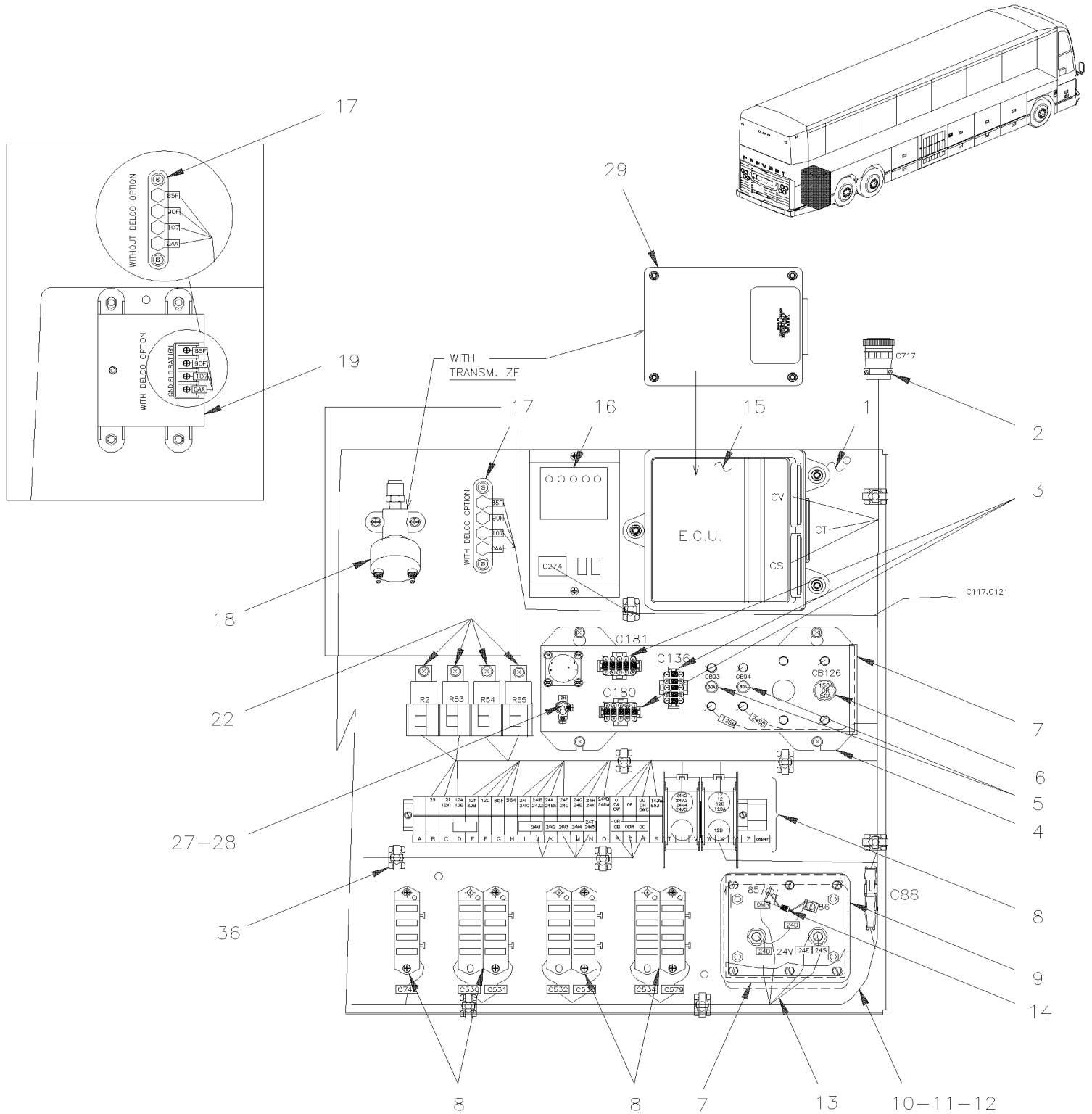


From 4-4758 To 6-0435

Date:10/2022

PAGE:HF-0620-01

REAR JUNCTION BOX ASSY



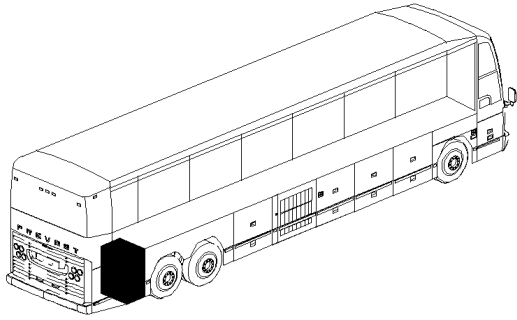


From 4-4758 To 6-0435

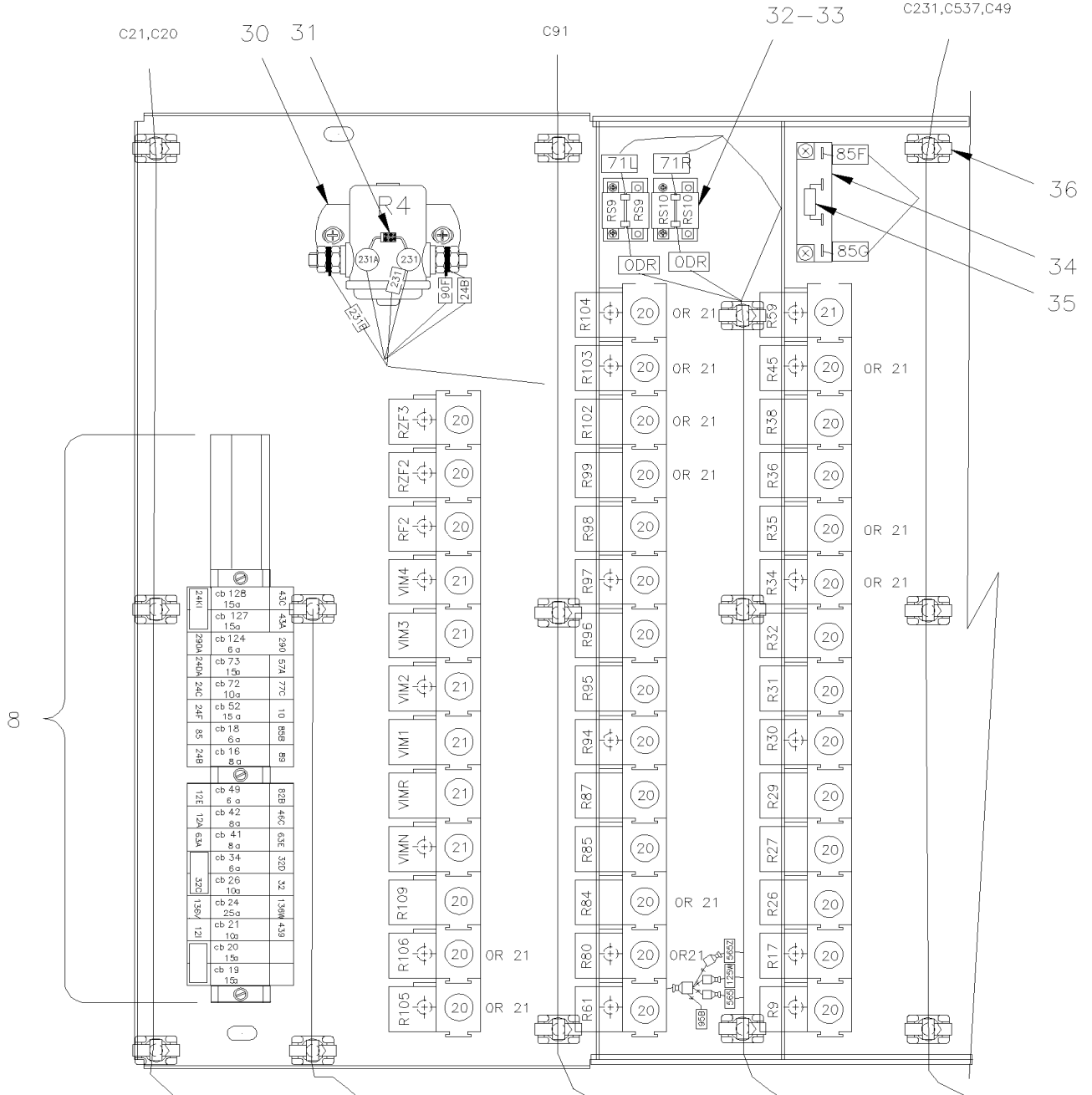
Date:10/2022

PAGE:HF-0620-01

REAR JUNCTION BOX ASSY



C415,C52
C397,C388
C231,C537,C49





From 4-4758 To 6-0435	Date:10/2022	PAGE:HF-0620-01
REAR JUNCTION BOX ASSY		

Item#	Part	Description	H 3 4 1	H 3 4 5	V I P 4 5	N O T E S
1	381987	PANEL	1	1	1	
2	065912	WIRING HARNESS RR JCT BOX BUS H3 To 4-4810	1	1		
2	065936	WIRING HARNESS RR JCT BOX BUS H3 From 4-4811 To 4-4866	1	1		
2	065984	WIRING HARNESS RR JCT BOX BUS H3 From 4-4867 To 5-0167	1	1		
2	066110	WIRING HARNESS RR JCT BOX BUS H3 From 5-0168 To 5-0193	1	1		
2	066468	CABLE ASSY / W.C.L. ACCESSORIES DOOR From 5-0194	1	1		
2	065692	CABLE ASSY REAR JCT BOX To 4-4866			1	
2	065983	CABLE ASSY REAR JCT BOX From 4-4867 To 4-4985			1	
2	066256	CABLE ASSY REAR JCT BOX From 4-4986 To 5-0215			1	
2	066434	CABLE ASSY REAR JCT BOX From 5-0216			1	
3	381145	DIODE ASSY / W/5 3AMPS	3	3	3	
4	382013	BRACKET BREAKER PANEL	1	1	1	
5	870690	BREAKER 30AMPS / 24V /	2	2		
6	562684	BREAKER 150AMPS / 24V /	1	1		
6	563355	BREAKER 50AMPS / 24V /		1		
7	506338	RUBBER CHANNEL / 1/16" x 1/4" INT "U" SHAPE / ROUND C.T.L.	AR	AR	AR	
8	HF-0616-00	JUNCTION BOX COMPONENTS, RELAY & BREAKER				
9	562364	RELAY 24V S.P.S.T. / 300 AMPS N.O. // BATTERY DISCONNECT	1	1	1	
10	063732	CABLE ASSY / W/STD BATTERY / #12B	1	1		
10	063901	CABLE ASSY / W/8D BATTERY / #12B			1	
11	404316	CABLE ASSY 24SB	1	1	1	
12	405329	CABLE ASSY #12SB	1	1		
13	063593	CABLE ASSY	1	1	1	
14	561740	DIODE / 3AMPS	1	1	1	
NS	560082	RING TERMINAL #10 / 16-14 / INSULATED / AMP 626033-2	2	2	2	
NS	560382	PLASTIC TUBING / 1/4" / CLEAR	AR	AR	AR	
15	571742	E.C.U. B500 / WTEC III	1	1		
15	571743	E.C.U. HD4060R / WTEC III			1	
16	562947	CONTROL MODULE BOX / W / 2 "BOSCH" ALTERNATOR	1	1	1	
17	560113	JUNCTION BLOCK W/4 STUDS	1	1	1	
18	641462	PRESSURE SWITCH N.O. 4PSI / 1/4NPT W/10-32 / SL-5 BRAKE	1	1		
19	563439	REGULATOR ASSY 24V / W/5 SCREWS			1	
19	564017	NOISE SUPPRESSOR CONDENSATOR / STAMPED			1	
. NS	M106-04	. SEE MAINTENANCE INFORMATION			1	
20	561707	RELAY 24V S.P.D.T. W/RESISTOR / To 5-0142	AR	AR	AR	
20	563332	RELAY 24V S.P.D.T. W/RESISTOR / "VOLVO" (20374662) From 5-0143	AR	AR	AR	
21	562092	RELAY 12V S.P.D.T. W/DIODE / To 5-0142	AR	AR	AR	
21	563337	RELAY 12V S.P.D.T. W/RESISTOR / From 5-0143	AR	AR	AR	
22	561991	RELAY 24V S.P.S.T. / 70 AMPS N.O.	4	4	4	
26	063747	DECAL / JUNCTION BLOCKS	1	1	1	
27	560256	SWITCH / OFF-ON / S.P.S.T.	1	1	1	
28	562394	PLATE, INDICATING (ON/OFF)	1	1	1	



From 4-4758 To 6-0435	Date:10/2022	PAGE:HF-0620-01
REAR JUNCTION BOX ASSY		

Item#	Part	Description	H 3 4 1	H 3 4 5	V I P 4 5	N O T E S
29	571774	MODULE "ZF" ZMTEC / W10 SPEEDS	1	1		
30	560407	SWITCH MAGNETIC / 24V S.P.S.T. / 50AMPS N.O.	1	1	1	
31	060798	DIODE ASSY	1	1	1	
32	061976	RESISTOR ASSY 1 OHM 10 W	2	2	2	
33	380923	INSULATOR	2	2	2	
34	560772	TIME DELAY RELAY	1	1	1	
35	064208	RESISTOR ASSY 75K OHMS / 1/4 W	1	1	1	
36	504013	TIE MOUNT / 1/4" X 1/4" I.D.	AR	AR	AR	
50	065735	DECAL, REAR JUNCTION BOX To 4-4806	1	1		
NS	065937	DECAL, REAR JUNCTION BOX From 4-4807 To 4-4866	1	1		
NS	066127	DECAL, REAR JUNCTION BOX From 4-4867	1	1		
NS	065736	DECAL, REAR JUNCTION BOX To 4-4866			1	
NS	066126	DECAL, REAR JUNCTION BOX From 4-4867			1	

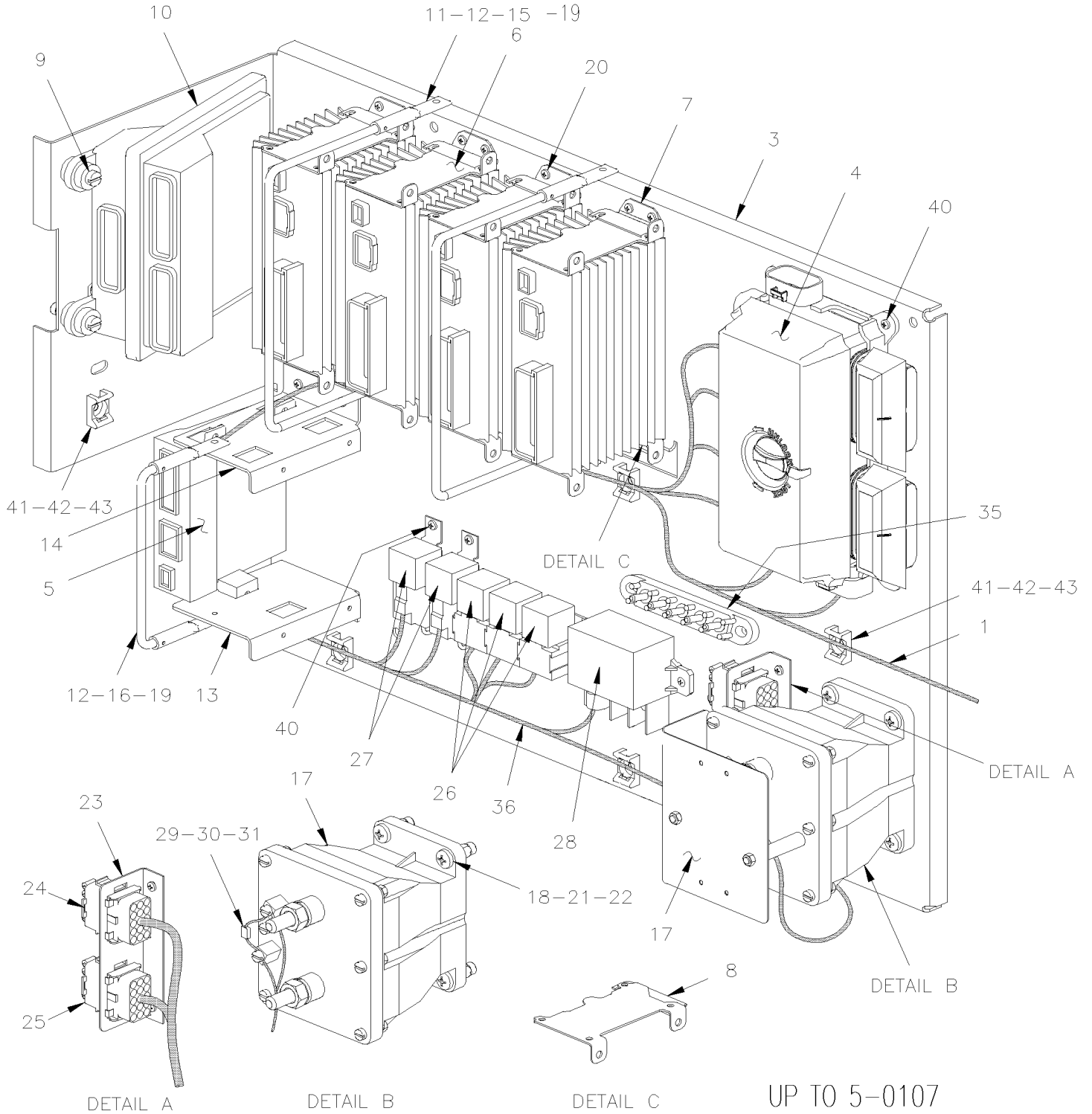


From 5-0168 To 8-1043

Date:10/2022

PAGE:HF-0620-02

REAR JUNCTION BOX ASSY / MUX



UP TO 5-0107

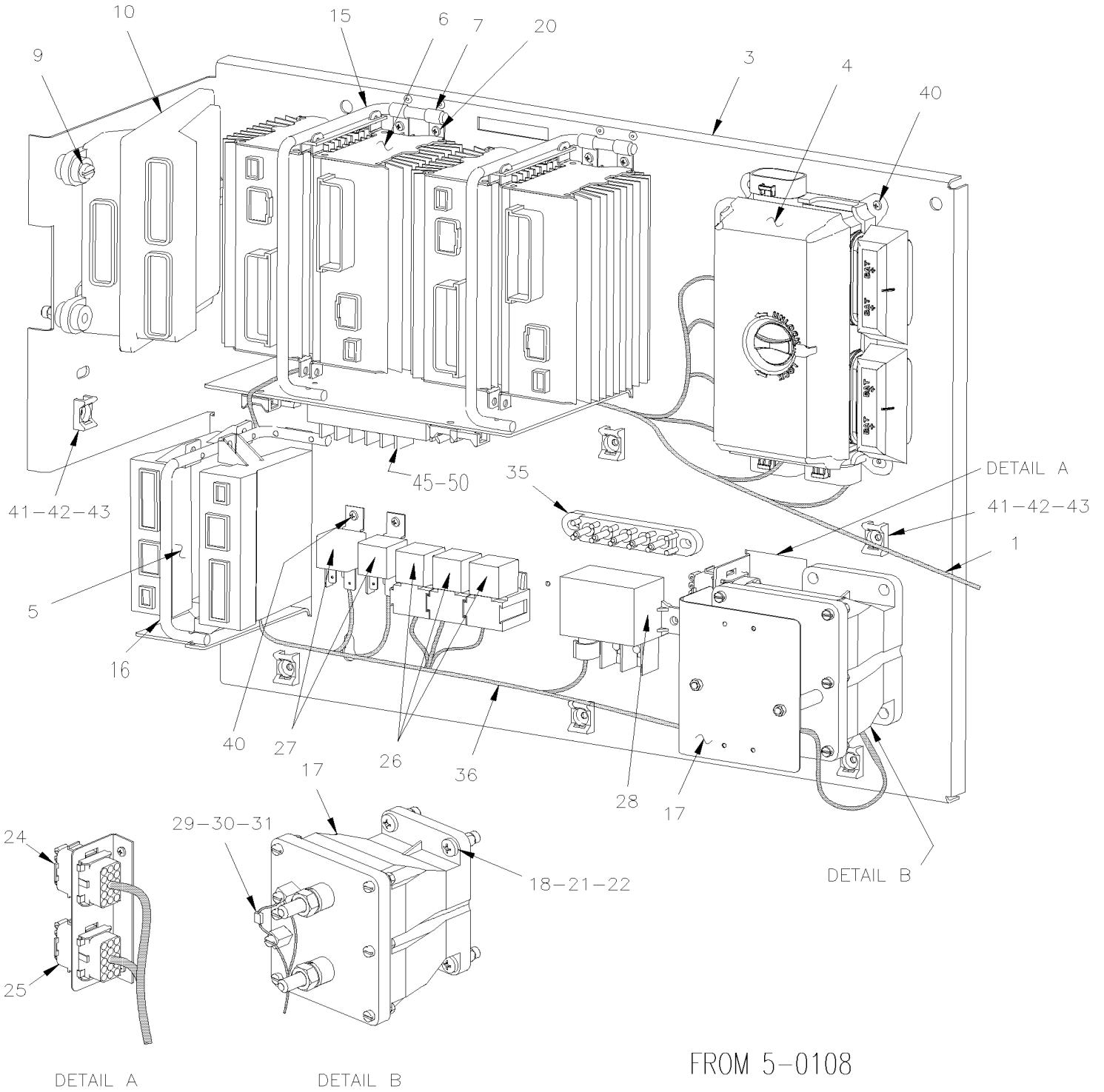


From 5-0168 To 8-1043

Date:10/2022

PAGE:HF-0620-02

REAR JUNCTION BOX ASSY / MUX



FROM 5-0108



From 5-0168 To 8-1043	Date:10/2022	PAGE:HF-0620-02
REAR JUNCTION BOX ASSY / MUX		

Item#	Part	Description	H 3 4 1	H 3 4 5	V I P 4 5	N O T E S
		"WARNING" - "WARNING" - "WARNING" - "WARNING"				
		THE FOUR NEXT SERIAL NUMBER ARE MULTIPLEXING 4-4933, 4-4963, 4-4995 & 4-0006				
1	066141	CABLE HARNESS / REAR JUNCTION BOX To 5-0108	1	1		W
1	066315	CABLE HARNESS / REAR JUNCTION BOX	1	1		W
1	066498	CABLE HARNESS / REAR JUNCTION BOX To 5-0222	1	1		W
1	066642	CABLE HARNESS / REAR JUNCTION BOX From 5-0223 To 5-0559	1	1		W
1	066696	CABLE HARNESS / REAR JUNCTION BOX From 5-0560	1	1		
1	067092	CABLE HARNESS / REAR JUNCTION BOX	1	1		
1	066456	CABLE HARNESS / REAR JUNCTION BOX To 6-0559			1	W
1	066766	CABLE HARNESS / REAR JUNCTION BOX From 6-0560			1	
2	066148	CABLE HARNESS / REAR JUNCTION BOX / CAN / MUX From 5-0108 To 5-0167	1	1		
2	066423	CABLE HARNESS / REAR JUNCTION BOX / CAN / MUX From 5-0168 To 6-0422	1	1		
3	382064	PANEL MOUNTING REAR JCT BOX From 5-0108 To 5-0167	1	1		
3	382123	PANEL MOUNTING REAR JCT BOX From 5-0168 To 6-0422	1	1		
3	382159	PANEL MOUNTING REAR JCT BOX From 6-0423 To 6-0559	1	1		
3	382357	PANEL MOUNTING REAR JCT BOX From 6-0560	1	1	1	
4	563360	VEC DISTRIBUTION MODULE / REAR JCT BOX To 5-0167	1	1		
. NS	564104	. COVER / VEC BOX To 5-0167	1	1		
. NS	563269	. RELAY 24V S.P.D.T. W/RESISTOR / To 5-0167	3	3		
. NS	563004	. FUSE / ATM 2 AMPS GREY To 5-0167	1	1		
. NS	563279	. FUSE / ATM 3 AMPS VIOLET To 5-0167	1	1		
. NS	563005	. FUSE / ATM 7.5 AMPS BROWN To 5-0167	3	3		
. NS	563283	. FUSE / ATM 10 AMPS RED To 5-0167	17	17		
. NS	563284	. FUSE / ATM 15 AMPS BLUE To 5-0167	9	9		
. NS	563282	. FUSE / ATM 20 AMPS YELLOW To 5-0167	1	1		
. NS	563153	. FUSE / ATM 25 AMPS NATURAL To 5-0167	4	4		
. NS	563165	. FUSE / ATM 30 AMPS GREEN To 5-0167	1	1		
. NS	563181	. CONNECTOR / SH 8C / YELLOW / BUSSMANN 32006-E21 To 5-0167	1	1		
. NS	563182	. CONNECTOR / SH 8C / ORANGE / BUSSMANN 32006-G21 To 5-0167	1	1		
. NS	563183	. CONNECTOR / SH 8C / RED / BUSSMANN 32006-F21 To 5-0167	1	1		
. NS	563184	. CONNECTOR / SH 8C / GREEN / BUSSMANN 32006-C21 To 5-0167	1	1		
. NS	563185	. CONNECTOR / SH 8C / BLACK / BUSSMANN 32006-A21 To 5-0167	1	1		
. NS	563186	. CONNECTOR / SH 8C / GREY / BUSSMANN 32006-B21 To 5-0167	1	1		
. NS	563187	. CONNECTOR / SH 8C / BROWN / BUSSMANN 32006-H21 To 5-0167	1	1		
. NS	563448	. CONNECTOR / SH 8C / BLUE / BUSSMANN 32006-D21 To 5-0167	1	1		
. NS	19518268	. COVER RUBBER RED To 5-0167	2	2		
4	563556	VEC DISTRIBUTION MODULE / REAR JCT BOX From 5-0168	1	1	1	P
. NS	564104	. COVER / VEC BOX From 5-0168	1	1	1	P
. NS	563269	. RELAY 24V S.P.D.T. W/RESISTOR / From 5-0168	1	1	1	P
. NS	563004	. FUSE / ATM 2 AMPS GREY From 5-0168	1	1	1	P



From 5-0168 To 8-1043	Date:10/2022	PAGE:HF-0620-02
REAR JUNCTION BOX ASSY / MUX		

Item#	Part	Description	H 3 4 1	H 3 4 5	V I P 4 5	N O T E S
. NS	563279	. FUSE / ATM 3 AMPS VIOLET From 5-0168	1	1	1	P
. NS	563280	. FUSE / ATM 5 AMPS AMBER From 5-0168	1	1	1	P
. NS	563005	. FUSE / ATM 7.5 AMPS BROWN From 5-0168	1	1	1	P
. NS	563283	. FUSE / ATM 10 AMPS RED From 5-0168	1	1	1	P
. NS	563284	. FUSE / ATM 15 AMPS BLUE From 5-0168	1	1	1	P
. NS	563282	. FUSE / ATM 20 AMPS YELLOW From 5-0168	1	1	1	P
. NS	563153	. FUSE / ATM 25 AMPS NATURAL From 5-0168	1	1	1	P
. NS	563165	. FUSE / ATM 30 AMPS GREEN From 5-0168	1	1	1	P
. NS	563699	. MINI BREAKER / 20 AMPS / SERIES 212 From 5-0168	2	2	2	P
. NS	563181	. CONNECTOR / SH 8C / YELLOW / BUSSMANN 32006-E21 From 5-0168	1	1	1	P
. NS	563182	. CONNECTOR / SH 8C / ORANGE / BUSSMANN 32006-G21 From 5-0168	1	1	1	P
. NS	563183	. CONNECTOR / SH 8C / RED / BUSSMANN 32006-F21 From 5-0168	1	1	1	P
. NS	563184	. CONNECTOR / SH 8C / GREEN / BUSSMANN 32006-C21 From 5-0168	1	1	1	P
. NS	563185	. CONNECTOR / SH 8C / BLACK / BUSSMANN 32006-A21 From 5-0168	1	1	1	P
. NS	563186	. CONNECTOR / SH 8C / GREY / BUSSMANN 32006-B21 From 5-0168	1	1	1	P
. NS	563187	. CONNECTOR / SH 8C / BROWN / BUSSMANN 32006-H21 From 5-0168	1	1	1	P
. NS	563448	. CONNECTOR / SH 8C / BLUE / BUSSMANN 32006-D21 From 5-0168	1	1	1	P
. NS	19518268	. COVER RUBBER RED From 5-0168	2	2	2	P
5	563272	I/O A-MODULE VOLVO MULTIPLEX / BLACK To 7-0791	AR	AR	AR	
. NS	562767	. CONNECTOR / SH 30C / GREEN / JAE IL-AG5-30S-D3C1 To 7-0791	1	1	1	
. NS	562957	. CONNECTOR / SH 5C / GREEN / JAE IL-AG5-5S-S3C1 To 7-0791	1	1	1	
. NS	563132	. CONNECTOR / SH 2C / YAZAKI 7283-6458-40 To 7-0791	1	1	1	
5	565864	I/O A-MODULE VOLVO MULTIPLEX / BLACK From 7-0792	AR	AR	AR	
. NS	562767	. CONNECTOR / SH 30C / GREEN / JAE IL-AG5-30S-D3C1 From 7-0792	1	1	1	
. NS	562957	. CONNECTOR / SH 5C / GREEN / JAE IL-AG5-5S-S3C1 From 7-0792	1	1	1	
. NS	563132	. CONNECTOR / SH 2C / YAZAKI 7283-6458-40 From 7-0792	1	1	1	
6	563273	I/O B-MODULE VOLVO MULTIPLEX / ALUMINUM To 7-0791	4	4	4	
. NS	563132	. CONNECTOR / SH 2C / YAZAKI 7283-6458-40 To 7-0791	1	1	1	
. NS	563133	. CONNECTOR / JUNIOR POWER TIMER / SH 29C / AMP 1-963449-2 To 7-0791	1	1	1	
. NS	562957	. CONNECTOR / SH 5C / GREEN / JAE IL-AG5-5S-S3C1 To 7-0791	1	1	1	
6	565865	I/O B-MODULE VOLVO MULTIPLEX / ALUMINUM From 7-0792	4	4	4	
. NS	563132	. CONNECTOR / SH 2C / YAZAKI 7283-6458-40 From 7-0792	1	1	1	
. NS	563133	. CONNECTOR / JUNIOR POWER TIMER / SH 29C / AMP 1-963449-2 From 7-0792	1	1	1	
. NS	562957	. CONNECTOR / SH 5C / GREEN / JAE IL-AG5-5S-S3C1 From 7-0792	1	1	1	
7	382093	SUPPORT R.H. / CAN SIDE CONNECTOR To 5-0167	4	4		
7	504722	CLAMP / 5/16 I.D. x 1/2" W x 7/32" From 5-0168 To 6-0422	4	4		
7	382169	HINGE ROD ATTACHMENT From 6-0423	2	2		
8	382094	SUPPORT L.H. / OUTPUT SIDE CONNECTOR To 5-0167	4	4		
9	502686	SCREW CAP HEX M6-1.0x30 SS BK	2	2	2	
9	502797	SCREW CAP HEX M8-1.25x70 G10.9 G500	2	2		Z
NS	500942	WASHER LO SPT 8.1x14.8x2.0 N500	2	2		Z
10	572028	E.C.U. B500 / GEN IV From 6-0560 To 7-0831	1	1	1	



From 5-0168 To 8-1043	Date:10/2022	PAGE:HF-0620-02
REAR JUNCTION BOX ASSY / MUX		

Item#	Part	Description	H 3 4 1	H 3 4 5	V I P 4 5	N O T E S
10	572044	E.C.U. B500 / GEN IV From 7-0832	1	1	1	
10	572037	E.C.U. HD4060R / GEN IV From 6-0560 To 7-0831	1	1	1	
10	572045	E.C.U. HD4000MG / GEN IV From 7-0832	1	1	1	
10	571774	MODULE "ZF" ZMTEC / W10 SPEEDS To 6-0495	1	1		
10	572027	MODULE "ZF" ZMTEC / W10 SPEEDS From 6-0496	1	1		
11	403570	ROD HOLDER / BLACK / STEEL "L" SHAPE To 5-0167	2	2		
12	405673	SUPPORT / MUX To 5-0167	4	4		
13	382068	SUPPORT MODULE I/O From 5-0108 To 5-0167	1	1		
14	382063	SUPPORT MODULE I/O A / REAR JCT BOX To 5-0167	1	1		
15	382082	ROD ATTACHMENT CABLE / I/O B To 5-0167	2	2		
15	382136	ROD ATTACHMENT CABLE / I/O B From 5-0168 To 6-0422	2	2		
15	382166	ROD ATTACHMENT / I/O B MODULE From 6-0423	2	2	2	
16	382083	ROD ATTACHMENT CABLE / I/O A To 5-0167	1	1		
16	382120	ROD ATTACHMENT CABLE / I/O A From 5-0168 To 6-0422	1	1		
16	382179	ROD ATTACHMENT / I/O A MODULE From 6-0423	1	1	1	
17	562364	RELAY 24V S.P.S.T. / 300 AMPS N.O. // BATTERY DISCONNECT	1	1	1	
18	502737	SCREW CAP HEX M6-1.0x25 SS BK	4	4	4	
19	900541	ROUND BAR 6MM X 800MM To 5-0107	1	1		
20	500946	SCREW TP BDG PH #8x1/2 N500 To 5-0167	4	4		
20	500539	NUT HEX NYRT M4-0.7 N500 From 5-0168 To 6-0422	4	4		
20	504340	RIVET POP DOME OE 1/8x3/16 SS From 6-0423	8	8	8	
21	502573	WASHER FL 6.4x12.5x1.6 SS	4	4	4	
22	502570	WASHER LO SPT 6.1x11.8x1.6 SS	4	4	4	
23	382087	DIODE SUPPORT To 5-0167	1	1		
24	381145	DIODE ASSY / W/5 3AMPS	1	1	1	
25	382097	DIODE ASSY / W/3 3AMPS & 2 RESISTORS 270 OHMS	1	1	1	
26	563332	RELAY 24V S.P.D.T. W/RESISTOR / "VOLVO" (20374662)	3	3		
26	563332	RELAY 24V S.P.D.T. W/RESISTOR / "VOLVO" (20374662)			4	
27	561991	RELAY 24V S.P.S.T. / 70 AMPS N.O.	2	2	2	
28	563348	RELAY POWER 24V 200 AMPS / S.P.S.T. N.O.	1	1	1	
. NS	5001182	. NUT HEX NYRT M6-1.0 SS	1	1	1	
. NS	502573	. WASHER FL 6.4x12.5x1.6 SS	1	1	1	
. NS	563409	. CONNECTOR / SUPERSEAL 1.5 SERIES / SH 2C / AMP 282080-1	1	1	1	
. NS	562607	. SOCKET TERMINAL / 20-16 / AMP 183025-1	1	1	1	
29	064792	DIODE ASSY	1	1	1	
. NS	561740	. DIODE / 3AMPS	1	1	1	
. NS	560082	. RING TERMINAL #10 / 16-14 / INSULATED / AMP 626033-2	1	1	1	
. NS	560815	. RING TERMINAL #10 / 22-18 / INSULATED / AMP 42037-2	1	1	1	
. NS	562499	. SHRINK TUBING / .250" - .125" / CLEAR / ALPHA FIT 221-1/4	AR	AR	AR	
30	560082	RING TERMINAL #10 / 16-14 / INSULATED / AMP 626033-2	2	2	2	
31	560382	PLASTIC TUBING / 1/4" / CLEAR	AR	AR	AR	
33	506338	RUBBER CHANNEL / 1/16" x 1/4" INT "U" SHAPE / ROUND C.T.L.	AR	AR	AR	



From 5-0168 To 8-1043	Date:10/2022	PAGE:HF-0620-02
REAR JUNCTION BOX ASSY / MUX		

Item#	Part	Description	H 3 4 1	H 3 4 5	V I P 4 5	N O T E S
34	680066	ADHESIVE / ADBOND #5014 / 23.6ML BOTTLE	AR	AR	AR	
35	563218	JUNCTION BLOCK W/5 STUDS	1	1	1	
36	066316	CABLE ASSY / BREAKERS	1	1		
40	500945	SCREW TC BDG PH #10-24x1/2 G500	AR	AR	AR	
41	504347	RIVET POP DOME OE 3/16x1/4 AL	AR	AR	AR	
42	504013	TIE MOUNT / 1/4" X 1/4" I.D.	AR	AR	AR	
43	504637	CABLE TIE / 3/16" x 13"	AR	AR	AR	
44	502565	NUT HEX M6-1.0 SS	2	2	2	
45	502570	WASHER LO SPT 6.1x11.8x1.6 SS	2	2	2	
50	563439	REGULATOR ASSY 24V / W/5 SCREWS			1	
50	564017	NOISE SUPPRESSOR CONDENSATOR / STAMPED			1	
. NS	M106-04	. SEE MAINTENANCE INFORMATION			1	
50	500855	WASHER FL .188x.438x.049 N500			4	
NS	066478	DECAL REAR JCT BOX VIP W/MUX	1	1		
NS	066597	DECAL REAR JCT BOX VIP W/MUX To 7-0771			1	
NS	066902	DECAL REAR JCT BOX VIP W/MUX From 7-0772			1	
70	068528	KIT, SERVICE / VEC REPLACEMENT (SAV)	1	1	1	
. . NS	564104	. . COVER / VEC BOX	1	1	1	
. . NS	563269	. . RELAY 24V S.P.D.T. W/RESISTOR /	1	1	1	
. . NS	563004	. . FUSE / ATM 2 AMPS GREY	1	1	1	
. . NS	563279	. . FUSE / ATM 3 AMPS VIOLET	1	1	1	
. . NS	563280	. . FUSE / ATM 5 AMPS AMBER	1	1	1	
. . NS	563005	. . FUSE / ATM 7.5 AMPS BROWN	1	1	1	
. . NS	563283	. . FUSE / ATM 10 AMPS RED	1	1	1	
. . NS	563284	. . FUSE / ATM 15 AMPS BLUE	1	1	1	
. . NS	563282	. . FUSE / ATM 20 AMPS YELLOW	1	1	1	
. . NS	563153	. . FUSE / ATM 25 AMPS NATURAL	1	1	1	
. . NS	563165	. . FUSE / ATM 30 AMPS GREEN	1	1	1	
. . NS	563699	. . MINI BREAKER / 20 AMPS / SERIES 212	2	2	2	
. . NS	563181	. . CONNECTOR / SH 8C / YELLOW / BUSSMANN 32006-E21	1	1	1	
. . NS	563182	. . CONNECTOR / SH 8C / ORANGE / BUSSMANN 32006-G21	1	1	1	
. . NS	563183	. . CONNECTOR / SH 8C / RED / BUSSMANN 32006-F21	1	1	1	
. . NS	563184	. . CONNECTOR / SH 8C / GREEN / BUSSMANN 32006-C21	1	1	1	
. . NS	563185	. . CONNECTOR / SH 8C / BLACK / BUSSMANN 32006-A21	1	1	1	
. . NS	563186	. . CONNECTOR / SH 8C / GREY / BUSSMANN 32006-B21	1	1	1	
. . NS	563187	. . CONNECTOR / SH 8C / BROWN / BUSSMANN 32006-H21	1	1	1	
. . NS	563448	. . CONNECTOR / SH 8C / BLUE / BUSSMANN 32006-D21	1	1	1	
. . NS	19518268	. . COVER RUBBER RED	2	2	2	
		P) FOR PRODUCT IMPROVEMENT DOOR LOCK FUSE MAY BE REPLACE BY MINI BREAKER # 563699				



From 5-0168 To 8-1043	Date:10/2022	PAGE:HF-0620-02
-----------------------	--------------	-----------------

REAR JUNCTION BOX ASSY / MUX

Item#	Part	Description	H 3 4 1	H 3 4 5	V I P 4 5	N O T E S
		W) WITH "WORLD" TRANSMISSION				
		Z) WITH "ZF" TRANSMISSION				

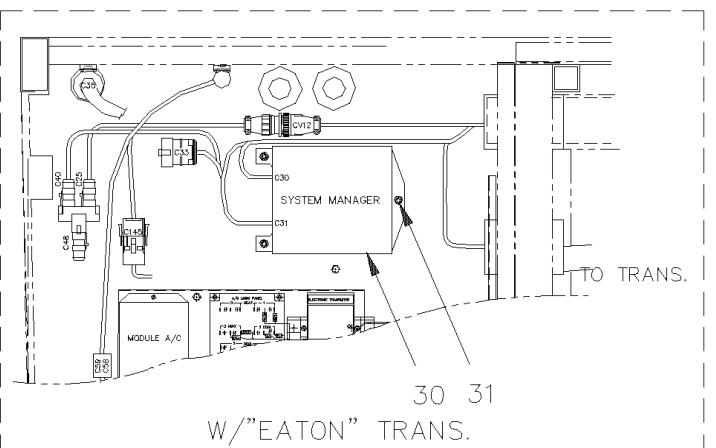
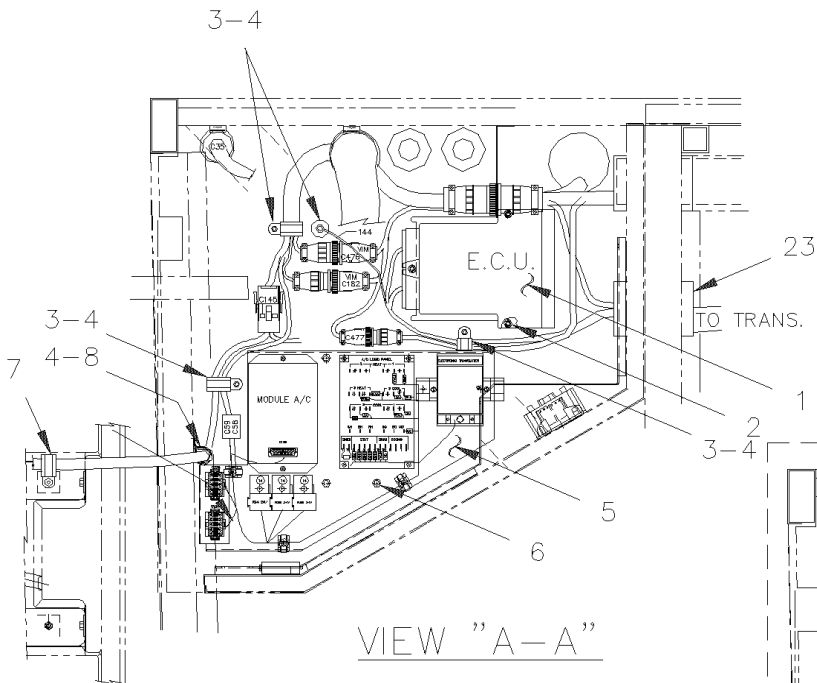
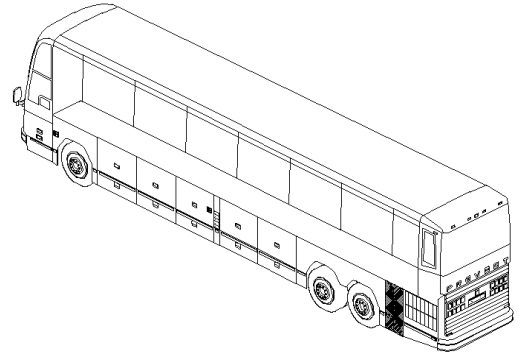
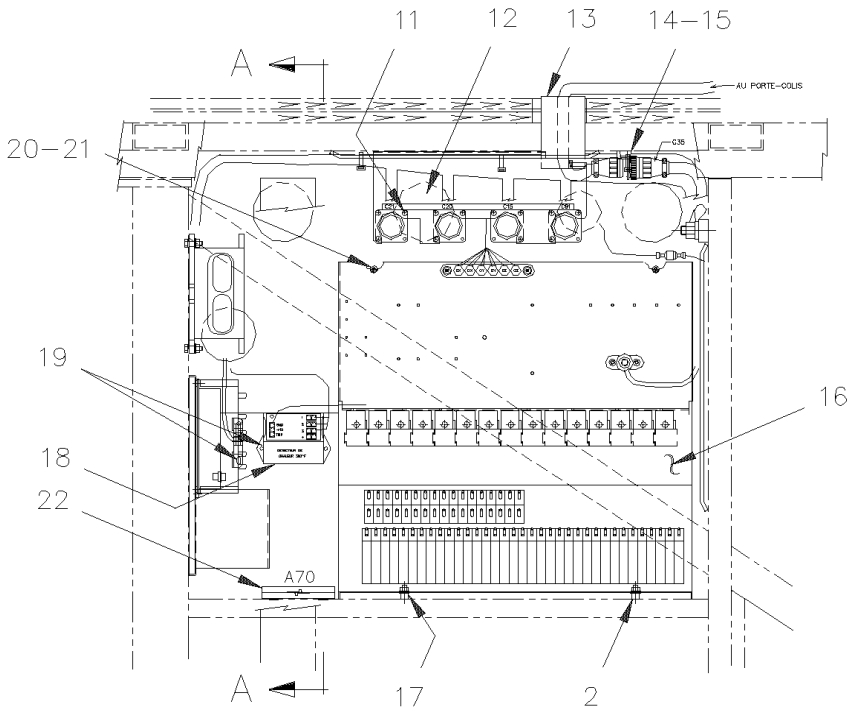


From 3-4417 To 3-4757

Date:10/2022

PAGE:HF-0620-50

REAR JUNCTION BOX - INSTALLATION





From 3-4417 To 3-4757	Date:10/2022	PAGE:HF-0620-50
REAR JUNCTION BOX - INSTALLATION		

Item#	Part	Description	H 3 4 1	H 3 4 5	V I P 4 5	N O T E S
1	HF-0750-00	AUTOMATIC TRANSMISSION - "WORLD" WITH DETROIT S-60				
2	502565	NUT HEX M6-1.0 SS	AR	AR	AR	
NS	502573	WASHER FL 6.4x12.5x1.6 SS	AR	AR	AR	
NS	502564	WASHER LO SPT 6.1x11.8x1.6 Z050	AR	AR	AR	
3	504458	CLAMP / 1 5/8" I.D.	AR	AR	AR	
4	500590	NUT HEX NYRT M4-0.7 Z050	AR	AR	AR	
5	502621	NUT HEX STO M6-1.0 Z050	3	3	3	
6	HF-0621-00	A/C JUNCTION BOX ASSY				
7	140656	CLAMP / 3/4" I.D. / W/HOLE 3/8"	1	1	1	
NS	952631	. CLAMP / 3/4" I.D.	1	1	1	
NS	502631	SCREW CAP HEX M6-1.0x20 G8.8 Z050	1	1	1	
8	560482	CLAMP / 3/4" I.D. / W/HOLE 3/16"	1	1	1	
11	500124	SCREW TP TR PH #8x1/2 SS	18	18	18	A
12	064467	DECAL, CONNECTOR	1	1	1	
13	506283	PIPE INSULATING / 1 5/8" I.D. X 1/2" TH. X 72 / APT15812	AR	AR	AR	
14	504013	TIE MOUNT / 1/4" X 1/4" I.D.	AR	AR	AR	
NS	504114	RIVET POP DOME OE 3/16x1/4 AL	AR	AR	AR	
15	504012	CABLE TIE / 3/16" X 6"1/2	AR	AR	AR	
16	HF-0620-00	REAR JUNCTION BOX ASSY				
17	504479	RIVET COLLAR HUCK 6.5DIA SS	2	2	2	A
18	065290	HEAT DETECTOR "THERMO-DISK"	3	3	3	
19	500638	SCREW TP PAN PH #8x1/2 Z050	4	4	4	
NS	502630	WASHER FL .156x.375x.049 Z050	4	4	4	
20	500641	SCREW TP PAN PH #8x3/4 Z050	2	2	2	
21	502712	WASHER FL .194x.375x.375 NYL	2	2	2	
22	064505	SPARE FUSE BOX	1	1	1	
23	280737	PANEL ACCESS 152MM X 171MM	1	1		
NS	681278	CAP PLUG / 3.403" I.D. x 3.518" O.D.	1	1		
NS	064628	DECAL REAR JCT BOX	1	1		
NS	064422	DECAL REAR JCT BOX			1	
30	571731	SYSTEM MANAGER ECU	1	1		
31	502567	NUT HEX M10-1.5 SS	3	3		
NS	502573	WASHER FL 6.4x12.5x1.6 SS	3	3		
NS	502564	WASHER LO SPT 6.1x11.8x1.6 Z050	3	3		
		A) TO FIX FLOOR				

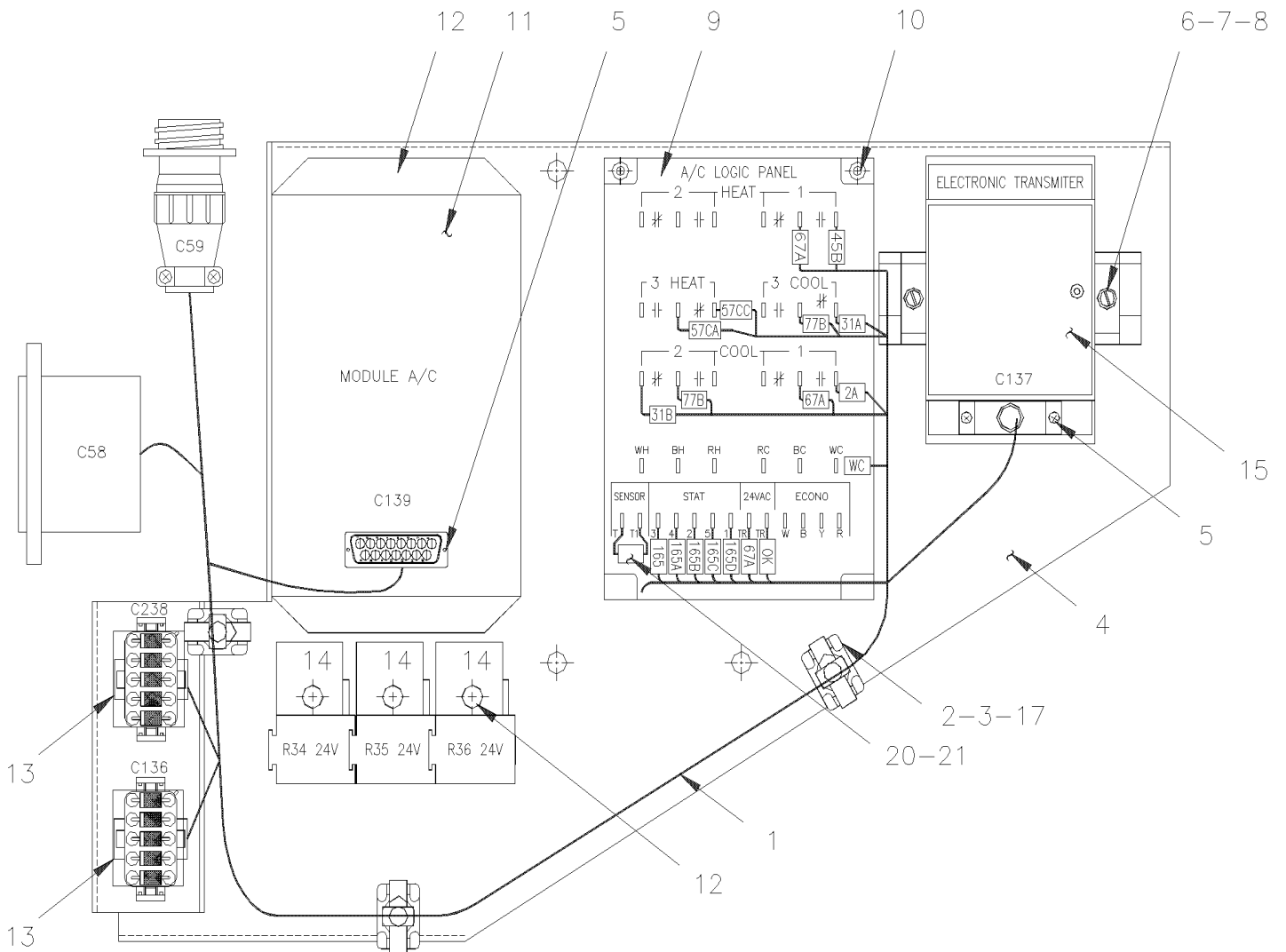
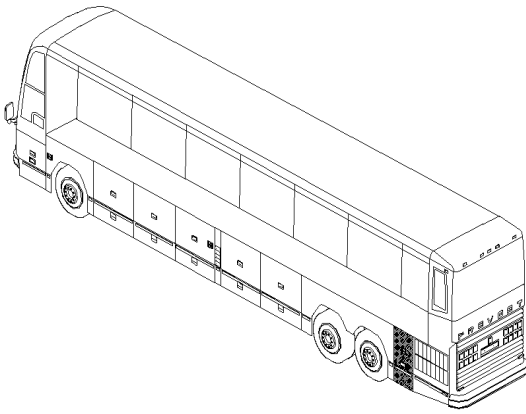


From 3-4417 To 3-4757

Date:10/2022

PAGE:HF-0621-00

A/C JUNCTION BOX ASSY





From 3-4417 To 3-4757	Date:10/2022	PAGE:HF-0621-00
A/C JUNCTION BOX ASSY		

Item#	Part	Description	H 3 4 1	H 3 4 5	V I P 4 5	N O T E S
1	065366	WIRING HARNESS A/C JUNCTION PANEL	1	1	1	
2	504013	TIE MOUNT / 1/4" X 1/4" I.D.	3	3	3	
3	504637	CABLE TIE / 3/16" x 13"	3	3	3	
4	381806	SUPPORT A/C	1	1	1	
5	5001053	SCREW MA PAN PH #4-40x1/4 ZP	4	4	4	
6	381203	RAIL SUPPORT / 100MM	1	1	1	
7	561729	STOPPER	2	2	2	
8	504006	RIVET POP CK OE 1/8x5/16 AL	2	2	2	
9	561805	A/C LOGIC PANEL	1	1	1	
10	500641	SCREW TP PAN PH #8x3/4 Z050	4	4	4	
11	562809	MODULE CONTROL A/C	1	1	1	
. NS	562599	. FUSE / ATO 3 AMPS VIOLET	1	1	1	
12	500638	SCREW TP PAN PH #8x1/2 Z050	4	4	4	
13	381145	DIODE ASSY / W/5 3AMPS	2	2	2	
14	561707	RELAY 24V S.P.D.T. W/RESISTOR / To 5-0142	3	3	3	
14	563332	RELAY 24V S.P.D.T. W/RESISTOR / "VOLVO" (20374662) From 5-0143	3	3	3	
15	381787	TRANSMITTER	1	1	1	
16	500638	SCREW TP PAN PH #8x1/2 Z050	2	2	2	
17	504114	RIVET POP DOME OE 3/16x1/4 AL	3	3	3	
20	562617	RESISTOR / 3.32K OHMS / 1/4 W	1	1	1	
21	561626	TAB RECEPTACLE TERMINAL INSUL. NYLON / 22 / AMP 2-520264-4	2	2	2	

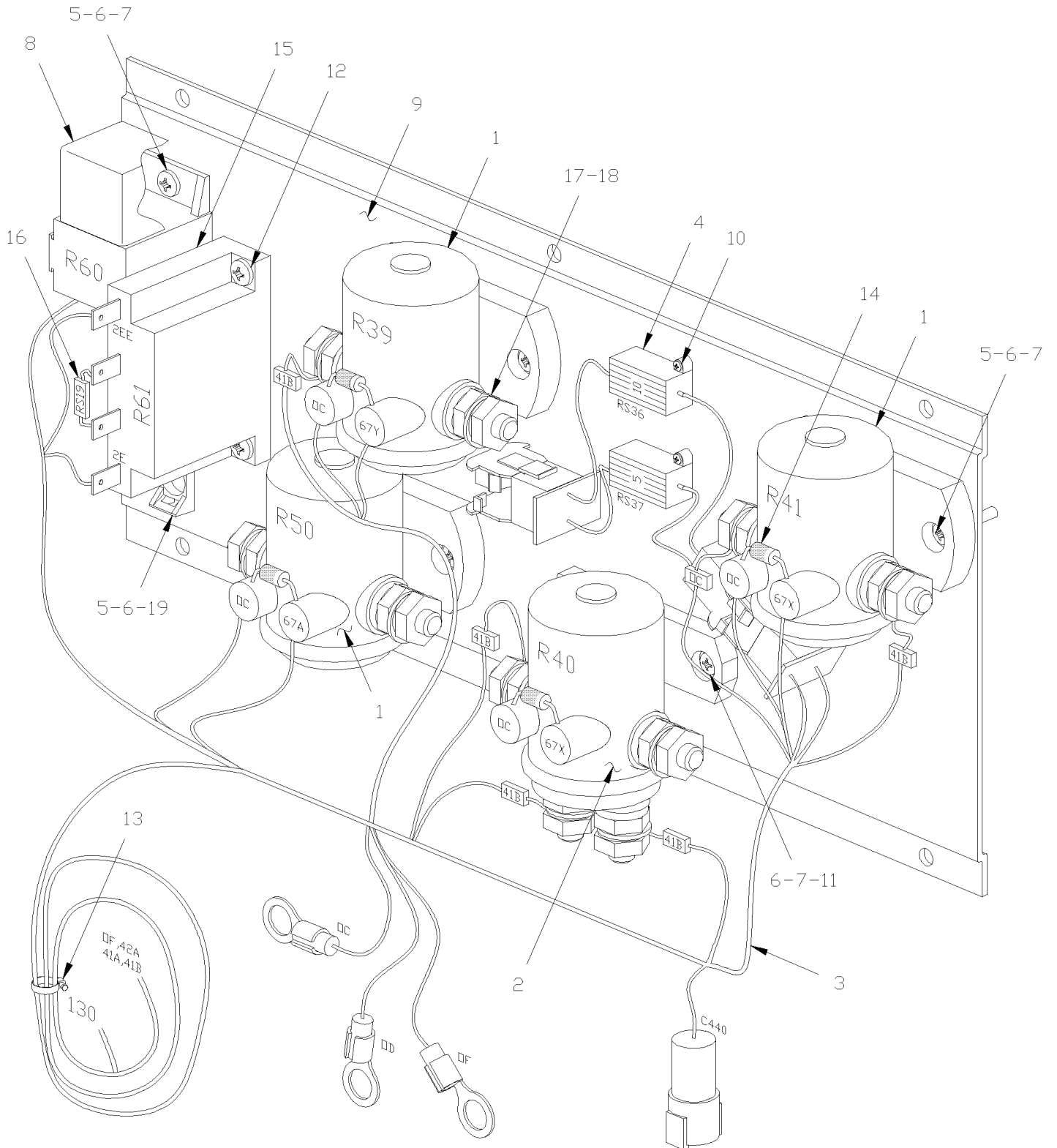


From 3-4417 To 6-0435

Date:10/2022

PAGE:HF-0621-10

A/C CONDENSOR MOTOR RELAY





From 3-4417 To 6-0435	Date:10/2022	PAGE:HF-0621-10
A/C CONDENSOR MOTOR RELAY		

Item#	Part	Description	H 3 4 1	H 3 4 5	V I P 4 5	N O T E S
1	561005	SWITCH MAGNETIC / 24V S.P.S.T. / 200AMPS N.O.	AR	AR	AR	
2	561014	SWITCH MAGNETIC / 24V D.P.S.T. / 200AMPS N.O.	AR	AR	AR	
3	065361	CABLE ASSY / EVAPORATOR RELAY PANEL	1	1	1	
4	064907	RESISTOR ASSY	1	1	1	
5	500883	SCREW TC PAN PH #8-32x3/8 Z050	AR	AR	AR	
6	500438	WASHER FL .187x.437x.050 Z050	AR	AR	AR	
7	500022	WASHER LO INT .168x.340x.023 Z050	AR	AR	AR	
8	561707	RELAY 24V S.P.D.T. W/RESISTOR / To 5-0142	1	1	1	
8	563332	RELAY 24V S.P.D.T. W/RESISTOR / "VOLVO" (20374662) From 5-0143	1	1	1	
9	065437	SUPPORT	1	1	1	
10	500798	SCREW TP PAN PH #4-3/8 ZP	4	4	4	
11	500564	SCREW MA RND PH #8-32x3/4 Z050	2	2	2	
12	500583	SCREW TP PAN PH #6x1/2 Z050	2	2	2	
13	504637	CABLE TIE / 3/16" x 13"	1	1	1	
14	060798	DIODE ASSY	4	4	4	
15	560772	TIME DELAY RELAY	1	1	1	
16	065613	RESISTOR ASSY 30K OHMS / 1/4 W	1	1	1	
17	500699	NUT HEX 5/16-24 Z050	AR	AR	AR	
18	500476	WASHER LO SPT .317x.586x.078 Z050	AR	AR	AR	
19	065359	DECAL	1	1	1	
NS	066662	KIT RELAY REPLACEMENT (PRESTOLITE)	1	1	1	
. NS	IS-05902	. SEE INSTRUCTION SHEET	1	1	1	

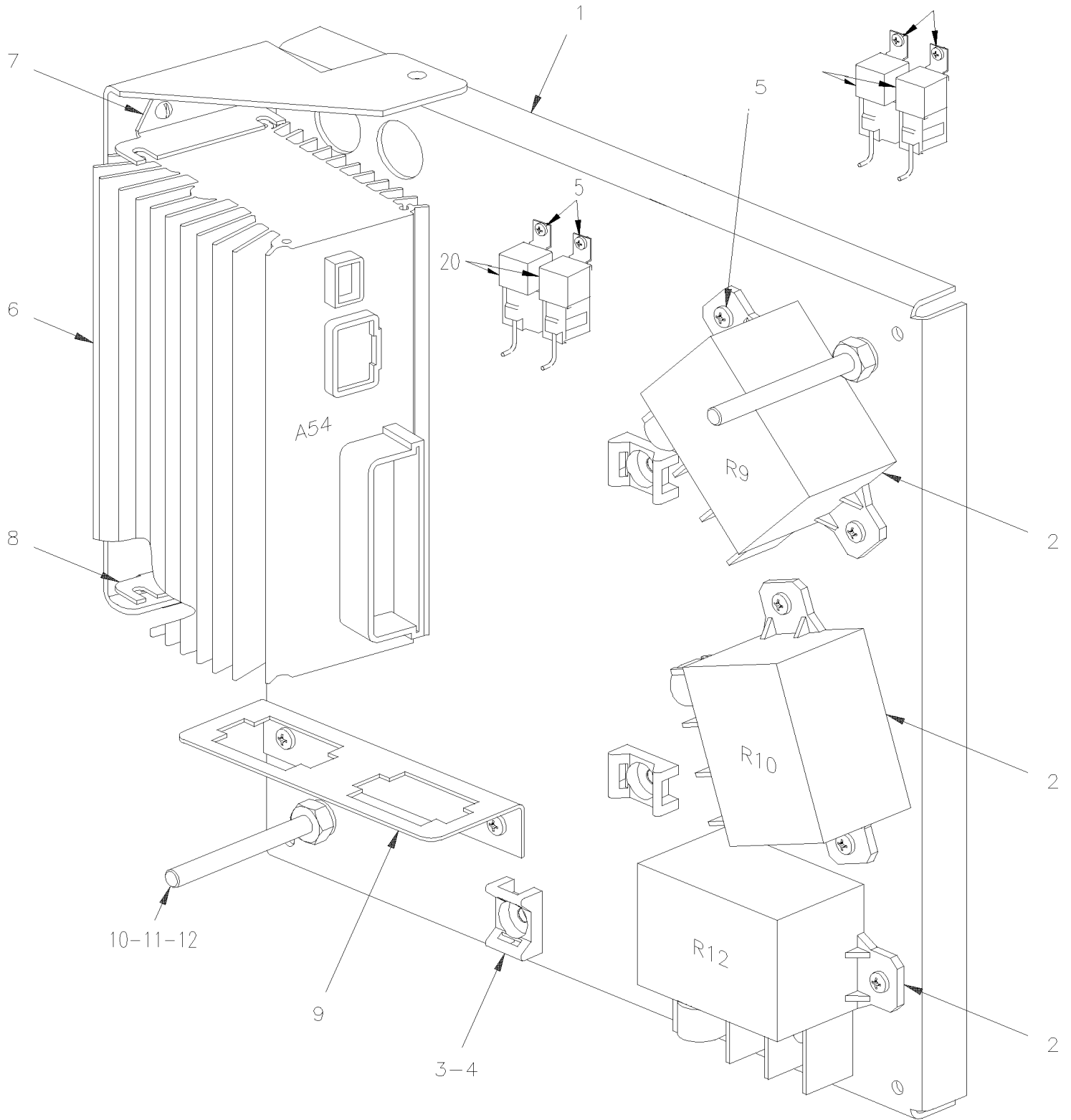


From 5-0168 To 8-1043

Date:10/2022

PAGE:HF-0621-11

A/C ELECTRICAL PANEL ASSY / EVAPORATOR COMPARTMENT / MUX





From 5-0168 To 8-1043	Date:10/2022	PAGE:HF-0621-11
A/C ELECTRICAL PANEL ASSY / EVAPORATOR COMPARTMENT / MUX		

Item#	Part	Description	H 3 4 1	H 3 4 5	V I P 4 5	N O T E S
		"WARNING" - "WARNING" - "WARNING" - "WARNING"				
		THE FOUR NEXT SERIAL NUMBER ARE MULTIPLEXING 4-4933, 4-4963, 4-4995 & 4-0006				
1	382077	PANEL MOUNTING REAR JCT BOX / MUX	1	1	1	
2	563348	RELAY POWER 24V 200 AMPS / S.P.S.T. N.O.	1	1	1	
. NS	5001182	. NUT HEX NYRT M6-1.0 SS	1	1	1	
. NS	502573	. WASHER FL 6.4x12.5x1.6 SS	1	1	1	
. NS	563409	. CONNECTOR / SUPERSEAL 1.5 SERIES / SH 2C / AMP 282080-1	1	1	1	
. NS	562607	. SOCKET TERMINAL / 20-16 / AMP 183025-1	1	1	1	
3	504013	TIE MOUNT / 1/4" X 1/4" I.D.	AR	AR	AR	
4	500638	SCREW TP PAN PH #8x1/2 Z050	3	3	3	
5	500965	SCREW TC BDG PH #8-32x1/2 N500	14	14	14	
6	563273	I/O B-MODULE VOLVO MULTIPLEX / ALUMINUM To 7-0791	1	1	1	
. NS	563132	. CONNECTOR / SH 2C / YAZAKI 7283-6458-40 To 7-0791	1	1	1	
. NS	563133	. CONNECTOR / JUNIOR POWER TIMER / SH 29C / AMP 1-963449-2 To 7-0791	1	1	1	
. NS	562957	. CONNECTOR / SH 5C / GREEN / JAE IL-AG5-5S-S3C1 To 7-0791	1	1	1	
6	565865	I/O B-MODULE VOLVO MULTIPLEX / ALUMINUM From 7-0792	1	1	1	
. NS	563132	. CONNECTOR / SH 2C / YAZAKI 7283-6458-40 From 7-0792	1	1	1	
. NS	563133	. CONNECTOR / JUNIOR POWER TIMER / SH 29C / AMP 1-963449-2 From 7-0792	1	1	1	
. NS	562957	. CONNECTOR / SH 5C / GREEN / JAE IL-AG5-5S-S3C1 From 7-0792	1	1	1	
7	382093	SUPPORT R.H. / CAN SIDE CONNECTOR To 5-0108	1	1	1	
8	382094	SUPPORT L.H. / OUTPUT SIDE CONNECTOR To 5-0108	1	1	1	
9	382087	DIODE SUPPORT	1	1	1	
NS	381145	DIODE ASSY / W/5 3AMPS	2	2	2	
10	5001593	SCREW MA RND SLT 1/4-20x2 3/4 SS	1	1	1	
11	500477	WASHER LO SPT .262x.489x.062 SS	1	1	1	
12	500771	NUT HEX 1/4-20 SS	1	1	1	
NS	5001348	NUT WING 1/4-20 NYL	1	1	1	
20	563332	RELAY 24V S.P.D.T. W/RESISTOR / "VOLVO" (20374662)	2	2	2	
21	382078	COVER PROTECTOR	1	1	1	
21	066279	DECAL RELAY IDENTIFICATION EVAPORATOR CONTROL	1	1	1	
NS	066155	DECAL PIN OUT / JCT BOX W/MUX	1	1	1	

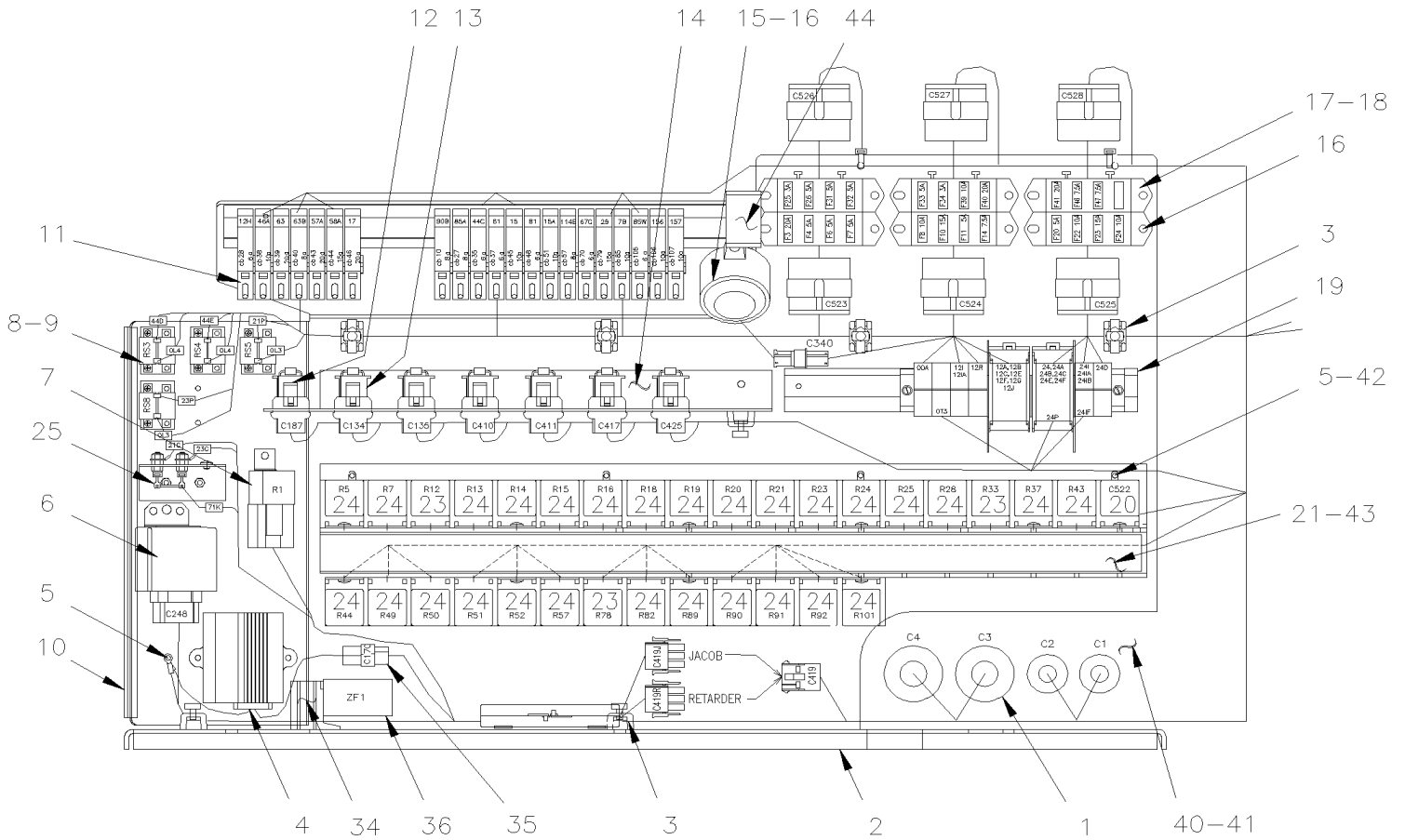
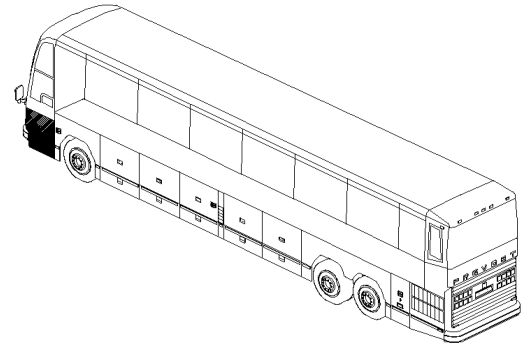


From 3-4417 To 6-0435

Date:10/2022

PAGE:HF-0625-00

FRONT JUNCTION PANEL





From 3-4417 To 6-0435	Date:10/2022	PAGE:HF-0625-00
FRONT JUNCTION PANEL		

Item#	Part	Description	H 3 4 1	H 3 4 5	V I P 4 5	N O T E S
1	065556	WIRING HARNESS FRONT JUNCTION BOX To 3-4439	1	1		
1	065638	WIRING HARNESS FRONT JUNCTION BOX From 3-4440 To 4-4833	1	1		
1	065933	WIRING HARNESS FRONT JUNCTION BOX From 4-4834 To 4-4866	1	1		
1	065986	WIRING HARNESS FRONT JUNCTION BOX From 4-4867 To 5-0022	1	1		
1	066202	WIRING HARNESS FRONT JUNCTION BOX From 5-0023	1	1		
1	065472	WIRING HARNESS FRONT JUNCTION BOX To 3-4439			1	
1	065639	WIRING HARNESS FRONT JUNCTION BOX From 3-4440 To 3-4757			1	
1	065725	WIRING HARNESS FRONT JUNCTION BOX From 4-4758 To 4-4834			1	
1	065934	WIRING HARNESS FRONT JUNCTION BOX From 4-4835 To 4-4866			1	
1	065987	WIRING HARNESS FRONT JUNCTION BOX From 4-4867 To 5-0022			1	
1	066203	WIRING HARNESS FRONT JUNCTION BOX From 5-0023			1	
1	066321	WIRING HARNESS FRONT JUNCTION BOX From 4-4986	1	1	1	
2	381831	FRONT PANEL BOX To 4-4834	1	1	1	
2	382045	FRONT PANEL BOX From 4-4835	1	1	1	
3	504013	TIE MOUNT / 1/4" X 1/4" I.D.	AR	AR	AR	
NS	504347	RIVET POP DOME OE 3/16x1/4 AL	AR	AR	AR	
NS	504637	CABLE TIE / 3/16" x 13"	AR	AR	AR	
4	064421	FLASHER UNIT 12V ASSY W/CONNECTOR	4	4	4	
5	500638	SCREW TP PAN PH #8x1/2 Z050	AR	AR	AR	
6	800293	GENERATOR, PULSE / FOR WIPER MOTOR	1	1	1	
7	561991	RELAY 24V S.P.S.T. / 70 AMPS N.O.	1	1	1	
8	061976	RESISTOR ASSY 1 OHM 10 W	4	4	4	
NS	380923	INSULATOR	2	2	2	
NS	066001	RESISTOR ASSY 0.2 OHM 12.5 WATTS W/CONNECTOR	1	1	1	H
9	500583	SCREW TP PAN PH #6x1/2 Z050	8	8	8	
10	506025	RUBBER CHANNEL / 1/18" x 5/16" INT "U" SHAPE / SQUARE C.T.L.	AR	AR	AR	
NS	680066	ADHESIVE / ADBOND #5014 / 23.6ML BOTTLE	AR	AR	AR	
11	561790	BREAKER 6AMPS / 24V /	AR	AR	AR	
11	561791	BREAKER 8AMPS / 24V /	AR	AR	AR	
11	561792	BREAKER 10AMPS / 24V /	AR	AR	AR	
11	561793	BREAKER 15AMPS / 24V /	AR	AR	AR	
11	561794	BREAKER 20AMPS / 24V /	AR	AR	AR	
NS	381802	FRONT BOX CLIP	1	1	1	
NS	504106	RIVET POP DOME OE 1/8x1/4 AL	1	1	1	
12	063286	RESISTOR CONNECTOR ASSY (FAST IDLE)	1	1	1	
13	381145	DIODE ASSY / W/5 3AMPS	6	6	6	
14	381788	SUPPORT, DIODE CONNECTOR	1	1	1	
15	064094	FIRE & KNEELING / ALARM ASSY / SERVICE	1	1	1	
16	500641	SCREW TP PAN PH #8x3/4 Z050	14	14	14	
17	562621	FUSE BLOCK W/4 LEDS & WIRES To 4-4806	6	6	6	
NS	381960	. PROTECTOR COVER FUSE HOLDER 49MM x 62MM "OPTION SPECIAL" To 4-4806	AR	AR	AR	
17	563535	FUSE BLOCK W/4 LEDS & WIRES From 4-4807	6	6	6	



From 3-4417 To 6-0435 Date:10/2022 PAGE:HF-0625-00

FRONT JUNCTION PANEL

Item#	Part	Description	H 3 4 1	H 3 4 5	V I P 4 5	N O T E S
. NS	381960	. PROTECTOR COVER FUSE HOLDER 49MM x 62MM "OPTION SPECIAL" From 4-4807	AR	AR	AR	
18	562599	FUSE / ATO 3 AMPS VIOLET	AR	AR	AR	
18	562259	FUSE / ATO 5 AMPS AMBER	AR	AR	AR	
18	562602	FUSE / ATO 7.5 AMPS BROWN	AR	AR	AR	
18	562407	FUSE / ATO 10 AMPS RED	AR	AR	AR	
18	562604	FUSE / ATO 15 AMPS BLUE	AR	AR	AR	
18	562605	FUSE / ATO 20 AMPS YELLOW	AR	AR	AR	
19	HF-0616-00	JUNCTION BOX COMPONENTS, RELAY & BREAKER				
20	562622	DAYTIME RUN LTS MODULE 12V W/LOW BEAM	1	1	1	
21	065612	DECAL FRONT JUNCTION BOX RELAY To 3-4439	1	1		
21	065645	DECAL FRONT JUNCTION BOX RELAY From 3-4440	1	1		
21	065569	DECAL FRONT JUNCTION BOX RELAY To 3-4439			1	
21	065644	DECAL FRONT JUNCTION BOX RELAY From 3-4440 To 3-4757			1	
21	065726	DECAL FRONT JUNCTION BOX RELAY From 4-4758 To 4-4985			1	
21	066257	DECAL FRONT JUNCTION BOX RELAY From 4-4986			1	
21	055569	DECAL FRONT JUNCTION BOX RELAY To 3-4439			1	B
21	065644	DECAL FRONT JUNCTION BOX RELAY From 3-4440 To 3-4757			1	B
21	065726	DECAL FRONT JUNCTION BOX RELAY From 4-4758			1	B
NS	066091	DECAL / FRONT JUNCTION PANEL - BUS To 5-0022	1	1		
NS	066204	DECAL / FRONT JUNCTION PANEL - BUS From 5-0023	1	1		
23	562092	RELAY 12V S.P.D.T. W/DIODE / To 5-0142	3	3	3	
23	563337	RELAY 12V S.P.D.T. W/RESISTOR / From 5-0143	3	3	3	
24	561707	RELAY 24V S.P.D.T. W/RESISTOR / To 5-0142	AR	AR	AR	
24	563332	RELAY 24V S.P.D.T. W/RESISTOR / "VOLVO" (20374662) From 5-0143	AR	AR	AR	
25	062717	DIODE ASSY			1	
34	563033	E.C.U. / W/STEERING ASSIST (STP 272 or 330) ((77//125))	1	1	1	
34	563465	E.C.U. / W/STEERING ASSIST W/"ZF" TRANS ONLY (STP 146)	1	1		
35	064908	CABLE ASSY TO STEERING SPEED SIGNAL ECU / W/"ZF" STEERING	1	1	1	
36	064505	SPARE FUSE BOX	1	1	1	
40	064428	DECAL CONNECTOR / C1,C2,C3,C4	1	1	1	
41	381830	SUPPORT HARNESS & FRONT PANEL BOX To 4-4834	1	1	1	
41	382044	SUPPORT HARNESS & FRONT PANEL BOX From 4-4835	1	1	1	
42	286228	PROTECTOR RELAY	1	1	1	
43	381779	RELAY SUPPORT	1	1	1	
44	381849	SUPPORT FRONT PANEL UPPER	1	1	1	
70	066599	DECAL "FRT JCT BOX" COMPONENTS			1	
NS	066909	KIT "RESISTORS ON HALOGEN LOW BEAM"	1	1	1	
. NS	IS-03108	. SEE INSTRUCTION SHEET	1	1	1	
95	069798	ELD INTERFACE KIT FOR PREVOST VEHICLES & MULTIPLEX WITH DETROIT DIESEL ENGINES	AR	AR	AR	



From 3-4417 To 6-0435		Date:10/2022	PAGE:HF-0625-00
-----------------------	--	--------------	-----------------

FRONT JUNCTION PANEL

Item#	Part	Description	H 3 4 1	H 3 4 5	V I P 4 5	N O T E S
		B) WITH SMALL A/C				
		H) USE ONLY WITH HALOGENE LAMP				

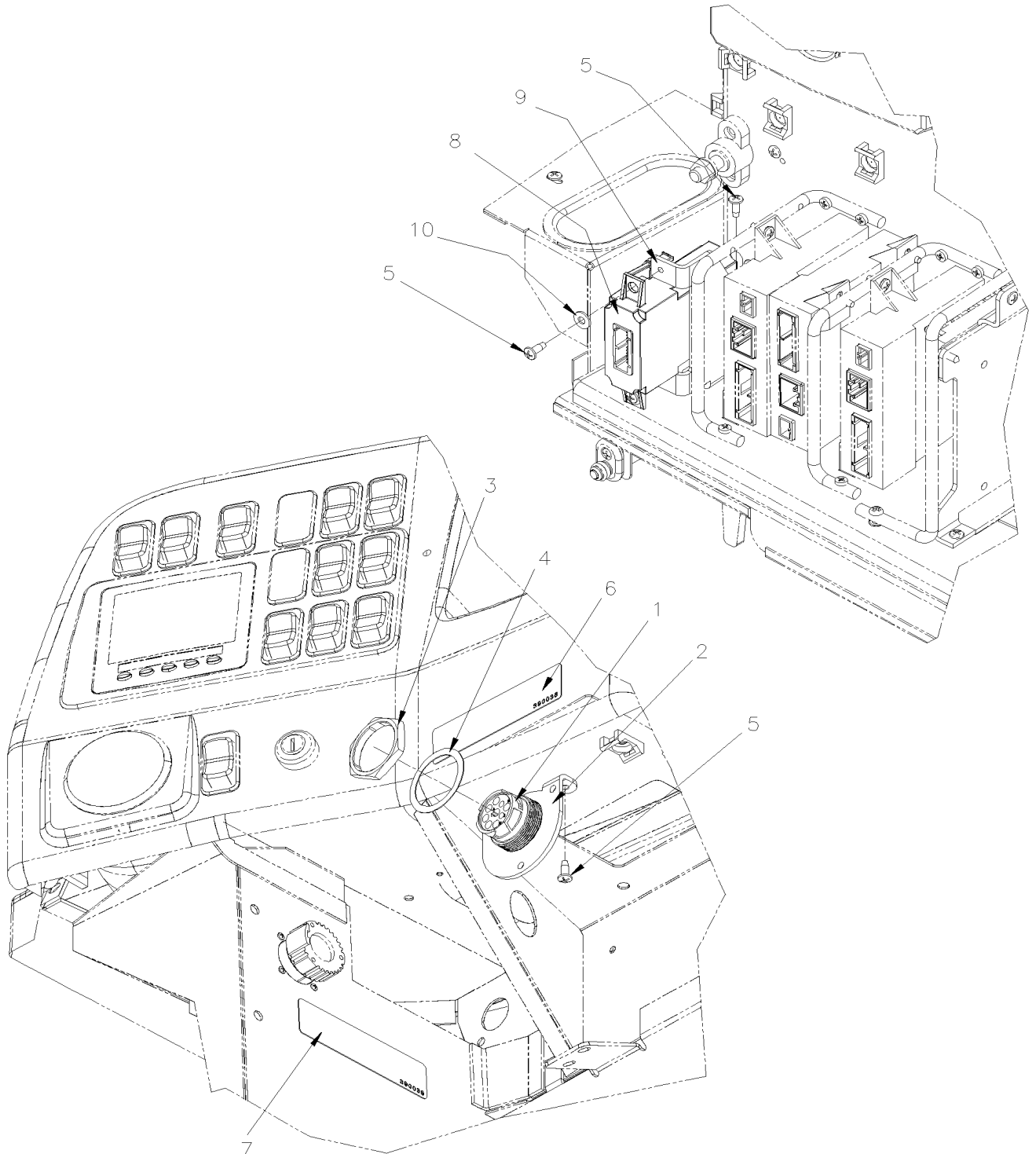


From 3-4417 To 6-0435

Date:10/2022

PAGE:069798

ELD INTERFACE KIT FOR PREVOST VEHICLES & MULTIPLEX WITH DETROIT DIESEL ENGINES





From 3-4417 To 6-0435	Date:10/2022	PAGE:069798
ELD INTERFACE KIT FOR PREVOST VEHICLES & MULTIPLEX WITH DETROIT DIESEL ENGINES		

Item#	Part	Description	H 3 4 1	H 3 4 5	V I P 4 5	N O T E S
1	061889	ELD_AFTERMARKET_HARNES_9PIN	1	1	1	
2	380120	CONNECTOR SUPPORT	1	1	1	
3	566004	PANEL NUT / HDP20 SERIES / DEUTSCH 2411-002-1805	1	1	1	
4	566006	LOCK WASHER / HDP20 SERIES / DEUTSCH 2414-002-1886	1	1	1	
5	502868	SCREW TC TR PH #10-16x1/2 N500	6	6	6	
6	390038	DECAL, ELECTRONIC LOGGING DEVICE(ELD) / FR, ENG, SP	1	1	1	
7	390039	DECAL, ON-BOARD DIAGNOSTIC(OBD) / FR, ENG, SP	1	1	1	
8	20890176P	CONTROL UNIT FMS GATEWAY (PRE-PROGRAMMED)	1	1	1	
9	380121	SUPPORT GSECU I-SHIFT TRANS	1	1	1	
10	500855	WASHER FL .188x.438x.049 N500	2	2	2	
NS	504637	CABLE TIE / 3/16" x 13"	20	20	20	
NS	563160	SOCKET TERMINAL / 12 / YAZAKI 7116-4122-02	1	1	1	
NS	560587	RING TERMINAL .250 / 18-14 / INSULATED / AMP 160337-2	1	1	1	
NS	FI-17906	FEUILLE D'INSTRUCTION	1	1	1	
NS	IS-17906	INSTRUCTION SHEET	1	1	1	

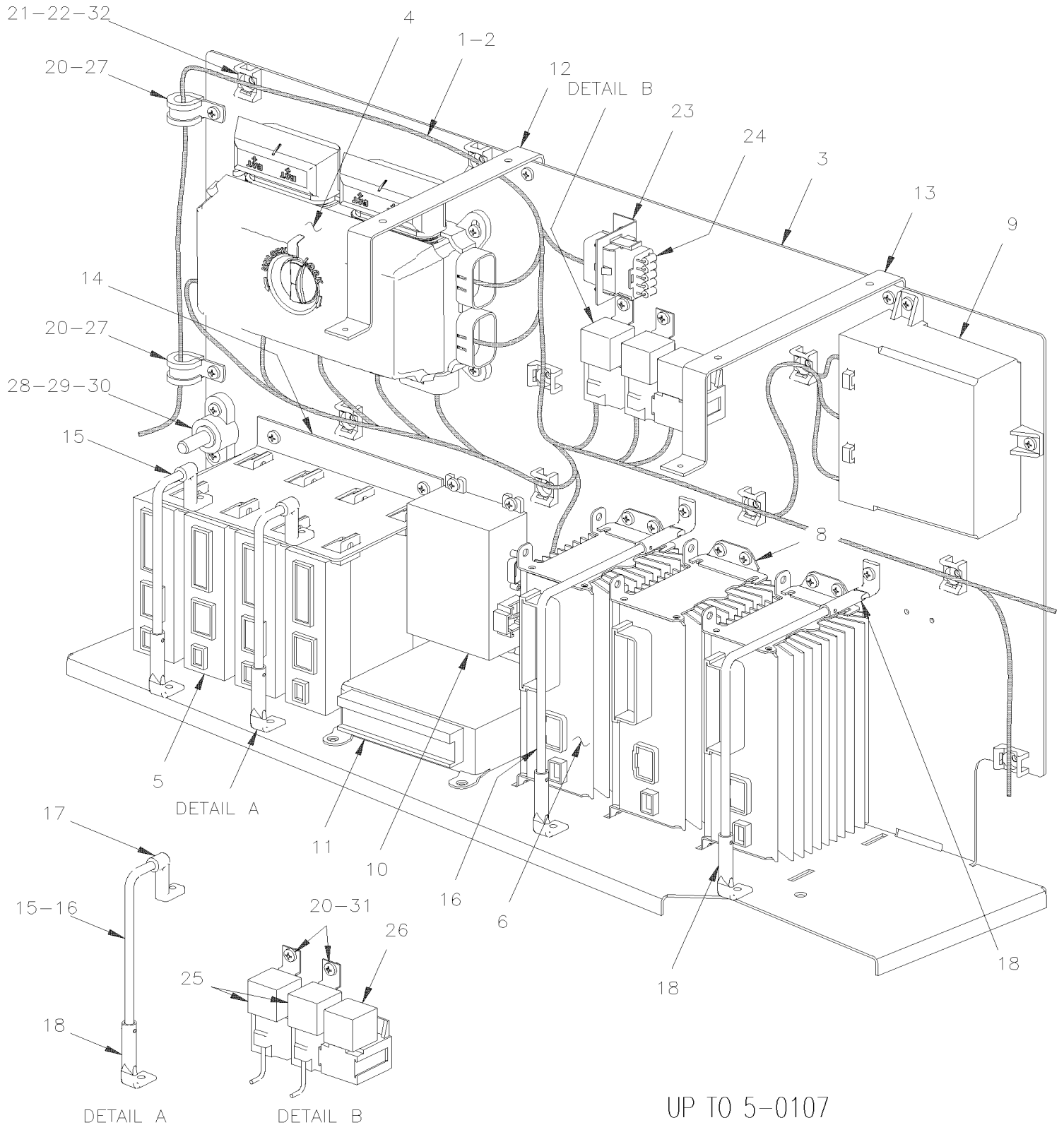


From 5-0168 To 8-1043

Date:10/2022

PAGE:HF-0625-01

FRONT JUNCTION PANEL / MUX



UP TO 5-0107

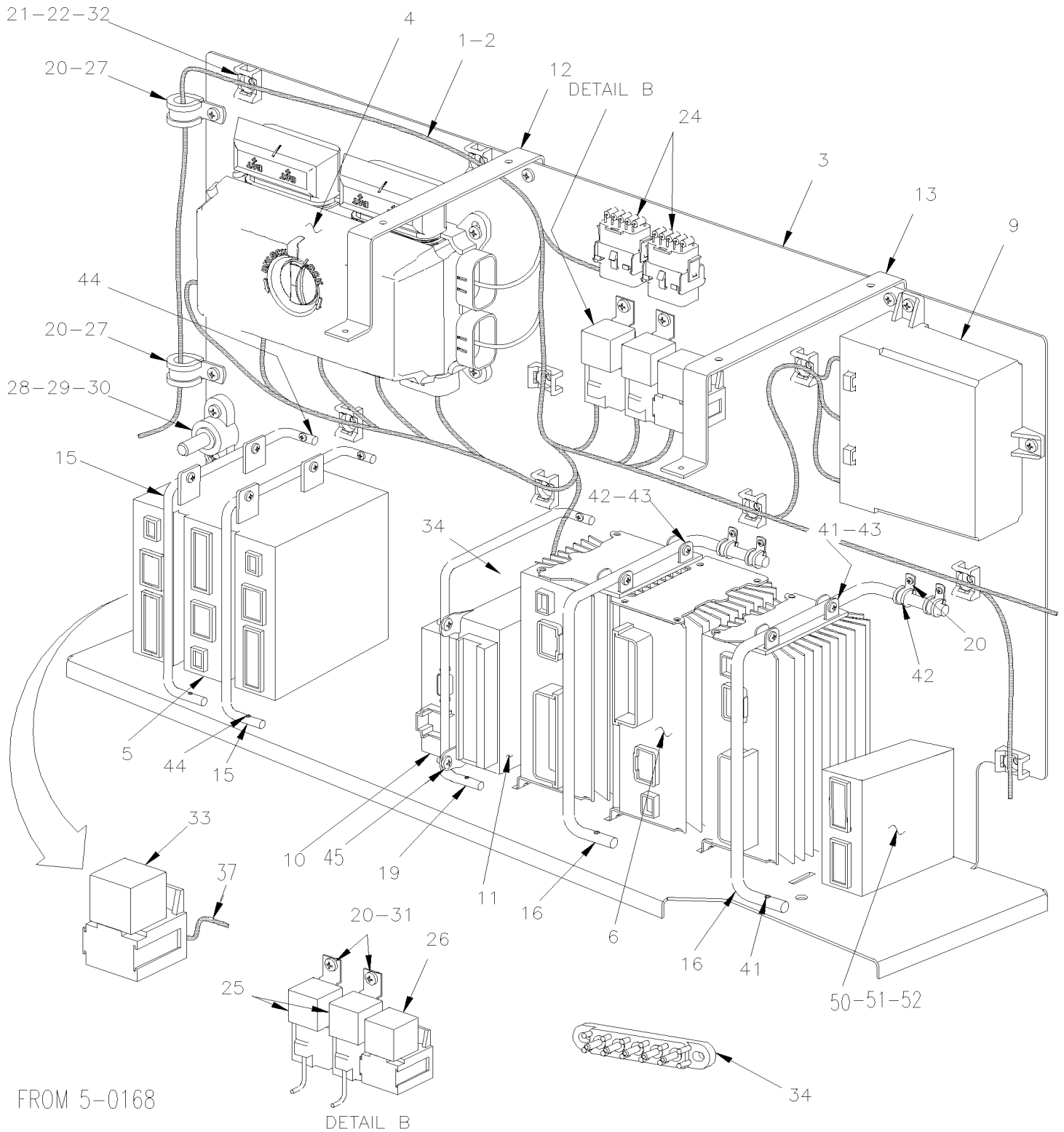


From 5-0168 To 8-1043

Date:10/2022

PAGE:HF-0625-01

FRONT JUNCTION PANEL / MUX



FROM 5-0168

DETAIL B



From 5-0168 To 8-1043	Date:10/2022	PAGE:HF-0625-01
FRONT JUNCTION PANEL / MUX		

Item#	Part	Description	H 3 4 1	H 3 4 5	V I P 4 5	N O T E S
		"WARNING" - "WARNING" - "WARNING" - "WARNING"				
		THE FOUR NEXT SERIAL NUMBER ARE MULTIPLEXING 4-4933, 4-4963, 4-4995 & 4-0006				
1	066136	WIRING HARNESS FRONT JUNCTION BOX / W/MUX To 5-0167	1	1		
1	066312	WIRING HARNESS FRONT JUNCTION BOX / W/MUX From 5-0168 To 5-0290	1	1		
1	066522	WIRING HARNESS FRONT JUNCTION BOX / W/MUX From 5-0291 To 6-0427	1	1		
1	066730	WIRING HARNESS FRONT JUNCTION BOX / W/MUX & CAN From 5-0167 To 6-0559	1	1		
1	066728	WIRING HARNESS FRONT JUNCTION BOX / W/MUX From 6-0560	1	1		
1	066450	WIRING HARNESS FRONT JUNCTION BOX / W/MUX To 6-0588			1	
1	066765	WIRING HARNESS FRONT JUNCTION BOX / W/MUX From 6-0589 To 7-0771			1	
1	066881	WIRING HARNESS FRONT JUNCTION BOX / W/MUX From 7-0772			1	
2	066147	SERIES "H" CAN HARNESS / FRT JCT BOX To 5-0167	1	1		
2	066426	SERIES "H" CAN HARNESS / FRT JCT BOX From 5-0168 To 6-0427	1	1		
NS	068073	UNIVERSAL CAN HARNESS / FRT JCT BOX	1	1	1	
3	382072	FRONT PANEL BOX To 5-0167	1	1		
3	382121	FRONT PANEL BOX From 5-0168 To 6-0422	1	1		
3	382160	FRONT PANEL BOX From 6-0423	1	1	1	
4	563361	VEC DISTRIBUTION MODULE / FRONT JCT BOX PRODUCTION	1	1	1	P
. NS	564104	. COVER / VEC BOX	1	1	1	P
. NS	563269	. RELAY 24V S.P.D.T. W/RESISTOR /	1	1	1	P
. NS	563004	. FUSE / ATM 2 AMPS GREY	1	1	1	P
. NS	563279	. FUSE / ATM 3 AMPS VIOLET	14	14	14	P
. NS	563280	. FUSE / ATM 5 AMPS AMBER	2	2	2	P
. NS	563005	. FUSE / ATM 7.5 AMPS BROWN	5	5	5	P
. NS	563283	. FUSE / ATM 10 AMPS RED	6	6	6	P
. NS	563284	. FUSE / ATM 15 AMPS BLUE	4	4	4	P
. NS	563282	. FUSE / ATM 20 AMPS YELLOW	7	7	7	P
. NS	563153	. FUSE / ATM 25 AMPS NATURAL	2	2	2	P
. NS	563165	. FUSE / ATM 30 AMPS GREEN	3	3	3	P
. NS	564464	. MINI BREAKER / 20 AMPS / SERIES 223	1	1	1	P
. NS	563181	. CONNECTOR / SH 8C / YELLOW / BUSSMANN 32006-E21	1	1	1	P
. NS	563182	. CONNECTOR / SH 8C / ORANGE / BUSSMANN 32006-G21	1	1	1	P
. NS	563183	. CONNECTOR / SH 8C / RED / BUSSMANN 32006-F21	1	1	1	P
. NS	563184	. CONNECTOR / SH 8C / GREEN / BUSSMANN 32006-C21	1	1	1	P
. NS	563185	. CONNECTOR / SH 8C / BLACK / BUSSMANN 32006-A21	1	1	1	P
. NS	563186	. CONNECTOR / SH 8C / GREY / BUSSMANN 32006-B21	1	1	1	P
. NS	563187	. CONNECTOR / SH 8C / BROWN / BUSSMANN 32006-H21	1	1	1	P
. NS	563448	. CONNECTOR / SH 8C / BLUE / BUSSMANN 32006-D21	1	1	1	P
. NS	19518268	. COVER RUBBER RED	2	2	2	P
4	563674	VEC DISTRIBUTION MODULE / FRONT JCT BOX SERVICE	1	1	1	
. NS	564104	. COVER / VEC BOX	1	1	1	



From 5-0168 To 8-1043	Date:10/2022	PAGE:HF-0625-01
-----------------------	--------------	-----------------

FRONT JUNCTION PANEL / MUX

Item#	Part	Description	H 3 4 1	H 3 4 5	V I P 4 5	N O T E S
. NS	563004	. FUSE / ATM 2 AMPS GREY	1	1	1	
. NS	563279	. FUSE / ATM 3 AMPS VIOLET	14	14	14	
. NS	563280	. FUSE / ATM 5 AMPS AMBER	2	2	2	
. NS	563005	. FUSE / ATM 7.5 AMPS BROWN	3	3	3	
. NS	563283	. FUSE / ATM 10 AMPS RED	6	6	6	
. NS	563284	. FUSE / ATM 15 AMPS BLUE	9	9	9	
. NS	563282	. FUSE / ATM 20 AMPS YELLOW	6	6	6	
. NS	563153	. FUSE / ATM 25 AMPS NATURAL	1	1	1	
. NS	563165	. FUSE / ATM 30 AMPS GREEN	3	3	3	
. NS	564464	. MINI BREAKER / 20 AMPS / SERIES 223	1	1	1	
. NS	563181	. CONNECTOR / SH 8C / YELLOW / BUSSMANN 32006-E21	1	1	1	
. NS	563182	. CONNECTOR / SH 8C / ORANGE / BUSSMANN 32006-G21	1	1	1	
. NS	563183	. CONNECTOR / SH 8C / RED / BUSSMANN 32006-F21	1	1	1	
. NS	563184	. CONNECTOR / SH 8C / GREEN / BUSSMANN 32006-C21	1	1	1	
. NS	563185	. CONNECTOR / SH 8C / BLACK / BUSSMANN 32006-A21	1	1	1	
. NS	563186	. CONNECTOR / SH 8C / GREY / BUSSMANN 32006-B21	1	1	1	
. NS	563187	. CONNECTOR / SH 8C / BROWN / BUSSMANN 32006-H21	1	1	1	
. NS	563448	. CONNECTOR / SH 8C / BLUE / BUSSMANN 32006-D21	1	1	1	
. NS	19518268	. COVER RUBBER RED	2	2	2	
5	563272	I/O A-MODULE VOLVO MULTIPLEX / BLACK To 7-0791	3	3	3	
. NS	562767	. CONNECTOR / SH 30C / GREEN / JAE IL-AG5-30S-D3C1 To 7-0791	1	1	1	
. NS	562957	. CONNECTOR / SH 5C / GREEN / JAE IL-AG5-5S-S3C1 To 7-0791	1	1	1	
. NS	563132	. CONNECTOR / SH 2C / YAZAKI 7283-6458-40 To 7-0791	1	1	1	
5	565864	I/O A-MODULE VOLVO MULTIPLEX / BLACK From 7-0792	3	3	3	
. NS	562767	. CONNECTOR / SH 30C / GREEN / JAE IL-AG5-30S-D3C1 From 7-0792	1	1	1	
. NS	562957	. CONNECTOR / SH 5C / GREEN / JAE IL-AG5-5S-S3C1 From 7-0792	1	1	1	
. NS	563132	. CONNECTOR / SH 2C / YAZAKI 7283-6458-40 From 7-0792	1	1	1	
6	563273	I/O B-MODULE VOLVO MULTIPLEX / ALUMINUM To 7-0791	3	3	3	
. NS	563132	. CONNECTOR / SH 2C / YAZAKI 7283-6458-40 To 7-0791	1	1	1	
. NS	563133	. CONNECTOR / JUNIOR POWER TIMER / SH 29C / AMP 1-963449-2 To 7-0791	1	1	1	
. NS	562957	. CONNECTOR / SH 5C / GREEN / JAE IL-AG5-5S-S3C1 To 7-0791	1	1	1	
6	565865	I/O B-MODULE VOLVO MULTIPLEX / ALUMINUM From 7-0792	3	3	3	
. NS	563132	. CONNECTOR / SH 2C / YAZAKI 7283-6458-40 From 7-0792	1	1	1	
. NS	563133	. CONNECTOR / JUNIOR POWER TIMER / SH 29C / AMP 1-963449-2 From 7-0792	1	1	1	
. NS	562957	. CONNECTOR / SH 5C / GREEN / JAE IL-AG5-5S-S3C1 From 7-0792	1	1	1	
7	382093	SUPPORT R.H. / CAN SIDE CONNECTOR To 5-0167	3	3		
8	382094	SUPPORT L.H. / OUTPUT SIDE CONNECTOR To 5-0167	3	3		
9	563274	CECM VOLVO MULTIPLEX MODULE	1	1	1	
10	563295	MASTER ID-MODULE VOLVO MULTIPLEX	1	1	1	
. NS	562794	. CONNECTOR / JUNIOR POWER TIMER / SH 9C / AMP 964561-4	1	1	1	
10	069538	"MASTER ID" REPLACEMENT WITH "MCM" MODULE	1	1	1	A
. NS	069420	. HARNESS MCM	1	1	1	A



From 5-0168 To 8-1043	Date:10/2022	PAGE:HF-0625-01
FRONT JUNCTION PANEL / MUX		

Item#	Part	Description	H 3 4 1	H 3 4 5	V I P 4 5	N O T E S
. NS	IS-11003	. SEE INSTRUCTION SHEET	1	1	1	A
NS	066009	CABLE ADAPTOR / INTERFACE PC TO MASTER ID (3Meter)	1	1	1	
. NS	562650	. CONNECTOR / HDP-20 / SH 9C / AMP 205203-1	2	2	2	
11	7770363	CONTROL UNIT 12V / ABS 4 CH / UNPROGRAMMED	1	1	1	
11	641948P	CONTROL UNIT 12V / ABS 4 CH / PROGRAMMED	1	1	1	
12	382084	SUPPORT FRONT PANEL UPPER FORWARD SHORT	1	1	1	
13	382085	SUPPORT FRONT PANEL UPPER BACKWARD LONG	1	1	1	
14	382074	SUPPORT MODULE I/O A / FRONT JCT BOX To 5-0167	1	1		
15	382096	ROD ATTACHMENT CABLE / I/O A 38MM x 141MM To 5-0167	2	2		
15	382120	ROD ATTACHMENT CABLE / I/O A From 5-0168 To 6-0422	1	1		
15	382179	ROD ATTACHMENT / I/O A MODULE From 6-0423	1	1	1	
NS	900541	ROUND BAR 6MM X 800MM To 5-0107		1		
16	382095	ROD ATTACHMENT CABLE / I/O B 130MM x 163MM From 5-0108 To 5-0167	2	2		
16	382136	ROD ATTACHMENT CABLE / I/O B From 5-0168 To 6-0422	2	2		
16	382166	ROD ATTACHMENT / I/O B MODULE From 6-0423	2	2	2	
17	900476	ROD HOLDER 90° / BLACK PLASTIC 30MM C/L To 5-0167	2	2		
18	403570	ROD HOLDER / BLACK / STEEL "L" SHAPE To 5-0167	6	6		
NS	500409	SCREW TP PAN PH #8x1/2 BK To 5-0167	6	6		
19	382137	ROD ATTACHMENT CABLE From 5-0168 To 6-0422	1	1		
19	382167	ROD ATTACHMENT CABLE From 6-0423	1	1	1	
20	500854	SCREW TC BDG PH #8-32x3/4 N500 To 5-0167	AR	AR		
20	500945	SCREW TC BDG PH #10-24x1/2 G500 From 5-0168	AR	AR	AR	
20	500623	SCREW TC PAN PH #10-24x3/4 N500	AR	AR	AR	
21	504013	TIE MOUNT / 1/4" X 1/4" I.D.	AR	AR		
22	500638	SCREW TP PAN PH #8x1/2 Z050 To 5-0167	10	10		
22	504347	RIVET POP DOME OE 3/16x1/4 AL From 5-0168	AR	AR		
23	382087	DIODE SUPPORT To 5-0167	1	1		
24	381145	DIODE ASSY / W/5 3AMPS	2	2	2	
25	561991	RELAY 24V S.P.S.T. / 70 AMPS N.O.	2	2	2	
26	563332	RELAY 24V S.P.D.T. W/RESISTOR / "VOLVO" (20374662)	1	1	1	
27	952627	CLAMP / 1/2" I.D.	2	2	2	
28	560422	BLOCK, TERMINAL / 1 STUD 3/8-16 / BLACK	1	1	1	
29	500478	WASHER LO SPT .380x.683x.094 Z050	1	1	1	
30	500379	NUT HEX 3/8-16 BR	1	1	1	
31	500834	WASHER LO INT .168x.340x.023 N500	1	1	1	
32	504637	CABLE TIE / 3/16" x 13"	AR	AR	AR	
33	563033	E.C.U. / W/STEERING ASSIST (STP 272 or 330) ((77//125))	1	1	1	
34	563218	JUNCTION BLOCK W/5 STUDS	1	1	1	
37	066570	CABLE ASSY TO STEERING SPEED SIGNAL ECU	1	1	1	
41	509827	SCREW MA RND PH M4-0.7x20 SS From 5-0168 To 6-0422	9	9		
42	504722	CLAMP / 5/16 I.D. x 1/2" W x 7/32" From 5-0168 To 6-0422	4	4		
42	382169	HINGE ROD ATTACHMENT From 6-0423	2	2		



From 5-0168 To 8-1043	Date:10/2022	PAGE:HF-0625-01
FRONT JUNCTION PANEL / MUX		

Item#	Part	Description	H 3 4 1	H 3 4 5	V I P 4 5	N O T E S
43	500539	NUT HEX NYRT M4-0.7 N500 To 6-0422	4	4		
43	504340	RIVET POP DOME OE 1/8x3/16 SS From 6-0423	12	12	12	
44	500965	SCREW TC BDG PH #8-32x1/2 N500 From 6-0423	AR	AR	AR	
45	502868	SCREW TC TR PH #10-16x1/2 N500	AR	AR	AR	
50	563541	KEYLESS MODULE / 350' RANGE From 6-0436			1	
51	382162	SUPPORT UPPER KEYLESS MODULE From 6-0436			1	
52	382163	SUPPORT LOWER KEYLESS MODULE From 6-0436			1	
90	069798	ELD INTERFACE KIT FOR PREVOST VEHICLES & MULTIPLEX WITH DETROIT DIESEL ENGINES	1	1	1	
		A) CUSTOMER MUST CHECK ABS MODULE NUMBER BEFORE ORDERING. IF MODULE IS 642083 (BENDIX 5019416): MUST REPLACE BY 642206. ASK VIN TO CUSTOMER AND PROGRAM AT THE SAME TIME AS MCM				
		P) FOR PRODUCT IMPROVEMENT FUSE F82 MAY BE REPLACE BY MINI BREAKER # 564464 WITH NEW DECAL # 382408				

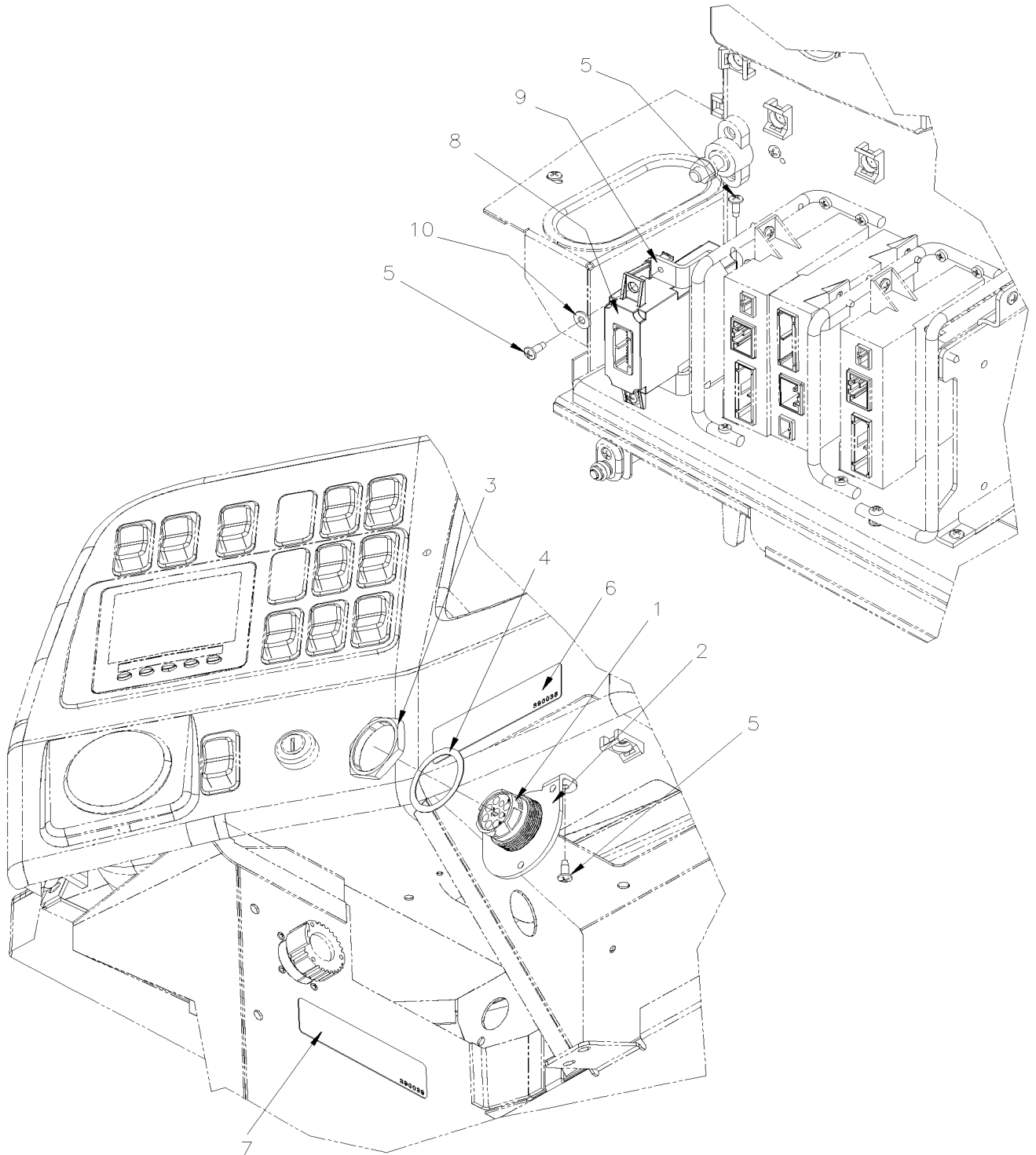


From 5-0168 To 8-1043

Date:10/2022

PAGE:069798

ELD INTERFACE KIT FOR PREVOST VEHICLES & MULTIPLEX WITH DETROIT DIESEL ENGINES





From 5-0168 To 8-1043	Date:10/2022	PAGE:069798
ELD INTERFACE KIT FOR PREVOST VEHICLES & MULTIPLEX WITH DETROIT DIESEL ENGINES		

Item#	Part	Description	H 3 4 1	H 3 4 5	V I P 4 5	N O T E S
1	061889	ELD_AFTERMARKET_HARNES_9PIN	1	1	1	
2	380120	CONNECTOR SUPPORT	1	1	1	
3	566004	PANEL NUT / HDP20 SERIES / DEUTSCH 2411-002-1805	1	1	1	
4	566006	LOCK WASHER / HDP20 SERIES / DEUTSCH 2414-002-1886	1	1	1	
5	502868	SCREW TC TR PH #10-16x1/2 N500	6	6	6	
6	390038	DECAL, ELECTRONIC LOGGING DEVICE(ELD) / FR, ENG, SP	1	1	1	
7	390039	DECAL, ON-BOARD DIAGNOSTIC(OBD) / FR, ENG, SP	1	1	1	
8	20890176P	CONTROL UNIT FMS GATEWAY (PRE-PROGRAMMED)	1	1	1	
9	380121	SUPPORT GSECU I-SHIFT TRANS	1	1	1	
10	500855	WASHER FL .188x.438x.049 N500	2	2	2	
NS	504637	CABLE TIE / 3/16" x 13"	20	20	20	
NS	563160	SOCKET TERMINAL / 12 / YAZAKI 7116-4122-02	1	1	1	
NS	560587	RING TERMINAL .250 / 18-14 / INSULATED / AMP 160337-2	1	1	1	
NS	FI-17906	FEUILLE D'INSTRUCTION	1	1	1	
NS	IS-17906	INSTRUCTION SHEET	1	1	1	

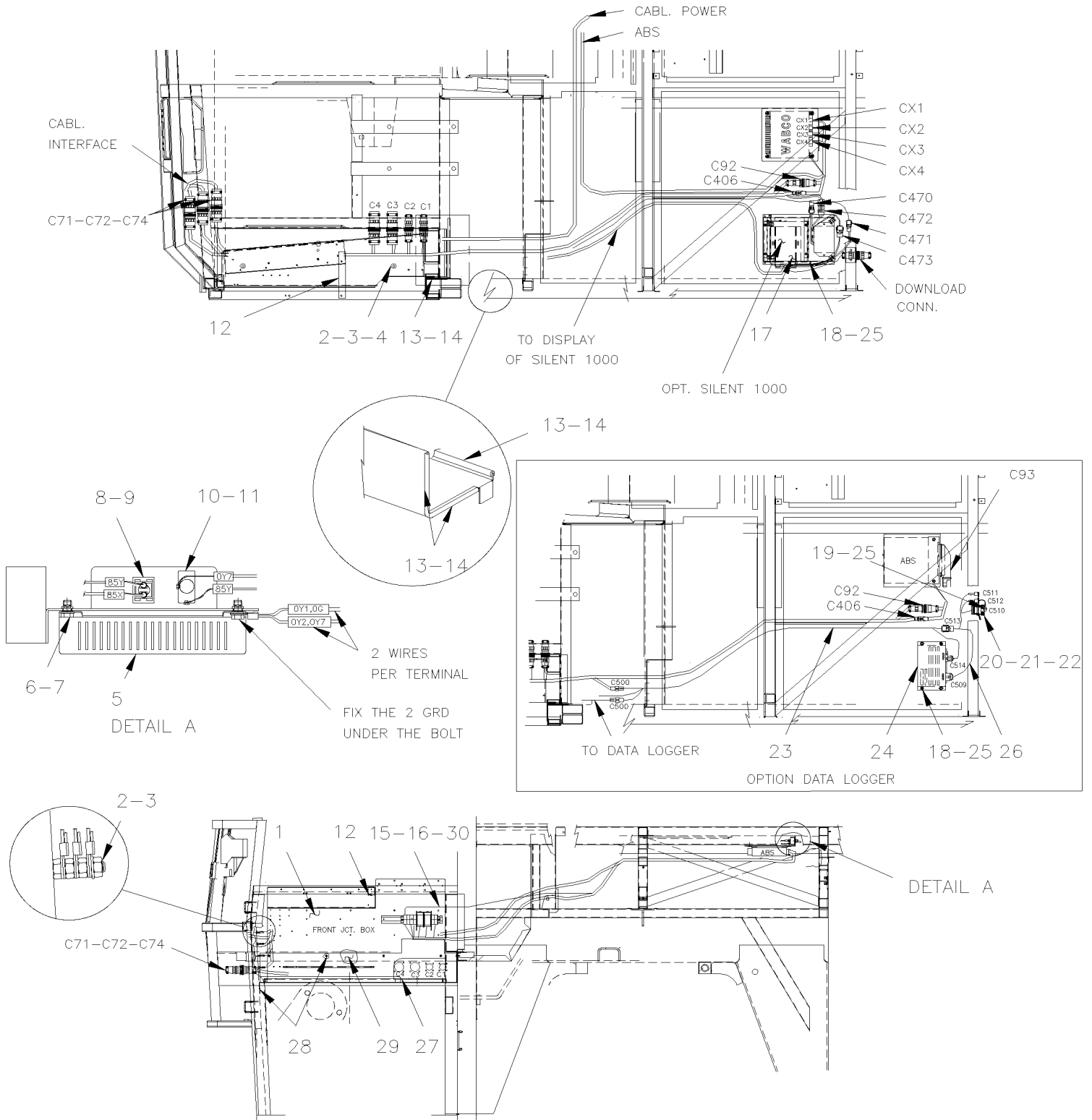


From 3-4417 To 6-0435

Date:10/2022

PAGE:HF-0625-50

FRONT JUNCTION BOX - INSTALLATION





From 3-4417 To 6-0435	Date:10/2022	PAGE:HF-0625-50
FRONT JUNCTION BOX - INSTALLATION		

Item#	Part	Description	H 3 4 1	H 3 4 5	V I P 4 5	N O T E S
1	HF-0625-00	FRONT JUNCTION PANEL				
2	502565	NUT HEX M6-1.0 SS	15	15	15	
3	502564	WASHER LO SPT 6.1x11.8x1.6 Z050	7	7	7	
4	502737	SCREW CAP HEX M6-1.0x25 SS BK	3	3	3	
5	HF-1250-00	ANTI-LOCK BRAKING SYSTEM				
6	502631	SCREW CAP HEX M6-1.0x20 G8.8 Z050	4	4	4	
7	502564	WASHER LO SPT 6.1x11.8x1.6 Z050	4	4	4	
8	562113	TELLTALE ASSY / 24V SHORT	1	1	1	
9	391672	INSERT / RED / "ABS"	1	1	1	
10	063373	DECAL ABS SYSTEM	1	1	1	
11	560254	SWITCH / OFF-M/ON / S.P.S.T.	1	1	1	
12	504379	RIVET POP DOME OE 3/16x1/4 SS	1	1	1	
13	506338	RUBBER CHANNEL / 1/16" x 1/4" INT "U" SHAPE / ROUND C.T.L.	AR	AR	AR	
14	680066	ADHESIVE / ADBOND #5014 / 23.6ML BOTTLE	AR	AR	AR	
15	500590	NUT HEX NYRT M4-0.7 Z050	1	1	1	
16	500615	NUT HEX M8-1.25 BR	1	1	1	
17	N.P.N.	SILENT 1000 SYSTEM	AR	AR		4
18	500438	WASHER FL .187x.437x.050 Z050	4	4		
19	381826	SUPPORT	1	1		
20	500437	WASHER FL .125x.375x.040 Z050	4	4		
21	500518	SCREW MA BDG PH #4-40x1/2 Z050	4	4		
22	502520	NUT HEX #4-40 Z050	4	4		
23	064476	CABLE ASSY / DATA LOGGER	1	1		
24	562459	DATA LOGGER BOX	1	1		
25	500641	SCREW TP PAN PH #8x3/4 Z050	6	6		
26	064033	CABLE ASSY / W/O DATA LOGGER BOX	1	1		
27	381830	SUPPORT HARNESS & FRONT PANEL BOX To 4-4833	1	1	1	
27	382044	SUPPORT HARNESS & FRONT PANEL BOX From 4-4834	1	1	1	
28	500641	SCREW TP PAN PH #8x3/4 Z050	7	7	7	
29	506235	TAPE RUB ADH1 PVC.NITRIL 1/2" x 1" x 15' / BLACK 1210	3	3	3	
30	062963	CABLE ASSY / 12V POWER C.B.	1	1		
		4) NO PARTS NUMBER				

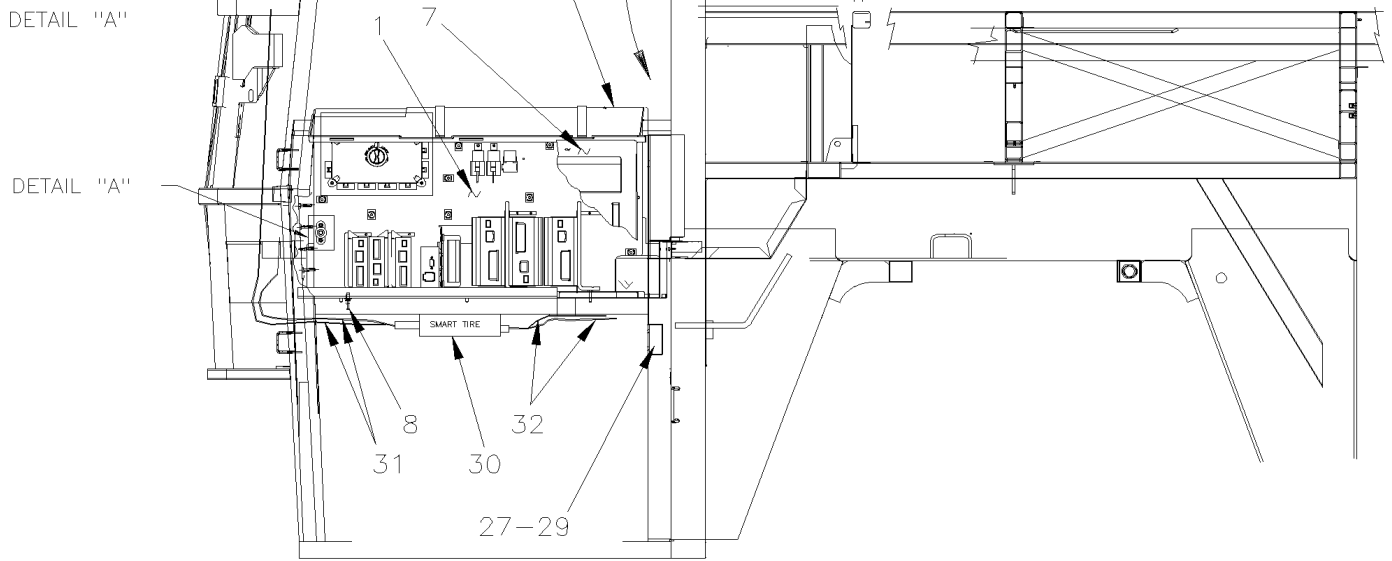
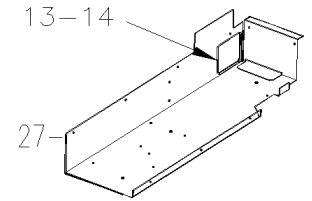
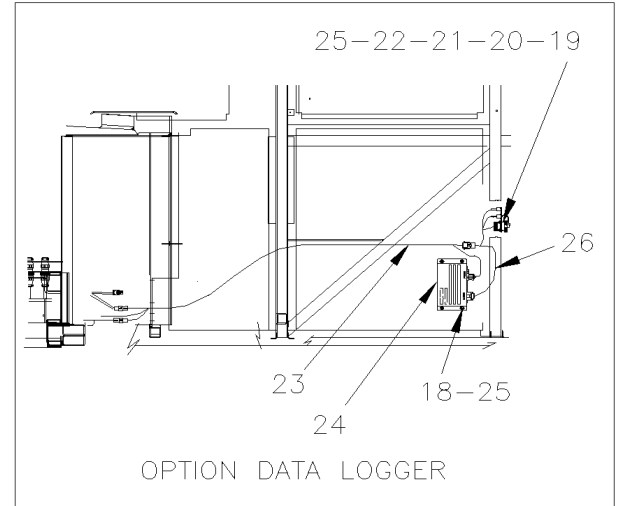
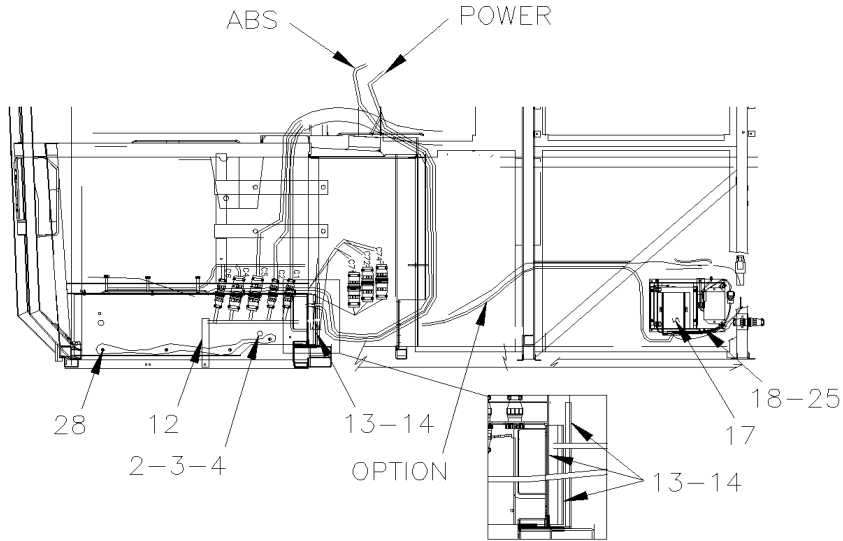


From 5-0168 To 8-1043

Date:10/2022

PAGE:HF-0625-51

FRONT JUNCTION BOX W/MUX - INSTALLATION





From 5-0168 To 8-1043	Date:10/2022	PAGE:HF-0625-51
FRONT JUNCTION BOX W/MUX - INSTALLATION		

Item#	Part	Description	H 3 4 1	H 3 4 5	V I P 4 5	N O T E S
1	HF-0625-01	FRONT JUNCTION PANEL / MUX				
2	502565	NUT HEX M6-1.0 SS	15	15		
3	502564	WASHER LO SPT 6.1x11.8x1.6 Z050	7	7		
4	502737	SCREW CAP HEX M6-1.0x25 SS BK	7	7		
5	382107	DRIP PANEL TOP	1	1		
6	500946	SCREW TP BDG PH #8x1/2 N500	3	3		
7	382117	PROTECTOR PANEL	1	1		
8	8631155	CABLE TIE / 4.6MM x 200 / CHRISTMAS TREE	1	1		
9	500855	WASHER FL .188x.438x.049 N500	3	3		
12	504379	RIVET POP DOME OE 3/16x1/4 SS	1	1		
13	506338	RUBBER CHANNEL / 1/16" x 1/4" INT "U" SHAPE / ROUND C.T.L.	5	5		
14	680066	ADHESIVE / ADBOND #5014 / 23.6ML BOTTLE	AR	AR		
15	500590	NUT HEX NYRT M4-0.7 Z050	1	1		
16	500615	NUT HEX M8-1.25 BR	1	1		
27	382073	SUPPORT FRONT JCT BOX	1	1		
28	500641	SCREW TP PAN PH #8x3/4 Z050	10	10		
29	506227	TAPE RUB ADH1 CC POL 1/16" x 3/4" x 100' / GREY 2520	AR	AR		

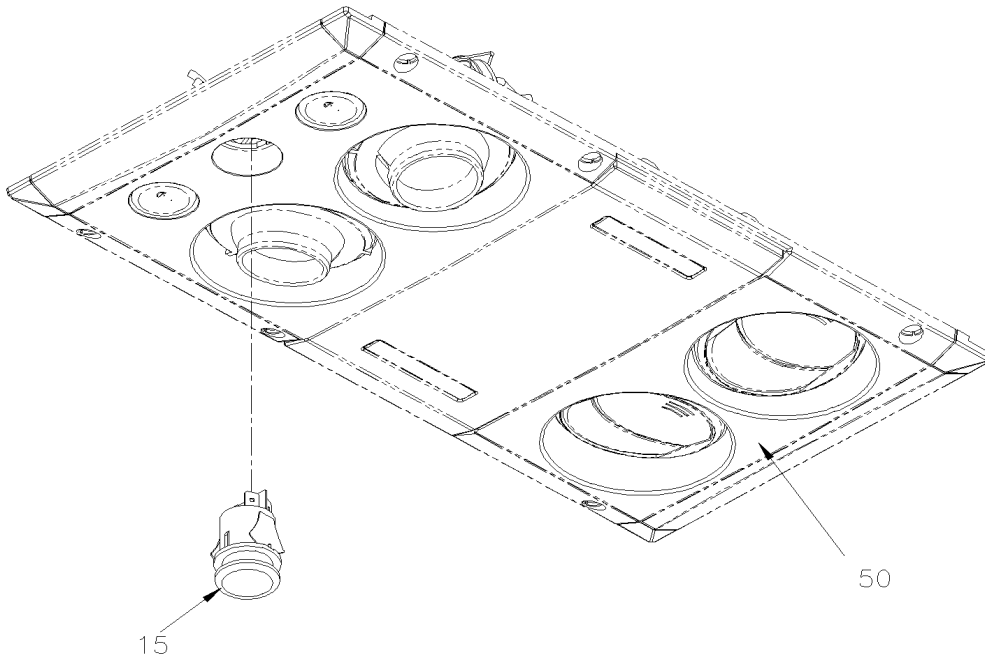
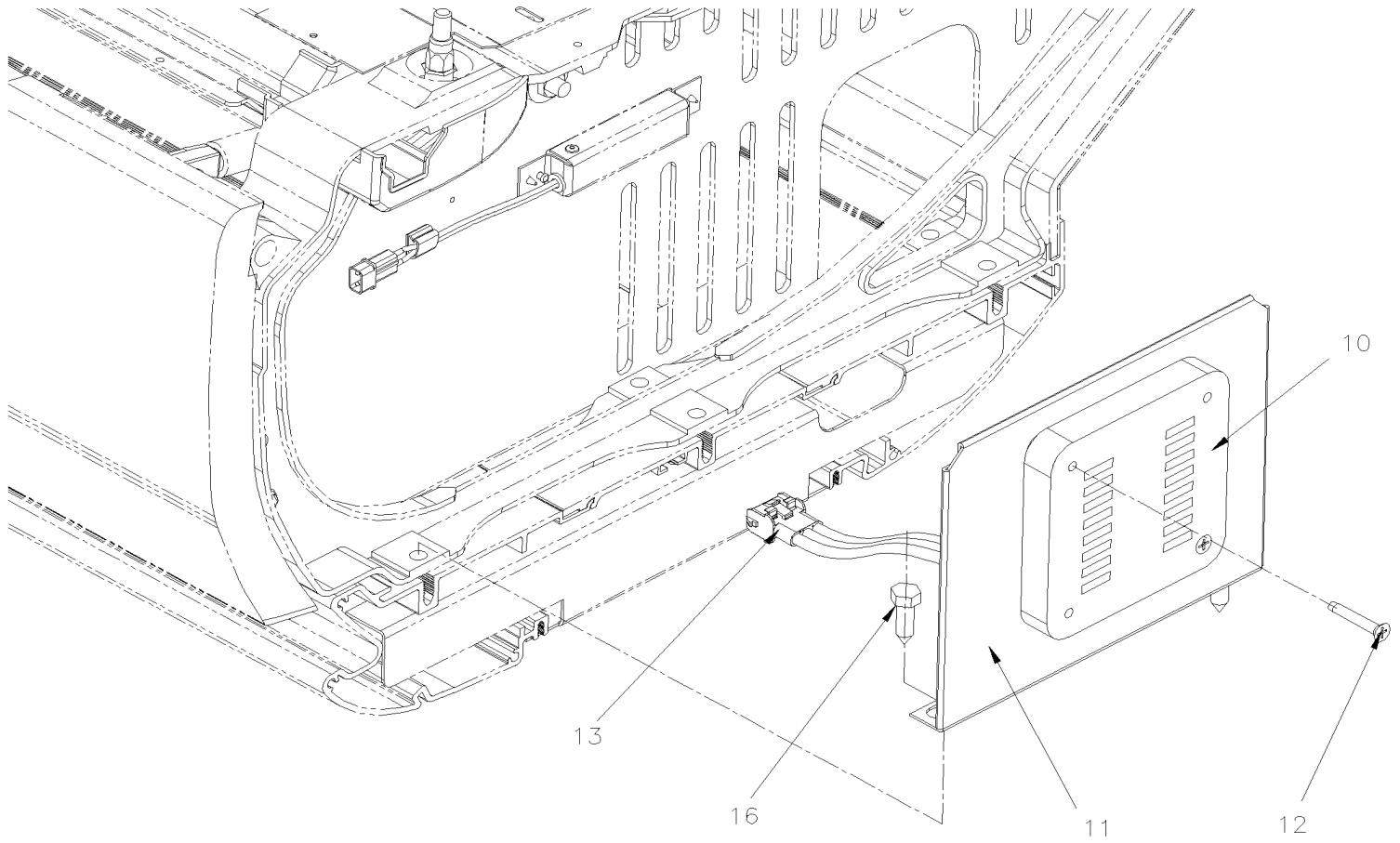


From 3-4417 To 7-0854

Date:10/2022

PAGE:HF-0628-00

CHIME BELL - INSTALLATION





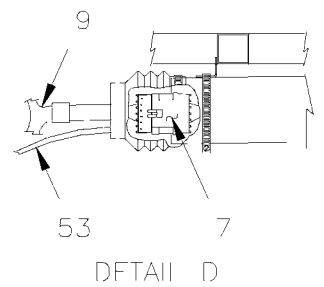
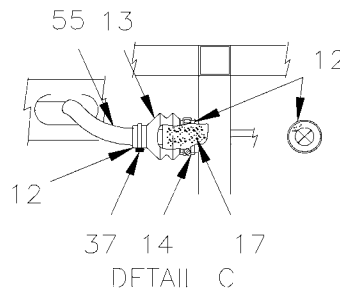
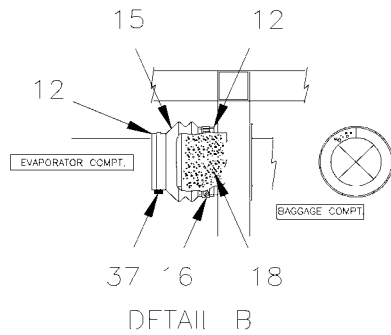
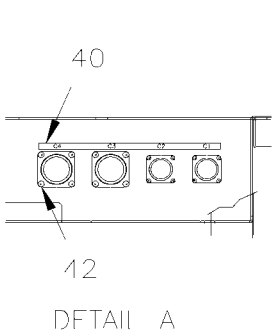
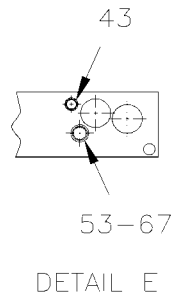
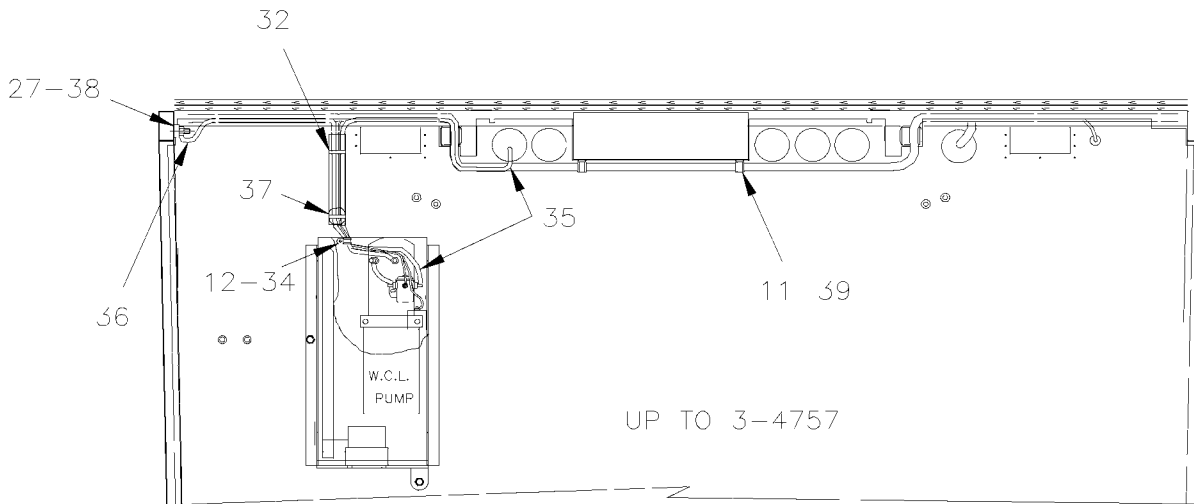
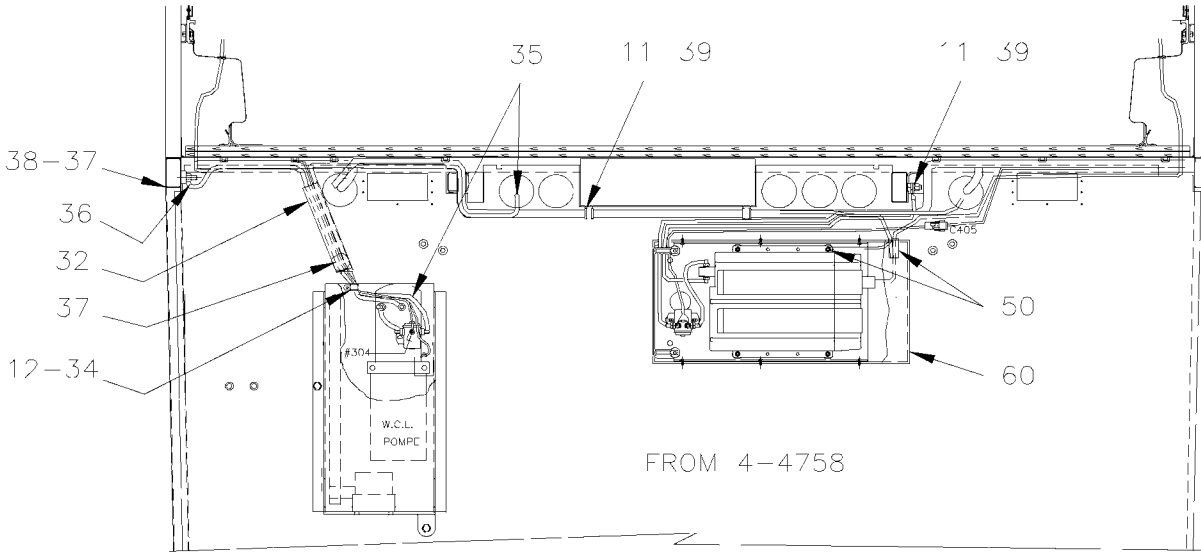
From 3-4417 To 7-0854	Date:10/2022	PAGE:HF-0628-00
-----------------------	--------------	-----------------

CHIME BELL - INSTALLATION

Item#	Part	Description	H 3 4 1	H 3 4 5	V I P 4 5	N O T E S
10	381854	CHIME / PASSENGER`S SIGNAL	1	1		
11	312709	. SUPPORT CHIM BELL	1	1		
12	500844	. SCREW TC FL PH #10-32x1 1/4 Z050	2	2		
13	561667	. CONNECTOR / UNIVERSAL MATE-N-LOK / PH 3C / AMP 1-480701-0	1	1		
NS	561671	. PIN TERMINAL / 24-18 / AMP 350690-1	2	2		
NS	562122	. PIN TERMINAL / 20-14 / AMP 350547-1	1	1		
NS	561740	. DIODE / 3AMPS	1	1		
15	830159	SWITCH / OFF-M/ON / S.P.S.T. / CHIME	AR	AR		
16	502513	SCREW TP CAP HEX 5/16x1 Z050	2	2		
50	HF-0655-00	INTERIOR LIGHTING				

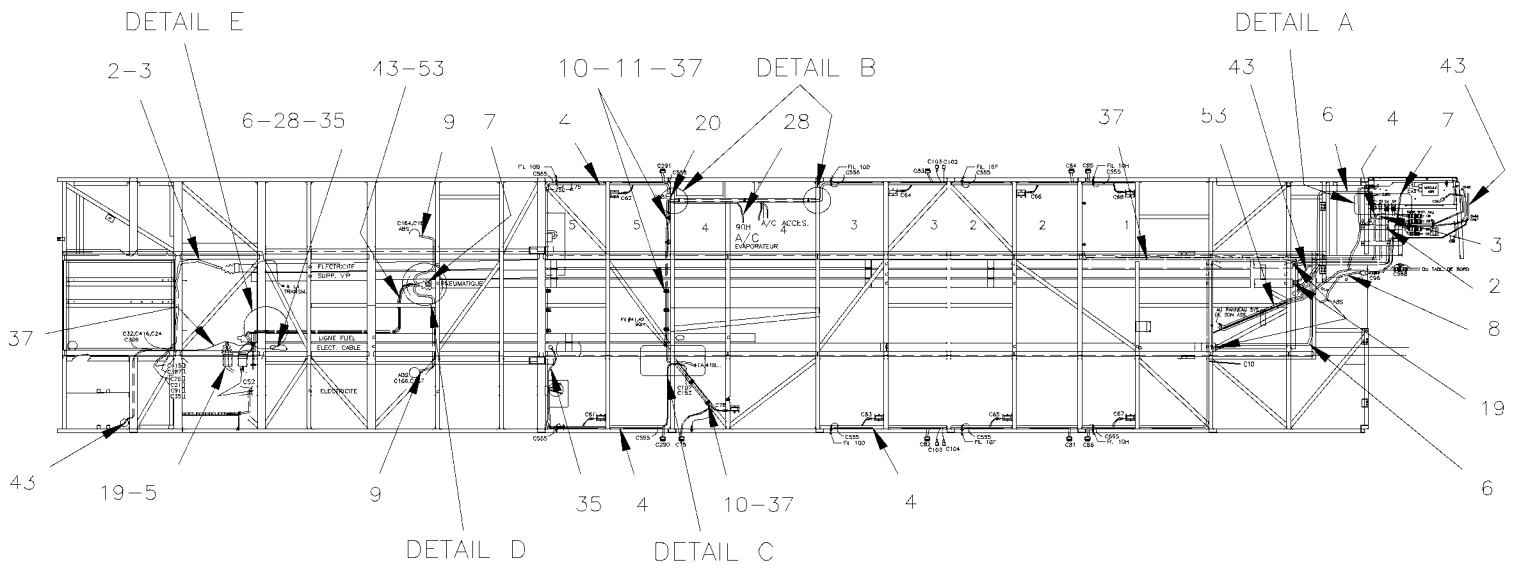
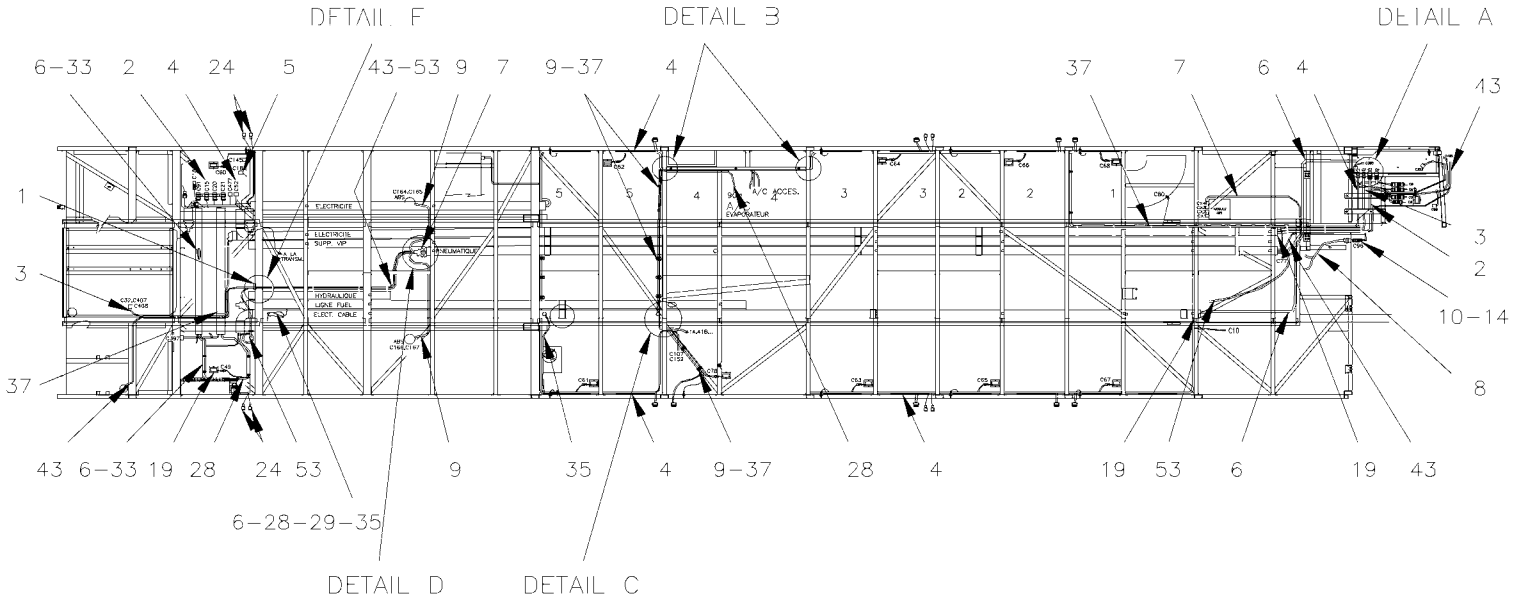


From 3-4417 To 6-0435	Date:10/2022	PAGE:HF-0630-00
CABLE & HARNESS - UNDER FLOOR		





From 3-4417 To 6-0435	Date:10/2022	PAGE:HF-0630-00
CABLE & HARNESS - UNDER FLOOR		





From 3-4417 To 6-0435	Date:10/2022	PAGE:HF-0630-00
CABLE & HARNESS - UNDER FLOOR		

Item#	Part	Description	H 3 4 1	H 3 4 5	V I P 4 5	N O T E S
1	504574	GROMMET / 1.125x1.312x.062x.312x1.56	1	1	1	
2	065626	CABLE ASSY / FRT JCT BOX TO RR JCT BOX To 3-4757	1	1		
2	065587	CABLE ASSY / FRT SELECTOR & RR ECU & VIM From 4-4758 To 5-0108	1	1		
2	066320	CABLE ASSY / FRT JCT BOX TO RR JCT BOX From 5-0109	1	1		
2	064733	CABLE ASSY / FRT SELECTOR & RR ECU & VIM To 3-4757			1	
2	065587	CABLE ASSY / FRT SELECTOR & RR ECU & VIM From 4-4758 To 4-4985			1	
2	066320	CABLE ASSY / FRT JCT BOX TO RR JCT BOX From 4-4986			1	
3	065602	CABLE ASSY / FRT JCT & E.C.M. "DDEC" IV To 3-4757	1	1	1	
3	065674	CABLE ASSY / DDEC IV From 4-4758 To 4-4866	1	1	1	
3	065982	CABLE ASSY / DDEC V From 4-4867	1	1	1	
4	065364	CABLE ASSY BAGGAGE COMPARTMENT BUS To 3-4416	1			
4	065604	CABLE ASSY BAGGAGE COMPARTMENT BUS From 3-4417	1			
4	065363	CABLE ASSY BAGGAGE COMPARTMENT BUS To 3-4416		1		
4	065605	CABLE ASSY BAGGAGE COMPARTMENT BUS From 3-4417		1		
4	065365	CABLE ASSY BAGGAGE COMPARTMENT VIP To 3-4757			1	
4	065690	CABLE ASSY BAGGAGE COMPARTMENT VIP From 4-4758 To 4-4894			1	
4	066021	CABLE ASSY BAGGAGE COMPARTMENT VIP From 4-4895 To 5-0215			1	
4	066433	CABLE ASSY BAGGAGE COMPARTMENT VIP From 5-0216			1	
5	064597	CABLE ASSY / E.C.U. & TRANS SPEED SWITCH To 3-4757	1	1	1	
5	065681	CABLE ASSY / E.C.U. & TRANS SPEED SWITCH From 4-4758	1	1	1	
6	064992	CABLE ASSY FRT JCT BOX / POWER To 3-4757	1	1	1	
6	065683	CABLE ASSY FRT JCT BOX / POWER From 4-4758	1	1	1	
7	065630	CABLE ASSY "ABS" To 5-0215	1	1	1	
7	066367	WIRING HARNESS DASHBOARD CENTRAL MODULE From 5-0216	1	1	1	
8	065633	CABLE ASSY / FRONT "ABS" SENSOR & VALVE	1	1	1	
9	065635	CABLE ASSY / REAR "ABS" SENSOR & VALVE	1	1	1	
10	504439	CUFF END BELLOW / 1 1/4" I.D. x 1 1/2" x 1 13/16	1	1	1	
11	500414	SCREW TP BDG PH #10x3/4 SS	AR	AR	AR	
12	680096	SEALANT BUTYL ALUM / GREY / 310ml CARTRIDGE	AR	AR	AR	
13	504439	CUFF END BELLOW / 1 1/4" I.D. x 1 1/2" x 1 13/16	1	1	1	
14	504024	HOSE CLAMP / 1"13/16"-2"3/4 SS / HS-36	1	1	1	
15	504441	CUFF END BELLOW / 3 1/2" I.D. x 3 1/2" x 5 5/8"	2	2	2	
15	504499	CUFF END BELLOW / 2 7/8" I.D. x 3 5/8" x 4 7/16 From 4-4908			1	
16	504026	HOSE CLAMP / 2"13/16"-3"3/4 SS / HS-52	2	2	2	
17	506216	PIPE INSULATING / 5/8" I.D. X 1/2" TH. X 72 / APT05812	AR	AR	AR	
18	506242	PIPE INSULATING / 1 3/8" I.D. X 1/2" TH. X 72 / APT13812	AR	AR	AR	
19	506283	PIPE INSULATING / 1 5/8" I.D. X 1/2" TH. X 72 / APT15812	AR	AR	AR	
20	065691	WIRING HARNESS EVAPORATOR COMPARTMENT. From 4-4758			1	
24	064399	CABLE ASSY / SIDE MARKER To 3-4757	1	1	1	
27	500998	NUT HEX 1/2-13 BR	1	1		B
28	065362	CABLE ASSY / RR BAT. COMPT & EVAPO. PANEL	1	1	1	
32	561451	CONVOLUTED TUBING / SLIT / GRAY / .750	AR	AR		B



From 3-4417 To 6-0435	Date:10/2022	PAGE:HF-0630-00
CABLE & HARNESS - UNDER FLOOR		

Item#	Part	Description	H 3 4 1	H 3 4 5	V I P 4 5	N O T E S
33	064488	CABLE ASSY 24VR	1	1	1	
34	500582	SCREW TP PAN PH #8x3/8 Z050	1	1		B
35	063704	CABLE ASSY / W/W.C.L. / #24WC	1	1		B
36	063970	CABLE ASSY #OWC	1	1		B
37	504637	CABLE TIE / 3/16" x 13"	AR	AR	AR	
38	500482	WASHER LO SPT .506x.873x.125 Z050	1	1		B
39	952627	CLAMP / 1/2" I.D.	2	2	2	
40	064428	DECAL CONNECTOR / C1,C2,C3,C4	1	1	1	
42	500124	SCREW TP TR PH #8x1/2 SS	12	12	12	
43	064410	CABLE ASSY / BACK-UP CAMERA VIDEO / CAMERA & MONITOR B&W / 60'	1	1		
. NS	990288	. CABLE BACK-UP CAMERA 60'	1	1		
. NS	561681	. CONVOLUTED TUBING / SLIT / BLACK & GRAY / .350"	25	25		
44	063831	CABLE ASSY / INVERTER 750 WATT & GALLEY ON R.H. SIDE	1	1		
50	562664	PROTECTOR METALLIC 1"/CABLE	8	8		
53	404299	CABLE ASSY / SOUND SYSTEM FEED HARNESS (0SS 12SS 24SS) To 3-4757	1	1		
53	405328	CABLE ASSY / SOUND SYSTEM FEED HARNESS (0SS 12SS 24SS) From 4-4758	1	1		
55	562053	CONVOLUTED TUBING / UNSLIT / BLACK / 1.000"	AR	AR	AR	
58	063791	CABLE ASSY / AIR DRYER AD-9 HEATER	1	1	1	
60	HF-2345-40	POWERVERTER - INSTALLATION				
67	504622	GROMMET / 1.500x1.750x.062x.437x2.125	1	1	1	
		B) WITH W.C.L. ST & ST				

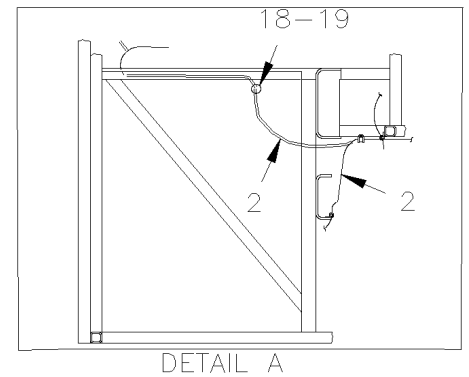
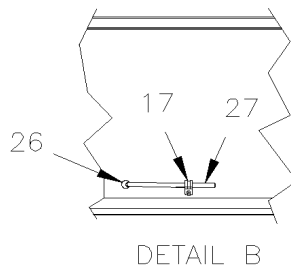
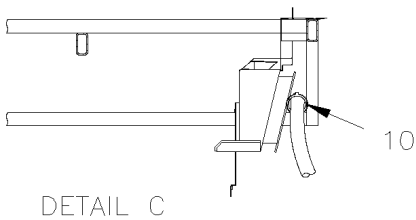
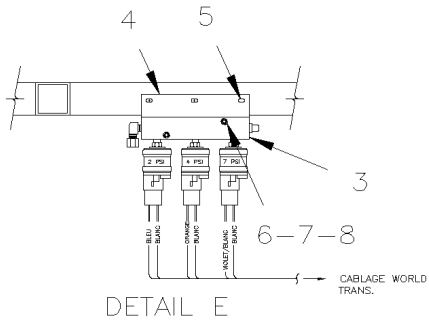
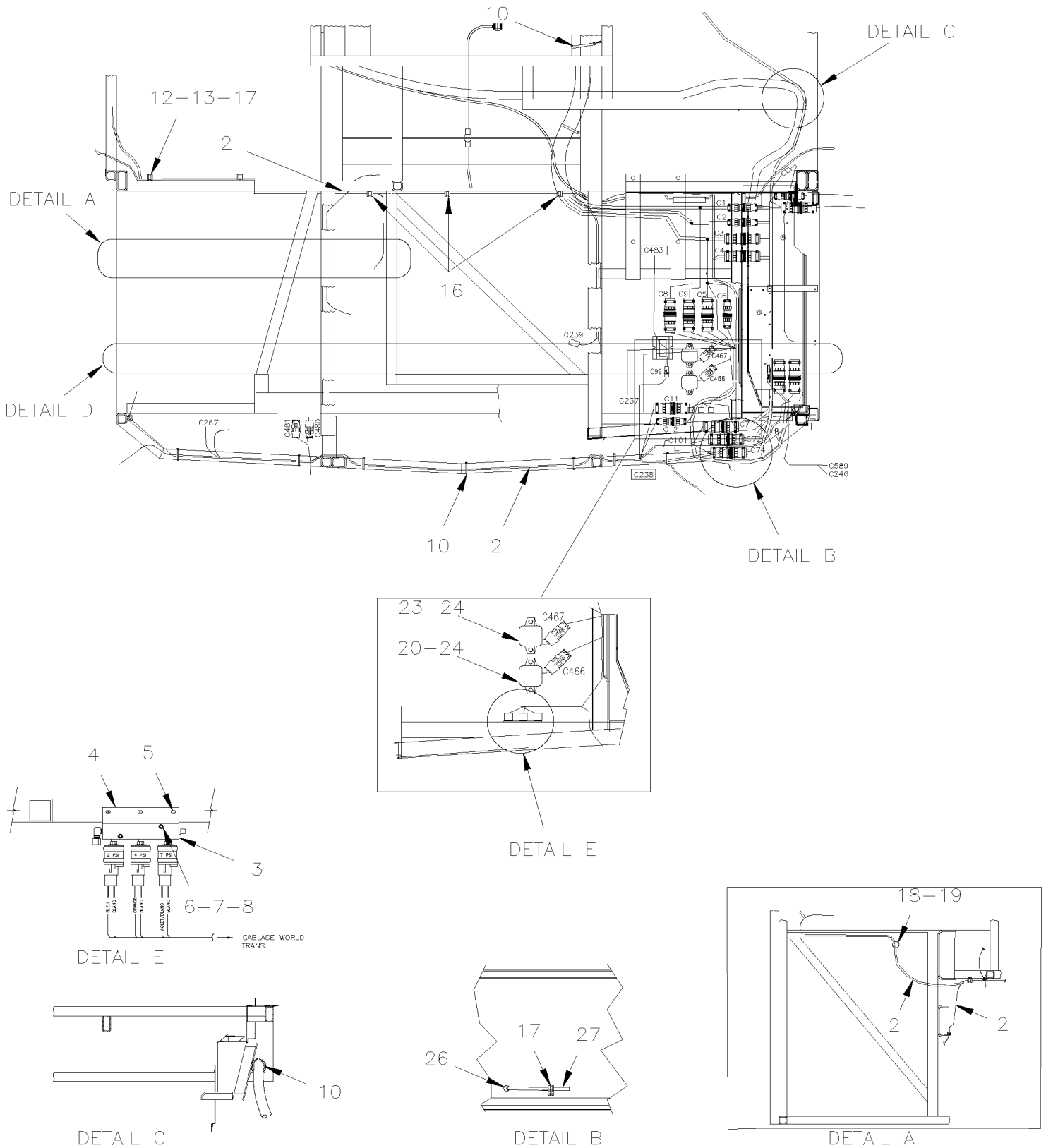


From 3-4417 To 6-0435

Date:10/2022

PAGE:HF-0640-00

CABLE & HARNESS - FRONT END INSTALLATION



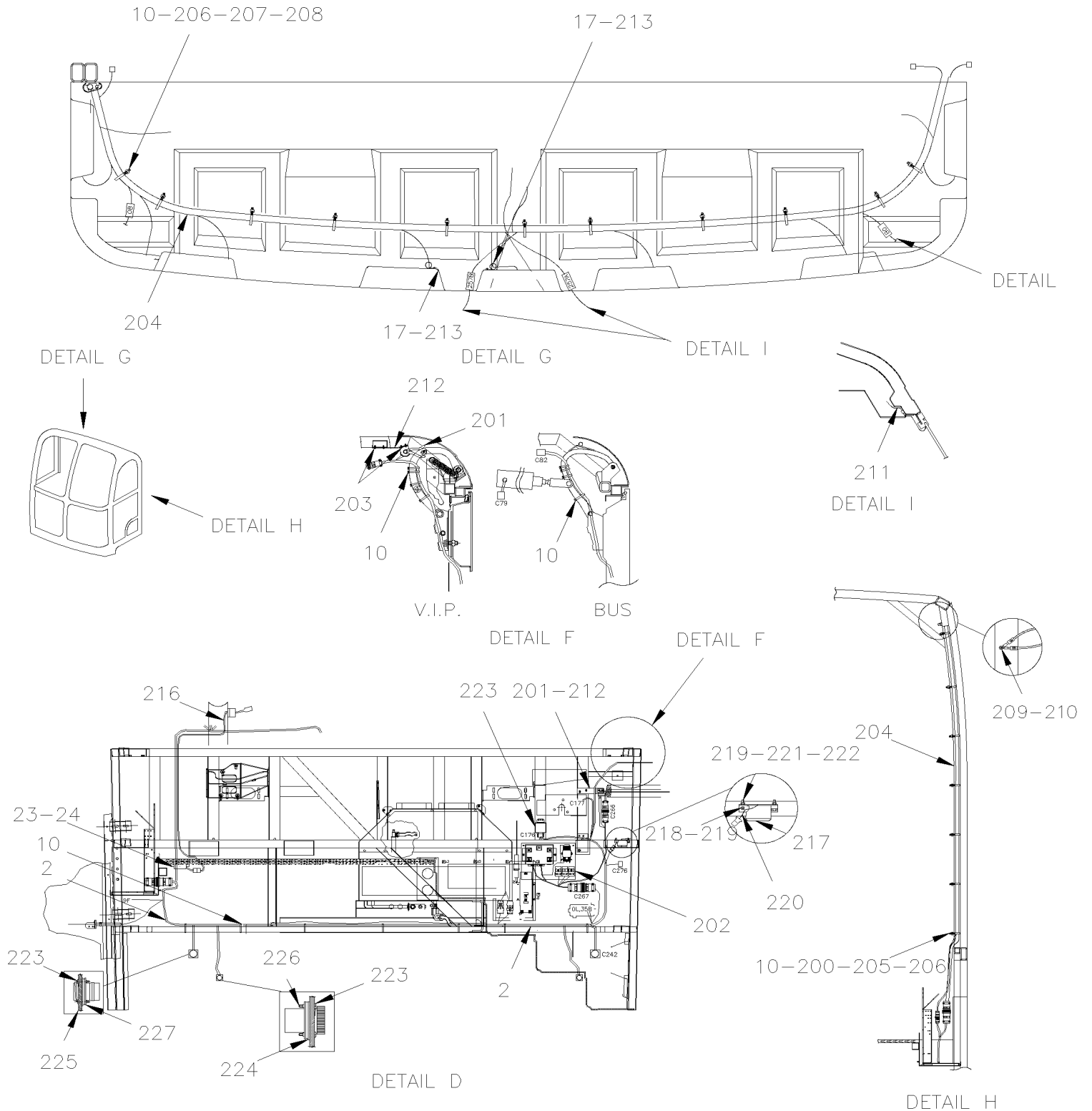


From 3-4417 To 6-0435

Date:10/2022

PAGE:HF-0640-00

CABLE & HARNESS - FRONT END INSTALLATION





From 3-4417 To 6-0435	Date:10/2022	PAGE:HF-0640-00
-----------------------	--------------	-----------------

CABLE & HARNESS - FRONT END INSTALLATION

Item#	Part	Description	H 3 4 1	H 3 4 5	V I P 4 5	N O T E S
2	065476	CABLE ASSY / FRONT LOWER END To 3-4757	1	1		
2	065588	CABLE ASSY / FRONT LOWER END From 4-4758 To 4-4869	1	1		
2	066067	CABLE ASSY / FRONT LOWER END From 4-4870 To 5-0022	1	1		
2	066101	CABLE ASSY / FRONT LOWER END From 5-0023	1	1		
2	065475	CABLE ASSY / FRONT LOWER END To 4-4866			1	
2	066069	CABLE ASSY / FRONT LOWER END From 4-4867 To 5-0022			1	
2	066103	CABLE ASSY / FRONT LOWER END From 5-0023			1	
3	HF-0750-00	AUTOMATIC TRANSMISSION - "WORLD" WITH DETROIT S-60				
4	141722	SUPPORT PRESSURE SWITCH	1	1	1	
5	500611	SCREW TC PAN PH #10-24x1/2 Z050	3	3	3	
6	500579	SCREW MA RND PH #10-24x1 3/4 Z050	2	2	2	
7	500470	WASHER LO SPT .193x.334x.047 Z050	2	2	2	
8	500786	NUT HEX #10-24 Z050	2	2	2	
10	504637	CABLE TIE / 3/16" x 13"	AR	AR	AR	
12	502587	STUD WD WOC M4-0.7x25 SS	AR	AR	AR	
13	502557	NUT HEX NYRT M4-0.7 SS	AR	AR	AR	
16	952635	CLAMP / 1" I.D.	AR	AR	AR	
17	952625	CLAMP / 3/8" I.D.	AR	AR	AR	
18	504264	GROMMET / .750x1.250x.062x.250x1.625	1	1	1	
18	504398	GROMMET / 1.000x1.375x.062x.437x1.750	1	1	1	
19	680096	SEALANT BUTYL ALUM / GREY / 310ml CARTRIDGE	AR	AR	AR	
20	562381	RESISTANCE MODULE	1	1	1	
23	562357	RESISTANCE MODULE	1	1	1	
24	500643	SCREW TP PAN PH #12x3/4 Z050	2	2	2	
26	504547	GROMMET / .375x.500x.125x.375x.812 x.625x.125	1	1	1	
27	HF-2210-50	AIR MAIN SENSOR				
200	500437	WASHER FL .125x.375x.040 Z050	7	7	7	
201	060338	SWITCH DOOR LIGHT	1	1	1	
202	HF-0650-50	KEYLESS MODULE				
203	500657	SCREW TC TR PH #10-24x1/2 Z050			4	
204	064645	CABLE ASSY / ROOF	1	1	1	
204	064340	CABLE ASSY / ROOF To 4-4936			1	
204	066118	CABLE ASSY / ROOF From 4-4937			1	
205	504473	RIVET POP DOME OE 1/8x1/4 SS	AR	AR	AR	
206	504013	TIE MOUNT / 1/4" X 1/4" I.D.	AR	AR	AR	
207	500510	SCREW MA BDG PH #10-32x3/4 SS EMN	AR	AR	AR	
208	500519	NUT WELL #10-32x.518	AR	AR	AR	
209	502511	NUT HEX NYRT M6-1.0 Z050	AR	AR	AR	
210	502573	WASHER FL 6.4x12.5x1.6 SS	AR	AR	AR	
211	504448	CABLE CLIP 1/4" / ADHESIVE	AR	AR	AR	
212	064702	SUPPORT SWITCH			1	
213	500613	SCREW TP PAN PH #10x1/2 Z050	AR	AR	AR	



From 3-4417 To 6-0435	Date:10/2022	PAGE:HF-0640-00
CABLE & HARNESS - FRONT END INSTALLATION		

Item#	Part	Description	H 3 4 1	H 3 4 5	V I P 4 5	N O T E S
216	063782	CABLE ASSY / RESISTANCE MODULE & SWITCH	1	1	1	
217	064094	FIRE & KNEELING / ALARM ASSY / SERVICE	1	1		
218	500641	SCREW TP PAN PH #8x3/4 Z050	2	2		
219	502636	WASHER LO SPT 4.1x7.6x0.9 Z050	4	4		
220	064180	SUPPORT / KNEELING ALARM	1	1		
221	500588	SCREW CAP HEX M4-0.7x20 G8.8 Z050	2	2		
222	502524	NUT HEX M4-0.7 Z050	2	2		
223	5001454	SCREW MA BDG PH #4-40x1/2 SS			16	
224	562945	GASKET MOUNTING / HD10 SERIES / 3C / DEUTSCH HD10-3-GKT			2	
225	562946	GASKET MOUNTING / HD10 SERIES / 5C / DEUTSCH HD10-5-GKT			2	
226	062268	NUT, RING #11 / .940" I.D. W/4 4-40			2	
227	561820	NUT, RING #13 / 1.125" I.D. W/4 4-40			2	

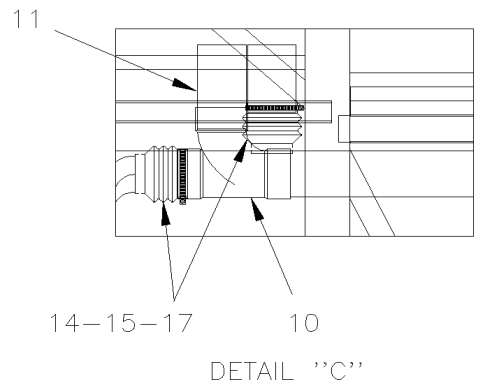
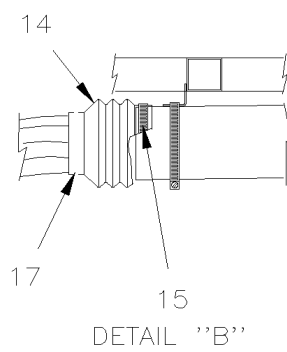
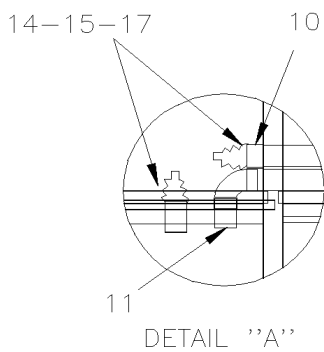
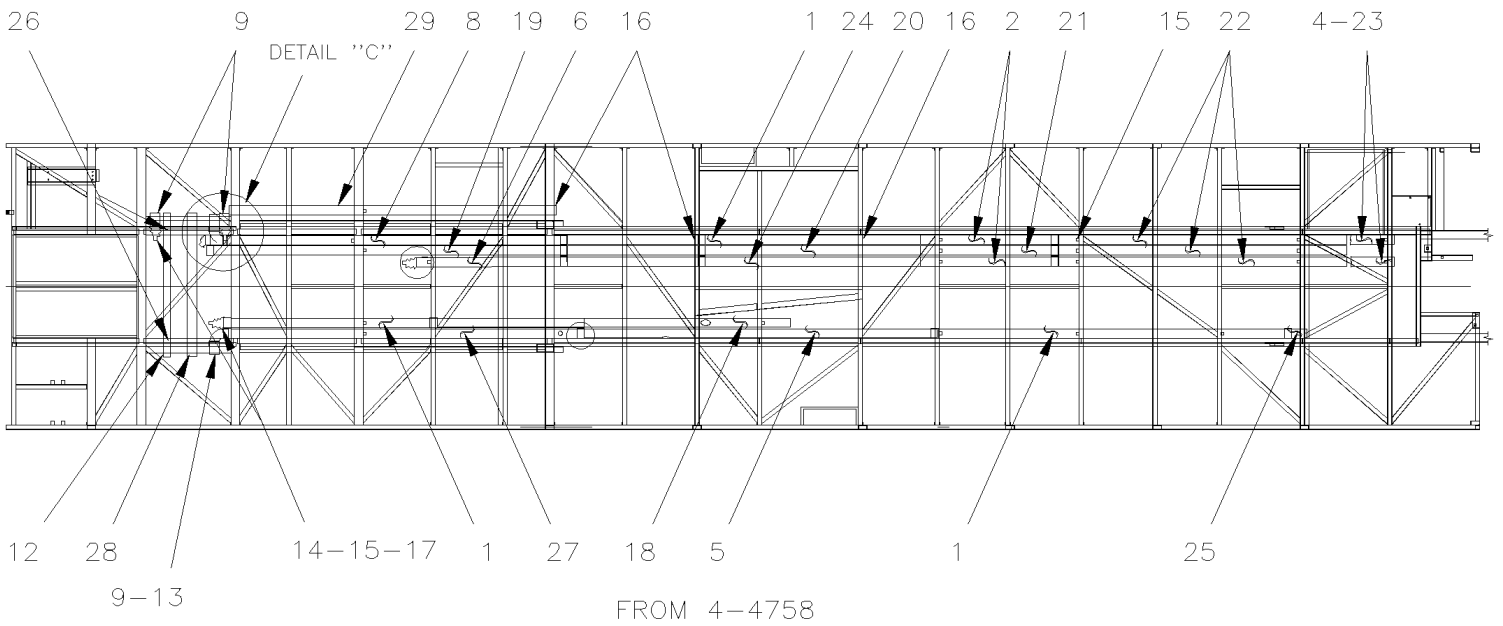
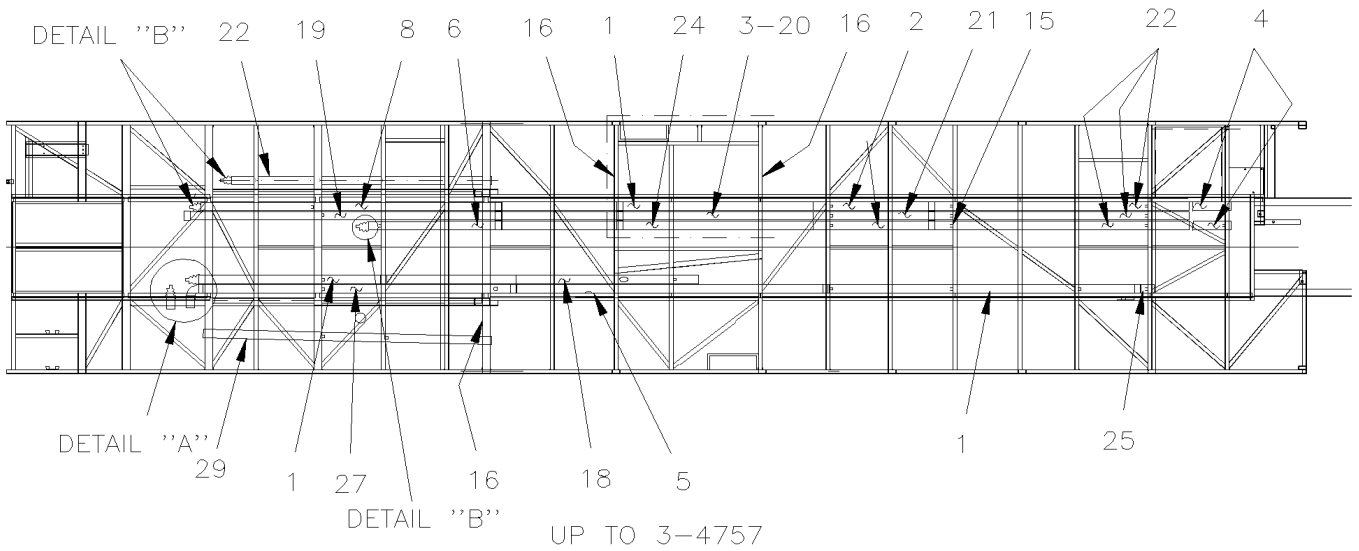


From 3-4417 To 8-1043

Date:10/2022

PAGE:HF-0640-10

CABLE HARNESS - PIPE INSTALLATION





From 3-4417 To 8-1043	Date:10/2022	PAGE:HF-0640-10
CABLE HARNESS - PIPE INSTALLATION		

Item#	Part	Description	H 3 4 1	H 3 4 5	V I P 4 5	N O T E S
1	142032	TUBE PVC / 3" X 3041MM	3	3	3	
1	142032	TUBE PVC / 3" X 3041MM	2			
2	063688	TUBE PVC / 3" X 1220MM W/F		2	2	
3	141472	TUBE PVC / 3" X 1500MM	1			
4	063690	TUBE PVC / 3" X 2905MM W/F		2	2	
5	063756	TUBE PVC / 3" X 3048MM W/F & HOLE To 5-0167	1	1	1	
5	066249	TUBE PVC / 3" X 3048MM W/F & HOLE From 5-0168	1	1	1	
6	062922	TUBE PVC / 3" X 1275MM	1	1	1	
8	063691	TUBE PVC / 3" X 2850MM	1	1	1	
9	063692	TUBE PVC / 3" X 120MM To 3-4757	2	2	2	
10	503569	UNION "Y" / PVC PIPE / 3Fx3Fx3F PVC To 3-4757	1	1	1	
11	063428	TUBE PVC / 3" X 152MM To 3-4757	1	1	1	
12	064302	TUBE FIBERGLASS 2" X 1275MM To 3-4757	1	1	1	
13	503588	UNION ELBOW 90° / PVC PIPE / 3Fx3F PVC	1	1	1	
14	504499	CUFF END BELLOW / 2 7/8" I.D. x 3 5/8" x 4 7/16	4	4	4	
15	504026	HOSE CLAMP / 2"13/16"-3"3/4 SS / HS-52	29	29	29	
16	680532	SEALANT SIKA #221 / GREY / 310ml CARTRIDGE	AR	AR	AR	
17	504637	CABLE TIE / 3/16" x 13"	4	4	4	
18	063738	TUBE PVC / 3" X 1800MM W/F & HOLE	1	1	1	
19	063691	TUBE PVC / 3" X 2850MM			1	
20	142032	TUBE PVC / 3" X 3041MM			1	
21	063688	TUBE PVC / 3" X 1220MM W/F			1	
22	063944	TUBE PVC / 3" X 2500MM W/F			1	
23	371600	INSULATING PAD 76.2MM x 374.7MM	2	2	2	
24	142032	TUBE PVC / 3" X 3041MM	1	1	1	
25	063869	TUBE PVC / 3" X 3100MM W/F	1			
25	063816	TUBE PVC / 3" X 190MM W/F		1	1	
26	504024	HOSE CLAMP / 1"13/16"-2"3/4 SS / HS-36 To 3-4757	2	2	2	
27	063972	TUBE PVC / 3" X 3048MM W/F & HOLE	1	1	1	
28	064303	TUBE FIBERGLASS 3" X 1275MM To 3-4757	1	1	1	
29	064935	TUBE PVC / 3" X 2770MM	1			
NS	503390	TUBE / PVC PIPE / 3"x10' WHITE PVC	AR	AR	AR	

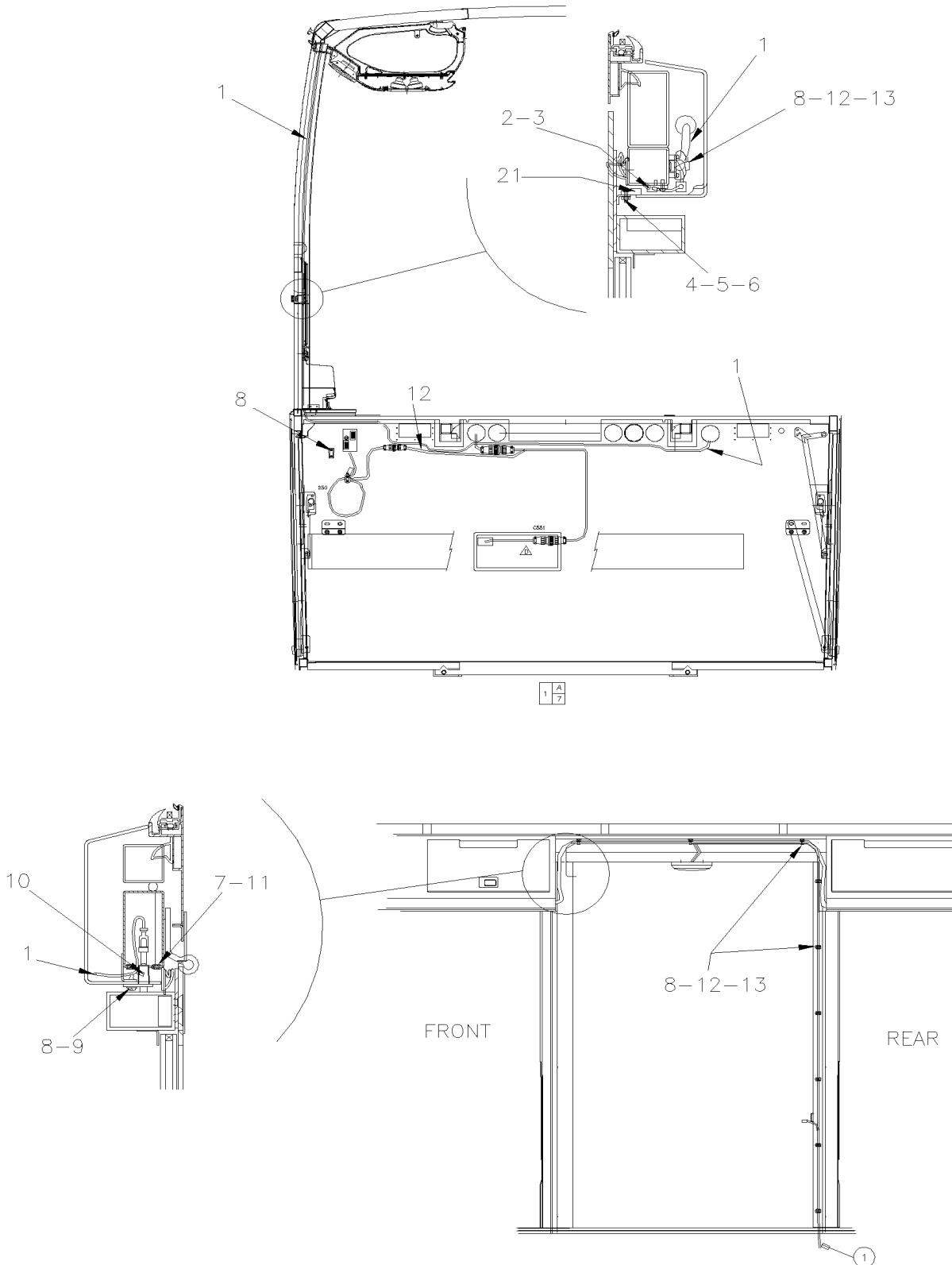


From 3-4417 To 5-0167

Date:10/2022

PAGE:HF-0640-80

CABLE & HARNESS - W.C.L. "W/RICON"





From 3-4417 To 5-0167	Date:10/2022	PAGE:HF-0640-80
CABLE & HARNESS - W.C.L. "W/RICON"		

Item#	Part	Description	H 3 4 1	H 3 4 5	V I P 4 5	N O T E S
1	064223	CABLE ASSY / W.C.L. ACCESSORIES / "RICON" To 4-4704		1		
1	065862	CABLE ASSY / W.C.L. ACCESSORIES / "RICON" From 4-4705		1		
2	064360	SWITCH MAGNETIC ASSY		1		
3	500798	SCREW TP PAN PH #4-3/8 ZP		2		
4	500518	SCREW MA BDG PH #4-40x1/2 Z050		2		
5	502520	NUT HEX #4-40 Z050		2		
6	500467	WASHER LO INT .138x.275x.019 Z050		2		
7	506338	RUBBER CHANNEL / 1/16" x 1/4" INT "U" SHAPE / ROUND C.T.L.		AR		
8	500654	SCREW TC BDG PH #8-32x1/2 Z050		16		
9	500022	WASHER LO INT .168x.340x.023 Z050		1		
10	562303	SWITCH / S.P.S.T. / N.C.		1		
11	680066	ADHESIVE / ADBOND #5014 / 23.6ML BOTTLE		AR		
12	504637	CABLE TIE / 3/16" x 13"		20		
13	504013	TIE MOUNT / 1/4" X 1/4" I.D.		11		
14	506025	RUBBER CHANNEL / 1/18" x 5/16" INT "U" SHAPE / SQUARE C.T.L.		AR		
15	502862	SCREW CAP HEX M8-1.25x20 G8.8 N500		2		
16	502889	WASHER LO SPT 8.1x12.7x2.0 N500		2		
17	500332	WASHER FL .328x.875x.062 N500		2		
21	562641	MAGNET		1		

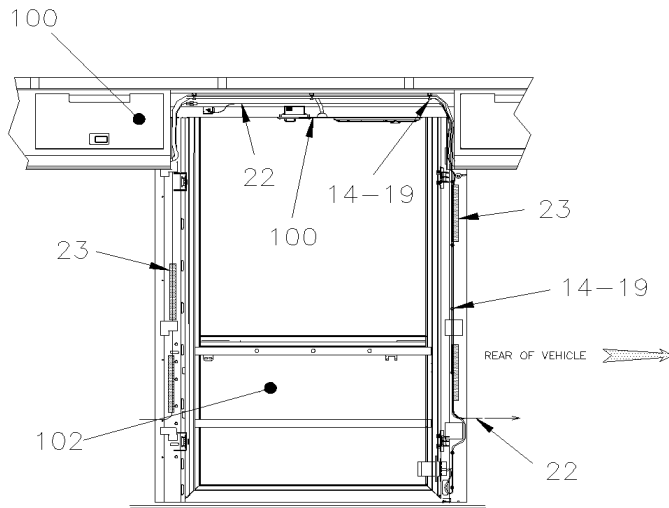
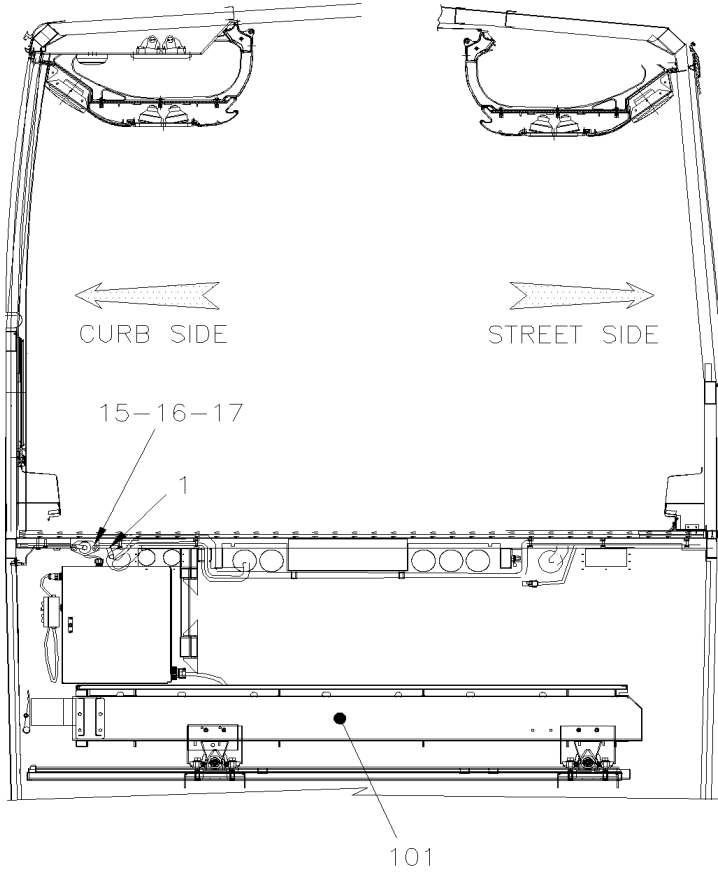


From 5-0168 To 8-1043

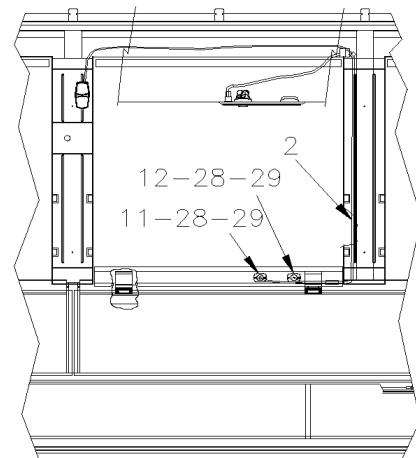
Date:10/2022

PAGE:HF-0640-81

CABLE & HARNESS - W.C.L. "W/RICON"



CURB SIDE



STREET SIDE



From 5-0168 To 8-1043	Date:10/2022	PAGE:HF-0640-81
CABLE & HARNESS - W.C.L. "W/RICON"		

Item#	Part	Description	H 3 4 1	H 3 4 5	V I P 4 5	N O T E S
1	066305	CABLE POWER / ACCESSORIES & W.C.L. "RICON"		1		
2	066308	CABLE ASSY / TO L.H. WINDOW / W/W.C.L.		1		
NS	680067	SEALANT TAPE BUTYL / BLACK / 1/8"x3/4"x25' / 75211E760		AR		
11	830159	SWITCH / OFF-M/ON / S.P.S.T. / CHIME		1		
12	830158	SWITCH / OFF-ON / S.P.S.T. / READING LIGHT		1		
14	504637	CABLE TIE / 3/16" x 13"		3		
15	502862	SCREW CAP HEX M8-1.25x20 G8.8 N500		2		
16	500942	WASHER LO SPT 8.1x14.8x2.0 N500		2		
17	500332	WASHER FL .328x.875x.062 N500		2		
19	509815	TIE MOUNT / ATTACHMENT W/TREE MOUNT		9		
22	066539	WIRING HARNESS RIGHT AWNING WINDOWS		1		
23	680257	TAPE ALUMINUM ADH1 .005" x 2" x 300' TRM425-2		AR		
28	500814	SCREW TP BDG PH #6x3/4 BK		4		
29	409259	PROTECTOR SWITCH / CAP		2		
. NS	288728	. REINFORCMENT FOR SCREW PROTECTOR CAP		1		
100	HF-1836-00	PARCEL RACK				
101	HF-2380-00	W.C.L. "RICON" - INSTALLATION MODEL "F9A" To 4-4704				
101	HF-2380-01	W.C.L. "RICON" REMOVABLE - INSTALLATION MODEL "F9T" From 4-4705 To 5-0178		1		
101	HF-2380-02	W.C.L. "RICON" REMOVABLE - INSTALLATION MODEL "F9TF" From 5-0179		1		
102	HF-1862-85	SLIDING DOOR - INSTALLATION				

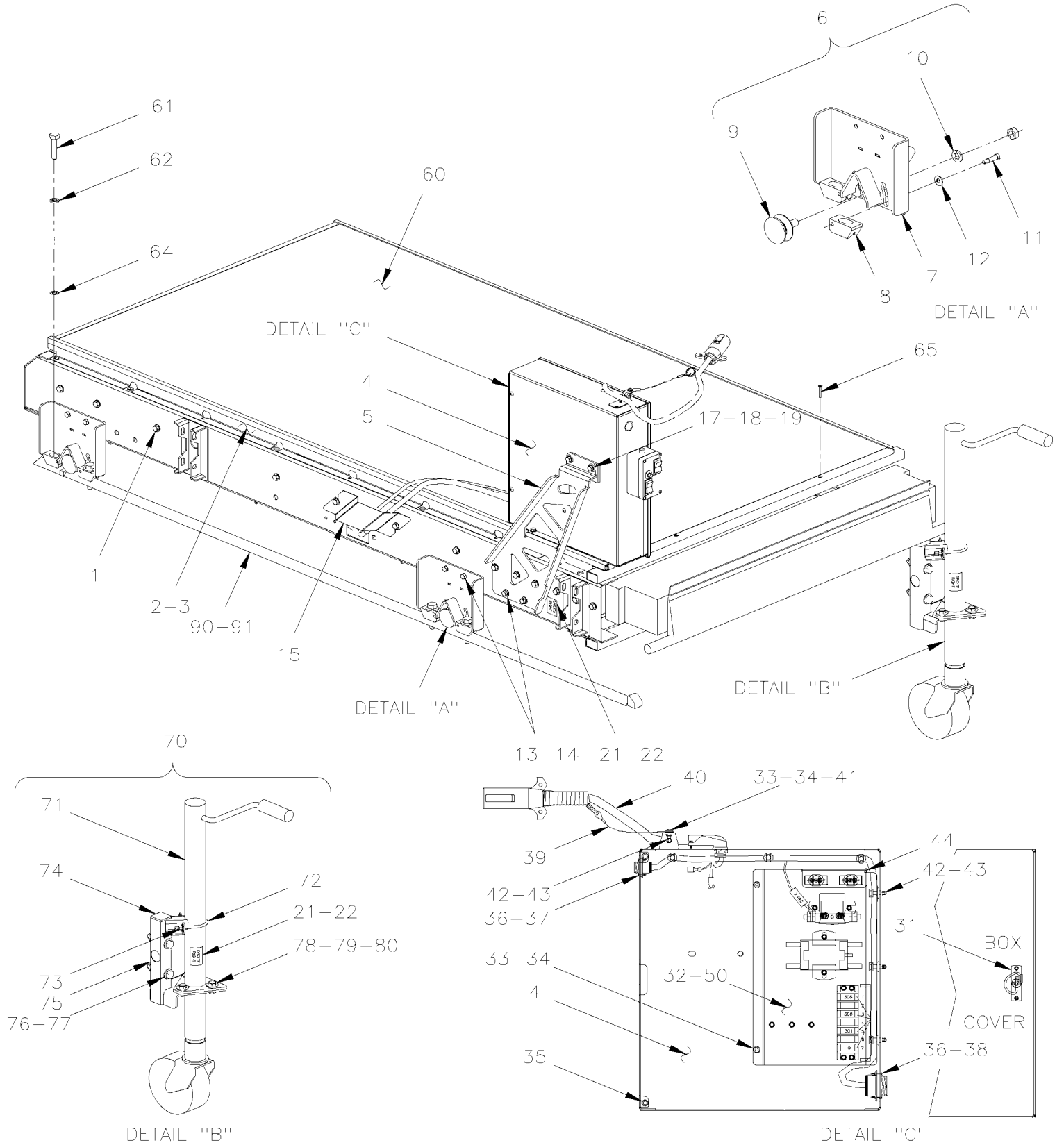


From 5-0168 To 8-1043

Date:10/2022

PAGE:HF-2380-01

W.C.L. "RICON" REMOVABLE - INSTALLATION MODEL "F9T"





From 5-0168 To 8-1043	Date:10/2022	PAGE:HF-2380-01
W.C.L. "RICON" REMOVABLE - INSTALLATION MODEL "F9T"		

Item#	Part	Description	H 3 4 1	H 3 4 5	V I P 4 5	N O T E S
1	862352	W.C.L. "RICON" - F9T-DE004 To 5-0178	1	1		
2	490971	SLIDING TRACK REMOVABLE R.H.	1	1		
3	490990	SLIDING TRACK REMOVABLE L.H.	1	1		
4	364035	BOX ASSY	1	1		
5	364029	SUPPORT PUMP ASSY	1	1		
6	491008	CARRIER ASSY / W/WHEEL	4	4		
7	490998	. PLATE SUPPORT	1	1		
8	490995	. CALIPER	1	1		
9	990418	. WHEEL / W/"V" GROOVE USE W/SCREW	1	1		
NS	500652	. NUT HEX 1/2-20 SS	1	1		
10	500944	. WASHER LO SPT .506x.873x.125 N500	2	2		
11	502638	. WASHER FL .312x.734x.065 N500	2	2		
12	500631	. SCREW SHR HEXS 5/16x3/4 {1/4-20 SS	2	2		
13	955525	SCREW CAP HEX 5/16-18x1 G5 ZG603	10	10		
14	500942	WASHER LO SPT 8.1x14.8x2.0 N500	10	10		
NS	502638	WASHER FL .312x.734x.065 N500	2	2		
15	491013	PLATE PROTECTOR	1	1		
17	500347	SCREW CAP HEX 5/16-18x1 1/4 SS	2	2		
NS	364031	SPACER	2	2		
18	5001448	WASHER FL .343x.875x.062 SS18-8	2	2		
19	500035	WASHER LO SPT .317x.586x.078 SS	2	2		
21	491002	DECAL / GAUCHE / LEFT / ENGLISH & FRANCAIS	1	1		
21	491056	DECAL / LEFT IZQUIERDA / ENGLISH & SPANISH	1	1		
22	491001	DECAL / DROIT / RIGHT / ENGLISH & FRANCAIS	1	1		
22	491055	DECAL / RIGHT DERECHA / ENGLISH & SPANISH	1	1		
30	491033	BOX ASSY W/POWER PLATE	1	1		
31	504203	SPRING LATCH / KNURLED STEEL KNOB	1	1		
NS	504105	RIVET POP DOME OE 1/8x3/16 AL	2	2		
32	563370	POWER PLATE ASSY "RICON"	1	1		
33	5001180	NUT HEX NYRT #10-24 SS	5	5		
34	5001241	SCREW MA TR PH #10-24x1/2 SS	5	5		
35	504498	BUMPER PLUG / .406ODx.218THx.250HOLEx.125	2	2		
36	500518	SCREW MA BDG PH #4-40x1/2 Z050	8	8		
37	561820	NUT, RING #13 / 1.125" I.D. W/4 4-40	1	1		
38	561823	NUT, RING #23 / 1.812" I.D. W/4 4-40	1	1		
39	502929	CABLE RETAINING 150MM	1	1		
40	065857	CABLE ASSY / POWER / W.C.L. "RICON"	1	1		
41	500964	WASHER FL .203x.500x.047 Z050	1	1		
42	509815	TIE MOUNT / ATTACHMENT W/TREE MOUNT	AR	AR		
43	504637	CABLE TIE / 3/16" x 13"	AR	AR		
44	506338	RUBBER CHANNEL / 1/16" x 1/4" INT "U" SHAPE / ROUND C.T.L.	AR	AR		
NS	680066	ADHESIVE / ADBOND #5014 / 23.6ML BOTTLE	AR	AR		



From 5-0168 To 8-1043	Date:10/2022	PAGE:HF-2380-01
W.C.L. "RICON" REMOVABLE - INSTALLATION MODEL "F9T"		

Item#	Part	Description	H 3 4 1	H 3 4 5	V I P 4 5	N O T E S
50	HF-2380-61	W.C.L. "RICON" - PUMP INSTALLATION MODEL "F9T" & "F9TF"				
60	990417	PANEL FIBERGLASS / OVER W.C.L. "RICON" / 1000MM X 1940MM	1	1		
61	5001538	SCREW CAP HEXF SERR M12-1.75x50 G500	8	8		
62	500944	WASHER LO SPT .506x.873x.125 N500	8	8		
64	5001568	NUT PUSH RND M12 ZP	8	8		
65	502903	SCREW TC FL PH #10-24x1 1/4 N500	2	2		
70	490988P	TRANSPORTER JACK ASSY L.H.	2	2		
70	490989P	TRANSPORTER JACK ASSY R.H.	2	2		
71	990416	. JACK	1	1		
72	503399	. U-CLAMP / 2" I.D. X 1/4-20	1	1		
73	500769	. NUT HEX 1/4-20 Z050	2	2		
NS	500441	. WASHER FL .312x.734x.065 Z050	2	2		
NS	500473	. WASHER LO SPT .262x.489x.062 Z050	2	2		
74	508394	. GLIDE SQUARE END 1.5 X 1.5 TUBE 14GA / P	1	1		
75	490981	. SUPPORT JACK L.H.	1	1		
75	490982	. SUPPORT JACK R.H.	1	1		
76	5001862	. SCREW CAP HEX M12-1.75x70 G10.9 N500	2	2		
77	500860	. NUT HEX M12-1.75 Z050	2	2		
NS	500958	. WASHER FL .531x1.062x.095 SS	4	4		
78	502559	. SCREW CAP HEX M10-1.5x25 G8.8 Z050	3	3		
79	502644	. WASHER FL 10.5x30.0x2.5 Z050	3	3		
80	500680	. NUT HEX STO M10-1.5 Z050	3	3		
90	215121	TRACK W.C.L. BACKWARD	1	1		
91	255122	TRACK W.C.L. FORWARD	1	1		

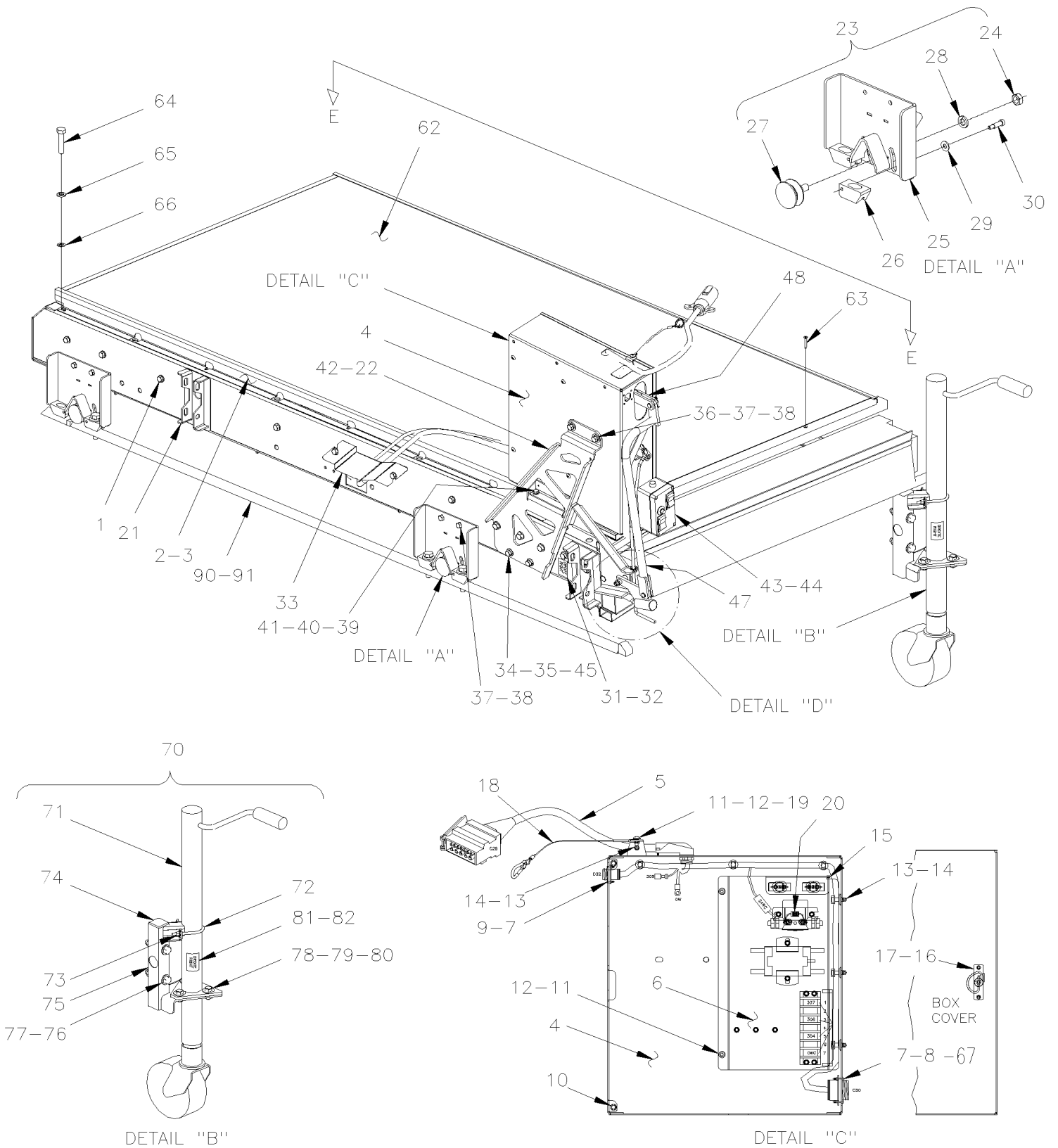


From 5-0168 To 8-1043

Date:10/2022

PAGE:HF-2380-02

W.C.L. "RICON" REMOVABLE - INSTALLATION MODEL "F9TF"



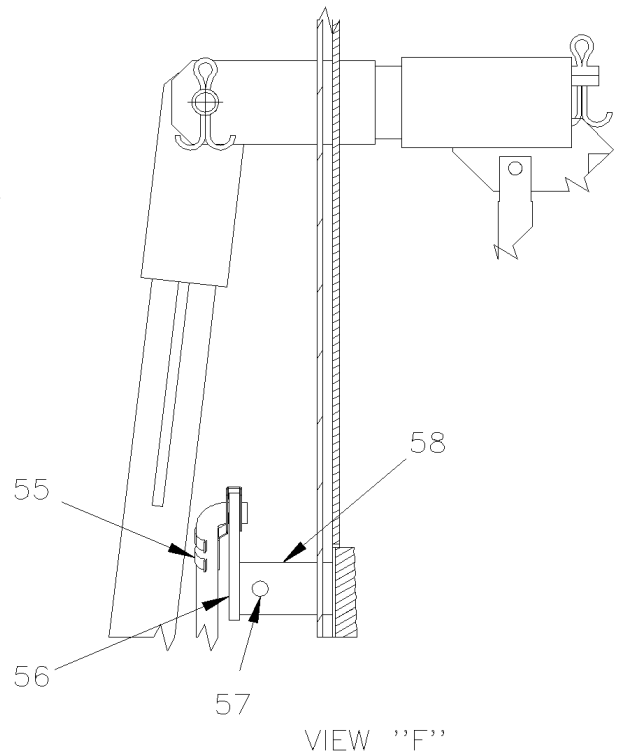
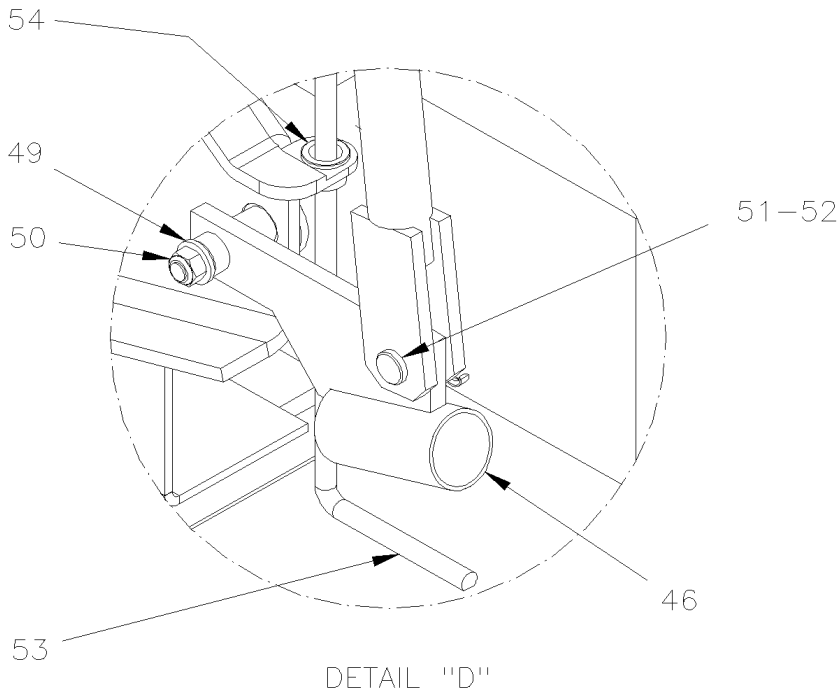
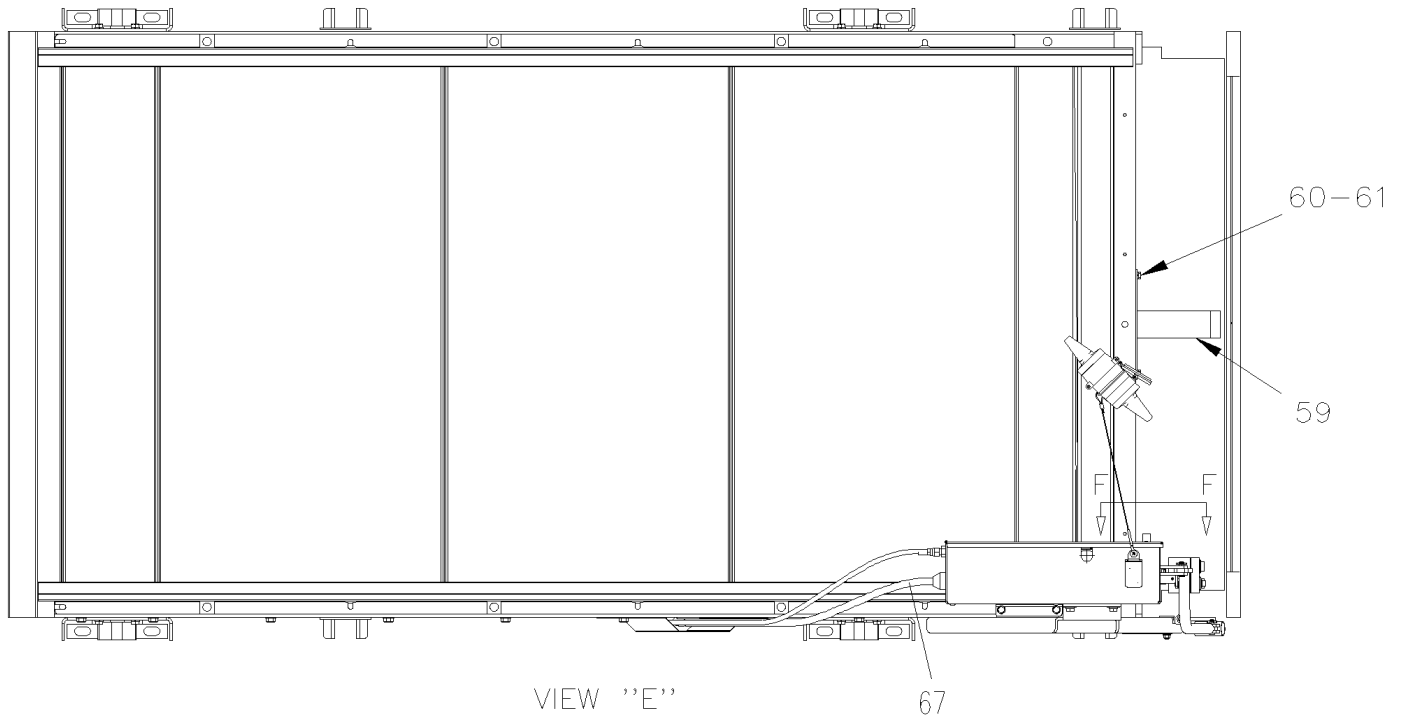


From 5-0168 To 8-1043

Date:10/2022

PAGE:HF-2380-02

W.C.L. "RICON" REMOVABLE - INSTALLATION MODEL "F9TF"





From 5-0168 To 8-1043	Date:10/2022	PAGE:HF-2380-02
W.C.L. "RICON" REMOVABLE - INSTALLATION MODEL "F9TF"		

Item#	Part	Description	H 3 4 1	H 3 4 5	V I P 4 5	N O T E S
	490891P	. REMOVABLE W.C.L. COMPLETE ASSY W/ PUMP BOX ASSY / "F9TF"	1	1		A
1	862662	W.C.L. "RICON" - F9TF-DE004	1	1		
1	HF-2380-07	W.C.L. "RICON" REMOVABLE MODEL "F9TF"				
2	490971	SLIDING TRACK REMOVABLE R.H.	1	1		
3	490990	SLIDING TRACK REMOVABLE L.H.	1	1		
4	491017P	BOX ASSY W/POWER PLATE	1	1		
4	364074	. BOX ASSY	1	1		
5	066307	. CABLE ASSY / POWER / W.C.L. "RICON"	1	1		
6	563370	. POWER PLATE ASSY "RICON"	1	1		
7	500518	. SCREW MA BDG PH #4-40x1/2 Z050	8	8		
8	561823	. NUT, RING #23 / 1.812" I.D. W/4 4-40	1	1		
9	561820	. NUT, RING #13 / 1.125" I.D. W/4 4-40	1	1		
10	504498	. BUMPER PLUG / .406ODx.218THx.250HOLEx.125	2	2		
11	5001180	. NUT HEX NYRT #10-24 SS	5	5		
12	5001241	. SCREW MA TR PH #10-24x1/2 SS	5	5		
13	509815	. TIE MOUNT / ATTACHMENT W/TREE MOUNT	6	6		
14	504637	. CABLE TIE / 3/16" x 13"	11	11		
15	506338	. RUBBER CHANNEL / 1/16" x 1/4" INT "U" SHAPE / ROUND C.T.L.	AR	AR		
NS	680066	. ADHESIVE / ADBOND #5014 / 23.6ML BOTTLE	AR	AR		
16	504105	. RIVET POP DOME OE 1/8x3/16 AL	2	2		
17	504203	. SPRING LATCH / KNURLED STEEL KNOB	1	1		
18	364072P	. CABLE RETAINING ASSY	1	1		
18	283069	. . CABLE 1/16 DIA. / 565MM LG	1	1		
18	780341	. . SLEEVE / TO HOLDING CABLE 1/16OD SS	1	1		
18	504723	. . SPRING HOOK	1	1		
19	500964	. WASHER FL .203x.500x.047 Z050	1	1		
20	064792	. DIODE ASSY	1	1		
. NS	561740	. . DIODE / 3AMPS	1	1		
. NS	560082	. . RING TERMINAL #10 / 16-14 / INSULATED / AMP 626033-2	1	1		
. NS	560815	. . RING TERMINAL #10 / 22-18 / INSULATED / AMP 42037-2	1	1		
. NS	562499	. . SHRINK TUBING / .250" - .125" / CLEAR / ALPHA FIT 221-1/4	AR	AR		
21	491009	. ATTACHMENT ASSY	4	4		
22	491094	SUPPORT PUMP ASSY	1	1		
23	491008	CARRIER ASSY / W/WHEEL	4	4		
24	500652	. NUT HEX 1/2-20 SS	1	1		
25	490998	. PLATE SUPPORT	1	1		
26	490995	. CALIPER	1	1		
27	990418	. WHEEL / W/"V" GROOVE USE W/SCREW	1	1		
28	500944	. WASHER LO SPT .506x.873x.125 N500	1	1		
29	502638	. WASHER FL .312x.734x.065 N500	2	2		
30	500631	. SCREW SHR HEXS 5/16x3/4 {1/4-20 SS	2	2		
31	491002	DECAL / GAUCHE / LEFT / ENGLISH & FRANCAIS	1	1		



From 5-0168 To 8-1043	Date:10/2022	PAGE:HF-2380-02
W.C.L. "RICON" REMOVABLE - INSTALLATION MODEL "F9TF"		

Item#	Part	Description	H 3 4 1	H 3 4 5	V I P 4 5	N O T E S
31	491056	DECAL / LEFT IZQUIERDA / ENGLISH & SPANISH	1	1		
32	491001	DECAL / DROIT / RIGHT / ENGLISH & FRANCAIS	1	1		
32	491055	DECAL / RIGHT DERECHA / ENGLISH & SPANISH	1	1		
33	491013	PLATE PROTECTOR	1	1		
34	955525	SCREW CAP HEX 5/16-18x1 G5 ZG603	10	10		
35	500942	WASHER LO SPT 8.1x14.8x2.0 N500	10	10		
36	500347	SCREW CAP HEX 5/16-18x1 1/4 SS	2	2		
37	5001448	WASHER FL .343x.875x.062 SS18-8	2	2		
38	500035	WASHER LO SPT .317x.586x.078 SS	2	2		
39	955513	SCREW CAP HEX 1/4-20x3/4 G5 ZG603	2	2		
40	500877	WASHER FL .250x.562x.065 N500	2	2		
41	502874	NUT HEX NYRT 1/4-20 N500	10	10		
42	364031	SPACER	2	2		
43	900859	BRACKET, MOUNTING / MICROPHONE	1	1		
44	504379	RIVET POP DOME OE 3/16x1/4 SS	2	2		
45	502638	WASHER FL .312x.734x.065 N500	2	2		
46	491091	PIVOT ASSY	1	1		
47	491087	ARM ASSY	1	1		
48	491083	TUBE ASSY	1	1		
49	500877	WASHER FL .250x.562x.065 N500	1	1		
50	502681	NUT HEX NYRT M6-1.0 N500 G8	1	1		
51	502024	PIN, CLEVIS 5/16 x 13/16 BZC	2	2		
52	502102	PIN, COTTER 1/8 x 1	3	3		
53	491097	ROD	1	1		
54	504226	SNAP BUSHING / .391x.578x.406	1	1		
55	504243	CLIP ROD 1/4" L.H.	1	1		
56	491100	PIVOT	1	1		
57	505420	SPRING, PIN M4.5 x 20	1	1		
58	491101	UNION	1	1		
59	491102	GUIDE	1	1		
60	502772	SCREW CAP HEX 1/4-20x1/2 G5 N500	2	2		
61	502853	WASHER LO SPT 6.1x11.8x1.6 N500	2	2		
62	990417	PANEL FIBERGLASS / OVER W.C.L. "RICON" / 1000MM X 1940MM	1	1		
63	502903	SCREW TC FL PH #10-24x1 1/4 N500	2	2		
64	5001538	SCREW CAP HEXF SERR M12-1.75x50 G500	8	8		
65	500944	WASHER LO SPT .506x.873x.125 N500	8	8		
66	5001568	NUT PUSH RND M12 ZP	8	8		
67	864071	HARNESS, ELECTRICAL, MAIN, W/HYDRAULIC LINE	1	1		
70	490988P	TRANSPORTER JACK ASSY L.H.	2	2		
70	490989P	TRANSPORTER JACK ASSY R.H.	2	2		
71	990416	. JACK	1	1		



From 5-0168 To 8-1043	Date:10/2022	PAGE:HF-2380-02
W.C.L. "RICON" REMOVABLE - INSTALLATION MODEL "F9TF"		

Item#	Part	Description	H 3 4 1	H 3 4 5	V I P 4 5	N O T E S
72	503399	. U-CLAMP / 2" I.D. X 1/4-20	1	1		
73	500769	. NUT HEX 1/4-20 Z050	2	2		
NS	500441	. WASHER FL .312x.734x.065 Z050	2	2		
NS	500473	. WASHER LO SPT .262x.489x.062 Z050	2	2		
74	508394	. GLIDE SQUARE END 1.5 X 1.5 TUBE 14GA / P	1	1		
75	490981	. SUPPORT JACK L.H.	1	1		
75	490982	. SUPPORT JACK R.H.	1	1		
76	5001862	. SCREW CAP HEX M12-1.75x70 G10.9 N500	2	2		
77	500860	. NUT HEX M12-1.75 Z050	2	2		
NS	500958	. WASHER FL .531x1.062x.095 SS	4	4		
78	502559	. SCREW CAP HEX M10-1.5x25 G8.8 Z050	3	3		
79	502644	. WASHER FL 10.5x30.0x2.5 Z050	3	3		
80	500680	. NUT HEX STO M10-1.5 Z050	3	3		
81	491002	. DECAL / GAUCHE / LEFT / ENGLISH & FRANCAIS	1	1		
81	491056	. DECAL / LEFT IZQUIERDA / ENGLISH & SPANISH	1	1		
82	491001	. DECAL / DROIT / RIGHT / ENGLISH & FRANCAIS	1	1		
82	491055	. DECAL / RIGHT DERECHA / ENGLISH & SPANISH	1	1		
90	215857	TRACK ANGULAR ASSY W.C.L. BACKWARD	1	1		
91	215861	TRACK BASE W.C.L. FORWARD UNDER FLOOR	1	1		
		A) DO NOT INCLUDED TRANSPORTER JACK L.H. & R.H.				
		R) THIS NUMBER USED ONLY WITH "RETROFIT" MAKE AT PREVOST SHOP ON VEHICULE				

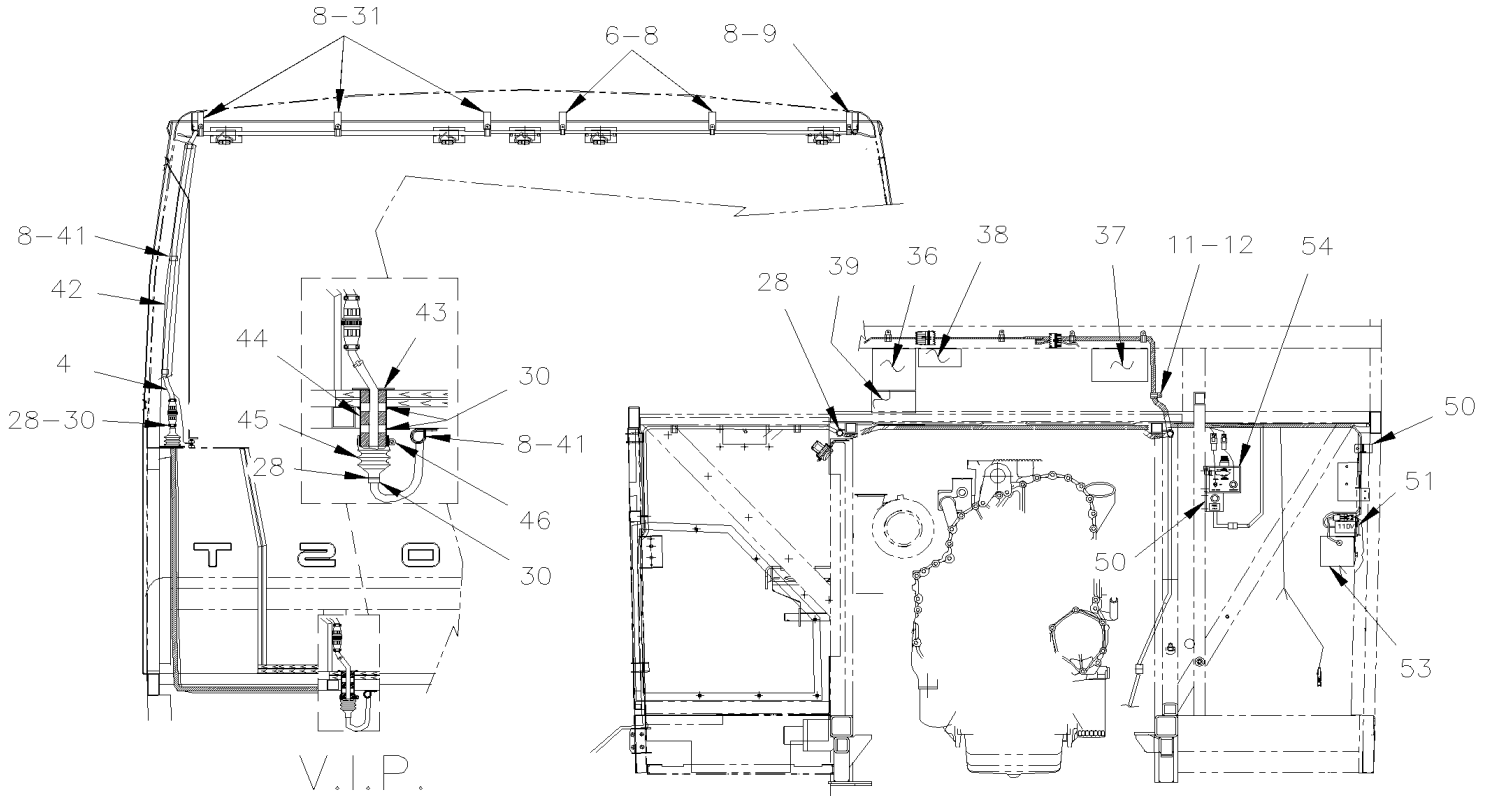


From 3-4417 To 6-0435

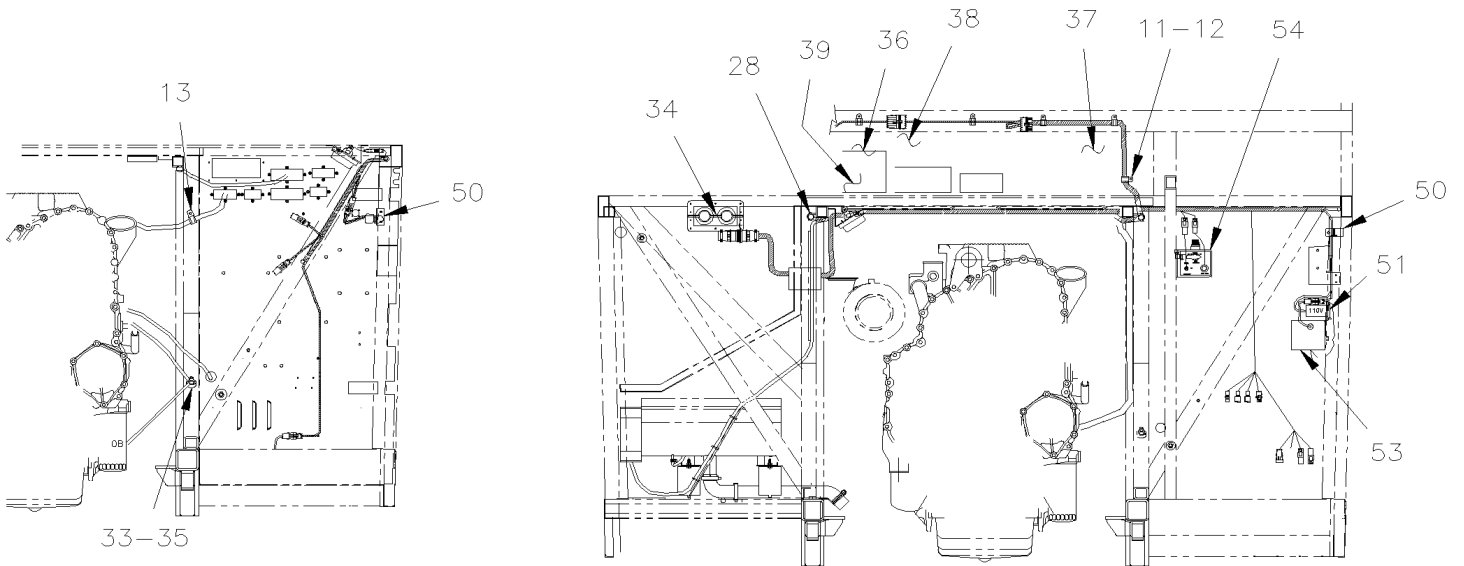
Date:10/2022

PAGE:HF-0641-00

CABLE & HARNESS - REAR END INSTALLATION



FROM 4-4758



UP TO 3-4757

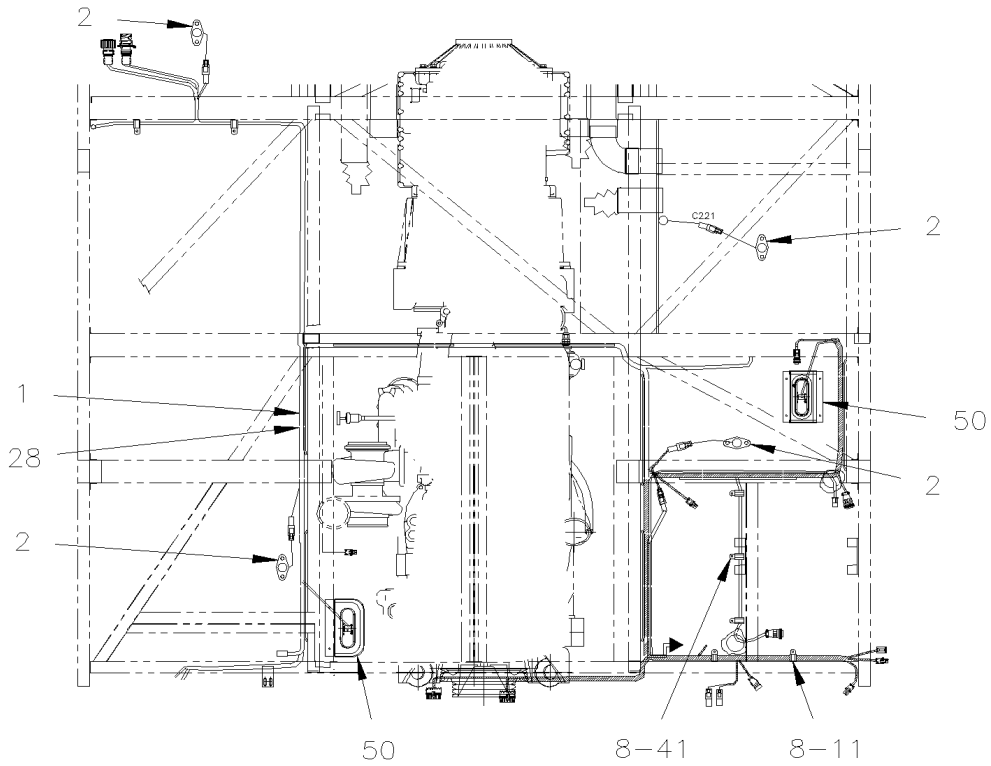


From 3-4417 To 6-0435

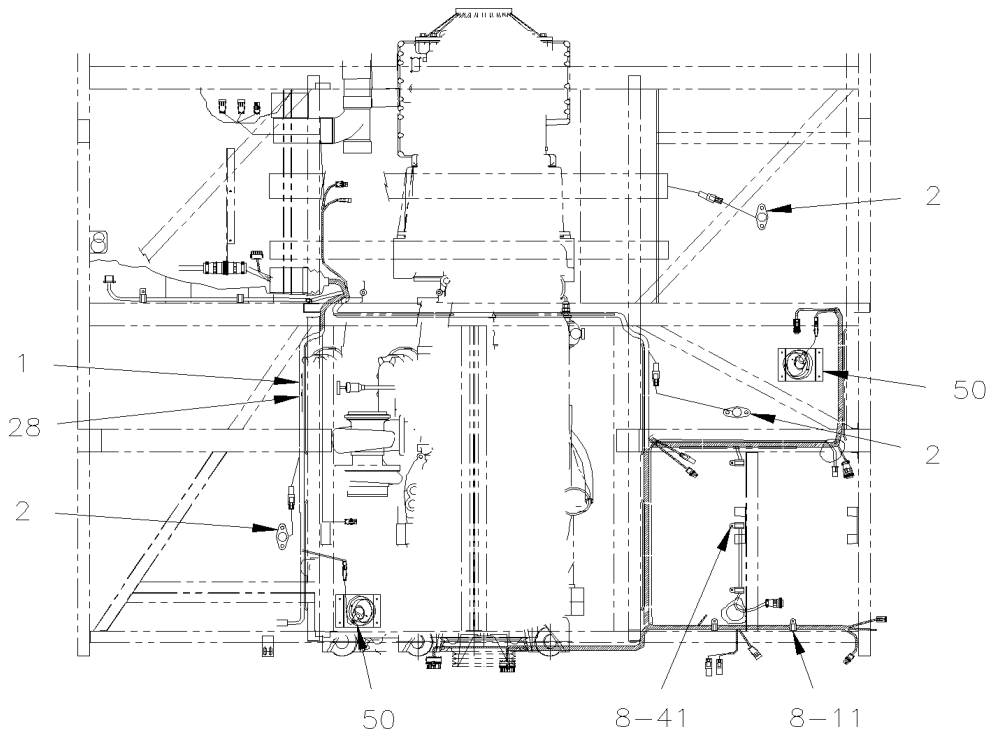
Date:10/2022

PAGE:HF-0641-00

CABLE & HARNESS - REAR END INSTALLATION



FROM 4-4758



UP TO 3-4757



From 3-4417 To 6-0435	Date:10/2022	PAGE:HF-0641-00
-----------------------	--------------	-----------------

CABLE & HARNESS - REAR END INSTALLATION

Item#	Part	Description	H 3 4 1	H 3 4 5	V I P 4 5	N O T E S
1	065625	CABLE HARNESS / ENGINE ACCESSORIES To 3-4624	1	1	1	
1	065468	CABLE HARNESS / ENGINE ACCESSORIES From 3-4625 To 3-4632	1	1	1	
1	065828	CABLE HARNESS / ENGINE ACCESSORIES From 3-4633 To 3-4757	1	1	1	
1	065679	CABLE HARNESS / ENGINE ACCESSORIES From 4-4758 To 4-4866	1	1	1	
1	065981	CABLE HARNESS / ENGINE ACCESSORIES From 4-4867 To 5-0167	1	1		
1	065981	CABLE HARNESS / ENGINE ACCESSORIES From 4-4867 To 5-0233			1	
2	065290	HEAT DETECTOR "THERMO-DISK"	3	3	3	
3	504013	TIE MOUNT / 1/4" X 1/4" I.D.	AR	AR	AR	
4	064646	CABLE HARNESS / ENGINE ACC. TO ROOF LIGHT	1	1		
6	952627	CLAMP / 1/2" I.D.	AR	AR	AR	
7	952629	CLAMP / 5/8" I.D.	AR	AR	AR	
8	500641	SCREW TP PAN PH #8x3/4 Z050	AR	AR	AR	
9	952625	CLAMP / 3/8" I.D.	1	1	1	
10	504012	CABLE TIE / 3/16" X 6"1/2	AR	AR	AR	
11	952631	CLAMP / 3/4" I.D.	AR	AR	AR	
11	560483	CLAMP / 7/8" I.D.	2	2	2	
12	502896	SCREW TC BDG PH #12-24x3/4 N500	AR	AR	AR	
13	952631	CLAMP / 3/4" I.D.	1	1	1	
28	504637	CABLE TIE / 3/16" x 13"	AR	AR	AR	
30	680096	SEALANT BUTYL ALUM / GREY / 310ml CARTRIDGE	AR	AR	AR	
31	500957	SCREW TP BDG PH #10x3/4 N500			AR	
33	500998	NUT HEX 1/2-13 BR	AR	AR	AR	
34	504579	GROMMET / .750x1.625x.125x.437x2.000	1	1	1	
35	500482	WASHER LO SPT .506x.873x.125 Z050	AR	AR	AR	
36	063711	DECAL / "WELDING..." / W/SERIES 60 & "WORLD TRANSMISSION / ENGLISH	1	1	1	
36	066046	DECAL / "WELDING..." / W/SERIES 60 & "WORLD TRANSMISSION / ENGLISH & SPANISH	1	1	1	
37	052375	DECAL / "WARNING WARRANTY....." / ENGLISH & FRANCAIS	1	1	1	
37	052576	DECAL / "WARNING WARRANTY....." / ENGLISH & SPANISH	1	1	1	
38	071249	DECAL "TranSynd OIL ONLY" / ENGLISH & FRANCAIS	1	1	1	
38	071364	DECAL "TranSynd OIL ONLY" / ENGLISH & SPANISH	1	1	1	
39	454118	DECAL R134A / NOMINAL CHARGE 6.LBS / PAG OIL	1	1	1	
41	952635	CLAMP / 1" I.D.	AR	AR	AR	
42	065277	CABLE HARNESS / ENGINE COMP. TO DEFLECTOR			1	
43	062698	TUBE ASSY 1 3/4" O.D. SS			1	
44	506264	TAPE RUB ADH1 URE 3/4" x 1" x 12.5' / GREY 1820X			AR	
45	504384	CUFF END BELLOW / 1 1/4" I.D. x 1 3/4" x 4"			1	
46	504302	HOSE CLAMP / 1"9/16-2"1/2 SS / E.T. 32			1	
50	HF-0665-10	SWITCHES, LIGHTS, AJAR - UNDER FLOOR				
51	HF-0666-00	BLOCK HEATER RECEPTACLE				
52	HF-0665-00	ENGINE COMPARTMENT - ELECTRIC COMPONENTS				
53	HF-0665-00	ENGINE COMPARTMENT - ELECTRIC COMPONENTS				
54	HF-0125-00	BELTS TENSIONERS - WITH DETROIT S-60 To 3-4757				



From 3-4417 To 6-0435	Date:10/2022	PAGE:HF-0641-00
-----------------------	--------------	-----------------

CABLE & HARNESS - REAR END INSTALLATION

Item#	Part	Description	H 3 4 1	H 3 4 5	V I P 4 5	N O T E S
54	HF-0125-01	BELTS TENSIONERS - WITH DETROIT S-60 From 4-4758				

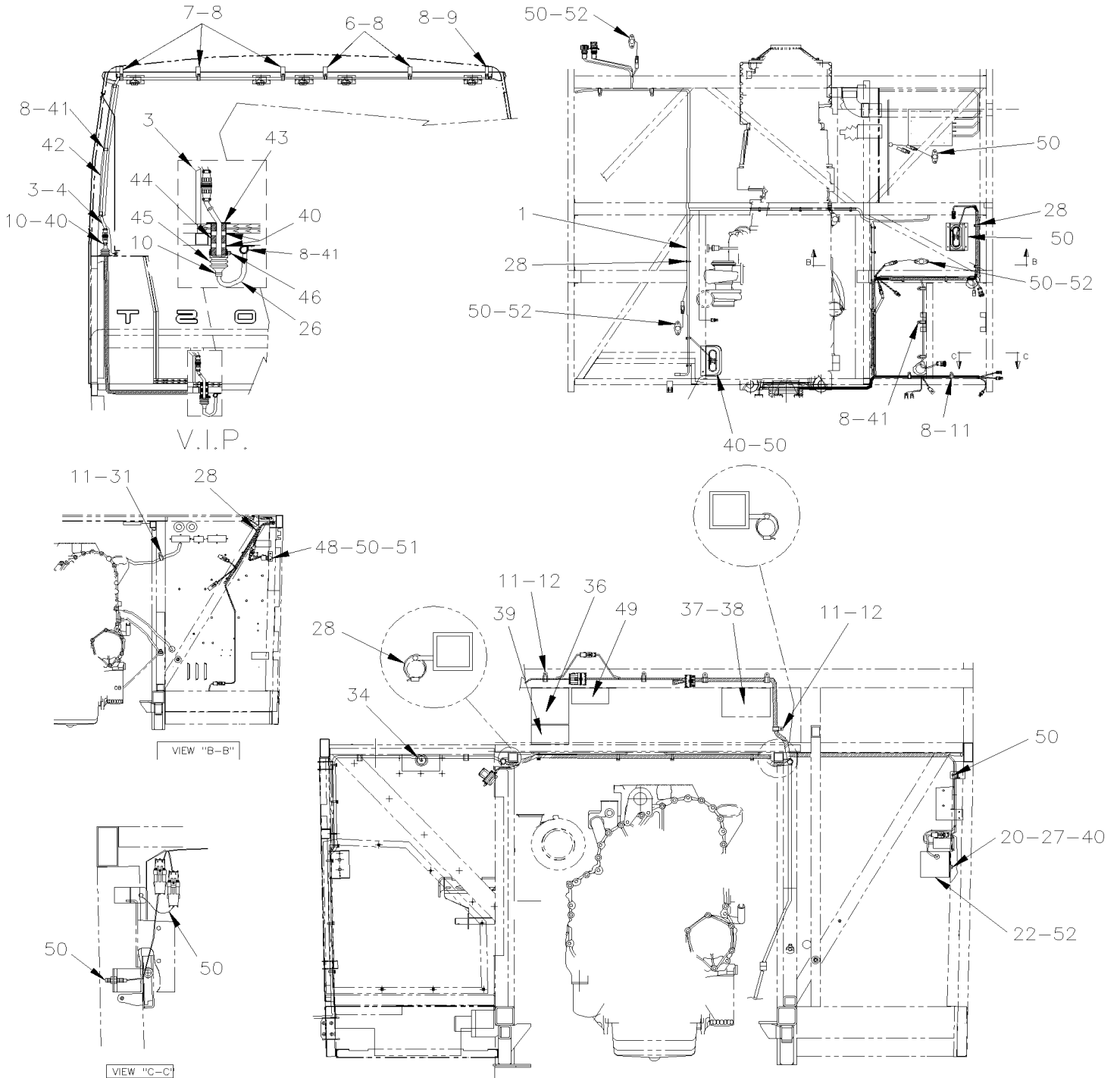


From 5-0168 To 8-1043

Date:10/2022

PAGE:HF-0641-01

CABLE & HARNESS - REAR END INSTALLATION





From 5-0168 To 8-1043	Date:10/2022	PAGE:HF-0641-01
-----------------------	--------------	-----------------

CABLE & HARNESS - REAR END INSTALLATION

Item#	Part	Description	H 3 4 1	H 3 4 5	V I P 4 5	N O T E S
1	066377	CABLE HARNESS / ENGINE ACCESSORIES	1	1		
2	HF-0665-10	SWITCHES, LIGHTS, AJAR - UNDER FLOOR				
3	504013	TIE MOUNT / 1/4" X 1/4" I.D.	AR	AR	AR	
4	064646	CABLE HARNESS / ENGINE ACC. TO ROOF LIGHT	1	1		
6	952627	CLAMP / 1/2" I.D.	AR	AR	AR	
7	952629	CLAMP / 5/8" I.D.	AR	AR	AR	
8	500641	SCREW TP PAN PH #8x3/4 Z050	AR	AR	AR	
9	952625	CLAMP / 3/8" I.D.	1	1	1	
10	504012	CABLE TIE / 3/16" X 6" 1/2	AR	AR	AR	
11	952631	CLAMP / 3/4" I.D.	AR	AR	AR	
11	560483	CLAMP / 7/8" I.D.	2	2	2	
12	502896	SCREW TC BDG PH #12-24x3/4 N500	5	5	5	
13	952631	CLAMP / 3/4" I.D.	1	1	1	
15	955269	SCREW CAP HEX M6-1.0x12 G8.8 ZG603	2	2	2	
16	502556	WASHER FL 4.3x9.0x0.8 SS	4	4	4	
17	502853	WASHER LO SPT 6.1x11.8x1.6 N500	2	2	2	
20	5001527	SCREW CAP HEX M8-1.25x16 SS BK	2	2	2	
22	563199	BACK-UP ALARM "ECCO" / 12-36vdc / 107db	2	2	2	
26	066207	CABLE HARNESS / CLEARANCE LIGHT REAR / MUX	1	1		
27	966171	NUT HEX NYRT M8x1.25 SS	2	2		
28	504637	CABLE TIE / 3/16" x 13"	AR	AR	AR	
30	680096	SEALANT BUTYL ALUM / GREY / 310ml CARTRIDGE	AR	AR	AR	
31	500957	SCREW TP BDG PH #10x3/4 N500			AR	
33	500998	NUT HEX 1/2-13 BR	AR	AR	AR	
34	504579	GROMMET / .750x1.625x.125x.437x2.000	1	1	1	
36	066436	DECAL / "CAUTION" BEFORE WELDING...." // ENGLISH	1	1	1	
37	052375	DECAL / "WARNING WARRANTY....." / ENGLISH & FRANCAIS	1	1	1	
37	052576	DECAL / "WARNING WARRANTY....." / ENGLISH & SPANISH	1	1	1	
38	071249	DECAL "TranSynd OIL ONLY" / ENGLISH & FRANCAIS	1	1	1	
38	071364	DECAL "TranSynd OIL ONLY" / ENGLISH & SPANISH	1	1	1	
39	454118	DECAL R134A / NOMINAL CHARGE 6.LBS / PAG OIL	1	1	1	
40	500965	SCREW TC BDG PH #8-32x1/2 N500	2	2		
41	952635	CLAMP / 1" I.D.	AR	AR	AR	
42	065277	CABLE HARNESS / ENGINE COMP. TO DEFLECTOR			1	
43	062698	TUBE ASSY 1 3/4" O.D. SS			1	
44	506264	TAPE RUB ADH1 URE 3/4" x 1" x 12.5' / GREY 1820X			AR	
45	504384	CUFF END BELLOW / 1 1/4" I.D. x 1 3/4" x 4"			1	
46	504302	HOSE CLAMP / 1"9/16-2"1/2 SS / E.T. 32			1	
50	HF-0665-10	SWITCHES, LIGHTS, AJAR - UNDER FLOOR				
51	HF-0666-00	BLOCK HEATER RECEPTACLE				
52	HF-0665-00	ENGINE COMPARTMENT - ELECTRIC COMPONENTS				
53	HF-0665-00	ENGINE COMPARTMENT - ELECTRIC COMPONENTS				



From 5-0168 To 8-1043	Date:10/2022	PAGE:HF-0641-01
-----------------------	--------------	-----------------

CABLE & HARNESS - REAR END INSTALLATION

Item#	Part	Description	H 3 4 1	H 3 4 5	V I P 4 5	N O T E S
54	HF-0125-01	BELTS TENSIONERS - WITH DETROIT S-60 From 4-4758				

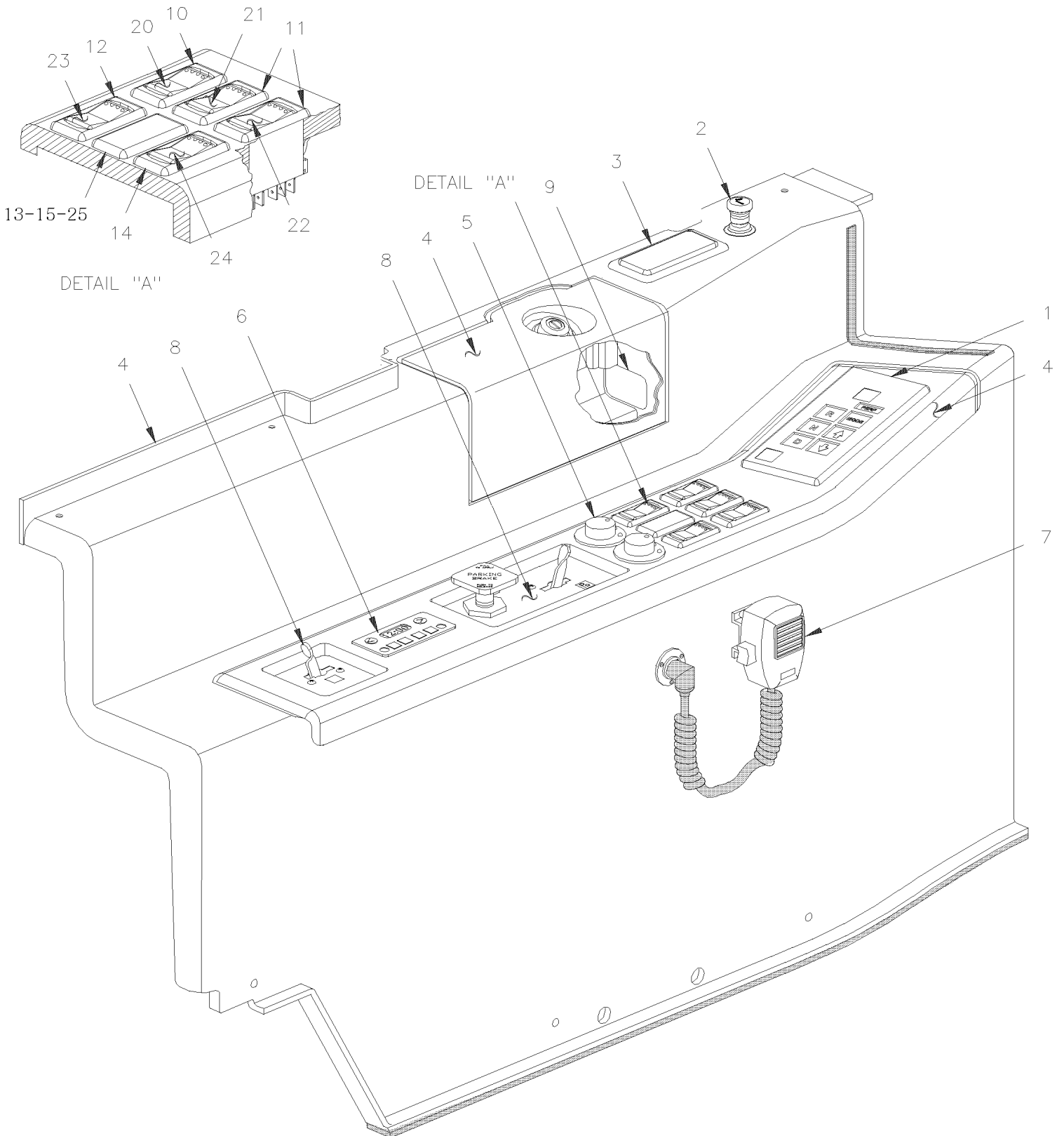


From 3-4417 To 8-1043

Date:10/2022

PAGE:HF-0645-00

SWITCHES L.H. CONSOLE - BUS





From 3-4417 To 8-1043	Date:10/2022	PAGE:HF-0645-00
SWITCHES L.H. CONSOLE - BUS		

Item#	Part	Description	H 3 4 1	H 3 4 5	V I P 4 5	N O T E S
1	571718	SHIFTER, SELECTOR "WORLD" / WTEC III To 6-0559	1	1		
1	572031	SHIFTER, SELECTOR "WORLD" / GEN IV From 6-0560	1	1		
1	571773	SHIFTER SELECTOR "ZF"	1	1		
NS	071300	SUPPORT / SHIFTER SELECTOR "ZF"	2	2		
NS	500423	NUT HEX NYRT #10-32 SS	2	2		
NS	065627	WIRING HARNESS DASHBOARD LEFT MODULE To 5-0168	1	1		
NS	066135	WIRING HARNESS DASHBOARD LEFT MODULE / W/MUX From 5-0169 To 5-0434	1	1		
NS	066627	WIRING HARNESS DASHBOARD LEFT MODULE / W/MUX From 5-0435 To 7-0953	1	1		
1	067171	WIRING HARNESS DASHBOARD LEFT MODULE / W/MUX From 7-0954	1	1		
2	561491	LIGHTER ASSY / 12V	1	1		
3	890006	ASHTRAY	1	1		
4	HF-1806-10	L.H. CONSOLE - BUS				
5	562748	SWITCH, MIRROR / ROUND	AR	AR		
5		CLIP RETAINER / MIRROR SWITCH (R2000-1372P)	2	2		
NS	562749	CONNECTOR / SH 8C / EURAMTEC W-RT8-200	2	2		
NS	507295	HOLE PLUG BUTTON / 1.375 O.D. BLACK	AR	AR		
6	871250	TIMER ASSY / W/"WEBASTO" PREHEATER	1	1		
6	871101	TIMER ASSY / W/"PROHEAT" PREHEATER	1	1		
NS	392162	SUPPORT W/"PROHEAT" TIMER	1	1		
NS	065572	WIRING HARNESS / W/ "WEBASTO" PREHEATER To 5-0168	1	1		
NS	066217	WIRING HARNESS / W/ "WEBASTO" PREHEATER / W/MUX From 5-0169	1	1		
NS	065392	WIRING HARNESS / W/ "PROHEAT" PREHEATER	1	1		
NS	391968	DUMMY / W/O TIMER	1	1		
7	HF-2315-00	SOUND SYSTEM & ACCESSORIES				
8	HF-1806-10	L.H. CONSOLE - BUS				
9	562796	12 VOLTS POWER OUTLET	1	1		
10	562697	SWITCH / ON-ON / D.P.D.T. / CH-OVER / W/RED & GREEN LED	1	1		
11	562698	SWITCH / OFF-M/ON / D.P.S.T. / W/GREEN LED	3	3		
12	562699	SWITCH / M/ON-OFF-M/ON / D.P.D.T. / W/GREEN LED	AR	AR		
13	562773	SWITCH / "DUMMY" / PLUG	1	1		
14	562855	SWITCH / OFF-M/ON / D.P.S.T. / W/RED LED	1	1		
NS	562763	CONNECTOR RH 10C / SWITCH / NGR 28-5637-2	AR	AR		
NS	562768	SOCKET TERMINAL / 16-14 / PED 12015870	AR	AR		
15	562698	SWITCH / OFF-M/ON / D.P.S.T. / W/GREEN LED To 4-4804	1	1		A
15	563376	SWITCH / ON-M/ON / D.P.S.T. / NOMALY CLOSE 1-2 / 4-5 From 4-4805	1	1		A
NS	065720	CABLE ASSY / SAFETY SWITCH / PARKING BRAKE (BETWEN SWITCH & RELAY) To 4-4804	1	1		A
NS	065950	CABLE ASSY / SAFETY SWITCH / PARKING BRAKE (BETWEN SWITCH & RELAY) From 4-4805	1	1		A
20	562724	CAP / CRUISE CONTROL	1	1		
21	562725	CAP / SET / CRUISE CONTROL	1	1		
22	562726	CAP / RESUME / CRUISE CONTROL	1	1		
23	562740	CAP / WINDOW DRIVER'S	1	1		
24	562787	CAP / DECEL / CRUISE CONTROL	1	1		



From 3-4417 To 8-1043	Date:10/2022	PAGE:HF-0645-00
-----------------------	--------------	-----------------

SWITCHES L.H. CONSOLE - BUS

Item#	Part	Description	H 3 4 1	H 3 4 5	V I P 4 5	N O T E S
25	562714	CAP / PLAIN (W/O DESCRIPTION)	1	1		A
		A) WITH SAFETY SWITCH PARKING BRAKE				

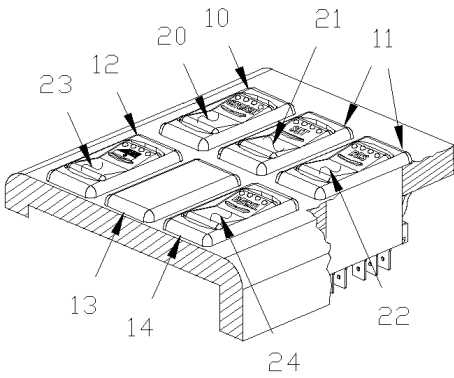


From 3-4417 To 8-1043

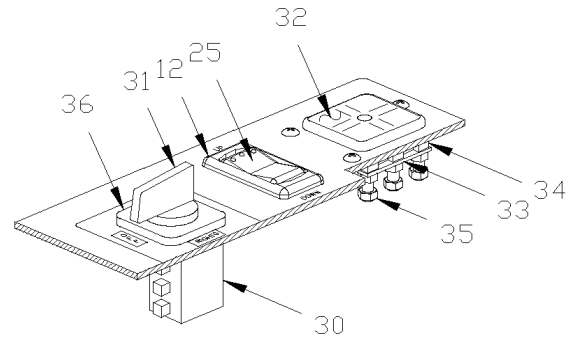
Date:10/2022

PAGE:HF-0645-05

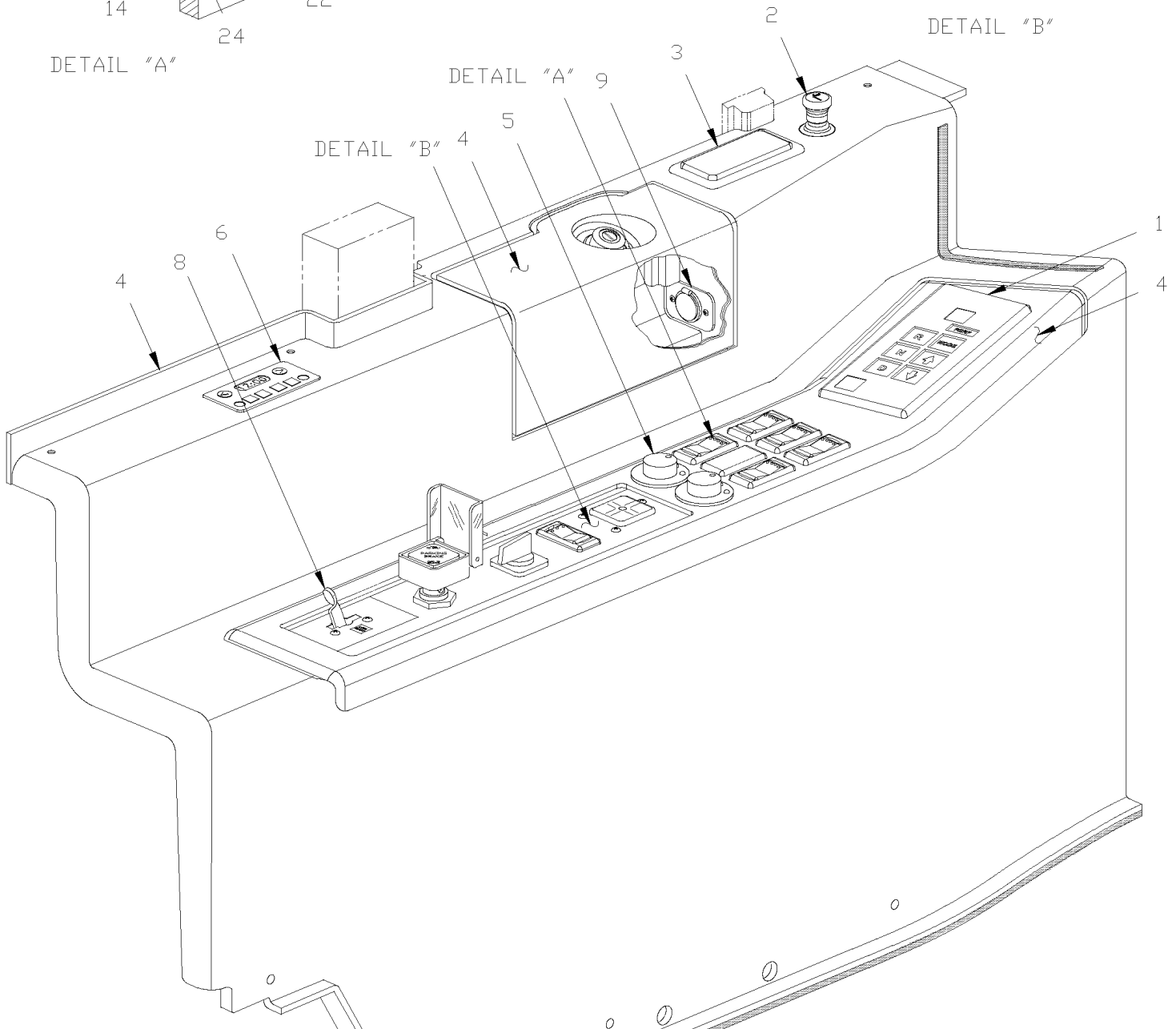
SWITCHES L.H. CONSOLE - V.I.P.



DETAIL "A"



DETAIL "B"





From 3-4417 To 8-1043	Date:10/2022	PAGE:HF-0645-05
SWITCHES L.H. CONSOLE - V.I.P.		

Item#	Part	Description	H 3 4 1	H 3 4 5	V I P 4 5	N O T E S
1	571718	SHIFTER, SELECTOR "WORLD" / WTEC III To 6-0588			1	
1	572031	SHIFTER, SELECTOR "WORLD" / GEN IV From 6-0589			1	
NS	064603	WIRING HARNESS DASHBOARD LEFT MODULE To 5-0215			1	
NS	066366	WIRING HARNESS DASHBOARD LEFT MODULE From 5-0216 To 6-0435			1	
1	066448	WIRING HARNESS DASHBOARD LEFT MODULE / MUX From 6-0436			1	
2	561491	LIGHTER ASSY / 12V			1	
3	890006	ASHTRAY			1	
4	HF-1806-15	L.H. CONSOLE - V.I.P.				
5	562748	SWITCH, MIRROR / ROUND			AR	
5	N.P.N.	CLIP RETAINER / MIRROR SWITCH (R2000-1372P)			2	4
NS	562749	CONNECTOR / SH 8C / EURAMTEC W-RT8-200			2	
NS	507295	HOLE PLUG BUTTON / 1.375 O.D. BLACK			AR	
6	871250	TIMER ASSY / W/"WEBASTO" PREHEATER			1	
6	871101	TIMER ASSY / W/"PROHEAT" PREHEATER			1	
NS	065572	WIRING HARNESS / W/ "WEBASTO" PREHEATER To 5-0168			1	
NS	066217	WIRING HARNESS / W/ "WEBASTO" PREHEATER / W/MUX From 5-0169			1	
6	065392	WIRING HARNESS / W/ "PROHEAT" PREHEATER			1	
8	HF-1806-15	L.H. CONSOLE - V.I.P.				
9	562796	12 VOLTS POWER OUTLET			1	
10	562697	SWITCH / ON-ON / D.P.D.T. / CH-OVER / W/RED & GREEN LED			1	
11	562698	SWITCH / OFF-M/ON / D.P.S.T. / W/GREEN LED			3	
12	562699	SWITCH / M/ON-OFF-M/ON / D.P.D.T. / W/GREEN LED			AR	
13	562773	SWITCH / "DUMMY" / PLUG			1	
14	562855	SWITCH / OFF-M/ON / D.P.S.T. / W/RED LED			1	
20	562724	CAP / CRUISE CONTROL			1	
21	562725	CAP / SET / CRUISE CONTROL			1	
22	562726	CAP / RESUME / CRUISE CONTROL			1	
23	562740	CAP / WINDOW DRIVER'S			1	
24	562787	CAP / DECEL / CRUISE CONTROL			1	
25	562738	CAP / UP-DOWN			1	
30	562517	SWITCH / 10 AMPS 4 POSITIONS 90° To 6-0577			1	A
30	563086	SWITCH / 10 AMPS 4 POSITIONS 90° From 6-0578			1	
31	561855	. KNOB To 6-0577			1	
NS	064657	CABLE ASSY / W/"LEVEL LOW" To 6-0577			1	
NS	066510	CABLE ASSY / W/"LEVEL LOW" / MUX From 6-0578			1	
32	630075	LEVEL 5 WAYS			1	
33	391827	BRACKET / TO FIX LEVEL			1	
34	502162	SPRING COMPRESSION / .240 O.D. x .312 x .026			3	
35	500670	NUT HEX NYRT #8-32 Z050			3	
36	391994	DECAL "LEVEL LOW" To 6-0577			1	
36	392317	PLATE PLASTIC "LEVEL LOW" From 6-0578			1	
NS	065381	KIT, SWITCH LEVEL LOW To 6-0577			AR	



From 3-4417 To 8-1043	Date:10/2022	PAGE:HF-0645-05
SWITCHES L.H. CONSOLE - V.I.P.		

Item#	Part	Description	H 3 4 1	H 3 4 5	V I P 4 5	N O T E S
. NS	391994	. DECAL "LEVEL LOW" To 6-0577			1	
. NS	392317	. PLATE PLASTIC "LEVEL LOW" To 6-0577			1	
. NS	561457	. SPRING SPADE TERMINAL #6 / 22-16 / AMP 52929 To 6-0577			7	
. NS	563086	. SWITCH / 10 AMPS 4 POSITIONS 90° To 6-0577			1	
. NS	D390096	. DIAGRAM, DASHBOARD, LEFT MODULE, MTH To 6-0577			1	
. NS	D390113	. DIAGRAM, DASHBOARD, LEFT MODULE, VIP MUX To 6-0577			1	
. NS	IS-06020	. INSTRUCTION SHEET To 6-0577			1	
. NS	FI-06020	. FEUILLE D'INSTRUCTION To 6-0577			1	
		A) THIS SWITCH IT SUPPERSEDED BY KIT # 065381				
		4) NO PARTS NUMBER				

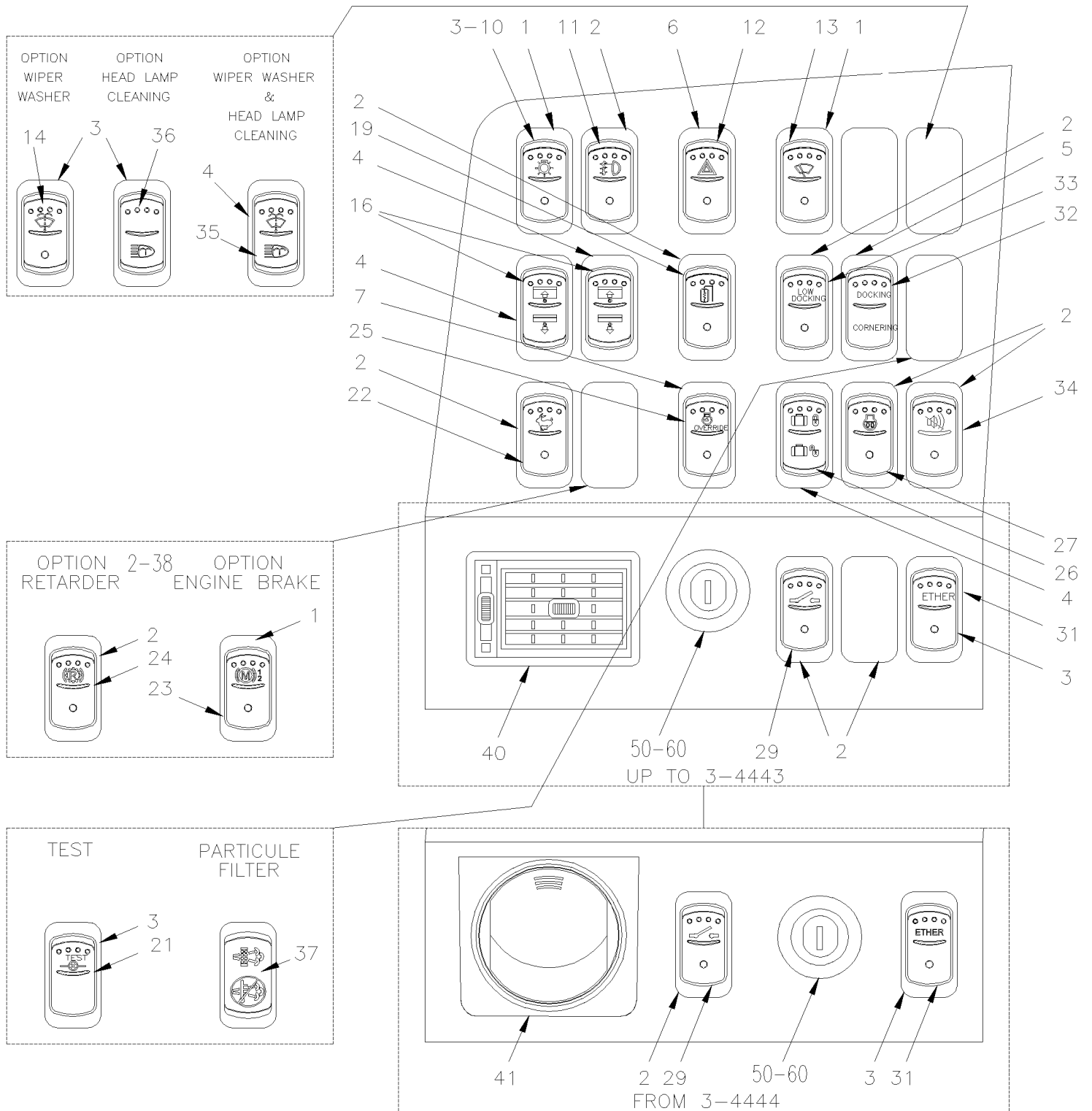


From 3-4417 To 8-1043

Date:10/2022

PAGE:HF-0645-10

L.H. DASHBOARD PANEL



V.I.P.

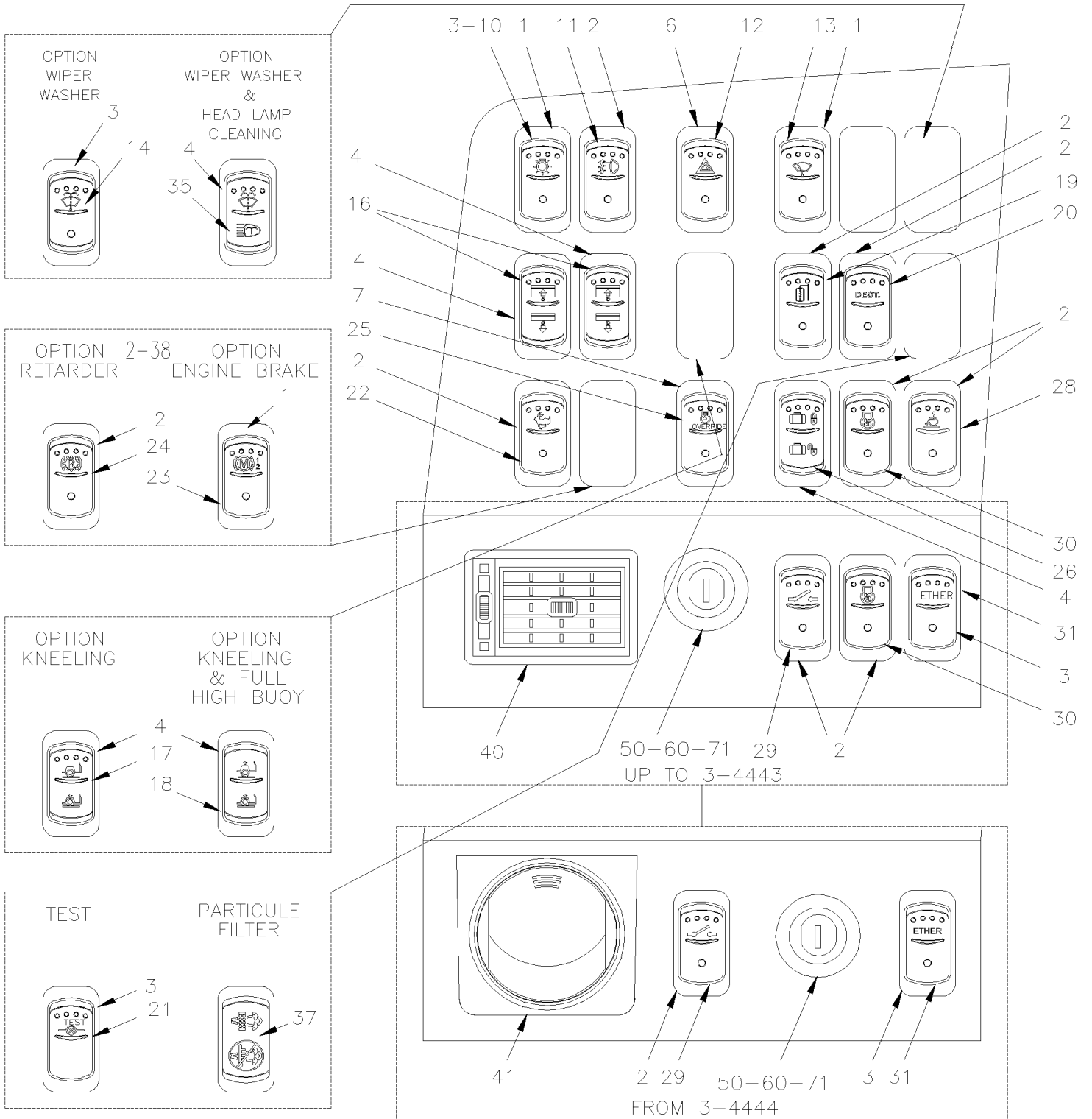


From 3-4417 To 8-1043

Date:10/2022

PAGE:HF-0645-10

L.H. DASHBOARD PANEL



BUS



From 3-4417 To 8-1043	Date:10/2022	PAGE:HF-0645-10
L.H. DASHBOARD PANEL		

Item#	Part	Description	H 3 4 1	H 3 4 5	V I P 4 5	N O T E S
1	562696	SWITCH / OFF-ON-ON SERIES S.P.D.T. / W/RED & GREEN LED	4	4	4	
2	562697	SWITCH / ON-ON / D.P.D.T. / CH-OVER / W/RED & GREEN LED	AR	AR	AR	
3	562698	SWITCH / OFF-M/ON / D.P.S.T. / W/GREEN LED	1	1	1	
4	562699	SWITCH / M/ON-OFF-M/ON / D.P.D.T. / W/GREEN LED	3	3	3	
5	562700	SWITCH / ON-OFF-ON / D.P.D.T. / W/GREEN LED			1	
6	562854	SWITCH / ON-ON / D.P.D.T. / CH-OVER / W/RED LED	1	1	1	
7	562855	SWITCH / OFF-M/ON / D.P.S.T. / W/RED LED	1	1	1	
NS	562773	SWITCH / "DUMMY" / PLUG	AR	AR	AR	
NS	562763	CONNECTOR RH 10C / SWITCH / NGR 28-5637-2	AR	AR	AR	
7	562768	SOCKET TERMINAL / 16-14 / PED 12015870	AR	AR	AR	
10	562708	CAP / HEADLIGHT	1	1	1	
11	562709	CAP / FOG	1	1	1	
12	562710	CAP / WARNING LIGHT HAZARD	1	1	1	
13	562711	CAP / WIPER (UPPER)	1	1	1	
14	562715	CAP / WINDSHIELD WASHER (UPPER)	1	1	1	
15	562712	CAP / DEFOGGER	1	1	1	
16	562739	CAP / ROLLER BLIND	2	2	2	
17	562737	CAP / KNEELING	1	1		
18	562738	CAP / UP-DOWN	1	1		
19	562713	CAP / MIRROR HEATER	1	1	1	
20	562743	CAP / DESTINATION SIGN	1	1		
21	562741	CAP / TELL TALE TEST	1	1	1	
NS	562697	SWITCH / ON-ON / D.P.D.T. / CH-OVER / W/RED & GREEN LED	1	1	1	A
22	562723	CAP / FAST IDLE	1	1	1	
23	562728	CAP / "JACOB'S"	1	1	1	C
NS	562697	SWITCH / ON-ON / D.P.D.T. / CH-OVER / W/RED & GREEN LED	1	1	1	C D
NS	066255	CABLE ASSY / BETWEN PRESSURE SWITCH & C419	1	1	1	C
NS	064819	DIODE DOUBLE ASSY	1	1	1	D
NS	065389	CABLE ASSY / "JACOB'S" & RETARDER	1	1	1	D
NS	561707	RELAY 24V S.P.D.T. W/RESISTOR / To 5-0142	1	1	1	D
23	563332	RELAY 24V S.P.D.T. W/RESISTOR / "VOLVO" (20374662) From 5-0143	1	1	1	D
24	562729	CAP / "RETARDER"	1	1	1	
25	562727	CAP / ENGINE OVERRIDE	1	1	1	
26	562736	CAP / LUGGAGE DOOR LOCK	1	1	1	
27	562722	CAP / PRE-HEATER	1	1	1	
28	562774	CAP / W.C.L.	1	1	1	
29	562742	CAP / MASTER CUT-OFF	1	1	1	
30	562735	CAP / RADIATOR FAN	1	1	1	
31	562734	CAP / ETHER	AR	AR	AR	
32	562733	CAP / DOCKING & CORNERING			1	
33	562732	CAP / LIGHT LOW DOCKING			1	
34	562731	CAP / BACK-UP ALARM			1	



From 3-4417 To 8-1043	Date:10/2022	PAGE:HF-0645-10
L.H. DASHBOARD PANEL		

Item#	Part	Description	H 3 4 1	H 3 4 5	V I P 4 5	N O T E S
35	564007	CAP / WASHER WIDSHIELD & HEADLAMP	1	1	1	
36	564006	CAP / HEADLAMP WASHER			1	HW
40	871106	LOUVER, ADJUSTABLE To 3-4443	1	1	1	
41	871314	LOUVER, ADJUSTABLE / ROUND 2 5/8" O.D. From 3-4444	1	1	1	
50	562147	SWITCH, IGNITION / CODE 801	1	1	1	
. NS	780003	. KEY, IGNITION SWITCH CODE 801	1	1	1	
50	562148	SWITCH, IGNITION / CODE 802	1	1	1	
. NS	780004	. KEY, IGNITION SWITCH CODE 802	1	1	1	
50	562151	SWITCH, IGNITION / CODE 803	1	1	1	
. NS	780006	. KEY, IGNITION SWITCH CODE 803	1	1	1	
50	562150	SWITCH, IGNITION / CODE 804	1	1	1	
. NS	780007	. KEY, IGNITION SWITCH CODE 804	1	1	1	
50	562152	SWITCH, IGNITION / CODE 805	1	1	1	
. NS	780008	. KEY, IGNITION SWITCH CODE 805	1	1	1	
50	562149	SWITCH, IGNITION / CODE 806	1	1	1	
. NS	780009	. KEY, IGNITION SWITCH CODE 806	1	1	1	
50	562146	SWITCH, IGNITION / KEYLESS (ACC-OFF-IGN-START)	1	1	1	
50	562296	KEY / IGNITION BLANCK UNCUT	AR	AR	AR	
NS	562674	KEYLESS / TRANSMITTER KEY RING / W/DESCRIPT To 4-4834			1	S
. NS	IS-03103	. SEE INSTRUCTION SHEET To 4-4834			1	S
NS	563542	KEYLESS / TRANSMITTER KEY RING / W/PICTOGRA From 4-4835			1	
NS	065045	CABLE ASSY L.H. PARCEL RACK	1	1	1	A
NS	065046	CABLE ASSY R.H. PARCEL RACK	1	1	1	A
NS	065052	CABLE ASSY RELAY READING LIGHT To 4-4871	1	1	1	A
50	066169	CABLE ASSY RELAY READING LIGHT From 4-4872	1	1	1	A
NS	065053	CABLE ASSY SWITCH READING LIGHT	1	1	1	A
NS	561707	RELAY 24V S.P.D.T. W/RESISTOR / To 5-0142	1	1	1	A
50	563332	RELAY 24V S.P.D.T. W/RESISTOR / "VOLVO" (20374662) From 5-0143	1	1	1	A
		NEXT ITEMS USED WITH "FORD" IGNITION SWITCH				
60	065512	CYLINDER IGNITION / CODE FA 0000	1	1		B
60	065658	CYLINDER IGNITION / CODE FA 0001	1	1		B
60	064902	CYLINDER IGNITION / CODE FA 0013	1	1		B
60	065590	CYLINDER IGNITION / CODE FA 0055	1	1		B
60	065607	CYLINDER IGNITION / CODE FA 0714	1	1		B
60	065878	CYLINDER IGNITION / CODE FA 0208	1	1		B
60	065396	CYLINDER IGNITION / CODE FA 0113	1	1		B
60	065409	CYLINDER IGNITION / CODE FA 0107	1	1		B
60	065851	CYLINDER IGNITION / CODE FA 0109	1	1		B
60	065397	CYLINDER IGNITION / CODE FA 0206	1	1		B
60	065043	CYLINDER IGNITION / CODE FA 0528	1	1		B



From 3-4417 To 8-1043 Date:10/2022 PAGE:HF-0645-10

L.H. DASHBOARD PANEL

Item#	Part	Description	H 3 4 1	H 3 4 5	V I P 4 5	N O T E S
60	064417	CYLINDER IGNITION / CODE FA 0528	1	1		B
60	065500	CYLINDER IGNITION / CODE FA 0704	1	1		B
60	065501	CYLINDER IGNITION / CODE FA 1343	1	1		B
60	562654	SWITCH & CABLE / SWITCH	1	1		B
60	562655	NUT / TO FIX SWITCH	1	1		B
60	391904	SPACER / SWITCH & MOUNTING PLATE	1	1		B
61	780645	KEY CODE A	1	1		B
61	780654	KEY CODE / FA 0001	1	1		B
61	780604	KEY CODE / FA 0013	1	1		B
61	780651	KEY CODE / FA 0055	1	1		B
61	780627	KEY CODE / FA 0113	1	1		B
61	780634	KEY CODE / FA 0107	1	1		B
61	780656	KEY CODE / FA 0109	1	1		B
61	780631	KEY CODE / FA 0206	1	1		B
61	780659	KEY CODE / FA 0208	1	1		B
61	780579	KEY CODE / FA 0528	1	1		B
61	780632	KEY CODE / FA 0692	1	1		B
61	780639	KEY CODE / FA 0704	1	1		B
61	780608	KEY CODE / FA 0714	1	1		B
61	780644	KEY CODE / FA 1343	1	1		B
71	064673	CABLE ASSY / ANTI-THEF	1	1		O
		A) COACH WITH READING LIGHT TEST D060949 PAGE 11.3 SP2				
		B) THOSE ITEMS ARE USED WITH "FORD" IGNITION KEY SEE DIAGRAM D060950 FOR MORE INFORMATION				
		C) THOSE ITEMS ARE USED WITH "JACOB" ON BRAKE PEDAL (SEE DIAGRAM D060976 P.19.1 FOR MORE INFO)				
		D) VEHICLE EQUIPPED WITH "JACOB" & "RETARDER"				
		HW) WITH VEHICULE WITHOUT UPPER WIPER				
		O) WITH ORLEAN OPTION				
		S) WHEN YOU REPLACE KEYLESS 562674 WITH THE NEW 563542 YOU NEED TO REPLACE MODULE 562673 BY THE NEW 563541 / SEE INSTRUCTION SHEET IS-03103				

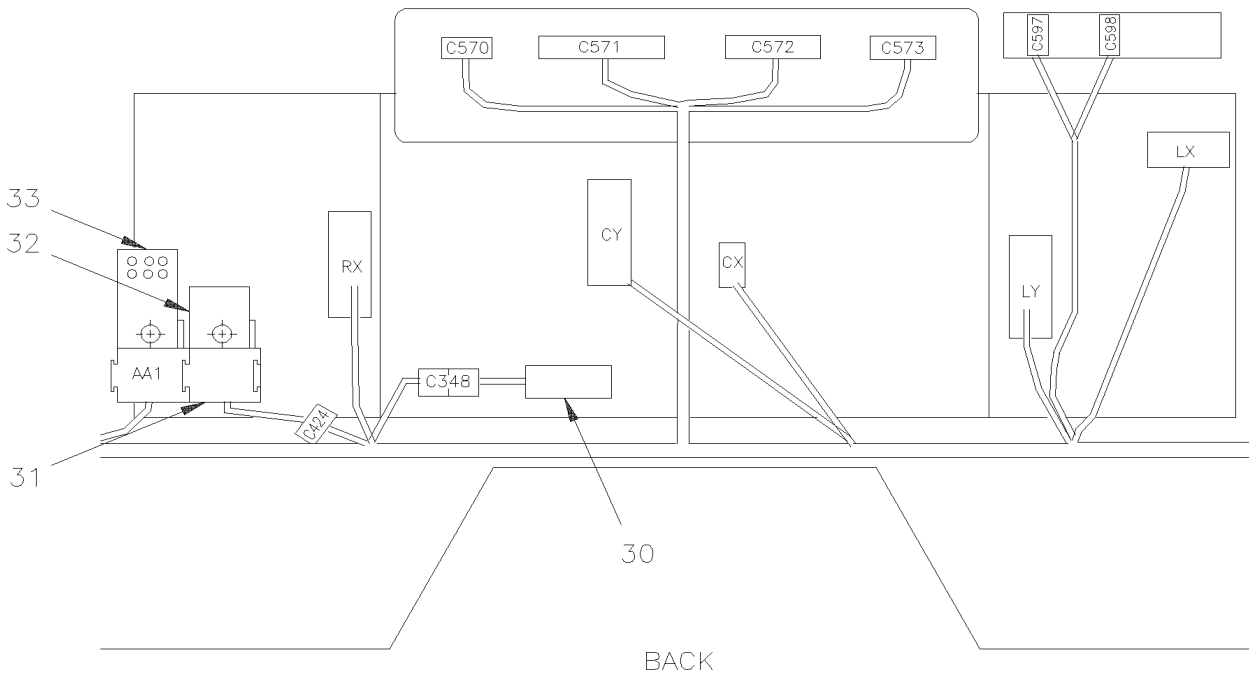
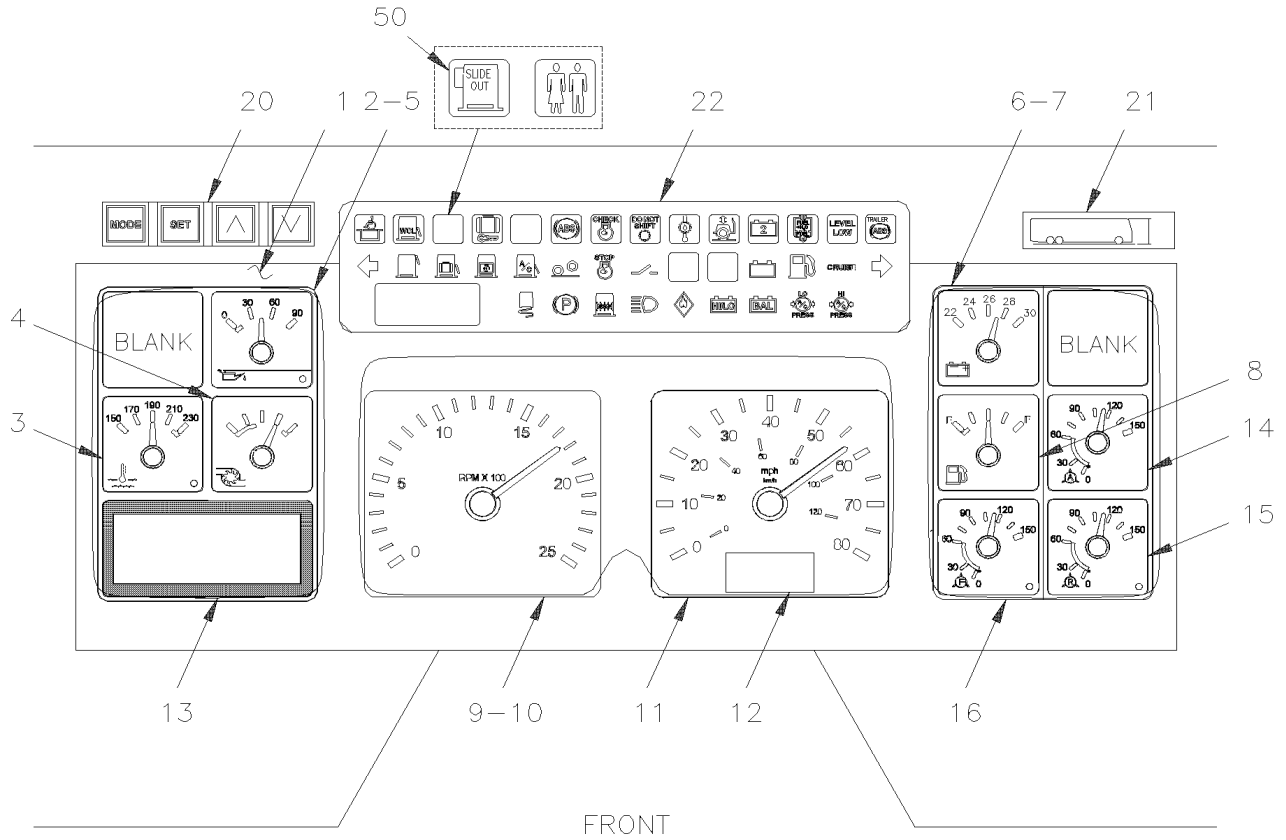


From 3-4417 To 8-1043

Date:10/2022

PAGE:HF-0645-20

CENTER DASHBOARD PANEL





From 3-4417 To 8-1043 Date:10/2022 PAGE:HF-0645-20

CENTER DASHBOARD PANEL

Item#	Part	Description	H 3 4 1	H 3 4 5	V I P 4 5	N O T E S
		"WARNING" - "WARNING" -"WARNING" - "WARNING"				
		THE FOUR NEXT SERIAL NUMBER ARE MULTIPLEXING 4-4933, 4-4963, 4-4995 & 4-0006				
1	065126	CLUSTER, MPH To 4-4877	1	1	1	
1	066071	CLUSTER, MPH From 4-4878 To 5-0167	1	1		
1	066071	CLUSTER, MPH From 4-4878 To 5-0367			1	
1	563560	CLUSTER, MPH From 5-0168 To 6-0481	1	1		M
1	563666	CLUSTER, MPH From 6-0482	1	1	1	M
1	563560	CLUSTER, MPH From 5-0368 To 6-0481			1	M
1	563666	CLUSTER, MPH From 6-0482			1	M
1	065127	CLUSTER, KPH To 4-4884	1	1	1	
1	066072	CLUSTER, KPH From 4-4878 To 5-0167	1	1		
1	066072	CLUSTER, KPH From 4-4878 To 5-0367			1	
1	563559	CLUSTER, KPH From 5-0168 To 6-0481	1	1		M
1	563665	CLUSTER, KPH From 6-0482	1	1	1	M
1	563559	CLUSTER, KPH From 5-0368 To 6-0481			1	M
1	563665	CLUSTER, KPH From 6-0482	1	1	1	M
1	065944	CLUSTER, MPH / W/"ZF" TRANS To 4-4884	1	1		
1	066073	CLUSTER, MPH / W/"ZF" TRANS From 4-4885 To 5-0167	1	1		
1	563561	CLUSTER, MPH / W/"ZF" TRANS From 5-0168 To 6-0481	1	1		M
1	563667	CLUSTER, MPH / W/"ZF" TRANS From 6-0482	1	1	1	M
1	065945	CLUSTER, KPH / W/"ZF" TRANS To 4-4877	1	1		
1	066074	CLUSTER, KPH / W/"ZF" TRANS From 4-4878 To 5-0167	1	1		
1	563562	CLUSTER, KPH / W/"ZF" TRANS From 5-0168 To 6-0481	1	1		M
1	563668	CLUSTER, KPH / W/"ZF" TRANS From 6-0482	1	1	1	M
NS	065703	. KIT, CLUSTER "POLLACK" GLASS REPLACEMENT	1	1	1	
. NS	IS-02038	. . SEE INSTRUCTION SHEET				
2	563573	. GAUGES LEFT SIDE ASSY / 3 GAUGES	1	1	1	
3	N.P.N.	. . GAUGE WATER TEMPERATURE	1	1	1	4
4	N.P.N.	. . GAUGE BOOSTER	1	1	1	4
5	N.P.N.	. . GAUGE OIL PRESSURE	1	1	1	4
6	563574	. GAUGES RIGHT SIDE ASSY / 2 GAUGES	1	1	1	
7	N.P.N.	. . GAUGE VOLTAGE	1	1	1	4
8	N.P.N.	. . GAUGE FUEL LEVEL	1	1	1	4
9	563566	. TACHO & SPEEDOMETER ASSY / MILES	1	1	1	
9	563567	. TACHO & SPEEDOMETER ASSY / KM	1	1	1	
10	N.P.N.	. . TACHOMETER	1	1	1	4
11	N.P.N.	. . SPEEDOMETER MILES	1	1	1	4
11	N.P.N.	. . SPEEDOMETER KM	1	1	1	4
12	N.P.N.	. . ODO LCD	1	1	1	4
13	066075	. KIT, GRAPHIC DISPLAY "POLLACK"	1	1	1	



From 3-4417 To 8-1043	Date:10/2022	PAGE:HF-0645-20
CENTER DASHBOARD PANEL		

Item#	Part	Description	H 3 4 1	H 3 4 5	V I P 4 5	N O T E S
. NS	563539	. . GRAPHIC DISPLAY "POLLACK"	1	1	1	
. NS	564586	. . GRAPHIC DISPLAY MODULE "POLLACK" CURRENT	1	1	1	
. NS	IS-17903	. . SEE INSTRUCTION SHEET	1	1	1	
13	IS17910	. KIT, GRAPHIC DISPLAY "POLLACK"	1	1	1	
. NS	19519274	. . GRAPHIC DISPLAY	1	1	1	
. NS	IS-17910	. . SEE INSTRUCTION SHEET	1	1	1	
NS	562838	. BULB / .50WATT-12VOLTS / SAE #2721MFX	AR	AR	AR	A
NS	392009	MOUNTING PLATE / CLUSTER	2	2	2	
NS	5001402	SCREW MA CHE PH M4-0.7x25 Z050	5	5	5	
NS	562909	TOOL / CLUSTER BULB REMOVER	AR	AR	AR	
. NS	MI03-14A	. SEE MAINTENANCE INFORMATION	1	1	1	
14	563565	. GAUGE AIR APPLICATION	1	1	1	
15	563564	. GAUGE AIR REAR	1	1	1	
16	563563	. GAUGE AIR FRONT	1	1	1	
NS	563575	. BUZZER	1	1	1	
NS	563576	. CPU BOARD SPARE	1	1	1	
NS	641447	UNION ELBOW 90° / PUSH-IN FITTING / #4x#4 BR	3	3	3	
20	563017	CLUSTER SWITCH ASSY "POLLACK"	1	1	1	
NS	392011	MOUNTING PLATE / CLUSTER SWITCH	1	1	1	
NS	5001412	SCREW MA CHE PH M3-0.5x20 EMN	2	2	2	
NS	5001408	NUT HEX STO M3-0.5 ZP	2	2	2	
21	403831	DECAL / VEHICLE HEIGHT 12' 4"	1	1		
21	403830	DECAL / VEHICLE HEIGHT 12' 10"	1	1	1	
22	562891	TELLTALE MODULE ASSY To 5-0167	1	1		
22	562891	TELLTALE MODULE ASSY To 5-0367			1	
22	563333	TELLTALE MODULE ASSY From 5-0168	1	1		M
. NS	563720	. FACE PLACE INSERT RETAINER From 5-0168	1	1		M
22	563333	TELLTALE MODULE ASSY From 5-0368			1	M
. NS	563720	. FACE PLACE INSERT RETAINER From 5-0368			1	M
NS	392010	ATTACHMENT ANGLE / TO FIX TELLTALE	1	1	1	
NS	5001401	SCREW MA CHE PH M4-0.7x8 ZP	4	4	4	
NS	5001397	SCREW MA CHE PH M3-0.5x8 SS	4	4	4	
NS	5001407	WASHER LO EXT 3.2x6.0x0.4 SS	4	4	4	
30	064474	ALARM ASSY / WATER IN FUEL / (C-348) To 5-0168	1	1	1	
. NS	561479	. PIN TERMINAL / 24-18 / MOLEX 02-06-2103 To 5-0168	1	1	1	
. NS	562070	. CONNECTOR / (.062) / PH 6C / MOLEX 03-06-2061 To 5-0168	1	1	1	
. NS	561479	. PIN TERMINAL / 24-18 / MOLEX 02-06-2103 To 5-0168	5	5	5	
NS	HF-1806-00	CENTRAL DASHBOARD PANEL				
31	063070	HARNESS ASSY / ALARM To 5-0168	1	1	1	
32	561706	RELAY 12V S.P.D.T. W/DIODE /	1	1	1	
33	562117	ALARM BUZZER To 3-4754	2	2	2	
33	563161	ALARM BUZZER From 3-4755	2	2	2	



From 3-4417 To 8-1043	Date:10/2022	PAGE:HF-0645-20
-----------------------	--------------	-----------------

CENTER DASHBOARD PANEL

Item#	Part	Description	H 3 4 1	H 3 4 5	V I P 4 5	N O T E S
50	FM-00IM-00	INSERT - "MEGATECH"				
		A) TOOL TO REMOVE BULB #562909				
		M) WITH MULTIPLEXING "MUX"				
		4) NO PARTS NUMBER				



From 3-4417 To 8-1043	Date:10/2022	PAGE:FM-00IM-00
INSERT - "MEGATECH"		

<p>10000 – AC0354</p>  <p>563384</p>	<p>10001 – AC0355</p>  <p>563385</p>	<p>10002 – AC0356</p>  <p>563386</p>	<p>10003 – AC0357</p>  <p>563387</p>	<p>10004 – AC0358</p>  <p>563388</p>
<p>10005 – AC0359</p>  <p>563389</p>	<p>10006 – AC0360</p>  <p>563390</p>	<p>10007 – AC0361</p>  <p>563391</p>	<p>10008 – AC0362</p>  <p>563392</p>	<p>10009 – AC0363</p>  <p>562958</p>
<p>10010 – AC0364</p>  <p>563393</p>	<p>10011 – AC0365</p>  <p>563394</p>	<p>10012 – AC0410</p>  <p>563395</p>	<p>10013 – AC0367</p>  <p>563396</p>	<p>10014 – AC0530</p>  <p>562966</p>
<p>10015 – AC1148</p>  <p>563397</p>	<p>10016 – AC1151</p>  <p>563016</p>	<p>10017 – AC1152</p>  <p>563178</p>	<p>10018 – AC1153</p>  <p>563179</p>	 <p>563427</p>
 <p>563428</p>	 <p>563655</p>	 <p>565860</p>	 <p>563469</p>	 <p>564480</p>

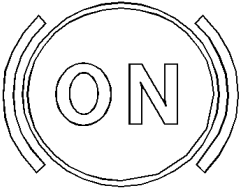


From 3-4417 To 8-1043

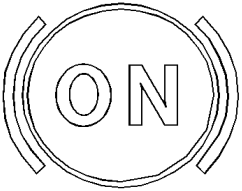
Date:10/2022

PAGE:FM-00IM-00

INSERT - "MEGATECH"



564481

 564481				



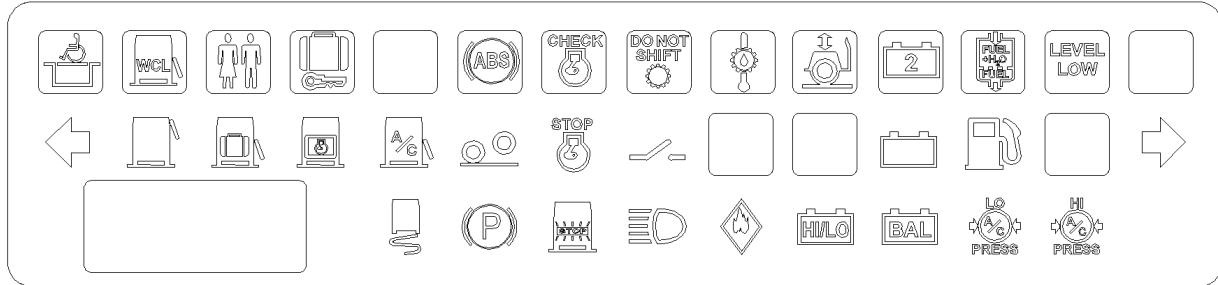
From 3-4417 To 8-1043

Date:10/2022

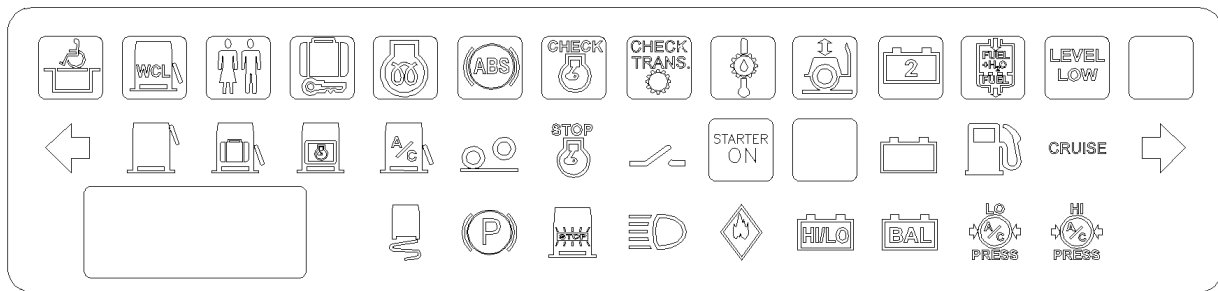
PAGE:FM-00IM-00

INSERT - "MEGATECH"

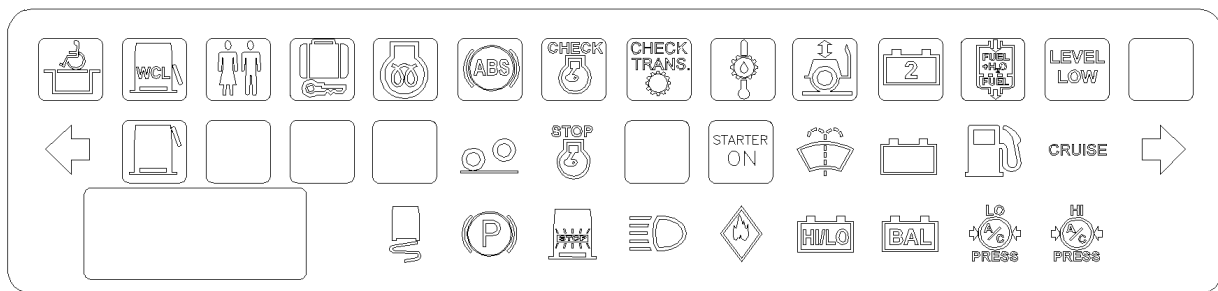
A



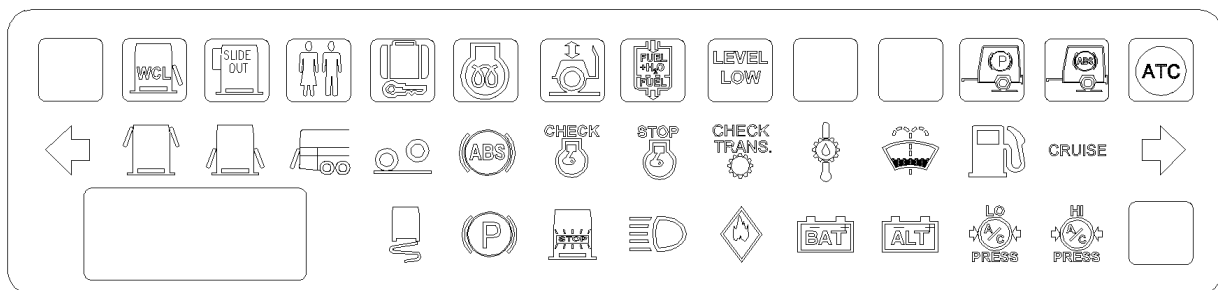
B



C



D





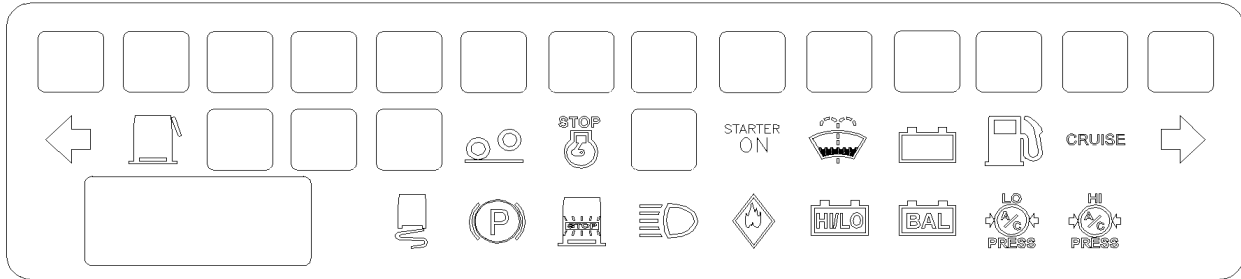
From 3-4417 To 8-1043

Date:10/2022

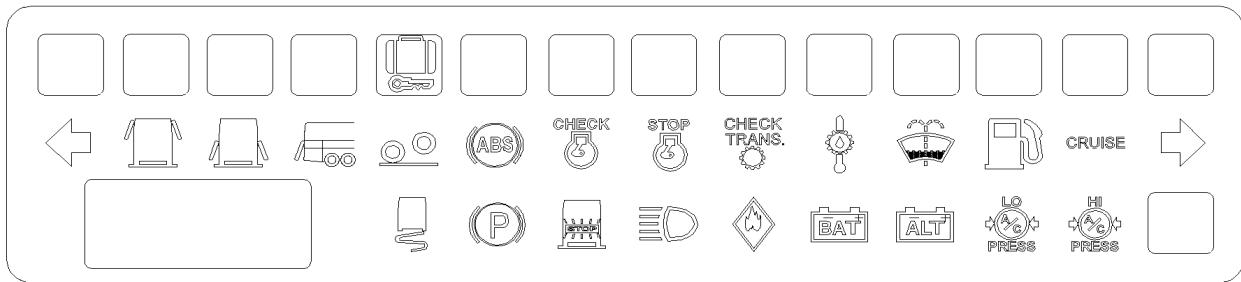
PAGE:FM-00IM-00

INSERT - "MEGATECH"

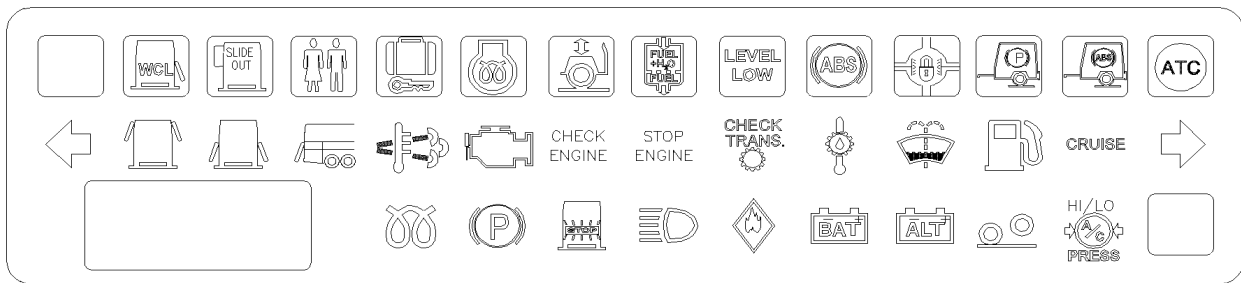
E



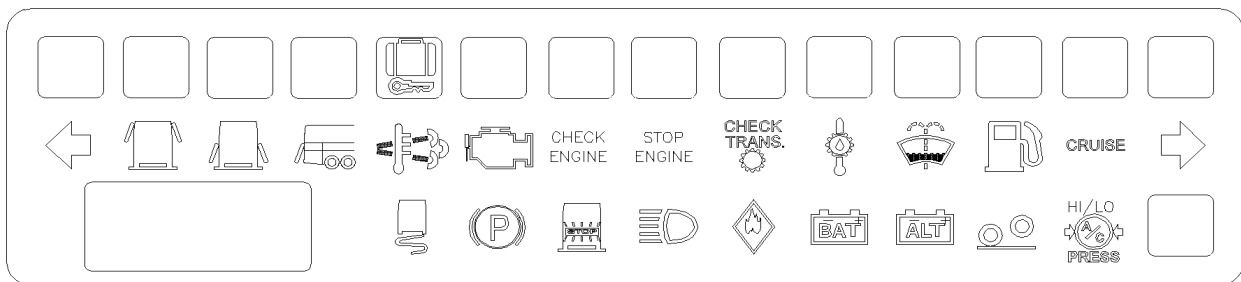
F



G



H



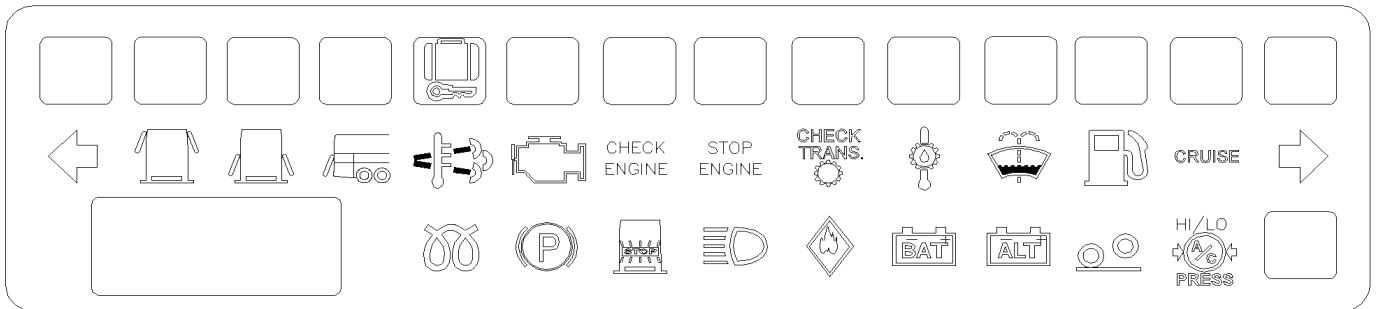
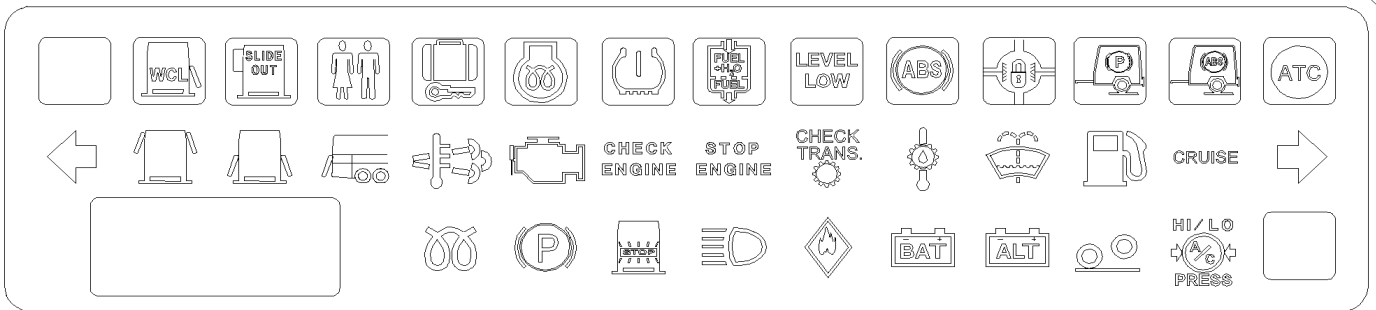


From 3-4417 To 8-1043

Date:10/2022

PAGE:FM-00IM-00

INSERT - "MEGATECH"





From 3-4417 To 8-1043	Date:10/2022	PAGE:FM-00IM-00
INSERT - "MEGATECH"		

Item#	Part	Description	H 3 4 1	H 3 4 5	V I P 4 5	N O T E S
1	563384	INSERT / RED / PLATFORM	AR	AR	AR	
2	563385	INSERT / RED / W.C.L. DOOR AJAR	AR	AR	AR	
3	563386	INSERT / RED / LAVATORY OCCUPIED	AR	AR	AR	
4	563387	INSERT / AMBER / LUGGAGE DOOR LOCK	AR	AR	AR	
5	563388	INSERT / AMBER / ABS	AR	AR	AR	
6	563389	INSERT / AMBER / CHECK ENGINE	AR	AR	AR	
7	563390	INSERT / RED / DO NOT SHIFT	AR	AR	AR	
8	563391	INSERT / AMBER / OIL TEMPERATURE	AR	AR	AR	
9	563392	INSERT / AMBER / KNEELING / HI-BUOY	AR	AR	AR	
10	563393	INSERT / AMBER / WATER IN FUEL	AR	AR	AR	
11	563394	INSERT / RED / LEVEL LOW	AR	AR	AR	
12	563395	INSERT / RED / CHECK TRANSMISSION	AR	AR	AR	
13	563396	INSERT / DOOR AJAR	AR	AR	AR	
14	563397	INSERT / AUXILIARY WATER HEATER	AR	AR	AR	
15	563016	INSERT / BLACK / STARTOR ON / W/LETTER CLEAR	AR	AR	AR	
15	563022	INSERT / RED / STARTOR ON	AR	AR	AR	
16	562966	INSERT / BLACK W/LETTER CLEAR / ATC	AR	AR	AR	
17	562958	INSERT / RED / BATTERY # 2	AR	AR	AR	
18	563178	INSERT / SLIDE OUT	AR	AR	AR	
19	563179	INSERT / BLACK W/LETTER CLEAR / TRAILER ABS	AR	AR	AR	
20	563427	INSERT / TRAILER ABS	AR	AR	AR	
21	563428	INSERT / TRAILER BRAKE PROBLEM	AR	AR	AR	
22	563655	INSERT / DIFERENTIAL LOCK	AR	AR	AR	
23	565860	INSERT / ESCAPPE HATCH	AR	AR	AR	
24	563469	INSERT / TIRE PRESSURE	AR	AR	AR	
25	564480	INSERT / VEHICULE WEIGHT	1	1	1	
26	564481	INSERT / BRAKE ON	1	1	1	
A	562791	TELLTALE MODULE ASSY	AR	AR	AR	
B	562891	TELLTALE MODULE ASSY	AR	AR	AR	
C	562907	TELLTALE MODULE ASSY	AR	AR	AR	
. NS	563672	. FACE PLACE INSERT RETAINER	AR	AR	AR	
D	563333	TELLTALE MODULE ASSY	AR	AR	AR	
. NS	563720	. FACE PLACE INSERT RETAINER	1	1	1	
E	563672	. FACE PLACE INSERT RETAINER	1	1	1	A
F	563720	. FACE PLACE INSERT RETAINER	1	1	1	B
G	564032	TELLTALE MODULE ASSY	AR	AR	AR	
. NS	564201	. FACE PLACE INSERT RETAINER	1	1	1	
I	564080	TELLTALE MODULE ASSY	1	1	1	
		A) TO FIX ANY INSERT ABOVE TO TELLS TALES MODULE 562907				



From 3-4417 To 8-1043		Date:10/2022	PAGE:FM-00IM-00
-----------------------	--	--------------	-----------------

INSERT - "MEGATECH"

Item#	Part	Description	H 3 4 1	H 3 4 5	V I P 4 5	N O T E S
		B) TO FIX ANY INSERT ABOVE TO TELLS TALES MODULE 563333				

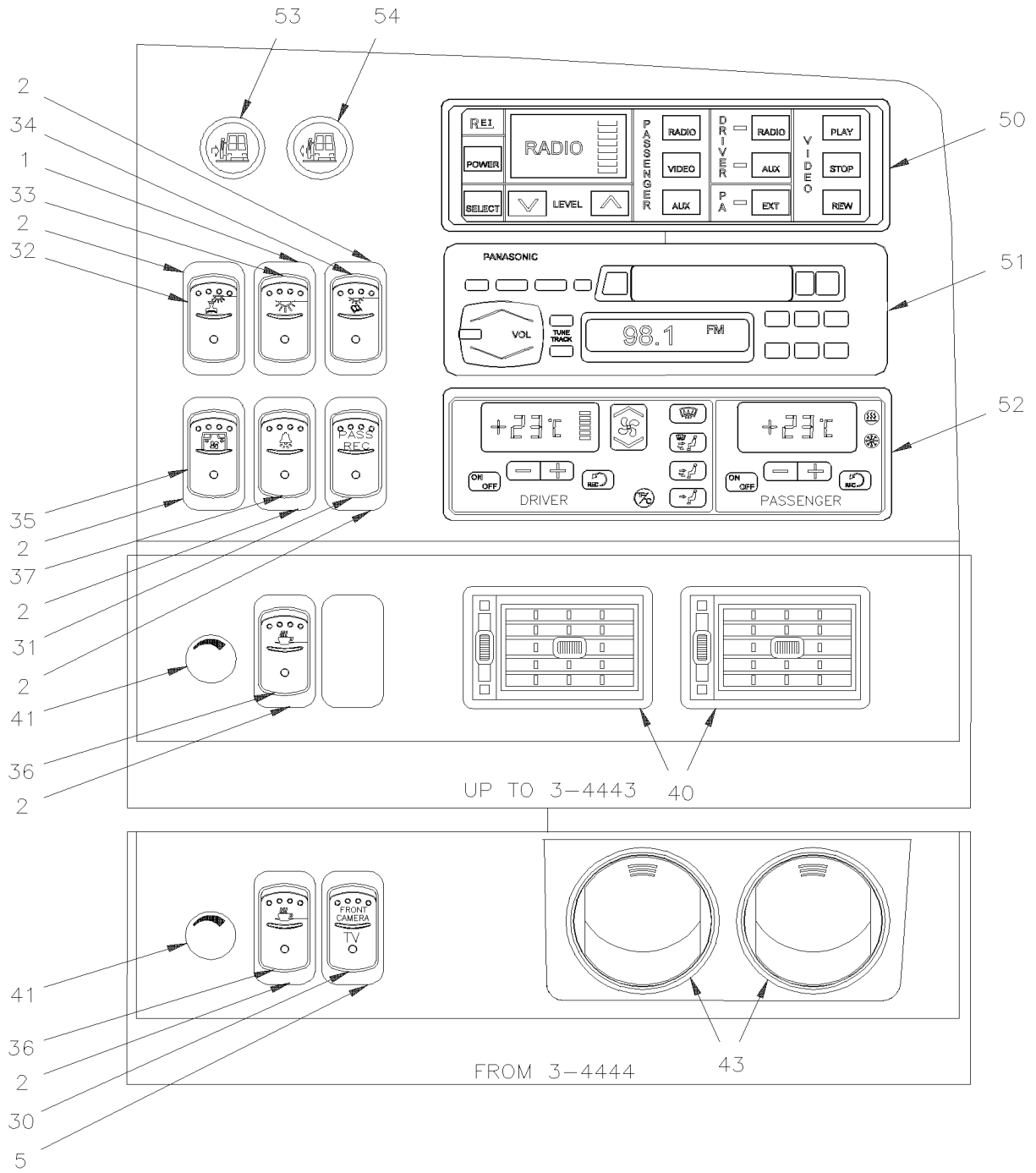


From 3-4417 To 8-1043

Date:10/2022

PAGE:HF-0645-30

R.H. DASHBOARD PANEL



BUS

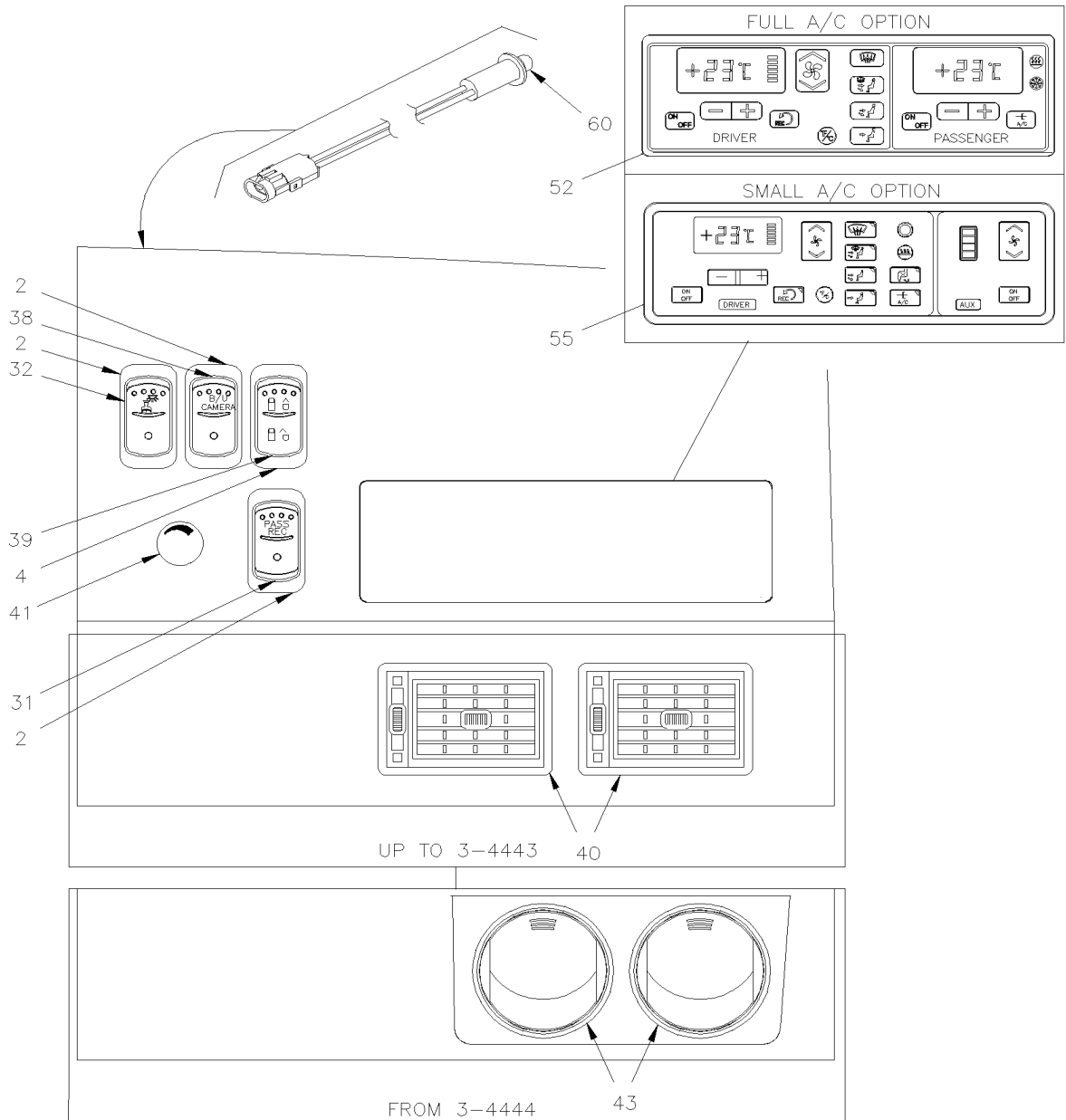


From 3-4417 To 8-1043

Date:10/2022

PAGE:HF-0645-30

R.H. DASHBOARD PANEL



V.I.P.



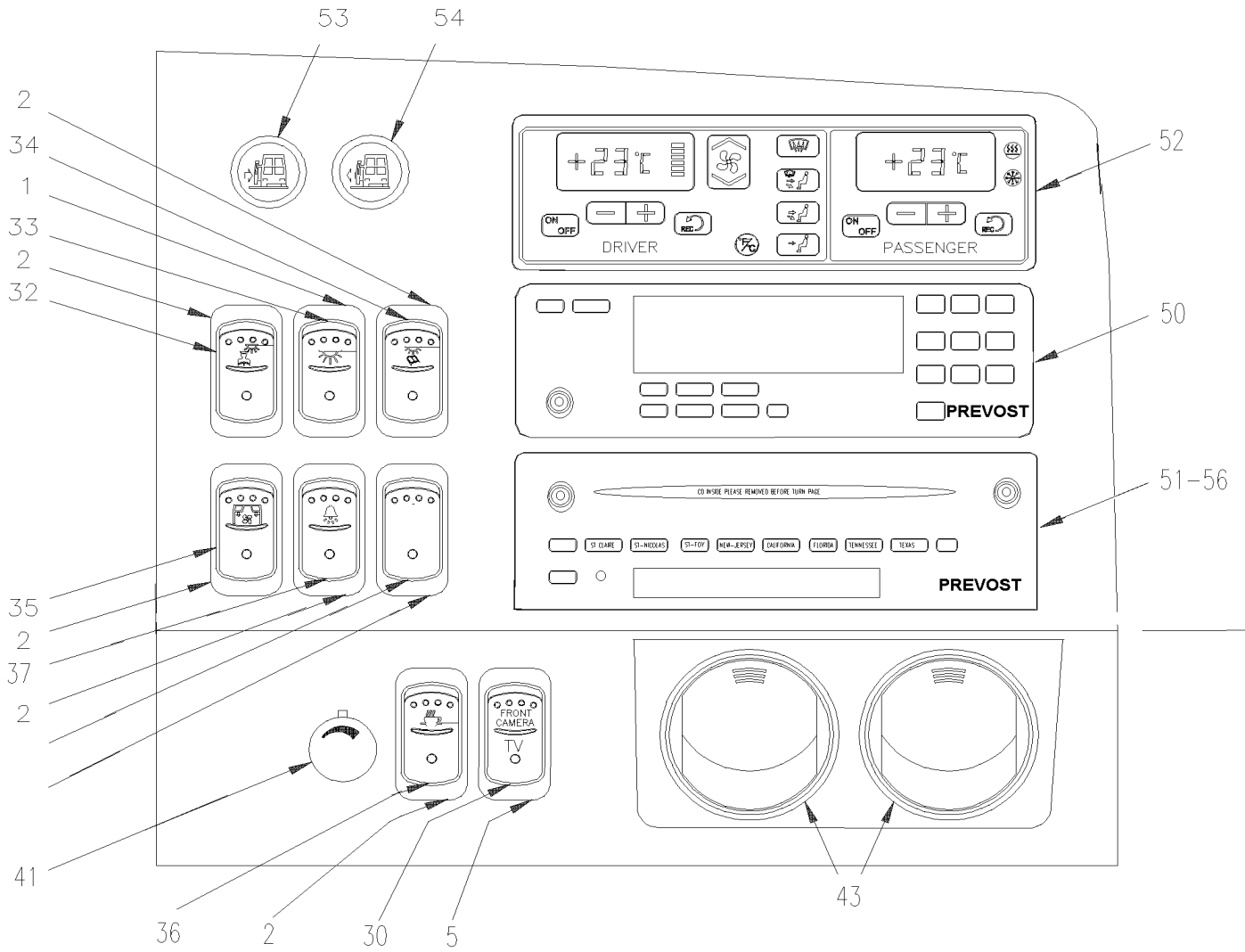
From 3-4417 To 8-1043

Date:10/2022

PAGE:HF-0645-30

R.H. DASHBOARD PANEL

BUS





From 3-4417 To 8-1043	Date:10/2022	PAGE:HF-0645-30
R.H. DASHBOARD PANEL		

Item#	Part	Description	H 3 4 1	H 3 4 5	V I P 4 5	N O T E S
		"WARNING" - "WARNING" -"WARNING" - "WARNING"				
		THE FOUR NEXT SERIAL NUMBER ARE MULTIPLEXING 4-4933, 4-4963, 4-4995 & 4-0006				
1	562696	SWITCH / OFF-ON-ON SERIES S.P.D.T. / W/RED & GREEN LED	AR	AR	AR	
2	562697	SWITCH / ON-ON / D.P.D.T. / CH-OVER / W/RED & GREEN LED	AR	AR	AR	
4	562699	SWITCH / M/ON-OFF-M/ON / D.P.D.T. / W/GREEN LED			1	
NS	562773	SWITCH / "DUMMY" / PLUG	AR	AR	AR	
NS	562763	CONNECTOR RH 10C / SWITCH / NGR 28-5637-2	AR	AR	AR	
NS	562768	SOCKET TERMINAL / 16-14 / PED 12015870	AR	AR	AR	
5	563012	SWITCH / ON-ON / D.P.D.T. / CH-OVER / W/GREEN LED	1	1	1	
30	562941	CAP / FRONT CAMERA	1	1		
31	563151	CAP / MAIN VENTILATION RECIRCULATING	1	1		
32	562716	CAP / DRIVER'S LAMP	1	1	1	
33	562717	CAP / INTERIOR LIGHT	1	1	1	
34	562718	CAP / READING LAMP	1	1		
35	562720	CAP / PARCEL RACK VENTILATION	1	1		A
36	562721	CAP / GALLEY	1	1		
37	562719	CAP / HOSTESS BELL	1	1		
38	562786	CAP / BACK-UP CAMERA			1	
39	562831	CAP / DOOR LOCK			1	
40	871106	LOUVER, ADJUSTABLE To 3-4443	2	2	2	
41	562846	KNOB / DASH ILLUMINATION	1	1	1	
NS	562845	RHEOSTAT / DASH ILLUMINATION	1	1	1	
NS	1212770	. NUT RND SLT BK M8-.75	1	1	1	
43	871315	LOUVER, ADJUSTABLE / ROUND 2 1/8" O.D. From 3-4444	2	2	2	
43	871314	LOUVER, ADJUSTABLE / ROUND 2 5/8" O.D. From 3-4444	2	2	2	
50	900803	CONTROL HEAD / "R.E.I." SYSTEM 2000 To 6-0559	1	1		R
. NS	563064	. BULB (CONTROL HEAD GREEN) / 12VOLTS / 2700 To 6-0559	1	1		R
50	901192	CONTROL HEAD / "VOLVO" (VSS-04) From 6-0560	1	1		
. NS	901266	. REMOTE CONTROL / CONTROL HEAD VOLVO / VSS04 From 6-0560	1	1		
		WHEN CHANGE VSS04 TO VSS05 YOU NEED CONTROL HEAD 21516503 From 6-0560 & HARNESS KIT 409439 & NEW RADIO From 6-0560 901417P OR 901418P OR 901419P From 6-0560				
50	IS08080	SOUND SELECTOR REPLACEMENT, VSS04 VS VSS05 From 6-0560	1	1		
. NS	900238	. CONTROL HEAD / "VOLVO" (VSS-05A) From 6-0560	1	1		
. . NS	21251311	. . REMOTE CONTROL / CONTROL HEAD VOLVO / VSS05 From 6-0560	1	1		
. NS	0610388	. CABLE INTERFACE VSS04 TO VSS05 From 6-0560	1	1		
. NS	IS-08080	. SEE INSTRUCTION SHEET From 6-0560	1	1		
50	21516503	CONTROL HEAD / "VOLVO" (VSS-05) From 6-0560	1	1		



From 3-4417 To 8-1043	Date:10/2022	PAGE:HF-0645-30
------------------------------	---------------------	------------------------

R.H. DASHBOARD PANEL

Item#	Part	Description	H 3 4 1	H 3 4 5	V I P 4 5	N O T E S
. NS	21251311	. REMOTE CONTROL / CONTROL HEAD VOLVO / VSS05 From 6-0560	1	1		
50	901417P	RADIO "PREVOST" AM/FM/CD & MP3 BLUETOOTH COMPUTERIZ From 6-0560	1	1		
50	901418P	RADIO "PREVOST" AM/FM/CD & MP3 BLUETOOTH SIRIUS COMPUTERIZ From 6-0560	1	1		
50	901419P	RADIO "PREVOST" AM/FM/CD & MP3 BLUETOOTH & XM COMPUTERIZ From 6-0560	1	1		
51	HF-2315-00	SOUND SYSTEM & ACCESSORIES				
51	HF-2317-30	VIDEO & AUDIO SYSTEM - INSTALLATION To 5-0147				
51	HF-2317-31	VIDEO & AUDIO SYSTEM - INSTALLATION From 5-0148 To 6-0559				
51	HF-2317-32	VIDEO & AUDIO SYSTEM - INSTALLATION From 6-0560				
NS	404571	CABLE ASSY / DASH & PARCEL RACK To 6-0359	1	1		
NS	409149	CABLE ASSY / DASH & PARCEL RACK / AUDIO From 6-0360	1	1		
NS	900875	CABLE RADIO ANTENNA / M/F 6'	1	1		
NS	900663	ADAPTOR / RADIO & ANTENNA CABLE / MOTOROLA MALE to EURO FEMA To 6-0559	AR	AR		
52	871213	A/C CONTROL MODULE To 3-4757	1	1	1	
52	871214	A/C CONTROL MODULE From 4-4758 To 5-0049	1	1	1	
. NS	M104-14C	. SEE MAINTENANCE INFORMATION From 4-4758 To 5-0049	1	1	1	
52	871373	A/C CONTROL MODULE From 5-0050 To 5-0167	1	1		
52	871373	A/C CONTROL MODULE To 5-0367			1	
52	IS19923	HVAC MODULE REPLACEMENT To 5-0167	1	1	1	
52	871350	A/C CONTROL MODULE / W/MUX From 5-0168	1	1		M
52	871350	A/C CONTROL MODULE / W/MUX From 5-0368			1	M
NS	563063	SENSOR THERMISTOR ASSY / TEMPERATURE / ("DELPHI") To 5-0167	1	1		
NS	563063	SENSOR THERMISTOR ASSY / TEMPERATURE / ("DELPHI") To 5-0367			1	
NS	563335	SENSOR THERMISTOR ASSY / OUTSIDE // PED 15416387 From 5-0168	1	1		M
NS	563335	SENSOR THERMISTOR ASSY / OUTSIDE // PED 15416387 From 5-0368			1	M
53	563043	SWITCH / DOOR CLOSE To 3-4499	1	1		
53	563084	SWITCH / DOOR CLOSE From 3-4500 To 5-0143	1	1		
53	563578	SWITCH / DOOR CLOSE From 5-0144	1	1		
53	562810	INSERT / DOOR CLOSE	1	1		
54	563044	SWITCH / DOOR OPEN To 3-4499	1	1		
54	563085	SWITCH / DOOR OPEN From 3-4500 To 5-0143	1	1		
54	563579	SWITCH / DOOR OPEN From 5-0144	1	1		
54	562830	INSERT / DOOR OPEN	1	1		
55	871211	A/C CONTROL MODULE / W/SMALL A/C SYSTEM To 3-4757			1	
55	871341	A/C CONTROL MODULE / W/SMALL A/C SYSTEM From 4-4758 To 5-0367			1	
55	871386	A/C CONTROL MODULE / W/SMALL A/C SYSTEM / W/MUX From 5-0368			1	M
56	901190	RADIO AM-FM-CD-CDX / "PREVOST" MP3 VR-300 From 6-0560	1	1		
60	330238P	TELLTALE ASSY / RED			1	
		A) WE USE #562699 SWITCH AND RESISTOR #562908				



From 3-4417 To 8-1043		Date:10/2022	PAGE:HF-0645-30
-----------------------	--	--------------	-----------------

R.H. DASHBOARD PANEL

Item#	Part	Description	H 3 4 1	H 3 4 5	V I P 4 5	N O T E S
		M) WITH MULTIPLEXING				
		R) WITH MULTIPLEXING				

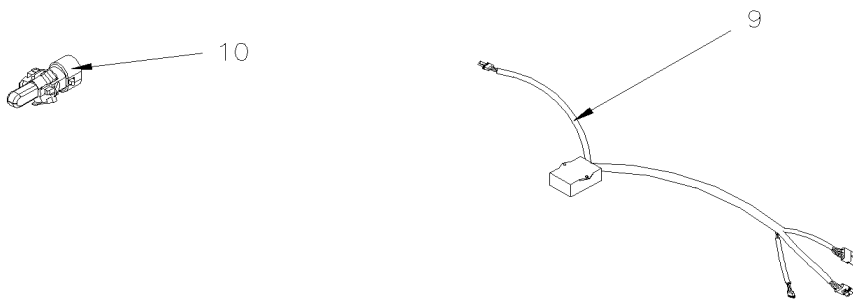
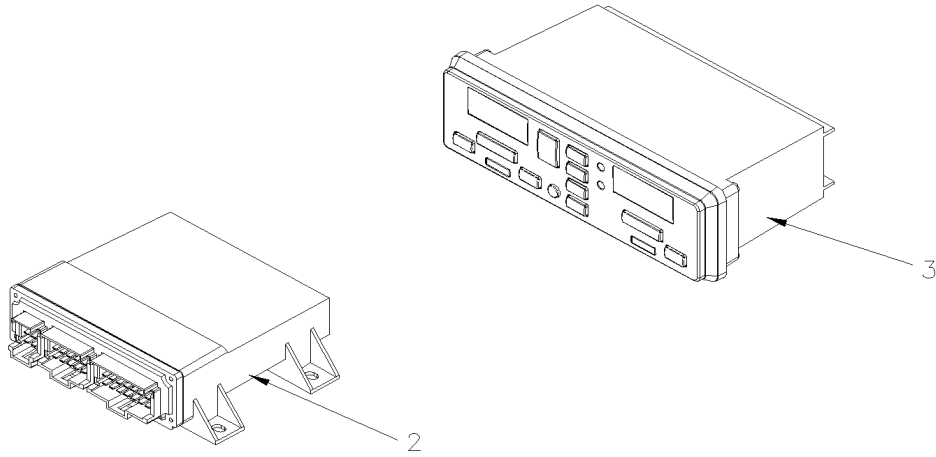


To 5-0167

Date:10/2022

PAGE:IS19923

HVAC MODULE REPLACEMENT





To 5-0167		Date:10/2022	PAGE:IS19923
------------------	--	---------------------	---------------------

HVAC MODULE REPLACEMENT

Item#	Part	Description	H 3 4 1	H 3 4 5	V I P 4 5	N O T E S
NS	23499009-FAC	PROGRAMMED MCM # HVAC MODULE	1	1	1	
2	22722846	I/O A E-MODULE VOLVO MULTIPLEX	1	1	1	
3	870008	A/C CONTROL MODULE	1	1	1	
NS	0600035	HVAC INTERFACE HARNESS WITH HVAC	1	1	1	
NS	0600036	OUTSIDE TEMPERATURE SENSOR HARNESS	1	1	1	
NS	0600037	DUAL TO SINGLE MOTOR WIRING ADAPTOR	1	1	1	
NS	0600038	SINGLE MOTOR DRIVE HARNESS	1	1	1	
NS	0600039	DUAL MOTOR DRIVE HARNESS	1	1	1	
9	871353	MODULE CONTROL FAN SPEED / W/DOUBLE MOTOR	1	1	1	
10	563335	SENSOR THERMISTOR ASSY / OUTSIDE // PED 15416387	1	1	1	
NS	563332	RELAY 24V S.P.D.T. W/RESISTOR / "VOLVO" (20374662)	2	2	2	
NS	504637	CABLE TIE / 3/16" x 13"	15	15	15	
NS	5001374	SCREW CAP HEX M5-0.8x10 SS	3	3	3	
NS	5001449	NUT HEX M5-0.8 SS	3	3	3	
NS	5001480	NUT HEX NYRT #8-32 SS	1	1	1	
NS	IS-19923	SEE INSTRUCTION SHEET	1	1	1	

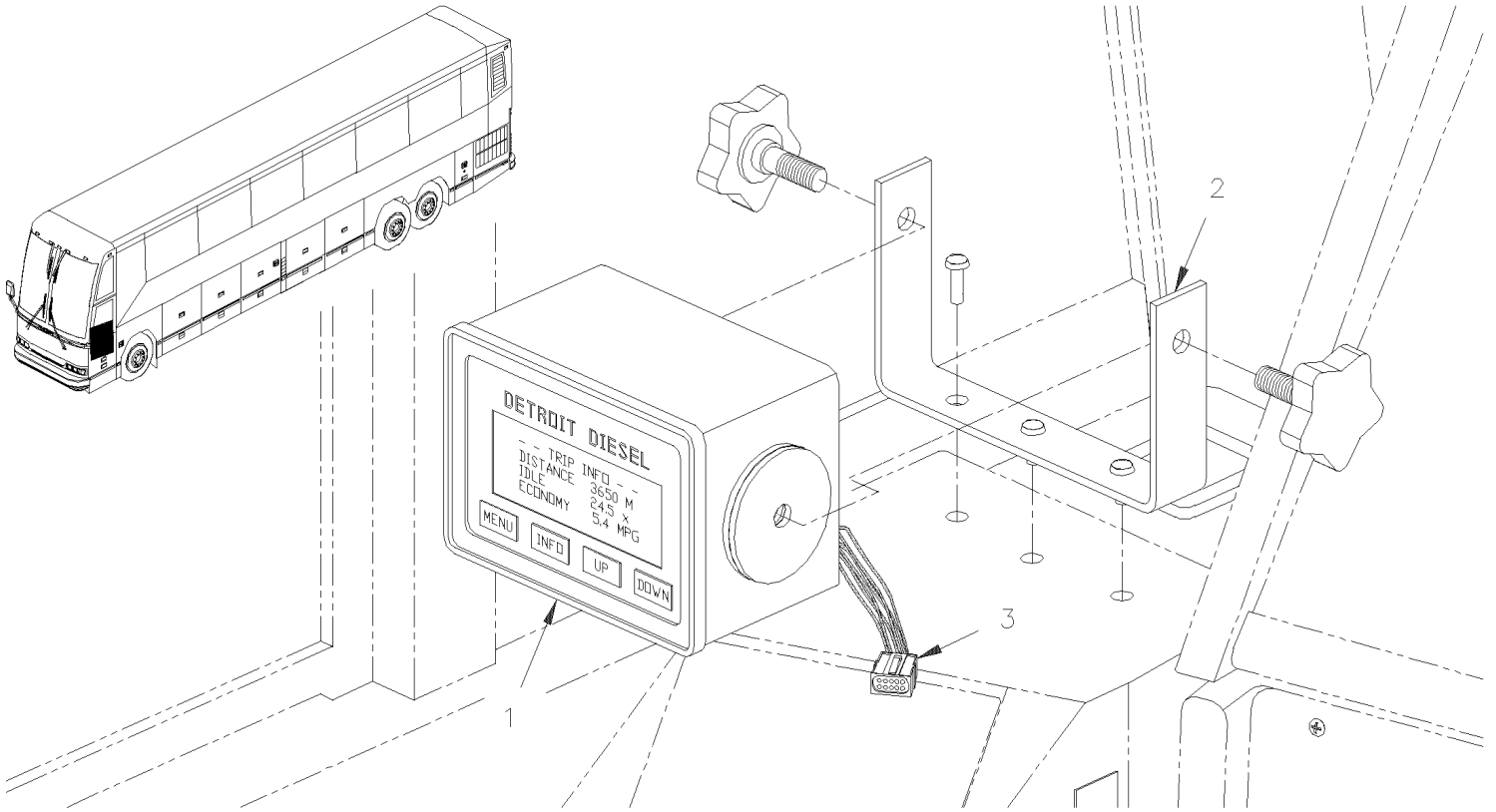


From 3-4417 To 5-0167

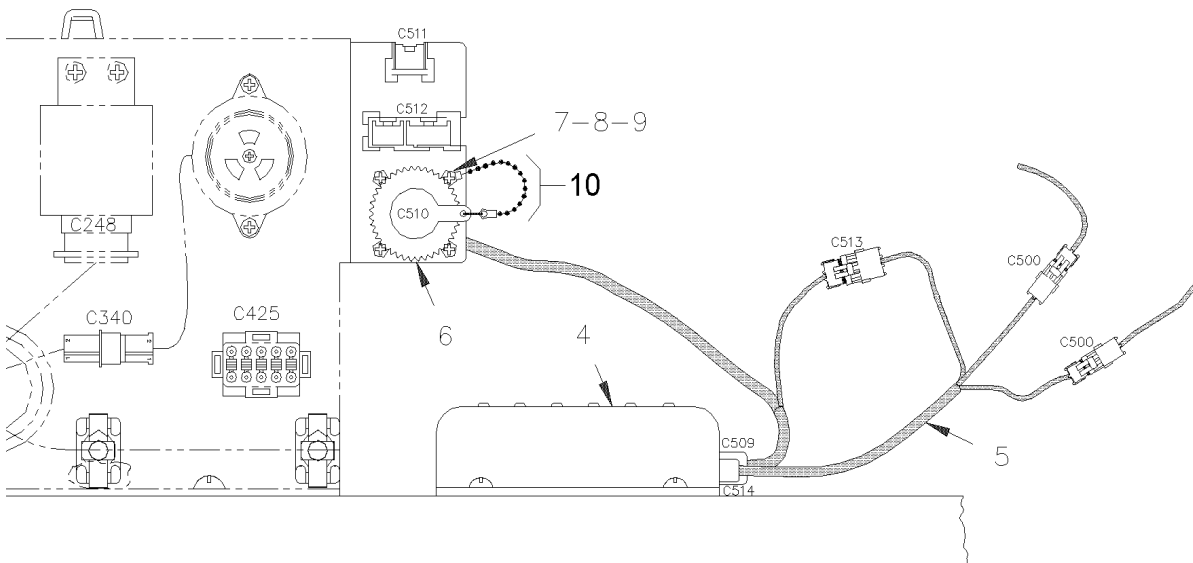
Date:10/2022

PAGE:HF-0650-00

DATA HUB



INSTALLATION OF DATA LOGGER





From 3-4417 To 5-0167	Date:10/2022	PAGE:HF-0650-00
-----------------------	--------------	-----------------

DATA HUB

Item#	Part	Description	H 3 4 1	H 3 4 5	V I P 4 5	N O T E S
1	562415	PRODRIVER DATA HUB / MODEL FOR BRACKET MOUNTED / (AS SHOWN)	1	1		
NS	562413	PRODRIVER DATA HUB / FLUSH MOUNTED			1	
2	064685	SUPPORT	AR	AR	AR	
NS	391786	BOX / PLASTIC		1		
NS	500353	SCREW TP FL PH #8x3/4 BK	2	2	2	
NS	502620	WASHER FN CK .203x.531 BK	2	2	2	
3	063893	CABLE ASSY / PRODRIVER POWER	1	1	1	
NS	562447	INSTRUCTION MANUAL "PRO DRIVER"	1	1	1	
3	N.P.N.	INSTALLATION MANUAL FROM DETROIT DIESEL / (07SA0712)	1	1	1	4
NS	562671	INSTRUCTION MANUAL "DATA HUB"	1	1	1	
		FOR AN INSTALLATION OF DATA LOGER				
		USE NEXT ITEMS				
4	562459	DATA LOGGER BOX	AR	AR	AR	
5	064032	CABLE ASSY / W/DATA LOGGER BOX	1	1	1	
5	064033	CABLE ASSY / W/O DATA LOGGER BOX	AR	AR	AR	
6	381743	SUPPORT / TO FIX CABLE TO FRONT ALARM BOX	1	1	1	
7	500437	WASHER FL .125x.375x.040 Z050	4	4	4	
8	500518	SCREW MA BDG PH #4-40x1/2 Z050	4	4	4	
9	502520	NUT HEX #4-40 Z050	4	4	4	
NS	504103	RIVET POP DOME OE 1/8x1/8 AL	3	3	3	A
10	562543	PROTECTIVE CAP / HD10 SERIES / 9C / DEUTSCH HDC16-9	1	1	1	
10	562494	RING / ATTACHMENT END	1	1	1	
10	562493	CHAIN / C.T.L.	1	1	1	
10	562492	TYPE A COUPLING	1	1	1	
		A) TO FIX SUPPORT				
		4) NO PARTS NUMBER				

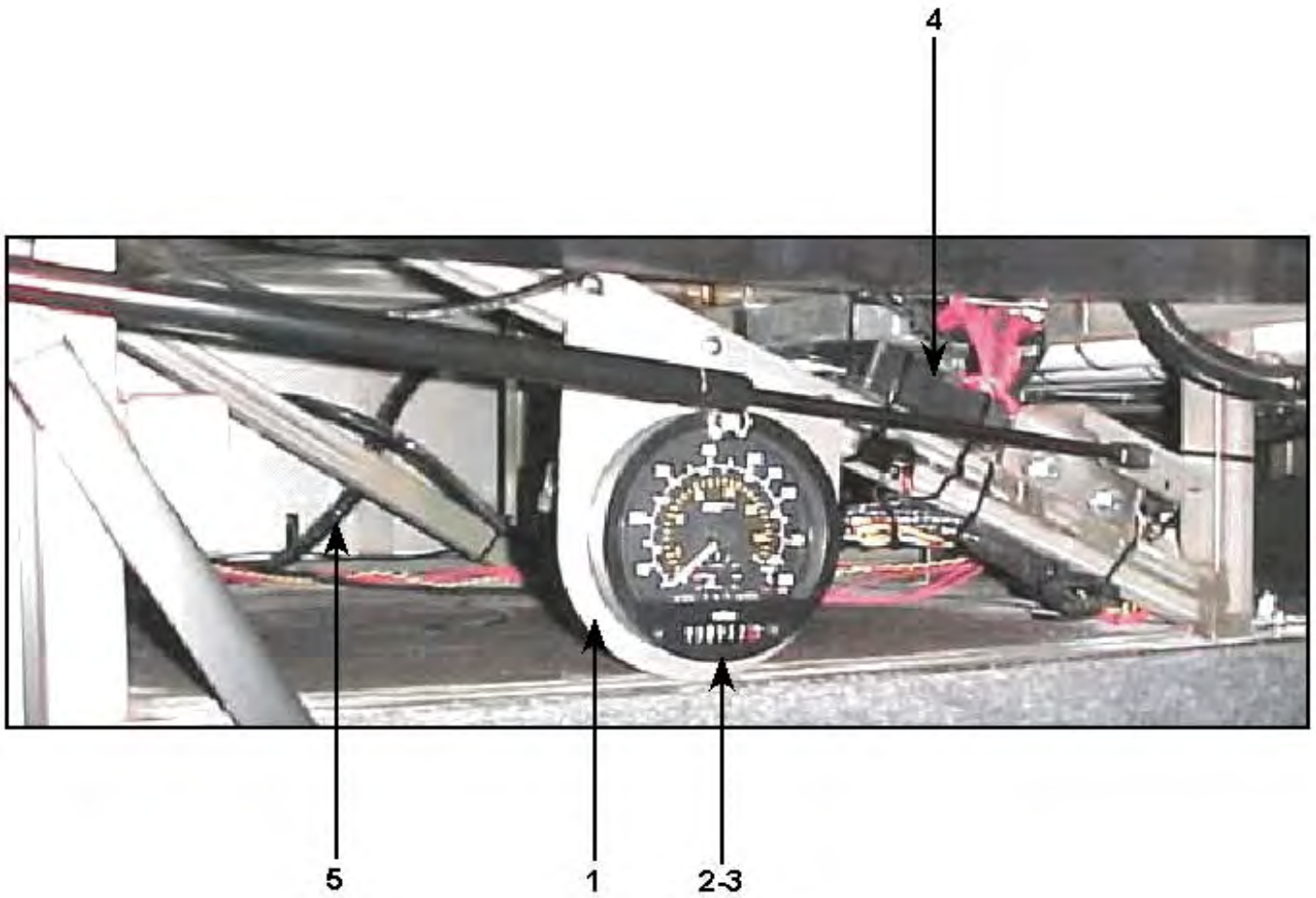


From 3-4417 To 5-0167

Date:10/2022

PAGE:HF-0650-10

TACHOGRAPH - INSTALLATION





From 3-4417 To 5-0167	Date:10/2022	PAGE:HF-0650-10
-----------------------	--------------	-----------------

TACHOGRAPH - INSTALLATION

Item#	Part	Description	H 3 4 1	H 3 4 5	V I P 4 5	N O T E S
		THIS INSTALLATION IS LOCATED UNDER FLOOR BAGGAGE COMPARTMENT				
1	064686	SUPPORT / TO FIX HEAD	1	1		
2	590259	TACHOGRAPH ASSY / MPH / W/4 WIRES	1	1		
2	590258	TACHOGRAPH ASSY / KM/H / W/4 WIRES	1	1		
NS	590236	. KEY	1	1		
NS	561006	. BULB / 1WATT-24VOLTS / SAE# 2741MF	3	3		
NS	590270	BRACKET	2	2		
NS	590235	NUT KNURLED	2	2		
3	590179	CHART KM/H	AR	AR		
3	590122	CHART MPH	AR	AR		
3	590251	CHART DUMMY PROTECTOR	AR	AR		
4	090195	MODULE ASSY / W/TACHOGRAPH W/4 WIRES	1	1		
5	064669	CABLE ASSY	1	1		
5	064806	CABLE ASSY	1	1		A
		A) THIS ITEM IS USED WITH "TRIP MASTER" FOR CUSTOMMER INSTALLATION				

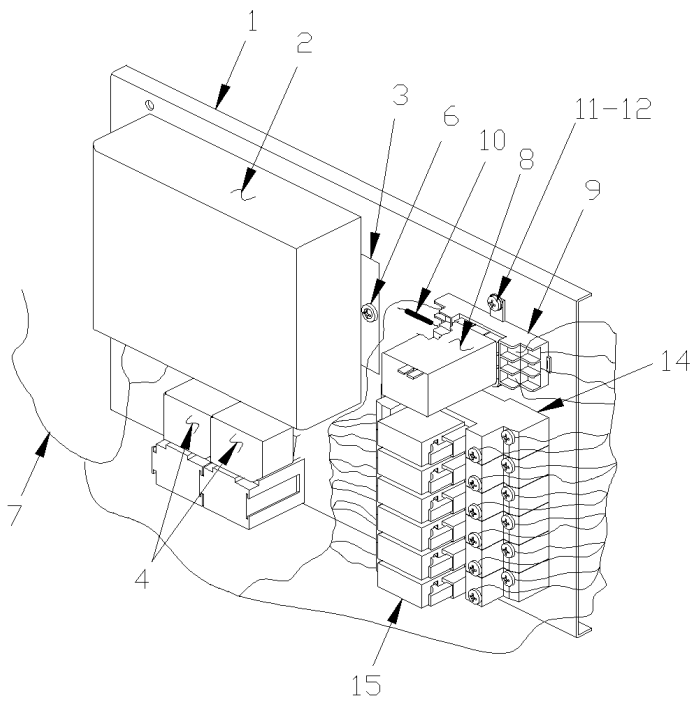
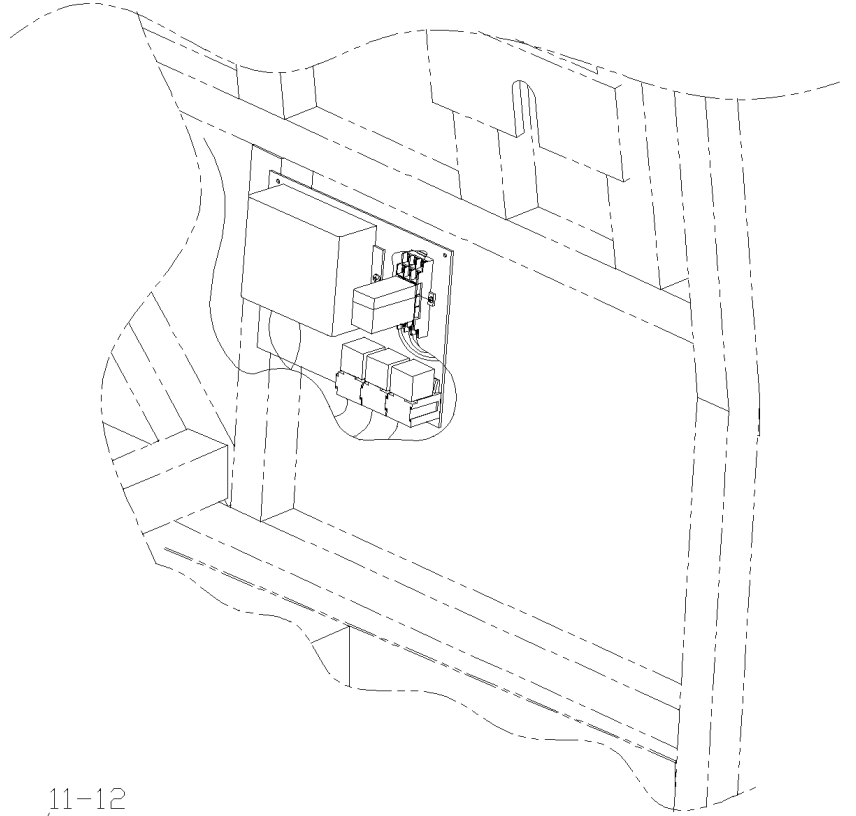
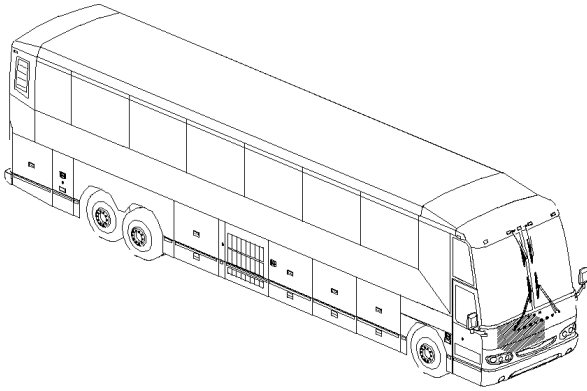


From 3-4417 To 6-0435

Date:10/2022

PAGE:HF-0650-50

KEYLESS MODULE





From 3-4417 To 6-0435	Date:10/2022	PAGE:HF-0650-50
KEYLESS MODULE		

Item#	Part	Description	H 3 4 1	H 3 4 5	V I P 4 5	N O T E S
	381971	KEYLESS MODULE ASSY / V.I.P. To 4-4833			1	
	382320	KEYLESS MODULE ASSY V.I.P. From 4-4834 To 5-0103			1	
	382328	KEYLESS MODULE ASSY / V.I.P. From 5-0104			1	
1	381972	. SUPPORT MODULE KEYLESS			1	
2	562673	. KEYLESS MODULE / 50' RANGE To 4-4833			1	S
. NS	IS-03103	. . SEE INSTRUCTION SHEET To 4-4833			1	S
2	563541	. KEYLESS MODULE / 350' RANGE From 4-4834			1	
3	064494	. SUPPORT MODULE			2	
4	562092	. RELAY 12V S.P.D.T. W/DIODE / To 5-0142			2	
4	563337	. RELAY 12V S.P.D.T. W/RESISTOR / From 5-0143			2	
6	500582	. SCREW TP PAN PH #8x3/8 Z050			4	
7	065511	. WIRING HARNESS KEYLESS MODULE To 5-0103			1	
7	066398	. WIRING HARNESS KEYLESS MODULE From 5-0104			1	
8	562341	. RELAY, TIME DELAY RELAY - OFF To 5-0103			1	
8	067982	. KIT RETROFIT TIME DELAY RELAY			1	
. NS	563584	. . RELAY, TIME DELAY RELAY - OFF / 30 SEC			1	
. NS	561183	. . RELAY BASE / TAB TERMINAL / BOSCH 3334485008			1	
. NS	561108	. . TAB RECEPTACLE TERMINAL / 18-14 / AMP 42238-2			4	
8	563584	. RELAY, TIME DELAY RELAY - OFF / 30 SEC From 5-0104			1	R
9	562340	. BASE SOCKET			1	
10	560805	. RESISTOR / 470 OHMS / 1/2W			1	
11	500640	. SCREW TP PAN PH #6x3/4 Z050			2	
12	500467	. WASHER LO INT .138x.275x.019 Z050			2	
14	563055	. BASE RELAY			7	
15	563054	. RELAY 12V S.P.D.T.			7	
NS	064831	CABLE KEYLESS MODULE			1	
		R) SEE ATTACHMENT DOCUMENT 2004093				
		S) WHEN YOU REPLACE MODULE 562673 BY THE NEW 563541 YOU NEED TO REPLACE KEYLESS 562674 WITH THE NEW 563542 / SEE INSTRUCTION SHEET IS-03103				

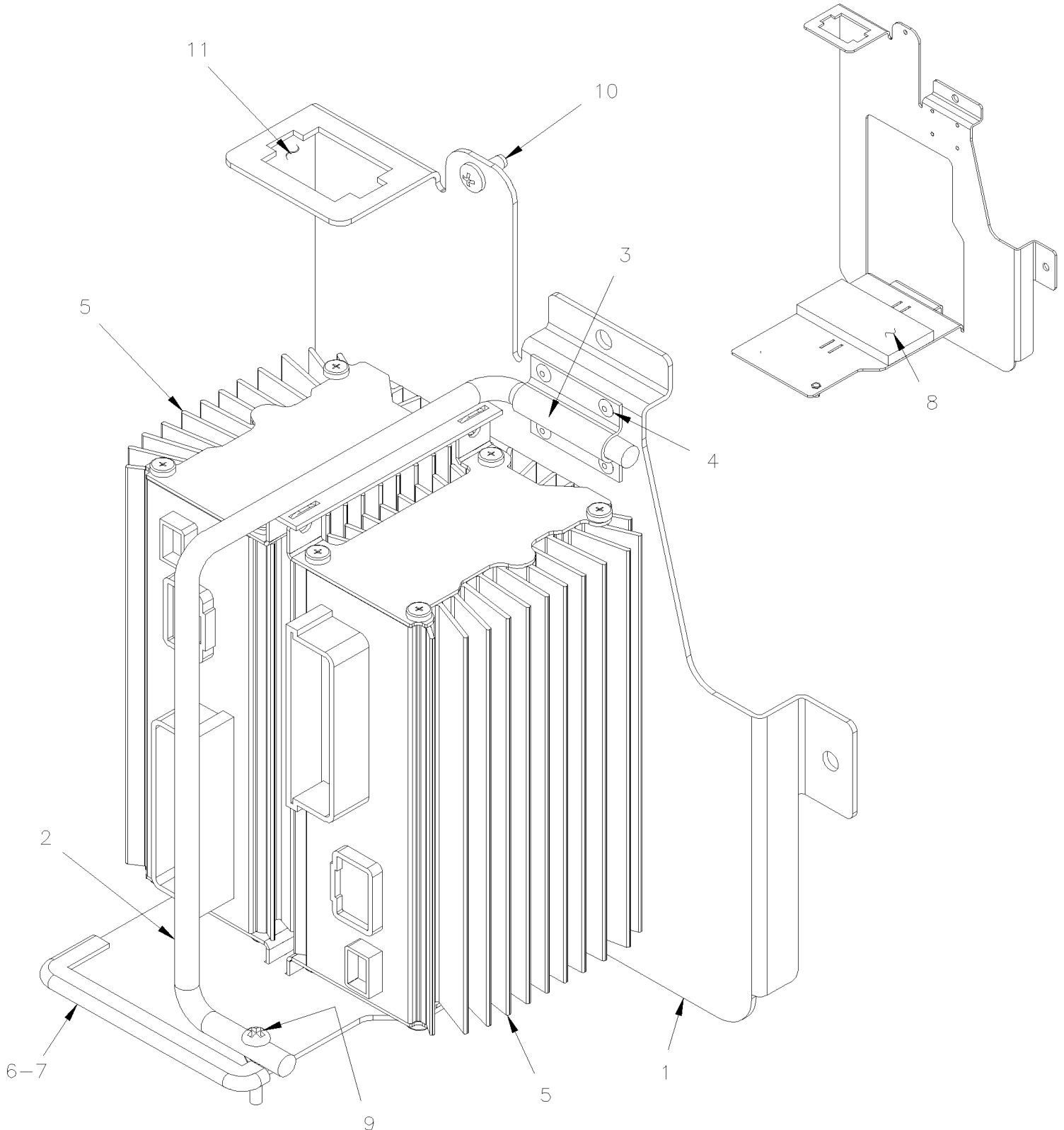


From 6-0436 To 8-1043

Date:10/2022

PAGE:HF-0650-51

ENTRANCE DOOR MODULE - V.I.P. / MUX





From 6-0436 To 8-1043	Date:10/2022	PAGE:HF-0650-51
ENTRANCE DOOR MODULE - V.I.P. / MUX		

Item#	Part	Description	H 3 4 1	H 3 4 5	V I P 4 5	N O T E S
	Call order desk	CONTROL MODULE ASSY	1	1	1	P
1	382164	. SUPPORT MODULE			1	
2	382166	. ROD ATTACHMENT / I/O B MODULE			1	
3	382169	. HINGE ROD ATTACHMENT			1	
4	504340	. RIVET POP DOME OE 1/8x3/16 SS			4	
5	563273	. I/O B-MODULE VOLVO MULTIPLEX / ALUMINUM To 7-0791			2	
. NS	563132	. . CONNECTOR / SH 2C / YAZAKI 7283-6458-40 To 7-0791			1	
. NS	563133	. . CONNECTOR / JUNIOR POWER TIMER / SH 29C / AMP 1-963449-2 To 7-0791			1	
. NS	562957	. . CONNECTOR / SH 5C / GREEN / JAE IL-AG5-5S-S3C1 To 7-0791			1	
5	565865	. I/O B-MODULE VOLVO MULTIPLEX / ALUMINUM From 7-0792			1	
. NS	563132	. . CONNECTOR / SH 2C / YAZAKI 7283-6458-40 From 7-0792			1	
. NS	563133	. . CONNECTOR / JUNIOR POWER TIMER / SH 29C / AMP 1-963449-2 From 7-0792			1	
. NS	562957	. . CONNECTOR / SH 5C / GREEN / JAE IL-AG5-5S-S3C1 From 7-0792			1	
6	506338	. RUBBER CHANNEL / 1/16" x 1/4" INT "U" SHAPE / ROUND C.T.L.				AR
7	680066	. ADHESIVE / ADBOND #5014 / 23.6ML BOTTLE				AR
8	506006	. TAPE RUB ADH1 CC POL 3/8" x 1 1/4" x 20' / GREY 2520				AR
9	509827	. SCREW MA RND PH M4-0.7x20 SS			1	
10	500965	. SCREW TC BDG PH #8-32x1/2 N500			1	
11	381145	DIODE ASSY / W/5 3AMPS			1	
NS	509815	TIE MOUNT / ATTACHMENT W/TREE MOUNT			2	
50	HF-0625-01	FRONT JUNCTION PANEL / MUX				
		P) CALL ORDER DESK FOR SPECIFIC APPLICATION (V.I.N.)				

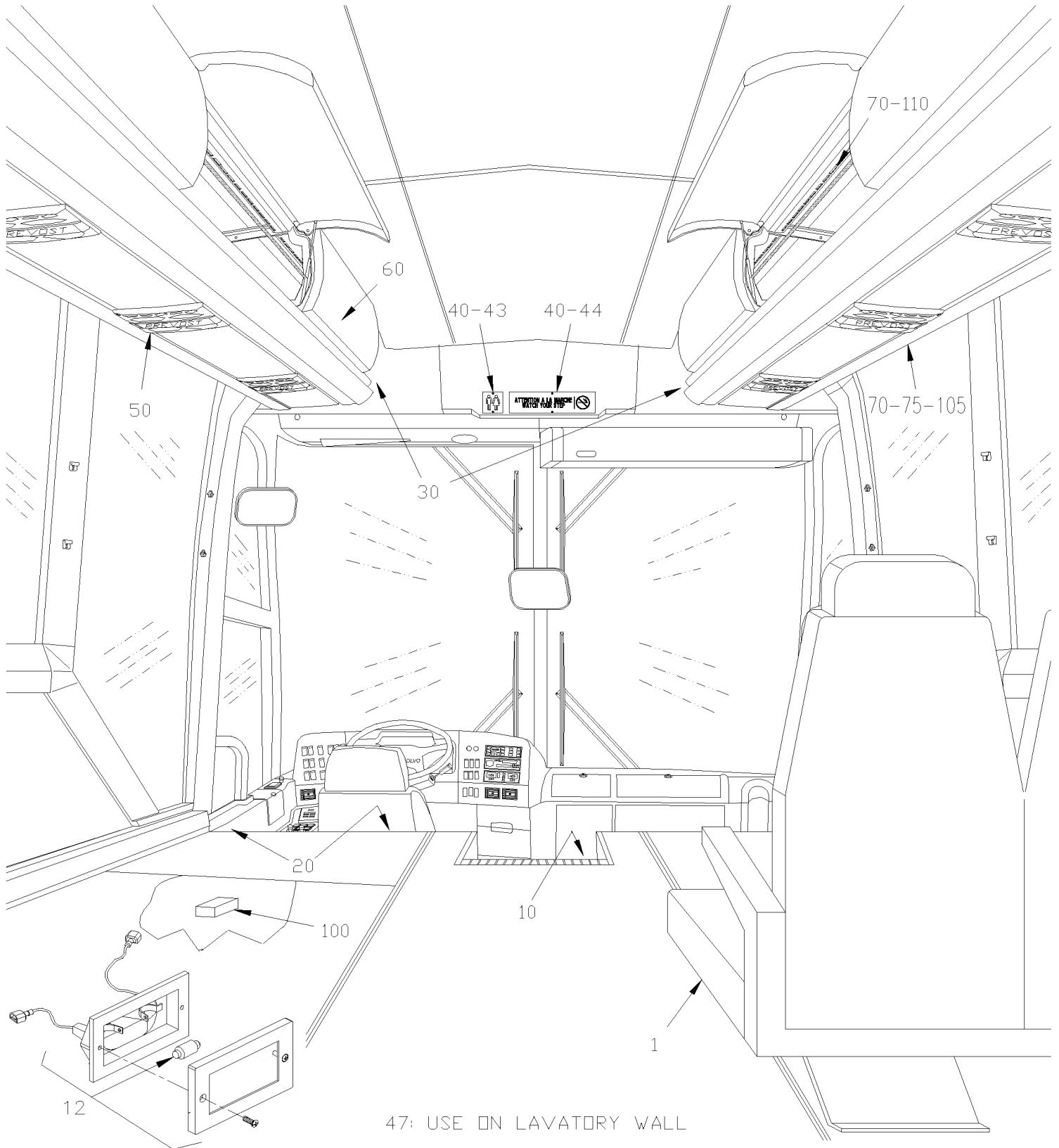


From 3-4417 To 8-1043

Date:10/2022

PAGE:HF-0655-00

INTERIOR LIGHTING



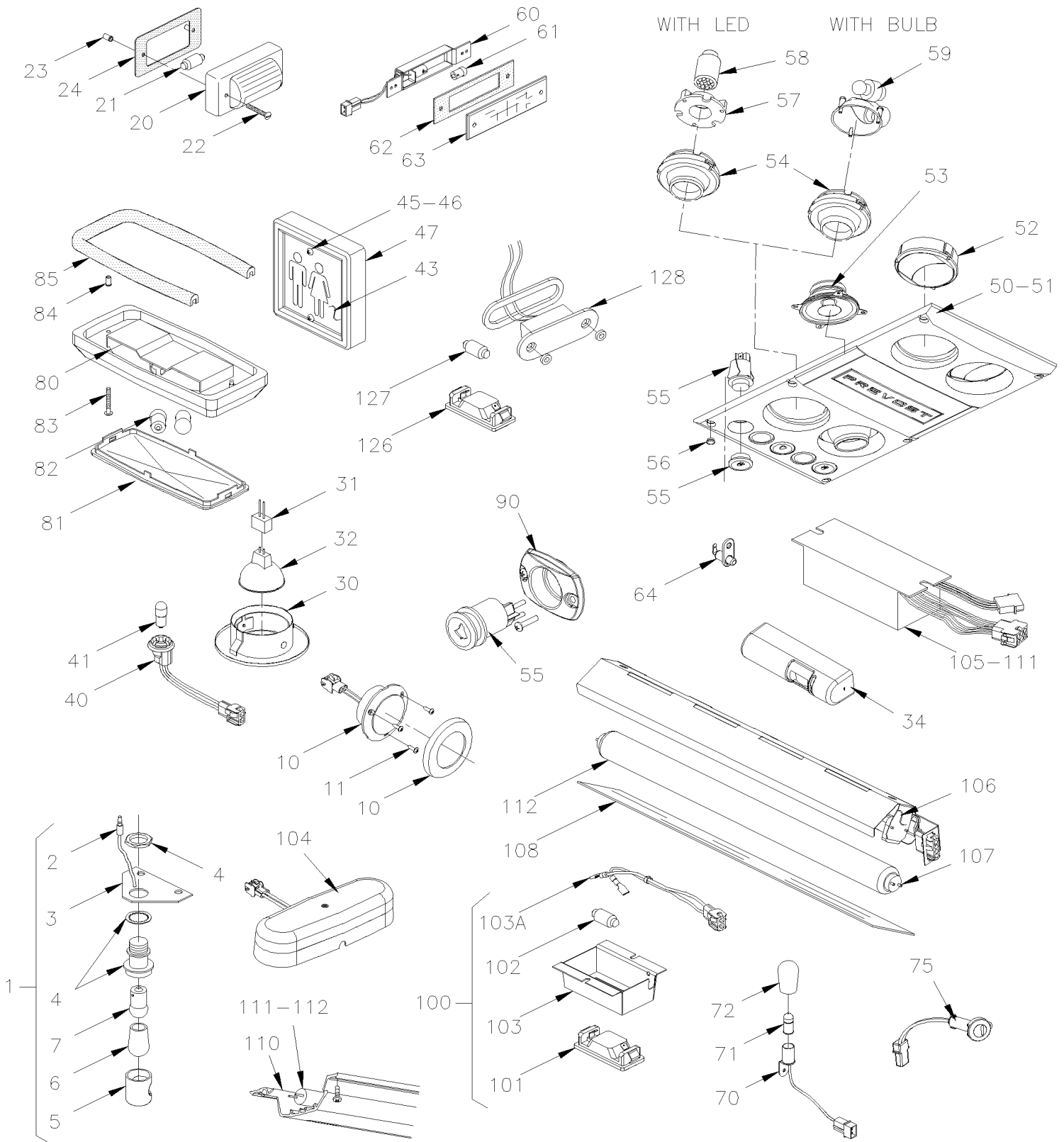


From 3-4417 To 8-1043

Date:10/2022

PAGE:HF-0655-00

INTERIOR LIGHTING





From 3-4417 To 8-1043 Date:10/2022 PAGE:HF-0655-00

INTERIOR LIGHTING

Item#	Part	Description	H 3 4 1	H 3 4 5	V I P 4 5	N O T E S
		AISLE LAMP - UNDER PASSENGER'S SEAT				
1	330146	LAMP ASSY / UNDER SEAT W/BULB To 4-4946	AR	AR		
1	330367	LAMP ASSY / UNDER SEAT W/LED From 4-4947	AR	AR		
2	560098	. TERMINAL SNAP PLUG / 16-14 / INSULATED / AMP 2-324225-1	1	1		
3	361343	. SUPPORT	1	1		
4	830096	. LAMP	1	1		
5	830113	. . CAP PROTECTOR	1	1		
6	560940	. BULB COVERING / BLUE To 4-4946	1	1		
6	563546	. BULB / 7 LEDS BLUE / UNDER SEAT / #B607-2PB-028W From 4-4947	1	1		
6	564100	. BULB / 7 LEDS BLUE / UNDER SEAT / #270015	1	1		
7	560141	. BULB / 3WATT-24VOLTS / SAE# 1251 To 4-4946	1	1		
NS	061310	CABLE ASSY / LIGHT & MAIN CABLE	AR	AR		
7	065467	CABLE ASSY / MAIN AISLE LAMP	1			
7	065036	CABLE ASSY / MAIN AISLE LAMP		1		
		STEPWELL LAMP				
10	430560	STEP LAMP 12v ASSY / LED To 3-4639	2	2		
10	830173	. STEP LAMP 12v ASSY / LED To 3-4639	1	1		
10	830177	. STEP LAMP 24v ASSY / LED From 3-4640	2	2		
NS	562485	. CONNECTOR / DT SERIES / SH 2C / GRAY / DEUTSCH DT06-2S	1	1		
NS	562488	. SECONDARY LOCK / DT SERIES / SH 2C / DEUTSCH W2S	1	1		
NS	561608	. SOCKET TERMINAL / 18-16 / DEUTSCH 0462-201-16141	2	2		
NS	562498	. RESISTOR / 220 OHMS / 2 W	1	1		
10	830182	. BEZEL BLACK / PLASTIC ROUND 3" O.D.	1	1		
11	500583	SCREW TP PAN PH #6x1/2 Z050	3	3		
12	330279	LAMP ASSY 24V W/BULB			1	
. NS	830142	. LAMP			1	
. NS	562278	. BULB / 10WATT-24VOLTS / SAE# 6429			1	
NS	830197	LAMP ASSY 24V LEDS			1	
NS	068140	CABLE INTERFACE 330279 TO 830197			AR	
		GALLEY & WASTE CONTAINER LAMP				
20	830124	LAMP ASSY	1	1		
21	562278	BULB / 10WATT-24VOLTS / SAE# 6429	1	1		
21	562305	BULB / 5WATT-12VOLTS / SAE# 6413	AR	AR		
22	500678	NUT WELL #8-32x.450	2	2		
23	500580	SCREW MA RND SLT #8-32x1/2 ZP	2	2		
24	391525	RUBBER PLATE GASKET	1	1		



From 3-4417 To 8-1043 Date:10/2022 PAGE:HF-0655-00

INTERIOR LIGHTING

Item#	Part	Description	H 3 4 1	H 3 4 5	V I P 4 5	N O T E S
		DRIVER'S LAMP & LAVATORY LAMP				
30	830150	LAMP BASE To 3-4460	2	2	2	
30	830179	LAMP BASE From 3-4461	2	2	2	
31	562803	CONNECTOR / SOCKET HOUSING ASSY / LEECRAFT QBL-12	1	1	1	
32	830176	BULB / 20 WATTS-12V/SAE#Q20MR16/FL40D	1	1	1	
NS	405244	LAMP SUPPORT / LAVATORY To 3-4460	1	1		
NS	405371	LAMP SUPPORT / LAVATORY GREY PLATINE From 3-4461	1	1		
NS	330347	LAMP SUPPORT / DRIVER'S To 3-4460			1	
NS	330361	LAMP SUPPORT / DRIVER'S From 3-4461			1	
		LAVATORY LAMP (OCCUPIED)				
40	330265	SOCKET ASSY W/CONNECTOR / W2.1x9.Dd	1	1		
. NS	562295	. SOCKET BULB / PLASTIC W/WIRE / W2.1x9.5d	1	1		
. NS	561248	. CONNECTOR / UNIVERSAL MATE-N-LOK / PH 2C / AMP 1-480699-0	1	1		
. NS	562122	. PIN TERMINAL / 20-14 / AMP 350547-1	2	2		
41	561166	BULB / 3WATT-24VOLTS / SAE# 464	1	1		
43	403137	LENS	1	1		
44	HF-1832-00	FRONT FINISHING CAP				
45	500504	SCREW TC OV PH #6-32x1/2 BK	2	2		
46	500422	NUT SPR U #6-32 .110-.120 SS	2	2		
47	330342	BASE ASSY W/SOCKET & BULB 24V / LIGHT GREY	1	1		
		PARCEL RACK				
50	330366	MODULE ASSY WITH LEDS LAMP, AIR DIFFUSOR From 4-4839 To 6-0559	AR	AR		
50	330379	MODULE ASSY W/LEDs LAMP, AIR DIFFUSOR & COAXIAL SPEAKER From 6-0560	AR	AR		
. NS	830184	. MODULE ASSY W/OUT LAMP & W/AIR DIFFUSOR COAXIAL SPEAKER From 6-0560	1	1		
. NS	830180	. SUPPORT / 12 LEDS BULB From 6-0560	2	2		
. NS	563630	. BULB / 12 LEDS / READING LIGHT 24VOLTS / #270017 From 6-0560	2	2		
. NS	500235	. SCREW TP BDG PH #6x3/4 N500 From 6-0560	6	6		
50	330380	MODULE ASSY W/LEDs LAMP, AIR DIFFUSOR & DUAL CONE SPEAKER From 6-0560	AR	AR		
. NS	830185	. MODULE ASSY W/OUT LED AND W/AIR DIFFUSOR DUAL CONE SPEAKER From 6-0560	1	1		
. NS	830180	. SUPPORT / 12 LEDS BULB From 6-0560	2	2		
. NS	563630	. BULB / 12 LEDS / READING LIGHT 24VOLTS / #270017 From 6-0560	2	2		
. NS	500235	. SCREW TP BDG PH #6x3/4 N500 From 6-0560	6	6		
51	830174	. MODULE ASSY WITH LAMP AND AIR DIFFUSOR To 3-4639	1	1		BS
51	830178	. MODULE ASSY WITH LAMP AND AIR DIFFUSOR From 3-4640 To 6-0559	1	1		BS
51	830187	. MODULE ASSY W/BULB LAMP, AIR DIFFUSOR & COAXIAL SPEAKER	1	1		BS
51	830186	. MODULE ASSY W/BULB LAMP, AIR DIFFUSOR & DUAL CONE SPEAKER	1	1		BS
51	830175	. MODULE ASSY W/OUT LAMP AND W/AIR DIFFUSOR	AR	AR		A



From 3-4417 To 8-1043 Date:10/2022 PAGE:HF-0655-00

INTERIOR LIGHTING

Item#	Part	Description	H 3 4 1	H 3 4 5	V I P 4 5	N O T E S
NS	065387	. CABLE	1	1		A
52	830157	. AIR DIFFUSOR	2	2		
53	901195	. SPEAKER COAXIAL	1	1		
53	901194	. SPEAKER DUAL CONE	1	1		
54	830156	. READING LAMP ASSY W/REFLECTOR LENS & CLIP	2	2		
NS	830172	. . REFLECTOR ASSY W/CLIP	1	1		B
NS	830169	. . . CLIP SOKET RETAINER	1	1		B
55	830159	. SWITCH / OFF-M/ON / S.P.S.T. / CHIME	1	1		WCL
55	830158	. SWITCH / OFF-ON / S.P.S.T. / READING LIGHT	2	2		WCL
56	830160	. PLUG COVER SCREW	6	6		
NS	5001439	. SCREW TP OV PH #6x5/8 BK	4	4		
57	830180	. SUPPORT / 12 LEDS BULB	1	1		
NS	500235	. SCREW TP BDG PH #6x3/4 N500	4	4		
58	563349	. BULB / 12 LEDS / READING LIGHT 24VOLTS / #B612-0WW-024S To 7-0872	1	1		
58	563630	. BULB / 12 LEDS / READING LIGHT 24VOLTS / #270017 From 7-0873	1	1		
59	563073	. BULB / 7 WATT-24VOLTS / SAE# 64479 To 3-4639	2	2		B E
59	563260	. BULB / 6WATT-24VOLTS / SAE# 303 From 3-4640 To 4-4700	2	2		B E
59	560135	. BULB / 6WATT-24VOLTS / SAE# 623 From 6-0560	1	1	1	
NS	065044	DIODE ASSY	1	1		C
59	830164	TOOL / LENS REMOVER READING LIGHT	1	1	1	
60	430314	LAMP ASSY	AR	AR		
60	430313	. BOX	1	1		
60	561556	. SOCKET BULB / METAL W/2 WIRES / BA9s / LEECRAFT B22Q2	1	1		
60	504462	. SNAP BUSHING / .187x.375x.312	1	1		
60	560853	. PIN TERMINAL / 24-18 / AMP 60618-1	2	2		
60	560900	. CONNECTOR / COM. MATE-N-LOCK / PH 2C / AMP 1-480319-0	1	1		
60	504109	. RIVET POP DOME OE 5/32x3/16 AL	2	2		
61	560144	BULB / 1.6WATT-24VOLTS / SAE# 1820	AR	AR		
62	430316	SEAL	1	1		
63	430312	LENS	2	2		
NS	500124	SCREW TP TR PH #8x1/2 SS	1	1		
64	561563	SWITCH / S.P.S.T. / N.C.	1	1		
		EMERGENCY EXIT LAMP - LOCATED				
		UPPER OF SIDE WINDOW				
		ALSO IN LIGHTING MODULE OVER				
		PARCEL RACK DOORS				
70	330217	SOCKET ASSY	AR	AR		
71	560601	BULB / 2WATT-24VOLTS / SAE# 456	AR	AR		



From 3-4417 To 8-1043 Date:10/2022 PAGE:HF-0655-00

INTERIOR LIGHTING

Item#	Part	Description	H 3 4 1	H 3 4 5	V I P 4 5	N O T E S
71	560623	BULB / 3.5WATT-24VOLTS / SAE# 313	AR	AR		
72	560942	BULB COVERING / BLUE	AR	AR		
NS	500648	SCREW TC BDG PH #6-32x1/4 ZP	AR	AR		
NS	500438	WASHER FL .187x.437x.050 Z050	AR	AR		
		NEXT LAMPS USE "EMERGENCY" ONLY				
75	564070	LAMP ASSY "LED" W/RETAINING RING From 8-1055	AR	AR		
. A	563723	. DIFFUSOR From 8-1055	1	1		
. B	563724	. RECEPTACLE ASSY From 8-1055	1	1		
. C	330393	. PIN HAIR CUTTER .062 X 9/32 SPEC From 8-1055	1	1		
		W.C.L. DOOR "ST & ST"				
80	830110	LAMP ASSY	1	1		
81	830125	. LENS	1	1		
82	563010	. BULB / 16WATT-24VOLTS / SAE# 1308	2	2		
83	500654	. SCREW TC BDG PH #8-32x1/2 Z050	AR	AR		
84	500678	. NUT WELL #8-32x.450	AR	AR		
90	409259	PROTECTOR SWITCH / CAP	AR	AR		WCL
. NS	288728	. REINFORCMENT FOR SCREW PROTECTOR CAP	1	1		WCL
NS	500814	SCREW TP BDG PH #6x3/4 BK	2	2		WCL
		BAGGAGE & SERVICE DOOR				
100	330268	LAMP ASSY 24V / BAGGAGE COMPARTMENT LAMP / W/ONE BULB 10W To 5-0049	AR	AR	AR	
100	330370	LAMP ASSY 24V / BAGGAGE COMPARTMENT LAMP / W/2 BULB 10W From 5-0050 To 5-0244	AR	AR	AR	
100	330372	LAMP ASSY 24V / BAGGAGE COMPARTMENT LAMP W//2 BULBS 5W From 5-0245 To 7-0969	AR	AR	AR	
101	830139	. LAMP ASSY / W/ONE BULB To 5-0049	1	1	1	
101	830183	. LAMP ASSY / W/2 BULBS From 5-0050 To 7-0969	1	1	1	
102	562278	. BULB / 10WATT-24VOLTS / SAE# 6429 To 5-0048	AR	AR	AR	
102	562411	. BULB / 5WATT-24VOLTS / SAE # 6424 From 5-0049 To 7-0969	2	2	2	
103	330267	. SUPPORT / SS / TO FIX LAMP / W/ONE BULB To 5-0049	1	1	1	
103	330369	. SUPPORT / SS / TO FIX LAMP / W/2 BULBS From 5-0050 To 7-0969	1	1	1	
NS	504273	. CABLE TIE / 1/8" X 3"1/2	1	1		
103	064278	. CABLE ASSY / TO ADD MORE LAMP IN BAGGAGE COMPARTMENT	8	8		
103	066271	. CABLE ASSY / W/2 BULBS From 5-0050 To 7-0969	1	1		
103A	063435	. CABLE ASSY / W/ONE BULB To 5-0049	1	1		
104	330224	LAMP ASSY 24V / BAGGAGE COMPARTMENT LAMP W/2 BULBS G4-10W From 7-0970	AR	AR	AR	
. NS	330396	. BULB / 10 WATTS -28VOLTS / SAE# G4-28 From 7-0970	2	2	2	



From 3-4417 To 8-1043 Date:10/2022 PAGE:HF-0655-00

INTERIOR LIGHTING

Item#	Part	Description	H 3 4 1	H 3 4 5	V I P 4 5	N O T E S
		FLUORESCENT UNDER PARCEL RACK				
105	830155	BALLAST / 24 VOLTS / TO USE W/830153	AR	AR		
105	562850	. FUSE / 4 AMPS / GMA-4A	1	1		
106	330340	SOCKET / TUBE	2	2		
106	561247	. CONNECTOR / UNIVERSAL MATE-N-LOK / SH 2C / AMP 1-480698-0	1	1		
106	561514	. SOCKET TERMINAL / 20-14 / AMP 350537-3	2	2		
106	830145	. SOCKET / BIPIN HOLDER	1	1		
107	830153	TUBE / 32WATT / F32T8SPX41 - 48"	AR	AR		
108	312502	LENS 470MM		1		
108	312503	LENS 831MM	1			
108	312501	LENS 1235MM	10			
108	312501	LENS 1235MM		12		
108	313085	LENS / W/A/C 1194MM	1	1		
		FRONT PARCEL RACK FLUORESCENT				
110	312445	LIGHTING MODULE / W/TUBE 1590MM	10			D
110	312445	LIGHTING MODULE / W/TUBE 1590MM		12		D
110	312449	LIGHTING MODULE / W/TUBE / W/W.C.L. "ST & ST" / 1052MM		1		D
110	312447	LIGHTING MODULE / W/TUBE / W/W.C.L. "ST & ST" / 1476.2MM	1	1		D
110	312451	LIGHTING MODULE / "DUMMY" 661.2MM		2		
110	312450	LIGHTING MODULE / "DUMMY" 779.5MM	2	2		
110	312448	LIGHTING MODULE / "DUMMY" 1086MM	2			
110	312452	LIGHTING MODULE / "DUMMY" / W/W.C.L. "RICON" / 50MM		1		
110	316094	LIGHTING MODULE / "DUMMY" / W/W.C.L. "RICON" / 343MM	1			
111	830154	. BALLAST / 24 VOLTS / TO USE W/830152	AR	AR		
NS	562850	. . FUSE / 4 AMPS / GMA-4A	1	1		
NS	562784	. SOCKET / BIPIN HOLDER / LEVITON 420	AR	AR		
112	830152	TUBE / 13WATT / F13T5CW - 21" / G5 MINI BIPIN	AR	AR		
		LAVATORY NIGHT LIGHT				
126	830139	LAMP ASSY / W/ONE BULB To 5-0136	1	1		
127	562411	. BULB / 5WATT-24VOLTS / SAE # 6424 To 5-0136	1	1		
128	066401	KIT, REPLACEMENT LAVATORY NIGHT LIGHT To 5-0136	1	1		
128	563460	LAMP ASSY "LED" From 5-0137	AR	AR		
		A) ONLY ON COACH W/OUT READING LAMP ON FIRST SEAT				
		B) FOR PRODUCT IMPROVMENT USE 1 X 563630 WITH 1 X 830180 & 6 X 500235				



From 3-4417 To 8-1043	Date:10/2022	PAGE:HF-0655-00
-----------------------	--------------	-----------------

INTERIOR LIGHTING

Item#	Part	Description	H 3 4 1	H 3 4 5	V I P 4 5	N O T E S
		BS) BULB SOCKET IT NOT AVALIABLE FOR REPLACEMENT ASK FOR CHEAPER MODULE # 830178				
		C) ONLY ON COACH WITH READING LIGHT TEST SWITCH				
		D) INCLUDE ITEM # 70 & 111				
		E) ANY BUS WITH READING LAMPS WITH BULB WE SUGGEST BULB # 560235				
		WCL) THIS SWITCH IT ALSO INSTALL ON LOWER WINDOW MOULDING WITH PROTECTOR # 409259 FOR IMPROVEMENT				

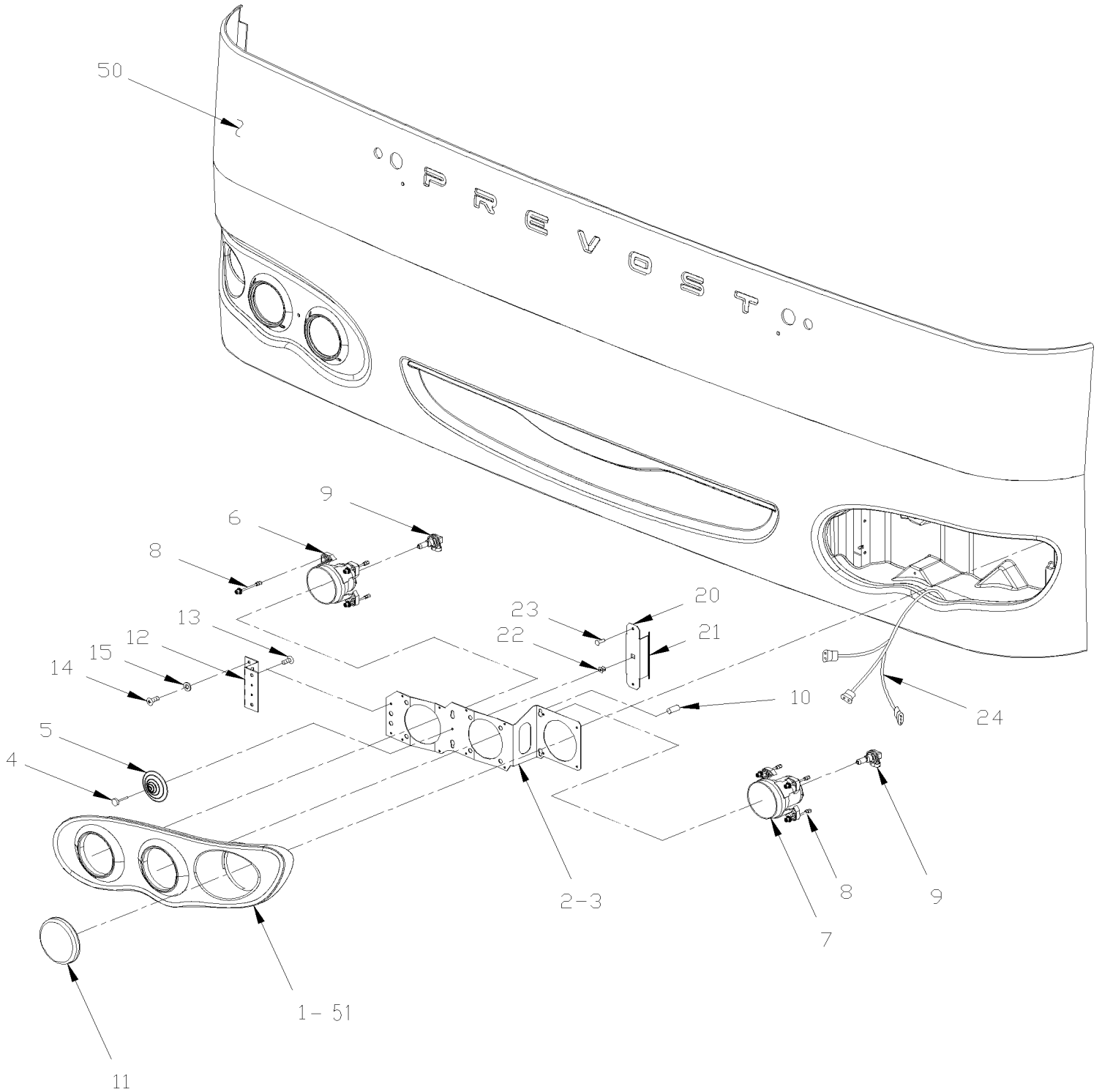


From 3-4417 To 8-1043

Date:10/2022

PAGE:HF-0660-00

HEADLAMP "HALOGENE" & FRONT DIRECTIONAL LAMPS





From 3-4417 To 8-1043 Date:10/2022 PAGE:HF-0660-00

HEADLAMP "HALOGENE" & FRONT DIRECTIONAL LAMPS

Item#	Part	Description	H 3 4 1	H 3 4 5	V I P 4 5	N O T E S
	430635	LAMP ASSY L.H. "HALO" W/BEZEL "H"	1	1	1	
	430636	LAMP ASSY L.H. "HALO" W/BEZEL & WASHER "H"	1	1	1	
	430639	LAMP ASSY R.H. "HALO" W/BEZEL "H"	1	1	1	
	430640	LAMP ASSY R.H. "HALO" W/BEZEL & WASHER "H"	1	1	1	
1	475197	. HEADLAMP BEZEL, L.H.	1	1	1	
1	476571	. HEADLAMP BEZEL, R.H. / W/HEADLAMP WASHER From 6-0589	1	1	1	
1	475119	. HEADLAMP BEZEL, R.H.	1	1	1	
1	476572	. HEADLAMP BEZEL, L.H. / W/HEADLAMP WASHER From 6-0589	1	1	1	
2	430557	. SUPPORT L.H. To 4-4850	1	1	1	
2	430584	. SUPPORT L.H. From 4-4851	1	1	1	
3	430552	. SUPPORT R.H. To 4-4850	1	1	1	
3	430585	. SUPPORT R.H. From 4-4851	1	1	1	
4	502706	. SCREW TP PAN PH #14x1 SS	1	1	1	
5	930369	. SPRING CONICAL	1	1	1	
6	930359	. LAMP ASSY / HIGH	1	1	1	
7	930360	. LAMP ASSY / LOW	1	1	1	A
8	930373	. . KIT, BOLTS ADJUSTMENT (3 BOLTS)	1	1	1	
9	563092	. BULB / 65WATT-12VOLTS / SAE# H9	1	1	1	
10	5001416	. BUMPER RUBBER / 11/16x1/2x3/32	2	2	2	
11	930364	. LED AMBER 4" / DIRECTIONAL / FRONT 12Volt / 60L (PREVOST)	2	2	2	
12	430555	. HINGE / DOUBLE	1	1	1	
13	5001536	. SCREW PTR BDG PH M4x12 SS	4	4	4	
14	502622	. SCREW CAP HEX M6-1.0x20 SS BK	2	2	2	
15	502570	. WASHER LO SPT 6.1x11.8x1.6 SS	2	2	2	
20	430556	. SUPPORT / CENTRAL	1	1	1	
21	506338	. RUBBER CHANNEL / 1/16" x 1/4" INT "U" SHAPE / ROUND C.T.L.	AR	AR	AR	
22	5001009	. NUT AN 1/4 NYL	1	1	1	
23	504379	. RIVET POP DOME OE 3/16x1/4 SS	2	2	2	
24	065477	. CABLE ASSY / W/"HALOGENE" LAMPS / W/H3	2	2	2	
NS	504428	. TIE MOUNT / 3/16" #10 SCREW / TA1S10-C	10	10	10	
NS	504637	. CABLE TIE / 3/16" x 13"	10	10	10	
NS	507336	. PROTECTOR CAP / BLACK / .281 I.D. x .500	AR	AR	AR	
50	HF-1851-00	CAP - FRONT & REAR - INSTALLATION				
51	HF-2305-25	. HEAD LAMP CLEANING WASHER TANK				
NS	430601	KIT RETROFIT "XENON" FROM HALOGENE "H" SERIE To 4-4850	AR	AR	AR	
101	067487	RETROFIT KIT, HEADLAMP WASHER / SERIES "H" ELECTRIC SECTION BUS W/O MUX To 5-0167	1	1		
. NS	066837	. CABLE ASSY / HEADLAMP WASHER RELAY To 5-0167	1	1		
. NS	066838	. CABLE ASSY / SWITCH HEADLAMP WASHER PUMP / "H" SERIES To 5-0167	1	1		
. NS	562699	. SWITCH / M/ON-OFF-M/ON / D.P.D.T. / W/GREEN LED To 5-0167	1	1		
. NS	564007	. CAP / WASHER WIDSHIELD & HEADLAMP To 5-0167	1	1		
. NS	565862	. RELAY / HEADLAMP WASHER To 5-0167	1	1		



From 3-4417 To 8-1043	Date:10/2022	PAGE:HF-0660-00
-----------------------	--------------	-----------------

HEADLAMP "HALOGENE" & FRONT DIRECTIONAL LAMPS

Item#	Part	Description	H 3 4 1	H 3 4 5	V I P 4 5	N O T E S
102	067486	RETROFIT KIT, HEADLAMP WASHER / SERIES "H" ELECTRIC SECTION VIP W/O MUX To 6-0435			1	
. NS	066837	. CABLE ASSY / HEADLAMP WASHER RELAY To 6-0435			1	
. NS	066838	. CABLE ASSY / SWITCH HEADLAMP WASHER PUMP / "H" SERIES To 6-0435			1	
. NS	564006	. CAP / HEADLAMP WASHER To 6-0435			1	
. NS	564008	. SWITCH / OFF-M/ON / S.P.S.T. / W/GREEN LED To 6-0435			1	
. NS	565862	. RELAY / HEADLAMP WASHER To 6-0435			1	
		A) TO CONVERT HALOGENE TO "XENON" FROM 4-4851, ASK FOR KIT #430601				

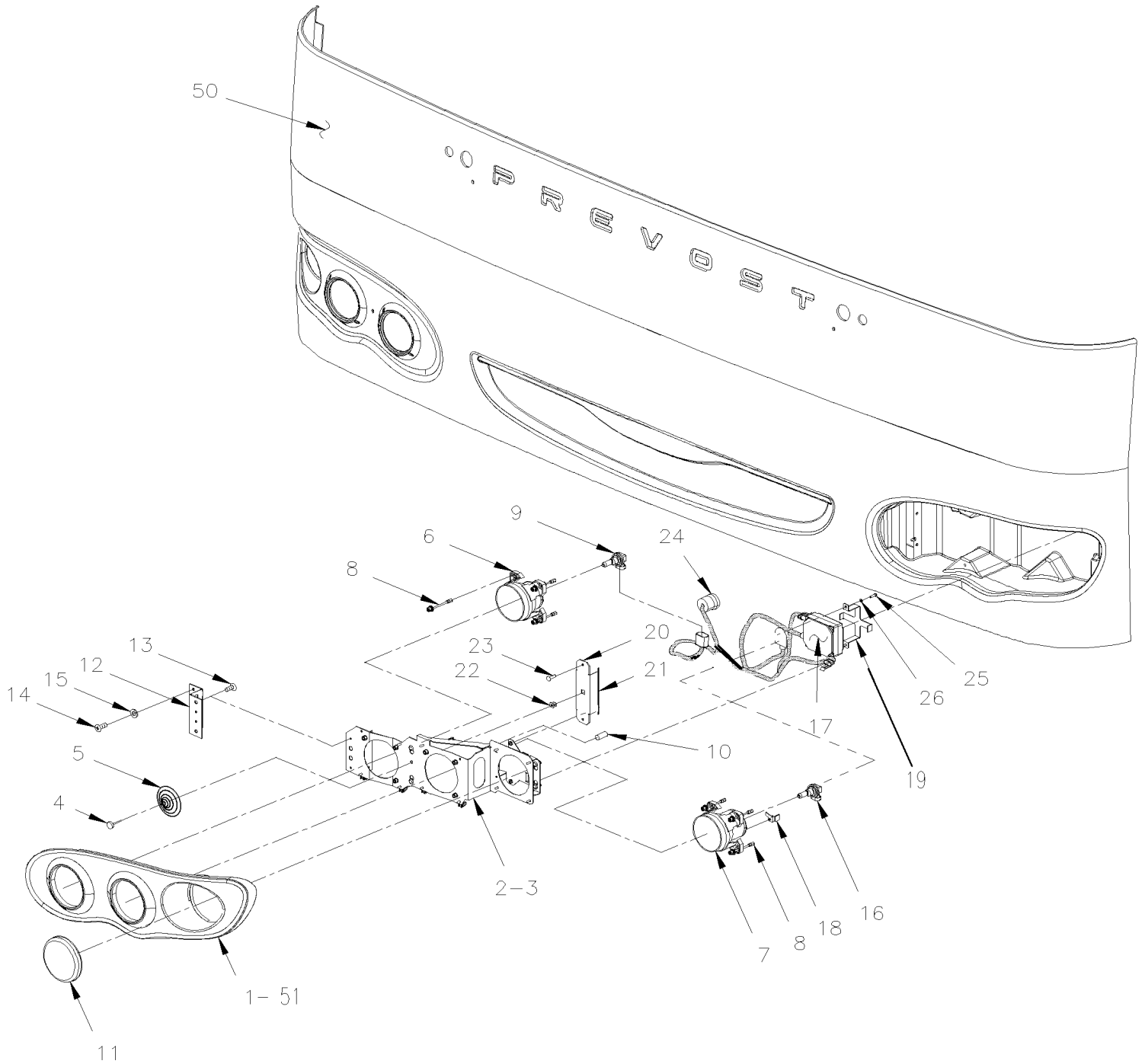


From 4-4851 To 8-1043

Date:10/2022

PAGE:HF-0660-01

HEADLAMP "XENON" & FRONT DIRECTIONAL LAMPS





From 4-4851 To 8-1043	Date:10/2022	PAGE:HF-0660-01
-----------------------	--------------	-----------------

HEADLAMP "XENON" & FRONT DIRECTIONAL LAMPS

Item#	Part	Description	H 3 4 1	H 3 4 5	V I P 4 5	N O T E S
	430637	LAMP ASSY L.H. "XENON" W/BEZEL "H"	1	1	1	
	430638	LAMP ASSY L.H. "XENON" W/BEZEL & WASHER "H"	1	1	1	
	430641	LAMP ASSY R.H. "XENON" W/BEZEL "H"	1	1	1	
	430642	LAMP ASSY R.H. "XENON" W/BEZEL & WASHER "H"	1	1	1	
1	475197	. HEADLAMP BEZEL, L.H.	1	1	1	
1	476571	. HEADLAMP BEZEL, R.H. / W/HEADLAMP WASHER From 6-0589	1	1	1	
1	475119	. HEADLAMP BEZEL, R.H.	1	1	1	
1	476572	. HEADLAMP BEZEL, L.H. / W/HEADLAMP WASHER From 6-0589	1	1	1	
2	430584	. SUPPORT L.H.	1	1	1	
3	430585	. SUPPORT R.H.	1	1	1	
4	502706	. SCREW TP PAN PH #14x1 SS	1	1	1	
5	930369	. SPRING CONICAL	1	1	1	
6	930359	. LAMP ASSY / HIGH	1	1	1	
7	930388	. LAMP ASSY "XENON" / W/BALLAST	1	1	1	
7	930389	. . LAMP ASSY "XENON" / W/OUT BALLAST & W/OUT BULB	1	1	1	
8	930373	. . KIT, BOLTS ADJUSTMENT (3 BOLTS)	1	1	1	
9	563092	. BULB / 65WATT-12VOLTS / SAE# H9	1	1	1	
10	5001416	. BUMPER RUBBER / 11/16x1/2x3/32	2	2	2	
11	930364	. LED AMBER 4" / DIRECTIONAL / FRONT 12Volt / 60L (PREVOST)	2	2	2	
12	430555	. HINGE / DOUBLE	1	1	1	
13	5001536	. SCREW PTR BDG PH M4x12 SS	4	4	4	
14	502622	. SCREW CAP HEX M6-1.0x20 SS BK	2	2	2	
15	502570	. WASHER LO SPT 6.1x11.8x1.6 SS	2	2	2	
16	563365	. BULB / 35WATT / SAE D2S / 85122	1	1	1	
17	930390	. BALLAST "XENON" LOW BEAM 12Volt Power To 5-0167	1	1	1	
17	930390	. BALLAST "XENON" LOW BEAM 12Volt Power From 5-0168	1	1	1	A
18	430604	. BULB STOPPER / "SAFETY FAILURE STRESS" / SS	1	1	1	
19	930434	. SUPPORT "XENON" BALLAST BLACK	1	1	1	
20	430556	. SUPPORT / CENTRAL	1	1	1	
21	506338	. RUBBER CHANNEL / 1/16" x 1/4" INT "U" SHAPE / ROUND C.T.L.	AR	AR	AR	
22	5001009	. NUT AN 1/4 NYL	1	1	1	
23	504379	. RIVET POP DOME OE 3/16x1/4 SS	2	2	2	
24	066011	. CABLE ASSY / W/"XENON" LAMPS / W/H3	2	2	2	
NS	504428	. TIE MOUNT / 3/16" #10 SCREW / TA1S10-C	10	10	10	
NS	504637	. CABLE TIE / 3/16" x 13"	10	10	10	
24	507336	. PROTECTOR CAP / BLACK / .281 I.D. x .500	AR	AR	AR	
25	502698	. SCREW MA PAN PH M4-0.7x16 SS BK	4	4	4	
26	502834	. WASHER LO SPT 4.1x7.6x0.9 N500	4	4	4	
50	HF-1851-00	CAP - FRONT & REAR - INSTALLATION				
51	HF-2305-25	HEAD LAMP CLEANING WASHER TANK				
101	067488	RETROFIT KIT, HEADLAMP WASHER / SERIES "H" ELECTRIC SECTION BUS W/MUX From 5-0168	1	1		



From 4-4851 To 8-1043 Date:10/2022 PAGE:HF-0660-01

HEADLAMP "XENON" & FRONT DIRECTIONAL LAMPS

Item#	Part	Description	H 3 4 1	H 3 4 5	V I P 4 5	N O T E S
. NS	066960	. CABLE ASSY / SWITCH HEADLAMP WASHER PUMP / "H" SERIES / MUX From 5-0168	1	1		
. NS	066961	. CABLE ASSY / HEADLAMP WASHER PUMP / "H" SERIES From 5-0168	1	1		
. NS	562699	. SWITCH / M/ON-OFF-M/ON / D.P.D.T. / W/GREEN LED From 5-0168	1	1		
. NS	564007	. CAP / WASHER WIDSHIELD & HEADLAMP From 5-0168	1	1		
. NS	563623	. BUTT SPLICE / 16-14 / BLUE / W/THERMORETRAC / PANDUIT BSH14-Q From 5-0168	2	2		
102	067489	RETROFIT KIT, HEADLAMP WASHER / SERIES "H" ELECTRIC SECTION VIP W/MUX From 6-0436			1	
. NS	066960	. CABLE ASSY / SWITCH HEADLAMP WASHER PUMP / "H" SERIES / MUX From 6-0436			1	
. NS	066961	. CABLE ASSY / HEADLAMP WASHER PUMP / "H" SERIES From 6-0436			1	
. NS	564006	. CAP / HEADLAMP WASHER From 6-0436			1	
. NS	564008	. SWITCH / OFF-M/ON / S.P.S.T. / W/GREEN LED From 6-0436			1	
. NS	563623	. BUTT SPLICE / 16-14 / BLUE / W/THERMORETRAC / PANDUIT BSH14-Q From 6-0436			2	
		A) USE WHEN YOU DO NOT HAVE A FIRE SUPPRESSIONS SYSTEM FIX TO THE PANEL OVER THE ENGINE				

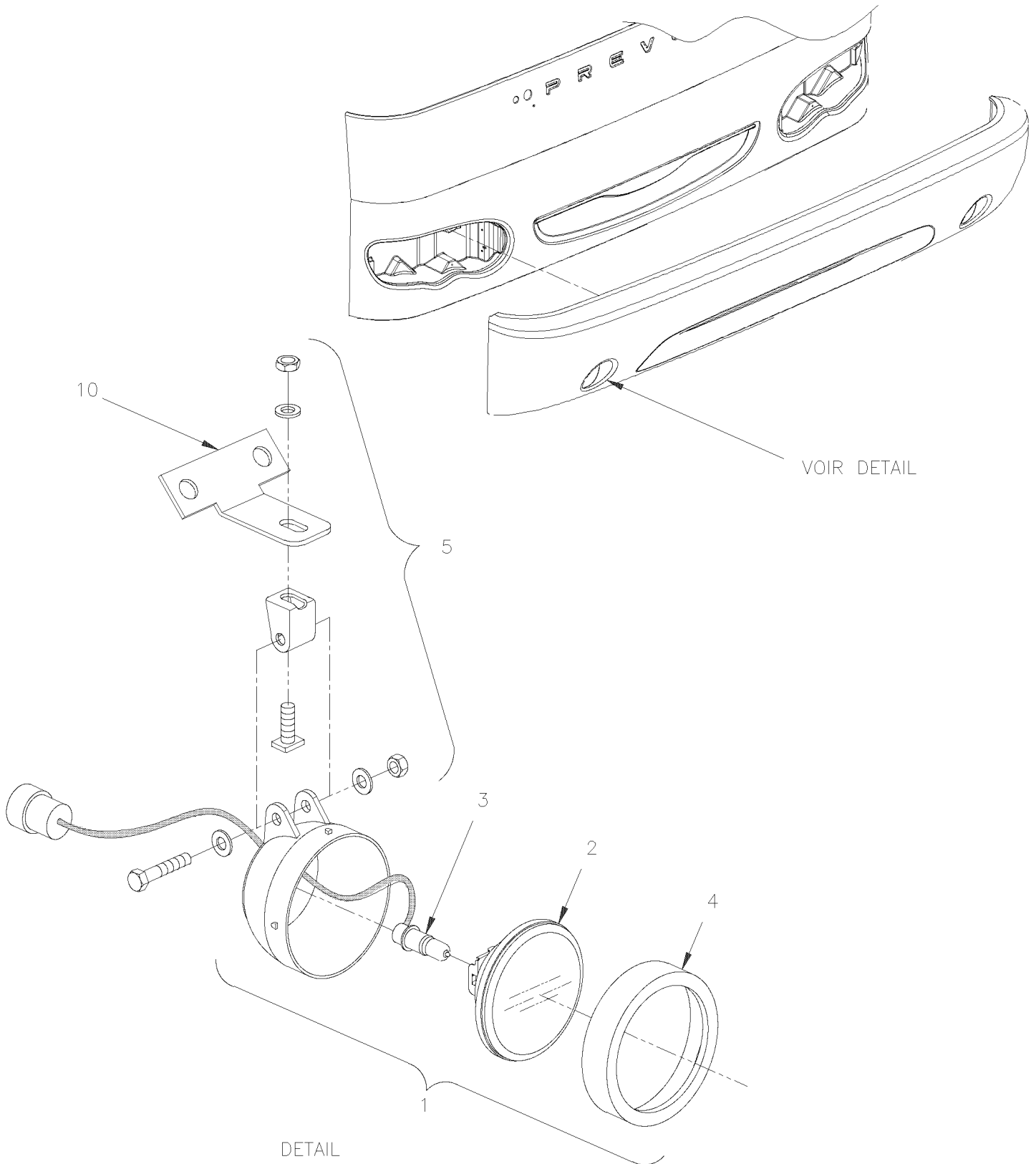


From 3-4417 To 8-1043

Date:10/2022

PAGE:HF-0661-00

FOG LAMP





From 3-4417 To 8-1043	Date:10/2022	PAGE:HF-0661-00
-----------------------	--------------	-----------------

FOG LAMP

Item#	Part	Description	H 3 4 1	H 3 4 5	V I P 4 5	N O T E S
	430553	FOG LAMP 12 V / "BOSCH" COMPACT 100 / W/CONNECTOR "DEUTSCH"	2	2	2	
1	930361	. FOG LAMP ASSY	1	1	1	
2	930370	. GLASS	1	1	1	
3	561882	. BULB / 55WATT-12VOLTS / SAE# H3 / 64151	1	1	1	
4	930371	. HOLDER RING	1	1	1	
5	930372	. KIT HARDWARE	1	1	1	
10	410914	SUPPORT	2	2	2	A
NS	5001542	SCREW TC CAP HEX 5/16-18X3/4 EMN	2	2	2	A
NS	5001467	WASHER FL .343x1.250x.062 SS18-8	2	2	2	A
NS	952625	CLAMP / 3/8" I.D.	2	2	2	B
NS	500957	SCREW TP BDG PH #10x3/4 N500	2	2	2	B
NS	430220	FOG LAMP / REPLACEMENT KIT 2 LAMPS / "XL-II" & "X3" & "H3" & "VIP" / BASIC KIT	1	1	1	
		A) TO FIX FOG TO BUMPER				
		B) TO FIX CABLE TO BODY				

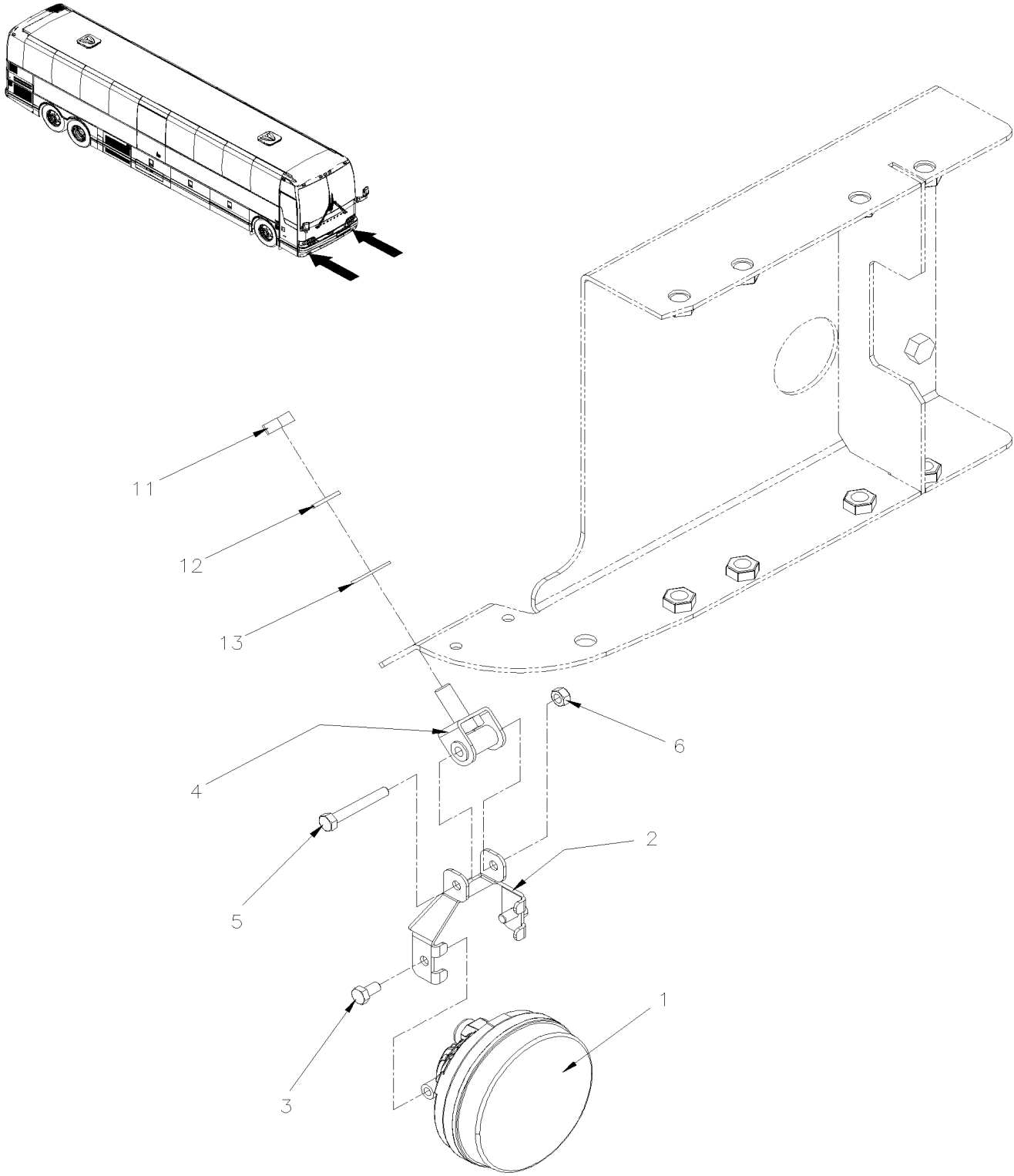


From 3-4417 To 8-1043

Date:10/2022

PAGE:430220

FOG LAMP / REPLACEMENT KIT 2 LAMPS / "XL-II" & "X3" & "H3" & "VIP" / BASIC KIT





From 3-4417 To 8-1043	Date:10/2022	PAGE:430220
FOG LAMP / REPLACEMENT KIT 2 LAMPS / "XL-II" & "X3" & "H3" & "VIP" / BASIC KIT		

Item#	Part	Description	H 3 4 1	H 3 4 5	V I P 4 5	N O T E S
1	560636	FOG LAMP LED	2	2	2	
2	430200	SUPPORT, FOG LIGHT	2	2	2	
3	5001982	SCREW CAP HEX M6-1.0x12 SS BK	4	4	4	
4	430208	SUPPORT, FOG LIGHT	2	2	2	
5	5001923	SCREW CAP HEX M6-1.0x45 SS BK	2	2	2	
6	5001182	NUT HEX NYRT M6-1.0 SS	2	2	2	
11	502567	NUT HEX M10-1.5 SS	2	2	2	
12	502616	WASHER LO SPT 10.2x18.1x2.2 SS	2	2	2	
13	500270	WASHER FL .406x1.000x.063 SS	2	2	2	
NS	IS-17151	SEE INSTRUCTION SHEET	1	1	1	
NS	FI-17151	VOIR FEUILLE D'INSTRUCTION	1	1	1	

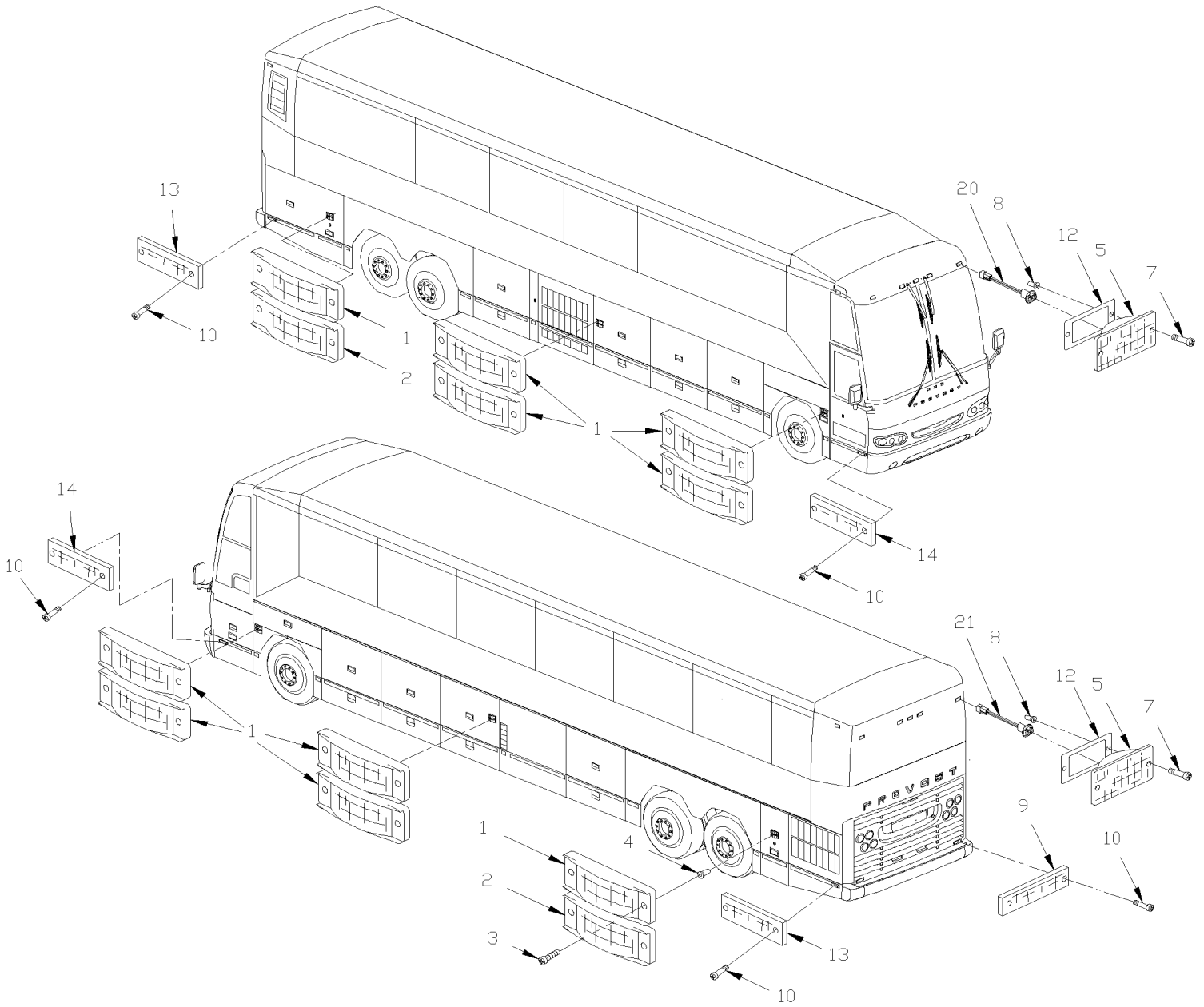


From 3-4417 To 8-1043

Date:10/2022

PAGE:HF-0662-00

CLEARANCE & MARKER LIGHT





From 3-4417 To 8-1043	Date:10/2022	PAGE:HF-0662-00
CLEARANCE & MARKER LIGHT		

Item#	Part	Description	H 3 4 1	H 3 4 5	V I P 4 5	N O T E S
1	930341	SIDE MARKER ASSY / AMBER / W/2 LED To 5-0271	10	10	10	
1	930376	SIDE MARKER ASSY / AMBER / W/6 LED To 5-0271		10		A
1	930401	SIDE MARKER ASSY / AMBER / W/6 LED W/REFLECTOR From 5-0272	10	10	10	
1	930443	SIDE MARKER ASSY / AMBER / W/2 LED W/REFLECTOR From 5-0272	10	10	10	S
2	930340	SIDE MARKER ASSY / RED / W/2 LED To 5-0271	2	2	2	
2	930380	SIDE MARKER ASSY / RED / W/6 LED To 5-0271		2		A
2	930400	SIDE MARKER ASSY / RED / W/6 LED W/REFLECTOR From 5-0272	2	2	2	
2	930444	SIDE MARKER ASSY / RED / W/2 LED W/REFLECTOR From 5-0272	2	2	2	S
NS	562155	CONNECTOR ASSY SEALED 2C / GROTE 6618-G8	AR	AR	AR	B
NS	478247	GROMMET 2 HOLESx1.6x23.5MMx10.5MMx16.5MMx28MM From 7-0860	AR	AR	AR	B
2	430500	CLOSING PLATE / USE W/LIGHT FIXED ON PANEL	1	1	1	
2	430475	CAP PLASTIC / USE W/LIGHT FIXED ON DOOR To 4-4863	1	1	1	
2	430573	CAP PLASTIC / USE W/LIGHT FIXED ON DOOR From 4-4864	1	1	1	
3	5001042	SCREW MA RND PH #10-32x1 1/4 SS	24	24	24	
4	502774	NUT WELL #10-32x.625	24	24	24	
5	930334	LAMP ID & CLEAR -LED RED / 6 LEDS To 4-4936	7	7	7	
5	930415	LAMP ID & CLEAR -LED RED / 3 LEDS To 4-4936	1	1	1	
5	930337	LAMP ID & CLEAR -LED AMBER / 6 LEDS To 4-4936	7	7	7	
5	930416	LAMP ID & CLEAR -LED AMBER / 3 LEDS To 4-4936	1	1	1	
5	066122	LAMP ID & CLEAR -6 LED RED / "JIFFI SPLICE" From 4-4937	7	7	7	
. NS	930334	. LAMP ID & CLEAR -LED RED / 6 LEDS From 4-4937	1	1	1	
. NS	430630	. SEAL LAMP BLACK 1/8" THICK From 4-4937	1	1	1	
. NS	562286	. PIN TERMINAL / 18-16 / DEUTSCH 0460-202-16141 From 4-4937	1	1	1	
. NS	561608	. SOCKET TERMINAL / 18-16 / DEUTSCH 0462-201-16141 From 4-4937	1	1	1	
5	066526	LAMP ID & CLEAR -3 LED RED / "JIFFI SPLICE" From 4-4937	7	7	7	
. NS	930415	. LAMP ID & CLEAR -LED RED / 3 LEDS From 4-4937	1	1	1	
. NS	430630	. SEAL LAMP BLACK 1/8" THICK From 4-4937	1	1	1	
. NS	562286	. PIN TERMINAL / 18-16 / DEUTSCH 0460-202-16141 From 4-4937	1	1	1	
. NS	561608	. SOCKET TERMINAL / 18-16 / DEUTSCH 0462-201-16141 From 4-4937	1	1	1	
5	066123	LAMP ID & CLEAR -6 LED AMBER / "JIFFI SPLICE" From 4-4937	7	7	7	
. NS	930337	. LAMP ID & CLEAR -LED AMBER / 6 LEDS From 4-4937	1	1	1	
. NS	430630	. SEAL LAMP BLACK 1/8" THICK From 4-4937	1	1	1	
. NS	562286	. PIN TERMINAL / 18-16 / DEUTSCH 0460-202-16141 From 4-4937	1	1	1	
. NS	561608	. SOCKET TERMINAL / 18-16 / DEUTSCH 0462-201-16141 From 4-4937	1	1	1	
5	066527	LAMP ID & CLEAR -3 LED AMBER / "JIFFI SPLICE" From 4-4937	7	7	7	
. NS	930416	. LAMP ID & CLEAR -LED AMBER / 3 LEDS From 4-4937	1	1	1	
. NS	430630	. SEAL LAMP BLACK 1/8" THICK From 4-4937	1	1	1	
. NS	562286	. PIN TERMINAL / 18-16 / DEUTSCH 0460-202-16141 From 4-4937	1	1	1	
. NS	561608	. SOCKET TERMINAL / 18-16 / DEUTSCH 0462-201-16141 From 4-4937	1	1	1	
NS	473832	GROMMET 2 HOLESx1.6x11.0MMx2.0MMx8.0MMx16MM	7	7	7	
NS	563545	SPLICE / JIFFI SPLICE / 16G / DEUTSCH JS16-00 From 4-4937	AR	AR	AR	
7	5001547	SCREW PTR TR PH M4x20 G500	14	14	14	



From 3-4417 To 8-1043	Date:10/2022	PAGE:HF-0662-00
CLEARANCE & MARKER LIGHT		

Item#	Part	Description	H 3 4 1	H 3 4 5	V I P 4 5	N O T E S
8	5001055	NUT WELL M4-0.7x14.5	14	14	14	
9	930320	REFLECTOR RED 1 3/16" x 4 7/16"	2	2	2	
10	5001087	SCREW TP BDG PH #10x1/2 SS	8	8	8	
12	930344	SEAL LAMP BLACK 1/8" THICK To 7-0674	14	14	14	
12	430630	SEAL LAMP BLACK 1/8" THICK From 7-0675	14	14	14	
13	930302	REFLECTOR RED 40MM x 180MM	2	2	2	
14	930374	REFLECTOR AMBER 40MM x 180MM	2	2	2	
16	430630	SEAL LAMP BLACK 1/8" THICK	1	1	1	
20	064645	CABLE ASSY / ROOF	1	1		
21	064646	CABLE HARNESS / ENGINE ACC. TO ROOF LIGHT To 4-4936	1	1		
21	066121	CABLE HARNESS / CLEARANCE LIGHT REAR From 4-4937 To 5-0167	1	1		
21	066207	CABLE HARNESS / CLEARANCE LIGHT REAR / MUX From 5-0168	1	1		
NS	065278	CABLE HARNESS, CLEAR. LIGHT REAR IN DEFLECTOR To 4-4936			1	
24	066119	CABLE HARNESS / CLEAR. LIGHT REAR IN DEFLECTOR From 4-4937 To 6-0435			1	
24	066511	CABLE HARNESS / CLEAR. LIGHT REAR IN DEFLECTOR / MUX From 6-0436			1	
NS	065277	CABLE HARNESS / ENGINE COMP. TO DEFLECTOR To 4-4936			1	
25	066120	CABLE HARNESS / ENGINE COMP. TO DEFLECTOR From 4-4937 To 6-0435			1	M
25	066462	CABLE HARNESS / ENGINE COMP. TO DEFLECTOR / MUX From 6-0436			1	
		A) OPTION "ORLEANS"				
		B) PART OF LAMP HARNESS				
		S) SERVICE				

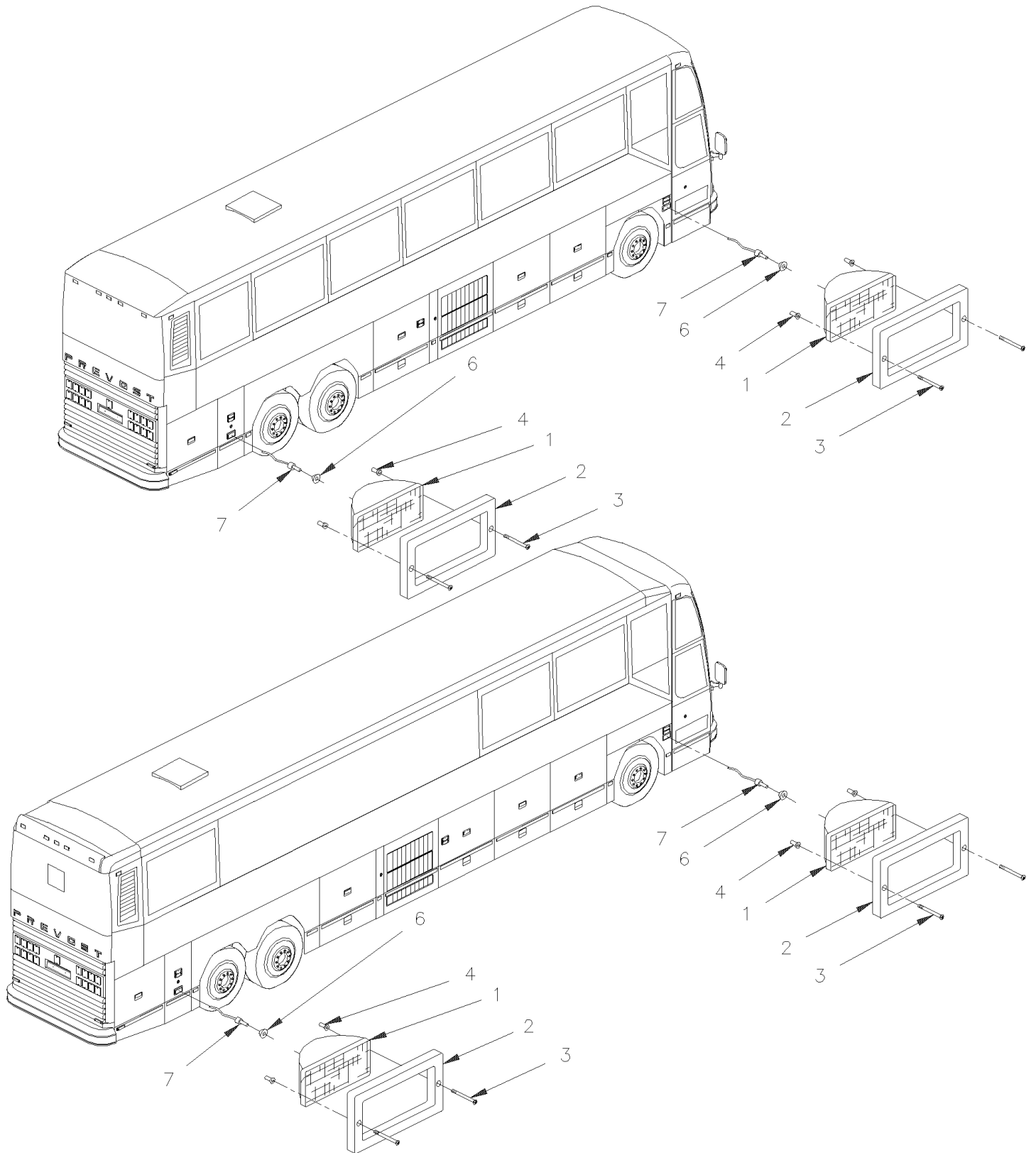


From 3-4417 To 8-1043

Date:10/2022

PAGE:HF-0663-00

DOCK & CORNERING LIGHT





From 3-4417 To 8-1043	Date:10/2022	PAGE:HF-0663-00
-----------------------	--------------	-----------------

DOCK & CORNERING LIGHT

Item#	Part	Description	H 3 4 1	H 3 4 5	V I P 4 5	N O T E S
1	930319	SEAL BEAM / 37.5WATT-12V / SAE# H9415	4	4	4	
2	473424	BEZEL	4	4	4	
3	502530	SCREW MA OV PH M4-0.7x40 SS	8	8	8	
4	500589	NUT WELL M4-0.7x13.5	8	8	8	
4	5001055	NUT WELL M4-0.7x14.5	2	2	2	A
6	504062	GROMMET / .4375x.687x.125x.375x.937	4	4	4	
		FOLLOWING ITEMS ARE USED FOR				
		CUT OFF "DOCKING & CORNERING LIGHT" ON COACH				
NS	562697	SWITCH / ON-ON / D.P.D.T. / CH-OVER / W/RED & GREEN LED	2	2		
NS	562714	CAP / PLAIN (W/O DESCRIPTION) To 5-0281	2	2		
NS	563620	CAP / DOCKING From 5-0282	1	1		
NS	563621	CAP / CORNERING From 5-0282	1	1		
NS	064482	CABLE ASSY To 5-0281	1	1		
NS	064778	CABLE "DOCKING & CORNERING LIGHT" To 5-0281	1	1		
NS	066613	CABLE "DOCKING & CORNERING LIGHT" From 5-0282	1	1		
NS	561707	RELAY 24V S.P.D.T. W/RESISTOR / To 5-0281	1	1		
NS	563332	RELAY 24V S.P.D.T. W/RESISTOR / "VOLVO" (20374662) From 5-0282	1	1		
		A) USE WHEN YOU DO NOT HAVE A FIRE SUPPRESSIONS SYSTEM FIX TO THE PANEL OVER THE ENGINE				

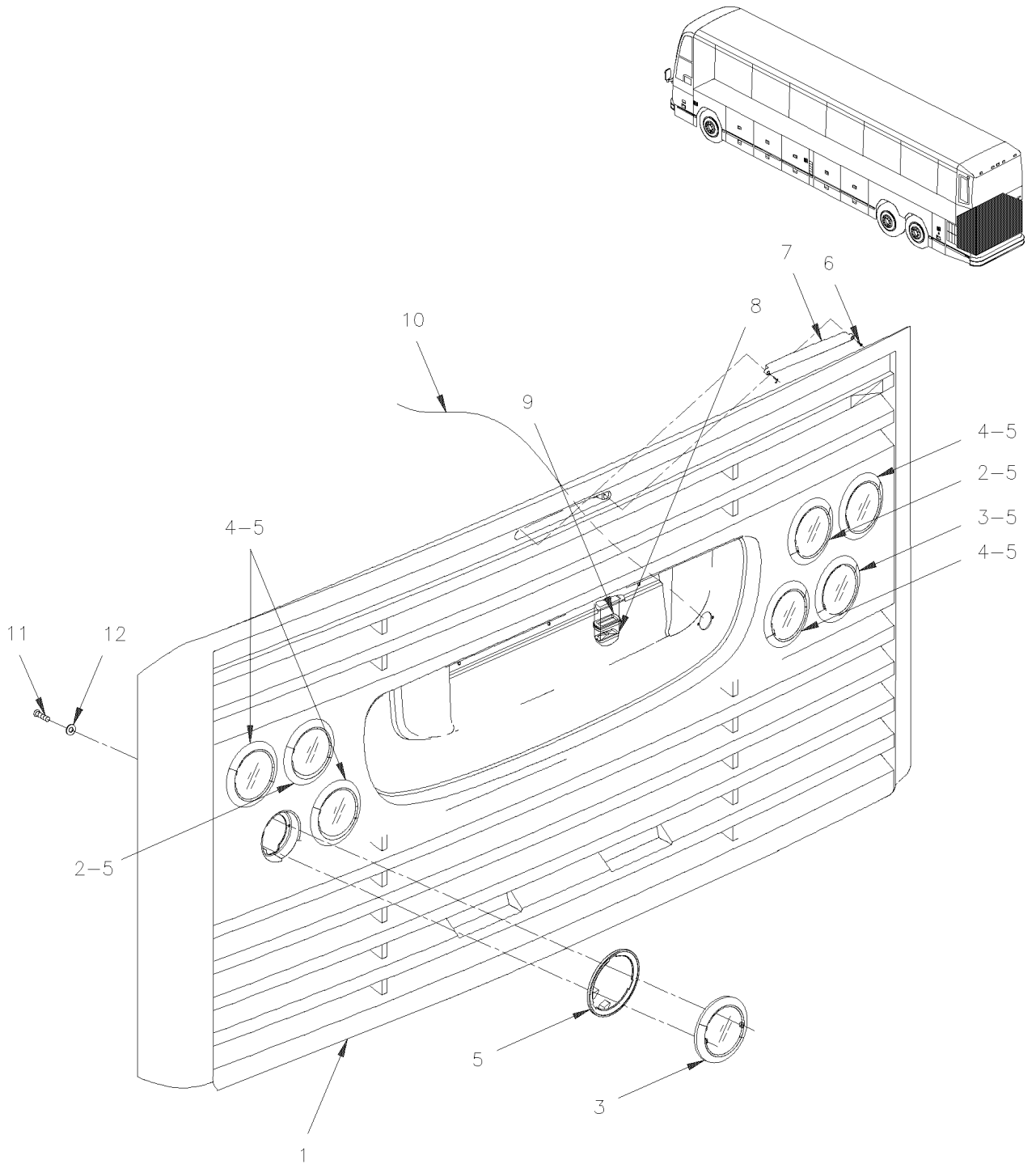


From 3-4417 To 8-1043

Date:10/2022

PAGE:HF-0664-00

REAR EXTERIOR LIGHTS & PLATE HOLDER





From 3-4417 To 8-1043	Date:10/2022	PAGE:HF-0664-00
REAR EXTERIOR LIGHTS & PLATE HOLDER		

Item#	Part	Description	H 3 4 1	H 3 4 5	V I P 4 5	N O T E S
1	HF-1870-00	ENGINE DOOR ASSY				
2	930367	LAMP BACK-UP 4" 12Volt / Sealed	2	2	2	A
3	930365	LED AMBER 4" / DIRECTIONAL / REAR 12Volt / 42L (PREVOST)	2	2	2	
4	930366	LED STOP & TAIL 4" 12Volt / 6L (PREVOST)	4	4	4	
5	430554	SUPPORT LAMP	8	8	8	
6	502665	SCREW TP OV PH #6x3/4 SS EMN	2	2	2	
7	930330	CYCLOP LAMP	1	1	1	
. NS	930353	. CAP PLUG SCREW	2	2	2	
8	930368	SEAL LEDS / W/CONNECTOR LEDS - 12VOLTS	2	2	2	
. NS	12015378	. CONNECTOR / WEATHER PACK / SH 2C / GRAY / PED 12015378	1	1	1	
. NS	N.P.N.	. SEAL LEDS / W/CONNECTOR				4
. NS	562348	. CONNECTOR / WEATHER PACK / PH 2C / GRAY / PED 12034074	1	1	1	
. NS	561786	. CABLE SEAL / GRAY / PED 15324980	2	2	2	
. NS	561568	. PIN TERMINAL / 16-14 / PED 12089305	2	2	2	
9	930208	GROMMET RUBBER RETAINER / LICENCE LAMP TL 15700	2	2	2	
10	064335	CABLE ASSY L.H. LAMP / REAR ENGINE DOOR	1	1	1	
10	065782	CABLE ASSY L.H. LAMP / REAR ENGINE DOOR / MUX	1	1	1	
10	064334	CABLE ASSY R.H. LAMP / REAR ENGINE DOOR	1	1	1	
10	065781	CABLE ASSY R.H. LAMP / REAR ENGINE DOOR / MUX	1	1	1	
NS	066003	CABLE ADAPTOR / N.J. D.O.T / TAIL & STOP / SEPARATED TAIL & STOP	2	2	2	N
11	5001364	SCREW PTR TR PH M4x20 ZP To 3-4466	16	16	16	
11	5001547	SCREW PTR TR PH M4x20 G500 From 3-4467	16	16	16	
12	502556	WASHER FL 4.3x9.0x0.8 SS	16	16	16	
NS	192215	LED BACK-UP 4" / W/CABLE ADAPTOR & GROMMET 12Volt / 27L	1	1	1	
. A	194114	. LED BACK-UP 4" 12Volt / 27L	1	1	1	
. B	G1076517	. GROMMET 4" I.D, BLACK TL 40700	1	1	1	
. C	N.P.N.	. LED BACK-UP 4" / W/CABLE ADAPTOR & GROMMET	1	1	1	4
NS	G1093246	ADAPTOR HARNESS ASSY / 2 WIRES / TRUCK-LITE 94789	1	1	1	
. NS	562601	. CONNECTOR / SUPERSEAL 1.5 SERIES / SH 3C / AMP 282087-1	1	1	1	
NS	430040	KIT, HEAT SHIELD PROTECTOR 4" O.D. LAMP	AR	AR	AR	
. A	430041	. INSULATING PAD	1	1	1	
. B	430042	. PROTECTOR PLATE	1	1	1	
		A) FOR REPLACE BULB LAMP TO "LEDS" ASK FOR 1 x 192215 + 1 x G1093246				
		N) USE WITH "NEW JERSEY" DOT REGULATION				
		4) NO PARTS NUMBER				

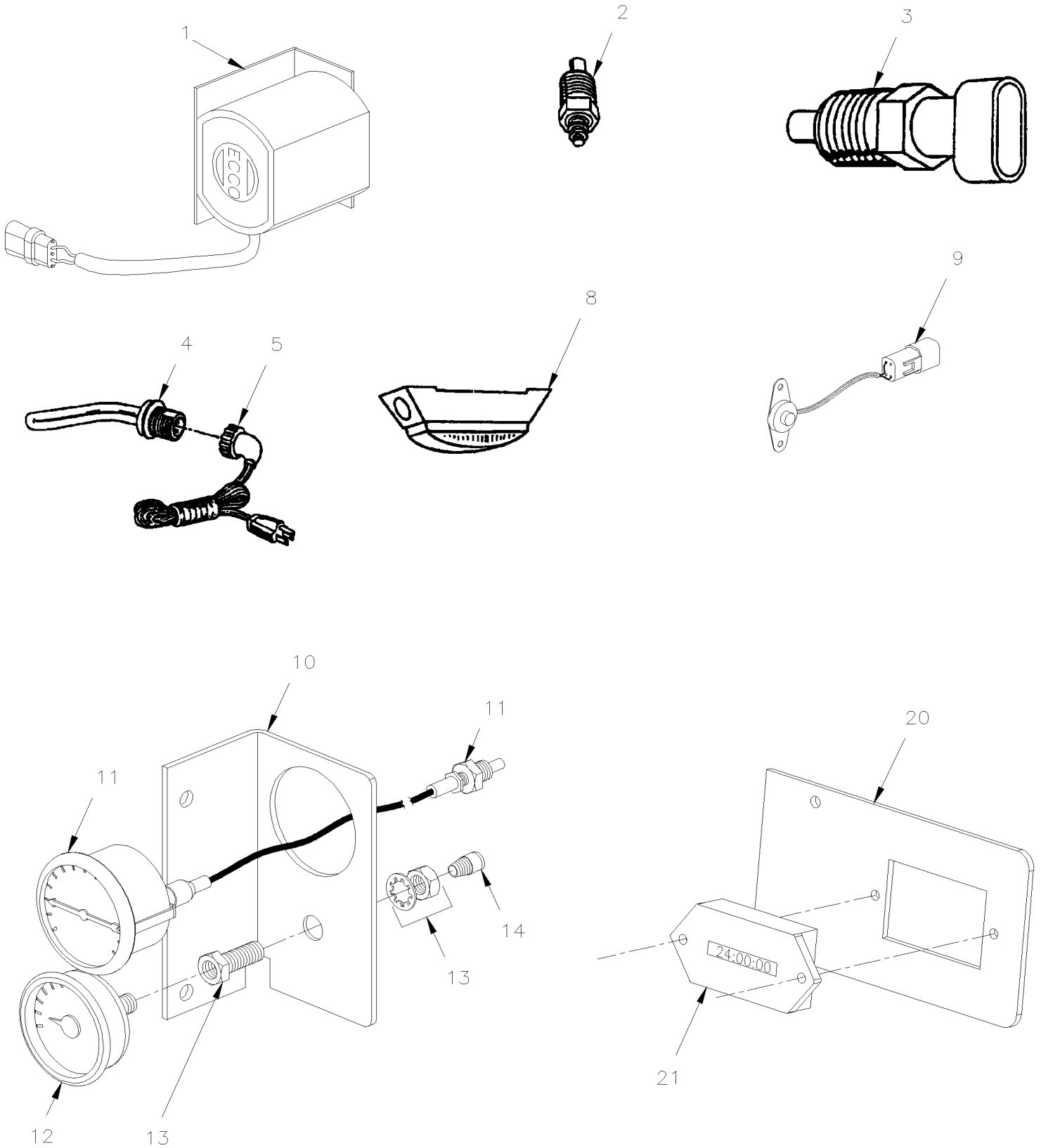


From 3-4417 To 8-1043

Date:10/2022

PAGE:HF-0665-00

ENGINE COMPARTMENT - ELECTRIC COMPONENTS





From 3-4417 To 8-1043 Date:10/2022 PAGE:HF-0665-00

ENGINE COMPARTMENT - ELECTRIC COMPONENTS

Item#	Part	Description	H 3 4 1	H 3 4 5	V I P 4 5	N O T E S
1	563199	BACK-UP ALARM "ECCO" / 12-36vdc / 107db	1	1	1	
NS	219043	SUPPORT BACK UP ALARM	1	1	1	
2	562829	SENSOR / OIL TEMPERATURE / (DASHBOARD)	1	1	1	A
3	562395	SENSOR PROBE "LOW LEVEL COOLANT" / 1/4" NPT	1	1	1	
4	560410	BLOCK HEATER	1	1	1	
5	HF-0666-00	BLOCK HEATER RECEPTACLE				
8	HF-0665-10	SWITCHES, LIGHTS, AJAR - UNDER FLOOR				
9	065290	HEAT DETECTOR "THERMO-DISK"	AR	AR	AR	
10	011952	SUPPORT	AR	AR	AR	
11	562331	GAUGE WATER TEMPERATURE / MECHANICAL (CURRENT)	1	1		
11	562331	GAUGE WATER TEMPERATURE / MECHANICAL (CURRENT)			AR	
12	510481	GAUGE, OIL PRESSURE / MECHANICAL (CURRENT)	1	1		
12	510481	GAUGE, OIL PRESSURE / MECHANICAL (CURRENT)			AR	
13	501711	BULKHEAD COUPLING / PIPE FITTING / 1/4NPT-Fx1/4NPT-Fx1 1/2 BR	2	2		
13	501711	BULKHEAD COUPLING / PIPE FITTING / 1/4NPT-Fx1/4NPT-Fx1 1/2 BR			AR	
14	501037	MALE ELBOW 90° / SAE 45° FITTING / #4FL-Mx1/4NPT-M BR	1	1		
14	501037	MALE ELBOW 90° / SAE 45° FITTING / #4FL-Mx1/4NPT-M BR			AR	
NS	011617	HOSE ASSY TEFLON #4 2615MM	1	1		
NS	011617	HOSE ASSY TEFLON #4 2615MM			AR	
20	011538	HOURMETER SUPPORT / TOP MOUNT / 93MM X 60MM	1	1	1	
20	017328	HOURMETER SUPPORT / SIDE MOUNT / 100MM X 54MM	1	1	1	
21	560366	HOURMETER 4-40VOLT DC	1	1	1	
		A) THIS SENSOR USE ON TRANSMISSION OIL COOLER				

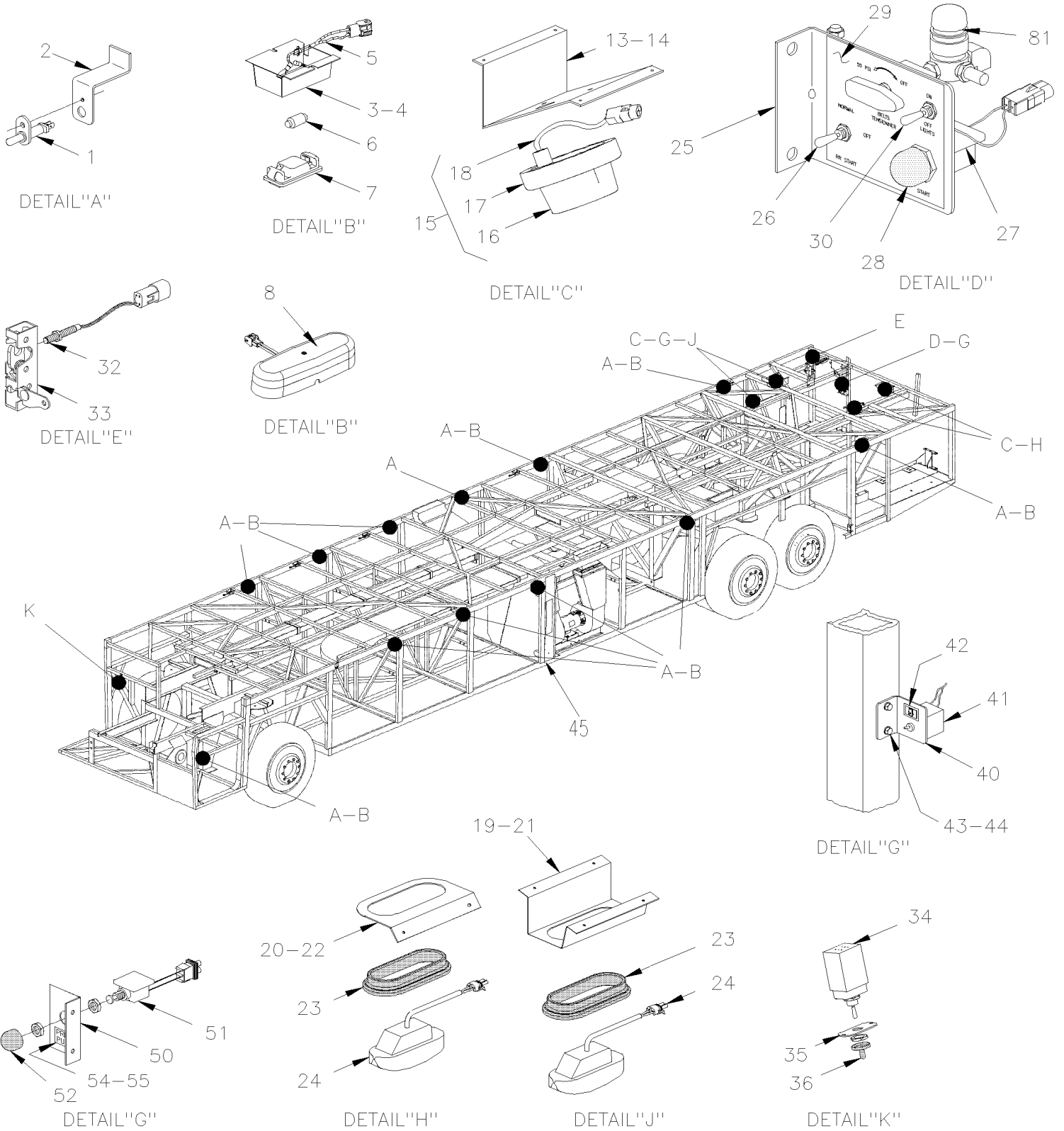


From 3-4417 To 8-1043

Date:10/2022

PAGE:HF-0665-10

SWITCHES, LIGHTS, AJAR - UNDER FLOOR





From 3-4417 To 8-1043	Date:10/2022	PAGE:HF-0665-10
SWITCHES, LIGHTS, AJAR - UNDER FLOOR		

Item#	Part	Description	H 3 4 1	H 3 4 5	V I P 4 5	N O T E S
1	562303	SWITCH / S.P.S.T. / N.C. To 6-0359	AR	AR	AR	
1	563464	SWITCH / S.P.S.T. / N.C. / W/RUBBER BOOT From 6-0360	AR	AR	AR	
2	063986	SUPPORT / BAGGAGE DOOR & CONDENSOR / (AS SHOW)	AR	AR	AR	
2	285805	SUPPORT / CONDENSOR DOORS To 6-0359	1	1	1	
2	066585	SUPPORT / CONDENSOR DOOR From 6-0360	1	1	1	
NS	212743	SUPPORT / REAR SERVICE DOOR / (AS SHOWN)	1	1	1	
NS	064434	SUPPORT / LIGHT SWITCH	1	1	1	
3	330268	LAMP ASSY 24V / BAGGAGE COMPARTMENT LAMP / W/ONE BULB 10W To 5-0048	AR	AR	AR	
3	330370	LAMP ASSY 24V / BAGGAGE COMPARTMENT LAMP / W/2 BULB 10W From 5-0049 To 5-0244	AR	AR	AR	
3	330372	LAMP ASSY 24V / BAGGAGE COMPARTMENT LAMP W//2 BULBS 5W From 5-0245 To 7-0969	AR	AR	AR	
4	330267	. SUPPORT / SS / TO FIX LAMP / W/ONE BULB To 5-0048	1	1	1	
4	330369	. SUPPORT / SS / TO FIX LAMP / W/2 BULBS From 5-0049 To 7-0969	1	1	1	
5	063435	. CABLE ASSY / W/ONE BULB To 5-0048	1	1	1	
5	066271	. CABLE ASSY / W/2 BULBS From 5-0049 To 7-0969	1	1	1	
6	562278	. BULB / 10WATT-24VOLTS / SAE# 6429 To 5-0048	AR	AR	AR	
6	562411	. BULB / 5WATT-24VOLTS / SAE # 6424 From 5-0049 To 7-0969	2	2	2	
7	830139	. LAMP ASSY / W/ONE BULB To 5-0048	1	1	1	
7	830183	. LAMP ASSY / W/2 BULBS From 5-0049 To 7-0969	1	1	1	
8	330224	LAMP ASSY 24V / BAGGAGE COMPARTMENT LAMP W/2 BULBS G4-10W From 7-0970	AR	AR	AR	
. NS	330396	. BULB / 10 WATTS -28VOLTS / SAE# G4-28 From 7-0970	2	2	2	
13	430467	LAMP ASSY W/CONNECTOR To 3-4757	AR	AR	AR	
14	430468	. SUPPORT To 3-4757	1	1	1	
15	930168	. LAMP ASSY BACK-UP To 3-4757	1	1	1	
16	930170	. . LENS To 3-4757	1	1	1	
17	930171	. . RING / CHROME To 3-4757	1	1	1	
17	560136	. BULB / 15WATT-12VOLTS / SAE# 1003 To 3-4757	1	1	1	
18	561605	. CONNECTOR / WEATHER PACK / PH 1C / BLACK / PED 12010996 To 3-4757	1	1	1	
18	561567	. PIN TERMINAL / 20-18 / PED 12089040 To 3-4757	2	2	2	
18	561565	. CABLE SEAL / GREEN / PED 15324982 To 3-4757	2	2	2	
19	430567	LAMP ASSY W/CONNECTOR / "U" SHAPE From 4-4758	1	1	1	
20	430568	LAMP ASSY W/CONNECTOR / "L" SHAPE From 4-4758	1	1	1	
21	052503	. SUPPORT LAMP / "U" SHAPE From 4-4758	1	1	1	
22	430456	. SUPPORT LAMP / "L" SHAPE From 4-4758	1	1	1	
22	408118	. SUPPORT FIRE NOZZLE, LAMP & SENSOR	1	1	1	
NS	506338	. RUBBER CHANNEL / 1/16" x 1/4" INT "U" SHAPE / ROUND C.T.L. From 4-4758	1	1	1	
23	930382	. GROMMET OBLONG, BLACK From 4-4758	1	1	1	
24	930383	. LAMP ASSY CLEAR SEALED / BACK-UP 12V From 4-4758	1	1	1	
25	064539	PLATE SWITCH SUPPORT / W/2 SWITCHES To 5-0167	1	1	1	
25	066382	PLATE SWITCH SUPPORT / W/3 SWITCHES From 5-0168	1	1	1	
26	064362	SWITCH ASSY / WATERPROOF	1	1	1	
27	064555	SWITCH ASSY	1	1	1	
27	562484	. SWITCH S.P.S.T. / N.C.	1	1	1	



From 3-4417 To 8-1043	Date:10/2022	PAGE:HF-0665-10
SWITCHES, LIGHTS, AJAR - UNDER FLOOR		

Item#	Part	Description	H 3 4 1	H 3 4 5	V I P 4 5	N O T E S
28	561891	. CAP RUBBER	1	1	1	
NS	562486	. CONNECTOR / DT SERIES / PH 2C / GRAY / DEUTSCH DT04-2P To 5-0167	1	1	1	
NS	562479	. CONNECTOR / DT SERIES / PH 4C / GRAY / DEUTSCH DT04-4P-C015 From 5-0168	1	1	1	
NS	562286	. PIN TERMINAL / 18-16 / DEUTSCH 0460-202-16141	AR	AR	AR	
NS	562487	. SECONDARY LOCK / DT SERIES / PH 2C / DEUTSCH W2P To 5-0167	1	1	1	
NS	562480	. SECONDARY LOCK / DT SERIES / PH 4C / DEUTSCH W4P From 5-0168	1	1	1	
29	064540	DECAL / "MOTOR SWITCH REGULATOR" / 50PSI To 3-4757	1	1	1	
29	065741	DECAL / "MOTOR SWITCH REGULATOR" / 45PSI / W/2 SWITCHES / ENGLISH From 4-4758 To 5-0167	1	1	1	
29	066381	DECAL / "MOTOR SWITCH REGULATOR" / 45PSI / W/3 SWITCHES From 5-0168	1	1	1	
30	563609	SWITCH / OFF-ON / S.P.S.T. / SEALED W/WIRES ASSY From 5-0168	1	1	1	
32	065011	SWITCH PROXIMITY ASSY	1	1	1	
. NS	562950	. SWITCH PROXIMITY / S.P.D.T. / W/3 WIRES	1	1	1	
. NS	561566	. CONNECTOR / WEATHER PACK / PH 2C / BLACK / PED 12010973	1	1	1	
NS	562949	MAGNET ROUND .200x.700 DIA	1	1	1	
33	HF-1870-10	REAR ENGINE DOOR - INSTALLATION				
34	563047	SWITCH ASSY / WATERPROOF	1	1		
35	473454	SUPPORT	1	1		
36	560241	RUBBER PROTECTOR, TOGGLE SWITCH	1	1		
37	214053	SUPPORT MAGNETIC SWITCH	1	1		
40	148405	SUPPORT / SWITCH FAN CLUTCH	1	1		
41	563609	SWITCH / OFF-ON / S.P.S.T. / SEALED W/WIRES ASSY	1	1		
42	565859	DECAL "FAN CLUTCH PICTOGRAM"	1	1		
43	502848	SCREW TC CAP HEXF 1/4-20x3/4 N500	2	2		
44	955920	WASHER LO SPT 6.5x11.5x1.6 ZP	2	2		
45	505056	ANTISTATIC STRAP / UNDER STRUCTURE	1	1	1	
50	064856	SUPPORT SWITCH	1	1		D
51	064554	SWITCH ASSY W/CONECTOR	1	1		D
51	562484	. SWITCH S.P.S.T. / N.C.	1	1		
NS	561690	. CONNECTOR / WEATHER PACK / SH 2C / BLACK / PED 12015792	1	1		
NS	561565	. CABLE SEAL / GREEN / PED 15324982	2	2		
NS	561578	. SOCKET TERMINAL / 16-14 / PED 12010182	2	2		
52	561891	. . CAP RUBBER	1	1		
54	064099	DECAL "PRIME PUMP" / ENGLISH	1	1		E
54	066049	DECAL "PRIME PUMP" / ENGLISH & SPANISH	1	1		E
NS	064101	CABLE ASSY / SWITCH & PUMP	1	1		
NS	064128	CABLE ASSY / STUD GRD & CONNECTOR C-220 IN REAR JUNCT.BOX	1	1		
55	065466	DECAL / LAVATORY PUMP FLUSH / ENGLISH & FRANCAIS From 3-4625	1	1		F
55	066050	DECAL / LAVATORY PUMP FLUSH / ENGLISH & SPANISH From 3-4625	1	1		F
60	148405	SUPPORT / SWITCH FAN CLUTCH	1	1		H
61	563609	SWITCH / OFF-ON / S.P.S.T. / SEALED W/WIRES ASSY	1	1		H
62	565859	DECAL "FAN CLUTCH PICTOGRAM"	1	1		H
63	502848	SCREW TC CAP HEXF 1/4-20x3/4 N500	2	2		H



From 3-4417 To 8-1043	Date:10/2022	PAGE:HF-0665-10
SWITCHES, LIGHTS, AJAR - UNDER FLOOR		

Item#	Part	Description	H 3 4 1	H 3 4 5	V I P 4 5	N O T E S
63	955920	WASHER LO SPT 6.5x11.5x1.6 ZP	2	2		H
81	HF-0125-00	BELTS TENSIONERS - WITH DETROIT S-60				
NS	065749	KIT SWITCH LAVATORY PUMP INSTALLATION	AR	AR		G
		D) IN ENGINE COMPARTMENT WITH KIT #064824 & # 065749				
		E) IN ENGINE COMPARTMENT WITH KIT #064824				
		F) IN ENGINE COMPARTMENT WITH KIT #065749				
		G) FOR PRODUCT IMPROVMENT USE THIS KIT Up to 3-4624				
		H) WITH FAN CLUTCH STOP SWITCH FIXED ON POST				



From 3-4417 To 8-1043	Date:10/2022	PAGE:HF-0665-20
CABLE TRAILER - INSTALLATION - BUS		

Item#	Part	Description	H 3 4 1	H 3 4 5	V I P 4 5	N O T E S
1	410998	SUPPORT ELECTRICAL CONECTOR	1	1		
2	502830	SCREW CAP HEX M6-1.0x20 G8.8 N500	4	4		
3	502681	NUT HEX NYRT M6-1.0 N500 G8	4	4		
4	065831	CABLE ASSY / TRAILER CONNECTOR To 5-0167	1	1		
4	066272	CABLE ASSY / TRAILER CONNECTOR / "POLLAK" CONNECTOR From 5-0168	1	1		M
5	563352	CONNECTOR MALE 7C / POLLAK 11-723	1	1		
6	563353	BOOT PROTECTOR / POLLAK 11-761	1	1		
7	504637	CABLE TIE / 3/16" x 13"	AR	AR		
10	410996	PROTECTOR VALVE CONNECTOR	1	1		
11	410997	SUPPORT QUICK CONNECT HOSE CONNECTOR	1	1		
20	501796	BULKHEAD COUPLING / PIPE FITTING / 1/2NPT-Fx1/2NPT-Fx1 1/2 BR	2	2		
21	501713	MALE ELBOW 90° / PIPE FITTING / 1/2NPT-Mx1/2NPT-M BR	2	2		
22	641938	GLANDHAND W/DUST COVER "RED"	1	1		
22	641957	GLANDHAND SWING-AWAY "RED"	1	1		A
22	644957	CAP / GLANDHAND SWING-AWAY	1	1	1	
23	641939	GLANDHAND W/DUST COVER "BLUE"	1	1		
23	641958	GLANDHAND SWING-AWAY "BLUE"	1	1		A
23	644957	CAP / GLANDHAND SWING-AWAY	1	1	1	
50	HF-1220-50	TRAILER VALVE INSTALLATION				
		A) THOSE GLANDHAND ARE INSTALLED ON REAR ENGINE DOOR				
		M) WITH MULTIPLEX				

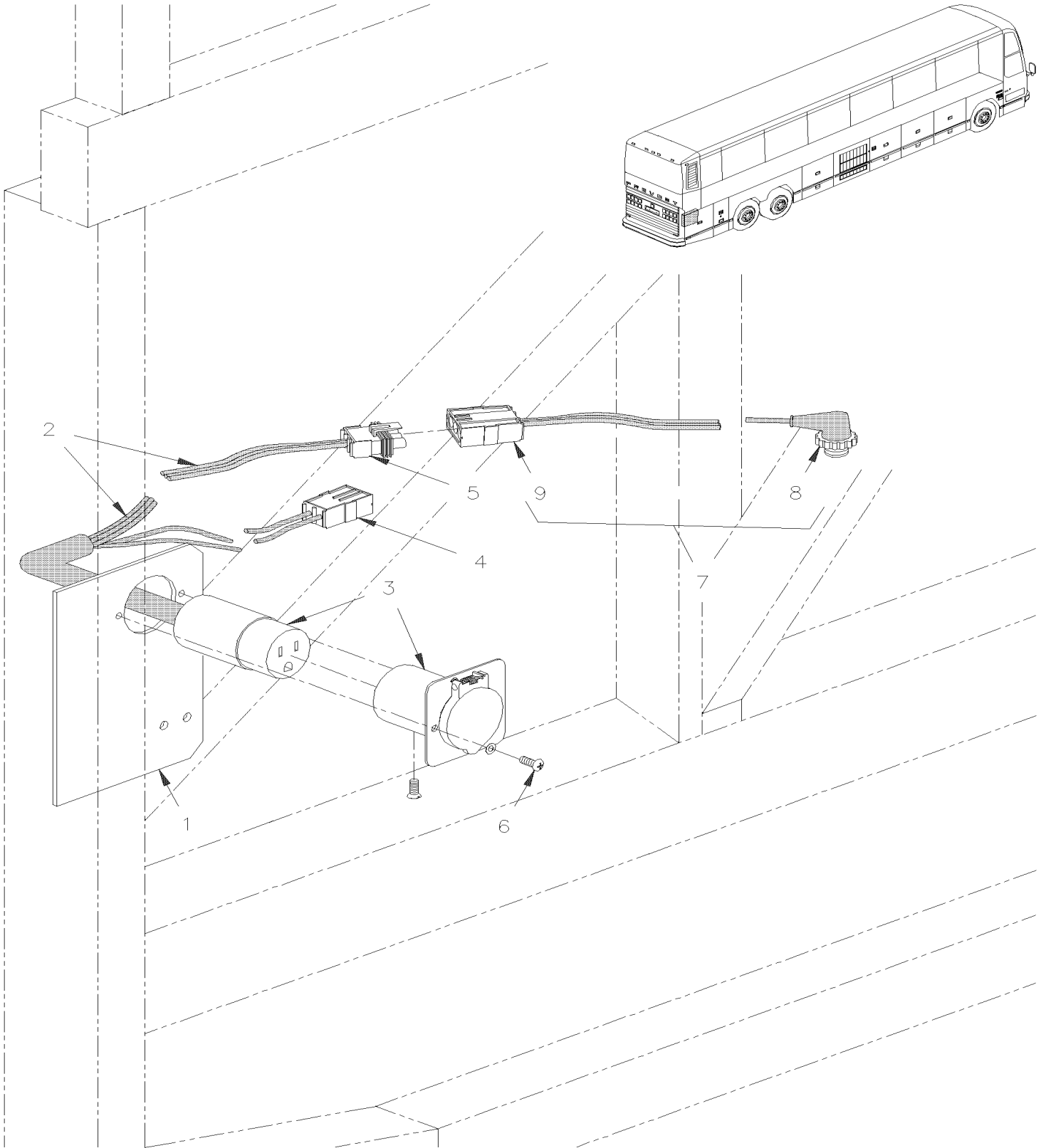


From 3-4417 To 8-1043

Date:10/2022

PAGE:HF-0666-00

BLOCK HEATER RECEPTACLE





From 3-4417 To 8-1043 Date:10/2022 PAGE:HF-0666-00

BLOCK HEATER RECEPTACLE

Item#	Part	Description	H 3 4 1	H 3 4 5	V I P 4 5	N O T E S
1	212276	SUPPORT BACK UP ALARM & 110V OUTLET			1	A
NS	HF-1870-00	ENGINE DOOR ASSY				
2	065517	CABLE ASSY / 110V BLOCK HEATER	1	1	1	
3	561572	. RECEPTACLE ASSY W/CORD	1	1	1	
4	561566	. CONNECTOR / WEATHER PACK / PH 2C / BLACK / PED 12010973	1	1	1	
NS	561786	. CABLE SEAL / GRAY / PED 15324980	2	2	2	
NS	561568	. PIN TERMINAL / 16-14 / PED 12089305	2	2	2	
5	561782	. CONNECTOR / WEATHER PACK / SH 3C / BLACK / PED 12015793	1	1	1	
NS	561578	. SOCKET TERMINAL / 16-14 / PED 12010182	3	3	3	
NS	561783	. SEAL PLUG CAVITY / GREEN / PED 12010300	2	2	2	
6	502677	SCREW MA RND PH M4-0.7x25 SS	2	2	2	
NS	063281	WASHER, RETAINER / INSIDE OF DOOR	1	1	1	
7	063295	CABLE ASSY / 110V BLOCK HEATER ENGINE SECTION	1	1	1	
8	560411	. HEATER PLUG ASSY	1	1	1	
NS	562028	. CONVOLUTED TUBING / UNSLIT / BLACK / .350"	AR	AR	AR	
9	561781	. CONNECTOR / WEATHER PACK / PH 3C / BLACK / PED 12010717	1	1	1	
NS	561568	. PIN TERMINAL / 16-14 / PED 12089305	3	3	3	
NS	561786	. CABLE SEAL / GRAY / PED 15324980	3	3	3	
NS	560410	BLOCK HEATER	1	1	1	A
		A) RECEPTACLE & DOOR LIGHT SWITCH				

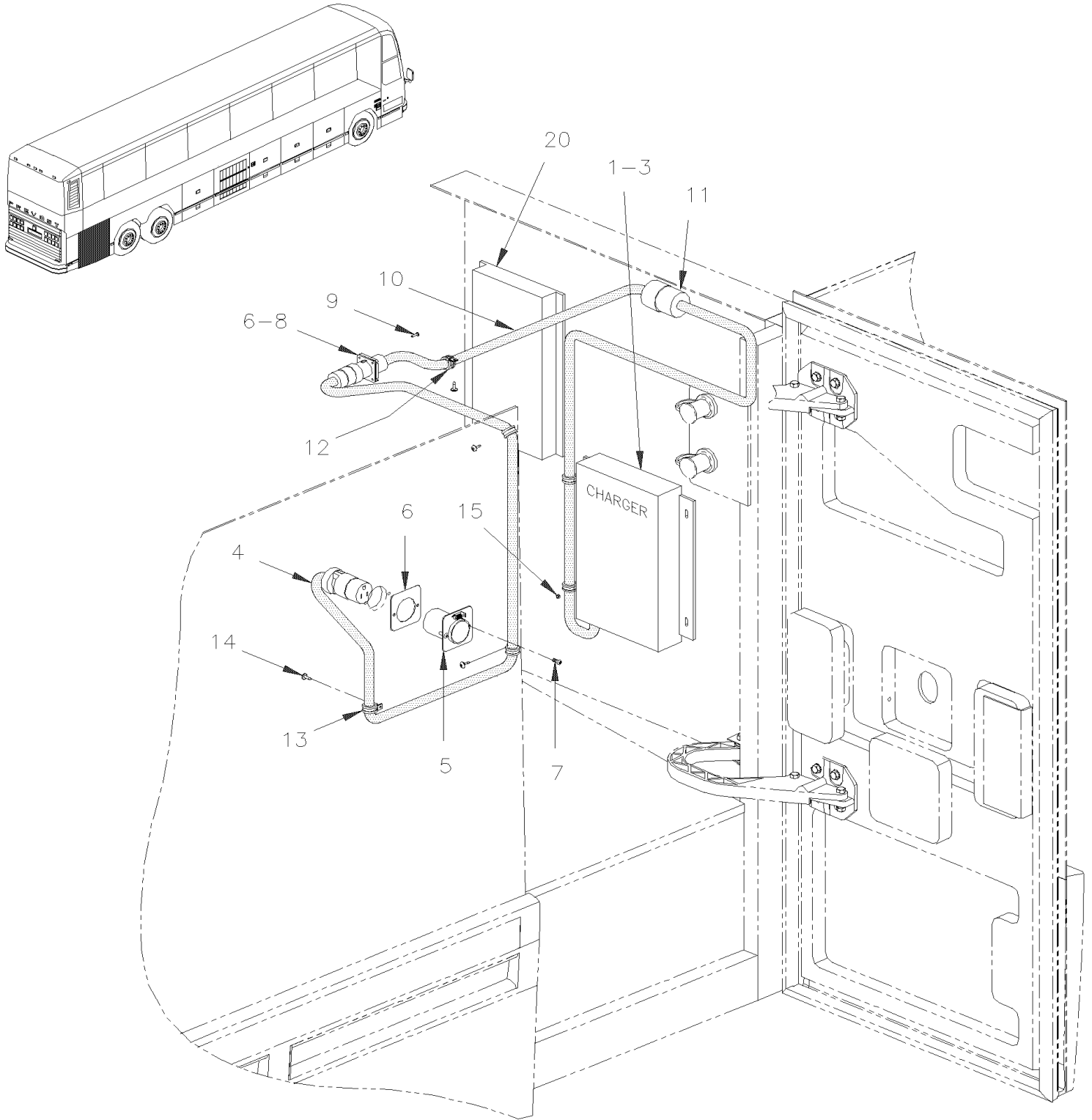


From 3-4417 To 8-1043

Date:10/2022

PAGE:HF-0670-10

BATTERIES CHARGER - INSTALLATION





From 3-4417 To 8-1043 Date:10/2022 PAGE:HF-0670-10

BATTERIES CHARGER - INSTALLATION

Item#	Part	Description	H 3 4 1	H 3 4 5	V I P 4 5	N O T E S
	065415	SUPPORT BATTERIES CHARGER	1	1		
1	562967	BATTERY CHARGER 24V	1	1		
4	065047	CABLE ASSY WITH OUTLET / DOOR SECTION To 3-4757	1	1		
4	065785	CABLE ASSY WITH OUTLET / DOOR SECTION From 4-4758 To 5-0167	1	1		
4	066226	CABLE ASSY WITH OUTLET / DOOR SECTION From 5-0168	1	1		
5	561572	. RECEPTACLE ASSY W/CORD	1	1		
6	064388	. FIXATION RING	1	1		
7	502677	. SCREW MA RND PH M4-0.7x25 SS	4	4		
8	065049	GASKET	1	1		
9	5001454	SCREW MA BDG PH #4-40x1/2 SS	1	1		
10	065062	CABLE ASSY To 5-0167	1	1		
11	561932	. CONNECTOR / 15 AMPS / HUBBELL 5269-C	1	1		
12	952637	CLAMP / 1"1/16 I.D.	1	1		
13	952631	CLAMP / 3/4" I.D.	1	1		
14	500590	NUT HEX NYRT M4-0.7 Z050	1	1		
15	502565	NUT HEX M6-1.0 SS	4	4		
20	HF-0615-00	BATTERIES COMPARTMENT - INSTALLATION				

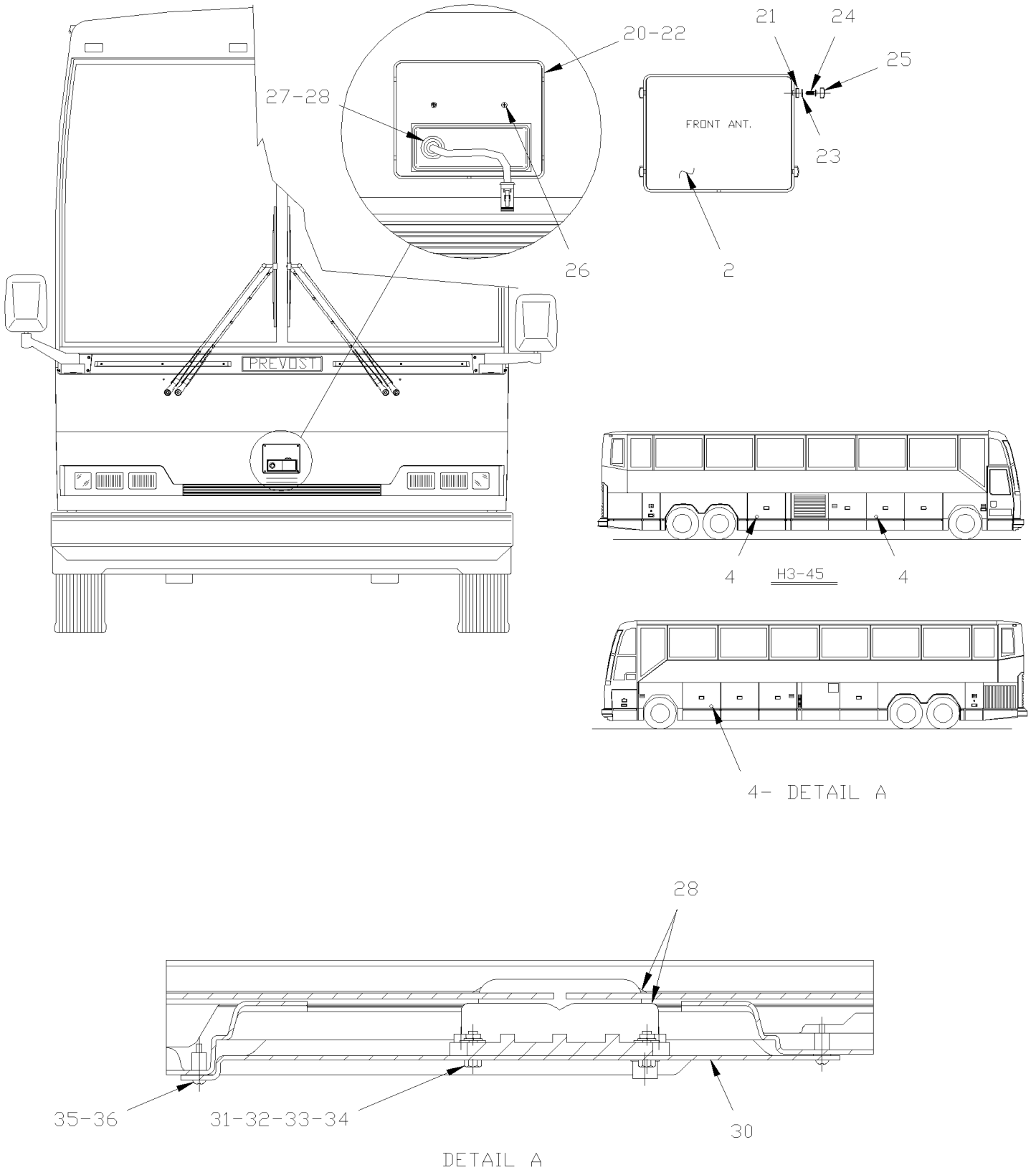


From 3-4417 To 8-1043

Date:10/2022

PAGE:HF-0675-00

SYSTEM - "VORAD"



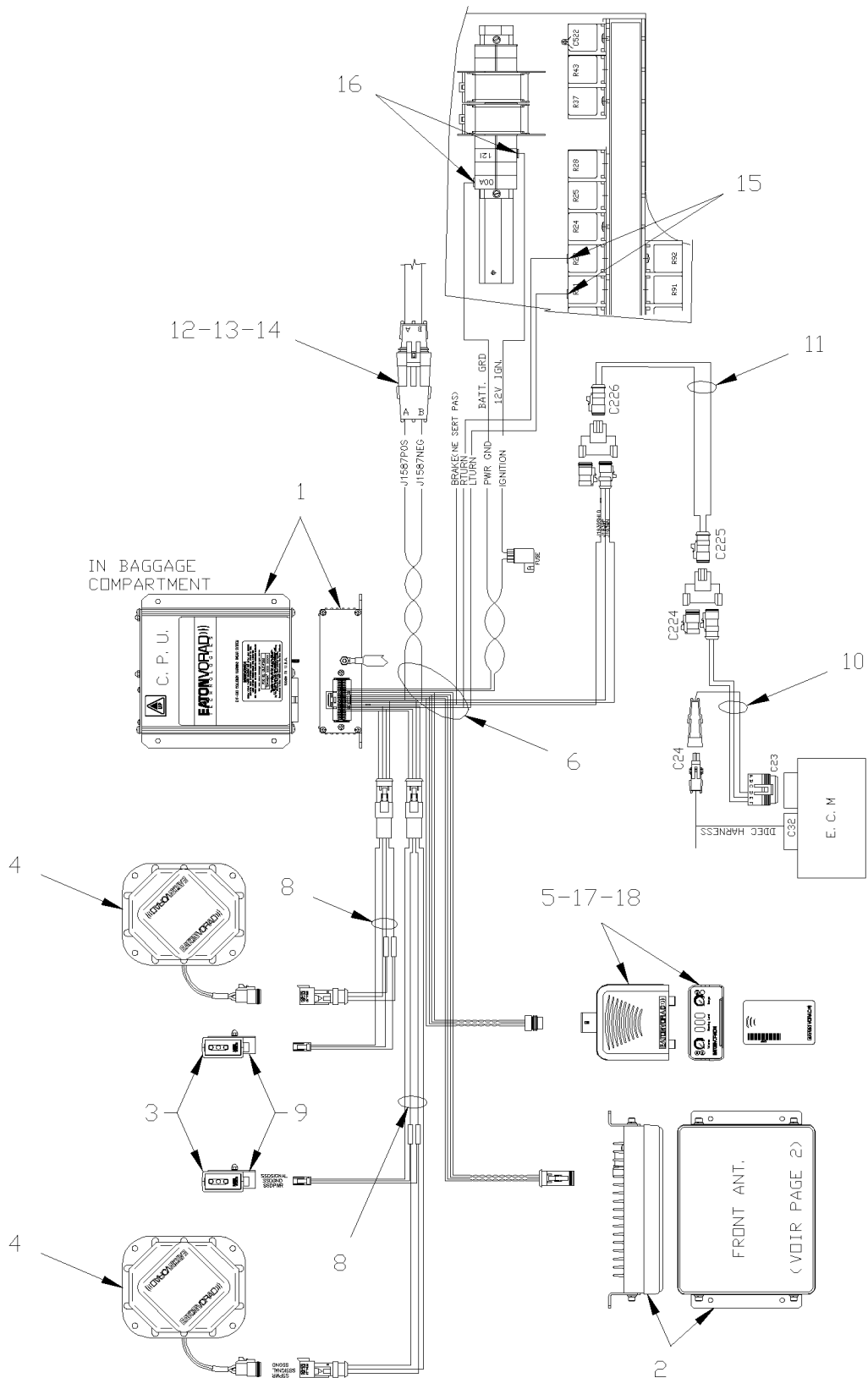


From 3-4417 To 8-1043

Date:10/2022

PAGE:HF-0675-00

SYSTEM - "VORAD"



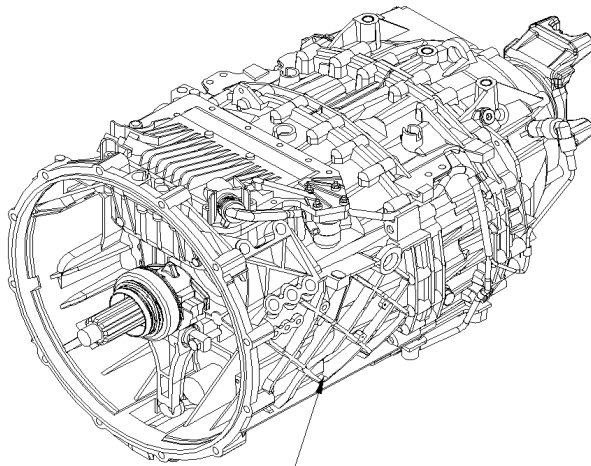
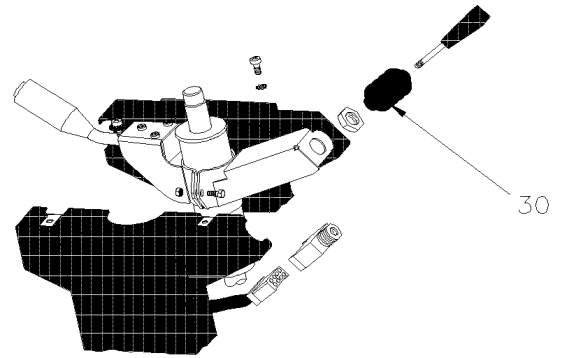
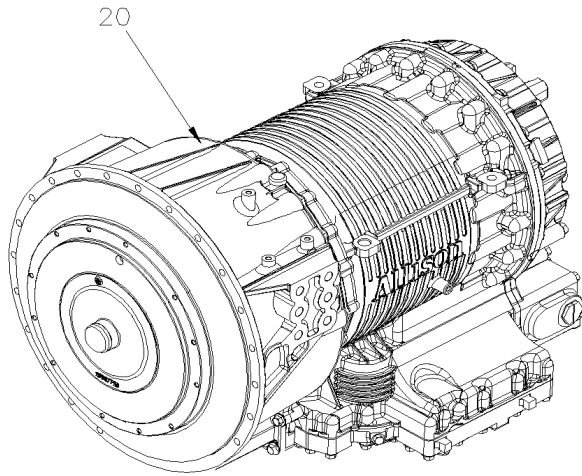


From 3-4417 To 8-1043		Date:10/2022	PAGE:HF-0675-00
SYSTEM - "VORAD"			

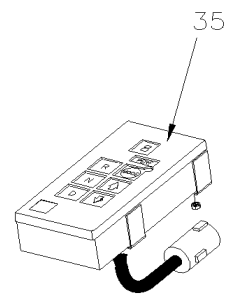
Item#	Part	Description	H 3 4 1	H 3 4 5	V I P 4 5	N O T E S
1	563192	MODULE CONTROL "VORAD"	1	1	1	
NS	381997	SUPPORT, MODULE CONTROL	1	1	1	
2	563188	FRONT SENSOR ANTENNA	1	1	1	
3	563189	FRONT SENSOR & DISPLAY	2	2	2	
4	563191	SIDE SENSOR ANTENNA	2	2	2	
5	563190	DRIVER'S DISPLAY	1	1	1	
6	065608	CABLE ASSY / MAIN	1	1	1	
8	065609	CABLE ASSY / SIDE ANTENNA	2	2	2	
9	7770276	BRACKET FRONT SENSOR, LH	1	1	1	
9	7770277	BRACKET FRONT SENSOR, RH	1	1	1	
10	065591	CABLE ASSY / ECM	1	1	1	
11	065592	CABLE ASSY / J1939	1	1	1	
12	561566	CONNECTOR / WEATHER PACK / PH 2C / BLACK / PED 12010973	1	1	1	
13	561568	PIN TERMINAL / 16-14 / PED 12089305	2	2	2	
14	561565	CABLE SEAL / GREEN / PED 15324982	2	2	2	
15	561181	TAB RECEPTACLE TERMINAL / 12 / AMP 60508-2	2	2	2	
16	561700	SPRING SPADE TERMINAL #8 / 16-14 / AMP 52936	2	2	2	
17	382008	SUPPORT, DRIVER'S DISPLAY	1	1	1	
18	5001479	SCREW TP BDG PH #6x3/8 SS EMN	8	8	8	
20	382009	BOX , FRONT ANTENNA	1	1	1	
21	504399	WASHER RETAINER SNAP CAP #10	4	4	4	
22	506785	TAPE RUB ADH2 CC POL 1/16" x 1/4" x 200' / BLACK I1C-N-A	AR	AR	AR	
23	5001544	WASHER LO EXT .195x.410x.025 SS	4	4	4	
24	5001543	SCREW MA PAN PH #10-32x1/2 SS	4	4	4	
25	504403	SNAP CAP #8 FINISHING BLACK	4	4	4	
26	500952	SCREW TP BDG PH #8x1/2 SS	2	2	2	
27	504671	GROMMET / .687x1.000x.125x.437x1.312	1	1	1	
28	682462	ADHESIVE SIKA #252 / BLACK / 310ml CARTRIDGE	AR	AR	AR	
30	381995	SUPPORT, SIDE SENSOR ANTENNA	2	2	2	
31	502622	SCREW CAP HEX M6-1.0x20 SS BK	12	12	12	
32	500411	WASHER FL .260x.697x.050 SS	8	8	8	
33	502570	WASHER LO SPT 6.1x11.8x1.6 SS	12	12	12	
34	502565	NUT HEX M6-1.0 SS	12	12	12	
35	500589	NUT WELL M4-0.7x13.5	8	8	8	
36	502677	SCREW MA RND PH M4-0.7x25 SS	8	8	8	
NS	382012	KIT RETROFIT / "VORAD" SYSTEM	AR	AR	AR	
. NS	IS-01171	. SEE INSTRUCTION SHEET	1	1	1	
NS	563193	VDO CASSETTE DRIVER'S TRAINING "VORAD CRUISE"	AR	AR	AR	



	Date:10/2022	HF-07
TRANSMISSION		



5-10-15



35



		Date:10/2022	HF-07			
TRANSMISSION						
Item#	Part	Description	H 3 4 1	H 3 4 5	V I P 4 5	N O T E S
5	HF-0700-00	TRANSMISSION "ZF" - INSTALLATION From 3-4705 To 8-1043				
10	HF-0700-05	TRANSMISSION "ZF" - AIR SYSTEM From 3-4705 To 8-1043				
15	HF-0705-00	TRANSMISSION "ZF-ASTRONIC" From 3-4705 To 8-1043				
15	HF-0705-05	GEARBOX HOUSING From 3-4705 To 8-1043				
15	HF-0705-10	INPUT SHAFT From 3-4705 To 8-1043				
15	HF-0705-15	LAYSHAFT From 3-4705 To 8-1043				
15	HF-0705-20	MAIN SHAFT From 3-4705 To 8-1043				
15	HF-0705-25	REVERSE GEAR From 3-4705 To 8-1043				
15	HF-0705-30	GEAR SHIFT SYSTEM From 3-4705 To 8-1043				
15	HF-0705-35	OUTPUT HOUSING From 3-4705 To 8-1043				
15	HF-0705-40	OUTPUT FLANGE & PLANETARY DRIVE From 3-4705 To 8-1043				
15	HF-0705-45	SYNCHRONIZER ASSY From 3-4705 To 8-1043				
20	HF-0750-00	AUTOMATIC TRANSMISSION - "WORLD" WITH DETROIT S-60 From 3-4417 To 3-4757				
20	HF-0750-01	AUTOMATIC TRANSMISSION - "WORLD" WITH DETROIT S-60 From 4-4758 To 8-1043				
30	HF-0755-15	SHIFTER ELECTRONIC - "WORLD" TRANSMISSION From 3-4417 To 8-1043				
35	HF-0760-00	RETARDER SELECTOR SWITCH - "WORLD" From 3-4417 To 8-1043				

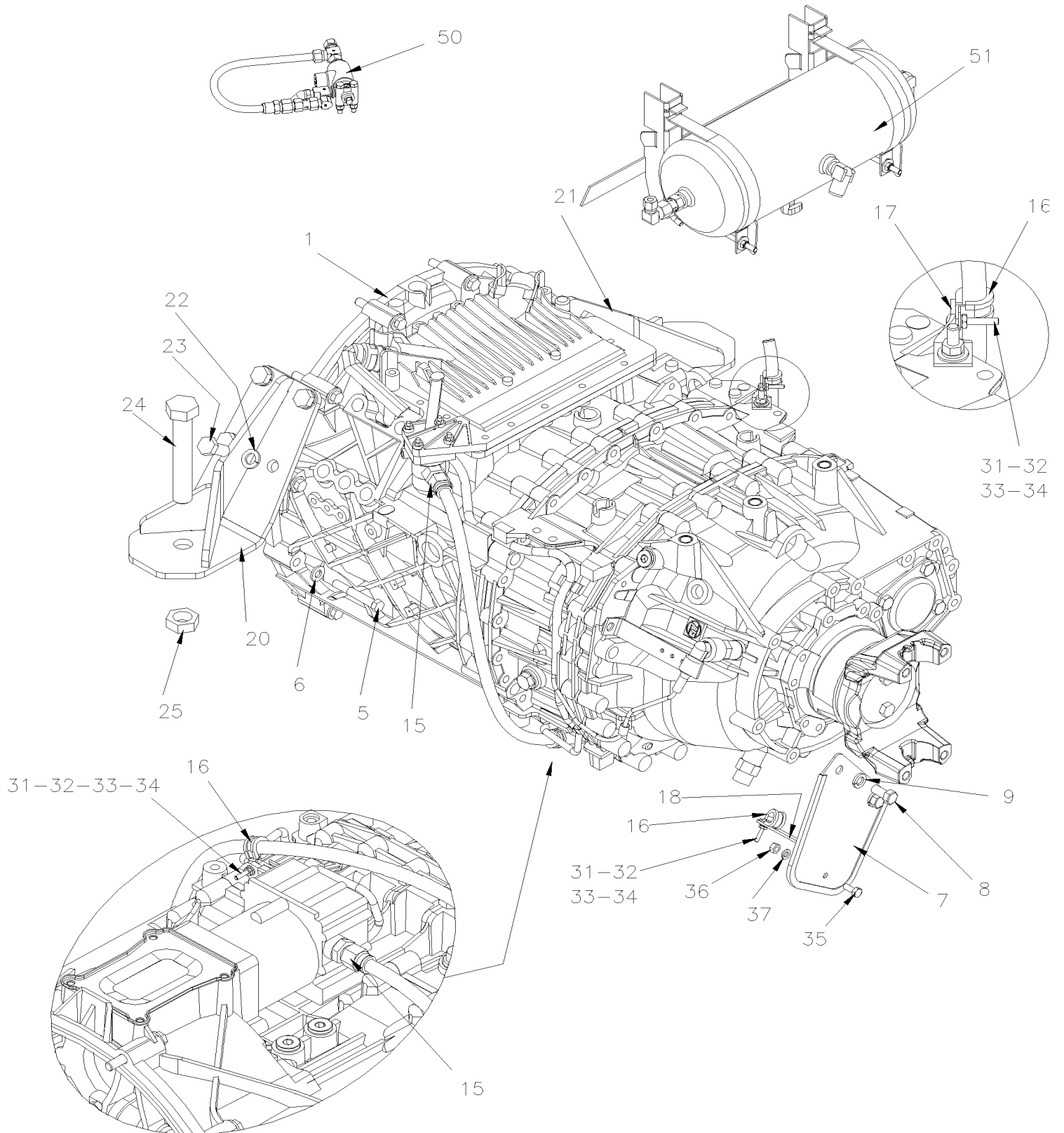


From 3-4705 To 8-1043

Date:10/2022

PAGE:HF-0700-00

TRANSMISSION "ZF" - INSTALLATION





From 3-4705 To 8-1043	Date:10/2022	PAGE:HF-0700-00
TRANSMISSION "ZF" - INSTALLATION		

Item#	Part	Description	H 3 4 1	H 3 4 5	V I P 4 5	N O T E S
1	571772	TRANSMISSION "ZF" W/O INTARDER / W10 SPEEDS	1	1		
1	571775	CLUTCH ASSY	1	1		
1	571776	PRESSURE PLATE	1	1		
1	507113	BALL BEARING	1	1		
5	955554	SCREW CAP HEX 7/16-14x3 G8 ZP	24	24		
6	5001567	WASHER FL .474x.937x.112 CP STP	12	12		
7	071293	PROTECTOR CABLE RUBBER	1	1		
8	500850	SCREW CAP HEX M12-1.75X25 G8.8 Z050	2	2		
9	500482	WASHER LO SPT .506x.873x.125 Z050	2	2		
12	504649	HOSE CLAMP / 4"5/8-7"1/2 SS	1	1		
15	641977	MALE CONNECTOR / PUSH-IN FITTING / #4xM16NPT-M BR	1	1		
16	952629	CLAMP / 5/8" I.D.	3	3		
17	061027	SUPPORT 2"1/2 LG	2	2		
18	070368	SUPPORT	3	3		
20	012282	SUPPORT REAR R.H. W/"ZF" TRANS	1	1		
21	012278	SUPPORT REAR L.H. W/"ZF" TRANS	1	1		
22	502884	WASHER LO SPT 16.2x27.4x3.5 N500	8	8		
23	5001591	SCREW CAP HEX M16-1.5x35 G10.9 DP	8	8		
24	500571	SCREW CAP HEX M24-3.0x150 G10.9 N500	2	2		
25	500570	NUT HEX STO M24-3.0 GR.10 N500	2	2		
31	500574	SCREW MA TR PH #10-24x1 1/4 SS	3	3		
32	500786	NUT HEX #10-24 Z050	3	3		
33	500470	WASHER LO SPT .193x.334x.047 Z050	3	3		
34	500964	WASHER FL .203x.500x.047 Z050	3	3		
35	502862	SCREW CAP HEX M8-1.25x20 G8.8 N500	1	1		
36	502851	NUT HEX M8-1.25 N500	1	1		
37	500942	WASHER LO SPT 8.1x14.8x2.0 N500	1	1		
50	HF-0700-05	TRANSMISSION "ZF" - AIR SYSTEM	1	1	1	
51	HF-1203-00	AIR TANK - INSTALLATION	1	1	1	

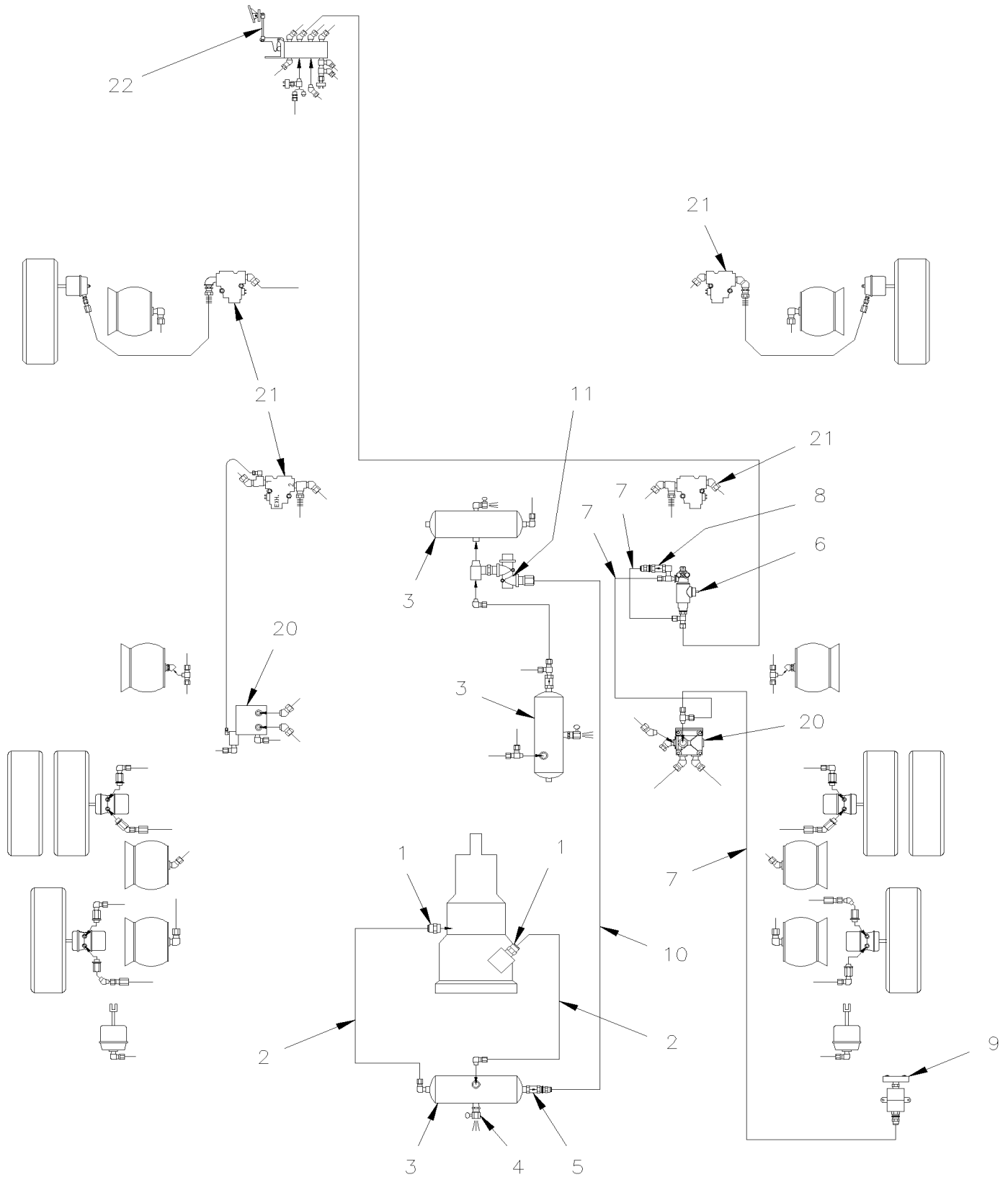


From 3-4705 To 8-1043

Date:10/2022

PAGE:HF-0700-05

TRANSMISSION "ZF" - AIR SYSTEM





From 3-4705 To 8-1043	Date:10/2022	PAGE:HF-0700-05
TRANSMISSION "ZF" - AIR SYSTEM		

Item#	Part	Description	H 3 4 1	H 3 4 5	V I P 4 5	N O T E S
1	641977	MALE CONNECTOR / PUSH-IN FITTING / #4xM16NPT-M BR	2	2		
2	503540	TUBE, NYLON 5/8 O.D. / BLACK S.L.	AR	AR		
3	HF-1203-00	AIR TANK - INSTALLATION				
4	641043	DRAIN VALVE 1/4 NPT M	1	1		
5	640123	VALVE, CHECK 1/2 NPT SC-1	1	1		
. NS	641401	. VALVE, CHECK 1/2 NPT SC-1	1	1		
6	641950	VALVE, "ATC" 12VOLT	1	1		
7	503463	TUBE, NYLON 3/8 O.D. / GREEN S.L.	AR	AR		
8	640135	VALVE, CHECK 1/4 NPT	1	1		
9	641462	PRESSURE SWITCH N.O. 4PSI / 1/4NPT W/10-32 / SL-5 BRAKE	1	1		
10	503404	TUBE, NYLON 3/8 O.D. / BLACK S.L.	AR	AR		
11	641137	VALVE, PRESSURE PROTECTION TYPE PR-4 70PSI	1	1		
20	HF-1220-00	MISCELLANEOUS - AIR VALVES				
21	HF-1250-00	ANTI-LOCK BRAKING SYSTEM				
22	HF-1220-10	BRAKE PEDAL VALVE - "BENDIX"	1	1	1	

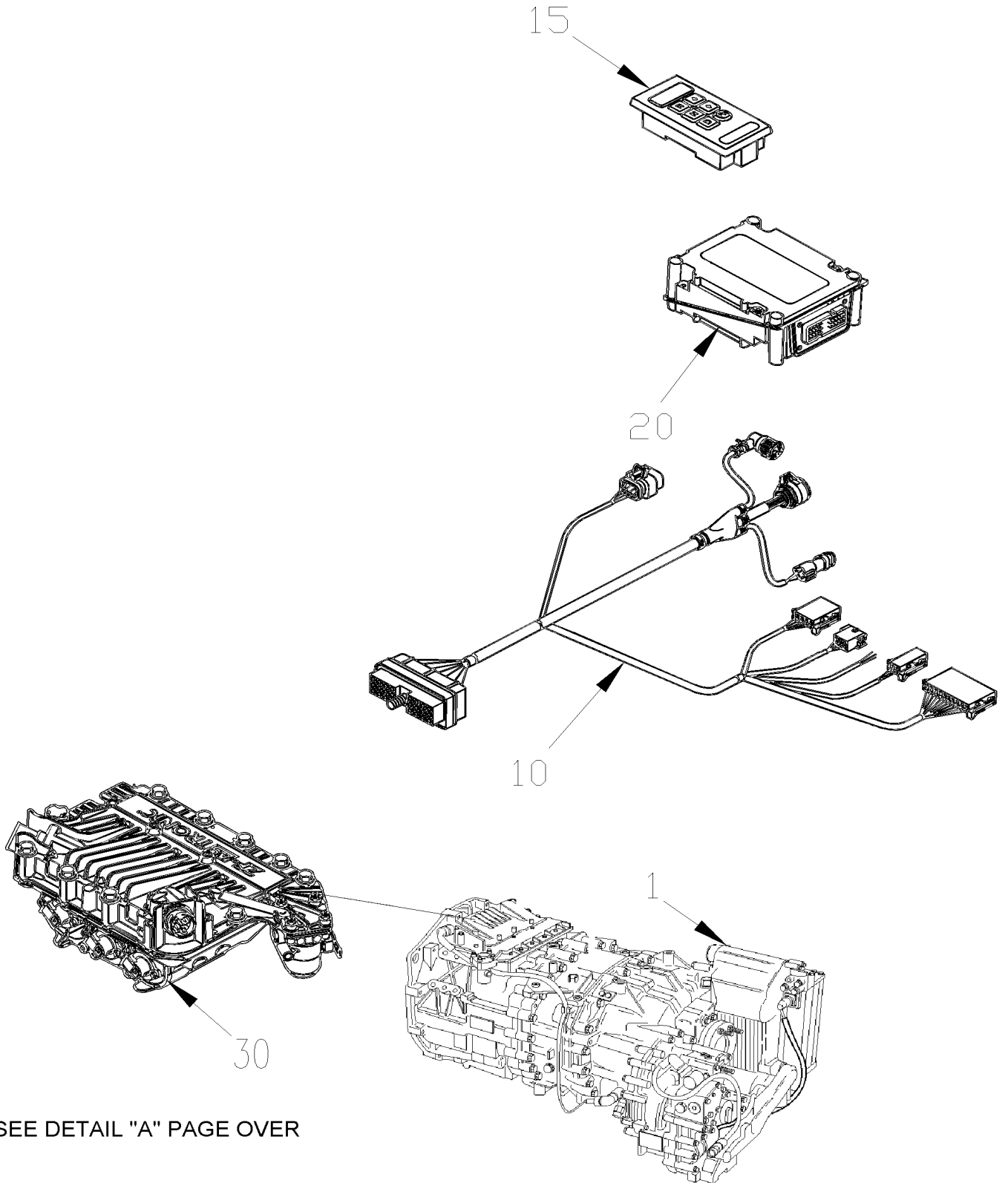


From 3-4705 To 8-1043

Date:10/2022

PAGE:HF-0705-00

TRANSMISSION "ZF-ASTRONIC"



SEE DETAIL "A" PAGE OVER

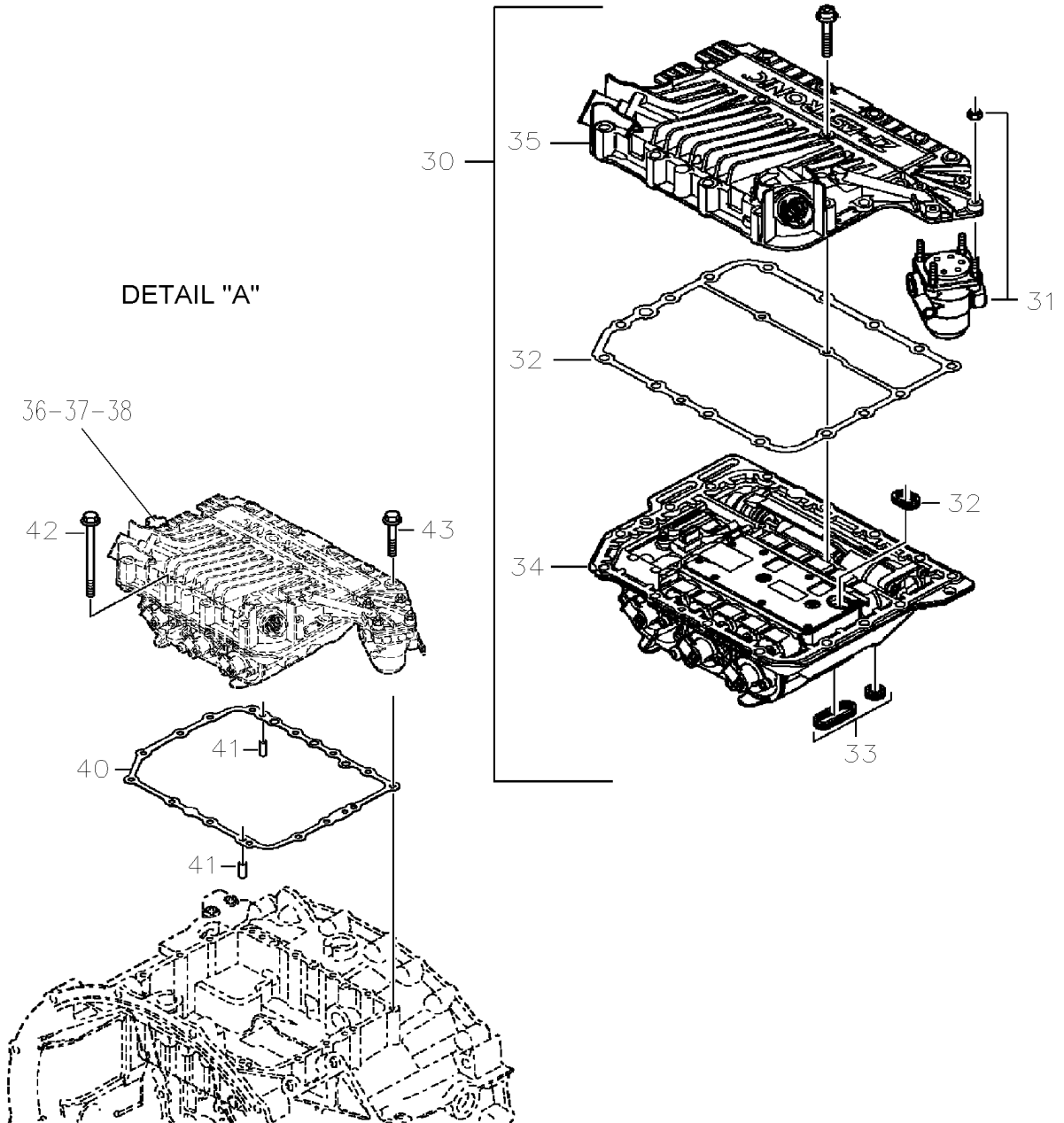


From 3-4705 To 8-1043

Date:10/2022

PAGE:HF-0705-00

TRANSMISSION "ZF-ASTRONIC"





From 3-4705 To 8-1043	Date:10/2022	PAGE:HF-0705-00
TRANSMISSION "ZF-ASTRONIC"		

Item#	Part	Description	H 3 4 1	H 3 4 5	V I P 4 5	N O T E S
1	571772	TRANSMISSION "ZF" W/O INTARDER / W10 SPEEDS	1	1		
NS	684516	OIL TRANSYND TRANSMISSION "ZF" CASTROL / 75W/85 AP1 GL4 / (25 LITERS)	AR	AR		
NS	684911	OIL TRANSYND TRANSMISSION "ZF" TOTAL EXON / 75W/80 AP1 GL4 / (20 LITERS)	AR	AR		
10	572021	WIRING HARNESS ADAPTOR RETROFIT "H3 SERIES" From 2-4311 To 2-4311	1	1		
10	065833	CABLE ASSY / ECU & TRANS CONTROL "ZF" To 5-0222	1	1		
10	066636	CABLE ASSY / FRT SELECTOR & RR "ZMTec" From 5-0223	1	1		
. NS	563340	. CONNECTOR / SEAL CIRC. 2.5 SERIES / SH 4C / AMP 1-967325-1 From 5-0223	1	1		
. NS	562877	. CONNECTOR / DT SERIES / PH 3C / GRAY / DEUTSCH DT04-3P-E008 From 5-0223	1	1		
15	571773	SHIFTER SELECTOR "ZF"	1	1		
20	571774	MODULE "ZF" ZMTEC / W10 SPEEDS To 6-0495	1	1		
20	572027	MODULE "ZF" ZMTEC / W10 SPEEDS From 6-0496	1	1		
30	572022	TRANSMISSION ACTUATOR GS 3 / 10 speeds	1	1		
31	19504975	. PRESSURE REDUCER VALVE	1	1		
32	Call order desk	. SEAL KIT	1	1		P
33	N.S.P.	. . SEAL KIT	1	1		2
34	N.S.P.	. BOTTOM ACTUATOR 6009.274.058	1	1		2
35	N.S.P.	. UPPER PART ACTUATOR 6009.397.074	1	1		2
36	572131	. BREATHER	1	1		
37	572132	. ELBOW 90°	1	1		
38	572133	. ADAPTOR	1	1		
40	572024	GASKET / TRANS ACTUATOR & HOUSING	1	1		
41	N.S.P.	CYLINDRICAL PIN M6.8 16MM	1	1		2
42	502797	SCREW CAP HEX M8-1.25x70 G10.9 G500	6	6		
43	N.S.P.	SCREW CAP HEX M8-1.25x45 G10.9 DP	9	9		2
44	N.S.P.	ANGLE PIECE 0501.315.796	1	1		2
		2) NOT SOLD BY PREVOST (SEE MANUFACTURING PART NUMBER AT END OF DESCRIPTION LINE)				
		P) CALL ORDER DESK FOR SPECIFIC APPLICATION (V.I.N.)				

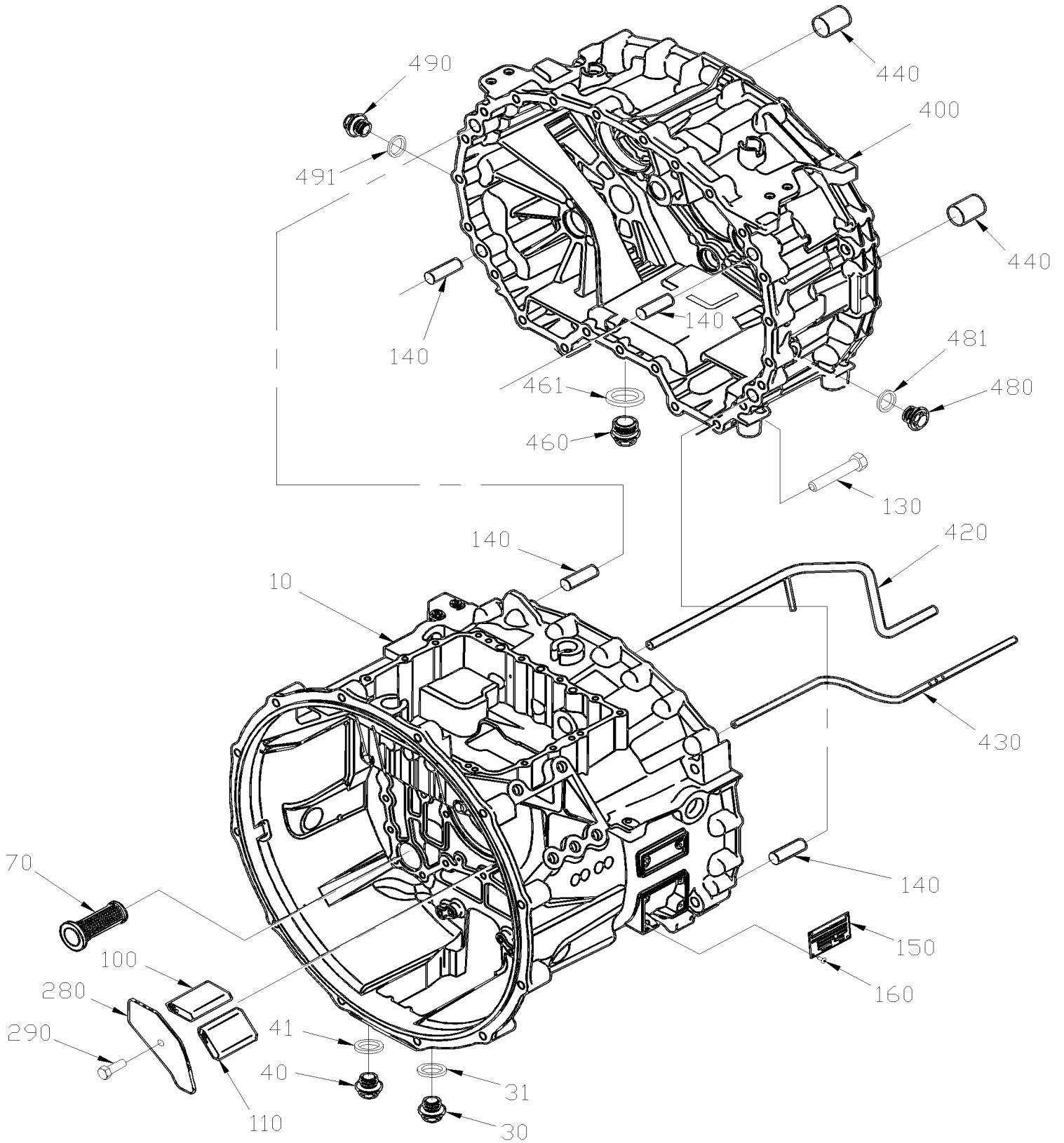


From 3-4705 To 8-1043

Date:10/2022

PAGE:HF-0705-05

GEARBOX HOUSING





From 3-4705 To 8-1043	Date:10/2022	PAGE:HF-0705-05
GEARBOX HOUSING		

Item#	Part	Description	H 3 4 1	H 3 4 5	V I P 4 5	N O T E S
10	571787	HOUSING	1	1		
30	571788	SCREW PLUG M22x1.5 DIN 908	1	1		
31	571789	SEALING RING	1	1		
40	571788	SCREW PLUG M22x1.5 DIN 908	1	1		
41	571789	SEALING RING	1	1		
70	571790	SCREEN INSERT	1	1		
100	571791	BREATHER	1	1		
110	571791	BREATHER	1	1		
130	571792	SCREW CAP HEX M101.5x60 G10.9	24	24		
140	571793	CYLINDRICAL PIN	4	4		
150	571794	TYPE PLATE	1	1		
160	571795	BLIND RIVET	4	4		
280	571796	COVER	1	1		
290	502790	SCREW CAP HEX M8-1.25x20 G8.8 Z050	1	1		
400	571797	HOUSING	1	1		
420	571798	SPRAY TUBE	1	1		
430	571799	SPRAY TUBE	1	1		
440	571800	PIN	2	2		
460	571801	SCREW PLUG	1	1		
461	571802	SEALING RING	1	1		
480	571803	SCREW PLUG M24x1.5 DIN 910	1	1		
481	571802	SEALING RING	1	1		
490	571803	SCREW PLUG M24x1.5 DIN 910	1	1		
491	571802	SEALING RING	1	1		
NS	684516	OIL TRANSYND TRANSMISSION "ZF" CASTROL / 75W/85 AP1 GL4 / (25 LITERS)	AR	AR		
NS	684911	OIL TRANSYND TRANSMISSION "ZF" TOTAL EXON / 75W/80 AP1 GL4 / (20 LITERS)	AR	AR		

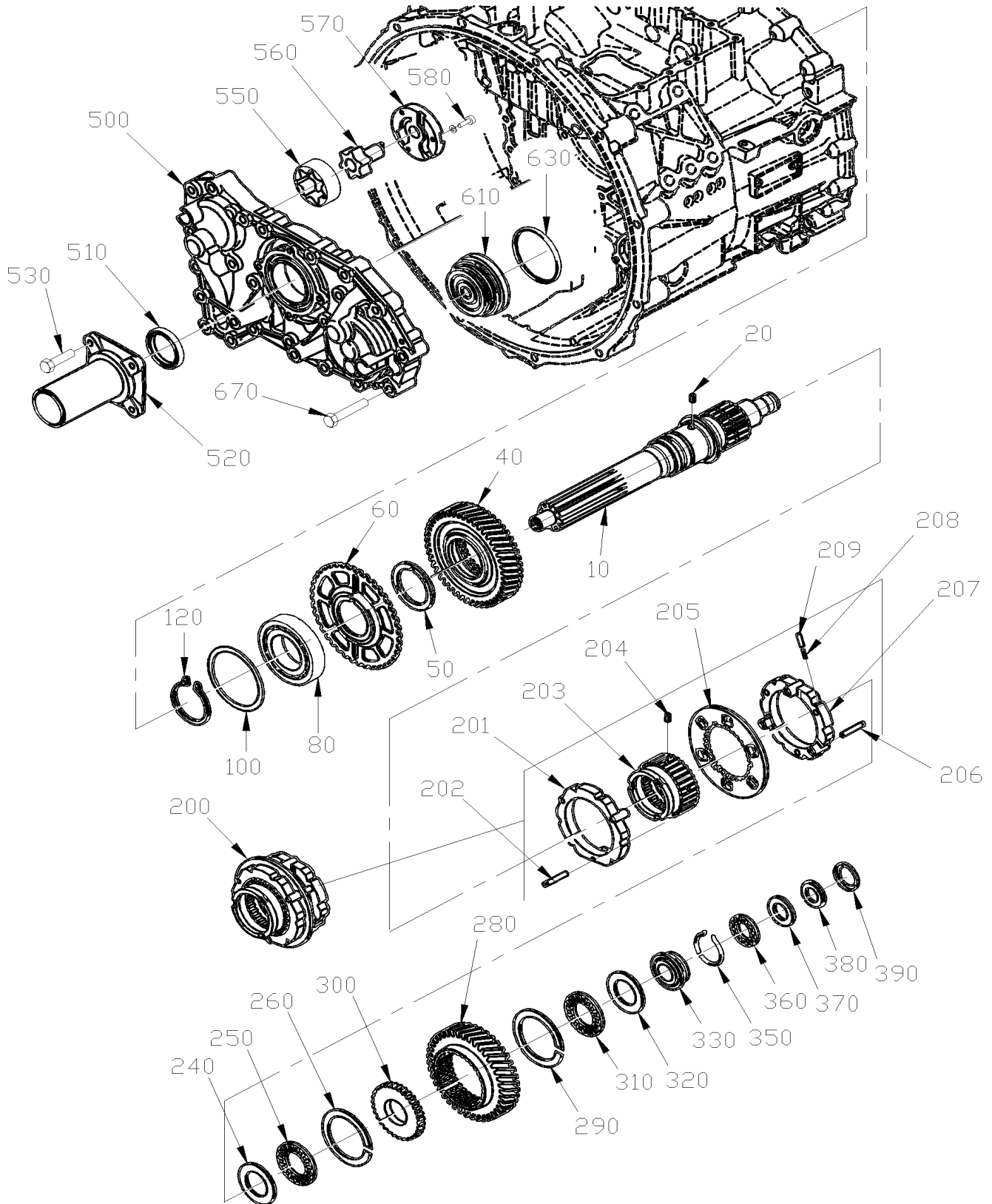


From 3-4705 To 8-1043

Date:10/2022

PAGE:HF-0705-10

INPUT SHAFT





From 3-4705 To 8-1043	Date:10/2022	PAGE:HF-0705-10
-----------------------	--------------	-----------------

INPUT SHAFT

Item#	Part	Description	H 3 4 1	H 3 4 5	V I P 4 5	N O T E S
10	571804	INPUT SHAFT	1	1		
20	571805	PIN	1	1		
40	571806	HELICAL GEAR	1	1		
50	571807	THRUST WASHER	1	1		
60	571808	COUNTING RING	1	1		
80	571809	BALL BEARING	1	1		
100	571810	SHIM 1.40MM	AR	AR		
100	571811	SHIM 1.45MM	AR	AR		
100	571812	SHIM 1.50MM	AR	AR		
100	571813	SHIM 1.55MM	AR	AR		
100	571814	SHIM 1.60MM	AR	AR		
100	571815	SHIM 1.65MM	AR	AR		
100	571816	SHIM 1.70MM	AR	AR		
100	571817	SHIM 1.75MM	AR	AR		
100	571818	SHIM 1.80MM	AR	AR		
100	571819	SHIM 1.85MM	AR	AR		
100	571820	SHIM 1.90MM	AR	AR		
100	571821	SHIM 1.95MM	AR	AR		
100	571822	SHIM 2.00MM	AR	AR		
120	571823	RETAINING RING 3.25MM	AR	AR		
120	571824	RETAINING RING 3.30MM	AR	AR		
120	571825	RETAINING RING 3.35MM	AR	AR		
120	571826	RETAINING RING 3.40MM	AR	AR		
120	571827	RETAINING RING 3.45MM	AR	AR		
120	571828	RETAINING RING 3.50MM	AR	AR		
120	571829	RETAINING RING 3.55MM	AR	AR		
120	571830	RETAINING RING 3.60MM	AR	AR		
120	571831	RETAINING RING 3.65MM	AR	AR		
120	571832	RETAINING RING 3.70MM	AR	AR		
120	571833	RETAINING RING 3.75MM	AR	AR		
120	571834	RETAINING RING 3.80MM	AR	AR		
120	571835	RETAINING RING 3.85MM	AR	AR		
120	571836	RETAINING RING 3.90MM	AR	AR		
120	571837	RETAINING RING 3.95MM	AR	AR		
120	571838	RETAINING RING 4.00MM	AR	AR		
200	571839	SYCHRONIZER ASSY	1	1		
201	571840	. SYCHRONIZER RING	1	1		
202	571841	. PIN	3	3		
203	571842	. GEAR SHIFT SLEEVE	1	1		
204	571805	. PIN	1	1		
205	571843	. PLATE	1	1		
206	571844	. PIN	3	3		



From 3-4705 To 8-1043	Date:10/2022	PAGE:HF-0705-10
INPUT SHAFT		

Item#	Part	Description	H 3 4 1	H 3 4 5	V I P 4 5	N O T E S
207	571845	. SYNCHRONIZER RING	1	1		
208	571846	. COMPRESSION SPRING	3	3		
209	571847	. CYLINDER ROLLER 7X10 DIN 5402	3	3		
240	571848	WASHER	1	1		
250	571849	AXLE NEEDLE CAGE	1	1		
260	571850	SNAP RING	1	1		
280	571851	HELICAL GEAR	1	1		
290	571850	SNAP RING	1	1		
300	571852	BEARING DISC	1	1		
310	571849	AXLE NEEDLE CAGE	1	1		
320	571848	WASHER	1	1		
330	571853	BEARING RING	1	1		
350	571854	RETAINING RING	1	1		
360	571855	AXLE ROLLER CAGE	1	1		
370	571856	WASHER / 5MM	1	1		
380	571857	SPLIT RING	1	1		
390	571858	RETAINING RING	1	1		
500	571859	CONNECTING PLATE	1	1		
510	571860	SHAFT SEAL	1	1		
520	571861	RELEASE FLANGE	1	1		
530	502589	SCREW CAP HEX M8-1.25x25 G8.8 Z050	4	4		
550	571862	ROTOR	1	1		
560	571863	PUMP SHAFT	1	1		
570	571864	PUMP COVER	1	1		
580	571865	SCREW CAP HEXS TORX M6-1.0x25	3	3		
610	571866	PISTON	1	1		
630	571867	U-RING	1	1		
670	571868	SCREW CAP HEX M10-1.5x60 G10.9	22	22		

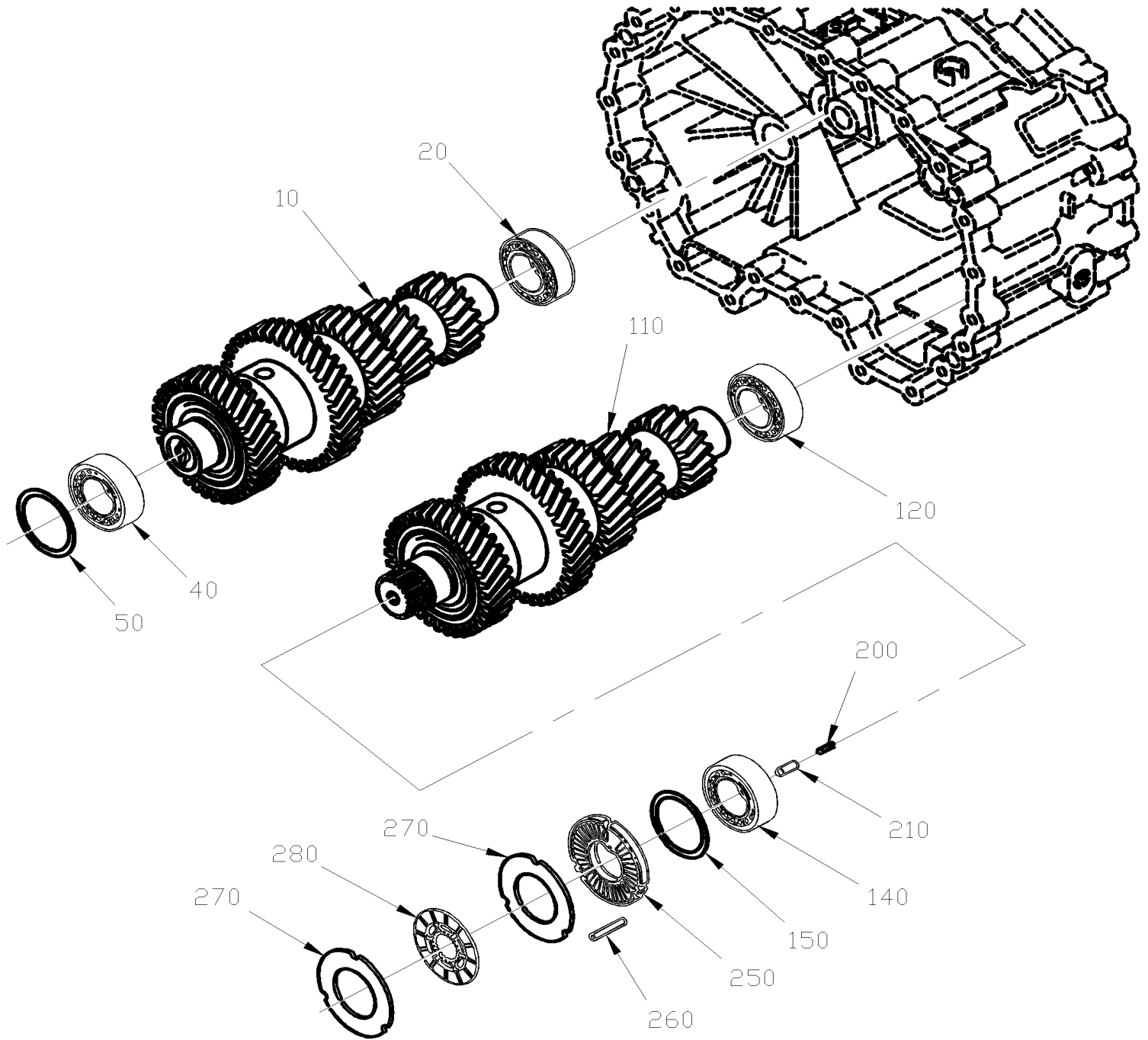


From 3-4705 To 8-1043

Date:10/2022

PAGE:HF-0705-15

LAYSHAFT





From 3-4705 To 8-1043 Date:10/2022 PAGE:HF-0705-15

LAYSHAFT

Item#	Part	Description	H 3 4 1	H 3 4 5	V I P 4 5	N O T E S
10	571869	LAYSHAFT	1	1		
20	571870	ROLLER BEARING	1	1		
40	571870	ROLLER BEARING	1	1		
50	571871	SHIM 1.70MM	AR	AR		
50	571872	SHIM 1.75MM	AR	AR		
50	571873	SHIM 1.80MM	AR	AR		
50	571874	SHIM 1.85MM	AR	AR		
50	571875	SHIM 1.90MM	AR	AR		
50	571876	SHIM 1.95MM	AR	AR		
50	571877	SHIM 2.00MM	AR	AR		
50	571878	SHIM 2.05MM	AR	AR		
50	571879	SHIM 2.10MM	AR	AR		
50	571880	SHIM 2.15MM	AR	AR		
50	571881	SHIM 2.20MM	AR	AR		
50	571882	SHIM 2.25MM	AR	AR		
50	571883	SHIM 2.30MM	AR	AR		
50	571884	SHIM 2.35MM	AR	AR		
50	571885	SHIM 2.40MM	AR	AR		
50	571886	SHIM 2.45MM	AR	AR		
50	571887	SHIM 2.50MM	AR	AR		
50	571888	SHIM 2.55MM	AR	AR		
50	571889	SHIM 2.60MM	AR	AR		
50	571890	SHIM 2.65MM	AR	AR		
50	571891	SHIM 2.70MM	AR	AR		
50	571892	SHIM 2.75MM	AR	AR		
50	571893	SHIM 2.80MM	AR	AR		
110	571894	LAYSHAFT	1	1		
120	571870	ROLLER BEARING	1	1		
140	571870	ROLLER BEARING	1	1		
150	571871	SHIM 1.70MM	AR	AR		
150	571872	SHIM 1.75MM	AR	AR		
150	571873	SHIM 1.80MM	AR	AR		
150	571874	SHIM 1.85MM	AR	AR		
150	571875	SHIM 1.90MM	AR	AR		
150	571876	SHIM 1.95MM	AR	AR		
150	571877	SHIM 2.00MM	AR	AR		
150	571878	SHIM 2.05MM	AR	AR		
150	571879	SHIM 2.10MM	AR	AR		
150	571880	SHIM 2.15MM	AR	AR		
150	571881	SHIM 2.20MM	AR	AR		
150	571882	SHIM 2.25MM	AR	AR		
150	571883	SHIM 2.30MM	AR	AR		



From 3-4705 To 8-1043	Date:10/2022	PAGE:HF-0705-15
LAYSHAFT		

Item#	Part	Description	H 3 4 1	H 3 4 5	V I P 4 5	N O T E S
150	571884	SHIM 2.35MM	AR	AR		
150	571885	SHIM 2.40MM	AR	AR		
150	571886	SHIM 2.45MM	AR	AR		
150	571887	SHIM 2.50MM	AR	AR		
150	571888	SHIM 2.55MM	AR	AR		
150	571889	SHIM 2.60MM	AR	AR		
150	571890	SHIM 2.65MM	AR	AR		
150	571891	SHIM 2.70MM	AR	AR		
150	571892	SHIM 2.75MM	AR	AR		
150	571893	SHIM 2.80MM	AR	AR		
200	571895	COMPRESSION SPRING	1	1		
210	571896	DETENT PIN	1	1		
250	571897	BRAKE COVER	1	1		
260	571898	CYLINDRICAL PIN M6x50	3	3		
270	571899	OUT CLUTCH DISC	4	4		
280	571900	LINNIG CLUTCH DISC	2	2		

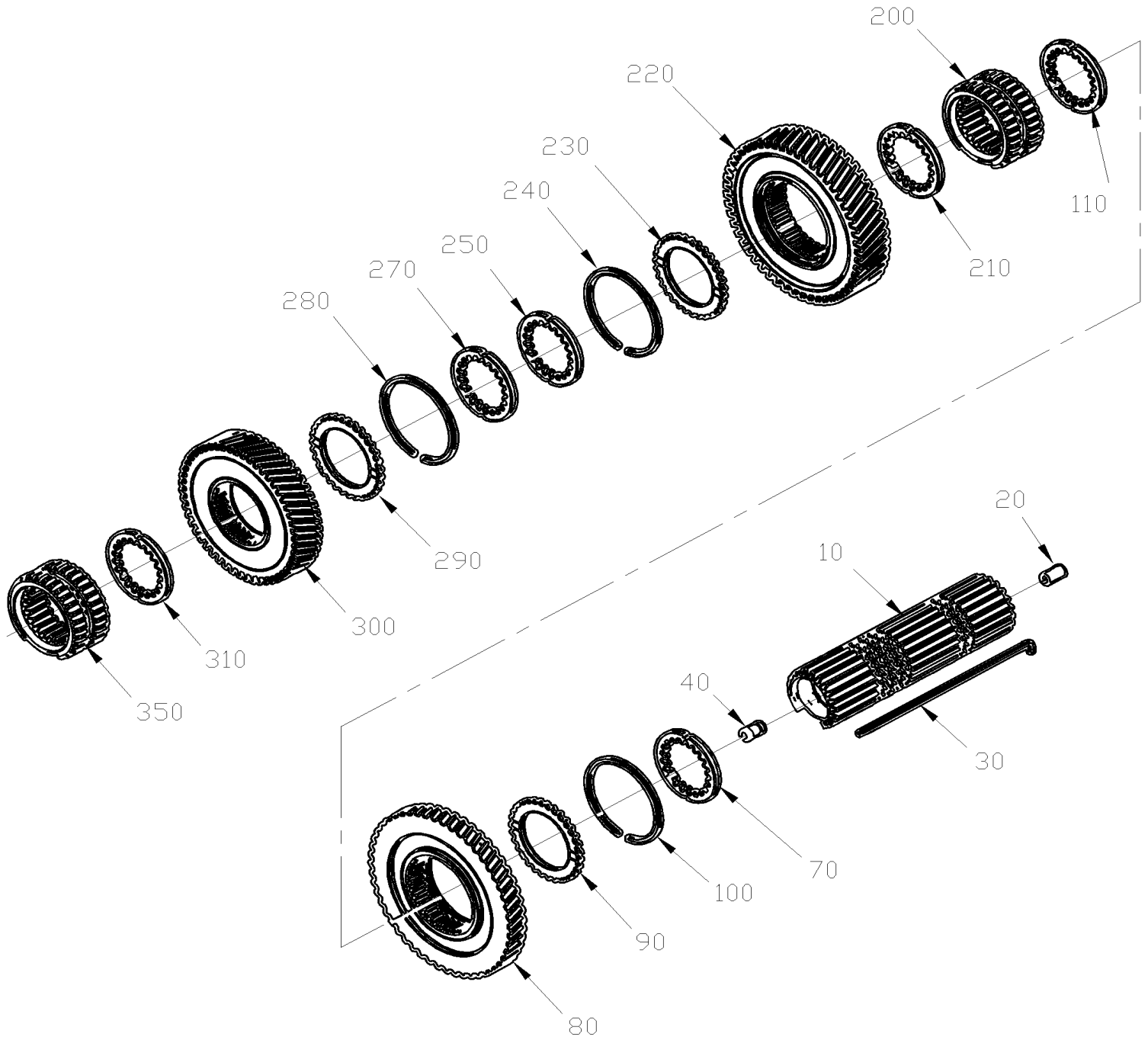


From 3-4705 To 8-1043

Date:10/2022

PAGE:HF-0705-20

MAIN SHAFT





From 3-4705 To 8-1043	Date:10/2022	PAGE:HF-0705-20
MAIN SHAFT		

Item#	Part	Description	H 3 4 1	H 3 4 5	V I P 4 5	N O T E S
10	571901	MAIN SHAFT	1	1		
20	571902	OIL TUBE	1	1		
30	571903	KEY	1	1		
40	571904	OIL TUBE	1	1		
70	571905	WASHER	1	1		
80	571906	HELICAL GEAR	1	1		
90	571907	WASHER	1	1		
100	571850	SNAP RING	1	1		
110	571905	WASHER	1	1		
200	571908	SLIDING SLEEVE	1	1		
210	571905	WASHER	1	1		
220	571909	HELICAL GEAR	1	1		
230	571907	WASHER	1	1		
240	571850	SNAP RING	1	1		
250	571905	WASHER	1	1		
270	571905	WASHER	1	1		
280	571850	SNAP RING	1	1		
290	571907	WASHER	1	1		
300	571910	HELICAL GEAR	1	1		
310	571905	WASHER	1	1		
350	571908	SLIDING SLEEVE	1	1		

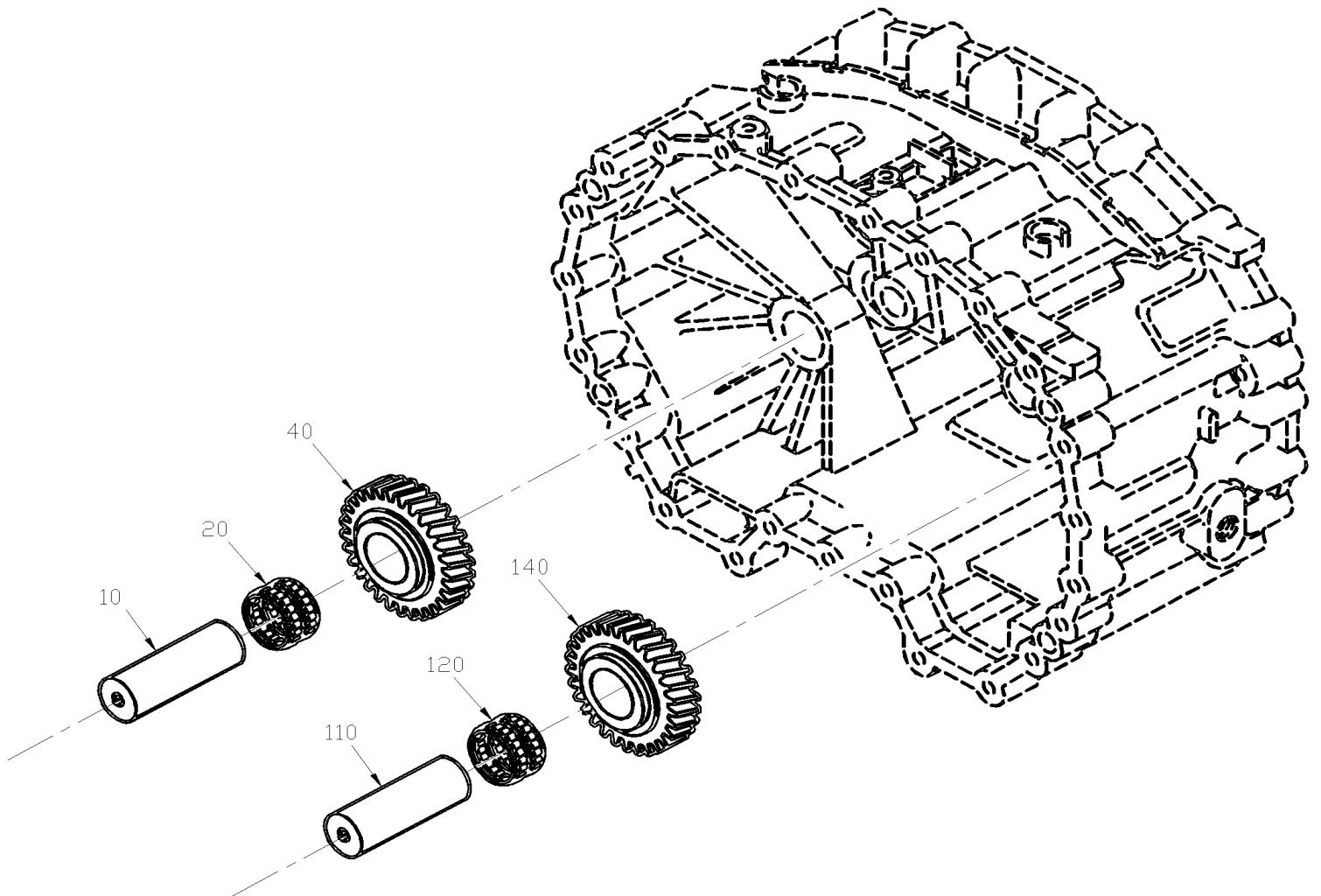


From 3-4705 To 8-1043

Date:10/2022

PAGE:HF-0705-25

REVERSE GEAR





From 3-4705 To 8-1043	Date:10/2022	PAGE:HF-0705-25
REVERSE GEAR		

Item#	Part	Description	H 3 4 1	H 3 4 5	V I P 4 5	N O T E S
10	571911	REVERSE IDLER SHAFT	1	1		
20	571912	NEEDLE CAGE	1	1		
40	571913	HELICAL GEAR	1	1		
110	571911	REVERSE IDLER SHAFT	1	1		
120	571912	NEEDLE CAGE	1	1		
140	571913	HELICAL GEAR	1	1		

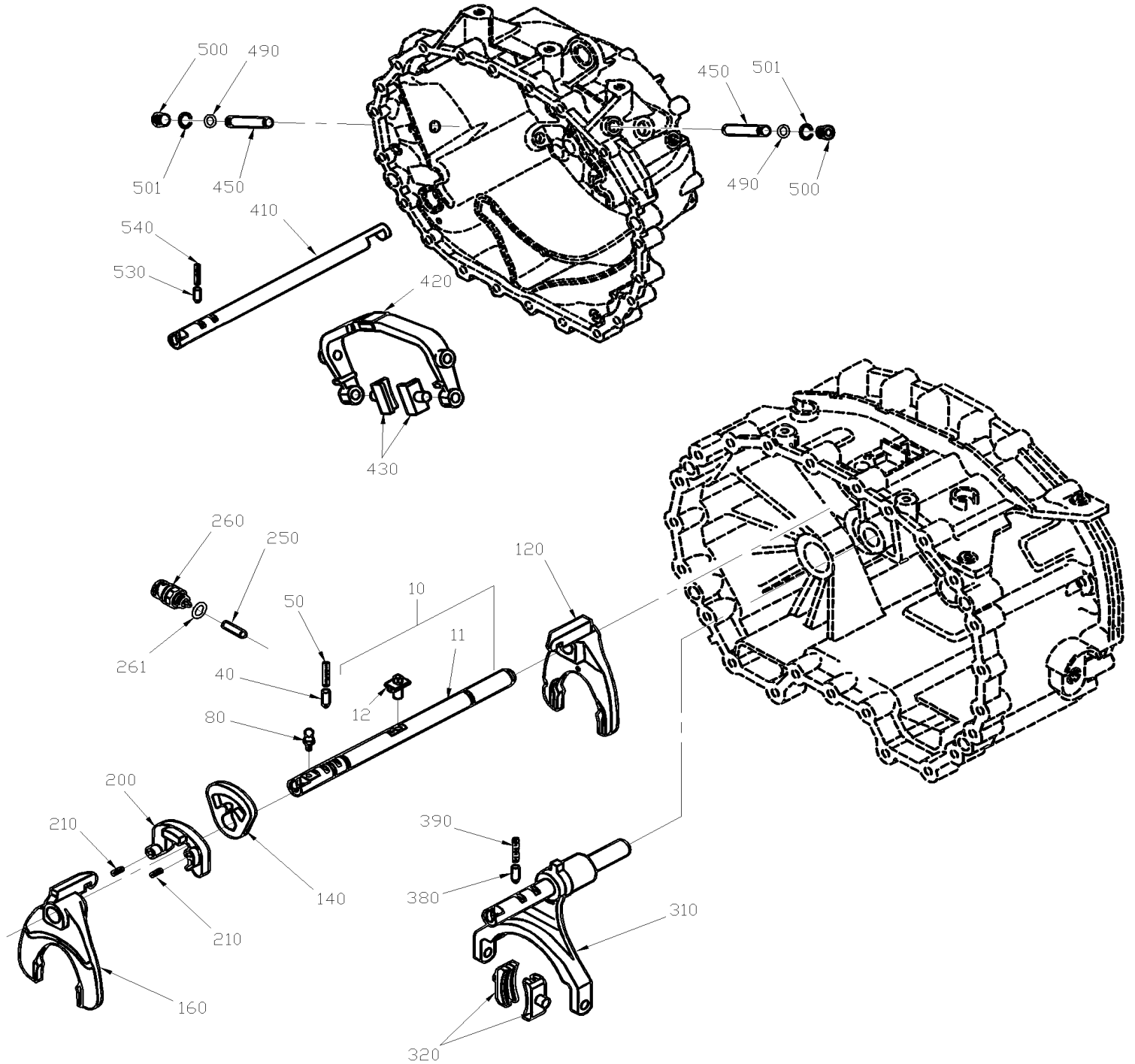


From 3-4705 To 8-1043

Date:10/2022

PAGE:HF-0705-30

GEAR SHIFT SYSTEM





From 3-4705 To 8-1043	Date:10/2022	PAGE:HF-0705-30
GEAR SHIFT SYSTEM		

Item#	Part	Description	H 3 4 1	H 3 4 5	V I P 4 5	N O T E S
10	571914	GEAR SHIFT SHAFT ASSY	1	1		
11	571915	. GEAR SHIFT SHAFT	1	1		
12	571916	. GEAR SHIFT FINGER	1	1		
40	571896	DETENT PIN	1	1		
50	571895	COMPRESSION SPRING	1	1		
80	571917	BALL PIN	1	1		
120	571918	GEAR SHIFT FORK	1	1		
140	571919	INERTLOCK	1	1		
160	571920	GEAR SHIFT FORK	1	1		
200	571921	SPACER	1	1		
210	571922	SLOT PIN 6x18MM	2	2		
250	571923	PIN	1	1		
260	571925	SWITCH / NEUTRAL N.O. / W/"ZF"MANUAL TRANS To 5-0222	1	1		
261	571924	SEALING RING	1	1		
310	571926	GEAR SHIFT FORK	1	1		
320	571927	SLIDING PAD	2	2		
380	571896	DETENT PIN	1	1		
390	571895	COMPRESSION SPRING	1	1		
410	571998	GEAR SHIFT RAIL	1	1		
420	571999	GEAR SHIFT FORK	1	1		
430	572000	SLIDING PAD	2	2		
450	572001	JOINT PIN	2	2		
490	572002	SNAP RING	2	2		
500	572003	SCREW PLUG M20x1.5 DIN 908	2	2		
501	572004	SEALING RING	2	2		
530	571896	DETENT PIN	1	1		
540	571895	COMPRESSION SPRING	1	1		

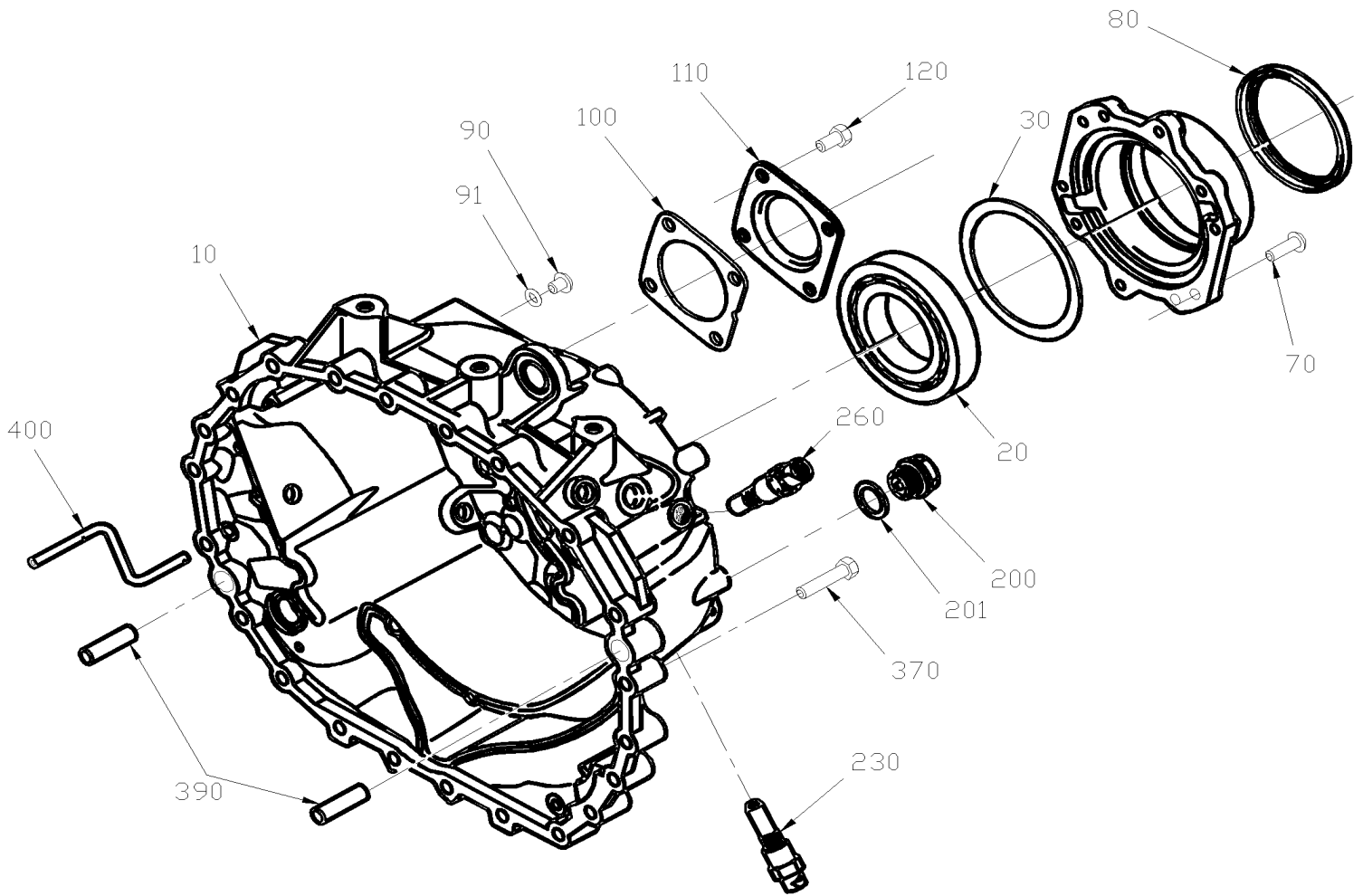


From 3-4705 To 8-1043

Date:10/2022

PAGE:HF-0705-35

OUTPUT HOUSING





From 3-4705 To 8-1043	Date:10/2022	PAGE:HF-0705-35
OUTPUT HOUSING		

Item#	Part	Description	H 3 4 1	H 3 4 5	V I P 4 5	N O T E S
10	571928	HOUSING	1	1		
20	571929	BALL BEARING	1	1		
30	571930	SHIM 0.20MM	AR	AR		
30	571931	SHIM 0.30MM	AR	AR		
30	571932	SHIM 0.40MM	AR	AR		
30	571933	SHIM 0.50MM	AR	AR		
30	571934	SHIM 0.60MM	AR	AR		
50	571935	COVER	1	1		
70	500829	SCREW CAP HEX M10-1.5x40 G8.8	10	10		
80	571936	SHAFT SEAL	1	1		
90	571937	SCREW PLUG M10x1.0 DIN 908	1	1		
91	571938	SEALING RING	1	1		
100	571939	GASKET	1	1		
110	571940	COVER	1	1		
120	500850	SCREW CAP HEX M12-1.75X25 G8.8 Z050	4	4		
200	571801	SCREW PLUG	1	1		
201	571802	SEALING RING	1	1		
230	571941	PULSE SENSOR	1	1		
260	571941	PULSE SENSOR	1	1		
370	571792	SCREW CAP HEX M101.5x60 G10.9	22	22		
390	571793	CYLINDRICAL PIN	2	2		
400	571942	SPRAY TUBE	1	1		

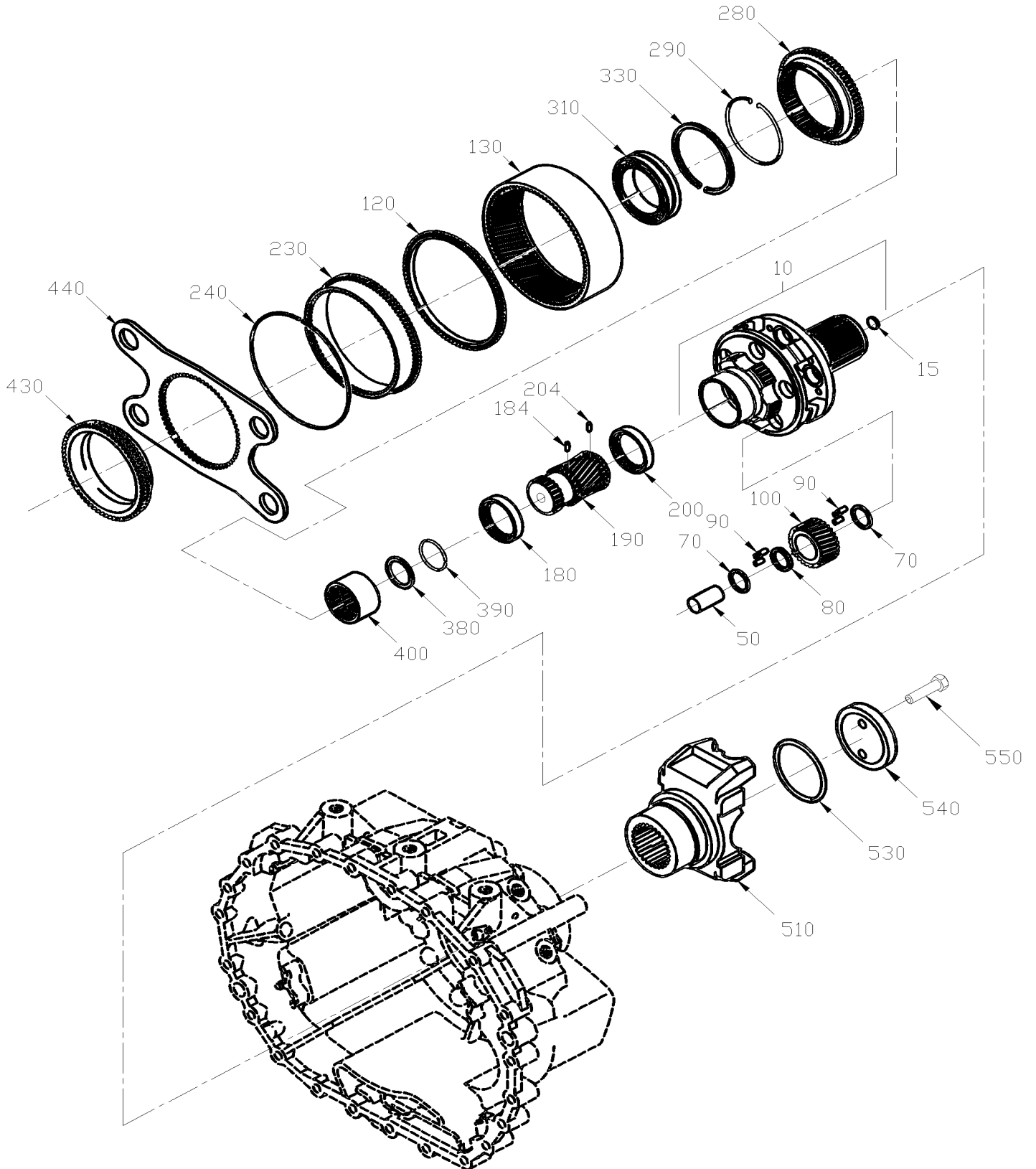


From 3-4705 To 8-1043

Date:10/2022

PAGE:HF-0705-40

OUTPUT FLANGE & PLANETARY DRIVE





From 3-4705 To 8-1043	Date:10/2022	PAGE:HF-0705-40
OUTPUT FLANGE & PLANETARY DRIVE		

Item#	Part	Description	H 3 4 1	H 3 4 5	V I P 4 5	N O T E S
10	571943	PLANET CARRIER	1	1		
15	571944	. SEALING CAP	1	1		
50	571945	PLANET SHAFT	5	5		
70	571946	WASHER	10	10		
80	571947	WASHER	5	5		
90	571948	ROLLER	140	140		
100	571949	PLANET GEAR SET	1	1		
120	571950	THRUST RING	1	1		
130	571951	RING GEAR	1	1		
180	571952	PRESSURE DISC	1	1		
184	571953	DRIVING PIN	1	1		
190	571954	SUN GEAR	1	1		
200	571952	PRESSURE DISC	1	1		
204	571953	DRIVING PIN	1	1		
230	571955	RING GEAR CARRIER	1	1		
240	571956	LOCKING WIRE	1	1		
280	571957	CLUTCH BODY	1	1		
290	571958	RETAINING RING	1	1		
310	571959	CYLINDRICAL ROLLER BEARING	1	1		
330	571960	SNAP RING	1	1		
380	571961	SHIM 1.00MM	AR	AR		
380	571962	SHIM 1.10MM	AR	AR		
380	571963	SHIM 1.20MM	AR	AR		
380	571964	SHIM 1.30MM	AR	AR		
380	571965	SHIM 1.40MM	AR	AR		
380	571966	SHIM 1.50MM	AR	AR		
380	571967	SHIM 1.60MM	AR	AR		
380	571968	SHIM 1.70MM	AR	AR		
380	571969	SHIM 1.80MM	AR	AR		
380	571970	SHIM 1.90MM	AR	AR		
380	571971	SHIM 2.00MM	AR	AR		
380	571972	SHIM 2.10MM	AR	AR		
380	571973	SHIM 2.20MM	AR	AR		
380	571974	SHIM 2.30MM	AR	AR		
380	571975	SHIM 2.40MM	AR	AR		
380	571976	SHIM 2.50MM	AR	AR		
380	571977	SHIM 2.60MM	AR	AR		
380	571978	SHIM 2.70MM	AR	AR		
380	571979	SHIM 2.80MM	AR	AR		
380	571980	SHIM 2.90MM	AR	AR		
380	571981	SHIM 3.00MM	AR	AR		
380	571982	SHIM 3.10MM	AR	AR		



From 3-4705 To 8-1043	Date:10/2022	PAGE:HF-0705-40
-----------------------	--------------	-----------------

OUTPUT FLANGE & PLANETARY DRIVE

Item#	Part	Description	H 3 4 1	H 3 4 5	V I P 4 5	N O T E S
380	571983	SHIM 3.20MM	AR	AR		
380	571984	SHIM 3.30MM	AR	AR		
390	571985	RETAINING RING	1	1		
400	571986	SLEEVE	1	1		
430	571987	CLUTCH BODY	1	1		
440	571988	PLATE	1	1		
510	571989	YOKE (1810) HALF ROUND / "ZF" TRANS	1	1		
530	571990	O-RING	1	1		
540	571991	WASHER	1	1		
550	571992	SCREW CAP HEX M10-1.5x60 G10.9	2	2		

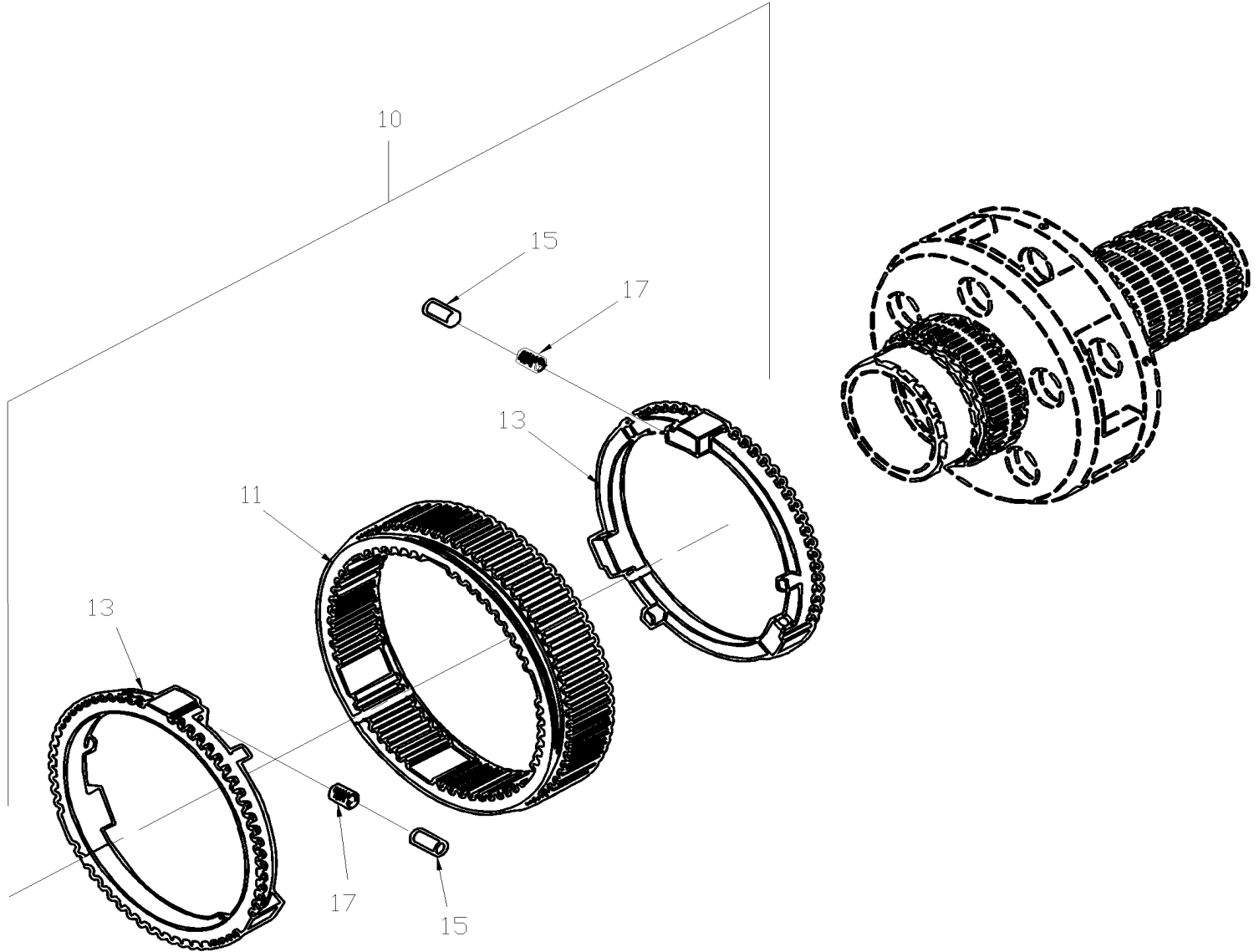


From 3-4705 To 8-1043

Date:10/2022

PAGE:HF-0705-45

SYNCHRONIZER ASSY





From 3-4705 To 8-1043	Date:10/2022	PAGE:HF-0705-45
-----------------------	--------------	-----------------

SYNCHRONIZER ASSY

Item#	Part	Description	H 3 4 1	H 3 4 5	V I P 4 5	N O T E S
10	571993	SYNCHRONIZER ASSY	1	1		
11	571994	. SLIDING SLEEVE	1	1		
13	571995	. SYNCHRONIZER RING	2	2		
15	571996	. BUSHING	6	6		
17	571997	. COMPRESSION SPRING	6	6		

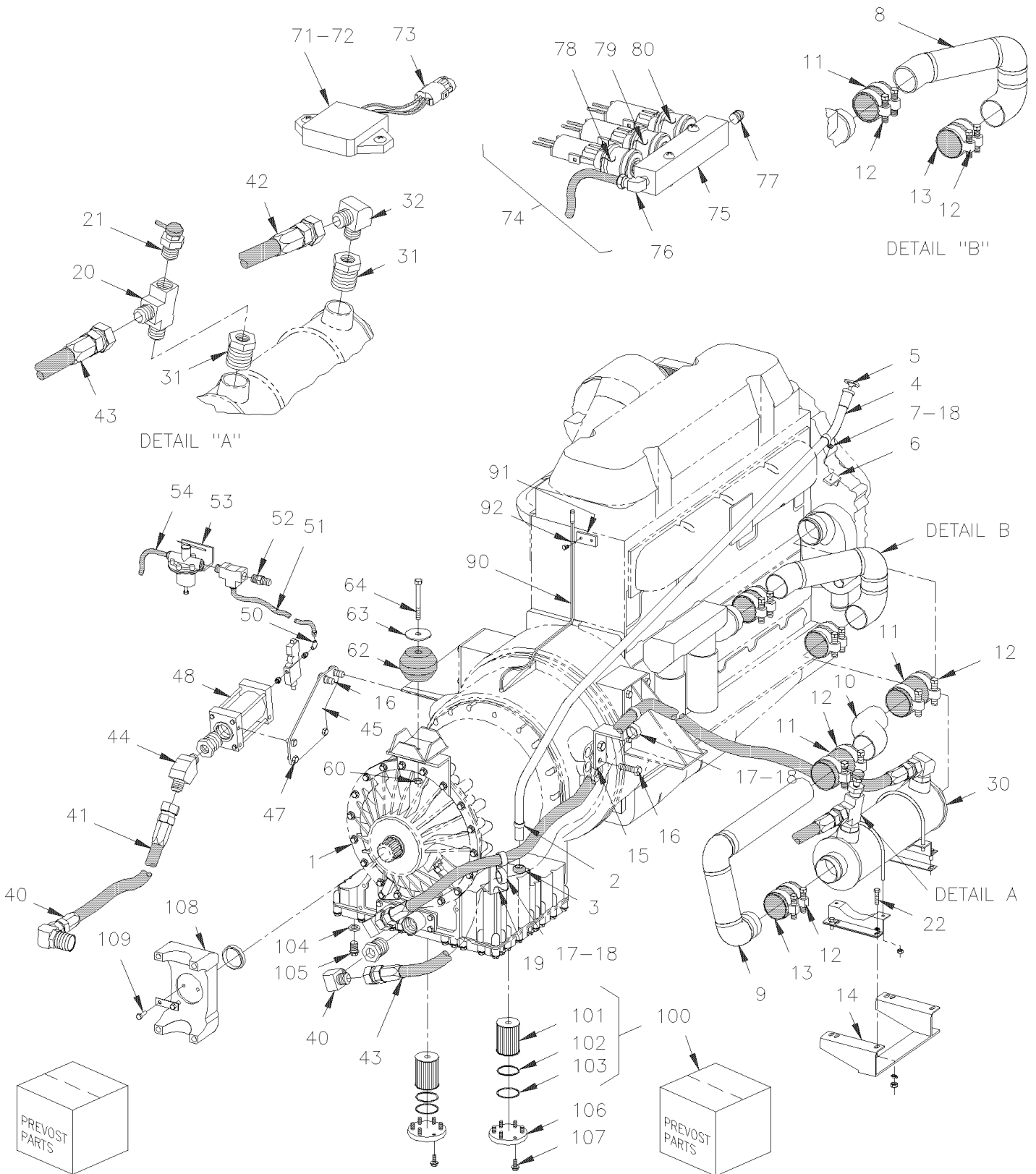


From 3-4417 To 3-4757

Date:10/2022

PAGE:HF-0750-00

AUTOMATIC TRANSMISSION - "WORLD" WITH DETROIT S-60





From 3-4417 To 3-4757	Date:10/2022	PAGE:HF-0750-00
AUTOMATIC TRANSMISSION - "WORLD" WITH DETROIT S-60		

Item#	Part	Description	H 3 4 1	H 3 4 5	V I P 4 5	N O T E S
		THE NEXT FOLLOWING TRANSMISSION ARE USED WITH 11.1 LITERS	1 1	1 1	1 1	
571565		TRANSMISSION ASSY B500	1	1		
571660		TRANSMISSION ASSY B500	1	1		
571680		TRANSMISSION ASSY B500 / WTEC III	1	1		
571558		E.C.U. B500	1	1		
571682		E.C.U. B500	1	1		
571696		E.C.U. B500	1	1		
		THE NEXT FOLLOWING TRANSMISSION ARE USED WITH 12.7 LITERS	1	1	1	
571557		TRANSMISSION ASSY B500	1	1	1	
571658		TRANSMISSION ASSY B500	1	1	1	
571678		TRANSMISSION ASSY B500	1	1	1	
571702		TRANSMISSION ASSY B500 / WTEC III			1	
571726		TRANSMISSION ASSY HD4060			1	
571756		TRANSMISSION ASSY HD4060 / WTEC III			1	
571554		E.C.U. HD4060	1	1	1	
571684		E.C.U. HD4060	1	1	1	
571698		E.C.U. HD4060	1	1	1	
571723		E.C.U. HD4060	1	1	1	
		THE NEXT FOLLOWING TRANSMISSION W/RETARDER ARE USED WITH 11.1 LITERS	1	1	1	
571566		TRANSMISSION ASSY B500R	1	1		
571661		TRANSMISSION ASSY B500R	1	1		
571681		TRANSMISSION ASSY B500R	1	1		
571720		TRANSMISSION ASSY B500R	1	1		
571556		E.C.U. B500	1	1		
571683		E.C.U. B500	1	1		
571721		E.C.U. B500	1	1		
571697		E.C.U. B500	1	1		
571742		E.C.U. B500 / WTEC III	1	1		
		THE NEXT FOLLOWING TRANSMISSION W/RETARDER ARE USED WITH 12.7 LITERS				
571555		TRANSMISSION ASSY B500R	1	1	1	



From 3-4417 To 3-4757	Date:10/2022	PAGE:HF-0750-00
AUTOMATIC TRANSMISSION - "WORLD" WITH DETROIT S-60		

Item#	Part	Description	H 3 4 1	H 3 4 5	V I P 4 5	N O T E S
	571659	TRANSMISSION ASSY B500R	1	1	1	
	571679	TRANSMISSION ASSY B500R	1	1	1	
	571719	TRANSMISSION ASSY B500R	1	1		
	571712	TRANSMISSION ASSY HD4060			1	
	571725	TRANSMISSION ASSY HD4060			1	
	571757	TRANSMISSION ASSY HD4060			1	
	571544	E.C.U. HD4060R	1	1	1	
	571722	E.C.U. HD4060R	1	1	1	
	571685	E.C.U. HD4060R	1	1	1	
	571699	E.C.U. HD4060R	1	1	1	
	571722	E.C.U. HD4060R			1	
	064327	CABLE ASSY / FRT JCT & E.C.M. "DDEC" III	1	1	1	
	065418	CABLE ASSY / FRT JCT & E.C.M. "DDEC" IV	1	1	1	
	064947	CABLE ASSY / FRT SELECTOR & RR ECU & VIM	1	1	1	
		TRANSMISSION ASSY / SEE ABOVE				
2	504602	. CLAMP / 1" I.D. X .375 HOLE	1	1	1	
NS	502513	. SCREW TP CAP HEX 5/16x1 Z050	1	1	1	
3	571662	. GROMMET RUBBER / TUBE & TRANS	1	1	1	
4	070864	TUBE DIPSTICK	1	1	1	
5	571567	TRANS DIPSTICK 2134.9MM	1	1	1	
NS	070945	DECAL "DEXRON III OIL ONLY" To 3-4431	1	1	1	
NS	071249	DECAL "TranSynd OIL ONLY" / ENGLISH & FRANCAIS From 3-4432	1	1	1	
6	061129	SUPPORT FLAT TWISTED / TUBE DIPSTICK	1	1	1	
6	070887	SUPPORT ANGLE / TUBE DIPSTICK	1	1	1	
NS	5001003	WASHER LO SPT 8.1x12.7x2.0 Z050	1	1	1	
NS	500069	SCREW CAP HEX M8-1.25x16 G10.9 DP	1	1	1	
7	560484	CLAMP / 1" I.D.	1	1	1	
8	070890	PIPE ASSY	1	1	1	
9	051854	PIPE ASSY	1	1	1	
10	N.S.P.	PIPE ASSY / WATER PUMP & PIPE, BLACK / (23005899)	1	1	1	2
11	051604	HOSE 2 3/4" I.D. 130MM	2	2	2	
. NS	503395	. HOSE SILICONE 4PLY 2 3/4" I.D. x 3'	AR	AR	AR	
11	051094	HOSE 2 3/4" I.D. 3 1/8"	1	1	1	
. NS	503395	. HOSE SILICONE 4PLY 2 3/4" I.D. x 3'	AR	AR	AR	
11	503395	. HOSE SILICONE 4PLY 2 3/4" I.D. x 3'	AR	AR	AR	
12	504562	HOSE CLAMP / 2"3/4-3"5/8 / C.T. 350	AR	AR	AR	
NS	052509	HOSE ASSY TEFLON #4 1170MM	1	1	1	
NS	053532	HOSE ASSY TEFLON #4 1250MM	1	1	1	
13	070968	HOSE 3" I.D. 185MM	1	1	1	
13	070969	HOSE 3" I.D. 140MM	1	1	1	
13	503396	. HOSE SILICONE 3" I.D. x 3'	AR	AR	AR	



From 3-4417 To 3-4757	Date:10/2022	PAGE:HF-0750-00
AUTOMATIC TRANSMISSION - "WORLD" WITH DETROIT S-60		

Item#	Part	Description	H 3 4 1	H 3 4 5	V I P 4 5	N O T E S
14	070892	SHIM / ENGINE CRADLE & OIL COOLER SUPPORT 26x166x1/4" / 140c/c				
15	070884	SUPPORT "Z" SHAPE	1	1	1	
16	500813	SCREW CAP HEX M16-2.0x35 G8.8 ZP	3	3	3	
NS	500802	WASHER LO SPT 16.2x37.4x3.5 Z050	3	3	3	
17	560912	CLAMP / 1"1/4 I.D.	4	4	4	
18	502698	SCREW MA PAN PH M4-0.7x16 SS BK	3	3	3	
NS	500590	NUT HEX NYRT M4-0.7 Z050	3	3	3	
19	502644	WASHER FL 10.5x30.0x2.5 Z050	1	1	1	
19	502549	SCREW CAP HEX M10-1.5x35 G8.8 Z050	1	1	1	
22	502559	SCREW CAP HEX M10-1.5x25 G8.8 Z050	4	4	4	
NS	500257	WASHER LO SPT 10.2x18.1x2.2 Z050	8	8	8	
NS	500256	NUT HEX M10-1.5 Z050	4	4	4	
22	502589	SCREW CAP HEX M8-1.25x25 G8.8 Z050	4	4	4	G
NS	5001003	WASHER LO SPT 8.1x12.7x2.0 Z050	8	8	8	
NS	502543	NUT HEX M8-1.25 Z050	4	4	4	
23	065330	CABLE ASSY / TRANS & SPEED SWITCH / W/RETARDER To 3-4573	1	1	1	C
23	065750	CABLE ASSY / TRANS & SPEED SWITCH / W/RETARDER From 3-4574	1	1	1	C
23	065331	CABLE ASSY / TRANS & SPEED SWITCH / W/O RETARDER To 3-4573	1	1	1	G
23	065751	CABLE ASSY / TRANS & SPEED SWITCH / W/O RETARDER From 3-4574	1	1	1	G
NS	064597	CABLE ASSY / E.C.U. & TRANS SPEED SWITCH To 3-4757	1	1	1	
NS	071035	SUPPORT CABLE HARNESS / W/2 HOLES / WTEC III	1	1	1	
NS	071029	SUPPORT CABLE / STRAP 298MM	1	1	1	
NS	061129	SUPPORT FLAT TWISTED / TUBE DIPSTICK	1	1	1	
30	550708	OIL COOLER W/1" NPT / (2950137)	2	2		G
30	550708	OIL COOLER W/1" NPT / (2950137)			1	G
30	550795	OIL COOLER W/ #20 ORB (1" STRAIGHT THREAD)	1	1	1	C
. NS	550948	. SUPPORT	1	1	1	C
. NS	550949	. SUPPORT	1	1	1	C
. NS	550950	. U-BOLT 3/8-16	2	2	2	C
. NS	502510	. WASHER FL .375x.875x.083	4	4	4	C
. NS	500265	. NUT HEX STO 3/8-16 Z050	4	4	4	C
30	550806	. CORE ASSY OIL COOLER	1	1	1	
30	550807	. O-RING 5.859 DIA x .140	1	1	1	
30	550808	. O-RING 6.234 DIA x .140	2	2	2	
32	501523	MALE ELBOW 90° / JIC 37° FITTING / #16JIC-Mx#16ORB-M STL	2	2	2	G
40	5011065	MALE ELBOW 90° / JIC 37° FITTING / #20JIC-Mx#20ORB-M STL VITON	4	4	4	
41	070880	HOSE ASSY / #20 310MM	1	1	1	
41	071202	HOSE ASSY / W/RETARDER / #20 310MM	1	1	1	S
42	070965	HOSE ASSY / #16 1890MM	1	1	1	
42	071221	HOSE ASSY / #20 2018MM	1	1	1	
42	071204	HOSE ASSY / W/RETARDER / #20 2018MM	1	1	1	S
43	070939	HOSE ASSY / #16 1505MM	1	1	1	



From 3-4417 To 3-4757	Date:10/2022	PAGE:HF-0750-00
AUTOMATIC TRANSMISSION - "WORLD" WITH DETROIT S-60		

Item#	Part	Description	H 3 4 1	H 3 4 5	V I P 4 5	N O T E S
43	071220	HOSE ASSY / #20 1560MM	1	1	1	
43	071203	HOSE ASSY / W/RETARDER / #20 1505MM	1	1	1	S
NS	503423	. HOSE #FC-300 HYDRAULIC / #16 S.L.	AR	AR	AR	
NS	501343	. FEMALE CONNECTOR SWIVEL / JIC 37° FITTING / #20JIC-Fx#20 ZP	2	2	2	
NS	503516	. HOSE #FC-300 HYDRAULIC / #20 S.L.	AR	AR	AR	
NS	501608	. FEMALE CONNECTOR SWIVEL / JIC 37° FITTING / #16JIC-Fx#16 STL	2	2	2	
NS	071027	PROTECTOR RUBBER / FIXED END OF HOSE 204MM X 311MM	1	1	1	
NS	071096	PROTECTOR SUPPORT SS ANGLE SHAPE 61MM X 73MM To 7-0936	1	1	1	G
43	071440	PROTECTOR SUPPORT SS "V" SHAPE 80MM HIGH From 7-0937	1	1	1	G
NS	071097	PROTECTOR SUPPORT SS 102MM X 90MM	1	1	1	C
NS	502559	SCREW CAP HEX M10-1.5x25 G8.8 Z050	1	1	1	I
NS	502644	WASHER FL 10.5x30.0x2.5 Z050	1	1	1	
44	501575	MALE CONNECTOR / JIC 37° FITTING / #20JIC-Mx#20ORB-M STL VITON	1	1	1	
44	507558	MALE ELBOW 45° / JIC 37° FITTING / #20JIC-Mx#20ORB-M STL VITON	1	1	1	
		FOLLOWING PARTS ARE RELATED WITH				
		TRANSMISSION WITH RETARDER ONLY				
45	071014	SUPPORT / TRANS & ACUMULATOR / WTEC III	1	1	1	
45	071400	SUPPORT / TRANS & ACUMULATOR / GEN IV	1	1	1	
47	502790	SCREW CAP HEX M8-1.25x20 G8.8 Z050	4	4	4	
NS	5001003	WASHER LO SPT 8.1x12.7x2.0 Z050	3	3	3	
NS	502543	NUT HEX M8-1.25 Z050	4	4	4	
48	571745	ACCUMULATOR & SOLENOID / WTEC III	1	1	1	
. NS	571707	. ACCUMULATOR	1	1	1	
. NS	571708	. VALVE SOLENOID 12V	1	1	1	
48	572030	ACCUMULATOR & SOLENOID / GEN IV	1	1	1	
48	571708	. VALVE SOLENOID 12V	1	1	1	
50	5011112	FEMALE ELBOW 90° / JIC 37° FITTING / #6JIC-Mx3/8NPT-F STL	1	1	1	
51	140376	HOSE ASSY TEFLON #6 686MM	1	1	1	
51	070882	HOSE ASSY TEFLON #6 570MM	1	1	1	
51	141787	HOSE ASSY TEFLON #6 902MM	1	1	1	
51	503065	. HOSE TEFLON #6 / S.L.	AR	AR	AR	
51	501595	. FEMALE CONNECTOR SWIVEL / JIC 37° FITTING / TEFLON / #6JIC-Fx#6 STL	2	2	2	
52	640488	VALVE, AIR FILL 1/8" NPT	1	1	1	
. NS	650164	. CAP VALVE / CHROME	1	1	1	
53	641472	AIR PRESSURE REGULATOR 1/4" NPT / COPPER	1	1	1	
54	503404	TUBE, NYLON 3/8 O.D. / BLACK S.L.	AR	AR	AR	F
NS	560479	CLAMP / 3/8" I.D.	1	1	1	
NS	500613	SCREW TP PAN PH #10x1/2 Z050	1	1	1	
60	N.S.P.	SUPPORT REAR / (29507888)		1	1	2
61	070950	GUIDE REAR	1	1	1	



From 3-4417 To 3-4757	Date:10/2022	PAGE:HF-0750-00
AUTOMATIC TRANSMISSION - "WORLD" WITH DETROIT S-60		

Item#	Part	Description	H 3 4 1	H 3 4 5	V I P 4 5	N O T E S
62	630118	RUBBER BUMPPER	1	1	1	
63	550642	WASHER	1	1	1	
NS	571351	WASHER, 1/2" I.D. FLAT	1	1	1	
64	500106	SCREW CAP HEX 1/2-20x6 G5 PT Z050	1	1	1	
65	500718	NUT HEX STO 1/2-20 Z050	1	1	1	
71	562357	RESISTANCE MODULE	1	1	1	
72	562381	RESISTANCE MODULE	1	1	1	
73	063782	CABLE ASSY / RESISTANCE MODULE & SWITCH	1	1	1	
74	070902	PRESSURES SWITCH ASSY W/MANIFOLD	1	1	1	
75	070903	. MANIFOLD	1	1	1	
76	640999	. MALE ELBOW 90° / NTA FITTING / #6x1/4NPT-M BR	1	1	1	
77	501304	. PLUG SQUARE HEAD / PIPE FITTING / 1/4NPT-M BR	1	1	1	
78	562358	. PRESSURE SWITCH N.O. 2PSI / 1/8NPT	1	1	1	
79	562384	. PRESSURE SWITCH N.O. 4PSI / 1/8NPT	1	1	1	
80	562385	. PRESSURE SWITCH N.O. 7PSI / 1/8NPT	1	1	1	
90	071170	HOSE ASSY / #4 24"	1	1	1	
. A	071167	. FEMALE CONNECTOR / HOSE BARB @ METRIC / #4x M10-1.5-F BR	1	1	1	
. B	071166	. MALE CONNECTOR / HOSE BARB @ METRIC / #4x M10-1.5-M BR	1	1	1	
91	061025	SUPPORT	1	1	1	
92	571763	BREATHER	1	1	1	
NS	504601	CLAMP / 5/16" I.D. x .375 HOLE	1	1	1	
100	571687	TRANSMISSION FILTER / MAINTENANCE KIT / FORMER	AR	AR	AR	
100	571709	TRANSMISSION FILTER / MAINTENANCE KIT	AR	AR	AR	
101	N.S.S.	. FILTER	2	2	2	1
102	571692	. O-RING / (LARGE SQUARE CUT)	2	2	2	
103	571693	. O-RING / (SMALL)	2	2	2	
104	571694	. O-RING / DRAIN PLUG	2	2	2	
105	571695	DRAIN PLUG ASSY W/O-RING	1	1	1	
106	N.S.P.	COVER FILTER / (29507434)	2	2	2	2
107	N.S.P.	BOLT M10-1.5 x 55M / (2954186)	AR	AR	AR	2
108	N.S.P.	YOKE (1810) HALF ROUND / (29511516 OR 6.5-4-4521-1)	1	1	1	2
108	N.S.P.	STRAP LOCK PLATE	1	1	1	2
108	N.S.P.	SEAL OUTPUT / (29515621)	1	1	1	2
109	N.S.P.	BOLT M10-1.5 X 30MM GR 10.9	2	2	2	2
NS	683904	TESTING FOR GLYCOL CONTAMINATION IN TRANSMISSION OIL				
. NS	IS-99901A	. SEE INSTRUCTION SHEET	1	1	1	
200	071269	OIL COOLER " WORLD" TRANSMISSION "MODINE" - / "RETROFIT" From 2-4416 To 3-4757				
		C) WITH RETARDER				
		F) REGULATOR & MANIFOLD				



From 3-4417 To 3-4757	Date:10/2022	PAGE:HF-0750-00
AUTOMATIC TRANSMISSION - "WORLD" WITH DETROIT S-60		

Item#	Part	Description	H 3 4 1	H 3 4 5	V I P 4 5	N O T E S
		G) W/O RETARDER				
		I) TO FIX PROTECTOR				
		S) OPTION WITH STAINLESS STEEL HOSE BRAIDED				
		1) NOT SOLD SEPARATELY				
		2) NOT SOLD BY PREVOST (SEE MANUFACTURING PART NUMBER AT END OF DESCRIPTION LINE)				

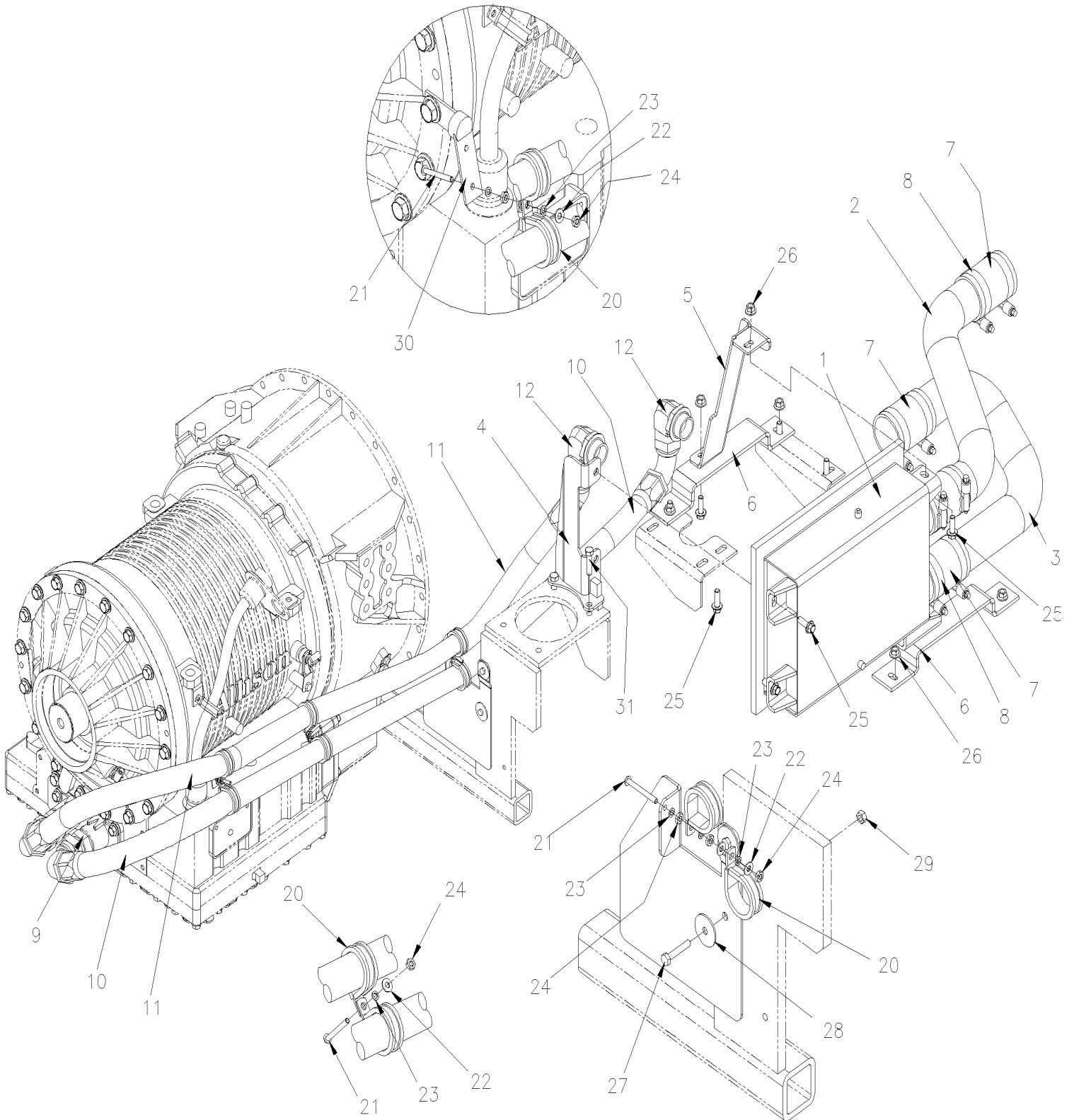


From 2-4416 To 3-4757

Date:10/2022

PAGE:071269

OIL COOLER " WORLD" TRANSMISSION "MODINE" - / "RETROFIT"



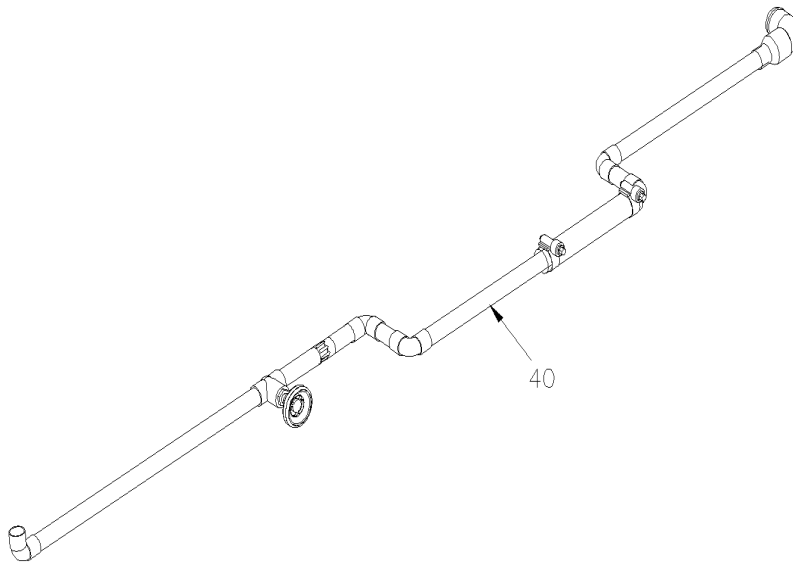


From 2-4416 To 3-4757

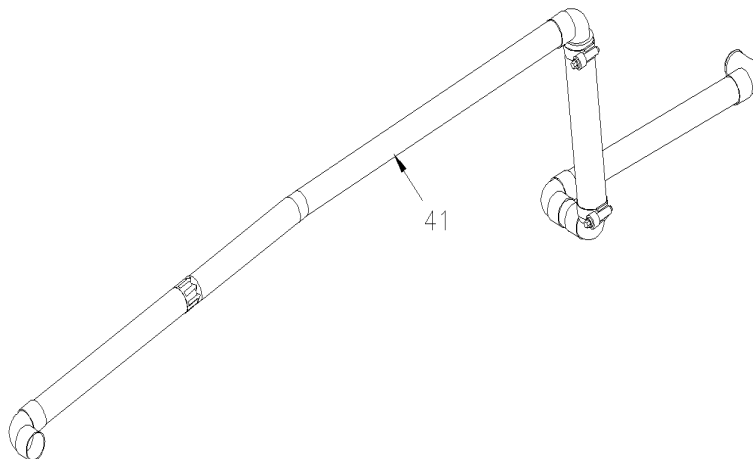
Date:10/2022

PAGE:071269

OIL COOLER "WORLD" TRANSMISION "MODINE" - / "RETROFIT"



WITH MTH-45 WITH SMALL A/C
NOT INCLUDE WITH 071269



WITH MTH-45 & XL-45 WITH LARGE A/C
NOT INCLUDE WITH 071269



From 2-4416 To 3-4757 Date:10/2022 PAGE:071269

OIL COOLER " WORLD" TRANSMISION "MODINE" - / "RETROFIT"

Item#	Part	Description	H 3 4 1	H 3 4 5	V I P 4 5	N O T E S
		PRODUCT IMPROVEMENT WITH TRANS WITH RETARDER				
1	571779	. OIL COOLER "MODINE" / SINGLE	1	1	1	
. NS	G1091499	. . GASKET	1	1	1	
. NS	G1091503	. . BOLTING BAR SHORT	2	2	2	
. NS	G1091502	. . BOLTING BAR LONG	2	2	2	
2	071256	. PIPE COOLER	1	1	1	
3	071255	. PIPE COOLER	1	1	1	
4	071258	. SUPPORT TRANS SIDE	1	1	1	
5	071254	. SUPPORT WATER PUMP SIDE	1	1	1	
6	071265	. ADAPTOR SUPPORT	2	2	2	
7	071250	. HOSE 2 3/4" I.D. X 100MM	4	4	4	
7	503395	. . HOSE SILICONE 4PLY 2 3/4" I.D. x 3'	AR	AR	AR	
8	504562	. HOSE CLAMP / 2"3/4-3"5/8 / C.T. 350	8	8	8	
9	501575	. MALE CONNECTOR / JIC 37° FITTING / #20JIC-Mx#20ORB-M STL VITON	2	2	2	
10	071266	. HOSE ASSY / #20 1555MM	1	1	1	
11	071267	. HOSE ASSY / #20 1481MM	1	1	1	
12	5011065	. MALE ELBOW 90° / JIC 37° FITTING / #20JIC-Mx#20ORB-M STL VITON	2	2	2	
13	071260	. SUPPORT, HOSE	1	1	1	
20	952641	. CLAMP / 1 5/16" I.D.	4	4	4	
21	500579	. SCREW MA RND PH #10-24x1 3/4 Z050	2	2	2	
22	500470	. WASHER LO SPT .193x.334x.047 Z050	6	6	6	
23	500964	. WASHER FL .203x.500x.047 Z050	4	4	4	
24	500786	. NUT HEX #10-24 Z050	6	6	6	
25	946472	. SCREW CAP HEXF M10-1.5x30 G8.8 ZG603	9	9	9	
26	971098	. NUT HEXF STO M10-1.5 G8 ZP	2	2	2	
27	502818	. SCREW CAP HEX M6-1.0x35 G8.8 Z050	2	2	2	
28	500468	. WASHER FL .281x1.250x.065 Z050	2	2	2	
29	502621	. NUT HEX STO M6-1.0 Z050	2	2	2	
30	061129	. SUPPORT FLAT TWISTED / TUBE DIPSTICK	1	1	1	
31	500829	. SCREW CAP HEX M10-1.5x40 G8.8	2	2	2	
40	373895	PIPE RETURN / ENGINE WATER PUMP				B
41	373903	PIPE RETURN / ENGINE WATER PUMP				C
		B) REQUIRE FOR BUS & MTH-45 WITH LARGE A/C SYSTEM AND IT NOT INCLUDE WITH KIT # 071269				
		C) USE ONLY WITH MTH-45 WITH SMALL AC SYSTEM WITH RETARDER AND IT NOT INCLUDE WITH KIT # 071269				

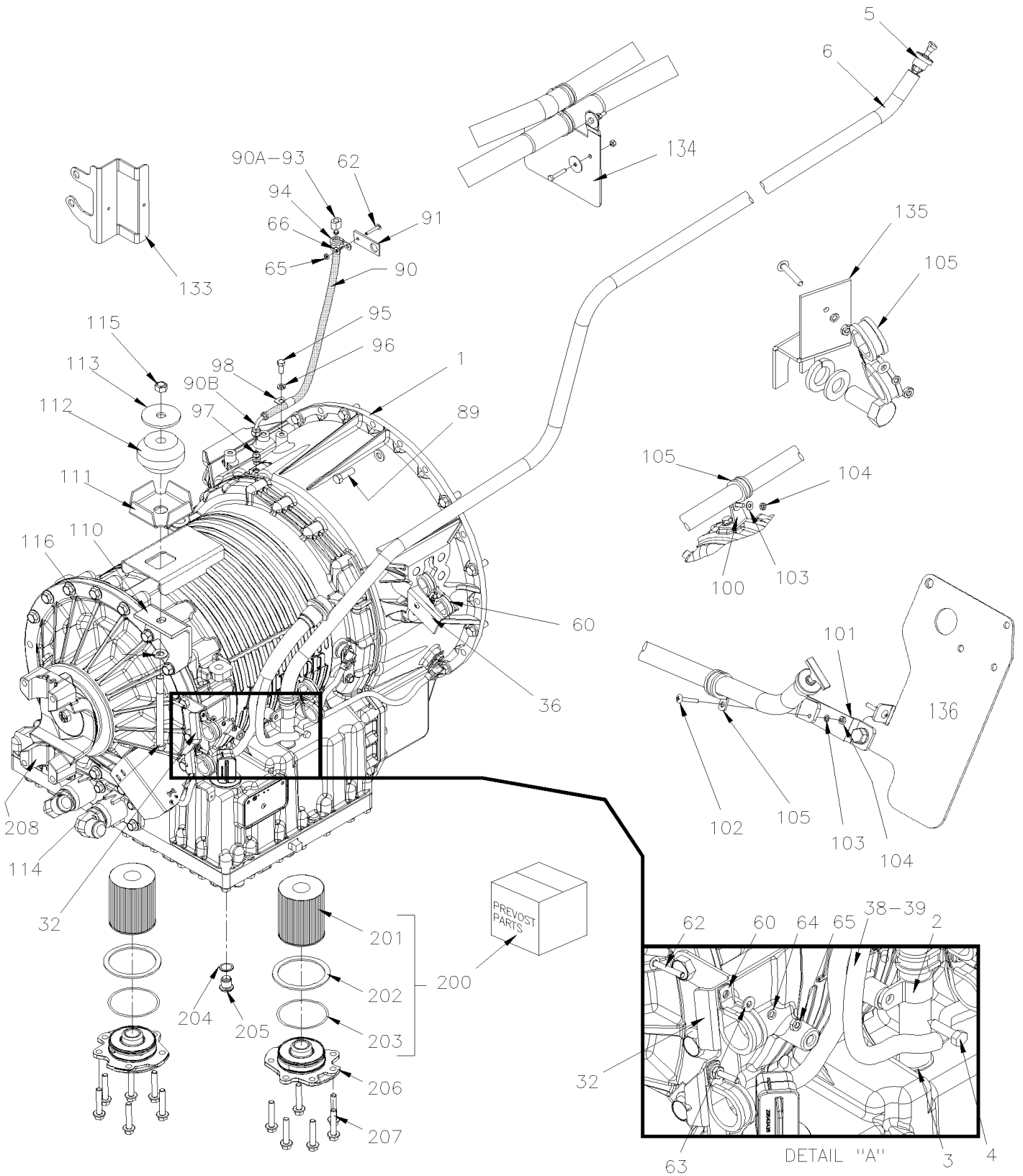


From 4-4758 To 8-1043

Date:10/2022

PAGE:HF-0750-01

AUTOMATIC TRANSMISSION - "WORLD" WITH DETROIT S-60



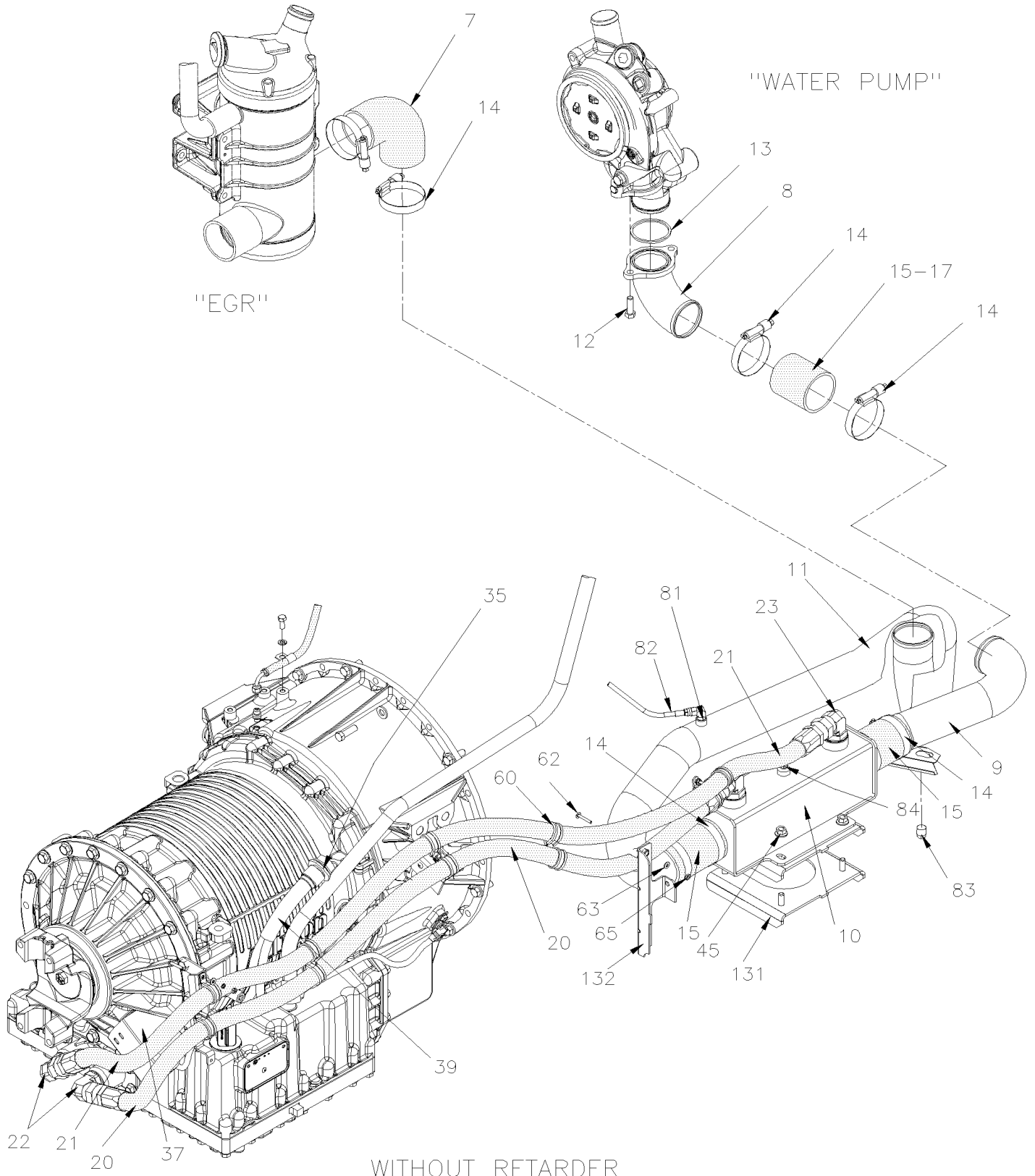


From 4-4758 To 8-1043

Date:10/2022

PAGE:HF-0750-01

AUTOMATIC TRANSMISSION - "WORLD" WITH DETROIT S-60



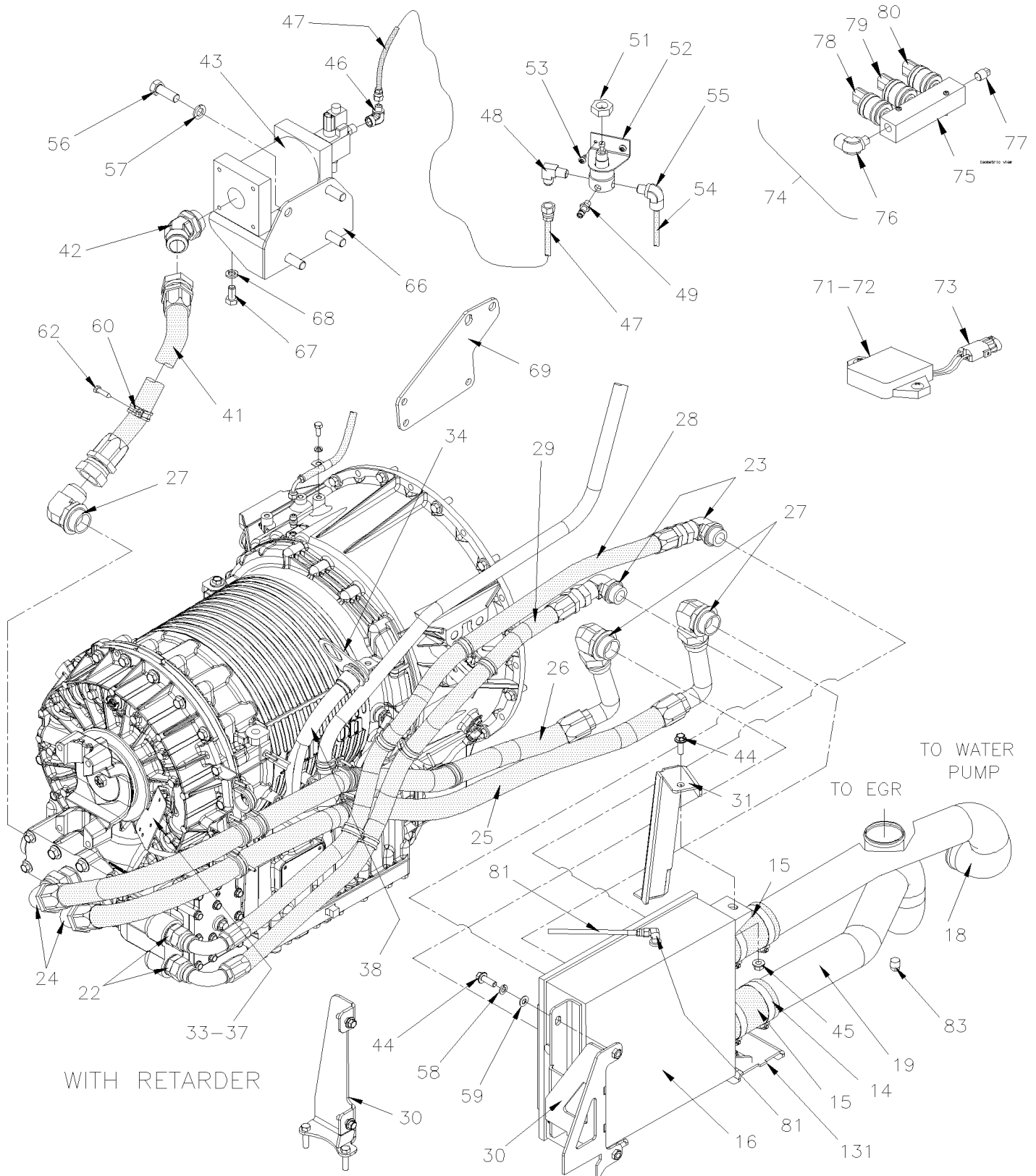


From 4-4758 To 8-1043

Date:10/2022

PAGE:HF-0750-01

AUTOMATIC TRANSMISSION - "WORLD" WITH DETROIT S-60





From 4-4758 To 8-1043	Date:10/2022	PAGE:HF-0750-01
AUTOMATIC TRANSMISSION - "WORLD" WITH DETROIT S-60		

Item#	Part	Description	H 3 4 1	H 3 4 5	V I P 4 5	N O T E S
		THE NEXT FOLLOWING TRANSMISSION W/O RETARDER				
		ARE USED WITH 12.7 LITERS / 350HP				
571680		TRANSMISSION ASSY B500 / WTEC III To 6-0559	1	1		
572029		TRANSMISSION ASSY B500 / GEN IV From 6-0560	1	1		
571742		E.C.U. B500 / WTEC III To 6-0559	1	1		
572028		E.C.U. B500 / GEN IV From 6-0560 To 7-0848	1	1		
572044		E.C.U. B500 / GEN IV From 7-0849	1	1		
		THE NEXT FOLLOWING TRANSMISSION W/RETARDER				
		ARE USED WITH 12.7 LITERS / 350HP				
571781		TRANSMISSION ASSY B500R / WTEC III To 6-0559	1	1		
572036		TRANSMISSION ASSY B500R / GEN IV From 6-0560	1	1		
571742		E.C.U. B500 / WTEC III To 6-0559	1	1		
572028		E.C.U. B500 / GEN IV From 6-0560	1	1		
572044		E.C.U. B500 / GEN IV From 7-0849	1	1		
		THE NEXT FOLLOWING TRANSMISSION W/O RETARDER				
		ARE USED WITH 12.7 LITERS / 400HP				
571702		TRANSMISSION ASSY B500 / WTEC III To 6-0559	1	1		
572032		TRANSMISSION ASSY B500 / GEN IV From 6-0560	1	1		
571756		TRANSMISSION ASSY HD4060 / WTEC III To 6-0588			1	
572033		TRANSMISSION ASSY 4000MH / GEN IV From 6-0589			1	
571742		E.C.U. B500 / WTEC III To 6-0559	1	1		
572028		E.C.U. B500 / GEN IV From 6-0560	1	1		
571743		E.C.U. HD4060R / WTEC III To 6-0588			1	
572037		E.C.U. HD4060R / GEN IV From 6-0589 To 7-0831			1	
572045		E.C.U. HD4000MG / GEN IV From 7-0832			1	
		THE NEXT FOLLOWING TRANSMISSION W/RETARDER				
		ARE USED WITH 12.7 LITERS / 400HP				
571780		TRANSMISSION ASSY B500R / WTEC III To 6-0559	1	1		
572035		TRANSMISSION ASSY B500R / GEN IV From 6-0560	1	1		
571782		TRANSMISSION ASSY HD4060 / WTEC III To 6-0588			1	
572034		TRANSMISSION ASSY 4000MH / GEN IV From 6-0589			1	
571743		E.C.U. HD4060R / WTEC III	1	1	1	
572037		E.C.U. HD4060R / GEN IV To 7-0831	1	1	1	
572045		E.C.U. HD4000MG / GEN IV From 7-0832	1	1	1	



From 4-4758 To 8-1043	Date:10/2022	PAGE:HF-0750-01
AUTOMATIC TRANSMISSION - "WORLD" WITH DETROIT S-60		

Item#	Part	Description	H 3 4 1	H 3 4 5	V I P 4 5	N O T E S
		TRANSMISSION ASSY / SEE ABOVE				
2	504602	CLAMP / 1" I.D. X .375 HOLE	1	1	1	
3	571662	GROMMET RUBBER / TUBE & TRANS	1	1	1	
4	5001473	SCREW CAP HEXS 5/16-18x3/4 NYRT	1	1	1	
5	571778	TRANS DIPSTICK 2211.7MM To 4-4803	1	1	1	
5	572023	TRANS DIPSTICK 2261.7MM From 4-4804 To 7-0938	1	1	1	
5	572128	TRANS DIPSTICK 2465.7MM From 7-0939	1	1	1	
6	071241	TUBE DIPSTICK To 4-4803	1	1	1	
6	071326	TUBE DIPSTICK From 4-0804 To 7-0938	1	1	1	
6	071389	TUBE DIPSTICK From 7-0939	1	1	1	
7	052600	ELBOW 90° X 2 3/4" I.D. / 110MM x 110MM C/C / SILICONE To 7-0938	1	1	1	
7	052898	ELBOW 90° X 2 3/4" I.D. / 110MM x 110MM C/C / SILICONE From 7-0939	1	1	1	
8	071231	ELBOW 90°	1	1	1	
9	071240	PIPE WATER PUMP TO OIL COOLER / W/O RETARDER	1	1	1	
10	571769	OIL COOLER "MODINE" / SINGLE	1	1	1	
11	071239	PIPE OIL COOLER TO EGR / W/O RETARDER	1	1	1	
11	071543	PIPE OIL COOLER TO EGR / SS / W/O RETARDER SERVICE	1	1	1	
12	510779	BOLT / TO FIX ELBOW	2	2	2	
13	510778	O-RING 2.612 I.D.	1	1	1	
14	504562	HOSE CLAMP / 2"3/4-3"5/8 / C.T. 350	8	8	8	
15	071250	HOSE 2 3/4" I.D. X 100MM	2	2	2	
15	503395	. HOSE SILICONE 4PLY 2 3/4" I.D. x 3'	AR	AR	AR	
16	571770	OIL COOLER "MODINE" / DOUBLE	1	1	1	
16	572046	OIL COOLER "MODINE" / DOUBLE	1	1	1	
17	071268	HOSE SILICONE 4 PLY 2 3/4" I.D X 84MM	1	1	1	
17	503395	. HOSE SILICONE 4PLY 2 3/4" I.D. x 3'	AR	AR	AR	
18	071234	PIPE WATER PUMP TO OIL COOLER To 4-4857	1	1	1	
18	071338	PIPE WATER PUMP TO OIL COOLER From 4-4858	1	1	1	
19	071233	PIPE OIL COOLER TO EGR To 4-4857	1	1	1	
19	071541	PIPE OIL COOLER TO EGR / SS SERVICE To 4-4857	1	1	1	
19	071339	PIPE OIL COOLER TO EGR From 4-4858	1	1	1	
19	071542	PIPE OIL COOLER TO EGR / SS SERVICE From 4-4858	1	1	1	
20	071262	HOSE ASSY / #16 1480MM	1	1	1	C
20	079024	HOSE ASSY / #16 1520MM	1	1	1	
21	071261	HOSE ASSY / #16 1795MM	1	1	1	B
21	079023	HOSE ASSY / #16 1840MM	1	1	1	
22	501573	MALE CONNECTOR / JIC 37° FITTING / #16JIC-Mx#16ORB-M STL	2	2	2	O
22	501523	MALE ELBOW 90° / JIC 37° FITTING / #16JIC-Mx#16ORB-M STL	2	2	2	O
22	501573	MALE CONNECTOR / JIC 37° FITTING / #16JIC-Mx#16ORB-M STL	2	2	2	R
23	501523	MALE ELBOW 90° / JIC 37° FITTING / #16JIC-Mx#16ORB-M STL	2	2	2	
24	501575	MALE CONNECTOR / JIC 37° FITTING / #20JIC-Mx#20ORB-M STL VITON	2	2	2	



From 4-4758 To 8-1043	Date:10/2022	PAGE:HF-0750-01
AUTOMATIC TRANSMISSION - "WORLD" WITH DETROIT S-60		

Item#	Part	Description	H 3 4 1	H 3 4 5	V I P 4 5	N O T E S
25	071246	HOSE ASSY / #20 1590MM To 4-4857	1	1	1	
25	071332	HOSE ASSY / #20 1385MM From 4-4858	1	1	1	
26	071245	HOSE ASSY / #20 1492MM To 4-4857	1	1	1	
26	071331	HOSE ASSY / #20 1287MM From 4-4858	1	1	1	
27	5011065	MALE ELBOW 90° / JIC 37° FITTING / #20JIC-Mx#20ORB-M STL VITON	2	2	2	
28	071247	HOSE ASSY / #16 1385MM To 4-4857	1	1	1	
28	071333	HOSE ASSY / #16 1240MM From 4-4858	1	1	1	
29	071248	HOSE ASSY / #16 1141MM To 4-4857	1	1	1	
29	071334	HOSE ASSY / #16 996MM From 4-4858	1	1	1	
30	071232	ATTACHMENT / 305MM HIGHT To 4-4857	1	1	1	
30	071343	ATTACHMENT / 255MM HIGHT From 4-4858	1	1	1	
31	071244	ATTACHMENT To 4-4857	1	1	1	
31	071328	ATTACHMENT From 4-4858	1	1	1	
32	071259	SUPPORT, HOSE To 6-0559	1	1	1	
32	071407	SUPPORT HOSE From 6-0560	1	1	1	
33	071096	PROTECTOR SUPPORT SS ANGLE SHAPE 61MM X 73MM	1	1	1	O S
33	071097	PROTECTOR SUPPORT SS 102MM X 90MM	1	1	1	R S
34	071035	SUPPORT CABLE HARNESS / W/2 HOLES / WTEC III To 6-0559	1	1	1	
35	071403	SUPPORT CABLE HARNESS / W/1 HOLE & 1 STUD / GEN IV From 6-0560	1	1	1	
36	070884	SUPPORT "Z" SHAPE To 4-4857	1	1	1	
36	071305	SUPPORT "J" SHAPE From 4-4858	1	1	1	
37	071440	PROTECTOR SUPPORT SS "V" SHAPE 80MM HIGH From 7-0937 To 9-1395	1	1	1	
37	079022	PROTECTOR SUPPORT SS "V" SHAPE 74MM HIGH From 9-1396	1	1	1	
38	066208	CABLE HARNESS / SENSOR WTEC W/RETARDER / MUX From 6-0560	1	1	1	
39	066209	CABLE HARNESS / SENSOR WTEC W/OUT RETARDER / MUX From 6-0560	1	1	1	
NS	061129	SUPPORT FLAT TWISTED / TUBE DIPSTICK To 4-4857	1	1	1	
39	071028	PROTECTOR RUBBER CABLE HARNESS / FIXED HOSE & TRANS To 4-4857	1	1	1	
NS	071341	PROTECTOR RUBBER CABLE HARNESS & HOSES From 4-4858 To 7-0640	1	1	1	
NS	071408	PROTECTOR RUBBER CABLE HARNESS & HOSES From 7-0641	1	1	1	O
NS	071404	PROTECTOR RUBBER CABLE HARNESS & HOSES From 7-0641	1	1	1	R
41	070880	HOSE ASSY / #20 310MM To 4-4857				
41	071335	HOSE ASSY / #20 770MM From 4-4858	1	1	1	
42	507558	MALE ELBOW 45° / JIC 37° FITTING / #20JIC-Mx#20ORB-M STL VITON	1	1	1	
43	571745	ACCUMULATOR & SOLENOID / WTEC III To 4-4857	1	1	1	
. NS	571707	. ACCUMULATOR To 4-4857	1	1	1	
. NS	571708	. VALVE SOLENOID 12V To 4-4857	1	1	1	
43	572030	ACCUMULATOR & SOLENOID / GEN IV From 4-4858	1	1	1	
43	571708	. VALVE SOLENOID 12V	1	1	1	
44	5001741	SCREW CAP HEXF M10-1.5x30 G8.8 N500	5	5	5	
45	5001760	NUT HEXF STO M10-1.5 G8 ZP	5	5	5	
46	5011112	FEMALE ELBOW 90° / JIC 37° FITTING / #6JIC-Mx3/8NPT-F STL	1	1	1	
47	140376	HOSE ASSY TEFLON #6 686MM	1	1	1	



From 4-4758 To 8-1043	Date:10/2022	PAGE:HF-0750-01
AUTOMATIC TRANSMISSION - "WORLD" WITH DETROIT S-60		

Item#	Part	Description	H 3 4 1	H 3 4 5	V I P 4 5	N O T E S
48	501687	MALE CONNECTOR / JIC 37° FITTING / #6JIC-Mx1/4NPT-M STL	1	1	1	
49	640488	VALVE, AIR FILL 1/8" NPT	1	1	1	
NS	650164	. CAP VALVE / CHROME	1	1	1	
50	641472	AIR PRESSURE REGULATOR 1/4" NPT / COPPER	1	1	1	
51	500734	NUT HEX JAM 3/4-16 Z050	1	1	1	
52	142013	SUPPORT AIR REGULATOR / ANGLE 90DEG STYLE	1	1	1	
53	500535	SCREW TP CAP HEX #14x3/4 Z050	2	2	2	
NS	500473	WASHER LO SPT .262x.489x.062 Z050	2	2	2	
54	503404	TUBE, NYLON 3/8 O.D. / BLACK S.L.	AR	AR	AR	
55	641372	MALE ELBOW 90° NON-SWIVEL / PUSH-IN FITTING / #6x1/4NPT-M BR	1	1	1	
56	500225	SCREW CAP HEX 5/8-11x1 G5 Z050	3	3	3	
56	500817	SCREW CAP HEX 5/8-11x1 3/4 G5 Z050	3	3	3	
57	500484	WASHER LO SPT .635x1.079x.156 Z050	3	3	3	
57	500802	WASHER LO SPT 16.2x37.4x3.5 Z050	3	3	3	
58	3852496	WASHER LO SPT 10.2x18.1x2.2 ZG603	2	2	2	
59	500832	WASHER FL .406x.812x.065 N500	2	2	2	
60	952637	CLAMP / 1"1/16 I.D.	AR	AR	AR	
60	952641	CLAMP / 1 5/16" I.D.	AR	AR	AR	
62	500574	SCREW MA TR PH #10-24x1 1/4 SS	AR	AR	AR	
63	500964	WASHER FL .203x.500x.047 Z050	AR	AR	AR	
64	500470	WASHER LO SPT .193x.334x.047 Z050	AR	AR	AR	
65	500786	NUT HEX #10-24 Z050	AR	AR	AR	
66	071329	SUPPORT / TRANS & ACUMULATOR / WTEC III (168mm c/c holes) From 4-4858 To 5-0559	1	1	1	
66	071400	SUPPORT / TRANS & ACUMULATOR / GEN IV (155mm c/c holes) From 5-0560	1	1	1	
67	500213	SCREW CAP HEX 1/2-13x1 G5 Z050	4	4	4	
68	500482	WASHER LO SPT .506x.873x.125 Z050	4	4	4	
69	071014	SUPPORT / TRANS & ACUMULATOR / WTEC III To 4-4857	1	1	1	
71	562357	RESISTANCE MODULE	1	1	1	
72	562381	RESISTANCE MODULE	1	1	1	
73	063782	CABLE ASSY / RESISTANCE MODULE & SWITCH	1	1	1	
74	070902	PRESSURES SWITCH ASSY W/MANIFOLD	1	1	1	
75	070903	. MANIFOLD	1	1	1	
76	640999	. MALE ELBOW 90° / NTA FITTING / #6x1/4NPT-M BR	1	1	1	
77	501304	. PLUG SQUARE HEAD / PIPE FITTING / 1/4NPT-M BR	1	1	1	
78	562358	. PRESSURE SWITCH N.O. 2PSI / 1/8NPT	1	1	1	
79	562384	. PRESSURE SWITCH N.O. 4PSI / 1/8NPT	1	1	1	
80	562385	. PRESSURE SWITCH N.O. 7PSI / 1/8NPT	1	1	1	
81	501037	MALE ELBOW 90° / SAE 45° FITTING / #4FL-Mx1/4NPT-M BR	1	1	1	
81	501027	MALE CONNECTOR / SAE 45° FITTING / #4FL-Mx1/4NPT-M BR	1	1	1	
82	053532	HOSE ASSY TEFLON #4 1250MM	1	1	1	O
82	052509	HOSE ASSY TEFLON #4 1170MM	1	1	1	R
83	501129	EXTERNAL SEAL DRAIN 1/4 NPT	1	1	1	



From 4-4758 To 8-1043	Date:10/2022	PAGE:HF-0750-01
AUTOMATIC TRANSMISSION - "WORLD" WITH DETROIT S-60		

Item#	Part	Description	H 3 4 1	H 3 4 5	V I P 4 5	N O T E S
83	501449	PLUG HEXS / PIPE FITTING / 3/8NPT-M STL	1	1	1	
83	501305	PLUG SQUARE HEAD / PIPE FITTING / 3/8NPT-M BR	1	1	1	
84	501304	PLUG SQUARE HEAD / PIPE FITTING / 1/4NPT-M BR	1	1	1	
85	061025	SUPPORT	1	1	1	
88	502719	SCREW CAP HEX M10-1.5x20 SS EMN	1	1	1	
89	5001427	SCREW CAP HEX 7/16-14x1 3/8 G5 Z050	12	12	12	A
NS	500853	WASHER LO EXT .437x.760x.036 Z050	12	12	12	A
90	071170	HOSE ASSY / #4 24"	1	1	1	
. A	071167	. FEMALE CONNECTOR / HOSE BARB @ METRIC / #4x M10-1.5-F BR	1	1	1	
. B	071166	. MALE CONNECTOR / HOSE BARB @ METRIC / #4x M10-1.5-M BR	1	1	1	
91	060840	SUPPORT HARNESS	1	1	1	
92	504601	CLAMP / 5/16" I.D. x .375 HOLE	1	1	1	
93	571763	BREATHER	1	1	1	
94	952627	CLAMP / 1/2" I.D.	1	1	1	
95	502862	SCREW CAP HEX M8-1.25x20 G8.8 N500	1	1	1	
96	500942	WASHER LO SPT 8.1x14.8x2.0 N500	1	1	1	
97	071166	MALE CONNECTOR / HOSE BARB @ METRIC / #4x M10-1.5-M BR	1	1	1	
97	071497	MALE CONNECTOR / SAE 45° @ METRIC / #4FL-Mx M10-1.5 M BR	1	1	1	
98	504601	CLAMP / 5/16" I.D. x .375 HOLE	1	1	1	
100	071392	SUPPORT / TUBE DIPSTICK / ANGLE W/STUD From 7-0671	1	1	1	
101	071363	SUPPORT / TUBE DIPSTICK / "U" SHAPE 132MM	1	1	1	
102	500574	SCREW MA TR PH #10-24x1 1/4 SS	1	1	1	
103	500470	WASHER LO SPT .193x.334x.047 Z050	1	1	1	
104	500786	NUT HEX #10-24 Z050	1	1	1	
105	952635	CLAMP / 1" I.D.	1	1	1	
110	N.S.P.	SUPPORT REAR / (29507888) To 4-4857	1	1	1	2
110	070964	SUPPORT REAR To 4-4857	1	1	1	
111	070950	GUIDE REAR To 4-4857	1	1	1	
112	630118	RUBBER BUMPPER To 4-4857	1	1	1	
113	550642	WASHER To 4-4857	1	1	1	
114	500106	SCREW CAP HEX 1/2-20x6 G5 PT Z050 To 4-4857	1	1	1	
115	500718	NUT HEX STO 1/2-20 Z050 To 4-4857	1	1	1	
116	500958	WASHER FL .531x1.062x.095 SS To 4-4857	1	1	1	
120	502830	SCREW CAP HEX M6-1.0x20 G8.8 N500	AR	AR	AR	
121	500877	WASHER FL .250x.562x.065 N500	AR	AR	AR	
122	952635	CLAMP / 1" I.D.	AR	AR	AR	
131	HF-0150-00	ENGINE CRADLE - WITH DETROIT S-60				
133	071259	SUPPORT, HOSE To 4-4857	1	1	1	
134	071260	SUPPORT, HOSE To 4-4857	1	1	1	
135	070884	SUPPORT "Z" SHAPE To 4-4857	1	1	1	
136	052560	SUPPORT, COOLANT FILTER From 4-4804	1	1	1	



From 4-4758 To 8-1043	Date:10/2022	PAGE:HF-0750-01
AUTOMATIC TRANSMISSION - "WORLD" WITH DETROIT S-60		

Item#	Part	Description	H 3 4 1	H 3 4 5	V I P 4 5	N O T E S
NS	683904	TESTING FOR GLYCOL CONTAMINATION IN TRANSMISSION OIL	1	1	1	
. NS	IS-99901A	. SEE INSTRUCTION SHEET	1	1	1	
200	571709	TRANSMISSION FILTER / MAINTENANCE KIT	1	1	1	
200	572050	TRANSMISSION FILTER / MAINTENANCE KIT	AR	AR	AR	
. NS	571692	. O-RING / (LARGE SQUARE CUT)	2	2	2	
. NS	571693	. O-RING / (SMALL)	2	2	2	
. NS	571694	. O-RING / DRAIN PLUG	2	2	2	
. NS	571695	. DRAIN PLUG ASSY W/O-RING	1	1	1	
201	N.S.S.	. FILTER	2	2	2	1
202	571692	. O-RING / (LARGE SQUARE CUT)	2	2	2	
203	571693	. O-RING / (SMALL)	2	2	2	
204	571694	. O-RING / DRAIN PLUG	2	2	2	
205	571695	DRAIN PLUG ASSY W/O-RING	1	1	1	
NS	071249	DECAL "TranSynd OIL ONLY" / ENGLISH & FRANCAIS	1	1	1	
NS	684016	OIL TRANSYND TRANSMISSION "WORLD"	1	1	1	
206	N.S.P.	COVER FILTER / (29507434)	2	2	2	2
207	N.S.P.	BOLT M10-1.5 x 55M / (2954186)	AR	AR	AR	2
208	N.S.P.	YOKE (1810) HALF ROUND(29511516/6.5-4-4521-1)	1	1	1	2
208	N.S.P.	STRAP LOCK PLATE	1	1	1	2
208	N.S.P.	BOLT M10-1.5 X 30MM GR 10.9	2	2	2	2
208	N.S.P.	SEAL OUTPUT / (29515621)	1	1	1	2
209	N.P.N.	BOLT M10-1.5 X 30MM GR10.9	1	1	1	4
		A) TO FIX TRANSMISSION TO ENGINE				
		B) PRODUCT IMPROVEMENT CORRODING HOSE FITTING, CHANGE FOR HOSE # 079023 WITH 1 FITTING # 501523				
		C) PRODUCT IMPROVEMENT CORRODING HOSE CHANGE FOR HOSE # 079024 WITH 1 FITTING # 501523				
		O) WITHOUT RETARDER				
		R) WITH RETARDER				
		S) AS SHOWN				
		1) NOT SOLD SEPARATELY				
		2) NOT SOLD BY PREVOST (SEE MANUFACTURING PART NUMBER AT END OF DESCRIPTION LINE)				
		4) NO PARTS NUMBER				

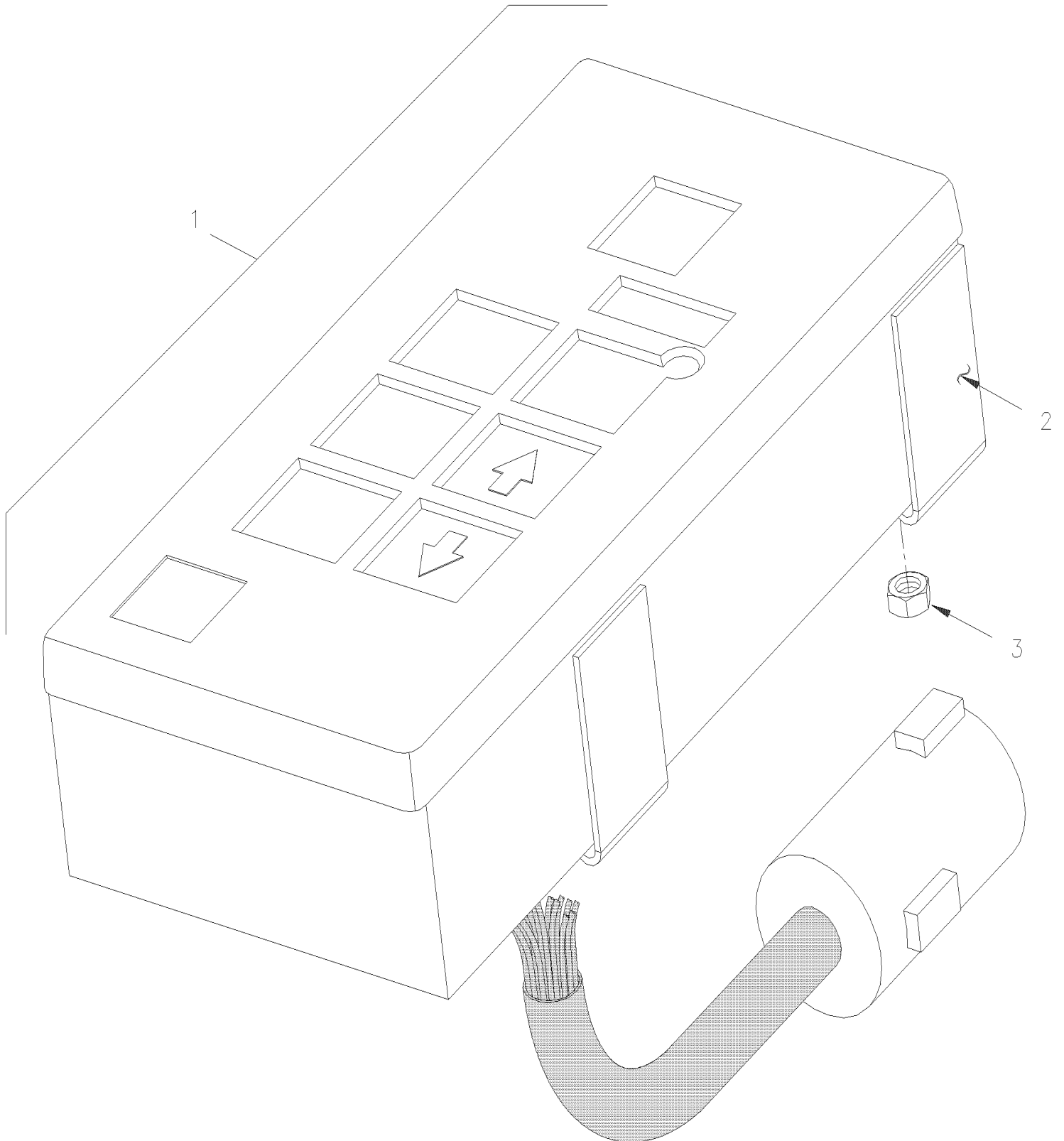


From 3-4417 To 8-1043

Date:10/2022

PAGE:HF-0755-15

SHIFTER ELECTRONIC - "WORLD" TRANSMISSION





From 3-4417 To 8-1043	Date:10/2022	PAGE:HF-0755-15
SHIFTER ELECTRONIC - "WORLD" TRANSMISSION		

Item#	Part	Description	H 3 4 1	H 3 4 5	V I P 4 5	N O T E S
1	571718	SHIFTER, SELECTOR "WORLD" / WTEC III	1	1	1	
1	572031	SHIFTER, SELECTOR "WORLD" / GEN IV	1	1	1	
2	N.S.S.	. BRACKET	2	2	2	1
3	500423	. NUT HEX NYRT #10-32 SS	4	4	4	
		1) NOT SOLD SEPARATELY				

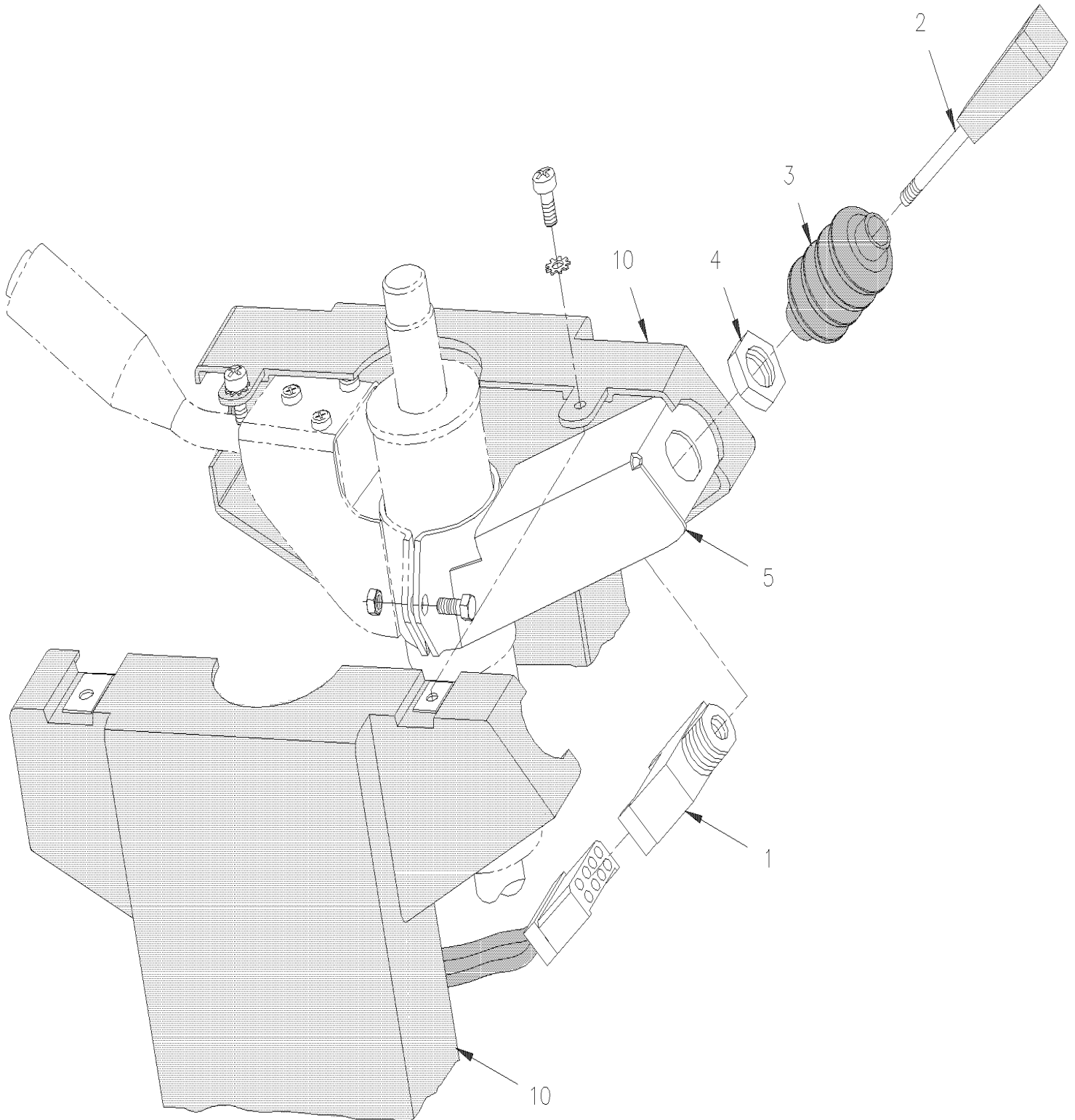


From 3-4417 To 8-1043

Date:10/2022

PAGE:HF-0760-00

RETARDER SELECTOR SWITCH - "WORLD"



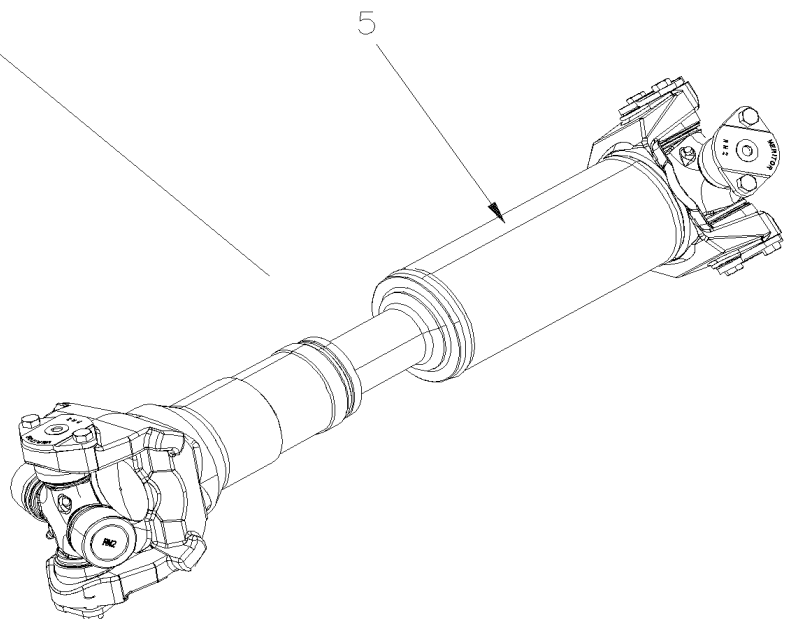
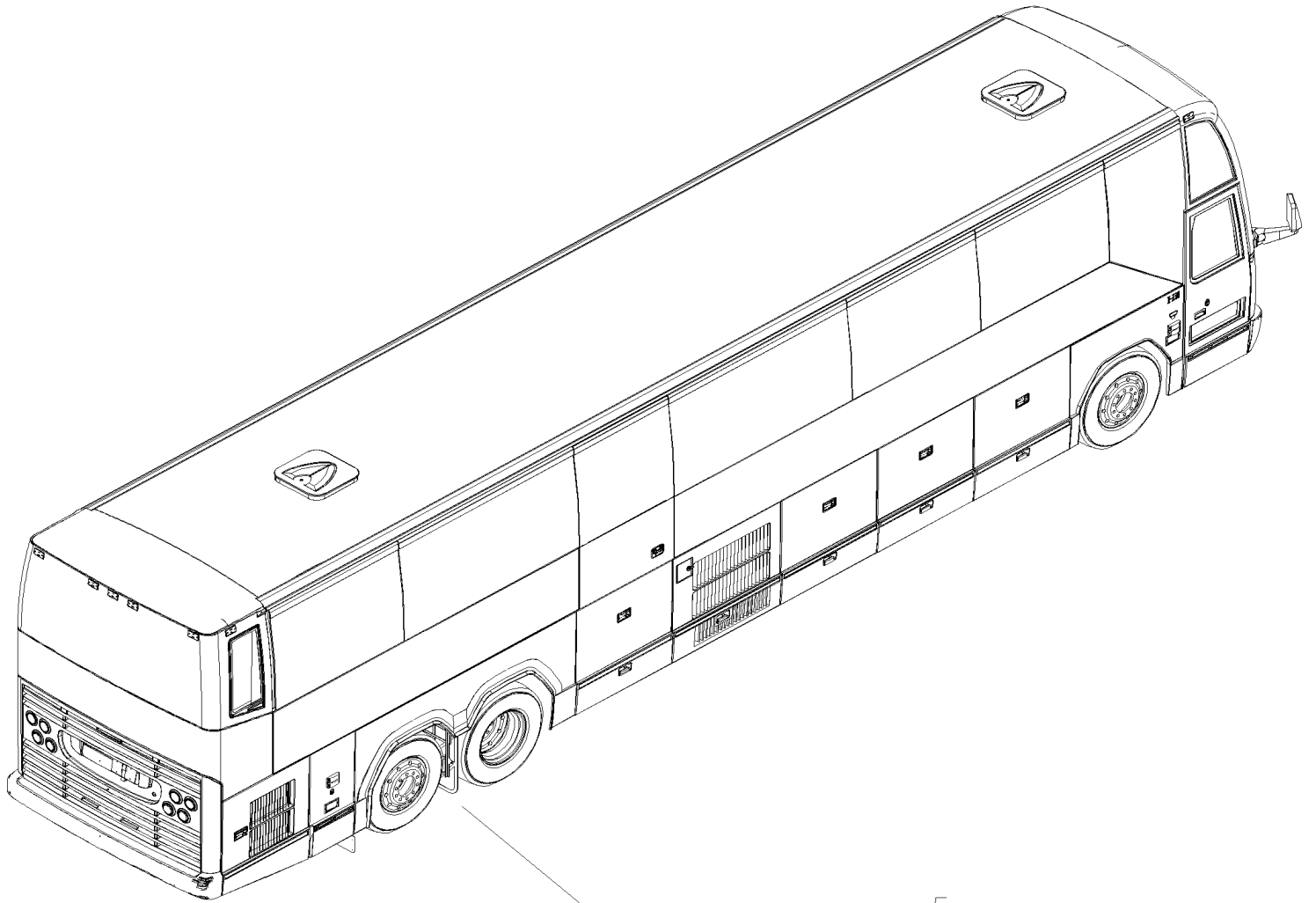


From 3-4417 To 8-1043	Date:10/2022	PAGE:HF-0760-00
RETARDER SELECTOR SWITCH - "WORLD"		

Item#	Part	Description	H 3 4 1	H 3 4 5	V I P 4 5	N O T E S
1	562356	SWITCH ASSY / W/LEVER & BOOT / 6 POSITIONS	1	1	1	
2	N.S.S.	. LEVER	1	1	1	1
3	N.S.S.	. BOOT	1	1	1	1
4	N.S.S.	. NUT JAM	1	1	1	1
5		SUPPORT CONTROL SWITCH	1	1	1	
10	HF-1407-00	STEERING COLUMN & COVER - INSTALLATION				
		1) NOT SOLD SEPARATELY				



	Date:10/2022	HF-09
PROPELLER SHAFT		





		Date:10/2022	HF-09			
PROPELLER SHAFT						
Item#	Part	Description	H 3 4 1	H 3 4 5	V I P 4 5	N O T E S
5	HF-0905-00	PROPELLER SHAFT From 3-4417 To 8-1043				

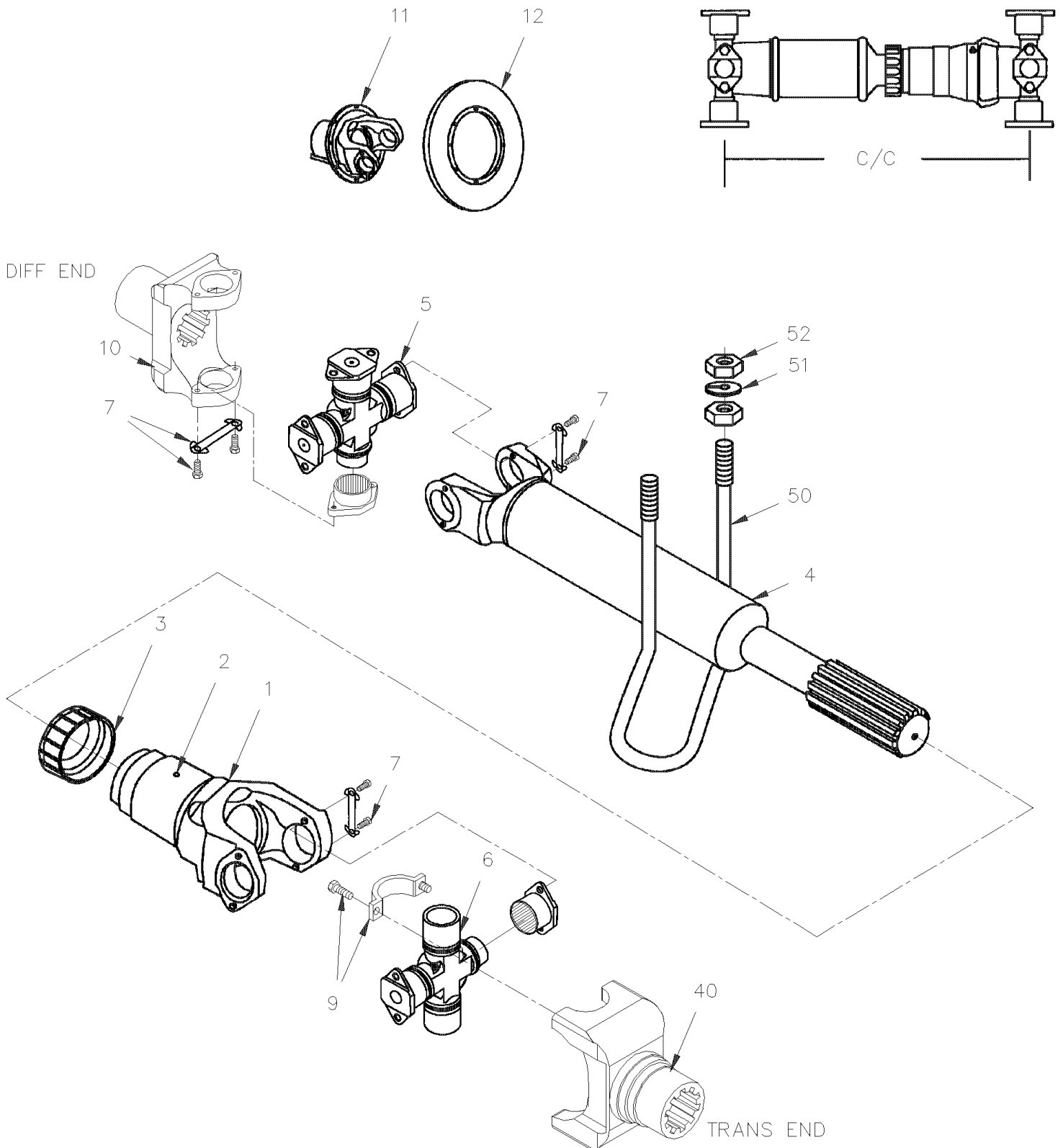


From 3-4417 To 8-1043

Date:10/2022

PAGE:HF-0905-00

PROPELLER SHAFT





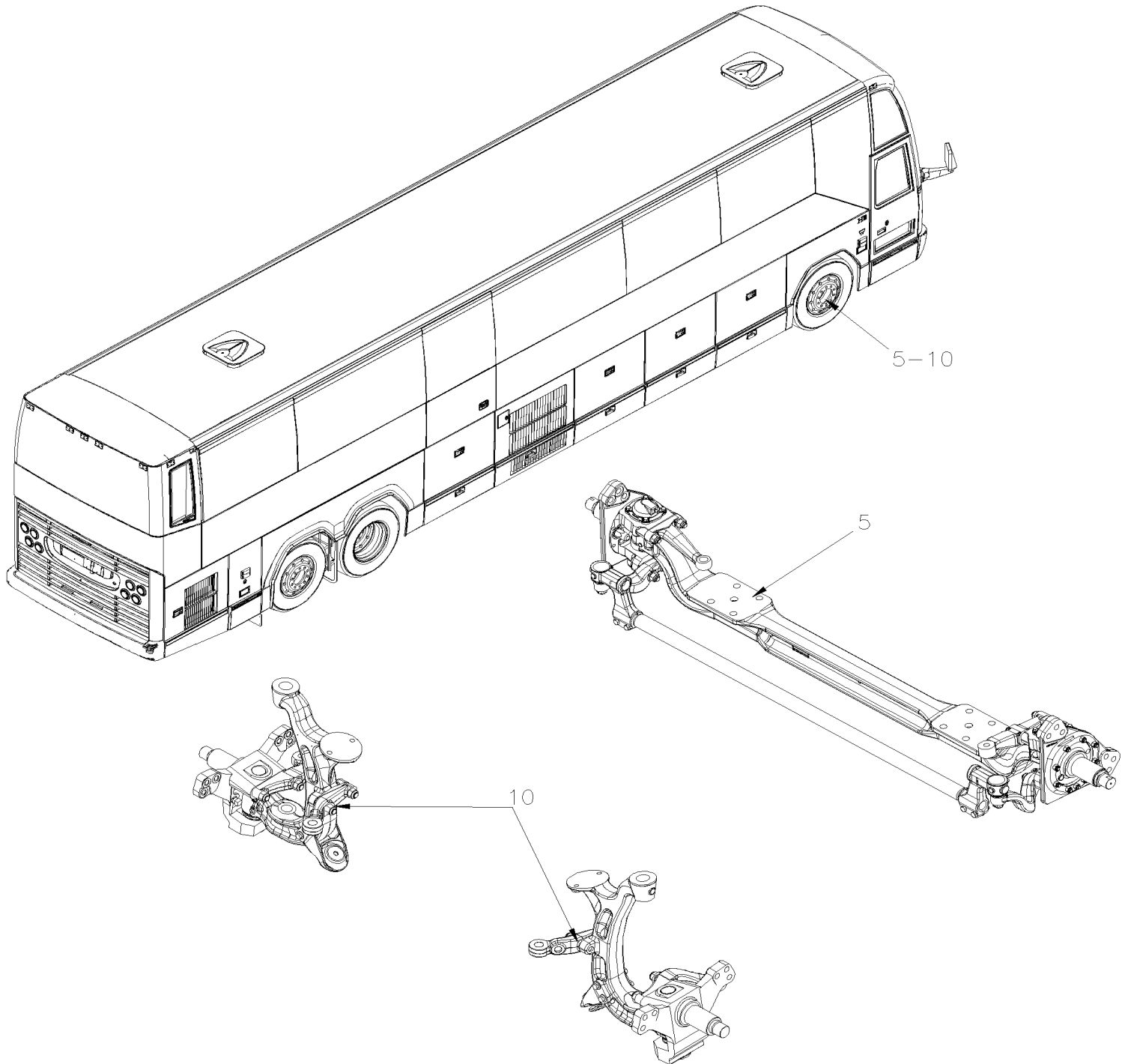
From 3-4417 To 8-1043 Date:10/2022 PAGE:HF-0905-00

PROPELLER SHAFT

Item#	Part	Description	H 3 4 1	H 3 4 5	V I P 4 5	N O T E S
		PROPELLER SHAFT SERIES 1810				
		USED WITH SERIES 60 ENGINE				
	580069	SHAFT ASSY 36" C/C / W"WORLD" AUTOMATIC TRANS	1	1		
	580069	SHAFT ASSY 36" C/C / W"WORLD" AUTOMATIC TRANS	1	1	1	
	580081	SHAFT ASSY 31" C/C W/MANUAL TRANSMISSION "ZF"	1	1		Z
1	580065	. SLIP YOKE	1	1	1	
. NS	580078	. . WELSH PLUG / PLASTIC BLUE 3 1/4" O.D. THIN	1	1	1	
2	501491	. . GREASE FITTING / 1/8 NPTx3/4"	1	1	1	
3	580052	. DUST CAP KIT / W/1800 SERIES	1	1	1	
4	N.S.P.	. YOKE SHAFT	1	1	1	2
5	580043	. KIT, CROSS & BEARING / W/1800 FULL ROUND	1	1	1	
6	580062	. KIT, CROSS & BEARING / W/1800 HALF ROUND	1	1	1	C
NS	580067	. . BEARING END (1810) W/QUICK DISCONNECT	2	2	2	
7	580071	. . SCREW CAP HEX 3/8-24 x 5/8 G8	8	8	8	
9	580063	. KIT STRAP & BOLT	1	1	1	
. NS	N8893184	. . SCREW CB 12POINT (SET OF 4) 1/2-20 x 1" G8	4	4	4	
		NEXT FOLLOWING YOKE ARE PART OF				
		REAR AXLE				
10	621403	YOKE (1810) FULL ROUND (46 SPL)	1	1	1	
. NS	621501	. DEFLECTOR, OIL	1	1	1	
. NS	621492	. SPEEDY SLEEVE 3.250" I.D. / TO REPAIR OIL LEAK ON YOKE	1	1	1	
		NEXT FOLLOWING YOKE ARE PART				
		OF TRANSMISSION				
40	N.S.P.	YOKE (1810) HALF ROUND / W"WORLD" TRANS /(29511516)	1	1	1	2
40	571989	YOKE (1810) HALF ROUND / "ZF" TRANS	1	1		Z
50	121440	PROTECTOR GUARD PROPELLER SHAFT 424MM x 140MM	1	1	1	
51	500488	WASHER LO SPT .760x1.271x.188 Z050	2	2	2	
52	500733	NUT HEX 3/4-16 Z050	2	2	2	
		C) QUICK DISCONNECT HALF ROUND (5-676X) / USE W/ITEM #40				
		Z) WITH "ZF" TRANSMISSION				
		2) NOT SOLD BY PREVOST (SEE MANUFACTURING PART NUMBER AT END OF DESCRIPTION LINE)				



	Date:10/2022	HF-10
FRONT AXLE		





	Date:10/2022	HF-10
FRONT AXLE		

Item#	Part	Description	H 3 4 1	H 3 4 5	V I P 4 5	N O T E S
5	HF-1005-00	FRONT AXLE - I BEAM RIGID MODEL "S-84" From 3-4417 To 3-4757				
5	HF-1005-01	FRONT AXLE - I BEAM RIGID MODEL "S84U" From 4-4758 To 8-1043				
10	HF-1005-50	FRONT AXLE - INDEPENDENT MODEL "IS-84" / 16500LBS From 3-4417 To 3-4757				
10	HF-1005-51	FRONT AXLE - INDEPENDENT MODEL "NDIFS80P" / 18000LBS From 4-4758 To 8-1043				

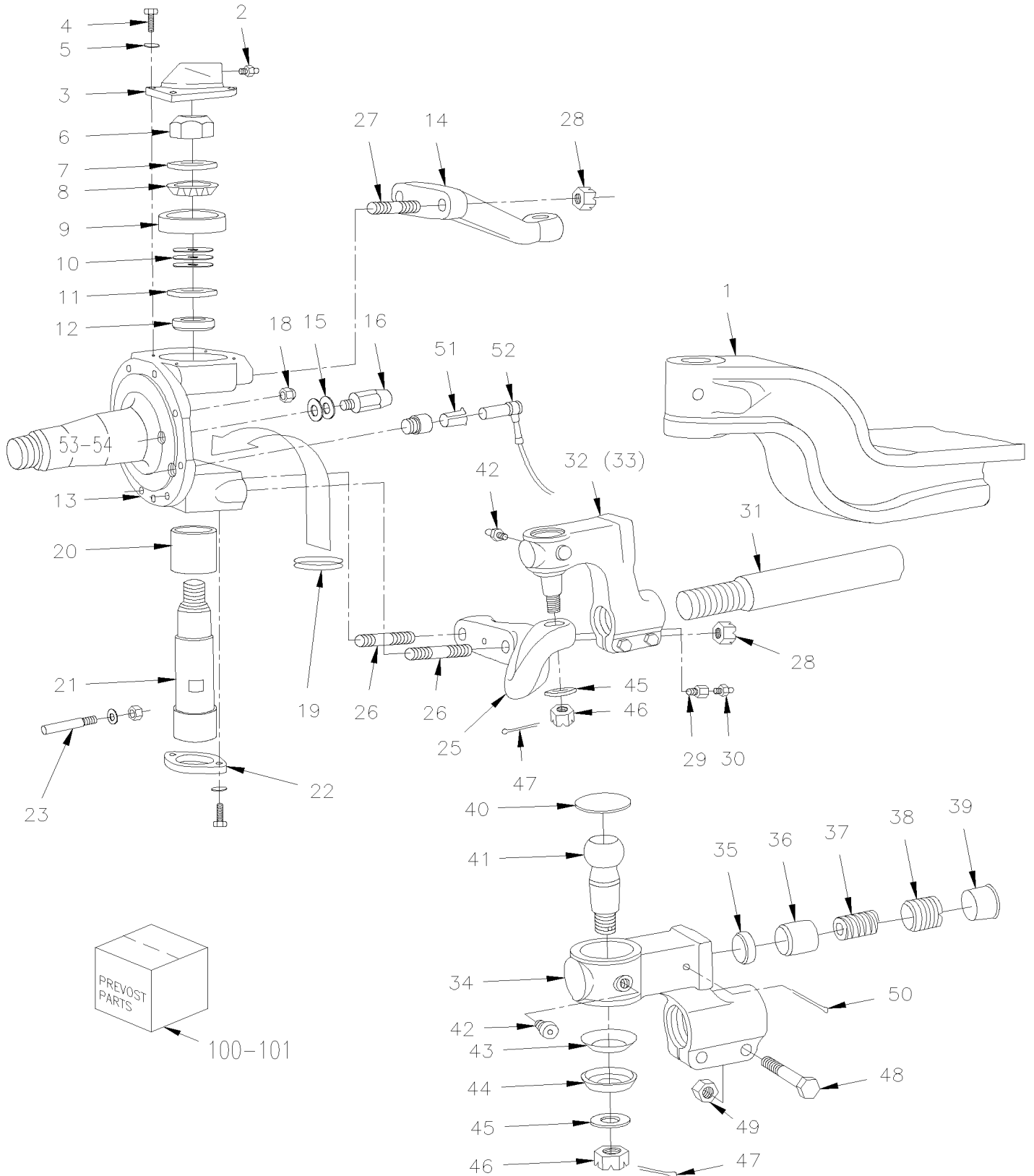


From 3-4417 To 3-4757

Date:10/2022

PAGE:HF-1005-00

FRONT AXLE - I BEAM RIGID MODEL "S-84"





From 3-4417 To 3-4757	Date:10/2022	PAGE:HF-1005-00
FRONT AXLE - I BEAM RIGID MODEL "S-84"		

Item#	Part	Description	H 3 4 1	H 3 4 5	V I P 4 5	N O T E S
	611256	AXLE ASSY W/ABS	1	1		
1	611454	. AXLE BEAM	1	1		D
2	501491	. GREASE FITTING / 1/8 NPTx3/4"	2	2		
NS	504615	. PROTECTOR CAP / BLACK / .313 I.D. x .500	2	2		
3	611008	. CAP COVER	2	2		
4	500067	. SCREW CAP HEX 7/16-20x1 G5 Z050	4	4		
4	680404	. . CAP PLUG	1	1		
5	500447	. WASHER FL .562x1.375x.109 ZP	4	4		
6	611153	. NUT HEX STO 1 3/8"-12	2	2		
7	611010	. WASHER 38.23x69.85x7	2	2		
8	611011	. CONE BEARING	2	2		
9	611012	. CUP BEARING	2	2		
10	611017	. WASHER SHIM / .015"	AR	AR		
10	611016	. WASHER SHIM / .010"	AR	AR		
10	611015	. WASHER SHIM / .008"	AR	AR		
10	611014	. WASHER SHIM / .006"	AR	AR		
10	611013	. WASHER SHIM / .005"	AR	AR		
11	611145	. OIL SEAL	2	2		
12	611154	. SLEEVE	2	2		
13	611147	. KNUCKLE R.H.	1	1		
13	611146	. KNUCKLE L.H.	1	1		
13	611289	KNUCKLE L.H. STREET SIDE	1	1		R
13	611290	KNUCKLE R.H. CURBSIDE	1	1		R
14	611031	. STEERING ARM UPPER L.H. STREET SIDE	1	1		
14	161033	. STEERING ARM UPPER R.H. CURBSIDE	1	1		
15	611042	. WASHER SHIM / 1/32" TH	AR	AR		
15	611041	. WASHER SHIM / 1/16" TH	AR	AR		
15	611040	. WASHER SHIM / 1/8" TH	AR	AR		
16	611159	. SWIVEL STOP SCREW / REAR / 38MM	2	2		
NS	611149	. SWIVEL STOP SCREW / FRONT / 48MM	1	1		
NS	611150	. SWIVEL STOP SCREW / FRONT / 60MM	1	1		
NS	500091	. SCREW CAP HEX 1/2-20x1 3/4 G5 ZP	6	6		
18	5007001	. NUT HEX STO 1/2-20 Z050 G "C"	16	16		
19	611020	. V-SEAL	2	2		
NS	611152	. SEAL RING	2	2		
20	611144	. BUSHING LOWER KING PIN	2	2		
21	611148	. KING PIN	2	2		
22	611155	. CAP LOWER / KING PIN	2	2		
NS	611156	. O-RING	2	2		
22	612364	. SCREW 3/8-24	4	4		
22	612363	. WASHER	4	4		
23	611258	. SWIVEL PIN LOCK	2	2		



From 3-4417 To 3-4757	Date:10/2022	PAGE:HF-1005-00
FRONT AXLE - I BEAM RIGID MODEL "S-84"		

Item#	Part	Description	H 3 4 1	H 3 4 5	V I P 4 5	N O T E S
25	611032	. STEERING ARM LOWER L.H. STREET SIDE	1	1		
NS	611033	. STEERING ARM LOWER R.H. CURBSIDE	1	1		
26	611028	. STUD / STREET SIDE / 3/4-16 X 3"	2	2		
26	611029	. STUD / TO FIX LOWER ARM 3/4-16 X 3 5/8"	2	2		
27	611027	. STUD / TO FIX UPPER ARM 3/4-16 X 2 3/4"	4	4		
28	5001196	. NUT HEX SLT 3/4-16	8	8		
29	611062	. ADAPTER / BSP FITTING / 1/8BSP-Mx1/8NPT-F	2	2		
30	501493	. GREASE FITTING 45° / 1/8 NPT	2	2		
NS	504615	. PROTECTOR CAP / BLACK / .313 I.D. x .500	2	2		
31	611026	. TIE ROD	1	1		
32	611024	. TIE ROD ASSY / 5" OFFSET / R.H. THREAD M48-2 CURB SIDE	1	1		
33	611025	. TIE ROD ASSY / 5" OFFSET / L.H. THREAD M48-2 STREET SIDE	1	1		
34	N.S.S.	. . HOUSING / OFFSET L.H. THREAD	1	1		1
34	N.S.S.	. . HOUSING / OFFSET R.H. THREAD	1	1		1
35	N.S.P.	. . RUBBING PAD / (7157/156)	1	1		2
36	N.S.P.	. . THRUST CUP / (7157/153)	1	1		2
37	N.S.P.	. . COMPRESSION SPRING / (5443/4)	1	1		2
38	N.S.P.	. . ADJUSTER PIECE / (5443/154)	1	1		2
39	680404	. . CAP PLUG	1	1		
40	N.S.P.	. . PLUG / (5247/155)	1	1		2
40	N.S.P.	. . SNAP RING / (ML7544/55N)	1	1		2
41	N.S.P.	. . BALL STUD / (F4223/11)	1	1		2
42	501495	. . GREASE FITTING 90° / 1/8 NPT	2	2		
43	611056	. . DIRT SEAL PRESSING	1	1		
44	611057	. . RUBBER SEAL BOOT	1	1		
45	500420	. . WASHER FL .938x1.750x.134 ZP	1	1		
46	5001196	. . NUT HEX SLT 3/4-16	1	1		
47	502111	. . PIN, COTTER 1/8 x 1 1/2 SS	1	1		
48	5001861	. . SCREW CAP HEX M12-1.75x60 G10.9 N500	2	2		
49	500811	. . NUT HEX STO M12-1.75 G500	2	2		
50	502115	. . PIN, COTTER 3/16 x 2 1/2	1	1		
51	641096	. CLIP, SPRING / TO FIX SENSOR	2	2		
52	641288	. SENSOR ABS (ON FRONT AXLE) 90° ANGLE	2	2		
53	HF-1225-00	BRAKE PARTS - FRONT AXLE - W/"KNORR-BREMSE" / SB7 SERIES To 7-0869				
53	HF-1225-01	BRAKE PARTS "KNORR-BREMSE" SN7 SERIES - "RETROFIT" & "SERVICE" From 7-0870				
54	HF-1300-00	HUB & ROTOR - FRONT AXLE MODEL "S-84" & "IS-84"				
100	611162	KIT REPAIR / STEERING KNUCKLE BUSHING (PARALLEL) / (REQUIRES 2 KITS)	2	2		B
. NS	611008	. CAP COVER	1	1		B
. NS	611153	. NUT HEX STO 1 3/8"-12	1	1		B
. NS	611010	. WASHER 38.23x69.85x7	1	1		B
. NS	611011	. CONE BEARING	1	1		B



From 3-4417 To 3-4757	Date:10/2022	PAGE:HF-1005-00
FRONT AXLE - I BEAM RIGID MODEL "S-84"		

Item#	Part	Description	H 3 4 1	H 3 4 5	V I P 4 5	N O T E S
. NS	611012	. CUP BEARING	1	1		B
. NS	611017	. WASHER SHIM / .015"	4	4		B
. NS	611016	. WASHER SHIM / .010"	4	4		B
. NS	611015	. WASHER SHIM / .008"	2	2		B
. NS	611014	. WASHER SHIM / .006"	2	2		B
. NS	611013	. WASHER SHIM / .005"	2	2		B
. NS	611145	. OIL SEAL	1	1		B
. NS	611154	. SLEEVE	1	1		B
. NS	611294	. V-SEAL	1	1		B
. NS	611144	. BUSHING LOWER KING PIN	1	1		B
. NS	611148	. KING PIN	1	1		B
. NS	611155	. CAP LOWER / KING PIN	1	1		B
. NS	611156	. O-RING	1	1		B
. NS	611258	. SWIVEL PIN LOCK	1	1		B
. NS	610029	. NUT 7/16 UNF	1	1		B
. NS	5001200	. WASHER FL .453x.875x.090	1	1		B
101	611101	KIT REPAIR / TIE ROD END	2	2		A
102	IS18091	TIE ROD 610052 FIRST INSTALLATION INSTRUCTIONS	1	1		
. NS	610052	. TIE ROD ASSY	1	1		
. NS	610051	. NUT HEX SLO / SINGLE USE M24-1.5	2	2		
. NS	IS-18091	. SEE INSTRUCTION SHEET	1	1		
. NS	FI-18091	. VOIR FEUILLE D'INSTRUCTION	1	1		
		A) INCLUDE ITEM #35 TO 50				
		B) INCLUDING ITEMS # 3 TO 12 & # 19 TO 23				
		D) THIS AXLE BEAM IT SINGLE DROP				
		R) USE ONLY WITH RETROFIT HUB "UNITISED" BEARING # 611328 (PAGE HF-1300-99)				
		1) NOT SOLD SEPARATELY				
		2) NOT SOLD BY PREVOST (SEE MANUFACTURING PART NUMBER AT END OF DESCRIPTION LINE)				

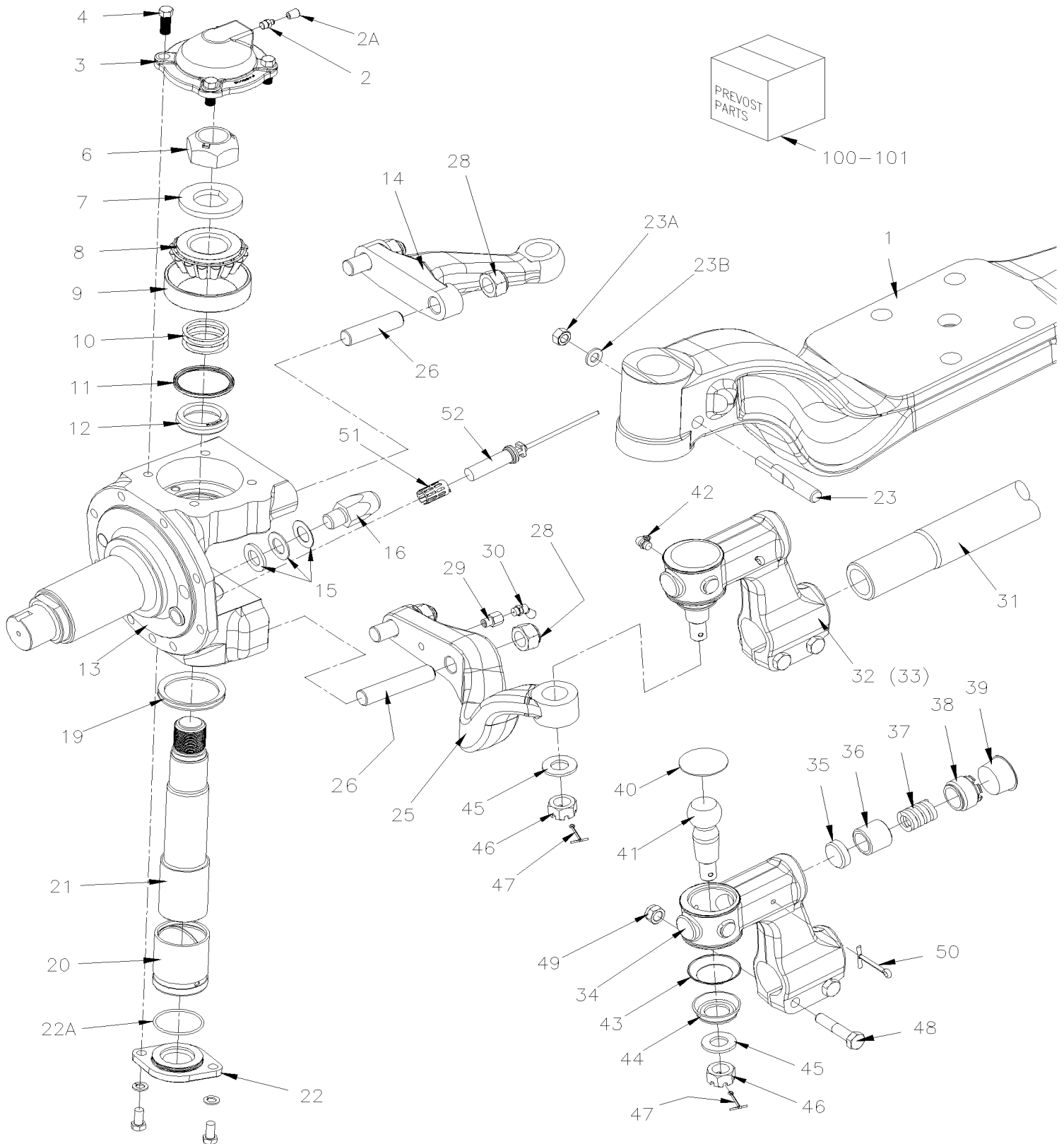


From 4-4758 To 8-1043

Date:10/2022

PAGE:HF-1005-01

FRONT AXLE - I BEAM RIGID MODEL "S84U"





From 4-4758 To 8-1043	Date:10/2022	PAGE:HF-1005-01
FRONT AXLE - I BEAM RIGID MODEL "S84U"		

Item#	Part	Description	H 3 4 1	H 3 4 5	V I P 4 5	N O T E S
	611269	AXLE ASSY W/ABS / MODEL "S84U" W/TYPE 27 BOOSTER To 7-0869	1	1		
	612350	AXLE ASSY W/ABS / MODEL "S84U" W/TYPE 24 BOOSTER From 7-0870	1	1		
1	611454	. AXLE BEAM	1	1		
2	501491	. GREASE FITTING / 1/8 NPTx3/4"	2	2		
2A	504615	. PROTECTOR CAP / BLACK / .313 I.D. x .500	2	2		
3	611008	. CAP COVER	2	2		
4	500067	. SCREW CAP HEX 7/16-20x1 G5 Z050	4	4		
4	680404	. . CAP PLUG	1	1		
4	500447	. WASHER FL .562x1.375x.109 ZP	4	4		
6	611153	. NUT HEX STO 1 3/8"-12	2	2		
7	611010	. WASHER 38.23x69.85x7	2	2		
8	611011	. CONE BEARING	2	2		
9	611012	. CUP BEARING	2	2		
10	611017	. WASHER SHIM / .015"	AR	AR		
10	611016	. WASHER SHIM / .010"	AR	AR		
10	611015	. WASHER SHIM / .008"	AR	AR		
10	611014	. WASHER SHIM / .006"	AR	AR		
10	611013	. WASHER SHIM / .005"	AR	AR		
11	611145	. OIL SEAL	2	2		
12	611154	. SLEEVE	2	2		
13	611290	. KNUCKLE R.H. CURBSIDE	1	1		
13	611289	. KNUCKLE L.H. STREET SIDE	1	1		
14	611031	. STEERING ARM UPPER L.H. STREET SIDE	1	1		
14	161033	. STEERING ARM UPPER R.H. CURBSIDE	1	1		
15	611042	. WASHER SHIM / 1/32" TH	AR	AR		
15	611041	. WASHER SHIM / 1/16" TH	AR	AR		
15	611040	. WASHER SHIM / 1/8" TH	AR	AR		
16	611170	. SWIVEL STOP SCREW 43MM	2	2		
16	611296	. SWIVEL STOP SCREW 54MM	2	2		
19	611020	. V-SEAL	2	2		
NS	611152	. SEAL RING	2	2		
20	611144	. BUSHING LOWER KING PIN	2	2		
21	611148	. KING PIN	2	2		
22	611155	. CAP LOWER / KING PIN	2	2		
22	612364	. SCREW 3/8-24	4	4		
22	612363	. WASHER	4	4		
22A	611156	. O-RING	1	1		
23	611258	. SWIVEL PIN LOCK	2	2		
23A	610029	. NUT 7/16 UNF	1	1		
23B	5001200	. WASHER FL .453x.875x.090	1	1		
25	611032	. STEERING ARM LOWER L.H. STREET SIDE	1	1		
NS	611033	. STEERING ARM LOWER R.H. CURBSIDE	1	1		



From 4-4758 To 8-1043	Date:10/2022	PAGE:HF-1005-01
FRONT AXLE - I BEAM RIGID MODEL "S84U"		

Item#	Part	Description	H 3 4 1	H 3 4 5	V I P 4 5	N O T E S
26	611291	. STUD 3/4-16 X 4"	4	4		
26	611028	. STUD / STREET SIDE / 3/4-16 X 3"	2	2		
26	611029	. STUD / TO FIX LOWER ARM 3/4-16 X 3 5/8"	2	2		
28	5001196	. NUT HEX SLT 3/4-16	8	8		
29	611062	. ADAPTER / BSP FITTING / 1/8BSP-Mx1/8NPT-F	2	2		
30	501493	. GREASE FITTING 45° / 1/8 NPT	2	2		
NS	504615	. PROTECTOR CAP / BLACK / .313 I.D. x .500	2	2		
31	611292	. ROD	1	1		
32	611024	. TIE ROD ASSY / 5" OFFSET / R.H. THREAD M48-2 CURB SIDE	1	1		
33	611025	. TIE ROD ASSY / 5" OFFSET / L.H. THREAD M48-2 STREET SIDE	1	1		
34	N.S.S.	. . HOUSING / OFFSET L.H. THREAD	1	1		1
34	N.S.S.	. . HOUSING / OFFSET R.H. THREAD	1	1		1
35	N.S.P.	. . RUBBING PAD / (7157/156)	1	1		2
36	N.S.P.	. . THRUST CUP / (7157/153)	1	1		2
37	N.S.P.	. . COMPRESSION SPRING / (5443/4)	1	1		2
38	N.S.P.	. . ADJUSTER PIECE / (5443/154)	1	1		2
39	680404	. . CAP PLUG	1	1		
40	N.S.P.	. . PLUG / (5247/155)	1	1		2
40	N.S.P.	. . SNAP RING / (ML7544/55N)	1	1		2
41	N.S.P.	. . BALL STUD / (F4223/11)	1	1		2
42	501495	. . GREASE FITTING 90° / 1/8 NPT	2	2		
43	611056	. . DIRT SEAL PRESSING	1	1		
44	611057	. . RUBBER SEAL BOOT	1	1		
45	500420	. . WASHER FL .938x1.750x.134 ZP	1	1		
46	5001196	. . NUT HEX SLT 3/4-16	1	1		
47	502111	. . PIN, COTTER 1/8 x 1 1/2 SS	1	1		
48	5001861	. . SCREW CAP HEX M12-1.75x60 G10.9 N500	2	2		
49	500811	. . NUT HEX STO M12-1.75 G500	2	2		
50	502115	. . PIN, COTTER 3/16 x 2 1/2	1	1		
51	641096	. CLIP, SPRING / TO FIX SENSOR	2	2		
52	641288	. SENSOR ABS (ON FRONT AXLE) 90° ANGLE	2	2		
53	HF-1225-00	BRAKE PARTS - FRONT AXLE - W/"KNORR-BREMSE" / SB7 SERIES To 7-0869				
53	HF-1225-01	BRAKE PARTS "KNORR-BREMSE" SN7 SERIES - "RETROFIT" & "SERVICE" From 7-0870				
54	HF-1300-01	HUB & ROTOR - FRONT AXLE MODEL "S84U" & "NDIFS80P"				
100	611966	KIT REPAIR / STEERING KNUCKLE BUSHING (PARALLEL) / (REQUIRES 2 KITS)	AR	AR		B
101	611101	KIT REPAIR / TIE ROD END	2	2		A
102	IS18091	TIE ROD 610052 FIRST INSTALLATION INSTRUCTIONS	1	1		
. NS	610052	. TIE ROD ASSY	1	1		
. NS	610051	. NUT HEX SLO / SINGLE USE M24-1.5	2	2		
. NS	IS-18091	. SEE INSTRUCTION SHEET	1	1		
. NS	FI-18091	. VOIR FEUILLE D'INSTRUCTION	1	1		



From 4-4758 To 8-1043	Date:10/2022	PAGE:HF-1005-01
FRONT AXLE - I BEAM RIGID MODEL "S84U"		

Item#	Part	Description	H 3 4 1	H 3 4 5	V I P 4 5	N O T E S
		A) INCLUDING ITEMS #35 TO 50				
		B) INCLUDING ITEMS #4 TO 12, 19 TO 21 & 23				
		1) NOT SOLD SEPARATELY				
		2) NOT SOLD BY PREVOST (SEE MANUFACTURING PART NUMBER AT END OF DESCRIPTION LINE)				

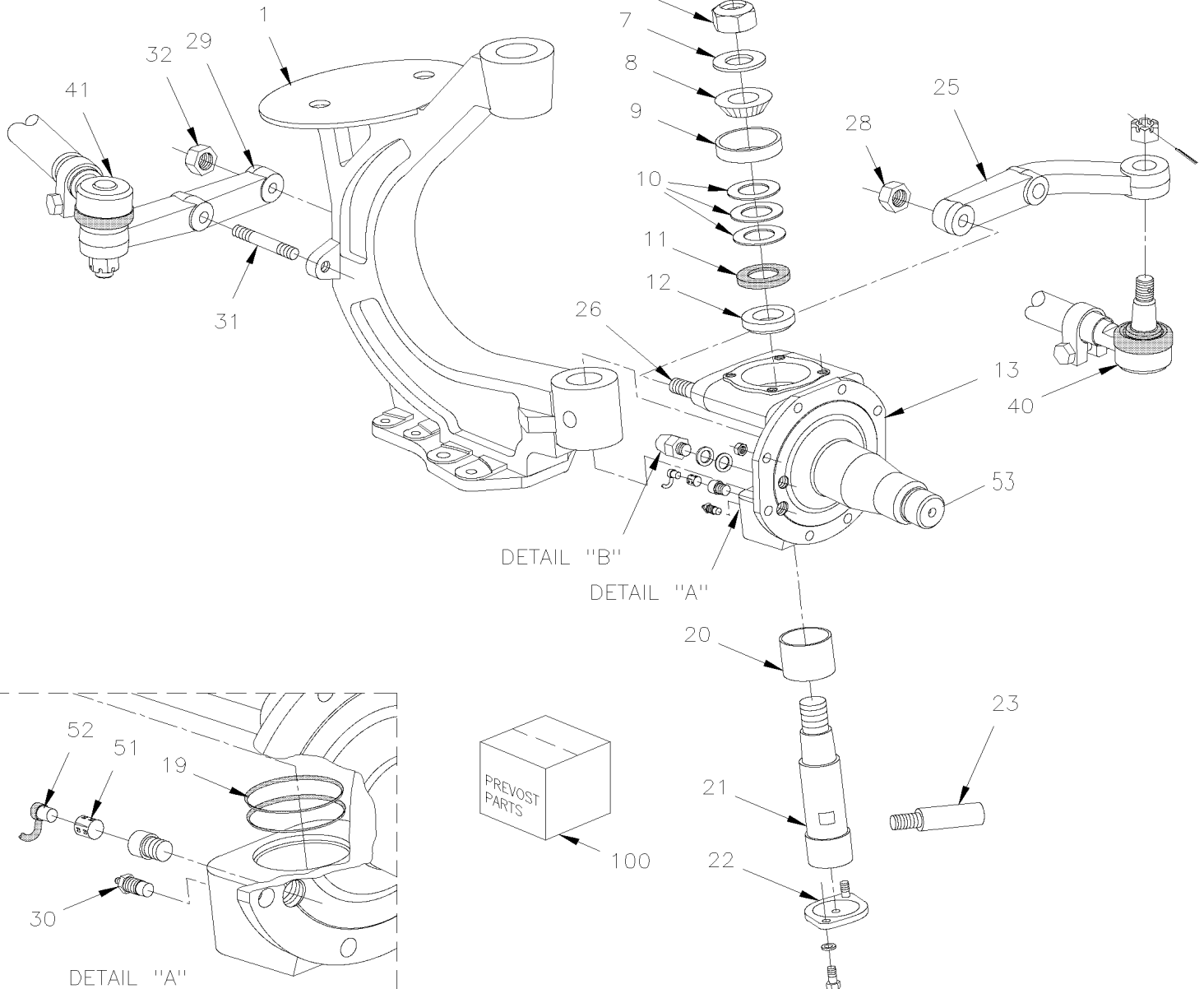
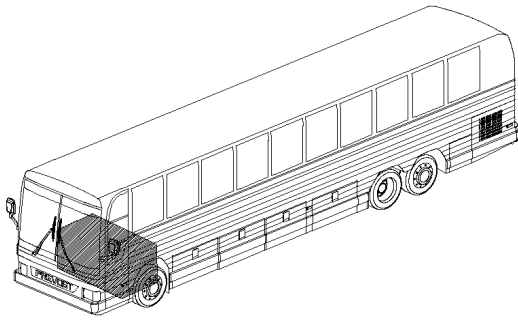


From 3-4417 To 3-4757

Date:10/2022

PAGE:HF-1005-50

FRONT AXLE - INDEPENDENT MODEL "IS-84" / 16500LBS





From 3-4417 To 3-4757	Date:10/2022	PAGE:HF-1005-50
FRONT AXLE - INDEPENDENT MODEL "IS-84" / 16500LBS		

Item#	Part	Description	H 3 4 1	H 3 4 5	V I P 4 5	N O T E S
	611257	AXLE ASSY L.H. & R.H. To 3-4440			1	
	611262	AXLE ASSY L.H. & R.H. From 3-4441			1	A
1	611160	. AXLE L.H. / W/PARALLEL KING PIN & BELLOW To 3-4440			1	
1	611265	. AXLE L.H. / W/PARALLEL KING PIN & BELLOW From 3-4441			1	A
1	611161	. AXLE R.H. / W/PARALLEL KING PIN & BELLOW To 3-4440			1	
1	611266	. AXLE R.H. / W/PARALLEL KING PIN & BELLOW From 3-4441			1	A
2	501491	. GREASE FITTING / 1/8 NPTx3/4"			2	
NS	504615	. PROTECTOR CAP / BLACK / .313 I.D. x .500			2	
3	611008	. CAP COVER			2	
4	500067	. SCREW CAP HEX 7/16-20x1 G5 Z050			4	
5	500447	. WASHER FL .562x1.375x.109 ZP			4	
6	611153	. NUT HEX STO 1 3/8"-12			2	
7	611010	. WASHER 38.23x69.85x7			2	
8	611011	. CONE BEARING			2	
9	611012	. CUP BEARING			2	
10	611013	. WASHER SHIM / .005"			AR	
10	611014	. WASHER SHIM / .006"			AR	
10	611015	. WASHER SHIM / .008"			AR	
10	611016	. WASHER SHIM / .010"			AR	
10	611017	. WASHER SHIM / .015"			AR	
11	611145	. OIL SEAL			2	
12	611154	. SLEEVE			2	
13	611157	. KNUCKLE L.H. / W/PARALLEL KING PIN			1	
13	611158	. KNUCKLE R.H. / W/PARALLEL KING PIN			1	
13	611334	KNUCKLE L.H. / W/PARALLEL KING PIN ONLY W/RETROFIT UNITISED			1	R
13	611335	KNUCKLE R.H. / W/PARALLEL KING PIN ONLY W/RETROFIT UNITISED			1	R
15	611042	. WASHER SHIM / 1/32" TH			AR	
15	611041	. WASHER SHIM / 1/16" TH			AR	
15	611040	. WASHER SHIM / 1/8" TH			AR	
16	611159	. SWIVEL STOP SCREW / REAR / 38MM			2	
NS	611149	. SWIVEL STOP SCREW / FRONT / 48MM			1	
NS	611150	. SWIVEL STOP SCREW / FRONT / 60MM			1	
18	5007001	. NUT HEX STO 1/2-20 Z050 G "C"			16	
NS	500091	. SCREW CAP HEX 1/2-20x1 3/4 G5 ZP			6	
19	611020	. V-SEAL			2	
NS	611152	. SEAL RING			2	
20	611144	. BUSHING LOWER KING PIN			2	
21	611148	. KING PIN			2	
22	611155	. CAP LOWER / KING PIN			2	
NS	611156	. O-RING			2	
22	612364	. SCREW 3/8-24			4	
22	612363	. WASHER			4	



From 3-4417 To 3-4757	Date:10/2022	PAGE:HF-1005-50
FRONT AXLE - INDEPENDENT MODEL "IS-84" / 16500LBS		

Item#	Part	Description	H 3 4 1	H 3 4 5	V I P 4 5	N O T E S
23	611258	. SWIVEL PIN LOCK			2	
25	611172	. STEERING ARM L.H.			1	
25	611171	. STEERING ARM R.H.			1	
26	611167	. STUD 3/4-16 X 4 1/2"			2	
26	611166	. STUD 3/4-16 X 3 1/4"			2	
28	5001196	. NUT HEX SLT 3/4-16			8	
29	661071	. UPRIGHT ARM L.H. / W/56 Deg			1	
29	661072	. UPRIGHT ARM R.H. / W/56 Deg			1	
30	501493	. GREASE FITTING 45° / 1/8 NPT			2	
NS	504615	. PROTECTOR CAP / BLACK / .313 I.D. x .500			2	
31	611248	. STUD M16			1	
31	611249	. STUD M16			1	
32	500781	. NUT HEX STO M16-2.0 DP			2	
40	HF-1405-00	STEERING WHEEL & COLUMN ASSY				
41	HF-1605-00	FRONT AXLE - INSTALL W/ I BEAM RIGID				
51	641096	CLIP, SPRING / TO FIX SENSOR			2	
52	641288	SENSOR ABS (ON FRONT AXLE) 90° ANGLE			2	
53	HF-1300-00	HUB & ROTOR - FRONT AXLE MODEL "S-84" & "IS-84"				
54	HF-1225-00	BRAKE PARTS - FRONT AXLE - W/"KNORR-BREMSE" / SB7 SERIES To 7-0869				
54	HF-1225-01	BRAKE PARTS "KNORR-BREMSE" SN7 SERIES - "RETROFIT" & "SERVICE" From 7-0870				
100	611162	KIT REPAIR / STEERING KNUCKLE BUSHING (PARALLEL) / (REQUIRES 2 KITS)			AR	B
. NS	611008	. CAP COVER			1	B
. NS	611153	. NUT HEX STO 1 3/8"-12			1	B
. NS	611010	. WASHER 38.23x69.85x7			1	B
. NS	611011	. CONE BEARING			1	B
. NS	611012	. CUP BEARING			1	B
. NS	611017	. WASHER SHIM / .015"			4	B
. NS	611016	. WASHER SHIM / .010"			4	B
. NS	611015	. WASHER SHIM / .008"			2	B
. NS	611014	. WASHER SHIM / .006"			2	B
. NS	611013	. WASHER SHIM / .005"			2	B
. NS	611145	. OIL SEAL			1	B
. NS	611154	. SLEEVE			1	B
. NS	611294	. V-SEAL			1	B
. NS	611144	. BUSHING LOWER KING PIN			1	B
. NS	611148	. KING PIN			1	B
. NS	611155	. CAP LOWER / KING PIN			1	B
. NS	611156	. O-RING			1	B
. NS	611258	. SWIVEL PIN LOCK			1	B
. NS	610029	. NUT 7/16 UNF			1	B
. NS	5001200	. WASHER FL .453x.875x.090			1	B



From 3-4417 To 3-4757	Date:10/2022	PAGE:HF-1005-50
-----------------------	--------------	-----------------

FRONT AXLE - INDEPENDENT MODEL "IS-84" / 16500LBS

Item#	Part	Description	H 3 4 1	H 3 4 5	V I P 4 5	N O T E S
		A) USE WITH AXLE WITH 3° CASTER				
		B) INCLUDING ITEM # 3 TO 12 & # 19 TO 23				
		R) USE ONLY WITH RETROFIT HUB "UNITISED" BEARING # 611329 (PAGE HF-1300-99)				

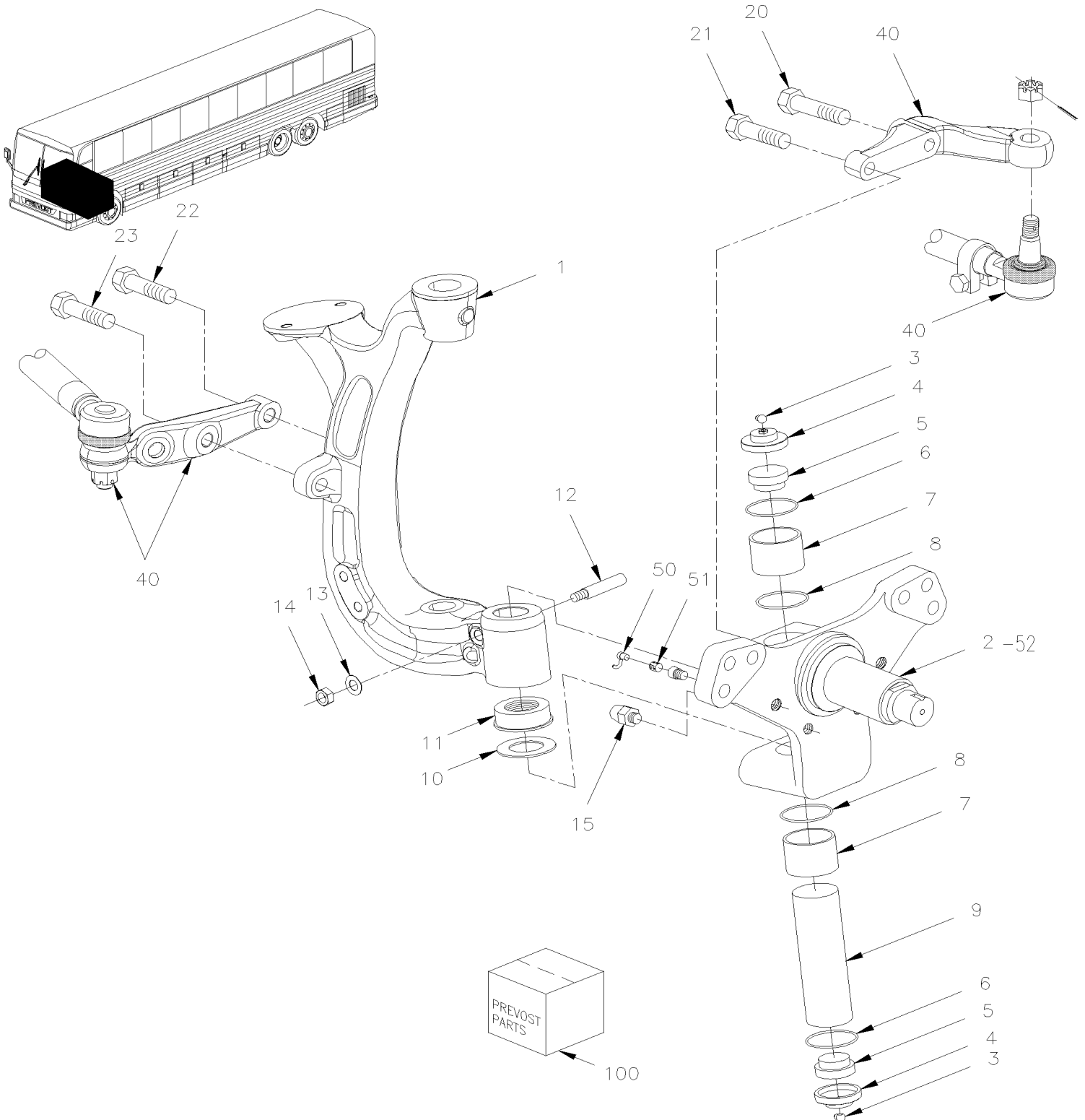


From 4-4758 To 8-1043

Date:10/2022

PAGE:HF-1005-51

FRONT AXLE - INDEPENDENT MODEL "NDIFS80P" / 18000LBS





From 4-4758 To 8-1043	Date:10/2022	PAGE:HF-1005-51
FRONT AXLE - INDEPENDENT MODEL "NDIFS80P" / 18000LBS		

Item#	Part	Description	H 3 4 1	H 3 4 5	V I P 4 5	N O T E S
	611254	AXLE ASSY L.H. & R.H. / NDIFS80P / W/56 Deg To 6-0411			1	
	611345	AXLE ASSY L.H. & R.H. / NDIFS80P / W/58 Deg From 6-0412 To 7-0869			1	
	612351	AXLE ASSY L.H. & R.H. / NDIFS80P / W/58 Deg From 7-0870 To 7-0967			1	
	612355	AXLE ASSY L.H. & R.H. / NDIFS80P / W/58 Deg From 7-0968			1	
1	612325	. AXLE L.H. To 7-0967			1	
1	612370	. AXLE L.H. / W/DOUBLE LOCK ON KING PIN From 7-0968			1	
1	612327	. AXLE R.H. To 7-0967			1	
1	612369	. AXLE R.H. / W/DOUBLE LOCK ON KING PIN From 7-0968			1	
2	611280	. KNUCKLE L.H. & R.H.			2	
3	501490	. GREASE FITTING / 1/8 NPT			2	
4	611283	. CAP UPPER & LOWER			2	
5	611939	. FOAM INSERT			2	
6	611284	. SNAP RING, EXT 2400-55			2	
7	611937	. BUSHING (STD)			2	
8	611936	. OIL SEAL			2	
9	611947	. KING PIN WITH SINGLE LOCK PIN To 7-0967			1	
10	611956	. SHIM 0.013			AR	
10	611957	. SHIM 0.025			AR	
10	611958	. SHIM 0.050			AR	
10	611959	. SHIM 0.020			AR	
11	611941	. BEARING THRUST			1	
12	611942	. PIN COTTER			1	
13	500446	. WASHER FL .531x1.250x.125 Z050			1	
14	500716	. NUT HEX 1/2-20 Z050			1	
15	611287	. LOCKSTOP SCREW FRONT			1	
NS	611288	. LOCKSTOP SCREW BACK			1	
20	611308	. SCREW CAP HEX M20-2.5x100 G12.9			1	
21	611306	. SCREW CAP HEX M20-2.5x65 G12.9			1	
22	611305	. SCREW CAP HEX M20-2.5x60 G12.9			1	
23	611307	. SCREW CAP HEX M20-2.5x80 G12.9			1	
40	HF-1410-51	STEERING RODS - INSTALLATION W/INDEPENDENT "NDIFS80P" / 18000LBS				
50	641288	SENSOR ABS (ON FRONT AXLE) 90° ANGLE To 7-0941			1	
50	642084	SENSOR ABS 90° ANGLE - OEM From 7-0942			1	
51	641096	CLIP, SPRING / TO FIX SENSOR			1	
52	HF-1300-01	HUB & ROTOR - FRONT AXLE MODEL "S84U" & "NDIFS80P"				
53	HF-1225-00	BRAKE PARTS - FRONT AXLE - W/"KNORR-BREMSE" / SB7 SERIES To 7-0869				
53	HF-1225-01	BRAKE PARTS "KNORR-BREMSE" SN7 SERIES - "RETROFIT" & "SERVICE" From 7-0870				
100	611962	KIT REPAIR / STEERING KNUCKLE BUSHING (STD) / (REQUIRE 2 KITS) To 7-0967			2	
100	611131	KIT REPAIR / STEERING KNUCKLE BUSHING (UNDER SIZED) / (REQUIRE 2 KITS) From 7-0968			2	T
. NS	SB07_03	. NSDIFS80P - KINGPIN KITS From 7-0968			1	T
100	611132	KIT REPAIR / STEERING KNUCKLE BUSHING (STD) / (REQUIRE 2 KITS) From 7-0968			2	



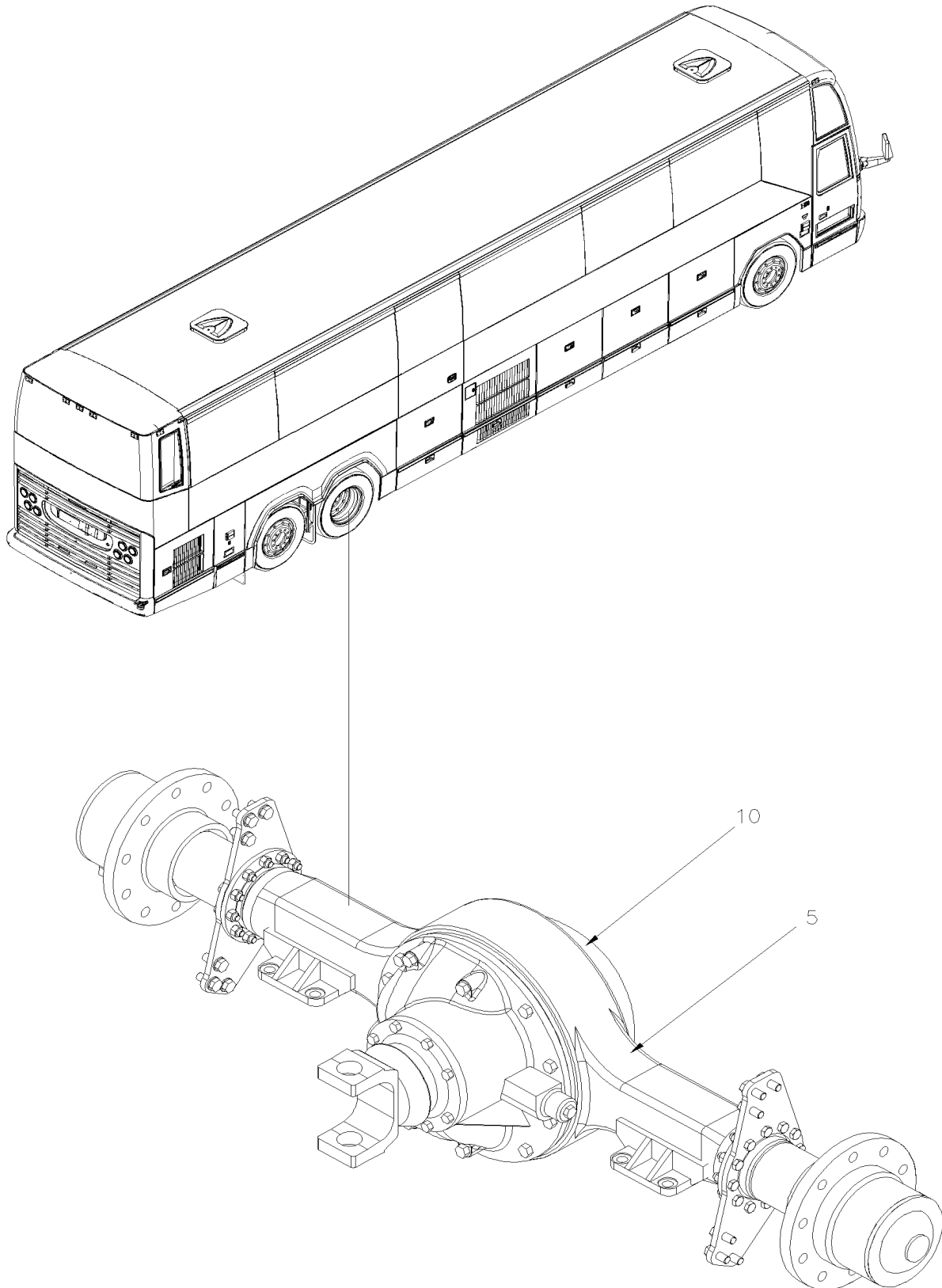
From 4-4758 To 8-1043	Date:10/2022	PAGE:HF-1005-51
-----------------------	--------------	-----------------

FRONT AXLE - INDEPENDENT MODEL "NDIFS80P" / 18000LBS

Item#	Part	Description	H 3 4 1	H 3 4 5	V I P 4 5	N O T E S
. NS	SB07_03	. NSDIFS80P - KINGPIN KITS From 7-0968			1	
		T) WITH THIS KITS YOU REQUIRE REAMER TOOL TO REPAIR				



	Date:10/2022	HF-11
REAR AXLE		





		Date:10/2022	HF-11			
REAR AXLE						
Item#	Part	Description	H 3 4 1	H 3 4 5	V I P 4 5	N O T E S
5	HF-1105-00	REAR AXLE - MODEL "RC23160" From 3-4417 To 8-1043				
10	HF-1110-00	CARRIER ASSY From 3-4417 To 8-1043				

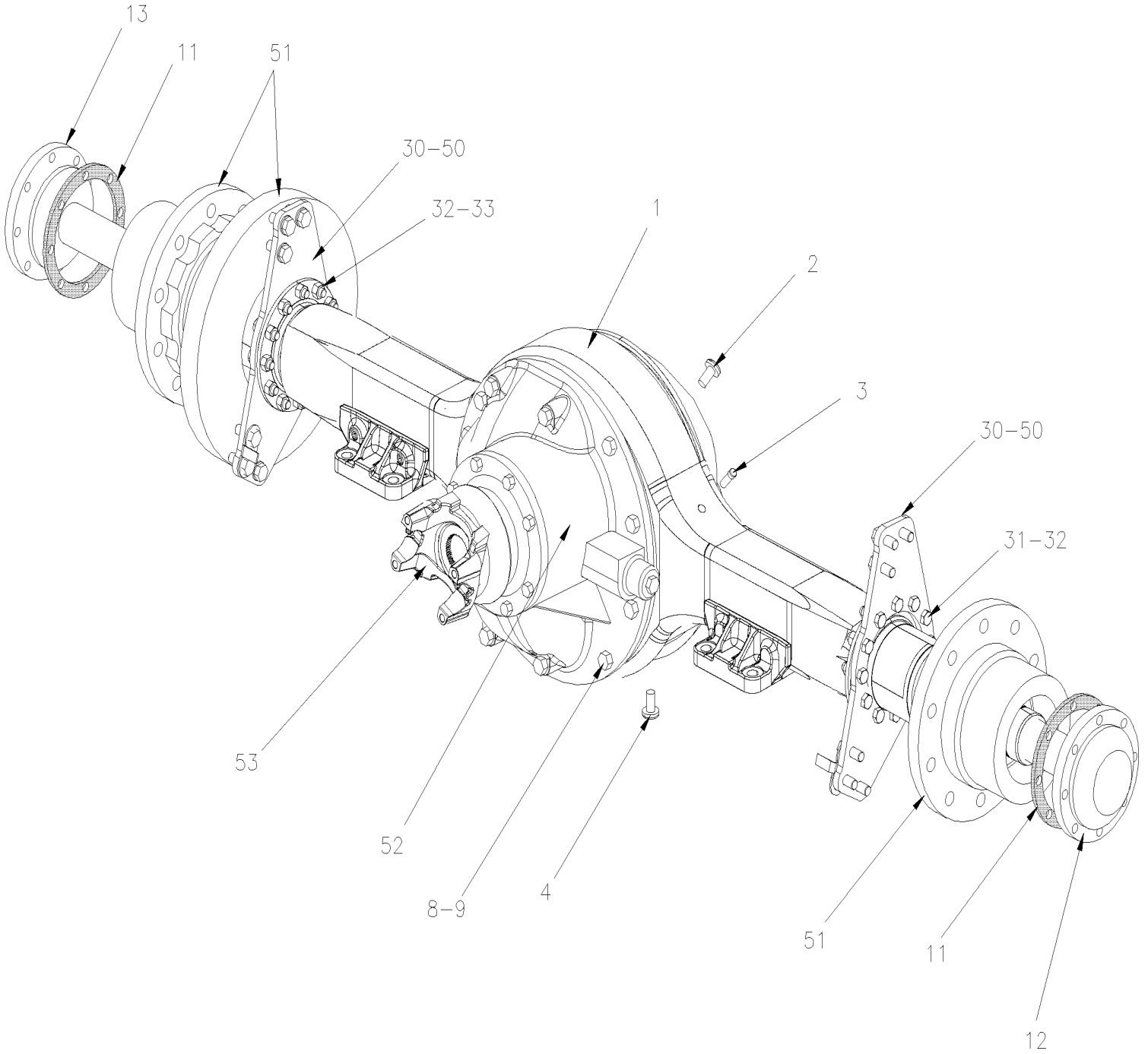


From 3-4417 To 8-1043

Date:10/2022

PAGE:HF-1105-00

REAR AXLE - MODEL "RC23160"





From 3-4417 To 8-1043	Date:10/2022	PAGE:HF-1105-00
REAR AXLE - MODEL "RC23160"		

Item#	Part	Description	H 3 4 1	H 3 4 5	V I P 4 5	N O T E S
		... AXLE ASSY WITHOUT WHEELS STUD				
621769		REAR AXLE ASSY / 3.42 RATIO	1	1	1	
621791		REAR AXLE ASSY / 3.42 RATIO	1	1	1	
621770		REAR AXLE ASSY / 3.42 RATIO / SUPER SINGLE To 7-0869	1	1	1	
621792		REAR AXLE ASSY / 3.42 RATIO / SUPER SINGLE From 7-0870	1	1	1	
621760		REAR AXLE ASSY / 3.58 RATIO	1	1	1	
621789		REAR AXLE ASSY / 3.58 RATIO	1	1	1	
621768		REAR AXLE ASSY / 3.58 RATIO / SUPER SINGLE To 7-0869	1	1	1	
621790		REAR AXLE ASSY / 3.58 RATIO / SUPER SINGLE From 7-0870	1	1	1	
621676		REAR AXLE ASSY / 3.73 RATIO To 4-4837	1	1		
621736		REAR AXLE ASSY / 3.73 RATIO From 4-4838 To 5-0109	1	1		
621749		REAR AXLE ASSY / 3.73 RATIO From 5-0110 To 7-0869	1	1		
621788		REAR AXLE ASSY / 3.73 RATIO From 7-0870	1	1	1	
621742		REAR AXLE ASSY / 3.73 RATIO / SUPER SINGLE From 5-0110 To 7-0869	1	1		
621782		REAR AXLE ASSY / 3.73 RATIO / SUPER SINGLE From 7-0870	1	1	1	
621685		REAR AXLE ASSY / 4.10 RATIO To 3-4429	1	1	1	
621349		REAR AXLE ASSY / 4.10 RATIO From 3-4430 To 4-4766	1	1	1	
621703		REAR AXLE ASSY / 4.10 RATIO From 4-4767 To 4-4837	1	1	1	
621732		REAR AXLE ASSY / 4.10 RATIO From 4-4838 To 5-0109	1	1	1	
621744		REAR AXLE ASSY / 4.10 RATIO From 5-0110 To 7-0869	1	1	1	
621784		REAR AXLE ASSY / 4.10 RATIO From 7-0870	1	1	1	
621740		REAR AXLE ASSY / 4.10 RATIO / SUPER SINGLE From 5-0110 To 7-0869	1	1	1	
621781		REAR AXLE ASSY / 4.10 RATIO / SUPER SINGLE From 7-0870	1	1	1	
621677		REAR AXLE ASSY / 4.30 RATIO To 3-4429	1	1		
621697		REAR AXLE ASSY / 4.30 RATIO From 3-4430 To 3-4766	1	1		
621704		REAR AXLE ASSY / 4.30 RATIO From 4-4767 To 4-4837	1	1		
621733		REAR AXLE ASSY / 4.30 RATIO From 4-4838 To 5-0109	1	1		
621745		REAR AXLE ASSY / 4.30 RATIO From 5-0110 To 7-0869	1	1		
621785		REAR AXLE ASSY / 4.30 RATIO From 7-0870	1	1	1	
621739		REAR AXLE ASSY / 4.30 RATIO / SUPER SINGLE From 5-0110 To 7-0869	1	1		
621780		REAR AXLE ASSY / 4.30 RATIO / SUPER SINGLE From 7-0870	1	1	1	
621700		REAR AXLE ASSY / 4.56 RATIO / W/DIFF LOCK To 4-4766	1	1	1	
621707		REAR AXLE ASSY / 4.56 RATIO / W/DIFF LOCK From 4-4767 To 4-4837	1	1	1	
621737		REAR AXLE ASSY / 4.56 RATIO / W/DIFF LOCK To 5-0109	1	1	1	
621748		REAR AXLE ASSY / 4.56 RATIO / W/DIFF LOCK From 5-0110 To 7-0869	1	1	1	
621741		REAR AXLE ASSY / 4.56 RATIO / W/DIFF LOCK & SUPER SINGLE From 5-0110 To 7-0869	1	1	1	
621678		REAR AXLE ASSY / 4.56 RATIO To 3-4429	1	1	1	
621698		REAR AXLE ASSY / 4.56 RATIO From 3-4430 To 4-4766	1	1	1	
621705		REAR AXLE ASSY / 4.56 RATIO From 4-4767 To 4-4837	1	1	1	
621734		REAR AXLE ASSY / 4.56 RATIO From 4-4838 To 5-0109	1	1	1	



From 3-4417 To 8-1043	Date:10/2022	PAGE:HF-1105-00
REAR AXLE - MODEL "RC23160"		

Item#	Part	Description	H 3 4 1	H 3 4 5	V I P 4 5	N O T E S
	621746	REAR AXLE ASSY / 4.56 RATIO From 5-0110 To 7-0869	1	1	1	
	621786	REAR AXLE ASSY / 4.56 RATIO From 7-0870	1	1	1	
	621738	REAR AXLE ASSY / 4.56 RATIO / SUPER SINGLE From 5-0110 To 7-0869	1	1	1	
	621779	REAR AXLE ASSY / 4.56 RATIO / SUPER SINGLE From 7-0870	1	1	1	
	621679	REAR AXLE ASSY / 4.88 RATIO To 3-4429	1	1	1	
	621699	REAR AXLE ASSY / 4.88 RATIO From 3-4430 To 4-4766	1	1	1	
	621706	REAR AXLE ASSY / 4.88 RATIO From 4-4767 To 4-4837	1	1	1	
	621735	REAR AXLE ASSY / 4.88 RATIO From 4-4838 To 5-0109	1	1	1	
	621747	REAR AXLE ASSY / 4.89 RATIO From 5-0110 To 7-0869	1	1	1	
	621787	REAR AXLE ASSY / 4.89 RATIO From 7-0870	1	1	1	
	621743	REAR AXLE ASSY / 4.89 RATIO / SUPER SINGLE From 5-0110 To 7-0869	1	1	1	
	621783	REAR AXLE ASSY / 4.89 RATIO / SUPER SINGLE From 7-0870	1	1	1	
1	621614	HOUSING ASSY W/BRACKET WELDED To 5-0109	1	1	1	D
1	621754	HOUSING ASSY W/BRACKET WELDED From 5-0110	1	1	1	D
1	621752	HOUSING ASSY W/BRACKET WELDED / SUPER SINGLE From 5-0110	1	1	1	S
1	680053	. SILICONE TUBE RTV103 / BLACK / 3 oz	2	2	2	
2	620317	. PLUG FILLER	1	1	1	
3	620442	. BREATHER / (CURRENT 1 PIECE)	2	2	2	
3	621871	. BREATHER AND TUBE	1	1	1	T
4	621615	. PLUG MAGNETIC	1	1	1	
6	HF-1110-00	. CARRIER ASSY				
8	5001422	. SCREW CAP HEX 5/8-11x2 1/2 G8 ZP	12	12	12	
8	5001423	. SCREW CAP HEX 5/8-11x4 G8 ZP	4	4	4	
8	621221	. SCREW CAP HEX 5/8-11x1 3/4 G8 ZP	AR	AR	AR	
9	620474	. WASHER HARDENED / 5/8" I.D.	18	18	18	
10	500742	. NUT HEX STO 7/8-14 ZP	18	18	18	
11	620351	. GASKET / AXLE SHAFT W/8 STUDS	2	2	2	
12	621626	. SHAFT, AXLE / 42" (stp 1537) (INSTALL RH CURBSIDE)	1	1	1	D
12	621755	. SHAFT, AXLE / 46.30" (stp 1998) / SUPER SINGLE (INSTALL RH CURBSIDE) From 5-0110	1	1	1	S
13	621625	. SHAFT, AXLE / 40 1/8" (stp 1536) (INSTALL LH STREET SIDE)	1	1	1	D
13	621756	. SHAFT, AXLE / 44.37"(stp 1999) / SUPER SINGLE (INSTALL LH STREET SIDE) From 5-0110	1	1	1	S
NS	689949	OIL DIFERENTIAL S.A.E. 140 GL5 85-140W (VRAC)	NS	NS	NS	
		NEXT FOLLOWING ITEMS ARE RELATED WITH "OPTION" DIFFERENTIAL LOCK				
NS	624216	DECAL "CAUTION" DIFFERENTIAL LOCK..."	1	1	1	
NS	562697	SWITCH / ON-ON / D.P.D.T. / CH-OVER / W/RED & GREEN LED	1	1	1	
NS	564013	CAP / DIFFERENTIAL LOCK	1	1	1	
NS	142364	HOSE ASSY / DIFF & STRUCTURE / #6 695MM	1	1	1	
NS	172589	SUPPORT HOSE / (WELDED TO STRUCTURE)	1	1	1	



From 3-4417 To 8-1043	Date:10/2022	PAGE:HF-1105-00
REAR AXLE - MODEL "RC23160"		

Item#	Part	Description	H 3 4 1	H 3 4 5	V I P 4 5	N O T E S
NS	641937	VALVE, 3 WAYS, 2 POSITIONS N.C. / W/MAN OVERRIDE	1	1	1	
. NS	641929	. COIL 24V	1	1	1	
. NS	641385	. CONNECTOR / SOCKET HOUSING ASSY 3C / PNEUMAC 54934-01	1	1	1	
NS	641934	SILENCER / MUFFLER / 3/8NPT-M	1	1	1	
30	621669	CALIPER MOUNTING BRACKET L.H. & R.H. To 7-0869	2	2	2	
. NS	621709	. CALIPER MOUNTING BRACKET L.H. & R.H. W/OUT BUSHING To 7-0869	1	1	1	
. NS	621684	. BUSHING ABS SENSOR MOUNTING DRIVE AXLE To 7-0869	1	1	1	
30	621868	CALIPER MOUNTING BRACKET L.H. & R.H. W/OUT BUSHING From 7-0870	2	2	2	
30	621869	BUSHING - ABS SENSOR From 7-0870	2	2	2	
31	621636	SCREW CAP HEX / TO FIX BRACKET TO AXLE 9/16-18 X 2 GR 8	12	12	12	
32	621365	WASHER (HARD) .59IDX.97ODX.09	24	24	24	
33	621638	NUT HEX 9/16-18 GR8	12	12	12	
50	HF-1235-00	BRAKE PARTS - DRIVE AXLE "MERITOR" W/DISCS / SB7 SERIES To 7-0869				
50	HF-1225-01	BRAKE PARTS "KNORR-BREMSE" SN7 SERIES - "RETROFIT" & "SERVICE" From 7-0870				
51	HF-1305-00	HUB & ROTOR - DRIVE AXLE				
52	HF-1110-00	CARRIER ASSY				
53	HF-0905-00	PROPELLER SHAFT				
		D) WITH DOUBLE WHEEL ONLY				
		S) WITH SUPPER SINGLE ONLY				
		T) PRODUCT IMPROVEMENT				

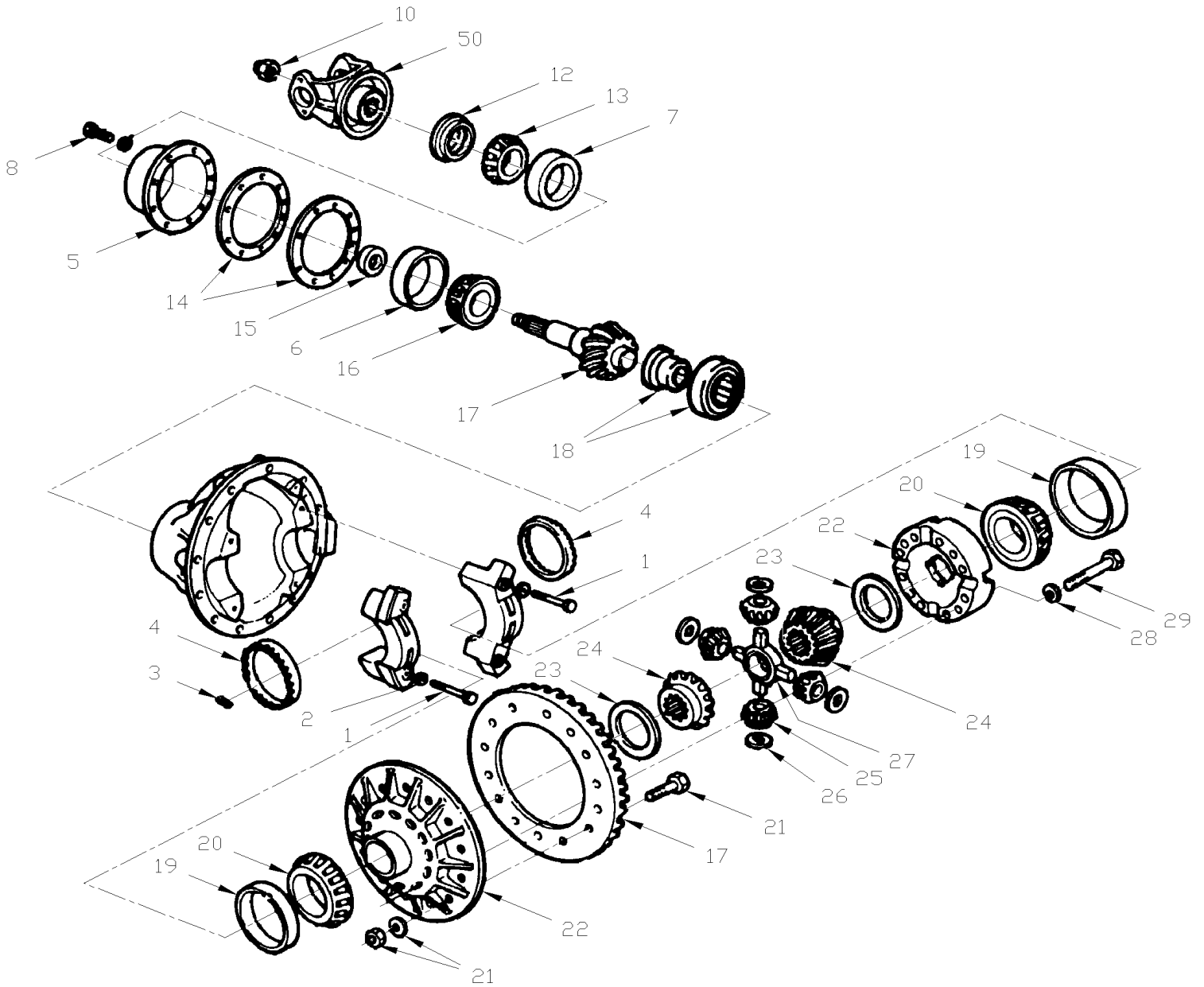


From 3-4417 To 8-1043

Date:10/2022

PAGE:HF-1110-00

CARRIER ASSY





From 3-4417 To 8-1043	Date:10/2022	PAGE:HF-1110-00
CARRIER ASSY		

Item#	Part	Description	H 3 4 1	H 3 4 5	V I P 4 5	N O T E S
	621549	CARRIER ASSY / 3.07 RATIO To 3-4427	1	1		
	621714	CARRIER ASSY / 3.07 RATIO From 3-4428	1	1		
	621550	CARRIER ASSY / 3.21 RATIO To 3-4427	1	1		
	621715	CARRIER ASSY / 3.21 RATIO From 3-4428	1	1		
	621551	CARRIER ASSY / 3.42 RATIO To 3-4427	1	1		
	621722	CARRIER ASSY / 3.42 RATIO From 3-4428	1	1		
	621547	CARRIER ASSY / 3.58 RATIO To 3-4427	1	1		
	621728	CARRIER ASSY / 3.58 RATIO From 3-4428	1	1		
	621548	CARRIER ASSY / 3.73 RATIO To 3-4427	1	1		
	621723	CARRIER ASSY / 3.73 RATIO From 3-4428	1	1		
	621552	CARRIER ASSY / 4.10 RATIO To 3-4427	1	1	1	
	621724	CARRIER ASSY / 4.10 RATIO From 3-4428	1	1	1	
	621555	CARRIER ASSY / 4.30 RATIO To 3-4427	1	1	1	
	621725	CARRIER ASSY / 4.30 RATIO From 3-4428	1	1	1	
	621553	CARRIER ASSY / 4.56 RATIO To 3-4427	1	1	1	
	621726	CARRIER ASSY / 4.56 RATIO From 3-4428	1	1	1	
	621691	CARRIER ASSY / 4.56 RATIO To 3-4427	1	1		
	621729	CARRIER ASSY / 4.56 RATIO / W/DIFF LOCK From 3-4428	1	1		
	621554	CARRIER ASSY / 4.89 RATIO To 3-4427	1	1	1	
	621727	CARRIER ASSY / 4.89 RATIO From 3-4428	1	1	1	
	N.S.P.	. CASE CARRIER	1	1	1	2
1	621418	. SCREW, CAP	4	4	4	
2	621417	. WASHER	4	4	4	
3	505128	. SPRING, PIN 1/4 X 2	2	2	2	
4	621479	. RING, ADJUSTING / W/MODEL 3200-P-1706	2	2	2	
5	621419	. CASE & CUP ASSY / PINION BEARING	1	1	1	
6	621420	. . CUP BEARING / INNER BEARING	1	1	1	
7	621421	. . CUP BEARING / OUTER BEARING	1	1	1	
8	621439	. SCREW, CAP	8	8	8	
10	621418	. SCREW, CAP	4	4	4	
10	621445	. NUT / DRIVE PINION	1	1	1	
12	621424	. SEAL, OIL	1	1	1	
NS	195671	SEAL INSTALLER TOOL / CARRIER DRIVE PINION (2731T1)	1	1	1	I
13	621423	. CONE BEARING / OUTER	1	1	1	
14	621438	. SHIM 0.020	AR	AR	AR	
14	621437	. SHIM 0.008	AR	AR	AR	
14	621436	. SHIM 0.005	AR	AR	AR	
14	621435	. SHIM 0.003	AR	AR	AR	
15	621434	. SPACER .263	AR	AR	AR	
15	621433	. SPACER .262	AR	AR	AR	
15	621432	. SPACER .261	AR	AR	AR	
15	621431	. SPACER .260	AR	AR	AR	



From 3-4417 To 8-1043	Date:10/2022	PAGE:HF-1110-00
CARRIER ASSY		

Item#	Part	Description	H 3 4 1	H 3 4 5	V I P 4 5	N O T E S
15	621430	. SPACER .256	AR	AR	AR	
15	621429	. SPACER .254	AR	AR	AR	
15	621428	. SPACER .253	AR	AR	AR	
15	621427	. SPACER .252	AR	AR	AR	
15	621426	. SPACER .251	AR	AR	AR	
15	621425	. SPACER .250	AR	AR	AR	
16	621422	. CONE BEARING / INNER	1	1	1	
		FOLLOWING SET, GEAR DRIVE & PINION ARE				
		USED ONLY WITH CARRIER MODEL 3200-P-1706				
17	621474	. SET, GEAR DRIVE & PINION / 3.21 RATIO To 3-4427	1	1		
17	621721	. SET, GEAR DRIVE & PINION / 3.21 RATIO From 3-4428	1	1		
17	621472	. SET, GEAR DRIVE & PINION / 3.42 RATIO To 3-4427	1	1		
17	621712	. SET, GEAR DRIVE & PINION / 3.42 RATIO From 3-4428	1	1		
17	621718	. SET, GEAR DRIVE & PINION / 3.58 RATIO	1	1		
17	621484	. SET, GEAR DRIVE & PINION / 3.73 RATIO To 3-4427	1	1		
17	621713	. SET, GEAR DRIVE & PINION / 3.73 RATIO From 3-4428	1	1		
17	621487	. SET, GEAR DRIVE & PINION / 4.10 RATIO To 3-4427	1	1	1	
17	621710	. SET, GEAR DRIVE & PINION / 4.10 RATIO From 3-4428	1	1	1	
17	621646	. SET, GEAR DRIVE & PINION / 4.30 RATIO To 3-4427	1	1	1	
17	621720	. SET, GEAR DRIVE & PINION / 4.30 RATIO From 3-4428	1	1	1	
17	621538	. SET, GEAR DRIVE & PINION / 4.56 RATIO To 3-4427	1	1	1	
17	621716	. SET, GEAR DRIVE & PINION / 4.56 RATIO From 3-4428	1	1	1	
17	621541	. SET, GEAR DRIVE & PINION / 4.89 RATIO To 3-4427	1	1	1	
17	621719	. SET, GEAR DRIVE & PINION / 4.89 RATIO From 3-4428	1	1	1	
18	621481	. BEARING SPIGOT / INNER & OUTER / W/3200-P-1706	1	1	1	
NS	621482	. RING, SNAP / TO FIX SPIGOT BEARING	1	1	1	
19	621210	. CUP BEARING	2	2	2	A
20	621209	. CONE BEARING	2	2	2	A
21	621444	. BOLT, NUT & WASHER / (KIT OF 12)	1	1	1	
		FOLLOWING CASES ASSY				
		DO NOT INCLUDE ITEMS #23 TO 27				
		FOR CARRIER MODEL 3200-P-1706				
		WITH ABS SENSOR MOUNTED ON HUB WHEEL.				
22	621480	. CASE ASSY W/RATIO 3.07, 3.21, 3.42& 3.73	1	1		
22	621488	. CASE ASSY / W/RATIO 3.91, 4.10, 4.30 & 4.56	1	1	1	
22	621539	. CASE ASSY / W/RATIO 4.89	1	1	1	
23	621449	. WASHER, THRUST / SIDE GEAR	2	2	2	
24	621450	. GEAR, SIDE	4	4	4	

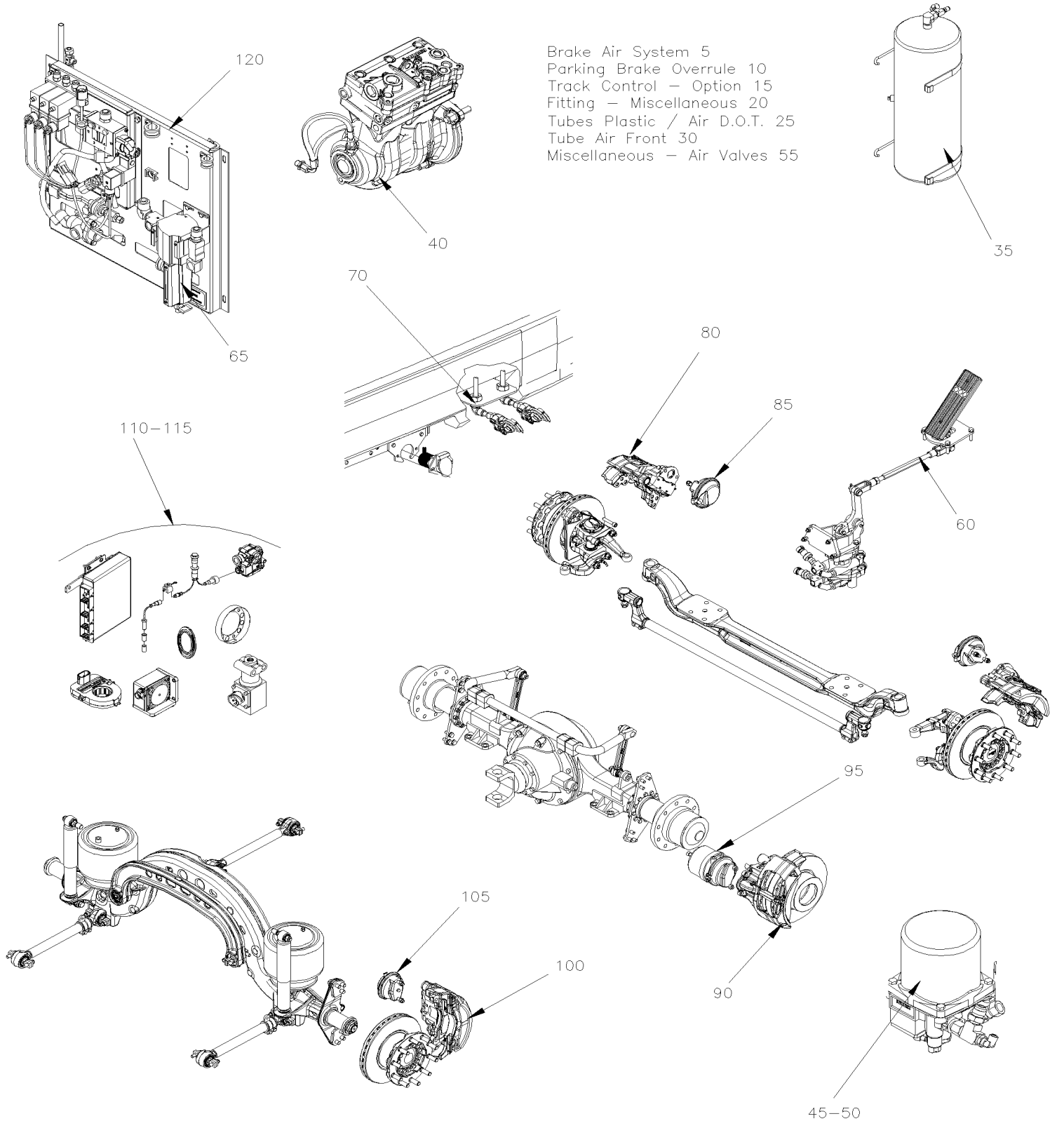


From 3-4417 To 8-1043	Date:10/2022	PAGE:HF-1110-00
CARRIER ASSY		

Item#	Part	Description	H 3 4 1	H 3 4 5	V I P 4 5	N O T E S
25	621452	. GEAR, PINION	4	4	4	
26	621453	. WASHER, GEAR PINION	4	4	4	
27	621451	. SPIDER	1	1	1	
28	621447	. WASHER	12	12	12	
29	621448	. SCREW, CAP	12	12	12	
NS	621653	KIT, CUP & CONE	1	1	1	A
50	621403	. YOKE (1810) FULL ROUND (46 SPL)	1	1	1	
. NS	621501	. . DEFLECTOR, OIL	1	1	1	
. NS	621492	. . SPEEDY SLEEVE 3.250" I.D. / TO REPAIR OIL LEAK ON YOKE	1	1	1	
50	621501	. DEFLECTOR, OIL	1	1	1	
50	621492	. SPEEDY SLEEVE 3.250" I.D. / TO REPAIR OIL LEAK ON YOKE	1	1	1	B
		A) ALSO SOLD IN KIT #621653 KIT BEARING #403				
		B) TO REPAIR OIL LEAK ON YOKE				
		1) THIS TOOL INSTALLER ARE USE WITH NEW SEAL STAMPED A1205A2731				
		2) NOT SOLD BY PREVOST (SEE MANUFACTURING PART NUMBER AT END OF DESCRIPTION LINE)				



	Date:10/2022	HF-12
BRAKE		





		Date:10/2022	HF-12			
BRAKE						
Item#	Part	Description	H 3 4 1	H 3 4 5	V I P 4 5	N O T E S
5	HF-1200-00	BRAKE AIR SYSTEM From 3-4417 To 4-4866				
5	HF-1200-01	BRAKE AIR SYSTEM From 4-4867 To 8-1043				
10	HF-1200-05	PARKING BRAKE OVERRULE From 3-4417 To 8-1043				
15	HF-1200-10	TRACK CONTROL - OPTION From 3-4417 To 8-1043				
20	HF-1201-00	FITTING - MISCELLANEOUS From 3-4417 To 8-1043				
25	HF-1202-00	TUBES PLASTIC / AIR D.O.T. From 3-4417 To 8-1043				
30	HF-1202-05	TUBE AIR FRONT INSTALLATION From 3-4417 To 8-1043				
35	HF-1203-00	AIR TANK - INSTALLATION From 3-4417 To 8-1043				
40	HF-1205-10	AIR COMPRESSOR - "TU-FLO 750" - WITH DETROIT S-60 From 3-4417 To 3-4757				
40	HF-1205-11	AIR COMPRESSOR - "BA921" - WITH DETROIT S-60 From 4-4758 To 8-1043				
45	HF-1215-00	AIR DRYER - "HALDEX" From 3-4417 To 3-4580				
45	HF-1215-01	AIR DRYER - "BENDIX" AD-9 From 3-4581 To 3-4757				
45	HF-1215-02	AIR DRYER - "HALDEX" From 4-4758 To 8-1043				
45	HF-1215-03	AIR DRYER - "ROCKWELL WABCO" From 3-4417 To 8-1043				
45	HF-1215-11	AIR DRYER TUBE - INSTALLATION From 3-4417 To 8-1043				
50	HF-1215-15	CHECK VALVE INSTALLATION W/AD-9 AIR DRIER From 4-4758 To 8-1043				
55	HF-1220-00	MISCELLANEOUS - AIR VALVES From 3-4417 To 8-1043				
60	HF-1220-10	BRAKE PEDAL VALVE - "BENDIX" From 3-4417 To 8-1043				
65	HF-1220-15	AIR FILTER - ACCESSORIES From 3-4417 To 8-1043				
70	HF-1220-50	TRAILER VALVE INSTALLATION From 3-4417 To 8-1043				
70	HF-1220-51	TRAILER VALVE INSTALLATION - W/ESP CONTROL From 7-0942 To 8-1043				
80	HF-1225-00	BRAKE PARTS - FRONT AXLE - W/"KNORR-BREMSE" / SB7 SERIES From 3-4417 To 7-0869				
80	HF-1225-01	BRAKE PARTS "KNORR-BREMSE" SN7 SERIES - "RETROFIT" & "SERVICE" From 7-0870 To 8-1043				
80	HF-1225-02	BRAKE PARTS "KNORR-BREMSE" SN7 SERIES W/NEW SLIDE PINS From 3-4417 To 8-1043				
85	HF-1225-10	BRAKE CHAMBER - FRONT AXLE TYPE 22 From 3-4417 To 3-4757				
85	HF-1225-11	BRAKE CHAMBER - FRONT AXLE TYPE 24 From 3-4417 To 8-1043				
85	HF-1225-12	BRAKE CHAMBER - FRONT AXLE TYPE 27 From 4-4758 To 7-0941				
90	HF-1235-00	BRAKE PARTS - DRIVE AXLE "MERITOR" W/DISCS / SB7 SERIES From 3-4417 To 7-0869				
95	HF-1235-10	BRAKE CHAMBER - DRIVE AXLE "KNORR-BREMSE" From 3-4417 To 8-1043				
100	HF-1245-00	BRAKE PARTS - TAG AXLE - W/"KNORR-BREMSE" / SB7 SERIES From 3-4417 To 7-0869				
105	HF-1245-10	BRAKE CHAMBER - TAG AXLE TYPE 16/16 From 3-4417 To 3-4757				
105	HF-1245-11	BRAKE CHAMBER - TAG AXLE TYPE 14/16 From 4-4758 To 8-1043				
105	HF-1245-12	BRAKE CHAMBER - TAG AXLE TYPE 14 & 16 From 7-0942 To 8-1043				
110	HF-1250-00	ANTI-LOCK BRAKING SYSTEM From 3-4417 To 8-1043				
110	HF-1250-01	ABS & ESP CONTROL From 7-0942 To 8-1043				
115	HF-1250-10	ABS BRAKE VALVE INSTALLATION From 3-4417 To 8-1043				
115	HF-1250-11	ABS BRAKE VALVE - INSTALLATION From 7-0942 To 8-1043				
120	HF-1260-00	VALVE SUPPORT ASSY From 3-4417 To 3-4757				
120	HF-1260-01	VALVE SUPPORT ASSY From 4-4758 To 8-1043				



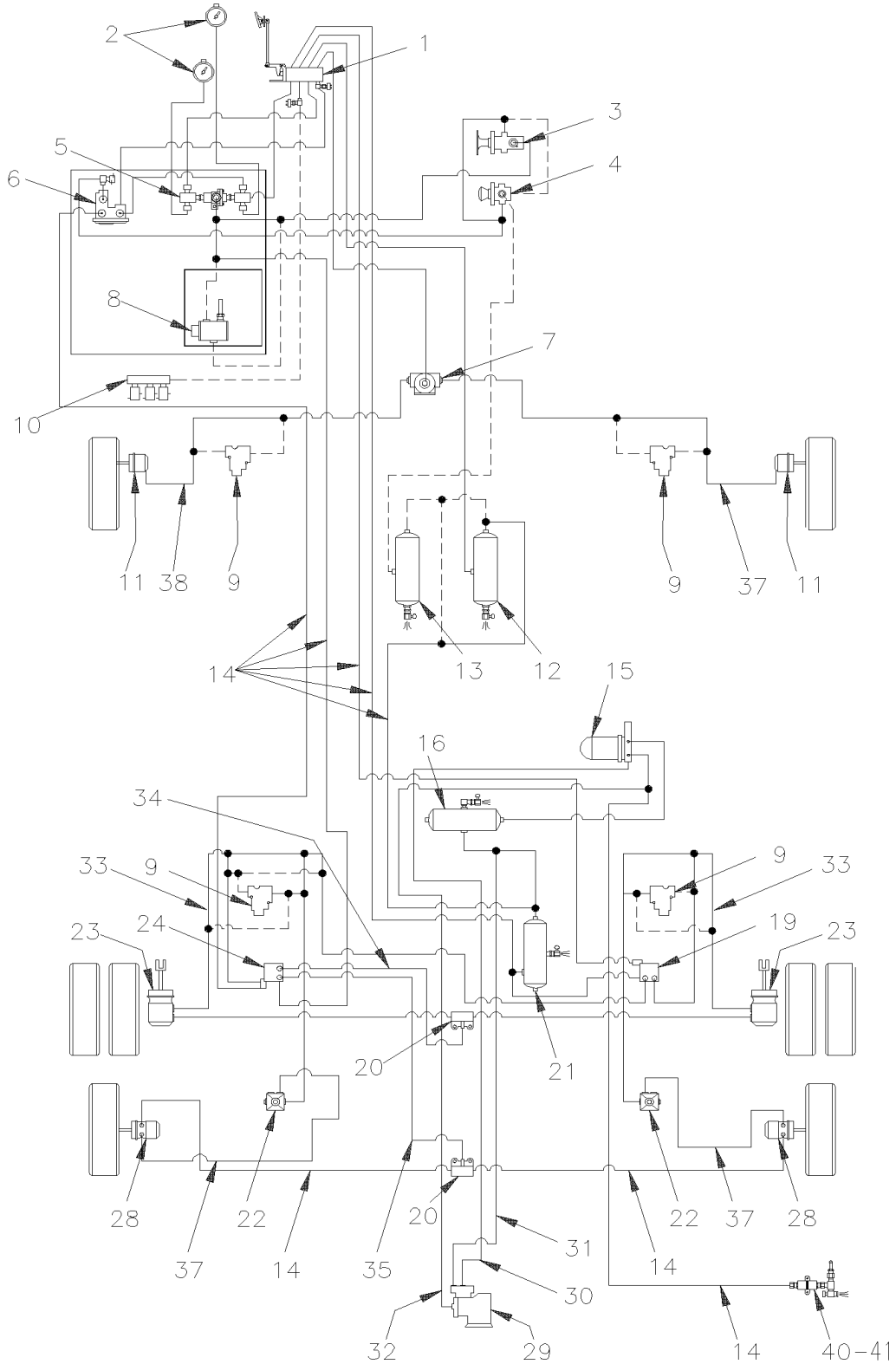
From 3-4417 To 4-4866

Date:10/2022

PAGE:HF-1200-00

BRAKE AIR SYSTEM

COACH





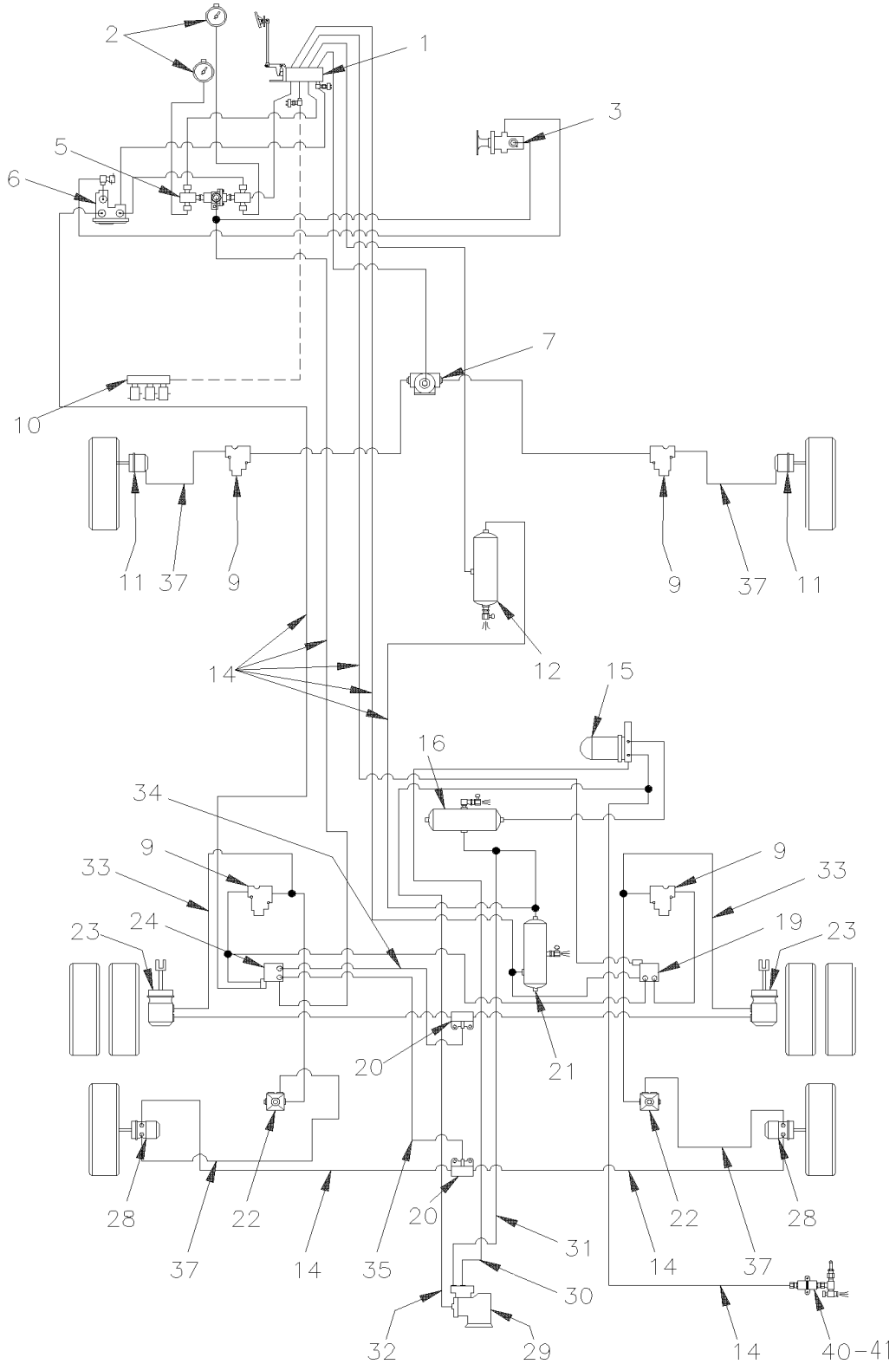
From 3-4417 To 4-4866

Date:10/2022

PAGE:HF-1200-00

BRAKE AIR SYSTEM

V.I.P.





From 3-4417 To 4-4866	Date:10/2022	PAGE:HF-1200-00
BRAKE AIR SYSTEM		

Item#	Part	Description	H 3 4 1	H 3 4 5	V I P 4 5	N O T E S
1	HF-1220-10	BRAKE PEDAL VALVE - "BENDIX"				
2	HF-0645-20	CENTER DASHBOARD PANEL				
3	641128	VALVE, CONTROL VALVE PP-1 / 40PSI	1	1	1	
. NS	641154	. REPAIR KIT / PP-1 & RD-3	1	1	1	
4	640472	VALVE, CONTROL / RD-3	1	1	1	B
. NS	641154	. REPAIR KIT / PP-1 & RD-3	1	1	1	B
5	641015	VALVE, DOUBLE CHECK DC-4 To 3-4597	1	1	1	
5	641564	VALVE, DOUBLE CHECK DC-4 From 3-4598	1	1	1	
6	640870	VALVE / SPRING BRAKE SR-1	1	1	1	
. NS	640921	. REPAIR KIT / SR-1	1	1	1	
7	641429	VALVE, QUICK RELEASE QR-1 / 3/8NPTx3/8NPTx3/8NPT	1	1	1	
. NS	640924	. REPAIR KIT / QR-1	1	1	1	
8	641528	VALVE, 3 WAYS, 2 POSITIONS N.O.	1	1		
. NS	641929	. COIL 24V	1	1		
. NS	641169	. SPOOL	1	1		
. NS	641385	. CONNECTOR / SOCKET HOUSING ASSY 3C / PNEUMAC 54934-01	1	1		
9	641537	VALVE, "ABS" 24VOLT To 3-4439	4	4	4	
9	641951	VALVE, "ABS" 12VOLT From 3-4440	4	4	4	
10	HF-0750-00	AUTOMATIC TRANSMISSION - "WORLD" WITH DETROIT S-60 To 3-4757				
10	HF-0750-01	AUTOMATIC TRANSMISSION - "WORLD" WITH DETROIT S-60 From 4-4758				
11	HF-1225-10	BRAKE CHAMBER - FRONT AXLE TYPE 22				
11	HF-1225-11	BRAKE CHAMBER - FRONT AXLE TYPE 24				
12	140869	AIR TANK / 1791 IN° / 9 1/2" O.D. X 27"	1	1	1	A
13	140869	AIR TANK / 1791 IN° / 9 1/2" O.D. X 27"	1	1		B
14	HF-1202-00	TUBES PLASTIC / AIR D.O.T.				
15	HF-1215-00	AIR DRYER - "HALDEX" To 3-4580				
15	HF-1215-01	AIR DRYER - "BENDIX" AD-9 From 3-4581				
16	140869	AIR TANK / 1791 IN° / 9 1/2" O.D. X 27"	1	1	1	C
19	642013	VALVE, RELAY R-12 DC	1	1	1	
20	641136	ANCHOR TEE / PIPE FITTING / 3/8NPT-Fx3/8NPT-Fx3/8NPT-F ZP	2	2	2	
21	641411	AIR TANK / 2370 IN° / 12" O.D. X 24"	1	1	1	
22	642067	VALVE, RELAY R-12 HORIZONTAL PORT	2	2	2	
23	HF-1235-10	BRAKE CHAMBER - DRIVE AXLE "KNORR-BREMSE"				
24	641120	VALVE, RELAY R-14 HORIZONTAL PORT	1	1	1	
. NS	10508267	. KIT, REPAIR	1	1	1	
NS	142540	SUPPORT VALVE R-14 & "ABS" REAR From 8-1045	1	1	1	
28	HF-1245-10	BRAKE CHAMBER - TAG AXLE TYPE 16/16 To 3-4757				
28	HF-1245-11	BRAKE CHAMBER - TAG AXLE TYPE 14/16 From 4-4758				
29	HF-1205-10	AIR COMPRESSOR - "TU-FLO 750" - WITH DETROIT S-60				
30	141970	HOSE ASSY TEFLON #4 4090MM	1	1	1	F
31	141970	HOSE ASSY TEFLON #4 4090MM	1	1	1	G
32	142295	HOSE ASSY TEFLON #12 815MM To 3-4757	1	1	1	H



From 3-4417 To 4-4866	Date:10/2022	PAGE:HF-1200-00
BRAKE AIR SYSTEM		

Item#	Part	Description	H 3 4 1	H 3 4 5	V I P 4 5	N O T E S
NS	032428	AIR TANK / 61 IN° / 6" O.D. X 4" From 4-4758	1	1	1	
33	641477	HOSE BRAKE #8 813MM (32")	2	2	2	
34	641901	HOSE BRAKE #8 952MM (37 1/2") To 4-4866	1	1	1	
35	641900	HOSE BRAKE #8 1040MM (41") To 4-4866	1	1	1	
37	641903	HOSE BRAKE #8 1090MM (43")	3	3		
37	641903	HOSE BRAKE #8 1090MM (43")			4	
38	641904	HOSE BRAKE #8 1190MM (47")	1	1	1	
40	640488	VALVE, AIR FILL 1/8" NPT	1	1	1	J
. NS	650164	. CAP VALVE / CHROME	1	1	1	J
40	684613	NIPPLE / QUICK DISCONNECT "INDUSTRIAL" / #4x1/4NPT-M STL	1	1	1	
41	5011129	NEEDLE VALVE 1/4 NPT M x 1/4 NPT F	1	1	1	
		A) SECONDARY				
		B) PARKING BRAKE OVERRULE				
		C) WET				
		F) GOVERNOR & TANK				
		G) GOVERNOR & AIR DRYER				
		H) COMPRESSOR & AIR DRYER TUBE				
		J) EXTERNAL AIR SUPPLY				

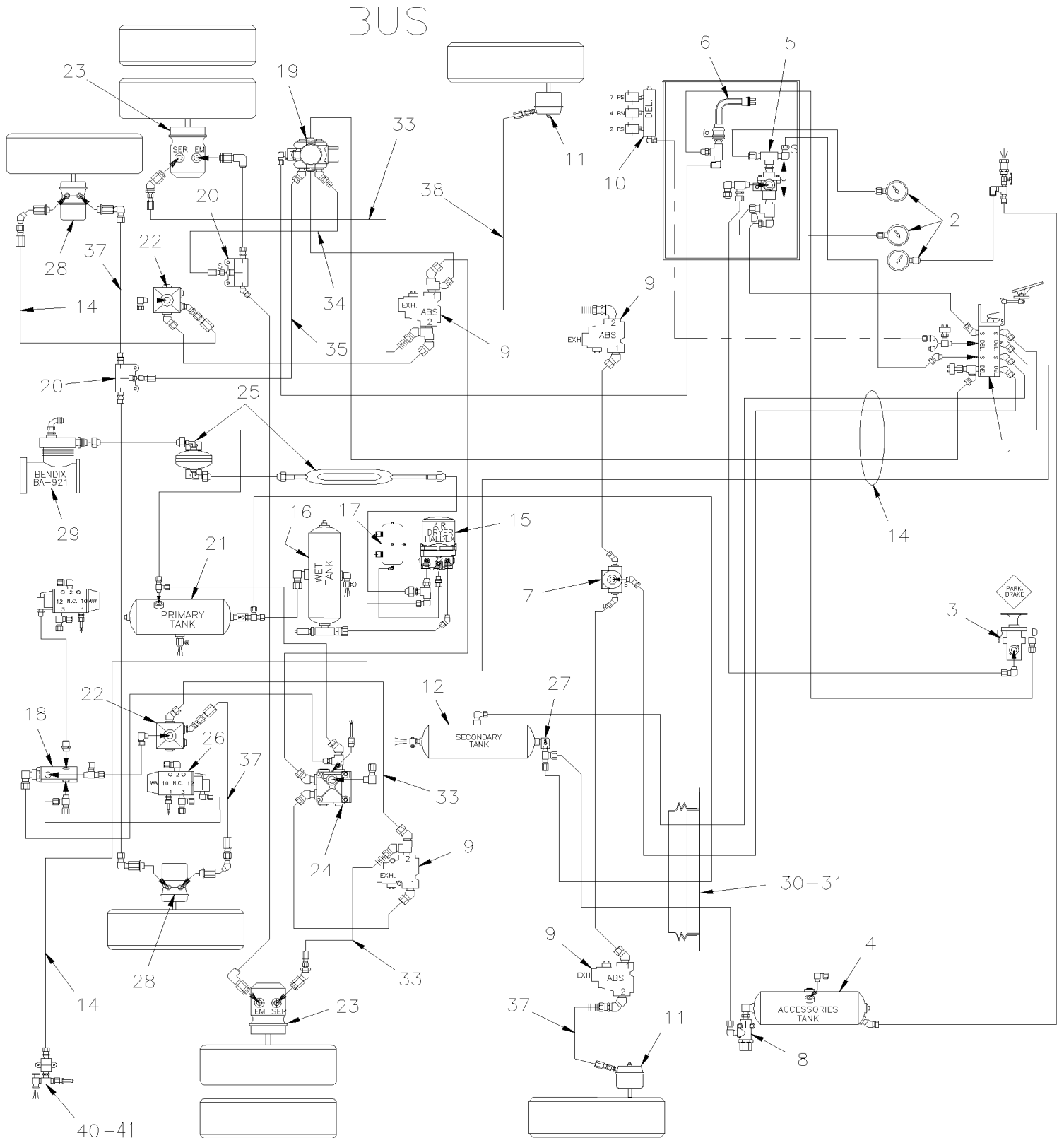


From 4-4867 To 8-1043

Date:10/2022

PAGE:HF-1200-01

BRAKE AIR SYSTEM



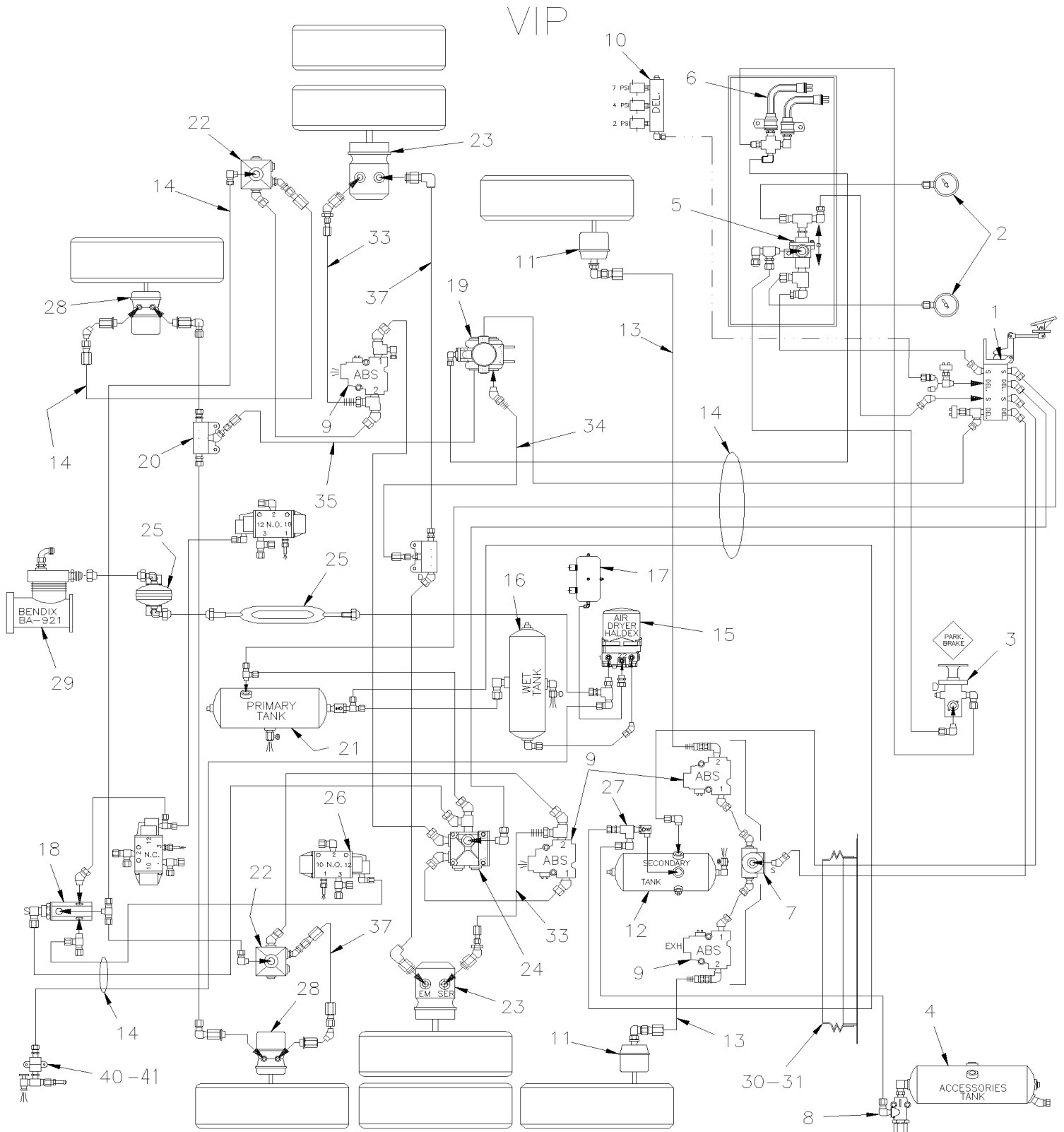


From 4-4867 To 8-1043

Date:10/2022

PAGE:HF-1200-01

BRAKE AIR SYSTEM





From 4-4867 To 8-1043		Date:10/2022	PAGE:HF-1200-01
BRAKE AIR SYSTEM			

Item#	Part	Description	H 3 4 1	H 3 4 5	V I P 4 5	N O T E S
1	HF-1220-10	BRAKE PEDAL VALVE - "BENDIX"				
2	HF-0645-20	CENTER DASHBOARD PANEL				
3	641128	VALVE, CONTROL VALVE PP-1 / 40PSI	1	1	1	
. NS	641154	. REPAIR KIT / PP-1 & RD-3	1	1	1	
4	140868	AIR TANK / W/END LOWER DRAIN 1228 IN° / 8" O.D. X 26"	1	1	1	
5	641564	VALVE, DOUBLE CHECK DC-4	1	1	1	
6	287234	PRESSURE SWITCH N.C. 30-10 20PS001AB030E010E	2	2	2	
7	641429	VALVE, QUICK RELEASE QR-1 / 3/8NPTx3/8NPTx3/8NPT	1	1	1	
. NS	640924	. REPAIR KIT / QR-1	1	1	1	
8	640439	VALVE, PRESSURE PROTECTION / PR-2 75PSI	1	1	1	
9	641951	VALVE, "ABS" 12VOLT	1	1	1	
10	HF-0750-01	AUTOMATIC TRANSMISSION - "WORLD" WITH DETROIT S-60				
11	HF-1225-11	BRAKE CHAMBER - FRONT AXLE TYPE 24				
11	HF-1225-12	BRAKE CHAMBER - FRONT AXLE TYPE 27				
12	140869	AIR TANK / 1791 IN° / 9 1/2" O.D. X 27"	1	1	1	
13	641903	HOSE BRAKE #8 1090MM (43")			2	
14	HF-1202-00	TUBES PLASTIC / AIR D.O.T.				
15	HF-1215-02	AIR DRYER - "HALDEX"				
15	HF-1215-15	CHECK VALVE INSTALLATION W/AD-9 AIR DRIER				
16	140869	AIR TANK / 1791 IN° / 9 1/2" O.D. X 27"	1	1	1	
17	70307176	AIR TANK / 281 IN° / 6" O.D. X 12"	1	1	1	
18	640442	VALVE, INVERSION TR-2	1	1	1	
19	642015	VALVE / SPRING BRAKE SR-7	1	1	1	
20	641136	ANCHOR TEE / PIPE FITTING / 3/8NPT-Fx3/8NPT-Fx3/8NPT-F ZP	2	2	2	
21	641411	AIR TANK / 2370 IN° / 12" O.D. X 24"	1	1	1	
22	642067	VALVE, RELAY R-12 HORIZONTAL PORT	2	2	2	
23	HF-1235-10	BRAKE CHAMBER - DRIVE AXLE "KNORR-BREMSE"				
24	641991	VALVE, RELAY R-14 "WABCO"	1	1	1	
25	HF-1215-11	AIR DRYER TUBE - INSTALLATION				
26	641274	VALVE, 3 WAYS, 2 POSITIONS N.C.	1	1	1	
27	641172	VALVE, CHECK ELBOW 90° 1/2 NPT	1	1	1	
28	HF-1245-10	BRAKE CHAMBER - TAG AXLE TYPE 16/16				
29	HF-1205-11	AIR COMPRESSOR - "BA921" - WITH DETROIT S-60				
30	504499	CUFF END BELLOW / 2 7/8" I.D. x 3 5/8" x 4 7/16	1	1	1	
31	141567	PROTECTOR RUBBER 100MM	1	1	1	
32	509558	WEATHERSEAL SNAP-ON 1/8" / SINGLE LIP / WH / C.T.L.	AR	AR	AR	
33	641477	HOSE BRAKE #8 813MM (32")	2	2	2	
34	642018	HOSE BRAKE #8 952MM (37 1/2")	1	1	1	
35	641304	HOSE BRAKE #8 1045MM (41 1/8")	1	1	1	
37	641903	HOSE BRAKE #8 1090MM (43")	3	3		
37	641903	HOSE BRAKE #8 1090MM (43")			2	
38	641904	HOSE BRAKE #8 1190MM (47")	1	1		



From 4-4867 To 8-1043	Date:10/2022	PAGE:HF-1200-01
-----------------------	--------------	-----------------

BRAKE AIR SYSTEM

Item#	Part	Description	H 3 4 1	H 3 4 5	V I P 4 5	N O T E S
40	640488	VALVE, AIR FILL 1/8" NPT	1	1	1	
. NS	650164	. CAP VALVE / CHROME	1	1	1	
41	5011129	NEEDLE VALVE 1/4 NPT M x 1/4 NPT F	1	1	1	

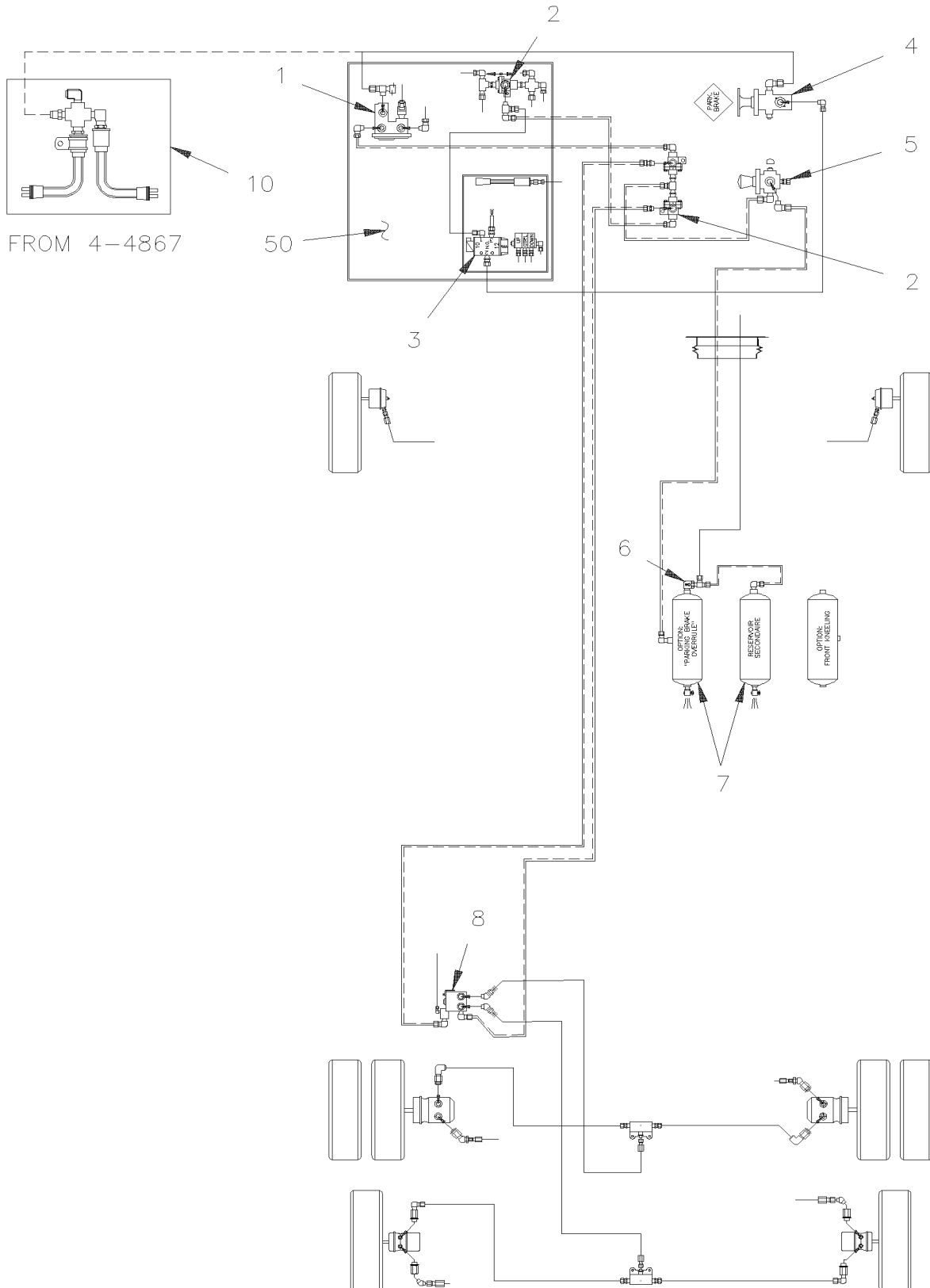


From 3-4417 To 8-1043

Date:10/2022

PAGE:HF-1200-05

PARKING BRAKE OVERRULE





From 3-4417 To 8-1043	Date:10/2022	PAGE:HF-1200-05
-----------------------	--------------	-----------------

PARKING BRAKE OVERRULE

Item#	Part	Description	H 3 4 1	H 3 4 5	V I P 4 5	N O T E S
1	640870	VALVE / SPRING BRAKE SR-1 To 4-4869	1	1		
. NS	640921	. REPAIR KIT / SR-1 To 4-4869	1	1		
2	641564	VALVE, DOUBLE CHECK DC-4	3	3		
3	641528	VALVE, 3 WAYS, 2 POSITIONS N.O.	1	1		
. NS	641929	. COIL 24V	1	1		
. NS	641169	. SPOOL	1	1		
. NS	641385	. CONNECTOR / SOCKET HOUSING ASSY 3C / PNEUMAC 54934-01	1	1		
4	641128	VALVE, CONTROL VALVE PP-1 / 40PSI	1	1		
. NS	641154	. REPAIR KIT / PP-1 & RD-3	1	1		
5	640472	VALVE, CONTROL / RD-3	1	1		
. NS	641154	. REPAIR KIT / PP-1 & RD-3	1	1		
6	641172	VALVE, CHECK ELBOW 90° 1/2 NPT	1	1		
6	641149	BUTTON, PARKING BRAKE DIAMOND YELLOW / 1"	1	1		
7	140869	AIR TANK / 1791 IN° / 9 1/2" O.D. X 27"	1	1		
8	641120	VALVE, RELAY R-14 HORIZONTAL PORT To 4-4869	1	1		
. NS	10508267	. KIT, REPAIR To 4-4869	1	1		
8	642015	VALVE / SPRING BRAKE SR-7 From 4-4870	1	1		
10	287234	PRESSURE SWITCH N.C. 30-10 20PS001AB030E010E From 4-4870	2	2		
50	HF-1630-00	FRONT KNEELING - CONTROL PANEL				
51	HF-1806-10	L.H. CONSOLE - BUS				

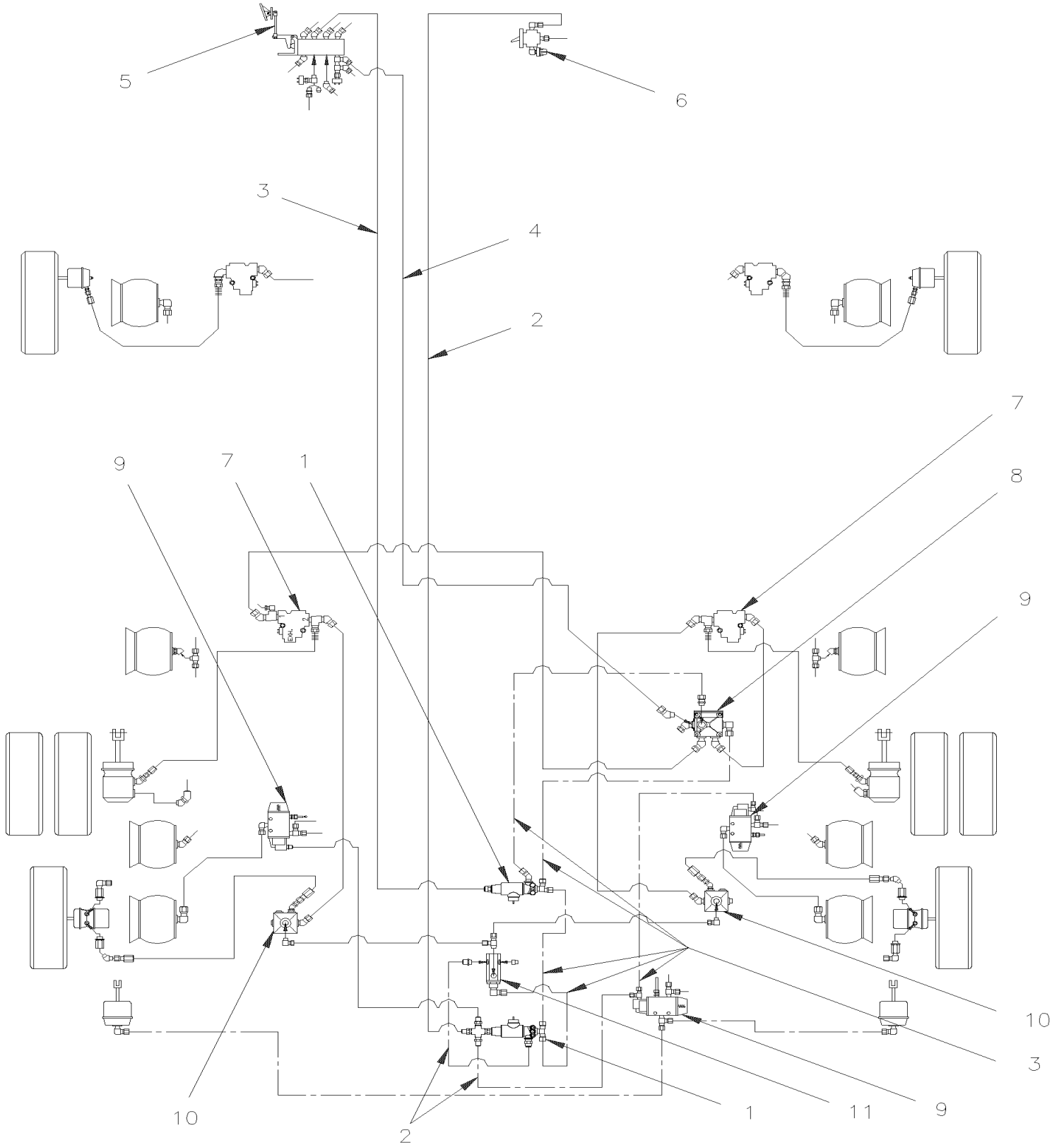


From 3-4417 To 8-1043

Date:10/2022

PAGE:HF-1200-10

TRACK CONTROL - OPTION





From 3-4417 To 8-1043	Date:10/2022	PAGE:HF-1200-10
TRACK CONTROL - OPTION		

Item#	Part	Description	H 3 4 1	H 3 4 5	V I P 4 5	N O T E S
1	641460	VALVE, "ATC" 24VOLT To 3-4439	2	2	2	
1	641950	VALVE, "ATC" 12VOLT From 3-4440	2	2	2	
2	503402	TUBE, NYLON 1/4 O.D. / BLACK S.L.	AR	AR	AR	
3	503463	TUBE, NYLON 3/8 O.D. / GREEN S.L.	AR	AR	AR	
4	503467	TUBE, NYLON 3/8 O.D. / RED S.L.	AR	AR	AR	
5	HF-1220-10	BRAKE PEDAL VALVE - "BENDIX"				
6	640136	VALVE, CONTROL TW-1	1	1	1	
. NS	641156	. REPAIR KIT / TW-1	1	1	1	
7	641537	VALVE, "ABS" 24VOLT To 3-4439	2	2	2	
7	641951	VALVE, "ABS" 12VOLT From 3-4440	2	2	2	
8	642013	VALVE, RELAY R-12 DC	1	1	1	
9	641274	VALVE, 3 WAYS, 2 POSITIONS N.C.	3	3	3	
10	642067	VALVE, RELAY R-12 HORIZONTAL PORT	2	2	2	
11	640442	VALVE, INVERSION TR-2	1	1	1	
NS	172246	SUPPORT	2	2	2	A
NS	172270	SUPPORT	2	2	2	A
		A) TO FIX ITEM #1				

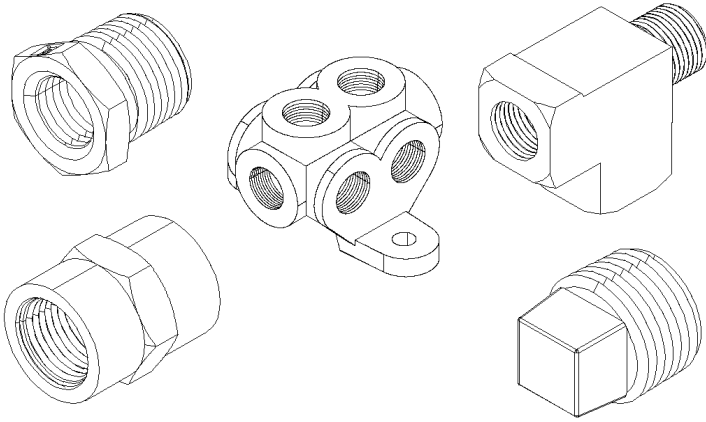


From 3-4417 To 8-1043

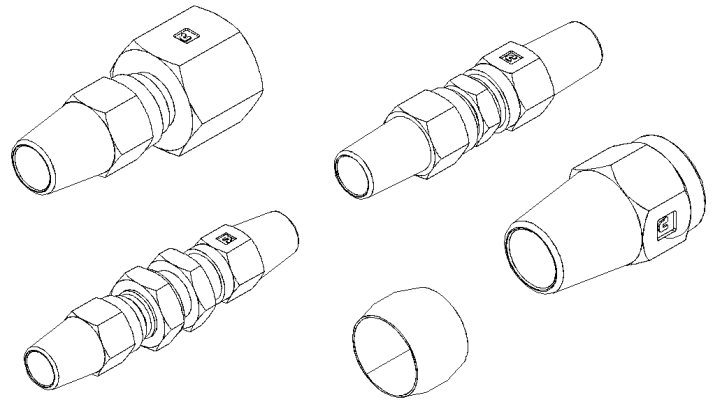
Date:10/2022

PAGE:HF-1201-00

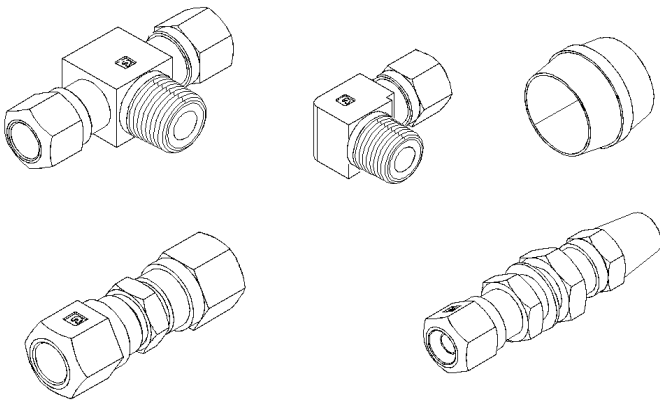
FITTING - MISCELLANEOUS



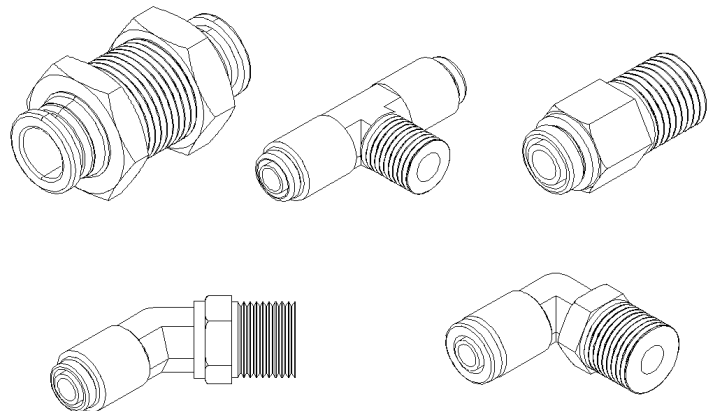
FITTING PIPE "NPT"
1



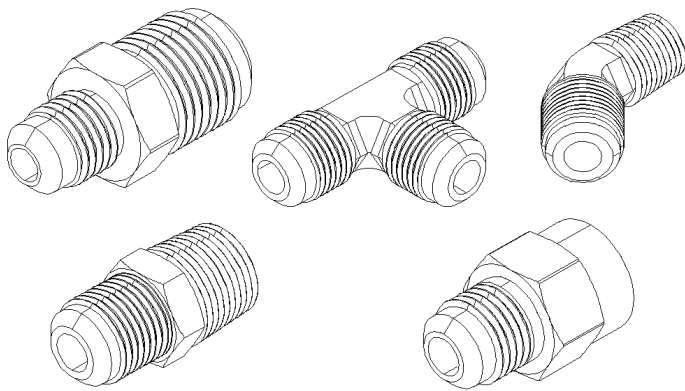
FITTING BRAKE "AB"
2



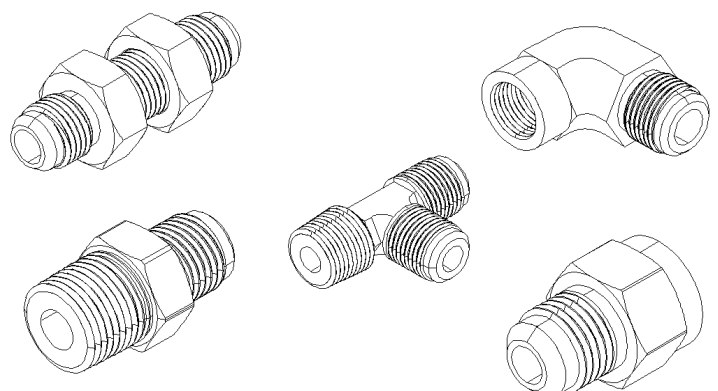
FITTING BRAKE "NTA"
3



FITTING BRAKE "PUSH-IN"
4



FITTING "SAE 45°"
5



FITTING "JIC 37°"
6

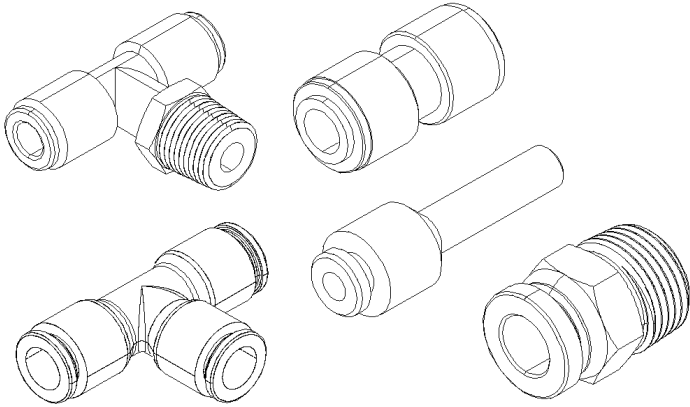


From 3-4417 To 8-1043

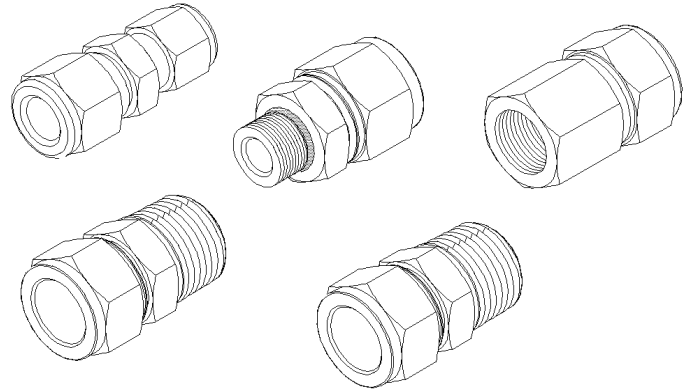
Date:10/2022

PAGE:HF-1201-00

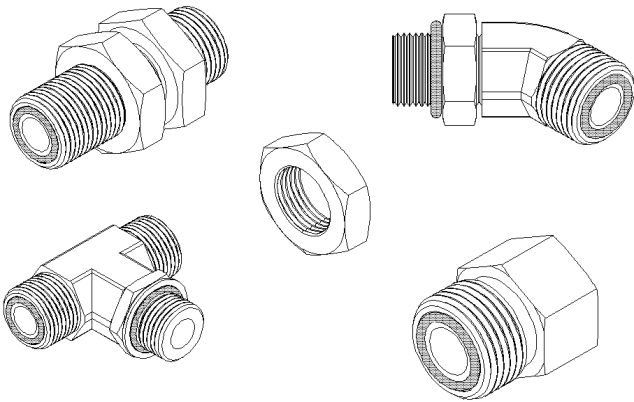
FITTING - MISCELLANEOUS



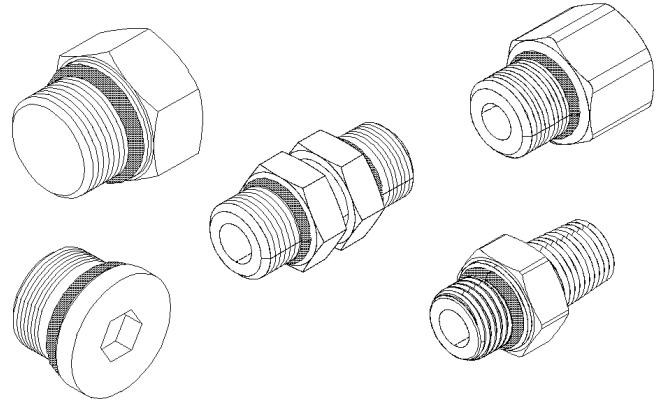
FITTING "PUSH-IN"
7



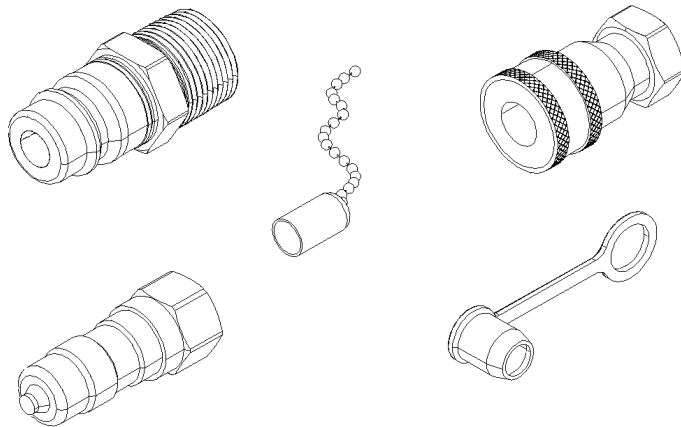
FITTING "A-LOK"
8



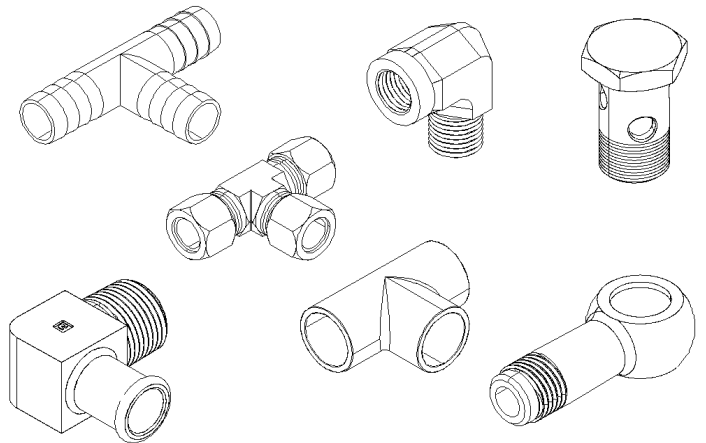
FITTING "ORS"
9



FITTING "ORB"
10



FITTING "QUICK DISCONNECT"
11



FITTING "MISCELANOUS"
12

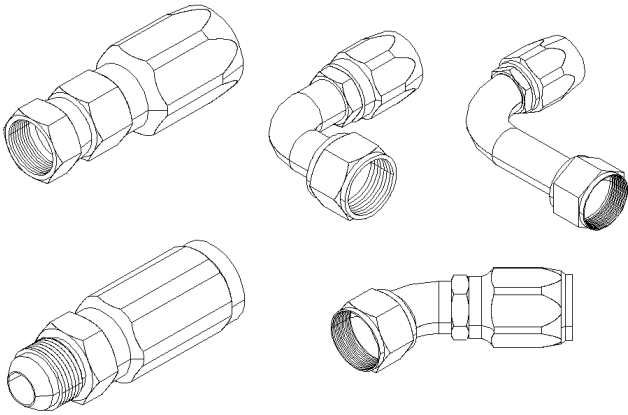


From 3-4417 To 8-1043

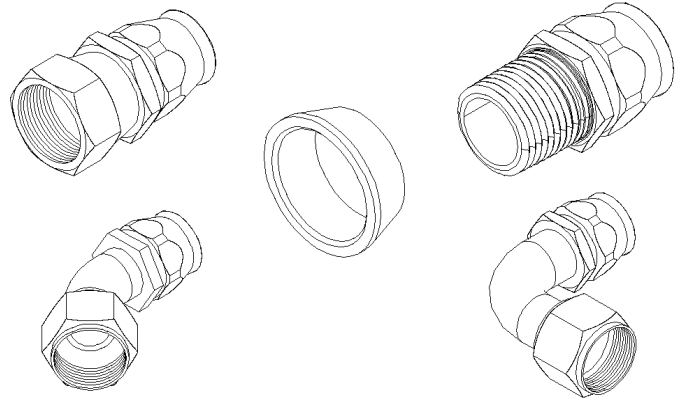
Date:10/2022

PAGE:HF-1201-00

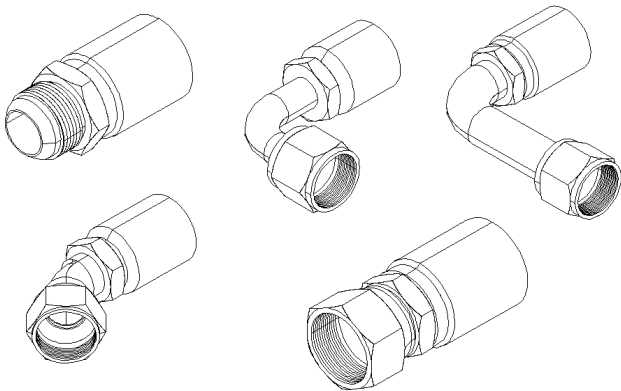
FITTING - MISCELLANEOUS



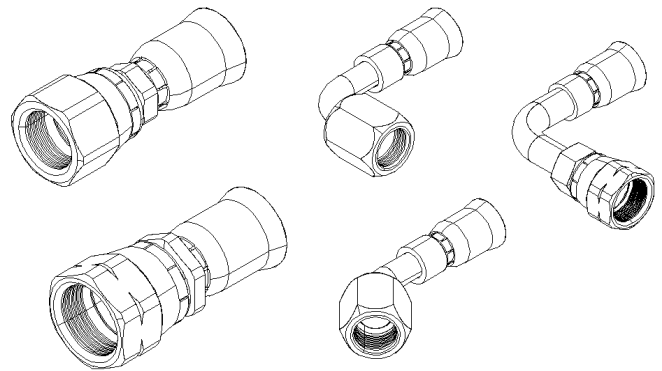
FITTING "HOSE END REUSABLE"
13



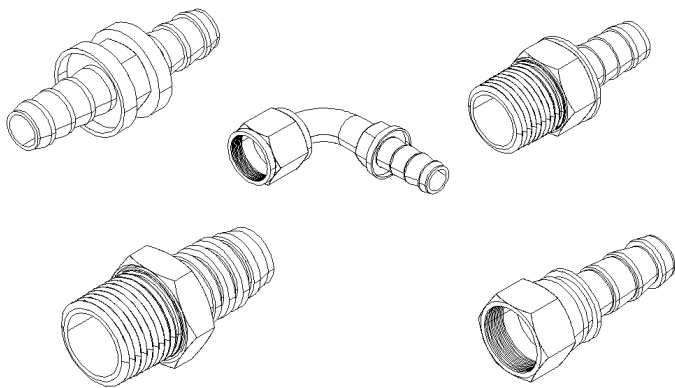
FITTING "HOSE END REUSABLE"
TEFLON
14



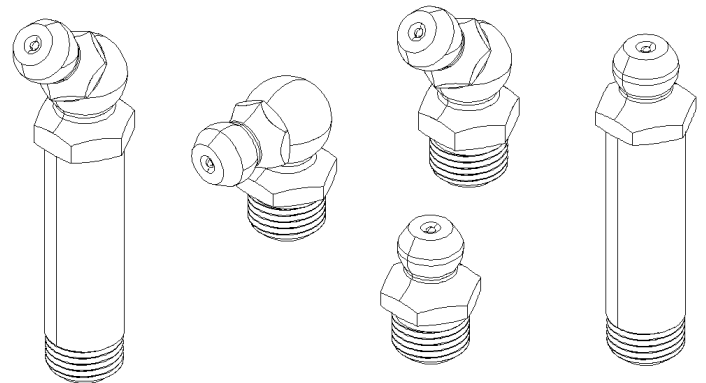
FITTING "HOSE END CRIMP"
15



FITTING "HOSE END CRIMP"
TEFLON
16



FITTING "HOSE END"
"PUSH-LOK & COLLAR"
17



FITTING "GREASE"
30



From 3-4417 To 8-1043	Date:10/2022	PAGE:HF-1201-00
-----------------------	--------------	-----------------

FITTING - MISCELLANEOUS

Item#	Part	Description	H 3 4 1	H 3 4 5	V I P 4 5	N O T E S
		... BRAKE				
1	FM-00FM-00	FITTING NPT PIPE - MISCELANOUS				
2	FM-00FM-01	FITTING BRAKE "AB" - MISCELANOUS (D.O.T.)				
3	FM-00FM-02	FITTING BRAKE "NTA" - MISCELANOUS (D.O.T.)				
4	FM-00FM-03	FITTING BRAKE "PUSH-IN" - MISCELANOUS (D.O.T.)				
		... SAE & JIC				
5	FM-00FM-04	FITTING "SAE 45°" - MISCELANOUS				
6	FM-00FM-05	FITTING "JIC 37°" - MISCELANOUS				
7	FM-00FM-06	FITTING "PUSH-IN" - MISCELANOUS				
8	FM-00FM-07	FITTING "A-LOK" - MISCELANOUS (SWAGLELOK)				
		... ORS & ORB				
9	FM-00FM-08	FITTING "ORS" - MISCELANOUS				
10	FM-00FM-09	FITTING "ORB" - MISCELANOUS				
		... QUICK DISCONNECT				
11	FM-00FM-10	FITTING "QUICK DISCONNECT" - MISCELANOUS				
12	FM-00FM-11	FITTING "MISCELANOUS"				
		... HOSE END FITTING				
13	FM-00FM-12	FITTING "HOSE END REUSABLE" - MISCELANOUS				
14	FM-00FM-13	FITTING "HOSE END REUSABLE TEFLON" - MISCELANOUS				
15	FM-00FM-14	FITTING "HOSE END CRIMP" - MISCELANOUS				
16	FM-00FM-15	FITTING "HOSE END CRIMP TEFLON" - MISCELANOUS				
17	FM-00FM-16	FITTING "HOSE END" - "PUSH-LOK & COLLAR"				
30	FM-00GF-00	GREASE FITTING				

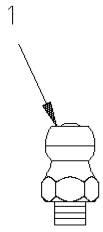


From 3-4417 To 8-1043

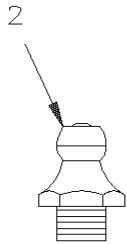
Date:10/2022

PAGE:FM-00GF-00

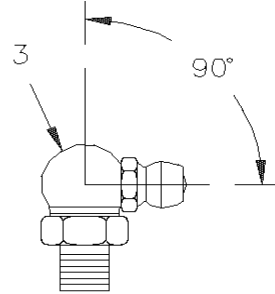
GREASE FITTING



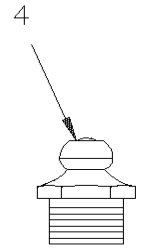
8-32



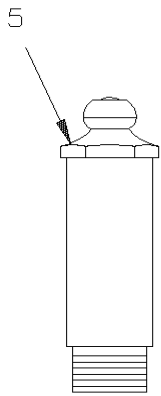
1/4-28



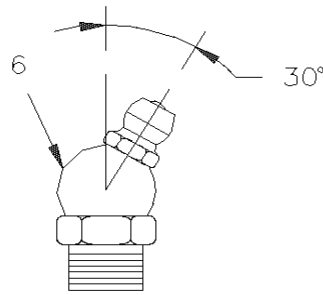
1/4-28



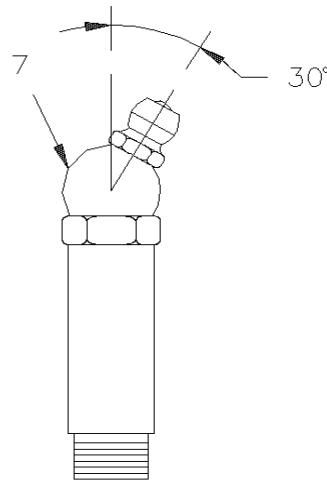
1/8 N.P.T.



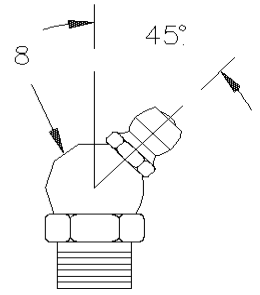
1/8 N.P.T.



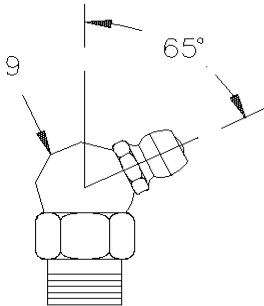
1/8 N.P.T.



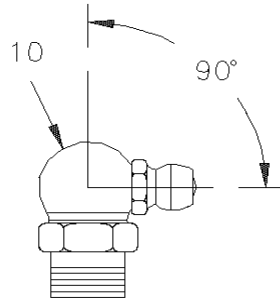
1/8 N.P.T.



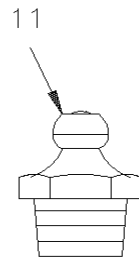
1/8 N.P.T.



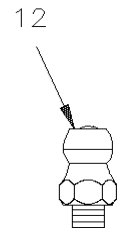
1/8 N.P.T.



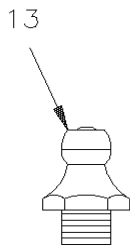
1/8 N.P.T.



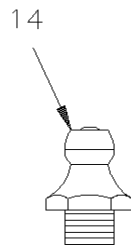
1/4 N.P.T.



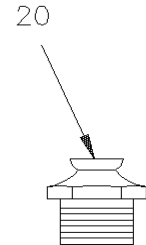
M6-1.00



M8-1.00



M10-1.00



1/8 N.P.T.



From 3-4417 To 8-1043	Date:10/2022	PAGE:FM-00GF-00
GREASE FITTING		

Item#	Part	Description	H 3 4 1	H 3 4 5	V I P 4 5	N O T E S
1	5011007	GREASE FITTING / #8-32	AR	AR	AR	
2	501497	GREASE FITTING / 1/4-28	AR	AR	AR	
2	N44686	GREASE FITTING / 1/4-28	AR	AR	AR	
2	N24597	GREASE FITTING / 1/4-28	AR	AR	AR	
2	G1204082	GREASE FITTING / 1/4-28	AR	AR	AR	
2	G5009173	GREASE FITTING / 1/4-28	AR	AR	AR	
2	G1091453	GREASE FITTING / 1/4-28	AR	AR	AR	
3	501500	GREASE FITTING 90° / 1/4-28	AR	AR	AR	
3	G1020345	GREASE FITTING 90° / 1/4-28	AR	AR	AR	
3	N32080-01	GREASE FITTING 90° / 1/4-28	AR	AR	AR	
4	501490	GREASE FITTING / 1/8 NPT	AR	AR	AR	
4	N8887689	GREASE FITTING / 1/8 NPT	AR	AR	AR	
5	501491	GREASE FITTING / 1/8 NPTx3/4"	AR	AR	AR	
5	501492	GREASE FITTING / 1/8 NPTx1 3/4"	AR	AR	AR	
6		GREASE FITTING 30° /	AR	AR	AR	
7	501496	GREASE FITTING 30° / 1/8 NPTx1 1/4"	AR	AR	AR	
8	501493	GREASE FITTING 45° / 1/8 NPT	AR	AR	AR	
8	N23168	GREASE FITTING 45° / 1/8 NPT	AR	AR	AR	
8	501499	GREASE FITTING 45° / 1/4-28	AR	AR	AR	
9	501494	GREASE FITTING 65° / 1/8 NPT	AR	AR	AR	
9	N8888882	GREASE FITTING 65° / 1/8 NPT	AR	AR	AR	
10	501495	GREASE FITTING 90° / 1/8 NPT	AR	AR	AR	
10	N8888979	GREASE FITTING 90° / 1/8 NPT	AR	AR	AR	
10	G1092160	GREASE FITTING 90° / 1/8 NPT	AR	AR	AR	
10	N29834	GREASE FITTING 90° / 1/8 NPT	AR	AR	AR	
10	N8887514	GREASE FITTING 90° / 1/8 NPT	1	1	1	
11		GREASE FITTING /	AR	AR	AR	
12	507607	GREASE FITTING / M6-1.00	AR	AR	AR	
13	507505	GREASE FITTING / M8-1.00	AR	AR	AR	
14	507503	GREASE FITTING / M10-1.00	AR	AR	AR	
15	G1011673	GREASE FITTING / DRIVE TYPE / 3/16	AR	AR	AR	
15	G1204083	GREASE FITTING / DRIVE TYPE / 3/16	AR	AR	AR	
16	G1020344	GREASE FITTING / 1/4-28x15/16"	AR	AR	AR	
20	501960	PRESSURE RELIEF VALVE 7.5 TO 15 PSI 1/8 NPT	AR	AR	AR	
NS	G5009568	STREET ELBOW 90° / PIPE FITTING / 1/16NPT-Mx1/8NPT-F STL	AR	AR	AR	



From 3-4417 To 8-1043

Date:10/2022

PAGE:HF-1202-00

TUBES PLASTIC / AIR D.O.T.

ILLUSTRATION NOT
AVAILABLE AT TIME OF
PRINTING



From 3-4417 To 8-1043	Date:10/2022	PAGE:HF-1202-00
TUBES PLASTIC / AIR D.O.T.		

Item#	Part	Description	H 3 4 1	H 3 4 5	V I P 4 5	N O T E S
	503747	TUBE, NYLON 6MM O.D. / BLACK S.L.				
	503529	TUBE, NYLON 8MM O.D. / BLACK S.L.				
	503563	TUBE, NYLON 6MM O.D. / WHITE S.L.				
	503566	TUBE, NYLON 1/4 O.D. / BLUE S.L.				
	503471	TUBE, NYLON 3/8 O.D. / BLUE S.L.				
	503517	TUBE, NYLON 1/2 O.D. / BLUE S.L.				
	503536	TUBE, NYLON 1/8 O.D. / BLACK S.L.				
	503402	TUBE, NYLON 1/4 O.D. / BLACK S.L.				
	503404	TUBE, NYLON 3/8 O.D. / BLACK S.L.				
	503488	TUBE, NYLON 1/2 O.D. / BLACK S.L./				
	503540	TUBE, NYLON 5/8 O.D. / BLACK S.L.				
	503541	TUBE, NYLON 3/4" O.D. / BLACK S.L				
	503548	TUBE, NYLON 1/4 O.D. / YELLOW S.L.				
	503470	TUBE, NYLON 3/8 O.D. / YELLOW S.L.				
	503533	TUBE, NYLON 1/2 O.D. / YELLOW S.L.				
. NS	19514092	. TUBE, NYLON 1/2 O.D. / YELLOW / 100FT ROLL				
	503466	TUBE, NYLON 1/4 O.D. / RED S.L.				
	503467	TUBE, NYLON 3/8 O.D. / RED S.L.				
	503468	TUBE, NYLON 1/2 O.D. / RED S.L.				
	503469	TUBE, NYLON 5/8 O.D. / RED S.L.				
	503464	TUBE, NYLON 1/4 O.D. / GREEN S.L.				
	503463	TUBE, NYLON 3/8 O.D. / GREEN S.L.				
	503406	TUBE, NYLON 1/2 O.D. / GREEN S.L.				
	503408	TUBE, NYLON 5/8 O.D. / GREEN S.L.				
	503465	TUBE, NYLON 3/4 O.D. / GREEN S.L.				
	503472	TUBE, NYLON 3/8 O.D. / GREY S.L.				
	503638	TUBE, NYLON 1/2 O.D. / BROWN S.L.				
NS	683355	TOOL PLASTIC TUBE CUTTER / PLASTIC	1	1	1	
NS	681625	TOOL PLASTIC TUBE CUTTER / METAL	1	1	1	

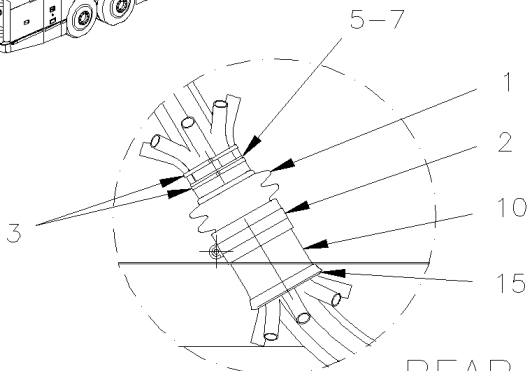
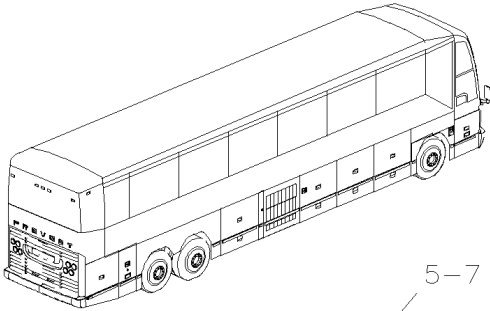


From 3-4417 To 8-1043

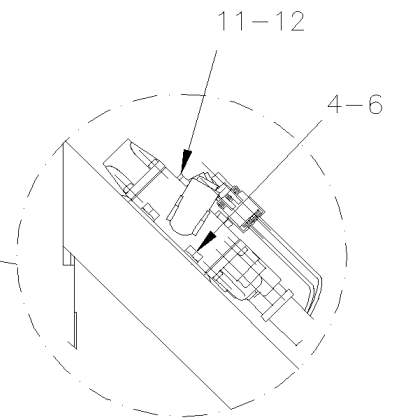
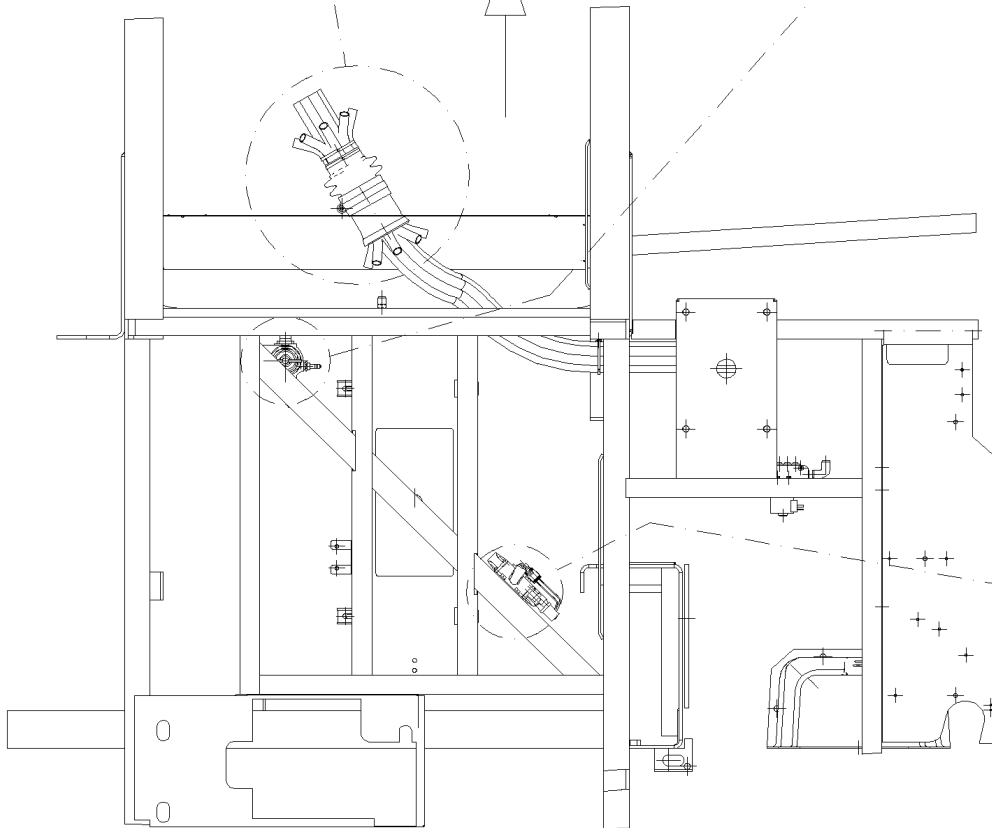
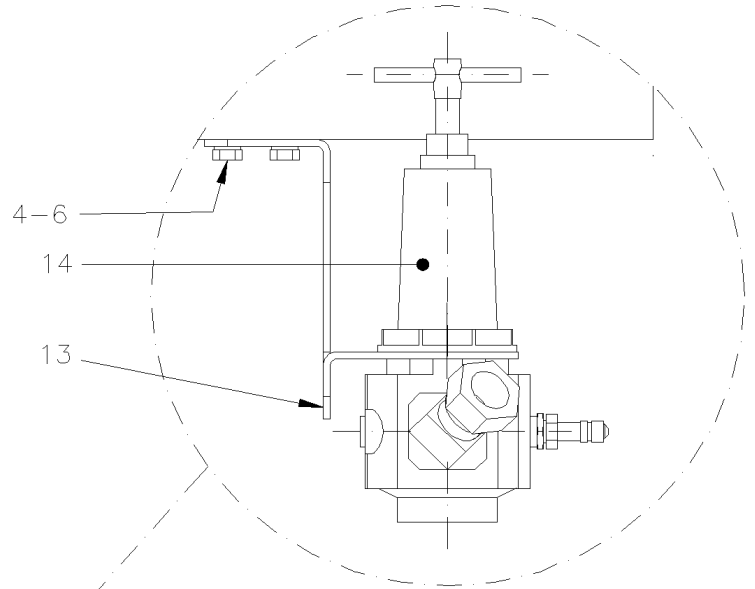
Date:10/2022

PAGE:HF-1202-05

TUBE AIR FRONT INSTALLATION



REAR





From 3-4417 To 8-1043	Date:10/2022	PAGE:HF-1202-05
TUBE AIR FRONT INSTALLATION		

Item#	Part	Description	H 3 4 1	H 3 4 5	V I P 4 5	N O T E S
1	504499	CUFF END BELLOW / 2 7/8" I.D. x 3 5/8" x 4 7/16	1	1	1	
2	504026	HOSE CLAMP / 2"13/16-3"3/4 SS / HS-52	1	1	1	
3	504637	CABLE TIE / 3/16" x 13"	3	3	3	
NS	509815	TIE MOUNT / ATTACHMENT W/TREE MOUNT	1	1	1	
4	502848	SCREW TC CAP HEXF 1/4-20x3/4 N500	4	4	4	
5	506282	TAPE RUB ADH1 CC POL 3/8" x 1" x 20' / GREY 2520	AR	AR	AR	
6	955920	WASHER LO SPT 6.5x11.5x1.6 ZP	4	4	4	
7	680096	SEALANT BUTYL ALUM / GREY / 310ml CARTRIDGE	AR	AR	AR	
10	141567	PROTECTOR RUBBER 100MM	1	1	1	
11	141448	SUPPORT VALVE	1	1		A
12	641937	VALVE, 3 WAYS, 2 POSITIONS N.C. / W/MAN OVERRIDE	1	1		A
. NS	641929	. COIL 24V	1	1		A
. NS	641385	. CONNECTOR / SOCKET HOUSING ASSY 3C / PNEUMAC 54934-01	1	1		A
13	142025	SUPPORT / AIR REGULATOR	1	1		A
14	641352	AIR PRESSURE REGULATOR 1/2" NPT	1	1		A
15	509558	WEATHERSEAL SNAP-ON 1/8" / SINGLE LIP / WH / C.T.L.	AR	AR	AR	
NS	680066	ADHESIVE / ADBOND #5014 / 23.6ML BOTTLE	AR	AR	AR	
		A) WITH LOW-BUOY & HIGH-BUOY				

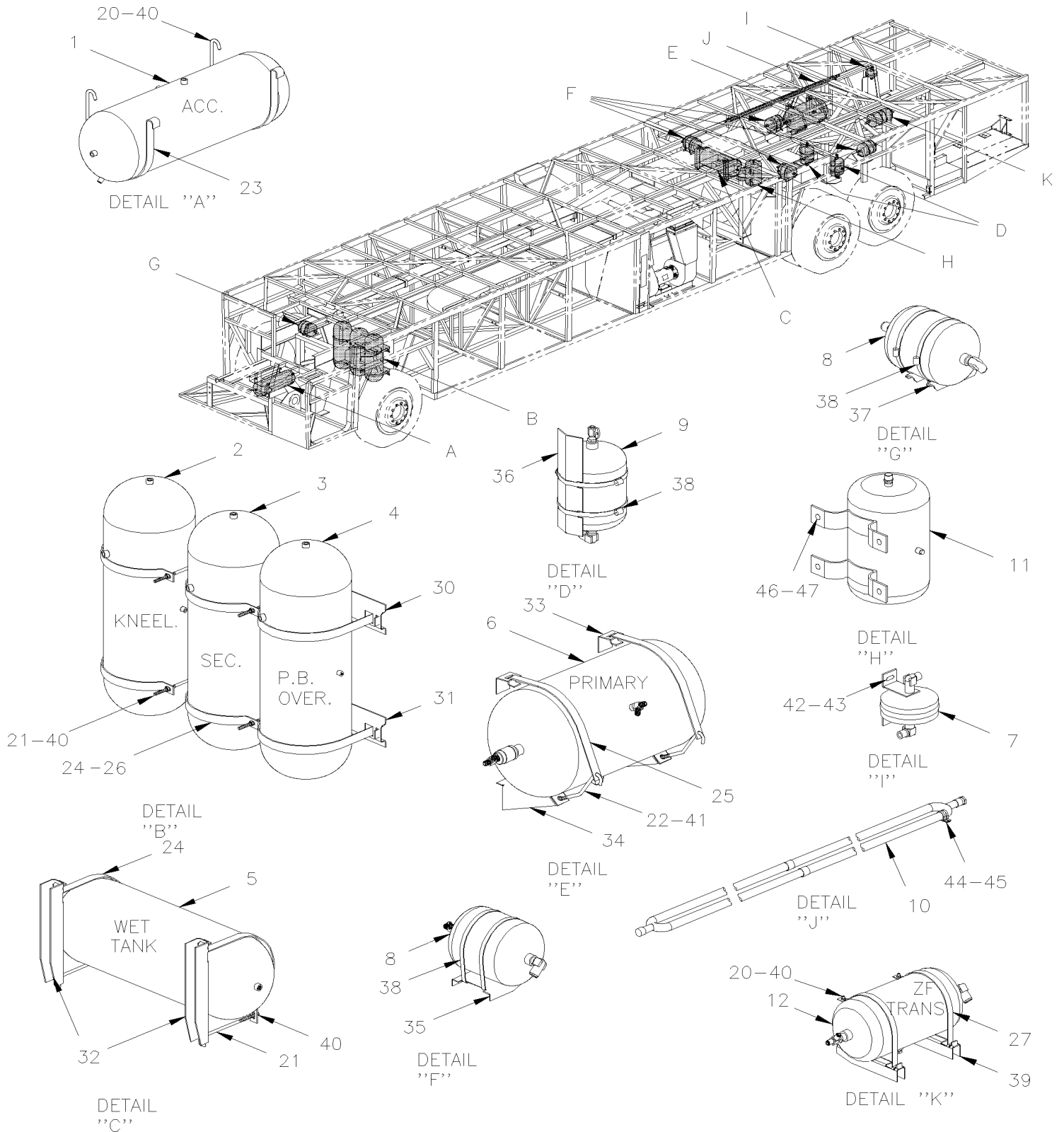


From 3-4417 To 8-1043

Date:10/2022

PAGE:HF-1203-00

AIR TANK - INSTALLATION





From 3-4417 To 8-1043	Date:10/2022	PAGE:HF-1203-00
AIR TANK - INSTALLATION		

Item#	Part	Description	H 3 4 1	H 3 4 5	V I P 4 5	N O T E S
		ACCESSORIES AIR TANK				
1	140868	AIR TANK / W/END LOWER DRAIN 1228 IN° / 8" O.D. X 26"	1	1	1	
NS	640439	VALVE, PRESSURE PROTECTION / PR-2 75PSI	1	1	1	
		KNEELING AIR TANK				
2	140869	AIR TANK / 1791 IN° / 9 1/2" O.D. X 27"	AR	AR		
		SECONDARY AIR TANK				
3	140869	AIR TANK / 1791 IN° / 9 1/2" O.D. X 27"	1	1		
3	141834	AIR TANK / 1303 IN° / 8" O.D. X 27"1/2			1	
		PARKING "OVER RULE"				
4	140869	AIR TANK / 1791 IN° / 9 1/2" O.D. X 27"	1	1		
		WET TANK				
5	140869	AIR TANK / 1791 IN° / 9 1/2" O.D. X 27"	1	1	1	
NS	642022	SAFETY VALVE 150 PSI X 3/8 NPT / ST-3	1	1	1	
		PRIMARY AIR TANK				
6	641411	AIR TANK / 2370 IN° / 12" O.D. X 24"	1	1	1	
		PING AIR TANK				
7	032428	AIR TANK / 61 IN° / 6" O.D. X 4"	1	1	1	
		AIR BELLOW EXPANSION TANK				
8	131403	AIR TANK / 434 IN° / 7" O.D. X 13 1/4"			4	
9	641424	AIR TANK / 288 IN° / 7" O.D. X 9 1/4" / W/(3) 1/2" NPT			4	
		AIR DRYER - TUBE				
10	HF-1215-11	AIR DRYER TUBE - INSTALLATION				
		PURGE TANK				
11	70307176	AIR TANK / 281 IN° / 6" O.D. X 12"	1	1	1	
		MANUAL TRANSMISSION "ZF" AIR TANK				
12	641978	AIR TANK / 610 IN° / 7" O.D. X 18"	1	1		
NS	641043	DRAIN VALVE 1/4 NPT M	1	1	1	
20	141815	J-HOOK / 194 MM / M8-1.25 SS	1	1	1	
21	141409	J-HOOK / 220 MM / M8-1.25 SS	1	1	1	
22	141926	J-HOOK / W/153 BEND / 220 MM / M8-1.25 SS	1	1	1	
23	141407	STRAP / TO USE W/8" O.D. TANK / "J" SHAPE	2	2	2	



From 3-4417 To 8-1043	Date:10/2022	PAGE:HF-1203-00
AIR TANK - INSTALLATION		

Item#	Part	Description	H 3 4 1	H 3 4 5	V I P 4 5	N O T E S
24	141408	STRAP / TO USE W/9"1/2 O.D. TANK / "J" SHAPE	8	8		
24	141408	STRAP / TO USE W/9"1/2 O.D. TANK / "J" SHAPE			6	
25	141925	STRAP / TO USE W/12" O.D. TANK / "C" SHAPE	2	2	2	
26	141835	ROD / TO USE W/8" O.D. TANK / "U" SHAPE			2	
27	142322	STRAP / TO USE W/7" O.D. TANK / "J" SHAPE	2	2		
30	171170	SUPPORT UPPER / (WELDED TO FRAME)	1	1	1	
31	171171	SUPPORT LOWER / (WELDED TO FRAME)	1	1	1	
32	171669	BRACKET	2	2	2	
33	172100	SUPPORT UPPER (WELDED)	2	2	2	
34	172098	SUPPORT LOWER	2	2	2	
35	171974	SUPPORT / (WELDED TO FRAME)			2	
36	171973	SUPPORT AIR TANK			4	
37	131378	SUPPORT / (WELDED TO FRAME)			2	
NS	171771	SUPPORT LOWER / (WELDED TO FRAME) / TO FIX TANK ACCESSORIES	1	1		
NS	171817	SUPPORT LOWER / (WELDED TO FRAME) / TO FIX			1	
38	504229	HOSE CLAMP / 6"1/2-8"1/2 SS / HS-100			AR	
38	504415	HOSE CLAMP / 7"1/4-9"1/4 SS / HS-152			AR	
39	172820	SUPPORT / (WELDED TO FRAME)	2	2		
40	500868	NUT HEX NYRT M8-1.25 Z050	AR	AR	AR	
41	502692	NUT HEXF STO M8-1.25 Z050	AR	AR	AR	
42	502567	NUT HEX M10-1.5 SS	1	1	1	
43	502616	WASHER LO SPT 10.2x18.1x2.2 SS	1	1	1	
44	952633	CLAMP / 7/8" I.D.	2	2	2	
45	500879	SCREW TP PAN PH #10x1 Z050	2	2	2	
46	500778	NUT HEX 5/16-18 N500	4	4	4	
47	500476	WASHER LO SPT .317x.586x.078 Z050	4	4	4	

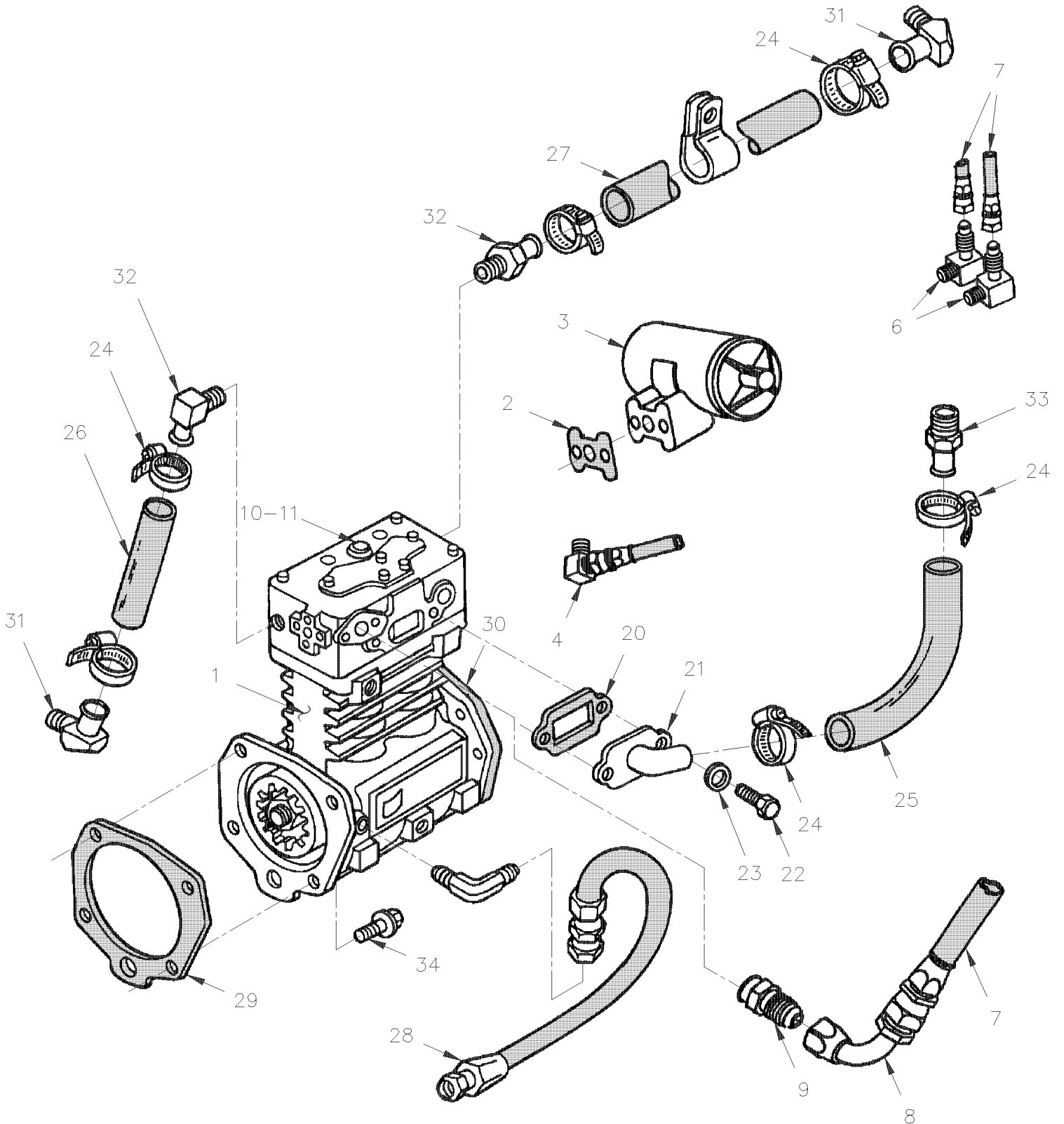


From 3-4417 To 3-4757

Date:10/2022

PAGE:HF-1205-10

AIR COMPRESSOR - "TU-FLO 750" - WITH DETROIT S-60





From 3-4417 To 3-4757	Date:10/2022	PAGE:HF-1205-10
AIR COMPRESSOR - "TU-FLO 750" - WITH DETROIT S-60		

Item#	Part	Description	H 3 4 1	H 3 4 5	V I P 4 5	N O T E S
1	641362	COMPRESSOR, AIR (SUPPLY W/ENGINE)	1	1	1	
NS	641335	KIT REPAIR, UNLOADER	1	1	1	
2	640638	GASKET, AIR GOVERNOR	1	1	1	
3	640964	GOVERNOR, AIR / D-2 / (105/125PSI)	1	1	1	
. NS	640965	. REPAIR KIT / GOVERNOR D-2	1	1	1	
. NS	640638	. GASKET, AIR GOVERNOR	1	1	1	
. NS	500187	. SCREW CAP HEX 5/16-18x3 G5 Z050	2	2	2	
. NS	500942	. WASHER LO SPT 8.1x14.8x2.0 N500	2	2	2	
3	641933	GOVERNOR, AIR / D-2 / (110/130PSI)			1	
. NS	640965	. REPAIR KIT / GOVERNOR D-2			1	
. NS	640638	. GASKET, AIR GOVERNOR			1	
. NS	500187	. SCREW CAP HEX 5/16-18x3 G5 Z050			2	
. NS	500942	. WASHER LO SPT 8.1x14.8x2.0 N500			2	
NS	640965	REPAIR KIT / GOVERNOR D-2	1	1	1	
NS	500187	SCREW CAP HEX 5/16-18x3 G5 Z050	2	2	2	
NS	500476	WASHER LO SPT .317x.586x.078 Z050	2	2	2	
4	640996	MALE ELBOW 90° / NTA FITTING / #4x1/8NPT-M BR	1	1	1	
6	501036	MALE ELBOW 90° / SAE 45° FITTING / #4FL-Mx1/8NPT-M BR	2	2	2	
7	HF-1215-00	AIR DRYER - "HALDEX"				
8	507544	SWIVEL NUT ELBOW 90° SHORT / JIC 37° FITTING/ #12JIC-Fx#12JIC-Mx1.82 STL	1	1	1	
9	501600	MALE CONNECTOR / JIC 37° FITTING / #12JIC-Mx1/2NPT-M STL	1	1	1	
10	501316	BUSHING REDUCER / PIPE FITTING / 1/2NPT-Mx1/4NPT-F BR	1	1	1	
11	501037	MALE ELBOW 90° / SAE 45° FITTING / #4FL-Mx1/4NPT-M BR	1	1	1	
		FOLLOWING ITEMS SUPPLIER WITH ENGINE ASSY				
		SEE YOUR DETROIT DIESEL DEALER				
20	640256	GASKET, ADAPTOR AIR INLET	1	1	1	
21	N.S.P.	ADAPTOR AIR INLET / (23506346)	1	1	1	2
22	500179	SCREW CAP HEX 5/16-18x3/4 G5 Z050	2	2	2	
23	500476	WASHER LO SPT .317x.586x.078 Z050	2	2	2	
24	504019	HOSE CLAMP / 9/16"-1"1/16 SS / HS-10	6	6	6	
25	N.S.P.	HOSE SILICONE 75MM X 18" / (23508340)	1	1	1	2
26	N.S.P.	HOSE SILICONE 3/4" X 3.1/2" / (8929764)	1	1	1	2
27	N.S.P.	HOSE SILICONE 3/4" X 28" / (23509550)	1	1	1	2
NS	503523	HOSE SILICONE 1PLY 3/4" I.D. x 100' / S.L.	AR	AR	AR	
28	N.S.P.	HOSE ASSY 14 7/8" / OIL FEED FROM GALLERY / (23505202)	1	1	1	2
28	N.S.P.	HOSE ASSY TEFLON / OIL TO ALTERNATOR / (23504343)	1	1	1	2
29	510615	GASKET COMPRESSOR	1	1	1	
30	N.S.P.	GASKET / COMPRESSOR & FUEL PUMP / (23505248)	1	1	1	2
31	N.S.P.	ELBOW 45° 3/4" HOSE / (23505202)	2	2	2	2
32	N.S.P.	ELBOW 90° 3/4 TUBE 1/2" NPT / (8929749)	2	2	2	2



From 3-4417 To 3-4757	Date:10/2022	PAGE:HF-1205-10
AIR COMPRESSOR - "TU-FLO 750" - WITH DETROIT S-60		

Item#	Part	Description	H 3 4 1	H 3 4 5	V I P 4 5	N O T E S
33	N.S.P.	CONNECTOR / (23506345)	1	1	1	2
34	N.S.P.	BOLT M12-1.75 X 47MM FLANGE HEAD	4	4	4	2
		2) NOT SOLD BY PREVOST (SEE MANUFACTURING PART NUMBER AT END OF DESCRIPTION LINE)				

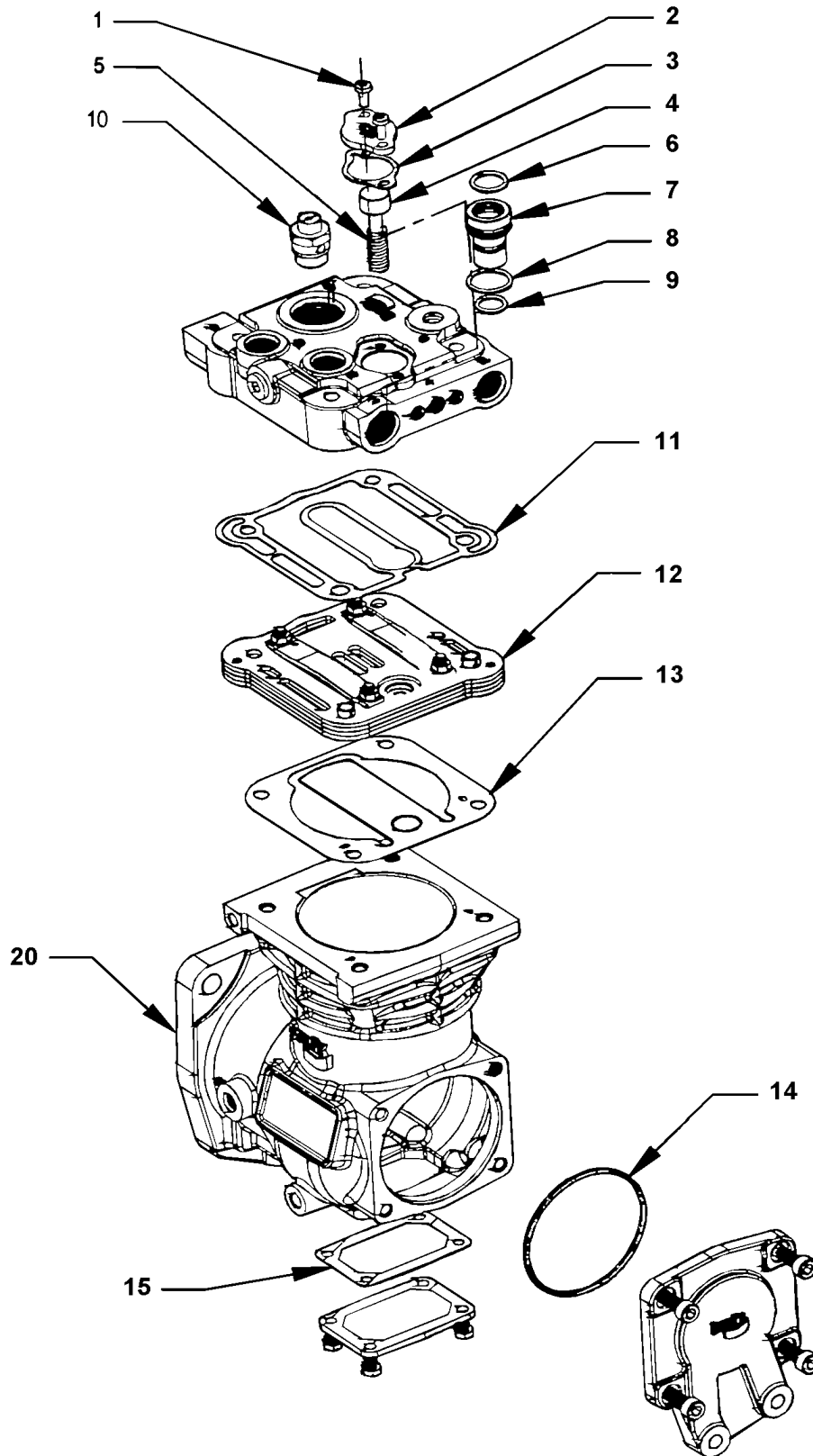


From 4-4758 To 8-1043

Date:10/2022

PAGE:HF-1205-11

AIR COMPRESSOR - "BA921" - WITH DETROIT S-60





From 4-4758 To 8-1043	Date:10/2022	PAGE:HF-1205-11
AIR COMPRESSOR - "BA921" - WITH DETROIT S-60		

Item#	Part	Description	H 3 4 1	H 3 4 5	V I P 4 5	N O T E S
1	641990	COMPRESSOR, AIR (SUPPLY W/ENGINE)	1	1	1	
2	N.S.S.	. COVER	1	1	1	1 A
3	N.S.S.	. GASKET	1	1	1	1 A
4	N.S.S.	. BALANCE PISTON	1	1	1	1 A
5	N.S.S.	. SPRING	1	1	1	1 A
6	N.S.S.	. O-RING	1	1	1	1 A
7	N.S.S.	. PISTON	1	1	1	1 A
8	N.S.S.	. O-RING	1	1	1	1 A
9	N.S.S.	. O-RING	1	1	1	1 A
10	641989	. SAFETY VALVE ST-A / M16x1.5	1	1	1	
11	641986	. CYLINER HEAD SEAL KIT	1	1	1	B
12		. REED VALVE ASSY	1	1	1	
13		. INLET REED VALVE GASKET	1	1	1	
14	641987	. COMPRESSOR SEAL KIT	1	1	1	C
15		. BOTTOM COVER	1	1	1	
20	641988	. ENGINE INTERFACE SEAL KIT	1	1	1	
NS	066059	SUPPORT / AIR GOUVERNOR D-2	1	1		D
22	641933	GOVERNOR, AIR / D-2 / (110/130PSI)	1	1		D
. NS	640965	. REPAIR KIT / GOVERNOR D-2	1	1		D
. NS	640638	. GASKET, AIR GOVERNOR	1	1		D
. NS	500187	. SCREW CAP HEX 5/16-18x3 G5 Z050	2	2		D
. NS	500942	. WASHER LO SPT 8.1x14.8x2.0 N500	2	2		D
NS	141970	HOSE ASSY TEFLON #4 4090MM	2	2		E
NS	148039	HOSE ASSY TEFLON #4 290MM	1	1		F
		A) NOT REQUIRE WITH AIR DRYER "HALDEX"				
		B) INCLUDE ITEMS #11 & 13				
		C) INCLUDE ITEM# 14 & 20				
		D) USE ONLY WITH VEHICLE EQUIPPED WITH AIR DRYER AD-9				
		E) BETWEEN GOVERNOR & TANK OR DRYER				
		F) BETWEEN GOVERNOR & COMPRESSOR				
		1) NOT SOLD SEPARATELY				

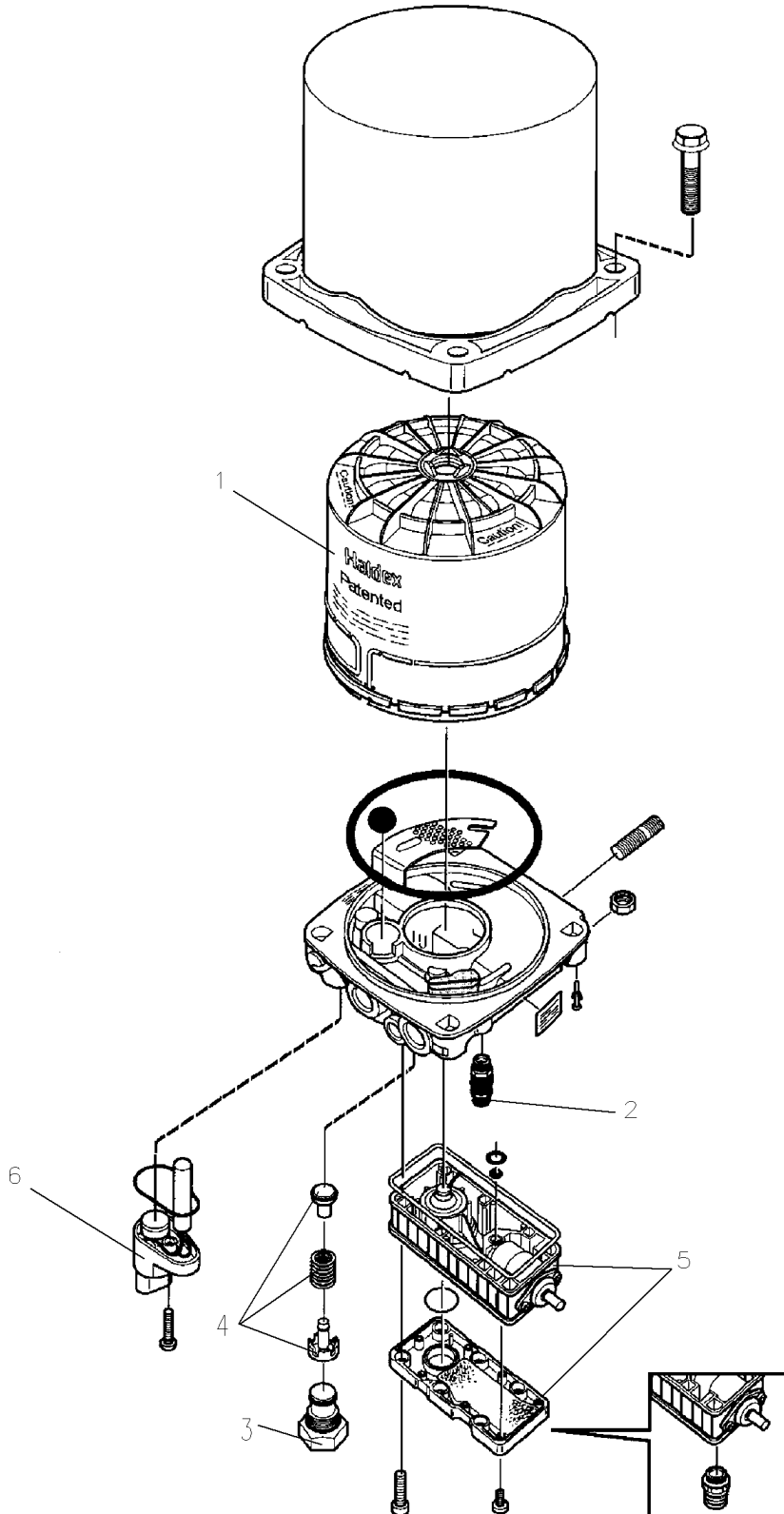


From 3-4417 To 3-4580

Date:10/2022

PAGE:HF-1215-00

AIR DRYER - "HALDEX"



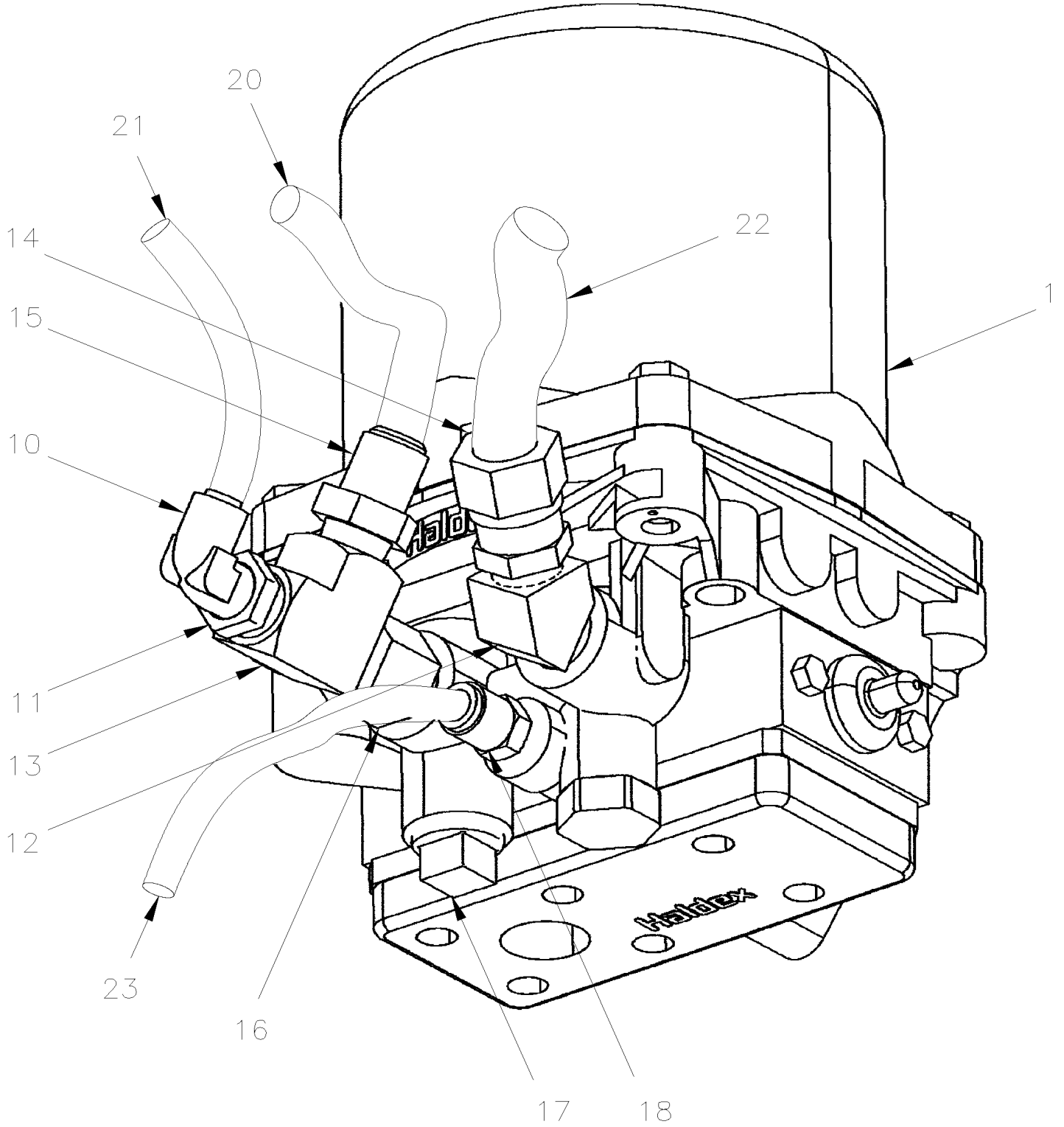


From 3-4417 To 3-4580

Date:10/2022

PAGE:HF-1215-00

AIR DRYER - "HALDEX"





From 3-4417 To 3-4580	Date:10/2022	PAGE:HF-1215-00
AIR DRYER - "HALDEX"		

Item#	Part	Description	H 3 4 1	H 3 4 5	V I P 4 5	N O T E S
	70303498	AIR DRYER "HALDEX" / WITH GOVERNOR	1	1	1	
	642001	AIR DRYER "HALDEX" / WITH GOVERNOR / 24V HEATER	1	1	1	B
1	3097369	. DESICANT CARTRIDGE / "HALDEX"	1	1	1	
2	641953	. SAFETY VALVE	1	1	1	
3	N8885277	. REGENERATION VALVE BLACK PLASTIC M22-1.5	1	1	1	
4	N8894693	. . KIT CHECK VALVE	1	1	1	
5	641954	. VALVE PACK / W/INTEGRATED GOVERNOR 8.5BAR	1	1	1	
5	642017	. VALVE PACK / W/INTEGRATED GOVERNOR 8.5BAR	1	1	1	
5	642071	. VALVE PACK / W/INTEGRATED GOVERNOR 9.0BAR	1	1	1	
6	N8882161	. HEATER ELEMENT 24VOLT / W/ PIG TAIL CONNECTOR	1	1	1	C
. NS	562251	. . CONNECTOR / METRI-PACK 280 / SH 2C / PED 12020599	1	1	1	C
10	641374	MALE ELBOW 90° NON-SWIVEL / PUSH-IN FITTING / #4x3/8NPT-M BR	1	1	1	
11	501534	BUSHING REDUCER / PIPE FITTING / 1/2NPT-Mx3/8NPT-F BR	1	1	1	
12	501528	STREET ELBOW 45° / PIPE FITTING / 1/2NPT-Mx1/2NPT-F BR	1	1	1	
13	501473	MALE RUN TEE / PIPE FITTING / 1/2NPT-Mx1/2NPT-Fx1/2NPT-F BR	1	1	1	
14	640995	MALE CONNECTOR / NTA FITTING / #12x1/2NPT-M BR	1	1	1	
15	501600	MALE CONNECTOR / JIC 37° FITTING / #12JIC-Mx1/2NPT-M STL	1	1	1	
16	5011119	ADAPTER / PIPE FITTING / 1/2NPT-Fx1/2NPT-M BR	1	1	1	
17	501517	PLUG SQUARE HEAD / PIPE FITTING / 3/4NPT-M BR	1	1	1	
18	641331	MALE CONNECTOR / PUSH-IN FITTING / #6x1/4NPT-M BR	1	1	1	
20	142149	HOSE ASSY / #12 1310MM	1	1	1	
21	503563	TUBE, NYLON 6MM O.D. / WHITE S.L.	AR	AR	AR	
22	503465	TUBE, NYLON 3/4 O.D. / GREEN S.L.	AR	AR	AR	
23	503472	TUBE, NYLON 3/8 O.D. / GREY S.L.	AR	AR	AR	
NS	064949	CABLE "HALDEX" RETROFIT "H" SERIE	1	1	1	B
50	141951	HOSE ASSY TEFLON #4 5100MM	1	1	1	B
NS	141948	KIT, RETROFIT "HALDEX" / "H" SERIES	AR	AR	AR	
. NS	WB04-01	. SEE WARRANTY BULLETIN	1	1	1	
		B) USE ONLY WITH KIT #141948, SEE BS-0401				
		C) USE ONLY WITH 642001				

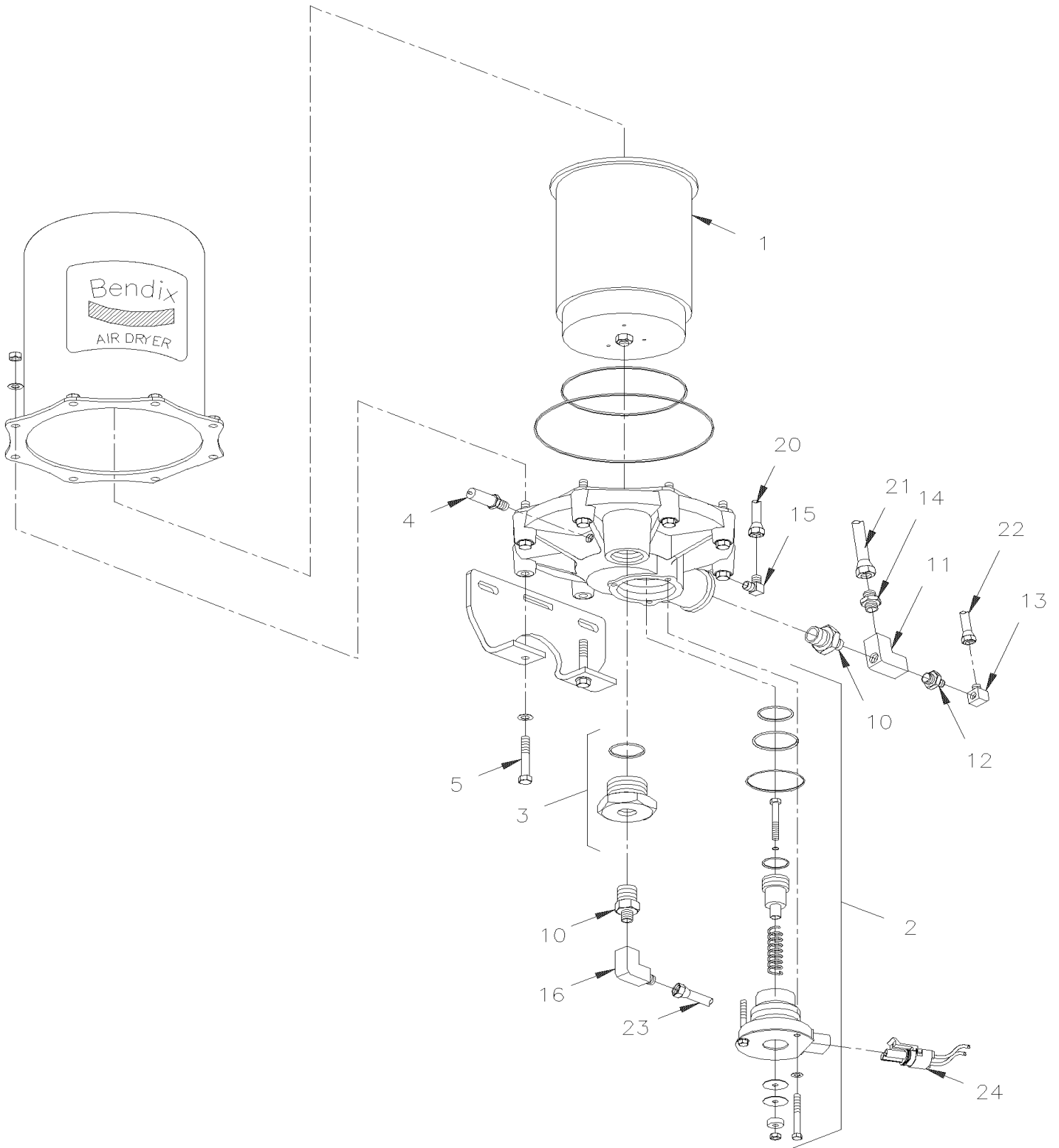


From 3-4581 To 3-4757

Date:10/2022

PAGE:HF-1215-01

AIR DRYER - "BENDIX" AD-9





From 3-4581 To 3-4757	Date:10/2022	PAGE:HF-1215-01
AIR DRYER - "BENDIX" AD-9		

Item#	Part	Description	H 3 4 1	H 3 4 5	V I P 4 5	N O T E S
	641243	AIR DRYER ASSY AD-9 24 VOLTS To 3-4757	1	1	1	
	641243	AIR DRYER ASSY AD-9 24 VOLTS "OPTIONAL" From 3-4758	1	1	1	
1	641244	. DESICANT CARTRIDGE / "BENDIX" AD-9	1	1	1	
. NS	M104-12	. . SEE MAINTENANCE INFORMATION	1	1	1	
2	641464	. PURGE VALVE ASSY W/HEATER 24V	1	1	1	
. NS	109579	. . HEATER ELEMENT 24V -109579	1	1	1	
NS	641358	. . KIT REPAIR / PURGE VALVE	1	1	1	
3	641246	. CHECK VALVE MAINTENANCE KIT 3/4 NPT	1	1	1	
4	N.S.P.	. SAFETY VALVE (285849)	1	1	1	2
5	5001173	. SCREW CAP HEX 5/16-18x4 1/2 G8 ZP	2	2	2	
10	501462	BUSHING REDUCER / PIPE FITTING / 3/4NTP-Mx1/2NPT-F BR	2	2	2	
11	501473	MALE RUN TEE / PIPE FITTING / 1/2NPT-Mx1/2NPT-Fx1/2NPT-F BR	1	1	1	
12	501316	BUSHING REDUCER / PIPE FITTING / 1/2NPT-Mx1/4NPT-F BR	1	1	1	
13	641371	MALE ELBOW 90° NON-SWIVEL / PUSH-IN FITTING / #4x1/4NPT-M BR	1	1	1	
14	501600	MALE CONNECTOR / JIC 37° FITTING / #12JIC-Mx1/2NPT-M STL	1	1	1	
15	501037	MALE ELBOW 90° / SAE 45° FITTING / #4FL-Mx1/4NPT-M BR	1	1	1	
16	641134	MALE ELBOW 90° / NTA FITTING / #12x1/2NPT-M BR	1	1	1	
20	141970	HOSE ASSY TEFLON #4 4090MM	1	1	1	A
20	141970	HOSE ASSY TEFLON #4 4090MM	1	1	1	B
21	HF-1215-11	AIR DRYER TUBE - INSTALLATION				
21	142295	HOSE ASSY TEFLON #12 815MM	1	1	1	D
22	503402	TUBE, NYLON 1/4 O.D. / BLACK S.L.	AR	AR	AR	
23	503465	TUBE, NYLON 3/4 O.D. / GREEN S.L.	AR	AR	AR	
24	063791	CABLE ASSY / AIR DRYER AD-9 HEATER	1	1	1	
NS	562251	. CONNECTOR / METRI-PACK 280 / SH 2C / PED 12020599	1	1	1	
NS	562287	. SECONDARY LOCK / METRI-PACK 280 / 2C / BLACK / PED 12034446	1	1	1	
NS	562101	. SOCKET TERMINAL / 14-12 / PED 12129493	2	2	2	
NS	562106	. SEAL CONNECTOR / METRI-PACK / 3C / BLACK / PED 12048370	2	2	2	
		A) DRYER & GOVERNOR UNLOADER				
		B) GOVERNER & TANK				
		D) AIR DRYER TUBE ASSY & COMPRESSOR				
		2) NOT SOLD BY PREVOST (SEE MANUFACTURING PART NUMBER AT END OF DESCRIPTION LINE)				

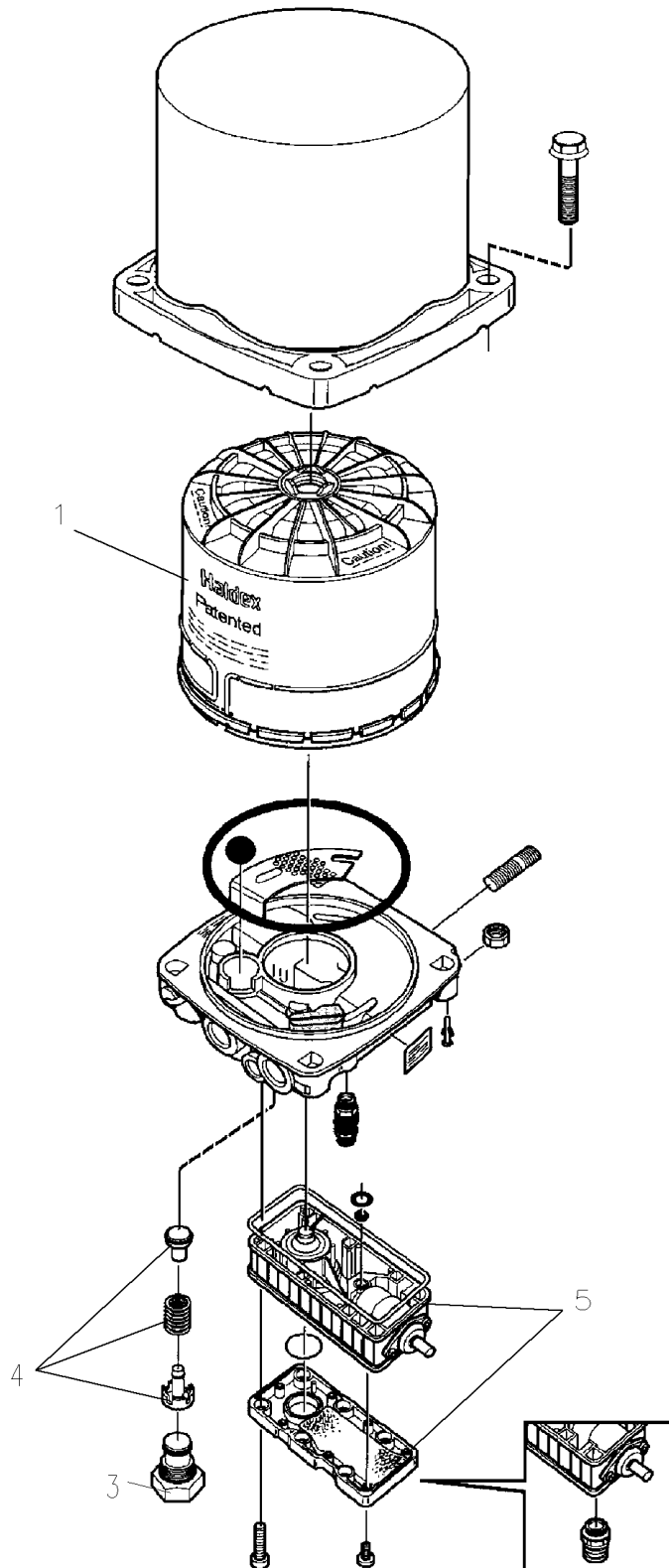


From 4-4758 To 8-1043

Date:10/2022

PAGE:HF-1215-02

AIR DRYER - "HALDEX"



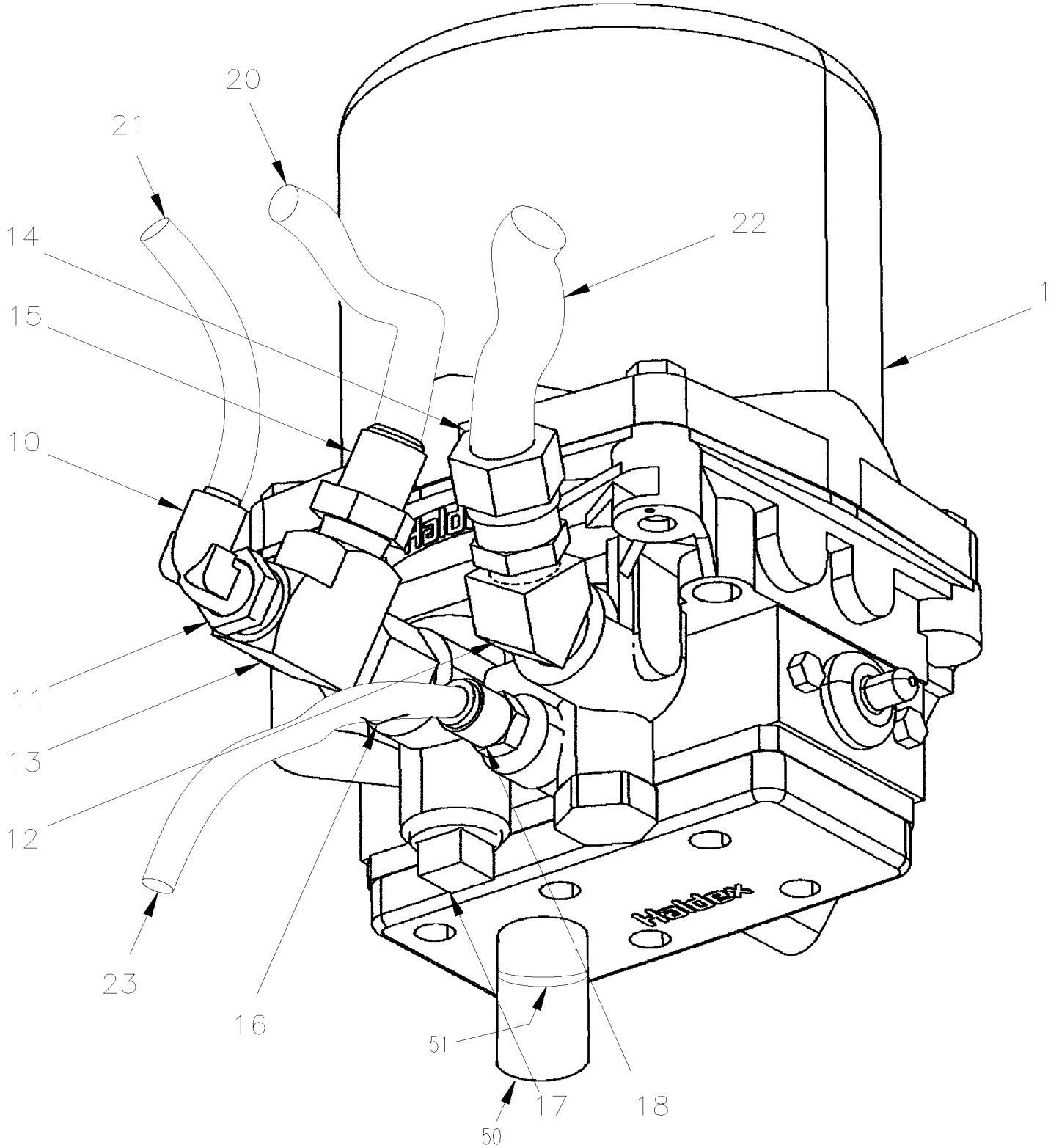


From 4-4758 To 8-1043

Date:10/2022

PAGE:HF-1215-02

AIR DRYER - "HALDEX"





From 4-4758 To 8-1043		Date:10/2022	PAGE:HF-1215-02
AIR DRYER - "HALDEX"			

Item#	Part	Description	H 3 4 1	H 3 4 5	V I P 4 5	N O T E S
	70303498	AIR DRYER "HALDEX" / WITH GOVERNOR To 4-4981	1	1	1	
	642016	AIR DRYER "HALDEX" / WITH GOVERNOR 8.5 Bar From 4-4982 To 7-0670	1	1	1	
	642070	AIR DRYER "HALDEX" / WITH GOVERNOR 9.0 Bar From 7-0671	1	1	1	
1	3097369	. DESICANT CARTRIDGE / "HALDEX"	1	1	1	
3	N8894694	. INTEGRATED TURBO PROTECTION VALVE / INTEGRATED	1	1	1	
4	N8894693	. . KIT CHECK VALVE	1	1	1	
5	641954	. VALVE PACK / W/INTEGRATED GOVERNOR 8.5BAR To 4-4981	1	1	1	
5	642017	. VALVE PACK / W/INTEGRATED GOVERNOR 8.5BAR From 4-4982 To 7-0670	1	1	1	
5	642071	. VALVE PACK / W/INTEGRATED GOVERNOR 9.0BAR From 7-0671	1	1	1	
10	641374	MALE ELBOW 90° NON-SWIVEL / PUSH-IN FITTING / #4x3/8NPT-M BR	1	1	1	
11	501534	BUSHING REDUCER / PIPE FITTING / 1/2NPT-Mx3/8NPT-F BR	1	1	1	
12	501528	STREET ELBOW 45° / PIPE FITTING / 1/2NPT-Mx1/2NPT-F BR	1	1	1	
13	501473	MALE RUN TEE / PIPE FITTING / 1/2NPT-Mx1/2NPT-Fx1/2NPT-F BR	1	1	1	
14	640995	MALE CONNECTOR / NTA FITTING / #12x1/2NPT-M BR	1	1	1	
15	501600	MALE CONNECTOR / JIC 37° FITTING / #12JIC-Mx1/2NPT-M STL	1	1	1	
16	5011119	ADAPTER / PIPE FITTING / 1/2NPT-Fx1/2NPT-M BR	1	1	1	
17	501517	PLUG SQUARE HEAD / PIPE FITTING / 3/4NPT-M BR	1	1	1	
18	641331	MALE CONNECTOR / PUSH-IN FITTING / #6x1/4NPT-M BR	1	1	1	
20	142149	HOSE ASSY / #12 1310MM	1	1	1	
21	503563	TUBE, NYLON 6MM O.D. / WHITE S.L.	AR	AR	AR	
22	503465	TUBE, NYLON 3/4 O.D. / GREEN S.L.	AR	AR	AR	
23	503472	TUBE, NYLON 3/8 O.D. / GREY S.L.	AR	AR	AR	
50	503523	HOSE SILICONE 1PLY 3/4" I.D. x 100' / S.L. From 4-4982	1	1	1	
51	504018	HOSE CLAMP / 7/16"-1" SS / HS-8 From 4-4982	1	1	1	

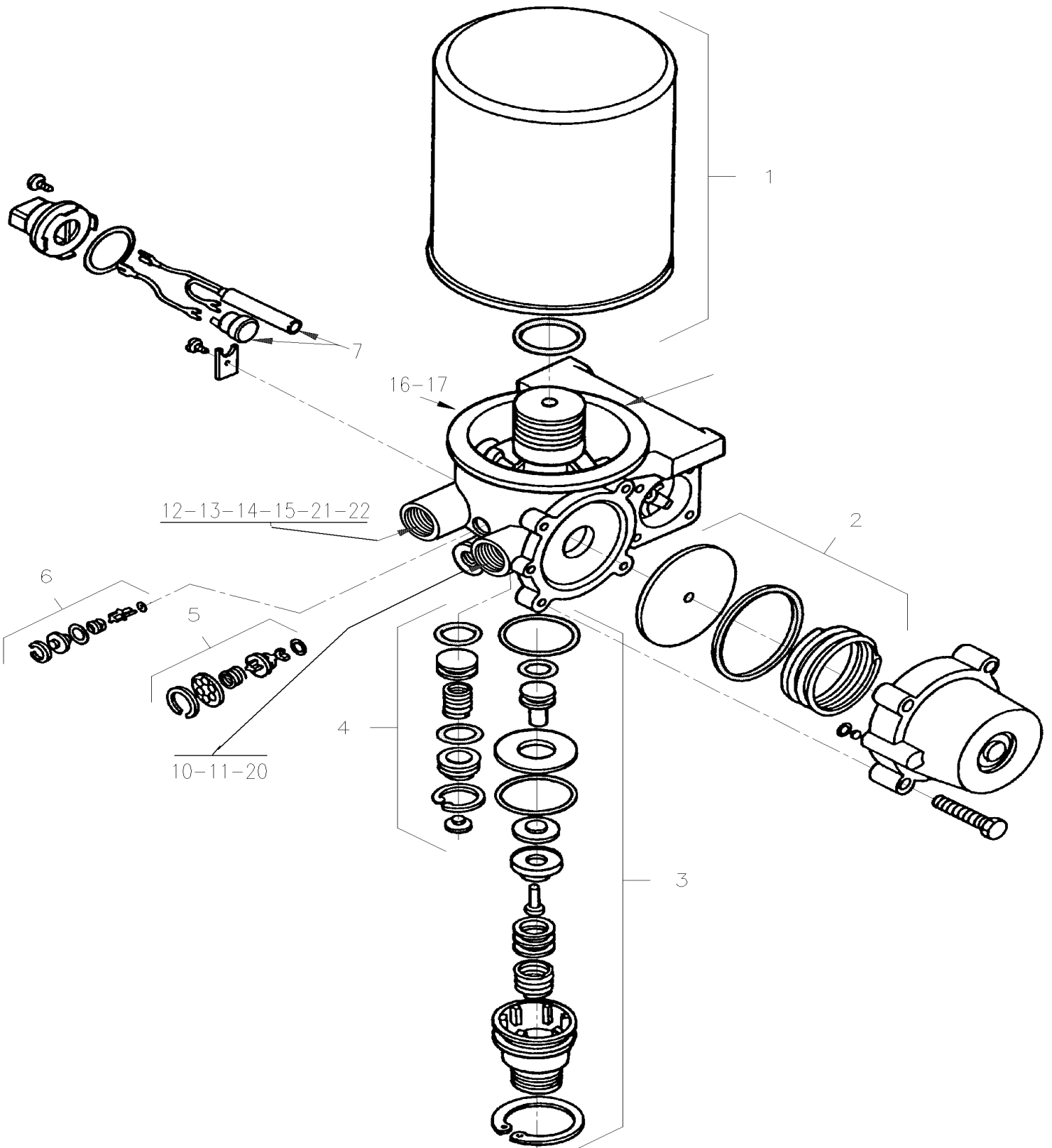


From 3-4417 To 8-1043

Date:10/2022

PAGE:HF-1215-03

AIR DRYER - "ROCKWELL WABCO"





From 3-4417 To 8-1043	Date:10/2022	PAGE:HF-1215-03
AIR DRYER - "ROCKWELL WABCO"		

Item#	Part	Description	H 3 4 1	H 3 4 5	V I P 4 5	N O T E S
		THIS AIR DRYER USE SAME GOVERNOR AND AIR DRYER TUBE THAN WITH "WABCO" DRIER				
	641337	AIR DRYER "WABCO" / S-1200 / 24V HEATER	1	1	1	
1	641278	. DESICANT CARTRIDGE / "WABCO"	1	1	1	
. NS	MI04-12	. . SEE MAINTENANCE INFORMATION	1	1	1	
2	641284	. REGENERATION VALVE KIT	1	1	1	
3	641283	. PURGE VALVE KIT	1	1	1	
4	641282	. TURBO CUT-OFF VALVE KIT	1	1	1	
5	641281	. OUTLET CHECK VALVE KIT	1	1	1	
6	641280	. BY-PASS VALVE KIT	1	1	1	
7	641279	. HEATER ASSY KIT 24 VOLTS	1	1	1	
. NS	562251	. . CONNECTOR / METRI-PACK 280 / SH 2C / PED 12020599	1	1	1	
. NS	562101	. . SOCKET TERMINAL / 14-12 / PED 12129493	2	2	2	
NS	641319	SNUBBLER AIR DISCHARGE / BLACK PLASTIC	1	1	1	
10	501528	STREET ELBOW 45° / PIPE FITTING / 1/2NPT-Mx1/2NPT-F BR	1	1	1	
11	640995	MALE CONNECTOR / NTA FITTING / #12x1/2NPT-M BR	1	1	1	
12	501473	MALE RUN TEE / PIPE FITTING / 1/2NPT-Mx1/2NPT-Fx1/2NPT-F BR	1	1	1	
13	501316	BUSHING REDUCER / PIPE FITTING / 1/2NPT-Mx1/4NPT-F BR	1	1	1	
14	641371	MALE ELBOW 90° NON-SWIVEL / PUSH-IN FITTING / #4x1/4NPT-M BR	1	1	1	
15	501600	MALE CONNECTOR / JIC 37° FITTING / #12JIC-Mx1/2NPT-M STL	1	1	1	
16	501312	BUSHING REDUCER / PIPE FITTING / 1/4NPT-Mx1/8NPT-F BR	3	3	3	
17	501808	MALE ELBOW 45° / SAE 45° FITTING / #4FL-Mx1/8NPT-M BR	3	3	3	
NS	066493	CABLE ASSY / "AIR DRYER "WABCO" EXTENTION W/"OPTION" BAGGAGE	1	1	1	
20	503465	TUBE, NYLON 3/4 O.D. / GREEN S.L.	AR	AR	AR	A
21	142149	HOSE ASSY / #12 1310MM	1	1	1	T
22	503402	TUBE, NYLON 1/4 O.D. / BLACK S.L.	AR	AR	AR	
23	148991	HOSE ASSY TEFLON #4 5010MM	1	1	1	G
24	141970	HOSE ASSY TEFLON #4 4090MM	1	1	1	H
		A) DRYER & WET AIR TANK				
		G) DRYER & GOVERNOR				
		H) GOVERNOR & TANK				
		T) DRYER & AIR DRYER TUBE				

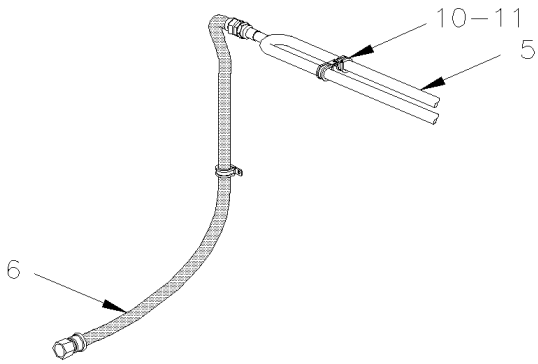


From 3-4417 To 8-1043

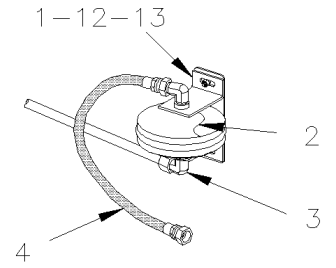
Date:10/2022

PAGE:HF-1215-11

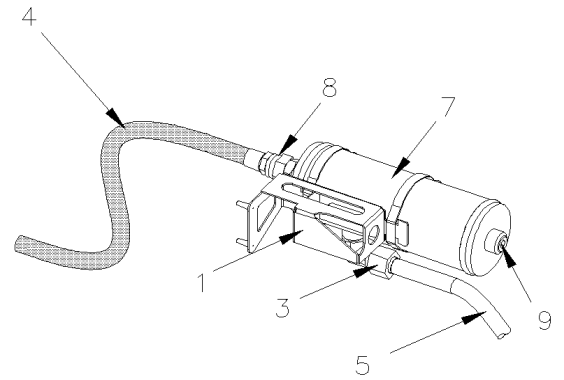
AIR DRYER TUBE - INSTALLATION



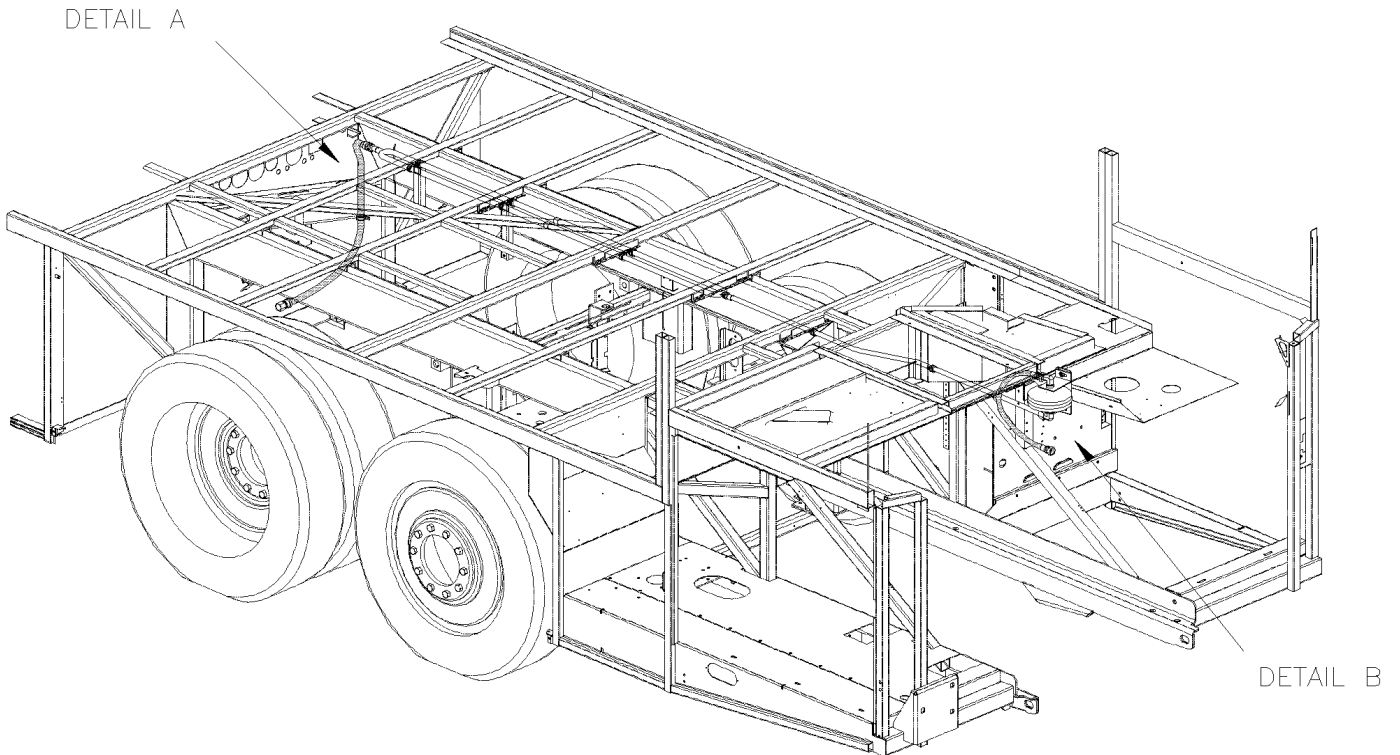
DETAIL A



UP TO 7-1016
DETAIL B



FROM 7-1017
DETAIL B



DETAIL B



From 3-4417 To 8-1043	Date:10/2022	PAGE:HF-1215-11
AIR DRYER TUBE - INSTALLATION		

Item#	Part	Description	H 3 4 1	H 3 4 5	V I P 4 5	N O T E S
1	142280	SUPPORT PING AIR TANK To 7-0771	1	1	1	
1	142151	SUPPORT PING AIR TANK From 7-0772 To 7-1016	1	1	1	
1	149000	SUPPORT PING AIR TANK From 7-1017	1	1	1	
2	032428	AIR TANK / 61 IN° / 6" O.D. X 4" To 7-1016	1	1	1	
3	5011233	MALE ELBOW 90° / JIC 37° FITTING / #12JIC-Mx1/2NPT-M SS	1	1	1	
4	142295	HOSE ASSY TEFLON #12 815MM To 3-4757	1	1	1	
4	142335	HOSE ASSY TEFLON #12 960MM From 4-4758	1	1	1	
5	Call order desk	AIR DRYER TUBE ASSY W/HOSE SEE DETAIL SERVICE To 3-4757	1	1	1	P
. NS	142504	. AIR DRYER TUBE ASSY To 3-4757	1	1	1	
. NS	142149	. HOSE ASSY / #12 1310MM To 3-4757	1	1	1	
5	Call order desk	AIR DRYER TUBE ASSY W/HOSE SEE DETAIL SERVICE From 4-4758	1	1	1	P
. A	142504	. AIR DRYER TUBE ASSY From 4-4758	1	1	1	
. B	142296	. HOSE ASSY / #12 410MM From 4-4758	1	1	1	
5	142504	. AIR DRYER TUBE ASSY	1	1	1	
6	142149	. HOSE ASSY / #12 1310MM To 3-4757	1	1	1	A
6	142296	. HOSE ASSY / #12 410MM From 4-4758	1	1	1	A
7	641982	AIR TANK / 96 IN° / 3 1/2" O.D. X 10" From 7-1017	1	1	1	
8	501600	MALE CONNECTOR / JIC 37° FITTING / #12JIC-Mx1/2NPT-M STL From 7-1017	1	1	1	
9	501966	PLUG HEXS / PIPE FITTING / 1/2NPT-M STL From 7-1017	1	1	1	
10	952633	CLAMP / 7/8" I.D.	4	4	4	
11	500879	SCREW TP PAN PH #10x1 Z050	4	4	4	
12	502616	WASHER LO SPT 10.2x18.1x2.2 SS	2	2	2	
13	502567	NUT HEX M10-1.5 SS	2	2	2	
50	HF-1205-11	AIR COMPRESSOR - "BA921" - WITH DETROIT S-60				
		A) "BETWEEN AIR DRYER & AIR DRYER TUBE				
		P) CALL ORDER DESK FOR SPECIFIC APPLICATION (V.I.N.)				

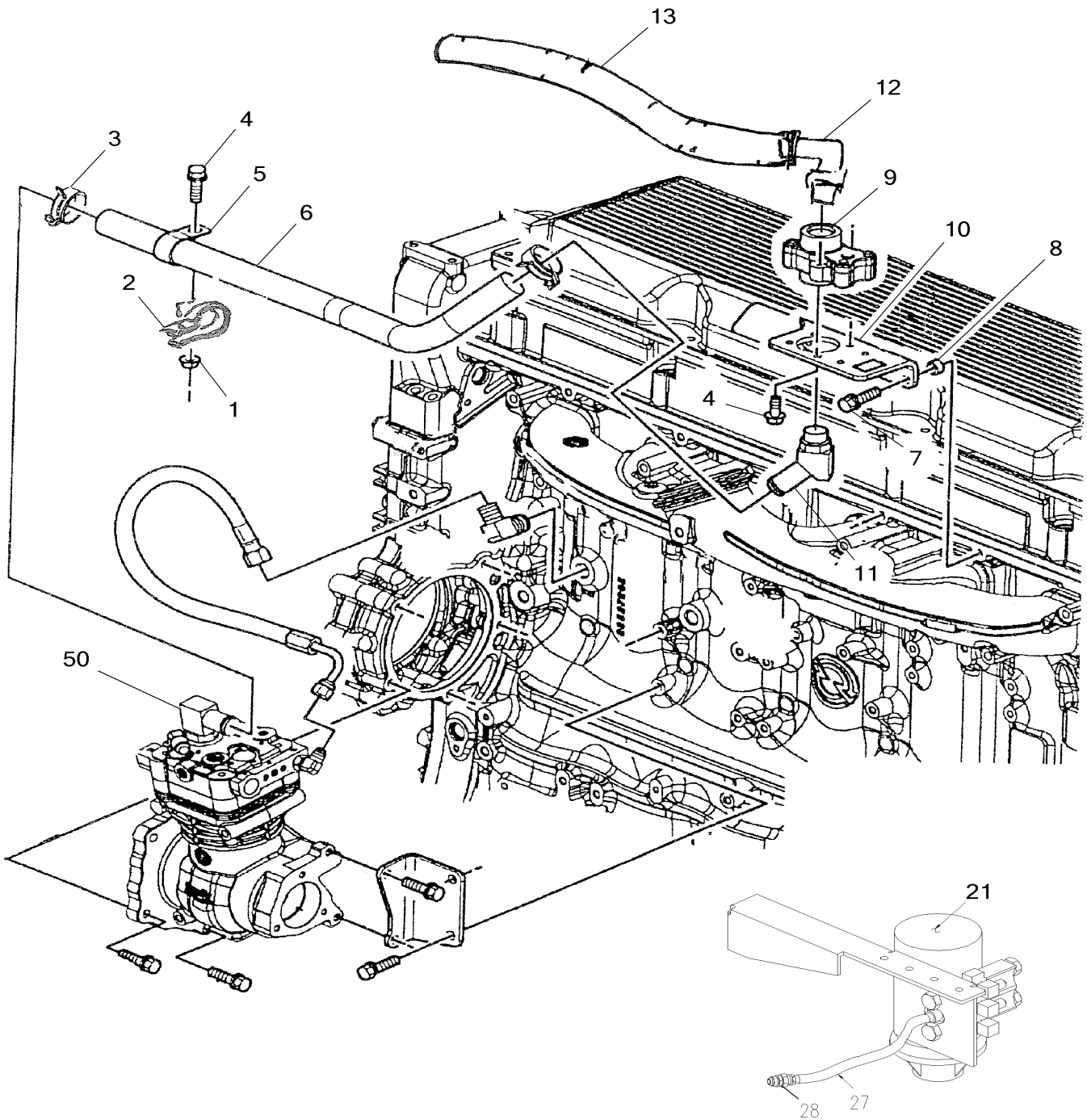


From 4-4758 To 8-1043

Date:10/2022

PAGE:HF-1215-15

CHECK VALVE INSTALLATION W/AD-9 AIR DRIER



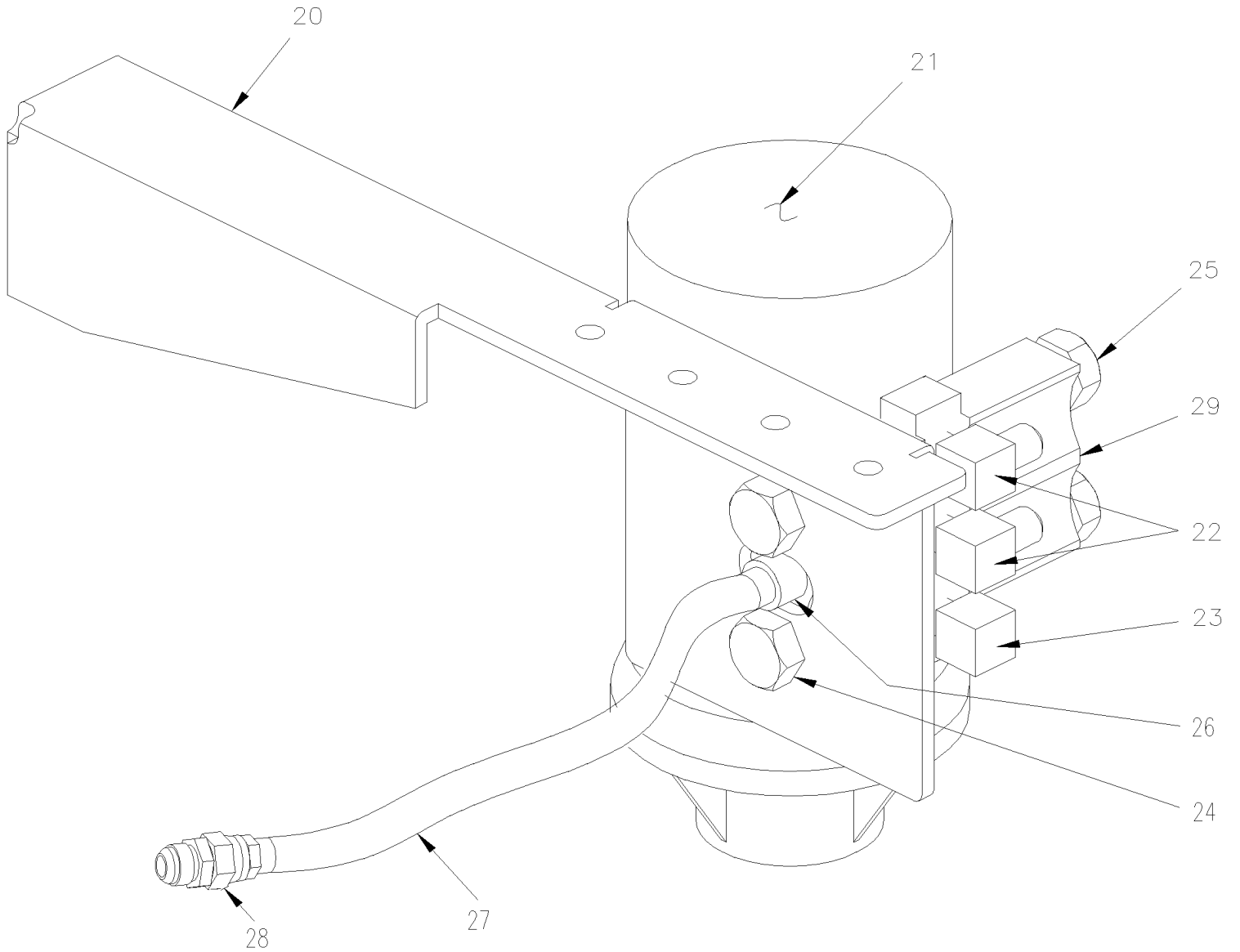


From 4-4758 To 8-1043

Date:10/2022

PAGE:HF-1215-15

CHECK VALVE INSTALLATION W/AD-9 AIR DRIER





From 4-4758 To 8-1043	Date:10/2022	PAGE:HF-1215-15
-----------------------	--------------	-----------------

CHECK VALVE INSTALLATION W/AD-9 AIR DRIER

Item#	Part	Description	H 3 4 1	H 3 4 5	V I P 4 5	N O T E S
1	507636	NUT HEXF M8-1.25	1	1		
2	952625	CLAMP / 3/8" I.D.	1	1		
3	504319	HOSE CLAMP / 1"-1"1/2 SS / E.T. 16	1	1		
4	507637	SCREW CAP HEXF M8-1.25x20 G10.9 PHC	3	3		
5	507638	CLAMP 1"1/4 I.D. X .531	1	1		
6	510870	HOSE 1" I.D. X 29.38"	1	1		
7	507639	SCREW CAP HEXF M8-1.25x30 G10.9 PHC	2	2		
8	507640	SPACER 13/32" I.D. X 7/8" O.D. X 1/4"	2	2		
9	510866	INTAKE CHECK VALVE	1	1		
10	510867	SUPPORT CHECK VALVE	1	1		
11	510868	HOSE ADAPTOR 45 DEG M27 X 1"	1	1		
12	510869	HOSE ADAPTOR 90 DEG M27 X 1"	1	1		
13	032613	HOSE / (SUCTION AIR COMPRESSOR) / #16 630MM	1	1		
20	066059	SUPPORT / AIR GOUVERNOR D-2	1	1		
21	641933	GOVERNOR, AIR / D-2 / (110/130PSI)	1	1		
. NS	640965	. REPAIR KIT / GOVERNOR D-2	1	1		
. NS	640638	. GASKET, AIR GOVERNOR	1	1		
. NS	500187	. SCREW CAP HEX 5/16-18x3 G5 Z050	2	2		
. NS	500942	. WASHER LO SPT 8.1x14.8x2.0 N500	2	2		
22	501036	MALE ELBOW 90° / SAE 45° FITTING / #4FL-Mx1/8NPT-M BR	2	2		
23	501331	STREET ELBOW 90° / PIPE FITTING / 1/8NPT-Mx1/8NPT-F BR	1	1		
24	502258	SCREW CAP HEX M8-1.25x75 G8.8 FT Z050	2	2		
25	966171	NUT HEX NYRT M8x1.25 SS	2	2		
26	501026	MALE CONNECTOR / SAE 45° FITTING / #4FL-Mx1/8NPT-M BR	1	1		
27	148039	HOSE ASSY TEFLON #4 290MM	1	1		
28	501808	MALE ELBOW 45° / SAE 45° FITTING / #4FL-Mx1/8NPT-M BR	2	2		
29	501072	PLUG HEXS / PIPE FITTING / 1/8NPT-M STL	2	2		
50	HF-1205-11	AIR COMPRESSOR - "BA921" - WITH DETROIT S-60				

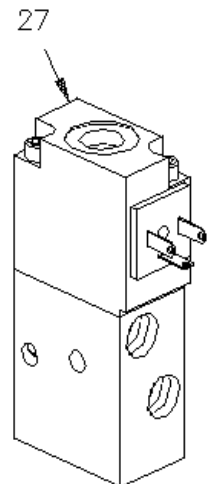
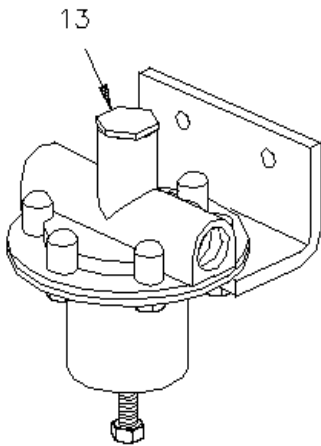
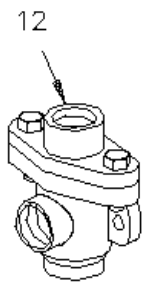
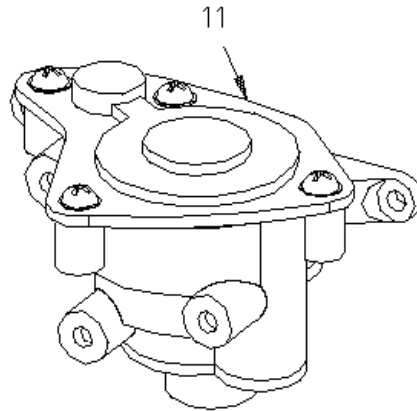
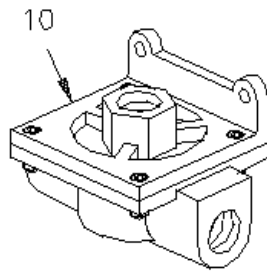
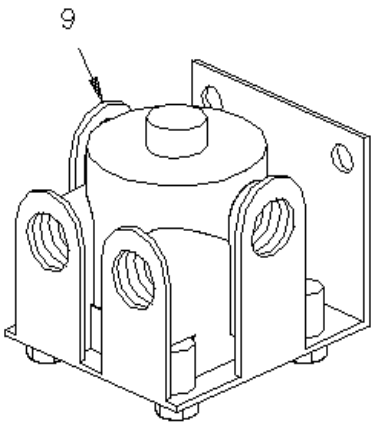
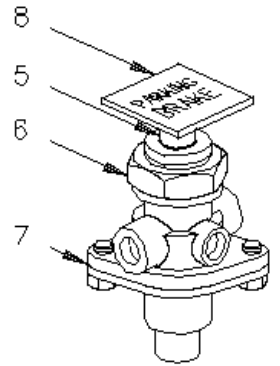
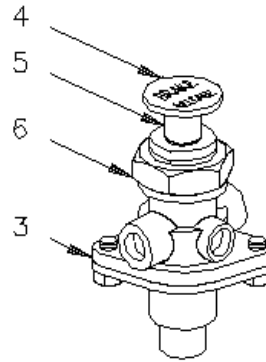
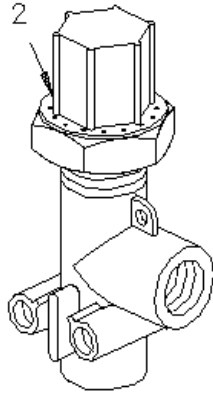
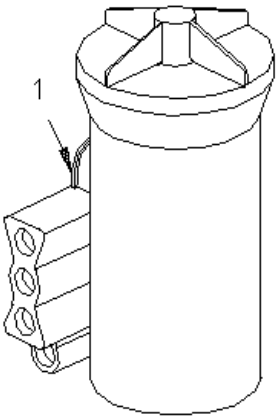


From 3-4417 To 8-1043

Date:10/2022

PAGE:HF-1220-00

MISCELLANEOUS - AIR VALVES



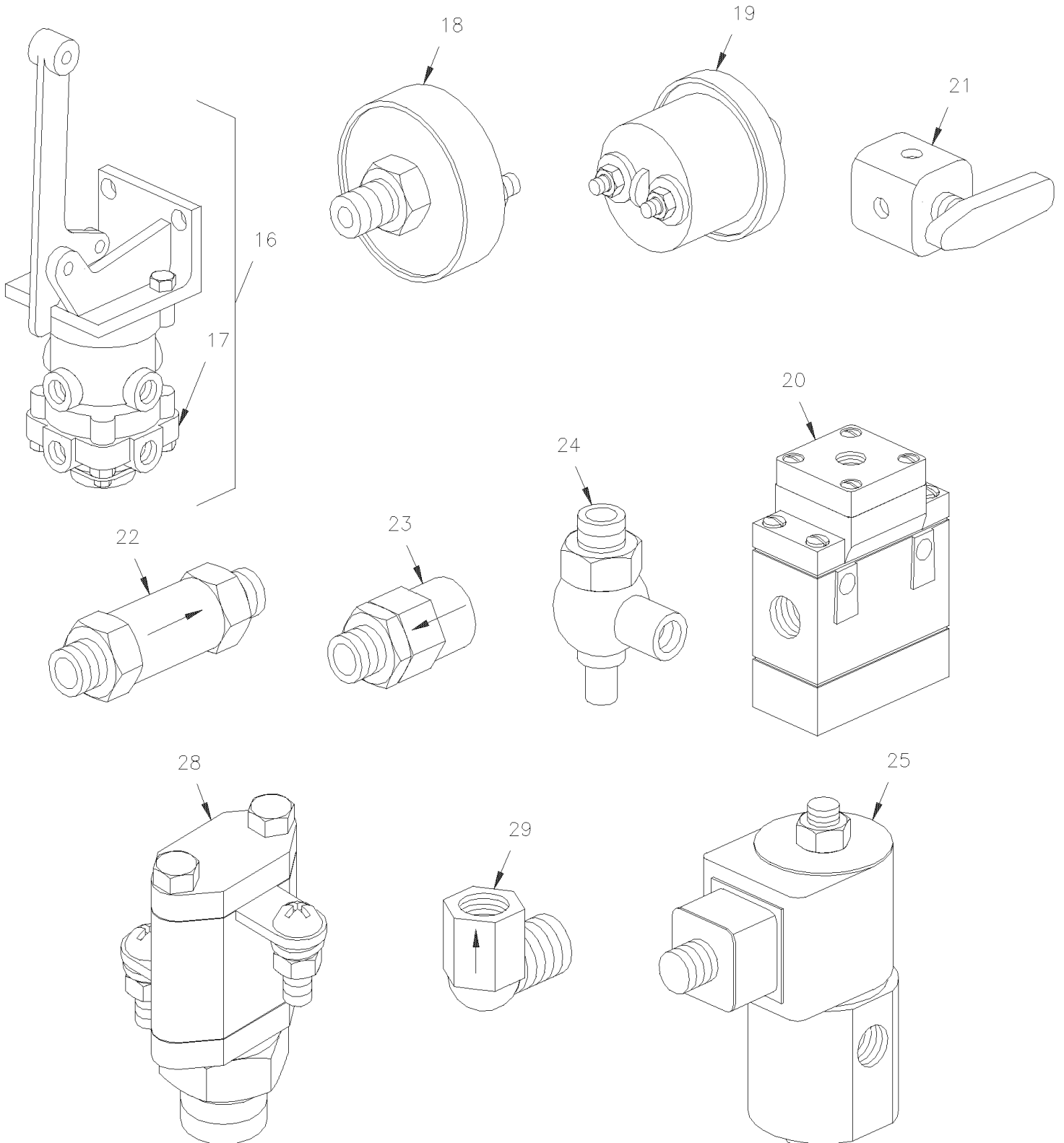


From 3-4417 To 8-1043

Date:10/2022

PAGE:HF-1220-00

MISCELLANEOUS - AIR VALVES



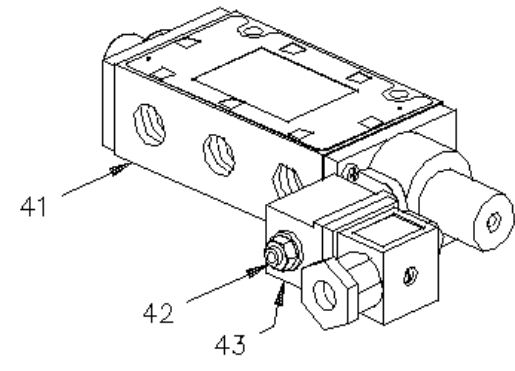
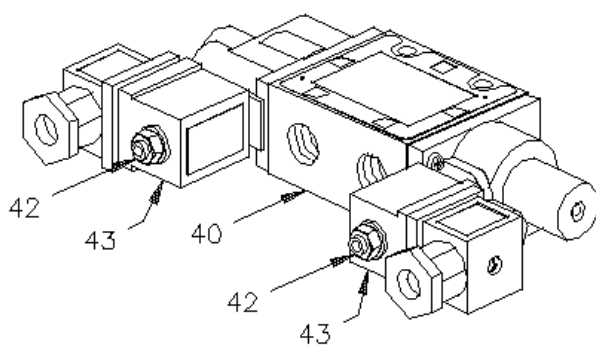
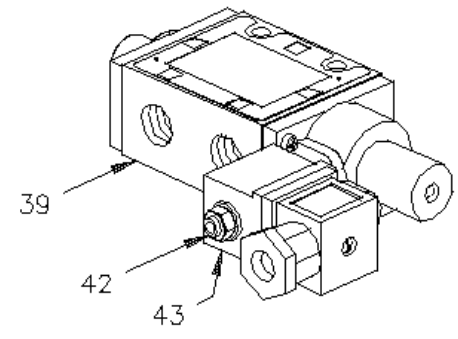
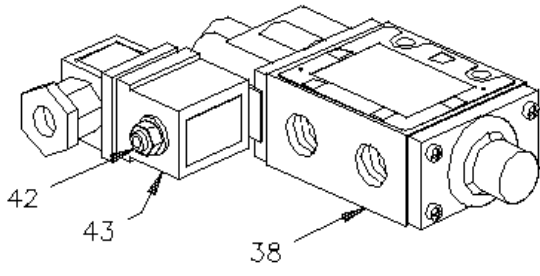
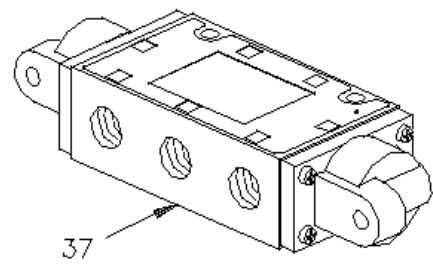
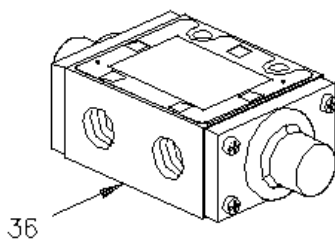
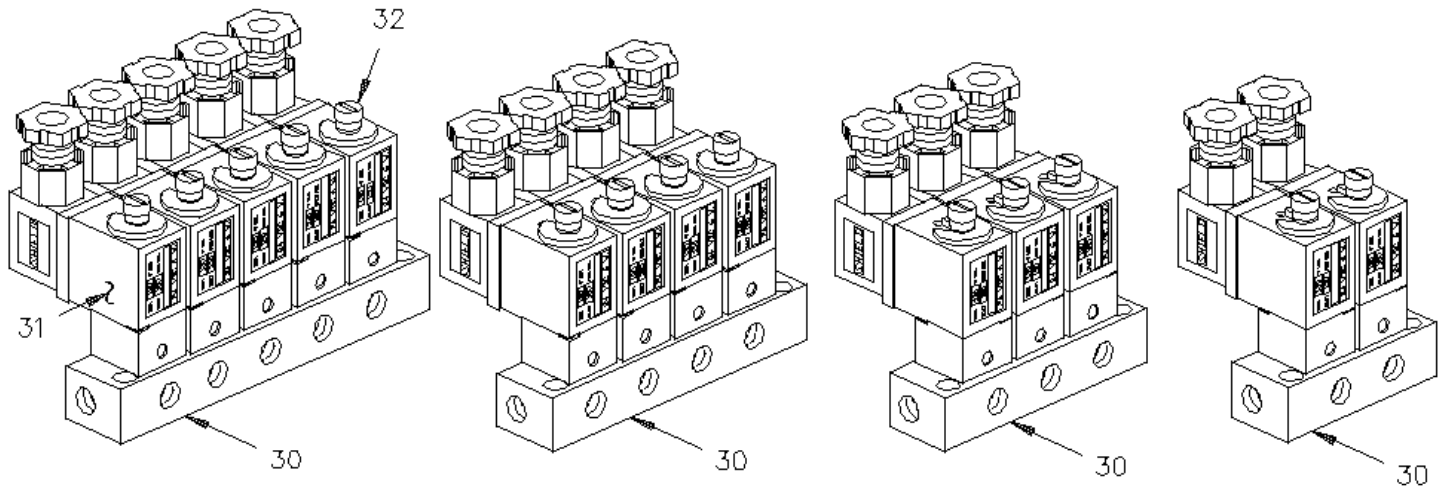


From 3-4417 To 8-1043

Date:10/2022

PAGE:HF-1220-00

MISCELLANEOUS - AIR VALVES



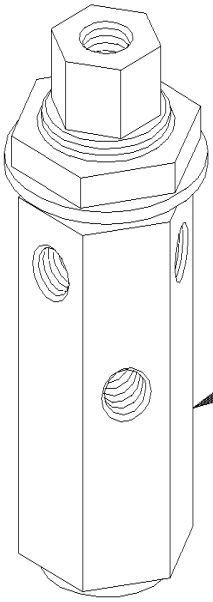


From 3-4417 To 8-1043

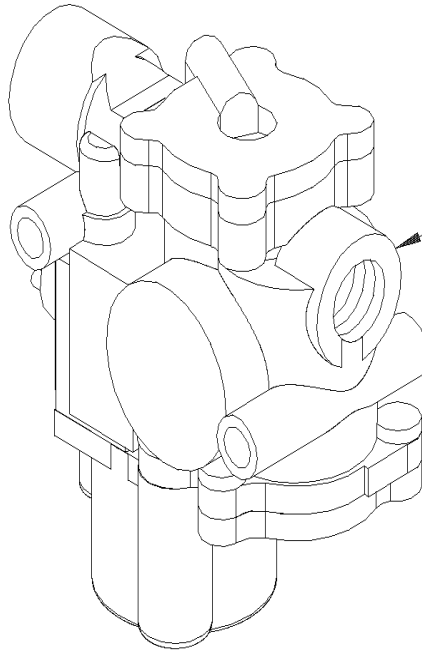
Date:10/2022

PAGE:HF-1220-00

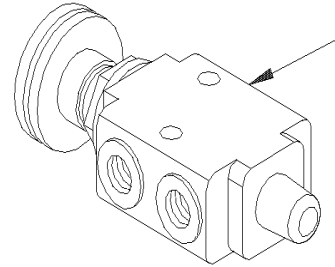
MISCELLANEOUS - AIR VALVES



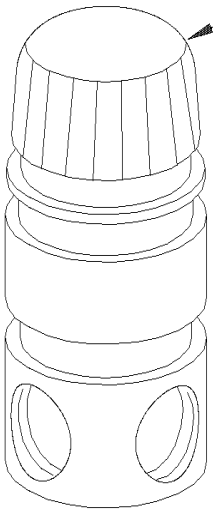
50



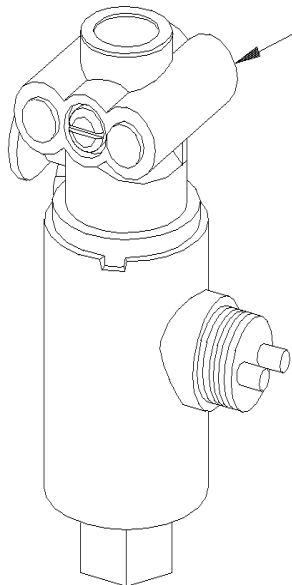
51



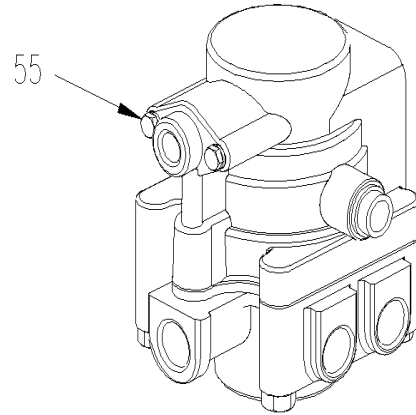
52



53



54



55



From 3-4417 To 8-1043	Date:10/2022	PAGE:HF-1220-00
MISCELLANEOUS - AIR VALVES		

Item#	Part	Description	H 3 4 1	H 3 4 5	V I P 4 5	N O T E S
1	640964	GOVERNOR, AIR / D-2 / (105/125PSI)	AR	AR	AR	
. NS	640965	. REPAIR KIT / GOVERNOR D-2	1	1	1	
. NS	640638	. GASKET, AIR GOVERNOR	1	1	1	
. NS	500187	. SCREW CAP HEX 5/16-18x3 G5 Z050	2	2	2	
. NS	500942	. WASHER LO SPT 8.1x14.8x2.0 N500	2	2	2	
1	641933	GOVERNOR, AIR / D-2 / (110/130PSI)			AR	
. NS	640965	. REPAIR KIT / GOVERNOR D-2			1	
. NS	640638	. GASKET, AIR GOVERNOR			1	
. NS	500187	. SCREW CAP HEX 5/16-18x3 G5 Z050			2	
. NS	500942	. WASHER LO SPT 8.1x14.8x2.0 N500			2	
NS	640965	REPAIR KIT / GOVERNOR D-2	AR	AR	AR	
2	640439	VALVE, PRESSURE PROTECTION / PR-2 75PSI	AR	AR	AR	
3	640472	VALVE, CONTROL / RD-3	AR	AR	AR	
. NS	641154	. REPAIR KIT / PP-1 & RD-3	1	1	1	
4	641155	. BUTTON, OVERRULE ROUND BLACK	AR	AR	AR	
5	640286	. PIN ROLLER	1	1	1	
6	640297	. NUT	1	1	1	
NS	641154	REPAIR KIT / PP-1 & RD-3	AR	AR	AR	
7	641128	VALVE, CONTROL VALVE PP-1 / 40PSI	AR	AR	AR	
. NS	641154	. REPAIR KIT / PP-1 & RD-3	1	1	1	
NS	641154	REPAIR KIT / PP-1 & RD-3	AR	AR	AR	
8	641149	. BUTTON, PARKING BRAKE DIAMOND YELLOW / 1"	AR	AR	AR	
9	642067	VALVE, RELAY R-12 HORIZONTAL PORT	AR	AR	AR	
NS	641120	VALVE, RELAY R-14 HORIZONTAL PORT	AR	AR	AR	
. NS	10508267	. KIT, REPAIR	1	1	1	
9	642013	VALVE, RELAY R-12 DC	AR	AR	AR	
9	641991	VALVE, RELAY R-14 "WABCO"	AR	AR	AR	
10	641014	VALVE, QUICK RELEASE QR-1 / 3/8NPTx3/8NPTx3/8NPT	AR	AR	AR	
. NS	640924	. REPAIR KIT / QR-1	1	1	1	
NS	640924	REPAIR KIT / QR-1	AR	AR	AR	
10	641429	VALVE, QUICK RELEASE QR-1 / 3/8NPTx3/8NPTx3/8NPT	AR	AR	AR	
. NS	640924	. REPAIR KIT / QR-1	1	1	1	
11	640870	VALVE / SPRING BRAKE SR-1 To 4-4866	AR	AR	AR	
. NS	640921	. REPAIR KIT / SR-1 To 4-4866	1	1	1	
NS	640921	REPAIR KIT / SR-1	AR	AR	AR	
12	641015	VALVE, DOUBLE CHECK DC-4 To 3-4597	AR	AR	AR	
12	641564	VALVE, DOUBLE CHECK DC-4 From 3-4598	AR	AR	AR	
13	640938	AIR PRESSURE REGULATOR	AR	AR	AR	
NS	510231	REPAIR KIT / REGULATOR	AR	AR	AR	
14	640136	VALVE, CONTROL TW-1	AR	AR	AR	
. NS	641156	. REPAIR KIT / TW-1	1	1	1	
NS	641156	REPAIR KIT / TW-1	AR	AR	AR	



From 3-4417 To 8-1043	Date:10/2022	PAGE:HF-1220-00
MISCELLANEOUS - AIR VALVES		

Item#	Part	Description	H 3 4 1	H 3 4 5	V I P 4 5	N O T E S
15	640128	VALVE HORN HV-3	AR	AR	AR	
16	HF-1220-10	BRAKE PEDAL VALVE - "BENDIX"				
17	HF-1220-10	BRAKE PEDAL VALVE - "BENDIX"				
18	640852	PRESSURE SWITCH N.O. 4PSI / 1/4NPT W/8-32 / SL-5 BRAKE	AR	AR	AR	
18	641462	PRESSURE SWITCH N.O. 4PSI / 1/4NPT W/10-32 / SL-5 BRAKE	AR	AR	AR	
19	562052	PRESSURE SWITCH N.C. 3PSI / 1/4NPT W/2 SCREWS/ BRAKE	AR	AR	AR	
20	641357	VALVE, 3 WAYS, 2 POSITIONS N.C. / W/SPRING	AR	AR	AR	
20	641356	VALVE, 3 WAYS, 2 POSITIONS N.O. / W/SPRING	AR	AR	AR	
21	5011013	VALVE, 4 WAYS CONTROL	AR	AR	AR	
21	641417	VALVE, 3 WAYS 1/8NPT-Fx1/8NPT-Fx1/8NPT-F BR	AR	AR	AR	
. NS	642014	. HANDLE / RED	1	1	1	
21	642161	VALVE, 3 WAYS 1/8NPT-Fx1/8NPT-Fx1/8NPT-F BR / SERVICE	AR	AR	AR	
. NS	642014	. HANDLE / RED	1	1	1	
22	530175	VALVE, CHECK 1/8 NPT	AR	AR	AR	
23	640135	VALVE, CHECK 1/4 NPT	AR	AR	AR	
23	640123	VALVE, CHECK 1/2 NPT SC-1	AR	AR	AR	
. NS	641401	. VALVE, CHECK 1/2 NPT SC-1	1	1	1	
24	780233	VALVE, CONTROL / FCP2	AR	AR	AR	
25	562804	VALVE, 2 WAYS N.C.	AR	AR	AR	
. NS	562848	. CONNECTOR / SOCKET HOUSING ASSY 3C / PNEUMAC 54933-05	1	1	1	
27	641394	VALVE, 3 WAYS, 2 POSITIONS 24V	AR	AR	AR	
27	641393	VALVE, 4 WAYS, 2 POSITIONS 24V SUPPERSEDED BY 288503	AR	AR	AR	
NS	562580	CONNECTOR / SOCKET HOUSING ASSY 3C / PNEUTECH HS-2	AR	AR	AR	
28	640975	PRESSURE SWITCH N.C. 66PSI / 1/4NPT LP-3	AR	AR	AR	
28	641174	PRESSURE SWITCH N.C. 30PSI / 1/4NPT LP-2	AR	AR	AR	
29	641172	VALVE, CHECK ELBOW 90° 1/2 NPT	AR	AR	AR	
30	641205	MANIFOLD VALVE / W/5 SOLENOID			AR	
. NS	641928	. KIT, MANIFOLD REPAIR / N.C.			5	
. NS	641107	. COIL 24V			5	
30	641055	MANIFOLD VALVE / W/4 SOLENOID	AR	AR	AR	
. NS	641928	. KIT, MANIFOLD REPAIR / N.C.	4	4	4	
30	641448	MANIFOLD VALVE / W/4 SOLENOID	AR	AR	AR	
. NS	641927	. KIT, MANIFOLD REPAIR / N.O.	1	1	1	
. NS	641928	. KIT, MANIFOLD REPAIR / N.C.	1	1	1	
. NS	641929	. COIL 24V	1	1	1	
. NS	990143	. MALE CONNECTOR / PUSH-IN FITTING / W/O-RING / #2x#10-32-M BR	1	1	1	
. NS	642213	. MALE ELBOW 90° SWIVEL / PUSH-IN FITTING / #2x10-32 NP	1	1	1	
. NS	641385	. CONNECTOR / SOCKET HOUSING ASSY 3C / PNEUMAC 54934-01	1	1	1	
. NS	641455	. REDUCER STEM / PUSH-IN FITTING / #2x#4 PLAS	1	1	1	
30	641906	MANIFOLD VALVE / W/4 SOLENOID	AR	AR	AR	
. NS	641927	. KIT, MANIFOLD REPAIR / N.O.	1	1	1	
. NS	641928	. KIT, MANIFOLD REPAIR / N.C.	3	3	3	



From 3-4417 To 8-1043	Date:10/2022	PAGE:HF-1220-00
MISCELLANEOUS - AIR VALVES		

Item#	Part	Description	H 3 4 1	H 3 4 5	V I P 4 5	N O T E S
. NS	641107	. COIL 24V	1	1	1	
. NS	642213	. MALE ELBOW 90° SWIVEL / PUSH-IN FITTING / #2x10-32 NP	1	1	1	
. NS	990143	. MALE CONNECTOR / PUSH-IN FITTING / W/O-RING / #2x#10-32-M BR	1	1	1	
. NS	641385	. CONNECTOR / SOCKET HOUSING ASSY 3C / PNEUMAC 54934-01	1	1	1	
. NS	641455	. REDUCER STEM / PUSH-IN FITTING / #2x#4 PLAS	1	1	1	
30	641180	MANIFOLD VALVE / W/3 SOLENOID	AR	AR	AR	
. NS	641928	. KIT, MANIFOLD REPAIR / N.C.	3	3	3	
. NS	641107	. COIL 24V	1	1	1	
30	641412	MANIFOLD VALVE / W/2 SOLENOID	AR	AR		
. NS	641107	. COIL 24V	2	2		
31	641107	. COIL 24V	AR	AR	AR	
32	641353	PLUNGER REPAIR KIT / MANIFOLD VALVE (1)	AR	AR	AR	
36	641274	VALVE, 3 WAYS, 2 POSITIONS N.C.	AR	AR	AR	
37	641531	VALVE, 5 WAYS, 3 POSITIONS	AR	AR	AR	
. NS	641186	. SPOOL	1	1	1	
NS	641186	. SPOOL	AR	AR	AR	
38	641529	VALVE, 3 WAYS, 2 POSITIONS N.C.	AR	AR	AR	
. NS	641929	. COIL 24V	1	1	1	
. NS	641169	. SPOOL	1	1	1	
. NS	641385	. CONNECTOR / SOCKET HOUSING ASSY 3C / PNEUMAC 54934-01	1	1	1	
NS	641169	. SPOOL	AR	AR	AR	
38	641937	VALVE, 3 WAYS, 2 POSITIONS N.C. / W/MAN OVERRIDE	AR	AR	AR	
. NS	641929	. COIL 24V	1	1	1	
. NS	641385	. CONNECTOR / SOCKET HOUSING ASSY 3C / PNEUMAC 54934-01	1	1	1	
39	641528	VALVE, 3 WAYS, 2 POSITIONS N.O.	AR	AR	AR	
. NS	641929	. COIL 24V	1	1	1	
. NS	641169	. SPOOL	1	1	1	
. NS	641385	. CONNECTOR / SOCKET HOUSING ASSY 3C / PNEUMAC 54934-01	1	1	1	
NS	641169	. SPOOL	AR	AR	AR	
40	641530	VALVE, 3 WAYS, 2 POSITIONS / 2 SOLONIDS	AR	AR	AR	
. NS	641929	. COIL 24V	1	1	1	
. NS	641169	. SPOOL	1	1	1	
. NS	641385	. CONNECTOR / SOCKET HOUSING ASSY 3C / PNEUMAC 54934-01	1	1	1	
NS	641169	. SPOOL	AR	AR	AR	
41	641527	VALVE, 4 WAYS, 2 POSITIONS	AR	AR	AR	
. NS	641929	. COIL 24V	1	1	1	
. NS	641186	. SPOOL	1	1	1	
. NS	641385	. CONNECTOR / SOCKET HOUSING ASSY 3C / PNEUMAC 54934-01	1	1	1	
42	641186	. SPOOL	AR	AR	AR	
43	641107	. COIL 24V	AR	AR	AR	
50	640442	VALVE, INVERSION TR-2	AR	AR	AR	
51	641537	VALVE, "ABS" 24VOLT To 3-4439	AR	AR	AR	



From 3-4417 To 8-1043	Date:10/2022	PAGE:HF-1220-00
MISCELLANEOUS - AIR VALVES		

Item#	Part	Description	H 3 4 1	H 3 4 5	V I P 4 5	N O T E S
51	641951	VALVE, "ABS" 12VOLT From 3-4440	AR	AR	AR	
52	641445	VALVE, 3 WAYS, 2 POSITIONS MECHANICAL	AR	AR	AR	
. NS	641992	. KNOB	1	1	1	
53	641472	AIR PRESSURE REGULATOR 1/4" NPT / COPPER	AR	AR	AR	
NS	641438	NUT	AR	AR	AR	
54	641460	VALVE, "ATC" 24VOLT To 3-4439	AR	AR	AR	
54	641950	VALVE, "ATC" 12VOLT From 3-4440	AR	AR	AR	
55	642015	VALVE / SPRING BRAKE SR-7	AR	AR	AR	
NS	643385	KIT CHECK VALVE CONVERSION SR-7	AR	AR	AR	
55	643384	VALVE / SPRING BRAKE SR-7	AR	AR	AR	
. NS	642119	. VALVE / SPRING BRAKE SR-7	1	1	1	

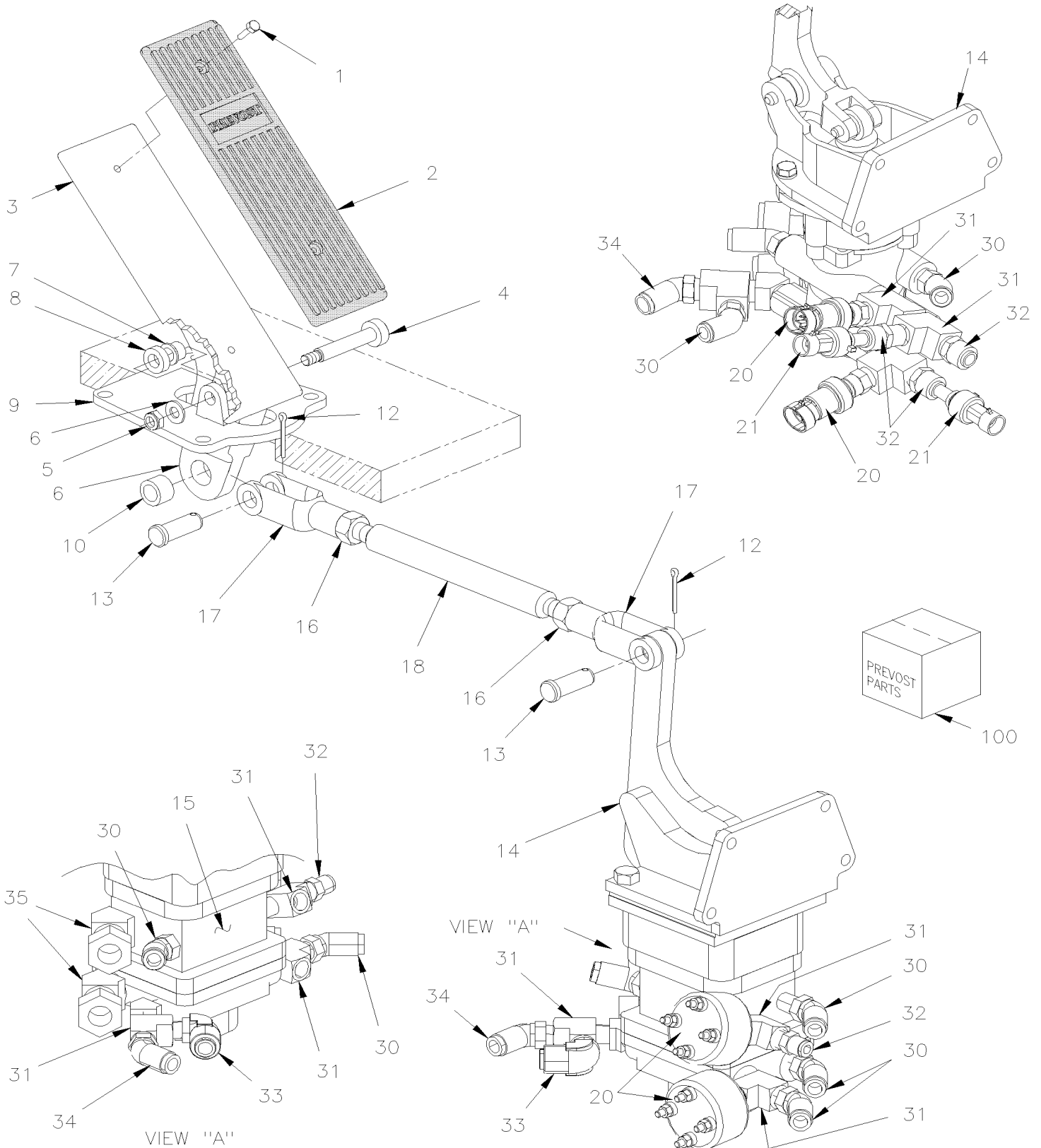


From 3-4417 To 8-1043

Date:10/2022

PAGE:HF-1220-10

BRAKE PEDAL VALVE - "BENDIX"





From 3-4417 To 8-1043	Date:10/2022	PAGE:HF-1220-10
BRAKE PEDAL VALVE - "BENDIX"		

Item#	Part	Description	H 3 4 1	H 3 4 5	V I P 4 5	N O T E S
	141206	PEDAL ASSY	1	1	1	
1	500416	. SCREW MA PAN PH #10-32x1/2 BK	2	2	2	
2	141212	. THREADLE COVER / W/STEEL BACKING	1	1	1	
3	141207	. PEDAL BRAKE	1	1	1	
4	502575	. SCREW SHR HEXS 10x50 {M8-1.25	1	1	1	
5	500868	. NUT HEX NYRT M8-1.25 Z050	1	1	1	
6	500874	. WASHER FL 8.4x17.0x1.6 Z050	1	1	1	
7	507297	. FLANGE BUSHING	2	2	2	
8	141211	. SPACER	1	1	1	
9	141996	. SUPPORT ASSY / TO FIX BRAKE PEDAL	1	1	1	
10	507307	. BUSHING OIL 1/2 I.D. X 3/4 O.D. X 1/2	1	1	1	
12	502102	PIN, COTTER 1/8 x 1	1	1	1	
13	502035	PIN, CLEVIS 1/2 x 1 3/8 Z050	1	1	1	
14	641856	BRAKE VALVE ASSY W/BRACKET / MODEL E-10P	1	1	1	
. NS	19507993	. BOOT PLUNGER	1	1	1	
. NS	19510779	. PLUNGER	1	1	1	
. NS	2222120	. MOUNTING BRACKET COUPLING D-1	1	1	1	
15	641925	. VALVE SUB ASSY / MODEL E-10P	1	1	1	
16	500716	NUT HEX 1/2-20 Z050	2	2	2	
17	020317	YOKE 1/2-20x1 15/16 C/Lx9/16Wx1/2	2	2	2	
18	141178	SHAFT THREADED W/R.H. THREAD 260MM	1	1	1	
20	641462	PRESSURE SWITCH N.O. 4PSI / 1/4NPT W/10-32 / SL-5 BRAKE To 7-0671	2	2	2	
20	642072	PRESSURE SWITCH N.C. 2-6 PSI / 1/4" TUBE From 8-1045	2	2	2	
. NS	563677	. CONNECTOR / METRI-PACK 150 / SH 4C / PED 12065402 From 8-1045	1	1	1	
21	642075	TRANSDUCER PRESSURE From 7-0942	AR	AR	AR	
. NS	563159	. CONNECTOR / METRI-PACK 150 / SH 3C / PED 12065287 From 7-0942	1	1	1	
30	641367	MALE ELBOW 45° NON-SWIVEL / PUSH-IN FITTING / #6x3/8NPT-M BR From 7-0942			AR	
31	501699	MALE RUN TEE / PIPE FITTING / 3/8NPT-Mx3/8NPT-Fx3/8NPT-F BR	AR	AR	AR	
32	641330	MALE CONNECTOR / PUSH-IN FITTING / #6x3/8NPT-M BR	AR	AR	AR	
33	641375	MALE ELBOW 90° NON-SWIVEL / PUSH-IN FITTING / #6x3/8NPT-M BR	AR	AR	AR	
34	641368	MALE ELBOW 45° NON-SWIVEL / PUSH-IN FITTING / #8x3/8NPT-M BR	AR	AR	AR	
35	641602	MALE CONNECTOR / PUSH-IN FITTING / #10x3/8NPT-M BR	AR	AR	AR	
36	501330	STREET ELBOW 45° / PIPE FITTING / 3/8NPT-Mx3/8NPT-F BR	AR	AR	AR	
37	501305	PLUG SQUARE HEAD / PIPE FITTING / 3/8NPT-M BR	1	1	1	
100	640949	KIT, REPAIR / BRAKE VALVE E-10	1	1	1	

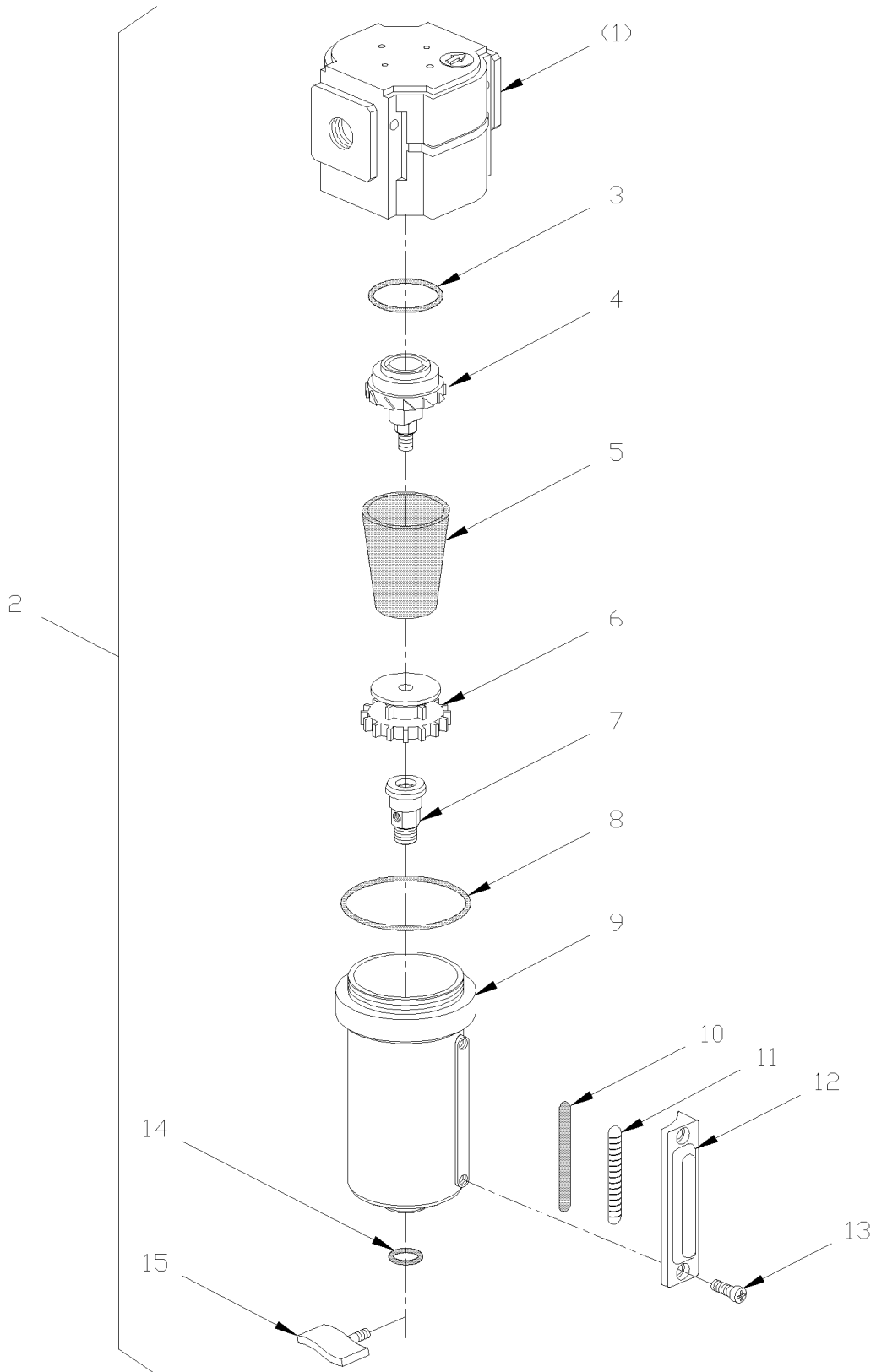


From 3-4417 To 8-1043

Date:10/2022

PAGE:HF-1220-15

AIR FILTER - ACCESSORIES





From 3-4417 To 8-1043	Date:10/2022	PAGE:HF-1220-15
-----------------------	--------------	-----------------

AIR FILTER - ACCESSORIES

Item#	Part	Description	H 3 4 1	H 3 4 5	V I P 4 5	N O T E S
1	641339	SUPPORT / AIR FILTER	1	1	1	
2	641338	AIR FILTER ASSY	1	1	1	
3	N.S.S.	. O-RING / UPPER CENTER POST	1	1	1	1
4	641969	. CENTER POST	1	1	1	
5	641340	. FILTER ELEMENT	1	1	1	
6	641970	. SCREW BAFFLE	1	1	1	
7	641971	. DRAIN VALVE BODY	1	1	1	
8	N.S.S.	. O-RING / UPPER BOWL	1	1	1	1
9	N.S.S.	. BOWL METAL	1	1	1	1
10	N.S.S.	. INDICATOR FILTER	1	1	1	1
11	N.S.S.	. GLASS / INDICATOR	1	1	1	1
12	N.S.S.	. RETAINER / GLASS	1	1	1	1
13	N.S.S.	. SCREW / TO FIX RETAINER	2	2	2	1
14	N.S.S.	. O-RING / LOWER BOWL	1	1	1	1
15	641972	. DRAIN VALVE	1	1	1	
16	N.S.S.	. NUT RETAINER / DRAIN VALVE	1	1	1	1
NS	641354	KIT, O-RING	AR	AR	AR	A
NS	641355	KIT, LEVEL INDICATOR	AR	AR	AR	B
NS	7770058	KIT, DRAIN VALVE	AR	AR	AR	C
		A) INCLUDE ITEMS #3,8 & 14				
		B) INCLUDE ITEMS #8,10,11 & 13				
		C) INCLUDE ITEMS #7, 14 & 15				
		1) NOT SOLD SEPARATELY				

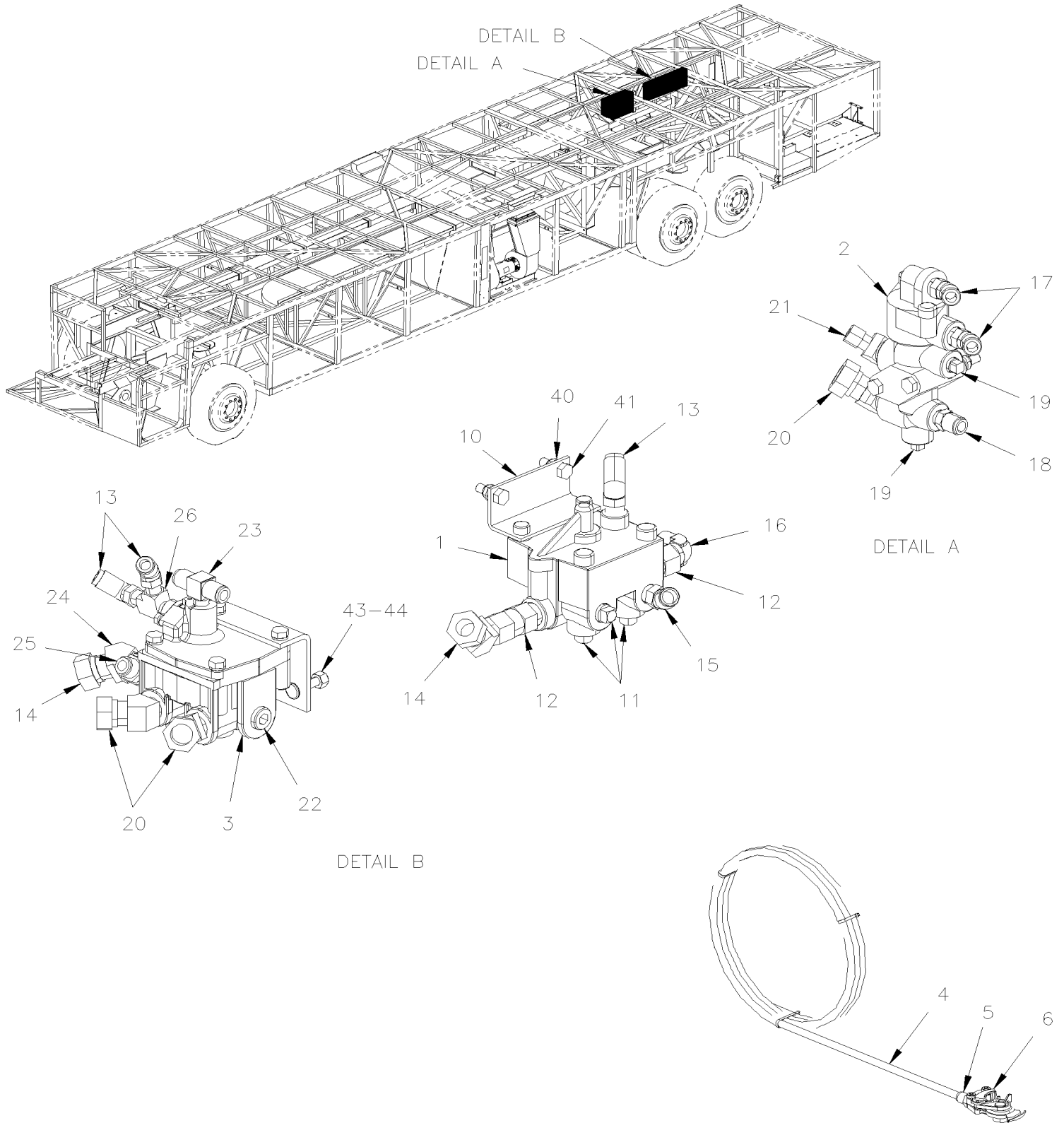


From 3-4417 To 8-1043

Date:10/2022

PAGE:HF-1220-50

TRAILER VALVE INSTALLATION



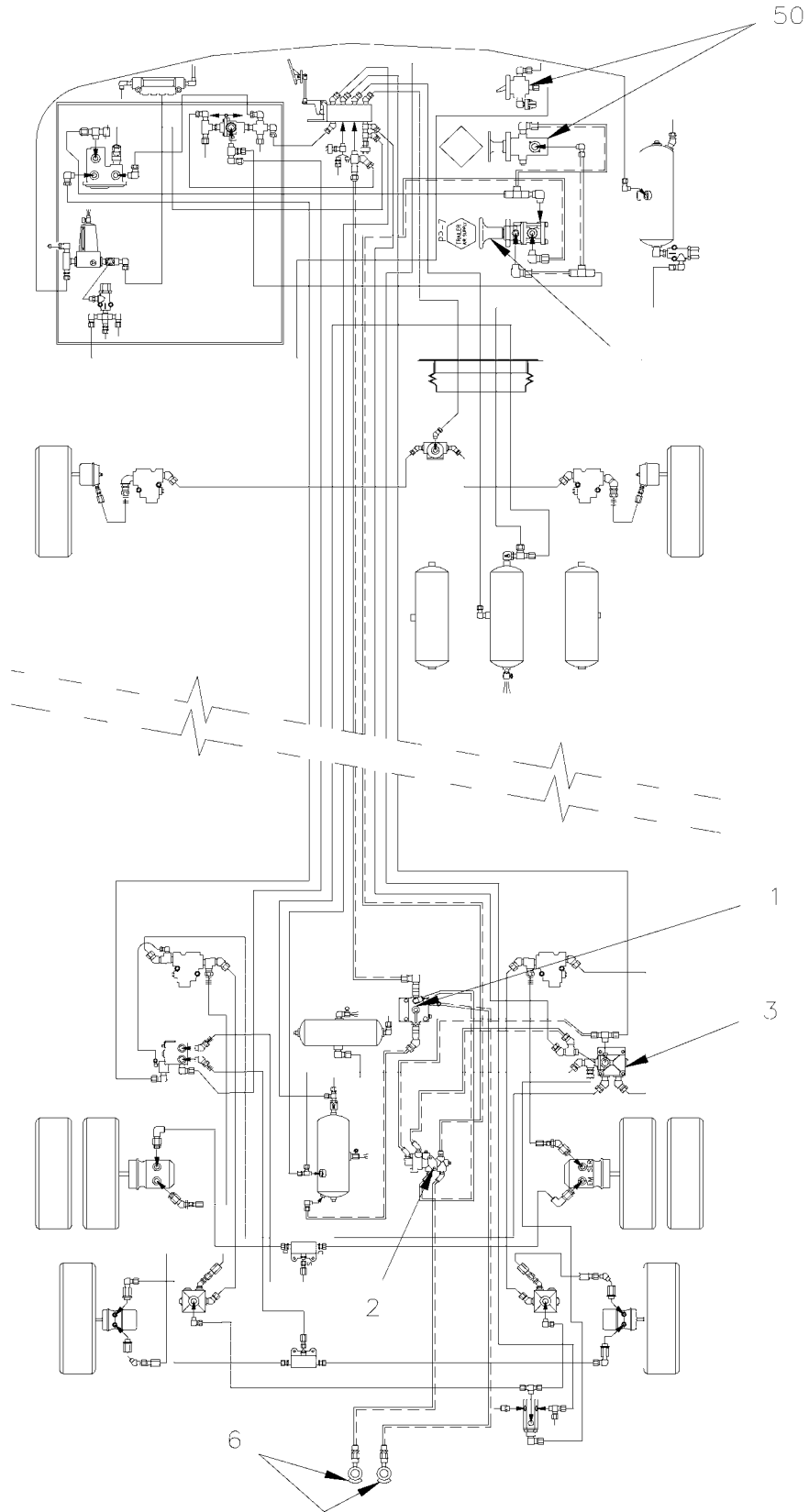


From 3-4417 To 8-1043

Date:10/2022

PAGE:HF-1220-50

TRAILER VALVE INSTALLATION





From 3-4417 To 8-1043	Date:10/2022	PAGE:HF-1220-50
TRAILER VALVE INSTALLATION		

Item#	Part	Description	H 3 4 1	H 3 4 5	V I P 4 5	N O T E S
1	641399	VALVE, RELAY R-12 P SUPPERSEDED 642097	1	1	1	
2	641495	TRACTOR PROTECTION VALVE TP-3 DC	1	1	1	
3	642013	VALVE, RELAY R-12 DC	1	1	1	
4	503638	TUBE, NYLON 1/2 O.D. / BROWN S.L.	AR	AR	AR	
4	503406	TUBE, NYLON 1/2 O.D. / GREEN S.L.	AR	AR	AR	
5	640992	MALE CONNECTOR / NTA FITTING / #8x1/2NPT-M BR	1	1	1	
6	641938	GLANDHAND W/DUST COVER "RED"	1	1	1	
6	641939	GLANDHAND W/DUST COVER "BLUE"	1	1	1	
6	641957	GLANDHAND SWING-AWAY "RED"	1	1		A
6	641958	GLANDHAND SWING-AWAY "BLUE"	1	1		A
6	644957	CAP / GLANDHAND SWING-AWAY	1	1	1	
7	641397	TRAILER SUPPLY VALVE PP-7	1	1	1	
10	142164	SUPPORT VALVE R-12P	1	1	1	
11	501305	PLUG SQUARE HEAD / PIPE FITTING / 3/8NPT-M BR	1	1	1	
12	640123	VALVE, CHECK 1/2 NPT SC-1	1	1	1	
NS	641401	. VALVE, CHECK 1/2 NPT SC-1	1	1	1	
13	641366	MALE ELBOW 45° NON-SWIVEL / PUSH-IN FITTING / #6x1/4NPT-M BR	AR	AR	AR	
14	641027	MALE ELBOW 45° / NTA FITTING / #10x1/2NPT-M BR	AR	AR	AR	
15	641368	MALE ELBOW 45° NON-SWIVEL / PUSH-IN FITTING / #8x3/8NPT-M BR	AR	AR	AR	
16	641379	MALE ELBOW 90° NON-SWIVEL / PUSH-IN FITTING / #10x1/2NPT-M BR	AR	AR	AR	
17	641367	MALE ELBOW 45° NON-SWIVEL / PUSH-IN FITTING / #6x3/8NPT-M BR	AR	AR	AR	
18	641331	MALE CONNECTOR / PUSH-IN FITTING / #6x1/4NPT-M BR	AR	AR	AR	
19	501304	PLUG SQUARE HEAD / PIPE FITTING / 1/4NPT-M BR	AR	AR	AR	
NS	950245	PRESSURE SWITCH N.C. 20-30 LO-UNLOAD W/WIRE BLACK	1	1	1	
20	641089	MALE ELBOW 45° / NTA FITTING / #8x1/2NPT-M BR	AR	AR	AR	
21	641119	MALE ELBOW 45° / NTA FITTING / #6x1/2NPT-M BR	AR	AR	AR	
22	501966	PLUG HEXS / PIPE FITTING / 1/2NPT-M STL	AR	AR	AR	
23	641007	MALE BRANCH TEE / NTA FITTING / #6x#6x1/4NPT-M BR	AR	AR	AR	
24	501473	MALE RUN TEE / PIPE FITTING / 1/2NPT-Mx1/2NPT-Fx1/2NPT-F BR	AR	AR	AR	
25	641382	MALE CONNECTOR / PUSH-IN FITTING / #6x1/2NPT-M BR	AR	AR	AR	
26	501338	MALE RUN TEE / PIPE FITTING / 1/4NPT-Mx1/4NPT-Fx1/4NPT-F BR	AR	AR	AR	
40	502507	WASHER LO SPT 8.1x14.8x2.0 Z050	AR	AR	AR	
41	500868	NUT HEX NYRT M8-1.25 Z050	AR	AR	AR	
42	502650	SCREW CAP HEX M8-1.25x80 G8.8 Z050	AR	AR	AR	
43	500476	WASHER LO SPT .317x.586x.078 Z050	AR	AR	AR	
44	500778	NUT HEX 5/16-18 N500	AR	AR	AR	
50	HF-1806-10	L.H. CONSOLE - BUS				
50	HF-1806-15	L.H. CONSOLE - V.I.P.				
50	HF-0665-20	CABLE TRAILER - INSTALLATION - BUS				



From 3-4417 To 8-1043	Date:10/2022	PAGE:HF-1220-50
-----------------------	--------------	-----------------

TRAILER VALVE INSTALLATION

Item#	Part	Description	H 3 4 1	H 3 4 5	V I P 4 5	N O T E S
		A) THOSE GLANDHAND ARE INSTALLED ON REAR ENGINE DOOR				

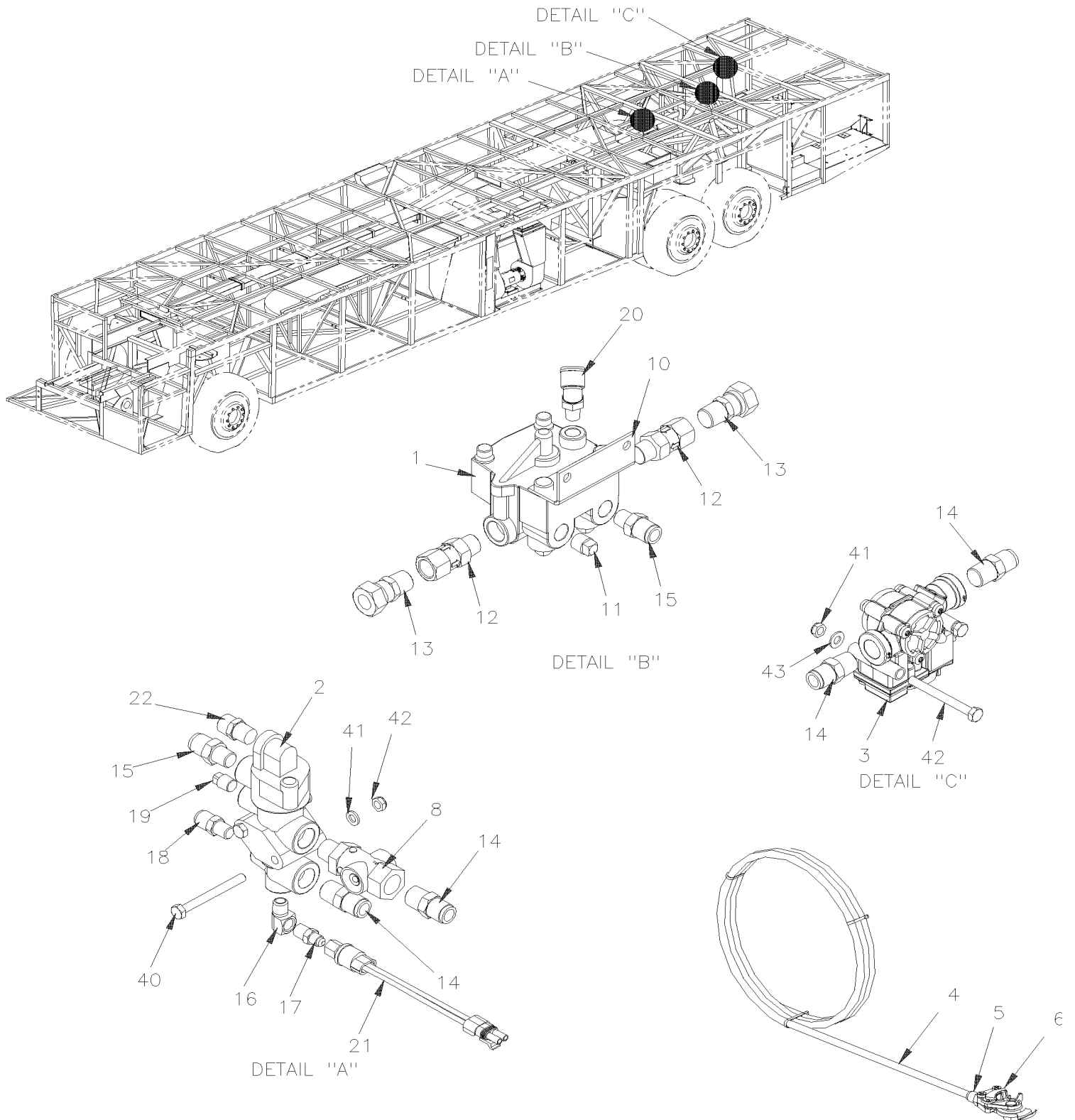


From 7-0942 To 8-1043

Date:10/2022

PAGE:HF-1220-51

TRAILER VALVE INSTALLATION - W/ESP CONTROL



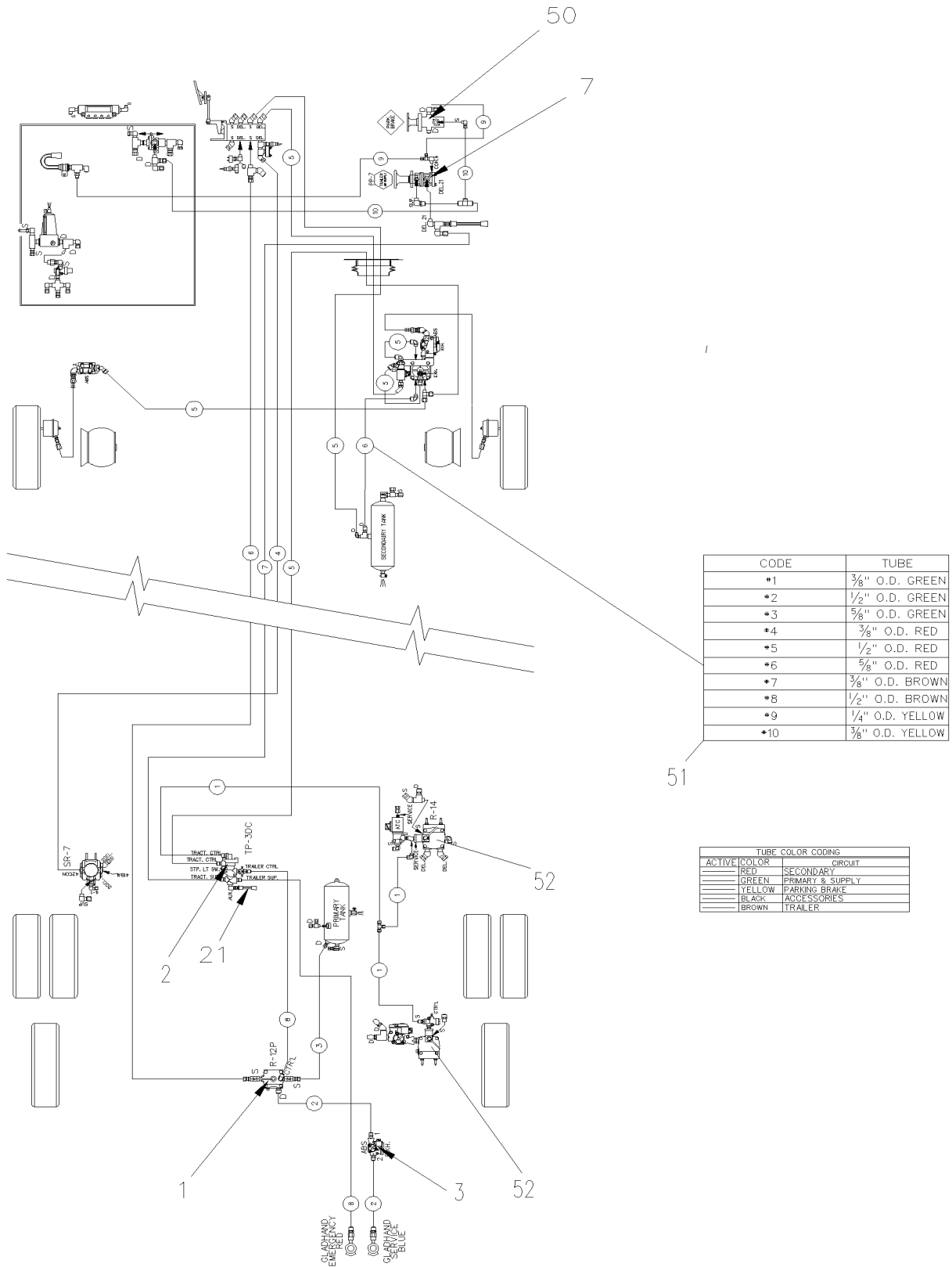


From 7-0942 To 8-1043

Date:10/2022

PAGE:HF-1220-51

TRAILER VALVE INSTALLATION - W/ESP CONTROL





From 7-0942 To 8-1043	Date:10/2022	PAGE:HF-1220-51
-----------------------	--------------	-----------------

TRAILER VALVE INSTALLATION - W/ESP CONTROL

Item#	Part	Description	H 3 4 1	H 3 4 5	V I P 4 5	N O T E S
1	641399	VALVE, RELAY R-12 P SUPPERSEDED 642097			1	
2	641495	TRACTOR PROTECTION VALVE TP-3 DC			1	
3	642077	VALVE, "ABS" 12VOLT / M-32QR			1	A
3	640228	VALVE, "ABS" 12VOLT / M-40QR			1	
4	503638	TUBE, NYLON 1/2 O.D. / BROWN S.L.			AR	
4	503406	TUBE, NYLON 1/2 O.D. / GREEN S.L.			AR	
5	640992	MALE CONNECTOR / NTA FITTING / #8x1/2NPT-M BR			1	
6	641938	GLANDHAND W/DUST COVER "RED"			1	
6	641939	GLANDHAND W/DUST COVER "BLUE"			1	
7	641397	TRAILER SUPPLY VALVE PP-7			1	
8	642088	VALVE, QUICK RELEASE QR-L / IN LINE			1	
10	142164	SUPPORT VALVE R-12P			1	
11	501305	PLUG SQUARE HEAD / PIPE FITTING / 3/8NPT-M BR			1	
12	640123	VALVE, CHECK 1/2 NPT SC-1			1	
NS	641401	. VALVE, CHECK 1/2 NPT SC-1			1	
12	641172	VALVE, CHECK ELBOW 90° 1/2 NPT			1	
13	641384	MALE CONNECTOR / PUSH-IN FITTING / #10x1/2NPT-M BR			AR	
14	641383	MALE CONNECTOR / PUSH-IN FITTING / #8x1/2NPT-M BR			AR	
15	641381	MALE CONNECTOR / PUSH-IN FITTING / #8x3/8NPT-M BR			AR	
16	501332	STREET ELBOW 90° / PIPE FITTING / 1/4NPT-Mx1/4NPT-F BR			AR	
17	501027	MALE CONNECTOR / SAE 45° FITTING / #4FL-Mx1/4NPT-M BR			AR	
18	641331	MALE CONNECTOR / PUSH-IN FITTING / #6x1/4NPT-M BR			AR	
19	501304	PLUG SQUARE HEAD / PIPE FITTING / 1/4NPT-M BR			AR	
20	642073	MALE ELBOW 45° / PUSH-IN FITTING / #8x1/4NPT-M			AR	
21	950245	PRESSURE SWITCH N.C. 20-30 LO-UNLOAD W/WIRE BLACK			1	
22	641330	MALE CONNECTOR / PUSH-IN FITTING / #6x3/8NPT-M BR			AR	
40	502507	WASHER LO SPT 8.1x14.8x2.0 Z050			AR	
41	500868	NUT HEX NYRT M8-1.25 Z050			AR	
42	502650	SCREW CAP HEX M8-1.25x80 G8.8 Z050			AR	
43	5001341	WASHER FL 8.4x17.0x1.6 SS			AR	
44	500778	NUT HEX 5/16-18 N500			AR	
50	HF-1806-15	L.H. CONSOLE - V.I.P.				
51	HF-1202-00	TUBES PLASTIC / AIR D.O.T.				
52	HF-1250-11	ABS BRAKE VALVE - INSTALLATION				
NS	143039	DECAL / TRAILER FRENCH	1	1	1	
NS	143040	DECAL / TRAILER ENGLISH	1	1	1	
NS	143065	DECAL / TRAILER SPANISH	1	1	1	



From 7-0942 To 8-1043	Date:10/2022	PAGE:HF-1220-51
-----------------------	--------------	-----------------

TRAILER VALVE INSTALLATION - W/ESP CONTROL

Item#	Part	Description	H 3 4 1	H 3 4 5	V I P 4 5	N O T E S
		A) WHEN YOU REPLACE THE VALVE #642077 BY THE VALVE #640228 YOU HAVE REPLACE BOTH SIDE LEFT AND RIGHT SIDE				



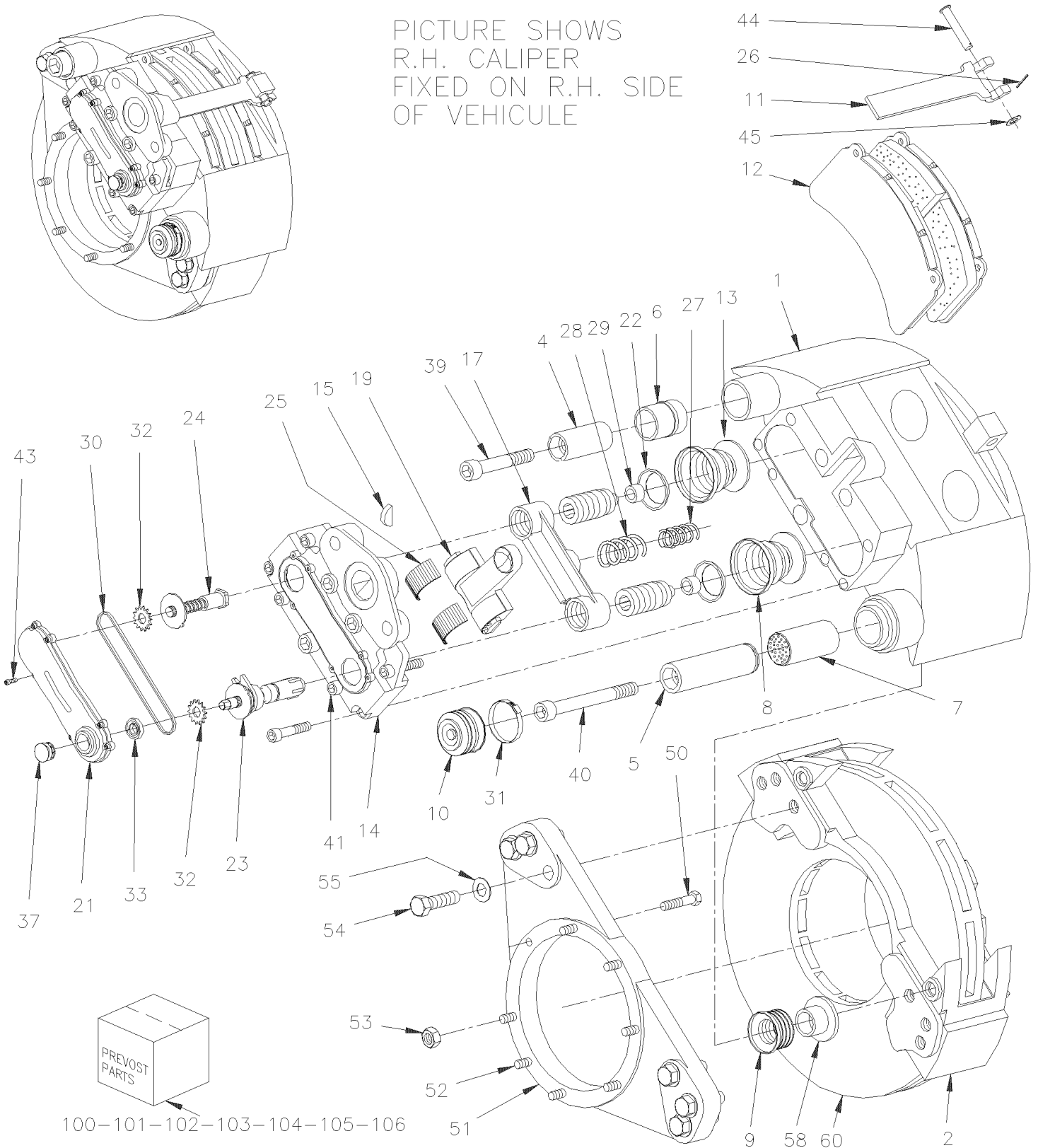
From 3-4417 To 7-0869

Date:10/2022

PAGE:HF-1225-00

BRAKE PARTS - FRONT AXLE - W/"KNORR-BREMSE" / SB7 SERIES

PICTURE SHOWS
R.H. CALIPER
FIXED ON R.H. SIDE
OF VEHICLE





From 3-4417 To 7-0869 Date:10/2022 PAGE:HF-1225-00

BRAKE PARTS - FRONT AXLE - W/"KNORR-BREMSE" / SB7 SERIES

Item#	Part	Description	H 3 4 1	H 3 4 5	V I P 4 5	N O T E S
	611186	CALIPER ASSY R.H. / W/BOOSTER TYPE 22 SB7	1	1	1	
	611187	CALIPER ASSY L.H. / W/BOOSTER TYPE 22 SB7	1	1	1	
	611184	. CALIPER ASSY R.H. / W/O BOOSTER / SB7	1	1	1	A
	611185	. CALIPER ASSY L.H. / W/O BOOSTER / SB7	1	1	1	A
1	N.S.S.	. . CALIPER HOUSING	1	1	1	1
2	611340	. . BRAKE CARRIER / W/6 HOLES BOLT RETAINERS M20-2.5	1	1	1	
4	N.S.S.	. . GUIDE BUSHING / SHORT	1	1	1	1
5	N.S.S.	. . GUIDE BUSHING / LONG	1	1	1	1
6	611245	. . GUIDE SLEEVE / RUBBER SB 7 SERIES	1	1	1	
7	611107	. . BUSHING / BRASS	1	1	1	
8	N.S.S.	. . BOOT RUBBER / WHITE	2	2	2	1
9	N.S.S.	. . BELLOW GUIDE BUSHING / RUBBER RED	1	1	1	1
10	641421	. . BELLOW CAP / RUBBER	1	1	1	
11	N.S.S.	. . BRAKE PAD BRACKET	1	1	1	1
12	611105	. . LINING SET STD / (FERODO)	1	1	1	B
. 11	N.S.S.	. . . BRAKE PAD BRACKET	1	1	1	1 B
. 26	N.S.S.	. . . SPRING SPLIT PIN	1	1	1	1 B
. 37	641313	. . . PLUG CAP / ADJUSTING DEVICE / PLASTIC INTERIOR GRIP	1	1	1	B
. 44	N.S.S.	. . . CLEVIS PIN	1	1	1	1 B
. 45	N.S.S.	. . . WASHER	1	1	1	1 B
. 61	N.S.S.	. . . SHEAR ADAPTER	1	1	1	1 B
12	611049	. . LINING SET STD /	1	1	1	B
. 11	N.S.S.	. . . BRAKE PAD BRACKET	1	1	1	1 B
. 26	N.S.S.	. . . SPRING SPLIT PIN	1	1	1	1 B
. 37	641313	. . . PLUG CAP / ADJUSTING DEVICE / PLASTIC INTERIOR GRIP	1	1	1	B
. 44	N.S.S.	. . . CLEVIS PIN	1	1	1	1 B
. 45	N.S.S.	. . . WASHER	1	1	1	1 B
. 61	N.S.S.	. . . SHEAR ADAPTER	1	1	1	1 B
13	N.S.S.	. . TAPPET	2	2	2	1
14	N.S.S.	. . SYNCHRONIZING HOUSING	1	1	1	1
15	N.S.S.	. . PLUG HALF / RUBBER	1	1	1	1
17	N.S.S.	. . BEAM	1	1	1	1
18	N.S.S.	. . O-RING	1	1	1	1
19	N.S.S.	. . LEVER	1	1	1	1
21	N.S.S.	. . COVER SYNCHRONIZING HOUSING	1	1	1	1
22	N.S.S.	. . BOOT	2	2	2	1
23	N.S.S.	. . CLEARANCE ADJUSTER	1	1	1	1
24	N.S.S.	. . DRIVER	1	1	1	1
25	N.S.S.	. . LEVER BEARING	2	2	2	1
26	N.S.S.	. . SPRING SPLINT PIN	1	1	1	1
27	N.S.S.	. . COMPRESSION SPRING	1	1	1	1
28	N.S.S.	. . COMPRESSION SPRING	1	1	1	1



From 3-4417 To 7-0869 Date:10/2022 PAGE:HF-1225-00

BRAKE PARTS - FRONT AXLE - W/"KNORR-BREMSE" / SB7 SERIES

Item#	Part	Description	H 3 4 1	H 3 4 5	V I P 4 5	N O T E S
29	N.S.S.	. . RING RETAINING / TAPPET	2	2	2	1
30	N.S.S.	. . ROLLER CHAIN	1	1	1	1
31	641420	. . PERFORATED CLIP	1	1	1	
32	N.S.S.	. . CHAIN DRIVE WHEEL	2	2	2	1
33	N.S.S.	. . SHAFT SEALING RING	1	1	1	1
37	641313	. . PLUG CAP / ADJUSTING DEVICE / PLASTIC INTERIOR GRIP	1	1	1	
38	N.S.S.	. . DOWEL	4	4	4	1
39	N.S.S.	. . SCREW CAP HEXS M16-1.5x140 G10.9 ZP	1	1	1	1
40	N.S.S.	. . SCREW CAP HEXS M16-1.5x90 G10.9 ZP	1	1	1	1
41	N.S.S.	. . SOCKET HEAD CAP SCREW M14 X 60MM GR 12.9	3	3	3	1
43	N.S.S.	. . SOCKET HEAD CAP SCREW M5 X 12MM	8	8	8	1
44	N.S.S.	. . CLEVIS PIN	1	1	1	1
45	N.S.S.	. . WASHER	1	1	1	1
45	HF-1225-10	BRAKE CHAMBER - FRONT AXLE TYPE 22				
50	500091	SCREW CAP HEX 1/2-20x1 3/4 G5 ZP To 3-4757	3	3	3	
51	611097	CALIPER MOUNTING BRACKET L.H. To 3-4757	1	1	1	
51	611098	CALIPER MOUNTING BRACKET R.H. To 3-4757	1	1	1	
51	HF-1005-01	FRONT AXLE - I BEAM RIGID MODEL "S84U"				
51	HF-1005-51	FRONT AXLE - INDEPENDENT MODEL "NDIFS80P" / 18000LBS				
52	611030	STUD 1/2-20 X 1 11/16" To 3-4757	5	5	5	
53	500718	NUT HEX STO 1/2-20 Z050 To 3-4757	8	8	8	
54	5001193	SCREW CAP HEX M20-2.5x65 G10.9 ZP	6	6	6	
54	611309	SCREW CAP HEX M20-2.5x60 G10.9 DP From 4-4758			2	
55	502558	WASHER FL 21.0x37.0x3.0 G500	6	6	6	
58	N.S.S.	PLASTIC RING / BOOT RETAINER	1	1	1	1
60	HF-1300-00	HUB & ROTOR - FRONT AXLE MODEL "S-84" & "IS-84" To 3-4757				
60	HF-1300-01	HUB & ROTOR - FRONT AXLE MODEL "S84U" & "NDIFS80P" From 4-4758				
70	110786	BRAKE WEAR INDICATOR MECHANICAL / 44MM	AR	AR	AR	
99	FMBS-0BPK-10	BRAKE PARTS - "KNORR-BREMSE" / SB7 & SN7 "AFTERMARKET"				
100	611054	KIT, TAPPET W/BOOT	AR	AR	AR	C
. 08	N.S.S.	. BOOT RUBBER / WHITE	2	2	2	1 C
. 13	N.S.S.	. TAPPET	2	2	2	1 C
101	611168	KIT, GUIDANCE PINS & BELLOW	AR	AR	AR	D
. 04	N.S.S.	. GUIDE BUSHING / SHORT	1	1	1	1 D
. 05	N.S.S.	. GUIDE BUSHING / LONG	1	1	1	1 D
. 06	611245	. GUIDE SLEEVE / RUBBER SB 7 SERIES	1	1	1	D
. 07	611107	. BUSHING / BRASS	1	1	1	D
. 09	N.S.S.	. BELLOW GUIDE BUSHING / RUBBER RED	1	1	1	1 D
. 10	641421	. BELLOW CAP / RUBBER	1	1	1	D
. 31	641420	. PERFORATED CLIP	1	1	1	D
. 39	N.S.S.	. SCREW CAP HEXS	1	1	1	1 D
. 40	N.S.S.	. SCREW CAP HEXS	1	1	1	1 D



From 3-4417 To 7-0869 Date:10/2022 PAGE:HF-1225-00

BRAKE PARTS - FRONT AXLE - W/"KNORR-BREMSE" / SB7 SERIES

Item#	Part	Description	H 3 4 1	H 3 4 5	V I P 4 5	N O T E S
. 58	N.S.S.	. PLASTIC RING / BOOT RETAINER	1	1	1	1 D
102	611177	KIT, BOOT PROTECTOR & TAPPET	AR	AR	AR	E
. 08	N.S.S.	. BOOT RUBBER / WHITE	1	1	1	1 E
. 13	N.S.S.	. TAPPET	1	1	1	1 E
. 29	N.S.S.	. RING RETAINING / TAPPET	1	1	1	1 E
103	611179	KIT, CARRIER & GUIDING PIN	AR	AR	AR	F
. 02	611340	. BRAKE CARRIER / W/6 HOLES BOLT RETAINERS M20-2.5	1	1	1	F
. 04	N.S.S.	. GUIDE BUSHING / SHORT	1	1	1	1 F
. 05	N.S.S.	. GUIDE BUSHING / LONG	1	1	1	1 F
. 39	N.S.S.	. SCREW CAP HEXS	1	1	1	1 F
. 40	N.S.S.	. SCREW CAP HEXS	1	1	1	1 F
104	641402	KIT, PAD HOLDER	AR	AR	AR	G
. 26	N.S.S.	. SPRING SPLIT PIN	1	1	1	1 G
. 44	N.S.S.	. CLEVIS PIN	1	1	1	1 G
. 45	N.S.S.	. WASHER	1	1	1	1 G
105	611199	KIT, BOOT & SEAL	AR	AR	AR	H
. 09	N.S.S.	. BELLOW GUIDE BUSHING / RUBBER RED	1	1	1	1 H
. 10	641421	. BELLOW CAP / RUBBER	1	1	1	H
. 31	641420	. PERFORATED CLIP	1	1	1	H
. 37	641313	. PLUG CAP / ADJUSTING DEVICE / PLASTIC INTERIOR GRIP	1	1	1	H
. 58	N.S.S.	. PLASTIC RING / BOOT RETAINER	1	1	1	1 H
106	611246	KIT, GUIDANCE PIN & RUBBER BUSHING / SHORT PIN	AR	AR	AR	O
. 04	N.S.S.	. GUIDE BUSHING / SHORT	1	1	1	1 O
. 06	611245	. GUIDE SLEEVE / RUBBER SB 7 SERIES	1	1	1	O
. 39	N.S.S.	. SCREW CAP HEXS	1	1	1	1 O
107	641427	KIT BOOT & CLIP	AR	AR	AR	P
. 10	641421	. BELLOW CAP / RUBBER	1	1	1	P
. 31	641420	. PERFORATED CLIP	1	1	1	P
NS	683344	GREASE GREEN / 5GR	AR	AR	AR	I
NS	641931	GREASE GREEN / 500GR	AR	AR	AR	I
NS	683345	GREASE WHITE / 5GR	AR	AR	AR	J
NS	641930	GREASE WHITE / 500GR	AR	AR	AR	J
NS	641444	TOOL / GROOVING BUSHING	AR	AR	AR	M
NS	641321	TOOL / THRUST MEMBER W/BELLOW	AR	AR	AR	K
NS	641322	TOOL / CALIPER INNER BELLOW	AR	AR	AR	L
NS	641323	TOOL / BUSHING INSTALLER / SERIES SB	AR	AR	AR	M
NS	641435	TOOL / FORK (FOR BELLOW CAP)	AR	AR	AR	N
		A) INCLUDES ITEM #2 BUT NOT ITEM # 12				
		B) INCLUDES ITEMS #11, 26, 37, 44, 45 & 61				



From 3-4417 To 7-0869	Date:10/2022	PAGE:HF-1225-00
-----------------------	--------------	-----------------

BRAKE PARTS - FRONT AXLE - W/"KNORR-BREMSE" / SB7 SERIES

Item#	Part	Description	H 3 4 1	H 3 4 5	V I P 4 5	N O T E S
		C) INCLUDE 2 OF ITEMS #8 & 13				
		D) INCLUDE ITEMS #4,5,6,7,9,10,31,39,40 & 58				
		E) INCLUDE ITEMS #8,13 & 29				
		F) INCLUDE ITEMS #2,4,5,39 & 40				
		G) INCLUDE ITEMS #11,26,44 & 45				
		H) INCLUDE ITEMS ITEMS #9,10,31,37 & 58				
		I) FOR ITEMS #4 & 6				
		J) FOR ITEMS #5 & 7				
		K) FOR USE W/ITEMS #8 & 13				
		L) FOR USE W/ITEM #9				
		M) FOR USE W/ITEM #7				
		N) FOR USE W/ITEM #8 & 13				
		O) INCLUDE ITEMS #4,6 & 39				
		P) INCLUDE ITEMS 10 & 31				
		1) NOT SOLD SEPARATELY				
		1) NOT SOLD SEPARATELY				

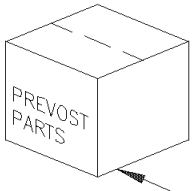


From 7-0870 To 8-1043

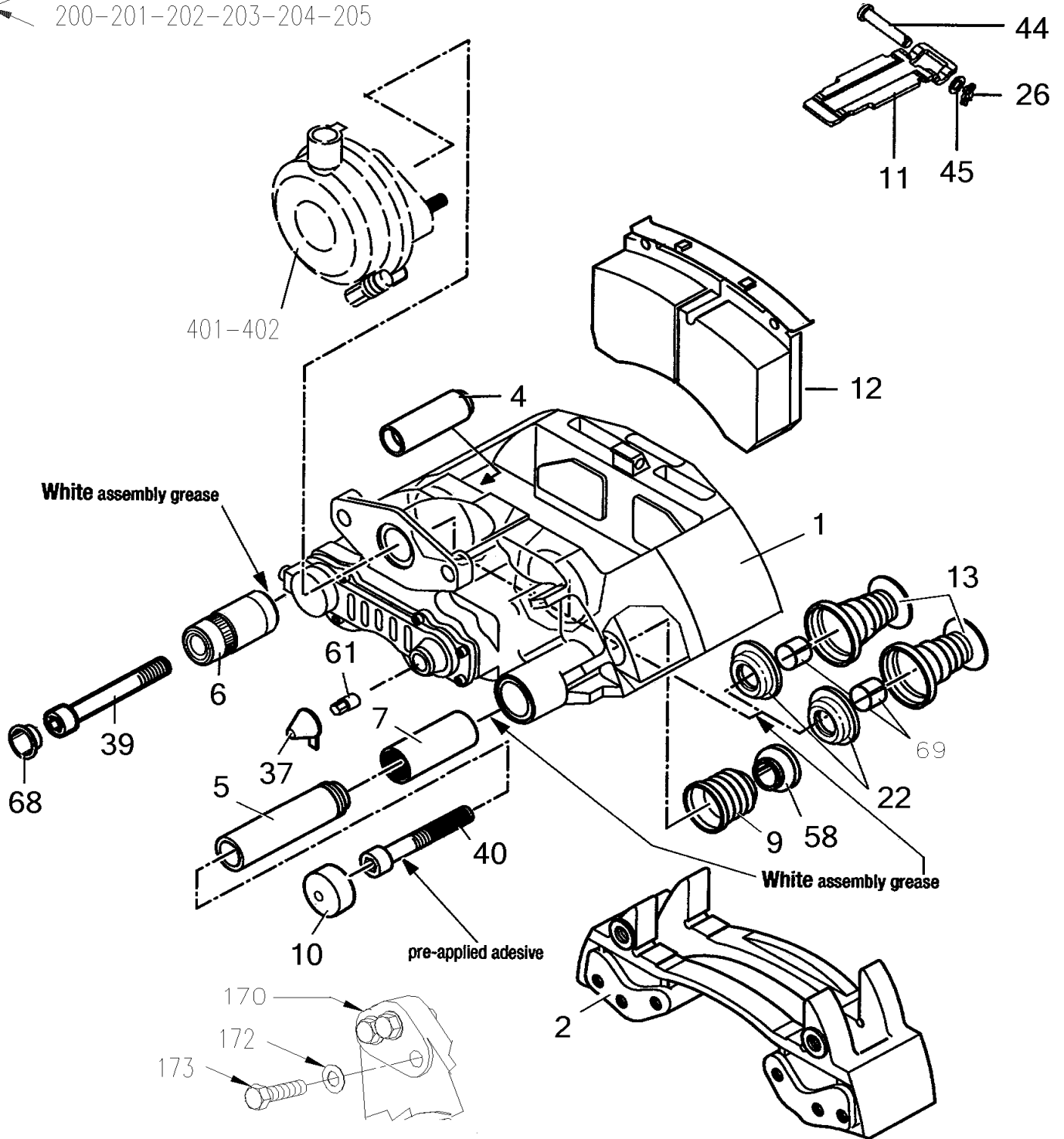
Date:10/2022

PAGE:HF-1225-01

BRAKE PARTS "KNORR-BREMSE" SN7 SERIES - "RETROFIT" & "SERVICE"



200-201-202-203-204-205





From 7-0870 To 8-1043	Date:10/2022	PAGE:HF-1225-01
BRAKE PARTS "KNORR-BREMSE" SN7 SERIES - "RETROFIT" & "SERVICE"		

Item#	Part	Description	H 3 4 1	H 3 4 5	V I P 4 5	N O T E S
	611341	CALIPER ASSY R.H. / W/O BOOSTER / SN7	1	1	1	A
	611342	CALIPER ASSY L.H. / W/O BOOSTER / SN7	1	1	1	A
1	N.S.S.	. CALIPER HOUSING	1	1	1	1
2	611960	. BRAKE CARRIER / W/6 HOLES BOLT RETAINERS M20-1.5	1	1	1	
4	N.S.S.	. . GUIDE BUSHING / SHORT	1	1	1	1
5	N.S.S.	. . GUIDE BUSHING / LONG	1	1	1	1
6	N.S.S.	. . GUIDE SLEEVE	1	1	1	1
7	611107	. BUSHING / BRASS	1	1	1	
8	N.S.S.	. . BOOT RUBBER / WHITE	2	2	2	1
9	N.S.S.	. . BELLOW GUIDE BUSHING / RED	1	1	1	1
10	N.S.S.	. . STEEL CAP	1	1	1	1
11	N.S.S.	. . BRAKE PAD BRACKET	1	1	1	1
12	611049	. . LINING SET STD /	1	1	1	B
. 11	N.S.S.	. . . BRAKE PAD BRACKET	1	1	1	1 B
. 26	N.S.S.	. . . SPRING SPLIT PIN	1	1	1	1 B
. 37	641313	. . . PLUG CAP / ADJUSTING DEVICE / PLASTIC INTERIOR GRIP	1	1	1	B
. 44	N.S.S.	. . . CLEVIS PIN	1	1	1	1 B
. 45	N.S.S.	. . . WASHER	1	1	1	1 B
. 61	N.S.S.	. . . SHEAR ADAPTER	1	1	1	1 B
13	N.S.S.	. . TAPPET WITH BOOT ASSY	2	2	2	1
22	N.S.S.	. . BOOT	2	2	2	1
26	N.S.S.	. . SPRING SPLINT PIN	1	1	1	1
37	N.S.S.	. . PLUG CAP / ADJUSTING DEVICE	1	1	1	1
39	N.S.S.	. . SCREW CAP HEXS ZP M16-1.5 GR10.9	1	1	1	1
40	N.S.S.	. . SCREW CAP HEXS ZP M16-1.5 GR10.9	1	1	1	1
44	N.S.S.	. . CLEVIS PIN	1	1	1	1
45	N.S.S.	. . WASHER	1	1	1	1
58	N.S.S.	. . RING	1	1	1	1
61	N.S.S.	. . SHEAR ADAPTER	1	1	1	1
68	N.S.S.	. . CAP	1	1	1	1
69	N.S.S.	. RING RETAINING	2	2	2	1
70	110786	BRAKE WEAR INDICATOR MECHANICAL / 44MM	AR	AR	AR	
99	FMBS-0BPK-10	BRAKE PARTS - "KNORR-BREMSE" / SB7 & SN7 "AFTERMARKET"				
170	HF-1005-01	FRONT AXLE - I BEAM RIGID MODEL "S84U"				
170	HF-1005-51	FRONT AXLE - INDEPENDENT MODEL "NDIFS80P" / 18000LBS				
172	502558	WASHER FL 21.0x37.0x3.0 G500	6	6	6	
173	5001529	SCREW CAP HEX M20-1.5x60 G10.9 G500	6	6	6	
200	642032	KIT, TAPPET W/BOOT	AR	AR	AR	C
201	642031	KIT, GUIDANCE PINS & BELLOW / SN W/39MM BUSHING END	AR	AR	AR	E
202	642034	KIT, PLUG CAP W/AJUSTING DEVICE (PACK of 10x #37, #37a & 61)	AR	AR	AR	S
203	641402	KIT, PAD HOLDER	AR	AR	AR	H
. 26	N.S.S.	. SPRING SPLIT PIN	1	1	1	1 H



From 7-0870 To 8-1043	Date:10/2022	PAGE:HF-1225-01
BRAKE PARTS "KNORR-BREMSE" SN7 SERIES - "RETROFIT" & "SERVICE"		

Item#	Part	Description	H 3 4 1	H 3 4 5	V I P 4 5	N O T E S
. 44	N.S.S.	. CLEVIS PIN	1	1	1	1 H
. 45	N.S.S.	. WASHER	1	1	1	1 H
205	683345	GREASE WHITE / 5GR	AR	AR	AR	K
205	641930	GREASE WHITE / 500GR	AR	AR	AR	K
NS	641321	TOOL / THRUST MEMBER W/BELLOW	AR	AR	AR	L
NS	641322	TOOL / CALIPER INNER BELLOW	AR	AR	AR	M
NS	642074	TOOL / BUSHING INSTALLER / SERIES SN	AR	AR	AR	N
NS	641435	TOOL / FORK (FOR BELLOW CAP)	AR	AR	AR	L
NS	641993	TOOL / PRESS IN COVER	AR	AR	AR	X
NS	641994	TOOL / BUSHING - INSTALLER	AR	AR	AR	Y
NS	641998	TOOL / RUBBER BUSHING - INSTALLER	AR	AR	AR	Z
NS	642035	KIT TOOL BOX "KNORR BREMSE" SERIE SN7	AR	AR	AR	
401	HF-1225-11	BRAKE CHAMBER - FRONT AXLE TYPE 24				
402	HF-1245-12	BRAKE CHAMBER - TAG AXLE TYPE 14 & 16				
500	Y006471_000_EN	MAINTENANCE MANUAL / ENGLISH KNORR-BREMSE				
NS	Y006471_000_FR	MANUEL D'ENTRETIEN / FRANÇAIS KNORR-BREMSE				
		A) DO NOT INCLUDE ITEM #2 & #12				
		B) INCLUDES ITEMS #11, 26, 37, 44, 45 & 61				
		C) INCLUDES 2 OF ITEMS #13, 22 & 69				
		E) INCLUDES ITEMS #4, 5, 6, 7, 9, 10, 39, 40, 58 & 68				
		H) INCLUDES ITEMS #11,26,44 & 45				
		K) FOR ITEMS #5 & 7				
		L) TO USE W/ITEMS #13				
		M) TO USE W/ITEM #9				
		N) TO USE W/ITEM #7				
		S) INCLUDES 10 ITEMS #37 AND 61				
		X) TO USE WITH ITEM #10				
		Y) TO USE WITH ITEM 6				
		Z) TO USE WITH ITEM #68				
		1) NOT SOLD SEPARATELY				
		1) NOT SOLD SEPARATELY				

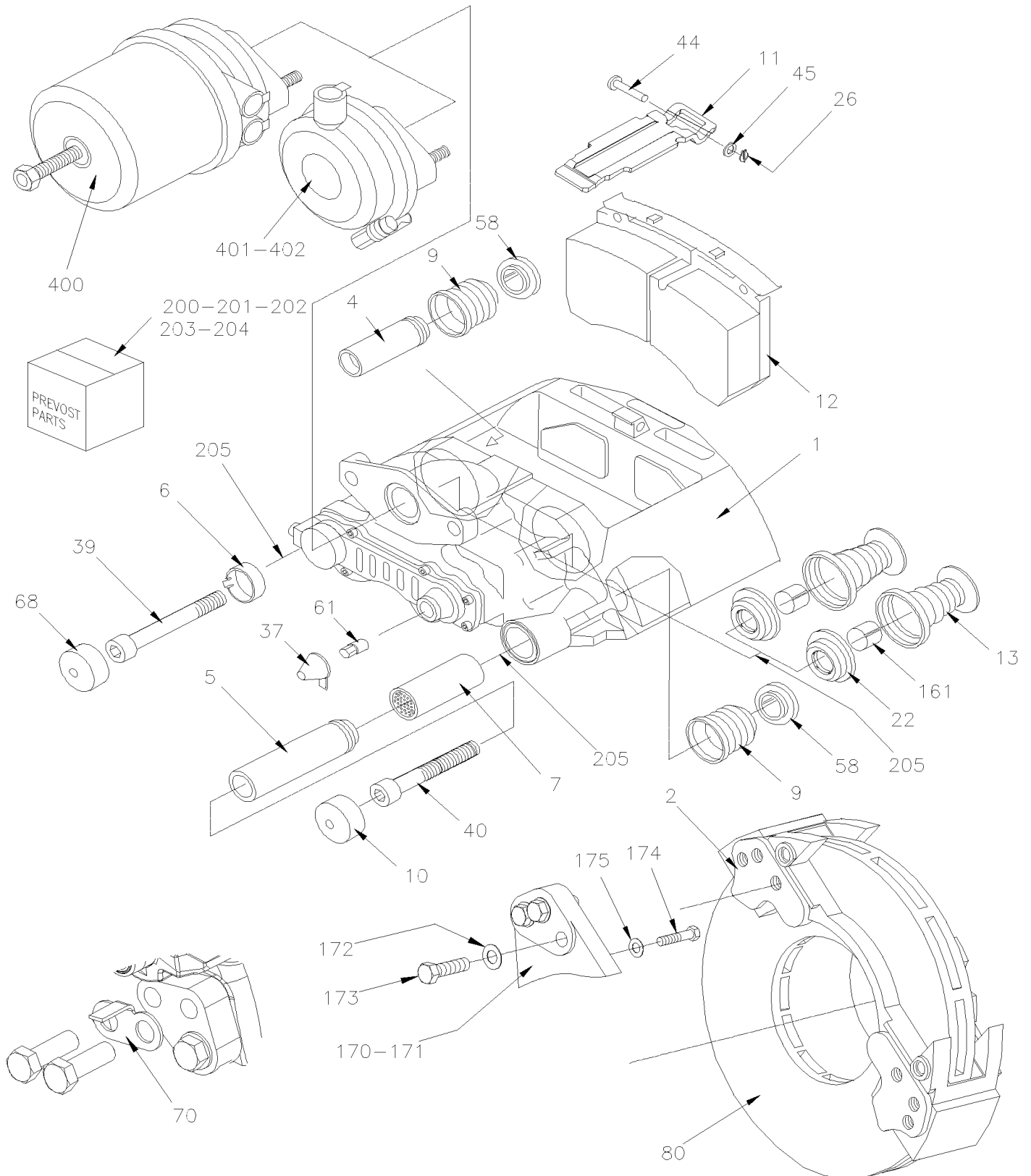


From 3-4417 To 8-1043

Date:10/2022

PAGE:HF-1225-02

BRAKE PARTS "KNORR-BREMSE" SN7 SERIES W/NEW SLIDE PINS





From 3-4417 To 8-1043 Date:10/2022 PAGE:HF-1225-02

BRAKE PARTS "KNORR-BREMSE" SN7 SERIES W/NEW SLIDE PINS

Item#	Part	Description	H 3 4 1	H 3 4 5	V I P 4 5	N O T E S
	642134	CALIPER ASSY R.H. FRONT & TAG OR L.H. DRIVE AXLE / W/O BOOSTER SN7	1	1	1	
	642139	CALIPER ASSY L.H. FRONT & TAG OR R.H. DRIVE AXLE / W/O BOOSTER SN7	1	1	1	
1	N.S.S.	. CALIPER HOUSING	1	1	1	1
2	611960	. BRAKE CARRIER / W/6 HOLES BOLT RETAINERS M20-1.5	1	1	1	
4	N.S.S.	. . GUIDE BUSHING / SHORT	1	1	1	1
5	N.S.S.	. . GUIDE BUSHING / LONG	1	1	1	1
6	N.S.S.	. . GUIDE BUSHING / DU	1	1	1	1
7		. . BUSHING / BRASS	1	1	1	
8	N.S.S.	. . BOOT RUBBER / WHITE	2	2	2	1
9	N.S.S.	. . BELLOW GUIDE BUSHING / RED	2	2	2	1
10	N.S.S.	. . STEEL CAP	1	1	1	1
11	N.S.S.	. . BRAKE PAD BRACKET	1	1	1	1
12	611049	. . LINING SET STD /	1	1	1	B
. 11	N.S.S.	. . . BRAKE PAD BRACKET	1	1	1	1 B
. 26	N.S.S.	. . . SPRING SPLIT PIN	1	1	1	1 B
. 37	641313	. . . PLUG CAP / ADJUSTING DEVICE / PLASTIC INTERIOR GRIP	1	1	1	B
. 44	N.S.S.	. . . CLEVIS PIN	1	1	1	1 B
. 45	N.S.S.	. . . WASHER	1	1	1	1 B
. 61	N.S.S.	. . . SHEAR ADAPTER	1	1	1	1 B
13	N.S.S.	. . TAPPET WITH BOOT ASSY	2	2	2	1
22	N.S.S.	. . BOOT	2	2	2	1
26	N.S.S.	. . SPRING SPLINT PIN	1	1	1	1
37	N.S.S.	. . PLUG CAP / ADJUSTING DEVICE	1	1	1	1
39	N.S.S.	. . SCREW CAP HEXS ZP M16-1.5 GR10.9	1	1	1	1
40	N.S.S.	. . SCREW CAP HEXS ZP M16-1.5 GR10.9	1	1	1	1
44	N.S.S.	. . CLEVIS PIN	1	1	1	1
45	N.S.S.	. . WASHER	1	1	1	1
58	N.S.S.	. . RING	2	2	2	1
61	N.S.S.	. . SHEAR ADAPTER	1	1	1	1
68	N.S.S.	. . CAP	1	1	1	1
70	110786	BRAKE WEAR INDICATOR MECHANICAL / 44MM	AR	AR	AR	
80	HF-1300-00	HUB & ROTOR - FRONT AXLE MODEL "S-84" & "IS-84" From 3-4417 To 3-4757				
80	HF-1300-01	HUB & ROTOR - FRONT AXLE MODEL "S84U" & "NDIFS80P" From 4-4758 To 8-1043				
80	HF-1305-00	HUB & ROTOR - DRIVE AXLE				
80	HF-1310-00	HUB & ROTOR - TAG AXLE TYPE TS6 From 3-4417 To 3-4757				
80	HF-1310-01	HUB & ROTOR - TAG AXLE TYPE TS8U From 4-4758 To 8-1043	1	1	1	
161	N.S.S.	. RING RETAINING	2	2	2	1
170	HF-1005-00	FRONT AXLE - I BEAM RIGID MODEL "S-84" From 3-4417 To 3-4757	1	1	1	
170	HF-1005-01	FRONT AXLE - I BEAM RIGID MODEL "S84U" From 4-4758 To 8-1043	1	1	1	
170	HF-1005-50	FRONT AXLE - INDEPENDENT MODEL "IS-84" / 16500LBS From 3-4417 To 3-4757	1	1	1	
170	HF-1005-51	FRONT AXLE - INDEPENDENT MODEL "NDIFS80P" / 18000LBS From 4-4758 To 8-1043	1	1	1	
170	HF-1615-00	TAG AXLE - INSTALL SUSPENSION				



From 3-4417 To 8-1043	Date:10/2022	PAGE:HF-1225-02
-----------------------	--------------	-----------------

BRAKE PARTS "KNORR-BREMSE" SN7 SERIES W/NEW SLIDE PINS

Item#	Part	Description	H 3 4 1	H 3 4 5	V I P 4 5	N O T E S
171	621709	CALIPER MOUNTING BRACKET L.H. & R.H. W/OUT BUSHING	1	1	1	D
172	502558	WASHER FL 21.0x37.0x3.0 G500	6	6	6	
173	5001529	SCREW CAP HEX M20-1.5x60 G10.9 G500	6	6	6	
174	621636	SCREW CAP HEX / TO FIX BRACKET TO AXLE 9/16-18 X 2 GR 8	24	24	24	D
175	621365	WASHER (HARD) .59IDX.97ODX.09	24	24	24	D
200	642032	KIT, TAPPET W/BOOT	AR	AR	AR	C
201	642141	KIT, GUIDANCE PINS & BELLOW / SN W/ GUIDE SLEEVE BUSHING END	AR	AR	AR	E
202	642034	KIT, PLUG CAP W/AJUSTING DEVICE (PACK of 10x #37, #37a & 61)	AR	AR	AR	S
203	641402	KIT, PAD HOLDER	AR	AR	AR	H
.26	N.S.S.	. SPRING SPLIT PIN	1	1	1	1 H
.44	N.S.S.	. CLEVIS PIN	1	1	1	1 H
.45	N.S.S.	. WASHER	1	1	1	1 H
205	683345	GREASE WHITE / 5GR	AR	AR	AR	K
205	641930	GREASE WHITE / 500GR	AR	AR	AR	K
NS	641321	TOOL / THRUST MEMBER W/BELLOW	AR	AR	AR	L
NS	641322	TOOL / CALIPER INNER BELLOW	AR	AR	AR	M
NS	19400416	TOOL / PUSH-IN INNER BOOT (9)	AR	AR	AR	M
NS	642074	TOOL / BUSHING INSTALLER / SERIES SN	AR	AR	AR	N
NS	641435	TOOL / FORK (FOR BELLOW CAP)	AR	AR	AR	L
305	N.P.N.	TOOL / PRESS IN COVER / K015825	AR	AR	AR	4 X
306	N.P.N.	TOOL / BUSHING - INSTALLER & REMOVER KIT / K005986	AR	AR	AR	4 Y
307	N.P.N.	TOOL / RUBBER BUSHING - INSTALLER / K016743	AR	AR	AR	4 Z
NS	642035	KIT TOOL BOX "KNORR BREMSE" SERIE SN7	AR	AR	AR	
400	HF-1235-10	BRAKE CHAMBER - DRIVE AXLE "KNORR-BREMSE" From 3-4417 To 8-1043				
401	HF-1225-10	BRAKE CHAMBER - FRONT AXLE TYPE 22 From 3-4417 To 3-4757				
401	HF-1225-11	BRAKE CHAMBER - FRONT AXLE TYPE 24 From 3-4417 To 8-1043				
401	HF-1225-12	BRAKE CHAMBER - FRONT AXLE TYPE 27 From 3-4758				
402	HF-1245-10	BRAKE CHAMBER - TAG AXLE TYPE 16/16 From 3-4417 To 3-4757				
402	HF-1245-11	BRAKE CHAMBER - TAG AXLE TYPE 14/16 From 4-4758 To 8-1043				
402	HF-1245-12	BRAKE CHAMBER - TAG AXLE TYPE 14 & 16 From 7-0942 To 8-1043				
500	Y006471_000_EN	MAINTENANCE MANUAL / ENGLISH KNORR-BREMSE				
NS	Y006471_000_FR	MANUEL D'ENTRETIEN / FRANÇAIS KNORR-BREMSE				
		B) INCLUDES ITEMS #11, 26, 37, 44, 45 & 61				
		C) INCLUDES 2 OF ITEMS #13, 22 & 161				
		D) ON DRIVE AXLE ONLY				
		E) INCLUDES ITEMS #4, 5, 6, 7, 9, 10, 39, 40, 58 & 68				
		H) INCLUDES ITEMS #11,26,44 & 45				



From 3-4417 To 8-1043	Date:10/2022	PAGE:HF-1225-02
-----------------------	--------------	-----------------

BRAKE PARTS "KNORR-BREMSE" SN7 SERIES W/NEW SLIDE PINS

Item#	Part	Description	H 3 4 1	H 3 4 5	V I P 4 5	N O T E S
		K) FOR ITEMS #5 & 7				
		L) TO USE W/ITEMS #13				
		M) TO USE W/ITEM #9				
		N) TO USE W/ITEM #7				
		S) INCLUDES 10 ITEMS #37 AND 61				
		X) TO USE WITH ITEM #10				
		Y) TO USE WITH ITEM 6				
		Z) TO USE WITH ITEM #68				
		1) NOT SOLD SEPARATELY				
		4) NO PARTS NUMBER				
		1) NOT SOLD SEPARATELY				

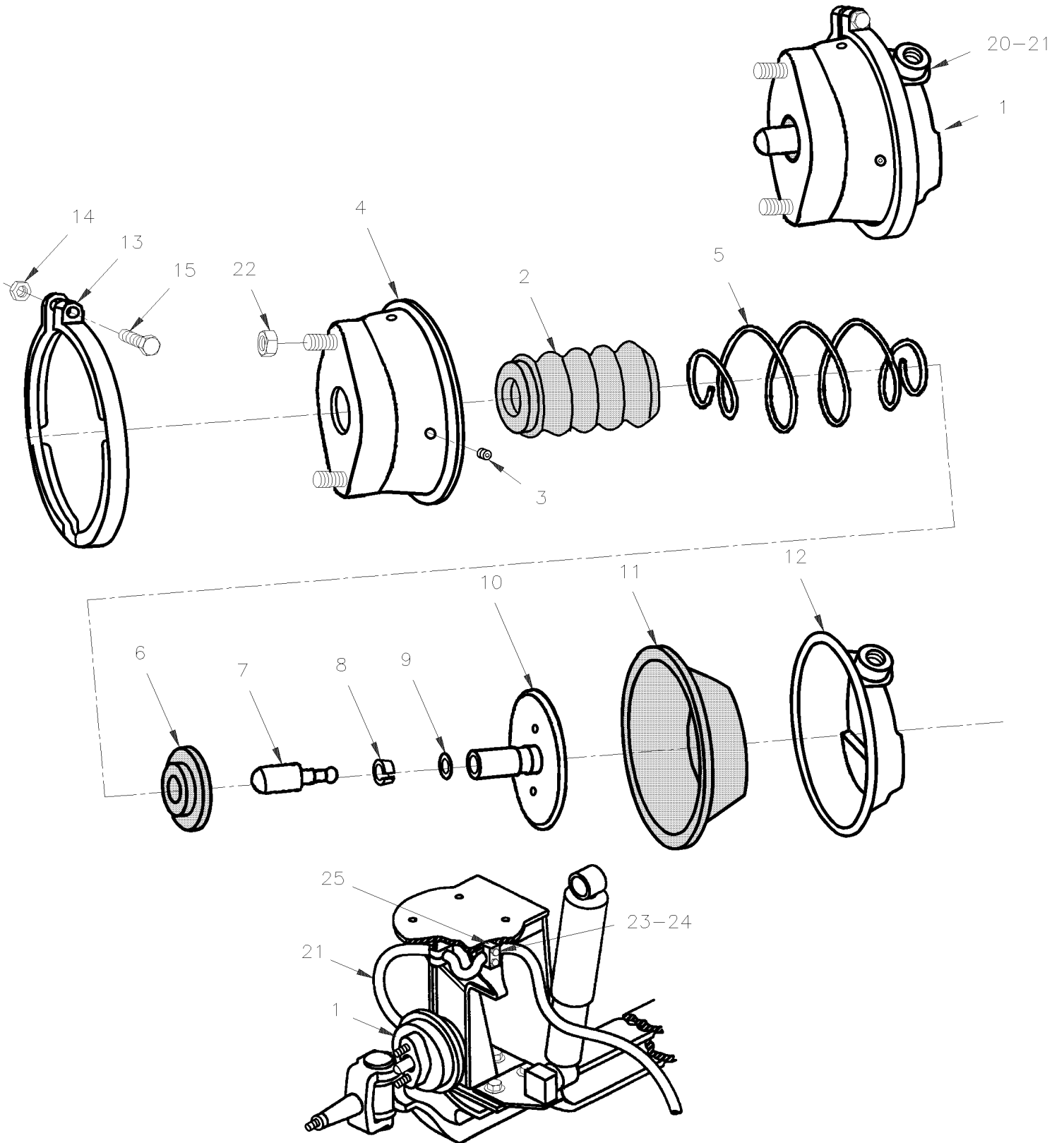


From 3-4417 To 3-4757

Date:10/2022

PAGE:HF-1225-10

BRAKE CHAMBER - FRONT AXLE TYPE 22





From 3-4417 To 3-4757	Date:10/2022	PAGE:HF-1225-10
BRAKE CHAMBER - FRONT AXLE TYPE 22		

Item#	Part	Description	H 3 4 1	H 3 4 5	V I P 4 5	N O T E S
1	641414	BRAKE CHAMBER ASSY R.H. / TYPE 22	1	1		
1	641414	BRAKE CHAMBER ASSY R.H. / TYPE 22			1	R
NS	641413	BRAKE CHAMBER ASSY L.H. / TYPE 22	1	1		
1	641413	BRAKE CHAMBER ASSY L.H. / TYPE 22			1	R
2	N.S.S.	. BOOT	1	1	1	1
3	N.S.S.	. HOLE PLUG	1	1	1	1
4	N.S.S.	. CHAMBER , NO-PRESSURE	1	1	1	1
5	N.S.S.	. SPRING	1	1	1	1
6	N.S.S.	. SPRING SEAT	1	1	1	1
7	N.S.S.	. PUSH ROD END	1	1	1	1
8	N.S.S.	. RETAINER	1	1	1	1
9	N.S.S.	. RING	1	1	1	1
10	N.S.S.	. PUSH ROD	1	1	1	1
11	N.S.S.	. DIAPHRAMG / TYPE 22	1	1	1	1
12	N.S.S.	. CHAMBER PRESSURE PLATE	1	1	1	1
13	N.S.S.	. CLAMP W/BOLT & NUT	1	1	1	1
14	502543	. . NUT HEX M8-1.25 Z050	1	1	1	
15	5001021	. . SCREW CAP HEXS M8-1.25x60 G8.8 PT	1	1	1	
20	641294	MALE CONNECTOR / JIC 37° FITTING / #8JIC-MxM16-1.5-M STL	AR	AR	AR	
. NS	641297	. O-RING 13.1MM I.D. X 2.6 TH	1	1	1	
. NS	641298	. WASHER FL 17MM I.D x 22MM O.D. x 1.5MM	1	1	1	
21	641904	HOSE BRAKE #8 1190MM (47")	1	1	1	
21	641903	HOSE BRAKE #8 1090MM (43")	1	1	1	
22	5001253	NUT HEX STO M16-1.5 G500	1	1	1	
23	504612	COLLAR 13/16" I.D. / TO FIX HOSE	2	2	2	
24	504614	PLATE RETAINING / COLLAR	2	2	2	
25	500169	SCREW CAP HEX 1/4-20x1 1/2 G5 PT ZP	4	4	4	
100	641423	KIT REPAIR / TYPE 22	1	1	1	
		R) V.I.P. 45' WITH I BEAM RIGID SUSPENSION				
		1) NOT SOLD SEPARATELY				

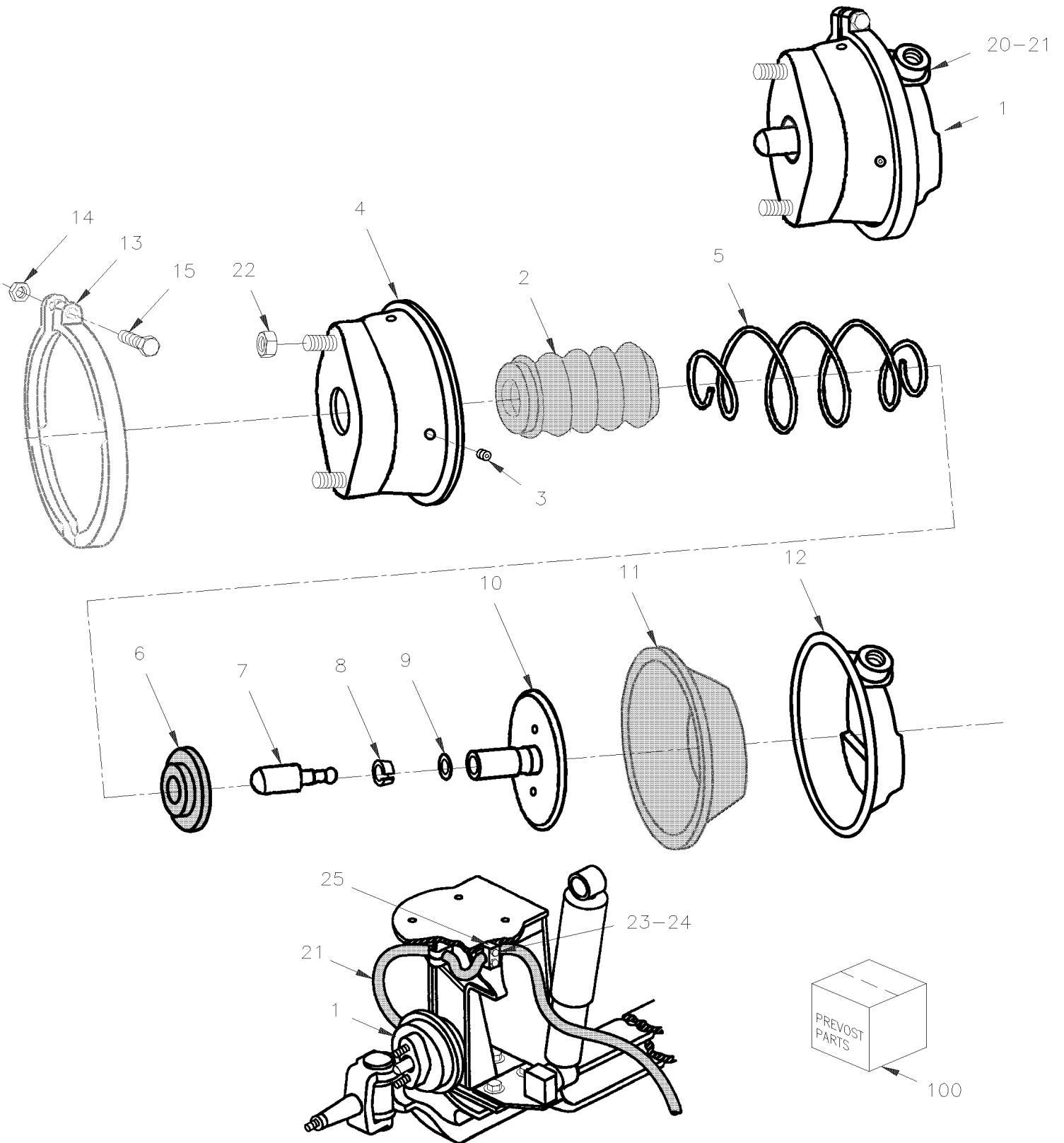


From 3-4417 To 8-1043

Date:10/2022

PAGE:HF-1225-11

BRAKE CHAMBER - FRONT AXLE TYPE 24





From 3-4417 To 8-1043	Date:10/2022	PAGE:HF-1225-11
BRAKE CHAMBER - FRONT AXLE TYPE 24		

Item#	Part	Description	H 3 4 1	H 3 4 5	V I P 4 5	N O T E S
1	641309	BRAKE CHAMBER ASSY R.H. / TYPE 24 From 4-4758	1	1		
1	641309	BRAKE CHAMBER ASSY R.H. / TYPE 24 To 3-4757			1	I
NS	641312	BRAKE CHAMBER ASSY L.H. / TYPE 24 From 4-4758	1	1		
1	641312	BRAKE CHAMBER ASSY L.H. / TYPE 24 To 3-4757			1	I
2	N.S.S.	. BOOT	1	1	1	1
3	N.S.S.	. HOLE PLUG	1	1	1	1
4	N.S.S.	. CHAMBER , NO-PRESSURE	1	1	1	1
5	640231	. SPRING, COMP.	1	1	1	
6	N.S.S.	. SPRING SEAT	1	1	1	1
7	N.S.S.	. PUSH ROD END	1	1	1	1
8	N.S.S.	. RETAINER	1	1	1	1
9	N.S.S.	. RING	1	1	1	1
10	N.S.S.	. PUSH ROD	1	1	1	1
11	640229	. DIAPHRAGM / TYPE 24	1	1	1	
12	N.S.S.	. CHAMBER PRESSURE PLATE	1	1	1	1
13	N.S.S.	. CLAMP W/BOLT & NUT	1	1	1	1
14	502543	. . NUT HEX M8-1.25 Z050	1	1	1	
15	5001021	. . SCREW CAP HEXS M8-1.25x60 G8.8 PT	1	1	1	
20	660914	MALE ELBOW 90° / JIC 37° FITTING / #8JIC-MxM16-1.5-M STL To 3-4757	1	1	1	
. NS	641297	. O-RING 13.1MM I.D. X 2.6 TH To 3-4757	1	1	1	
. NS	641298	. WASHER FL 17MM I.D x 22MM O.D. x 1.5MM To 3-4757	1	1	1	
20	641294	MALE CONNECTOR / JIC 37° FITTING / #8JIC-MxM16-1.5-M STL From 4-4758	1	1	1	
. NS	641297	. O-RING 13.1MM I.D. X 2.6 TH From 4-4758	1	1	1	
. NS	641298	. WASHER FL 17MM I.D x 22MM O.D. x 1.5MM From 4-4758	1	1	1	
21	641905	HOSE BRAKE #8 952MM (37 1/2") To 3-4757	2	2	2	C
21	641903	HOSE BRAKE #8 1090MM (43")	1	1	1	B
21	641904	HOSE BRAKE #8 1190MM (47")	1	1	1	B
21	641903	HOSE BRAKE #8 1090MM (43") From 9-0942			2	C
22	5001253	NUT HEX STO M16-1.5 G500	2	2	2	
23	504612	COLLAR 13/16" I.D. / TO FIX HOSE	2	2	2	
24	504614	PLATE RETAINING / COLLAR	2	2	2	
25	141837	HOSE SUPPORT L.H. To 3-4757	1	1	1	C
25	142353	HOSE SUPPORT L.H. From 7-0942			1	
25	141845	HOSE SUPPORT R.H. To 3-4757	1	1	1	C
25	142352	HOSE SUPPORT R.H. From 7-0942			1	
NS	500169	SCREW CAP HEX 1/4-20x1 1/2 G5 PT ZP	4	4	4	B
100	641422	KIT REPAIR / TYPE 24	1	1	1	A
		A) INCLUDED ITEMS #2,3,6,8,9 & 11				
		B) WITH I BEAM RIGID SUSPENSION				



From 3-4417 To 8-1043	Date:10/2022	PAGE:HF-1225-11
-----------------------	--------------	-----------------

BRAKE CHAMBER - FRONT AXLE TYPE 24

Item#	Part	Description	H 3 4 1	H 3 4 5	V I P 4 5	N O T E S
		C) WITH INDEPENDANT SUSPENSION				
		I) V.I.P. 45' WITH INDEPENDANTE SUSPENSION				
		1) NOT SOLD SEPARATELY				

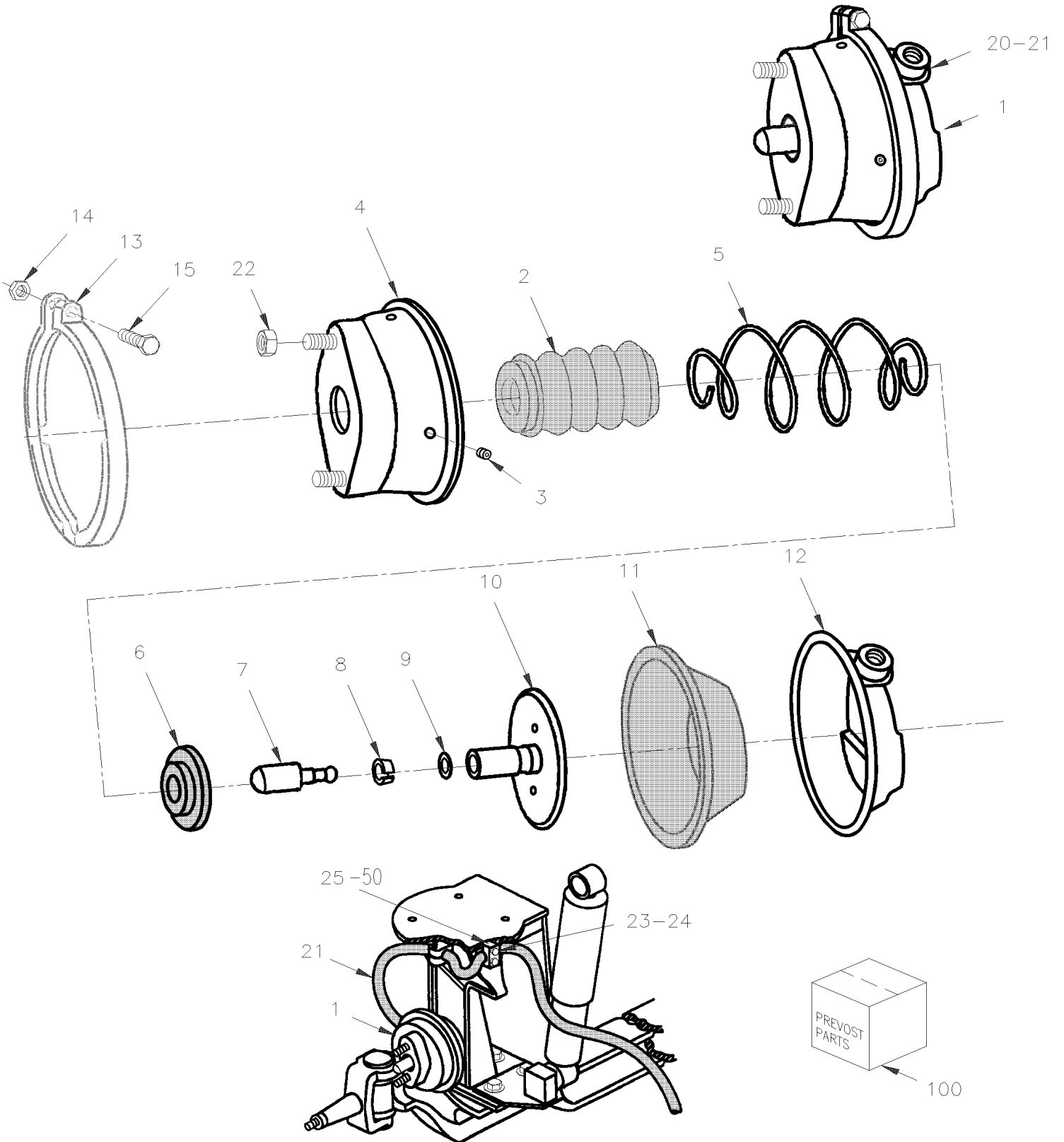


From 4-4758 To 7-0941

Date:10/2022

PAGE:HF-1225-12

BRAKE CHAMBER - FRONT AXLE TYPE 27





From 4-4758 To 7-0941	Date:10/2022	PAGE:HF-1225-12
BRAKE CHAMBER - FRONT AXLE TYPE 27		

Item#	Part	Description	H 3 4 1	H 3 4 5	V I P 4 5	N O T E S
1	611276	BRAKE CHAMBER ASSY R.H. / TYPE 27			1	I
NS	611277	BRAKE CHAMBER ASSY L.H. / TYPE 27			1	I
2	N.S.S.	. BOOT			1	1
3	N.S.S.	. HOLE PLUG			1	1
4	N.S.S.	. CHAMBER , NO-PRESSURE			1	1
5		. SPRING, COMP.			1	
6	N.S.S.	. SPRING SEAT			1	1
7	N.S.S.	. PUSH ROD END			1	1
8	N.S.S.	. RETAINER			1	1
9	N.S.S.	. RING			1	1
10	N.S.S.	. PUSH ROD			1	1
11	N.S.S.	. DIAPHRAGM / TYPE 27			1	1
12	N.S.S.	. CHAMBER PRESSURE PLATE			1	1
13	N.S.S.	. CLAMP W/BOLT & NUT			1	1
14	502543	. . NUT HEX M8-1.25 Z050			1	
15	5001021	. . SCREW CAP HEXS M8-1.25x60 G8.8 PT			1	
20	660914	MALE ELBOW 90° / JIC 37° FITTING / #8JIC-MxM16-1.5-M STL			1	
. NS	641297	. O-RING 13.1MM I.D. X 2.6 TH			1	
. NS	641298	. WASHER FL 17MM I.D x 22MM O.D. x 1.5MM			1	
21	641903	HOSE BRAKE #8 1090MM (43")			2	
22	5001253	NUT HEX STO M16-1.5 G500			2	
23	504612	COLLAR 13/16" I.D. / TO FIX HOSE			2	
24	504614	PLATE RETAINING / COLLAR			2	
25	142305	HOSE SUPPORT L.H. To 4-4781			1	
25	142353	HOSE SUPPORT L.H. From 4-4782			1	
25	142306	HOSE SUPPORT R.H. To 4-4781			1	
25	142352	HOSE SUPPORT R.H. From 4-4782			1	
25	502656	SCREW CAP HEX M6-1.0x50 SS			4	
25	502579	NUT HEX M3-0.5 NP			4	
NS	502565	NUT HEX M6-1.0 SS			4	
50	HF-1250-10	ABS BRAKE VALVE INSTALLATION				
100	N.P.N.	KIT REPAIR			1	4 A
		A) INCLUDED ITEMS #2,3,6,8,9 & 11				
		I) V.I.P. 45' WITH INDEPENDANTE SUSPENSION				
		1) NOT SOLD SEPARATELY				
		4) NO PARTS NUMBER				



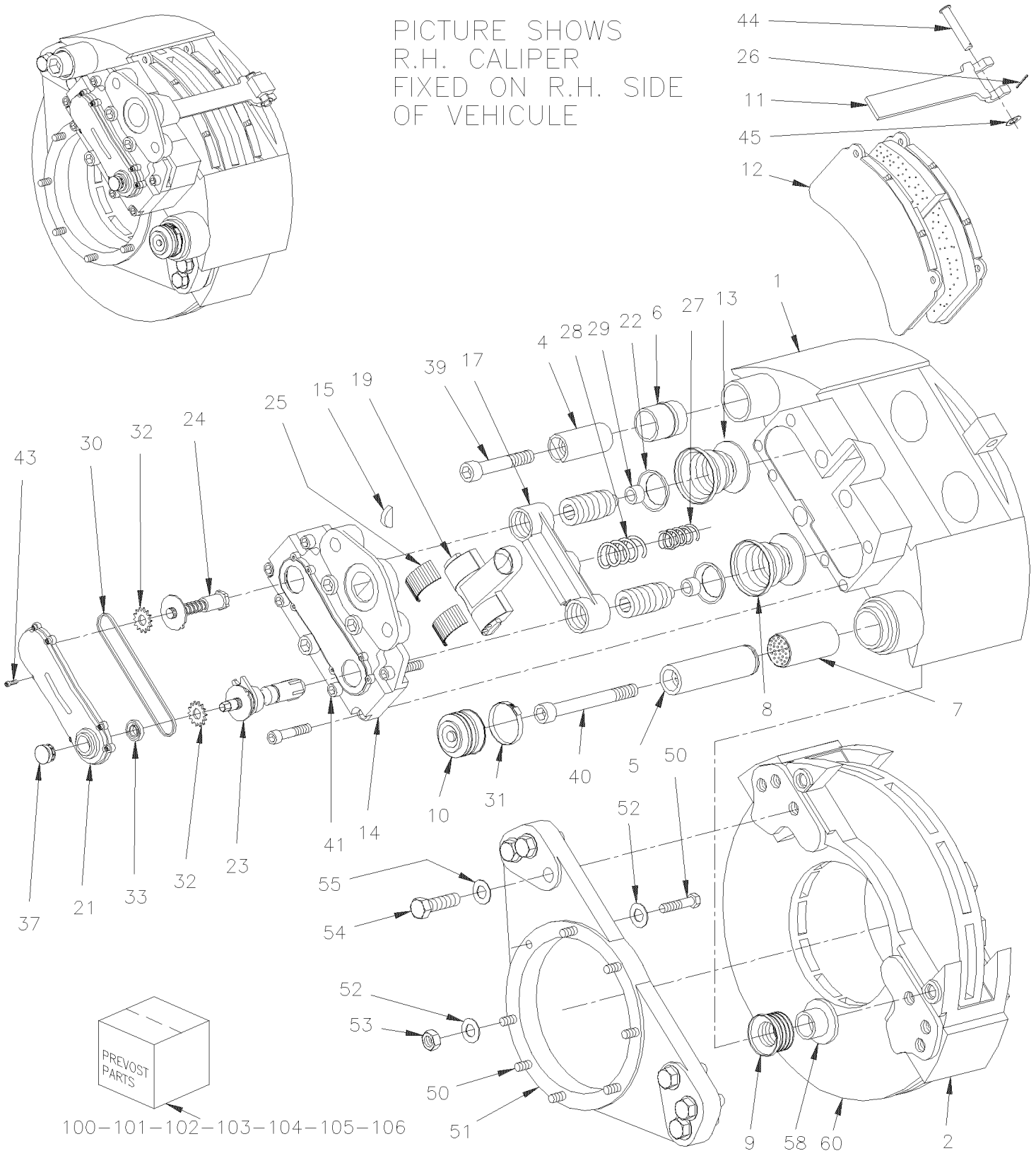
From 3-4417 To 7-0869

Date:10/2022

PAGE:HF-1235-00

BRAKE PARTS - DRIVE AXLE "MERITOR" W/DISCS / SB7 SERIES

PICTURE SHOWS
R.H. CALIPER
FIXED ON R.H. SIDE
OF VEHICLE





From 3-4417 To 7-0869 Date:10/2022 PAGE:HF-1235-00

BRAKE PARTS - DRIVE AXLE "MERITOR" W/DISCS / SB7 SERIES

Item#	Part	Description	H 3 4 1	H 3 4 5	V I P 4 5	N O T E S
	621631	CALIPER ASSY R.H. / W/BOOSTER TYPE 24/24 / SB7	1	1	1	
	621630	CALIPER ASSY L.H. / W/BOOSTER TYPE 24/24 / SB7	1	1	1	
	611184	. CALIPER ASSY R.H. / W/O BOOSTER / SB7	1	1	1	A
	611185	. CALIPER ASSY L.H. / W/O BOOSTER / SB7	1	1	1	A
1	N.S.S.	. . CALIPER HOUSING	1	1	1	1
2	611340	. BRAKE CARRIER / W/6 HOLES BOLT RETAINERS M20-2.5	1	1	1	
4	N.S.S.	. . GUIDE BUSHING / SHORT	1	1	1	1
5	N.S.S.	. . GUIDE BUSHING / LONG	1	1	1	1
6	611245	. . GUIDE SLEEVE / RUBBER SB 7 SERIES	1	1	1	
7	611107	. . BUSHING / BRASS	1	1	1	
8	N.S.S.	. . BOOT RUBBER / WHITE	2	2	2	1
9	N.S.S.	. . BELLOW GUIDE BUSHING / RED	1	1	1	1
10	641421	. . BELLOW CAP / RUBBER	1	1	1	
11	N.S.S.	. . BRAKE PAD BRACKET	1	1	1	1
12	611105	. . LINING SET STD / (FERODO)	1	1	1	B
. 11	N.S.S.	. . . BRAKE PAD BRACKET	1	1	1	1 B
. 26	N.S.S.	. . . SPRING SPLIT PIN	1	1	1	1 B
. 37	641313	. . . PLUG CAP / ADJUSTING DEVICE / PLASTIC INTERIOR GRIP	1	1	1	B
. 44	N.S.S.	. . . CLEVIS PIN	1	1	1	1 B
. 45	N.S.S.	. . . WASHER	1	1	1	1 B
. 61	N.S.S.	. . . SHEAR ADAPTER	1	1	1	1 B
12	611049	. . LINING SET STD /	1	1	1	B
. 11	N.S.S.	. . . BRAKE PAD BRACKET	1	1	1	1 B
. 26	N.S.S.	. . . SPRING SPLIT PIN	1	1	1	1 B
. 37	641313	. . . PLUG CAP / ADJUSTING DEVICE / PLASTIC INTERIOR GRIP	1	1	1	B
. 44	N.S.S.	. . . CLEVIS PIN	1	1	1	1 B
. 45	N.S.S.	. . . WASHER	1	1	1	1 B
. 61	N.S.S.	. . . SHEAR ADAPTER	1	1	1	1 B
13	N.S.S.	. . TAPPET	2	2	2	1
14	N.S.S.	. . SYNCHRONIZING HOUSING	1	1	1	1
15	N.S.S.	. . PLUG HALF / RUBBER	1	1	1	1
17	N.S.S.	. . BEAM	1	1	1	1
18	N.S.S.	. . O-RING	1	1	1	1
19	N.S.S.	. . LEVER	1	1	1	1
21	N.S.S.	. . COVER SYNCHRONIZING HOUSING	1	1	1	1
22	N.S.S.	. . BOOT	2	2	2	1
23	N.S.S.	. . CLEARANCE ADJUSTER	1	1	1	1
24	N.S.S.	. . DRIVER	1	1	1	1
25	N.S.S.	. . LEVER BEARING	2	2	2	1
26	N.S.S.	. . SPRING SPLINT PIN	1	1	1	1
27	N.S.S.	. . COMPRESSION SPRING	1	1	1	1
28	N.S.S.	. . COMPRESSION SPRING	1	1	1	1



From 3-4417 To 7-0869 Date:10/2022 PAGE:HF-1235-00

BRAKE PARTS - DRIVE AXLE "MERITOR" W/DISCS / SB7 SERIES

Item#	Part	Description	H 3 4 1	H 3 4 5	V I P 4 5	N O T E S
29	N.S.S.	. . RING RETAINING / TAPPET	2	2	2	1
30	N.S.S.	. . ROLLER CHAIN	1	1	1	1
31	641420	. . PERFORATED CLIP	1	1	1	
32	N.S.S.	. . CHAIN DRIVE WHEEL	2	2	2	1
33	N.S.S.	. . SHAFT SEALING RING	1	1	1	1
37	641313	. . PLUG CAP / ADJUSTING DEVICE / PLASTIC INTERIOR GRIP	1	1	1	
38	N.S.S.	. . DOWEL	4	4	4	1
39	N.S.S.	. . SCREW CAP HEXS M16-1.5x140 G10.9 ZP	1	1	1	1
40	N.S.S.	. . SCREW CAP HEXS M16-1.5x90 G10.9 ZP	1	1	1	1
41	N.S.S.	. . SOCKET HEAD CAP SCREW M14 X 60MM GR 12.9	3	3	3	1
43	N.S.S.	. . SOCKET HEAD CAP SCREW M5 X 12MM	8	8	8	1
44	N.S.S.	. . CLEVIS PIN	1	1	1	1
45	N.S.S.	. . WASHER	1	1	1	1
NS	HF-1235-10	. BRAKE CHAMBER - DRIVE AXLE "KNORR-BREMSE"				
50	621636	SCREW CAP HEX / TO FIX BRACKET TO AXLE 9/16-18 X 2 GR 8	12	12	12	
51	621669	CALIPER MOUNTING BRACKET L.H. & R.H.	2	2	2	
. NS	621709	. CALIPER MOUNTING BRACKET L.H. & R.H. W/OUT BUSHING	1	1	1	
. NS	621684	. BUSHING ABS SENSOR MOUNTING DRIVE AXLE	1	1	1	
52	621365	WASHER (HARD) .59IDX.97ODX.09	24	24	24	
53	621638	NUT HEX 9/16-18 GR8	12	12	12	
54	5001358	SCREW CAP HEX M20-2.5x50 G10.9 ZP	6	6	6	
54	611309	SCREW CAP HEX M20-2.5x60 G10.9 DP	6	6	6	
55	N8889049	WASHER	6	6	6	
58	N.S.S.	PLASTIC RING, BOOT RETAINER	1	1	1	1
60	HF-1305-00	HUB & ROTOR - DRIVE AXLE				
70	110786	BRAKE WEAR INDICATOR MECHANICAL / 44MM	AR	AR	AR	
99	FMBS-0BPK-10	BRAKE PARTS - "KNORR-BREMSE" / SB7 & SN7 "AFTERMARKET"				
100	611054	KIT, TAPPET W/BOOT	AR	AR	AR	C
. 08	N.S.S.	. BOOT RUBBER / WHITE	2	2	2	1 C
. 13	N.S.S.	. TAPPET	2	2	2	1 C
101	611168	KIT, GUIDANCE PINS & BELLOW	AR	AR	AR	D
. 04	N.S.S.	. GUIDE BUSHING / SHORT	1	1	1	1 D
. 05	N.S.S.	. GUIDE BUSHING / LONG	1	1	1	1 D
. 06	611245	. GUIDE SLEEVE / RUBBER SB 7 SERIES	1	1	1	D
. 07	611107	. BUSHING / BRASS	1	1	1	D
. 09	N.S.S.	. BELLOW GUIDE BUSHING / RUBBER RED	1	1	1	1 D
. 10	641421	. BELLOW CAP / RUBBER	1	1	1	D
. 31	641420	. PERFORATED CLIP	1	1	1	D
. 39	N.S.S.	. SCREW CAP HEXS	1	1	1	1 D
. 40	N.S.S.	. SCREW CAP HEXS	1	1	1	1 D
. 58	N.S.S.	. PLASTIC RING / BOOT RETAINER	1	1	1	1 D



From 3-4417 To 7-0869 Date:10/2022 PAGE:HF-1235-00

BRAKE PARTS - DRIVE AXLE "MERITOR" W/DISCS / SB7 SERIES

Item#	Part	Description	H 3 4 1	H 3 4 5	V I P 4 5	N O T E S
102	611177	KIT, BOOT PROTECTOR & TAPPET	AR	AR	AR	E
.08	N.S.S.	. BOOT RUBBER / WHITE	1	1	1	1 E
.13	N.S.S.	. TAPPET	1	1	1	1 E
.29	N.S.S.	. RING RETAINING / TAPPET	1	1	1	1 E
103	611179	KIT, CARRIER & GUIDING PIN	AR	AR	AR	F
.02	611340	. BRAKE CARRIER / W/6 HOLES BOLT RETAINERS M20-2.5	1	1	1	F
.04	N.S.S.	. GUIDE BUSHING / SHORT	1	1	1	1 F
.05	N.S.S.	. GUIDE BUSHING / LONG	1	1	1	1 F
.39	N.S.S.	. SCREW CAP HEXS	1	1	1	1 F
.40	N.S.S.	. SCREW CAP HEXS	1	1	1	1 F
104	641402	KIT, PAD HOLDER	AR	AR	AR	G
.26	N.S.S.	. SPRING SPLIT PIN	1	1	1	1 G
.44	N.S.S.	. CLEVIS PIN	1	1	1	1 G
.45	N.S.S.	. WASHER	1	1	1	1 G
105	611199	KIT, BOOT & SEAL	AR	AR	AR	H
.09	N.S.S.	. BELLOW GUIDE BUSHING / RUBBER RED	1	1	1	1 H
.10	641421	. BELLOW CAP / RUBBER	1	1	1	H
.31	641420	. PERFORATED CLIP	1	1	1	H
.37	641313	. PLUG CAP / ADJUSTING DEVICE / PLASTIC INTERIOR GRIP	1	1	1	H
.58	N.S.S.	. PLASTIC RING / BOOT RETAINER	1	1	1	1 H
106	611246	KIT, GUIDANCE PIN & RUBBER BUSHING / SHORT PIN	AR	AR	AR	O
.04	N.S.S.	. GUIDE BUSHING / SHORT	1	1	1	1 O
.06	611245	. GUIDE SLEEVE / RUBBER SB 7 SERIES	1	1	1	O
.39	N.S.S.	. SCREW CAP HEXS	1	1	1	1 O
107	641427	KIT BOOT & CLIP	AR	AR	AR	P
.10	641421	. BELLOW CAP / RUBBER	1	1	1	P
.31	641420	. PERFORATED CLIP	1	1	1	P
NS	683344	GREASE GREEN / 5GR	AR	AR	AR	I
NS	641931	GREASE GREEN / 500GR	AR	AR	AR	I
NS	683345	GREASE WHITE / 5GR	AR	AR	AR	J
NS	641930	GREASE WHITE / 500GR	AR	AR	AR	J
NS	641444	TOOL / GROOVING BUSHING	AR	AR	AR	M
NS	641321	TOOL / THRUST MEMBER W/BELLOW	AR	AR	AR	K
NS	641322	TOOL / CALIPER INNER BELLOW	AR	AR	AR	L
NS	641323	TOOL / BUSHING INSTALLER / SERIES SB	AR	AR	AR	M
NS	641435	TOOL / FORK (FOR BELLOW CAP)	AR	AR	AR	N
		A) INCLUDES ITEM #2 BUT NOT ITEM # 12				
		B) INCLUDES ITEMS #11, 26, 37, 44, 45 & 61				
		C) INCLUDE 2 OF ITEMS #8 & 13				



From 3-4417 To 7-0869	Date:10/2022	PAGE:HF-1235-00
-----------------------	--------------	-----------------

BRAKE PARTS - DRIVE AXLE "MERITOR" W/DISCS / SB7 SERIES

Item#	Part	Description	H 3 4 1	H 3 4 5	V I P 4 5	N O T E S
		D) INCLUDE ITEMS #4,5,6,7,9,10,31,39,40 & 58				
		E) INCLUDE ITEMS #8,13 & 29				
		F) INCLUDE ITEMS #2,4,5,39 & 40				
		G) INCLUDE ITEMS #11,26,44 & 45				
		H) INCLUDES ITEMS 39,10,31,37 & 58				
		I) FOR ITEMS #4 & 6				
		J) FOR ITEMS #5 & 7				
		K) FOR USE W/ITEMS #8 & 13				
		L) FOR USE W/ITEMS #9				
		M) FOR USE W/ITEM #7				
		N) FOR USE W/ITEM #8 & 13				
		O) INCLUDE ITEMS #4,6 & 39				
		P) INCLUDE ITEM #10 & 31				
		1) NOT SOLD SEPARATELY				
		1) NOT SOLD SEPARATELY				

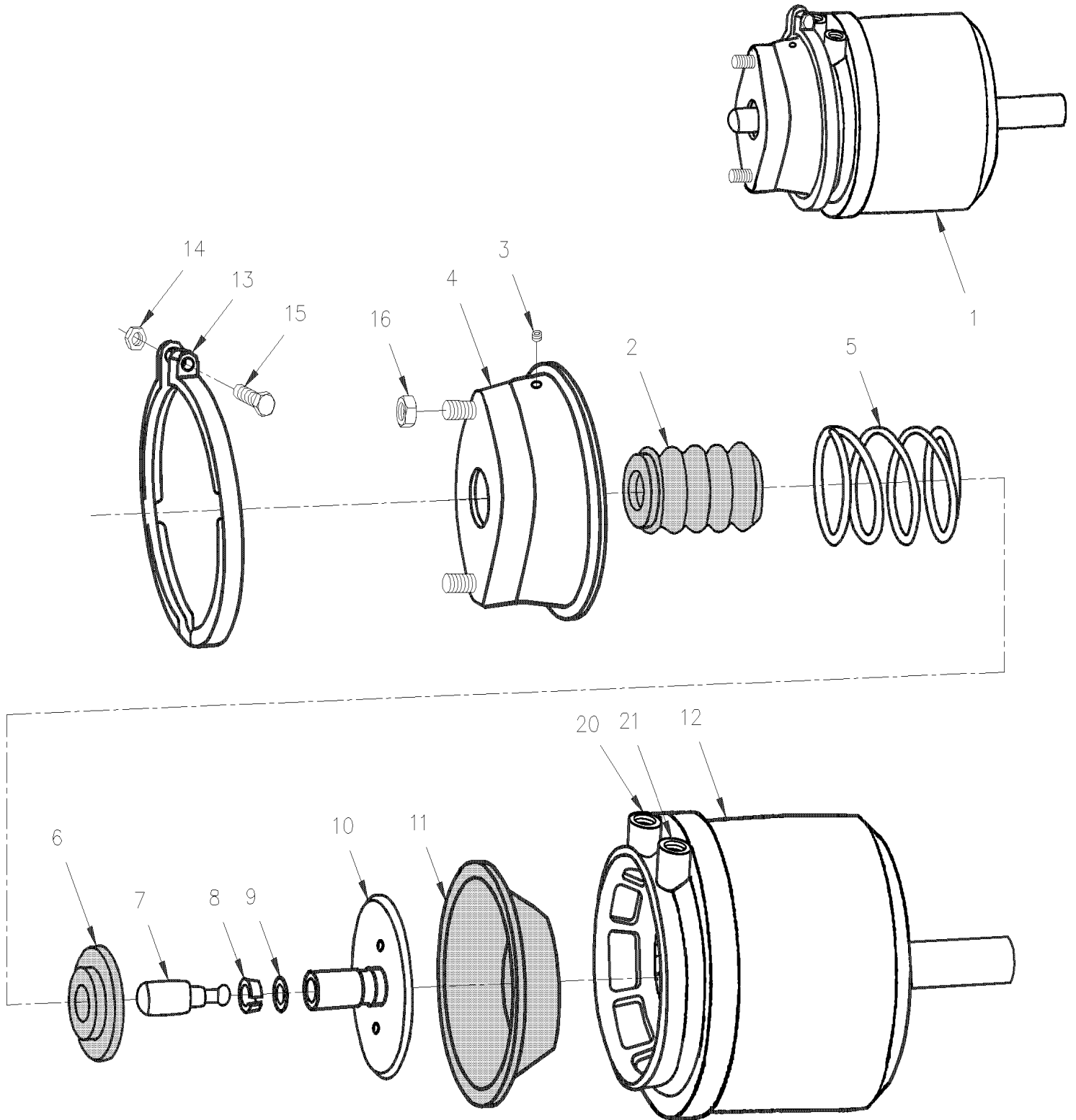


From 3-4417 To 8-1043

Date:10/2022

PAGE:HF-1235-10

BRAKE CHAMBER - DRIVE AXLE "KNORR-BREMSE"





From 3-4417 To 8-1043	Date:10/2022	PAGE:HF-1235-10
BRAKE CHAMBER - DRIVE AXLE "KNORR-BREMSE"		

Item#	Part	Description	H 3 4 1	H 3 4 5	V I P 4 5	N O T E S
1	641432	BRAKE CHAMBER ASSY L.H. & R.H. / TYPE 24/24 To 7-0869	2	2	2	
1	642057	BRAKE CHAMBER ASSY L.H. / TYPE 24/24 (SEALED) From 7-0870	1	1	1	
1	642058	BRAKE CHAMBER ASSY R.H. / TYPE 24/24 (SEALED) From 7-0870	1	1	1	
2	N.S.S.	. BOOT	1	1	1	1
3	N.S.S.	. HOLE PLUG	1	1	1	1
4	N.S.S.	. CHAMBER , NO-PRESSURE	1	1	1	1
5	N.S.S.	. SPRING	1	1	1	1
6	N.S.S.	. SPRING SEAT	1	1	1	1
7	N.S.S.	. PUSH ROD END	1	1	1	1
8	N.S.S.	. RETAINER	1	1	1	1
9	N.S.S.	. RING	1	1	1	1
10	N.S.S.	. PUSH ROD	1	1	1	1
11	640229	. DIAPHRAGM / TYPE 24 To 7-0869	1	1	1	
12	641433	. CHAMBER SUB ASSY / TYPE 24/24 To 7-0869	1	1	1	
13	N.S.S.	. CLAMP W/BOLT & NUT To 7-0869	1	1	1	1
14	502543	. . NUT HEX M8-1.25 Z050 To 7-0869	1	1	1	
15	5001021	. . SCREW CAP HEXS M8-1.25x60 G8.8 PT To 7-0869	1	1	1	
16	5001253	NUT HEX STO M16-1.5 G500	2	2	2	
NS	641443	KIT REPAIR / TYPE 24/24 To 7-0869	AR	AR	AR	B
		HOSE SERVICE BRAKE				
20	641477	HOSE BRAKE #8 813MM (32")	2	2	2	A
NS	501842	ADAPTER / AIR BRAKE HOSE FITTING / 3/4-20-Mx3/8NPT-M STL	1	1	1	
NS	501330	STREET ELBOW 45° / PIPE FITTING / 3/8NPT-Mx3/8NPT-F BR	1	1	1	
		HOSE EMERGENCY BRAKE				
21	503488	TUBE, NYLON 1/2 O.D. / BLACK S.L./	AR	AR	AR	
NS	641010	MALE ELBOW 45° / NTA FITTING / #8x3/8NPT-M BR	1	1	1	
21	641901	HOSE BRAKE #8 952MM (37 1/2")	1	1	1	
21	5011205	FEMALE CONNECTOR / PIPE @ METRIC / 3/8NPT-FxM16-1.5-M ZP	2	2	2	
. NS	641297	. O-RING 13.1MM I.D. X 2.6 TH	1	1	1	
. NS	641298	. WASHER FL 17MM I.D x 22MM O.D. x 1.5MM	1	1	1	
NS	641297	O-RING 13.1MM I.D. X 2.6 TH	2	2	2	
NS	641298	WASHER FL 17MM I.D x 22MM O.D. x 1.5MM	2	2	2	
		A) L.H. & R.H.				
		B) INCLUDING ITEM 2,4,6,8,9 & 11				



From 3-4417 To 8-1043	Date:10/2022	PAGE:HF-1235-10
-----------------------	--------------	-----------------

BRAKE CHAMBER - DRIVE AXLE "KNORR-BREMSE"

Item#	Part	Description	H 3 4 1	H 3 4 5	V I P 4 5	N O T E S
		1) NOT SOLD SEPARATELY				



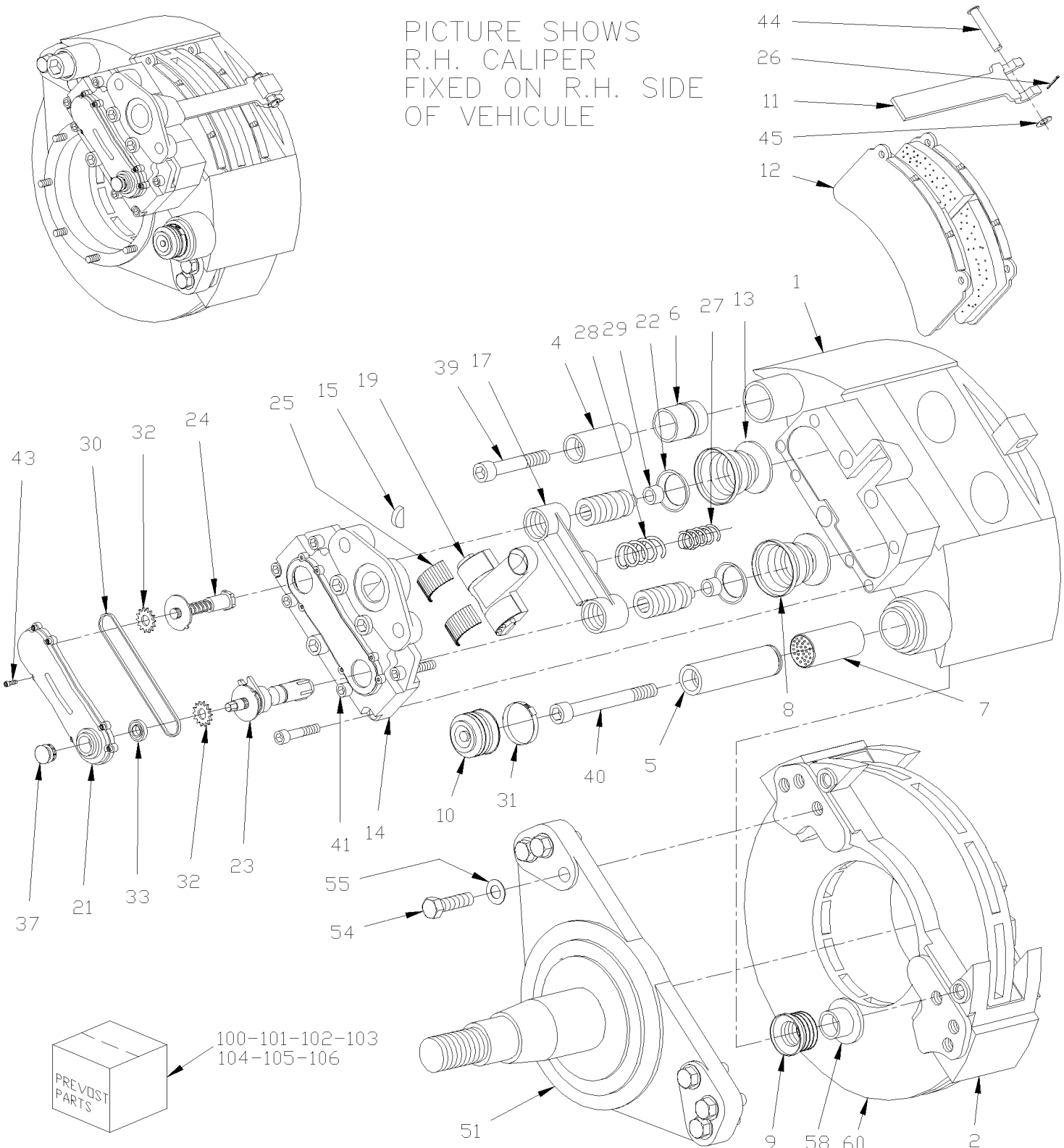
From 3-4417 To 7-0869

Date:10/2022

PAGE:HF-1245-00

BRAKE PARTS - TAG AXLE - W/"KNORR-BREMSE" / SB7 SERIES

PICTURE SHOWS
R.H. CALIPER
FIXED ON R.H. SIDE
OF VEHICLE





From 3-4417 To 7-0869 Date:10/2022 PAGE:HF-1245-00

BRAKE PARTS - TAG AXLE - W/"KNORR-BREMSE" / SB7 SERIES

Item#	Part	Description	H 3 4 1	H 3 4 5	V I P 4 5	N O T E S
	611181	CALIPER ASSY R.H. / W/BOOSTER TYPE 16/16 / SB7	1	1	1	
	611183	CALIPER ASSY L.H. / W/BOOSTER TYPE 16/16 / SB7	1	1	1	
	611184	. CALIPER ASSY R.H. / W/O BOOSTER / SB7	1	1	1	A
	611185	. CALIPER ASSY L.H. / W/O BOOSTER / SB7	1	1	1	A
1	N.S.S.	. . CALIPER HOUSING	1	1	1	1
2	611340	. BRAKE CARRIER / W/6 HOLES BOLT RETAINERS M20-2.5	1	1	1	
4	N.S.S.	. . GUIDE BUSHING / SHORT	1	1	1	1
5	N.S.S.	. . GUIDE BUSHING / LONG	1	1	1	1
6	611245	. . GUIDE SLEEVE / RUBBER SB 7 SERIES	1	1	1	
7	611107	. . BUSHING / BRASS	1	1	1	
8	N.S.S.	. . BOOT RUBBER / WHITE	2	2	2	1
9	N.S.S.	. . BELLOW GUIDE BUSHING / RUBBER RED	1	1	1	1
10	641421	. . BELLOW CAP / RUBBER	1	1	1	
11	N.S.S.	. . BRAKE PAD BRACKET	1	1	1	1
12	611105	. . LINING SET STD / (FERODO)	1	1	1	B
. 11	N.S.S.	. . . BRAKE PAD BRACKET	1	1	1	1 B
. 26	N.S.S.	. . . SPRING SPLIT PIN	1	1	1	1 B
. 37	641313	. . . PLUG CAP / ADJUSTING DEVICE / PLASTIC INTERIOR GRIP	1	1	1	B
. 44	N.S.S.	. . . CLEVIS PIN	1	1	1	1 B
. 45	N.S.S.	. . . WASHER	1	1	1	1 B
. 61	N.S.S.	. . . SHEAR ADAPTER	1	1	1	1 B
12	611049	. . LINING SET STD /	1	1	1	B
. 11	N.S.S.	. . . BRAKE PAD BRACKET	1	1	1	1 B
. 26	N.S.S.	. . . SPRING SPLIT PIN	1	1	1	1 B
. 37	641313	. . . PLUG CAP / ADJUSTING DEVICE / PLASTIC INTERIOR GRIP	1	1	1	B
. 44	N.S.S.	. . . CLEVIS PIN	1	1	1	1 B
. 45	N.S.S.	. . . WASHER	1	1	1	1 B
. 61	N.S.S.	. . . SHEAR ADAPTER	1	1	1	1 B
13	N.S.S.	. . TAPPET	2	2	2	1
14	N.S.S.	. . SYNCHRONIZING HOUSING	1	1	1	1
15	N.S.S.	. . PLUG HALF / RUBBER	1	1	1	1
17	N.S.S.	. . BEAM	1	1	1	1
18	N.S.S.	. . O-RING	1	1	1	1
19	N.S.S.	. . LEVER	1	1	1	1
21	N.S.S.	. . COVER SYNCHRONIZING HOUSING	1	1	1	1
22	N.S.S.	. . BOOT	2	2	2	1
23	N.S.S.	. . CLEARANCE ADJUSTER	1	1	1	1
24	N.S.S.	. . DRIVER	1	1	1	1
25	N.S.S.	. . LEVER BEARING	2	2	2	1
26	N.S.S.	. . SPRING SPLINT PIN	1	1	1	1
27	N.S.S.	. . COMPRESSION SPRING	1	1	1	1
28	N.S.S.	. . COMPRESSION SPRING	1	1	1	1



From 3-4417 To 7-0869 Date:10/2022 PAGE:HF-1245-00

BRAKE PARTS - TAG AXLE - W/"KNORR-BREMSE" / SB7 SERIES

Item#	Part	Description	H 3 4 1	H 3 4 5	V I P 4 5	N O T E S
29	N.S.S.	. . RING RETAINING / TAPPET	2	2	2	1
30	N.S.S.	. . ROLLER CHAIN	1	1	1	1
31	641420	. . PERFORATED CLIP	1	1	1	
32	N.S.S.	. . CHAIN DRIVE WHEEL	2	2	2	1
33	N.S.S.	. . SHAFT SEALING RING	1	1	1	1
37	641313	. . PLUG CAP / ADJUSTING DEVICE / PLASTIC INTERIOR GRIP	1	1	1	
38	N.S.S.	. . DOWEL	4	4	4	1
39	N.S.S.	. . SCREW CAP HEXS M16-1.5x140 G10.9 ZP	1	1	1	1
40	N.S.S.	. . SCREW CAP HEXS M16-1.5x90 G10.9 ZP	1	1	1	1
41	N.S.S.	. . SOCKET HEAD CAP SCREW M14 X 60MM GR 12.9	3	3	3	1
43	N.S.S.	. . SOCKET HEAD CAP SCREW M5 X 12MM	8	8	8	1
44	N.S.S.	. . CLEVIS PIN	1	1	1	1
45	N.S.S.	. . WASHER	1	1	1	1
45	HF-1245-10	BRAKE CHAMBER - TAG AXLE TYPE 16/16				
51	611216	SPINDLE / WITH MODEL "G.K.N." (TS6) To 3-4757	2	2	2	
51	611302	SPINDLE / WITH MODEL "G.K.N." (TS8U UNITISED) From 4-4758	2	2	2	
52	611048	STUD / M16-2.0 x 60MM	8	8	8	
54	5001193	SCREW CAP HEX M20-2.5x65 G10.9 ZP	6	6	6	
55	502558	WASHER FL 21.0x37.0x3.0 G500	6	6	6	
60	HF-1310-00	HUB & ROTOR - TAG AXLE TYPE TS6 To 3-4757				
60	HF-1310-01	HUB & ROTOR - TAG AXLE TYPE TS8U From 4-4758				
70	110786	BRAKE WEAR INDICATOR MECHANICAL / 44MM	2	2	2	
99	FMBS-0BPK-10	BRAKE PARTS - "KNORR-BREMSE" / SB7 & SN7 "AFTERMARKET"				
100	611054	KIT, TAPPET W/BOOT	AR	AR	AR	C
.08	N.S.S.	. BOOT RUBBER / WHITE	2	2	2	1 C
.13	N.S.S.	. TAPPET	2	2	2	1 C
101	611168	KIT, GUIDANCE PINS & BELLOW	AR	AR	AR	D
.04	N.S.S.	. GUIDE BUSHING / SHORT	1	1	1	1 D
.05	N.S.S.	. GUIDE BUSHING / LONG	1	1	1	1 D
.06	611245	. GUIDE SLEEVE / RUBBER SB 7 SERIES	1	1	1	D
.07	611107	. BUSHING / BRASS	1	1	1	D
.09	N.S.S.	. BELLOW GUIDE BUSHING / RUBBER RED	1	1	1	1 D
.10	641421	. BELLOW CAP / RUBBER	1	1	1	D
.31	641420	. PERFORATED CLIP	1	1	1	D
.39	N.S.S.	. SCREW CAP HEXS	1	1	1	1 D
.40	N.S.S.	. SCREW CAP HEXS	1	1	1	1 D
.58	N.S.S.	. PLASTIC RING / BOOT RETAINER	1	1	1	1 D
102	611177	KIT, BOOT PROTECTOR & TAPPET	AR	AR	AR	E
.08	N.S.S.	. BOOT RUBBER / WHITE	1	1	1	1 E
.13	N.S.S.	. TAPPET	1	1	1	1 E
.29	N.S.S.	. RING RETAINING / TAPPET	1	1	1	1 E



From 3-4417 To 7-0869 Date:10/2022 PAGE:HF-1245-00

BRAKE PARTS - TAG AXLE - W/"KNORR-BREMSE" / SB7 SERIES

Item#	Part	Description	H 3 4 1	H 3 4 5	V I P 4 5	N O T E S
103	611179	KIT, CARRIER & GUIDING PIN	AR	AR	AR	F
.02	611340	. BRAKE CARRIER / W/6 HOLES BOLT RETAINERS M20-2.5	1	1	1	F
.04	N.S.S.	. GUIDE BUSHING / SHORT	1	1	1	1 F
.05	N.S.S.	. GUIDE BUSHING / LONG	1	1	1	1 F
.39	N.S.S.	. SCREW CAP HEXS	1	1	1	1 F
.40	N.S.S.	. SCREW CAP HEXS	1	1	1	1 F
104	641402	KIT, PAD HOLDER	AR	AR	AR	G
.26	N.S.S.	. SPRING SPLIT PIN	1	1	1	1 G
.44	N.S.S.	. CLEVIS PIN	1	1	1	1 G
.45	N.S.S.	. WASHER	1	1	1	1 G
105	611199	KIT, BOOT & SEAL	AR	AR	AR	H
.09	N.S.S.	. BELLOW GUIDE BUSHING / RUBBER RED	1	1	1	1 H
.10	641421	. BELLOW CAP / RUBBER	1	1	1	H
.31	641420	. PERFORATED CLIP	1	1	1	H
.37	641313	. PLUG CAP / ADJUSTING DEVICE / PLASTIC INTERIOR GRIP	1	1	1	H
.58	N.S.S.	. PLASTIC RING / BOOT RETAINER	1	1	1	1 H
106	611246	KIT, GUIDANCE PIN & RUBBER BUSHING / SHORT PIN	AR	AR	AR	O
.04	N.S.S.	. GUIDE BUSHING / SHORT	1	1	1	1 O
.06	611245	. GUIDE SLEEVE / RUBBER SB 7 SERIES	1	1	1	O
.39	N.S.S.	. SCREW CAP HEXS	1	1	1	1 O
107	641427	KIT BOOT & CLIP	AR	AR	AR	P
.10	641421	. BELLOW CAP / RUBBER	1	1	1	P
.31	641420	. PERFORATED CLIP	1	1	1	P
107	683344	GREASE GREEN / 5GR	AR	AR	AR	I
107	641931	GREASE GREEN / 500GR	AR	AR	AR	I
107	683345	GREASE WHITE / 5GR	AR	AR	AR	J
107	641930	GREASE WHITE / 500GR	AR	AR	AR	J
NS	641321	TOOL / THRUST MEMBER W/BELLOW	AR	AR	AR	K
NS	641322	TOOL / CALIPER INNER BELLOW	AR	AR	AR	L
NS	641323	TOOL / BUSHING INSTALLER / SERIES SB	AR	AR	AR	M
NS	641444	TOOL / GROOVING BUSHING	AR	AR	AR	M
NS	641435	TOOL / FORK (FOR BELLOW CAP)	AR	AR	AR	N
		A) INCLUDES ITEM #2 BUT NOT ITEM # 12				
		B) INCLUDES ITEMS #11, 26, 37, 44, 45 & 61				
		C) INCLUDE 2 OF ITEMS #8 & 13				
		D) INCLUDE ITEMS #4,5,6,7,9,10,31,39,40 & 58				
		E) INCLUDE ITEMS #8,13 & 29				
		F) INCLUDE ITEMS #2,4,5,39,40 & 58				
		G) INCLUDE ITEMS #11,26,44 & 45				



From 3-4417 To 7-0869	Date:10/2022	PAGE:HF-1245-00
-----------------------	--------------	-----------------

BRAKE PARTS - TAG AXLE - W/"KNORR-BREMSE" / SB7 SERIES

Item#	Part	Description	H 3 4 1	H 3 4 5	V I P 4 5	N O T E S
		H) INCLUDE ITEMS #9,10,31,37 & 58				
		I) FOR ITEMS #4 & 6				
		J) FOR ITEMS #5 & 7				
		K) FOR USE W/ITEMS #8 & 13				
		L) FOR USE W/ITEM #9				
		M) FOR USE W/ITEM #7				
		N) FOR USE W/ITEM #8 & 13				
		O) INCLUDE ITEMS #4,6 & 39				
		P) INCLUDE ITEM #10 & 31				
		1) NOT SOLD SEPARATELY				
		1) NOT SOLD SEPARATELY				

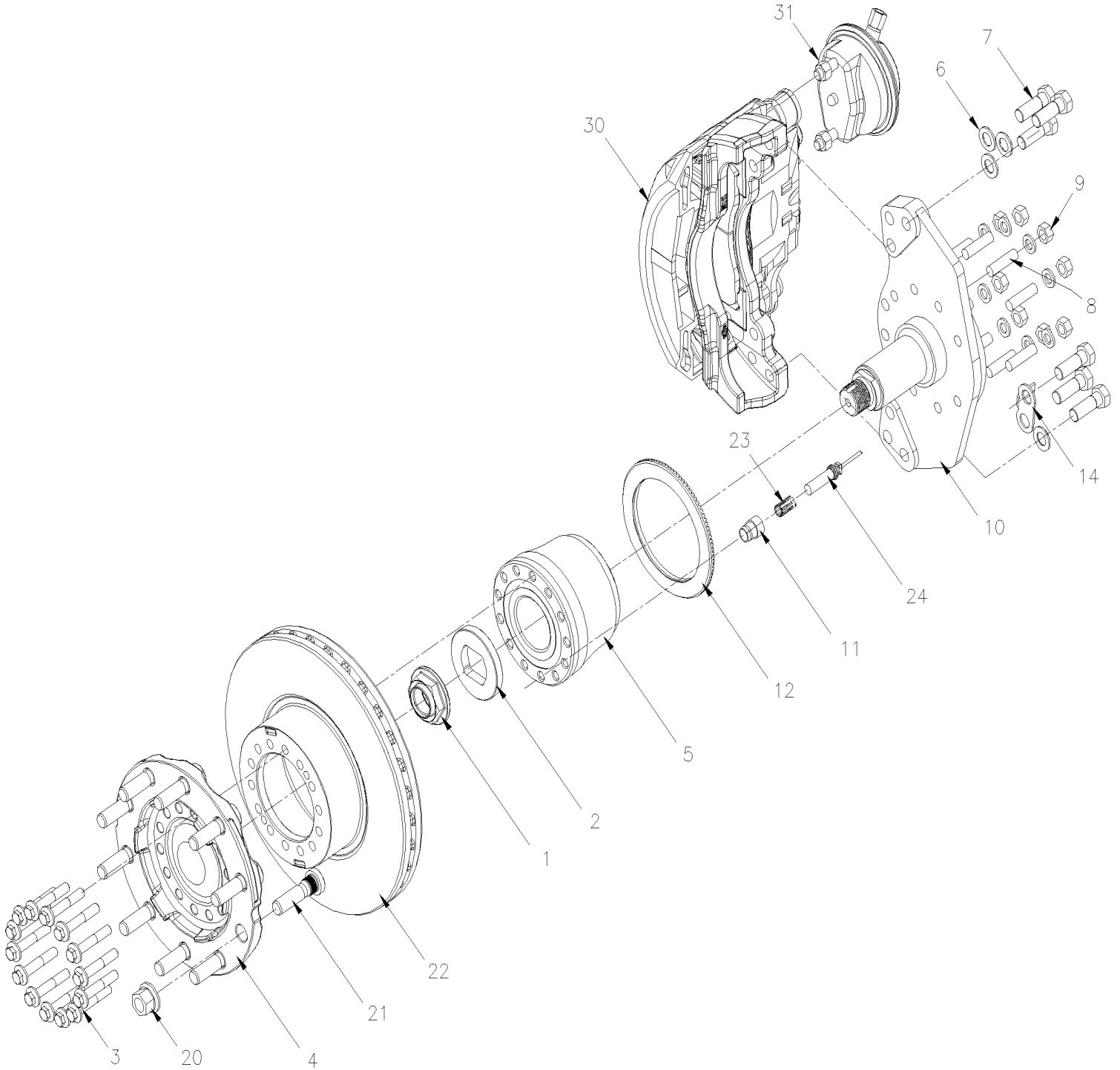


From 3-4417 To 7-0869

Date:10/2022

PAGE:HF-1310-01

HUB & ROTOR - TAG AXLE TYPE TS8U





From 3-4417 To 7-0869	Date:10/2022	PAGE:HF-1310-01
HUB & ROTOR - TAG AXLE TYPE TS8U		

Item#	Part	Description	H 3 4 1	H 3 4 5	V I P 4 5	N O T E S
1	611949	HUB NUT 1 3/4-8	1	1	1	
2	611948	THRUST WASHER	1	1	1	
3	611955	SCREW CAP HEXF M14-1.5x78 G12.9 N500	14	14	14	S
4	611301	HUB FLANGE	1	1	1	
5	611953	HUB ASSY / UNITISED L.H. & R.H. "TIMKEN"	1	1	1	S
5	611471	HUB ASSY / UNITISED L.H. & R.H. "FAG" ASSY W/"ABS" RING	1	1	1	S
. NS	N.S.S.	. TOOTH WHEEL	1	1	1	1 S
. NS	509939	. SCREW DRV RND #4x1/4 SS	3	3	3	S
5	611474	HUB ASSY / UNITISED L.H. & R.H. "FAG" ASSY W/"ABS" RING From 7-0942			1	S A
. NS	611472	. HUB ASSY / UNITISED L.H. & R.H. "FAG" From 7-0942			1	S A
. NS	611473	. TOOTH WHEEL / FRONT AXLE & TAG W/ "FAG" 143.90MM I.D. From 7-0942			1	S A
NS	491115	TOOL, HUB INSTALLER W/UNITISED BEARING / 70MM	1	1	1	
. NS	NDS8	. MAINTENANCE INSTRUCTION	1	1	1	
6	611044	WASHER FL HARD 21.0x37.0x3.0 N500	6	6	6	
7	5001193	SCREW CAP HEX M20-2.5x65 G10.9 ZP	6	6	6	
7	5001529	SCREW CAP HEX M20-1.5x60 G10.9 G500	6	6	6	
8	611048	STUD / M16-2.0 x 60MM	8	8	8	
NS	502884	WASHER LO SPT 16.2x27.4x3.5 N500	8	8	8	
9	502588	NUT HEX M16-2.0 ZP	8	8	8	
10	611302	SPINDLE / WITH MODEL "G.K.N." (TS8U UNITISED)	1	1	1	
10	610640	SPINDLE / WITH MODEL "G.K.N." (TS8U UNITISED) W/ABS HOLE From 7-0942			1	
. NS	610641	. BUSHING ABS SENSOR MOUNTING TAG AXLE From 7-0942			1	
11	610641	BUSHING ABS SENSOR MOUNTING TAG AXLE From 7-0942			1	
12	611473	TOOTH WHEEL / FRONT AXLE & TAG W/ "FAG" 143.90MM I.D. From 7-0942			1	
14	110786	BRAKE WEAR INDICATOR MECHANICAL / 44MM	1	1	1	
20	20434082	NUT R.H. / W/HUB-MOUNT WHEEL M22-1.5 / 27 MM TH	10	10	10	B
20	610175	NUT L.H. 1 1/8-16 / STUD MOUNT WHEEL	11	11		C
20	610176	NUT R.H. 1 1/8-16 / STUD MOUNT WHEEL	10	10		C
21	611207	STUD / R.H. / W/HUB-MOUNT WHEEL M22-1.5 x 81MM	10	10	10	B
21	610996	STUD / R.H. / W/STUD-MOUNT WHEEL	10	10		C
21	610995	STUD / L.H. / W/STUD-MOUNT WHEEL	10	10		C
22	611300	ROTOR VENTED	10	10	10	
23	641096	CLIP, SPRING / TO FIX SENSOR	1	1	1	
24	642085	SENSOR ABS - OEM	1	1	1	
24	642184	SENSOR ABS - AFTER MARKET	1	1	1	
30	HF-1245-00	BRAKE PARTS - TAG AXLE - W/"KNORR-BREMSE" / SB7 SERIES				
30	HF-1225-01	BRAKE PARTS "KNORR-BREMSE" SN7 SERIES - "RETROFIT" & "SERVICE"				
30	HF-1225-02	BRAKE PARTS "KNORR-BREMSE" SN7 SERIES W/NEW SLIDE PINS				
31	HF-1245-10	BRAKE CHAMBER - TAG AXLE TYPE 16/16				
32	M108-04	SEE MAINTENANCE INFORMATION	1	1	1	



From 3-4417 To 7-0869	Date:10/2022	PAGE:HF-1310-01
HUB & ROTOR - TAG AXLE TYPE TS8U		

Item#	Part	Description	H 3 4 1	H 3 4 5	V I P 4 5	N O T E S
		A) WITH ESP BRAKE SYSTEM (ADVANCE)				
		B) WITH HUB MOUNT WHEEL				
		C) WITH STUD MOUNT WHEEL				
		S) REPLACED ALL BOLTS EACH TIME WHEN YOU DISASSEMBLED OR UNSCREWED THE HUB				
		1) NOT SOLD SEPARATELY				

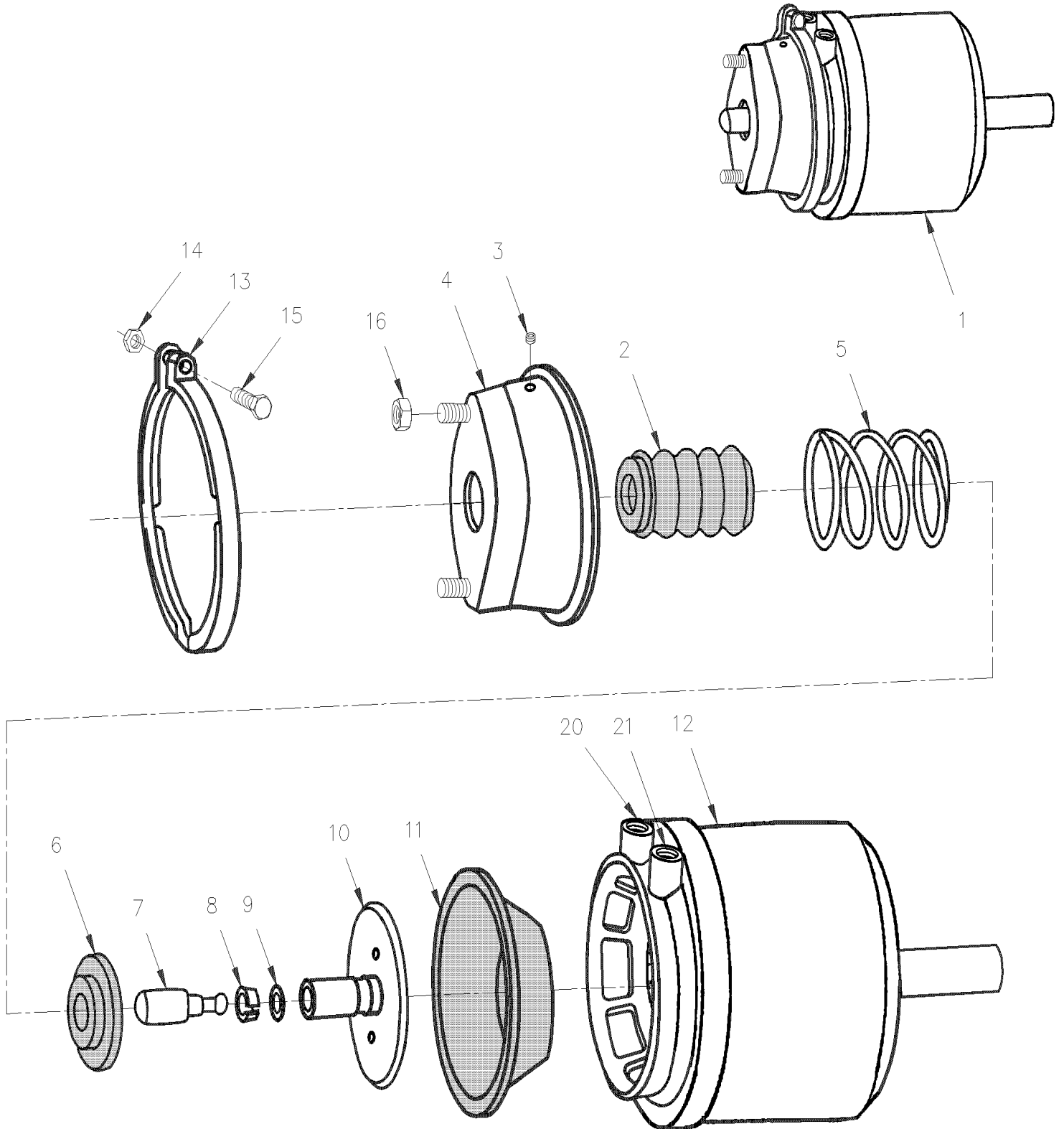


From 3-4417 To 3-4757

Date:10/2022

PAGE:HF-1245-10

BRAKE CHAMBER - TAG AXLE TYPE 16/16





From 3-4417 To 3-4757	Date:10/2022	PAGE:HF-1245-10
BRAKE CHAMBER - TAG AXLE TYPE 16/16		

Item#	Part	Description	H 3 4 1	H 3 4 5	V I P 4 5	N O T E S
1	641308	BRAKE CHAMBER ASSY L.H. & R.H / TYPE 16/16	2	2	2	
2	N.S.S.	. BOOT	1	1	1	1
3	N.S.S.	. HOLE PLUG	1	1	1	1
4	N.S.S.	. CHAMBER , NO-PRESSURE	1	1	1	1
5	N.S.S.	. SPRING	1	1	1	1
6	N.S.S.	. SPRING SEAT	1	1	1	1
7	N.S.S.	. PUSH ROD END	1	1	1	1
8	N.S.S.	. RETAINER	1	1	1	1
9	N.S.S.	. RING	1	1	1	1
10	N.S.S.	. PUSH ROD	1	1	1	1
11	641046	. DIAPHRAGM / TYPE 16	1	1	1	
12	641431	. CHAMBER SUB ASSY / TYPE 16/16	1	1	1	
13	N.S.S.	. CLAMP W/BOLT & NUT	1	1	1	1
14	502543	. NUT HEX M8-1.25 Z050	1	1	1	
15	5001021	. SCREW CAP HEXS M8-1.25x60 G8.8 PT	1	1	1	
16	5001253	NUT HEX STO M16-1.5 G500	2	2	2	
NS	641430	KIT REPAIR	1	1	1	C
		HOSE SERVICE BRAKE				
20	141812	HOSE BRAKE #8 1012MM (40")	1	1	1	
NS	501291	MALE ELBOW 45° / JIC 37° FITTING / #8JIC-Mx3/8NPT-M STL	1	1	1	A
	 HOSE EMERGENCY BRAKE				
21	503488	TUBE, NYLON 1/2 O.D. / BLACK S.L./	AR	AR	AR	
NS	641381	MALE CONNECTOR / PUSH-IN FITTING / #8x3/8NPT-M BR	1	1	1	
NS	141804	HOSE BRAKE #8 895MM	1	1	1	
21	5011205	FEMALE CONNECTOR / PIPE @ METRIC / 3/8NPT-FxM16-1.5-M ZP	2	2	2	
. NS	641297	. O-RING 13.1MM I.D. X 2.6 TH	1	1	1	
. NS	641298	. WASHER FL 17MM I.D x 22MM O.D. x 1.5MM	1	1	1	
NS	641297	O-RING 13.1MM I.D. X 2.6 TH	2	2	2	B
NS	641298	WASHER FL 17MM I.D x 22MM O.D. x 1.5MM	2	2	2	B
		A) SERVICE				
		B) SERVICE & EMERGENCY				
		C) INCLUDES ITEMS #2,3,6,8,9 & 11				
		1) NOT SOLD SEPARATELY				

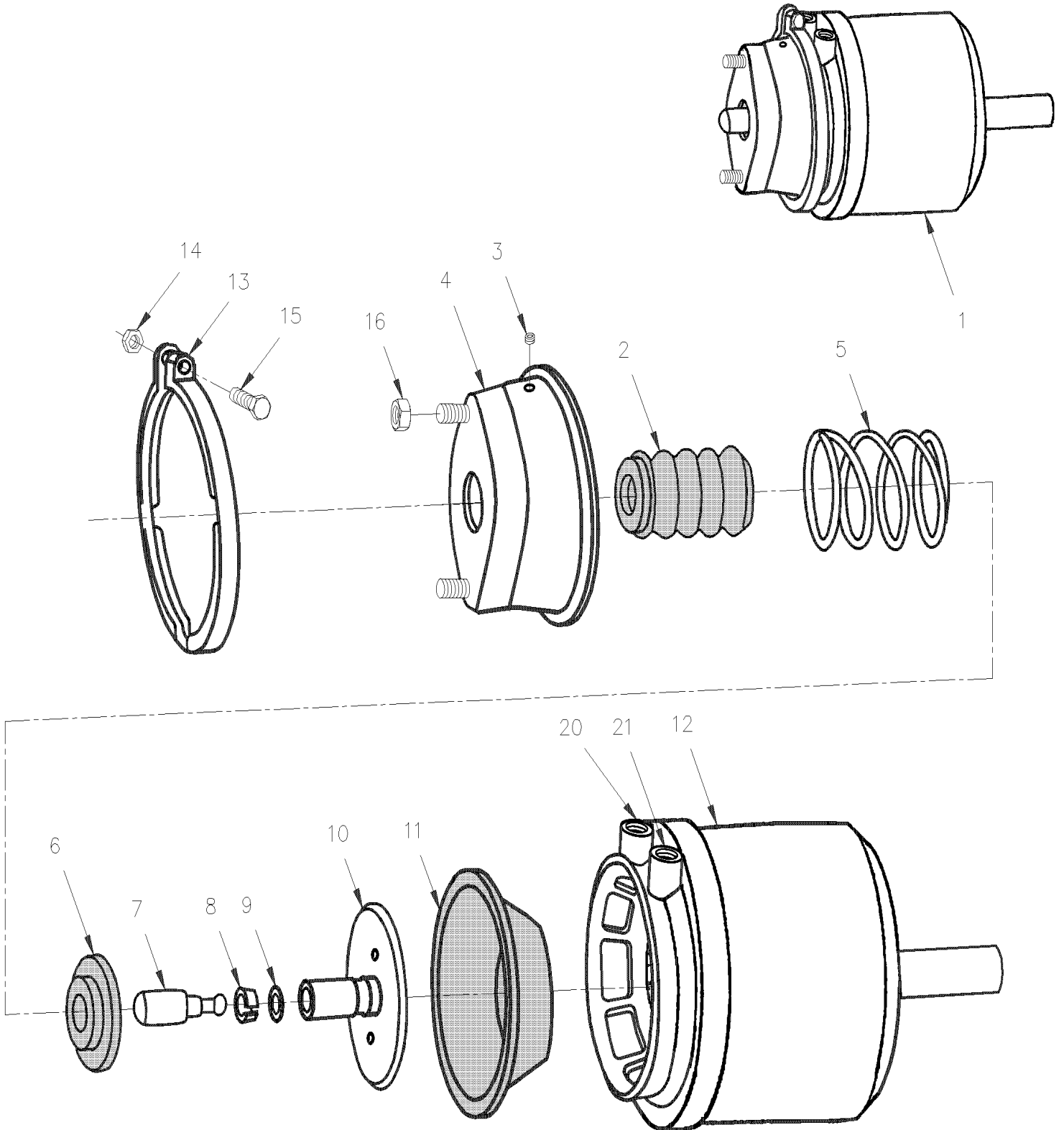


From 4-4758 To 8-1043

Date:10/2022

PAGE:HF-1245-11

BRAKE CHAMBER - TAG AXLE TYPE 14/16





From 4-4758 To 8-1043	Date:10/2022	PAGE:HF-1245-11
BRAKE CHAMBER - TAG AXLE TYPE 14/16		

Item#	Part	Description	H 3 4 1	H 3 4 5	V I P 4 5	N O T E S
1	641980	BRAKE CHAMBER ASSY L.H. & R.H / TYPE 14/16	2	2	2	
2	N.S.S.	. BOOT	1	1	1	1
3	N.S.S.	. HOLE PLUG	1	1	1	1
4	N.S.S.	. CHAMBER , NO-PRESSURE	1	1	1	1
5	N.S.S.	. SPRING	1	1	1	1
6	N.S.S.	. SPRING SEAT	1	1	1	1
7	N.S.S.	. PUSH ROD END	1	1	1	1
8	N.S.S.	. RETAINER	1	1	1	1
9	N.S.S.	. RING	1	1	1	1
10	N.S.S.	. PUSH ROD	1	1	1	1
11	N.S.S.	. DIAPHRAGM / TYPE 14	1	1	1	1
12	N.S.S.	. CHAMBER SUB ASSY / TYPE 14/16	1	1	1	1
13	N.S.S.	. CLAMP W/BOLT & NUT	1	1	1	1
14	502543	. NUT HEX M8-1.25 Z050	1	1	1	
15	5001021	. SCREW CAP HEXS M8-1.25x60 G8.8 PT	1	1	1	
15	N.S.S.	KIT REPAIR	1	1	1	1
16	5001253	NUT HEX STO M16-1.5 G500	2	2	2	
	 HOSE SERVICE BRAKE				
20	141812	HOSE BRAKE #8 1012MM (40")	1	1	1	
NS	501291	MALE ELBOW 45° / JIC 37° FITTING / #8JIC-Mx3/8NPT-M STL	1	1	1	A
	 HOSE EMERGENCY BRAKE				
21	503488	TUBE, NYLON 1/2 O.D. / BLACK S.L./	AR	AR	AR	
NS	641381	MALE CONNECTOR / PUSH-IN FITTING / #8x3/8NPT-M BR	1	1	1	
NS	141804	HOSE BRAKE #8 895MM	1	1	1	
21	5011205	FEMALE CONNECTOR / PIPE @ METRIC / 3/8NPT-FxM16-1.5-M ZP	2	2	2	
. NS	641297	. O-RING 13.1MM I.D. X 2.6 TH	1	1	1	
. NS	641298	. WASHER FL 17MM I.D x 22MM O.D. x 1.5MM	1	1	1	
NS	641297	O-RING 13.1MM I.D. X 2.6 TH	2	2	2	B
NS	641298	WASHER FL 17MM I.D x 22MM O.D. x 1.5MM	2	2	2	B
		A) SERVICE				
		B) SERVICE & EMERGENCY				
		1) NOT SOLD SEPARATELY				



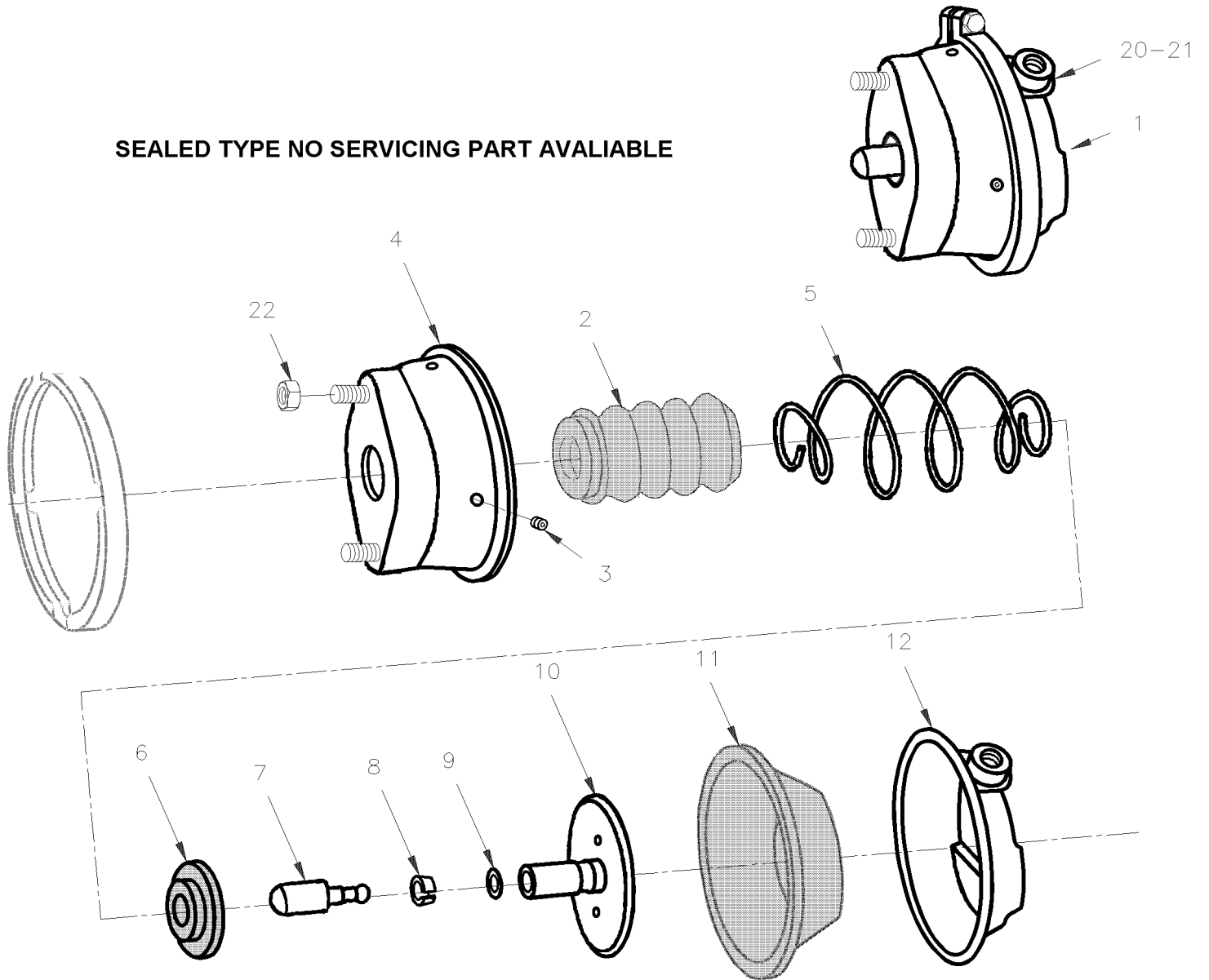
From 7-0942 To 8-1043

Date:10/2022

PAGE:HF-1245-12

BRAKE CHAMBER - TAG AXLE TYPE 14 & 16

SEALED TYPE NO SERVICING PART AVAILIABLE





From 7-0942 To 8-1043	Date:10/2022	PAGE:HF-1245-12
BRAKE CHAMBER - TAG AXLE TYPE 14 & 16		

Item#	Part	Description	H 3 4 1	H 3 4 5	V I P 4 5	N O T E S
1	642087	BRAKE CHAMBER ASSY / TYPE 14 / SEALED	2	2	2	ABS
1	642086	BRAKE CHAMBER ASSY / TYPE 16 / SEALED	2	2	2	ESP
2	N.S.S.	. BOOT	1	1	1	1
3	N.S.S.	. HOLE PLUG	1	1	1	1
4	N.S.S.	. CHAMBER , NO-PRESSURE	1	1	1	1
5	N.S.S.	. SPRING, COMP.	1	1	1	1
6	N.S.S.	. SPRING SEAT	1	1	1	1
7	N.S.S.	. PUSH ROD END	1	1	1	1
8	N.S.S.	. RETAINER	1	1	1	1
9	N.S.S.	. RING	1	1	1	1
10	N.S.S.	. PUSH ROD	1	1	1	1
11	N.S.S.	. DIAPHRAGM / TYPE 16	1	1	1	1
12	N.S.S.	. CHAMBER PRESSURE PLATE	1	1	1	1
13	N.S.S.	. CLAMP W/BOLT & NUT	1	1	1	1
20	660914	MALE ELBOW 90° / JIC 37° FITTING / #8JIC-MxM16-1.5-M STL	1	1	1	
. NS	641297	. O-RING 13.1MM I.D. X 2.6 TH	1	1	1	
. NS	641298	. WASHER FL 17MM I.D x 22MM O.D. x 1.5MM	1	1	1	
21	641903	HOSE BRAKE #8 1090MM (43")	1	1	1	
22	5001253	NUT HEX STO M16-1.5 G500	2	2	2	
		ABS) WITH "ABS"				
		ESP) WITH "ESP"				
		1) NOT SOLD SEPARATELY				

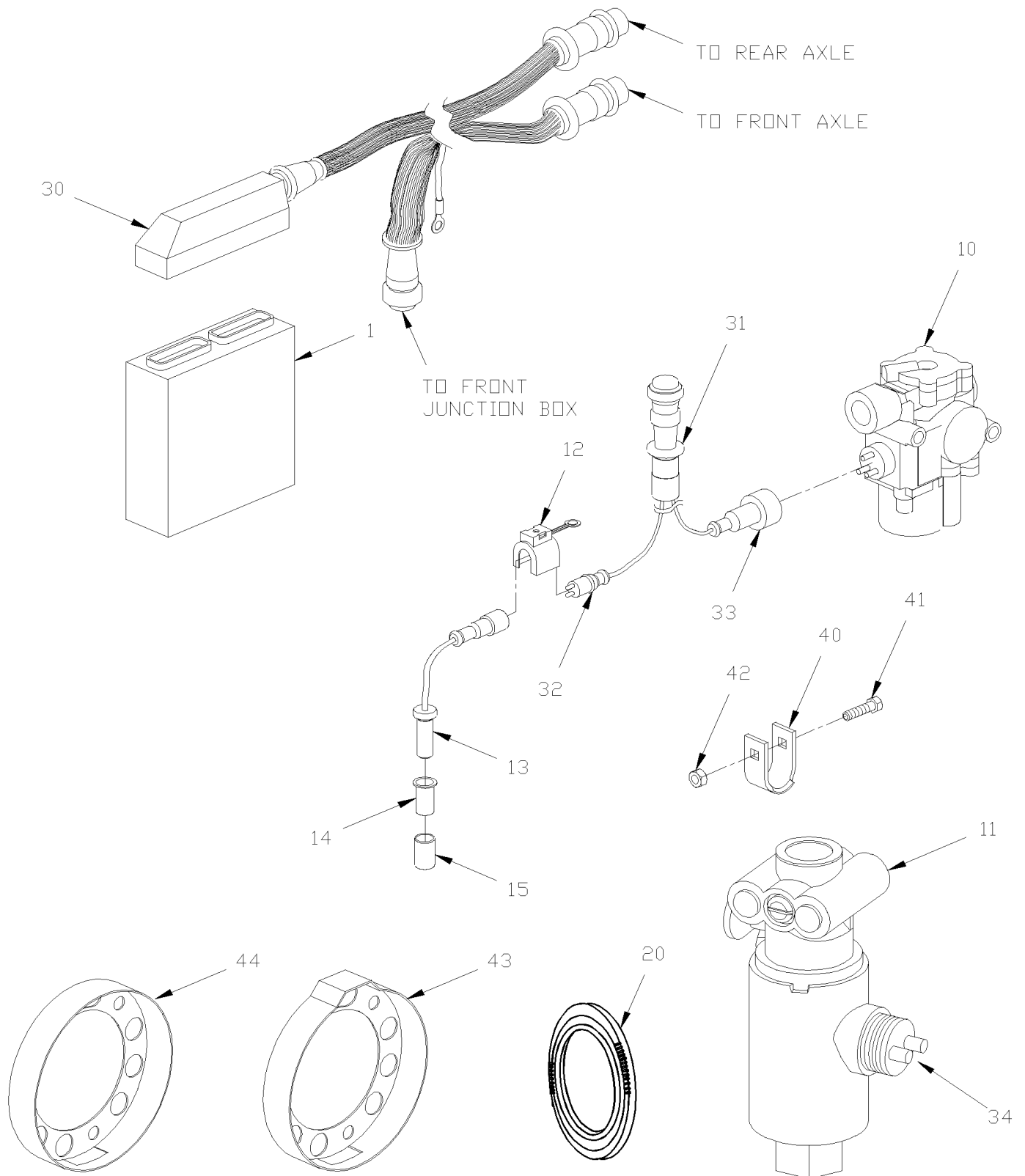


From 3-4417 To 8-1043

Date:10/2022

PAGE:HF-1250-00

ANTI-LOCK BRAKING SYSTEM





From 3-4417 To 8-1043	Date:10/2022	PAGE:HF-1250-00
ANTI-LOCK BRAKING SYSTEM		

Item#	Part	Description	H 3 4 1	H 3 4 5	V I P 4 5	N O T E S
1	641940	CONTROL UNIT 24V / ABS 4 CH To 3-4439	1	1	1	
1	642164	CONTROL UNIT 24V / ABS 4 CH To 3-4439	1	1	1	
1	7770363	CONTROL UNIT 12V / ABS 4 CH / UNPROGRAMMED From 3-4440	1	1	1	
1	641948P	CONTROL UNIT 12V / ABS 4 CH / PROGRAMMED From 3-4440	1	1	1	
1	641947	CONTROL UNIT 12V / ABS 4 CH From 3-4440	AR	AR		C
1	641947	CONTROL UNIT 12V / ABS 4 CH From 3-4440			1	C
10	641537	VALVE, "ABS" 24VOLT To 3-4439	4	4	4	
10	641951	VALVE, "ABS" 12VOLT From 3-4440	4	4	4	
11	641460	VALVE, "ATC" 24VOLT To 3-4439	2	2	2	
11	641950	VALVE, "ATC" 12VOLT From 3-4440	2	2	2	
12	561115	CLAMP W/ 3 & 4 / ITT CANNON 029-0262-000	4	4	4	
13	641095	SENSOR ABS (ON FRONT & DRIVE AXLE) To 3-4439	2	2	2	A
13	641099	SENSOR ABS (ON FRONT & DRIVE AXLE) From 3-4440 To 3-4757	2	2	2	AR
13	641099	SENSOR ABS (ON FRONT & DRIVE AXLE) From 4-4758	2	2	2	AI
13	641288	SENSOR ABS (ON FRONT AXLE) 90° ANGLE To 3-4439	2	2	2	
13	641946	SENSOR ABS (ON FRONT AXLE) 90° ANGLE From 3-4440 To 3-4757	2	2	2	I
13	641946	SENSOR ABS (ON FRONT AXLE) 90° ANGLE From 4-4758	2	2	2	R
14	641096	CLIP, SPRING / TO FIX SENSOR	2	2	2	
15	621684	BUSHING ABS SENSOR MOUNTING DRIVE AXLE	1	1	1	A
20	611255	TOOTH WHEEL / FRONT AXLE W/DISC "G.K.N." To 3-4757	2	2	2	
20	611304	TOOTH WHEEL / FRONT AXLE W/ "TIMKEN" 138.89MM I.D. From 4-4758			1	I
20	611473	TOOTH WHEEL / FRONT AXLE & TAG W/ "FAG" 143.90MM I.D. SERVICE From 4-4758			1	ID
NS	611457	ROTOR VENTED (W/TOOTH WHEEL / DRIVE AXLE)	1	1	1	
NS	562279	TOOL / BOX CONNECTOR 54 PINS	1	1	1	
31	064596	CABLE ASSY / FRONT WHEEL "ABS" To 5-0107	1	1	1	
31	066224	CABLE ASSY / FRONT "ABS" SENSOR & VALVE / MUX From 5-0108	1	1		
31	064596	CABLE ASSY / FRONT WHEEL "ABS" To 6-0435			1	
31	066224	CABLE ASSY / FRONT "ABS" SENSOR & VALVE / MUX From 6-0436			1	
31	065635	CABLE ASSY / REAR "ABS" SENSOR & VALVE To 5-0107	1	1		
31	066223	CABLE ASSY / REAR "ABS" SENSOR & VALVE / MUX From 5-0108	1	1		
31	065635	CABLE ASSY / REAR "ABS" SENSOR & VALVE To 6-0435			1	
31	066223	CABLE ASSY / REAR "ABS" SENSOR & VALVE / MUX From 6-0436			1	
32	641132	. CONNECTOR / MALE W2 WIRES x 3 METER / WABCO 8945900102	AR	AR	AR	
33	641098	. CONNECTOR / FEMALE W3 WIRES x 3 METER / WABCO 8946010102 To 5-0107	AR	AR	AR	
33	641949	. CONNECTOR / FEMALE W4 WIRES x 2.5 METER / LEONI 44954130250 From 5-0108	AR	AR		
33	641098	. CONNECTOR / FEMALE W3 WIRES x 3 METER / WABCO 8946010102 To 6-0435			AR	
33	641949	. CONNECTOR / FEMALE W4 WIRES x 2.5 METER / LEONI 44954130250 From 6-0436			AR	
34	641461	CONNECTOR / FEMALE W2 WIRES x 15 METER / WABCO 4495211500 To 3-4439	AR	AR	AR	C
40	140412	DUST PROTECTOR SENSOR KIT To 4-4762	1	1	1	
40	140409	. PROTECTOR "U" SHAPE / SS To 4-4762	2	2	2	
41	5001539	. SCREW CRG 1/4-20x1 1/2 SS To 4-4762	2	2	2	
42	5001105	. NUT HEXF 1/4-20 Z050 To 4-4762	2	2	2	



From 3-4417 To 8-1043	Date:10/2022	PAGE:HF-1250-00
ANTI-LOCK BRAKING SYSTEM		

Item#	Part	Description	H 3 4 1	H 3 4 5	V I P 4 5	N O T E S
43	148977	ABS SHIELD PROTECTOR W/BULGE To 4-4762	1	1		B
44	621711	ABS SHIELD PROTECTOR From 4-4763	1	1		
		A) DRIVE AXLE ONLY				
		B) THIS PROTECTOR IT INSTALL BY "PREVOST" WITH SPECIAL "OPTION"				
		C) USE WITH "ATC" VALVE OR WITH TRAILER EQUIPPED WITH "ABS"				
		D) WITH HUB "FAG" ONLY				
		I) WITH INDEPENDENT SUSPENSION				
		R) WITH I BEAM RIGID SUSPENSION				

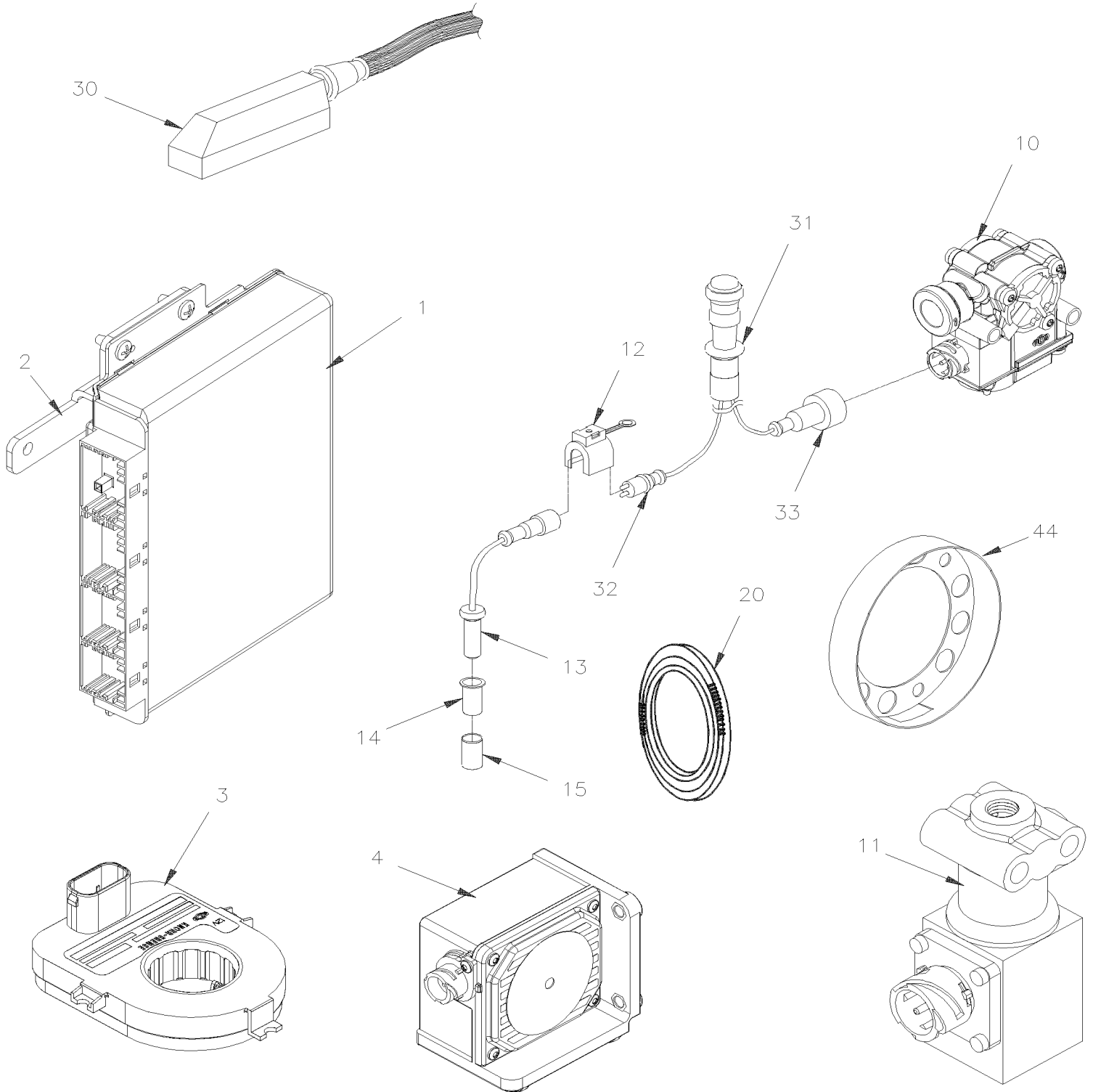


From 7-0942 To 8-1043

Date:10/2022

PAGE:HF-1250-01

ABS & ESP CONTROL





From 7-0942 To 8-1043	Date:10/2022	PAGE:HF-1250-01
ABS & ESP CONTROL		

Item#	Part	Description	H 3 4 1	H 3 4 5	V I P 4 5	N O T E S
1	642083	ECU ABS / W/6 CHANNELS / ADVANCED ESP			1	
1	642081	ECU ABS / W/6 CHANNELS / STANDARD			1	
2	382375	SUPPORT ECU			1	
3	661120	SENSOR ANGLE POSITION DETECTOR			1	
. NS	564042	. CONNECTOR / BOSCH 1 928 404 025			1	
3	661148	SENSOR ANGLE POSITION DETECTOR			1	
. NS	564042	. CONNECTOR / BOSCH 1 928 404 025			1	
4	642076	SENSOR "YAW"			1	
10	642077	VALVE, "ABS" 12VOLT / M-32QR			AR	A
10	640228	VALVE, "ABS" 12VOLT / M-40QR			AR	
11	642079	VALVE, "ATC" 12VOLT			1	
12	561115	CLAMP W/ 3 & 4 / ITT CANNON 029-0262-000			AR	
13	642085	SENSOR ABS - OEM			AR	
13	642084	SENSOR ABS 90° ANGLE - OEM			2	
13	642184	SENSOR ABS - AFTER MARKET			2	
14	641096	CLIP, SPRING / TO FIX SENSOR			AR	
15	621869	BUSHING - ABS SENSOR			2	
20	611304	TOOTH WHEEL / FRONT AXLE W/ "TIMKEN" 138.89MM I.D.			1	I
20	611473	TOOTH WHEEL / FRONT AXLE & TAG W/ "FAG" 143.90MM I.D. SERVICE			1	I D
20	611457	ROTOR VENTED (W/TOOTH WHEEL / DRIVE AXLE)			1	
44	621711	ABS SHIELD PROTECTOR			2	
		A) WHEN YOU REPLACE THE VALVE #642077 BY THE VALVE #640228 YOU HAVE REPLACE BOTH SIDE LEFT AND RIGHT SIDE				
		D) WITH HUB "FAG" ONLY				
		I) WITH INDEPENDENT SUSPENSION				

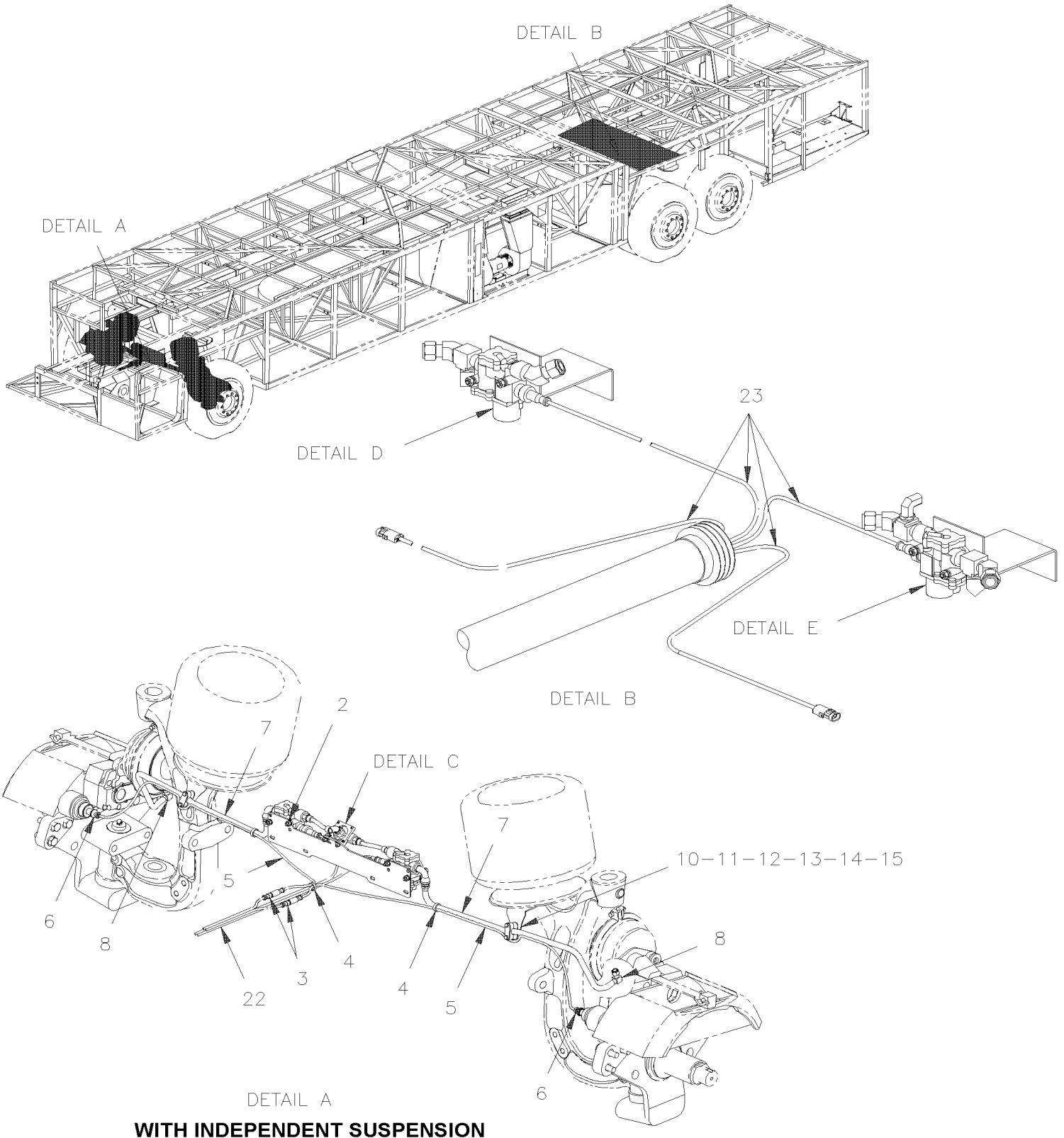


From 3-4417 To 8-1043

Date:10/2022

PAGE:HF-1250-10

ABS BRAKE VALVE INSTALLATION



WITH INDEPENDENT SUSPENSION

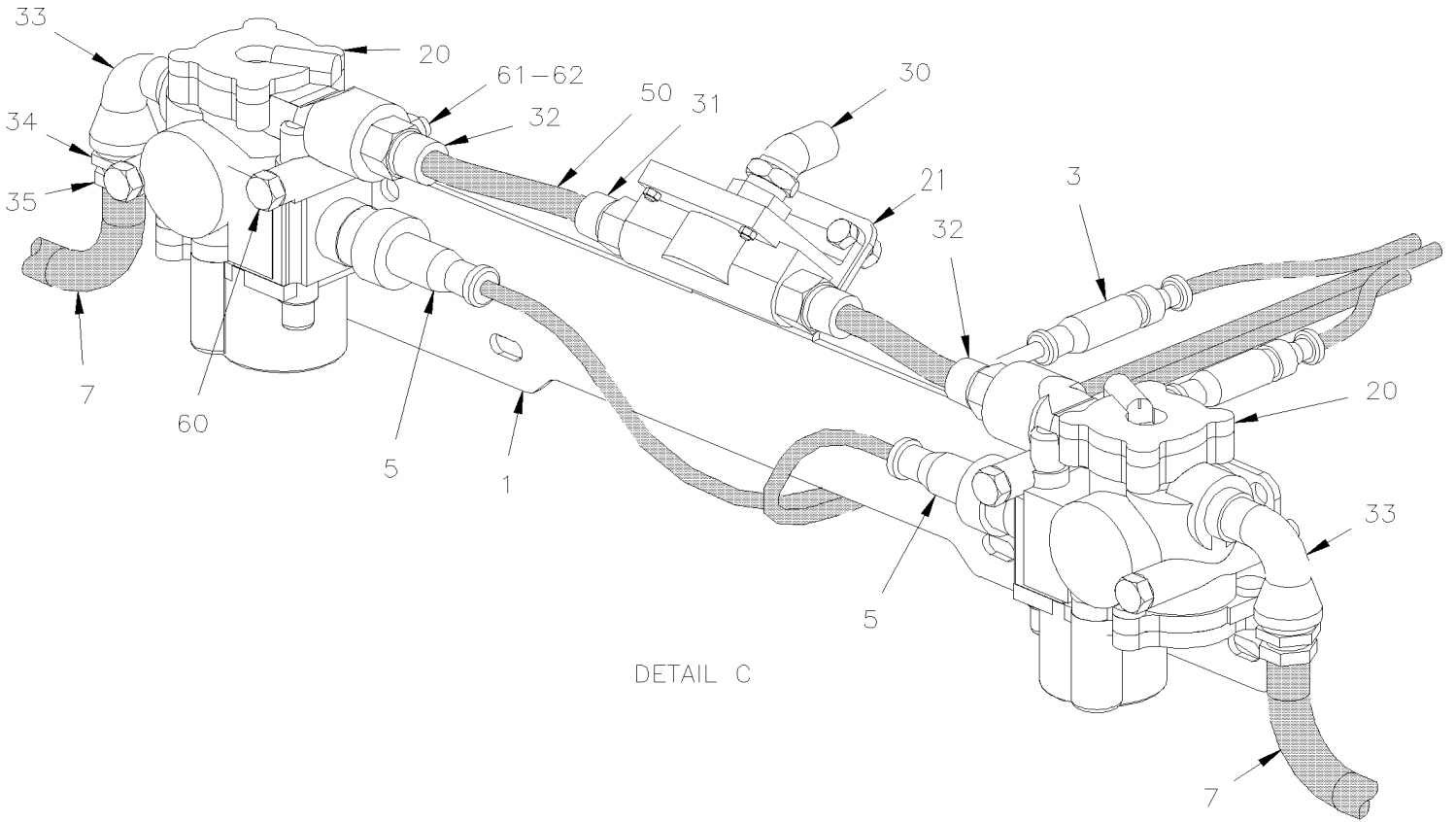


From 3-4417 To 8-1043

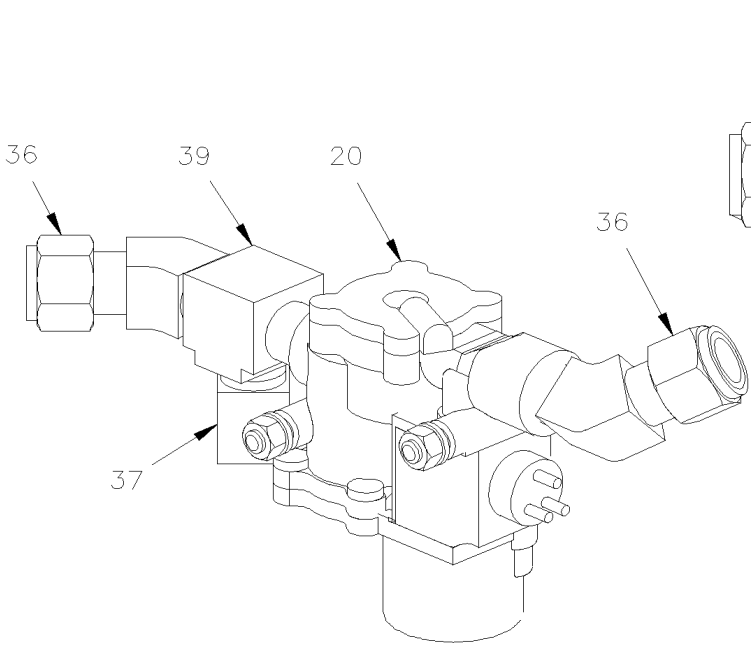
Date:10/2022

PAGE:HF-1250-10

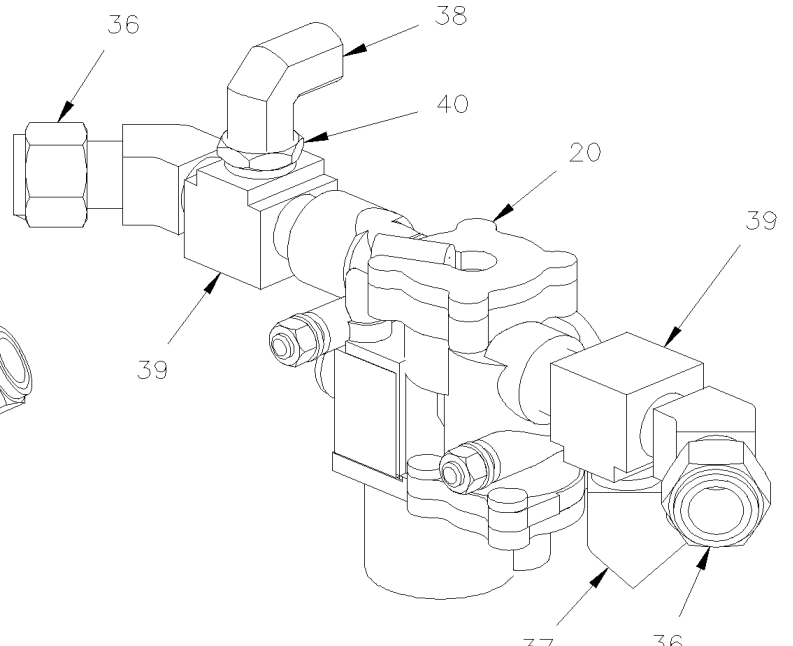
ABS BRAKE VALVE INSTALLATION



DETAIL C



DETAIL D



DETAIL E



From 3-4417 To 8-1043	Date:10/2022	PAGE:HF-1250-10
ABS BRAKE VALVE INSTALLATION		

Item#	Part	Description	H 3 4 1	H 3 4 5	V I P 4 5	N O T E S
1	142303	SUPPORT	1	1	1	
2	502565	NUT HEX M6-1.0 SS	4	4	4	
NS	502570	WASHER LO SPT 6.1x11.8x1.6 SS	4	4	4	
NS	502573	WASHER FL 6.4x12.5x1.6 SS	4	4	4	
3	561115	CLAMP W/ 3 & 4 / ITT CANNON 029-0262-000	4	4	4	
4	504637	CABLE TIE / 3/16" x 13"	AR	AR	AR	
5	641099	SENSOR ABS (ON FRONT & DRIVE AXLE)	2	2	2	
6	641096	CLIP, SPRING / TO FIX SENSOR	4	4	4	
7	641903	HOSE BRAKE #8 1090MM (43")	2	2	2	
8	660914	MALE ELBOW 90° / JIC 37° FITTING / #8JIC-MxM16-1.5-M STL	2	2	2	
. NS	641297	. O-RING 13.1MM I.D. X 2.6 TH	1	1	1	
. NS	641298	. WASHER FL 17MM I.D x 22MM O.D. x 1.5MM	1	1	1	
10	142352	HOSE SUPPORT R.H.	1	1	1	
10	142353	HOSE SUPPORT L.H.	1	1	1	
11	504612	COLLAR 13/16" I.D. / TO FIX HOSE	4	4	4	
12	504614	PLATE RETAINING / COLLAR	4	4	4	
13	502656	SCREW CAP HEX M6-1.0x50 SS	4	4	4	
14	502570	WASHER LO SPT 6.1x11.8x1.6 SS	4	4	4	
15	502565	NUT HEX M6-1.0 SS	4	4	4	
20	641951	VALVE, "ABS" 12VOLT	4	4	4	
21	641429	VALVE, QUICK RELEASE QR-1 / 3/8NPTx3/8NPTx3/8NPT	4	4	4	
. NS	640924	. REPAIR KIT / QR-1	1	1	1	
22	065633	CABLE ASSY / FRONT "ABS" SENSOR & VALVE	1	1	1	
23	065635	CABLE ASSY / REAR "ABS" SENSOR & VALVE	1	1	1	
30	641368	MALE ELBOW 45° NON-SWIVEL / PUSH-IN FITTING / #8x3/8NPT-M BR	1	1	1	
31	641381	MALE CONNECTOR / PUSH-IN FITTING / #8x3/8NPT-M BR	2	2	2	
32	641383	MALE CONNECTOR / PUSH-IN FITTING / #8x1/2NPT-M BR	2	2	2	
33	501406	STREET ELBOW 90° / PIPE FITTING / 1/2NPT-Mx1/2NPT-F BR	2	2	2	
34	501534	BUSHING REDUCER / PIPE FITTING / 1/2NPT-Mx3/8NPT-F BR	2	2	2	
35	501842	ADAPTER / AIR BRAKE HOSE FITTING / 3/4-20-Mx3/8NPT-M STL	2	2	2	
36	5011067	NIPPLE HEX / PIPE FITTING / 1/2NPT-Mx1/2NPT-Mx1 13/16 BR	2	2	2	
37	501528	STREET ELBOW 45° / PIPE FITTING / 1/2NPT-Mx1/2NPT-F BR	2	2	2	
38	501472	FEMALE UNION TEE / PIPE FITTING / 1/2NPT-Fx1/2NPT-Fx1/2NPT-F BR	2	2	2	
39	501473	MALE RUN TEE / PIPE FITTING / 1/2NPT-Mx1/2NPT-Fx1/2NPT-F BR	1	1	1	
40	501316	BUSHING REDUCER / PIPE FITTING / 1/2NPT-Mx1/4NPT-F BR	1	1	1	
41	641332	MALE CONNECTOR / PUSH-IN FITTING / #4x1/4NPT-M BR	1	1	1	
50	HF-1202-00	TUBES PLASTIC / AIR D.O.T.				
60	500187	SCREW CAP HEX 5/16-18x3 G5 Z050	AR	AR	AR	
61	500476	WASHER LO SPT .317x.586x.078 Z050	AR	AR	AR	
62	500778	NUT HEX 5/16-18 N500	AR	AR	AR	



From 3-4417 To 8-1043		Date:10/2022	PAGE:HF-1250-10
-----------------------	--	--------------	-----------------

ABS BRAKE VALVE INSTALLATION

Item#	Part	Description	H 3 4 1	H 3 4 5	V I P 4 5	N O T E S



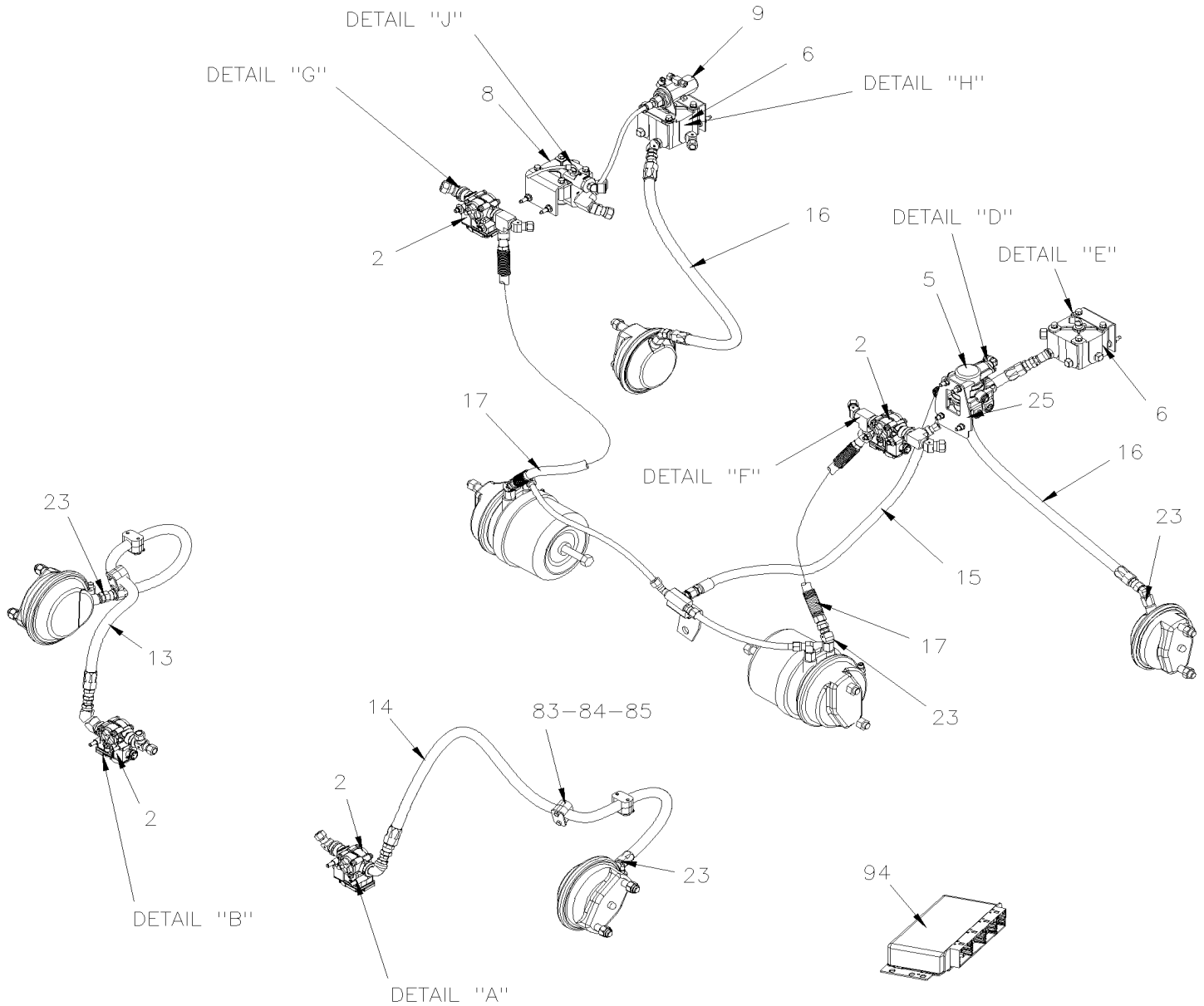
From 7-0942 To 8-1043

Date:10/2022

PAGE:HF-1250-11

ABS BRAKE VALVE - INSTALLATION

BUS WITH "I" BEAM RIGID SUSPENSION



BASIC "STANDARD"



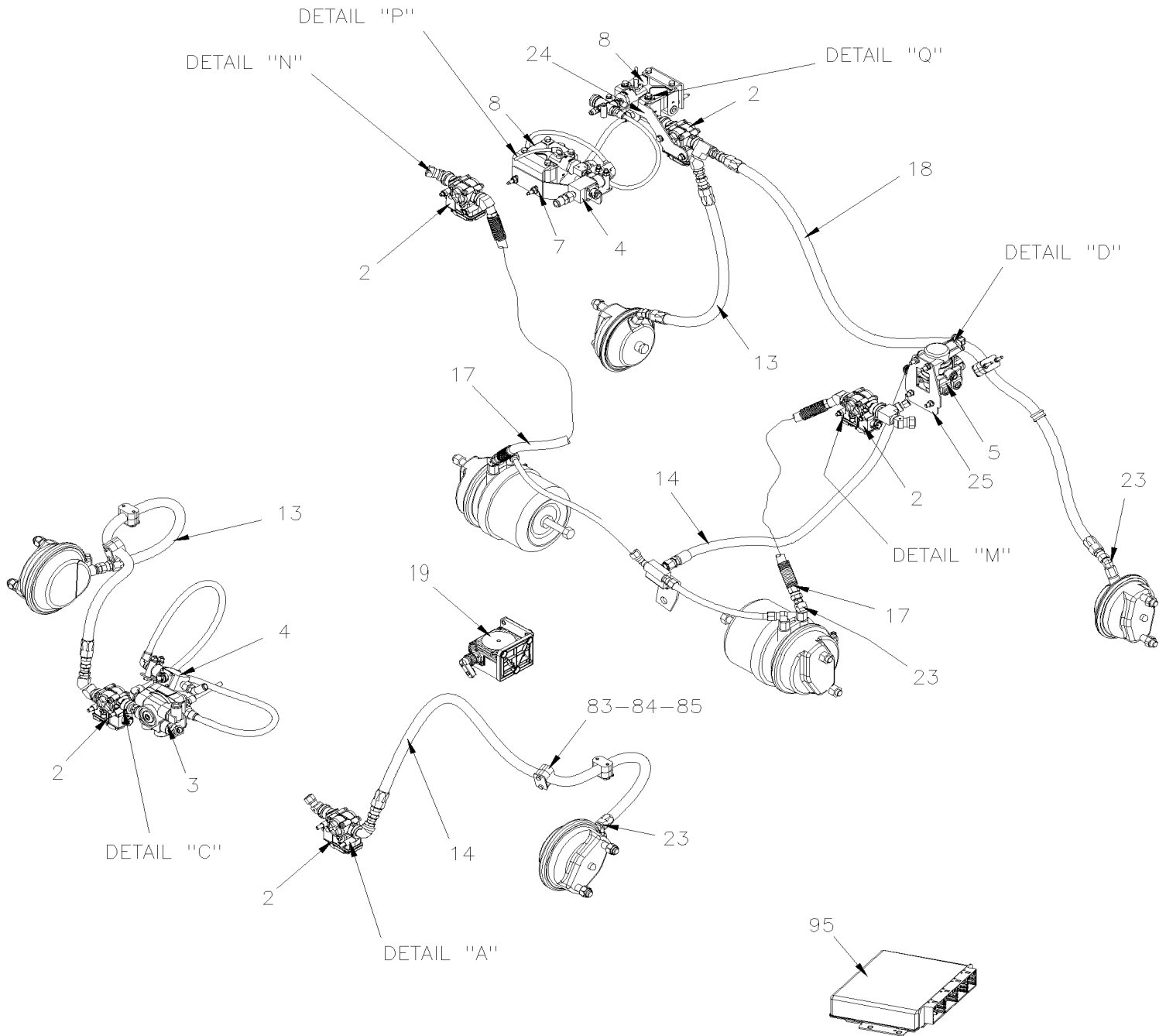
From 7-0942 To 8-1043

Date:10/2022

PAGE:HF-1250-11

ABS BRAKE VALVE - INSTALLATION

BUS
WITH "I" BEAM RIGID SUSPENSION

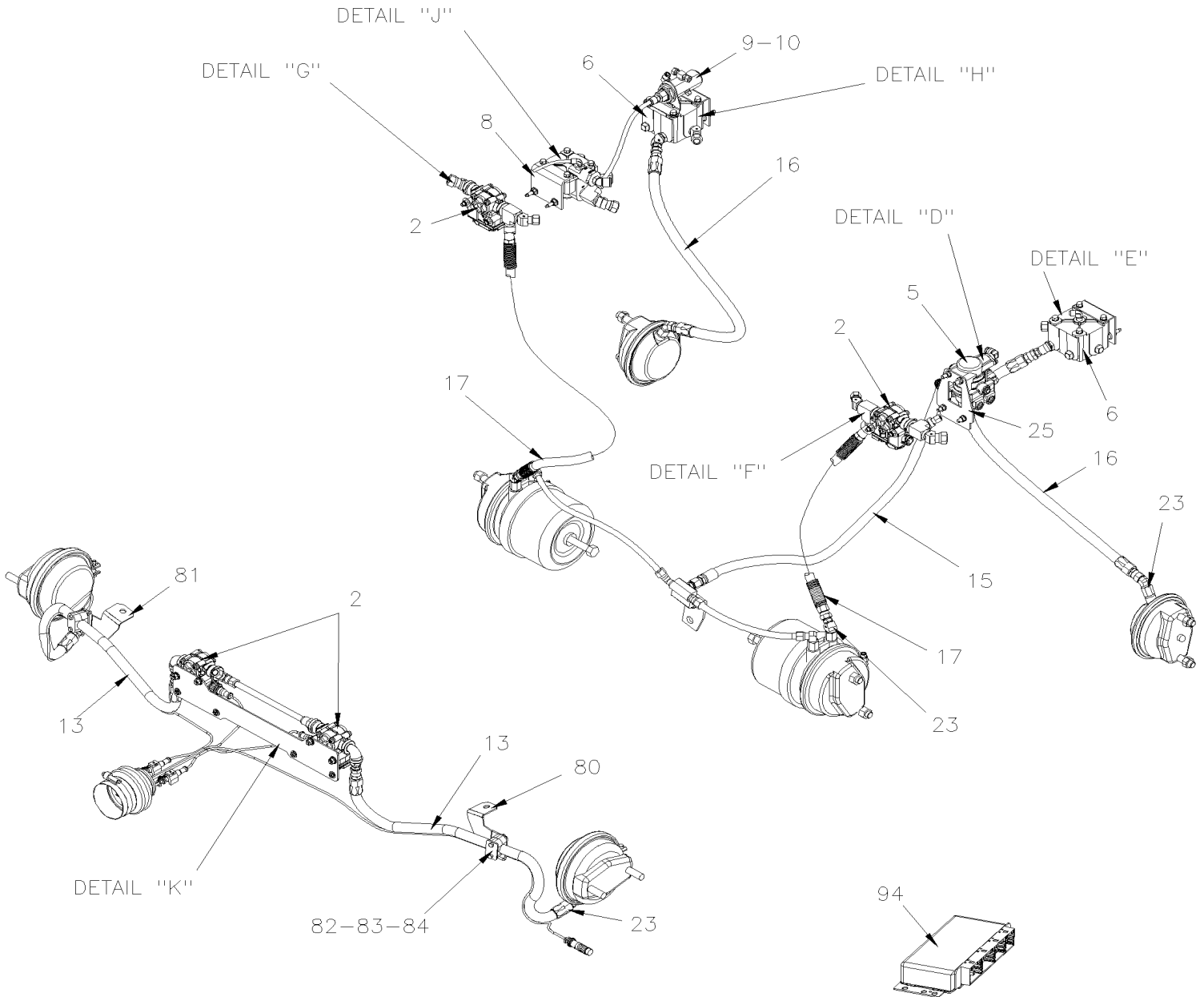


ADVANCE "OPTION"



From 7-0942 To 8-1043		Date:10/2022	PAGE:HF-1250-11
ABS BRAKE VALVE - INSTALLATION			

VIP
WITH INDEPENDENT SUSPENSION



BASIC "STANDARD"



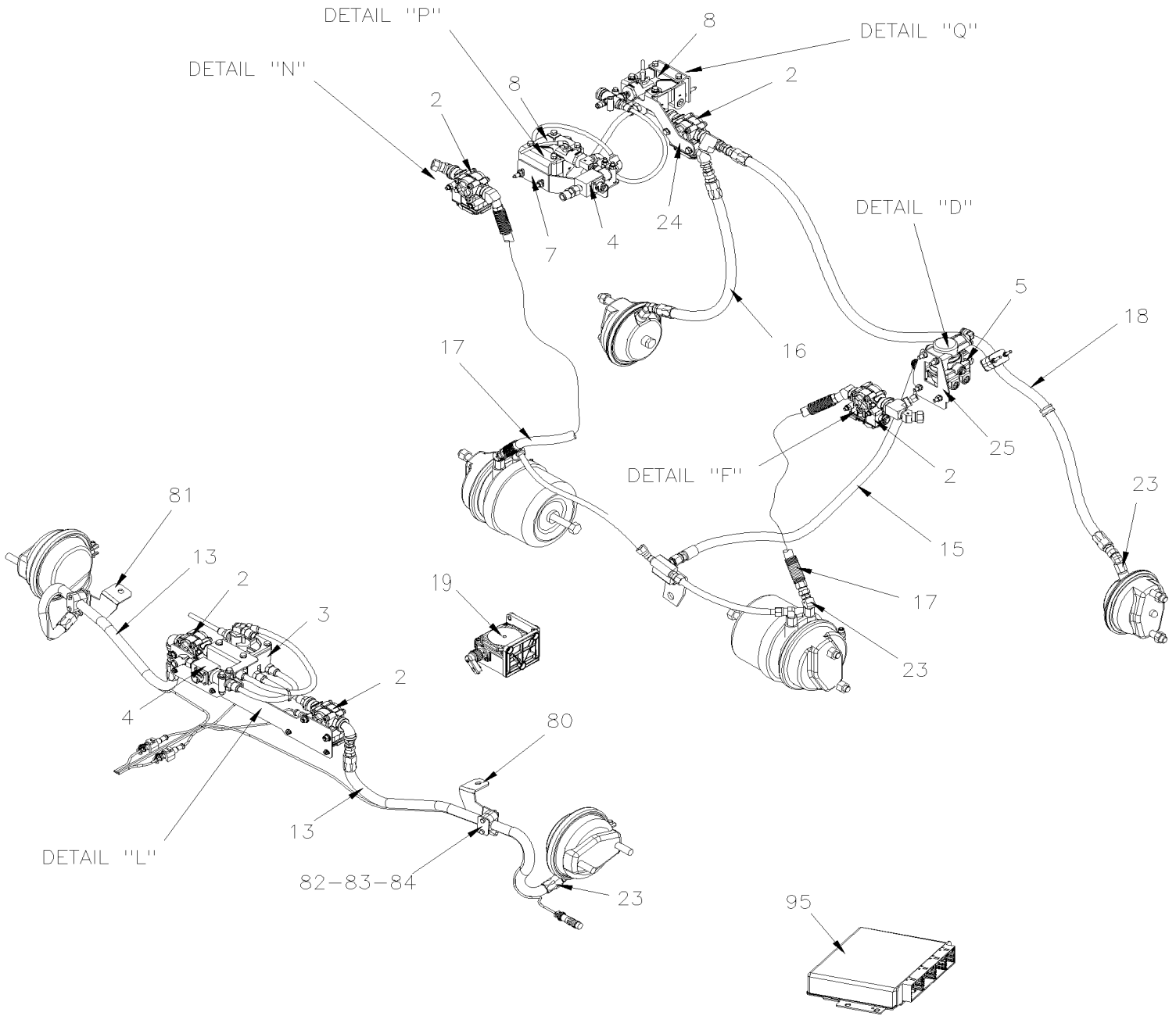
From 7-0942 To 8-1043

Date:10/2022

PAGE:HF-1250-11

ABS BRAKE VALVE - INSTALLATION

VIP
WITH INDEPENDENT SUSPENSION



ADVANCE "OPTION"

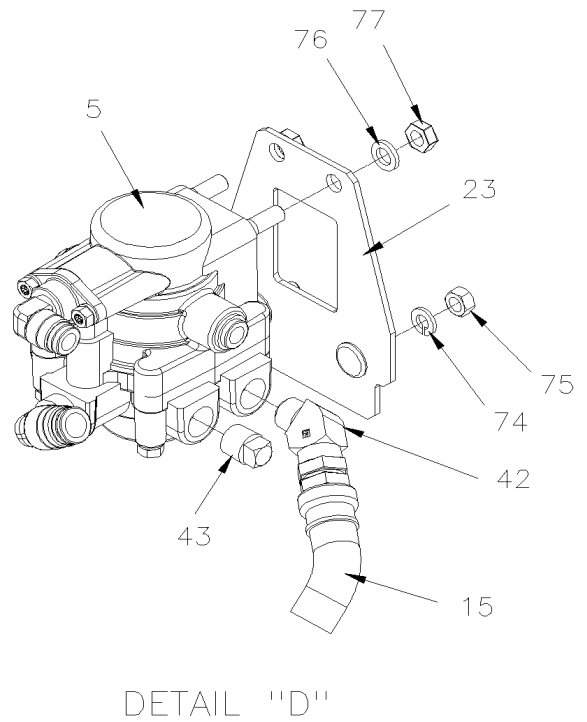
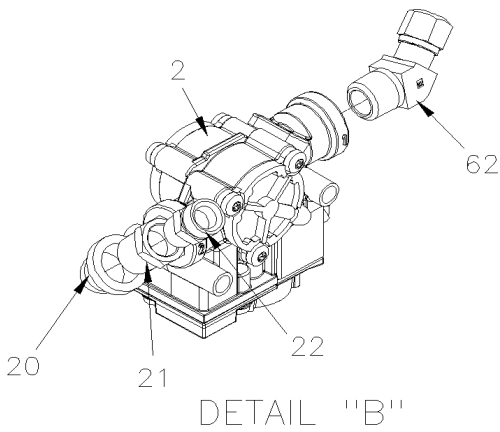
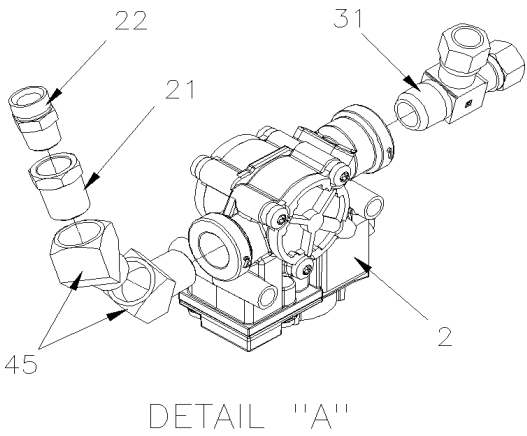
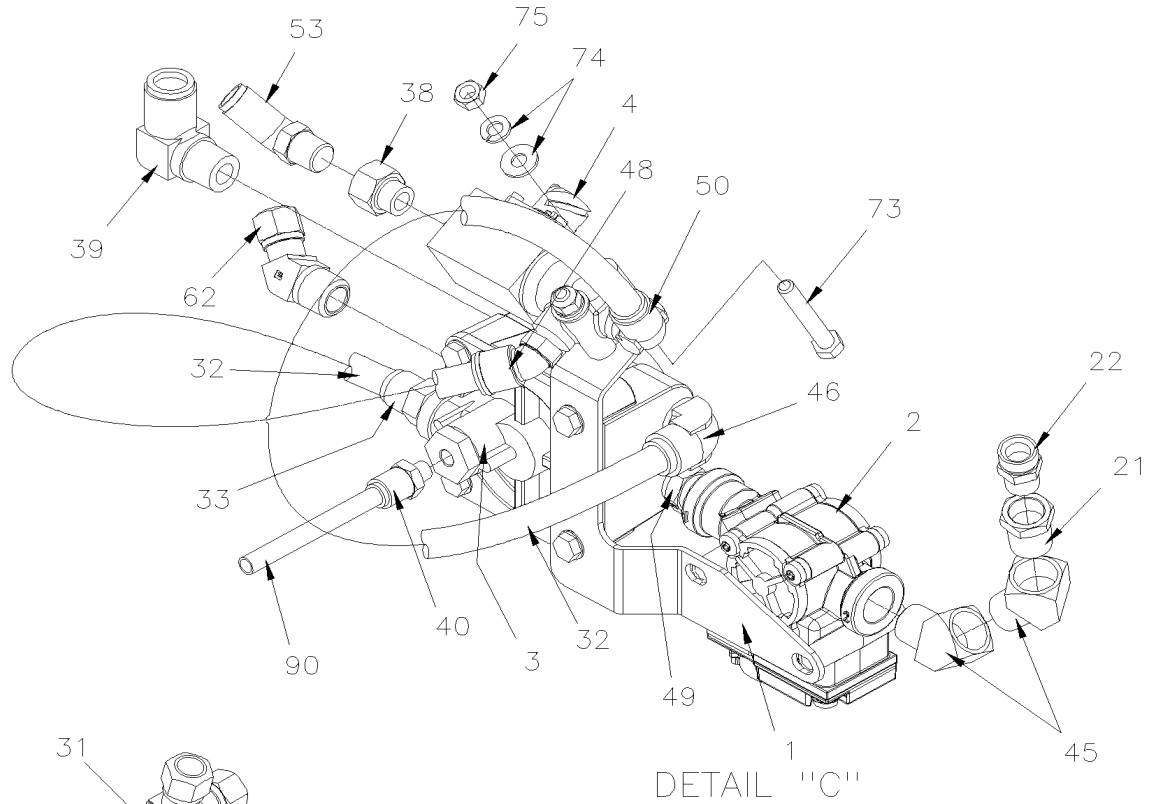


From 7-0942 To 8-1043

Date:10/2022

PAGE:HF-1250-11

ABS BRAKE VALVE - INSTALLATION



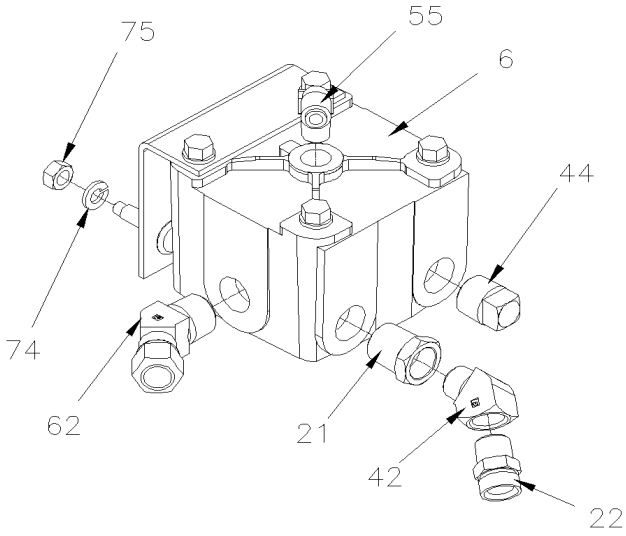


From 7-0942 To 8-1043

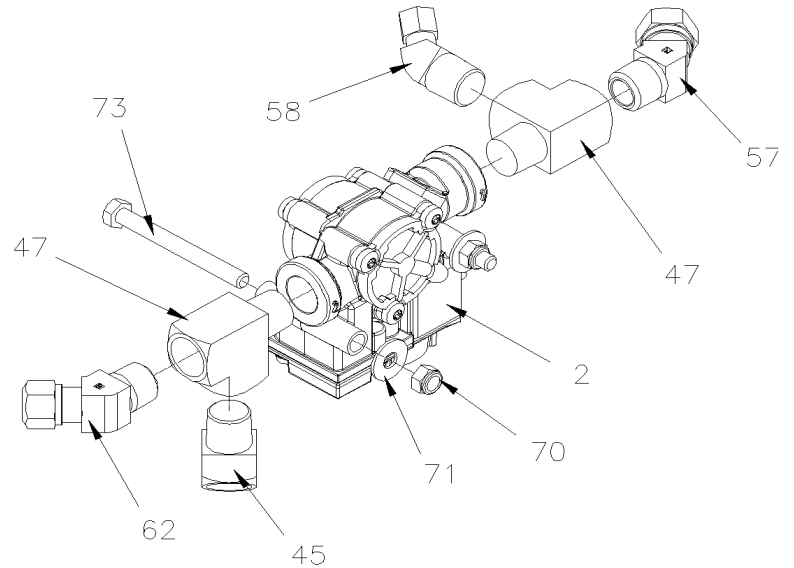
Date:10/2022

PAGE:HF-1250-11

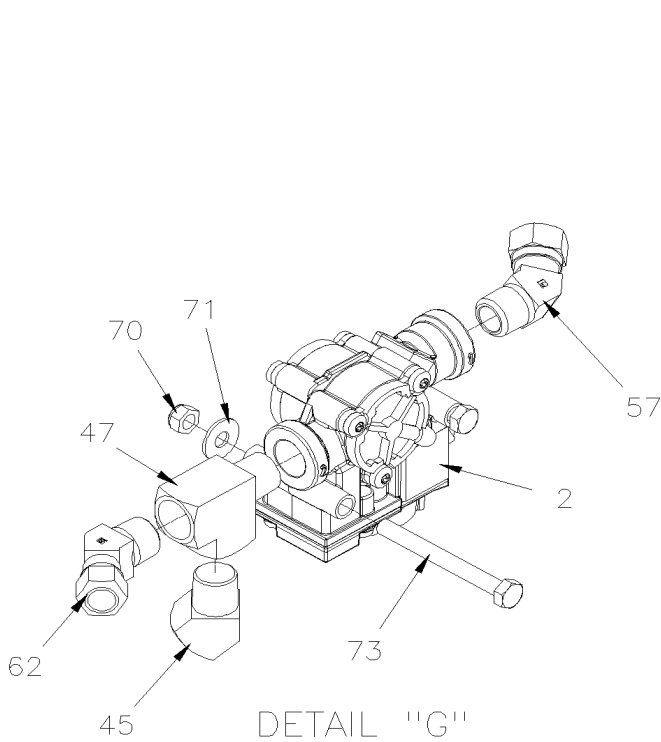
ABS BRAKE VALVE - INSTALLATION



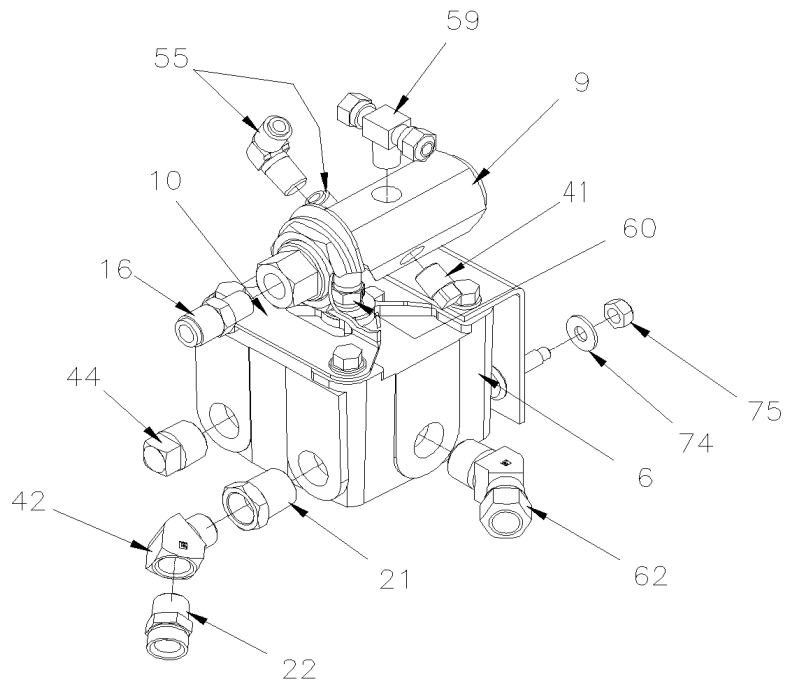
DETAIL "E"



DETAIL "F"



DETAIL "G"



DETAIL "H"

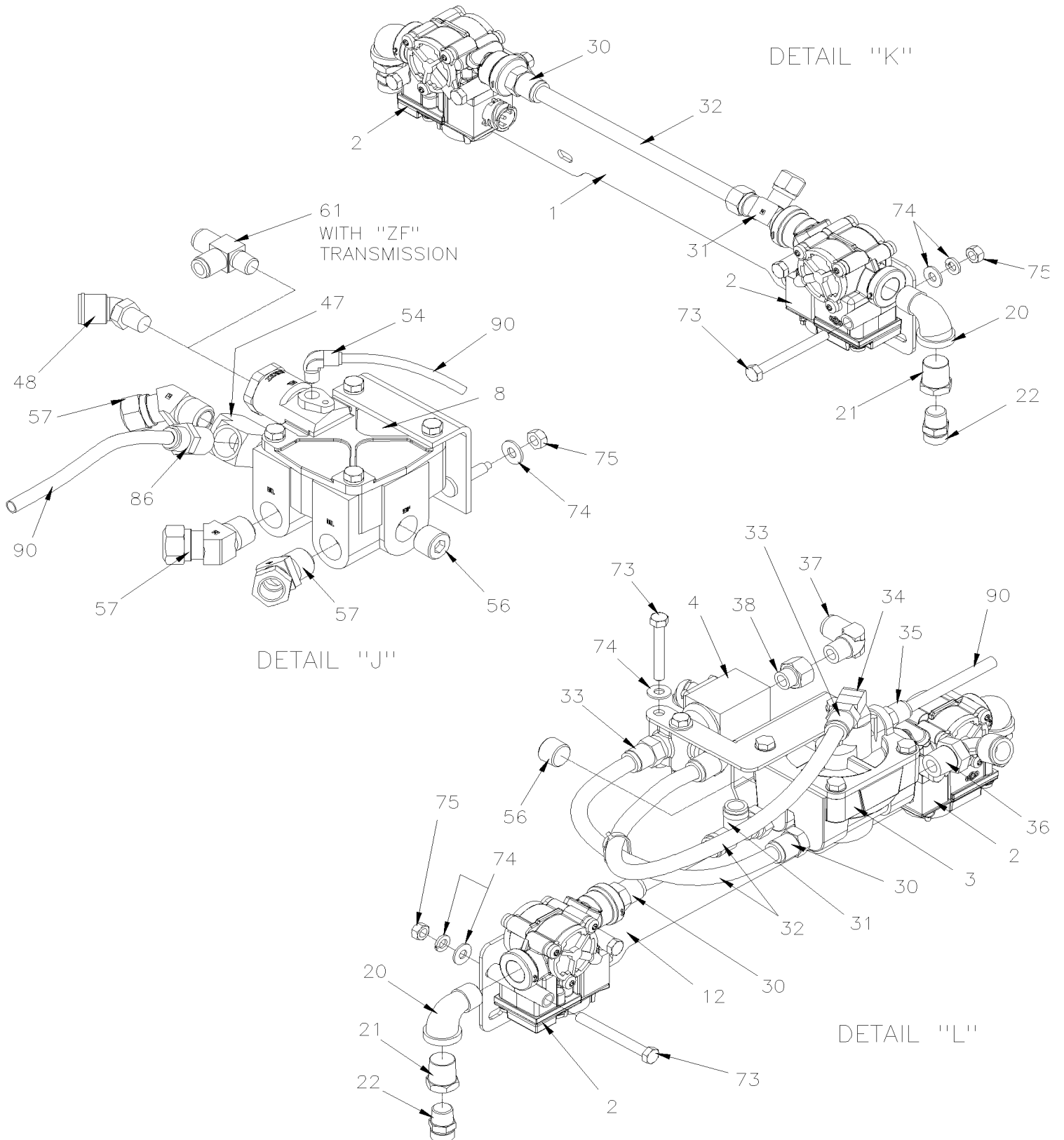


From 7-0942 To 8-1043

Date:10/2022

PAGE:HF-1250-11

ABS BRAKE VALVE - INSTALLATION



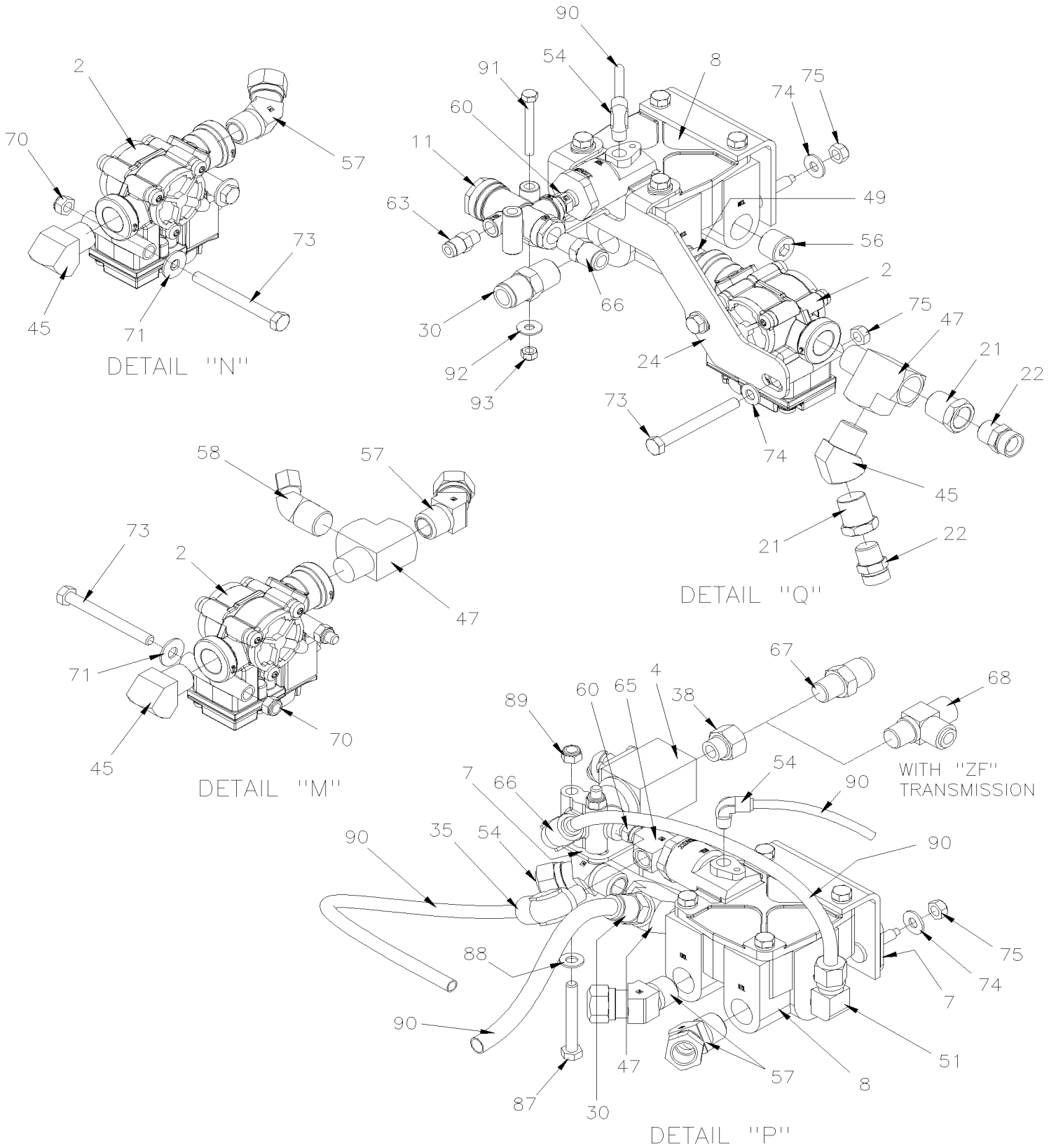


From 7-0942 To 8-1043

Date:10/2022

PAGE:HF-1250-11

ABS BRAKE VALVE - INSTALLATION





From 7-0942 To 8-1043	Date:10/2022	PAGE:HF-1250-11
-----------------------	--------------	-----------------

ABS BRAKE VALVE - INSTALLATION

Item#	Part	Description	H 3 4 1	H 3 4 5	V I P 4 5	N O T E S
2	642077	VALVE, "ABS" 12VOLT / M-32QR			AR	
2	640228	VALVE, "ABS" 12VOLT / M-40QR			AR	
3	641991	VALVE, RELAY R-14 "WABCO"			1	
4	642079	VALVE, "ATC" 12VOLT			1	
5	643384	VALVE / SPRING BRAKE SR-7			1	
. NS	642119	. VALVE / SPRING BRAKE SR-7			1	
6	641088	VALVE, RELAY R-12 HORIZONTAL PORT			H	
6	642068	VALVE, RELAY R-12 HORIZONTAL PORT / W/OUT SUPPORT			2	
7	142603	SUPPORT L.H. / VALVE ATC & RELAY VALVE			1	
8	641120	VALVE, RELAY R-14 HORIZONTAL PORT			1	
. NS	10508267	. KIT, REPAIR			1	
9	640442	VALVE, INVERSION TR-2			1	
10	142598	SUPPORT INVERSION VALVE			1	
11	640471	VALVE, INVERSION TR-3 25-40LBS			1	
12	142781	SUPPORT VALVE FRONT "ADV"			1	I
12	142624	SUPPORT VALVE FRONT "STD"			1	I
13	641903	HOSE BRAKE #8 1090MM (43")			2	I
15	642018	HOSE BRAKE #8 952MM (37 1/2")			1	
16	641903	HOSE BRAKE #8 1090MM (43")			AR	
17	641477	HOSE BRAKE #8 813MM (32")			2	
18	642089	HOSE BRAKE #8 1625.6MM (64")			1	
19	642076	SENSOR "YAW"			1	
20	501406	STREET ELBOW 90° / PIPE FITTING / 1/2NPT-Mx1/2NPT-F BR			2	
21	501534	BUSHING REDUCER / PIPE FITTING / 1/2NPT-Mx3/8NPT-F BR			2	
22	501842	ADAPTER / AIR BRAKE HOSE FITTING / 3/4-20-Mx3/8NPT-M STL			2	
23	660914	MALE ELBOW 90° / JIC 37° FITTING / #8JIC-MxM16-1.5-M STL			AR	
. NS	641297	. O-RING 13.1MM I.D. X 2.6 TH			1	
. NS	641298	. WASHER FL 17MM I.D x 22MM O.D. x 1.5MM			1	
24	142540	SUPPORT VALVE R-14 & "ABS" REAR			1	
25	142475	SUPPORT SPRING BRAKE VALVE			1	
26	HF-1220-51	TRAILER VALVE INSTALLATION - WESP CONTROL				
30	641383	MALE CONNECTOR / PUSH-IN FITTING / #8x1/2NPT-M BR			AR	
31	641210	MALE RUN TEE / NTA FITTING / #8x#8x1/2NPT-M BR			AR	
32	503468	TUBE, NYLON 1/2 O.D. / RED S.L.			AR	
33	641380	MALE CONNECTOR / PUSH-IN FITTING / #8x1/4NPT-M BR			AR	
34	501787	STREET ELBOW 90° / PIPE FITTING / 1/8NPT-Mx1/4NPT-F BR			AR	
35	641331	MALE CONNECTOR / PUSH-IN FITTING / #6x1/4NPT-M BR			AR	
36	642098	MALE ELBOW 90° NON-SWIVEL / PUSH-IN FITTING / #10x1/2NPT-M COMPOSITE			AR	
37	641376	MALE ELBOW 90° NON-SWIVEL / PUSH-IN FITTING / #8x3/8NPT-M BR			AR	



From 7-0942 To 8-1043	Date:10/2022	PAGE:HF-1250-11
ABS BRAKE VALVE - INSTALLATION		

Item#	Part	Description	H 3 4 1	H 3 4 5	V I P 4 5	N O T E S
38	5001660	REDUCER COUPLING / PIPE FITTING / 3/8NPT-Fx1/8NPT-F BR			AR	
39	641379	MALE ELBOW 90° NON-SWIVEL / PUSH-IN FITTING / #10x1/2NPT-M BR			AR	
40	641349	MALE CONNECTOR / PUSH-IN FITTING / #6x1/8NPT-M BR			AR	
41	501304	PLUG SQUARE HEAD / PIPE FITTING / 1/4NPT-M BR			AR	
42	501330	STREET ELBOW 45° / PIPE FITTING / 3/8NPT-Mx3/8NPT-F BR			AR	
43	501305	PLUG SQUARE HEAD / PIPE FITTING / 3/8NPT-M BR			AR	
44	501306	PLUG SQUARE HEAD / PIPE FITTING / 1/2NPT-M BR			AR	
45	501528	STREET ELBOW 45° / PIPE FITTING / 1/2NPT-Mx1/2NPT-F BR			AR	
46	641378	MALE ELBOW 90° / PUSH-IN FITTING / #8x1/2NPT-M BRASS			AR	
47	501473	MALE RUN TEE / PIPE FITTING / 1/2NPT-Mx1/2NPT-Fx1/2NPT-F BR			AR	
48	642073	MALE ELBOW 45° / PUSH-IN FITTING / #8x1/4NPT-M			AR	
49	5011067	NIPPLE HEX / PIPE FITTING / 1/2NPT-Mx1/2NPT-Mx1 13/16 BR			AR	
50	641373	MALE ELBOW 90° NON-SWIVEL / PUSH-IN FITTING / #8x1/4NPT-M BR			AR	
51	641175	MALE ELBOW 90° / NTA FITTING / #6x1/2NPT-M BR			AR	
53	641368	MALE ELBOW 45° NON-SWIVEL / PUSH-IN FITTING / #8x3/8NPT-M BR			AR	
54	641369	MALE ELBOW 90° NON-SWIVEL / PUSH-IN FITTING / #4x1/8NPT-M BR			AR	
55	641371	MALE ELBOW 90° NON-SWIVEL / PUSH-IN FITTING / #4x1/4NPT-M BR			AR	
56	501966	PLUG HEXS / PIPE FITTING / 1/2NPT-M STL			AR	
57	641027	MALE ELBOW 45° / NTA FITTING / #10x1/2NPT-M BR			AR	
58	641119	MALE ELBOW 45° / NTA FITTING / #6x1/2NPT-M BR			AR	
59	641006	MALE BRANCH TEE / NTA FITTING / #4x#4x1/4NPT-M BR			AR	
60	501321	NIPPLE HEX / PIPE FITTING / 1/4NPT-Mx1/4NPT-Mx1 3/8 BR			AR	
61	641389	MALE RUN TEE SWIVEL / PUSH-IN FITTING / #6x#6x1/4NPT-M BR			AR	
62	641089	MALE ELBOW 45° / NTA FITTING / #8x1/2NPT-M BR			AR	
63	641242	MALE CONNECTOR / PUSH-IN FITTING / #4x1/8NPT-M BR			AR	
64	641332	MALE CONNECTOR / PUSH-IN FITTING / #4x1/4NPT-M BR			AR	
65	501338	MALE RUN TEE / PIPE FITTING / 1/4NPT-Mx1/4NPT-Fx1/4NPT-F BR			AR	
66	641372	MALE ELBOW 90° NON-SWIVEL / PUSH-IN FITTING / #6x1/4NPT-M BR			AR	
67	641381	MALE CONNECTOR / PUSH-IN FITTING / #8x3/8NPT-M BR			AR	
68	641388	MALE RUN TEE NON-SWIVEL / PUSH-IN FITTING / #6x#6x3/8NPT-M BR			AR	
70	502847	NUT HEX NYRT M8-1.25 N500				2
71	5001448	WASHER FL .343x.875x.062 SS18-8				2
72	500170	SCREW CAP HEX 1/4-20x2 G5 PT Z050				2
73	500187	SCREW CAP HEX 5/16-18x3 G5 Z050				2
73	500185	SCREW CAP HEX 5/16-18x2 1/4 G5 Z050				2
73	502650	SCREW CAP HEX M8-1.25x80 G8.8 Z050				2
74	500441	WASHER FL .312x.734x.065 Z050				2
74	502638	WASHER FL .312x.734x.065 N500				2
NS	500476	WASHER LO SPT .317x.586x.078 Z050				2
75	500778	NUT HEX 5/16-18 N500				2
75	500248	NUT HEX STO 5/16-18 N500				2
76	500478	WASHER LO SPT .380x.683x.094 Z050				2



From 7-0942 To 8-1043	Date:10/2022	PAGE:HF-1250-11
ABS BRAKE VALVE - INSTALLATION		

Item#	Part	Description	H 3 4 1	H 3 4 5	V I P 4 5	N O T E S
77	500783	NUT HEX 3/8-16 Z050			2	
78	5011215	WASHER FL .328x.875x.062 Z050			2	
79	500868	NUT HEX NYRT M8-1.25 Z050			2	
80	142352	HOSE SUPPORT R.H.			1	
81	142353	HOSE SUPPORT L.H.			1	
82	504614	PLATE RETAINING / COLLAR			2	
83	504612	COLLAR 13/16" I.D. / TO FIX HOSE			2	
84	502656	SCREW CAP HEX M6-1.0x50 SS			2	
NS	502565	NUT HEX M6-1.0 SS			2	
87	5001178	SCREW CAP HEX M8-1.25x60 SS BK			2	
88	5001341	WASHER FL 8.4x17.0x1.6 SS			2	
89	502847	NUT HEX NYRT M8-1.25 N500			2	
90	HF-1202-00	TUBES PLASTIC / AIR D.O.T.				
91	502656	SCREW CAP HEX M6-1.0x50 SS			2	
92	500411	WASHER FL .260x.697x.050 SS			2	
93	502681	NUT HEX NYRT M6-1.0 N500 G8			2	
94	642081	ECU ABS / W/6 CHANNELS / STANDARD	1	1	1	
95	642083	ECU ABS / W/6 CHANNELS / ADVANCED ESP	1	1	1	
NS	HF-1250-01	ABS & ESP CONTROL				
		I) WITH INDEPENDENT SUSPENSION				

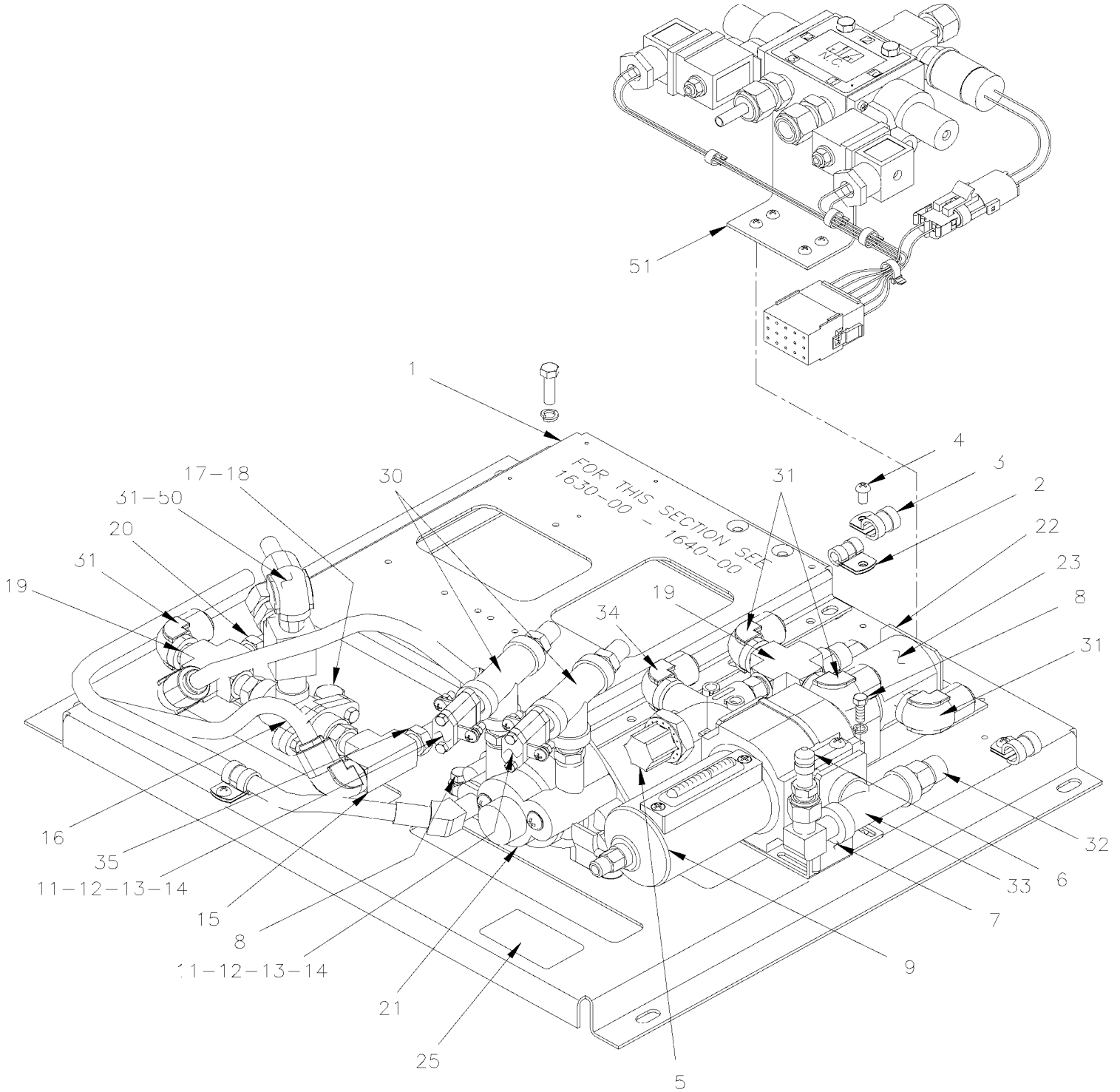


From 3-4417 To 3-4757

Date:10/2022

PAGE:HF-1260-00

VALVE SUPPORT ASSY



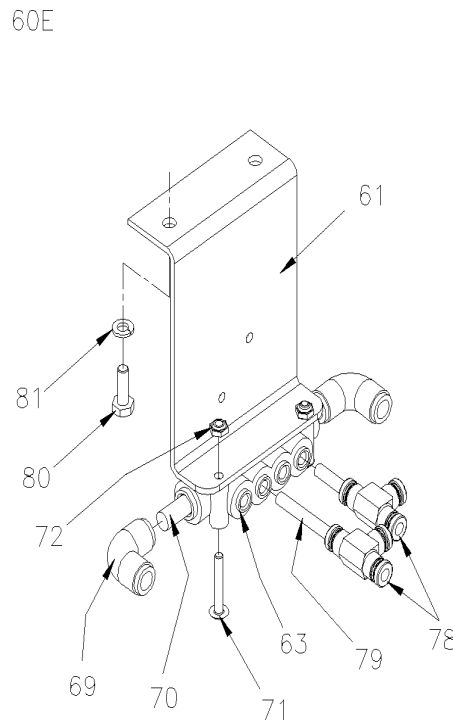
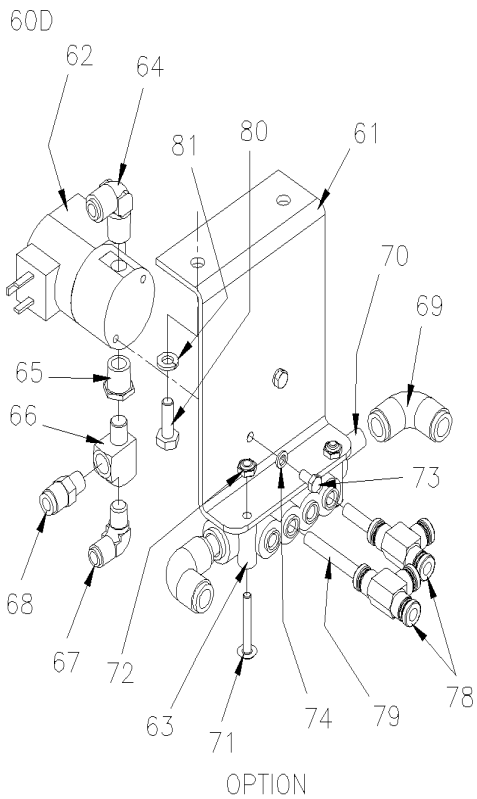
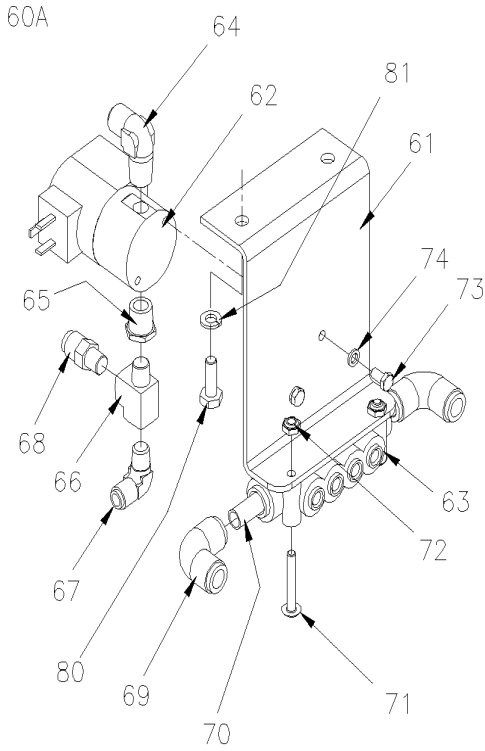


From 3-4417 To 3-4757

Date:10/2022

PAGE:HF-1260-00

VALVE SUPPORT ASSY





From 3-4417 To 3-4757	Date:10/2022	PAGE:HF-1260-00
VALVE SUPPORT ASSY		

Item#	Part	Description	H 3 4 1	H 3 4 5	V I P 4 5	N O T E S
	142255P	VALVE PNEUMATIC ASSY W/SUPPORT	1	1	1	
1	141401	. SUPPORT	1	1	1	
2	952627	. CLAMP / 1/2" I.D.	1	1	1	
3	977742	. CLAMP / 3/4" I.D.	5	5	5	
3	952631	. CLAMP / 3/4" I.D.	AR	AR	AR	
4	500657	. SCREW TC TR PH #10-24x1/2 Z050	5	5	5	
5	640439	. VALVE, PRESSURE PROTECTION / PR-2 75PSI	1	1	1	
6	640488	. VALVE, AIR FILL 1/8" NPT	1	1	1	
. NS	650164	. . CAP VALVE / CHROME	1	1	1	
7	641339	. SUPPORT / AIR FILTER	1	1	1	
8	502631	. SCREW CAP HEX M6-1.0x20 G8.8 Z050	4	4	4	
NS	502564	. WASHER LO SPT 6.1x11.8x1.6 Z050	4	4	4	
9	HF-1220-15	AIR FILTER - ACCESSORIES				
11	641174	. PRESSURE SWITCH N.C. 30PSI / 1/4NPT LP-2	2	2	2	
NS	065222	. CABLE ASSY / PARKING BRAKE PRESSURE	1	1	1	
12	500654	. SCREW TC BDG PH #8-32x1/2 Z050	6	6	6	
13	500764	. NUT HEX #8-32 Z050	6	6	6	
14	500470	. WASHER LO SPT .193x.334x.047 Z050	AR	AR	AR	
14	500470	. WASHER LO SPT .193x.334x.047 Z050	AR	AR	AR	
15	501337	. FEMALE UNION TEE / PIPE FITTING / 1/4NPT-Fx1/4NPT-Fx1/4NPT-F BR	1	1	1	
16	641015	. VALVE, DOUBLE CHECK DC-4 To 3-4597	1	1	1	
16	641564	. VALVE, DOUBLE CHECK DC-4 From 3-4598	1	1	1	
17	502559	. SCREW CAP HEX M10-1.5x25 G8.8 Z050	1	1	1	
18	500257	. WASHER LO SPT 10.2x18.1x2.2 Z050	1	1	1	
19	501902	. CROSS / PIPE FITTING / 1/4NPT-Fx1/4NPT-Fx 1/4NPT-Fx1/4NPT-F BR	1	1	1	
20	641332	. MALE CONNECTOR / PUSH-IN FITTING / #4x1/4NPT-M BR	4	4	4	
21	640870	. VALVE / SPRING BRAKE SR-1	1	1	1	
. NS	640921	. . REPAIR KIT / SR-1	1	1	1	
22	142256	SUPPORT	1	1	1	
NS	502531	SCREW CAP HEX M6-1.0x16 G8.8 Z050	2	2	2	
23	562804	VALVE, 2 WAYS N.C.	1	1	1	
. NS	562848	. CONNECTOR / SOCKET HOUSING ASSY 3C / PNEUMAC 54933-05	1	1	1	
23	502751	SCREW CAP HEX #10-32x3/8 Z050	2	2	2	
25	140227	DECAL / ACC AIR FILTER DRAIN / ENGLISH & FRANCAIS	1	1	1	
25	142368	DECAL / ACC AIR FILTER DRAIN / ENGLISH & SPANISH	1	1	1	
30	501894	MALE BRANCHE TEE / PIPE FITTING / 1/4NPT-Fx1/4NPT-Fx1/4NPT-M BR	2	2	2	
31	641372	MALE ELBOW 90° NON-SWIVEL / PUSH-IN FITTING / #6x1/4NPT-M BR	5	5	5	
32	641330	MALE CONNECTOR / PUSH-IN FITTING / #6x3/8NPT-M BR	1	1	1	
33	501737	MALE BRANCHE TEE / PIPE FITTING / 3/8NPT-Fx3/8NPT-Fx3/8NPT-M BR	1	1	1	
34	641375	. MALE ELBOW 90° NON-SWIVEL / PUSH-IN FITTING / #6x3/8NPT-M BR	2	2	2	
35	641332	. MALE CONNECTOR / PUSH-IN FITTING / #4x1/4NPT-M BR	2	2	2	
50	HF-1201-00	FITTING - MISCELLANEOUS				



From 3-4417 To 3-4757	Date:10/2022	PAGE:HF-1260-00
VALVE SUPPORT ASSY		

Item#	Part	Description	H 3 4 1	H 3 4 5	V I P 4 5	N O T E S
51	HF-1864-31	PNEUMATIC DOOR LOCK CONTROL VALVE				
60A	141982	VALVE ASSY / W/SUPPORT & MANIFOLD	1	1		
60D	141933	MANIFOLD ASSY / W/SUPPORT			1	
60D	149988	MANIFOLD ASSY / W/SUPPORT			1	
60E	142630	VALVE ASSY / W/SUPPORT & MANIFOLD			1	
61	141930	SUPPORT VALVE & MANIFOLD W/LOWER VALVE	1	1	1	
62	562804	VALVE, 2 WAYS N.C.	1	1	1	
. NS	562848	. CONNECTOR / SOCKET HOUSING ASSY 3C / PNEUMAC 54933-05	1	1	1	
63	641415	MANIFOLD / PUSH-IN FITTING / 2x#6 / 4x#4 PLAS	1	1	1	
64	641371	MALE ELBOW 90° NON-SWIVEL / PUSH-IN FITTING / #4x1/4NPT-M BR	2	2	2	
65	501312	BUSHING REDUCER / PIPE FITTING / 1/4NTP-Mx1/8NPT-F BR	1	1	1	
66	501653	MALE RUN TEE / PIPE FITTING / 1/8NPT-Mx1/8NPT-Fx1/8NPT-F BR	1	1	1	
67	641369	MALE ELBOW 90° NON-SWIVEL / PUSH-IN FITTING / #4x1/8NPT-M BR	1	1	1	
68	641242	MALE CONNECTOR / PUSH-IN FITTING / #4x1/8NPT-M BR	1	1	1	
69	641436	UNION ELBOW 90° / PUSH-IN FITTING / #6x#6 BR	2	2	2	
70	503404	TUBE, NYLON 3/8 O.D. / BLACK S.L.	AR	AR	AR	
71	500574	SCREW MA TR PH #10-24x1 1/4 SS	4	4	4	
72	500767	NUT HEX #10-24 Z050	4	4	4	
73	502751	SCREW CAP HEX #10-32x3/8 Z050	2	2	2	
74	500470	WASHER LO SPT .193x.334x.047 Z050	2	2	2	
78	641955	UNION TEE / PUSH-IN FITTING / #4x#4x#4 BR			2	
79	503402	TUBE, NYLON 1/4 O.D. / BLACK S.L.			AR	
80	500923	SCREW TC CAP HEX 1/4-20x3/4 Z050	2	2	2	
81	500473	WASHER LO SPT .262x.489x.062 Z050	2	2	2	

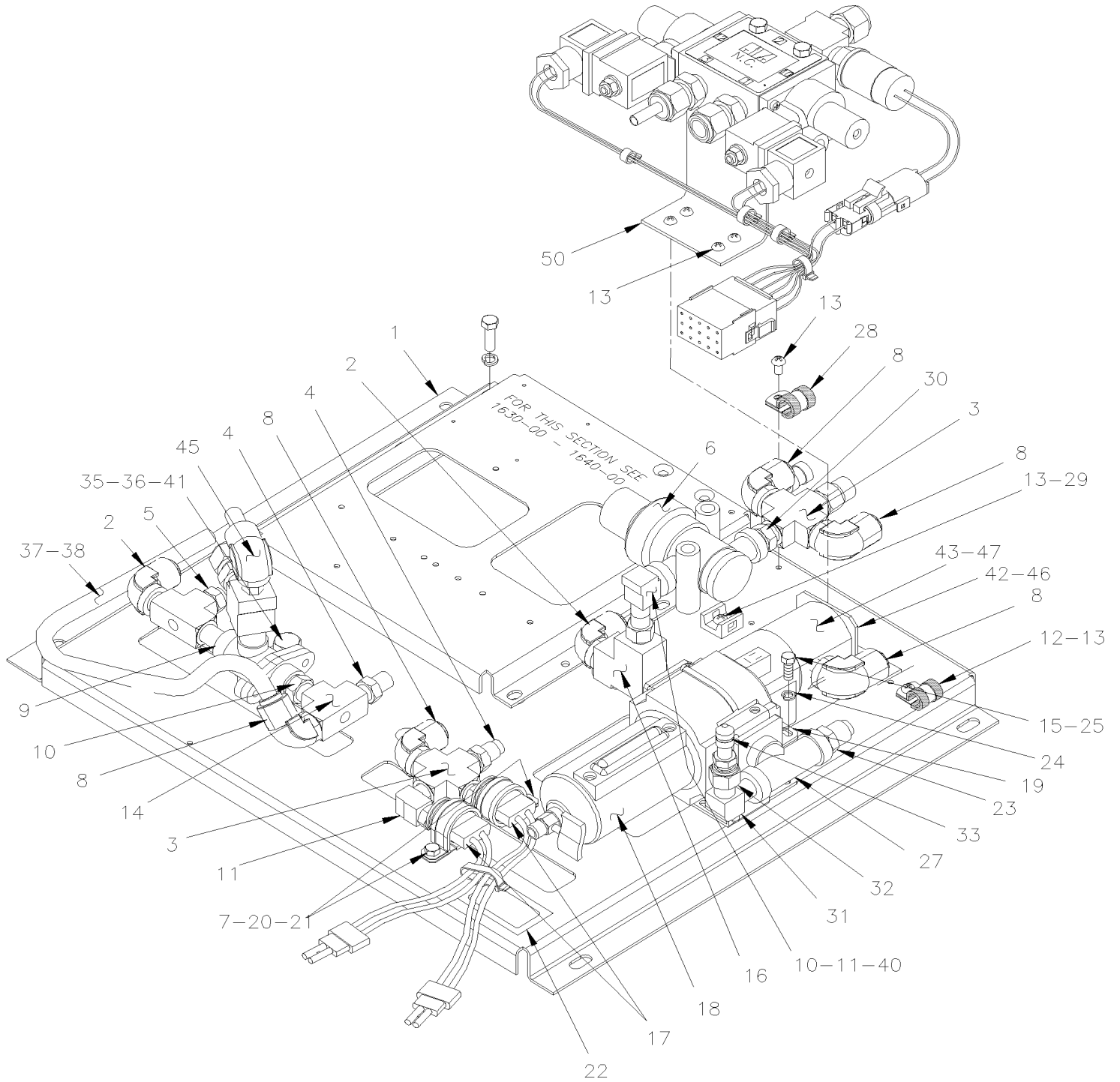


From 4-4758 To 8-1043

Date:10/2022

PAGE:HF-1260-01

VALVE SUPPORT ASSY



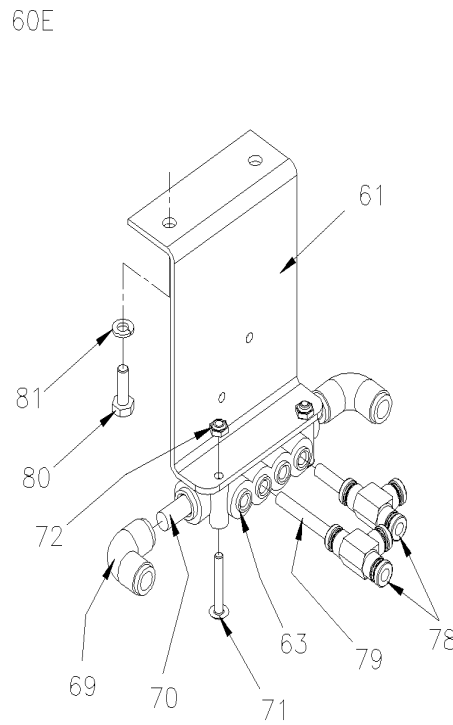
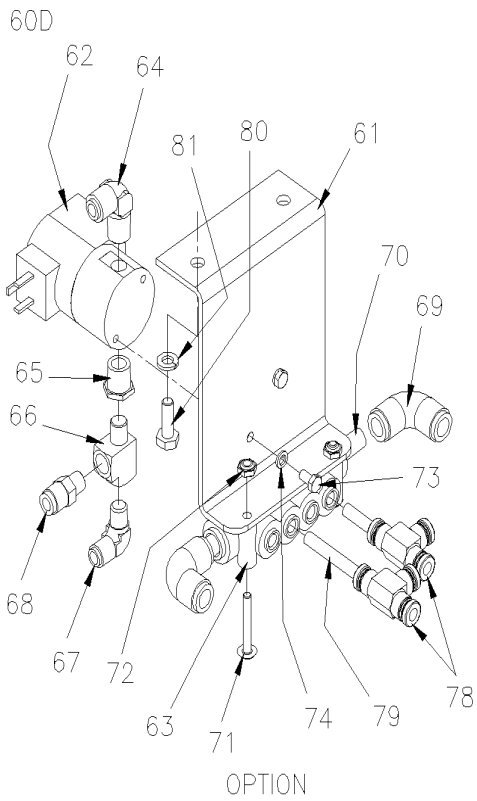
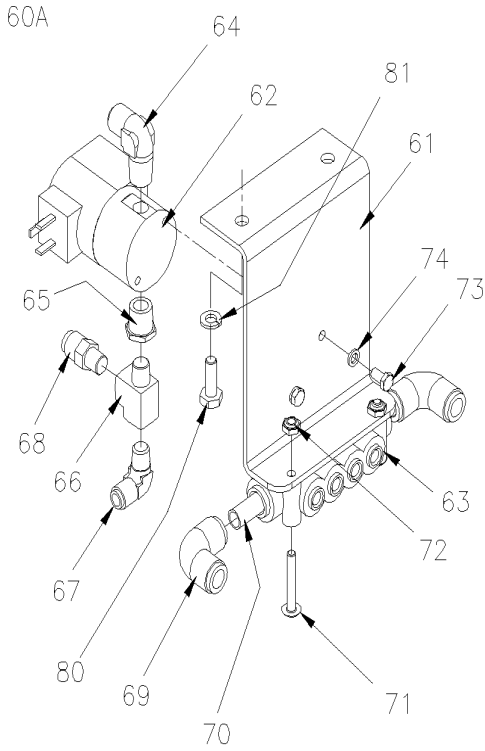


From 4-4758 To 8-1043

Date:10/2022

PAGE:HF-1260-01

VALVE SUPPORT ASSY





From 4-4758 To 8-1043		Date:10/2022	PAGE:HF-1260-01
VALVE SUPPORT ASSY			

Item#	Part	Description	H 3 4 1	H 3 4 5	V I P 4 5	N O T E S
	142356P	PNEUMATIC MODULE ASSY	1	1		
	142357P	PNEUMATIC MODULE ASSY			1	
1	142468	. SUPPORT	1	1	1	
2	641375	. MALE ELBOW 90° NON-SWIVEL / PUSH-IN FITTING / #6x3/8NPT-M BR	2	2	2	
3	501902	. CROSS / PIPE FITTING / 1/4NPT-Fx1/4NPT-Fx 1/4NPT-Fx1/4NPT-F BR	2	2	2	
4	641332	. MALE CONNECTOR / PUSH-IN FITTING / #4x1/4NPT-M BR	2	2	2	
5	641347	. MALE CONNECTOR / PUSH-IN FITTING / #4x3/8NPT-M BR	1	1	1	
6	641137	. VALVE, PRESSURE PROTECTION TYPE PR-4 70PSI	1	1	1	
7	952633	. CLAMP / 7/8" I.D.	2	2	2	
8	641372	. MALE ELBOW 90° NON-SWIVEL / PUSH-IN FITTING / #6x1/4NPT-M BR	4	4	4	
9	641564	. VALVE, DOUBLE CHECK DC-4	1	1	1	
10	501749	. NIPPLE REDUCER HEX / PIPE FITTING / 3/8NPT-Mx1/4NPT-Mx1 13/32 BR	2	2	2	
11	501332	. STREET ELBOW 90° / PIPE FITTING / 1/4NPT-Mx1/4NPT-F BR	2	2	2	
12	952627	. CLAMP / 1/2" I.D.	2	2	2	
13	500657	. SCREW TC TR PH #10-24x1/2 Z050	3	3	3	
14	501337	. FEMALE UNION TEE / PIPE FITTING / 1/4NPT-Fx1/4NPT-Fx1/4NPT-F BR	1	1	1	
15	500438	. WASHER FL .187x.437x.050 Z050	2	2	2	
16	501699	. MALE RUN TEE / PIPE FITTING / 3/8NPT-Mx3/8NPT-Fx3/8NPT-F BR	2	2	2	
17	287234	. PRESSURE SWITCH N.C. 30-10 20PS001AB030E010E	2	2	2	
18	HF-1220-15	. AIR FILTER - ACCESSORIES	1	1	1	
19	641339	. SUPPORT / AIR FILTER	1	1	1	
20	502631	. SCREW CAP HEX M6-1.0x20 G8.8 Z050	3	3	3	
21	502564	. WASHER LO SPT 6.1x11.8x1.6 Z050	3	3	3	
22	140227	. DECAL / ACC AIR FILTER DRAIN / ENGLISH & FRANCAIS	1	1	1	
22	142368	. DECAL / ACC AIR FILTER DRAIN / ENGLISH & SPANISH	1	1	1	
23	641330	. MALE CONNECTOR / PUSH-IN FITTING / #6x3/8NPT-M BR	2	2	2	
24	500470	. WASHER LO SPT .193x.334x.047 Z050	2	2	2	
25	500160	. SCREW CAP HEX #10-24x1/2 Z050	2	2	2	
26	641331	. MALE CONNECTOR / PUSH-IN FITTING / #6x1/4NPT-M BR	1	1	1	
27	501737	. MALE BRANCHE TEE / PIPE FITTING / 3/8NPT-Fx3/8NPT-Fx3/8NPT-M BR	1	1	1	
28	952631	. CLAMP / 3/4" I.D.	1	1	1	
29	504013	. TIE MOUNT / 1/4" X 1/4" I.D.	1	1	1	
30	501321	. NIPPLE HEX / PIPE FITTING / 1/4NPT-Mx1/4NPT-Mx1 3/8 BR	1	1	1	
31	501333	. STREET ELBOW 90° / PIPE FITTING / 3/8NPT-Mx3/8NPT-F BR	1	1	1	
32	501313	. BUSHING REDUCER / PIPE FITTING / 3/8NTP-Mx1/8NPT-F BR	1	1	1	
33	640488	. VALVE, AIR FILL 1/8" NPT	1	1	1	
. NS	650164	. . CAP VALVE / CHROME	1	1	1	
34	977742	. CLAMP / 3/4" I.D.	1	1	1	
35	502559	. SCREW CAP HEX M10-1.5x25 G8.8 Z050	1	1	1	
36	500257	. WASHER LO SPT 10.2x18.1x2.2 Z050	1	1	1	
37	503463	. TUBE, NYLON 3/8 O.D. / GREEN S.L.	AR	AR	AR	
38	503467	. TUBE, NYLON 3/8 O.D. / RED S.L.	AR	AR	AR	

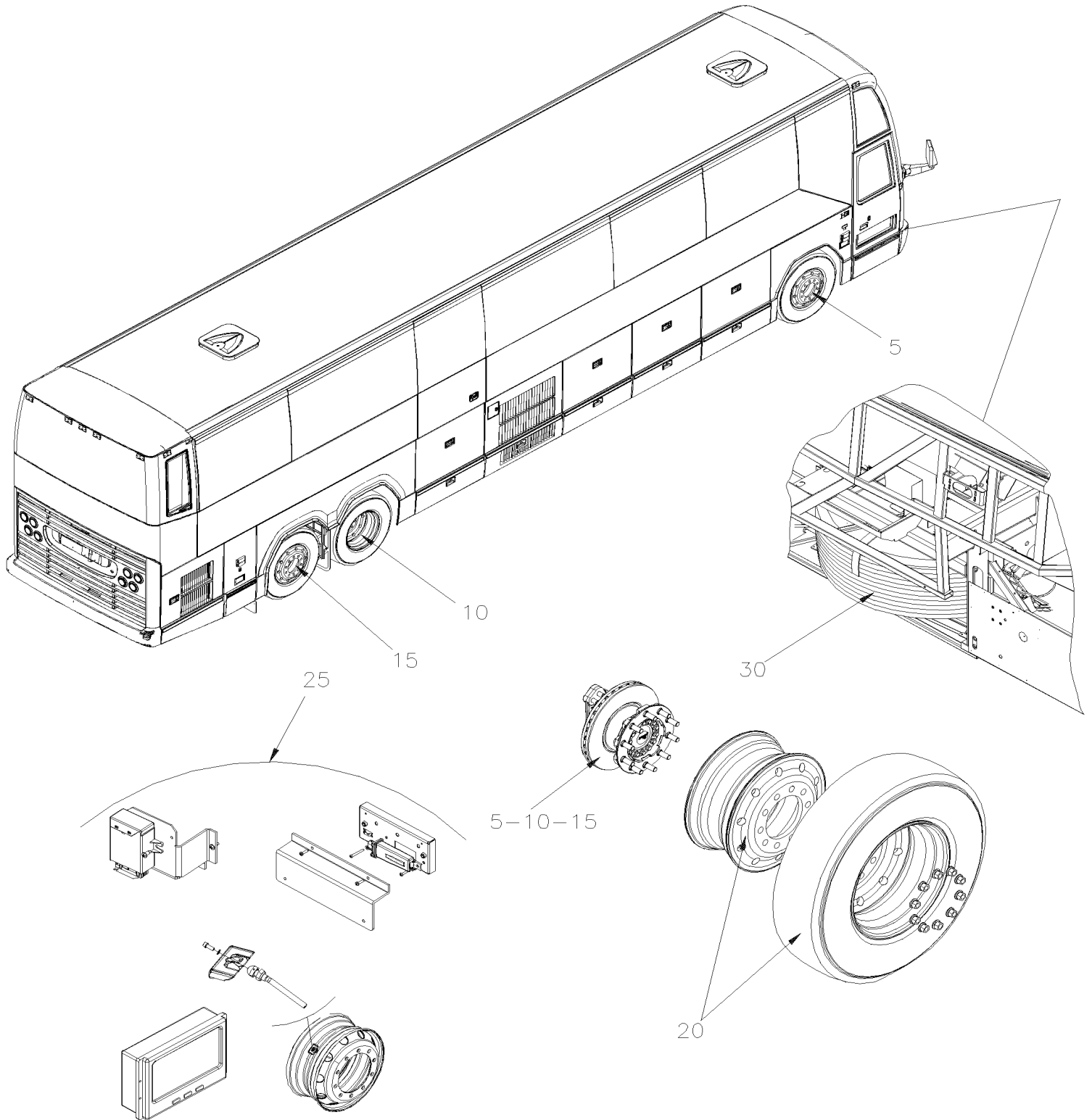


From 4-4758 To 8-1043		Date:10/2022	PAGE:HF-1260-01
VALVE SUPPORT ASSY			

Item#	Part	Description	H 3 4 1	H 3 4 5	V I P 4 5	N O T E S
40	501309	ADAPTER / PIPE FITTING / 3/8NPT-Fx3/8NPT-M BR	1	1	1	
41	5001011	WASHER FL .406x.625x.040 Z050	1	1	1	
42	142256	SUPPORT	1	1	1	
43	562804	VALVE, 2 WAYS N.C.	1	1	1	
. NS	562848	. CONNECTOR / SOCKET HOUSING ASSY 3C / PNEUMAC 54933-05	1	1	1	
45	641376	MALE ELBOW 90° NON-SWIVEL / PUSH-IN FITTING / #8x3/8NPT-M BR	1	1	1	
46	502531	SCREW CAP HEX M6-1.0x16 G8.8 Z050	2	2	2	
47	502751	SCREW CAP HEX #10-32x3/8 Z050	2	2	2	
50	HF-1864-31	PNEUMATIC DOOR LOCK CONTROL VALVE				
NS	504637	CABLE TIE / 3/16" x 13"	2	2	2	
60A	141982	VALVE ASSY / W/SUPPORT & MANIFOLD	1	1		
60D	141933	MANIFOLD ASSY / W/SUPPORT			1	
60D	149988	MANIFOLD ASSY / W/SUPPORT			1	
60E	142630	VALVE ASSY / W/SUPPORT & MANIFOLD			1	
61	141930	. SUPPORT VALVE & MANIFOLD W/LOWER VALVE	1	1	1	
62	562804	. VALVE, 2 WAYS N.C.	1	1	1	
. NS	562848	. . CONNECTOR / SOCKET HOUSING ASSY 3C / PNEUMAC 54933-05	1	1	1	
63	641415	. MANIFOLD / PUSH-IN FITTING / 2x#6 / 4x#4 PLAS	1	1	1	
64	641371	. MALE ELBOW 90° NON-SWIVEL / PUSH-IN FITTING / #4x1/4NPT-M BR	2	2	2	
65	501312	. BUSHING REDUCER / PIPE FITTING / 1/4NTP-Mx1/8NPT-F BR	1	1	1	
66	501653	. MALE RUN TEE / PIPE FITTING / 1/8NPT-Mx1/8NPT-Fx1/8NPT-F BR	1	1	1	
67	641369	. MALE ELBOW 90° NON-SWIVEL / PUSH-IN FITTING / #4x1/8NPT-M BR	1	1	1	
68	641242	. MALE CONNECTOR / PUSH-IN FITTING / #4x1/8NPT-M BR	1	1	1	
69	641436	. UNION ELBOW 90° / PUSH-IN FITTING / #6x#6 BR	2	2	2	
70	503404	. TUBE, NYLON 3/8 O.D. / BLACK S.L.	AR	AR	AR	
71	500574	. SCREW MA TR PH #10-24x1 1/4 SS	4	4	4	
72	500767	. NUT HEX #10-24 Z050	4	4	4	
73	502751	. SCREW CAP HEX #10-32x3/8 Z050	2	2	2	
74	500470	. WASHER LO SPT .193x.334x.047 Z050	2	2	2	
78	641955	. UNION TEE / PUSH-IN FITTING / #4x#4x#4 BR			2	
79	503402	. TUBE, NYLON 1/4 O.D. / BLACK S.L.			AR	
80	500923	. SCREW TC CAP HEX 1/4-20x3/4 Z050	2	2	2	
81	500473	. WASHER LO SPT .262x.489x.062 Z050	2	2	2	



	Date:10/2022	HF-13
WHEELS, HUBS & TIRES		





		Date:10/2022	HF-13			
WHEELS, HUBS & TIRES						
Item#	Part	Description	H 3 4 1	H 3 4 5	V I P 4 5	N O T E S
5	HF-1300-00	HUB & ROTOR - FRONT AXLE MODEL "S-84" & "IS-84" From 3-4417 To 3-4757				
5	HF-1300-01	HUB & ROTOR - FRONT AXLE MODEL "S84U" & "NDIFS80P" From 4-4758 To 8-1043				
5	HF-1300-99	HUB & ROTOR - FRONT AXLE MODEL "S84U" & "NDIFS80P" From 3-4417 To 3-4757				
10	HF-1305-00	HUB & ROTOR - DRIVE AXLE From 3-4417 To 8-1043				
10	HF-1305-99	ROTOR (SPLINED DISC) PRODUCT IMPROVMENT From 3-4417 To 8-1043				
15	HF-1310-00	HUB & ROTOR - TAG AXLE TYPE TS6 From 3-4417 To 3-4757				
15	HF-1310-01	HUB & ROTOR - TAG AXLE TYPE TS8U From 4-4758 To 8-1043				
15	HF-1310-99	HUB & ROTOR - TAG AXLE TYPE TS8U RETROFIT "UNITISED" BEARING From 3-4417 To 3-4757				
20	HF-1318-00	WHEELS & COMPONENTS - TRUCK MOUNT (METRIC) From 3-4417 To 8-1043				A
20	HF-1318-01	WHEELS & COMPONENTS - BUS MOUNT (STANDARD) From 3-4417 To 7-1043	1	1	1	B O
25	HF-1318-10	TIRE MONITOR - PRESSURE & TEMPERATURE From 5-0167 To 8-1043				
30	HF-1325-00	SPARE WHEEL - INSTALLATION From 3-4417 To 8-1043				
		A) WITH HUB MOUNT WHEEL				
		B) WITH STUD MOUNT WHEEL				
		O) OPTION				

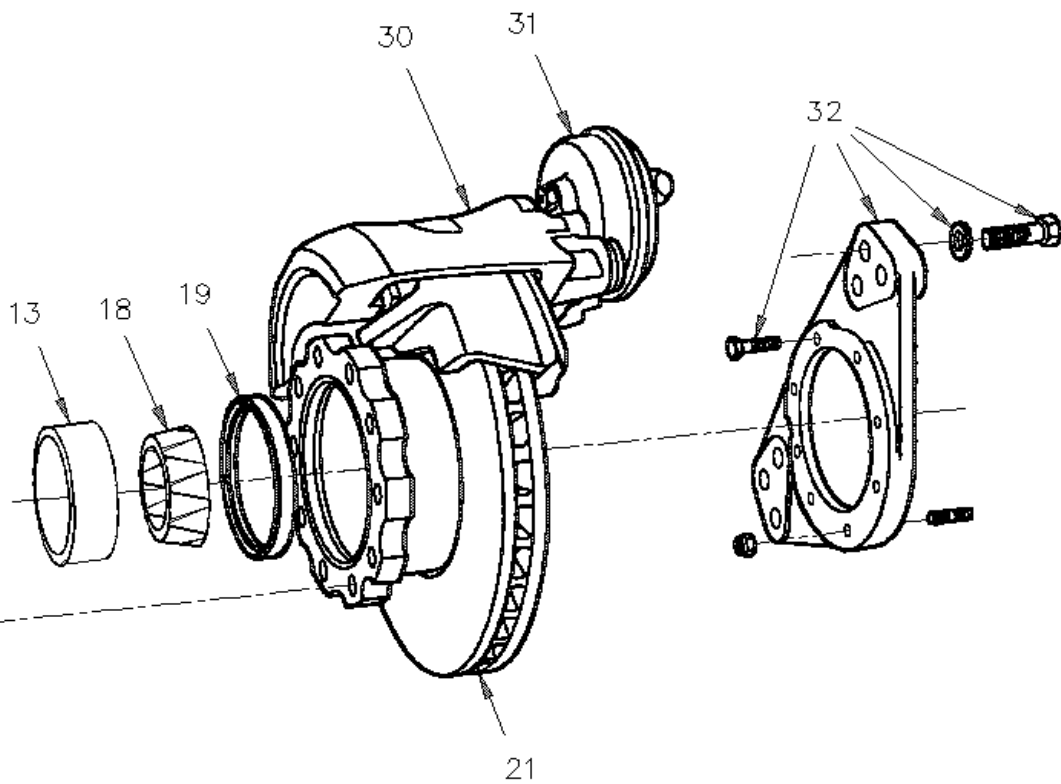
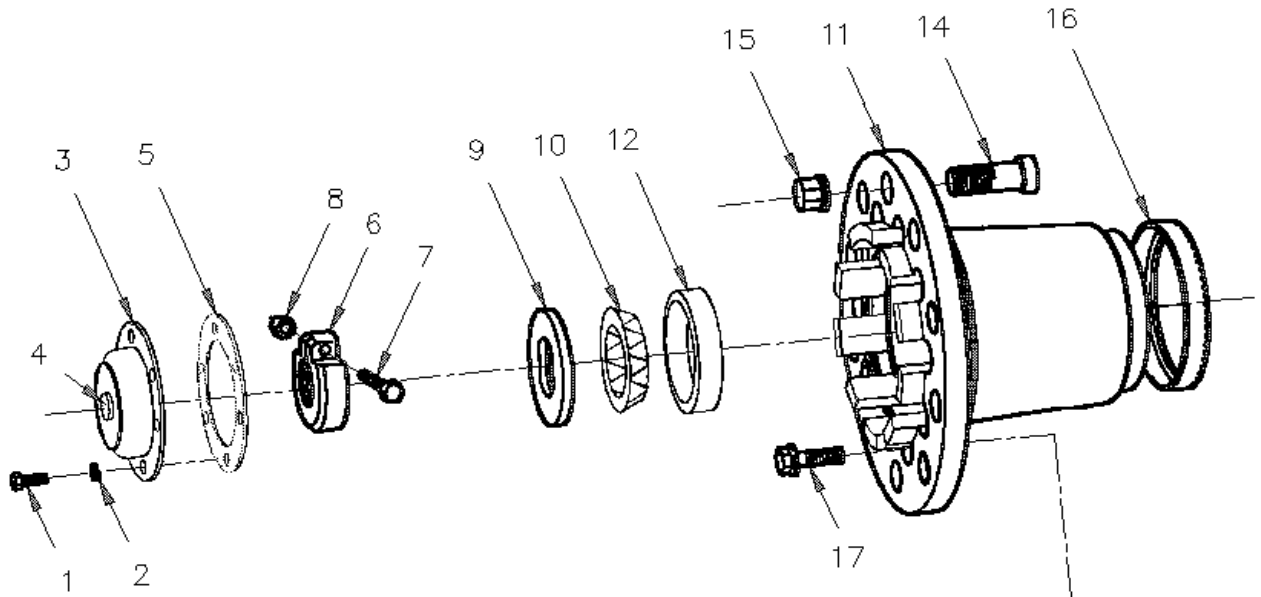


From 3-4417 To 3-4757

Date:10/2022

PAGE:HF-1300-00

HUB & ROTOR - FRONT AXLE MODEL "S-84" & "IS-84"





From 3-4417 To 3-4757	Date:10/2022	PAGE:HF-1300-00
HUB & ROTOR - FRONT AXLE MODEL "S-84" & "IS-84"		

Item#	Part	Description	H 3 4 1	H 3 4 5	V I P 4 5	N O T E S
1	502790	SCREW CAP HEX M8-1.25x20 G8.8 Z050	6	6	6	
2	5001003	WASHER LO SPT 8.1x12.7x2.0 Z050	6	6	6	
3	611210	HUB CAP / ALUMINUM / "STEMCO"	1	1	1	
. NS	M107-04	. SEE MAINTENANCE INFORMATION	1	1	1	
3	611243	HUB CAP / W/GREASE ONLY	1	1	1	
4	611242	PLUG VENT / RED / W/ALU HUB CAP "STEMCO"	1	1	1	
5	611261	GASKET HUB CAP / "STEMCO"	1	1	1	
NS	611211	KIT, HUB CAP WINDOW	1	1	1	
6	611004	NUT ADJUSTING M45-2	1	1	1	
. NS	490845	. TOOL / NUT WHEEL BEARING ADJUSTMENT	1	1	1	
. NS	684735	. TOOL / NUT WHEEL BEARING ADJUSTMENT / TORQUE	1	1	1	
. NS	M103-24	. SEE MAINTENANCE INFORMATION	1	1	1	
7	500054	SCREW CAP HEX 3/8-24x2 1/2 G5 ZP	1	1	1	
8	500704	NUT HEX STO 3/8-24 Z050	1	1	1	
9	611003	LOCK PLATE	1	1	1	
10	610126	CONE BEARING / OUTER WHEEL BEARING	1	1	1	
11	611259	HUB WHEEL / W/METRIC WHEEL	1	1	1	
12	610125	CUP BEARING / OUTER WHEEL BEARING	1	1	1	
13	610997	CUP BEARING / INNER WHEEL BEARING	1	1	1	
14	610995	STUD / L.H. / W/STUD-MOUNT WHEEL	10	10	10	A
14	610996	STUD / R.H. / W/STUD-MOUNT WHEEL	10	10	10	A
14	611207	STUD / R.H. / W/HUB-MOUNT WHEEL M22-1.5 x 81MM	10	10	10	B
15	610175	NUT L.H. 1 1/8-16 / STUD MOUNT WHEEL	10	10	10	A
15	610176	NUT R.H. 1 1/8-16 / STUD MOUNT WHEEL	10	10	10	A
15	611189	NUT R.H. / W/HUB-MOUNT WHEEL M22-1.5 / 30MM TH To 3-4707	10	10	10	B
15	20434082	NUT R.H. / W/HUB-MOUNT WHEEL M22-1.5 / 27 MM TH From 3-4708	10	10	10	B
16	HF-1250-00	ANTI-LOCK BRAKING SYSTEM				
17	611007	SCREW CAP HEXF SERR M16-1.5x50 G10.9	10	10	10	
18	611087	CONE BEARING / INNER WHEEL BEARING	1	1	1	
19	611081	SEAL ASSY/ WHEEL BEARING W/OIL	1	1	1	
19	611247	SEAL ASSY/ WHEEL BEARING W/OIL	1	1	1	
19	611174	SEAL ASSY / W/OIL / "SCOTT-SEAL PLUS"	AR	AR	AR	
21	611188	ROTOR SOLID	1	1	1	
21	611456	ROTOR VENTED	1	1	1	
30	HF-1225-00	BRAKE PARTS - FRONT AXLE - W/"KNORR-BREMSE" / SB7 SERIES To 7-0869				
30	HF-1225-01	BRAKE PARTS "KNORR-BREMSE" SN7 SERIES - "RETROFIT" & "SERVICE" From 7-0870				
31	HF-1225-10	BRAKE CHAMBER - FRONT AXLE TYPE 22				
32	HF-1225-00	BRAKE PARTS - FRONT AXLE - W/"KNORR-BREMSE" / SB7 SERIES				
NS	684644	SEAL INSTALLER TOOL / FRT & TAG TS-5	1	1	1	
41	611328	KIT, RETROFIT RIGID FRONT AXLE / UNITISED To 3-4757	1	1		
. NS	611289	. KNUCKLE L.H. STREET SIDE To 3-4757	1	1		
. NS	611290	. KNUCKLE R.H. CURBSIDE To 3-4757	1	1		



From 3-4417 To 3-4757	Date:10/2022	PAGE:HF-1300-00
HUB & ROTOR - FRONT AXLE MODEL "S-84" & "IS-84"		

Item#	Part	Description	H 3 4 1	H 3 4 5	V I P 4 5	N O T E S
. NS	611949	. HUB NUT 1 3/4-8 To 3-4757	2	2		
. NS	611948	. THRUST WASHER To 3-4757	2	2		
. NS	611955	. SCREW CAP HEXF M14-1.5x78 G12.9 N500 To 3-4757	28	28		
. NS	611301	. HUB FLANGE To 3-4757	2	2		
. NS	611953	. HUB ASSY / UNITISED L.H. & R.H. "TIMKEN" To 3-4757	2	2		
. NS	611300	. ROTOR VENTED To 3-4757	2	2		
. NS	611028	. STUD / STREET SIDE / 3/4-16 X 3" To 3-4757	2	2		
. NS	611330	. STUD 3/4-16 X 3 7/8" To 3-4757	1	1		
. NS	611331	. STUD / CURBSIDE / 3/4-16 X 4 1/4" To 3-4757	2	2		
. NS	611332	. STUD 1/2-20 X 1 7/8 To 3-4757	16	16		
42	611329	KIT, RETROFIT INDE FRONT AXLE / UNITISED To 3-4757			1	
. NS	611334	. KNUCKLE L.H. / W/PARALLEL KING PIN ONLY W/RETROFIT UNITISED To 3-4757			1	
. NS	611335	. KNUCKLE R.H. / W/PARALLEL KING PIN ONLY W/RETROFIT UNITISED To 3-4757			1	
. NS	611949	. HUB NUT 1 3/4-8 To 3-4757			2	
. NS	611948	. THRUST WASHER To 3-4757			2	
. NS	611955	. SCREW CAP HEXF M14-1.5x78 G12.9 N500 To 3-4757			28	
. NS	611301	. HUB FLANGE To 3-4757			2	
. NS	611303	. HUB ASSY / UNITISED L.H. & R.H. "TIMKEN" To 3-4757			2	
. NS	611300	. ROTOR VENTED To 3-4757			2	
. NS	611166	. STUD 3/4-16 X 3 1/4" To 3-4757			2	
. NS	611167	. STUD 3/4-16 X 4 1/2" To 3-4757			3	
. NS	611331	. STUD / CURBSIDE / 3/4-16 X 4 1/4" To 3-4757			2	
. NS	611332	. STUD 1/2-20 X 1 7/8 To 3-4757			16	
		A) WITH STUD MOUNT WHEEL				
		B) WITH HUB MOUNT WHEEL				

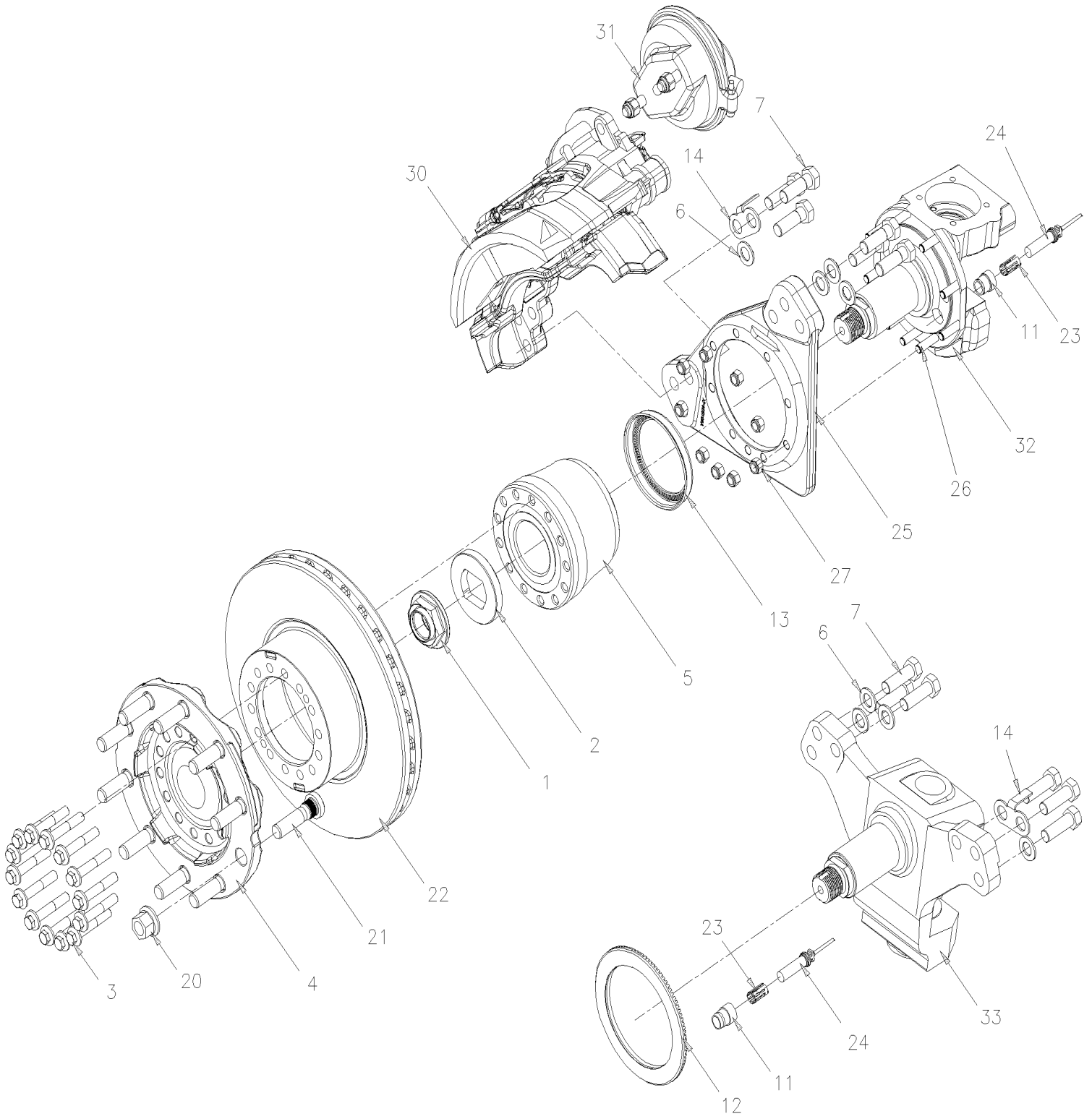


From 4-4758 To 8-1043

Date:10/2022

PAGE:HF-1300-01

HUB & ROTOR - FRONT AXLE MODEL "S84U" & "NDIFS80P"



WITH INDEPENDANT SUSP.



From 4-4758 To 8-1043	Date:10/2022	PAGE:HF-1300-01
HUB & ROTOR - FRONT AXLE MODEL "S84U" & "NDIFS80P"		

Item#	Part	Description	H 3 4 1	H 3 4 5	V I P 4 5	N O T E S
1	611949	HUB NUT 1 3/4-8	1	1	1	
2	611948	THRUST WASHER	1	1	1	
3	611955	SCREW CAP HEXF M14-1.5x78 G12.9 N500	14	14	14	S
4	611301	HUB FLANGE	1	1	1	
5	611953	HUB ASSY / UNITISED L.H. & R.H. "TIMKEN"	1	1	1	RS
5	611471	HUB ASSY / UNITISED L.H. & R.H. "FAG" ASSY W/"ABS" RING	1	1	1	RS
. NS	N.S.S.	. TOOTH WHEEL	1	1	1	1RS
. NS	509939	. SCREW DRV RND #4x1/4 SS	3	3	3	RS
5	611303	HUB ASSY / UNITISED L.H. & R.H. "TIMKEN"			1	IS
5	611474	HUB ASSY / UNITISED L.H. & R.H. "FAG" ASSY W/"ABS" RING			1	IS
. NS	611472	. HUB ASSY / UNITISED L.H. & R.H. "FAG"			1	IS
. NS	611473	. TOOTH WHEEL / FRONT AXLE & TAG W/ "FAG" 143.90MM I.D.			1	IS
NS	491115	TOOL, HUB INSTALLER W/UNITISED BEARING / 70MM	1	1	1	
. NS	NDS8	. MAINTENANCE INSTRUCTION	1	1	1	
6	611044	WASHER FL HARD 21.0x37.0x3.0 N500	6	6	6	
7	611308	SCREW CAP HEX M20-2.5x100 G12.9 To 7-0869	4	4	4	
7	5001193	SCREW CAP HEX M20-2.5x65 G10.9 ZP To 7-0869	2	2	2	
7	5001529	SCREW CAP HEX M20-1.5x60 G10.9 G500 From 7-0870	6	6	6	
11	612384	BUSHING / ABS SENSOR	1	1	1	
12	611304	TOOTH WHEEL / FRONT AXLE W/ "TIMKEN" 138.89MM I.D.			1	I
12	611473	TOOTH WHEEL / FRONT AXLE & TAG W/ "FAG" 143.90MM I.D.			1	ID
13	N.S.S.	TOOTH WHEEL / FRONT AXLE RIGID INCLUDE WITH ITEM #5	1	1	1	1R
14	110786	BRAKE WEAR INDICATOR MECHANICAL / 44MM	1	1	1	
20	20434082	NUT R.H. / W/HUB-MOUNT WHEEL M22-1.5 / 27 MM TH	20	20	20	A
20	610175	NUT L.H. 1 1/8-16 / STUD MOUNT WHEEL	10	10		B
20	610176	NUT R.H. 1 1/8-16 / STUD MOUNT WHEEL	10	10		B
21	611207	STUD / R.H. / W/HUB-MOUNT WHEEL M22-1.5 x 81MM	20	20	20	A
21	610995	STUD / L.H. / W/STUD-MOUNT WHEEL	10	10		B
21	610966	STUD / L.H. / W/STUD-MOUNT WHEEL / W/ABS	10	10		B
22	611300	ROTOR VENTED	1	1	1	
23	641096	CLIP, SPRING / TO FIX SENSOR	1	1	1	
24	642084	SENSOR ABS 90° ANGLE - OEM	1	1	1	
24	642085	SENSOR ABS - OEM	1	1	1	
24	642184	SENSOR ABS - AFTER MARKET	1	1	1	
25	611039	CALIPER MOUNTING BRACKET L.H. & R.H.	1	1	1	
26	611030	STUD 1/2-20 X 1 11/16"	AR	AR	AR	
27	5007001	NUT HEX STO 1/2-20 Z050 G "C"	AR	AR	AR	
30	HF-1225-00	BRAKE PARTS - FRONT AXLE - W/"KNORR-BREMSE" / SB7 SERIES To 7-0869				
30	HF-1225-01	BRAKE PARTS "KNORR-BREMSE" SN7 SERIES - "RETROFIT" & "SERVICE" From 7-0870				
30	HF-1225-02	BRAKE PARTS "KNORR-BREMSE" SN7 SERIES W/NEW SLIDE PINS				
31	HF-1225-10	BRAKE CHAMBER - FRONT AXLE TYPE 22				
31	HF-1225-11	BRAKE CHAMBER - FRONT AXLE TYPE 24				



From 4-4758 To 8-1043	Date:10/2022	PAGE:HF-1300-01
HUB & ROTOR - FRONT AXLE MODEL "S84U" & "NDIFS80P"		

Item#	Part	Description	H 3 4 1	H 3 4 5	V I P 4 5	N O T E S
32	HF-1005-00	FRONT AXLE - I BEAM RIGID MODEL "S-84"				
33	HF-1005-50	FRONT AXLE - INDEPENDENT MODEL "IS-84" / 16500LBS				
NS	MI08-04	SEE MAINTENANCE INFORMATION	1	1	1	
		A) WITH HUB MOUNT WHEEL				
		B) WITH STUD MOUNT WHEEL				
		D) WITH HUB "FAG" ONLY				
		I) WITH INDEPENDENT SUSPENSION				
		R) WITH I BEAM RIGID SUSPENSION				
		S) INSPECTED ALL BOLTS FOR DAMAGE TO THE THREAD AND ON THE SURFACE BELOW THE HEAD WHEN YOU DISASSEMBLED OR UNSCREWED THE HUB AND REPLACE IF NECESSARY				
		1) NOT SOLD SEPARATELY				
		1) NOT SOLD SEPARATELY				

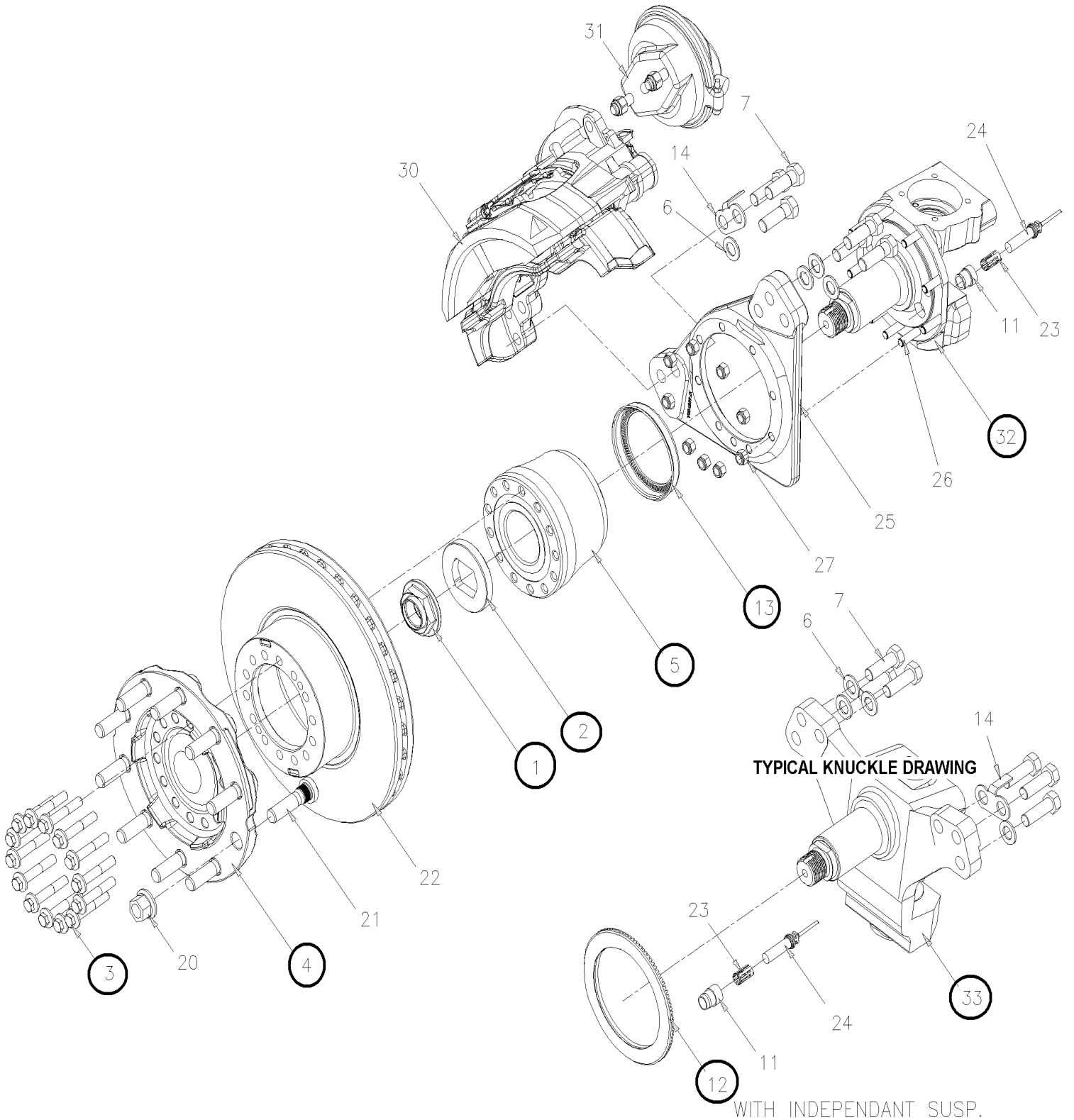


From 3-4417 To 3-4757

Date:10/2022

PAGE:HF-1300-99

HUB & ROTOR - FRONT AXLE MODEL "S84U" & "NDIFS80P"





From 3-4417 To 3-4757	Date:10/2022	PAGE:HF-1300-99
HUB & ROTOR - FRONT AXLE MODEL "S84U" & "NDIFS80P"		

Item#	Part	Description	H 3 4 1	H 3 4 5	V I P 4 5	N O T E S
	 "WARNING" - "WARNING" - "WARNING"				
		THIS KIT DO NOT INCLUDE CALIPERS & BRAKE CHAMBER				
		KIT INCLUDE PARTS W/GREEN SPOT W/CIRCLE				
	611328	KIT, RETROFIT RIGID FRONT AXLE / UNITISED	1	1		
. NS	611289	. KNUCKLE L.H. STREET SIDE	1	1		
. NS	611290	. KNUCKLE R.H. CURBSIDE	1	1		
. NS	611949	. HUB NUT 1 3/4-8	2	2		
. NS	611948	. THRUST WASHER	2	2		
. NS	611955	. SCREW CAP HEXF M14-1.5x78 G12.9 N500	28	28		
. NS	611301	. HUB FLANGE	2	2		
. NS	611953	. HUB ASSY / UNITISED L.H. & R.H. "TIMKEN"	2	2		
. NS	611300	. ROTOR VENTED	2	2		
. NS	611028	. STUD / STREET SIDE / 3/4-16 X 3"	2	2		
. NS	611330	. STUD 3/4-16 X 3 7/8"	1	1		
. NS	611331	. STUD / CURBSIDE / 3/4-16 X 4 1/4"	2	2		
. NS	611332	. STUD 1/2-20 X 1 7/8	16	16		
	611329	KIT, RETROFIT INDE FRONT AXLE / UNITISED			1	
. NS	611334	. KNUCKLE L.H. / W/PARALLEL KING PIN ONLY W/RETROFIT UNITISED			1	
. NS	611335	. KNUCKLE R.H. / W/PARALLEL KING PIN ONLY W/RETROFIT UNITISED			1	
. NS	611949	. HUB NUT 1 3/4-8			2	
. NS	611948	. THRUST WASHER			2	
. NS	611955	. SCREW CAP HEXF M14-1.5x78 G12.9 N500			28	
. NS	611301	. HUB FLANGE			2	
. NS	611303	. HUB ASSY / UNITISED L.H. & R.H. "TIMKEN"			2	
. NS	611300	. ROTOR VENTED			2	
. NS	611166	. STUD 3/4-16 X 3 1/4"			2	
. NS	611167	. STUD 3/4-16 X 4 1/2"			3	
. NS	611331	. STUD / CURBSIDE / 3/4-16 X 4 1/4"			2	
. NS	611332	. STUD 1/2-20 X 1 7/8			16	
1	611949	HUB NUT 1 3/4-8	2	2	2	
2	611948	THRUST WASHER	2	2	2	
3	611955	SCREW CAP HEXF M14-1.5x78 G12.9 N500	28	28	28	S
4	611301	HUB FLANGE	2	2	2	
5	611953	HUB ASSY / UNITISED L.H. & R.H. "TIMKEN"	2	2		R S
5	611471	HUB ASSY / UNITISED L.H. & R.H. "FAG" ASSY W/"ABS" RING	2	2		R S
. NS	N.S.S.	. TOOTH WHEEL	1	1		1 R S
. NS	509939	. SCREW DRV RND #4x1/4 SS	3	3		R S
5	611303	HUB ASSY / UNITISED L.H. & R.H. "TIMKEN"			2	I S
5	611474	HUB ASSY / UNITISED L.H. & R.H. "FAG" ASSY W/"ABS" RING			2	I S
. NS	611472	. HUB ASSY / UNITISED L.H. & R.H. "FAG"			1	I S



From 3-4417 To 3-4757	Date:10/2022	PAGE:HF-1300-99
HUB & ROTOR - FRONT AXLE MODEL "S84U" & "NDIFS80P"		

Item#	Part	Description	H 3 4 1	H 3 4 5	V I P 4 5	N O T E S
. NS	611473	. TOOTH WHEEL / FRONT AXLE & TAG W/ "FAG" 143.90MM I.D.			1	IS
NS	491115	TOOL, HUB INSTALLER W/UNITISED BEARING / 70MM	AR	AR	AR	
. NS	NDS8	. MAINTENANCE INSTRUCTION	1	1	1	
6	611044	WASHER FL HARD 21.0x37.0x3.0 N500	12	12	12	
7	5001529	SCREW CAP HEX M20-1.5x60 G10.9 G500	12	12	12	
11	612384	BUSHING / ABS SENSOR	1	1	1	
12	611304	TOOTH WHEEL / FRONT AXLE W/ "TIMKEN" 138.89MM I.D.			1	I
12	611473	TOOTH WHEEL / FRONT AXLE & TAG W/ "FAG" 143.90MM I.D.			1	ID
13	N.S.S.	TOOTH WHEEL / FRONT AXLE RIGID INCLUDE WITH ITEM #5	1	1		1 R
14	110786	BRAKE WEAR INDICATOR MECHANICAL / 44MM	AR	AR	AR	
20	20434082	NUT R.H. / W/HUB-MOUNT WHEEL M22-1.5 / 27 MM TH	10	10	10	
21	611207	STUD / R.H. / W/HUB-MOUNT WHEEL M22-1.5 x 81MM	10	10	10	
22	611300	ROTOR VENTED	2	2	2	
23	641096	CLIP, SPRING / TO FIX SENSOR	1	1	1	
		REMOVED FROM YOUR VEHICLE				
25	611039	CALIPER MOUNTING BRACKET L.H. & R.H.	1	1	1	
26	611030	STUD 1/2-20 X 1 11/16"	AR	AR	AR	
27	5007001	NUT HEX STO 1/2-20 Z050 G "C"	AR	AR	AR	
30	HF-1225-00	BRAKE PARTS - FRONT AXLE - W/"KNORR-BREMSE" / SB7 SERIES To 7-0869				
30	HF-1225-01	BRAKE PARTS "KNORR-BREMSE" SN7 SERIES - "RETROFIT" & "SERVICE" From 7-0870				
30	HF-1225-02	BRAKE PARTS "KNORR-BREMSE" SN7 SERIES W/NEW SLIDE PINS				
31	HF-1225-10	BRAKE CHAMBER - FRONT AXLE TYPE 22				
31	HF-1225-11	BRAKE CHAMBER - FRONT AXLE TYPE 24				
32	611289	KNUCKLE L.H. STREET SIDE	1	1	1	R
32	611290	KNUCKLE R.H. CURBSIDE	1	1	1	R
33	611334	KNUCKLE L.H. / W/PARALLEL KING PIN ONLY W/RETROFIT UNITISED			1	I
33	611335	KNUCKLE R.H. / W/PARALLEL KING PIN ONLY W/RETROFIT UNITISED			1	I
NS	MI08-04	SEE MAINTENANCE INFORMATION	1	1	1	
		D) WITH HUB "FAG" ONLY				
		I) WITH INDEPENDENT SUSPENSION				
		R) WITH I BEAM RIGID SUSPENSION				
		S) INSPECTED ALL BOLTS FOR DAMAGE TO THE THREAD AND ON THE SURFACE BELOW THE HEAD WHEN YOU DISASSEMBLED OR UNSCREWED THE HUB AND REPLACE IF NECESSARY				
		1) NOT SOLD SEPARATELY				
		1) NOT SOLD SEPARATELY				

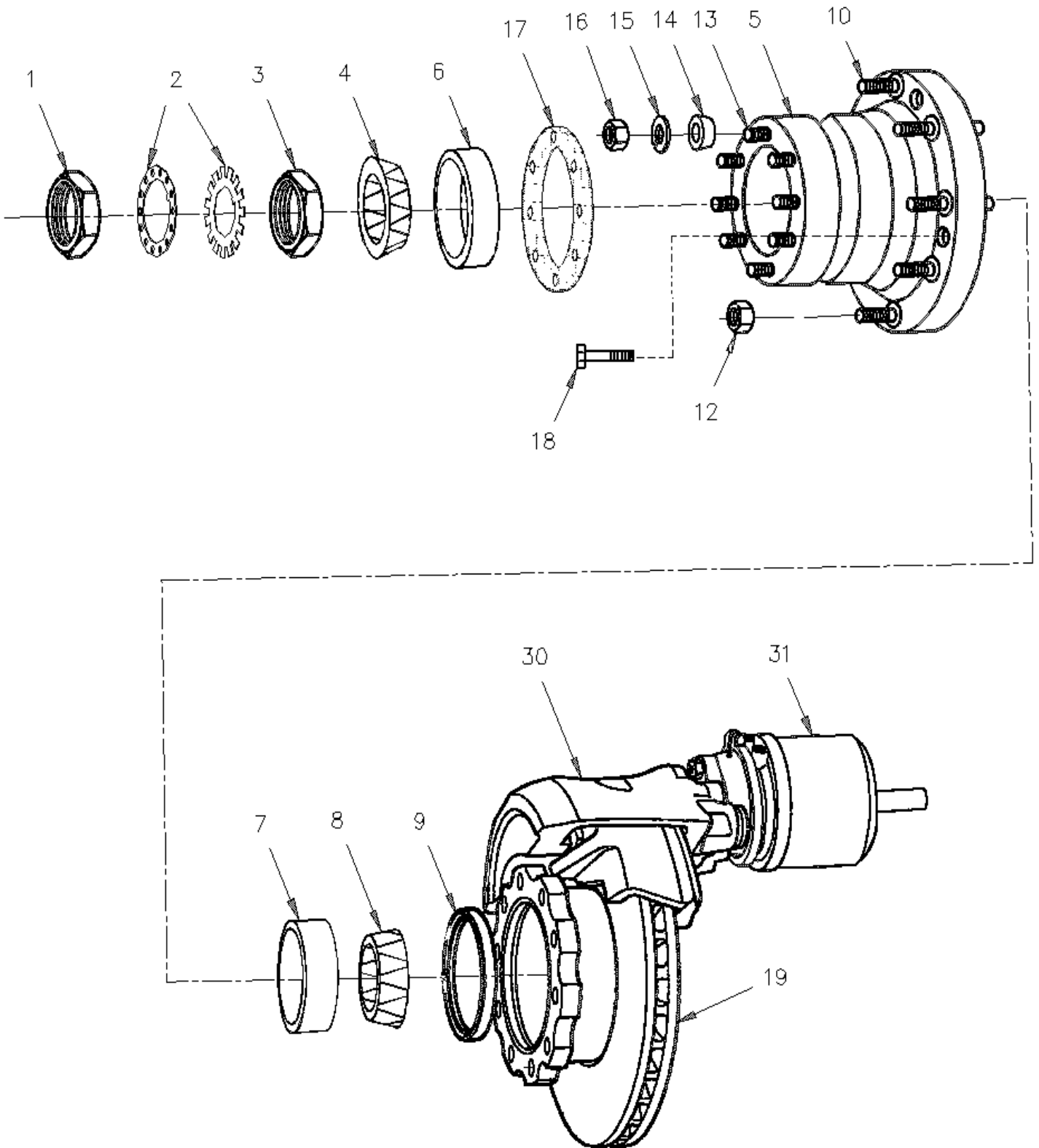


From 3-4417 To 8-1043

Date:10/2022

PAGE:HF-1305-00

HUB & ROTOR - DRIVE AXLE





From 3-4417 To 8-1043	Date:10/2022	PAGE:HF-1305-00
HUB & ROTOR - DRIVE AXLE		

Item#	Part	Description	H 3 4 1	H 3 4 5	V I P 4 5	N O T E S
1	620275	NUT OUTER / WHEEL BEARING	1	1	1	
2	621624	WASHER LOCK / KIT	1	1	1	
3	620279	NUT INNER / WHEEL BEARING	1	1	1	
4	620034	CONE BEARING / OUTER WHEEL BEARING	1	1	1	A
5	621617	HUB & CUPS ASSY	2	2	2	
6	620032	. CUP BEARING	1	1	1	A
7	621210	. CUP BEARING	1	1	1	B
8	621209	CONE BEARING	1	1	1	B
9	621623	SEAL OIL	1	1	1	
9	621916	SEAL OIL	1	1	1	S
10	621634	STUD / L.H. / W/STUD-MOUNT WHEEL	10	10	10	E
10	621633	STUD / R.H. / W/STUD-MOUNT WHEEL	10	10	10	E
10	621645	STUD / R.H. / W/HUB-MOUNT WHEEL M22-1.5 x 100 MM	10	10	10	F
10	621686	STUD / R.H. / W/HUB-MOUNT WHEEL M22-1.5 x 110 MM	AR	AR	AR	DF
11	610961	NUT R.H. INNER / W/STEEL INSIDE & ALUM. OUTSI	10	10	10	E
11	610962	NUT L.H. INNER / W/STEEL INSIDE & ALUM. OUTSI	10	10	10	E
11	611192	NUT R.H. INNER / W/2 ALUMINUM WHEEL	10	10	10	E
11	611191	NUT L.H. INNER / W/2 ALUMINUM WHEEL	10	10	10	E
11	620250	NUT R.H. INNER / W/2 STEEL WHEEL	10	10	10	E
11	620251	NUT L.H. INNER / W/2 STEEL WHEEL	10	10	10	E
12	610175	NUT L.H. 1 1/8-16 / STUD MOUNT WHEEL	10	10	10	E
12	610176	NUT R.H. 1 1/8-16 / STUD MOUNT WHEEL	10	10	10	E
12	611189	NUT R.H. / W/HUB-MOUNT WHEEL M22-1.5 / 30MM TH To 3-4707	10	10	10	F
12	20434082	NUT R.H. / W/HUB-MOUNT WHEEL M22-1.5 / 27 MM TH From 3-4708	10	10	10	F
13	621730	STUD / 5/8-11x 5/8-18 x 2 7/8"	8	8	8	
14	621627	DOWEL 5/8" I.D.	8	8	8	
15	5001518	WASHER LO EXT .625x1.070x.055 ZP	8	8	8	
16	500723	NUT HEX 5/8-18 ZP	8	8	8	
17	620351	GASKET / AXLE SHAFT W/8 STUDS	AR	AR	AR	
18	621628	SCREW CAP HEXS 5/8-18x1 3/4 GR8	10	10	10	
19	611457	ROTOR VENTED (W/TOOTH WHEEL / DRIVE AXLE)	1	1	1	
NS	621652	KIT, CUP & CONE	1	1	1	
NS	621653	KIT, CUP & CONE	1	1	1	
30	HF-1235-00	BRAKE PARTS - DRIVE AXLE "MERITOR" W/DISCS / SB7 SERIES To 7-0869				
30	HF-1225-01	BRAKE PARTS "KNORR-BREMSE" SN7 SERIES - "RETROFIT" & "SERVICE" From 7-0870				
31	HF-1235-10	BRAKE CHAMBER - DRIVE AXLE "KNORR-BREMSE"				
NS	684646	SEAL INSTALLER TOOL / DRIVE W/DISC	1	1	1	
41	HF-1305-99	ROTOR (SPLINED DISC) PRODUCT IMPROVMENT				
		A) ALSO AVAILABLE IN KIT #621652				



From 3-4417 To 8-1043	Date:10/2022	PAGE:HF-1305-00
-----------------------	--------------	-----------------

HUB & ROTOR - DRIVE AXLE

Item#	Part	Description	H 3 4 1	H 3 4 5	V I P 4 5	N O T E S
		B) ALSO AVAILABLE IN KIT #621653				
		D) WITH 2 ALUMINUM WHEELS				
		E) WITH STUD MOUNT WHEEL				
		F) WITH HUB MOUNT WHEEL				
		S) SERVICE				

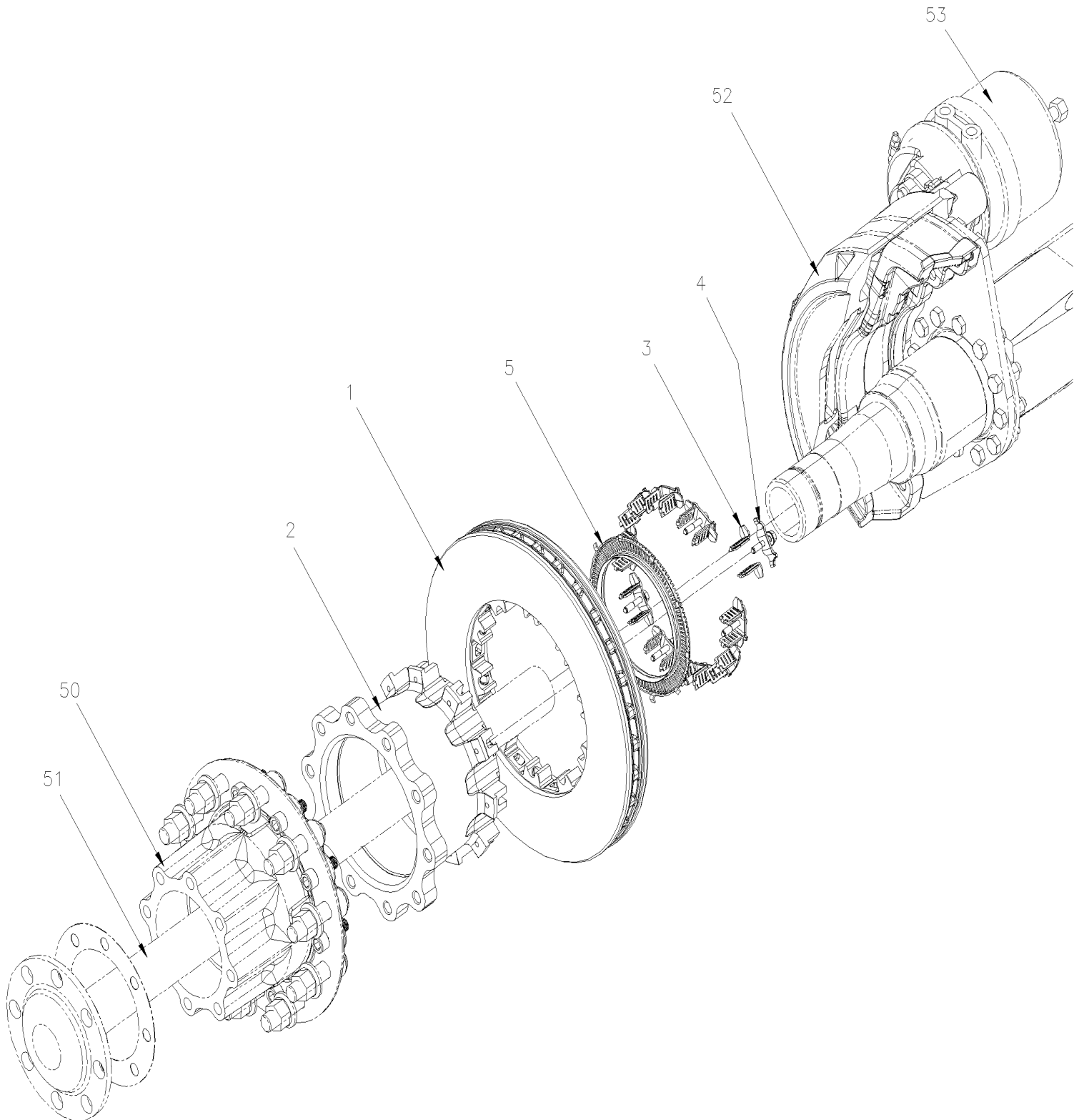


From 3-4417 To 8-1043

Date:10/2022

PAGE:HF-1305-99

ROTOR (SPLINED DISC) PRODUCT IMPROVMENT





From 3-4417 To 8-1043	Date:10/2022	PAGE:HF-1305-99
ROTOR (SPLINED DISC) PRODUCT IMPROVMENT		

Item#	Part	Description	H 3 4 1	H 3 4 5	V I P 4 5	N O T E S
	144982	KIT SPLINED BRAKE DISC ON DRIVE AXLE	1	1	1	
. NS	IS-09085	. SEE INSTRUCTION SHEET	1	1	1	
1	144984	. ROTOR / "SPLINED DISC"	1	1	1	
2	144983	. ROTOR ADAPTOR / "SPLINED DISC"	1	1	1	
3	144986	. PIECE INTERMEDIATE / "SPLINED DISC"	20	20	20	
4	144985	. SPRING ELEMENT / "SPLINED DISC"	10	10	10	
5	124921	. TOOTH WHEEL / DRIVE AXLE / "SPLINED DISC"	1	1	1	
NS	680754	GREASE, ANTI-SEIZE PERMATEx COPPER (454GR)	AR	AR	AR	
50	HF-1305-00	HUB & ROTOR - DRIVE AXLE				
51	HF-1105-00	REAR AXLE - MODEL "RC23160"				
52	HF-1235-00	BRAKE PARTS - DRIVE AXLE "MERITOR" W/DISCS / SB7 SERIES				
52	HF-1225-01	BRAKE PARTS "KNORR-BREMSE" SN7 SERIES - "RETROFIT" & "SERVICE"				
53	HF-1235-10	BRAKE CHAMBER - DRIVE AXLE "KNORR-BREMSE"				

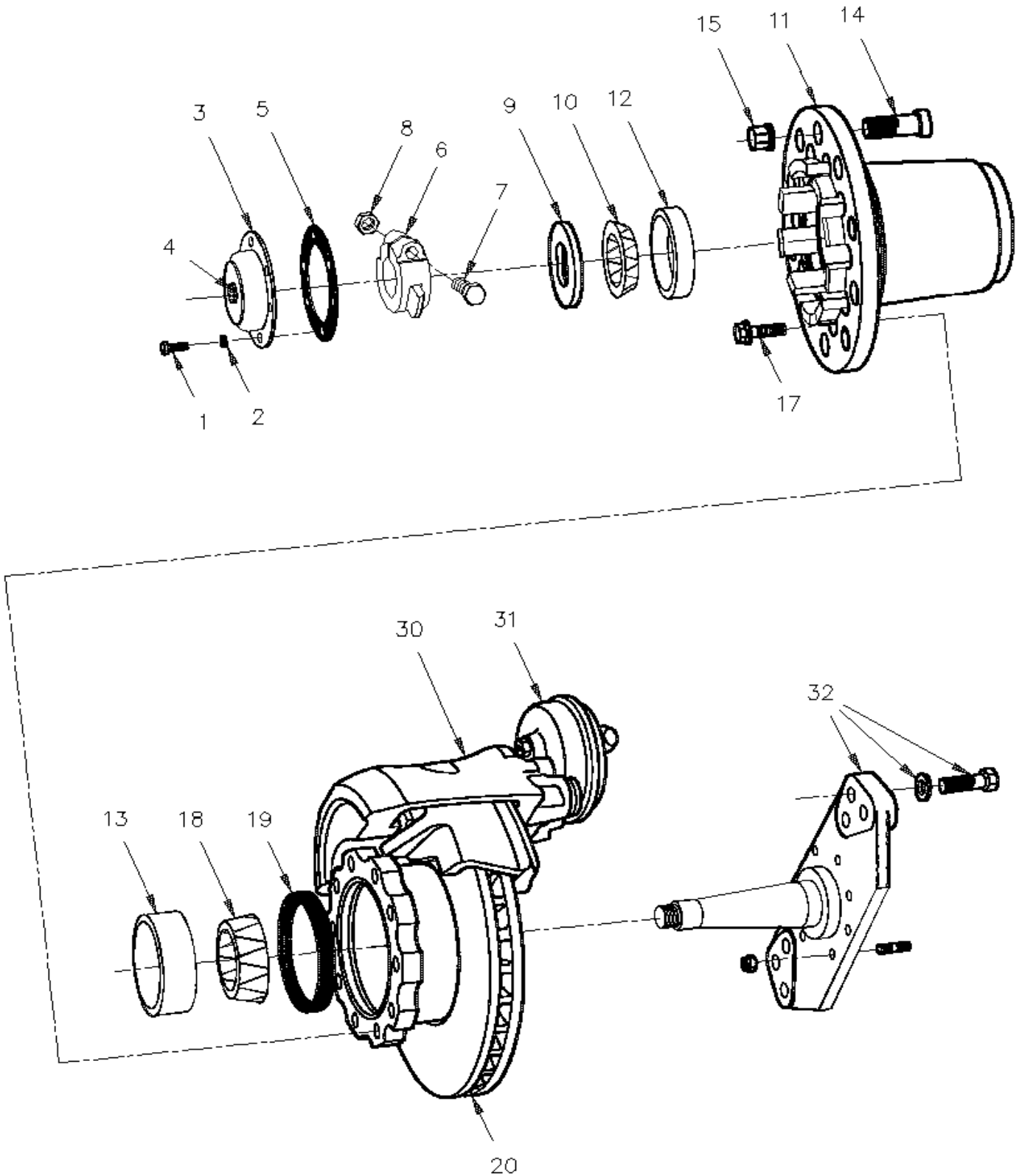


From 3-4417 To 3-4757

Date:10/2022

PAGE:HF-1310-00

HUB & ROTOR - TAG AXLE TYPE TS6





From 3-4417 To 3-4757	Date:10/2022	PAGE:HF-1310-00
HUB & ROTOR - TAG AXLE TYPE TS6		

Item#	Part	Description	H 3 4 1	H 3 4 5	V I P 4 5	N O T E S
1	502790	SCREW CAP HEX M8-1.25x20 G8.8 Z050	6	6	6	
2	5001003	WASHER LO SPT 8.1x12.7x2.0 Z050	6	6	6	
3	611210	HUB CAP / ALUMINUM / "STEMCO"	1	1	1	
. NS	M107-04	. SEE MAINTENANCE INFORMATION	1	1	1	
3	611243	HUB CAP / W/GREASE ONLY	1	1	1	
4	611242	PLUG VENT / RED / W/ALU HUB CAP "STEMCO"	1	1	1	
5	611261	GASKET HUB CAP / "STEMCO"	1	1	1	
6	611217	NUT ADJUSTING / 1"3/8-12	1	1	1	
. NS	490912	. TOOL / NUT WHEEL BEARING ADJUSTMENT	1	1	1	
. NS	684734	. TOOL / NUT WHEEL BEARING ADJUSTMENT / TORQUE	1	1	1	
. NS	M103-24	. SEE MAINTENANCE INFORMATION	1	1	1	
7	500052	SCREW CAP HEX 3/8-24x2 G5 ZP	1	1	1	
8	500704	NUT HEX STO 3/8-24 Z050	1	1	1	
9	611218	WASHER / "D" BEARING	1	1	1	
10	611219	CONE BEARING / OUTER WHEEL BEARING	1	1	1	A
11	611260	HUB WHEEL / W/METRIC WHEEL	1	1	1	
12	611221	CUP BEARING / OUTER WHEEL BEARING	1	1	1	A
13	611220	CUP BEARING / INNER WHEEL BEARING	1	1	1	B
14	610996	STUD / R.H. / W/STUD-MOUNT WHEEL	10	10	10	C
14	610995	STUD / L.H. / W/STUD-MOUNT WHEEL	10	10	10	C
14	611207	STUD / R.H. / W/HUB-MOUNT WHEEL M22-1.5 x 81MM	10	10	10	D
15	610176	NUT R.H. 1 1/8-16 / STUD MOUNT WHEEL	10	10	10	C
15	610175	NUT L.H. 1 1/8-16 / STUD MOUNT WHEEL	10	10	10	C
15	611189	NUT R.H. / W/HUB-MOUNT WHEEL M22-1.5 / 30MM TH To 3-4707	10	10	10	D
15	20434082	NUT R.H. / W/HUB-MOUNT WHEEL M22-1.5 / 27 MM TH From 3-4708	10	10	10	D
17	611007	SCREW CAP HEXF SERR M16-1.5x50 G10.9	10	10	10	
18	611222	CONE BEARING / INNER WHEEL BEARING	1	1	1	B
19	611081	SEAL ASSY/ WHEEL BEARING W/OIL	1	1	1	
19	611247	SEAL ASSY/ WHEEL BEARING W/OIL	1	1	1	
19	611174	SEAL ASSY / W/OIL / "SCOTT-SEAL PLUS"	AR	AR	AR	
20	611188	ROTOR SOLID	1	1	1	
20	611456	ROTOR VENTED	1	1	1	
30	HF-1245-00	BRAKE PARTS - TAG AXLE - W/"KNORR-BREMSE" / SB7 SERIES				
30	HF-1225-01	BRAKE PARTS "KNORR-BREMSE" SN7 SERIES - "RETROFIT" & "SERVICE"				
31	HF-1245-10	BRAKE CHAMBER - TAG AXLE TYPE 16/16				
32	HF-1615-00	TAG AXLE - INSTALL SUSPENSION				
NS	684645	SEAL INSTALLER TOOL / TAG TS-6	1	1	1	
41	611327	KIT, RETROFIT TAG AXLE / UNITISED TS8U To 3-4757	1	1	1	
. NS	611302	. SPINDLE / WITH MODEL "G.K.N." (TS8U UNITISED) To 3-4757	2	2	2	
. NS	611949	. HUB NUT 1 3/4-8 To 3-4757	2	2	2	
. NS	611948	. THRUST WASHER To 3-4757	2	2	2	
. NS	611955	. SCREW CAP HEXF M14-1.5x78 G12.9 N500 To 3-4757	28	28	28	



From 3-4417 To 3-4757	Date:10/2022	PAGE:HF-1310-00
HUB & ROTOR - TAG AXLE TYPE TS6		

Item#	Part	Description	H 3 4 1	H 3 4 5	V I P 4 5	N O T E S
. NS	611301	. HUB FLANGE To 3-4757	2	2	2	
. NS	611953	. HUB ASSY / UNITISED L.H. & R.H. "TIMKEN" To 3-4757	2	2	2	
. NS	611300	. ROTOR VENTED To 3-4757	2	2	2	
. NS	500781	. NUT HEX STO M16-2.0 DP To 3-4757	16	16	16	
. NS	N.P.N.	. WASHER To 3-4757	16	16	16	4
		A) THIS CUP & CONE SOLD ONLY IN KIT #611228				
		B) THIS CUP & CONE SOLD ONLY IN KIT #611227				
		C) WITH STUD MOUNT WHEEL				
		D) WITH HUB MOUNT WHEEL				
		4) NO PARTS NUMBER				

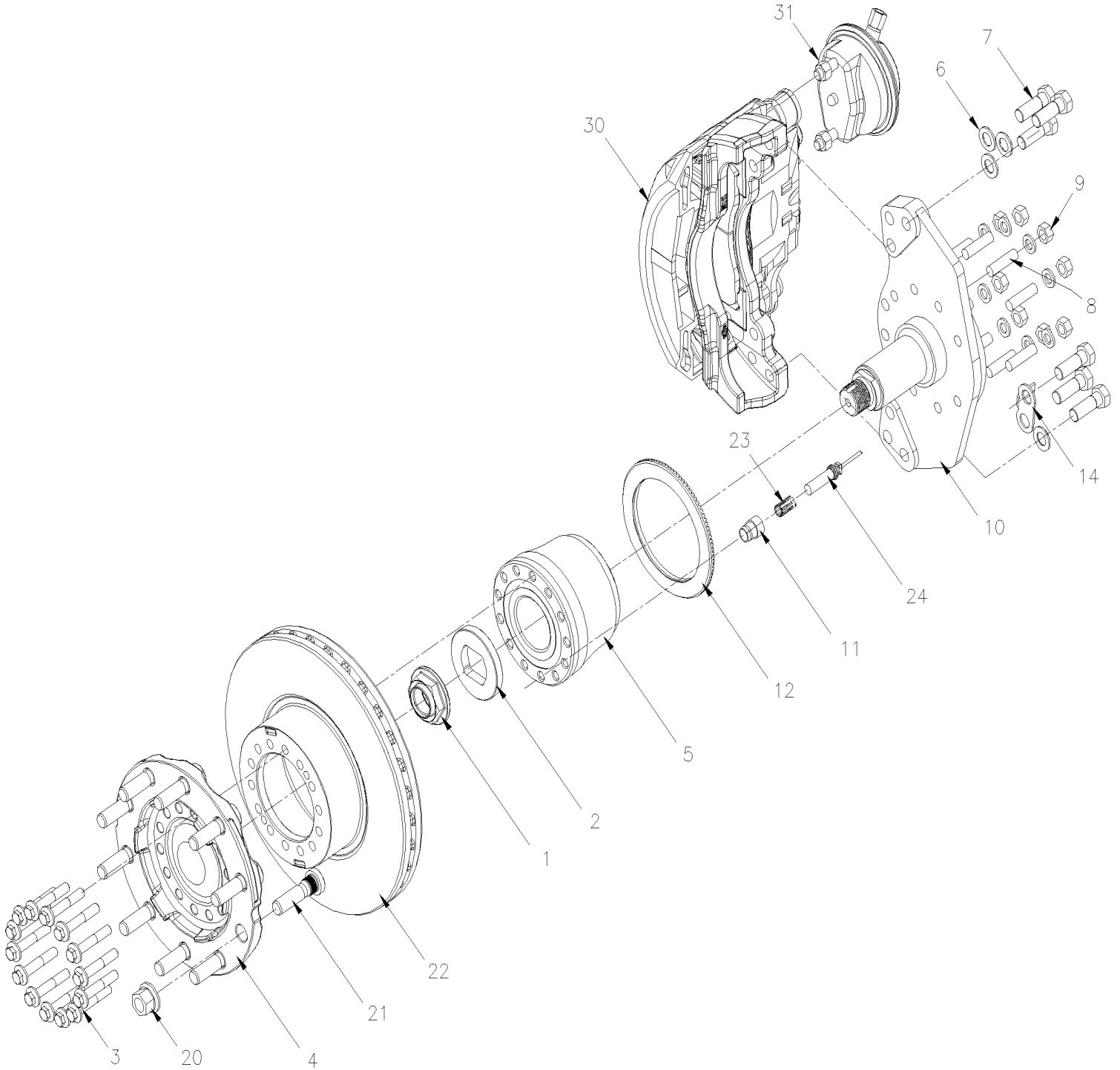


From 4-4758 To 8-1043

Date:10/2022

PAGE:HF-1310-01

HUB & ROTOR - TAG AXLE TYPE TS8U





From 4-4758 To 8-1043	Date:10/2022	PAGE:HF-1310-01
HUB & ROTOR - TAG AXLE TYPE TS8U		

Item#	Part	Description	H 3 4 1	H 3 4 5	V I P 4 5	N O T E S
1	611949	HUB NUT 1 3/4-8	1	1	1	
2	611948	THRUST WASHER	1	1	1	
3	611955	SCREW CAP HEXF M14-1.5x78 G12.9 N500	14	14	14	S
4	611301	HUB FLANGE	1	1	1	
5	611953	HUB ASSY / UNITISED L.H. & R.H. "TIMKEN"	1	1	1	S
5	611471	HUB ASSY / UNITISED L.H. & R.H. "FAG" ASSY W/"ABS" RING	1	1	1	S
. NS	N.S.S.	. TOOTH WHEEL	1	1	1	1 S
. NS	509939	. SCREW DRV RND #4x1/4 SS	3	3	3	S
5	611474	HUB ASSY / UNITISED L.H. & R.H. "FAG" ASSY W/"ABS" RING From 7-0942			1	S A
. NS	611472	. HUB ASSY / UNITISED L.H. & R.H. "FAG" From 7-0942			1	S A
. NS	611473	. TOOTH WHEEL / FRONT AXLE & TAG W/ "FAG" 143.90MM I.D. From 7-0942			1	S A
NS	491115	TOOL, HUB INSTALLER W/UNITISED BEARING / 70MM	1	1	1	
. NS	NDS8	. MAINTENANCE INSTRUCTION	1	1	1	
6	611044	WASHER FL HARD 21.0x37.0x3.0 N500	6	6	6	
7	5001193	SCREW CAP HEX M20-2.5x65 G10.9 ZP	6	6	6	
7	5001529	SCREW CAP HEX M20-1.5x60 G10.9 G500	6	6	6	
8	611048	STUD / M16-2.0 x 60MM	8	8	8	
NS	502884	WASHER LO SPT 16.2x27.4x3.5 N500	8	8	8	
9	502588	NUT HEX M16-2.0 ZP	8	8	8	
10	611302	SPINDLE / WITH MODEL "G.K.N." (TS8U UNITISED)	1	1	1	
10	610640	SPINDLE / WITH MODEL "G.K.N." (TS8U UNITISED) W/ABS HOLE From 7-0942			1	
. NS	610641	. BUSHING ABS SENSOR MOUNTING TAG AXLE From 7-0942			1	
11	610641	BUSHING ABS SENSOR MOUNTING TAG AXLE From 7-0942			1	
12	611473	TOOTH WHEEL / FRONT AXLE & TAG W/ "FAG" 143.90MM I.D. From 7-0942			1	
14	110786	BRAKE WEAR INDICATOR MECHANICAL / 44MM	1	1	1	
20	20434082	NUT R.H. / W/HUB-MOUNT WHEEL M22-1.5 / 27 MM TH	10	10	10	B
20	610175	NUT L.H. 1 1/8-16 / STUD MOUNT WHEEL	11	11		C
20	610176	NUT R.H. 1 1/8-16 / STUD MOUNT WHEEL	10	10		C
21	611207	STUD / R.H. / W/HUB-MOUNT WHEEL M22-1.5 x 81MM	10	10	10	B
21	610996	STUD / R.H. / W/STUD-MOUNT WHEEL	10	10		C
21	610995	STUD / L.H. / W/STUD-MOUNT WHEEL	10	10		C
22	611300	ROTOR VENTED	10	10	10	
23	641096	CLIP, SPRING / TO FIX SENSOR	1	1	1	
24	642085	SENSOR ABS - OEM	1	1	1	
24	642184	SENSOR ABS - AFTER MARKET	1	1	1	
30	HF-1245-00	BRAKE PARTS - TAG AXLE - W/"KNORR-BREMSE" / SB7 SERIES				
30	HF-1225-01	BRAKE PARTS "KNORR-BREMSE" SN7 SERIES - "RETROFIT" & "SERVICE"				
30	HF-1225-02	BRAKE PARTS "KNORR-BREMSE" SN7 SERIES W/NEW SLIDE PINS				
31	HF-1245-10	BRAKE CHAMBER - TAG AXLE TYPE 16/16				
32	M108-04	SEE MAINTENANCE INFORMATION	1	1	1	



From 4-4758 To 8-1043	Date:10/2022	PAGE:HF-1310-01
HUB & ROTOR - TAG AXLE TYPE TS8U		

Item#	Part	Description	H 3 4 1	H 3 4 5	V I P 4 5	N O T E S
		A) WITH ESP BRAKE SYSTEM (ADVANCE)				
		B) WITH HUB MOUNT WHEEL				
		C) WITH STUD MOUNT WHEEL				
		S) REPLACED ALL BOLTS EACH TIME WHEN YOU DISASSEMBLED OR UNSCREWED THE HUB				
		1) NOT SOLD SEPARATELY				

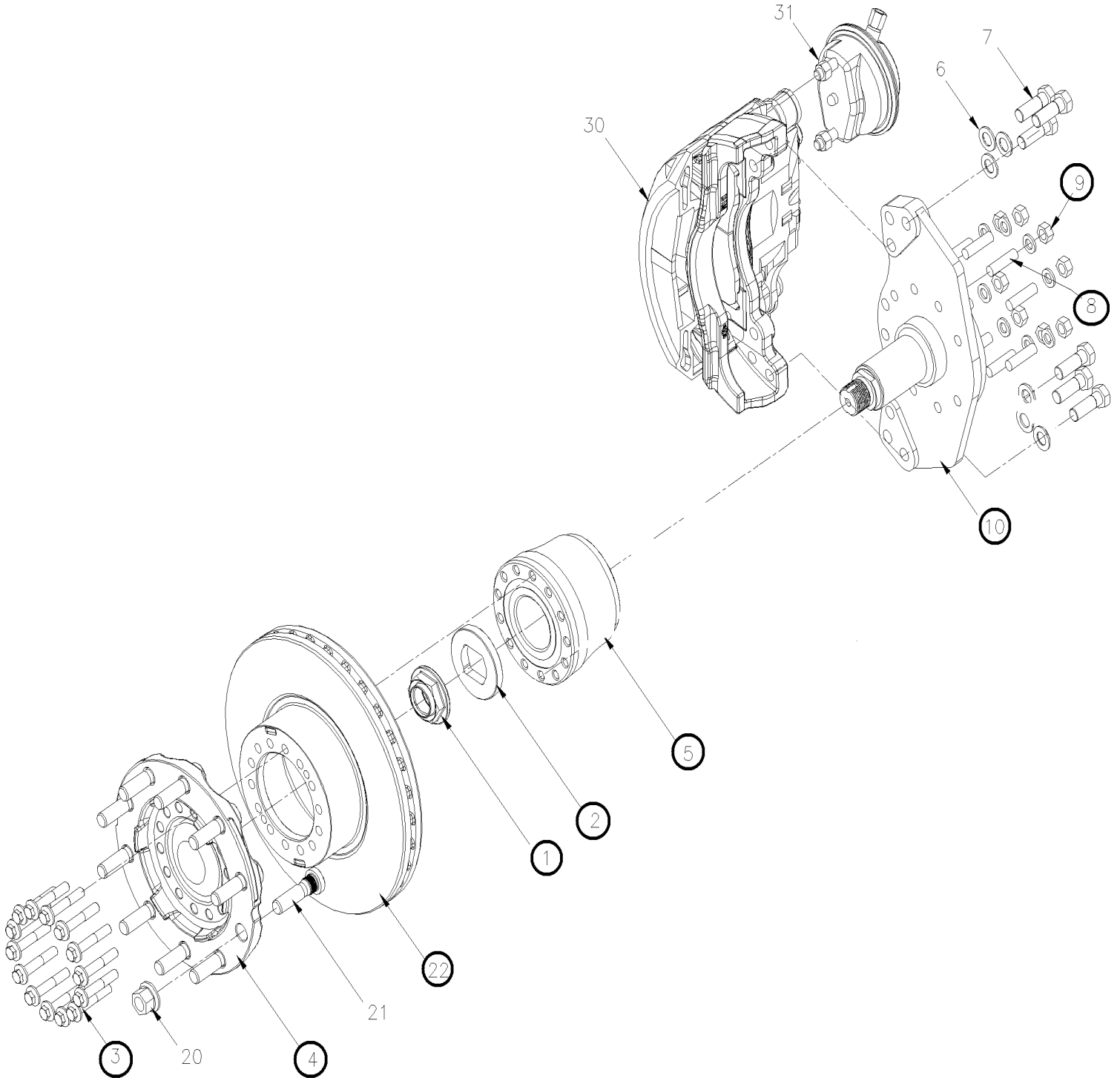


From 3-4417 To 3-4757

Date:10/2022

PAGE:HF-1310-99

HUB & ROTOR - TAG AXLE TYPE TS8U RETROFIT "UNITISED" BEARING





From 3-4417 To 3-4757 Date:10/2022 PAGE:HF-1310-99

HUB & ROTOR - TAG AXLE TYPE TS8U RETROFIT "UNITISED" BEARING

Item#	Part	Description	H 3 4 1	H 3 4 5	V I P 4 5	N O T E S
	 "WARNING" - "WARNING" - "WARNING"				
		THIS KIT DO NOT INCLUDE CALIPERS & BRAKE CHAMBER				
		KIT INCLUDE PARTS W/GREEN SPOT W/CIRCLE				
	611327	KIT, RETROFIT TAG AXLE / UNITISED TS8U	1	1	1	
. NS	611302	. SPINDLE / WITH MODEL "G.K.N." (TS8U UNITISED)	2	2	2	
. NS	611949	. HUB NUT 1 3/4-8	2	2	2	
. NS	611948	. THRUST WASHER	2	2	2	
. NS	611955	. SCREW CAP HEXF M14-1.5x78 G12.9 N500	28	28	28	
. NS	611301	. HUB FLANGE	2	2	2	
. NS	611953	. HUB ASSY / UNITISED L.H. & R.H. "TIMKEN"	2	2	2	
. NS	611300	. ROTOR VENTED	2	2	2	
. NS	500781	. NUT HEX STO M16-2.0 DP	16	16	16	
. NS	N.P.N.	. WASHER	16	16	16	4
1	611949	HUB NUT 1 3/4-8	2	2	2	
2	611948	THRUST WASHER	2	2	2	
3	611955	SCREW CAP HEXF M14-1.5x78 G12.9 N500	28	28	28	S
4	611301	HUB FLANGE	2	2	2	
5	611953	HUB ASSY / UNITISED L.H. & R.H. "TIMKEN"	2	2	2	S
5	611471	HUB ASSY / UNITISED L.H. & R.H. "FAG" ASSY W/"ABS" RING	2	2	2	S
. NS	N.S.S.	. TOOTH WHEEL	1	1	1	1 S
. NS	509939	. SCREW DRV RND #4x1/4 SS	3	3	3	S
6	611044	WASHER FL HARD 21.0x37.0x3.0 N500	12	12	12	
7	5001193	SCREW CAP HEX M20-2.5x65 G10.9 ZP	12	12	12	
8	611048	STUD / M16-2.0 x 60MM	16	16	16	
NS	502884	WASHER LO SPT 16.2x27.4x3.5 N500	16	16	16	
9	502588	NUT HEX M16-2.0 ZP	16	16	16	
10	611302	SPINDLE / WITH MODEL "G.K.N." (TS8U UNITISED)	2	2	2	
NS	491115	TOOL, HUB INSTALLER W/UNITISED BEARING / 70MM	AR	AR	AR	
. NS	NDS8	. MAINTENANCE INSTRUCTION	1	1	1	
20	20434082	NUT R.H. / W/HUB-MOUNT WHEEL M22-1.5 / 27 MM TH	10	10	10	
21	611207	STUD / R.H. / W/HUB-MOUNT WHEEL M22-1.5 x 81MM	10	10	10	
22	611300	ROTOR VENTED	2	2	2	
30	HF-1245-00	BRAKE PARTS - TAG AXLE - W/"KNORR-BREMSE" / SB7 SERIES				
30	HF-1225-01	BRAKE PARTS "KNORR-BREMSE" SN7 SERIES - "RETROFIT" & "SERVICE"				
30	HF-1225-02	BRAKE PARTS "KNORR-BREMSE" SN7 SERIES W/NEW SLIDE PINS	1	1	1	
31	HF-1245-10	BRAKE CHAMBER - TAG AXLE TYPE 16/16				
32	M108-04	SEE MAINTENANCE INFORMATION	1	1	1	



From 3-4417 To 3-4757	Date:10/2022	PAGE:HF-1310-99
-----------------------	--------------	-----------------

HUB & ROTOR - TAG AXLE TYPE TS8U RETROFIT "UNITISED" BEARING

Item#	Part	Description	H 3 4 1	H 3 4 5	V I P 4 5	N O T E S
		S) REPLACED ALL BOLTS EACH TIME WHEN YOU DISASSEMBLED OR UNSCREWED THE HUB				
		1) NOT SOLD SEPARATELY				
		4) NO PARTS NUMBER				

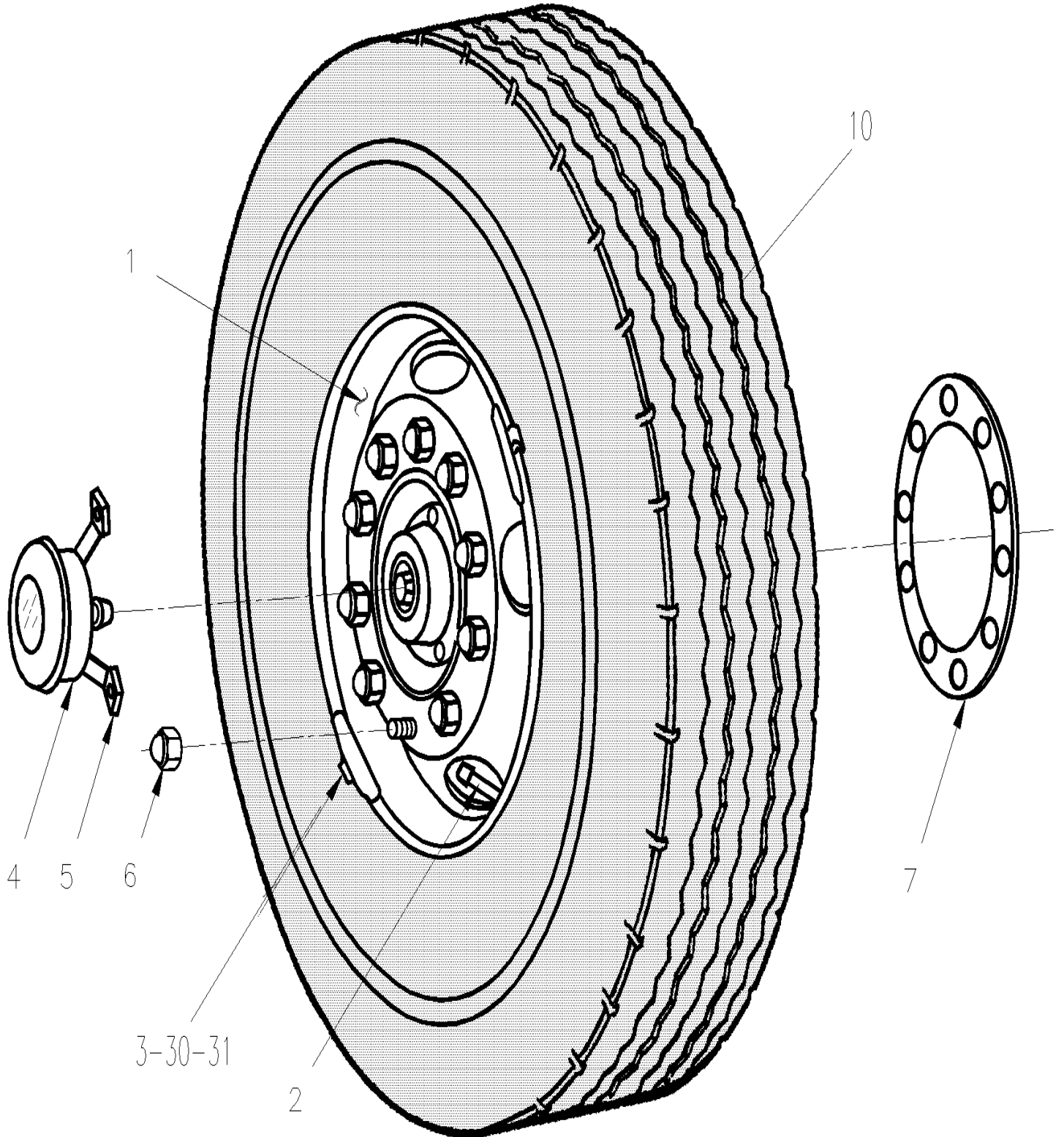


From 3-4417 To 8-1043

Date:10/2022

PAGE:HF-1318-00

WHEELS & COMPONENTS - TRUCK MOUNT (METRIC)





From 3-4417 To 8-1043 Date:10/2022 PAGE:HF-1318-00

WHEELS & COMPONENTS - TRUCK MOUNT (METRIC)

Item#	Part	Description	H 3 4 1	H 3 4 5	V I P 4 5	N O T E S
		STEEL WHEELS / HUB-MOUNTED				
1	650484	WHEEL, STEEL HUB 22.5 X 8.25 / WHITE / POWDER COAT	AR	AR	AR	
1	650486	WHEEL, STEEL HUB 22.5 X 9.00 / SILVER / POWDER COAT	AR	AR	AR	
1	650485	WHEEL, STEEL HUB 22.5 X 9.00 / WHITE / POWDER COAT	AR	AR	AR	
1	650487	WHEEL, STEEL HUB 22.5 X 8.25 / SILVER / POWDER COAT	AR	AR	AR	
1	650492	WHEEL, STEEL HUB 24.5 X 8.25 / SILVER / POWDER COAT	AR	AR	AR	
		ALUMINIUM WHEELS / HUB-MOUNTED				
1	650488	WHEEL, ALU. HUB 22.5 X 9.00 / INSIDE POLISH	AR	AR	AR	C
1	650489	WHEEL, ALU. HUB 22.5 X 9.00 / OUTSIDE POLISH	AR	AR	AR	C
1	650490	WHEEL, ALU. HUB 22.5 X 9.00 / BOTH SIDE POLISH	AR	AR	AR	C
1	650491	WHEEL, ALU. HUB 22.5 X 9.00 / BOTH SIDE MACHINED	AR	AR	AR	C
1	650587	WHEEL, ALU. HUB 22.5 X 9.00 / BOTH SIDE DURA-BRIGHT	AR	AR	AR	C
1	650601	WHEEL, ALU. HUB 22.5 X 9.00 / INSIDE DURA BRIGHT	AR	AR	AR	C
1	650602	WHEEL, ALU. HUB 22.5 X 9.00 / OUTSIDE DURA-BRIGHT	AR	AR	AR	C
1	650662	WHEEL, ALU. HUB 22.5 X 10.5 / BOTH SIDE DURA-BRIGHT XBR	AR	AR	AR	C
1	650483	WHEEL, ALU. HUB 24.5 X 8.25 / BOTH SIDE POLISH	AR	AR	AR	C
1	650443	WHEEL, ALU. HUB 22.5 X 10.5 / OUTSIDE POLISH	AR	AR	AR	C
1	650958	WHEEL, ALU. HUB 22.5 X 9.00 / BOTH SIDE MACHINED	AR	AR	AR	H
1	650959	WHEEL, ALU. HUB 22.5 X 9.00 / OUTSIDE POLISH	AR	AR	AR	H
1	650976	WHEEL, ALU. HUB 22.5 X 9.00 / OUTSIDE DURA-BRIGHT	AR	AR	AR	H
1	650989	WHEEL, ALU. HUB 22.5 X 9.00 / INSIDE POLISH	AR	AR	AR	H
1	651007	WHEEL, ALU. HUB 22.5 X 9.00 / INSIDE DURA BRIGHT	AR	AR	AR	H
1	651021	WHEEL, ALU. HUB 22.5 X 9.00 / BOTH SIDE POLISH	AR	AR	AR	H
1	651038	WHEEL, ALU. HUB 22.5 X 9.00 / BOTH SIDE DURA-BRIGHT	AR	AR	AR	H
1	650728	WHEEL, ALU. HUB 22.5 X 14.00 / INSIDE POLISH	2	2	2	S
1	651548	WHEEL, ALU. HUB 22.5 X 14.00 / INSIDE POLISH	2	2	2	S
1	650729	WHEEL, ALU. HUB 22.5 X 14.00 / INSIDE DURA BRIGHT	2	2	2	S
1	651549	WHEEL, ALU. HUB 22.5 X 14.00 / INSIDE DURA BRIGHT	2	2	2	S
NS	683527	SEALANT "ALLUMINUM WHEEL" / SPRAY 13 OZ.	AR	AR	AR	
NS	683528	POLISH "ALLUMINUM WHEEL" / WAX 16 OZ.	AR	AR	AR	
NS	683529	CLEANER "ALUMINUM WHEEL" / SPRAY 22 OZ.	AR	AR	AR	
		VALVES - VALVE EXTENTION & HOLDER				
2	150293	VALVE / W/STEEL WHEEL / "KNORR-BREMSE " BRAKE -	AR	AR	AR	A
2	650194	VALVE / W/ALUMINUM WHEEL / 1.38" LG W/60 deg	AR	AR	AR	
2	650744	VALVE / W/ALUMINUM WHEEL / 1.26" LG	AR	AR	AR	
2	651078	VALVE / W/ALUMINUM WHEEL / 2.31" LG	AR	AR	AR	



From 3-4417 To 8-1043	Date:10/2022	PAGE:HF-1318-00
WHEELS & COMPONENTS - TRUCK MOUNT (METRIC)		

Item#	Part	Description	H 3 4 1	H 3 4 5	V I P 4 5	N O T E S
2	651114	VALVE / W/ALUMINUM WHEEL / 2.60" LG W/60 deg	AR	AR	AR	
NS	650164	. CAP VALVE / CHROME	AR	AR	AR	
NS	650151	. CAP VALVE / STD	AR	AR	AR	
NS	650008	. SPRING VALVE	AR	AR	AR	
NS	650205	. SPRING VALVE 21116	AR	AR	AR	B
2	650201	EXTENSION VALVE 1 3/8" LG	AR	AR	AR	
NS	650188	EXTENSION VALVE / 7" LG	AR	AR	AR	
NS	650178	RUBBER HOLDER / 1.5" O.D. / EXTENSION VALVE To 6-0355	AR	AR	AR	
NS	651064	RUBBER HOLDER / 2" O.D. / EXTENSION VALVE From 6-0356	AR	AR	AR	
		WEIGHTS				
3	650062	WEIGHT BALANCING / W/STEEL WHEEL / 2 OZ	AR	AR	AR	
3	650063	WEIGHT BALANCING / W/STEEL WHEEL / 3 OZ	AR	AR	AR	
3	650064	WEIGHT BALANCING / W/STEEL WHEEL / 4 OZ	AR	AR	AR	
3	650065	WEIGHT BALANCING / W/STEEL WHEEL / 6 OZ	AR	AR	AR	
3	650066	WEIGHT BALANCING / W/STEEL WHEEL / 8 OZ	AR	AR	AR	
3	650067	WEIGHT BALANCING / W/STEEL WHEEL / 10 OZ	AR	AR	AR	
3	650068	WEIGHT BALANCING / W/STEEL WHEEL / 12 OZ	AR	AR	AR	
3	650069	WEIGHT BALANCING / W/STEEL WHEEL / 14 OZ	AR	AR	AR	
3	650070	WEIGHT BALANCING / W/STEEL WHEEL / 16 OZ	AR	AR	AR	
3	650175	WEIGHT BALANCING / W/ALUMINUM WHEEL / INT. & EXT. / 2 OZ	AR	AR	AR	
3	650109	WEIGHT BALANCING / W/ALUMINUM WHEEL / INT. & EXT. / 3 OZ	AR	AR	AR	
3	650110	WEIGHT BALANCING / W/ALUMINUM WHEEL / EXT. ON 4 OZ	AR	AR	AR	
3	650114	WEIGHT BALANCING / W/ALUMINUM WHEEL / INT. ON 4 OZ	AR	AR	AR	
3	650111	WEIGHT BALANCING / W/ALUMINUM WHEEL / EXT. ON 6 OZ	AR	AR	AR	
3	650115	WEIGHT BALANCING / W/ALUMINUM WHEEL / INT. ON 6 OZ	AR	AR	AR	
3	650112	WEIGHT BALANCING / W/ALUMINUM WHEEL / EXT. ON 8 OZ	AR	AR	AR	
3	650116	WEIGHT BALANCING / W/ALUMINUM WHEEL / INT. ON 8 OZ	AR	AR	AR	
3	650192	WEIGHT BALANCING / W/ALUMINUM WHEEL / W/ADHES 6 OZ	AR	AR	AR	
3	650206	WEIGHT BALANCING / POWDER (12 OZ BAG)	AR	AR	AR	
		HUBODOMETER				
4	650002	HUBODOMETER, COMPLETE 11 X 20 & 12 X 22.5 MPH / STEMCO	AR	AR		
4	650117	HUBODOMETER, COMPLETE 11 X 20 & 12 X 22.5 KMH / STEMCO	AR	AR		
4	590216	HUBODOMETER, COMPLETE 11 X 20 & 12 X 22.5 KMH / V.D.O.	AR	AR		
4	650174	HUBODOMETER, COMPLETE / FOR 295/80 KMH	AR	AR		
5	650145	HUBODOMETER BRACKET / W/8 STUDS AXLE SHAFT	AR	AR		
		OTHERS				



From 3-4417 To 8-1043 Date:10/2022 PAGE:HF-1318-00

WHEELS & COMPONENTS - TRUCK MOUNT (METRIC)

Item#	Part	Description	H 3 4 1	H 3 4 5	V I P 4 5	N O T E S
6	5001339	CAP, PLASTIC CHROME / WHEEL NUT / HUB MOUNT / PUSH-ON TYPE	60	60	60	E
7	650134	WHEEL GUARD MYLAR / WHEEL & HUB	AR	AR	AR	
8	621753	HUB CAP PLASTIC CHROME W/NUT / HUB MOUNT / METRIC	2	2	2	G
. NS	624215	. CAP NUT COVER WRENCH	1	1	1	G
8	611339	HUB CAP PLASTIC CHROME W/NUT / HUB MOUNT / METRIC	2	2	2	D
. NS	611470	. HUB CAP PLASTIC CHROME W/NUT / HUB MOUNT / METRIC	2	2	2	D
. . NS	624215	. . CAP NUT COVER WRENCH	1	1	1	D
. NS	19507612	. CAP NUT CHROME / SCREW TYPE	10	10	10	D
8	621683	HUB CAP PLASTIC CHROME W/NUT / HUB MOUNT	2	2	2	G
10	650447	TIRE MICHELIN 455/55 R22.5 X-ONE-XTE SUMMER TIRE	1	1	1	
10	652630	TIRE MICHELIN 455/55 R22.5 X ONE XDA-HT PLUS SUMMER TIRE	1	1	1	
10	651120	TIRE MICHELIN 455/55 R22.5 X ONE XONE XDA-ENERGY SUMMER TIRE	1	1	1	
10	651099	TIRE MICHELIN 455/55 R22.5 XD-N2 WINTER TIRE	1	1	1	
NS	652066	WHEEL NUT FLAG, ORANGE	AR	AR	AR	
		VALVES - WITH TIRE PRESSURE SENSOR				
30	066446	DECAL / "WARNING DETECTOR INSIDE" / ENGLISH & FRANCAIS	AR	AR	AR	
30	066445	DECAL / "WARNING DETECTOR INSIDE" / ENGLISH	AR	AR	AR	
31	HF-1318-10	TIRE MONITOR - PRESSURE & TEMPERATURE	1	1	1	
NS	MI02-17	SEE MAINTENANCE INFORMATION	1	1	1	
NS	MI03-26A	SEE MAINTENANCE INFORMATION	1	1	1	
		A) USE THIS VALVE WITH ALLS STEEL WHEELS MOUNTED WITH "KNORR-BREMSE" BRAKE SYSTEM				
		B) USE THIS EXTENSION WITH POWDER BALANCING WEIGHT				
		C) USE WITH 650178 RUBBER HOLDER				
		D) TO USE WITH FRONT & TAG AXLE				
		E) TO USE WITH NUT 22MM X 33MM THICK (611189)				
		G) TO USE WITH DRIVE AXLE WHEEL				
		H) USE WITH 651064 RUBBER HOLDER				
		S) USE ONLY WITH SUPER SINGLE TIRE (650447)				

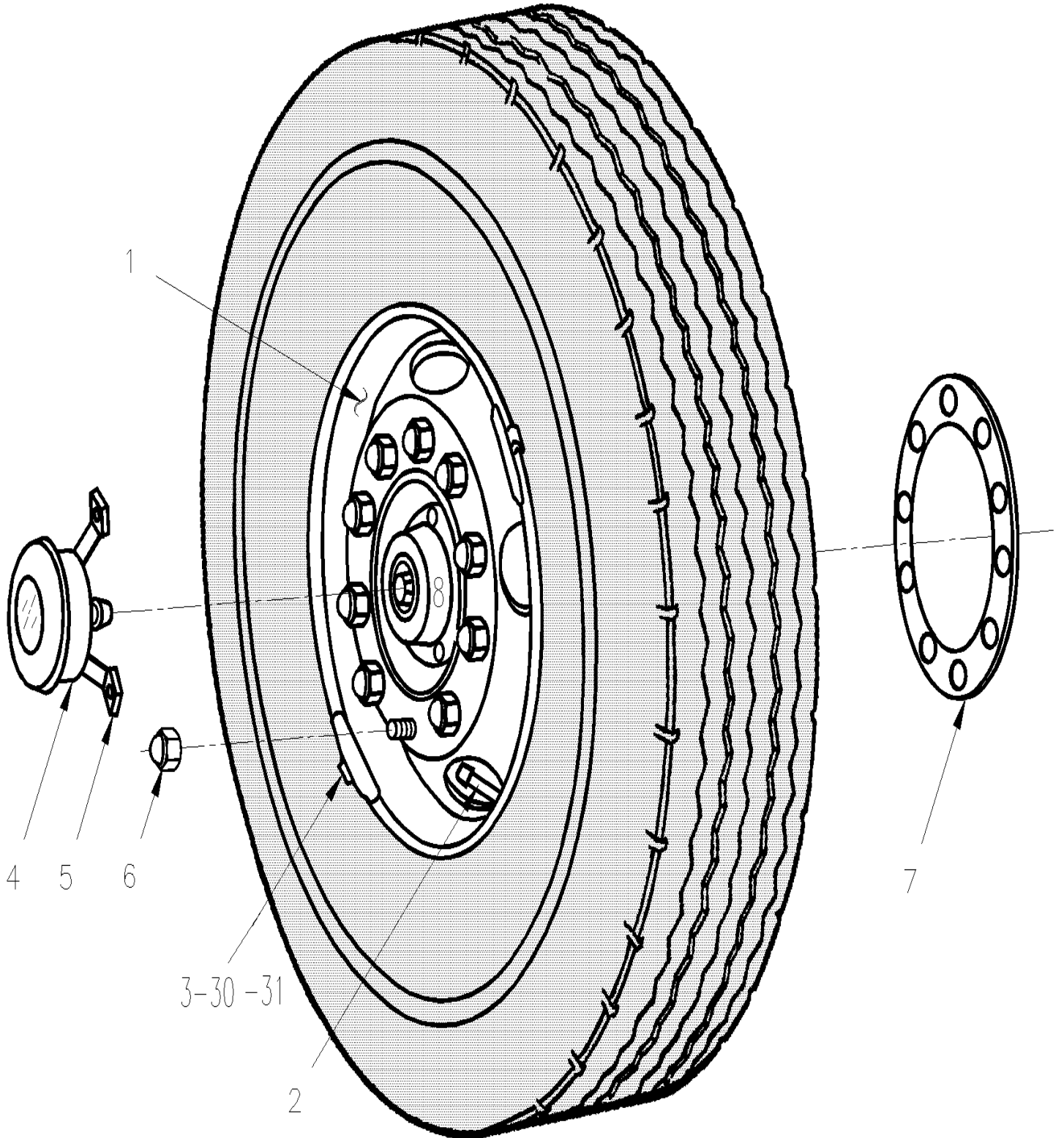


From 3-4417 To 7-1043

Date:10/2022

PAGE:HF-1318-01

WHEELS & COMPONENTS - BUS MOUNT (STANDARD)



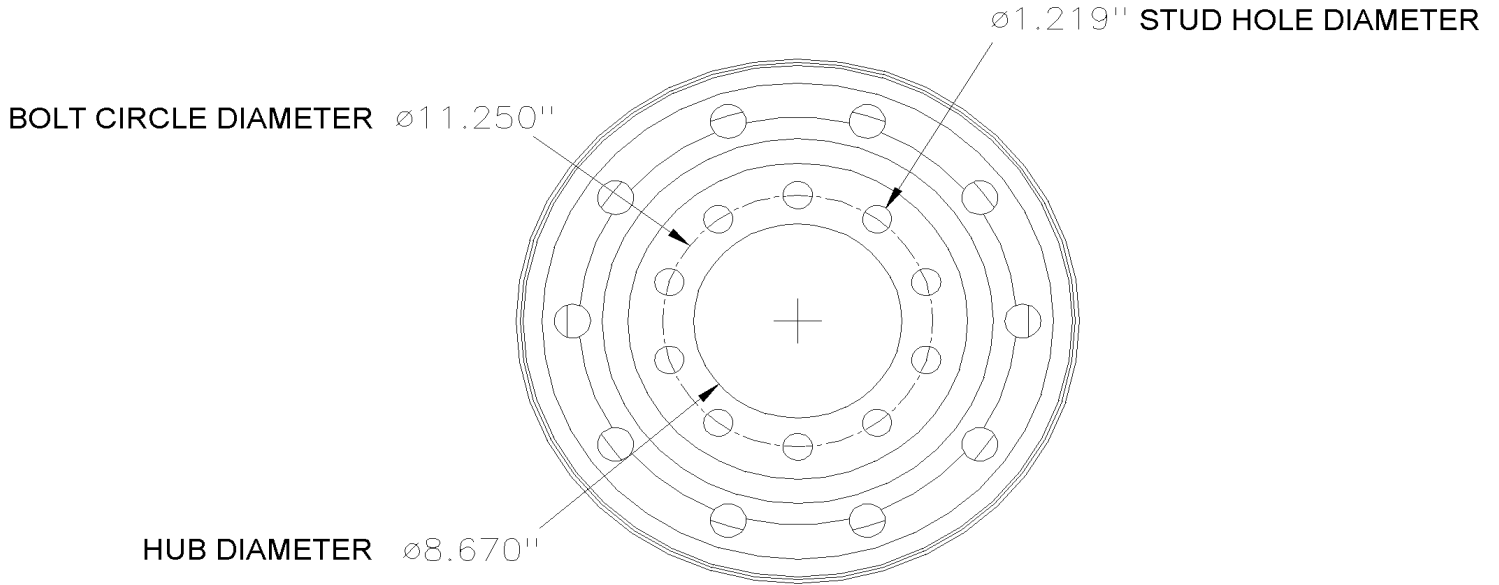


From 3-4417 To 7-1043

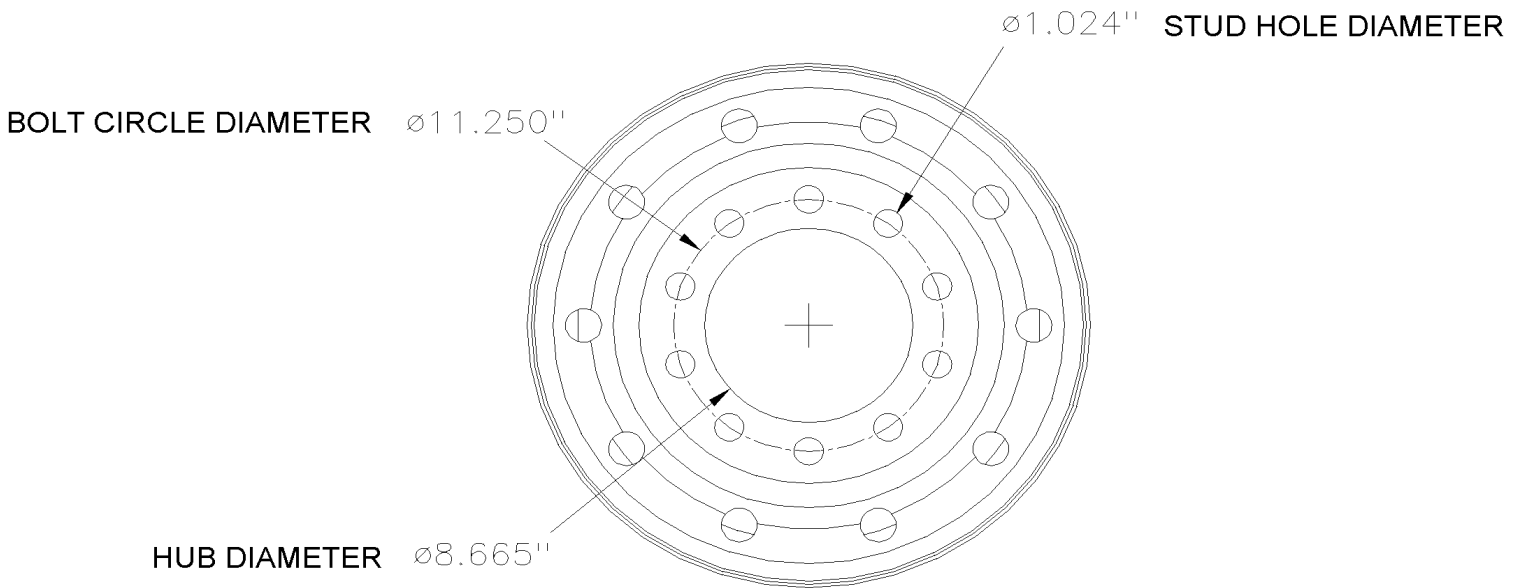
Date:10/2022

PAGE:HF-1318-01

WHEELS & COMPONENTS - BUS MOUNT (STANDARD)



BUS MOUNT STANDARD



TRUCK MOUNT METRIC



From 3-4417 To 7-1043 Date:10/2022 PAGE:HF-1318-01

WHEELS & COMPONENTS - BUS MOUNT (STANDARD)

Item#	Part	Description	H 3 4 1	H 3 4 5	V I P 4 5	N O T E S
		STEEL WHEELS / STUD MOUNTED				
1	650162	WHEEL, STEEL STUD 22.5 X 9.00 / WHITE / 2 HAND HOLE PC	AR	AR	AR	
1	650200	WHEEL, STEEL STUD 22.5 X 9.00 / GREY / 2 HAND HOLE	AR	AR	AR	R
		STEEL WHEELS / HUB-MOUNTED				
1	650179	WHEEL, STEEL HUB 22.5 X 9.00 / WHITE	AR	AR	AR	
1	650213	WHEEL, STEEL HUB 22.5 X 9.00 / WHITE / POWDER COAT	AR	AR	AR	
		ALUMINIUM WHEELS / STUD-MOUNTED				
1	650190	WHEEL, ALU. STUD 22.5 X 9.00 / INSIDE POLISH	AR	AR	AR	
1	650191	WHEEL, ALU. STUD 22.5 X 9.00 / OUTSIDE POLISH	AR	AR	AR	
		ALUMINIUM WHEELS / HUB-MOUNTED				
1	650185	WHEEL, ALU. HUB 22.5 X 9.00 / INSIDE POLISH	AR	AR	AR	
1	650186	WHEEL, ALU. HUB 22.5 X 9.00 / OUTSIDE POLISH	AR	AR	AR	
1	650222	WHEEL, ALU. HUB 22.5 X 9.00 / BOTH SIDE POLISH	AR	AR	AR	I
		VALVES - VALVE EXTENTION & HOLDER				
2	150293	VALVE / W/STEEL WHEEL / "KNORR-BREMSE " BRAKE -	AR	AR	AR	A
2	650194	VALVE / W/ALUMINUM WHEEL / 1.38" LG W/60 deg	AR	AR	AR	
NS	650164	. CAP VALVE / CHROME	AR	AR	AR	I
NS	650151	. CAP VALVE / STD	AR	AR	AR	
NS	650008	. SPRING VALVE	AR	AR	AR	
NS	650205	. SPRING VALVE 21116	AR	AR	AR	B
2	650201	EXTENSION VALVE 1 3/8" LG	AR	AR	AR	
NS	650188	EXTENSION VALVE / 7" LG	AR	AR	AR	
NS	650178	RUBBER HOLDER / 1.5" O.D. / EXTENSION VALVE	AR	AR	AR	
		WEIGHTS				
3	650062	WEIGHT BALANCING / W/STEEL WHEEL / 2 OZ	AR	AR	AR	
3	650063	WEIGHT BALANCING / W/STEEL WHEEL / 3 OZ	AR	AR	AR	
3	650064	WEIGHT BALANCING / W/STEEL WHEEL / 4 OZ	AR	AR	AR	
3	650065	WEIGHT BALANCING / W/STEEL WHEEL / 6 OZ	AR	AR	AR	
3	650066	WEIGHT BALANCING / W/STEEL WHEEL / 8 OZ	AR	AR	AR	
3	650067	WEIGHT BALANCING / W/STEEL WHEEL / 10 OZ	AR	AR	AR	
3	650068	WEIGHT BALANCING / W/STEEL WHEEL / 12 OZ	AR	AR	AR	



From 3-4417 To 7-1043	Date:10/2022	PAGE:HF-1318-01
WHEELS & COMPONENTS - BUS MOUNT (STANDARD)		

Item#	Part	Description	H 3 4 1	H 3 4 5	V I P 4 5	N O T E S
3	650069	WEIGHT BALANCING / W/STEEL WHEEL / 14 OZ	AR	AR	AR	
3	650070	WEIGHT BALANCING / W/STEEL WHEEL / 16 OZ	AR	AR	AR	
3	650175	WEIGHT BALANCING / W/ALUMINUM WHEEL / INT. & EXT. / 2 OZ	AR	AR	AR	
3	650109	WEIGHT BALANCING / W/ALUMINUM WHEEL / INT. & EXT. / 3 OZ	AR	AR	AR	
3	650110	WEIGHT BALANCING / W/ALUMINUM WHEEL / EXT. ON 4 OZ	AR	AR	AR	
3	650114	WEIGHT BALANCING / W/ALUMINUM WHEEL / INT. ON 4 OZ	AR	AR	AR	
3	650111	WEIGHT BALANCING / W/ALUMINUM WHEEL / EXT. ON 6 OZ	AR	AR	AR	
3	650115	WEIGHT BALANCING / W/ALUMINUM WHEEL / INT. ON 6 OZ	AR	AR	AR	
3	650112	WEIGHT BALANCING / W/ALUMINUM WHEEL / EXT. ON 8 OZ	AR	AR	AR	
3	650116	WEIGHT BALANCING / W/ALUMINUM WHEEL / INT. ON 8 OZ	AR	AR	AR	
3	650192	WEIGHT BALANCING / W/ALUMINUM WHEEL / W/ADHES 6 OZ	AR	AR	AR	
3	650206	WEIGHT BALANCING / POWDER (12 OZ BAG)	AR	AR	AR	
		HUBODOMETER				
4	650002	HUBODOMETER, COMPLETE 11 X 20 & 12 X 22.5 MPH / STEMCO	AR	AR		
4	650117	HUBODOMETER, COMPLETE 11 X 20 & 12 X 22.5 KMH / STEMCO	AR	AR		
4	590216	HUBODOMETER, COMPLETE 11 X 20 & 12 X 22.5 KMH / V.D.O.	AR	AR		I
4	650174	HUBODOMETER, COMPLETE / FOR 295/80 KMH	AR	AR		
5	650106	HUBODOMETER BRACKET / W/10 STUDS AXLE SHAFT	AR	AR		
5	650145	HUBODOMETER BRACKET / W/8 STUDS AXLE SHAFT	AR	AR		
		OTHERS				
6	502221	CAP, PLASTIC CHROME / WHEEL NUT / HUB MOUNT	20	20		C
6	5001301	CAP, PLASTIC CHROME / WHEEL NUT / HUB MOUNT	40	40		D
6	502823	CAP, PLASTIC CHROME / WHEEL NUT / STUD MOUNT	60	60	60	
6	502223	CAP, PLASTIC WHITE / WHEEL NUT / STUD MOUNT	60	60	60	
6	5001339	CAP, PLASTIC CHROME / WHEEL NUT / HUB MOUNT / PUSH-ON TYPE	60	60	60	E
7	650134	WHEEL GUARD MYLAR / WHEEL & HUB	AR	AR	AR	
8	650224	HUB CAP PLASTIC CHROME W/NUT / STUD MOUNT	4	4	4	F
8	650225	HUB CAP PLASTIC CHROME W/NUT / STUD MOUNT	2	2	2	G
8	621673	HUB CAP PLASTIC CHROME W/NUT / STUD MOUNT	2	2	2	G
8	621683	HUB CAP PLASTIC CHROME W/NUT / HUB MOUNT	2	2	2	R G
		A) USE THIS VALVE WITH ALLS STEEL WHEELS MOUNTED WITH "KNORR-BREMSE" BRAKE SYSTEM				
		B) USE THIS EXTENSION WITH POWDER BALANCING WEIGHT				
		C) TO USE WITH NUT 3/8"X 1"1/2 THICK (610774) / DRIVE AXLE				
		D) TO USE WITH NUT 29/32" X 1 "1/2 THICK (610773) / FRONT & TAG AXLE				



From 3-4417 To 7-1043	Date:10/2022	PAGE:HF-1318-01
-----------------------	--------------	-----------------

WHEELS & COMPONENTS - BUS MOUNT (STANDARD)

Item#	Part	Description	H 3 4 1	H 3 4 5	V I P 4 5	N O T E S
		E) TO USE WITH NUT 22MM X 33MM THICK (611189)				
		F) TO USE WITH FRONT & TAG WHEEL				
		G) TO USE WITH DRIVE AXLE WHEEL				

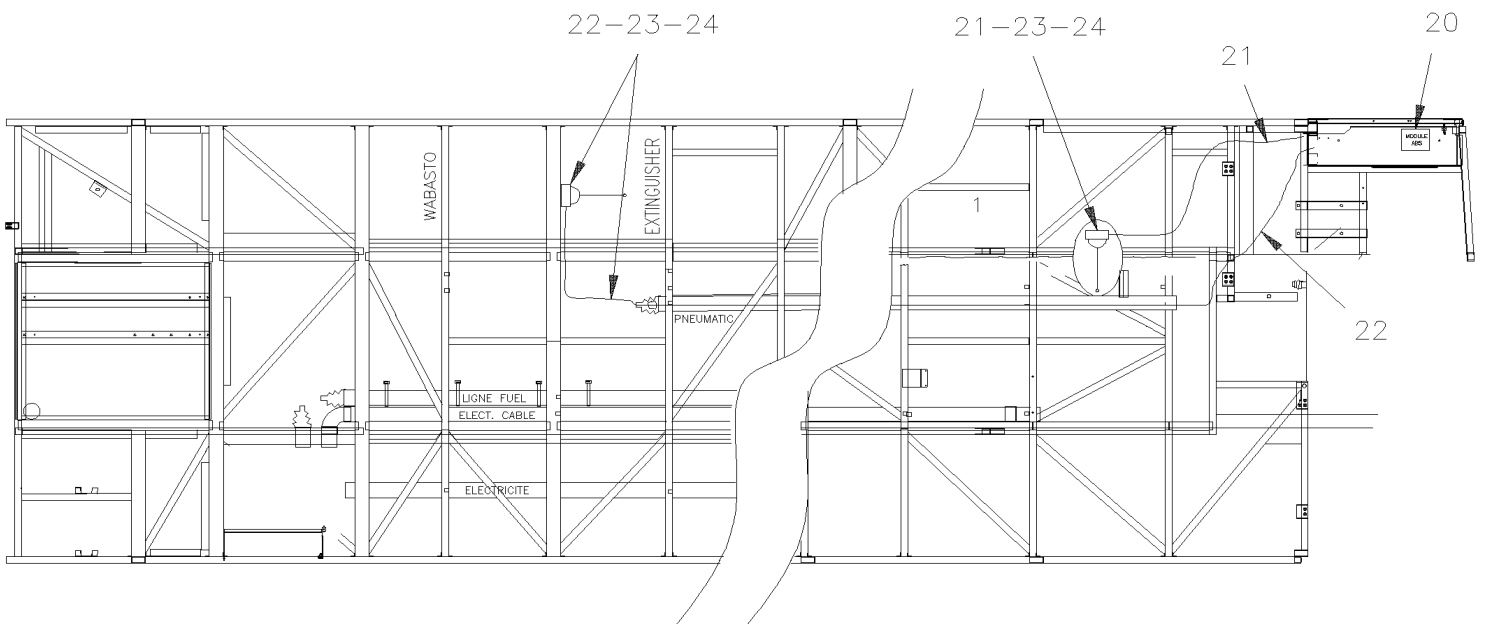
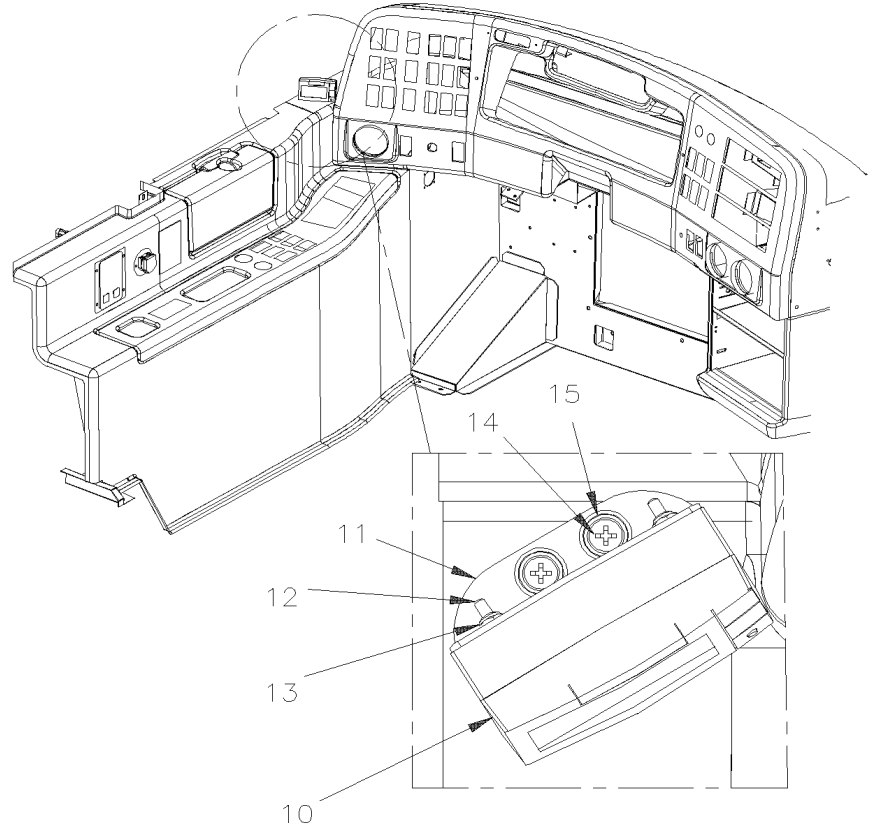
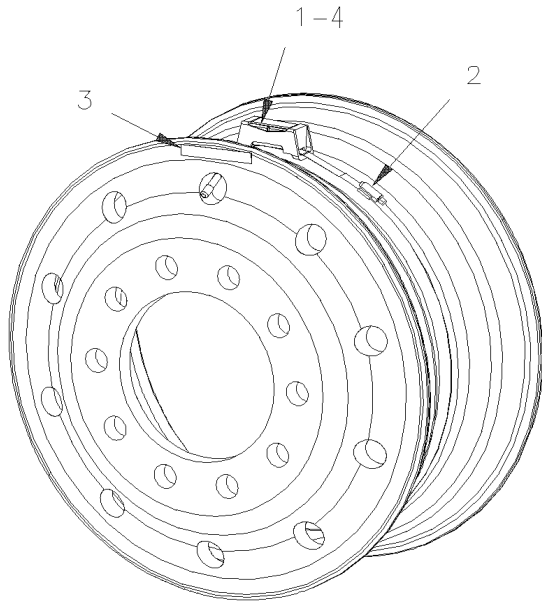


From 5-0167 To 8-1043

Date:10/2022

PAGE:HF-1318-10

TIRE MONITOR - PRESSURE & TEMPERATURE





From 5-0167 To 8-1043 Date:10/2022 PAGE:HF-1318-10

TIRE MONITOR - PRESSURE & TEMPERATURE

Item#	Part	Description	H 3 4 1	H 3 4 5	V I P 4 5	N O T E S
1	382333	DETECTOR PRESSURE & TEMPERATURE	AR	AR	AR	
2	507643	CLAMP DETECTOR PRESSURE / INSIDE OF WHEEL	AR	AR	AR	
3	066445	DECAL / "WARNING DETECTOR INSIDE" / ENGLISH	AR	AR	AR	
4	651068	CRADLE BOX / SENSOR	1	1	1	
10	382332	DISPLAY MONITOR TIRE / FULL PROGRAMATION	1	1	1	
11	382340	SUPPORT DISPLAY	1	1	1	
12	5001454	SCREW MA BDG PH #4-40x1/2 SS	2	2	2	
13	500425	NUT HEX NYRT #4-40 SS	2	2	2	
14	500353	SCREW TP FL PH #8x3/4 BK	2	2	2	
15	500345	WASHER FN CKF .187x.500x.090 BR BK	2	2	2	
20	382334	RECEIVER TIRE MONITOR / ASSY W/CONNECTOR	1	1	1	
. NS	382355	. RECEIVER TIRE MONITOR	1	1	1	
21	382331	ANTENNA TIRE MONITOR / FRONT	1	1	1	
22	382335	ANTENNA TIRE MONITOR / REAR	1	1	1	
22	382358	SUPPORT ANTENNA TIRE MONITOR	2	2	2	
23	500623	SCREW TC PAN PH #10-24x3/4 N500	6	6	6	
24	500470	WASHER LO SPT .193x.334x.047 Z050	6	6	6	
NS	563611	INITIALER TIRE SMART CONTROLER / CUSTOMER USE ONLY TO START S	1	1	1	
36	405728	KIT, RETROFIT TIRE SENSOR PRESSURE (superseded by (060906/060910)	1	1	1	
NS	060910	KIT, COMPLET MODULE TIRE PSI DETECTOR / W/OUT MUX	1	1	1	
. NS	IS-04084A	. SEE INSTRUCTION SHEET	1	1	1	
NS	060906	KIT, COMPLET MODULE TIRE PSI DETECTOR / W/MUX	1	1	1	
. NS	IS-04084A	. SEE INSTRUCTION SHEET	1	1	1	

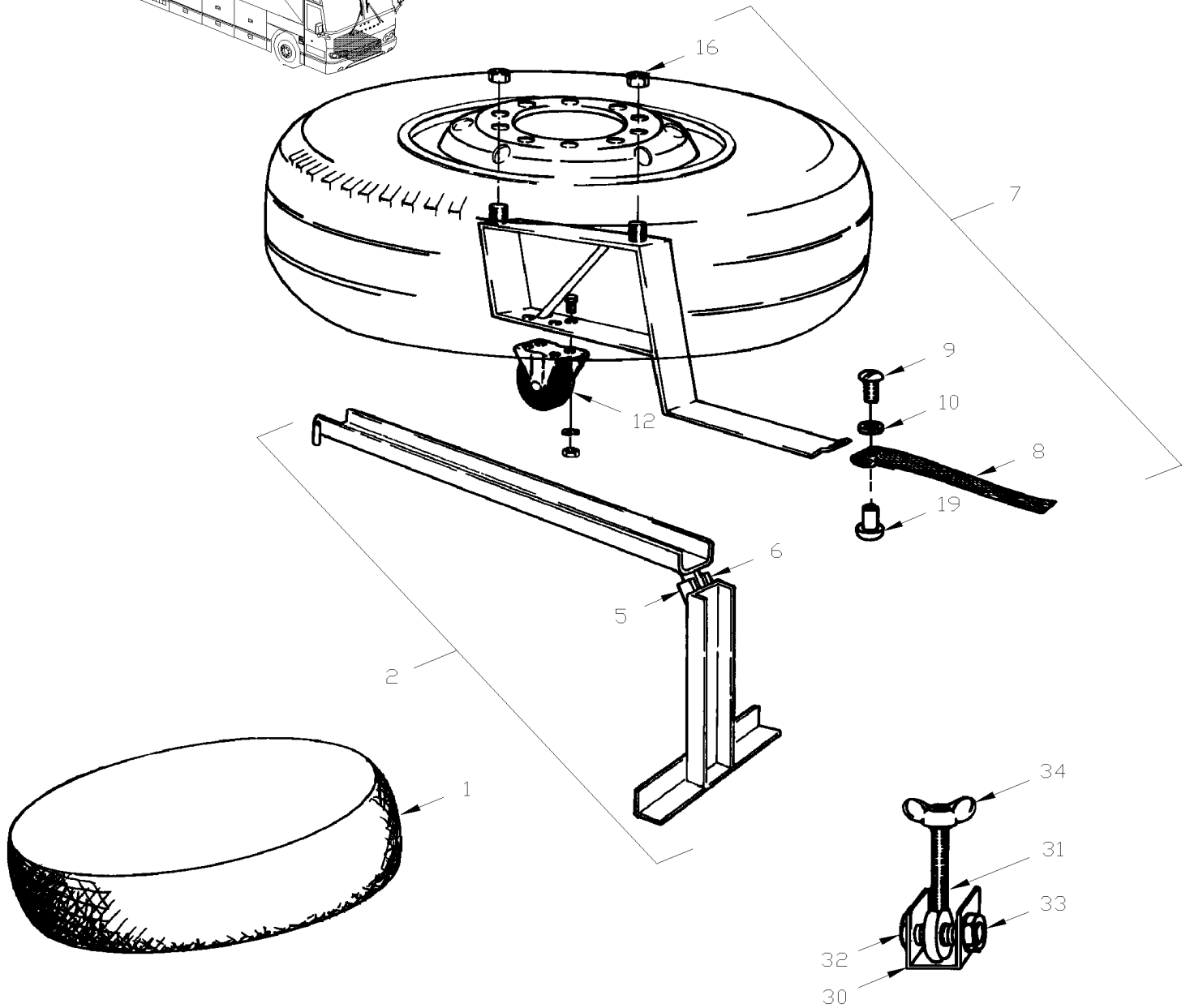
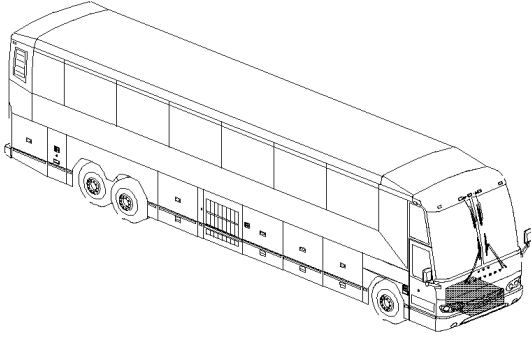


From 3-4417 To 8-1043

Date:10/2022

PAGE:HF-1325-00

SPARE WHEEL - INSTALLATION



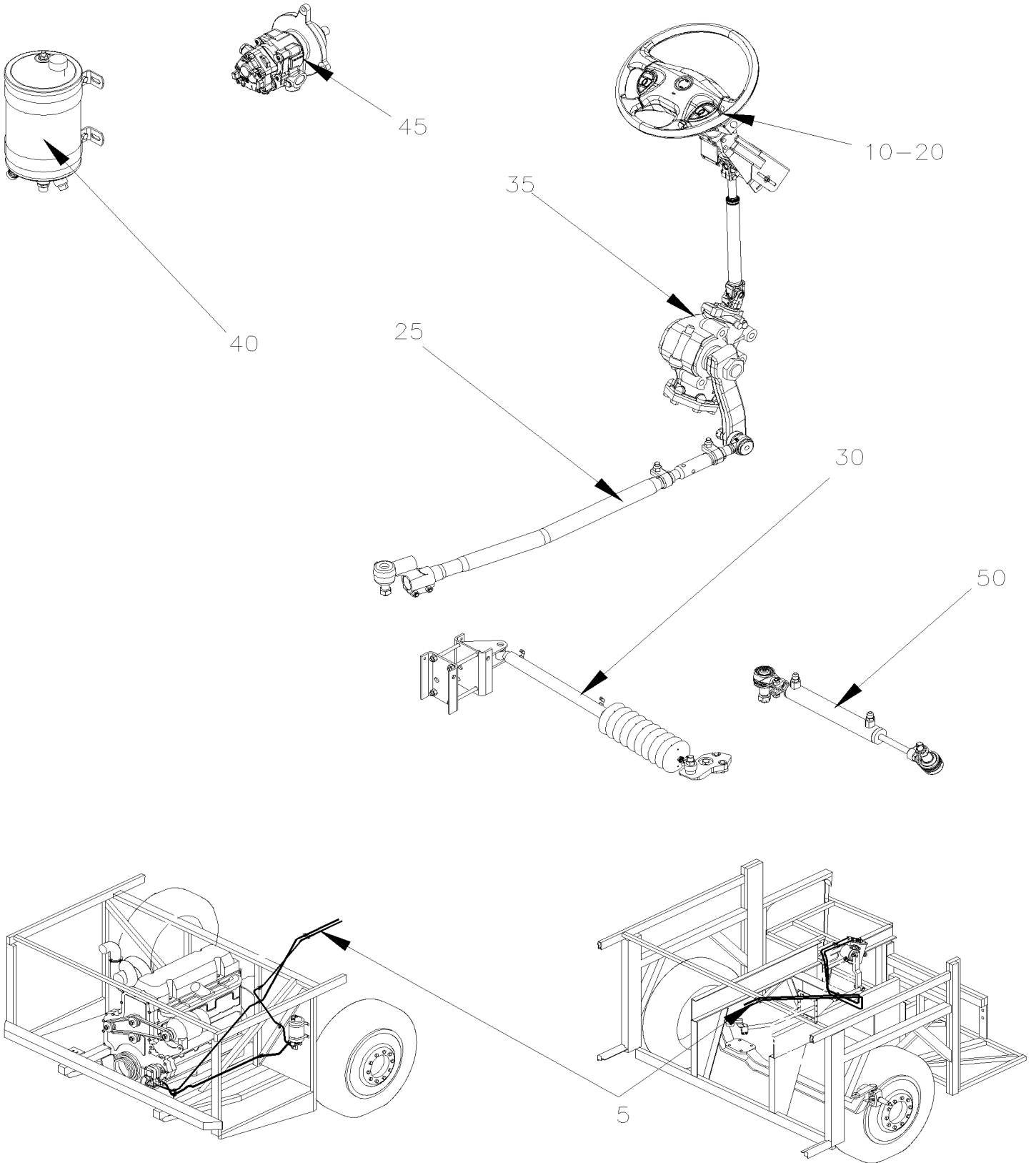


From 3-4417 To 8-1043	Date:10/2022	PAGE:HF-1325-00
SPARE WHEEL - INSTALLATION		

Item#	Part	Description	H 3 4 1	H 3 4 5	V I P 4 5	N O T E S
1	150128	COVER SPARE WHEEL	1	1		
1	150237	CHAIN ASSY / SPARE RETAINER	1	1		
1	505028	. TURN BUCKLE	1	1		
2	150272	RAIL ASSY To 3-4476	1	1		
2	150528	RAIL ASSY From 3-4477	1	1		
5	502651	. SCREW CAP HEX M8-1.25x35 G8.8 Z050	1	1		
6	502744	. NUT HEX STO M8-1.25 Z050	1	1		
7	150275	SUPPORT ASSY / W/ALUMINUM WHEEL	1	1		
7	150270	. SUPPORT	1	1		
7	150276	SUPPORT ASSY / W/STEEL WHEEL	1	1		
7	150269	. SUPPORT	1	1		
8	150212	. STRAP 27"	1	1		
9	504339	. RIVET POP DOME OE 1/8x3/8 SS	2	2		
10	5001067	. WASHER FL .128x.312x.032 SS	2	2		
12	650041	WHEEL	1	1		
16	150181	SCREW / SPECIAL To 3-4670	2	2		
16	150555	PLATE ASSY W/2 SCREW From 3-4671	1	1		
16	502794	NUT WING M10-1.5 ZP	2	2		
31	5001010	EYE BOLT M10-1.5x90 CJ	1	1		
32	502686	SCREW CAP HEX M6-1.0x30 SS BK	1	1		
33	502621	NUT HEX STO M6-1.0 Z050	1	1		
34	502794	NUT WING M10-1.5 ZP	1	1		



	Date:10/2022	HF-14
STEERING		





	Date:10/2022	HF-14
STEERING		

Item#	Part	Description	H 3 4 1	H 3 4 5	V I P 4 5	N O T E S
5	HF-1400-00	POWER STEERING HOSE - INSTALLATION From 3-4417 To 8-1043				
10	HF-1405-00	STEERING WHEEL & COLUMN ASSY From 3-4417 To 8-1043				
20	HF-1407-00	STEERING COLUMN & COVER - INSTALLATION From 3-4417 To 8-1043				
25	HF-1410-00	STEERING GEAR BOX & DRAG LINK - INSTALLATION From 3-4417 To 8-1043				
25	HF-1410-50	STEERING RODS - INSTALLATION W/INDEPENDENT "IS-84" / 16500LBS From 3-4417 To 3-4757				
25	HF-1410-51	STEERING RODS - INSTALLATION W/INDEPENDENT "NDIFS80P" / 18000LBS From 4-4758 To 8-1043				
30	HF-1412-00	STEERING DAMPER From 3-4417 To 8-1043				
35	HF-1415-00	STEERING GEARBOX - "ZF" From 3-4417 To 8-1043				
40	HF-1420-00	POWER STEERING TANK - 4 QT U.S. From 3-4417 To 8-1043				
45	HF-1427-00	POWER STEERING PUMP - "TRW" From 3-4417 To 8-1043				
50	HF-1430-50	CYLINDER POWER STEERING From 4-4758 To 8-1043				



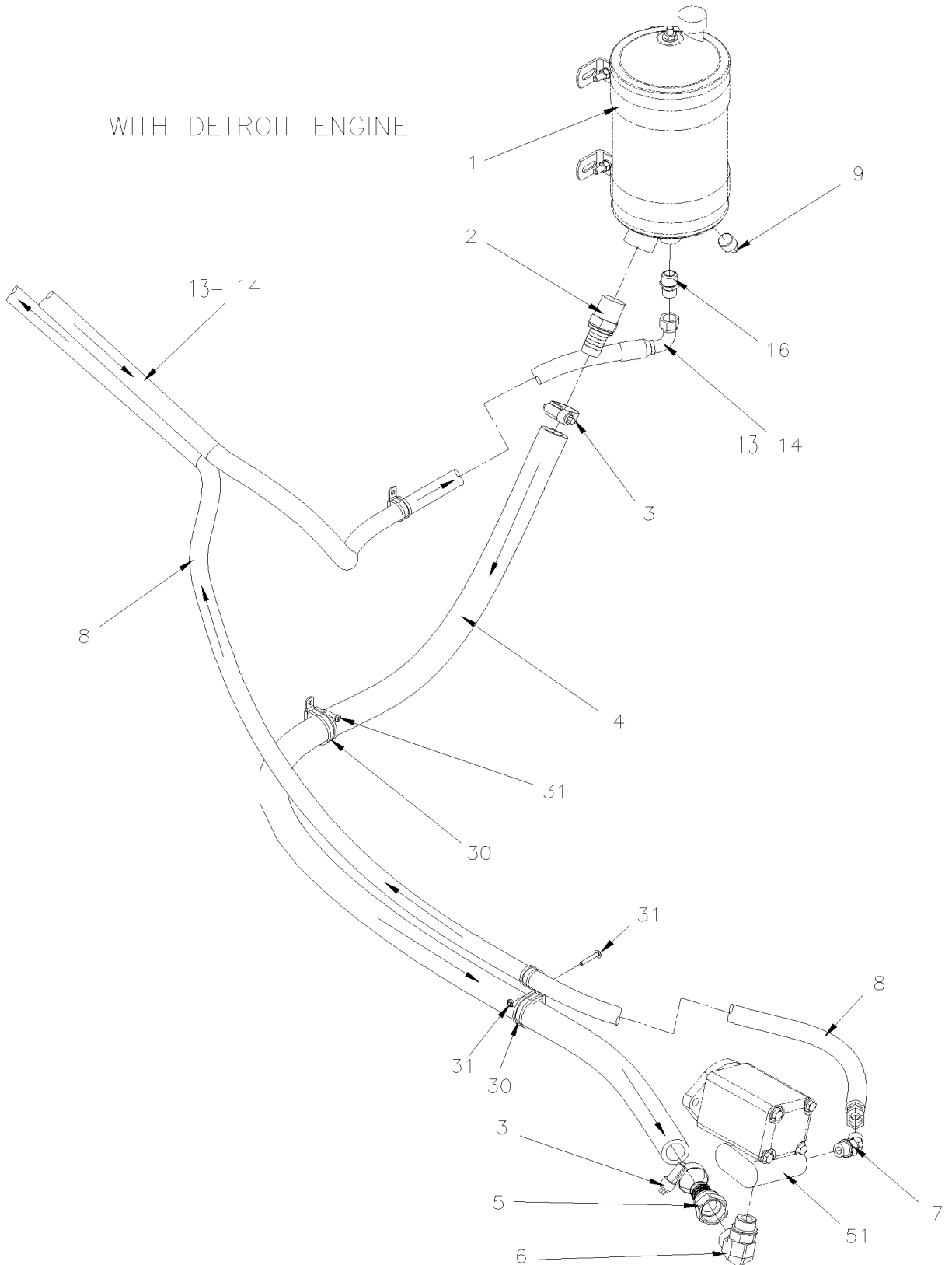
From 3-4417 To 8-1043

Date:10/2022

PAGE:HF-1400-00

POWER STEERING HOSE - INSTALLATION

WITH DETROIT ENGINE



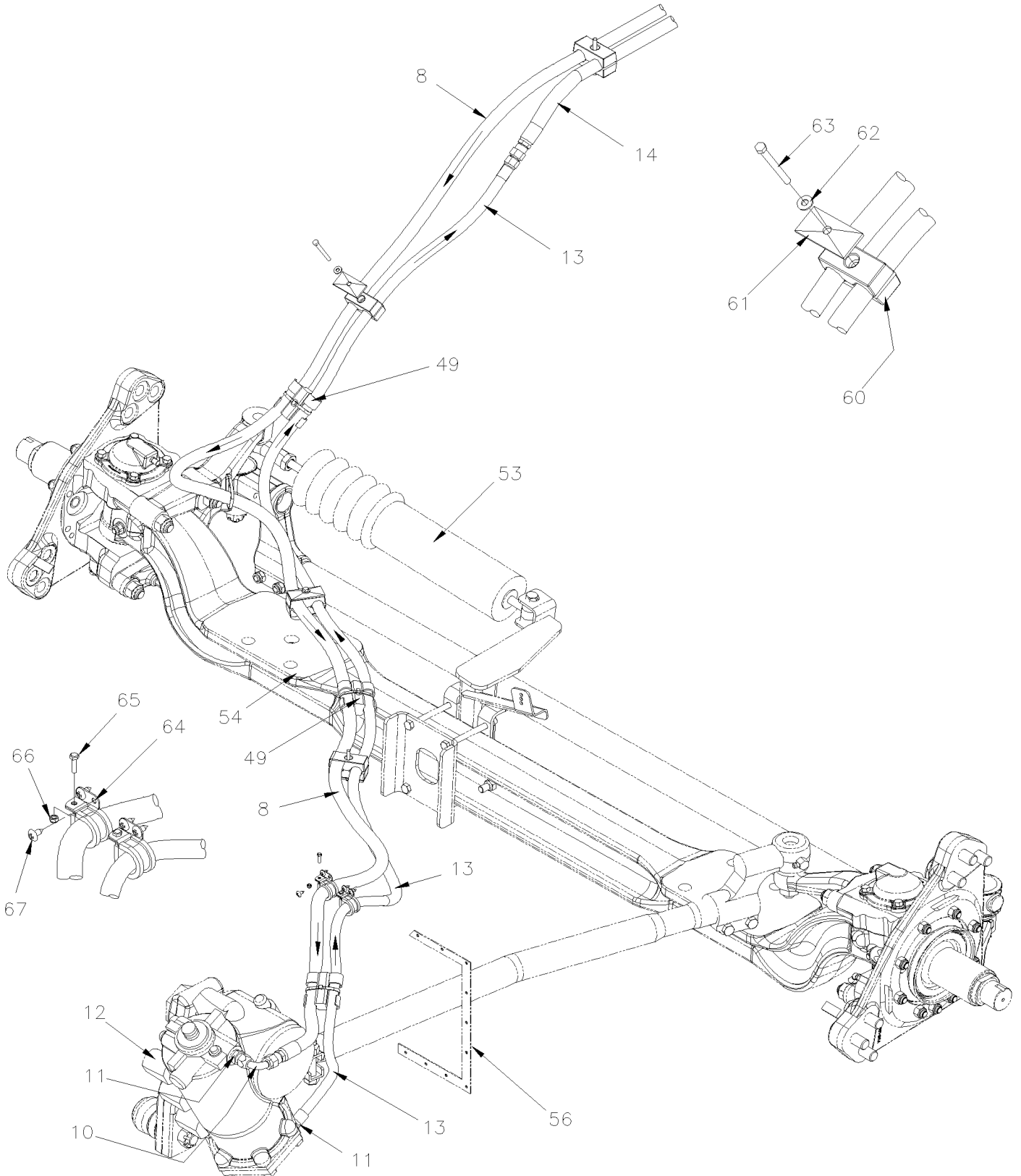


From 3-4417 To 8-1043

Date:10/2022

PAGE:HF-1400-00

POWER STEERING HOSE - INSTALLATION



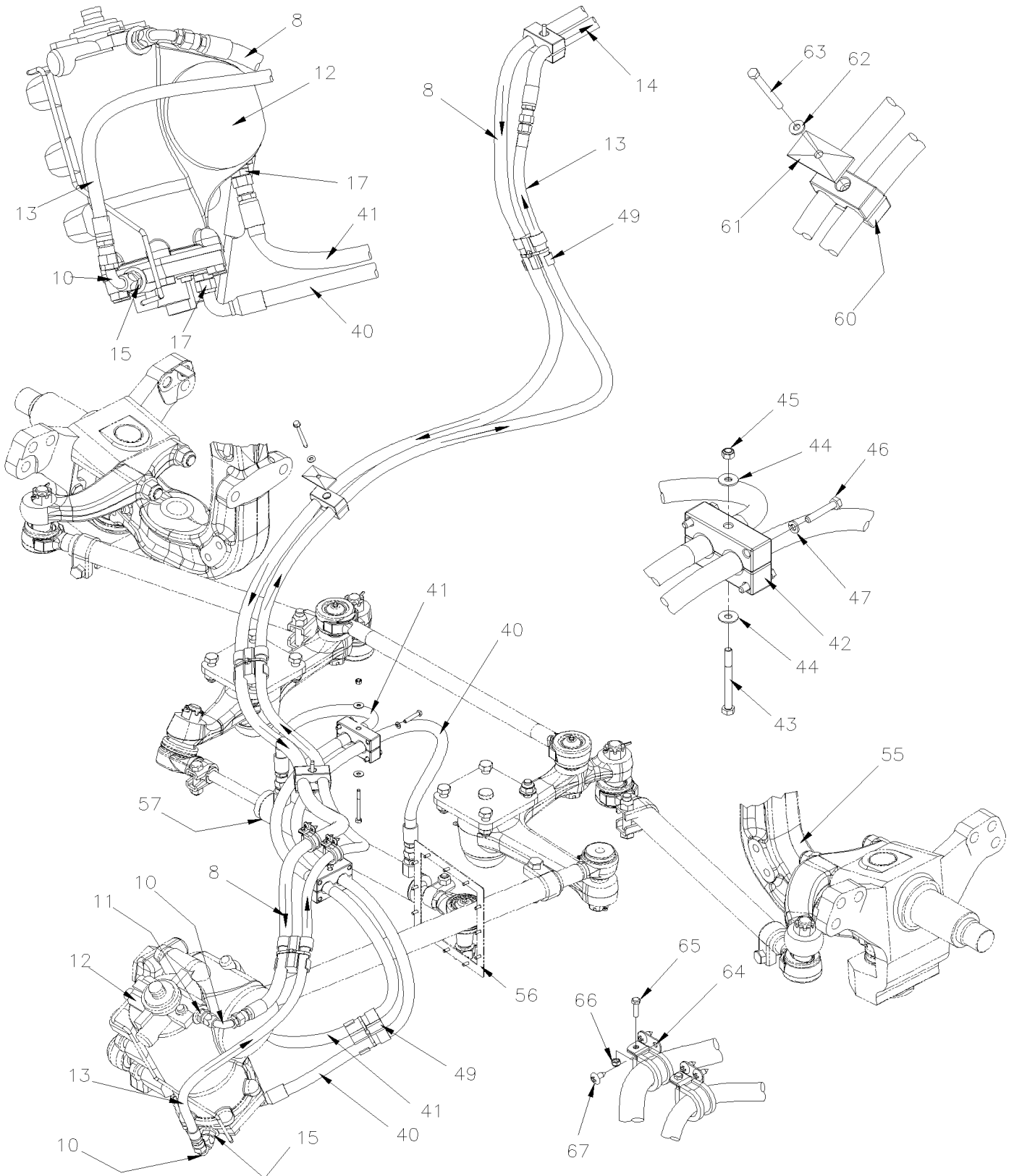


From 3-4417 To 8-1043

Date:10/2022

PAGE:HF-1400-00

POWER STEERING HOSE - INSTALLATION





From 3-4417 To 8-1043	Date:10/2022	PAGE:HF-1400-00
POWER STEERING HOSE - INSTALLATION		

Item#	Part	Description	H 3 4 1	H 3 4 5	V I P 4 5	N O T E S
1	HF-1420-00	POWER STEERING TANK - 4 QT U.S.				
2	5011086	MALE CONNECTOR / PUSH-LOK FITTING / 1NPT-Mx#16 STL	1	1	1	
3	504291	HOSE CLAMP / 1"1/8-1"3/4 SS / E.T. 20	AR	AR	AR	
4	160949	HOSE / FEED LINE TO TANK / #16 1778MM	1	1	1	
5	5011147	FEMALE CONNECTOR SWIVEL / COLLAR FITTING / #16JIC-Fx#16 STL	1	1	1	
6	5011148	MALE ELBOW 90° / JIC 37° FITTING / #16JIC-Mx#12ORB-M STL	1	1	1	
7	5011167	MALE ELBOW 45° / JIC 37° FITTING / #8JIC-Mx#8ORB-M STL	1	1	1	
8	161164	HOSE ASSY / #8 14320MM		1	1	A
8	161165	HOSE ASSY / #8 13180MM	1			A
NS	505110	. COIL PROTECTOR / PLASTIC / #12 To 5-0097	AR	AR	AR	
8	503748	HOSE PROTECTOR / YELLOW / .838 I.D. From 5-0098	AR	AR	AR	
8	161198	KIT, HOSE REPAIR / FRONT SECTION STEERING / H3	1	1	1	
. NS	WB04-10A	. SEE WARRANTY BULLETIN	1	1	1	
. NS	161196	. HOSE ASSY / #8 1020MM	1	1	1	
. NS	501456	. MALE CONNECTOR / JIC 37° FITTING / #8JIC-Mx#8 STL	1	1	1	
8	161199	KIT, HOSE REPAIR / REAR SECTION STEERING / H3	1	1	1	
. NS	WB04-10A	. SEE WARRANTY BULLETIN	1	1	1	
. NS	161194	. HOSE ASSY / #8 1930MM	1	1	1	
. NS	501456	. MALE CONNECTOR / JIC 37° FITTING / #8JIC-Mx#8 STL	1	1	1	
9	501306	PLUG SQUARE HEAD / PIPE FITTING / 1/2NPT-M BR	1	1	1	
10	501845	SWIVEL NUT ELBOW 90° LONG / JIC 37° FITTING / #8JIC-Fx#8JIC-Mx1.86 STL	2	2	2	
11	5011192	MALE CONNECTOR / JIC 37° FITTING / #8JIC-MxM18-1.5-M STL	2	2	2	
. NS	N.P.N.	. O-RING	1	1	1	4
. NS	N.P.N.	. WASHER RET	1	1	1	4
NS	688910	THREAD LOCKER LOCTITE #262 / RED / 250ml	AR	AR	AR	
12	HF-1415-00	STEERING GEARBOX - "ZF"	1	1	1	
13	161015	HOSE ASSY / #8 13625MM		1	1	A
13	161017	HOSE ASSY / #8 12405MM	1			A
NS	505110	. COIL PROTECTOR / PLASTIC / #12 To 5-0097	AR	AR	AR	
13	503748	. HOSE PROTECTOR / YELLOW / .838 I.D. From 5-0098	AR	AR	AR	
13	161198	KIT, HOSE REPAIR / FRONT SECTION STEERING / H3	1	1	1	
. NS	WB04-10A	. SEE WARRANTY BULLETIN	1	1	1	
. NS	161196	. HOSE ASSY / #8 1020MM	1	1	1	
. NS	501456	. MALE CONNECTOR / JIC 37° FITTING / #8JIC-Mx#8 STL	1	1	1	
13	161199	KIT, HOSE REPAIR / REAR SECTION STEERING / H3	1	1	1	
. NS	WB04-10A	. SEE WARRANTY BULLETIN	1	1	1	
. NS	161194	. HOSE ASSY / #8 1930MM	1	1	1	
. NS	501456	. MALE CONNECTOR / JIC 37° FITTING / #8JIC-Mx#8 STL	1	1	1	
14	161194	. HOSE ASSY / #8 1930MM	1	1	1	C
NS	503748	. . HOSE PROTECTOR / YELLOW / .838 I.D.	AR	AR	AR	
15	5011192	MALE CONNECTOR / JIC 37° FITTING / #8JIC-MxM18-1.5-M STL			2	
. NS	N.P.N.	. O-RING			1	4



From 3-4417 To 8-1043	Date:10/2022	PAGE:HF-1400-00
POWER STEERING HOSE - INSTALLATION		

Item#	Part	Description	H 3 4 1	H 3 4 5	V I P 4 5	N O T E S
. NS	N.P.N.	. WASHER RET			1	4
16	501739	MALE CONNECTOR / JIC 37° FITTING / #8JIC-Mx1/2NPT-M STL	1	1	1	
17	5011192	MALE CONNECTOR / JIC 37° FITTING / #8JIC-MxM18-1.5-M STL			1	
. NS	N.P.N.	. O-RING			1	4
. NS	N.P.N.	. WASHER RET			1	4
30	952631	CLAMP / 3/4" I.D.	AR	AR	AR	
30	952634	CLAMP / 15/16" I.D.	AR	AR	AR	
31	500613	SCREW TP PAN PH #10x1/2 Z050	AR	AR	AR	
32	952641	CLAMP / 1 5/16" I.D.	AR	AR	AR	
33	500574	SCREW MA TR PH #10-24x1 1/4 SS	AR	AR	AR	
34	500767	NUT HEX #10-24 Z050	AR	AR	AR	
35	562036	CLAMP / 7/8" I.D. X 90°	AR	AR	AR	
36	500657	SCREW TC TR PH #10-24x1/2 Z050	AR	AR	AR	
40	161185	HOSE SET ASSY / CYLINDER POWER STEERING	1	1	1	
40	163470	. HOSE ASSY / #8 1648MM			1	
41	163469	. HOSE ASSY / #8 1648MM			1	
42	161177	. HOSE RETAINER BLOCK CLAMP			4	B
42	160033	. HOSE RETAINER BLOCK CLAMP			4	
43	502541	. SCREW CAP HEX M6-1.0x65 G8.8 Z050			1	
44	500411	. WASHER FL .260x.697x.050 SS			2	
45	5001182	. NUT HEX NYRT M6-1.0 SS			1	
45	160203	KIT, POWER STEERING PUMP DISCHARGE HOSE (PRESSURE) H3-45,VIP-45			1	
. NS	160108	. HOSE ASSY / #8 12490MM			1	
. NS	170758	. SUPPORT			1	
. NS	5001730	. SCREW CAP HEXF M6-1.0x16 G10.9 N500			1	
. NS	5001833	. WASHER BEL SPR 6.1x18x1.27 SS			1	
. NS	501031	. SEAL / JIC 37° FITTING / #8			1	
. NS	504189	. CLAMP DOUBLE ASS / SPLIT BLOC / 22MM/19MM x 67MM POLYA			1	
. NS	504204	. CLAMP P SS ID. 36-51			1	
. NS	IS-19040	. INSTRUCTION SHEET			1	
. NS	FI-19040	. VOIR FEUILLE D'INSTRUCTION			1	
46	502888	SCREW CAP HEX M6-1.0x35 G8.8 N500			4	
46	502769	SCREW CAP HEX M6-1.0x70 G10.9 DP			4	
47	502570	WASHER LO SPT 6.1x11.8x1.6 SS			4	
49	504634	T-CLIP / 7/8" - 1"			AR	
NS	504637	CABLE TIE / 3/16" x 13"			AR	
NS	500620	SCREW TP FL PH #10x1 1/2 Z050			AR	
51	HF-1427-00	POWER STEERING PUMP - "TRW"				
53	HF-1412-00	STEERING DAMPER				
54	HF-1005-00	FRONT AXLE - I BEAM RIGID MODEL "S-84"				
55	HF-1005-50	FRONT AXLE - INDEPENDENT MODEL "IS-84" / 16500LBS				
56	HF-1410-00	STEERING GEAR BOX & DRAG LINK - INSTALLATION				



From 3-4417 To 8-1043 Date:10/2022 PAGE:HF-1400-00

POWER STEERING HOSE - INSTALLATION

Item#	Part	Description	H 3 4 1	H 3 4 5	V I P 4 5	N O T E S
57	HF-1430-50	CYLINDER POWER STEERING				
60	504727	CLAMP DOUBLE ASS / 2 HOSE SIZE 3/8"	AR	AR	AR	
61	504728	PLATE RETAINER	AR	AR	AR	
62	500440	WASHER FL .250x.562x.065 Z050	AR	AR	AR	
63	500107	SCREW TC CAP HEXW 1/4-20x2 1/2 Z050	AR	AR	AR	
64	562036	CLAMP / 7/8" I.D. X 90°	AR	AR	AR	
65	502550	SCREW CAP HEX M4-0.7x16 G8.8 Z050	AR	AR	AR	
66	500590	NUT HEX NYRT M4-0.7 Z050	AR	AR	AR	
67	500657	SCREW TC TR PH #10-24x1/2 Z050	AR	AR	AR	
		A) FOR SERVICE, IT'S POSSIBLE TO REPAIR THESE HOSES IN FRONT SERVICE COMPARTMENT WITH KIT #161198 AND IN ENGINE COMPARTMENT WITH KIT #161199				
		B) FOR SERVICE, IT'S POSSIBLE TO REPAIR THIS BLOCK IN FRONT SERVICE COMPARTMENT WITH KIT #160203 (H3-45) OR #160130 (H3-41				
		C) INCLUDED IN KIT #161199				
		4) NO PARTS NUMBER				

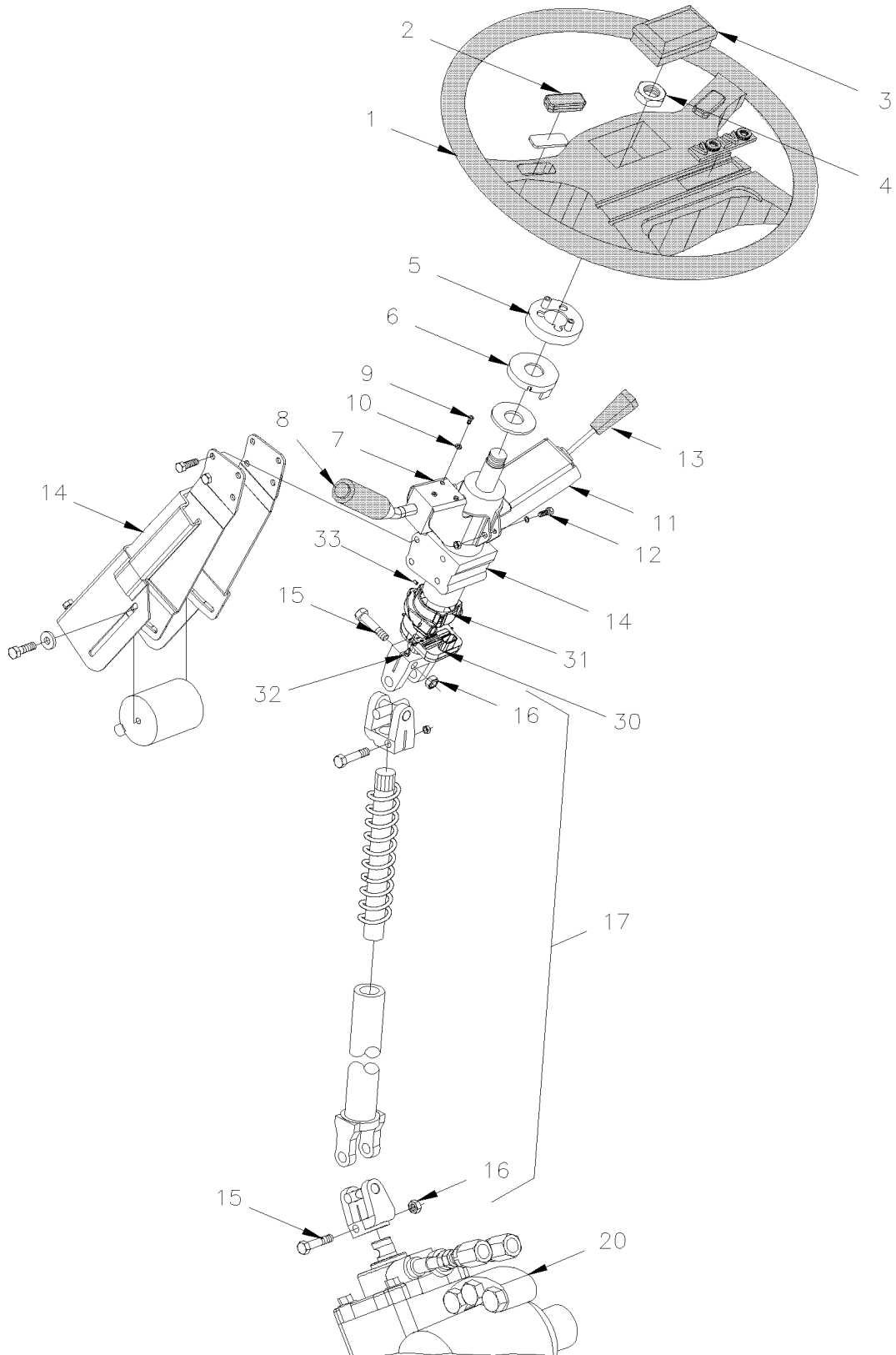


From 3-4417 To 8-1043

Date:10/2022

PAGE:HF-1405-00

STEERING WHEEL & COLUMN ASSY





From 3-4417 To 8-1043	Date:10/2022	PAGE:HF-1405-00
STEERING WHEEL & COLUMN ASSY		

Item#	Part	Description	H 3 4 1	H 3 4 5	V I P 4 5	N O T E S
1	661032	STEERING WHEEL	1	1	1	
. NS	661061	. BRUSH ASSY SPOKE CONTACT	1	1	1	
. NS	661062	. BRUSH ASSY CENTRAL CONTACT	1	1	1	
. NS	661063	. GROUNDING CABLE ASSY	1	1	1	
. NS	661064	. INSULATOR	1	1	1	
2	661052	. HORN BUTTON / ELECTRICAL LH	1	1	1	
2	661053	. HORN BUTTON / ELECTRICAL RH	1	1	1	
NS	661058	. CONTACT PLATE	2	2	2	
3	661033	HORN BUTTON / AIR	1	1	1	
4	661051	NUT	1	1	1	
5	661035	RING TURN SIGNAL CANCELING	1	1	1	
NS	504669	RIVET DRV BDG .187x.609 NYL	2	2	2	
6	661034	HORN CONTACT RING	1	1	1	
7	161149	SUPPORT, DIRECTIONAL SWITCH	1	1	1	
8	661075	LEVER ASSY / MULTIFONCTINAL	1	1	1	
. NS	660781	. CAP PLEATED RUBBER	1	1	1	
9	5001377	SCREW MA PAN PH M5-0.8x8 SS	3	3	3	
10	5001378	WASHER LO EXT 5.3x10x0.6 Z050	3	3	3	
11	161058	COLLAR / W/O RETARDER	1	1	1	
11	161060	COLLAR W/SWITCH SUPPORT	1	1	1	
12	502631	SCREW CAP HEX M6-1.0x20 G8.8 Z050	2	2	2	
13	562356	SWITCH ASSY / W/LEVER & BOOT / 6 POSITIONS	1	1	1	
14	661041	STEERING COLUMN ASSY 36SPL / 79SPL LOWER To 7-0941	1	1	1	
14	661122	STEERING COLUMN ASSY W/E.C.S. 36SPL / 66SPL LOWER From 7-0942	1	1	1	E
14	161220	DECAL "WARNING" STREERING SYSTEM CALIBRA.." From 7-0942	1	1	1	E
NS	641242	MALE CONNECTOR / PUSH-IN FITTING / #4x1/8NPT-M BR	1	1	1	
15	661095	SCREW CAP HEX "SPECIAL" STEERING SHAFT "ZF"	2	2	2	
16	661096	NUT "SPECIAL" STEERING SHAFT "ZF"	2	2	2	
17	661048	SHAFT ASSY STEERING 79SPL / 79SPL LOWER To 7-0941	1	1	1	
17	661123	SHAFT ASSY STEERING W/E.C.S. 66SPL / 79SPL LOWER From 7-0942	1	1	1	E
. NS	661095	. SCREW CAP HEX "SPECIAL" STEERING SHAFT "ZF" From 7-0942	2	2	2	E
. NS	661096	. NUT "SPECIAL" STEERING SHAFT "ZF" From 7-0942	2	2	2	E
20	HF-1415-00	STEERING GEARBOX - "ZF"				
30	661148	SENSOR ANGLE POSITION DETECTOR From 7-0942	1	1	1	E
. NS	564042	. CONNECTOR / BOSCH 1 928 404 025 From 7-0942	1	1	1	E
31	161265	SUPPORT SENSOR ANGLE POSITION STEERING From 7-0942	1	1	1	E
32	5001670	SCREW CAP HEXS M4-0.7x8 G8.8 Z050 From 7-0942	3	3	3	E
33	500587	SCREW SET HEXS CUP M4-0.7x6 From 7-0942	3	3	3	E
40	IS19036	PETRI STEERING WHEEL REPLACEMENT	1	1	1	



From 3-4417 To 8-1043	Date:10/2022	PAGE:HF-1405-00
-----------------------	--------------	-----------------

STEERING WHEEL & COLUMN ASSY

Item#	Part	Description	H 3 4 1	H 3 4 5	V I P 4 5	N O T E S
		E) WITH OPTION "ELECTRONIC CONTROL STABILITY"				

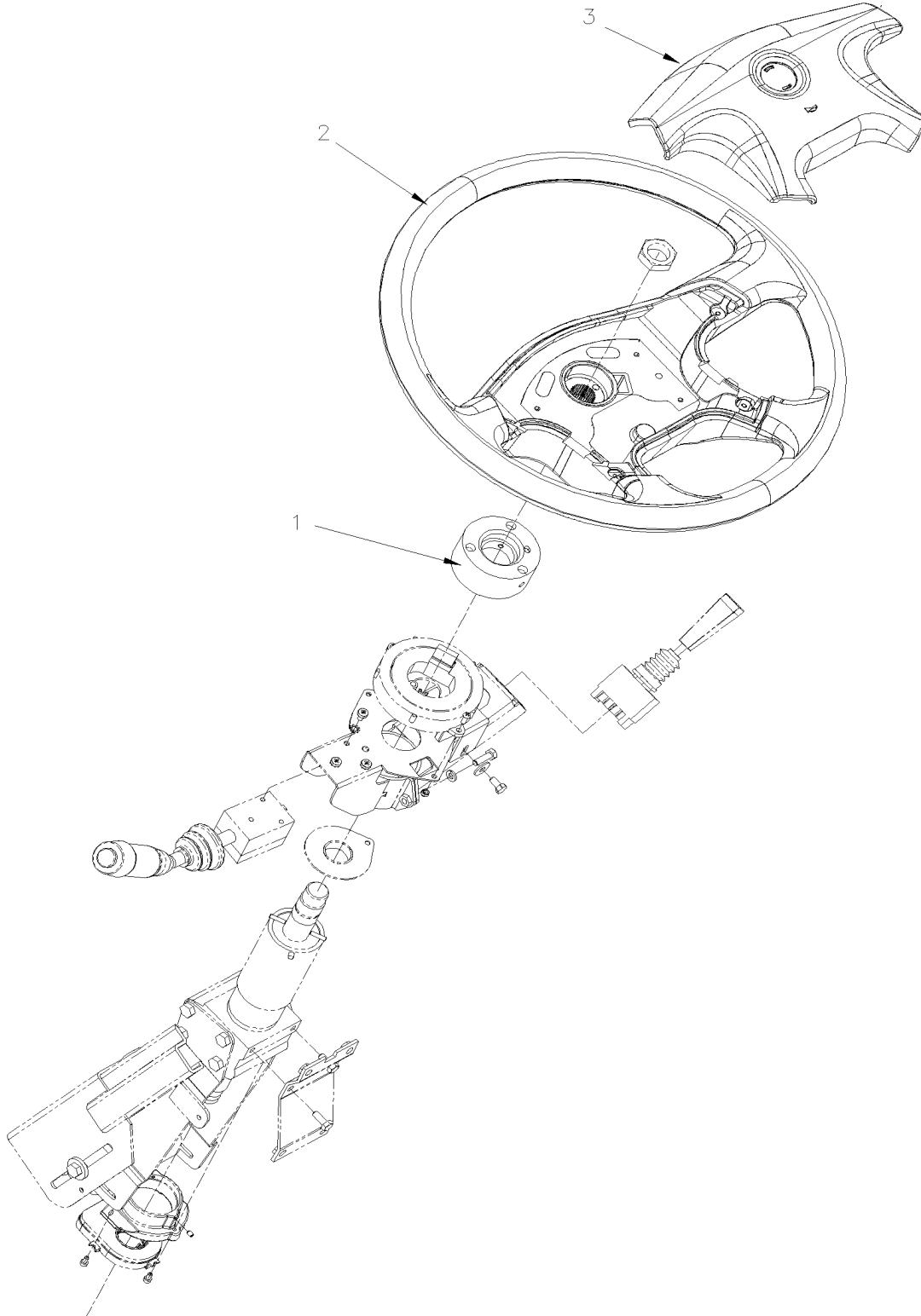


From 3-4417 To 8-1043

Date:10/2022

PAGE:IS19036

PETRI STEERING WHEEL REPLACEMENT





From 3-4417 To 8-1043	Date:10/2022	PAGE:IS19036
PETRI STEERING WHEEL REPLACEMENT		

Item#	Part	Description	H 3 4 1	H 3 4 5	V I P 4 5	N O T E S
1	160004	STEERING ADAPTER RING	1	1	1	
2	661171	STEERING WHEEL URHETHANE W/OUT ANY CONTROL	1	1	1	
3	661149	HORN BUTTON CUSHION PAD W PROVOST EMBLEM	1	1	1	
. NS	N.S.S.	. SPRING HORN	4	4	4	1
. NS	661162	. SPRING RETAINER / HORN SPRING	4	4	4	
. NS	661163	. HORN CONTACT	1	1	1	
NS	562697	SWITCH / ON-ON / D.P.D.T. / CH-OVER / W/RED & GREEN LED	1	1	1	
NS	564081	CAP / HORN SELECTOR - ELEC / AIR	1	1	1	
NS	0610188	HARNESS, INTERFACE STEERING WHEEL	1	1	1	
NS	562768	SOCKET TERMINAL / 16-14 / PED 12015870	2	2	2	
8	IS-19036	SEE INSTRUCTION SHEET	1	1	1	
8	FI-19036	VOIR FEUILLE D'INSTRUCTION	1	1	1	
		1) NOT SOLD SEPARATELY				

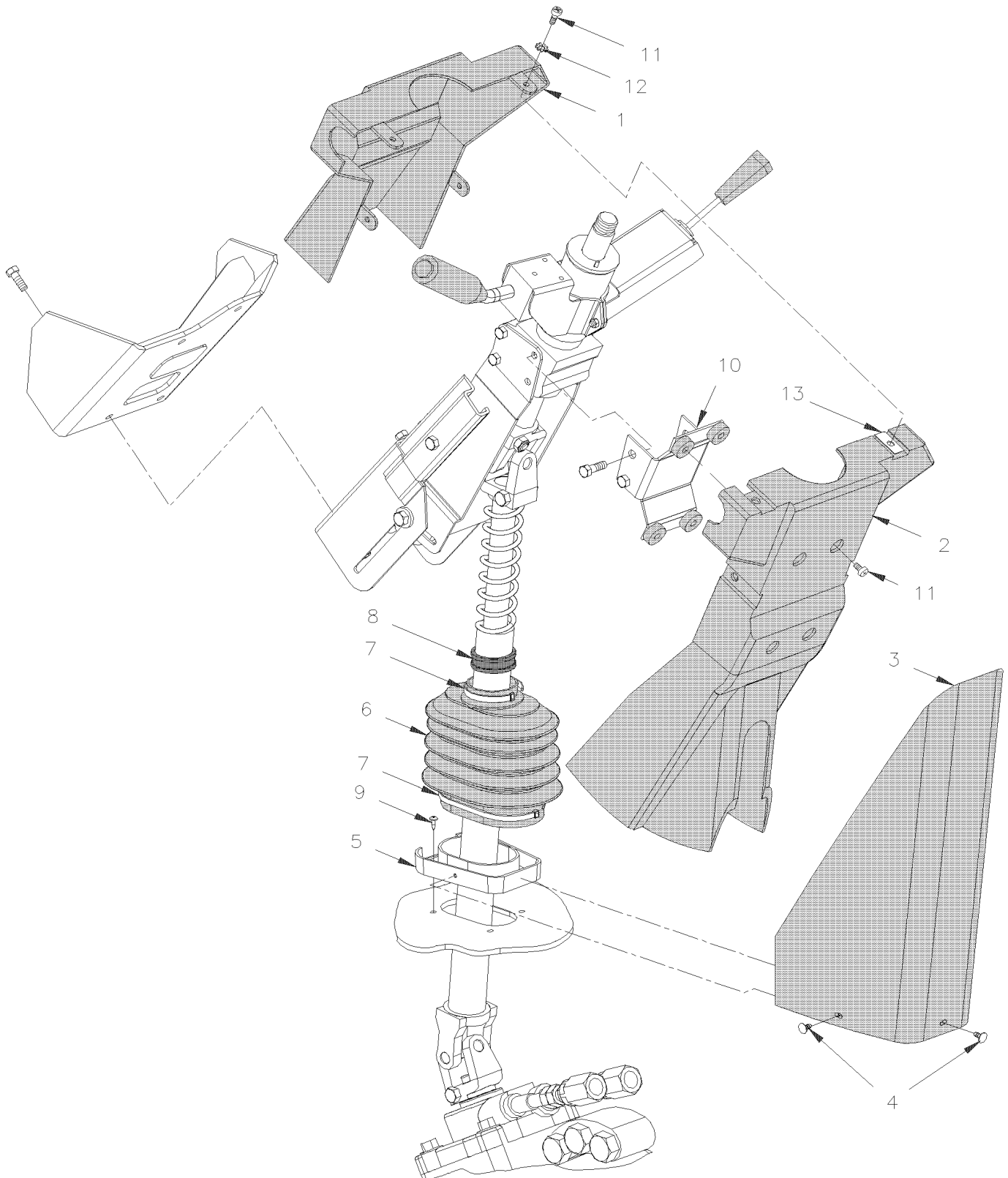


From 3-4417 To 8-1043

Date:10/2022

PAGE:HF-1407-00

STEERING COLUMN & COVER - INSTALLATION





From 3-4417 To 8-1043	Date:10/2022	PAGE:HF-1407-00
-----------------------	--------------	-----------------

STEERING COLUMN & COVER - INSTALLATION

Item#	Part	Description	H 3 4 1	H 3 4 5	V I P 4 5	N O T E S
1	161086	COVER / W/RETARDER / BLACK	1	1	1	
1	161087	COVER / W/O RETARDER / BLACK	1	1	1	
2	161084	COVER / W/RETARDER / BLACK	1	1	1	
2	161085	COVER / W/O RETARDER / BLACK	1	1	1	
3	161152	COVER, LOWER / BLACK	1	1	1	
4	504619	CLIP CHRISTMAS TREE / BLACK 7/32"O.D.x1/2" HOLE 3/16	3	3	3	
5	391974	PLATE SUPPORT	1	1	1	
6	660981	BELLOW	1	1	1	
7	504637	CABLE TIE / 3/16" x 13"	2	2	2	
8	391930	COLLAR	1	1	1	
9	500583	SCREW TP PAN PH #6x1/2 Z050	4	4	4	
10	161068	ATTACHMENT	1	1	1	
11	502569	SCREW MA PAN PH M6-1.0x16 BK	8	8	8	
12	500472	WASHER LO INT .256x.478x.028 Z050	8	8	8	
13	502738	NUT SPR U M6-1.0 0.6-4.0	2	2	2	
13	504669	RIVET DRV BDG .187x.609 NYL	2	2	2	

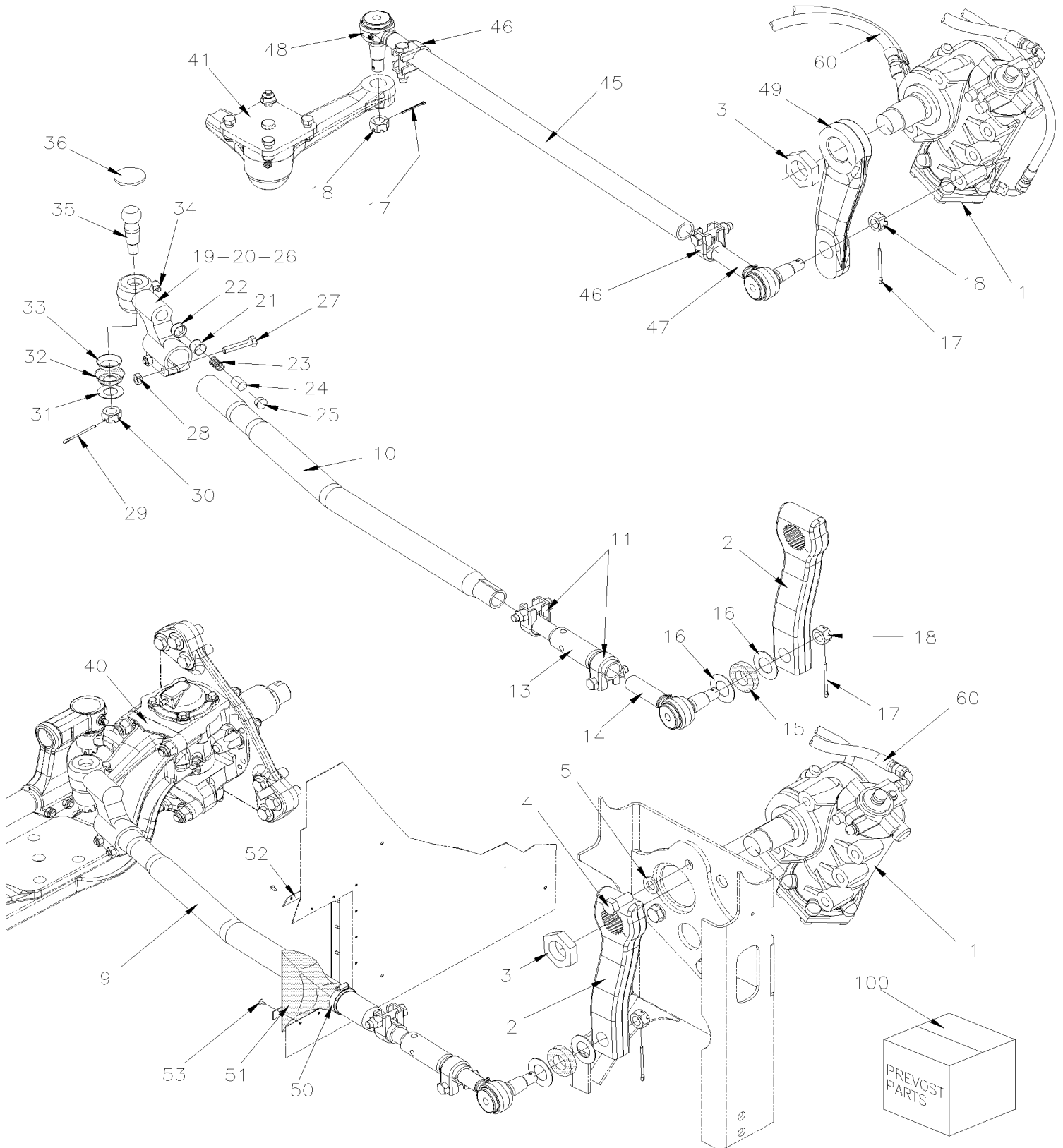


From 3-4417 To 8-1043

Date:10/2022

PAGE:HF-1410-00

STEERING GEAR BOX & DRAG LINK - INSTALLATION



From 3-4417 To 8-1043

Date:10/2022

PAGE:HF-1410-00

STEERING GEAR BOX & DRAG LINK - INSTALLATION





From 3-4417 To 8-1043	Date:10/2022	PAGE:HF-1410-00
------------------------------	---------------------	------------------------

STEERING GEAR BOX & DRAG LINK - INSTALLATION

Item#	Part	Description	H 3 4 1	H 3 4 5	V I P 4 5	N O T E S
1	HF-1415-00	STEERING GEARBOX - "ZF"				
2	661046	ARM, PITMAN 270MM C/C 116.5° MARK INDEX	1	1		
3	661050	LOCKNUT M45X1.5 GEARBOX ZF	1	1	1	
4	5001494	SCREW CAP HEX M20-1.5x45 G10.9 Z050	5	5	5	
5	5001495	WASHER FL 21.0x37.0x4.0 ZP	5	5	5	
9	160959	DRAG LINK ASSY / 1329.5MM C/C	1	1		
10	160960	. ROD / W/1 CURVE // W/ONE CURVE 975MM	1	1		
11	661133	. COLLAR ASSY / W/BOLT & NUT & STOPPER 1 5/8" I.D.	2	2		
. NS	500231	. . SCREW CAP HEX 5/8-11x3 G5 ZP	1	1		
. NS	500683	. . NUT HEX STO 5/8-11 ZP	1	1		
13	160932	. TURNBUCKLE 275MM	1	1		
14	661150	. TIE ROD END L.H. THREAD 1 1/4-12	1	1		
15	661135	. . RUBBER WASHER SEAL	1	1		
16	161989	. . WASHER FL 34.9x63.5x16GA SS	1	1		
17	502115	. . PIN, COTTER 3/16 x 2 1/2	2	2		
18	5001345	. . NUT HEX CSL THN 7/8-14	1	1		
19	610991	. TIE ROD ASSY / 3" OFFSET / L.H. THREAD M48-2	1	1		
20	N.S.P.	. . HOUSING / OFFSET L.H. THREAD M48-2	1	1		2
21	N.S.S.	. . RUBBING PAD / (7157/156)	1	1		1
22	N.S.S.	. . THRUST CUP / (7157/153)	1	1		1
23	N.S.S.	. . COMPRESSION SPRING / (5443/4)	1	1		1
24	N.S.S.	. . ADJUSTER PIECE / (5443/154)	1	1		1
25	680404	. . CAP PLUG	1	1		
26	502115	. . PIN, COTTER 3/16 x 2 1/2	1	1		
27	5001177	. . SCREW CAP HEX M12-1.75x60 G8.8 Z050	2	2		
28	500811	. . NUT HEX STO M12-1.75 G500	2	2		
29	502114	. . PIN, COTTER 5/32 x 2 1/2				
30	5001196	. . NUT HEX SLT 3/4-16	1	1		
31	161989	. . WASHER FL 34.9x63.5x16GA SS	2	2		
32	611057	. . RUBBER SEAL BOOT	1	1		
33	611056	. . DIRT SEAL PRESSING	1	1		
34	501495	. . GREASE FITTING 90° / 1/8 NPT	2	2		
35	N.S.S.	. . BALL STUD / (F4223/11)	1	1		1
36	N.S.S.	. . PLUG / (5247/155)	1	1		1
36	N.S.S.	. . SNAP RING / (ML7544/55N)	1	1		1
40	611031	STEERING ARM UPPER L.H. STREET SIDE	1	1		
		WITH INDEPENDENT FRONT SUSPENSION				
41	HF-1410-50	STEERING RODS - INSTALLATION W/INDEPENDENT "IS-84" / 16500LBS To 3-4757				
41	HF-1410-51	STEERING RODS - INSTALLATION W/INDEPENDENT "NDIFS80P" / 18000LBS From 4-4758				
45	661073	DRAG LINK ASSY / 1044.7 MM C/C To 7-1022	1	1	1	



From 3-4417 To 8-1043	Date:10/2022	PAGE:HF-1410-00
STEERING GEAR BOX & DRAG LINK - INSTALLATION		

Item#	Part	Description	H 3 4 1	H 3 4 5	V I P 4 5	N O T E S
45	661130	DRAG LINK ASSY / 1044.7 MM C/C WITH LONG NECK TIE ROD END From 7-1023	1	1	1	L
45	661154	DRAG LINK ASSY / 1044.7 MM C/C WITH LONG NECK TIE ROD END SERVICE	1	1	1	L
45		. ROD	1	1	1	
46	660978	. COLLAR ASSY / W/BOLT & NUT 1 5/8" I.D. To 7-1022	2	2	2	
. NS	500231	. . SCREW CAP HEX 5/8-11x3 G5 ZP To 7-1022	1	1	1	
. NS	500683	. . NUT HEX STO 5/8-11 ZP To 7-1022	1	1	1	
46	661133	. COLLAR ASSY / W/BOLT & NUT & STOPPER 1 5/8" I.D. From 7-1023	2	2	2	
. NS	500231	. . SCREW CAP HEX 5/8-11x3 G5 ZP From 7-1023	1	1	1	
. NS	500683	. . NUT HEX STO 5/8-11 ZP From 7-1023	1	1	1	
47	611458	. TIE ROD END R.H. THREAD 1 1/4-12 To 7-1022	1	1	1	
47	N8892657	. TIE ROD END R.H. THREAD 1 1/4-12 SERVICE To 7-1022	1	1	1	S
47	661139	. TIE ROD END L.H. THREAD 1 1/4-12 From 7-1023	1	1	1	
47	661152	. TIE ROD END R.H. THREAD 1 1/4-12 W/LONG NECK TIE ROD SERVICE From 7-1023	1	1	1	LL
48	611459	. TIE ROD END L.H. THREAD 1 1/4-12 To 7-1022	1	1	1	
48	661150	. TIE ROD END L.H. THREAD 1 1/4-12 SERVICE To 7-1022	1	1	1	S
48	661139	. TIE ROD END L.H. THREAD 1 1/4-12 From 7-1023	1	1	1	
48	661151	. TIE ROD END L.H. THREAD 1 1/4-12 W/LONG NECK TIE ROD SERVICE From 7-1023	1	1	1	LL
49	661760	ARM, PITMAN 9" / (PAINTED BLACK)	1	1	1	
50	504024	HOSE CLAMP / 1"13/16"-2"3/4 SS / HS-36	1	1	1	
51	160931	SHIELD RUBBER	1	1		
51	161009	SHIELD RUBBER	1	1	1	I
52	160961	COLLAR SHIELD RETAINER / "O" FORM OPEN ONE PIECE	1	1		
52	160994	COLLAR SHIELD RETAINER / "O" FORM CLOSED	1	1	1	I
53	500657	SCREW TC TR PH #10-24x1/2 Z050	16	16	16	
60	HF-1400-00	POWER STEERING HOSE - INSTALLATION				
100	611101	KIT REPAIR / TIE ROD END USE KIT 161458	AR	AR		A
101	161458	DRAG LINK ZF / SERVICE KIT	1	1	1	
. NS	660699	. DRAG LINK ASSY / 1320.5MM C/C	1	1	1	
. NS	502104	. PIN, COTTER 5/32 x 2	2	2	2	
. NS	IS-13009	. INSTRUCTION SHEET	1	1	1	
		A) ITEMS 21 TO 36				
		I) WITH INDEPENDANT SUSPENSION ONLY				
		L) THIS ASSY USE ONLY LONG NECK TIE ROD END # 661151 & # 661152				
		LL) USE ONLY WITH ASSY # 661130 & # 661154				
		S) SERVICE ON SHORT FORMER MODEL				
		1) NOT SOLD SEPARATELY				



From 3-4417 To 8-1043	Date:10/2022	PAGE:HF-1410-00
-----------------------	--------------	-----------------

STEERING GEAR BOX & DRAG LINK - INSTALLATION

Item#	Part	Description	H 3 4 1	H 3 4 5	V I P 4 5	N O T E S
		2) NOT SOLD BY PREVOST (SEE MANUFACTURING PART NUMBER AT END OF DESCRIPTION LINE)				

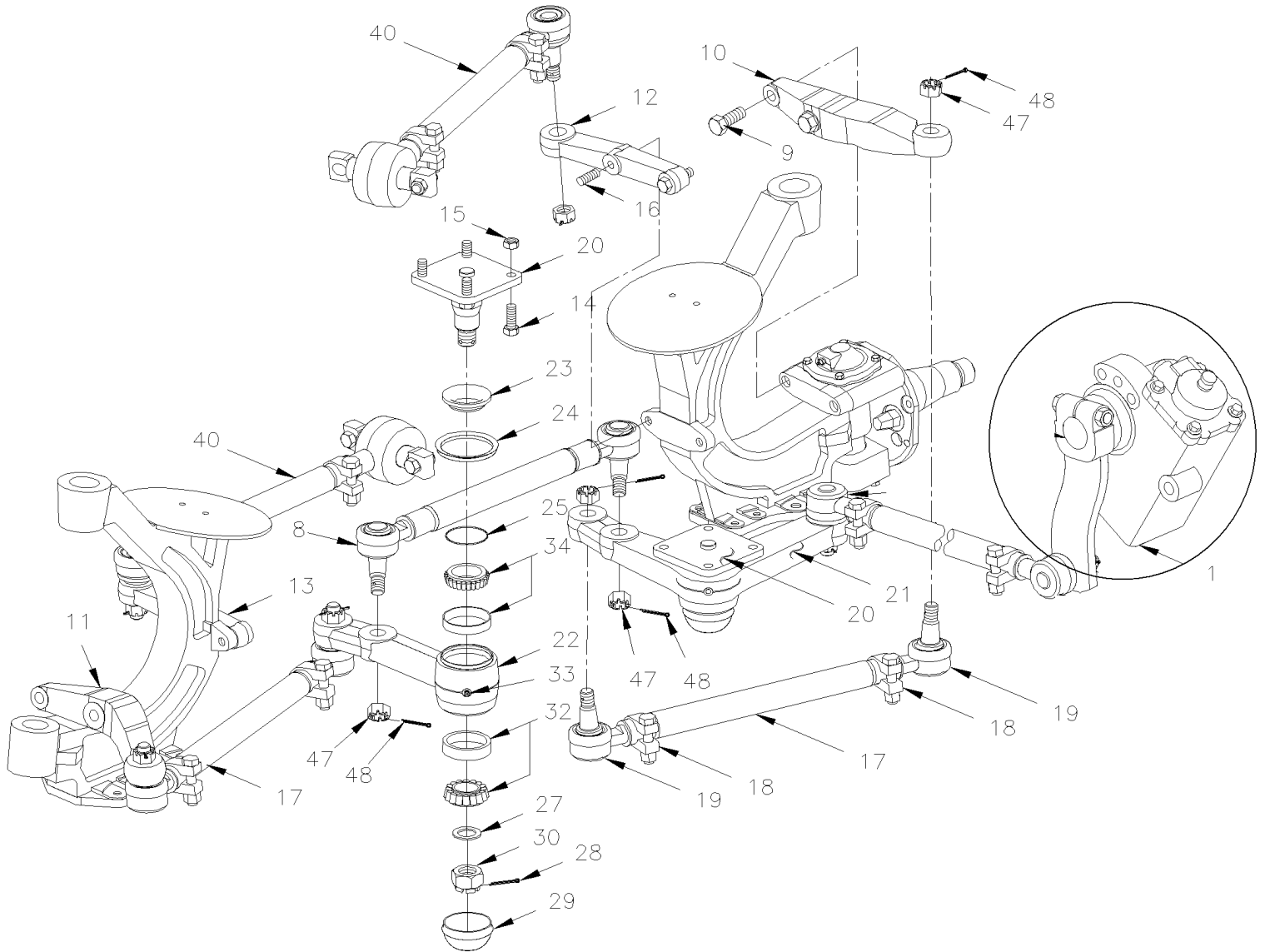


From 3-4417 To 3-4757

Date:10/2022

PAGE:HF-1410-50

STEERING RODS - INSTALLATION W/INDEPENDENT "IS-84" / 16500LBS





From 3-4417 To 3-4757

Date:10/2022

PAGE:HF-1410-50

STEERING RODS - INSTALLATION W/INDEPENDENT "IS-84" / 16500LBS





From 3-4417 To 3-4757	Date:10/2022	PAGE:HF-1410-50
STEERING RODS - INSTALLATION W/INDEPENDENT "IS-84" / 16500LBS		

Item#	Part	Description	H 3 4 1	H 3 4 5	V I P 4 5	N O T E S
1	HF-1415-00	STEERING GEARBOX - "ZF"				
8	661077	ROD ASSY / 569MM C/C CENTER			1	
8	661131	ROD ASSY / 569MM C/C CENTER SERVICE			1	
9	5001326	SCREW CAP HEX M14-2.0x70 G10.9 DP			1	
9	5001327	SCREW CAP HEX M14-2.0x80 G10.9 DP			1	
10	611124	STEERING ARM R.H. To 3-4440			1	
10	611264	STEERING ARM R.H. From 3-4441			1	A
11	611123	STEERING ARM L.H. To 3-4440			1	
11	611263	STEERING ARM L.H. From 3-4441			1	A
12	661071	UPRIGHT ARM L.H. / W/56 Deg			1	
13	661072	UPRIGHT ARM R.H. / W/56 Deg			1	
14	502537	SCREW CAP HEX M14-2.0x40 G8.8 ZP			4	
15	502538	NUT HEX STO M14-2.0 Z050			4	
16	611249	STUD M16			1	
16	611248	STUD M16			1	
16	500781	NUT HEX STO M16-2.0 DP			2	
17	661024	ROD ASSY / 657MM C/C			2	
17	661129	ROD ASSY / 657MM C/C WITH LONG NECK TIE ROD END SERVICE			1	R
17	N.P.N.	. ROD			1	4
18	660978	. COLLAR ASSY / W/BOLT & NUT 1 5/8" I.D.			2	
. NS	500231	. . SCREW CAP HEX 5/8-11x3 G5 ZP			1	
. NS	500683	. . NUT HEX STO 5/8-11 ZP			1	
18	661133	. COLLAR ASSY / W/BOLT & NUT & STOPPER 1 5/8" I.D.			2	
. NS	500231	. . SCREW CAP HEX 5/8-11x3 G5 ZP			1	
. NS	500683	. . NUT HEX STO 5/8-11 ZP			1	
19	611070	. TIE ROD END R.H. THREAD 1 1/4-12			1	
19	2005362	. TIE ROD END R.H. THREAD 1 1/4-12 SERVICE			1	S
19	661138	. TIE ROD END R.H. THREAD 1 1/4-12			1	RR
19	611071	. TIE ROD END L.H. THREAD 1 1/4-12			1	
19	2005363	. TIE ROD END L.H. THREAD 1 1/4-12 SERVICE			1	S
19	661139	. TIE ROD END L.H. THREAD 1 1/4-12			1	RR
20	160983	SPINDLE SHAFT			1	
NS	161005	SHIM 26GAGE 105MM C/C x 14MM slot			AR	
NS	161006	SHIM 20GAGE 105MM C/C x 14MM slot			AR	
21	161020	LEVER L.H.			1	
22	161019	LEVER R.H.			1	
23	160984	SLEEVE WIPER 63.5MM O.D.			1	
24	507351	DUST SEAL 3.270 I.D. X 3.085 O.D.			1	
25	507350	OIL SEAL			1	
27	5001227	WASHER FL .453x.875x.090			1	
28	502115	PIN, COTTER 3/16 x 2 1/2			1	
29	661014	COVER			1	



From 3-4417 To 3-4757 Date:10/2022 PAGE:HF-1410-50

STEERING RODS - INSTALLATION W/INDEPENDENT "IS-84" / 16500LBS

Item#	Part	Description	H 3 4 1	H 3 4 5	V I P 4 5	N O T E S
30	5001218	NUT HEX CSL M30-1.5			1	
32	507354	KIT, CUP & CONE BEARING			2	
33	501490	GREASE FITTING / 1/8 NPT			1	
34	507353	KIT, CUP & CONE BEARING			2	
40	HF-1605-50	FRONT AXLE - INSTALL W/INDEPENDENT "IS-84" / 16500LBS				
47	5001345	NUT HEX CSL THN 7/8-14			1	
48	502104	PIN, COTTER 5/32 x 2			1	
		A) USE WITH AXLE WITH 3° CASTER				
		R) THIS ASSY USE ONLY LONG NECK TIE ROD END # 661138 & # 661139				
		RR) USE ONLY WITH ASSY # 661129				
		S) SERVICE ON SHORT FORMER MODEL				
		4) NO PARTS NUMBER				

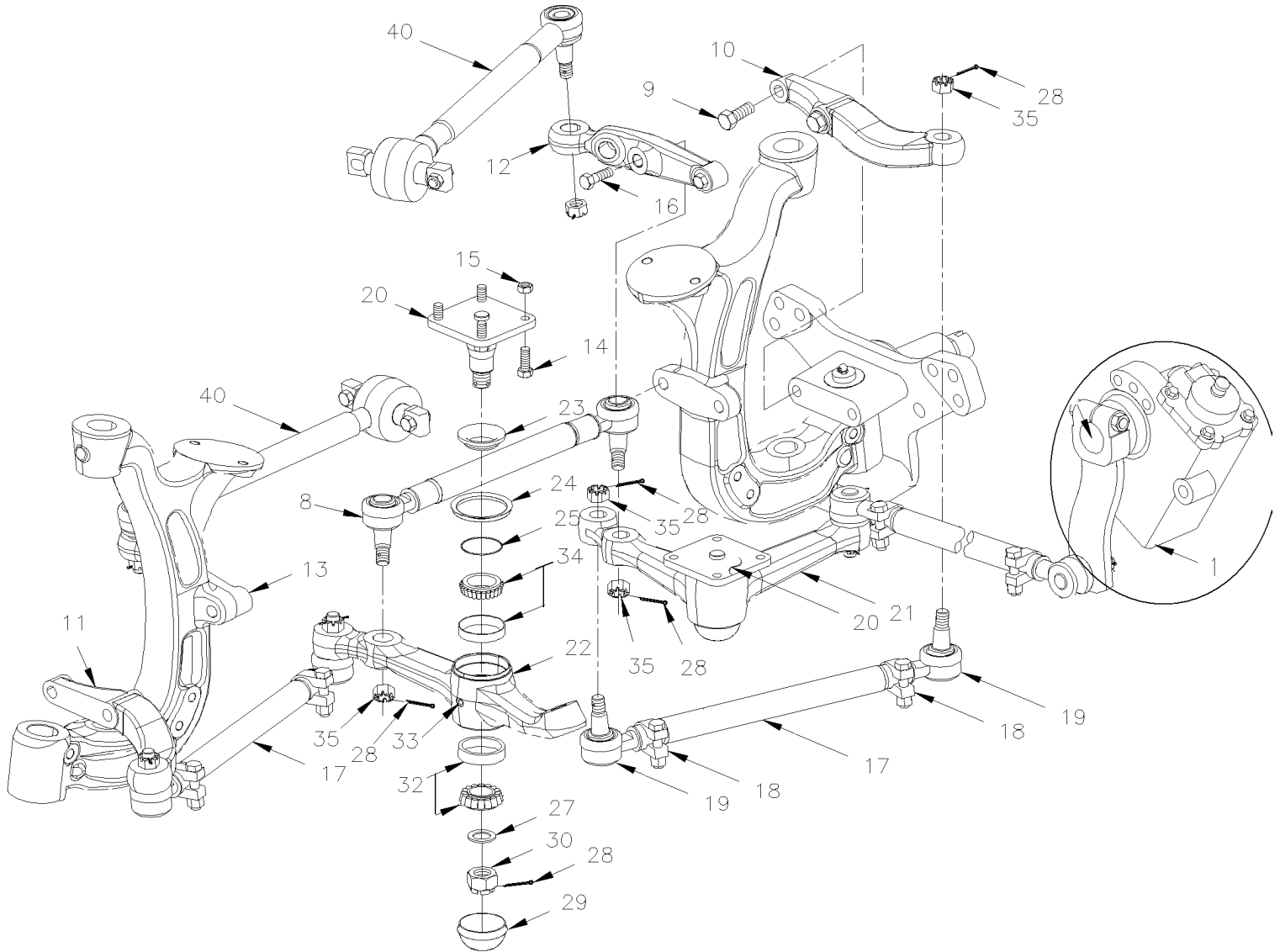


From 4-4758 To 8-1043

Date:10/2022

PAGE:HF-1410-51

STEERING RODS - INSTALLATION W/INDEPENDENT "NDIFS80P" / 18000LBS



From 4-4758 To 8-1043

Date:10/2022

PAGE:HF-1410-51

STEERING RODS - INSTALLATION W/INDEPENDENT "NDIFS80P" / 18000LBS





From 4-4758 To 8-1043	Date:10/2022	PAGE:HF-1410-51
STEERING RODS - INSTALLATION W/INDEPENDENT "NDIFS80P" / 18000LBS		

Item#	Part	Description	H 3 4 1	H 3 4 5	V I P 4 5	N O T E S
1	HF-1415-00	STEERING GEARBOX - "ZF"				
8	661083	ROD ASSY / 591.8MM C/C CENTER To 7-1022	1	1	1	
8	661132	ROD ASSY / 591.8MM C/C CENTER From 7-1023			1	
9	611306	SCREW CAP HEX M20-2.5x65 G12.9			1	
9	611308	SCREW CAP HEX M20-2.5x100 G12.9			1	
10	163246	STEERING ARM L.H.			1	
11	163468	STEERING ARM R.H.			1	
12	661080	UPRIGHT ARM L.H / W/56 Deg To 6-0411			1	
12	661113	UPRIGHT ARM L.H / W/58 Deg From 6-0412			1	
13	661081	UPRIGHT ARM R.H / W/56 Deg To 6-0411			1	
13	661114	UPRIGHT ARM R.H / W/58 Deg From 6-0412			1	
14	5001476	SCREW CAP HEX M14-2.0x45 G8.8 G500			8	
NS	5001327	SCREW CAP HEX M14-2.0x80 G10.9 DP			8	
15	502538	NUT HEX STO M14-2.0 Z050			8	
16	611305	SCREW CAP HEX M20-2.5x60 G12.9			1	
16	611307	SCREW CAP HEX M20-2.5x80 G12.9			1	
17	661024	ROD ASSY / 657MM C/C To 7-1022			2	
17	661129	ROD ASSY / 657MM C/C WITH LONG NECK TIE ROD END From 7-1023			2	R
17	N.P.N.	. ROD			1	4
18	660978	. COLLAR ASSY / W/BOLT & NUT 1 5/8" I.D. To 7-1022			2	
. NS	500231	. . SCREW CAP HEX 5/8-11x3 G5 ZP To 7-1022			1	
. NS	500683	. . NUT HEX STO 5/8-11 ZP To 7-1022			1	
18	661133	. COLLAR ASSY / W/BOLT & NUT & STOPPER 1 5/8" I.D. From 7-1023			2	
. NS	500231	. . SCREW CAP HEX 5/8-11x3 G5 ZP From 7-1023			1	
. NS	500683	. . NUT HEX STO 5/8-11 ZP From 7-1023			1	
19	611070	. TIE ROD END R.H. THREAD 1 1/4-12 To 7-1022			1	
19	2005362	. TIE ROD END R.H. THREAD 1 1/4-12 SERVICE			1	N
19	661138	. TIE ROD END R.H. THREAD 1 1/4-12 From 7-1023			1	RR
19	611071	. TIE ROD END L.H. THREAD 1 1/4-12 To 7-1022			1	
19	2005363	. TIE ROD END L.H. THREAD 1 1/4-12 SERVICE			1	N
19	661139	. TIE ROD END L.H. THREAD 1 1/4-12 From 7-1023			1	RR
20	160983	SPINDLE SHAFT			1	
NS	161005	SHIM 26GAGE 105MM C/C x 14MM slot			AR	
NS	161006	SHIM 20GAGE 105MM C/C x 14MM slot			AR	
21	161169	LEVER L.H.			1	
22	161170	LEVER R.H.			1	
23	160984	SLEEVE WIPER 63.5MM O.D.			1	
24	507351	DUST SEAL 3.270 I.D. X 3.085 O.D.			1	
25	507350	OIL SEAL			1	
27	5001227	WASHER FL .453x.875x.090			1	
28	502115	PIN, COTTER 3/16 x 2 1/2			1	
29	661014	COVER			1	



From 4-4758 To 8-1043	Date:10/2022	PAGE:HF-1410-51
-----------------------	--------------	-----------------

STEERING RODS - INSTALLATION W/INDEPENDENT "NDIFS80P" / 18000LBS

Item#	Part	Description	H 3 4 1	H 3 4 5	V I P 4 5	N O T E S
30	5001218	NUT HEX CSL M30-1.5			1	
32	507354	KIT, CUP & CONE BEARING			2	
33	501490	GREASE FITTING / 1/8 NPT			1	
34	507353	KIT, CUP & CONE BEARING			2	
35	5001345	NUT HEX CSL THN 7/8-14			1	
40	HF-1605-51	FRONT AXLE - INSTALL W/INDEPENDENT "NDIFS80P" / 18000LBS				
		N) SERVICE ON SHORT FORMER MODEL				
		R) THIS ASSY USE ONLY LONG NECK TIE ROD END # 661138 & # 661139				
		RR) USE ONLY WITH ASSY # 661129				
		4) NO PARTS NUMBER				

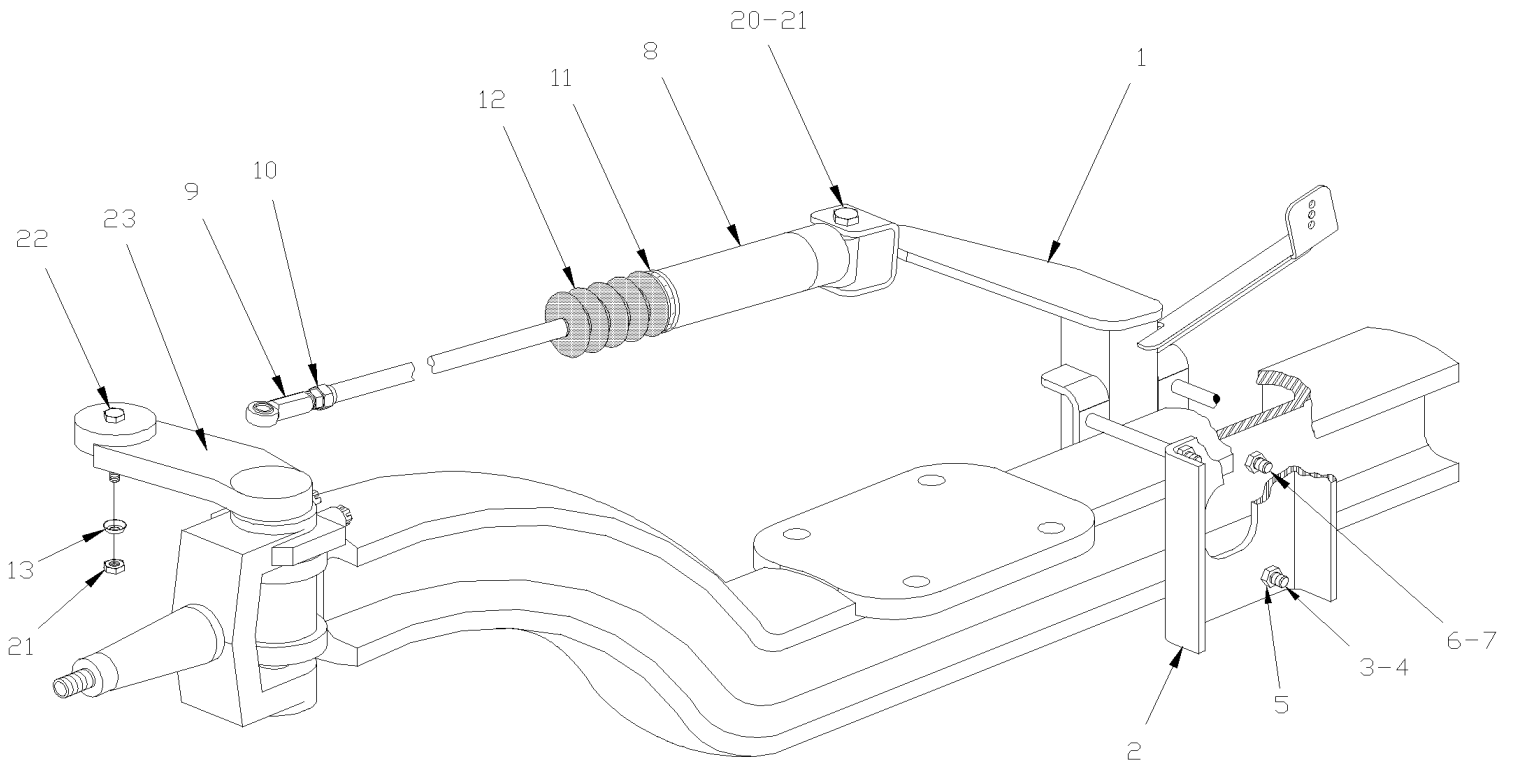


From 3-4417 To 8-1043

Date:10/2022

PAGE:HF-1412-00

STEERING DAMPER



FRONT



From 3-4417 To 8-1043	Date:10/2022	PAGE:HF-1412-00
STEERING DAMPER		

Item#	Part	Description	H 3 4 1	H 3 4 5	V I P 4 5	N O T E S
1	110741	ATTACHMENT CYLINDER	1	1	1	
2	110749	ATTACHMENT PLATE	1	1	1	
3	5001500	SCREW CAP HEX M10-1.5x120 G10.9 N500	4	4	4	
4	500444	WASHER FL .406x.812x.065 Z050	8	8	8	
5	500680	NUT HEX STO M10-1.5 Z050	4	4	4	
6	502731	SCREW CAP HEX M12-1.75x40 G8.8 Z050	1	1	1	
7	500811	NUT HEX STO M12-1.75 G500	1	1	1	
8	160835	DAMPER SHOCK ASS	1	1	1	
. NS	IS-96052A	. SEE INSTRUCTION SHEET	1	1	1	
8	660979	. DAMPER SHOCK	1	1	1	
9	660884	. . ROD END FEMALE 3/4"-16 / 3/4 I.D.	1	1	1	
9	501497	. . . GREASE FITTING / 1/4-28	1	1	1	
10	500734	. . NUT HEX JAM 3/4-16 Z050	1	1	1	
11	504023	. HOSE CLAMP / 1"5/16-2"1/4 SS / HS-28	1	1	1	
12	661007	. BOOT PROTECTOR	1	1	1	
13	660980	. COVER ROD END / RUBBER	2	2	2	
20	500509	SCREW CAP HEX 3/4-16x3 G5 Z050	1	1	1	
21	500735	NUT HEX STO 3/4-16 ZP	1	1	1	
22	500145	SCREW CAP HEX 3/4-16x3 1/2 G5 Z050	1	1	1	
23	161033	STEERING ARM UPPER R.H. CURBSIDE	1	1	1	

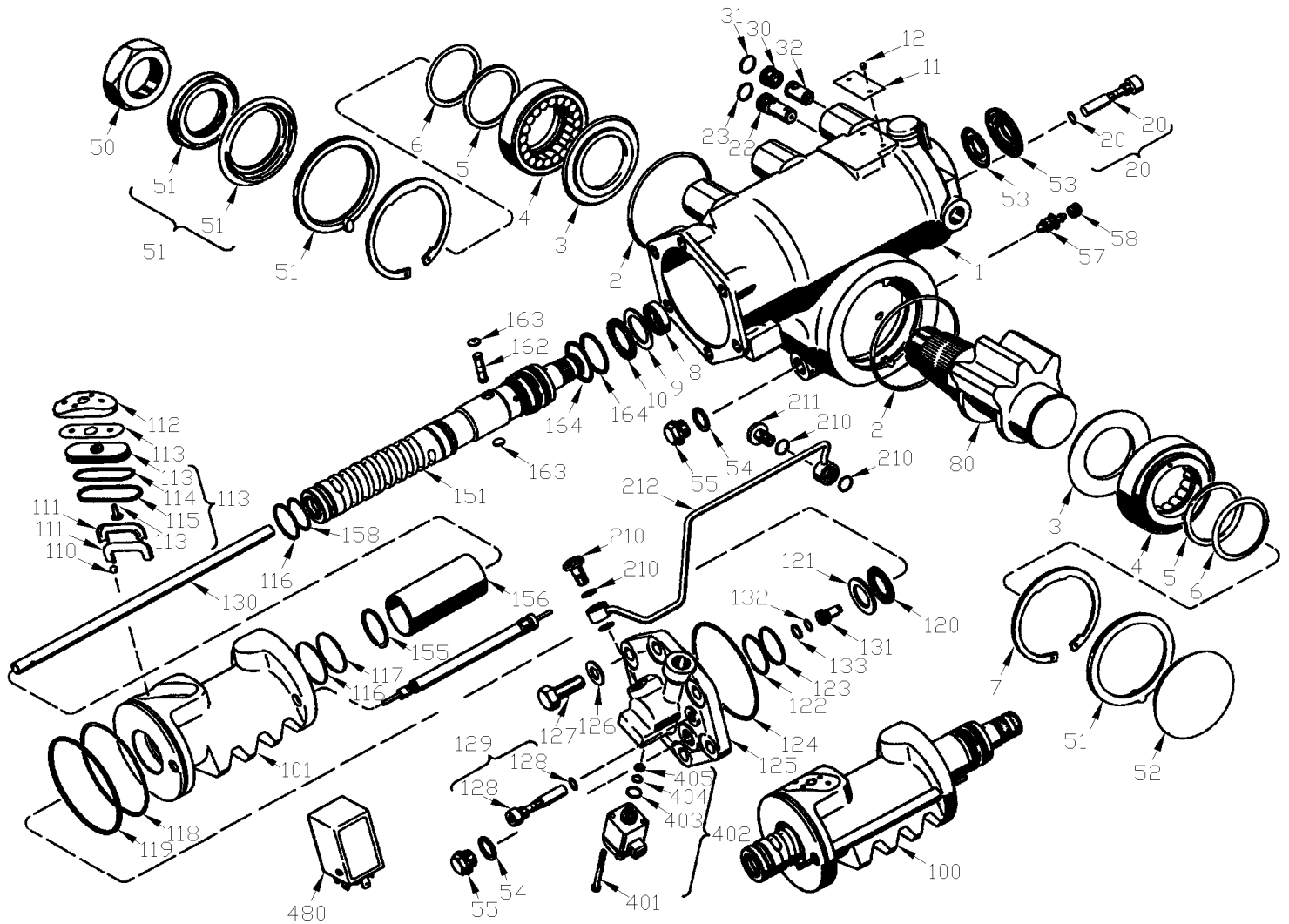


From 3-4417 To 8-1043

Date:10/2022

PAGE:HF-1415-00

STEERING GEARBOX - "ZF"



MODEL "ZF" - SERVOCOMTRONIC

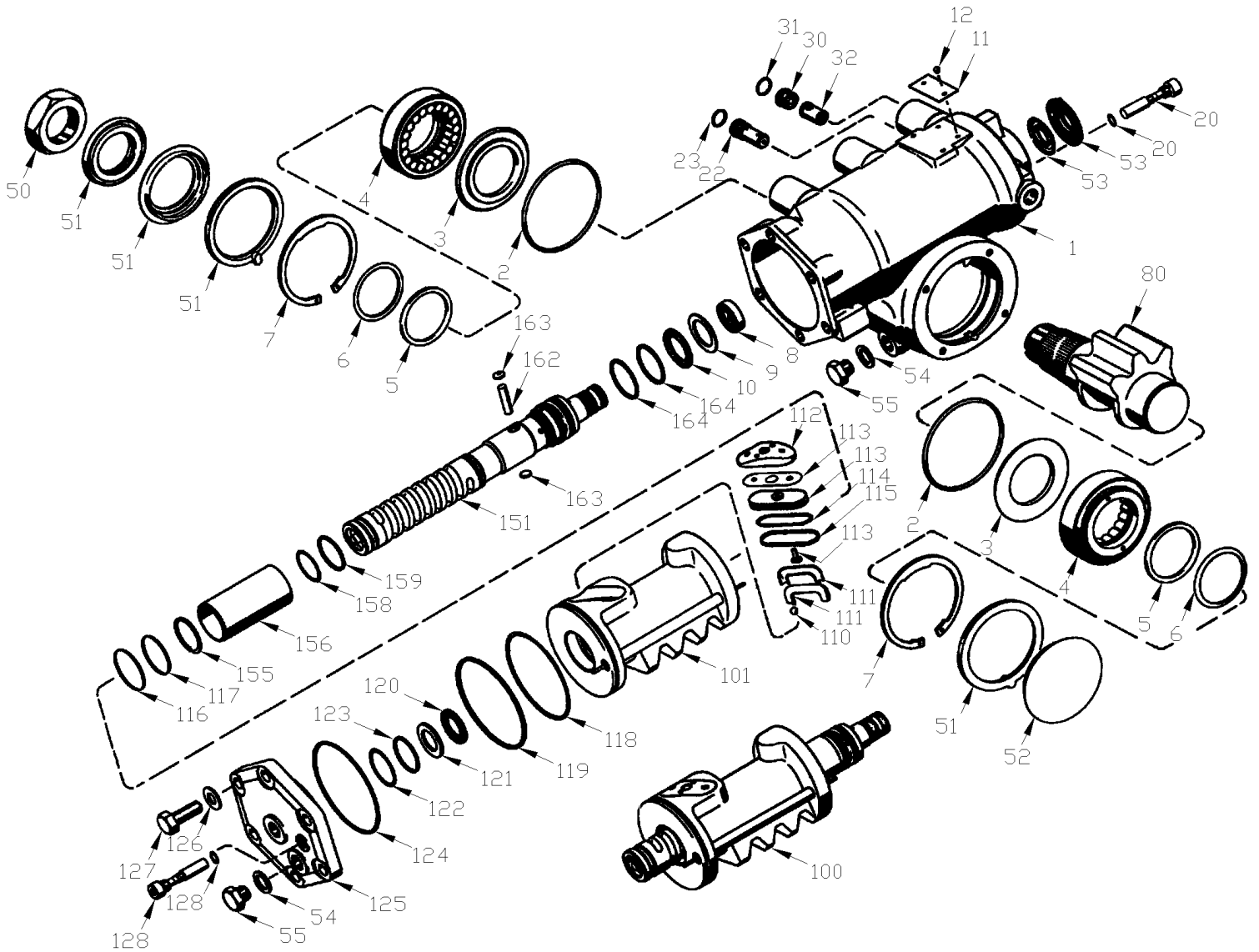


From 3-4417 To 8-1043

Date:10/2022

PAGE:HF-1415-00

STEERING GEARBOX - "ZF"



MODEL "ZF" - SEVOCOM



From 3-4417 To 8-1043	Date:10/2022	PAGE:HF-1415-00
STEERING GEARBOX - "ZF"		

Item#	Part	Description	H 3 4 1	H 3 4 5	V I P 4 5	N O T E S
	661044	GEARBOX STEERING "ZF" W/VARIABLE STEERING ASSISTANCE "SERVOCOMTRONIC"	1	1	1	
	661045	GEARBOX STEERING "ZF"	1	1	1	
1	N.P.N.	. HOUSING	1	1	1	4
2	N.P.N.	. O-RING	1	1	1	4
3	N.P.N.	. WASHER	1	1	1	4
4	N.P.N.	. HOUSING COVER	1	1	1	4
5	N.P.N.	. GASKET	1	1	1	4
6	N.P.N.	. SUPPORT RING	1	1	1	4
7	N.P.N.	. RETAINING RING	1	1	1	4
8	N.P.N.	. SHAFT SEAL	1	1	1	4
9	N.P.N.	. AXIAL-, WASHER	1	1	1	4
10	N.P.N.	. NEEDLE CAGE	1	1	1	4
11	N.P.N.	. TYPE PLATE	1	1	1	4
12	N.P.N.	. GROOVED STUD	1	1	1	4
20	661057	. SET SCREW / ADJUSTING SCREW / SCREW	1	1	1	
20	N.P.N.	. O-RING	1	1	1	4
21	N.P.N.	. COLLAR NUT	1	1	1	4
22	N.P.N.	. VALVE INSERT	1	1	1	4
23	N.P.N.	. O-RING	1	1	1	4
30	N.P.N.	. SCREW	1	1	1	4
31	N.P.N.	. O-RING	1	1	1	4
32	N.P.N.	. VALVE INSERT	1	1	1	4
50	661050	. LOCKNUT M45X1.5 GEARBOX ZF	1	1	1	
51	N.P.N.	. DUST SEAL	1	1	1	4
51	N.P.N.	. STOP-RING	1	1	1	4
51	N.P.N.	. GASKET	1	1	1	4
51	N.P.N.	. DUST SEAL	1	1	1	4
52	N.P.N.	. PLUG	1	1	1	4
53	N.P.N.	. PROTECTING CAP	1	1	1	4
53	N.P.N.	. GASKET	1	1	1	4
54	N.P.N.	. SEALING RING	1	1	1	4
55	N.P.N.	. SCREW PLUG	1	1	1	4
56	N.P.N.	. PROTECTING SLEEVE	1	1	1	4
57	N.P.N.	. BREATHER	1	1	1	4
58	N.P.N.	. PROTECTING CAP	1	1	1	4
80	661102	. SECTOR SHAFT	1	1	1	
100	661103	. PISTON	1	1		
100	661104	. PISTON			1	A
101	N.P.N.	. PISTON	1	1	1	4
110	N.P.N.	. BALL SET	1	1	1	4
111	N.P.N.	. RECIRCULATING HALF TUBE	1	1	1	4
112	N.P.N.	. GASKET / PLUG	1	1	1	4



From 3-4417 To 8-1043	Date:10/2022	PAGE:HF-1415-00
STEERING GEARBOX - "ZF"		

Item#	Part	Description	H 3 4 1	H 3 4 5	V I P 4 5	N O T E S
113	N.P.N.	. GASKET	1	1	1	4
113	N.P.N.	. COMPENSATING PLATE	1	1	1	4
113	N.P.N.	. PIN	1	1	1	4
114	N.P.N.	. O-RING	1	1	1	4
115	N.P.N.	. SEALING RING	1	1	1	4
116	N.P.N.	. SEALING RING	1	1	1	4
117	N.P.N.	. SEALING RING	1	1	1	4
118	N.P.N.	. O-RING	1	1	1	4
119	N.P.N.	. GASKET	1	1	1	4
120	N.P.N.	. NEEDLE CAGE	1	1	1	4
121	N.P.N.	. WASHER	1	1	1	4
122	N.P.N.	. O-RING	1	1	1	4
123	N.P.N.	. SEALING RING	1	1	1	4
124	N.P.N.	. O-RING	1	1	1	4
125	N.P.N.	. CYLINDER COVER	1	1	1	4
126	N.P.N.	. WASHER	1	1	1	4
127	N.P.N.	. HEXAGON SCREW	1	1	1	4
128	N.P.N.	. SET SCREW / SCREW	1	1	1	4
128	N.P.N.	. O-RING	1	1	1	4
129	N.P.N.	. COLLAR NUT	1	1	1	4
130	N.P.N.	. PIPE	1	1	1	4
131	N.P.N.	. REACTION PISTON	1	1	1	4
132	N.P.N.	. O-RING	1	1	1	4
133	N.P.N.	. SEALING RING	1	1	1	4
151	N.P.N.	. WORM	1	1	1	4
155	N.P.N.	. SNAP RING	1	1	1	4
156	N.P.N.	. SLIDING TUBE	1	1	1	4
158	N.P.N.	. O-RING	1	1	1	4
159	N.P.N.	. SEALING RING	1	1	1	4
162	N.P.N.	. PIN	1	1	1	4
163	N.P.N.	. PLUG	1	1	1	4
164	N.P.N.	. SEALING RING	1	1	1	4
210	661105	. O-RING			1	A
211	661106	. UNION SCREW			1	A
212	661107	. PIPE			1	A
401	N.P.N.	. CAP SCREW	1	1	1	4 A
402	661108	. CONVERTER			1	A
403	N.P.N.	. O-RING	1	1	1	4 A
404	N.P.N.	. O-RING	1	1	1	4 A
405	N.P.N.	. OIL SCREEN	1	1	1	4 A
480	563033	E.C.U. / W/STEERING ASSIST (STP 272 or 330) ((77//125))	1	1	1	A
480	563465	E.C.U. / W/STEERING ASSIST W/"ZF" TRANS ONLY (STP 146)	1	1		A



From 3-4417 To 8-1043	Date:10/2022	PAGE:HF-1415-00
STEERING GEARBOX - "ZF"		

Item#	Part	Description	H 3 4 1	H 3 4 5	V I P 4 5	N O T E S
NS	661109	KIT, SEAL REPAIR MAJOR	1	1		
. NS	85109281	. KIT, SEAL REPAIR MAJOR	1	1		
NS	661110	KIT, SEAL REPAIR MAJOR / W/SERVOCOMTRONIC			1	A
. NS	85109291	. KIT, SEAL REPAIR MAJOR / W/SERVOCOMTRONIC			1	A
		A) WITH "ZF" SERVOCOMTRONIC				
		4) NO PARTS NUMBER				

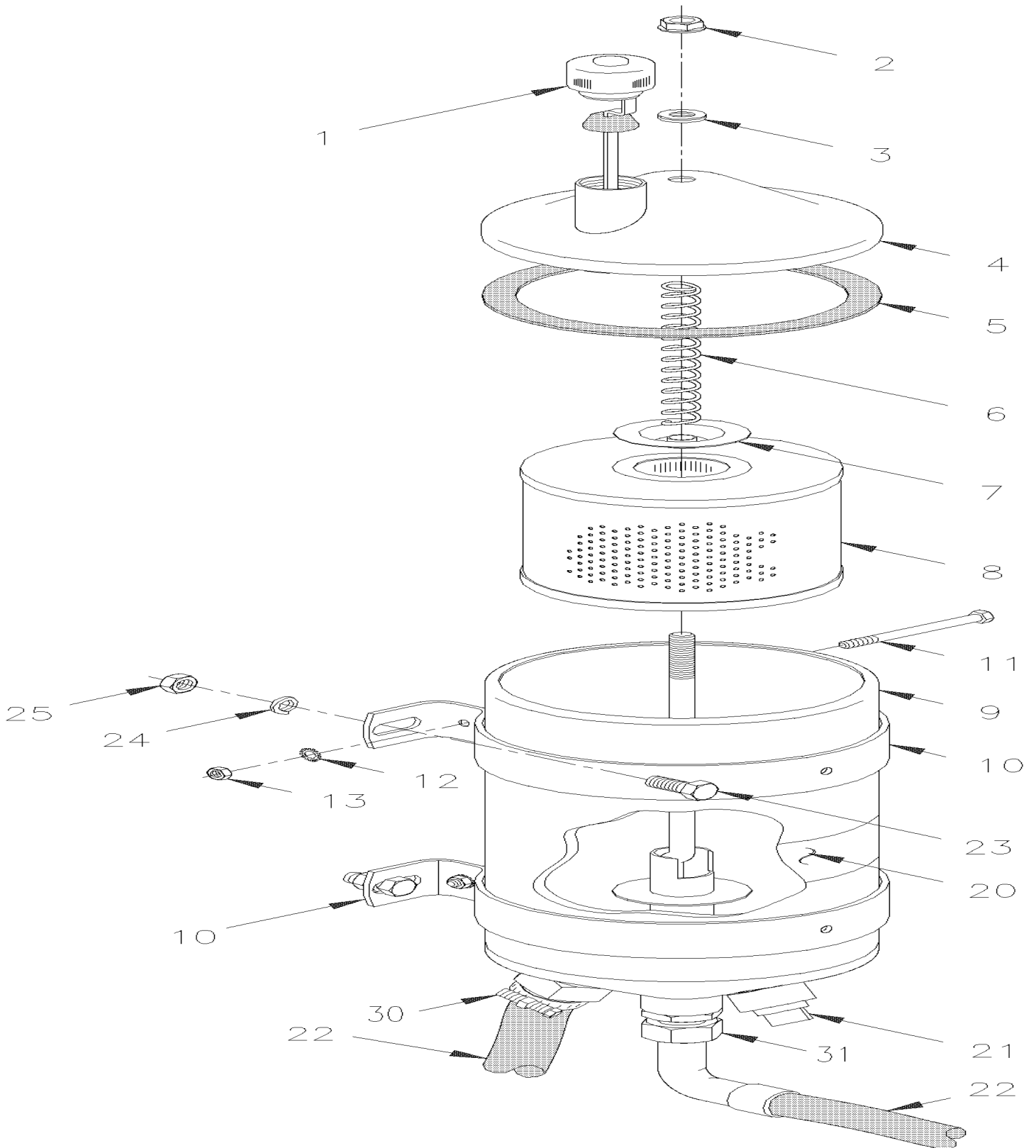


From 3-4417 To 8-1043

Date:10/2022

PAGE:HF-1420-00

POWER STEERING TANK - 4 QT U.S.





From 3-4417 To 8-1043	Date:10/2022	PAGE:HF-1420-00
POWER STEERING TANK - 4 QT U.S.		

Item#	Part	Description	H 3 4 1	H 3 4 5	V I P 4 5	N O T E S
	660982	TANK ASSY 4QT U.S.	1	1	1	
	661060	TANK ASSY 4QT US / WITH SIGHT GLASS	1	1	1	A
1	660985	. DIPSTICK	1	1	1	
2	N.S.A.	. WING NUT 3/8-16	1	1	1	3
3	19512588	. WASHER	1	1	1	
4	660989	. COVER ASSY	1	1	1	
5	660986	. GASKET	1	1	1	
6	660991	. SPRING, COMP.	1	1	1	
7	N.S.A.	. WASHER, RETAINER	1	1	1	3
8	660987	. ELEMENT FILTER	1	1	1	
9	N.S.P.	. TANK	1	1	1	2
10	660988	. ATTACHMENT SUPPORT	2	2	2	
11	500187	. . SCREW CAP HEX 5/16-18x3 G5 Z050	1	1	1	
12	500476	. . WASHER LO SPT .317x.586x.078 Z050	1	1	1	
13	500778	. . NUT HEX 5/16-18 N500	1	1	1	
20	160370	. DECAL "OIL DEXTRON"	1	1	1	
21	501306	PLUG SQUARE HEAD / PIPE FITTING / 1/2NPT-M BR	1	1	1	
22	HF-1400-00	POWER STEERING HOSE - INSTALLATION				
23	502804	SCREW CAP HEX M10-1.5x25 G8.8 N500	4	4	4	
24	502644	WASHER FL 10.5x30.0x2.5 Z050	4	4	4	
NS	3852496	WASHER LO SPT 10.2x18.1x2.2 ZG603	4	4	4	
25	500256	NUT HEX M10-1.5 Z050	4	4	4	
30	5011086	MALE CONNECTOR / PUSH-LOK FITTING / 1NPT-Mx#16 STL	1	1	1	
31	501739	MALE CONNECTOR / JIC 37° FITTING / #8JIC-Mx1/2NPT-M STL	1	1	1	
		A) OPTION AMERICAN COACH LINES				
		2) NOT SOLD BY PREVOST (SEE MANUFACTURING PART NUMBER AT END OF DESCRIPTION LINE)				
		3) NOT SOLD ASSEMBLY				

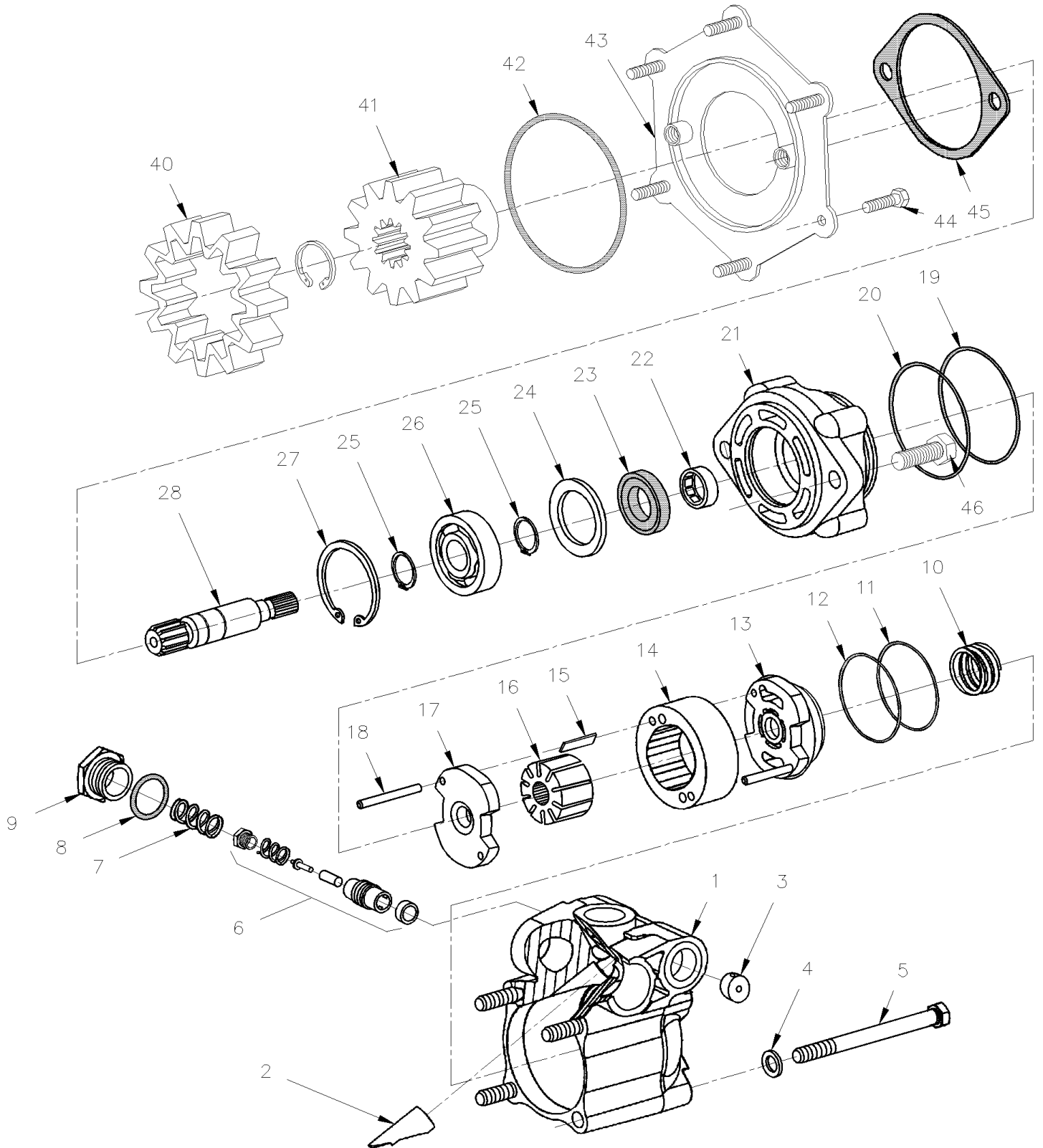


From 3-4417 To 8-1043

Date:10/2022

PAGE:HF-1427-00

POWER STEERING PUMP - "TRW"





From 3-4417 To 8-1043	Date:10/2022	PAGE:HF-1427-00
POWER STEERING PUMP - "TRW"		

Item#	Part	Description	H 3 4 1	H 3 4 5	V I P 4 5	N O T E S
	661009	PUMP ASSY	1	1		
	661070	PUMP ASSY To 3-4757			1	
	661092	PUMP ASSY From 4-4758			1	
1	N.S.S.	. HOUSING	1	1	1	1
2	N.S.S.	. BOOST TUBE	1	1	1	1
3	N.S.S.	. ORIFICE	1	1	1	1
4	N.S.S.	. BOLTS	1	1	1	1
5	N.S.S.	. WASHER	1	1	1	1
6	N.S.S.	. VALVE SPOOL ASSY	1	1	1	1
6	N.S.S.	. . SPOOL	1	1	1	1
6	N.S.S.	. . SPRING	1	1	1	1
6	N.S.S.	. . POPPET	1	1	1	1
6	N.S.S.	. . SHIMS	1	1	1	1
6	N.S.S.	. . RELIEF VALVE SEAT ASSY	1	1	1	1
7	N.S.S.	. SPRING	1	1	1	1
8	N.S.S.	. O-RING	1	1	1	1
9	N.S.S.	. PLUG	1	1	1	1
10	N.S.S.	. SPRING	1	1	1	1
11	N.S.S.	. O-RING	1	1	1	1
12	N.S.S.	. BACKUP RING	1	1	1	1
13	N.S.S.	. TOP PLATE	1	1	1	1
14	N.S.S.	. CAM RING	1	1	1	1
15	N.S.S.	. VANES	1	1	1	1
16	N.S.S.	. ROTOR	1	1	1	1
17	N.S.S.	. BOTTOM PLATE	1	1	1	1
18	N.S.S.	. LOCATING PINS	1	1	1	1
19	N.S.S.	. O-RING	1	1	1	1
20	N.S.S.	. O-RING	1	1	1	1
21	N.S.S.	. COVER	1	1	1	1
22	N.S.S.	. NEEDLE BEARING	1	1	1	1
23	N.S.S.	. SHAFT SEAL	1	1	1	1
24	N.S.S.	. SPACER	1	1	1	1
25	N.S.S.	. RETAINING RING	2	2	2	1
26	N.S.S.	. BALL BEARING	1	1	1	1
27	N.S.S.	. RETAINING RING	1	1	1	1
28	661011	. INPUT SHAFT	1	1	1	
40	510438	COUPLING DRIVE	1	1	1	
41	510437	SPROCKET ASSY W/SNAP-RING	1	1	1	
41	N.S.P.	. SNAP RING (92757)	1	1	1	2
42	N.S.P.	O-RING / (08929289)	1	1	1	2
43	N.S.P.	ADAPTOR, COVER (8929100)	1	1	1	2
44	N.S.P.	SCREW, M8-1.25 X 30MM (11514329) / 50-0544	5	5	5	2



From 3-4417 To 8-1043	Date:10/2022	PAGE:HF-1427-00
POWER STEERING PUMP - "TRW"		

Item#	Part	Description	H 3 4 1	H 3 4 5	V I P 4 5	N O T E S
44	N.S.P.	SCREW, M8-1.25 X 30MM (11505299)	1	1	1	2
45	510488	GASKET	1	1	1	
46	N.S.S.	SCREW, M10-1.5 X 30MM / 50-0065	2	2	2	1
46	N.S.S.	GASKET, COPPER	2	2	2	1
46	661012	KIT REPAIR				
		1) NOT SOLD SEPARATELY				
		2) NOT SOLD BY PREVOST (SEE MANUFACTURING PART NUMBER AT END OF DESCRIPTION LINE)				

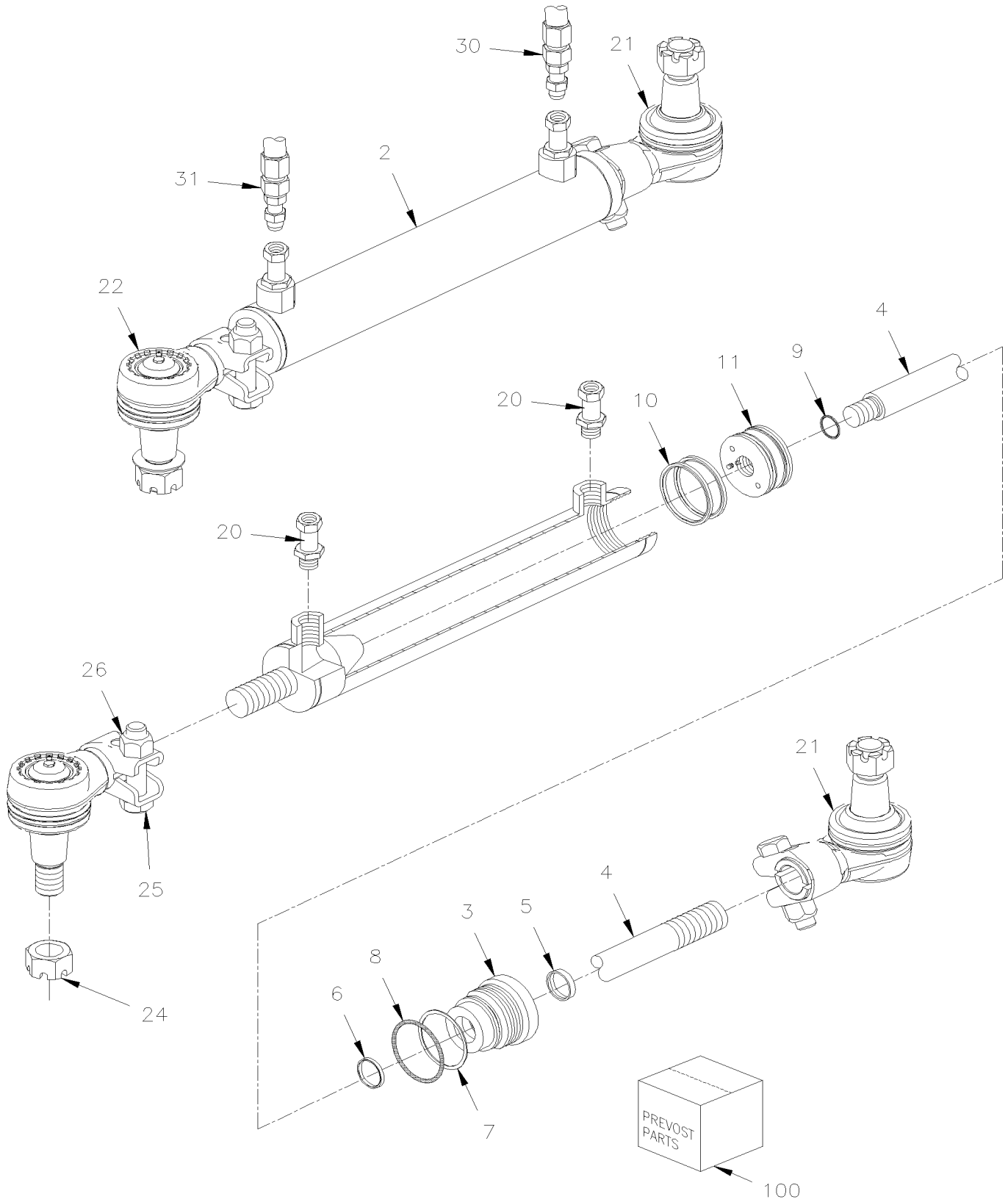


From 4-4758 To 8-1043

Date:10/2022

PAGE:HF-1430-50

CYLINDER POWER STEERING





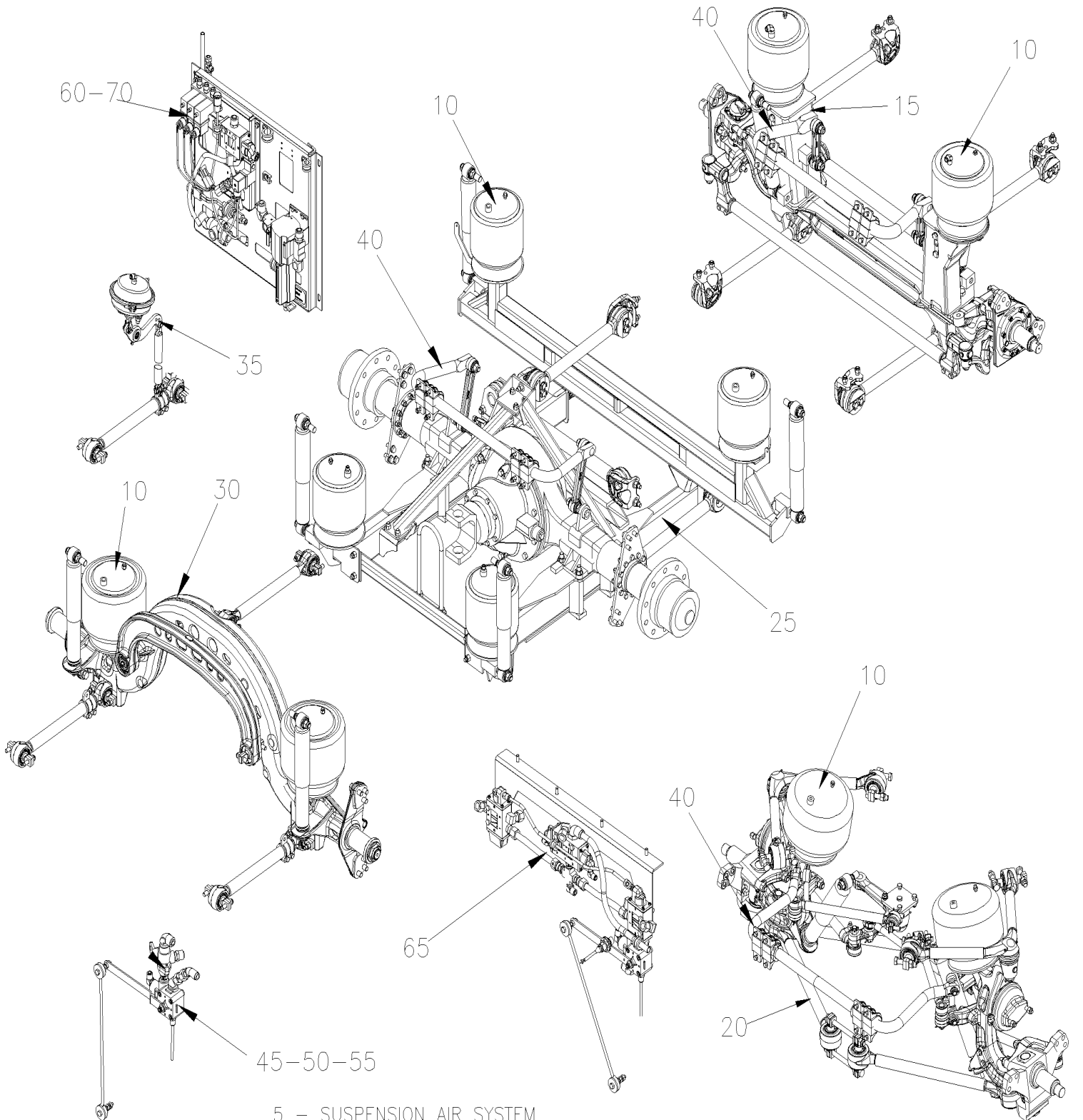
From 4-4758 To 8-1043	Date:10/2022	PAGE:HF-1430-50
-----------------------	--------------	-----------------

CYLINDER POWER STEERING

Item#	Part	Description	H 3 4 1	H 3 4 5	V I P 4 5	N O T E S
1	661076	CYLINDER ASSY PRESSURE 160bar			1	
2	N.S.S.	. TUBE			1	1
3	661098	. HEAD			1	
4	661097	. ROD			1	
5	N.S.S.	. WIPER ROD			1	1
6	N.S.S.	. SEAL ROD			1	1
7	N.S.S.	. BACK-UP			1	1
8	N.S.S.	. O-RING			1	1
9	N.S.S.	. O-RING			1	1
10	N.S.S.	. SEAL PISTON			2	1
11	661099	. PISTON			1	
20	501593	MALE CONNECTOR / JIC 37° FITTING / #8JIC-Mx#8ORB-M STL			2	
21	611275	END ASSY / STRUCTURE SIDE			1	
22	611469	END ASSY / ROD SIDE			1	
24	5001345	NUT HEX CSL THN 7/8-14			1	
25	N.P.N.	SCREW CAP HEX ZP 1/2-20X2.25 G8			2	4
26	N.P.N.	NUT 1/2-20 G8			2	4
30	163470	HOSE ASSY / #8 1648MM			1	
31	163469	HOSE ASSY / #8 1648MM			1	
32	161177	HOSE RETAINER BLOCK CLAMP			2	
32	160033	HOSE RETAINER BLOCK CLAMP			1	
NS	160203	KIT, POWER STEERING PUMP DISCHARGE HOSE (PRESSURE) H3-45,VIP-45			1	
. NS	160108	. HOSE ASSY / #8 12490MM			1	
. NS	170758	. SUPPORT			1	
. NS	5001730	. SCREW CAP HEXF M6-1.0x16 G10.9 N500			1	
. NS	5001833	. WASHER BEL SPR 6.1x18x1.27 SS			1	
. NS	501031	. SEAL / JIC 37° FITTING / #8			1	
. NS	504189	. CLAMP DOUBLE ASS / SPLIT BLOC / 22MM/19MM x 67MM POLYA			1	
. NS	504204	. CLAMP P SS ID. 36-51			1	
. NS	IS-19040	. INSTRUCTION SHEET			1	
. NS	FI-19040	. VOIR FEUILLE D'INSTRUCTION			1	
33	502541	SCREW CAP HEX M6-1.0x65 G8.8 Z050			1	
34	500411	WASHER FL .260x.697x.050 SS			2	
35	5001182	NUT HEX NYRT M6-1.0 SS			1	
36	504634	T-CLIP / 7/8" - 1"			1	
100	661100	SEAL KIT, REPAIR			1	A
		A) INCLUDES ITEMS 5, 6, 7, 8, 9, 10, 11				
		1) NOT SOLD SEPARATELY				
		4) NO PARTS NUMBER				



	Date:10/2022	HF-16
	SUSPENSION	





		Date:10/2022	HF-16			
SUSPENSION						
Item#	Part	Description	H 3 4 1	H 3 4 5	V I P 4 5	N O T E S
5	HF-1600-00	SUSPENSION AIR SYSTEM From 3-4417 To 4-4866				
5	HF-1600-01	SUSPENSION AIR SYSTEM From 4-4867 To 8-1043				
10	HF-1601-00	BELLOWS - AIR SUSPENSION From 3-4417 To 8-1043				
15	HF-1605-00	FRONT AXLE - INSTALL W/ I BEAM RIGID From 3-4417 To 8-1043				
20	HF-1605-50	FRONT AXLE - INSTALL W/INDEPENDENT "IS-84" / 16500LBS From 3-4417 To 3-4757				
20	HF-1605-51	FRONT AXLE - INSTALL W/INDEPENDENT "NDIFS80P" / 18000LBS From 4-4758 To 8-1043				
25	HF-1610-00	REAR AXLE - INSTALL SUSPENSION From 3-4417 To 8-1043				
30	HF-1615-00	TAG AXLE - INSTALL SUSPENSION From 3-4417 To 8-1043				
35	HF-1615-10	TAG AXLE - LIFTING From 3-4417 To 8-1043				
40	HF-1616-00	SWAY BAR From 3-4417 To 8-1043				
45	HF-1620-00	HEIGHT CONTROL VALVE - BUS From 3-4417 To 8-1043				
50	HF-1620-10	HIGH-BUOY, LOW BUOY & "KNEELING" VALVE From 3-4417 To 8-1043				
55	HF-1620-50	HEIGHT CONTROL VALVE - V.I.P. From 3-4417 To 8-1043				
60	HF-1630-00	FRONT KNEELING - CONTROL PANEL From 3-4417 To 8-1043				
65	HF-1630-10	FRONT KNEELING - VALVE From 3-4417 To 8-1043				
70	HF-1640-00	LEVEL-LOW - CONTROL PANEL & VALVES From 3-4417 To 8-1043				
75	HF-1650-00	TAG UNLOAD - AIR VALVE INSTALLATION From 3-4417 To 8-1043				



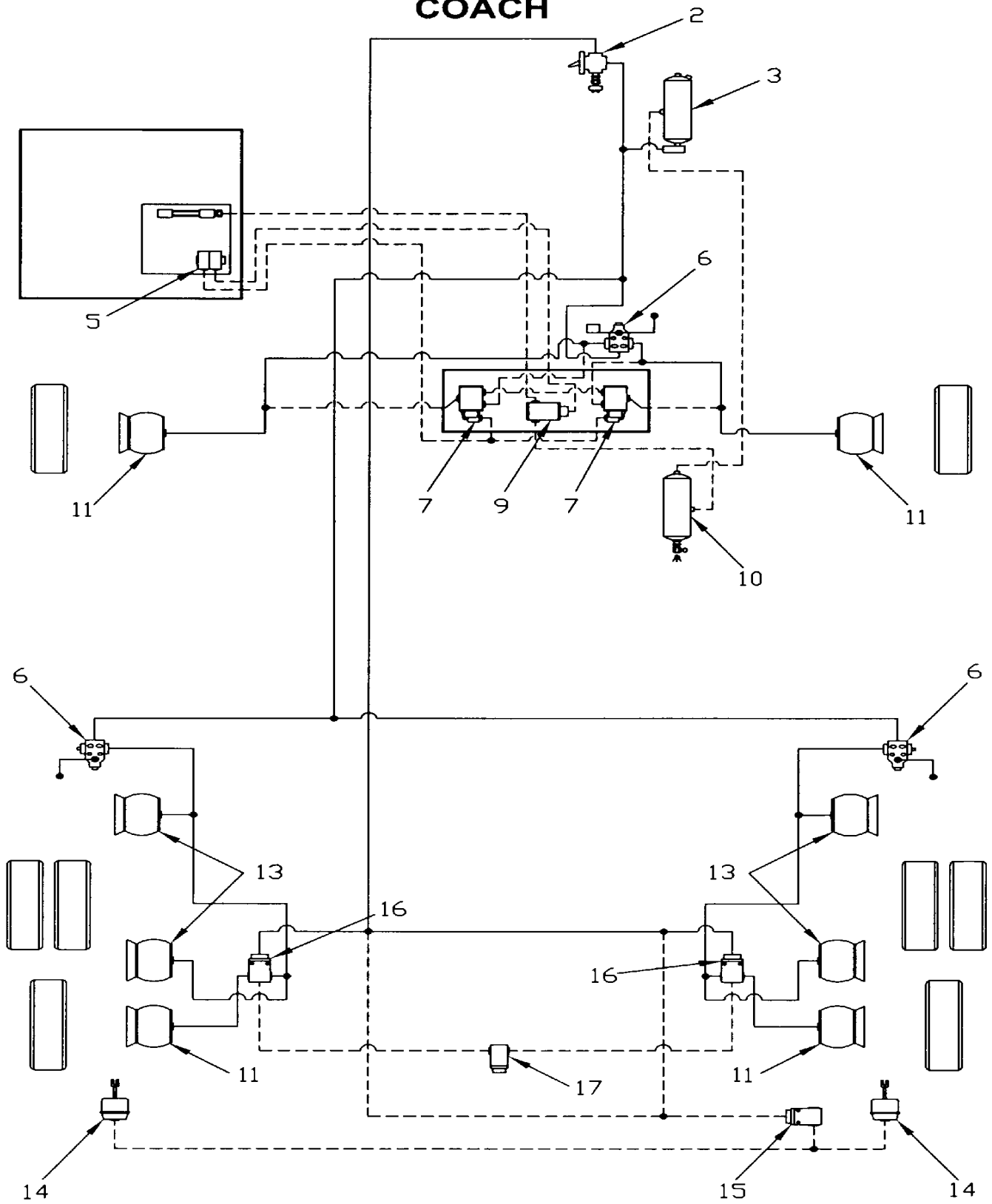
From 3-4417 To 4-4866

Date:10/2022

PAGE:HF-1600-00

SUSPENSION AIR SYSTEM

COACH





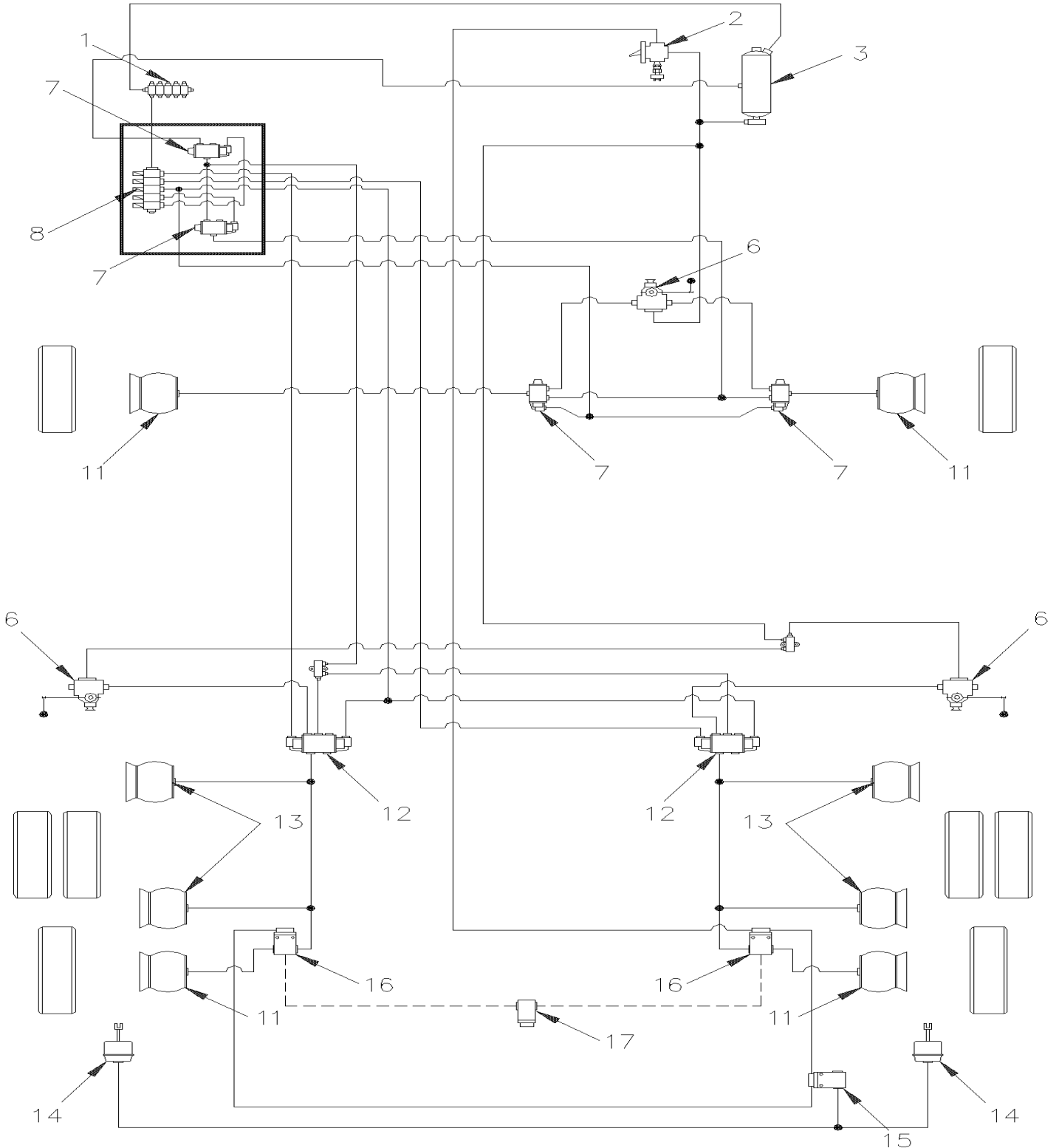
From 3-4417 To 4-4866

Date:10/2022

PAGE:HF-1600-00

SUSPENSION AIR SYSTEM

V.I.P.





From 3-4417 To 4-4866	Date:10/2022	PAGE:HF-1600-00
SUSPENSION AIR SYSTEM		

Item#	Part	Description	H 3 4 1	H 3 4 5	V I P 4 5	N O T E S
1	141190	MANIFOLD, BLOCK / UNDER DRIVER'S FLOOR				
2	640136	VALVE, CONTROL TW-1	1	1	1	
. NS	641156	. REPAIR KIT / TW-1	1	1	1	
3	140868	AIR TANK / W/END LOWER DRAIN 1228 IN° / 8" O.D. X 26"	1	1	1	
4	HF-1220-15	AIR FILTER - ACCESSORIES				
5	641412	MANIFOLD VALVE / W/2 SOLENOID	1	1	1	
. NS	641107	. COIL 24V	2	2	2	
6	HF-1620-00	HEIGHT CONTROL VALVE - BUS				
7	641274	VALVE, 3 WAYS, 2 POSITIONS N.C.	4	4	4	
8	641205	MANIFOLD VALVE / W/5 SOLENOID				
. NS	641928	. KIT, MANIFOLD REPAIR / N.C.			5	
. NS	641107	. COIL 24V			5	
9	641274	VALVE, 3 WAYS, 2 POSITIONS N.C.	1	1		
10	140869	AIR TANK / 1791 IN° / 9 1/2" O.D. X 27"	1	1		
11	HF-1601-00	BELLOWS - AIR SUSPENSION				
12	641531	VALVE, 5 WAYS, 3 POSITIONS			AR	
. NS	641186	. SPOOL			1	
13	HF-1601-00	BELLOWS - AIR SUSPENSION				
14	HF-1615-10	TAG AXLE - LIFTING	1	1	1	
15	641356	VALVE, 3 WAYS, 2 POSITIONS N.O. / W/SPRING	1	1	1	
16	641274	VALVE, 3 WAYS, 2 POSITIONS N.C.	2	2	2	
17	640442	VALVE, INVERSION TR-2	1	1	1	
17	HF-1202-00	TUBES PLASTIC / AIR D.O.T.				



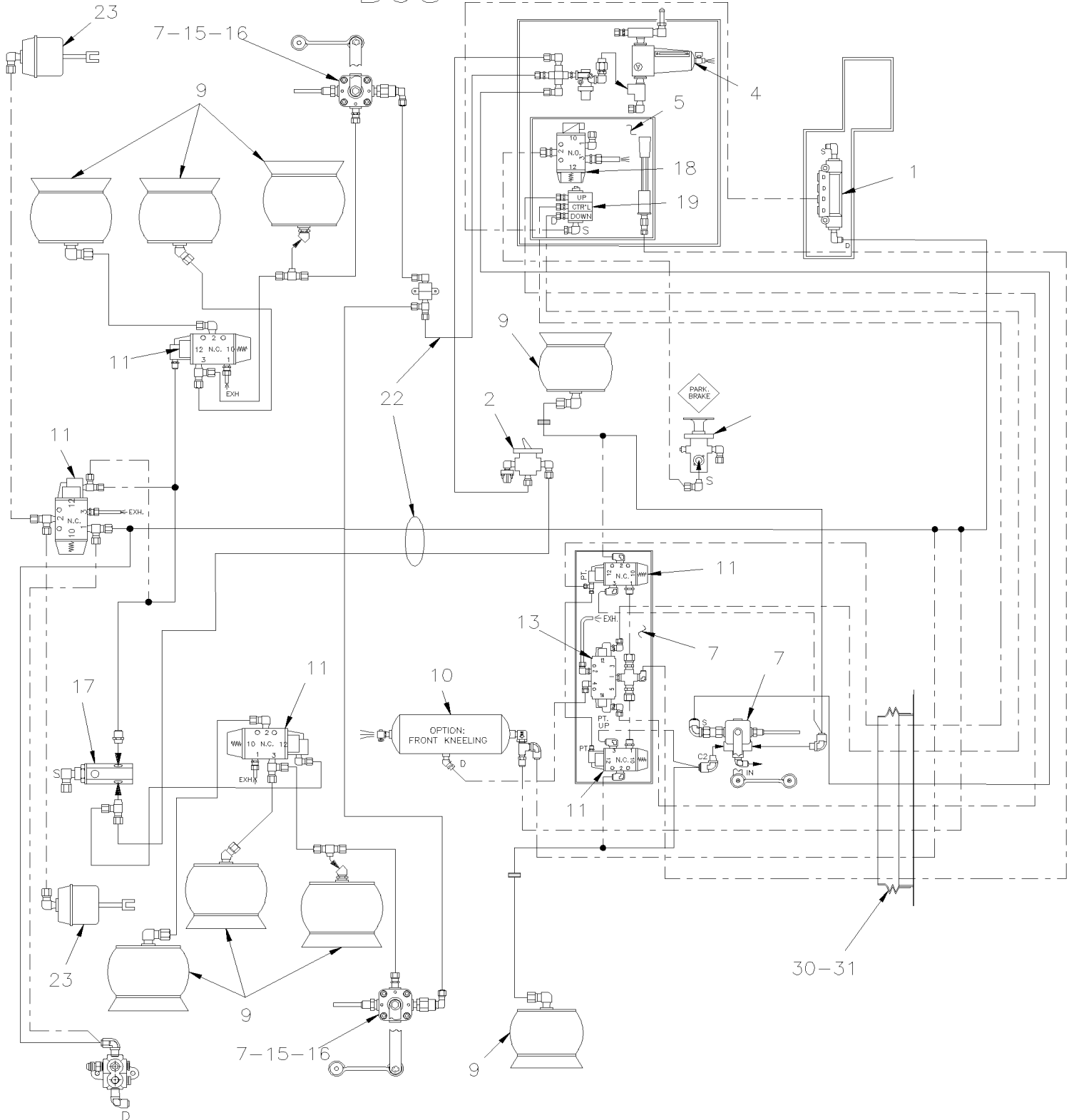
From 4-4867 To 8-1043

Date:10/2022

PAGE:HF-1600-01

SUSPENSION AIR SYSTEM

BUS



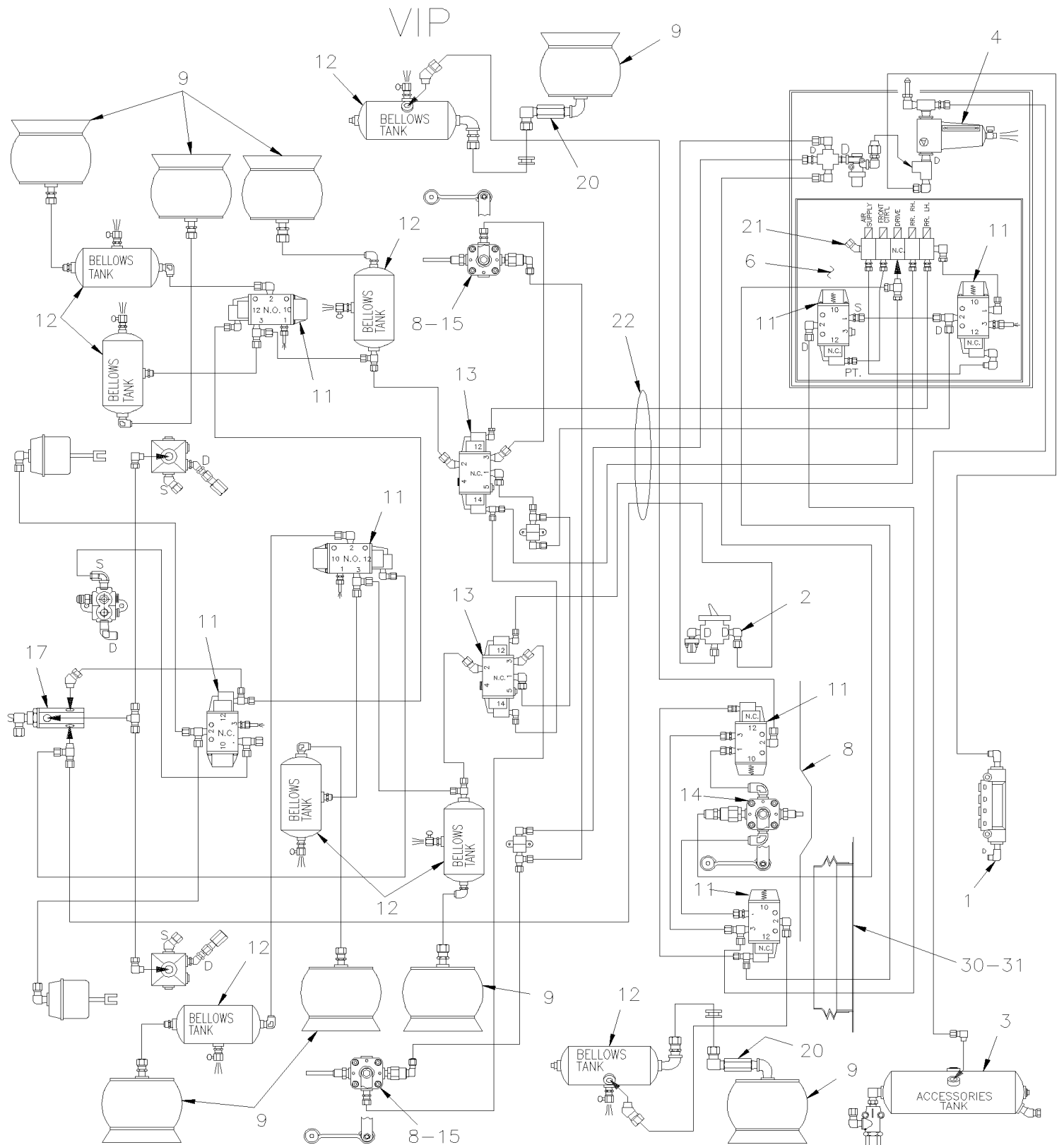


From 4-4867 To 8-1043

Date:10/2022

PAGE:HF-1600-01

SUSPENSION AIR SYSTEM





From 4-4867 To 8-1043	Date:10/2022	PAGE:HF-1600-01
SUSPENSION AIR SYSTEM		

Item#	Part	Description	H 3 4 1	H 3 4 5	V I P 4 5	N O T E S
1	641415	MANIFOLD / PUSH-IN FITTING / 2x#6 / 4x#4 PLAS	1	1	1	
2	640136	VALVE, CONTROL TW-1	1	1	1	
. NS	641156	. REPAIR KIT / TW-1	1	1	1	
3	140868	AIR TANK / W/END LOWER DRAIN 1228 IN° / 8" O.D. X 26"	1	1	1	
4	HF-1220-15	AIR FILTER - ACCESSORIES				
5	HF-1630-00	FRONT KNEELING - CONTROL PANEL				
6	HF-1640-00	LEVEL-LOW - CONTROL PANEL & VALVES				
7	HF-1620-00	HEIGHT CONTROL VALVE - BUS				
7	HF-1620-10	HIGH-BUOY, LOW BUOY & "KNEELING" VALVE				
8	HF-1620-50	HEIGHT CONTROL VALVE - V.I.P.				
9	HF-1601-00	BELLOWS - AIR SUSPENSION				
10	140869	AIR TANK / 1791 IN° / 9 1/2" O.D. X 27"	1	1	1	
11	641274	VALVE, 3 WAYS, 2 POSITIONS N.C.	AR	AR	AR	
12	HF-1203-00	AIR TANK - INSTALLATION				
13	641531	VALVE, 5 WAYS, 3 POSITIONS	1	1		
. NS	641186	. SPOOL	1	1		
13	641531	VALVE, 5 WAYS, 3 POSITIONS			2	
. NS	641186	. SPOOL			1	
14	630237	VALVE, HEIGHT CONTROL "BARKSDALE" / FRONT			1	
14	630156	VALVE, HEIGHT CONTROL "BARKSDALE"	3	3		R
14	630156	VALVE, HEIGHT CONTROL "BARKSDALE"			1	
15	630156	VALVE, HEIGHT CONTROL "BARKSDALE"	3	3		
15	630156	VALVE, HEIGHT CONTROL "BARKSDALE"			2	
16	630247	VALVE, HEIGHT CONTROL "BARKSDALE" / REAR / W/DRAIN	2	2		L
17	640442	VALVE, INVERSION TR-2	1	1	1	
18	641528	VALVE, 3 WAYS, 2 POSITIONS N.O.	1	1		
. NS	641929	. COIL 24V	1	1		
. NS	641169	. SPOOL	1	1		
. NS	641385	. CONNECTOR / SOCKET HOUSING ASSY 3C / PNEUMAC 54934-01	1	1		
19	641180	MANIFOLD VALVE / W/3 SOLENOID	1	1		
. NS	641928	. KIT, MANIFOLD REPAIR / N.C.	3	3		
. NS	641107	. COIL 24V	1	1		
20	131737	MALE CONNECTOR 123.8MM 1/2 NPT			1	
21	641205	MANIFOLD VALVE / W/5 SOLENOID			1	
. NS	641928	. KIT, MANIFOLD REPAIR / N.C.			5	
. NS	641107	. COIL 24V			5	
22	HF-1202-00	TUBES PLASTIC / AIR D.O.T.				
23	HF-1615-10	TAG AXLE - LIFTING				
30	504499	CUFF END BELLOW / 2 7/8" I.D. x 3 5/8" x 4 7/16	1	1	1	
31	141567	PROTECTOR RUBBER 100MM	1	1	1	
NS	509558	WEATHERSEAL SNAP-ON 1/8" / SINGLE LIP / WH / C.T.L.	AR	AR	AR	



From 4-4867 To 8-1043	Date:10/2022	PAGE:HF-1600-01
-----------------------	--------------	-----------------

SUSPENSION AIR SYSTEM

Item#	Part	Description	H 3 4 1	H 3 4 5	V I P 4 5	N O T E S
		L) WITH LOW BUOY				
		R) WITH I BEAM RIGID SUSPENSION				

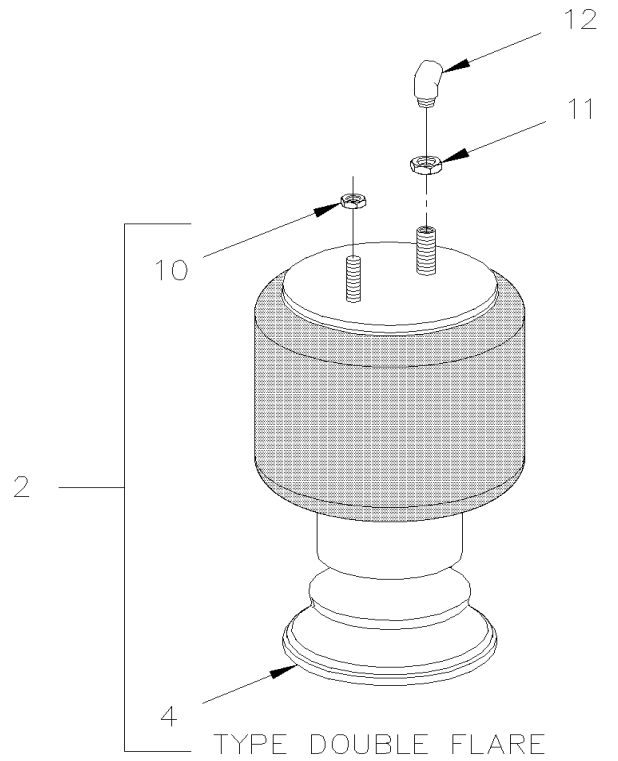
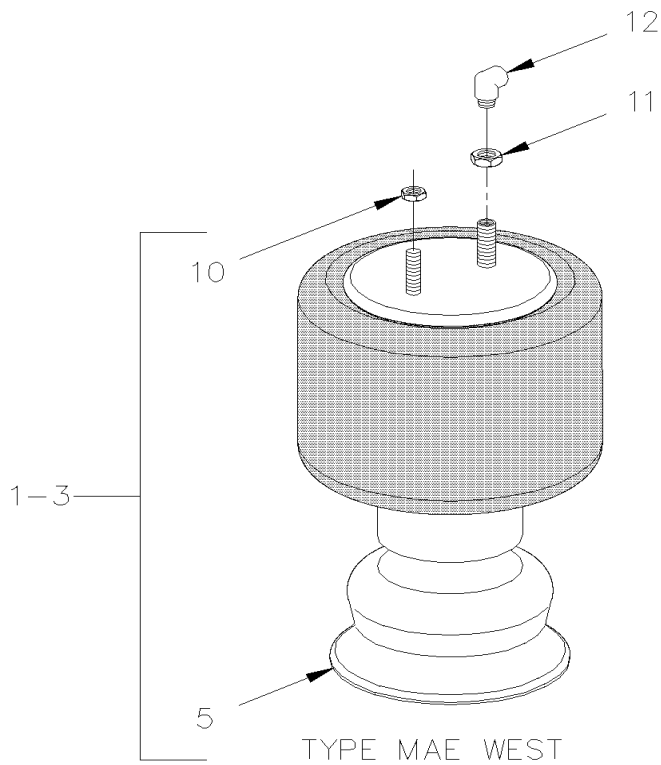
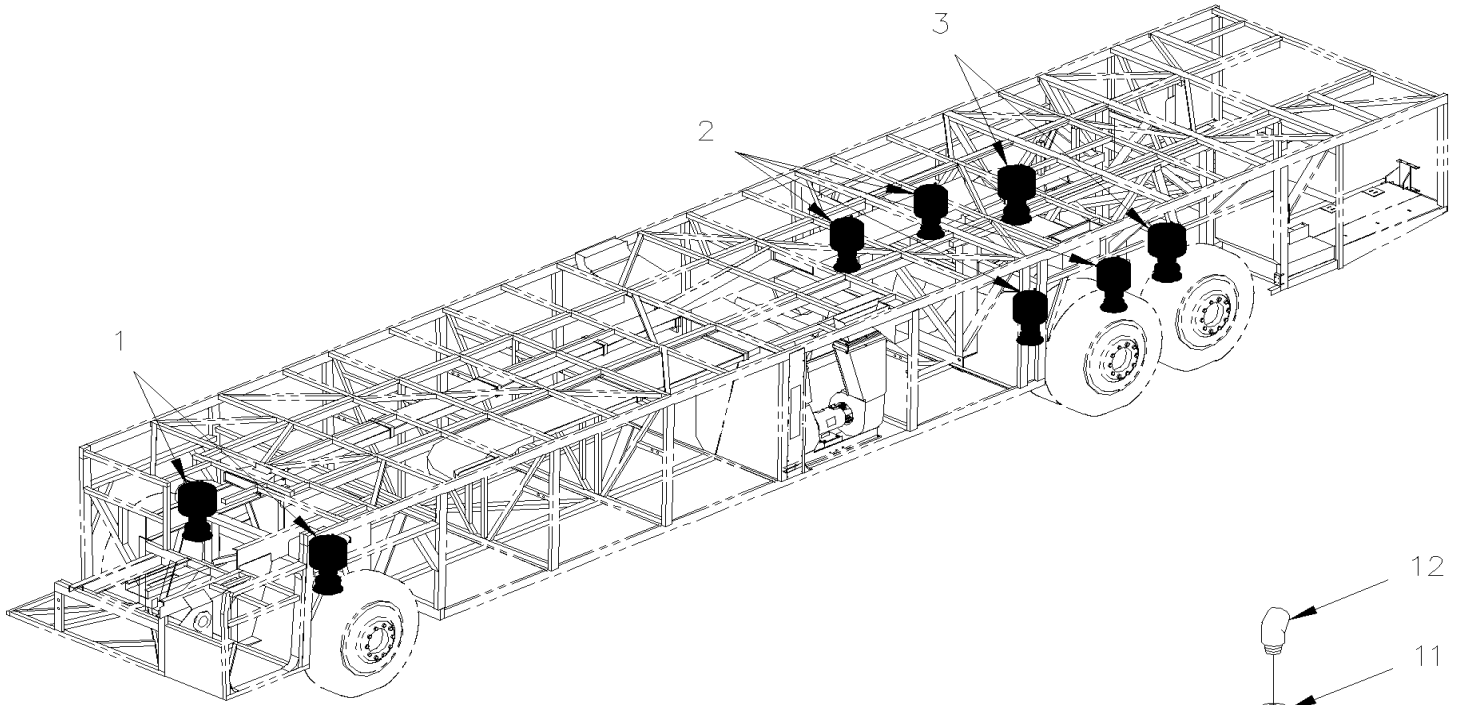


From 3-4417 To 8-1043

Date:10/2022

PAGE:HF-1601-00

BELLOWS - AIR SUSPENSION





From 3-4417 To 8-1043	Date:10/2022	PAGE:HF-1601-00
-----------------------	--------------	-----------------

BELLOWS - AIR SUSPENSION

Item#	Part	Description	H 3 4 1	H 3 4 5	V I P 4 5	N O T E S
		FRONT AXLE BELLOW				
1	630125	BELLOW ASSY / MODEL 1200 M.W. To 5-0272	2	2	2	R
1	630258	BELLOW ASSY / MODEL 1200 M.W. From 5-0273	2	2	2	R
1	N.P.N.	. BELLOW ASSY W/O PISTON	1	1	1	4
1	630151	BELLOW ASSY / MODEL 1200 M.W. To 3-4757			2	L
1	630223	. BELLOW ASSY W/O PISTON To 3-4757			1	
1	630239	BELLOW ASSY / MODEL 1400 M.W. From 4-4758			2	L
		DRIVE AXLE BELLOW				
2	630105	BELLOW ASSY / MODEL 1100 D.F. To 5-0272	4	4	4	
2	630260	BELLOW ASSY / MODEL 1100 D.F. From 5-0273	4	4	4	
2	630109	. BELLOW ASSY W/O PISTON	1	1	1	
		TAG AXLE BELLOW				
3	630125	BELLOW ASSY / MODEL 1200 M.W. To 5-0272	2	2		
3	630258	BELLOW ASSY / MODEL 1200 M.W. From 5-0273	2	2	2	
3	630151	BELLOW ASSY / MODEL 1200 M.W.			2	
3	630223	. BELLOW ASSY W/O PISTON	1	1	1	
4	630071	. PISTON / TYPE DOUBLE FLARE	AR	AR	AR	
5	630036	. PISTON / TYPE MAY WEST	AR	AR	AR	
10	500717	NUT HEX NYRT 1/2-20 Z050	AR	AR	AR	
10	5001599	NUT HEX NYRT THN 1/2-13 Z050	AR	AR	AR	
10	500968	NUT HEX STO 1/2-13 Z050	AR	AR	AR	
10	502595	NUT HEX NYRT 1/2-13 Z050	AR	AR	AR	
11	5001041	NUT HEX THN 1 1/4-12x1/2	AR	AR	AR	
12	641377	MALE ELBOW 90° NON-SWIVEL / PUSH-IN FITTING / #6x1/2NPT-M BR	2	2	2	A
12	641378	MALE ELBOW 90° / PUSH-IN FITTING / #8x1/2NPT-M BRASS	2	2	2	B
NS	641119	MALE ELBOW 45° / NTA FITTING / #6x1/2NPT-M BR	2	2	2	C
NS	641386	MALE BRANCH TEE / PUSH-IN FITTING / #6x#6x1/4NPT-M BR	2	2	2	
NS	501329	STREET ELBOW 45° / PIPE FITTING / 1/4NPT-Mx1/4NPT-F BR	2	2	2	D
NS	131388	MALE CONNECTOR 114MM 1/2 NPT To 3-4757			2	L
NS	131737	MALE CONNECTOR 123.8MM 1/2 NPT From 4-4758			2	L
NS	5001170	SCREW CAP HEX 3/4-10x1 1/4 G5 Z050			2	L
NS	641410	MALE ELBOW 90° NON-SWIVEL / PUSH-IN FITTING / #12x1/2NPT-M BR			2	L
		A) TAG AXLE				



From 3-4417 To 8-1043	Date:10/2022	PAGE:HF-1601-00
-----------------------	--------------	-----------------

BELLOWS - AIR SUSPENSION

Item#	Part	Description	H 3 4 1	H 3 4 5	V I P 4 5	N O T E S
		B) FRONT AXLE				
		C) USE REAR OF DRIVE AXLE				
		D) USE FRONT OF DRIVE AXLE				
		L) WITH INDEPENDANT SUSPENSION				
		R) RIGID SUSPENSION				
		4) NO PARTS NUMBER				

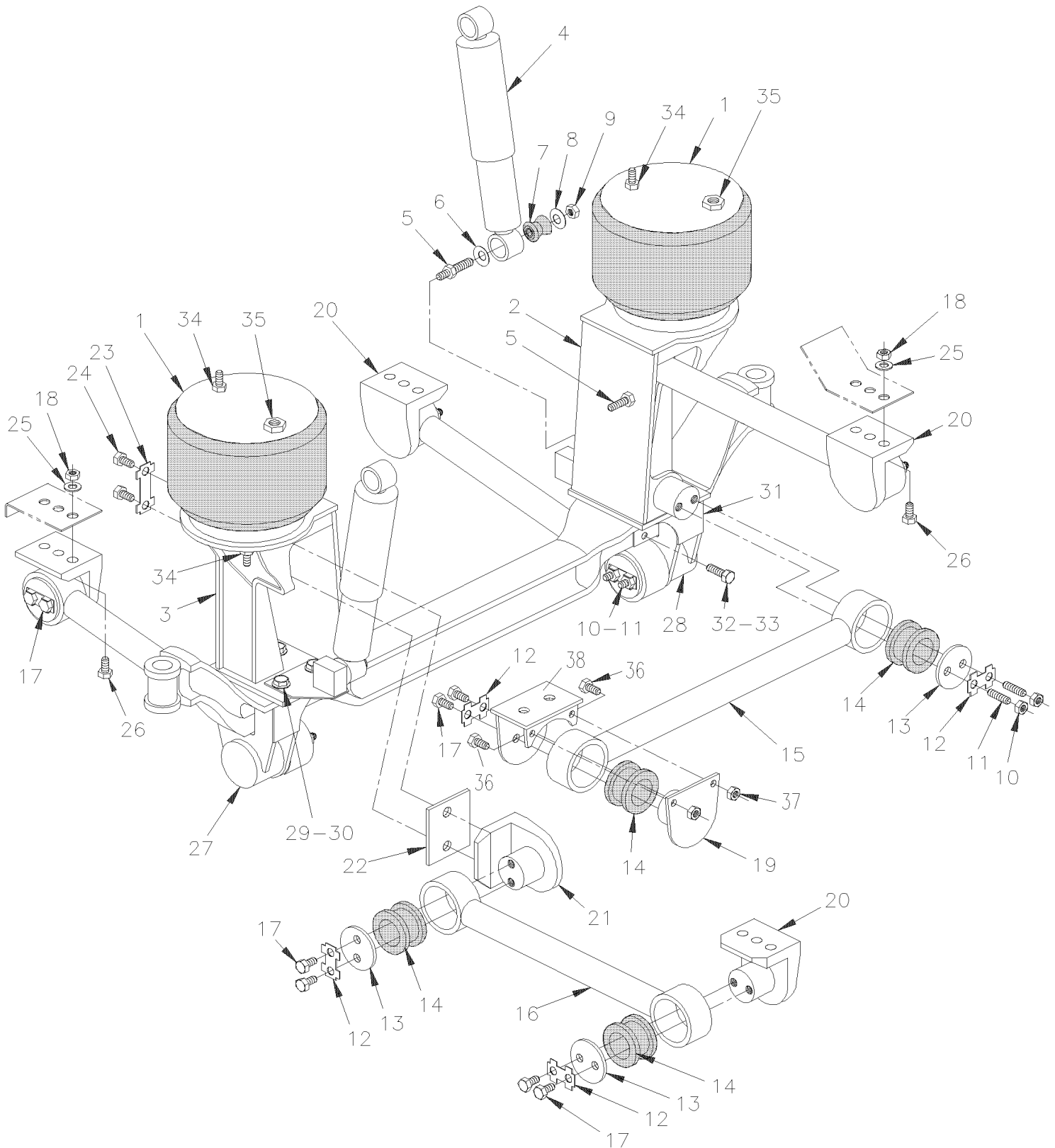


From 3-4417 To 8-1043

Date:10/2022

PAGE:HF-1605-00

FRONT AXLE - INSTALL W/ I BEAM RIGID





From 3-4417 To 8-1043	Date:10/2022	PAGE:HF-1605-00
FRONT AXLE - INSTALL W/ I BEAM RIGID		

Item#	Part	Description	H 3 4 1	H 3 4 5	V I P 4 5	N O T E S
1	HF-1601-00	BELLOWS - AIR SUSPENSION				
2	110620P	SUPPORT, BELLOW / L.H.	1	1		
2	110778	SUPPORT, BELLOW / L.H. SERVICE	1	1		
3	110751	SUPPORT, BELLOW / R.H.	1	1		
4	630134	SHOCK ABSORBER / WHITE To 3-4757	2	2		
4	630234	SHOCK ABSORBER / "KONI" (ORANGE) To 3-4757	AR	AR		O
4	630252	SHOCK ABSORBER / SACHS From 4-4758	2	2		
5	131424	PIN W/TAPER ATTACHMENT M20-2.5	2	2		
6	5001153	WASHER CON 25.5x50.0x4.5 ZP	AR	AR		
7	630062	BUSHING / RUBBER / (ONE PIECE) 2" x 1.005" I.D. To 3-4757	AR	AR		
7	630257	BUSHING / RUBBER / (TWO PIECES) 1" x 1.005" I.D. From 4-4758	AR	AR		
8	5001152	WASHER CON 21.0x50.0x4.5 ZP	8	8		
9	500809	NUT HEX STO M20-2.5 N500	4	4		
10	502588	NUT HEX M16-2.0 ZP	16	16		
11	130963	STUD M16-2.0x70	12	12		
12	110340	TAB LOCK / W/2 HOLES / W/4 TABS / 18MM I.D. X 38MM C/C	AR	AR		
13	110681	RETAINER PLATE / IRON 110MM OD W/16.7 @ 38C/C	9	9		
14	630021	RUBBER BUSHING "PREVOST"	10	10		
NS	192380	SHIM WASHER / BUSHING RADIUS ROD 2.795x4.330x.0625 SS	AR	AR		W
15	110648	ROD ASSY / 34 13/16" C/C (885MM)	1	1		
16	130615	ROD ASSY / 26 1/2" C/C (673MM)	4	4		
17	502544	SCREW CAP HEX M16-2.0x40 G8.8 Z050	18	18		
17	500813	SCREW CAP HEX M16-2.0x35 G8.8 ZP	18	18		
18	500781	NUT HEX STO M16-2.0 DP To 8-0903	10	10		C
18	5001662	NUT HEX NYRT M16-2.0 G10 Z050 From 8-0904	10	10		C
19	131690	ATTACHMENT To 6-0415	1	1		
19	131784	ATTACHMENT From 6-0416	1	1		
20	131686	SUPPORT / ROD / W/2 M16-2 HOLES & DOWEL PIN / 95MM C/C // 150MM SHORT To 4-0013	1	1		
20	131544	SUPPORT / ROD / W/2 M16-2 HOLES & DOWEL PIN / 95MM C/C // 150MM SHORT From 4-0014 To 6-0575	4	4		
20	132912	SUPPORT / ROD / W/2 M16-2 HOLES & DOWEL PIN / 95MM C/C // 150MM SHORT From 6-0576	1	1		
NS	121890	TORQUE PLATE / W/2HOLES 17MM I.D. X 90MM C/C	1	1	1	
NS	502164	PIN DOWEL M16 X 40MM	1	1		
21	131328	SUPPORT / ROD / W/4 M16-2 HOLES / 95MM C/C // 150MM SHORT	2	2		
22	110663	SHIM "U" 11GA SS 124MM x 92MM x 31MM wide	2	2		
23	110667	TAB LOCK / W/2 HOLES 18MM I.D. X 90MM C/C	2	2		
24	5001372	SCREW CAP HEX M16-2.0x50 G10.9 N500	4	4		
25	5001046	WASHER FL .656x1.500x.187	10	10		C
26	5001224	SCREW CAP HEX M16-2.0x60 G10.9 G500 To 6-0575	8	8		
26	5001372	SCREW CAP HEX M16-2.0x50 G10.9 N500 From 6-0576	8	8		
27	110652	ATTACHMENT / R.H.	1	1		
28	110653	ATTACHMENT / L.H.	1	1		
29	5001175	SCREW CAP HEX M22-2.5x80 G8.8 Z050	9	9		



From 3-4417 To 8-1043	Date:10/2022	PAGE:HF-1605-00
FRONT AXLE - INSTALL W/ I BEAM RIGID		

Item#	Part	Description	H 3 4 1	H 3 4 5	V I P 4 5	N O T E S
30	5001176	NUT HEX STO M22-2.5 ZP	9	9		
31	110664	SPACER	1	1		
32	502731	SCREW CAP HEX M12-1.75x40 G8.8 Z050	2	2		
33	500860	NUT HEX M12-1.75 Z050	2	2		
34	502595	NUT HEX NYRT 1/2-13 Z050	6	6		
35	5001041	NUT HEX THN 1 1/4-12x1/2	2	2		
36	955385	SCREW CAP HEX M20-2.5x45 G8.8 ZP	2	2		
37	5001252	NUT HEX STO M20-2.5 DP	2	2		
38	131691	SUPPORT ASSY / (WELDED) To 6-0415	1	1		
38	131785	SUPPORT ASSY / (WELDED) From 6-0416	1	1		
		C) TO FIX ROD				
		O) OPTION SPECIAL				
		W) IF NEED, USE BETWEEN BUSHING ROD SUPPORT				

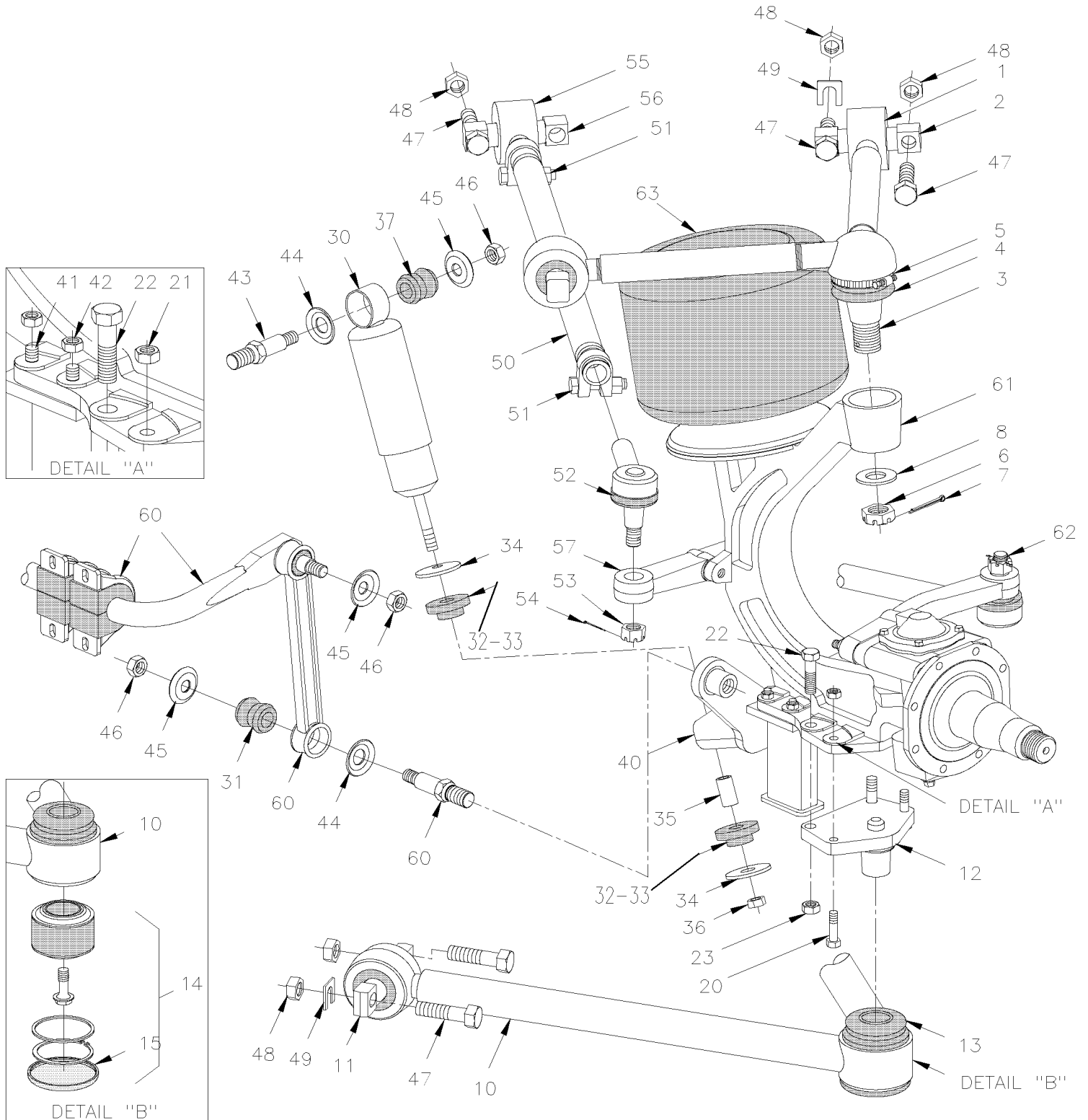


From 3-4417 To 3-4757

Date:10/2022

PAGE:HF-1605-50

FRONT AXLE - INSTALL W/INDEPENDENT "IS-84" / 16500LBS





From 3-4417 To 3-4757	Date:10/2022	PAGE:HF-1605-50
-----------------------	--------------	-----------------

FRONT AXLE - INSTALL W/INDEPENDENT "IS-84" / 16500LBS

Item#	Part	Description	H 3 4 1	H 3 4 5	V I P 4 5	N O T E S
1	611203	UPPER ARM ASSY / L.H. & R.H.			2	
1	611347	UPPER ARM ASSY / L.H. & R.H. / SERVICE			1	
2	611135	. BUSHING BAR PIN / 20MM 130mm c/c 75MM O.D. x 52MM wide			1	
. NS	683108	. . TOOL MOUNTING / MATRICE			1	
. NS	683109	. . TOOL MOUNTING / TAPER RING / 100.5MM O.D.			1	
. NS	683110	. . TOOL MOUNTING / STABILISATION			1	
2	N.S.P.	. . LOCK RING			1	2
2	N.S.P.	. . SPACER RING			1	2
3	611108	. BALL STUD / REPAIR KIT / W/611203 ONLY			1	A
3	N.S.P.	. . BEARING RACE			1	2
3	N.S.P.	. . BEARING RETAINER			1	2
4	611109	. SEALING BOOT KIT / W/611203 ONLY			1	
5	611110	. . RING / RETAINER BOOT 96MM			1	
6	5001321	. NUT HEX CSL M30-1.5 17TH CJ			1	
7	502105	. PIN, COTTER 3/16 x 2			1	
8	5001255	WASHER FL 31.75x54.77x3.175			2	
10	611072	LOWER ARM ASSY / R.H.			1	
10	611078	LOWER ARM ASSY / L.H.			1	
11	611114	. BUSHING BAR PIN / 20x25MM 130mm c/c 85MM O.D. x 55MM wide			1	
. NS	683111	. . TOOL MOUNTING / MATRICE			1	
. NS	683112	. . TOOL MOUNTING / TAPER RING / 106.5MM O.D.			1	
. NS	683113	. . TOOL MOUNTING / STABILISATION			1	
11	N.S.P.	. . LOCK RING			1	2
11	N.S.P.	. . SPACER RING			1	2
12	611117	. MOUNTING BRACKET / TOP OF LOWER ARM W/4 HOL			1	
12	611357	. MOUNTING BRACKET / TOP OF LOWER ARM W/4 HOL			1	S
13	611115	. SEALING BOOT ASSY / ARM MOUNTING BRACKET			1	
13	611116	. . RING / RETAINER BOOT 113MM			1	
14	611112	. LOWER BEARING BALL ASSY / REPAIR KIT			1	
. NS	683114	. . TOOL MOUNTING / MATRICE			1	
. NS	683115	. . TOOL MOUNTING / TAPER RING / 101.5MM O.D.			1	
. NS	683116	. . TOOL MOUNTING / STABILISATION			1	
. NS	683117	. . TOOL MOUNTING / MATRICE			1	
. NS	683118	. . TOOL MOUNTING / HANDLE			1	
. NS	683119	. . TOOL MOUNTING / MATRICE			1	
. NS	683120	. . TOOL MOUNTING RING POSITIONING			1	
14	N.S.P.	. . . BEARING ELEMENT RING			2	2
14	N.S.P.	. . . BEARING SPACER RING			2	2
14	N.S.P.	. . . SCR CAP HEX M14-1.5 X 30MM SPECIAL			1	2
15	611113	. . . CLOSING CAP, LOWER			1	
20	5001322	SCREW CAP HEX M16-1.5x60 G10.9 ZP			2	
21	5001253	NUT HEX STO M16-1.5 G500			4	



From 3-4417 To 3-4757	Date:10/2022	PAGE:HF-1605-50
FRONT AXLE - INSTALL W/INDEPENDENT "IS-84" / 16500LBS		

Item#	Part	Description	H 3 4 1	H 3 4 5	V I P 4 5	N O T E S
21	5001254	NUT HEX STO M16-2.0 DP			AR	
22	5001224	SCREW CAP HEX M16-2.0x60 G10.9 G500			AR	
30	630163	SHOCK ABSORBER / BLUE			2	
30	630235	SHOCK ABSORBER / "KONI" (ORANGE)			AR	O
31	630062	. BUSHING / RUBBER / (ONE PIECE) 2" x 1.005" I.D.			2	
32	630249	. KIT WASHER & RUBBER BUSHING			1	
33	630152	. . BUSHING / RUBBER			2	
34	110756	. . WASHER CONCAVE 75MM O.D. X 16.5MM I.D			2	
35	630154	. . SPACER SLEEVE / STEEL			1	
36	500725	. . NUT HEX STO 5/8-18 Z050			1	
37	630257	. BUSHING / RUBBER / (TWO PIECES) 1" x 1.005" I.D.			2	
40	110674	SUPPORT R.H. / LOWER SHOCK & SWAY BAR			1	
40	110675	SUPPORT L.H. / LOWER SHOCK & SWAY BAR			1	
41	5001043	SCREW CAP HEX M12-1.75x50 G8.8 Z050			8	
42	500811	NUT HEX STO M12-1.75 G500			8	
43	131424	PIN W/TAPER ATTACHMENT M20-2.5			2	
44	5001153	WASHER CON 25.5x50.0x4.5 ZP			2	
45	5001152	WASHER CON 21.0x50.0x4.5 ZP			6	
46	500809	NUT HEX STO M20-2.5 N500			1	
47	5001225	SCREW CAP HEX M20-2.5x80 G10.9 G500			16	
48	5001252	NUT HEX STO M20-2.5 DP			16	
49	160992	SHIM "U" 6.35 x 39.5MM x 38MM x 20 i.d.			8	
49	160993	SHIM "U" 3.175x 39.5MM x 38MM x 20 i.d.			4	
50	660993	ROD ASSY / 5TH			2	
51	611129	. COLLAR ASSY / W/BOLT & NUT 37MM I.D.			2	
. NS	N17588	. . SCREW CAP HEX M12-1.75x70 G10.9 DP			1	
. NS	500811	. . NUT HEX STO M12-1.75 G500			1	
52	611128	. TIE ROD END R.H. THREAD M30-1.5			1	
. NS	N20571	. . RUBBER SEAL BOOT			1	
. NS	N8884429	. . NUT HEX CSL M24-1.5 15TH CJ			1	
53	5001325	. . NUT HEX CSL M24-1.5 15TH CJ			1	
54	502104	. . PIN, COTTER 5/32 x 2			1	
55	611130	. BALL PIN BUSHING ASSY			1	
56	611127	. . BUSHING BAR PIN / 15MM 90mm c/c 55MM O.D. x 50MM wide			1	
57	661071	UPRIGHT ARM L.H. / W/56 Deg			1	
57	661072	UPRIGHT ARM R.H. / W/56 Deg			1	
60	HF-1616-00	SWAY BAR				
61	HF-1005-50	FRONT AXLE - INDEPENDENT MODEL "IS-84" / 16500LBS				
62	HF-1410-00	STEERING GEAR BOX & DRAG LINK - INSTALLATION				
63	HF-1601-00	BELLOWS - AIR SUSPENSION				
63	501406	STREET ELBOW 90° / PIPE FITTING / 1/2NPT-Mx1/2NPT-F BR			1	
63	131388	MALE CONNECTOR 114MM 1/2 NPT			1	



From 3-4417 To 3-4757	Date:10/2022	PAGE:HF-1605-50
FRONT AXLE - INSTALL W/INDEPENDENT "IS-84" / 16500LBS		

Item#	Part	Description	H 3 4 1	H 3 4 5	V I P 4 5	N O T E S
63	5001041	NUT HEX THN 1 1/4-12x1/2			1	
		A) USE TOOL #683121				
		O) OPTION SPECIAL				
		S) AFTER MARKET				
		2) NOT SOLD BY PREVOST (SEE MANUFACTURING PART NUMBER AT END OF DESCRIPTION LINE)				

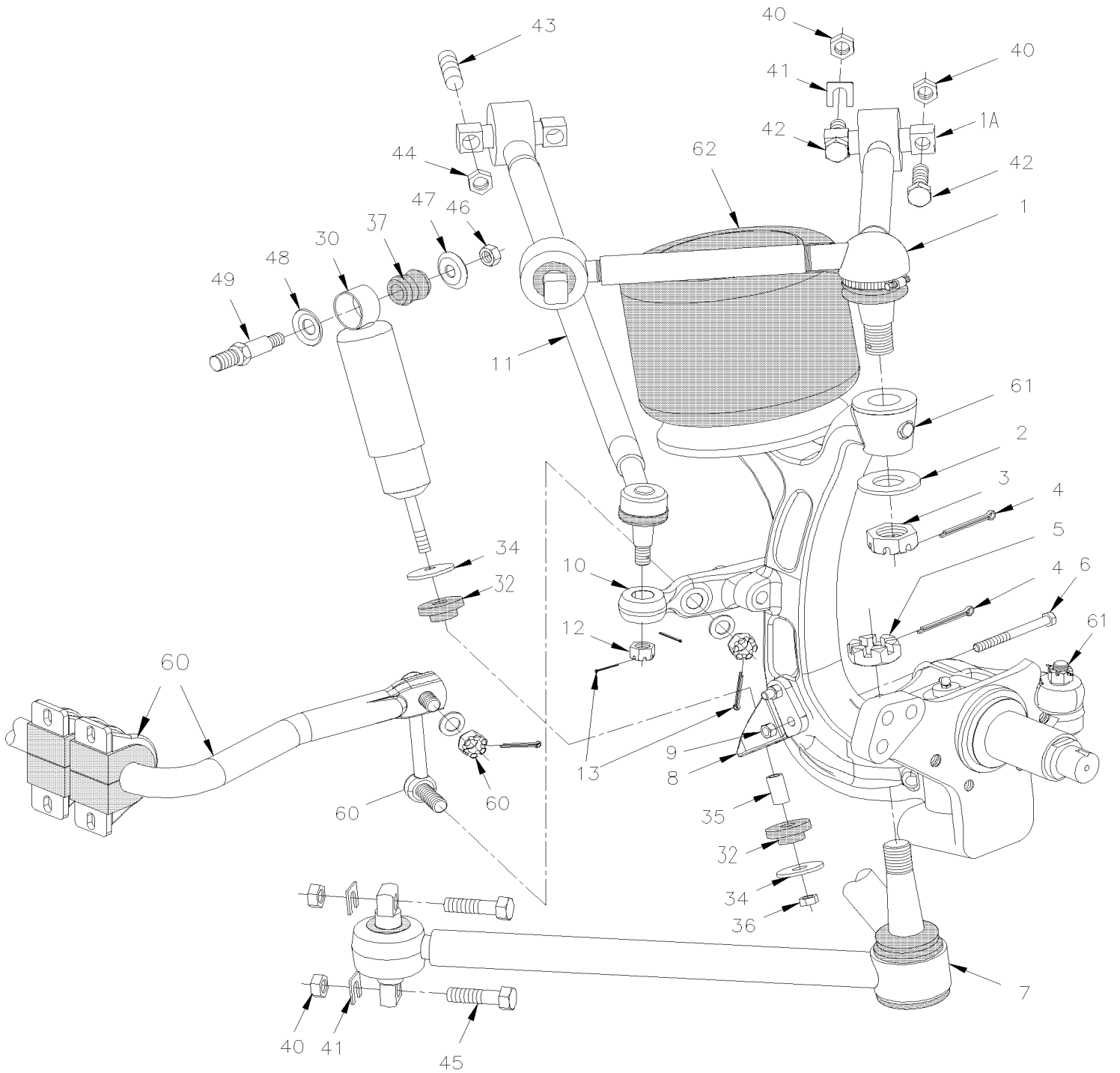


From 4-4758 To 8-1043

Date:10/2022

PAGE:HF-1605-51

FRONT AXLE - INSTALL W/INDEPENDENT "NDIFS80P" / 18000LBS





From 4-4758 To 8-1043	Date:10/2022	PAGE:HF-1605-51
FRONT AXLE - INSTALL W/INDEPENDENT "NDIFS80P" / 18000LBS		

Item#	Part	Description	H 3 4 1	H 3 4 5	V I P 4 5	N O T E S
1	611270	UPPER ARM ASSY / L.H. & R.H.			2	
. A	611346	. BUSHING BAR PIN / 20MM 150mm c/c 85MM O.D. x 72MM wide			2	
. A1	611358	. BUSHING BAR PIN / 20MM 150mm c/c 85MM O.D. x 72MM wide			2	
2	5001255	WASHER FL 31.75x54.77x3.175			1	
3	5001321	NUT HEX CSL M30-1.5 17TH CJ			1	
4	502115	PIN, COTTER 3/16 x 2 1/2			2	
5	5001333	NUT HEX CSL M36-1.5 17TH CJ			1	
6	611273	SCREW CAP HEX M14-2.0x135 G8.8 Z050			2	
7	611271	LOWER ARM ASSY / R.H. / W/56 Deg To 6-0411			1	
. NS	611326	. LOWER BEARING BALL ASSY / REPAIR KIT To 6-0411			1	
. NS	611325	. BUSHING BAR PIN / 20MM 150mm c/c 85MM O.D. x 70MM wide To 6-0411			2	
7	611344	LOWER ARM ASSY / R.H / W/58 Deg From 6-0412			1	
. NS	611326	. LOWER BEARING BALL ASSY / REPAIR KIT From 6-0412			1	
. NS	611325	. BUSHING BAR PIN / 20MM 150mm c/c 85MM O.D. x 70MM wide From 6-0412			2	
7	611272	LOWER ARM ASSY / L.H. / W/56 Deg To 6-0411			1	
. NS	611326	. LOWER BEARING BALL ASSY / REPAIR KIT To 6-0411			1	
. NS	611325	. BUSHING BAR PIN / 20MM 150mm c/c 85MM O.D. x 70MM wide To 6-0411			2	
7	611343	LOWER ARM ASSY / L.H / W/58 Deg From 6-0412			1	
. NS	611326	. LOWER BEARING BALL ASSY / REPAIR KIT From 6-0412			1	
. NS	611325	. BUSHING BAR PIN / 20MM 150mm c/c 85MM O.D. x 70MM wide From 6-0412			2	
8	116454	ATTACHMENT / SHOCK ABSORBER			1	
9	502538	NUT HEX STO M14-2.0 Z050			2	
10	661080	UPRIGHT ARM L.H / W/56 Deg To 6-0411			1	
10	661113	UPRIGHT ARM L.H / W/58 Deg From 6-0412			1	
10	661081	UPRIGHT ARM R.H / W/56 Deg To 6-0411			1	
10	661114	UPRIGHT ARM R.H / W/58 Deg From 6-0412			1	
11	661093	ROD ASSY / 5TH / W/56 Deg To 6-0411			2	
11	661111	ROD ASSY / 5TH / W/58 Deg From 6-0412			2	
12	5001325	. NUT HEX CSL M24-1.5 15TH CJ			1	
13	661215	. PIN, COTTER 5MMx40MM			1	
30	630251	SHOCK ABSORBER / SACHS / 208			2	
. NS	630255	. KIT WASHER & RUBBER BUSHING			1	
31	630257	. BUSHING / RUBBER / (TWO PIECES) 1" x 1.005" I.D.			2	
32	630249	KIT WASHER & RUBBER BUSHING			1	
34	N.P.N.	. SLEEVE			1	4
35	N.P.N.	. WASHER			1	4
36	5001579	. NUT HEX NYRT M16-1.5 Z050			1	
37	630257	. BUSHING / RUBBER / (TWO PIECES) 1" x 1.005" I.D.			2	
40	5001252	NUT HEX STO M20-2.5 DP			4	
41	160992	SHIM "U" 6.35 x 39.5MM x 38MM x 20 i.d.			AR	
41	160993	SHIM "U" 3.175x 39.5MM x 38MM x 20 i.d.			AR	
41	661094	SHIM "U" 4.76 x 39.5MM x 38MM x 20 i.d.			AR	



From 4-4758 To 8-1043	Date:10/2022	PAGE:HF-1605-51
FRONT AXLE - INSTALL W/INDEPENDENT "NDIFS80P" / 18000LBS		

Item#	Part	Description	H 3 4 1	H 3 4 5	V I P 4 5	N O T E S
42	983296	SCREW CAP HEX M20-2.5x90 G10.9 ZP			4	
42	5001525	SCREW CAP HEX M20-2.5x100 G10.9 N500			4	
43	130963	STUD M16-2.0x70			2	
44	502588	NUT HEX M16-2.0 ZP			2	
45	5001561	SCREW CAP HEX M20-2.5x250 G10.9 ZP			4	
46	500809	NUT HEX STO M20-2.5 N500			1	
47	5001152	WASHER CON 21.0x50.0x4.5 ZP			1	
48	5001153	WASHER CON 25.5x50.0x4.5 ZP			1	
49	131424	PIN W/TAPER ATTACHMENT M20-2.5			1	
60	HF-1616-00	SWAY BAR				
61	HF-1005-51	FRONT AXLE - INDEPENDENT MODEL "NDIFS80P" / 18000LBS				
62	HF-1601-00	BELLOWS - AIR SUSPENSION				
NS	630255	KIT WASHER & RUBBER BUSHING			AR	A
		A) INCLUDES #33 TO 36				
		4) NO PARTS NUMBER				

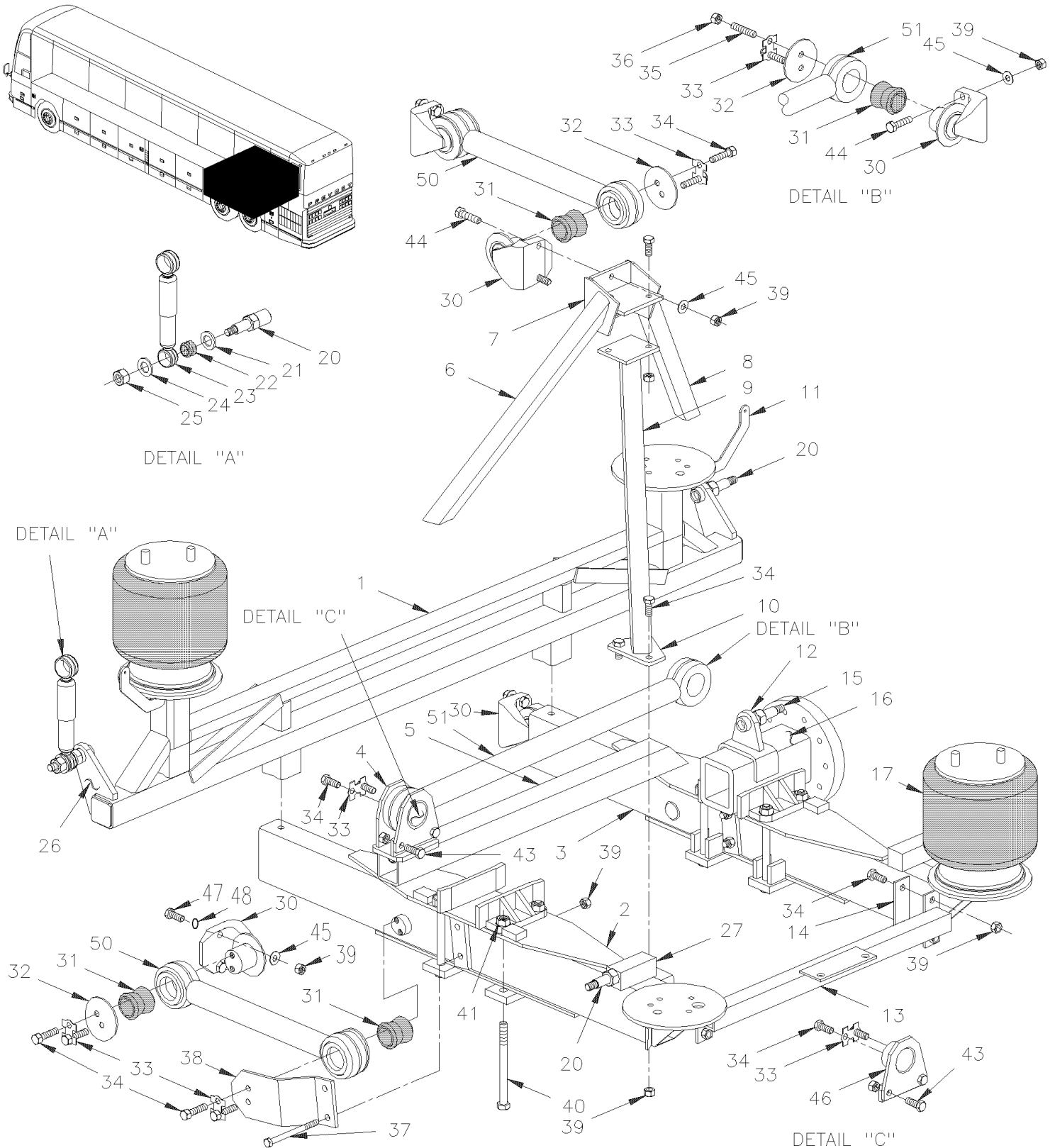


From 3-4417 To 8-1043

Date:10/2022

PAGE:HF-1610-00

REAR AXLE - INSTALL SUSPENSION





From 3-4417 To 8-1043	Date:10/2022	PAGE:HF-1610-00
REAR AXLE - INSTALL SUSPENSION		

Item#	Part	Description	H 3 4 1	H 3 4 5	V I P 4 5	N O T E S
1	121563P	REAR DIFFERENTIAL CARRIER ASSY WELDED WITH DISC BRAKE	1	1	1	
2	121523P	BEAM ASSY / L.H. To 4-4910	1	1	1	
2	Call order desk	BEAM ASSY / L.H. From 4-4911 To 5-0109	1	1	1	P
2	121651P	BEAM ASSY / L.H. From 5-0110	1	1	1	
3	121522P	BEAM ASSY / R.H. To 4-4910	1	1	1	
3	Call order desk	BEAM ASSY / R.H. From 4-4911 To 5-0109	1	1	1	P
3	121652P	BEAM ASSY / R.H. From 5-0110	1	1	1	
4	131691	SUPPORT ASSY / (WELDED) To 6-0411	1	1	1	
4	131785	SUPPORT ASSY / (WELDED) From 6-0412	1	1	1	
5	121433	TUBE / (WELDED) UNDER	1	1	1	
6	121098	BRACE / FRONT L.H.	1	1	1	
7	121577P	PLATE TOP TRIPOD ASSY WELDED	1	1	1	
8	121099	BRACE / FRONT R.H.	1	1	1	
9	Call order desk	TRIPOD ASSY WELDED To 4-4910	1	1	1	P
9	121610P	TRIPOD ASSY WELDED From 4-4911	1	1	1	
10	121554	PLATE SUPPORT	1	1	1	
11	121477	ACTUATOR SUPPORT / TO FIX LINK / (WELDED)	2	2	2	
12	121467	ATTACHMENT PIN SWAY BAR / (WELDED TO HOUSING)	2	2	2	
13	121575	BAR ASSY	1	1	1	
14	121442	ATTACHMENT PLATE	2	2	2	
15	131424	PIN W/TAPER ATTACHMENT M20-2.5	2	2	2	A
15	131522	PIN W/TAPER ATTACHMENT M20-2.5 / SWAY-BAR	2	2	2	
16	HF-1105-00	REAR AXLE - MODEL "RC23160"				
17	HF-1601-00	BELLOWS - AIR SUSPENSION				
20	131424	PIN W/TAPER ATTACHMENT M20-2.5	4	4	4	
21	5001153	WASHER CON 25.5x50.0x4.5 ZP	8	8	8	
22	630062	BUSHING / RUBBER / (ONE PIECE) 2" x 1.005" I.D. To 3-4757	8	8	8	
22	630257	BUSHING / RUBBER / (TWO PIECES) 1" x 1.005" I.D. From 4-4758	8	8	8	
23	630127	SHOCK ABSORBER / BLACK W/GAZ To 3-4757	4	4	4	
23	630134	SHOCK ABSORBER / WHITE To 3-4757	AR	AR	AR	
23	630236	SHOCK ABSORBER / "KONI" (ORANGE)	AR	AR	AR	O
. NS	630062	. BUSHING / RUBBER / (ONE PIECE) 2" x 1.005" I.D.	1	1	1	O
. NS	630255	. KIT WASHER & RUBBER BUSHING	1	1	1	O
23	630253	SHOCK ABSORBER / SACHS / 209 From 4-4758	4	4	4	
24	5001152	WASHER CON 21.0x50.0x4.5 ZP	8	8	8	
25	500809	NUT HEX STO M20-2.5 N500	4	4	4	
26	121565	RETAINER L.H. / (WELDED)	1	1	1	
26	121567	RETAINER R.H. / (WELDED)	1	1	1	
27	121157	ATTACHMENT PIN 1"-14 / SHOCK ABSORBER / 126MM LONG W/OFFSET CENTER	2	2	2	
30	131065	SUPPORT / ROD / W/2 M16-2 HOLES / 95MM C/C // 150MM SHORT To 4-0013	5	5	5	
30	131753	SUPPORT / ROD / W/2 M16-2 HOLES / 95MM C/C // 150MM SHORT From 4-0014 To 6-0575	5	5	5	
30	132914	SUPPORT / ROD / W/2 M16-2 HOLES / 95MM C/C // 150MM SHORT From 6-0576	5	5	5	



From 3-4417 To 8-1043	Date:10/2022	PAGE:HF-1610-00
REAR AXLE - INSTALL SUSPENSION		

Item#	Part	Description	H 3 4 1	H 3 4 5	V I P 4 5	N O T E S
. NS	121890	. TORQUE PLATE / W/2HOLES 17MM I.D. X 90MM C/C From 6-0576	AR	AR	AR	
NS	121267	SHIM 26GAGE	AR	AR	AR	
NS	121039	SHIM 20GAGE	AR	AR	AR	
NS	131068	SHIM 14GAGE	AR	AR	AR	
NS	121419	SHIM "U" 14GA SS 133MM x 62MM x 18 i.d. To 7-0912	AR	AR	AR	
NS	121418	SHIM "U" 26 GA SS 133MM x 62MM x 18 i.d. To 7-0912	AR	AR	AR	
NS	483403	BOLT PROTECTOR PLASTIC / 140MM X 92MM X 15MM	2	2	2	B
31	630021	RUBBER BUSHING "PREVOST"	8	8	8	
NS	192380	SHIM WASHER / BUSHING RADIUS ROD 2.795x4.330x.0625 SS	AR	AR	AR	W
32	110681	RETAINER PLATE / IRON 110MM OD W/16.7 @ 38C/C	6	6	6	
33	110340	TAB LOCK / W/2 HOLES / W/4 TABS / 18MM I.D. X 38MM C/C	6	6	6	
34	5001590	SCREW CAP HEX M16-2.0x40 G10.9 N500 To 6-0575	AR	AR	AR	
34	500813	SCREW CAP HEX M16-2.0x35 G8.8 ZP From 6-0576	AR	AR	AR	
35	130963	STUD M16-2.0x70	2	2	2	
36	502588	NUT HEX M16-2.0 ZP	2	2	2	
37	502766	SCREW CAP HEX M16-2.0x140 G8.8 Z050	4	4	4	
38	121091	PLATE ATTACHMENT To 4-4910	2	2	2	
38	110681	RETAINER PLATE / IRON 110MM OD W/16.7 @ 38C/C From 4-4911	2	2	2	
39	500781	NUT HEX STO M16-2.0 DP	AR	AR	AR	
40	5001472	SCREW CAP HEX 3/4-16x9 1/2 G5 Z050	8	8	8	
41	500251	NUT HEX NYRT 3/4-16 Z050	8	8	8	
43	955385	SCREW CAP HEX M20-2.5x45 G8.8 ZP	2	2	2	
43	5001252	NUT HEX STO M20-2.5 DP	2	2	2	
44	5001369	SCREW CAP HEX M16-2.0x70 G10.9 DP To 4-4910	2	2	2	
44	5001224	SCREW CAP HEX M16-2.0x60 G10.9 G500 From 4-4911	2	2	2	
45	5001046	WASHER FL .656x1.500x.187	AR	AR	AR	
46	131420	ATTACHMENT	1	1	1	
47	5001372	SCREW CAP HEX M16-2.0x50 G10.9 N500 To 7-0912	4	4	4	
47	5001656	SCREW CAP HEXF M16-2.0x50 G10.9 G500 From 7-0913	4	4	4	
47	5001655	SCREW CAP HEX M16-2.0x55 G10.9 FT DP To 7-0912	4	4	4	
47	5001657	SCREW CAP HEXF M16-2.0x55 G10.9 DP From 7-0913	4	4	4	
47	5001369	SCREW CAP HEX M16-2.0x70 G10.9 DP To 7-0912	4	4	4	
47	5001658	SCREW CAP HEXF M16-2.0x70 G10.9 DP From 7-0913	4	4	4	
48	507368	O-RING From 7-0913	4	4	4	
50	120868	ROD ASSY / 23 3/8" C/C (593MM)	3	3	3	
51	110648	ROD ASSY / 34 13/16" C/C (885MM)	1	1	1	
53	5001643	SCREW CAP HEXF M8-1.25x25 G8.8 G500	1	1	1	
		A) FOR PRODUCT IMPROVMENT YOU REQUIRE 2 STUDS 131520, 2 PINS 131522 & 4 BUSHINGS 506678				
		B) INSIDE OF BAGGAGE BAY				



From 3-4417 To 8-1043	Date:10/2022	PAGE:HF-1610-00
-----------------------	--------------	-----------------

REAR AXLE - INSTALL SUSPENSION

Item#	Part	Description	H 3 4 1	H 3 4 5	V I P 4 5	N O T E S
		O) OPTION SPECIAL				
		W) IF NEED, USE BETWEEN BUSHING ROD SUPPORT				
		P) CALL ORDER DESK FOR SPECIFIC APPLICATION (V.I.N.)				

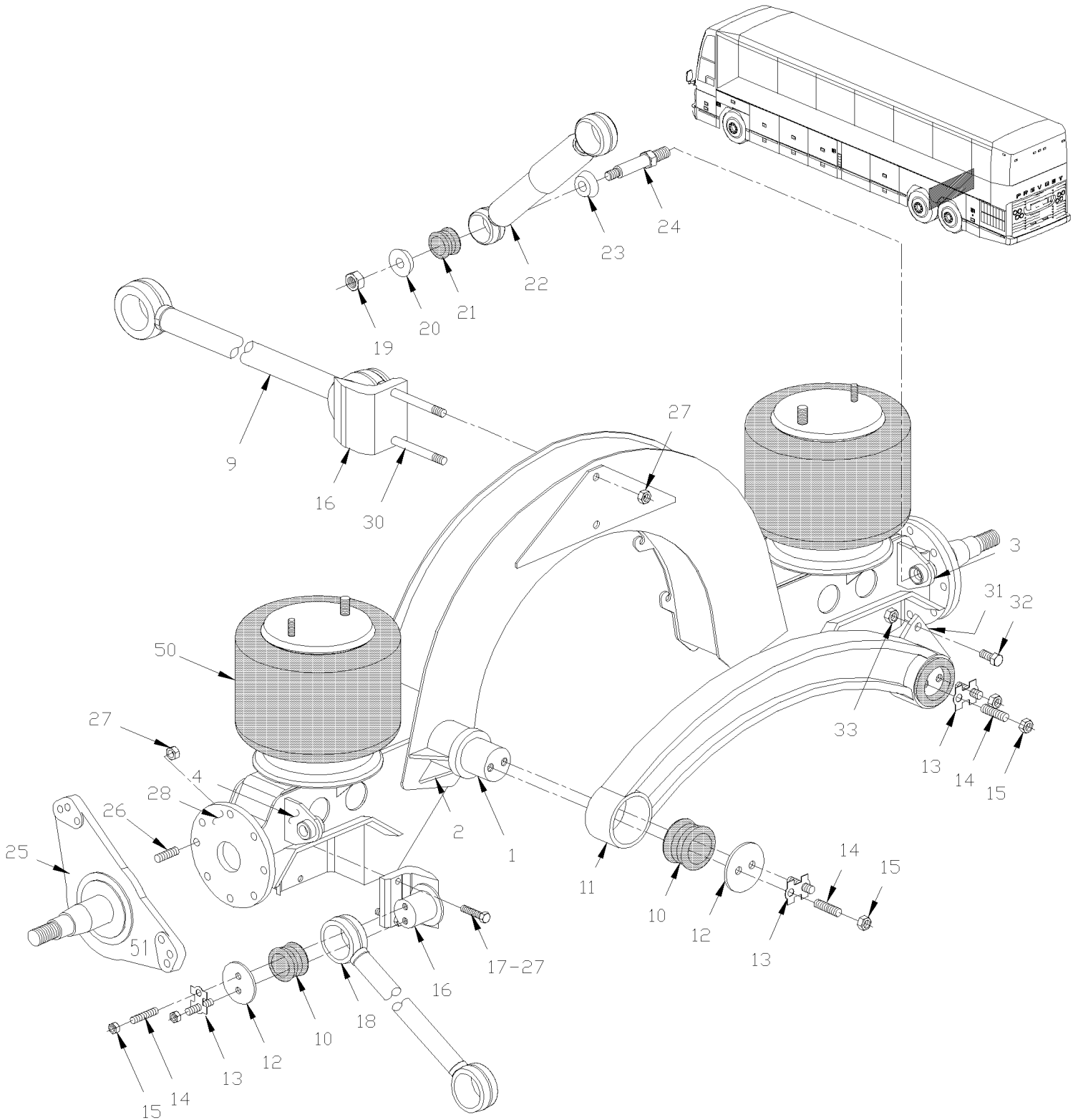


From 3-4417 To 8-1043

Date:10/2022

PAGE:HF-1615-00

TAG AXLE - INSTALL SUSPENSION





From 3-4417 To 8-1043	Date:10/2022	PAGE:HF-1615-00
TAG AXLE - INSTALL SUSPENSION		

Item#	Part	Description	H 3 4 1	H 3 4 5	V I P 4 5	N O T E S
	121547P	AXLE ASSY W/AUTOMATIC TRANSMISSION	1	1	1	
1	121341	. SHAFT / TO FIX LATERAL ROD W/AXLE	1	1	1	
2	121268	. PLATE REINFORCEMENT (WELDED)	1	1	1	
3	121580	. ATTACHMENT / SHOCK ABSORBER PIN	1	1	1	
. NS	171032	. . SUPPORT 1"-14 / SHOCK ABSORBER / 55MM	1	1	1	
4	121580	. ATTACHMENT / SHOCK ABSORBER PIN	1	1	1	
. NS	171032	. . SUPPORT 1"-14 / SHOCK ABSORBER / 55MM	1	1	1	
9	120868	ROD ASSY / 23 3/8" C/C (593MM)	1	1	1	
10	630021	RUBBER BUSHING "PREVOST"	6	6	6	
NS	192380	SHIM WASHER / BUSHING RADIUS ROD 2.795x4.330x.0625 SS	AR	AR	AR	W
11	131282	ROD ASSY / 35" C/C (889MM) / CASTING To 3-4757	1	1	1	
11	131749	ROD ASSY / 35" C/C (889MM) / CASTING From 4-4758	1	1	1	
12	110681	RETAINER PLATE / IRON 110MM OD W/16.7 @ 38C/C	6	6	6	
13	110340	TAB LOCK / W/2 HOLES / W/4 TABS / 18MM I.D. X 38MM C/C	6	6	6	
14	130963	STUD M16-2.0x70	12	12	12	
14	502544	SCREW CAP HEX M16-2.0x40 G8.8 Z050 To 6-0415	12	12	12	
14	500813	SCREW CAP HEX M16-2.0x35 G8.8 ZP From 6-0416	12	12	12	
15	500781	NUT HEX STO M16-2.0 DP	18	18	18	
16	131065	SUPPORT / ROD / W/2 M16-2 HOLES / 95MM C/C // 150MM SHORT To 4-0013	3	3	3	
16	131753	SUPPORT / ROD / W/2 M16-2 HOLES / 95MM C/C // 150MM SHORT From 4-0014 To 6-0575	3	3	3	
16	132914	SUPPORT / ROD / W/2 M16-2 HOLES / 95MM C/C // 150MM SHORT From 6-0576	3	3	3	
. NS	121890	. TORQUE PLATE / W/2HOLES 17MM I.D. X 90MM C/C From 6-0576	AR	AR	AR	
NS	502164	PIN DOWEL M16 X 40MM	1	1	1	
17	5001369	SCREW CAP HEX M16-2.0x70 G10.9 DP	4	4	4	
17	5001224	SCREW CAP HEX M16-2.0x60 G10.9 G500	4	4	4	
18	121358	ROD ASSY W/CHAIN HOOK / 23 3/8" C/C (593MM)	2	2	2	
19	500809	NUT HEX STO M20-2.5 N500	4	4	4	
20	5001152	WASHER CON 21.0x50.0x4.5 ZP	4	4	4	
21	630062	BUSHING / RUBBER / (ONE PIECE) 2" x 1.005" I.D. To 3-4757	4	4	4	
21	630257	BUSHING / RUBBER / (TWO PIECES) 1" x 1.005" I.D. From 4-4758	4	4	4	
22	630127	SHOCK ABSORBER / BLACK W/GAZ To 3-4757	2	2	2	
22	630236	SHOCK ABSORBER / "KONI" (ORANGE)	AR	AR	AR	O
. NS	630062	. BUSHING / RUBBER / (ONE PIECE) 2" x 1.005" I.D.	1	1	1	O
. NS	630255	. KIT WASHER & RUBBER BUSHING	1	1	1	O
22	630253	SHOCK ABSORBER / SACHS / 209 From 4-4758	2	2	2	
23	5001153	WASHER CON 25.5x50.0x4.5 ZP	4	4	4	
24	131424	PIN W/TAPER ATTACHMENT M20-2.5	4	4	4	
25	611216	SPINDLE / WITH MODEL "G.K.N." (TS6) To 3-4757	2	2	2	
25	611302	SPINDLE / WITH MODEL "G.K.N." (TS8U UNITISED) From 4-4758	2	2	2	
26	611048	STUD / M16-2.0 x 60MM	8	8	8	
27	502588	NUT HEX M16-2.0 ZP	8	8	8	
NS	502884	WASHER LO SPT 16.2x27.4x3.5 N500	8	8	8	



From 3-4417 To 8-1043	Date:10/2022	PAGE:HF-1615-00
TAG AXLE - INSTALL SUSPENSION		

Item#	Part	Description	H 3 4 1	H 3 4 5	V I P 4 5	N O T E S
28	121203	SHIM / CAMBER ADJUSTMENT 0.117 DEGRES / SPINDLE & AXLE	AR	AR	AR	
28	121240	SHIM / CAMBER ADJUSTMENT 0.250 DEGRES / SPINDLE & AXLE	AR	AR	AR	
30	5001370	SCREW CAP HEX M16-2.0x180 G10.9 G500	2	2	2	
31	131690	ATTACHMENT To 6-0411	1	1	1	
31	131784	ATTACHMENT From 6-0412	1	1	1	
32	955385	SCREW CAP HEX M20-2.5x45 G8.8 ZP	2	2	2	
33	5001252	NUT HEX STO M20-2.5 DP	2	2	2	
50	HF-1601-00	BELLOWS - AIR SUSPENSION				
51	HF-1310-00	HUB & ROTOR - TAG AXLE TYPE TS6 To 3-4757				
51	HF-1310-01	HUB & ROTOR - TAG AXLE TYPE TS8U From 4-4758				
		O) OPTION SPECIAL				
		W) IF NEED, USE BETWEEN BUSHING ROD SUPPORT				

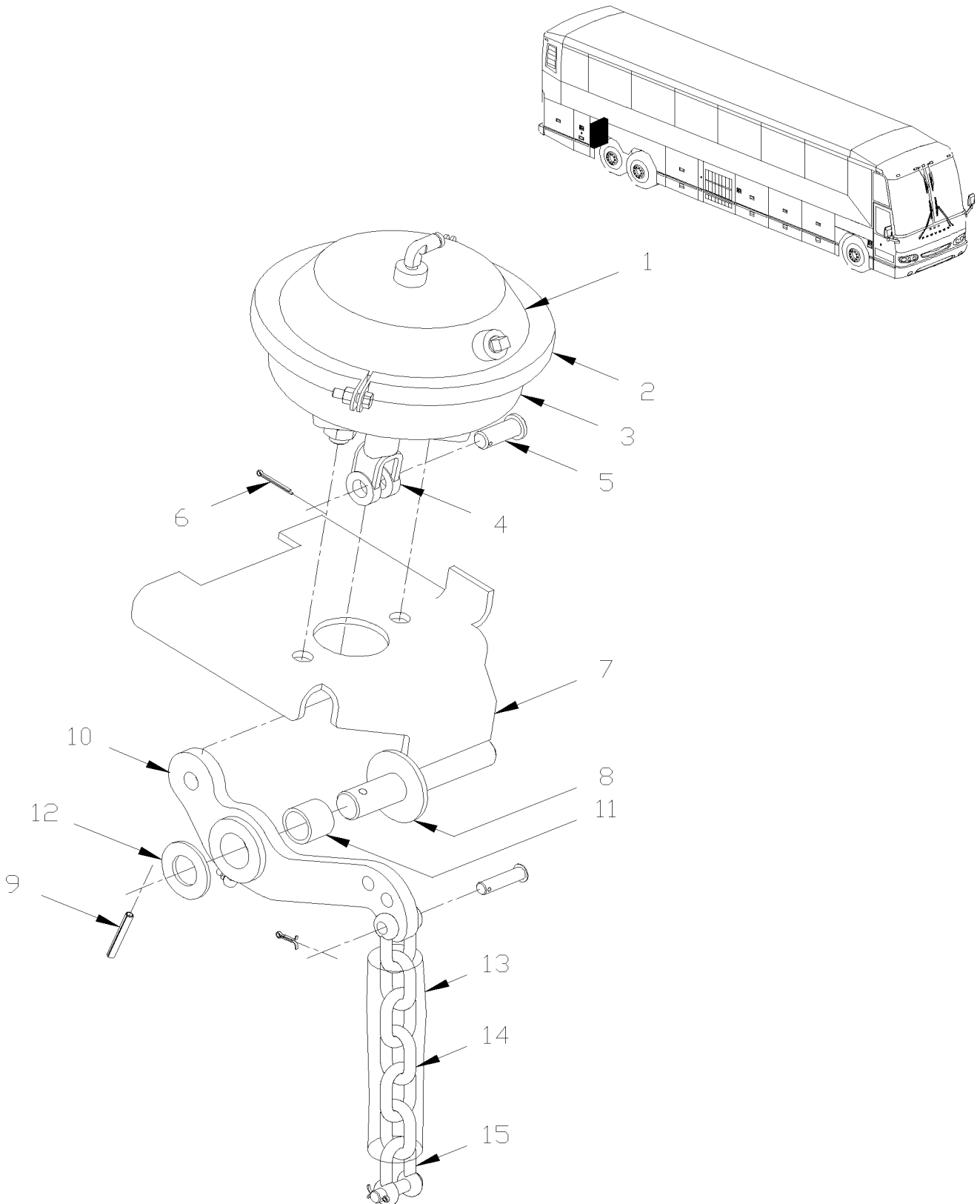


From 3-4417 To 8-1043

Date:10/2022

PAGE:HF-1615-10

TAG AXLE - LIFTING





From 3-4417 To 8-1043	Date:10/2022	PAGE:HF-1615-10
TAG AXLE - LIFTING		

Item#	Part	Description	H 3 4 1	H 3 4 5	V I P 4 5	N O T E S
1	641425	BRAKE CHAMBER ASSY / TYPE 36	2	2	2	
2	641067	. CLAMP TYPE 36	1	1	1	
3	640979	. DIAPHRAGM / TYPE 36	1	1	1	
3	641066	. BOOT RUBBER	1	1	1	
4	640130	. YOKE 5/8-18x1 3/8 C/Lx9/16Wx5/8	1	1	1	
5	502028	. . PIN, CLEVIS 5/8 x 3/4	1	1	1	
6	502102	. . PIN, COTTER 1/8 x 1	1	1	1	
NS	641426	. . SHIELD, ROD CENTER HOLE	1	1	1	
7	172586	BRACKET / L.H.	1	1	1	
7	172585	BRACKET / R.H.	1	1	1	
8	121590	PIN SS / WELDED	1	1	1	
9	502106	PIN, COTTER 1/4 x 2	1	1	1	
10	131700	LEVER ASSY	1	1	1	
11	131699	. BUSHING BRASS / W/GROOVE INSIDE 31.94 O.D. x 25.5 I.D. x 25.4	1	1	1	
12	500456	WASHER FL 1.062x2.000x.134 Z050	1	1	1	
13	121123	TUBE COVERING CHAIN 290MM	1	1	1	
. NS	5001503	. TUBE, PVC / CLEAR / 1 1/2" I.D./ S.L.	AR	AR	AR	
14	121122	CHAIN / 340MM	1	1	1	
15	505064	SHACKLE CHAIN 3/8	2	2	2	

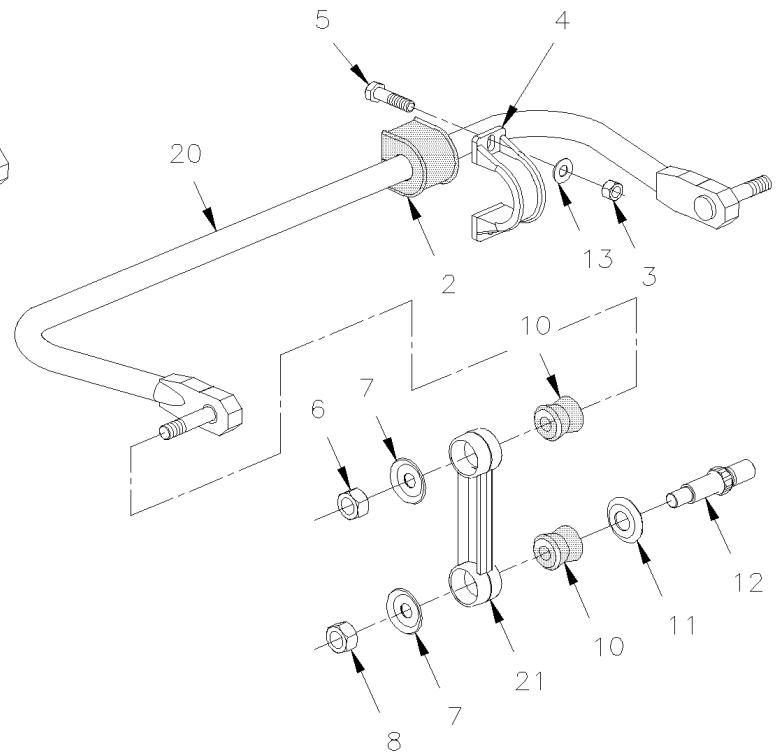
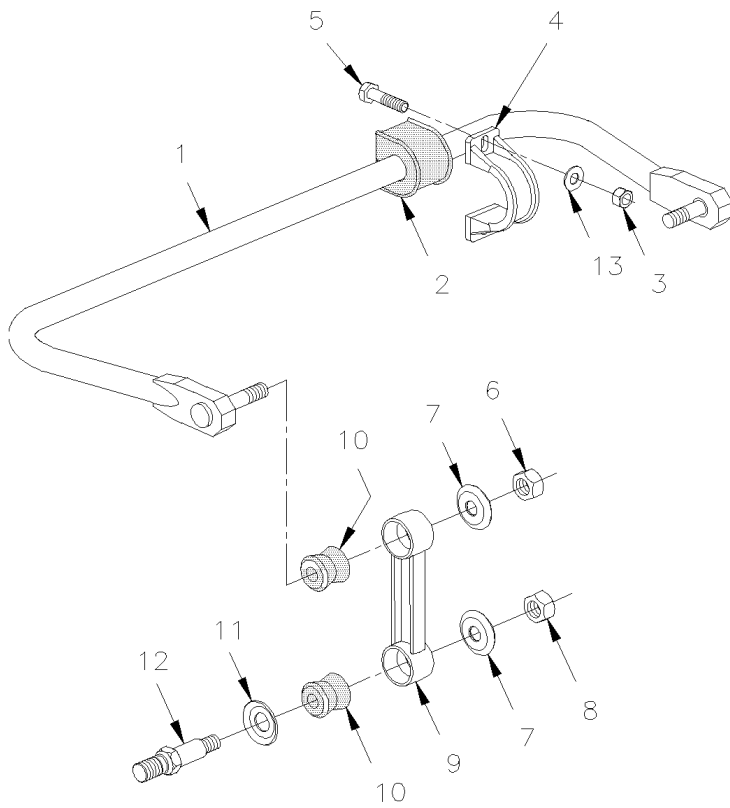
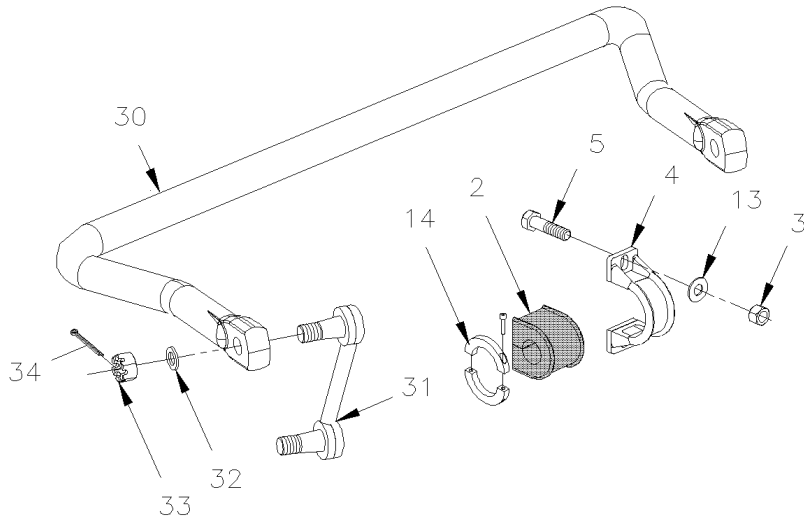


From 3-4417 To 8-1043

Date:10/2022

PAGE:HF-1616-00

SWAY BAR





From 3-4417 To 8-1043	Date:10/2022	PAGE:HF-1616-00
SWAY BAR		

Item#	Part	Description	H 3 4 1	H 3 4 5	V I P 4 5	N O T E S
1	131359	SWAY BAR ASSY / 2" O.D. X 798MM	1	1	1	F
1	131019	SWAY BAR ASSY / 1 1/2" O.D. X 848MM	1	1	1	R
1	131398	SWAY BAR ASSY / 2" O.D. X 848MM To 4-4774			1	R
. A	131520	. STUD 1 1/4" O.D. To 4-4774			2	R
1	131276	SWAY BAR ASSY / 1 3/4" O.D. X 848MM From 4-4775			1	R
NS	131520	. STUD 1 1/4" O.D.	2	2	2	
2	130953	BUSHING / RUBBER / USE WITH SWAY BAR 1 1/2"	4	4	4	
2	630020	BUSHING / RUBBER / USE WITH SWAY BAR 1 3/4"	4	4	4	
2	131355	BUSHING / RUBBER 2" I.D.	4	4	4	
3	500811	NUT HEX STO M12-1.75 G500	8	8	8	
4	630145	COLLAR / IRON / 2x.472" HOLE 4 5/8 C/C	4	4	4	
5	500806	SCREW CAP HEX M12-1.75X35 G10.9 G500	8	8	8	
6	500809	NUT HEX STO M20-2.5 N500	2	2	2	
7	5001152	WASHER CON 21.0x50.0x4.5 ZP	4	4	4	
8	500809	NUT HEX STO M20-2.5 N500	2	2	2	
9	630146	LINK ASSY / 7" C/C / IRON	2	2	2	F
9	630148	LINK ASSY / 10 1/2" C/C / IRON	2	2	2	R
10	630062	BUSHING / RUBBER / (ONE PIECE) 2" x 1.005" I.D.	4	4	4	A
10	506678	BUSHING / POLYURETHANE / (TWO PIECES) RED 1" x 1.005" I.D.	8	8	8	
11	5001153	WASHER CON 25.5x50.0x4.5 ZP	4	4	4	
12	131522	PIN W/TAPER ATTACHMENT M20-2.5 / SWAY-BAR	2	2	2	B
13	500011	WASHER FL / HARDENED 13.0x24.0x3.0 STL From 4-4758	4	4	4	
14	563042	COLLAR 1 3/4" I.D. From 4-4758			2	D
20	131386P	SWAY BAR ASSY / 1 3/4" O.D. X 1050MM To 3-4757			1	I
21	630147	LINK ASSY / 12 1/2" C/C / IRON			2	I
30	138550	SWAY BAR 1 3/4" O.D. 1186.5MM / W/18000LBS / W/56 Deg From 4-4758 To 6-0411			1	I
30	131755	SWAY BAR 1 3/4" O.D. 1175MM // W/58 Deg From 6-0412			1	I
31	630246	LINK ASSY / 150MM C/C / W/18000LBS From 4-4758			2	I
32	502558	WASHER FL 21.0x37.0x3.0 G500 From 4-4758			4	
33	5001553	NUT HEX CSL M20-1.5 N500 From 4-4758			4	
34	502104	PIN, COTTER 5/32 x 2 From 4-4758			2	
NS	MI03-12	SEE MAINTENANCE INFORMATION	1	1	1	
NS	MI03-13	SEE MAINTENANCE INFORMATION	1	1	1	
		A) FOR PRODUCT IMPROVMENT YOU REQUIRE 2 STUDS 131520, 2 PINS 131522 & 4 BUSHINGS 506678				
		B) INSIDE OF BAGGAGE BAY				
		D) SIDE OF RUBBER BUSHING WITH ITEMS # 30 INDEPENDENT SUSPENSION				
		F) FRONT I BEAM RIGIDE SUSPENSION				
		I) INDEPENDANT SUSPENSION				



From 3-4417 To 8-1043	Date:10/2022	PAGE:HF-1616-00
-----------------------	--------------	-----------------

SWAY BAR

Item#	Part	Description	H 3 4 1	H 3 4 5	V I P 4 5	N O T E S
		R) REAR SUSPENSION				

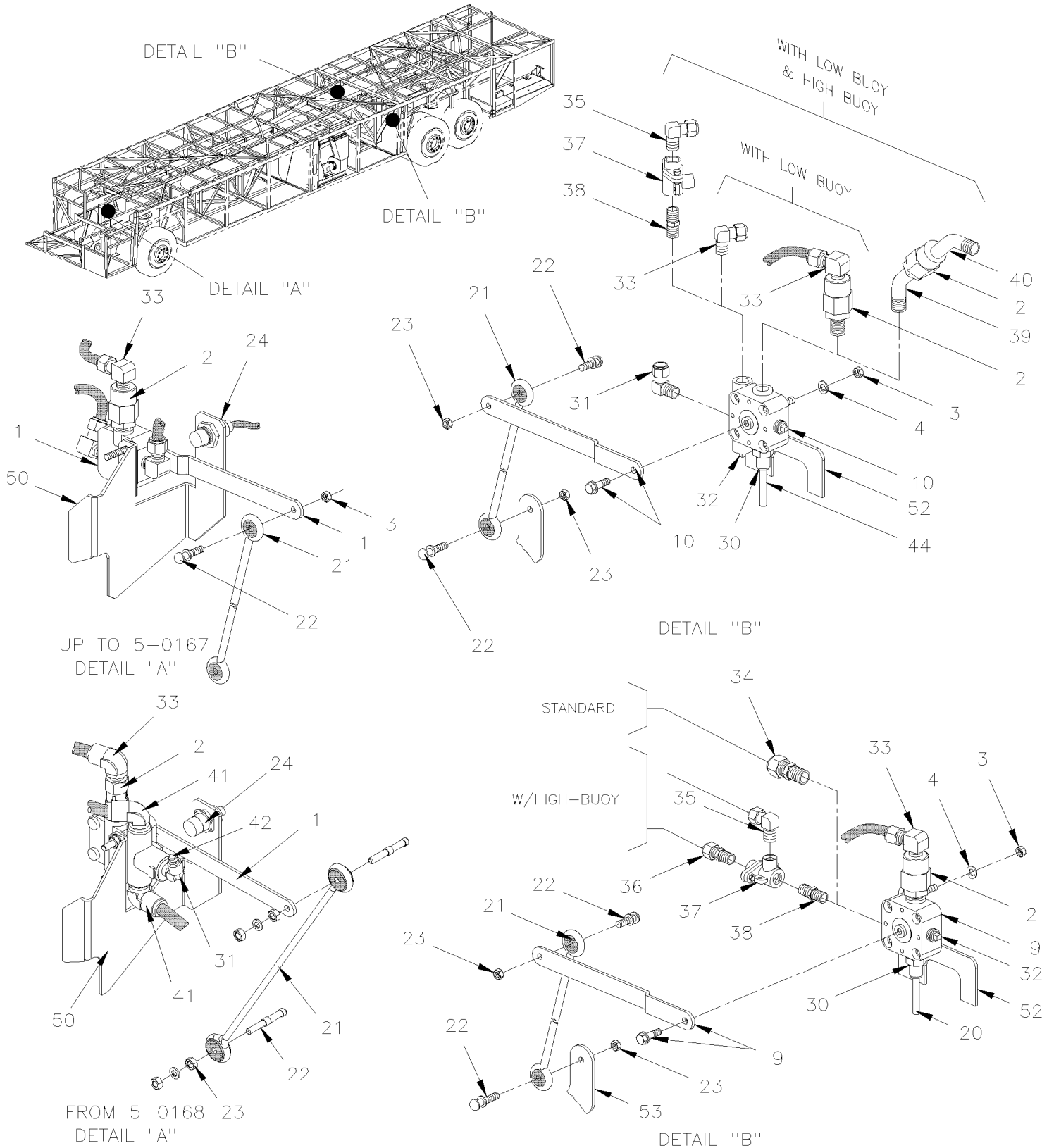


From 3-4417 To 8-1043

Date:10/2022

PAGE:HF-1620-00

HEIGHT CONTROL VALVE - BUS





From 3-4417 To 8-1043		Date:10/2022	PAGE:HF-1620-00
HEIGHT CONTROL VALVE - BUS			

Item#	Part	Description	H 3 4 1	H 3 4 5	V I P 4 5	N O T E S
1	630156	VALVE, HEIGHT CONTROL "BARKSDALE" To 5-0167	1	1		
1	630261	VALVE, HEIGHT CONTROL "BARKSDALE" / FRONT / W/DRAIN From 5-0168	1	1		
1	N.S.S.	. LEVER / PART OF VALVE	1	1		1
2	640135	VALVE, CHECK 1/4 NPT	1	1		
3	500769	NUT HEX 1/4-20 Z050	2	2		
4	502582	WASHER LO SERR 6.1x16.2x0.9 Z050	2	2		
9	630156	VALVE, HEIGHT CONTROL "BARKSDALE"	2	2		
10	630247	VALVE, HEIGHT CONTROL "BARKSDALE" / REAR / W/DRAIN	2	2		C
20	503402	TUBE, NYLON 1/4 O.D. / BLACK S.L.	AR	AR		
21	630229	LINK ASSY 344MM C/C 13 1/2"	3	3		
. A	N8889244	. GROMMET / LINK	2	2		
. C	630250	. STUD RETAINER 1/4-20 X 1"	2	2		
. NS	500769	. NUT HEX 1/4-20 Z050	4	4		
. NS	500473	. WASHER LO SPT .262x.489x.062 Z050	4	4		
22	630250	STUD RETAINER 1/4-20 X 1"	1	1		D
22	500170	SCREW CAP HEX 1/4-20x2 G5 PT Z050	2	2		
NS	500913	WASHER FL .281x1.250x.065 N500	2	2		
23	500769	NUT HEX 1/4-20 Z050	2	2		D
23	502819	NUT HEX JAM 1/4-20 Z050	2	2		
NS	500454	WASHER LO INT .256x.478x.028 N500	2	2		
24	131059	SWITCH PROXIMITY ASSY 835MM	1	1		
30	641332	MALE CONNECTOR / PUSH-IN FITTING / #4x1/4NPT-M BR	1	1		
31	641371	MALE ELBOW 90° NON-SWIVEL / PUSH-IN FITTING / #4x1/4NPT-M BR	1	1		
32	501304	PLUG SQUARE HEAD / PIPE FITTING / 1/4NPT-M BR	1	1		
32	501304	PLUG SQUARE HEAD / PIPE FITTING / 1/4NPT-M BR	1	1		
33	641372	MALE ELBOW 90° NON-SWIVEL / PUSH-IN FITTING / #6x1/4NPT-M BR	2	2		
34	641331	MALE CONNECTOR / PUSH-IN FITTING / #6x1/4NPT-M BR	1	1		
35	641375	MALE ELBOW 90° NON-SWIVEL / PUSH-IN FITTING / #6x3/8NPT-M BR	1	1		
36	641330	MALE CONNECTOR / PUSH-IN FITTING / #6x3/8NPT-M BR	1	1		
37	641015	VALVE, DOUBLE CHECK DC-4 To 3-4597	1	1		
37	641564	VALVE, DOUBLE CHECK DC-4 From 3-4598	1	1		
38	501749	NIPPLE REDUCER HEX / PIPE FITTING / 3/8NPT-Mx1/4NPT-Mx1 13/32 BR	1	1		
39	501329	STREET ELBOW 45° / PIPE FITTING / 1/4NPT-Mx1/4NPT-F BR	1	1		
40	641366	MALE ELBOW 45° NON-SWIVEL / PUSH-IN FITTING / #6x1/4NPT-M BR	1	1		
41	641373	MALE ELBOW 90° NON-SWIVEL / PUSH-IN FITTING / #8x1/4NPT-M BR From 5-0168	2	2		
42	641416	PLUG STEM / PUSH-IN FITTING / #4 PLAS From 5-0168	1	1		
50	172513	SUPPORT HEIGHT CONTROL VALVE / (WELDED) From Y-3839 To 5-0167	1	1		A
50	173035	SUPPORT HEIGHT CONTROL VALVE / (WELDED) From 5-0168	1	1		A
52	172083	SUPPORT VALVE HEIGHT CONTROL	1	1		B
53	HF-1610-00	REAR AXLE - INSTALL SUSPENSION				
NS	MI07-06	SEE MAINTENANCE INFORMATION				



From 3-4417 To 8-1043	Date:10/2022	PAGE:HF-1620-00
-----------------------	--------------	-----------------

HEIGHT CONTROL VALVE - BUS

Item#	Part	Description	H 3 4 1	H 3 4 5	V I P 4 5	N O T E S
		A) FRONT AXLE				
		B) REAR AXLE				
		C) SEE VEHICULE "OPTION"				
		D) FOR PRODUCT IMPROVEMENT SEE MI07-06 MAINTENANCE INFORMATION				
		1) NOT SOLD SEPARATELY				



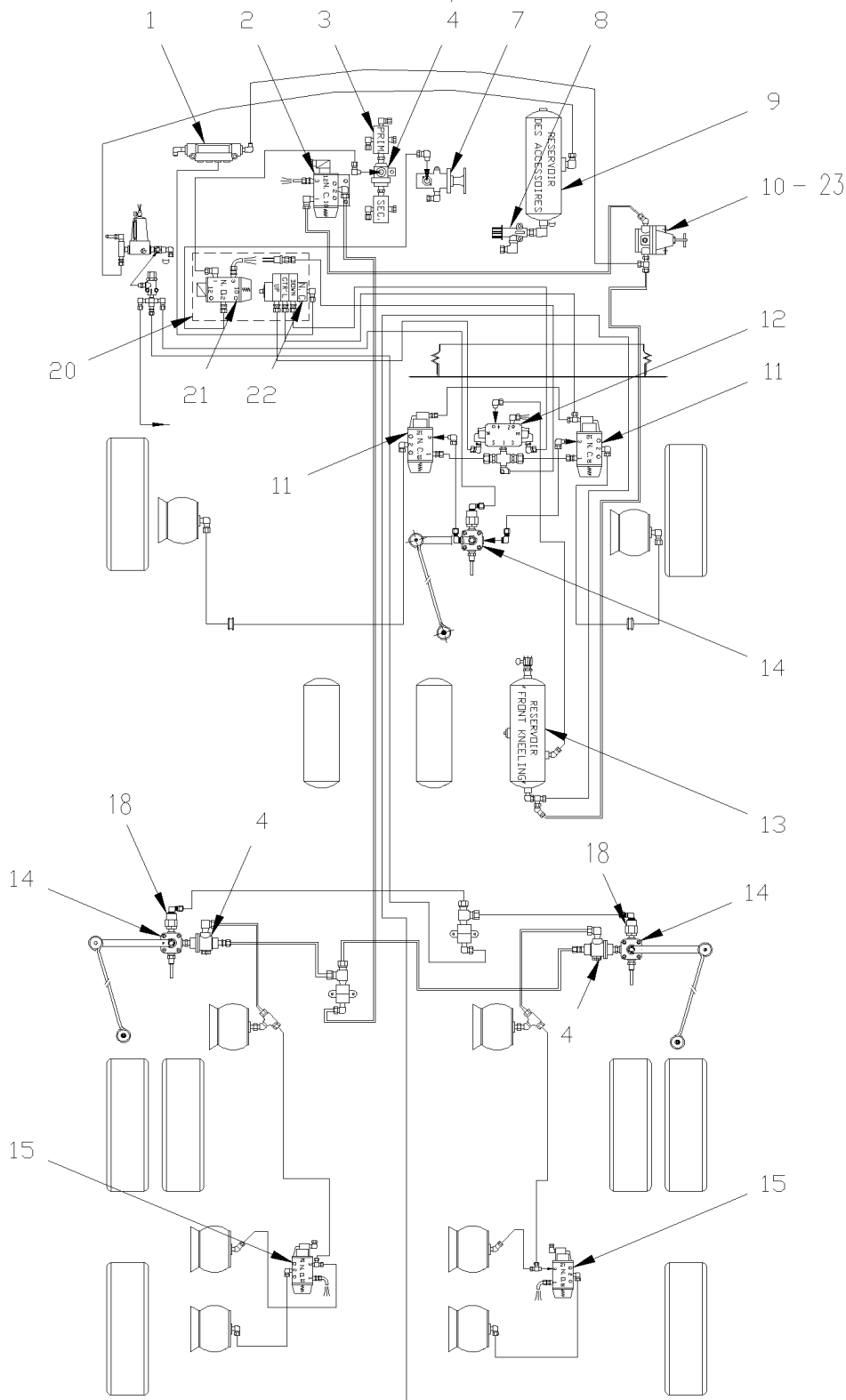
From 3-4417 To 8-1043

Date:10/2022

PAGE:HF-1620-10

HIGH-BUOY, LOW BUOY & "KNEELING" VALVE

FRONT "KNEELING" W/ REAR HIGH BUOY



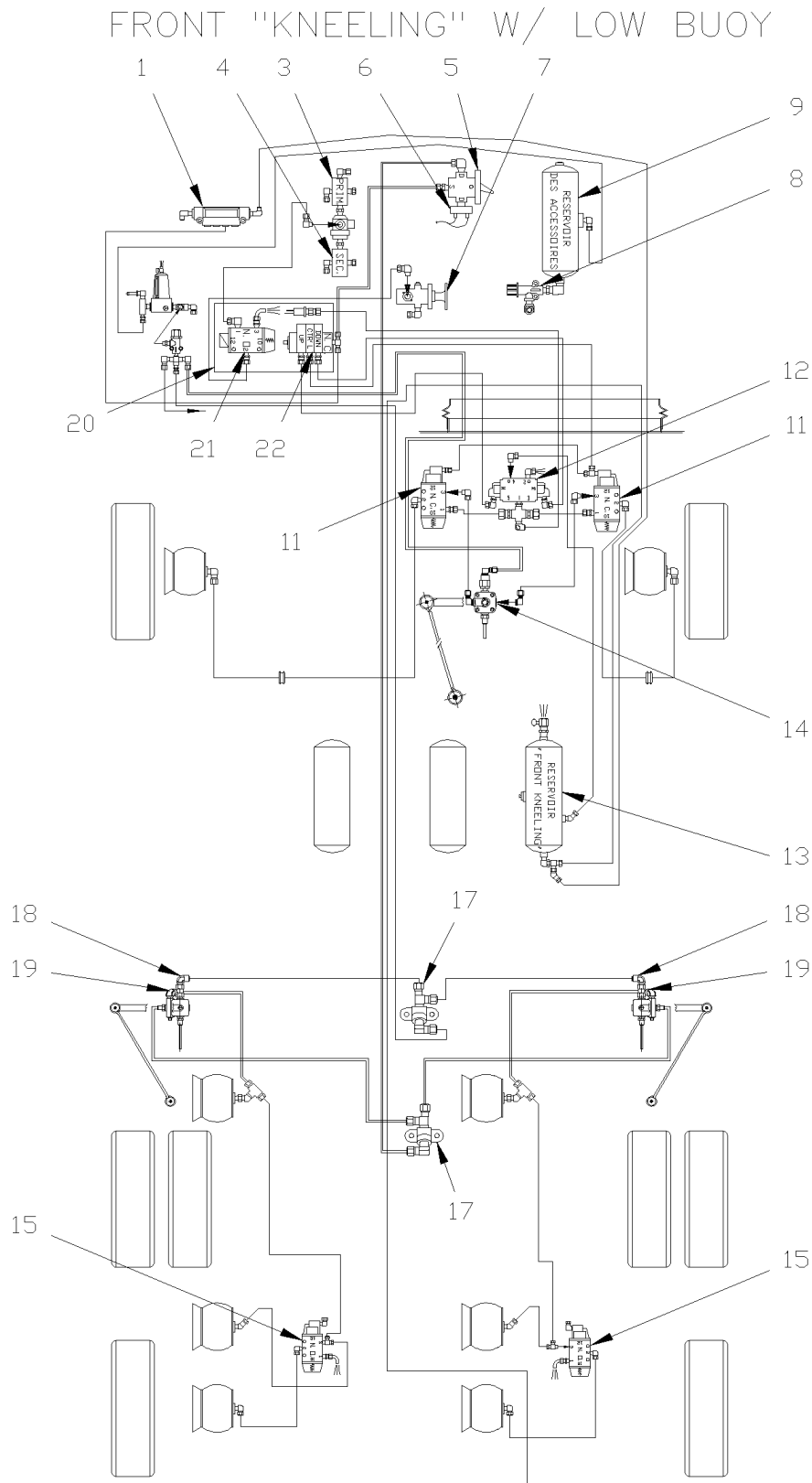


From 3-4417 To 8-1043

Date:10/2022

PAGE:HF-1620-10

HIGH-BUOY, LOW BUOY & "KNEELING" VALVE





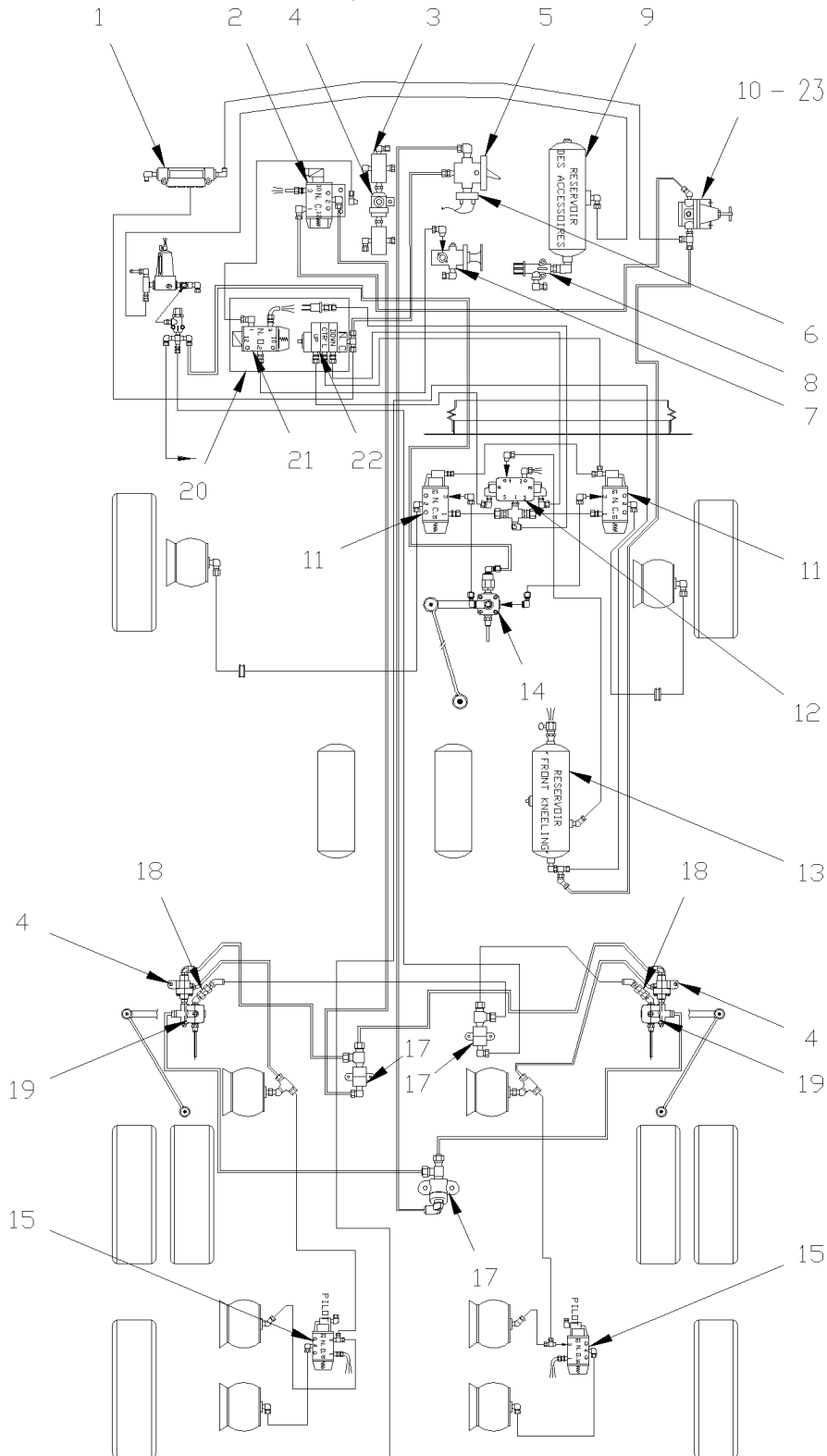
From 3-4417 To 8-1043

Date:10/2022

PAGE:HF-1620-10

HIGH-BUOY, LOW BUOY & "KNEELING" VALVE

FRONT "KNEELING" W/REAR LOW BUOY & HIGH BUOY





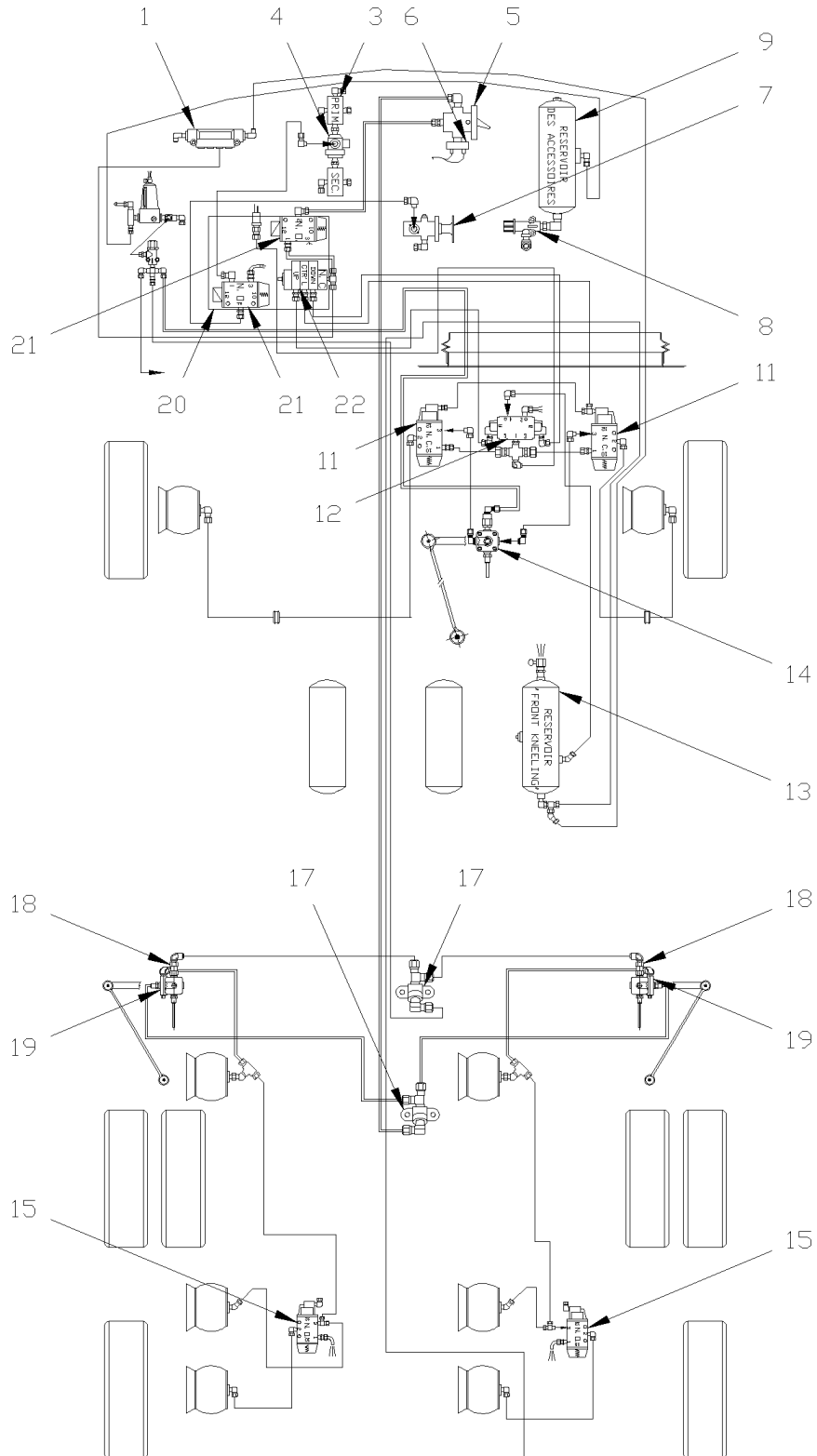
From 3-4417 To 8-1043

Date:10/2022

PAGE:HF-1620-10

HIGH-BUOY, LOW BUOY & "KNEELING" VALVE

FRONT "KNEELING" W/LOW BUOY 5MPH





From 3-4417 To 8-1043	Date:10/2022	PAGE:HF-1620-10
HIGH-BUOY, LOW BUOY & "KNEELING" VALVE		

Item#	Part	Description	H 3 4 1	H 3 4 5	V I P 4 5	N O T E S
1	641897	MANIFOLD / PUSH-IN FITTING / 2x#6 / 4x#4 PLAS	1	1		
2	641529	VALVE, 3 WAYS, 2 POSITIONS N.C.	1	1		
. NS	641929	. COIL 24V	1	1		
. NS	641169	. SPOOL	1	1		
. NS	641385	. CONNECTOR / SOCKET HOUSING ASSY 3C / PNEUMAC 54934-01	1	1		
2	641937	VALVE, 3 WAYS, 2 POSITIONS N.C. / W/MAN OVERRIDE	1	1		M
. NS	641929	. COIL 24V	1	1		M
. NS	641385	. CONNECTOR / SOCKET HOUSING ASSY 3C / PNEUMAC 54934-01	1	1		M
3	640975	PRESSURE SWITCH N.C. 66PSI / ¼NPT LP-3	2	2		
4	641015	VALVE, DOUBLE CHECK DC-4 To 3-4597	1	1		
4	641564	VALVE, DOUBLE CHECK DC-4 From 3-4598	1	1		
5	640136	VALVE, CONTROL TW-1	1	1		
. NS	641156	. REPAIR KIT / TW-1	1	1		
6	452406	PRESSURE SWITCH N.O. 30-15 20SP001MA030C015C	1	1		
7	641185	VALVE, PARKING BRAKE PP-2	1	1		
. NS	641149	. BUTTON, PARKING BRAKE DIAMOND YELLOW / 1"	1	1		
. NS	641158	. REPAIR KIT / PP-2	1	1		
8	640439	VALVE, PRESSURE PROTECTION / PR-2 75PSI	1	1		
9	140868	AIR TANK / W/END LOWER DRAIN 1228 IN° / 8" O.D. X 26"	1	1		
10	641352	AIR PRESSURE REGULATOR 1/2" NPT	1	1		A
NS	142025	SUPPORT / AIR REGULATOR	1	1		A
11	641274	VALVE, 3 WAYS, 2 POSITIONS N.C.	2	2		
12	641531	VALVE, 5 WAYS, 3 POSITIONS	1	1		
. NS	641186	. SPOOL	1	1		
13	140869	AIR TANK / 1791 IN° / 9 1/2" O.D. X 27"	1	1		
14	630156	VALVE, HEIGHT CONTROL "BARKSDALE"	AR	AR		
15	641274	VALVE, 3 WAYS, 2 POSITIONS N.C.	1	1		
17	640643	ANCHOR ELBOW / PIPE FITTING / 1/4NPT-Fx1/4NPT-F STL	1	1		
18	640135	VALVE, CHECK 1/4 NPT	2	2		
19	630247	VALVE, HEIGHT CONTROL "BARKSDALE" / REAR / W/DRAIN	1	1		
20	HF-1630-00	FRONT KNEELING - CONTROL PANEL				
21	641528	VALVE, 3 WAYS, 2 POSITIONS N.O.	1	1		
. NS	641929	. COIL 24V	1	1		
. NS	641169	. SPOOL	1	1		
. NS	641385	. CONNECTOR / SOCKET HOUSING ASSY 3C / PNEUMAC 54934-01	1	1		
22	641412	MANIFOLD VALVE / W/2 SOLENOID	1	1		
. NS	641107	. COIL 24V	2	2		
23	HF-1202-05	TUBE AIR FRONT INSTALLATION				
		A) INSTALLED IN SPARE COMPARTMENT				



From 3-4417 To 8-1043	Date:10/2022	PAGE:HF-1620-10
-----------------------	--------------	-----------------

HIGH-BUOY, LOW BUOY & "KNEELING" VALVE

Item#	Part	Description	H 3 4 1	H 3 4 5	V I P 4 5	N O T E S
		M) WITH MANUAL SHUTOFF				



From 3-4417 To 8-1043

Date:10/2022

PAGE:HF-1620-50

HEIGHT CONTROL VALVE - V.I.P.

REAR AND TAG AXLE

DETAIL "H" 115

DETAIL "L"

DETAIL "F"

DETAIL "G"

DETAIL "G"

DETAIL "K"

DETAIL "L"

DETAIL "F"

112

112

111

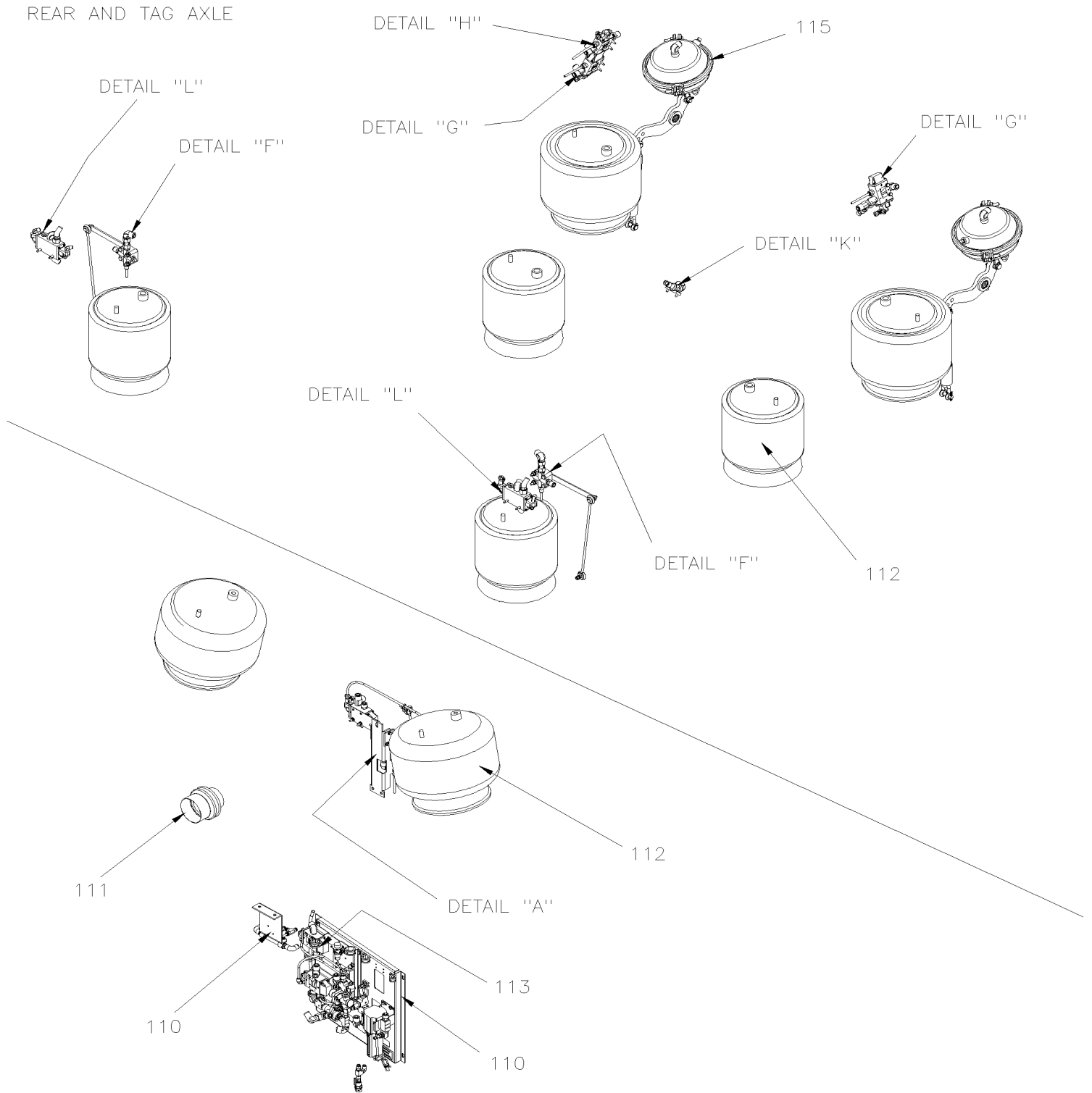
DETAIL "A"

113

110

110

FRONT INDEPENDENT SUSPENSION



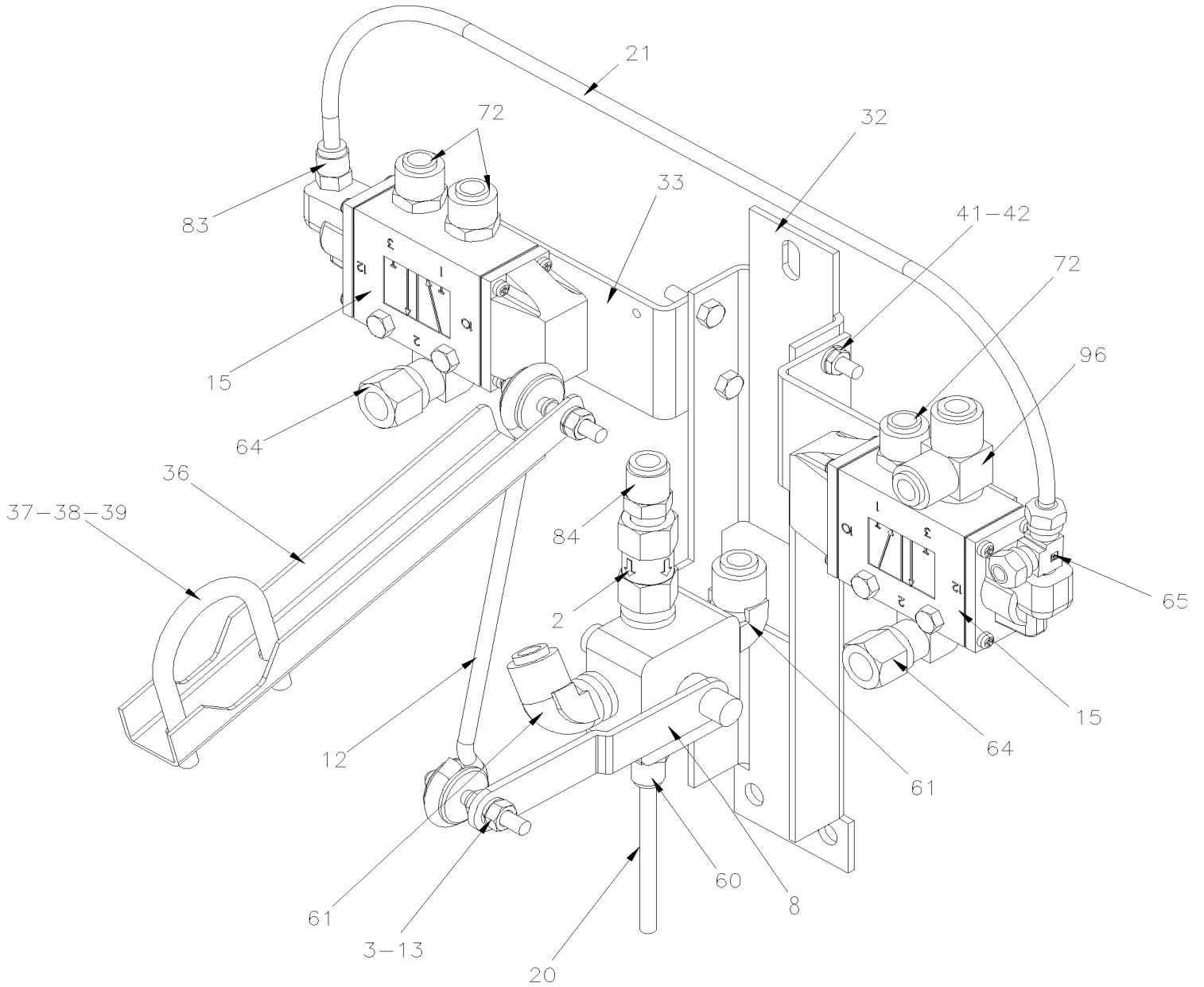


From 3-4417 To 8-1043

Date:10/2022

PAGE:HF-1620-50

HEIGHT CONTROL VALVE - V.I.P.



DETAIL "A"

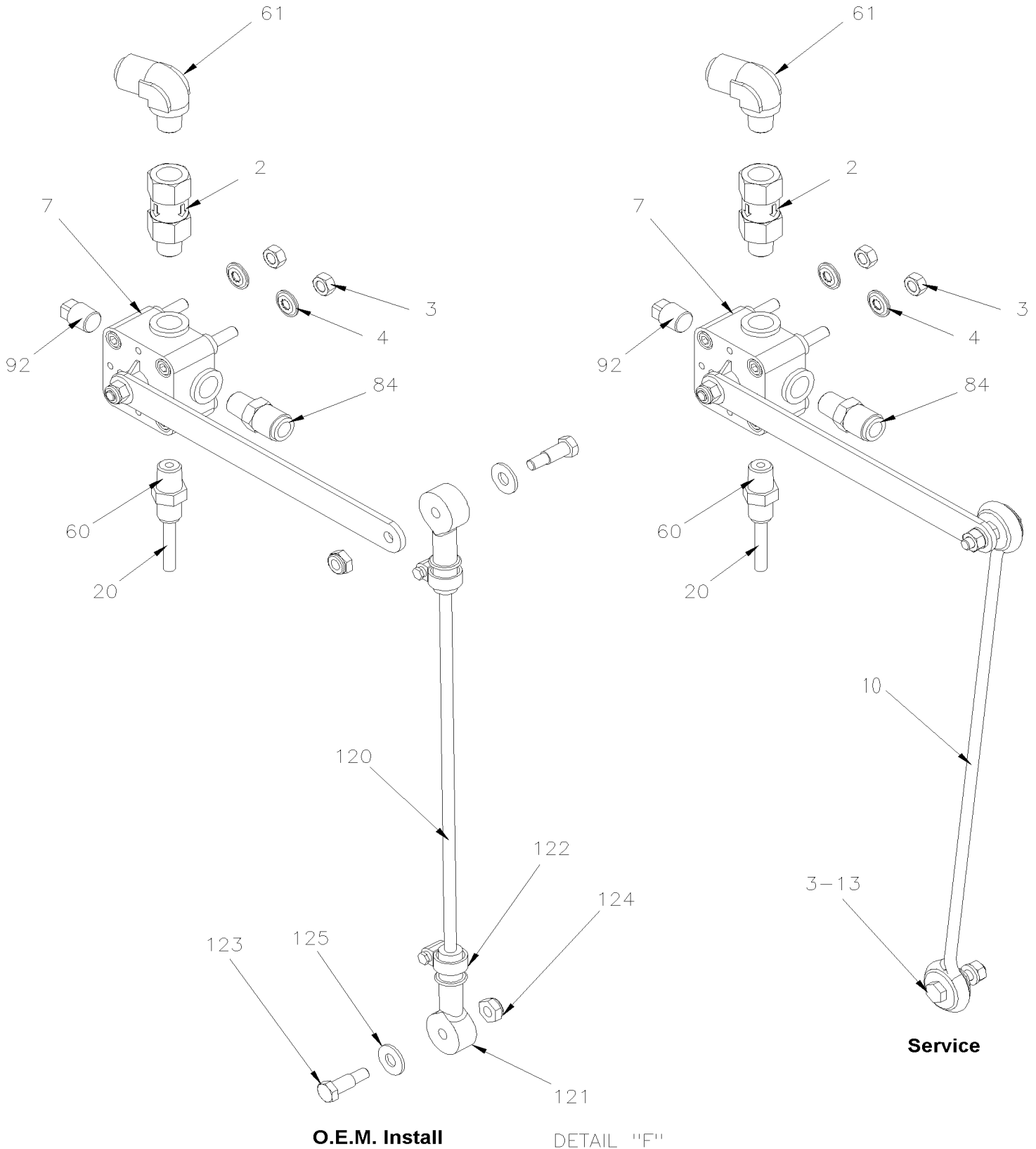


From 3-4417 To 8-1043

Date:10/2022

PAGE:HF-1620-50

HEIGHT CONTROL VALVE - V.I.P.



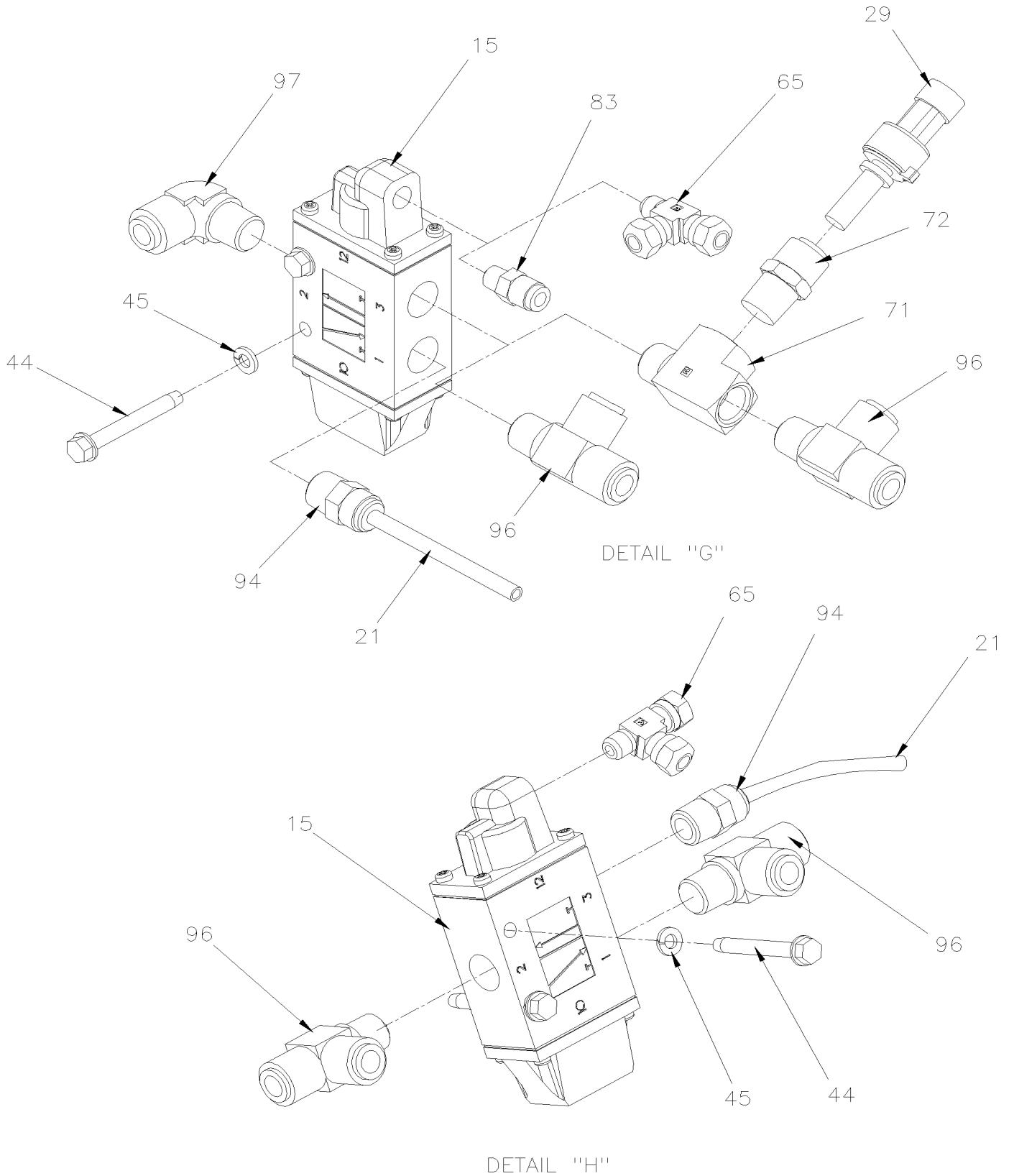


From 3-4417 To 8-1043

Date:10/2022

PAGE:HF-1620-50

HEIGHT CONTROL VALVE - V.I.P.



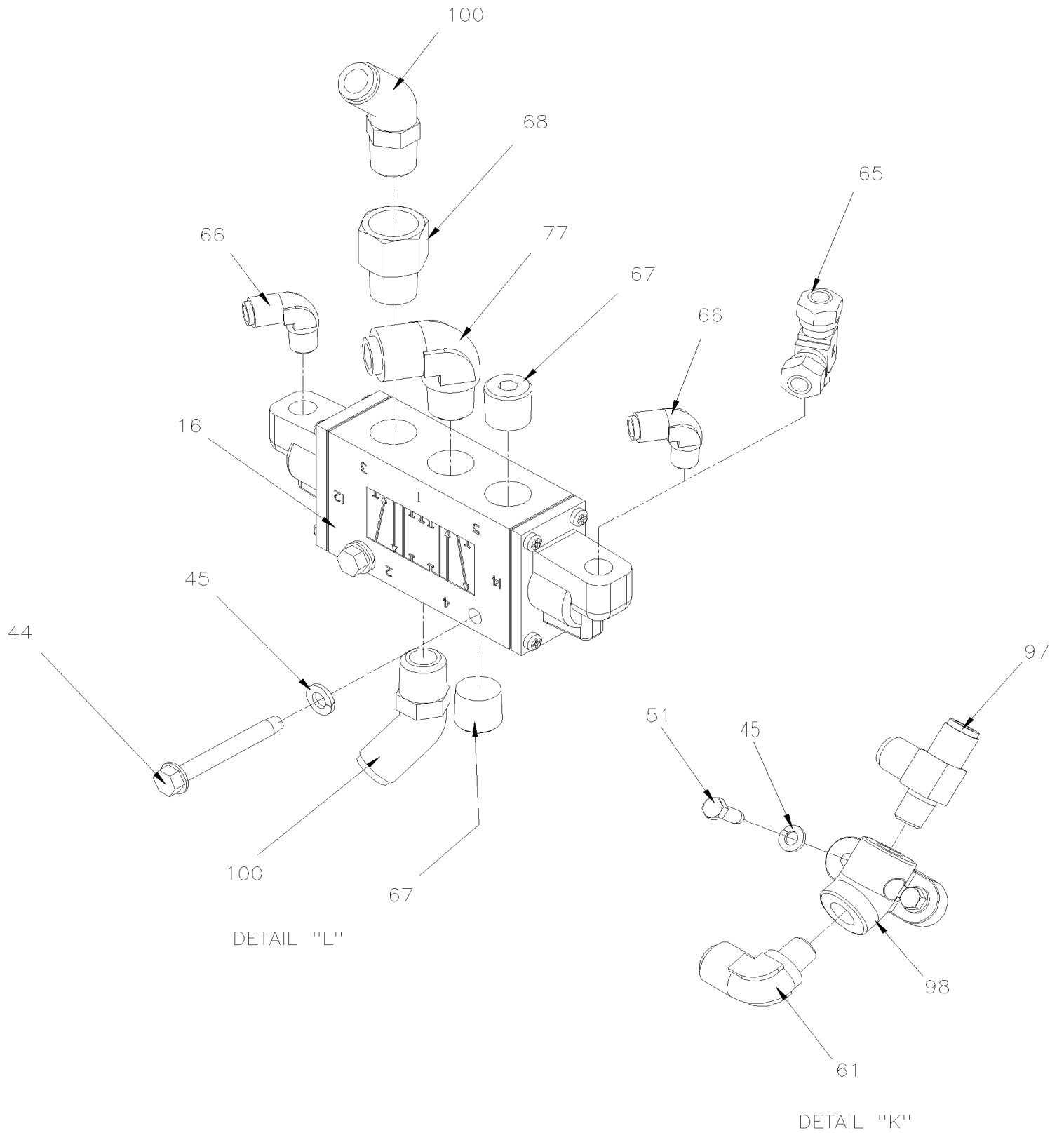


From 3-4417 To 8-1043

Date:10/2022

PAGE:HF-1620-50

HEIGHT CONTROL VALVE - V.I.P.





From 3-4417 To 8-1043	Date:10/2022	PAGE:HF-1620-50
HEIGHT CONTROL VALVE - V.I.P.		

Item#	Part	Description	H 3 4 1	H 3 4 5	V I P 4 5	N O T E S
2	640135	VALVE, CHECK 1/4 NPT			1	
3	500769	NUT HEX 1/4-20 Z050			2	
4	502582	WASHER LO SERR 6.1x16.2x0.9 Z050			2	
7	630156	VALVE, HEIGHT CONTROL "BARKSDALE"			2	
8	630237	VALVE, HEIGHT CONTROL "BARKSDALE" / FRONT			1	
10	630229	LINK ASSY 344MM C/C 13 1/2"			2	
. A	N8889244	. GROMMET / LINK			2	
. C	630250	. STUD RETAINER 1/4-20 X 1"			2	
. NS	500769	. NUT HEX 1/4-20 Z050			4	
. NS	500473	. WASHER LO SPT .262x.489x.062 Z050			4	
12	630231	LINK ASSY 185MM C/C 7 1/4"			1	
. A	N8889244	. GROMMET / LINK			2	
. B	630250	. STUD RETAINER 1/4-20 X 1"			2	
. C	500247	. NUT HEX 1/4-20 N500			4	
. D	500473	. WASHER LO SPT .262x.489x.062 Z050			4	
13	630250	STUD RETAINER 1/4-20 X 1"			2	
15	641274	VALVE, 3 WAYS, 2 POSITIONS N.C.			2	
16	641531	VALVE, 5 WAYS, 3 POSITIONS			2	
. NS	641186	. SPOOL			1	
20	503402	TUBE, NYLON 1/4 O.D. / BLACK S.L.			AR	
21	503517	TUBE, NYLON 1/2 O.D. / BLUE S.L.			AR	
29	642075	TRANSDUCER PRESSURE			1	
. NS	563159	. CONNECTOR / METRI-PACK 150 / SH 3C / PED 12065287			1	
32	131468	SUPPORT HEIGHT CONTROL VALVE			1	
33	131319	SUPPORT VALVE			2	
36	110679	ACTUATOR LEVER			1	
37	504635	U-BOLT 1 3/4" I.D. x 2 3/4" x 5/16-18			1	
38	500476	WASHER LO SPT .317x.586x.078 Z050			2	
39	500778	NUT HEX 5/16-18 N500			2	
40	502656	SCREW CAP HEX M6-1.0x50 SS			4	
41	502570	WASHER LO SPT 6.1x11.8x1.6 SS			8	
42	502565	NUT HEX M6-1.0 SS			8	
44	500600	SCREW TC CAP HEXW 1/4-20x2 N500			AR	
45	5001749	WASHER LO SPT 6.5x11.5x1.6 N500			AR	
46	502622	SCREW CAP HEX M6-1.0x20 SS BK			4	
51	500923	SCREW TC CAP HEX 1/4-20x3/4 Z050	2	2	2	
60	641332	MALE CONNECTOR / PUSH-IN FITTING / #4x1/4NPT-M BR			1	
61	641372	MALE ELBOW 90° NON-SWIVEL / PUSH-IN FITTING / #6x1/4NPT-M BR			1	
62	641373	MALE ELBOW 90° NON-SWIVEL / PUSH-IN FITTING / #8x1/4NPT-M BR			2	
64	641040	MALE ELBOW 90° / NTA FITTING / #8x3/8NPT-M BR			2	
65	641002	MALE RUN TEE / NTA FITTING / #4x#4x1/8NPT-M BR			1	



From 3-4417 To 8-1043	Date:10/2022	PAGE:HF-1620-50
HEIGHT CONTROL VALVE - V.I.P.		

Item#	Part	Description	H 3 4 1	H 3 4 5	V I P 4 5	N O T E S
66	641369	MALE ELBOW 90° NON-SWIVEL / PUSH-IN FITTING / #4x1/8NPT-M BR			2	
67	501449	PLUG HEXS / PIPE FITTING / 3/8NPT-M STL			2	
68	501309	ADAPTER / PIPE FITTING / 3/8NPT-Fx3/8NPT-M BR			1	
71	501699	MALE RUN TEE / PIPE FITTING / 3/8NPT-Mx3/8NPT-Fx3/8NPT-F BR			1	
72	641330	MALE CONNECTOR / PUSH-IN FITTING / #6x3/8NPT-M BR			3	
77	641375	MALE ELBOW 90° NON-SWIVEL / PUSH-IN FITTING / #6x3/8NPT-M BR			1	
83	641242	MALE CONNECTOR / PUSH-IN FITTING / #4x1/8NPT-M BR			1	
84	641331	MALE CONNECTOR / PUSH-IN FITTING / #6x1/4NPT-M BR			1	
92	501304	PLUG SQUARE HEAD / PIPE FITTING / 1/4NPT-M BR			1	
94	641347	MALE CONNECTOR / PUSH-IN FITTING / #4x3/8NPT-M BR			1	
96	641388	MALE RUN TEE NON-SWIVEL / PUSH-IN FITTING / #6x#6x3/8NPT-M BR			1	
97	641389	MALE RUN TEE SWIVEL / PUSH-IN FITTING / #6x#6x1/4NPT-M BR			1	
98	640643	ANCHOR ELBOW / PIPE FITTING / 1/4NPT-Fx1/4NPT-F STL			1	
100	641367	MALE ELBOW 45° NON-SWIVEL / PUSH-IN FITTING / #6x3/8NPT-M BR			2	
110	HF-1260-00	VALVE SUPPORT ASSY				
111	HF-1202-05	TUBE AIR FRONT INSTALLATION				
112	HF-1601-00	BELLOWS - AIR SUSPENSION				
113	HF-1640-00	LEVEL-LOW - CONTROL PANEL & VALVES				
115	HF-1615-10	TAG AXLE - LIFTING				
116	M107-06	SEE MAINTENANCE INFORMATION				
120	N.S.A.	LINK ASSY 344MM C/C 13 1/2"	2	2	2	3
120	131308	. ROD LINK / 305MM x .250" former			1	
121	630117	. ROD END / BLACK RUBBER 5/16" I.D. former			2	
122	504014	. HOSE CLAMP / 1/4"-5/8" SS / HM-4 former			2	
123	630137	. SCREW SHR CAP HEX 5/16" I.D. x 1/4-20 former			2	
124	502716	. NUT HEX NYRT 1/4-20 former			2	
125	500441	. WASHER FL .312x.734x.065 Z050 former			2	
		3) NOT SOLD ASSEMBLY				

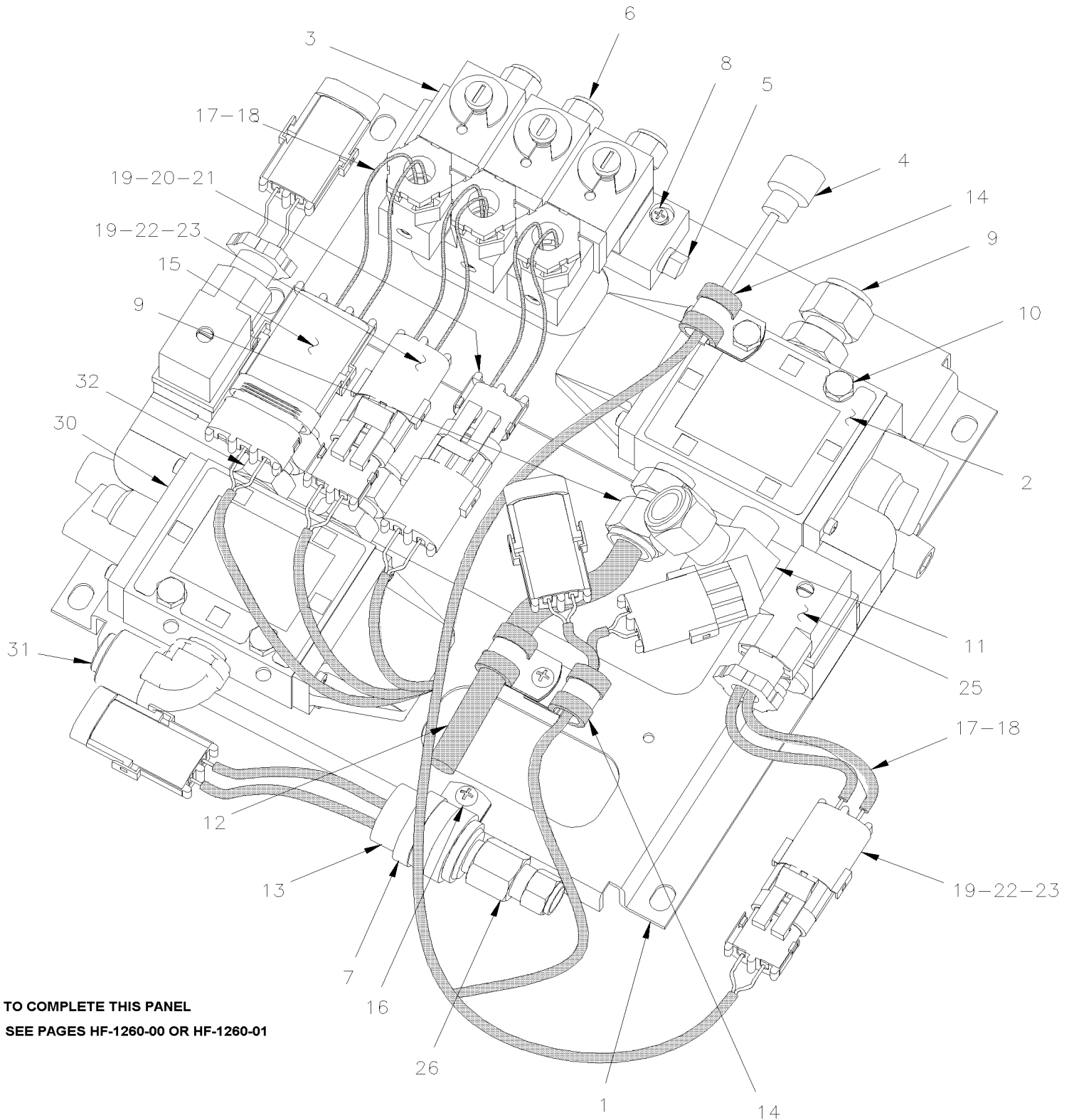


From 3-4417 To 8-1043

Date:10/2022

PAGE:HF-1630-00

FRONT KNEELING - CONTROL PANEL



**TO COMPLETE THIS PANEL
SEE PAGES HF-1260-00 OR HF-1260-01**



From 3-4417 To 8-1043	Date:10/2022	PAGE:HF-1630-00
FRONT KNEELING - CONTROL PANEL		

Item#	Part	Description	H 3 4 1	H 3 4 5	V I P 4 5	N O T E S
	131704P	KNEELING CONTROL PANEL ASSY "H3"	1	1		
1	131703	. SUPPORT	1	1		
2	641528	. VALVE, 3 WAYS, 2 POSITIONS N.O.	1	1		
. NS	641929	. . COIL 24V	1	1		
. NS	641169	. . SPOOL	1	1		
. NS	641385	. . CONNECTOR / SOCKET HOUSING ASSY 3C / PNEUMAC 54934-01	1	1		
3	641180	. MANIFOLD VALVE / W/3 SOLENOID	1	1		
. NS	641928	. . KIT, MANIFOLD REPAIR / N.C.	3	3		
. NS	641107	. . COIL 24V	1	1		
4	065522	. CABLE ASSY	1	1		
5	501303	. PLUG SQUARE HEAD / PIPE FITTING / 1/8NPT-M BR	1	1		
6	641242	. MALE CONNECTOR / PUSH-IN FITTING / #4x1/8NPT-M BR	3	3		
7	952633	. CLAMP / 7/8" I.D.	1	1		
8	500495	. SCREW TP PAN PH #6x1 Z050	2	2		
9	640990	. MALE CONNECTOR / NTA FITTING / #6x3/8NPT-M BR	2	2		
10	502793	. SCREW CAP HEX M6-1.0x45 G8.8 Z050	2	2		
11	641375	. MALE ELBOW 90° NON-SWIVEL / PUSH-IN FITTING / #6x3/8NPT-M BR	1	1		
12	503470	. TUBE, NYLON 3/8 O.D. / YELLOW S.L.	AR	AR		
13	452082	. PRESSURE SWITCH N.O. 30-15 20SP001AA030C015C	1	1		
14	952625	. CLAMP / 3/8" I.D.	3	3		
15	561783	. SEAL PLUG CAVITY / GREEN / PED 12010300	1	1		
16	5001440	. SCREW TP RND PH WSHR HD #8x1/2	2	2		
17	561258	. WIRE CABLE 18 / RED / GXL	AR	AR		
18	561261	. WIRE CABLE 18 / BLACK / GXL	AR	AR		
19	561565	. CABLE SEAL / GREEN / PED 15324982	8	8		
20	561690	. CONNECTOR / WEATHER PACK / SH 2C / BLACK / PED 12015792	1	1		
21	561578	. SOCKET TERMINAL / 16-14 / PED 12010182	4	4		
22	561566	. CONNECTOR / WEATHER PACK / PH 2C / BLACK / PED 12010973	2	2		
23	561568	. PIN TERMINAL / 16-14 / PED 12089305	4	4		
25	562353	. DIODE / 1AMP	4	4		
26	641028	. FEMALE CONNECTOR / NTA FITTING / #4x1/4NPT-F BR	1	1		
27	952633	. CLAMP / 7/8" I.D.	1	1		
28	561781	. CONNECTOR / WEATHER PACK / PH 3C / BLACK / PED 12010717	1	1		
30	641937	VALVE, 3 WAYS, 2 POSITIONS N.C. / W/MAN OVERRIDE	1	1		A
. NS	641929	. COIL 24V	1	1		A
. NS	641385	. CONNECTOR / SOCKET HOUSING ASSY 3C / PNEUMAC 54934-01	1	1		A
31	641374	MALE ELBOW 90° NON-SWIVEL / PUSH-IN FITTING / #4x3/8NPT-M BR	1	1		A
32	641347	MALE CONNECTOR / PUSH-IN FITTING / #4x3/8NPT-M BR	2	2		A
		NEXT ITEMS ARE RELATED WITH				
		FRONT AIR FILLING				
		FOR TOWING BY FRONT & REAR				



From 3-4417 To 8-1043	Date:10/2022	PAGE:HF-1630-00
FRONT KNEELING - CONTROL PANEL		

Item#	Part	Description	H 3 4 1	H 3 4 5	V I P 4 5	N O T E S
		WITH ELECTRIC CABLE CONNECTOR "OPTION"				
NS	642021	DROP-EAR ELBOW 90° / PIPE FITTING / 1/8NPT-F BR	1	1		
NS	640488	VALVE, AIR FILL 1/8" NPT	1	1		
NS	650164	CAP VALVE / CHROME	1	1		
NS	5011129	NEEDLE VALVE 1/4 NPT M x 1/4 NPT F	1	1		
NS	501310	ADAPTER / PIPE FITTING / 1/4NPT-Fx1/8NPT-M BR	1	1		
NS	641242	MALE CONNECTOR / PUSH-IN FITTING / #4x1/8NPT-M BR	1	1		
NS	501305	PLUG SQUARE HEAD / PIPE FITTING / 3/8NPT-M BR	1	1		
NS	140381	DECAL / "AIR BRAKE SYSTEM FILL" // ENGLISH & FRANCAIS	1	1		
NS	142369	DECAL / "AIR BRAKE SYSTEM FILL" // ENGLISH & SPANISH	1	1		
NS	500163	SCREW CAP HEX 1/4-20x3/4 G5 Z050	2	2		
NS	500473	WASHER LO SPT .262x.489x.062 Z050	1	1		
NS	067494	"TOWING CABLE" / 16715MM	1	1		
40	066939	"TOWING CABLE" "Y" / ADAPTOR 4300MM	1	1		
NS	563224	CONNECTOR MALE 7C / POLLAK 15-720	1	1		
NS	563225	BOOT PROTECTOR / POLLAK 15-740	1	1		
50	HF-1260-00	VALVE SUPPORT ASSY To 3-4757				
50	HF-1260-01	VALVE SUPPORT ASSY From 4-4758				
		A) USE WITH "LOW BUOY" 5MPH				

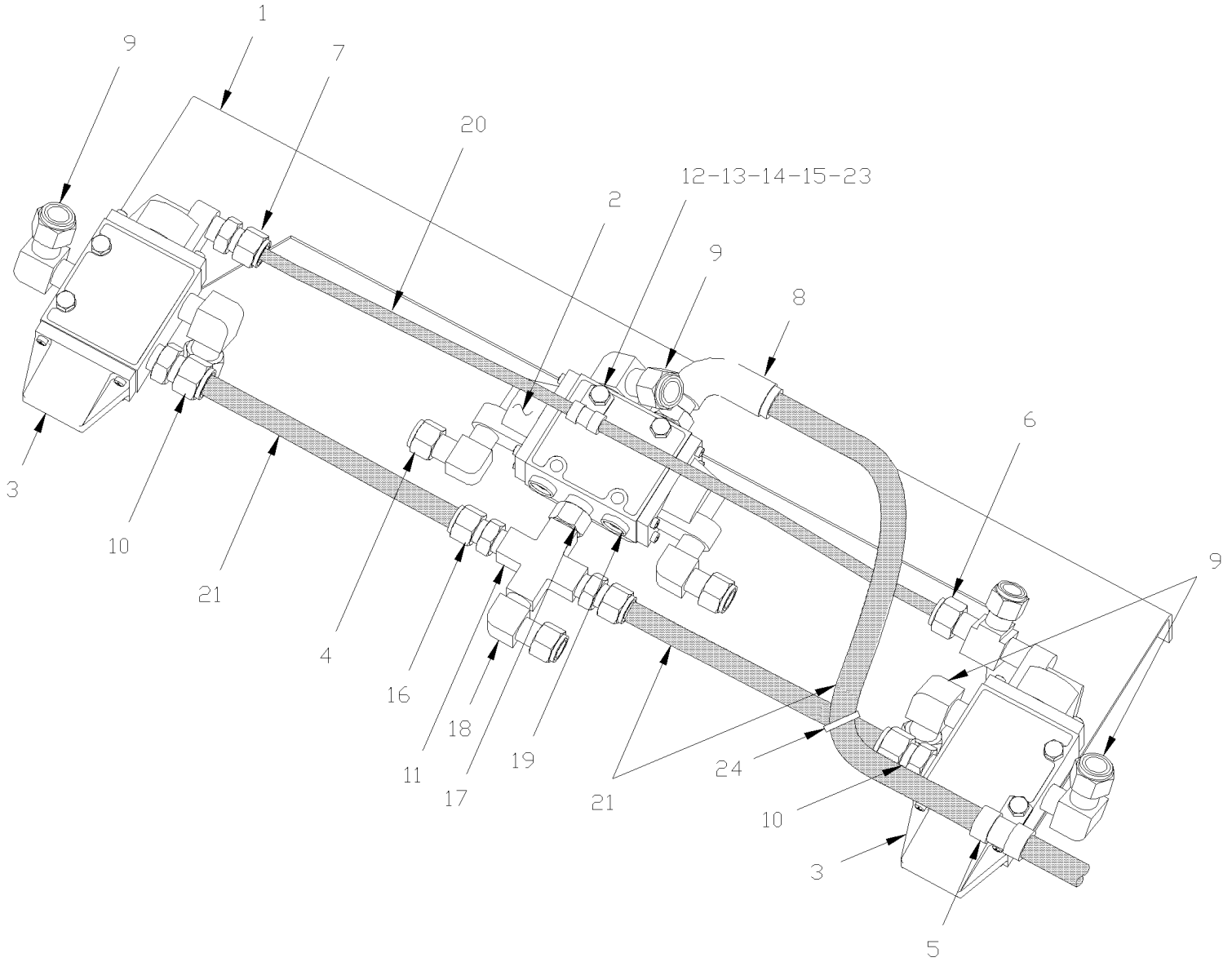


From 3-4417 To 8-1043

Date:10/2022

PAGE:HF-1630-10

FRONT KNEELING - VALVE





From 3-4417 To 8-1043	Date:10/2022	PAGE:HF-1630-10
FRONT KNEELING - VALVE		

Item#	Part	Description	H 3 4 1	H 3 4 5	V I P 4 5	N O T E S
1	131734	SUPPORT VALVE	1	1	1	
2	641531	VALVE, 5 WAYS, 3 POSITIONS	1	1	1	
. NS	641186	. SPOOL	1	1	1	
3	641274	VALVE, 3 WAYS, 2 POSITIONS N.C.	2	2	2	
4	641369	MALE ELBOW 90° NON-SWIVEL / PUSH-IN FITTING / #4x1/8NPT-M BR	2	2	2	
5	952627	CLAMP / 1/2" I.D.	1	1	1	
6	641002	MALE RUN TEE / NTA FITTING / #4x#4x1/8NPT-M BR	1	1	1	
7	641242	MALE CONNECTOR / PUSH-IN FITTING / #4x1/8NPT-M BR	1	1	1	
8	641428	MALE ELBOW 90° SWIVEL / PUSH-IN FITTING / #8x3/8NPT-M BR	1	1	1	
9	641040	MALE ELBOW 90° / NTA FITTING / #8x3/8NPT-M BR	5	5	5	
10	640991	MALE CONNECTOR / NTA FITTING / #8x3/8NPT-M BR	2	2	2	
11	501902	CROSS / PIPE FITTING / 1/4NPT-Fx1/4NPT-Fx 1/4NPT-Fx1/4NPT-F BR	1	1	1	
12	952625	CLAMP / 3/8" I.D.	1	1	1	
13	502793	SCREW CAP HEX M6-1.0x45 G8.8 Z050	6	6	6	
14	502573	WASHER FL 6.4x12.5x1.6 SS	7	7	7	
15	502511	NUT HEX NYRT M6-1.0 Z050	6	6	6	
16	641173	MALE CONNECTOR / NTA FITTING / #8x1/4NPT-M BR	2	2	2	
17	501749	NIPPLE REDUCER HEX / PIPE FITTING / 3/8NPT-Mx1/4NPT-Mx1 13/32 BR	1	1	1	
18	641371	MALE ELBOW 90° NON-SWIVEL / PUSH-IN FITTING / #4x1/4NPT-M BR	1	1	1	
19	501449	PLUG HEXS / PIPE FITTING / 3/8NPT-M STL	2	2	2	
20	503402	TUBE, NYLON 1/4 O.D. / BLACK S.L.	AR	AR	AR	
21	503517	TUBE, NYLON 1/2 O.D. / BLUE S.L.	AR	AR	AR	
23	500440	WASHER FL .250x.562x.065 Z050	1	1	1	
24	504637	CABLE TIE / 3/16" x 13"	1	1	1	

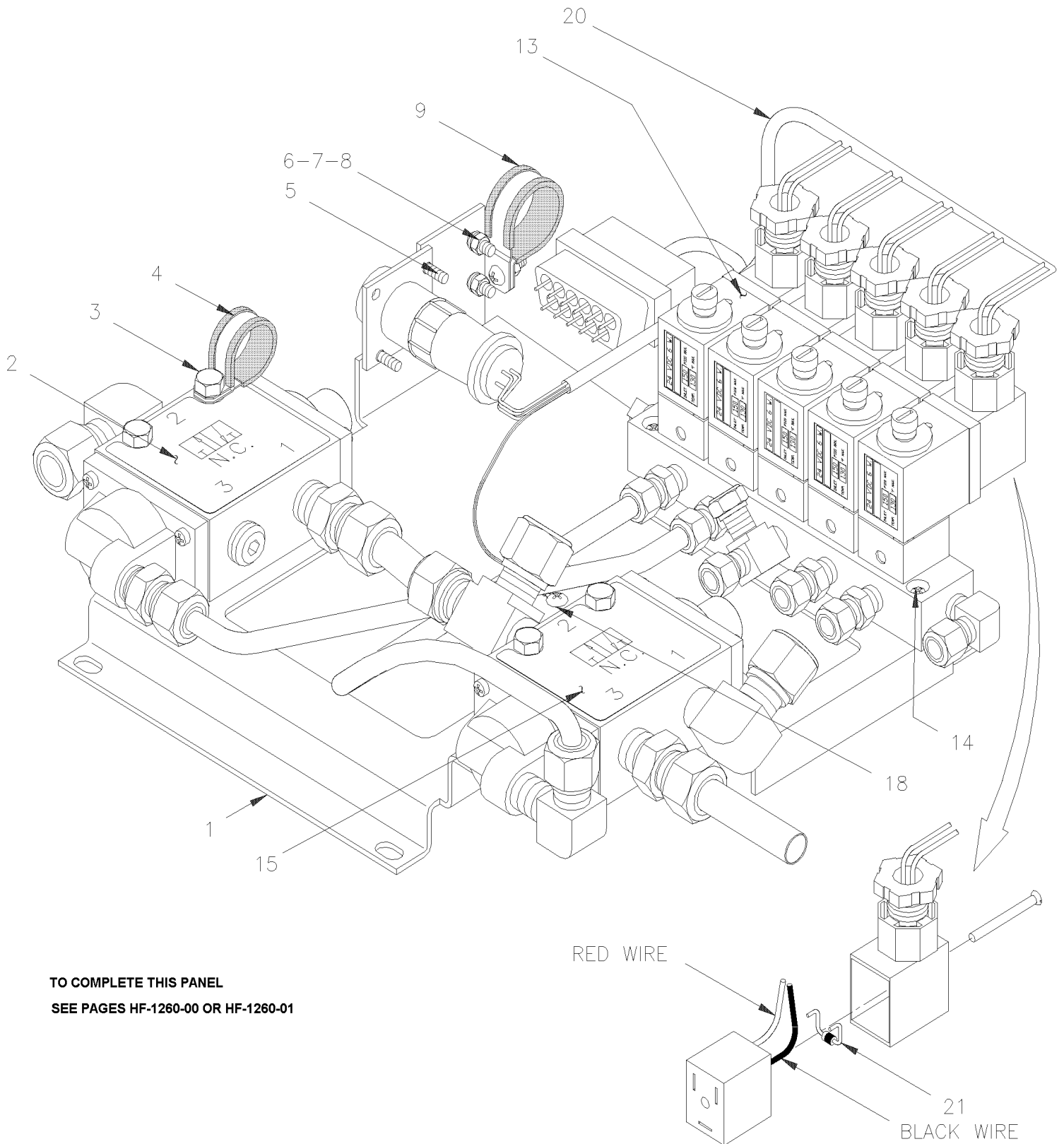


From 3-4417 To 8-1043

Date:10/2022

PAGE:HF-1640-00

LEVEL-LOW - CONTROL PANEL & VALVES



TO COMPLETE THIS PANEL
SEE PAGES HF-1260-00 OR HF-1260-01



From 3-4417 To 8-1043	Date:10/2022	PAGE:HF-1640-00
LEVEL-LOW - CONTROL PANEL & VALVES		

Item#	Part	Description	H 3 4 1	H 3 4 5	V I P 4 5	N O T E S
	131433	PANEL ASSY			1	
1	131329	. SUPPORT			1	
2	641274	. VALVE, 3 WAYS, 2 POSITIONS N.C.			1	
3	502793	. SCREW CAP HEX M6-1.0x45 G8.8 Z050			4	
3	502573	. WASHER FL 6.4x12.5x1.6 SS			4	
3	502511	. NUT HEX NYRT M6-1.0 Z050			4	
4	560482	. CLAMP / 3/4" I.D. / W/HOLE 3/16"			1	
5	500576	. SCREW TC PAN PH #6-32x1/2 Z050			4	
6	500344	. SCREW MA RND PH M4-0.7x12 Z050			3	
7	502636	. WASHER LO SPT 4.1x7.6x0.9 Z050			3	
8	502524	. NUT HEX M4-0.7 Z050			3	
9	562036	. CLAMP / 7/8" I.D. X 90°			1	
10	500641	. SCREW TP PAN PH #8x3/4 Z050			4	
11	504412	. WASHER RETAINER SNAP CAP #8			4	
13	641205	. MANIFOLD VALVE / W/5 SOLENOID			1	
. NS	641928	. . KIT, MANIFOLD REPAIR / N.C.			5	
. NS	641107	. . COIL 24V			5	
14	500495	. SCREW TP PAN PH #6x1 Z050			2	
15	641274	. VALVE, 3 WAYS, 2 POSITIONS N.C.			1	
18	500582	. SCREW TP PAN PH #8x3/8 Z050			1	
20	065429	. CABLE ASSY / VALVE "LEVEL-LOW"			1	
21	562353	. DIODE / 1AMP			5	
		FOR ALL FITTING SEE PAGE HF-1201-00				
30	HF-1260-00	VALVE SUPPORT ASSY To 3-4757				
30	HF-1260-01	VALVE SUPPORT ASSY From 4-4758				

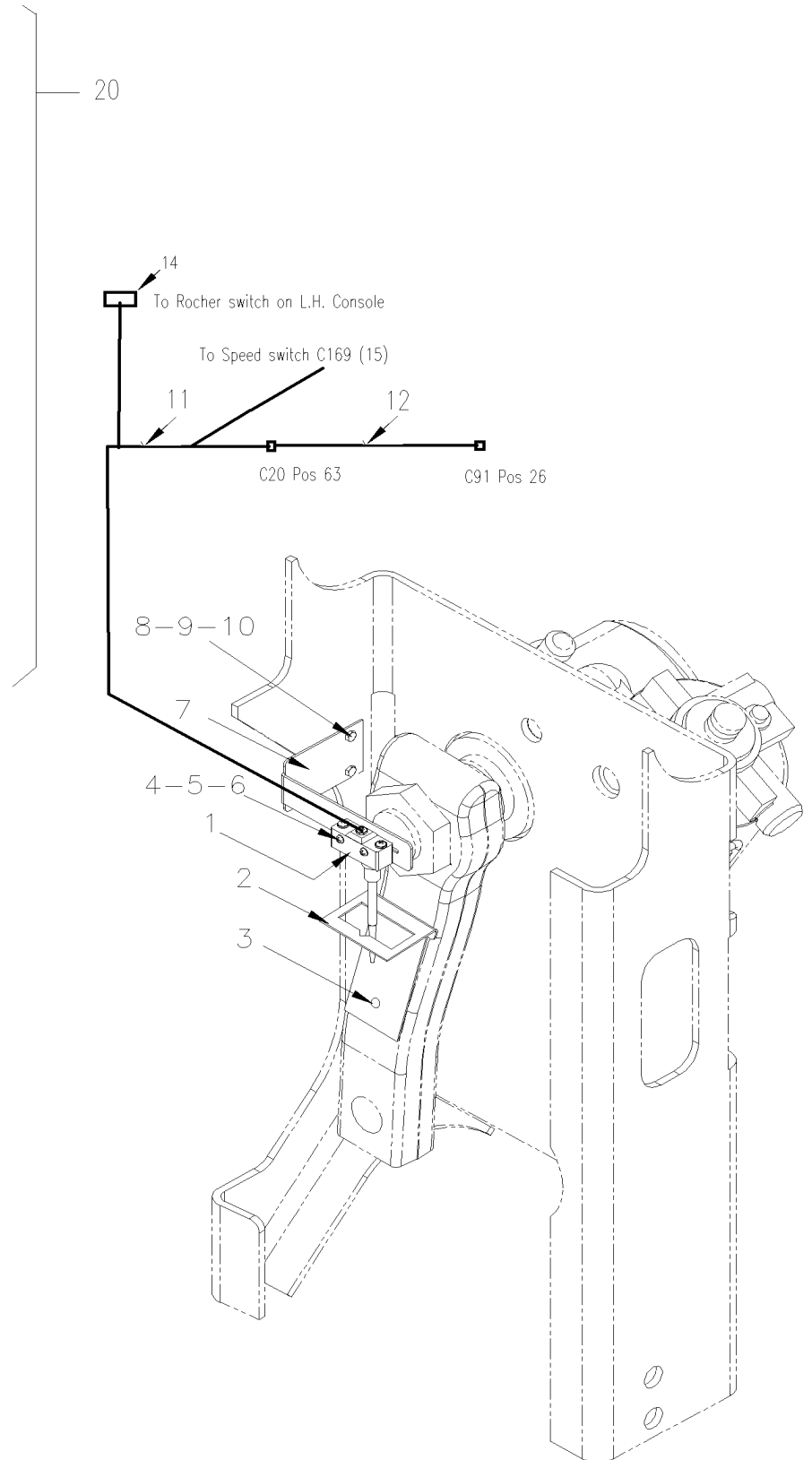
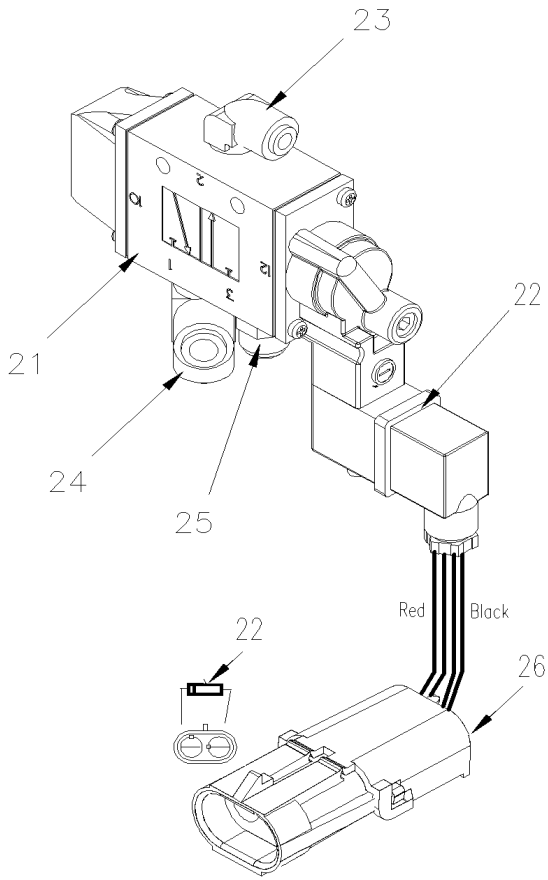


From 3-4417 To 8-1043

Date:10/2022

PAGE:HF-1650-00

TAG UNLOAD - AIR VALVE INSTALLATION



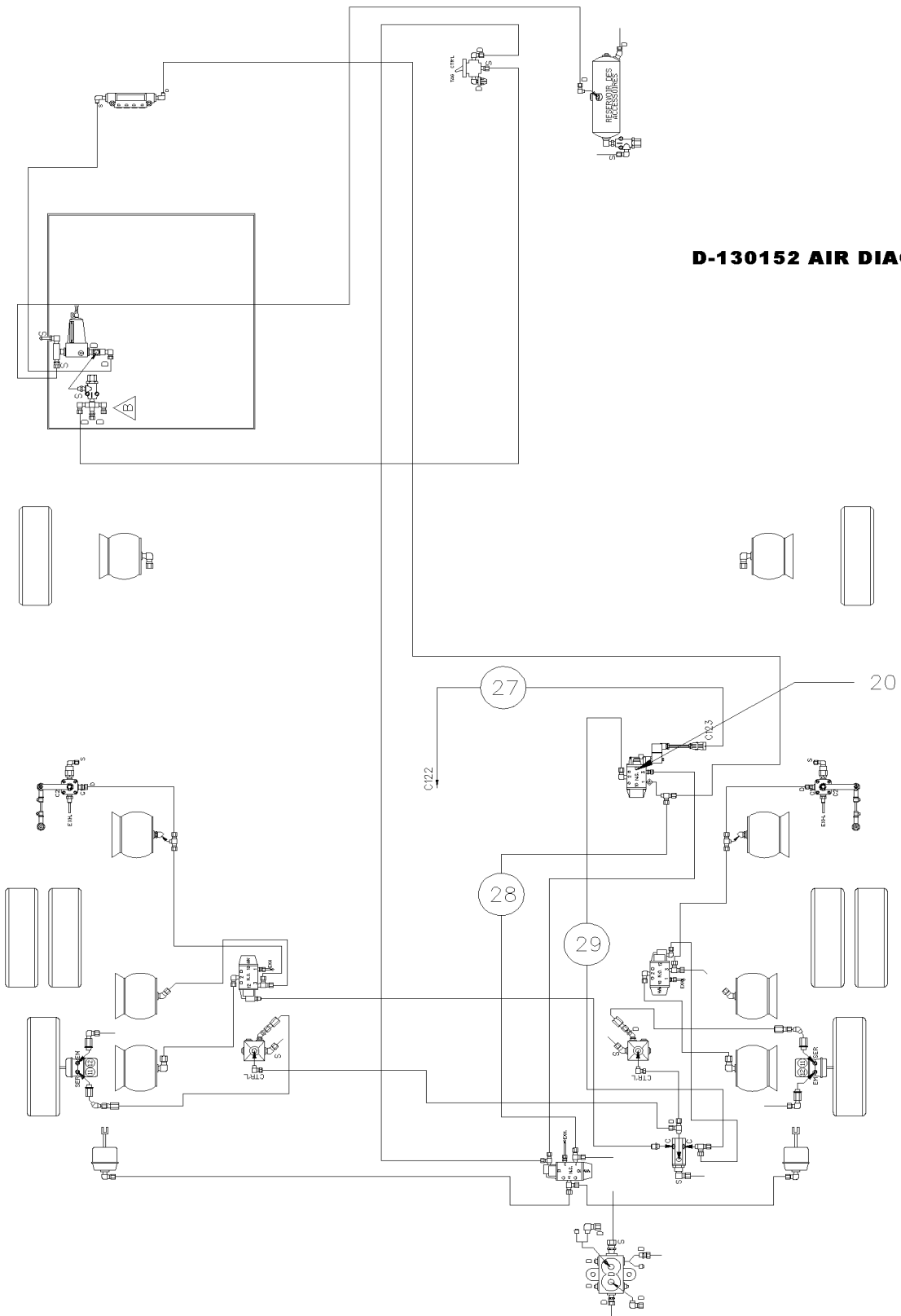


From 3-4417 To 8-1043

Date:10/2022

PAGE:HF-1650-00

TAG UNLOAD - AIR VALVE INSTALLATION



D-130152 AIR DIAGRAM



From 3-4417 To 8-1043	Date:10/2022	PAGE:HF-1650-00
TAG UNLOAD - AIR VALVE INSTALLATION		

Item#	Part	Description	H 3 4 1	H 3 4 5	V I P 4 5	N O T E S
	D130152	DIAGRAM AIR SHEMATIC (see next page) "H" SERIES	1	1		
	D060888	DIAGRAM SWITCH SHEMATIC - INSTALLATION	1	1		
	D060949	DIAGRAM ELECTRICAL SHEEMATIC PAGE 18.1SP2 To 3-4757	1	1		
	D060976	DIAGRAM ELECTRICAL SHEEMATIC PAGE 18.1SP2 From 4-4358 To 5-0167	1	1		
	D061020	DIAGRAM ELECTRICAL SHEEMATIC From 5-0168	1	1		
1	562343	MICRO SWITCH ASSY WITH FLEX	1	1		
2	063488	ACTUATOR TAG UNLOAD /	1	1		
3	500500	SCREW DRV RND #8x3/8 Z050	2	2		
4	502612	SCREW MA RND PH #6-32x1 Z050	2	2		
5	500689	NUT HEX #6-32 Z050	2	2		
6	500467	WASHER LO INT .138x.275x.019 Z050	2	2		
7	064392	SUPPORT, SWITCH W/"ZF STEERING BOX "H" SERIES	1	1		A
8	500978	SCREW CAP HEX #10-24x3/4 Z050	2	2		
9	500786	NUT HEX #10-24 Z050	2	2		
10	500470	WASHER LO SPT .193x.334x.047 Z050	2	2		
11	064633	CABLE ASSY / SWITCH TAG UNLOAD FRT JCT BOX To 5-0207	1	1		
11	060979	CABLE ASSY / SWITCH TAG UNLOAD FRT JCT BOX From 5-0208	1	1		
12	064390	CABLE ASSY To 5-0207	1	1		?
. NS	561240	. SOCKET TERMINAL / 18-16 / SIGNAL CONTACT / AMP 66101-2 To 5-0207	1	1		
. NS	562273	. TAB TERMINAL / 22-18 / AMP 42475-4 To 5-0207	1	1		
NS	064391	CABLE ASSY To 5-0207	1	1		?
. NS	562014	. SOCKET TERMINAL / 24-20 / SIGNAL CONTACT / AMP 1-66504-0 To 5-0207	1	1		
. NS	562273	. TAB TERMINAL / 22-18 / AMP 42475-4 To 5-0207	1	1		
14	562697	SWITCH / ON-ON / D.P.D.T. / CH-OVER / W/RED & GREEN LED	1	1		
NS	562808	CAP / UNLOAD TAG	1	1		
20	131496	AIR VALVE ASSY	1	1		
21	641529	. VALVE, 3 WAYS, 2 POSITIONS N.C.	1	1		
. NS	641929	. . COIL 24V	1	1		
. NS	641169	. . SPOOL	1	1		
. NS	641385	. . CONNECTOR / SOCKET HOUSING ASSY 3C / PNEUMAC 54934-01	1	1		
22	562353	. DIODE / 1AMP	1	1		
23	641374	. MALE ELBOW 90° NON-SWIVEL / PUSH-IN FITTING / #4x3/8NPT-M BR	1	1		
24	641388	. MALE RUN TEE NON-SWIVEL / PUSH-IN FITTING / #6x#6x3/8NPT-M BR	1	1		
25	641347	. MALE CONNECTOR / PUSH-IN FITTING / #4x3/8NPT-M BR	1	1		
26	561566	. CONNECTOR / WEATHER PACK / PH 2C / BLACK / PED 12010973	1	1		
NS	561568	. PIN TERMINAL / 16-14 / PED 12089305	2	2		
NS	561565	. CABLE SEAL / GREEN / PED 15324982	2	2		
27	064361	CABLE ASSY / VALVE & REAR JCT BOX	1	1		
28	503404	TUBE, NYLON 3/8 O.D. / BLACK S.L.	5	5		
29	503402	TUBE, NYLON 1/4 O.D. / BLACK S.L.	4	4		



From 3-4417 To 8-1043	Date:10/2022	PAGE:HF-1650-00
-----------------------	--------------	-----------------

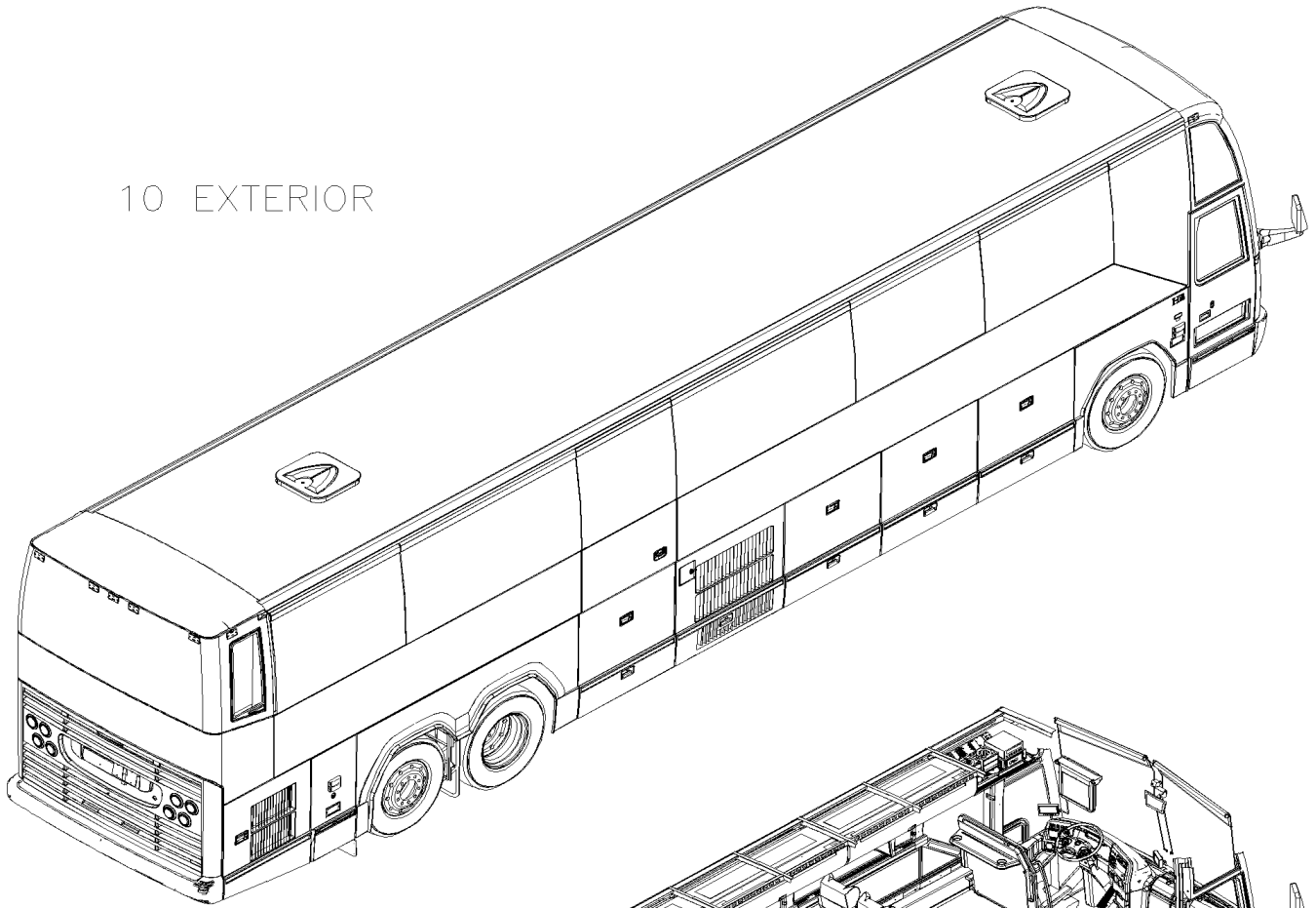
TAG UNLOAD - AIR VALVE INSTALLATION

Item#	Part	Description	H 3 4 1	H 3 4 5	V I P 4 5	N O T E S
NS	500625	SCREW TC CAP HEXW 1/4-20x2 Z050	2	2		
		FOLLOWING NEXT ITEMS ARE RELATED				
		WITH COACH WITH MANUAL TRANSMISSION				
		LOCATED IN REAR JCT BOX 0620-00				
NS	381250	SWITCH, PROGRAMMABLE SPEED	1	1		
NS	064301	CABLE ASSY SPEED SWITCH / W/MANUAL TRANSMISSION ONLY To 3-4357	1	1		
NS	065687	CABLE ASSY SPEED SWITCH / W/MAN TRANS ONLY From 4-4358	1	1		
NS	561729	STOPPER	2	2		
NS	5001053	SCREW MA PAN PH #4-40x1/4 ZP	2	2		
		A) AS SHOWN				
		?) SEE DETAIL SCREEN				

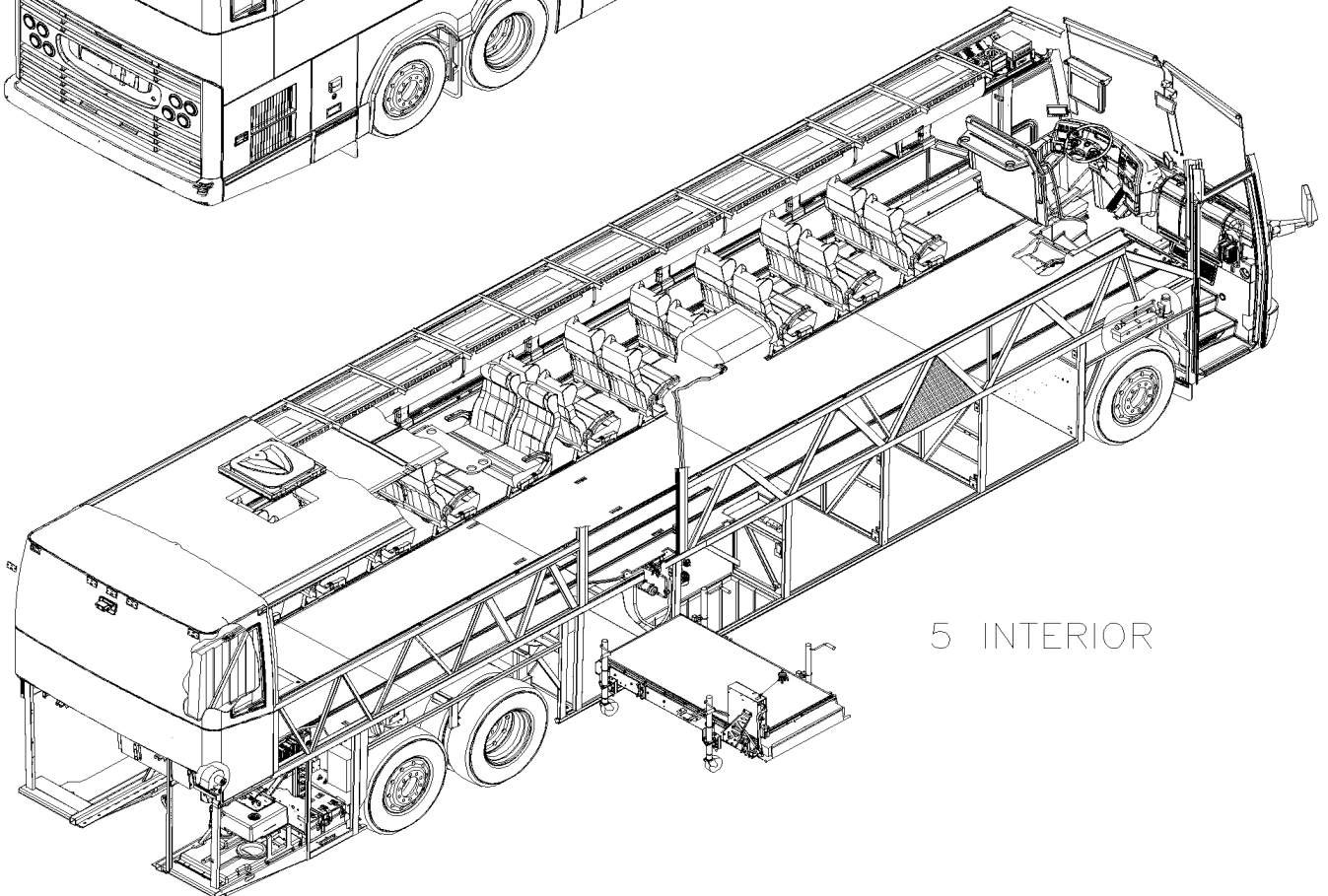


	Date:10/2022	HF-18
BODY		

10 EXTERIOR



5 INTERIOR





		Date:10/2022	HF-18			
BODY						
Item#	Part	Description	H 3 4 1	H 3 4 5	V I P 4 5	N O T E S
5	HF-18-INT	BODY INTERIOR From 3-4417 To 8-1043				
10	HF-18-EXT	BODY EXTERIOR From 3-4417 To 8-1043				

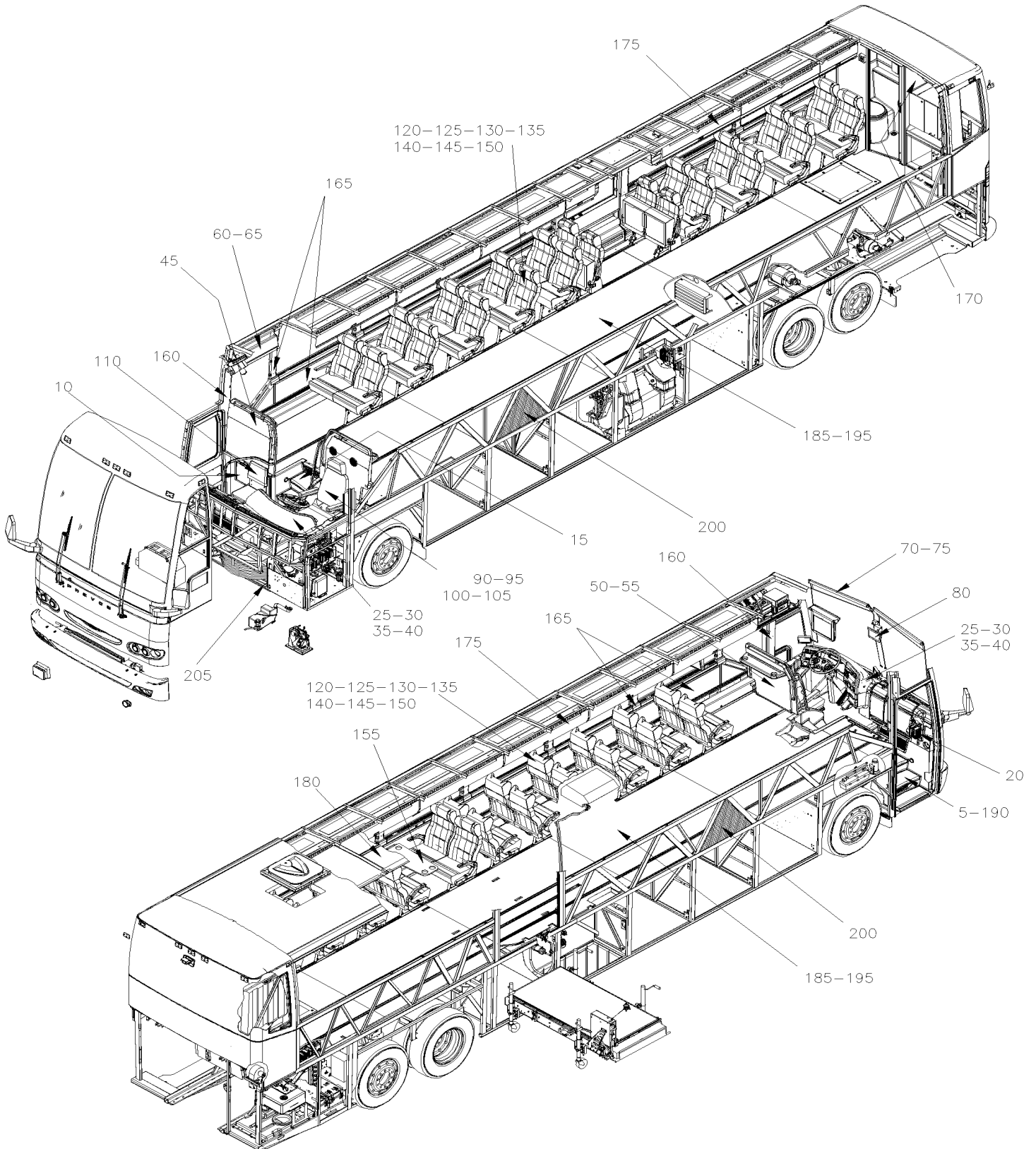


From 3-4417 To 8-1043

Date:10/2022

PAGE:HF-18-INT

BODY INTERIOR





From 3-4417 To 8-1043	Date:10/2022	PAGE:HF-18-INT
-----------------------	--------------	----------------

BODY INTERIOR

Item#	Part	Description	H 3 4 1	H 3 4 5	V I P 4 5	N O T E S
5	HF-1800-00	FRONT STEPWELL - INSTALLATION From 3-4417 To 8-1043				
10	HF-1800-10	STEPWELL COMPARTMENT From 3-4417 To 8-1043				
15	HF-1800-25	FRONT AISLE STEPWELL - INSTALLATION From 3-4417 To 8-1043				
20	HF-1802-00	ENTRANCE DOOR CONTROL From 3-4417 To 5-0108				
20	HF-1802-01	ENTRANCE DOOR CONTROL From 5-0109 To 8-1043				
25	HF-1806-00	CENTRAL DASHBOARD PANEL From 3-4417 To 8-1043				
30	HF-1806-10	L.H. CONSOLE - BUS From 3-4417 To 8-1043				
35	HF-1806-15	L.H. CONSOLE - V.I.P. From 3-4417 To 8-1043				
40	HF-1806-20	DASHBOARD PANEL From 3-4417 To 8-1043				
45	HF-1810-00	MODESTY PANEL R.H. From 3-4417 To 8-1043				
50	HF-1811-00	MODESTY PLEXIGLASS From 3-4417 To 8-1043				
55	HF-1812-00	MODESTY PANEL L.H. From 3-4417 To 8-1043				
60	HF-1814-00	DESTINATION SIGN - ELECTRICAL From 3-4417 To 6-0341				
60	HF-1814-01	DESTINATION SIGN - "POCATEC" From 3-4417 To 8-1043				
60	HF-1814-02	DESTINATION SIGN - "BALIOS" From 3-4417 To 8-1043				
60	HF-1814-03	DESTINATION SIGN - "AESYS" From 3-4417 To 8-1043				
65	HF-1814-05	DESTINATION SIGN - INSTALLATION From 3-4417 To 8-1043				
70	HF-1816-00	ROLLER BLIND - DRIVER' S & WINDSHIELD From 3-4417 To 8-1043				
75	HF-1816-10	SUN SHADE - PASSENGER'S WINDOW From 3-4417 To 8-1043				
80	HF-1820-00	MIRROR - INTERIOR From 3-4417 To 8-1043				
90	HF-1821-00	DRIVER'S SEAT "NATIONAL SEATING" - MODEL 93B From 3-4417 To 8-1043				
90	HF-1822-00	DRIVER'S SEAT - "ISRI" - 6800/338 From 3-4417 To 8-1043				
95	HF-1822-10	DRIVER'S SEAT - "ISRI" - 6000/515 & 6500/515 From 3-4417 To 8-1043				
100	HF-1823-01	DRIVER'S SEAT - "RECARO" - ERGO-COACH From 3-4417 To 8-1043				
100	HF-1823-11	BACKREST ASSY - "RECARO" - ERGO-COACH From 3-4417 To 8-1043				
100	HF-1823-15	SEAT COVER & FOAM - "RECARO" - ERGO-COACH From 3-4417 To 8-1043				
100	HF-1823-21	SUSPENSION & RISER - "RECARO" - ERGO-COACH From 3-4417 To 8-1043				
100	HF-1823-25	SEAT CUSHION FRAME - "RECARO" - ERGO-COACH From 3-4417 To 8-1043				
100	HF-1823-31	ARMREST - "RECARO" - ERGO-COACH From 3-4417 To 8-1043				
105	HF-1823-50	DRIVER'S SEAT - "USSC" - 9100ALX3 From 3-4417 To 8-1043				
105	HF-1823-60	SEAT ASSY - "USSC" - 9100ALX3 From 3-4417 To 8-1043				
105	HF-1823-70	SUSPENSION ASSY - "USSC" - 9100ALX3 From 3-4417 To 8-1043				
105	HF-1823-80	BASE ASSY - "USSC" - 9100ALX3 From 3-4417 To 8-1043				
110	HF-1824-00	HOSTESS SEAT ASSY From 3-4417 To 8-1043				
120	HF-1824-30	PASSENGER'S SEAT - "AMAYA" IDENTIFICATION "MODEL" From 3-4417 To 8-1043				
125	HF-1825-00	PASSENGER'S SEAT - "AMERICAN" - W6693 & W7693 From 3-4417 To 8-1043				
125	HF-1825-01	PASSENGER'S SEAT - "AMERICAN" - W6694 & W7694 From 3-4417 To 8-1043				
125	HF-1825-03	PASSENGER'S SEAT - "AMERICAN" - W6696 & W7696 From 3-4417 To 8-1043				
130	HF-1825-05	PASSENGER'S SEAT - "AMERICAN" - FRAME From 3-4417 To 8-1043				
130	HF-1825-06	PASSENGER'S SEAT - "AMERICAN" SERIES 2000 & MORE From 3-4417 To 8-1043				
130	HF-1825-10	PASSENGER'S SEAT - "AMERICAN" - FRAME ROTATIN From 3-4417 To 8-1043				
130	HF-1825-20	PASSENGER'S SEAT - "AMERICAN" - CUSHION From 3-4417 To 8-1043				



From 3-4417 To 8-1043	Date:10/2022	PAGE:HF-18-INT
BODY INTERIOR		

Item#	Part	Description	H 3 4 1	H 3 4 5	V I P 4 5	N O T E S
130	HF-1825-30	PASSENGER'S SEAT - "AMERICAN" - BACKREST WX69 From 3-4417 To 8-1043				
130	HF-1825-31	PASSENGER'S SEAT - "AMERICAN" - BACKREST WX69 From 3-4417 To 8-1043				
130	HF-1825-40	PASSENGER'S SEAT - "AMERICAN" - FOOTREST From 3-4417 To 8-1043				
130	HF-1825-50	PASSENGER'S SEAT - "AMERICAN" - ARMREST From 3-4417 To 8-1043				
130	HF-1825-51	PASSENGER'S SEAT - "AMERICAN" - ARMREST SERIES 2000 & MORE From 3-4417 To 8-1043				
130	HF-1825-60	PASSENGER'S SEAT - "AMERICAN" - BACK & ACCESS From 3-4417 To 8-1043				
135	HF-1826-00	PASSENGER'S SEAT - "NATIONAL" - 4209 & 4210 From 3-4417 To 8-1043				
140	HF-1826-05	PASSENGER'S SEAT - "AMAYA" "EUROTECH" From 3-4417 To 8-1043				
140	HF-1826-06	PASSENGER'S SEAT - "AMAYA" "BRASIL" From 3-4417 To 8-1043				
140	HF-1826-07	PASSENGER'S SEAT - "AMAYA" "SIGLIUM" TORO & TORINO From 3-4417 To 8-1043				
140	HF-1826-08	PASSENGER'S SEAT - "AMAYA" "GAUDI" From 3-4417 To 8-1043				
140	HF-1826-40	PASSENGER'S SEAT - "AMAYA" - FOOTREST & PEDESTAL From 3-4417 To 8-1043				
140	HF-1826-50	ARMREST PASSENGER'S SEAT - "AMAYA" W/"EUROTECH" From 3-4417 To 8-1043				
140	HF-1826-51	ARMREST PASSENGER'S SEAT - "AMAYA" W/"BRASIL" From 3-4417 To 8-1043				
140	HF-1826-52	ARMREST PASSENGER'S SEAT - "AMAYA" W/"GAUDI" From 3-4417 To 8-1043				
140	HF-1826-53	ARMREST PASSENGER'S SEAT - "AMAYA" WITH "SIGLIUM" TORO & TORINO From 3-4417 To 8-1043				
140	HF-1826-60	ACCESSORIES PASSENGER'S SEAT - "AMAYA" From 3-4417 To 8-1043				
140	HF-1826-71	PASSENGER'S SEAT - "AMAYA" - FLIP-UP "GAUDI" HR & SC - W/ W.C.L. From 3-4417 To 8-1043				A C
145	HF-1827-02	PASSENGER'S SEAT - "ULTRA" From 3-4417 To 8-1043				B
145	HF-1827-11	PASSENGER'S SEAT - ROTATING From 3-4417 To 8-1043				
145	HF-1827-52	ARMREST PASSENGER'S - "CHARCOAL" W/LEVER From 3-4417 To 8-1043				
145	HF-1827-70	PASSENGER'S SEAT - "TOURISMO II" - FLIP-UP W/W.C.L. From 3-4417 To 8-1043				
150	HF-1828-01	PASSENGER'S SEAT - "TOURISMO II" From 3-4417 To 8-1043				
150	HF-1828-05	PASSENGER'S SEAT - "MULTINA" From 6-0384 To 8-1043				
150	HF-1828-10	PASSENGER'S SEAT - "MULTINA" From 6-0384 To 8-1043				
150	HF-1828-60	ACCESSORIES PASSENGER'S SEAT - "MULTINA" From 6-0384 To 8-1043				
150	HF-1828-50	ARMREST PASSENGER'S - "MULTINA" From 6-0384 To 8-1043				
155	HF-1829-00	ACCESSORIES PASSENGER'S SEAT - "PREVOST" From 3-4417 To 8-1043				
160	HF-1832-00	FRONT FINISHING CAP From 3-4417 To 8-1043				
165	HF-1833-00	WINDOW FINISHING CAP & WALL From 3-4417 To 3-4588				
165	HF-1833-01	WINDOW FINISHING CAP & WALL From 3-4589 To 8-1043				
170	HF-1834-00	REAR FINISHING CAP From 3-4417 To 8-1043				
175	HF-1836-00	PARCEL RACK From 3-4417 To 8-1043				
180	HF-1837-00	CEILING PANELS & MOULDING From 3-4417 To 8-1043				
180	HF-1837-50	CEILING PANELS & MOULDING - V.I.P. From 3-4417 To 8-1043				
185	HF-1838-00	FLOOR - BUS From 3-4417 To 8-1043				
185	HF-1838-05	FLOOR COVERING - "R.C.A." From 3-4417 To 8-1043				
185	HF-1838-10	FLOOR COVERING - "TARAFLEX" From 3-4417 To 8-1043				
190	HF-1838-15	STEPWELL - COVERING From 3-4417 To 8-1043				
195	HF-1838-50	FLOOR & REAR WALL - V.I.P. From 3-4417 To 8-1043				
200	HF-1839-00	INSULATING SIDE WALL - LOWER PANEL From 3-4417 To 8-1043				
200	HF-1839-05	INSULATING REAR BATTERIES COMPARTMENT From 4-4758 To 8-1043				



From 3-4417 To 8-1043	Date:10/2022	PAGE:HF-18-INT
BODY INTERIOR		

Item#	Part	Description	H 3 4 1	H 3 4 5	V I P 4 5	N O T E S
200	HF-1839-10	INSULATING FLOOR REAR AXLE - WITH DETROIT S-60 From 3-4417 To 8-1043				
200	HF-1839-15	INSULATING FRONT - SUBFRAME From 3-4417 To 8-1043				
200	HF-1839-20	INSULATING REAR ENGINE COMPARTMENT From 3-4417 To 3-4536				
200	HF-1839-21	INSULATING REAR ENGINE COMPARTMENT From 3-4537 To 8-1043				
200	HF-1839-25	INSULATING REAR END - STRUCTURE & CAP From 3-4417 To 8-1043				
200	HF-1839-30	INSULATING ROOF PANELS From 3-4417 To 7-0771				
200	HF-1839-31	INSULATING ROOF PANELS From 7-0772 To 8-1043				
200	HF-1839-90	INSULATING - "SLIDE-OUT" From 3-4417 To 8-1043				
205	HF-1840-00	CLOSING PANEL SPARE COMPARTMENT From 3-4417 To 8-1043				

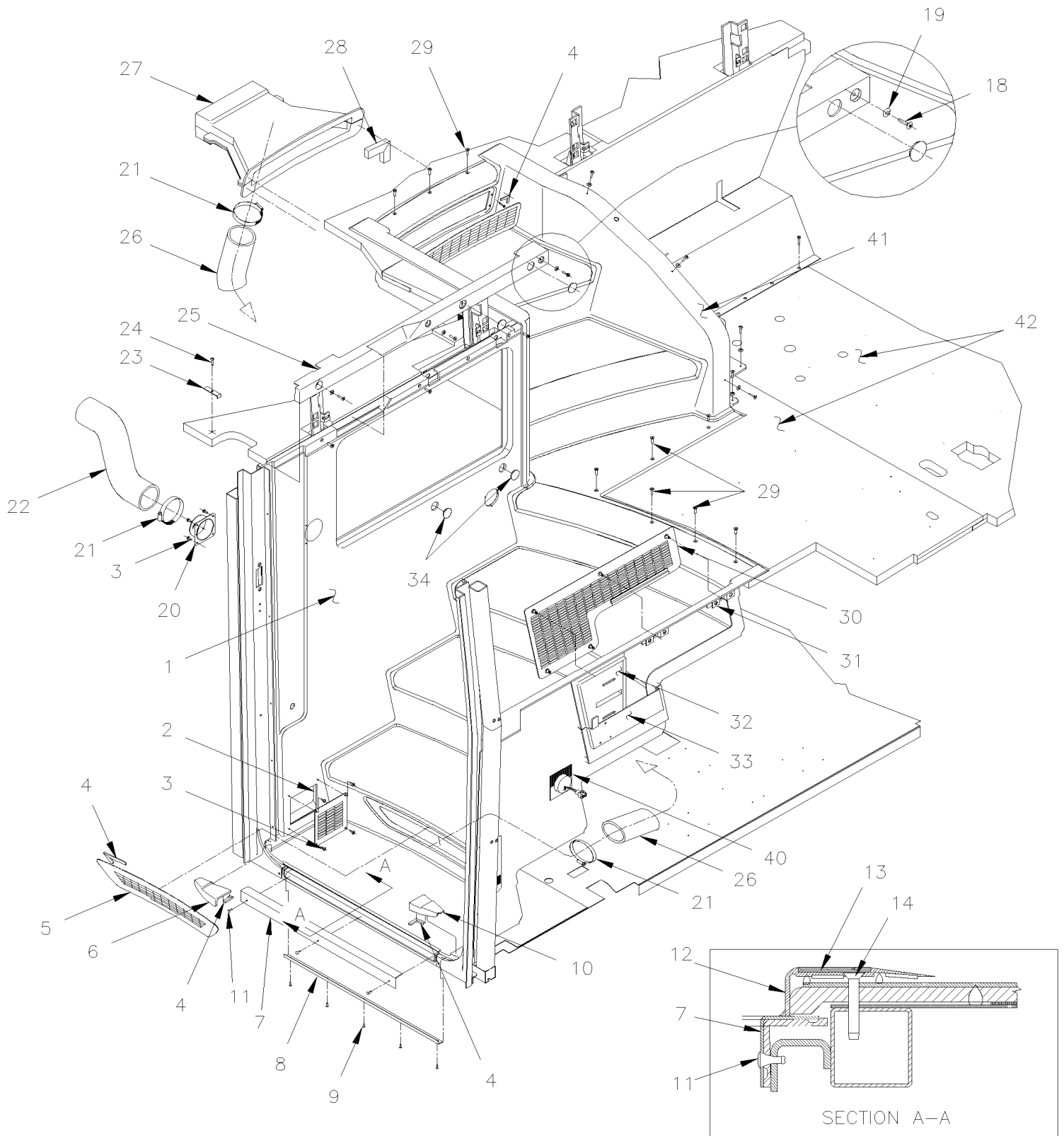


From 3-4417 To 8-1043

Date:10/2022

PAGE:HF-1800-00

FRONT STEPWELL - INSTALLATION



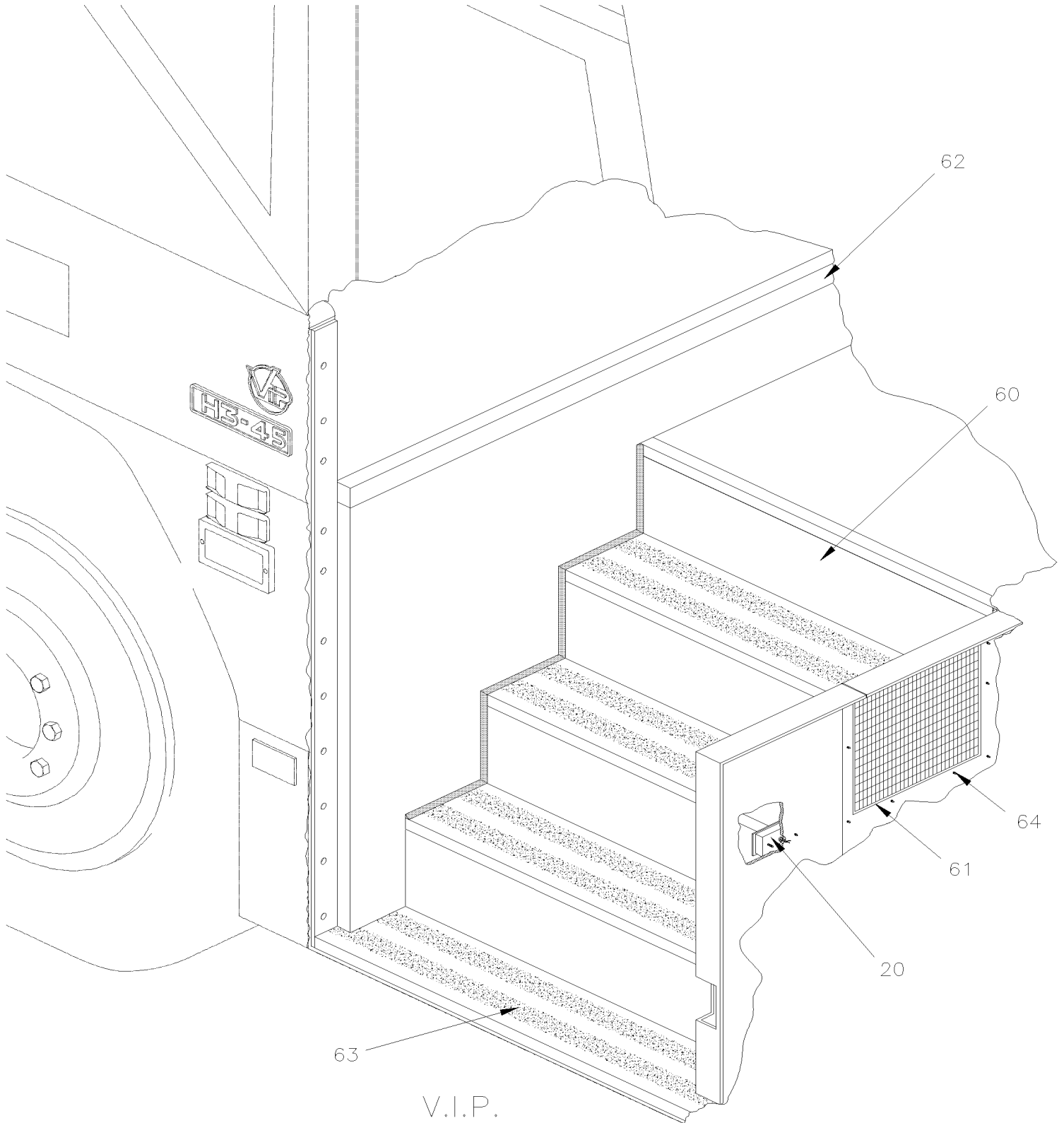


From 3-4417 To 8-1043

Date:10/2022

PAGE:HF-1800-00

FRONT STEPWELL - INSTALLATION





From 3-4417 To 8-1043	Date:10/2022	PAGE:HF-1800-00
FRONT STEPWELL - INSTALLATION		

Item#	Part	Description	H 3 4 1	H 3 4 5	V I P 4 5	N O T E S
	320107	STEPWELL FRONT ASSY W/COVERING / S.C.C.	1	1		
1	328904	. STEPWELL / FRONT	1	1		
NS	327770	SHIM ALLUMINIUM 14GA	AR	AR		
2	452344	AIR DIFFUSOR	1	1		
NS	404636	DECAL / "WATCH YOUR STEP"	1	1		
NS	407554	DECAL / "WELCOME"	1	1		
3	500124	SCREW TP TR PH #8x1/2 SS	8	8		
4	506785	TAPE RUB ADH2 CC POL 1/16" x 1/4" x 200' / BLACK I1C-N-A	AR	AR		
5	453127	GRILL AIR / LOWER STEPWELL / RETURN SS	1	1		
6	327765	FINISHING CAP L.H.	1	1		
7	327768	ANGLE FINISHING 27 X 34 X 575MM	1	1		
8	327767	ANGLE FINISHING 1 X 17 X 575MM To 5-0077	1	1		A
9	502785	SCREW TP FL PH ST2.9-1.1x9.5 Z050 To 5-0077	1	1		
10	327766	FINISHING CAP R.H.	1	1		
11	504643	RIVET POP DOME OE 1/8x1/2 SS From 5-0078	7	7		
12	509855	EXTRUSION "STEPBUS" 565MM From 5-0078	1	1		
13	506088	WHITE STRIP "STEPBUS" 34MM x 565MM From 5-0078	1	1		
14	502903	SCREW TC FL PH #10-24x1 1/4 N500 From 5-0078	1	1		
20	329119	HOSE ADAPTOR 2 1/2" O.D.	1	1		
21	504024	HOSE CLAMP / 1"13/16"-2"3/4 SS / HS-36	1	1		
22	373858	HOSE 2 1/2" I.D. X 740MM	1	1		
22	503031	. HOSE FLEXIBLE / AIR DUCT 2 1/2" I.D. X 12' RUBBER	AR	AR		
23	372343	HOSE RETAINER	1	1		
24	500641	SCREW TP PAN PH #8x3/4 Z050	1	1		
25	327648	FINISHING MOULDING	1	1		
NS	500552	SCREW TP OV PH #6x3/4 Z050	9	9		
NS	500463	WASHER FN CKF .187x.500x.090 BR Z050	9	9		
26	453387	HOSE 2 1/2" I.D. X 89"	1	1		
26	503031	. HOSE FLEXIBLE / AIR DUCT 2 1/2" I.D. X 12' RUBBER	AR	AR		
27	454909	DUCT ADAPTOR	1	1		
28	506210	TAPE RUB ADH1 URE 1/2" x 3/4" x 20' / GREY 1820	AR	AR		
29	500620	SCREW TP FL PH #10x1 1/2 Z050	AR	AR		
30	454003	GRILL AIR / FRONT STEPWELL / RETURN	1	1		
. NS	452770	. GRILL AIR / FRONT STEPWELL / RETURN	1	1		
. NS	504604	. FASTENER	5	5		
. NS	504681	. STUD 6MM (DZUS)	5	5		
31	504605	RECEPTACLE 6 MM	5	5		
32	373851	DEFLECTOR, UPPER / PLASTIC GREY	1	1		
33	373850	DEFLECTOR, LOWER / PLASTIC GREY	1	1		
NS	502761	SCREW TP BDG PH #10x3/4 SS BK	4	4		
NS	502709	WASHER FL .260x.687x.050 XLN BK	4	4		
34	504078	PLUG BUTTON / 1.000 O.D. / NICKEL & BRASS	4	4		



From 3-4417 To 8-1043	Date:10/2022	PAGE:HF-1800-00
FRONT STEPWELL - INSTALLATION		

Item#	Part	Description	H 3 4 1	H 3 4 5	V I P 4 5	N O T E S
NS	328163	KIT, RETROFIT / 1ST STEP COVERING / W/H3 SERIES	1	1		
. NS	IS-04013A	. SEE INSTRUCTION SHEET	1	1		
40	HF-0655-00	INTERIOR LIGHTING				
41	HF-1800-25	FRONT AISLE STEPWELL - INSTALLATION				
42	HF-1838-00	FLOOR - BUS				
60	326191	STEPWELL / FRONT			1	
60	3200090	STEPWELL / FRONT			1	
61	453105	GRILL AIR / FRONT STEPWELL / RETURN			1	
62	326404	MOULDING / FRONT FINISHING FLOOR / "Z" SHAPE / 1614MM SS			1	
63	900515	TAPE ANTISKID ADH / GREY / 1" X 60'			AR	
64	5001119	SCREW TP BDG PH #8x3/4 SS			4	
		A) FOR PRODUCT IMPROVEMENT, ASK KIT #328163 WITH NEW COVERING NUMBER. SEE PAGE HF-1838-15				

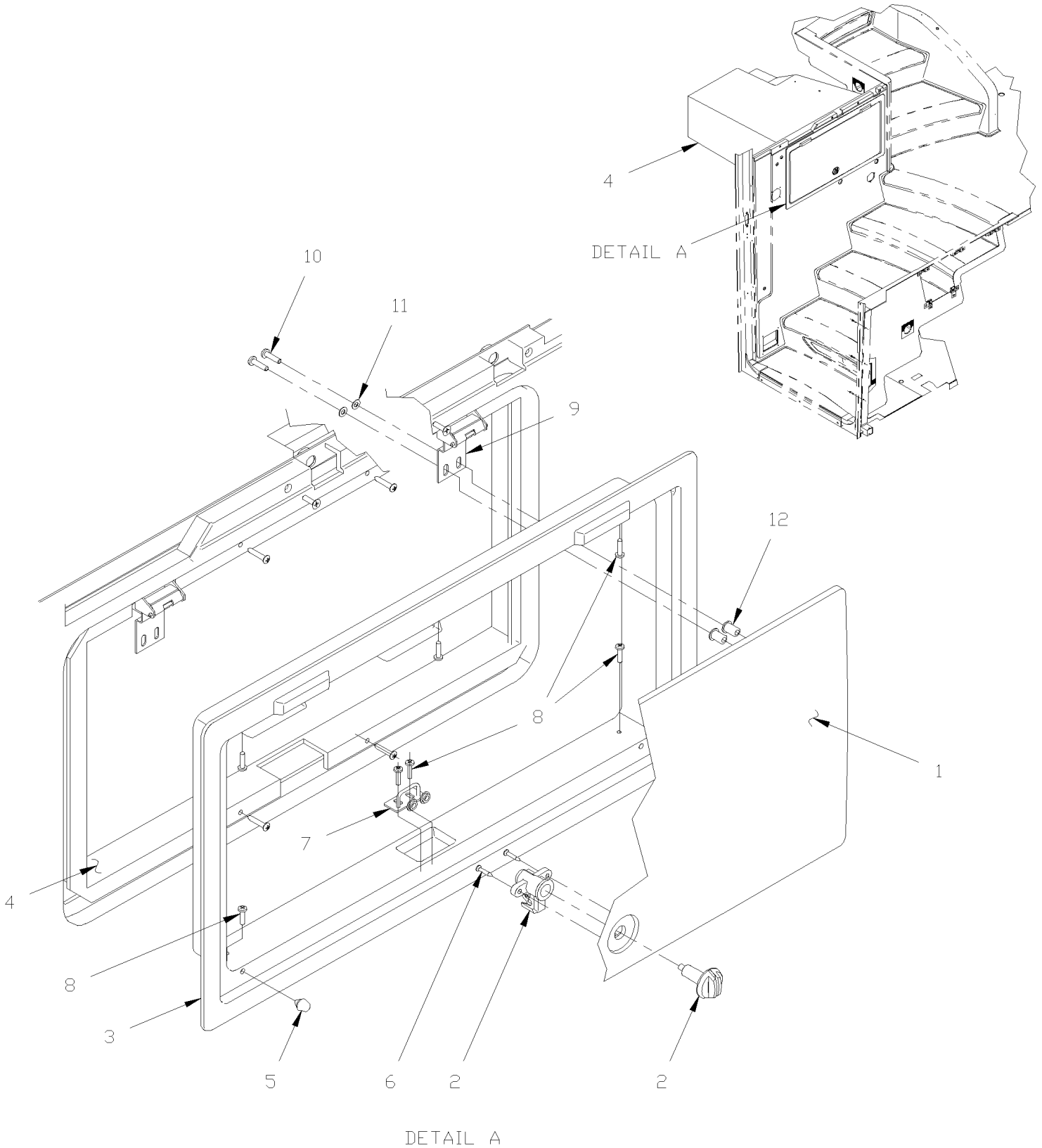


From 3-4417 To 8-1043

Date:10/2022

PAGE:HF-1800-10

STEPWELL COMPARTMENT





From 3-4417 To 8-1043	Date:10/2022	PAGE:HF-1800-10
STEPWELL COMPARTMENT		

Item#	Part	Description	H 3 4 1	H 3 4 5	V I P 4 5	N O T E S
1	327726	DOOR	1	1		
2	504392	LATCH	1	1		
3	327725	FINISHING FRAME	1	1		
NS	790597	RUBBER BLOCK ADJUSTEMENT 20MM x 31.75MM x 4.7 60 DURO	AR	AR		
4	325476	BOX INSIDE	1	1		
NS	325742	SEPARATOR / FOR LOG BOOK	1	1		
NS	325745	CARPET FINISHING	1	1		
5	506499	BUMPER PLUG / .500ODx.312THx.250HOLEx.093	2	2		
6	500333	SCREW TP OV PH #6x3/4 BK	2	2		
7	322490	CATCH	1	1		
8	5001119	SCREW TP BDG PH #8x3/4 SS	7	7		
9	322483	HINGE	2	2		
NS	500879	SCREW TP PAN PH #10x1 Z050	4	4		
10	5001299	SCREW MA PAN PH #10-32x3/4 SS	4	4		
11	500240	WASHER LO EXT .195x.410x.025 Z050	4	4		
12	500519	NUT WELL #10-32x.518	4	4		
13	5001204	SCREW TP FL PH #6x1 1/4 Z050	4	4		

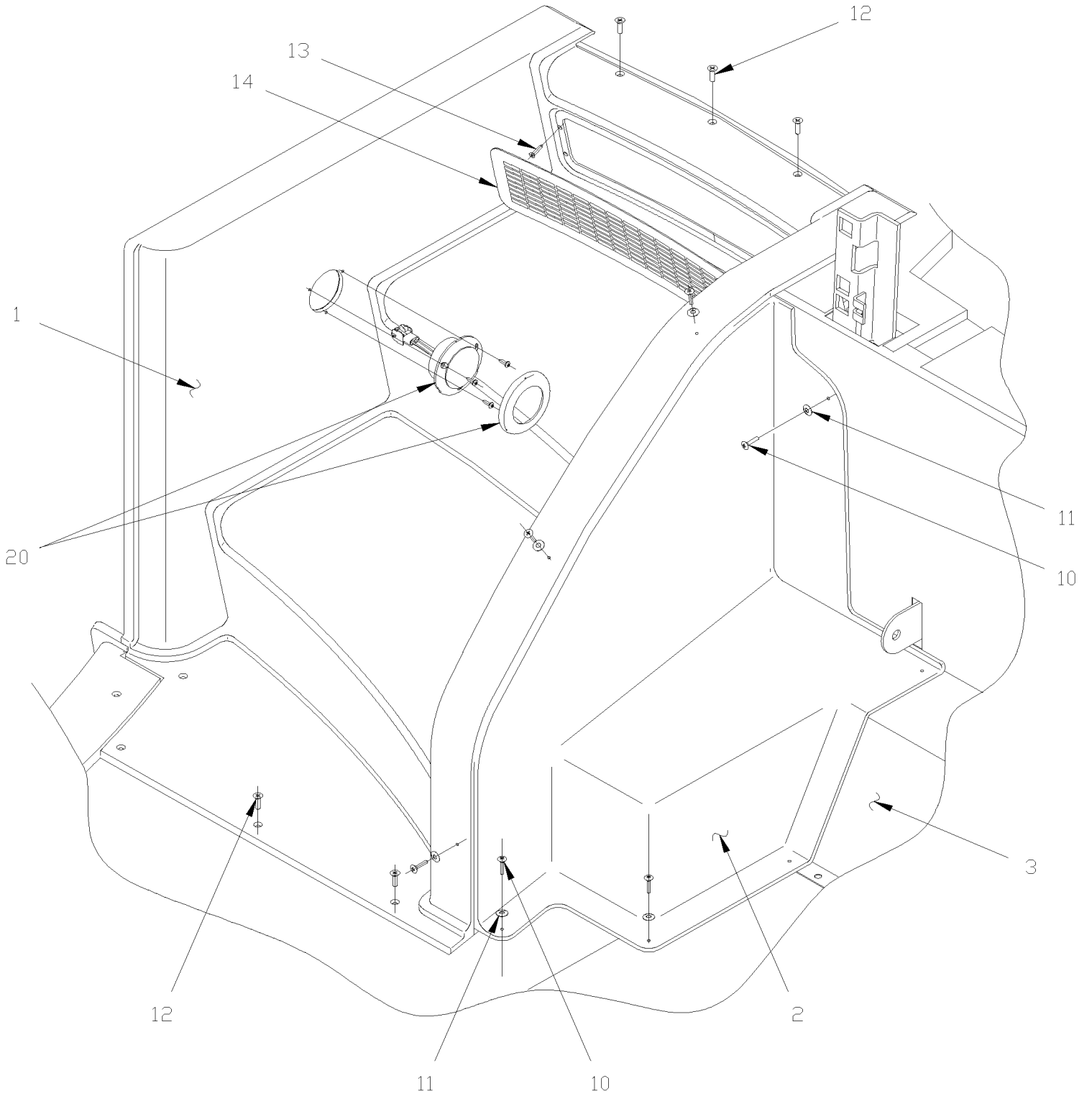


From 3-4417 To 8-1043

Date:10/2022

PAGE:HF-1800-25

FRONT AISLE STEPWELL - INSTALLATION





From 3-4417 To 8-1043	Date:10/2022	PAGE:HF-1800-25
FRONT AISLE STEPWELL - INSTALLATION		

Item#	Part	Description	H 3 4 1	H 3 4 5	V I P 4 5	N O T E S
	320105	STEPWELL AISLE ASSY W/COVERING / S.C.C.	1	1		
1	328891	STEPWELL, AISLE	1	1		
NS	327769	SHIM ALLUMINUM 14GA	AR	AR		
2	327658	FINISHING COVERING R.H.	1	1		
3	327743	FINISHING PANEL / REAR DRIVER'S	1	1		
10	500552	SCREW TP OV PH #6x3/4 Z050	AR	AR		
11	500463	WASHER FN CKF .187x.500x.090 BR Z050	AR	AR		
12	500620	SCREW TP FL PH #10x1 1/2 Z050	AR	AR		
13	5001204	SCREW TP FL PH #6x1 1/4 Z050	AR	AR		
14	452343	GRILL AIR / AISLE STEPWELL / RETURN	1	1		
20	HF-0655-00	INTERIOR LIGHTING				
NS	405158	CARD HOLDER SS / 8 3/4" x 11" x 1" TH	1	1		

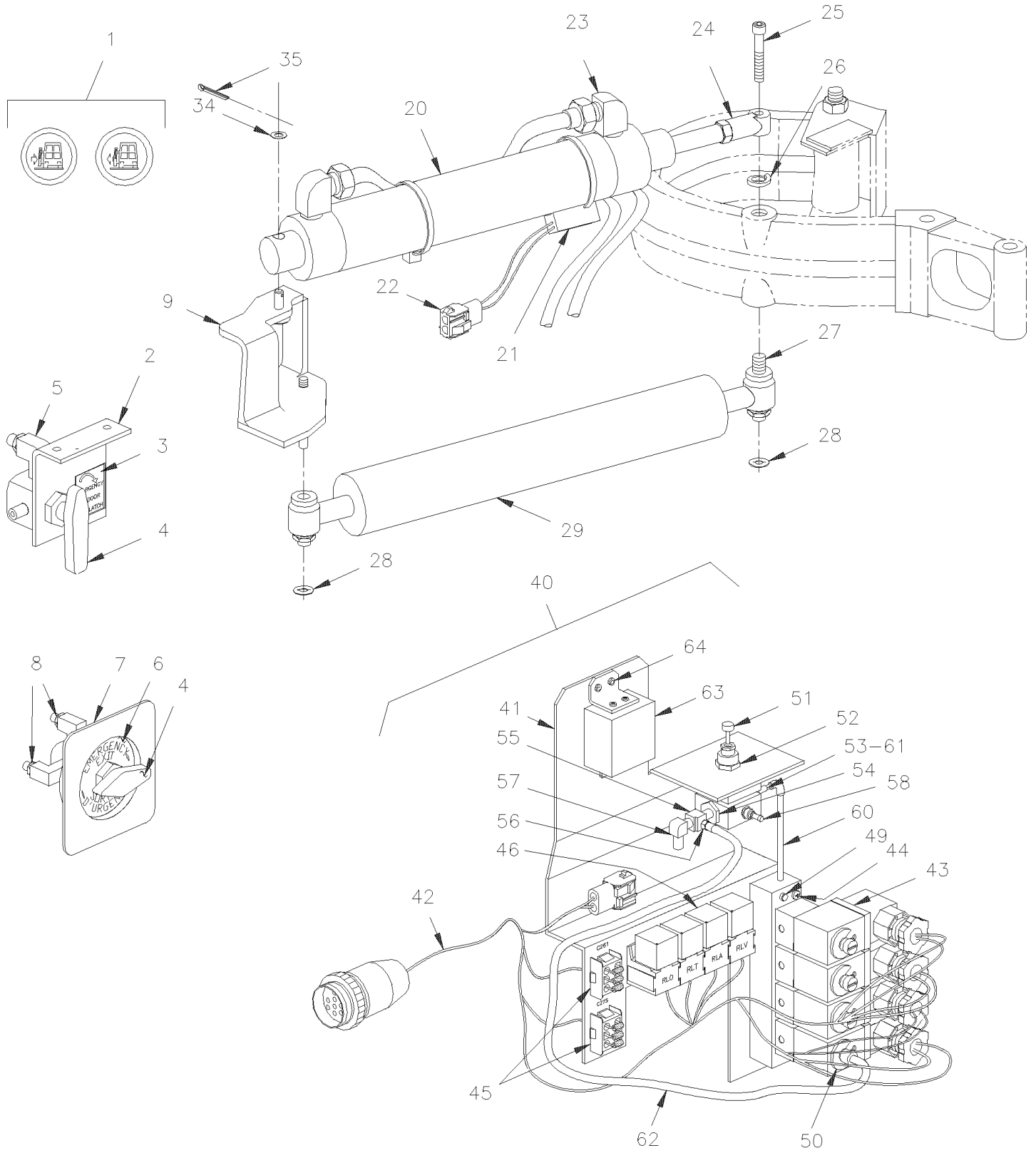


From 3-4417 To 5-0108

Date:10/2022

PAGE:HF-1802-00

ENTRANCE DOOR CONTROL





From 3-4417 To 5-0108 Date:10/2022 PAGE:HF-1802-00

ENTRANCE DOOR CONTROL

Item#	Part	Description	H 3 4 1	H 3 4 5	V I P 4 5	N O T E S
1	HF-0645-30	R.H. DASHBOARD PANEL				
2	285537	SUPPORT	1	1		
3	283989	DECAL "EMERGENCY DOOR VALVE" / IN STEERING COMPARTMENT	1	1		
4	641417	VALVE, 3 WAYS 1/8NPT-Fx1/8NPT-Fx1/8NPT-F BR	2	2		
. NS	642014	. HANDLE / RED	1	1		
4	642161	VALVE, 3 WAYS 1/8NPT-Fx1/8NPT-Fx1/8NPT-F BR / SERVICE	2	2		
. NS	642014	. HANDLE / RED	1	1		
5	641365	MALE ELBOW 45° NON-SWIVEL / PUSH-IN FITTING / #4x1/8NPT-M BR	1	1		
5	641369	MALE ELBOW 90° NON-SWIVEL / PUSH-IN FITTING / #4x1/8NPT-M BR	1	1		
6	284057	DECAL "EMERGENCY EXIT" / ENGLISH & FRANCAIS	1	1		
7	HF-1806-20	DASHBOARD PANEL				
8	641242	MALE CONNECTOR / PUSH-IN FITTING / #4x1/8NPT-M BR	3	3		
9	214129	SUPPORT / CYLINDER To 4-4851	1	1		
9	215370	SUPPORT / CYLINDER From 4-4852	1	1		
20	780595	CYLINDER 2"	1	1		
21	780594	LIMITING REED SWITCH ASSY S.P.S.T. N.O. / W/ 2" CYLINDER	1	1		B
22	560900	CONNECTOR / COM. MATE-N-LOCK / PH 2C / AMP 1-480319-0	1	1		
22	560853	PIN TERMINAL / 24-18 / AMP 60618-1	2	2		
23	641371	MALE ELBOW 90° NON-SWIVEL / PUSH-IN FITTING / #4x1/4NPT-M BR	2	2		
24	502196	ROD END FEMALE 1/2-20 / 1/2 I.D.	1	1		
25	5001075	SCREW CAP BUT HEXS 1/2-13x2 Z050	1	1		
26	500482	WASHER LO SPT .506x.873x.125 Z050	1	1		
27	285433	PIVOT STUD 7/16-14 X 80MM LG	1	1		
28	502601	NUT SPR PO RND 7/16	2	2		
29	780565	SHOCK DAMPER "KONI" To 4-4904	1	1		
29	780714	SHOCK DAMPER "KONI" From 4-4905	1	1		
34	500444	WASHER FL .406x.812x.065 Z050	1	1		
35	502102	PIN, COTTER 1/8 x 1	1	1		
40	286441	SEDAN DOOR MODULE ASSY To 3-4757	1	1		
40	288048	SEDAN DOOR MODULE ASSY From 4-4758	1	1		
41	286250	. SUPPORT To 3-4757	1	1		
41	288039	. SUPPORT From 4-4758	1	1		
42	064653	. CABLE ASSY / ENTRANCE DOOR MODULE BUS To 3-4757	1	1		
42	065586	. CABLE ASSY / ENTRANCE DOOR MODULE From 4-4758	1	1		
43	641906	. MANIFOLD VALVE / W/4 SOLENOID	1	1		
. NS	641927	. . KIT, MANIFOLD REPAIR / N.O.	1	1		
. NS	641928	. . KIT, MANIFOLD REPAIR / N.C.	3	3		
. NS	641107	. . COIL 24V	1	1		
. NS	642213	. . MALE ELBOW 90° SWIVEL / PUSH-IN FITTING / #2x10-32 NP	1	1		
. NS	990143	. . MALE CONNECTOR / PUSH-IN FITTING / W/O-RING / #2x#10-32-M BR	1	1		
. NS	641385	. . CONNECTOR / SOCKET HOUSING ASSY 3C / PNEUMAC 54934-01	1	1		
. NS	641455	. . REDUCER STEM / PUSH-IN FITTING / #2x#4 PLAS	1	1		



From 3-4417 To 5-0108	Date:10/2022	PAGE:HF-1802-00
ENTRANCE DOOR CONTROL		

Item#	Part	Description	H 3 4 1	H 3 4 5	V I P 4 5	N O T E S
44	500495	. SCREW TP PAN PH #6x1 Z050	2	2		
45	062588	. DIODE ASSY / W/3 3AMPS	2	2		
46	561707	. RELAY 24V S.P.D.T. W/RESISTOR / To 5-0142	4	4		
46	563332	. RELAY 24V S.P.D.T. W/RESISTOR / "VOLVO" (20374662) From 5-0143	4	4		
NS	500654	. SCREW TC BDG PH #8-32x1/2 Z050	2	2		
NS	502724	. SCREW CAP HEX #10-32x1/4 BZC	1	1		
49	500495	. SCREW TP PAN PH #6x1 Z050	2	2		
50	990143	. MALE CONNECTOR / PUSH-IN FITTING / W/O-RING / #2x#10-32-M BR	1	1		
51	641472	. AIR PRESSURE REGULATOR 1/4" NPT / COPPER	1	1		
NS	501303	. PLUG SQUARE HEAD / PIPE FITTING / 1/8NPT-M BR	1	1		
52	500734	. NUT HEX JAM 3/4-16 Z050	1	1		
53	641332	. MALE CONNECTOR / PUSH-IN FITTING / #4x1/4NPT-M BR	1	1		
54	501312	. BUSHING REDUCER / PIPE FITTING / 1/4NTP-Mx1/8NPT-F BR	1	1		
55	501653	. MALE RUN TEE / PIPE FITTING / 1/8NPT-Mx1/8NPT-Fx1/8NPT-F BR	1	1		
56	641126	. MALE CONNECTOR / PUSH-IN FITTING / #2x1/8NPT-M BR	1	1		
57	641369	. MALE ELBOW 90° NON-SWIVEL / PUSH-IN FITTING / #4x1/8NPT-M BR	1	1		
58	640488	. VALVE, AIR FILL 1/8" NPT	1	1		
. NS	650164	. . CAP VALVE / CHROME	1	1		
60	503402	. TUBE, NYLON 1/4 O.D. / BLACK S.L.	AR	AR		
61	641447	. UNION ELBOW 90° / PUSH-IN FITTING / #4x#4 BR	1	1		
62	503536	. TUBE, NYLON 1/8 O.D. / BLACK S.L.	1	1		
63	800293	. GENERATOR, PULSE / FOR WIPER MOTOR	1	1		
64	500657	. SCREW TC TR PH #10-24x1/2 Z050	2	2		
		B) THIS CYLINDER MAY BE SUPPERSEDED BY 780418 WITH REMOVED DAMPER SHOCK ITEM # 29				

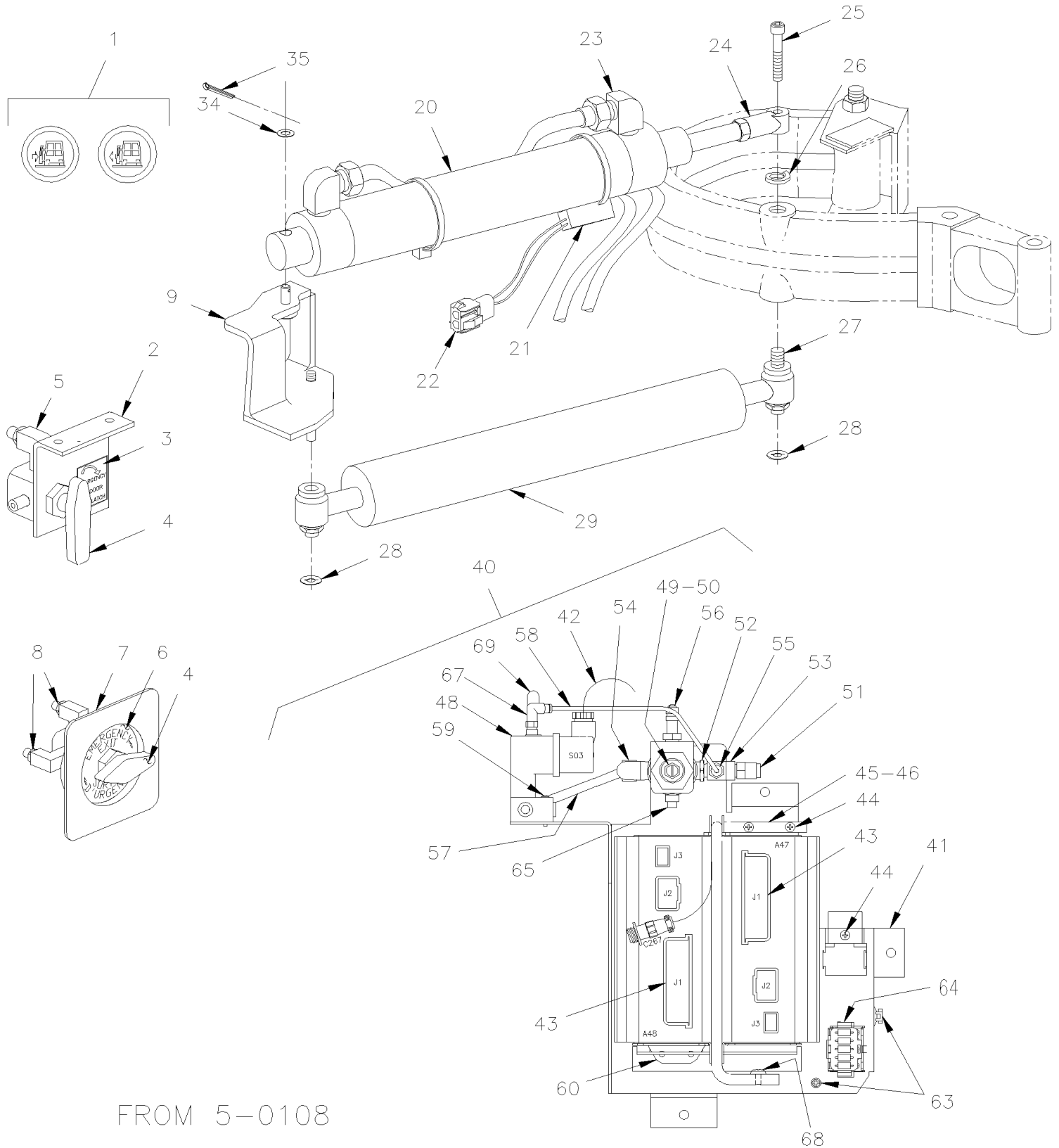


From 5-0109 To 8-1043

Date:10/2022

PAGE:HF-1802-01

ENTRANCE DOOR CONTROL



FROM 5-0108



From 5-0109 To 8-1043	Date:10/2022	PAGE:HF-1802-01
ENTRANCE DOOR CONTROL		

Item#	Part	Description	H 3 4 1	H 3 4 5	V I P 4 5	N O T E S
1	HF-0645-30	R.H. DASHBOARD PANEL				
2	285537	SUPPORT	1	1		
3	283989	DECAL "EMERGENCY DOOR VALVE" / IN STEERING COMPARTMENT	1	1		
4	641417	VALVE, 3 WAYS 1/8NPT-Fx1/8NPT-Fx1/8NPT-F BR	2	2		
. NS	642014	. HANDLE / RED	1	1		
4	642161	VALVE, 3 WAYS 1/8NPT-Fx1/8NPT-Fx1/8NPT-F BR / SERVICE	2	2		
. NS	642014	. HANDLE / RED	1	1		
5	641365	MALE ELBOW 45° NON-SWIVEL / PUSH-IN FITTING / #4x1/8NPT-M BR	1	1		
5	641369	MALE ELBOW 90° NON-SWIVEL / PUSH-IN FITTING / #4x1/8NPT-M BR	1	1		
6	284057	DECAL "EMERGENCY EXIT" / ENGLISH & FRANCAIS	1	1		
7	HF-1806-20	DASHBOARD PANEL				
8	641242	MALE CONNECTOR / PUSH-IN FITTING / #4x1/8NPT-M BR	3	3		
9	215370	SUPPORT / CYLINDER	1	1		
20	780595	CYLINDER 2"	1	1		B
21	780594	LIMITING REED SWITCH ASSY S.P.S.T. N.O. / W/ 2" CYLINDER	1	1		
22	560900	CONNECTOR / COM. MATE-N-LOCK / PH 2C / AMP 1-480319-0	1	1		
22	560853	PIN TERMINAL / 24-18 / AMP 60618-1	2	2		
23	641371	MALE ELBOW 90° NON-SWIVEL / PUSH-IN FITTING / #4x1/4NPT-M BR	2	2		
24	502196	ROD END FEMALE 1/2-20 / 1/2 I.D.	1	1		
25	5001075	SCREW CAP BUT HEXS 1/2-13x2 Z050	1	1		
26	500482	WASHER LO SPT .506x.873x.125 Z050	1	1		
27	285433	PIVOT STUD 7/16-14 X 80MM LG	1	1		
28	502601	NUT SPR PO RND 7/16	2	2		
29	780714	SHOCK DAMPER "KONI"	1	1		
34	500444	WASHER FL .406x.812x.065 Z050	1	1		
35	502102	PIN, COTTER 1/8 x 1	1	1		
40	382081	SEDAN DOOR MODULE ASSY / W/MUX To 5-0108	1	1		
40	382079P	SEDAN DOOR MODULE ASSY / MUX From 5-0109	1	1		
41	382080	SUPPORT MODULE To 5-0108	1	1		
41	382122	SUPPORT MODULE From 5-0109 To 6-0422	1	1		
41	382170	SUPPORT MODULE From 6-0423	1	1		
41	506338	RUBBER CHANNEL / 1/16" x 1/4" INT "U" SHAPE / ROUND C.T.L.	AR	AR		
42	066133	CABLE ASSY / ENTRANCE DOOR MODULE / MUX	1	1		
43	563273	I/O B-MODULE VOLVO MULTIPLEX / ALUMINUM To 7-0791	2	2		
. NS	563132	. CONNECTOR / SH 2C / YAZAKI 7283-6458-40 To 7-0791	1	1		
. NS	563133	. CONNECTOR / JUNIOR POWER TIMER / SH 29C / AMP 1-963449-2 To 7-0791	1	1		
. NS	562957	. CONNECTOR / SH 5C / GREEN / JAE IL-AG5-5S-S3C1 To 7-0791	1	1		
43	565865	I/O B-MODULE VOLVO MULTIPLEX / ALUMINUM From 7-0792	2	2		
. NS	563132	. CONNECTOR / SH 2C / YAZAKI 7283-6458-40 From 7-0792	1	1		
. NS	563133	. CONNECTOR / JUNIOR POWER TIMER / SH 29C / AMP 1-963449-2 From 7-0792	1	1		
. NS	562957	. CONNECTOR / SH 5C / GREEN / JAE IL-AG5-5S-S3C1 From 7-0792	1	1		
44	500965	SCREW TC BDG PH #8-32x1/2 N500 To 5-0167	7	7		



From 5-0109 To 8-1043	Date:10/2022	PAGE:HF-1802-01
ENTRANCE DOOR CONTROL		

Item#	Part	Description	H 3 4 1	H 3 4 5	V I P 4 5	N O T E S
44	504340	RIVET POP DOME OE 1/8x3/16 SS From 6-0423	4	4		
45	382082	ROD ATTACHMENT CABLE / I/O B To 5-0167	1	1		
45	382136	ROD ATTACHMENT CABLE / I/O B To 6-0422	1	1		
45	382166	ROD ATTACHMENT / I/O B MODULE From 6-0423	1	1		
46	403570	ROD HOLDER / BLACK / STEEL "L" SHAPE To 5-0167	2	2		
46	504722	CLAMP / 5/16 I.D. x 1/2" W x 7/32" From 5-0168 To 6-0422	2	2		
46	382169	HINGE ROD ATTACHMENT From 6-0423	1	1	1	
47	5001091	SCREW TC PAN PH #4-40x1/4 BK To 5-0167	1	1		
48	641906	MANIFOLD VALVE / W/4 SOLENOID	1	1		
. NS	641927	. KIT, MANIFOLD REPAIR / N.O.	1	1		
. NS	641928	. KIT, MANIFOLD REPAIR / N.C.	3	3		
. NS	641107	. COIL 24V	1	1		
. NS	642213	. MALE ELBOW 90° SWIVEL / PUSH-IN FITTING / #2x10-32 NP	1	1		
. NS	990143	. MALE CONNECTOR / PUSH-IN FITTING / W/O-RING / #2x#10-32-M BR	1	1		
. NS	641385	. CONNECTOR / SOCKET HOUSING ASSY 3C / PNEUMAC 54934-01	1	1		
. NS	641455	. REDUCER STEM / PUSH-IN FITTING / #2x#4 PLAS	1	1		
NS	641927	. KIT, MANIFOLD REPAIR / N.O.	1	1		
NS	641928	. KIT, MANIFOLD REPAIR / N.C.	1	1		
NS	641929	. COIL 24V	1	1		
NS	642167	. MALE ELBOW 90° SWIVEL / PUSH-IN FITTING / #2x10-32 BR	1	1		
NS	990143	. MALE CONNECTOR / PUSH-IN FITTING / W/O-RING / #2x#10-32-M BR	1	1		
49	641472	AIR PRESSURE REGULATOR 1/4" NPT / COPPER	1	1		
50	500734	NUT HEX JAM 3/4-16 Z050	1	1		
51	641242	MALE CONNECTOR / PUSH-IN FITTING / #4x1/8NPT-M BR	1	1		
52	501312	BUSHING REDUCER / PIPE FITTING / 1/4NTP-Mx1/8NPT-F BR	1	1		
53	501653	MALE RUN TEE / PIPE FITTING / 1/8NPT-Mx1/8NPT-Fx1/8NPT-F BR	1	1		
54	641371	MALE ELBOW 90° NON-SWIVEL / PUSH-IN FITTING / #4x1/4NPT-M BR	1	1		
55	641126	MALE CONNECTOR / PUSH-IN FITTING / #2x1/8NPT-M BR	1	1		
56	640488	VALVE, AIR FILL 1/8" NPT	1	1		
. NS	650164	. CAP VALVE / CHROME	1	1		
57	503402	TUBE, NYLON 1/4 O.D. / BLACK S.L.	AR	AR		
58	503536	TUBE, NYLON 1/8 O.D. / BLACK S.L.	AR	AR		
59	500495	SCREW TP PAN PH #6x1 Z050	2	2		
59	5002090	SCREW MA RND PH #6-32x1.25 Z050	2	2		A
60	382093	SUPPORT R.H. / CAN SIDE CONNECTOR To 5-0167	2	2		
61	382094	SUPPORT L.H. / OUTPUT SIDE CONNECTOR To 5-0167	2	2		
62	504637	CABLE TIE / 3/16" x 13"	1	1		
63	509815	TIE MOUNT / ATTACHMENT W/TREE MOUNT	2	2		
64	381145	DIODE ASSY / W/5 3AMPS	1	1		
65	642167	MALE ELBOW 90° SWIVEL / PUSH-IN FITTING / #2x10-32 BR	1	1		
67	871374	MUFFLER M5 PLASTIC From 5-0168	1	1		
68	509827	SCREW MA RND PH M4-0.7x20 SS From 5-0168	2	2		



From 5-0109 To 8-1043	Date:10/2022	PAGE:HF-1802-01
-----------------------	--------------	-----------------

ENTRANCE DOOR CONTROL

Item#	Part	Description	H 3 4 1	H 3 4 5	V I P 4 5	N O T E S
69	503402	TUBE, NYLON 1/4 O.D. / BLACK S.L.	AR	AR		
		A) TO BE USED ONLY WITH A NEW PLATE 382170				
		B) THIS CYLINDER MAY BE SUPPERSEEDDED BY 780418 WITH REMOVED DAMPER SHOCK ITEM # 29				

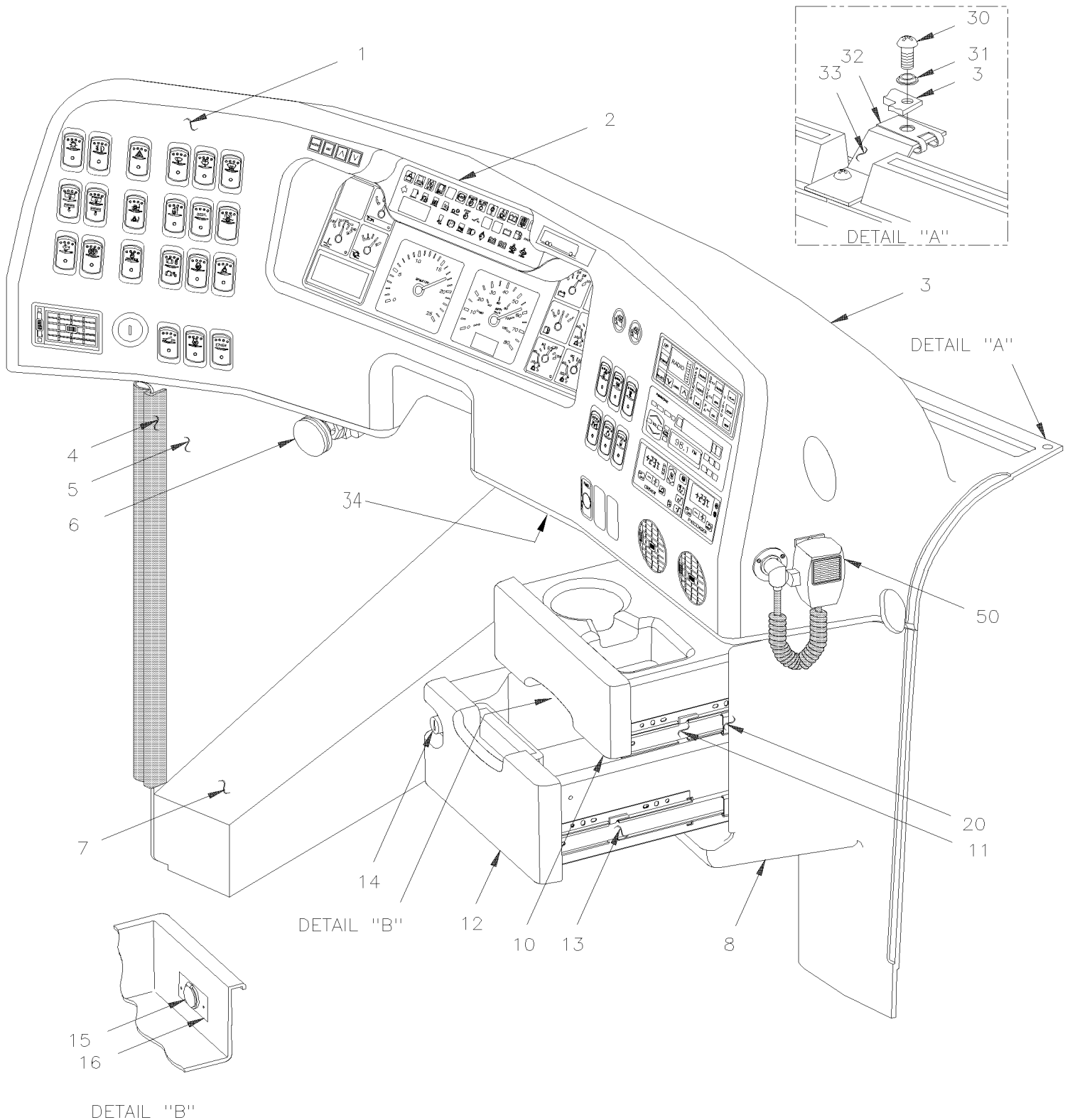


From 3-4417 To 8-1043

Date:10/2022

PAGE:HF-1806-00

CENTRAL DASHBOARD PANEL





From 3-4417 To 8-1043	Date:10/2022	PAGE:HF-1806-00
CENTRAL DASHBOARD PANEL		

Item#	Part	Description	H 3 4 1	H 3 4 5	V I P 4 5	N O T E S
1	392155	PANEL / FRONT INSTRUMENTATION To 3-4443	1	1		C
1	392208	PANEL / FRONT INSTRUMENTATION From 3-4444 To 6-0559	1	1		
1	392301	PANEL / FRONT INSTRUMENTATION From 6-0560	1	1		K
1	392157	PANEL / FRONT INSTRUMENTATION To 3-4443			1	D
1	392214	PANEL / FRONT INSTRUMENTATION From 3-4444 To 6-0607			1	
1	392313	PANEL / FRONT INSTRUMENTATION From 6-0608 To 7-0711			1	U
1	392214	PANEL / FRONT INSTRUMENTATION From 7-0712			1	
1	5001411	SCREW MA FL PH M4-0.7x20 BK	AR	AR	AR	
1	500345	WASHER FN CKF .187x.500x.090 BR BK	AR	AR	AR	
2	HF-0645-10	L.H. DASHBOARD PANEL				
2	HF-0645-20	CENTER DASHBOARD PANEL				
2	HF-0645-30	R.H. DASHBOARD PANEL				
NS	063070	HARNESS ASSY / ALARM	1	1	1	
NS	404571	CABLE ASSY / DASH & PARCEL RACK To 6-0359	1	1		
NS	409149	CABLE ASSY / DASH & PARCEL RACK / AUDIO From 6-0360	1	1		
NS	065473	WIRING HARNESS DASHBOARD CENTRAL MODULE To 3-4757	1	1		
NS	065589	WIRING HARNESS DASHBOARD CENTRAL MODULE From 4-4758 To 5-0022	1	1		
NS	066100	WIRING HARNESS DASHBOARD CENTRAL MODULE From 5-0023 To 5-0167	1	1		
NS	066521	WIRING HARNESS DASHBOARD CENTRAL MODULE / MUX From 5-0168	1	1		
2	066731	WIRING HARNESS DASHBOARD CENTRAL MODULE / MUX	1	1		
NS	065474	WIRING HARNESS DASHBOARD CENTRAL MODULE W/SMALL A/C To 3-4757			1	
NS	065689	WIRING HARNESS DASHBOARD CENTRAL MODULE From 4-4758 To 4-4894			1	
NS	066020	WIRING HARNESS DASHBOARD CENTRAL MODULE From 4-4895 To 5-0022			1	
NS	066102	WIRING HARNESS DASHBOARD CENTRAL MODULE From 5-0023 To 5-0215			1	
NS	066367	WIRING HARNESS DASHBOARD CENTRAL MODULE From 5-0216 To 5-0368			1	
NS	066449	WIRING HARNESS DASHBOARD CENTRAL MODULE / MUX From 5-0369			1	M
2	066768	WIRING HARNESS DASHBOARD CENTRAL MODULE / MUX			1	M
3	392156	COVER, DASHBOARD PANEL / BUS To 3-4443	1	1		
3	392209	COVER, DASHBOARD PANEL / BUS / BLACK From 3-4444	1	1		
3	392158	COVER, DASHBOARD PANEL / V.I.P. To 3-4443			1	H
3	392215	COVER, DASHBOARD PANEL / V.I.P. / BLACK From 3-4444			1	H
3	392200	COVER, DASHBOARD PANEL / V.I.P. To 3-4443			1	A
3	392216	COVER, DASHBOARD PANEL / V.I.P. / BLACK From 3-4444			1	A
4	504675	RUBBER EXTRUSION TRIM SEAL / GRIP .040/.070 / 5/8" HOLLOW BULB C.T.L.	AR	AR	AR	
5	392071	STRUCTURE / L.H. To 3-4443	1	1		
5	392072	STRUCTURE / L.H. To 3-4443			1	
5	392210	STRUCTURE / L.H. From 3-4444 To 6-0559	1	1	1	
5	392312	PARTIAL STRUCTURE TO FIT "VOLVO" AUDIO SOUND / SERVICE To 6-0559	1	1		K
5	392305	ADAPTOR RADIO TO STRUCTURE / SERVICE To 6-0559	1	1		K
5	392300	STRUCTURE / L.H. From 6-0560	1	1	1	
5	392201	STRUCTURE / L.H. From 3-4444 To 6-0559			1	A
5	392217	STRUCTURE / L.H. From 3-4444 To 6-0607			1	A



From 3-4417 To 8-1043	Date:10/2022	PAGE:HF-1806-00
CENTRAL DASHBOARD PANEL		

Item#	Part	Description	H 3 4 1	H 3 4 5	V I P 4 5	N O T E S
5	392315	STRUCTURE / L.H. From 6-0608			1	A
5	392320	ADAPTOR TO CONVERT UPPER HVAC TO LOWER / "W " SHAPE SS From 6-0608			1	V
NS	392074	SUPPORT / WITH MANUAL TRANS ONLY From 3-4444	1	1		
NS	392073	ACCESS PANEL / FOR WIPER REPAIR	1	1	1	
NS	562360	CONNECTOR / HD10 SERIES / PH 6C / BLACK / DEUTSCH HD10-6-12P-BLACK	1	1	1	B
NS	562492	TYPE A COUPLING	1	1	1	B
5	562493	CHAIN / C.T.L.	1	1	1	B
5	562494	RING / ATTACHMENT END	1	1	1	B
6	641445	VALVE, 3 WAYS, 2 POSITIONS MECHANICAL	1	1	1	
. NS	641992	. KNOB	1	1	1	
NS	5001403	SCREW MA CHE PH M5-0.8x40 ZP	2	2	2	
NS	500964	WASHER FL .203x.500x.047 Z050	2	2	2	
NS	502782	NUT HEX NYRT M5-0.8 Z050	2	2	2	
NS	501307	ADAPTER / PIPE FITTING / 1/8NPT-Fx1/8NPT-M BR	1	1	1	
NS	641365	MALE ELBOW 45° NON-SWIVEL / PUSH-IN FITTING / #4x1/8NPT-M BR	2	2	2	
7	392013	FOOT REST / SUPPORT	1	1	1	
NS	5001036	SCREW MA PAN PH M4-0.7x10 Z050	4	4	4	
8	391936	UNDER DASH PANEL / BLACK	1	1	1	H
8	391988	UNDER DASH PANEL			1	
8	392199	UNDER DASH PANEL / BLACK			1	A
10	391932	DRAWER, UPPER / BLACK	1	1	1	
. NS	392237	. SUPPORT MAGNETIC LOCK / UPPER DRAWER	1	1	1	
. NS	392241	. CATCH MAGNETIC LOCK LOWER DRAWER	1	1	1	
. NS	504733	. KIT SLIDE TRACK / FIXED AT DRAWER	1	1	1	
NS	066888	CABLE ASSY / W/3.5MM / "I POD" / 12' To 6-0559	1	1		
11	504677	. RAIL ASSY 8" / (SET)	1	1	1	
NS	504673	CATCH MAGNETIC	2	2	2	
12	391933	DRAWER, LOWER / BLACK	1	1	1	
. NS	392238	. SUPPORT MAGNETIC LOCK / LOWER DRAWER	1	1	1	
. NS	392240	. CATCH MAGNETIC LOCK LOWER DRAWER	1	1	1	
. NS	504733	. KIT SLIDE TRACK / FIXED AT DRAWER	1	1	1	
13	504678	. RAIL ASSY 10" / (SET)	1	1	1	
NS	504673	CATCH MAGNETIC	2	2	2	
14	504672	LATCH ASSY W/2 KEYS	1	1	1	
. NS	810084	. KEY / (CH751)	1	1	1	
14	810084	. KEY / (CH751)	2	2	2	
15	562796	12 VOLTS POWER OUTLET	1	1	1	
16	500343	SCREW MA FL PH M4-0.7x16 ZP	2	2	2	
NS	500590	NUT HEX NYRT M4-0.7 Z050	2	2	2	
20	392012	MOUNTING PLATE / DRAWER	4	4	4	
NS	5001413	SCREW MA FL PH M4-0.7x20 Z050	AR	AR	AR	
30	5001411	SCREW MA FL PH M4-0.7x20 BK	AR	AR	AR	



From 3-4417 To 8-1043	Date:10/2022	PAGE:HF-1806-00
CENTRAL DASHBOARD PANEL		

Item#	Part	Description	H 3 4 1	H 3 4 5	V I P 4 5	N O T E S
31	500345	WASHER FN CKF .187x.500x.090 BR BK	AR	AR	AR	
32	5001406	NUT SPR U M4-0.7 0.8-4.0x13.5	AR	AR	AR	
33	HF-2230-00	DEFROSTER - INSTALLATION				
34	563063	SENSOR THERMISTOR ASSY / TEMPERATURE / ("DELPHI")	1	1	1	
50	HF-2315-00	SOUND SYSTEM & ACCESSORIES				
NS	392225	KIT, PANEL / FRONT INSTRUMENTATION / BUS SERIES "H" To 3-4443	1	1		
NS	392226	KIT, PANEL / FRONT INSTRUMENTATION / V.I.P. SERIES "H" To 3-4443			1	
NS	405843	KIT, RETROFIT "VOLVO" SOUND SYSTEM "H" To 6-0559	1	1		E
		A) USE WITHOUT HANDRAIL				
		B) ITEMS ARE RELATED WITH DIAGNOSTIC "DDEC"				
		C) PANEL WITH RECTANGULAR LOUVERS ARE SUPERSEDED BY KIT #392225				
		D) PANEL WITH RECTANGULAR LOUVERS ARE SUPERSEDED BY KIT #392226				
		E) FOR DETAIL SEE PAGES HF-2315-15 & HF-2317-32				
		H) WITH HANDRAIL				
		K) THIS PART ARE INCLUDE IN RETROFIT KIT# 405843 "VOLVO" AUDIO SOUND SYSTEM				
		M) WITH MULTIPLEX				
		V) THIS PART ARE REQUIRE TO CONVERT UPPER HVAC TO LOWER HVAC ON STRUCTURE # 392315				

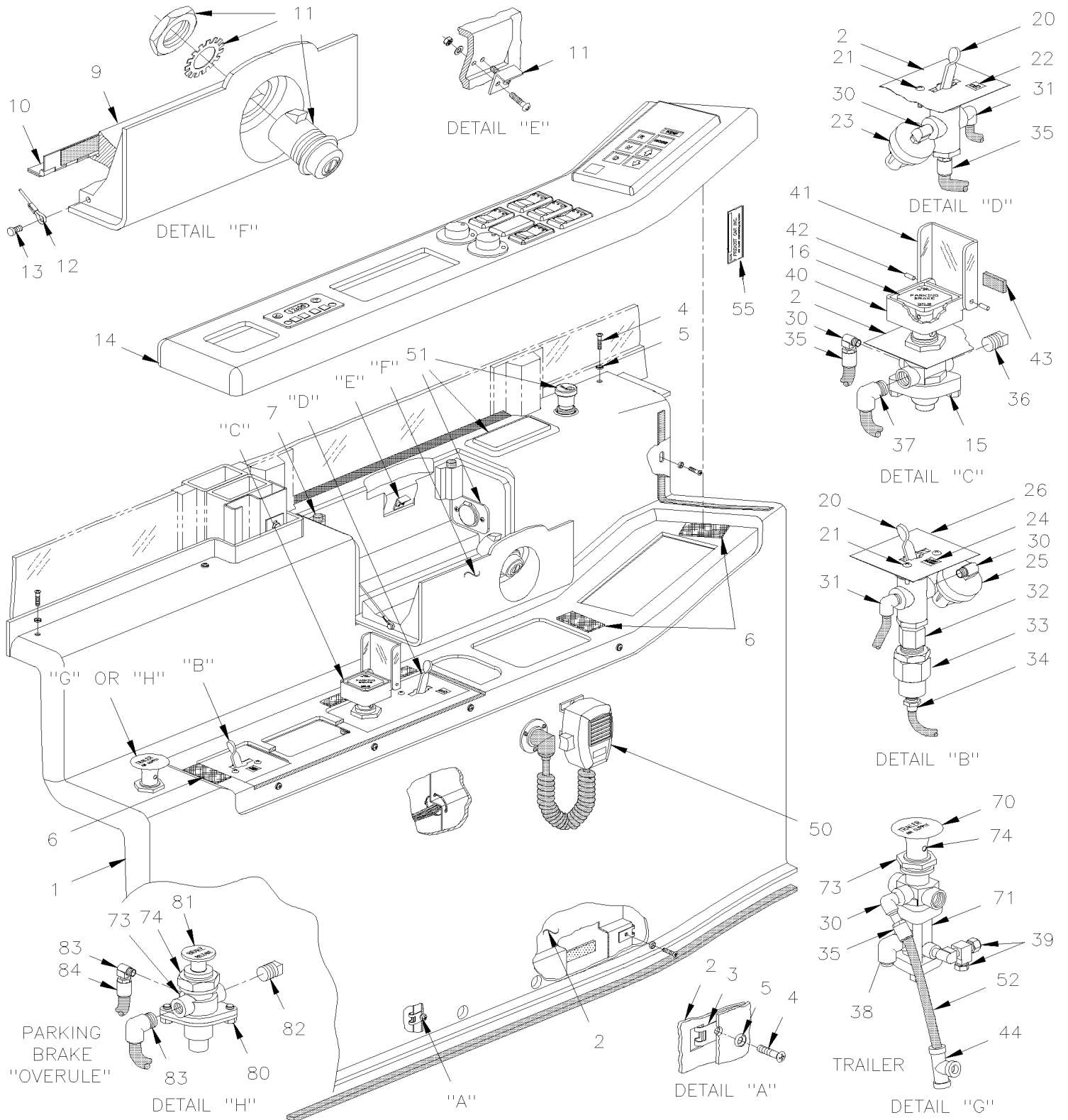


From 3-4417 To 8-1043

Date:10/2022

PAGE:HF-1806-10

L.H. CONSOLE - BUS





From 3-4417 To 8-1043	Date:10/2022	PAGE:HF-1806-10
L.H. CONSOLE - BUS		

Item#	Part	Description	H 3 4 1	H 3 4 5	V I P 4 5	N O T E S
		FOLLOWING CONSOLE WITH ASHTRAY				
		HAVE ALWAYS 12V LIGHTER				
1	391938	CONSOLE / W/ASHTRAY / BLACK	1	1		
1	392287	CONSOLE / W/ASHTRAY & FIRE SUPPRESSOR / BLACK	1	1		
1	392307	CONSOLE / W/ASHTRAY & TIRE MONITOR / BLACK	1	1		
1	392136	CONSOLE / W/LIGHTER / BLACK	1	1		
1	392295	CONSOLE / W/LIGHTER & FIRE SUPPRESSOR / BLACK	1	1		
1	392308	CONSOLE / W/LIGHTER & TIRE MONITOR / BLACK	1	1		
1	392075	CONSOLE / W/O ASHTRAY & W/O LIGHTER / BLACK	1	1		
1	392286	CONSOLE / W/O ASHTRAY & FIRE SUPPRESSOR / BLACK	1	1		
1	392306	CONSOLE / W/O ASHTRAY & TIRE MONITOR / BLACK	1	1		
1	392341	CONSOLE / W/O ASHTRAY & GPS / BLACK	1	1		
1	392342	CONSOLE / W/O ASHTRAY & GPS & FIRE SUPPRESSOR / BLACK	1	1		
1	392344	CONSOLE / W/O ASHTRAY & GPS & TIRE MONITOR / BLACK	1	1		
2	391950	STRUCTURE ASSY	1	1		
3	5001405	NUT SPR U M4-0.7 0.8-4.0x9.5	10	10		
4	5001414	SCREW MA FL PH M4-0.7x16 BK	10	10		
5	500345	WASHER FN CKF .187x.500x.090 BR BK	10	10		
6	506493	TAPE DUAL LOCK 1/2" x 150' / BLACK SJ3541	AR	AR		
7	504674	BUMPER RUBBER / 1/4X13/32X13/32X1/8	2	2		
9	391939	COVER ASSY / BLACK	1	1		
10	392525	HINGE	1	1		
11	504672	LATCH ASSY W/2 KEYS	1	1		
. NS	810084	. KEY / (CH751)	1	1		
NS	810084	. KEY / (CH751)	1	1		
12	504676	STRAP RETAINER	1	1		
13	504619	CLIP CHRISTMAS TREE / BLACK 7/32"O.D.x1/2" HOLE 3/16	2	2		
14	391948	PANEL / W/AUTOMATIC TRANSMISSION "WORLD"	1	1		
14	391949	PANEL / W/MANUAL TRANSMISSION	1	1		
14	392006	PANEL / W/MANUAL TRANSMISSION "EATON"	1	1		
15	641128	VALVE, CONTROL VALVE PP-1 / 40PSI	1	1		
. NS	641154	. REPAIR KIT / PP-1 & RD-3	1	1		
16	641149	. BUTTON, PARKING BRAKE DIAMOND YELLOW / 1"	1	1		
20	640136	VALVE, CONTROL TW-1	1	1		
. NS	641156	. REPAIR KIT / TW-1	1	1		
21	500572	SCREW MA TR PH #10-24x1/2 SS BK	2	2		
22	391952	DECAL "TAG"	1	1		
23	562518	PRESSURE SWITCH N.O. 4PSI / 1/8NPT W/2 SCREWS / TAG	1	1		
NS	063892	WIRE ASSY / W/LOW BUOY	1	1		
24	391951	DECAL "LOW BUOY"	1	1		
25	560816	PRESSURE SWITCH N.C. 3PSI / 1/8NPT W/2 SCREWS	1	1		



From 3-4417 To 8-1043	Date:10/2022	PAGE:HF-1806-10
L.H. CONSOLE - BUS		

Item#	Part	Description	H 3 4 1	H 3 4 5	V I P 4 5	N O T E S
26	391967	DUMMY / W/O LOW BUOY	1	1		
30	501331	STREET ELBOW 90° / PIPE FITTING / 1/8NPT-Mx1/8NPT-F BR	3	3		
31	641369	MALE ELBOW 90° NON-SWIVEL / PUSH-IN FITTING / #4x1/8NPT-M BR	3	3		
32	501310	ADAPTER / PIPE FITTING / 1/4NPT-Fx1/8NPT-M BR	1	1		
33	640135	VALVE, CHECK 1/4 NPT	1	1		
34	641332	MALE CONNECTOR / PUSH-IN FITTING / #4x1/4NPT-M BR	1	1		
35	641349	MALE CONNECTOR / PUSH-IN FITTING / #6x1/8NPT-M BR	1	1		
36	501304	PLUG SQUARE HEAD / PIPE FITTING / 1/4NPT-M BR	1	1		
37	641371	MALE ELBOW 90° NON-SWIVEL / PUSH-IN FITTING / #4x1/4NPT-M BR	1	1		
38	641372	MALE ELBOW 90° NON-SWIVEL / PUSH-IN FITTING / #6x1/4NPT-M BR	1	1		
39	641002	MALE RUN TEE / NTA FITTING / #4x#4x1/8NPT-M BR	1	1		
40	391727	PROTECTOR BOX ASSY / OVER PARKING BRAKE VALVE	1	1		
40	391725	. BOX	1	1		
41	391726	. COVER / CLEAR PLASTIC	1	1		
42	505221	. SPRING, PIN 1/8 X 3/8	1	1		
43	506035	. TAPE RUB ADH1 NEO 1/2" x 1" x 15' / BLACK 1220X	1	1		
44	641922	UNION TEE / PUSH-IN FITTING / #6x#6x#6 BR	1	1		
50	HF-2315-00	SOUND SYSTEM & ACCESSORIES				
51	HF-0645-00	SWITCHES L.H. CONSOLE - BUS				
52	HF-1202-00	TUBES PLASTIC / AIR D.O.T.				
55	Call order desk	PLATE / V.I.N.	1	1		P
70	641935	BUTTON RED / FOR TRAILER VALVE PP-7	1	1		
71	641397	TRAILER SUPPLY VALVE PP-7	1	1		
NS	452043	PRESSURE SWITCH N.O. 60-35 20SP001AA060E035E	1	1		
73	640297	NUT	1	1		
74	640286	PIN ROLLER	1	1		
80	640472	VALVE, CONTROL / RD-3	1	1		
. NS	641154	. REPAIR KIT / PP-1 & RD-3	1	1		
81	641155	BUTTON, OVERRULE ROUND BLACK	1	1		
82	501303	PLUG SQUARE HEAD / PIPE FITTING / 1/8NPT-M BR	1	1		
83	641370	MALE ELBOW 90° NON-SWIVEL / PUSH-IN FITTING / #6x1/8NPT-M BR	2	2		
84	641242	MALE CONNECTOR / PUSH-IN FITTING / #4x1/8NPT-M BR	1	1		
		P) CALL ORDER DESK FOR SPECIFIC APPLICATION (V.I.N.)				

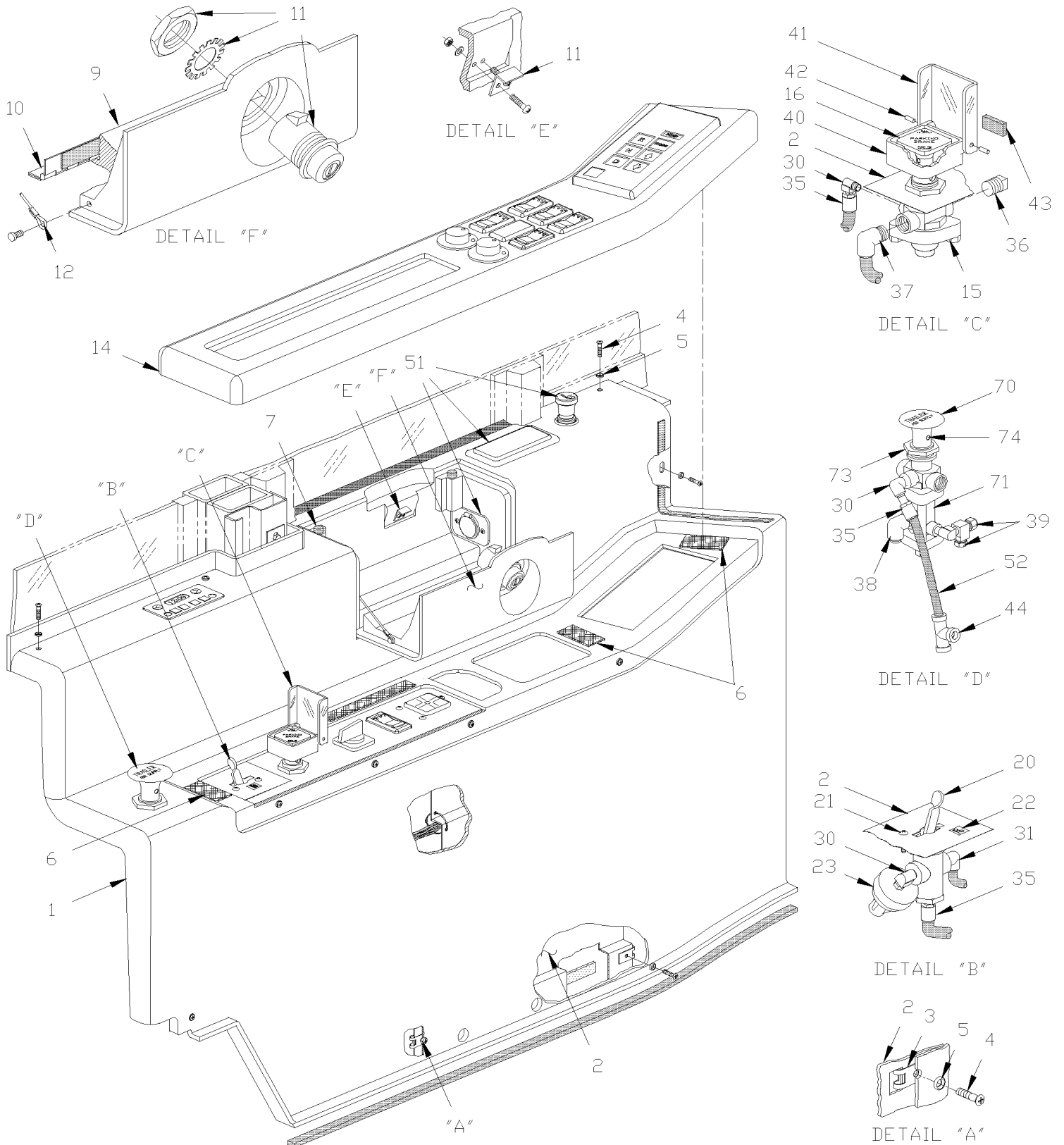


From 3-4417 To 8-1043

Date:10/2022

PAGE:HF-1806-15

L.H. CONSOLE - V.I.P.





From 3-4417 To 8-1043	Date:10/2022	PAGE:HF-1806-15
L.H. CONSOLE - V.I.P.		

Item#	Part	Description	H 3 4 1	H 3 4 5	V I P 4 5	N O T E S
1	391990	CONSOLE / W/ASHTRAY & LIGHTER / BLACK			1	
1	392076	CONSOLE / W/OUT TIMER & W/OUT ASHTRAY / BLACK			1	
2	391993	STRUCTURE ASSY			1	
3	5001405	NUT SPR U M4-0.7 0.8-4.0x9.5			10	
4	5001414	SCREW MA FL PH M4-0.7x16 BK			10	
5	500345	WASHER FN CKF .187x.500x.090 BR BK			10	
6	506493	TAPE DUAL LOCK 1/2" x 150' / BLACK SJ3541			AR	
7	504674	BUMPER RUBBER / 1/4X13/32X13/32X1/8			2	
9	391939	COVER ASSY / BLACK			1	
10	392525	HINGE			1	
11	504672	LATCH ASSY W/2 KEYS			1	
. NS	810084	. KEY / (CH751)			1	
NS	810084	. KEY / (CH751)			1	
12	504676	STRAP RETAINER			1	
14	391991	PANEL / W/AUTOMATIC TRANSMISSION			1	
15	641128	VALVE, CONTROL VALVE PP-1 / 40PSI			1	
. NS	641154	. REPAIR KIT / PP-1 & RD-3			1	
16	641149	. BUTTON, PARKING BRAKE DIAMOND YELLOW / 1"			1	
20	640136	VALVE, CONTROL TW-1			1	
. NS	641156	. REPAIR KIT / TW-1			1	
21	500572	SCREW MA TR PH #10-24x1/2 SS BK			2	
22	391992	DECAL "TAG"			1	
23	562518	PRESSURE SWITCH N.O. 4PSI / 1/8NPT W/2 SCREWS / TAG			1	
NS	064657	CABLE ASSY / W/"LEVEL LOW"			1	
24	391994	DECAL "LEVEL LOW"			1	
30	501331	STREET ELBOW 90° / PIPE FITTING / 1/8NPT-Mx1/8NPT-F BR			3	
31	641369	MALE ELBOW 90° NON-SWIVEL / PUSH-IN FITTING / #4x1/8NPT-M BR			3	
35	641349	MALE CONNECTOR / PUSH-IN FITTING / #6x1/8NPT-M BR			1	
36	501304	PLUG SQUARE HEAD / PIPE FITTING / 1/4NPT-M BR			1	
37	641371	MALE ELBOW 90° NON-SWIVEL / PUSH-IN FITTING / #4x1/4NPT-M BR			1	
38	641372	MALE ELBOW 90° NON-SWIVEL / PUSH-IN FITTING / #6x1/4NPT-M BR			1	
39	641002	MALE RUN TEE / NTA FITTING / #4x#4x1/8NPT-M BR			1	
40	391727	PROTECTOR BOX ASSY / OVER PARKING BRAKE VALVE			1	
40	391725	. BOX			1	
41	391726	. COVER / CLEAR PLASTIC			1	
42	505221	. SPRING, PIN 1/8 X 3/8			1	
43	506035	. TAPE RUB ADH1 NEO 1/2" x 1" x 15' / BLACK 1220X			1	
44	641922	UNION TEE / PUSH-IN FITTING / #6x#6x#6 BR			1	
50	HF-2315-00	SOUND SYSTEM & ACCESSORIES				
51	HF-0645-05	SWITCHES L.H. CONSOLE - V.I.P.				
52	HF-1202-00	TUBES PLASTIC / AIR D.O.T.				
55	Call order desk	PLATE / V.I.N.			1	P



From 3-4417 To 8-1043	Date:10/2022	PAGE:HF-1806-15
L.H. CONSOLE - V.I.P.		

Item#	Part	Description	H 3 4 1	H 3 4 5	V I P 4 5	N O T E S
60	641018	MALE CONNECTOR / NTA FITTING / #6x1/8NPT-M BR			1	
70	641935	BUTTON RED / FOR TRAILER VALVE PP-7			1	
71	641397	TRAILER SUPPLY VALVE PP-7			1	
NS	452043	PRESSURE SWITCH N.O. 60-35 20SP001AA060E035E			1	
73	640297	NUT			1	
74	640286	PIN ROLLER			1	
		P) CALL ORDER DESK FOR SPECIFIC APPLICATION (V.I.N.)				

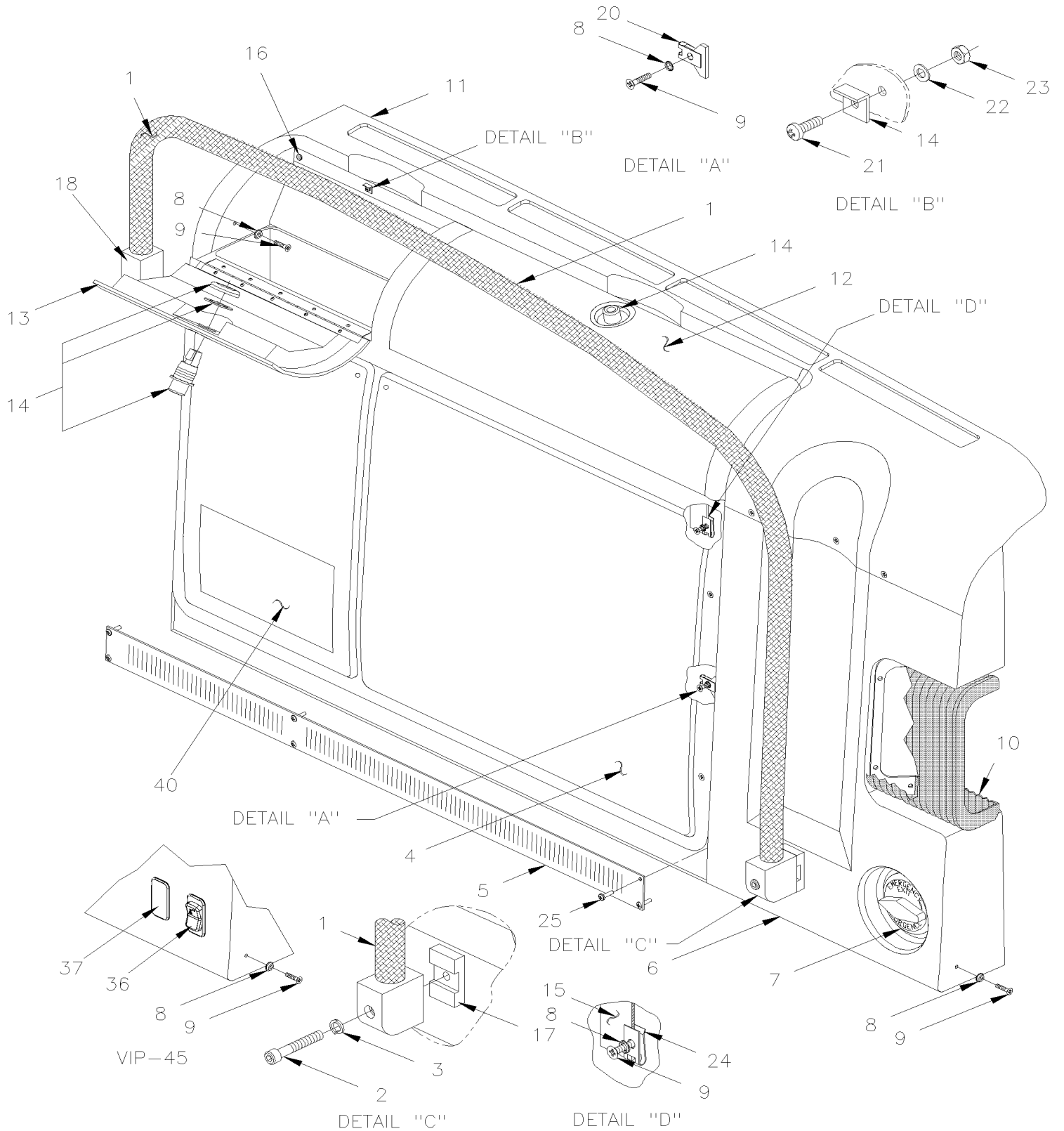


From 3-4417 To 8-1043

Date:10/2022

PAGE:HF-1806-20

DASHBOARD PANEL





From 3-4417 To 8-1043	Date:10/2022	PAGE:HF-1806-20
DASHBOARD PANEL		

Item#	Part	Description	H 3 4 1	H 3 4 5	V I P 4 5	N O T E S
1	391971	HAND RAIL To 4-4958	1	1		
1	392266	HAND RAIL / BLACK From 4-4959	1	1		
1	392494	HAND RAIL / YELLOW From 4-4959	1	1		
2	5001379	SCREW CAP HEXS M8-1.25x50 SS To 4-4958	1	1		
2	5001598	SCREW CAP HEXS M8-1.25x30 SS From 4-4959	1	1		
2	5001380	SCREW CAP HEXS M8-1.25x100 SS	1	1		
3	500475	WASHER LO INT .320x.610x.034 Z050	2	2		
4	392128	PANEL / SERVICING / BLACK			1	
4	392007	PANEL / SERVICING	1	1		
5	391959	GRILLE / LOWER SS / BLACK	1	1	1	
6	392008	COVER / ENTRANCE DOOR MECHANISM / BLACK	1	1		
6	392127	COVER / ENTRANCE DOOR MECHANISM / BLACK			1	
6	392202	COVER / ENTRANCE DOOR MECHANISM / WITHOUT HANDRAIL / BLACK			1	A
7	HF-1802-00	ENTRANCE DOOR CONTROL To 5-0108				
7	HF-1802-01	ENTRANCE DOOR CONTROL From 5-0109				
8	500345	WASHER FN CKF .187x.500x.090 BR BK	AR	AR	AR	
9	5001413	SCREW MA FL PH M4-0.7x20 Z050	AR	AR	AR	
9	5001429	SCREW MA FL PH M4-0.7x25 BK	AR	AR	AR	
10	HF-1862-60	ENTRANCE DOOR FRAME - INSTALLATION				
11	391995	PANEL R.H. / TOP W/2 BASKETS / BLACK	1	1	1	
12	391954	COVER R.H. / BLACK	1	1	1	
13	391955	COVER L.H. / BLACK	1	1	1	
13	504676	STRAP RETAINER	1	1	1	
14	504672	LATCH ASSY W/2 KEYS	AR	AR	AR	
. NS	810084	. KEY / (CH751)	1	1	1	
NS	810084	. KEY / (CH751)	2	2	2	
15	391956	STRUCTURE / R.H.	1	1		
15	391996	STRUCTURE / R.H.			1	
15	392203	STRUCTURE / R.H. WITHOUT HANDRAIL			1	A
16	504674	BUMPER RUBBER / 1/4X13/32X13/32X1/8	4	4	4	
17	392489	RAMP BLOCK SUPPORT WELD TO DASH STRUCTURE	1	1	1	
18	392116	RAMP SUPPORT WELD TO DASH STRUCTURE	1	1	1	
20	5001406	NUT SPR U M4-0.7 0.8-4.0x13.5	4	4	4	
21	5001398	SCREW MA CHE PH M3-0.5x10 SS	1	1	1	
22		WASHER	4	4	4	
23	5001408	NUT HEX STO M3-0.5 ZP	4	4	4	
24	5001405	NUT SPR U M4-0.7 0.8-4.0x9.5	14	14	14	
25	5001410	SCREW MA CHE PH M4-0.7x16 SS	6	6	6	
30	562697	SWITCH / ON-ON / D.P.D.T. / CH-OVER / W/RED & GREEN LED			1	
31	562716	CAP / DRIVER'S LAMP			1	
36	562697	SWITCH / ON-ON / D.P.D.T. / CH-OVER / W/RED & GREEN LED			1	
36	562716	CAP / DRIVER'S LAMP			1	



From 3-4417 To 8-1043 Date:10/2022 PAGE:HF-1806-20

DASHBOARD PANEL

Item#	Part	Description	H 3 4 1	H 3 4 5	V I P 4 5	N O T E S
37	562773	SWITCH / "DUMMY" / PLUG			1	
40	404625	DECAL "POUR LA SECURITE... BLANCHE" / ASM FRANÇAIS	1	1		
. NS	404623	. DECAL "POUR LA SECURITE... BLANCHE" FRANÇAIS	1	1		
. NS	404624	. PLATE SUPPORT DECAL 232MM x 119MM	1	1		
40	404626	DECAL "FOR PASSENGER SAFETY....WHITE" / ASSY / ENGLISH	1	1		
. NS	404622	. DECAL "FOR PASSENGER SAFETY....WHITE" / ENGLISH	1	1		
. NS	404624	. PLATE SUPPORT DECAL 232MM x 119MM	1	1		
40	406150	DECAL "FOR PASSENGER SAFETY....WHITE" / ASSY / ENGLISH & SPANISH	1	1		
. NS	405647	. DECAL "FOR PASSENGER SAFETY....WHITE" / ASSY / ENGLISH & SPANISH	1	1		
. NS	406148	. PLATE SUPPORT DECAL 242MM x 290MM	1	1		
40	400099	DECAL "FOR PASSENGER SAFETY....YELLOW" / ASSY / ENGLISH & SPANISH	1	1	1	
. NS	400098	. DECAL "FOR PASSENGER SAFETY....YELLOW" // ENGLISH & SPANISH	1	1	1	
. NS	406148	. PLATE SUPPORT DECAL 242MM x 290MM	1	1	1	
		A) USE WITHOUT HANDRAIL				

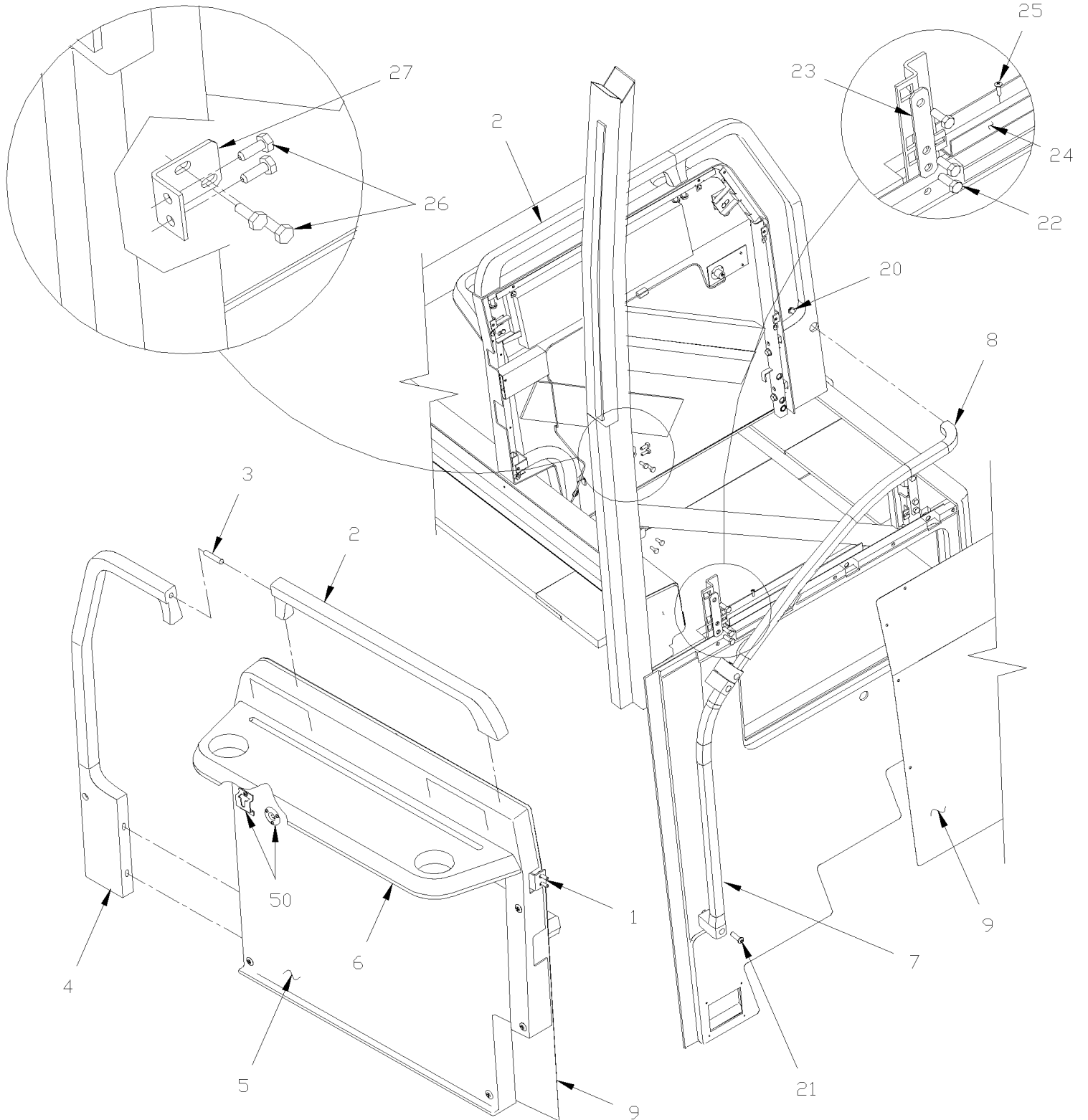


From 3-4417 To 8-1043

Date:10/2022

PAGE:HF-1810-00

MODESTY PANEL R.H.





From 3-4417 To 8-1043	Date:10/2022	PAGE:HF-1810-00
MODESTY PANEL R.H.		

Item#	Part	Description	H 3 4 1	H 3 4 5	V I P 4 5	N O T E S
	327190	MODESTY PANEL R.H. ASSY	1	1		
1	327195	STRUCTURE ASSY R.H. MODESTY	1	1		
2	327196	HANDLE TOP	1	1		
3	N.P.N.	STUDE 3/8-16 X 2"	1	1		4
4	327201	HANDLE R.H.	1	1		
5	327550	PANEL R.H.	1	1		
6	327198	SHELF	1	1		
7	328953	HANDRAIL LOWER STEPWELL	1	1		
8	327251	HANDRAIL UPPER STEPWELL	1	1		
9	327753P	PANEL FRONT ASSY W/COVERING S.C.C.	1	1		
NS	328957	. ALUMINUM PANEL	1	1		
NS	326962P	COVERING MODESTY PANEL "TISSUS" W/"LOGO" / EMBROIDERED	AR	AR		
20	507617	SCREW CAP BUT HEXS M10-1.5x35 G10.9 EMN	1	1		
21	507626	SCREW CAP BUT HEXS M10-1.5x80 G10.9 EMN	1	1		
22	500191	SCREW CAP HEX 3/8-16x1 G5 Z050	6	6		
23	327478	PLATE RETAINER	2	2		
24	325894	CHANNEL 410MM	1	1		
25	500642	SCREW TP PAN PH #10x3/4 Z050	2	2		
26	500923	SCREW TC CAP HEX 1/4-20x3/4 Z050	4	4		
27	324553	ATTACHMENT	1	1		
50	HF-2315-00	SOUND SYSTEM & ACCESSORIES				
NS	320939	CUSHION PAD / 3" X 23" / KNEE GUARD	1	1		C
NS	500641	SCREW TP PAN PH #8x3/4 Z050	6	6		C
NS	500989	WASHER FL .219x.875x.062 Z050	6	6		C
		C) WITH "OPTION"				
		4) NO PARTS NUMBER				

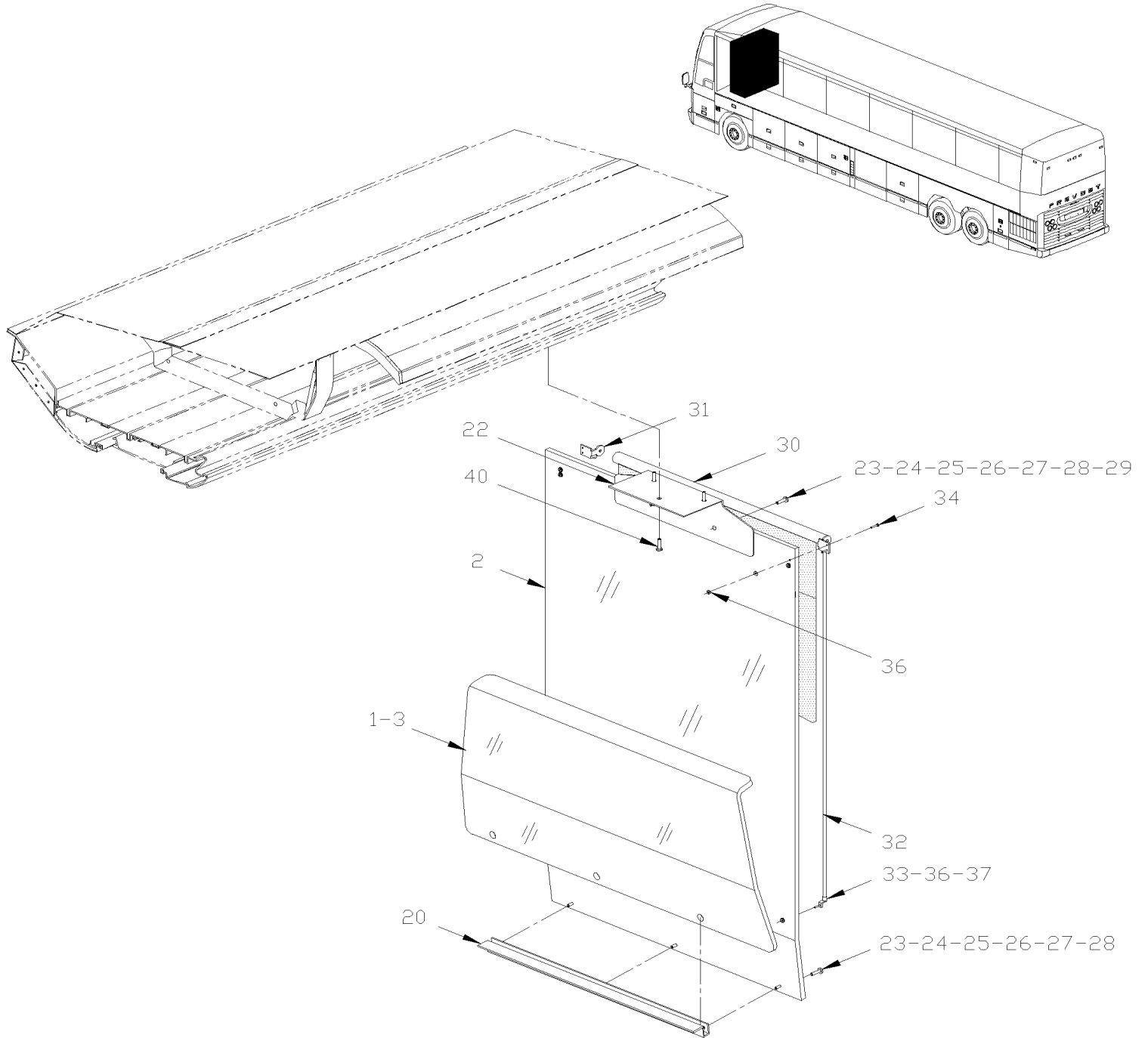


From 3-4417 To 8-1043

Date:10/2022

PAGE:HF-1811-00

MODESTY PLEXIGLASS





From 3-4417 To 8-1043		Date:10/2022	PAGE:HF-1811-00
MODESTY PLEXIGLASS			

Item#	Part	Description	H 3 4 1	H 3 4 5	V I P 4 5	N O T E S
1	328925	PLEXIGLASS / TINTED STREETSIDE / (233MM APROX)	1	1		
1	326286	PLEXIGLASS / CLEAR STREETSIDE / (233MM APROX)	1	1		
1	328926	PLEXIGLASS / TINTED CURBSIDE / (233MM APROX)	1	1		
1	326289	PLEXIGLASS / CLEAR CURBSIDE / (233MM APROX)	1	1		
2	327618	PLEXIGLASS / CLEAR STREETSIDE / (769MM APROX)	1	1		
2	327619	PLEXIGLASS / TINTED STREETSIDE / (769MM APROX)	1	1		
3	328852	PLEXIGLASS / CLEAR CURBSIDE / (333MM APROX)	1	1		
10	500632	SCREW TP OV PH #8x1 1/2 Z050	7	7		
13	5001168	BUMPER RUBBER / .750 OD x .562 TH x .187 HOLE	4	4		
20	HF-1810-00	MODESTY PANEL R.H.				
20	HF-1812-00	MODESTY PANEL L.H.				
22	326355	BRACKET ANGLE	1	1		
22	320061	BRACKET ANGLE / LIGHT GREY / "OPTION"	2	2		O
NS	506002	TAPE RUB ADH1 CC POL 3/16" x 1/2" x 40' / GREY 2520	AR	AR		O
23	504399	WASHER RETAINER SNAP CAP #10	5	5		
24	504400	SNAP CAP #10 FINISHING BLACK	5	5		
25	900251	BUSHING, RUBBER	6	6		
26	400380	SPACER 5/16 O.D. x 17/32" x 18GA	5	5		
26	505539	SPACER 5/16 O.D. x 17/32" x 18GA	5	5	5	
27	500989	WASHER FL .219x.875x.062 Z050	5	5		
NS	5001378	WASHER LO EXT 5.3x10x0.6 Z050	2	2		O
28	5001317	SCREW MA PAN PH #8-32x1 SS	5	5		
NS	500574	SCREW MA TR PH #10-24x1 1/4 SS	2	2		O
29	500764	NUT HEX #8-32 Z050	5	5		
NS	500891	NUT HEX CAP #10-24 Z050	2	2		O
30	901042	BLIND ROLLER / CHARCOAL / 600MM	1	1		
31	900478	BEARING HOLDER / R.H. / BLACK CASTING	1	1		
32	404449	ROD 641MM	2	2		
33	900476	ROD HOLDER 90° / BLACK PLASTIC 30MM C/L	2	2		
34	502666	SCREW MA FL PH #6-32x3/4 SS BK	2	2		
36	500689	NUT HEX #6-32 Z050	6	6		
37	5001303	SCREW MA BDG PH #6-32x1 ZP EMN	2	2		
40	500626	SCREW TP OV PH #8x3/4 Z050	2	2		
40	500463	WASHER FN CKF .187x.500x.090 BR Z050	2	2		
50	IS20906	PLEXIGLASS SHIELD BEHIND DRIVER H3	1	1		
. NS	327618	. PLEXIGLASS / CLEAR STREETSIDE / (769MM APROX)	1	1		
. NS	320914	. BRACKET ANGLE GREY	1	1		
. NS	504399	. WASHER RETAINER SNAP CAP #10	5	5		
. NS	504400	. SNAP CAP #10 FINISHING BLACK	5	5		
. NS	900251	. BUSHING, RUBBER	10	10		
. NS	500805	. WASHER FL .218x.875x.062 N500	5	5		



From 3-4417 To 8-1043	Date:10/2022	PAGE:HF-1811-00
MODESTY PLEXIGLASS		

Item#	Part	Description	H 3 4 1	H 3 4 5	V I P 4 5	N O T E S
. NS	5001317	. SCREW MA PAN PH #8-32x1 SS	2	2		
. NS	500501	. NUT HEX CAP #8-32 SS	2	2		
. NS	500626	. SCREW TP OV PH #8x3/4 Z050	2	2		
. NS	500464	. WASHER FN CKF .210x.540 SS	2	2		
. NS	500637	. SCREW TP PAN PH #8x1 1/2 Z050	3	3		
. NS	IS-20906	. SEE INSTRUCTION SHEET	1	1		
. NS	FI-20906	. VOIR FEUILLE D'INSTRUCTION	1	1		
. NS	D320271	. DIAGRAM	1	1		
		O) LOCATED EACH SIDE OF PLEXIGLASS / "OPTION"				

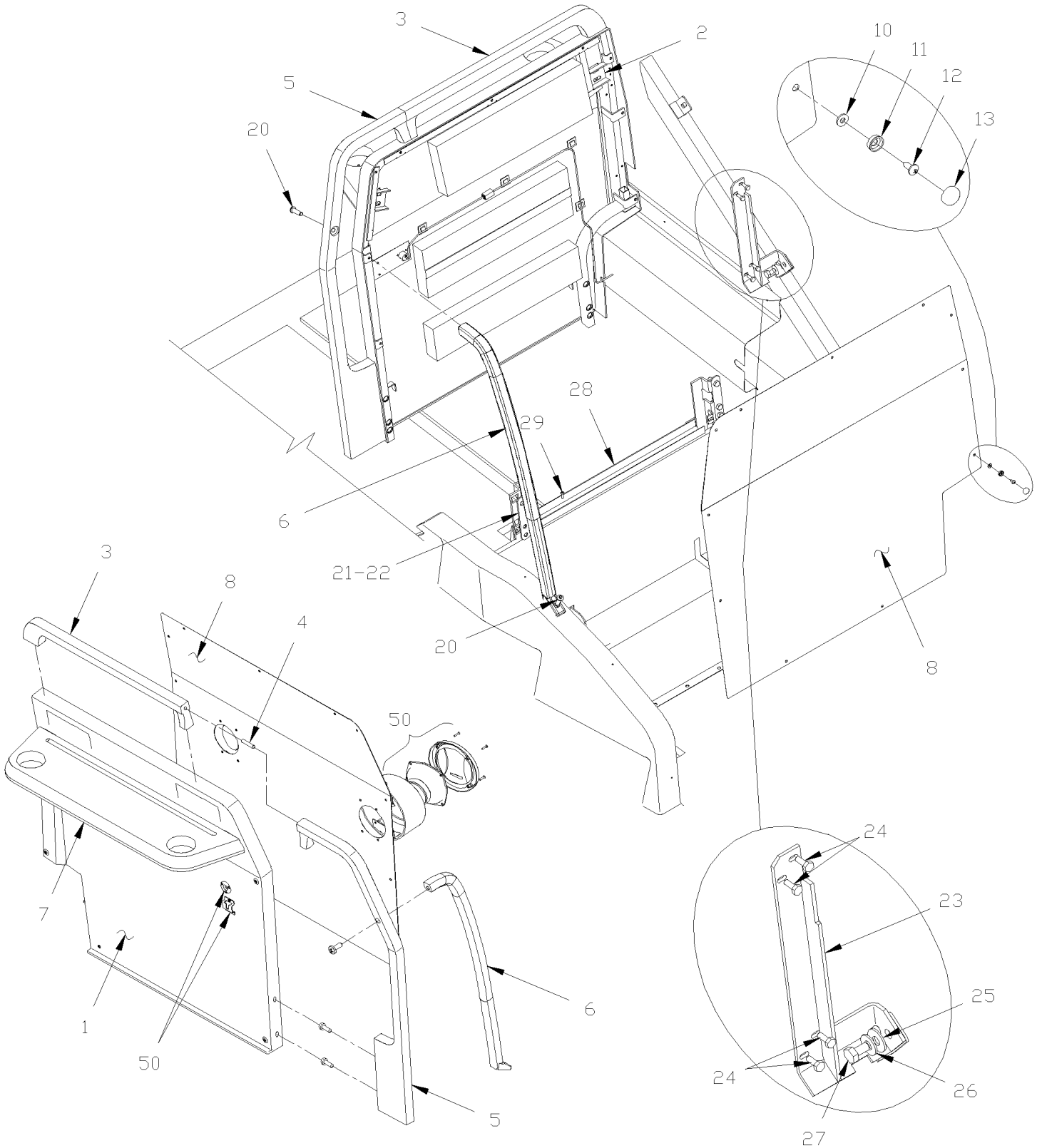


From 3-4417 To 8-1043

Date:10/2022

PAGE:HF-1812-00

MODESTY PANEL L.H.





From 3-4417 To 8-1043	Date:10/2022	PAGE:HF-1812-00
MODESTY PANEL L.H.		

Item#	Part	Description	H 3 4 1	H 3 4 5	V I P 4 5	N O T E S
	327249	MODESTY PANEL ASSY	1	1		
1	328952	PANEL	1	1		
2	327202	STRUCTURE ASSY L.H. MODESTY	1	1		
3	327196	HANDLE TOP	1	1		
4	N.P.N.	STUD 3/8-16 X 2"	1	1		4
5	327203	HANDLE L.H.	1	1		
6	327252	HANDRAIL STREETSIDE	1	1		
7	327198	SHELF	1	1		
8	327792P	PANEL FRONT ASSY W/COVERING S.C.C.	1	1		
8	328960P	PANEL FRONT ASSY W/COVERING S.C.C. / USE W/SPEAKER To 7-0989	1	1		
8	328884P	PANEL FRONT ASSY W/COVERING S.C.C. / USE W/SPEAKER From 7-0990	1	1		
8	Call order desk	PANEL FRONT ASSY W/COVERING S.C.C. USE W/"AESYS" DESTINATION SIGN From 8-0973	1	1		P
NS	327259	. ALUMINUM PANEL / W/OUT SPEAKER	1	1		
NS	328959	. ALUMINUM PANEL / USE W/SPEAKER To 7-0989	1	1		
8	327225	. ALUMINUM PANEL / USE W/SPEAKER 92MM O.D. / UPPER PANEL From 7-0990	1	1		
8	328574	. ALUMINUM PANEL / USE W/SPEAKER AND W/ "AESYS" DESTINATION SIGN From 8-0973	1	1		
10	500438	WASHER FL .187x.437x.050 Z050	AR	AR		
11	504399	WASHER RETAINER SNAP CAP #10	AR	AR		
12	500642	SCREW TP PAN PH #10x3/4 Z050	AR	AR		
13	504400	SNAP CAP #10 FINISHING BLACK	AR	AR		
20	507617	SCREW CAP BUT HEXS M10-1.5x35 G10.9 EMN	2	2		
21	327478	PLATE RETAINER	2	2		
22	500191	SCREW CAP HEX 3/8-16x1 G5 Z050	2	2		
23	324616	ATTACHMENT	1	1		
24	500923	SCREW TC CAP HEX 1/4-20x3/4 Z050	4	4		
25	502655	SCREW CAP HEX M10-1.5x25 SS BK	1	1		
26	502644	WASHER FL 10.5x30.0x2.5 Z050	1	1		
27	502585	WASHER LO SERR 10.2x26.3x1.4 ZP	1	1		
28	325955	CHANNEL 520MM	1	1		
29	500642	SCREW TP PAN PH #10x3/4 Z050	3	3		
50	HF-2315-00	SOUND SYSTEM & ACCESSORIES				
		4) NO PARTS NUMBER				
		P) CALL ORDER DESK FOR SPECIFIC APPLICATION (V.I.N.)				

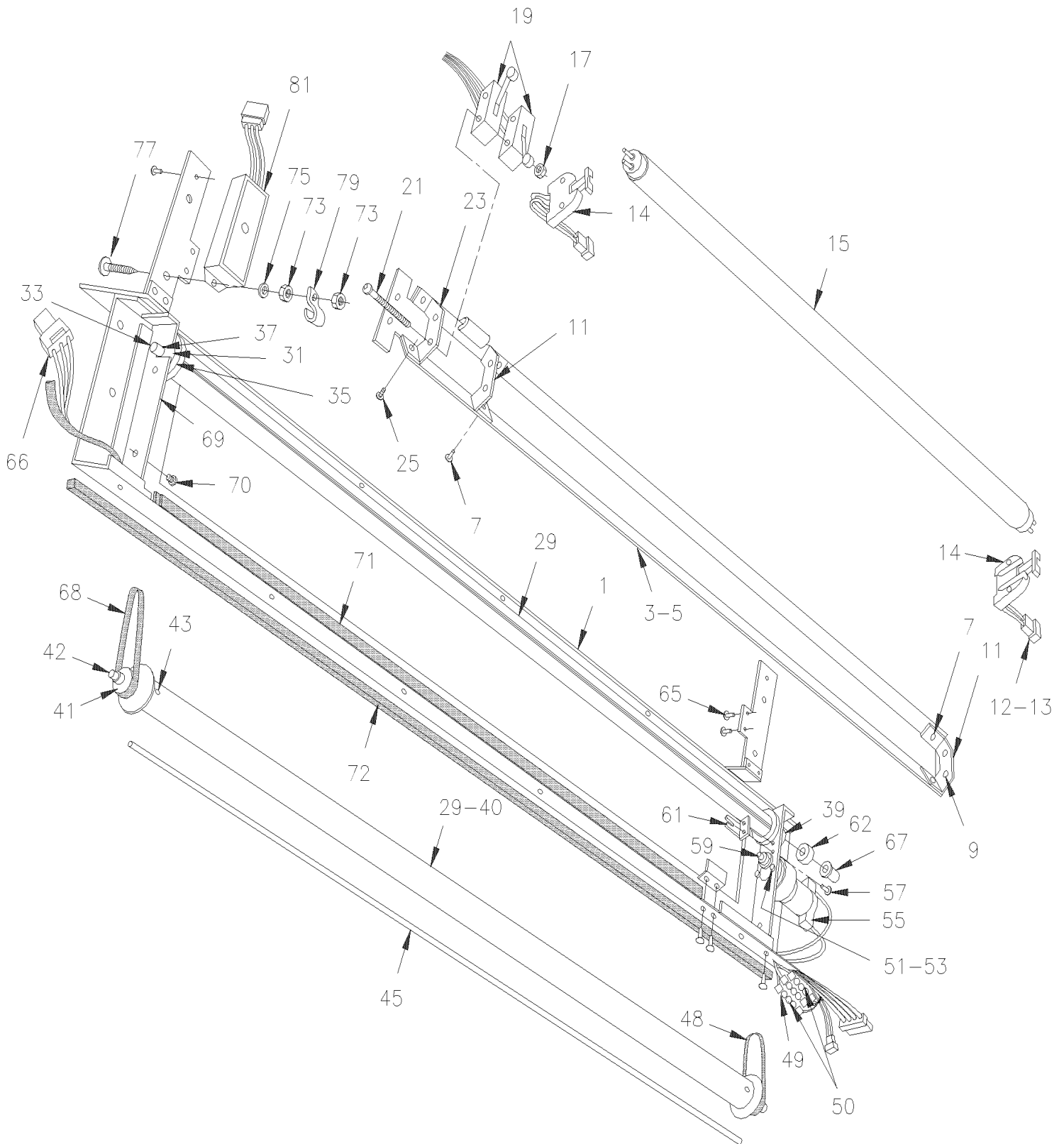


From 3-4417 To 6-0341

Date:10/2022

PAGE:HF-1814-00

DESTINATION SIGN - ELECTRICAL





From 3-4417 To 6-0341	Date:10/2022	PAGE:HF-1814-00
DESTINATION SIGN - ELECTRICAL		

Item#	Part	Description	H 3 4 1	H 3 4 5	V I P 4 5	N O T E S
	440241P	DESTINATION SIGN ASSY	1	1		
1	440244	. FRAME ASSY	1	1		
3	440237	. SUPPORT ASSY / TO FIX FLUORESCENT TUBE & ACCESSORIES	1	1		
5	440240	. . REFLECTOR	1	1		
7	504114	. . RIVET POP DOME OE 3/16x1/4 AL	4	4		
9	500518	. . SCREW MA BDG PH #4-40x1/2 Z050	4	4		
11	440227	. BRACKET / TO FIX BIPIN HOLDER	2	2		
12	560900	. . CONNECTOR / COM. MATE-N-LOCK / PH 2C / AMP 1-480319-0	2	2		
13	560853	. . PIN TERMINAL / 24-18 / AMP 60618-1	4	4		
14	830101	. . SOCKET / BIPIN HOLDER	2	2		
15	830120	. . TUBE / 30WATT / F30T8CW4 - 30"/ G13 MED BIPIN	1	1		
17	502717	. . NUT HEX NYRT #6-32 ZP	4	4		
19	561109	. . MICRO SWITCH	2	2		
21	502718	. . SCREW MA PAN PH #6-32x2 ZP	2	2		
23	440236	. BRACKET / TO FIX MICROSWITCH	1	1		
25	500148	. . SCREW MA RND PH #6-32x1/2 SS	2	2		
NS	506338	. . RUBBER CHANNEL / 1/16" x 1/4" INT "U" SHAPE / ROUND C.T.L.	AR	AR		
25	440238	. ROLLER ASSY	1	1		
29	440195	. . ROLLER	1	1		
31	940030	. . PULLEY	1	1		
33	440225	. . ROD	1	1		
NS	440252	. . SPRING EXTENSION / .500 O.D. x 10.562 x .054	1	1		
NS	505407	. . SPRING, PIN 1/8 x 1/2 SS	1	1		
35	440255	. . GUIDE ASSY	1	1		
37	500440	. . WASHER FL .250x.562x.065 Z050	1	1		
39	440254	. . GUIDE ASSY	1	1		
NS	504006	. . RIVET POP CK OE 1/8x5/16 AL	2	2		
39	440239	. ROLLER ASSY	1	1		
40	440195	. . ROLLER	1	1		
41	940030	. . PULLEY	2	2		
42	440254	. . GUIDE ASSY	2	2		
43	504006	. . RIVET POP CK OE 1/8x5/16 AL	2	2		
45	440213	. ROD / TO FIX CURTAIN	2	2		
NS	440250P	. CURTAIN / TO PRINT NAMES / SPECIFIED NAMES	1	1		A
NS	940023	. . CURTAIN WHITE / S.L.	AR	AR		
48	940033	. BELT / 80TH	1	1		
49	062807	. RESISTOR ASSY 82 OHMS 2 W	1	1		
49	562108	. . RESISTOR / 82 OHMS / 2 W	2	2		
49	561539	. . TAB RECEPTACLE TERMINAL INSUL. NYLON / 16 / AMP 3-520141-2	2	2		
49	561761	. . SHRINK TUBING / .750" - .375" / BLACK / ALPHA FIT-221-3/4-4B	AR	AR		
50	062339	. DIODE ASSY	2	2		
50	561904	. . TAB TERMINAL INSULATION NYLON / 22-18 / AMP 2-520103-2	1	1		



From 3-4417 To 6-0341	Date:10/2022	PAGE:HF-1814-00
DESTINATION SIGN - ELECTRICAL		

Item#	Part	Description	H 3 4 1	H 3 4 5	V I P 4 5	N O T E S
50	560931	. . DIODE / 3AMPS	1	1		
50	561626	. . TAB RECEPTACLE TERMINAL INSUL. NYLON / 22 / AMP 2-520264-4	1	1		
50	560785	. . SHRINK TUBING / .375" - .187" / BLACK / ALPHA FIT-300-3/8-4B	AR	AR		
51	502724	. SCREW CAP HEX #10-32x1/4 BZC	2	2		
53	500240	. WASHER LO EXT .195x.410x.025 Z050	2	2		
55	940031	. MOTOR	1	1		
57	504103	. RIVET POP DOME OE 1/8x1/8 AL	2	2		
59	440249	. PULLEY MOTOR	1	1		
61	440224	. BRACKET	1	1		
62	440220	. SPACER	1	1		
65	504114	. RIVET POP DOME OE 3/16x1/4 AL	4	4		
66	062810	. CABLE / FROM DESTINATION SIGN TO HARNESS	1	1		
67	507138	. BUSHING, NYLINER W/SHOULDER (4-L-4-F)	4	4		
68	940032	. BELT / 128TH	1	1		
69	440222	. PLATE	1	1		
70	500417	. SCREW TP PAN PH #6x3/8 Z050	2	2		
71	506071	. TAPE RUB ADH1 CC POL 1/8" x 1/2" x 50' / GREY 2520X	AR	AR		
72	506268	. TAPE RUB ADH1 URE 3/8" x 1/2" x 25' / GREY 1820	AR	AR		
73	500786	. NUT HEX #10-24 Z050	3	3		
75	500964	. WASHER FL .203x.500x.047 Z050	2	2		
77	500387	. SCREW MA RND PH #10-24x3/4 Z050	2	2		
79	560479	. CLAMP / 3/8" I.D.	1	1		
81	330236	. BALLAST ASSY / 24 VOLTS	1	1		
81	830121	. . BALLAST / 24 VOLTS	1	1		
81	561667	. . CONNECTOR / UNIVERSAL MATE-N-LOK / PH 3C / AMP 1-480701-0	1	1		
81	561513	. . PIN TERMINAL / 20-14 / AMP 350538-3	3	3		
81	504273	. CABLE TIE / 1/8" X 3"1/2	AR	AR		
		FOLLOWING PARTS ARE RELATED TO				
		ELECTRONIC DESTINATION SIGN INSTALLATION				
NS	940034	DESTINATION SIGN ASSY	1	1		
NS	440280	ANGLE RETAINER L.H.	1	1		
NS	440281	ANGLE RETAINER R.H.	1	1		
NS	440277	SUPPORT / L.H.	1	1		
NS	440282	SUPPORT R.H.	1	1		
NS	440283	CONTROL BOX (IN PARCEL RACK R.H.)	1	1		
NS	940037	CABLE FLAT / CONTROL BOX & SIGN	1	1		
NS	940035	. KEYLESS BOARD	1	1		



From 3-4417 To 6-0341	Date:10/2022	PAGE:HF-1814-00
-----------------------	--------------	-----------------

DESTINATION SIGN - ELECTRICAL

Item#	Part	Description	H 3 4 1	H 3 4 5	V I P 4 5	N O T E S
		A) NOT INCLUDE IN ASSY #440241P				

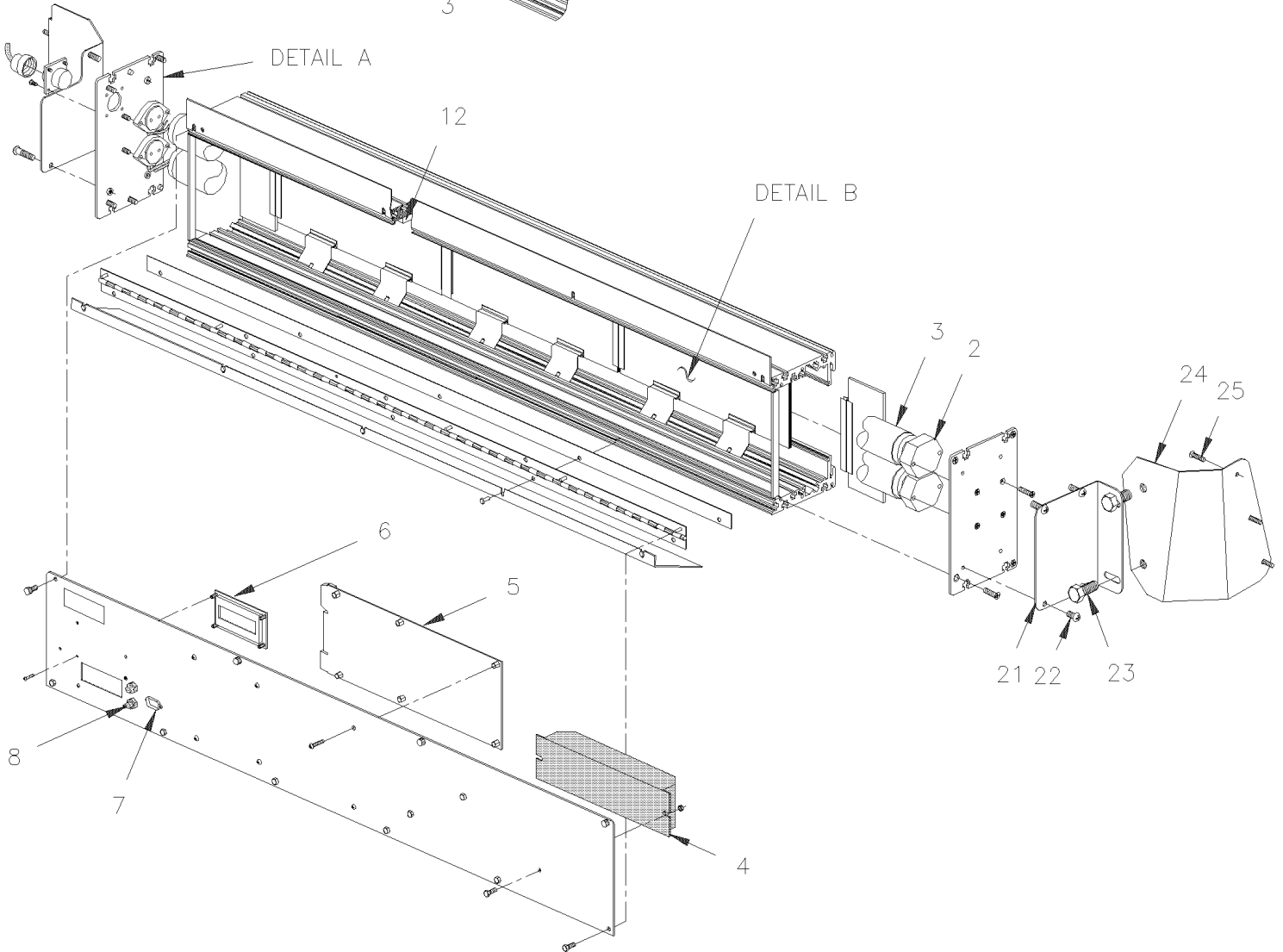
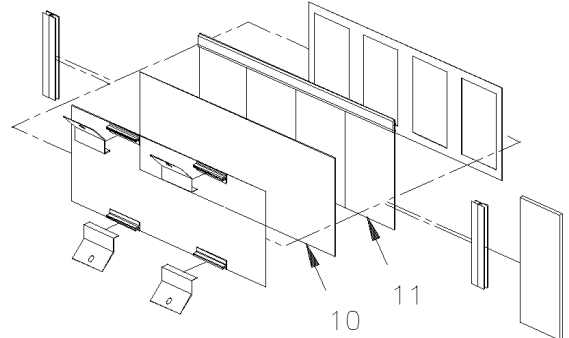
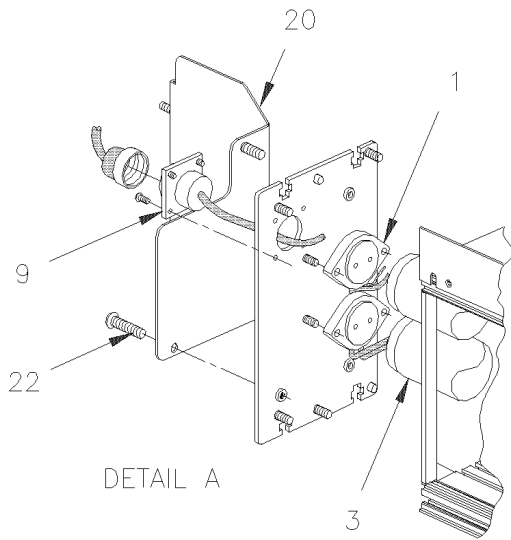


From 3-4417 To 8-1043

Date:10/2022

PAGE:HF-1814-01

DESTINATION SIGN - "POCATEC"





From 3-4417 To 8-1043	Date:10/2022	PAGE:HF-1814-01
DESTINATION SIGN - "POCATEC"		

Item#	Part	Description	H 3 4 1	H 3 4 5	V I P 4 5	N O T E S
	940050	FRONT DESTINATION SIGN "POCATEC"	1	1		
1	830162	. FLUORESCENT SOCKET NON RETRACTABLE	2	2		
2	830163	. FLUORESCENT SOCKET RETRACTABLE	2	2		
3	830161	. TUBE / 30WATT / F30T12/CW/RS -36"/G13MED BIPIN	2	2		
4	940052	. BALLAST	1	1		
5	940044	. CONTROL BOARD	1	1		
NS	562309	. . FUSE / 2 AMPS / 2A	1	1		
6	940045	. REAR CD DISPLAY	1	1		
7	N.S.P.	. SERIAL LINK CONNECTOR / (205203-1)	1	1		2
7	N.S.P.	. SOCKET, SERIAL LINK CONNECTOR CONTACT / (5-66504-9)	AR	AR		2
8	940046	. ROUTE SELECTOR BUTTON	2	2		
9	N.S.P.	. CONNECTOR / CPC SERIES 1 / PH 9C / AMP 206705-1	1	1		2
9	N.S.P.	. PIN, SIGN CONNECTOR CONTACT / (66361-2)	AR	AR		2
10	940047	. FRONT LEXAN WINDOW	3	3		
11	940048	. 4 CHARACTERS GLASS ASSY	3	3		
12	940053	. INTERFACE BOARD	1	1		
20	440302	SUPPORT STREET SIDE / W/"POCATEC"	1	1		
20	440333	SUPPORT STREET SIDE / W/"POCATEC"	1	1		A
20	446668	SUPPORT STREET SIDE / W/"POCATEC" W/LEDS	1	1		
21	440367	SUPPORT CURBSIDE / W/"POCATEC"	1	1		
21	446667	SUPPORT CURBSIDE / W/"POCATEC" W/LEDS	1	1		
22	500873	SCREW MA RND PH #8-32x3/4 SS BK	6	6		
NS	500163	SCREW CAP HEX 1/4-20x3/4 G5 Z050	2	2		
23	500440	WASHER FL .250x.562x.065 Z050	2	2		
NS	500478	WASHER LO SPT .380x.683x.094 Z050	2	2		
24	440366	SUPPORT CURBSIDE	1	1		
24	440334	SUPPORT CURBSIDE / W/"POCATEC"	1	1		A
25	500333	SCREW TP OV PH #6x3/4 BK	6	6		
NS	500345	WASHER FN CKF .187x.500x.090 BR BK	6	6		
NS	440308	COVER / W/DIGITAL	1	1		
NS	940051	CABLE ADAPTOR / INTERFACE / W/CD PC TO DESTINATION SING	1	1		
		FOLLOWING ITEMS ARE RELATED WITH				
		RH SIDE WINDOW DESTINATION SIGN				
NS	440304	SUPPORT R.H. / W/"POCATEC"	1	1		
NS	440317	SUPPORT FRONT L.H.	1	1		
NS	440318	SUPPORT FRONT R.H.	1	1		
NS	440319	SUPPORT SIDE	1	1		
NS	440320	PLATE SIDE	1	1		
NS	480154	WEATHERSTRIP RUBBER / ADH / RAW MATERIAL To 5-0099	AR	AR		
NS	483941	WEATHERSTRIP RUBBER / ADH / RAW MATERIAL From 5-0100	AR	AR		



From 3-4417 To 8-1043	Date:10/2022	PAGE:HF-1814-01
DESTINATION SIGN - "POCATEC"		

Item#	Part	Description	H 3 4 1	H 3 4 5	V I P 4 5	N O T E S
NS	485610	WEATHERSTRIP RUBBER / ADH / RAW MATERIAL	AR	AR		
NS	064358	CABLE ASSY / SIDE DESTINATION SIGN	1	1		
NS	506235	TAPE RUB ADH1 PVC.NITRIL 1/2" x 1" x 15' / BLACK 1210	AR	AR		
		A) WITH DESTINATION SIGN ON STREETSIDE - INSTALLATION				
		2) NOT SOLD BY PREVOST (SEE MANUFACTURING PART NUMBER AT END OF DESCRIPTION LINE)				

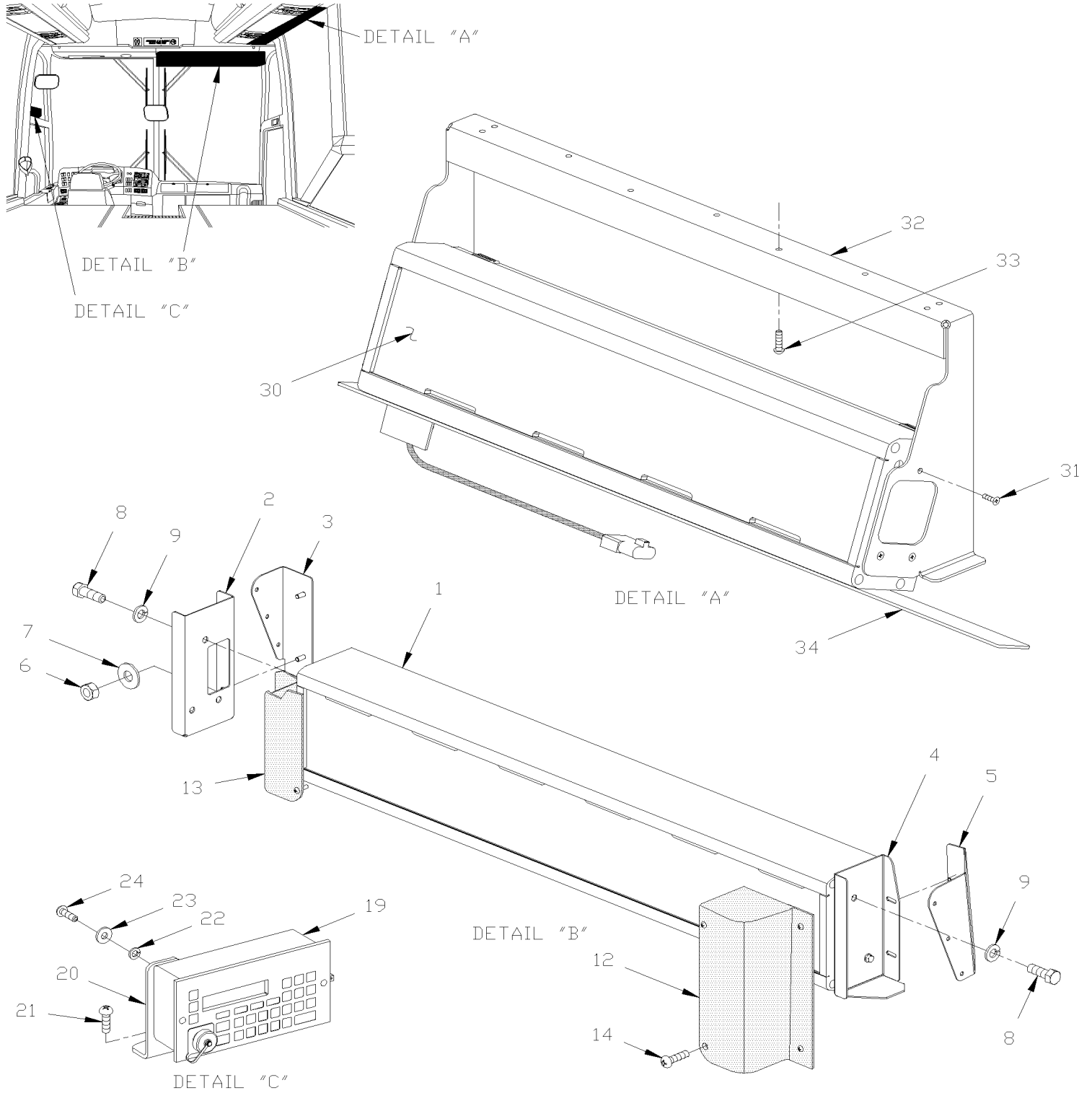


From 3-4417 To 8-1043

Date:10/2022

PAGE:HF-1814-02

DESTINATION SIGN - "BALIOS"





From 3-4417 To 8-1043	Date:10/2022	PAGE:HF-1814-02
DESTINATION SIGN - "BALIOS"		

Item#	Part	Description	H 3 4 1	H 3 4 5	V I P 4 5	N O T E S
1	940067	DESTINATION SIGN / FRONT	1	1		
2	447293	SUPPORT FRONT DESTINATION SIGN	1	1		
3	447292	SUPPORT FRONT DESTINATION SIGN	1	1		
4	447295	SUPPORT FRONT DESTINATION SIGN	1	1		
5	447294	SUPPORT FRONT DESTINATION SIGN	1	1		
6	502511	NUT HEX NYRT M6-1.0 Z050	4	4		
7	500411	WASHER FL .260x.697x.050 SS	4	4		
8	500163	SCREW CAP HEX 1/4-20x3/4 G5 Z050	6	6		
9	500473	WASHER LO SPT .262x.489x.062 Z050	6	6		
12	447297	COVER DESTINATION SIGN RH	1	1		
13	447296	COVER DESTINATION SIGN LH	1	1		
14	500283	SCREW TC TR PH #10-24x3/4 SS	6	6		
19	940066	CONSOL CONTROL / DESTINATION SIGN	1	1		
20	447298	SUPPORT / CONSOL CONTROL	1	1		
21	500414	SCREW TP BDG PH #10x3/4 SS	3	3		
22	500148	SCREW MA RND PH #6-32x1/2 SS	4	4		
23	500581	WASHER LO SPT .141x.250x.031 SS	4	4		
24	502556	WASHER FL 4.3x9.0x0.8 SS	4	4		
NS	940069	CABLE / CONSOL CONTROL	1	1		
NS	940070	CABLE / SIDE SIGN	1	1		
30	940068	DESTINATION SIGN / SIDE	1	1		
31	500346	SCREW MA FL PH 1/4-20x1 SS BK	6	6		
32	447291	SUPPORT SIDE DESTINATION SIGN	1	1		
33	500658	SCREW TC PAN PH #10-24x3/4 Z050	9	9		
34	271737	SUPPORT SIDE DESTINATION SIGN	1	1		

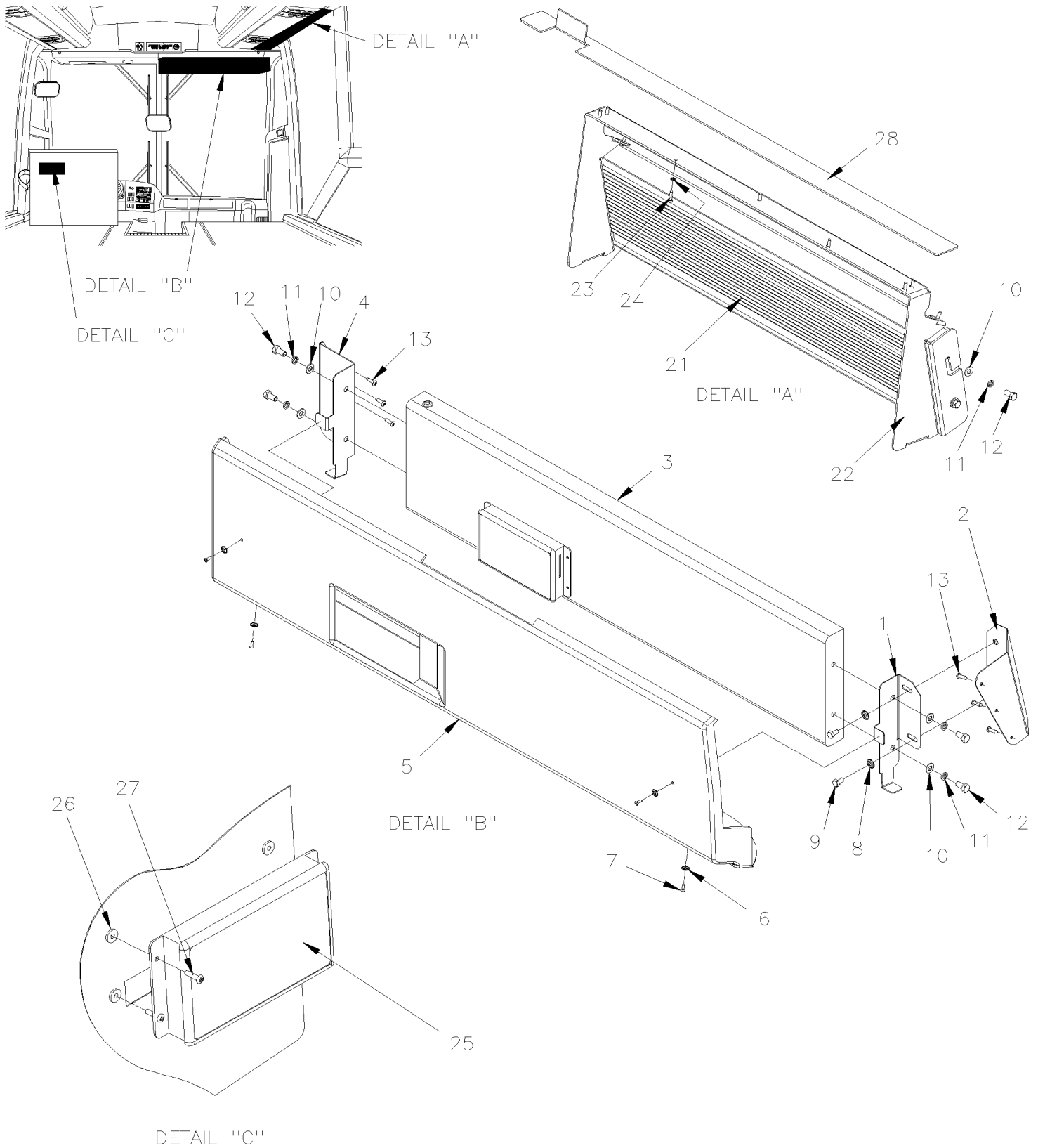


From 3-4417 To 8-1043

Date:10/2022

PAGE:HF-1814-03

DESTINATION SIGN - "AESYS"





From 3-4417 To 8-1043	Date:10/2022	PAGE:HF-1814-03
DESTINATION SIGN - "AESYS"		

Item#	Part	Description	H 3 4 1	H 3 4 5	V I P 4 5	N O T E S
1	440377	SUPPORT STREET SIDE	1	1		
2	440366	SUPPORT CURBSIDE	1	1		
3	940073	FRONT DESTINATION SIGN "AESYS" WITH ONE SIGN ONLY To 8-0994	1	1		
3	940076	FRONT DESTINATION SIGN "AESYS" WITH TWO SIGN OR MORE From 8-0995	1	1		
4	440376	SUPPORT CURBSIDE	1	1		
5	440378	COVER / "AESYS" SIGN	1	1		
NS	5061020	TAPE RUB ADH1 CC POL 1/32" x 1/2" x 50' / BLACK H1C-N	AR	AR		B
6	500463	WASHER FN CKF .187x.500x.090 BR Z050	4	4		
7	500624	SCREW TP OV PH #6x1/2 Z050	4	4		
8	500356	WASHER LO SERR 6.1x16.0x0.9 N500	2	2		
9	502772	SCREW CAP HEX 1/4-20x1/2 G5 N500	2	2		
10	192288	WASHER FL 8.4x18.0x2.0 ZG603	4	4		
11	502889	WASHER LO SPT 8.1x12.7x2.0 N500	4	4		
12	500820	SCREW CAP HEX M8-1.25x16 G10.9 N500	4	4		
13	500957	SCREW TP BDG PH #10x3/4 N500	6	6		
21	940074	SIDE DESTINATION SIGN "AESYS"	1	1		
22	440379	SUPPORT SIDE DESTINATION SIGN	1	1		
23	500923	SCREW TC CAP HEX 1/4-20x3/4 Z050	9	9		
24	500914	WASHER LO SPT .193x.334x.047 N500	9	9		
25	940075	CONSOL CONTROL / DESTINATION SIGN	1	1		
26	500589	NUT WELL M4-0.7x13.5	4	4		
27	502698	SCREW MA PAN PH M4-0.7x16 SS BK	1	1		
28	271737	SUPPORT SIDE DESTINATION SIGN	1	1		A
30	067533	CABLE ASSY W/FRONT DESTINATION (9KC640)	1	1		
30	067534	CABLE ASSY W/SIDE DESTINATION ONLY	1	1		
NS	940078	KIT PROGRAMMATION "AESYS" DESTINATION SIGN	AR	AR		
. NS	940157	. PORT SMART MEDIA CARD HOLDER KIT	1	1		
31	901366	CABLE ASSY (KEYBOARD CONSOLE)	1	1		
		A) FIXED UNDER PARCEL RACK				
		B) INSIDE OF PANEL ITEM #5				

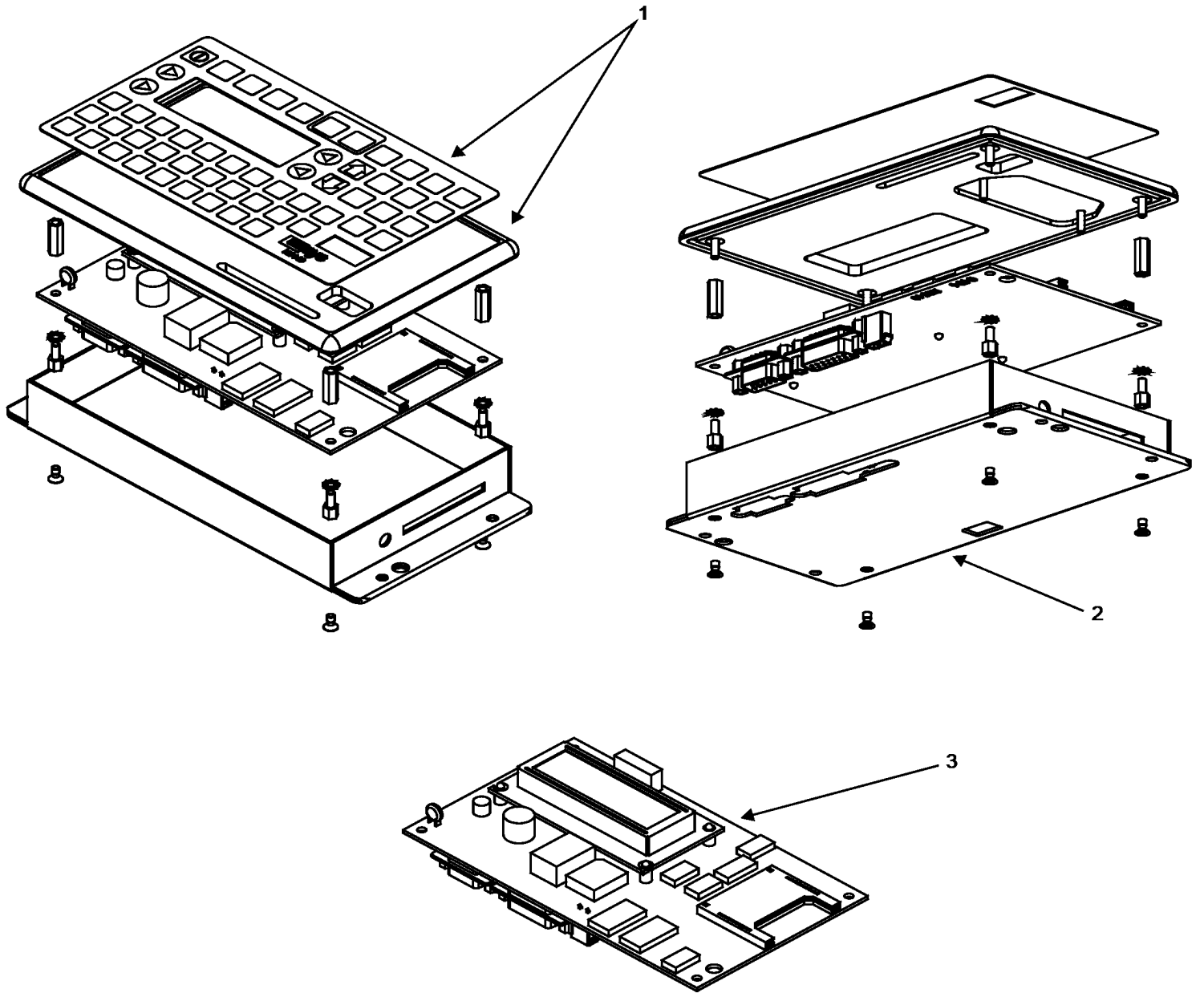


From 3-4417 To 8-1043

Date:10/2022

PAGE:940075

CONSOL CONTROL / DESTINATION SIGN





From 3-4417 To 8-1043	Date:10/2022	PAGE:940075
CONSOL CONTROL / DESTINATION SIGN		

Item#	Part	Description	H 3 4 1	H 3 4 5	V I P 4 5	N O T E S
1	Call order desk	KEYBOARD MEMBRANE KC640	AR	AR	AR	P
1	Call order desk	FRONT PANEL GPS KC640	AR	AR	AR	P
2	Call order desk	MAIN HOUSING KC640	AR	AR	AR	P
3	Call order desk	PRINTED CIRCUIT BOARD FOR KC640/KC640 J1708	AR	AR	AR	P
		P) CALL ORDER DESK FOR SPECIFIC APPLICATION (V.I.N.)				

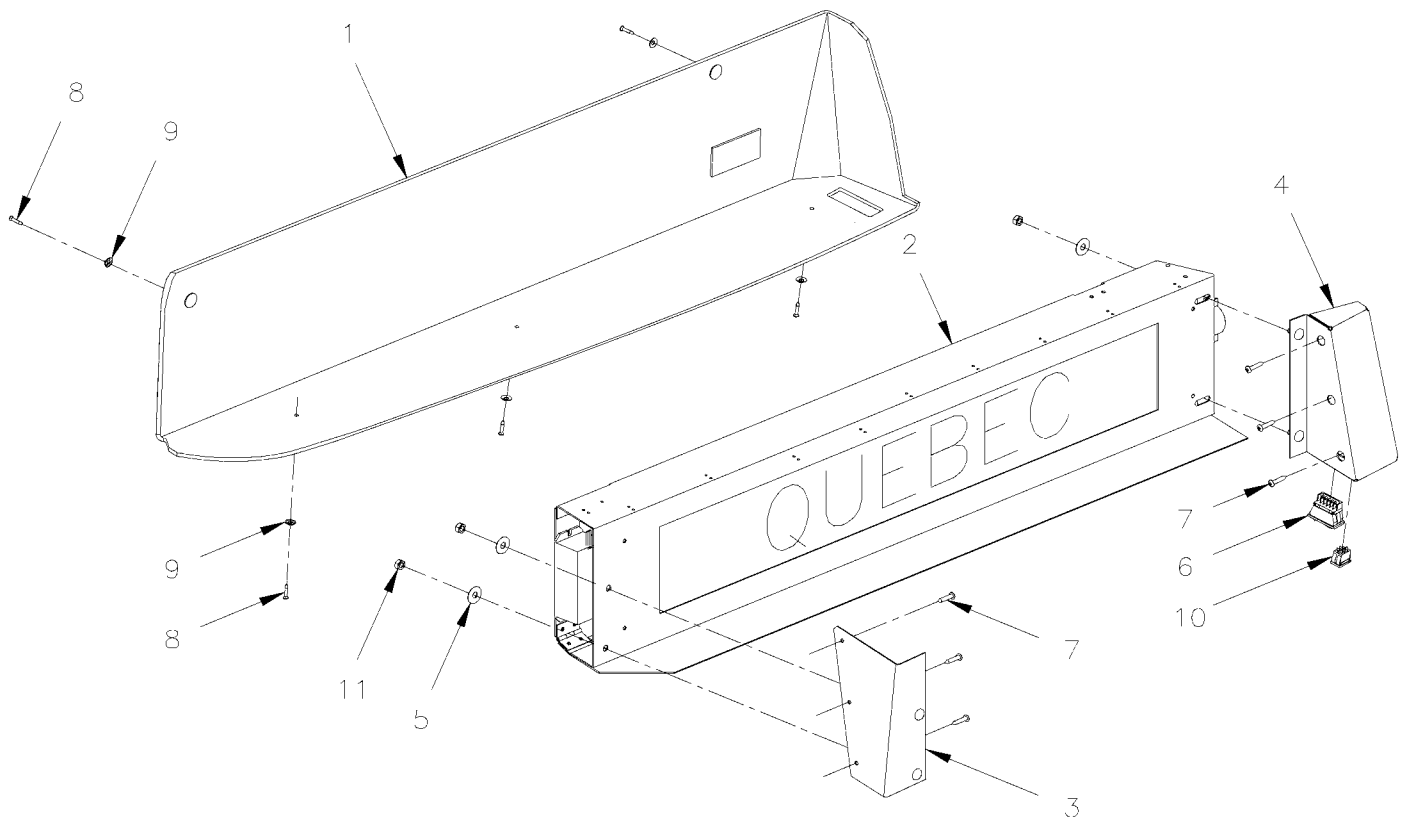
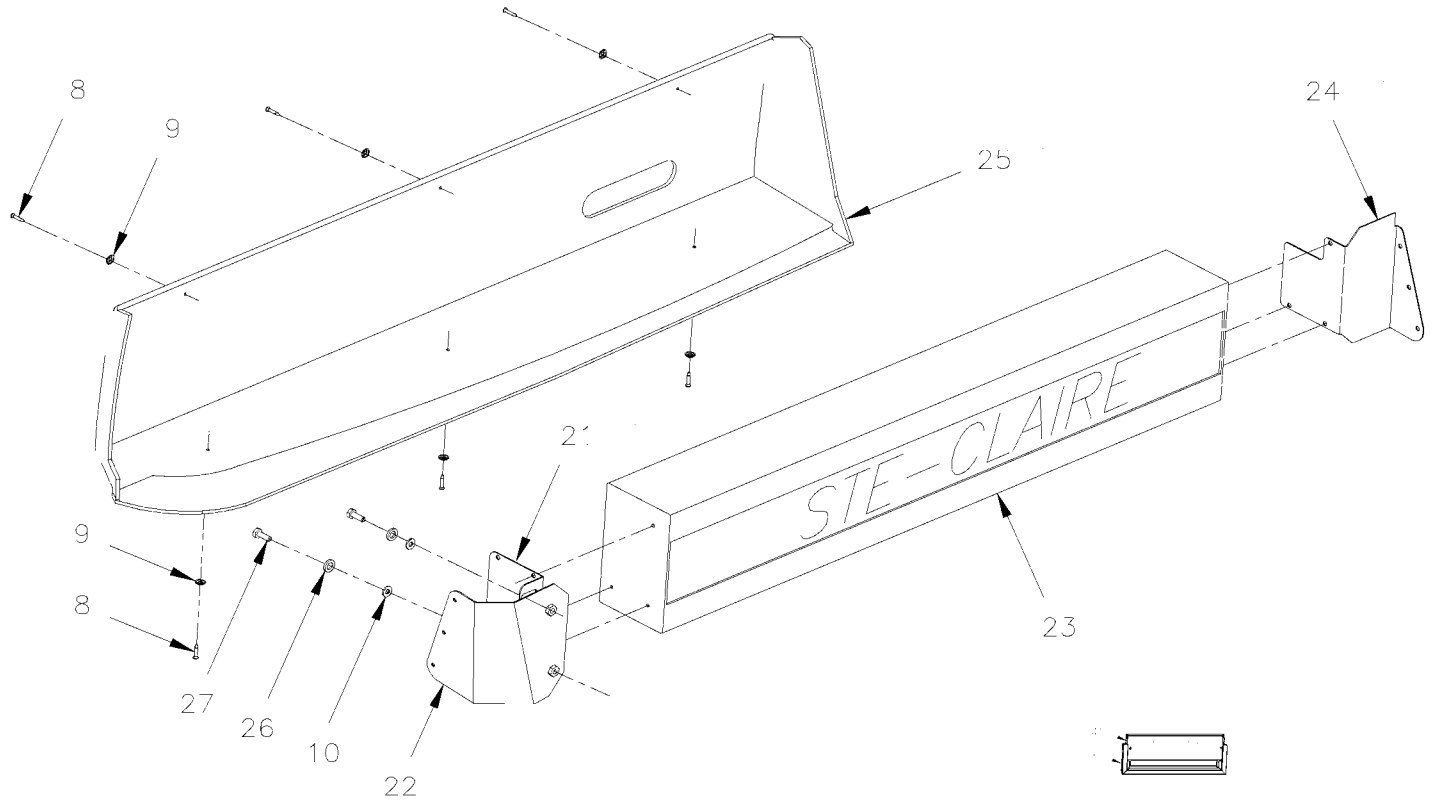


From 3-4417 To 8-1043

Date:10/2022

PAGE:HF-1814-05

DESTINATION SIGN - INSTALLATION





From 3-4417 To 8-1043	Date:10/2022	PAGE:HF-1814-05
DESTINATION SIGN - INSTALLATION		

Item#	Part	Description	H 3 4 1	H 3 4 5	V I P 4 5	N O T E S
1	440324	COVER ASSY / W/ELECTRICAL To 6-0341	1	1		
1	440248	. WINDOW / LENS GREEN To 6-0341	1	1		
1	470949	. SPACER RUBBER 3/4" O.D. / S.Q. To 6-0341	3	3		
2	HF-1814-00	DESTINATION SIGN - ELECTRICAL				
3	440327	SUPPORT CURBSIDE / W/ELECTRICAL To 6-0341	1	1		
4	440275	BRACKET / STREET SIDE / TO FIX SWITCH To 6-0341	1	1		
5	502583	WASHER LO SERR 8.15x22.3x1.0 Z050 To 6-0341	4	4		
6	562111	SWITCH / ON-OFF-ON/ S.P.D.T./REVERSE POLARITY To 6-0341	1	1		
. NS	562110	. SWITCH / ON-OFF-ON/ S.P.D.T./REVERSE POLARITY / TORRIX 102256 To 6-0341	1	1		
7	500957	SCREW TP BDG PH #10x3/4 N500 To 6-0341	6	6		
8	500626	SCREW TP OV PH #8x3/4 Z050	5	5		
9	500463	WASHER FN CKF .187x.500x.090 BR Z050	5	5		
10	062809	SWITCH ASSY W/CONNERTOR To 6-0341	1	1		
10	562109	. SWITCH / ON-ON / S.P.S.T. To 6-0341	1	1		
10	561476	. CONNECTOR / (.062) / SH 4C / MOLEX 03-06-1044 To 6-0341	1	1		
10	561748	. CONTACT HOLE PLUG / VEAM 10-101033-13 To 6-0341	1	1		
11	500769	NUT HEX 1/4-20 Z050	4	4		
18	504264	GROMMET / .750x1.250x.062x.250x1.625	1	1		
21	440367	SUPPORT CURBSIDE / W/"POCATEC"	1	1		
21	446667	SUPPORT CURBSIDE / W/"POCATEC" W/LEDS	1	1		
22	440366	SUPPORT CURBSIDE	1	1		
23	HF-1814-01	DESTINATION SIGN - "POCATEC"				
24	440302	SUPPORT STREET SIDE / W/"POCATEC"	1	1		
24	446668	SUPPORT STREET SIDE / W/"POCATEC" W/LEDS	1	1		
25	440335	COVER / W/DIGITAL	1	1		B
25	440325	COVER / W/DIGITAL	1	1		
25	447299	COVER / W/DIGITAL W/LEDS	1	1		
26	502582	WASHER LO SERR 6.1x16.2x0.9 Z050	2	2		
27	500163	SCREW CAP HEX 1/4-20x3/4 G5 Z050	2	2		
31	440377	SUPPORT STREET SIDE	1	1		
33	940073	FRONT DESTINATION SIGN "AESYS" WITH ONE SIGN ONLY	1	1		
34	440376	SUPPORT CURBSIDE	1	1		
35	440378	COVER / "AESYS" SIGN	1	1		
40	400638	MOULDING / 11" / "U" SHAPE DRIVER'S NAME HO	1	1		
41	400636	PLATE / STAMPED "NOM DU CONDUCTEUR"	1	1		
41	400637	PLATE / STAMPED "DRIVER'S NAME" / REAR	1	1		
41	400601	. PLATE (BLANK) / FOR DRIVER'S NAME / SPECIFY NAME	1	1		
		B) WITH DESTINATION SIGN ON L.H. INSTALLATION				

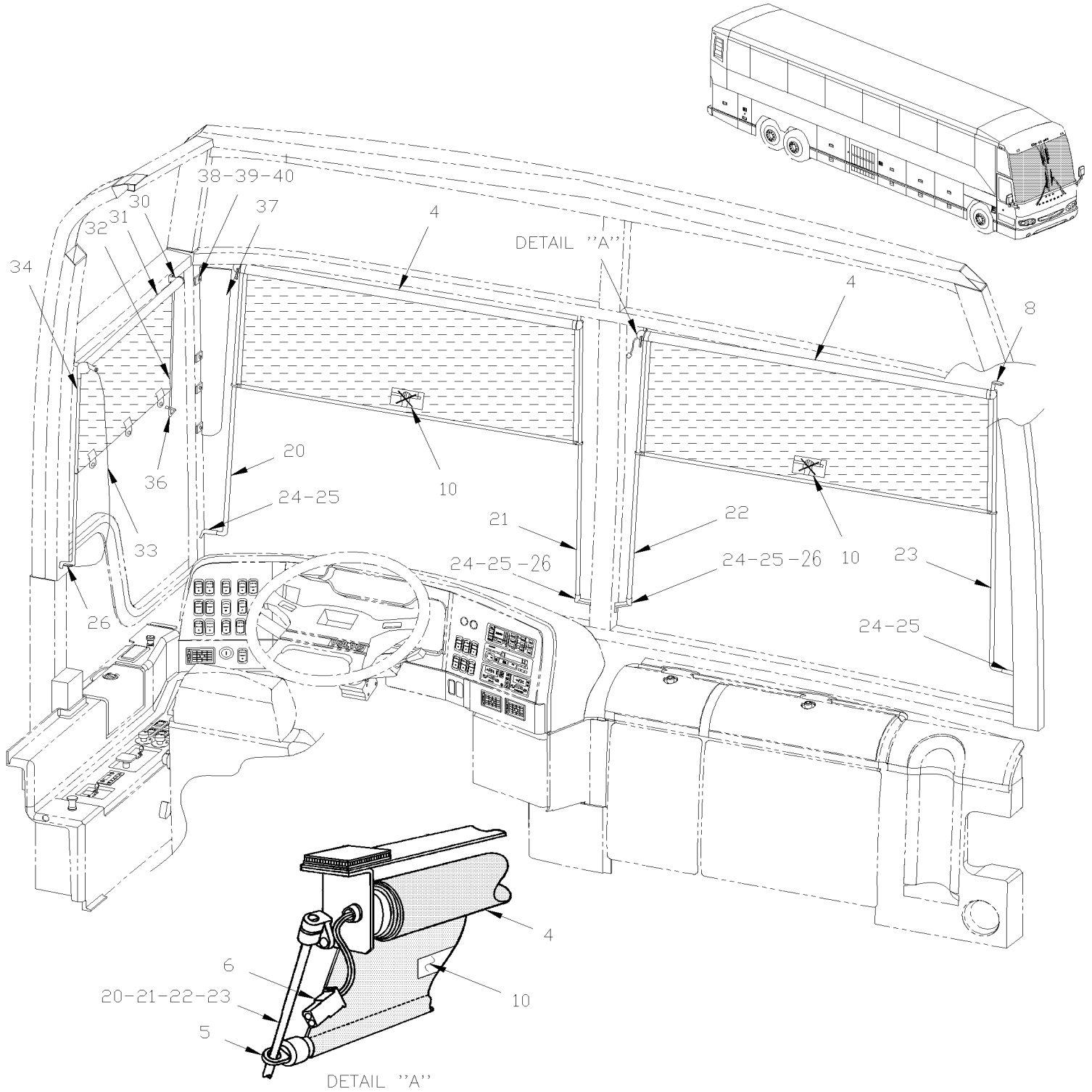


From 3-4417 To 8-1043

Date:10/2022

PAGE:HF-1816-00

ROLLER BLIND - DRIVER'S & WINDSHIELD





From 3-4417 To 8-1043	Date:10/2022	PAGE:HF-1816-00
ROLLER BLIND - DRIVER' S & WINDSHIELD		

Item#	Part	Description	H 3 4 1	H 3 4 5	V I P 4 5	N O T E S
4	900986	ROLLER BLIND ASSY / ELECTRIC To 5-0121	1	1	1	
4	901121	ROLLER BLIND ASSY / ELECTRIC From 5-0122	1	1	1	
4	408404	ROLLER BLIND / ELECTRIC / PRODUCT IMPROVMENT	1	1	1	
. NS	901532	. ROLLER BLIND ASSY / ELECTRIC	2	2	2	
5	900597	. GUIDING PLUG / EACH END OF BLIND	2	2	2	
5	901048	. KIT BRACKET L.H. & R.H.	1	1	1	
NS	900591	BLIND MATERIAL TISSUS / 1000MM WIDE / C.T.L.	AR	AR	AR	
6	560898	CONNECTOR / COM. MATE-N-LOCK / SH 2C / AMP 1-480318-0	1	1	1	
6	560854	SOCKET TERMINAL / 24-18 / AMP 60617-1	2	2	2	
10	402952	. DECAL	1	1	1	
NS	562169	DIODE / 1AMP	AR	AR	AR	
20	404618	ROD GUIDE / L.H.	1	1		
20	403568	ROD GUIDE / L.H.			1	
20	404643	ROD FRONT / W/BACK-UP MONITOR / 250MM X 32MM To 8-1142	1	1		
20	406109	ROD FRONT / W/BACK-UP MONITOR / 389MM x 40MM From 8-1143	1	1		
NS	404619	ROD SUPPORT / W/MONITOR BACK-UP From 8-1142	1	1		
21	407510	ROD GUIDE /	1	1		
21	403567	ROD GUIDE / R.H.			1	
21	404643	ROD FRONT / W/BACK-UP MONITOR / 250MM X 32MM To 8-1142	1	1		
21	406109	ROD FRONT / W/BACK-UP MONITOR / 389MM x 40MM From 8-1143	1	1		
22	407510	ROD GUIDE /	1	1		
22	403568	ROD GUIDE / L.H.			1	
23	440328	ROD GUIDE / R.H.	1	1		
23	403567	ROD GUIDE / R.H.			1	
24	403570	ROD HOLDER / BLACK / STEEL "L" SHAPE To 7-0928	4	4	4	
24	901263	ROD HOLDER / BLACK / PLASTIC 50MM From 7-0929	4	4	4	
NS	5001091	SCREW TC PAN PH #4-40x1/4 BK	4	4	4	
25	500409	SCREW TP PAN PH #8x1/2 BK	AR	AR	AR	
26	900476	ROD HOLDER 90° / BLACK PLASTIC 30MM C/L	AR	AR	AR	
30	900478	BEARING HOLDER / R.H. / BLACK CASTING	1	1	1	
31	900596	BLIND ROLLER / CHARCOAL / 600MM	1	1	1	G
32	402671	ROD FRONT 695MMM X 96MM	1	1	1	
33	900482	CORD, W/BUTTON / BLACK 1700MM	1	1	1	
34	402689	ROD REAR 625MM	1	1	1	
36	500333	SCREW TP OV PH #6x3/4 BK	1	1	1	
37	323302	PLEXIGLASS / TINTED L.H. STREET SIDE / 646MM To 6-0563	1	1	1	
37	328382	PLEXIGLASS TINTED L.H. STREET SIDE / 1100MM From 6-0564	1	1	1	
38	500950	WASHER FL .187x.625x.094 RUB	3	3	3	
39	500333	SCREW TP OV PH #6x3/4 BK	3	3	3	
40	500345	WASHER FN CKF .187x.500x.090 BR BK	3	3	3	
41	405409	KIT, ELECTRIC ROLLER BLIND To 3-4486	1	1	1	
. NS	IS-01043	. SEE INSTRUCTION SHEET To 3-4486	1	1	1	



From 3-4417 To 8-1043	Date:10/2022	PAGE:HF-1816-00
-----------------------	--------------	-----------------

ROLLER BLIND - DRIVER' S & WINDSHIELD

Item#	Part	Description	H 3 4 1	H 3 4 5	V I P 4 5	N O T E S
		FOLLOWING ITEMS ARE USED ONLY FOR DELIVERY				
NS	405931	ROD R.H. 1268MM			1	
NS	405932	ROD L.H. 1271MM			1	
NS	405937	SUN VISOR 395MM X 1094MM			1	
NS	504273	CABLE TIE / 1/8" X 3"1/2			4	
NS	952622	WIRE CLAMP / 5/32" I.D.			2	
		G) DRIVER'S SIDE WINDOW				

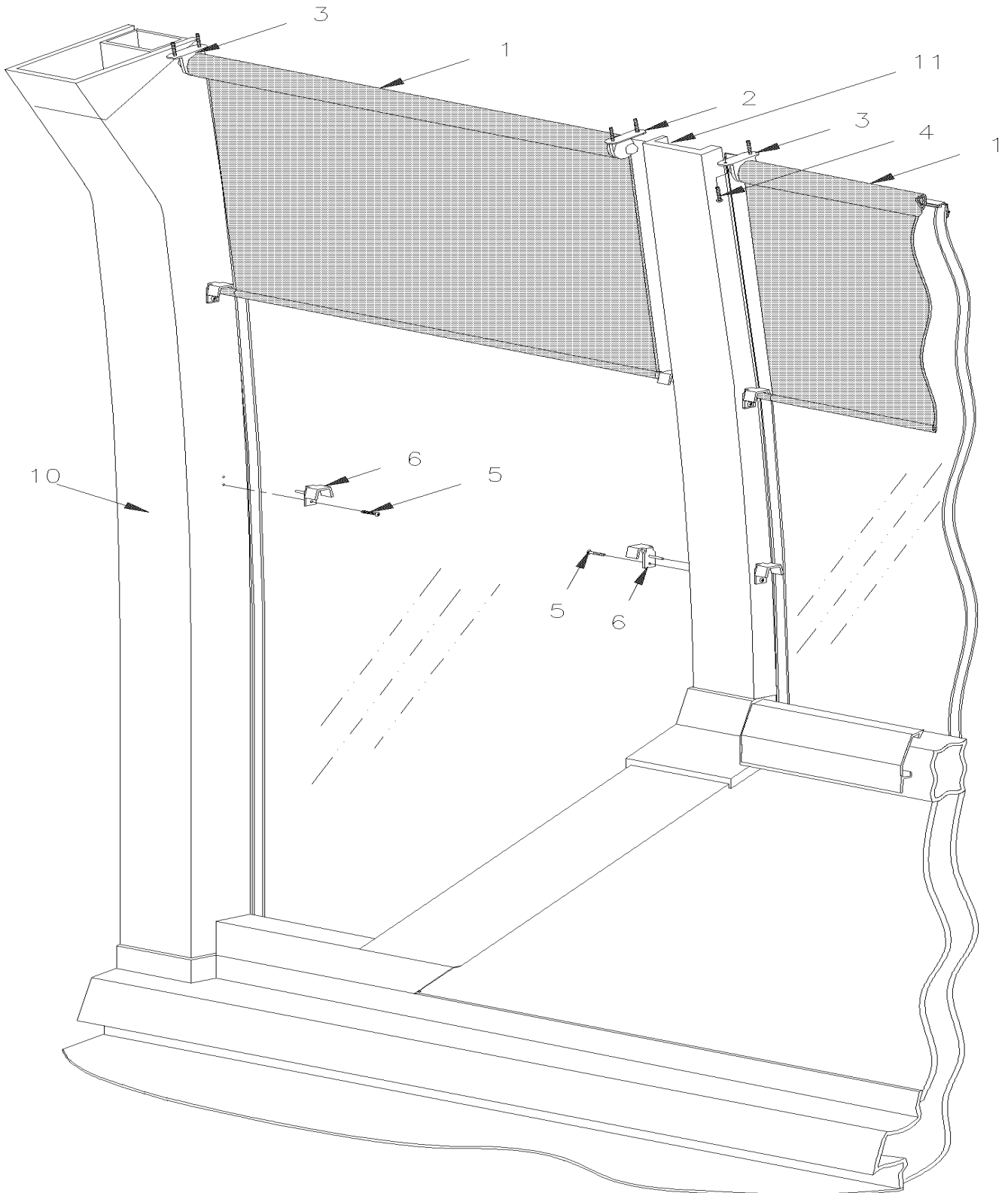


From 3-4417 To 8-1043

Date:10/2022

PAGE:HF-1816-10

SUN SHADE - PASSENGER'S WINDOW





From 3-4417 To 8-1043	Date:10/2022	PAGE:HF-1816-10
SUN SHADE - PASSENGER'S WINDOW		

Item#	Part	Description	H 3 4 1	H 3 4 5	V I P 4 5	N O T E S
1	900878	SUN SHADE / 699MM ROD WIDE		2		
1	900877	SUN SHADE / 835MM ROD WIDE	2	2		
1	900733	SUN SHADE / W.C.L. DOOR / W/HINGE / 1028MM WIDE	1	1		
1	900879	SUN SHADE / 1113MM ROD WIDE	2			
1	900879	SUN SHADE / 1113MM ROD WIDE		1		
1	900876	SUN SHADE / 1563MM ROD WIDE	10			
1	900876	SUN SHADE / 1563MM ROD WIDE		12		
1	900890	SUN SHADE / W.C.L. "RICON" / 2144MM ROD WIDE		2		
1	901044	SUN SHADE / 830MM ROD WIDE	1	1		
1	901115	SUN SHADE / W.C.L. DOOR / SLIDING / 981MM WIDE From 5-0168		1		
2	404583	BRACKET, R.H. "O"	14			
2	404583	BRACKET, R.H. "O"		16		
3	404584	BRACKET, L.H. "D"	14			
3	404584	BRACKET, L.H. "D"		16		
4	5001145	SCREW TP BDG PH #6x1 BK	AR	AR		
5	500640	SCREW TP PAN PH #6x3/4 Z050	AR	AR		
6	404609	HOOK SINGLE W/1 SCREW HOLE LIGHT GREY	AR	AR		
NS	900544	BRACKET, MALE / BLACK	1	1		D
NS	900545	BRACKET, FEMALE / BLACK	1	1		D
NS	404653	HOOK SINGLE W/2 SCREWS HOLE	4	4		D
NS	500814	SCREW TP BDG PH #6x3/4 BK	12	12		D
10	HF-1832-00	FRONT FINISHING CAP				
11	HF-1833-00	WINDOW FINISHING CAP & WALL				
NS	900979	ATTACHMENT CLIP-ON From 5-0168	2	2	2	A
		A) TO FIX SUNSHADE ON W.C.L. DOOR SLIDING				
		D) TO FIX SUNSHADE ON W.C.L. DOOR				

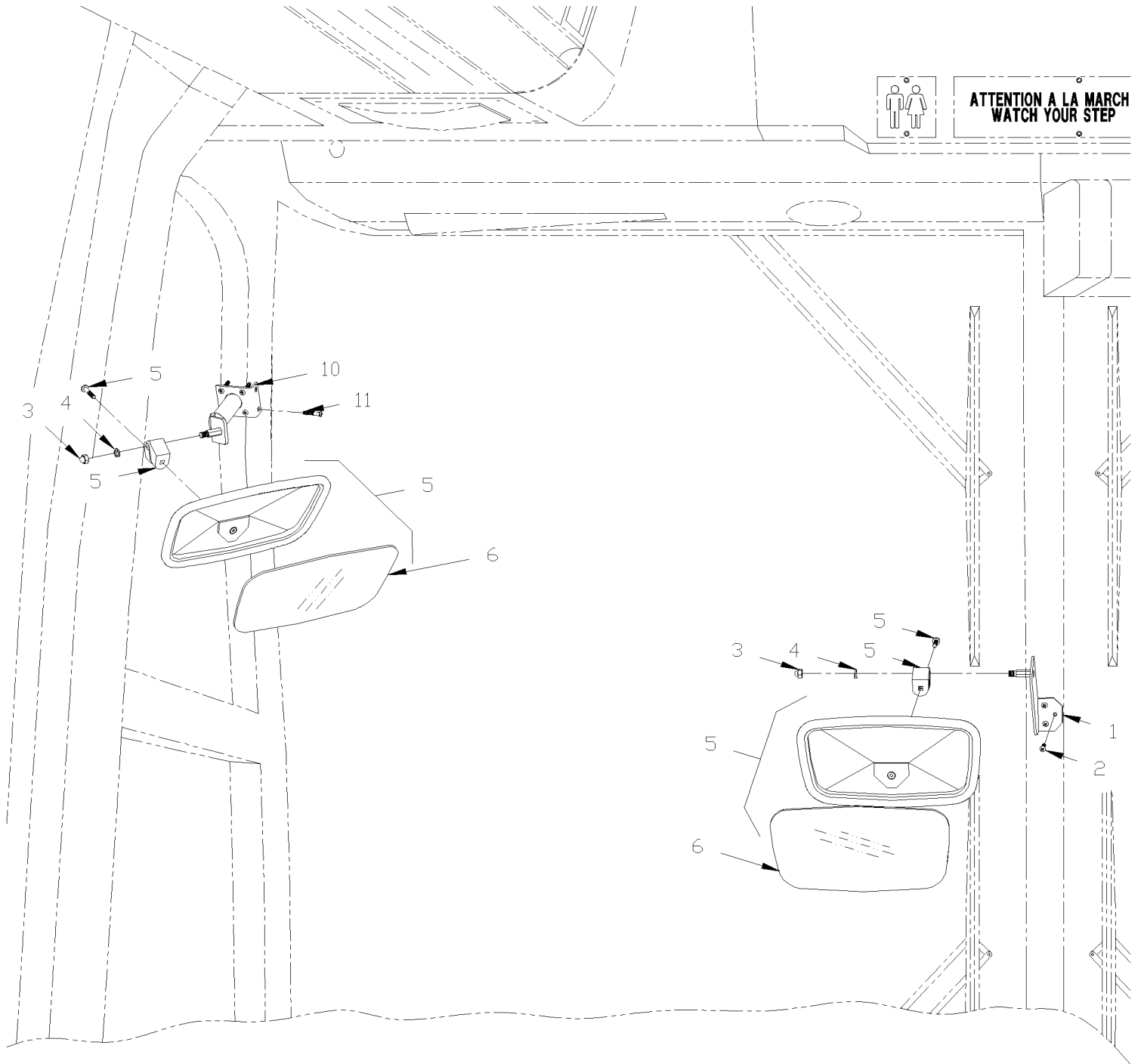


From 3-4417 To 8-1043

Date:10/2022

PAGE:HF-1820-00

MIRROR - INTERIOR





From 3-4417 To 8-1043	Date:10/2022	PAGE:HF-1820-00
-----------------------	--------------	-----------------

MIRROR - INTERIOR

Item#	Part	Description	H 3 4 1	H 3 4 5	V I P 4 5	N O T E S
1	405261	MIRROR SUPPORT / CENTER WINDSHIELD	1	1		
1	405263	MIRROR SUPPORT W/CAMERA / CENTER WINDSHIELD	1	1		
2	5001090	SCREW TP PAN PH #10x1 SS BK	3	3		
3	500780	NUT HEX CAP 5/16-18 Z050	1	1		
4	500476	WASHER LO SPT .317x.586x.078 Z050	1	1		
5	900438	MIRROR ASSY SAFETY	2	2		
6	900440	. GLASS / SAFETY	1	1		
10	403679	MIRROR SUPPORT / L.H. DRIVER`S WINDOW	6	6		
11	500353	SCREW TP FL PH #8x3/4 BK	6	6		

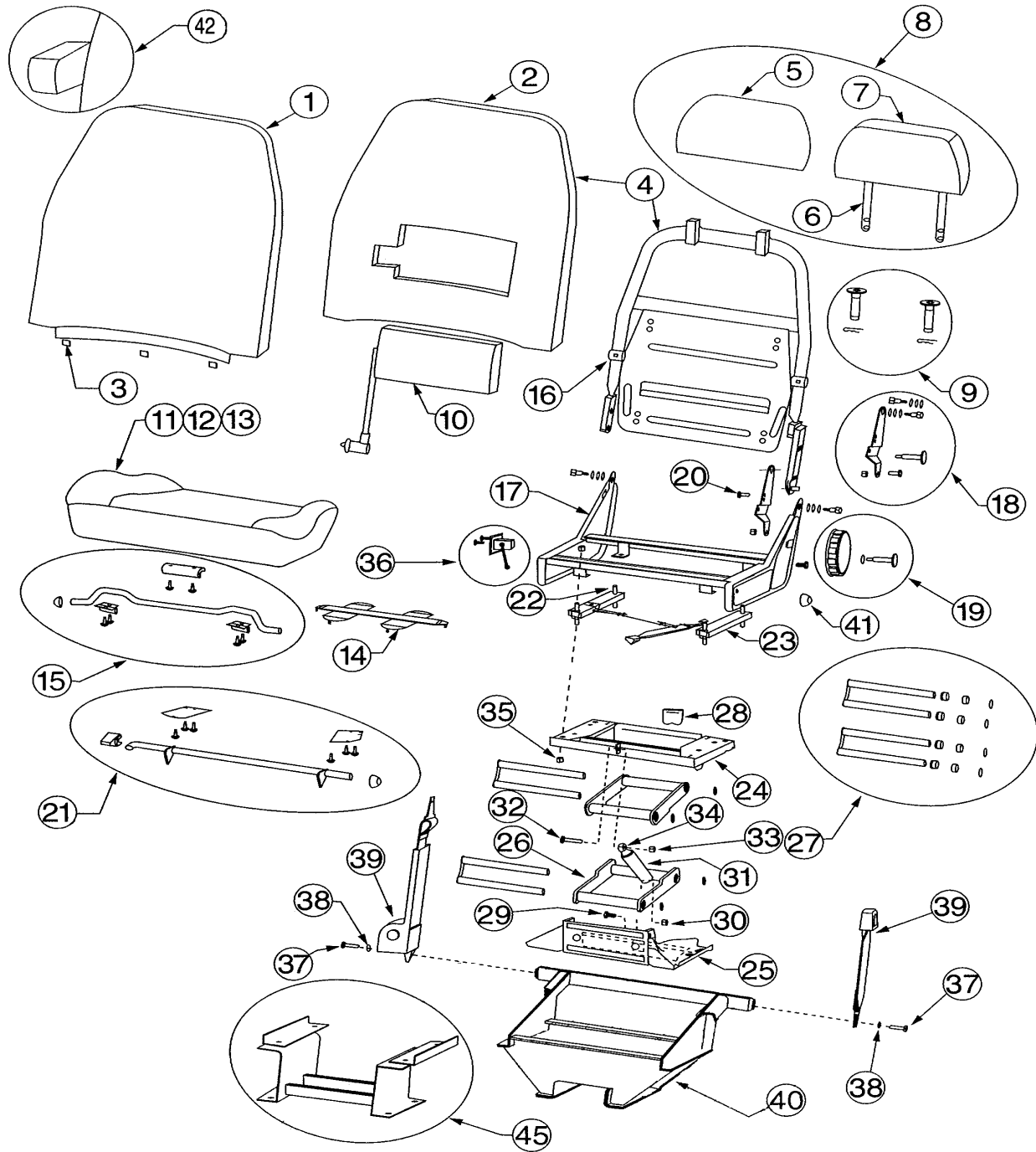


From 3-4417 To 8-1043

Date:10/2022

PAGE:HF-1821-00

DRIVER'S SEAT "NATIONAL SEATING" - MODEL 93B



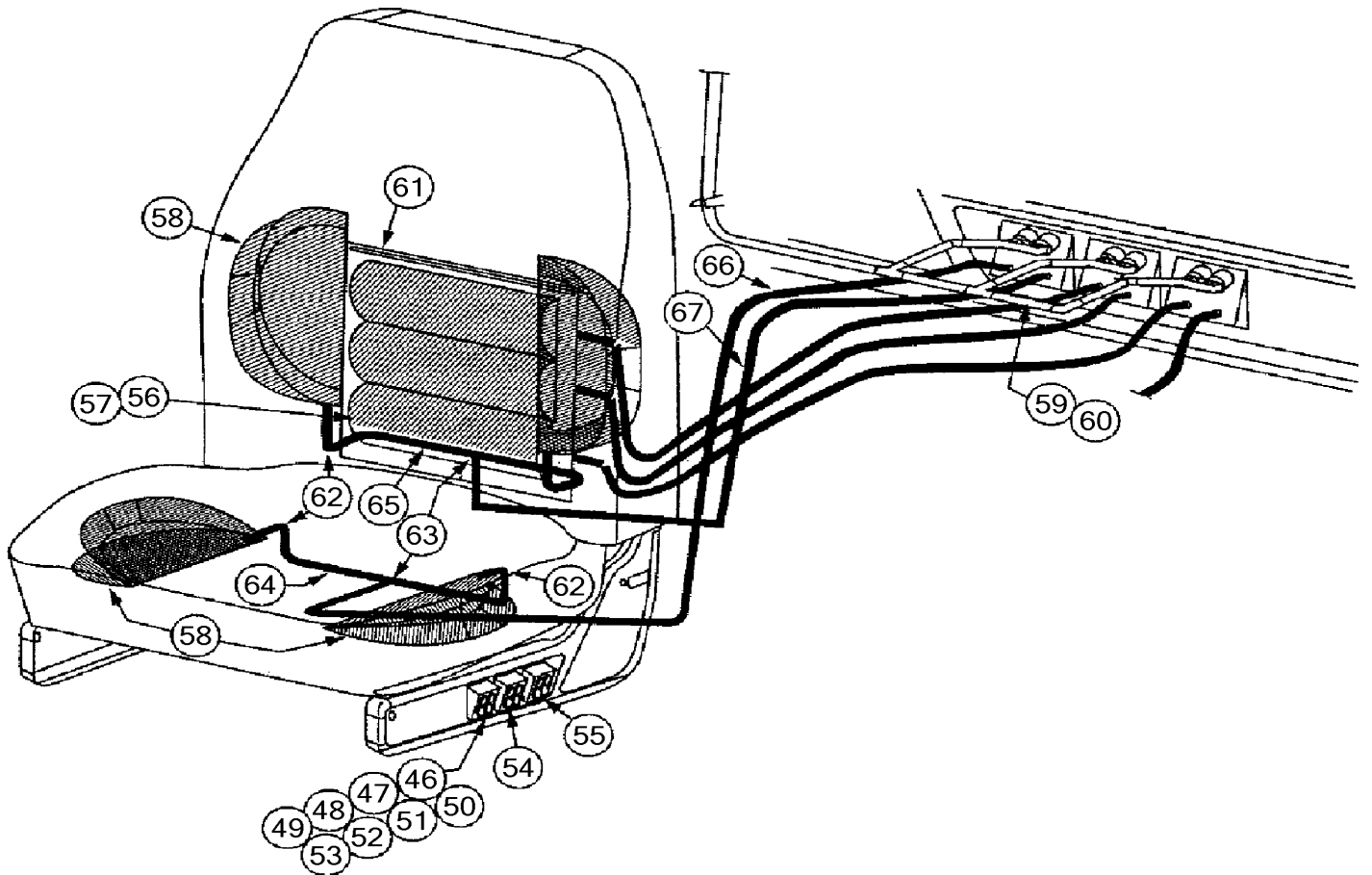


From 3-4417 To 8-1043

Date:10/2022

PAGE:HF-1821-00

DRIVER'S SEAT "NATIONAL SEATING" - MODEL 93B





From 3-4417 To 8-1043	Date:10/2022	PAGE:HF-1821-00
DRIVER'S SEAT "NATIONAL SEATING" - MODEL 93B		

Item#	Part	Description	H 3 4 1	H 3 4 5	V I P 4 5	N O T E S
	862316	DRIVER'S SEAT - "NATIONAL" - MODEL 93B	1	1		
	862317	DRIVER'S SEAT - "NATIONAL" - MODEL 93B	1	1		
	862318	DRIVER'S SEAT - "NATIONAL" - MODEL 93B	1	1		
1	Call order desk	BACK COVER / 20"	1	1		P
2	Call order desk	BACK POLY / 20" STANDARD	1	1		P
3	Call order desk	"U" CLIP	3	3		P
4	Call order desk	BACK ASSY / 20"	1	1		P
5	Call order desk	HEADREST COVER	1	1		P
6	Call order desk	FIXED HEADREST FRAME ASSY	1	1		P
7	Call order desk	HEADREST POLY	1	1		P
8	Call order desk	HEADREST ASSY	1	1		P
9	Call order desk	BUSHING KIT	1	1		P
10	192188	PASSIVE AIR LUMBAR BAG	1	1		
11	Call order desk	CUSHION COVER / 20"	1	1		P
12	Call order desk	CUSHION POLY / 20" STANDARD	1	1		P
13	Call order desk	CUSHION ASSY / 20"	1	1		P
14	Call order desk	WEBBING	3	3		P
15	Call order desk	FRONT CUSHION ADJUSTER	1	1		P
16	Call order desk	BACK FRAME ASSY	1	1		P
17	Call order desk	LOWER FRAME ASSY	1	1		P
18	Call order desk	KIT BRACKET BACK TO LOWER FRAME	1	1		P
19	Call order desk	KNOB KIT - BACK INCLINE	1	1		P
20	Call order desk	RECLINE LIMIT BOLT	1	1		P
21	Call order desk	REAR CUSHION ADJUSTER	1	1		P
22	Call order desk	TRACK STUD	4	4		P
23	Call order desk	TRACK KIT	1	1		P
24	Call order desk	UPPER BASE ASSY	1	1		P
25	Call order desk	LOWER BASE ASSY	1	1		P
26	860103	UPPER ARM ASSY W/BUSHINGS - 96 BASE MODEL	2	2		
27	860652	KIT REPAIR, SHAFT & BUSHING / W/AIR SUSPENSION	1	1		
28	Call order desk	BUMPER	1	1		P
29	500190	SCREW CAP HEX 3/8-16x3/4 G5 Z050	1	1		
30	500265	NUT HEX STO 3/8-16 Z050	1	1		
31	865353	BLOCK-O-LIFT	1	1		
32	500183	SCREW CAP HEX 5/16-18x1 1/2 G5 PT Z050	1	1		
33	500685	NUT HEX NYRT 5/16-18 SS	1	1		
34	Call order desk	RELEASE MECHANISM	1	1		P
35	Call order desk	NUT,TRACK ATTACHMENT	8	8		P
36	19508592	CABLE ASSY	1	1		
37	500067	SCREW CAP HEX 7/16-20x1 G5 Z050	1	1		
38	Call order desk	WASHER 1/2	2	2		P
39	19503838	RETRACTOR & BUCKLE	1	1		



From 3-4417 To 8-1043	Date:10/2022	PAGE:HF-1821-00
DRIVER'S SEAT "NATIONAL SEATING" - MODEL 93B		

Item#	Part	Description	H 3 4 1	H 3 4 5	V I P 4 5	N O T E S
40	Call order desk	RISER ASSY - "D" COACH	1	1		P
NS	5001117	SCREW CAP HEX M12-1.75x70 BK	4	4		B
NS	500810	WASHER LO SPT 12.2x21.1x2.5 Z050	6	6		
NS	500958	WASHER FL .531x1.062x.095 SS	6	6		
41	Call order desk	CAP,CUSHION ADJUSTER ROD	2	2		P
42	Call order desk	ARMREST ASSY / L.H.	1	1		P
42	Call order desk	ARMREST ASSY / R.H.	1	1		P
45	Call order desk	RISER ASSY	1	1		P
46	Call order desk	VALVE HI/LO F/SINGLE CHAMBER	1	1		P
47	Call order desk	VALVE HI/LO F/TRIPLE CHAMBER	1	1		P
48	Call order desk	VALVE HI/LO F/BOLSTERS	1	1		P
49	Call order desk	VALVE BLANK/LO F/SINGLE CHAMBER	1	1		P
50	Call order desk	VALVE BLANK/LO F/TRIPLE CHAMBER	1	1		P
51	Call order desk	VALVE BLANK/LO F/BOLSTERS	1	1		P
52	Call order desk	VALVE HI/BLANK F/BASE	1	1		P
53	Call order desk	VALVE LO/LO F/SINGLE CHAMBER	1	1		P
54	Call order desk	VALVE LO/LO F/TRIPLE CHAMBER	1	1		P
55	Call order desk	VALVE LO/LO F/BOLSTERS	1	1		P
56	865265	SINGLE CHAMBER LUMBAR BAG	1	1		
57	865266	TRIPLE CHAMBER LUMBAR BAG	1	1		
58	Call order desk	AIR BOLSTER	1	1		P
59	Call order desk	MANIFOLD ASSY TRIPLE CHAMBER	1	1		P
60	Call order desk	MANIFOLD ASSY TRIPLE CHAMBER & BOLSTERS	1	1		P
61	Call order desk	WIRE LUMBAR BAG	1	1		P
62	Call order desk	ELBOW,PLASTICFITTING	1	1		P
63	Call order desk	FITTING 1/8"	1	1		P
64	Call order desk	CLEAR TUBING / 4.5"	1	1		P
65	Call order desk	GREEN TUBING / 4.5"	1	1		P
66	Call order desk	TUBING, CLEAR, 2.83FEET	1	1		P
67	Call order desk	TUBING, GREEN, 2.67FEET	1	1		P
		B) TO FIX SEAT ON FLOOR				
		P) CALL ORDER DESK FOR SPECIFIC APPLICATION (V.I.N.)				

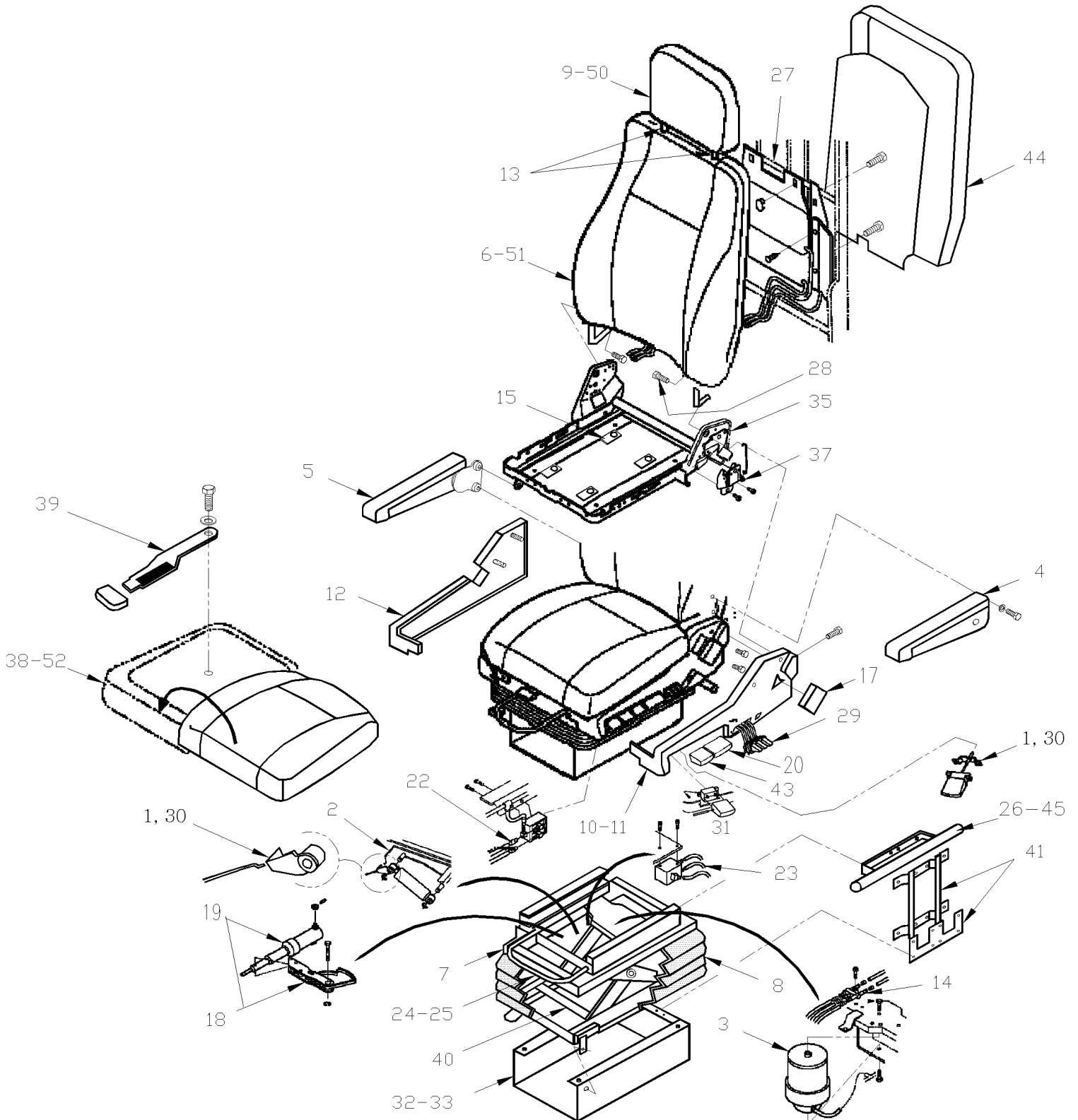


From 3-4417 To 8-1043

Date:10/2022

PAGE:HF-1822-00

DRIVER'S SEAT - "ISRI" - 6800/338





From 3-4417 To 8-1043	Date:10/2022	PAGE:HF-1822-00
DRIVER'S SEAT - "ISRI" - 6800/338		

Item#	Part	Description	H 3 4 1	H 3 4 5	V I P 4 5	N O T E S
	364108	DRIVER'S SEAT ASSY W/COVERING / SPECYFIED COLOR CODE	1	1		F
	861373	DRIVER'S SEAT - "ISRI" - MODEL 6800/338 / W/R.H. CONTROL	1	1		A
	861374	DRIVER'S SEAT - "ISRI" - MODEL 6800/338 / W/R.H. CONTROL			1	B
	861367	DRIVER'S SEAT - "ISRI" - MODEL 6800/338/ W/L.H. CONTROL	1	1		A
	5001862	SCREW CAP HEX M12-1.75x70 G10.9 N500	4	4	4	G
	500747	WASHER LO SPT 12.2x21.1x2.5 N500	4	4	4	G
	500958	WASHER FL .531x1.062x.095 SS	4	4	4	G
	362549	SPACER / STRUCTURE & BASE / 27MM	4	4	4	G
NS	862420	. LEVER RETAINING CLIP	1	1	1	
NS	862421	. NUT PLASTIC WHITE	1	1	1	
NS	862422	. RETAINING CLIP	1	1	1	
NS	862423	. SCREW FOR RETAINING CLIP	1	1	1	
1	861638	. ADJUSTABLE SHOCK ABSORBER CABLE KIT	1	1	1	
2	861639	. ADJUSTABLE SHOCK ABSORBER KIT	1	1	1	
3	861640	. AIR SPRING KIT	1	1	1	
4	861641	. ARMREST KIT - LH / W/OUT COVERING			1	
4	861377	. ARMREST KIT - LH / W/POLYURETHANE PAD	1	1		
5	861642	. ARMREST KIT - RH / W/OUT COVERING			1	
5	861378	. ARMREST KIT - RH POLYURETHANE PAD	1	1		
6	861643	. BACKREST ASSY / NUDE	1	1	1	
. NS	864557	. . FOAM / BACKREST	1	1	1	
7	861644	. BOOT ADAPTER PLATE	1	1	1	
8	861645	. BOOT KIT	1	1	1	
9	861646	. HEADREST ASSEMBLY - NUDE	1	1	1	
10	861648	. COVER KIT CONTROL - LH	1	1	1	
11	861649	. COVER KIT CONTROL - RH	1	1	1	
12	861650	. COVER KIT NON-CONTROL - LH	1	1	1	
13	861647	. HEADREST BOOT (2PCS)	1	1	1	
14	861651	. DISTRIBUTION VALVE KIT	1	1	1	
15	861652	. GLIDE - SEAT PAN	1	1	1	
17	861654	. HANDLE KIT - SEAT FRAME - RH	1	1	1	D
18	864140	. KIT, CYLINDER & CAM ADJUSTEMENT KIT	1	1	1	
. 18	861655	. . HEIGHT ADJUSTMENT CAM KIT	1	1	1	
. 19	861656	. . HEIGHT ADJUSTMENT CYLINDER KIT	1	1	1	
18	864245	. KIT, CAM ADJUSTEMENT KIT	1	1	1	
NS	863741	. KIT SLIDING TRACK PLASTIC OBLONG	1	1	1	
20	862203	. AIR HEIGHT ADJUST HANDLE KIT RH	1	1	1	
22	861657	. HEIGHT ADJUSTMENT VALVE KIT - RH	1	1	1	
23	861658	. HEIGHT ADJUSTMENT VALVE KIT - SUSPENSION	1	1	1	
24	861659	. HORIZONTAL ADJUSTMENT SLIDE HANDLE	1	1	1	
25	861660	. HORIZONTAL ADJUSTMENT SLIDE SET	1	1	1	
26	862205	. SEAT BELT KIT NOT ILLUSTRATED / PAS ILLUSTRÉ	1	1	1	



From 3-4417 To 8-1043	Date:10/2022	PAGE:HF-1822-00
DRIVER'S SEAT - "ISRI" - 6800/338		

Item#	Part	Description	H 3 4 1	H 3 4 5	V I P 4 5	N O T E S
27	861661	. LUMBAR/BOLSTER KIT OLD STYLE	1	1	1	
27	864242	LUMBAR/BOLSTER KIT NEW STYLE	1	1	1	
28	862204	. BACKREST BOLT	2	2	2	
29	861662	. LUMBAR/BOLSTER VALVE RH	1	1	1	
30	862424	. HANDLE FOR ADJUSTMENT SHOCK	1	1	1	
NS	862425	. SHORT PIN ADJUSTMENT HANDLE	1	1	1	
NS	862426	. LONG PIN ADJUSTMENT HANDLE	1	1	1	
NS	862956	. HANDLE SUPPORT / PLASTIC BLACK	1	1	1	
31	861663	. QUICK AIR RELEASE VALVE AND HANDLE KIT - RH	1	1	1	
33	861664	. RISER KIT 76MM	1	1	1	
35	861665	. SEAT FRAME - RH	1	1	1	
37	861666	. SEAT FRAME TOOTH PLATE KIT RH	1	1	1	
38	861667	. SEAT PAN ASSEMBLY - NUDE OLD STYLE	1	1	1	
. NS	864556	. . FOAM / CUSHION	1	1	1	
38	864243	. SEAT PAN ASSEMBLY - NUDE NEW STYLE	1	1	1	
. NS	864237	. . CUSHION FOAM NEW PATTERN	1	1	1	
39	861668	. SEAT PAN ASSEMBLY LEVER AND HANDLE KIT	1	1	1	
40	861669	. SUSPENSION	1	1	1	
NS	864244	. . KIT , SUSPENSION HARDWARE REPAIR	1	1	1	
41	861670	. TETHER AND TETHER PLATE KIT	1	1	1	
43	861671	. TILT HANDLE KIT - RH	1	1	1	
44	861672	. BACKREST PANEL	1	1	1	
NS	363705	INTERFACE COPILOTE ISRI 6800			1	C
NS	363937	ANCHORAGE CO-PILOTE SEAT ASSY W/BOLT			4	C
. NS	326831	. ANCHORAGE "U" FORM 48MM x 38MM x 112MM			1	C
. NS	500958	. WASHER FL .531x1.062x.095 SS			1	C
. NS	500482	. WASHER LO SPT .506x.873x.125 Z050			1	C
. NS	500806	. SCREW CAP HEX M12-1.75X35 G10.9 G500			1	C
NS	362056	ANCHOR PLATE ASSY USE W/CURBSIDE SEAT 7/16-14x1" / 32MMx89MM			2	C
NS	362521	ANCHOR PLATE ASSY USE W/CURBSIDE SEAT 7/16-14x2" / 32MMx89MM			2	C
45	364128	DRIVER'S SAFETY BELT EXTENSION R.H.	1	1	1	E
45	364129	DRIVER'S SAFETY BELT EXTENSION L.H.	1	1	1	E
NS	500071	SCREW CAP HEX 7/16-20x1 1/2 G5 Z050	2	2	2	E
NS	500709	NUT HEX 7/16-20 Z050	2	2	2	E
NS	500810	WASHER LO SPT 12.2x21.1x2.5 Z050	4	4	4	E
NS	500860	NUT HEX M12-1.75 Z050	2	2	2	E
NS	502731	SCREW CAP HEX M12-1.75x40 G8.8 Z050	2	2	2	E
50	363740P	COVERING HEADREST ASSY / S.C.C. / DRIVER'S "ISRI" / 6800	1	1		
51	363738P	COVERING BACKREST ASSY / S.C.C. / DRIVER'S "ISRI" / 6800	1	1		
52	363739P	COVERING SEATREST ASSY / S.C.C. OLD STYLE / DRIVER'S "ISRI" / 6800 To 5-0023	1	1		
52	364071P	COVERING SEATREST ASSY / S.C.C. NEW STYLE / DRIVER'S "ISRI" / 6800 From 5-0024	1	1		
NS	864709	TUBE PLASTIC 6MM O.D. CHARCOAL W/RED LINE	AR	AR	AR	



From 3-4417 To 8-1043	Date:10/2022	PAGE:HF-1822-00
DRIVER'S SEAT - "ISRI" - 6800/338		

Item#	Part	Description	H 3 4 1	H 3 4 5	V I P 4 5	N O T E S
NS	864710	TUBE PLASTIC 6MM O.D. CHARCOAL W/GREY LINE	AR	AR	AR	
NS	864711	TUBE PLASTIC 6MM O.D. CHARCOAL	AR	AR	AR	
NS	641507	UNION / PUSH-IN FITTING / #4 x 6MM NP	1	1	1	
NS	641092	UNION TEE / NTA FITTING / #4x#4x#4 BR	1	1	1	
NS	867958	ADAPTOR	1	1	1	
NS	868125	UNION 4MM/4MM	1	1	1	
NS	868128	UNION 6MM/4MM	1	1	1	
		A) THIS SEAT IS WITHOUT COVERING & ARMREST				
		B) THIS SEAT HAS BLACK COVERING, LARGE ARMREST & HEADREST FOR FACTORY DELIVERY				
		C) USE WITH CO-PILOTE SEAT INSTALLATION				
		D) INCLUDE ALL KNOB FOR ITEM # 17, 20, 29, & 39				
		E) YOU REQUIRE THOSE COMPONENTS TO EXTEND DRIVER'S SAFETY BELT				
		F) INCLUDE ITEMS 50, 51 & 52				
		G) TO FIX SEAT TO THE FLOOR				

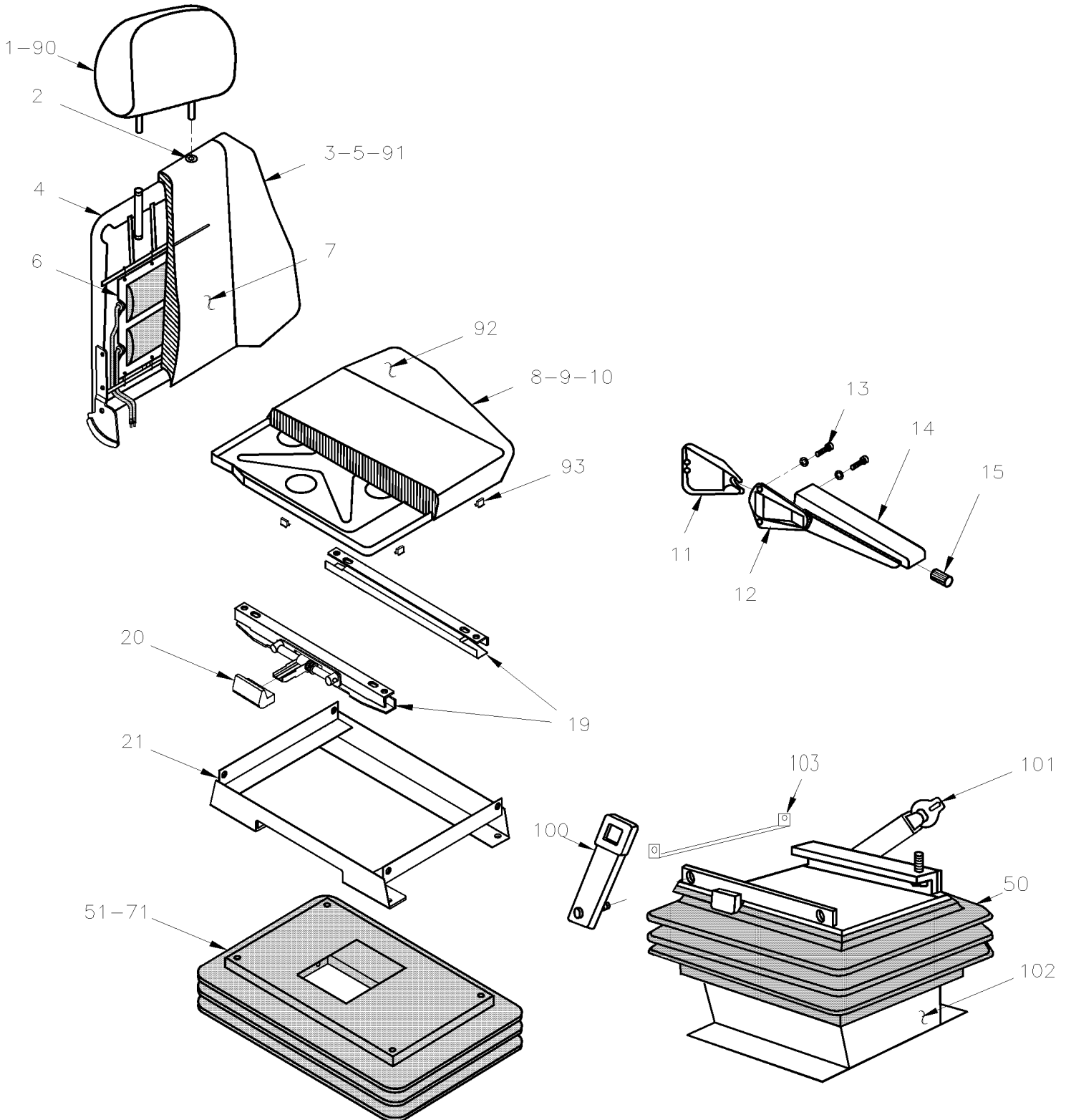


From 3-4417 To 8-1043

Date:10/2022

PAGE:HF-1822-10

DRIVER'S SEAT - "ISRI" - 6000/515 & 6500/515



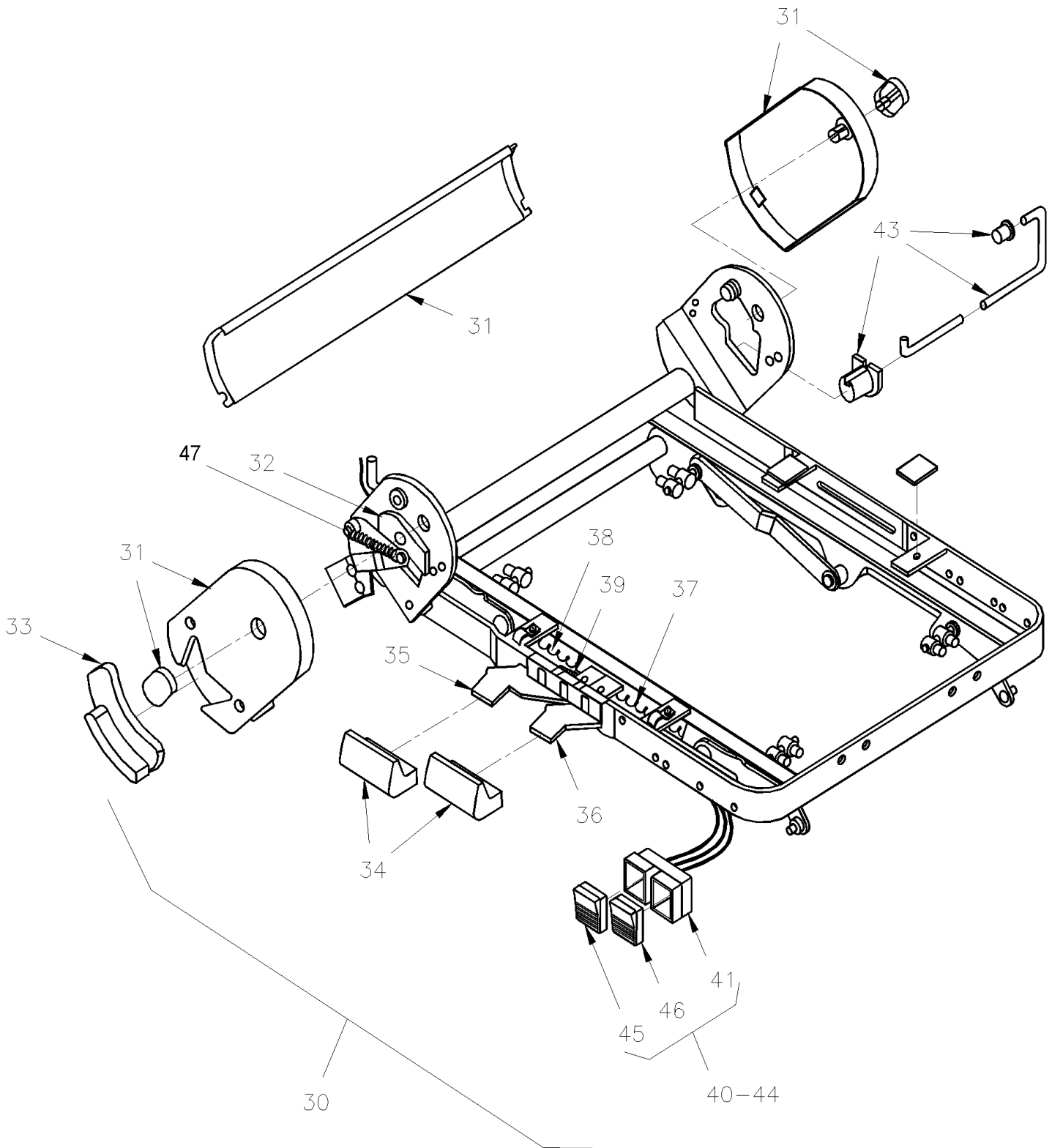


From 3-4417 To 8-1043

Date:10/2022

PAGE:HF-1822-10

DRIVER'S SEAT - "ISRI" - 6000/515 & 6500/515



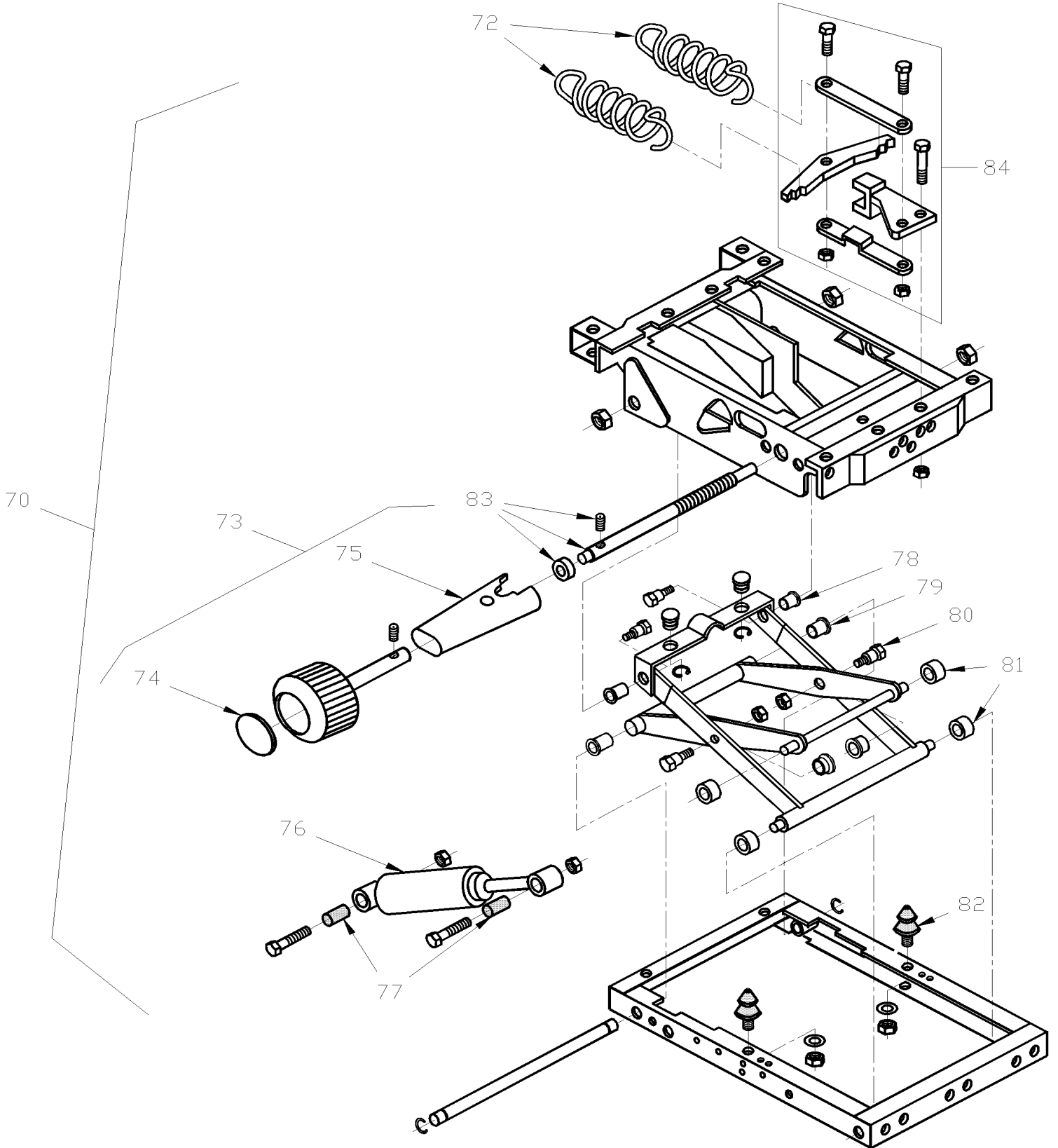


From 3-4417 To 8-1043

Date:10/2022

PAGE:HF-1822-10

DRIVER'S SEAT - "ISRI" - 6000/515 & 6500/515





From 3-4417 To 8-1043	Date:10/2022	PAGE:HF-1822-10
DRIVER'S SEAT - "ISRI" - 6000/515 & 6500/515		

Item#	Part	Description	H 3 4 1	H 3 4 5	V I P 4 5	N O T E S
	362833	SEAT ASSY MECHANIC / R.H. CONTROL W/COVERING	1	1		E
	860433	. DRIVER'S SEAT - "ISRI" - MODEL 6000/515 / MECHANIC / R.H. CONTROL	1	1		
	362834	SEAT ASSY MECHANIC / R.H. CONTROL & AIR LUMBAR W/COVERING	1	1		E
	860852	. DRIVER'S SEAT - "ISRI" - MODEL 6000/515 / MECHANIC / R.H. CONTROL & AIR LUMBAR	1	1		
	860855	DRIVER'S SEAT - "ISRI" - MODEL 6000/525 / ELECTRIC / AIR SUSPENSION / R.H.			1	
	860856	DRIVER'S SEAT - "ISRI" - MODEL 6000/525 / ELECTRIC W/MEMORY / AIR SUSPENSION / R.H. CONTROL& LUMBAR SUPPORT			1	
1	860441	HEADREST	1	1	1	
2	860483	GROMMET	2	2	2	
3	860508	BACKREST ASSY / R.H. CONTROL	1	1	1	
4	860509	. FRAME / R.H. CONTROL	1	1	1	
5	860507	. FOAM	1	1	1	
6	860494	AIR BAG / LOMBAR	1	1	1	
7	860548	HEATING PAD / BACK	1	1	1	
8	860510	PAN SEAT SUBASSY	1	1	1	
9	860511	. FOAM / SEAT	1	1	1	
10	860547	HEATING PAD / SEAT	1	1	1	
11	860532	COVER	2	2	2	
12	N.S.S.	BRACKET / ARMREST	1	1	1	1
13	500544	SCREW CAP HEX M8-1.25x30 G8.8 Z050	2	2	2	
14	860440	ARMREST L.H. ADJUSTABLE	1	1		
NS	860442	ARMREST R.H. ADJUSTABLE	1	1		
14	868135	ARMREST L.H. BLACK			1	
. NS	868133	. COVER, ARMREST END, OPEN, BLK			1	
14	868134	ARMREST R.H. BLACK			1	
. NS	868133	. COVER, ARMREST END, OPEN, BLK			1	
15	860725	. KNOB	1	1	1	
19	861085	SLIDE MASTER / HANDLE & SLAVE / R.H. CONTROL	1	1	1	
20	861086	. HANDLE R.H.	1	1	1	
NS	861084	SLIDE SET "C" STYLE / HANDLE & SLAVE / W/SEAT #860852	1	1	1	
21	861100	SPACER STATIC /W/FOLLOWING SEAT NUMBER 860432 433,449,450,543,544,545 & 546	1	1	1	A
30	861083	FRAME ASSY SEAT / R.H. CONTROL (AS SHOWN)	1	1	1	
30	860605	FRAME ASSY SEAT / L.H. CONTROL	1	1	1	
31	861090	. SIDE PLATE ASSY / KIT FOR R.H. CONTROL (AS SHOWN)	1	1	1	
31	860590	. SIDE PLATE ASSY / KIT FOR L.H. CONTROL	1	1	1	
32	861790	. TOOTH LEVER / R.H. SIDE (AS SHOWN)	1	1	1	
32	861789	. TOOTH LEVER / L.H. SIDE	1	1	1	
33	861089	. HANDLE / R.H. CONTROL (AS SHOWN)	1	1	1	
33	860589	. HANDLE / L.H. CONTROL	1	1	1	
34	861087	. HANDLE HEIGHT TILT / FRONT	1	1	1	
NS	861088	. HANDLE HEIGHT TILT / REAR	1	1	1	
35	860587	. LEVER HEIGHT REAR	1	1	1	
36	860588	. LEVER HEIGHT FOWARD	1	1	1	



From 3-4417 To 8-1043	Date:10/2022	PAGE:HF-1822-10
DRIVER'S SEAT - "ISRI" - 6000/515 & 6500/515		

Item#	Part	Description	H 3 4 1	H 3 4 5	V I P 4 5	N O T E S
37	860690	. LEVER ADJUSTMENT KEY / R.H. FRONT & L.H. RE	1	1	1	
38	860689	. LEVER ADJUSTMENT KEY / R.H. REAR & L.H. FRO	1	1	1	
39	860513	. KIT SPRING (2 LARGES & 3 SMALL)	1	1	1	
43	861091	. TORSION BAR KIT	1	1	1	
44	861092	. KIT VALVE LOMBAR SUPPORTS	1	1	1	C
NS	860887	. . KIT VALVE LUMBAR SUPPORTS / W/SEAT W/R.H. CONTROL				D
45	861093	. . . BUTTON AIR LOMBAR UPPER SECTION	1	1	1	
46	861094	. . . BUTTON AIR LOMBAR LOWER SECTION	1	1	1	
47	862217	. SPRING	1	1	1	
70	860685	SUSPENSION ASSY MECHANICAL / R.H. CONTROL	1	1	1	A
71	860526	. COVER	1	1	1	
72	862913	. SPRING EXTENSION / KIT OF 2 1.800 O.D. x 6.75 x .340	1	1	1	
73	860658	. HANDWHEEL / R.H. CONTROL (AS SHOWN)	1	1	1	
74	860549	. . CAP PLASTIC	1	1	1	
75	860594	. . CAP SHAFT COVER	1	1	1	
76	860521	. ABSORBER / 99LBS	1	1	1	
NS	860602	. ABSORBER / 120LBS	1	1	1	
77	860586	. . BUSHING / ABSORBER	2	2	2	
NS	860692	. KIT REPAIR / MECHANICAL SUSPENSION	AR	AR	AR	A
78	N.S.S.	. . BUSHING SPLIT FLANGE	2	2	2	1
79	N.S.S.	. . BUSHING FLANGE	2	2	2	1
80	N.S.S.	. . BOLT	2	2	2	1
81	N.S.S.	. . ROLLER	4	4	4	1
82	N.S.S.	. . BUMPER	2	2	2	1
83	860864	SPINDLE KIT	1	1	1	
84	861746	. KIT WEIGHT ADJUSTMENT	1	1	1	
90	362201P	COVERING HEADREST ASSY / S.C.C. / DRIVER'S "ISRI" 6000 & 6500	1	1	1	
91	362204P	COVERING BACKREST ASSY / S.C.C. / DRIVER'S "ISRI" 6000 & 6500	1	1	1	
92	362203P	COVERING SEATREST ASSY / S.C.C. / DRIVER'S "ISRI" 6000 & 6500	1	1	1	
93	860527	CLIP	8	8	8	
NS	860484	SEW STRIP NYLON 10MM	AR	AR	AR	
NS	860485	SEW STRIP NYLON 15MM	AR	AR	AR	
NS	864709	TUBE PLASTIC 6MM O.D. CHARCOAL W/RED LINE	AR	AR	AR	
NS	864710	TUBE PLASTIC 6MM O.D. CHARCOAL W/GREY LINE	AR	AR	AR	
NS	864711	TUBE PLASTIC 6MM O.D. CHARCOAL	AR	AR	AR	
NS	641507	UNION / PUSH-IN FITTING / #4 x 6MM NP	1	1	1	
NS	641092	UNION TEE / NTA FITTING / #4x#4x#4 BR	1	1	1	
NS	867958	ADAPTOR	1	1	1	
NS	868125	UNION 4MM/4MM	1	1	1	
NS	868128	UNION 6MM/4MM	1	1	1	
100	362188	KIT BELT	1	1	1	
100	860607	. STIFF BUCKLE IN BOOT	1	1	1	



From 3-4417 To 8-1043	Date:10/2022	PAGE:HF-1822-10
DRIVER'S SEAT - "ISRI" - 6000/515 & 6500/515		

Item#	Part	Description	H 3 4 1	H 3 4 5	V I P 4 5	N O T E S
101	860977	. BELT SEAT	1	1	1	
NS	860553	. BELT TETHER / BODY & SUSPENSION / (SET OF 2)	1	1	1	
102	361800	BASE DRIVER'S SEAT / W "ISRI" / 76.2MM HEIGHT / 3"	1	1	1	
102	5001117	SCREW CAP HEX M12-1.75x70 BK	4	4	4	B
102	500958	WASHER FL .531x1.062x.095 SS	4	4	4	B
102	500810	WASHER LO SPT 12.2x21.1x2.5 Z050	4	4	4	B
102	362549	SPACER / STRUCTURE & BASE / 27MM	4	4	4	B
103	363945	BAR ICP / W/SEAT MODEL 6500	1	1	1	G
NS	500179	SCREW CAP HEX 5/16-18x3/4 G5 Z050	2	2	2	G
NS	500777	NUT HEX STO 5/16-18 Z050	2	2	2	G
NS	361677	JOINT / W/AIR SUSPENSION / W/2 HOLES .344 O / 3 1/8" x W/2" C/C To 7-0837	2	2	2	G
103	364155	JOINT / W/AIR SUSPENSION / W/2 HOLES .344 O / 4 3/8" x W/3 1/4" C/C From 7-0838	1	1	1	G
NS	500810	WASHER LO SPT 12.2x21.1x2.5 Z050	2	2	2	G
NS	500480	WASHER LO SPT .443x.779x.109 Z050	2	2	2	G
NS	500445	WASHER FL .437x1.000x.083 Z050	4	4	4	G
NS	5001365	SCREW CAP HEX M12-1.75x30 G10.9 DP	2	2	2	G
		A) W/SEAT #860433				
		B) TO FIX BASE TO FLOOR				
		C) W/HOSE & HARDWARE				
		D) W/BUTTON				
		E) THIS SEAT IS COMPLETELY ASSY W/COVERING, ARMREST, HEATING PAD & SAFETY BELT (SPECIFY COLOR)				
		G) TO FIX SAFETY BELT TO SEAT				
		1) NOT SOLD SEPARATELY				

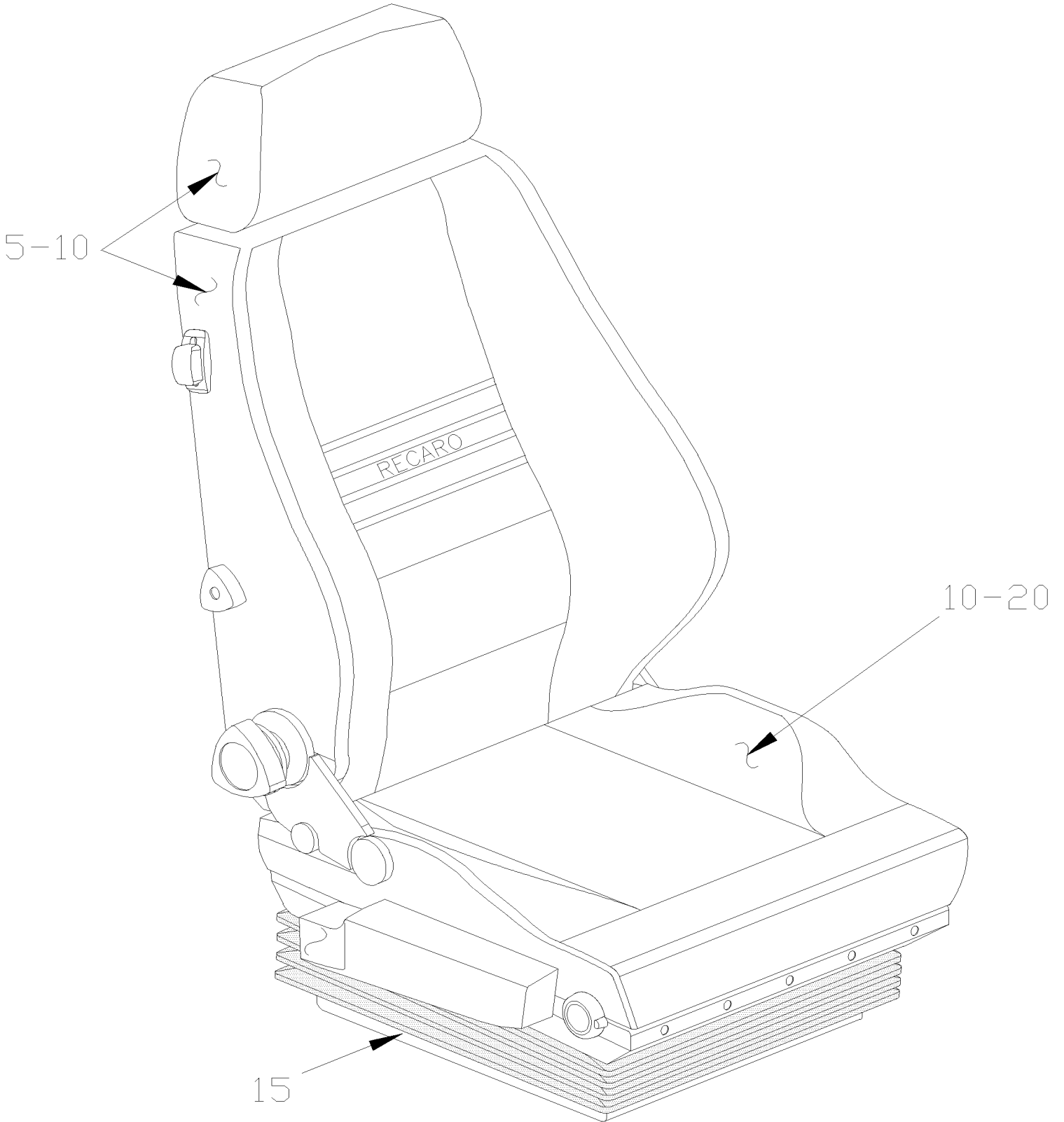


From 3-4417 To 8-1043

Date:10/2022

PAGE:HF-1823-01

DRIVER'S SEAT - "RECARO" - ERGO-COACH





From 3-4417 To 8-1043	Date:10/2022	PAGE:HF-1823-01
DRIVER'S SEAT - "RECARO" - ERGO-COACH		

Item#	Part	Description	H 3 4 1	H 3 4 5	V I P 4 5	N O T E S
	862488	DRIVER'S SEAT - "RECARO" - MODEL ERGO-C	1	1		
	862699	DRIVER'S SEAT - "RECARO" - MODEL ERGO-C	1	1		
	862874	DRIVER'S SEAT - "RECARO" - MODEL ERGO-C	1	1		
5	HF-1823-11	. BACKREST ASSY - "RECARO" - ERGO-COACH				
10	HF-1823-15	. SEAT COVER & FOAM - "RECARO" - ERGO-COACH				
15	HF-1823-21	. SUSPENSION & RISER - "RECARO" - ERGO-COACH				
20	HF-1823-25	. SEAT CUSHION FRAME - "RECARO" - ERGO-COACH				
25	HF-1823-31	. ARMREST - "RECARO" - ERGO-COACH				
30	363956	BASE DRIVER'S SEAT / W/"RECARO" SEAT "ERGO METRO" / 127MM HEIGHT To 4-4940	1	1		
NS	364114	BASE DRIVER'S SEAT / W/"RECARO" "C" / 112MM HEIGHT From 4-4941	1	1		
NS	362549	SPACER / STRUCTURE & BASE / 27MM	4	4		
NS	5001117	SCREW CAP HEX M12-1.75x70 BK	4	4		
NS	500810	WASHER LO SPT 12.2x21.1x2.5 Z050	4	4		
NS	500958	WASHER FL .531x1.062x.095 SS	4	4		

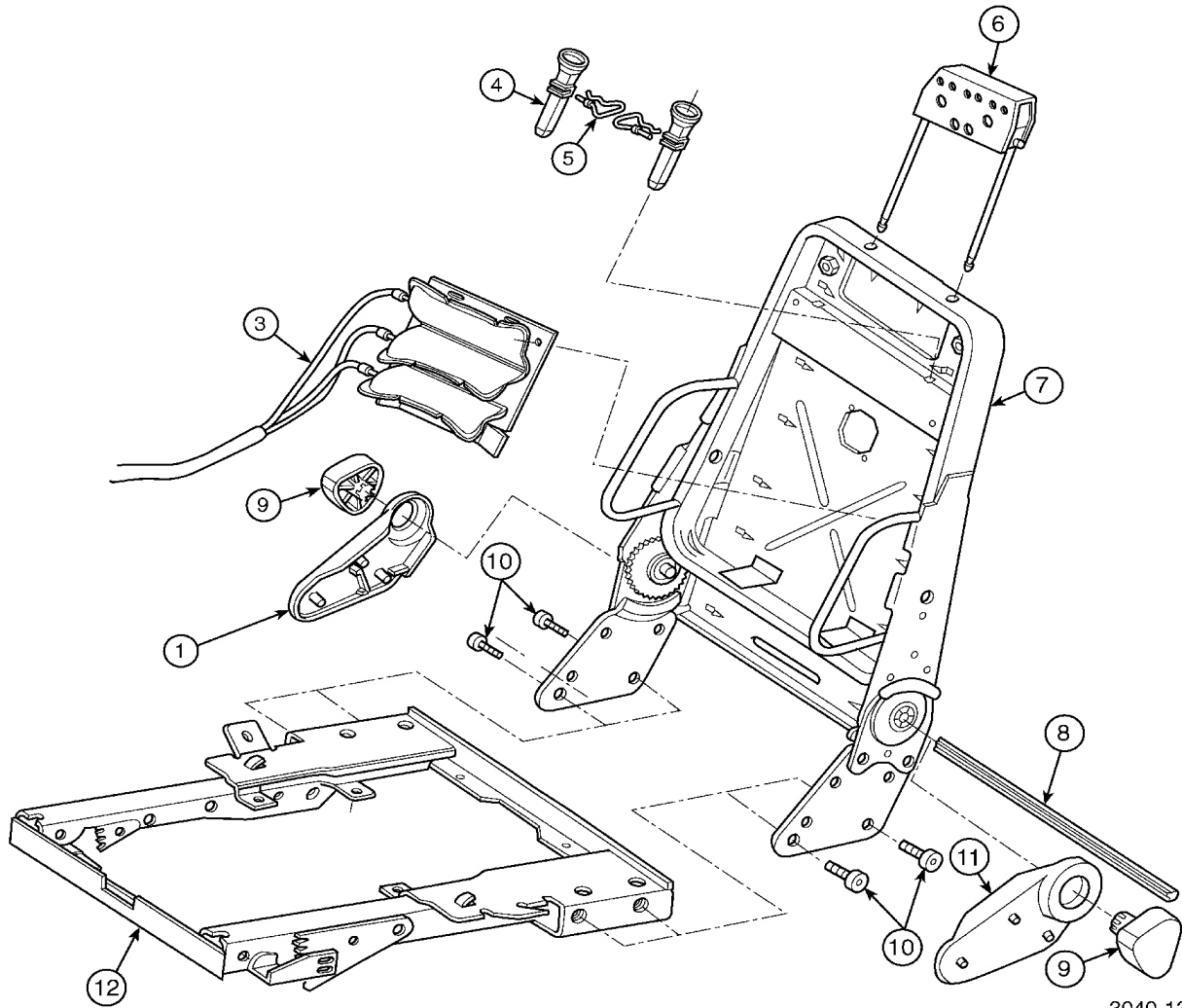


From 3-4417 To 8-1043

Date:10/2022

PAGE:HF-1823-11

BACKREST ASSY - "RECARO" - ERGO-COACH



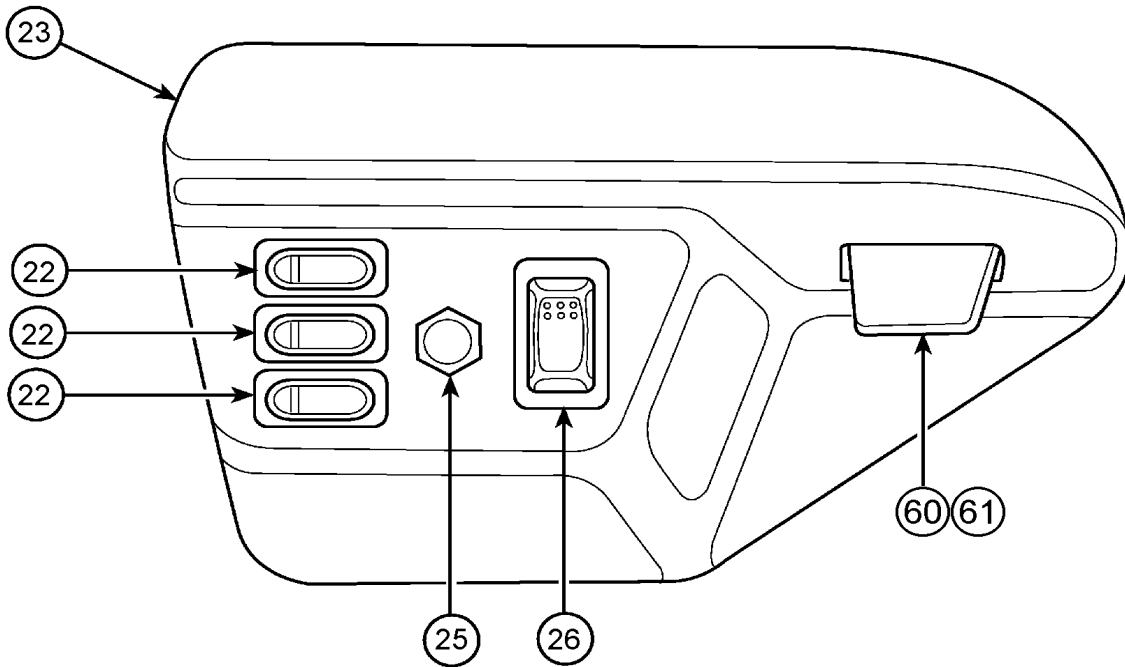
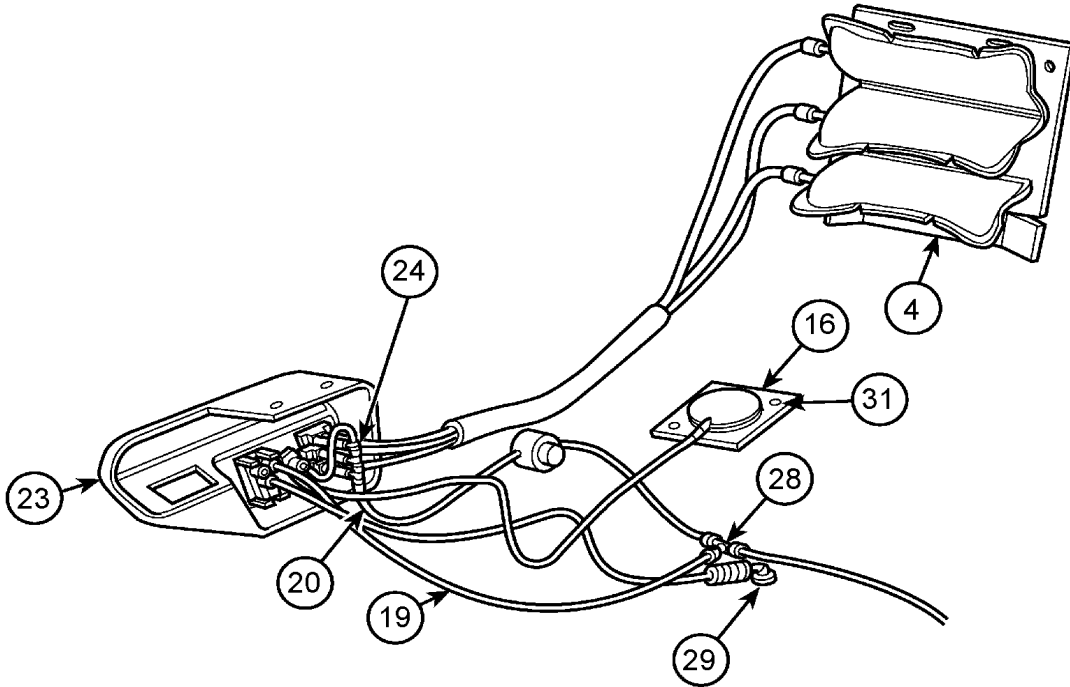


From 3-4417 To 8-1043

Date:10/2022

PAGE:HF-1823-11

BACKREST ASSY - "RECARO" - ERGO-COACH



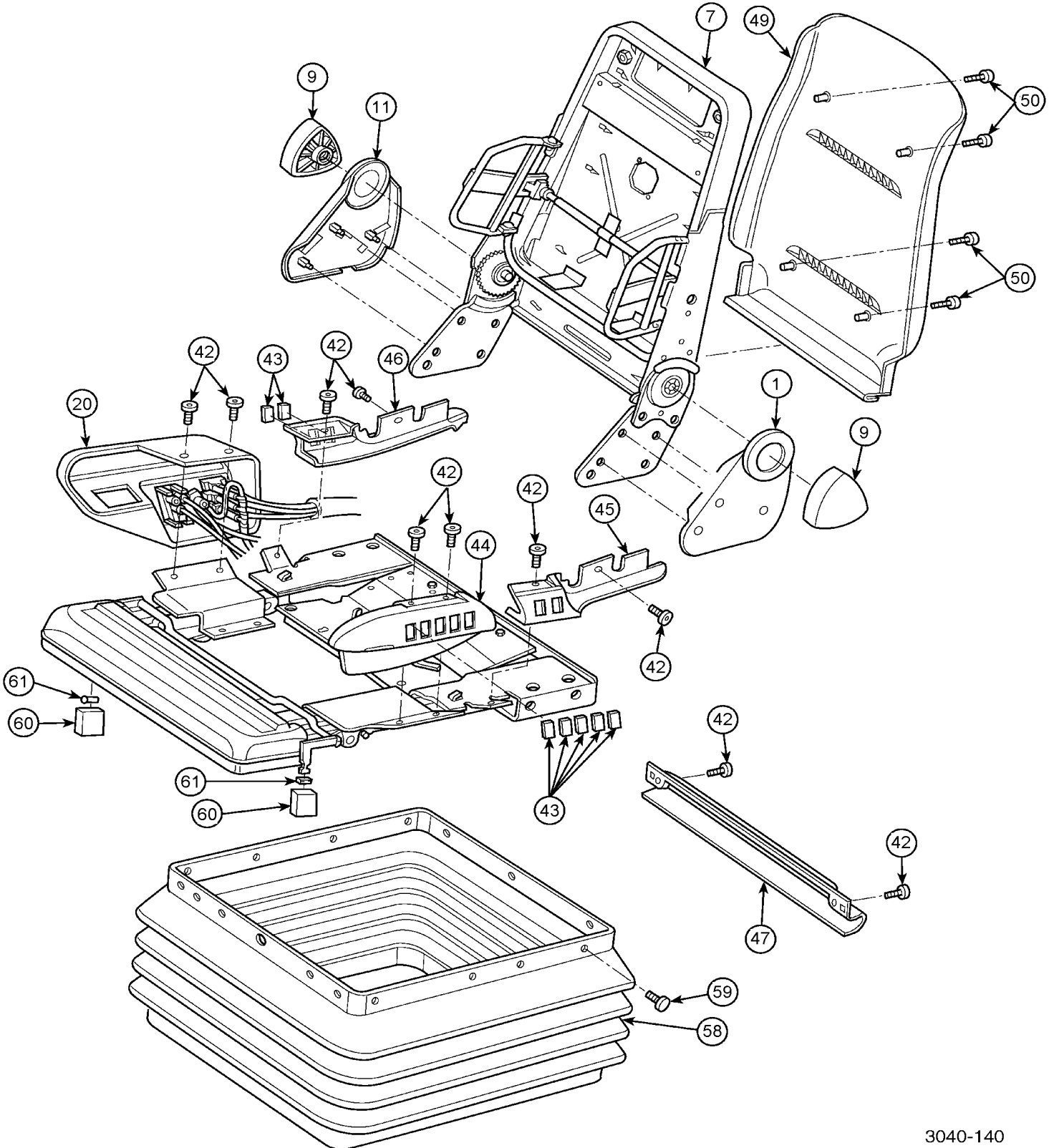


From 3-4417 To 8-1043

Date:10/2022

PAGE:HF-1823-11

BACKREST ASSY - "RECARO" - ERGO-COACH





From 3-4417 To 8-1043	Date:10/2022	PAGE:HF-1823-11
BACKREST ASSY - "RECARO" - ERGO-COACH		

Item#	Part	Description	H 3 4 1	H 3 4 5	V I P 4 5	N O T E S
1	Call order desk	COVER MANUAL RECLINE L.H.	1	1		P
3	N8890742	3 CELL LUMBAR	1	1		
4	Call order desk	HEADREST ASSY	1	1		P
4	Call order desk	. FRAME HEADREST	1	1		P
NS	Call order desk	. BUSHING HEADREST ROD PLASTIC	4	4		P
NS	Call order desk	. HEADREST ROD 307MM	2	2		P
4	Call order desk	. HEADREST COVER ASSY	1	1		P
NS	N8891971	. RETAINING STRIP	2	2		
NS	Call order desk	. BOLT M8X25	2	2		P
NS	N8882304	. NUT, LOCK	2	2		
5	N8886938	. TORSION SPRING	2	2		
5	N8886939	. SLEEVE	2	2		
6	N8886937	. GUIDE TUBE	2	2		
6	Call order desk	RETAINING CLIP, LOCK WASHER	2	2		P
7	Call order desk	BACK FRAME ASSY	1	1		P
8	Call order desk	ROD CONNECTING RECLINER	1	1		P
NS	Call order desk	BRACKET RECLINER STOP 12/25 DEG	1	1		P
NS	Call order desk	BOLT M8	2	2		P
9	Call order desk	HANDWHEEL	2	2		P
10	N8882373	SCREW M6-1.0x20	4	4		
11	Call order desk	COVER MANUAL RECLINE R.H.	1	1		P
12	Call order desk	RETAINING CLIP, LOCK WASHER	2	2		P
16	N8890756	ACTUATOR: AUTO BLADDER-CONTROL	1	1		
19	N8890744	TUBING 1/4" OD	1	1		
20	N8890720	CONTROL ASSY FRONT RH	1	1		
20	N8893904	. RUBBER TUBING 1/4 " OD	AR	AR		
22	N8891008	. SWITCH PNEUMATIC LUMBAR	3	3		
23	N8890743	. CONTROL PANEL	1	1		
24	Call order desk	. AIR FITTING 1/8"	1	1		P
25	N8891010	. SWITCH HIGH PRESSURE	1	1		
26	N8891009	. SWITCH AUTO ACTUATOR	1	1		
28	Call order desk	AIR FITTING 1/4"	1	1		P
29	N8890745	AIRSPRING FITTING	1	1		
31	N8800444	RETAINER	2	2		
NS	G1090493	FITTING 1/4"X1/4" UNION	1	1		
41	N8890720	CONTROL ASSY FRONT RH	1	1		
42	N8887256	SCREW	8	8		
43	N8887257	COVER PLATE SWITCH	9	9		
44	N8887260	CONTROL PANEL / FRONT L.H.	1	1		
45	N8800437	CONTROL PANEL / REAR L.H.	1	1		
46	N8800438	CONTROL PANEL / REAR R.H.	1	1		
47	N8887262	CABLE HOUSING REAR	1	1		



From 3-4417 To 8-1043	Date:10/2022	PAGE:HF-1823-11
-----------------------	--------------	-----------------

BACKREST ASSY - "RECARO" - ERGO-COACH

Item#	Part	Description	H 3 4 1	H 3 4 5	V I P 4 5	N O T E S
49	N8890725	BACKREST COVER KIT	1	1		
49	Call order desk	. COVER BACK PANEL	1	1		P
50	Call order desk	. SCREW BACK PANEL	1	1		P
58	G1094197	BOOT ASSY SUSPENSION	1	1		
. NS	N8882340	. PLASTIC RIVET	QR	QR		
59	N8882340	PLASTIC RIVET	23	23		
60	N8890746	KNOB KIT	1	1		
. NS	N8882395	. CLIP	2	2		
. NS	N8887258	. KNOB	2	2		
60	N8882395	. CLIP	2	2		
61	N8887258	. KNOB	2	2		
NS	N8890741	PNEUMATIC ASSY KIT	1	1		
NS	N8887345	. TIE STRAP	2	2		
NS	N8880620	. VINYL EDGE PROTECTOR	AR	AR		
NS	G1090493	. FITTING 1/4"X1/4" UNION	1	1		
NS	N8890744	. TUBING 1/4" OD	1	1		
NS	N8893904	. RUBBER TUBING 1/4 " OD	AR	AR		
NS	Call order desk	. REGULATOR MONNIER 10PSI	1	1		P
NS	Call order desk	. AIR FITTING 1/4"	1	1		P
NS	N8890748	. AIR FITTING 10-32 THREAD	1	1		
NS	Call order desk	. AIR FITTING 10-32 THREAD	1	1		P
NS	N8887306	. SCREW M5-0.8x10	1	1		
NS	Call order desk	. TUBING NYLON 12 BLACK	AR	AR		P
NS	Call order desk	. ERGO AIRLINE ROUTING	1	1		P
NS	Call order desk	. INSTALLATION INSTRUCTION AIR LINE	1	1		P
NS	Call order desk	STICKER RECARO LOGO	1	1		P
NS	N8890749	KIT BACKREST ASSY	1	1		A
NS	N8890750	KIT RECLINING STOP ASM	1	1		
NS	Call order desk	. BRACKET RECLINER STOP 12/25 DEG	1	1		P
NS	Call order desk	. BOLT M8	2	2		P
		A) INCLUDE ITEMS #5, 6, 7, 8 & 10				
		P) CALL ORDER DESK FOR SPECIFIC APPLICATION (V.I.N.)				

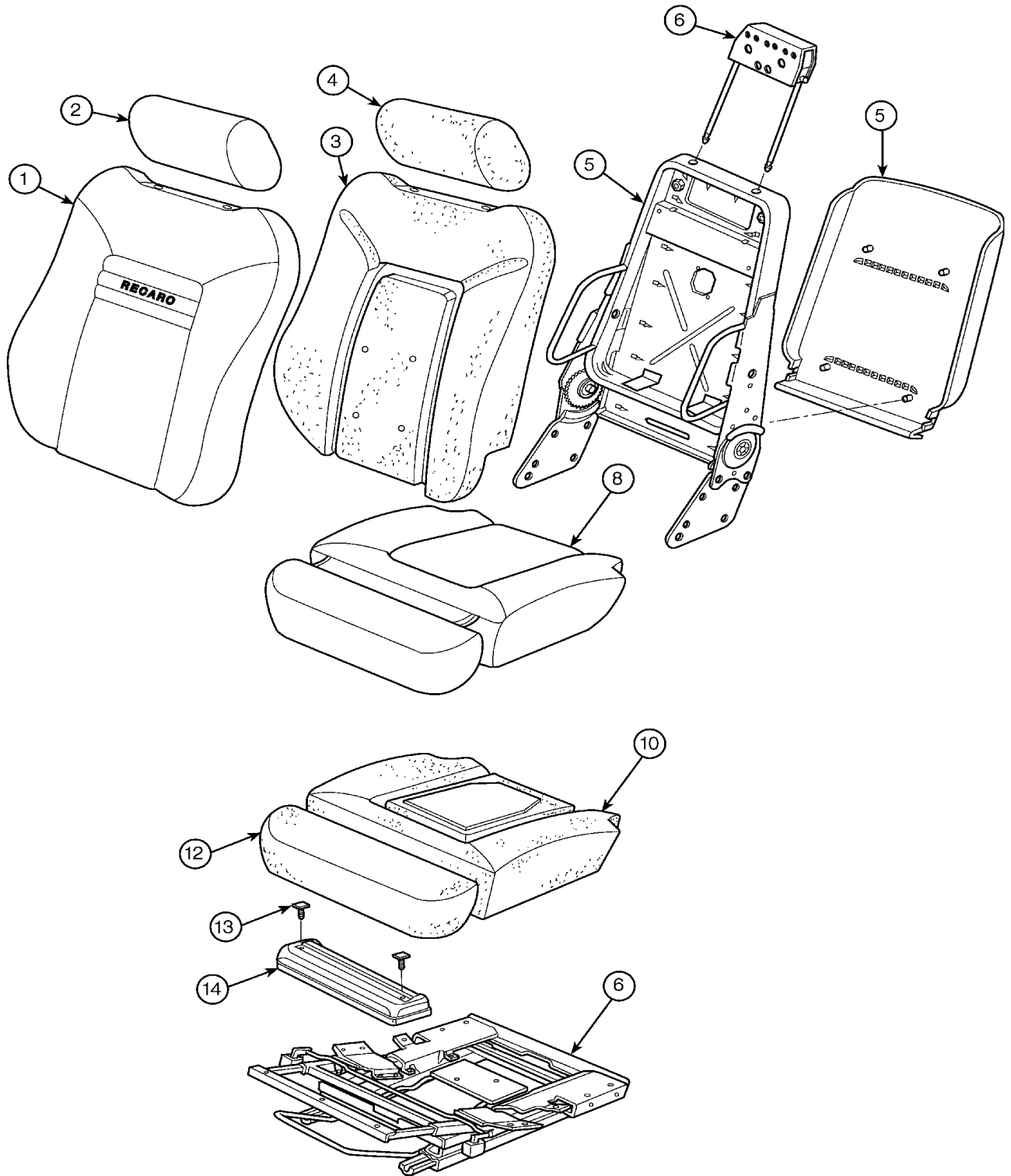


From 3-4417 To 8-1043

Date:10/2022

PAGE:HF-1823-15

SEAT COVER & FOAM - "RECARO" - ERGO-COACH





From 3-4417 To 8-1043	Date:10/2022	PAGE:HF-1823-15
SEAT COVER & FOAM - "RECARO" - ERGO-COACH		

Item#	Part	Description	H 3 4 1	H 3 4 5	V I P 4 5	N O T E S
1	Call order desk	SEATBACK COVER ASSY	1	1		P
2	Call order desk	HEADREST COVER ASSY	1	1		P
3	N8891359	FOAM BACKREST	1	1		
4	19503099	FOAM HEADREST	1	1		
5	HF-1823-11	BACKREST ASSY - "RECARO" - ERGO-COACH				
6	HF-1823-25	SEAT CUSHION FRAME - "RECARO" - ERGO-COACH				
8	Call order desk	SEAT CUSHION COVER ASSY	1	1		P
10	N9999062	FOAM SEAT CUSHION	1	1		
12	19503560	THIGH FOAM SUPPORT	1	1		
13	N8887357	FRAME TIGH EXTENSION	1	1		
14	N8887358	WASHER BOLT	2	2		
		P) CALL ORDER DESK FOR SPECIFIC APPLICATION (V.I.N.)				

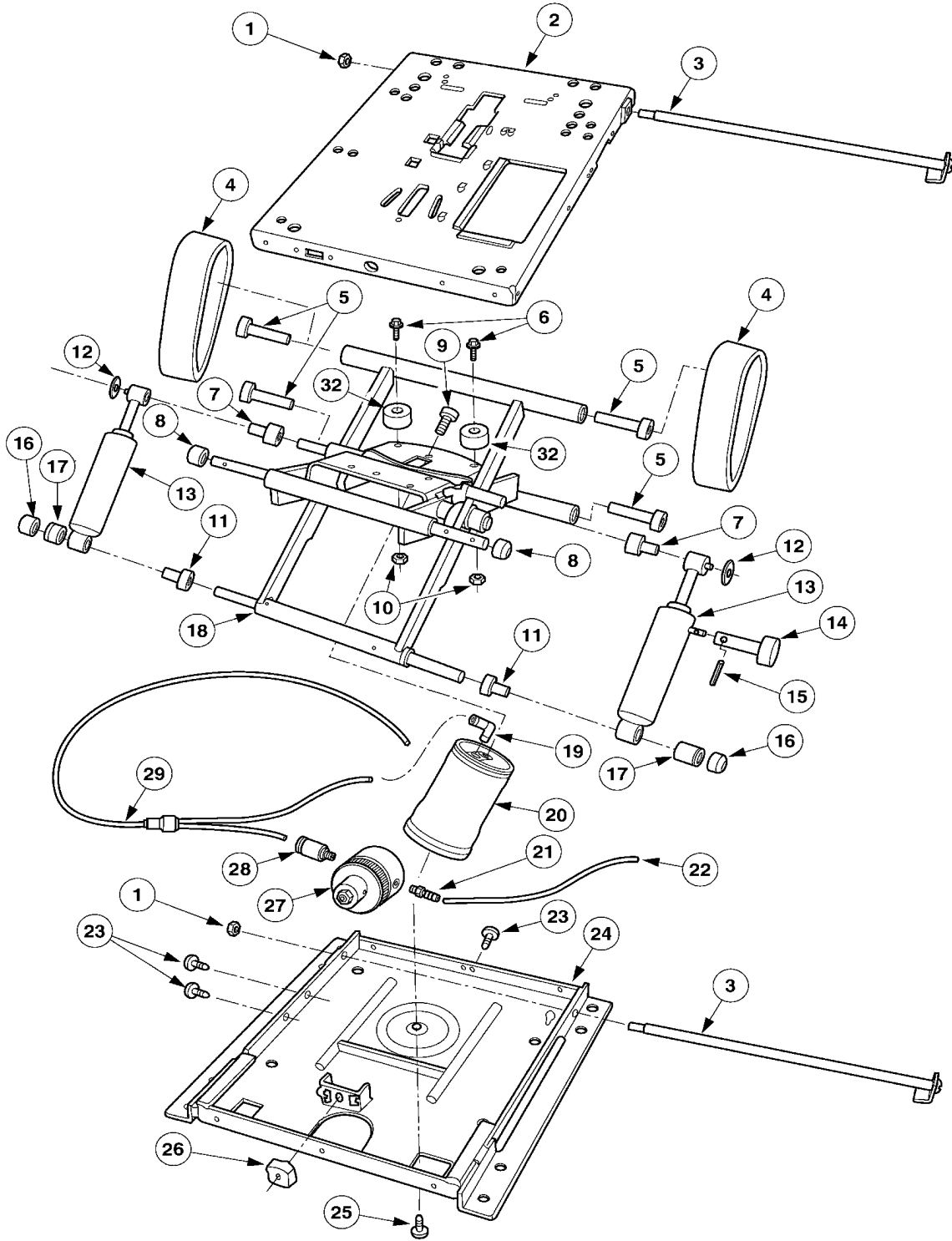


From 3-4417 To 8-1043

Date:10/2022

PAGE:HF-1823-21

SUSPENSION & RISER - "RECARO" - ERGO-COACH



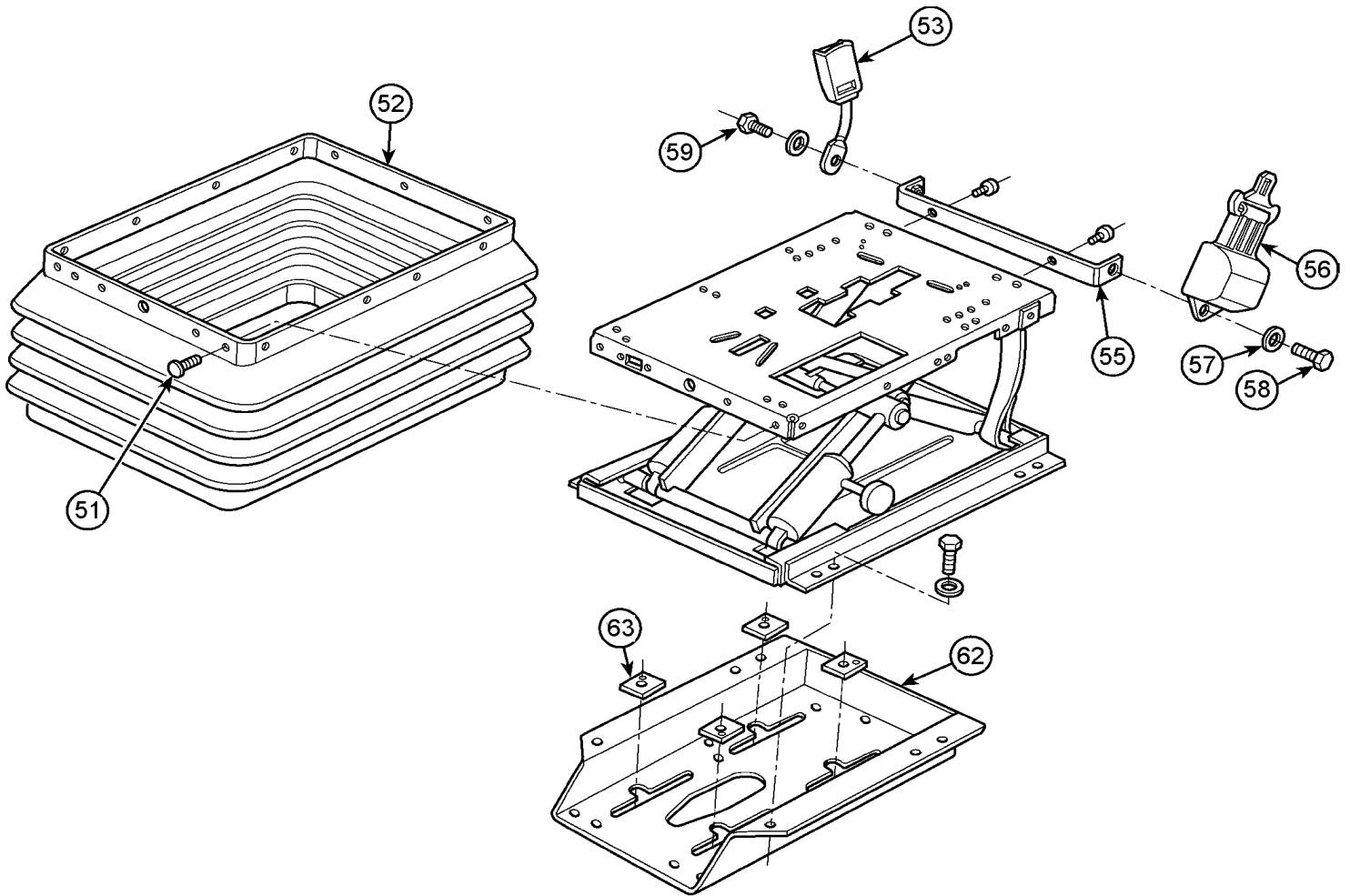


From 3-4417 To 8-1043

Date:10/2022

PAGE:HF-1823-21

SUSPENSION & RISER - "RECARO" - ERGO-COACH





From 3-4417 To 8-1043	Date:10/2022	PAGE:HF-1823-21
SUSPENSION & RISER - "RECARO" - ERGO-COACH		

Item#	Part	Description	H 3 4 1	H 3 4 5	V I P 4 5	N O T E S
1	N.P.N.	NUT HEX 3/8-16 CENTER LOCK	2	2		4
2	N8890734	UPPER HOUSING KIT	1	1		
3	N8890738	WELDMENT SHAFT	2	2		
4	N8890736	TETHER	2	2		
5	Call order desk	TUBE BEARING	4	4		P
6	Call order desk	SCREW MA 1/4-20x5/8	1	1		P
7	Call order desk	BEARING UPPER SHOCK	2	2		P
8	Call order desk	ROLLER	2	2		P
9	Call order desk	SCREW CAP HEX 3/8-16x1/2	1	1		P
10	Call order desk	NUT HEX SLO 1/4-20	1	1		P
11	Call order desk	BEARING LOWERR SHOCK	2	2		P
12	Call order desk	PUSHNUT .5 STUD	2	2		P
13	N.P.N.	SHOCK FIXED SUSPENSION	1	1		4
14	Call order desk	KNOB AJUSTEMENT	1	1		P
15	Call order desk	PIN ROLL 1/8x5/8	1	1		P
16	Call order desk	ROLLER	2	2		P
17	Call order desk	SPACER SHORT	1	1		P
17	Call order desk	SPACER LONG	1	1		P
18	Call order desk	SCISSOR	1	1		P
19	N8890745	AIRSPRING FITTING	1	1		
20	Call order desk	AIR SPRING SUSPENSION	1	1		P
21	N8890748	AIR FITTING 10-32 THREAD	1	1		
22	Call order desk	TUBING NYLON 12 BLACK	AR	AR		P
23	N.P.N.	CLIP	1	1		4
24	N8890735	LOWER HOUSING KIT	1	1		
25	Call order desk	SCREW 3/8-16x3/4	1	1		P
26	N8890740	BUMPER KIT	1	1		
27	Call order desk	REGULATOR MONNIER 10PSI	1	1		P
28	Call order desk	AIR FITTING 10-32 THREAD	1	1		P
29	N8890744	TUBING 1/4" OD	AR	AR		
32	Call order desk	BUMPER	1	1		P
51	G1094197	BOOT ASSY SUSPENSION	1	1		
. NS	N8882340	. PLASTIC RIVET	QR	QR		
52	N8882340	. PLASTIC RIVET	23	23		
53	N8891356	2 PT RH SEATBELT ASM	1	1		
53	Call order desk	. BUCKLE ASSY	1	1		P
55	G1094196	. SUPPORT KIT 2PT SEAT BELT ATTACHMENT	1	1		
56	N8893881	. SEAT BELT	1	1		
57	Call order desk	. WASHER FL 23.5x12x1.7	2	2		P
58	Call order desk	. SCREW SHR CAP HEX 7/16-20x1 3/4	1	1		P
59	Call order desk	. SCREW CAP HEX 7/16-20x1 1/2	1	1		P
NS	Call order desk	. BRACKET-SWIVEL	1	1		P



From 3-4417 To 8-1043	Date:10/2022	PAGE:HF-1823-21
SUSPENSION & RISER - "RECARO" - ERGO-COACH		

Item#	Part	Description	H 3 4 1	H 3 4 5	V I P 4 5	N O T E S
NS	Call order desk	. WASHER FL 7/16 ID x 1.5 OD .437x1.500	1	1		P
62	Call order desk	RISER 3" CRS KIT	1	1		P
62	Call order desk	. RISER 3" ASSY	1	1		P
NS	Call order desk	. LOOSE PARTS PACKAGE	1	1		P
63	Call order desk	. WASHER FL SQ 3.000	1	1		P
70	N8890730	AIR SPRING KIT	1	1		A
71	N8890732	FIXED SHOCK ASM KIT	1	1		B
72	N8890733	SHAFT SPACER BEARING SUSPENSION	1	1		C
73	N8890737	SCISSORS ASM KIT	1	1		D
74	N8890739	AIR LINE PROTECTION ABRASION KIT	1	1		
		A) INCLUDE ITEMS #9, 19, 20 & 25				
		B) INCLUDE ITEMS #1, 7, 11, 12, 13, 14 & 15				
		C) INCLUDE ITEMS #1, 3, 5, 7, 8, 11, 12, 16 & 17				
		D) INCLUDE ITEMS #1, 3, 5, 6, 7, 8, 10, 11, 12, 16, 17, 18 & 32				
		4) NO PARTS NUMBER				
		P) CALL ORDER DESK FOR SPECIFIC APPLICATION (V.I.N.)				

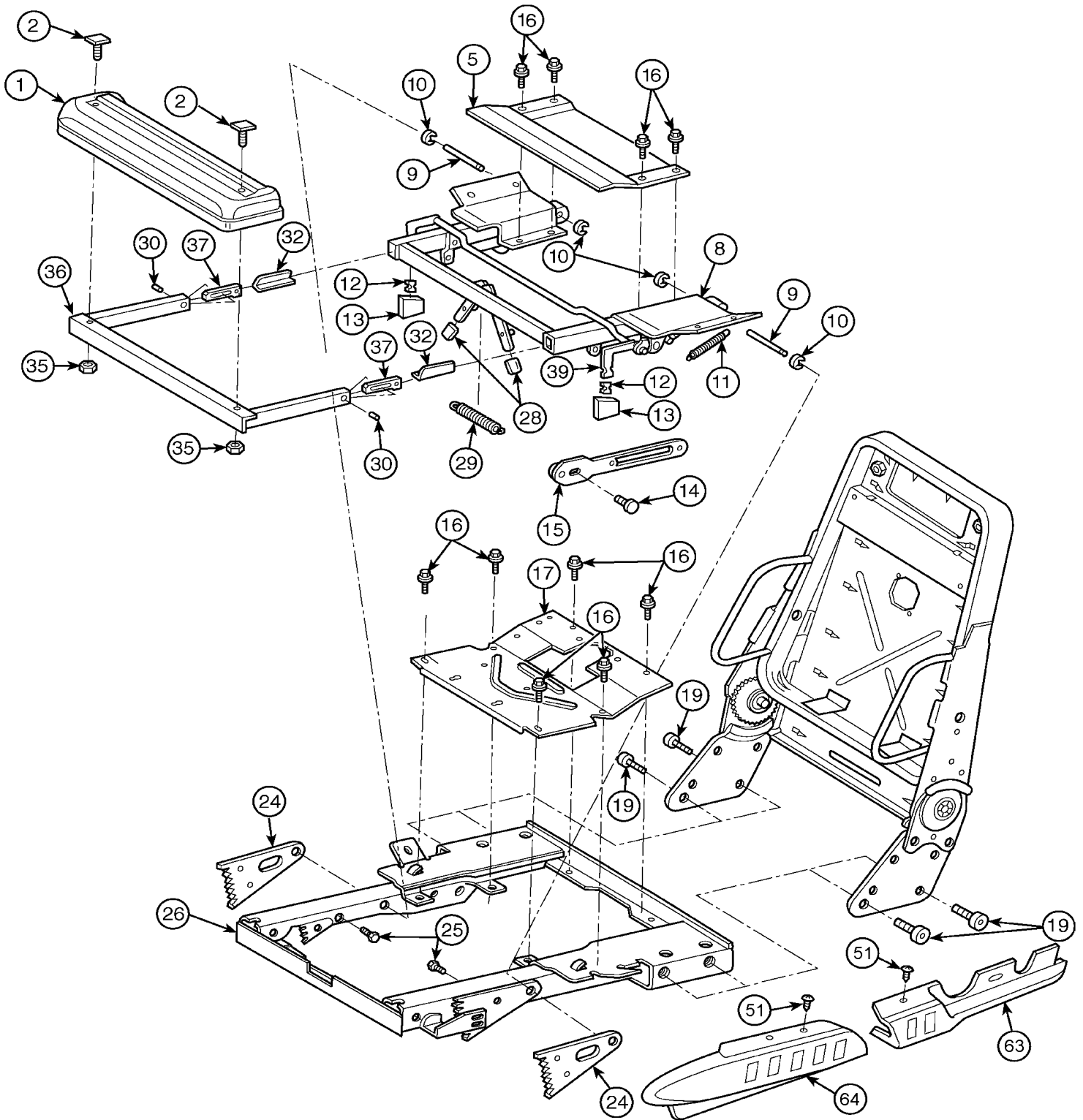


From 3-4417 To 8-1043

Date:10/2022

PAGE:HF-1823-25

SEAT CUSHION FRAME - "RECARO" - ERGO-COACH



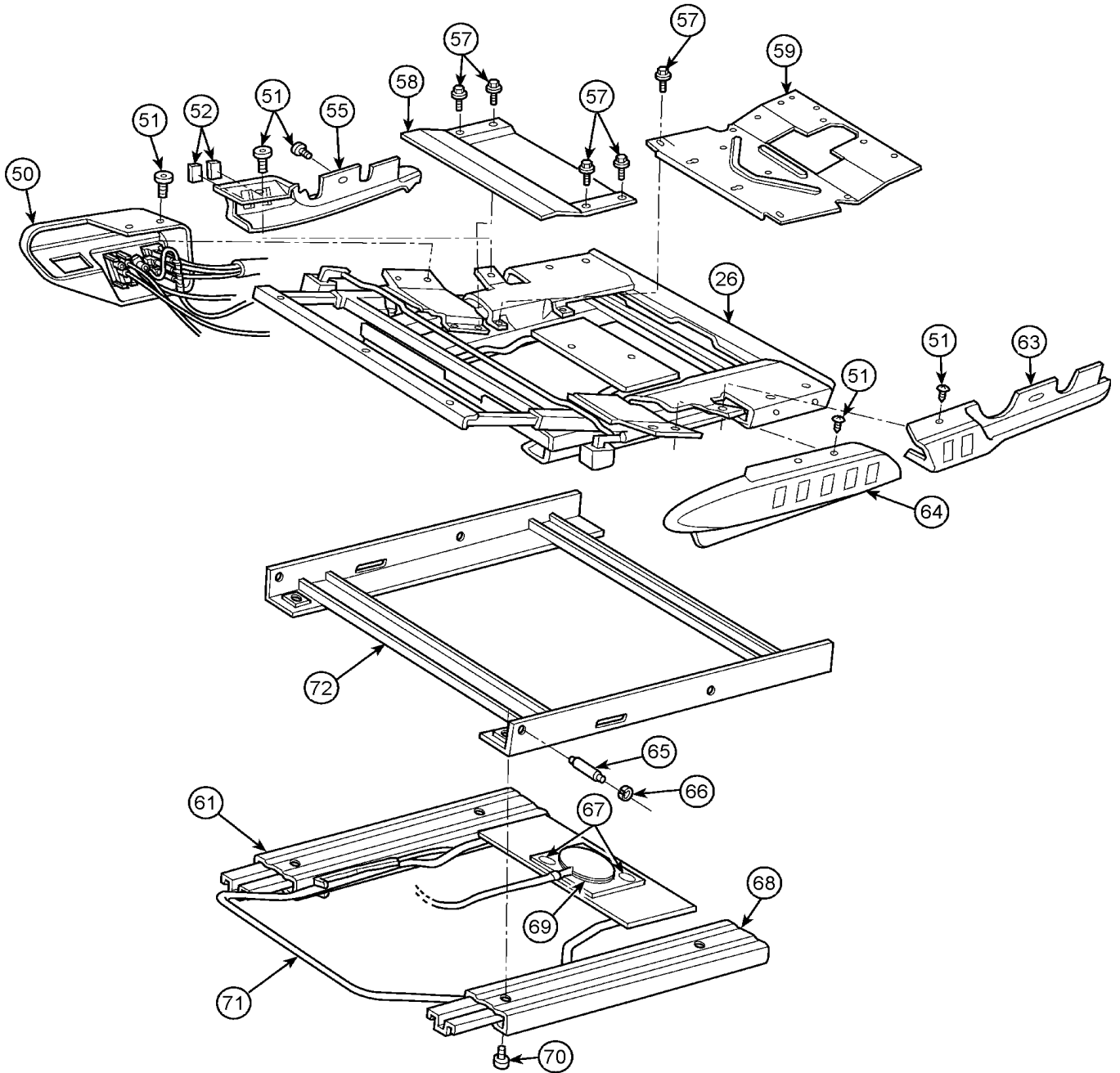


From 3-4417 To 8-1043

Date:10/2022

PAGE:HF-1823-25

SEAT CUSHION FRAME - "RECARO" - ERGO-COACH





From 3-4417 To 8-1043	Date:10/2022	PAGE:HF-1823-25
-----------------------	--------------	-----------------

SEAT CUSHION FRAME - "RECARO" - ERGO-COACH

Item#	Part	Description	H 3 4 1	H 3 4 5	V I P 4 5	N O T E S
	G1094200	FRAME ASM CUSHION	1	1		
1	N8887357	. FRAME TIGH EXTENSION	1	1		
2	N8887358	. WASHER BOLT	2	2		
5	N8800400	. CUSHION PAN FRONT	1	1		
8	N8887365	. PLATE	1	1		
9	N8887375	. BOLT	2	2		
10	N8882381	. CLIP RETAINER	8	8		
11	N8887368	. SPRING	2	2		
12	N8882395	. CLIP	2	2		
13	N8887258	. KNOB	2	2		
14	N8887367	. SCREW	2	2		
15	N8887366	. RELEASE PLATE	2	2		
16	N8887306	. SCREW M5-0.8x10	12	12		
17	N8800399	. SEAT CUSHION PAN REAR	1	1		
19	N8882373	. SCREW M6-1.0x20	4	4		
24	N8887362	. PIVOT PLATE	2	2		
25	N8887363	. SCREW	2	2		
26	Call order desk	. FRAME CUSHION ASSY	1	1		P
28	N8887369	. PLASTIC CAP	2	2		
29	N8887370	. SPRING	1	1		
30	N8887374	. BOLT	2	2		
32	N8887372	. GLIDING PART	2	2		
35	N8887359	. NUT M6	2	2		
36	N8887371	. TIGH EXTENSION	1	1		
37	N8887373	. PLASTIC GUIDE	2	2		
39	Call order desk	. LEVER, RAKE ADJUSTMENT	2	2		P
NS	Call order desk	. VELCRO LOOP	AR	AR		P
NS	Call order desk	. PIN ATTACH 38.6MM	4	4		P
NS	N8887356	REPAIR KIT LENGHT ADJUSTMENT	1	1		A
50	HF-1823-11	BACKREST ASSY - "RECARO" - ERGO-COACH				
51	N8887256	SCREW	8	8		
52	N8887257	COVER PLATE SWITCH	9	9		
55	N8890722	CONTROL PANEL / REAR R.H.	1	1		
57	N8887306	SCREW M5-0.8x10	12	12		
58	N8800400	CUSHION PAN FRONT	1	1		
59	G1094203	CUSHION PAN RR	1	1		
61	N8887269	TRACK RIGHT	1	1		
63	N8890721	CONTROL PANEL / REAR L.H.	1	1		
64	N8887260	CONTROL PANEL / FRONT L.H.	1	1		
65	Call order desk	PIN ATTACH 38.6MM	4	4		P
66	N8882381	CLIP RETAINER	8	8		
67	N8800444	RETAINER	2	2		



From 3-4417 To 8-1043	Date:10/2022	PAGE:HF-1823-25
SEAT CUSHION FRAME - "RECARO" - ERGO-COACH		

Item#	Part	Description	H 3 4 1	H 3 4 5	V I P 4 5	N O T E S
68	N8887268	TRACK LEFT	1	1		
69	N8890756	ACTUATOR: AUTO BLADDER-CONTROL	1	1		
70	Call order desk	SCREW CAP HEXS M8-1.25x20 8.8	8	8		P
NS	N8882349	NUT M8	4	4		
NS	N8880629	WASHER 5/16	4	4		
71	N8890726	CENTER TRACK ACTUATOR	1	1		
72	N8890729	COUSHION FRAME ADAPTER KIT	1	1		
72	Call order desk	. BRACKET CUSHION FRONT ADAPTER L.H.	1	1		P
72	Call order desk	. BRACKET CUSHION FRONT ADAPTER R.H.	1	1		P
72	N8882381	. CLIP RETAINER	8	8		
72	Call order desk	. PIN ATTACH 38.6MM	4	4		P
		A) INCLUDE ITEMS #1, 2, 35				
		P) CALL ORDER DESK FOR SPECIFIC APPLICATION (V.I.N.)				

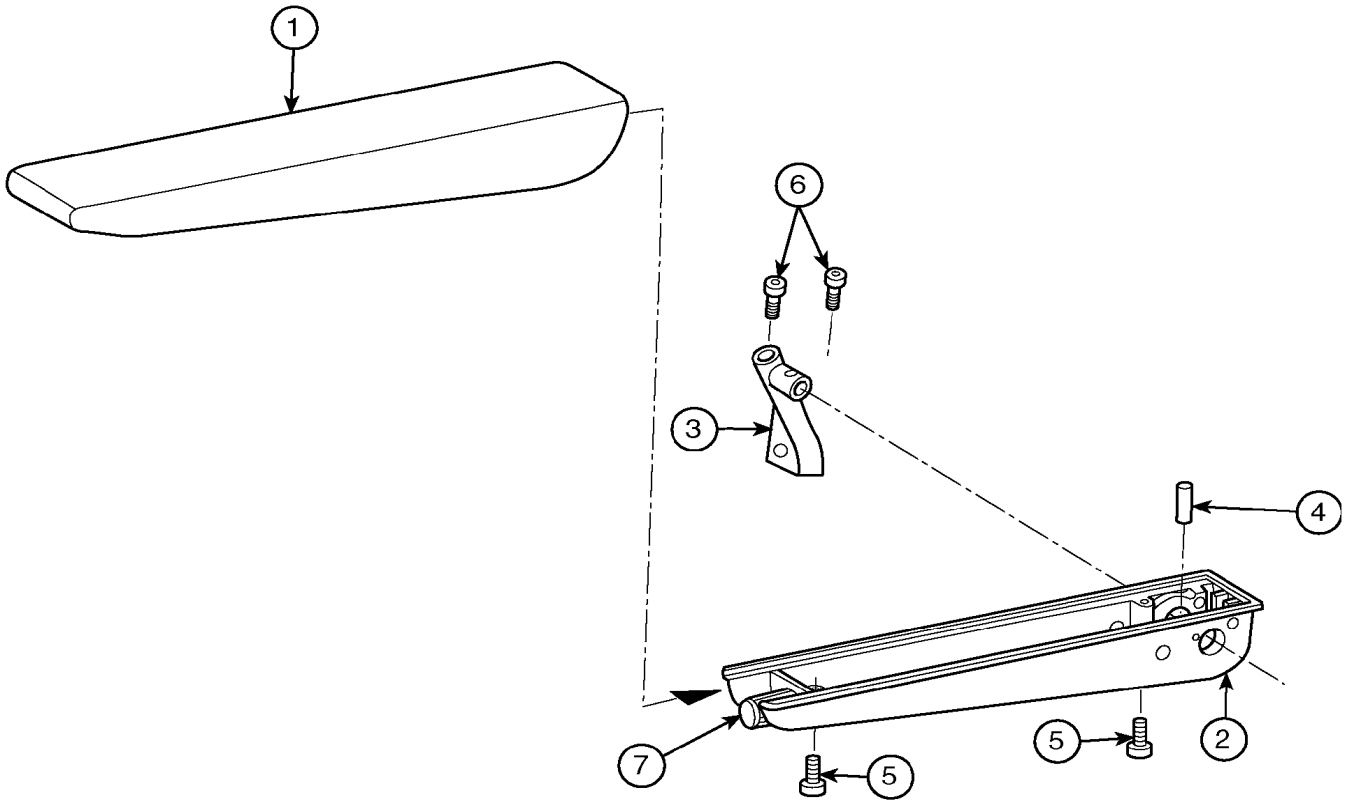


From 3-4417 To 8-1043

Date:10/2022

PAGE:HF-1823-31

ARMREST - "RECARO" - ERGO-COACH



3040-046



From 3-4417 To 8-1043	Date:10/2022	PAGE:HF-1823-31
ARMREST - "RECARO" - ERGO-COACH		

Item#	Part	Description	H 3 4 1	H 3 4 5	V I P 4 5	N O T E S
	N8891363	ARMREST ASSY L.H.	1	1		
	N8891364	ARMREST ASSY R.H.	1	1		
1	N8891365	. FOAM ARMREST	1	1		
2	N8800125	. ARMREST FRAME	1	1		
3	N8891367	. BRACKET L.H.	1	1		
3	N8891368	. BRACKET R.H.	1	1		
4	N8800461	. RETAINING PIN DIN7343 10X40	1	1		
5	N8800462	. SCREW M4X16 DIN7085	2	2		
6	N8891371	. BOLT	2	2		
7	N8800468	. PLASTIC END KNOB	1	1		
8	N8891863	. SPACER	2	2		

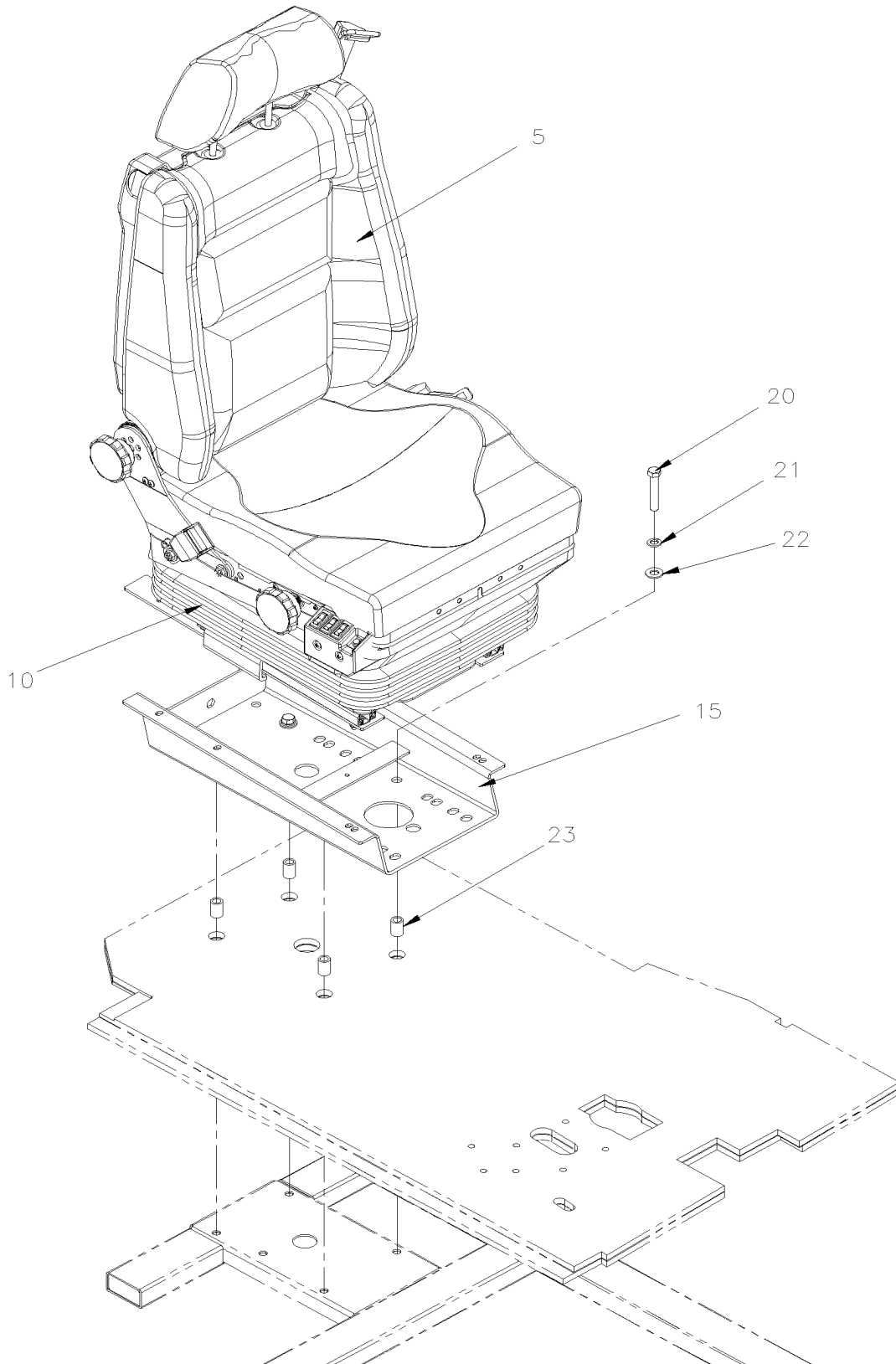


From 3-4417 To 8-1043

Date:10/2022

PAGE:HF-1823-50

DRIVER'S SEAT - "USSC" - 9100ALX3





From 3-4417 To 8-1043	Date:10/2022	PAGE:HF-1823-50
-----------------------	--------------	-----------------

DRIVER'S SEAT - "USSC" - 9100ALX3

Item#	Part	Description	H 3 4 1	H 3 4 5	V I P 4 5	N O T E S
	862267	DRIVER'S SEAT - "USSC" - MODEL 9100 ALX3				
	862372	DRIVER'S SEAT - "USSC" - MODEL 9100 ALX3				
	862385	DRIVER'S SEAT - "USSC" - MODEL 9100 ALX3				
	862530	DRIVER'S SEAT - "USSC" - MODEL 9100 ALX3				
	862572	DRIVER'S SEAT - "USSC" - MODEL 9100 ALX3				
	862581	DRIVER'S SEAT - "USSC" - MODEL 9100 ALX3				
	862582	DRIVER'S SEAT - "USSC" - MODEL 9100 ALX3				
	862672	DRIVER'S SEAT - "USSC" - MODEL 9100 ALX3				
	862700	DRIVER'S SEAT - "USSC" - MODEL 9100 ALX3				
	862876	DRIVER'S SEAT - "USSC" - MODEL 9100 ALX3				
	862894	DRIVER'S SEAT - "USSC" - MODEL 9100 ALX3				
	863123	DRIVER'S SEAT - "USSC" - MODEL 9100 ALX3				
	863125	DRIVER'S SEAT - "USSC" - MODEL 9100 ALX3				
	863289	DRIVER'S SEAT - "USSC" - MODEL 9100 ALX3				
	863318	DRIVER'S SEAT - "USSC" - MODEL 9100 ALX3				
	863383	DRIVER'S SEAT - "USSC" - MODEL 9100 ALX3				
5	HF-1823-60	. SEAT ASSY - "USSC" - 9100ALX3				
10	HF-1823-70	. SUSPENSION ASSY - "USSC" - 9100ALX3				
15	HF-1823-80	. BASE ASSY - "USSC" - 9100ALX3				
20	5001862	SCREW CAP HEX M12-1.75x70 G10.9 N500	4	4		
21	500747	WASHER LO SPT 12.2x21.1x2.5 N500	4	4		
22	500958	WASHER FL .531x1.062x.095 SS	4	4		
23	362549	SPACER / STRUCTURE & BASE / 27MM	4	4		

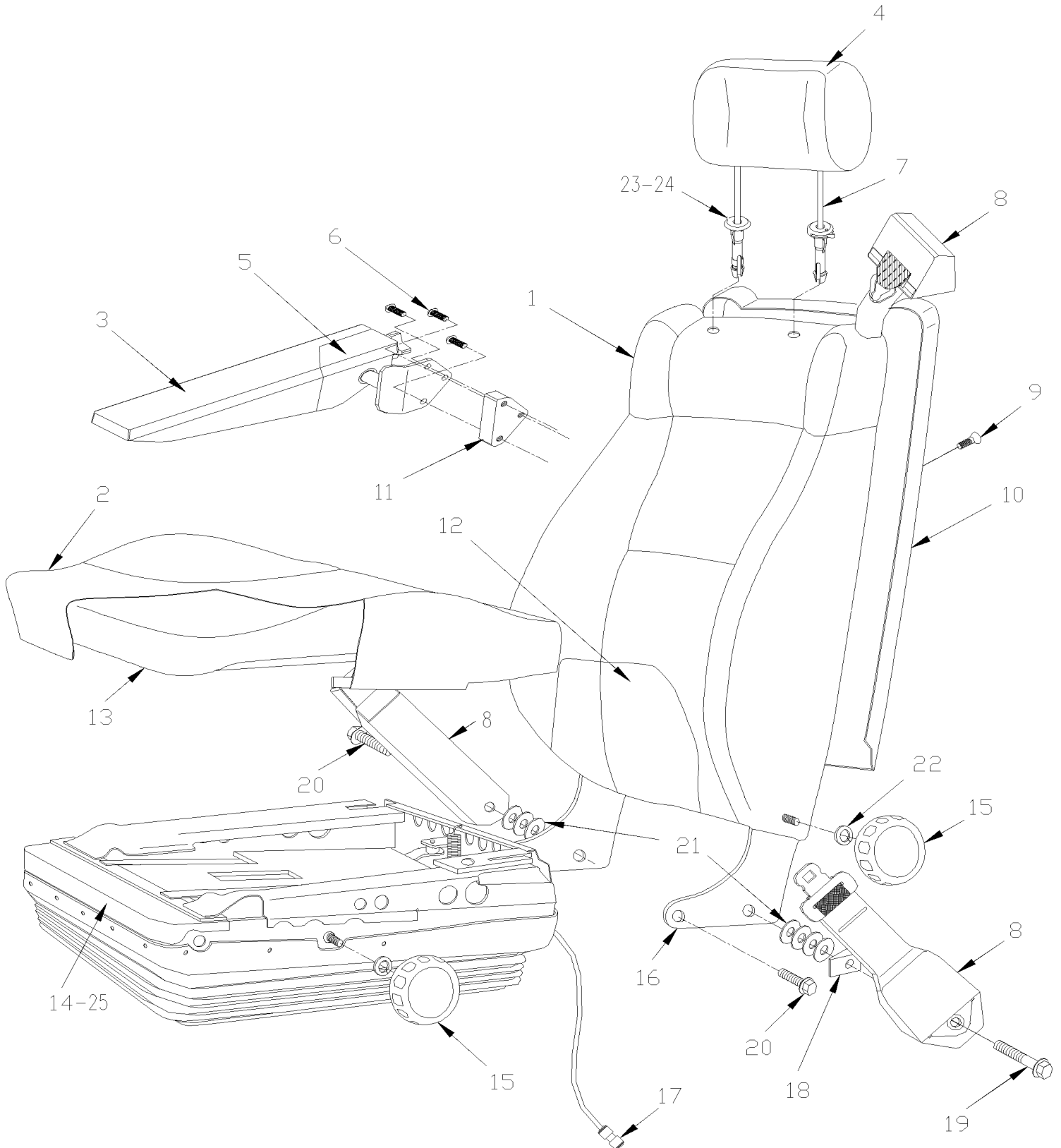


From 3-4417 To 8-1043

Date:10/2022

PAGE:HF-1823-60

SEAT ASSY - "USSC" - 9100ALX3





From 3-4417 To 8-1043	Date:10/2022	PAGE:HF-1823-60
SEAT ASSY - "USSC" - 9100ALX3		

Item#	Part	Description	H 3 4 1	H 3 4 5	V I P 4 5	N O T E S
1	Call order desk	COVER BACKREST	1	1		P
2	Call order desk	COVER CUSHION	1	1		P
3	Call order desk	COVER ARMREST	1	1		P
4	Call order desk	COVER HEADREST	1	1		P
6	N8893510	SCREW M8-1.25x35	3	3		
7	N8887203	HEADREST ASSY	1	1		
8	N8891957	BELT 3PT ASS	1	1		
. NS	N8904553	. BUSHING	1	1		
8	864095	. BELT 3PT / SHOULDER RETRACTOR	1	1		
8	864096	. BELT 3PT / LAP RETRACTOR	1	1		
8	864097	. BELT 3PT / BUCKLE RECEPTOR 4 3/4	1	1		
9	N8887219	SCREW 1/4-20x3/4	2	2		
10	N8891951	BACKSHELL W/LOGO To 7-0788	1	1		
10	N8895439	BACKSHELL W/OUT LOGO From 7-0789	1	1		
12	N8882987	FOAM BACKREST	1	1		
13	N8887209	CUSHION FOAM	1	1		
14	N8891953	SUSPENSION BASE ASSY W/FORMER VALVE	1	1		
15	N8882989	KNOB SEAT ADJUSTMENT W/FORMER VALVE	2	2		
16	N8891949	BACK BOLSTER	1	1		
17	N8882997	CONNECTOR	2	2		
18	N8887857	SPACER 1/2x1-1/8x5/8	2	2		
19	N8882962	SCREW CAP HEX 7/16-20X2.25	2	2		
20	N8882960	SCREW CAP HEX 7/16-20X1.5"	2	2		
21	N8882992	WASHER FLAT 7/16	7	7		
22	N8882967	WASHER, LOCK M10	2	2		
22	N8882988	NUT JAM M10X1.5	2	2		
23	N8893445	HEADREST PLUG	2	2		
24	N8891948	PIN HAIR - HEADREST .0725 DIA	2	2		
25	HF-1823-70	SUSPENSION ASSY - "USSC" - 9100ALX3				
		P) CALL ORDER DESK FOR SPECIFIC APPLICATION (V.I.N.)				

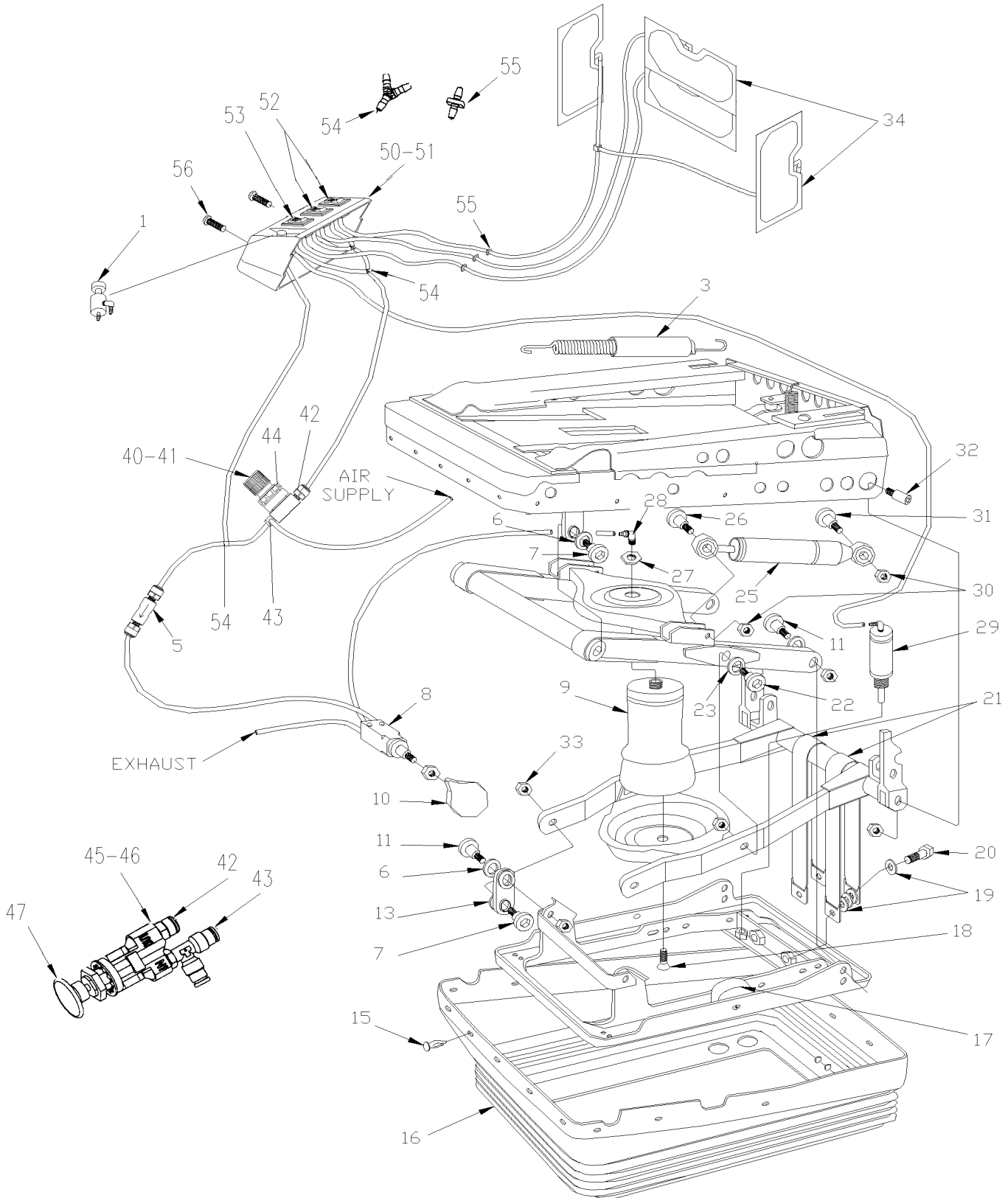


From 3-4417 To 8-1043

Date:10/2022

PAGE:HF-1823-70

SUSPENSION ASSY - "USSC" - 9100ALX3





From 3-4417 To 8-1043	Date:10/2022	PAGE:HF-1823-70
SUSPENSION ASSY - "USSC" - 9100ALX3		

Item#	Part	Description	H 3 4 1	H 3 4 5	V I P 4 5	N O T E S
1	N8887215	SLIDE BUTTON ASSY	1	1		
3	N8882994	SPRING	2	2		
5	N8887214	ONE WAY AIR VALVE	1	1		
6	N8883024	WASHER	1	1		
7	N8883022	BOLT	6	6		
8	N8883028	AIR VALVE ASSY W/FITTING HEIGHT CONTROL / FORMER	1	1		
9	N8883029	AIR BAG KIT	1	1		A
9	N8893448	. AIR BAG ONLY	1	1		
10	N8883026	KNOB ADJ / HEIGHT CONTROL / FORMER	1	1		
11	N8883025	BOLT	4	4		
13	N8883023	BUSHING	12	12		
15	N8883021	RIVET	30	30		
16	N8883020	BELLOW	1	1		
17	N8883018	RUBBER BUMPER	2	2		
18	N8883019	SCREW M10-1.5x16	1	1		
19	N8887858	WASHER 7/16	6	6		
20	N8882961	SCREW 7/16-20x1 1/4	2	2		
21	N8883017	STRAP 15"	2	2		
22	N8887205	BOLT	2	2		
23	N8887206	BUSHING 18MM	2	2		
25	N8893636	SHOCK ABSORBER, FIRM	1	1		
NS	N8882305	BUSHING SHOCK ABSORBER	4	4		
26	N8882303	BOLT, HEX SHOCK M8 X 40	2	2		
27	N8883031	NUT	1	1		
28	N8883010	AIR BAG NIPPLE	1	1		
29	N8887216	SLIDE CYLINDER ASSY	1	1		
30	N8883015	NUT LOCK M8-1.25/GRD10/CZ	2	2		
31	N8883013	BOLT, M8 X 40	2	2		
32	N8883012	BOLT REAR BEARING	2	2		
33	N8883030	LOCK NUT 10M	1	1		
34	N8883036	LUMBAR AIR BAG ASSY	1	1		
34	N8891961	RIVET	6	6		
40	N8890644	AIR LUMBAR REGULATOR ASSY W/FITTING / W/AIR SLIDE CYLINDER	1	1		
40	N8887856	AIR LUMBAR REGULATOR ASSY W/FITTING	1	1		
41	N8883033	. AIR REGULATOR	1	1		
42	N8892738	. CONNECTOR 1/8 NPT	1	1		
43	N8893451	. MALE RUN TEE 1/8 NPT	1	1		
44	N8893452	. NUT RETAINER REGULATOR	1	1		
45	N8893439	AIR VALVE ASSY W/FITTING / HEIGHT CONTROL / CURRENT	1	1		
46	N8893450	. AIR VALVE / HEIGHT CONTROL / CURRENT	1	1		
47	N8891954	. KNOB ADJ / HEIGHT CONTROL / CURRENT	1	1		
50	N8887212	AIR BOX ASSY W3 AIR SWITCH	1	1		



From 3-4417 To 8-1043	Date:10/2022	PAGE:HF-1823-70
SUSPENSION ASSY - "USSC" - 9100ALX3		

Item#	Part	Description	H 3 4 1	H 3 4 5	V I P 4 5	N O T E S
51	N8883035	. SWITCH BOX	1	1		
52	N8892491	. AIR SWITCH / LUMBAR	2	2		
53	N8892492	. AIR SWICH / BOLSTER	1	1		
54	N8893453	. Y CONNECTOR 1/8"	3	3		
55	N8893454	. UNION CONNECTOR 1/8"	3	3		
56	N8882986	. SCREW 1/4-20x1 3/4	2	2		
57	N8893455	AIR TUBE 1/4"	AR	AR		
		A) INCLUDE ITEMS # 18, 27 AND 28				

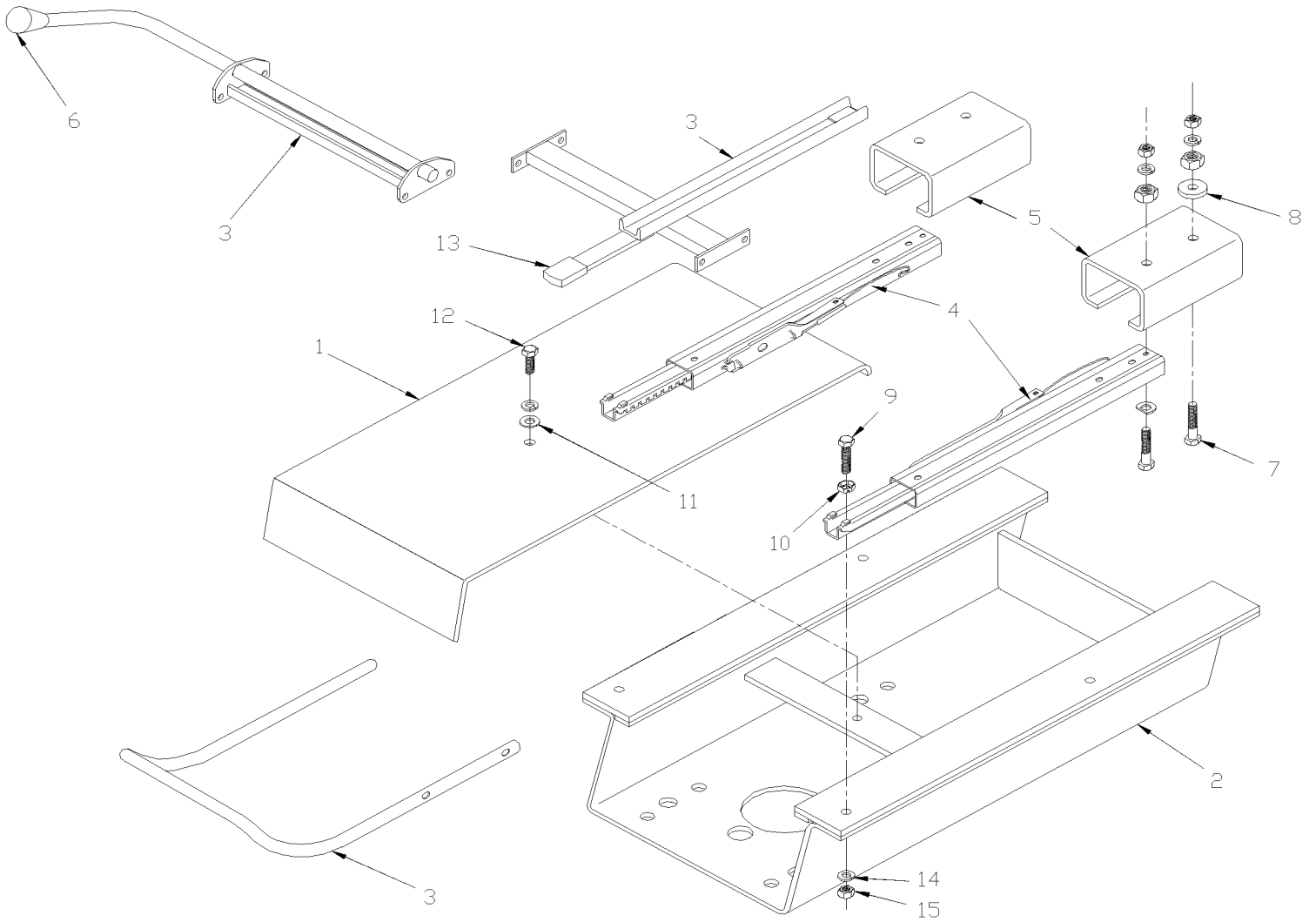


From 3-4417 To 8-1043

Date:10/2022

PAGE:HF-1823-80

BASE ASSY - "USSC" - 9100ALX3





From 3-4417 To 8-1043	Date:10/2022	PAGE:HF-1823-80
BASE ASSY - "USSC" - 9100ALX3		

Item#	Part	Description	H 3 4 1	H 3 4 5	V I P 4 5	N O T E S
1	N8891960	COVER	1	1		
2	N8891958	BASE ASSY 4"	1	1		
3	N8891955	RELEASE HANDLE ASM	1	1		
4	N8883008	SLIDE SET 9.45"	1	1		
4	N8890626	SPRING 10"	1	1		
5	N8891959	BRACKET SLIDE REINFORCMENT	2	2		
6	N8892036	KNOB 1 1/8" DIA.	1	1		
7	N8882965	SCREW 5/16-18x1 1/2	6	6		
8	N8883004	SPACER SLIDE	8	8		
9	N8882964	SCREW 5/16-18x1 1/4	4	4		
10	N8883007	NUT 3/8	4	4		
11	N8882966	WASHER, LOCK 7/16	2	2		
12	N8882962	SCREW CAP HEX 7/16-20X2.25	2	2		
13	N8883002	COVER LIMITOR	1	1		
14	N8882968	WASHER, LOCK 5/16	4	4		
15	N8883006	NUT 5/16-18 GR8ZX	4	4		

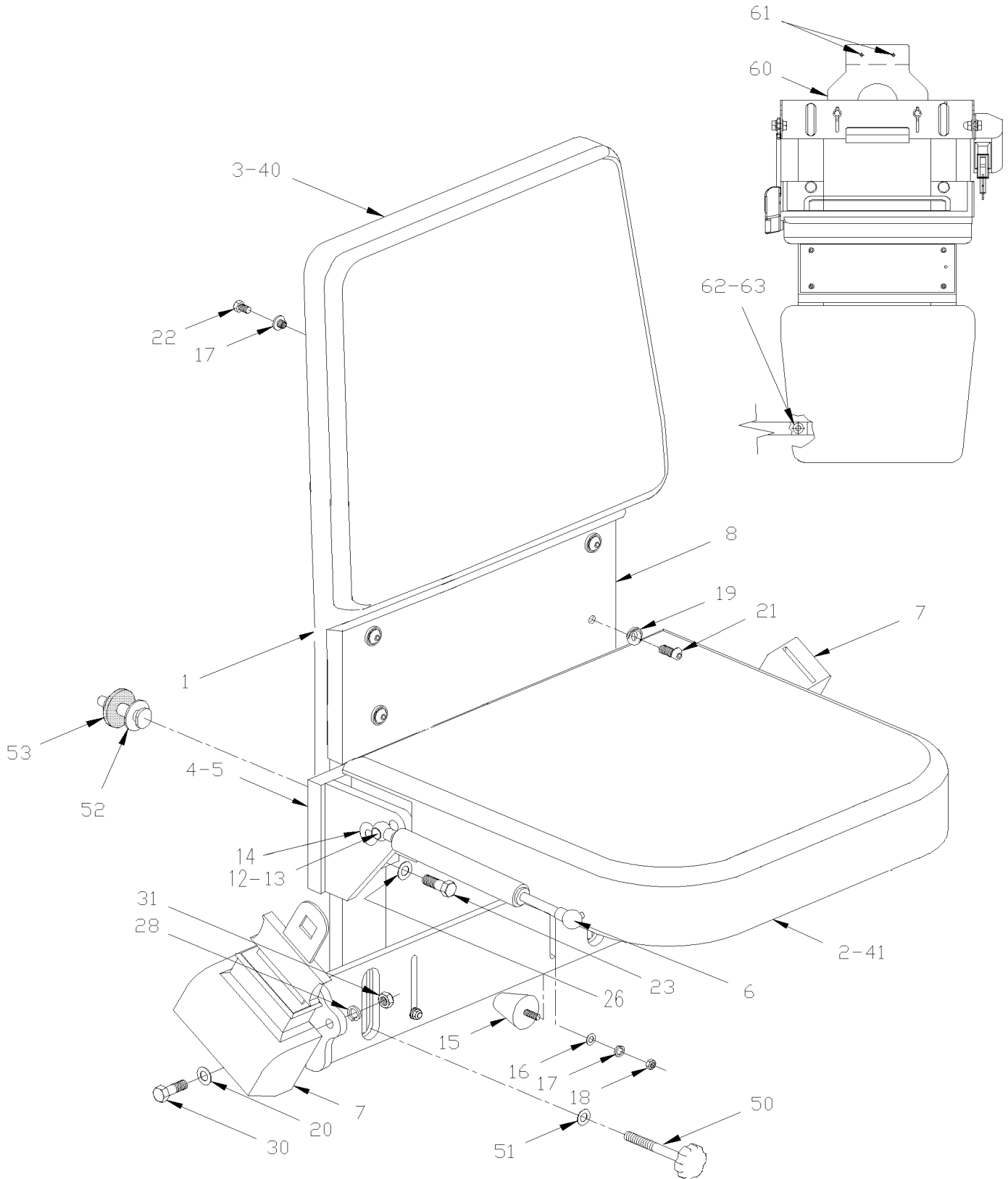


From 3-4417 To 8-1043

Date:10/2022

PAGE:HF-1824-00

HOSTESS SEAT ASSY





From 3-4417 To 8-1043		Date:10/2022	PAGE:HF-1824-00
HOSTESS SEAT ASSY			

Item#	Part	Description	H 3 4 1	H 3 4 5	V I P 4 5	N O T E S
	364106P	HOSTESS SEAT ASSY	1	1		
1	364107	. FRAME ASSY	1	1		
2	364008	. SEAT BASE, ASSY	1	1		
NS	363040	. CUSHION FOAM	1	1		
3	Call order desk	. BACKREST PANEL ASSY W/FOAM & COVERING /S.C.	1	1		P
3	363014	. LOWER BACKREST PANEL	1	1		
NS	363041	. BACK REST FOAM	1	1		
NS	500453	. NUT TEE 1/4-20	1	1		
4	364002	. R.H. SUPPORT ASSY	1	1		
5	364004	. L.H. SUPPORT ASSY	1	1		
6	980020	. CYLINDER GAZ / 244/164MM C/C / 35LBS	1	1		
NS	980015	. BALL STUD / W/10 MM X M8-1.25 / 29.18 MM	1	1		
NS	5001063	. RIVET NUT FL OKS M8-1.25 11.0-1.5	1	1		
7	860695	. SEAT BELT / KIT	1	1		
8	Call order desk	. FINISHING FABRIC	AR	AR		P
12	502744	. NUT HEX STO M8-1.25 Z050	1	1		
13	980015	. BALL STUD / W/10 MM X M8-1.25 / 29.18 MM	1	1		
14	507260	. BUSHING NYLINER W/SHOULDER .375x.437x.375x.594	4	4		
15	504600	. BUMPER RUBBER BOLT / .625 ODx1.0TH x 10-32X.5 STUD	4	4		
NS	502820	. WASHER FL .187x1.000x.125 RUB BK	4	4		
16	500440	. WASHER FL .250x.562x.065 Z050	4	4		
17	500473	. WASHER LO SPT .262x.489x.062 Z050	4	4		
18	500995	. NUT HEX CAP #10-32 Z050	2	2		
19	500345	. WASHER FN CKF .187x.500x.090 BR BK	5	5		
20	500444	. WASHER FL .406x.812x.065 Z050	8	8		
21	500686	. SCREW TP OV PH #6x1/2 BK	5	5		
22	500554	. SCREW MA RND SLT 1/4-20x1/2 SS	6	6		
23	500820	. SCREW CAP HEX M8-1.25x16 G10.9 N500	4	4		
25	500441	. WASHER FL .312x.734x.065 Z050	6	6		
26	500476	. WASHER LO SPT .317x.586x.078 Z050	4	4		
27	500778	. NUT HEX 5/16-18 N500	4	4		
28	500478	. WASHER LO SPT .380x.683x.094 Z050	2	2		
30	500191	. SCREW CAP HEX 3/8-16x1 G5 Z050	2	2		
31	5001060	. NUT HEX CAP 3/8-16 NP	2	2		
40	363345P	. COVERING ASSY, BACKREST / S.C.C.	1	1		
41	363346P	. COVERING ASSY, SEATREST / S.C.C.	1	1		
50	363070	SPECIAL BOLT ASSY / TO FIX HOSTESS SEAT / 126MM	1	1		C
50	504500	SNAP BUSHING / .766x1.125x.453	2	2		C
51	502644	WASHER FL 10.5x30.0x2.5 Z050	2	2		C
52	364103	FASTENER / UPPER / TO FIX HOSTESS SEAT 64MM X M12-1.75	2	2		C
53	363363	WASHER RUBBER 42MM O.D. X 13MM I.D. X 3/16"	4	4		C



From 3-4417 To 8-1043	Date:10/2022	PAGE:HF-1824-00
HOSTESS SEAT ASSY		

Item#	Part	Description	H 3 4 1	H 3 4 5	V I P 4 5	N O T E S
60	363546	HOOK	1	1		D
61	504416	RIVET POP DOME OE 3/16x5/8 SS	3	3		D
62	363547	BELT 485MM	1	1		D
63	5001168	BUMPER RUBBER / .750 OD x .562 TH x .187 HOLE	2	2		D
		C) THOSE ITEMS ARE USED TO FIX HOSTESS SEAT				
		D) THOSE ITEMS ARE USED TO FIX HOSTESS SEAT IN THE BAGGAGE CASE				
		P) CALL ORDER DESK FOR SPECIFIC APPLICATION (V.I.N.)				



From 3-4417 To 8-1043

Date:10/2022

PAGE:HF-1824-30

PASSENGER'S SEAT - "AMAYA" IDENTIFICATION "MODEL"



GAUDI



BRAZIL



2 + 1



TORINO



TORINO VIP



SIGLIUM



PATRIOT



PATRIOT BRASIL



PATRIOT VIP



From 3-4417 To 8-1043 Date:10/2022 PAGE:HF-1824-30

PASSENGER'S SEAT - "AMAYA" IDENTIFICATION "MODEL"

Item#	Part	Description	H 3 4 1	H 3 4 5	V I P 4 5	N O T E S
		PASSENGER'S SEAT - "GAUDI" MODEL				
6	HF-1826-08	PASSENGER'S SEAT - "AMAYA" "GAUDI"				
		PASSENGER'S SEAT - "BRASIL" MODEL				
11	HF-1826-06	PASSENGER'S SEAT - "AMAYA" "BRASIL"				
12	HF-1826-51	ARMREST PASSENGER'S SEAT - "AMAYA" W/"BRASIL"				
		PASSENGER'S SEAT - "2 + 1" MODEL				
16	HF-1826-05	PASSENGER'S SEAT - "AMAYA" "EUROTECH"				
17	HF-1826-50	ARMREST PASSENGER'S SEAT - "AMAYA" W/"EUROTECH"				
		PASSENGER'S SEAT - "TORINO" MODEL				
21	HF-1826-07	PASSENGER'S SEAT - "AMAYA" "SIGLIUM" TORO & TORINO				
		PASSENGER'S SEAT - "TORINO" VIP MODEL				
		PASSENGER'S SEAT - "SIGLIUM" MODEL				
		PASSENGER'S SEAT - "PATRIOT" MODEL				
		PASSENGER'S SEAT - "PATRIOT BRASIL" MODEL				
		PASSENGER'S SEAT - "PATRIOT VIP" MODEL				

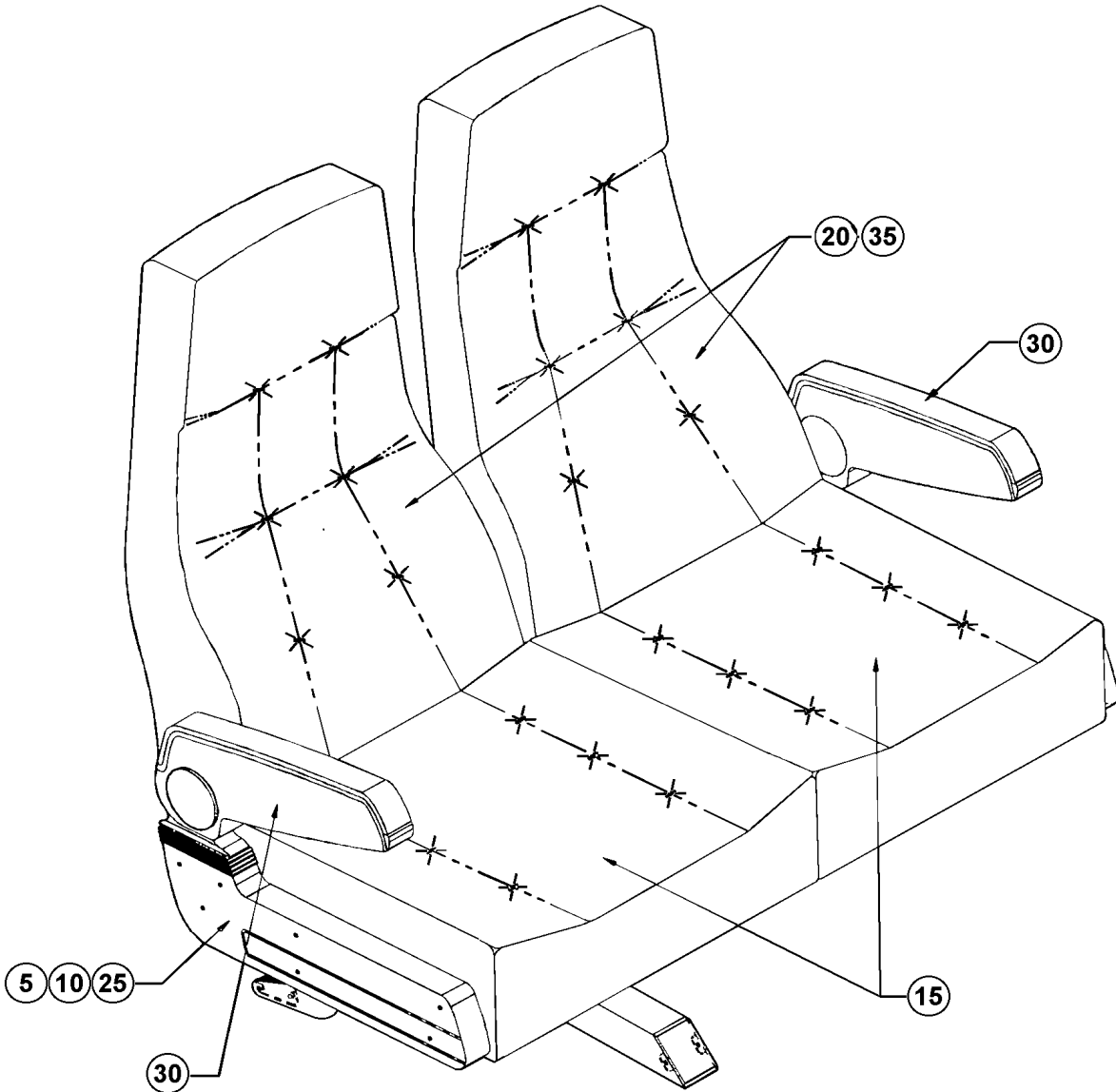


From 3-4417 To 8-1043

Date:10/2022

PAGE:HF-1825-00

PASSENGER'S SEAT - "AMERICAN" - W6693 & W7693



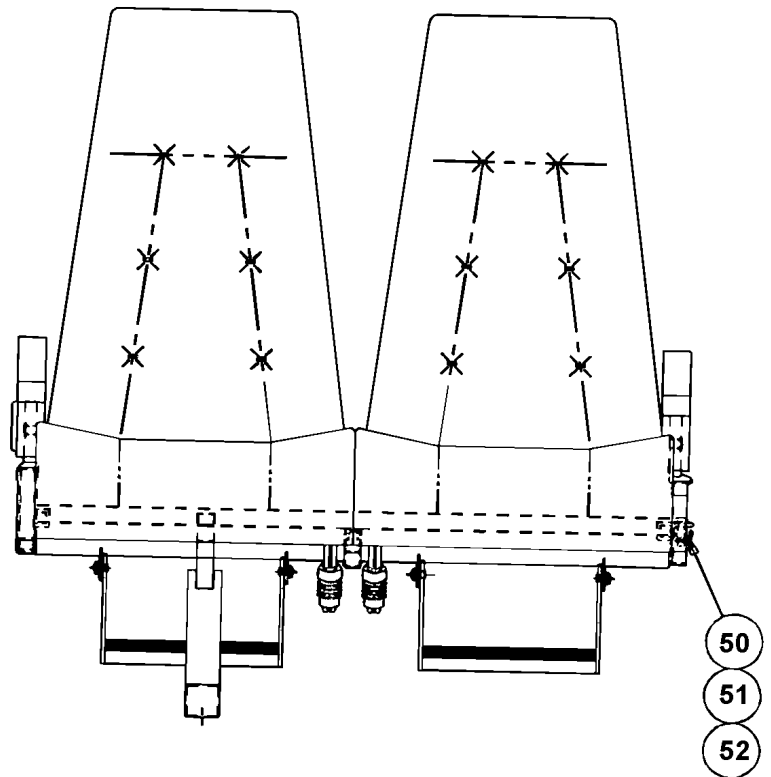
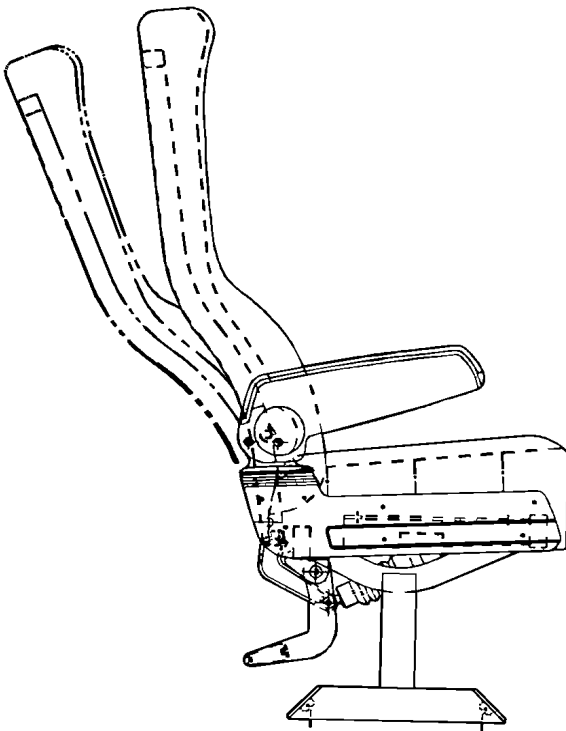


From 3-4417 To 8-1043

Date:10/2022

PAGE:HF-1825-00

PASSENGER'S SEAT - "AMERICAN" - W6693 & W7693





From 3-4417 To 8-1043	Date:10/2022	PAGE:HF-1825-00
-----------------------	--------------	-----------------

PASSENGER'S SEAT - "AMERICAN" - W6693 & W7693

Item#	Part	Description	H 3 4 1	H 3 4 5	V I P 4 5	N O T E S
		IMPORTANT NOTE:				
		TO ORDER COMPLETE PASSENGER'S SEAT KIT #,				
		SEE THE FINAL VEHICLE RECORD				
5	HF-1825-05	. PASSENGER'S SEAT - "AMERICAN" - FRAME				
10	HF-1825-10	. PASSENGER'S SEAT - "AMERICAN" - FRAME ROTATIN				
15	HF-1825-20	. PASSENGER'S SEAT - "AMERICAN" - CUSHION				
20	HF-1825-30	. PASSENGER'S SEAT - "AMERICAN" - BACKREST WX69				
25	HF-1825-40	. PASSENGER'S SEAT - "AMERICAN" - FOOTREST				
30	HF-1825-50	. PASSENGER'S SEAT - "AMERICAN" - ARMREST				
35	HF-1825-60	. PASSENGER'S SEAT - "AMERICAN" - BACK & ACCESS				
50	Call order desk	SCREW - WALL ATTACHING	2	2		P
51	860094	CHANNEL WALL ATTACHING	2	2		
52	Call order desk	WASHER	2	2		P
		P) CALL ORDER DESK FOR SPECIFIC APPLICATION (V.I.N.)				

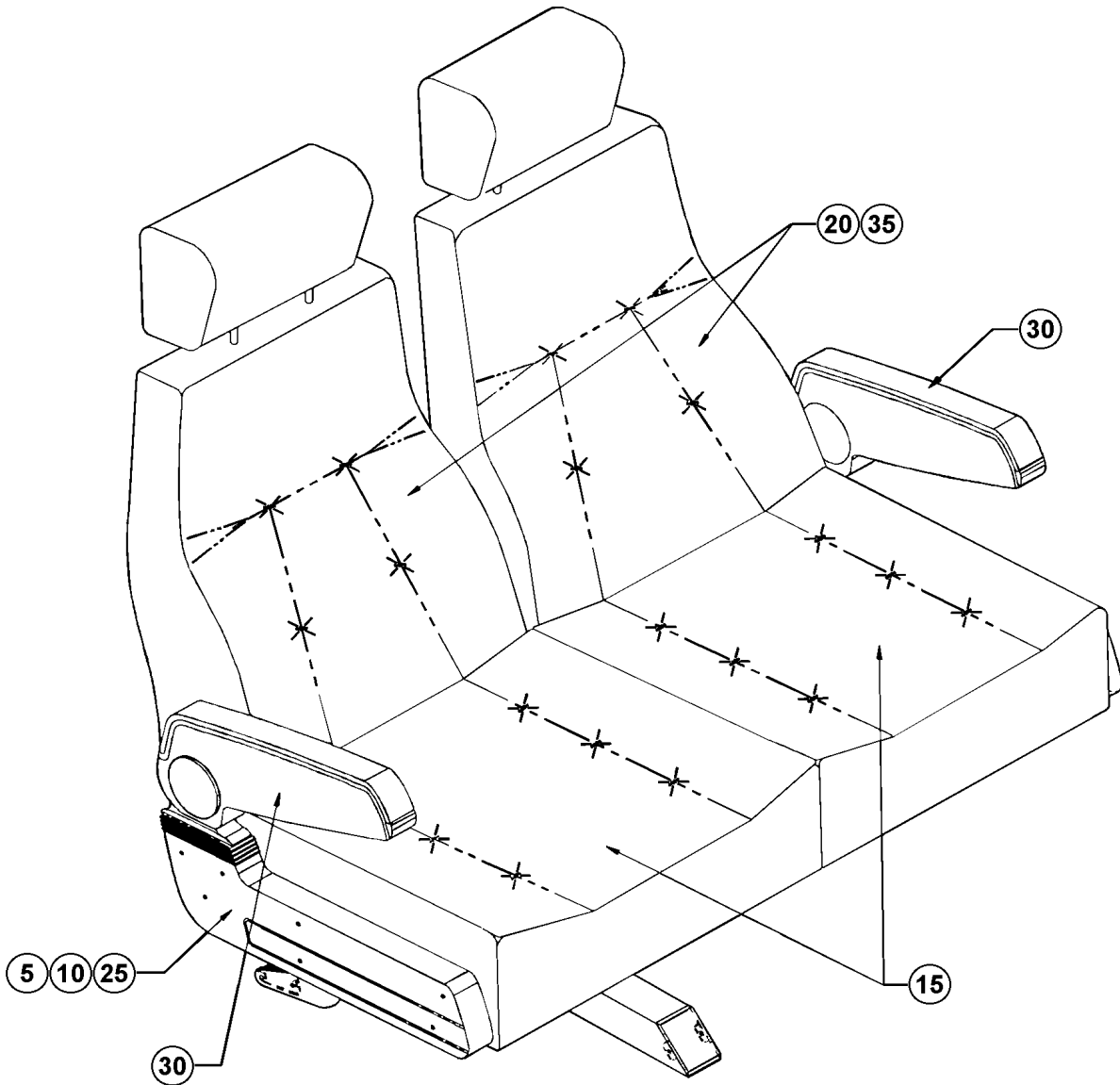


From 3-4417 To 8-1043

Date:10/2022

PAGE:HF-1825-01

PASSENGER'S SEAT - "AMERICAN" - W6694 & W7694



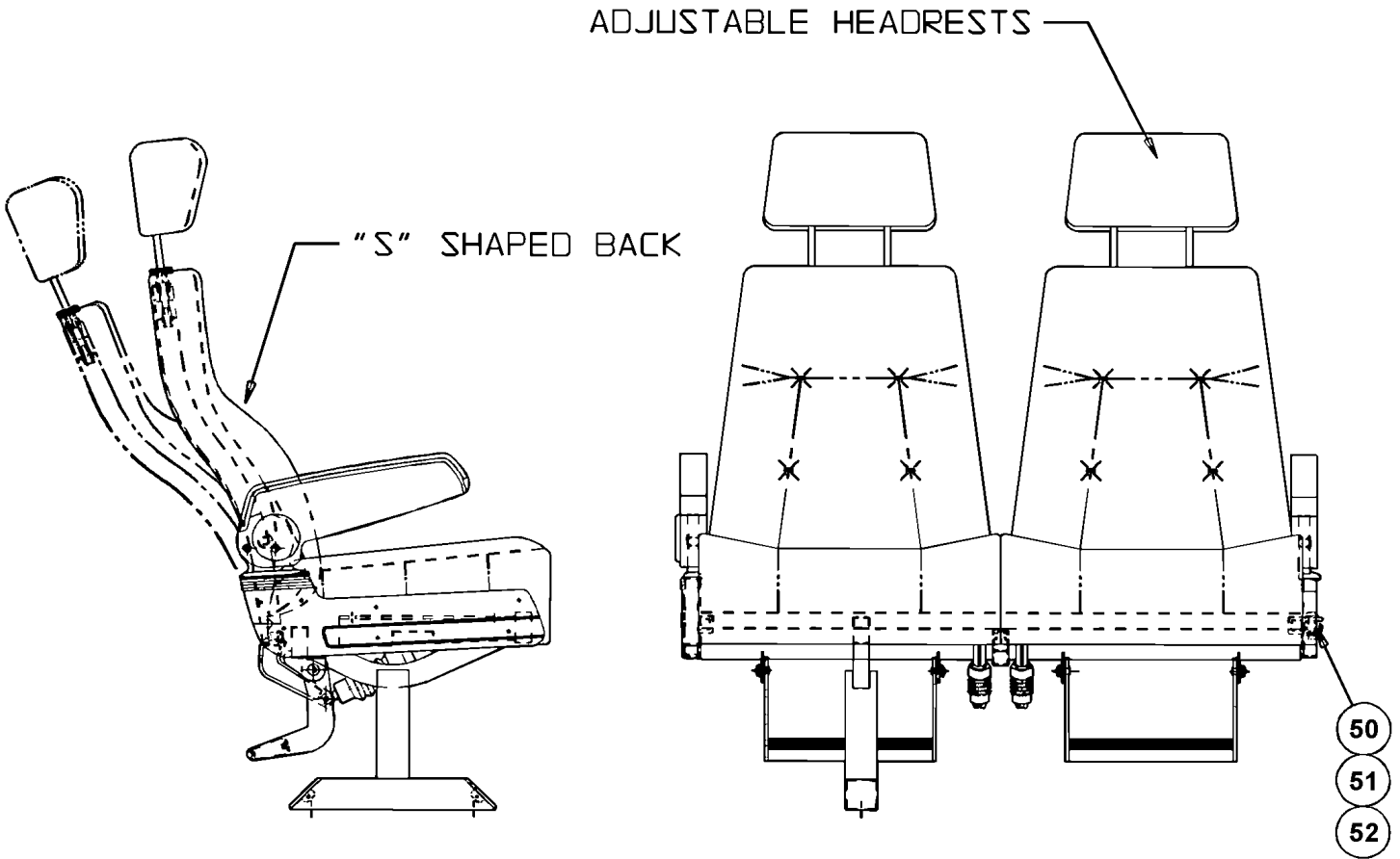


From 3-4417 To 8-1043

Date:10/2022

PAGE:HF-1825-01

PASSENGER'S SEAT - "AMERICAN" - W6694 & W7694





From 3-4417 To 8-1043	Date:10/2022	PAGE:HF-1825-01
-----------------------	--------------	-----------------

PASSENGER'S SEAT - "AMERICAN" - W6694 & W7694

Item#	Part	Description	H 3 4 1	H 3 4 5	V I P 4 5	N O T E S
		IMPORTANT NOTE:				
		TO ORDER COMPLETE PASSENGER'S SEAT KIT #,				
		SEE THE FINAL VEHICLE RECORD.				
5	HF-1825-05	. PASSENGER'S SEAT - "AMERICAN" - FRAME				
10	HF-1825-10	. PASSENGER'S SEAT - "AMERICAN" - FRAME ROTATIN				
15	HF-1825-20	. PASSENGER'S SEAT - "AMERICAN" - CUSHION				
20	HF-1825-31	. PASSENGER'S SEAT - "AMERICAN" - BACKREST WX69				
25	HF-1825-40	. PASSENGER'S SEAT - "AMERICAN" - FOOTREST				
30	HF-1825-50	. PASSENGER'S SEAT - "AMERICAN" - ARMREST				
35	HF-1825-60	. PASSENGER'S SEAT - "AMERICAN" - BACK & ACCESS				
50	Call order desk	SCREW - WALL ATTACHING	2	2		P
51	860094	CHANNEL WALL ATTACHING	2	2		
52	Call order desk	WASHER	2	2		P
		P) CALL ORDER DESK FOR SPECIFIC APPLICATION (V.I.N.)				

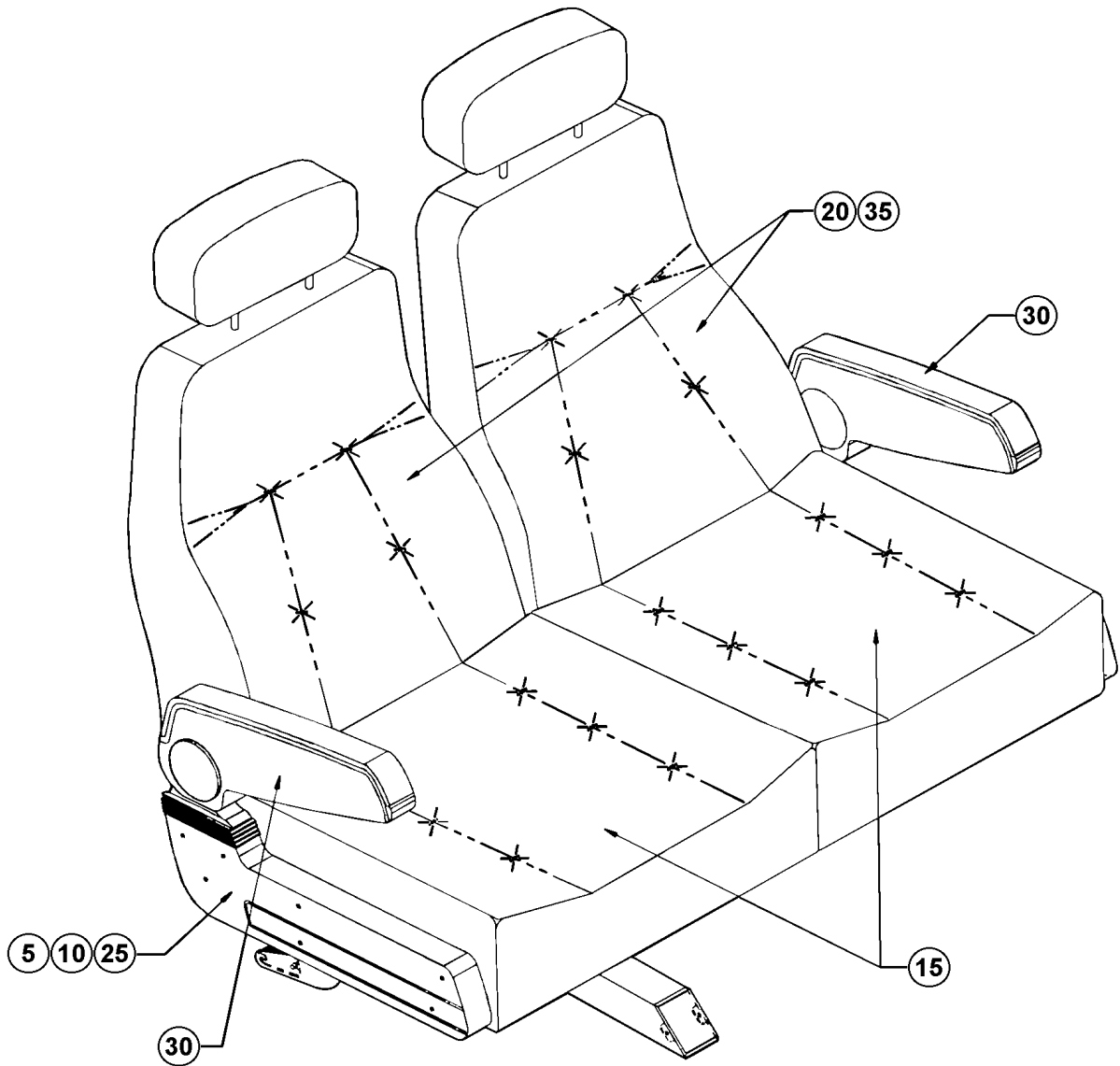


From 3-4417 To 8-1043

Date:10/2022

PAGE:HF-1825-03

PASSENGER'S SEAT - "AMERICAN" - W6696 & W7696



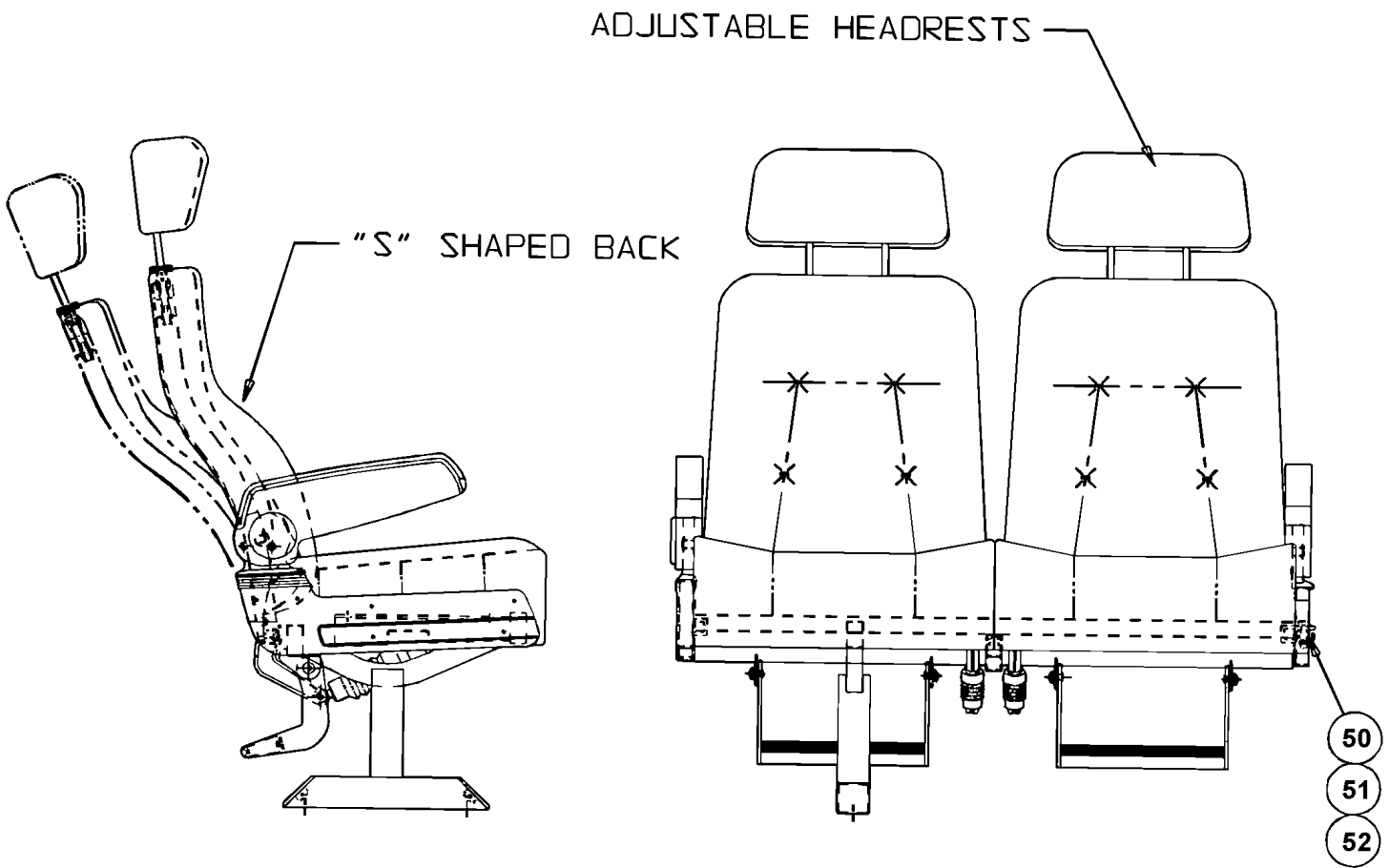


From 3-4417 To 8-1043

Date:10/2022

PAGE:HF-1825-03

PASSENGER'S SEAT - "AMERICAN" - W6696 & W7696





From 3-4417 To 8-1043	Date:10/2022	PAGE:HF-1825-03
PASSENGER'S SEAT - "AMERICAN" - W6696 & W7696		

Item#	Part	Description	H 3 4 1	H 3 4 5	V I P 4 5	N O T E S
		IMPORTANT NOTE:				
		TO ORDER COMPLETE PASSENGER'S SEAT KIT #,				
		SEE THE FINAL VEHICLE RECORD.				
5	HF-1825-05	. PASSENGER'S SEAT - "AMERICAN" - FRAME				
10	HF-1825-10	. PASSENGER'S SEAT - "AMERICAN" - FRAME ROTATIN				
15	HF-1825-20	. PASSENGER'S SEAT - "AMERICAN" - CUSHION				
20	HF-1825-31	. PASSENGER'S SEAT - "AMERICAN" - BACKREST WX69				
25	HF-1825-40	. PASSENGER'S SEAT - "AMERICAN" - FOOTREST				
30	HF-1825-50	. PASSENGER'S SEAT - "AMERICAN" - ARMREST				
35	HF-1825-60	. PASSENGER'S SEAT - "AMERICAN" - BACK & ACCESS				
50	Call order desk	SCREW - WALL ATTACHING	2	2		P
51	860094	CHANNEL WALL ATTACHING	2	2		
52	Call order desk	WASHER	2	2		P
		P) CALL ORDER DESK FOR SPECIFIC APPLICATION (V.I.N.)				

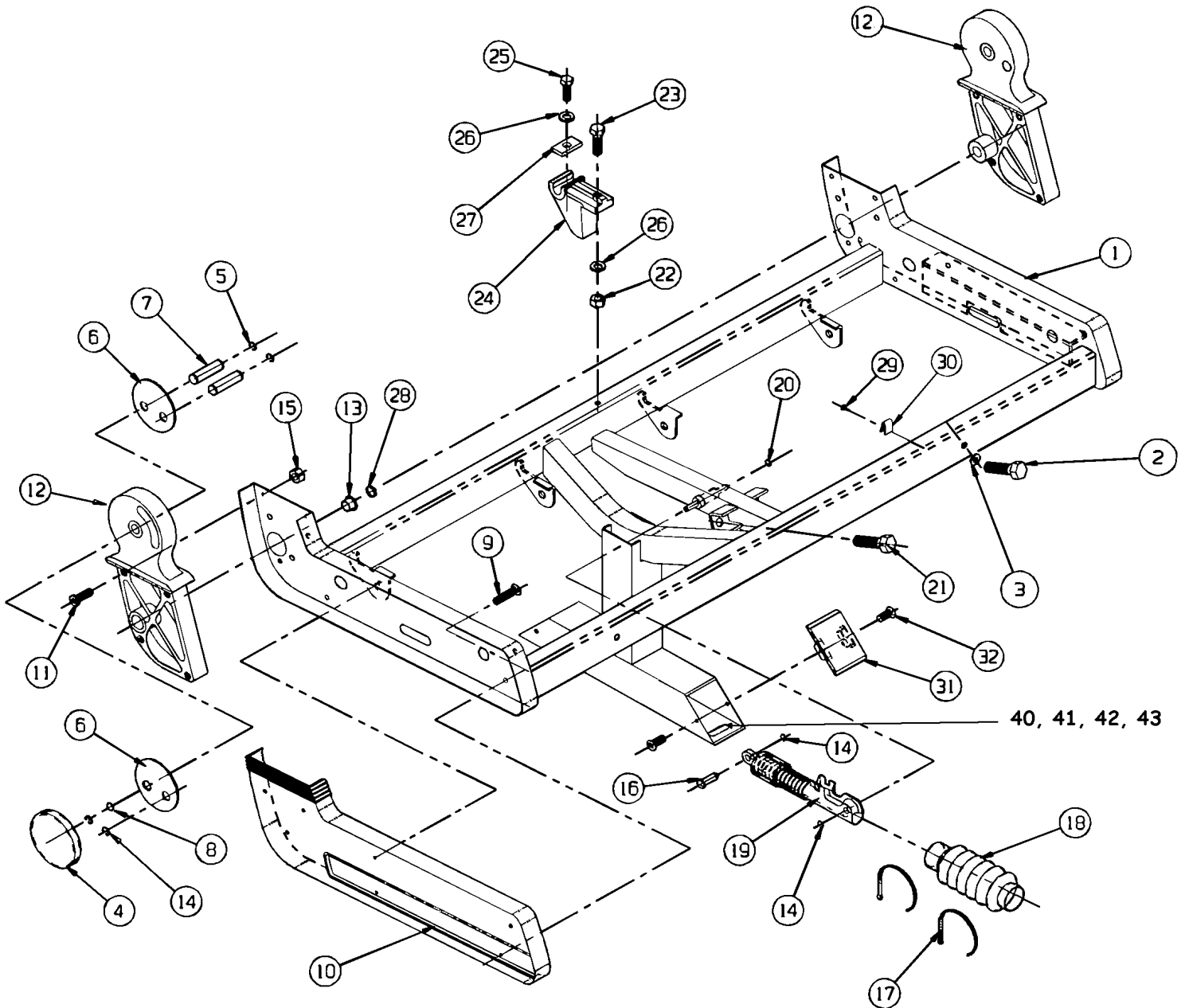


From 3-4417 To 8-1043

Date:10/2022

PAGE:HF-1825-05

PASSENGER'S SEAT - "AMERICAN" - FRAME



LH FRAME ASSEMBLY (SHOWN)
RH FRAME ASSEMBLY (OPPOSITE HAND)



From 3-4417 To 8-1043	Date:10/2022	PAGE:HF-1825-05
------------------------------	---------------------	------------------------

PASSENGER'S SEAT - "AMERICAN" - FRAME

Item#	Part	Description	H 3 4 1	H 3 4 5	V I P 4 5	N O T E S
1	Call order desk	FRAME ASSY RH W/FOOTREST	1	1		P
1	Call order desk	FRAME ASSY LH W/FOOTREST	1	1		P
1	Call order desk	FRAME ASSY RH W/O FOOTREST	1	1		P
NS	Call order desk	FRAME ASSY LH W/O FOOTREST	1	1		P
1	Call order desk	FRAME ASSY LH REAR CROSS	1	1		P
2	Call order desk	SCREW CAP HEX 5/16-18x2 3/4	2	2		P
3	500476	WASHER LO SPT .317x.586x.078 Z050	2	2		
4	Call order desk	COVER DECORATIVE ASSY	1	1		P
5	Call order desk	RETAINER RING	8	8		P
6	Call order desk	PLATE REINFORCEMENT	4	4		P
7	Call order desk	PIN ARM PIVOT	4	4		P
8	865884	WASHER SPR WAVE	1	1		
9	Call order desk	SCREW SIDE TRIM #8 X 5/8"	7	7		P
10	862901	TRIM PANEL SIDE L.H.	1	1		
10	863776	TRIM PANEL SIDE R.H.	1	1		
11	Call order desk	SCREW MA PAN PH #10-32 X 5/8	8	8		P
12	Call order desk	CASTING PIVOT (AISLE SIDE)	1	1		P
NS	Call order desk	CASTING PIVOT (AISLE SIDE)	1	1		P
NS	Call order desk	CASTING PIVOT (WALL SIDE)	1	1		P
12	Call order desk	CASTING PIVOT (WALL SIDE)	1	1		P
13	860042	PIVOT BEARING	2	2		
14	Call order desk	SNAP RING	4	4		P
15	500423	NUT HEX NYRT #10-32 SS	8	8		
16	Call order desk	PIN CONNECTOR LINK	2	2		P
17	504273	CABLE TIE / 1/8" X 3"1/2	2	2		
18	Call order desk	COVER MECHLOK	2	2		P
19	864135	LOCK MECHANISM RH	1	1		
19	864268	LOCK MECHANISM LH	1	1		
NS	861486	CLIP / WIRE RETAINER	2	2		
20	502523	RIVET NUT FL OKS 5/16-18 .059-.119	1	1		
21	500052	SCREW CAP HEX 3/8-24x2 G5 ZP	2	2		
23	502694	SCREW CAP HEX 3/8-16x3 1/4 G5 ZP	1	1		
24	864857	CASTING - CENTER	1	1		
25	500192	SCREW CAP HEX 3/8-16x1 1/4 G5 Z050	1	1		
26	500480	WASHER LO SPT .443x.779x.109 Z050	2	2		
27	Call order desk	PLATE RETAINER	1	1		P
28	Call order desk	WASHER FL NYL	4	4		P
29	Call order desk	RIVET POP 1/8" SS L FLANGE	3	3		P
30	Call order desk	CLAMP	3	3		P
31	N8881678	CAP - END	2	2		
32	500952	SCREW TP BDG PH #8x1/2 SS	4	4		
40	500305	SCREW CAP HEX 3/8-16x7/8 G5 Z050	2	2		



From 3-4417 To 8-1043	Date:10/2022	PAGE:HF-1825-05
-----------------------	--------------	-----------------

PASSENGER'S SEAT - "AMERICAN" - FRAME

Item#	Part	Description	H 3 4 1	H 3 4 5	V I P 4 5	N O T E S
41	500478	WASHER LO SPT .380x.683x.094 Z050	2	2		
42	500270	WASHER FL .406x1.000x.063 SS	2	2		
43	362627	PLATE ANCHOR / 3/8-16 BOLT INSIDE TRACK / 1 1/4" X 1 1/4"	2	2		
		P) CALL ORDER DESK FOR SPECIFIC APPLICATION (V.I.N.)				

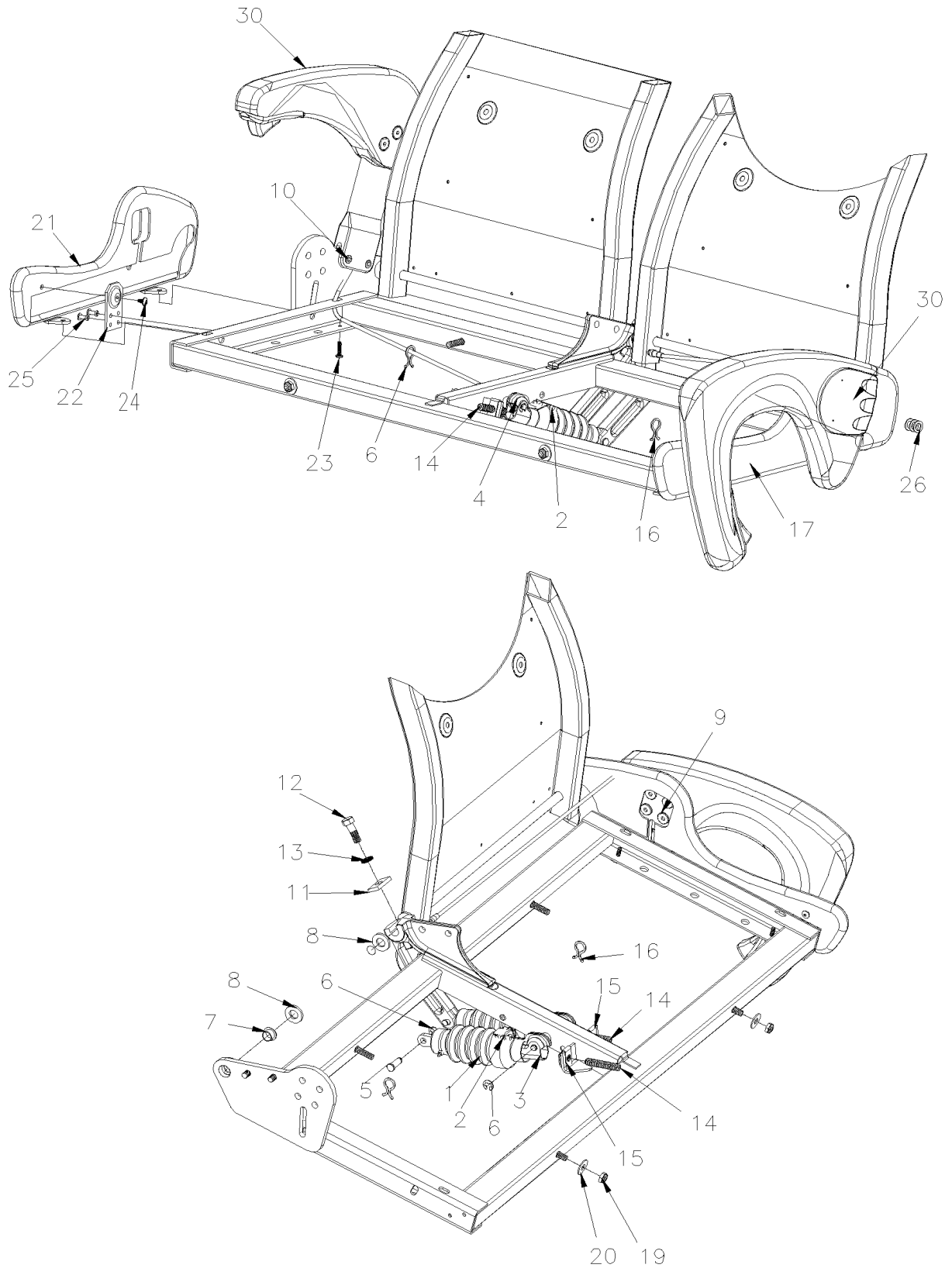


From 3-4417 To 8-1043

Date:10/2022

PAGE:HF-1825-06

PASSENGER'S SEAT - "AMERICAN" SERIES 2000 & MORE





From 3-4417 To 8-1043 Date:10/2022 PAGE:HF-1825-06

PASSENGER'S SEAT - "AMERICAN" SERIES 2000 & MORE

Item#	Part	Description	H 3 4 1	H 3 4 5	V I P 4 5	N O T E S
1	Call order desk	BOOT COVERING CYLINDER	2	2		P
2	865812	ATTACHMENT FITTING	2	2		
2	504012	CABLE TIE / 3/16" X 6"1/2	2	2		
3	864135	LOCK MECHANISM RH	1	1		
4	864268	LOCK MECHANISM LH	1	1		
NS	861486	CLIP / WIRE RETAINER	2	2		
5	865828	PIN CONNECTOR LINK	2	2		
6	865819	RETAINING RING	4	4		
7	865818	BEARING PIVOT	2	2		
8	Call order desk	WASHER PLAIN NYLON 1/2" x 1" x 1/8"	4	4		P
9	865886	NUT JCN-CAP 1/4-20	4	4		
10	865808	SCREW CAP HEXS 5/16-18x.672	2	2		
11	864857	CASTING - CENTER	1	1		
12	865815	SCREW CAP HEX 3/8-16x1 1/8	1	1		
13	865816	WASHER "NORD-LOCK" 3/8x21/32x.1046 ZN	1	1		
14	865811	SCREW SET HEXS FLAT	2	2		
15	Call order desk	U-NUT	2	2		P
16	Call order desk	BALL END PURSE LOCK	2	2		P
17	Call order desk	TRIM PANEL PKG L.H.	1	1		P
19	865806	NUT HEX JAM 1/4-20 ZP	2	2		
20	865807	WASHER FL 5/16x7/8x16GA SS	2	2		
21	Call order desk	PANEL AISLE TRIM	1	1		P
22	Call order desk	PANEL TRIM SUPPORT	1	1		P
23	Call order desk	SCREW SRB 40M #10-24x3/4"	2	2		P
24	865960	SCREW TP TR SQ #10-24x3/8	1	1		
25	Call order desk	RIVET DOME HEAD ST 3/16"x9/16"	2	2		P
26	Call order desk	WASHER FL 3/85/8x16GA	3	3		P
30	HF-1825-51	PASSENGER'S SEAT - "AMERICAN" - ARMREST SERIES 2000 & MORE				
		P) CALL ORDER DESK FOR SPECIFIC APPLICATION (V.I.N.)				

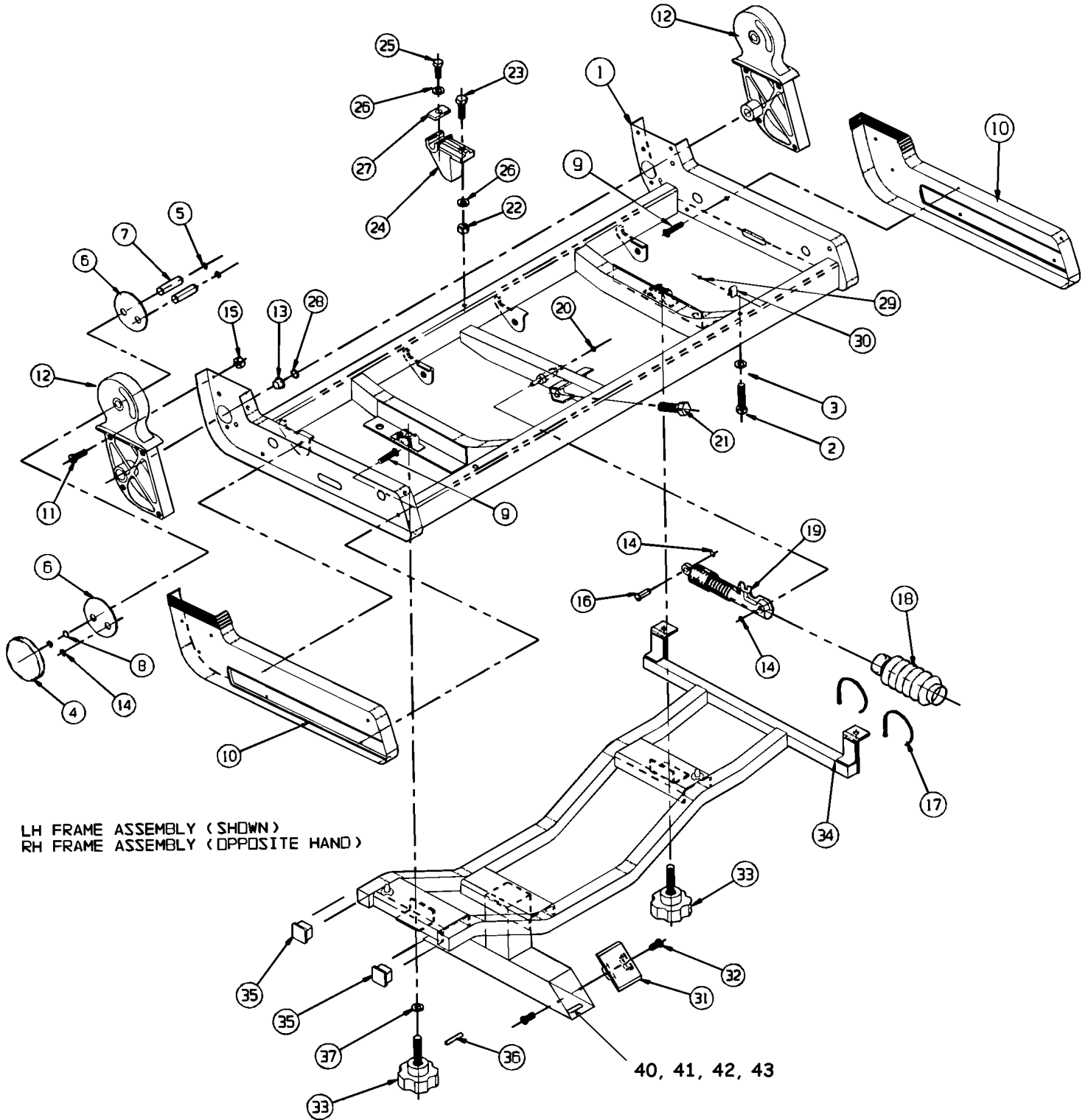


From 3-4417 To 8-1043

Date:10/2022

PAGE:HF-1825-10

PASSENGER'S SEAT - "AMERICAN" - FRAME ROTATING





From 3-4417 To 8-1043	Date:10/2022	PAGE:HF-1825-10
PASSENGER'S SEAT - "AMERICAN" - FRAME ROTATIN		

Item#	Part	Description	H 3 4 1	H 3 4 5	V I P 4 5	N O T E S
1	Call order desk	FRAME ASSY UPPER W/FOOTREST	1	1		P
2	Call order desk	SCREW CAP HEX 5/16-18x2 3/4	2	2		P
3	500476	WASHER LO SPT .317x.586x.078 Z050	2	2		
4	Call order desk	COVER DECORATIVE ASSY	1	1		P
5	Call order desk	RETAINER RING	8	8		P
6	Call order desk	PLATE REINFORCEMENT	4	4		P
7	Call order desk	PIN ARM PIVOT	4	4		P
8	865884	WASHER SPR WAVE	1	1		
9	Call order desk	SCREW SIDE TRIM #8 X 5/8"	14	14		P
10	862901	TRIM PANEL SIDE L.H.	1	1		
10	863776	TRIM PANEL SIDE R.H.	1	1		
11	Call order desk	SCREW MA PAN PH #10-32 X 5/8	8	8		P
12	Call order desk	CASTING PIVOT (AISLE SIDE)	1	1		P
12	Call order desk	CASTING PIVOT (AISLE SIDE)	1	1		P
13	860042	PIVOT BEARING	2	2		
14	Call order desk	SNAP RING	4	4		P
15	500423	NUT HEX NYRT #10-32 SS	8	8		
16	Call order desk	PIN CONNECTOR LINK	2	2		P
17	504273	CABLE TIE / 1/8" X 3"1/2	2	2		
18	Call order desk	COVER MECHLOK	2	2		P
19	864135	LOCK MECHANISM RH	1	1		
19	864268	LOCK MECHANISM LH	1	1		
NS	861486	CLIP / WIRE RETAINER	2	2		
20	Call order desk	PIN PORTER RETAINER	1	1		P
21	500052	SCREW CAP HEX 3/8-24x2 G5 ZP	2	2		
23	502694	SCREW CAP HEX 3/8-16x3 1/4 G5 ZP	1	1		
24	864857	CASTING - CENTER	1	1		
25	500192	SCREW CAP HEX 3/8-16x1 1/4 G5 Z050	1	1		
26	500480	WASHER LO SPT .443x.779x.109 Z050	2	2		
27	Call order desk	PLATE RETAINER	1	1		P
28	Call order desk	WASHER FL NYL	4	4		P
29	Call order desk	RIVET POP 1/8" SS L FLANGE	3	3		P
30	Call order desk	CLAMP	3	3		P
31	N8881678	CAP - END	1	1		
32	Call order desk	SCREW #8x1/2	4	4		P
33	864807	KNOB RETAINER	2	2		
34	Call order desk	FRAME ASSY - LOWER	1	1		P
35	Call order desk	CAP - PLUG	2	2		P
36	Call order desk	PIN ROLL	2	2		P
37	Call order desk	WASHER LO SPT	1	1		P
40	500305	SCREW CAP HEX 3/8-16x7/8 G5 Z050	2	2		
41	500478	WASHER LO SPT .380x.683x.094 Z050	2	2		



From 3-4417 To 8-1043	Date:10/2022	PAGE:HF-1825-10
-----------------------	--------------	-----------------

PASSENGER'S SEAT - "AMERICAN" - FRAME ROTATING

Item#	Part	Description	H 3 4 1	H 3 4 5	V I P 4 5	N O T E S
42	500270	WASHER FL .406x1.000x.063 SS	2	2		
43	362627	PLATE ANCHOR / 3/8-16 BOLT INSIDE TRACK / 1 1/4" X 1 1/4"	2	2		
		P) CALL ORDER DESK FOR SPECIFIC APPLICATION (V.I.N.)				

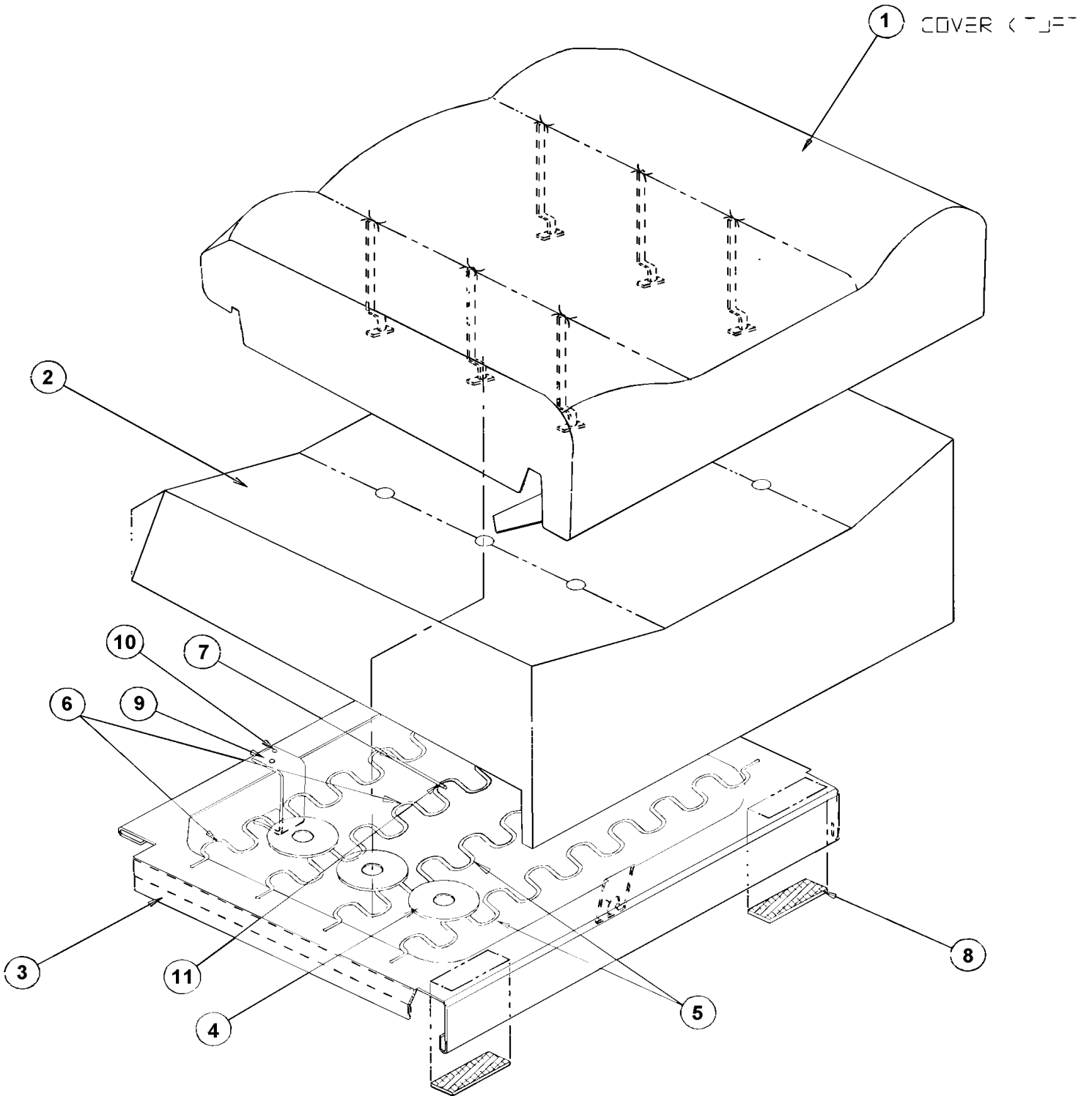


From 3-4417 To 8-1043

Date:10/2022

PAGE:HF-1825-20

PASSENGER'S SEAT - "AMERICAN" - CUSHION



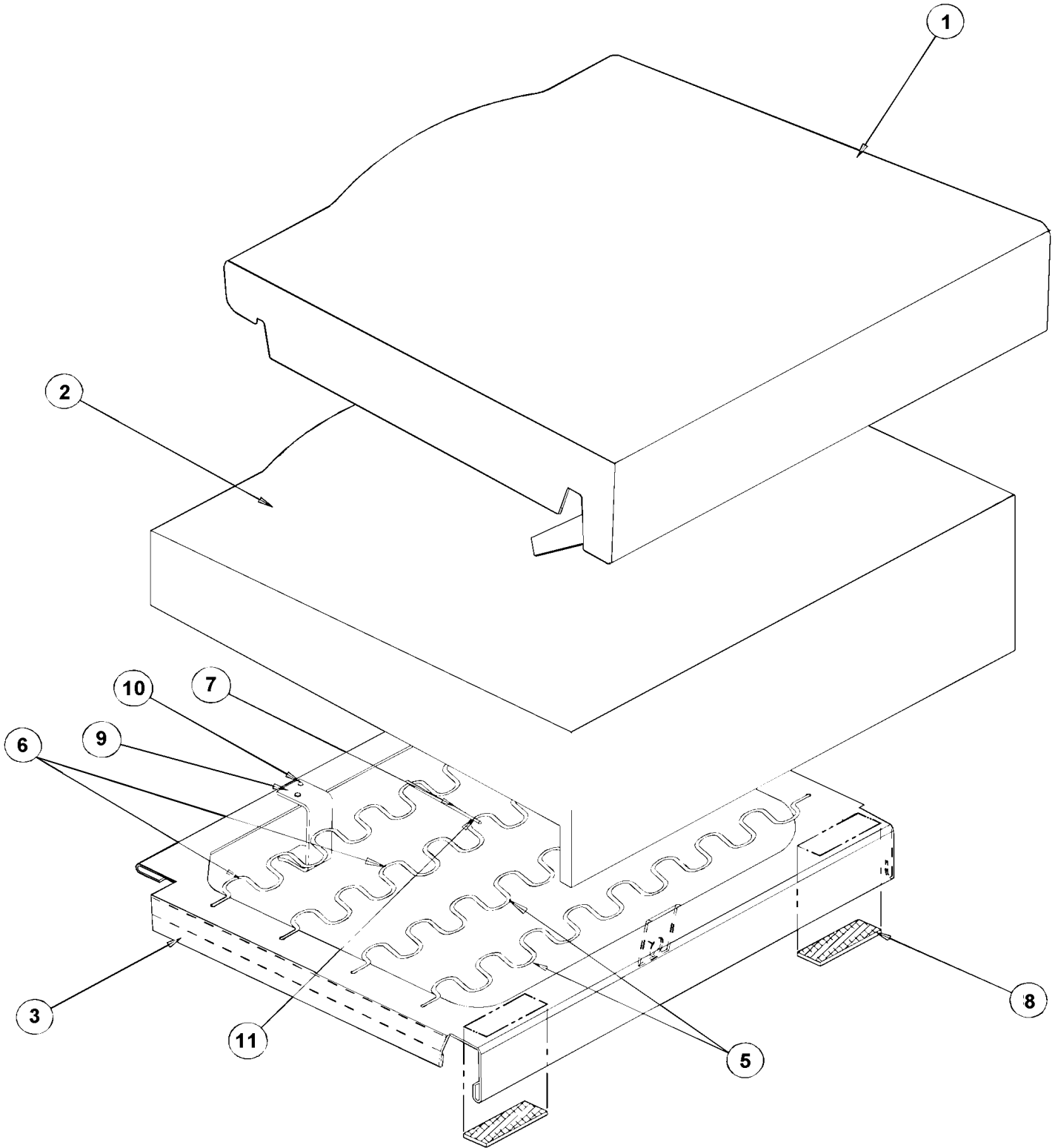


From 3-4417 To 8-1043

Date:10/2022

PAGE:HF-1825-20

PASSENGER'S SEAT - "AMERICAN" - CUSHION





From 3-4417 To 8-1043 Date:10/2022 PAGE:HF-1825-20

PASSENGER'S SEAT - "AMERICAN" - CUSHION

Item#	Part	Description	H 3 4 1	H 3 4 5	V I P 4 5	N O T E S
	N.P.N.	CUSHION ASSY - TUFTED	1	1		4 A
	N.P.N.	CUSHION ASSY - NON-TUFTED	1	1		4 B
1	N.P.N.	. COVER CUSHION	1	1		4
2	865801	. FOAM - CUSHION TUFTED - POLY	1	1		A
2	Call order desk	. FOAM - CUSHION TUFTED - LOW SMOKE FOAM	1	1		P A
2	Call order desk	. FOAM - CUSHION NON-TUFTED - POLY	1	1		P B
2	Call order desk	. FOAM - CUSHION NON-TUFTED - LOW SMOKE FOAM	1	1		P B
3	865802	. FRAME ASSY	1	1		
4	Call order desk	. WASHER (PULL TAB)	6	6		P A
5	Call order desk	. SPRING - NO SAG (FLAT)	2	2		P
6	Call order desk	. SPRING - NO SAG (CROWNED)	2	2		P
7	Call order desk	. WIRE 5"	1	1		P
8	Call order desk	. VELCRO	2	2		P
9	Call order desk	. RETAINER - REAR	1	1		P
10	Call order desk	. RIVET POP 3/16x7/16 ZP	1	1		P
11	Call order desk	. HARTCO-CLIP	1	1		P
		A) TUFTED CUSHION				
		B) NON-TUFTED CUSHION				
		4) NO PARTS NUMBER				
		P) CALL ORDER DESK FOR SPECIFIC APPLICATION (V.I.N.)				

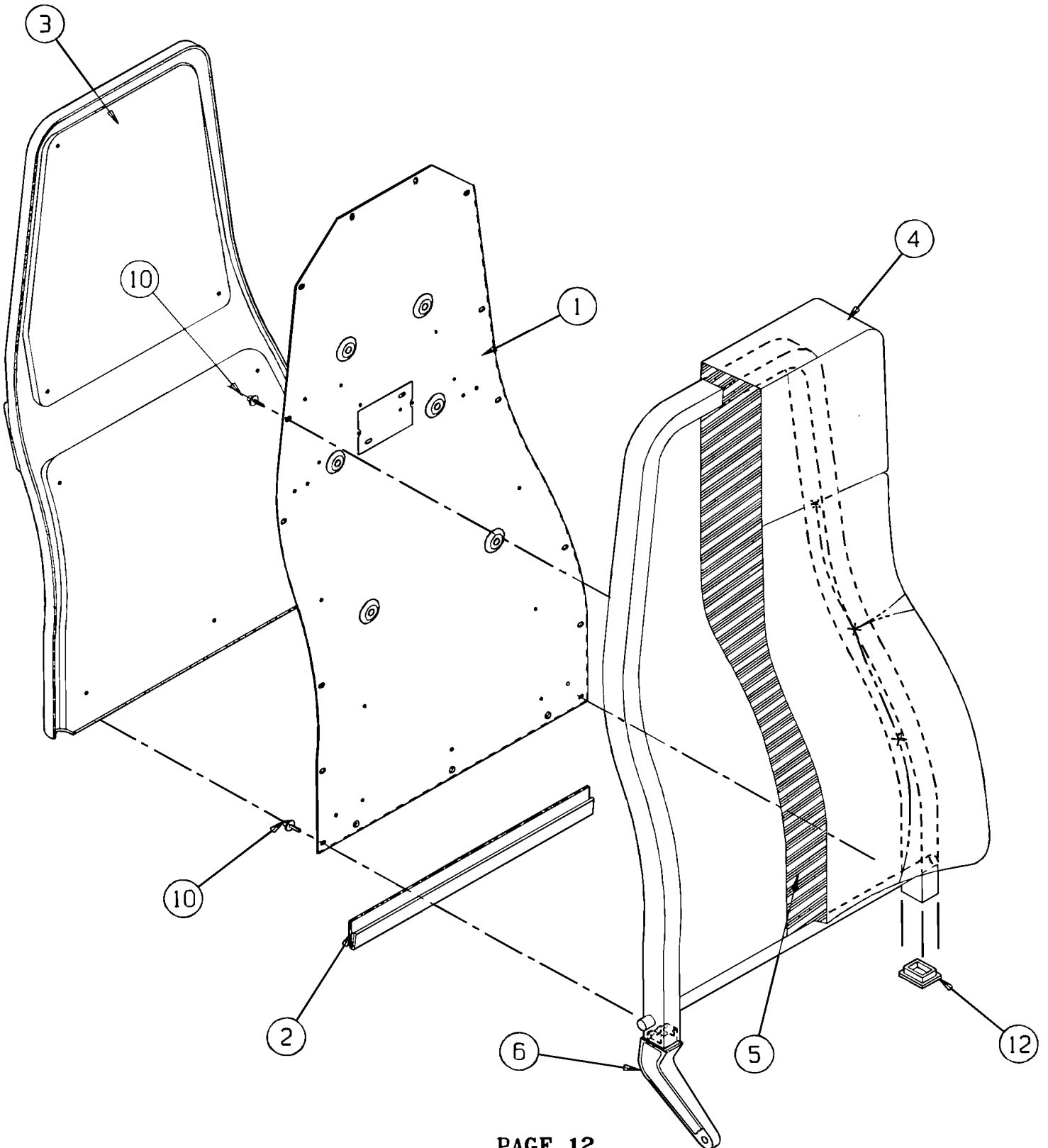


From 3-4417 To 8-1043

Date:10/2022

PAGE:HF-1825-30

PASSENGER'S SEAT - "AMERICAN" - BACKREST WX69



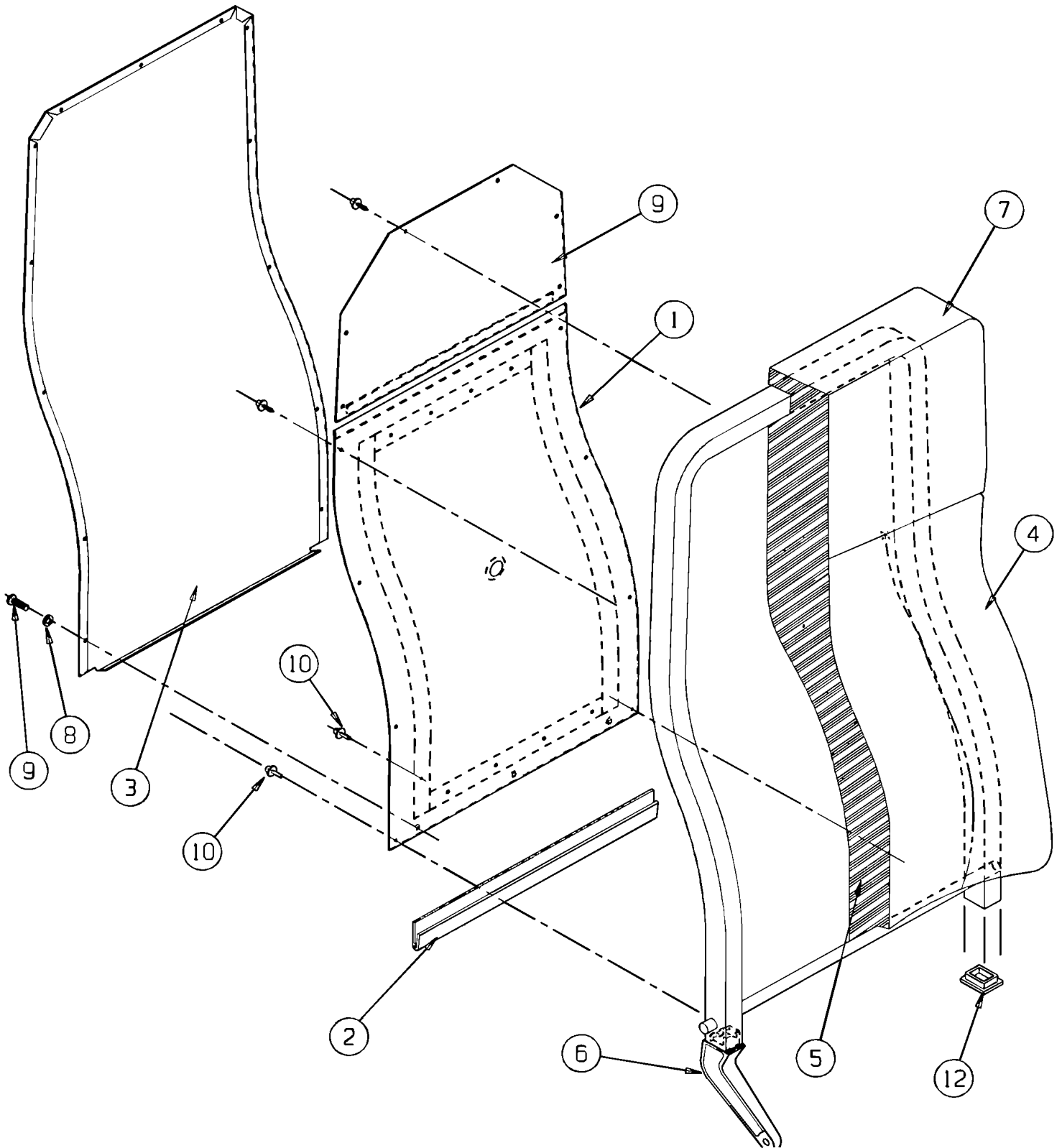


From 3-4417 To 8-1043

Date:10/2022

PAGE:HF-1825-30

PASSENGER'S SEAT - "AMERICAN" - BACKREST WX69





From 3-4417 To 8-1043	Date:10/2022	PAGE:HF-1825-30
PASSENGER'S SEAT - "AMERICAN" - BACKREST WX69		

Item#	Part	Description	H 3 4 1	H 3 4 5	V I P 4 5	N O T E S
1	Call order desk	PANEL METAL INNER	1	1		P D
1	Call order desk	PANEL METAL INNER	1	1		P C
2	Call order desk	EXTRUSION VINYL	1	1		P
3	HF-1825-60	PASSENGER'S SEAT - "AMERICAN" - BACK & ACCESS				D
4	N.P.N.	COVER BACK UPHOLSTERY	1	1		4 D
4	N.P.N.	COVER BACK UPHOLSTERY	1	1		4 C
5	Call order desk	FOAM BACK	1	1		P A
5	Call order desk	FOAM BACK	1	1		P B
6	Call order desk	BACK FRAME & FOAM RH	1	1		P A
6	Call order desk	BACK FRAME & FOAM RH	1	1		P B
6	Call order desk	BACK FRAME & FOAM RH	1	1		P C
6	Call order desk	BACK FRAME & FOAM LH	1	1		P A
6	Call order desk	BACK FRAME & FOAM LH	1	1		P B
6	Call order desk	BACK FRAME & FOAM LH	1	1		P C
7	Call order desk	FOAM HEADREST	1	1		P C
8	Call order desk	PROTECTIVE TAPE	AR	AR		P D
9	Call order desk	PANEL METAL	1	1		P C
10	Call order desk	RIVET POP	12	12		P
12	865892	PLUG CAP 1x1 1/4 BLK POLY	1	1		
		A) WITH SEAT MODEL W6693				
		B) WITH SEAT MODEL W6695				
		C) WITH SEAT MODEL W7693				
		D) WITH SEAT MODEL W6693 & W7693				
		4) NO PARTS NUMBER				
		P) CALL ORDER DESK FOR SPECIFIC APPLICATION (V.I.N.)				

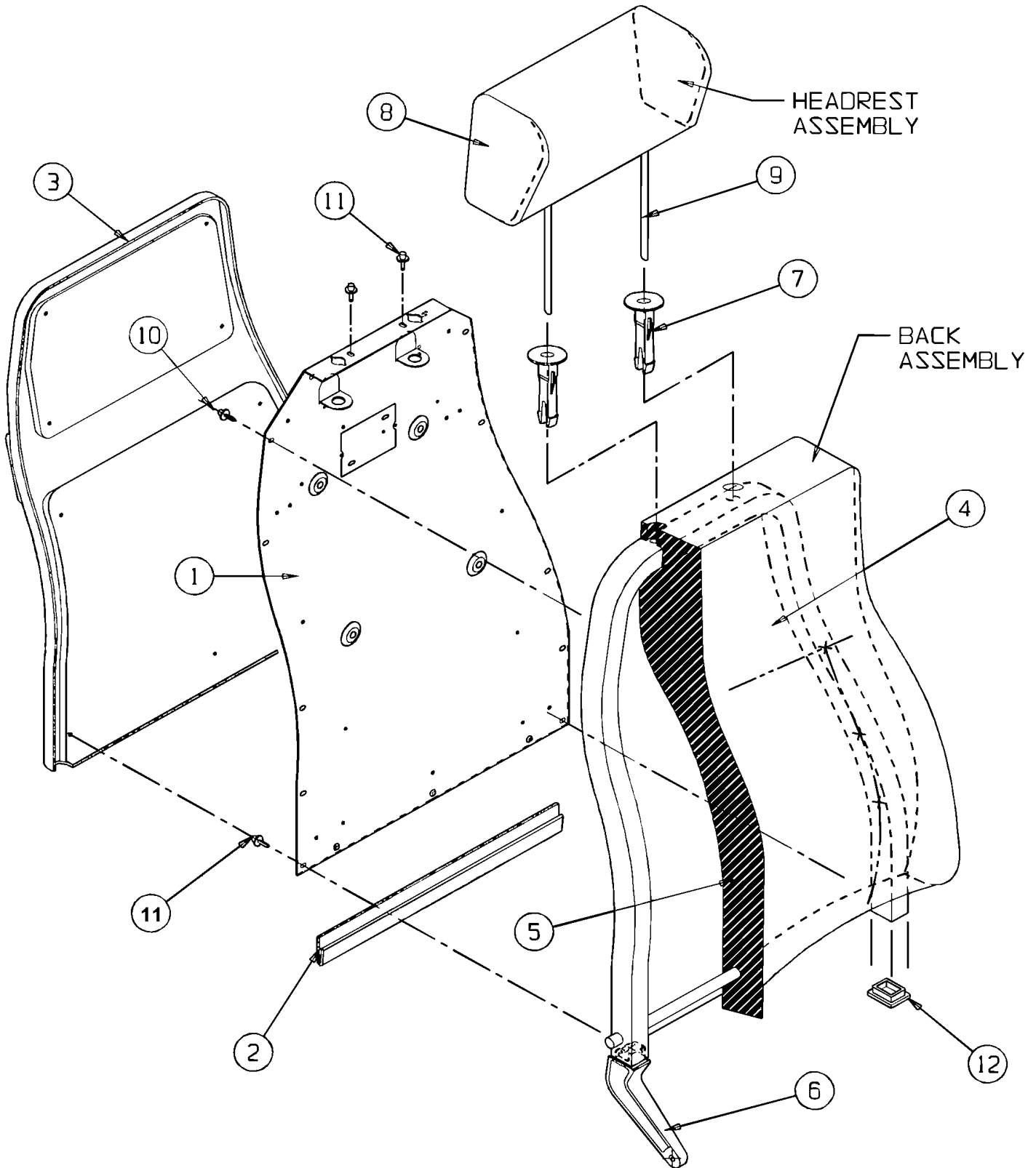


From 3-4417 To 8-1043

Date:10/2022

PAGE:HF-1825-31

PASSENGER'S SEAT - "AMERICAN" - BACKREST WX69



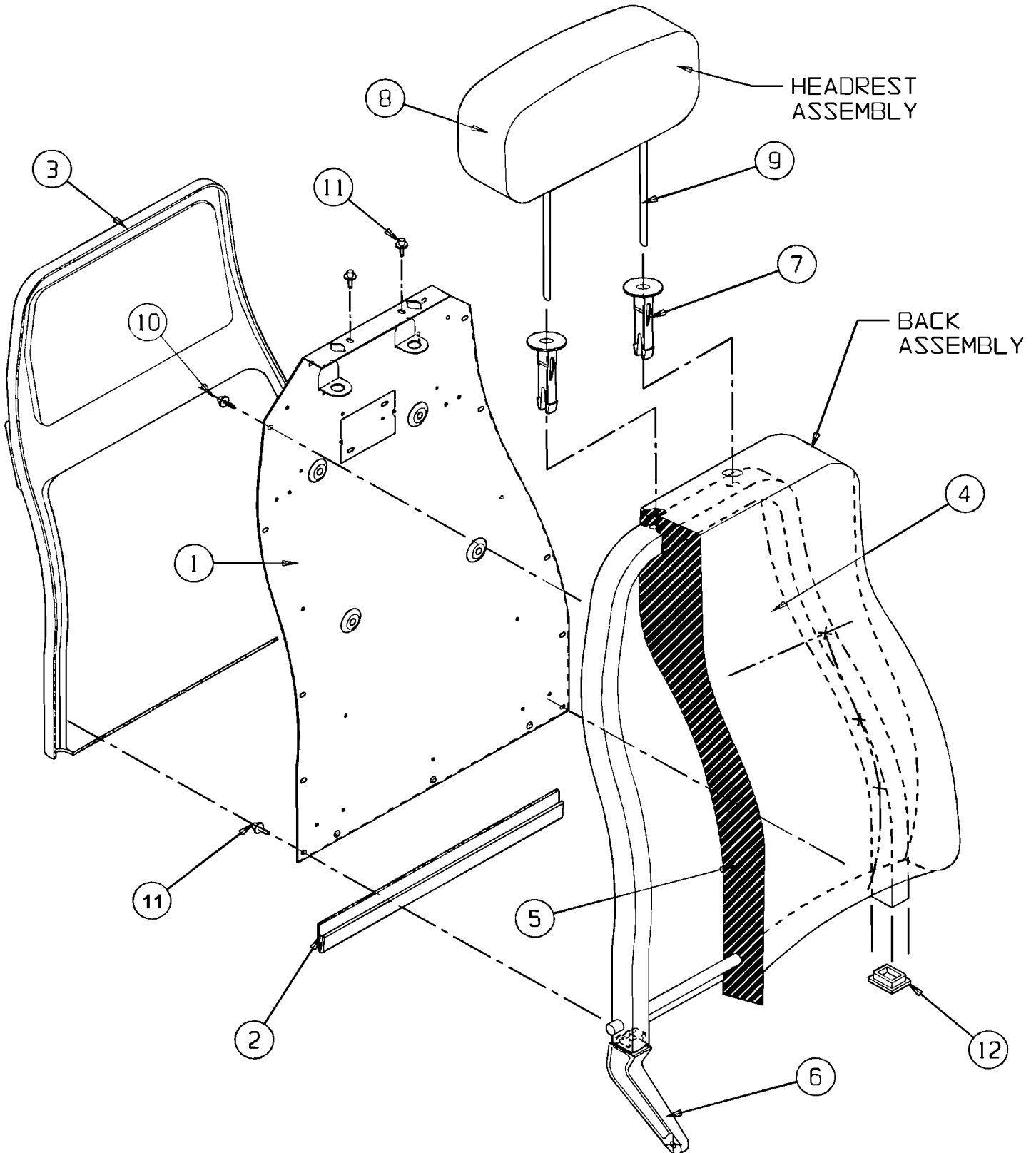


From 3-4417 To 8-1043

Date:10/2022

PAGE:HF-1825-31

PASSENGER'S SEAT - "AMERICAN" - BACKREST WX69





From 3-4417 To 8-1043	Date:10/2022	PAGE:HF-1825-31
PASSENGER'S SEAT - "AMERICAN" - BACKREST WX69		

Item#	Part	Description	H 3 4 1	H 3 4 5	V I P 4 5	N O T E S
1	Call order desk	PANEL METAL INNER	1	1		P
2	Call order desk	EXTRUSION VINYL	1	1		P
3	HF-1825-60	PASSENGER'S SEAT - "AMERICAN" - BACK & ACCESS				
4	N.P.N.	COVER BACK UPHOLSTERY	1	1		4
5	Call order desk	FOAM BACK - POLY FOAM	1	1		PA
5	Call order desk	FOAM BACK - POLY FOAM	1	1		PB
5	Call order desk	FOAM BACK - LOW SMOKE FOAM	1	1		PB
5	Call order desk	FOAM BACK - POLY FOAM	1	1		PC
5	Call order desk	FOAM BACK - LOW SMOKE FOAM	1	1		PC
5	Call order desk	FOAM BACK - POLY FOAM	1	1		PD
5	Call order desk	FOAM BACK - LOW SMOKE FOAM	1	1		PD
6	Call order desk	BACK FRAME & FOAM RH	1	1		P
6	Call order desk	BACK FRAME & FOAM LH	1	1		P
7	863800	BUSHING GUIDE	2	2		
8	N.P.N.	COVER HEADREST UPHOLSTERY	1	1		4
9	Call order desk	HEADREST ASSY - POLY FOAM	1	1		PE
9	Call order desk	HEADREST ASSY - POLY FOAM	1	1		PF
9	Call order desk	HEADREST ASSY - LOW SMOKE FOAM	1	1		PE
9	Call order desk	HEADREST ASSY - LOW SMOKE FOAM	1	1		PF
10	Call order desk	RIVET POP	12	12		P
11	Call order desk	RIVET POP	2	2		P
12	865892	PLUG CAP 1x1 1/4 BLK POLY	1	1		
		A) WITH SEAT MODEL W6694				
		B) WITH SEAT MODEL W6696				
		C) WITH SEAT MODEL W7694				
		D) WITH SEAT MODEL W7696				
		E) WITH SEAT MODEL W6694 & W6696				
		F) WITH SEAT MODEL W7694 & W7696				
		4) NO PARTS NUMBER				
		P) CALL ORDER DESK FOR SPECIFIC APPLICATION (V.I.N.)				

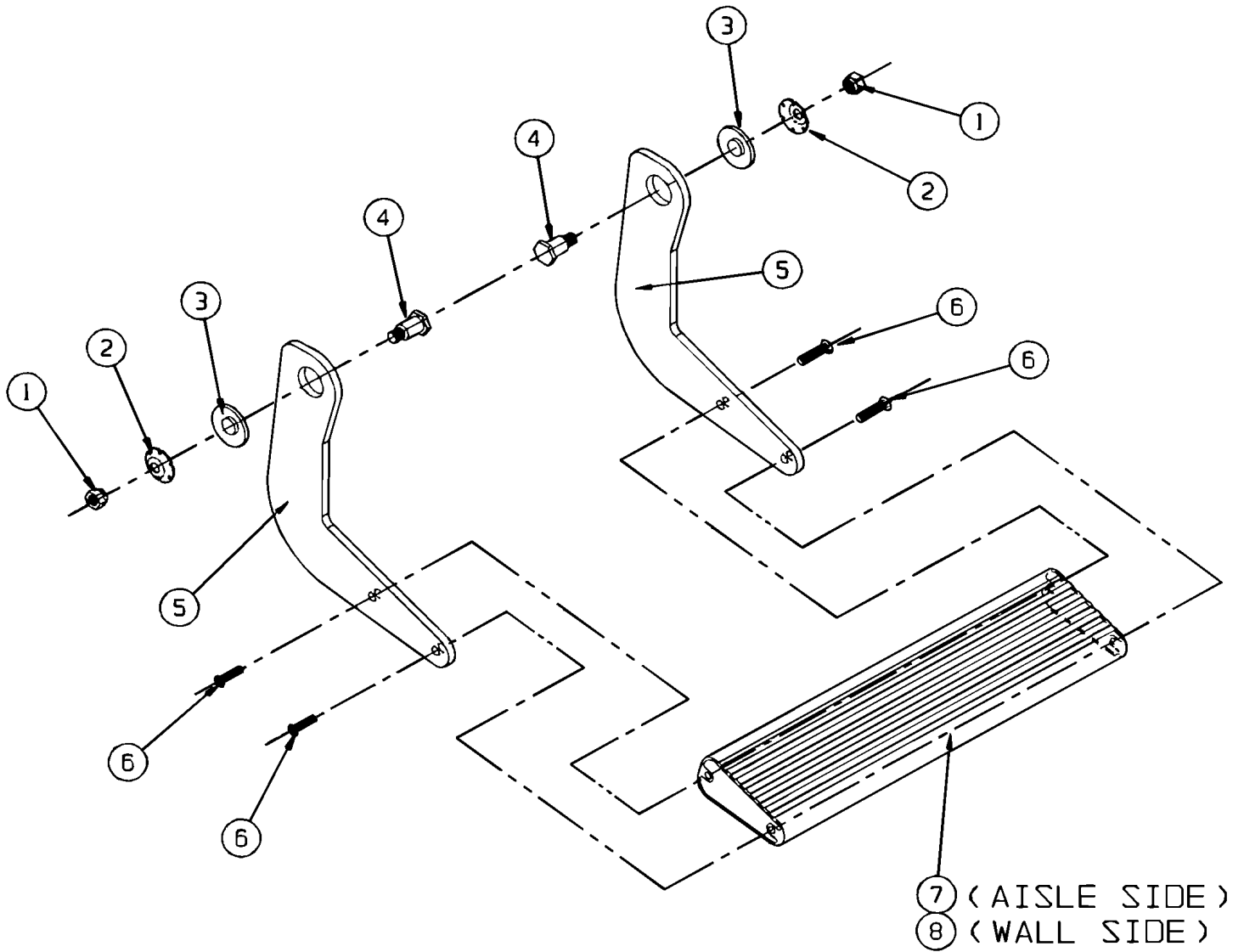


From 3-4417 To 8-1043

Date:10/2022

PAGE:HF-1825-40

PASSENGER'S SEAT - "AMERICAN" - FOOTREST



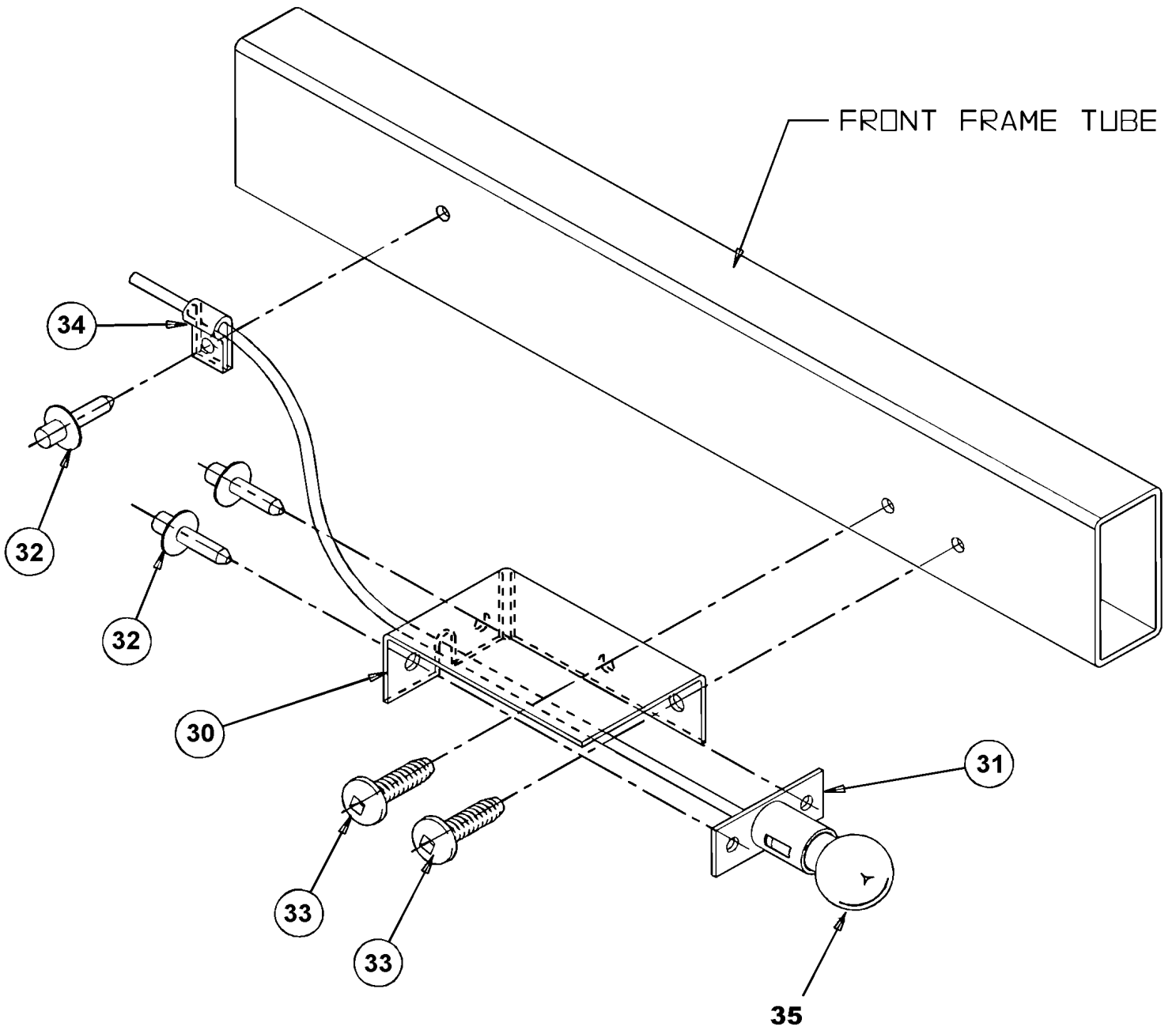


From 3-4417 To 8-1043

Date:10/2022

PAGE:HF-1825-40

PASSENGER'S SEAT - "AMERICAN" - FOOTREST





From 3-4417 To 8-1043 Date:10/2022 PAGE:HF-1825-40

PASSENGER'S SEAT - "AMERICAN" - FOOTREST

Item#	Part	Description	H 3 4 1	H 3 4 5	V I P 4 5	N O T E S
	864788	FOOTREST ASSY (AISLE SIDE)	1	1		
	Call order desk	FOOTREST ASSY (WALL SIDE)	1	1		P
1	500690	. NUT HEX NYRT 1/4-28 Z050	2	2		
2	862724	. WASHER TENSIONER	2	2		
3	862723	. WASHER FL NYLON	2	2		
4	862722	. PIN PIVOT	2	2		
5	865126	. PLATE HANGER	2	2		
6	Call order desk	. SCREW MA PAN PH #10-24x3/4	4	4		P
7	Call order desk	. EXTRUSION FOOTREST (AISLE SIDE)	1	1		P
8	Call order desk	. EXTRUSION FOOTREST (WALL SIDE)	1	1		P
30	Call order desk	ASILE LITE ASSEMBLY	1	1		P
30	Call order desk	ASILE LITE ASSEMBLY (REVERSIBLE)	1	1		P A
30	Call order desk	. HOUSING ASILE LITE	1	1		P
30	Call order desk	. HOUSING ASILE LITE (REVERSIBLE)	1	1		P A
31	Call order desk	. LAMP SOCKET ASSEMBLY	1	1		P
32	504105	. RIVET POP DOME OE 1/8x3/16 AL	7	7		
33	Call order desk	. SCREW MA BUT SQ #6-32x1/2	2	2		P
34	Call order desk	. CLAMP	5	5		P
35	560141	. BULB / 3WATT-24VOLTS / SAE# 1251	AR	AR		
35	563546	BULB / 7 LEDS BLUE / UNDER SEAT / #B607-2PB-028W	AR	AR		
35	564100	BULB / 7 LEDS BLUE / UNDER SEAT / #270015	AR	AR		
		A) WITH REVERSIBLE SEAT				
		P) CALL ORDER DESK FOR SPECIFIC APPLICATION (V.I.N.)				



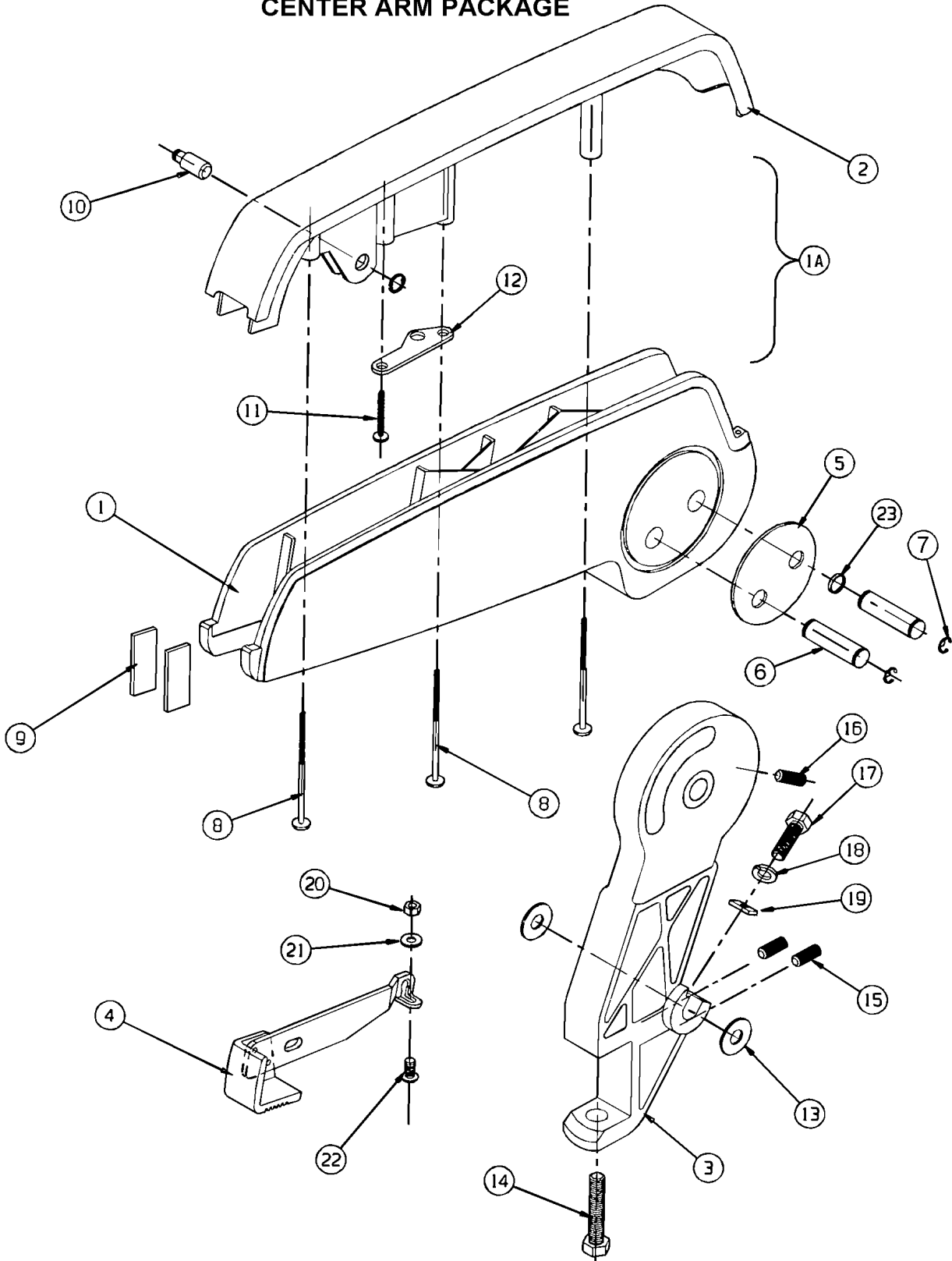
From 3-4417 To 8-1043

Date:10/2022

PAGE:HF-1825-50

PASSENGER'S SEAT - "AMERICAN" - ARMREST

CENTER ARM PACKAGE





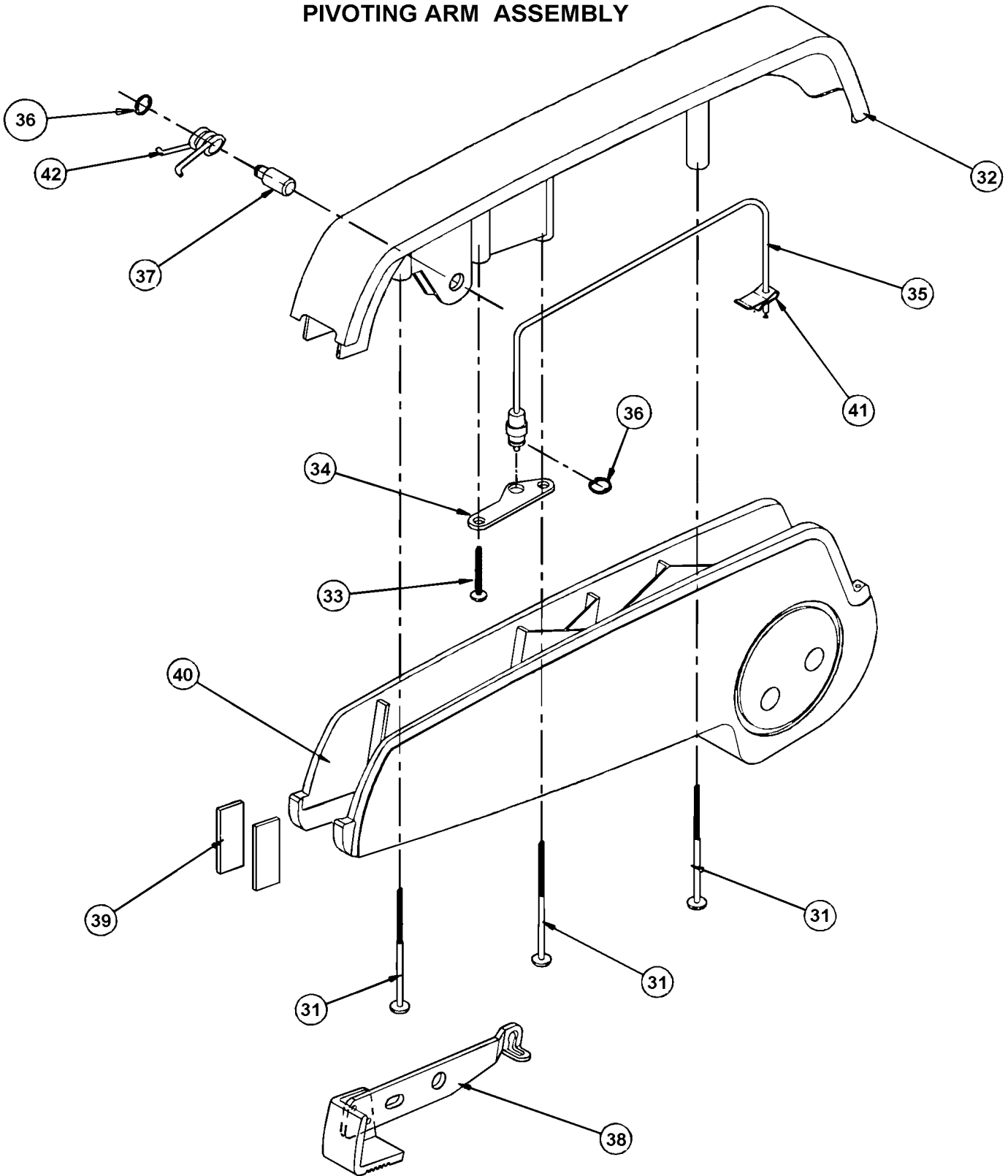
From 3-4417 To 8-1043

Date:10/2022

PAGE:HF-1825-50

PASSENGER'S SEAT - "AMERICAN" - ARMREST

PIVOTING ARM ASSEMBLY





From 3-4417 To 8-1043 Date:10/2022 PAGE:HF-1825-50

PASSENGER'S SEAT - "AMERICAN" - ARMREST

Item#	Part	Description	H 3 4 1	H 3 4 5	V I P 4 5	N O T E S
	Call order desk	CENTER ARM PACKAGE	1	1		P
1	Call order desk	. ARM BASE	1	1		P
2	Call order desk	. CAP - ARM	1	1		P
3	Call order desk	. CASTING SUPPORT	1	1		P
4	Call order desk	. LEVER ASSY RECLINE	1	1		P
5	Call order desk	. PLATE REINFORCEMENT	2	2		P
6	Call order desk	. PIN - PIVOT	2	2		P
7	Call order desk	. RETAINER RING	4	4		P
8	Call order desk	. SCREW #10x2 1/4	3	3		P
9	Call order desk	. SOUND ABSORBER	2	2		P
10	Call order desk	. PIN - PIVOT RECLINE	1	1		P
11	Call order desk	. SCREW MA PAN PH #10-32	1	1		P
12	Call order desk	. PLATE - CABLE RETAINER	1	1		P
13	Call order desk	. WASHER FL NYL	2	2		P
14	Call order desk	. SCREW CAP HEX 3/8-16x2 1/2	1	1		P
15	Call order desk	. SCREW - SET 1/4-20	2	2		P
16	Call order desk	. SCREW - SET	1	1		P
17	865815	. SCREW CAP HEX 3/8-16x1 1/8	1	1		
18	Call order desk	. WASHER LO SPT	1	1		P
19	Call order desk	. PLATE RETAINER	1	1		P
20	Call order desk	. NUT HEX #6-32	1	1		P
21	Call order desk	. WASHER FL	1	1		P
22	Call order desk	. SCREW CAP HEX #6-32x1/2	1	1		P
23	865884	. WASHER SPR WAVE	1	1		
NS	Call order desk	ARM ASSY	1	1		P A
30	865803	PIVOTING ARM ASSY	1	1		
31	Call order desk	. SCREW #10x2 1/4	3	3		P
32	Call order desk	. CAP - ARM	1	1		P
33	Call order desk	. SCREW MA PAN PH #10-32	1	1		P
34	Call order desk	. PLATE - CABLE RETAINER	1	1		P
35	864192	. CABLE PORTER RELEASE	1	1		
36	Call order desk	. E-RING - BOWED	2	2		P
37	Call order desk	. PIN - PIVOT RECLINE	1	1		P
38	Call order desk	. LEVER ASSY RECLINE	1	1		P
39	Call order desk	. SOUND ABSORBER	2	2		P
40	Call order desk	. ARM BASE	1	1		P
41	861486	. CLIP / WIRE RETAINER	1	1		
42	Call order desk	. SPRING RETURN	1	1		P



From 3-4417 To 8-1043		Date:10/2022		PAGE:HF-1825-50			
PASSENGER'S SEAT - "AMERICAN" - ARMREST							
Item#	Part	Description	H 3 4 1	H 3 4 5	V I P 4 5	N O T E S	
		A) INCLUDE ITEM 1 & 3					
		P) CALL ORDER DESK FOR SPECIFIC APPLICATION (V.I.N.)					

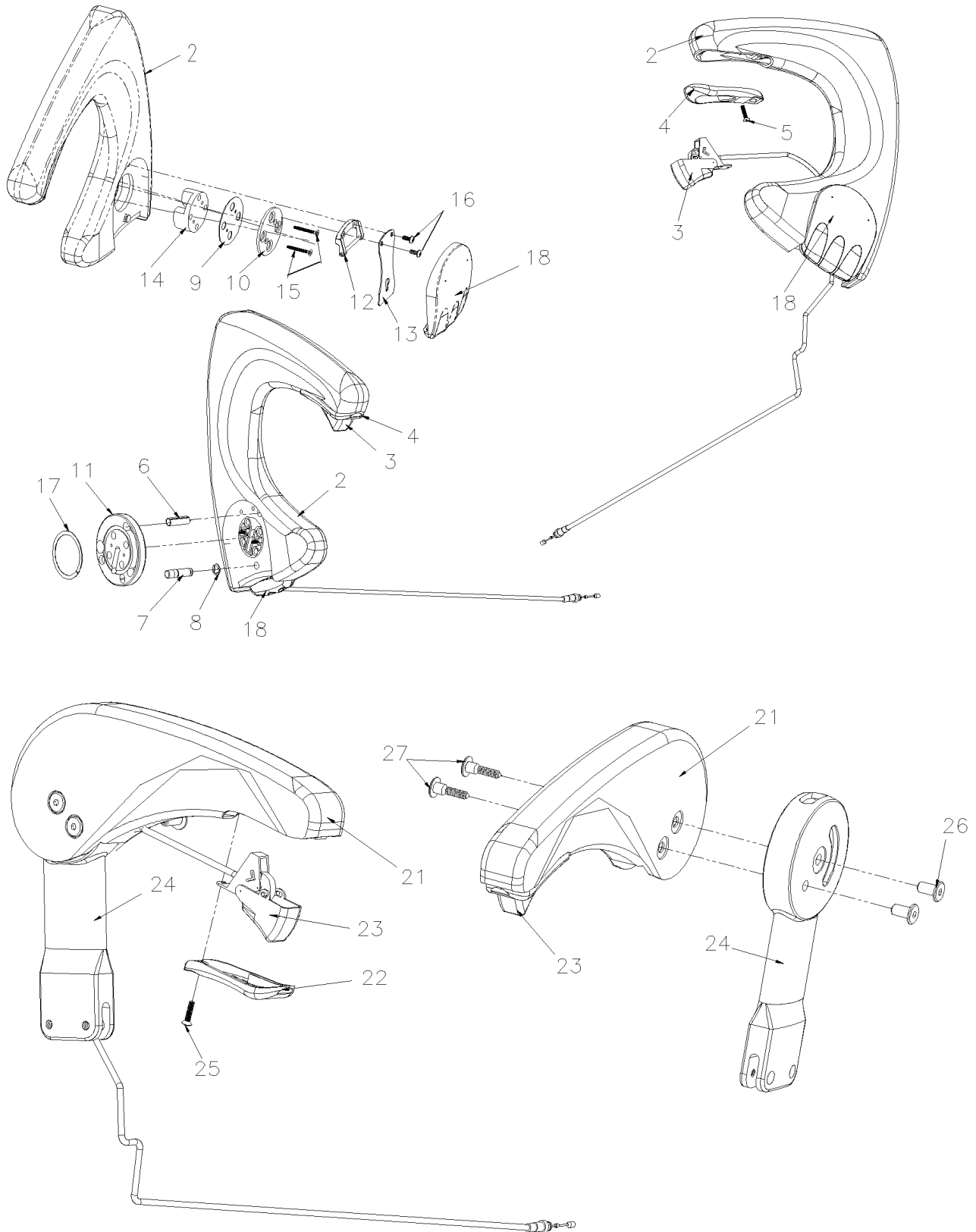


From 3-4417 To 8-1043

Date:10/2022

PAGE:HF-1825-51

PASSENGER'S SEAT - "AMERICAN" - ARMREST SERIES 2000 & MORE





From 3-4417 To 8-1043	Date:10/2022	PAGE:HF-1825-51
-----------------------	--------------	-----------------

PASSENGER'S SEAT - "AMERICAN" - ARMREST SERIES 2000 & MORE

Item#	Part	Description	H 3 4 1	H 3 4 5	V I P 4 5	N O T E S
1	Call order desk	ARM ASSY L.H. (FOLD-DOWN)	1	1		P
1	Call order desk	. ARM WELDMENT AISLE	1	1		P
2	Call order desk	. ARM AISLE	1	1		P
3	196436	. CABLE ASSY RELEASE	1	1		
4	865349	. BEZEL	1	1		
5	865887	. SCREW MA FL PH #8-18x3/4	1	1		
6	Call order desk	. PIN SLOTTER 5/16"x1 1/4"	1	1		P
7	Call order desk	. LOCK PIN	1	1		P
8	Call order desk	. E-RING	1	1		P
9	Call order desk	. PLATE END WASHER	1	1		P
10	Call order desk	. PLATE END	1	1		P
11	Call order desk	. PLATE INDEX	1	1		P
12	Call order desk	. BRACKET ARMREST PIVOT	1	1		P
13	Call order desk	. SPRING HANDLE	1	1		P
14	Call order desk	. HUB	1	1		P
15	Call order desk	. SCREW #10-24x3/4 SR P	2	2		P
16	Call order desk	. SCREW BUT HEAD #8x7/8" CRO	2	2		P
17	Call order desk	. WASHER, WAVE	1	1		P
18	864092	. HANDLE PIVOT	1	1		
20	Call order desk	ARM ASSY STATIONARY WALL SIDE	1	1		P
21	Call order desk	. ARM AISLE	1	1		P
22	865349	. BEZEL	1	1		
23	196436	. CABLE ASSY RELEASE	1	1		
24	865888	. CASTING ARM EXTENSION RH	1	1		
25	865887	. SCREW MA FL PH #8-18x3/4	1	1		
26	865886	. NUT JCN-CAP 1/4-20	2	2		
27	865885	. BOLT LOW PROFILE 1/4-20	2	2		
		P) CALL ORDER DESK FOR SPECIFIC APPLICATION (V.I.N.)				

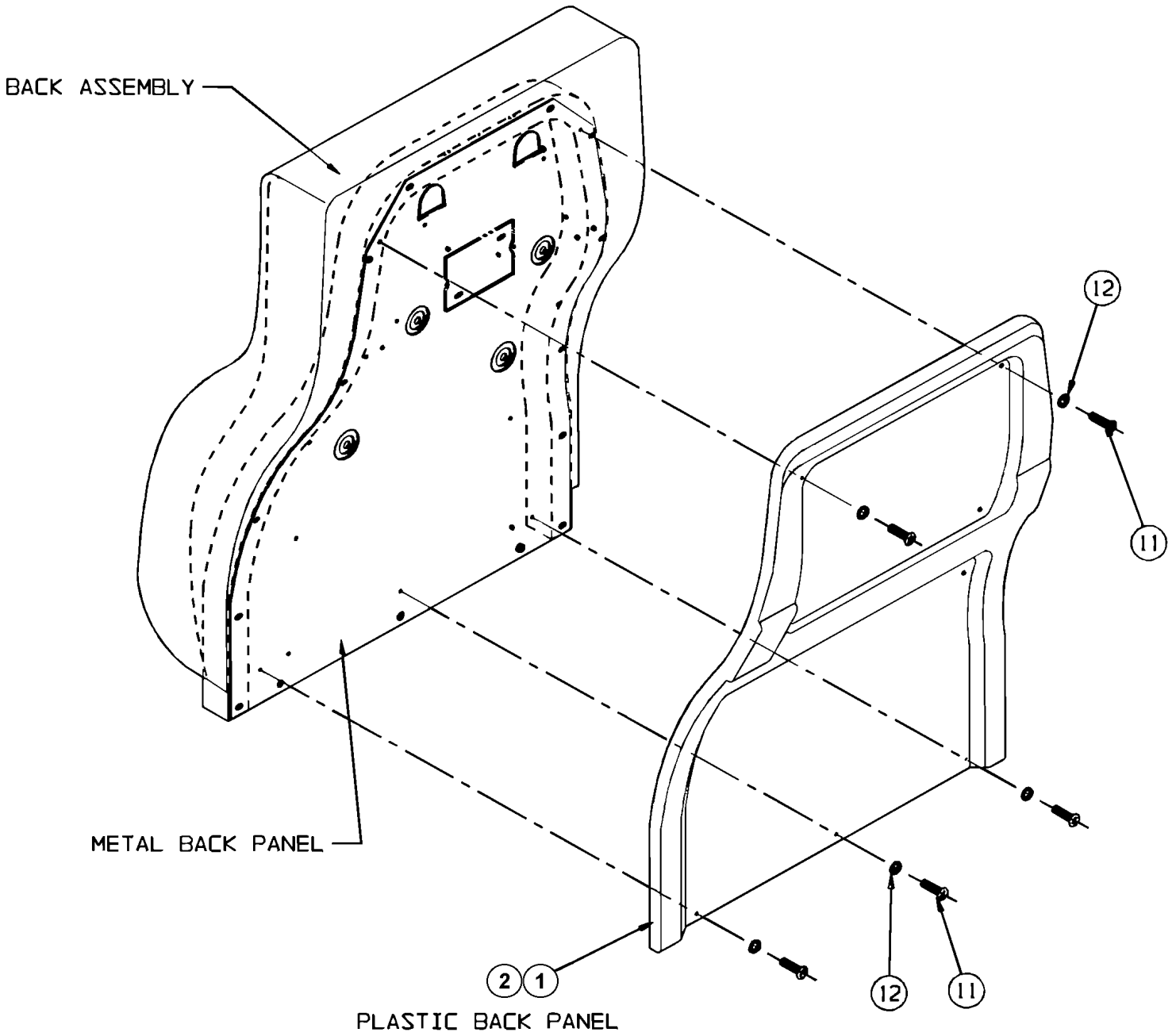


From 3-4417 To 8-1043

Date:10/2022

PAGE:HF-1825-60

PASSENGER'S SEAT - "AMERICAN" - BACK & ACCESS



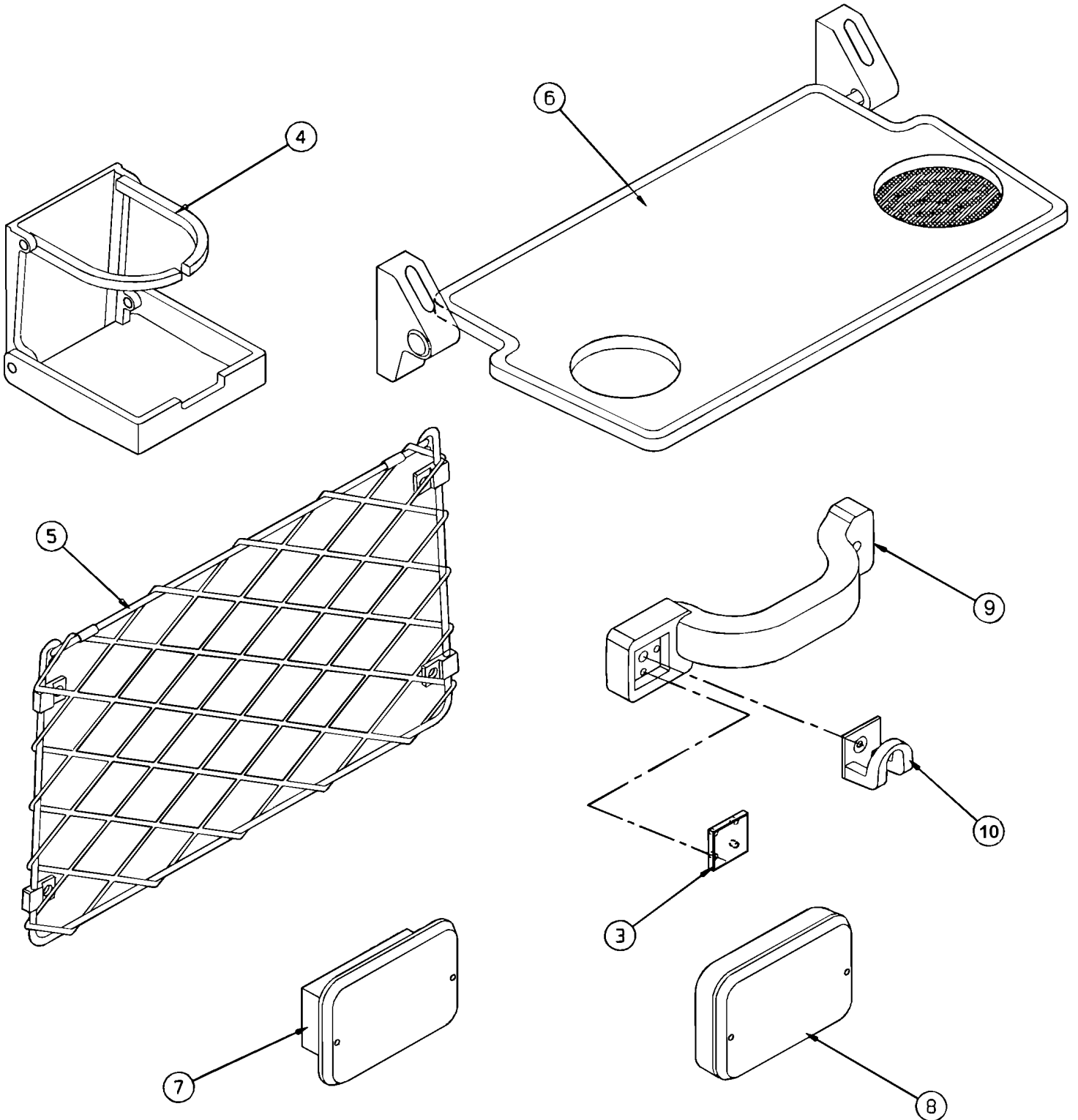


From 3-4417 To 8-1043

Date:10/2022

PAGE:HF-1825-60

PASSENGER'S SEAT - "AMERICAN" - BACK & ACCESS





From 3-4417 To 8-1043 Date:10/2022 PAGE:HF-1825-60

PASSENGER'S SEAT - "AMERICAN" - BACK & ACCESS

Item#	Part	Description	H 3 4 1	H 3 4 5	V I P 4 5	N O T E S
1	Call order desk	PANEL W/O OPTIONS - CHARCOAL	1	1		PA
1	Call order desk	PANEL W/O OPTIONS - RED	1	1		PA
1	Call order desk	PANEL W/O OPTIONS - BLUE	1	1		PA
1	Call order desk	PANEL W/O OPTIONS - BROWN	1	1		PA
1	Call order desk	PANEL W/GRABHANDLE & COAT HOOK - CHARCOAL	1	1		PA
1	Call order desk	PANEL W/GRABHANDLE & COAT HOOK - RED	1	1		PA
1	Call order desk	PANEL W/GRABHANDLE & COAT HOOK - BLUE	1	1		PA
1	Call order desk	PANEL W/GRABHANDLE & COAT HOOK - BROWN	1	1		PA
1	Call order desk	PANEL W/MAGAZINE POCKET - CHARCOAL	1	1		PA
1	Call order desk	PANEL W/MAGAZINE POCKET - RED	1	1		PA
1	Call order desk	PANEL W/MAGAZINE POCKET - BLUE	1	1		PA
1	Call order desk	PANEL W/MAGAZINE POCKET - BROWN	1	1		PA
1	Call order desk	PANEL W/MAGAZINE POCKET & CUP HOLDER - CHARCOAL	1	1		PA
1	Call order desk	PANEL W/MAGAZINE POCKET & CUP HOLDER - RED	1	1		PA
1	Call order desk	PANEL W/MAGAZINE POCKET & CUP HOLDER - BLUE	1	1		PA
1	Call order desk	PANEL W/MAGAZINE POCKET & CUP HOLDER - BROWN	1	1		PA
1	Call order desk	PANEL W/MAGAZINE POCKET & GRABHANDLE - CHARCOAL	1	1		PA
1	Call order desk	PANEL W/MAGAZINE POCKET & GRABHANDLE - RED	1	1		PA
1	Call order desk	PANEL W/MAGAZINE POCKET & GRABHANDLE - BLUE	1	1		PA
1	Call order desk	PANEL W/MAGAZINE POCKET & GRABHANDLE - BROWN	1	1		PA
1	Call order desk	PANEL W/MAGAZINE POCKET & RECESSED ASHTRAY - CHARCOAL	1	1		PA
1	Call order desk	PANEL W/MAGAZINE POCKET & RECESSED ASHTRAY - RED	1	1		PA
1	Call order desk	PANEL W/MAGAZINE POCKET & RECESSED ASHTRAY - BLUE	1	1		PA
1	Call order desk	PANEL W/MAGAZINE POCKET & RECESSED ASHTRAY - BROWN	1	1		PA
1	Call order desk	PANEL W/MAGAZINE POCKET & SNACK TRAYS - CHARCOAL	1	1		PA
1	Call order desk	PANEL W/MAGAZINE POCKET & SNACK TRAYS - RED	1	1		PA
1	Call order desk	PANEL W/MAGAZINE POCKET & SNACK TRAYS - BLUE	1	1		PA
1	Call order desk	PANEL W/MAGAZINE POCKET & SNACK TRAYS - BROWN	1	1		PA
1	Call order desk	PANEL W/RECESSED ASHTRAY - CHARCOAL	1	1		PA
1	Call order desk	PANEL W/RECESSED ASHTRAY - RED	1	1		PA
1	Call order desk	PANEL W/RECESSED ASHTRAY - BLUE	1	1		PA
1	Call order desk	PANEL W/RECESSED ASHTRAY - BROWN	1	1		PA
1	Call order desk	PANEL W/SNACK TRAYS - CHARCOAL	1	1		PA
1	Call order desk	PANEL W/SNACK TRAYS - RED	1	1		PA
1	Call order desk	PANEL W/SNACK TRAYS - BLUE	1	1		PA
1	Call order desk	PANEL W/SNACK TRAYS - BROWN	1	1		PA
2	Call order desk	PANEL W/O OPTIONS - CHARCOAL	1	1		PB
2	Call order desk	PANEL W/O OPTIONS - RED	1	1		PB
2	Call order desk	PANEL W/O OPTIONS - BLUE	1	1		PB
2	Call order desk	PANEL W/O OPTIONS - BROWN	1	1		PB
2	Call order desk	PANEL W/COAT HOOK - CHARCOAL	1	1		PB



From 3-4417 To 8-1043	Date:10/2022	PAGE:HF-1825-60
PASSENGER'S SEAT - "AMERICAN" - BACK & ACCESS		

Item#	Part	Description	H 3 4 1	H 3 4 5	V I P 4 5	N O T E S
2	Call order desk	PANEL W/COAT HOOK - RED	1	1		P B
2	Call order desk	PANEL W/COAT HOOK - BLUE	1	1		P B
2	Call order desk	PANEL W/COAT HOOK - BROWN	1	1		P B
2	Call order desk	PANEL W/CUP HOLDER - CHARCOAL	1	1		P B
2	Call order desk	PANEL W/CUP HOLDER - RED	1	1		P B
2	Call order desk	PANEL W/CUP HOLDER - BLUE	1	1		P B
2	Call order desk	PANEL W/CUP HOLDER - BROWN	1	1		P B
2	Call order desk	PANEL W/GRABHANDLE & COAT HOOK - CHARCOAL	1	1		P B
2	Call order desk	PANEL W/GRABHANDLE & COAT HOOK - RED	1	1		P B
2	Call order desk	PANEL W/GRABHANDLE & COAT HOOK - BLUE	1	1		P B
2	Call order desk	PANEL W/GRABHANDLE & COAT HOOK - BROWN	1	1		P B
2	Call order desk	PANEL W/GRABHANDLE & RECESSED ASHTRAY - CHARCOAL	1	1		P B
2	Call order desk	PANEL W/GRABHANDLE & RECESSED ASHTRAY - RED	1	1		P B
2	Call order desk	PANEL W/GRABHANDLE & RECESSED ASHTRAY - BLUE	1	1		P B
2	Call order desk	PANEL W/GRABHANDLE & RECESSED ASHTRAY - BROWN	1	1		P B
2	Call order desk	PANEL W/MAGAZINE POCKET - CHARCOAL	1	1		P B
2	Call order desk	PANEL W/MAGAZINE POCKET - RED	1	1		P B
2	Call order desk	PANEL W/MAGAZINE POCKET - BLUE	1	1		P B
2	Call order desk	PANEL W/MAGAZINE POCKET - BROWN	1	1		P B
2	Call order desk	PANEL W/MAGAZINE POCKET & GRABHANDLE - CHARCOAL	1	1		P B
2	Call order desk	PANEL W/MAGAZINE POCKET & GRABHANDLE - RED	1	1		P B
2	Call order desk	PANEL W/MAGAZINE POCKET & GRABHANDLE - BLUE	1	1		P B
2	Call order desk	PANEL W/MAGAZINE POCKET & GRABHANDLE - BROWN	1	1		P B
2	Call order desk	PANEL W/MAGAZINE POCKET & RECESSED ASHTRAY - CHARCOAL	1	1		P B
2	Call order desk	PANEL W/MAGAZINE POCKET & RECESSED ASHTRAY - RED	1	1		P B
2	Call order desk	PANEL W/MAGAZINE POCKET & RECESSED ASHTRAY - BLUE	1	1		P B
2	Call order desk	PANEL W/MAGAZINE POCKET & RECESSED ASHTRAY - BROWN	1	1		P B
2	Call order desk	PANEL W/RECESSED ASHTRAY - CHARCOAL	1	1		P B
2	Call order desk	PANEL W/RECESSED ASHTRAY - RED	1	1		P B
2	Call order desk	PANEL W/RECESSED ASHTRAY - BLUE	1	1		P B
2	Call order desk	PANEL W/RECESSED ASHTRAY - BROWN	1	1		P B
2	Call order desk	PANEL W/SNACK TRAYS - CHARCOAL	1	1		P B
2	Call order desk	PANEL W/SNACK TRAYS - RED	1	1		P B
2	Call order desk	PANEL W/SNACK TRAYS - BLUE	1	1		P B
2	Call order desk	PANEL W/SNACK TRAYS - BROWN	1	1		P B
3	284049	. PLUG / SQUARE / BLACK	1	1		
4	900527	. GLASS HOLDER	1	1		
5	866007	. MAGAZINE POCKET	1	1		
6	860657	. SHELF	1	1		
7	Call order desk	. ASHTRAY - RECESSED	1	1		P
8	Call order desk	. ASHTRAY - SURFACED MTD	1	1		P



From 3-4417 To 8-1043	Date:10/2022	PAGE:HF-1825-60
PASSENGER'S SEAT - "AMERICAN" - BACK & ACCESS		

Item#	Part	Description	H 3 4 1	H 3 4 5	V I P 4 5	N O T E S
9	860422	. HANDLE	1	1		
NS	Call order desk	. SCREW #8 1" TYPE AB	AR	AR		P
NS	Call order desk	. SCREW TC #8-32x1	AR	AR		P
10	860421	. HOOK	1	1		
11	Call order desk	SCREW PLASTIC PANEL	9	9		P
12	Call order desk	WASHER NYL	9	9		P
		A) WITH SEAT MODEL W6693 & W7693				
		B) WITH SEAT MODEL W6694, W7694, W6696 & W7696				
		P) CALL ORDER DESK FOR SPECIFIC APPLICATION (V.I.N.)				

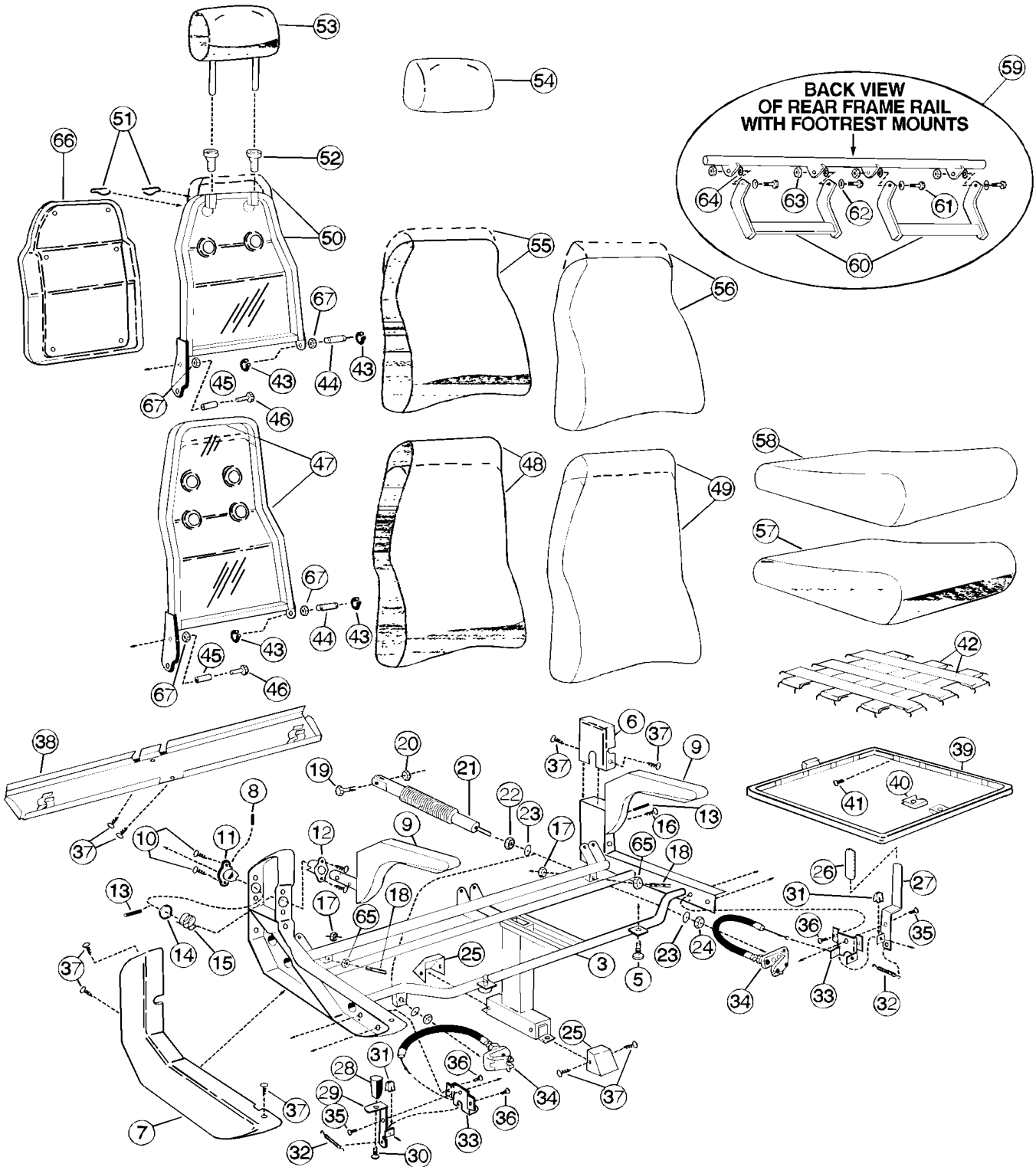


From 3-4417 To 8-1043

Date:10/2022

PAGE:HF-1826-00

PASSENGER'S SEAT - "NATIONAL" - 4209 & 4210



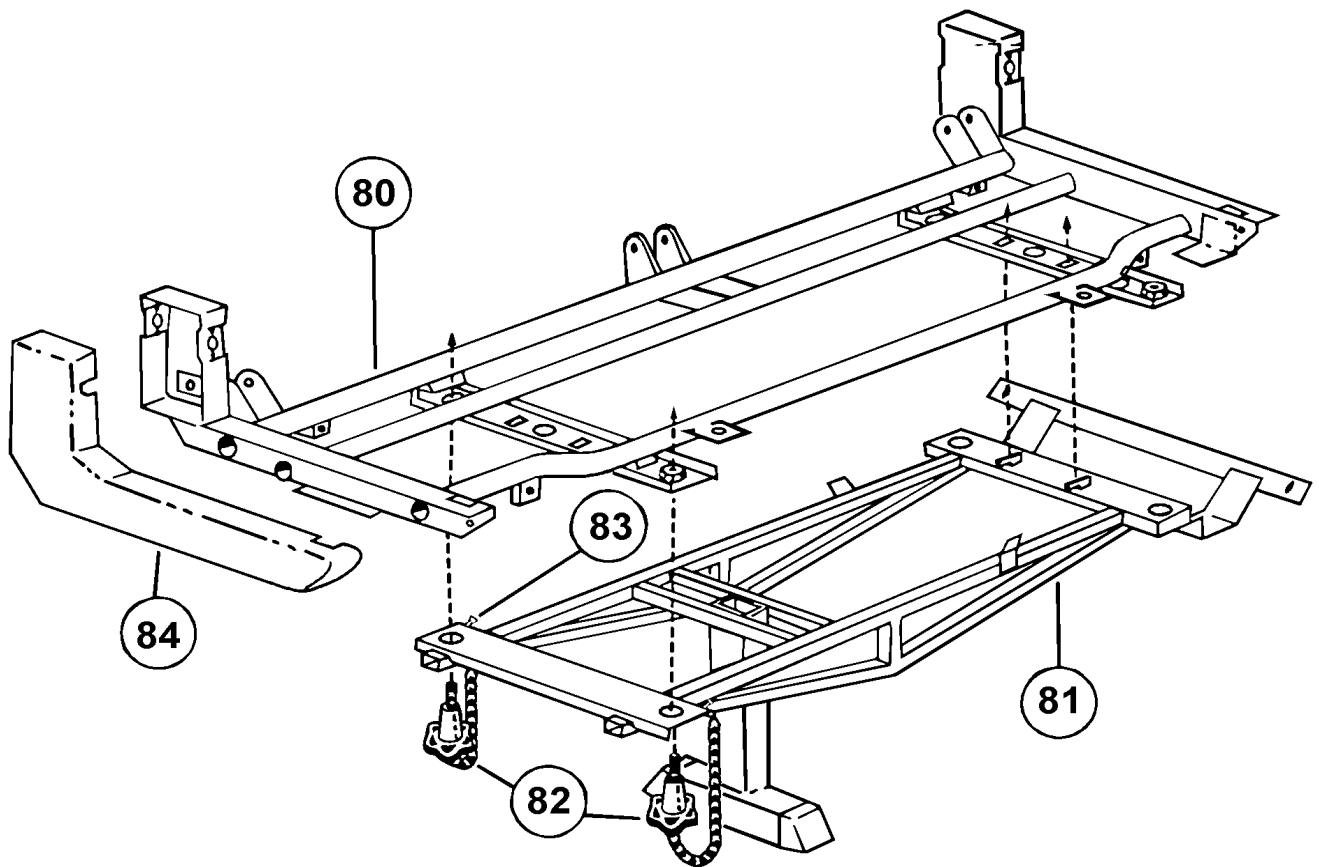


From 3-4417 To 8-1043

Date:10/2022

PAGE:HF-1826-00

PASSENGER'S SEAT - "NATIONAL" - 4209 & 4210





From 3-4417 To 8-1043	Date:10/2022	PAGE:HF-1826-00
PASSENGER'S SEAT - "NATIONAL" - 4209 & 4210		

Item#	Part	Description	H 3 4 1	H 3 4 5	V I P 4 5	N O T E S
		IMPORTANT NOTE:				
		TO ORDER COMPLETE PASSENGER'S SEAT KIT #, SEE THE FINAL VEHICLE RECORD.				
3	863291	PAINTED FRAME ASSY W/FOOTREST BRACKET - L.H.	1	1		
3	864790	PAINTED FRAME ASSY W/FOOTREST BRACKET - R.H.	1	1		
3	Call order desk	PAINTED FRAME ASSY W/O FOOTREST BRACKET - L.H.	1	1		P
3	Call order desk	PAINTED FRAME ASSY W/O FOOTREST BRACKET - R.H.	1	1		P
3	Call order desk	KIT	1	1		PA
5	865988	SCREW TP TR PH #8-32x1/2	2	2		
6	Call order desk	TRIM PANEL - WALL SIDE	2	2		P B
7	864090	TRIM PANEL - AISLE SIDE - CURBSIDE	1	1		
7	864091	TRIM PANEL - AISLE SIDE - STREET SIDE	1	1		
8	860054	ROLL PIN 3/16" X 1/2"	2	2		
9	865648	FOLD DOWN ARM	2	2		B
10	865988	SCREW TP TR PH #8-32x1/2	8	8		
11	192318	BUSHING - WELDED	1	1		
12	866239	BUSHING ARM - P/M	3	3		
13	860055	ROLL PIN 1/4" X 1 1/8"	2	2		
14	860056	WASHER	2	2		
15	860057	SPRING - ARM	2	2		
16	Call order desk	SCREW TC CAP HEX 1/4-20x3/4	1	1		P
17	502600	NUT HEX NYRT 5/16-18 Z050	2	2		
18	Call order desk	SCREW SET HEXS CUP 5/16-18x1 3/4	2	2		P
19	Call order desk	SCREW CAP HEX 5/16-18x1.00 HD	2	2		P
20	500181	SCREW CAP HEX 5/16-18x1 G5 Z050	2	2		
21	863598	ACTUATOR	2	2		
22	500705	NUT HEX 3/8-24 ZP	2	2		
23	Call order desk	WASHER SPHERICAL 3/8"	4	4		P
24	502592	NUT HEX THN 3/8-24x3/32 Z050	2	2		
25	195894	PEDESTAL CAP	2	2		
NS	500305	SCREW CAP HEX 3/8-16x7/8 G5 Z050	2	2		
NS	500478	WASHER LO SPT .380x.683x.094 Z050	2	2		
NS	500270	WASHER FL .406x1.000x.063 SS	2	2		
NS	362627	PLATE ANCHOR / 3/8-16 BOLT INSIDE TRACK / 1 1/4" X 1 1/4"	2	2		
26	860205	HANDLE BOOT - WALL SIDE	1	1		
27	864618	HANDLE ACTUATOR - WALL SIDE	1	1		
28	195895	KNOB	1	1		
29	864862	HANDLE ACTUATOR - AISLE SIDE	1	1		C
30	Call order desk	SCREW MA TR PH 1/4-20x3/4	1	1		P
31	864394	CABLE ATTACHMENT SPRING CLIP	2	2		
32	Call order desk	SPRING LINK RETURN	2	2		P



From 3-4417 To 8-1043	Date:10/2022	PAGE:HF-1826-00
PASSENGER'S SEAT - "NATIONAL" - 4209 & 4210		

Item#	Part	Description	H 3 4 1	H 3 4 5	V I P 4 5	N O T E S
33	864121	ACTUATOR CABLE BRACKET	2	2		
34	863290	OUTPUT & CABLE ASSY 12"	2	2		
34	863803	OUTPUT & CABLE ASSY 26"	2	2		
35	Call order desk	RIVET	2	2		P
36	Call order desk	RIVET	4	4		P
37	862355	SCREW TP TR PH #10x1/2	11	11		
38	Call order desk	TRIM PANEL ASSY	1	1		P B
39	Call order desk	CUSHION FRAME ASSY	2	2		P
39	Call order desk	CUSHION BOARD (3 PASS SEAT)	3	3		P
40	502935	NUT SPR U 5/16-18 .025-.150	1	1		
41	Call order desk	STUD D.O.T.	32	32		P
42	865214	LATEX WEBBING	12	12		
43	866244	TRUARC RETAINING RING	2	2		
44	Call order desk	PIN - CENTER PIVOT - 4209 HIGH BACK / 4210	1	1		P
44	Call order desk	PIN - CENTER PIVOT - 4209/10 W/CTR. FLDG. OR 4209 LOW BACK	1	1		P
44	Call order desk	PIN - CENTER PIVOT - 4209 LOW BACK	1	1		P
45	865989	PIN - PIVOT	2	2		
46	193005	SCREW CAP HEX 1/4-20x2.000	2	2		
47	Call order desk	BACK FRAME ASSY - L.H. - 4209 HIGH BACK	1	1		P
47	Call order desk	BACK FRAME ASSY - R.H. - 4209 HIGH BACK	1	1		P
47	Call order desk	BACK FRAME ASSY - L.H. - 4209 LOW BACK	1	1		P
47	Call order desk	BACK FRAME ASSY - R.H. - 4209 LOW BACK	1	1		P
47	Call order desk	BACK BOARD - INDIVIDUAL (3 PASS SEAT)	3	3		P
48	Call order desk	BACK POLY - 4209A HIGH BACK	2	2		P
48	Call order desk	BACK POLY - 4209A (3 PASS SEAT)	3	3		P
48	Call order desk	BACK POLY - 4209A LOW BACK	2	2		P
49	Call order desk	BACK COVER - 4209A HIGH BACK	2	2		P
49	Call order desk	BACK COVER - 4209A (3 PASS SEAT)	3	3		P
49	Call order desk	BACK COVER - 4209A LOW BACK	2	2		P
50	Call order desk	BACK FRAME ASSY - L.H. 4210 LOW BACK	1	1		P
50	Call order desk	BACK FRAME ASSY - R.H. 4210 LOW BACK	1	1		P
50	Call order desk	BACK FRAME ASSY - L.H. 4210 HIGH BACK	1	1		P
50	862738	BACK FRAME ASSY - R.H. 4210 HIGH BACK	1	1		
50	Call order desk	BACK BOARD - INDIVIDUAL (3 PASS SEAT)	3	3		P
51	860186	SPRING CLIP - HEADREST - 4210	4	4		
52	Call order desk	BUSHING - HEADREST - 4210	4	4		P
53	863770	HEADREST POLY - FLAT - 4210 LOW BACK	1	1		
53	Call order desk	HEADREST POLY - FLAT - 4210 (3 PASS SEAT)	3	3		P
53	863728	HEADREST BOARD - 4210	3	3		
53	863729	HEADREST POLY ASSY - 4210 HIGH BACK	2	2		
54	Call order desk	HEADREST COVER - FLAT - 4210 LOW BACK	2	2		P
54	863771	HEADREST COVER - FLAT - 4210 LOW BACK / S.C.C.	1	1		



From 3-4417 To 8-1043	Date:10/2022	PAGE:HF-1826-00
PASSENGER'S SEAT - "NATIONAL" - 4209 & 4210		

Item#	Part	Description	H 3 4 1	H 3 4 5	V I P 4 5	N O T E S
54	862739	HEADREST COVER - FLAT - 4210 HIGH BACK / S.C.C.	1	1		
54	Call order desk	HEADREST COVER - FLAT - 4210 (3 PASS SEAT)	3	3		P
55	Call order desk	BACK POLY - 4210A LOW BACK	2	2		P
55	Call order desk	BACK POLY - 4210 (3 PASS SEAT)	3	3		P
55	Call order desk	BACK POLY - 4210A HIGH BACK	2	2		P
56	Call order desk	BACK COVER - 4210A LOW BACK	2	2		P
56	Call order desk	BACK COVER - 4210A (3 PASS SEAT)	3	3		P
56	Call order desk	BACK COVER - 4210A HIGH BACK	2	2		P
57	860037	CUSHION POLY - 4209A & 4210A	2	2		
57	Call order desk	CUSHION POLY	3	3		P
58	862740	CUSHION COVER - 4209A & 4210A S.C.C.	2	2		
58	Call order desk	CUSHION COVER	3	3		P
59	Call order desk	FOOTREST INSTALLATION	1	1		P
60	860444	FOOTREST CENTRAL SECTION	1	1		
60	864099	HANGER & TREADLE ASSY (RETROFIT KIT) FROM MARCH 2000	1	1		
. NS	864037	. SPRING	AR	AR		
. NS	865264	. BRACKET	AR	AR		
. NS	865263	. BOLT	AR	AR		
61	863625	FOOTREST PIVOT PIN	4	4		
62	500476	WASHER LO SPT .317x.586x.078 Z050	4	4		
63	863626	NUT HEX 5/16-24	4	4		
64	863627	BEARING - FOOTREST	4	4		
65	500701	NUT HEX 5/16-18 ZP	2	2		
66	Call order desk	PANEL-BACK (OPTIONAL) 4210 BIG	2	2		P B
66	Call order desk	PANEL-BACK (OPTIONAL) 4210 SMALL	2	2		P
67	864147	BUSHING - BACK PIVOT	4	4		
80	N.S.S.	PAINTED FRAME ASSY - UPPER W/FOOTREST BRACKET	1	1		1
80	N.S.S.	PAINTED FRAME ASSY - UPPER W/O FOOTREST BRACKET	1	1		1
81	863757	PAINTED FRAME ASSY - LOWER	1	1		
82	196686	ATTACHMENT KNOB ASSY	2	2		
83	Call order desk	SOUTHCO DRIVE RIVET	2	2		P
84	N.S.S.	TRIM PANEL - L.H. W/O ACCENT	1	1		1
84	N.S.S.	TRIM PANEL - R.H. W/O ACCENT	1	1		1
NS	192360	GLASS HOLDER "NATIONAL"	AR	AR		
NS	195960	NET MAGAZINE "NATIONAL"	AR	AR		
88	860018	CLAMP ASSY / TO FIX SEAT TO THE WALL	AR	AR		
		A) FOR SEAT PRIO MARCH 1997				
		B) A.R. = POSTITION AND COLOR				



From 3-4417 To 8-1043	Date:10/2022	PAGE:HF-1826-00
-----------------------	--------------	-----------------

PASSENGER'S SEAT - "NATIONAL" - 4209 & 4210

Item#	Part	Description	H 3 4 1	H 3 4 5	V I P 4 5	N O T E S
		C) RELEASE HANDLE WITH KNOB USED ON AISLE SIDE STANDARD SEAT AND BOTH SIDES OF REVERSIBLE SEAT				
		1) NOT SOLD SEPARATELY				
		P) CALL ORDER DESK FOR SPECIFIC APPLICATION (V.I.N.)				

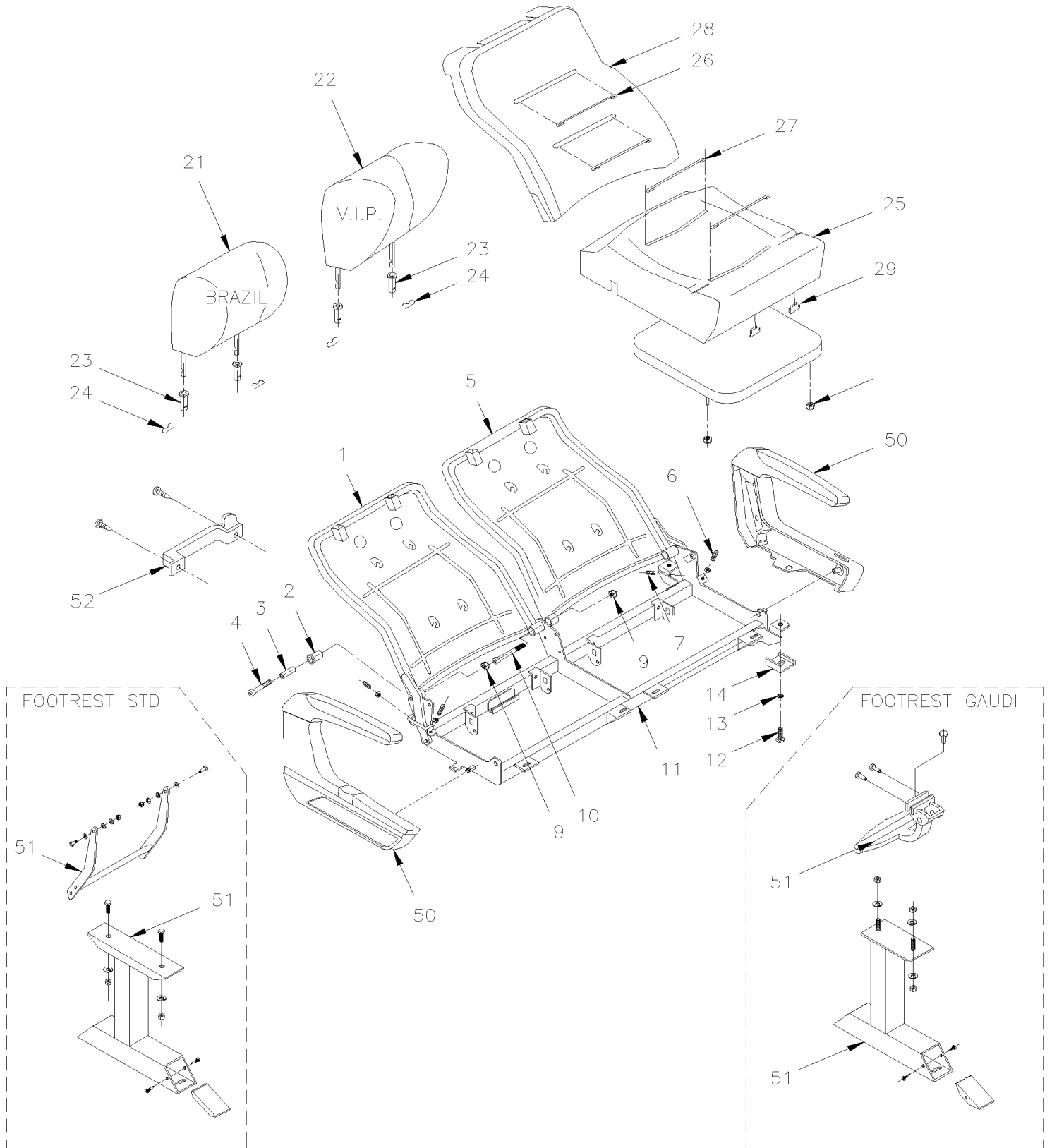


From 3-4417 To 8-1043

Date:10/2022

PAGE:HF-1826-05

PASSENGER'S SEAT - "AMAYA" "EUROTECH"



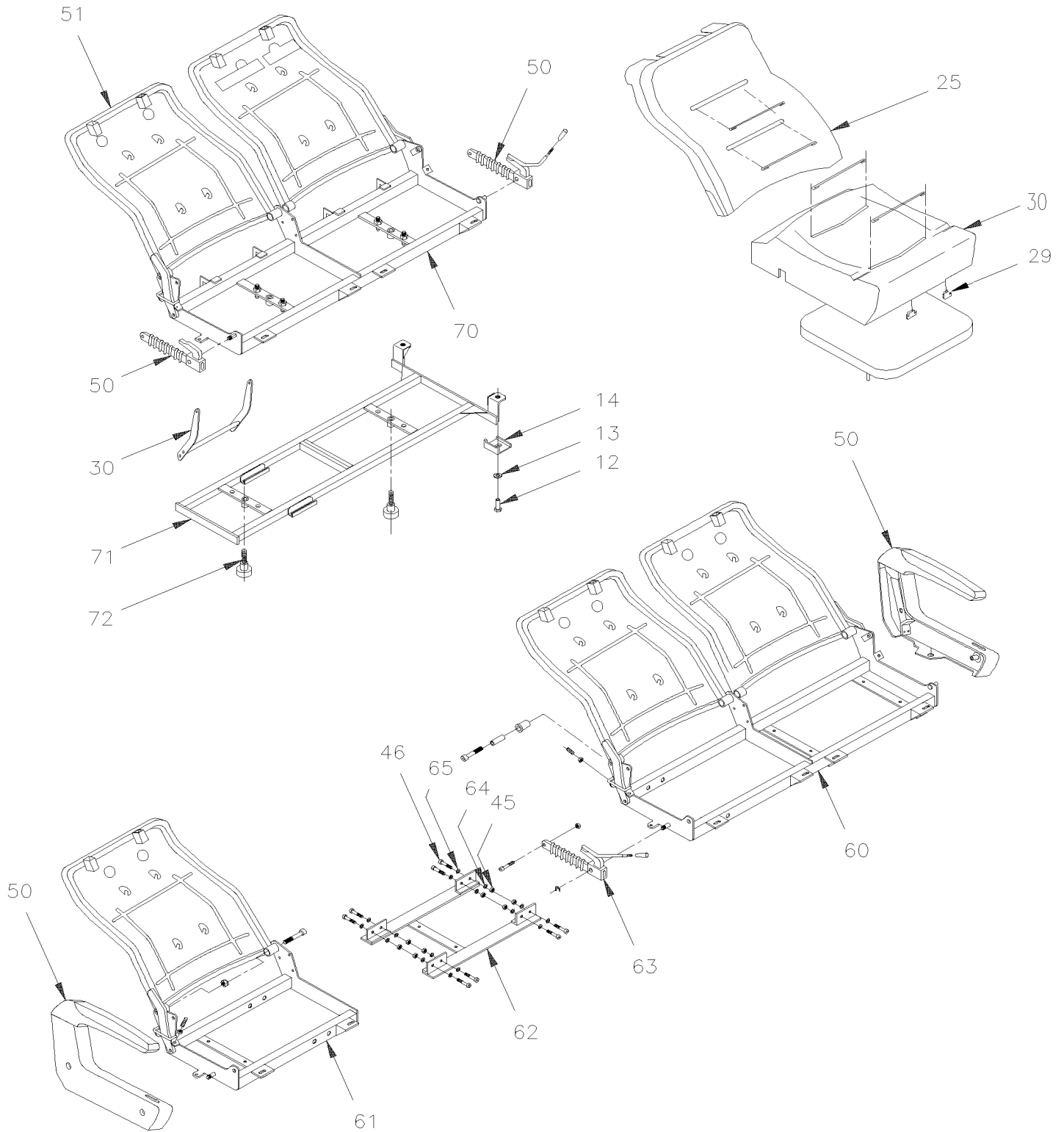


From 3-4417 To 8-1043

Date:10/2022

PAGE:HF-1826-05

PASSENGER'S SEAT - "AMAYA" "EUROTECH"





From 3-4417 To 8-1043	Date:10/2022	PAGE:HF-1826-05
-----------------------	--------------	-----------------

PASSENGER'S SEAT - "AMAYA" "EUROTECH"

Item#	Part	Description	H 3 4 1	H 3 4 5	V I P 4 5	N O T E S
		IMPORTANT NOTE:				
		TO ORDER COMPLETE PASSENGER'S SEAT KIT #, SEE THE FINAL VEHICLE RECORD.				
1	Call order desk	BACKREST STRUCTURE R.H.	1	1		P
1	Call order desk	BACKREST STRUCTURE R.H. / W/IND "REI"	1	1		P
2	865560	BUSHING HYTREL	1	1		
3	Call order desk	INSIDE METAL BUSHING	1	1		P
4	70314705	SCREW CAP HEXS M10-1.5x60 G8.8 ZP	1	1		
5	Call order desk	BACKREST STRUCTURE L.H.	1	1		P
5	Call order desk	BACKREST STRUCTURE L.H. / W/IND "REI"	1	1		P
6	Call order desk	LOCK BOLT M6-1x30	1	1		P
7	Call order desk	LOCK BOLT M6-1x20	1	1		P
9	500680	NUT HEX STO M10-1.5 Z050	1	1		
10	502765	SCREW CAP HEXS M10-1.5x100 G8.8 PT ZP	1	1		
11	Call order desk	STRUCTURE R.H. / W/STD FOOTREST	1	1		P
11	Call order desk	STRUCTURE R.H. / W/STD FOOTREST	1	1		P
11	Call order desk	STRUCTURE L.H. / W/STD FOOTREST	1	1		P
11	Call order desk	STRUCTURE L.H. / W/STD FOOTREST	1	1		P
11	Call order desk	STRUCTURE R.H. / W/GAUDI FOOTREST	1	1		P
11	Call order desk	STRUCTURE L.H. / W/GAUDI FOOTREST	1	1		P
11	Call order desk	STRUCTURE R.H. / W/GAUDI FOOTREST & AVION TABLE SEAT	1	1		P
11	Call order desk	STRUCTURE L.H. / W/GAUDI FOOTREST & AVION TABLE SEAT	1	1		P
12	500183	SCREW CAP HEX 5/16-18x1 1/2 G5 PT Z050	1	1		
13	500441	WASHER FL .312x.734x.065 Z050	1	1		
14	863541	BRACKET SUPPORT	1	1		
21	862558	HEADREST FOAM / TYPE "BRAZIL"	1	1		
21	Call order desk	COVERING ASSY S.C.C.	1	1		P
21	863315	HEADREST FOAM / TYPE "BRAZIL" & "EUROTECH"	1	1		
22	862933	HEADREST ASSY / TYPE WINGED "VIP"	1	1		
22	866011	HEADREST FOAM / TYPE WINGED "VIP"	1	1		
22	Call order desk	COVERING ASSY WING TYPE / S.C.C.	1	1		P
23	864810	GUIDE SLIDING	1	1		
24	866204	BACKREST CLIP	1	1		
25	865141	CUSHION FOAM	1	1		
26	Call order desk	BACKREST TUFTING WIRE "EUROTECH" & "BRASIL"	1	1		P
27	Call order desk	COVERING BACKREST ASSY S.C.C. "EUROTECH"	1	1		P
28	Call order desk	BACKREST FOAM	1	1		P
29	864187	FASTENER COVERING	1	1		
31	Call order desk	CUSHION TUFTING WIRE "EUROTECH" & "BRASIL"	1	1		P
33	502716	NUT HEX NYRT 1/4-20	1	1		
49	362627	PLATE ANCHOR / 3/8-16 BOLT INSIDE TRACK / 1 1/4" X 1 1/4"	1	1		



From 3-4417 To 8-1043 Date:10/2022 PAGE:HF-1826-05

PASSENGER'S SEAT - "AMAYA" "EUROTECH"

Item#	Part	Description	H 3 4 1	H 3 4 5	V I P 4 5	N O T E S
50	HF-1826-50	ARMREST PASSENGER'S SEAT - "AMAYA" W/"EUROTECH"				
50	HF-1826-51	ARMREST PASSENGER'S SEAT - "AMAYA" W/"BRASIL"				
50	HF-1826-52	ARMREST PASSENGER'S SEAT - "AMAYA" W/"GAUDI"				
51	HF-1826-40	PASSENGER'S SEAT - "AMAYA" - FOOTREST & PEDESTAL				
52	HF-1826-60	ACCESSORIES PASSENGER'S SEAT - "AMAYA"				
60	Call order desk	STRUCTURE DOUBLE / USED W/3 LOUNGE SEAT	1	1		P
61	Call order desk	STRUCTURE SINGLE / USED W/3 LOUNGE SEAT	1	1		P
62	Call order desk	STRUCTURE UNION SEAT / USED W/3 LOUNGE SEAT	1	1		P
63	866004	CENTER MECHANISM	1	1		
64	500446	WASHER FL .531x1.250x.125 Z050	1	1		
65	Call order desk	FLAT WASHER	1	1		P
66	866243	PRESSURE WASHER 7/16" 10MM	1	1		
70	Call order desk	STRUCTURE FRAME ROTATING SEAT	1	1		P
71	Call order desk	STRUCTURE FRAME INFERIOR R.H. / W/STD FOOTREST	1	1		P
71	Call order desk	STRUCTURE FRAME INFERIOR L.H. / W/STD FOOTREST	1	1		P
71	Call order desk	STRUCTURE FRAME INFERIOR R.H. / W/GAUDI FOOTREST	1	1		P
71	Call order desk	STRUCTURE FRAME INFERIOR L.H. / W/GAUDI FOOTREST	1	1		P
72	862156	KNOB / ROTATING SEAT	2	2		
100	323654	SEAT TRACK COVER 12' / EACH SEAT / W/COVERING FLOOR	AR	AR		
100	323963	SEAT TRACK COVER 8' / EACH SEAT / W/COVERING FLOOR	AR	AR		
		P) CALL ORDER DESK FOR SPECIFIC APPLICATION (V.I.N.)				

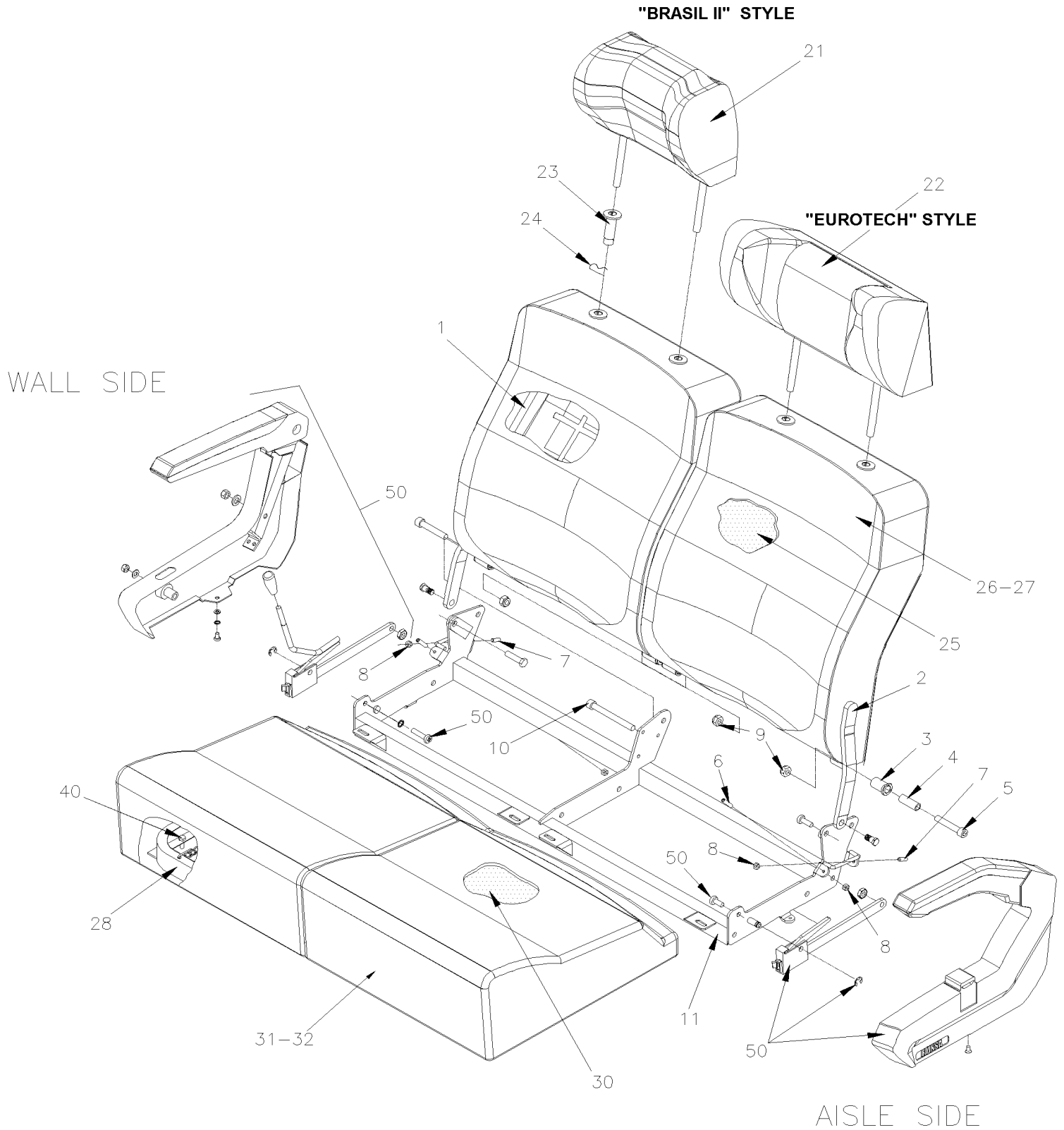


From 3-4417 To 8-1043

Date:10/2022

PAGE:HF-1826-06

PASSENGER'S SEAT - "AMAYA" "BRASIL"





From 3-4417 To 8-1043	Date:10/2022	PAGE:HF-1826-06
PASSENGER'S SEAT - "AMAYA" "BRASIL"		

Item#	Part	Description	H 3 4 1	H 3 4 5	V I P 4 5	N O T E S
		IMPORTANT NOTE:				
		TO ORDER COMPLETE PASSENGER'S SEAT KIT #, SEE THE FINAL VEHICLE RECORD.				
1	868532	BACKREST ASSY R.H.	1	1		
1	865680	. BACKREST STRUCTURE R.H.	1	1		
2	864073	BACKREST ASSY L.H.	1	1		
2	865681	. BACKREST STRUCTURE L.H.	1	1		
3	Call order desk	INSIDE METAL BUSHING	1	1		P
4	865560	BUSHING HYTREL	1	1		
5	70314705	SCREW CAP HEXS M10-1.5x60 G8.8 ZP	2	2		
6	Call order desk	LOCK BOLT M6-1x30	1	1		P
7	Call order desk	LOCK BOLT M6-1x20	1	1		P
8	500609	NUT HEX M6-1.0 Z050	4	4		
9	500680	NUT HEX STO M10-1.5 Z050	1	1		
10	502765	SCREW CAP HEXS M10-1.5x100 G8.8 PT ZP	1	1		
11	Call order desk	STRUCTURE R.H.	1	1		P
11	Call order desk	STRUCTURE L.H.	1	1		P
21	Call order desk	HEADREST FOAM / TYPE "BRAZIL-II"	1	1		P
NS	Call order desk	COVERING HEADREST ASSY "BRAZIL-II" S.C.C.	1	1		P
22	863315	HEADREST FOAM / TYPE "BRAZIL" & "EUROTECH"	1	1		
NS	Call order desk	COVERING HEADREST ASSY "BRAZIL" & EURO S.C.C.	1	1		P
22	862933	HEADREST ASSY / TYPE WINGED "VIP"	1	1		
23	864810	GUIDE SLIDING	4	4		
24	866204	BACKREST CLIP	4	4		
25	Call order desk	BACKREST FOAM	2	2		P
26	867775	BACKREST TUFTING WIRE	4	4		
27	Call order desk	COVERING BACKREST ASSY S.C.C.	2	2		P
28	8611003	SEAT FRAME	2	2		
30	860039	CUSHION FOAM	2	2		
31	861716	CUSHION TUFTING WIRE	4	4		
32	Call order desk	COVERING CUSHION ASSY S.C.C.	2	2		P
40	502716	NUT HEX NYRT 1/4-20	4	4		
50	HF-1826-51	ARMREST PASSENGER'S SEAT - "AMAYA" W/"BRASIL"				
51	HF-1826-60	ACCESSORIES PASSENGER'S SEAT - "AMAYA"				
52	864119	KNOB / ROTATING SEAT				B
		B) USE WITH SWIVEL SEAT				
		P) CALL ORDER DESK FOR SPECIFIC APPLICATION (V.I.N.)				

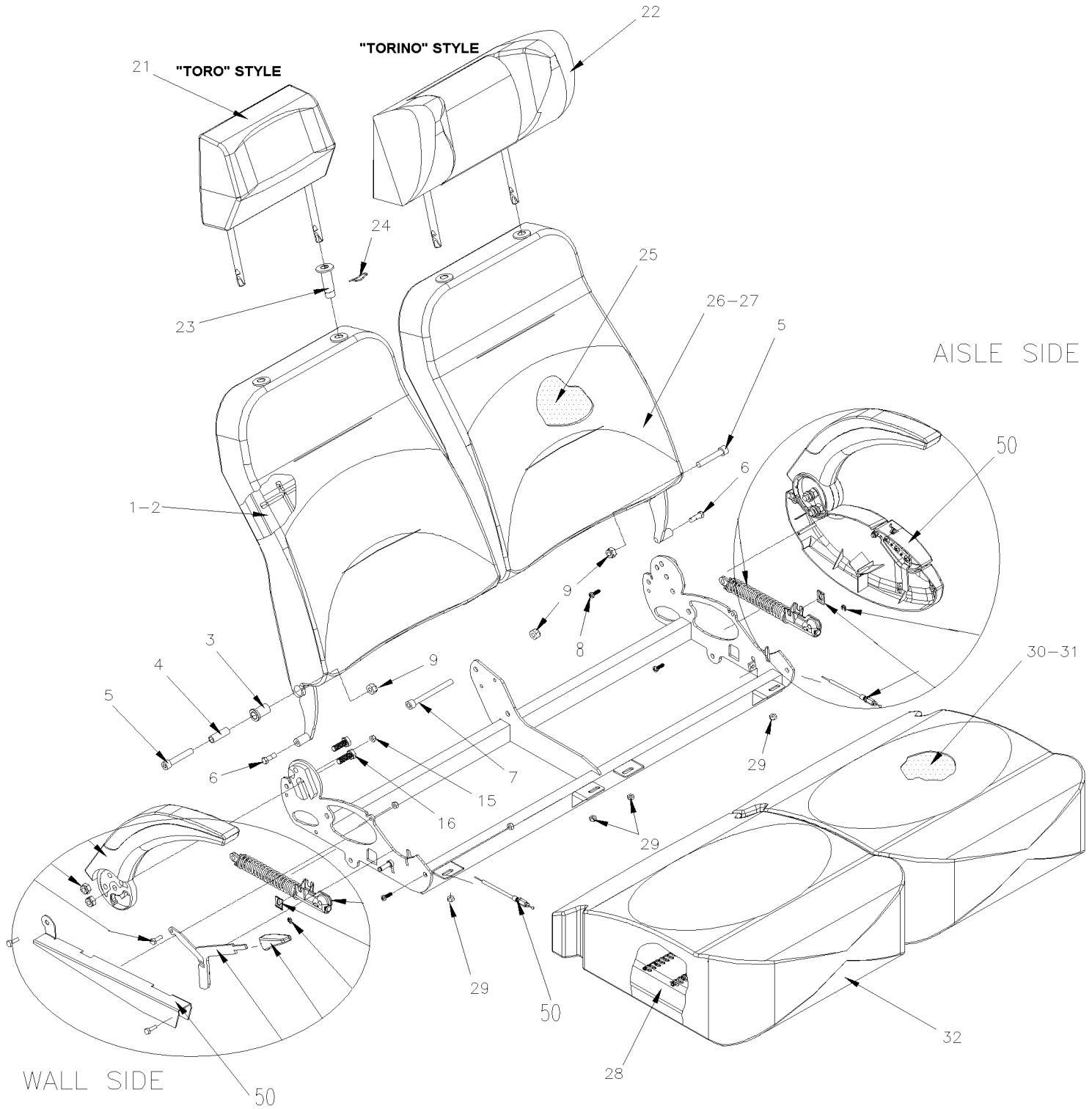


From 3-4417 To 8-1043

Date:10/2022

PAGE:HF-1826-07

PASSENGER'S SEAT - "AMAYA" "SIGLIUM" TORO & TORINO





From 3-4417 To 8-1043 Date:10/2022 PAGE:HF-1826-07

PASSENGER'S SEAT - "AMAYA" "SIGLIUM" TORO & TORINO

Item#	Part	Description	H 3 4 1	H 3 4 5	V I P 4 5	N O T E S
		IMPORTANT NOTE:				
		TO ORDER COMPLETE PASSENGER'S SEAT KIT #, SEE THE FINAL VEHICLE RECORD.				
1	Call order desk	BACKREST ASSY R.H. / WSIGLUM TORO	1	1		P
1	868500	. BACKREST STRUCTURE R.H. / WSIGLUM TORO	1	1		
1	Call order desk	BACKREST ASSY R.H. / WSIGLUM TORINO	1	1		P
1	Call order desk	. BACKREST STRUCTURE R.H. / WSIGLUM TORINO	1	1		P
2	Call order desk	BACKREST ASSY L.H. / WSIGLUM TORO	1	1		P
2	Call order desk	. BACKREST STRUCTURE L.H. / W/SIGLUM TORO	1	1		P
2	Call order desk	BACKREST ASSY L.H. / WSIGLUM TORINO	1	1		P
2	Call order desk	. BACKREST STRUCTURE L.H. / W/SIGLUM TORINO	1	1		P
3	Call order desk	. . INSIDE METAL BUSHING	1	1		P
4	865560	. . BUSHING HYTREL	1	1		
5	70314705	SCREW CAP HEXS M10-1.5x60 G8.8 ZP	2	2		
6	5001132	SCREW CAP HEX 5/16-18x7/8 G5 Z050	2	2		
7	502765	SCREW CAP HEXS M10-1.5x100 G8.8 PT ZP	1	1		
8	Call order desk	HY-LO BOLT M6-1.0x23	2	2		P
9	5001570	NUT HEX NYRT M10-1.5 Z050	5	5		
10	11500930	SCREW CAP HEX M10-1.5x30 G8.8 PHC	2	2		
11	500163	SCREW CAP HEX 1/4-20x3/4 G5 Z050	3	3		
12	500183	SCREW CAP HEX 5/16-18x1 1/2 G5 PT Z050	1	1		
13	500441	WASHER FL .312x.734x.065 Z050	1	1		
14	9415477	SCREW CAP HEX 1/4-20x3/4 ZP	1	1		
15	500769	NUT HEX 1/4-20 Z050	3	3		
16	11500930	SCREW CAP HEX M10-1.5x30 G8.8 PHC	2	2		
20	Call order desk	STRUCTURE R.H.	1	1		P
20	Call order desk	STRUCTURE L.H.	1	1		P
21	Call order desk	HEADREST FOAM / TYPE "TORO"	1	1		P
NS	Call order desk	COVERING HEADREST ASSY "TORO" S.C.C.	1	1		P
22	864858	HEADREST FOAM / TYPE "TORINO"	1	1		
NS	864861	COVERING HEADREST ASSY "TORINO" S.C.C.	1	1		
23	864810	GUIDE SLIDING	2	2		
24	866204	BACKREST CLIP	2	2		
25	Call order desk	BACKREST FOAM / W/SIGLUM TORO S.C.C.	2	2		P
25	867774	BACKREST FOAM / W/SIGLUM TORINO S.C.C.	2	2		
26	867775	BACKREST TUFTING WIRE	4	4		
27	Call order desk	COVERING BACKREST ASSY "TORO" S.C.C.	2	2		P
27	Call order desk	COVERING BACKREST ASSY "TORINO" S.C.C.	2	2		P
28	860108	SEAT CUSHION FRAME	2	2		
29	502716	NUT HEX NYRT 1/4-20	4	4		
30	865360	CUSHION FOAM	2	2		



From 3-4417 To 8-1043	Date:10/2022	PAGE:HF-1826-07
-----------------------	--------------	-----------------

PASSENGER'S SEAT - "AMAYA" "SIGLIUM" TORO & TORINO

Item#	Part	Description	H 3 4 1	H 3 4 5	V I P 4 5	N O T E S
31	861716	CUSHION TUFTING WIRE	2	2		
32	Call order desk	COVERING CUSHION ASSY S.C.C.	2	2		P
50	HF-1826-53	ARMREST PASSENGER'S SEAT - "AMAYA" WITH "SIGLIUM" TORO & TORINO				
NS	864072	ARMREST CENTRAL ASSY / LIGHT GREY				
. NS	865995	. BOLT	1	1		
. NS	865996	. BUSHING	1	1		
. NS	866240	. ARMREST COVERING LIGHT GREY	1	1		
		P) CALL ORDER DESK FOR SPECIFIC APPLICATION (V.I.N.)				

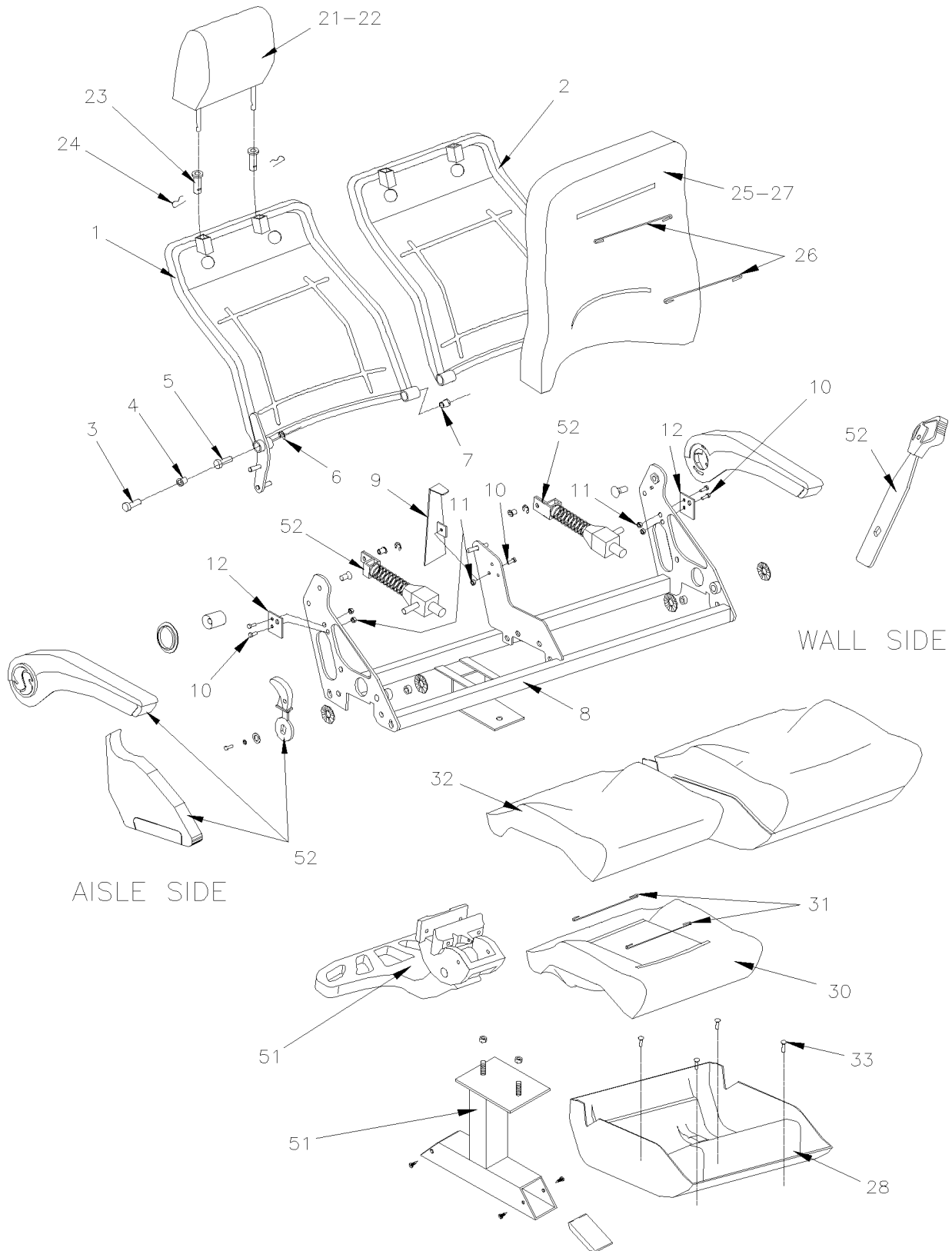


From 3-4417 To 8-1043

Date:10/2022

PAGE:HF-1826-08

PASSENGER'S SEAT - "AMAYA" "GAUDI"



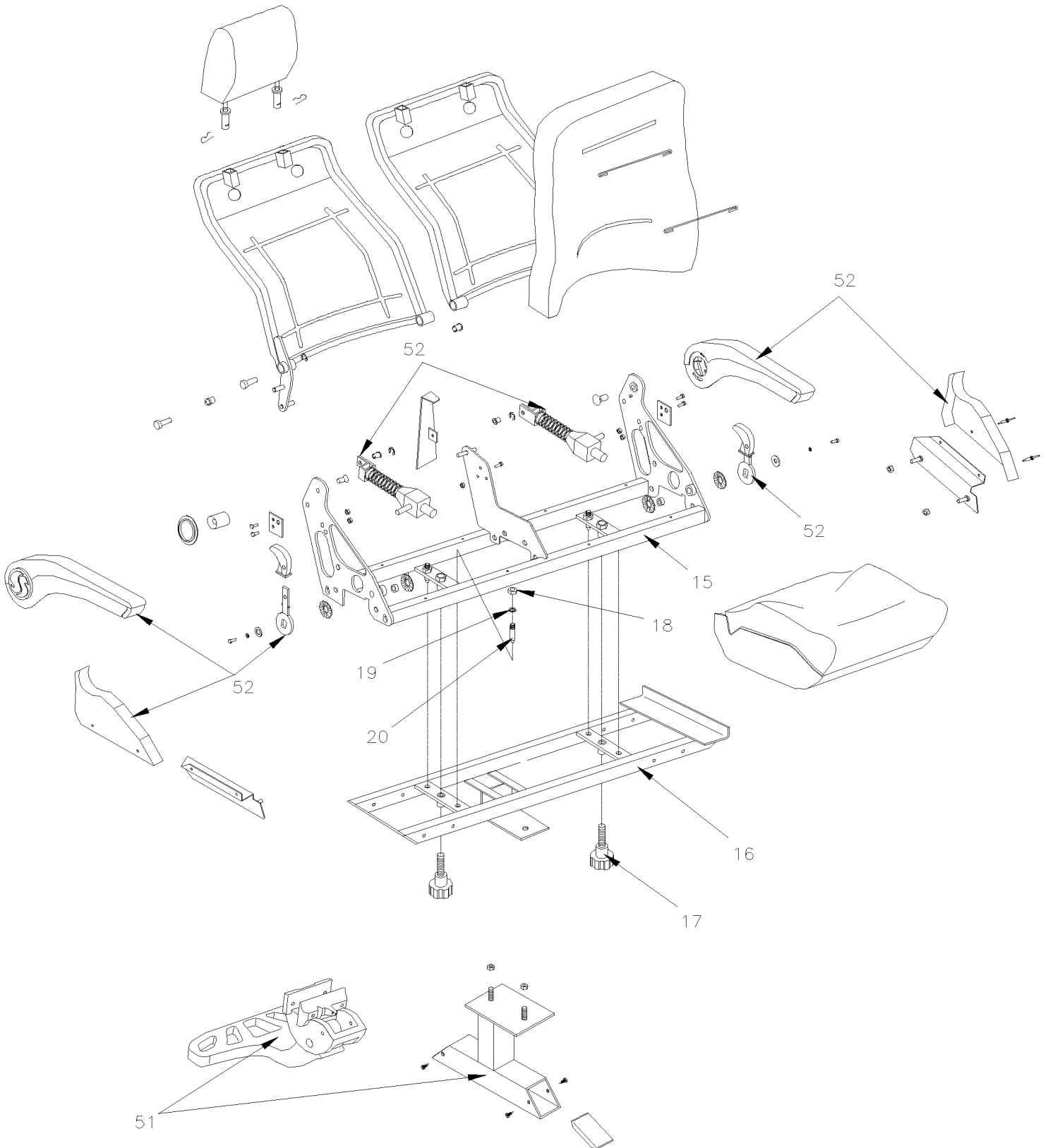


From 3-4417 To 8-1043

Date:10/2022

PAGE:HF-1826-08

PASSENGER'S SEAT - "AMAYA" "GAUDI"





From 3-4417 To 8-1043	Date:10/2022	PAGE:HF-1826-08
PASSENGER'S SEAT - "AMAYA" "GAUDI"		

Item#	Part	Description	H 3 4 1	H 3 4 5	V I P 4 5	N O T E S
		IMPORTANT NOTE: BEFORE TO				
		ORDER COMPLETE PASSENGER'S SEAT				
		OR COVERING ASSY, HEAD / BACK & CUSHION				
		SEE THE FINAL VEHICLE RECORD				
1	Call order desk	BACKREST R.H.	1	1		P
2	Call order desk	BACKREST L.H.	1	1		P
3	865560	. BUSHING HYTREL	1	1		
4	Call order desk	. INSIDE METAL BUSHING	1	1		P
5	864975	BOLT M10X25MM	2	2		
6	Call order desk	WASHER #9 DIN6799	2	2		P
7	Call order desk	BUSHING CENTER SEPARATOR	2	2		P
8	Call order desk	STRUCTURE L.H. / W/"GAUDI" HR	1	1		P
8	Call order desk	STRUCTURE R.H. / W/"GAUDI" HR	1	1		P
8	Call order desk	STRUCTURE L.H. / W/"GAUDI" SC	1	1		P
9	Call order desk	BACK COVER / W/"GAUDI" HR	1	1		P
9	Call order desk	BACK COVER / W/"GAUDI" SC	1	1		P
10	9415477	SCREW CAP HEX 1/4-20x3/4 ZP	6	6		
11	500769	NUT HEX 1/4-20 Z050	6	6		
12	Call order desk	STOPPER RECLINING 3"	2	2		P
15	Call order desk	STRUCTURE UPPER / REVERSIBLE SEAT / W/"GAUDI" HR	1	1		P
15	Call order desk	STRUCTURE UPPER / REVERSIBLE SEAT / W/"GAUDI" SC	1	1		P
16	Call order desk	STRUCTURE LOWER / REVERSIBLE SEAT	1	1		P
17	862156	KNOB / ROTATING SEAT	2	2		
18	5001570	NUT HEX NYRT M10-1.5 Z050	6	6		
19	866243	PRESSURE WASHER 7/16" 10MM	6	6		
20	Call order desk	GUIDE BOLT	6	6		P
21	Call order desk	HEADREST FOAM / TYPE "GAUDI HR"	1	1		P
22	Call order desk	COVERING HEADREST ASSY "GAUDI" S.C.C.	1	1		P
23	864810	GUIDE SLIDING	2	2		
24	866204	BACKREST CLIP	2	2		
25	Call order desk	BACKREST FOAM / W/"GAUDI"	1	1		P
26	Call order desk	BACKREST TUFTING WIRE / LARGE / W/"GAUDI" & "EUROTECH"	1	1		P
26	Call order desk	BACKREST TUFTING WIRE / SMALL / W/"GAUDI"	1	1		P
27	Call order desk	COVERING BACKREST ASSY / S.C.C. / W/"GAUDI"	1	1		P
28	Call order desk	SEAT SHELL / W/"GAUDI" HR	1	1		P
28	Call order desk	CUSHION FRAME / W/"GAUDI" SC	1	1		P
30	Call order desk	CUSHION FOAM	1	1		P
31	Call order desk	CUSHION TUFTING WIRE	2	2		P
32	Call order desk	COVERING CUSHION ASSY S.C.C.	1	1		P
33	Call order desk	BOLT 6.3x19	4	4		P



From 3-4417 To 8-1043	Date:10/2022	PAGE:HF-1826-08
-----------------------	--------------	-----------------

PASSENGER'S SEAT - "AMAYA" "GAUDI"

Item#	Part	Description	H 3 4 1	H 3 4 5	V I P 4 5	N O T E S
34	Call order desk	SEAT FIXING BRACKET	1	1		P
35	Call order desk	BOLT 3.9X13MM	1	1		P
50	HF-1826-60	ACCESSORIES PASSENGER'S SEAT - "AMAYA"				
51	HF-1826-40	PASSENGER'S SEAT - "AMAYA" - FOOTREST & PEDESTAL				
52	HF-1826-52	ARMREST PASSENGER'S SEAT - "AMAYA" W/"GAUDI"				
		P) CALL ORDER DESK FOR SPECIFIC APPLICATION (V.I.N.)				



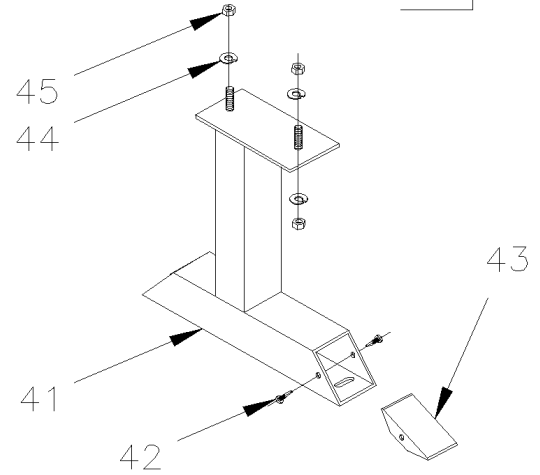
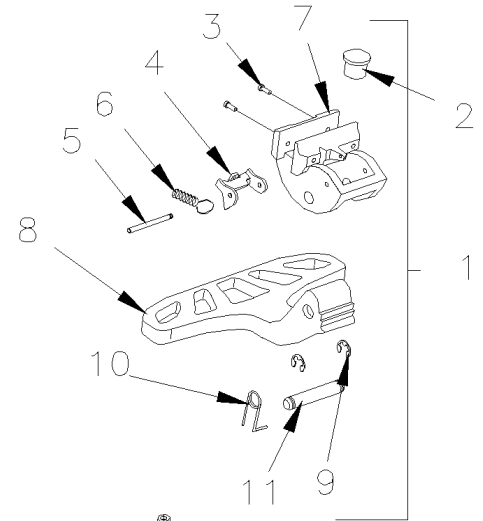
From 3-4417 To 8-1043

Date:10/2022

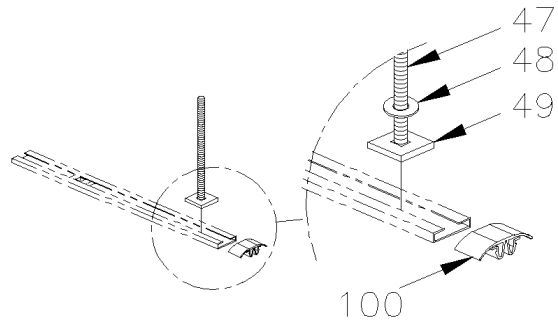
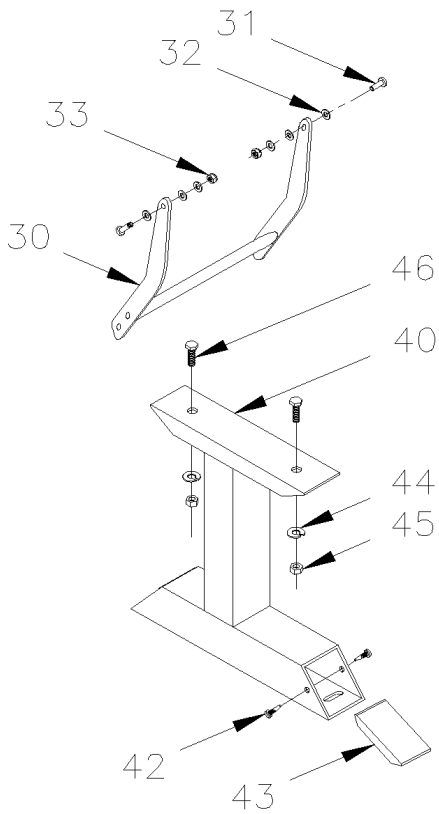
PAGE:HF-1826-40

PASSENGER'S SEAT - "AMAYA" - FOOTREST & PEDESTAL

FOOTREST GAUDI



FOOTREST STD





From 3-4417 To 8-1043 Date:10/2022 PAGE:HF-1826-40

PASSENGER'S SEAT - "AMAYA" - FOOTREST & PEDESTAL

Item#	Part	Description	H 3 4 1	H 3 4 5	V I P 4 5	N O T E S
1	862224	FOOTREST ASSY W/SPRING / "GAUDI" / ALUMINUM	1	1		
1	867725	FOOTREST ASSY W/AUTOMATIC RETURN / "STELAM" / PLASTIC	1	1		
1	862714	FOOTREST ASSY W/SPRING / "SIGLIUM" / PLASTIC	1	1		B
2	N.S.S.	. RUBBER BUMPER	1	1		1
3	N.S.S.	. SCREW CAP HEXS M8-1.25x50 SS	2	2		1
4	N.S.S.	. STOPPER	1	1		1
5	N.S.S.	. STOPPER AXLE	1	1		1
6	N.S.S.	. SPRING	1	1		1
7	N.S.S.	. FOOTREST SUPPORT	1	1		1
8	N.S.S.	. FOOTREST	1	1		1
9	N.S.S.	. RETAINING RING	2	2		1
10	N.S.S.	. SPRING	1	1		1
11	N.S.S.	. FOOTREST AXLE	1	1		1
30	863814	FOOTREST STANDARD 10" L x 9" U	1	1		
31	Call order desk	BOLT SPECIAL M8-1.25 x10	2	2		P
32	500441	WASHER FL .312x.734x.065 Z050	2	2		
33	500868	NUT HEX NYRT M8-1.25 Z050	2	2		
40	860116	PEDESTAL ASSY / W STD FOOTREST	1	1		
41	Call order desk	PEDESTAL ASSY / W GAUDI FOOTREST	1	1		P
41	Call order desk	PEDESTAL ASSY / W GAUDI FOOTREST	1	1		P
41	Call order desk	PEDESTAL ASSY / W GAUDI FOOTREST / W/REVERSIBLE "GAUDI" HR	1	1		P
41	Call order desk	PEDESTAL ASSY / W GAUDI FOOTREST / W/REVERSIBLE "GAUDI" SC	1	1		P
41	Call order desk	PEDESTAL ASSY / W GAUDI FLIP-UP SLIDE	1	1		P
42	504619	CLIP CHRISTMAS TREE / BLACK 7/32"O.D.x1/2" HOLE 3/16	2	2		
43	862585	PEDESTAL CAP / BLACK	1	1		
. NS	864028	. CLIP CHRISTMAS TREE / BLACK 11MM O.D. x17MM HOLE 4MM	2	2		
44	866243	PRESSURE WASHER 7/16" 10MM	1	1		
45	500256	NUT HEX M10-1.5 Z050	2	2		
46	5001526	SCREW CAP HEX M16-2.0x45 G10.9 DP	2	2		
47	500305	SCREW CAP HEX 3/8-16x7/8 G5 Z050	2	2		
48	500478	WASHER LO SPT .380x.683x.094 Z050	2	2		
49	362627	PLATE ANCHOR / 3/8-16 BOLT INSIDE TRACK / 1 1/4" X 1 1/4"	AR	AR		
50	866108	ATTACHMENT NUT / "U" SHAPE TO FIX SEAT TO WALL TRACK TORINO	AR	AR		
100	323654	SEAT TRACK COVER 12' / EACH SEAT / W/COVERING FLOOR	AR	AR		
100	323963	SEAT TRACK COVER 8' / EACH SEAT / W/COVERING FLOOR	AR	AR		
		B) THIS MODEL HAVE FOOTREST SUPPORT DIFFER THAN PICTURE				
		1) NOT SOLD SEPARATELY				
		P) CALL ORDER DESK FOR SPECIFIC APPLICATION (V.I.N.)				

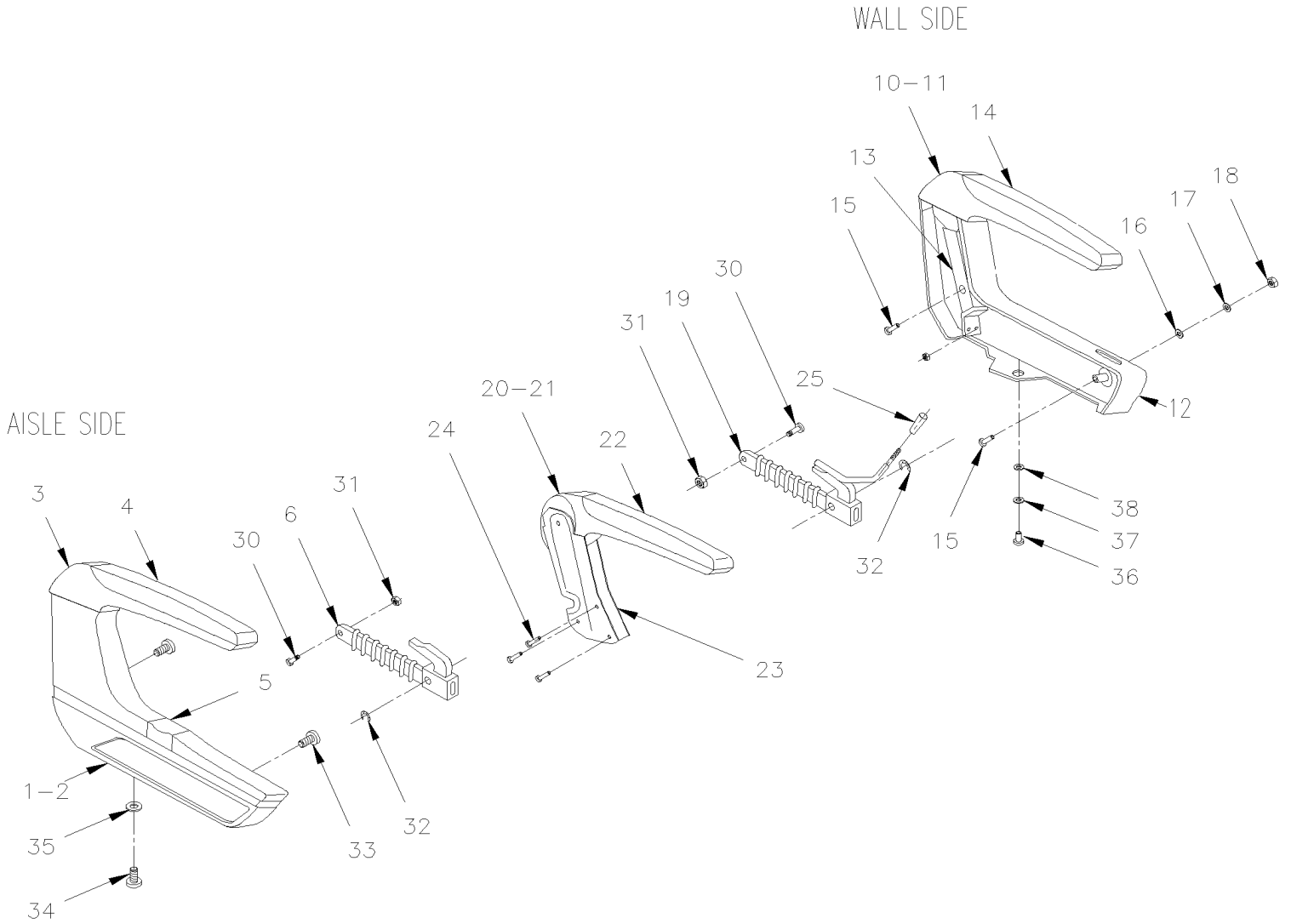


From 3-4417 To 8-1043

Date:10/2022

PAGE:HF-1826-50

ARMREST PASSENGER'S SEAT - "AMAYA" W/"EUROTECH"





From 3-4417 To 8-1043	Date:10/2022	PAGE:HF-1826-50
ARMREST PASSENGER'S SEAT - "AMAYA" W/"EUROTECH"		

Item#	Part	Description	H 3 4 1	H 3 4 5	V I P 4 5	N O T E S
1	865740	ARMREST ASSY R.H.	1	1		
1	865741	ARMREST ASSY L.H.	1	1		
2	Call order desk	. ARMREST AISLE SUPPORT L.H.	1	1		P
2	867850	. ARMREST AISLE SUPPORT R.H.	1	1		
3	864847	. ARMREST AISLE FRAME L.H.	1	1		
3	864848	. ARMREST AISLE FRAME R.H.	1	1		
NS	865534	. AXLE BOLT (ARM PIVOT)	1	1		
NS	865533	. WASHER CON	1	1		
4	862939	. ARMREST COVER RUBBER	1	1		
NS	Call order desk	. BOLT 2.5X26	1	1		P
5	863361	. PUSH BUTTON	1	1		
5	863474	. TRACK BUTTON	1	1		
NS	863475	. SPRING BUTTON	1	1		
NS	863476	. STOPPER BUTTON	1	1		
6	862545	. RECLINING MECANISM AILSE SIDE	1	1		A
10	863645	ARMREST ASSY L.H. / WALL SIDE	1	1		
10	Call order desk	ARMREST ASSY R.H. / WALL SIDE	1	1		P
11	866006	. ARMREST WALL FRAME R.H.	1	1		
11	863381	. ARMREST WALL FRAME L.H.	1	1		
NS	Call order desk	. WASHER	1	1		P
NS	866005	. SCREW CAP HEXS M12x30	1	1		
12	862937	. ARMREST WALL SUPPORT R.H.	1	1		
12	867851	. ARMREST WALL SUPPORT L.H.	1	1		
13	863425	. ARMREST REINFORCEMENT	1	1		
14	862939	. ARMREST COVER RUBBER	1	1		
NS	Call order desk	. BOLT 2.5X26	1	1		P
15	Call order desk	. BOLT M8 X 50MM	1	1		P
15	Call order desk	. SCREW MA CHE PH M8-1.25x45	1	1		P
16	Call order desk	. WASHER FL 8.4	1	1		P
17	Call order desk	. WASHER LO INT 8.4	1	1		P
18	865483	. NUT HEX M8-1.25	1	1		
19	862218	RECLINING MECANISM WALL SIDE	1	1		B
20	862544	CENTER ARMREST ASSY / PAINTED ALUMINUM	1	1		
21	865357	. ARMREST CENTER	1	1		
NS	865533	. WASHER CON	2	2		
NS	860170	. BOLT MALE	1	1		
NS	Call order desk	. BOLT FEMALE	1	1		P
22	862939	. ARMREST COVER RUBBER	1	1		
23	Call order desk	. ARMREST CENTER SUPPORT	1	1		P
24	Call order desk	SCREW MA CHE PH M6x15	1	1		P
25	862225	KNOB W/ ROUND ROD INSERT MECHANISM (FORMER)	1	1		
30	866248	BOLT SPECIAL FIXING	1	1		



From 3-4417 To 8-1043	Date:10/2022	PAGE:HF-1826-50
ARMREST PASSENGER'S SEAT - "AMAYA" W/"EUROTECH"		

Item#	Part	Description	H 3 4 1	H 3 4 5	V I P 4 5	N O T E S
31	500256	NUT HEX M10-1.5 Z050	1	1		
32	Call order desk	WASHER #9 DIN6799	1	1		P
33	Call order desk	SCREW OVAL HEAD M8-1.25x20	1	1		P
34	Call order desk	SCREW CAP HEXS M8x20	1	1		P
35	865515	WASHER FL 6.4	1	1		
36	Call order desk	SCREW BUT HEXS M6x10	1	1		P
37	Call order desk	PRESSURE WASHER	1	1		P
38	Call order desk	WASHER J6.4 DIN 125	1	1		P
		A) INCLUDE ITEMS # 30,31 & 32				
		B) INCLUDE ITEMS # 25, 30, 31 & 32				
		P) CALL ORDER DESK FOR SPECIFIC APPLICATION (V.I.N.)				

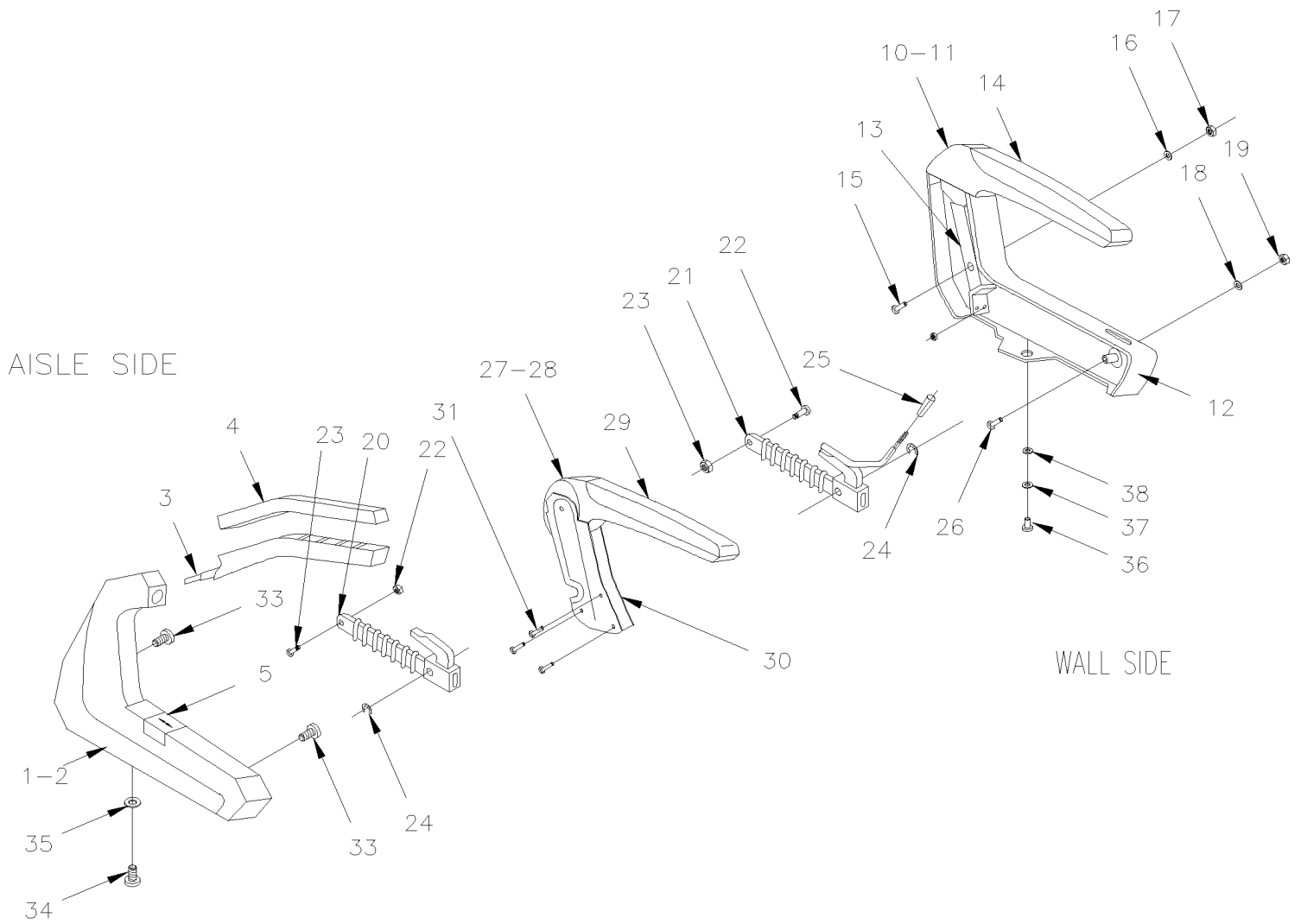


From 3-4417 To 8-1043

Date:10/2022

PAGE:HF-1826-51

ARMREST PASSENGER'S SEAT - "AMAYA" W/"BRASIL"





From 3-4417 To 8-1043	Date:10/2022	PAGE:HF-1826-51
ARMREST PASSENGER'S SEAT - "AMAYA" W/"BRASIL"		

Item#	Part	Description	H 3 4 1	H 3 4 5	V I P 4 5	N O T E S
1	863843	ARMREST ASSY R.H.	1	1		
1	863844	ARMREST ASSY L.H.	1	1		
1	862934	ARMREST ASSY L.H.	1	1		
2	867849	. ARMREST AISLE SUPPORT L.H.	1	1		
2	Call order desk	. ARMREST AISLE SUPPORT R.H.	1	1		P
3	860128	. ARMREST AISLE FRAME L.H.	1	1		
3	Call order desk	. ARMREST AISLE FRAME R.H.	1	1		P
NS	Call order desk	. ARMREST CLIP	1	1		P
NS	Call order desk	. FIBER ARMREST WASHER	1	1		P
4	863427	. ARMREST COVER AISLE	1	1		
5	863361	. PUSH BUTTON	1	1		
5	863474	. TRACK BUTTON	1	1		
NS	863475	. SPRING BUTTON	1	1		
NS	863476	. STOPPER BUTTON	1	1		
NS	867624	ARMREST AISLE SIDE ASSY / WITH LEATHER CURBSIDE 2 + 1	1	1		
NS	867625	ARMREST AISLE SIDE ASSY / WITH LEATHER STREET SIDE 2 + 1	1	1		
NS	868456	ARMREST PULL-UP AISLE SIDE RH SPECIAL OPTION	1	1		
6	Call order desk	ARMREST PULL-UP AISLE SIDE LH SPECIAL OPTION	1	1		P
10	863645	ARMREST ASSY L.H. / WALL SIDE	1	1		
10	Call order desk	ARMREST ASSY R.H. / WALL SIDE	1	1		P
11	866006	. ARMREST WALL FRAME R.H.	1	1		
11	863381	. ARMREST WALL FRAME L.H.	1	1		
NS	Call order desk	. WASHER	1	1		P
NS	866005	. SCREW CAP HEXS M12x30	1	1		
12	862937	. ARMREST WALL SUPPORT R.H.	1	1		
12	867851	. ARMREST WALL SUPPORT L.H.	1	1		
13	863425	. ARMREST REINFORCEMENT	1	1		
14	862939	. ARMREST COVER RUBBER	1	1		
NS	Call order desk	. BOLT 2.5X26	1	1		P
15	500193	SCREW CAP HEX 3/8-16x1 1/2 G5 Z050	1	1		
16	500445	WASHER FL .437x1.000x.083 Z050	1	1		
17	500783	NUT HEX 3/8-16 Z050	1	1		
18	502507	WASHER LO SPT 8.1x14.8x2.0 Z050	1	1		
19	502543	NUT HEX M8-1.25 Z050	1	1		
20	862545	RECLINING MECANISM AILSE SIDE	1	1		
21	862218	RECLINING MECANISM WALL SIDE	1	1		
22	866248	. BOLT SPECIAL FIXING	1	1		
23	500256	. NUT HEX M10-1.5 Z050	1	1		
24	Call order desk	. SNAP RING	1	1		P
25	862225	. KNOB W/ ROUND ROD INSERT MECHANISM (FORMER)	1	1		



From 3-4417 To 8-1043	Date:10/2022	PAGE:HF-1826-51
ARMREST PASSENGER'S SEAT - "AMAYA" W/"BRASIL"		

Item#	Part	Description	H 3 4 1	H 3 4 5	V I P 4 5	N O T E S
26	865486	SCREW MA OV PH M8-1.25x35	1	1		
27	863743	CENTER ARMREST ASSY / PAINTED SILVER	1	1		
NS	865221	ARMREST CENTRAL ASSY / PAINTED CHARCOAL 2 + 1	1	1		
. NS	865243	. PLASTIC COVER	1	1		
28	865357	. ARMREST CENTER	1	1		
NS	865533	. WASHER CON	2	2		
NS	860170	. BOLT MALE	1	1		
NS	Call order desk	. BOLT FEMALE	1	1		P
29	863539	. ARMREST COVER CENTER	1	1		
30	Call order desk	. ARMREST CENTER SUPPORT	1	1		P
31	Call order desk	SCREW MA CHE PH M6x15	1	1		P
33	Call order desk	SCREW OVAL HEAD M8-1.25x20	1	1		P
34	N32018	SCREW MA PAN PH M6-1.0x12 BKP	1	1		
35	865485	SCREW MA OV PH M8-1.25x25	1	1		
36	502806	SCREW MA FL PH M6-1.0x10 Z050	1	1		
37	Call order desk	PRESSURE WASHER	1	1		P
38	Call order desk	WASHER J6.4 DIN 125	1	1		P
		P) CALL ORDER DESK FOR SPECIFIC APPLICATION (V.I.N.)				

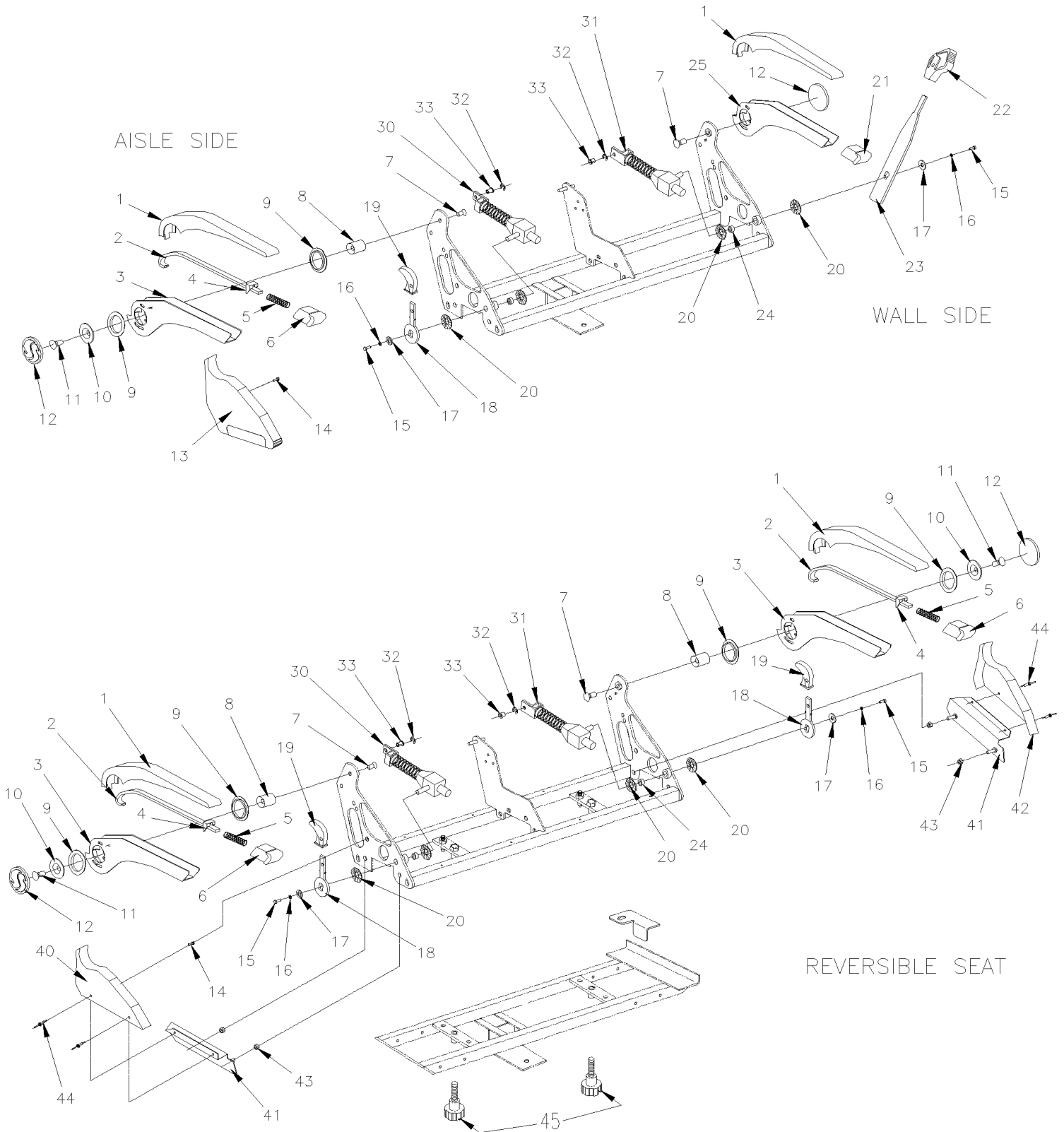


From 3-4417 To 8-1043

Date:10/2022

PAGE:HF-1826-52

ARMREST PASSENGER'S SEAT - "AMAYA" W/"GAUDI"





From 3-4417 To 8-1043 Date:10/2022 PAGE:HF-1826-52

ARMREST PASSENGER'S SEAT - "AMAYA" W/"GAUDI"

Item#	Part	Description	H 3 4 1	H 3 4 5	V I P 4 5	N O T E S
	866091	ARMREST ASSY / AISLE SIDE / GAUDI	1	1		
	864971	ARMREST ASSY / WALL SIDE / GAUDI	1	1	1	
1	864965	. ARMREST COVER	1	1		
2	N.S.S.	. FOLD DOWN ARMREST LEVER	1	1		1
3	N.S.S.	. AISLE ARMREST FRAME	1	1		1
4	N.S.S.	. FOLD DOWN ARMREST STOPPER	1	1		1
5	N.S.S.	. ARMREST SPRING	1	1		1
6	866078	. PUSH BUTTON	1	1		
7	N.S.S.	. BOLT M10x19MM	1	1		1
8	N.S.S.	. AXLE ARMREST	1	1		1
9	N.S.S.	. PLASTIC BUSHING	2	2		1
10	N.S.S.	. COVER	1	1		1
11	N.S.S.	. BOLT M10X25MM	1	1		1
12	864976	. ARMREST LOGO CAP R-7010	1	1		
13	864789	COVER AISLE SIDE W/L.H. SEAT	1	1		
13	864831	COVER AISLE SIDE W/R.H. SEAT	1	1		
14	Call order desk	BOLT 6.3x19	1	1		P
15	Call order desk	BOLT M6x15MM	1	1		P
16	Call order desk	WASHER B6.1 DIN 127	1	1		P
17	Call order desk	WASHER 6.4 DIN 9021	1	1		P
18	Call order desk	AISLE LEVER RECLINING	1	1		P
19	864093	KNOB RECLINING	1	1		
20	866260	UNSULATED WASHER	2	2		
21	Call order desk	BUTTON FIXED ARMREST	1	1		P
22	864094	KNOB WALL MECHANISM	1	1		
23	Call order desk	LEVER WALL MECHANISM	1	1		P
23	Call order desk	LEVER WALL MECHANISM (RIGHT SEAT ONLY) / W/"GAUDI" SC	1	1		P
24	Call order desk	BUSHING AXLE / W/"GAUDI" HR	1	1		P
24	865647	BUSHING AXLE / W/"GAUDI" SC	1	1		
25	Call order desk	WALL ARMREST FRAME	1	1		P
30	864045	RECLINING MECHANISM AISLE / W/"GAUDI" HR	1	1		
30	863881	RECLINING MECHANISM AISLE / W/"GAUDI" SC	1	1		
31	8611002	RECLINING MECHANISM WALL / W/"GAUDI" HR	1	1		
31	863882	RECLINING MECHANISM WALL / W/"GAUDI" SC	1	1		
32	Call order desk	WASHER #9 DIN6799	1	1		P
33	866260	UNSULATED WASHER	1	1		
40	Call order desk	COVER R.H. LATERAL W/REVERSIBLE SEAT	1	1		P
41	Call order desk	COVER LATERAL COMPLEMENT W/REVERSIBLE SEAT	2	2		P
42	864972	COVER L.H. LATERAL W/REVERSIBLE SEAT	1	1		
43	5001570	NUT HEX NYRT M10-1.5 Z050	4	4		
44	504108	RIVET POP DOME OE 1/8x1/2 AL	4	4		
45	862156	KNOB / ROTATING SEAT	2	2		



From 3-4417 To 8-1043	Date:10/2022	PAGE:HF-1826-52
-----------------------	--------------	-----------------

ARMREST PASSENGER'S SEAT - "AMAYA" W/"GAUDI"

Item#	Part	Description	H 3 4 1	H 3 4 5	V I P 4 5	N O T E S
		1) NOT SOLD SEPARATELY				
		P) CALL ORDER DESK FOR SPECIFIC APPLICATION (V.I.N.)				

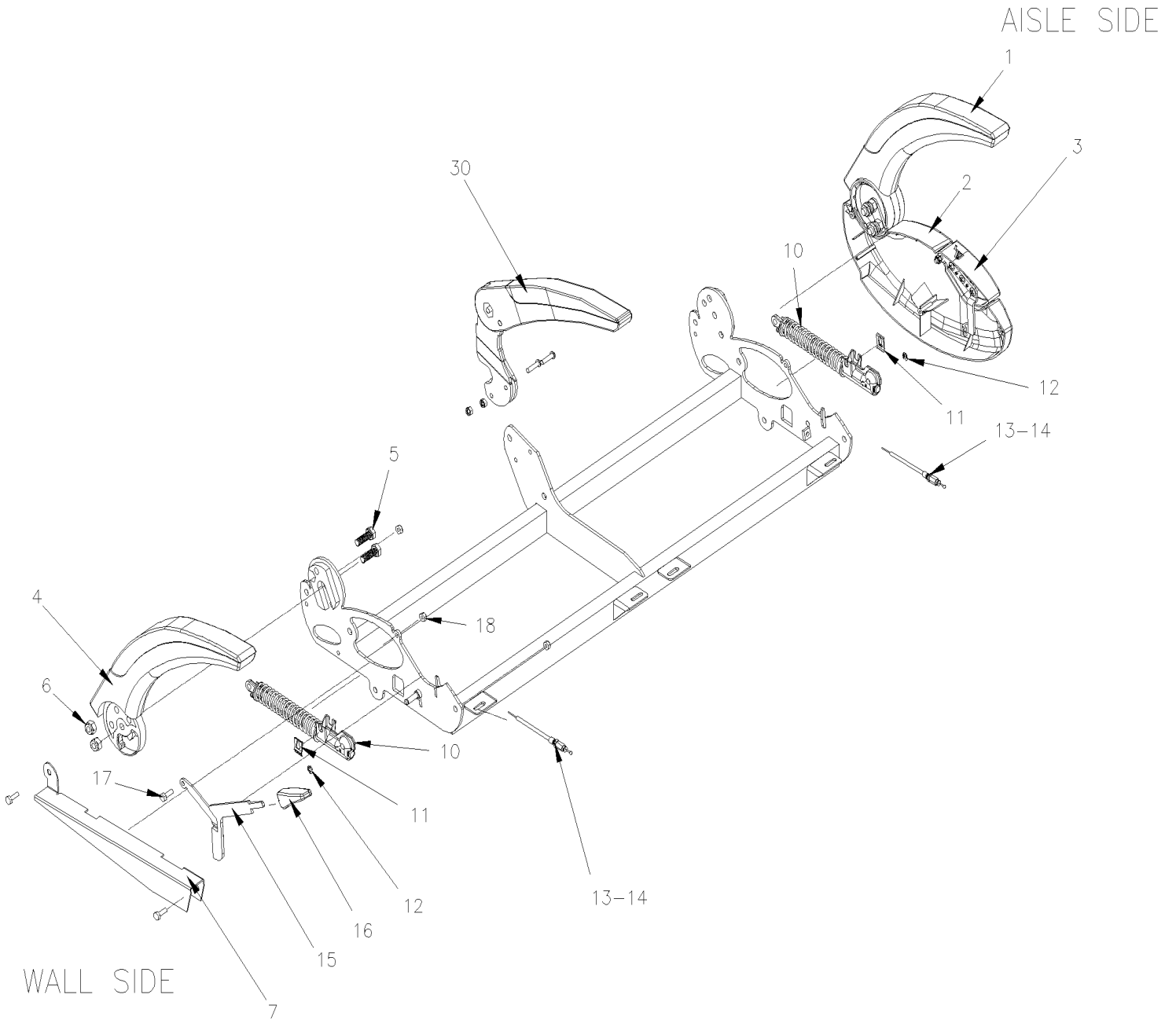


From 3-4417 To 8-1043

Date:10/2022

PAGE:HF-1826-53

ARMREST PASSENGER'S SEAT - "AMAYA" WITH "SIGLIUM" TORO & TORINO





From 3-4417 To 8-1043 Date:10/2022 PAGE:HF-1826-53

ARMREST PASSENGER'S SEAT - "AMAYA" WITH "SIGLIUM" TORO & TORINO

Item#	Part	Description	H 3 4 1	H 3 4 5	V I P 4 5	N O T E S
		IMPORTANT NOTE:				
		TO ORDER COMPLETE PASSENGER'S SEAT KIT #, SEE THE FINAL VEHICLE RECORD.				
	N.S.S.	ARMREST R.H. AISLE ASSY	1	1		1
. NS	863186	. ARMREST R.H.	1	1		
. . NS	Call order desk	. . ARMREST COVERING WOOD FINISHING	1	1		P
. . NS	866077	. . ARMREST COVERING DARK GREY	1	1		
. . NS	865378	. . ARMREST COVERING LIGHT GREY	1	1		
. . NS	860075	. . CAP WITH LOGO AMAYA	1	1		
. NS	864577	. COVER AISLE R.H.	1	1		
. NS	864588	. LEVER AISLE R.H.	1	1		
. NS	860075	. CAP WITH LOGO AMAYA	1	1		
	N.S.S.	ARMREST L.H. AISLE ASSY	1	1		1
. NS	864938	. ARMREST L.H.	1	1		
. . NS	Call order desk	. . ARMREST COVERING WOOD FINISHING	1	1		P
. . NS	866077	. . ARMREST COVERING DARK GREY	1	1		
. . NS	865378	. . ARMREST COVERING LIGHT GREY	1	1		
. . NS	860076	. . CAP WITH LOGO AMAYA	1	1		
. NS	864703	. COVER AISLE SIDE RH SEAT	1	1		
. NS	864589	. LEVER AISLE L.H.	1	1		
1	863186	. ARMREST R.H.	1	1		
. NS	Call order desk	. . ARMREST COVERING WOOD FINISHING	1	1		P
. NS	866077	. . ARMREST COVERING DARK GREY	1	1		
. NS	865378	. . ARMREST COVERING LIGHT GREY	1	1		
. NS	860075	. . CAP WITH LOGO AMAYA	1	1		
1	864938	. ARMREST L.H.	1	1		
. NS	Call order desk	. . ARMREST COVERING WOOD FINISHING	1	1		P
. NS	866077	. . ARMREST COVERING DARK GREY	1	1		
. NS	865378	. . ARMREST COVERING LIGHT GREY	1	1		
. NS	860076	. . CAP WITH LOGO AMAYA	1	1		
2	864577	. COVER AISLE R.H.	1	1		
2	864703	. COVER AISLE SIDE RH SEAT	1	1		
3	864588	. LEVER AISLE R.H.	1	1		
3	864589	. LEVER AISLE L.H.	1	1		
4	865070	ARMREST R.H. WINDOW SIDE	1	1		
5	11500930	SCREW CAP HEX M10-1.5x30 G8.8 PHC	2	2		
6	500256	NUT HEX M10-1.5 Z050	2	2		
7	Call order desk	COVER MECHANISC R.H.	1	1		P
7	Call order desk	COVER MECHANISC L.H.	1	1		P
10	863405	CYLINDER R.H.	1	1		



From 3-4417 To 8-1043	Date:10/2022	PAGE:HF-1826-53
-----------------------	--------------	-----------------

ARMREST PASSENGER'S SEAT - "AMAYA" WITH "SIGLIUM" TORO & TORINO

Item#	Part	Description	H 3 4 1	H 3 4 5	V I P 4 5	N O T E S
10	863406	CYLINDER L.H.	1	1		
11	861486	CLIP / WIRE RETAINER	2	2		
12	865696	CLIP	1	1		
13	863407	CABLE	2	2		
14	500690	NUT HEX NYRT 1/4-28 Z050	2	2		
15	863413	RECLINING LEVEL L.H. WINDOW	1	1		
15	863414	RECLINING LEVEL R.H. WINDOW	1	1		
16	863356	KNOB LEVER L.H. WINDOW	1	1		
16	863357	KNOB LEVER R.H. WINDOW	1	1		
17	9415477	SCREW CAP HEX 1/4-20x3/4 ZP	1	1		
18	500769	NUT HEX 1/4-20 Z050	1	1		
30	864072	ARMREST CENTRAL ASSY / LIGHT GREY	1	1	1	
. NS	865995	. BOLT	1	1	1	
. NS	865996	. BUSHING	1	1	1	
. NS	866240	. ARMREST COVERING LIGHT GREY	1	1	1	
40	Call order desk	ARMREST WINDOW	1	1		P
		1) NOT SOLD SEPARATELY				
		P) CALL ORDER DESK FOR SPECIFIC APPLICATION (V.I.N.)				
		P) CALL ORDER DESK FOR SPECIFIC APPLICATION (V.I.N.)				

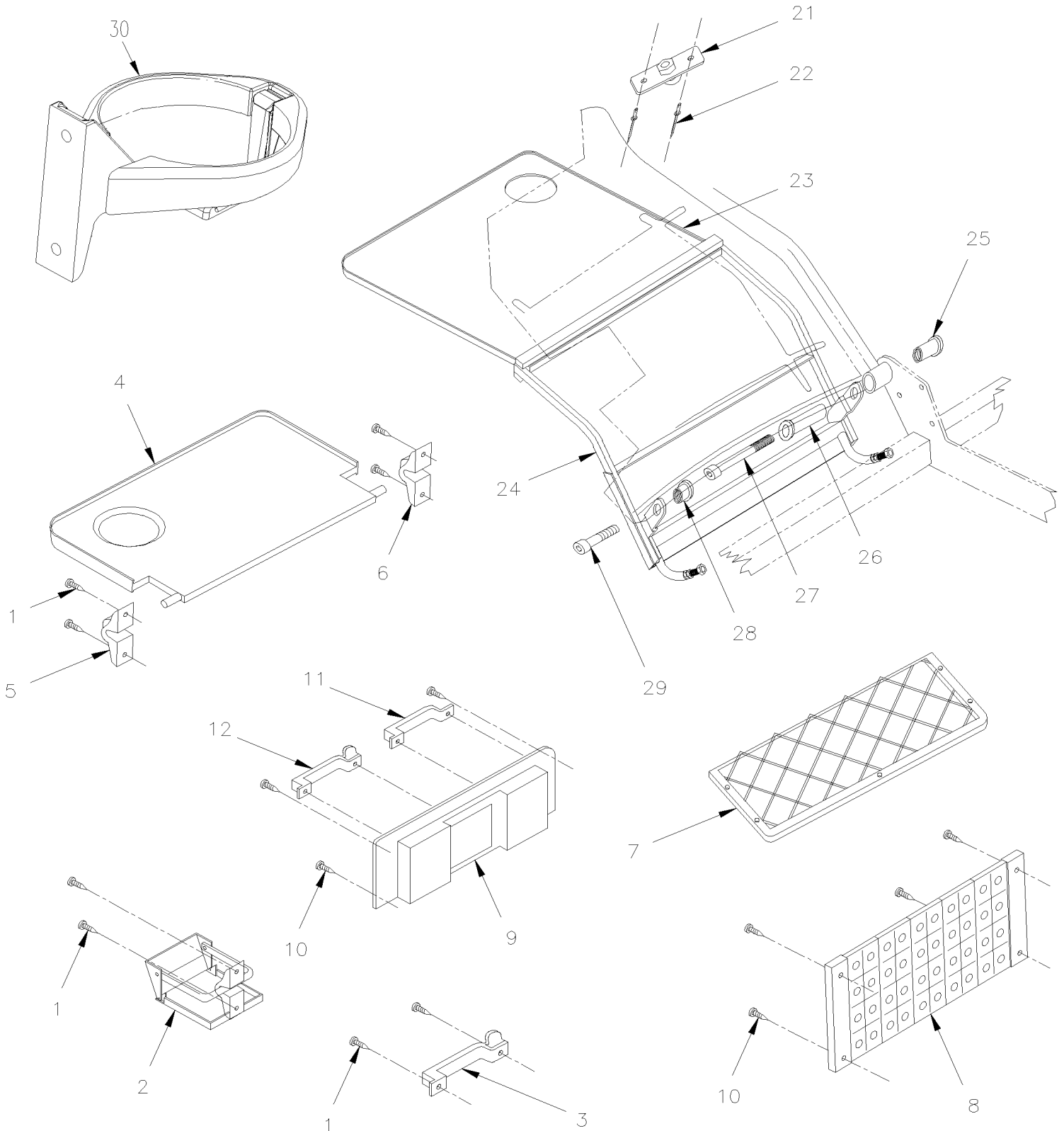


From 3-4417 To 8-1043

Date:10/2022

PAGE:HF-1826-60

ACCESSORIES PASSENGER'S SEAT - "AMAYA"





From 3-4417 To 8-1043	Date:10/2022	PAGE:HF-1826-60
ACCESSORIES PASSENGER'S SEAT - "AMAYA"		

Item#	Part	Description	H 3 4 1	H 3 4 5	V I P 4 5	N O T E S
1	500936	SCREW TP OV PH #10x1 1/4 ZP	1	1		
2	861923	GLASS HOLDER / W/"AMAYA" / W/2 HOLES FOR SCREW	1	1		A
NS	862932	GLASS HOLDER / W/"AMAYA" / W/3 HOLES FOR SCREW	1	1		
3	860422	HANDLE	1	1		
NS	860421	HOOK	1	1		
4	862774	TABLE STD	1	1		
4	863777	TABLE STD	1	1		
5	N.S.S.	. SUPPORT R.H.	1	1		1
6	N.S.S.	. SUPPORT L.H.	1	1		1
7	861922	MAGAZINE NET 16" x 6 3/4"	1	1		
7	865369	SCREW #10 1 1/4	5	5		
8	861924	MAGAZINE RACK / PLASTIC 310MM x 145MM = GREY 5 BARS	1	1		
8	863535	MAGAZINE RACK / PLASTIC 350MM x 145MM = GREY 6 BARS	1	1		
9	Call order desk	BASE	1	1		P
10	865369	SCREW #10 1 1/4	1	1		
11	862938	HANDLE	1	1		
12	860422	HANDLE	1	1		
12	860421	HOOK	1	1		
21	863417	KNOB / BLACK	1	1		
21	863418	KNOB / GREY / FORMER	1	1		
21	866266	KNOB / GREY / CURRENT	1	1		
22	504126	RIVET POP DOME OE 3/16x5/8 AL	1	1		
23	861920	FOOD TRAY / GREY / W/AIRPLANE TYPE	1	1		
24	864799	FRAME TABLE AIRPLANE TYPE	1	1		
25	864800	SCREW CENTER BUSHING	1	1		
26	864801	CENTER BUSHING	1	1		
27	502765	SCREW CAP HEXS M10-1.5x100 G8.8 PT ZP	1	1		
28	864802	SHORT BUSHING	1	1		
29	70314705	SCREW CAP HEXS M10-1.5x60 G8.8 ZP	1	1		
NS	405795	SUPPORT TABLE, AIRPLANE TYPE / ON GALLEY WALL	1	1		
30	862844	CUP HOLDER, RUSPA, BLACK	AR	AR		
30	863181	CUP HOLDER, RUSPA, BLACK	AR	AR		
NS	864860	CUP HOLDER, FLEX, GREY	AR	AR		
		A) AS SHOWN				
		1) NOT SOLD SEPARATELY				
		P) CALL ORDER DESK FOR SPECIFIC APPLICATION (V.I.N.)				

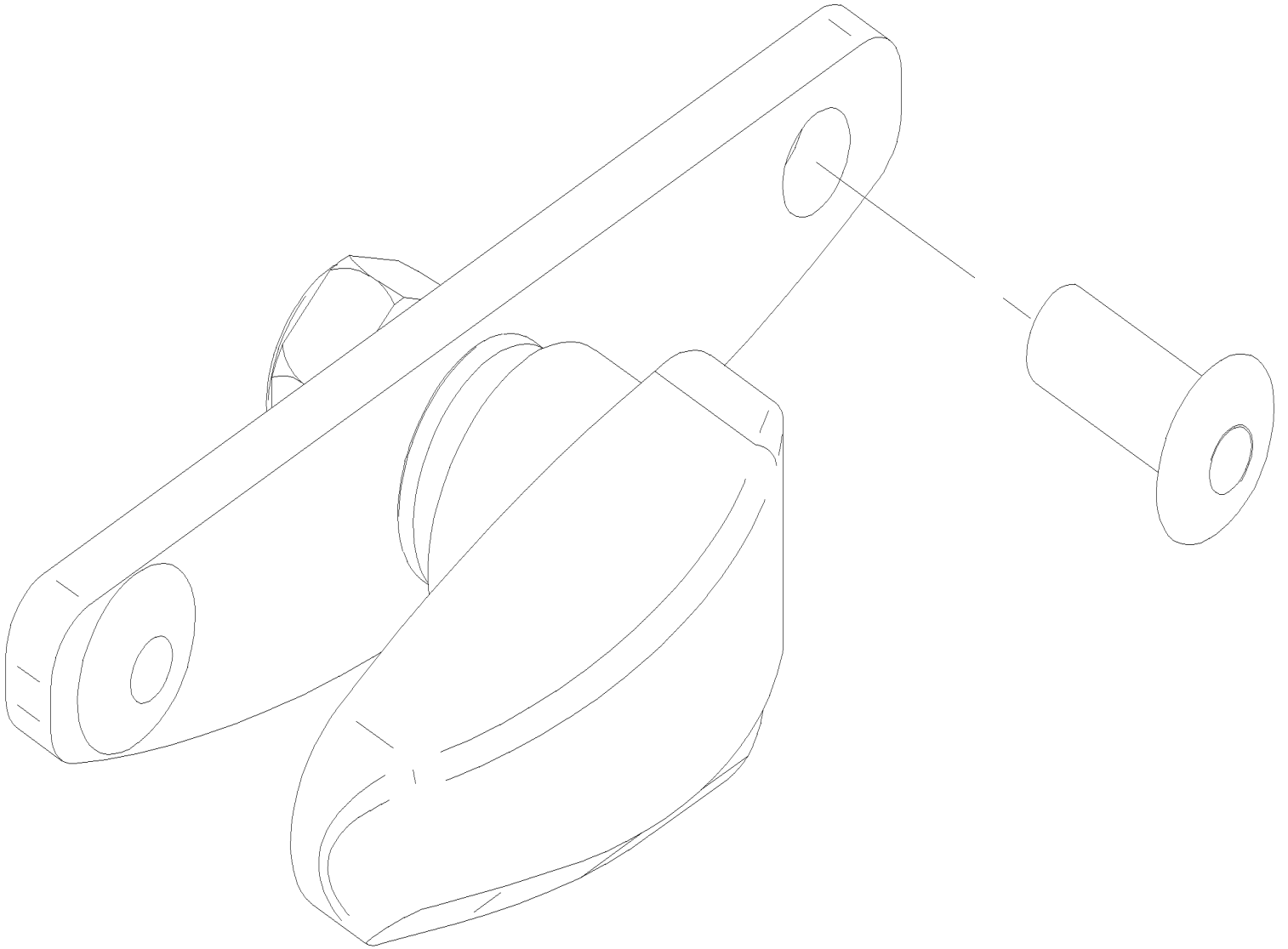


From 3-4417 To 8-1043

Date:10/2022

PAGE:863418

KNOB / GREY / FORMER





From 3-4417 To 8-1043		Date:10/2022	PAGE:863418
-----------------------	--	--------------	-------------

KNOB / GREY / FORMER

Item#	Part	Description	H 3 4 1	H 3 4 5	V I P 4 5	N O T E S

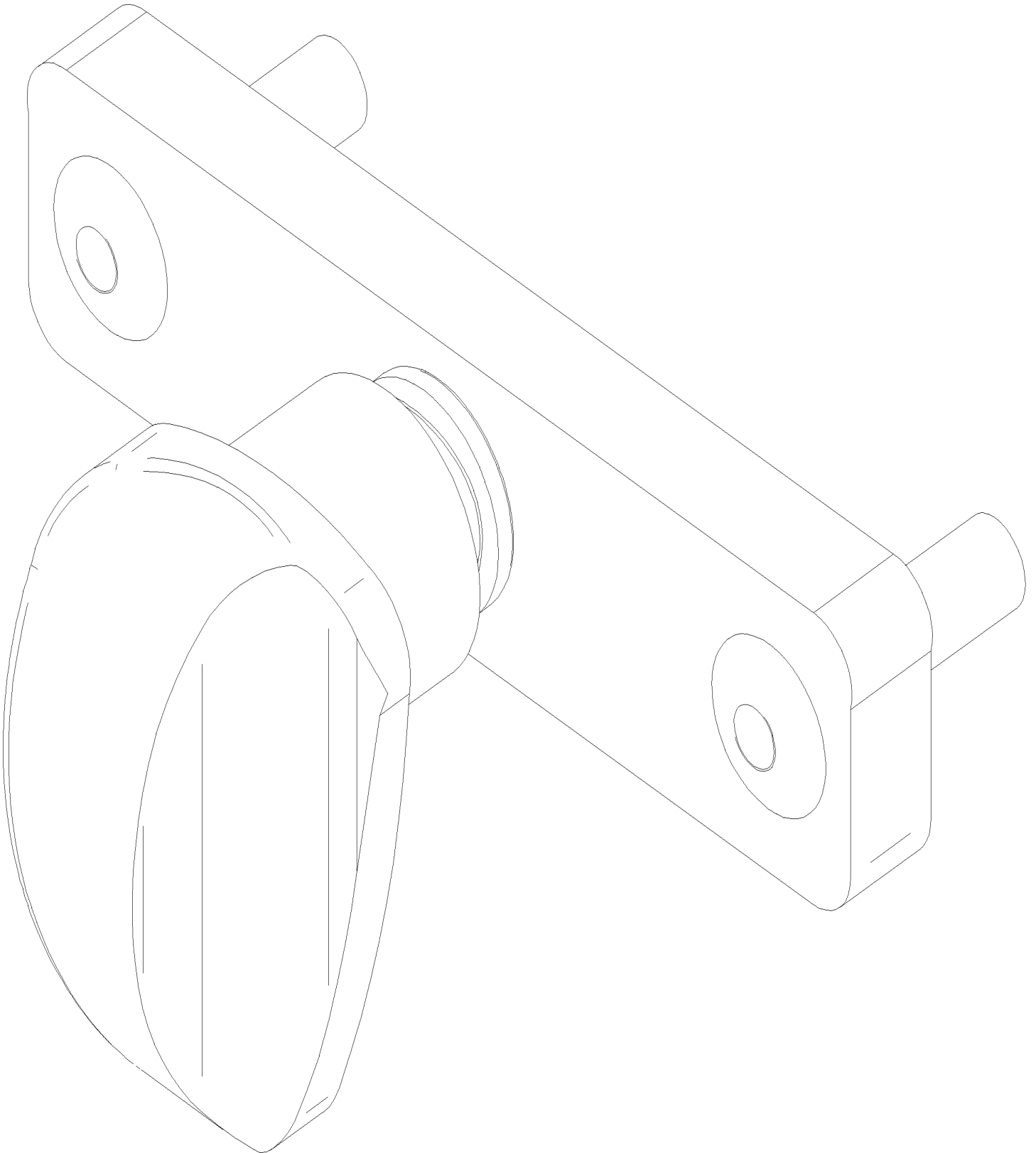


From 3-4417 To 8-1043

Date:10/2022

PAGE:866266

KNOB / GREY / CURRENT





From 3-4417 To 8-1043		Date:10/2022	PAGE:866266
-----------------------	--	--------------	-------------

KNOB / GREY / CURRENT

Item#	Part	Description	H 3 4 1	H 3 4 5	V I P 4 5	N O T E S

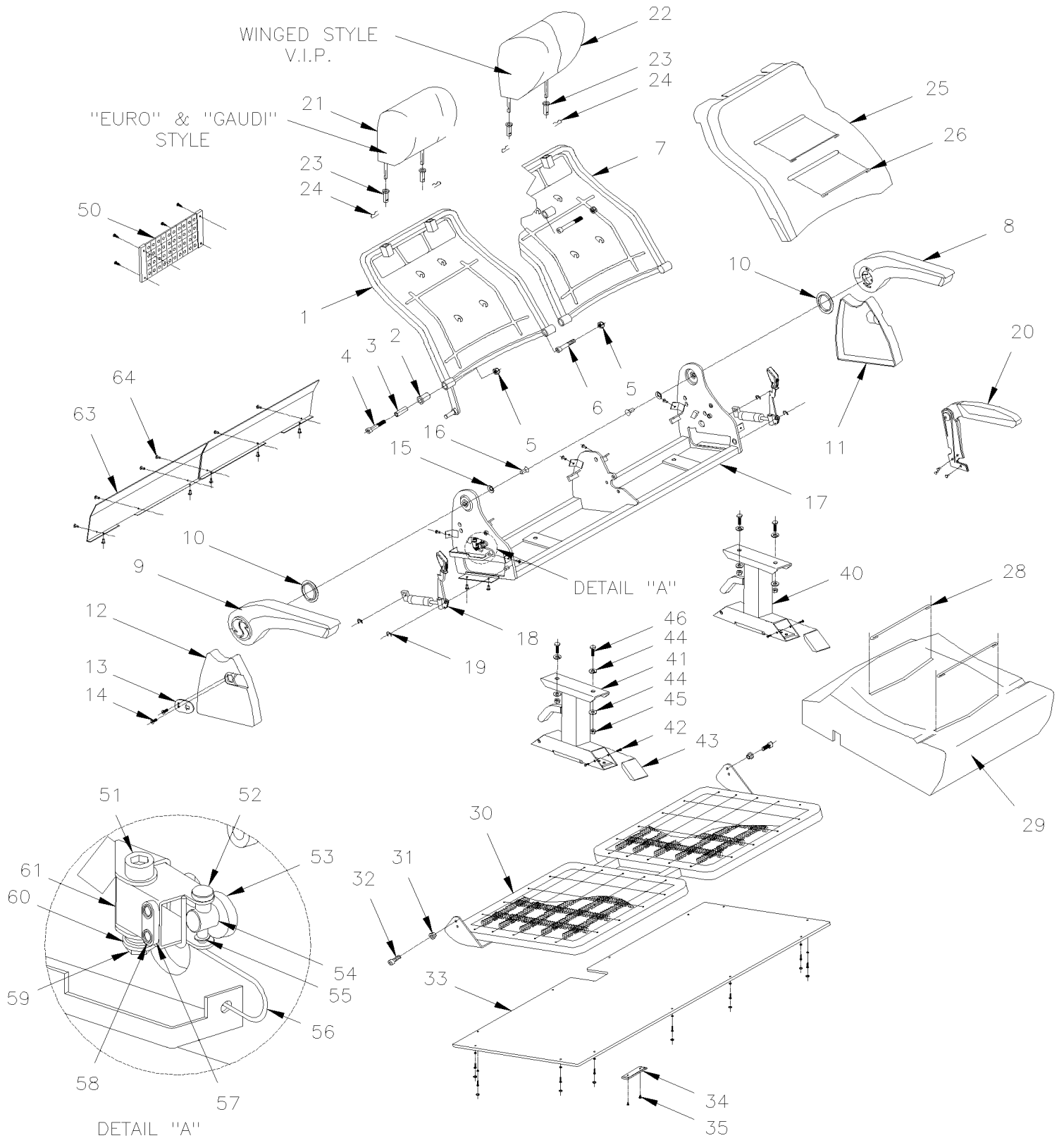


From 3-4417 To 8-1043

Date:10/2022

PAGE:HF-1826-71

PASSENGER'S SEAT - "AMAYA" - FLIP-UP "GAUDI" HR & SC - W/ W.C.L.





From 3-4417 To 8-1043	Date:10/2022	PAGE:HF-1826-71
-----------------------	--------------	-----------------

PASSENGER'S SEAT - "AMAYA" - FLIP-UP "GAUDI" HR & SC - W/ W.C.L.

Item#	Part	Description	H 3 4 1	H 3 4 5	V I P 4 5	N O T E S
		IMPORTANT NOTE: BEFORE TO				
		TO ORDER COMPLETE PASSENGER'S SEAT				
		OR COVERING ASSY, HEAD / BACK & CUSHION				
		SEE THE FINAL VEHICLE RECORD.				
1	Call order desk	BACKREST R.H. / W/FLIPPER SEAT & AVION TABLE SEAT	1	1		P
1	Call order desk	BACKREST R.H. / W/FLIPPER SEAT / W/"GAUDI"	1	1		P
1	Call order desk	BACKREST R.H. ASSY / W/FLIPPER SEAT / W/"GAUDI" GI	1	1		P
1	Call order desk	BACKREST SHELL / W/"GAUDI" GI	1	1		P
2	865560	BUSHING HYTREL	1	1		
2	Call order desk	BUSHING PLASTIC / W/"GAUDI" SC	1	1		P
3	Call order desk	INSIDE METAL BUSHING	1	1		P
3	Call order desk	INSIDE METAL BUSHING / W/"GAUDI" SC	1	1		P
4	70314705	SCREW CAP HEXS M10-1.5x60 G8.8 ZP	1	1		
5	500256	NUT HEX M10-1.5 Z050	1	1		
6	502765	SCREW CAP HEXS M10-1.5x100 G8.8 PT ZP	1	1		
7	Call order desk	BACKREST L.H. / W/FLIPPER SEAT & AVION TABLE SEAT	1	1		P
7	Call order desk	BACKREST L.H. / W/FLIPPER SEAT / W/"GAUDI"	1	1		P
7	Call order desk	BACKREST L.H. ASSY / W/FLIPPER SEAT / W/"GAUDI" GI	1	1		P
7	Call order desk	BACKREST SHELL / W/"GAUDI" GI	1	1		P
8	864020	ARMREST ASSY L.H. / W/FLIPPER SEAT	1	1		
9	864019	ARMREST ASSY R.H. / W/FLIPPER SEAT	1	1		
10	N.S.S.	PLASTIC BUSHING	1	1		1
11	865351	CAP PLASTIC L.H. / W/"GAUDI" STATIONARY	1	1		
11	Call order desk	CAP PLASTIC L.H. / W/"GAUDI" SLIDE	1	1		P
12	865352	CAP PLASTIC R.H.	1	1		
13	Call order desk	BLOCK HANDLE	1	1		P
14	Call order desk	SCREW MA CHE PH M6x15	1	1		P
15	865543	WASHER #10.5MM DIN5797	1	1		
16	860111	SCREW CAP FL HEXS M10-1.5x16	1	1		
17	Call order desk	STRUCTURE R.H. / W/FLIPPER SEAT	1	1		P
17	Call order desk	STRUCTURE R.H. / W/FLIPPER SEAT	1	1		P
17	Call order desk	STRUCTURE L.H. / W/FLIPPER SEAT	1	1		P
17	Call order desk	STRUCTURE R.H. / W/FLIPPER SEAT & AVION TABLE SEAT	1	1		P
17	Call order desk	STRUCTURE L.H. / W/FLIPPER SEAT & AVION TABLE SEAT	1	1		P
17	Call order desk	STRUCTURE L.H. / W/FLIPPER SEAT / SLIDE TO VERIFIED	1	1		P
18	863540	RECLINING MECHANISM ASSY AISLE SIDE	1	1		
. NS	IS-136	. INSTRUCTION SHEET	1	1		
18	862546	RECLINING MECHANISM ASSY WALL SIDE	1	1		
. NS	IS-136	. INSTRUCTION SHEET	1	1		
19	Call order desk	WASHER #9 DIN6799	1	1		P
20	863352	CENTER ARMREST ASSY / PAINTED CHARCOAL	1	1		



From 3-4417 To 8-1043	Date:10/2022	PAGE:HF-1826-71
-----------------------	--------------	-----------------

PASSENGER'S SEAT - "AMAYA" - FLIP-UP "GAUDI" HR & SC - W/ W.C.L.

Item#	Part	Description	H 3 4 1	H 3 4 5	V I P 4 5	N O T E S
20	Call order desk	SCREW MA CHE PH M6x15	1	1		P
21	863315	HEADREST FOAM / TYPE "BRAZIL" & "EUROTECH"	1	1		
21	Call order desk	HEADREST FOAM / TYPE "GAUDI HR"	1	1		P
NS	Call order desk	COVERING HEADREST ASSY "GAUDI" S.C.C.	1	1		P
22	862933	HEADREST ASSY / TYPE WINGED "VIP"	1	1		
23	864810	GUIDE SLIDING	1	1		
24	866204	BACKREST CLIP	1	1		
25	865141	CUSHION FOAM	1	1		
25	Call order desk	BACKREST FOAM / W/"GAUDI"	1	1		P
25	Call order desk	BACKREST FOAM AISLE / W/"GAUDI" GI	1	1		P
25	Call order desk	BACKREST FOAM WALL / W/"GAUDI" GI	1	1		P
26	Call order desk	BACKREST TUFTING WIRE "EUROTECH" & "BRASIL	1	1		P
26	Call order desk	BACKREST TUFTING WIRE / LARGE / W/"GAUDI" & "EUROTECH"	1	1		P
NS	Call order desk	COVERING BACKREST ASSY S.C.C. / W/"GAUDI"	1	1		P
27	Call order desk	COVERING BACKREST ASSY S.C.C. / W/"GAUDI" GI	1	1		P
28	Call order desk	CUSHION TUFTING WIRE "EUROTECH" & "BRASIL	1	1		P
29	Call order desk	CUSHION FOAM	1	1		P
NS	Call order desk	COVERING CUSHION ASSY S.C.C. / W/"GAUDI"	1	1		P
30	865599	CUSHION SET STRUCTURE / STREET SIDE	1	1		
30	Call order desk	SEAT FRAME ASSY /W/FLIPPER SEAT / STATIONARY / W/"GAUDI"	1	1		P
30	Call order desk	SEAT FRAME ASSY /W/FLIPPER SEAT / SLIDE / W/"GAUDI"	1	1		P
31	866191	SWIVEL BUSHING	1	1		
32	Call order desk	SCREW CAP HEXS M10x25	1	1		P
33	Call order desk	CAP CUSHION SEAT / W/FLIPPER SEAT	1	1		P
34	Call order desk	SEAT FIXING BRACKET	1	1		P
35	Call order desk	BOLT 3.9X13MM	1	1		P
40	862917	PEDESTAL ASSY R.H. / WFLIPPER SEAT / SLIDE	1	1		
41	865028	PEDESTAL ASSY L.H. / WFLIPPER SEAT / SLIDE	1	1		
42	504619	CLIP CHRISTMAS TREE / BLACK 7/32"O.D.x1/2" HOLE 3/16	4	4		
43	862585	PEDESTAL CAP / BLACK	1	1		
NS	864028	CLIP CHRISTMAS TREE / BLACK 11MM O.D. x17MM HOLE 4MM	2	2		
44	866243	PRESSURE WASHER 7/16" 10MM	1	1		
45	500256	NUT HEX M10-1.5 Z050	1	1		
46	5001526	SCREW CAP HEX M16-2.0x45 G10.9 DP	1	1		
50	HF-1826-60	ACCESSORIES PASSENGER'S SEAT - "AMAYA"	1	1	1	
51	860197	SCREW CAP HEXS M8-1.25x50	1	1		
52	Call order desk	BLOCKING PIN	1	1		P
53	865491	REFERENCE BUSHING FM810120J	1	1		
54	Call order desk	BLOCKING AXLE	1	1		P
55	Call order desk	WASHER DIN-6799 5MM	1	1		P
56	Call order desk	SPRING	1	1		P
57	Call order desk	INSERT	1	1		P



From 3-4417 To 8-1043 Date:10/2022 PAGE:HF-1826-71

PASSENGER'S SEAT - "AMAYA" - FLIP-UP "GAUDI" HR & SC - W/ W.C.L.

Item#	Part	Description	H 3 4 1	H 3 4 5	V I P 4 5	N O T E S
58	Call order desk	RIVET	1	1		P
59	Call order desk	NUT HEX NYRT M8-1.25	1	1		P
60	Call order desk	ACTION SPRING	1	1		P
61	Call order desk	POPPER	1	1		P
63	Call order desk	KICK PLATE BACKREST	1	1		P
64	504118	RIVET POP DOME OE 3/16x3/8 AL	1	1		
70	HF-1826-40	PASSENGER'S SEAT - "AMAYA" - FOOTREST & PEDESTAL				
100	323654	SEAT TRACK COVER 12' / EACH SEAT / W/COVERING FLOOR	AR	AR		
100	323963	SEAT TRACK COVER 8' / EACH SEAT / W/COVERING FLOOR	AR	AR		
		1) NOT SOLD SEPARATELY				
		P) CALL ORDER DESK FOR SPECIFIC APPLICATION (V.I.N.)				

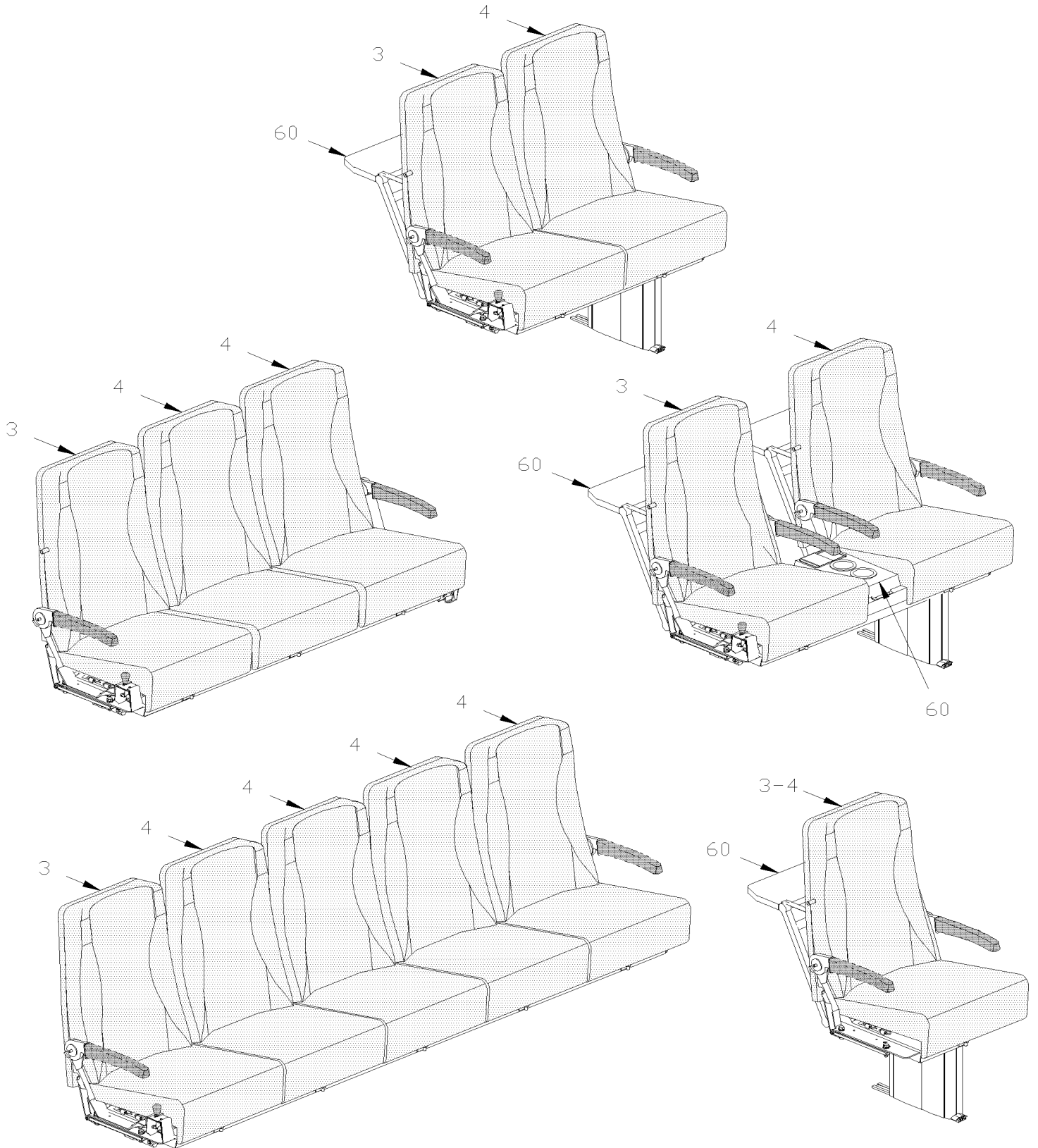


From 3-4417 To 8-1043

Date:10/2022

PAGE:HF-1827-02

PASSENGER'S SEAT - "ULTRA"



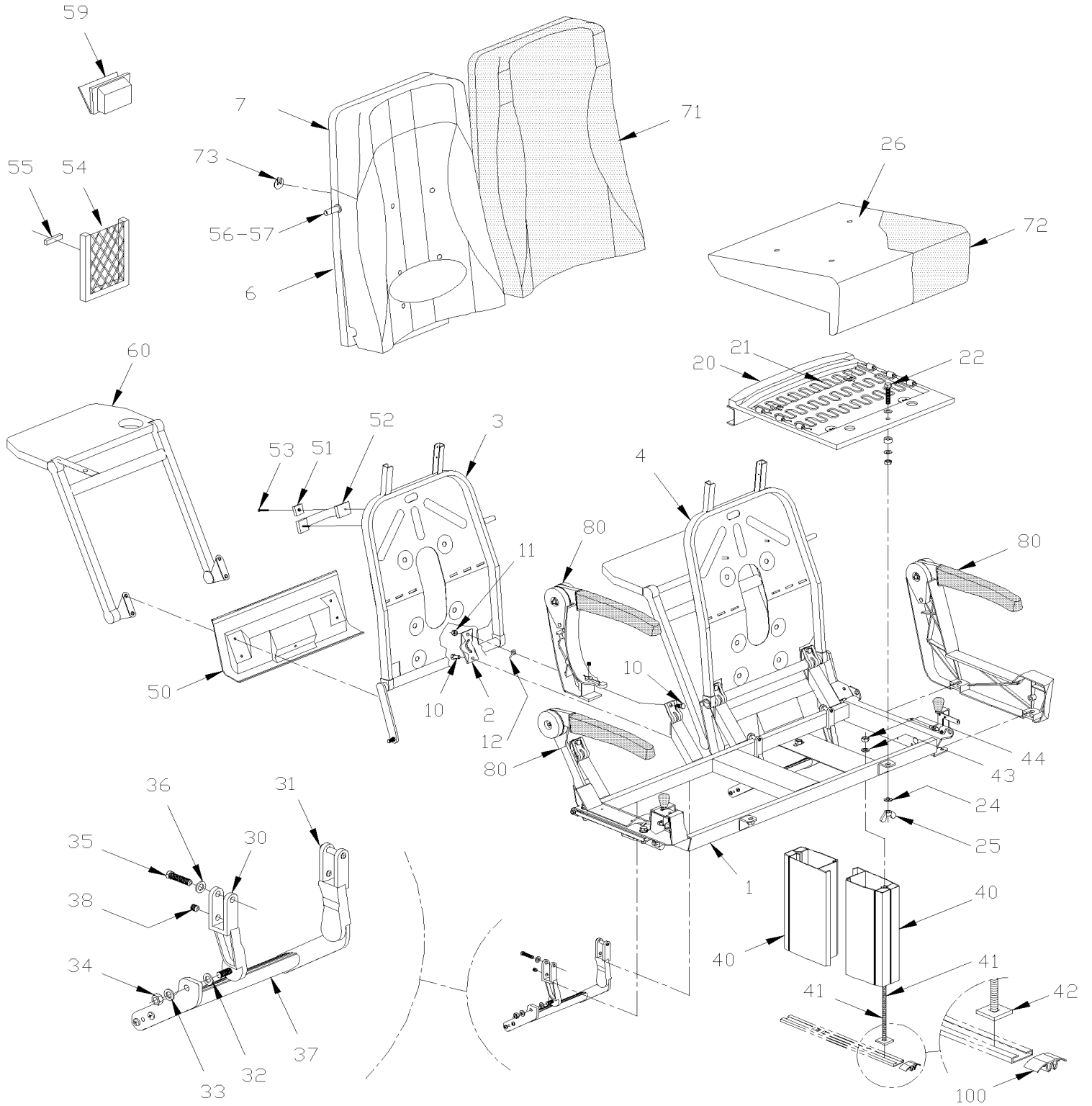


From 3-4417 To 8-1043

Date:10/2022

PAGE:HF-1827-02

PASSENGER'S SEAT - "ULTRA"





From 3-4417 To 8-1043	Date:10/2022	PAGE:HF-1827-02
PASSENGER'S SEAT - "ULTRA"		

Item#	Part	Description	H 3 4 1	H 3 4 5	V I P 4 5	N O T E S
	363927	SEAT ASSY L.H. / 2 PASSENGERS / 42" HIGH	AR	AR		
	363928	SEAT ASSY R.H. / 2 PASSENGERS / 42" HIGH	AR	AR		
	363929	SEAT ASSY ROTATING / "ULTRA"	AR	AR		
	363931	SEAT ASSY REAR / 2 PASSENGERS / 42" HIGH	AR	AR		
	363932	SEAT ASSY REAR / 5 PASSENGERS / 42" HIGH	AR	AR		
1	363842	. STRUCTURE ASSY L.H. / 2 PASSENGERS	1	1		
1	363841	. STRUCTURE ASSY R.H. / 2 PASSENGERS	1	1		
1	363836	. SEAT FRAME ASSY / "ROTATING" SEAT	1	1		
1	363843	. STRUCTURE ASSY REAR / 3 PASSENGERS	1	1		
1	363844	. STRUCTURE ASSY REAR / 5 PASSENGERS	1	1		
1	363837	. STRUCTURE ASSY R.H. V.I.P. / 1 PASSENGERS	1	1		
1	363840	. STRUCTURE ASSY L.H. V.I.P. / 1 PASSENGERS	1	1		
1	363838	. STRUCTURE ASSY R.H. / 2 PASSENGERS V.I.P.	1	1		
1	363839	. STRUCTURE ASSY R.H. V.I.P. / 2 PASSENGERS	1	1		
2	363246	. COLLAR	4	4		
3	363834	. BACKREST R.H.	1	1		
4	363835	. BACKREST L.H.	1	1		B
6	363186	. FOAM BACKREST THICK	1	1		
6	363252	. FOAM BACKREST THIN W/42"	1	1		
6	363350	. FOAM BACKREST THIN W/40"	1	1		
7	363348	. FOAM ASSY, HEADREST 40" HIGHT / "ULTRA"	1	1		
7	363251	. FOAM ASSY, HEADREST 42" HIGHT / "ULTRA"	1	1		
NS	500583	. SCREW TP PAN PH #6x1/2 Z050	4	4		
NS	500240	. WASHER LO EXT .195x.410x.025 Z050	4	4		
10	5001336	. SCREW CAP HEXF SERR 5/16-18x3/4 Z050	8	8		
11	5001113	. NUT HEX JAM NYRT 5/16-18	8	8		
12	363273	. SPRING EYE	4	4		
20	363646	. SEAT FRAME ASSY W/SPRING	1	1		
21	363650	. . SPRING	3	3		
22	362353	. . SCREW	1	1		
24	500441	. WASHER FL .312x.734x.065 Z050	2	2		
25	500782	. NUT WING 5/16-18 Z050	2	2		
26	363645	. FOAM	1	1		
30	363437	. BRACKET L.H.	1	1		
31	363436	. BRACKET R.H.	1	1		
32	502723	. WASHER FL .386x.750x.050 NYL	2	2		
33	500441	. WASHER FL .312x.734x.065 Z050	2	2		
34	500777	. NUT HEX STO 5/16-18 Z050	2	2		
35	500183	. SCREW CAP HEX 5/16-18x1 1/2 G5 PT Z050	2	2		
36	500476	. WASHER LO SPT .317x.586x.078 Z050	2	2		
37	362928	. FOOTREST ASSY	1	1		
38	502781	. SCREW SET HEXS CUP 5/16-18x1/4	2	2		



From 3-4417 To 8-1043	Date:10/2022	PAGE:HF-1827-02
PASSENGER'S SEAT - "ULTRA"		

Item#	Part	Description	H 3 4 1	H 3 4 5	V I P 4 5	N O T E S
40	363577	. PEDESTAL SQ END / 279MM / 10.98" / 2 PIECES To 5-0238	2	2		
40	364038	. PEDESTAL SQ END / ONE PIECE / 279MM / 10.98" From 5-0239	1	1		
NS	364076	. REINFORCEMENT PEDESTAL / ANGLE REAR OF PEDESTAL / 58MMx 20MM From 6-0361	2	2		
41	5001600	. SCREW CRG 3/8-16x12 G5 Z050	2	2		
42	363085	. PLATE ANCHOR / CARRIAGE BOLT INSIDE TRACK / 1 1/4" X 1 1/4" To 5-0238	1	1		
42	360052	. PLATE ANCHOR / CARRIAGE BOLT INSIDE TRACK / 1 1/4" X 3 1/2" From 5-0239	1	1		
43	500445	. WASHER FL .437x1.000x.083 Z050	2	2		
44	363821	. ATTACHMENT PLATE / "J" SHAPE TO FIX SEAT TO WALL TRACK WALL TRACK To 7-0633	2	2		
. NS	500183	. . SCREW CAP HEX 5/16-18x1 1/2 G5 PT Z050 To 7-0633	2	2		
. NS	500942	. . WASHER LO SPT 8.1x14.8x2.0 N500 To 7-0633	2	2		
44	364132	. ATTACHMENT PLATE / "J" SHAPE TO FIX SEAT TO WALL TRACK WALL TRACK From 7-0634	1	1		
. NS	500829	. . SCREW CAP HEX M10-1.5x40 G8.8 From 7-0634	2	2		
. NS	500257	. . WASHER LO SPT 10.2x18.1x2.2 Z050 From 7-0634	2	2		
44	364133	. REINFORCMENT / FIXED BETWEEN SEAT & GUARD From 7-0634	1	1		
50	363946	. FINISHING LOWER / L.H. / NORYL	1	1		
50	363947	. FINISHING LOWER / R.H. / NORYL	1	1		
51	860421	. HOOK	1	1		
52	860422	. HANDLE	1	1		
NS	505229	. SPACER 3/8 I.D. X 3/8 LG	2	2		
53	502521	. SCREW TC OV PH #8-32x1 BK	2	2		
54	362707	. MAGAZINE NET 13" x 6 1/2"	1	1		
54	860809	. MAGAZINE NET 14" x 7 1/4"	1	1		
55	500353	. SCREW TP FL PH #8x3/4 BK	4	4		
56	362943	. STOPPER LONG / WV.I.P. SEAT	1	1		
56	362942	. STOPPER SHORT / W/STANDARD SEAT	1	1		
57	5001019	. SCREW TP OV PH #10x2 EMN	1	1		
NS	5001116	. NUT SPR U #10A .025-.062	1	1		
59	861277	. ASHTRAY / PLASTIC	1	1		
60	HF-1829-00	. ACCESSORIES PASSENGER'S SEAT - "PREVOST"				
71	Call order desk	. COVERING BACKREST ASSY / S.C.C. W/40" HIGHT / "ULTRA"	1	1		P
71	363254P	. COVERING ASSY, BACKREST / S.C.C. W/42" HIGHT	1	1		
72	363676	. COVERING SEATREST ASSY / S.C.C. / ALL NEW W/SPRING	1	1		
73	362716	. ATTACHMENT / ROUND "W" SHAPE TO FIX COVER	8	8		
NS	682259	. SEALANT TAPE / CLEAR / 1/32"x1 1/2"x65' / 1795	AR	AR		B
80	HF-1827-52	. ARMREST PASSENGER'S - "CHARCOAL" W/LEVER				
100	323654	SEAT TRACK COVER 12' / EACH SEAT / W/COVERING FLOOR	AR	AR		
100	323963	SEAT TRACK COVER 8' / EACH SEAT / W/COVERING FLOOR	AR	AR		
		B) QTY OF 2 WITH 3 PASSENGERS REAR SEAT AND QTY OF 4 WITH 5 PASSENGERS REAR SEAT				
		P) CALL ORDER DESK FOR SPECIFIC APPLICATION (V.I.N.)				

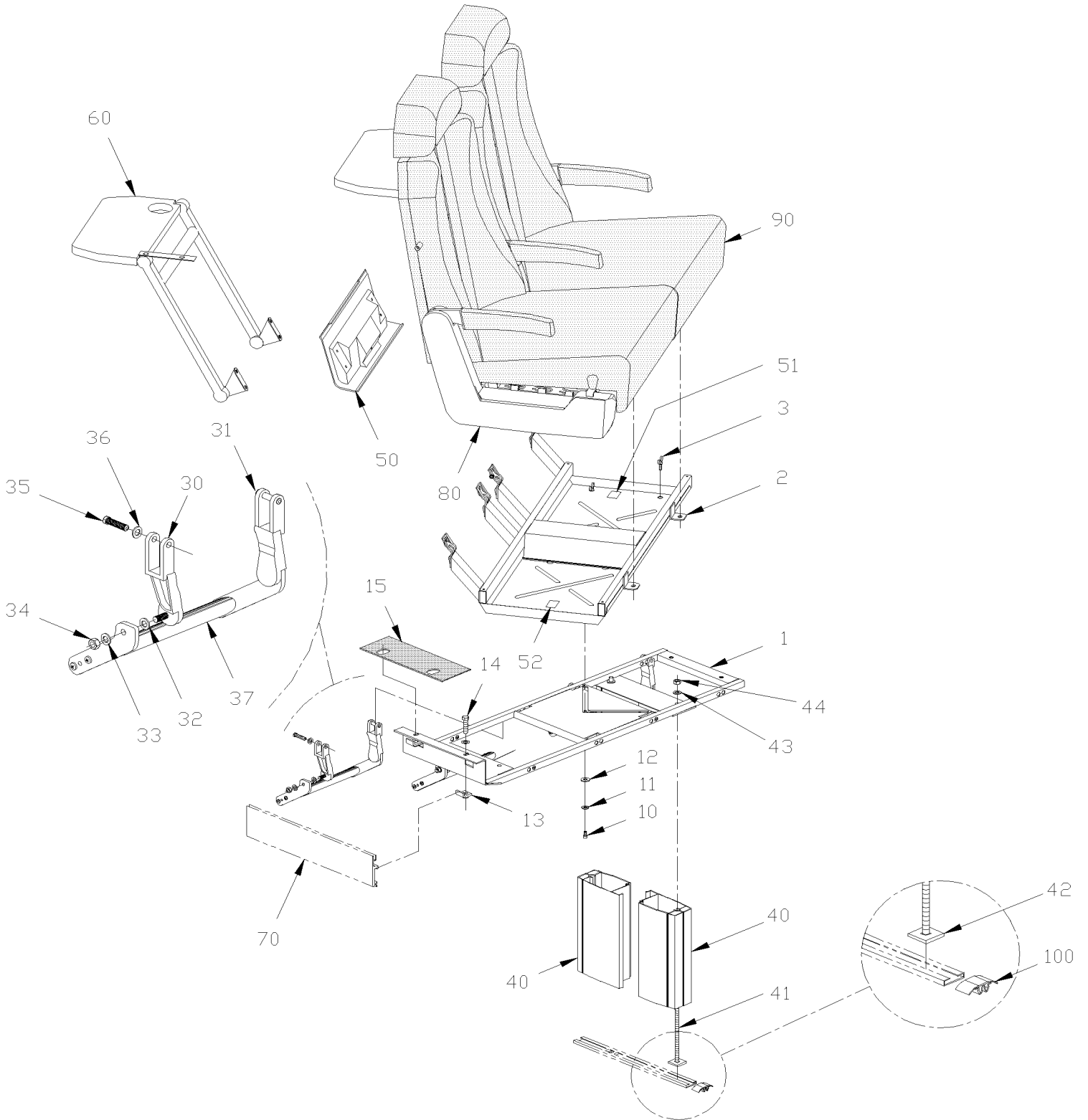


From 3-4417 To 8-1043

Date:10/2022

PAGE:HF-1827-11

PASSENGER'S SEAT - ROTATING





From 3-4417 To 8-1043	Date:10/2022	PAGE:HF-1827-11
PASSENGER'S SEAT - ROTATING		

Item#	Part	Description	H 3 4 1	H 3 4 5	V I P 4 5	N O T E S
		THIS PAGE SHOWS ONLY PARTS RELATED				
		WITH ROTATING SEAT. ALLS				
		OTHERS PARTS ARE ILLUSTRATED IN PAGES				
	363923	SEAT ASSY ROTATING / "TOURISMO II" / 42" HIGH	AR	AR		
	363929	SEAT ASSY ROTATING / "ULTRA"	AR	AR		
1	362340	MOUNTING BASE ASSY / "ROTATING" SEAT	1	1		
2	363836	SEAT FRAME ASSY / "ROTATING" SEAT	1	1		
3	5001302	SCREW TH SHR 1/4-20x3/4 SS	4	4		
3	500468	WASHER FL .281x1.250x.065 Z050	4	4		
10	500162	SCREW CAP HEX 1/4-20x1/2 G5 Z050	1	1		
11	500473	WASHER LO SPT .262x.489x.062 Z050	1	1		
12	500462	WASHER FL .343x1.500x.083 SS	1	1		
13	362333	ATTACHMENT NUT / "L" SHAPE TO FIX SEAT TO WALL TRACK WALL TRACK	2	2		
14	500182	SCREW CAP HEX 5/16-18x1 1/4 G5 PT Z050	2	2		
15	362405	RUBBER PROTECTOR PAD	1	1		
30	363439	BRACKET L.H.	2	2		
31	363438	BRACKET R.H.	2	2		
32	502723	WASHER FL .386x.750x.050 NYL	2	2		
33	500441	WASHER FL .312x.734x.065 Z050	2	2		
34	500777	NUT HEX STO 5/16-18 Z050	2	2		
35	5001335	SCREW CAP HEXF SERR 5/16-18x1 1/2 Z050	2	2		
36	500476	WASHER LO SPT .317x.586x.078 Z050	2	2		
37	362928	FOOTREST ASSY	2	2		
40	363579	PEDESTAL SQ END / W/ROTATING SEAT / 224MM 8.81" To 5-0238	2	2		
40	364039	PEDESTAL SQ END / 224MM 8.81" / W/ROTATING SEAT / ONE PIECE / 224MM 8.81" From 5-0239	1	1		
NS	364076	REINFORCEMENT PEDESTAL / ANGLE REAR OF PEDESTAL / 58MMx 20MM From 6-0361	2	2		
41	5001078	SCREW CRG 3/8-16x9 3/4 Z050	2	2		
42	363085	PLATE ANCHOR / CARRIAGE BOLT INSIDE TRACK / 1 1/4" X 1 1/4" To 5-0238	2	2		
42	360052	PLATE ANCHOR / CARRIAGE BOLT INSIDE TRACK / 1 1/4" X 3 1/2" From 5-0239	2	2		
43	362410	WASHER	2	2		
44	500265	NUT HEX STO 3/8-16 Z050	2	2		
46	362627	PLATE ANCHOR / 3/8-16 BOLT INSIDE TRACK / 1 1/4" X 1 1/4"	AR	AR		
46	500270	WASHER FL .406x1.000x.063 SS	AR	AR		
46	500305	SCREW CAP HEX 3/8-16x7/8 G5 Z050	AR	AR		
46	500478	WASHER LO SPT .380x.683x.094 Z050	AR	AR		
50	362702	FINISHING LOWER R.H.	1	1		
50	362701	FINISHING LOWER L.H.	1	1		
51	361752	DECAL "TO OPERATE.." / FIXED AT SEAT STRUCTURE / ENGLISH & FRANCAIS	1	1		
51	364056	DECAL "TO OPERATE.." / FIXED AT SEAT STRUCTURE / ENGLISH & SPANISH	1	1		
52	361751	DECAL "TO OPERATE.." / FIXED AT WINDOW To 8-1054	1	1		



From 3-4417 To 8-1043	Date:10/2022	PAGE:HF-1827-11
-----------------------	--------------	-----------------

PASSENGER'S SEAT - ROTATING

Item#	Part	Description	H 3 4 1	H 3 4 5	V I P 4 5	N O T E S
52	403890	DECAL / TO OPERATE SWIVEL SEAT... / ENGLISH & FRANCAIS From 8-1055	1	1		
52	405643	DECAL / TO OPERATE SWIVEL SEAT... / ENGLISH & SPANISH	1	1	1	
60	HF-1829-00	ACCESSORIES PASSENGER'S SEAT - "PREVOST"				
70	HF-2221-10	DUCTING HEATER & A/C				
80	HF-1827-52	ARMREST PASSENGER'S - "CHARCOAL" W/LEVER				
90	HF-1827-02	PASSENGER'S SEAT - "ULTRA"				
90	HF-1828-01	PASSENGER'S SEAT - "TOURISMO II"				
100	323654	SEAT TRACK COVER 12' / EACH SEAT / W/COVERING FLOOR	AR	AR		
100	323963	SEAT TRACK COVER 8' / EACH SEAT / W/COVERING FLOOR	AR	AR		

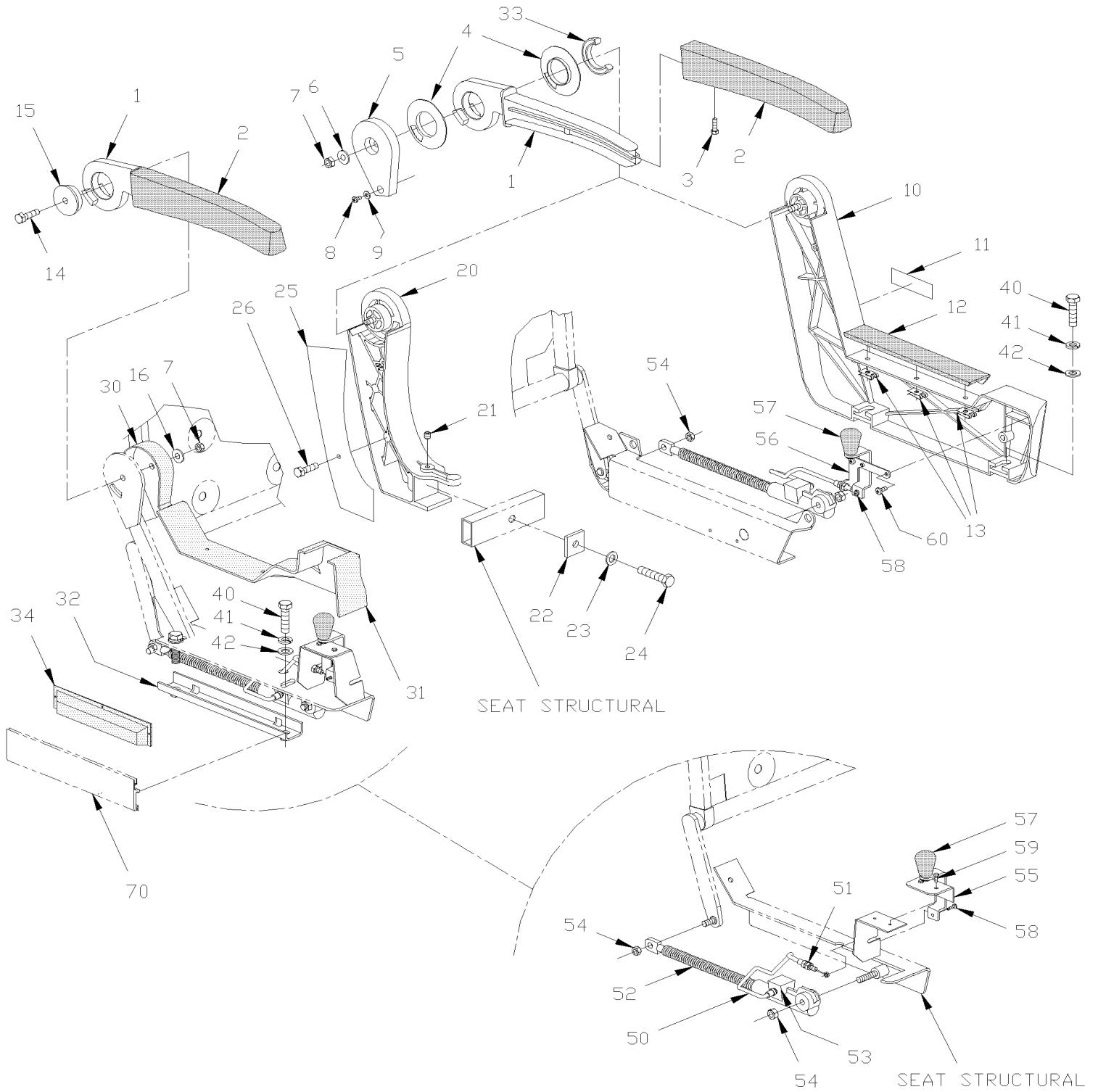


From 3-4417 To 8-1043

Date:10/2022

PAGE:HF-1827-52

ARMREST PASSENGER'S - "CHARCOAL" W/LEVER





From 3-4417 To 8-1043	Date:10/2022	PAGE:HF-1827-52
ARMREST PASSENGER'S - "CHARCOAL" W/LEVER		

Item#	Part	Description	H 3 4 1	H 3 4 5	V I P 4 5	N O T E S
1	363597	ARMREST / SHORT	3	3		
1	362933	ARMREST L.H. / V.I.P.	2	2		
1	362934	ARMREST R.H. / V.I.P.	2	2		
2	363598	COVERING ARMREST / SHORT	1	1		
2	362541	COVERING ARMREST / V.I.P.	1	1		
NS	363425	FOAM COVERING ARMREST V.I.P.	AR	AR		
3	500686	SCREW TP OV PH #6x1/2 BK	1	1		
NS	500345	WASHER FN CKF .187x.500x.090 BR BK	1	1		
4	363575	. SPACER PLASTIC / FRICTION DISK	2	2		
5	363565	CLOSING L.H. / GREY CHARCOAL	1	1		
5	362913	CLOSING / GREY CHARCOAL	2	2		V
5	363566	CLOSING R.H. / GREY CHARCOAL	1	1		
6	502510	WASHER FL .375x.875x.083	1	1		
7	5001113	NUT HEX JAM NYRT 5/16-18	2	2		
8	500658	SCREW TC PAN PH #10-24x3/4 Z050	1	1		
9	500470	WASHER LO SPT .193x.334x.047 Z050	1	1		
10	363833	. SIDE L.H. / CASTING PAINTED CHARCOAL	1	1		
10	363832	. SIDE R.H. / CASTING PAINTED CHARCOAL	1	1		
10	363858	. SIDE R.H. / CASTING PAINTED CHARCOAL / V.I.	1	1		V
10	363859	. SIDE L.H. / CASTING PAINTED CHARCOAL / V.I.	1	1		V
11	362907	. DECAL / "PREVOST"	1	1		
12	362871	. COVERING L.H.	1	1		
12	362971	. COVERING R.H.	1	1		
13	509814	. NUT PUSH RND ARC 3/16	3	3		
13	509814	. NUT PUSH RND ARC 3/16	3	3		
14	500182	SCREW CAP HEX 5/16-18x1 1/4 G5 PT Z050	1	1		
15	362315	WASHER RETAINING W/FLANGED 40.26MM O.D. X 44.5 MM O.D.	1	1		
16	500441	WASHER FL .312x.734x.065 Z050	1	1		
20	363564	SUPPORT / CENTRAL ARMREST / PAINTED CHARCOAL	1	1		
20	362904	SUPPORT / CENTRAL ARMREST / PAINTED CHARCOAL	2	2		V
21	502781	SCREW SET HEXS CUP 5/16-18x1/4	1	1		
22	362711	PLATE TIGHTENING / SEAT	1	1		
23	500476	WASHER LO SPT .317x.586x.078 Z050	1	1		
24	500186	SCREW CAP HEX 5/16-18x2 1/2 G5 Z050	1	1		
25	362927	PLATE / W/V.I.P. CENTRAL SUPPORT / CHARCOAL	1	1		
26	500654	SCREW TC BDG PH #8-32x1/2 Z050	2	2		
30	362697	COVER R.H. / NORYL / WINDOW SIDE	1	1		
30	362712	COVER L.H. / NORYL / WINDOW SIDE	1	1		
31	363780	GUARD L.H. / MECHANISM	1	1		
31	363779	GUARD R.H. / MECHANISM	1	1		
31	363958	GUARD R.H. / MECHANISM LOUNGE SEAT ONLY	1	1		A
31	363857	GUARD R.H. / MECHANISM / W/VIP SEAT	1	1		



From 3-4417 To 8-1043	Date:10/2022	PAGE:HF-1827-52
ARMREST PASSENGER'S - "CHARCOAL" W/LEVER		

Item#	Part	Description	H 3 4 1	H 3 4 5	V I P 4 5	N O T E S
31	363856	GUARD L.H. / MECHANISM / W/VIP SEAT	1	1		
32	363821	ATTACHMENT PLATE / "J" SHAPE TO FIX SEAT TO WALL TRACK WALL TRACK To 7-0633	1	1		
. NS	500183	. SCREW CAP HEX 5/16-18x1 1/2 G5 PT Z050 To 7-0633	2	2		
. NS	500942	. WASHER LO SPT 8.1x14.8x2.0 N500 To 7-0633	2	2		
32	364132	ATTACHMENT PLATE / "J" SHAPE TO FIX SEAT TO WALL TRACK WALL TRACK From 7-0634	1	1		
. NS	500829	. SCREW CAP HEX M10-1.5x40 G8.8 From 7-0634	2	2		
. NS	500257	. WASHER LO SPT 10.2x18.1x2.2 Z050 From 7-0634	2	2		
32	364133	REINFORCMENT / FIXED BETWEEN SEAT & GUARD From 7-0634	1	1		
33	362941	SLIDE INSERT PLASTIC / LONG 150 DEG	4	4		V
34	362579	CAP FINISHING / WALL / V.I.P.	1	1		V
40	500183	SCREW CAP HEX 5/16-18x1 1/2 G5 PT Z050	2	2		
41	500476	WASHER LO SPT .317x.586x.078 Z050	2	2		
42	502510	WASHER FL .375x.875x.083	2	2		
50	861444	CABLE ASSY	1	1		
51	500692	. NUT HEX 1/4-28 Z050	2	2		
52	861926	CYLINDER L.H.	1	1		
52	861927	CYLINDER R.H.	1	1		
53	861486	CLIP / WIRE RETAINER	2	2		
54	500690	NUT HEX NYRT 1/4-28 Z050	2	2		
55	363830	LEVER L.H. / WINDOW SIDE	1	1		
55	363829	LEVER R.H. / WINDOW SIDE	1	1		
56	363825	LEVER L.H. / CASTING	1	1		
56	363826	LEVER R.H. / CASTING	1	1		
57	861442	. KNOB	1	1		
NS	500394	. SCREW MA TR SLT 1/4-20x1/2 Z050	1	1		
58	500557	SCREW MA PAN PH #8-32x3/8 SS	2	2		
59	5001312	SCREW TP TR PH #8x5/8 Z050	1	1		
60	500657	SCREW TC TR PH #10-24x1/2 Z050	2	2		
70	HF-2221-10	DUCTING HEATER & A/C				
		A) USE ONLY WITH LOUNGE SEAT BACK OF THE VEHICLE				
		V) WITH V.I.P. SEAT ONLY				

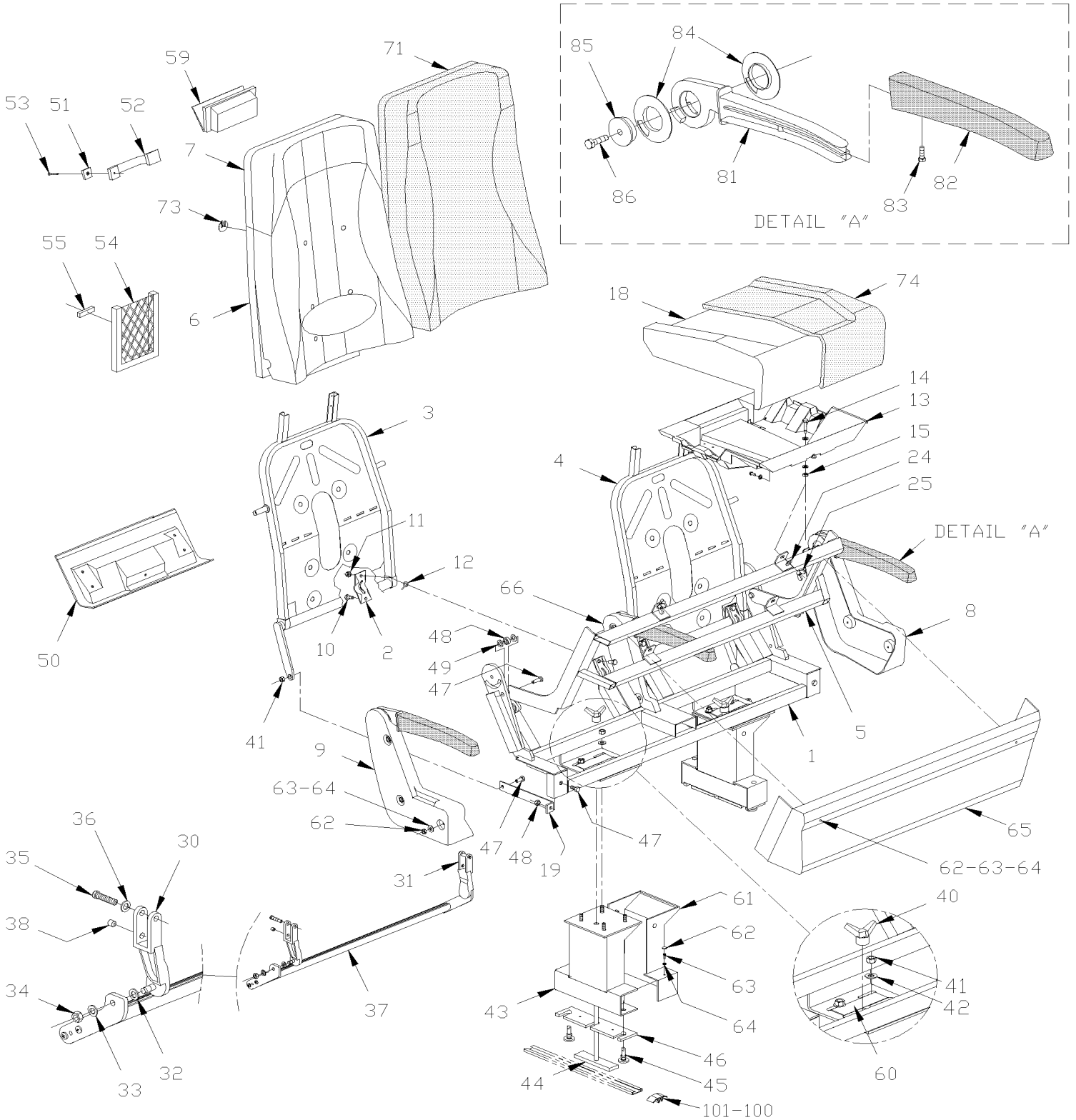


From 3-4417 To 8-1043

Date:10/2022

PAGE:HF-1827-70

PASSENGER'S SEAT - "TOURISMO II" - FLIP-UP W/W.C.L.





From 3-4417 To 8-1043	Date:10/2022	PAGE:HF-1827-70
PASSENGER'S SEAT - "TOURISMO II" - FLIP-UP W/W.C.L.		

Item#	Part	Description	H 3 4 1	H 3 4 5	V I P 4 5	N O T E S
	363376P	SEAT ASSY "FLIP-UP" ULTRA	1	1		
1	363302	. MOUNTING BASE ASSY / "FLIP-UP" SEAT	1	1		
2	363246	. COLLAR	4	4		
3	363180	. BACKREST R.H.	1	1		
4	363181	. BACKREST L.H.	1	1		
5	363303	. SEAT FRAME ASSY / SEATREST "FLIP-UP" SEAT	1	1		
NS	363538	. ROD RETAINING SEATREST	1	1		
6	363178P	. FOAM ASSY, BACKREST / "TOURISMO II "	1	1		
6	363186	. . FOAM BACKREST THICK	1	1		
6	363252	. . FOAM BACKREST THIN W/42"	1	1		
6	363350	. . FOAM BACKREST THIN W/40"	1	1		
7	363251	. FOAM ASSY, HEADREST 42" HIGHT / "ULTRA"	1	1		
NS	500583	. SCREW TP PAN PH #6x1/2 Z050	4	4		
NS	500240	. WASHER LO EXT .195x.410x.025 Z050	4	4		
8	363226	. COVER R.H. / PLASTIC	1	1		
9	363227	. COVER L.H. / PLASTIC	1	1		
10	5001336	. SCREW CAP HEXF SERR 5/16-18x3/4 Z050	8	8		
11	5001113	. NUT HEX JAM NYRT 5/16-18	8	8		
12	363273	. SPRING EYE	4	4		
13	Call order desk	. STRUCTURE ASSY REAR / 5 PASSENGERS	1	1		P
14	362353	. SCREW	1	1		
15	500685	. NUT HEX NYRT 5/16-18 SS	1	1		
18	362666	. FOAM ASSY, SEATREST / "TOURISMO & ULTRA"	1	1		
19	363279	. FLAT BAR / ANGLE 198MM x 28MM	2	2		
24	500441	. WASHER FL .312x.734x.065 Z050	2	2		
25	500782	. NUT WING 5/16-18 Z050	2	2		
30	363437	. BRACKET L.H.	1	1		
31	363436	. BRACKET R.H.	1	1		
32	502723	. WASHER FL .386x.750x.050 NYL	2	2		
33	500441	. WASHER FL .312x.734x.065 Z050	2	2		
34	500777	. NUT HEX STO 5/16-18 Z050	2	2		
35	500183	. SCREW CAP HEX 5/16-18x1 1/2 G5 PT Z050	2	2		
36	500476	. WASHER LO SPT .317x.586x.078 Z050	2	2		
37	363304	. FOOTREST ASSY / DOUBLE SEAT W/FLIP-UP SEAT	1	1		
38	502781	. SCREW SET HEXS CUP 5/16-18x1/4	2	2		
40	860874	. HANDLE NUT 3/8-16	2	2		
41	500777	. NUT HEX STO 5/16-18 Z050	7	7		
42	502510	. WASHER FL .375x.875x.083	1	1		
43	363292	. PEDESTAL	2	2		
44	363278	. "T" BOLT RETAINER 3/8-16 X 10 5/8"	2	2		
45	363280	. GUIDE 28MM O.D. / M10 - 1.5	4	4		
46	363281	. SLIDING TRACK / 60MM x 240MM PLASTIC	2	2		



From 3-4417 To 8-1043	Date:10/2022	PAGE:HF-1827-70
PASSENGER'S SEAT - "TOURISMO II" - FLIP-UP W/W.C.L.		

Item#	Part	Description	H 3 4 1	H 3 4 5	V I P 4 5	N O T E S
47	500179	. SCREW CAP HEX 5/16-18x3/4 G5 Z050	AR	AR		
48	363460	. SPACER 10MM I.D. x 19MM O.D. X 8.5MM	2	2		
49	502723	. WASHER FL .386x.750x.050 NYL	4	4		
50	363311	. FINISHING LOWER R.H.	1	1		
50	363310	. FINISHING LOWER L.H.	1	1		
51	860421	. HOOK	1	1		
52	860422	. HANDLE	1	1		
NS	505229	. SPACER 3/8 I.D. X 3/8 LG	2	2		
52	363424	. HANDLE REINFORCEMENT SUPPORT	1	1		
53	502521	. SCREW TC OV PH #8-32x1 BK	2	2		
54	860809	. MAGAZINE NET 14" x 7 1/4"	1	1		
55	500353	. SCREW TP FL PH #8x3/4 BK	4	4		
59	861277	. ASHTRAY / PLASTIC	1	1		
60	404094	. DECAL "DOIT ÊTRE VERROUIL...."	2	2		
60	404093	. DECAL "MUST BE LOCKED..." / ENGLISH	2	2		
60	405646	. DECAL "MUST BE LOCKED..." / ENGLISH & SPANISH	2	2		
61	363296	. COVER PEDESTAL / PLASTIC	2	2		
62	500686	. SCREW TP OV PH #6x1/2 BK	AR	AR		
63	504412	. WASHER RETAINER SNAP CAP #8	AR	AR		
64	504403	. SNAP CAP #8 FINISHING BLACK	AR	AR		
65	323228	. CAP, INTERIOR REAR	1	1		
66	363229	. COVER CENTER ARMREST / PLASTIC	1	1		
71	363385P	. COVERING ASSY, BACKREST / S.C.C. W/42" HIGHT	1	1		
73	362716	. ATTACHMENT / ROUND "W" SHAPE TO FIX COVER	8	8		
NS	682259	. SEALANT TAPE / CLEAR / 1/32"x1 1/2"x65' / 1795	AR	AR		
74	362736P	. COVERING SEATREST ASSY / S.C.C. / "SILHOUETTE"	1	1		
81	362939	. ARMREST / LONG	3	3		
82	363624	. COVERING ARMREST / LONG	3	3		
83	500686	. SCREW TP OV PH #6x1/2 BK	3	3		
84	363575	. SPACER PLASTIC / FRICTION DISK	6	6		
85	363282	. GUIDE ARMREST	1	1		
86	500182	. SCREW CAP HEX 5/16-18x1 1/4 G5 PT Z050	3	3		
100	323654	SEAT TRACK COVER 12' / EACH SEAT / W/COVERING FLOOR	AR	AR		
100	323963	SEAT TRACK COVER 8' / EACH SEAT / W/COVERING FLOOR	AR	AR		
101	820027	HANDLE	1	1		B
101	5001119	SCREW TP BDG PH #8x3/4 SS	1	1		B
101	502630	WASHER FL .156x.375x.049 Z050	1	1		B
		B) FIXED ON SEAT TRACK FOR EASIER REMOVABLE				
		P) CALL ORDER DESK FOR SPECIFIC APPLICATION (V.I.N.)				

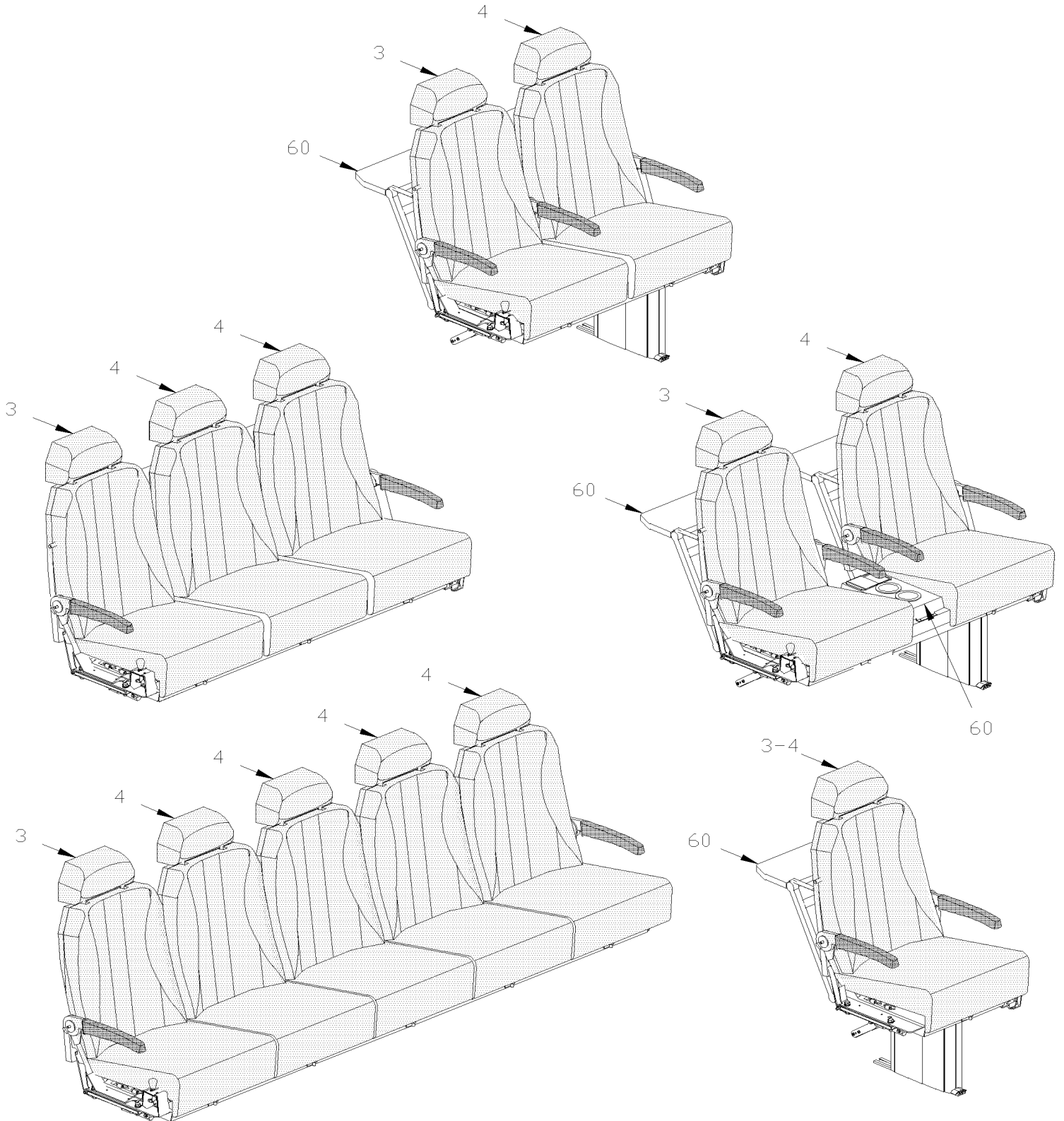


From 3-4417 To 8-1043

Date:10/2022

PAGE:HF-1828-01

PASSENGER'S SEAT - "TOURISMO II"



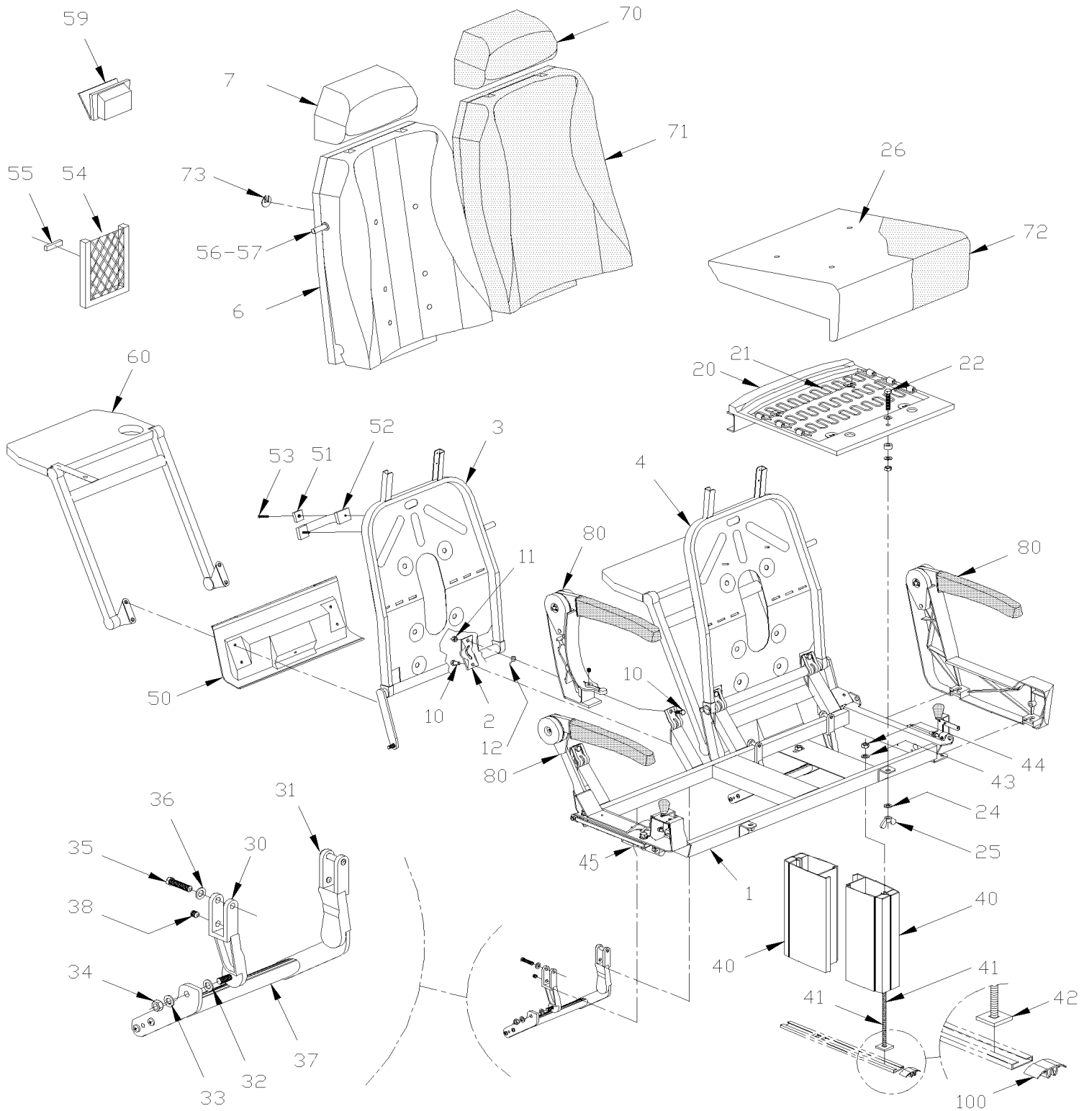


From 3-4417 To 8-1043

Date:10/2022

PAGE:HF-1828-01

PASSENGER'S SEAT - "TOURISMO II"





From 3-4417 To 8-1043	Date:10/2022	PAGE:HF-1828-01
PASSENGER'S SEAT - "TOURISMO II"		

Item#	Part	Description	H 3 4 1	H 3 4 5	V I P 4 5	N O T E S
	363922	SEAT ASSY R.H. / 2 PASSENGERS / 42" HIGH	AR	AR		
	363921	SEAT ASSY L.H. / 2 PASSENGERS / 42" HIGH	AR	AR		
	363925	SEAT ASSY REAR / 2 PASSENGERS / 42" HIGH	AR	AR		
	363924	SEAT ASSY REAR / 3 PASSENGERS / 42" HIGH	AR	AR		
	363926	SEAT ASSY REAR / 5 PASSENGERS / 42" HIGH	AR	AR		
1	363841	. STRUCTURE ASSY R.H. / 2 PASSENGERS	1	1		
1	363842	. STRUCTURE ASSY L.H. / 2 PASSENGERS	1	1		
1	363843	. STRUCTURE ASSY REAR / 3 PASSENGERS	1	1		
1	363844	. STRUCTURE ASSY REAR / 5 PASSENGERS	1	1		
1	363838	. STRUCTURE ASSY R.H. / 2 PASSENGERS V.I.P.	1	1		
1	363839	. STRUCTURE ASSY R.H. V.I.P. / 2 PASSENGERS	1	1		
1	363837	. STRUCTURE ASSY R.H. V.I.P. / 1 PASSENGERS	1	1		
1	363840	. STRUCTURE ASSY L.H. V.I.P. / 1 PASSENGERS	1	1		
2	363246	. COLLAR	1	1		
3	363834	. BACKREST R.H.	1	1		
4	363835	. BACKREST L.H.	1	1		C
6	363178P	. FOAM ASSY, BACKREST / "TOURISMO II "	1	1		
6	363186	. . FOAM BACKREST THICK	1	1		
6	363177	. . FOAM BACKREST THIN	1	1		
6	363174	. . FOAM THIN, OBLONG 4" X 13" APPROX	1	1		
7	363156	. FOAM ASSY, HEADREST 42" HIGHT / "TOURISMO II "	1	1		
7	362753	. FOAM ASSY, HEADREST 40" HIGHT / "TOURISMO"	1	1		
NS	5001312	. SCREW TP TR PH #8x5/8 Z050	4	4		
10	5001336	. SCREW CAP HEXF SERR 5/16-18x3/4 Z050	4	4		
11	5001113	. NUT HEX JAM NYRT 5/16-18	4	4		
12	363273	. SPRING EYE	4	4		
20	363646	. SEAT FRAME ASSY W/SPRING	1	1		
21	363650	. . SPRING	3	3		
22	362353	. . SCREW	1	1		
23	500685	. NUT HEX NYRT 5/16-18 SS	1	1		
24	500826	. WASHER LO EXT .320x.610x.034 ZP	1	1		
25	500782	. NUT WING 5/16-18 Z050	2	2		B
26	363645	. FOAM	2	2		
30	363437	. BRACKET L.H.	1	1		
31	363436	. BRACKET R.H.	1	1		
32	502723	. WASHER FL .386x.750x.050 NYL	2	2		
33	500441	. WASHER FL .312x.734x.065 Z050	2	2		
34	500777	. NUT HEX STO 5/16-18 Z050	2	2		
35	5001375	. SCREW CAP HEX M10-1.5x18 SS	2	2		
36	500476	. WASHER LO SPT .317x.586x.078 Z050	2	2		
37	362928	. FOOTREST ASSY	1	1		
38	502781	. SCREW SET HEXS CUP 5/16-18x1/4	2	2		



From 3-4417 To 8-1043		Date:10/2022	PAGE:HF-1828-01
PASSENGER'S SEAT - "TOURISMO II"			

Item#	Part	Description	H 3 4 1	H 3 4 5	V I P 4 5	N O T E S
40	363577	. PEDESTAL SQ END / 279MM / 10.98" / 2 PIECES To 5-0238	2	2		
40	364038	. PEDESTAL SQ END / ONE PIECE / 279MM / 10.98" From 5-0239	1	1		
NS	364076	. REINFORCEMENT PEDESTAL / ANGLE REAR OF PEDESTAL / 58MMx 20MM From 6-0361	2	2		
41	5001600	. SCREW CRG 3/8-16x12 G5 Z050	2	2		
42	363085	. PLATE ANCHOR / CARRIAGE BOLT INSIDE TRACK / 1 1/4" X 1 1/4" To 5-0238	2	2		
42	360052	. PLATE ANCHOR / CARRIAGE BOLT INSIDE TRACK / 1 1/4" X 3 1/2" From 5-0239	2	2		
43	500445	. WASHER FL .437x1.000x.083 Z050	2	2		
44	500265	. NUT HEX STO 3/8-16 Z050	2	2		
45	363821	. ATTACHMENT PLATE / "J" SHAPE TO FIX SEAT TO WALL TRACK WALL TRACK To 7-0633	1	1		
. NS	500183	. . SCREW CAP HEX 5/16-18x1 1/2 G5 PT Z050 To 7-0633	2	2		
. NS	500942	. . WASHER LO SPT 8.1x14.8x2.0 N500 To 7-0633	2	2		
45	364132	. ATTACHMENT PLATE / "J" SHAPE TO FIX SEAT TO WALL TRACK WALL TRACK From 7-0634	1	1		
. NS	500829	. . SCREW CAP HEX M10-1.5x40 G8.8 From 7-0634	2	2		
. NS	500257	. . WASHER LO SPT 10.2x18.1x2.2 Z050 From 7-0634	2	2		
50	363947	. FINISHING LOWER / R.H. / NORYL	1	1		
50	363946	. FINISHING LOWER / L.H. / NORYL	1	1		
51	860421	. HOOK	1	1		
52	860422	. HANDLE	1	1		
53	500871	. SCREW TP OV PH #8x1 BK	2	2		
54	860809	. MAGAZINE NET 14" x 7 1/4"	1	1		
55	500353	. SCREW TP FL PH #8x3/4 BK	4	4		
56	5001019	. SCREW TP OV PH #10x2 EMN	1	1		
56	5001016	. SCREW CAP HEX M10-1.5x90 G8.8 Z050	1	1		
57	362942	. STOPPER SHORT / W/STANDARD SEAT	1	1		
57	362943	. STOPPER LONG / WV.I.P. SEAT	1	1		
59	861277	. ASHTRAY / PLASTIC	1	1		
NS	502778	. SCREW TP FL PH #6x2 BK	2	2		
NS	860626	. SUPPORT ASHTRAY / PLASTIC	1	1		
60	HF-1829-00	ACCESSORIES PASSENGER'S SEAT - "PREVOST"				
70	363162P	. COVERING HEADREST 40" ASSY / S.C.C. / "TOURISMO II "	1	1		
70	363167P	. COVERING HEADREST 42" ASSY / S.C.C. / "TOURISMO II "	1	1		
71	363172P	. COVERING BACKREST ASSY / S.C.C. / "TOURISMO II "	1	1		
72	363676	. COVERING SEATREST ASSY / S.C.C. / ALL NEW W/SPRING	1	1		
73	362716	. ATTACHMENT / ROUND "W" SHAPE TO FIX COVER	8	8		
80	HF-1827-52	ARMREST PASSENGER'S - "CHARCOAL" W/LEVER				
100	323654	SEAT TRACK COVER 12' / EACH SEAT / W/COVERING FLOOR	AR	AR		
100	323963	SEAT TRACK COVER 8' / EACH SEAT / W/COVERING FLOOR	AR	AR		
153	502521	. SCREW TC OV PH #8-32x1 BK	2	2		
NS	363644	. HEADREST REINFORCEMENT	1	1		



From 3-4417 To 8-1043	Date:10/2022	PAGE:HF-1828-01
-----------------------	--------------	-----------------

PASSENGER'S SEAT - "TOURISMO II"

Item#	Part	Description	H 3 4 1	H 3 4 5	V I P 4 5	N O T E S
		B) TO FIX SEAT				
		C) QTY OF 2 WITH 3 PASSENGERS REAR SEAT AND QTY OF 4 WITH 5 PASSENGERS REAR SEAT				



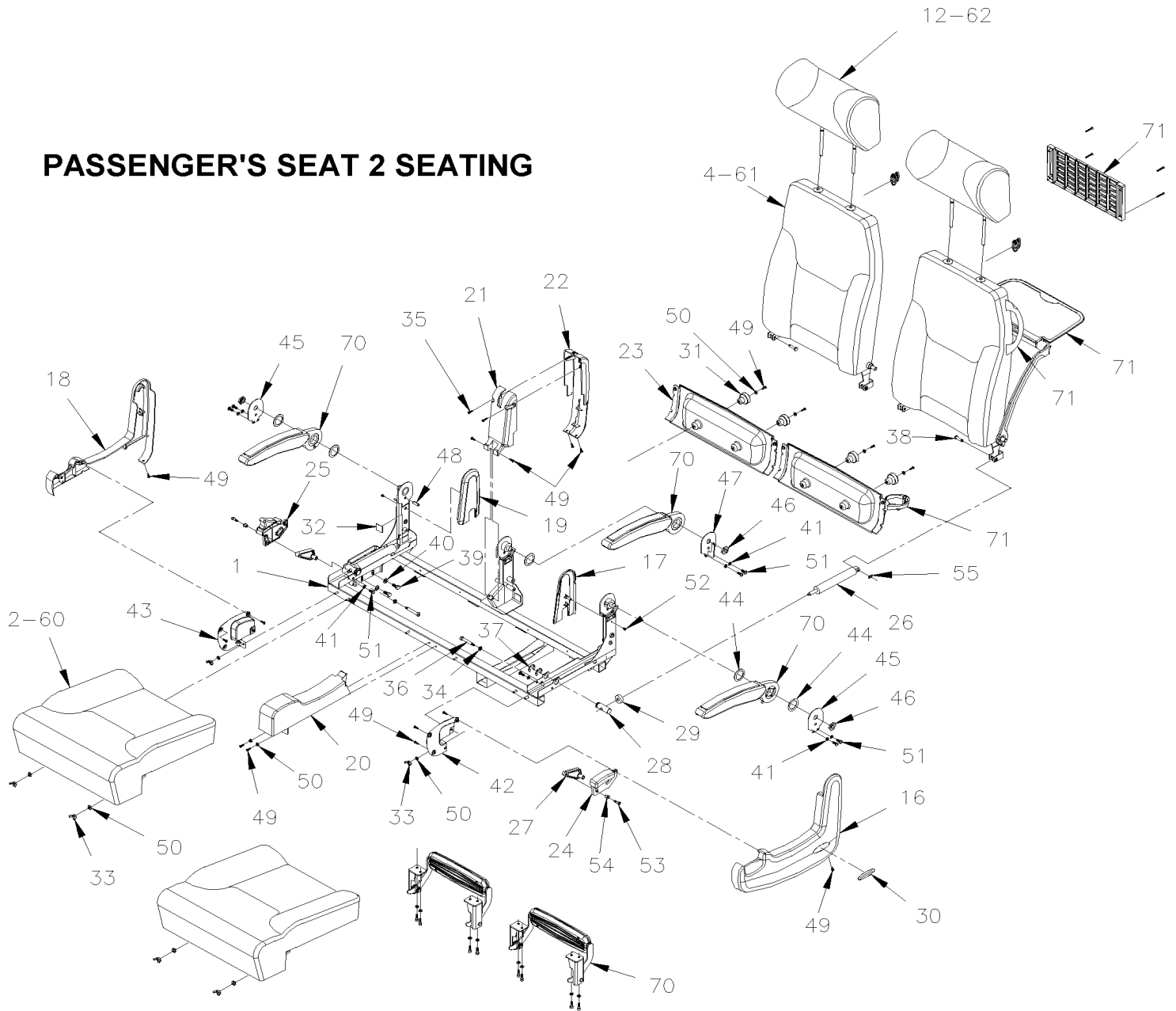
From 3-4417 To 8-1043

Date:10/2022

PAGE:HF-1828-05

PASSENGER'S SEAT - "MULTINA"

PASSENGER'S SEAT 2 SEATING





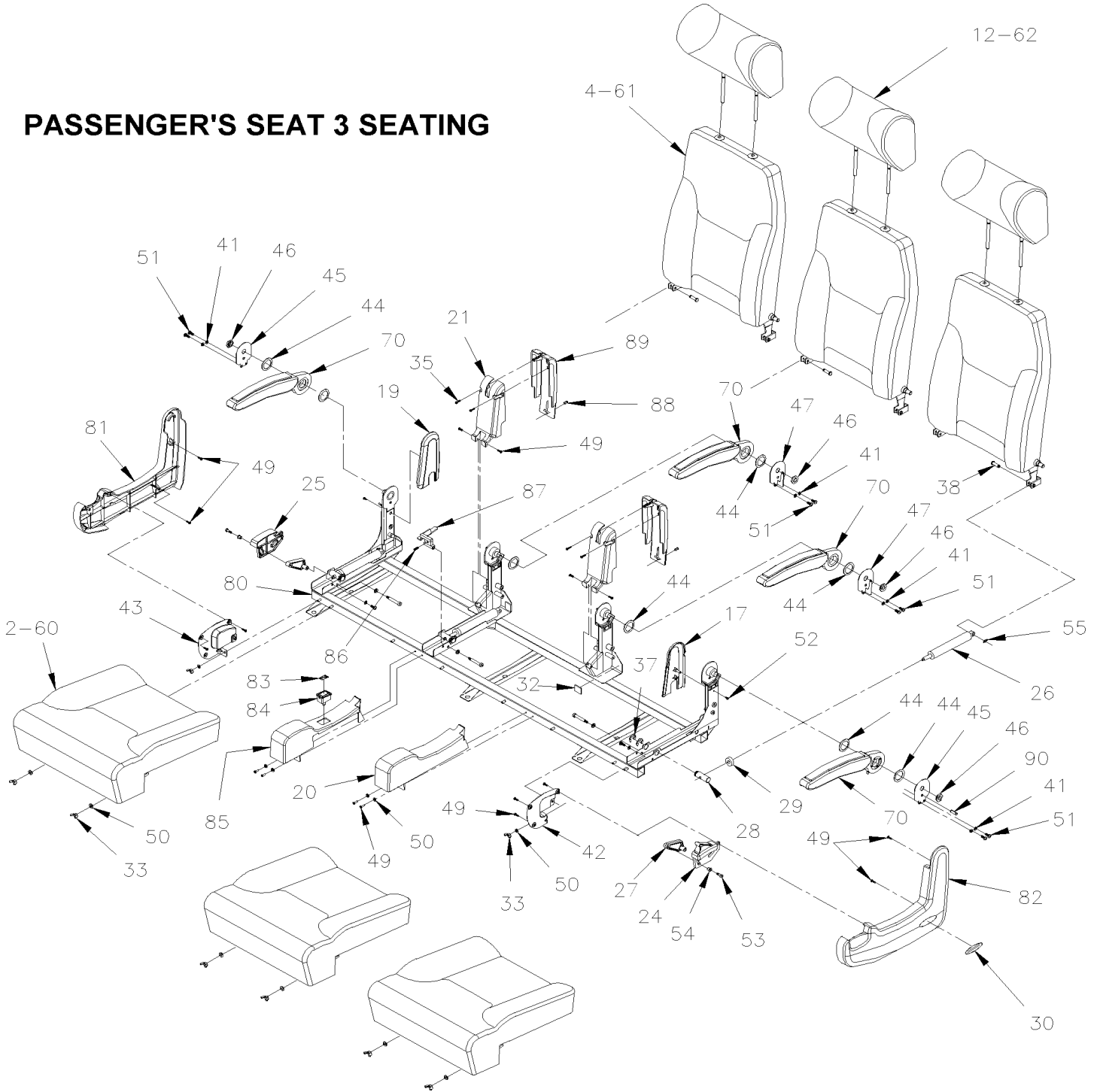
From 3-4417 To 8-1043

Date:10/2022

PAGE:HF-1828-05

PASSENGER'S SEAT - "MULTINA"

PASSENGER'S SEAT 3 SEATING



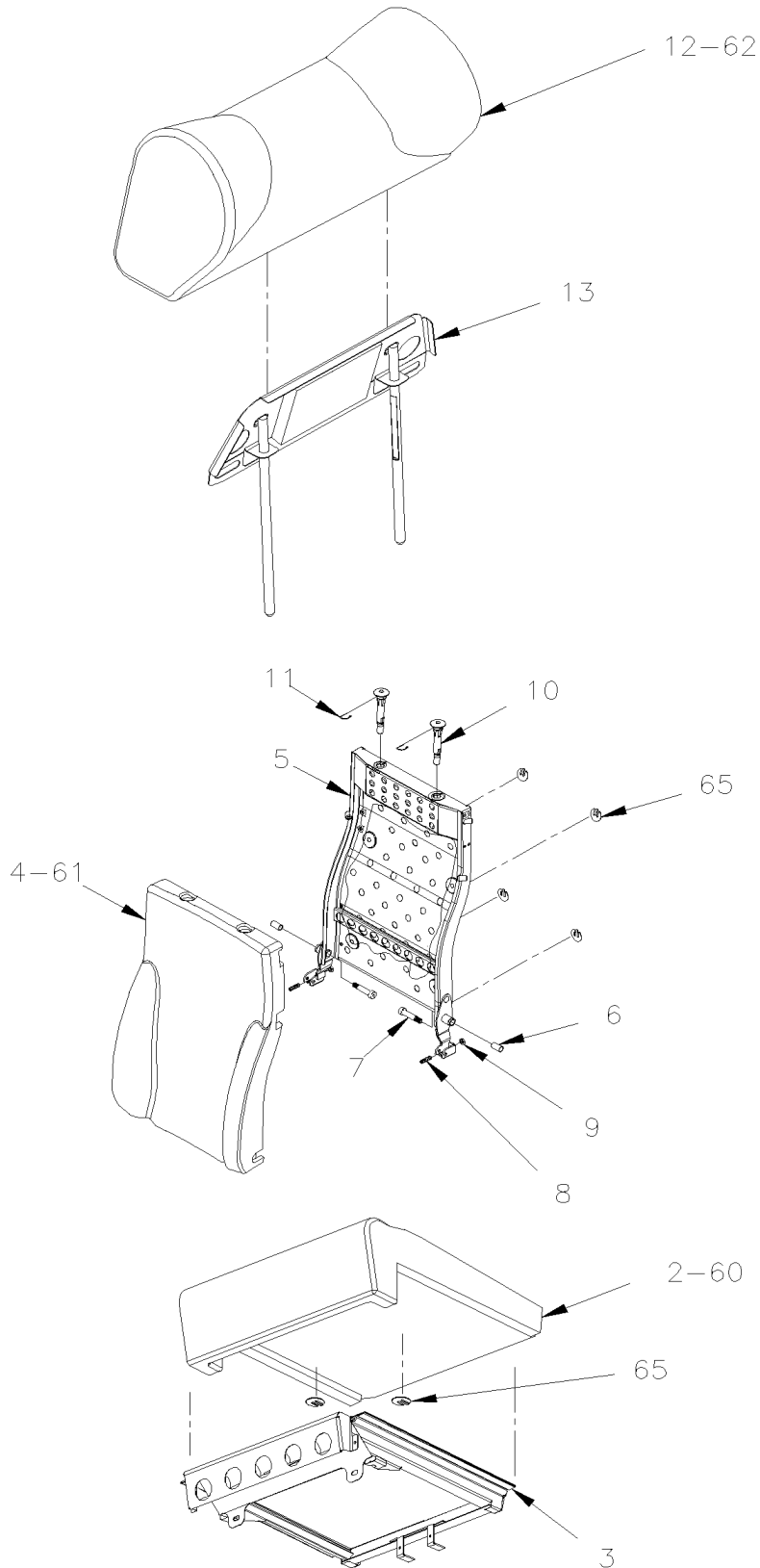


From 3-4417 To 8-1043

Date:10/2022

PAGE:HF-1828-05

PASSENGER'S SEAT - "MULTINA"





From 3-4417 To 8-1043	Date:10/2022	PAGE:HF-1828-05
PASSENGER'S SEAT - "MULTINA"		

Item#	Part	Description	H 3 4 1	H 3 4 5	V I P 4 5	N O T E S
	Call order desk	TWO-PASSENGER,S RIGHT HAND / ALLEGRO SEAT	1	1		P
	Call order desk	TWO-PASSENGER,S LEFT HAND / ALLEGRO SEAT	1	1		P
	Call order desk	THREE PASSENGER'S SEAT ASSY / ALLEGRO SEAT	1	1		P
1	Call order desk	. SEAT FRAME, TWO-PASSENGER, RIGHT-HAND	1	1		P
1	Call order desk	. SEAT FRAME, TWO-PASSENGER, LEFT-HAND	1	1		P
2	Call order desk	. BOTTOM CUSHION	2	2		P
2	Call order desk	. . PAN, BOTTOM CUSHION	1	1		P
3	Call order desk	. . FOAM CUSHION	1	1		P
4	Call order desk	. BACKREST CUSHION	2	2		P
4	Call order desk	. . FOAM, BACKREST	1	1		P
5	Call order desk	. . PAN, BACKREST	1	1		P
6	Call order desk	. . BEARING, PLSTC, 12" ID x 14" OD x 25"	2	2		P
7	Call order desk	. . SCREW SHR HEXS 12x40 {M10-1.5	2	2		P
8	Call order desk	. . SCREW SET HEXS FP M8-1.25x30 M8-1.25x30	2	2		P
9	Call order desk	. . NUT HEX THN M8-1.25x4.0 ZP	2	2		P
10	Call order desk	. . SLIDING GUIDE, HEADREST	2	2		P
11	Call order desk	. . HITCH PIN CLIP, SLIDING GUIDE	2	2		P
12	Call order desk	. HEADREST CUSHION, V.I.P.	1	1		P
12	Call order desk	. . CUSHION HEADREST	1	1		P
13	Call order desk	. . SUPPORT HEADREST	1	1		P
16	Call order desk	. SHROUD, AISLE SIDE, LEFT-HAND	1	1		P
16	Call order desk	. SHROUD, AISLE SIDE, RIGHT-HAND	1	1		P
17	Call order desk	. SHROUD, INSIDE, LEFT-HAND	1	1		P
18	Call order desk	. SHROUD, WALL SIDE, RIGHT-HAND	1	1		P
18	Call order desk	. SHROUD, WALL SIDE, LEFT-HAND	1	1		P
19	Call order desk	. SHROUD, INSIDE, RIGHT-HAND	1	1		P
20	Call order desk	. SHROUD, CENTER FRONT	1	1		P
21	Call order desk	. SHROUD, CENTER UPPER	1	1		P
22	Call order desk	. SHROUD, CENTER REAR	1	1		P
23	Call order desk	. SHROUD, FOOTREST	1	1		P
24	863901	. RECLINING HANDLE, AISLE SIDE, LEFT-HAND	1	1		
24	863273	. RECLINING HANDLE, AISLE SIDE, RIGHT-HAND	1	1		
25	Call order desk	. RECLINING HANDLE, WALL SIDE, RIGHT-HAND	1	1		P
25	Call order desk	. RECLINING HANDLE, WALL SIDE, LEFT-HAND	1	1		P
26	862843	. RECLINING GAZ CYLINDER	2	2		
27	863185	. RECLINING LEVER	1	1		
28	Call order desk	. PIVOT CYLINDER	2	2		P
29	Call order desk	. CYLINDER STOPPER	2	2		P
30	Call order desk	. MULTINA LABEL	1	1		P
31	863183	. FOOTREST BUMPER	1	1		
32	Call order desk	. BACKREST STOPPER	4	4		P
33	Call order desk	. NUT WING M6-1.0 ZP	6	6		P



From 3-4417 To 8-1043	Date:10/2022	PAGE:HF-1828-05
PASSENGER'S SEAT - "MULTINA"		

Item#	Part	Description	H 3 4 1	H 3 4 5	V I P 4 5	N O T E S
34	Call order desk	. WASHER LO SPT 8.1 ZP	2	2		P
35	Call order desk	. SCREW TA PAN PH #6x3/4 ZP	2	2		P
36	Call order desk	. SCREW SHR HEXS 8x45{M6-1.0x11	2	2		P
37	Call order desk	. RING, RTNG, EXTL, STL, ZN PLD, SHAFT DIA 3/	4	4		P
38	Call order desk	. PIN, CLEVIS, CUSTOM	2	2		P
39	Call order desk	. SCREW CAP HEX M8x20 G8.8	2	2		P
40	Call order desk	. WASHER LO SPT .385 ZP	2	2		P
41	Call order desk	. WASHER LO SPT 6.1 ZP	8	8		P
42	Call order desk	. SHROUD PLATE, LEFT-HAND	1	1		P
43	Call order desk	. SHROUD PLATE, RIGHT-HAND	1	1		P
44	Call order desk	. WASHER FL 33x45.9 NYL	6	6		P
45	Call order desk	. COVER PLATE	2	2		P
46	Call order desk	. NUT HEX M16-1.5 ZP	3	3		P
47	Call order desk	. CENTRAL COVER PLATE	1	1		P
48	Call order desk	. PIN, SPR TNSN, STL, ZN PLD, 5/16 " NOM DIA	1	1		P
49	Call order desk	. SCREW TA PAN PN #8x5/8 ZP	18	18		P
50	Call order desk	. WASHER FL 6.4x12x1.6 ZP	13	13		P
51	Call order desk	. SCREW MA PAN PH M6-1.0x16 ZP	8	8		P
52	Call order desk	. SCREW TA PAN PH #8x3/8 ZP	2	2		P
53	863208	. SCREW SHR HEXS 6x10{M5-0.8x9.5	2	2		
54	863209	. BEARING FLANGE 0.252" ID x 0.377" OD BR	2	2		
55	Call order desk	. CLIP, HAIR PIN, STL, ZN, 0.062" WR DIA x 11	2	2		P
60	862848	. COVERING ASSY, SEATREST / S.C.C.	1	1		
61	862849	. COVERING ASSY, BACKREST / S.C.C.	1	1		
62	862850	. COVERING ASSY, HEADREST / S.C.C.	1	1		
65	362716	. ATTACHMENT / ROUND "W" SHAPE TO FIX COVER	AR	AR		
70	HF-1828-50	. ARMREST PASSENGER'S - "MULTINA"				
71	HF-1828-60	. ACCESSORIES PASSENGER'S SEAT - "MULTINA"				
80	Call order desk	. SEAT FRAME, THREE-PASSENGER	1	1		P
81	Call order desk	. SHROUD, AISLE SIDE, THREE-PASSENGER, RIGHT-	1	1		P
82	Call order desk	. SHROUD, AISLE SIDE, THREE-PASSENGER, LEFT-H	1	1		P
83	Call order desk	. RECLINING LABEL	1	1		P
84	864792	. RECLINING BUTTON KIT THREE PASSENGER KIT WITH DECAL ABOBE	1	1		
85	Call order desk	. SHROUD, CENTER FRONT, RECLINING BUTTON	1	1		P
86	Call order desk	. SCREW SET HEXS FP M6-1.0x16 M6-1.0x16	1	1		P
87	Call order desk	. RECLINING LEVER, THREE-PASSENGER	1	1		P
88	Call order desk	. RIVET, POP, DOME HD, OE, ALU, 5/32 IN DIA X 504109	2	2		P
89	Call order desk	. SHROUD, CENTER UPPER, REAR	2	2		P
90	Call order desk	. PIN, SPR TNSN, STL, ZN PLD, 5/16 " NOM DIA	1	1		P



From 3-4417 To 8-1043		Date:10/2022	PAGE:HF-1828-05
-----------------------	--	--------------	-----------------

PASSENGER'S SEAT - "MULTINA"

Item#	Part	Description	H 3 4 1	H 3 4 5	V I P 4 5	N O T E S
		P) CALL ORDER DESK FOR SPECIFIC APPLICATION (V.I.N.)				



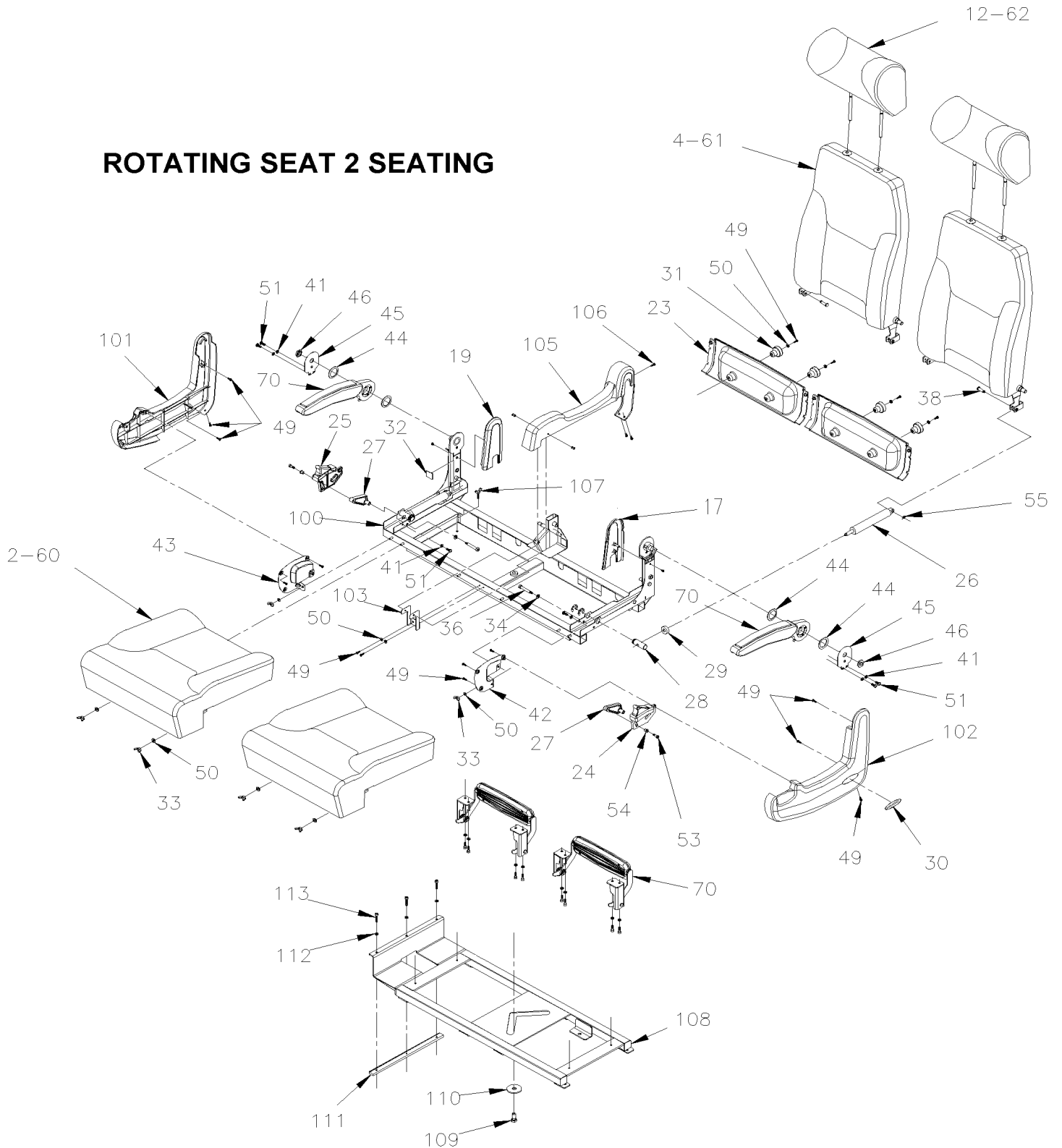
From 3-4417 To 8-1043

Date:10/2022

PAGE:HF-1828-10

PASSENGER'S SEAT - "MULTINA"

ROTATING SEAT 2 SEATING





From 3-4417 To 8-1043 Date:10/2022 PAGE:HF-1828-10

PASSENGER'S SEAT - "MULTINA"

Item#	Part	Description	H 3 4 1	H 3 4 5	V I P 4 5	N O T E S
		"NOTE" - "NOTE" - "NOTE" - "NOTE" - "NOTE"				
		FOR ALLS OTHERS PARTS SEE PAGE HF-1828-05				
	HF-1828-05	PASSENGER'S SEAT - "MULTINA"				
	Call order desk	TWO-PASSENGER ALLEGRO SWIVEL SEAT	AR	AR		P
49	Call order desk	. SCREW TA PAN PN #8x5/8 ZP	1	1		P
50	Call order desk	. WASHER FL 6.4x12x1.6 ZP	1	1		P
70	HF-1828-50	. ARMREST PASSENGER'S - "MULTINA"				
100	Call order desk	. SEAT FRAME, TWO-PASSENGER, SWIVEL	1	1		P
101	Call order desk	. SHROUD, AISLE SIDE, SWIVEL, RIGHT-HAND	1	1		P
102	Call order desk	. SHROUD, AISLE SIDE, SWIVEL, LEFT-HAND	1	1		P
103	Call order desk	. SUPPORT, SWIVEL CENTER SHROUD	1	1		P
104	Call order desk	. RIVET, POP, DOME HD, OE, ALU, 5/32 IN DIA X 504109	2	2		P
105	Call order desk	. SHROUD, SWIVEL CENTER	1	1		P
106	Call order desk	. SCREW TA PAN PH #8x1.00 ZP	1	1		P
107	Call order desk	. SCREW WI M6x16 ZP	4	4		P
108	Call order desk	. BASE FRAME, SWIVEL	1	1		P
109	Call order desk	. SCREW CAP HEXS M12x25 ZP	1	1		P
110	Call order desk	. WASHER FL .531x2.000x.150 ZP	1	1		P
111	Call order desk	. WALL BRACKET, BOTTOM	1	1		P
112	Call order desk	. WASHER LO SPT 6.1 ZP	15	15		P
113	Call order desk	. SCREW MA HEXS M6-1.0x30 ZP	3	3		P
		P) CALL ORDER DESK FOR SPECIFIC APPLICATION (V.I.N.)				

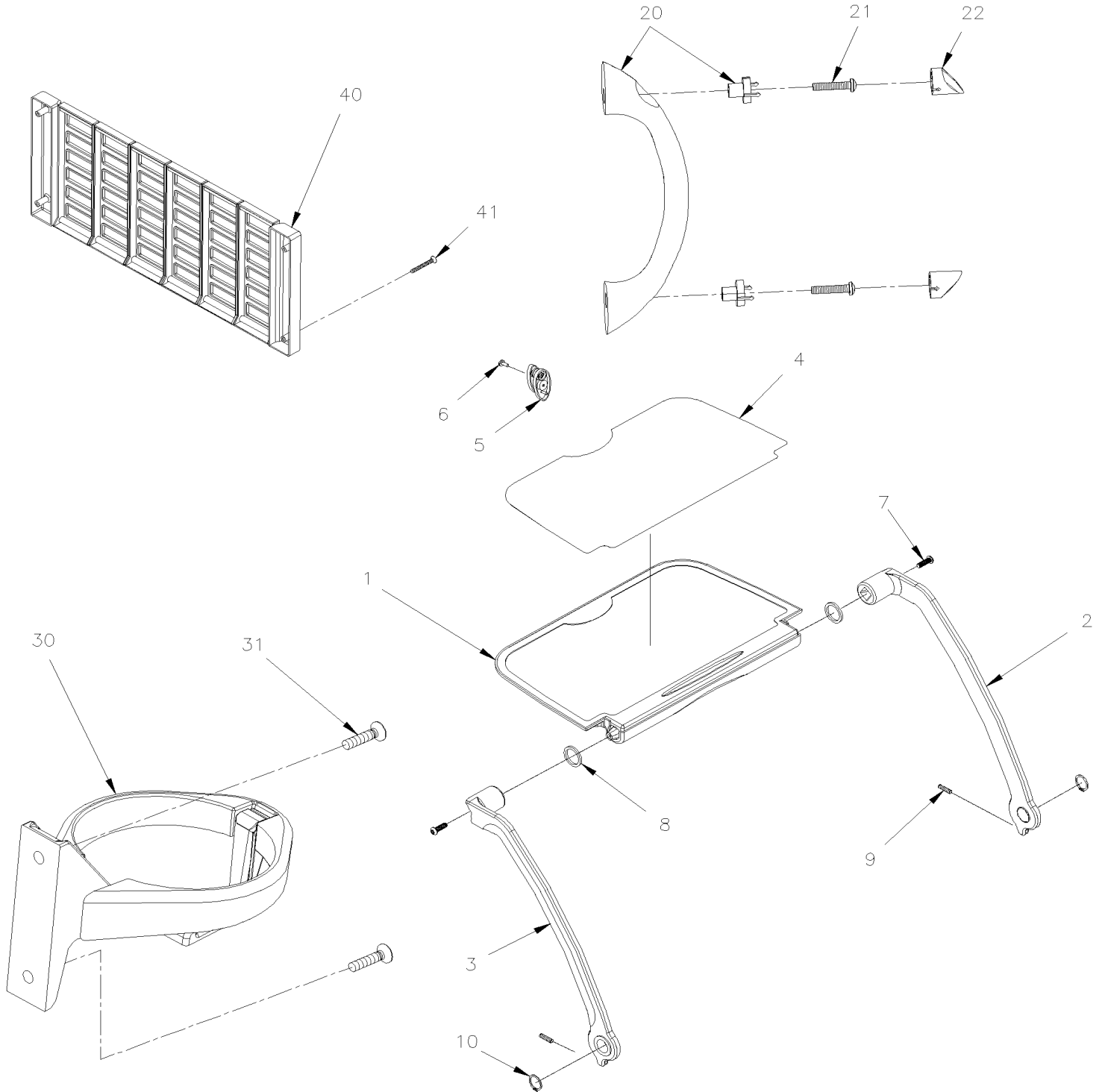


From 3-4417 To 8-1043

Date:10/2022

PAGE:HF-1828-60

ACCESSORIES PASSENGER'S SEAT - "MULTINA"





From 3-4417 To 8-1043	Date:10/2022	PAGE:HF-1828-60
ACCESSORIES PASSENGER'S SEAT - "MULTINA"		

Item#	Part	Description	H 3 4 1	H 3 4 5	V I P 4 5	N O T E S
	862841	TRAY TABLE, AIRCRAFT STYLE	1	1		
1	Call order desk	. TRAY TABLE ASSY	1	1		P
2	Call order desk	. TRAY TABLE ARM, LEFT-HAND	1	1		P
3	Call order desk	. TRAY TABLE ARM, RIGHT-HAND	1	1		P
4	Call order desk	. NONE-SLIP BASE	1	1		P
5	863210	. LATCH, TRAY TABLE	1	1		
6	Call order desk	. SCREW MA PAN PH M3.5-0.6x10 ZP	1	1		P
7	Call order desk	. SCREW CAP BUT HEXS M6x20 SS	2	2		P
8	Call order desk	. VELCRO RING WITH ADHESIVE	2	2		P
9	Call order desk	. SCREW SET HEXS FP M5x0.8x20 M5x0.8x20	2	2		P
10	Call order desk	. RING, RTNG, EXTL, SPR CS, SHAFT DIA 3/4" x	2	2		P
20	Call order desk	GRAB HANDLE LATERAL KIT	1	1		P
20	Call order desk	. GRAB HANDLE , RUSPA TORINO SOFT TOUCH, BLAC	1	1		P
21	Call order desk	. SCREW MA PAN PH M5-0.8x25 ZP	2	2		P
22	Call order desk	. SCREW BUT BK	2	2		P
		. CHAR(255)				
30	862844	CUP HOLDER, RUSPA, BLACK	1	1		
30	863181	. CUP HOLDER, RUSPA, BLACK	1	1		
31	863430	. SCREW MA PAN PH M3.5-0.6x10 ZP	2	2		
		. CHAR(255)				
40	862842	MAGAZINE RACK / PLASTIC 350MM x 145MM = BLACK 6 BARS	1	1		
40	Call order desk	. MAGAZINE NET, RUSPA, BLACK	1	1		P
41	863430	. SCREW MA PAN PH M3.5-0.6x10 ZP	2	2		
		P) CALL ORDER DESK FOR SPECIFIC APPLICATION (V.I.N.)				

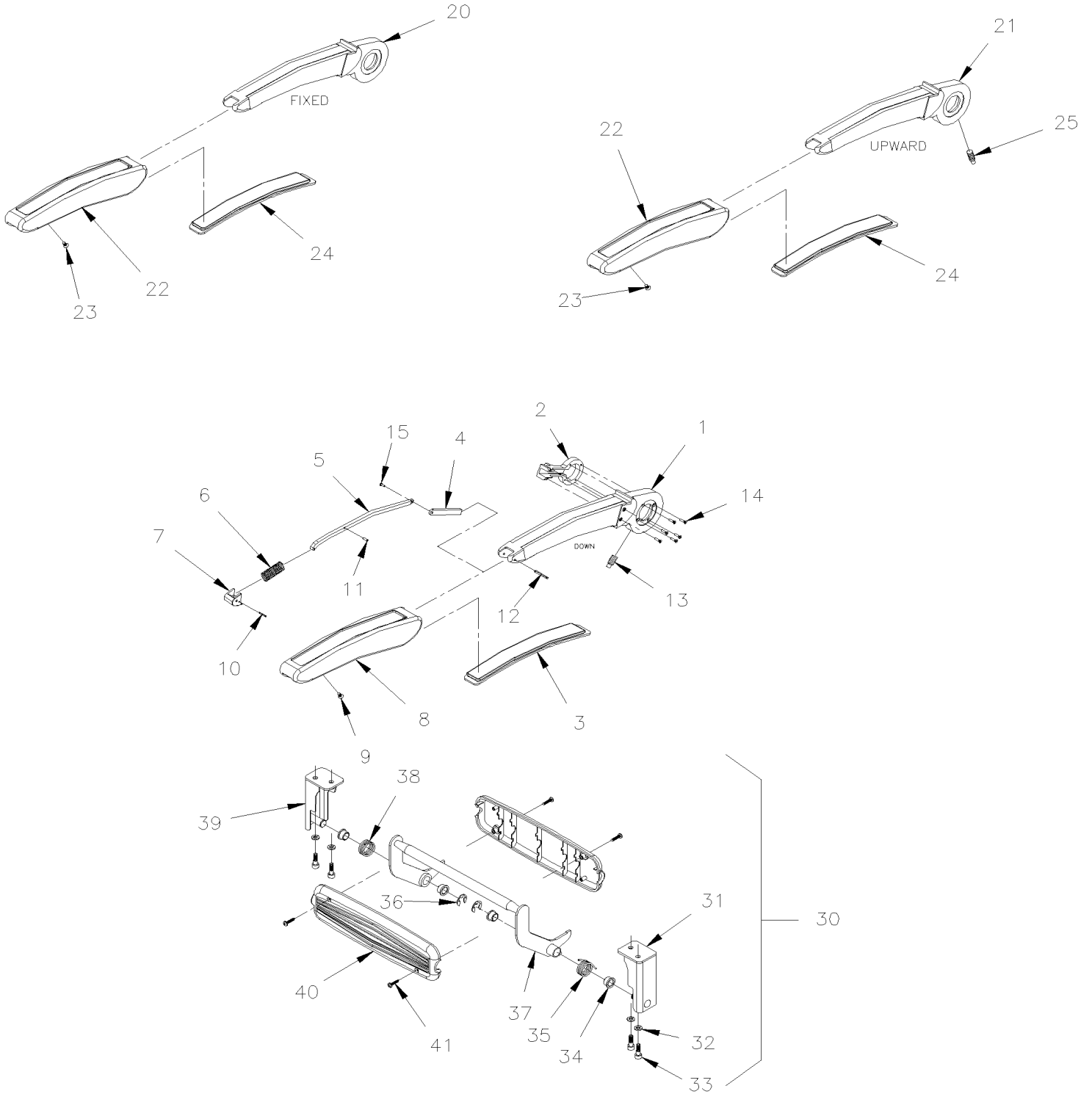


From 3-4417 To 8-1043

Date:10/2022

PAGE:HF-1828-50

ARMREST PASSENGER'S - "MULTINA"





From 3-4417 To 8-1043	Date:10/2022	PAGE:HF-1828-50
ARMREST PASSENGER'S - "MULTINA"		

Item#	Part	Description	H 3 4 1	H 3 4 5	V I P 4 5	N O T E S
	862845	ARMREST ASSY, DOWNWARD	1	1		
1	Call order desk	. ARMREST FRAME, DOWNWARD	1	1		P
2	Call order desk	. ARMREST STOPPER	1	1		P
3	Call order desk	. ARMREST FOAM INSERT	1	1		P
4	Call order desk	. ARMREST LOCKING REAR PART	1	1		P
5	Call order desk	. RECLINING BUTTON LINK	1	1		P
6	Call order desk	. SPRING, COMP, .600 O.D. x 1.5 x .045	1	1		P
7	863211	. ARMREST BUTTON	1	1		
8	Call order desk	. COVER, OPEN ARMREST	1	1		P
9	Call order desk	. SCREW TP FL PH #8x1/2 ZP	1	1		P
10	Call order desk	. PIN, SPR TNSN, STL, ZN, 3/32" NOM DIA X 9/1	1	1		P
11	Call order desk	. PIN, SPR TNSN, CS, ZN, 1/8" NOM DIA X 7/8"	1	1		P
12	Call order desk	. PIN, SPR TNSN, STL, ZN, 1/8" NOM DIA X 1 1/	1	1		P
13	Call order desk	. ARMREST PIN STOPPER	1	1		P
14	Call order desk	. SCREW MA FL PH M3-0.5x12 ZP	6	6		P
15	Call order desk	. RIVET, SOLID,FLH,SST, 0.125" X 0.375" LG	1	1		P
20	862847	ARMREST ASSY, FIXED	1	1		
21	862846	ARMREST ASSY, UPWARD	1	1		
22	863182	. COVER, ARMREST	1	1		
23	Call order desk	. SCREW TP FL PH #8x1/2 ZP	1	1		P
24	Call order desk	. ARMREST FOAM INSERT	1	1		P
25	Call order desk	. ARMREST PIN STOPPER	1	1		P
30	Call order desk	FOOTREST ASSEMBLY	1	1		P
30	Call order desk	FOOTREST ASSEMBLY, W/ROTATING SEAT	1	1		P
31	Call order desk	. FOOTREST BRACKET, L.H.	1	1		P
31	Call order desk	. FOOTREST BRACKET, L.H. W/ROTATING SEAT	1	1		P
32	Call order desk	. WASHER LO SPT 6.1 ZP	4	4		P
33	Call order desk	. SCREW CAP HEXS SS M6x18 M6 SS	4	4		P
34	Call order desk	. BEARING, FL PLSTC, 7/16" ID x 9/16" OD x 3/	2	2		P
35	Call order desk	. TORSION SPRING, L.H.	1	1		P
36	Call order desk	. RING, RTNG, EXTL "E" STYLE, STL ZN PLD, SH	2	2		P
37	Call order desk	. FOOTREST SHAFT ASSEMBLY	1	1		P
38	Call order desk	. TORSION SPRING, R.H.	1	1		P
39	Call order desk	. FOOTREST BRACKET, R.H.	1	1		P
39	Call order desk	. FOOTREST BRACKET, R.H. W/ROTATING SEAT	1	1		P
40	863391	. FOOTREST PLASTIC CAP	2	2		
41	Call order desk	. SCREW TA PAN PH #6x3/4 ZP	4	4		P



From 3-4417 To 8-1043	Date:10/2022	PAGE:HF-1828-50
-----------------------	--------------	-----------------

ARMREST PASSENGER'S - "MULTINA"

Item#	Part	Description	H 3 4 1	H 3 4 5	V I P 4 5	N O T E S
		P) CALL ORDER DESK FOR SPECIFIC APPLICATION (V.I.N.)				

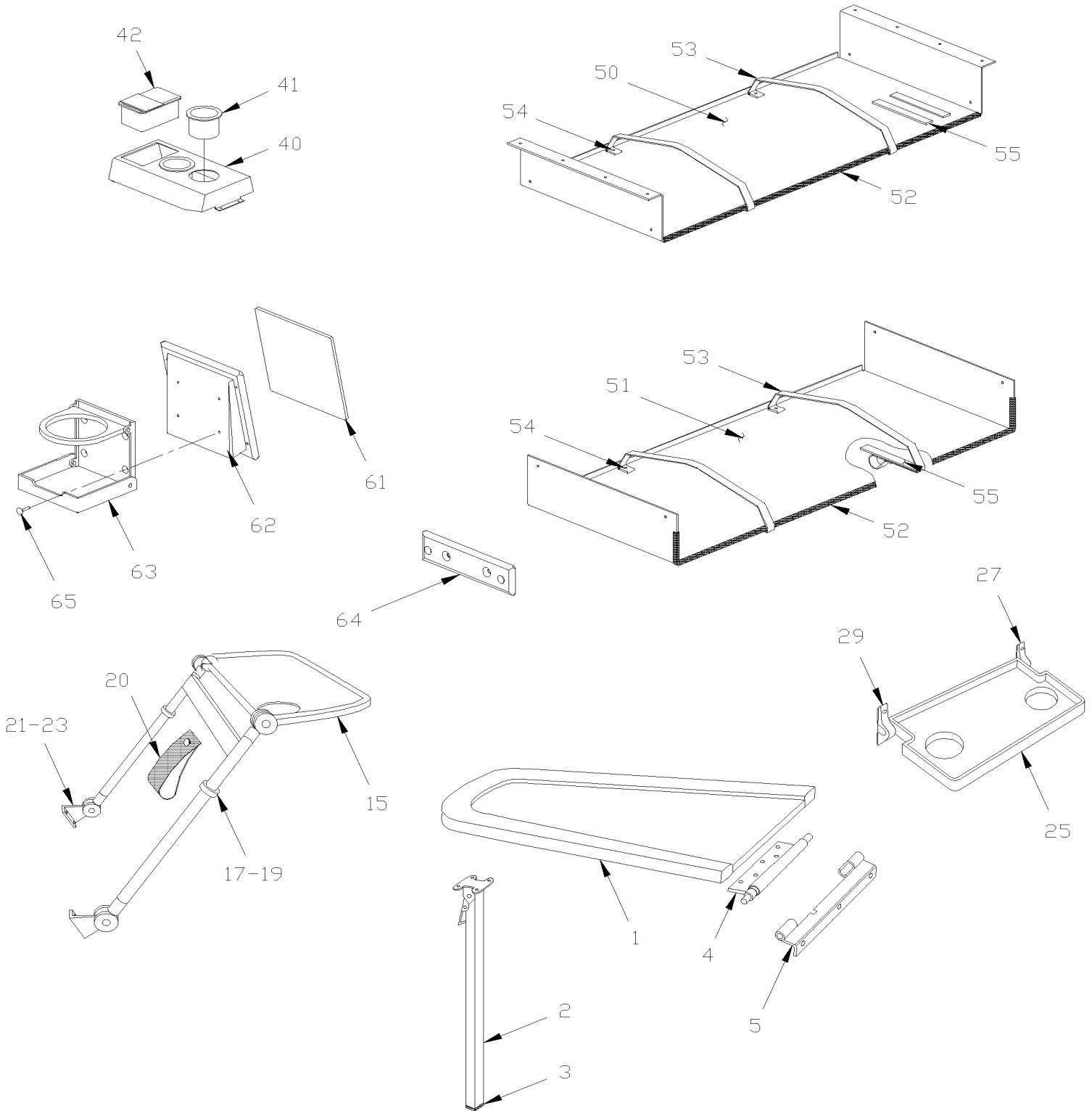


From 3-4417 To 8-1043

Date:10/2022

PAGE:HF-1829-00

ACCESSORIES PASSENGER'S SEAT - "PREVOST"



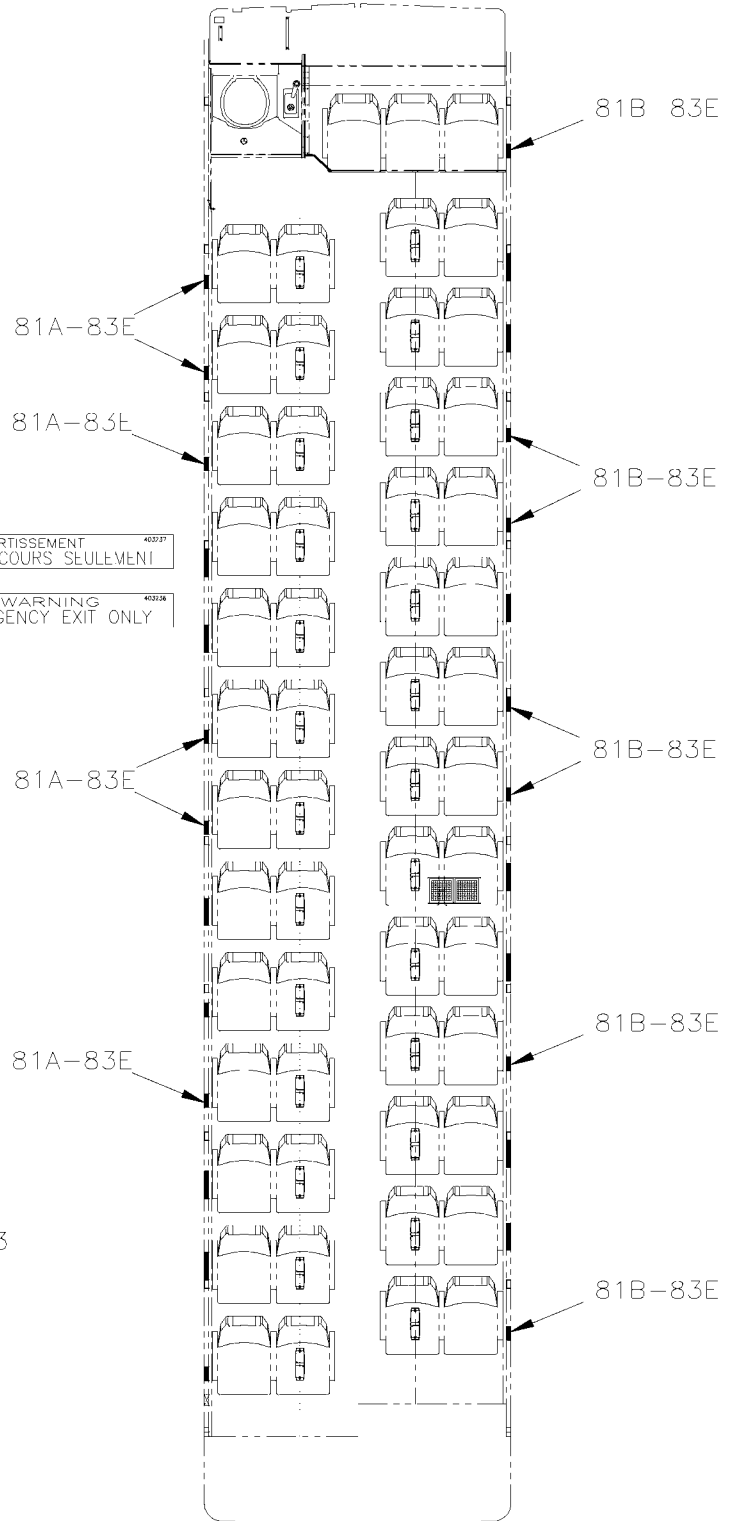
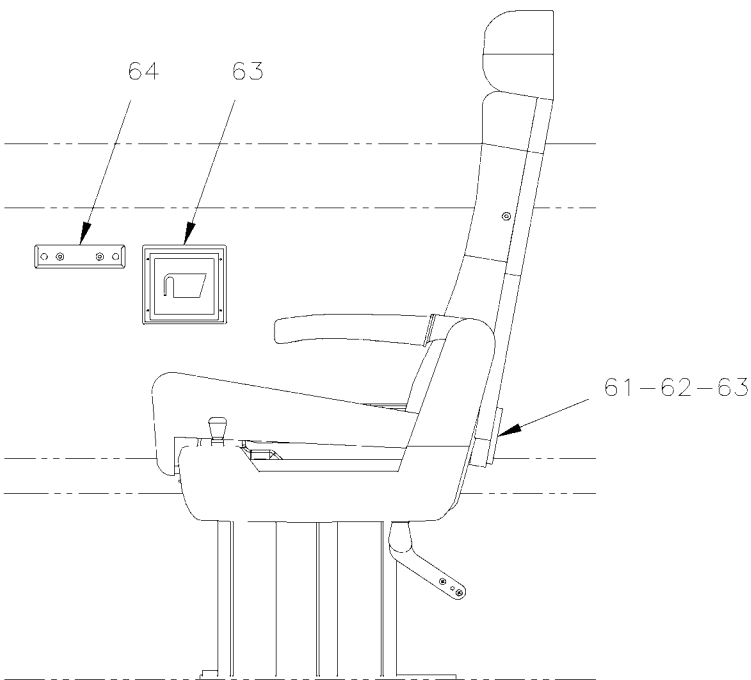
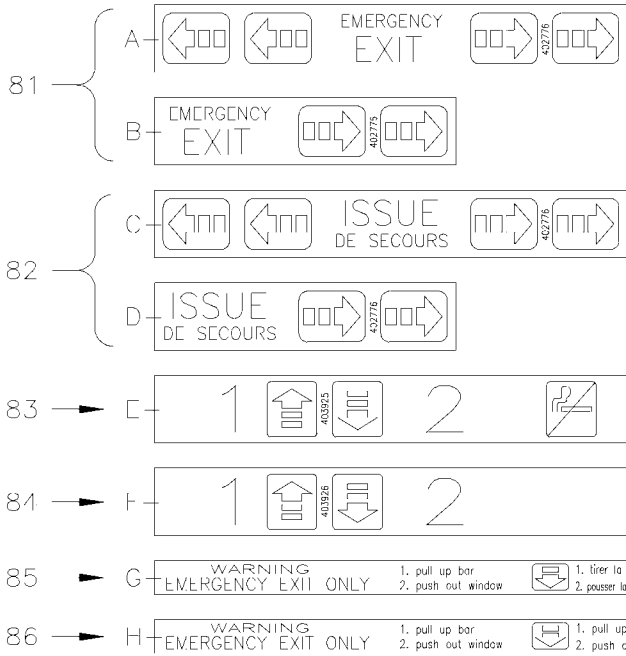


From 3-4417 To 8-1043

Date:10/2022

PAGE:HF-1829-00

ACCESSORIES PASSENGER'S SEAT - "PREVOST"





From 3-4417 To 8-1043	Date:10/2022	PAGE:HF-1829-00
ACCESSORIES PASSENGER'S SEAT - "PREVOST"		

Item#	Part	Description	H 3 4 1	H 3 4 5	V I P 4 5	N O T E S
1	362215P	TABLE ASSY / "FORMICA" & LEATHERETTE SPECIFY COLOR	1	1		
1	Call order desk	TABLE ASSY / "FORMICA" & LEATHERETTE V.I.P. 2 PASSENGER	1	1		P
1	Call order desk	TABLE ASSY / "FORMICA" & LEATHERETTE V.I.P. 1 PASSENGER	1	1		P
1	363796	TABLE ASSY / GREY ABS COVERING W/4 GLASS 857MM To 8-1043	1	1		
. NS	364187	. TABLE TOP ASSY W/OUT HARDWARE To 8-1043	1	1		
1	364137	TABLE ASSY / GREY ABS COVERING W/4 GLASS 857MM COLORATION From 7-0671	1	1		
1	363795	. COVERING W/4 GLASS HOLDER / MEDIUM GREY 857MM	1	1		
2	860333	. LEG 25 1/8" / 639.8MM To 8-1043	1	1		
2	862955	. LEG 26 1/2" / 673.1MM COLORATION From 7-0671	1	1		
3	860718	. . GLIDE SQUARE END 1 X 1 X TUBE 13 GA / P	1	1		
4	360255	. HINGE / TABLE SECTION	1	1		
. A	360620	. . ROD LOCK	1	1		
. B	363604	. . SPRING COMPRESSION / .500 O.D. x 6.25 x .062	1	1		
. C	505221	. . SPRING, PIN 1/8 X 3/8	1	1		
NS	500841	. SCREW TP PAN PH #14x3/4 Z050	9	9		
NS	506006	. TAPE RUB ADH1 CC POL 3/8" x 1 1/4" x 20' / GREY 2520	AR	AR		
NS	360325	. DECAL "INSTALLATION OF CARD TABLE...." "BILINGUAL"	1	1		
NS	360622	. ENVELOPE ASSY TABLE	1	1		
5	361658	HINGE / WALL SECTION 1 1/8"x1 5/16" ANGLE	1	1		
NS	500136	SCREW MA OV PH 1/4-20x1 1/2 SS EMN	3	3		
		UTILITY TABLE				
15	363611	TABLE / W/"TOURISMO II" & "ULTRA" / BLACK	1	1		
15	363423	STRAP / 145MM	1	1		
15	363464	WASHER RETAINER	1	1		
15	500583	SCREW TP PAN PH #6x1/2 Z050	1	1		
17	363036	SPACER	4	4		
NS	860859	NYLON BUSHING / LOWER HINGE	2	2		
19	500552	SCREW TP OV PH #6x3/4 Z050	4	4		
20	363423	STRAP / 145MM	1	1		
20	363464	WASHER RETAINER	1	1		
20	500583	SCREW TP PAN PH #6x1/2 Z050	1	1		
21	502526	SCREW TC BDG PH #12-24x3/4 Z050	4	4		
23	502646	WASHER LO INT .129x.280x.021 ZP	4	4		
		UTILITY SHELF / W/"TOURISMO II" & "ULTRA"				
25	860657	SHELF	1	1		
27	860659	ATTACHMENT	2	2		
NS	860892	PIVOT ASSY	2	2		
29	500871	SCREW TP OV PH #8x1 BK	4	4		



From 3-4417 To 8-1043	Date:10/2022	PAGE:HF-1829-00
ACCESSORIES PASSENGER'S SEAT - "PREVOST"		

Item#	Part	Description	H 3 4 1	H 3 4 5	V I P 4 5	N O T E S
39		V.I.P PASSENGER'S SEAT CENTER CONSOLE	1	1	1	
40	363519	CENTER CONSOLE V.I.P./ PLAIN	1	1		
40	363557	CENTER CONSOLE V.I.P./ W/2 GLASS HOLDER	1	1		
40	363558	CENTER CONSOLE V.I.P./ W/2 GLASS HOLDER & ASHTRAY	1	1		
40	363608	CENTER CONSOLE V.I.P./ W/2 SELECTOR HEAD SET	1	1		
40	363983	CENTER CONSOLE V.I.P./ W/2 GLASS HOLDER & 2 SELECTOR HEAD SET	1	1		
41	900675	GLASS HOLDER, PLASTIC BLACK	1	1		
42	900518	ASHTRAY	1	1		
NS	363083	KIT FOR RETROFIT TABLE / SPACER WALL AND STRUCTURE	AR	AR		
. NS	IS-91077	. SEE INSTRUCTION SHEET	1	1		
50	364021	SUPPORT ASSY CARD TABLE UPPER 900MM	1	1		
. NS	364020	. SUPPORT UPPER	1	1		
51	364024	SUPPORT ASSY CARD TABLE LOWER 900MM	1	1		
. NS	364023	. SUPPORT LOWER	1	1		
52	506025	. RUBBER CHANNEL / 1/18" x 5/16" INT "U" SHAPE / SQUARE C.T.L.	AR	AR		
53	364022	. STRAP RETAINER	2	2		
54	504113	. RIVET POP DOME CLE 3/16x1/4 AL	2	2		
55	506756	. VELCRO / LOOP ADHESIF 1" x 75'	AR	AR		
61	363897	PLATE	AR	AR		
62	363518	SUPPORT	AR	AR		
63	900527	GLASS HOLDER	AR	AR		
63	900788	GLASS HOLDER	AR	AR		
NS	860642	GLASS HOLDER / W/"AMAYA" / W/2 HOLES FOR SCREW	1	1		
64	860875	TRASH BAG, SUPPORT / BLACK FIXED TO WALL	AR	AR		
64	863976	TRASH BAG, SUPPORT / GREY FIXED TO WALL	AR	AR		
NS	861107	TRASH BAG / BOX OF 5000	AR	AR		
65	502664	SCREW TP PAN PH #8x1 SS EMN	4	4		
81	403868	DECAL, "EMERGENCY EXIT" >> / CLEAR / ENGLISH	AR	AR		
81	407547	DECAL / "EMERGENCY EXIT >> / CLEAR / ENGLISH & FRANCAIS	AR	AR		
81	407594	DECAL, "EMERGENCY EXIT" >> / CLEAR / ENGLISH & SPANISH	AR	AR		
81	402776	DECAL,	AR	AR		
81	403694	DECAL / BRAILLE / EMERGENCY EXIT TO YOUR RIGHT	AR	AR		
81	403695	DECAL / BRAILLE / EMERGENCY EXIT TO YOUR LEFT	AR	AR		
81	403707	DECAL / BRAILLE / TIRER LA BARRE POUSSER LA FENETRE / FRENCH	1	1		
82	403869	DECAL / "ISSUE SECOURS" >> / CLEAR	AR	AR		
82	402777	DECAL /	AR	AR		
82	403696	DECAL / BRAILLE / EMERGENCY EXIT ONLY / ENGLISH & FRANCAIS To 5-0248	AR	AR		
82	405775	DECAL / BRAILLE / EMERGENCY EXIT ONLY / ENGLISH & FRANCAIS From 5-0249	AR	AR		



From 3-4417 To 8-1043	Date:10/2022	PAGE:HF-1829-00
ACCESSORIES PASSENGER'S SEAT - "PREVOST"		

Item#	Part	Description	H 3 4 1	H 3 4 5	V I P 4 5	N O T E S
83	403854	DECAL SEAT EVEN-NUMBERED ON AISLE / 1-2 / CLEAR TO FIX ON TRAPEZOID	AR	AR		
83	403741	DECAL SEAT EVEN-NUMBERED ON AISLE / 5-60		AR		
83	403856	DECAL SEAT ODD-NUMBERED ON AISLE / 3-4 / CLEAR TO FIX ON TRAPEZOID	AR	AR		
83	403743	DECAL SEAT ODD-NUMBERED ON AISLE / 5-60		AR		
83	403865	DECAL SEAT ODD-NUMBERED ON AISLE / 3-52	AR			
83	403863	DECAL SEAT EVEN-NUMBERED ON AISLE / 3-52	AR			
84	403855	DECAL SEAT EVEN-NUMBERED ON AISLE / 1-2 / CLEAR TO FIX ON TRAPEZOID	AR	AR		
84	403862	DECAL SEAT EVEN-NUMBERED ON AISLE / 3-52	AR			
84	403740	DECAL SEAT EVEN-NUMBERED ON AISLE / 5-60		AR		
84	403857	DECAL SEAT ODD-NUMBERED ON AISLE / 3-4 / CLEAR TO FIX ON TRAPEZOID	AR	AR		
84	403864	DECAL SEAT ODD-NUMBERED ON AISLE / 3-52	AR			
84	403742	DECAL SEAT ODD-NUMBERED ON AISLE / 5-60		AR		
85	403237	DECAL, "EMERGENCY EXIT" / INSTRUCTION / ENGLISH & FRANCAIS	AR	AR		
85	403693	DECAL / BRAILLE / PULL UP BAR PUSH OUT WINDOW / ENGLISH	AR	AR		
86	403236	DECAL, "EMERGENCY EXIT" / INSTRUCTION / ENGLISH	AR	AR		
		FOLLOWING DECAL ARE FIXED				
		ON PARCEL RACK				
90	405957	DECAL SEAT NUMBER 1-2 UP TO 57-58 GREY From 7-1015	1	1	1	
91	408211	DECAL SEAT NUMBER 1-2 UP TO 57-58 GREY From 7-1015	1	1	1	
92	405959	DECAL SEAT NUMBER 3-4 UP TO 59-60 GREY From 7-1015	1	1	1	
93	405960	DECAL SEAT NUMBER 3-4 UP TO 59-60 GREY From 7-1015	1	1	1	
94	405958	DECAL V.I.P. SEAT NUMBER GREY From 7-1015	1	1	1	
95	405978	DECAL SEAT / W/ROW NUMBER GREY From 7-1015	1	1	1	
		P) CALL ORDER DESK FOR SPECIFIC APPLICATION (V.I.N.)				

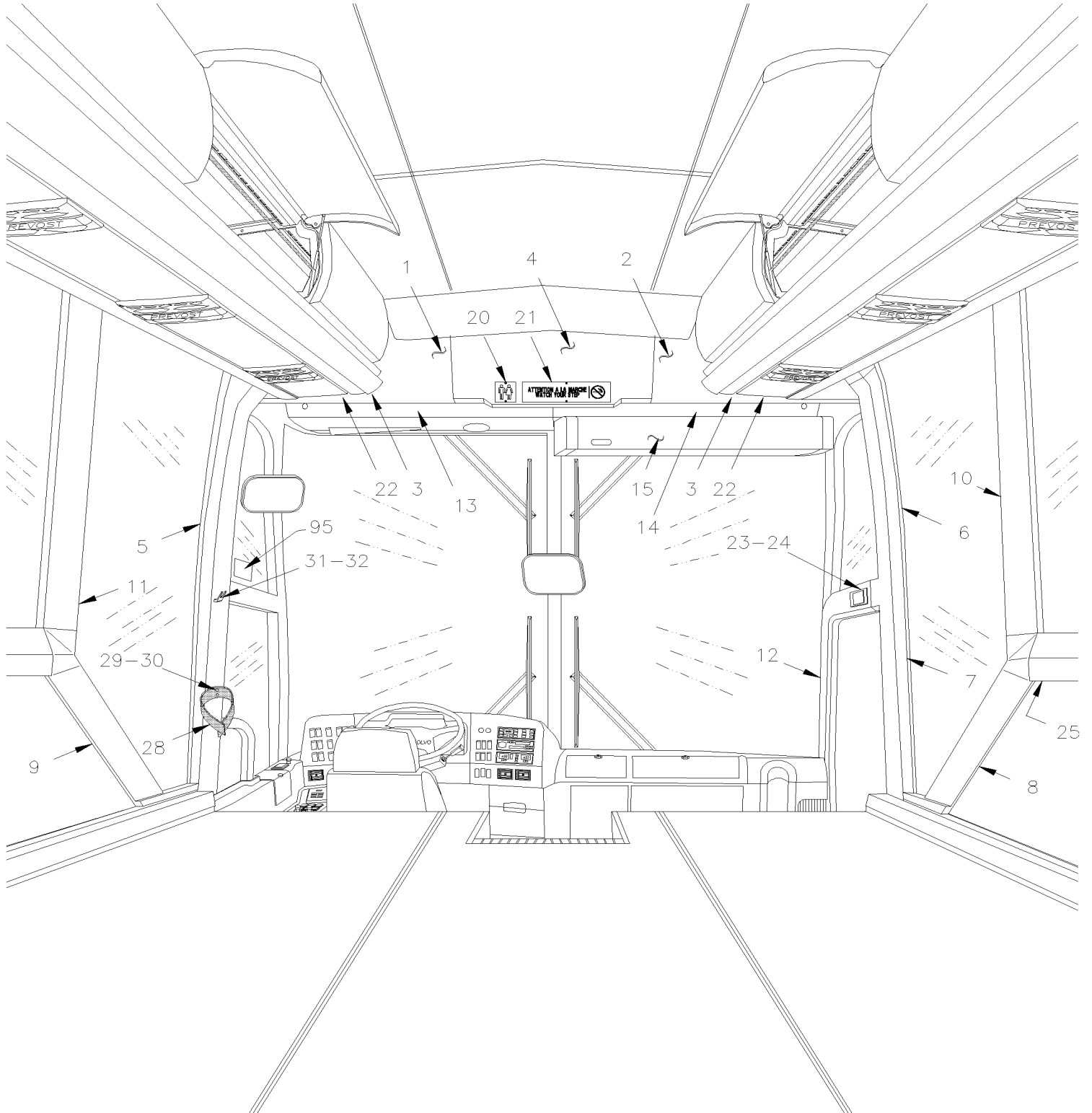


From 3-4417 To 8-1043

Date:10/2022

PAGE:HF-1832-00

FRONT FINISHING CAP





From 3-4417 To 8-1043	Date:10/2022	PAGE:HF-1832-00
FRONT FINISHING CAP		

Item#	Part	Description	H 3 4 1	H 3 4 5	V I P 4 5	N O T E S
1	340937	PANEL, L.H. / FRONT CAP CEILING To 6-0559	1	1		
1	341141	PANEL, L.H. / FRONT CAP CEILING From 6-0560	1	1		
2	341089	PANEL, R.H. / FRONT CAP CEILING	1	1		
NS	340952	SUPPORT / TO FIX ITEM #1 & 2 EACH SIDE	2	2		
3	340939	COVER, L.H. & R.H. / FRONT CAP CEILING	2	2		
4	340936	PANEL, FRONT CENTRAL	1	1		
NS	340953	ANGLE / CURBSIDE 140MM	1	1		
NS	340951	ANGLE / CENTER 150MM	1	1		
NS	340965	ANGLE / STREETSIDE 160MM	1	1		
NS	340957	ANGLE, BRIDGE / LOWER	1	1		
NS	340956	SUPPORT PLATE / CEILING PANEL / 95MM x 864MM	1	1		
NS	500181	SCREW CAP HEX 5/16-18x1 G5 Z050	12	12		
NS	500277	RIVET NUT FL KNURLED OKS 5/16-18 .150-.312	12	12		
NS	502584	WASHER LO SERR 8.2x26.3x1.8 Z050	10	10		
NS	500179	SCREW CAP HEX 5/16-18x3/4 G5 Z050	3	3		
NS	502507	WASHER LO SPT 8.1x14.8x2.0 Z050	5	5		
NS	504412	WASHER RETAINER SNAP CAP #8	AR	AR		
NS	504403	SNAP CAP #8 FINISHING BLACK	AR	AR		
5	326195	CAP FINISHING / POST / FRONT L.H. To 6-0559	1	1		
5	329470	CAP FINISHING / POST / FRONT L.H. From 6-0560	1	1		
6	328921	FINISHING POST CAP / FRONT R.H.	1	1		
NS	506025	RUBBER CHANNEL / 1/18" x 5/16" INT "U" SHAPE / SQUARE C.T.L.	AR	AR		
7	327553	FINISHING POST CAP.	1	1		
8	326197	FINISHING CAP R.H. LOWER WINDOW	1	1		
NS	326317	ANGLE SUPPORT / TO FIX CAP / 350MM	1	1		
9	327663	FINISHING CAP L.H. WINDOW	1	1		
NS	327661	ANGLE SUPPORT / TO FIX CAP / 507MM	1	1		
NS	327466	GRILLE SPACER 650MM	2	2		
NS	327662	ANGLE SUPPORT / TO FIX CAP / 204MM	1	1		
10	326205	CAP FINISHING / POST / W/SINGLE GLASS / #1 R.H.	1	1		
10	326325	CAP FINISHING / POST / W/THERMO GLASS / BLACK / #1 R.H.	1	1		
11	326265	CAP FINISHING / POST / W/SINGLE GLASS / #1 L.H.	1	1		
11	326326	CAP FINISHING / POST / W/THERMO GLASS / BLACK / #1 L.H.	1	1		
NS	680532	SEALANT SIKA #221 / GREY / 310ml CARTRIDGE	AR	AR		
12	327773	FINISHING POST CAP.	1	1		
13	340716	PANEL, UPPER WINDSHIELD L.H.			1	
14	340715	PANEL, UPPER WINDSHIELD R.H.			1	
15	HF-1814-05	DESTINATION SIGN - INSTALLATION				
20	322967	LENS / "RESTROOM OCCUPIED"	1	1		
21	325440	LENS / "WATCH ..." ATTENTION..." & "NO- SMOKING" / ENGLISH & FRANCAIS To 5-0167	1	1		
21	328208	LENS / "WATCH ..." ATTENTION..." & "NO- SMOKING" / ENGLISH & FRANCAIS From 5-0168	1	1		
21	325441	LENS/"WATCH YOUR STEP" & "NO-SMOKING" / ENGLISH To 5-0167	1	1		



From 3-4417 To 8-1043		Date:10/2022	PAGE:HF-1832-00
FRONT FINISHING CAP			

Item#	Part	Description	H 3 4 1	H 3 4 5	V I P 4 5	N O T E S
21	328209	LENS/"WATCH YOUR STEP" & "NO-SMOKING" / ENGLISH From 5-0168	1	1		
21	328067	LENS / "WATCH ..." ATTENTION..." & "NO- SMOKING" / ENGLISH & SPANISH To 5-0167	1	1		
21	328207	LENS / "WATCH ..." ATTENTION..." & "NO- SMOKING" / ENGLISH & SPANISH From 5-0168	1	1		
NS	330265	SOCKET ASSY W/CONNECTOR / W2.1x9.Dd	3	3		
. NS	562295	. SOCKET BULB / PLASTIC W/WIRE / W2.1x9.5d	1	1		
. NS	561248	. CONNECTOR / UNIVERSAL MATE-N-LOK / PH 2C / AMP 1-480699-0	1	1		
. NS	562122	. PIN TERMINAL / 20-14 / AMP 350547-1	2	2		
NS	561166	BULB / 3WATT-24VOLTS / SAE# 464	3	3		
NS	500504	SCREW TC OV PH #6-32x1/2 BK	4	4		
NS	500422	NUT SPR U #6-32 .110-.120 SS	4	4		
NS	404638	DECAL MOUNTING PLATE / 250MM x 50MM	1	1		
NS	405707	DECAL MOUNTING PLATE / 250MM X 46MM To 5-0022	1	1		
NS	404636	DECAL / "WATCH YOUR STEP" To 5-0022	1	1		
NS	405708	DECAL / "WATCH YOUR STEP" From 5-0023 To 7-0628	1	1		
21	405905	DECAL / "WATCH YOUR STEP" 16 x 200 From 7-0629	1	1		
NS	404637	DECAL / "ATTENTION À LA MARCHE" / BILINGUAL To 5-0022	1	1		
NS	405689	DECAL / "ATTENTION À LA MARCHE" / BILINGUAL From 5-0023	1	1		
NS	405709	DECAL / "ATTENTION À LA MARCHE" / BILINGUAL To 7-0628	1	1		
21	405906	DECAL / "ATTENTION À LA MARCHE" / BILINGUAL 43 x241 From 7-0629	1	1	1	
22	HF-0655-00	INTERIOR LIGHTING				
23	400638	MOULDING / 11" / "U" SHAPE DRIVER'S NAME HO	1	1		
24	402352	PLATE FRONT / STAMPED "NAME OF DRIVER & BUS NUMBER" /	1	1		
24	400601	PLATE (BLANK) / FOR DRIVER'S NAME / SPECIFY NAME	1	1		
NS	400637	PLATE / STAMPED "DRIVER'S NAME" / REAR	1	1		
NS	400636	PLATE / STAMPED "NOM DU CONDUCTEUR"	1	1		
25	HF-1884-00	SIDE WINDOW - BUS				
27	327545	CAP FINISHING / POST / W/S. GLASS		1		C
27	328919	CAP FINISHING / POST / W/T. GLASS		1		C
27	328918	FINISHING POST UPPER FRONT/W/W.C.L. DOOR "RIC ON" TRIANGULAR SHAPE To 5-0167		1		C
27	328225	FINISHING POST UPPER FRONT/W/W.C.L. DOOR "RIC ON" TRIANGULAR SHAPE From 5-0168		1		C
NS	326281	CAP FINISHING / POST / W/S. GLASS		1		A
NS	326282	CAP FINISHING / POST / W/T. GLASS		1		A
NS	326255	CAP FINISHING / POST / W/S. GLASS	1	1		A
NS	326260	CAP FINISHING / POST / W/T. GLASS	1	1		A
NS	326261	CAP FINISHING / POST / REAR	1	1		A
NS	500463	WASHER FN CKF .187x.500x.090 BR Z050	AR	AR		A
NS	500552	SCREW TP OV PH #6x3/4 Z050	AR	AR		A
NS	680067	SEALANT TAPE BUTYL / BLACK / 1/8"x3/4"x25' / 75211E760	AR	AR		A
NS	326297	CAP FINISHING / POST / LOWER WALL		1		A
NS	326298	CAP FINISHING / POST / LOWER WALL		1		A
NS	326295	CAP FINISHING / POST/ REAR OF REAR DOOR / W/W .C.L / "ST&ST"	1	1		A
NS	326279	CAP FINISHING / POST/ TOP OF REAR DOOR/ W/W.C .L. / "ST&ST"	1	1		A



From 3-4417 To 8-1043 Date:10/2022 PAGE:HF-1832-00

FRONT FINISHING CAP

Item#	Part	Description	H 3 4 1	H 3 4 5	V I P 4 5	N O T E S
28	409112	JACKET BAND	1	1		
29	5001429	SCREW MA FL PH M4-0.7x25 BK	2	2		
30	500345	WASHER FN CKF .187x.500x.090 BR BK	2	2		
31	900297	HOOK / COAT	1	1		
32	500333	SCREW TP OV PH #6x3/4 BK	2	2		
NS	IS19921	BELT CUTTER INSTALLATION IN THE DRIVER AREA	1	1		
. NS	860584	. BELT CUTTER	1	1		
. NS	7770495	. 3M DUAL LOCK VELCRO	1	1		
. NS	IS-19921	. SEE INSTRUCTION SHEET	1	1		
. NS	FI-19921	. VOIR FEUILLE D'INSTRUCTION	1	1		
95	0691001	DECAL EMISSION WARNING CALIFORNIA	1	1	1	D
		A) FOLLOWING PARTS ARE USE WITH W.C.L. DOOR				
		C) FOLLOWING PARTS ARE USED WITH W.C.L. DOOR WITH "A/C" IN PARCEL RACK				
		D) REGULATIONS OF CALIFORNIA				

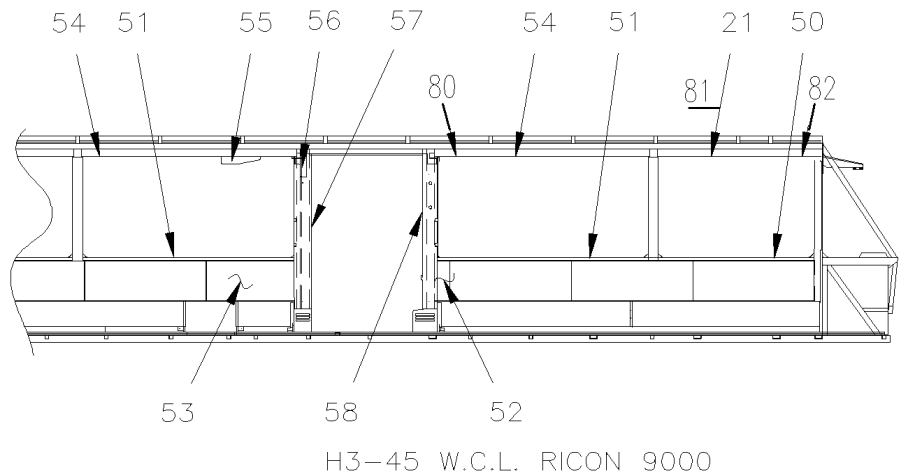
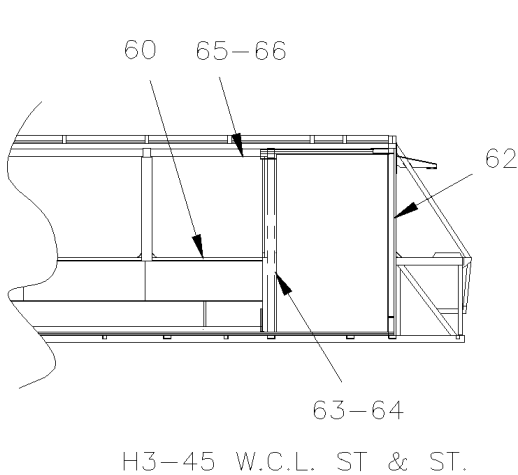
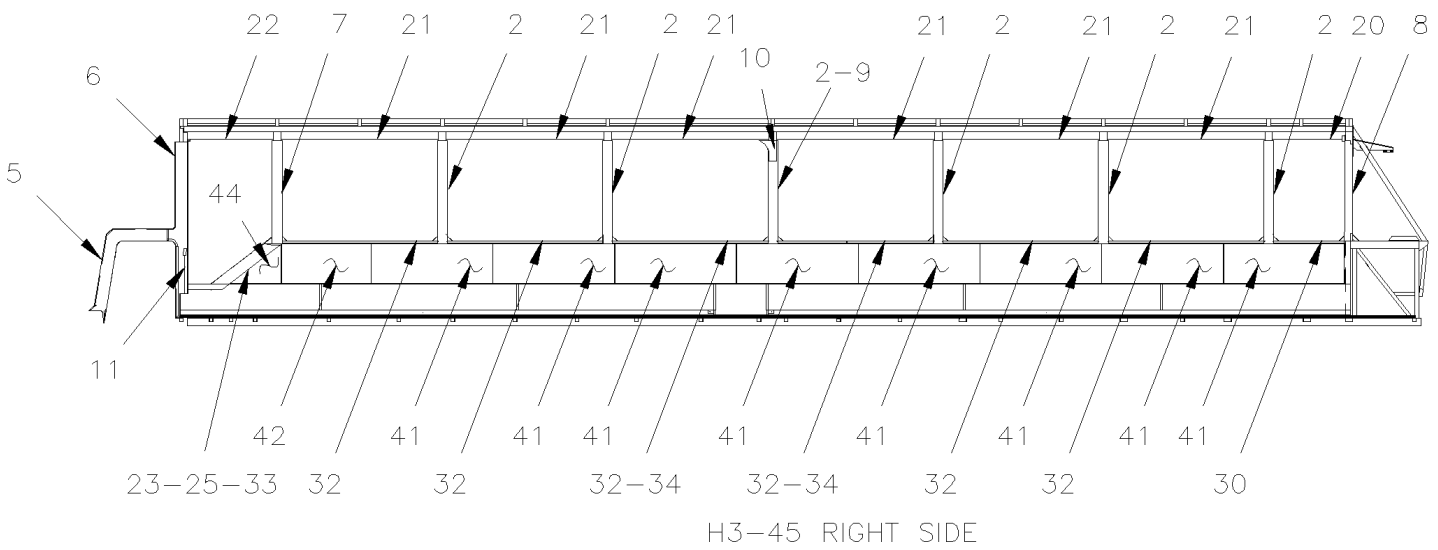
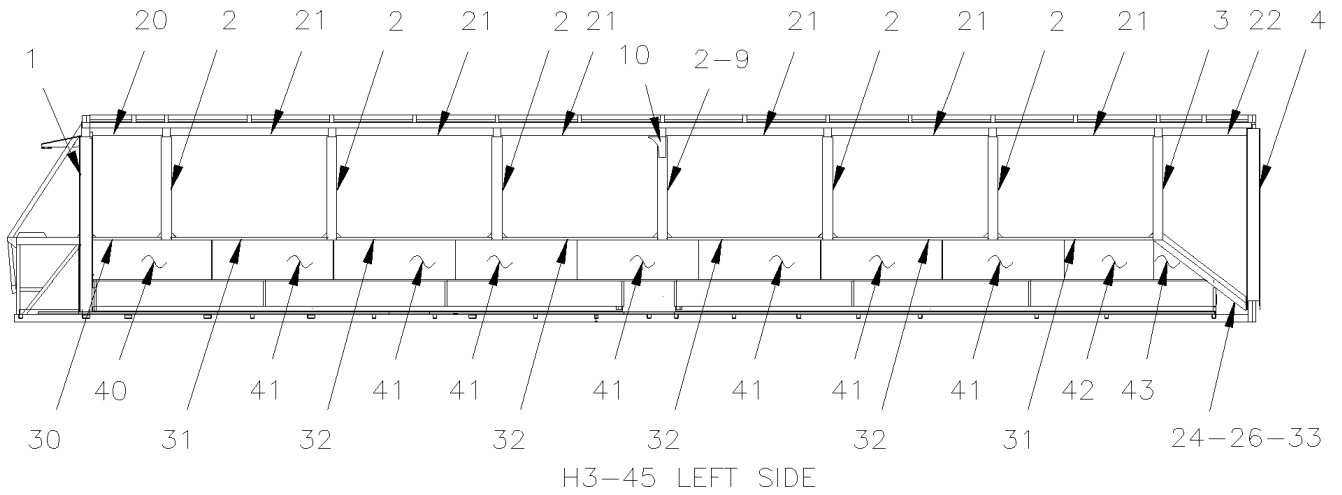


From 3-4417 To 3-4588

Date:10/2022

PAGE:HF-1833-00

WINDOW FINISHING CAP & WALL



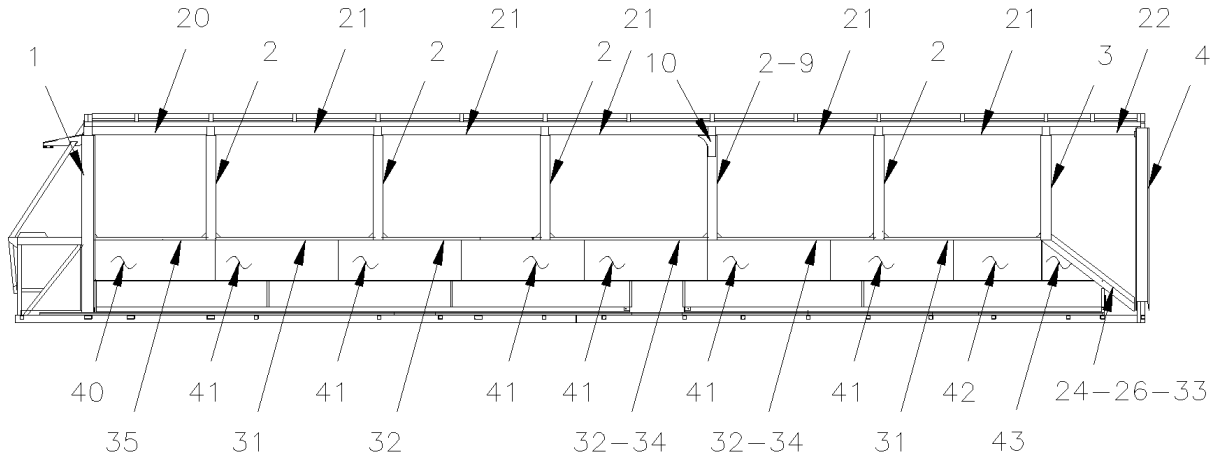


From 3-4417 To 3-4588

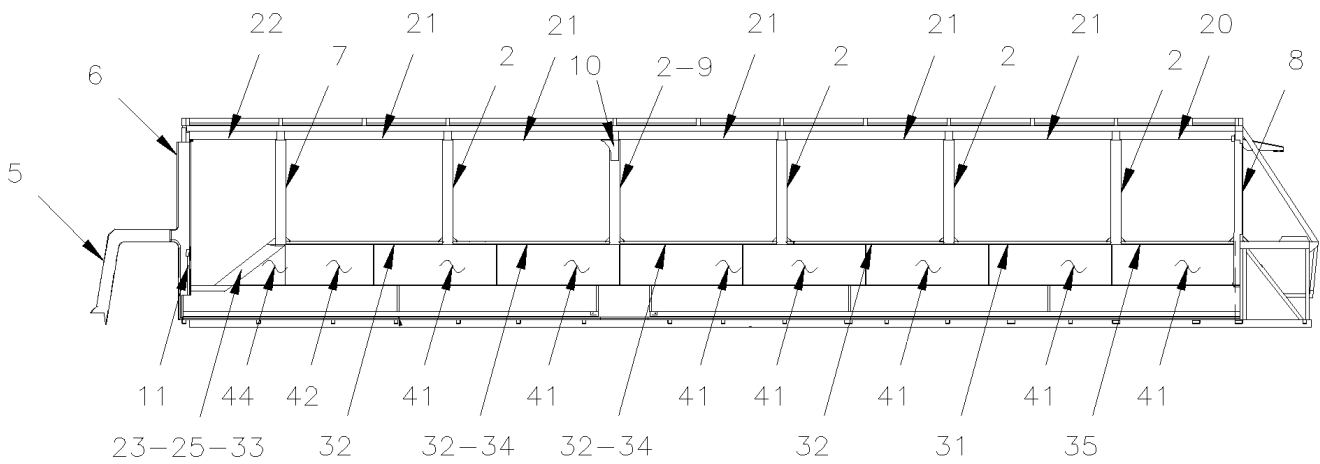
Date:10/2022

PAGE:HF-1833-00

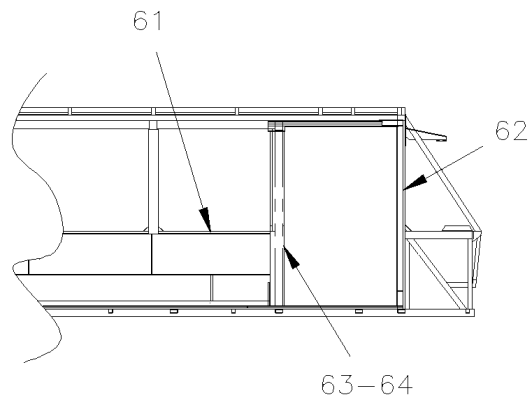
WINDOW FINISHING CAP & WALL



H3-41 LEFT SIDE



H3-41 RIGHT SIDE



H3-41 W.C.L. ST & ST.

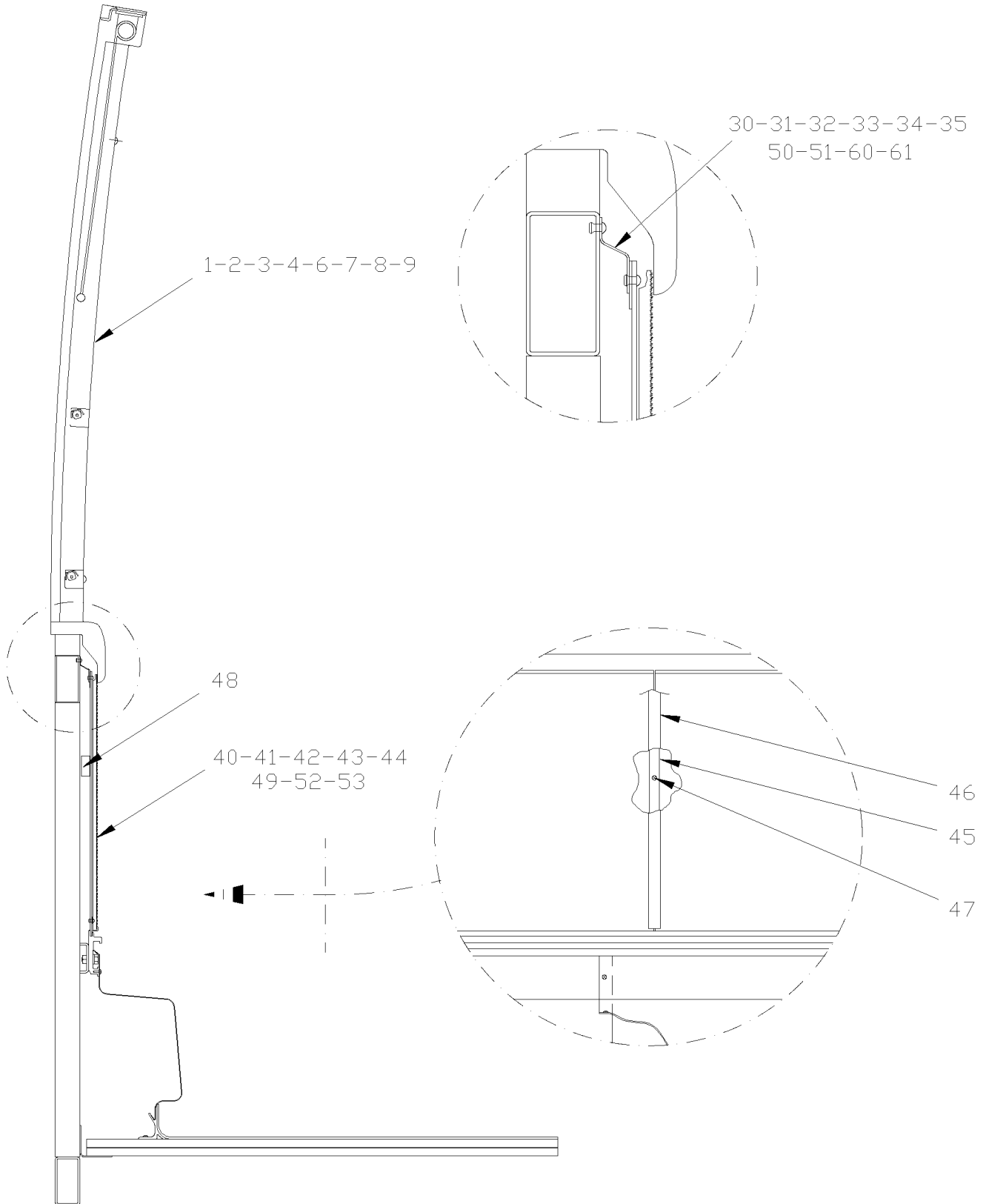


From 3-4417 To 3-4588

Date:10/2022

PAGE:HF-1833-00

WINDOW FINISHING CAP & WALL





From 3-4417 To 3-4588	Date:10/2022	PAGE:HF-1833-00
WINDOW FINISHING CAP & WALL		

Item#	Part	Description	H 3 4 1	H 3 4 5	V I P 4 5	N O T E S
1	326196	CAP FINISHING / POST / REAR L.H. / W/SINGLE GLASS	1	1		
1	326258	CAP FINISHING / POST / REAR L.H. / W/THERMO GLASS	1	1		
2	326192	CAP FINISHING / POST / W/SINGLE GLASS	12			
2	326192	CAP FINISHING / POST / W/SINGLE GLASS		14		
2	326254	CAP FINISHING / POST / W/THERMO GLASS / BLACK	12			
2	326254	CAP FINISHING / POST / W/THERMO GLASS / BLACK		14		
3	326265	CAP FINISHING / POST / W/SINGLE GLASS / #1 L.H.	1	1		
3	326326	CAP FINISHING / POST / W/THERMO GLASS / BLACK / #1 L.H.	1	1		
4	326195	CAP FINISHING / POST / FRONT L.H.	1	1		
5	327773	FINISHING POST CAP.	1	1		
6	328921	FINISHING POST CAP / FRONT R.H.	1	1		
7	326325	CAP FINISHING / POST / W/THERMO GLASS / BLACK / #1 R.H.	1	1		
7	326205	CAP FINISHING / POST / W/SINGLE GLASS / #1 R.H.	1	1		
8	326256	CAP FINISHING / POST / REAR R.H. / W/THERMO GLASS	1	1		
8	326194	CAP FINISHING / POST / REAR R.H. / W/SINGLE GLASS	1	1		
9	326449	CAP FINISHING / POST W/A/C PARCEL RACK / W/SINGLE GLASS	2	2		A
9	326450	CAP FINISHING / POST W/A/C PARCEL RACK / W/THERMO GLASS / BLACK	2	2		A
10	326446	CAP FINISHING / CLOSING POST W/A/C	2	2		A
11	327553	FINISHING POST CAP.	1	1		
12	326387	CAP FINISHING / POST / #3 R.H. / W/SINGLE GLASS		1		W
20	326208	FINISHING MOULDING / W/SINGLE GLASS / REAR	1	1		
20	326264	FINISHING MOULDING / W/THERMO GLASS / REAR	1	1		
21	326201	FINISHING MOULDING / W/SINGLE GLASS	10			
21	326201	FINISHING MOULDING / W/SINGLE GLASS		12		
21	326262	FINISHING MOULDING / W/THERMO GLASS	10			
21	326262	FINISHING MOULDING / W/THERMO GLASS		12		
NS	404654	DECAL / BLACK 3" X 63" / BLOCK -OFF UPPER WIN	AR	AR		
22	326198	FINISHING MOULDING / UPPER TRAPEZ WINDOW	2	2		
23	326317	ANGLE SUPPORT / TO FIX CAP / 350MM	1	1		
24	327661	ANGLE SUPPORT / TO FIX CAP / 507MM	1	1		
24	327662	ANGLE SUPPORT / TO FIX CAP / 204MM	1	1		
25	326197	FINISHING CAP R.H. LOWER WINDOW	1	1		
26	327663	FINISHING CAP L.H. WINDOW	1	1		
NS	500923	SCREW TC CAP HEX 1/4-20x3/4 Z050	4	4		
NS	500473	WASHER LO SPT .262x.489x.062 Z050	4	4		
30	327468	GRILLE SPACER 730MM	1	1		
31	327467	GRILLE SPACER 1660MM	2	2		
32	322835	GRILLE SPACER 1660MM	AR	AR		
33	327466	GRILLE SPACER 650MM	2	2		
34	326451	GRILLE SPACER / #2 W/A/C INPARCEL RACK / 1610MM	2	2		A
35	327473	GRILLE SPACER 274MM	2			
40	Call order desk	PANEL ASSY / FORMICA / #10 L.H.		1		P



From 3-4417 To 3-4588	Date:10/2022	PAGE:HF-1833-00
WINDOW FINISHING CAP & WALL		

Item#	Part	Description	H 3 4 1	H 3 4 5	V I P 4 5	N O T E S
40	324738P	PANEL ASSY / CARPET / #9 L.H.		1		
40	324733P	PANEL ASSY / FABRIC / #9 L.H.		1		
41	Call order desk	PANEL ASSY / FORMICA / L.H. & R.H.	1	1		P
41	322939P	PANEL ASSY / FABRIC / L.H. & R.H.	1	1		
41	322921P	PANEL ASSY / CARPET / L.H. & R.H.	1	1		
42	Call order desk	PANEL ASSY / FORMICA / #2 L.H. & R.H.		2		P
42	324279P	PANEL ASSY / FABRIC / #2 L.H. & R.H.		2		
42	324289P	PANEL ASSY / CARPET / #2 L.H. & R.H.		2		
42	Call order desk	PANEL ASSY / FORMICA / #2 L.H. & R.H.	2			P
42	Call order desk	PANEL ASSY / FABRIC / #2 L.H. & R.H.	2			P
42	Call order desk	PANEL ASSY / CARPET / #2 L.H. & R.H.	2			P
43	Call order desk	PANEL ASSY / FORMICA / #1 L.H. / (TRIANGULAR SHAPE)	1	1		P
43	324285P	PANEL ASSY / FABRIC / #1 L.H. / (TRIANGULAR SHAPE)	1	1		
43	324292P	PANEL ASSY / CARPET / #1 L.H. / (TRIANGULAR SHAPE)	1	1		
44	Call order desk	PANEL ASSY / FORMICA / #1 R.H. / (TRIANGULAR SHAPE)	1	1		P
44	324282P	PANEL ASSY / FABRIC / #1 R.H. / (TRIANGULAR SHAPE)	1	1		
44	324291P	PANEL ASSY / CARPET / #1 R.H. / (TRIANGULAR SHAPE)	1	1		
45	322869	MOULDING RETAINER / 400MM (15 3/4")	AR	AR		
46	322870	MOULDING CAP / SS 409MM (16 1/8")	AR	AR		
47	5001085	SCREW TP PAN PH #6x1 1/4 Z050	AR	AR		
48	322871	WOOD SPACER 1/2" X 32MM X 32MM	AR	AR		
50	325309	GRILLE SPACER / W/W.C.L. "RICON" / 1583MM		1		
51	325308	GRILLE SPACER / W/W.C.L. "RICON" / 2210MM		2		
52	Call order desk	PANEL ASSY / FABRIC / FRONT DOOR / W/W.C.L. RICON		1		P
53	Call order desk	PANEL ASSY / FABRIC / REAR DOOR / W/W.C.L. RICON		1		P
NS	506264	TAPE RUB ADH1 URE 3/4" x 1" x 12.5' / GREY 1820X	AR	AR		
54	326287	FINISHING MOULDING / W/THERMO GLASS & W/W.C.L. "RICON"		2		
55	326601	FINISHING MOULDING GREY		1		
56	328918	FINISHING POST UPPER FRONT/W/W.C.L. DOOR "RIC ON" TRIANGULAR SHAPE		1		A
57	328919	CAP FINISHING / POST / W/T. GLASS To 3-4424		1		A
57	327598	CAP FINISHING / POST / W/T. GLASS From 3-4425 To 3-4465		1		A
57	327798	CAP FINISHING / POST / W/T. GLASS From 3-4466		1		A
57	327545	CAP FINISHING / POST / W/S. GLASS To 3-4424		1		A
57	327605	CAP FINISHING / POST / W/S. GLASS From 3-4425 To 3-4465		1		A
57	327808	CAP FINISHING / POST / W/S. GLASS From 3-4466		1		A
57	326284	CAP FINISHING / POST / W/T. GLASS To 3-4424		1		
57	327604	CAP FINISHING / POST / W/T. GLASS From 3-4425 To 3-4465		1		
57	327807	CAP FINISHING / POST / W/T. GLASS From 3-4466		1		
57	326283	CAP FINISHING / POST / W/S. GLASS To 3-4424		1		
57	327603	CAP FINISHING / POST / W/S. GLASS From 3-4425 To 3-4465		1		
57	327806	CAP FINISHING / POST / W/S. GLASS From 3-4466		1		
57	285102	MOULDING AL / W/RECESS FOR HINGE 743MM To 6-0334		1		



From 3-4417 To 3-4588 Date:10/2022 PAGE:HF-1833-00

WINDOW FINISHING CAP & WALL

Item#	Part	Description	H 3 4 1	H 3 4 5	V I P 4 5	N O T E S
57	287021	MOULDING AL 743MM From 6-0335		1		
58	326282	CAP FINISHING / POST / W/T. GLASS To 3-4424		1		
58	327601	CAP FINISHING / POST / W/T. GLASS From 3-4425 To 3-4465		1		
58	327799	CAP FINISHING / POST / W/T. GLASS From 3-4466		1		
58	326281	CAP FINISHING / POST / W/S. GLASS To 3-4424		1		
58	327602	CAP FINISHING / POST / W/S. GLASS From 3-4425 To 3-4465		1		
58	327805	CAP FINISHING / POST / W/S. GLASS From 3-4466		1		
58	287293	MOULDING AL / W/RECESS FOR HINGE 1187MM To 6-0334		1		
58	285979	MOULDING AL 1187MM From 6-0335		1		
60	327471	GRILLE SPACER / W.C.L. / 1247MM		1		
61	327472	GRILLE SPACER / W/W.C.L. "ST & ST" / 1618MM To 6-0334	1			
62	326704	POST CAPPING R.H.	1			
63	326705	POST CAPPING L.H. / W/SINGLE GLASS	1	1		
63	326706	POST CAPPING L.H. / W/THERMO GLASS	1	1		
64	506007	TAPE RUB ADH1 CC NEO 3/4" x 1" x 10' / BLACK 1220	AR	AR		
64	506007	TAPE RUB ADH1 CC NEO 3/4" x 1" x 10' / BLACK 1220	AR	AR	AR	
65	326250	FINISHING MOULDING / W/SINGLE GLASS / REAR		1		
65	326266	FINISHING MOULDING / W/THERMO GLASS / REAR		1		
		A) WITH A/C IN PARCEL RACK				
		W) WITH "RICON" W.C.L.				
		P) CALL ORDER DESK FOR SPECIFIC APPLICATION (V.I.N.)				

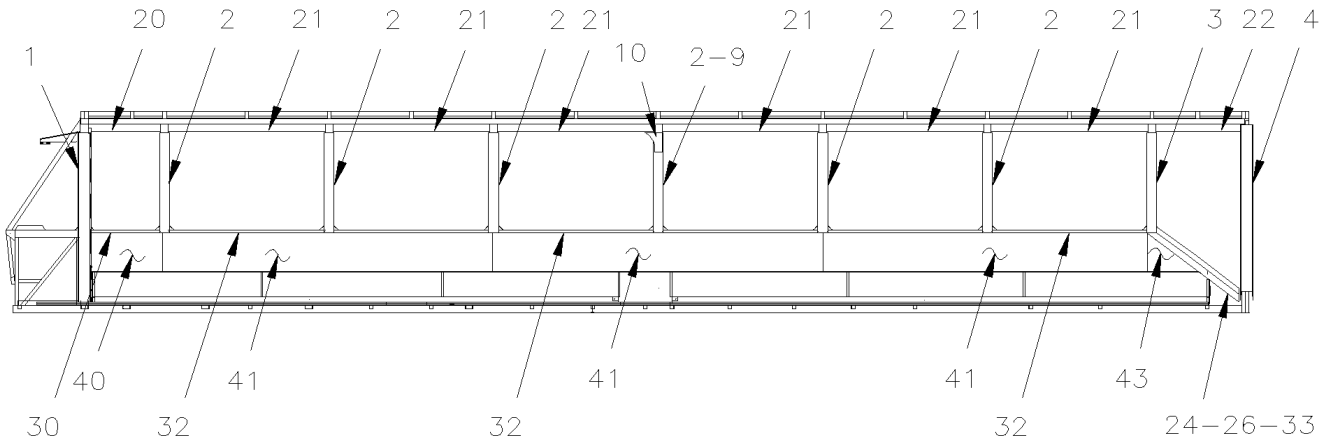


From 3-4589 To 8-1043

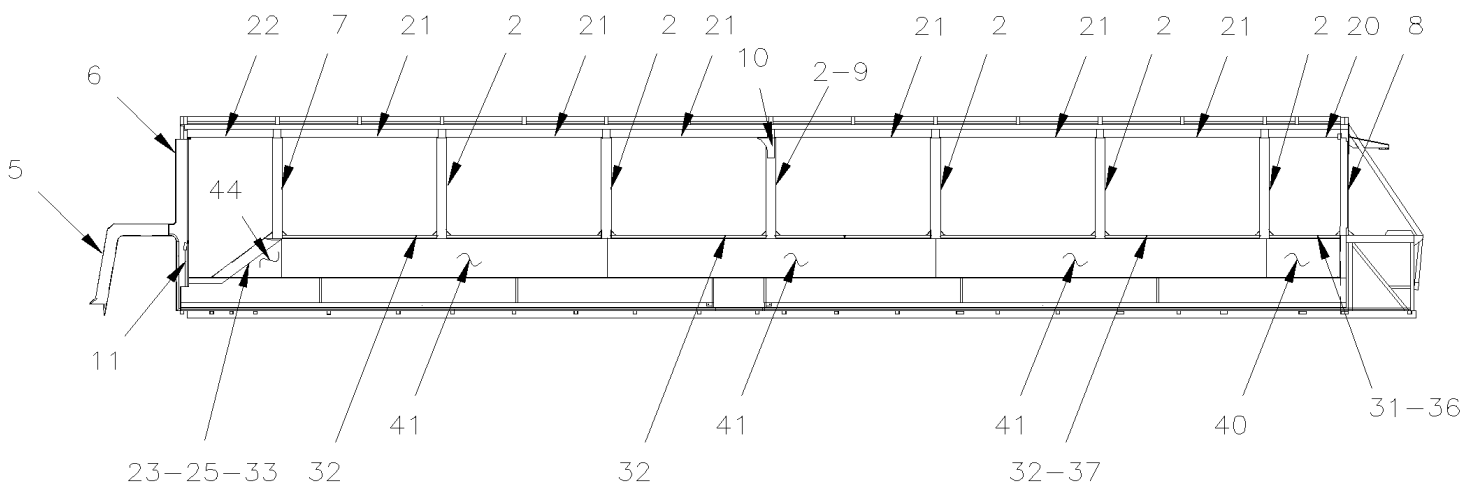
Date:10/2022

PAGE:HF-1833-01

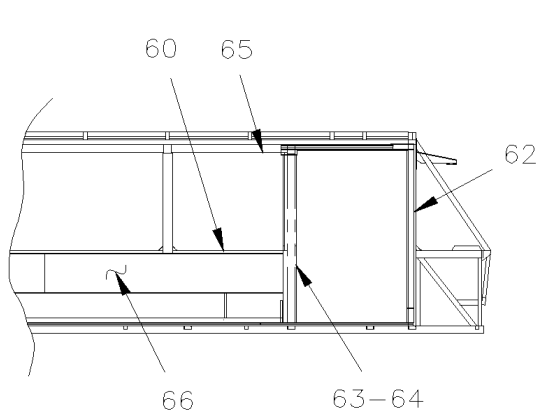
WINDOW FINISHING CAP & WALL



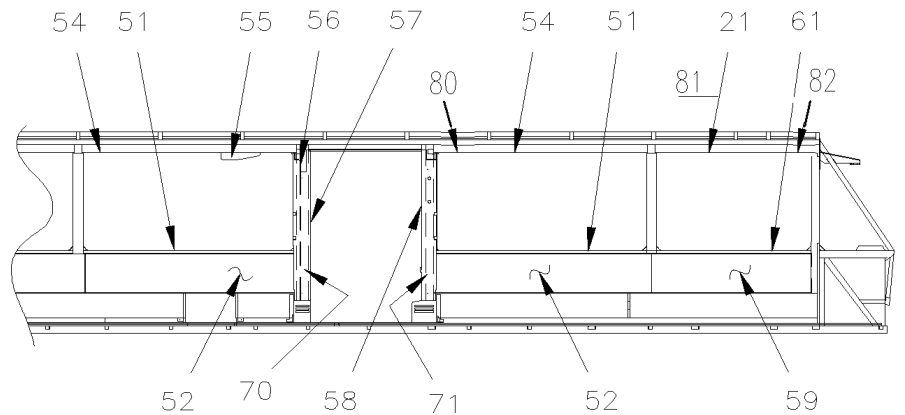
H3-45 LEFT SIDE



H3-45 RIGHT SIDE



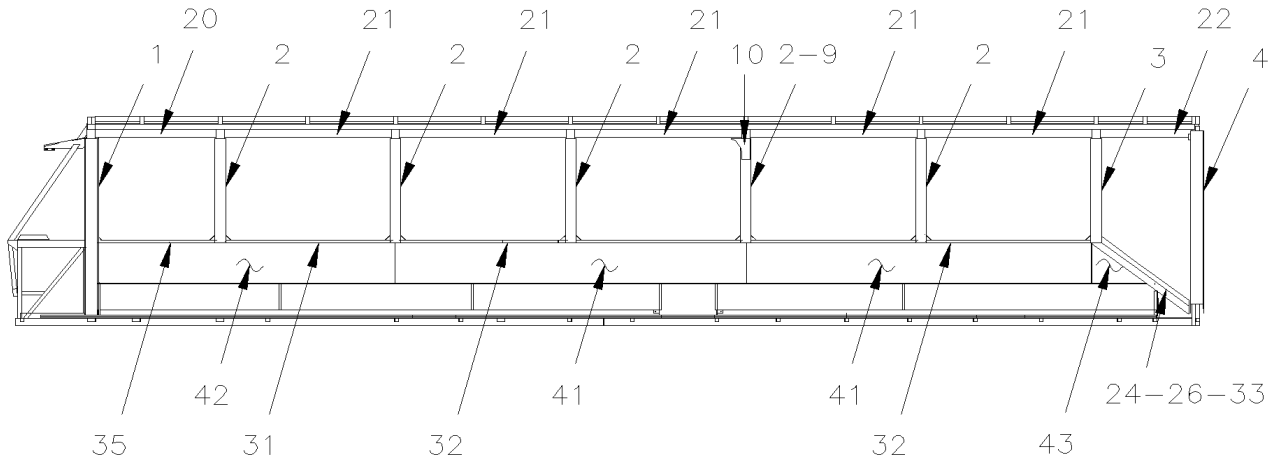
H3-45 W.C.L. ST & ST.



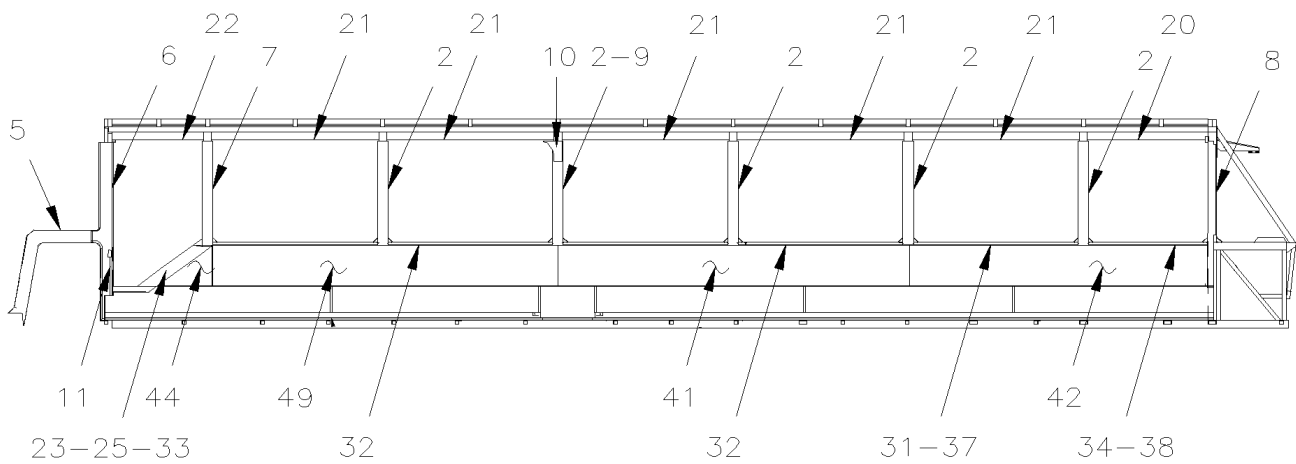
H3-45 W.C.L. RICON 9000



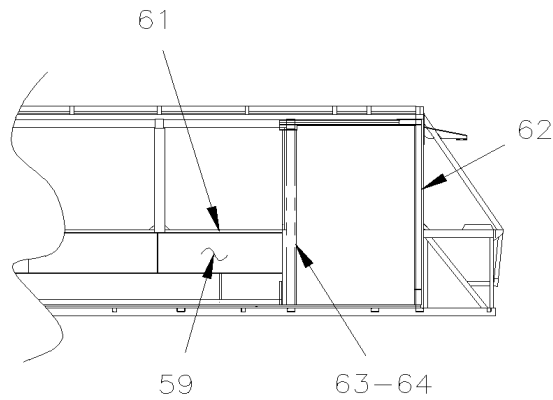
From 3-4589 To 8-1043	Date:10/2022	PAGE:HF-1833-01
WINDOW FINISHING CAP & WALL		



H3-41 LEFT SIDE



H3-41 RIGHT SIDE



H3-41 W.C.L. ST & ST.

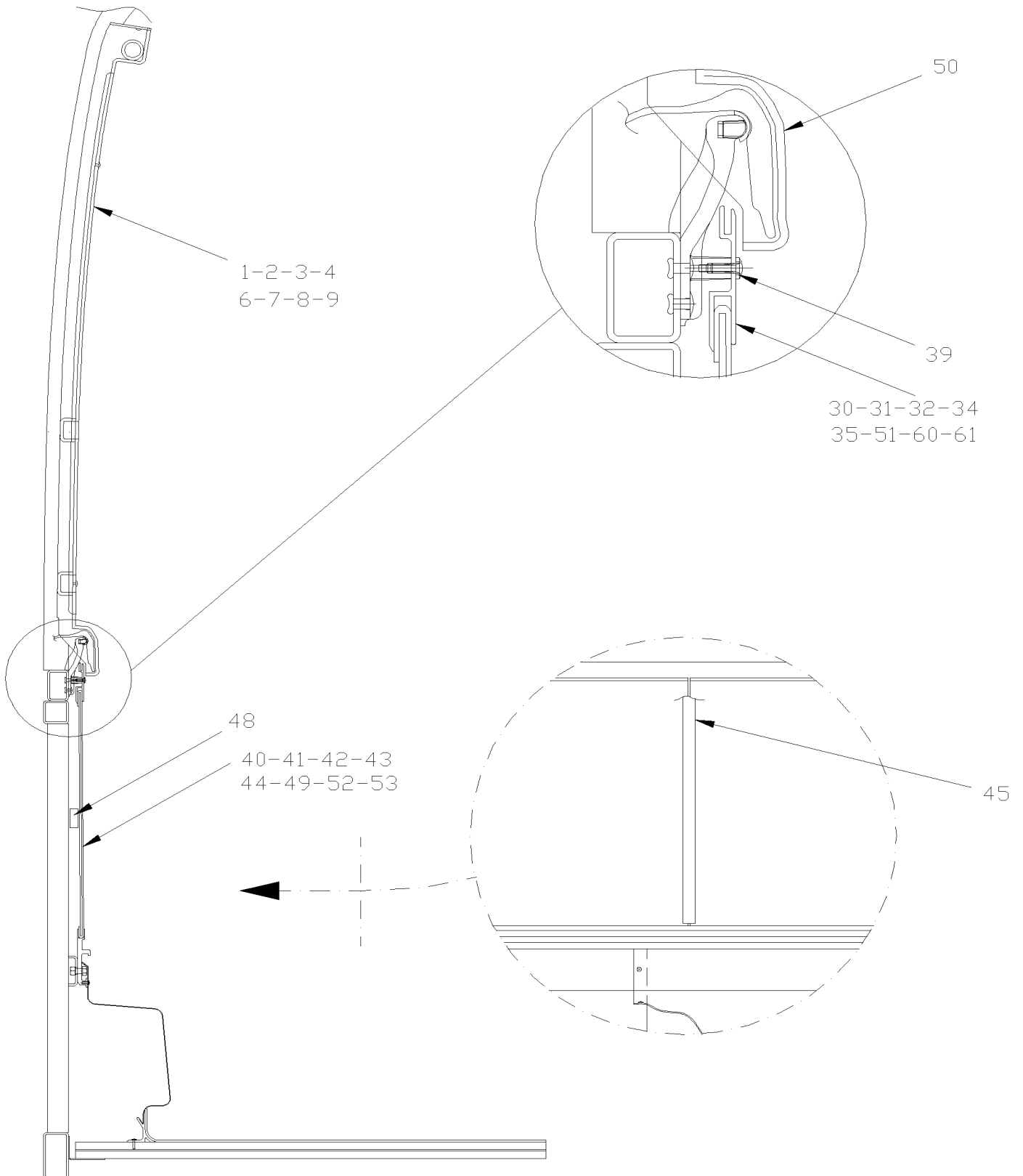


From 3-4589 To 8-1043

Date:10/2022

PAGE:HF-1833-01

WINDOW FINISHING CAP & WALL





From 3-4589 To 8-1043	Date:10/2022	PAGE:HF-1833-01
WINDOW FINISHING CAP & WALL		

Item#	Part	Description	H 3 4 1	H 3 4 5	V I P 4 5	N O T E S
1	326196	CAP FINISHING / POST / REAR L.H. / W/SINGLE GLASS	1	1		
1	326258	CAP FINISHING / POST / REAR L.H. / W/THERMO GLASS	1	1		
2	326192	CAP FINISHING / POST / W/SINGLE GLASS	12			
2	326192	CAP FINISHING / POST / W/SINGLE GLASS		14		
2	326254	CAP FINISHING / POST / W/THERMO GLASS / BLACK	12			
2	326254	CAP FINISHING / POST / W/THERMO GLASS / BLACK		14		
2	329074	CAP FINISHING / POST / W/SINGLE GLASS / W/W.C.L. SAFETY BELT HOLE From 3-4685 To 6-0332		AR		
2	329322	CAP FINISHING / POST / W/SINGLE GLASS / W/W.C.L. SAFETY BELT HOLE From 6-0333		AR		
2	329073	CAP FINISHING / POST / W/THERMO GLASS / W/W.C.L. SAFETY BELT HOLE From 3-4685 To 6-0332		AR		
2	329323	CAP FINISHING / POST / W/THERMO GLASS / W/W.C.L. SAFETY BELT HOLE From 6-0333		AR		
3	326265	CAP FINISHING / POST / W/SINGLE GLASS / #1 L.H.	1	1		
3	326326	CAP FINISHING / POST / W/THERMO GLASS / BLACK / #1 L.H.	1	1		
4	326195	CAP FINISHING / POST / FRONT L.H. To 6-0559	1	1		
4	329470	CAP FINISHING / POST / FRONT L.H. From 5-0560	1	1		
5	327773	FINISHING POST CAP.	1	1		
6	328921	FINISHING POST CAP / FRONT R.H.	1	1		
7	326325	CAP FINISHING / POST / W/THERMO GLASS / BLACK / #1 R.H.	1	1		
7	326205	CAP FINISHING / POST / W/SINGLE GLASS / #1 R.H.	1	1		
8	326256	CAP FINISHING / POST / REAR R.H. / W/THERMO GLASS	1	1		
8	326194	CAP FINISHING / POST / REAR R.H. / W/SINGLE GLASS	1	1		
9	326449	CAP FINISHING / POST W/A/C PARCEL RACK / W/SINGLE GLASS	2	2		A
9	326450	CAP FINISHING / POST W/A/C PARCEL RACK / W/THERMO GLASS / BLACK	2	2		A
10	326446	CAP FINISHING / CLOSING POST W/A/C	2	2		A
11	327553	FINISHING POST CAP.	1	1		
20	326208	FINISHING MOULDING / W/SINGLE GLASS / REAR	1	1		
20	326264	FINISHING MOULDING / W/THERMO GLASS / REAR	1	1		
21	326201	FINISHING MOULDING / W/SINGLE GLASS	10			
21	326201	FINISHING MOULDING / W/SINGLE GLASS		12		
21	326262	FINISHING MOULDING / W/THERMO GLASS	10			
21	326262	FINISHING MOULDING / W/THERMO GLASS		12		
NS	404654	DECAL / BLACK 3" X 63" / BLOCK -OFF UPPER WIN	AR	AR		
22	326198	FINISHING MOULDING / UPPER TRAPEZ WINDOW	2	2		
23	326317	ANGLE SUPPORT / TO FIX CAP / 350MM	1	1		
24	327661	ANGLE SUPPORT / TO FIX CAP / 507MM	1	1		
24	327662	ANGLE SUPPORT / TO FIX CAP / 204MM	1	1		
25	326197	FINISHING CAP R.H. LOWER WINDOW	1	1		
26	327663	FINISHING CAP L.H. WINDOW	1	1		
NS	500923	SCREW TC CAP HEX 1/4-20x3/4 Z050	4	4		
NS	500473	WASHER LO SPT .262x.489x.062 Z050	4	4		
30	293679	EXTRUSION, UPPER WALL 730MM		1		
31	293685	EXTRUSION, UPPER WALL 740MM		1		
32	293635	EXTRUSION, UPPER WALL 3278MM	4			



From 3-4589 To 8-1043	Date:10/2022	PAGE:HF-1833-01
WINDOW FINISHING CAP & WALL		

Item#	Part	Description	H 3 4 1	H 3 4 5	V I P 4 5	N O T E S
32	293635	EXTRUSION, UPPER WALL 3278MM		6		
33	327953	GRILLE SPACER 600MM	2	2		
34	293687	EXTRUSION, UPPER WALL 2814MM	1			
35	293678	EXTRUSION, UPPER WALL 2804MM	1			
36	453732	AIR DIFFUSOR RESTRICTION 202MM		1		
37	453731	AIR DIFFUSOR RESTRICTION 1048MM	1	1		
38	453733	AIR DIFFUSOR RESTRICTION 616MM	1	1		
39	500611	SCREW TC PAN PH #10-24x1/2 Z050	AR	AR		
40	Call order desk	PANEL ASSY / FABRIC		2		P
40	327926P	PANEL ASSY / CARPET		2		
41	327912P	PANEL ASSY / FABRIC	4			
41	327912P	PANEL ASSY / FABRIC		6		
41	327916P	PANEL ASSY / CARPET	4			
41	327916P	PANEL ASSY / CARPET		6		
42	Call order desk	PANEL ASSY / FABRIC / #3 To 3-4635	2			P
42	Call order desk	PANEL ASSY / CARPET / #3 To 3-4635	2			P
42	Call order desk	PANEL ASSY / FABRIC From 3-4636	1			P
42	Call order desk	PANEL ASSY / CARPET From 3-4636	1			P
43	327914P	PANEL ASSY / FABRIC / TRIANGULAR SHAPE	1	1		
43	327918P	PANEL ASSY / CARPET / TRIANGULAR SHAPE	1	1		
44	327913P	PANEL ASSY / FABRIC / TRIANGULAR SHAPE	1	1		
44	327917P	PANEL ASSY / CARPET / TRIANGULAR SHAPE	1	1		
45	329123	EXTRUSION, WALL SEPARATOR 389MM	6			
45	329123	EXTRUSION, WALL SEPARATOR 389MM		8		
47	5001085	SCREW TP PAN PH #6x1 1/4 Z050	AR	AR		
48	322871	WOOD SPACER 1/2" X 32MM X 32MM	AR	AR		
49	Call order desk	PANEL ASSY / FABRIC / #3 To 3-4635	1			P
49	Call order desk	PANEL ASSY / CARPET / #3 To 3-4635	1			P
49	327912P	PANEL ASSY / FABRIC From 3-4636	1			
49	327916P	PANEL ASSY / CARPET From 3-4636	1			
50	HF-1884-01	SIDE WINDOW - BUS				
51	293680	EXTRUSION, UPPER WALL 2198.6MM		2		
52	Call order desk	PANEL ASSY / CARPET		2		P
52	327939P	PANEL ASSY / FABRIC		2		
53	506264	TAPE RUB ADH1 URE 3/4" x 1" x 12.5' / GREY 1820X	AR	AR		
54	326287	FINISHING MOULDING / W/THERMO GLASS & W/W.C.L. "RICON"		2		
55	326601	FINISHING MOULDING GREY		1		
56	328918	FINISHING POST UPPER FRONT/W/W.C.L. DOOR "RIC ON" TRIANGULAR SHAPE To 5-0167		1		A
56	328225	FINISHING POST UPPER FRONT/W/W.C.L. DOOR "RIC ON" TRIANGULAR SHAPE From 5-0168		1		A
57	327798	CAP FINISHING / POST / W/T. GLASS To 5-0167		1		A
57	329082	CAP FINISHING / POST / W/T. GLASS / UPPER SECTION From 5-0168		1		A
57	327808	CAP FINISHING / POST / W/S. GLASS To 5-0167		1		A



From 3-4589 To 8-1043	Date:10/2022	PAGE:HF-1833-01
WINDOW FINISHING CAP & WALL		

Item#	Part	Description	H 3 4 1	H 3 4 5	V I P 4 5	N O T E S
57	329085	CAP FINISHING / POST / W/S. GLASS / UPPER SECTION From 5-0168		1		A
57	327807	CAP FINISHING / POST / W/T. GLASS To 5-0167		1		
57	329081	CAP FINISHING / POST / W/T. GLASS / UPPER SECTION From 5-0168		1		
57	327806	CAP FINISHING / POST / W/S. GLASS To 5-0167		1		
57	329084	CAP FINISHING / POST / W/S. GLASS / UPPER SECTION From 5-0168		1		
58	327799	CAP FINISHING / POST / W/T. GLASS To 3-4684		1		
58	329071	CAP FINISHING / POST / W/T. GLASS From 3-4685		1		
58	329080	CAP FINISHING / POST / W/T. GLASS / UPPER SECTION		1		
58	327805	CAP FINISHING / POST / W/S. GLASS To 3-4684		1		
58	329072	CAP FINISHING / POST / W/S. GLASS From 3-4685		1		
58	329083	CAP FINISHING / POST / W/S. GLASS / UPPER SECTION		1		
59	Call order desk	PANEL ASSY / FABRIC To 3-4735	1			P
59	Call order desk	PANEL ASSY / CARPET To 3-4735	1			P
59	327939P	PANEL ASSY / FABRIC From 3-4736	1			
59	Call order desk	PANEL ASSY / CARPET From 3-4736	1			P
60	293687	EXTRUSION, UPPER WALL 2814MM To 3-4735		1		
60	293744	EXTRUSION, UPPER WALL From 3-4736		1		
61	293686	EXTRUSION, UPPER WALL 1600MM	1			
62	326704	POST CAPPING R.H.	1	1		
63	327809	POST CAPPING L.H. / W/SINGLE GLASS	1			
63	327803	POST CAPPING L.H. / W/THERMO GLASS	1			
64	506007	TAPE RUB ADH1 CC NEO 3/4" x 1" x 10' / BLACK 1220	AR	AR		
65	326250	FINISHING MOULDING / W/SINGLE GLASS / REAR		1		
65	326266	FINISHING MOULDING / W/THERMO GLASS / REAR		1		
66	Call order desk	PANEL ASSY / FABRIC / #3		1		P S
66	Call order desk	PANEL ASSY / CARPET / #3		1		P S
70	328203	CAP FINISHING / WALL / LOWER SECTION From 5-0168		1		
71	328204	CAP FINISHING / WALL / LOWER SECTION From 5-0168		1		
80	329306	FINISHING MOULDING / W/THERMO GLASS & W/W.C.L / OPTION "RED ARROW" From 5-0387 To 5-0405		1		
81	329307	FINISHING MOULDING / W/THERMO GLASS & W/W.C.L / OPTION "RED ARROW" From 5-0387 To 5-0405		1		
82	329316	EXTENSION POST CAP / OPTION "RED ARROW" From 5-0387 To 5-0405		1		
		A) WITH A/C IN PARCEL RACK				
		S) WITH "ST & ST"				
		P) CALL ORDER DESK FOR SPECIFIC APPLICATION (V.I.N.)				

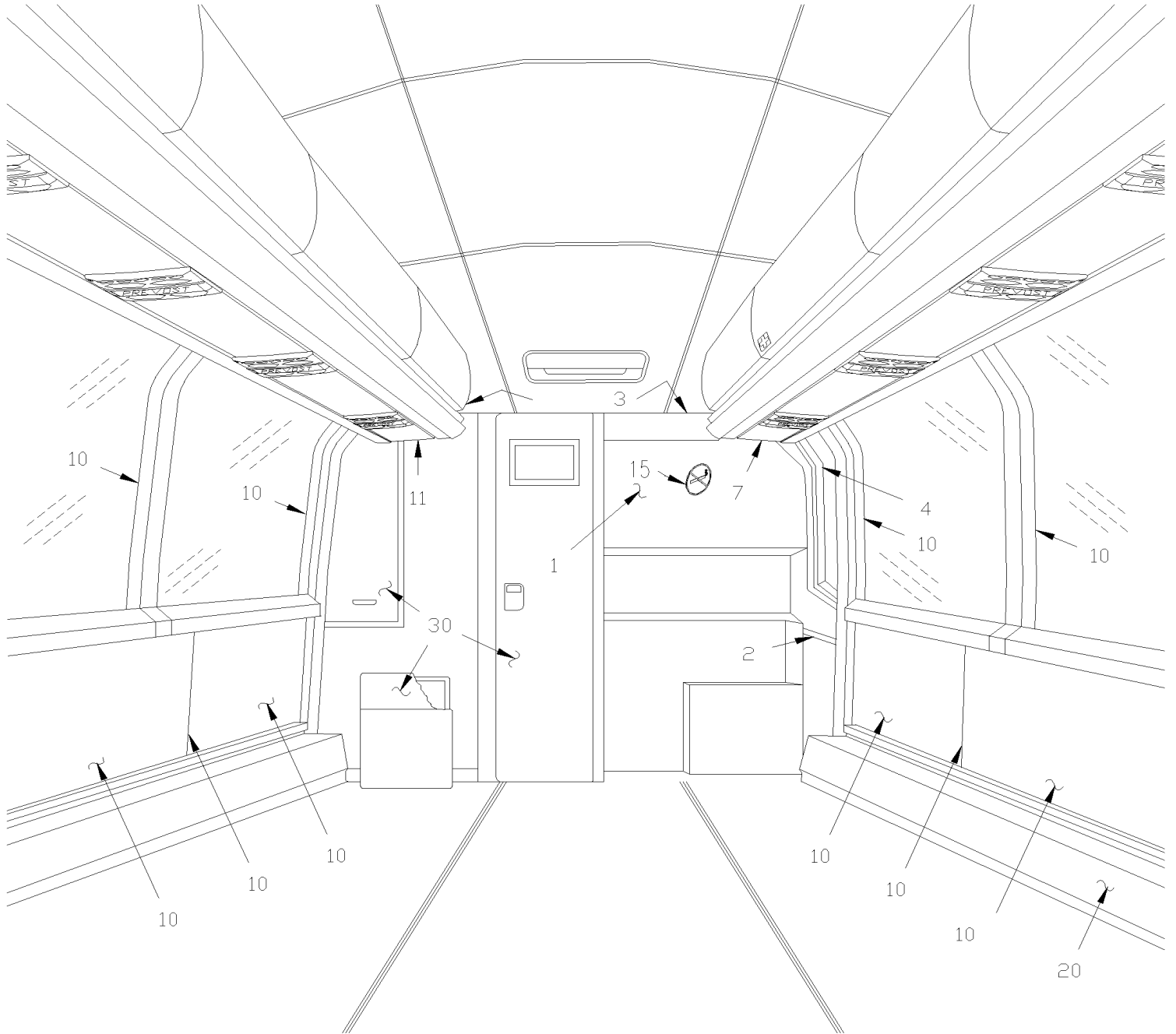


From 3-4417 To 8-1043

Date:10/2022

PAGE:HF-1834-00

REAR FINISHING CAP





From 3-4417 To 8-1043	Date:10/2022	PAGE:HF-1834-00
REAR FINISHING CAP		

Item#	Part	Description	H 3 4 1	H 3 4 5	V I P 4 5	N O T E S
1	Call order desk	CAP REAR / CARPET / SPECIFY COLOR	1	1		P
1	323435P	CAP REAR / FABRIC / SPECIFY COLOR	1	1		
1	Call order desk	CAP REAR / CARPET & FABRIC / SPECIFY COLOR	1	1		P
1	327620	. CAP REAR / FIBERGLASS To 3-4491	1	1		
1	328780	. CAP REAR / FIBERGLASS From 3-4492 To 5-0136	1	1		
1	329212	. CAP REAR / FIBERGLASS From 5-0137	1	1		
1	350335	PAD INSULATING	2	2		
NS	504106	RIVET POP DOME OE 1/8x1/4 AL	AR	AR		
1	Call order desk	CAP REAR / CARPET / SPECIFY COLOR / W/OUT LAVATORY	1	1		P A
1	324026	CAP REAR / FIBERGLASS / W/OUT LAVATORY To 5-0019	1	1		A
1	329166	CAP REAR / FIBERGLASS / W/OUT LAVATORY From 5-0020	1	1		A
2	340836	MOULDING CAP / GREY PLATINE 1676MM / 66"	1	1		
NS	340851	MOULDING RETAINER / 1956MM (77")	1	1		
NS	500641	SCREW TP PAN PH #8x3/4 Z050	AR	AR		
3	313119	FINISHING MOULDING PLASTIC	1	1		
4	326230	CAP FINISHING / WINDOW	1	1		
10	HF-1833-01	WINDOW FINISHING CAP & WALL				
15	405177	DECAL "NO SMOKING" ASSY 8 1/4" O.D. / W MOUNTING PLATE	1	1		
. NS	405178	. MOUNTING PLATE 228MM x 228MM SS	1	1		
. NS	901027	. DECAL / "NO SMOKING" / 8 1/4" O.D.	1	1		
NS	500286	NUT WELL #6-32	4	4		
NS	500339	SCREW MA RND PH #6-32x3/4 SS	4	4		
15	901026	DECAL / "NO SMOKING" / 4" O.D.	1	1		
20	HF-2221-10	DUCTING HEATER & A/C				
30	HF-2328-00	LAVATORY WALL - INSTALLATION				
		A) WITHOUT LAVATORY				
		P) CALL ORDER DESK FOR SPECIFIC APPLICATION (V.I.N.)				

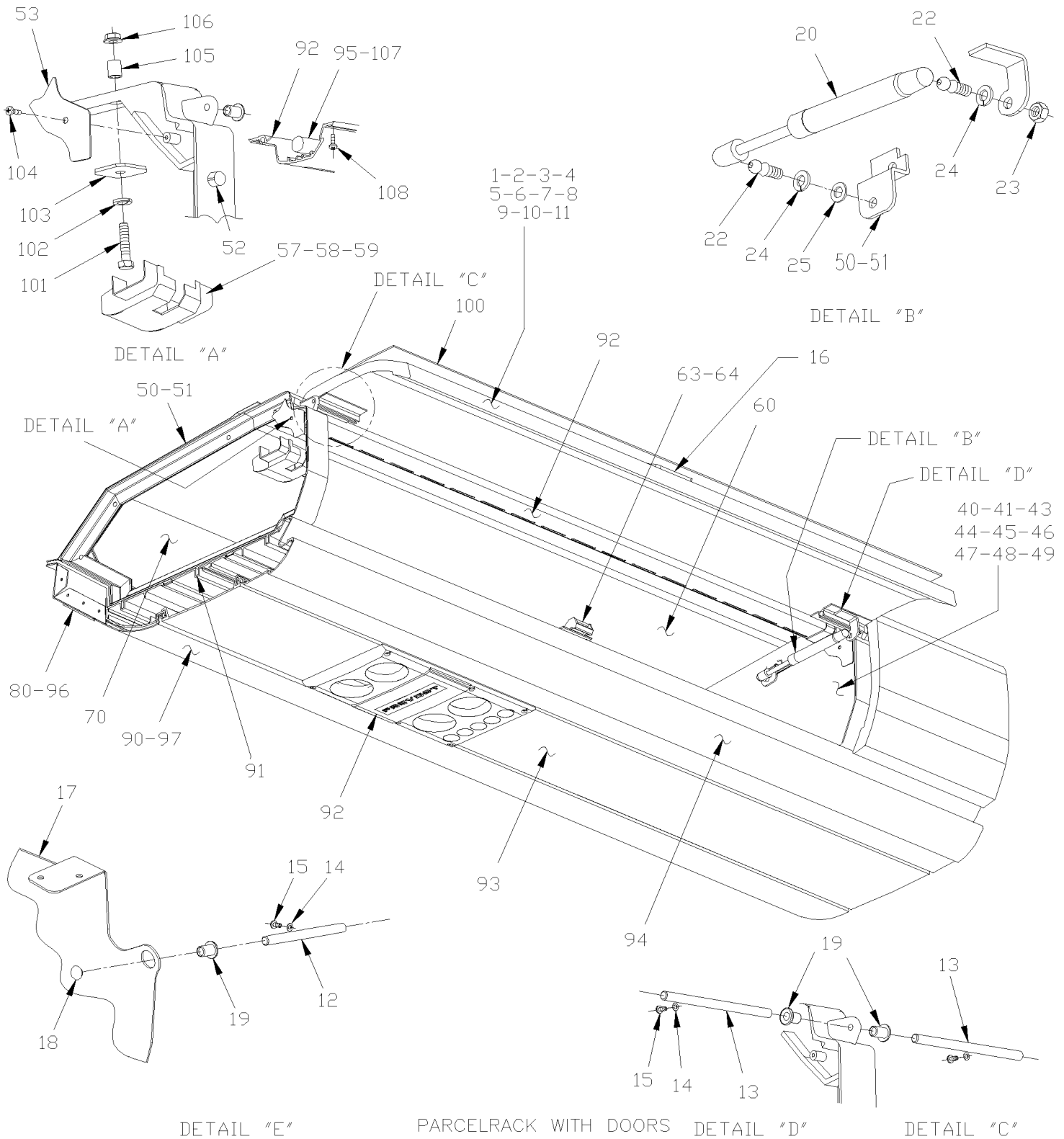


From 3-4417 To 8-1043

Date:10/2022

PAGE:HF-1836-00

PARCEL RACK



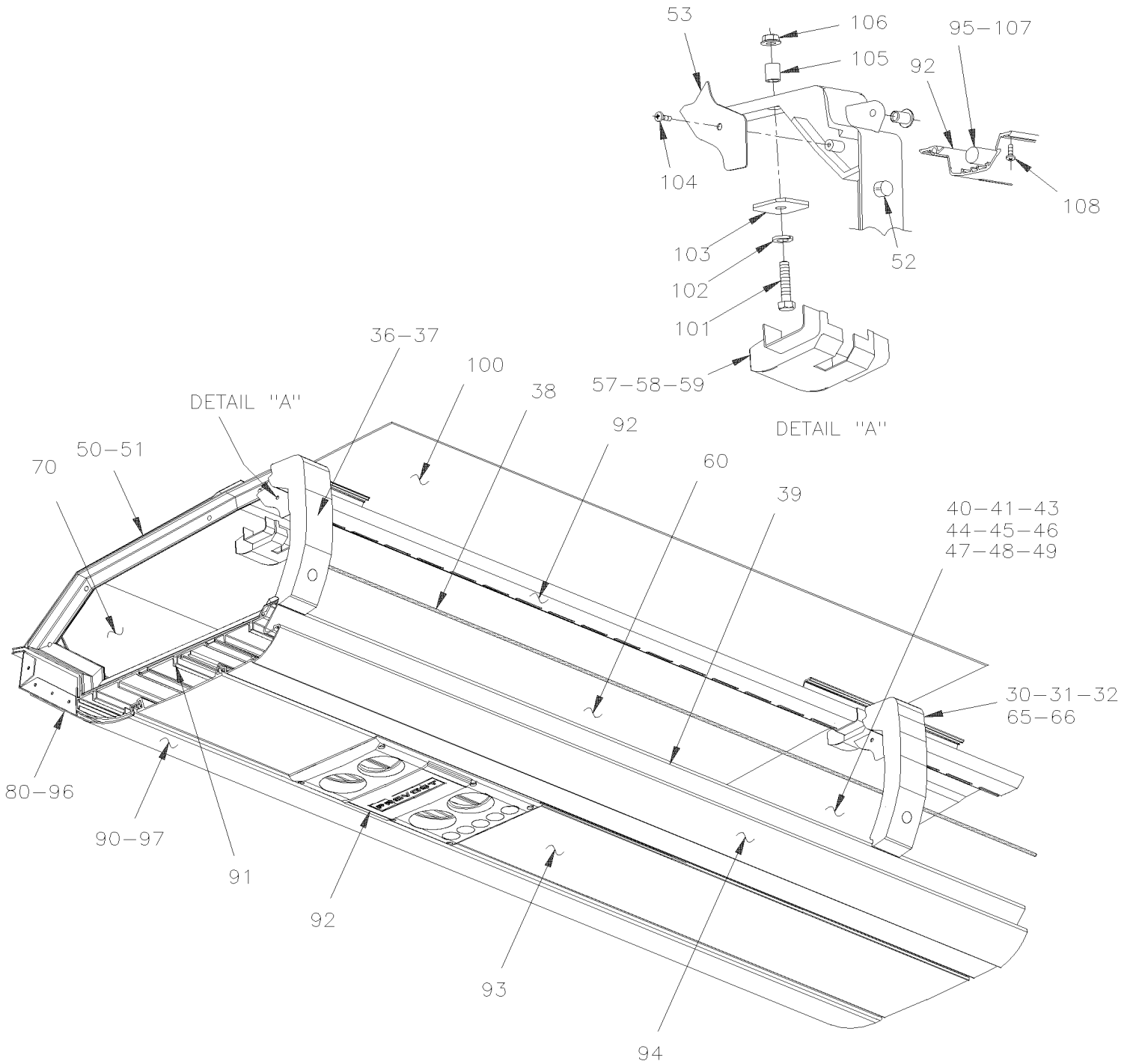


From 3-4417 To 8-1043

Date:10/2022

PAGE:HF-1836-00

PARCEL RACK



PARCEL RACK WITH CORD

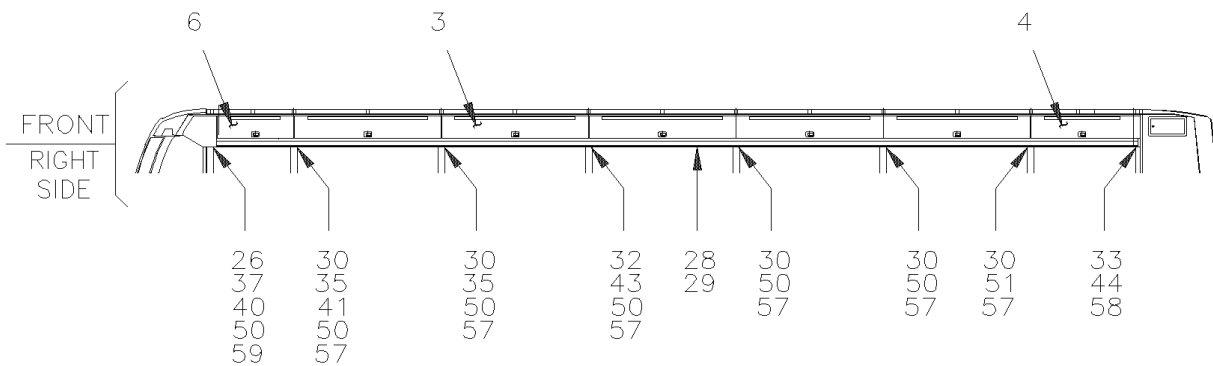
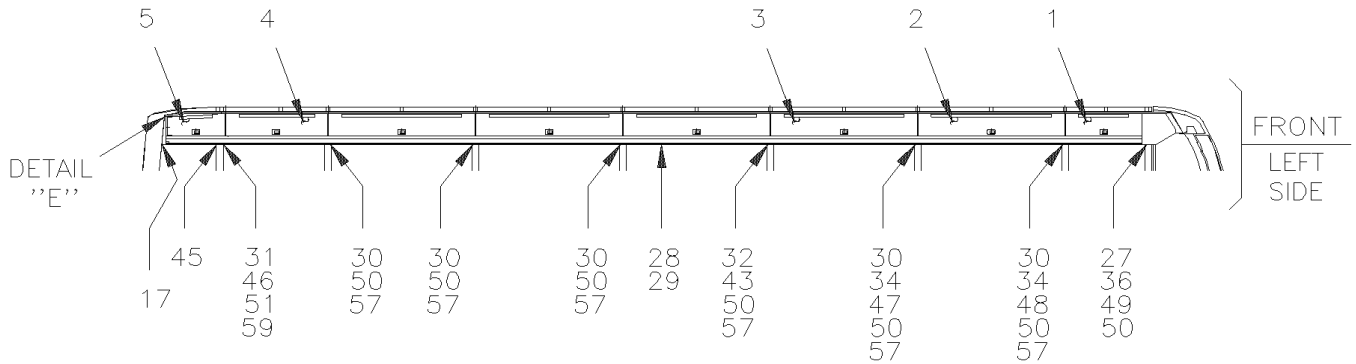


From 3-4417 To 8-1043

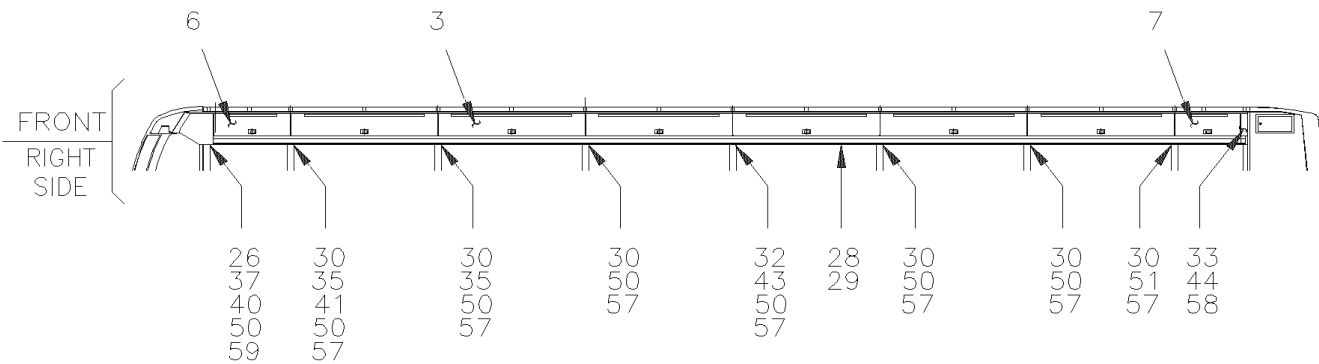
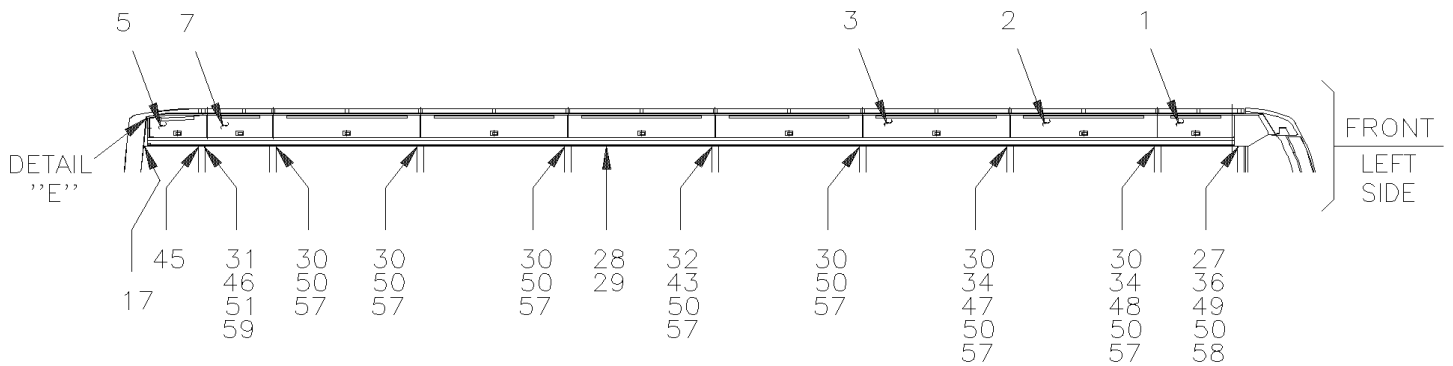
Date:10/2022

PAGE:HF-1836-00

PARCEL RACK



H3-41



H3-45

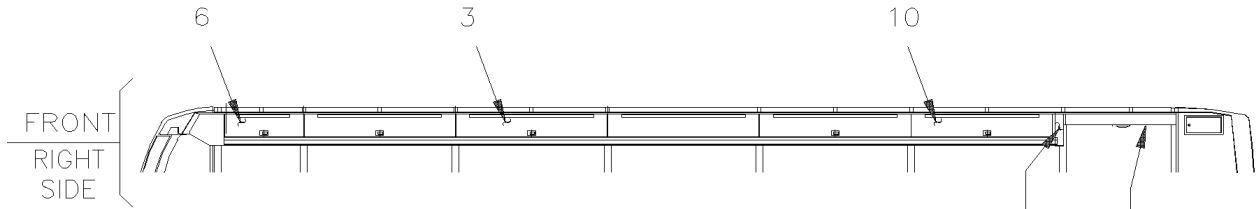


From 3-4417 To 8-1043

Date:10/2022

PAGE:HF-1836-00

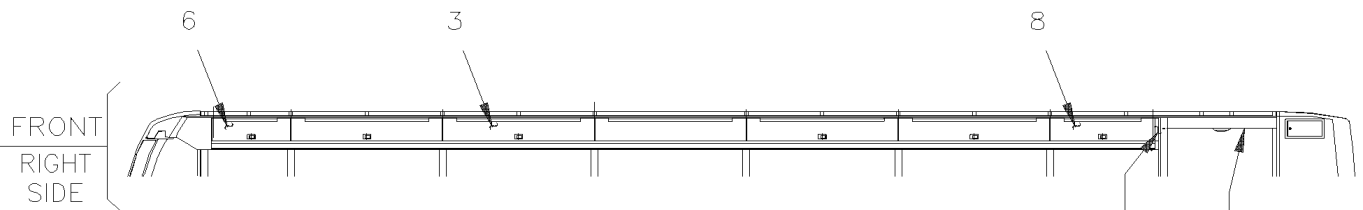
PARCEL RACK



H3-41 WITH "ST & ST"

44
55
65

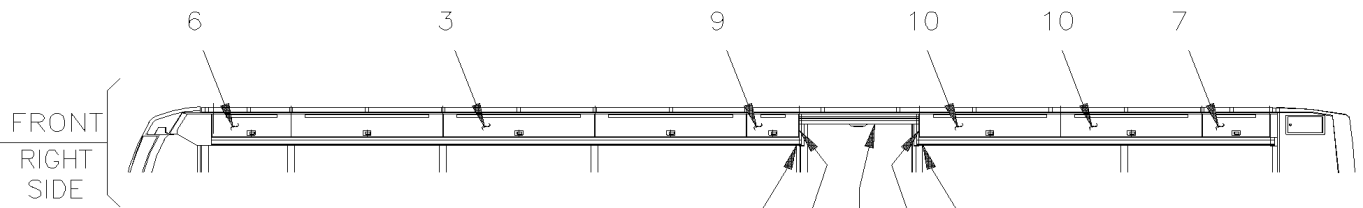
61
SEE NEXT PAGE



H3-45 WITH "ST & ST"

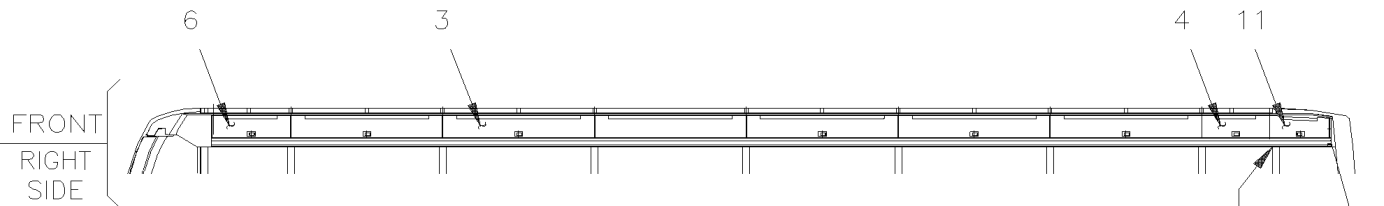
54
65

61
SEE NEXT PAGE



H3-45 WITH "RICON"

SEE NEXT PAGE



H3-41 & H3-45 WITHOUT LAVATORY

31
44

71

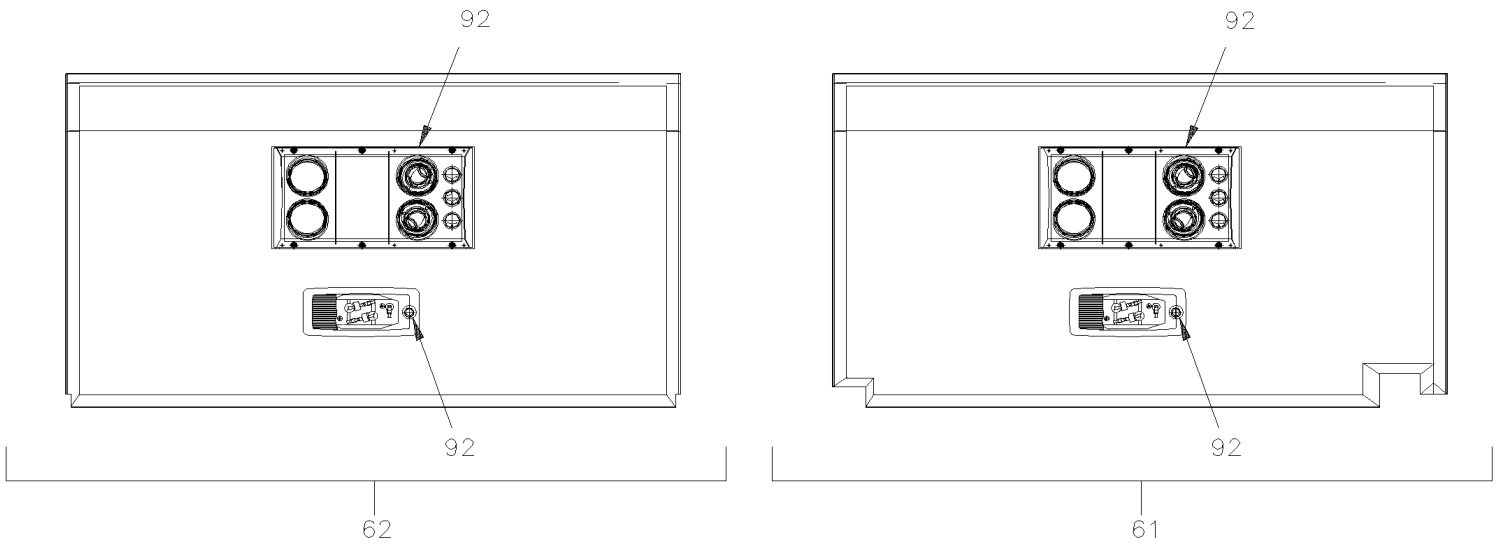
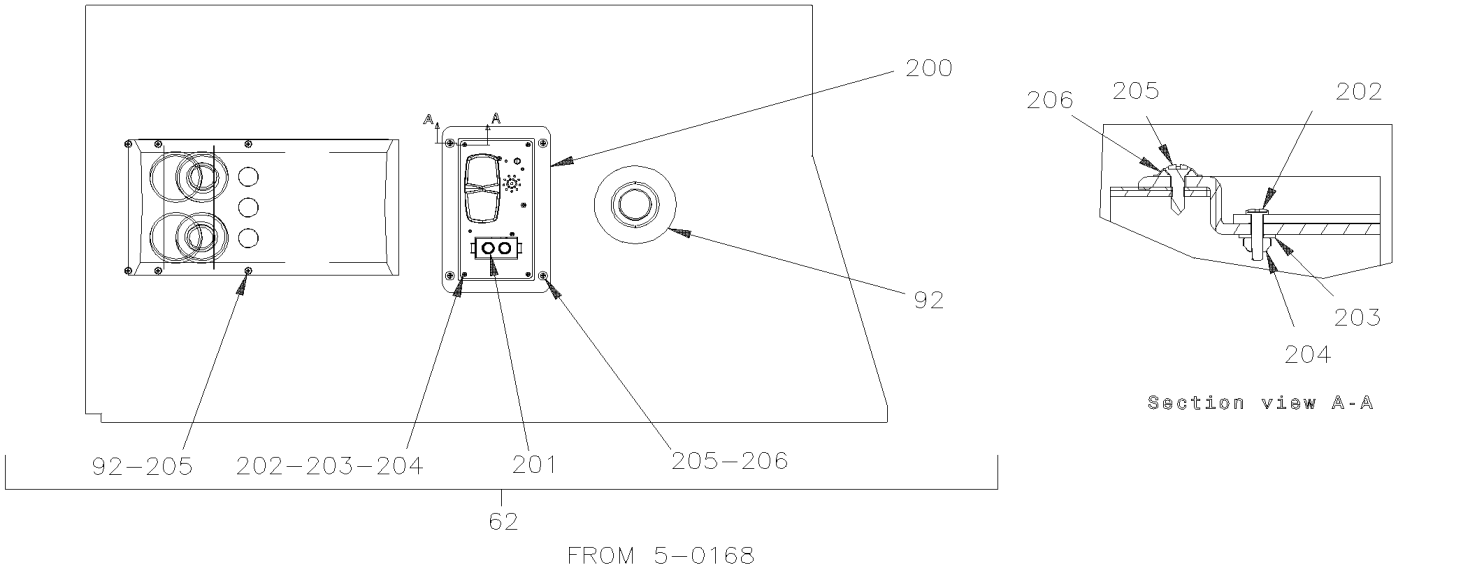


From 3-4417 To 8-1043

Date:10/2022

PAGE:HF-1836-00

PARCEL RACK



UP TO 5-0167



From 3-4417 To 8-1043	Date:10/2022	PAGE:HF-1836-00
PARCEL RACK		

Item#	Part	Description	H 3 4 1	H 3 4 5	V I P 4 5	N O T E S
1	313315	DOOR, PARCEL RACK / L.H. / 864MM To 3-4596	1	1		C
1	313508	DOOR, PARCEL RACK / L.H. / W/LOCK / GREY / 860MM From 3-4597	1	1		
1	310469	DOOR, PARCEL RACK / L.H. / W/LOCK / GREY / 860MM	1	1		C
2	313485	DOOR, PARCEL RACK / W/LOCK / 1654MM To 3-4596	1	1		C
2	313510	DOOR, PARCEL RACK / W/LOCK / GREY / 1654MM From 3-4597	1	1		
2	310471	DOOR, PARCEL RACK / W/LOCK / GREY / 1654MM	1	1		C
3	313314	DOOR, PARCEL RACK / 1654MM To 3-4596	9			C
3	313314	DOOR, PARCEL RACK / 1654MM To 3-4596		11		C
3	313506	DOOR, PARCEL RACK / GREY / 1654MM From 3-4597	9			C
3	313506	DOOR, PARCEL RACK / GREY / 1654MM From 3-4597		11		
3	310467	DOOR, PARCEL RACK / GREY / 1654MM		1		C
4	313318	DOOR, PARCEL RACK / 1151MM To 3-4596	2			C
4	313498	DOOR, PARCEL RACK / GREY / 1151MM From 3-4597	2			
4	310454	DOOR, PARCEL RACK / GREY / 1151MM	2			C
5	313312	DOOR, PARCEL RACK / L.H. / 667MM To 3-4596	1	1		C
5	313500	DOOR, PARCEL RACK / L.H. / 667MM From 3-4597	1	1		
5	310458	DOOR, PARCEL RACK / L.H. / 667MM	1	1		C
5	313681	DOOR, PARCEL RACK / L.H. W/LOCK / 667MM	1	1		
5	310475	DOOR, PARCEL RACK / L.H. W/LOCK / 667MM	1	1		C
6	313321	DOOR, PARCEL RACK / R.H. / 861MM To 3-4596	1	1		C
6	313507	DOOR, PARCEL RACK / R.H. / GREY / 860MM From 3-4597	1	1		C
6	313322	DOOR, PARCEL RACK / R.H. W/LOCK / 861MM To 3-4596	1	1		C
6	313505	DOOR, PARCEL RACK / R.H. W/LOCK / GREY / 860MM From 3-4597	1	1		
6	310466	DOOR, PARCEL RACK / R.H. W/LOCK / GREY / 860MM		1		C
7	313317	DOOR, PARCEL RACK / 736MM To 3-4596		1		C
7	313504	DOOR, PARCEL RACK / GREY / 736MM From 3-4597		1		
7	310465	DOOR, PARCEL RACK / GREY / 736MM		1		
8	313320	DOOR, PARCEL RACK / 1145MM To 3-4596		1		C
8	313509	DOOR, PARCEL RACK / 1145MM From 3-4597		1		
8	310470	DOOR, PARCEL RACK / 1145MM		1		C
9	313316	DOOR, PARCEL RACK / 568MM To 3-4596		1		C
9	313502	DOOR, PARCEL RACK / GREY / 568MM From 3-4597		1		
9	310463	DOOR, PARCEL RACK / GREY / 568MM		1		C
9	323530	DOOR, PARCEL RACK / W/LOCK / 568MM From 3-4597		1		C
10	313319	DOOR, PARCEL RACK / 1541MM To 3-4596		2		C
10	313499	DOOR, PARCEL RACK / GREY / 1541MM From 3-4597		2		
10	310457	DOOR, PARCEL RACK / GREY / 1541MM		1		C
11	313313	DOOR, PARCEL RACK / R.H. / 667MM		1		C
NS	313678	. RUBBER BUMPER From 3-4597		2		
12	312993	. PIVOT ROD 3 1/8" To 3-4596	1	1		
12	313677	. PIVOT ROD 3" From 3-4597	1	1		
13	313273	. PIVOT ROD 6" To 3-4596	1	1		



From 3-4417 To 8-1043	Date:10/2022	PAGE:HF-1836-00
PARCEL RACK		

Item#	Part	Description	H 3 4 1	H 3 4 5	V I P 4 5	N O T E S
13	313676	. PIVOT ROD 6" From 3-4597	1	1		
14	500240	WASHER LO EXT .195x.410x.025 Z050	1	1		
15	5001036	SCREW MA PAN PH M4-0.7x10 Z050	1	1		
16	810092	. HANDLE	1	1		
16	810093	. HANDLE W/LOCK	1	1		
. NS	810104	. . KEY (7216)	1	1		
16	N.P.N.	. . KEY	1	1		4
NS	313532	COVER DOOR HANDLE PARCEL RACK NSS From 3-4597	1	1		
NS	500557	SCREW MA PAN PH #8-32x3/8 SS From 3-4597	2	2		
17	312512	SUPPORT, L.H. REAR / W/DOOR	1	1		
NS	500441	WASHER FL .312x.734x.065 Z050	54	54		
NS	500163	SCREW CAP HEX 1/4-20x3/4 G5 Z050	54	54		
17	312951	SUPPORT, L.H. REAR / W/CORD	1	1		
NS	506236	TAPE RUB ADH1 CC POL 1/16" x 1/2" x 100' / GREY 2520	AR	AR		
NS	313094	FINISHING CAP L.H. / UNDER OF P.R.	1	1		
18	504528	HOLE PLUG BUTTON / .437 O.D. BLACK	1	1		
19	313285	BUSHING NYLON FLANGE / 8.5 I.D. X 13.6 O.D. O From 4-4890 To 4-4894	AR	AR		
NS	312438	BUSHING NYLON FLANGE / 8.5 I.D. X 13.6 O.D. C From 4-4890 To 4-4894	AR	AR		
NS	5001481	SPACER NYLON .323 I.D. X .750 O.D. X .125	2	2		
20	980020	CYLINDER GAZ / 244/164MM C/C / 35LBS	AR	AR		
22	980015	BALL STUD / W/10 MM X M8-1.25 / 29.18 MM	1	1		
22	980027	BALL STUD / W/10 MM X M8-1.25 / 36.5MM	1	1		C
23	980016	NUT, CYLINDER RETAINER	1	1		
23	502847	NUT HEX NYRT M8-1.25 N500	1	1		C
24	502509	WASHER LO INT 8.4x15.0x0.8 Z050	1	1		
24	502638	WASHER FL .312x.734x.065 N500	1	1		C
25	500874	WASHER FL 8.4x17.0x1.6 Z050	AR	AR		
26	312904	SUPPORT FRONT R.H. / "C" FORM 390MM	1	1		
27	312902	SUPPORT FRONT R.H. / "C" FORM 390MM	1	1		
28	312930	COVER / L.H. SIDE OF VENTILATOR BOX	2	2		
29	312929	COVER / FRONT OF VENTILATOR BOX	2	2		
30	312648	PILAR COVERING	10			
30	312648	PILAR COVERING		12		
31	312963	PILAR COVERING / W/O BACK RIB	1	1		
32	312964	PILAR COVERING GREY	2	2		
33	312950	FINISHING CAP R.H. / FRONT OF P.R.	1	1		
NS	312922	ANGLE / TO FIX FINISHING CAP	2	2		
NS	313095	FINISHING CAP R.H. / UNDER OF P.R.	1	1		
34	312920	FINISHING CAP L.H. / FRONT OF P.R.	2	2		
35	312938	PILAR COVERING GREY	1	1		
36	312965	PILAR COVERING R.H.	1	1		
37	312966	PILAR COVERING L.H.	1	1		



From 3-4417 To 8-1043	Date:10/2022	PAGE:HF-1836-00
PARCEL RACK		

Item#	Part	Description	H 3 4 1	H 3 4 5	V I P 4 5	N O T E S
38	312713	CORD, RUBBER 335"	1			
. NS	506066	. CORD, RUBBER EXTRUSION NEO 7/16" O.D. / C.T.L.	AR			
38	312659	CORD, RUBBER 359"	1			
. NS	506066	. CORD, RUBBER EXTRUSION NEO 7/16" O.D. / C.T.L.	AR			
38	312656	CORD, RUBBER 384"		1		
. NS	506066	. CORD, RUBBER EXTRUSION NEO 7/16" O.D. / C.T.L.		AR		
38	312660	CORD, RUBBER 400"	1			
. NS	506066	. CORD, RUBBER EXTRUSION NEO 7/16" O.D. / C.T.L.	AR			
38	312661	CORD, RUBBER 407"	1	1		
. NS	506066	. CORD, RUBBER EXTRUSION NEO 7/16" O.D. / C.T.L.	AR	AR		
38	312658	CORD, RUBBER 434"	1			
. NS	506066	. CORD, RUBBER EXTRUSION NEO 7/16" O.D. / C.T.L.	AR			
38	312655	CORD, RUBBER 449"		1		
. NS	506066	. CORD, RUBBER EXTRUSION NEO 7/16" O.D. / C.T.L.		AR		
38	312654	CORD, RUBBER 456"		1		
. NS	506066	. CORD, RUBBER EXTRUSION NEO 7/16" O.D. / C.T.L.		AR		
38	312653	CORD, RUBBER 483"		1		
. NS	506066	. CORD, RUBBER EXTRUSION NEO 7/16" O.D. / C.T.L.		AR		
38	506066	. CORD, RUBBER EXTRUSION NEO 7/16" O.D. / C.T.L.	AR	AR		
NS	502525	WASHER FL .484x.750x.031 Z050	AR	AR		
NS	504452	CLAMP "E-Z CLIP" / "TUBE-O" / 7/16" / HC9-7	AR	AR		
39	312984	EDGE MOULDING GREY 1600MM	1	1		
39	312985	EDGE MOULDING GREY 785MM	1	1		
39	312986	EDGE MOULDING GREY 682MM	1	1		
39	312987	EDGE MOULDING GREY 641MM	1	1		
39	312988	EDGE MOULDING GREY 1097MM	1	1		
39	312989	EDGE MOULDING GREY 1063MM	1	1		
39	312990	EDGE MOULDING GREY 516MM	1	1		
39	312991	EDGE MOULDING GREY 1487MM	1	1		
40	313586	COVER L.H. / PLAIN / W/CORD To 5-0167	1	1		
40	312937	COVER L.H. / PLAIN / W/CORD From 5-0168	1	1		
40	312595	COVER L.H. ASSY / W/LIGHT	1	1		
. NS	312593	. COVER L.H. / W/LIGHT HOLE	1	1		
41	313584	COVER L.H. / PLAIN	1	1		
41	313586	COVER L.H. / PLAIN / W/CORD	1	1		
43	313586	COVER L.H. / PLAIN / W/CORD	1	1		
43	313584	COVER L.H. / PLAIN	1	1		
44	312514	COVER R.H. / PLAIN OFFSET W/CORD GREY	1	1		
44	316116	COVER R.H. / PLAIN OFFSET W/CORD & FAN VENT, GREY From 8-1104	1	1		V
44	312890	COVER R.H. ASSY / W/LIGHT OFFSET	1	1		
. NS	312892	. COVER R.H. / W/LIGHT HOLE OFFSET	1	1		
44	316112	COVER R.H. ASSY / W/LIGHT OFFSET & FAN VENT GREY From 8-1104	1	1		V



From 3-4417 To 8-1043	Date:10/2022	PAGE:HF-1836-00
PARCEL RACK		

Item#	Part	Description	H 3 4 1	H 3 4 5	V I P 4 5	N O T E S
. NS	316113	. COVER R.H. / W/LIGHT HOLE & VENT HOLE From 8-1104	1	1		V
45	312910	COVER R.H. / PLAIN OFFSET W/CORD	1	1		
45	312916	COVER R.H. ASSY / W/LIGHT OFFSET	1	1		
. NS	312909	. COVER R.H. / W/LIGHT HOLE OFFSET	1	1		
46	312581	COVER L.H. / PLAIN OFFSET W/CORD	1	1		
46	312889	COVER L.H. ASSY / W/LIGHT OFFSET	1	1		
. NS	312891	. COVER L.H. / W/LIGHT HOLE OFFSET	1	1		
46	319034	COVER L.H. ASSY / W/LIGHT & VENT HOLE From 6-0560	1	1		
. NS	313882	. COVER L.H. / W/VENT HOLE From 6-0560	1	1		
47	313587	COVER R.H. / PLAIN / W/CORD	1	1		
47	312596	COVER R.H. / PLAIN	1	1		
48	312906	COVER / PLAIN / W/CORD	1	1		
49	313591	COVER R.H. ASSY / W/LIGHT To 6-0559	1	1		
. NS	313588	. COVER R.H. / W/LIGHT HOLE To 6-0559	1	1		
49	319034	COVER L.H. ASSY / W/LIGHT & VENT HOLE From 6-0560	1	1		
. NS	313882	. COVER L.H. / W/VENT HOLE From 6-0560	1	1		
49	313587	COVER R.H. / PLAIN / W/CORD	1	1		
50	312921	SUPPORT, PARCEL RACK To 3-4527	14			
50	312921	SUPPORT, PARCEL RACK To 3-4527		16		
50	315887	SUPPORT, PARCEL RACK GREY From 3-4528	14			
50	315887	SUPPORT, PARCEL RACK GREY From 3-4528		16		
51	313623	SUPPORT, PARCEL RACK To 3-4527	2	2		
51	315888	SUPPORT, PARCEL RACK From 3-4528	2	2		
52	561563	SWITCH / S.P.S.T. / N.C.	AR	AR		
53	312454	COVER UPPER GRIS	8			
53	312454	COVER UPPER GRIS		9		
54	313000	COVER END CLOSING	1			
55	313621	COVER R.H. END CLOSING To 5-0167	1	1		
55	313717	COVER R.H. END CLOSING From 5-0168	1	1		
55	313620	COVER R.H. END CLOSING To 5-0167		1		A
55	313716	COVER R.H. END CLOSING From 5-0168		1		A
56	313600	COVER L.H. END CLOSING To 5-0167		1		
56	313753	COVER L.H. END CLOSING From 5-0168		1		
57	312509	COVER FINISHING PILAR LIGHTING MODULE	12			
57	312509	COVER FINISHING PILAR LIGHTING MODULE		14		
58	312446	COVER FINISHING PILAR L.H. LIGHTING MODULE	2	2		
59	312508	COVER FINISHING PILAR R.H. LIGHTING MODULE	2	2		
60	312477	CEILING PANEL #1 R.H. #1 R.H.	1	1		
60	312479	CEILING PANEL #1 L.H. #1 L.H.	1	1		
60	312460	CEILING PANEL #2,3,4,5 & 6 L.H. & R.H. #2,3,4,5 & 6 L.H. & R.H.	AR	AR		
60	312482	CEILING PANEL #6 R.H. / W/W.C.L. "RICON" #6 R.H. To 5-0167		1		
60	312599	CEILING PANEL #6 R.H. / W/W.C.L. "RICON" #6 R.H. From 5-0168		1		



From 3-4417 To 8-1043	Date:10/2022	PAGE:HF-1836-00
PARCEL RACK		

Item#	Part	Description	H 3 4 1	H 3 4 5	V I P 4 5	N O T E S
60	312483	CEILING PANEL #7 R.H. / W/W.C.L. "RICON" #7 R.H.	1			
60	312481	CEILING PANEL #7 L.H. #7 L.H.	1			
60	Call order desk	CEILING PANEL #7 L.H. #7 L.H.	1			P
. NS	312488	. CEILING PANEL	1			
60	312638	CEILING PANEL #7 R.H. / W/W.C.L. "ST&ST" #7 R.H. To 6-0335		1		
60	312489	CEILING PANEL #8 R.H. #8 R.H.	1			
60	312475	CEILING PANEL #8 L.H. #8 L.H.		1		
60	312473	CEILING PANEL #8 R.H. / W/W.C.L. "RICON" #8 R.H.		1		
NS	312243	INSULATING / TOP PANEL & STRUCTURE 1371.6MM	10			
NS	312243	INSULATING / TOP PANEL & STRUCTURE 1371.6MM		12		
NS	500964	WASHER FL .203x.500x.047 Z050	48	48		
NS	500654	SCREW TC BDG PH #8-32x1/2 Z050	48	48		
NS	5001440	SCREW TP RND PH WSHR HD #8x1/2	AR	AR		
NS	504118	RIVET POP DOME OE 3/16x3/8 AL	AR	AR		
60	506500	TAPE RUB ADH2 NEO .045" x 1" x 100' / BLACK 4965	AR	AR		
61	Call order desk	CEILING PANEL ASSY W/READING LIGHT To 4-4828	1			P
62	Call order desk	CEILING PANEL ASSY W/READING LIGHT To 6-0332		1		P
62	Call order desk	CEILING PANEL ASSY W/READING LIGHT W/LED From 4-4829 To 6-0332		1		P
62	Call order desk	CEILING PANEL ASSY W/READING LIGHT From 6-0333 To 6-0559		1		P B
62	Call order desk	CEILING PANEL ASSY W/READING LIGHT & SPEAKER From 6-0560		1		P B
62	Call order desk	CEILING PANEL ASSY W/READING LIGHT W/LED From 6-0333 To 6-0559		1		P B
62	Call order desk	CEILING PANEL ASSY W/READING LIGHT W/LED & SPEAKER From 6-0560		1		P B
NS	341126	. CEILING PANEL ALLUMINUM	1	1		
63	313624	CATCH To 3-4596	AR	AR		
63	313667	CATCH GREY From 3-4597	AR	AR		
64	500638	SCREW TP PAN PH #8x1/2 Z050	9	9		
NS	500470	WASHER LO SPT .193x.334x.047 Z050	1	1		
65	313625	PILAR COVERING / FRONT W.C.L. DOOR	1	1		
66	313626	PILAR COVERING / BACKWARD W.C.L. DOOR		1		
67	313586	COVER L.H. / PLAIN / W/CORD To 5-0167		1		
67	313584	COVER L.H. / PLAIN To 5-0167		1		
67	313744	COVER L.H. END CLOSING AILSE SECTION From 5-0168		1		
68	313752	COVER L.H. END CLOSING WINDOW SECTION GREY From 5-0168		1		
70	312553P	PANEL, INTERIOR ASSY 868 MM #1 RH & LH	2	2		
70	312456P	PANEL, INSIDE 1657MM #2,3,5,6 LH & #2,4,5,6 RH	8			
70	312456P	PANEL, INSIDE 1657MM #2,3,4,6,7 LH & #2,3,5,6,7 RH		10		
70	Call order desk	PANEL, INSIDE 1657MM #4 LH & #3 RH	2			P
70	Call order desk	PANEL, INSIDE 1657MM #5 LH & #4 RH		2		P
70	312558P	PANEL, INSIDE / W/W.C.L. "RICON" 597MM #5 RH		1		
70	Call order desk	PANEL, INSIDE / W/W.C.L. "ST&ST" OR GALLEY 1594MM #6 RH To 6-0335	1	1		P
70	Call order desk	PANEL, INSIDE / W/W.C.L. "RICON" 1544MM #6 & #7 RH		1		P
70	Call order desk	PANEL, INSIDE 1205.5MM #7 RH	1			P



From 3-4417 To 8-1043	Date:10/2022	PAGE:HF-1836-00
PARCEL RACK		

Item#	Part	Description	H 3 4 1	H 3 4 5	V I P 4 5	N O T E S
70	Call order desk	PANEL, INSIDE 1826MM #7 LH	1			P
70	Call order desk	PANEL, INSIDE / W/W.C.L. "ST&ST" 597MM #7 RH To 6-0335		1		P
70	Call order desk	PANEL, INSIDE 791MM #6 & #7 RH		1		P
70	312641P	PANEL, INSIDE 766MM #8 LH		1		
NS	810034	CARPET OZITE / S.L. 12 FT WIDE	AR	AR		
71	313120	SUPPORT REAR R.H. W/OUT LAVATORY W/CORD	1	1		
80	312427P	PANEL ASSY / W/O SPEAKER	1	1		
80	312428P	PANEL ASSY #1 W/SPEAKER HOLE	1	1		
80	312429P	PANEL ASSY #2,3,4,5 & 6 L.H. & R.H. To 6-0559	8			
80	Call order desk	PANEL ASSY #2,3,4,5 & 6 L.H. & R.H. From 6-0560	8			P
80	312429P	PANEL ASSY #2,3,4,5 & 6 L.H. & R.H. To 6-0559		10		
80	Call order desk	PANEL ASSY #2,3,4,5 & 6 L.H. & R.H. From 6-0560		10		P
80	Call order desk	PANEL ASSY #4 R.H. & #5 L.H. To 6-0559	2	2		P
80	Call order desk	PANEL ASSY #4 R.H. & #5 L.H. From 6-0560	2	2		P
80	Call order desk	PANEL ASSY #4 L.H. & R.H. To 6-0559	1	1		PA
80	Call order desk	PANEL ASSY #4 L.H. & R.H. From 6-0560	1	1		PA
80	312436P	PANEL ASSY #5 R.H. / W/W.C.L. "RICON" To 6-0559		1		
80	Call order desk	PANEL ASSY #5 R.H. / W/W.C.L. "RICON" From 6-0560		1		P
80	Call order desk	PANEL ASSY #5 R.H. / W/W.C.L. "RICON" From 6-0560		1		P
80	Call order desk	PANEL ASSY #6 R.H. / W/W.C.L. "ST&ST" To 6-0335	1			P
80	Call order desk	PANEL ASSY #6 R.H. / W/W.C.L. "RICON" To 6-0559		1		P
80	Call order desk	PANEL ASSY #6 R.H. / W/W.C.L. "RICON" From 6-0560		1		P
80	312437P	PANEL ASSY #6 R.H. / W/W.C.L. "RICON" To 6-0559		1		
80	Call order desk	PANEL ASSY #6 R.H. / W/W.C.L. "RICON" From 6-0560		1		P
80	Call order desk	PANEL ASSY #7 R.H. To 6-0559	1			P
80	Call order desk	PANEL ASSY #7 R.H. From 6-0560	1			P
80	Call order desk	PANEL ASSY #7 R.H. / W/W.C.L. "RICON"	1			P
80	Call order desk	PANEL ASSY #7 R.H. / W/W.C.L. "RICON" To 6-0559		1		P
80	Call order desk	PANEL ASSY #7 R.H. / W/W.C.L. "RICON" From 6-0560		1		P
80	Call order desk	PANEL ASSY #7 R.H. / W/W.C.L. "ST&ST" To 6-0335		1		P
80	313607P	PANEL ASSY #8 L.H.		1		
80	313608P	PANEL ASSY #8 L.H. To 6-0559		1		
80	Call order desk	PANEL ASSY #8 L.H. From 6-0560		1		P
90	312532	EXTRUSION, ALUMINIUM 6395 MM		1		
90	312371	EXTRUSION, ALUMINIUM 6395MM / C.T.L.		1		
90	312528	EXTRUSION, REAR, ALUMINIUM 5850MM / S.C.C		1		
90	312534	EXTRUSION, REAR, ALUMINIUM 4448 MM		1		
90	312535	EXTRUSION, REAR, ALUMINIUM 6450MM / S.C.C		1		
90	312530	EXTRUSION, REAR, ALUMINIUM 5773MM / S.C.C		1		
NS	312511	PLATE, JUNCTION / EXTRUSION RETAINER		2		
NS	504114	RIVET POP DOME OE 3/16x1/4 AL	8	8		
NS	504567	GROMMET / .687x1.000x.250x.562x1.312	2	2		



From 3-4417 To 8-1043	Date:10/2022	PAGE:HF-1836-00
PARCEL RACK		

Item#	Part	Description	H 3 4 1	H 3 4 5	V I P 4 5	N O T E S
NS	504666	GROMMET / 1.000x1.375x.250x.625x1.750	1	1		
NS	504460	GROMMET / 1.500x1.750x.062x.437x2.125	1	1		
91	312527	EXTRUSION, ALUMINIUM 6395MM / S.C.C		1		
91	312372	EXTRUSION, ALUMINIUM 6395MM / C.T.L.		1		
91	312525	EXTRUSION, ALUMINIUM 5850MM / S.C.C		1		
91	312538	EXTRUSION, ALUMINIUM 5148MM / S.C.C		1		
91	312531	EXTRUSION, ALUMINIUM 6450MM		1		
91	312537	EXTRUSION, ALUMINIUM 4527MM / S.C.C		1		
91	312526	EXTRUSION, ALUMINIUM 5773MM / S.C.C		1		
91	312539	EXTRUSION, ALUMINIUM 3256MM	1			
91	312532	EXTRUSION, ALUMINIUM 6395 MM		1		
91	312536	EXTRUSION, REAR, ALUMINIUM 3913MM / S.C.C		1		
NS	810087	CARPET (OZITE) SELF ADHESIVE	AR	AR		
NS	502513	SCREW TP CAP HEX 5/16x1 Z050	AR	AR		
92	HF-0655-00	INTERIOR LIGHTING				
92	HF-2240-20	BLOWER VENTILATION - PARCEL RACK				
93	312720P	PANEL 427MM	1	1		
93	312721P	PANEL 279MM	1	1		
93	312722P	PANEL 605MM	1	1		
93	312723P	PANEL 525MM	1	1		
93	312724P	PANEL 343MM	1	1		
93	312725P	PANEL 510MM	1	1		
93	Call order desk	PANEL 366MM	1	1		P
93	312728P	PANEL 500MM	1	1		
93	312729P	PANEL 356MM	1	1		
93	312730P	PANEL 478MM	1	1		
93	Call order desk	PANEL 631MM	1	1		P
93	312733P	PANEL 447MM	1	1		
93	312734P	PANEL 299 MM	1	1		
93	312735P	PANEL 402MM	1	1		
93	312736P	PANEL 248MM	1	1		
93	312737P	PANEL 542MM	1	1		
93	312738P	PANEL 773MM	1	1		
93	312739P	PANEL 550MM	1	1		
93	Call order desk	PANEL 292MM	1	1		P
93	312741P	PANEL 538MM	1	1		
93	312742P	PANEL 763MM	1	1		
93	Call order desk	PANEL 529MM	1	1		P
93	312745P	PANEL 472MM	1	1		
93	312746P	PANEL 705MM	1	1		
93	312747P	PANEL 454MM	1	1		
93	312748P	PANEL 700MM	1	1		



From 3-4417 To 8-1043	Date:10/2022	PAGE:HF-1836-00
PARCEL RACK		

Item#	Part	Description	H 3 4 1	H 3 4 5	V I P 4 5	N O T E S
93	312749P	PANEL 421MM	1	1		
93	Call order desk	PANEL 747MM	1	1		P
93	312751P	PANEL 408MM	1	1		
93	312752P	PANEL 484MM	1	1		
93	312756P	PANEL 575MM	1	1		
93	312757P	PANEL 598MM	1	1		
93	312759P	PANEL 711MM	1	1		
93	312760P	PANEL 269MM	1	1		
93	312761P	PANEL 315MM	1	1		
93	312762P	PANEL 310MM	1	1		
93	Call order desk	PANEL 352MM	1	1		P
93	312764P	PANEL 325MM	1	1		
93	312765P	PANEL 731MM	1	1		
93	312766P	PANEL 590MM	1	1		
93	312767P	PANEL 457MM	1	1		
93	Call order desk	PANEL 741MM	1	1		P
93	312770P	PANEL 759MM	1	1		
93	312771P	PANEL 495MM	1	1		
93	312774P	PANEL 431MM	1	1		
93	312839P	PANEL 375MM	1	1		
93	312840P	PANEL 753MM	1	1		
93	Call order desk	PANEL 722MM	1	1		P
93	312946P	PANEL 437MM	1	1		
93	312971P	PANEL 51MM	1	1		
93	313076P	PANEL 490MM	1	1		
93	313077P	PANEL 253MM	1	1		
93	Call order desk	PANEL 243MM	1	1		P
93	313079P	PANEL 716MM	1	1		
93	Call order desk	PANEL 213MM	1	1		P
93	313328P	PANEL 388MM	1	1		
93	313333P	PANEL 415MM	1	1		
93	Call order desk	PANEL 73MM	1	1		P
93	Call order desk	PANEL 80MM	1	1		P
93	313682P	PANEL 100MM	1	1		
93	Call order desk	PANEL 114MM	1	1		P
93	Call order desk	PANEL 149MM	1	1		P
93	Call order desk	PANEL 158MM	1	1		P
93	Call order desk	PANEL 166MM	1	1		P
93	Call order desk	PANEL 181MM	1	1		P
93	315913P	PANEL 184MM	1	1		
93	313330P	PANEL 193MM	1	1		
93	315940P	PANEL 226MM	1	1		



From 3-4417 To 8-1043	Date:10/2022	PAGE:HF-1836-00
PARCEL RACK		

Item#	Part	Description	H 3 4 1	H 3 4 5	V I P 4 5	N O T E S
93	Call order desk	PANEL 231MM	1	1		P
93	313334P	PANEL 235MM	1	1		
93	Call order desk	PANEL 264MM	1	1		P
93	315923P	PANEL 289MM	1	1		
93	316018P	PANEL 304MM	1	1		
93	313075P	PANEL 335MM	1	1		
93	Call order desk	PANEL 370MM	1	1		P
93	Call order desk	PANEL 391MM	1	1		P
93	Call order desk	PANEL 396MM	1	1		P
93	310617P	PANEL 440MM	1	1		
93	312975P	PANEL 465MM	1	1		
93	312835P	PANEL 475MM	1	1		
93	Call order desk	PANEL 475MM / 108MM POSITION FLAT MONITOR	1	1		P
93	Call order desk	PANEL 516MM	1	1		P
93	Call order desk	PANEL 553MM	1	1		P
93	313335P	PANEL 559MM	1	1		
93	Call order desk	PANEL 560MM	1	1		P
93	313125P	PANEL 565MM	1	1		
93	315952P	PANEL 570MM	1	1		
93	315884P	PANEL 582MM	1	1		
93	315945P	PANEL 601MM	1	1		
93	313414P	PANEL 615MM	1	1		
93	Call order desk	PANEL 625MM	1	1		P
93	Call order desk	PANEL 636MM	1	1		P
93	Call order desk	PANEL 646MM	1	1		P
93	310653P	PANEL 655MM / 382MM POSITION SCREEN / L.H. W/10" LCD SCREEN	1	1		
93	310654P	PANEL 655MM / 382MM POSITION SCREEN / R.H. W/ LCD SCREEN	1	1		
93	315983P	PANEL 655MM	1	1		
93	Call order desk	PANEL 656MM	1	1		P
93	Call order desk	PANEL 660MM	1	1		P
93	Call order desk	PANEL 672MM	1	1		P
93	Call order desk	PANEL 674MM	1	1		P
93	Call order desk	PANEL 682MM	1	1		P
93	Call order desk	PANEL 686MM	1	1		P
93	Call order desk	PANEL 690MM	1	1		P
93	Call order desk	PANEL 723MM	1	1		P
93	Call order desk	PANEL 725MM	1	1		P
93	Call order desk	PANEL 788MM	1	1		P
93	Call order desk	PANEL 802MM	1	1		P
93	Call order desk	PANEL 811MM	1	1		P
93	Call order desk	PANEL 819MM	1	1		P
93	Call order desk	PANEL 836MM	1	1		P



From 3-4417 To 8-1043	Date:10/2022	PAGE:HF-1836-00
PARCEL RACK		

Item#	Part	Description	H 3 4 1	H 3 4 5	V I P 4 5	N O T E S
93	Call order desk	PANEL 843MM	1	1		P
93	Call order desk	PANEL 850MM	1	1		P
93	313617P	PANEL 866MM	1	1		
93	315929P	PANEL 878MM	1	1		
93	Call order desk	PANEL 885MM	1	1		P
93	Call order desk	PANEL 905MM	1	1		P
93	Call order desk	PANEL 924MM	1	1		P
93	Call order desk	PANEL 936MM	1	1		P
93	315904P	PANEL 940MM	1	1		
93	Call order desk	PANEL 990MM	1	1		P
93	Call order desk	PANEL 1123MM	1	1		P
93	Call order desk	PANEL 1360MM	1	1		P
93	Call order desk	PANEL 1379MM	1	1		P
93	Call order desk	PANEL 1481MM	1	1		P
93	Call order desk	PANEL 1549MM	1	1		P
93	Call order desk	PANEL 1549MM	1	1		P
94	312814	HAND RAIL / EXTRUSION W/HOLE 3320 MM		2		
94	312523	HAND RAIL / EXTRUSION W/HOLE 2260 MM		1		
94	312816	HAND RAIL / EXTRUSION W/HOLE 4190 MM	1			
94	312815	HAND RAIL / EXTRUSION W/HOLE 3320 MM	1			
94	312518	HAND RAIL / EXTRUSION 4190 MM		1		
94	312370	HAND RAIL / EXTRUSION 4190 MM		1		
94	312522	HAND RAIL / EXTRUSION 2808 MM		1		
94	312521	HAND RAIL / EXTRUSION 4735 MM		1		
94	312524	HAND RAIL / EXTRUSION 3913 MM		1		
94	312520	HAND RAIL / EXTRUSION 4113 MM		1		
94	312543	HAND RAIL / EXTRUSION 2867 MM		1		
NS	312510	ROD , JUNCTION / EXTRUSION RETAINER		7		
95	064562	CABLE HARNESS / IND LIGHT R.H. / W/DOOR		1		
95	064564	CABLE HARNESS / IND LIGHT L.H. / W/DOOR		1		
95	064563	CABLE HARNESS / IND LIGHT R.H. / W/O DOOR		1		
95	064565	CABLE HARNESS / IND LIGHT L.H. / W/O DOOR		1		
95	064570	CABLE HARNESS / IND LIGHT R.H. / W/DOOR	1			
95	064572	CABLE HARNESS / IND LIGHT L.H. / W/DOOR	1			
95	064571	CABLE HARNESS / IND LIGHT R.H. / W/O DOOR	1			
95	064573	CABLE HARNESS / IND LIGHT L.H. / W/O DDOR	1			
95	064712	CABLE ASSY IND LIGHT R.H. / W/DOOR & "RICON"		1		
95	064713	CABLE ASSY IND LIGHT R.H. / W/DOOR & "RICON"		1		
95	064714	CABLE ASSY IND LIGHT R.H. / W/O DOOR & "RICON"		1		
95	064715	CABLE ASSY IND LIGHT R.H. / W/O DOOR & "RICON"		1		
96	065494	CABLE ASSY / DIRECT LIGHT & SPEAKER L.H.		1		
96	065495	CABLE ASSY / DIRECT LIGHT & SPEAKER R.H.		1		



From 3-4417 To 8-1043	Date:10/2022	PAGE:HF-1836-00
PARCEL RACK		

Item#	Part	Description	H 3 4 1	H 3 4 5	V I P 4 5	N O T E S
96	064568	CABLE ASSY / DIRECT LIGHT & SPEAKER L.H.	1			
96	064569	CABLE ASSY / DIRECT LIGHT & SPEAKER R.H.	1			
96	065496	CABLE ASSY SIDE LIGHT R.H. / FRONT W/"RICON"		1		
96	065497	CABLE ASSY SIDE LIGHT R.H. / REAR W/"RICON"		1		
96	064705	CABLE ASSY SIDE LIGHT R.H. / W/O LAVATORY		1		
97	064840	CABLE HARNESS / READING LIGHT STREETSIDE		1		
97	064842	CABLE HARNESS / READING LIGHT CURB SIDE		1		
97	064841	CABLE HARNESS / READING LIGHT STREETSIDE	1			
97	064842	CABLE HARNESS / READING LIGHT CURB SIDE	1			
97	064846	CABLE ASSY READING LIGHT R.H. / FRONT W/"RICON"		1		
97	064847	CABLE ASSY READING LIGHT R.H. / REAR W/"RICON"		1		
97	064844	CABLE ASSY READING LIGHT R.H. / W/O LAVATORY		1		
97	064845	CABLE ASSY READING LIGHT R.H. / W/O LAVATORY	1			
100	HF-1837-00	CEILING PANELS & MOULDING				
101	500183	SCREW CAP HEX 5/16-18x1 1/2 G5 PT Z050 To 3-4579	AR	AR		
101	502927	SCREW CAP HEX M8-1.25x50 G8.8 N500 From 3-4580	AR	AR		
102	500476	WASHER LO SPT .317x.586x.078 Z050	AR	AR		
103	312367	FIXING PLATE	AR	AR		
104	500638	SCREW TP PAN PH #8x1/2 Z050	18	18		
105	313003	SPACER	AR	AR		
106	502523	RIVET NUT FL OKS 5/16-18 .059-.119 To 3-4579	AR	AR		
106	5001337	NUT INS FL HEX M8-1.25 0.5-3.0 Z050 From 3-4580	AR	AR		
107	830153	TUBE / 32WATT / F32T8SPX41 - 48"	AR	AR		
108	500583	SCREW TP PAN PH #6x1/2 Z050	AR	AR		
NS	500896	SCREW TC FL PH #8-32x5/8 Z050	AR	AR		
200	341120	SUPPORT DETECTOR MODULE TWU From 6-0333		1		
201	563592	MODULE ALARM DETECTOR W.C.L. TWU		1		
202	500518	SCREW MA BDG PH #4-40x1/2 Z050		4		
203	500157	WASHER FL .125x.375x.032 SS		4		
204	500425	NUT HEX NYRT #4-40 SS		4		
205	500333	SCREW TP OV PH #6x3/4 BK		4		
206	500345	WASHER FN CKF .187x.500x.090 BR BK		4		
207	563945	LIGHT TWS W.C.L.		1		
NS	313946	OVER HEAT AIR DISTRIBUTION IN PARCEL RACK		1		
. NS	IS-06900	. SEE INSTRUCTION SHEET		1		
		A) WITH A/C IN PARCEL RACK				
		B) INCLUDE ALLS ITEMS 200 TO 207				
		C) FOR DOOR REPALCEMENT USE 1 EACH: 980027 (BALL STUD) ,502638 (FL WASHER) & 502847 (NUT)				
		V) THOSE COVERS ARE USE WITH VENTILATION AS SHOWN AT PAGE HF-2240-30				



From 3-4417 To 8-1043	Date:10/2022	PAGE:HF-1836-00
-----------------------	--------------	-----------------

PARCEL RACK

Item#	Part	Description	H 3 4 1	H 3 4 5	V I P 4 5	N O T E S
		4) NO PARTS NUMBER				
		P) CALL ORDER DESK FOR SPECIFIC APPLICATION (V.I.N.)				



From 3-4417 To 8-1043	Date:10/2022	PAGE:HF-1837-00
CEILING PANELS & MOULDING		

Item#	Part	Description	H 3 4 1	H 3 4 5	V I P 4 5	N O T E S
1	313042P	CEILING PANEL ASSY #1 R.H.	1	1		
. NS	313057	. CEILING PANEL 922MM x 374MM	1	1		
2	313043P	CEILING PANEL ASSY #1 L.H.	1	1		
. NS	313058	. CEILING PANEL 922MM x 374MM	1	1		
3	313046P	CEILING PANEL ASSY / W/EMERGENCY EXIT	AR	AR		
. NS	313063	. CEILING PANEL 1657MM x 374MM	1	1		
4	313045P	CEILING PANEL ASSY / W/EMERGENCY EXIT	AR	AR		
. NS	313062	. CEILING PANEL 1657MM x 374MM	1	1		
5	313040P	CEILING PANEL ASSY #2-3-4-5-6 & 7	AR	AR		
. NS	313054	. CEILING PANEL 1657MM x 374MM	1	1		
6	313044P	CEILING PANEL ASSY #8 R.H.		1		
. NS	313059	. CEILING PANEL 780MM x 374MM		1		
7	Call order desk	CEILING PANEL ASSY #7 R.H.	1			P
. NS	313060	. CEILING PANEL 1195MM x 374MM	1			
8	313041P	CEILING PANEL ASSY #8 L.H.		1		
. NS	313056	. CEILING PANEL 780MM x 374MM		1		
9	Call order desk	CEILING PANEL ASSY #7 L.H.	1			P
. NS	313067	. CEILING PANEL 1195MM x 374MM	1			
10	340990P	CEILING PANEL ASSY FRONT CENTER 321MM x 623MM To 6-0491	1	1		
. NS	340985	. CEILING PANEL AL FRONT 325MM X 623MM To 6-0491	1	1		
10	Call order desk	CEILING PANEL ASSY FRONT CENTER 321MM x 623MM From 6-0492	1	1		P
. NS	341131	. CEILING PANEL TRANSITION 324MM x 623MM From 6-0492	1	1		
NS	343588P	CEILING PANEL ASSY FRONT CENTER W/FLAT 10" 325MM x 623MM To 7-0818	1	1		
. NS	341111	. CEILING PANEL ALU. FRONT CENTER W/FLAT 10" To 7-0818	1	1		
10	343582	CEILING PANEL ASSY FRONT CENTER W/FLAT 15" 323MM x 623MM To 5-0150	1	1		
NS	340962	CEILING PANEL ASSY TRANSITION 320MM x 906MM To 6-0491	1	1		R
NS	341134	CEILING PANEL ALU. TRANSITION 319MM x 906MM From 6-0492	1	1		R
10	341112P	CEILING PANEL ASSY TRANSITION / W/FLAT 10" 323MM x 906MM To 7-0817	1	1		R
NS	343583	CEILING PANEL ASSY TRANSITION / W/FLAT 15" 323MM x 906MM To 5-0150	1	1		R
10	506003	TAPE RUB ADH1 CC POL 3/16" x 3/4" x 40' / GREY 2520X	AR	AR		
10	680453	SEALANT TAPE / CLEAR / 1/32"x1/2"x65' / 1795	AR	AR		
10	500333	SCREW TP OV PH #6x3/4 BK	AR	AR		
11	340981P	CEILING PANEL ASSY #1 922MM x 640MM	1	1		
. NS	313016	. CEILING PANEL 922MM x 640MM	1	1		
11	Call order desk	CEILING PANEL ASSY #1 / W/17" MONITOR 922MM x 640MM From 7-0818	1	1		P
. NS	341153	. CEILING PANEL W/17" MONITOR 922MM x 640MM From 7-0818	1	1		
12	340982P	CEILING PANEL ASSY / W/EMERGENCY EXIT	AR	AR		
. NS	313017	. CEILING PANEL 1051MM x 640MM	1	1		
13	Call order desk	CEILING PANEL ASSY #2-3-4-5-6 & 7	4			P
. NS	311014	. CEILING PANEL 1656MM x 640MM	1			
13	Call order desk	CEILING PANEL ASSY #2-3-4-5-6 & 7		5		P
. NS	311014	. CEILING PANEL 1656MM x 640MM		1		



From 3-4417 To 8-1043	Date:10/2022	PAGE:HF-1837-00
CEILING PANELS & MOULDING		

Item#	Part	Description	H 3 4 1	H 3 4 5	V I P 4 5	N O T E S
14	Call order desk	CEILING PANEL ASSY #8		1		P
. NS	313015	. CEILING PANEL 780MM x 640MM		1		
14	340984P	CEILING PANEL ASSY #7	1			
. NS	313019	. CEILING PANEL 1195MM x 640MM	1			
15	Call order desk	CEILING PANEL ASSY #5 R.H. / W/W.C.L. "RICON"		1		P
. NS	313061	. CEILING PANEL 1657MM x 374MM		1		
16	Call order desk	CEILING PANEL ASSY #6 R.H. / W/W.C.L. "RICON"		1		P
. NS	313055	. CEILING PANEL 1657MM x 374MM		1		
17	Call order desk	CEILING PANEL ASSY #7 R.H. / W/W.C.L. "ST & S T"		1		P
. NS	313066	. CEILING PANEL 1657MM x 374MM		1		
17	Call order desk	CEILING PANEL ASSY #7 R.H. / W/W.C.L. "RICON"		1		P
. NS	313064	. CEILING PANEL 1657MM x 374MM		1		
18	Call order desk	CEILING PANEL ASSY #6 R.H. / W/W.C.L. "ST & S T"	1			P
. NS	313065	. CEILING PANEL	1			
19	340983P	CEILING PANEL ASSY / SMALL W/EMERGENCY EXIT / (USED W/ITEM # 34 ONLY)	1	1		
. NS	313018	. CEILING PANEL 222MM x 640MM	1	1		
20	326198	FINISHING MOULDING / UPPER TRAPEZ WINDOW	2	2		A
21	326201	FINISHING MOULDING / W/SINGLE GLASS	10			A
21	326201	FINISHING MOULDING / W/SINGLE GLASS		12		A
21	326262	FINISHING MOULDING / W/THERMO GLASS	10			A
21	326262	FINISHING MOULDING / W/THERMO GLASS		12		A
22	326208	FINISHING MOULDING / W/SINGLE GLASS / REAR		2		A
22	326264	FINISHING MOULDING / W/THERMO GLASS / REAR		2		A
23	326250	FINISHING MOULDING / W/SINGLE GLASS / REAR	2			A
23	326266	FINISHING MOULDING / W/THERMO GLASS / REAR	2			A
24	326280	FINISHING MOULDING / W/SINGLE GLASS & W/W.C.L. "RICON"		1		
24	326287	FINISHING MOULDING / W/THERMO GLASS & W/W.C.L. "RICON"		1		
31	313658	FINISHING MOULDING SS "J" W/EMERGENCY 1660MM SS From 2-4420	AR	AR		
32	313642	FINISHING MOULDING SS "J" 1660MM SS From 2-4420	8			
32	313642	FINISHING MOULDING SS "J" 1660MM SS From 2-4420		10		
33	313639	FINISHING MOULDING SS "J" W/EMERGENCY 1660MM SS From 2-4420	AR	AR		
34	313641	FINISHING MOULDING "J" 924MM SS From 2-4420	2	2		
35	313644	FINISHING MOULDING "J" 1197MM SS From 2-4420	2			
36	313643	FINISHING MOULDING "J" 785MM SS From 2-4420		2		
39	504339	RIVET POP DOME OE 1/8x3/8 SS	AR	AR		
40	313119	FINISHING MOULDING PLASTIC	1	1		
41	500552	SCREW TP OV PH #6x3/4 Z050	5	5		
42	500463	WASHER FN CKF .187x.500x.090 BR Z050	5	5		
43	502249	SPRING PIN 3/16" x 1 1/2	4	4		
44	340939	COVER, L.H. & R.H. / FRONT CAP CEILING	2	2		
45	341021	TAPE DUAL LOCK 2" x 530MM / BLACK SJ3541	9	9		
50	HF-0655-00	INTERIOR LIGHTING				



From 3-4417 To 8-1043	Date:10/2022	PAGE:HF-1837-00
CEILING PANELS & MOULDING		

Item#	Part	Description	H 3 4 1	H 3 4 5	V I P 4 5	N O T E S
51	HF-1832-00	FRONT FINISHING CAP				
		A) THIS IS LOCATED UPPER SIDE WINDOWS				
		R) WITH 2 ROUND CORNER				
		P) CALL ORDER DESK FOR SPECIFIC APPLICATION (V.I.N.)				



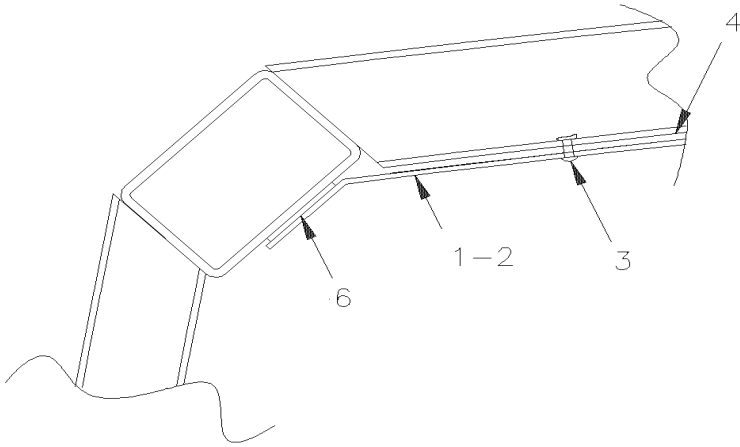
From 3-4417 To 8-1043

Date:10/2022

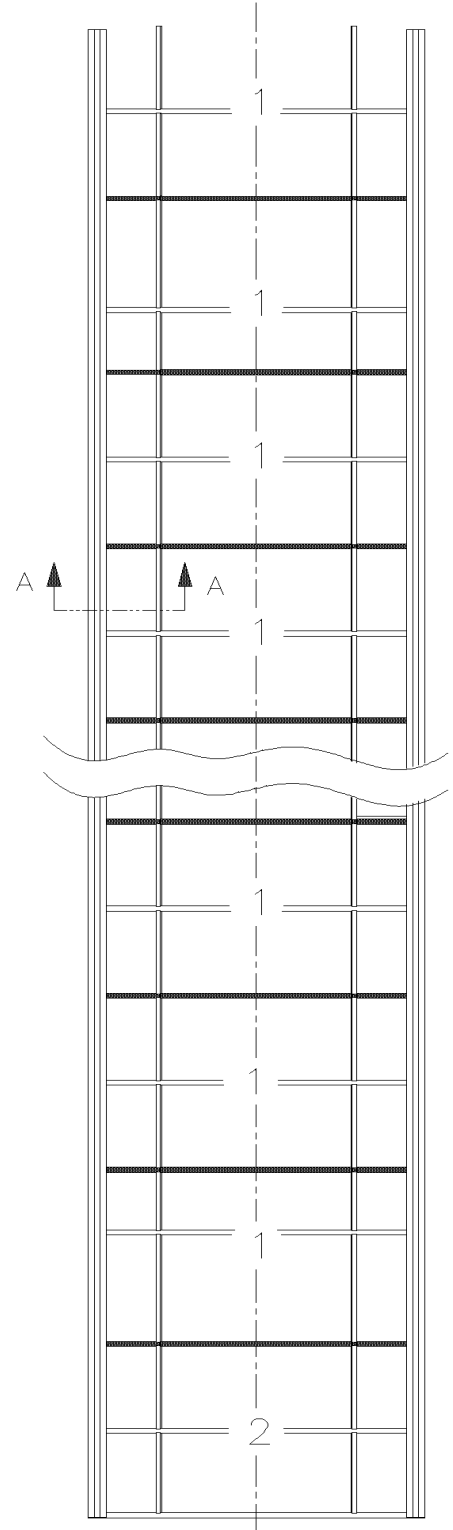
PAGE:HF-1837-50

CEILING PANELS & MOULDING - V.I.P.

FRONT



SECTION A-A





From 3-4417 To 8-1043	Date:10/2022	PAGE:HF-1837-50
CEILING PANELS & MOULDING - V.I.P.		

Item#	Part	Description	H 3 4 1	H 3 4 5	V I P 4 5	N O T E S
1	340966	ALUMINUM CEILING PANEL			12	
2	340967	ALUMINUM CEILING PANEL			1	
3	504339	RIVET POP DOME OE 1/8x3/8 SS			AR	
4	506466	TAPE RUB ADH1 CC POL 1/16" x 1 1/2" x 100 / GREY 2520			AR	
6	680532	SEALANT SIKA #221 / GREY / 310ml CARTRIDGE			5	

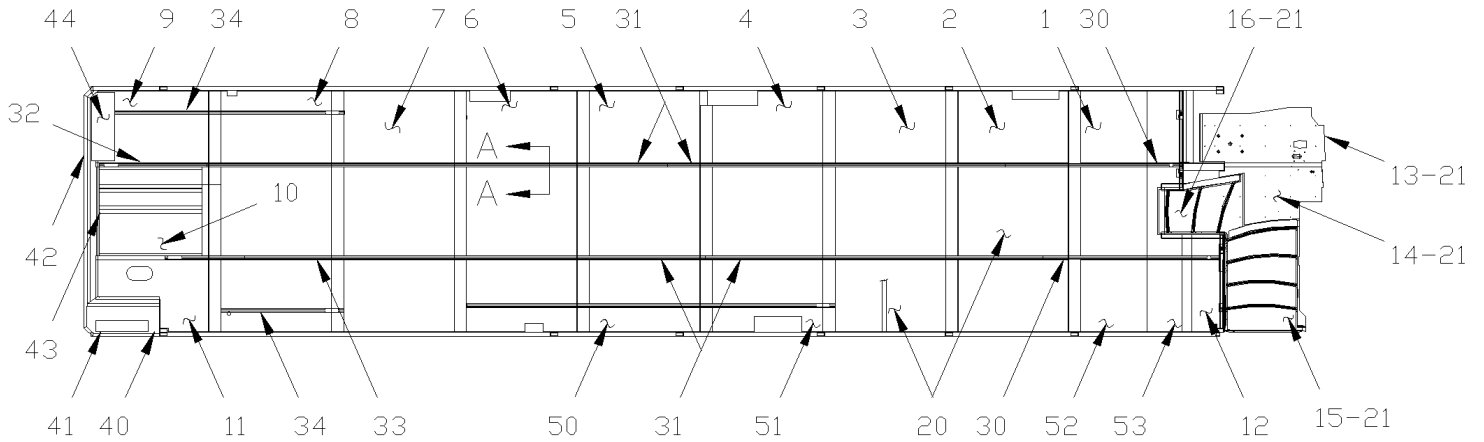


From 3-4417 To 8-1043

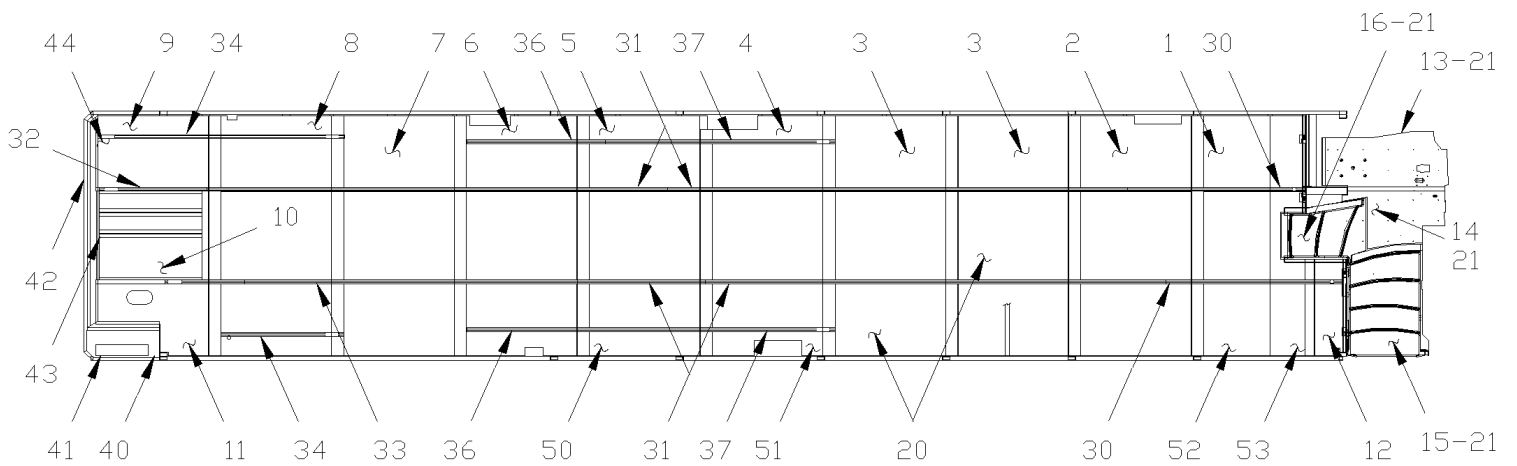
Date:10/2022

PAGE:HF-1838-00

FLOOR - BUS

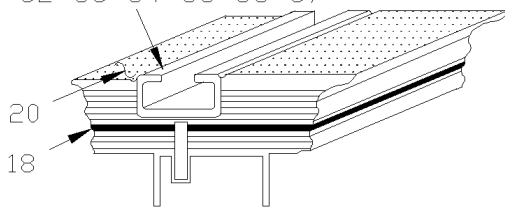


H3-41

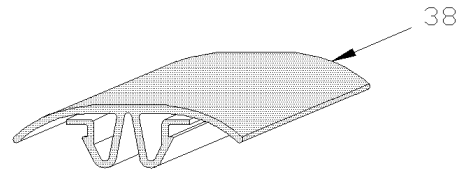


H3-45

30-31-32-33-34-35-36-37



A-A





From 3-4417 To 8-1043	Date:10/2022	PAGE:HF-1838-00
FLOOR - BUS		

Item#	Part	Description	H 3 4 1	H 3 4 5	V I P 4 5	N O T E S
	323276	PANEL ASSY	1	1		
1	328967P	FLOOR / W/STD SEAT	1	1		
1	Call order desk	FLOOR / W/1 V.I.P. PASSENGER STREETSIDE	1	1		P
1	Call order desk	FLOOR / W/1 V.I.P. PASSENGER CURBSIDE	1	1		P
2	328808P	FLOOR / W/1 V.I.P. PASSENGER CURBSIDE	1	1		
2	Call order desk	FLOOR / W/1 V.I.P. PASSENGER STREETSIDE	1	1		P
2	Call order desk	FLOOR / W/1 V.I.P. PASSENGER CURBSIDE		1		P
3	Call order desk	FLOOR / W/STD SEAT	1			P
3	Call order desk	FLOOR LAVATORY & "ST & ST" 1/HOLE		2		P
3	Call order desk	FLOOR / W/1 V.I.P. PASSENGER STREETSIDE	1			P
3	Call order desk	FLOOR / W/1 V.I.P. PASSENGER STREETSIDE		2		P
3	Call order desk	FLOOR / W/1 V.I.P. PASSENGER CURBSIDE		2		P
3	Call order desk	FLOOR / W/1 V.I.P. PASSENGER CURBSIDE	1			P
4	328810P	FLOOR / W/STD SEAT	1	1		
4	Call order desk	FLOOR / W/1 V.I.P. PASSENGER STREETSIDE	1	1		P
4	Call order desk	FLOOR / W/1 V.I.P. PASSENGER CURBSIDE		1		P
4	Call order desk	FLOOR / W/STD SEAT & "RICON" To 3-4684		1		P
4	Call order desk	FLOOR / W/STD SEAT & "RICON" From 3-4685		1		P
5	328811P	FLOOR / W/STD SEAT	1	1		
5	Call order desk	FLOOR / W/1 V.I.P. PASSENGER STREETSIDE	1	1		P
5	Call order desk	FLOOR / W/1 V.I.P. PASSENGER CURBSIDE		1		P
5	Call order desk	FLOOR / W/STD SEAT & "RICON" To 3-4684		1		P
5	Call order desk	FLOOR / W/STD SEAT From 3-4685		1		P
6	Call order desk	FLOOR / W/STD SEAT	1	1		P
6	Call order desk	FLOOR / W/1 V.I.P. PASSENGER STREETSIDE	1	1		P
6	Call order desk	FLOOR / W/1 V.I.P. PASSENGER CURBSIDE		1		P
6	Call order desk	FLOOR / W/STD SEAT & "RICON" To 3-4684		1		P
6	Call order desk	FLOOR / W/STD SEAT & "RICON" From 3-4685		1		P
7	328817P	FLOOR / W/STD SEAT	1	1		
7	Call order desk	FLOOR / W/1 V.I.P. PASSENGER STREETSIDE	1	1		P
7	Call order desk	FLOOR / W/1 V.I.P. PASSENGER CURBSIDE		1		P
8	Call order desk	FLOOR / W/STD SEAT To 5-0167	1	1		P
8	Call order desk	FLOOR / W/STD SEAT From 5-0168	1	1		P
8	Call order desk	FLOOR / W/STD SEAT & "ST & ST"	1	1		P
8	Call order desk	FLOOR / W/1 V.I.P. PASSENGER STREETSIDE	1	1		P
8	Call order desk	FLOOR / W/1 V.I.P. PASSENGER CURBSIDE To 5-0167		1		P
8	Call order desk	FLOOR / W/1 V.I.P. PASSENGER CURBSIDE From 5-0168		1		P
9	328812P	FLOOR / W/STD SEAT To 4-4851		1		
9	Call order desk	FLOOR / W/STD SEAT From 4-4852		1		P
9	Call order desk	FLOOR / W/STD SEAT & "ST & ST" To 4-4851	1	1		P
9	Call order desk	FLOOR / W/STD SEAT & "ST & ST" From 4-4852	1	1		P
9	Call order desk	FLOOR / W/1 V.I.P. PASSENGER STREETSIDE To 4-4851		1		P



From 3-4417 To 8-1043	Date:10/2022	PAGE:HF-1838-00
FLOOR - BUS		

Item#	Part	Description	H 3 4 1	H 3 4 5	V I P 4 5	N O T E S
9	Call order desk	FLOOR / W/1 V.I.P. PASSENGER STREETSIDE From 4-4852		1		P
10	328813P	FLOOR / W/STD SEAT		1		
10	Call order desk	FLOOR / W/STD SEAT & "ST & ST"	1	1		P
11	504564	PLUG BUTTON / 1.500 ODx1.315-1.385 ID/NICKEL	1	1		
12	328965P	FLOOR / R.H. / W/STD SEAT	1	1		
12	Call order desk	FLOOR / R.H. / W/V.I.P.SEAT	1	1		P
13	327007	FLOOR / DRIVER'S	1	1		
14	327006	FLOOR / UPPER STEPWELL	1	1		
NS	508064	VENEER PLYWOOD / 1/4" THICK 4' X 8'	AR	AR		
NS	508392	VENEER PLYWOOD / 7/16" THICK 4' X 8'	AR	AR		
NS	5001143	SCREW DR WF TORX #12x2 CP	AR	AR		
NS	5001535	SCREW DR WF RO #14x1 3/4 Z050	AR	AR		
NS	850027	INSULATING PAD NOISE ADH2 1/16" x 39" x 48"	AR	AR		
15	HF-1800-00	FRONT STEPWELL - INSTALLATION				
16	HF-1800-25	FRONT AISLE STEPWELL - INSTALLATION				
18	850027	INSULATING PAD NOISE ADH2 1/16" x 39" x 48"	AR	AR		
20	HF-1838-05	FLOOR COVERING - "R.C.A."				
20	HF-1838-10	FLOOR COVERING - "TARAFLEX"				
21	HF-1838-15	STEPWELL - COVERING				
30	324498	SEAT TRACK 513MM To 4-4851	2			
30	329148	SEAT TRACK 10477MM From 4-4852	2			
30	324224	SEAT TRACK 1759MM To 4-4851		2		
30	329147	SEAT TRACK 11696MM From 4-4852		2		
31	321369	SEAT TRACK 4572MM To 4-4851	4	4		
32	325149	SEAT TRACK 1068MM To 4-4851	1	1		
32	324410	SEAT TRACK 878MM To 4-4851	1	1		
33	325148	SEAT TRACK 793MM To 4-4851	1	1		
33	323278	SEAT TRACK 813MM To 4-4851	1	1		
34	324660	SEAT TRACK 1219MM To 4-4851	1	1		
35	324798	SEAT TRACK 2279MM To 4-4851		1		
36	325262	SEAT TRACK 1378MM To 4-4851		2		
36	329150	SEAT TRACK 3651MM From 4-4852		2		
37	324798	SEAT TRACK 2279MM To 4-4851		2		
38	323654	SEAT TRACK COVER 12' / EACH SEAT / W/COVERING FLOOR	AR	AR		
38	323963	SEAT TRACK COVER 8' / EACH SEAT / W/COVERING FLOOR	AR	AR		
NS	820027	HANDLE	AR	AR		W
NS	5001119	SCREW TP BDG PH #8x3/4 SS	AR	AR		W
NS	502630	WASHER FL .156x.375x.049 Z050	AR	AR		W
NS	324791	MOULDING CARPET PROTECTOR / W/CARPET ON FLOOR / 29MM X 2438MM SS	AR	AR		
39	500310	SCREW TC FL PH #10-24x1 1/4 SS410	AR	AR		
40	481665	PANEL FRONT OF AIR INTAKE	1	1		
NS	Call order desk	REAR UPPER AIR INLET ASSY	1	1		P



From 3-4417 To 8-1043	Date:10/2022	PAGE:HF-1838-00
FLOOR - BUS		

Item#	Part	Description	H 3 4 1	H 3 4 5	V I P 4 5	N O T E S
NS	Call order desk	REAR LOWER AIR INLET ASSY	1	1		P
41	270980	PANEL R.H. OUTSIDE	1	1		
42	481670	PANEL OUTSIDE /	1	1		
43	481668	PANEL INSIDE /	1	1		
44	481667	PANEL / FRONT & TOP SURGE TANK	1	1		
NS	323384P	REAR PANEL ASSY / (2090MM X 762MM)	1	1		
NS	323289	REAR CONER ASSY / (515MM X 125MM)	1	1		
NS	323275	PANEL ASSY	1	1		
NS	323277	PANEL ASSY	1	1		
50	323285	STEEL NOISE PANEL	1	1		
50	325263	STEEL NOISE PANEL / W/"RICON"		1		
51	323320	STEEL NOISE PANEL	1	1		
51	326458	STEEL NOISE PANEL		1		
52	323365	STEEL NOISE PANEL	1	1		
53	327576	STEEL NOISE PANEL	1	1		
		W) USE WITH W.C.L. SEAT TRACK				
		P) CALL ORDER DESK FOR SPECIFIC APPLICATION (V.I.N.)				

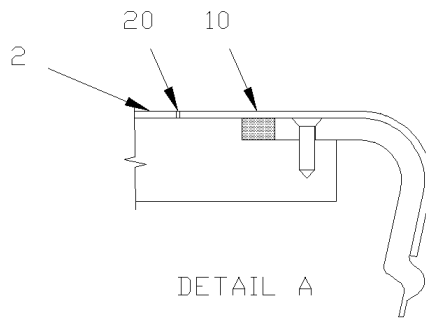
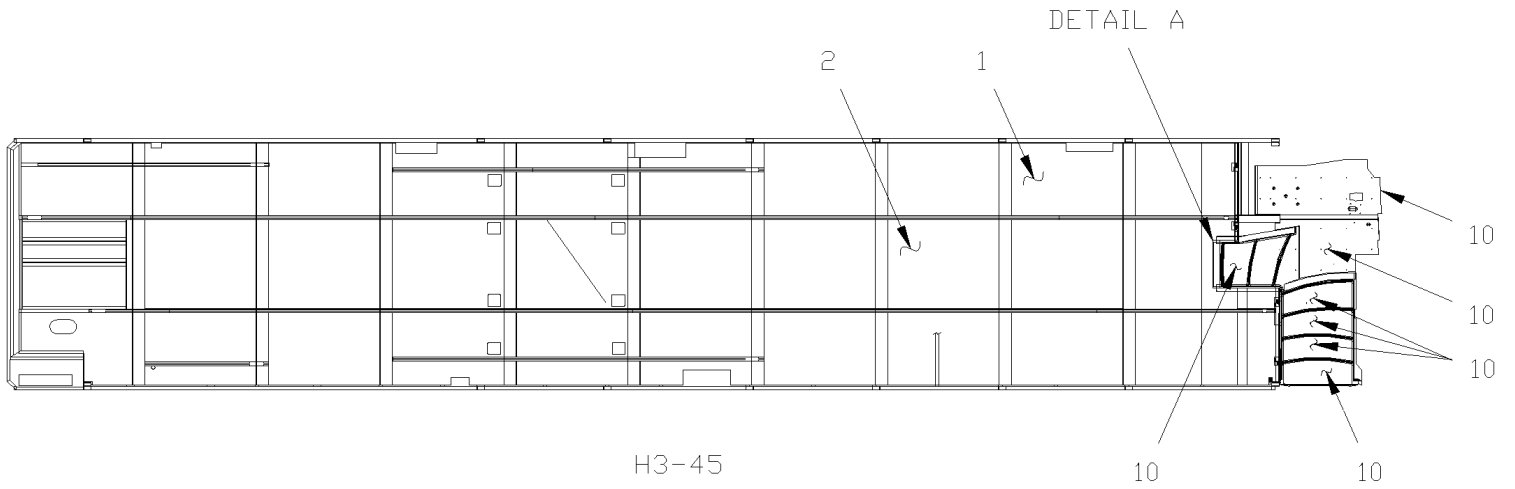
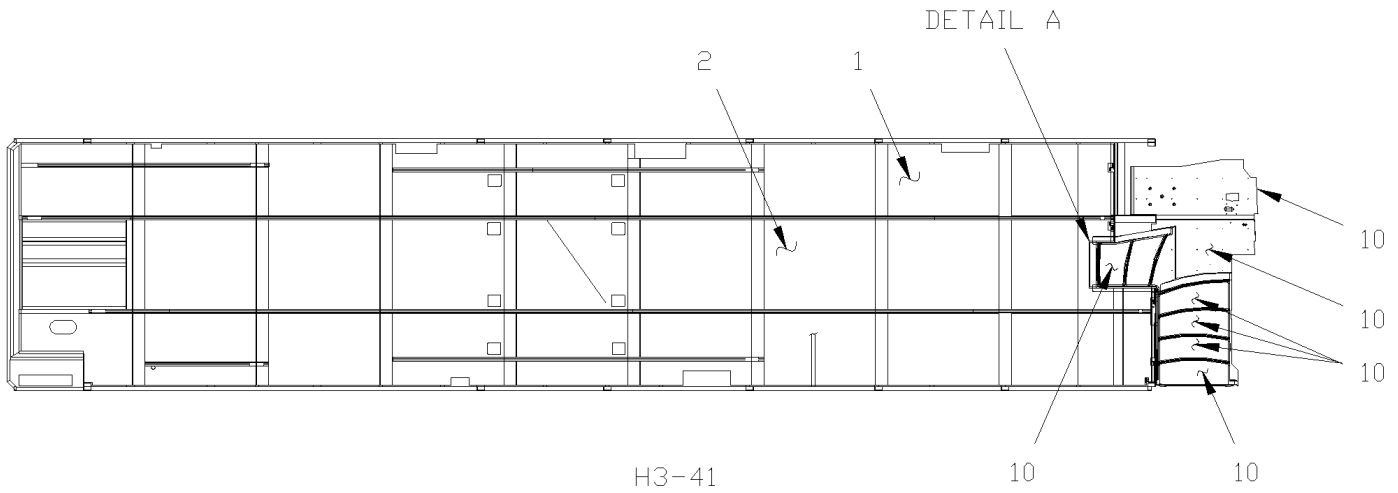


From 3-4417 To 8-1043

Date:10/2022

PAGE:HF-1838-05

FLOOR COVERING - "R.C.A."





From 3-4417 To 8-1043	Date:10/2022	PAGE:HF-1838-05
FLOOR COVERING - "R.C.A."		

Item#	Part	Description	H 3 4 1	H 3 4 5	V I P 4 5	N O T E S
		FLOOR COVERING WINDOW SIDE SECTION / 26' 8" X 36' 1"	1			
		FLOOR COVERING WINDOW SIDE SECTION / 26' 8" X 40' 2"		1		
1	506706	COVERING / CODE "A" = 702	2			
1	506694	COVERING / CODE "A" = 702		2		
1	5060029	COVERING / CODE "B" = 777	2			
1	506746	COVERING / CODE "B" = 777		2		
1	506774	COVERING / CODE "C" = 653	2			
1	506772	COVERING / CODE "C" = 653		2		
1	506692	COVERING / CODE "E" = 766	2			
1	506686	COVERING / CODE "E" = 766		2		
1	5060031	COVERING / CODE "F" = 604	2			
1	506767	COVERING / CODE "F" = 604		2		
1	506744	COVERING / CODE "H" = 630	2			
1	506770	COVERING / CODE "H" = 630		2		
1	506870	COVERING / CODE "I" = 895	2			
1	506731	COVERING / CODE "I" = 895		2		
1	5060033	COVERING / CODE "J" = 466	2			
1	5061005	COVERING / CODE "J" = 466		2		
1	5060035	COVERING / CODE "X" = TR455	2			
1	5061043	COVERING / CODE "X" = TR455		2		
1	506704	COVERING / CODE "Q" = 788	2			
1	506701	COVERING / CODE "Q" = 788		2		
1	820050	COVERING / CODE "Y" = 852	1			
1	850048	COVERING / CODE "K" = 852		1		
1	5060067	COVERING / CODE "Z" = 411	1			
1	5060065	COVERING / CODE "Z" = 411		1		
		FLOOR COVERING CENTRAL AILES / 35' 3/8" X 37' 1"				
		FLOOR COVERING CENTRAL AILES / 35' 3/8" X 40' 2"				
2	506707	COVERING / CODE "A" = 702	1			
2	506695	COVERING / CODE "A" = 702		1		
2	5060030	COVERING / CODE "B" = 777	1			
2	506747	COVERING / CODE "B" = 777		1		
2	506775	COVERING / CODE "C" = 653	1			
2	506772	COVERING / CODE "C" = 653		1		
2	506693	COVERING / CODE "E" = 766	1			
2	506687	COVERING / CODE "E" = 766		1		
2	5060032	COVERING / CODE "F" = 604	1			
2	506768	COVERING / CODE "F" = 604		1		



From 3-4417 To 8-1043	Date:10/2022	PAGE:HF-1838-05
FLOOR COVERING - "R.C.A."		

Item#	Part	Description	H 3 4 1	H 3 4 5	V I P 4 5	N O T E S
2	506745	COVERING / CODE "H" = 630	1			
2	506750	COVERING / CODE "H" = 630		1		
2	506871	COVERING / CODE "I" = 895	1			
2	506732	COVERING / CODE "I" = 895		1		
2	5060034	COVERING / CODE "J" = 466	1			
2	5061006	COVERING / CODE "J" = 466		1		
2	5060036	COVERING / CODE "X" = TR455	1			
2	5061044	COVERING / CODE "X" = TR455		1		
2	506705	COVERING / CODE "Q" = 788	1			
2	506702	COVERING / CODE "Q" = 788		1		
2	850051	COVERING / CODE "K" = 852	1			
2	820049	COVERING / CODE "Y" = 852		1		
2	5060068	COVERING / CODE "Z" = 411	1			
2	5060066	COVERING / CODE "Z" = 411		1		
5	CODE A	#702 R.C.A. LIGHT BLUE				
5	CODE B	#777 R.C.A. LIGHT CREAM				
5	CODE C	#653 R.C.A. LIGHT GREEN				
5	CODE E	#766 R.C.A. DARK GREY				
5	CODE F	#604 R.C.A. BLACK				
5	CODE H	#630 R.C.A. BROWN				
5	CODE I	#895 R.C.A. RED				
5	CODE J	#602 R.C.A. ORANGE				
5	CODE M	#793 R.C.A. GREEN				
5	CODE Q	#788 R.C.A. LIGHT GREY				
5	CODE R	#411 R.C.A. LIGHT GREY				
		#852 R.C.A. BLUE				
10	HF-1838-15	STEPWELL - COVERING				
20	682176	SEALANT SIKA #221 / BLACK / 310ml CARTRIDGE	AR	AR	AR	
20	680532	SEALANT SIKA #221 / GREY / 310ml CARTRIDGE	AR	AR	AR	

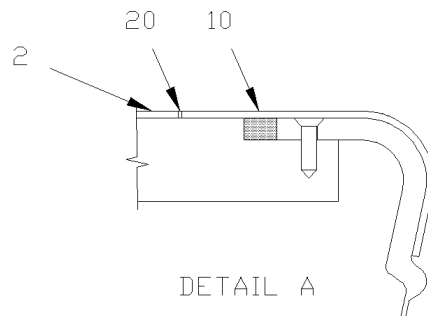
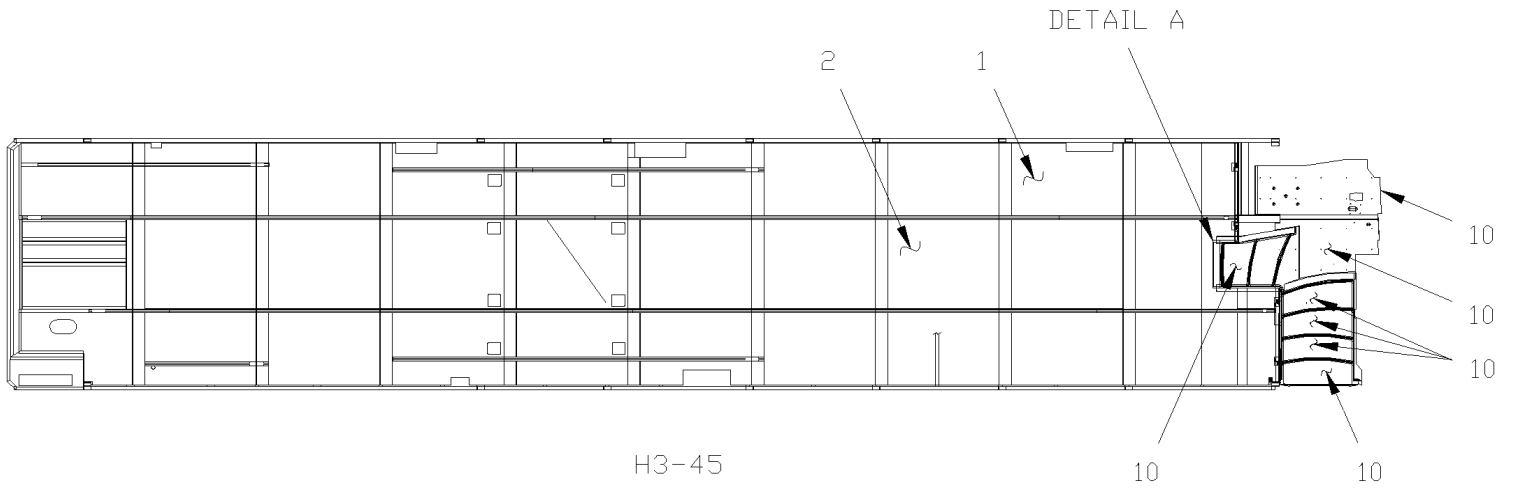
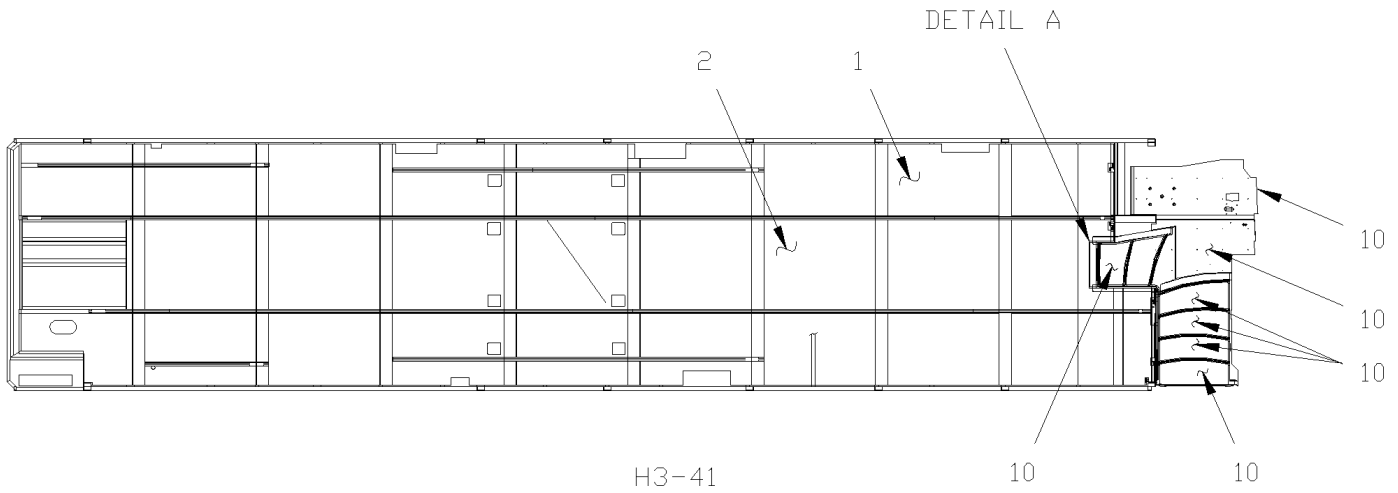


From 3-4417 To 8-1043

Date:10/2022

PAGE:HF-1838-10

FLOOR COVERING - "TARAFLEX"





From 3-4417 To 8-1043	Date:10/2022	PAGE:HF-1838-10
FLOOR COVERING - "TARAFLEX"		

Item#	Part	Description	H 3 4 1	H 3 4 5	V I P 4 5	N O T E S
		FLOOR COVERING WINDOW SIDE SECTION / 664MM X 10998MM				
		FLOOR COVERING WINDOW SIDE SECTION / 664MM X 12243MM				
1	329124A	COVERING BLUE #8423 AQUILIA	2			
1	506911	COVERING BLUE #8423 AQUILIA		2		
1	329124B	COVERING DARK GREY TARABUS #8750 TUCUNA	2			
1	506923	COVERING DARK GREY TARABUS #8750 TUCUNA		2		
1	329124C	COVERING LIGHT GREY #6768 GRIFFON	2			
1	506967	COVERING LIGHT GREY #6768 GRIFFON		2		
1	329124D	COVERING GRAPHITE #6801	2			
1	5060004	COVERING GRAPHITE #6801		2		
1	329124F	COVERING URANUS NT DUNE #6782	2			
1	509818	COVERING DARK GREY #6782 URANUS		2		
1	329124I	COVERING RED #6132 RUBIS	2			
1	506835	COVERING RED #6132 RUBIS		2		
1	329124J	COVERING BLACK TARABUS GALAXI CERO #8817	2			
1	329124K	COVERING DARK GREY #8816 SYCAMORE		2		
1	329124L	COVERING RED & GREY #8778 ARIES	2			
1	506882	COVERING RED & GREY #8778 ARIES		2		
1	329124M	COVERING GREEN #8544 ORION	2			
1	506917	COVERING GREEN #8544 ORION		2		
1	329124R	COVERING BROWN #8311 SWEDEN	2			
1	5061024	COVERING BROWN #8311 SWEDEN		2		
1	329124S	COVERING GREY #8731 POLAND	2			
1	5061057	COVERING GREY #8731 POLAND		2		
1	329124T	COVERING GREEN #8525 CHINA	2			
1	5061064	COVERING GREEN #8525 CHINA		2		
1	329124U	COVERING BLUE #8414 EGYPT	2			
1	5061071	COVERING BLUE #8414 EGYPT		2		
1	329124W	COVERING POUPRE #8720 RUSSIA	2			
1	5061085	COVERING POUPRE #8720 RUSSIA		2		
1	329124X	COVERING GREY #8729 NORWAY	2			
1	5061092	COVERING GREY #8729 NORWAY		2		
1	506833	COVERING LIGHT GREY #8779 CYGNUS	2			
1	506831	COVERING LIGHT GREY #8779 CYGNUS		2		
1	506798	COVERING DARK GREY #8780 PEGASUS	2			
1	506796	COVERING DARK GREY #8780 PEGASUS		2		
1	506837	COVERING BROWN #6017 HAVANA		2		
1	329124G	COVERING SIRIUS DUNE #6782	2			
1	5060047	COVERING SIRIUS DUNE #6782		2		
1	820070	COVERING DARK GREY #8816 SYCAMORE		2		
1	329124AA	COVERING MED BLUE #9418 OLYMPE	2			



From 3-4417 To 8-1043	Date:10/2022	PAGE:HF-1838-10
FLOOR COVERING - "TARAFLEX"		

Item#	Part	Description	H 3 4 1	H 3 4 5	V I P 4 5	N O T E S
1	820078	COVERING MED BLUE #9418 OLYMPE		2		
1	329124CC	COVERING DARK GREY URANUS #6727 ANTHRACITE	2			
1	820094	COVERING DARK GREY URANUS #6727 ANTHRACITE		2		
1	329124DD	COVERING DARK GREY URANUS #6727 ANTHRACITE KC6727 VOIR JEAN PIERRE TREMB	2			
1	820102	COVERING DARK GREY SIRIUS #6727 ANTHRACITE		2		
1	329124EE	COVERING GREY HELIOS #8333 SCANDIUM	2			
1	820109	COVERING GREY HELIOS #8333 SCANDIUM		2		
1	329124FF	COVERING BLACK JUPITER #8764 ELARA ROT	2			
1	820117	COVERING BLACK JUPITER #8764 ELARA ROT		2		
1	329124BB	COVERING DARK GREY #9727 ZEPHIR	2			
1	820081	COVERING DARK GREY #9727 ZEPHIR		2		
		FLOOR COVERING CENTRAL AILSE SECTION / 898MMX11303MM				
		FLOOR COVERING CENTRAL AILSE SECTION / 898MMX12615MM				
2	329125A	COVERING BLUE #8423 AQUILIA	1			
2	506912	COVERING BLUE #8423 AQUILIA		1		
2	329125B	COVERING DARK GREY TARABUS #8750 TUCUNA	1			
2	506924	COVERING DARK GREY TARABUS #8750 TUCUNA		1		
2	329125C	COVERING LIGHT GREY #6768 GRIFFON	1			
2	506968	COVERING LIGHT GREY #6768 GRIFFON		1		
2	329125D	COVERING GRAPHITE #6801	1			
2	5060005	COVERING GRAPHITE #6801		1		
2	329125F	COVERING URANUS NT DUNE #6782	1			
2	509819	COVERING DARK GREY #6782 URANUS		1		
2	329125I	COVERING RED #6132 RUBIS	1			
2	506836	COVERING RED #6132 RUBIS		1		
2	329125J	COVERING BLACK TARABUS GALAXI CERO #8817	1			
2	329125K	COVERING DARK GREY #8816 SYCAMORE	1			
2	329125L	COVERING RED & GREY #8778 ARIES	1			
2	506883	COVERING RED & GREY #8778 ARIES		1		
2	329125M	COVERING GREEN #8544 ORION	1			
2	506918	COVERING GREEN #8544 ORION		1		
2	329125R	COVERING BROWN #8311 SWEDEN	1			
2	5061051	COVERING BROWN #8311 SWEDEN		1		
2	329125S	COVERING GREY #8731 POLAND	1			
2	5061058	COVERING GREY #8731 POLAND		1		
2	329125T	COVERING GREEN #8525 CHINA	1			
2	5061065	COVERING GREEN #8525 CHINA		1		
2	329125U	COVERING BLUE #8414 EGYPT	1			
2	5061072	COVERING BLUE #8414 EGYPT		1		
2	329125W	COVERING POUPRE #8720 RUSSIA	1			



From 3-4417 To 8-1043	Date:10/2022	PAGE:HF-1838-10
FLOOR COVERING - "TARAFLEX"		

Item#	Part	Description	H 3 4 1	H 3 4 5	V I P 4 5	N O T E S
2	5061086	COVERING POUPRE #8720 RUSSIA		1		
2	329125X	COVERING GREY #8729 NORWAY	1			
2	5061093	COVERING GREY #8729 NORWAY		1		
2	506834	COVERING LIGHT GREY #8779 CYGNUS	1			
2	506832	COVERING LIGHT GREY #8779 CYGNUS		1		
2	506799	COVERING DARK GREY #8780 PEGASUS	1			
2	506797	COVERING DARK GREY #8780 PEGASUS		1		
2	506838	COVERING BROWN #6017 HAVANA		1		
2	506924	COVERING DARK GREY TARABUS #8750 TUCUNA		1		
2	329125G	COVERING SIRIUS DUNE #6782	1			
2	5060048	COVERING SIRIUS DUNE #6782		1		
2	820071	COVERING DARK GREY #8816 SYCAMORE		1		
2	329125AA	COVERING MED BLUE #9418 OLYMPE	1			
2	820079	COVERING MED BLUE #9418 OLYMPE		1		
2	329125CC	COVERING DARK GREY URANUS #6727 ANTHRACITE	1			
2	820095	COVERING DARK GREY URANUS #6727 ANTHRACITE		1		
2	329125DD	COVERING DARK GREY URANUS #6727 ANTHRACITE KC6727 VOIR JEAN PIERRE TREMB	1			
2	820103	COVERING DARK GREY SIRIUS #6727 ANTHRACITE		1		
2	329125EE	COVERING GREY HELIOS #8333 SCANDIUM	1			
2	820110	COVERING GREY HELIOS #8333 SCANDIUM		1		
2	329125FF	COVERING BLACK JUPITER #8764 ELARA ROT	1			
2	820118	COVERING BLACK JUPITER #8764 ELARA ROT		1		
2	329125BB	COVERING DARK GREY #9727 ZEPHIR	1			
2	820082	COVERING DARK GREY #9727 ZEPHIR		1		
10	HF-1838-15	STEPWELL - COVERING				
20	820028	WELDING CORD / SIRIUS #6768 GRIFFON	AR	AR		
20	820029	WELDING CORD / GRAPHITE #6801 SIRIUS	AR	AR		
20	820030	WELDING CORD / GALAXY #8423 AQUILIA	AR	AR		
20	820031	WELDING CORD / GALAXY #8750 TUCANA	AR	AR		
20	820032	WELDING CORD / GALAXY #8778 ARIES	AR	AR		
20	820034	WELDING CORD / GALAXY #8780 PEGASUS	AR	AR		
20	820035	WELDING CORD / GALAXY #8544 ORION	AR	AR		
20	820046	WELDING CORD / SIRIUS #6132 RUBIS	AR	AR		
20	820036	WELDING CORD / LUNA #8311 SWEDEN	AR	AR		
20	820037	WELDING CORD / LUNA #8525 CHINA	AR	AR		
20	820038	WELDING CORD / LUNA #8731 POLAND	AR	AR		
20	820072	WELDING CORD / NATURA #8816 SYCAMORE	AR	AR		
20	820080	WELDING CORD / ODYSSEY #9418 OLYMPE	AR	AR		
20	820083	WELDING CORD / ODYSSEY #9727 SEPHIR	AR	AR		
20	820101	WELDING CORD / SIRIUS #6727 ANTHRACITE	AR	AR		



From 3-4417 To 8-1043	Date:10/2022	PAGE:HF-1838-10
FLOOR COVERING - "TARAFLEX"		

Item#	Part	Description	H 3 4 1	H 3 4 5	V I P 4 5	N O T E S
20	820111	WELDING CORD / HELIOS #8333 SCANDIUM	1	1	1	
20	820119	WELDING CORD / JUPITER #8764 ELARA ROT	1	1	1	
20	684517	ADHESIVE SIMSON #ISR 70-03 / GREY / 310ml CARTRIDGE	AR	AR		
20	684685	ADHESIVE SIMSON #ISR 70-03 / 310ml CARTRIDGE	AR	AR		
20	684655	GLUE CONTACT "SCOTCH-GRIP" / 3M #1357-NEUTRAL 3.8 LITERS	AR	AR		
NS	680028	GLUE / 15LITERS	AR	AR		

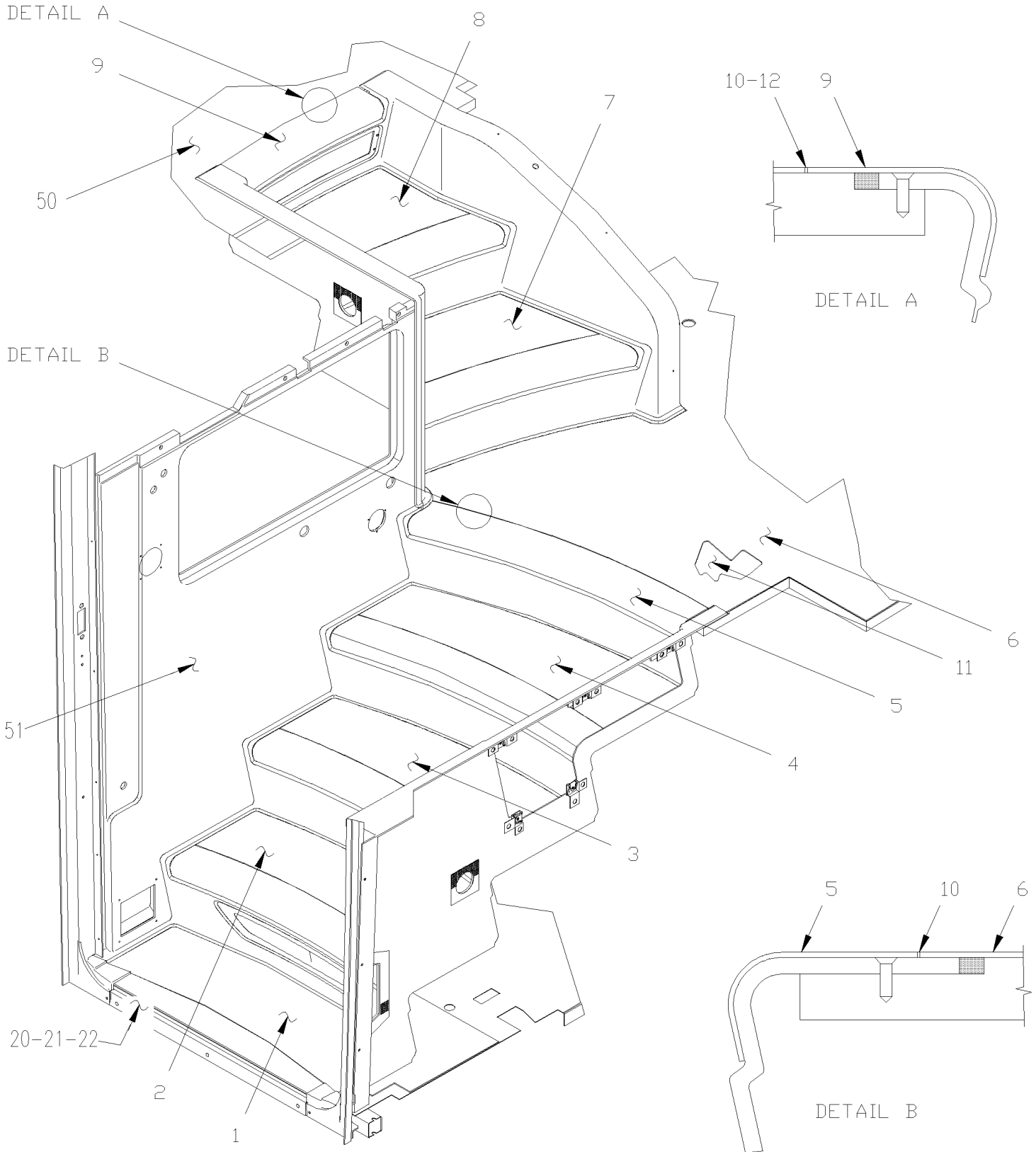


From 3-4417 To 8-1043

Date:10/2022

PAGE:HF-1838-15

STEPWELL - COVERING





From 3-4417 To 8-1043	Date:10/2022	PAGE:HF-1838-15
STEPWELL - COVERING		

Item#	Part	Description	H 3 4 1	H 3 4 5	V I P 4 5	N O T E S
1	328969A	COVERING BLUE #8423 AQUILIA To 5-0077	1	1		C
1	328164A	COVERING / GALAXY #8423 AQUILIA From 5-0078	1	1		
1	328969B	COVERING DARK GREY TARABUS #8750 TUCUNA To 5-0077	1	1		C
1	328164B	COVERING / GALAXY #8750 TUCANA From 5-0078	1	1		
1	328969C	COVERING LIGHT GREY #6768 GRIFFON To 5-0077	1	1		C
1	328164C	COVERING / SIRIUS #6768 GRIFFON From 5-0078	1	1		
1	328969D	COVERING GRAPHITE #6801 To 5-0077	1	1		C
1	328164D	COVERING / GRAPHITE #6801 SIRIUS From 5-0078	1	1		
1	328969E	COVERING DARK GREY #8780 PEGASUS To 5-0077	1	1		C
1	328164E	COVERING / GALAXY #8780 PEGASUS From 5-0078	1	1		
1	328969F	COVERING URANUS NT DUNE #6782 To 5-0077	1	1		C
1	328164F	COVERING / URANUS #6782 DUNE From 5-0078	1	1		
1	328969H	COVERING BROWN #6017 HAVANA To 5-0077	1	1		C
1	328164H	COVERING BROWN #6017 HAVANA From 5-0078	1	1		
1	328969I	COVERING RED #6132 RUBIS To 5-0077	1	1		C
1	328164I	COVERING / SIRIUS #6132 RUBIS From 5-0078	1	1		
1	328969J	COVERING BLACK TARABUS GALAXI CERO #8817 To 5-0077	1	1		C
1	328164J	COVERING / GALAXY #8817 CERO From 5-0078	1	1		
1	328164K	COVERING / NATURA #8816 SYCAMORE From 5-0078	1	1		
1	328969L	COVERING RED & GREY #8778 ARIES To 5-0077	1	1		C
1	328164L	COVERING / GALAXY #8778 ARIES From 5-0078	1	1		
1	328969M	COVERING GREEN #8544 ORION To 5-0077	1	1		C
1	328164M	COVERING / GALAXY #8544 ORION From 5-0078	1	1		
1	328969Q	COVERING LIGHT GREY #8779 CYGNUS To 5-0077	1	1		C
1	328164Q	COVERING / GALAXY #8779 CYGNUS From 5-0078	1	1		
1	328969R	COVERING BROWN #8311 SWEDEN To 5-0077	1	1		C
1	328164R	COVERING / LUNA #8311 SWEDEN From 5-0078	1	1		
1	328969S	COVERING GREY #8731 POLAND To 5-0077	1	1		C
1	328164S	COVERING / LUNA #8731 POLAND From 5-0078	1	1		
1	328969T	COVERING GREEN #8525 CHINA To 5-0077	1	1		C
1	328164T	COVERING / LUNA #8525 CHINA From 5-0078	1	1		
1	328969U	COVERING BLUE #8414 EGYPT To 5-0077	1	1		C
1	328164U	COVERING / LUNA #8414 EGYPT From 5-0078	1	1		
1	328969W	COVERING POUPRE #8720 RUSSIA To 5-0077	1	1		C
1	328164W	COVERING / VEGA #8720 RUSSIA From 5-0078	1	1		
1	328969X	COVERING GREY #8729 NORWAY To 5-0077	1	1		C
1	328164X	COVERING / VEGA #8720 NORWAY From 5-0078	1	1		
1	328969AA	COVERING MED BLUE #9418 OLYMPE To 5-0077	1	1		C
1	328164AA	COVERING / ODYSSEY #9418 OLYMPE From 5-0078	1	1		
1	328969BB	COVERING DARK GREY #9727 ZEPHIR To 5-0077	1	1		C
1	328164BB	COVERING / ODYSSEY #9727 SEPHIR From 5-0078	1	1		
1	328969CC	COVERING DARK GREY URANUS #6727 ANTHRACITE To 5-0077	1	1		C



From 3-4417 To 8-1043		Date:10/2022	PAGE:HF-1838-15
STEPWELL - COVERING			

Item#	Part	Description	H 3 4 1	H 3 4 5	V I P 4 5	N O T E S
1	328164CC	COVERING / URANUS #6727 ANTHRACITE From 5-0078	1	1		
1	328969DD	COVERING DARK GREY URANUS #6727 ANTHRACITE To 5-0077	1	1		C
1	328164DD	COVERING / SIRIUS #6727 ANTHRACITE From 5-0078	1	1		
1	328969EE	COVERING GREY HELIOS #8333 SCANDIUM To 5-0077	1	1		C
1	328164EE	COVERING / HELIOS #8333 SCANDIUM From 5-0078	1	1		
1	328969FF	COVERING BLACK JUPITER #8764 ELARA ROT To 5-0077	1	1		C
1	328164FF	COVERING / JUPITER #8764 ELARA ROT From 5-0078	1	1		
1	328970	2ND STEP COVERING WITH WHITE NOZZING To 8-1103				
1	329559	2ND STEP COVERING WITH GREY NOZZING From 8-1104				
2	328970A	COVERING / GALAXY #8423 AQUILIA & SAFE BUS #6602 CALEDONIA To 8-1103	1	1		
2	329559A	COVERING / GALAXY #8423 AQUILIA & SIRIUS #6768 GRIFFON From 8-1104	1	1		
2	328970B	COVERING / GALAXY #8750 TUCANA & SAFE BUS #6602 CALEDONIA To 8-1103	1	1		
2	329559B	COVERING / GALAXY #8750 TUCANA & SIRIUS #6768 GRIFFON From 8-1104	1	1		
2	328970C	COVERING / SIRIUS #6768 GRIFFON & SAFE BUS #6602 CALEDONIA To 8-1103	1	1		
2	329559C	COVERING / SIRIUS #6768 GRIFFON & SIRIUS #6727 ANTHRACITE From 8-1104	1	1		
2	328970D	COVERING / GRAPHITE #6801 SIRIUS & SAFE BUS #6602 CALEDONIA To 8-1103	1	1		
2	329559D	COVERING / GRAPHITE #6801 SIRIUS & SIRIUS #6768 GRIFFON From 8-1104	1	1		
2	328970E	COVERING / GALAXY #8780 PEGASUS & SAFE BUS #6602 CALEDONIA To 8-1103	1	1		
2	329559E	COVERING / GALAXY #8780 PEGASUS & SIRIUS #6768 GRIFFON From 8-1104	1	1		
2	328970F	COVERING / URANUS #6782 DUNE & SAFE BUS #6602 CALEDONIA To 8-1103	1	1		
2	329559F	COVERING / URANUS #6782 DUNE & URANUS #6727 ANTHRACITE From 8-1104	1	1		
2	328970G	COVERING / SIRIUS #6782 DUNE & SAFE BUS #6602 CALEDONIA To 8-1103				
2	329559G	COVERING / SIRIUS #6782 DUNE & SIRIUS #6727 ANTHRACITE From 8-1104	1	1		
2	328970H	COVERING / SIRIUS #6017 HAVANE & SAFE BUS #6602 CALEDONIA To 8-1103	1	1		
2	328970I	COVERING / SIRIUS #6132 RUBIS & SAFE BUS #6602 CALEDONIA To 8-1103	1	1		
2	329559I	COVERING / SIRIUS #6132 RUBIS & SIRIUS #6727 ANTHRACITE From 8-1104	1	1		
2	328970J	COVERING / GALAXY #8817 CERO & SAFE BUS #6602 CALEDONIA To 8-1103	1	1		
2	328970K	COVERING / NATURA #8816 SYCAMORE & SAFE BUS #6602 CALEDONIA To 8-1103	1	1		
2	329559K	COVERING / NATURA #8816 SYCAMORE & SIRIUS #6768 GRIFFON From 8-1104	1	1		
2	328970L	COVERING / GALAXY #8778 ARIES & SAFE BUS #6602 CALEDONIA To 8-1103	1	1		
2	329559L	COVERING / GALAXY #8778 ARIES & SIRIUS #6727 ANTHRACITE From 8-1104	1	1		
2	328970M	COVERING / GALAXY #8544 ORION & SAFE BUS #6602 CALEDONIA To 8-1103	1	1		
2	329559M	COVERING / GALAXY #8544 ORION & SIRIUS #6768 GRIFFON From 8-1104	1	1		
2	328970Q	COVERING / GALAXY #8779 CYGNUS & SAFE BUS #6602 CALEDONIA To 8-1103	1	1		
2	329559Q	COVERING / GALAXY #8779 CYGNUS & SIRIUS #6727 ANTHRACITE From 8-1104	1	1		
2	328970R	COVERING / LUNA #8311 SWEDEN & SAFE BUS #6602 CALEDONIA To 8-1103	1	1		
2	329559R	COVERING / LUNA #8311 SWEDEN & SIRIUS #6768 GRIFFON From 8-1104	1	1		
2	328970S	COVERING / LUNA #8731 POLAND & SAFE BUS #6602 CALEDONIA To 8-1103	1	1		
2	329559S	COVERING / LUNA #8731 POLAND & SIRIUS #6727 ANTHRACITE From 8-1104	1	1		
2	328970T	COVERING / LUNA #8525 CHINA & SAFE BUS #6602 CALEDONIA To 8-1103	1	1		



From 3-4417 To 8-1043	Date:10/2022	PAGE:HF-1838-15
STEPWELL - COVERING		

Item#	Part	Description	H 3 4 1	H 3 4 5	V I P 4 5	N O T E S
2	328970U	COVERING / LUNA #8414 EGYPT & SAFE BUS #6602 CALEDONIA To 8-1103	1	1		
2	329559U	COVERING / LUNA #8414 EGYPT & SIRIUS #6768 GRIFFON From 8-1104	1	1		
2	328970W	COVERING / VEGA #8720 RUSSIA & SAFE BUS #6602 CALEDONIA To 8-1103	1	1		
2	328970X	COVERING / LUNA #8729 NORWAY & SAFE BUS #6602 CALEDONIA To 8-1103	1	1		
2	329559X	COVERING / LUNA #8729 NORWAY & SIRIUS #6768 GRIFFON From 8-1104	1	1		
2	328970AA	COVERING / ODYSSEY #9418 OLYMPE & SAFE BUS #6602 CALEDONIA To 8-1103	1	1		
2	328970BB	COVERING / ODYSSEY #9727 SEPHIR & SAFE BUS #6602 CALEDONIA To 8-1103	1	1		
2	328970CC	COVERING / URANUS #6727 ANTHRACITE & SAFE BUS #6602 CALEDONIA To 8-1103	1	1		
2	329559CC	COVERING / URANUS #6727 ANTHRACITE & SIRIUS #6768 GRIFFON From 8-1104	1	1		
2	328970DD	COVERING / SIRIUS #6727 ANTHRACITE & SAFE BUS #6602 CALEDONIA To 8-1103	1	1		
2	329559DD	COVERING / SIRIUS #6727 ANTHRACITE & SIRIUS #6768 GRIFFON From 8-1104	1	1		
2	328970EE	COVERING / HELIOS #8333 SCANDIUM & SAFE BUS #6602 CALEDONIA To 8-1103	1	1		
2	329559EE	COVERING / HELIOS #8333 SCANDIUM & SIRIUS #6727 ANTHRACITE From 8-1104	1	1		
2	328970FF	COVERING / JUPITER #8764 ELARA ROT & SAFE BUS #6602 CALEDONIA To 8-1103	1	1		
2	329559FF	COVERING / JUPITER #8764 ELARA ROT & SIRIUS #6768 GRIFFON From 8-1104	1	1		
2	328971	3RD STEP COVERING WITH WHITE NOZZING To 8-1103				
2	329558	3RD STEP COVERING WITH GREY NOZZING From 8-1104				
3	328971A	COVERING / GALAXY #8423 AQUILIA & SAFE BUS #6602 CALEDONIA To 8-1103	1	1		
3	329558A	COVERING / GALAXY #8423 AQUILIA & SIRIUS #6768 GRIFFON From 8-1104	1	1		
3	328971B	COVERING / GALAXY #8750 TUCANA & SAFE BUS #6602 CALEDONIA To 8-1103	1	1		
3	329558B	COVERING / GALAXY #8750 TUCANA & SIRIUS #6768 GRIFFON From 8-1104	1	1		
3	328971C	COVERING / SIRIUS #6768 GRIFFON & SAFE BUS #6602 CALEDONIA To 8-1103	1	1		
3	329558C	COVERING / SIRIUS #6768 GRIFFON & SIRIUS #6727 ANTHRACITE From 8-1104	1	1		
3	328971D	COVERING / GRAPHITE #6801 SIRIUS & SAFE BUS #6602 CALEDONIA To 8-1103	1	1		
3	329558D	COVERING / GRAPHITE #6801 SIRIUS & SIRIUS #6768 GRIFFON From 8-1104	1	1		
3	328971E	COVERING / GALAXY #8780 PEGASUS & SAFE BUS #6602 CALEDONIA To 8-1103	1	1		
3	329558E	COVERING / GALAXY #8780 PEGASUS & SIRIUS #6768 GRIFFON From 8-1104	1	1		
3	328971F	COVERING / URANUS #6782 DUNE & SAFE BUS #6602 CALEDONIA To 8-1103	1	1		
3	329558F	COVERING / URANUS #6782 DUNE & SIRIUS #6727 ANTHRACITE From 8-1104	1	1		
3	328971G	COVERING / SIRIUS #6782 DUNE & SAFE BUS #6602 CALEDONIA To 8-1103	1	1		
3	329558G	COVERING / SIRIUS #6782 DUNE & SIRIUS #6727 ANTHRACITE From 8-1104	1	1		
3	328971H	COVERING / SIRIUS #6017 HAVANE & SAFE BUS #6602 CALEDONIA To 8-1103	1	1		
3	328971I	COVERING / SIRIUS #6132 RUBIS & SAFE BUS #6602 CALEDONIA To 8-1103	1	1		
3	329558I	COVERING / SIRIUS #6132 RUBIS & SIRIUS #6727 ANTHRACITE From 8-1104	1	1		
3	328971J	COVERING / GALAXY #8817 CERO & SAFE BUS #6602 CALEDONIA To 8-1103	1	1		
3	328971K	COVERING / NATURA #8816 SYCAMORE & SAFE BUS #6602 CALEDONIA To 8-1103	1	1		
3	329558K	COVERING / NATURA #8816 SYCAMORE & SIRIUS #6768 GRIFFON From 8-1104	1	1		
3	328971L	COVERING / GALAXY #8778 ARIES & SAFE BUS #6602 CALEDONIA To 8-1103	1	1		
3	329558L	COVERING / GALAXY #8778 ARIES & SIRIUS #6727 ANTHRACITE From 8-1104	1	1		
3	328971M	COVERING / GALAXY #8544 ORION & SAFE BUS #6602 CALEDONIA To 8-1103	1	1		



From 3-4417 To 8-1043		Date:10/2022	PAGE:HF-1838-15
STEPWELL - COVERING			

Item#	Part	Description	H 3 4 1	H 3 4 5	V I P 4 5	N O T E S
3	329558M	COVERING / GALAXY #8544 ORION & SIRIUS #6768 GRIFFON From 8-1104	1	1		
3	328971Q	COVERING / GALAXY #8779 CYGNUS & SAFE BUS #6602 CALEDONIA To 8-1103	1	1		
3	329558Q	COVERING / GALAXY #8779 CYGNUS & SIRIUS #6727 ANTHRACITE From 8-1104	1	1		
3	328971R	COVERING / LUNA #8311 SWEDEN & SAFE BUS #6602 CALEDONIA To 8-1103	1	1		
3	329558R	COVERING / LUNA #8311 SWEDEN & SIRIUS #6768 GRIFFON From 8-1104	1	1		
3	328971S	COVERING / LUNA #8731 POLAND & SAFE BUS #6602 CALEDONIA To 8-1103	1	1		
3	329558S	COVERING / LUNA #8731 POLAND & SIRIUS #6727 ANTHRACITE From 8-1104	1	1		
3	328971T	COVERING / LUNA #8525 CHINA & SAFE BUS #6602 CALEDONIA To 8-1103	1	1		
3	328971U	COVERING / LUNA #8414 EGYPT & SAFE BUS #6602 CALEDONIA To 8-1103	1	1		
3	329558U	COVERING / LUNA #8414 EGYPT & SIRIUS #6768 GRIFFON From 8-1104	1	1		
3	328971W	COVERING / VEGA #8720 RUSSIA & SAFE BUS #6602 CALEDONIA To 8-1103	1	1		
3	328971X	COVERING / LUNA #8729 NORWAY & SAFE BUS #6602 CALEDONIA To 8-1103	1	1		
3	329558X	COVERING / LUNA #8729 NORWAY & SIRIUS #6768 GRIFFON From 8-1104	1	1		
3	328971AA	COVERING / ODYSSEY #9418 OLYMPE & SAFE BUS #6602 CALEDONIA To 8-1103	1	1		
3	328971BB	COVERING / ODYSSEY #9727 SEPHIR & SAFE BUS #6602 CALEDONIA To 8-1103	1	1		
3	328971CC	COVERING / URANUS #6727 ANTHRACITE & SAFE BUS #6602 CALEDONIA To 8-1103	1	1		
3	329558CC	COVERING / URANUS #6727 ANTHRACITE & SIRIUS #6768 GRIFFON From 8-1104	1	1		
3	328971DD	COVERING / SIRIUS #6727 ANTHRACITE & SAFE BUS #6602 CALEDONIA To 8-1103	1	1		
3	329558DD	COVERING / SIRIUS #6727 ANTHRACITE & SIRIUS #6768 GRIFFON From 8-1104	1	1		
3	328971EE	COVERING / HELIOS #8333 SCANDIUM & SAFE BUS #6602 CALEDONIA To 8-1103	1	1		
3	329558EE	COVERING / HELIOS #8333 SCANDIUM & SIRIUS #6727 ANTHRACITE From 8-1104	1	1		
3	328971FF	COVERING / JUPITER #8764 ELARA ROT & SAFE BUS #6602 CALEDONIA To 8-1103	1	1		
3	329558FF	COVERING / JUPITER #8764 ELARA ROT & SIRIUS #6768 GRIFFON From 8-1104	1	1		
3	328972	4TH STEP COVERING WITH WHITE NOZZING To 8-1103				
3	329557	4TH STEP COVERING WITH GREY NOZZING From 8-1104				
4	328972A	COVERING / GALAXY #8423 AQUILIA & SAFE BUS #6602 CALEDONIA To 8-1103	1	1		
4	329557A	COVERING / GALAXY #8423 AQUILIA & SIRIUS #6768 GRIFFON From 8-1104	1	1		
4	328972B	COVERING / GALAXY #8750 TUCANA & SAFE BUS #6602 CALEDONIA To 8-1103	1	1		
4	329557B	COVERING / GALAXY #8750 TUCANA & SIRIUS #6768 GRIFFON From 8-1104	1	1		
4	328972C	COVERING / SIRIUS #6768 GRIFFON & SAFE BUS #6602 CALEDONIA To 8-1103	1	1		
4	329557C	COVERING / SIRIUS #6768 GRIFFON & SIRIUS #6727 ANTHRACITE From 8-1104	1	1		
4	328972D	COVERING / GRAPHITE #6801 SIRIUS & SAFE BUS #6602 CALEDONIA To 8-1103	1	1		
4	329557D	COVERING / GRAPHITE #6801 SIRIUS & SIRIUS #6768 GRIFFON From 8-1104	1	1		
4	328972E	COVERING / GALAXY #8780 PEGASUS & SAFE BUS #6602 CALEDONIA To 8-1103	1	1		
4	329557E	COVERING / GALAXY #8780 PEGASUS & SIRIUS #6768 GRIFFON From 8-1104	1	1		
4	328972F	COVERING / URANUS #6782 DUNE & SAFE BUS #6602 CALEDONIA To 8-1103	1	1		
4	329557F	COVERING / URANUS #6782 DUNE & SIRIUS #6727 ANTHRACITE From 8-1104	1	1		
4	328972G	COVERING / SIRIUS #6782 DUNE & SAFE BUS #6602 CALEDONIA To 8-1103	1	1		
4	329557G	COVERING / SIRIUS #6782 DUNE & SIRIUS #6727 ANTHRACITE From 8-1104	1	1		
4	328972H	COVERING / SIRIUS #6017 HAVANE & SAFE BUS #6602 CALEDONIA To 8-1103	1	1		



From 3-4417 To 8-1043	Date:10/2022	PAGE:HF-1838-15
STEPWELL - COVERING		

Item#	Part	Description	H 3 4 1	H 3 4 5	V I P 4 5	N O T E S
4	328972I	COVERING / SIRIUS #6132 RUBIS & SAFE BUS #6602 CALEDONIA To 8-1103	1	1		
4	329557I	COVERING / SIRIUS #6132 RUBIS & SIRIUS #6727 ANTHRACITE From 8-1104	1	1		
4	328972J	COVERING / GALAXY #8817 CERO & SAFE BUS #6602 CALEDONIA To 8-1103	1	1		
4	328972K	COVERING / NATURA #8816 SYCAMORE & SAFE BUS #6602 CALEDONIA To 8-1103	1	1		
4	329557K	COVERING / NATURA #8816 SYCAMORE & SIRIUS #6768 GRIFFON From 8-1104	1	1		
4	328972L	COVERING / GALAXY #8778 ARIES & SAFE BUS #6602 CALEDONIA To 8-1103	1	1		
4	329557L	COVERING / GALAXY #8778 ARIES & SIRIUS #6727 ANTHRACITE From 8-1104	1	1		
4	328972M	COVERING / GALAXY #8544 ORION & SAFE BUS #6602 CALEDONIA To 8-1103	1	1		
4	329557M	COVERING / GALAXY #8544 ORION & SIRIUS #6768 GRIFFON From 8-1104	1	1		
4	328972Q	COVERING / GALAXY #8779 CYGNUS & SAFE BUS #6602 CALEDONIA To 8-1103	1	1		
4	329557Q	COVERING / GALAXY #8779 CYGNUS & SIRIUS #6727 ANTHRACITE From 8-1104	1	1		
4	328972R	COVERING / LUNA #8311 SWEDEN & SAFE BUS #6602 CALEDONIA To 8-1103	1	1		
4	329557R	COVERING / LUNA #8311 SWEDEN & SIRIUS #6768 GRIFFON From 8-1104	1	1		
4	328972S	COVERING / LUNA #8731 POLAND & SAFE BUS #6602 CALEDONIA To 8-1103	1	1		
4	329557S	COVERING / LUNA #8731 POLAND & SIRIUS #6727 ANTHRACITE From 8-1104	1	1		
4	328972T	COVERING / LUNA #8525 CHINA & SAFE BUS #6602 CALEDONIA To 8-1103	1	1		
4	328972U	COVERING / LUNA #8414 EGYPT & SAFE BUS #6602 CALEDONIA To 8-1103	1	1		
4	329557U	COVERING / LUNA #8414 EGYPT & SIRIUS #6768 GRIFFON From 8-1104	1	1		
4	328972W	COVERING / VEGA #8720 RUSSIA & SAFE BUS #6602 CALEDONIA To 8-1103	1	1		
4	328972X	COVERING / LUNA #8729 NORWAY & SAFE BUS #6602 CALEDONIA To 8-1103	1	1		
4	329557X	COVERING / LUNA #8729 NORWAY & SIRIUS #6768 GRIFFON From 8-1104	1	1		
4	328972AA	COVERING / ODYSSEY #9418 OLYMPE & SAFE BUS #6602 CALEDONIA To 8-1103	1	1		
4	328972BB	COVERING / ODYSSEY #9727 SEPHIR & SAFE BUS #6602 CALEDONIA To 8-1103	1	1		
4	328972CC	COVERING / URANUS #6727 ANTHRACITE & SAFE BUS #6602 CALEDONIA To 8-1103	1	1		
4	329557CC	COVERING / URANUS #6727 ANTHRACITE & SIRIUS #6768 GRIFFON From 8-1104	1	1		
4	328972DD	COVERING / SIRIUS #6727 ANTHRACITE & SAFE BUS #6602 CALEDONIA To 8-1103	1	1		
4	329557DD	COVERING / SIRIUS #6727 ANTHRACITE & SIRIUS #6768 GRIFFON From 8-1104	1	1		
4	328972EE	COVERING / HELIOS #8333 SCANDIUM & SAFE BUS #6602 CALEDONIA To 8-1103	1	1		
4	329557EE	COVERING / HELIOS #8333 SCANDIUM & SIRIUS #6727 ANTHRACITE From 8-1104	1	1		
4	328972FF	COVERING / JUPITER #8764 ELARA ROT & SAFE BUS #6602 CALEDONIA To 8-1103	1	1		
4	329557FF	COVERING / JUPITER #8764 ELARA ROT & SIRIUS #6768 GRIFFON From 8-1104	1	1		
5	328936	COVERING EDGE / SAFE BUS #6602 CALEDONIA To 8-1103	1	1		
5	329556C	COVERING EDGE / SIRIUS #6768 GRIFFON From 8-1104	1	1		
5	329556DD	COVERING EDGE / SIRIUS #6727 ANTHRACITE From 8-1104	1	1		
6	328945A	COVERING / GALAXY #8423 AQUILIA	1	1		
6	328945B	COVERING / GALAXY #8750 TUCANA	1	1		
6	328945C	COVERING / SIRIUS #6768 GRIFFON	1	1		
6	328945D	COVERING / GRAPHITE #6801 SIRIUS	1	1		
6	328945E	COVERING / GALAXY #8780 PEGASUS	1	1		
6	328945F	COVERING / URANUS #6782 DUNE	1	1		



From 3-4417 To 8-1043	Date:10/2022	PAGE:HF-1838-15
STEPWELL - COVERING		

Item#	Part	Description	H 3 4 1	H 3 4 5	V I P 4 5	N O T E S
6	328945H	COVERING / SIRIUS #6017 HAVANE To 8-1103	1	1		
6	328945I	COVERING / SIRIUS #6132 RUBIS	1	1		
6	328945J	COVERING / GALAXY #8817 CERO To 8-1103	1	1		
6	328945L	COVERING / GALAXY #8778 ARIES	1	1		
6	328945M	COVERING / GALAXY #8544 ORION	1	1		
6	328945Q	COVERING / GALAXY #8779 CYGNUS	1	1		
6	328945R	COVERING / LUNA #8311 SWEDEN	1	1		
6	328945S	COVERING / LUNA #8731 POLAND	1	1		
6	328945T	COVERING / LUNA #8525 CHINA To 8-1103	1	1		
6	328945U	COVERING / LUNA #8414 EGYPT	1	1		
6	328945W	COVERING / VEGA #8720 RUSSIA To 8-1103	1	1		
6	328945X	COVERING / LUNA #8729 NORWAY	1	1		
6	328945AA	COVERING / ODYSSEY #9418 OLYMPE	1	1		
6	328945BB	COVERING / ODYSSEY #9727 SEPHIR	1	1		
6	328945CC	COVERING / URANUS #6727 ANTHRACITE	1	1		
6	328945DD	COVERING / SIRIUS #6727 ANTHRACITE	1	1		
6	328945EE	COVERING / HELIOS #8333 SCANDIUM	1	1		
6	328945FF	COVERING / JUPITER #8764 ELARA ROT	1	1		
6	328974	1ST STEP COVERING / AISLE To 8-1103				
6	329579	1ST STEP COVERING / AISLE From 8-1104				
7	328974A	COVERING / GALAXY #8423 AQUILIA & SAFE BUS #6602 CALEDONIA To 8-1103	1	1		
7	329579A	COVERING / GALAXY #8423 AQUILIA & SIRIUS #6768 GRIFFON From 8-1104	1	1		
7	328974B	COVERING / GALAXY #8750 TUCANA & SAFE BUS #6602 CALEDONIA To 8-1103	1	1		
7	329579B	COVERING / GALAXY #8750 TUCANA & SIRIUS #6768 GRIFFON From 8-1104	1	1		
7	328974C	COVERING / SIRIUS #6768 GRIFFON & SAFE BUS #6602 CALEDONIA To 8-1103	1	1		
7	329579C	COVERING / SIRIUS #6768 GRIFFON & SIRIUS #6727 ANTHRACITE From 8-1104	1	1		
7	328974D	COVERING / GRAPHITE #6801 SIRIUS & SAFE BUS #6602 CALEDONIA To 8-1103	1	1		
7	329579D	COVERING / GRAPHITE #6801 SIRIUS & SIRIUS #6768 GRIFFON From 8-1104	1	1		
7	328974E	COVERING / GALAXY #8780 PEGASUS & SAFE BUS #6602 CALEDONIA To 8-1103	1	1		
7	329579E	COVERING / GALAXY #8780 PEGASUS & SIRIUS #6768 GRIFFON From 8-1104	1	1		
7	328974F	COVERING / URANUS #6782 DUNE & SAFE BUS #6602 CALEDONIA To 8-1103	1	1		
7	329579F	COVERING / URANUS #6782 DUNE & SIRIUS #6727 ANTHRACITE From 8-1104	1	1		
7	328974G	COVERING / SIRIUS #6782 DUNE & SAFE BUS #6602 CALEDONIA To 8-1103	1	1		
7	329579G	COVERING / SIRIUS #6782 DUNE & SIRIUS #6727 ANTHRACITE From 8-1104	1	1		
7	328974H	COVERING / SIRIUS #6017 HAVANE & SAFE BUS #6602 CALEDONIA To 8-1103	1	1		
7	328974I	COVERING / SIRIUS #6132 RUBIS & SAFE BUS #6602 CALEDONIA To 8-1103	1	1		
7	329579I	COVERING / SIRIUS #6132 RUBIS & SIRIUS #6727 ANTHRACITE From 8-1104	1	1		
7	328974J	COVERING / GALAXY #8817 CERO & SAFE BUS #6602 CALEDONIA To 8-1103	1	1		
7	328974K	COVERING / NATURA #8816 SYCAMORE & SAFE BUS #6602 CALEDONIA To 8-1103	1	1		
7	329579K	COVERING / NATURA #8816 SYCAMORE & SIRIUS #6768 GRIFFON From 8-1104	1	1		



From 3-4417 To 8-1043		Date:10/2022	PAGE:HF-1838-15
STEPWELL - COVERING			

Item#	Part	Description	H 3 4 1	H 3 4 5	V I P 4 5	N O T E S
7	328974L	COVERING / GALAXY #8778 ARIES & SAFE BUS #6602 CALEDONIA To 8-1103	1	1		
7	329579L	COVERING / GALAXY #8778 ARIES & SIRIUS #6727 ANTHRACITE From 8-1104	1	1		
7	328974M	COVERING / GALAXY #8544 ORION & SAFE BUS #6602 CALEDONIA To 8-1103	1	1		
7	329579M	COVERING / GALAXY #8544 ORION & SIRIUS #6768 GRIFFON From 8-1104	1	1		
7	328974Q	COVERING / GALAXY #8779 CYGNUS & SAFE BUS #6602 CALEDONIA To 8-1103	1	1		
7	329579Q	COVERING / GALAXY #8779 CYGNUS & SIRIUS #6727 ANTHRACITE From 8-1104	1	1		
7	328974R	COVERING / LUNA #8311 SWEDEN & SAFE BUS #6602 CALEDONIA To 8-1103	1	1		
7	329579R	COVERING / LUNA #8311 SWEDEN & SIRIUS #6768 GRIFFON From 8-1104	1	1		
7	328974S	COVERING / LUNA #8731 POLAND & SAFE BUS #6602 CALEDONIA To 8-1103	1	1		
7	329579S	COVERING / LUNA #8731 POLAND & SIRIUS #6727 ANTHRACITE From 8-1104	1	1		
7	328974T	COVERING / LUNA #8525 CHINA & SAFE BUS #6602 CALEDONIA To 8-1103	1	1		
7	328974U	COVERING / LUNA #8414 EGYPT & SAFE BUS #6602 CALEDONIA To 8-1103	1	1		
7	329579U	COVERING / LUNA #8414 EGYPT & SIRIUS #6768 GRIFFON From 8-1104	1	1		
7	328974W	COVERING / VEGA #8720 RUSSIA & SAFE BUS #6602 CALEDONIA To 8-1103	1	1		
7	328974X	COVERING / LUNA #8729 NORWAY & SAFE BUS #6602 CALEDONIA To 8-1103	1	1		
7	329579X	COVERING / LUNA #8729 NORWAY & SIRIUS #6768 GRIFFON From 8-1104	1	1		
7	328974AA	COVERING / ODYSSEY #9418 OLYMPE & SAFE BUS #6602 CALEDONIA To 8-1103	1	1		
7	328974BB	COVERING / ODYSSEY #9727 SEPHIR & SAFE BUS #6602 CALEDONIA To 8-1103	1	1		
7	328974CC	COVERING / URANUS #6727 ANTHRACITE & SAFE BUS #6602 CALEDONIA To 8-1103	1	1		
7	329579CC	COVERING / URANUS #6727 ANTHRACITE & SIRIUS #6768 GRIFFON From 8-1104	1	1		
7	328974DD	COVERING / SIRIUS #6727 ANTHRACITE & SAFE BUS #6602 CALEDONIA To 8-1103	1	1		
7	329579DD	COVERING / SIRIUS #6727 ANTHRACITE & SIRIUS #6768 GRIFFON From 8-1104	1	1		
7	328974EE	COVERING / HELIOS #8333 SCANDIUM & SAFE BUS #6602 CALEDONIA To 8-1103	1	1		
7	329579EE	COVERING / HELIOS #8333 SCANDIUM & SIRIUS #6727 ANTHRACITE From 8-1104	1	1		
7	328974FF	COVERING / JUPITER #8764 ELARA ROT & SAFE BUS #6602 CALEDONIA To 8-1103	1	1		
7	329579FF	COVERING / JUPITER #8764 ELARA ROT & SIRIUS #6768 GRIFFON From 8-1104	1	1		
7	328975	2ND STEP COVERING / AISLE To 8-1103				
7	329554	2ND STEP COVERING / AISLE From 8-1104				
8	328975A	COVERING / GALAXY #8423 AQUILIA & SAFE BUS #6602 CALEDONIA To 8-1103	1	1		
8	329554A	COVERING / GALAXY #8423 AQUILIA & SIRIUS #6768 GRIFFON From 8-1104	1	1		
8	328975B	COVERING / GALAXY #8750 TUCANA & SAFE BUS #6602 CALEDONIA To 8-1103	1	1		
8	329554B	COVERING / GALAXY #8750 TUCANA & SIRIUS #6768 GRIFFON From 8-1104	1	1		
8	328975C	COVERING / SIRIUS #6768 GRIFFON & SAFE BUS #6602 CALEDONIA To 8-1103	1	1		
8	329554C	COVERING / SIRIUS #6768 GRIFFON & SIRIUS #6727 ANTHRACITE From 8-1104	1	1		
8	328975D	COVERING / GRAPHITE #6801 SIRIUS & SAFE BUS #6602 CALEDONIA To 8-1103	1	1		
8	329554D	COVERING / GRAPHITE #6801 SIRIUS & SIRIUS #6768 GRIFFON From 8-1104	1	1		
8	328975E	COVERING / GALAXY #8780 PEGASUS & SAFE BUS #6602 CALEDONIA To 8-1103	1	1		
8	329554E	COVERING / GALAXY #8780 PEGASUS & SIRIUS #6768 GRIFFON From 8-1104	1	1		
8	328975F	COVERING / URANUS #6782 DUNE & SAFE BUS #6602 CALEDONIA To 8-1103	1	1		
8	329554F	COVERING / URANUS #6782 DUNE & SIRIUS #6727 ANTHRACITE From 8-1104	1	1		



From 3-4417 To 8-1043	Date:10/2022	PAGE:HF-1838-15
STEPWELL - COVERING		

Item#	Part	Description	H 3 4 1	H 3 4 5	V I P 4 5	N O T E S
8	328974G	COVERING / SIRIUS #6782 DUNE & SAFE BUS #6602 CALEDONIA To 8-1103	1	1		
8	329554G	COVERING / SIRIUS #6782 DUNE & SIRIUS #6727 ANTHRACITE From 8-1104	1	1		
8	328975H	COVERING / SIRIUS #6017 HAVANE & SAFE BUS #6602 CALEDONIA To 8-1103	1	1		
8	328975I	COVERING / SIRIUS #6132 RUBIS & SAFE BUS #6602 CALEDONIA To 8-1103	1	1		
8	329554I	COVERING / SIRIUS #6132 RUBIS & SIRIUS #6727 ANTHRACITE From 8-1104	1	1		
8	328975J	COVERING / GALAXY #8817 CERO & SAFE BUS #6602 CALEDONIA To 8-1103	1	1		
8	328975K	COVERING / NATURA #8816 SYCAMORE & SAFE BUS #6602 CALEDONIA To 8-1103	1	1		
8	329554K	COVERING / NATURA #8816 SYCAMORE & SIRIUS #6768 GRIFFON From 8-1104	1	1		
8	328975L	COVERING / GALAXY #8778 ARIES & SAFE BUS #6602 CALEDONIA To 8-1103	1	1		
8	329554L	COVERING / GALAXY #8778 ARIES & SIRIUS #6727 ANTHRACITE From 8-1104	1	1		
8	328975M	COVERING / GALAXY #8544 ORION & SAFE BUS #6602 CALEDONIA To 8-1103	1	1		
8	329554M	COVERING / GALAXY #8544 ORION & SIRIUS #6768 GRIFFON From 8-1104	1	1		
8	328975Q	COVERING / GALAXY #8779 CYGNUS & SAFE BUS #6602 CALEDONIA To 8-1103	1	1		
8	329554Q	COVERING / GALAXY #8779 CYGNUS & SIRIUS #6727 ANTHRACITE From 8-1104	1	1		
8	328975R	COVERING / LUNA #8311 SWEDEN & SAFE BUS #6602 CALEDONIA To 8-1103	1	1		
8	329554R	COVERING / LUNA #8311 SWEDEN & SIRIUS #6768 GRIFFON From 8-1104	1	1		
8	328975S	COVERING / LUNA #8731 POLAND & SAFE BUS #6602 CALEDONIA To 8-1103	1	1		
8	329554S	COVERING / LUNA #8731 POLAND & SIRIUS #6727 ANTHRACITE From 8-1104	1	1		
8	328975T	COVERING / LUNA #8525 CHINA & SAFE BUS #6602 CALEDONIA To 8-1103	1	1		
8	328975U	COVERING / LUNA #8414 EGYPT & SAFE BUS #6602 CALEDONIA To 8-1103	1	1		
8	329554U	COVERING / LUNA #8414 EGYPT & SIRIUS #6768 GRIFFON From 8-1104	1	1		
8	328975W	COVERING / VEGA #8720 RUSSIA & SAFE BUS #6602 CALEDONIA To 8-1103	1	1		
8	328975X	COVERING / LUNA #8729 NORWAY & SAFE BUS #6602 CALEDONIA To 8-1103	1	1		
8	329554X	COVERING / LUNA #8729 NORWAY & SIRIUS #6768 GRIFFON From 8-1104	1	1		
8	328975AA	COVERING / ODYSSEY #9418 OLYMPE & SAFE BUS #6602 CALEDONIA To 8-1103	1	1		
8	328975BB	COVERING / ODYSSEY #9727 SEPHIR & SAFE BUS #6602 CALEDONIA To 8-1103	1	1		
8	328975CC	COVERING / URANUS #6727 ANTHRACITE & SAFE BUS #6602 CALEDONIA To 8-1103	1	1		
8	329554CC	COVERING / URANUS #6727 ANTHRACITE & SIRIUS #6768 GRIFFON From 8-1104	1	1		
8	328975DD	COVERING / SIRIUS #6727 ANTHRACITE & SAFE BUS #6602 CALEDONIA To 8-1103	1	1		
8	329554DD	COVERING / SIRIUS #6727 ANTHRACITE & SIRIUS #6768 GRIFFON From 8-1104	1	1		
8	328975EE	COVERING / HELIOS #8333 SCANDIUM & SAFE BUS #6602 CALEDONIA To 8-1103	1	1		
8	329554EE	COVERING / HELIOS #8333 SCANDIUM & SIRIUS #6727 ANTHRACITE From 8-1104	1	1		
8	328975FF	COVERING / JUPITER #8764 ELARA ROT & SAFE BUS #6602 CALEDONIA To 8-1103	1	1		
8	329554FF	COVERING / JUPITER #8764 ELARA ROT & SIRIUS #6768 GRIFFON From 8-1104	1	1		
9	328976	COVERING EDGE / SAFE BUS #6602 CALEDONIA To 8-1103	1	1		
9	329553C	COVERING EDGE / SIRIUS #6768 GRIFFON From 8-1104	1	1		
9	329553DD	COVERING EDGE / SIRIUS #6727 ANTHRACITE From 8-1104	1	1		
10	820028	WELDING CORD / SIRIUS #6768 GRIFFON	1	1		A
10	820029	WELDING CORD / GRAPHITE #6801 SIRIUS	1	1		



From 3-4417 To 8-1043	Date:10/2022	PAGE:HF-1838-15
STEPWELL - COVERING		

Item#	Part	Description	H 3 4 1	H 3 4 5	V I P 4 5	N O T E S
10	820030	WELDING CORD / GALAXY #8423 AQUILIA	1	1		
10	820031	WELDING CORD / GALAXY #8750 TUCANA	1	1		
10	820032	WELDING CORD / GALAXY #8778 ARIES	1	1		B
10	820033	WELDING CORD / GALAXY #8779 CYGNUS	1	1		
10	820034	WELDING CORD / GALAXY #8780 PEGASUS	1	1		
10	820035	WELDING CORD / GALAXY #8544 ORION	1	1		
10	820036	WELDING CORD / LUNA #8311 SWEDEN	1	1		
10	820037	WELDING CORD / LUNA #8525 CHINA	1	1		
10	820038	WELDING CORD / LUNA #8731 POLAND	1	1		
10	820039	WELDING CORD / LUNA #8414 EGYPT	1	1		
10	820040	WELDING CORD / LUNA #8729 NORWAY	1	1		
10	820046	WELDING CORD / SIRIUS #6132 RUBIS	1	1		
10	820072	WELDING CORD / NATURA #8816 SYCAMORE	1	1		
10	820080	WELDING CORD / ODYSSEY #9418 OLYMPE	1	1		
10	820083	WELDING CORD / ODYSSEY #9727 SEPHIR	1	1		
10	820101	WELDING CORD / SIRIUS #6727 ANTHRACITE	1	1		
10	820111	WELDING CORD / HELIOS #8333 SCANDIUM	1	1		
10	820119	WELDING CORD / JUPITER #8764 ELARA ROT	1	1		
11	680028	GLUE / 15LITERS	AR	AR		W
11	684654	GLUE CONTACT "SCOTCH-GRIP" / 3M #1357-NEUTRAL 18.9 LITERS	AR	AR		F
11	684655	GLUE CONTACT "SCOTCH-GRIP" / 3M #1357-NEUTRAL 3.8 LITERS	AR	AR		F
11	684517	ADHESIVE SIMSON #ISR 70-03 / GREY / 310ml CARTRIDGE	AR	AR		
12	682176	SEALANT SIKA #221 / BLACK / 310ml CARTRIDGE	AR	AR		
20	328163	KIT, RETROFIT / 1ST STEP COVERING / W/H3 SERIES To 5-0077	1	1		
. NS	IS-04013A	. SEE INSTRUCTION SHEET To 5-0077	1	1		
21	509855	. EXTRUSION "STEPBUS" 565MM From 5-0078	1	1		
22	506088	. WHITE STRIP "STEPBUS" 34MM x 565MM From 5-0078	1	1		
NS	502903	. SCREW TC FL PH #10-24x1 1/4 N500 From 5-0078	3	3		
NS	327765	. FINISHING CAP L.H.	1	1		
NS	327766	. FINISHING CAP R.H.	1	1		
50	HF-1838-05	FLOOR COVERING - "R.C.A."				
50	HF-1838-10	FLOOR COVERING - "TARAFLEX"				
51	HF-1800-00	FRONT STEPWELL - INSTALLATION				
		A) USE WITH CODE "C" AND "Q"				
		B) USE WITH CODE "F", "G" AND "L"				
		C) FOR PRODUCT IMPROVEMENT, ASK KIT #328163 WITH NEW COVERING NUMBER				
		F) TO FIX COVERING ON FIBERGLASS				



From 3-4417 To 8-1043		Date:10/2022	PAGE:HF-1838-15
-----------------------	--	--------------	-----------------

STEPWELL - COVERING

Item#	Part	Description	H 3 4 1	H 3 4 5	V I P 4 5	N O T E S
		W) TO FIX COVERING ON WOOD				

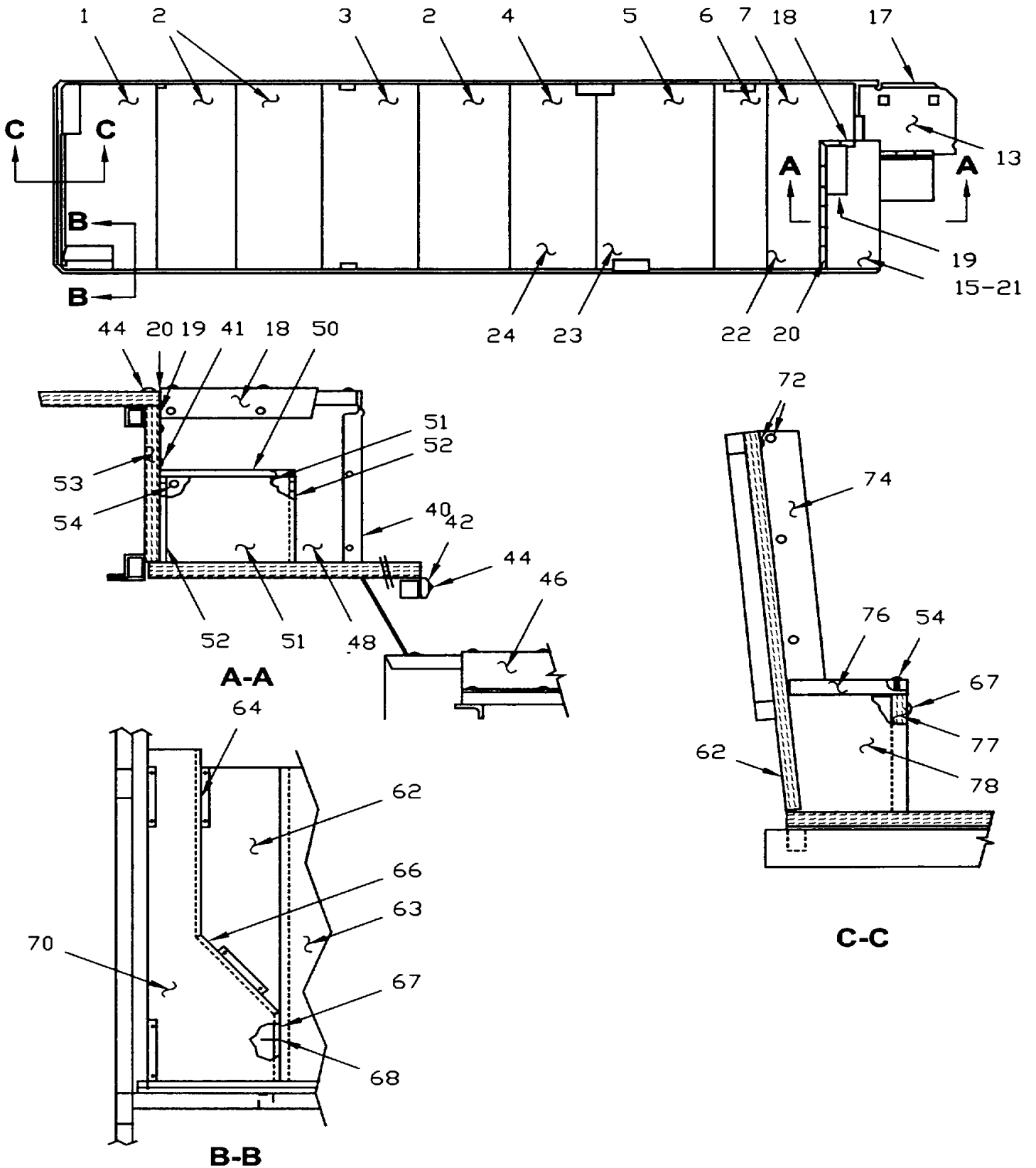


From 3-4417 To 8-1043

Date:10/2022

PAGE:HF-1838-50

FLOOR & REAR WALL - V.I.P.





From 3-4417 To 8-1043	Date:10/2022	PAGE:HF-1838-50
FLOOR & REAR WALL - V.I.P.		

Item#	Part	Description	H 3 4 1	H 3 4 5	V I P 4 5	N O T E S
1	Call order desk	FLOOR ASSY			1	P
NS	Call order desk	STEEL NOISELESS PANEL			1	P
2	324529	FLOOR ASSY			2	
3	324528	FLOOR ASSY			1	
4	Call order desk	FLOOR ASSY To 7-0935			1	P
4	320239	FLOOR ASSY From 7-0936			1	
5	323904	FLOOR ASSY			2	
6	Call order desk	FLOOR ASSY To 7-0935			1	P
6	323904	FLOOR ASSY From 7-0936			1	
7	Call order desk	FLOOR ASSY			1	P
13	Call order desk	FLOOR ASSY			1	P
14	Call order desk	FLOOR ASSY			1	P
15	Call order desk	FLOOR ASSY			1	P
NS	5001143	SCREW DR WF TORX #12x2 CP			AR	
NS	850027	INSULATING PAD NOISE ADH2 1/16" x 39" x 48"			AR	
NS	508068	VENEER PLYWOOD / 1/2" THICK 4' X 8'			AR	
17	323175	MOULDING SS / TO FIX CONSOLE			1	
NS	500638	SCREW TP PAN PH #8x1/2 Z050			AR	A
18	324557	MOULDING / FRONT L.H. FLOOR			1	
NS	324537	MOULDING / SIDE L.H. FLOOR			1	
19	322598	GRILL AIR / AISLE STEPWELL / RETURN			1	
20	323370	MOULDING / STEPS			1	
21	324539	STEEL NOISELESS PANEL			1	
22	324531	STEEL NOISELESS PANEL			1	
23	323320	STEEL NOISE PANEL			1	
24	323285	STEEL NOISE PANEL			1	
40	324558	MOULDING / SIDE FLOOR			1	
41	500583	SCREW TP PAN PH #6x1/2 Z050			6	
42	323526	SPACER			1	
44	500434	SCREW TP FL PH #8x3/4 Z050			AR	
46	323367	MOULDING			1	
48	324535	PANEL / SIDE FLOOR			1	
50	323353	PANEL / STEPS FLOOR			1	
51	323352	STEPS SIDE / SPLIT LEVEL			2	
52	323351	PANEL / FRONT & REAR			2	
53	Call order desk	PANEL ASSY / FRONT FLOOR			1	P
54	500637	SCREW TP PAN PH #8x1 1/2 Z050			6	
62	Call order desk	PANEL ASSY / BACK WALL			1	P
NS	500508	SCREW TC PAN PH #10-32x1 1/2 Z050			AR	
63	325270	PANEL / BACK WALL			1	
64	323350	PANEL / AIR OUTLET			1	
66	323349	PANEL / AIR OUTLET			1	

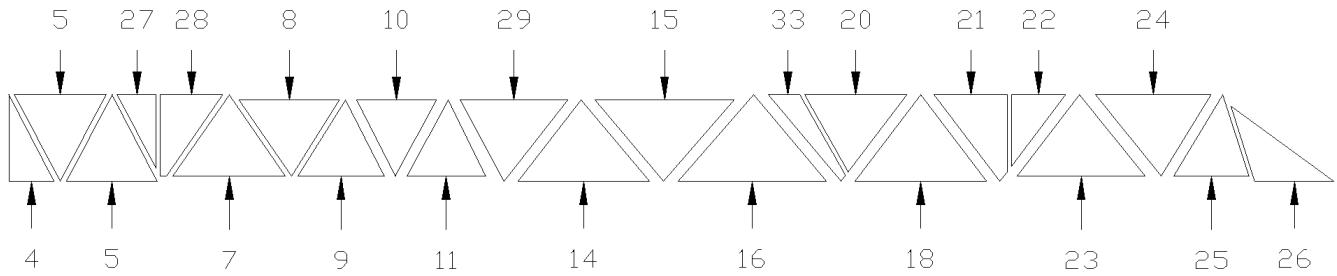


From 3-4417 To 8-1043	Date:10/2022	PAGE:HF-1838-50
FLOOR & REAR WALL - V.I.P.		

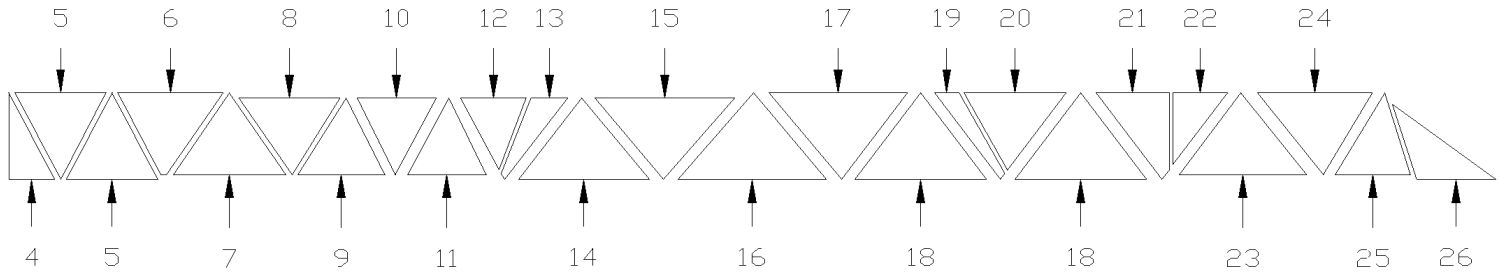
Item#	Part	Description	H 3 4 1	H 3 4 5	V I P 4 5	N O T E S
67	500632	SCREW TP OV PH #8x1 1/2 Z050			AR	
68	323474	PANEL / AIR OUTLET			1	
NS	323588	BRACKET / TO FIX ITEM 68			3	
70	323473	PANEL / AIR OUTLET			1	
74	323289	REAR CONER ASSY / (515MM X 125MM)			1	
76	323275	PANEL ASSY			1	
77	323276	PANEL ASSY			1	
78	323277	PANEL ASSY			1	
NS	970260	STEEL NOISELESS PANEL / 3' X 8' / S.Q.			AR	
NS	850042	STEEL NOISELESS PANEL / 4' X 8' / S.Q.			AR	
		A) TO FIX CONSOLE				
		P) CALL ORDER DESK FOR SPECIFIC APPLICATION (V.I.N.)				



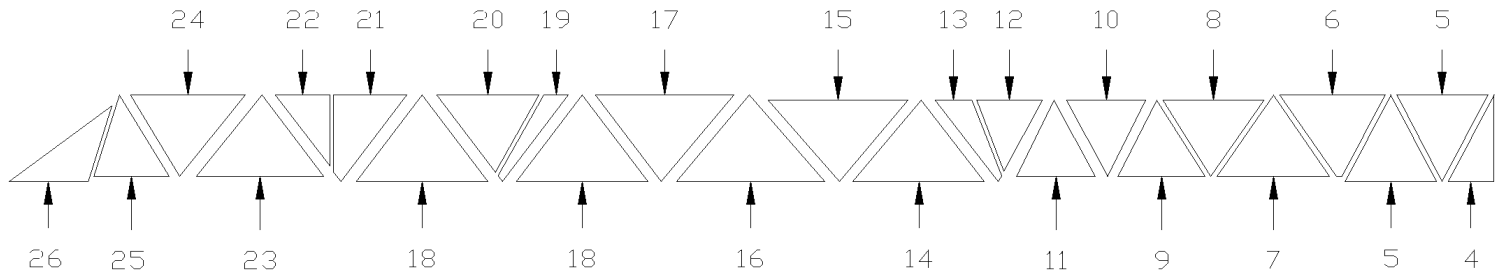
From 3-4417 To 8-1043	Date:10/2022	PAGE:HF-1839-00
INSULATING SIDE WALL - LOWER PANEL		



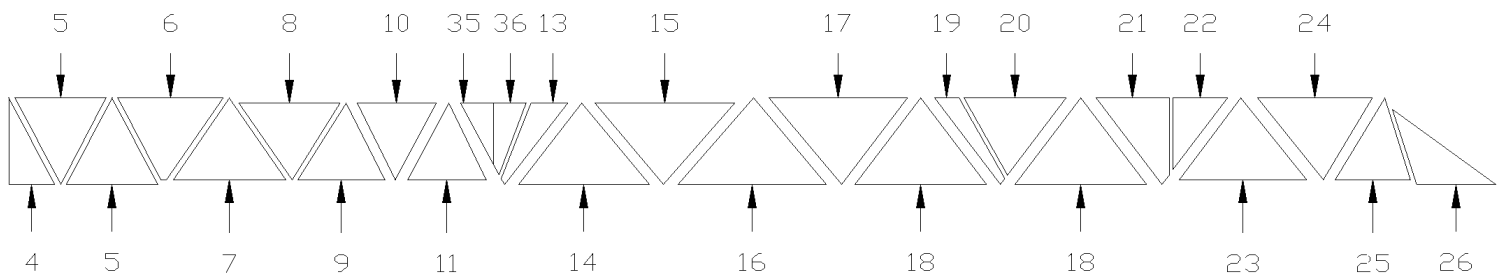
BUS H3-41 LH & RH



BUS H3-45 LH & RH



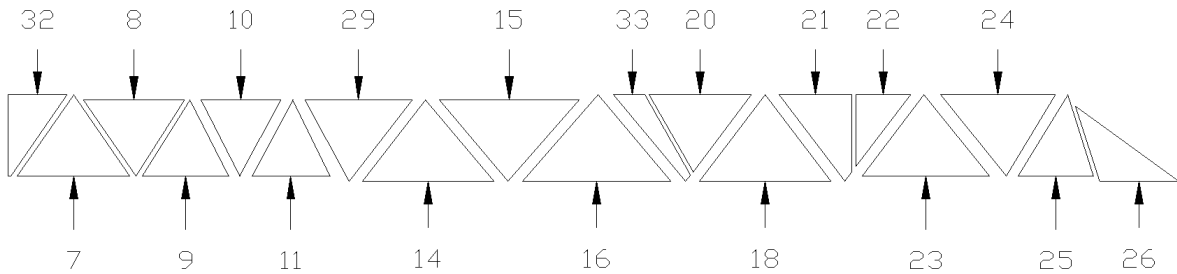
V.I.P. H3-45 LH



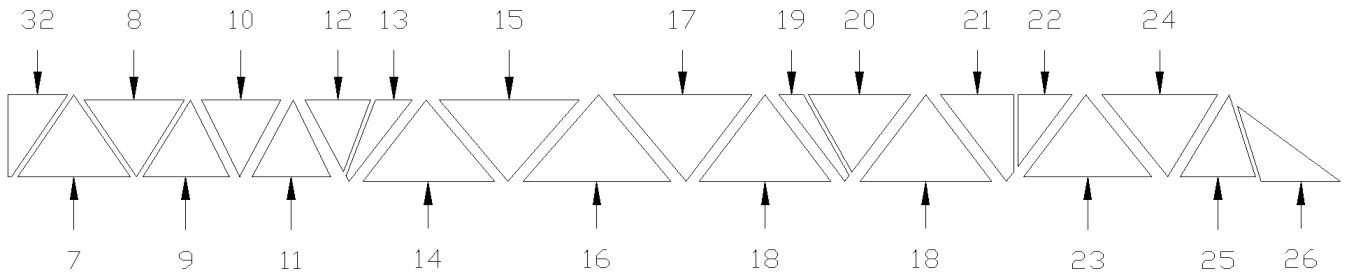
V.I.P. H3-45 RH



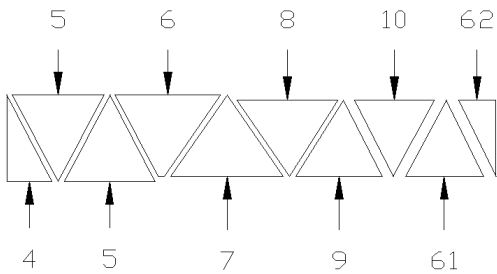
From 3-4417 To 8-1043	Date:10/2022	PAGE:HF-1839-00
INSULATING SIDE WALL - LOWER PANEL		



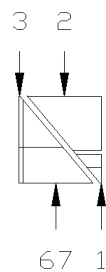
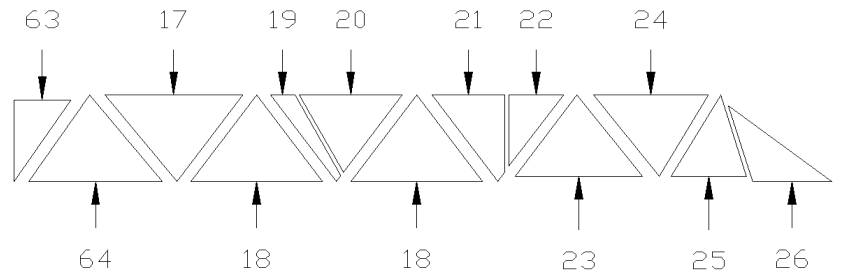
BUS H3-41 (W.C.L. ST. & ST.) RH



BUS H3-45 (W.C.L. ST. & ST.) RH



BUS H3-45 (W.C.L. RIC.-9) RH



BUS & V.I.P., LH SIDE ONLY



From 3-4417 To 8-1043	Date:10/2022	PAGE:HF-1839-00
-----------------------	--------------	-----------------

INSULATING SIDE WALL - LOWER PANEL

Item#	Part	Description	H 3 4 1	H 3 4 5	V I P 4 5	N O T E S
	350434	KIT INSULATING LOWER SIDE WALL RH		2		
	350437	KIT INSULATING LOWER SIDE WALL RH	2			
	350438	KIT INSULATING LOWER SIDE WALL RH W/"ST & ST"	1			
	350436	KIT INSULATING LOWER SIDE WALL RH W/"ST & ST"		1		
	350440	KIT INSULATING LOWER SIDE WALL LH		1		
	350442	KIT INSULATING LOWER SIDE WALL LH (1-2-3-67)			1	
	350443	KIT INSULATING LOWER SIDE WALL RH (35)	1	1	1	
	351346	KIT INSULATING LOWER SIDE WALL LH From 4-4758		1		
	351348	KIT INSULATING LOWER SIDE WALL LH From 4-4758	1	1		
	351272	KIT INSULATING LOWER SIDE WALL RH From 4-4758			1	
1	350492	SIDE INSULATION PANEL To 3-4757			1	
1	Call order desk	SIDE INSULATION PANEL From 4-4758	1	1	1	P
2	350493	SIDE INSULATION PANEL To 3-4757	1	1	1	
2	Call order desk	SIDE INSULATION PANEL From 4-4758	1	1	1	P
3	350494	SIDE INSULATION PANEL	1	1	1	
4	350495	SIDE INSULATION PANEL To 3-4757	2	2	2	
4	351350	SIDE INSULATION PANEL From 4-4758	1	1	1	
5	350496	SIDE INSULATION PANEL To 3-4757	4	4	4	
5	351350	SIDE INSULATION PANEL From 4-4758	4	4	4	
6	350497	SIDE INSULATION PANEL		2	2	
7	350498	SIDE INSULATION PANEL	2	2	2	
8	350499	SIDE INSULATION PANEL	2	2	2	
9	350500	SIDE INSULATION PANEL	2	2	2	
10	350501	SIDE INSULATION PANEL	2	2	2	
11	350502	SIDE INSULATION PANEL	2	2	2	
12	350503	SIDE INSULATION PANEL		2		
13	350504	SIDE INSULATION PANEL		2	2	
14	350505	SIDE INSULATION PANEL	2	2	2	
15	350506	SIDE INSULATION PANEL	2	2	2	
16	350507	SIDE INSULATION PANEL	2	2	2	
17	350508	SIDE INSULATION PANEL	2	2	2	
18	350509	SIDE INSULATION PANEL	2		2	
18	350509	SIDE INSULATION PANEL		4		
19	350510	SIDE INSULATION PANEL		2	2	
20	350511	SIDE INSULATION PANEL	2	2	2	
21	350512	SIDE INSULATION PANEL	2	2	2	
22	350513	SIDE INSULATION PANEL	2	2	2	
23	350514	SIDE INSULATION PANEL	2	2	2	
24	350515	SIDE INSULATION PANEL	2	2	2	
25	350516	SIDE INSULATION PANEL	2	2		
26	350517	SIDE INSULATION PANEL	2	2		
27	Call order desk	SIDE INSULATION PANEL	2			P



From 3-4417 To 8-1043	Date:10/2022	PAGE:HF-1839-00
INSULATING SIDE WALL - LOWER PANEL		

Item#	Part	Description	H 3 4 1	H 3 4 5	V I P 4 5	N O T E S
28	Call order desk	SIDE INSULATION PANEL	2			P
29	Call order desk	SIDE INSULATION PANEL	2			P
32	350523	SIDE INSULATION PANEL	1	1		
33	Call order desk	SIDE INSULATION PANEL	2			P
35	Call order desk	SIDE INSULATION PANEL			1	P
36	Call order desk	SIDE INSULATION PANEL			1	P
61	350552	SIDE INSULATION PANEL		1		
62	350553	SIDE INSULATION PANEL		1		
63	350554	SIDE INSULATION PANEL		1		
64	350555	SIDE INSULATION PANEL		1		
67	350558	SIDE INSULATION PANEL To 3-4757	1	1	1	
67	Call order desk	SIDE INSULATION PANEL From 4-4758	1	1	1	P
NS	850067	ALUMINUM WALL COVERING ADHESIVE / 29" X 409"	2			
NS	850068	ALUMINUM WALL COVERING ADHESIVE / 29" X 458"		2		
NS	850072	ALUMINUM WALL COVERING ADHESIVE / 29" X 432" To 7-0771			2	
68	850083	ALUMINUM WALL COVERING ADHESIVE / 29" X 300" From 7-0771			2	
NS	684196	PRIMER ELASTOCOL # 593	AR	AR	AR	
		P) CALL ORDER DESK FOR SPECIFIC APPLICATION (V.I.N.)				

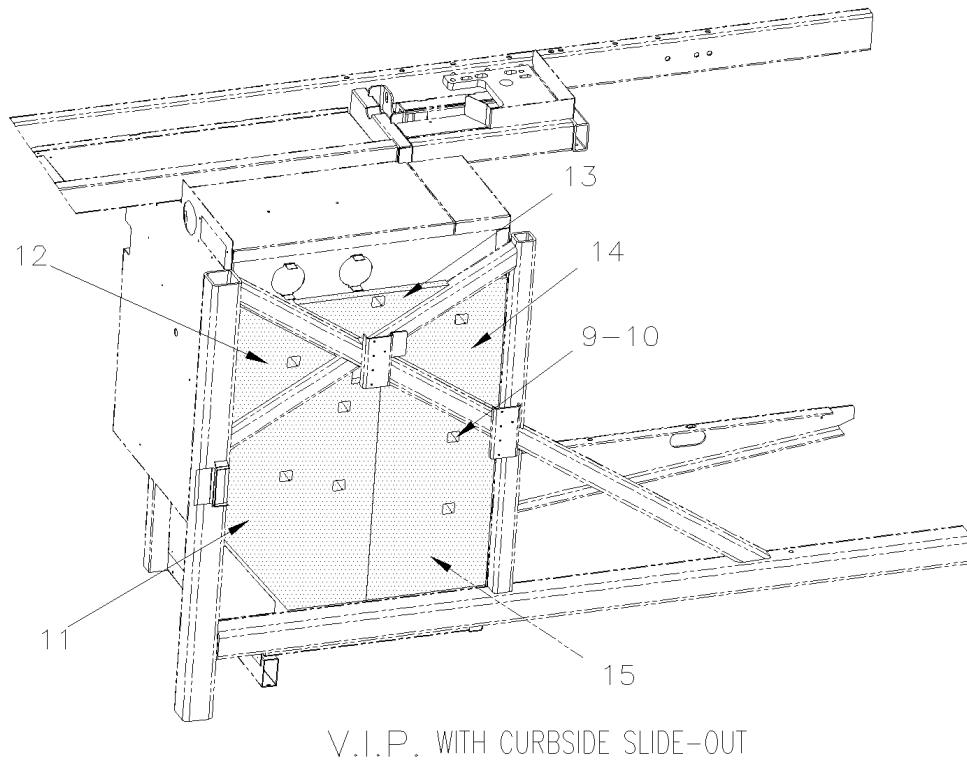
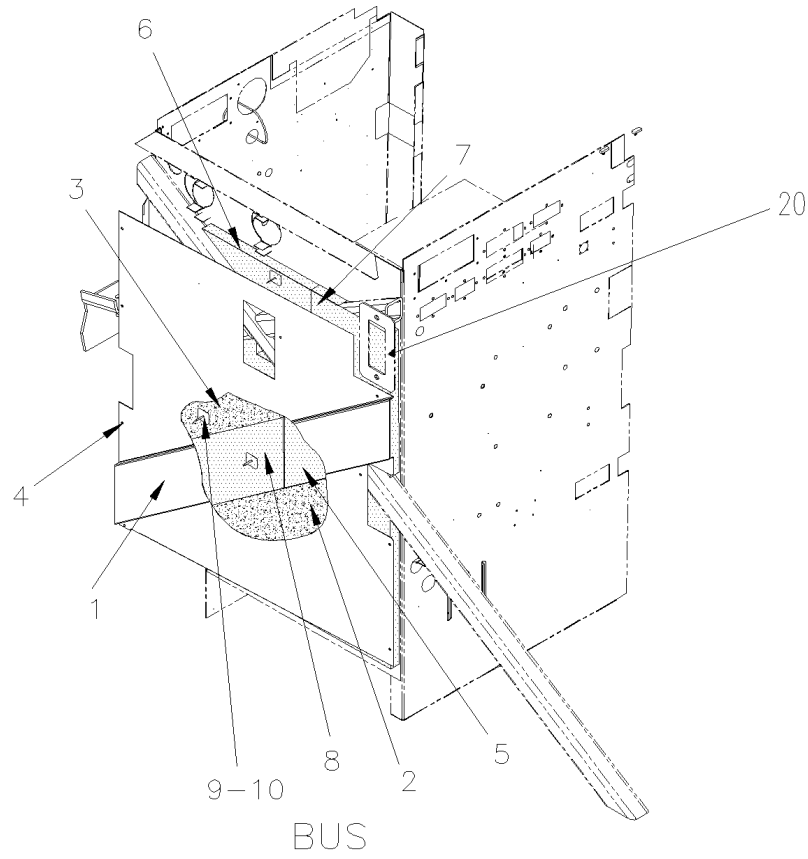


From 4-4758 To 8-1043

Date:10/2022

PAGE:HF-1839-05

INSULATING REAR BATTERIES COMPARTMENT





From 4-4758 To 8-1043	Date:10/2022	PAGE:HF-1839-05
-----------------------	--------------	-----------------

INSULATING REAR BATTERIES COMPARTMENT

Item#	Part	Description	H 3 4 1	H 3 4 5	V I P 4 5	N O T E S
1	215134	PROTECTOR PANEL R.H.ELECTRICAL BOX From 4-4758 To 7-1016	1	1	1	
1	216264	PROTECTOR PANEL R.H.ELECTRICAL BOX From 7-1017	1	1	1	
2	351424	PANEL INSULATION PANEL LOWER 1/16"	1	1	1	
3	351425	PANEL INSULATION PANEL UPPER 1/16"	1	1	1	
4	504488	RIVET MGLP PRDG 3/16x17/64 SS	AR	AR	AR	
NS	351516	KIT INSULATING PANEL	1	1	1	A
5	351517	. INSULATION PANEL LOWER BACKWARD	1	1	1	
6	351515	. INSULATION PANEL UPPER FORWARD	1	1	1	
7	351518	. INSULATION PANEL UPPER BACKWARD	1	1	1	
8	351514	. INSULATION PANEL LOWER FORWARD	1	1	1	
9	500748	WASHER INSU G.10x1.125x1.250 Z050	AR	AR	AR	
10	503550	ANCHOR SELF-STICK 2" SS	AR	AR	AR	
NS	351888	KIT INSULATING PANEL VIP W/CURBSIDE SLIDE OUT From 7-0772			1	
11	351889	. INSULATION PANEL LOWER FORWARD			1	SC
12	351890	. INSULATION PANEL UPPER FORWARD			1	SC
13	351891	. INSULATION PANEL UPPER TOP CENTER			1	SC
14	351892	. INSULATION PANEL UPPER BACKWARD			1	SC
15	351893	. INSULATION PANEL LOWER BACKWARD			1	SC
20	142151	SUPPORT PING AIR TANK	1	1	1	
20	149000	SUPPORT PING AIR TANK From 7-1017	1	1	1	
		A) INCLUDE ITEMS # 5,6,7 & 10				
		SC) WITH V.I.P. WITH CURBSIDE SLIDE-OUT ONLY				

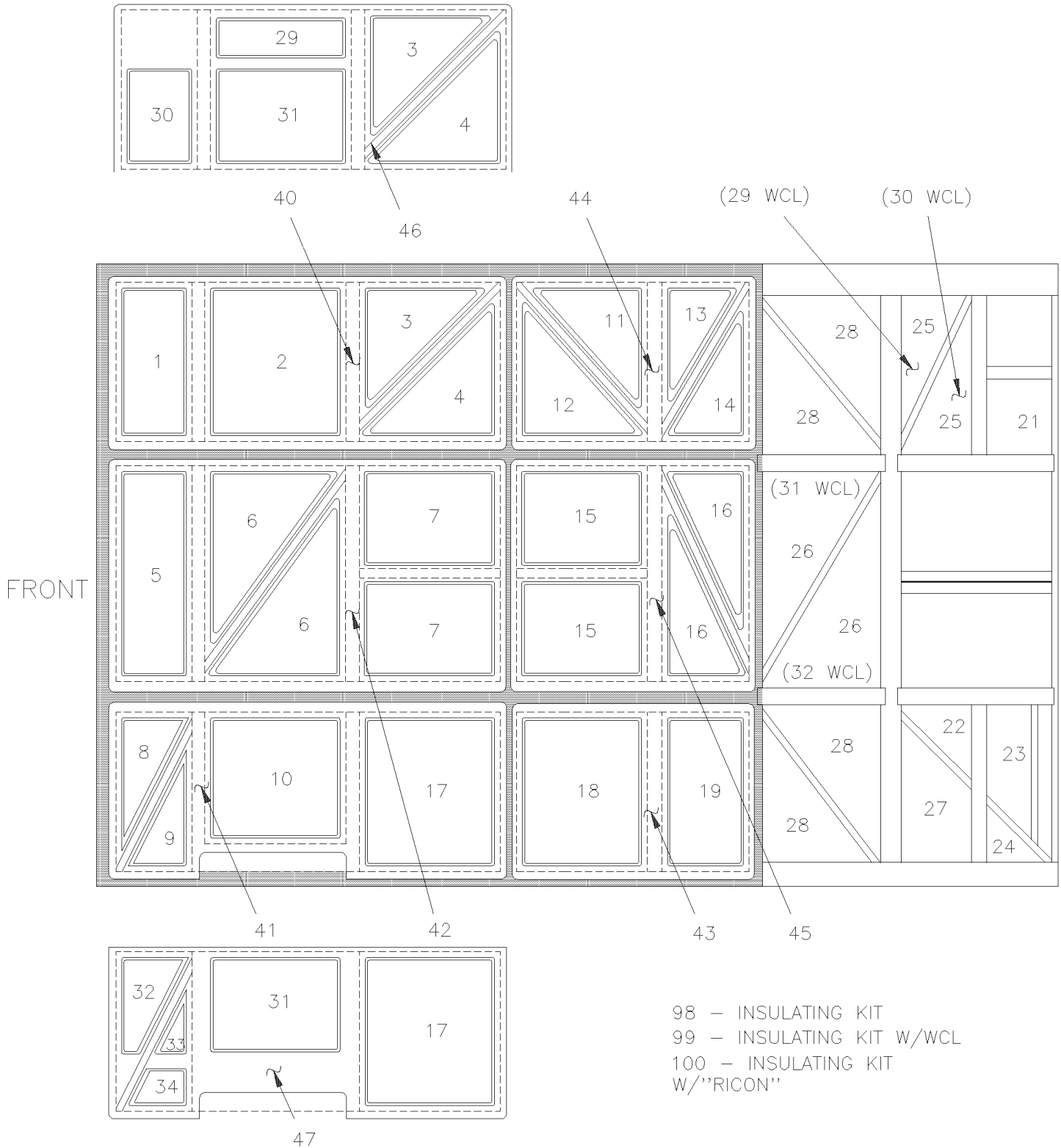


From 3-4417 To 8-1043

Date:10/2022

PAGE:HF-1839-10

INSULATING FLOOR REAR AXLE - WITH DETROIT S-60



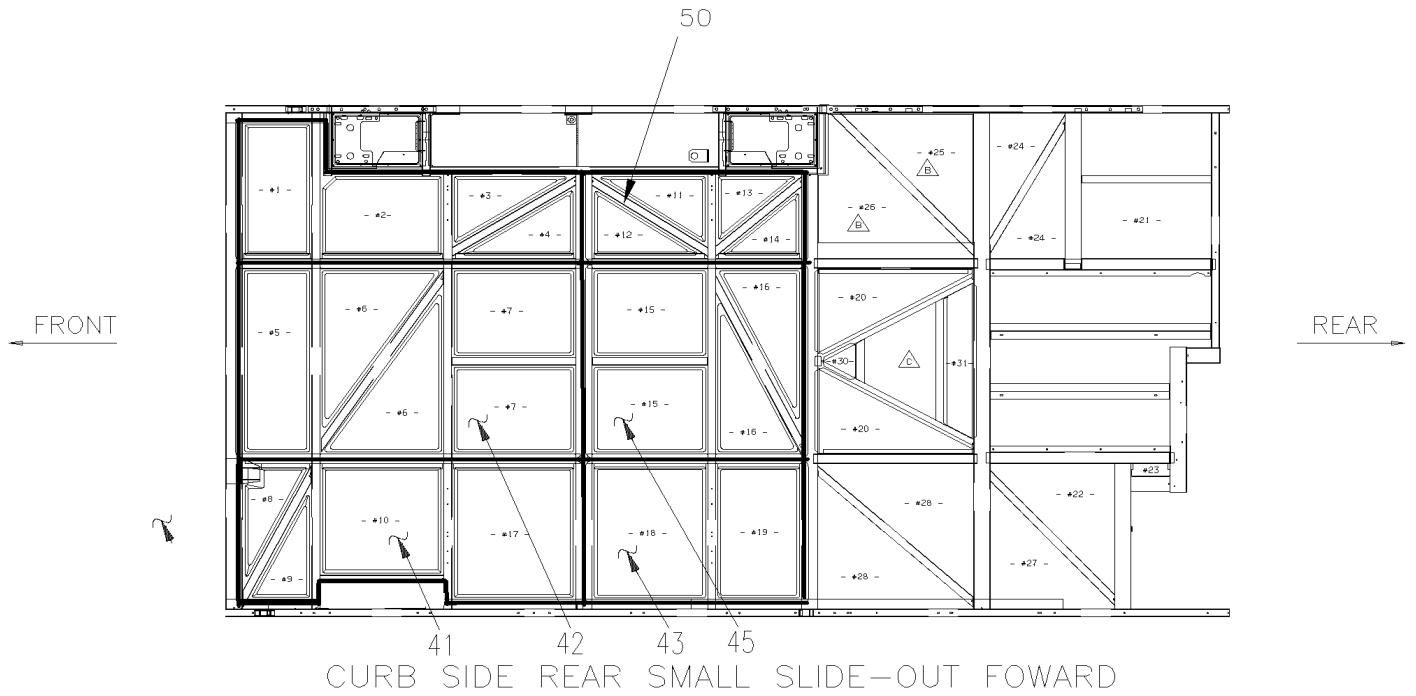


From 3-4417 To 8-1043

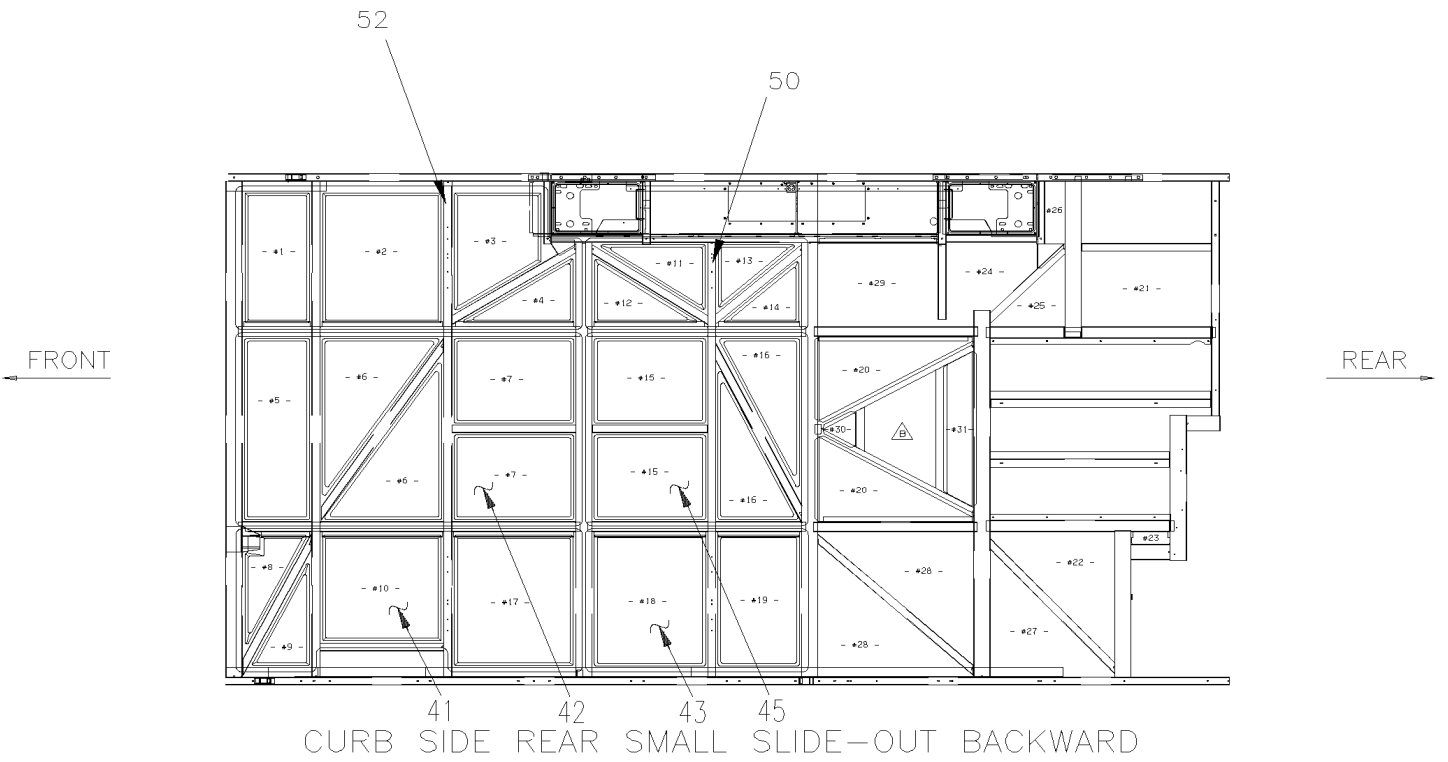
Date:10/2022

PAGE:HF-1839-10

INSULATING FLOOR REAR AXLE - WITH DETROIT S-60



CURB SIDE REAR SMALL SLIDE-OUT FOWARD



CURB SIDE REAR SMALL SLIDE-OUT BACKWARD

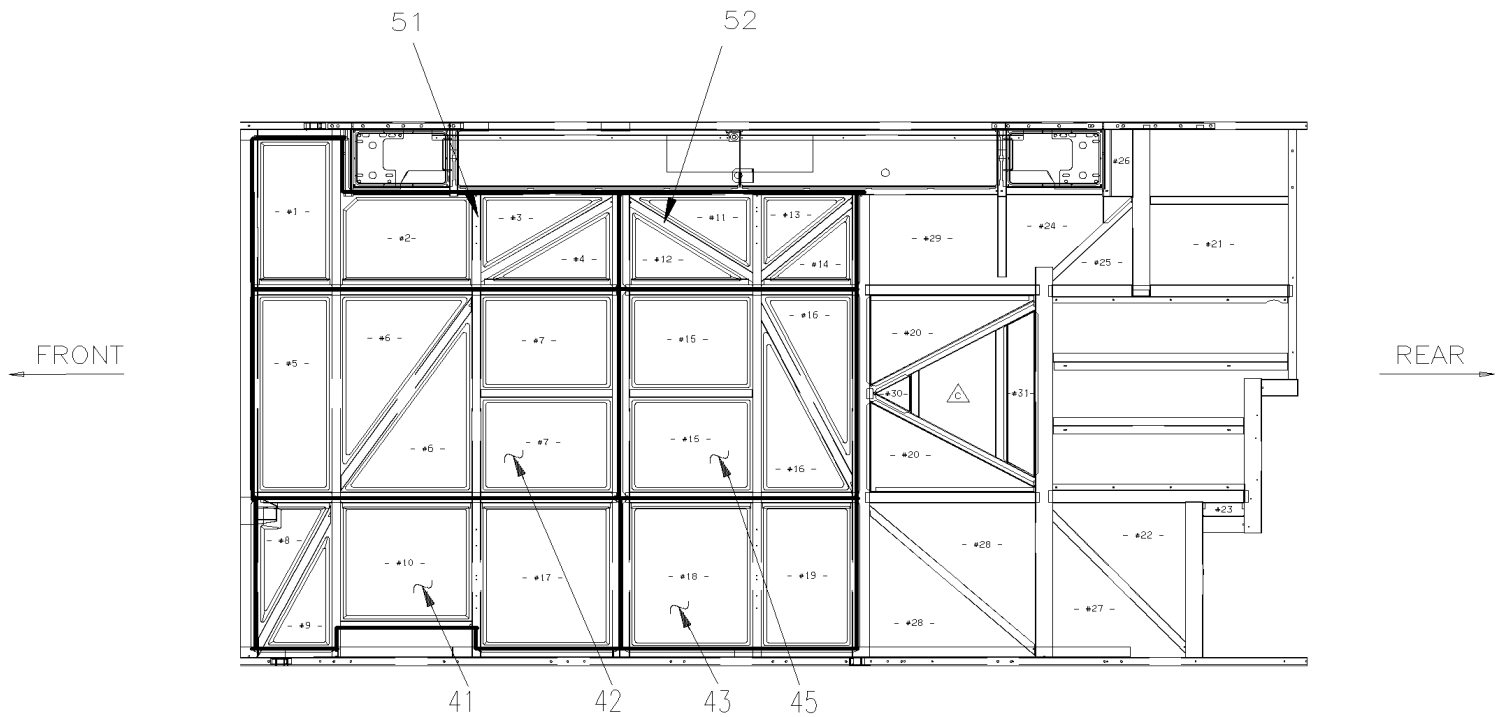


From 3-4417 To 8-1043

Date:10/2022

PAGE:HF-1839-10

INSULATING FLOOR REAR AXLE - WITH DETROIT S-60



CURB SIDE REAR LARGE SLIDE-OUT



From 3-4417 To 8-1043	Date:10/2022	PAGE:HF-1839-10
INSULATING FLOOR REAR AXLE - WITH DETROIT S-60		

Item#	Part	Description	H 3 4 1	H 3 4 5	V I P 4 5	N O T E S
		IN SERVICE FOR REPLACEMNT OF INSULATING PAD				
		WE DO NOT HAVE A SEPARATE PARTS NUMBER				
		FOR ITEM 1 TO 39 PLEASE ASK # 329069				
NS	329069	INSULATING PAD 48" X 48" / CUT TO FIT	AR	AR	AR	
40	324565	INSULATING HOLDER	1	1	1	
41	324566	INSULATING HOLDER	1	1	1	
42	324567	INSULATING HOLDER	1	1	1	
43	324568	INSULATING HOLDER	1	1	1	
44	324569	INSULATING HOLDER	1	1	1	
45	324570	INSULATING HOLDER	1	1	1	
46	327541	INSULATING HOLDER	1	1	1	
47	327542	INSULATING HOLDER	1	1	1	
50	328461	INSULATING HOLDER From 8-0771			1	
51	328460	INSULATING HOLDER From 8-0771			1	
52	320250	INSULATING HOLDER From 8-0771			1	
98	324321	INSULATING KIT INCLUDE ITEMS 1# TO 28#	AR	AR		
99	325095	INSULATING KIT WCL ST-ST INCL.ITEMS 29 TO 32 To 6-0335	AR	AR		
100	327544	INSULATING KIT WCL "RICON"		1		
102	320252	INSULATING KIT W/BACKWARD S-O From 8-0771			1	
103	320253	INSULATING KIT W/FORWARD S-O From 8-0771			1	
104	328459	INSULATING KIT W/CURBSIDE S-O			1	

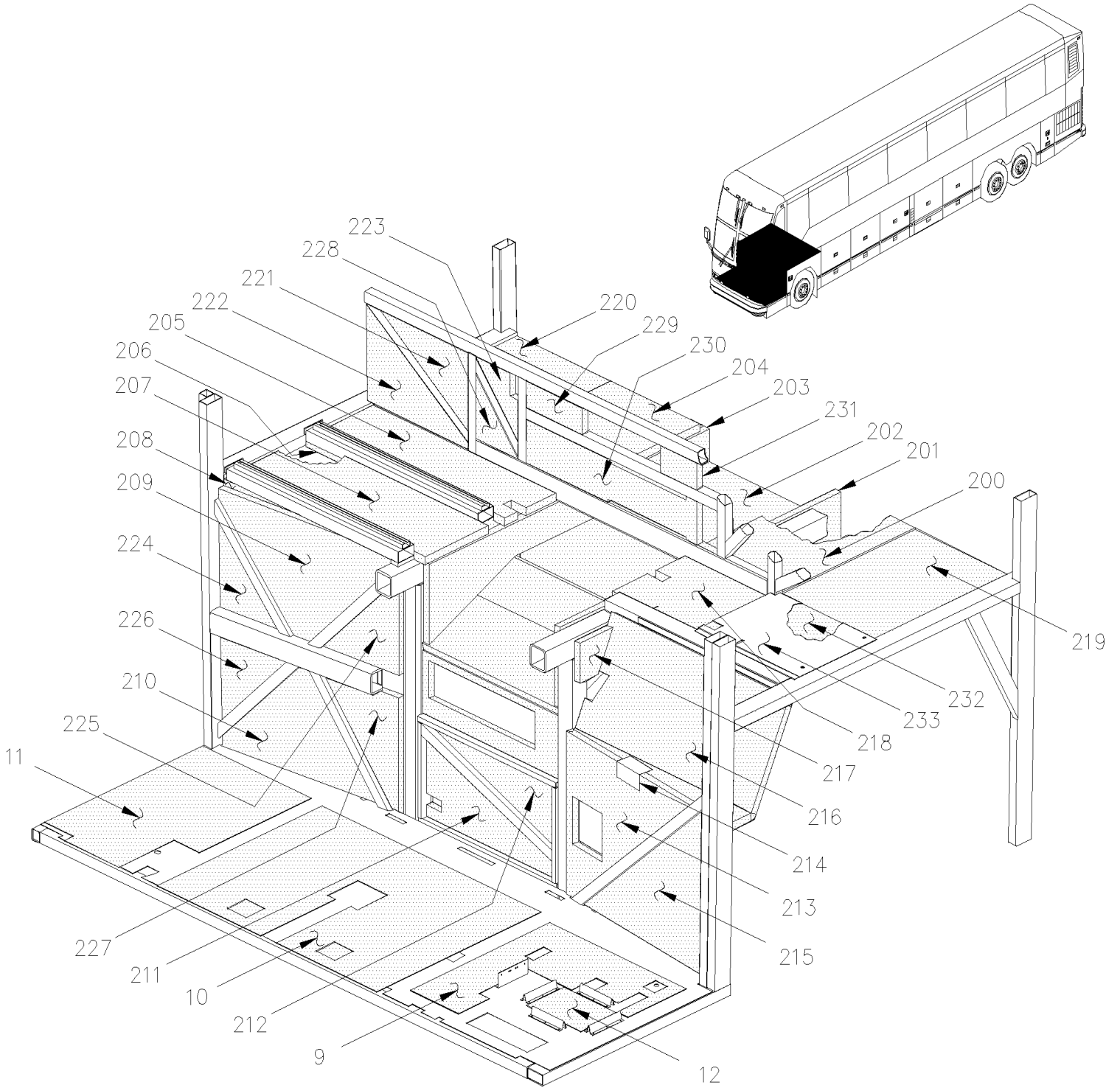


From 3-4417 To 8-1043

Date:10/2022

PAGE:HF-1839-15

INSULATING FRONT - SUBFRAME



V.I.P. WITH INDEPENDANT SUSPENSION

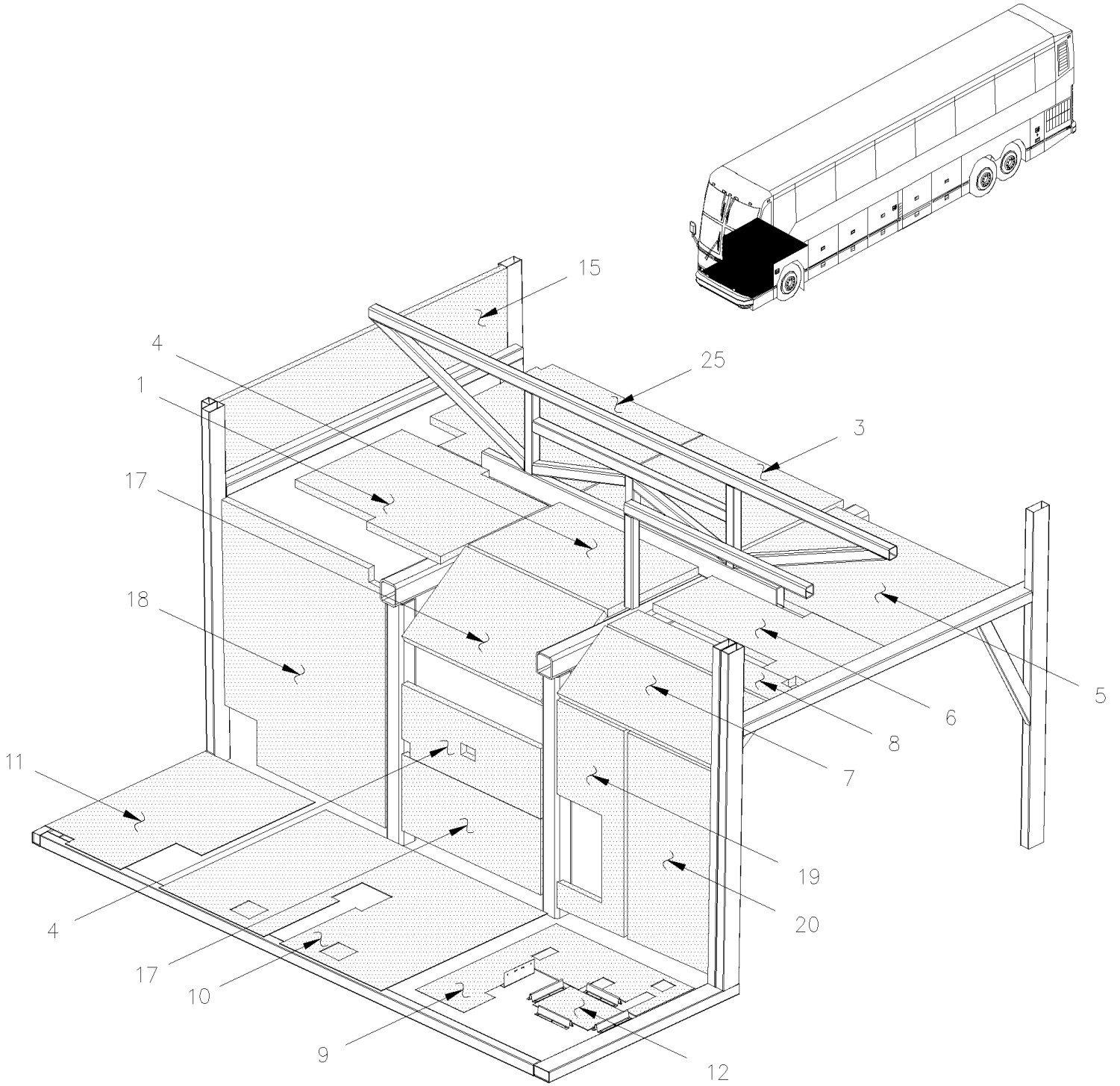


From 3-4417 To 8-1043

Date:10/2022

PAGE:HF-1839-15

INSULATING FRONT - SUBFRAME



BUS



From 3-4417 To 8-1043	Date:10/2022	PAGE:HF-1839-15
INSULATING FRONT - SUBFRAME		

Item#	Part	Description	H 3 4 1	H 3 4 5	V I P 4 5	N O T E S
	850024	INSULATING PAD NOISE ADH1 1/16" x 40" x 54"	AR	AR	AR	A
1	350185	SOUND INSULATOR PANEL	1	1		
NS	350477	SOUND INSULATOR PANEL / FORWARD			1	
NS	350261	SOUND INSULATOR PANEL / BACKWARD			1	
NS	350479	SOUND INSULATOR PANEL			1	
3	350476	SOUND INSULATOR PANEL	1	1		
NS	350483	SOUND INSULATOR PANEL			1	
NS	350484	SOUND INSULATOR PANEL			2	
4	350793	SOUND INSULATOR PANEL / W/SMALL A/C	2	2	2	
5	350558	SIDE INSULATION PANEL	1	1	1	
6	350345	SOUND INSULATOR PANEL	1	1	1	
NS	350793	SOUND INSULATOR PANEL / W/SMALL A/C			1	
7	350371	SOUND INSULATOR PANEL	1	1	1	
8	350346	SOUND INSULATOR PANEL	1	1	1	
9	350193	SOUND INSULATOR PANEL	1	1	1	
10	350194	SOUND INSULATOR PANEL	1	1	1	
10	350685	SOUND INSULATOR PANEL			1	
11	350668	SOUND INSULATOR PANEL / (UNDER FLOOR)	1	1	1	
11	326206	SOUND INSULATOR PANEL / (UNDER FLOOR)	1	1	1	
12	350219	SOUND INSULATOR PANEL	1	1	1	
15	350196	SOUND INSULATOR PANEL	1	1	1	
17	350198	SOUND INSULATOR PANEL	2	2	2	
18	350475	SOUND INSULATOR PANEL	1	1	1	
18	351233	INSULATING PAD / 562MM X 467MM	1	1	1	W
19	350200	SOUND INSULATOR PANEL	1	1	1	
20	350637	SOUND INSULATOR PANEL	1	1	1	
25	350260	SOUND INSULATOR PANEL	1	1	1	
25	350347	SOUND INSULATOR PANEL	1	1	1	
25	350720	SOUND INSULATOR PANEL	2	2	2	
NS	350348	SOUND INSULATOR PANEL	1	1	1	
200	326054	INSULATING PAD 1" 1/16	1	1	1	
201	325360	INSULATING PAD 1"	1	1	1	
202	326329	INSULATING PAD 1" 1/16				
203	325357	INSULATING PAD NOISE 1"	1	1	1	
204	326047	INSULATING PAD 1" 1/16	1	1	1	
205	326048	INSULATING PAD 1" 1/16	1	1	1	
206	326049	INSULATING PAD 13/16"	1	1	1	
207	326050	INSULATING PAD 1" 1/16	1	1	1	
208	326052	INSULATING PAD 13/16"	1	1	1	
209	326051	INSULATING PAD 1" 1/16	1	1	1	
210	326053	INSULATING PAD 1" 1/16	1	1	1	
211	325353	INSULATING PAD 1"	1	1	1	



From 3-4417 To 8-1043	Date:10/2022	PAGE:HF-1839-15
INSULATING FRONT - SUBFRAME		

Item#	Part	Description	H 3 4 1	H 3 4 5	V I P 4 5	N O T E S
212	325352	INSULATING PAD 1"	1	1	1	
213	326056	INSULATING PAD 1" 1/16	1	1	1	
215	326081	INSULATING PAD 1" 1/16	1	1	1	
216	326055	INSULATING PAD 1" 1/16	1	1	1	
217	326082	INSULATING PAD 1" 1/16	1	1	1	
218	326084	INSULATING PAD 1" 1/16	1	1	1	
219	326253	INSULATING PAD 1" 1/16	1	1	1	
220	326124	INSULATING PAD 1" 1/16	1	1	1	
222	326400	INSULATING PAD 1" 1/16	1	1	1	
223	326397	INSULATING PAD 1" 1/16	1	1	1	
224	326334	INSULATING PAD 1" 1/16	1	1	1	
225	326331	INSULATING PAD 1" 1/16	1	1	1	
226	326333	INSULATING PAD 1" 1/16	1	1	1	
227	326332	INSULATING PAD 1" 1/16	1	1	1	
228	326398	INSULATING PAD 1" 1/16	1	1	1	
229	326414	INSULATING PAD 1" 1/16	1	1	1	
230	326416	INSULATING PAD 1" 1/16	1	1	1	
231	326415	INSULATING PAD 1" 1/16	1	1	1	
232	326684	INSULATING PAD 1" 1/16	1	1	1	
232	850032	INSULATION PAD NOISE 1" x 48" x 35' / ARMAFLEX POLYURETHANE FOAM	AR	AR	AR	
NS	850058	INSULATING PAD 13/16" X 40" X 54"	AR	AR	AR	B
NS	850061	SOUND INSULATION 1"1/16X36X54	AR	AR	AR	B
NS	850030	INSULATING PAD NOISE ADH1 1" x 54" x 72"	AR	AR	AR	B
		A) RAW MATERIAL TO MAKE ITEM 1 TO 25				
		B) RAW MATERIAL TO MAKE ITEM 200 AND MORE				
		W) INSTALLED INSIDE OF WHEELHOUSE				

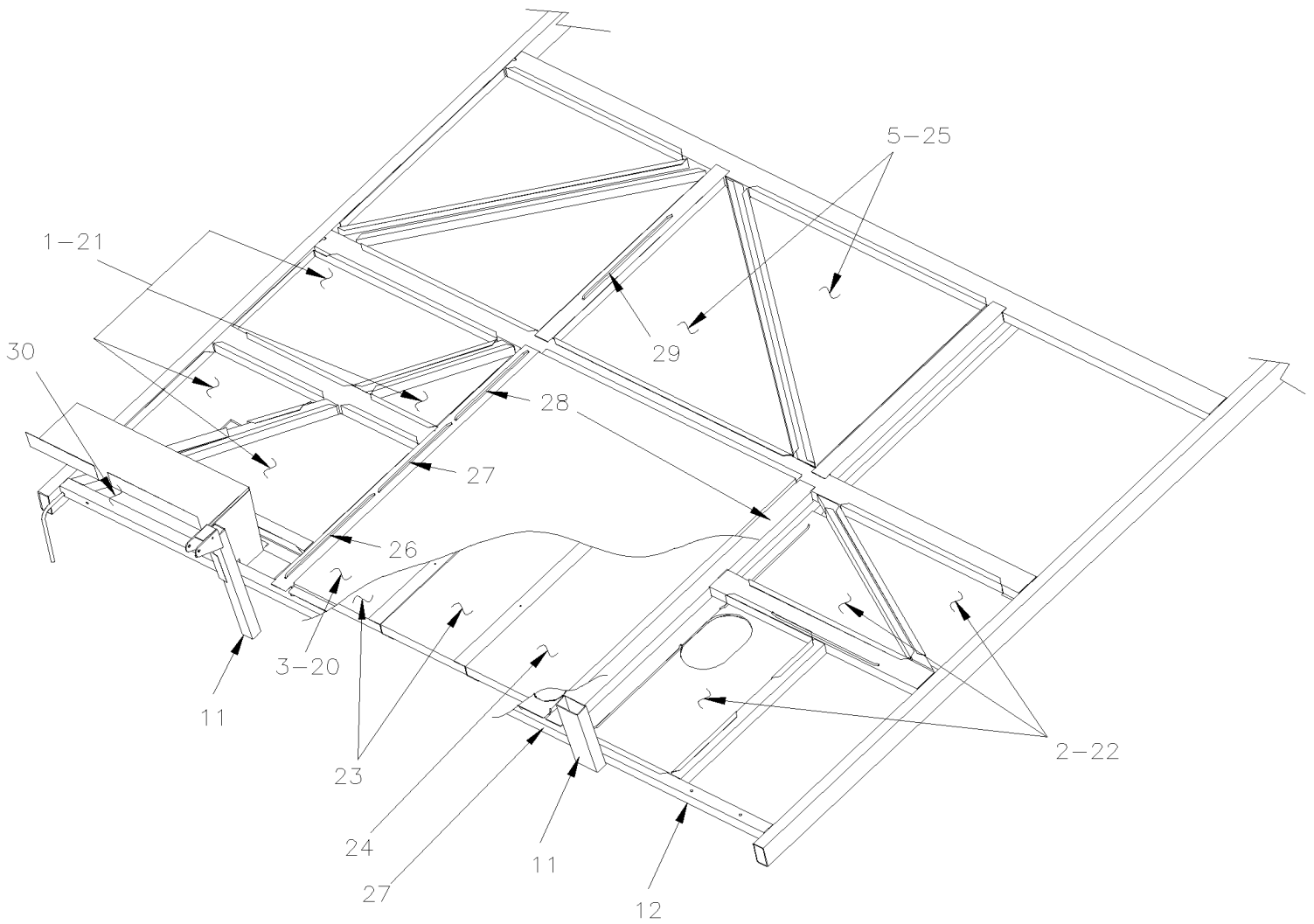


From 3-4417 To 3-4536

Date:10/2022

PAGE:HF-1839-20

INSULATING REAR ENGINE COMPARTMENT





From 3-4417 To 3-4536	Date:10/2022	PAGE:HF-1839-20
INSULATING REAR ENGINE COMPARTMENT		

Item#	Part	Description	H 3 4 1	H 3 4 5	V I P 4 5	N O T E S
1	350385	INSULATING HOLDER PERFORATED ALUMINUM / STREETSIDE	1	1		
1	350683	INSULATING HOLDER PERFORATED ALUMINUM / STREETSIDE			1	
1	350482	INSULATING HOLDER PERFORATED ALUMINUM / STREETSIDE			1	A
2	350621	INSULATING HOLDER PERFORATED ALUMINUM / CURBSIDE	1	1		
2	351047	INSULATING HOLDER PERFORATED ALUMINUM / CURBSIDE			1	
3	350424	INSULATING HOLDER PERFORATED ALUMINUM / OVER ENGINE	1	1		
3	350589	INSULATING HOLDER PERFORATED ALUMINUM / OVER ENGINE			1	
5	350364	INSULATING HOLDER PERFORATED ALUMINUM / OVER ENGINE & TRANS	1	1	1	
11	350359	INSULATING HOLDER PERFORATED ALUMINUM / CENTER PART VERTICAL	1	1	1	
12	350372	INSULATING HOLDER PERFORATED ALUMINUM / CURBSIDE VERTICAL	1	1		
12	350382	INSULATING HOLDER PERFORATED ALUMINUM / CURBSIDE VERTICAL			1	
12	970251	ALUMINUM SHEET 48" X 96" W/5MM HOLES PERFORATED	AR	AR	AR	
NS	504379	RIVET POP DOME OE 3/16x1/4 SS	AR	AR	AR	
NS	680257	TAPE ALUMINUM ADH1 .005" x 2" x 300' TRM425-2	AR	AR	AR	
NS	680096	SEALANT BUTYL ALUM / GREY / 310ml CARTRIDGE	AR	AR	AR	
21	350384	INSULATING PAD / STREET SIDE / 690MM X 1053MM	1	1		
21	350682	INSULATING PAD / STREET SIDE / 690MM X 1053MM			1	
21	350481	INSULATING PAD / STREET SIDE / 690MM X 1053MM			1	A
22	350350	INSULATING PAD / CURBSIDE / 642MM X 1025MM	1	1		
22	350620	INSULATING PAD / CURBSIDE / 680MM X 1025MM	1	1		S
22	350622	INSULATING PAD / CURBSIDE / 690MM X 1011MM			1	
23	350593	INSULATING PAD / OVER ENGINE / 213MM X 1022MM	2	2	2	
23	350588	INSULATING PAD / OVER ENGINE // OVER ENGINE 487MM X 1024MM	1	1	1	
24	350592	INSULATING PAD / OVER ENGINE / 464MM X 1022MM	1	1		
24	350661	INSULATING PAD / OVER ENGINE / 464MM X 1022MM			1	
25	350362	INSULATING PAD / OVER ENGINE & TRANS / 760MM X 788MM	1	1	1	
26	350386	INSULATING PAD 57MM X 605MM	2	2	2	
27	350324	INSULATING PAD 70MM X 35MM	3	3	3	
28	350387	INSULATING PAD 57MM X 305MM	2	2	2	
29	350388	INSULATING PAD 48MM X 720MM	2	2	2	
30	HF-1839-25	INSULATING REAR END - STRUCTURE & CAP				
50	350624	INSULATING PAD 105MM X 162MM	1	1	1	
51	350625	INSULATING PAD 88MM X 466MM	1	1	1	
52	350626	INSULATING PAD 282MM X 459MM	1	1	1	
60	350430	INSULATING PAD 444MM X 535MM	1	1	1	
61	350431	INSULATING PAD 520MM X 695MM	1	1	1	
62	350432	INSULATING PAD 160MM X 215MM	1	1	1	
63	323562	INSULATING PAD 156MM X 965MM	1	1		
64	323761	INSULATING PAD 156MM X 965MM	1	1		
65	323561	INSULATING PAD 550MM X 965MM	1	1		
66	350300	INSULATING PAD 235MM X 654MM	1	1		
66	350336	INSULATING PAD 89MM X 495MM	1	1	1	



From 3-4417 To 3-4536	Date:10/2022	PAGE:HF-1839-20
-----------------------	--------------	-----------------

INSULATING REAR ENGINE COMPARTMENT

Item#	Part	Description	H 3 4 1	H 3 4 5	V I P 4 5	N O T E S
NS	850036	INSULATING PAD NOISE 1/4" x 48" x 48"	AR	AR	AR	
NS	850063	INSULATING PAD 1 1/2" x 41" x 54"	AR	AR	AR	
		A) VIP WITH 430HP ENGINE "CALHOUN"				
		S) WITH W.C.L. "ST & ST"				

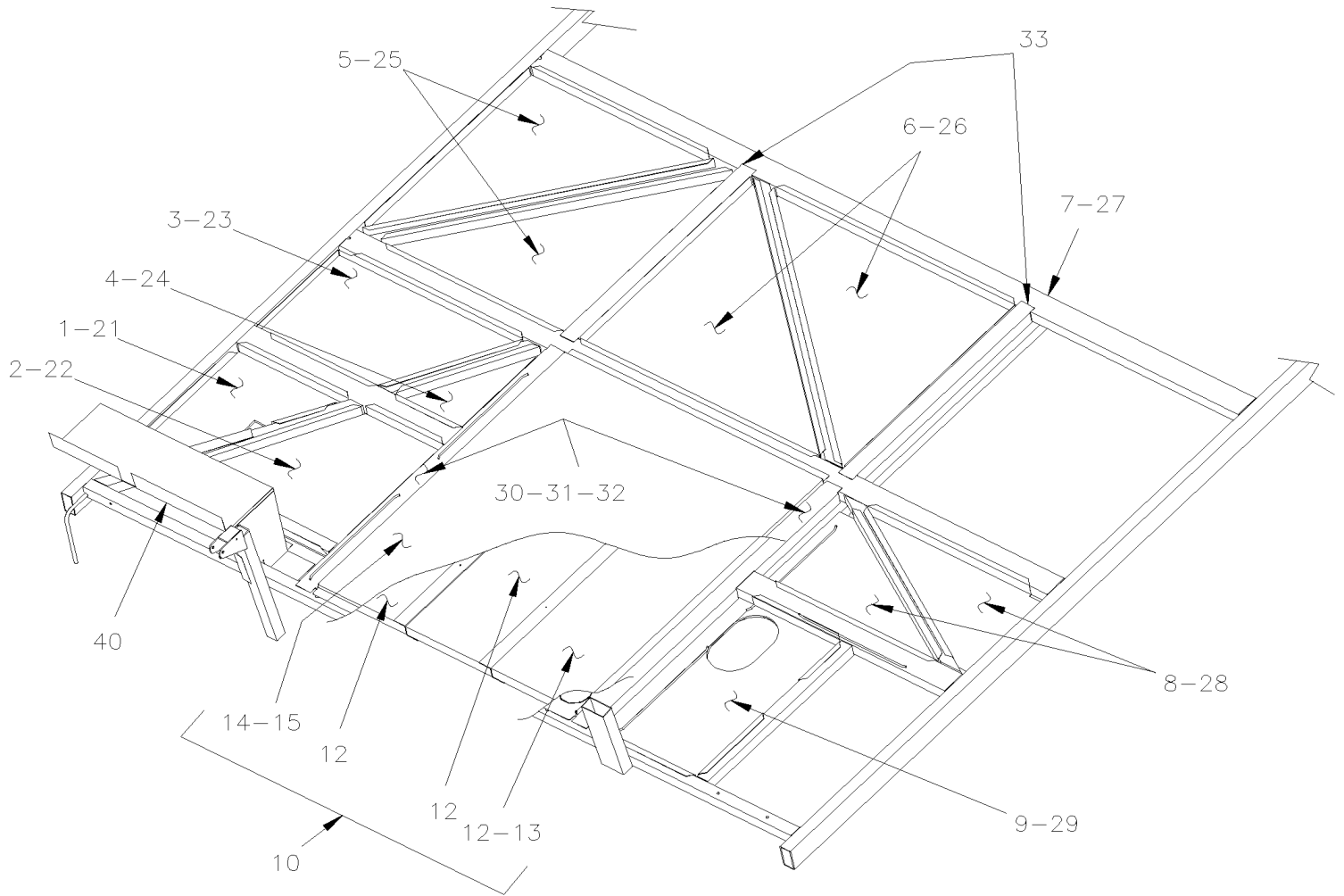


From 3-4537 To 8-1043

Date:10/2022

PAGE:HF-1839-21

INSULATING REAR ENGINE COMPARTMENT





From 3-4537 To 8-1043 Date:10/2022 PAGE:HF-1839-21

INSULATING REAR ENGINE COMPARTMENT

Item#	Part	Description	H 3 4 1	H 3 4 5	V I P 4 5	N O T E S
1	351216	INSULATING HOLDER PERFORATED ALUMINUM To 3-4757	1	1	1	
1	351374	INSULATING HOLDER PERFORATED ALUMINUM From 4-4758	1	1	1	
2	351218	INSULATING HOLDER PERFORATED ALUMINUM To 3-4757	1	1		
2	351222	INSULATING HOLDER PERFORATED ALUMINUM To 3-4757			1	
2	351375	INSULATING HOLDER PERFORATED ALUMINUM From 4-4758	1	1	1	
3	351220	INSULATING HOLDER PERFORATED ALUMINUM To 3-4757	1	1	1	
3	351422	INSULATING HOLDER PERFORATED ALUMINUM From 4-4758	1	1	1	
4	351215	INSULATING HOLDER PERFORATED ALUMINUM	1	1	1	
5	351376	INSULATING HOLDER PERFORATED ALUMINUM From 4-4758	2	2	2	
6	351219	INSULATING HOLDER PERFORATED ALUMINUM	2	2	2	
7	351249	INSULATING HOLDER PERFORATED ALUMINUM	2	2	2	
8	351217	INSULATING HOLDER PERFORATED ALUMINUM	2	2	2	
9	351275	INSULATING HOLDER PERFORATED ALUMINUM	1	1		
9	351221	INSULATING HOLDER PERFORATED ALUMINUM			1	
NS	970251	ALUMINUM SHEET 48" X 96" W/5MM HOLES PERFORATED	AR	AR	AR	
10	Call order desk	PANEL CENTER ASSY W/INSULATING PAD	1	1		P
10	Call order desk	PANEL CENTER ASSY W/INSULATING PAD	1	1		P A
10	Call order desk	PANEL CENTER ASSY W/INSULATING PAD			1	P
11	351274	. PANEL CENTER HOLDER	1	1		
11	351251	. PANEL CENTER HOLDER	1	1		A
12	351223	. INSULATING PAD 1018MM X 294MM	2	2		
12	351223	. INSULATING PAD 1018MM X 294MM			3	
13	351224	. INSULATING PAD 1018MM X 294MM	1	1		
13	351226	. INSULATING PAD 1018MM X 894MM	1	1		
14	351227	. INSULATING PAD 1018MM X 894MM	1	1		
15	351228	. INSULATING HOLDER PERFORATED ALUMINUM	1	1	1	
21	351231	INSULATING PAD / 574MM X 380MM To 3-4757	1	1	1	
21	351378	INSULATING PAD / 574MM X 381MM From 4-4758	1	1	1	
22	351233	INSULATING PAD / 562MM X 467MM To 3-4757	1	1		
22	351237	INSULATING PAD / 562MM X 467MM To 3-4757			1	
22	351379	INSULATING PAD / 562MM X 567MM From 4-4758	1	1	1	
23	351235	INSULATING PAD / 640MM X 338MM	1	1	1	
24	351230	INSULATING PAD / 339MM X 230MM	1	1	1	
25	351380	INSULATING HOLDER PERFORATED ALUMINUM From 4-4758	2	2	2	
26	351234	INSULATING PAD 704MM X 831MM	2	2	2	
27	350388	INSULATING PAD 48MM X 720MM	2	2	2	
27	351248	INSULATING PAD 48MM X 715MM	2	2	2	
28	351232	INSULATING PAD 607MM X 310MM	2	2	2	
29	351229	INSULATING PAD 594MM X 353MM	1	1		
29	351236	INSULATING PAD 594MM X 353MM			1	
30	350324	INSULATING PAD 70MM X 35MM	2	2	2	
31	350387	INSULATING PAD 57MM X 305MM	2	2	2	



From 3-4537 To 8-1043	Date:10/2022	PAGE:HF-1839-21
INSULATING REAR ENGINE COMPARTMENT		

Item#	Part	Description	H 3 4 1	H 3 4 5	V I P 4 5	N O T E S
31	351246	INSULATING PAD 55MM X 345MM	2	2	2	
32	351238	GRILLE 1025MM X 85MM	2	2	2	
33	351247	INSULATING PAD 55MM X 600MM	2	2	2	
33	350386	INSULATING PAD 57MM X 605MM	2	2	2	
40	HF-1839-25	INSULATING REAR END - STRUCTURE & CAP				
NS	682484	TAPE ALUMINUM ADH1 .005" x 3" x 300' ALUMINUM FSK3"	AR	AR	AR	
NS	504339	RIVET POP DOME OE 1/8x3/8 SS	AR	AR	AR	
NS	850036	INSULATING PAD NOISE 1/4" x 48" x 48"	AR	AR	AR	
NS	850063	INSULATING PAD 1 1/2" x 41" x 54"	AR	AR	AR	
		A) WITH W.C.L. "ST & ST"				
		P) CALL ORDER DESK FOR SPECIFIC APPLICATION (V.I.N.)				

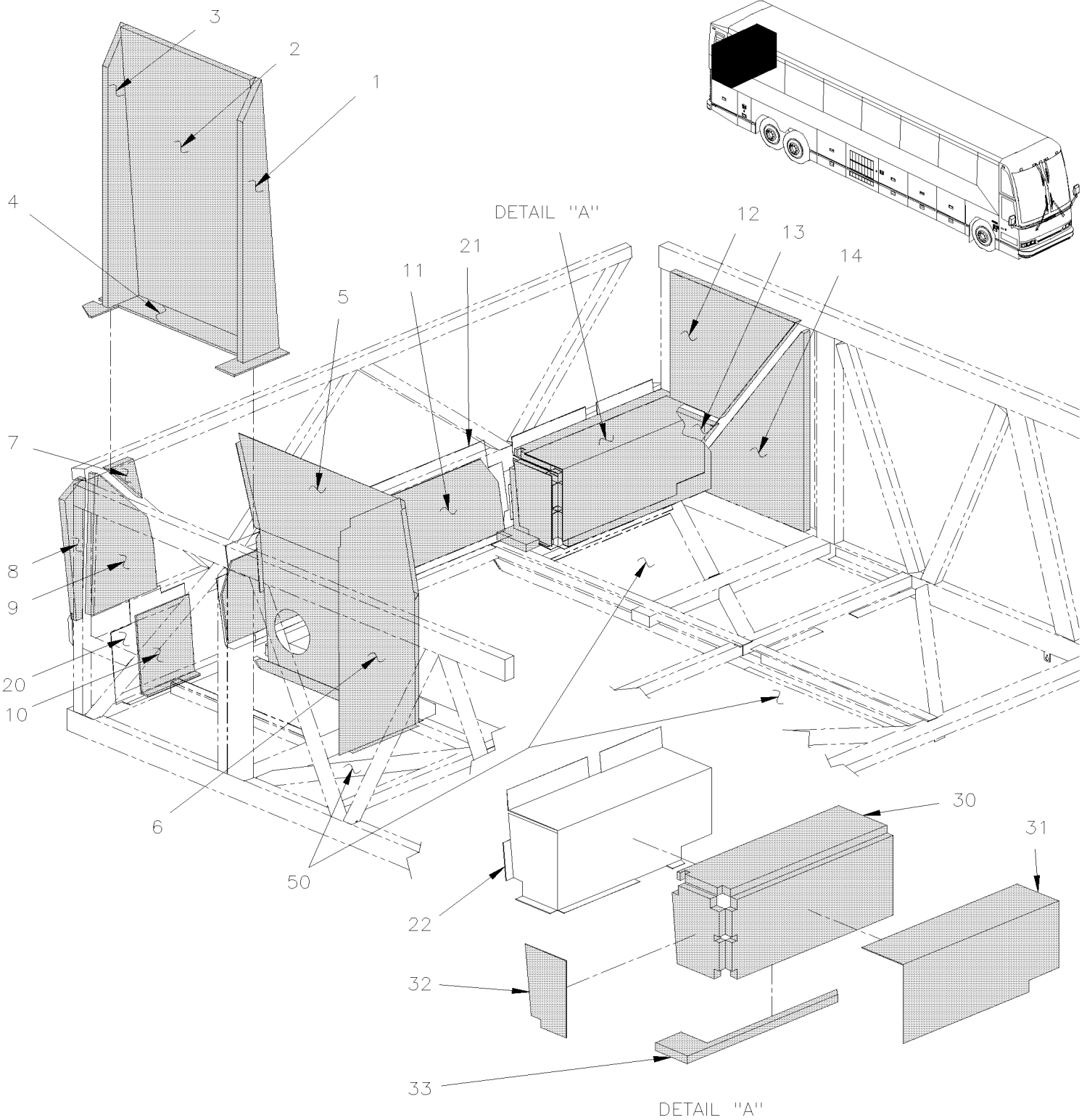


From 3-4417 To 8-1043

Date:10/2022

PAGE:HF-1839-25

INSULATING REAR END - STRUCTURE & CAP



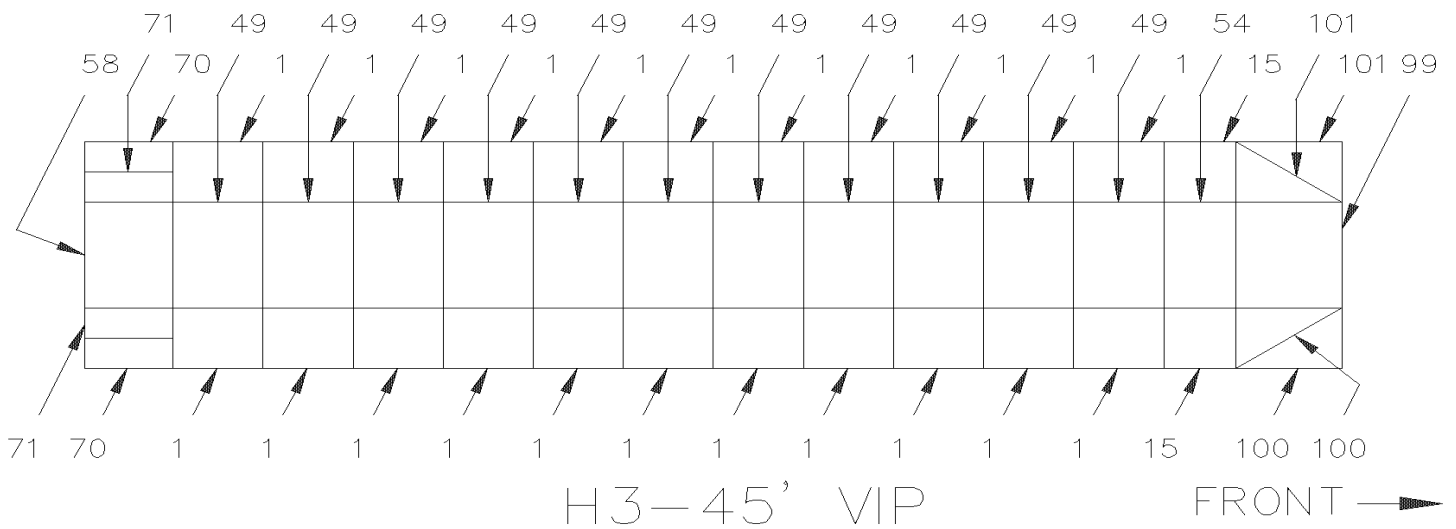
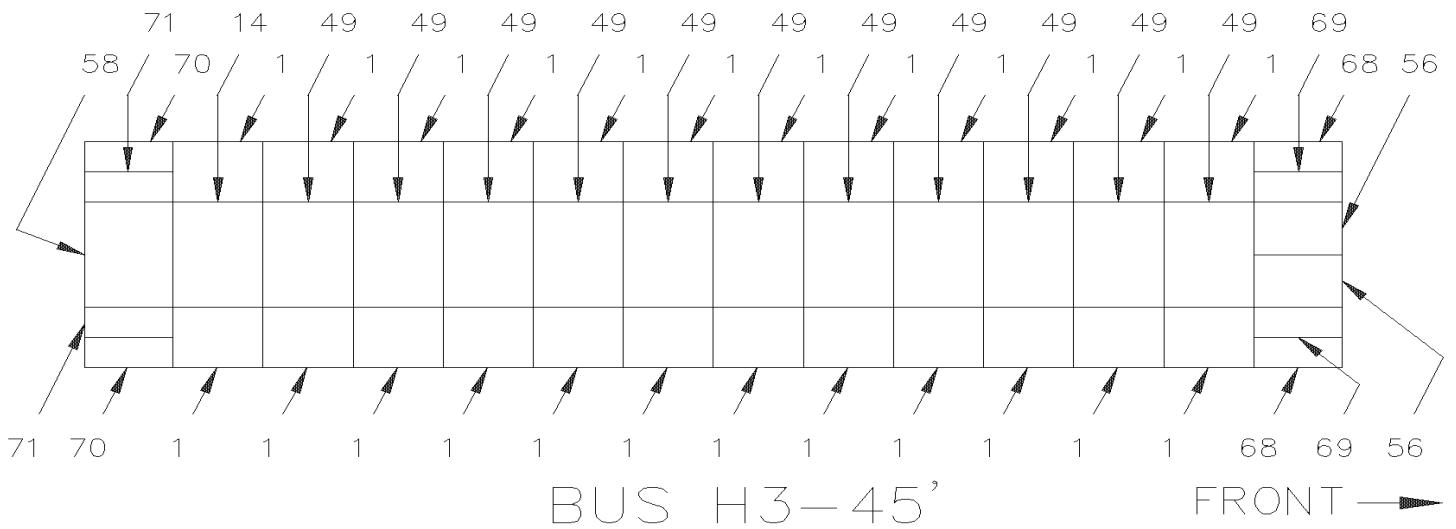
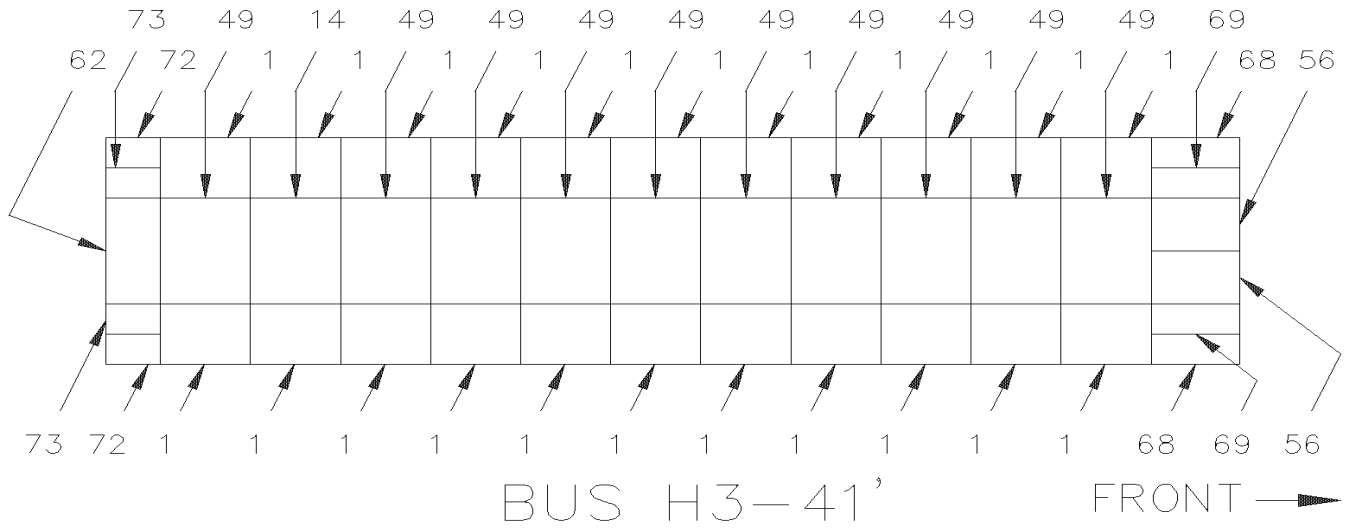


From 3-4417 To 8-1043	Date:10/2022	PAGE:HF-1839-25
INSULATING REAR END - STRUCTURE & CAP		

Item#	Part	Description	H 3 4 1	H 3 4 5	V I P 4 5	N O T E S
1	323761	INSULATING PAD 156MM X 965MM			1	
2	323561	INSULATING PAD 550MM X 965MM	1	1	1	
3	323562	INSULATING PAD 156MM X 965MM	1	1	1	
4	350300	INSULATING PAD 235MM X 654MM	1	1	1	
5	350155	INSULATING PAD 681MM X 830MM	1	1		
6	350157	INSULATING PAD 368MM 830MM	1	1		
7	350624	INSULATING PAD 105MM X 162MM	1	1	1	
8	350625	INSULATING PAD 88MM X 466MM	1	1	1	
9	350626	INSULATING PAD 282MM X 459MM	1	1	1	
10	350351	INSULATING PAD / CURBSIDE VERTICAL 290MM X 305MM	1	1		
10	350379	INSULATING PAD / CURBSIDE VERTICAL 290MM X 622MM			1	
11	350367	INSULATING PAD / CENTER PART VERTICAL 258MM X 1180MM	1	1	1	
12	350299	INSULATING PAD 355MM X 482MM	1	1	1	
12	350430	INSULATING PAD 444MM X 535MM	1	1	1	
13	350298	INSULATING PAD 216MM X 465MM	1	1	1	
13	350432	INSULATING PAD 160MM X 215MM	1	1	1	
14	350297	INSULATING PAD 623MM X 673MM	1	1	1	
14	350431	INSULATING PAD 520MM X 695MM	1	1	1	
20	350372	INSULATING HOLDER PERFORATED ALUMINUM / CURBSIDE VERTICAL	1	1		
20	350382	INSULATING HOLDER PERFORATED ALUMINUM / CURBSIDE VERTICAL			1	
21	350359	INSULATING HOLDER PERFORATED ALUMINUM / CENTER PART VERTICAL	1	1	1	
22	350373	INSULATING HOLDER PERFORATED ALUMINUM / SURGE TANK	1	1	1	
30	350304	INSULATING PAD 440MM X 811MM	1	1	1	
31	350144	INSULATING PAD 411MM X 606MM	1	1	1	
32	350146	INSULATING PAD 160MM X 246MM	1	1	1	
33	350322	INSULATING PAD 125MM X 606MM	1	1	1	
50	HF-1839-20	INSULATING REAR ENGINE COMPARTMENT				
NS	504379	RIVET POP DOME OE 3/16x1/4 SS	1	1	1	
NS	680257	TAPE ALUMINUM ADH1 .005" x 2" x 300' TRM425-2	1	1	1	
NS	682484	TAPE ALUMINUM ADH1 .005" x 3" x 300' ALUMINUM FSK3"	1	1	1	
NS	680096	SEALANT BUTYL ALUM / GREY / 310ml CARTRIDGE	1	1	1	

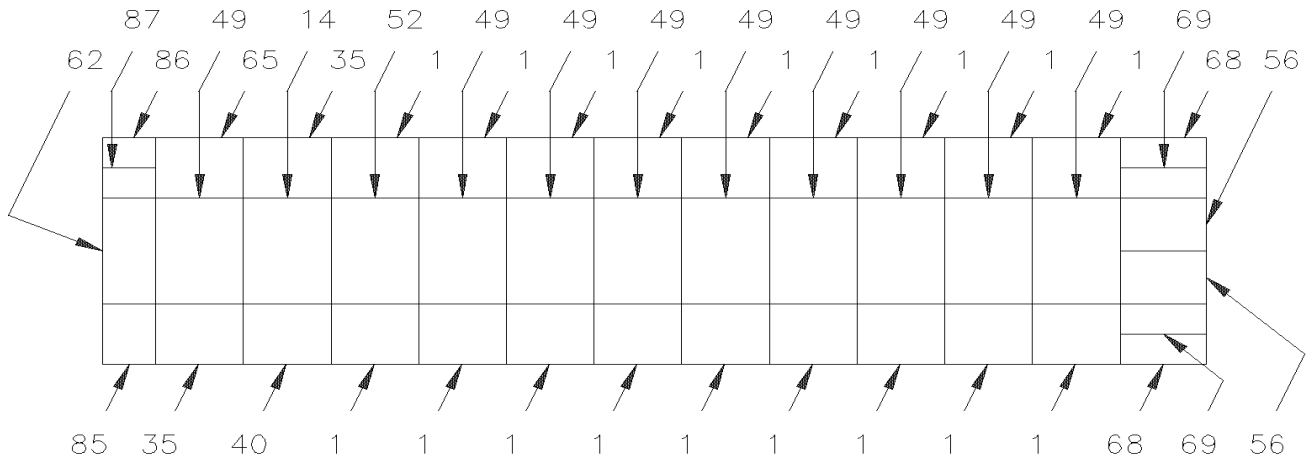


From 3-4417 To 7-0771	Date:10/2022	PAGE:HF-1839-30
INSULATING ROOF PANELS		

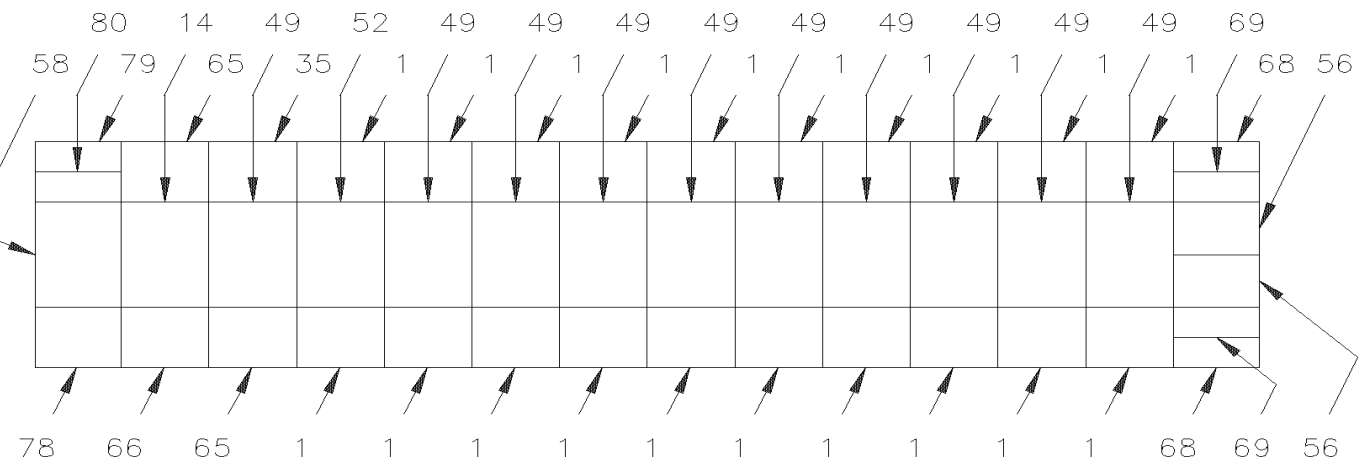




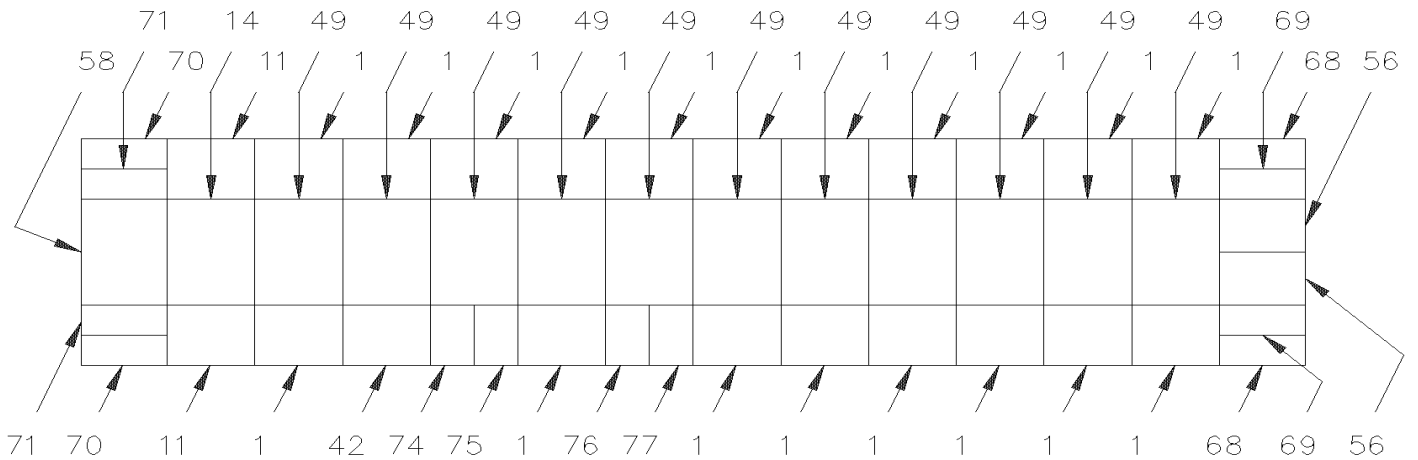
From 3-4417 To 7-0771	Date:10/2022	PAGE:HF-1839-30
INSULATING ROOF PANELS		



H3-41' W.C.L. ST. & ST. FRONT →



H3-45' W.C.L. ST. & ST. FRONT →



H3-45' VIP FRONT →



From 3-4417 To 7-0771	Date:10/2022	PAGE:HF-1839-30
INSULATING ROOF PANELS		

Item#	Part	Description	H 3 4 1	H 3 4 5	V I P 4 5	N O T E S
	350673	KIT INSULATING ROOF PANEL	1			
	350670	KIT INSULATING ROOF PANEL		1		
	350674	KIT INSULATING ROOF PANEL / W/"ST & ST"	1			
	350671	KIT INSULATING ROOF PANEL / W/"ST & ST"		1		
	350672	KIT INSULATING ROOF PANEL / W/"RICON"		1		
	350634	KIT INSULATING ROOF PANEL			1	
	355870	KIT INSULATING ROOF PANEL V.I.P. / W/SINGLE SLIDE OUT			1	
	355869	KIT INSULATING ROOF PANEL V.I.P. / W/DOUBLE SLIDE OUT			1	
1	350746	ROOF INSULATION PANEL	22		22	
1	350746	ROOF INSULATION PANEL		24		
14	350747	ROOF INSULATION PANEL	1	1		
15	350748	ROOF INSULATION PANEL			2	
35	350750	ROOF INSULATION PANEL	2			
35	350750	ROOF INSULATION PANEL		1		
42	350751	ROOF INSULATION PANEL		1		
49	350752	ROOF INSULATION PANEL	10			
49	350752	ROOF INSULATION PANEL		11	11	
52	350753	ROOF INSULATION PANEL	1	1		
54	350754	ROOF INSULATION PANEL			1	
56	350755	ROOF INSULATION PANEL	2	2		
58	350756	ROOF INSULATION PANEL		1	1	
62	350757	ROOF INSULATION PANEL	1			
65	350758	ROOF INSULATION PANEL		2		
65	350758	ROOF INSULATION PANEL	1			
68	350766	ROOF INSULATION PANEL	2	2		
69	350771	ROOF INSULATION PANEL	2	2		
70	350772	ROOF INSULATION PANEL		2	2	
71	350773	ROOF INSULATION PANEL		2	2	
72	350777	ROOF INSULATION PANEL	2			
73	350778	ROOF INSULATION PANEL	2			
74	350779	ROOF INSULATION PANEL		1		
75	350780	ROOF INSULATION PANEL		1		
76	350781	ROOF INSULATION PANEL		1		
77	350782	ROOF INSULATION PANEL		1		
78	350783	ROOF INSULATION PANEL		1		
79	350784	ROOF INSULATION PANEL		1		
80	350785	ROOF INSULATION PANEL		1		
81	350787	ROOF INSULATION PANEL	1	1	1	
82	350798	ROOF INSULATION PANEL	1	1	1	
83	350815	ROOF INSULATION PANEL	1			



From 3-4417 To 7-0771	Date:10/2022	PAGE:HF-1839-30
-----------------------	--------------	-----------------

INSULATING ROOF PANELS

Item#	Part	Description	H 3 4 1	H 3 4 5	V I P 4 5	N O T E S
84	350819	ROOF INSULATION PANEL	1			
85	350820	ROOF INSULATION PANEL	1			
86	350821	ROOF INSULATION PANEL	1			
87	350822	ROOF INSULATION PANEL	1			
99	350825	ROOF INSULATION PANEL			1	
100	350826	ROOF INSULATION PANEL			2	
101	350827	ROOF INSULATION PANEL			2	

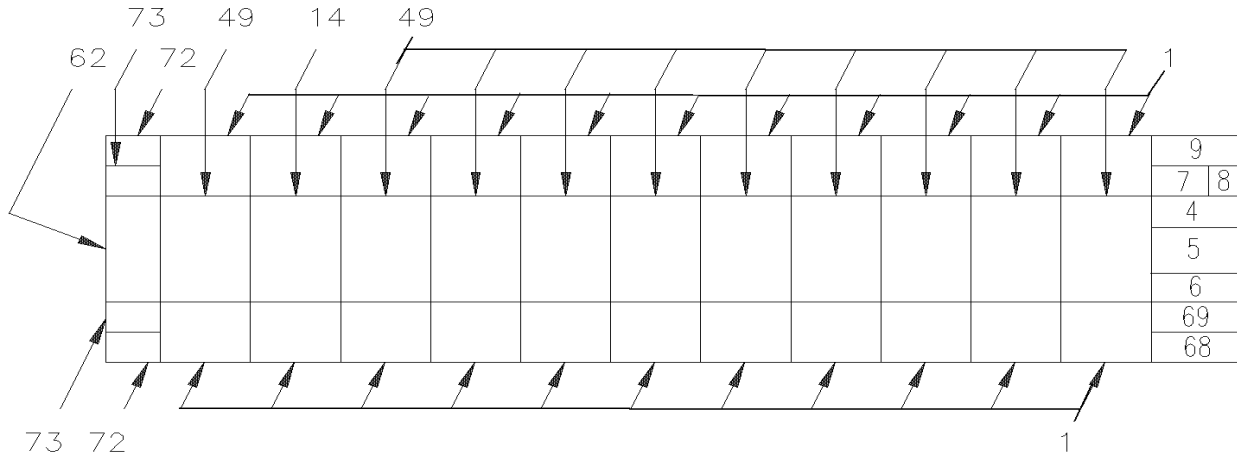


From 7-0772 To 8-1043

Date:10/2022

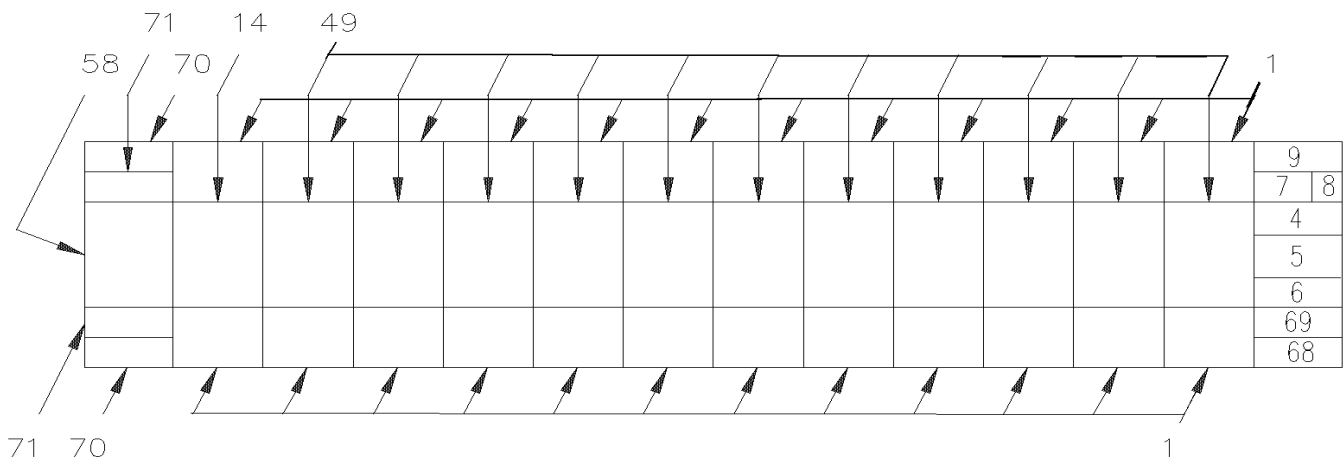
PAGE:HF-1839-31

INSULATING ROOF PANELS



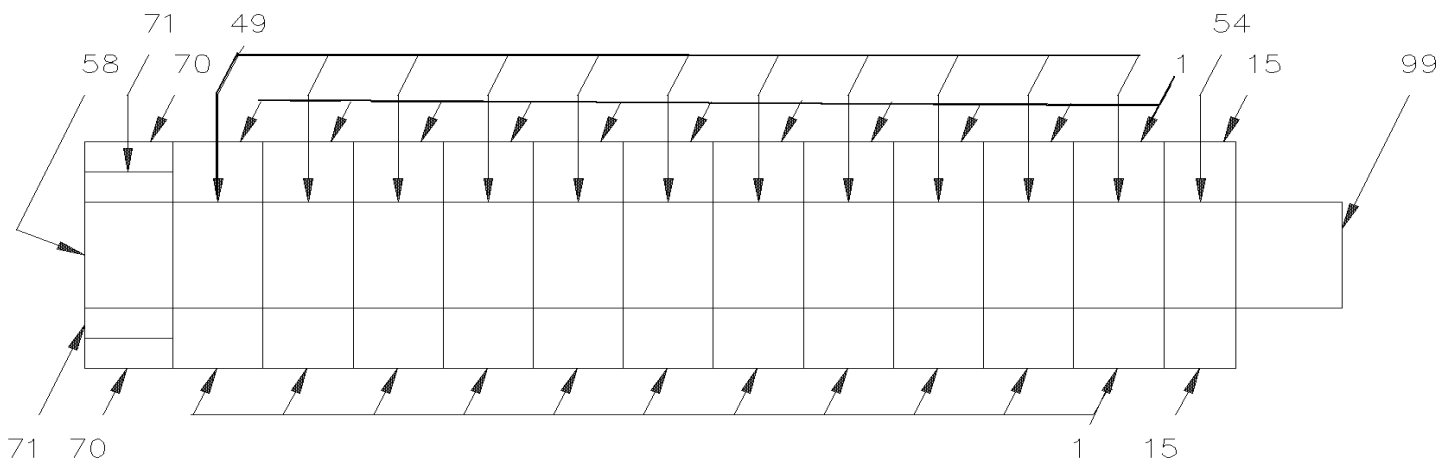
BUS H3-41'

FRONT →



BUS H3-45'

FRONT →

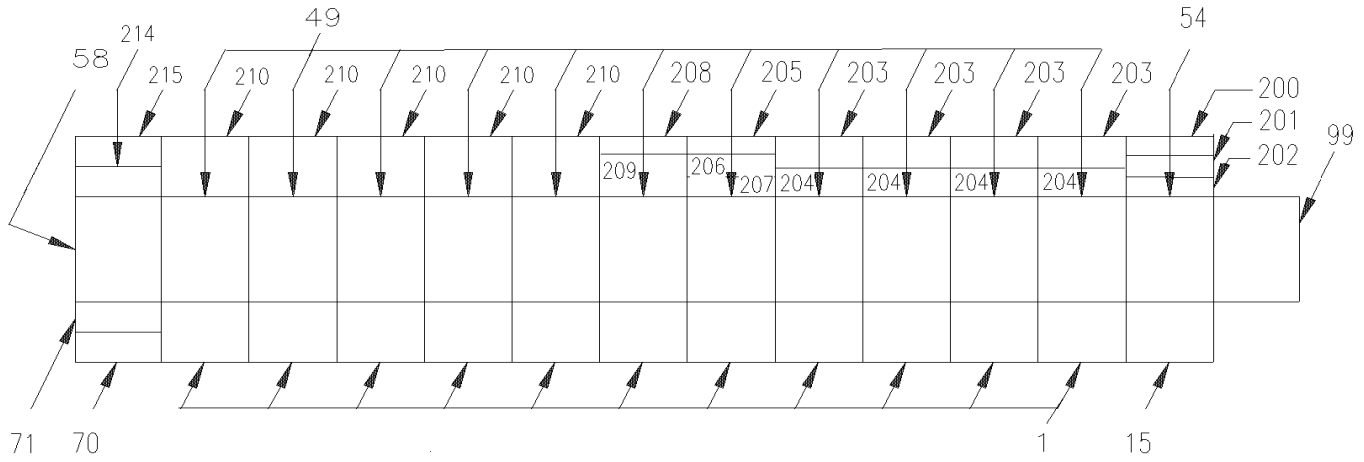


H3-45' VIP

FRONT →

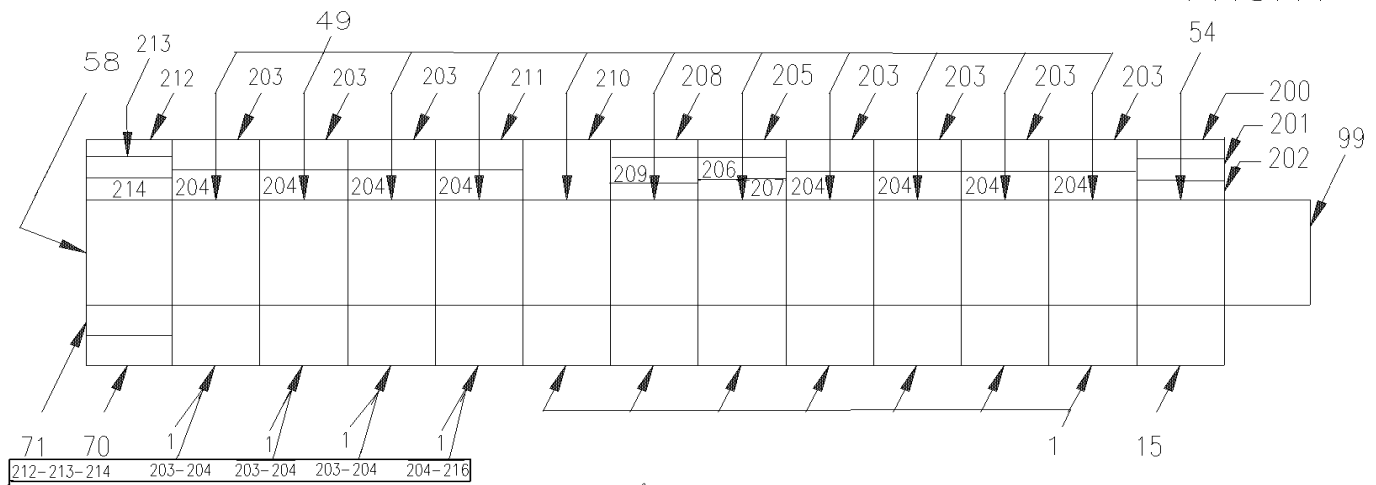


From 7-0772 To 8-1043	Date:10/2022	PAGE:HF-1839-31
INSULATING ROOF PANELS		



H3-45' VIP

FRONT →

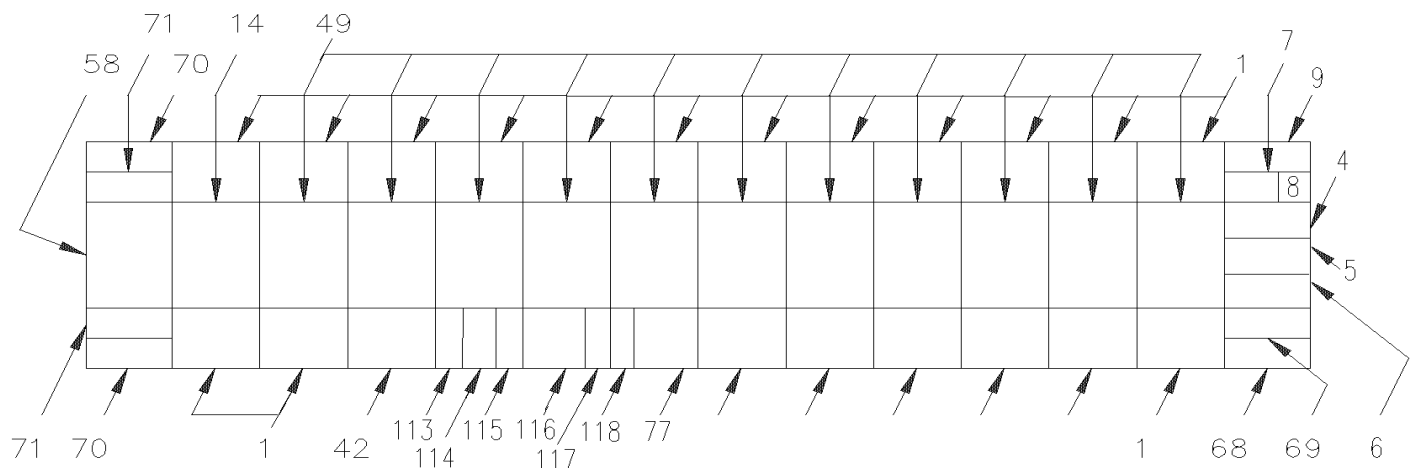


212-213-214	203-204	203-204	203-204	204-216
-------------	---------	---------	---------	---------

→ USE WITH CURBSIDE SLIDE-OUT ONLY

H3-45' VIP

FRONT →



H3-45' W.C.L.

FRONT →



From 7-0772 To 8-1043 Date:10/2022 PAGE:HF-1839-31

INSULATING ROOF PANELS

Item#	Part	Description	H 3 4 1	H 3 4 5	V I P 4 5	N O T E S
	351841	KIT INSULATING ROOF PANEL To 7-0817	1			
	351838	KIT INSULATING ROOF PANEL To 7-0817		1		
	350671	KIT INSULATING ROOF PANEL / W/"ST & ST" To 6-0335	1	1		
	351840	KIT INSULATING ROOF PANEL / W/"RICON" To 7-0817		1		
	351866	KIT INSULATING ROOF PANEL / W/"RICON" From 7-0818 To 7-0988		1		
	351918	KIT INSULATING ROOF PANEL / W/"RICON" From 7-0988		1		
	351868	KIT INSULATING ROOF PANEL / REAR SECTION From 7-0818 To 7-0988	1			
	351917	KIT INSULATING ROOF PANEL / REAR SECTION From 7-0989	1			
	351864	KIT INSULATING ROOF PANEL / REAR SECTION From 7-0818 To 7-0988		1		
	351916	KIT INSULATING ROOF PANEL / REAR SECTION From 7-0989		1		
NS	351865	KIT INSULATING ROOF PANEL / FRONT SECTION From 7-0818	1	1		
	351276	KIT INSULATING ROOF PANEL V.I.P.			1	
	351806	KIT INSULATING ROOF PANEL V.I.P. / W/DOUBLE SLIDE OUT To 7-0988			1	
	351912	KIT INSULATING ROOF PANEL V.I.P. / W/DOUBLE SLIDE OUT From 7-0989			1	
	351807	KIT INSULATING ROOF PANEL V.I.P. / W/SINGLE SLIDE OUT To 7-0988			1	
	351913	KIT INSULATING ROOF PANEL V.I.P. / W/SINGLE SLIDE OUT From 7-0989			1	
	356010	KIT INSULATING ROOF PANEL V.I.P. / W/TRIPLE SLIDE OUT From 7-0944			1	
1	350746	ROOF INSULATION PANEL	22		22	
1	350746	ROOF INSULATION PANEL		24		
4	351822	ROOF INSULATION PANEL	1	1		
5	351824	ROOF INSULATION PANEL	1	1		
6	351825	ROOF INSULATION PANEL	1	1		
7	351826	ROOF INSULATION PANEL	1	1		
8	351827	ROOF INSULATION PANEL	1	1		
9	351837	ROOF INSULATION PANEL	1	1		
14	350747	ROOF INSULATION PANEL	1	1		
15	350748	ROOF INSULATION PANEL			2	
42	350751	ROOF INSULATION PANEL		1		
49	350752	ROOF INSULATION PANEL	10			
49	350752	ROOF INSULATION PANEL		11	11	
54	350754	ROOF INSULATION PANEL			1	
58	350756	ROOF INSULATION PANEL		1	1	
68	350766	ROOF INSULATION PANEL	2	2		
69	350771	ROOF INSULATION PANEL	2	2		
70	350772	ROOF INSULATION PANEL		2	2	
71	350773	ROOF INSULATION PANEL		2	2	
72	350777	ROOF INSULATION PANEL	2			
73	350778	ROOF INSULATION PANEL	2			
77	350782	ROOF INSULATION PANEL		1		
99	350825	ROOF INSULATION PANEL			1	



From 7-0772 To 8-1043	Date:10/2022	PAGE:HF-1839-31
INSULATING ROOF PANELS		

Item#	Part	Description	H 3 4 1	H 3 4 5	V I P 4 5	N O T E S
100	350826	ROOF INSULATION PANEL			2	
113	351513	ROOF INSULATION PANEL		1		
114	351539	ROOF INSULATION PANEL		1		
115	351535	ROOF INSULATION PANEL		1		
116	351536	ROOF INSULATION PANEL		1		
117	351537	ROOF INSULATION PANEL		1		
118	351538	ROOF INSULATION PANEL		1		
200	350000	ROOF INSULATION PANEL			1	
201	350001	ROOF INSULATION PANEL			1	
202	350002	ROOF INSULATION PANEL			1	
203	350003	ROOF INSULATION PANEL			AR	
204	350004	ROOF INSULATION PANEL			AR	
205	350006	ROOF INSULATION PANEL			1	
206	350007	ROOF INSULATION PANEL			1	
207	350008	ROOF INSULATION PANEL			1	
208	350009	ROOF INSULATION PANEL			1	
209	350010	ROOF INSULATION PANEL			1	
210	350011	ROOF INSULATION PANEL			5	
211	351252	ROOF INSULATION PANEL			1	
212	351253	ROOF INSULATION PANEL			1	
213	351254	ROOF INSULATION PANEL			1	
214	351255	ROOF INSULATION PANEL			1	
215	355953	ROOF INSULATION PANEL			1	
216	356011	ROOF INSULATION PANEL From 5-0562 To 7-0988			1	
216	351908	ROOF INSULATION PANEL From 7-0989			1	
217	351909	ROOF INSULATION PANEL From 7-0989			1	
218	351910	ROOF INSULATION PANEL From 7-0989			1	
219	351911	ROOF INSULATION PANEL From 7-0989			1	
220	351907	ROOF INSULATION PANEL From 7-0989			1	

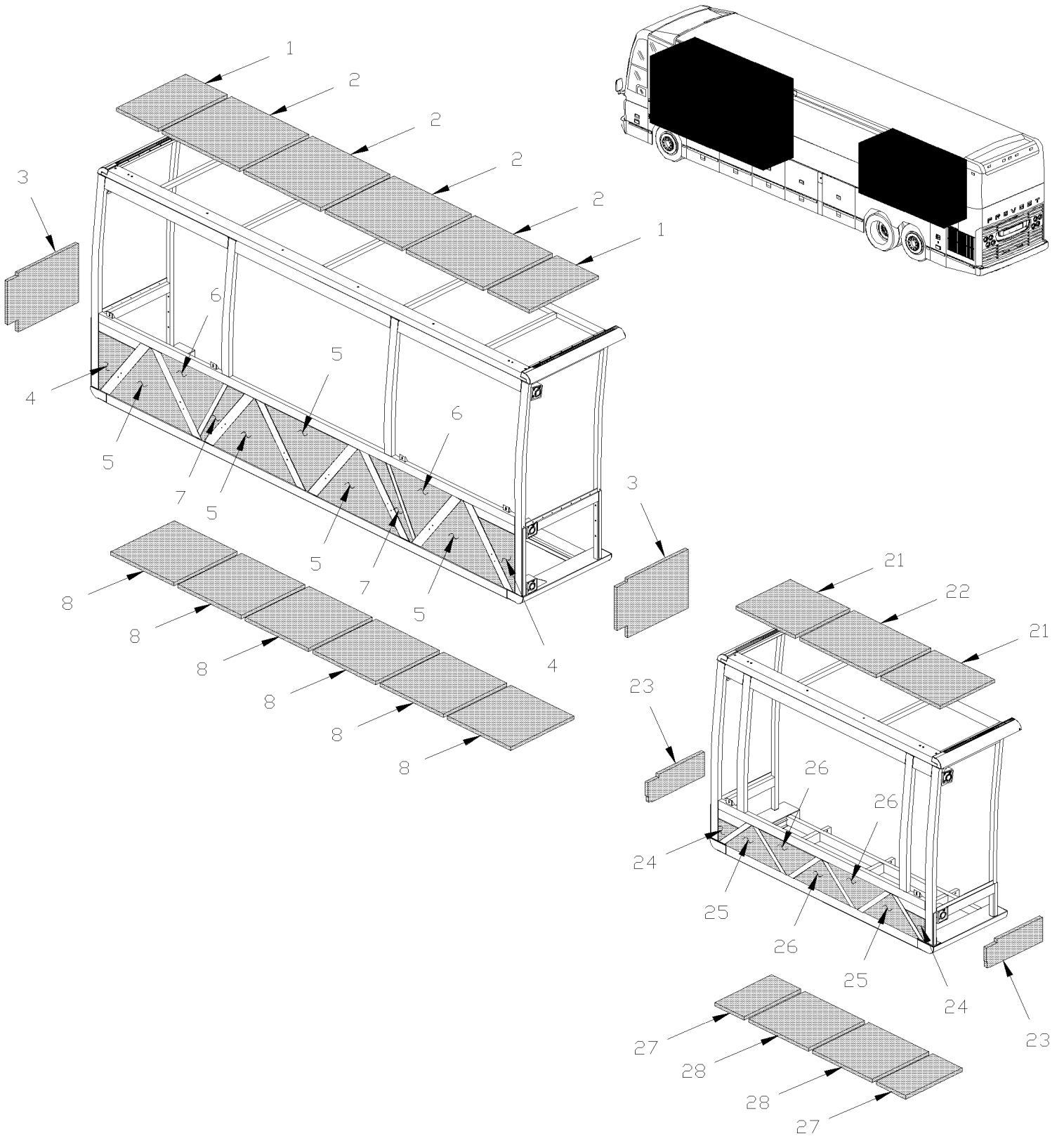


From 3-4417 To 8-1043

Date:10/2022

PAGE:HF-1839-90

INSULATING - "SLIDE-OUT"





From 3-4417 To 8-1043	Date:10/2022	PAGE:HF-1839-90
INSULATING - "SLIDE-OUT"		

Item#	Part	Description	H 3 4 1	H 3 4 5	V I P 4 5	N O T E S
1	Call order desk	INSULATING PANEL			2	P
2	Call order desk	INSULATING PANEL			4	P
3	Call order desk	INSULATING PANEL			2	P
4	Call order desk	INSULATING PANEL			2	P
5	Call order desk	INSULATING PANEL			5	P
6	Call order desk	INSULATING PANEL			2	P
7	Call order desk	INSULATING PANEL			2	P
8	Call order desk	INSULATING PANEL			6	P
21	Call order desk	INSULATING PANEL			2	P
22	Call order desk	INSULATING PANEL			1	P
23	Call order desk	INSULATING PANEL			2	P
24	Call order desk	INSULATING PANEL			2	P
25	Call order desk	INSULATING PANEL			2	P
26	Call order desk	INSULATING PANEL			3	P
27	Call order desk	INSULATING PANEL			2	P
28	Call order desk	INSULATING PANEL			2	P
29	690352	RUB BLOCK UP GAZ AD2 1.2 THK			QR	
		P) CALL ORDER DESK FOR SPECIFIC APPLICATION (V.I.N.)				

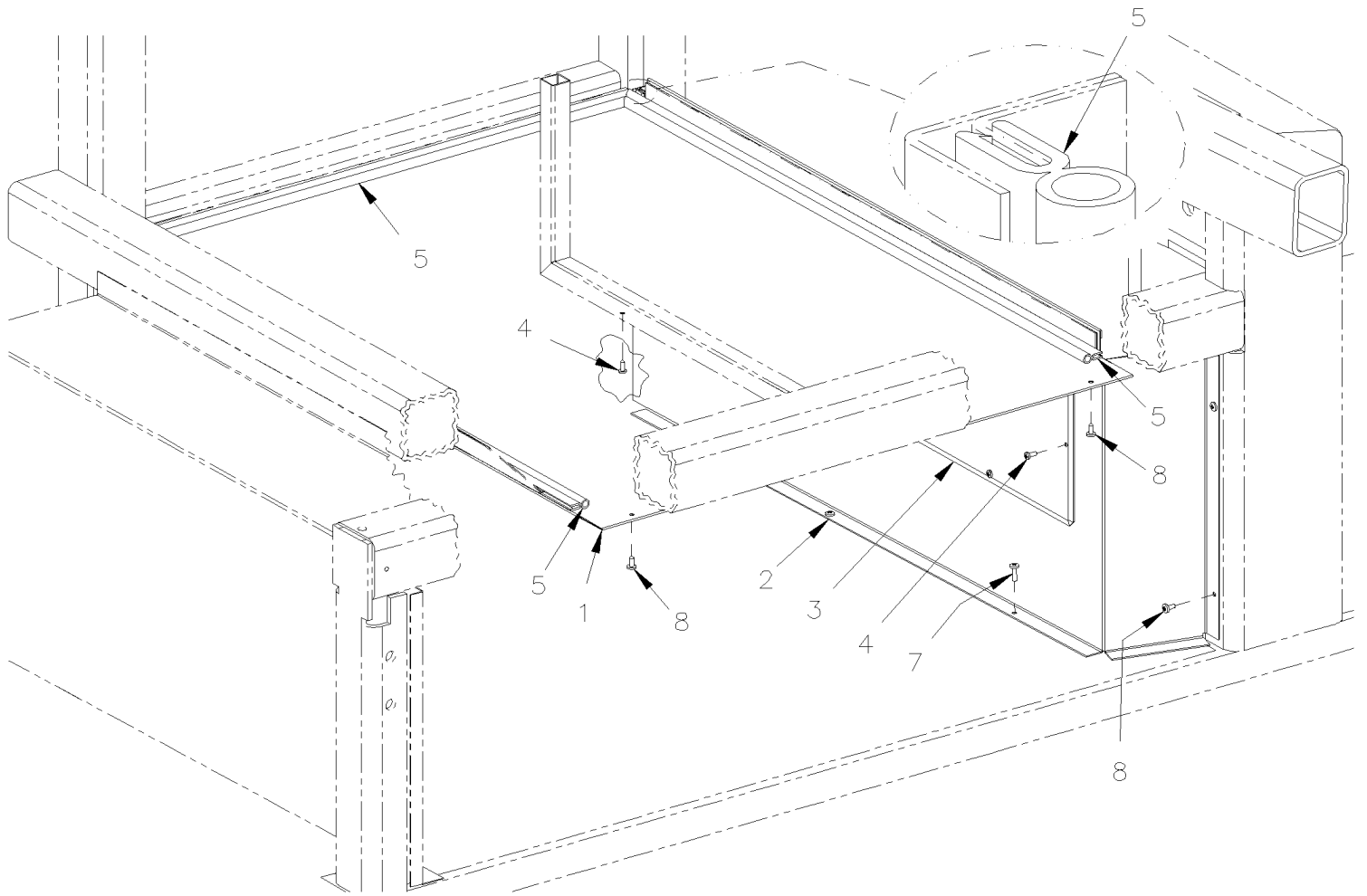


From 3-4417 To 8-1043

Date:10/2022

PAGE:HF-1840-00

CLOSING PANEL SPARE COMPARTMENT





From 3-4417 To 8-1043	Date:10/2022	PAGE:HF-1840-00
-----------------------	--------------	-----------------

CLOSING PANEL SPARE COMPARTMENT

Item#	Part	Description	H 3 4 1	H 3 4 5	V I P 4 5	N O T E S
1	350654	PANEL CLOSING / W/IND SUSPENTION / 955MM X 728MM			1	
2	350665	PANEL ASSY SIDE / W/IND SUSPENTION			1	
3	350225	PANEL ACCESS / STEERING BOX			1	
4	500638	SCREW TP PAN PH #8x1/2 Z050			5	
5	506302	RUBBER EXTRUSION TRIM SEAL / GRIP .024 / 7/16" HOLLOW BULB C.T.L.			AR	
6	680096	SEALANT BUTYL ALUM / GREY / 310ml CARTRIDGE			AR	
7	500642	SCREW TP PAN PH #10x3/4 Z050			2	
8	500657	SCREW TC TR PH #10-24x1/2 Z050			5	



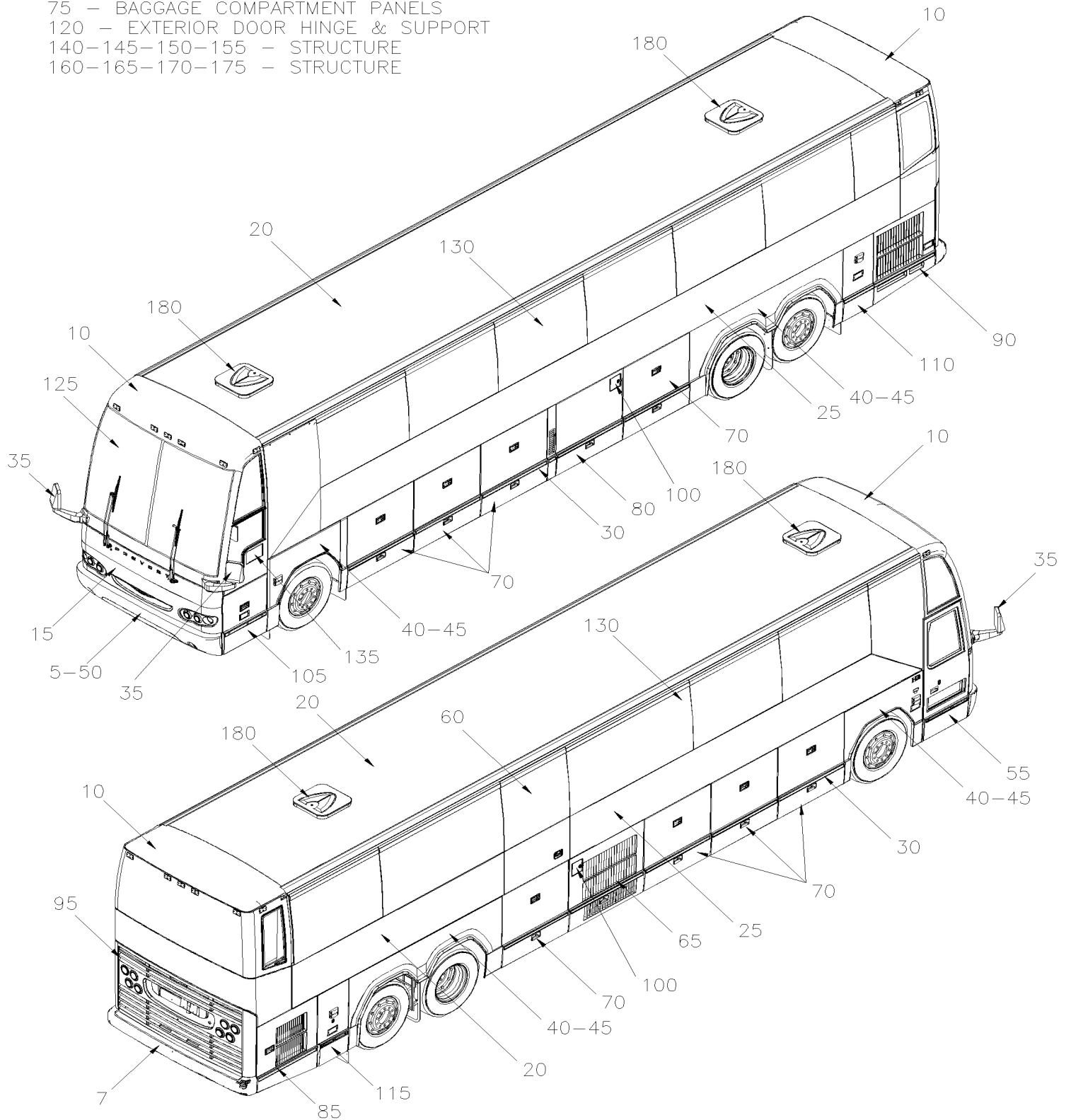
From 3-4417 To 8-1043

Date:10/2022

PAGE:HF-18-EXT

BODY EXTERIOR

- 75 — BAGGAGE COMPARTMENT PANELS
- 120 — EXTERIOR DOOR HINGE & SUPPORT
- 140-145-150-155 — STRUCTURE
- 160-165-170-175 — STRUCTURE





From 3-4417 To 8-1043	Date:10/2022	PAGE:HF-18-EXT
BODY EXTERIOR		

Item#	Part	Description	H 3 4 1	H 3 4 5	V I P 4 5	N O T E S
5	HF-1850-00	BUMPER FRONT From 3-4417 To 8-1043				
7	HF-1850-10	BUMPER REAR From 3-4417 To 8-1043				
7	HF-1850-15	BUMPER REAR - BUS "OPTION" / "ROMEO RIM" From 3-4417 To 8-1043				
10	HF-1851-00	CAP - FRONT & REAR - INSTALLATION From 3-4417 To 8-1043				
15	HF-1851-10	FRONT PANEL - INSTALLATION From 3-4417 To 8-1043				
20	HF-1852-00	ROOF PANELS From 3-4417 To 8-1043				
25	HF-1854-00	SIDE PANELS - BUS From 3-4417 To 8-1043				
25	HF-1854-50	SIDE PANELS - V.I.P. From 3-4417 To 7-0771				
25	HF-1854-51	SIDE PANELS - V.I.P. From 7-0772 To 8-1043				
25	HF-1854-90	SIDE PANELS - STREET SIDE - "SLIDE-OUT" "PREVOST" From 3-4417 To 7-0771				
25	HF-1854-91	SIDE PANELS - STREET SIDE - "SLIDE-OUT" "PREVOST" From 7-0772 To 8-1043				
25	HF-1854-92	SIDE PANELS - V.I.P. WITH "SLIDE-OUT" by "CONVERTER" From 3-4417 To 7-0771				
25	HF-1854-93	SIDE PANELS - V.I.P. WITH "SLIDE-OUT" by "CONVERTER" From 7-0772 To 8-1043				
30	HF-1855-00	EXTERIOR TRIMS & CREST From 3-4417 To 8-1043				
35	HF-1856-25	MIRROR "RAMCO" FLAT GLASS / BLACK PAINTED From 3-4417 To 8-1043				
35	HF-1856-35	MIRROR "RAMCO" 2 GLASSES / BLACK PAINTED From 3-4417 To 8-1043				
35	HF-1856-50	MIRROR "RAMCO" FLAT GLASS / CHROME From 3-4417 To 8-1043				
35	HF-1856-60	MIRROR "RAMCO" 2 GLASSES / CHROME From 3-4417 To 8-1043				
40	HF-1857-00	FENDERS From 3-4417 To 8-1043				
45	HF-1859-00	SPLASH GUARD - FRONT & REAR From 3-4417 To 8-1043				
50	HF-1860-10	SPARE WHEEL DOOR MECHANISM FRONT BUMPER From 3-4417 To 8-1043				
50	HF-1860-50	BUMPER DOOR FRONT - V.I.P. From 3-4417 To 8-1043				
55	HF-1862-10	ENTRANCE DOOR ASSY - SEDAN From 3-4417 To 8-1043				
55	HF-1862-50	ENTRANCE DOOR ASSY - V.I.P. From 3-4417 To 8-1043				
55	HF-1862-60	ENTRANCE DOOR FRAME - INSTALLATION From 3-4417 To 8-1043				
60	HF-1862-80	ENTRANCE DOOR ASSY - W.C.L. From 3-4417 To 5-0167				
60	HF-1862-81	ENTRANCE DOOR SLIDING - WCL From 5-0168 To 8-1043				
60	HF-1862-85	SLIDING DOOR - INSTALLATION From 5-0168 To 8-1043				
65	HF-1863-00	CONDENSOR DOOR ASSY From 3-4417 To 8-1043				
70	HF-1864-00	BAGGAGE COMPARTMENT DOOR From 3-4417 To 8-1043				
70	HF-1864-30	HANDLE LOCK & KEYS - TYPE "PS" From 3-4417 To 4-4914				
70	HF-1864-31	PNEUMATIC DOOR LOCK CONTROL VALVE From 3-4417 To 8-1043				
70	HF-1864-32	HANDLE LOCK & KEYS - TYPE "NS" From 4-4915 To 8-1043				
70	HF-1864-35	BAGGAGE COMPARTMENT ELECTRICAL LOCK - V.I.P From 3-4417 To 6-0388				
70	HF-1864-36	BAGGAGE COMPARTMENT ELECTRICAL LOCK - V.I.P From 6-0389 To 8-1043				
70	HF-1864-55	BAGGAGE DOOR ASSY - V.I.P. - "CALHOUN" STYLE From 3-4417 To 8-1043				
70	HF-1864-80	BAGGAGE DOOR - W.C.L. "RICON" From 3-4417 To 3-4684				
70	HF-1864-81	BAGGAGE DOOR - W.C.L. "RICON" From 3-4685 To 8-1043				
70	HF-1864-90	BAGGAGE DOOR - W/"SLIDE-OUT" INSTALLTION From 3-4417 To 8-1043				
75	HF-1865-00	BAGGAGE COMPARTMENT PANELS From 3-4417 To 8-1043				
75	HF-1865-20	EVAPORATOR & CONDENSOR WALL INSTALLATION From 3-4417 To 8-1043				
80	HF-1866-00	EVAPORATOR DOOR ASSY From 3-4417 To 8-1043				



From 3-4417 To 8-1043	Date:10/2022	PAGE:HF-18-EXT
BODY EXTERIOR		

Item#	Part	Description	H 3 4 1	H 3 4 5	V I P 4 5	N O T E S
85	HF-1868-00	A/C COMPRESSOR DOOR ASSY From 3-4417 To 3-4757				
85	HF-1868-01	A/C COMPRESSOR DOOR ASSY From 4-4758 To 8-1043				
90	HF-1869-00	RADIATOR DOOR ASSY From 3-4417 To 3-4757				
90	HF-1869-01	RADIATOR DOOR ASSY From 4-4758 To 8-1043				
95	HF-1870-00	ENGINE DOOR ASSY From 3-4417 To 8-1043				
95	HF-1870-10	REAR ENGINE DOOR - INSTALLATION From 3-4417 To 8-1043				
100	HF-1875-00	FUEL TANK FILLING DOOR From 3-4417 To 8-1043				
100	HF-1875-50	FUEL TANK FILLING DOOR - V.I.P. From 3-4417 To 8-1043				
105	HF-1879-00	FRONT SERVICE DOOR ASSY From 3-4417 To 8-1043				
105	HF-1879-10	FRONT SERVICE DOOR - INSTALLATION From 3-4417 To 8-1043				
110	HF-1879-50	REAR SIDE SERVICE DOOR ASSY L.H. From 3-4417 To 3-4757				
115	HF-1879-60	REAR SIDE SERVICE DOOR ASSY R.H. From 3-4417 To 8-1043				
120	HF-1879-90	EXTERIOR DOOR HINGE AND SUPPORT From 3-4417 To 8-1043				
125	HF-1880-00	WINDSHIELD & CHANNEL From 3-4417 To 8-1043				
130	HF-1884-00	SIDE WINDOW - BUS From 3-4417 To 3-4588				
130	HF-1884-01	SIDE WINDOW - BUS From 3-4589 To 8-1043				
130	HF-1884-50	SIDE WINDOWS - V.I.P. From 3-4417 To 7-0771				
130	HF-1884-51	SIDE WINDOWS - V.I.P. From 7-0772 To 8-1043				
130	HF-1884-65	ELECTRICAL AWNING WINDOW ASSY From 4-4895 To 8-1043				
130	HF-1884-70	SLIDING WINDOW L.H. - V.I.P. From 3-4417 To 7-0992				
130	HF-1884-75	SLIDING WINDOW R.H. - V.I.P. From 3-4417 To 7-0992				
130	HF-1884-80	ELECTRICAL SLIDING WINDOW ASSY From 7-0993 To 8-1043				
130	HF-1884-90	SIDE WINDOW - "SLIDE-OUT" From 3-4417 To 7-0771				
130	HF-1884-91	SIDE WINDOW - "SLIDE-OUT" From 7-0772 To 8-1043				
135	HF-1886-00	POWER WINDOW - ELECTRICAL INSTALLATION From 3-4417 To 6-0434				
135	HF-1886-01	POWER WINDOW - ELECTRICAL INSTALLATION From 6-0435 To 8-1043				
140	HF-1890-00	ROOF STRUCTURE From 3-4417 To 8-1043				
145	HF-1890-10	STRUCTURE WALL - UPPER From 3-4417 To 8-1043				
150	HF-1891-00	WALL STRUCTURE - LOWER BUS From 3-4417 To 8-1043				
150	HF-1891-50	WALL STRUCTURE - LOWER V.I.P. From 3-4417 To 8-1043				
155	HF-1893-00	BAGGAGE COMPARTMENT STRUCTURE From 3-4417 To 8-1043				
160	HF-1894-00	REAR STRUCTURE From 3-4417 To 8-1043				
160	HF-1894-05	REAR - L.H. SERVICE COMPARTMENT STRUCTURE From 3-4417 To 3-4757				
160	HF-1894-06	REAR - L.H. BACKWARD FENDER - STRUCTURE From 4-4758 To 8-1043				
160	HF-1894-10	REAR - R.H. SERVICE COMPARTMENT STRUCTURE From 3-4417 To 8-1043				
160	HF-1894-20	REAR UPPER SHEATING From 3-4417 To 8-1043				
165	HF-1895-00	FRONT STRUCTURE From 3-4417 To 8-1043				
165	HF-1895-10	FRONT FLOOR STRUCTURE - W/RIGID SUSPENSION From 3-4417 To 8-1043				
165	HF-1895-20	ENTRANCE DOOR STRUCTURE From 3-4417 To 8-1043				
165	HF-1895-30	FRONT UPPER STRUCTURE From 3-4417 To 8-1043				
165	HF-1895-40	FRONT END STRUCTURE - BUS From 3-4417 To 8-1043				
165	HF-1895-50	FRONT FLOOR STRUCTURE - W/IND SUSPENSION From 3-4417 To 8-1043				



From 3-4417 To 8-1043	Date:10/2022	PAGE:HF-18-EXT
BODY EXTERIOR		

Item#	Part	Description	H 3 4 1	H 3 4 5	V I P 4 5	N O T E S
165	HF-1895-55	FRONT END STRUCTURE - I BEAM SUSPENSION - V.I.P. From 3-4417 To 8-1043				
165	HF-1895-60	FRONT END STRUCTURE - W/IND SUSPENSION - V.I.P. From 3-4417 To 8-1043				
170	HF-1896-00	FRONT SHEATING - BUS From 3-4417 To 8-1043				
170	HF-1896-50	FRONT SHEATING - V.I.P. From 3-4417 To 8-1043				
175	HF-1897-00	FRONT SUB-FRAME / W/RIGID SUSPENSION From 3-4417 To 8-1043				
175	HF-1897-10	REAR SUB-FRAME From 3-4417 To 8-1043				
175	HF-1897-50	FRONT SUB-FRAME / W/INDEPENDENT SUSPENSION - 16500 LBS From 3-4417 To 3-4757				
175	HF-1897-51	FRONT SUB-FRAME / W/INDEPENDENT SUSPENSION - 18000 LBS From 4-4758 To 8-1043				
180	HF-1898-00	ESCAPE HATCH - INSTALLATION From 3-4417 To 5-0248				
180	HF-1898-01	ESCAPE HATCH - INSTALLATION SERVICE From 5-0249				

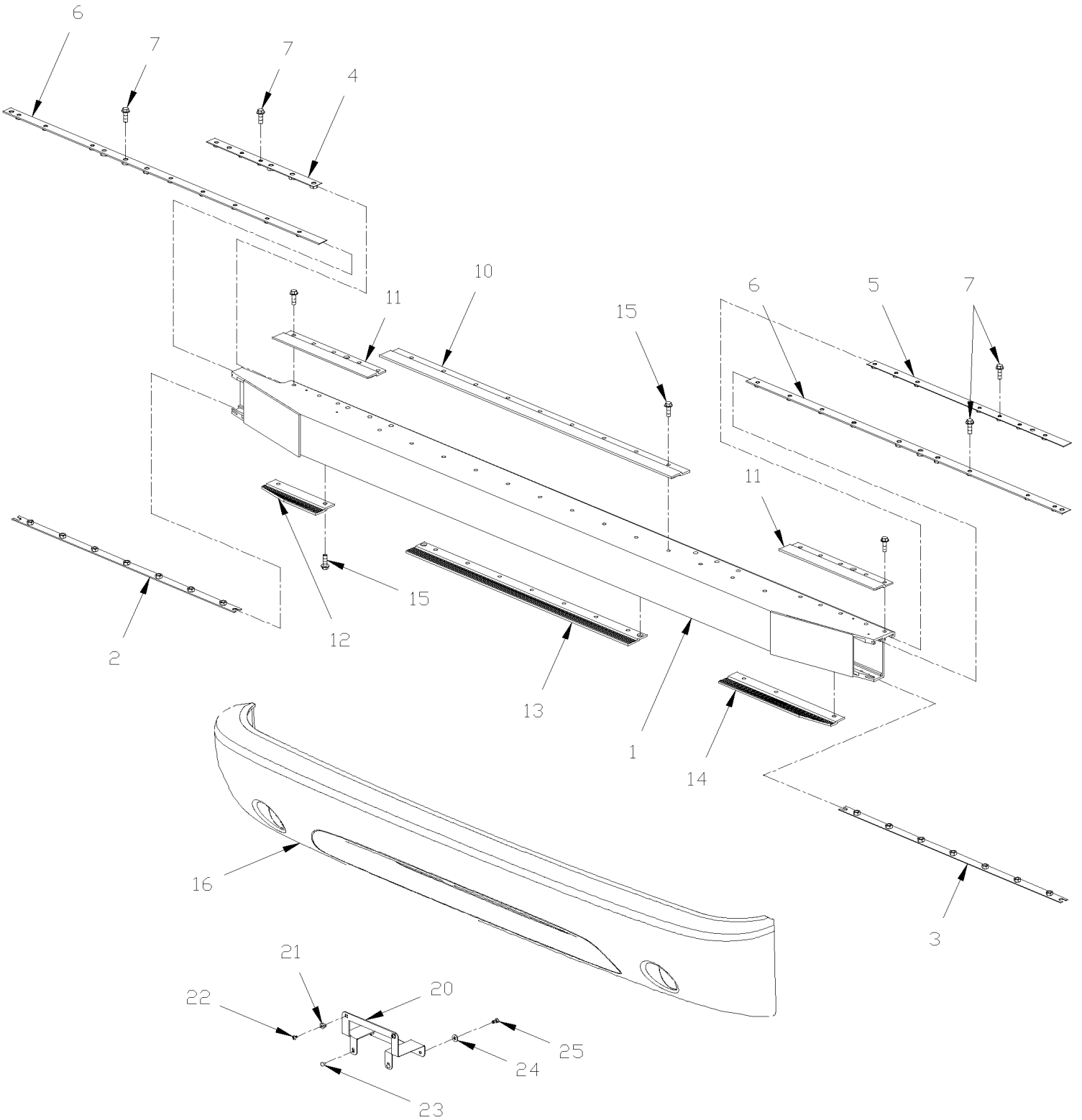


From 3-4417 To 8-1043

Date:10/2022

PAGE:HF-1850-00

BUMPER FRONT





From 3-4417 To 8-1043	Date:10/2022	PAGE:HF-1850-00
BUMPER FRONT		

Item#	Part	Description	H 3 4 1	H 3 4 5	V I P 4 5	N O T E S
	410992	BUMPER FRONT ASSY / BUS	1	1		A
	410993	BUMPER FRONT ASSY / V.I.P.			1	B
1	410840	. BEAM ASSY / FRONT To 5-0046	1	1	1	
1	411068	. BEAM ASSY / FRONT From 5-0047	1	1	1	
2	410864	. ATTACHMENT 1182MM To 5-0046	1	1	1	
2	411066	. ATTACHMENT 1182MM From 5-0047	1	1	1	
3	410913	. ATTACHMENT 1182MM To 5-0046	1	1	1	
3	411067	. ATTACHMENT 1182MM From 5-0047	1	1	1	
4	410860	. ATTACHMENT 735MM To 5-0046	1	1	1	
4	411064	. ATTACHMENT 735MM From 5-0047	1	1	1	
5	410862	. ATTACHMENT 400MM To 5-0046	1	1	1	
5	411065	. ATTACHMENT 400MM From 5-0047	1	1	1	
6	410856	. ATTACHMENT 856MM To 5-0046	2	2	2	
6	411086	. ATTACHMENT 400MM From 5-0047	2	2	2	
7	500283	. SCREW TC TR PH #10-24x3/4 SS	6	6	6	
10	410866	. EXTRUSION ALLUMINIUM 831MM	2	2	2	
11	410910	. EXTRUSION ALLUMINIUM 355MM To 5-0046	2	2	2	
11	411069	. EXTRUSION ALLUMINIUM 355MM From 5-0047	2	2	2	
12	410911	. EXTRUSION ALLUMINIUM 402MM To 5-0046	1	1	1	
12	411070	. EXTRUSION ALLUMINIUM 402MM From 5-0047	1	1	1	
13	410909	. EXTRUSION ALUMINIUM 1090MM To 5-0046	1	1	1	
13	411080	. EXTRUSION ALUMINIUM 1090MM From 5-0047	1	1	1	
13	5001533	. SCREW TC FL PH #10-24x1 1/4 Z050 SS410	4	4	4	
14	410912	. EXTRUSION ALUMINIUM 220MM To 5-0046	1	1	1	
14	411071	. EXTRUSION ALUMINIUM 220MM From 5-0047	1	1	1	
15	946472	. SCREW CAP HEXF M10-1.5x30 G8.8 ZG603	12	12	12	
16	410838	. BUMPER SKIN, FRONT BUS & VIP	1	1	1	
NS	410995	. SUPPORT LOWER BUMPER / CLIP ON LOWER DOOR STRUCTURE	1	1	1	
NS	411001	. PLATE	2	2	2	
NS	504339	. RIVET POP DOME OE 1/8x3/8 SS	4	4	4	
20	410972	LICENSE PLATE HOLDER / LOWER (AS SHOWN)	AR	AR	AR	
. NS	410967	. PLATE HOLDER	1	1	1	
. NS	506499	. BUMPER PLUG / .500ODx.312THx.250HOLEx.093	2	2	2	
. NS	5001009	. NUT AN 1/4 NYL	2	2	2	
. NS	5001184	. SCREW TP PAN PH #12x1/2 SS	2	2	2	
. NS	502622	. SCREW CAP HEX M6-1.0x20 SS BK	2	2	2	
. NS	502570	. WASHER LO SPT 6.1x11.8x1.6 SS	2	2	2	
20	411207	LICENSE PLATE HOLDER / UPPER BUMPER "OPTION"	AR	AR	AR	
. NS	411208	. PLATE HOLDER	1	1	1	
. NS	506499	. BUMPER PLUG / .500ODx.312THx.250HOLEx.093	2	2	2	
. NS	5001009	. NUT AN 1/4 NYL	2	2	2	
. NS	5001184	. SCREW TP PAN PH #12x1/2 SS	2	2	2	



From 3-4417 To 8-1043	Date:10/2022	PAGE:HF-1850-00
BUMPER FRONT		

Item#	Part	Description	H 3 4 1	H 3 4 5	V I P 4 5	N O T E S
. NS	500421	. SCREW TC PAN PH #10-32x1 1/2 N500	3	3	3	
. NS	500331	. NUT WELL #10-32x1.0	3	3	3	
21	5001009	. NUT AN 1/4 NYL	2	2	2	
22	5001184	. SCREW TP PAN PH #12x1/2 SS	2	2	2	
23	506499	. BUMPER PLUG / .500ODx.312THx.250HOLEx.093	2	2	2	
24	5001181	. SCREW CAP HEX M6-1.0x12 SS	2	2	2	
25	502570	. WASHER LO SPT 6.1x11.8x1.6 SS	2	2	2	
NS	5001182	NUT HEX NYRT M6-1.0 SS	3	3	3	
27	504335	RIVET POP DOME CLE 3/16x1/4 AL	3	3	3	
NS	410982	DECAL "IN ORDER TO REMOVE..."	1	1	1	
28	411052	DECAL "WARNING / ADVERTENCIA" IN ORDER...	1	1	1	
		A) THIS ASSY INCLUDES ITEM #1-2-3-4-13-14-15-16-17-18-20-21-37-47 OF PAGE HF-1860-10				
		B) THIS ASSY INCLUDES ITEMS #1-2-4-13-14-15-16-17-18-20-21-37-47 OF PAGE HF-1860-10 & ITEM 2 OF PAGE HF-1860-50				

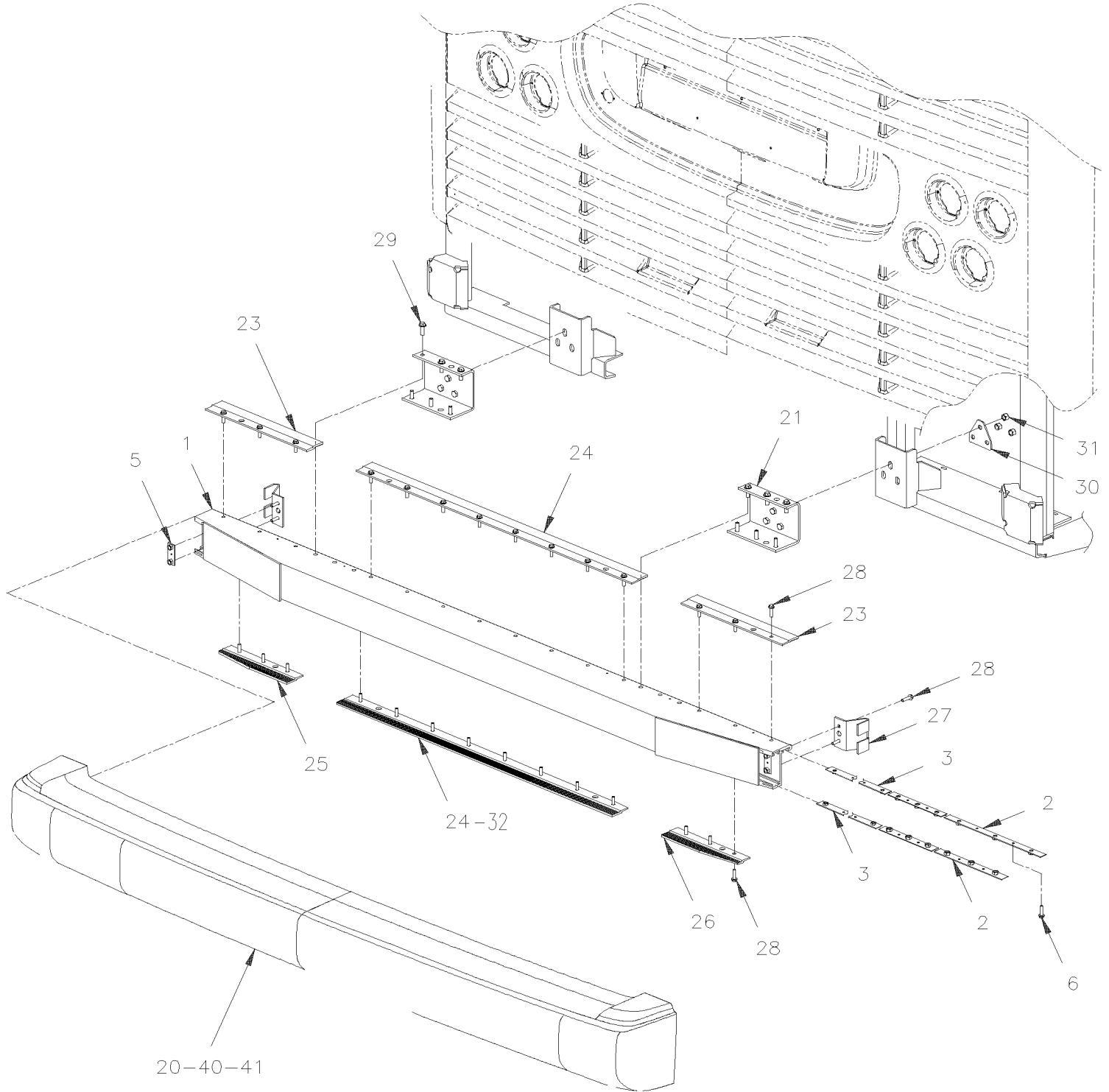


From 3-4417 To 8-1043

Date:10/2022

PAGE:HF-1850-10

BUMPER REAR





From 3-4417 To 8-1043	Date:10/2022	PAGE:HF-1850-10
BUMPER REAR		

Item#	Part	Description	H 3 4 1	H 3 4 5	V I P 4 5	N O T E S
	410994	BUMPER REAR ASSY / BUS	1	1		
	411119	BUMPER REAR ASSY / VIP			1	
1	410859	. BEAM ASSY REAR To 5-0046	1	1	1	
1	411074	. BEAM ASSY REAR From 5-0047	1	1	1	
2	410957	. ATTACHMENT 1033MM To 5-0046	2	2	2	
2	411072	. ATTACHMENT 1033MM From 5-0047	2	2	2	
3	410958	. ATTACHMENT 1143MM To 5-0046	2	2	2	
3	411073	. ATTACHMENT 1143MM From 5-0047	2	2	2	
5	410939	. ATTACHMENT 69MM	2	2	2	
6	500283	. SCREW TC TR PH #10-24x3/4 SS	10	10	10	
20	410881	. BUMPER SKIN, REAR BUS	1	1	1	
20	410988	. BUMPER SKIN, REAR VIP			1	
21	410865	. SUPPORT REAR	2	2	2	
23	410889	. EXTRUSION ALUMINUM 420MM To 5-0046	2	2	2	
23	411076	. EXTRUSION ALUMINUM 420MM From 5-0047	2	2	2	
24	410888	. EXTRUSION ALUMINUM 1144MM To 5-0046	2	2	2	
24	411075	. EXTRUSION ALUMINUM 1144MM From 5-0047	2	2	2	
25	410893	. EXTRUSION ALUMINUM 300MM To 5-0046	1	1	1	
25	411078	. EXTRUSION ALUMINUM 300MM From 5-0047	1	1	1	
26	410892	. EXTRUSION ALUMINUM 300MM To 5-0046	1	1	1	
26	411077	. EXTRUSION ALUMINUM 300MM From 5-0047	1	1	1	
27	410922	. REINFORCEMENT	2	2	2	
27	411264	. REINFORCEMENT / CURBSIDE	1	1	1	
27	411265	. REINFORCEMENT / STREET SIDE	1	1	1	
28	946472	. SCREW CAP HEXF M10-1.5x30 G8.8 ZG603	12	12	12	
29	5001742	. SCREW CAP HEXF M8-1.25x30 G8.8 N500	28	28	28	
30	410923	. PLATE ATTACHMENT	2	2	2	
31	V977938	. NUT HEXF NYRT M12-1.75 G8 ZP	6	6	6	
32	410989	. REINFORCEMENT From 3-4641 To 5-0046			1	
32	411079	. REINFORCEMENT From 5-0047			1	
		FOLLOWING ITEMS ARE RELATED WITH				
39		BACK-UP PROXIMITY SENSORS				A
40	382144	KIT SENSOR DOUBLE, BACK-UP PROXIMITY DEVICES / W/CONTROL BOX	1	1	1	
NS	409197	. DISPLAY SENSOR / ASSY W/CONNECTORS	1	1	1	
. NS	382380	. . DISPLAY SENSOR	1	1	1	
. NS	562581	. . CONNECTOR / DT SERIES / SH 6C / GRAY / DEUTSCH DT06-6S	1	1	1	
NS	409198	. DUAL SENSORS JCT BOX ASSY / W/CONNECTORS	2	2	2	
. NS	382381	. . DUAL SENSORS JCT BOX	1	1	1	
. NS	562583	. . CONNECTOR / DT SERIES / PH 6C / GRAY / DEUTSCH DT04-6P	1	1	1	
. NS	561240	. . SOCKET TERMINAL / 18-16 / SIGNAL CONTACT / AMP 66101-2	8	8	8	



From 3-4417 To 8-1043	Date:10/2022	PAGE:HF-1850-10
BUMPER REAR		

Item#	Part	Description	H 3 4 1	H 3 4 5	V I P 4 5	N O T E S
. NS	561637	. . CONNECTOR / CPC SERIES 1 / SH 9C / AMP 206708-1	1	1	1	
. NS	562481	. . PIN TERMINAL / 16-14 / DEUTSCH 0460-215-16141	6	6	6	
NS	409199	. SENSOR UNIT ASSY / W/CONNECTORS	1	1	1	
. NS	382382	. . SENSOR UNIT	1	1	1	
. NS	562479	. . CONNECTOR / DT SERIES / PH 4C / GRAY / DEUTSCH DT04-4P-C015	1	1	1	
41	491079	SUPPORT SENSOR PROXIMITY DEVICE	2	2	2	B
NS	502834	WASHER LO SPT 4.1x7.6x0.9 N500	2	2	2	B
NS	502880	NUT HEX #6-32 N500	2	2	2	B
NS	506071	TAPE RUB ADH1 CC POL 1/8" x 1/2" x 50' / GREY 2520X	AR	AR	AR	B
NS	562208	SPECIAL WIRE CABLE 22/3 / 3 WIRES, 100%SHIELD	AR	AR	AR	
NS	562471	CONNECTOR / WEATHER PACK / SH 2C / BLACK / PED 12103784	5	5	5	
NS	561608	SOCKET TERMINAL / 18-16 / DEUTSCH 0462-201-16141	20	20	20	
NS	562478	SECONDARY LOCK / DT SERIES / SH 4C / DEUTSCH W4S	5	5	5	
NS	562479	CONNECTOR / DT SERIES / PH 4C / GRAY / DEUTSCH DT04-4P-C015	5	5	5	
NS	562286	PIN TERMINAL / 18-16 / DEUTSCH 0460-202-16141	20	20	20	
NS	562480	SECONDARY LOCK / DT SERIES / PH 4C / DEUTSCH W4P	5	5	5	
NS	560851	CONNECTOR / COM. MATE-N-LOCK / PH 4C / AMP 1-480426-0	1	1	1	
NS	560853	PIN TERMINAL / 24-18 / AMP 60618-1	2	2	2	
		A) SEE WIRING DIAGRAM D061065				
		B) TO FIX REAR SENSOR TO REAR ENGINE DOOR				

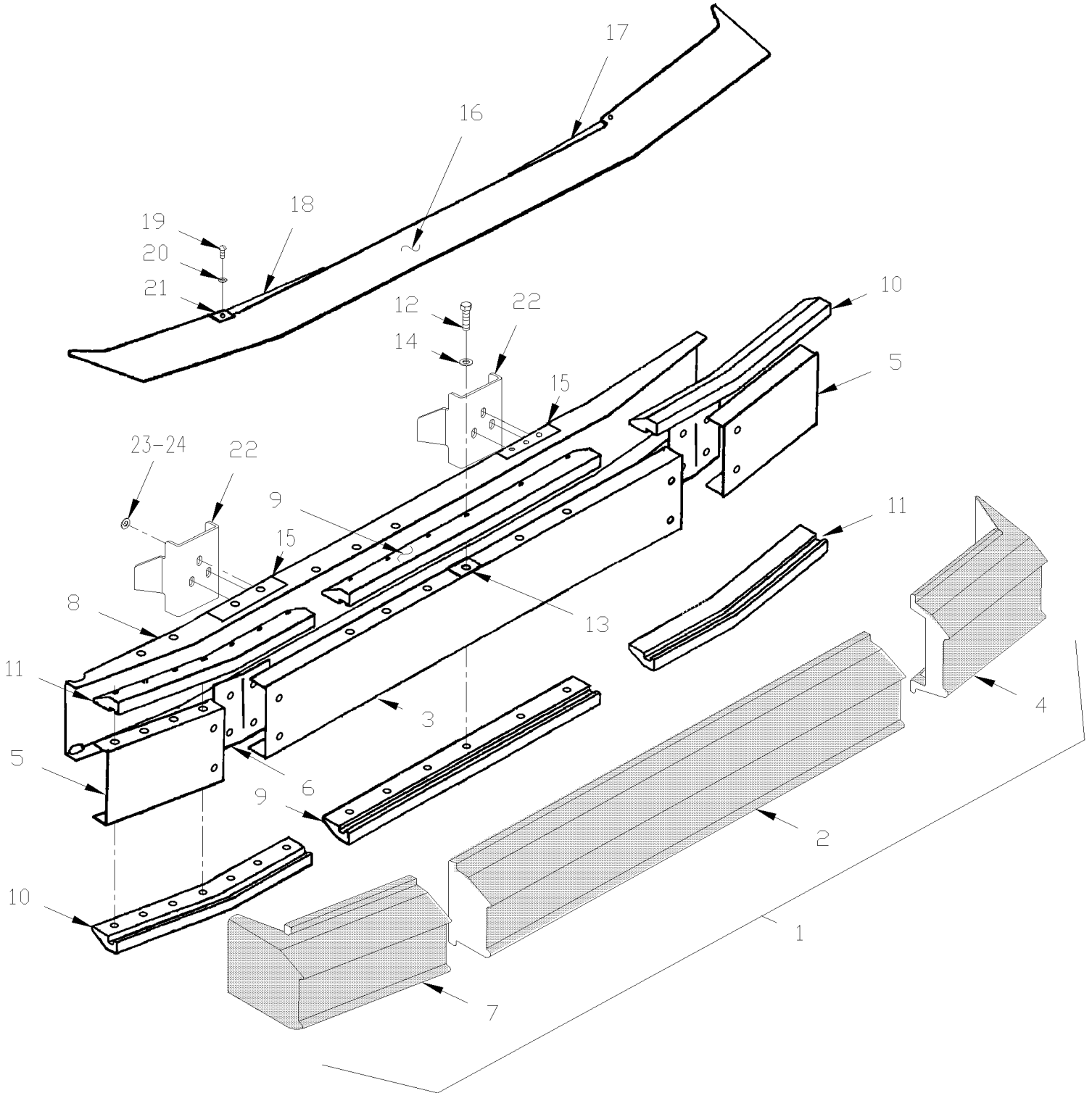


From 3-4417 To 8-1043

Date:10/2022

PAGE:HF-1850-15

BUMPER REAR - BUS "OPTION" / "ROMEO RIM"





From 3-4417 To 8-1043	Date:10/2022	PAGE:HF-1850-15
BUMPER REAR - BUS "OPTION" / "ROMEO RIM"		

Item#	Part	Description	H 3 4 1	H 3 4 5	V I P 4 5	N O T E S
1	410624	BUMPER ASSY	1	1		
2	910010	. MODULE CENTER	1	1		
3	910013	. PLATE BACK / CENTER	1	1		
4	410592	. MODULE END / R.H.	1	1		
5	910016	. PLATE BACK / L.H. & R.H.	2	2		
6	910015	. SPACER PLASTIC	1	1		
7	410591	. MODULE END / L.H.	1	1		
8	910007	. STRUCTURE BACK-UP	1	1		
9	910014	. CLAMP CENTER	2	2		
10	910029	. CLAMP END / L.H. TOP & R.H. BOTTOM	2	2		
11	910028	. CLAMP END / R.H. TOP & L.H. BOTTOM	2	2		
12	910023	. SCREW CAP HEXF 1/2-13x2 1/4 BKC	38	38		
13	910024	. NUT RETAINER SPRING	34	34		
13	910025	. NUT HEXF 1/2-13 BK / 2 EACH CORNER	4	4		
14	500547	. WASHER FL .484x.750x.031 ZP	42	42		
15	910031	. SUPPORT W/3 BOLTS	2	2		
16	410523	PANEL / BLACK PAINTED	1	1		
16	410475	. PANEL / UNPAINT	1	1		
17	410473	ATTACHMENT R.H. MOUNTING / REAR BUMPER	1	1		
18	410472	ATTACHMENT L.H. MOUNTING / REAR BUMPER	1	1		
19	502531	SCREW CAP HEX M6-1.0x16 G8.8 Z050	4	4		
20	502573	WASHER FL 6.4x12.5x1.6 SS	4	4		
21	502738	NUT SPR U M6-1.0 0.6-4.0	4	4		
22	219761	BRACKET BUMPER L.H. & R.H. / WELDED TO STRUCTURE	2	2	2	
23	500789	NUT HEX 1/2-13 Z050	6	6		
24	500446	WASHER FL .531x1.250x.125 Z050	6	6		
NS	500482	WASHER LO SPT .506x.873x.125 Z050	6	6		

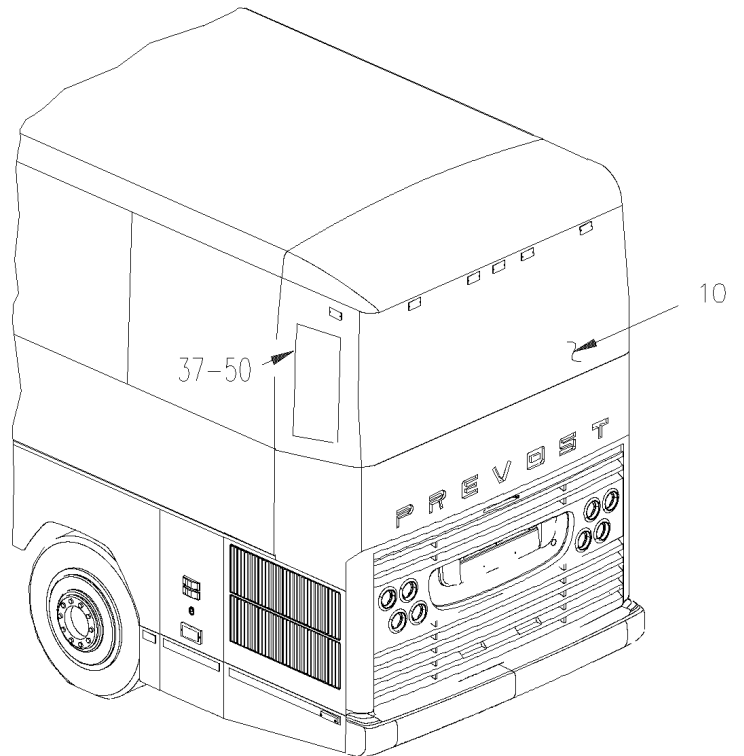
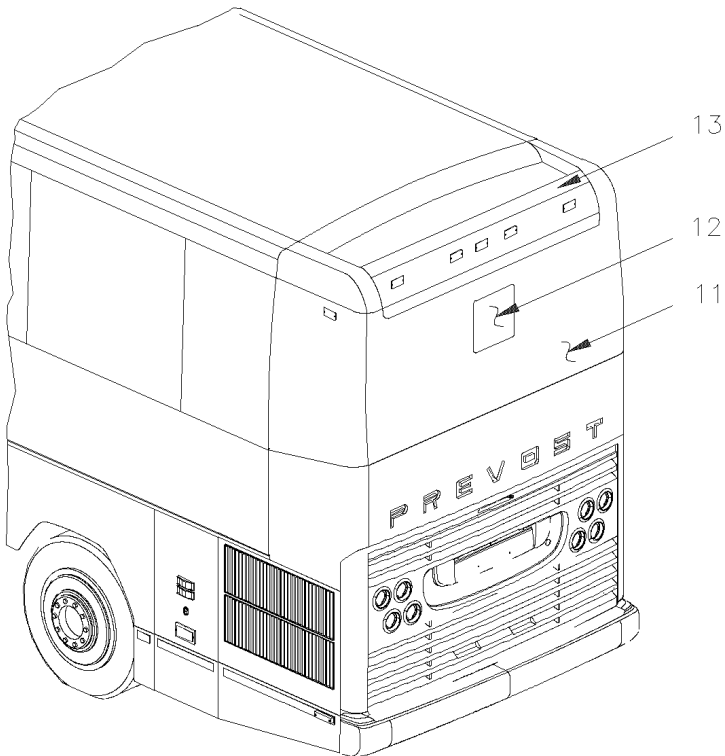
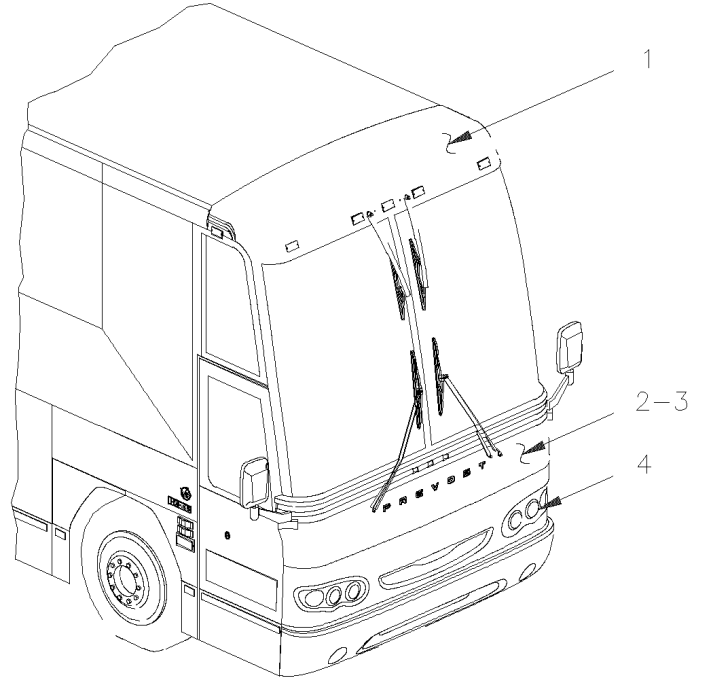
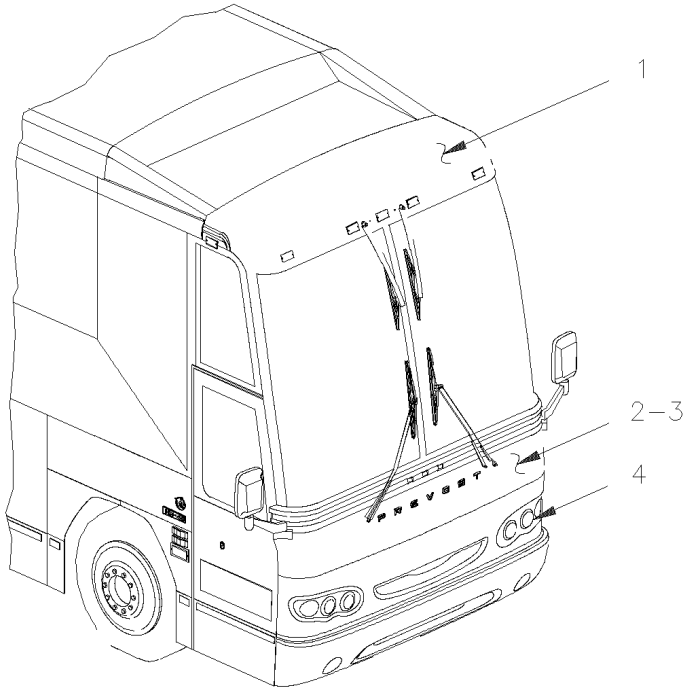


From 3-4417 To 8-1043

Date:10/2022

PAGE:HF-1851-00

CAP - FRONT & REAR - INSTALLATION



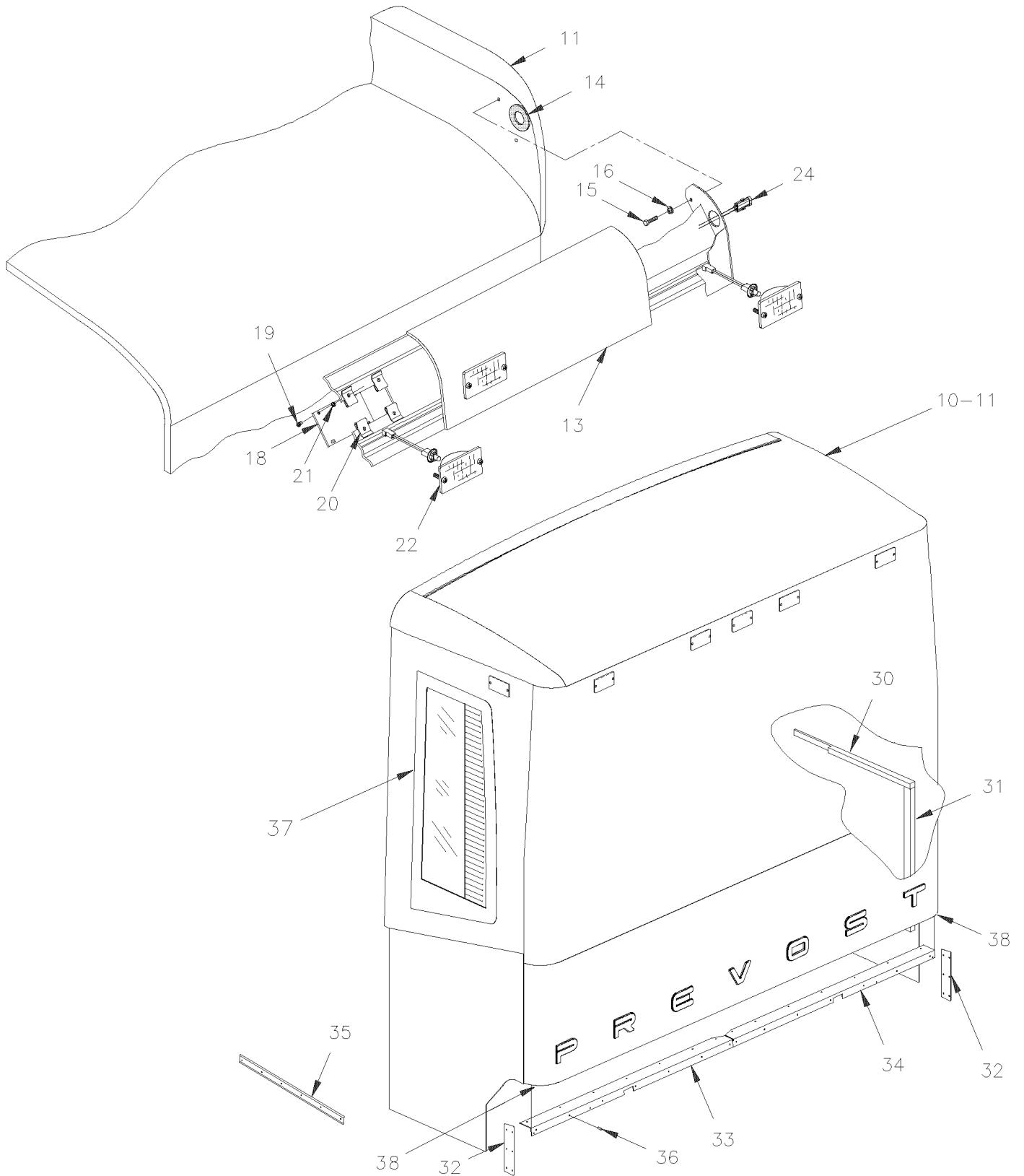


From 3-4417 To 8-1043

Date:10/2022

PAGE:HF-1851-00

CAP - FRONT & REAR - INSTALLATION





From 3-4417 To 8-1043	Date:10/2022	PAGE:HF-1851-00
CAP - FRONT & REAR - INSTALLATION		

Item#	Part	Description	H 3 4 1	H 3 4 5	V I P 4 5	N O T E S
1	475982	FRONT CAP ASSY / BUS W/THERMO GLASS	1	1		B
1	475280P	. CAP, FRONT / PAINTED MEDIUM GREY & BLACK	1	1		
1	475989	FRONT CAP ASSY / BUS W/SINGLE GLASS	1	1		B
1	475280P	. CAP, FRONT / PAINTED MEDIUM GREY & BLACK	1	1		
1	475980	FRONT CAP ASSY / V.I.P. W/ UPPER WIPER HOLES			1	B
1	475279P	. CAP, FRONT / PAINTED BLACK / W/UPPER WIPER HOLES			1	
1	475981	FRONT CAP ASSY / V.I.P. W/O WIPER HOLES			1	B
1	475278P	. CAP, FRONT / PAINTED BLACK / W/O UPPER WIPER HOLES			1	
2	475990	FRONT LOWER PANEL ASSY / W/LIGHTS & CONNECTOR To 4-4850	1	1	1	A T
2	476269	FRONT LOWER PANEL ASSY / W/LIGHTS & CONNECTOR / W/HALOGENE LIGHT From 4-4851	1	1	1	A
2	476270	FRONT LOWER PANEL ASSY / W/LIGHTS & CONNECTOR / W/XENON LIGHT From 4-4851	1	1	1	C
2	475058	. PANEL LOWER FACE / FIBERGLASS To 4-4850	1	1	1	
2	476255	. PANEL LOWER FACE / FIBERGLASS / W/HALOGENE & XENON From 4-4851 To 5-0333	1	1	1	
2	476255	. PANEL LOWER FACE / FIBERGLASS / W/HALOGENE & XENON From 5-0334	1	1		
2	476706	. PANEL LOWER FACE / FIBERGLASS / W/HALOGENE & XENON To 5-0333	1	1	1	W
2	476706	. PANEL LOWER FACE / FIBERGLASS / W/HALOGENE & XENON From 5-0334	1	1		W
2	476644	. PANEL LOWER FACE / FIBERGLASS / W/HALOGENE & XENON From 5-0334			1	
NS	5001040	SCREW TC PAN PH #6-32x3/4 SS	2	2	2	
3	HF-1851-10	FRONT PANEL - INSTALLATION				
NS	475707	KIT STONE PROTECTOR / VINYL FILM / "H3 FACE LIFT	1	1	1	
4	HF-0660-00	HEADLAMP "HALOGENE" & FRONT DIRECTIONAL LAMPS				
4	HF-0660-01	HEADLAMP "XENON" & FRONT DIRECTIONAL LAMPS				
10	473723	CAP, REAR To 3-4757	1	1		
10	479097	CAP, REAR From 4-4758 To 8-1043	1	1		
11	472889	CAP, REAR / V.I.P. To 3-4757			1	
11	479095	CAP, REAR / V.I.P. From 4-4758 To 7-0771			1	
11	478244	CAP, REAR / V.I.P. From 7-0772 To 7-0938	1	1	1	
11	474178	CAP, REAR / V.I.P./ WITHOUT BACK-UP CAMERA To 3-4757			1	
11	477419	CAP, REAR / V.I.P./ WITHOUT BACK-UP CAMERA From 4-4758 To 7-0771			1	
11	478253	CAP, REAR / V.I.P./ WITHOUT BACK-UP CAMERA From 7-0772 To 7-0938			1	
11	478172	CAP, REAR / V.I.P. From 7-0939			1	
NS	475113	. HOUSING, LIGHT From 7-0939			7	
12	HF-2355-00	BACK-UP CAMERA - INSTALLATION				
13	472693	SPOILER To 7-0938			1	
14	472535	GASKET To 7-0938			2	
15	502780	SCREW CAP HEX M8-1.25x25 SS BK To 7-0938			4	
16	500035	WASHER LO SPT .317x.586x.078 SS To 7-0938			4	
17	502584	WASHER LO SERR 8.2x26.3x1.8 Z050 To 7-0938			4	
18	472385	PLATE To 7-0938			1	
19	500148	SCREW MA RND PH #6-32x1/2 SS To 7-0938			18	
20	500996	NUT SPR U #6-32 .135-.150 To 7-0938			18	
21	506645	TAPE RUB ADH1 CC POL 1/8" x 1/2"x 50' / GREY 2542 To 7-0938			AR	



From 3-4417 To 8-1043	Date:10/2022	PAGE:HF-1851-00
CAP - FRONT & REAR - INSTALLATION		

Item#	Part	Description	H 3 4 1	H 3 4 5	V I P 4 5	N O T E S
22	HF-0662-00	CLEARANCE & MARKER LIGHT				
24	065278	CABLE HARNESS, CLEAR. LIGHT REAR IN DEFLECTOR To 4-4936			1	
24	066119	CABLE HARNESS / CLEAR. LIGHT REAR IN DEFLECTOR From 4-4937 To 7-0938			1	
30	472849	INSULATED PAD R.H. SIDE OF REAR CAP 720MM x 38MM	1	1	1	
31	472850	INSULATED PAD R.H. SIDE OF REAR CAP 695MM x 38MM	1	1	1	
32	472843	PLATE 225MM X 58MM To 3-4757	2	2	2	
32	479096	PLATE 199MM X 58MM From 4-4758	2	2	2	
33	472808	SUPPORT / LOWER REAR CAP L.H.SIDE / ANGLE 1221MM X 35MM 45MM	1	1	1	
34	472809	SUPPORT / LOWER REAR CAP R.H. SIDE	1	1	1	
35	473364	SUPPORT / LOWER REAR CAP EACH SIDE / 633 MM	2	2	2	
36	504248	RIVET CHY Q PRDG 3/16x1/4 SS	AR	AR	AR	
37	HF-1884-00	SIDE WINDOW - BUS To 3-4588				
37	HF-1884-01	SIDE WINDOW - BUS From 3-4589				
38	504656	BUMPER PLUG / 3/8X41/64X1/4	2	2	2	
NS	430601	KIT RETROFIT "XENON" FROM HALOGENE "H" SERIE From 4-4851	1	1	1	T
		A) THIS PANEL INCLUDE ALLS ITEMS LISTED AT PAGE HF-0660-00 AND MORE				
		B) THOSE FRONT CAP ASSY INCLUDE 2 UPPER SIDE WINDOW & DRIVER'S WINDOW				
		C) THIS PANEL INCLUDES ALL ITEMS LISTED AT PAGE HF-0660-01 AND MORE				
		T) READ TEXT IN ATTACEMENT BEFORE RETROFIT # 430601 "XENOB" LIGHT BEFORE				
		W) WITH HEADLAMP WASHER				

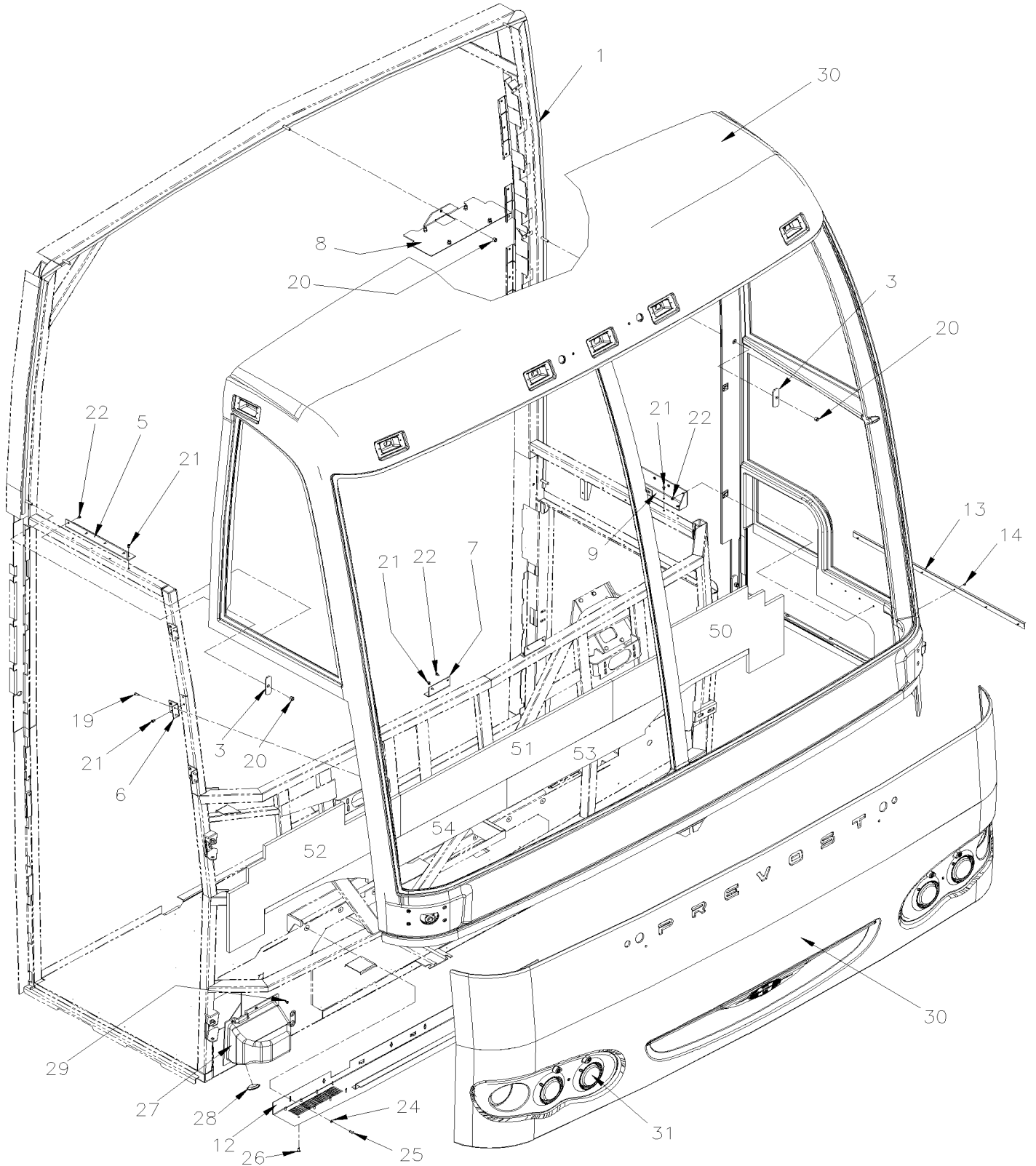


From 3-4417 To 8-1043

Date:10/2022

PAGE:HF-1851-10

FRONT PANEL - INSTALLATION





From 3-4417 To 8-1043	Date:10/2022	PAGE:HF-1851-10
FRONT PANEL - INSTALLATION		

Item#	Part	Description	H 3 4 1	H 3 4 5	V I P 4 5	N O T E S
1	475140	RUBBER SEAL EXTRUSION 13.0x5.5	AR	AR	AR	A
3	475187	PLATE REINFORCEMENT To 7-0614	6	6	6	
3	476595	PLATE REINFORCEMENT From 7-0615	6	6	6	
5	472141	ANGLE RETAINER / ABOVE FRONT DOOR	1	1	1	
6	283917	ANGLE RETAINER & SUPPORT	3	3	3	
7	472142	ANGLE RETAINER / BOTTOM OF LOWER WINDSHIELD	2	2	2	
8	405210	ANGLE RETAINER & SUPPORT To 5-0167	1	1	1	
9	473716	ANGLE RETAINER / BOTTOM OF DRIVER'S WINDOW	6	6	6	
12	473609	PANEL AIR INTAKE W/GRILL	1	1	1	
13	285334	ANGLE / TO FIX FRONT CAP	1	1	1	
14	504339	RIVET POP DOME OE 1/8x3/8 SS	6	6	6	
19	500642	SCREW TP PAN PH #10x3/4 Z050	AR	AR	AR	
20	5001083	NUT HEXF NYRT 5/16-18 Z050	40	40	40	
21	504488	RIVET MGLP PRDG 3/16x17/64 SS	28	28	28	
22	500638	SCREW TP PAN PH #8x1/2 Z050	20	20	20	
24	502637	WASHER FL .200x.437x.037 SS	18	18	18	
25	504416	RIVET POP DOME OE 3/16x5/8 SS	3	3	3	
26	504379	RIVET POP DOME OE 3/16x1/4 SS	6	6	6	
NS	680067	SEALANT TAPE BUTYL / BLACK / 1/8"x3/4"x25' / 75211E760	8	8	8	
NS	683084	SEALANT SIKA #221 / GREY / 600 ml SAUSAGE	3	3	3	
27	287245	COVER LOWER HINGE / REAR OF BUMPER	1	1	1	
28	504443	SNAP-IN PLUG / 1.500 O.D.	1	1	1	
29	504581	RIVET MGLP PRDG 3/16x7/16 SS BK	10	10	10	
29	504464	RIVET POP CK OE 1/8x3/8 SS	4	4	4	
NS	5001067	WASHER FL .128x.312x.032 SS	4	4	4	
30	HF-1851-00	CAP - FRONT & REAR - INSTALLATION				
31	HF-0660-00	HEADLAMP "HALOGENE" & FRONT DIRECTIONAL LAMPS				
31	HF-0660-01	HEADLAMP "XENON" & FRONT DIRECTIONAL LAMPS				
50	351264	INSULATING PAD	1	1	1	
51	351265	INSULATING PAD	1	1	1	
52	351266	INSULATING PAD	1	1	1	
53	351267	INSULATING PAD	1	1	1	
54	351268	INSULATING PAD	1	1	1	
		A) QUANTITY REQUIED 5 METERS				

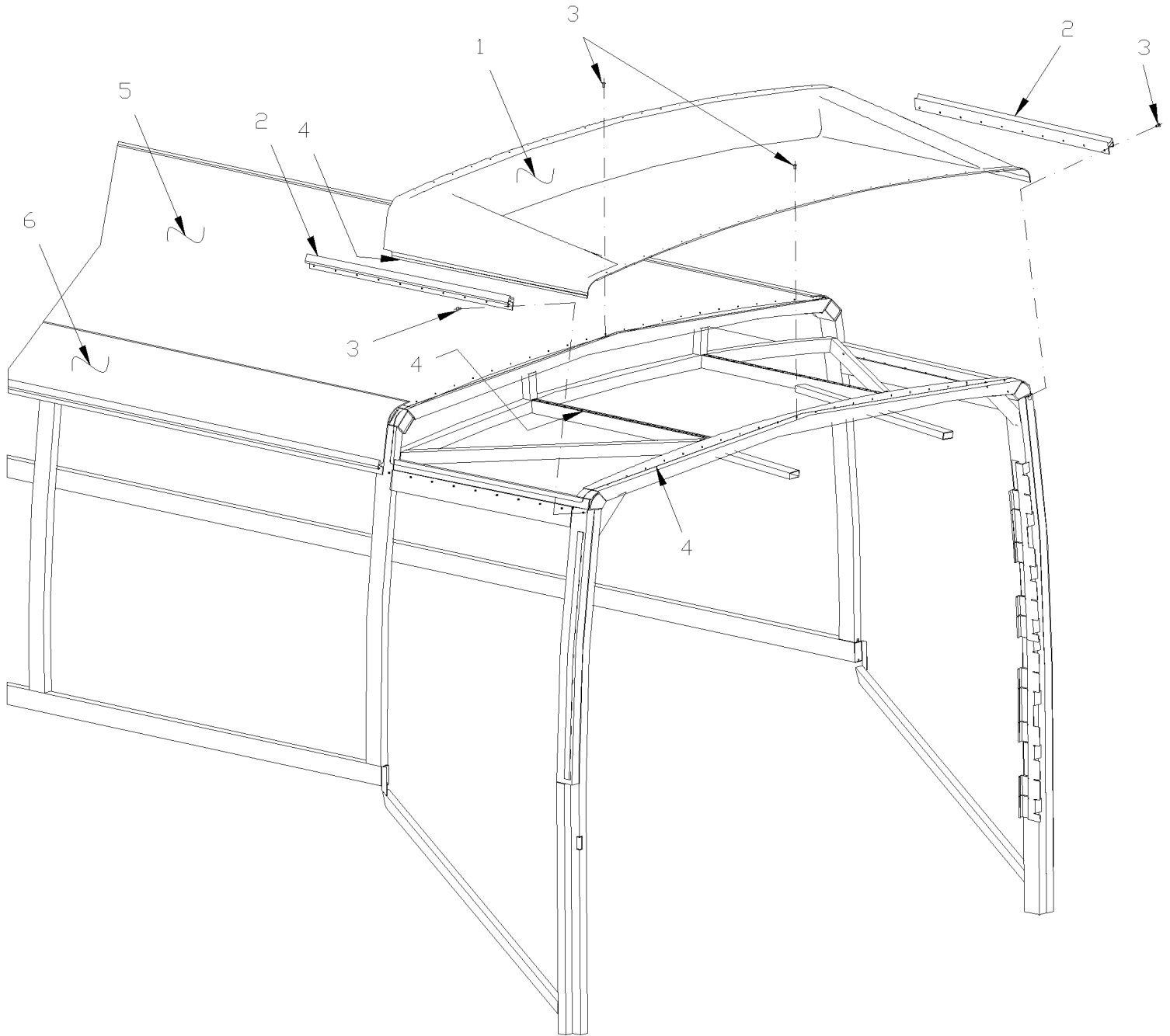


From 3-4417 To 8-1043

Date:10/2022

PAGE:HF-1852-00

ROOF PANELS





From 3-4417 To 8-1043	Date:10/2022	PAGE:HF-1852-00
ROOF PANELS		

Item#	Part	Description	H 3 4 1	H 3 4 5	V I P 4 5	N O T E S
1	475206	ROOF TRANSITION / FIBERGLASS			1	
2	293536	EXTRUSION ALUMINUM 977.5MM To 7-0771			2	
3	504545	RIVET CHY MONOLOK PRDG 1/4x3/8 ZP			64	
4	683084	SEALANT SIKA #221 / GREY / 600 ml SAUSAGE			3	
5	472937P	SHEET, ALUMINUM / ROOF	1			
5	472805P	SHEET, ALUMINUM / ROOF		1		
5	472940P	SHEET, ALUMINUM / ROOF			1	
6	292899	EXTRUSION ALUMINUM 11786MM		2		
6	292900	EXTRUSION, ALUMINUM 10540MM	2			
6	292560	EXTRUSION ALUMINUM 10805MM To 7-0771			2	
6	297148	EXTRUSION ALUMINUM W/AWNING RETAINER 10802MM From 7-0772			1	

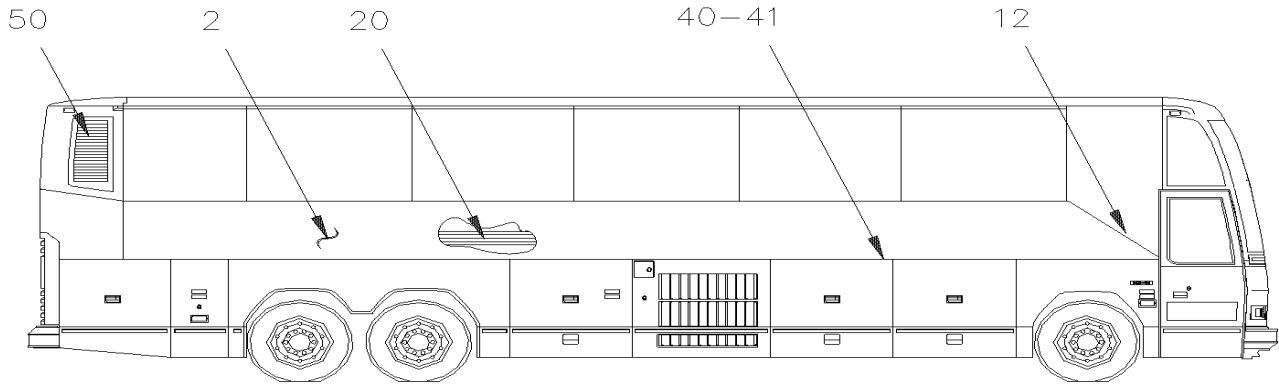
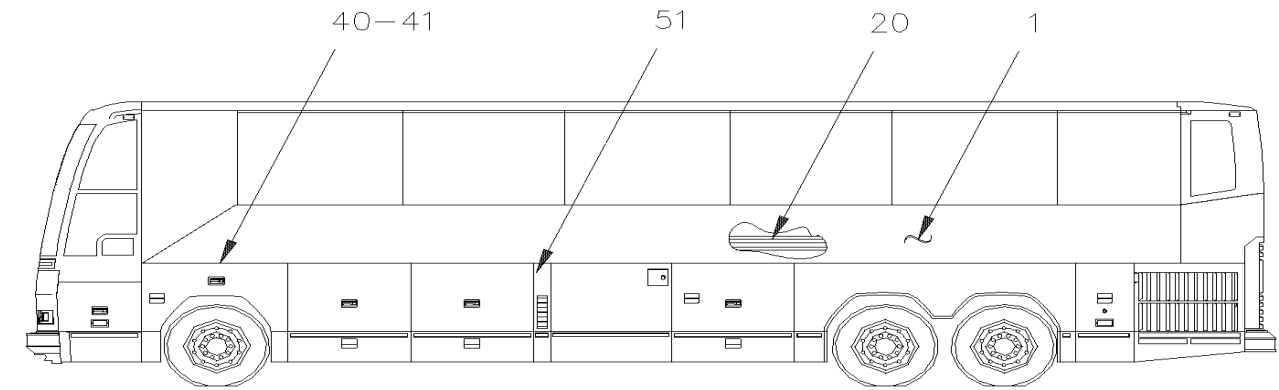


From 3-4417 To 8-1043

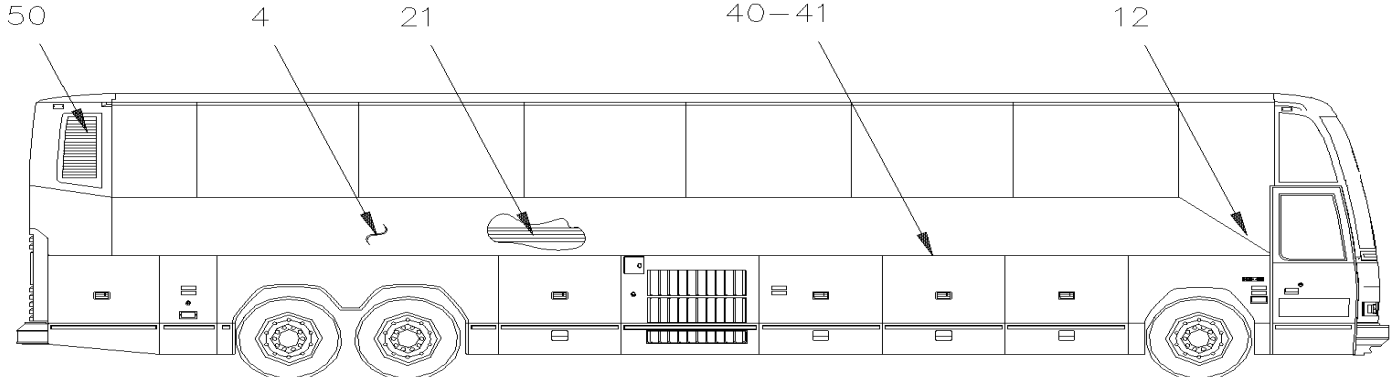
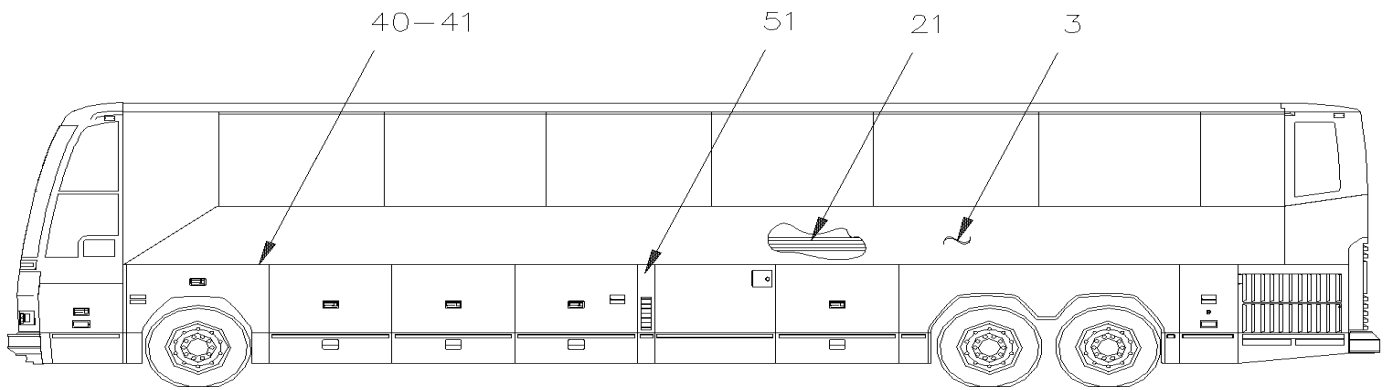
Date:10/2022

PAGE:HF-1854-00

SIDE PANELS - BUS



H3-41



H3-45

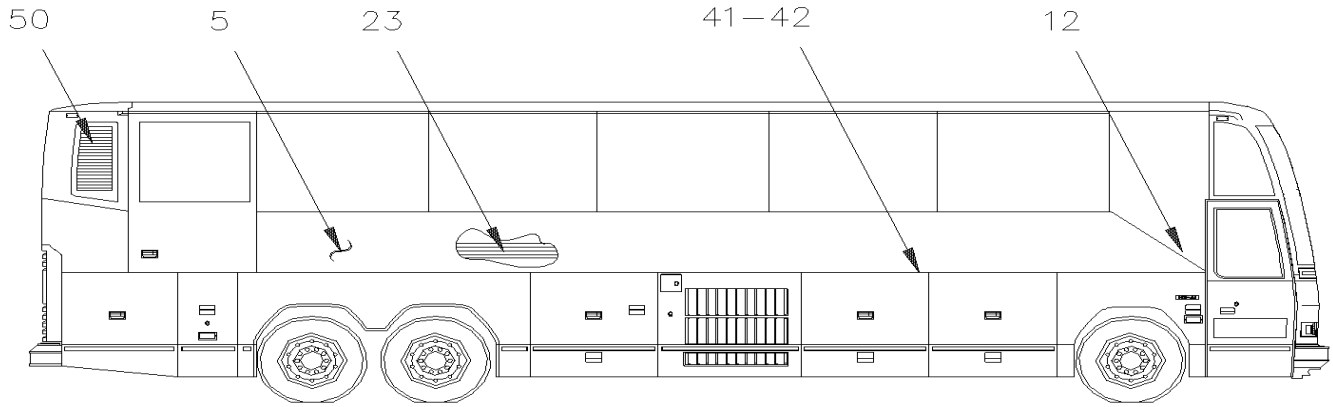


From 3-4417 To 8-1043

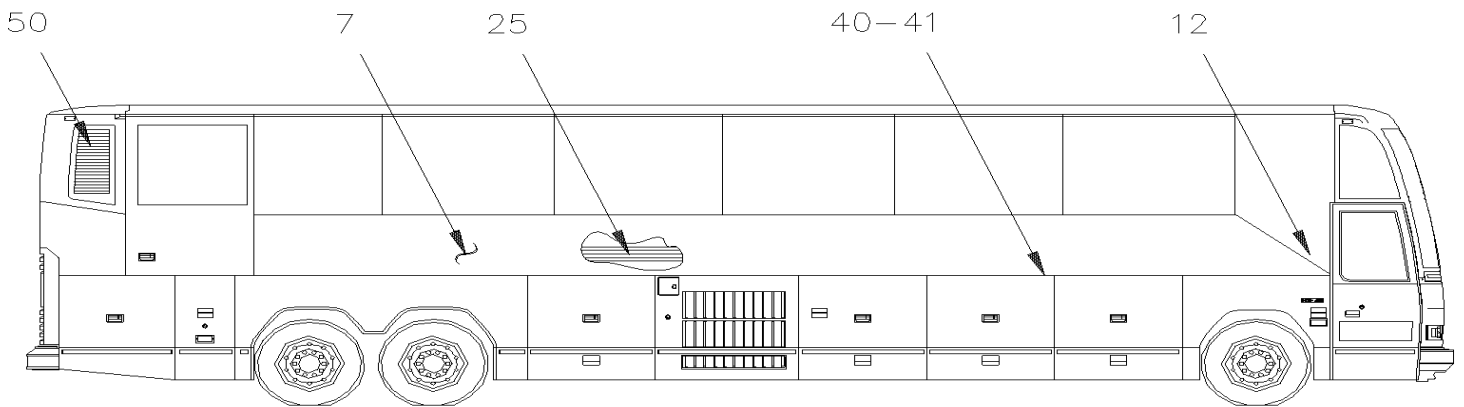
Date:10/2022

PAGE:HF-1854-00

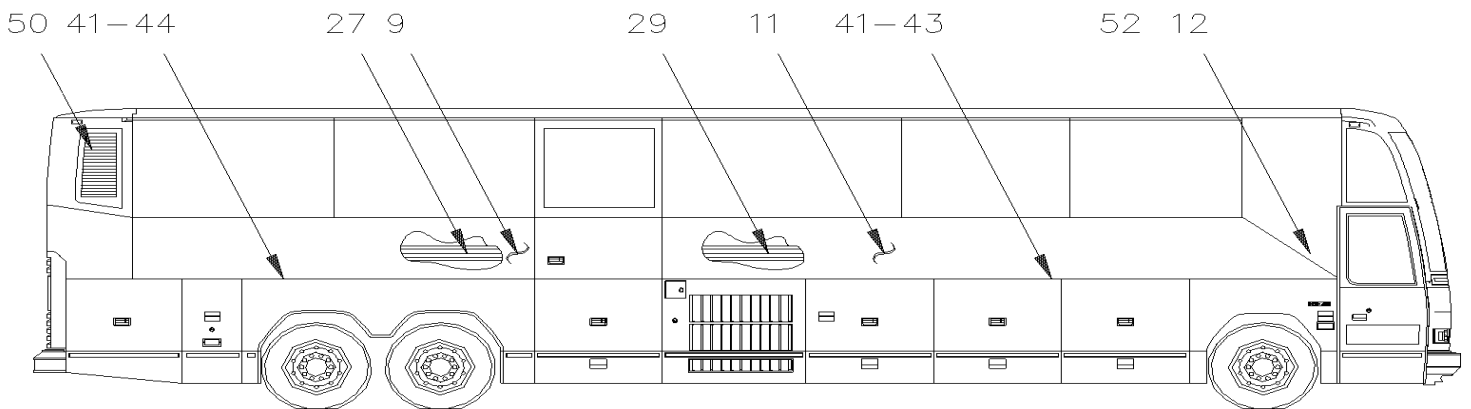
SIDE PANELS - BUS



H3-41 WITH W.C.L. ST & ST



H3-45 WITH W.C.L. ST & ST



H3-45 WITH W.C.L. RICON



From 3-4417 To 8-1043		Date:10/2022	PAGE:HF-1854-00
SIDE PANELS - BUS			

Item#	Part	Description	H 3 4 1	H 3 4 5	V I P 4 5	N O T E S
1	473620	SIDE PANEL L.H.	1			
2	473619	SIDE PANEL R.H.	1			
3	473618	SIDE PANEL L.H.		1		
4	473617	SIDE PANEL R.H.		1		
5	473622	PANEL R.H. To 6-0335	1			
7	473621	PANEL R.H. To 6-0335		1		
9	473657	PANEL R.H. BACKWARD 3972MM To 5-0167		1		
9	476379	REAR SIDE PANEL R.H. 3952MM From 5-0168		1		
11	473623	PANEL R.H. FORWARD 6553MM To 5-0167		1		
11	476378	FRONT SIDE PANEL R.H. 6553MM From 5-0168		1		
20	473170	SUPPORT / 9008MM	2			
21	473165	SUPPORT / 9754MM		2		
23	473312	SUPPORT / 2900MM	1			
25	473170	SUPPORT / 9008MM		1		
27	473310	REINFORCEMENT PANEL 1482 MM		1		
29	473313	SUPPORT / 4854MM		1		
NS	506738	TAPE RUB ADH1 CC POL 1/8" x 1" x 50' / GREY 2520	AR	AR		
NS	504340	RIVET POP DOME OE 1/8x3/16 SS	AR	AR		
40	473629	DRIP MOLDING / FRONT L.H. & R.H. / 727MM SS	2			
40	473632	DRIP MOLDING / FRONT L.H. & R.H. / 1973MM SS ADH		2		
40	683621	TAPE RUB ADH2 ACRYLIC .045" x 1" x 108' / WHITE 4945	AR	AR		
41	473627	DRIP MOULDING / L.H. & R.H. / 2438MM SS ADH	6			
. NS	683621	. TAPE RUB ADH2 ACRYLIC .045" x 1" x 108' / WHITE 4945	AR			
41	473627	DRIP MOULDING / L.H. & R.H. / 2438MM SS ADH		8		
. NS	683621	. TAPE RUB ADH2 ACRYLIC .045" x 1" x 108' / WHITE 4945		AR		
42	473628	DRIP MOULDING 1919.5MM SS ADH		1		
. NS	683621	. TAPE RUB ADH2 ACRYLIC .045" x 1" x 108' / WHITE 4945		AR		
43	473631	DRIP MOULDING 1665.5MM SS ADH		1		
43	683478	TAPE VHB ADH2 1.1MMx18MMx32.9M	AR	AR	AR	
44	473630	DRIP MOULDING 1482MM SS ADH To 5-0167		1		
44	477731	SUPPORT LOWER / W/W.C.L. "RICON" 1502MM SS ADH From 5-0168		1		S
NS	683478	TAPE VHB ADH2 1.1MMx18MMx32.9M	AR	AR		
NS	682462	ADHESIVE SIKA #252 / BLACK / 310ml CARTRIDGE	AR	AR		
50	472228	GRILLE / AIR INLET	1	1		
. NS	506769	. TAPE RUB ADH2 CC POL 1/8" x 1/4" x 60' / BLACK H1CC-N-#14	ar	ar		
51	473639	PANEL AIR INTAKE EVAPORATOR / W/SCREEN	1	1		
NS	502764	NUT SPR J #14A .035-.046 To 5-0333	AR	AR		
51	500903	NUT SPR J # 14 .035-.046 DP320 To 5-0333	AR	AR		
NS	500535	SCREW TP CAP HEX #14x3/4 Z050 To 5-0333	AR	AR		
51	5001639	NUT SPR U M6-1.0 0.34-4 MAG565 From 5-0334	AR	AR		
NS	500468	WASHER FL .281x1.250x.065 Z050	AR	AR		



From 3-4417 To 8-1043	Date:10/2022	PAGE:HF-1854-00
-----------------------	--------------	-----------------

SIDE PANELS - BUS

Item#	Part	Description	H 3 4 1	H 3 4 5	V I P 4 5	N O T E S
		S) WITH "SLIDING" W.C.L. DOOR				

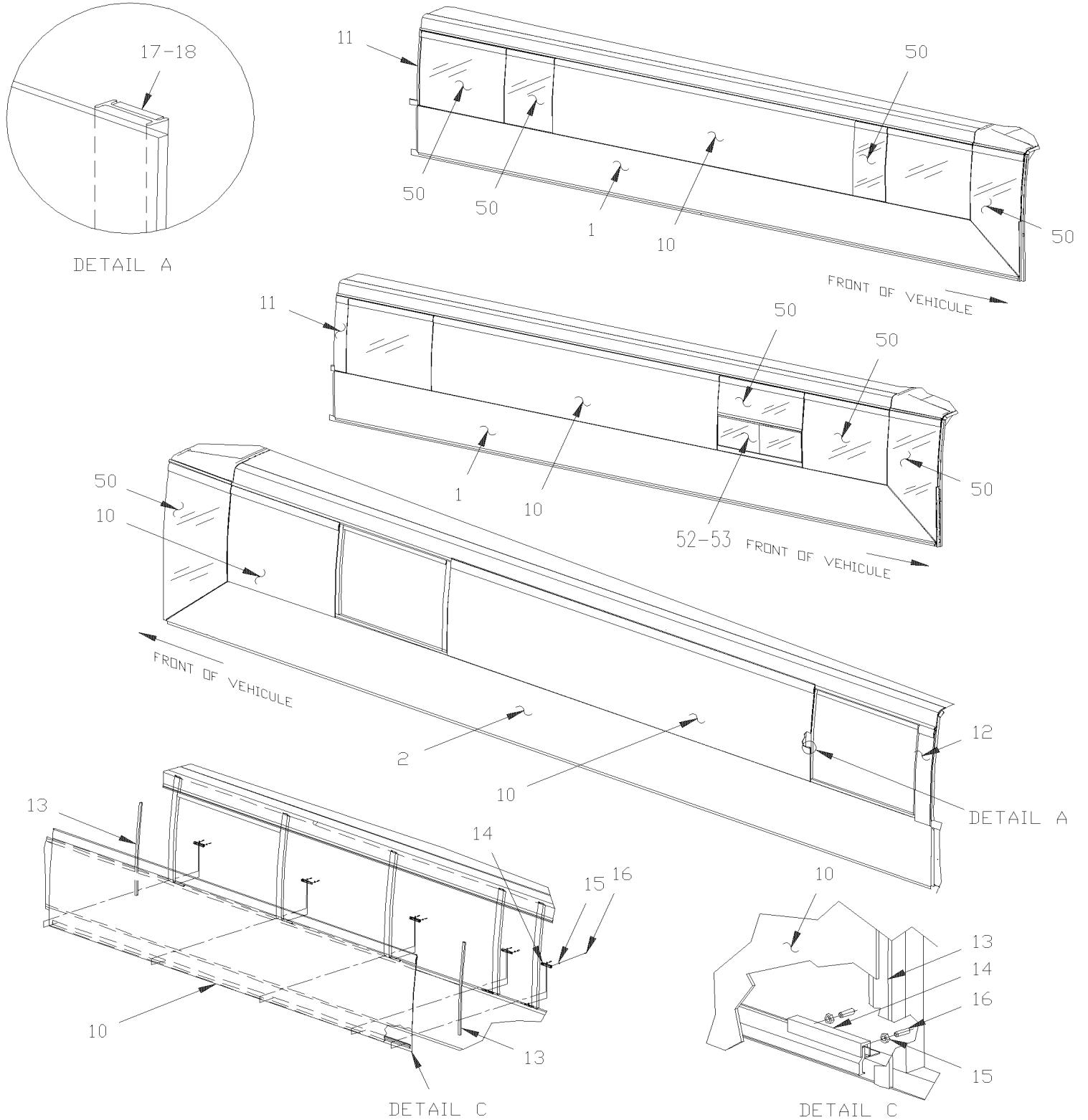


From 3-4417 To 7-0771

Date:10/2022

PAGE:HF-1854-50

SIDE PANELS - V.I.P.



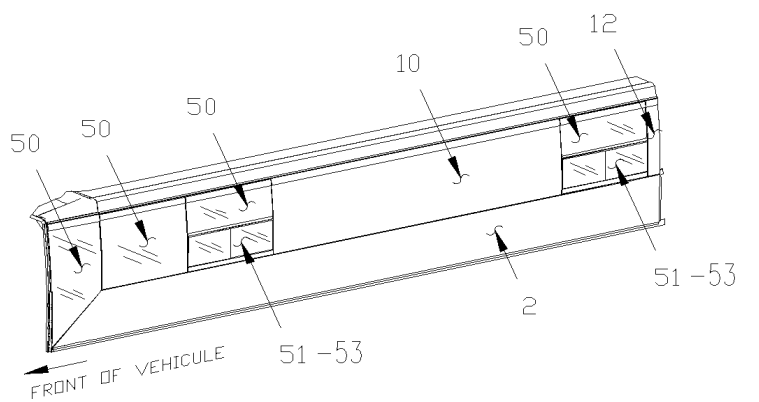
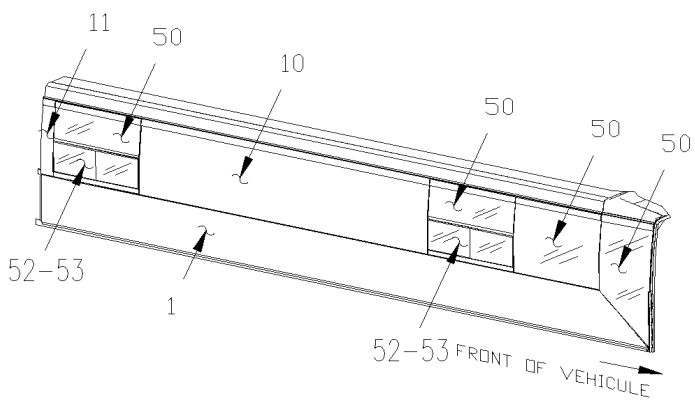
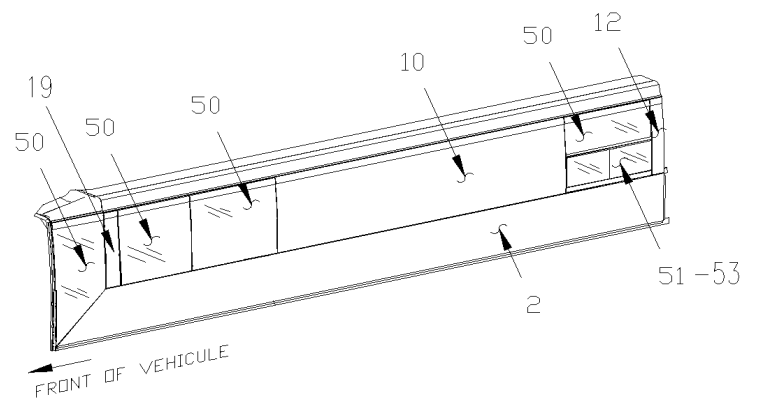
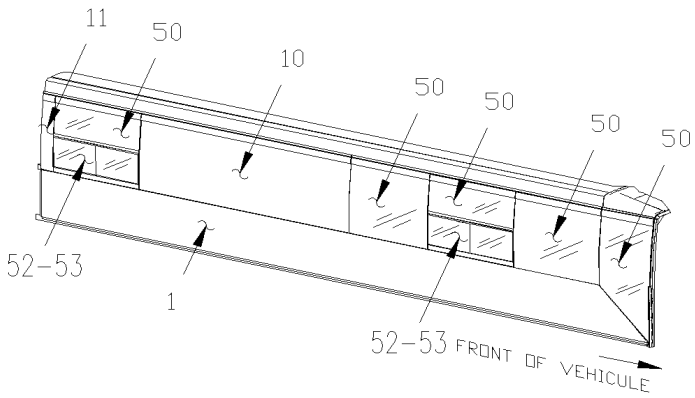
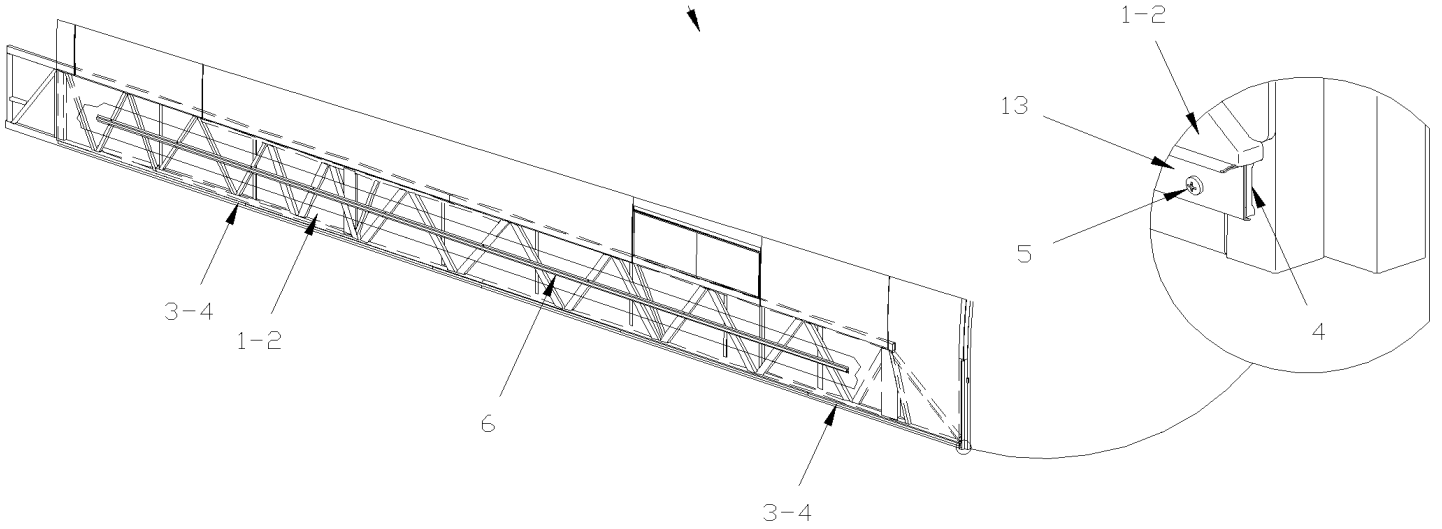


From 3-4417 To 7-0771

Date:10/2022

PAGE:HF-1854-50

SIDE PANELS - V.I.P.



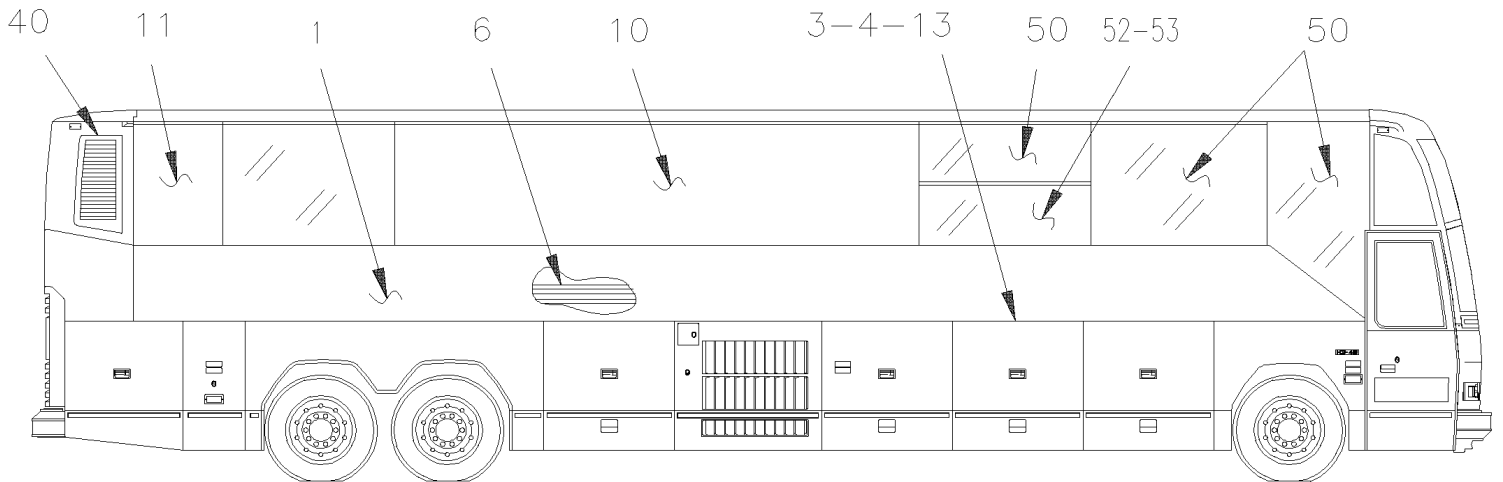
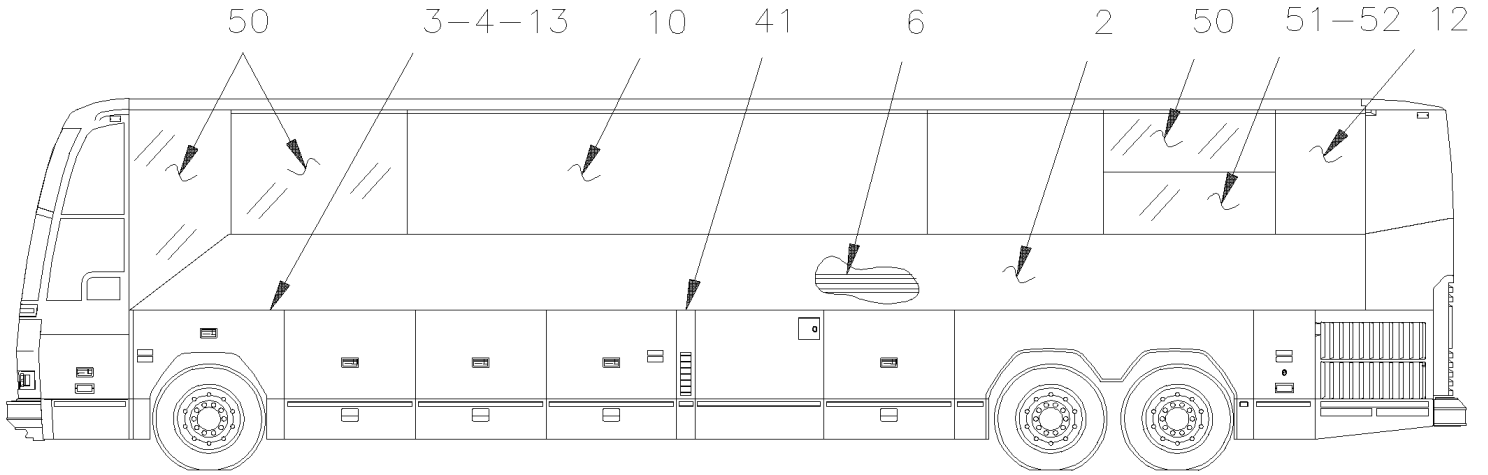


From 3-4417 To 7-0771

Date:10/2022

PAGE:HF-1854-50

SIDE PANELS - V.I.P.



VIP-45



From 3-4417 To 7-0771	Date:10/2022	PAGE:HF-1854-50
SIDE PANELS - V.I.P.		

Item#	Part	Description	H 3 4 1	H 3 4 5	V I P 4 5	N O T E S
		"WARNING" "WARNING" "WARNING"				
		NEXT FOLLOWING PANELS ARE RELATED WITH SIDE PANELING WITHOUT ANY SLIDE OUT INSTALL				
		FOR SIDE PANELING WITH SLIDE-OUT SEE RESPECTIVE PAGES				
	HF-1854-90	SIDE PANELS - STREET SIDE - "SLIDE-OUT" "PREVOST"				
	HF-1854-92	SIDE PANELS - V.I.P. WITH "SLIDE-OUT" by "CONVERTER"				
1	475156	PANEL R.H.			1	
2	473618	SIDE PANEL L.H. To 5-0333			1	
2	476643	PANEL L.H. From 5-0334			1	
3	473627	DRIP MOULDING / L.H. & R.H. / 2438MM SS ADH			AR	
. NS	683621	. TAPE RUB ADH2 ACRYLIC .045" x 1" x 108' / WHITE 4945			AR	
3	473632	DRIP MOLDING / FRONT L.H. & R.H. / 1973MM SS ADH			AR	
3	472917	SUPPORT LOWER / L.H. & R.H. / W17 HOLES / 2438MM SS To 6-0577			AR	T
3	479150	DRIP MOLDING / L.H. & R.H. / W17 HOLES / 2438MM SS From 6-0578			AR	T
3	473506	SUPPORT LOWER / W14 HOLES / 1973.5MM SS To 6-0577			AR	T
3	479145	SUPPORT LOWER / W14 HOLES / 1973.5MM SS From 6-0578			AR	T
4	473715	FORMICA STRIP 20MM X 2438MM			AR	T
5	502526	SCREW TC BDG PH #12-24x3/4 Z050			AR	T
6	473165	SUPPORT / 9754MM			2	
NS	504340	RIVET POP DOME OE 1/8x3/16 SS			AR	
NS	506738	TAPE RUB ADH1 CC POL 1/8" x 1" x 50' / GREY 2520			AR	
		FOLLOWING PANELS ARE LOCATED BETWEEN ANY TWO SIDE WINDOWS ANY LAYOUT MODELS				
10	475544	PANEL UPPER 547MM			1	
10	475496	PANEL UPPER 1133MM			1	C
10	476562	PANEL UPPER 1203MM			1	
10	476162	PANEL UPPER 1336MM			1	
10	476564	PANEL UPPER 2370MM			1	
10	476453	PANEL UPPER 2447MM			1	
10	476563	PANEL UPPER 2459MM			1	
10	475615	PANEL UPPER 2568.5MM			1	C
10	476410	PANEL UPPER 2860MM			1	
10	475518	PANEL UPPER 2947.5MM			1	C
10	475731	PANEL UPPER 3374MM			1	
10	475683	PANEL UPPER 3450MM			1	
10	476575	PANEL UPPER 3457MM			1	
10	475410	PANEL UPPER 3659MM			1	



From 3-4417 To 7-0771	Date:10/2022	PAGE:HF-1854-50
SIDE PANELS - V.I.P.		

Item#	Part	Description	H 3 4 1	H 3 4 5	V I P 4 5	N O T E S
10	475640	PANEL UPPER 3742MM			1	
10	475663	PANEL UPPER 3895MM			1	
10	475564	PANEL UPPER 4037MM To 3-4622			1	
10	475499	PANEL UPPER 4200MM			1	C
10	476450	PANEL UPPER 4308MM			1	
10	475571	PANEL UPPER 4359MM			1	C
10	475368	PANEL UPPER 4377MM			1	
10	476214	PANEL UPPER 4511MM From 3-4623			1	
10	476459	PANEL UPPER 4536MM			1	C
10	476404	PANEL UPPER 4716MM			1	
10	475575	PANEL UPPER 5142MM			1	C
10	475595	PANEL UPPER 5319MM			1	
10	475566	PANEL UPPER 5396MM			1	
10	476333	PANEL UPPER 5428MM			1	
10	475248	PANEL UPPER 5580MM			1	
10	475556	PANEL UPPER 5779MM			1	
10	476500	PANEL UPPER 6268MM			1	C
10	475568	PANEL UPPER 6497MM			1	
10	476543	PANEL UPPER 6543MM			1	
10	475723	PANEL UPPER 6632MM			1	
10	476402	PANEL UPPER 10800MM			1	W
11	475253	PANEL UPPER R.H. BACKWARD / 233MM			1	
11	475665	PANEL UPPER R.H. BACKWARD / 257MM			1	
11	476460	PANEL UPPER R.H. BACKWARD / 333MM			1	C
11	476332	PANEL UPPER R.H. BACKWARD / 384MM			1	
11	475642	PANEL UPPER R.H. BACKWARD / 409MM			1	
11	475369	PANEL UPPER R.H. BACKWARD / 493MM			1	
11	475570	PANEL UPPER R.H. BACKWARD / 511MM			1	C
11	475500	PANEL UPPER R.H. BACKWARD / 670MM			1	C
11	476574	PANEL UPPER R.H. BACKWARD / 695MM			1	
11	475682	PANEL UPPER R.H. BACKWARD / 702MM			1	
11	475732	PANEL UPPER R.H. BACKWARD / 778MM			1	
11	475725	PANEL UPPER R.H. BACKWARD / 840MM			1	
11	476428	PANEL UPPER R.H. BACKWARD / 1095MM			1	
11	475614	PANEL UPPER R.H. BACKWARD / 1546.5MM			1	C
11	476454	PANEL UPPER R.H. BACKWARD / 1705MM			1	
11	475519	PANEL UPPER R.H. BACKWARD / 1922.5MM			1	C
11	476409	PANEL UPPER R.H. BACKWARD / 2010MM			1	
11	475940	PANEL UPPER R.H. BACKWARD / 2500MM			1	
11	476090	PANEL UPPER R.H. BACKWARD / 5820MM			1	
11	476451	PANEL UPPER R.H. BACKWARD / 6538MM			1	



From 3-4417 To 7-0771	Date:10/2022	PAGE:HF-1854-50
SIDE PANELS - V.I.P.		

Item#	Part	Description	H 3 4 1	H 3 4 5	V I P 4 5	N O T E S
11	476149	PANEL UPPER R.H. BACKWARD / 7480MM			1	
11	475631	PANEL MOULDING RH REAR 35MM			1	
12	476331	PANEL UPPER L.H. BACKWARD / 384MM	1	1	1	
12	475252	PANEL UPPER L.H. BACKWARD / 233MM			1	
12	475664	PANEL UPPER L.H. BACKWARD / 257MM			1	
12	475641	PANEL UPPER L.H. BACKWARD / 409MM			1	
12	476578	PANEL UPPER L.H. BACKWARD / 493MM			1	S1
12	474678	PANEL UPPER L.H. BACKWARD / 702MM			1	S1
12	475730	PANEL UPPER L.H. BACKWARD / 778MM			1	S1
12	475724	PANEL UPPER L.H. BACKWARD / 840MM			1	
12	475632	PANEL MOULDING LH REAR 35MM			1	
13	292946	SEAL RUBBER 1125MM				AR
14	475506	ATTACHMENT 36MM				AR
14	475382	ATTACHMENT 150MM				AR
15	500982	NUT HEX JAM 5/16-18 Z050				AR
16	502777	SCREW SET HEXS CUP 5/16-18x1				AR
17	683447	ADHESIVE SIKATAACK PLUS / BLACK / 23 Liters				AR
18	683448	ACCELERATOR SIKA / 600ml SAUSAGE				AR
19	475545	PANEL UPPER R.H. / 375.5MM To 3-4622			1	
19	475822	PANEL UPPER R.H. / 375.5MM From 3-4623			1	
40	472228	GRILLE / AIR INLET			1	
. NS	506769	. TAPE RUB ADH2 CC POL 1/8" x 1/4" x 60' / BLACK H1CC-N-#14				ar
41	473639	PANEL AIR INTAKE EVAPORATOR / W/SCREEN To 5-0333			1	
41	476632	PANEL AIR INTAKE EVAPORATOR From 5-0334			1	
NS	502764	NUT SPR J #14A .035-.046 To 5-0333				AR
NS	500903	NUT SPR J # 14 .035-.046 DP320 To 5-0333				AR
NS	500535	SCREW TP CAP HEX #14x3/4 Z050 To 5-0333				AR
NS	5001639	NUT SPR U M6-1.0 0.34-4 MAG565 From 5-0334				AR
NS	500468	WASHER FL .281x1.250x.065 Z050				AR
50	HF-1884-50	SIDE WINDOWS - V.I.P.				
51	HF-1884-70	SLIDING WINDOW L.H. - V.I.P.				
52	HF-1884-75	SLIDING WINDOW R.H. - V.I.P.				
53	HF-1884-65	ELECTRICAL AWNING WINDOW ASSY				
		C) USED BY CONVERTER'S AS HER SPECIFICATION				
		S1) EXCEPTIONALY USE WITH VEHICLE WITHOUT REAR SLIDE-OUT				
		T) USED WITH TEMPORALY INSTALLATION ONLY				
		W) THIS PANEL ARE USE WITHOUT SIDE WINDOW LAYOUT				

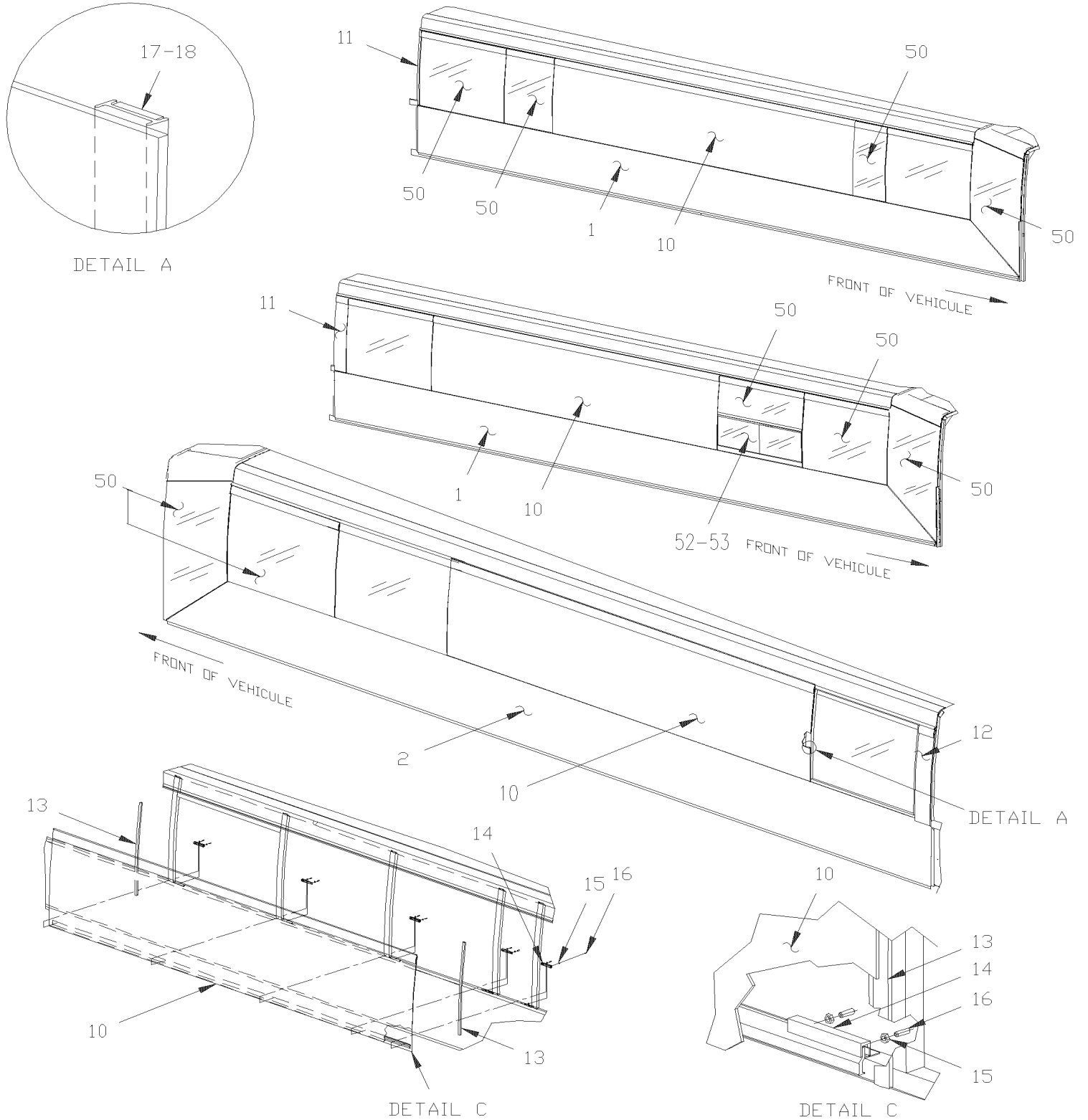


From 7-0772 To 8-1043

Date:10/2022

PAGE:HF-1854-51

SIDE PANELS - V.I.P.



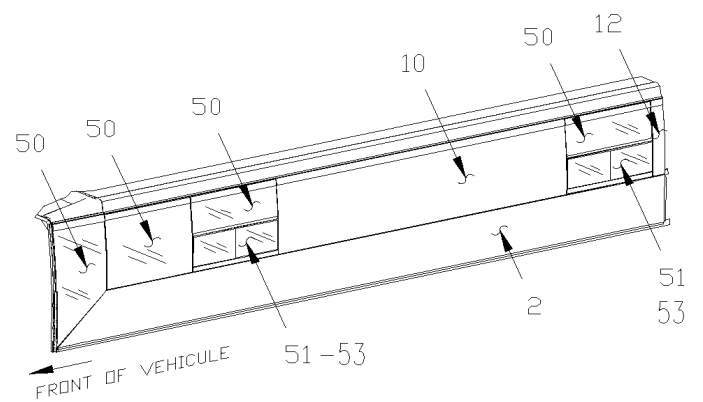
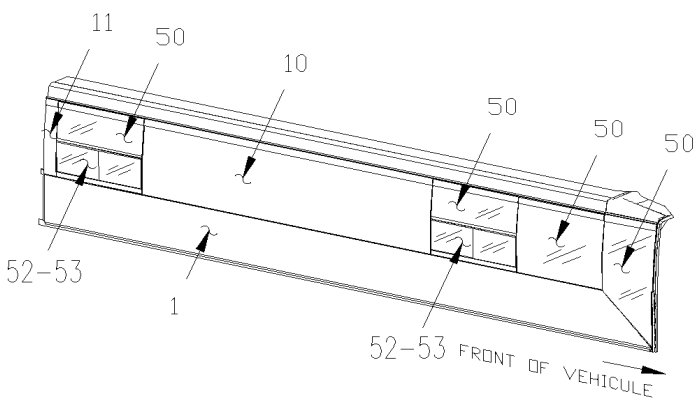
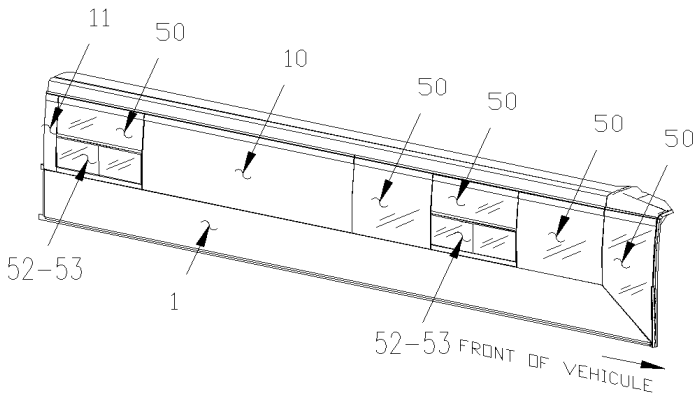
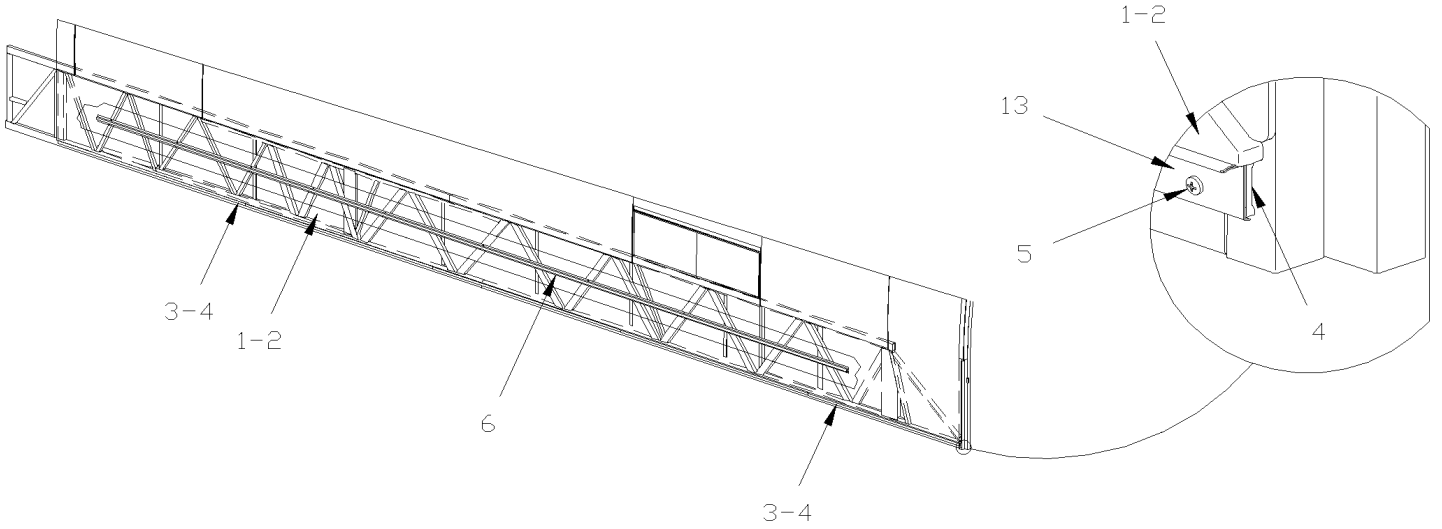


From 7-0772 To 8-1043

Date:10/2022

PAGE:HF-1854-51

SIDE PANELS - V.I.P.



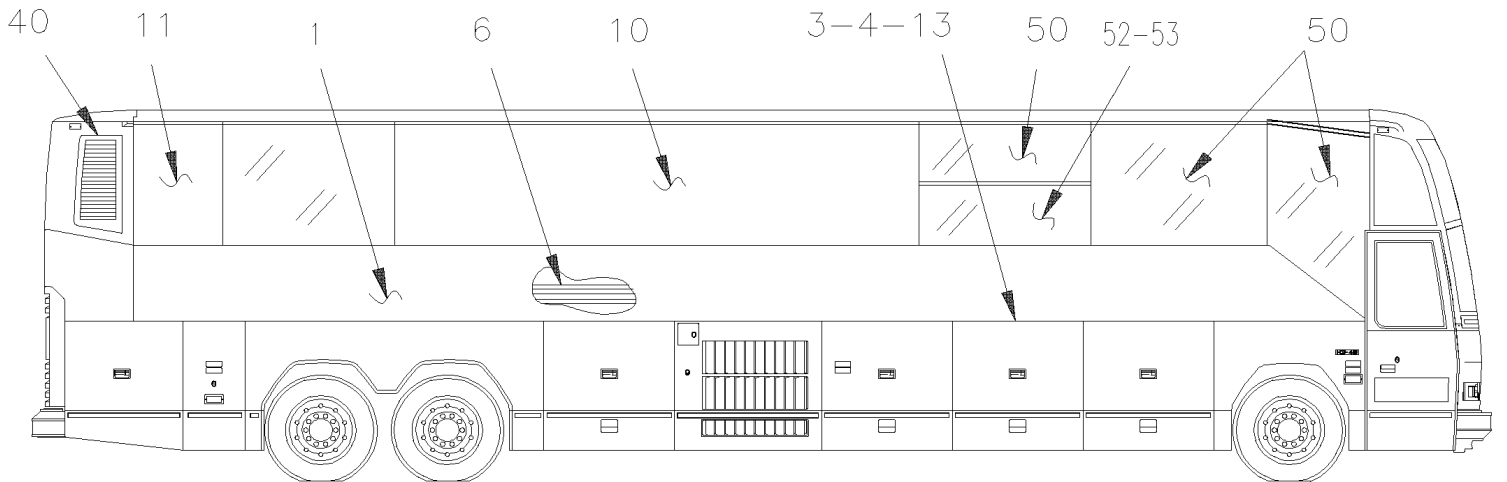
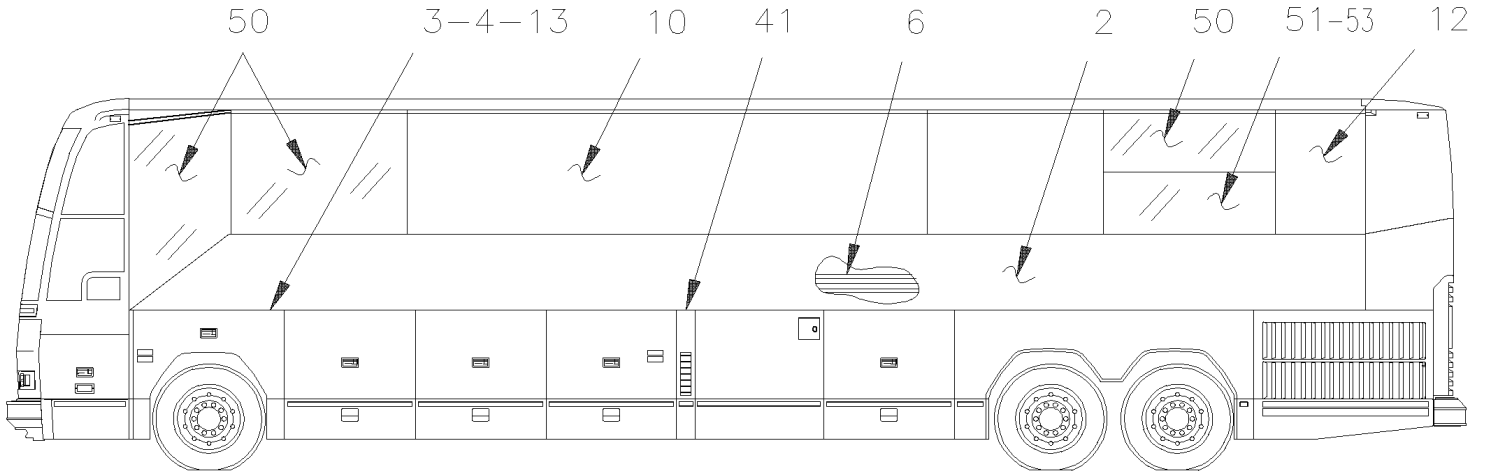


From 7-0772 To 8-1043

Date:10/2022

PAGE:HF-1854-51

SIDE PANELS - V.I.P.



VIP-45



From 7-0772 To 8-1043	Date:10/2022	PAGE:HF-1854-51
SIDE PANELS - V.I.P.		

Item#	Part	Description	H 3 4 1	H 3 4 5	V I P 4 5	N O T E S
		"WARNING" "WARNING" "WARNING"				
		NEXT FOLLOWING PANELS ARE RELATED WITH SIDE PANELING WITHOUT ANY SLIDE OUT INSTALL				
		FOR SIDE PANELING WITH SLIDE-OUT SEE RESPECTIVE PAGES				
	HF-1854-91	SIDE PANELS - STREET SIDE - "SLIDE-OUT" "PREVOST"				
	HF-1854-93	SIDE PANELS - V.I.P. WITH "SLIDE-OUT" by "CONVERTER"				
1	475156	PANEL R.H.			1	
2	476643	PANEL L.H.			1	
3	473627	DRIP MOULDING / L.H. & R.H. / 2438MM SS ADH			4	
. NS	683621	. TAPE RUB ADH2 ACRYLIC .045" x 1" x 108' / WHITE 4945			AR	
3	473632	DRIP MOLDING / FRONT L.H. & R.H. / 1973MM SS ADH			1	
3	479150	DRIP MOLDING / L.H. & R.H. / W17 HOLES / 2438MM SS			AR	T
3	479145	SUPPORT LOWER / W14 HOLES / 1973.5MM SS			AR	T
4	473715	FORMICA STRIP 20MM X 2438MM			AR	T
5	502526	SCREW TC BDG PH #12-24x3/4 Z050			AR	T
6	473165	SUPPORT / 9754MM			2	
NS	504340	RIVET POP DOME OE 1/8x3/16 SS			AR	
NS	506738	TAPE RUB ADH1 CC POL 1/8" x 1" x 50' / GREY 2520			AR	
		FOLLOWING PANELS ARE LOCATED BETWEEN ANY TWO SIDE WINDOWS ANY LAYOUT MODELS				
10	478199	PANEL UPPER 2947.5MM			1	C
10	477003	PANEL UPPER 3218MM			1	
10	476731	PANEL UPPER 3361MM			1	
10	478203	PANEL UPPER 3457MM			1	
10	476726	PANEL UPPER 3659MM			1	
10	476891	PANEL UPPER 4119MM			1	
10	478201	PANEL UPPER 4200MM			1	C
10	476789	PANEL UPPER 4811MM			1	
10	478196	PANEL UPPER 5319MM			1	
10	476980	PANEL UPPER R.H. BACKWARD / 5820MM			1	
10	476812	PANEL UPPER STREETSIDE 10748MM			1	W
10	478198	PANEL UPPER CURBSIDE 10800MM			1	W
11	478249	PANEL UPPER R.H. BACKWARD / 16MM			1	
11	478197	PANEL UPPER R.H. BACKWARD / 492MM			1	



SIDE PANELS - V.I.P.

Item#	Part	Description	H 3 4 1	H 3 4 5	V I P 4 5	N O T E S
11	478202	PANEL UPPER R.H. BACKWARD / 670MM			1	C
11	478204	PANEL UPPER R.H. BACKWARD / 695MM			1	
11	476975	PANEL UPPER R.H. BACKWARD / 840MM			1	
11	477002	PANEL UPPER R.H. BACKWARD / 934MM			1	
11	476790	PANEL UPPER R.H. BACKWARD / 1001MM			1	
11	476732	PANEL UPPER R.H. BACKWARD / 1509MM			1	
11	478200	PANEL UPPER R.H. BACKWARD / 1922.5MM			1	C
11	476980	PANEL UPPER R.H. BACKWARD / 5820MM	1	1	1	
11	478321	PANEL UPPER R.H. BACKWARD / 7481MM			1	
12	478225	PANEL UPPER L.H. BACKWARD / 16MM			1	
12	477001	PANEL UPPER L.H. BACKWARD / 934MM			1	
12	476974	PANEL UPPER L.H. BACKWARD / 2500MM			1	
12	478320	PANEL UPPER L.H. BACKWARD / 7481MM			1	
13	297122	SEAL RUBBER 1236MM To 7-0771				AR
13	297158	SEAL RUBBER 1236MM From 7-0772 To 7-0859				AR
13	297186	SEAL RUBBER 1244MM From 7-0860				AR
14	475506	ATTACHMENT 36MM				AR
14	475382	ATTACHMENT 150MM				AR
15	500982	NUT HEX JAM 5/16-18 Z050				AR
16	502777	SCREW SET HEXS CUP 5/16-18x1				AR
17	683447	ADHESIVE SIKATACK PLUS / BLACK / 23 Liters				AR
18	683448	ACCELERATOR SIKA / 600ml SAUSAGE				AR
40	478287	GRILLE FIBERGLASS / AIR INLET VIP			1	
NS	478273	GRILLE FIBERGLASS / AIR INLET VIP / UNPAINT			1	
NS	502764	NUT SPR J #14A .035-.046				AR
41	500903	NUT SPR J # 14 .035-.046 DP320				AR
41	500535	SCREW TP CAP HEX #14x3/4 Z050				AR
41	5001639	NUT SPR U M6-1.0 0.34-4 MAG565				AR
41	500468	WASHER FL .281x1.250x.065 Z050				AR
50	HF-1884-51	SIDE WINDOWS - V.I.P.				
51	HF-1884-70	SLIDING WINDOW L.H. - V.I.P.				
52	HF-1884-75	SLIDING WINDOW R.H. - V.I.P.				
53	HF-1884-65	ELECTRICAL AWNING WINDOW ASSY				
53	HF-1884-80	ELECTRICAL SLIDING WINDOW ASSY				
		C) USED BY CONVERTER'S AS HER SPECIFICATION				
		T) USED WITH TEMPORALY INSTALLATION ONLY				
		W) THIS PANEL ARE USE WITHOUT SIDE WINDOW LAYOUT				

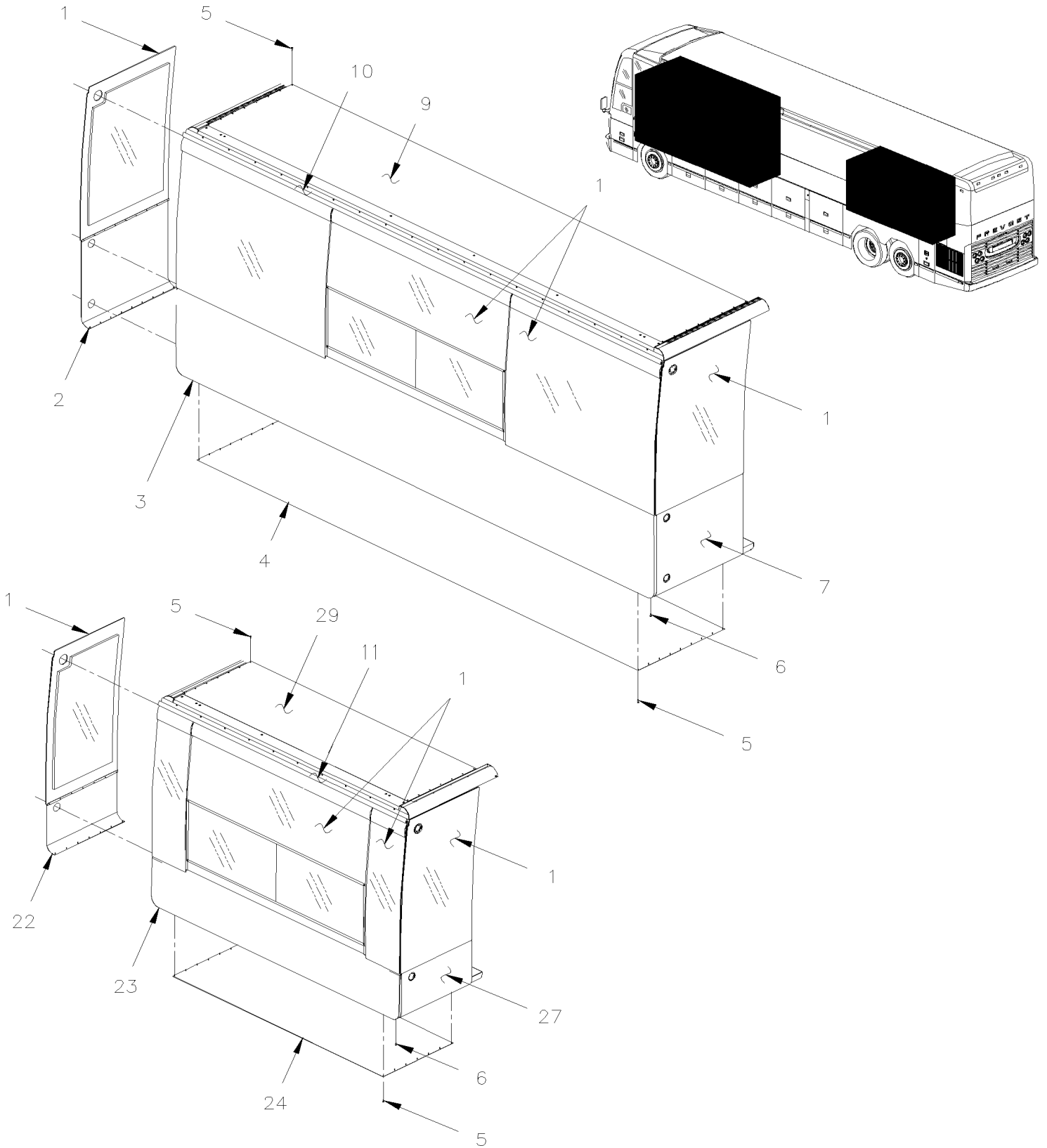


From 3-4417 To 8-1043

Date:10/2022

PAGE:HF-1854-90

SIDE PANELS - STREET SIDE - "SLIDE-OUT" "PREVOST"



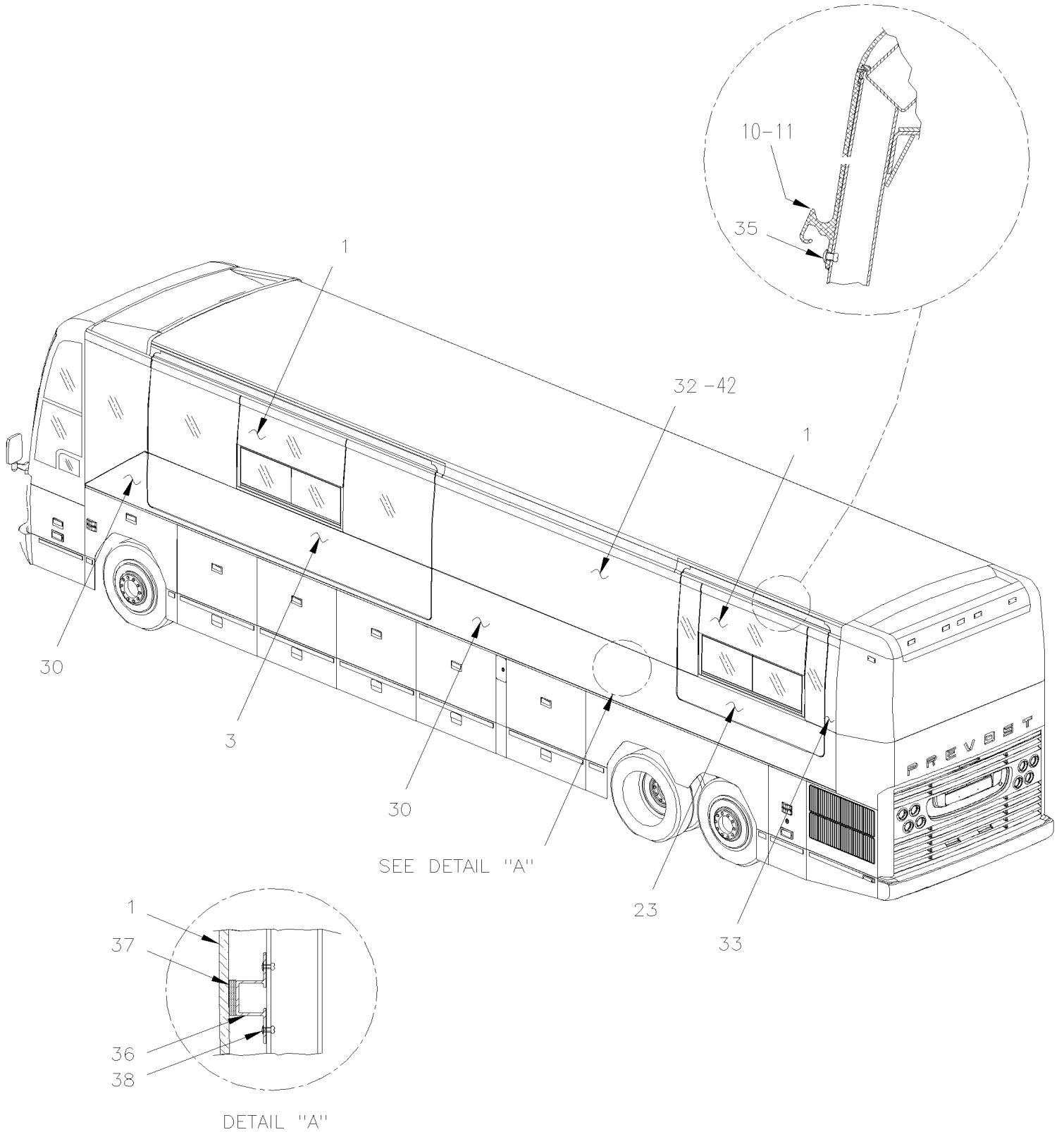


From 3-4417 To 8-1043

Date:10/2022

PAGE:HF-1854-90

SIDE PANELS - STREET SIDE - "SLIDE-OUT" "PREVOST"





From 3-4417 To 8-1043	Date:10/2022	PAGE:HF-1854-90
SIDE PANELS - STREET SIDE - "SLIDE-OUT" "PREVOST"		

Item#	Part	Description	H 3 4 1	H 3 4 5	V I P 4 5	N O T E S
		"WARNING" "WARNING" "WARNING"				
		NEXT FOLLOWING PANELS ARE RELATED WITH				
		SIDE PANELING WITH "SLIDE OUT" "PREVOST" INSTALLATION				
		FOR SIDE PANELING WITHOUT SLIDE-OUT				
		SEE RESPECTIVE PAGES				
	HF-1854-50	SIDE PANELS - V.I.P.				
1	HF-1884-90	SIDE WINDOW - "SLIDE-OUT"				
2	475691	FRONT PANEL SS To 4-4847			1	
2	477432	FRONT PANEL S.S. From 4-4848			1	
3	475694	SIDE PANEL FRONT / 4426MM FIBERGLASS			1	
4	690186	UNDER FLOOR PANEL AL. To 4-4847			1	
4	477420	UNDER FLOOR PANEL AL. From 4-4848			1	
5	690268	RIVET POP CK CLE 1/8x1/4 AL To 4-4847			AR	
5	502876	RIVET POP CK CLE 1/8x3/16 AL From 4-4848			AR	
6	690273	RVT CLE CK 120° S. STEEL 1/8" X 0.313" LG. To 4-4847			AR	
6	502872	RIVET POP CK OE 1/8x3/16 SS From 4-4848			AR	
7	475690	REAR PANEL SS To 4-4847			1	
7	477431	REAR PANEL S.S. From 4-4848			1	
9	690185	ROOF PANEL AL. To 4-4847			1	
9	477404	ROOF PANEL AL. From 4-4848 To 5-0096			1	
9	478109	ROOF PANEL AL. From 5-0097			1	
NS	690335	RUB AD1 1/32"X1/4"X100'			AR	
NS	684500	ADHESIVE SIKA #254 / WHITE / 23 Liters			AR	
NS	683448	ACCELERATOR SIKA / 600ml SAUSAGE			AR	
10	293656	FRONT WINDOW KEY 4425MM			1	
11	293657	REAR WINDOW KEY 2292MM			1	
22	475692	FRONT PANEL SS To 4-4847			1	
22	477434	FRONT PANEL S.S. From 4-4848 To 5-0096			1	
23	475695	SIDE PANEL REAR / 2293MM FIBERGLASS			1	
24	690146	UNDER FLOOR PANEL AL. To 4-4847			1	
24	477425	UNDER FLOOR PANEL AL. From 4-4848 To 5-0096			1	
24	477895	UNDER FLOOR PANEL AL. From 5-0097			1	
27	475693	REAR PANEL S.S. To 4-4847			1	
27	477433	REAR PANEL S.S. From 4-4848			1	
29	690145	ROOF PANEL AL. To 4-4847			1	
29	477424	ROOF PANEL AL. From 4-4848 To 5-0096			1	
29	477896	ROOF PANEL AL. From 5-0097			1	
30	475697	PANEL 5173MM / FRONT SECTION To 4-4817			1	
30	475698	PANEL / REAR SECTION / 6561MM To 4-4817			1	
30	476088	PANEL 11738MM / W/2 SLIDE-OUT / W/3830MM SLIDE-OUT From 4-4818			1	



From 3-4417 To 8-1043	Date:10/2022	PAGE:HF-1854-90
SIDE PANELS - STREET SIDE - "SLIDE-OUT" "PREVOST"		

Item#	Part	Description	H 3 4 1	H 3 4 5	V I P 4 5	N O T E S
30	476265	PANEL 11738MM / W/1 FRONT SLIDE-OUT From 4-4818			1	
32	475699	PANEL UPPER / 3830MM To 3-4625			1	
32	475853	PANEL UPPER / 3830MM From 3-4626			1	
33	475700	PANEL UPPER / 173MM To 3-4625			1	
33	475854	PANEL UPPER / 173MM From 3-4626			1	
35	504320	SCREW FST SLT #12 5.8x12.3 STL			AR	
36	473165	SUPPORT / 9754MM			1	
37	506738	TAPE RUB ADH1 CC POL 1/8" x 1" x 50' / GREY 2520			AR	
38	504340	RIVET POP DOME OE 1/8x3/16 SS			AR	
42	476562	PANEL UPPER 1203MM			1	S1
42	475729	PANEL UPPER 3867MM To 3-4625			1	S1
42	475848	PANEL UPPER 3867MM From 3-4626			1	S1
42	474679	PANEL UPPER 3943MM To 3-4625			1	S1
42	475849	PANEL UPPER 3943MM From 3-4626			1	S1
42	476577	PANEL UPPER 4152MM			1	S1
42	475738	PANEL UPPER 4612MM To 3-4625			1	S1
42	475847	PANEL UPPER 4612MM From 3-4626			1	S1
		S1) USE BACKWARD FRONT SLIDE-OUT WITHOUT REAR SLIDE-OUT				

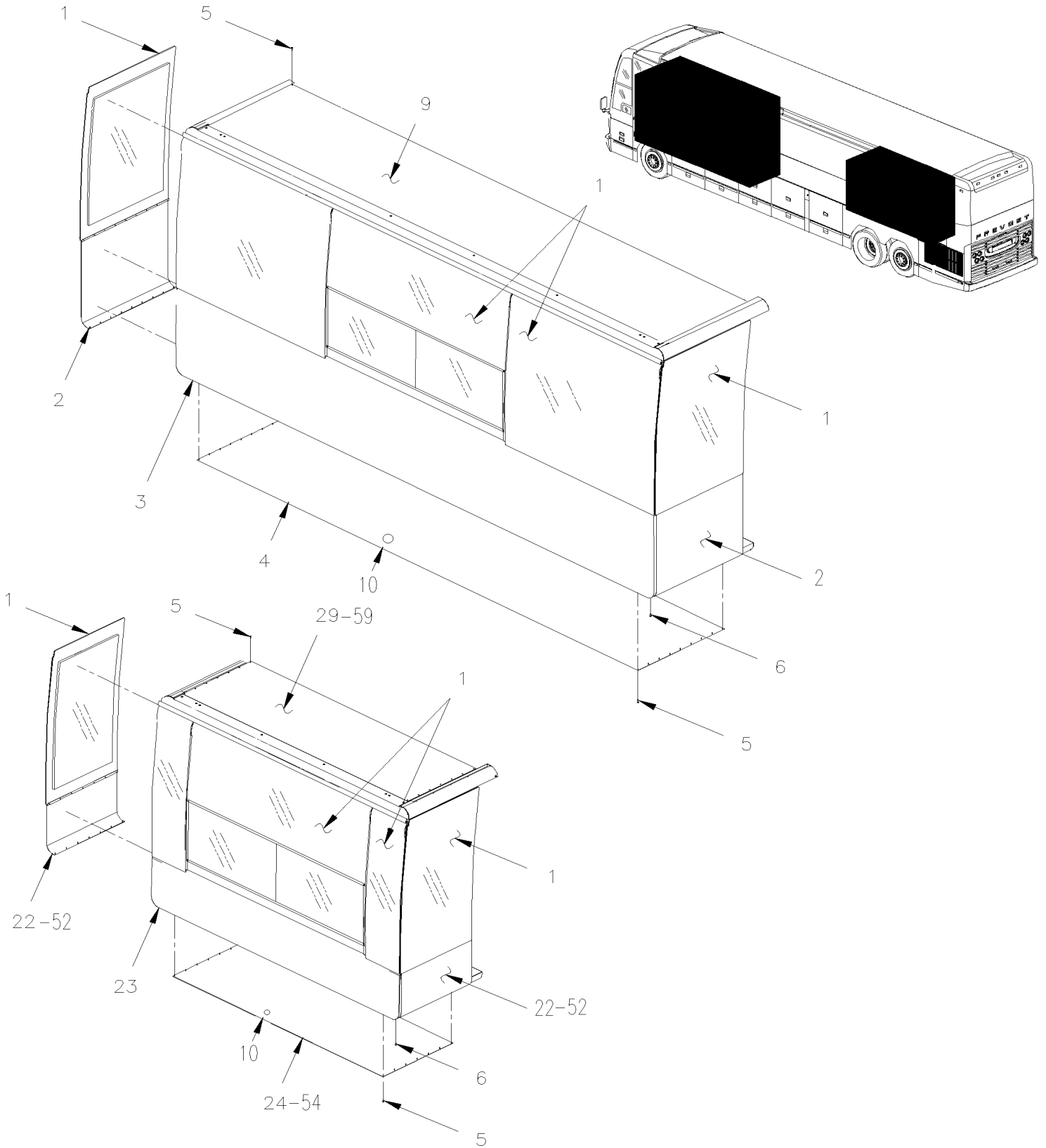


From 3-4417 To 8-1043

Date:10/2022

PAGE:HF-1854-91

SIDE PANELS - STREET SIDE - "SLIDE-OUT" "PREVOST"



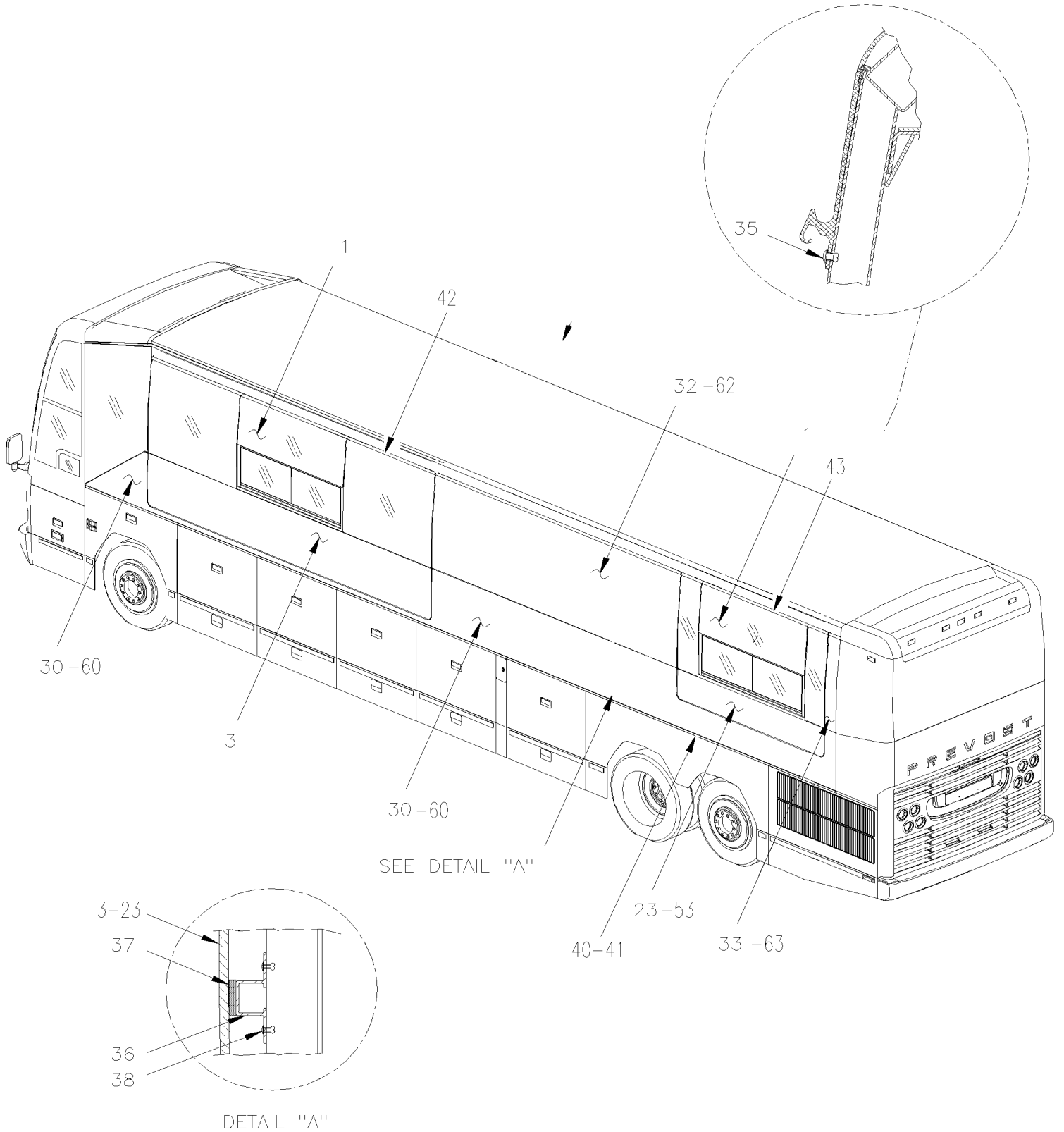


From 3-4417 To 8-1043

Date:10/2022

PAGE:HF-1854-91

SIDE PANELS - STREET SIDE - "SLIDE-OUT" "PREVOST"





From 3-4417 To 8-1043	Date:10/2022	PAGE:HF-1854-91
SIDE PANELS - STREET SIDE - "SLIDE-OUT" "PREVOST"		

Item#	Part	Description	H 3 4 1	H 3 4 5	V I P 4 5	N O T E S
		"WARNING" "WARNING" "WARNING"				
		NEXT FOLLOWING PANELS ARE RELATED WITH				
		SIDE PANELING WITH "SLIDE OUT" "PREVOST" INSTALLATION				
		FOR SIDE PANELING WITHOUT SLIDE-OUT				
		SEE RESPECTIVE PAGES				
	HF-1854-51	SIDE PANELS - V.I.P.				
1	HF-1884-91	SIDE WINDOW - "SLIDE-OUT"				
2	478058	END PANEL SS			2	
3	478205	SIDE PANEL FRONT / 4426MM FIBERGLASS			1	
4	478059	UNDER FLOOR PANEL AL.			1	
5	502876	RIVET POP CK CLE 1/8x3/16 AL			AR	
6	502872	RIVET POP CK OE 1/8x3/16 SS			AR	
9	478064	ROOF PANEL AL.			1	
10	477902	CAP PLASTIC BLACK / ROD LOOK			1	
22	478015	END PANEL SS			2	
NS	506785	TAPE RUB ADH2 CC POL 1/16" x 1/4" x 200' / BLACK I1C-N-A			AR	
23	478210	SIDE PANEL REAR SLIDE OUT 2293MM FIBERGLASS			1	B
23	478211	SIDE PANEL REAR SLIDE OUT 2293MM FIBERGLASS			1	F
23	478209	SIDE PANEL REAR SLIDE OUT 3309MM FIBERGLASS			1	L
24	477772	UNDER FLOOR PANEL AL.			1	B F
NS	478121	UNDER FLOOR PANEL AL.			1	L
29	478120	ROOF PANEL AL.			1	L
29	478018	ROOF PANEL AL.			1	B F
30	476088	PANEL 11738MM / W/2 SLIDE-OUT / W/3830MM SLIDE-OUT			1	B
30	476671	PANEL 11738MM / W/2 SLIDE-OUT / W/2814MM SLIDE-OUT			1	F
30	476666	PANEL 11738MM / W/2 SLIDE-OUT / W/2814MM SLIDE-OUT			1	L
30	476265	PANEL 11738MM / W/1 FRONT SLIDE-OUT			1	
32	478192	PANEL UPPER / SLIDE-OUT 2814MM			1	
32	478190	PANEL UPPER / SLIDE-OUT 3830MM			1	B
33	478189	PANEL UPPER L.H. BACKWARD / 172MM			1	B L
33	478191	PANEL UPPER L.H. BACKWARD / 1189MM			1	F
33	476979	PANEL UPPER L.H. BACKWARD / 6312MM	1	1	1	W/1
35	504320	SCREW FST SLT #12 5.8x12.3 STL			AR	
36	470052	SUPPORT 2944.6MM			1	
36	470053	SUPPORT 1800MM			1	
36	470054	SUPPORT 2909MM			1	
36	470056	SUPPORT 2458MM			1	
37	506738	TAPE RUB ADH1 CC POL 1/8" x 1" x 50' / GREY 2520			AR	
38	504340	RIVET POP DOME OE 1/8x3/16 SS			AR	
40	473632	DRIP MOLDING / FRONT L.H. & R.H. / 1973MM SS ADH			1	



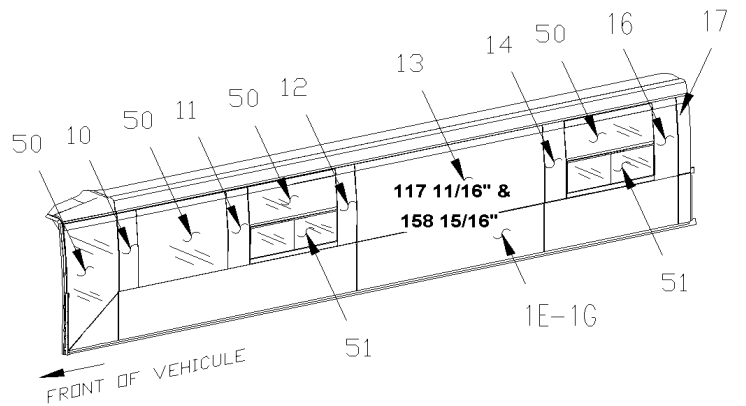
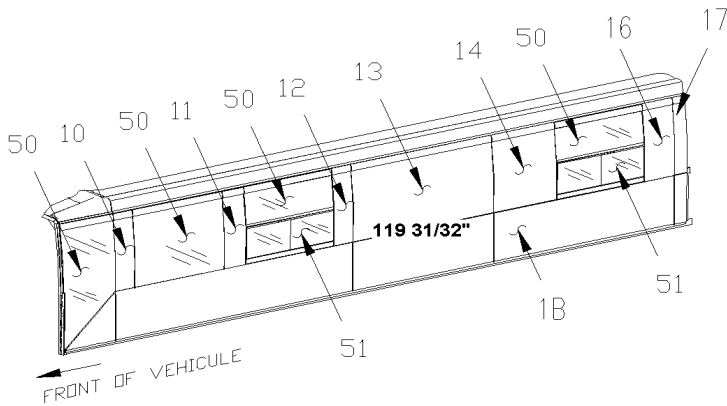
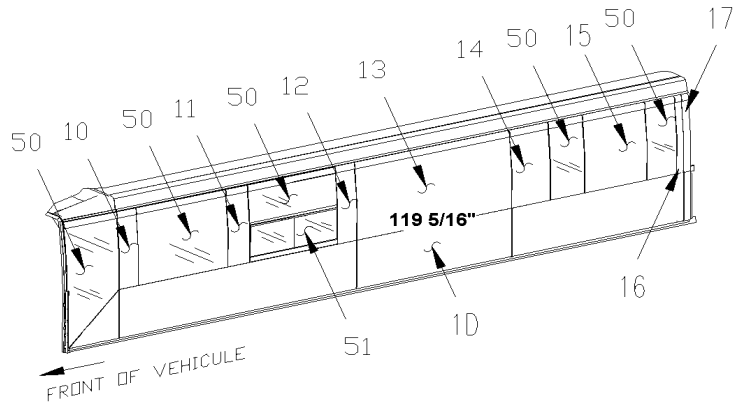
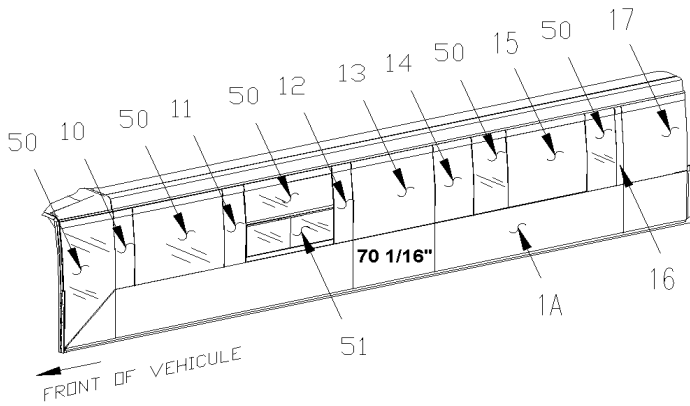
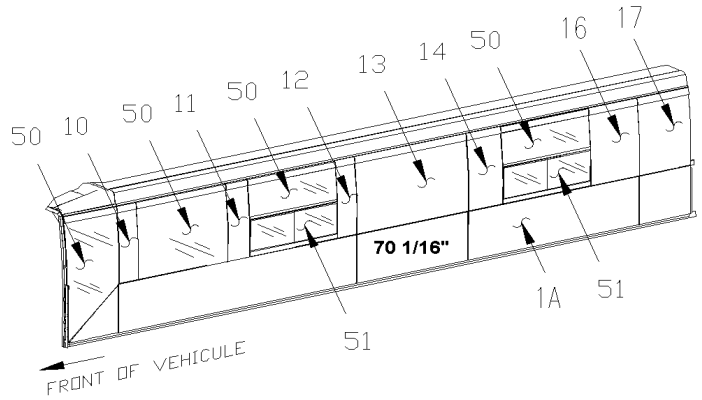
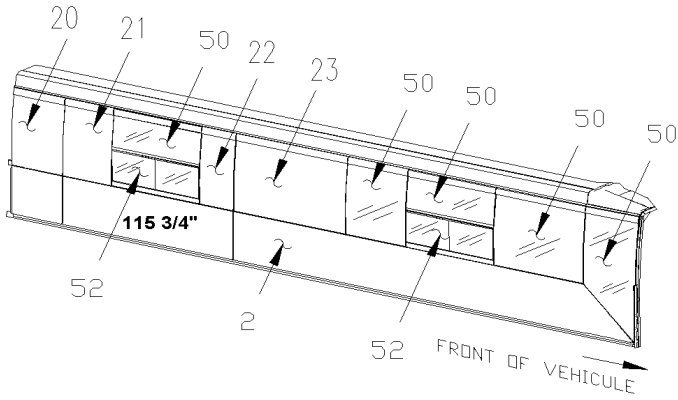
From 3-4417 To 8-1043	Date:10/2022	PAGE:HF-1854-91
SIDE PANELS - STREET SIDE - "SLIDE-OUT" "PREVOST"		

Item#	Part	Description	H 3 4 1	H 3 4 5	V I P 4 5	N O T E S
41	473627	DRIP MOULDING / L.H. & R.H. / 2438MM SS ADH			4	
NS	683621	. TAPE RUB ADH2 ACRYLIC .045" x 1" x 108' / WHITE 4945			AR	
42	288828	RUBBER SEAL EXTRUSION / UPPER SLIDE-OUT / 4440MM			1	
43	288829	RUBBER SEAL EXTRUSION / UPPER SLIDE-OUT / 3323MM			1	
43	288830	RUBBER SEAL EXTRUSION / UPPER SLIDE-OUT / 2307MM			1	
		NEXT FOLLOWING ITEMS ARE RELATED				
		WITH CURB-SIDE SLIDE-OUT				
52	476887	END PANEL SS From 9-0944			2	LR
NS	506785	TAPE RUB ADH2 CC POL 1/16" x 1/4" x 200' / BLACK 11C-N-A			AR	
53	476807	SIDE PANEL REAR / 3309MM FIBERGLASS From 9-0944			1	LR
53	476803	SIDE PANEL REAR / 2293MM FIBERGLASS From 9-0944			1	F
53	476805	SIDE PANEL REAR / 2293MM FIBERGLASS From 9-0944			1	B
54	476886	UNDER FLOOR PANEL AL. From 9-0944			1	LR
54	476889	UNDER FLOOR PANEL AL. From 9-0944			1	SR
59	476885	ROOF PANEL AL. From 9-0944			1	LR
59	476888	ROOF PANEL AL. From 9-0944			1	SR
60	476806	PANEL 11738MM / W/1 10 3/4 FEET SLIDE-OUT From 9-0944			1	
60	476802	PANEL 11738MM / W/1 7.5 FEET FORWARD From 9-0944			1	
60	476804	PANEL 11738MM / W/1 7.5 FEET BACKWARD From 9-0944			1	
62	476934	PANEL UPPER 3982MM From 9-0944			1	FS
63	476882	PANEL UPPER R.H. BACKWARD / 172MM From 9-0944			1	
63	476883	PANEL UPPER R.H. BACKWARD / 1188MM From 9-0944			1	
		B) USE WITH SLIDE-OUT 7.5 FEET BACKWARD POSITION 172MM FROM REAR END AS SHOWN				
		F) USE WITH SLIDE-OUT 7.5 FEET FORWARD POSITION 1188MM FROM REAR END				
		FS) USE FRONT OF REAR SLIDE-OUT CURBSIDE				
		L) USE WITH SLIDE-OUT 10 3/4 FEET LONG				
		LR) USE WITH SLIDE-OUT 10 3/4 FEET LONG CURBSIDE				
		SR) USE WITH SLIDE-OUT 7.5 FEET LONG CURBSIDE				
		W/1) WITH ONE FRONT SLIDE OUT				



From 3-4417 To 8-1043	Date:10/2022	PAGE:HF-1854-92
SIDE PANELS - V.I.P. WITH "SLIDE-OUT" by "CONVERTER"		

FOR SIDE PANELING WHITOUT SLIDE-OUT SEE PAGE HF-1854-50



NOTE.: REAR SLIDE-OUT WINDOW LAYOUT MAY BE MIXED FROM DRAWING



From 3-4417 To 8-1043 Date:10/2022 PAGE:HF-1854-92

SIDE PANELS - V.I.P. WITH "SLIDE-OUT" by "CONVERTER"

Item#	Part	Description	H 3 4 1	H 3 4 5	V I P 4 5	N O T E S
		"WARNING" "WARNING" "WARNING"	1	1	1	
		NEXT FOLLOWING PANELS ARE RELATED WITH				
		SIDE PANELING WITH "SLIDE OUT" BY CONVERTER INSTALLATION				
		FOR SIDE PANELING WITHOUT SLIDE-OUT				
		SEE RESPECTIVE PAGES				
	HF-1854-50	SIDE PANELS - V.I.P.				
2	475713	KIT LOWER PANEL R.H. W/1SLIDE OUT AT 22 1/8" FROM REAR			1	
. NS	475712	. PANEL LOWER BACKWARD 562MM			1	
. NS	475711	. PANEL LOWER REAR SLIDE-OUT 2940.1MM			1	
. NS	475714	. PANEL LOWER FRONT SECTION 8223.5MM			1	
10	475491	PANEL UPPER L.H. / 283MM To 3-4622			1	
10	475810	PANEL UPPER L.H. / 283MM From 3-4623			1	
11	475492	PANEL UPPER 383MM			1	
12	475493	PANEL UPPER R.H. / 231MM To 3-4622			1	
12	475811	PANEL UPPER R.H. / 231MM From 3-4623			1	
13	475569	PANEL UPPER 342MM To 3-4622			1	
13	475837	PANEL UPPER 342MM From 3-4623			1	
13	475510	PANEL UPPER 1780MM To 3-4622			1	
13	475816	PANEL UPPER 1780MM From 3-4623			1	
13	475542	PANEL UPPER 2989MM To 3-4622			1	
13	475820	PANEL UPPER 2989MM From 3-4623			1	
13	475494	PANEL UPPER 3030MM To 3-4622			1	
13	475812	PANEL UPPER 3030MM From 3-4623			1	
13	475715	PANEL UPPER 3047MM To 3-4622			1	
13	475826	PANEL UPPER 3047MM From 3-4623			1	
13	475564	PANEL UPPER 4037MM To 3-4622			1	
13	475835	PANEL UPPER 4037MM From 3-4623			1	
13	476457	PANEL UPPER 4560MM From 3-4623			1	A
14	475770	PANEL UPPER L.H. / 266MM To 3-4622			1	
14	475832	PANEL UPPER L.H. / 266MM From 3-4623			1	
14	475567	PANEL UPPER L.H. / 339MM To 3-4622			1	
14	475836	PANEL UPPER L.H. / 339MM From 3-4623			1	
14	475716	PANEL UPPER L.H. & R.H. 636MM To 3-4622			1	
14	475827	PANEL UPPER L.H. / 636MM From 3-4623			1	
14	475495	PANEL UPPER L.H. / 808MM To 3-4622			1	
14	475813	PANEL UPPER L.H. / 808MM From 3-4623			1	
14	475543	PANEL UPPER L.H. / 1144MM To 3-4622			1	
14	475821	PANEL UPPER L.H. / 1144MM From 3-4623			1	
14	475511	PANEL UPPER L.H. / 1184.5MM To 3-4622			1	



From 3-4417 To 8-1043	Date:10/2022	PAGE:HF-1854-92
SIDE PANELS - V.I.P. WITH "SLIDE-OUT" by "CONVERTER"		

Item#	Part	Description	H 3 4 1	H 3 4 5	V I P 4 5	N O T E S
14	475817	PANEL UPPER L.H. / 1184.5MM From 3-4623			1	
14	475573	PANEL UPPER L.H. / 1228MM To 3-4622			1	
14	475824	PANEL UPPER L.H. / 1228MM From 3-4623			1	
15	475544	PANEL UPPER 547MM			1	
15	475496	PANEL UPPER 1133MM			1	
16	475497	PANEL UPPER R.H. / 125MM To 3-4622			1	
16	475814	PANEL UPPER R.H. / 125MM From 3-4623			1	
16	475769	PANEL UPPER R.H. / 252MM To 3-4622			1	
16	475831	PANEL UPPER R.H. / 252MM From 3-4623			1	
16	475569	PANEL UPPER 342MM To 3-4622			1	
16	475837	PANEL UPPER 342MM From 3-4623			1	
16	475545	PANEL UPPER R.H. / 375.5MM To 3-4622			1	
16	475822	PANEL UPPER R.H. / 375.5MM From 3-4623			1	
16	475574	PANEL UPPER R.H. / 460MM To 3-4622			1	
16	475825	PANEL UPPER R.H. / 460MM From 3-4623			1	
16	475512	PANEL UPPER R.H. / 502.5MM To 3-4622			1	
16	475818	PANEL UPPER R.H. / 502.5MM From 3-4623			1	
16	475716	PANEL UPPER L.H. & R.H. 636MM To 3-4622			1	
16	475838	PANEL UPPER R.H. / 636MM From 3-4623			1	
17	475498	PANEL UPPER L.H. BACKWARD / 163MM To 3-4622			1	
17	475815	PANEL UPPER L.H. BACKWARD / 163MM From 3-4623			1	
17	475546	PANEL UPPER L.H. BACKWARD / 204MM To 3-4622			1	
17	475823	PANEL UPPER L.H. BACKWARD / 204MM From 3-4623			1	
17	476458	PANEL UPPER L.H. BACKWARD / 333MM From 3-4623			1	A
17	475718	PANEL UPPER L.H. BACKWARD / 562MM To 3-4622			1	
17	475829	PANEL UPPER L.H. BACKWARD / 562MM From 3-4623			1	
17	475513	PANEL UPPER L.H. BACKWARD / 1414MM To 3-4622			1	
17	475819	PANEL UPPER L.H. BACKWARD / 1414MM From 3-4623			1	
20	475719	PANEL UPPER R.H. BACKWARD / 562MM To 3-4622			1	
20	475830	PANEL UPPER R.H. BACKWARD / 562MM From 3-4623			1	
21	475716	PANEL UPPER L.H. & R.H. 636MM To 3-4622			1	
21	475827	PANEL UPPER L.H. / 636MM From 3-4623			1	
22	475716	PANEL UPPER L.H. & R.H. 636MM To 3-4622			1	
22	475838	PANEL UPPER R.H. / 636MM From 3-4623			1	
23	475717	PANEL UPPER 3016MM To 3-4622			1	
23	475828	PANEL UPPER 3016MM From 3-4623			1	
50	HF-1884-50	SIDE WINDOWS - V.I.P. To 7-0771				
50	HF-1884-51	SIDE WINDOWS - V.I.P. From 7-0772				
51	HF-1884-70	SLIDING WINDOW L.H. - V.I.P.				
52	HF-1884-75	SLIDING WINDOW R.H. - V.I.P.				
53	HF-1854-50	SIDE PANELS - V.I.P.				



From 3-4417 To 8-1043 Date:10/2022 PAGE:HF-1854-92

SIDE PANELS - V.I.P. WITH "SLIDE-OUT" by "CONVERTER"

Item#	Part	Description	H 3 4 1	H 3 4 5	V I P 4 5	N O T E S
1A	475514	KIT LOWER PANEL L.H. W/SLIDE OUT / 70 1/16" BETWEEN			1	
. NS	475488	. PANEL LOWER TRIANGULAR STREETSIDE			1	
. NS	475501	. PANEL LOWER FRONT SLIDE-OUT 4235MM			1	
. NS	475515	. PANEL LOWER SLIDE OUT 1780MM			1	
. NS	475516	. PANEL LOWER REAR SLIDE-OUT 3355MM			1	
. NS	475517	. PANEL LOWER BACKWARD 1414MM			1	
1B	475709	KIT LOWER PANEL L.H. W/SLIDE OUT / 119 31/32" BETWEEN			1	
. NS	475488	. PANEL LOWER TRIANGULAR STREETSIDE			1	
. NS	475501	. PANEL LOWER FRONT SLIDE-OUT 4235MM			1	
. NS	475710	. PANEL LOWER SLIDE OUT 3047MM			1	
. NS	475711	. PANEL LOWER REAR SLIDE-OUT 2940.1MM			1	
. NS	475712	. PANEL LOWER BACKWARD 562MM			1	
1D	475487	KIT LOWER PANEL L.H. W/SLIDE OUT / 119 5/16" BETWEEN			1	
. NS	475488	. PANEL LOWER TRIANGULAR STREETSIDE			1	
. NS	475501	. PANEL LOWER FRONT SLIDE-OUT 4235MM			1	
. NS	475502	. PANEL LOWER SLIDE OUT 3030MM			1	
. NS	475503	. PANEL LOWER REAR SLIDE-OUT 3356MM			1	
. NS	475504	. PANEL LOWER BACKWARD 163MM			1	
1E	475538	KIT LOWER PANEL L.H. W/SLIDE OUT / 117 11/16" BETWEEN			1	
. NS	475488	. PANEL LOWER TRIANGULAR STREETSIDE			1	
. NS	475501	. PANEL LOWER FRONT SLIDE-OUT 4235MM			1	
. NS	475539	. PANEL LOWER SLIDE OUT 2989MM			1	
. NS	475540	. PANEL LOWER REAR SLIDE-OUT 3356MM			1	
. NS	475541	. PANEL LOWER BACKWARD 204MM			1	
1F	476455	KIT LOWER PANEL L.H. W/FRONT SLIDE OUT ONLY			1	
. NS	475488	. PANEL LOWER TRIANGULAR STREETSIDE			1	
. NS	475501	. PANEL LOWER FRONT SLIDE-OUT 4235MM			1	
. NS	476456	. PANEL LOWER REAR SECTION 6561MM			1	
1G	475560	KIT LOWER PANEL L.H. W/SLIDE OUT / 158 15/16" BETWEEN			1	
. NS	475488	. PANEL LOWER TRIANGULAR STREETSIDE			1	
. NS	475501	. PANEL LOWER FRONT SLIDE-OUT 4235MM			1	
. NS	475561	. PANEL LOWER SLIDE OUT 4037MM			1	
. NS	475562	. PANEL LOWER REAR SLIDE-OUT 2349MM			1	
. NS	475504	. PANEL LOWER BACKWARD 163MM			1	
		A) THIS PANEL USE WITH ONE FRONT SLIDE-OUT				



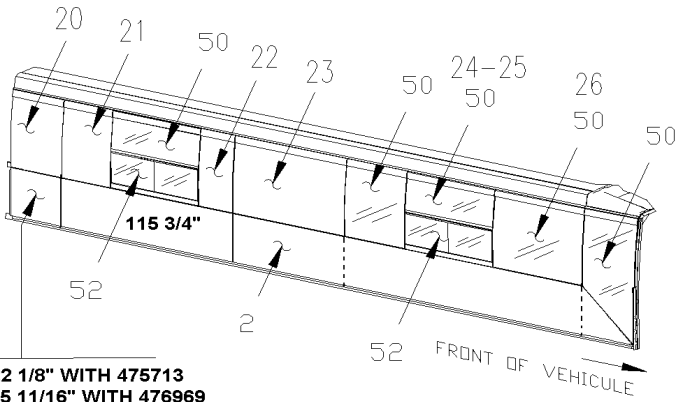
From 3-4417 To 8-1043

Date:10/2022

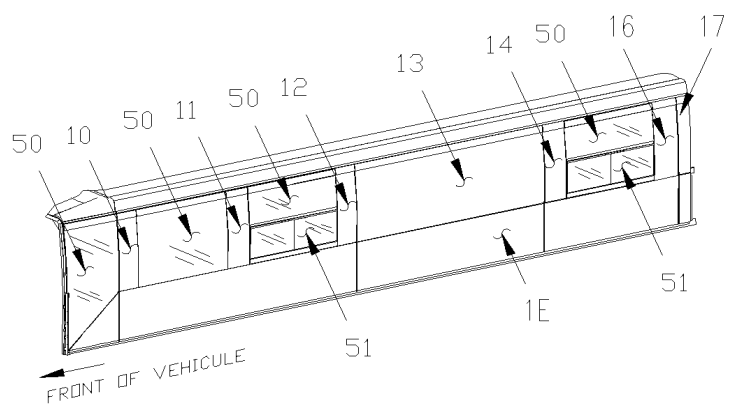
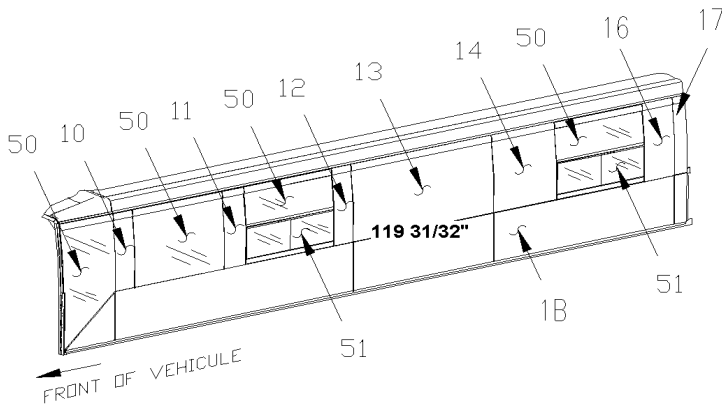
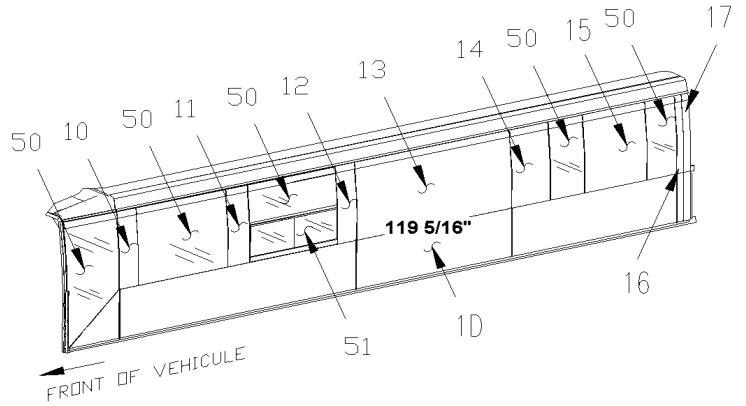
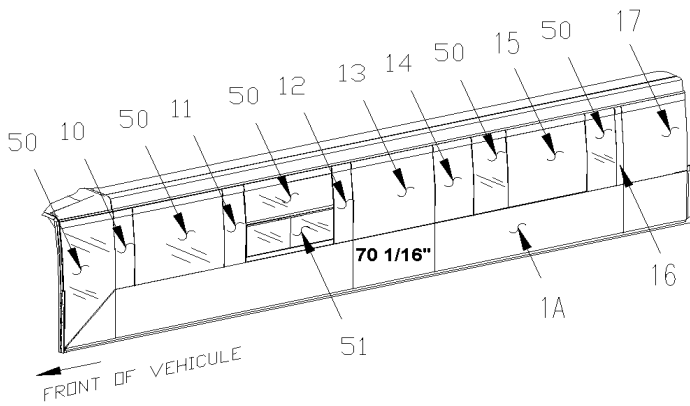
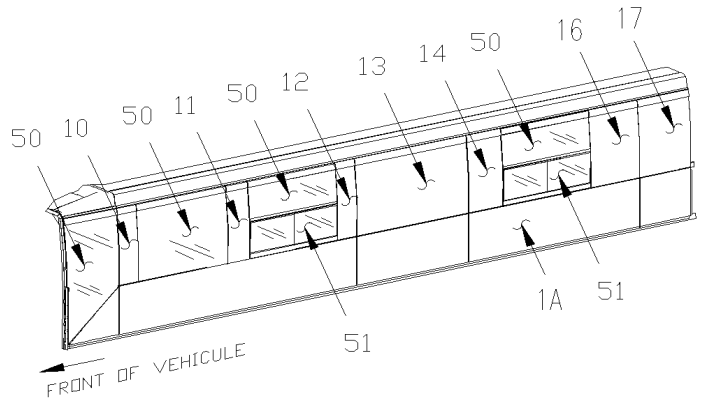
PAGE:HF-1854-93

SIDE PANELS - V.I.P. WITH "SLIDE-OUT" by "CONVERTER"

FOR SIDE PANELING WHITOUT SLIDE-OUT SEE PAGE HF-1854-51



22 1/8" WITH 475713
55 11/16" WITH 476969
58 3/8" WITH 476908



NOTE.: REAR SLIDE-OUT WINDOW LAYOUT MAY BE MIXED FROM DRAWING



From 3-4417 To 8-1043	Date:10/2022	PAGE:HF-1854-93
SIDE PANELS - V.I.P. WITH "SLIDE-OUT" by "CONVERTER"		

Item#	Part	Description	H 3 4 1	H 3 4 5	V I P 4 5	N O T E S
		"WARNING" "WARNING" "WARNING"				
		NEXT FOLLOWING PANELS ARE RELATED WITH				
		SIDE PANELING WITH "SLIDE OUT" BY CONVERTER INSTALLATION				
		FOR SIDE PANELING WITHOUT SLIDE-OUT				
		SEE RESPECTIVE PAGES				
	HF-1854-51	SIDE PANELS - V.I.P.				
2	475713	KIT LOWER PANEL R.H. W/1SLIDE OUT AT 22 1/8" FROM REAR			1	
. NS	475712	. PANEL LOWER BACKWARD 562MM			1	
. NS	475711	. PANEL LOWER REAR SLIDE-OUT 2940.1MM			1	
. NS	475714	. PANEL LOWER FRONT SECTION 8223.5MM			1	
2	476908	KIT LOWER PANEL R.H. W/1SLIDE OUT AT 58 3/8" FROM REAR			1	
. NS	476909	. PANEL LOWER BACKWARD 1483MM			1	
. NS	476910	. PANEL LOWER REAR SLIDE-OUT 2940.1MM			1	
. NS	476911	. PANEL LOWER FRONT SECTION 7302.5MM			1	
2	476969	KIT LOWER PANEL R.H. W/2 SLIDE OUT / 70 1/16" BETWEEN			1	
. NS	476970	. PANEL LOWER TRIANGULAR CURBSIDE			1	
. NS	475501	. PANEL LOWER FRONT SLIDE-OUT 4235MM			1	
. NS	475515	. PANEL LOWER SLIDE OUT 1780MM			1	
. NS	475516	. PANEL LOWER REAR SLIDE-OUT 3355MM			1	
. NS	476971	. PANEL LOWER BACKWARD 1414MM			1	
10	476778	PANEL UPPER 283MM			1	
11	476779	PANEL UPPER 383MM			1	
12	476780	PANEL UPPER 231MM			1	
13	476781	PANEL UPPER 1780MM			1	
13	476874	PANEL UPPER 3030MM			1	
13	476851	PANEL UPPER 3047MM			1	
14	476852	PANEL UPPER L.H. / 266MM			1	
14	476782	PANEL UPPER L.H. / 805.5MM			1	
14	476875	PANEL UPPER L.H. / 808MM			1	
15	476783	PANEL UPPER 1133MM			1	
16	476784	PANEL UPPER R.H. / 125MM			1	
16	476853	PANEL UPPER R.H. / 252MM			1	
17	476876	PANEL UPPER L.H. BACKWARD / 163MM			1	
17	476854	PANEL UPPER L.H. BACKWARD / 562MM			1	
17	476785	PANEL UPPER L.H. BACKWARD / 1415MM			1	
20	476858	PANEL UPPER R.H. BACKWARD / 562MM			1	
20	476914	PANEL UPPER R.H. BACKWARD / 1482.5MM			1	
NS	478202	PANEL UPPER R.H. BACKWARD / 670MM			1	S
20	476968	PANEL UPPER 1415MM			1	



From 3-4417 To 8-1043	Date:10/2022	PAGE:HF-1854-93
SIDE PANELS - V.I.P. WITH "SLIDE-OUT" by "CONVERTER"		

Item#	Part	Description	H 3 4 1	H 3 4 5	V I P 4 5	N O T E S
21	476857	PANEL UPPER L.H. / 636MM			1	
21	476915	PANEL UPPER L.H. / 438.5MM			1	
21	476967	PANEL UPPER 502.5MM			1	S1
22	476856	PANEL UPPER R.H. / 636MM			1	
22	476917	PANEL UPPER R.H. / 833.5MM			1	
22	476965	PANEL UPPER 1184.5MM			1	S1
23	476855	PANEL UPPER 3024MM			1	
23	476916	PANEL UPPER 2113MM			1	
23	476781	PANEL UPPER 1780MM			1	S1
24	476966	PANEL UPPER 231MM			1	S1
25	476779	PANEL UPPER 383MM			1	S1
26	476964	PANEL UPPER 283MM			1	S1
50	HF-1884-51	SIDE WINDOWS - V.I.P.				
51	HF-1884-70	SLIDING WINDOW L.H. - V.I.P.				
51	HF-1884-80	ELECTRICAL SLIDING WINDOW ASSY				
52	HF-1884-75	SLIDING WINDOW R.H. - V.I.P.				
52	HF-1884-80	ELECTRICAL SLIDING WINDOW ASSY				
53	HF-1854-51	SIDE PANELS - V.I.P.				
1A	475514	KIT LOWER PANEL L.H. W/SLIDE OUT / 70 1/16" BETWEEN			1	
. NS	475488	. PANEL LOWER TRIANGULAR STREETSIDE			1	
. NS	475501	. PANEL LOWER FRONT SLIDE-OUT 4235MM			1	
. NS	475515	. PANEL LOWER SLIDE OUT 1780MM			1	
. NS	475516	. PANEL LOWER REAR SLIDE-OUT 3355MM			1	
. NS	475517	. PANEL LOWER BACKWARD 1414MM			1	
1B	475709	KIT LOWER PANEL L.H. W/SLIDE OUT / 119 31/32" BETWEEN			1	
. NS	475488	. PANEL LOWER TRIANGULAR STREETSIDE			1	
. NS	475501	. PANEL LOWER FRONT SLIDE-OUT 4235MM			1	
. NS	475710	. PANEL LOWER SLIDE OUT 3047MM			1	
. NS	475711	. PANEL LOWER REAR SLIDE-OUT 2940.1MM			1	
. NS	475712	. PANEL LOWER BACKWARD 562MM			1	
1D	475487	KIT LOWER PANEL L.H. W/SLIDE OUT / 119 5/16" BETWEEN			1	
. NS	475488	. PANEL LOWER TRIANGULAR STREETSIDE			1	
. NS	475501	. PANEL LOWER FRONT SLIDE-OUT 4235MM			1	
. NS	475502	. PANEL LOWER SLIDE OUT 3030MM			1	
. NS	475503	. PANEL LOWER REAR SLIDE-OUT 3356MM			1	
. NS	475504	. PANEL LOWER BACKWARD 163MM			1	
		S) WITHOUT CURBSIDE SLIDE OUT				



From 3-4417 To 8-1043		Date:10/2022		PAGE:HF-1854-93		
SIDE PANELS - V.I.P. WITH "SLIDE-OUT" by "CONVERTER"						
Item#	Part	Description	H 3 4 1	H 3 4 5	V I P 4 5	N O T E S
		S1) FIXED WITH 2 SLIDE-OUT KIT PANEL # 476969				

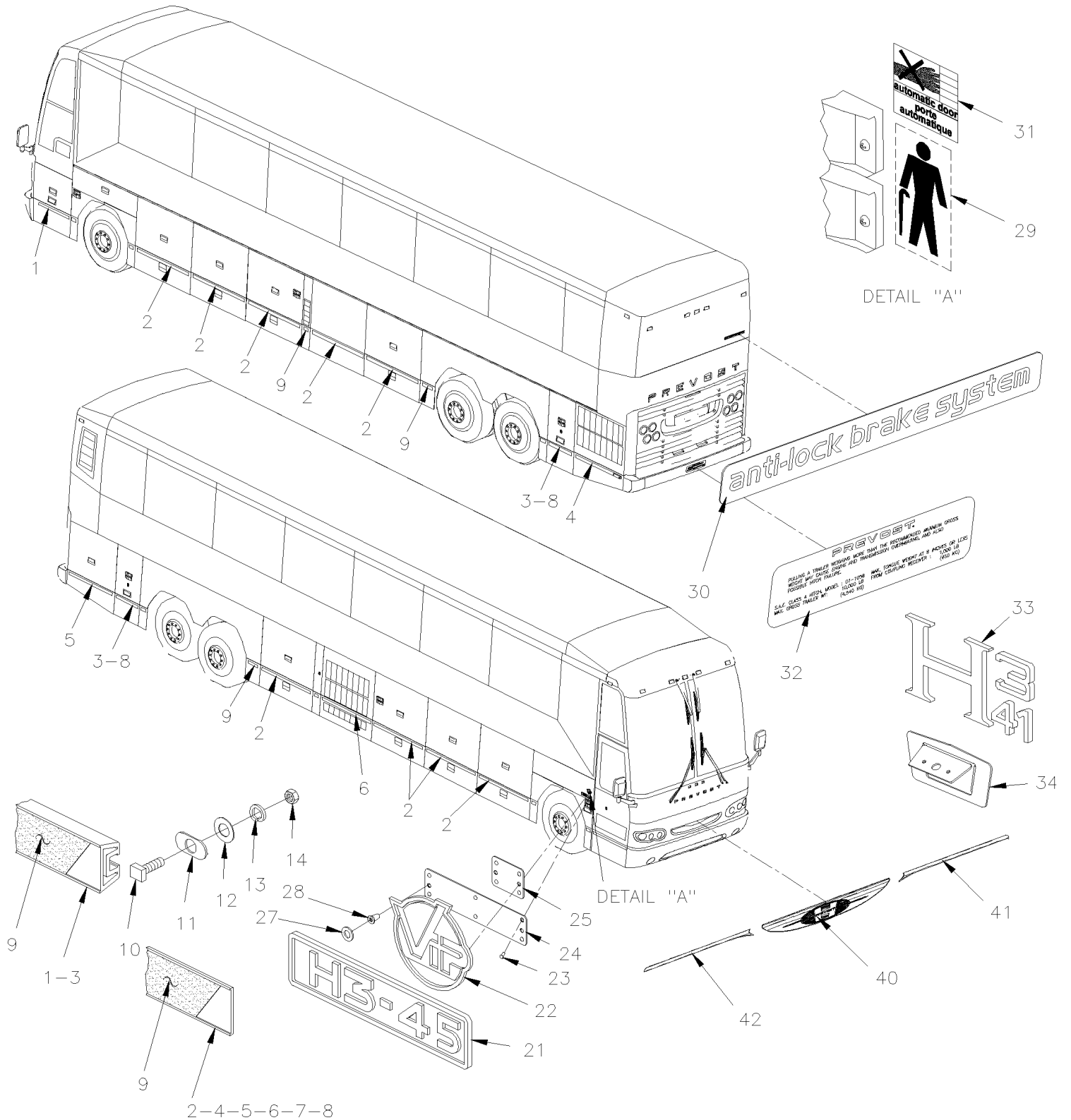


From 3-4417 To 8-1043

Date:10/2022

PAGE:HF-1855-00

EXTERIOR TRIMS & CREST





From 3-4417 To 8-1043	Date:10/2022	PAGE:HF-1855-00
EXTERIOR TRIMS & CREST		

Item#	Part	Description	H 3 4 1	H 3 4 5	V I P 4 5	N O T E S
1	287389	EXTRUSION PROFILE 760MM / THICK EXTRUSION 20MM To 4-4950	1	1	1	
1	285475	EXTRUSION BACKING ASSY W/REFLECTOR 760MM / THIN EXTRUSION .090" From 4-4951	1	1	1	
. NS	286205	. EXTRUSION BACKING 760MM From 4-4951	1	1	1	
1	280230	EXTRUSION BACKING ASSY W/REFLECTOR 759MM / THIN EXTRUSION .090" From 4-4951	1	1	1	SVC
. NS	280120	. EXTRUSION 759MM From 4-4951	1	1	1	SVC
1	685126	ADHESIVE SIMSON #ISR 70-03 / GREY / 600ml SAUSAGE	AR	AR	AR	SVC
2	285709	EXTRUSION BACKING ASSY W/REFLECTOR 1189MM	6			
. NS	285542	. EXTRUSION BACKING 1189MM	1			
2	280237	EXTRUSION BACKING ASSY W/REFLECTOR 1185MM	6			
. NS	280116	. EXTRUSION 1185MM	1			
2	285709	EXTRUSION BACKING ASSY W/REFLECTOR 1189MM		8	8	
. NS	285542	. EXTRUSION BACKING 1189MM		1	1	
2	280237	EXTRUSION BACKING ASSY W/REFLECTOR 1185MM		1	1	
. NS	280116	. EXTRUSION 1185MM		1	1	
NS	685126	ADHESIVE SIMSON #ISR 70-03 / GREY / 600ml SAUSAGE	AR	AR	AR	
3	284758	EXTRUSION PROFILE 488MM To 3-4566	2	2	2	
3	288036	EXTRUSION BACKING ASSY W/REFLECTOR 511MM From 3-4567	2	2	2	
. NS	288035	. EXTRUSION BACKING 511MM From 3-4567	1	1	1	
3	280229	EXTRUSION BACKING ASSY W/REFLECTOR 511MM	1	1	1	SVC
. NS	280121	. EXTRUSION 511MM	1	1	1	SVC
NS	685126	ADHESIVE SIMSON #ISR 70-03 / GREY / 600ml SAUSAGE	AR	AR	AR	SVC
4	285956	EXTRUSION BACKING ASSY W/REFLECTOR 1074MM To 3-4757	1	1	1	
. NS	285864	. EXTRUSION BACKING 1074MM To 3-4757	1	1	1	
4	280234	EXTRUSION BACKING ASSY W/REFLECTOR 1070MM	1	1	1	SVC
. NS	280119	. EXTRUSION 1070MM	1	1	1	SVC
NS	685126	ADHESIVE SIMSON #ISR 70-03 / GREY / 600ml SAUSAGE	AR	AR	AR	SVC
5	285956	EXTRUSION BACKING ASSY W/REFLECTOR 1074MM	1	1	1	
. NS	285864	. EXTRUSION BACKING 1074MM	1	1	1	
5	280234	EXTRUSION BACKING ASSY W/REFLECTOR 1070MM	1	1	1	SVC
. NS	280119	. EXTRUSION 1070MM	1	1	1	SVC
NS	685126	ADHESIVE SIMSON #ISR 70-03 / GREY / 600ml SAUSAGE	AR	AR	AR	SVC
6	285699	EXTRUSION BACKING ASSY W/REFLECTOR 1345MM	1	1	1	
. NS	285653	. EXTRUSION BACKING 1345MM	1	1	1	
6	280236	EXTRUSION BACKING ASSY W/REFLECTOR 1342MM	1	1	1	SVC
. NS	280117	. EXTRUSION 1342MM	1	1	1	SVC
NS	685126	ADHESIVE SIMSON #ISR 70-03 / GREY / 600ml SAUSAGE	AR	AR	AR	SVC
7	285683	EXTRUSION BACKING ASSY W/REFLECTOR 771MM	1	1	1	
. NS	285659	. EXTRUSION BACKING 771MM	1	1	1	
7	280235	EXTRUSION BACKING ASSY W/REFLECTOR 768MM	1	1	1	SVC
. NS	280118	. EXTRUSION 768MM	1	1	1	SVC
NS	685126	ADHESIVE SIMSON #ISR 70-03 / GREY / 600ml SAUSAGE	AR	AR	AR	SVC
8	288036	EXTRUSION BACKING ASSY W/REFLECTOR 511MM From 3-4567 To 3-4757	2	2	2	



From 3-4417 To 8-1043	Date:10/2022	PAGE:HF-1855-00
EXTERIOR TRIMS & CREST		

Item#	Part	Description	H 3 4 1	H 3 4 5	V I P 4 5	N O T E S
. NS	288035	. EXTRUSION BACKING 511MM From 3-4567 To 3-4757	1	1	1	
8	280229	EXTRUSION BACKING ASSY W/REFLECTOR 511MM From 3-4567 To 3-4757	2	2	2	SVC
. NS	280121	. EXTRUSION 511MM From 3-4567 To 3-4757	1	1	1	SVC
8	685126	ADHESIVE SIMSON #ISR 70-03 / GREY / 600ml SAUSAGE From 3-4567 To 3-4757	AR	AR	AR	SVC
8	288091	EXTRUSION BACKING ASSY W/REFLECTOR 1664MM From 4-4758	1	1	1	
. NS	288090	. EXTRUSION BACKING 1664MM From 4-4758	1	1	1	
8	280228	EXTRUSION BACKING ASSY W/REFLECTOR 1664MM From 4-4758	1	1	1	SVC
. NS	280122	. EXTRUSION 1664MM From 4-4758	1	1	1	SVC
NS	685126	ADHESIVE SIMSON #ISR 70-03 / GREY / 600ml SAUSAGE From 4-4758	AR	AR	AR	SVC
9	283100	STRIPE, REFLECTIVE WHITE / 38MM X 15' ROLL	AR	AR	AR	
. NS	780277	. STRIPE, REFLECTIVE WHITE / 38MM X 150' ROLL	AR	AR	AR	
NS	283100	. STRIPE, REFLECTIVE WHITE / 38MM X 15' ROLL	AR	AR	AR	
. NS	780277	. . STRIPE, REFLECTIVE WHITE / 38MM X 150' ROLL	AR	AR	AR	
10	502534	SCREW CAP SQ 5/16-18x1 G2 Z050	AR	AR	AR	A
11	283219	WASHER ,REINFORCEMENT	AR	AR	AR	
12	500374	WASHER FL .375x.625x.062 RUB	AR	AR	AR	
13	502583	WASHER LO SERR 8.15x22.3x1.0 Z050	AR	AR	AR	
14	500701	NUT HEX 5/16-18 ZP	AR	AR	AR	
21	490771	CREST "H3-41" To 6-0481	1			
21	490742	CREST "H3-45" To 6-0481		1		
21	490742	CREST "H3-45"			1	
22	490553	CREST "V.I.P."			1	
23	500952	SCREW TP BDG PH #8x1/2 SS	AR	AR	AR	B
24	490593	PLATE MOUNTING	1	1	1	
24	490593	PLATE MOUNTING To 6-0481	1	1		
25	490594	PLATE MOUNTING			1	
27	490601	GASKET	AR	AR	AR	
28	502814	NUT SPR PO TUB .184-.190	AR	AR	AR	
29	131490	DECAL "FRONT KNEELING" / BLACK ON ALUMINIUM	1	1		
29	Call order desk	DECAL "FRONT KNEELING" / BLACK ON ALUMINIUM	1	1		P
30	141531	DECAL "ANTI-LOCK SYSTEM" / ON REAR CAP	1	1	1	
31	285813	DECAL / "AUTOMATIC DOOR" / HAND OFF / ALU / ENGLISH & FRANCAIS	1	1		
NS	491068	DECAL "NO STANDEES" / W/"NEW-JERSEY"	1	1		
32	410626	DECAL "MAXIMUM HITCH CAPACITY"			1	
33	491073	CREST "H3-41" / SELF ADHESIVE From 6-0482	1			
33	491072	CREST "H3-45" / SELF ADHESIVE From 6-0482		1		
34	478168	SWITCH SUPPORT & COVER From 6-0482	1	1	1	
40	490954	CREST "H" / CENTER PART FRONT	1	1	1	
41	490961	CREST "H" / STREETSIDE WING PART FRONT	1	1	1	
42	490960	CREST "H" / CURBSIDE WING PART FRONT	1	1	1	



From 3-4417 To 8-1043	Date:10/2022	PAGE:HF-1855-00
-----------------------	--------------	-----------------

EXTERIOR TRIMS & CREST

Item#	Part	Description	H 3 4 1	H 3 4 5	V I P 4 5	N O T E S
		A) TO FIX EXTRUSION				
		B) TO FIX MOUNTING PLATE				
		SVC) SERVICE				
		P) CALL ORDER DESK FOR SPECIFIC APPLICATION (V.I.N.)				

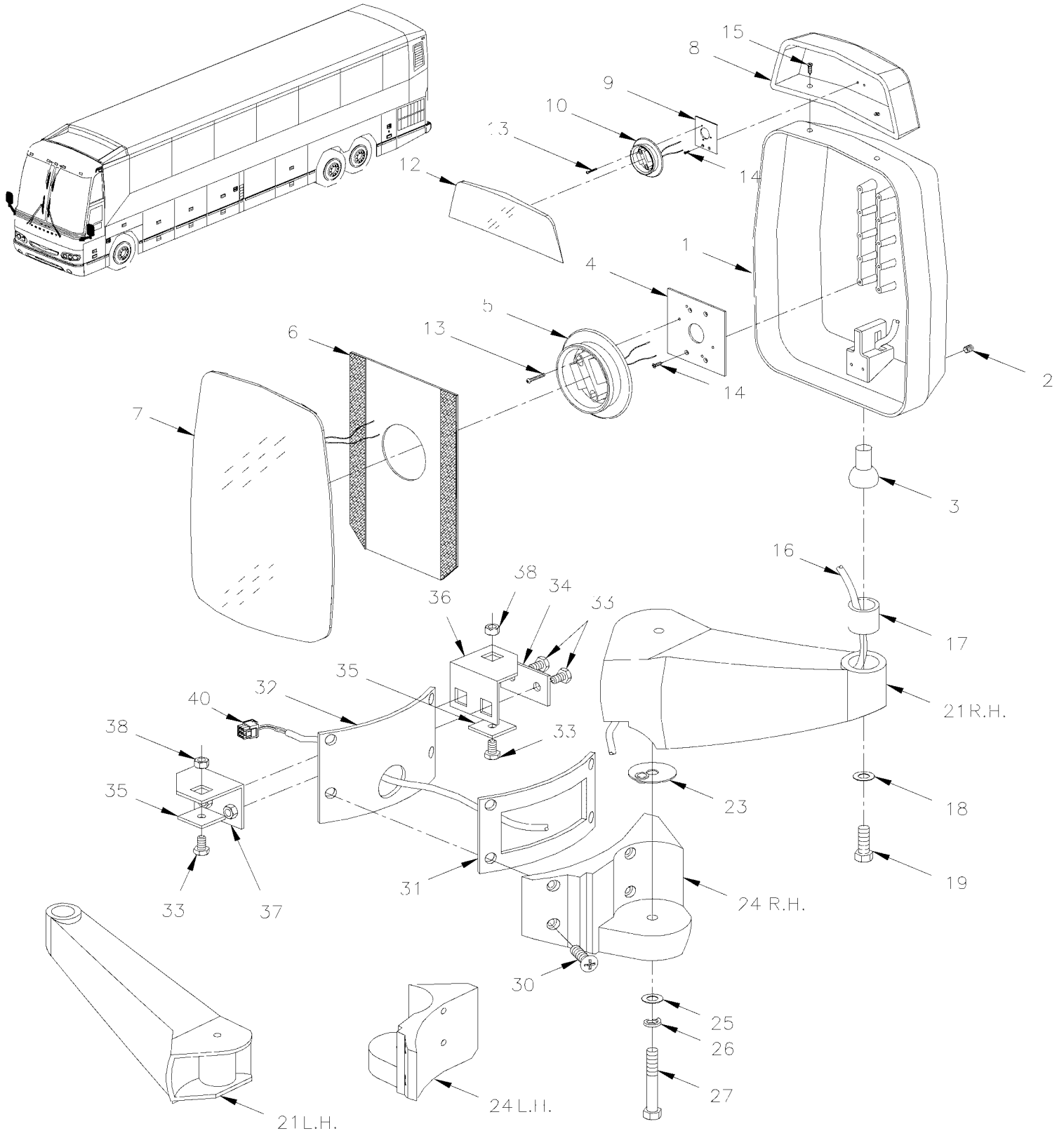


From 3-4417 To 8-1043

Date:10/2022

PAGE:HF-1856-25

MIRROR "RAMCO" FLAT GLASS / BLACK PAINTED





From 3-4417 To 8-1043 Date:10/2022 PAGE:HF-1856-25

MIRROR "RAMCO" FLAT GLASS / BLACK PAINTED

Item#	Part	Description	H 3 4 1	H 3 4 5	V I P 4 5	N O T E S
	990363	MIRROR ASSY, R.H. / W/CONVEX ELECTRIC / W/8 PINS CONNECTOR	1	1		
	990361	MIRROR ASSY, R.H. / W/CONVEX MANUAL / W/5 PINS CONNECTOR	1	1		
	990362	MIRROR ASSY, L.H. / W/CONVEX ELECTRIC / W/8 PINS CONNECTOR To 3-4669	1	1		
	990413	MIRROR ASSY, L.H. / W/CONVEX ELECTRIC / W/8 PINS CONNECTOR From 3-4670	1	1		
	990360	MIRROR ASSY, L.H. / W/CONVEX MANUAL / W/5 PINS CONNECTOR To 3-4669	1	1		
	990406	MIRROR ASSY, L.H. / W/CONVEX MANUAL / W/5 PINS CONNECTOR From 3-4670	1	1		
1	990374	. HEAD ASSY / W/CONVEX ELECTRIC / W/8 PINS CONNECTOR	1	1		
1	990373	. HEAD ASSY / W/CONVEX MANUAL / W/5 PINS CONNECTOR	1	1		
2	502812	. . SCREW SET HEXS CUP 3/8-16X3/8 SS	1	1		
3	990186	. . STUD, BALL	1	1		
4	990272	. . NOTCHED BACK MOUNTING PLATE (2" X 3")	1	1		
5	990349	. . MOTOR 12V / MEDIUM / BLACK / 108MM / 4 1/4" O.D.	1	1		
. NS	564494	. . . TAB TERMINAL / 20-16 / AMP 63138-1	4	4		
6	990268	. . VELCRO PLATE / 8" X 8"	1	1		
7	990199	. . GLASS ASSY W/HEATER 12V	1	1		
8	990297	. MIRROR ASSY / CONVEX ELECTRIC	1	1		
9	990295	. . PLATE, TOP MOTOR MOUNTING	1	1		
10	990300	. . MOTOR 12V / SMALL / BLACK / 85MM / 3 5/16" O.D.	1	1		
. NS	564494	. . . TAB TERMINAL / 20-16 / AMP 63138-1	4	4		
12	990339	. . GLASS CONVEX ASSY W/HEATER 12V	1	1		
13	N.P.N.	. . SCREW TC FL PH ZP 6-32 X 1 1/8"	3	3		4
14	500660	. . SCREW TC FL PH #6-32x3/8 Z050	2	2		
15	990530	. . SCREW CAP HEX #10-24x1" SS	2	2		
NS	500787	. . NUT HEX #10-24 SS	2	2		
16	N.P.N.	. . CABLE ASSY / W/CONNECTOR / SEE ITEM # 40	1	1		4
17	990379	. . CUP, BALL STUD RETAINER / ONE PIECE	1	1		
18	500270	. . WASHER FL .406x1.000x.063 SS	1	1		
19	N.P.N.	. . SCREW CAP HEX SS 3/8-24 X 1.250	1	1		4
21	990308	. ARM, R.H.	1	1		
21	990307	. ARM, L.H. To 3-4669	1	1		
21	990399	. ARM, L.H. / DIRTY FREE From 3-4670	1	1		
23	990265	. WASHER ALUMINUM / 2 " O.D.	1	1		
NS	504082	. . SNAP BUSHING / .125x.312x.312	1	1		
24	990305	. BRACKET, MOUNTING R.H.	1	1		
24	990306	. BRACKET, MOUNTING L.H.	1	1		
25	500958	. WASHER FL .531x1.062x.095 SS	1	1		
26	500035	. WASHER LO SPT .317x.586x.078 SS	1	1		
27	990500	. SCREW 1/2-13x2 HHCS SS	1	1		
30	5001581	SCREW CAP BUT HEXS M8-1.25x40 SS	4	4		
NS	5001341	WASHER FL 8.4x17.0x1.6 SS	4	4		
30	5001461	SCREW MA FL PH M8-1.25x40 SS	4	4		
31	490873	GASKET, RH	1	1		



From 3-4417 To 8-1043	Date:10/2022	PAGE:HF-1856-25
MIRROR "RAMCO" FLAT GLASS / BLACK PAINTED		

Item#	Part	Description	H 3 4 1	H 3 4 5	V I P 4 5	N O T E S
31	490894	GASKET, LH	1	1		
32	490212	ANCHOR PLATE R.H.	1	1		A
32	490213	ANCHOR PLATE L.H.	1	1		A
33	502589	SCREW CAP HEX M8-1.25x25 G8.8 Z050	8	8		
34	490940	PLATE	2	2		
35	490951	PLATE	4	4		
36	490906	ANGLE	2	2		
37	490907	ANGLE W/NUT	2	2		
38	5001337	NUT INS FL HEX M8-1.25 0.5-3.0 Z050	2	2		B
40	563163	CONNECTOR / W 45" CABLE ASSY / PH 8C / CONXALL 3280-8PG-324	2	2		
40	563196	CONNECTOR / W 45" CABLE ASSY / PH 5C / CONXALL 3280-5PG-324	2	2		
NS	563088	CONNECTOR / MULTI CON X / SH 8C / CONXALL 4280-8SG-300	1	1		C
NS	563090	CONNECTOR / MULTI CON X / SH 5C / CONXALL 4280-5SG-300	1	1		C
NS	MI16-28	DRIP EDGE ADDITION ON FRONT MIRRORS / PRODUCT IMPROVMENT	1	1		
		A) PART OF FRONT LOWER CAP				
		B) FIXED INSIDE OF TUBE				
		C) THIS CONNECTOR IT USED ON CABLE HARNESS FROM INSIDE OF VEHICULE				
		4) NO PARTS NUMBER				

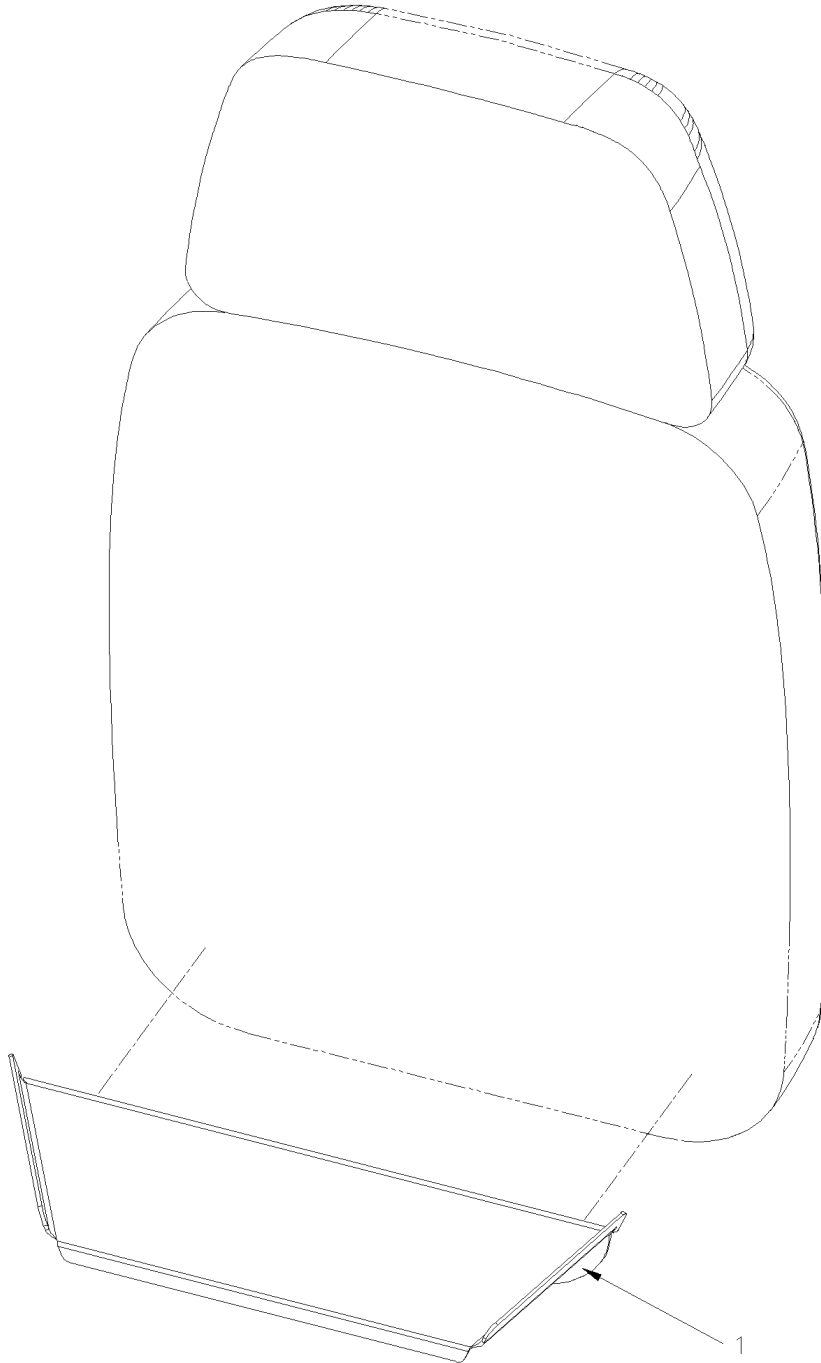


From 3-4417 To 8-1043

Date:10/2022

PAGE:MI16-28

DRIP EDGE ADDITION ON FRONT MIRRORS / PRODUCT IMPROVMENT





From 3-4417 To 8-1043	Date:10/2022	PAGE:MI16-28
-----------------------	--------------	--------------

DRIP EDGE ADDITION ON FRONT MIRRORS / PRODUCT IMPROVMENT

Item#	Part	Description	H 3 4 1	H 3 4 5	V I P 4 5	N O T E S
1	491507	MIRROR EXT. DRIP MOLDING ASSY	2	2	2	
2		MAINTENANCE INFORMATION	1	1	1	

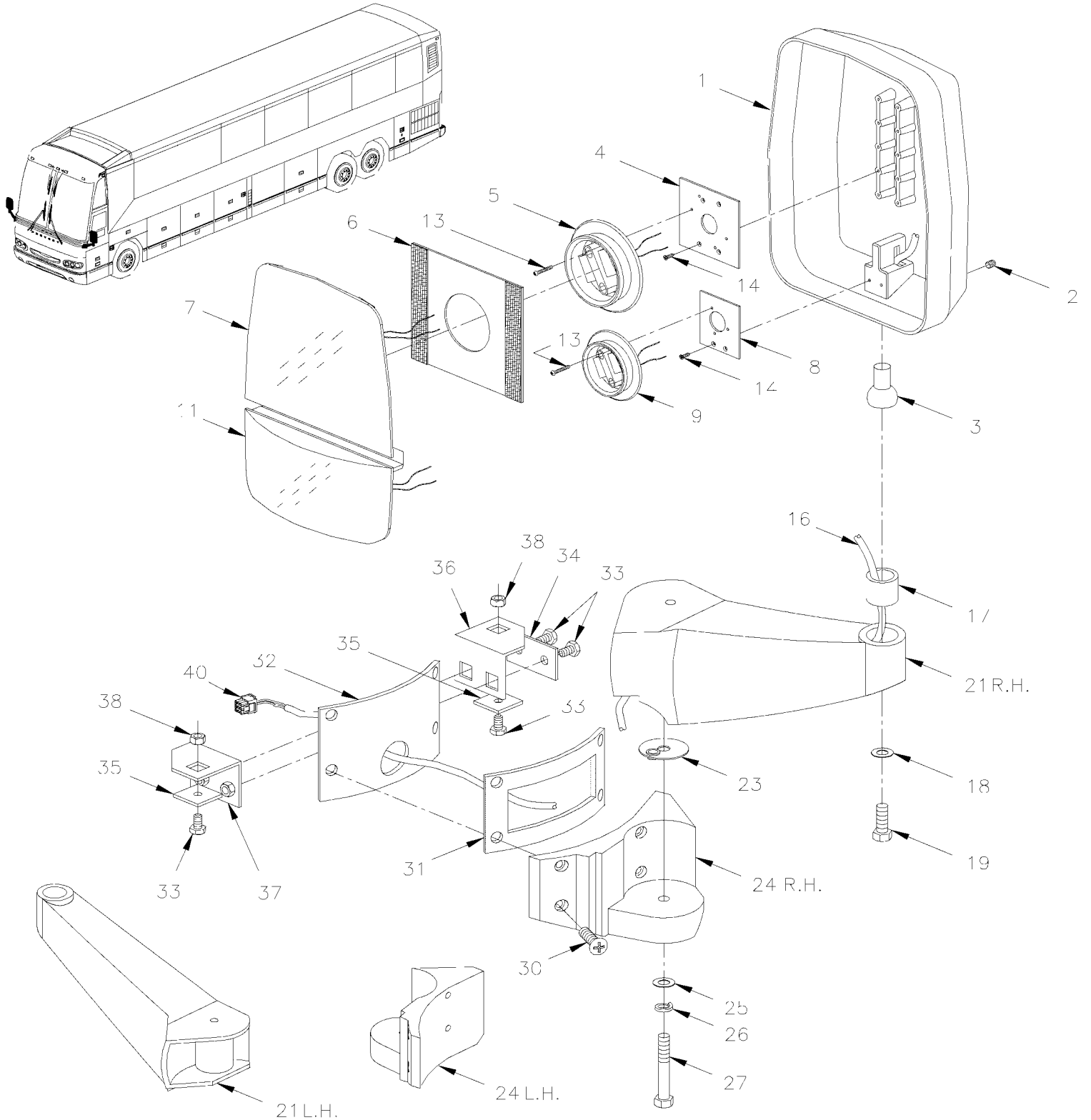


From 3-4417 To 8-1043

Date:10/2022

PAGE:HF-1856-35

MIRROR "RAMCO" 2 GLASSES / BLACK PAINTED





From 3-4417 To 8-1043		Date:10/2022	PAGE:HF-1856-35
MIRROR "RAMCO" 2 GLASSES / BLACK PAINTED			

Item#	Part	Description	H 3 4 1	H 3 4 5	V I P 4 5	N O T E S
	990355	MIRROR ASSY, R.H. / ELECTRIC / W/8 PINS CONNECTOR				
	990351	MIRROR ASSY, R.H. / MANUAL / W/5 PINS CONNECTOR				
	990354	MIRROR ASSY, L.H. / ELECTRIC / W/8 PINS CONNECTOR To 3-4669				
	990411	MIRROR ASSY, L.H. / ELECTRIC / W/8 PINS CONNECTOR From 3-4670				
	990350	MIRROR ASSY, L.H. / MANUAL / W/5 PINS CONNECTOR				
1	990370	. HEAD ASSY / ELECTRIC / W/8 PINS CONNECTOR	1	1		
1	990368	. HEAD ASSY / MANUAL / W/5 PINS CONNECTOR	1	1		
2	502812	. . SCREW SET HEXS CUP 3/8-16X3/8 SS	1	1		
3	990186	. . STUD, BALL	1	1		
4	990272	. . NOTCHED BACK MOUNTING PLATE (2" X 3")	1	1		
5	990349	. . MOTOR 12V / MEDIUM / BLACK / 108MM / 4 1/4" O.D.	1	1		
. NS	564494	. . . TAB TERMINAL / 20-16 / AMP 63138-1	4	4		
6	990266	. . . VELCRO PLATE / 6" X 7"	1	1		
7	990182	. . FLAT GLASS ASSY W/HEATER 12V	1	1		
8	990273	. . POWER CONVEX MOTOR BASE PLATE	1	1		
9	990219	. . MOTOR 12V / SMALL / BLACK / 85MM / 3 5/16" O.D.	1	1		
. NS	564494	. . . TAB TERMINAL / 20-16 / AMP 63138-1	4	4		
9	990402	. . MECHANISM MANUAL ASSY, SMALL / 85MM / 3 5/16" O.D. / W/SNAP	1	1		
11	990338	. . CONVEX GLASS ASSY W/HEATER 12V	1	1		
12	990282	. . CABLE ASSY W/2 WIRES HEATER ELEMENT	1	1		
13	N.P.N.	. . SCREW TC FL PAN PH ZP 6-32 X 1 1/8"	7	7		4
14	500660	. . SCREW TC FL PH #6-32x3/8 Z050	2	2		
16	N.P.N.	. . CABLE ASSY / W/CONNECTOR 8PIN / SEE ITEM # 40	1	1		4
16	N.P.N.	. . CABLE ASSY / W/CONNECTOR 5PIN	1	1		4
17	990379	. . CUP, BALL STUD RETAINER / ONE PIECE	1	1		
18	500270	. . WASHER FL .406x1.000x.063 SS	1	1		
19	N.P.N.	. . SCREW CAP HEX SS 3/8-24 X 1.250	1	1		4
NS	990308	. ARM, R.H.	1	1		
21	990307	. ARM, L.H. To 3-4669	1	1		
21	990399	. ARM, L.H. / DIRTY FREE From 3-4670	1	1		
23	990265	. WASHER ALUMINUM / 2 " O.D.	1	1		
NS	504082	. . SNAP BUSHING / .125x.312x.312	1	1		
24	990305	. BRACKET, MOUNTING R.H.	1	1		
24	990306	. BRACKET, MOUNTING L.H.	1	1		
25	500958	. WASHER FL .531x1.062x.095 SS	1	1		
26	500035	. WASHER LO SPT .317x.586x.078 SS	1	1		
27	990500	. SCREW 1/2-13x2 HHCS SS	1	1		
30	5001581	SCREW CAP BUT HEXS M8-1.25x40 SS	4	4		
NS	5001341	WASHER FL 8.4x17.0x1.6 SS	4	4		
30	5001461	SCREW MA FL PH M8-1.25x40 SS	4	4		
31	490873	GASKET, RH	1	1		
31	490894	GASKET, LH	1	1		



From 3-4417 To 8-1043	Date:10/2022	PAGE:HF-1856-35
MIRROR "RAMCO" 2 GLASSES / BLACK PAINTED		

Item#	Part	Description	H 3 4 1	H 3 4 5	V I P 4 5	N O T E S
32	490212	ANCHOR PLATE R.H.	1	1		A
32	490213	ANCHOR PLATE L.H.	1	1		A
33	502589	SCREW CAP HEX M8-1.25x25 G8.8 Z050	8	8		
34	490940	PLATE	2	2		
35	490951	PLATE	4	4		
36	490906	ANGLE	2	2		
37	490907	ANGLE W/NUT	2	2		
38	5001337	NUT INS FL HEX M8-1.25 0.5-3.0 Z050	2	2		B
40	563163	CONNECTOR / W 45" CABLE ASSY / PH 8C / CONXALL 3280-8PG-324	1	1		
40	563196	CONNECTOR / W 45" CABLE ASSY / PH 5C / CONXALL 3280-5PG-324	1	1		
NS	563088	CONNECTOR / MULTI CON X / SH 8C / CONXALL 4280-8SG-300	2	2		C
NS	563090	CONNECTOR / MULTI CON X / SH 5C / CONXALL 4280-5SG-300	2	2		C
		A) PART OF FRONT LOWER CAP				
		B) FIXED INSIDE OF TUBE				
		C) THIS CONNECTOR IT USED ON CABLE HARNESS FROM INSIDE OF VEHICULE				
		4) NO PARTS NUMBER				

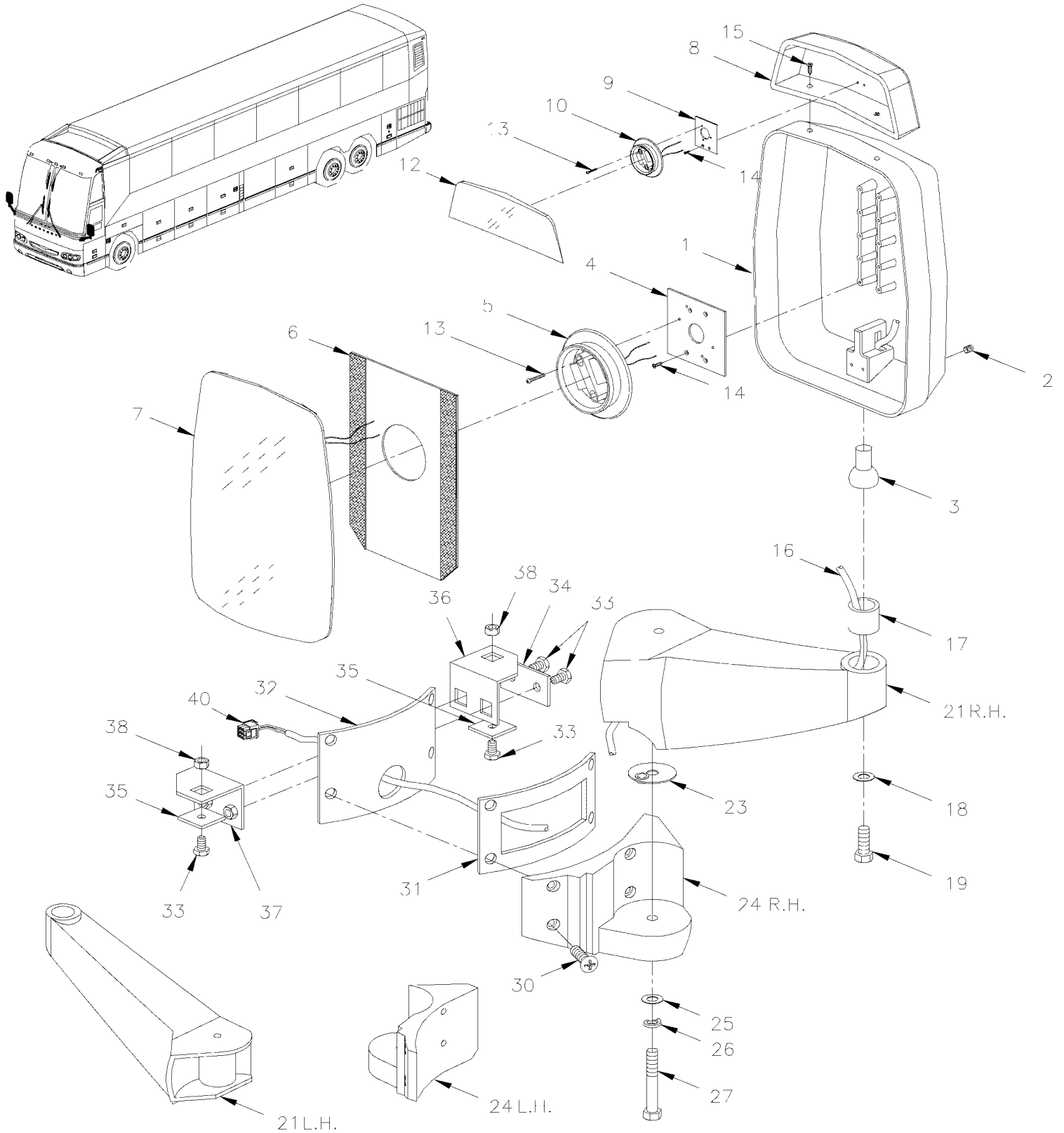


From 3-4417 To 8-1043

Date:10/2022

PAGE:HF-1856-50

MIRROR "RAMCO" FLAT GLASS / CHROME





From 3-4417 To 8-1043	Date:10/2022	PAGE:HF-1856-50
MIRROR "RAMCO" FLAT GLASS / CHROME		

Item#	Part	Description	H 3 4 1	H 3 4 5	V I P 4 5	N O T E S
	990367	MIRROR ASSY, R.H. / W/CONVEX ELECTRIC / W/8 PINS CONNECTOR	1	1	1	
	990366	MIRROR ASSY, L.H. / W/CONVEX ELECTRIC / W/8 PINS CONNECTOR To 3-4669			1	
	990414	MIRROR ASSY, L.H. / W/CONVEX ELECTRIC / W/8 PINS CONNECTOR From 3-4670	1	1	1	
1	990376	. HEAD ASSY / W/CONVEX ELECTRIC / W/8 PINS CONNECTOR	1	1	1	
2	502812	. . SCREW SET HEXS CUP 3/8-16X3/8 SS	1	1	1	
3	990186	. . STUD, BALL	1	1	1	
4	990272	. . NOTCHED BACK MOUNTING PLATE (2" X 3")	1	1	1	
5	990349	. . MOTOR 12V / MEDIUM / BLACK / 108MM / 4 1/4" O.D.	1	1	1	
. NS	564494	. . . TAB TERMINAL / 20-16 / AMP 63138-1	4	4	4	
6	990268	. . VELCRO PLATE / 8" X 8"	1	1	1	
7	990199	. . GLASS ASSY W/HEATER 12V	1	1	1	
8	990302	. MIRROR ASSY / CONVEX ELECTRIC	1	1	1	
9	990295	. . PLATE, TOP MOTOR MOUNTING	1	1	1	
10	990219	. . MOTOR 12V / SMALL / BLACK / 85MM / 3 5/16" O.D.	1	1	1	
. NS	564494	. . . TAB TERMINAL / 20-16 / AMP 63138-1	4	4	4	
12	990339	. . GLASS CONVEX ASSY W/HEATER 12V	1	1	1	
13	N.P.N.	. . SCREW TC FL PH ZP 6-32 X 1 1/8"	3	3	3	4
14	500660	. . SCREW TC FL PH #6-32x3/8 Z050	2	2	2	
15	990530	. . SCREW CAP HEX #10-24x1" SS	2	2	2	
NS	500787	. . NUT HEX #10-24 SS	2	2	2	
16	N.P.N.	. . CABLE ASSY / W/CONNECTOR / SEE ITEM # 40	1	1	1	4
17	990379	. . CUP, BALL STUD RETAINER / ONE PIECE	1	1	1	
18	500270	. . WASHER FL .406x1.000x.063 SS	1	1	1	
19	N.P.N.	. . SCREW CAP HEX SS 3/8-24 X 1.250	1	1	1	4
21	990316	. ARM, R.H.	1	1	1	
21	990314	. ARM, L.H. To 3-4669			1	
21	990401	. ARM, L.H. / DIRTY FREE From 3-4670	1	1	1	
23	990265	. WASHER ALUMINUM / 2 " O.D.	1	1	1	
NS	504082	. . SNAP BUSHING / .125x.312x.312	1	1	1	
24	990310	. BRACKET, MOUNTING R.H.	1	1	1	
24	990312	. BRACKET, MOUNTING L.H.	1	1	1	
25	500958	. WASHER FL .531x1.062x.095 SS	1	1	1	
26	500035	. WASHER LO SPT .317x.586x.078 SS	1	1	1	
27	990500	. SCREW 1/2-13x2 HHCS SS	1	1	1	
30	5001581	SCREW CAP BUT HEXS M8-1.25x40 SS	4	4	4	
NS	5001341	WASHER FL 8.4x17.0x1.6 SS	4	4	4	
30	5001461	SCREW MA FL PH M8-1.25x40 SS	4	4	4	
31	490873	GASKET, RH	1	1	1	
31	490894	GASKET, LH	1	1	1	
32	490212	ANCHOR PLATE R.H.	1	1	1	A
32	490213	ANCHOR PLATE L.H.	1	1	1	A
33	502589	SCREW CAP HEX M8-1.25x25 G8.8 Z050	8	8	8	



From 3-4417 To 8-1043	Date:10/2022	PAGE:HF-1856-50
MIRROR "RAMCO" FLAT GLASS / CHROME		

Item#	Part	Description	H 3 4 1	H 3 4 5	V I P 4 5	N O T E S
34	490940	PLATE	2	2	2	
35	490951	PLATE	4	4	4	
36	490906	ANGLE	2	2	2	
37	490907	ANGLE W/NUT	2	2	2	
38	5001337	NUT INS FL HEX M8-1.25 0.5-3.0 Z050	2	2	2	B
40	563163	CONNECTOR / W 45" CABLE ASSY / PH 8C / CONXALL 3280-8PG-324	2	2	2	
NS	563088	CONNECTOR / MULTI CON X / SH 8C / CONXALL 4280-8SG-300	2	2	2	C
NS	MI16-28	DRIP EDGE ADDITION ON FRONT MIRRORS / PRODUCT IMPROVMENT	1	1	1	
		A) PART OF FRONT LOWER CAP				
		B) FIXED INSIDE OF TUBE				
		C) THIS CONNECTOR IT USED ON CABLE HARNESS FROM INSIDE OF VEHICULE				
		4) NO PARTS NUMBER				

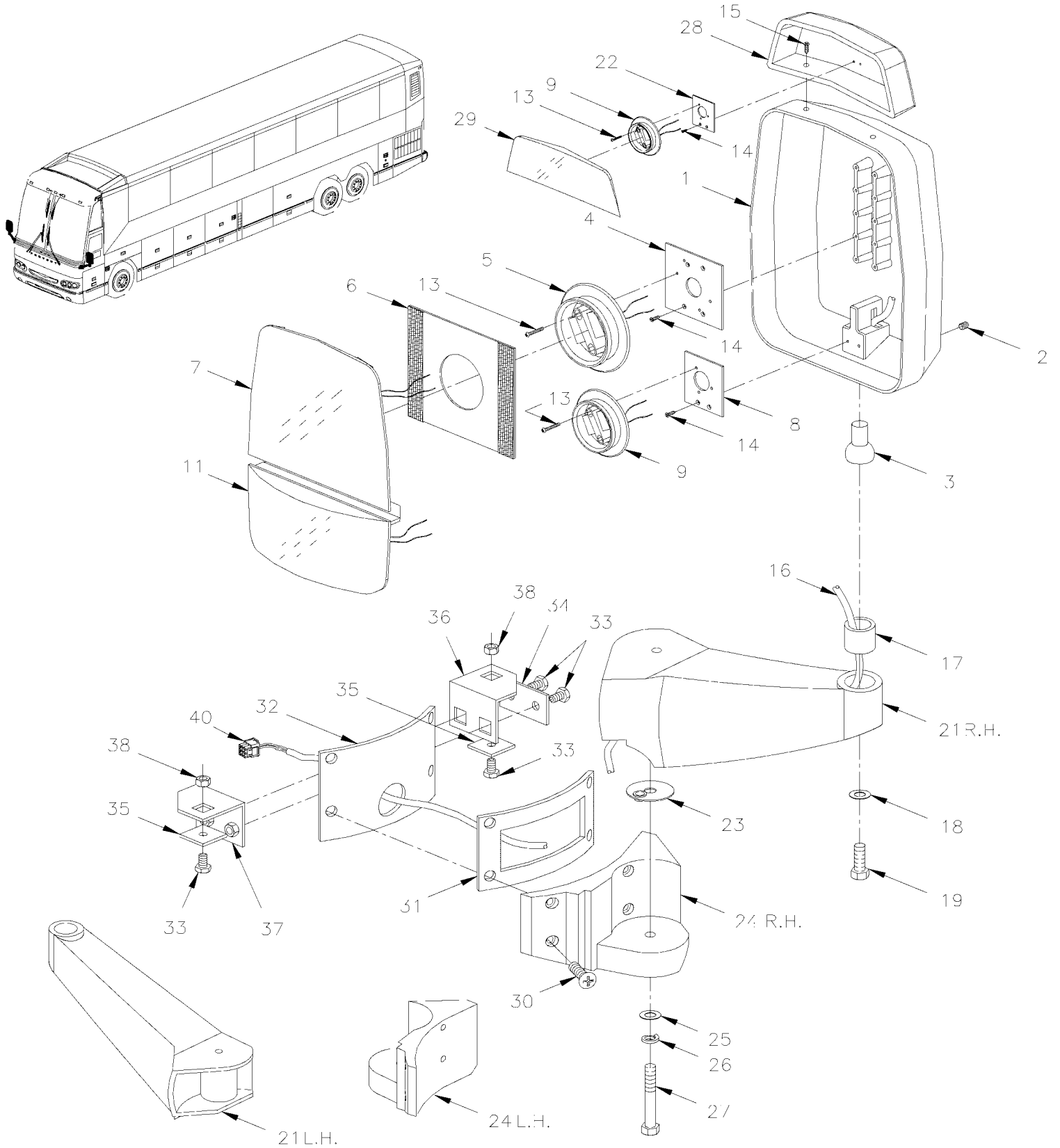


From 3-4417 To 8-1043

Date:10/2022

PAGE:HF-1856-60

MIRROR "RAMCO" 2 GLASSES / CHROME



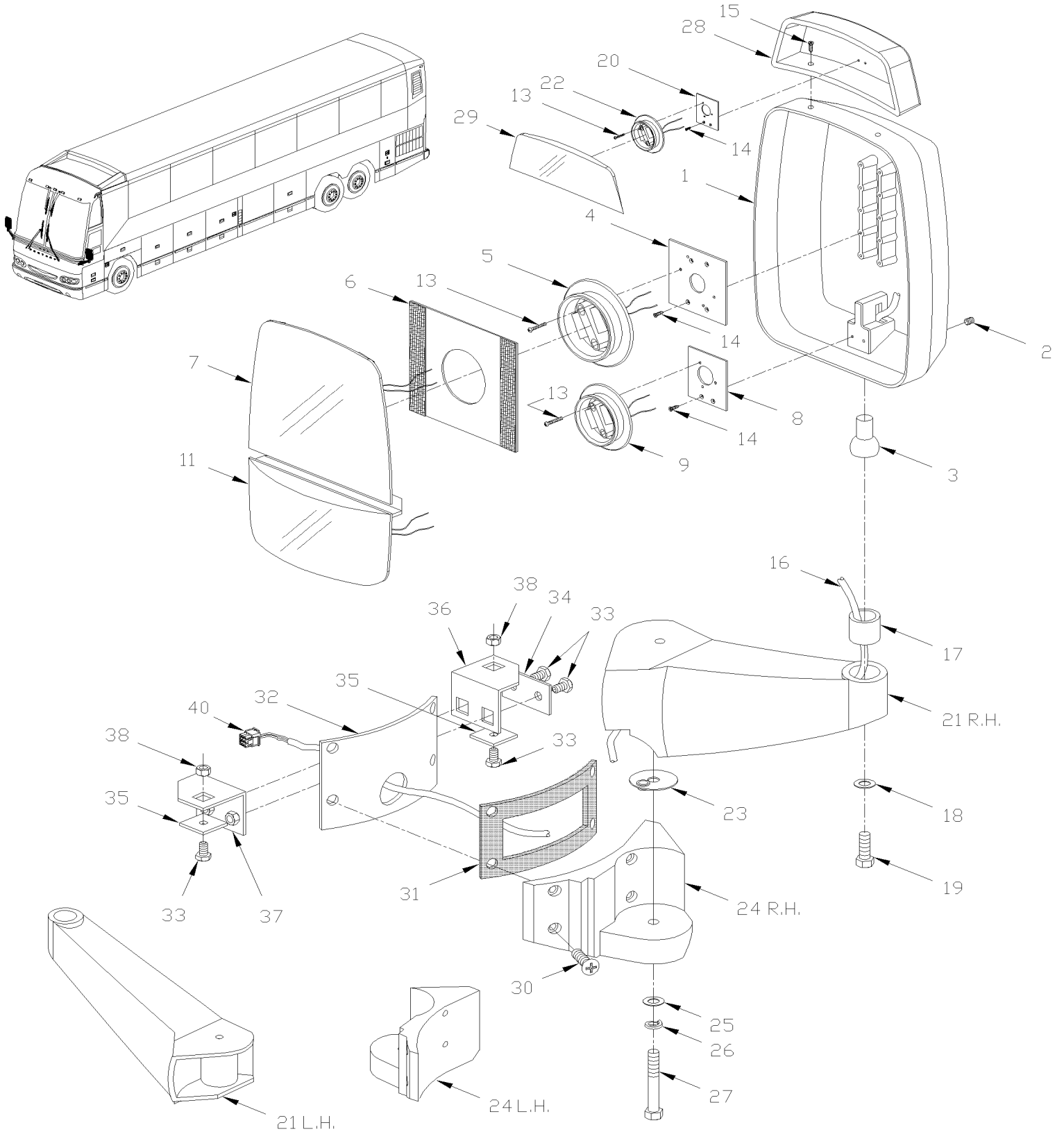


From 3-4417 To 8-1043

Date:10/2022

PAGE:HF-1856-60

MIRROR "RAMCO" 2 GLASSES / CHROME





From 3-4417 To 8-1043	Date:10/2022	PAGE:HF-1856-60
MIRROR "RAMCO" 2 GLASSES / CHROME		

Item#	Part	Description	H 3 4 1	H 3 4 5	V I P 4 5	N O T E S
	990389	MIRROR ASSY, L.H. / ELECTRIC W/AUXILIARY CONVEX OVER / W/8 PINS CONNECTOR			1	C
	990410	MIRROR ASSY, L.H. / ELECTRIC W/AUXILIARY CONVEX OVER / W/8 PINS CONNECTOR To 3-4669			1	C
	990359	MIRROR ASSY, R.H. / ELECTRIC / W/8 PINS CONNECTOR			1	
	990358	MIRROR ASSY, L.H. / ELECTRIC / W/8 PINS CONNECTOR To 3-4669			1	
	990412	MIRROR ASSY, L.H. / ELECTRIC / W/8 PINS CONNECTOR From 3-4670			1	
	990359	MIRROR ASSY, R.H. / ELECTRIC / W/8 PINS CONNECTOR			1	C
1	990391	. HEAD ASSY / W/AUXILIARY CONVEX OVER / W/8 PINS CONNECTOR From 3-4670			1	C
1	990372	. HEAD ASSY / ELECTRIC / W/8 PINS CONNECTOR			1	
2	502812	. . SCREW SET HEXS CUP 3/8-16X3/8 SS			1	
3	990186	. . STUD, BALL			1	
4	990272	. . NOTCHED BACK MOUNTING PLATE (2" X 3")			1	
5	990349	. . MOTOR 12V / MEDIUM / BLACK / 108MM / 4 1/4" O.D.			1	
. NS	564494	. . . TAB TERMINAL / 20-16 / AMP 63138-1			4	
6	990266	. . VELCRO PLATE / 6" X 7"			1	
7	990182	. . FLAT GLASS ASSY W/HEATER 12V			1	
8	990273	. . POWER CONVEX MOTOR BASE PLATE			1	
9	990219	. . MOTOR 12V / SMALL / BLACK / 85MM / 3 5/16" O.D.			1	
. NS	564494	. . . TAB TERMINAL / 20-16 / AMP 63138-1			4	
11	990338	. . CONVEX GLASS ASSY W/HEATER 12V			1	
13	N.P.N.	. . SCREW TC FL PH ZP 6-32 X 1 1/8"			3	4
14	500660	. . SCREW TC FL PH #6-32x3/8 Z050			2	
15	990530	. . SCREW CAP HEX #10-24x1" SS			2	C
16	N.P.N.	. . CABLE ASSY / W/CONNECTOR / SEE ITEM # 40			1	4
17	990379	. . CUP, BALL STUD RETAINER / ONE PIECE			1	
18	500270	. . WASHER FL .406x1.000x.063 SS			1	
19	N.P.N.	. . SCREW CAP HEX SS 3/8-24 X 1.250			1	4
20	990295	. . PLATE, TOP MOTOR MOUNTING			1	C
21	990316	. ARM, R.H.			1	
21	990314	. ARM, L.H. To 3-4669			1	
21	990401	. ARM, L.H. / DIRTY FREE From 3-4670			1	
22	990219	. . MOTOR 12V / SMALL / BLACK / 85MM / 3 5/16" O.D.			1	C
. NS	564494	. . . TAB TERMINAL / 20-16 / AMP 63138-1			4	C
23	990265	. WASHER ALUMINUM / 2 " O.D.			1	
NS	504082	. . SNAP BUSHING / .125x.312x.312			1	
24	990310	. BRACKET, MOUNTING R.H.			1	
24	990312	. BRACKET, MOUNTING L.H.			1	
25	500958	. WASHER FL .531x1.062x.095 SS			1	
26	500035	. WASHER LO SPT .317x.586x.078 SS			1	
27	990500	. SCREW 1/2-13x2 HHCS SS			1	
28	990302	. . MIRROR ASSY / CONVEX ELECTRIC			1	C
29	990339	. . GLASS CONVEX ASSY W/HEATER 12V			1	C
30	5001581	SCREW CAP BUT HEXS M8-1.25x40 SS			4	



From 3-4417 To 8-1043	Date:10/2022	PAGE:HF-1856-60
MIRROR "RAMCO" 2 GLASSES / CHROME		

Item#	Part	Description	H 3 4 1	H 3 4 5	V I P 4 5	N O T E S
NS	5001341	WASHER FL 8.4x17.0x1.6 SS			4	
30	5001461	SCREW MA FL PH M8-1.25x40 SS			4	
31	490873	GASKET, RH			1	
31	490894	GASKET, LH			1	
32	490212	ANCHOR PLATE R.H.			1	A
32	490213	ANCHOR PLATE L.H.			1	A
33	502589	SCREW CAP HEX M8-1.25x25 G8.8 Z050			8	
34	490940	PLATE			2	
35	490951	PLATE			4	
36	490906	ANGLE			2	
37	490907	ANGLE W/NUT			2	
38	5001337	NUT INS FL HEX M8-1.25 0.5-3.0 Z050			2	B
40	563163	CONNECTOR / W 45" CABLE ASSY / PH 8C / CONXALL 3280-8PG-324			1	
NS	563088	CONNECTOR / MULTI CON X / SH 8C / CONXALL 4280-8SG-300			1	D
		A) PART OF FRONT LOWER CAP				
		B) FIXED INSIDE OF TUBE				
		C) WITH ELECTRICAL CONVEX OVER HEAD				
		D) THIS CONNECTOR IT USED ON CABLE HARNESS FROM INSIDE OF VEHICULE				
		4) NO PARTS NUMBER				

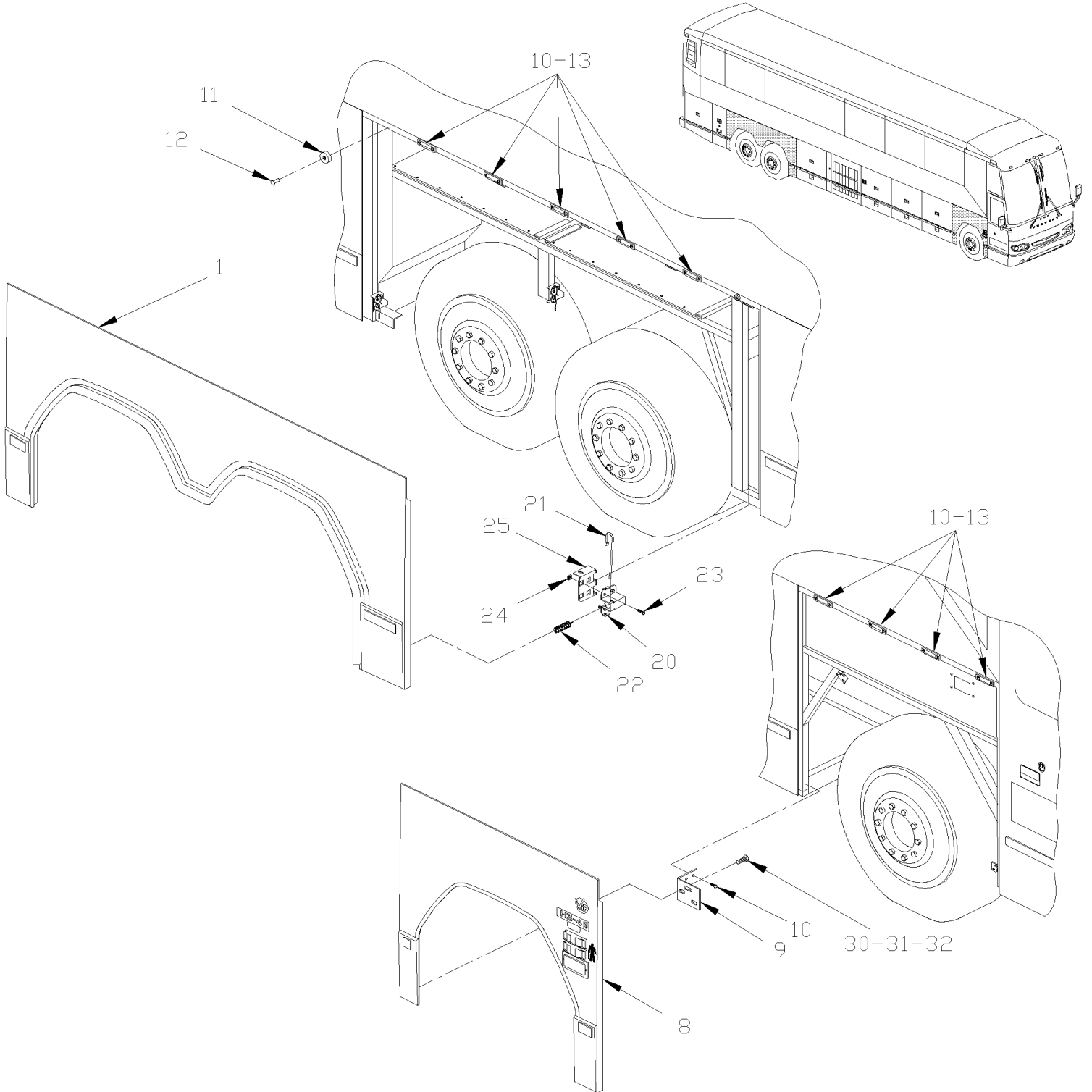


From 3-4417 To 8-1043

Date:10/2022

PAGE:HF-1857-00

FENDERS





From 3-4417 To 8-1043	Date:10/2022	PAGE:HF-1857-00
------------------------------	---------------------	------------------------

FENDERS

Item#	Part	Description	H 3 4 1	H 3 4 5	V I P 4 5	N O T E S
1	473499	FENDER FIBERGLASS R.H. REAR	1	1		
. NS	473423	. GUIDE / FIXED ON TOP CENTER	3	3		
. NS	473534	. GUIDE / FIXED ON TOP EACH SIDE	2	2		
. NS	473525	. GUIDE PIN / FIXED ON CENTER	1	1		
. NS	473501	. GUIDE PIN / FIXED LOWER FRONT & REAR	2	2		
1	473499	FENDER FIBERGLASS R.H. REAR To 5-0333			1	
. NS	473423	. GUIDE / FIXED ON TOP CENTER To 5-0333			3	
. NS	473534	. GUIDE / FIXED ON TOP EACH SIDE To 5-0333			2	
. NS	473525	. GUIDE PIN / FIXED ON CENTER To 5-0333			1	
. NS	473501	. GUIDE PIN / FIXED LOWER FRONT & REAR To 5-0333			2	
1	476636	FENDER FIBERGLASS R.H. REAR From 5-0334 To 7-0943			1	
. NS	473423	. GUIDE / FIXED ON TOP CENTER From 5-0334 To 7-0943			3	
. NS	473534	. GUIDE / FIXED ON TOP EACH SIDE From 5-0334 To 7-0943			2	
. NS	473525	. GUIDE PIN / FIXED ON CENTER From 5-0334 To 7-0943			1	
. NS	473501	. GUIDE PIN / FIXED LOWER FRONT & REAR From 5-0334 To 7-0943			1	
1	478327	FENDER FIBERGLASS R.H. REAR From 7-0944			1	
. NS	473423	. GUIDE / FIXED ON TOP CENTER From 7-0944			3	
. NS	473534	. GUIDE / FIXED ON TOP EACH SIDE From 7-0944			2	
. NS	473525	. GUIDE PIN / FIXED ON CENTER From 7-0944			1	
. NS	473501	. GUIDE PIN / FIXED LOWER FRONT & REAR From 7-0944			1	
1	473500	FENDER FIBERGLASS L.H. REAR	1	1		
. NS	473423	. GUIDE / FIXED ON TOP CENTER	3	3		
. NS	473534	. GUIDE / FIXED ON TOP EACH SIDE	2	2		
. NS	473525	. GUIDE PIN / FIXED ON CENTER	1	1		
. NS	473523	. GUIDE PIN / FIXED LOWER FRONT & REAR	2	2		
. NS	680537	. GLUE, PLEXUS MA830 380 ML	1	1		
1	473500	FENDER FIBERGLASS L.H. REAR To 5-0333			1	
. NS	473423	. GUIDE / FIXED ON TOP CENTER To 5-0333			3	
. NS	473534	. GUIDE / FIXED ON TOP EACH SIDE To 5-0333			2	
. NS	473525	. GUIDE PIN / FIXED ON CENTER To 5-0333			1	
. NS	473523	. GUIDE PIN / FIXED LOWER FRONT & REAR To 5-0333			2	
. NS	680537	. GLUE, PLEXUS MA830 380 ML To 5-0333			1	
1	476637	FENDER FIBERGLASS L.H. REAR From 5-0334			1	
. NS	473423	. GUIDE / FIXED ON TOP CENTER From 5-0334			3	
. NS	473534	. GUIDE / FIXED ON TOP EACH SIDE From 5-0334			2	
. NS	473525	. GUIDE PIN / FIXED ON CENTER From 5-0334			1	
. NS	473523	. GUIDE PIN / FIXED LOWER FRONT & REAR From 5-0334			2	
8	473431	FENDER FIBERGLASS R.H. FRONT	1	1		
. NS	282961	. LOWER SUPPORT RETAINER / "HAT" SHAPED	3	3		
8	473431	FENDER FIBERGLASS R.H. FRONT To 5-0333			1	
. NS	282961	. LOWER SUPPORT RETAINER / "HAT" SHAPED To 5-0333			3	
8	476634	FENDER FIBERGLASS R.H. FRONT From 5-0334			1	



From 3-4417 To 8-1043	Date:10/2022	PAGE:HF-1857-00
FENDERS		

Item#	Part	Description	H 3 4 1	H 3 4 5	V I P 4 5	N O T E S
. NS	282961	. LOWER SUPPORT RETAINER / "HAT" SHAPED From 5-0334			3	
8	478168	SWITCH SUPPORT & COVER	1	1	1	
8	473409	FENDER FIBERGLASS L.H. FRONT	1	1		
. NS	282961	. LOWER SUPPORT RETAINER / "HAT" SHAPED	3	3		
8	473409	FENDER FIBERGLASS L.H. FRONT To 5-0333			1	
. NS	282961	. LOWER SUPPORT RETAINER / "HAT" SHAPED To 5-0333			3	
8	476635	FENDER FIBERGLASS L.H. FRONT From 5-0334			1	
. NS	282961	. LOWER SUPPORT RETAINER / "HAT" SHAPED From 5-0334			3	
9	472379	ANGLE SUPPORT / TO FIX FENDER TO FRAME	10	10	10	
10	504248	RIVET CHY Q PRDG 3/16x1/4 SS	24	24	24	
11	504334	BUMPER RUBBER / .625 OD x .406 TH x .156 HOLE	4	4	4	
12	504339	RIVET POP DOME OE 1/8x3/8 SS	4	4	4	
13	473414	RETAINER PLASTIC	8	8	8	
20	472836	GUIDE	6	6	6	
NS	473541	PLATE W/4 SCREW HOLES 69MMx54MM	1	1	1	
21	472830	SPRING GUIDE HOLDER	6	6	6	
22	472829	SPRING COMPRESSION / .610 O.D. x 2.18 x .072	6	6	6	
23	502622	SCREW CAP HEX M6-1.0x20 SS BK	24	24	24	
24	500270	WASHER FL .406x1.000x.063 SS	24	24	24	
25	285668	ADJUSTMENT PLATE R.H.	2	2	2	
25	285674	ADJUSTMENT PLATE L.H.	2	2	2	
NS	285452	SHIM SPACER W/2 SLOTS 74MM x 56MM	AR	AR	AR	
30	500535	SCREW TP CAP HEX #14x3/4 Z050 To 6-0332	16	16	16	
30	502830	SCREW CAP HEX M6-1.0x20 G8.8 N500 From 6-0333	16	16	16	
31	502764	NUT SPR J #14A .035-.046 To 6-0332	12	12	12	
31	500903	NUT SPR J # 14 .035-.046 DP320 To 6-0332	12	12	12	
31	5001639	NUT SPR U M6-1.0 0.34-4 MAG565 From 6-0333	12	12	12	
32	500468	WASHER FL .281x1.250x.065 Z050	16	16	16	
40	478333	ANGLE MOULDING			1	B
NS	7770321	FENDER PROTECTOR KIT	1	1	1	A
. NS	470933	. FENDER PROTECTOR	8	8	8	A
. NS	506869	. TAPE RUB ADH2 POL .031" x 1/4" x 300' / BLACK	1	1	1	A
. NS	684517	. ADHESIVE SIMSON #ISR 70-03 / GREY / 310ml CARTRIDGE	1	1	1	A
. NS	504643	. RIVET POP DOME OE 1/8x1/2 SS	40	40	40	A
. NS	5001067	. WASHER FL .128x.312x.032 SS	40	40	40	A
. NS	IS-17900	. SEE INSTRUCTION SHEET	1	1	1	A
		A) USE WITH FENDER PROTECTOR OPTION				
		B) FIXED FRONT FENDER STREET SIDE, WITH VIP DELIVRERY W/OUT FENDERS "OPTIONAL"				

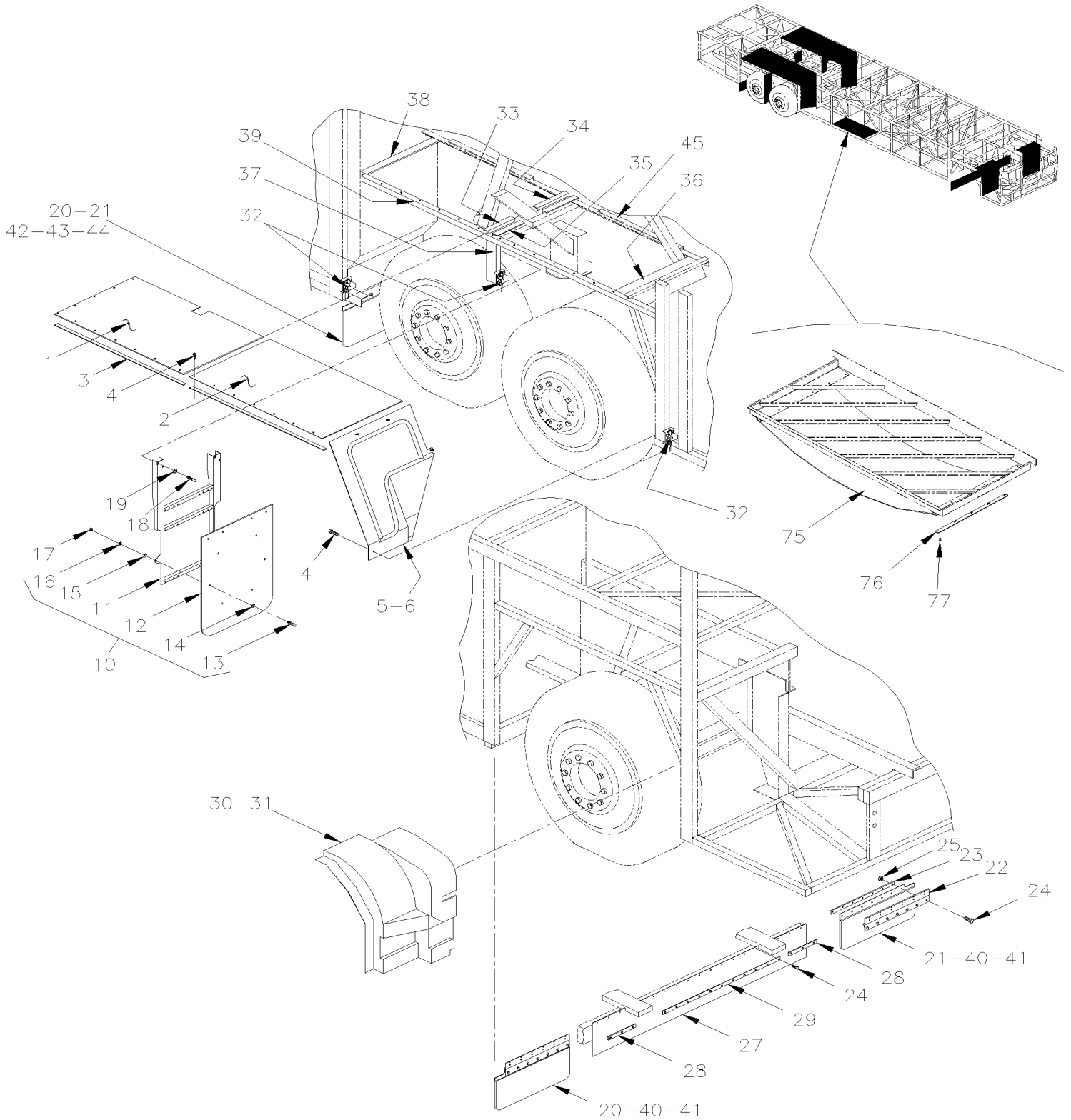


From 3-4417 To 8-1043

Date:10/2022

PAGE:HF-1859-00

SPLASH GUARD - FRONT & REAR



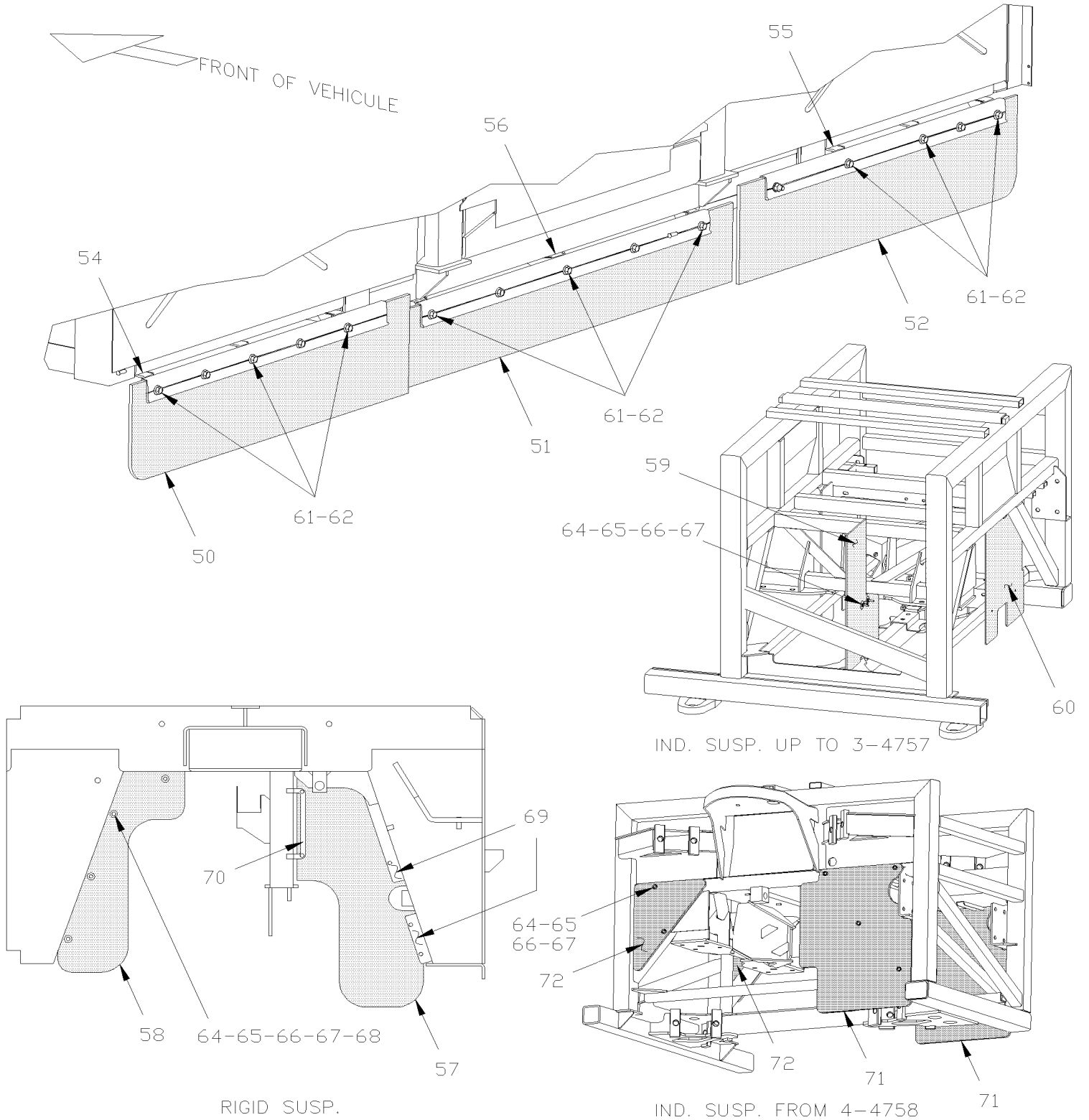


From 3-4417 To 8-1043

Date:10/2022

PAGE:HF-1859-00

SPLASH GUARD - FRONT & REAR





From 3-4417 To 8-1043	Date:10/2022	PAGE:HF-1859-00
SPLASH GUARD - FRONT & REAR		

Item#	Part	Description	H 3 4 1	H 3 4 5	V I P 4 5	N O T E S
1	460339	SPLASH GUARD PANEL 675MM X 1092MM To 3-4757	2	2		
1	460339	SPLASH GUARD PANEL 675MM X 1092MM From 4-4758	1	1		
1	460457	SPLASH GUARD PANEL 675MM X 458MM From 4-4758	1	1		
1	460347	SPLASH GUARD PANEL W/"ST & ST" W.C.L. 675MM X 590MM To 6-0335	1	1		
1	460369	SPLASH GUARD PANEL 675MM X 1092MM			2	
1	460659	SPLASH GUARD PANEL 630MM X 1016MM From 9-0944	1	1	1	SF
1	460656	SPLASH GUARD PANEL 630MM X 1016MM From 9-0944	1	1	1	SB
1	460653	SPLASH GUARD PANEL 630MM X 1016MM From 9-0944	1	1	1	S10
NS	460472	PANEL FIRE WALL L.H. / HORIZONTAL	1	1		F
NS	460474	PANEL FIRE WALL R.H. / HORIZONTAL	1	1		F
NS	460479	PANEL FIRE WALL R.H. / VERTICAL	1	1		F
NS	460478	PANEL FIRE WALL L.H. / VERTICAL	1	1		F
2	460338	SPLASH GUARD PANEL 675MM X 996MM	2	2		
2	460368	SPLASH GUARD PANEL 675MM X 1018MM			2	
2	460655	SPLASH GUARD PANEL 630MM X 958MM From 9-0944			1	SF
2	460652	SPLASH GUARD PANEL 630MM X 958MM From 9-0944			1	S10 SB
NS	460471	PANEL FIRE WALL L.H. / HORIZONTAL	1	1		F
NS	460473	PANEL FIRE WALL R.H. / HORIZONTAL	1	1		F
NS	460479	PANEL FIRE WALL R.H. / VERTICAL	1	1		F
NS	460482	PANEL FIRE WALL L.H. / VERTICAL	1	1		F
3	460336	SEAL RUBBER EXTRUSION EPDM 2100MM	1	1	1	
3	460090	SEAL RUBBER EXTRUSION EPDM 2100MM	1	1	1	
3	460654	RUBBER SEAL EXTRUSION / REAR FENDER W/SLIDE-OUT CURB			1	
4	5001169	SCREW TP CAP HEXW #12x3/4 SS410	30	30	30	
5	460360	SPLASH GUARD / R.H. DRIVE	1	1	1	
5	460328	SPLASH GUARD / R.H. DRIVE			1	
6	460361	SPLASH GUARD / L.H. DRIVE	1	1	1	
6	460366	SPLASH GUARD / L.H. DRIVE			1	
10	460392	SPLASH GUARD / R.H. / DRIVE & TAG	1	1	1	
10	460391	SPLASH GUARD / L.H. / DRIVE & TAG	1	1	1	
11	460389	. SUPPORT R.H.	1	1	1	
11	460390	. SUPPORT L.H.	1	1	1	
12	460351	. RUBBER PAD	1	1	1	
. NS	960015	. . RUBBER PAD	1	1	1	
13	502737	. SCREW CAP HEX M6-1.0x25 SS BK	10	10	10	
14	500411	. WASHER FL .260x.697x.050 SS	10	10	10	
15	502573	. WASHER FL 6.4x12.5x1.6 SS	10	10	10	
16	502570	. WASHER LO SPT 6.1x11.8x1.6 SS	10	10	10	
17	502565	. NUT HEX M6-1.0 SS	10	10	10	
18	5001178	SCREW CAP HEX M8-1.25x60 SS BK	4	4	4	
18	5001160	SCREW CAP HEX M8-1.25x100 SS EMN	4	4	4	
19	500270	WASHER FL .406x1.000x.063 SS	16	16	16	



From 3-4417 To 8-1043	Date:10/2022	PAGE:HF-1859-00
SPLASH GUARD - FRONT & REAR		

Item#	Part	Description	H 3 4 1	H 3 4 5	V I P 4 5	N O T E S
19	5001161	WASHER LO SPT 8.1x14.8x2.0 SS-304	8	8	8	
NS	5001188	NUT HEX M8-1.25 SS	4	4	4	
20	460293	SPLASH GUARD ASSY / R.H. FRONT & R.H. TAG To 3-4637	2	2	2	
21	460291	SPLASH GUARD ASSY / L.H. FRONT To 3-4637	1	1	1	
21	460295	SPLASH GUARD ASSY / L.H. TAG To 3-4637	1	1	1	
21	460292	. SPLASH GUARD / L.H. To 3-4637	1	1	1	
21	460294	. SPLASH GUARD / R.H. To 3-4637	1	1	1	
22	460290	. HINGE To 3-4637	1	1	1	
23	460274	. PLATE REINFORCEMENT 434MM To 3-4637	1	1	1	
24	502622	. SCREW CAP HEX M6-1.0x20 SS BK	7	7	7	
25	502621	. NUT HEX STO M6-1.0 Z050	7	7	7	
27	460312	SPLASH GUARD / CENTER FRONT SPLASH / 1466MM X 247MM				
28	460313	STRAP / TO FIX CENTER SPLASH GUARD / 220MM X 20MM	2	2		
29	460314	STRAP / TO FIX CENTER SPLASH GUARD / 806MM X 20MM	1	1		
30	460346	SPLASH GUARD / R.H. FRONT	1	1	1	
30	460394	SPLASH GUARD / R.H. FRONT			1	A
31	460270	SPLASH GUARD / L.H. FRONT	1	1	1	
31	460393	SPLASH GUARD / L.H. FRONT			1	A
NS	460248	SUPPORT ANGLE LOWER / FRONT To 3-4679	6	6	6	
NS	460613	SUPPORT ANGLE LOWER / FRONT From 3-4680	2	2	2	
NS	504250	RIVET CHY Q PRDG 3/16x1/2 SS	18	18	18	
NS	502571	WASHER FL SEAL .281x.625x20GA SS	18	18	18	
32	285667	BRACKET / "U" SHAPE / (WELDED)	3	3	3	
33	212531	SUPPORT / "T" SHAPE (WELDED) / 245MM SS	1	1	1	
34	213012	SUPPORT / "W" SHAPE (WELDED) / 170MM SS			1	
34	212553	SUPPORT / "W" SHAPE (WELDED) / 206MM SS	1	1		
35	171954	SUPPORT R.H.	1	1	1	
35	171957	SUPPORT L.H.	1	1	1	
36	212521	SUPPORT ANGLE 45° / SLOTTED TO HOLD PANEL (WELDED) 648MM	1	1		
36	212998	SUPPORT ANGLE 45° / SLOTTED TO HOLD PANEL (WELDED) 648MM			1	
37	212997	TUBE 286MM	1	1		
37	212029	TUBE 248MM			1	
37	213389	REINFORCEMENT ANGLE 30MM X 64MM	1	1	1	
38	212522	ANGLE 25MM x 65MM x 628MM / (WELDED)	1	1		
38	212999	ANGLE R.H. / 25MM x 65MM x 628MM / (WELDED)			1	
38	213031	ANGLE L.H. / 25MM x 65MM x 628MM / (WELDED)			1	
39	212541	TUBE 2462MM SS	2	2	2	
40	460599	SPLASH GUARD FRONT From 3-4638	1	1	1	
41	460601	PLATE REINFORCEMENT 418MM From 3-4638	4	4	4	
42	460600	SPLASH GUARD TAG From 3-4638	1	1	1	
43	460602	SPLASH GUARD / L.H. TAG From 3-4638	1	1	1	
44	460603	PROTECTOR 39MM X 249MM SS From 3-4638	1	1	1	



From 3-4417 To 8-1043	Date:10/2022	PAGE:HF-1859-00
SPLASH GUARD - FRONT & REAR		

Item#	Part	Description	H 3 4 1	H 3 4 5	V I P 4 5	N O T E S
NS	460612	ANGLE 438MM SS From 3-4638	1	1	1	
45	172060	RETAINER PLASTIC FENDER "F" SHAPE 2105MM SS	2	2	2	
50	460598	AIR SHIELD DEFLECTOR ASSY / STREETSIDE From 3-4680	1	1		
. NS	460591	. AIR SHIELD DEFLECTOR / STREETSIDE From 3-4680	1	1		
. NS	460595	. EXTRUSION ALUMINUM / STREETSIDE From 3-4680	1	1		
50	460605	AIR SHIELD DEFLECTOR ASSY / STREETSIDE From 3-4680			1	
. NS	460608	. AIR SHIELD DEFLECTOR From 3-4680			1	
. NS	460609	. EXTRUSION ALUMINUM / STREETSIDE From 3-4680			1	
51	460590	AIR SHIELD DEFLECTOR / CENTER From 3-4680	1	1		
51	460450	AIR SHIELD DEFLECTOR ASSY / CENTER From 3-4680			1	
. NS	460444	. AIR SHIELD DEFLECTOR / CENTER From 3-4680			1	
. NS	460434	. EXTRUSION ALUMINUM / CENTER From 3-4680			1	
52	460597	AIR SHIELD DEFLECTOR ASSY / CURBSIDE From 3-4680	1	1		
. NS	460592	. AIR SHIELD DEFLECTOR / CURBSIDE From 3-4680	1	1		
. NS	460596	. EXTRUSION ALUMINUM / CURBSIDE From 3-4680	1	1		
52	460604	AIR SHIELD DEFLECTOR ASSY / CURBSIDE From 3-4680			1	
. NS	460606	. AIR SHIELD DEFLECTOR / CURBSIDE From 3-4680			1	
. NS	460607	. EXTRUSION ALUMINUM / CURBSIDE From 3-4680			1	
54	460610	SUPPORT / AIR SHIELD / CURBSIDE From 3-4680	1	1		
55	460611	SUPPORT / AIR SHIELD / STREETSIDE From 3-4680	1	1		
56	460589	STRIP, FIXATION / 31,7MM x 810MM SS From 3-4680	1	1		
57	464666	AIR DEFLECTOR FORWARD / W/RIGID SUSPENSION From 3-4680	1	1		
58	464667	AIR DEFLECTOR BACKWARD / W/RIGID SUSPENSION From 3-4680	1	1		
59	460452	AIR SHIELD DEFLECTOR / FORWARD / W/IND SUSPENSION From 3-4680 To 3-4757			1	
60	460386	AIR SHIELD DEFLECTOR / BACKWARD / W/IND SUSPENSION From 3-4680 To 3-4757			1	
61	502912	SCREW CAP HEXF M8-1.25x25 SS BK From 3-4680	AR	AR	AR	
62	502911	NUT HEXF M8-1.25 SS From 3-4680	AR	AR	AR	
63	502737	SCREW CAP HEX M6-1.0x25 SS BK From 3-4680	AR	AR	AR	
64	502570	WASHER LO SPT 6.1x11.8x1.6 SS From 3-4680	AR	AR	AR	
65	5001467	WASHER FL .343x1.250x.062 SS18-8 From 3-4680	AR	AR	AR	
66	502565	NUT HEX M6-1.0 SS From 3-4680	AR	AR	AR	
67	502810	SCREW TP CAP HEXW FL M6.3-1.81x30 PHC From 3-4680	AR	AR	AR	
68	464671	SUPPORT / AIR SHIELD "L" SHAPE / CURBSIDE REAR	1	1	1	
69	464670	SUPPORT / AIR SHIELD / CURBSIDE FRONT / 670MM	1	1	1	
70	464669	SUPPORT / AIR SHIELD / CURBSIDE CENTER / 670MM	1	1	1	
71	460456	AIR SHIELD DEFLECTOR / BACKWARD / W/IND SUSPENSION From 4-4758			2	
72	460455	AIR SHIELD DEFLECTOR / FORWARD / W/IND SUSPENSION From 4-4758			2	
75	460660	SPLASH GUARD / CONDENSOR GRILL From 7-1042	1	1		
75	506012	RUB 1 NYL 1/8" X 40" X 48" From 7-1042	1	1		
76	460661	PLATE RETAINER DEFLECTOR EVAPORATOR H3 From 7-1042	2	2		
77	504747	RIVET HKL MMS 3/16x3/8 SS From 7-1042	AR	AR		



From 3-4417 To 8-1043	Date:10/2022	PAGE:HF-1859-00
SPLASH GUARD - FRONT & REAR		

Item#	Part	Description	H 3 4 1	H 3 4 5	V I P 4 5	N O T E S
NS	460491	KIT, FIRE WALL OVER REAR WHELLHOUSE / H3 SERIES	1	1		F
NS	460476	SUPPORT / FRONT OF DRIVE / 84MM x 64MM	2	2		F
NS	460486	SUPPORT & FIRE DETECTOR ASSY / W/CABLE EXIT FLAT SIDE	3	3		F
. NS	460470	. SUPPORT FIRE DETECTOR / W/ANGLE	1	1		F
. NS	460483	. COVER FIRE DETECTOR / OVER DRIVE AXLE	1	1		F
. NS	065290	. HEAT DETECTOR "THERMO-DISK"	1	1		F
NS	460487	SUPPORT & FIRE DETECTOR ASSY / W/CABLE EXIT ANGLE SIDE	1	1		F
. NS	460470	. SUPPORT FIRE DETECTOR / W/ANGLE	1	1		F
. NS	460483	. COVER FIRE DETECTOR / OVER DRIVE AXLE	1	1		F
. NS	065290	. HEAT DETECTOR "THERMO-DISK"	1	1		F
NS	460488	SUPPORT & FIRE DETECTOR ASSY	1	1		F
. NS	460469	. SUPPORT FIRE DETECTOR / FLAT	1	1		F
. NS	460483	. COVER FIRE DETECTOR / OVER DRIVE AXLE	1	1		F
. NS	065290	. HEAT DETECTOR "THERMO-DISK"	1	1		F
NS	682175	UNDERCOATING BLACK PROTECTOR (GRAVELGUARD) 567gr	2	2		F
		A) WITH INDEPENDANT SUSPENSION				
		F) COACH EQUIPPED WITH FIRE DETECTOR IN DRIVE AXLE AREA				
		S10) WITH CURBSIDE SLIDE-OUT10'				
		SB) WITH CURBSIDE SLIDE-OUT 7.5 BACKWARD				
		SF) WITH CURBSIDE SLIDE-OUT 7.5 FORWARD				

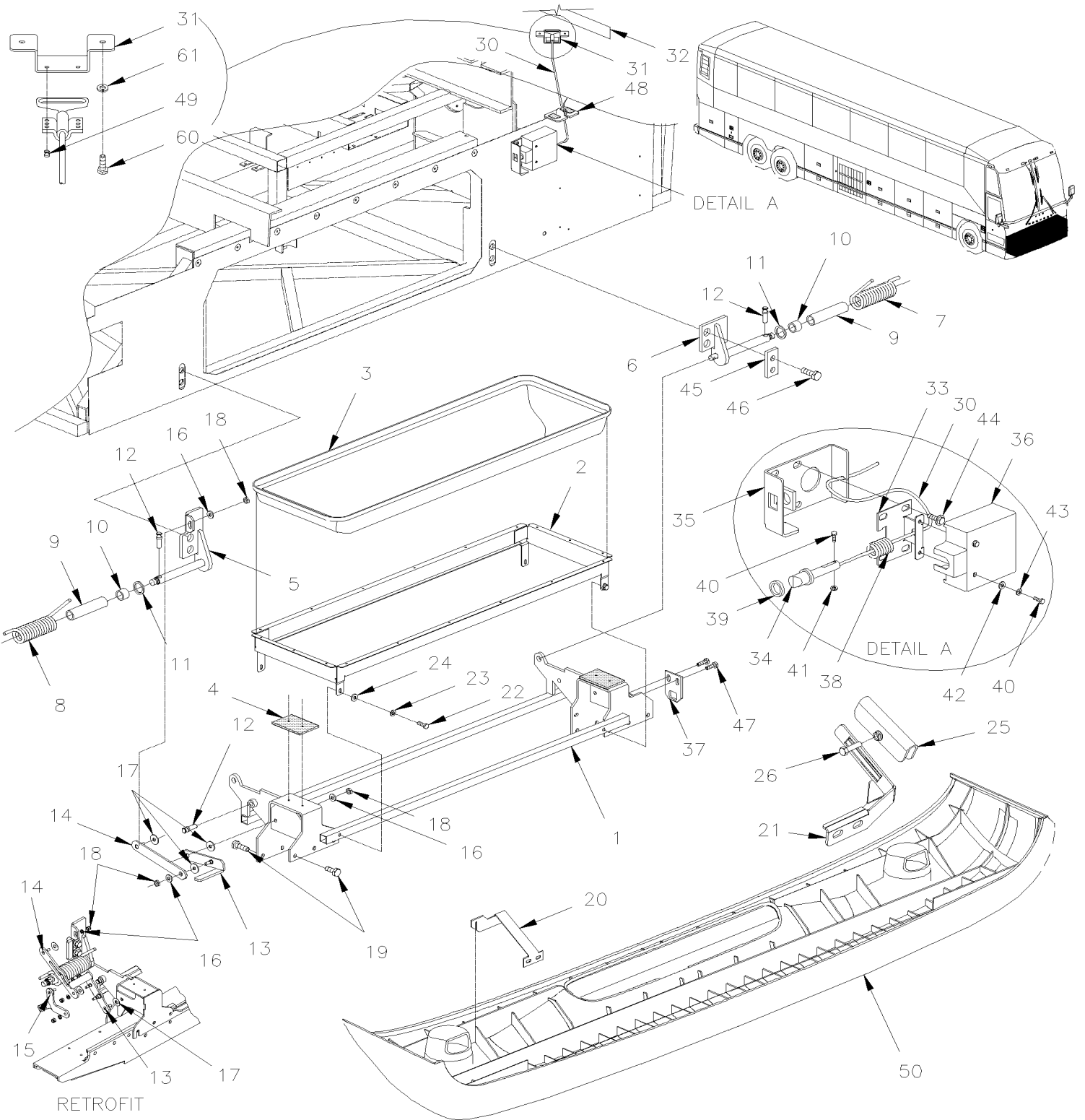


From 3-4417 To 8-1043

Date:10/2022

PAGE:HF-1860-10

SPARE WHEEL DOOR MECHANISM FRONT BUMPER





From 3-4417 To 8-1043	Date:10/2022	PAGE:HF-1860-10
SPARE WHEEL DOOR MECHANISM FRONT BUMPER		

Item#	Part	Description	H 3 4 1	H 3 4 5	V I P 4 5	N O T E S
1	410941	SUPPORT ASSY	1	1	1	
2	410852	FRAME ASSY	1	1		
3	410870	PANEL CLOSING / SPARE COMPARTMENT / PLASTIC	1	1		
NS	410395	RUBBER EXTRUSION SEAL / GRIP .062 X 3140MM	1	1		
NS	410971	REINFORCEMENT / CLOSING PANEL / "C" FORM	1	1		
4	410901	RUBBER PAD 75MM X 106MM	2	2	2	
NS	504416	RIVET POP DOME OE 3/16x5/8 SS	4	4	4	
5	410851	BRACKET ASSY / R.H.	1	1	1	
6	410850	BRACKET ASSY / L.H.	1	1	1	
7	410984	SPRING / L.H.	1	1	1	A
8	410983	SPRING / R.H.	1	1	1	A
9	507363	BUSHING TEFLON 1" I.D. X 1 1/2" O.D. X 5"	2	2	2	
10	507362	BUSHING TEFLON 1" I.D. X 1 1/2" O.D. X 3/4"	2	2	2	
11	410648	SPACER WASHER	2	2	2	
12	410640	STOPPER	4	4	4	
13	410944	SUPPORT MOBILE "L" SHAPE	1	1	1	
13	411173	SUPPORT MOBILE "L" SHAPE / SERVICE	1	1	1	
14	410953	SUPPORT MOBILE	1	1	1	
14	411174	SUPPORT MOBILE / SERVICE	1	1	1	
15	411176	LEVER LOCK W/PIN / SERVICE	1	1	1	
16	500975	WASHER FL .378x.620x.094 NYL	3	3	3	
17	5001233	WASHER FL .500x1.250x.062 NYL	3	3	3	
18	966171	NUT HEX NYRT M8x1.25 SS	3	3	3	
19	946472	SCREW CAP HEX M10-1.5x30 G8.8 ZG603	12	12	12	
20	410963	SUPPORT R.H To 5-0046	1	1	1	
20	410966	SUPPORT L.H To 5-0046	1	1	1	
21	411081	SUPPORT R.H From 5-0047	1	1	1	
21	411082	SUPPORT L.H From 5-0047	1	1	1	
22	502622	SCREW CAP HEX M6-1.0x20 SS BK	4	4	4	
23	502570	WASHER LO SPT 6.1x11.8x1.6 SS	4	4	4	
24	500411	WASHER FL .260x.697x.050 SS	4	4	4	
25	411083	ATTACHMENT "U" SHAPE From 5-0047	2	2	2	
26	502780	SCREW CAP HEX M8-1.25x25 SS BK From 5-0047	2	2	2	
30	410894	CABLE HANDLE ASSY To 7-0968	1	1	1	
30	411120	CABLE HANDLE ASSY From 7-0969	1	1	1	
NS	504777	. CLAMP From 7-0969	1	1	1	
31	287288	SUPPORT / HANDLE To 7-0968	1	1	1	
31	289981	SUPPORT / HANDLE From 7-0969	1	1	1	
32	287290	DECAL / "UNLATCH FRONT BUMPER" / ENGLISH & FRANCAIS	1	1	1	
32	288199	DECAL / "UNLATCH FRONT BUMPER" / ENGLISH & SPANISH	1	1	1	
33	410927	GUIDE PIN PLATE To 4-4782	1	1	1	
33	411005	GUIDE PIN PLATE From 4-4783	1	1	1	



From 3-4417 To 8-1043 Date:10/2022 PAGE:HF-1860-10

SPARE WHEEL DOOR MECHANISM FRONT BUMPER

Item#	Part	Description	H 3 4 1	H 3 4 5	V I P 4 5	N O T E S
34	287391	CATCH PIN SS / 90.5MM	1	1	1	
35	410946	GUIDE PIN WELDED To 4-4782	1	1	1	
35	411007	GUIDE PIN WELDED From 4-4783	1	1	1	
36	410895	COVER GUIDE PIN / PLASTIC	1	1	1	
37	410921	CATCH PIN LOCK PLATE	1	1	1	
38	502910	SPRING COMPRESSION / .720 O.D. 1.75 x .055	3	3	3	
39	507212	O-RING	3	3	3	
40	502685	SCREW CAP HEX M4-0.7x20 SS EMN	2	2	2	
41	502557	NUT HEX NYRT M4-0.7 SS	2	2	2	
42	502556	WASHER FL 4.3x9.0x0.8 SS	4	4	4	
43	955917	WASHER LO SPT 4.1x7.1x0.9 ZP	2	2	2	
44	5001742	SCREW CAP HEXF M8-1.25x30 G8.8 N500	4	4	4	
45	410460	PLATE 76MM X 30MM	2	2	2	
46	968435	SCREW CAP HEXF M16-2.0x40 G8.8 BKC	4	4	4	
47	946472	SCREW CAP HEXF M10-1.5x30 G8.8 ZG603	2	2	2	
48	410968	CLOSING CAP / PLASTIC	1	1	1	
49	504379	RIVET POP DOME OE 3/16x1/4 SS	4	4	4	
50	HF-1850-00	BUMPER FRONT				
60	502500	SCREW TC BDG PH #8-32x1/2 CJ	2	2	2	
61	5001378	WASHER LO EXT 5.3x10x0.6 Z050	2	2	2	
63	410671	KIT TOOL BUMPER SPRING INSTALLATION	1	1	1	
. NS	IS-97064	. SEE INSTRUCTION SHEET	1	1	1	
		A) FOR SPRING INSTALLATION USE KIT #410671				

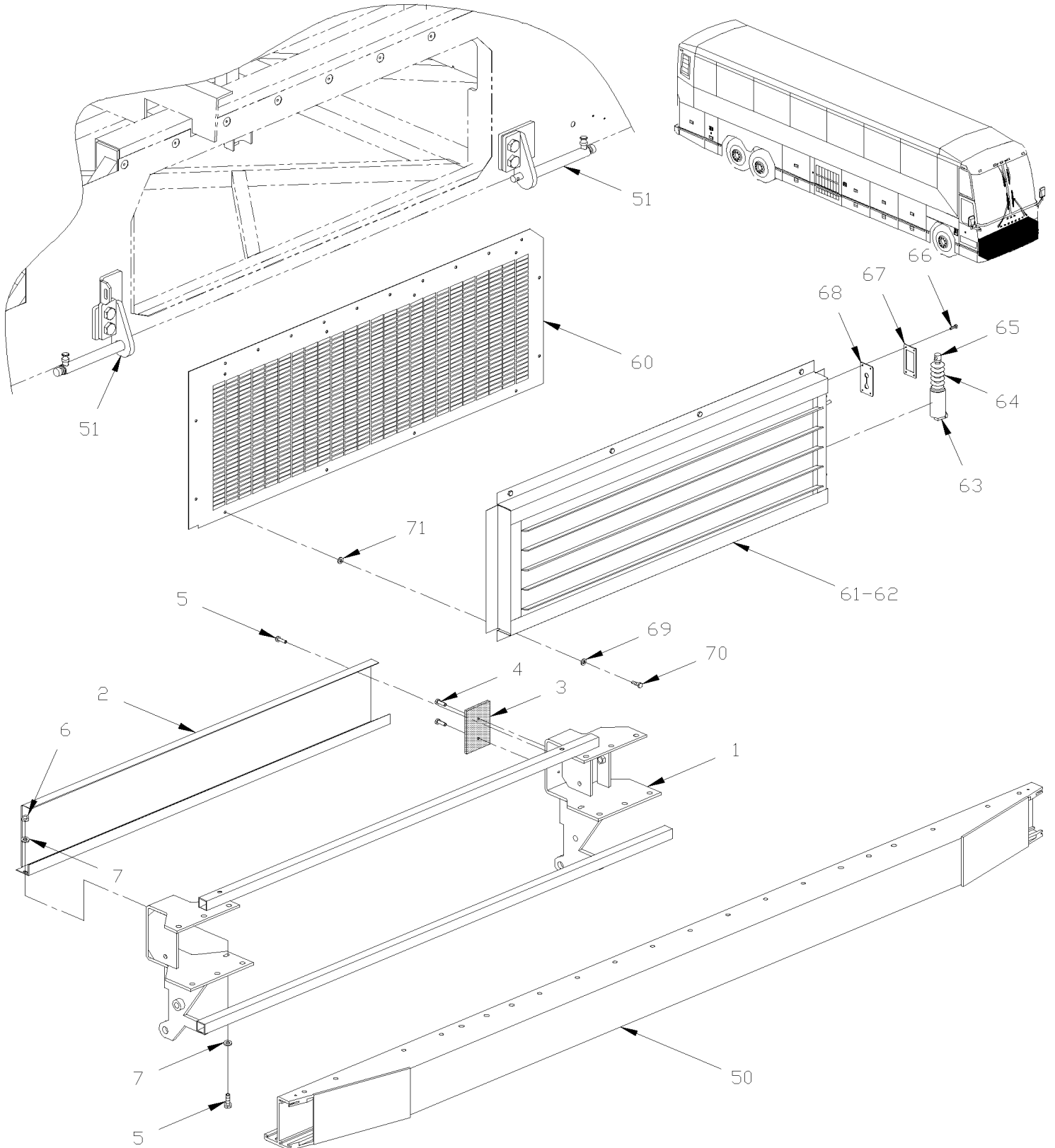


From 3-4417 To 8-1043

Date:10/2022

PAGE:HF-1860-50

BUMPER DOOR FRONT - V.I.P.





From 3-4417 To 8-1043	Date:10/2022	PAGE:HF-1860-50
BUMPER DOOR FRONT - V.I.P.		

Item#	Part	Description	H 3 4 1	H 3 4 5	V I P 4 5	N O T E S
1	410941	SUPPORT ASSY			1	
2	410945	PLATE ANTI SKID			1	
3	410901	RUBBER PAD 75MM X 106MM			2	
4	504416	RIVET POP DOME OE 3/16x5/8 SS			4	
5	502622	SCREW CAP HEX M6-1.0x20 SS BK			2	
6	5001182	NUT HEX NYRT M6-1.0 SS			2	
7	500411	WASHER FL .260x.697x.050 SS			2	
50	HF-1850-00	BUMPER FRONT				
51	HF-1860-10	SPARE WHEEL DOOR MECHANISM FRONT BUMPER				
60	410847	PANEL / W/HOLES			1	
61	051570	SHUTTER ASSY			1	
. NS	550568	. CYLINDER AIR / SHUTTER / W/4" MOUNT			1	
. NS	550569	. BOOT RUBBER			1	
. NS	550577	. SPRING EXTENSION / .350 O.D. x 6.875 x .069			1	
. NS	550179	. BUSHING 5/16" I.D. / NYLON			AR	
62	550577	. SPRING EXTENSION / .350 O.D. x 6.875 x .069			1	
63	550568	. CYLINDER AIR / SHUTTER / W/4" MOUNT			1	
64	550569	. . BOOT RUBBER			1	
65	550179	. . BUSHING 5/16" I.D. / NYLON			2	
66	504340	RIVET POP DOME OE 1/8x3/16 SS			4	
67	282953	PLATE, CLOSING			1	
68	282954	GASKET			1	
69	5001341	WASHER FL 8.4x17.0x1.6 SS			8	
70	5001542	SCREW TC CAP HEX 5/16-18X3/4 EMN			8	
71	502761	SCREW TP BDG PH #10x3/4 SS BK			13	

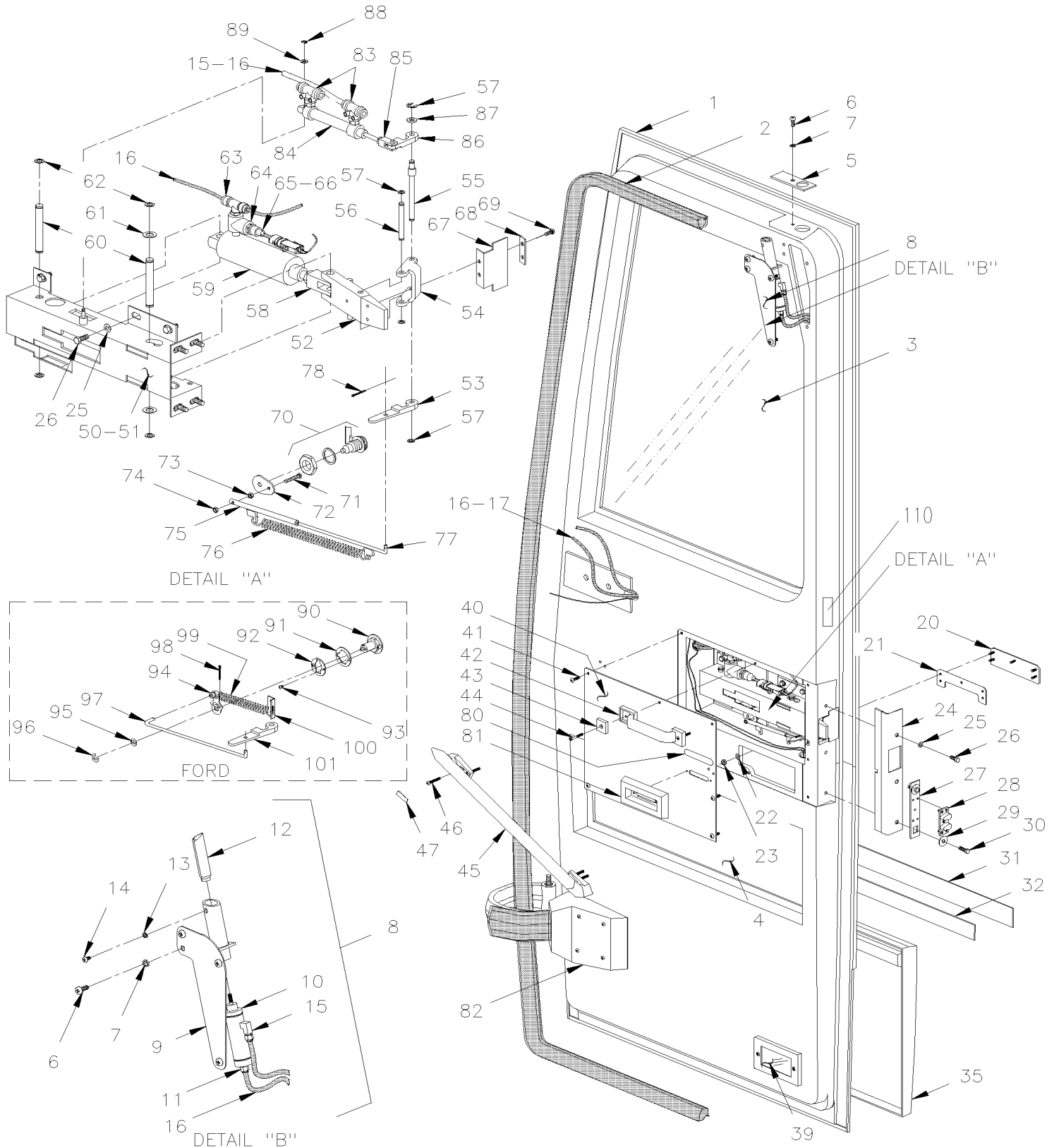


From 3-4417 To 8-1043

Date:10/2022

PAGE:HF-1862-10

ENTRANCE DOOR ASSY - SEDAN





From 3-4417 To 8-1043	Date:10/2022	PAGE:HF-1862-10
ENTRANCE DOOR ASSY - SEDAN		

Item#	Part	Description	H 3 4 1	H 3 4 5	V I P 4 5	N O T E S
	285870	ENTRANCE DOOR ASSY / SEDAN / GREY & BLACK To 4-4880	1	1		
	288826	ENTRANCE DOOR ASSY / SEDAN / WITH LOCK "NS" GRAY / BLACK From 4-4881	1	1		
1	285636	. DOOR MOULDED / FIBERGLASS	1	1		
1	289691	. DOOR MOULDED / FIBERGLASS W/O WIRE HOLE FOR DOCKING LAMP	1	1		
1	285644	. DOOR MOULDED / FIBERGLASS / W/"FORD" KEY	1	1		
1	289692	. DOOR MOULDED / FIBERGLASS / W/"FORD" KEY W/O WIRE HOLE FOR DOCKING LAMP	1	1		
2	285464	. RUBBER SEAL EXTRUSION 5800MM	AR	AR		
2	280136	. RUBBER SEAL EXTRUSION 5800MM	1	1		
2	2800115	. RUBBER SEAL EXTRUSION 5800MM	1	1		
3	293204	. GLASS, THERMOS	1	1		
4	293205	. GLASS, THERMOS	1	1		
NS	681089	. SEALANT TAPE BUTYL / BLACK / 1/8"x5/16"x15' / 753152760	AR	AR		
NS	681091	. PRIMER SIKA #206 / BLACK / 250ml	AR	AR		
NS	681092	. ADHESIVE SIKA #255FC / BLACK / 310ml CARTRIDGE	AR	AR		
5	285876	. PLATE FINISHING	1	1		
6	502569	. SCREW MA PAN PH M6-1.0x16 BK	1	1		O
7	500472	. WASHER LO INT .256x.478x.028 Z050	1	1		P
8	285877	. LOCK ASSY, UPPER	1	1		
9	285878	. . PLATE, LOCK	1	1		
10	641392	. . CYLINDER 7/8" X 1" STROKE / DOUBLE ACTION To 4-4800	1	1		
10	641983	. . CYLINDER 7/8" X 1" STROKE / DOUBLE ACTION From 4-4801	1	1		
11	641242	. . MALE CONNECTOR / PUSH-IN FITTING / #4x1/8NPT-M BR	2	2		
12	285271	. . CATCH	1	1		
12	282383	. . CATCH	1	1		
12	683276	. . GREASE LOW TEMPERATURE 450GR	AR	AR		
13	502636	. . WASHER LO SPT 4.1x7.6x0.9 Z050	1	1		
14	500560	. SCREW MA PAN PH M4-0.7x6 Z050	1	1		
15	641369	. MALE ELBOW 90° NON-SWIVEL / PUSH-IN FITTING / #4x1/8NPT-M BR	1	1		
		THE 7 FOLLOWING PARTS ARE LOCATED INSIDE THE DOOR				
16	503402	. TUBE, NYLON 1/4 O.D. / BLACK S.L.	AR	AR		
NS	504421	. GROMMET / .625x.875x.187x.437x1.125	3	3		
NS	500510	. SCREW MA BDG PH #10-32x3/4 SS EMN	1	1		
NS	500519	. NUT WELL #10-32x.518	1	1		
NS	560503	. CLAMP / 1/4" I.D.	1	1		
17	063951	. CABLE ASSY / DOOR ACCESSORIES To 5-0167	1	1		G
17	066211	. CABLE ASSY / DOOR ACCESSORIES / MUX From 5-0168 To 6-0398	1	1		
17	066647	. CABLE ASSY / DOOR ACCESSORIES / MUX From 6-0399	1	1		
NS	560503	. CLAMP / 1/4" I.D.	1	1		
20	283956	. HANDLE ASSY / W/5 STUDS	1	1		



From 3-4417 To 8-1043	Date:10/2022	PAGE:HF-1862-10
ENTRANCE DOOR ASSY - SEDAN		

Item#	Part	Description	H 3 4 1	H 3 4 5	V I P 4 5	N O T E S
21	283954	. GASKET / HANDLE & BODY	1	1		
22	502556	. WASHER FL 4.3x9.0x0.8 SS	5	5		Q
23	502557	. NUT HEX NYRT M4-0.7 SS	5	5		Q
24	285880	. PLATE, FINISHING	1	1		
24	288944	. PLATE, FINISHING	1	1	1	
25	502582	. WASHER LO SERR 6.1x16.2x0.9 Z050	11	11		
26	502531	. SCREW CAP HEX M6-1.0x16 G8.8 Z050	11	11		R
27	283929	. PLATE / TO FIX DOVETAIL	1	1		
NS	5001058	. SCREW MA FL PH M4-0.7x8 Z050	3	3		
28	780496	. DOVETAIL, MALE	1	1		
29	502622	. SCREW CAP HEX M6-1.0x20 SS BK	2	2		
30	502583	. WASHER LO SERR 8.15x22.3x1.0 Z050	4	4		
31	283100	. STRIPE, REFLECTIVE WHITE / 38MM X 15' ROLL	AR	AR		
. NS	780277	. . STRIPE, REFLECTIVE WHITE / 38MM X 150' ROLL	AR	AR		
32	285683	. EXTRUSION BACKING ASSY W/REFLECTOR 771MM	1	1		
. NS	285659	. . EXTRUSION BACKING 771MM	1	1		
32	280235	. EXTRUSION BACKING ASSY W/REFLECTOR 768MM	1	1		SVC
. NS	280118	. . EXTRUSION 768MM	1	1		SVC
32	685126	. ADHESIVE SIMSON #ISR 70-03 / GREY / 600ml SAUSAGE	AR	AR		SVC
NS	680025	. CAULKING STRIP 3/16" O.D. X 14'	AR	AR		
33	500120	. SCREW TP BDG PH #6x1/2 SS	4	4		
35	285654	. PROTECTOR PANEL / SH	1	1		
35	285898	. PROTECTOR PANEL / WITH GRAVEL GUARD / SH	1	1		H
NS	681348	. TAPE RUB ADH2 ACRYLIC .045" x 1" x 108' / VHB4952	AR	AR		
37	5001189	. NUT HEX 5/16-18 SS	4	4		
39	HF-0655-00	INTERIOR LIGHTING				
NS	500862	. SCREW TC PAN PH #6-32x3/4 Z050	2	2		S
NS	500422	. NUT SPR U #6-32 .110-.120 SS	2	2		S
40	285879	. PLATE, CLOSING	1	1		
41	502761	. SCREW TP BDG PH #10x3/4 SS BK	7	7		
42	860422	. HANDLE	1	1		
43	284049	. PLUG / SQUARE / BLACK	1	1		
44	500360	. SCREW TP FL PH #8x1 1/4 BK	2	2		
45	900489	. HANDLE	1	1		
46	500619	. SCREW TP FL PH #10x1 1/4 Z050	4	4		
47	900490	. CAP / W/HANDLE	2	2		
50	285065	. CATCH ASSY To 4-4880	1	1		
50	287606	. CATCH ASSY From 4-4881	1	1		
51	285087	. . BASE To 4-4880	1	1		
51	287609	. . BASE From 4-4881	1	1		
52	283975	. . CATCH To 4-4880	1	1		
52	287607	. . CATCH From 4-4881	1	1		



From 3-4417 To 8-1043	Date:10/2022	PAGE:HF-1862-10
ENTRANCE DOOR ASSY - SEDAN		

Item#	Part	Description	H 3 4 1	H 3 4 5	V I P 4 5	N O T E S
53	283968	. . HOOK	1	1		
54	283945	. . LEVER	1	1		
55	283947	. . AXE LONG / 69.9MM To 4-4880	1	1		
55	287604	. . AXE LONG W/SHOULDER / 86.5MM From 4-4881	1	1		
56	283946	. . AXE SHORT / 54.4MM	1	1		
57	504402	. . RING RETAINER / EXT .250 x .210 x .025"	6	6		
58	641216	. . YOKE	1	1		
. NS	642225	. . . CLIP	2	2		
59	641209	. . CYLINDER 1 3/4" X 3/4" STROKE To 4-4794	1	1		
59	641984	. . CYLINDER 1 3/4" X 3/4" STROKE From 4-4795	1	1		
60	283948	. . AXE	2	2		
61	500444	. . WASHER FL .406x.812x.065 Z050	2	2		
62	504477	. . RING RETAINER / EXT 14.0 X 13.4 X 1.0MM	2	2		
63	641006	. . MALE BRANCH TEE / NTA FITTING / #4x#4x1/4NPT-M BR	1	1		
64	501338	. MALE RUN TEE / PIPE FITTING / 1/4NPT-Mx1/4NPT-Fx1/4NPT-F BR	1	1		
65	285218	. PRESSURE SWITCH N.C. 30-10 20PS001AB030E010E	1	1		
66	950249	. SCHRADER VALVE 1/4NPT-M	1	1		
67	284051	. RUBBER, CLOSING	1	1		
67	680066	. ADHESIVE / ADBOND #5014 / 23.6ML BOTTLE	AR	AR		
68	284052	. PLATE / TO FIX CLOSING RUBBER	1	1		
69	500650	. SCREW TC PAN PH #6-32x3/8 ZP	1	1		O
70	HF-1864-30	HANDLE LOCK & KEYS - TYPE "PS"				
70	HF-1864-32	HANDLE LOCK & KEYS - TYPE "NS"	1	1	1	
71	500418	. SCREW MA RND SLT #8-32x1 ZP	1	1		
72	780279	. LEVER, LOCK / CYLINDER / PLASTIC BLACK / 7MM SQ HOLE To 4-4914	1	1		
72	288324	. LEVER, LOCK / CYLINDER / PLASTIC BLACK / 8MM SQ HOLE From 4-4915	1	1		J
73	500764	. NUT HEX #8-32 Z050	1	1		
74	500670	. NUT HEX NYRT #8-32 Z050	1	1		
75	283962	. ROD / LOCK CYLINDER SIDE / 136 MM	1	1		
76	502147	. SPRING EXTENSION / .500 O.D. 3.5 x .054	1	1		
77	283960	. ROD "L" SHAPE 173MM	1	1		
78	502094	. PIN, COTTER 1/16 x 1/2 SS	1	1		
80	284055	. DECAL / CLOSE - OPEN / ENGLISH	1	1		
80	408253	. DECAL / CLOSE - OPEN / ENGLISH	1	1		
81	285862	CAP, FINISHING	1	1		
81	500686	SCREW TP OV PH #6x1/2 BK	2	2		
81	500345	WASHER FN CKF .187x.500x.090 BR BK	2	2		
82	HF-1862-60	ENTRANCE DOOR FRAME - INSTALLATION				
83	642008	MALE BRANCH TEE SWIVEL / PUSH-IN FITTING / #4x#4x10-32 BR From 4-4881 To 4-4979	2	2		
83	642008	MALE BRANCH TEE SWIVEL / PUSH-IN FITTING / #4x#4x10-32 BR From 4-4980	1	1		
84	642009	CYLINDER 7/16" X 1" STROKE From 4-4881 To 5-0251	1	1		
84	642030	CYLINDER 7/16" X 1" STROKE From 5-0252	1	1		



From 3-4417 To 8-1043	Date:10/2022	PAGE:HF-1862-10
ENTRANCE DOOR ASSY - SEDAN		

Item#	Part	Description	H 3 4 1	H 3 4 5	V I P 4 5	N O T E S
NS	291951	SPRING COMPRESSION / .511 O.D. x 46MM x .040 From 4-4980 To 5-0251	1	1		
84	291978	SPRING, COMP. / .511 O.D. x 52MM x .055 From 5-0252	1	1		
85	950202	YOKE From 4-4881	1	1		
86	287603	HOOK SAFETY LOCK From 4-4881	1	1		
87	502573	WASHER FL 6.4x12.5x1.6 SS	1	1		
88	504714	RING RETAINER / EXT .156 x .114 x .025"	1	1		
89	504357	WASHER FL .187x.437x.050 SS	1	1		
		FOLLOWING PARTS ARE RELATED TO "FORD"				
		ENTRANCE DOOR CYLINDER LOCK "OPTION"				
90	284561	CYLINDER LOCK MODIFIED / CODE A	1	1		
90	Call order desk	CYLINDER LOCK MODIFIED / CODE FA 0001	1	1		P
90	286156	CYLINDER LOCK / CODE M / FA 0013	1	1		
90	Call order desk	CYLINDER LOCK MODIFIED / CODE FA 0020	1	1		P
90	287079	CYLINDER LOCK / CODE O / FA 0028	1	1		
90	287926	CYLINDER LOCK / CODE Q / FA 0107	1	1		
90	Call order desk	CYLINDER LOCK MODIFIED / CODE FA 0109	1	1		P
90	Call order desk	CYLINDER LOCK MODIFIED / CODE FA 0206	1	1		P
90	Call order desk	CYLINDER LOCK MODIFIED / CODE FA 0208	1	1		P
90	Call order desk	CYLINDER LOCK MODIFIED / CODE FA 0268	1	1		P
90	284841	CYLINDER LOCK MODIFIED / CODE FA 0368	1	1		
90	285264	CYLINDER LOCK / CODE AB / FA 0443	1	1		
90	285577	CYLINDER LOCK MODIFIED / CODE FA 0528	1	1		
90	Call order desk	CYLINDER LOCK MODIFIED / CODE FA 0563	1	1		P
90	285545	CYLINDER LOCK / CODE AG / FA 0625	1	1		
90	284373	CYLINDER LOCK / CODE AH / FA 0648	1	1		
90	285276	CYLINDER LOCK / CODE AI / FA 0668	1	1		
90	287920	CYLINDER LOCK / CODE AJ / FA 0692	1	1		
90	286418	CYLINDER LOCK / CODE AL / FA 0714	1	1		
90	285861	CYLINDER LOCK / CODE AM / FA 0721	1	1		
90	284935	CYLINDER LOCK / CODE AO / FA 1116	1	1		
90	285572	CYLINDER LOCK / CODE AQ / FA 1316	1	1		
90	285066	CYLINDER LOCK / CODE AT / FA 1486	1	1		
91	780237	SEAL RUBBER 1/32" TH	1	1		
91	2800032	SEAL RUBBER 1/16" TH	1	1		
92	285811	WASHER / CYLINDER LOCK RETAINER	1	1		
93	500518	SCREW MA BDG PH #4-40x1/2 Z050	2	2		
94	284358	LEVER ASSY	1	1		
NS	500438	WASHER FL .187x.437x.050 Z050	2	2		
95	283853	SPACER / WASHER 9/16" O.D. X 1/4" I.D.	1	1		
96	504402	RING RETAINER / EXT .250 x .210 x .025"	1	1		



From 3-4417 To 8-1043	Date:10/2022	PAGE:HF-1862-10
ENTRANCE DOOR ASSY - SEDAN		

Item#	Part	Description	H 3 4 1	H 3 4 5	V I P 4 5	N O T E S
97	284363	. ROD / 178MM	1	1		
98	502094	PIN, COTTER 1/16 x 1/2 SS	1	1		
99	502184	. SPRING EXTENSION / .360 O.D. x 1.25 x .031	1	1		
100	285639	SUPPORT	1	1		
101	284852	HOOK	1	1		
NS	780238	KEY BLANK UNCUT	1	1		
NS	780217	KEY CODE / FA 0000	1	1		
102	780654	KEY CODE / FA 0001	1	1		
NS	780604	KEY CODE / FA 0013	1	1		
102	780628	KEY CODE / FA 0020	1	1		
102	780624	KEY CODE / FA 0028	1	1		
102	780634	KEY CODE / FA 0107	1	1		
102	780656	KEY CODE / FA 0109	1	1		
102	780631	KEY CODE / FA 0206	1	1		
102	780659	KEY CODE / FA 0208	1	1		
102	780572	KEY CODE / FA 0268	1	1		
NS	780582	KEY CODE / FA 0368	1	1		
NS	780552	KEY CODE / FA 0443	1	1		
NS	780579	KEY CODE / FA 0528	1	1		
102	780791	KEY CODE / FA 0563	1	1		
NS	780575	KEY CODE / FA 0625	1	1		
NS	780534	KEY CODE / FA 0648	1	1		
NS	780554	KEY CODE / FA 0668	1	1		
102	780632	KEY CODE / FA 0692	1	1		
102	780608	KEY CODE / FA 0714	1	1		
NS	780591	KEY CODE / FA 0721	1	1		
NS	780541	KEY CODE / FA 1116	1	1		
NS	780577	KEY CODE / FA 1316	1	1		
NS	780545	KEY CODE / FA 1486	1	1		
110	406050	DECAL / "C.W.A." & "T.C.A."	1	1		
110	157729	DECAL / WALL TO WALL TURNING DIAM 90' 3" WITH VIN #	1	1		
. NS	157730	. DECAL / WALL TO WALL TURNING DIAM 90' 3" W/OUT VIN RAW MATERIAL	1	1		
		G) THIS CABLE ASSY IT USE W/RELAY MODUL WITH N.C. PRESSURE SWITCH				
		H) THIS PROTECTOR IS COATED WITH GRAVEL GUARD AND IS BLACK PAINTED, READY TO INSTALL.				
		J) SEE KITS AT END OF PAGE HF-1864-32				
		O) TO FIX PLATE				
		P) TO FIX PLATE & UPPER LOCK				
		Q) TO FIX HANDLE				
		R) TO FIX CLOSING PLATE & CATCH				



From 3-4417 To 8-1043	Date:10/2022	PAGE:HF-1862-10
-----------------------	--------------	-----------------

ENTRANCE DOOR ASSY - SEDAN

Item#	Part	Description	H 3 4 1	H 3 4 5	V I P 4 5	N O T E S
		S) TO FIX LAMP				
		SVC) SERVICE				
		P) CALL ORDER DESK FOR SPECIFIC APPLICATION (V.I.N.)				

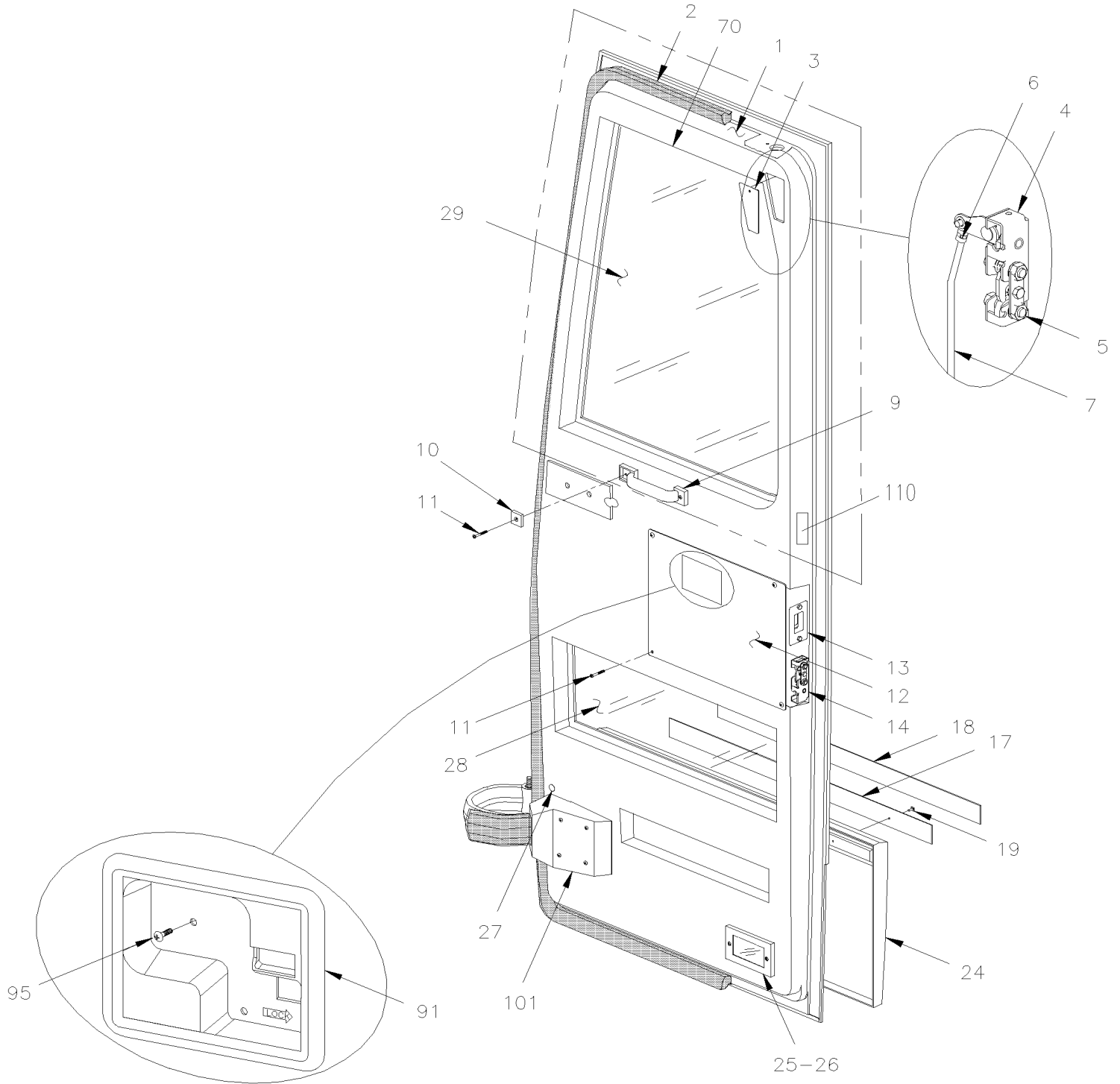


From 3-4417 To 8-1043

Date:10/2022

PAGE:HF-1862-50

ENTRANCE DOOR ASSY - V.I.P.



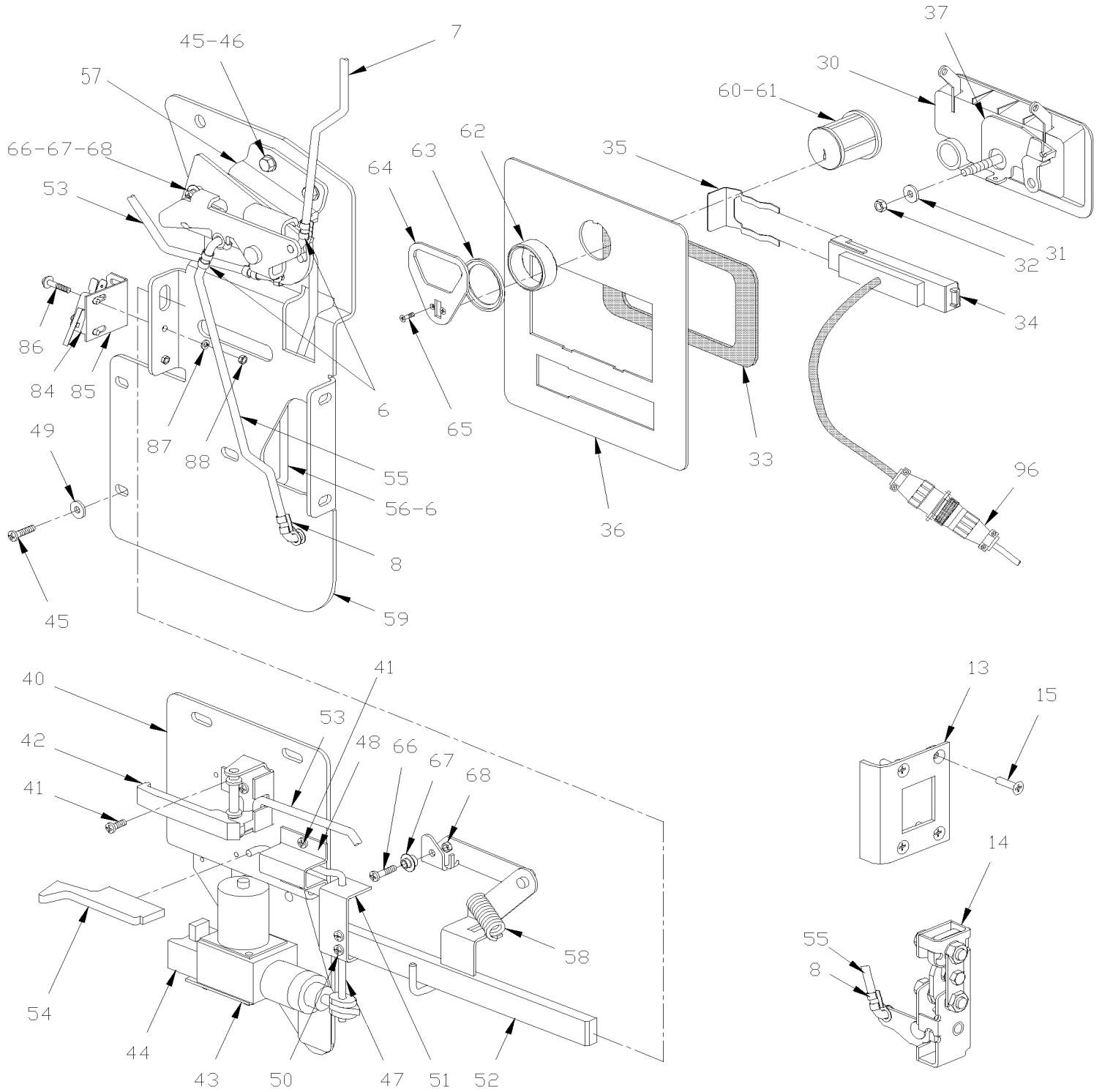


From 3-4417 To 8-1043

Date:10/2022

PAGE:HF-1862-50

ENTRANCE DOOR ASSY - V.I.P.





From 3-4417 To 8-1043	Date:10/2022	PAGE:HF-1862-50
ENTRANCE DOOR ASSY - V.I.P.		

Item#	Part	Description	H 3 4 1	H 3 4 5	V I P 4 5	N O T E S
	286108	ENTRANCE DOOR ASSY / V.I.P.			1	D
	069141	KEYBOARD REPLACEMENT KIT	1	1	1	D
. NS	069071	. HARNESS ENTRANCE DOOR KEYLESS SKIM	1	1	1	D
. NS	069164	. SUPPORT SKIM MODULE	1	1	1	D
. NS	069166	. HARNESS KEYLESS KEYPAD - CPC	1	1	1	D
. NS	502868	. SCREW TC TR PH #10-16x1/2 N500	2	2	2	D
. NS	502903	. SCREW TC FL PH #10-24x1 1/4 N500	3	3	3	D
. NS	504013	. TIE MOUNT / 1/4" X 1/4" I.D.	3	3	3	D
. NS	504637	. CABLE TIE / 3/16" x 13"	6	6	6	D
. NS	565914	. KEYPAD, DOOR LOCK W/CONNECTOR	1	1	1	D
. NS	565916	. MODULE INTERFACE KEYLESS SYSTEM	1	1	1	D
. NS	IS-13158	. SEE INSTRUCTION SHEET	1	1	1	D
. NS	FI-13158	. VOIR FEUILLE D'INSTRUCTION	1	1	1	D
1	286430	. DOOR MOULDED / FIBERGLASS			1	
1	289690	. DOOR MOULDED / FIBERGLASS			1	
2	285464	. RUBBER SEAL EXTRUSION 5800MM			1	
2	280136	. RUBBER SEAL EXTRUSION 5800MM			1	
2	2800115	. RUBBER SEAL EXTRUSION 5800MM			1	
3	285939	. PLATE, CLOSING UPPER LOCK			1	
NS	500385	. NUT SPR U #6-32 .135-.150 N500			1	
4	289302	. LATCH / R.H.			1	
5	502888	. SCREW CAP HEX M6-1.0x35 G8.8 N500			6	
NS	502564	. WASHER LO SPT 6.1x11.8x1.6 Z050			6	
6	504541	. CLIP ROD 1/4" R.H.			6	
7	283392	. ROD 7/32" O.D.			1	
NS	500950	. WASHER FL .187x.625x.094 RUB			3	
NS	682175	. UNDERCOATING BLACK PROTECTOR (GRAVELGUARD) 567gr			AR	
8	504243	. CLIP ROD 1/4" L.H.			1	
9	860422	. HANDLE			1	
10	284049	. PLUG / SQUARE / BLACK			1	
11	502761	. SCREW TP BDG PH #10x3/4 SS BK			4	
12	285940	. PLATE, CLOSING			1	
NS	506225	. TAPE RUB ADH1 CC POL 1/16" x 1/4" x 100' / GREY 2520			AR	
13	283397	. GUIDE ASSY			1	
14	283491	. LATCH / L.H.			1	
15	500654	. SCREW TC BDG PH #8-32x1/2 Z050			4	
17	285683	. EXTRUSION BACKING ASSY W/REFLECTOR 771MM			1	
. NS	285659	. . EXTRUSION BACKING 771MM			1	
17	280235	. EXTRUSION BACKING ASSY W/REFLECTOR 768MM			1	SVC
. NS	280118	. . EXTRUSION 768MM			1	SVC
17	685126	. ADHESIVE SIMSON #ISR 70-03 / GREY / 600ml SAUSAGE			AR	SVC
18	283100	. . STRIPE, REFLECTIVE WHITE / 38MM X 15' ROLL			AR	



From 3-4417 To 8-1043	Date:10/2022	PAGE:HF-1862-50
ENTRANCE DOOR ASSY - V.I.P.		

Item#	Part	Description	H 3 4 1	H 3 4 5	V I P 4 5	N O T E S
. NS	780277	. . . STRIPE, REFLECTIVE WHITE / 38MM X 150' ROLL			AR	
19	500120	. SCREW TP BDG PH #6x1/2 SS			4	
24	285654	. PROTECTOR PANEL / SH			1	
NS	681348	. TAPE RUB ADH2 ACRYLIC .045" x 1" x 108' / VHB4952			AR	
NS	682462	. ADHESIVE SIKA #252 / BLACK / 310ml CARTRIDGE			AR	
NS	682348	. TAPE, DOUBLE COATED ACRYLIC			AR	
25	HF-0655-00	. INTERIOR LIGHTING				
26	500862	. SCREW TC PAN PH #6-32x3/4 Z050			3	
NS	500422	. NUT SPR U #6-32 .110-.120 SS			3	
27	504433	. SNAP-IN PLUG / 1.090 O.D.			1	
28	293205	. GLASS, THERMOS			1	
29	293204	. GLASS, THERMOS			1	
NS	681091	. PRIMER SIKA #206 / BLACK / 250ml			AR	
29	506769	. TAPE RUB ADH2 CC POL 1/8" x 1/4" x 60' / BLACK H1CC-N-#14			AR	
30	IS18903	. ENTRANCE DOOR HANDLE			1	
. NS	780432	. . . HANDLE ASSY			1	
. NS	284058	. . . LEVER			1	
. NS	IS-18903	. . . SEE INSTRUCTION SHEET			1	
31	500441	. WASHER FL .312x.734x.065 Z050			1	
32	502819	. NUT HEX JAM 1/4-20 Z050			1	
33	680307	. SEALER TREMTHANE / UPPER & CENTER PANELS			AR	
34	065303	. KEYBOARD ASSY			1	
NS	504465	. GROMMET / .375x.500x.250x.500x.750			1	
34	069141	KEYBOARD REPLACEMENT KIT			1	SAV
. NS	069071	. HARNESS ENTRANCE DOOR KEYLESS SKIM			1	SAV
. NS	069164	. SUPPORT SKIM MODULE			1	SAV
. NS	069166	. HARNESS KEYLESS KEYPAD - CPC			1	SAV
. NS	502868	. SCREW TC TR PH #10-16x1/2 N500			2	SAV
. NS	502903	. SCREW TC FL PH #10-24x1 1/4 N500			3	SAV
. NS	504013	. TIE MOUNT / 1/4" X 1/4" I.D.			3	SAV
. NS	504637	. CABLE TIE / 3/16" x 13"			6	SAV
. NS	565914	. KEYPAD, DOOR LOCK W/CONNECTOR			1	SAV
. NS	565916	. MODULE INTERFACE KEYLESS SYSTEM			1	SAV
. NS	IS-13158	. SEE INSTRUCTION SHEET			1	SAV
. NS	FI-13158	. VOIR FEUILLE D'INSTRUCTION			1	SAV
35	780637	. CLIP RETAINER			1	
36	286980	. PLATE / HANDLE			1	
NS	681092	. ADHESIVE SIKA #255FC / BLACK / 310ml CARTRIDGE			AR	
37	284058	. LEVER			1	
40	283394	. PLATE, MOUNTING			1	
41	500654	. SCREW TC BDG PH #8-32x1/2 Z050			4	
42	780484	. LEVER, RELEASE			1	



From 3-4417 To 8-1043	Date:10/2022	PAGE:HF-1862-50
ENTRANCE DOOR ASSY - V.I.P.		

Item#	Part	Description	H 3 4 1	H 3 4 5	V I P 4 5	N O T E S
43	284834	. SUPPORT ACTUATOR			1	
44	780428	. LOCK ACTUATOR / 12V			1	
. NS	562076	. . CONNECTOR / PACK-CON I / FEMALE HOUSING / 2C / PED 8911772			1	
44	2810382	. ACTUATOR SERVICE KIT			1	
45	955271	. SCREW CAP HEX M6-1.0x16 G8.8 ZG603			15	
46	500454	. WASHER LO INT .256x.478x.028 N500			12	
47	284836	. ROD			1	
48	780483	. CLAMP			1	
49	502582	. WASHER LO SERR 6.1x16.2x0.9 Z050			9	
49	500472	. WASHER LO INT .256x.478x.028 Z050			12	
50	500393	. SCREW TC PAN PH #10-24x3/8 Z050			2	
51	283364	. TIE			1	
52	284079	. ROD 259MM C/C			1	
53	283387	. ROD			1	
54	284127	. BUTTON			1	
55	284076	. ROD 259MM C/C			1	
56	283371	. ROD 171MM C/C			1	
57	285748	. SHUTTER, RELEASE ASSY			1	
58	502156	. SPRING EXTENSION / .437 O.D. x 2 x .041			1	
59	283393	. PLATE, MOUNTING			1	
60	780430	. CYLINDER LOCK ASSY W/2 KEYS / "CORBIN"			1	SS
. NS	780562	. . KEY / "CORBIN" BLANK			2	SS
60	780803	. CYLINDER LOCK ASSY W/2 KEYS / "SCHLAGE"			1	
. NS	780902	. . KEY / "SCHLAGE" BLANK			1	
61	780562	. KEY / "CORBIN" BLANK			AR	
62	283380	. SPACER / LOCK & NUT			1	
63	780427	. NUT			1	
64	284074	. LEVER, TRIANGULAR SHAPE / W/"CORBIN"			1	
64	289030	. LEVER, TRIANGULAR SHAPE / W/"SCHLAGE"			1	
65	N.S.S.	. SCREW			2	1
66	502746	. SCREW MA PAN PH M5-0.8x20 SS BK			1	
67	285546	. STOPPER			1	
68	502782	. NUT HEX NYRT M5-0.8 Z050			2	
84	561677	. MICRO SWITCH			1	
85	064763	. SUPPORT			1	
86	502577	. SCREW MA PAN PH M3-0.5x16 ZP			2	
87	500467	. WASHER LO INT .138x.275x.019 Z050			2	
88	502579	. NUT HEX M3-0.5 NP			2	
91	780482	. BEZEL			1	
91	283769	. DECAL / "LOCK"			1	
95	500443	. SCREW TP PAN PH #8x1/2 N500			2	
96	064831	. CABLE KEYLESS MODULE To 6-0435			1	



From 3-4417 To 8-1043	Date:10/2022	PAGE:HF-1862-50
ENTRANCE DOOR ASSY - V.I.P.		

Item#	Part	Description	H 3 4 1	H 3 4 5	V I P 4 5	N O T E S
96	066459	. CABLE HARNESS / ENTRANCE DOOR From 6-0436			1	
NS	562674	KEYLESS / TRANSMITTER KEY RING / W/DESCRIPT To 4-4834			1	S
. NS	IS-03103	. SEE INSTRUCTION SHEET To 4-4834			1	S
NS	563542	KEYLESS / TRANSMITTER KEY RING / W/PICTOGRA From 4-4835			1	
100	HF-0650-50	KEYLESS MODULE				
101	HF-1862-60	ENTRANCE DOOR FRAME - INSTALLATION				
110	406050	DECAL / "C.W.A." & "T.C.A."			1	
110	157729	DECAL / WALL TO WALL TURNING DIAM 90' 3" WITH VIN #			1	
. NS	157730	. DECAL / WALL TO WALL TURNING DIAM 90' 3" W/OUT VIN RAW MATERIAL			1	
		D) WHEN YOU ORDER 286108 YOU HAVE TO ORDER 069141				
		S) WHEN YOU REPLACE KEYLESS 562674 WITH THE NEW 563542 YOU NEED TO REPLACE MODULE 562673 BY THE NEW 563541 / SEE INSTRUCTION SHEET IS-03103				
		SAV) SERVICE				
		SS) THIS MODEL IT OBSOLETED REPLACE BY 780803 WITH NEW LEVER # 289030				
		SVC) SERVICE				
		1) NOT SOLD SEPARATELY				

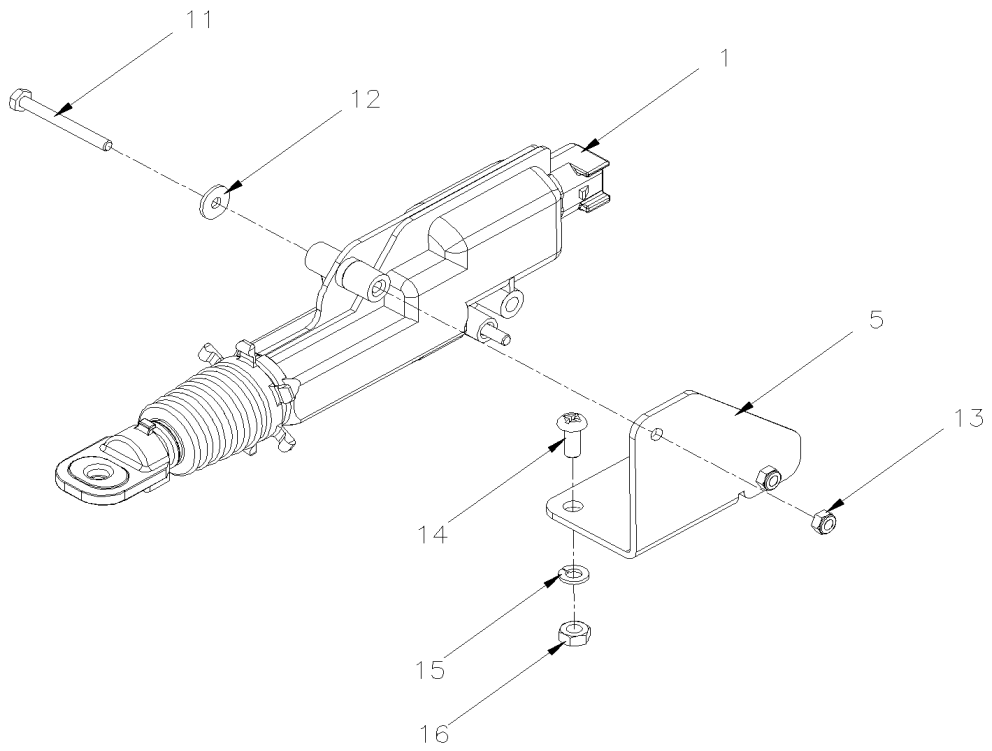


From 3-4417 To 8-1043

Date:10/2022

PAGE:2810382

ACTUATOR SERVICE KIT





From 3-4417 To 8-1043	Date:10/2022	PAGE:2810382
ACTUATOR SERVICE KIT		

Item#	Part	Description	H 3 4 1	H 3 4 5	V I P 4 5	N O T E S
1	2800049	LOCK ACTUATOR / 12V	1	1	1	
1	068011	CABLE INTERFACE DOOR LOCK ACTUATOR (780428 vs 2800049)	1	1	1	
5	2810380	SUPPORT	1	1	1	
11	5001100	SCREW CAP HEX M3-0.5x30 G8.8 ZP	2	2	2	
12	500437	WASHER FL .125x.375x.040 Z050	2	2	2	
13	5001408	NUT HEX STO M3-0.5 ZP	2	2	2	
14	5001036	SCREW MA PAN PH M4-0.7x10 Z050	2	2	2	
15	502524	NUT HEX M4-0.7 Z050	2	2	2	
16	502636	WASHER LO SPT 4.1x7.6x0.9 Z050	2	2	2	
NS	IS-19092	SEE INSTRUCTION SHEET	1	1	1	
NS	FI-19092	VOIR FEUILLE D'INSTRUCTION	1	1	1	

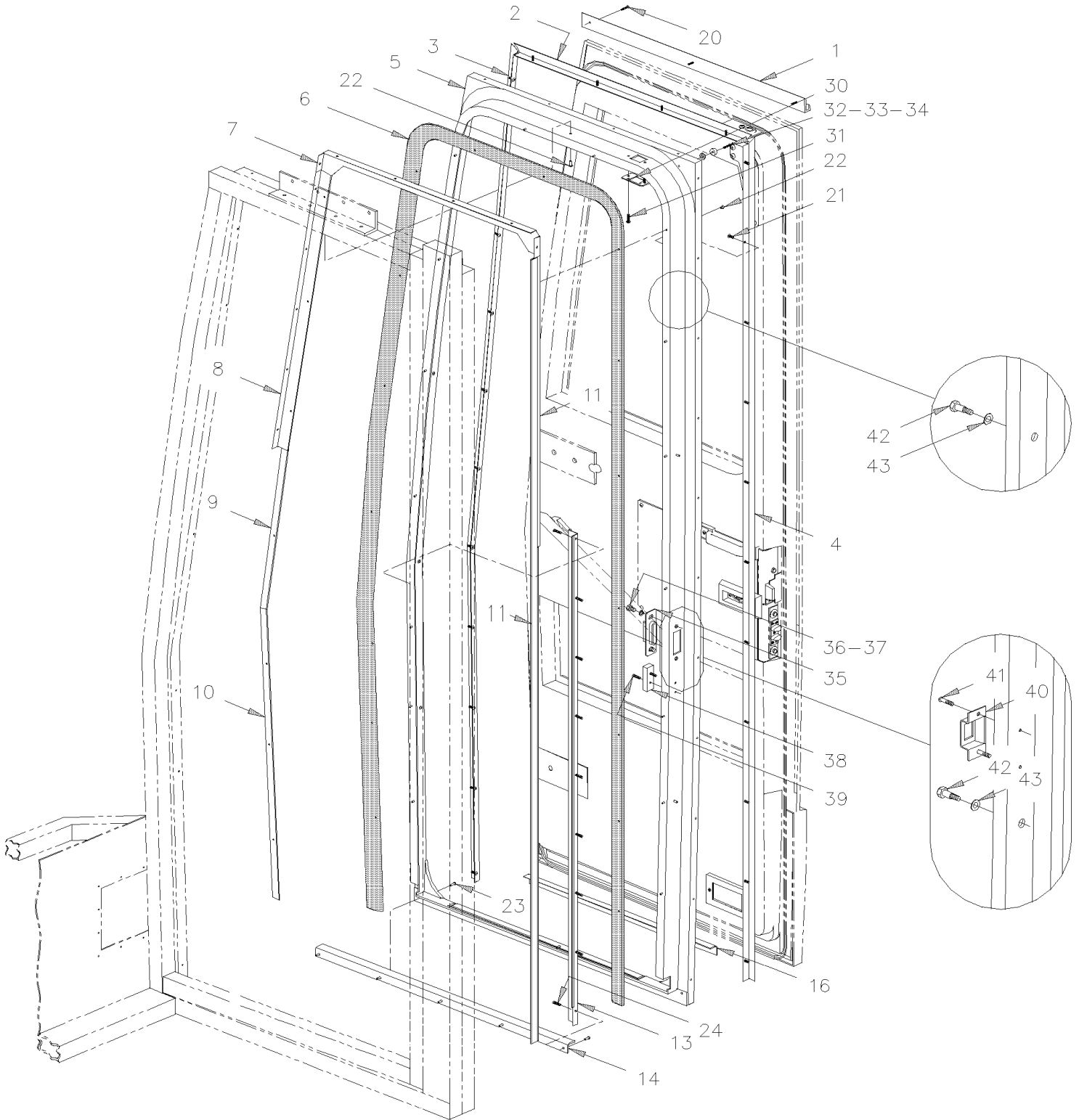


From 3-4417 To 8-1043

Date:10/2022

PAGE:HF-1862-60

ENTRANCE DOOR FRAME - INSTALLATION



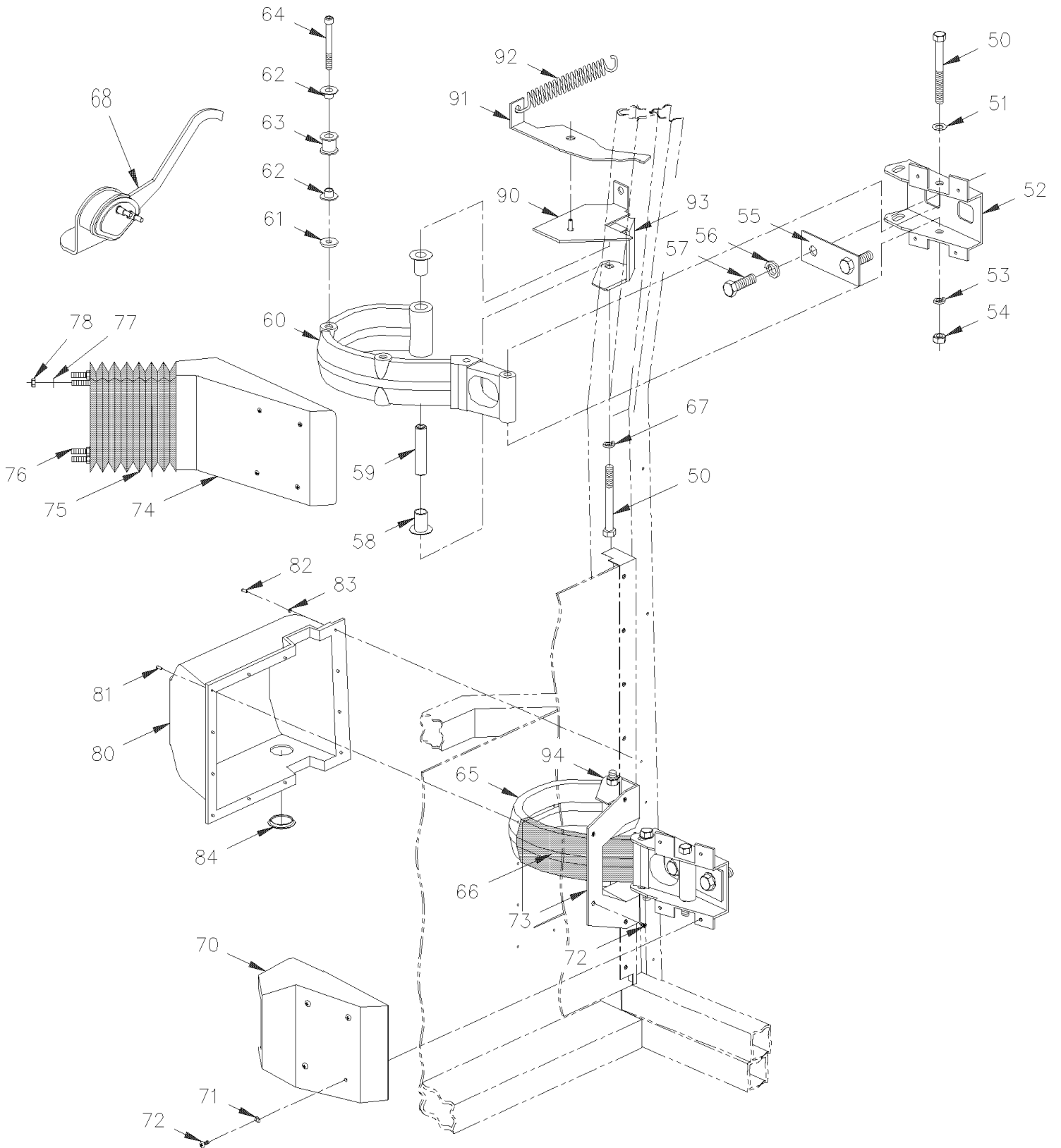


From 3-4417 To 8-1043

Date:10/2022

PAGE:HF-1862-60

ENTRANCE DOOR FRAME - INSTALLATION





From 3-4417 To 8-1043	Date:10/2022	PAGE:HF-1862-60
ENTRANCE DOOR FRAME - INSTALLATION		

Item#	Part	Description	H 3 4 1	H 3 4 5	V I P 4 5	N O T E S
1	285893	DRIP MOULDING	1	1	1	
2	285893	DRIP MOULDING	1	1	1	
3	287215	FINISHING MOULDING FRONT	1	1	1	
NS	5001040	SCREW TC PAN PH #6-32x3/4 SS	22	22	22	
4	285894	FINISHING MOULDING REAR / UPPER SECTION	1	1	1	
4	285895	FINISHING MOULDING REAR / LOWER SECTION	1	1	1	
NS	504108	RIVET POP DOME OE 1/8x1/2 AL	23	23	23	C
5	285661	FRAME, MOULDED	1	1		
5	285660	FRAME, MOULDED			1	
6	283229	SEAL, INTERIOR	1	1	1	
6	280151	SEAL, INTERIOR	1	1	1	
NS	680437	TAPE TRANSFER ADH2 CLEAR 12.7MM x 55M / TRM950-0500	AR	AR	AR	
7	283507	SEAL RETAINER / TOP / 662MM	1	1	1	
8	283510	SEAL RETAINER / FRONT UPPER / 758MM	1	1	1	
9	283779	SEAL RETAINER / FRONT CENTER / 439MM	1	1	1	
10	283781	SEAL RETAINER / FRONT LOWER / 808MM	1	1	1	
11	285910	SEAL RETAINER / REAR / 1977MM	1	1		
11	283509	SEAL RETAINER / REAR / 1993MM			1	
13	327762	FINISHING MOULDING REAR GREY / 1237MM	1	1		
14	214075	FRAME SUPPORT	1	1	1	
16	285666	ANGLE S/S	1	1	1	
20	502611	SCREW TP FL PH #6x1/2 Z050	3	3	3	
21	504582	RIVET POP DOME OE 3/16x1/4 SS BK	20	20	20	
NS	5001040	SCREW TC PAN PH #6-32x3/4 SS	26	26	26	
22	504582	RIVET POP DOME OE 3/16x1/4 SS BK	10	10	10	
23	504581	RIVET MGLP PRDG 3/16x7/16 SS BK	6	6	6	
24	504339	RIVET POP DOME OE 1/8x3/8 SS	AR	AR	AR	
30	284808	FINITION PLATE	1	1		
31	500658	SCREW TC PAN PH #10-24x3/4 Z050	1	1		
32	504334	BUMPER RUBBER / .625 OD x .406 TH x .156 HOLE	1	1	1	
33	500950	WASHER FL .187x.625x.094 RUB	AR	AR	AR	
34	500814	SCREW TP BDG PH #6x3/4 BK	1	1	1	
35	283969	STRIKING PLATE	1	1		
36	502528	SCREW CAP HEX M8-1.25x20 G8.8 EMN	2	2		
37	502584	WASHER LO SERR 8.2x26.3x1.8 Z050	2	2		
38	780497	DOVETAIL, FEMALE / FIXED ON STRUCTURE	1	1		
39	500260	SCREW TC FL PH #8-32x3/4 BK	2	2		
39	500896	SCREW TC FL PH #8-32x5/8 Z050	2	2		
40	283368	STRIKING PLATE			1	
41	500642	SCREW TP PAN PH #10x3/4 Z050			2	
42	780415	BOLT STRIKER			2	
43	283355	SPACER			4	



From 3-4417 To 8-1043	Date:10/2022	PAGE:HF-1862-60
ENTRANCE DOOR FRAME - INSTALLATION		

Item#	Part	Description	H 3 4 1	H 3 4 5	V I P 4 5	N O T E S
50	5001016	SCREW CAP HEX M10-1.5x90 G8.8 Z050	2	2	2	
51	500445	WASHER FL .437x1.000x.083 Z050	2	2		
52	284040	ATTACHMENT	2	2		
53	502585	WASHER LO SERR 10.2x26.3x1.4 ZP	4	4		
54	500256	NUT HEX M10-1.5 Z050	4	4		
55	283402	SUPPORT PLATE	2	2		
56	500810	WASHER LO SPT 12.2x21.1x2.5 Z050	4	4		
57	502731	SCREW CAP HEX M12-1.75x40 G8.8 Z050	4	4		
58	507326	BEARING FLANGE	2	2	2	
59	284285	SPACER / BEARING FLANGE To 2-4484	2	2	2	
59	287337	SPACER / BEARING FLANGE From 2-4485	2	2	2	
60	285937	HINGE UPPER To 2-4484	1	1		
60	287340	HINGE UPPER From 2-4485 To 4-4851	1	1		
60	287471	HINGE UPPER From 4-4852	1	1		
60	284287	HINGE UPPER To 2-4450			1	
60	287339	HINGE UPPER From 2-4451 To 3-4666			1	
60	287404	HINGE UPPER From 3-4667 To 4-4851			1	
60	287472	HINGE UPPER From 4-4852			1	
61	282956	WASHER To 3-4666			1	
61	502638	WASHER FL .312x.734x.065 N500 From 3-4667			1	
62	507301	BUSHING NYLINER To 3-4666			2	
62	507628	BUSHING NYLINER From 3-4667			1	
63	284214	ROLLER SS 9.5MM I.D.x14.5 O.D. 19Fix17Th To 3-4666			1	
63	287405	ROLLER SS 11MM I.D.x14.5 O.D. 19Fix17Th From 3-4667			1	
64	5001108	SCREW SHR HEXS 5/16x3/4 {1/4-20 To 3-4666			1	
64	500876	SCREW SHR HEXS 3/8x3/4 {5/16-18 From 3-4667			1	
65	287341	HINGE	1	1	1	
66	326228	COVER HINGE LOWER / PLASTIC	1	1		
67	500257	WASHER LO SPT 10.2x18.1x2.2 Z050	2	2	2	
68	060338	SWITCH DOOR LIGHT			1	
70	326226	CAP COVER LOWER	1	1		
71	500950	WASHER FL .187x.625x.094 RUB	8	8		
72	500409	SCREW TP PAN PH #8x1/2 BK	8	8		
73	326227	PANEL FINISHING LOWER	1	1	1	
74	391498	CAP COVER UPPER			1	
74	326229	CAP COVER UPPER	1	1		
75	285492	BELLOWS / RUBBER	2	2	2	
76	284039	PLATE BELLOW RETAINER			2	
76	285491	PLATE BELLOW RETAINER	2	2		
77	500964	WASHER FL .203x.500x.047 Z050	8	8		
78	502782	NUT HEX NYRT M5-0.8 Z050	8	8		
80	410566	COVER LOWER HINGE / REAR OF BUMPER	1	1	1	



From 3-4417 To 8-1043	Date:10/2022	PAGE:HF-1862-60
ENTRANCE DOOR FRAME - INSTALLATION		

Item#	Part	Description	H 3 4 1	H 3 4 5	V I P 4 5	N O T E S
81	504473	RIVET POP DOME OE 1/8x1/4 SS	10	10	10	
82	504464	RIVET POP CK OE 1/8x3/8 SS	4	4	4	
83	5001067	WASHER FL .128x.312x.032 SS	4	4	4	
84	504443	SNAP-IN PLUG / 1.500 O.D.	1	1	1	
90	214669	LEVER AND SUPPORT ASSY SS (WELDED TO FRAME) To 4-4851			1	
90	215328	LEVER AND SUPPORT ASSY SS (WELDED TO FRAME) From 4-4852			1	
NS	504543	. RIVET SHR FL 3/8x3/16 STL			1	
91	214664	. DOOR STOPPER			1	
92	502191	SPRING EXTENSION / .814 O.D. x 3.975 x .148			1	
93	211984	HINGE SUPPORT / (WELDED TO STRUCTURE)	1	1		
93	211988	PLATE	1	1		
93	211992	PLATE	2	2		
93	211992	PLATE			1	
NS	212099	GUSSET / 50 X 45			1	
NS	212100	GUSSET / 30 X 45			1	
94	211983	HINGE SUPPORT / (WELDED TO STRUCTURE)	1	1		
94	211992	PLATE	2	2	2	
		C) FIX MOULDING TO STRUCTUR				

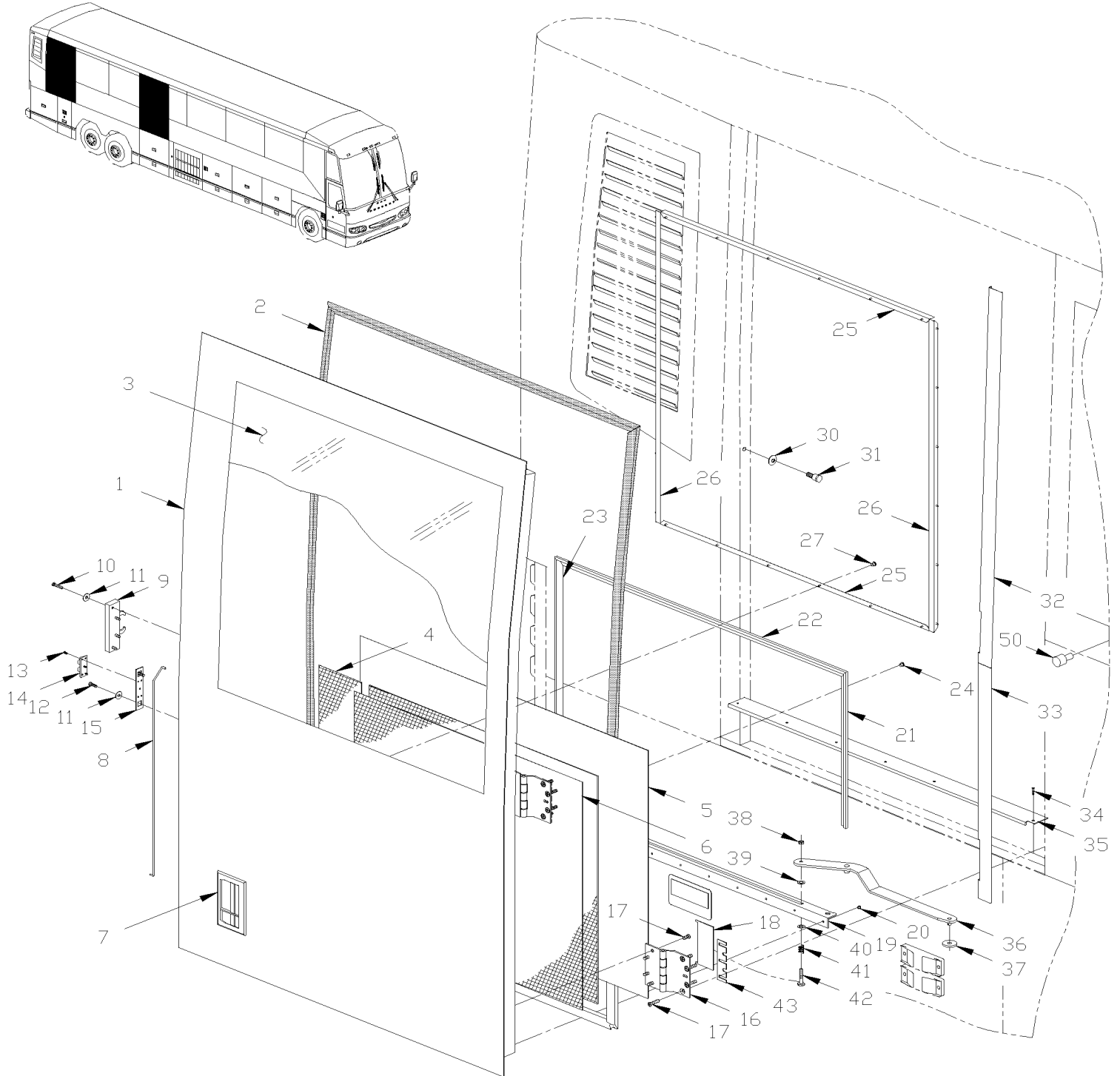


From 3-4417 To 5-0167

Date:10/2022

PAGE:HF-1862-80

ENTRANCE DOOR ASSY - W.C.L.





From 3-4417 To 5-0167	Date:10/2022	PAGE:HF-1862-80
ENTRANCE DOOR ASSY - W.C.L.		

Item#	Part	Description	H 3 4 1	H 3 4 5	V I P 4 5	N O T E S
	287279P	W.C.L. DOOR ASSY / BUS W/"RICON"		1		
	285078P	W.C.L. DOOR ASSY / BUS W/"ST & ST"	1	1		
1	285985	DOOR ASSY (WELDED) / BUS	1	1		
2	285038	RUBBER SEAL EXTRUSION / 1880MM X 1171.5MM	1	1		
2	287411	RUBBER SEAL EXTRUSION / 1880MM X 1171.5MM	1	1		
2	2800120	RUBBER SEAL EXTRUSION / 1880MM X 1171.5MM	1	1		
3	293208	GLASS, THERMOS 13% W.C.L. DOOR	1	1		
NS	506759	TAPE RUB ADH2 CC POL 1/8" x 1/2" x 100' / BLACK I1C-N-A	AR	AR		
NS	292357	BLOCK, RUBBER SPACER 1" X 5/16" x 1/ ADHESIVE	8	8		
3	790392	RUBBER BLOCK ADJUSTMENT 1" x 5/16" x 1/8" 80DURO	8	8		
4	285106	INSULATING	1	1		
5	Call order desk	PANEL ASSY / S.C.C.	1	1		P
5	287260P	PANEL ASSY / S.C.C.		1		A
5	287261	. PANEL		1		A
5	285090	. PANEL	1	1		
NS	285095	MOULDING CAP / SS 1078MM (42 1/2")	1	1		
NS	285094	MOULDING RETAINER / 1070MM (42 1/8")	1	1		
NS	504105	RIVET POP DOME OE 1/8x3/16 AL	3	3		
NS	502673	SCREW TC PAN PH #6-32x1/2 SS	5	5		
6	285105	INSULATING	1	1		
NS	285104	INSULATING	2	2		
NS	502563	SCREW CAP HEX M6-1.0x12 G8.8 Z050	4	4		
NS	502582	WASHER LO SERR 6.1x16.2x0.9 Z050	4	4		
7	HF-1864-32	HANDLE LOCK & KEYS - TYPE "NS"				
7	HF-1864-32	HANDLE LOCK & KEYS - TYPE "NS"				
8	285057	ROD / HANDLE & LATCH / 645.7MM	1	1		
8	289347	ROD / HANDLE & LATCH / 633.6MM	1	1		S
9	780187	LATCH	1	1		
10	502793	SCREW CAP HEX M6-1.0x45 G8.8 Z050	4	4		
11	502583	WASHER LO SERR 8.15x22.3x1.0 Z050	6	6		
12	502737	SCREW CAP HEX M6-1.0x25 SS BK	2	2		
13	5001058	SCREW MA FL PH M4-0.7x8 Z050	3	3		
14	780496	DOVETAIL, MALE	1	1		
15	283929	PLATE / TO FIX DOVETAIL	1	1		
16	283836	HINGE	2	2		
17	500976	SCREW MA FL PH 5/16-18x1 1/2 SS	8	8		
18	285088	FINISHING PLATE	2	2		
NS	680100	THREAD LOCKER LOCTITE #271 / RED / 250ml	AR	AR		
19	285200	SLIDING	1	1		
19	287303	SLIDING		1		A
NS	780648	LATCH	1	1		
NS	502772	SCREW CAP HEX 1/4-20x1/2 G5 N500	2	2		



From 3-4417 To 5-0167	Date:10/2022	PAGE:HF-1862-80
ENTRANCE DOOR ASSY - W.C.L.		

Item#	Part	Description	H 3 4 1	H 3 4 5	V I P 4 5	N O T E S
20	504581	RIVET MGLP PRDG 3/16x7/16 SS BK	8	8		
21	285092	MOULDING "J" FORM / 490MM (19 1/4") / A/F	1	1		
21	780340	CLIP, RETAINER ROD	1	1		
21	504456	CLIP / RETAINER ROD / WHITE OR RED	1	1		
22	285091	MOULDING "J" FORM / 1090MM (42 15/16") / A/A	1	1		
23	285093	MOULDING "J" FORM / 492MM (19 3/8") / F/A	1	1		
24	504105	RIVET POP DOME OE 1/8x3/16 AL	10	10		
25	285987	MOULDING HORIZONTAL / GLASS RETAINER	2	2		
26	285986	MOULDING VERTICAL / GLASS RETAINER	2	2		
27	500814	SCREW TP BDG PH #6x3/4 BK	24	24		
30	284447	WASHERS BELLEVILLE	1	1		
NS	285235	WASHER SPACER SS .875" x 438" x .125"	1	1		
NS	681092	ADHESIVE SIKA #255FC / BLACK / 310ml CARTRIDGE	AR	AR		
31	285037	PIN STRIKER	1	1		
32	285979	MOULDING AL 1187MM	1	1		
NS	287021	MOULDING AL 743MM		1		
NS	504105	RIVET POP DOME OE 1/8x3/16 AL		20		B
33	285102	MOULDING AL / W/RECESS FOR HINGE 743MM	1	1		
NS	506322	TAPE RUB ADH2 POL .045" x 1" x 223' / WHITE 4085	AR	AR		
34	500289	SCREW TC OV PH #6-32x3/4 SS410	7	7		
35	285067	FLOOR MOULDING	1	1		
35	287298	FLOOR MOULDING / W/"RICON" DOOR		1		A
36	285837	ARM DOOR RETAINER	1	1		
36	287305	ARM DOOR RETAINER / W/"RICON" DOOR		1		A
NS	500987	SCREW SHR HEXS 3/8x5/8 {5/16-18		1		A
37	285120	BUSHING	1	1		
NS	505221	SPRING, PIN 1/8 X 3/8	1	1		C
38	5001028	NUT HEX JAM M8-1.25 Z050	1	1		
39	5001233	WASHER FL .500x1.250x.062 NYL	1	1		
40	500445	WASHER FL .437x1.000x.083 Z050	1	1		
41	480705	SPRING COMPRESSION / .600 O.D. x 1 x .055 CROMAT	1	1		
42	285114	SHOULDER SCREW	1	1		
43	285107	SPACER	2	2		
NS	5001315	SCREW CAP HEX 1/4-20x1 SS	2	2		
50	504454	BUMPER RUBBER BOLT / 20MM ODx20MM TH X M6X15MM STUD	1	1		
		A) WITH "RICON" DOOR				
		B) TO FIX EXTENSION MOULDING				
		C) TO FIX ARM				
		S) THIS ROD ARE REQUIRE ONLY IF YOU CHANGE FORMER HANDLE 780350 FOR NEW MODEL 780794				



From 3-4417 To 5-0167		Date:10/2022	PAGE:HF-1862-80
-----------------------	--	--------------	-----------------

ENTRANCE DOOR ASSY - W.C.L.

Item#	Part	Description	H 3 4 1	H 3 4 5	V I P 4 5	N O T E S
		P) CALL ORDER DESK FOR SPECIFIC APPLICATION (V.I.N.)				

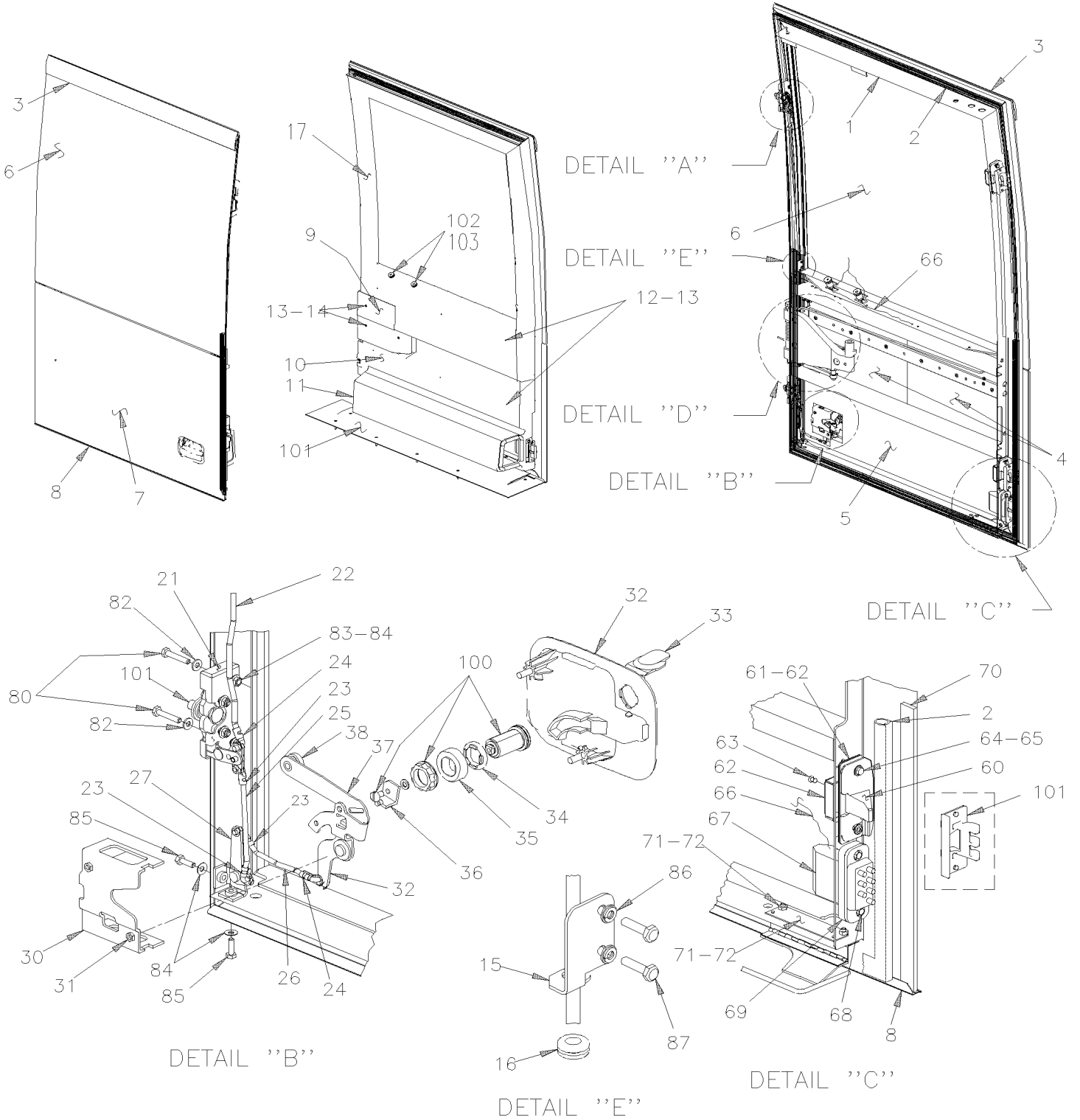


From 5-0168 To 8-1043

Date:10/2022

PAGE:HF-1862-81

ENTRANCE DOOR SLIDING - WCL



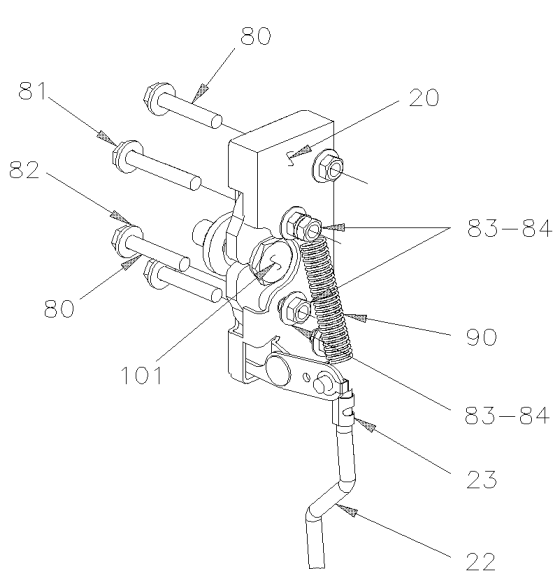


From 5-0168 To 8-1043

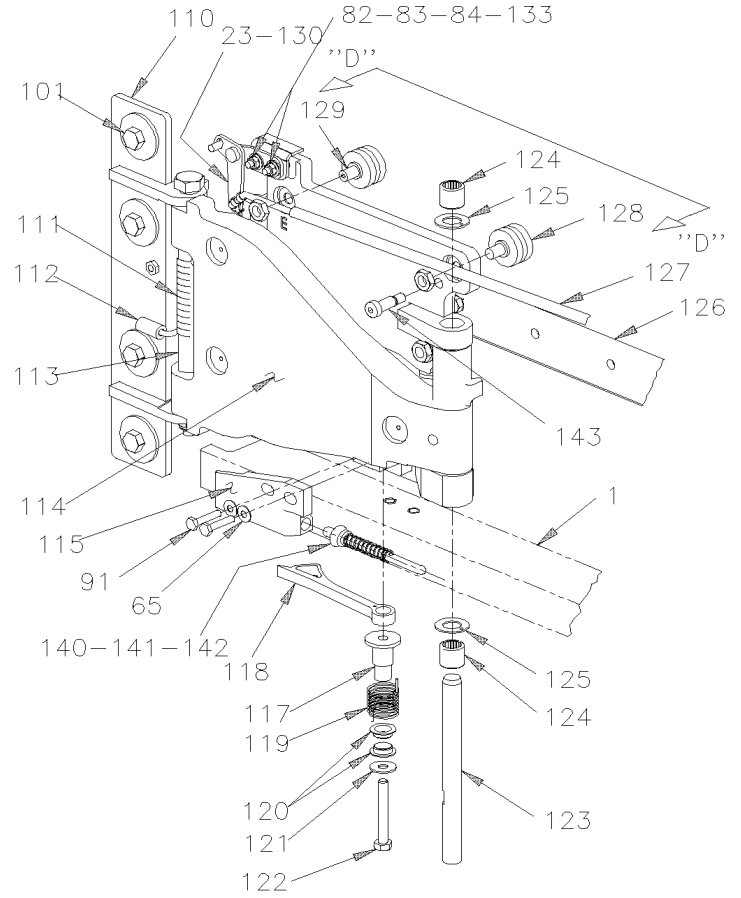
Date:10/2022

PAGE:HF-1862-81

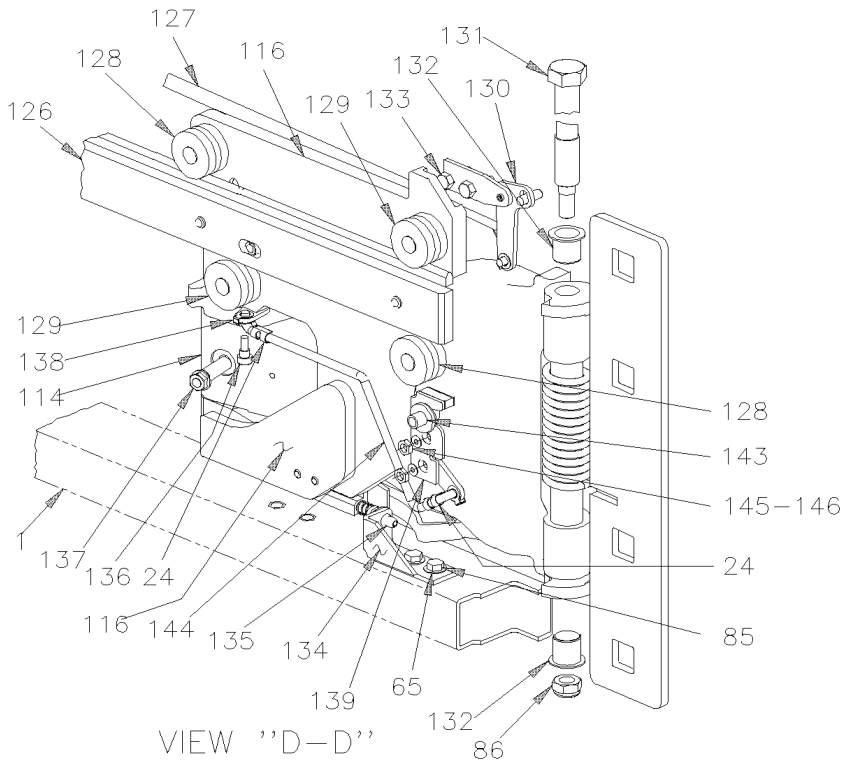
ENTRANCE DOOR SLIDING - WCL



DETAIL "A"



DETAIL "D"



VIEW "D-D"



From 5-0168 To 8-1043	Date:10/2022	PAGE:HF-1862-81
ENTRANCE DOOR SLIDING - WCL		

Item#	Part	Description	H 3 4 1	H 3 4 5	V I P 4 5	N O T E S
	288210P	DOOR S ASSY W.C.L. DOOR SLIDING	1	1		
	N.P.N.	DOOR S ASSY W.C.L. DOOR SLIDING From 7-0712 To 7-0712			1	4
		"WARNING" - "WARNING" - "WARNING"	1	1	1	
		WITH "SPECIAL" DOOR 6" HIGHNESS From 7-0712 To 7-0712			1	
1	288205	STRUCTURE DOOR	1	1		
1	N.P.N.	STRUCTURE DOOR			1	4
2	288202	RUBBER SEAL EXTRUSION 1821MM X 1111MM To 5-0220	1	1		
2	287509	RUBBER SEAL EXTRUSION / 1821MM X 1111MM From 5-0221	1	1		
2	N.P.N.	RUBBER SEAL EXTRUSION 1821MM X 1974MM From 7-0712 To 7-0712			1	4
NS	288648	ANGLE 18MM x 18MM x 76MM	3	3		
NS	289926	ATTACHMENT	1	1		
NS	192288	WASHER FL 8.4x18.0x2.0 ZG603	2	2		
NS	502889	WASHER LO SPT 8.1x12.7x2.0 N500	2	2		
3	288688	PLATE 50MM x 25MM	1	1		
4	289906	INSULATING UPPER	2	2		
5	289907	INSULATING LOWER	2	2		
NS	680397	CONTACT GLUE / AEROSOL 17oz	AR	AR		
6	293797	GLASS, THERMOS 13% W.C.L. DOOR SLIDING	1	1		
NS	506769	TAPE RUB ADH2 CC POL 1/8" x 1/4" x 60' / BLACK H1CC-N-#14	AR	AR		
NS	683288	ADHESIVE SIKA #255FC / BLACK / 600ml SAUSAGE	AR	AR		
7	288609	PANEL LOWER 1215.5MM x 738.6MM	1	1		
7	N.P.N.	PANEL LOWER 1215.5MM x 891.6MM From 7-0712 To 7-0712			1	4
NS	506869	TAPE RUB ADH2 POL .031" x 1/4" x 300' / BLACK	AR	AR		
NS	683083	ADHESIVE SIKA #252 / BLACK / 600 ml SAUSAGE	AR	AR		
8	288211	DRIP MOULDIND 1213MM SS	1	1		
NS	500332	WASHER FL .328x.875x.062 N500	2	2		
NS	506785	TAPE RUB ADH2 CC POL 1/16" x 1/4" x 200' / BLACK I1C-N-A	AR	AR		
9	288590	CAP FINISHING	1	1		
10	328173	DUCT DOOR / PLASTIC	1	1		
NS	506282	TAPE RUB ADH1 CC POL 3/8" x 1" x 20' / GREY 2520	AR	AR		
11	328201	SEAL DUCT	2	2		
12	500552	SCREW TP OV PH #6x3/4 Z050	11	11		
13	500463	WASHER FN CKF .187x.500x.090 BR Z050	14	14		
14	500624	SCREW TP OV PH #6x1/2 Z050	3	3		
15	289316	GUIDE	1	1		
16	504069	GROMMET / .281x.375x.062x.250x.562	1	1		
17	288478	CAP FINISHING	1	1		B
18	409259	PROTECTOR SWITCH / CAP	2	2		
NS	288728	REINFORCMENT FOR SCREW PROTECTOR CAP	1	1		
18	500814	SCREW TP BDG PH #6x3/4 BK	4	4		



From 5-0168 To 8-1043	Date:10/2022	PAGE:HF-1862-81
ENTRANCE DOOR SLIDING - WCL		

Item#	Part	Description	H 3 4 1	H 3 4 5	V I P 4 5	N O T E S
20	780776	LOCK UPPER / FORWARD	1	1		
21	289916	LOCK LOWER / FORWARD	1	1		
22	289919	ROD UPPER 1229MM	1	1		
23	504243	CLIP ROD 1/4" L.H.	6	6		
24	504541	CLIP ROD 1/4" R.H.	2	2		
25	289922	ROD LOWER 152MM	1	1		
26	289314	ROD LOWER 123MM	1	1		
27	289910	PIVOT ASSY	1	1		
30	780787	SUPPORT HANDLE	1	1		
31	502565	NUT HEX M6-1.0 SS	1	1		
32	288652	HANDLE ASSY W"HAPPITCH" NS SERIES KEY	1	1		
32	780785	. HANDLE BODY W"HAPPITCH" NS SERIES KEY	1	1		
32	780788	. HANDLE	1	1		
32	288653	. PLATE REINFORCMENT 19MM x 6.35MM x 11GA	1	1		
32	2800060	PLATE, SEALING HANDLE	1	1		
33	288543	CAP PROTECTOR To 7-0997	1	1		
33	780802	CAP PROTECTOR CLOSED / BLACK SERIES NS From 7-0998	1	1		
34	289320	ADAPTOR CYLINDER KEY	1	1		
35	289321	SPACER CYLINDER KEY	1	1		
36	289319	ACTUATOR ROD	1	1		
37	289317	ACTUATOR LEVER	1	1		
38	289322	SPACER W/SHOULDER FOR BE	1	1		
60	288586	CATCH SLIDING DOOR	2	2		
60	289825	CATCH SLIDING DOOR	2	2		
61	288588	SPACER 44MM x 132MM x 18GA	6	6		
62	477732	REINFORCMENT	2	2		
63	504581	RIVET MGLP PRDG 3/16x7/16 SS BK	2	2		
64	502686	SCREW CAP HEX M6-1.0x30 SS BK	4	4		
65	500356	WASHER LO SERR 6.1x16.0x0.9 N500	2	2		
66	066306	CABLE ASSY / W/WCL	1	1		
NS	504637	CABLE TIE / 3/16" x 13"	AR	AR		
NS	509815	TIE MOUNT / ATTACHMENT W/TREE MOUNT	AR	AR		
67	563433	DOOR PLUNGER SWITCH 8C / PED 15409888	1	1		
68	500266	SCREW TC CAP HEX 1/4-20x1 N500	2	2		
69	288610	SPACER ALUMINUM	1	1		
70	289928	REAR PANEL STRIP 26MM x 745MM	1	1		
71	288470	PLATE ATTACHMENT 136MM x 35MM	1	1		
72	504339	RIVET POP DOME OE 1/8x3/8 SS	8	8		
80	502888	SCREW CAP HEX M6-1.0x35 G8.8 N500	7	7		
81	502843	SCREW CAP HEX M6-1.0x45 G8.8 N500	1	1		
82	500877	WASHER FL .250x.562x.065 N500	10	10		
83	502854	NUT HEX M6-1.0 N500	11	11		



From 5-0168 To 8-1043	Date:10/2022	PAGE:HF-1862-81
ENTRANCE DOOR SLIDING - WCL		

Item#	Part	Description	H 3 4 1	H 3 4 5	V I P 4 5	N O T E S
84	5001608	WASHER BEL SPR 6.2x15.0x0.7 G500	12	12		
85	502830	SCREW CAP HEX M6-1.0x20 G8.8 N500	7	7		
86	502656	SCREW CAP HEX M6-1.0x50 SS	1	1		
NS	502834	WASHER LO SPT 4.1x7.6x0.9 N500	2	2		
87	502799	SCREW CAP HEX M4-0.7X16 G8.8 N500	2	2		
90	502156	SPRING EXTENSION / .437 O.D. x 2 x .041	1	1		
91	502758	SCREW CAP HEX M6-1.0x30 G8.8 N500	2	2		
100	HF-1864-32	HANDLE LOCK & KEYS - TYPE "NS"				
101	HF-1862-85	SLIDING DOOR - INSTALLATION				
102	HF-0655-00	INTERIOR LIGHTING				WCL
110	288557	HINGE / POST SECTION / WELDED	1	1		
110	289982	HINGE / POST SECTION / MACHINED / SERVICE	1	1		
111	285970	SPRING, TORSION / 1" I.D. x 3.23 x .187	1	1		
112	285576	BUSHING 12.7 O.D. x 6.6 I.D. x 24MM	1	1		
113	287520	BUSHING 16MM I.D. x 21MM O.D. x 122MM	1	1		
114	286056	HINGE / MOVABLE SECTION	1	1		
115	289323	PLATE SLIDING DOOR	1	1		
116	288702	HINGE / RAIL SECTION	1	1		
117	288498	BUSHING 8MM ID x 14MM OD x 20MM OD	1	1		
118	288499	STOPPER BUMPER	1	1		
119	286237	SPRING, TORSION / 25MM I.D. x 25.2 x .068	1	1		
120	507379	BUSHING FLANGE 14MM I.D. x 16MM O.D. x 6MM L x SHOULDER 22MM O.D.	2	2		
121	500332	WASHER FL .328x.875x.062 N500	1	1		
122	5001178	SCREW CAP HEX M8-1.25x60 SS BK	1	1		
123	286524	AXE 178MM	1	1		
124	507374	NEEDLES BEARING 5/8 I.D. x 13/16 O.D. x 3/4	2	2		
125	507377	WASHER 5/8x1 1/8x.0585	2	2		
126	285614	RAIL TRACK	1	1		
NS	289901	BUMPER PIN	1	1		
NS	502181	SPRING COMPRESSION / .720 O.D. x 3 x .067	1	1		
NS	505513	SPRING, PIN M3 x 24 SS	1	1		
NS	504719	SPRING, PIN M10 X 20	2	2		
NS	288558	SUPPORT RAIL SLIDING / FIXED AT DOOR FRAME	1	1		
NS	5001573	SCREW CAP HEXS M8-1.25x18 G8.8	6	6		
NS	502862	SCREW CAP HEX M8-1.25x20 G8.8 N500	6	6		
NS	5001161	WASHER LO SPT 8.1x14.8x2.0 SS-304	6	6		
NS	502799	SCREW CAP HEX M4-0.7X16 G8.8 N500	2	2		
NS	192288	WASHER FL 8.4x18.0x2.0 ZG603	4	4		
127	289920	ROD UPPER 937MM	1	1		
128	780782	WHEEL "V"	2	2		
129	780783	WHEEL "V" W/ECCENTRIC	2	2		
130	289913	PIVOT ASSY	1	1		



From 5-0168 To 8-1043	Date:10/2022	PAGE:HF-1862-81
ENTRANCE DOOR SLIDING - WCL		

Item#	Part	Description	H 3 4 1	H 3 4 5	V I P 4 5	N O T E S
131	286151	AXE BOLT SPECIAL 250MM	1	1		
132	507376	BUSHING FLANGE	2	2		
133	289924	ATTACHMENT PLATE	1	1		
134	289325	BUMPER ANGLE	1	1		
135	504718	RIVET DRV BDG 1/4X1/2 NYL	1	1		
136	5001606	SCREW SHR HEXS 1/4x3/16 {#10-24 SS	1	1		
137	286065	KEY DRAW W/NUT	1	1		
138	289923	PIVOT	1	1		
139	780778	LOCK L.H.	1	1		
140	289324	PLUNGER	1	1		
141	289326	SPRING , COMPRESSION	1	1		
142	505221	SPRING, PIN 1/8 X 3/8	AR	AR		
143	780779	BOLT, STRIKER ASSY.	1	1		
144	289917	ROD CARRIER 188MM	1	1		
145	955513	SCREW CAP HEX 1/4-20x3/4 G5 ZG603	2	2		
146	955920	WASHER LO SPT 6.5x11.5x1.6 ZP	2	2		
		B) FOR PRODUCT IMPROVMENT FOR PROTECTION SWITCH ADD 2x409259 PROTECTORS CAP				
		WCL) THIS SWITCH INSTALL ON LOWER WINDOW MOULDING WITH PROTECTOR # 409259 FOR IMPROVEMENT				
		4) NO PARTS NUMBER				

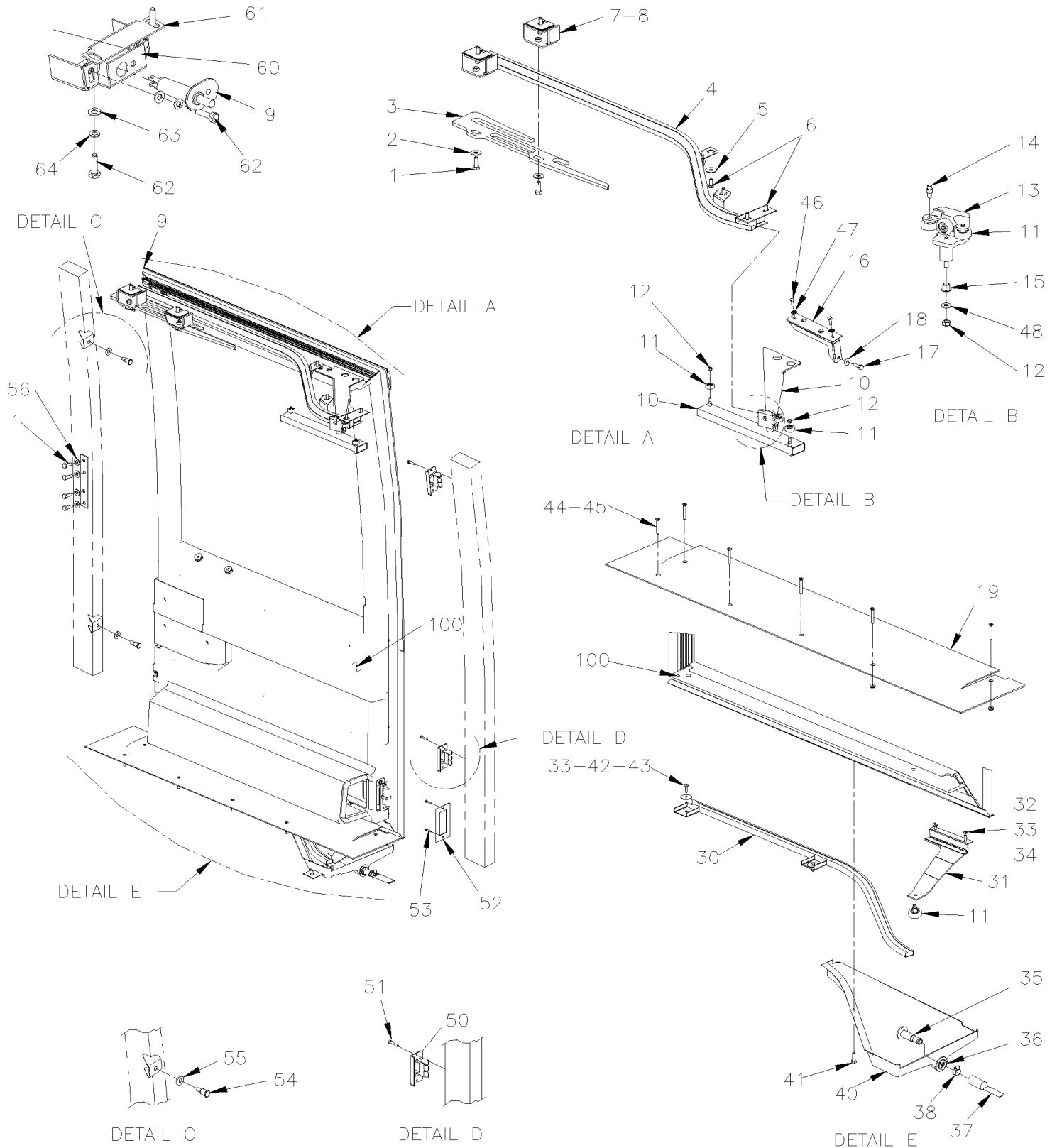


From 5-0168 To 8-1043

Date:10/2022

PAGE:HF-1862-85

SLIDING DOOR - INSTALLATION





From 5-0168 To 8-1043	Date:10/2022	PAGE:HF-1862-85
SLIDING DOOR - INSTALLATION		

Item#	Part	Description	H 3 4 1	H 3 4 5	V I P 4 5	N O T E S
1	500065	SCREW CAP HEX M10-1.5x30 G10.9 DP		8		
2	502644	WASHER FL 10.5x30.0x2.5 Z050		4		
3	288496	DOOR SUPPORT		1		
4	288480	TRACK UPPER ASSY		1		
5	5001467	WASHER FL .343x1.250x.062 SS18-8		3		
6	502862	SCREW CAP HEX M8-1.25x20 G8.8 N500		3		
7	288489	SUPPORT		1		
8	286421	SPACER "U" 54MM X 66MM X 14GA		4		
9	563464	SWITCH / S.P.S.T. / N.C. / W/RUBBER BOOT		1		A
NS	066563	SUPPORT SWITCH		1		A B
10	288463	ARM ASSY WELDED		1		
11	288460	WHEEL ASSY W/BEARING		5		
12	502681	NUT HEX NYRT M6-1.0 N500 G8		1		
13	287053	CARRIER ASSY W/3 BEARINGS		1		
. NS	288460	. WHEEL ASSY W/BEARING		3		
. NS	281410	. CARRIER ASSY		1		
. NS	288469	. RIVET W/DOUBLE SHOULDER		3		
. NS	500877	. WASHER FL .250x.562x.065 N500		1		
. NS	507378	. BUSHING W/SHOULDER		2		
. NS	502681	. NUT HEX NYRT M6-1.0 N500 G8		1		
13	288479	. CARRIER ASSY		1		
14	288469	. RIVET W/DOUBLE SHOULDER		3		
15	507378	. BUSHING W/SHOULDER		2		
16	288467	PLATE UPPER SLIDING DOOR		1		
17	502780	SCREW CAP HEX M8-1.25x25 SS BK		1		
18	502856	WASHER LO SERR 8.15x22.3x1.0 DP320		1		
19	288488	STEP PROTECTOR 1340 x 255 MM		1		
20	5001613	SCREW TP FL PH #14x1 1/2 SS		1		
30	288482	TRACK LOWER ASSY		1		
31	288472	LOWER ARM ASSY		1		
32	288471	SPACER 22MM x 146MM x 16GA		2		
33	502830	SCREW CAP HEX M6-1.0x20 G8.8 N500		5		
34	5001608	WASHER BEL SPR 6.2x15.0x0.7 G500		2		
35	900280	THRU HULL, CONNECTOR / PLASTIC		1		
36	500909	WASHER FL .805x1.780x.112 SS		1		
NS	409038	GASKET		1		
37	590286	DRAIN BOOT 1 1/4" I.D. X 4" / FLAT		1		
38	504018	HOSE CLAMP / 7/16"-1" SS / HS-8		1		
40	288462	DRIP PAN		1		
41	5001155	SCREW TP PAN PH #8X3/4 N050		2		
42	500468	WASHER FL .281x1.250x.065 Z050		3		
43	502853	WASHER LO SPT 6.1x11.8x1.6 N500		1		



From 5-0168 To 8-1043	Date:10/2022	PAGE:HF-1862-85
SLIDING DOOR - INSTALLATION		

Item#	Part	Description	H 3 4 1	H 3 4 5	V I P 4 5	N O T E S
44	5001626	SCREW MA FL PH 1/4-20x1 3/4 SS		6		
45	5001251	NUT HEX NYRT 1/4-20 SS		6		
46	500356	WASHER LO SERR 6.1x16.0x0.9 N500		6		
47	502580	NUT HEX CAP M5-0.8 ZP		6		
48	500877	WASHER FL .250x.562x.065 N500		60		
50	288585	CATCH		2		
51	504581	RIVET MGLP PRDG 3/16x7/16 SS BK		4		
52	563432	DOOR PLATE SWITCH 8C / PED 15355305		1		
53	502896	SCREW TC BDG PH #12-24x3/4 N500		2		
54	780777	STRIKER PIN .675 O.D. x 1.715 -7/16-14		2		
. NS	500494	. WASHER BEL SPR .470x1.680x.125 N500		1		
55	285235	WASHER SPACER SS .875" x 438" x .125"		2		
56	284447	WASHERS BELLEVILLE		4		
60	067591	SUPPORT SWITCH / SWITCH SECTION		1		B
61	067590	SUPPORT SWITCH / STRUCTURE SECTION		1		B
62	502556	WASHER FL 4.3x9.0x0.8 SS		4		B
63	502834	WASHER LO SPT 4.1x7.6x0.9 N500		4		B
64	502799	SCREW CAP HEX M4-0.7X16 G8.8 N500		4		B
100	HF-1862-81	ENTRANCE DOOR SLIDING - WCL				
		A) FIXED AT UPPER STRUCTURE DOOR TUBE				
		B) FOR PRODUCT IMPROVEMENT IT SUPPERSEDED BY 2 PIECES 067590 + 067591				

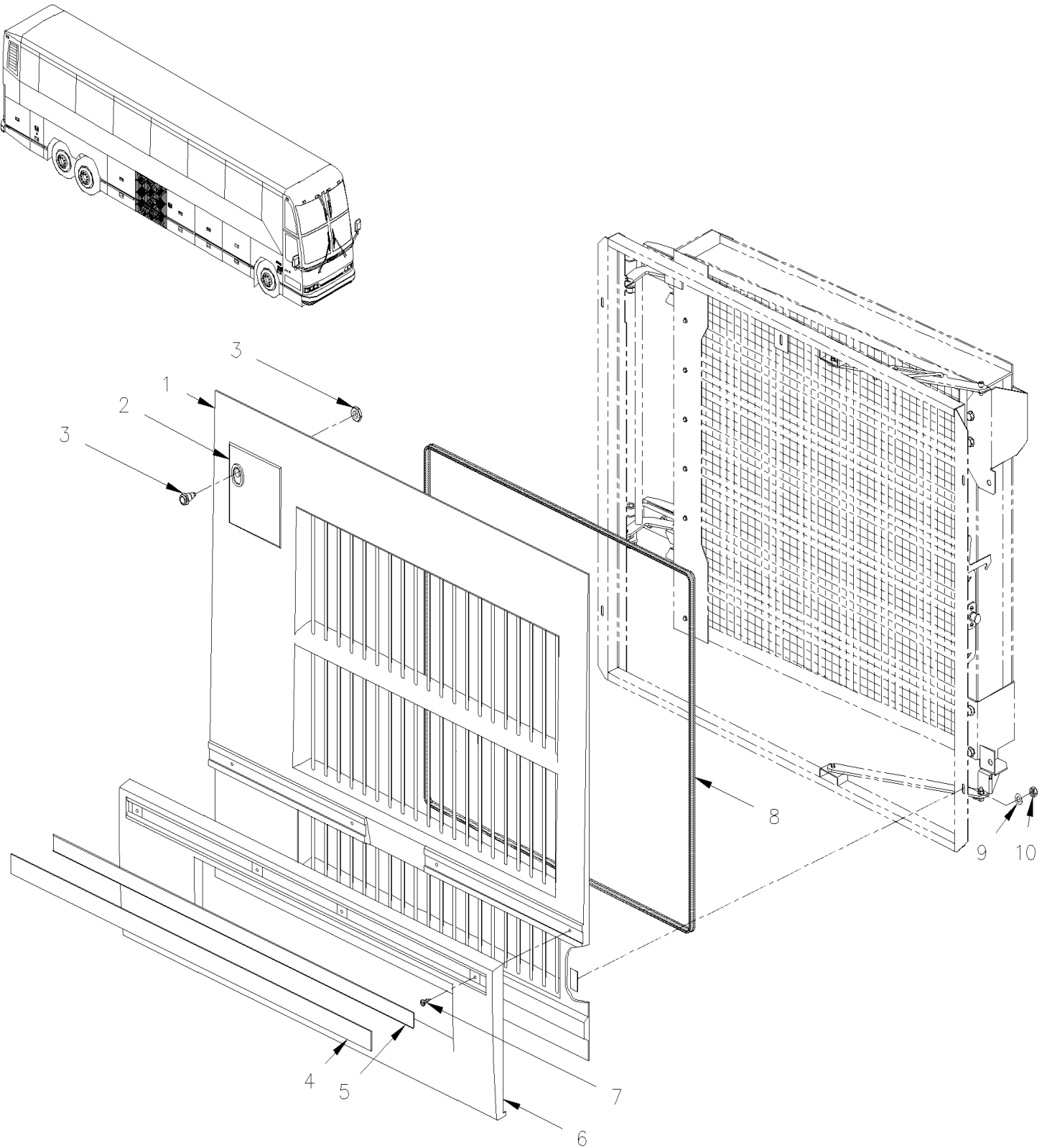


From 3-4417 To 8-1043

Date:10/2022

PAGE:HF-1863-00

CONDENSOR DOOR ASSY





From 3-4417 To 8-1043	Date:10/2022	PAGE:HF-1863-00
CONDENSOR DOOR ASSY		

Item#	Part	Description	H 3 4 1	H 3 4 5	V I P 4 5	N O T E S
1	285824	CONDENSOR DOOR ASSY To 5-0333	1	1	1	
. NS	288096	. LOUVER ROD 37 1/4" To 5-0333	1	1	1	
1	288671	CONDENSOR DOOR ASSY 1257MM From 5-0334	1	1	1	
. NS	288096	. LOUVER ROD 37 1/4" From 5-0334	1	1	1	
2	285637	FUEL DOOR / RH FIXED AT CONDENSOR DOOR	1	1	1	
3	HF-1864-30	HANDLE LOCK & KEYS - TYPE "PS"				
3	HF-1864-32	HANDLE LOCK & KEYS - TYPE "NS"				
4	283100	STRIPE, REFLECTIVE WHITE / 38MM X 15' ROLL	AR	AR	AR	
. NS	780277	. STRIPE, REFLECTIVE WHITE / 38MM X 150' ROLL	AR	AR	AR	
5	285699	EXTRUSION BACKING ASSY W/REFLECTOR 1345MM	1	1	1	
. NS	285653	. EXTRUSION BACKING 1345MM	1	1	1	
5	280236	EXTRUSION BACKING ASSY W/REFLECTOR 1342MM	1	1	1	SVC
. NS	280117	. EXTRUSION 1342MM	1	1	1	SVC
5	685126	ADHESIVE SIMSON #ISR 70-03 / GREY / 600ml SAUSAGE	AR	AR	AR	SVC
6	285635	PROTECTOR PANEL / SH 1257MM	1	1	1	
6	285904	PROTECTOR PANEL / WITH GRAVEL GUARD / SH 1257MM	1	1	1	A
NS	682462	ADHESIVE SIKA #252 / BLACK / 310ml CARTRIDGE	AR	AR	AR	B
7	500120	SCREW TP BDG PH #6x1/2 SS	4	4	4	
8	506302	RUBBER EXTRUSION TRIM SEAL / GRIP .024 / 7/16" HOLLOW BULB C.T.L.	16	16	16	
9	500441	WASHER FL .312x.734x.065 Z050	5	5	5	
10	5001353	NUT HEX NYRT M6-1.0 SS	5	5	5	
		A) THIS PROTECTOR IS COATED WITH GRAVEL GUARD AND IS BLACK PAINTED READY TO INSTALL				
		B) TO FIX PANELS				
		SVC) SERVICE				

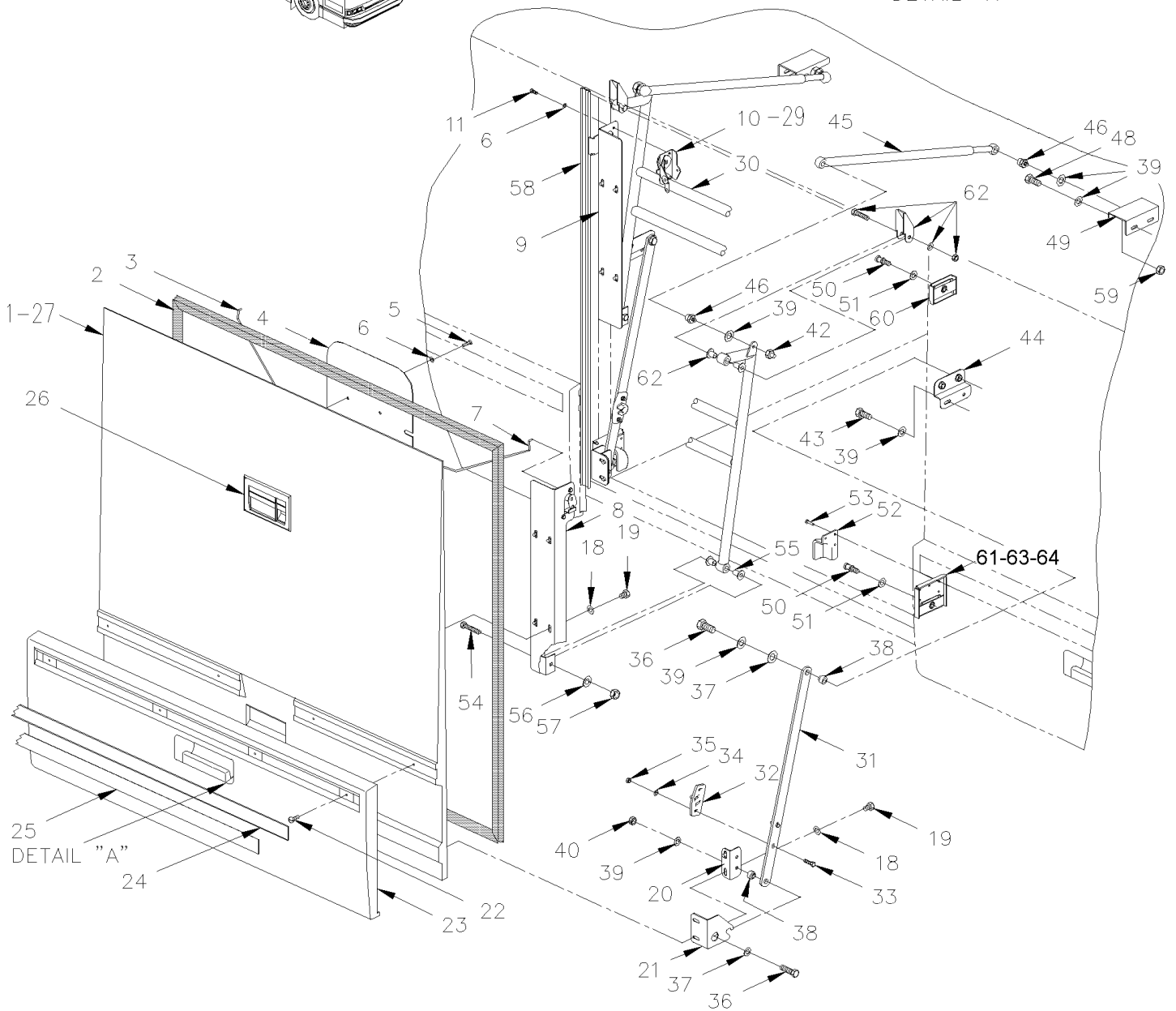
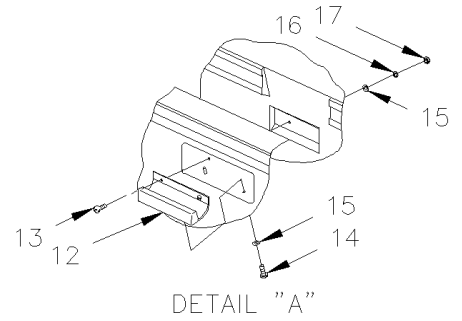
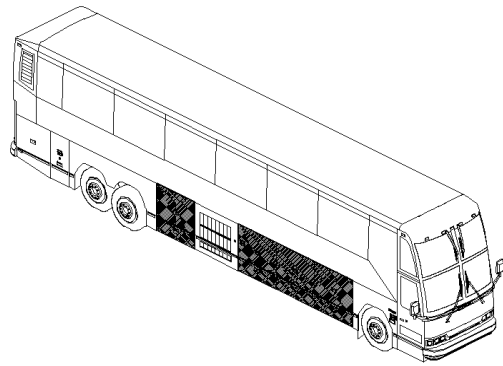


From 3-4417 To 8-1043

Date:10/2022

PAGE:HF-1864-00

BAGGAGE COMPARTMENT DOOR





From 3-4417 To 8-1043	Date:10/2022	PAGE:HF-1864-00
BAGGAGE COMPARTMENT DOOR		

Item#	Part	Description	H 3 4 1	H 3 4 5	V I P 4 5	N O T E S
	285632	BAGGAGE DOOR ASSY 48"	1	1		SD
	285633	BAGGAGE DOOR ASSY 48" W/ELEC			1	SD
	286036P	DOOR ASSY 48" W/1.78 SQF PERFORATED AREA			1	SD
1	286973	. DOOR MOULDED / FIBERGLASS "SMC"	1	1		SD
1	286976	. DOOR MOULDED / FIBERGLASS "SMC"	1	1		G
1	286977	. DOOR MOULDED / FIBERGLASS "SMC"	1	1		H
1	286972	. DOOR MOULDED / FIBERGLASS "SMC"			1	SD
1	286975	. DOOR MOULDED / FIBERGLASS "SMC"			1	G
1	286974	. DOOR MOULDED / FIBERGLASS "SMC"			1	H
1	286971	. DOOR 48" W/1.78 SQF PERFORATED AREA / FIBERGLASS "SMC"			1	SD
2	285500	. RUBBER SEAL EXTRUSION / 1152MM X 1121MM To 5-0220	7	7	7	
2	287490	. RUBBER SEAL EXTRUSION / 1152MM X 1121MM From 5-0221	7	7	7	
2	288902	. RUBBER SEAL EXTRUSION / 1152MM X 1121MM	1	1	1	
2	2800122	. RUBBER SEAL EXTRUSION / 1152MM X 1121MM	1	1	1	
3	285511	. ROD L.H. 541.3MM To 6-0388	1	1	1	
3	289333	. ROD L.H. 529.8MM From 6-0389	1	1	1	S
4	285544	. PLATE CLOSING / SERVICE	1	1		
4	285515	. PLATE CLOSING / 289MM X 314MM To 6-0388			1	
4	289341	. PLATE CLOSING / 289MM X 314MM From 6-0389			1	
NS	506236	. TAPE RUB ADH1 CC POL 1/16" x 1/2" x 100' / GREY 2520	AR	AR	AR	
5	502563	. SCREW CAP HEX M6-1.0x12 G8.8 Z050	4	4	4	
6	502582	. WASHER LO SERR 6.1x16.2x0.9 Z050	8	8	8	
7	285510	. ROD R.H. 491MM To 6-0388	1	1	1	
7	289337	. ROD R.H. 497MM From 6-0389	1	1	1	S
8	285703	. FIXTURE L.H. To 3-4448	1	1	1	
8	285753	. FIXTURE L.H. From 3-4449 To 3-4678	1	1	1	
8	287453	. FIXTURE L.H. From 3-4679	1	1	1	
9	285702	. FIXTURE R.H. To 3-4448	1	1	1	
9	285739	. FIXTURE R.H. From 3-4449 To 3-4678	1	1	1	
9	287454	. FIXTURE R.H. From 3-4679	1	1	1	
10	780282	. LOCK SPAGNOLET L.H.	1	1	1	
10	780283	. LOCK SPAGNOLET R.H.	1	1	1	
. NS	780340	. . CLIP, RETAINER ROD	1	1	1	
NS	504456	. CLIP / RETAINER ROD / WHITE OR RED	AR	AR	AR	
11	502531	. SCREW CAP HEX M6-1.0x16 G8.8 Z050	4	4	4	
12	282562	. HANDLE / DOOR	1	1	1	
NS	680025	. CAULKING STRIP 3/16" O.D. X 14'	AR	AR	AR	
13	502532	. SCREW MA PAN PH M5-0.8x25 SS EMN	2	2	2	
14	500641	. SCREW TP PAN PH #8x3/4 Z050	2	2	2	
15	500438	. WASHER FL .187x.437x.050 Z050	4	4	4	
16	500470	. WASHER LO SPT .193x.334x.047 Z050	2	2	2	
17	502580	. NUT HEX CAP M5-0.8 ZP	2	2	2	



From 3-4417 To 8-1043	Date:10/2022	PAGE:HF-1864-00
BAGGAGE COMPARTMENT DOOR		

Item#	Part	Description	H 3 4 1	H 3 4 5	V I P 4 5	N O T E S
18	502584	. WASHER LO SERR 8.2x26.3x1.8 Z050	12	12	12	
19	502790	. SCREW CAP HEX M8-1.25x20 G8.8 Z050	12	12	12	
20	289237	. FASTNER	2	2	2	
21	285493	. LOWER HOOK R.H.	1	1	1	
21	285501	. LOWER HOOK L.H.	1	1	1	
22	500120	. SCREW TP BDG PH #6x1/2 SS	4	4	4	
23	285504	. PROTECTOR PANEL / SH	1	1	1	
23	285800	. PROTECTOR PANEL / WITH GRAVEL GUARD / SH	1	1	1	A
NS	682462	. ADHESIVE SIKA #252 / BLACK / 310ml CARTRIDGE	AR	AR	AR	E
NS	681348	. TAPE RUB ADH2 ACRYLIC .045" x 1" x 108' / VHB4952	AR	AR	AR	
NS	682348	. TAPE, DOUBLE COATED ACRYLIC	AR	AR	AR	
24	285709	. EXTRUSION BACKING ASSY W/REFLECTOR 1189MM	1	1	1	
. NS	285542	. . EXTRUSION BACKING 1189MM	1	1	1	
24	280237	. EXTRUSION BACKING ASSY W/REFLECTOR 1185MM	1	1	1	SVC
. NS	280116	. . EXTRUSION 1185MM	1	1	1	SVC
24	685126	. ADHESIVE SIMSON #ISR 70-03 / GREY / 600ml SAUSAGE	AR	AR	AR	SVC
25	283100	. . STRIPE, REFLECTIVE WHITE / 38MM X 15' ROLL	AR	AR	AR	
. NS	780277	. . . STRIPE, REFLECTIVE WHITE / 38MM X 150' ROLL	AR	AR	AR	
26	HF-1864-32	HANDLE LOCK & KEYS - TYPE "NS"				
26	HF-1864-32	HANDLE LOCK & KEYS - TYPE "NS"				
26	HF-1864-35	BAGGAGE COMPARTMENT ELECTRICAL LOCK - V.I.P To 6-0388				
26	HF-1864-36	BAGGAGE COMPARTMENT ELECTRICAL LOCK - V.I.P From 6-0389				
27	Call order desk	BAGGAGE DOOR 48" W/1.78 SQF PERFORATED AREA				P
29	504454	BUMPER RUBBER BOLT / 20MM ODx20MM TH X M6X15MM STUD	2	2	2	O
30	286749	ARM PANTOGRAPH	1	1	1	
30	286750	ARM PANTOGRAPH	1	1	1	C
31	283236	ARM AUXILIARY 638MM C/C	2	2	2	
32	288012	DOOR STOPPER L.H.	1	1	1	
32	288011	DOOR STOPPER R.H.	1	1	1	
33	502631	SCREW CAP HEX M6-1.0x20 G8.8 Z050	4	4	4	
34	502582	WASHER LO SERR 6.1x16.2x0.9 Z050	4	4	4	
35	502581	NUT HEX M6-1.0 Z050	4	4	4	
36	500544	SCREW CAP HEX M8-1.25x30 G8.8 Z050	4	4	4	
37	5001164	WASHER FL 8.4x25.0x2.0 Z050	4	4	4	
38	286716	SPACER BUSHING FLANGE / AUX. ARM & SUPPORT ACETAL 8.3MM I.D.	4	4	4	
39	502583	WASHER LO SERR 8.15x22.3x1.0 Z050	4	4	4	
NS	502584	WASHER LO SERR 8.2x26.3x1.8 Z050	4	4	4	
40	502543	NUT HEX M8-1.25 Z050	6	6	6	
41	502527	SCREW CAP HEX M8-1.25x50 G8.8 Z050	4	4	4	
43	502790	SCREW CAP HEX M8-1.25x20 G8.8 Z050	8	8	8	
44	285522	SUPPORT / 24MM OFFSET To 4-4894	6			
44	289299	SUPPORT / 24MM OFFSET From 4-4895	6			



From 3-4417 To 8-1043	Date:10/2022	PAGE:HF-1864-00
BAGGAGE COMPARTMENT DOOR		

Item#	Part	Description	H 3 4 1	H 3 4 5	V I P 4 5	N O T E S
44	285522	SUPPORT / 24MM OFFSET To 4-4894		8	8	
44	289299	SUPPORT / 24MM OFFSET From 4-4895		8	8	W
44	285524	SUPPORT / 42MM OFFSET To 4-4894	2	2	2	
44	289301	SUPPORT / 42MM OFFSET From 4-4895	2	2	2	W
44	285523	SUPPORT / 62MM OFFSET To 4-4894	4			
44	289300	SUPPORT / 62MM OFFSET From 4-4895	4			
44	285523	SUPPORT / 62MM OFFSET To 4-4894		6	6	
44	289300	SUPPORT / 62MM OFFSET From 4-4895		6	6	W
45	980024	CYLINDER GAZ / 669/409MM C/C / 200LBS	2	2	2	
45	192226	CYLINDER GAZ / 669/409MM C/C / 200LBS HD			AR	
. NS	980017	. CLIP BALL STUD 10MM RETAINER			2	
46	980015	BALL STUD / W/10 MM X M8-1.25 / 29.18 MM	4	4	4	
48	502790	SCREW CAP HEX M8-1.25x20 G8.8 Z050	8	8	8	
49	286758	CYLINDER FIXATION	2	2	2	
50	284438	PIN STRIKER	4	4	4	
NS	680025	CAULKING STRIP 3/16" O.D. X 14'	AR	AR	AR	
51	284447	WASHERS BELLEVILLE	4	4	4	D
52	285507	PROTECTOR L.H. To 3-4429	1	1	1	
52	288009	PROTECTOR L.H. From 3-4430	1	1	1	
52	285508	PROTECTOR R.H. To 3-4429	1	1	1	
52	288010	PROTECTOR R.H. From 3-4430	1	1	1	
53	504487	RIVET MGLP PRDG 3/16x7/16 SS	6	6	6	
NS	502637	WASHER FL .200x.437x.037 SS	6	6	6	
54	502793	SCREW CAP HEX M6-1.0x45 G8.8 Z050	4	4	4	
55	285710	BUSHING SPACER ACETAL 6.5MM I.D. x 14.15MM O.D. x 31	2	2	2	
56	502582	WASHER LO SERR 6.1x16.2x0.9 Z050	4	4	4	
57	502581	NUT HEX M6-1.0 Z050	4	4	4	
58	285488	LATERAL EXTRUSION	8	8	8	
58	289558	LATERAL EXTRUSION 31MM x 1203MM	8	8	8	
59	502760	NUT HEX TWAY M8-1.25 Z050	2	2	2	
60	287943	FLOATING NUT ASSY WITH CASE	AR	AR	AR	
61	287903	SUPPORT LOWER / (WELDED TO STRUCTURE)	1	1	1	
62	HF-1879-90	EXTERIOR DOOR HINGE AND SUPPORT				
63	482777	SPLASH PROTECTOR PLASTIC / REAR LOWER / 123MM X 192MM X 30MM	2	2	2	B
64	482778	SPLASH PROTECTOR PLASTIC / REAR UPPER / 66MM X 184MM X 30MM	2	2	2	B
64	482779	SPLASH PROTECTOR PLASTIC / FRONT LOWER / 142MM X 142MM X 36MM	2	2	2	B
64	483403	BOLT PROTECTOR PLASTIC / 140MM X 92MM X 15MM	AR	AR	AR	
		A) THIS PROTECTOR ASSY WITH HANDLE IS COATED WITH GRAVEL GUARD AND IS BLACK PAINTED, READY TO INSTALL				
		B) FOR PRODUCT IMPROVMENT USE THOSE PROTECTOR FOR VEHICLE UP TO X-2749				



From 3-4417 To 8-1043	Date:10/2022	PAGE:HF-1864-00
-----------------------	--------------	-----------------

BAGGAGE COMPARTMENT DOOR

Item#	Part	Description	H 3 4 1	H 3 4 5	V I P 4 5	N O T E S
		C) USE WITH ENTERTAINER				
		D) STRIKER & BODY				
		E) TO FIX PANELS				
		G) THOSE DOORS HAVE HOLES FOR MARKER LIGHT LH SIDE OF HANDLE				
		H) THOSE DOORS HAVE HOLES FOR MARKER LIGHT RH SIDE OF HANDLE				
		O) USE TO PREVENT CONTACT WITH GLASS WINDOW "OPTION"				
		S) THOSE RODS ARE REQUIRES ALSO IF YOU CHANGE FORMER HANDLE FOR NEW HANDLE # 780794 OR 780795				
		SD) THIS SERVICE DOOR DO NOT HAVE HOLES FOR INSTALL MAKERS LIGHTS				
		SVC) SERVICE				
		W) USE WITH "ELECTRICAL AWNING WINDOW"				
		P) CALL ORDER DESK FOR SPECIFIC APPLICATION (V.I.N.)				

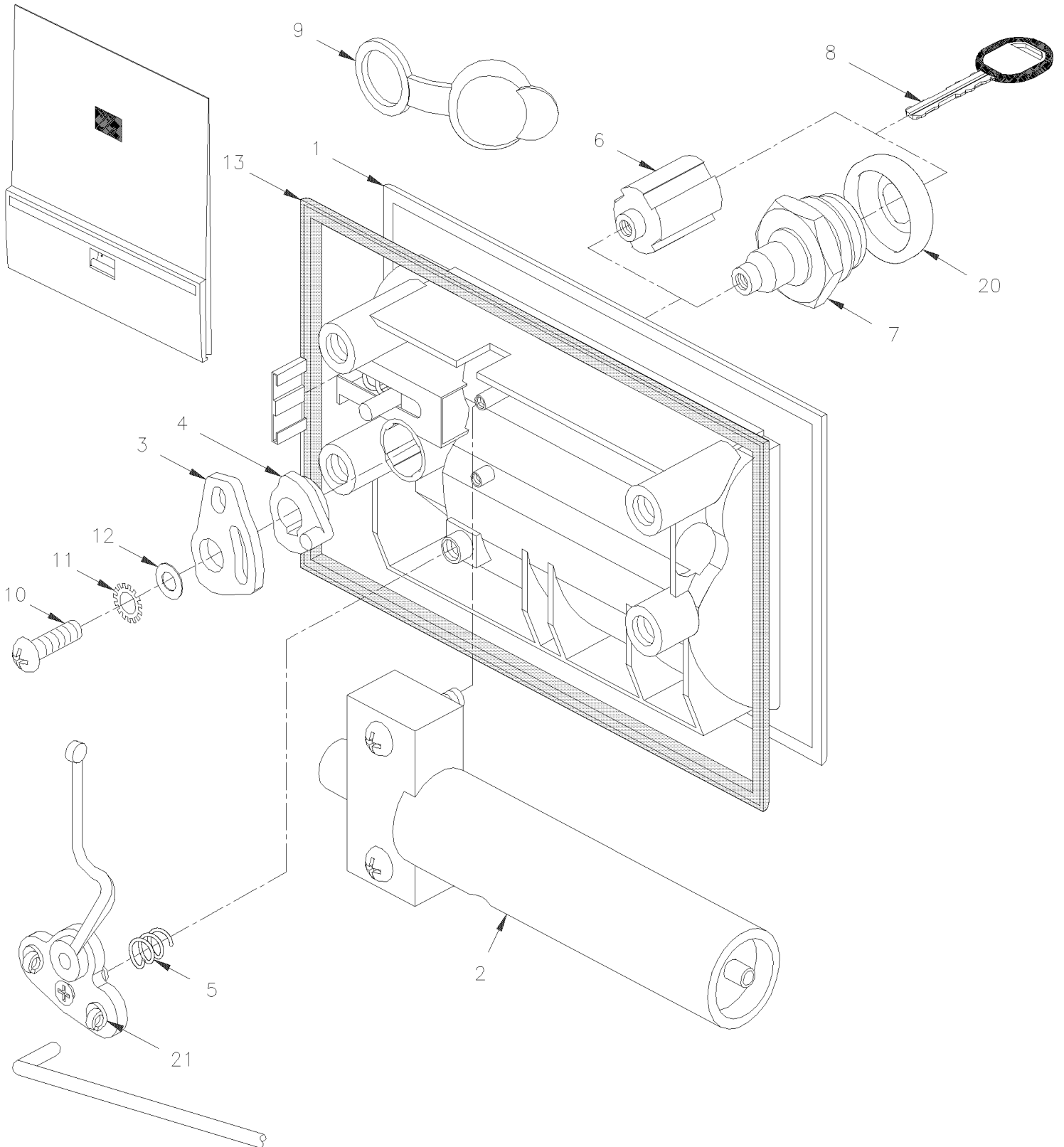


From 3-4417 To 4-4914

Date:10/2022

PAGE:HF-1864-30

HANDLE LOCK & KEYS - TYPE "PS"



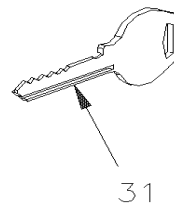
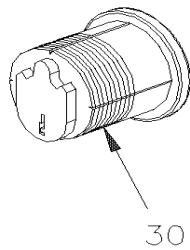
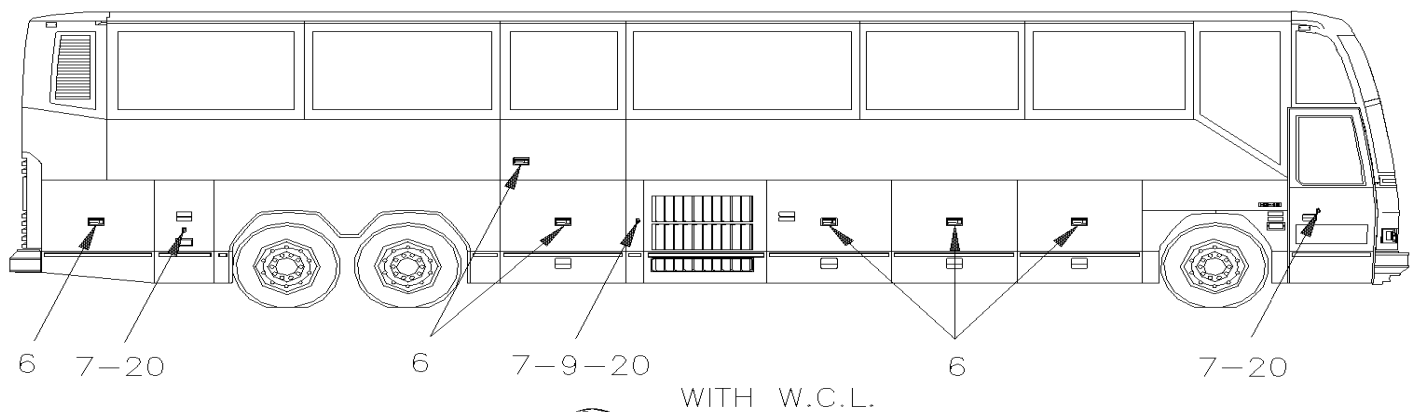
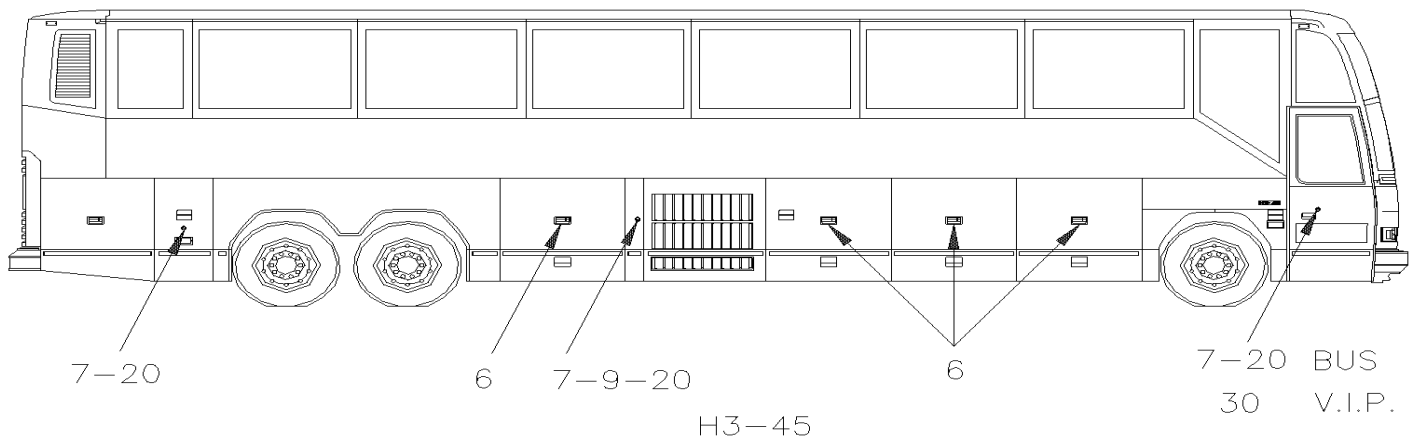
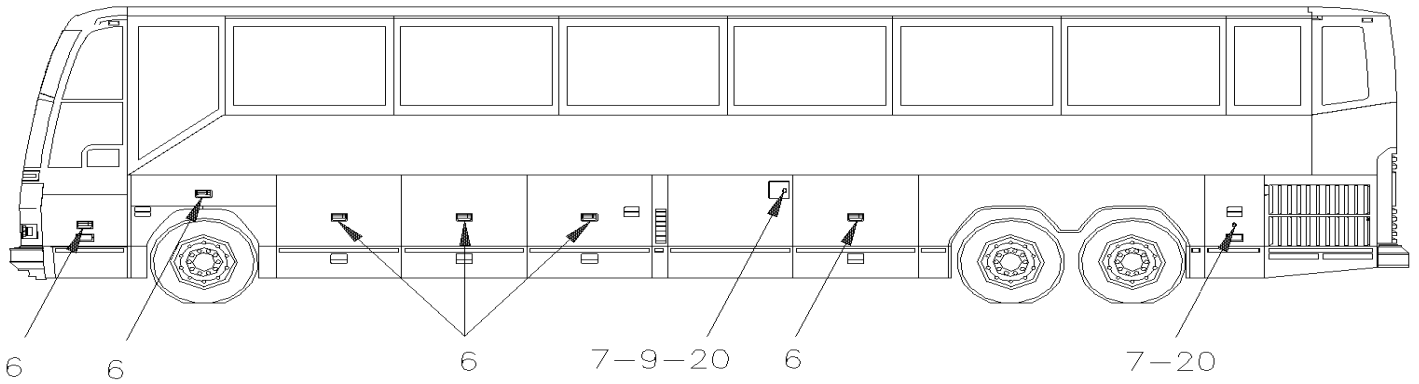


From 3-4417 To 4-4914

Date:10/2022

PAGE:HF-1864-30

HANDLE LOCK & KEYS - TYPE "PS"





From 3-4417 To 4-4914	Date:10/2022	PAGE:HF-1864-30
HANDLE LOCK & KEYS - TYPE "PS"		

Item#	Part	Description	H 3 4 1	H 3 4 5	V I P 4 5	N O T E S
1	780350	HANDLE ASSY / MANUAL TYPE "PS"	AR	AR	AR	A
1	780351	HANDLE ASSY / W/AIR CYLINDER TYPE "PS"	AR	AR		
2	N.S.S.	. AIR CYLINDER	AR	AR		1
2	286110	. SUPPORT, HANDLE	AR	AR		
3	780353	LEVER / W/AIR CYLINDER	AR	AR		
3	780354	LEVER / W/MANUAL OPERATION & ELECTRIC	AR	AR	AR	
4	780352	LEVER	AR	AR	AR	
5	780305	. SPRING COMPRESSION / .700 O.D. x .515 x .055	1	1	1	
6	780394	CYLINDER LOCK / PS175	AR	AR	AR	
6	780393	CYLINDER LOCK / PS174	AR	AR	AR	
6	780392	CYLINDER LOCK / PS173	AR	AR	AR	
6	780391	CYLINDER LOCK / PS172	AR	AR	AR	
6	780390	CYLINDER LOCK / PS171	AR	AR	AR	
6	780389	CYLINDER LOCK / PS170	AR	AR	AR	
6	780388	CYLINDER LOCK / PS169	AR	AR	AR	
6	780387	CYLINDER LOCK / PS168	AR	AR	AR	
6	780386	CYLINDER LOCK / PS167	AR	AR	AR	
6	780385	CYLINDER LOCK / PS166	AR	AR	AR	
6	780384	CYLINDER LOCK / PS165	AR	AR	AR	
6	780383	CYLINDER LOCK / PS164	AR	AR	AR	
6	780382	CYLINDER LOCK / PS163	AR	AR	AR	
6	780381	CYLINDER LOCK / PS162	AR	AR	AR	
6	780380	CYLINDER LOCK / PS161	AR	AR	AR	
6	780379	CYLINDER LOCK / PS160	AR	AR	AR	
6	780378	CYLINDER LOCK / PS159	AR	AR	AR	
6	780377	CYLINDER LOCK / PS158	AR	AR	AR	
6	780376	CYLINDER LOCK / PS157	AR	AR	AR	
6	780375	CYLINDER LOCK / PS156	AR	AR	AR	
6	780374	CYLINDER LOCK / PS20	AR	AR	AR	
6	780373	CYLINDER LOCK / PS19	AR	AR	AR	
6	780372	CYLINDER LOCK / PS18	AR	AR	AR	
6	780371	CYLINDER LOCK / PS17	AR	AR	AR	
6	780370	CYLINDER LOCK / PS16	AR	AR	AR	
6	780369	CYLINDER LOCK / PS15	AR	AR	AR	
6	780368	CYLINDER LOCK / PS14	AR	AR	AR	
6	780367	CYLINDER LOCK / PS13	AR	AR	AR	
6	780366	CYLINDER LOCK / PS12	AR	AR	AR	
6	780365	CYLINDER LOCK / PS11	AR	AR	AR	
6	780364	CYLINDER LOCK / PS10	AR	AR	AR	
6	780363	CYLINDER LOCK / PS9	AR	AR	AR	
6	780362	CYLINDER LOCK / PS8	AR	AR	AR	
6	780361	CYLINDER LOCK / PS7	AR	AR	AR	



From 3-4417 To 4-4914	Date:10/2022	PAGE:HF-1864-30
HANDLE LOCK & KEYS - TYPE "PS"		

Item#	Part	Description	H 3 4 1	H 3 4 5	V I P 4 5	N O T E S
6	780360	CYLINDER LOCK / PS6	AR	AR	AR	
6	780359	CYLINDER LOCK / PS5	AR	AR	AR	
6	780358	CYLINDER LOCK / PS4	AR	AR	AR	
6	780357	CYLINDER LOCK / PS3	AR	AR	AR	
6	780356	CYLINDER LOCK / PS2	AR	AR	AR	
6	780355	CYLINDER LOCK / PS1	AR	AR	AR	
7	780414	CYLINDER LOCK / PS175	AR	AR	AR	
7	780413	CYLINDER LOCK / PS174	AR	AR	AR	
7	780412	CYLINDER LOCK / PS173	AR	AR	AR	
7	780411	CYLINDER LOCK / PS172	AR	AR	AR	
7	780410	CYLINDER LOCK / PS171	AR	AR	AR	
7	780409	CYLINDER LOCK / PS170	AR	AR	AR	
7	780408	CYLINDER LOCK / PS169	AR	AR	AR	
7	780407	CYLINDER LOCK / PS168	AR	AR	AR	
7	780406	CYLINDER LOCK / PS167	AR	AR	AR	
7	780405	CYLINDER LOCK / PS166	AR	AR	AR	
7	780404	CYLINDER LOCK / PS165	AR	AR	AR	
7	780403	CYLINDER LOCK / PS164	AR	AR	AR	
7	780402	CYLINDER LOCK / PS163	AR	AR	AR	
7	780401	CYLINDER LOCK / PS162	AR	AR	AR	
7	780400	CYLINDER LOCK / PS161	AR	AR	AR	
7	780399	CYLINDER LOCK / PS160	AR	AR	AR	
7	780398	CYLINDER LOCK / PS159	AR	AR	AR	
7	780397	CYLINDER LOCK / PS158	AR	AR	AR	
7	780396	CYLINDER LOCK / PS157	AR	AR	AR	
7	780395	CYLINDER LOCK / PS156	AR	AR	AR	
7	780274	CYLINDER LOCK / PS20	AR	AR	AR	
7	780273	CYLINDER LOCK / PS19	AR	AR	AR	
7	780267	CYLINDER LOCK / PS18	AR	AR	AR	
7	780266	CYLINDER LOCK / PS17	AR	AR	AR	
7	780265	CYLINDER LOCK / PS16	AR	AR	AR	
7	780264	CYLINDER LOCK / PS15	AR	AR	AR	
7	780263	CYLINDER LOCK / PS14	AR	AR	AR	
7	780262	CYLINDER LOCK / PS13	AR	AR	AR	
7	780261	CYLINDER LOCK / PS12	AR	AR	AR	
7	780260	CYLINDER LOCK / PS11	AR	AR	AR	
7	780259	CYLINDER LOCK / PS10	AR	AR	AR	
7	780258	CYLINDER LOCK / PS9	AR	AR	AR	
7	780257	CYLINDER LOCK / PS8	AR	AR	AR	
7	780256	CYLINDER LOCK / PS7	AR	AR	AR	
7	780255	CYLINDER LOCK / PS6	AR	AR	AR	
7	780272	CYLINDER LOCK / PS5	AR	AR	AR	



From 3-4417 To 4-4914	Date:10/2022	PAGE:HF-1864-30
HANDLE LOCK & KEYS - TYPE "PS"		

Item#	Part	Description	H 3 4 1	H 3 4 5	V I P 4 5	N O T E S
7	780271	CYLINDER LOCK / PS4	AR	AR	AR	
7	780270	CYLINDER LOCK / PS3	AR	AR	AR	
7	780269	CYLINDER LOCK / PS2	AR	AR	AR	
7	780268	CYLINDER LOCK / PS1	AR	AR	AR	
8	780528	KEY, UN CUT / PS SERIE	AR	AR	AR	
8	780480	KEY / PS175	AR	AR	AR	
8	780479	KEY / PS174	AR	AR	AR	
8	780478	KEY / PS173	AR	AR	AR	
8	780477	KEY / PS172	AR	AR	AR	
8	780476	KEY / PS171	AR	AR	AR	
8	780475	KEY / PS170	AR	AR	AR	
8	780474	KEY / PS169	AR	AR	AR	
8	780473	KEY / PS168	AR	AR	AR	
8	780472	KEY / PS167	AR	AR	AR	
8	780471	KEY / PS166	AR	AR	AR	
8	780470	KEY / PS165	AR	AR	AR	
8	780469	KEY / PS164	AR	AR	AR	
8	780468	KEY / PS163	AR	AR	AR	
8	780467	KEY / PS162	AR	AR	AR	
8	780466	KEY / PS161	AR	AR	AR	
8	780465	KEY / PS160	AR	AR	AR	
8	780464	KEY / PS159	AR	AR	AR	
8	780463	KEY / PS158	AR	AR	AR	
8	780462	KEY / PS157	AR	AR	AR	
8	780461	KEY / PS156	AR	AR	AR	
8	780338	KEY / PS20	AR	AR	AR	
8	780337	KEY / PS19	AR	AR	AR	
8	780331	KEY / PS18	AR	AR	AR	
8	780330	KEY / PS17	AR	AR	AR	
8	780329	KEY / PS16	AR	AR	AR	
8	780328	KEY / PS15	AR	AR	AR	
8	780327	KEY / PS14	AR	AR	AR	
8	780326	KEY / PS13	AR	AR	AR	
8	780325	KEY / PS12	AR	AR	AR	
8	780324	KEY / PS11	AR	AR	AR	
8	780323	KEY / PS10	AR	AR	AR	
8	780322	KEY / PS9	AR	AR	AR	
8	780321	KEY / PS8	AR	AR	AR	
8	780320	KEY / PS7	AR	AR	AR	
8	780319	KEY / PS6	AR	AR	AR	
8	780336	KEY / PS5	AR	AR	AR	
8	780335	KEY / PS4	AR	AR	AR	



From 3-4417 To 4-4914	Date:10/2022	PAGE:HF-1864-30
HANDLE LOCK & KEYS - TYPE "PS"		

Item#	Part	Description	H 3 4 1	H 3 4 5	V I P 4 5	N O T E S
8	780334	KEY / PS3	AR	AR	AR	
8	780333	KEY / PS2	AR	AR	AR	
8	780332	KEY / PS1	AR	AR	AR	
NS	681136	KEY CHAIN / "PREVOST"	AR	AR	AR	
9	780318	CAP PROTECTOR CLOSED / BLACK SERIES PS	AR	AR	AR	B
10	500560	SCREW MA PAN PH M4-0.7x6 Z050	1	1	1	C
11	500022	WASHER LO INT .168x.340x.023 Z050	1	1	1	
12	500591	WASHER FL 4.3x9.0x0.8 Z050	1	1	1	
13	780303	GASKET	1	1	1	
20	283971	CAP PROTECTOR OPEN / BLACK	1	1	1	
21	780340	CLIP, RETAINER ROD	1	1	1	
21	504456	CLIP / RETAINER ROD / WHITE OR RED	1	1	1	
30	780430	CYLINDER LOCK ASSY W/2 KEYS / "CORBIN"			1	SS
. NS	780562	. KEY / "CORBIN" BLANK			2	SS
30	780803	CYLINDER LOCK ASSY W/2 KEYS / "SCHLAGE"			1	
. NS	780902	. KEY / "SCHLAGE" BLANK			1	
31	780562	KEY / "CORBIN" BLANK			1	
		A) MANUAL OR ELECTRIC				
		B) (AS SHOWN)				
		C) TO FIX LEVER ITEM #3				
		SS) THIS MODEL IT OBSOLETED REPLACE BY 780803 WITH NEW LEVER # 289030				
		1) NOT SOLD SEPARATELY				

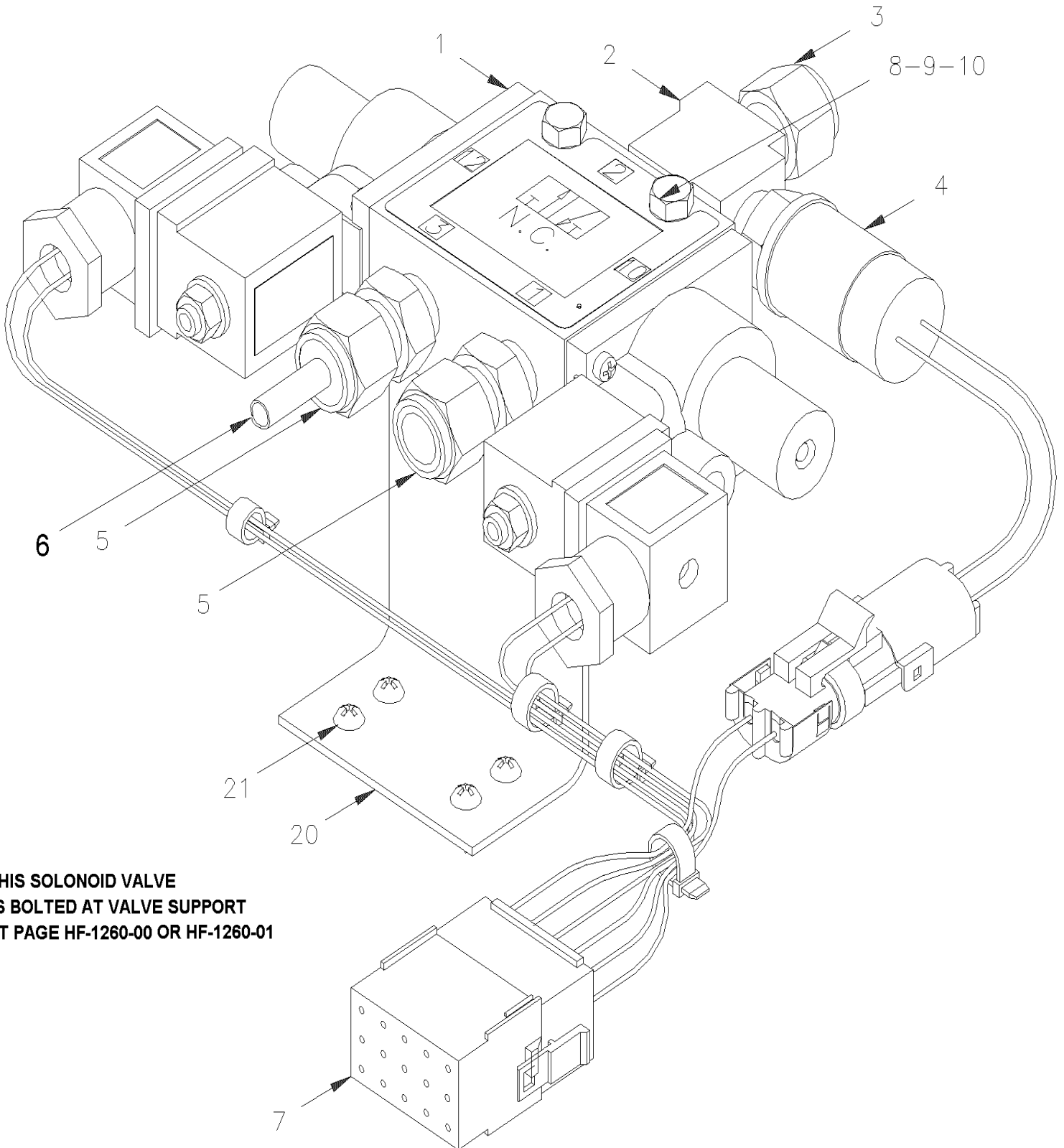


From 3-4417 To 8-1043

Date:10/2022

PAGE:HF-1864-31

PNEUMATIC DOOR LOCK CONTROL VALVE



**THIS SOLONOID VALVE
IS BOLTED AT VALVE SUPPORT
AT PAGE HF-1260-00 OR HF-1260-01**

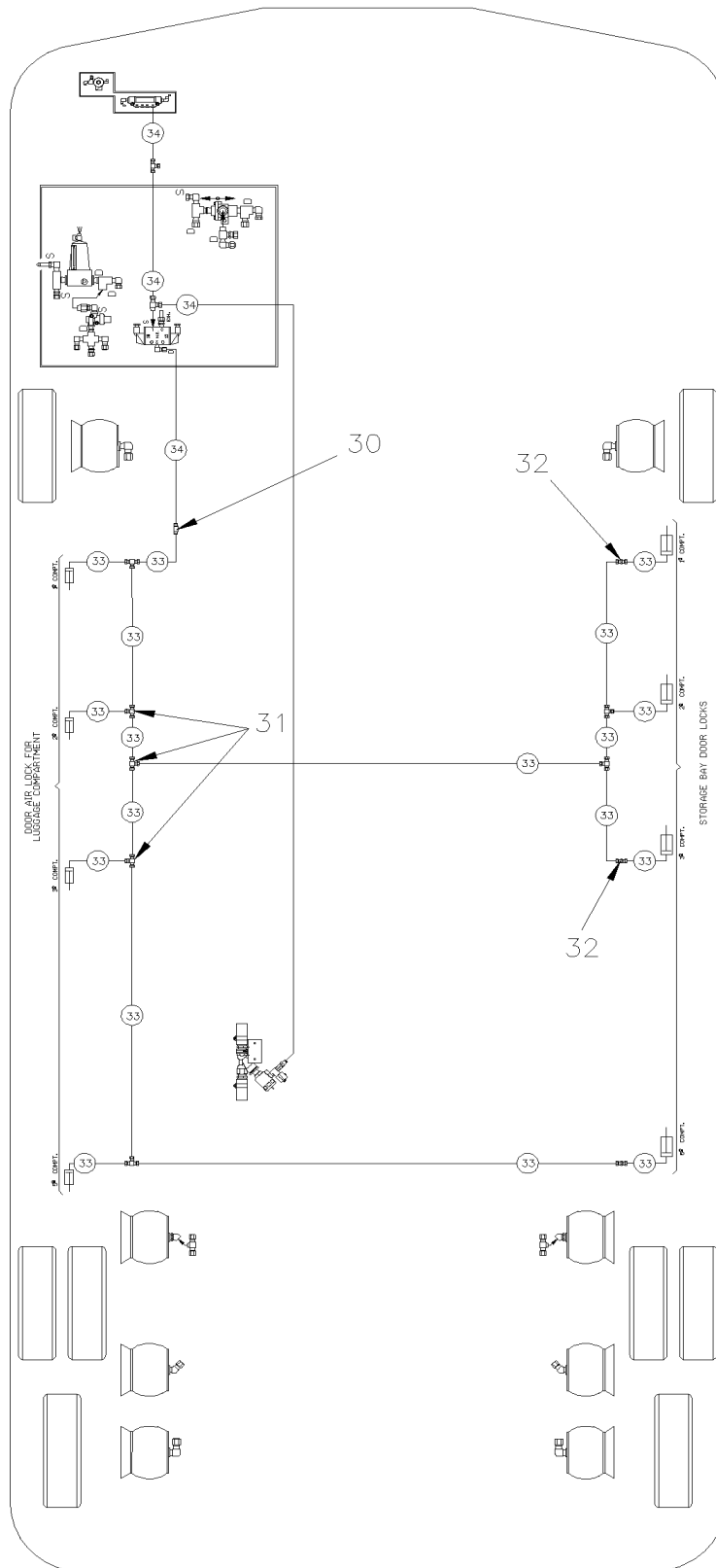


From 3-4417 To 8-1043

Date:10/2022

PAGE:HF-1864-31

PNEUMATIC DOOR LOCK CONTROL VALVE





From 3-4417 To 8-1043	Date:10/2022	PAGE:HF-1864-31
PNEUMATIC DOOR LOCK CONTROL VALVE		

Item#	Part	Description	H 3 4 1	H 3 4 5	V I P 4 5	N O T E S
	285573	VALVE DOOR LOCK ASSY W/FITTING & CABLE	1	1		
1	641530	. VALVE, 3 WAYS, 2 POSITIONS / 2 SOLONIODS	1	1		
. NS	641929	. . COIL 24V	1	1		
. NS	641169	. . SPOOL	1	1		
. NS	641385	. . CONNECTOR / SOCKET HOUSING ASSY 3C / PNEUMAC 54934-01	1	1		
1	562353	. DIODE / 1AMP	1	1		
2	501338	. MALE RUN TEE / PIPE FITTING / 1/4NPT-Mx1/4NPT-Fx1/4NPT-F BR	1	1		
3	640997	. MALE ELBOW 90° / NTA FITTING / #4x1/4NPT-M BR	1	1		
4	452043	. PRESSURE SWITCH N.O. 60-35 20SP001AA060E035E	1	1		
5	641332	. MALE CONNECTOR / PUSH-IN FITTING / #4x1/4NPT-M BR	2	2		
6	503402	. TUBE, NYLON 1/4 O.D. / BLACK S.L.	AR	AR		
7	062416	. CABLE ASSY	1	1		
8	502793	SCREW CAP HEX M6-1.0x45 G8.8 Z050	2	2		
9	502511	NUT HEX NYRT M6-1.0 Z050	2	2		
10	502573	WASHER FL 6.4x12.5x1.6 SS	2	2		
20	283505	SUPPORT "Z" SHAPE / TO FIX CONTROL VALVE	1	1		A
21	500952	SCREW TP BDG PH #8x1/2 SS	4	4		A
NS	504062	GROMMET / .4375x.687x.125x.375x.937	1	1		
30	641507	UNION / PUSH-IN FITTING / #4 x 6MM NP	AR	AR		
31	641188	UNION TEE / PUSH-IN FITTING / 6MM x 6MM x 6MM PLAS	7	7		
32	641203	UNION / PUSH-IN FITTING / 6MM x 6MM PLAS	AR	AR		
33	503747	TUBE, NYLON 6MM O.D. / BLACK S.L.	AR	AR		
34	503402	TUBE, NYLON 1/4 O.D. / BLACK S.L.	AR	AR		
40	HF-1260-00	VALVE SUPPORT ASSY To 3-4757				
40	HF-1260-01	VALVE SUPPORT ASSY From 4-4758				
		A) TO FIX Z SHAPPED SUPPORT				

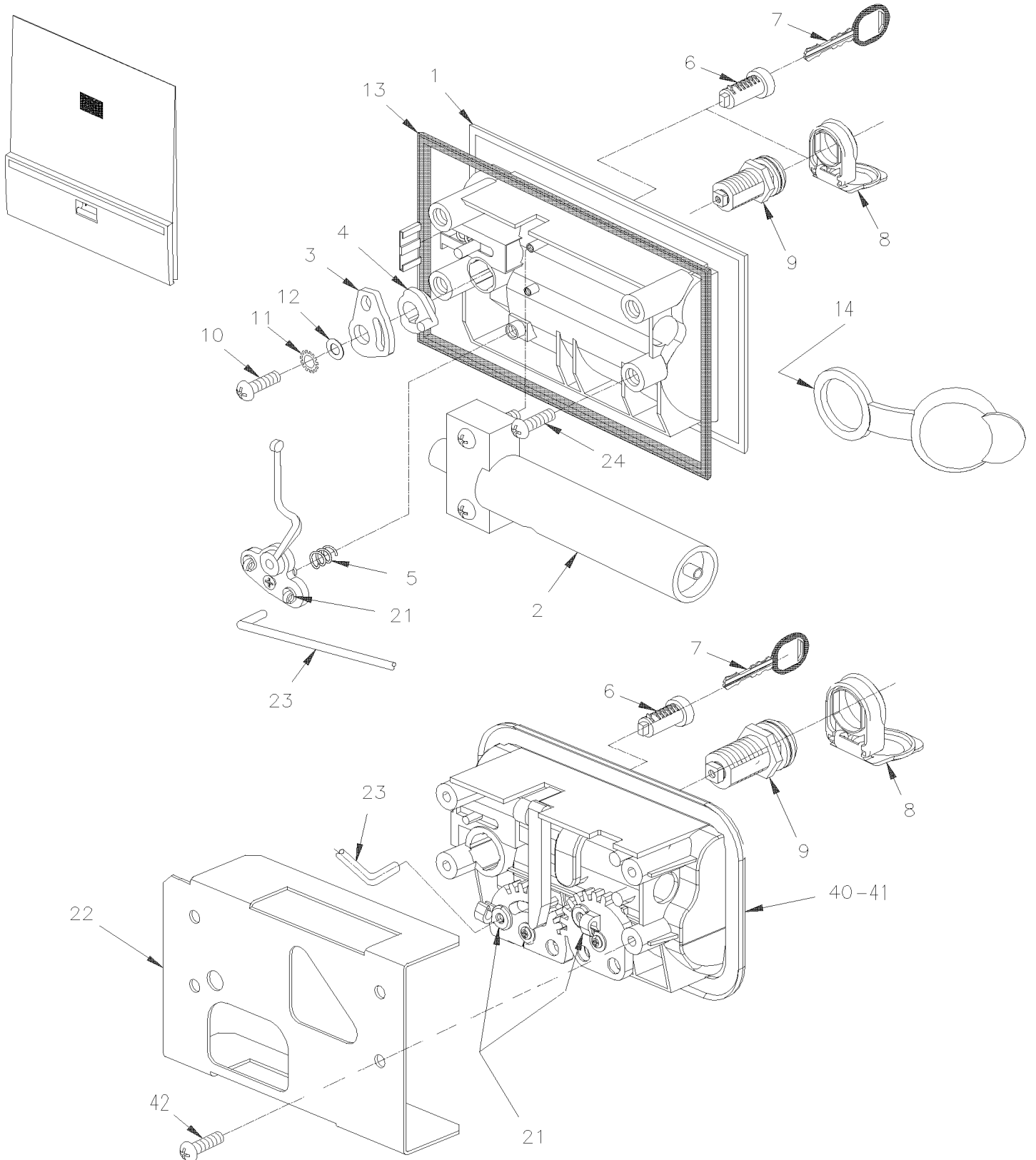


From 4-4915 To 8-1043

Date:10/2022

PAGE:HF-1864-32

HANDLE LOCK & KEYS - TYPE "NS"



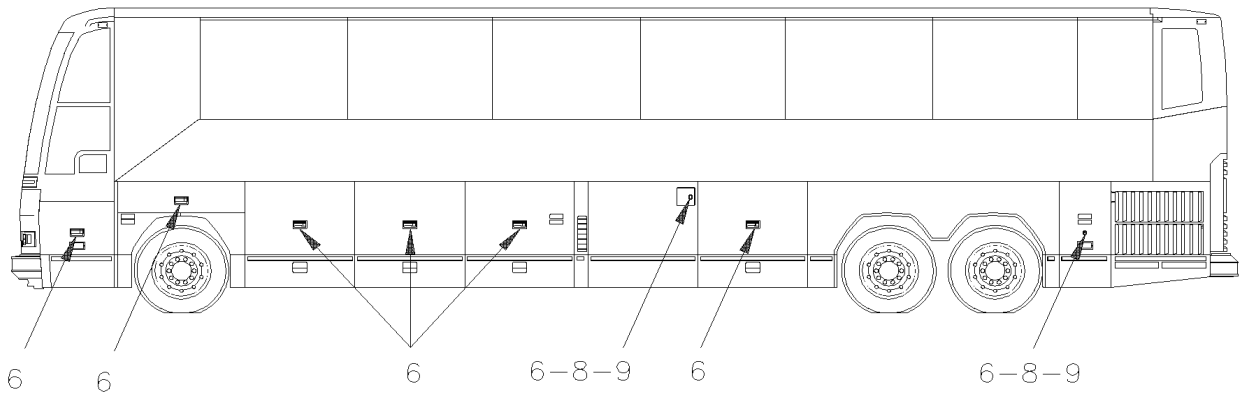


From 4-4915 To 8-1043

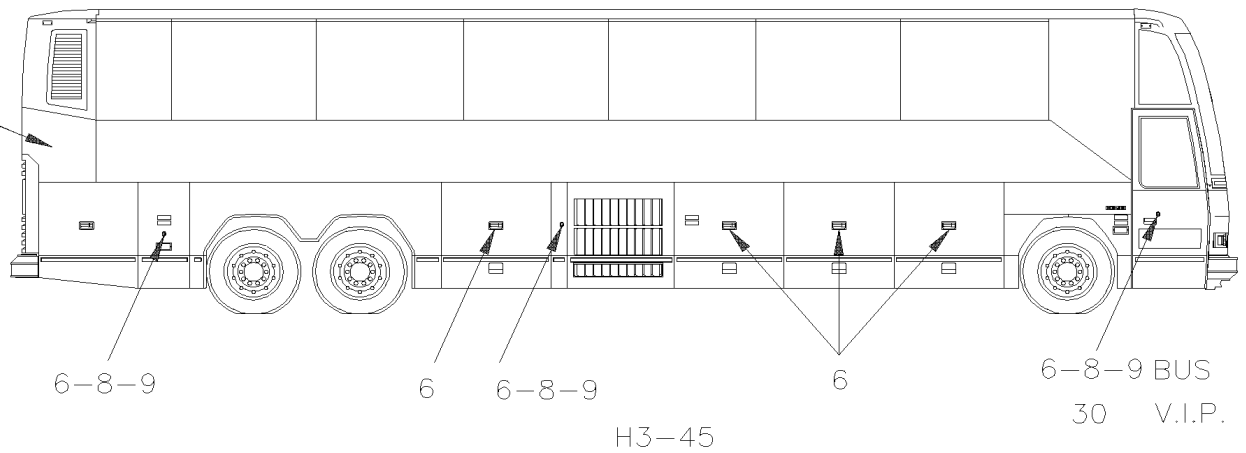
Date:10/2022

PAGE:HF-1864-32

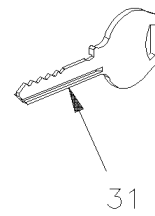
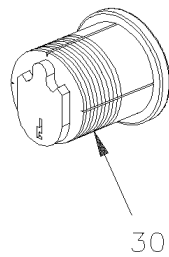
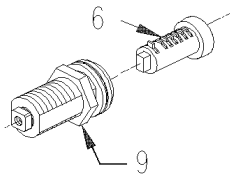
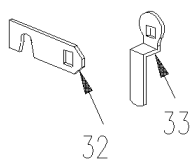
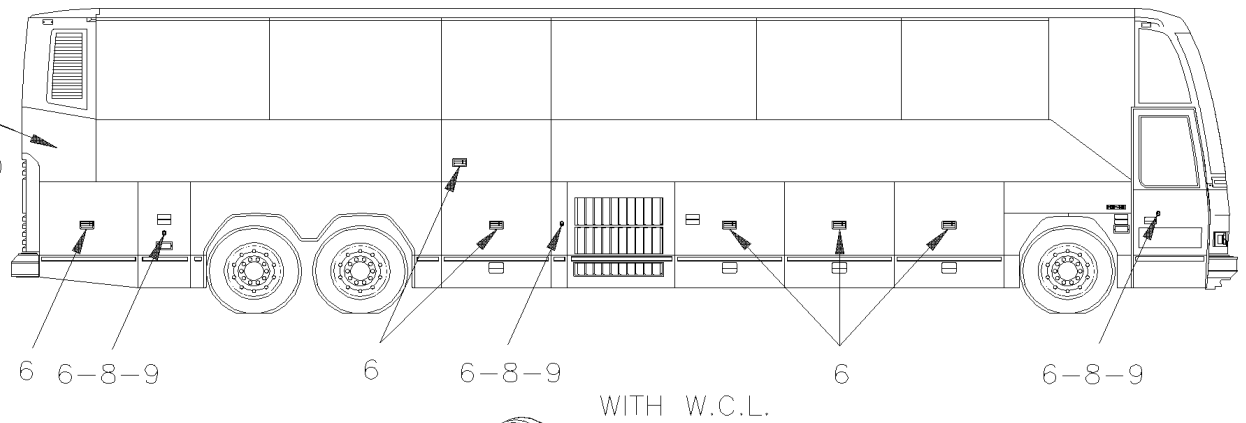
HANDLE LOCK & KEYS - TYPE "NS"



6-9-32-33
LAVATORY
FROM 5-0100



6-9-32-33
LAVATORY
FROM 5-0100





From 4-4915 To 8-1043	Date:10/2022	PAGE:HF-1864-32
HANDLE LOCK & KEYS - TYPE "NS"		

Item#	Part	Description	H 3 4 1	H 3 4 5	V I P 4 5	N O T E S
1	780711	HANDLE ASSY / MANUAL TYPE "NS" To 6-0388	AR	AR	AR	A
. NS	780340	. CLIP, RETAINER ROD To 6-0388	2	2	2	A
1	780712	HANDLE ASSY / W/AIR CYLINDER TYPE "NS" To 6-0388	AR	AR		
. NS	780340	. CLIP, RETAINER ROD To 6-0388	2	2		
2	N.S.S.	. AIR CYLINDER	AR	AR		1
3	780353	LEVER / W/AIR CYLINDER To 6-0388	AR	AR		D
3	288539	LEVER / W/MANUAL OPERATION & ELECTRIC			AR	S
4	780352	LEVER To 6-0388	AR	AR	AR	D
NS	780303	. GASKET From 6-0389	1	1	1	
5	780305	. SPRING COMPRESSION / .700 O.D. x .515 x .055 To 6-0388	1	1	1	
6	780691	CYLINDER LOCK / NS 8888	AR	AR	AR	
. NS	780660	. KEY / NS 8888	1	1	1	
6	780692	CYLINDER LOCK / NS 8701	AR	AR	AR	
. NS	780661	. KEY / NS 8701	1	1	1	
6	780693	CYLINDER LOCK / NS 8702	AR	AR	AR	
. NS	780662	. KEY / NS 8702	1	1	1	
6	780694	CYLINDER LOCK / NS 8703	AR	AR	AR	
. NS	780662	. KEY / NS 8702	1	1	1	
6	780695	CYLINDER LOCK / NS 8704	AR	AR	AR	
. NS	780664	. KEY / NS 8704	1	1	1	
6	780696	CYLINDER LOCK / NS 8705	AR	AR	AR	
. NS	780665	. KEY / NS 8705	1	1	1	
6	780697	CYLINDER LOCK / NS 8707	AR	AR	AR	
. NS	780667	. KEY / NS 8707	1	1	1	
6	780698	CYLINDER LOCK / NS 8708	AR	AR	AR	
. NS	780668	. KEY / NS 8708	1	1	1	
6	780699	CYLINDER LOCK / NS 8709	AR	AR	AR	
. NS	780669	. KEY / NS 8709	1	1	1	
6	780700	CYLINDER LOCK / NS 8710	AR	AR	AR	
. NS	780670	. KEY / NS 8710	1	1	1	
6	780701	CYLINDER LOCK / NS 8711	AR	AR	AR	
. NS	780671	. KEY / NS 8711	1	1	1	
6	780702	CYLINDER LOCK / NS 8712	AR	AR	AR	
. NS	780672	. KEY / NS 8712	1	1	1	
6	780703	CYLINDER LOCK / NS 8713	AR	AR	AR	
. NS	780673	. KEY / NS 8713	1	1	1	
6	780704	CYLINDER LOCK / NS 8714	AR	AR	AR	
. NS	780674	. KEY / NS 8714	1	1	1	
6	780705	CYLINDER LOCK / NS 8715	AR	AR	AR	
. NS	780675	. KEY / NS 8715	1	1	1	
6	780706	CYLINDER LOCK / NS 8716	AR	AR	AR	
. NS	780676	. KEY / NS 8716	1	1	1	



From 4-4915 To 8-1043	Date:10/2022	PAGE:HF-1864-32
HANDLE LOCK & KEYS - TYPE "NS"		

Item#	Part	Description	H 3 4 1	H 3 4 5	V I P 4 5	N O T E S
6	780707	CYLINDER LOCK / NS 8717	AR	AR	AR	
. NS	780677	. KEY / NS 8717	1	1	1	
6	780708	CYLINDER LOCK / NS 8718	AR	AR	AR	
. NS	780678	. KEY / NS 8718	1	1	1	
6	780709	CYLINDER LOCK / NS 8719	AR	AR	AR	
. NS	780679	. KEY / NS 8719	1	1	1	
6	780710	CYLINDER LOCK / NS 8720	AR	AR	AR	
. NS	780680	. KEY / NS 8720	1	1	1	
6	780666	CYLINDER LOCK / NS 8721	AR	AR	AR	
. NS	780681	. KEY / NS 8721	1	1	1	
6	780726	CYLINDER LOCK / NS 8722	AR	AR	AR	
. NS	780682	. KEY / NS 8722	1	1	1	
6	780727	CYLINDER LOCK / NS 8723	AR	AR	AR	
. NS	780683	. KEY / NS 8723	1	1	1	
6	780728	CYLINDER LOCK / NS 8724	AR	AR	AR	
. NS	780684	. KEY / NS 8724	1	1	1	
6	780729	CYLINDER LOCK / NS 8725	AR	AR	AR	
. NS	780685	. KEY / NS 8725	1	1	1	
6	780730	CYLINDER LOCK / NS 8726	AR	AR	AR	
. NS	780686	. KEY / NS 8726	1	1	1	
6	780731	CYLINDER LOCK / NS 8727	AR	AR	AR	
. NS	780687	. KEY / NS 8727	1	1	1	
6	780732	CYLINDER LOCK / NS 8728	AR	AR	AR	
. NS	780688	. KEY / NS 8728	1	1	1	
6	780733	CYLINDER LOCK / NS 8729	AR	AR	AR	
. NS	780689	. KEY / NS 8729	1	1	1	
6	780734	CYLINDER LOCK / NS 8730	AR	AR	AR	
. NS	780690	. KEY / NS 8730	1	1	1	
6	780735	CYLINDER LOCK / NS 8731	AR	AR	AR	
. NS	780716	. KEY / NS 8731	1	1	1	
6	780736	CYLINDER LOCK / NS 8732	AR	AR	AR	
. NS	780717	. KEY / NS 8732	1	1	1	
6	780737	CYLINDER LOCK / NS 8733	AR	AR	AR	
. NS	780718	. KEY / NS 8733	1	1	1	
6	780738	CYLINDER LOCK / NS 8734	AR	AR	AR	
. NS	780719	. KEY / NS 8734	1	1	1	
6	780739	CYLINDER LOCK / NS 8735	AR	AR	AR	
. NS	780720	. KEY / NS 8735	1	1	1	
6	780740	CYLINDER LOCK / NS 8736	AR	AR	AR	
. NS	780721	. KEY / NS 8736	1	1	1	
6	780741	CYLINDER LOCK / NS 8737	AR	AR	AR	
. NS	780722	. KEY / NS 8737	1	1	1	



From 4-4915 To 8-1043	Date:10/2022	PAGE:HF-1864-32
HANDLE LOCK & KEYS - TYPE "NS"		

Item#	Part	Description	H 3 4 1	H 3 4 5	V I P 4 5	N O T E S
6	780742	CYLINDER LOCK / NS 8738	AR	AR	AR	
. NS	780723	. KEY / NS 8738	1	1	1	
6	780743	CYLINDER LOCK / NS 8739	AR	AR	AR	
. NS	780724	. KEY / NS 8739	1	1	1	
6	780744	CYLINDER LOCK / NS 8740	AR	AR	AR	
. NS	780725	. KEY / NS 8740	1	1	1	
7	780780	KEY, UNCUT / NS SERIE NS SERIES	AR	AR	AR	
7	780660	KEY / NS 8888	AR	AR	AR	
7	780661	KEY / NS 8701	AR	AR	AR	
7	780662	KEY / NS 8702	AR	AR	AR	
7	780663	KEY / NS 8703	AR	AR	AR	
7	780664	KEY / NS 8704	AR	AR	AR	
7	780665	KEY / NS 8705	AR	AR	AR	
7	780667	KEY / NS 8707	AR	AR	AR	
7	780668	KEY / NS 8708	AR	AR	AR	
7	780669	KEY / NS 8709	AR	AR	AR	
7	780670	KEY / NS 8710	AR	AR	AR	
7	780671	KEY / NS 8711	AR	AR	AR	
7	780672	KEY / NS 8712	AR	AR	AR	
7	780673	KEY / NS 8713	AR	AR	AR	
7	780674	KEY / NS 8714	AR	AR	AR	
7	780675	KEY / NS 8715	AR	AR	AR	
7	780676	KEY / NS 8716	AR	AR	AR	
7	780677	KEY / NS 8717	AR	AR	AR	
7	780678	KEY / NS 8718	AR	AR	AR	
7	780679	KEY / NS 8719	AR	AR	AR	
7	780680	KEY / NS 8720	AR	AR	AR	
7	780681	KEY / NS 8721	AR	AR	AR	
7	780682	KEY / NS 8722	AR	AR	AR	
7	780683	KEY / NS 8723	AR	AR	AR	
7	780684	KEY / NS 8724	AR	AR	AR	
7	780685	KEY / NS 8725	AR	AR	AR	
7	780686	KEY / NS 8726	AR	AR	AR	
7	780687	KEY / NS 8727	AR	AR	AR	
7	780688	KEY / NS 8728	AR	AR	AR	
7	780689	KEY / NS 8729	AR	AR	AR	
7	780690	KEY / NS 8730	AR	AR	AR	
7	780716	KEY / NS 8731	AR	AR	AR	
7	780717	KEY / NS 8732	AR	AR	AR	
7	780718	KEY / NS 8733	AR	AR	AR	
7	780719	KEY / NS 8734	AR	AR	AR	
7	780720	KEY / NS 8735	AR	AR	AR	



From 4-4915 To 8-1043	Date:10/2022	PAGE:HF-1864-32
HANDLE LOCK & KEYS - TYPE "NS"		

Item#	Part	Description	H 3 4 1	H 3 4 5	V I P 4 5	N O T E S
7	780721	KEY / NS 8736	AR	AR	AR	
7	780722	KEY / NS 8737	AR	AR	AR	
7	780723	KEY / NS 8738	AR	AR	AR	
7	780724	KEY / NS 8739	AR	AR	AR	
7	780725	KEY / NS 8740	AR	AR	AR	
8	288543	CAP PROTECTOR	1	1	1	
9	780745	CYLINDER LOCK BODY	AR	AR	AR	
10	500560	SCREW MA PAN PH M4-0.7x6 Z050	1	1	1	C
11	500022	WASHER LO INT .168x.340x.023 Z050	1	1	1	
12	500591	WASHER FL 4.3x9.0x0.8 Z050	1	1	1	
13	780303	GASKET	1	1	1	
14	780802	CAP PROTECTOR CLOSED / BLACK SERIES NS	AR	AR	AR	
21	780340	CLIP, RETAINER ROD	1	1	1	
21	504456	CLIP / RETAINER ROD / WHITE OR RED	1	1	1	
NS	286110	SUPPORT, HANDLE To 6-0388	AR	AR		D
22	289340	SUPPORT, HANDLE From 6-0389	AR	AR	AR	E
23		FOR RODS SEE RESPECTIVE PAGES FOR APPLICATION	1	1	1	
24	502563	SCREW CAP HEX M6-1.0x12 G8.8 Z050 To 6-0388	4	4	4	D
30	780430	CYLINDER LOCK ASSY W/2 KEYS / "CORBIN"			1	SS
. NS	780562	. KEY / "CORBIN" BLANK			2	SS
30	780803	CYLINDER LOCK ASSY W/2 KEYS / "SCHLAGE" SERVICE			1	
. NS	780902	. KEY / "SCHLAGE" BLANK			1	
31	780562	KEY / "CORBIN" BLANK			1	
40	780795	HANDLE ASSY / W/AIR CYLINDER TYPE "NS" From 6-0389	AR	AR		
. NS	780800	. CYLINDER AIR From 6-0389	1	1		
. NS	780340	. CLIP, RETAINER ROD From 6-0389	2	2		
40	780794	HANDLE ASSY / MANUAL TYPE "NS" From 6-0389	AR	AR	AR	A
. NS	780340	. CLIP, RETAINER ROD From 6-0389	2	2	2	A
40	780303	. GASKET	1	1	1	
41	5001630	SCREW TP BUTF TORX M6x20 SS From 6-0389	4	4	4	E
NS	288546	KIT, ADAPTOR ELECTRIC BAGGAGE DOOR / MODIFICATION "NS" CYLINDER K	1	1		
. NS	IS-03064A	. SEE INSTRUCTION SHEET	1	1		
NS	288546	KIT, ADAPTOR ELECTRIC BAGGAGE DOOR / MODIFICATION "NS" CYLINDER K			10	
. NS	IS-03064A	. SEE INSTRUCTION SHEET			1	
NS	288547	KIT, ADAPTOR MAN & AIR BAGGAGE DOOR / MODIFICATION "NS" CYLINDER K	8			
. NS	IS-03064A	. SEE INSTRUCTION SHEET	1			
NS	288547	KIT, ADAPTOR MAN & AIR BAGGAGE DOOR / MODIFICATION "NS" CYLINDER K		10		
. NS	IS-03064A	. SEE INSTRUCTION SHEET		1		
NS	288548	KIT, ADAPTOR SMALL LH FUEL DOOR / MODIFICATION "NS" CYLINDER K	2	2	2	
. NS	IS-03064A	. SEE INSTRUCTION SHEET	1	1	1	
NS	288549	KIT, ADAPTOR REAR SERVICE DOOR / MODIFICATION "NS" CYLINDER K	2	2	2	
. NS	IS-03064A	. SEE INSTRUCTION SHEET	1	1	1	



From 4-4915 To 8-1043	Date:10/2022	PAGE:HF-1864-32
HANDLE LOCK & KEYS - TYPE "NS"		

Item#	Part	Description	H 3 4 1	H 3 4 5	V I P 4 5	N O T E S
NS	288550	KIT, ADAPTOR LARGE RH FUEL DOOR / MODIFICATION "NS" CYLINDER K			AR	
. NS	IS-03064A	. SEE INSTRUCTION SHEET			1	
NS	288551	KIT, ADAPTOR LARGE LH FUEL DOOR / MODIFICATION "NS" CYLINDER K			AR	
. NS	IS-03064A	. SEE INSTRUCTION SHEET			1	
60	HF-2329-00	LAVATORY DOOR LOCK & SWITCH				
		A) MANUAL OR ELECTRIC				
		C) TO FIX LEVER ITEM #3				
		D) USE ONLY WITH HANDLE # 780711 & 780712				
		E) USE ONLY WITH HANDLE # 780794 & 780795				
		S) USE ALSO IN SERVICE FOR VEHICULE UP TO 4-4914				
		SS) THIS MODEL IT OBSOLETED REPLACE BY 780803 WITH NEW LEVER # 289030				
		1) NOT SOLD SEPARATELY				

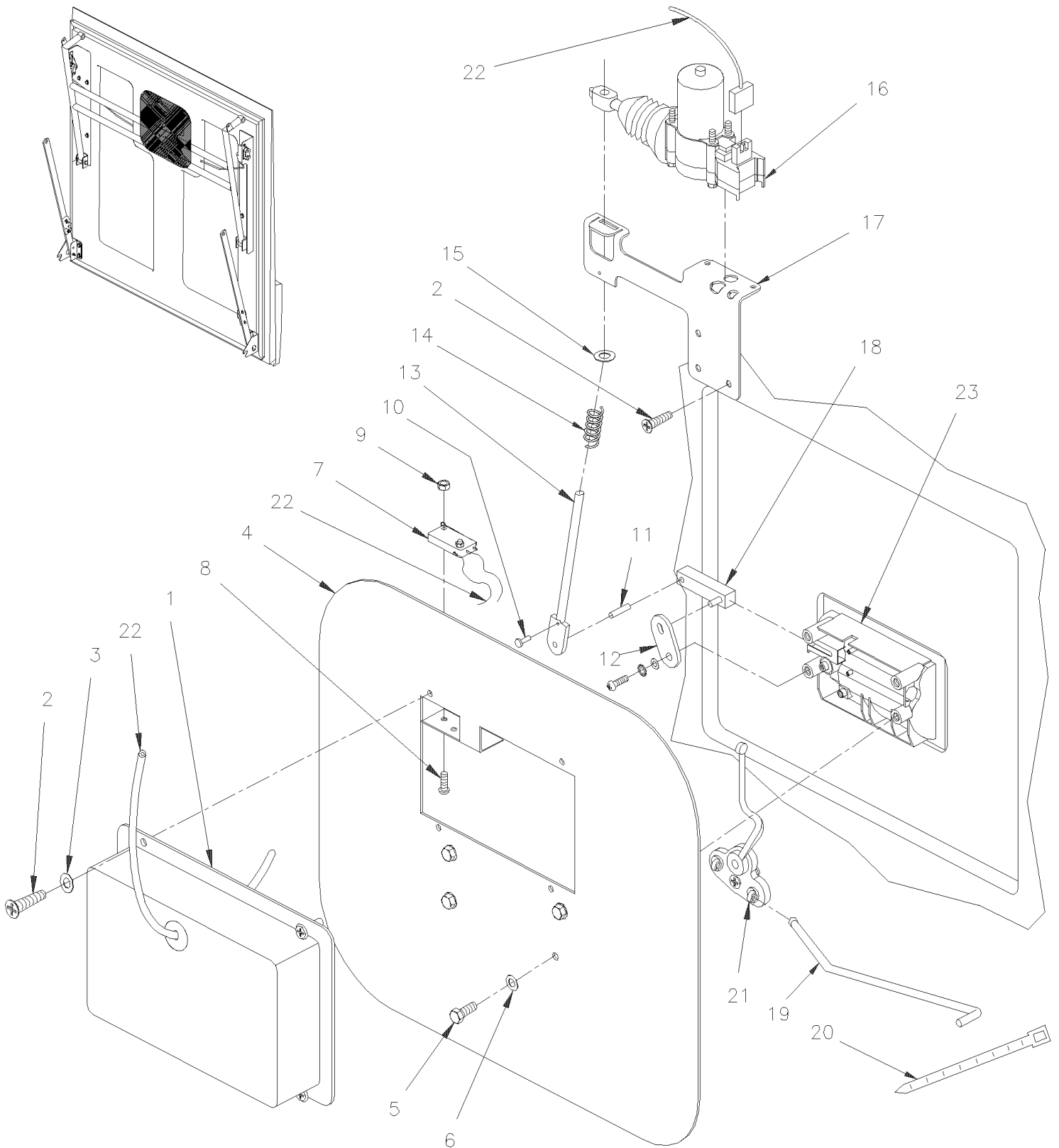


From 3-4417 To 6-0388

Date:10/2022

PAGE:HF-1864-35

BAGGAGE COMPARTMENT ELECTRICAL LOCK - V.I.P





From 3-4417 To 6-0388 Date:10/2022 PAGE:HF-1864-35

BAGGAGE COMPARTMENT ELECTRICAL LOCK - V.I.P

Item#	Part	Description	H 3 4 1	H 3 4 5	V I P 4 5	N O T E S
		"WARNING" - "WARNING" -"WARNING" - "WARNING"				
		IF YOU INSTALL NEW HANDLE #780794 OR 780795 IN REPLACEMENT OF FORMER ONE YOU REQUIRE NEW RODS BETWEEN HANDLE & LOCK FOR PROPER USE INSTALLATION SEE RESPECTIVES PAGE FOR PARTS NUMBERS OF RODS				
1	283516	COVER			1	
2	500263	SCREW TP PAN PH #8x3/8 BK			7	
3	500438	WASHER FL .187x.437x.050 Z050			4	
4	286144	PLATE CLOSING / 289MM X 314MM			1	
5	502563	SCREW CAP HEX M6-1.0x12 G8.8 Z050			10	
6	502582	WASHER LO SERR 6.1x16.2x0.9 Z050			10	
7	562096	MICRO SWITCH			1	
8	502577	SCREW MA PAN PH M3-0.5x16 ZP			2	
9	502579	NUT HEX M3-0.5 NP			2	
10	504542	RIVET SHR FL 9/32x3/32 STL			1	
11	505420	SPRING, PIN M4.5 x 20			2	
12	284413	LEVER / W/MANUAL OPERATION & ELECTRIC / 7MM SQ HOLE To 4-4914			1	
12	288539	LEVER / W/MANUAL OPERATION & ELECTRIC From 4-4915			1	S
14	502151	SPRING COMPRESSION / .300 O.D. x 1 x .032			1	
15	500440	WASHER FL .250x.562x.065 Z050			1	
16	780428	LOCK ACTUATOR / 12V			1	
. NS	562076	. CONNECTOR / PACK-CON I / FEMALE HOUSING / 2C / PED 8911772			1	
17	2800915	SUPPORT ACTUATOR ASSY			1	
17	286145	. SUPPORT ACTUATOR			1	
NS	283514	. LEVER			1	
17	502151	. SPRING COMPRESSION / .300 O.D. x 1 x .032			1	
17	500440	. WASHER FL .250x.562x.065 Z050			1	
17	504542	. RIVET SHR FL 9/32x3/32 STL			1	
18	283513	GUIDE			1	
19	HF-1864-00	BAGGAGE COMPARTMENT DOOR				
20	504273	CABLE TIE / 1/8" X 3"1/2			1	
21	780340	CLIP, RETAINER ROD			2	
22	062768	CABLE HARNESS ASSY			1	
23	HF-1864-32	HANDLE LOCK & KEYS - TYPE "NS"				
23	HF-1864-32	HANDLE LOCK & KEYS - TYPE "NS"				



From 3-4417 To 6-0388	Date:10/2022	PAGE:HF-1864-35
-----------------------	--------------	-----------------

BAGGAGE COMPARTMENT ELECTRICAL LOCK - V.I.P

Item#	Part	Description	H 3 4 1	H 3 4 5	V I P 4 5	N O T E S
		S) USE ONLY IN SERVICE WITH HANDLE #780711 "RETROFIT HANDLE KIT"				

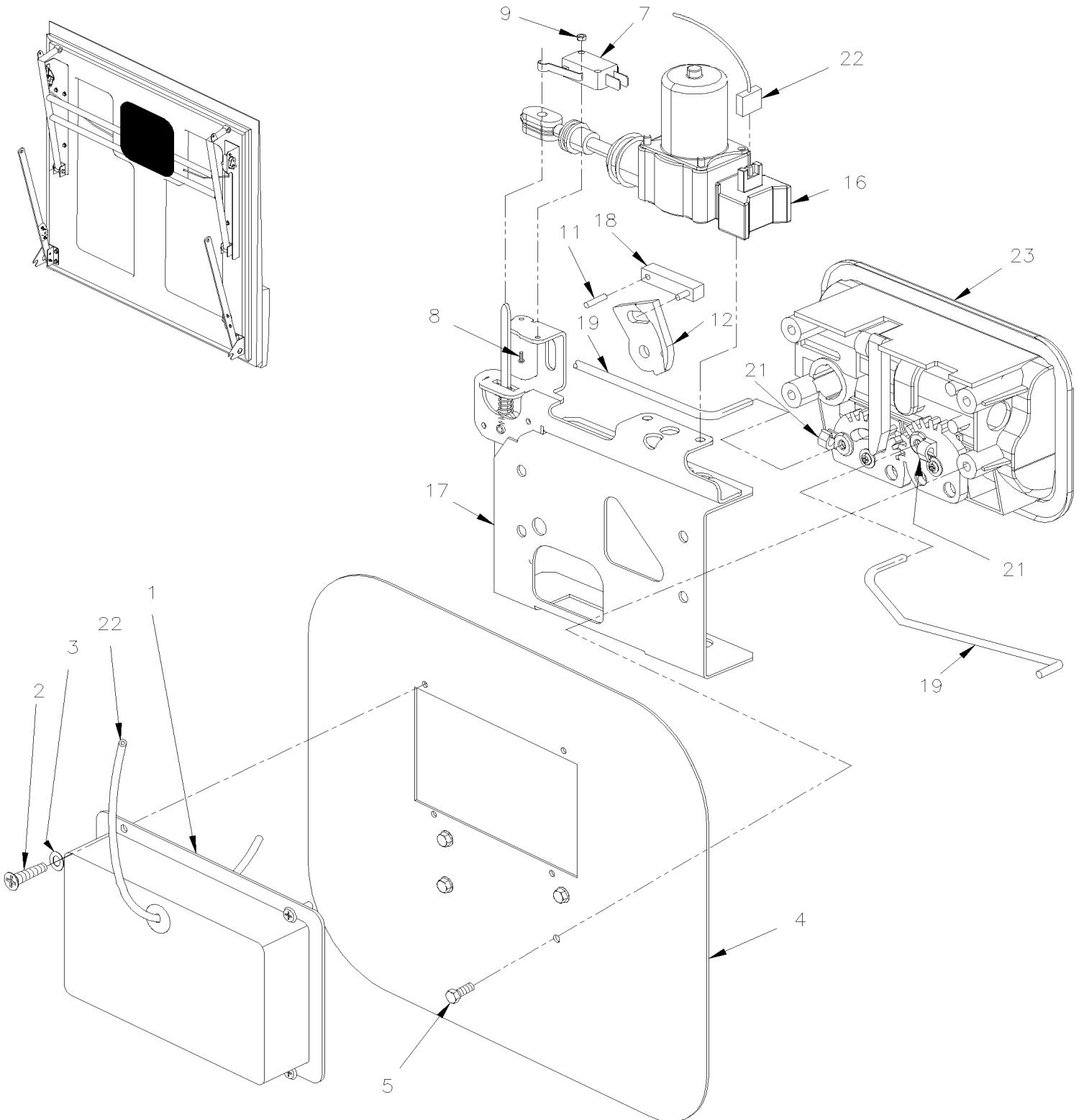


From 6-0389 To 8-1043

Date:10/2022

PAGE:HF-1864-36

BAGGAGE COMPARTMENT ELECTRICAL LOCK - V.I.P





From 6-0389 To 8-1043	Date:10/2022	PAGE:HF-1864-36
BAGGAGE COMPARTMENT ELECTRICAL LOCK - V.I.P		

Item#	Part	Description	H 3 4 1	H 3 4 5	V I P 4 5	N O T E S
1	283516	COVER			1	
2	500883	SCREW TC PAN PH #8-32x3/8 Z050			4	
3	500438	WASHER FL .187x.437x.050 Z050			4	
4	289341	PLATE CLOSING / 289MM X 314MM			1	
4	506071	TAPE RUB ADH1 CC POL 1/8" x 1/2" x 50' / GREY 2520X			AR	
5	5001630	SCREW TP BUTF TORX M6x20 SS			4	
7	562096	MICRO SWITCH			1	
8	502577	SCREW MA PAN PH M3-0.5x16 ZP			2	
9	502579	NUT HEX M3-0.5 NP			2	
11	505420	SPRING, PIN M4.5 x 20			2	
12	288539	LEVER / W/MANUAL OPERATION & ELECTRIC			1	
16	780428	LOCK ACTUATOR / 12V			1	
. NS	562076	. CONNECTOR / PACK-CON I / FEMALE HOUSING / 2C / PED 8911772			1	
16	2810382	ACTUATOR SERVICE KIT			1	
17	289339	SUPPORT HANDLE ASSY W/LEVER / W/ELECTRICAL LOCK			1	
18	283513	GUIDE			1	
19		FOR RODS SEE RESPECTIVE PAGES FOR APPLICATION			1	
21	780340	CLIP, RETAINER ROD			1	
22	066509	CABLE HARNESS ASSY / LUG. LOCK / W/MUX			1	
23	HF-1864-32	HANDLE LOCK & KEYS - TYPE "NS"				

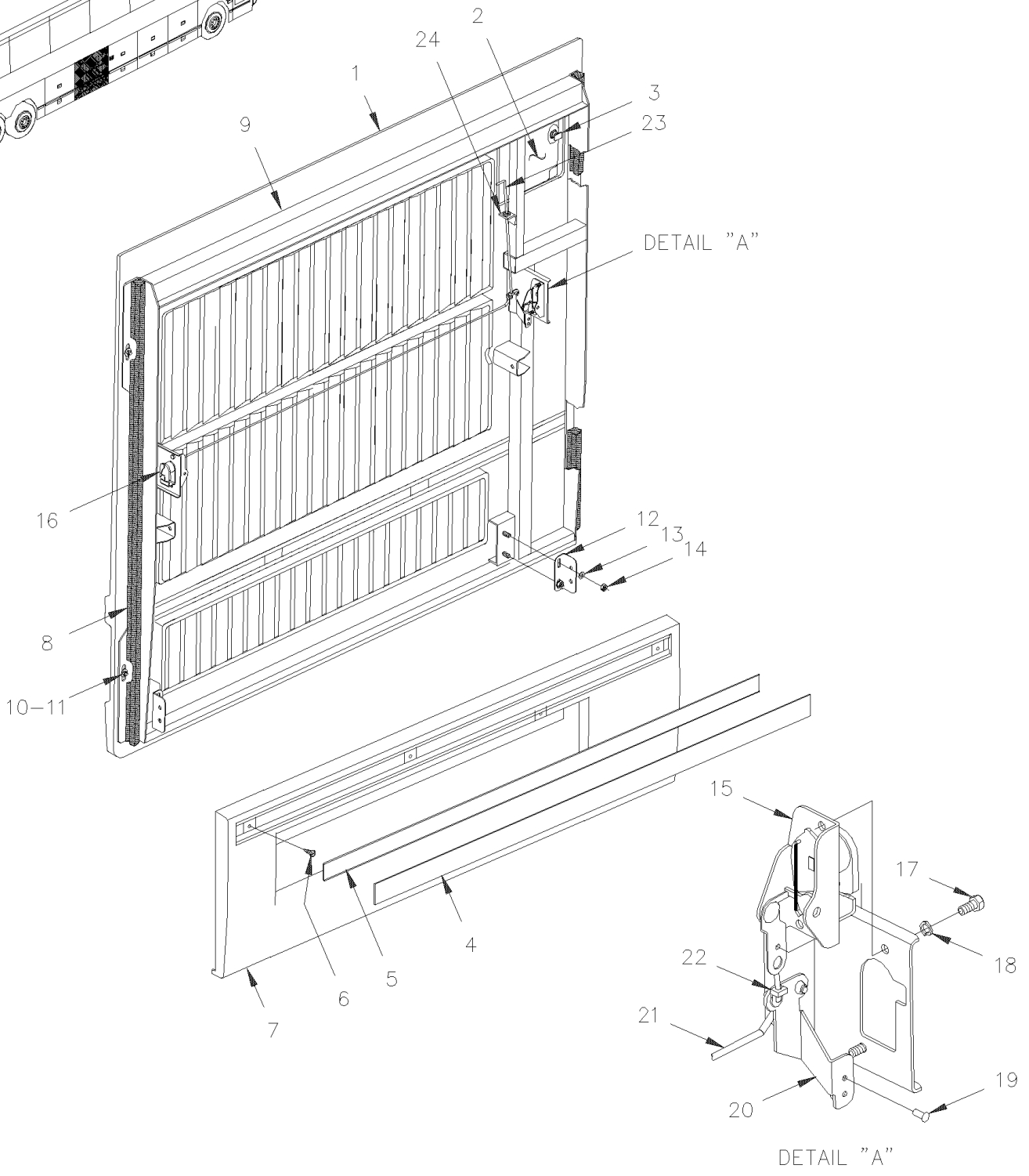
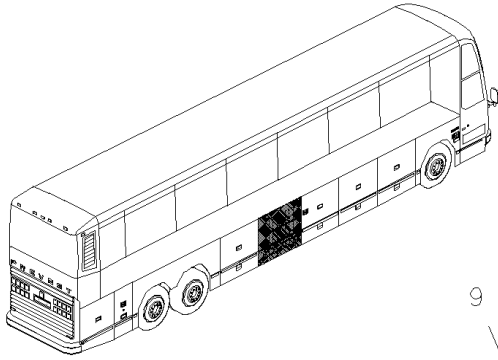


From 3-4417 To 8-1043

Date:10/2022

PAGE:HF-1864-55

BAGGAGE DOOR ASSY - V.I.P. - "CALHOUN" STYLE





From 3-4417 To 8-1043	Date:10/2022	PAGE:HF-1864-55
BAGGAGE DOOR ASSY - V.I.P. - "CALHOUN" STYLE		

Item#	Part	Description	H 3 4 1	H 3 4 5	V I P 4 5	N O T E S
	286447	DOOR ASSY W/GRILL			1	
. NS	288096	. LOUVER ROD 37 1/4"			AR	
1	285824	. CONDENSOR DOOR ASSY To 5-0333			1	
. NS	288096	. . LOUVER ROD 37 1/4" To 5-0333			1	
1	288671	. CONDENSOR DOOR ASSY 1257MM From 5-0334			1	
. NS	288096	. . LOUVER ROD 37 1/4" From 5-0334			1	
2	285637	. FUEL DOOR / RH FIXED AT CONDENSOR DOOR			1	
3	HF-1864-30	. HANDLE LOCK & KEYS - TYPE "PS"				
4	283100	. STRIPE, REFLECTIVE WHITE / 38MM X 15' ROLL			AR	
. NS	780277	. . STRIPE, REFLECTIVE WHITE / 38MM X 150' ROLL			AR	
5	285699	. EXTRUSION BACKING ASSY W/REFLECTOR 1345MM			1	A
. NS	285653	. . EXTRUSION BACKING 1345MM			1	A
5	285653	. . EXTRUSION BACKING 1345MM			1	
5	280236	. EXTRUSION BACKING ASSY W/REFLECTOR 1342MM			1	SVC
. NS	280117	. . EXTRUSION 1342MM			1	SVC
NS	685126	. ADHESIVE SIMSON #ISR 70-03 / GREY / 600ml SAUSAGE			AR	SVC
6	500120	. SCREW TP BDG PH #6x1/2 SS			4	
7	285635	. PROTECTOR PANEL / SH 1257MM			1	
NS	682462	. ADHESIVE SIKA #252 / BLACK / 310ml CARTRIDGE			AR	
8	285465	. RUBBER SEAL EXTRUSION 2900MM			1	
8	280150	. RUBBER SEAL EXTRUSION 2900MM			1	
8	2800143	. RUBBER SEAL EXTRUSION 2900MM			1	
NS	506302	. RUBBER EXTRUSION TRIM SEAL / GRIP .024 / 7/16" HOLLOW BULB C.T.L.			AR	
9	286007	. FRAME ASSY To 3-4430			1	
9	287973	. FRAME ASSY From 3-4431			1	
10	500441	. WASHER FL .312x.734x.065 Z050			5	
11	502511	. NUT HEX NYRT M6-1.0 Z050			5	
12	289237	. FASTNER			2	
13	502584	. WASHER LO SERR 8.2x26.3x1.8 Z050			4	
14	502543	. NUT HEX M8-1.25 Z050			4	
15	780652	. LOCK SPAGNOLET L.H. / W/G-FITTING To 3-4498			1	
. NS	780340	. . CLIP, RETAINER ROD To 3-4498			1	
. NS	507607	. . GREASE FITTING / M6-1.00 To 3-4498			1	
15	285708	. LOCK SPAGNOLET L.H. (MODIFIED) From 3-4499			1	
16	780653	. LOCK SPAGNOLET R.H. / W/G-FITTING			1	
. NS	780340	. . CLIP, RETAINER ROD			1	
. NS	507607	. . GREASE FITTING / M6-1.00			1	
17	502531	. SCREW CAP HEX M6-1.0x16 G8.8 Z050			4	
18	502582	. WASHER LO SERR 6.1x16.2x0.9 Z050			4	
19	504379	. RIVET POP DOME OE 3/16x1/4 SS			1	
20	286025	. PIVOT To 3-4430			1	
20	287971	. PIVOT From 3-4431			1	



From 3-4417 To 8-1043	Date:10/2022	PAGE:HF-1864-55
BAGGAGE DOOR ASSY - V.I.P. - "CALHOUN" STYLE		

Item#	Part	Description	H 3 4 1	H 3 4 5	V I P 4 5	N O T E S
21	286032	. ROD, TRANSFER			1	
22	504456	. CLIP / RETAINER ROD / WHITE OR RED			1	
23	286033	. ROD, OPENING To 3-4430			1	
23	287979	. ROD, OPENING From 3-4431			1	
24	504083	. SNAP BUSHING / .250x.468.406			1	
		A) ASSEMBLY WITH REFLECTOR				
		SVC) SERVICE				

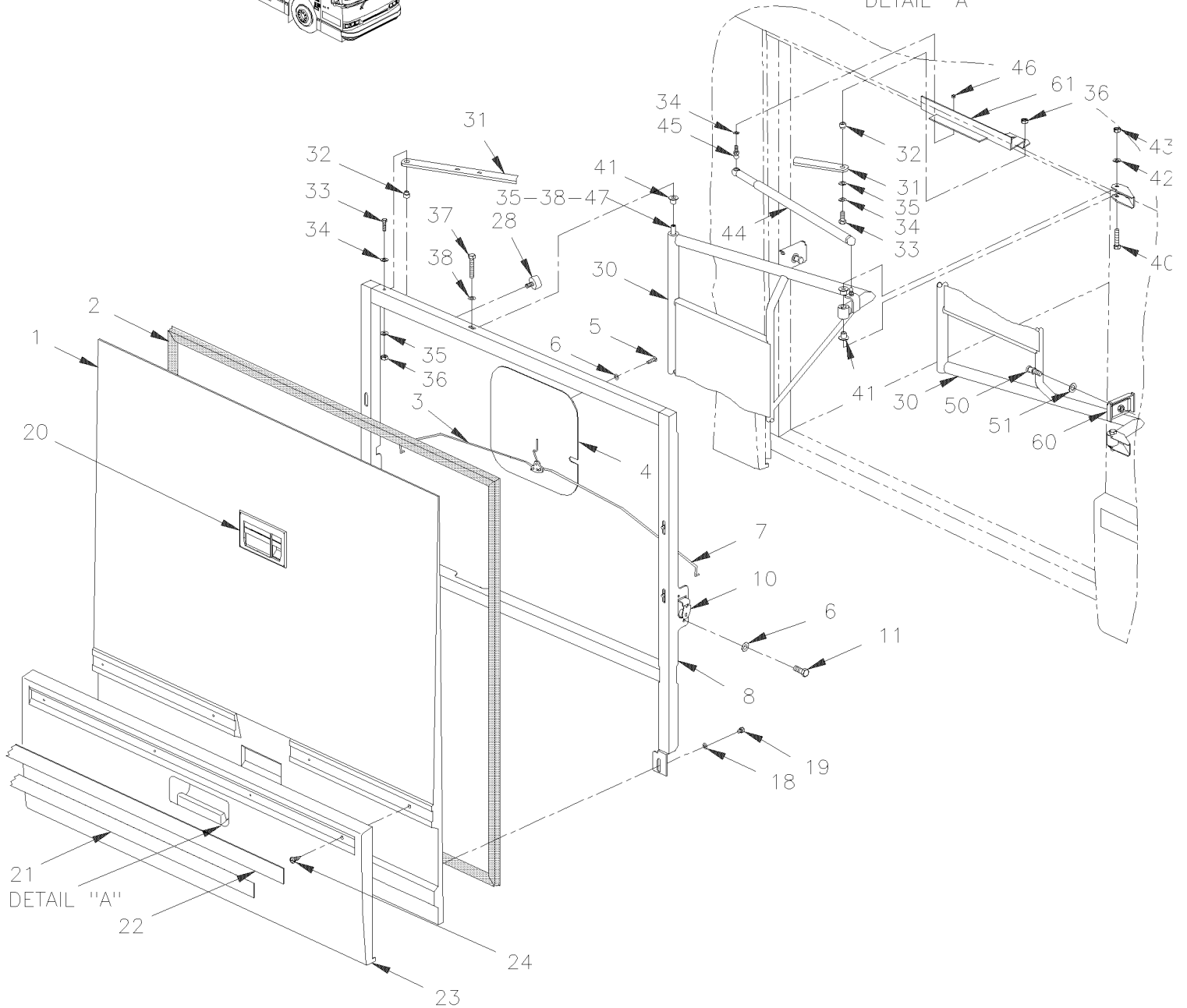
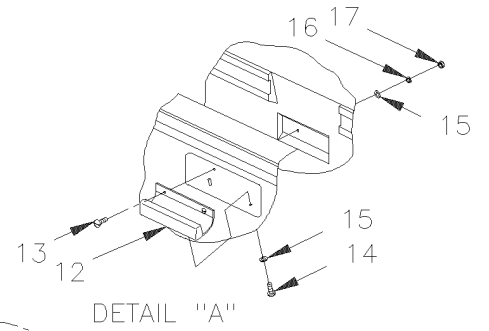
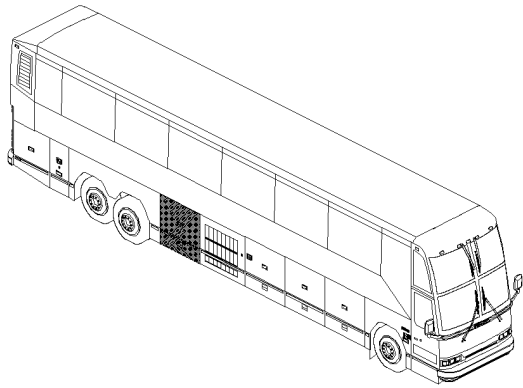


From 3-4417 To 3-4684

Date:10/2022

PAGE:HF-1864-80

BAGGAGE DOOR - W.C.L. "RICON"





From 3-4417 To 3-4684	Date:10/2022	PAGE:HF-1864-80
BAGGAGE DOOR - W.C.L. "RICON"		

Item#	Part	Description	H 3 4 1	H 3 4 5	V I P 4 5	N O T E S
	286403	BAGGAGE DOOR ASSY 48" / W.C.L.		1		
1	285495	. DOOR MOULDED / FIBERGLASS		1		
2	285500	. RUBBER SEAL EXTRUSION / 1152MM X 1121MM		1		
2	287490	. RUBBER SEAL EXTRUSION / 1152MM X 1121MM		1		
2	288902	. RUBBER SEAL EXTRUSION / 1152MM X 1121MM		1		
2	2800122	. RUBBER SEAL EXTRUSION / 1152MM X 1121MM		1		
3	285746	. ROD L.H. 548MM		1		
3	289356	. ROD L.H. 537.5MM / SERVICE		1		S
4	285544	. PLATE CLOSING / SERVICE To 3-4726		1		
4	287114	. PLATE CLOSING / 289MM X 314MM From 3-4727 To B-1720		1		
4	282416	. PLATE CLOSING / 289MM X 314MM From B-1721 To F-3010		1		
4	287114	. PLATE CLOSING / 289MM X 314MM From F-3011		1		
5	502563	. SCREW CAP HEX M6-1.0x12 G8.8 Z050		4		
6	502582	. WASHER LO SERR 6.1x16.2x0.9 Z050		8		
7	285745	. ROD R.H. 499MM		1		
7	289357	. ROD R.H. 505.4MM / SERVICE		1		S
8	285731	. DOOR FRAME		1		
10	780282	. LOCK SPAGNOLET L.H.		1		B
10	286109	. LOCK SPAGNOLET R.H.		1		B
NS	504456	. CLIP / RETAINER ROD / WHITE OR RED		2		
11	502531	. SCREW CAP HEX M6-1.0x16 G8.8 Z050		4		
12	282562	. HANDLE / DOOR		1		
13	502746	. SCREW MA PAN PH M5-0.8x20 SS BK		2		
14	500641	. SCREW TP PAN PH #8x3/4 Z050		2		
15	500438	. WASHER FL .187x.437x.050 Z050		4		
16	500470	. WASHER LO SPT .193x.334x.047 Z050		2		
17	502580	. NUT HEX CAP M5-0.8 ZP		2		
18	502584	. WASHER LO SERR 8.2x26.3x1.8 Z050		6		
19	502589	. SCREW CAP HEX M8-1.25x25 G8.8 Z050		6		
20	HF-1864-32	. HANDLE LOCK & KEYS - TYPE "NS"				
20	HF-1864-32	. HANDLE LOCK & KEYS - TYPE "NS"				
21	283100	. STRIPE, REFLECTIVE WHITE / 38MM X 15' ROLL		AR		
. NS	780277	. . STRIPE, REFLECTIVE WHITE / 38MM X 150' ROLL		AR		
22	285709	. EXTRUSION BACKING ASSY W/REFLECTOR 1189MM		1		
. NS	285542	. . EXTRUSION BACKING 1189MM		1		
22	280237	. EXTRUSION BACKING ASSY W/REFLECTOR 1185MM		1		SVC
. NS	280116	. . EXTRUSION 1185MM		1		SVC
22	685126	. ADHESIVE SIMSON #ISR 70-03 / GREY / 600ml SAUSAGE		1		SVC
NS	680025	. CAULKING STRIP 3/16" O.D. X 14'		1		
23	285504	. PROTECTOR PANEL / SH		1		
23	285800	. PROTECTOR PANEL / WITH GRAVEL GUARD / SH		1		A
24	500120	. SCREW TP BDG PH #6x1/2 SS		5		



From 3-4417 To 3-4684	Date:10/2022	PAGE:HF-1864-80
BAGGAGE DOOR - W.C.L. "RICON"		

Item#	Part	Description	H 3 4 1	H 3 4 5	V I P 4 5	N O T E S
28	504454	. BUMPER RUBBER BOLT / 20MM ODx20MM TH X M6X15MM STUD		6		
30	285737	PANTOGRAPH ARM (AS SHOWN)		1		
31	283236	ARM AUXILIARY 638MM C/C		1		
32	282540	SPACER BUSHING FLANGE / AUX. ARM & SUPPORT		2		
NS	507289	BUSHING NYLINER / AUXILIARY ARM & ATTACHMENT		2		
33	500544	SCREW CAP HEX M8-1.25x30 G8.8 Z050		2		
33	507142	BUSHING, NYLINER W/SHOULDER (8-L-8-F)		4		
34	502583	WASHER LO SERR 8.15x22.3x1.0 Z050		4		D
35	5001164	WASHER FL 8.4x25.0x2.0 Z050		AR		
37	500544	SCREW CAP HEX M8-1.25x30 G8.8 Z050		2		
38	502584	WASHER LO SERR 8.2x26.3x1.8 Z050		2		
40	502793	SCREW CAP HEX M6-1.0x45 G8.8 Z050		4		
41	507142	BUSHING, NYLINER W/SHOULDER (8-L-8-F)		8		
41	286716	SPACER BUSHING FLANGE / AUX. ARM & SUPPORT ACETAL 8.3MM I.D.		4		
42	502798	WASHER FL 17.0x30.0x3.0 BR		6		
43	502581	NUT HEX M6-1.0 Z050		4		
44	980024	CYLINDER GAZ / 669/409MM C/C / 200LBS		1		
45	980015	BALL STUD / W/10 MM X M8-1.25 / 29.18 MM		2		
46	502760	NUT HEX TWAY M8-1.25 Z050		2		
47	282541	SPACER TUBE 31MM x 12.7MM x 8.5MM		2		
50	284438	PIN STRIKER		2		
51	284447	WASHERS BELLEVILLE		2		C
60	287943	FLOATING NUT ASSY WITH CASE		2		
61	213125	ARM SUPPORT / (WELDED TO STRUCTURE)		1		
NS	285401	ARM PROTECTOR / (TRIANGULAR SHAPE PLASTIC)		1		
NS	285416	PROTECTOR CHANEL / "C" SHAPE 1300MM		1		
		A) THIS PROTECTOR IS COATED WITH GRAVEL GUARD AND BLACK PAINTED READY TO INSTALL				
		B) #780282 IS INSTALLED FORWARD AND #286109 IS INSTALLED BACKWARD				
		C) STRIKER & BODY				
		D) W/ITEM #4 & 16				
		S) THOSE RODS ARE REQUIRE ONLY IF YOU CHANGE FORMER HANDLE MODEL FOR NEW MODEL # 780794 OR 780795				
		SVC) SERVICE				

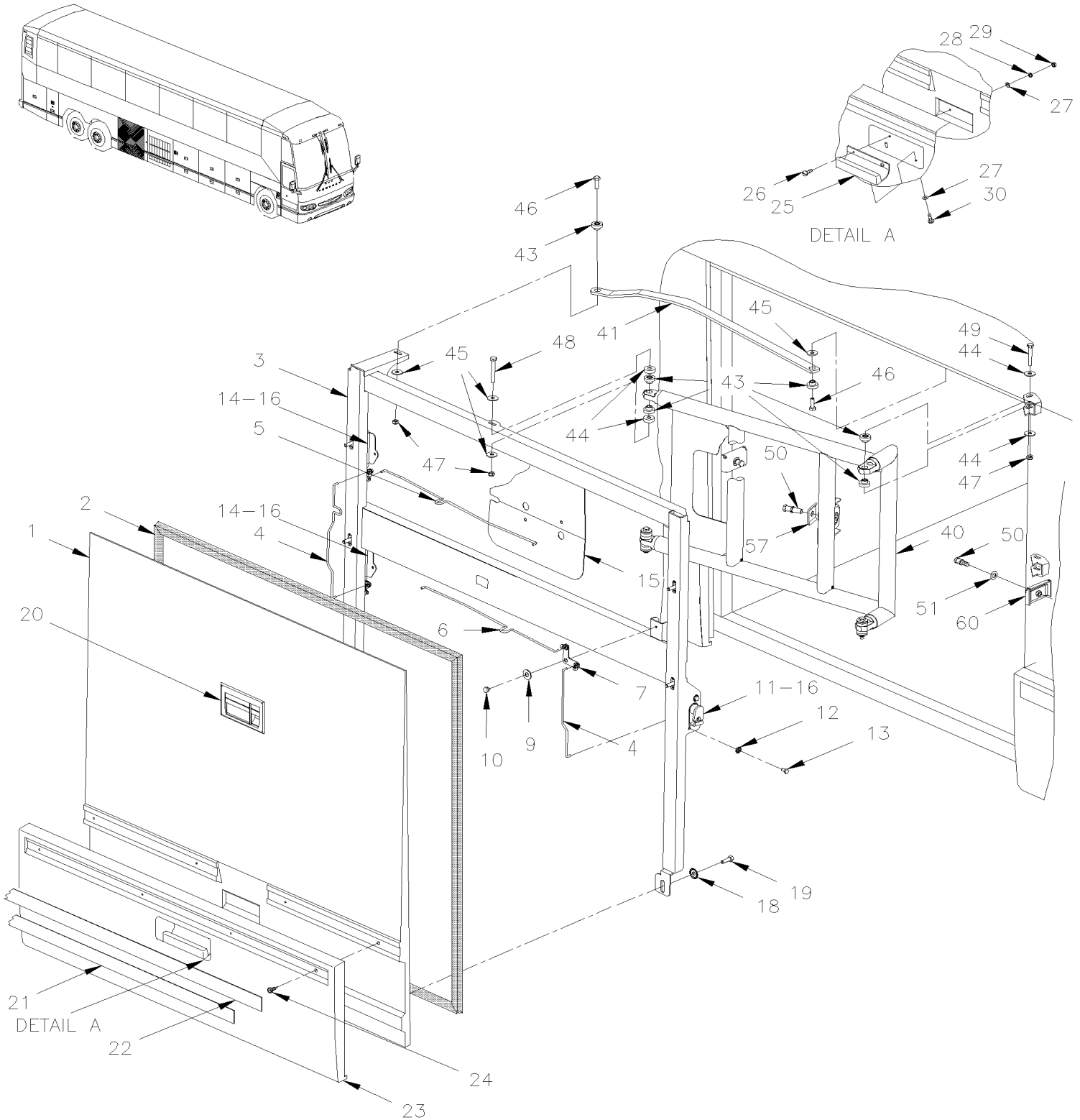


From 3-4685 To 8-1043

Date:10/2022

PAGE:HF-1864-81

BAGGAGE DOOR - W.C.L. "RICON"





From 3-4685 To 8-1043	Date:10/2022	PAGE:HF-1864-81
BAGGAGE DOOR - W.C.L. "RICON"		

Item#	Part	Description	H 3 4 1	H 3 4 5	V I P 4 5	N O T E S
	288165	BAGGAGE DOOR W.C.L. ASSY To 3-4738		1		
	288188	BAGGAGE DOOR W.C.L. ASSY From 3-4739	1	1		
1	286973	. DOOR MOULDED / FIBERGLASS "SMC"	1	1		
2	288170	. RUBBER SEAL EXTRUSION 1154MM X 1125MM	1	1		
2	287490	. RUBBER SEAL EXTRUSION / 1152MM X 1121MM	1	1		
2	288902	. RUBBER SEAL EXTRUSION / 1152MM X 1121MM	1	1		
2	2800122	. RUBBER SEAL EXTRUSION / 1152MM X 1121MM	1	1		
3	288111	. DOOR FRAME To 3-4738		1		
3	288150	. DOOR FRAME From 3-4739	1	1		
4	288146	. DOOR ROD L.H. TRANFERT LEVER To 3-4738		2		
4	288173	. DOOR ROD L.H. TRANFERT LEVER From 3-4739	2	2		
5	288145	. ROD L.H. 425MM To 3-4738		1		
5	289370	. ROD L.H. 431MM / SERVICE To 3-4738		1		S
5	288175	. ROD L.H. 542.7MM From 3-4739 To 6-0388		1		
5	289345	. ROD L.H. 534.8MM From 6-0389	1	1		R
6	288117	. ROD R.H. 546.5MM To 3-4738		1		
6	289368	. ROD R.H. 535.1MM / SERVICE To 3-4738		1		S
6	288174	. ROD R.H. 493.8MM From 3-4739 To 6-0388		1		
6	289332	. ROD R.H. 496.8MM From 6-0389	1	1		R
7	288144	. LEVER TRANSFER	1	1		
8	288148	. DOOR ROD R.H. TRANFERT LEVER To 3-4738		1		
8	288173	. DOOR ROD L.H. TRANFERT LEVER From 3-4739	1	1		
9	500270	. WASHER FL .406x1.000x.063 SS	1	1		
10	287271	. RIVET SHR FL 9.95x3.6{4.8x4.8 SS	1	1		
11	289257	. LOCK SPAGNOLET	1	1		
. NS	780340	. . CLIP, RETAINER ROD	1	1		
12	500356	. WASHER LO SERR 6.1x16.0x0.9 N500	10	10		
13	955269	. SCREW CAP HEX M6-1.0x12 G8.8 ZG603	10	10		
14	287465	. LOCK SPAGNOLET	2	2		
. NS	780340	. . CLIP, RETAINER ROD	1	1		
15	287114	. PLATE CLOSING / 289MM X 314MM	1	1		
NS	506071	. TAPE RUB ADH1 CC POL 1/8" x 1/2" x 50' / GREY 2520X	AR	AR		
16	780340	. CLIP, RETAINER ROD	AR	AR		
18	502857	. WASHER LO SERR 8.2x26.3x1.8 N500	6	6		
19	955297	. SCREW CAP HEX M8-1.25x25 G8.8 ZG603	6	6		
20	HF-1864-32	. HANDLE LOCK & KEYS - TYPE "NS"				
20	HF-1864-32	. HANDLE LOCK & KEYS - TYPE "NS"				
21	283100	. STRIPE, REFLECTIVE WHITE / 38MM X 15' ROLL	AR	AR		
. NS	780277	. . STRIPE, REFLECTIVE WHITE / 38MM X 150' ROLL	AR	AR		
22	285709	. EXTRUSION BACKING ASSY W/REFLECTOR 1189MM	1	1		
. NS	285542	. . EXTRUSION BACKING 1189MM	1	1		
22	280237	. EXTRUSION BACKING ASSY W/REFLECTOR 1185MM	1	1		SVC



From 3-4685 To 8-1043	Date:10/2022	PAGE:HF-1864-81
BAGGAGE DOOR - W.C.L. "RICON"		

Item#	Part	Description	H 3 4 1	H 3 4 5	V I P 4 5	N O T E S
. NS	280116	. . EXTRUSION 1185MM	1	1		SVC
22	685126	. ADHESIVE SIMSON #ISR 70-03 / GREY / 600ml SAUSAGE	AR	AR		SVC
23	285504	. PROTECTOR PANEL / SH	1	1		
23	285800	. PROTECTOR PANEL / WITH GRAVEL GUARD / SH	1	1		A
24	500443	. SCREW TP PAN PH #8x1/2 N500	4	4		
25	282562	. HANDLE / DOOR	1	1		
26	502746	. SCREW MA PAN PH M5-0.8x20 SS BK	2	2		
27	500804	. WASHER FL .203x.500x.047 N500	4	4		
28	500840	. WASHER LO EXT .195x.410x.025 N500	2	2		
29	502827	. NUT HEX CAP M5-0.8 N500	2	2		
30	500957	. SCREW TP BDG PH #10x3/4 N500	2	2		
40	288101	PANTOGRAPH ARM To 3-4738		1		
40	288176	PANTOGRAPH ARM From 3-4739		1		
41	288114	ARM AUXILIARY To 3-4738		1		
41	288163	ARM AUXILIARY From 3-4739 To 5-0108		1		
41	288637	ARM AUXILIARY From 5-0108	1	1		
41	780789	ADJUSTMENT DEVICE 5/16-18	1	1		
41	500685	NUT HEX NYRT 5/16-18 SS	1	1		
42	500359	SCREW CAP HEX M10-1.5x22 G8.8 N500	1	1		
43	286716	SPACER BUSHING FLANGE / AUX. ARM & SUPPORT ACETAL 8.3MM I.D.	10	10		
44	288116	SPACER	4	4		
45	500381	WASHER FL 8.4x25.0x2.0 N500	10	10		
46	955297	SCREW CAP HEX M8-1.25x25 G8.8 ZG603	2	2		
47	502837	NUT HEXF STO M8-1.25 N500	5	5		
48	5001347	SCREW CAP HEX M8-1.25x70 SS	2	2		
49	502757	SCREW CAP HEX M8-1.25x50 G8.8 N500	2	2		
50	284438	PIN STRIKER To 3-4738		3		
50	780415	BOLT STRIKER From 3-4739		1		
51	284447	WASHERS BELLEVILLE From 3-4739	AR	AR		
57	287942	FLOATING NUT	1	1		
60	287943	FLOATING NUT ASSY WITH CASE	2	2		
		A) THIS PROTECTOR IS COATED WITH GRAVEL GUARD AND BLACK PAINTED READY TO INSTALL				
		R) THOSE RODS ARE REQUIRES ALSO IF YOU CHANGE FORMER HANDLE FOR NEW MODELS # 780794 OR 780795				
		S) THOSE RODS ARE REQUIRE ONLY IF YOU CHANGE FORMER HANDLE FOR NEW MODEL #780794 OR 780795 UP TO 3-4738				
		SVC) SERVICE				



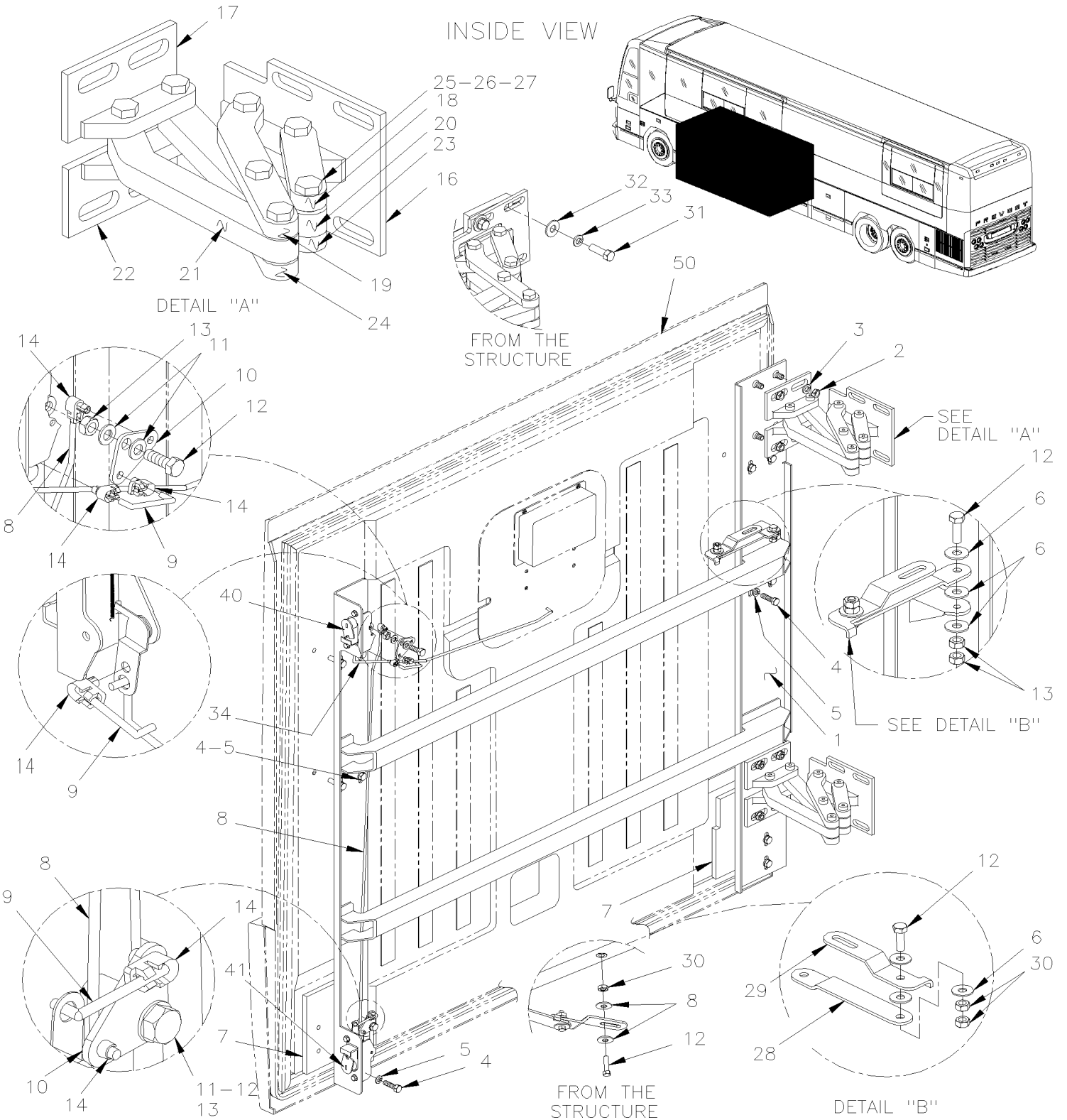
From 3-4417 To 8-1043

Date:10/2022

PAGE:HF-1864-90

BAGGAGE DOOR - W/"SLIDE-OUT" INSTALLTION

INSIDE VIEW





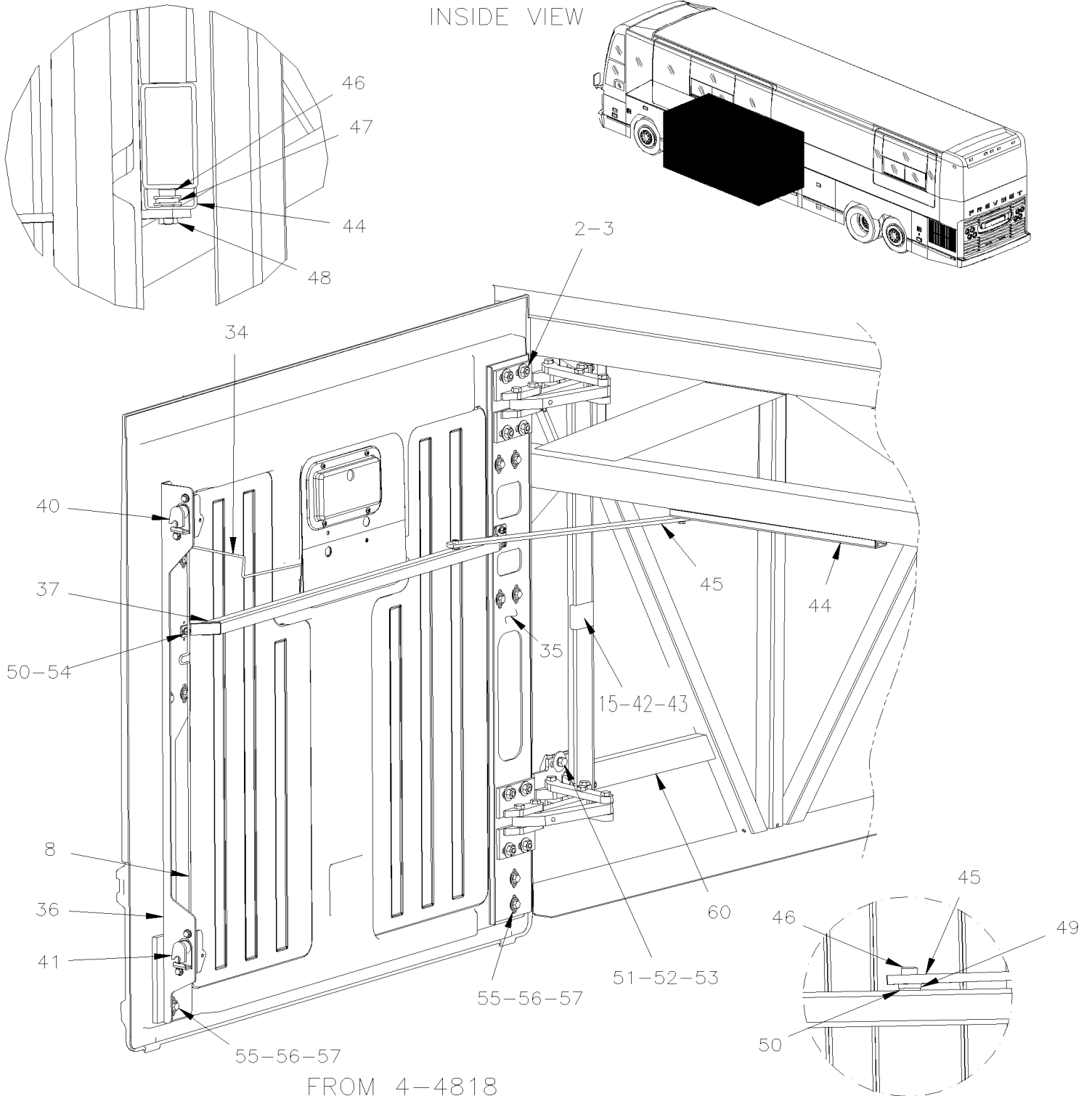
From 3-4417 To 8-1043

Date:10/2022

PAGE:HF-1864-90

BAGGAGE DOOR - W/"SLIDE-OUT" INSTALLTION

INSIDE VIEW





From 3-4417 To 8-1043	Date:10/2022	PAGE:HF-1864-90
BAGGAGE DOOR - W/"SLIDE-OUT" INSTALLTION		

Item#	Part	Description	H 3 4 1	H 3 4 5	V I P 4 5	N O T E S
	288126	BAGGAGE DOOR ASSY 48" / W/LH HINGE STREET SIDE	1	1	1	
1	287448	DOOR FRAME To 4-4817			1	A
2	500102	NUT HEX 3/8-16 SS			8	
3	5001214	WASHER BEL SPR 10.2x28.0x1.3			8	
4	500544	SCREW CAP HEX M8-1.25x30 G8.8 Z050			12	
5	5001003	WASHER LO SPT 8.1x12.7x2.0 Z050			12	
6	5001210	WASHER FL .317x.500x.062 NYL			13	
7	287443	SPACER To 4-4817			2	
8	287444	ROD 862MM To 4-4817			1	
8	289248	ROD 844MM From 4-4818			1	
9	287445	ROD 45MM To 4-4817			2	
10	287442	PLATE LEVER ROD To 4-4817			2	
11	500874	WASHER FL 8.4x17.0x1.6 Z050			4	
12	502589	SCREW CAP HEX M8-1.25x25 G8.8 Z050			8	
13	502543	NUT HEX M8-1.25 Z050			8	
14	504456	CLIP / RETAINER ROD / WHITE OR RED			4	
14	780340	CLIP, RETAINER ROD			1	
15	289255	HINGE ASSY W/ TRANSFERT TUBE From 4-4818			1	B R
15	289269	. HINGE ASSY / "SLIDE-OUT" BAGGAGE DOOR From 4-4818			2	
16	287433	. . HINGE SUPPORT ASSY / FRAME SECTION			1	
17	287434	. . HINGE SUPPORT ASSY / UPPER SECTION			1	
18	287435	. . ARM UPPER SECTION / PLAIN SHORT			1	
19	287436	. . ARM UPPER SECTION / PLAIN LONG			1	
20	287437	. . ARM CENTER SECTION / INTERIOR			1	
NS	502570	. . WASHER LO SPT 6.1x11.8x1.6 SS From 4-4818			8	
NS	5001433	. . SCREW CAP HEX M6-1.0x25 SS From 4-4818			1	
21	287438	. . ARM CENTER SECTION / EXTERIOR			1	
22	287439	. . HINGE SUPPORT ASSY / LOWER SECTION			1	
23	287440	. . ARM LOWER SECTION / THREADED SHORT			1	
24	287441	. . ARM LOWER SECTION / THREADED LONG			1	
25	287449	. . SHOULDER SCREW M8-1,25			7	
26	289251	. . FLANGE BEARING 10MM I.D. 13MM O.D. X 8MM			14	
27	N25539	. . THREAD LOCKER LOCTITE #262 / RED / 250ml			AR	
28	287446	ARM To 4-4817			1	
29	287447	ARM W/STOPPER To 4-4817			1	
30	502543	NUT HEX M8-1.25 Z050			2	
31	5001231	SCREW CAP HEX M10-1.5x25 SS			32	
32	502644	WASHER FL 10.5x30.0x2.5 Z050			32	
33	500257	WASHER LO SPT 10.2x18.1x2.2 Z050			32	
34	287450	ROD To 4-4817			1	
34	289254	ROD / HANDLE & LATCH / 496.3MM From 4-4818 To 6-0388			1	
34	289337	ROD R.H. 497MM From 6-0389			1	S



From 3-4417 To 8-1043	Date:10/2022	PAGE:HF-1864-90
-----------------------	--------------	-----------------

BAGGAGE DOOR - W/"SLIDE-OUT" INSTALLTION

Item#	Part	Description	H 3 4 1	H 3 4 5	V I P 4 5	N O T E S
35	289246	SUPPORT HINGE & DOOR ASSY From 4-4818			1	
36	289245	SUPPORT LATCH From 4-4818			1	
37	289252	SUPPORT TUBE TRANSFERT 994.7MM From 4-4818 To 7-0771			1	
37	287575	SUPPORT TUBE TRANSFERT 998.5MM From 7-0772 To 7-1055			1	
40	780282	LOCK SPAGNOLET L.H. To 4-4817			1	
40	289257	LOCK SPAGNOLET From 4-4818			1	
. NS	780340	. CLIP, RETAINER ROD From 4-4818			1	
41	780283	LOCK SPAGNOLET R.H. To 4-4817			1	
. NS	780340	. CLIP, RETAINER ROD To 4-4817			1	
41	289257	LOCK SPAGNOLET From 4-4818			1	
. NS	780340	. CLIP, RETAINER ROD From 4-4818			1	
NS	284438	PIN STRIKER			2	
42	289256	SUPPORT TUBE TRANSFERT 852MM From 4-4818			1	
43	144622	DECAL / "DO NOT READJUST..." From 4-4818			1	
44	289271	SLIDING TRACK ARM SUPPORT (WELDED TO STRUCTURE) From 4-4818			1	
NS	285224	LH SUPPORT, BELT			1	V
NS	284439	PLATE, STRAP RETAINING / OBLONG 16.5MM x 25.4MM W/2 HOLES			1	V
NS	505507	STRAP NYLON 1" WIDE / S.L.			AR	V
NS	504379	RIVET POP DOME OE 3/16x1/4 SS			4	V
45	289259	ARM DOOR RETAINER From 4-4818			1	
46	502861	SCREW SHR HEXS 5/16x3/8 {1/4-20 N500 From 4-4818			2	
47	502638	WASHER FL .312x.734x.065 N500 From 4-4818			2	
48	500384	NUT HEX JAM 1/4-20 G500 From 4-4818			1	
49	502768	WASHER FL RUB .312x.625x.125 NEO From 4-4818			2	
NS	500877	WASHER FL .250x.562x.065 N500 From 4-4818			4	
50	HF-1864-00	BAGGAGE COMPARTMENT DOOR				
51	502655	SCREW CAP HEX M10-1.5x25 SS BK From 4-4818			8	
52	502616	WASHER LO SPT 10.2x18.1x2.2 SS From 4-4818			8	
53	5001443	WASHER FL 10.3x38.0x3.0 SS From 4-4818			8	
53	288939	SHIM 21MM X 85MM / W2 HOLES 11MM OD 61MM C/C / SERVICE			4	
54	502681	NUT HEX NYRT M6-1.0 N500 G8 From 4-4818			3	
55	502857	WASHER LO SERR 8.2x26.3x1.8 N500 From 4-4818			4	
56	502836	SCREW CAP HEX M8-1.25x35 G8.8 N500 From 4-4818			4	
57	289260	SPACER PLASTIC 103MM X 165MM X 10MM From 4-4818			2	
60	HF-1893-00	BAGGAGE COMPARTMENT STRUCTRE				
		FOR NEW HINGE DOOR INSTALLATION SEE PAGE H7-1864-91				
70	288875P	HINGE ASSY W/ TRANSFERT TUBE	1	1	1	
70	288991	HINGE ASSY W/ TRANSFERT TUBE	1	1	1	
71	288934	. PLATE HOLDER STRUCTURE SIDE	2	2	2	
72	288928	. HINGE ARM "H" SHAPE SMALL	2	2	2	



From 3-4417 To 8-1043	Date:10/2022	PAGE:HF-1864-90
BAGGAGE DOOR - W/"SLIDE-OUT" INSTALLTION		

Item#	Part	Description	H 3 4 1	H 3 4 5	V I P 4 5	N O T E S
73	288926	. HINGE ARM "H" SHAPE LARGE	2	2	2	
74	288930	. ARM CENTER SECTION / EXTERIOR	2	2	2	
75	288932	. ARM CENTER SECTION / INTERIOR	2	2	2	
76	288924	. PLATE HOLDER DOOR SIDE	1	1	1	
77	502843	. SCREW CAP HEX M6-1.0x45 G8.8 N500	4	4	4	
78	5001182	. NUT HEX NYRT M6-1.0 SS	18	18	18	
79	502573	. WASHER FL 6.4x12.5x1.6 SS	18	18	18	
80	288935	. SUPPORT TUBE TRANFERT 744MM	1	1	1	
81	507217	. FLANGE BEARING 12MM I.D. 20MM O.D. X 10MM	28	28	28	
83	288937	. PIN DOWEL 12MM O.D. X 41MM	12	12	12	
84	288936	. PIN DOWEL 12MM O.D. X 64MM	2	2	2	
		A) AS SHOWN				
		B) INCLUDES ITEMS #42				
		R) THIS HINGE ASSY MAY BE SUPPERSEDED BY NEW MODEL # 288991 ASSY WITH 4 SPACERS 288939				
		S) THIS ROD ARE REQUIRE ONLY IF YOU CHANGE FORMER HANDLE FOR NEW MODEL #780794 OR 780795				
		V) SPECIAL APPLICATION FOR SOME CONVERTER'S				

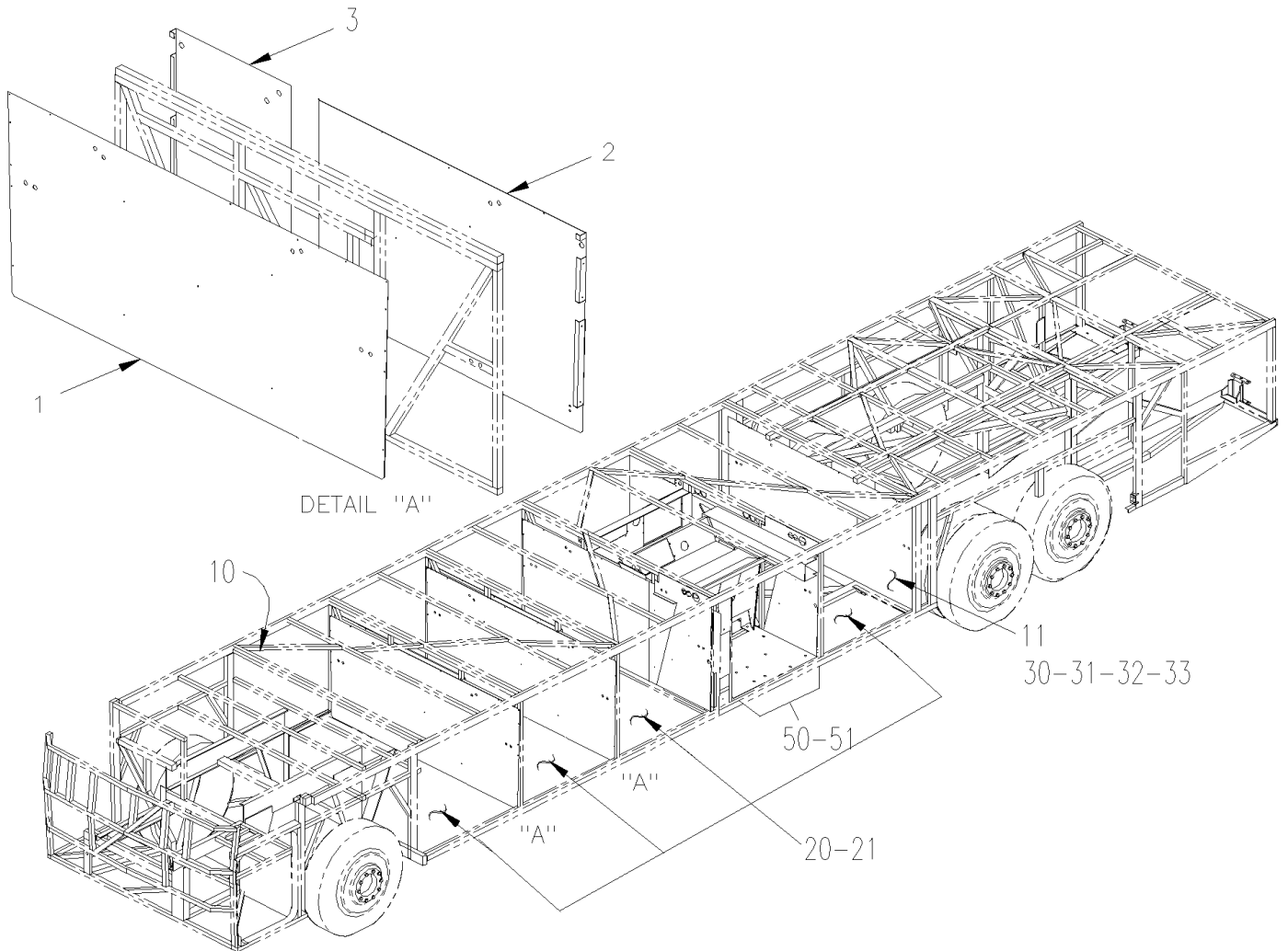


From 3-4417 To 8-1043

Date:10/2022

PAGE:HF-1865-00

BAGGAGE COMPARTMENT PANELS





From 3-4417 To 8-1043	Date:10/2022	PAGE:HF-1865-00
BAGGAGE COMPARTMENT PANELS		

Item#	Part	Description	H 3 4 1	H 3 4 5	V I P 4 5	N O T E S
1	482638	PANEL 2450MM / FRONT OF WALL	1			
1	482638	PANEL 2450MM / FRONT OF WALL		2	2	
1	483758	PANEL / FRONT OF WALL / W/SLIDE-OUT / 1717MM From 4-4818			1	H
2	482636	PANEL / REAR OF WALL / 1724MM	2	2		
2	483757	PANEL 2443MM / REAR OF WALL / W/SLIDE-OUT From 4-4818			1	H
3	482637	PANEL 770MM / REAR OF WALL	1			
3	482637	PANEL 770MM / REAR OF WALL		2	2	
10	213417	PANEL / FRONT BAGGAGE COMPARTMENT	1	1	1	
10	214704	PANEL / FRONT BAGGAGE COMPARTMENT / W/"SLIDE-OUT" From 4-4818 To 7-0771			1	H
NS	214790	COVER PROTECTOR / HINGE "SLIDE-OUT" To 7-0771			1	H
11	214483	PANEL / REAR To 3-4757	1	1	1	
11	214886	PANEL / REAR W/O W.C.L. From 4-4758	1	1	1	
20	482533	PANEL / FLOOR 1181MM WIDE / FIBERGLASS	3			
. NS	IS-96037	. SEE INSTRUCTION SHEET	1			
20	482533	PANEL / FLOOR 1181MM WIDE / FIBERGLASS		4		
. NS	IS-96037	. SEE INSTRUCTION SHEET		1		
20	482533	PANEL / FLOOR 1181MM WIDE / FIBERGLASS To 3-4446			4	
. NS	IS-96037	. SEE INSTRUCTION SHEET To 3-4446			1	
20	483689	PANEL / FLOOR 1181MM WIDE / WOOD From 3-4447			4	
. NS	IS-96037	. SEE INSTRUCTION SHEET From 3-4447			1	
21	483741	PANEL ALUMINUM / FLOOR BAGGAGE From 3-4447			4	
		THE NEXT 3 ALUMINIUM MOULDINGS ARE USED FOR				
		BAGGAGE FINISHING WITH CARPET				
		ON WALLS FOR ANY POSITIONS				
NS	850027	INSULATING PAD NOISE ADH2 1/16" x 39" x 48"	AR	AR	AR	
31	481776	MOULDING "J" FORM / 2510MM (98 13/16") / A/A	2	2	2	
31	482209	MOULDING "J" FORM / 902MM (35 1/2") / A/A	4	4	4	
32	482210	CARPET (OZITE) FRONT	1	1	1	
33	482214	CARPET (OZITE) REAR	1	1	1	
33	810034	. CARPET OZITE / S.L. 12 FT WIDE	AR	AR	AR	
50	HF-1893-00	BAGGAGE COMPARTMENT STRUCTRE				
51	HF-1865-20	EVAPORATOR & CONDENSOR WALL INSTALLATION				
		H) USE ONLY WITH " OPTION" BAGGAGE DOOR WITH HINGE "SLIDEOUT"				

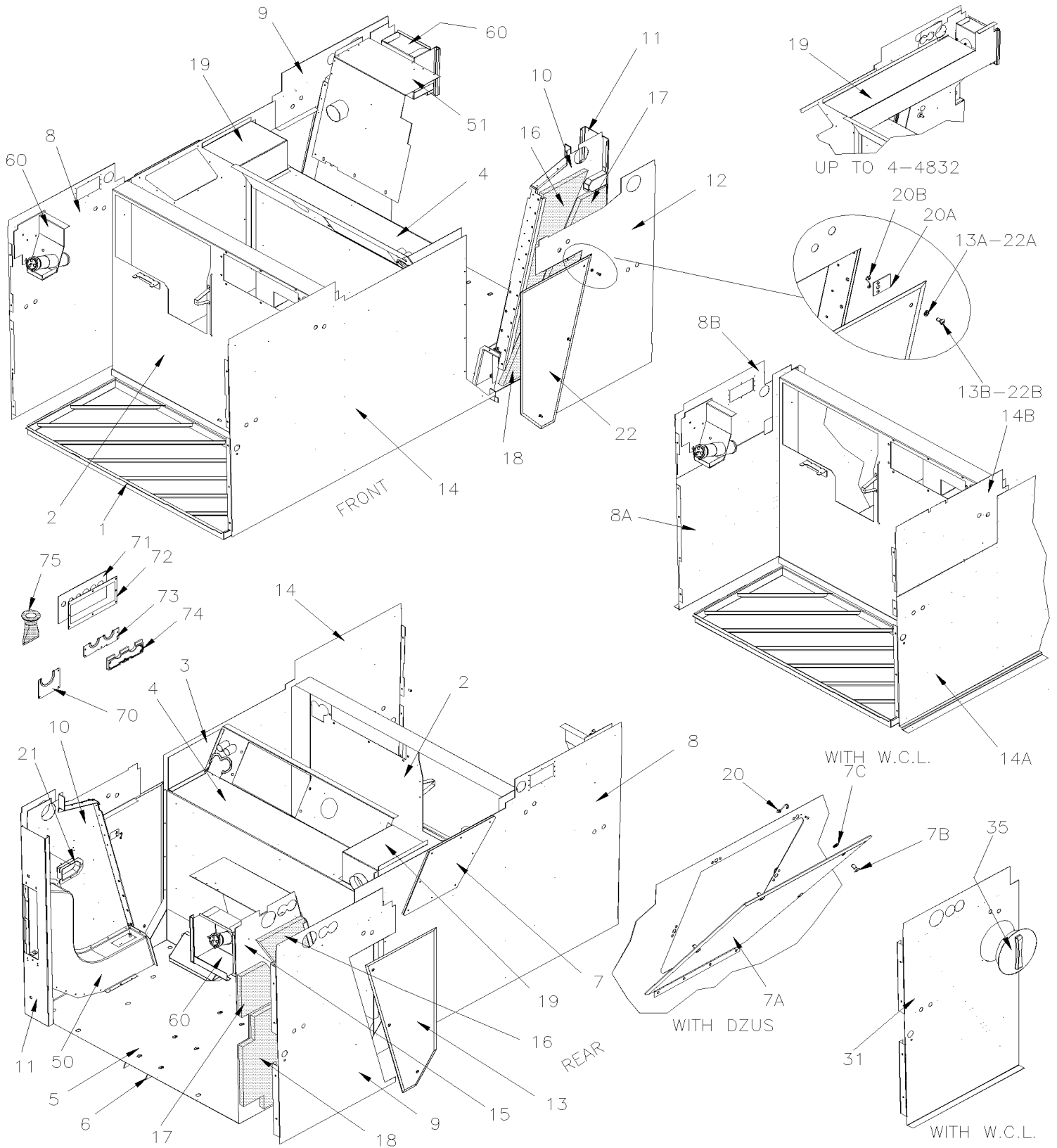


From 3-4417 To 8-1043

Date:10/2022

PAGE:HF-1865-20

EVAPORATOR & CONDENSOR WALL INSTALLATION





From 3-4417 To 8-1043	Date:10/2022	PAGE:HF-1865-20
EVAPORATOR & CONDENSOR WALL INSTALLATION		

Item#	Part	Description	H 3 4 1	H 3 4 5	V I P 4 5	N O T E S
1	213354P	DEFLECTOR FLOOR LOUVER ASSY / WELDED 1265MM x 582MM	1	1	1	
1	Call order desk	DEFLECTOR FLOOR LOUVER ASSY / WELDED From 7-1042	1	1	1	P C
2	453224	WALL PANEL / COND & FUEL COMPARTMENT	1	1	1	
3	453117	CLOSING PANEL / FRONT SIDE	1	1	1	
4	452563	WALL PANEL / EVAP, & FUEL COMPARTMENT To 4-4832	1	1		
4	453968	WALL PANEL / EVAP, & FUEL COMPARTMENT From 4-4833	1	1		
4	453118	WALL PANEL / EVAP, & FUEL COMPARTMENT To 4-4832			1	
4	453974	WALL PANEL / EVAP, & FUEL COMPARTMENT From 4-4833			1	
5	451889	FLOOR PANEL / EVAPORATOR To 4-4832	1	1	1	
5	454023	FLOOR PANEL / EVAPORATOR From 4-4833	1	1	1	
6	213363	ANGLE SUPPORT 702MM	2	2	2	
7	482355	ACCESS PANEL	1	1	1	
7A	484271	ACCESS PANEL / W/"DZUS" FASTENER	1	1		
. A	483663	. ACCESS PANEL / W/"DZUS" FASTENER	1	1		
. B	504363	. STUD 5/16 O.D. X 7/16 (DZUS)	4	4		
. C	504353	. RETAINER, 5/16"DIA. (DZUS) STUD	4	4		
. NS	506268	. TAPE RUB ADH1 URE 3/8" x 1/2" x 25' / GREY 1820	AR	AR		
8	483345	PANEL / FUEL & COND BACKWARD To 7-0931	1	1		
8	485586	PANEL / FUEL & COND BACKWARD From 7-0932	1	1		
8	214789	PANEL / FUEL & COND BACKWARD / W/"DZUS" FASTENER To 7-0931	1	1		
8	485605	PANEL / FUEL & COND BACKWARD / W/"DZUS" FASTENER From 7-0932	1	1		
8	483345	PANEL / FUEL & COND BACKWARD To 7-0771			1	
8	485548	PANEL / FUEL & COND BACKWARD W/SLIDE-OUT From 7-0772			1	
8	485598	PANEL / FUEL & COND BACKWARD W/SLIDE-OUT From 7-0932			1	
NS	485561	PANEL / TOP CLOSING / ITEM 28 & CEILLING W/SLIDE-OUT 158MM x 752MM From 7-0932			1	
8A	483764	PANEL / FUEL & COND BACKWARD W/W.C.L. From 4-4705		1		
8A	484102	PANEL / FUEL & COND BACKWARD W/W.C.L. & W/"DZUS" FASTENER From 4-4705		1		
8B	483765	PANEL / CONDENSOR SIDE UPPER W/W.C.L. From 4-4705		1		
9	482642	PANEL / EVAPORATOR BACKWARD To 7-0931	1	1		
9	485587	PANEL / EVAPORATOR BACKWARD From 7-0932	1	1		
9	482642	PANEL / EVAPORATOR BACKWARD To 7-0771			1	
9	485587	PANEL / EVAPORATOR BACKWARD From 7-0772	1	1	1	
10	451892	PANEL / INTERIOR / FRONT EVAPORATOR To 3-4757	1	1	1	
10	457401	PANEL / INTERIOR / FRONT EVAPORATOR From 4-4758 To 6-0635	1	1	1	
10	454417	PANEL / INTERIOR / FRONT EVAPORATOR From 6-0436	1	1	1	
10	454054	PANEL / INTERIOR / FRONT EVAPORATOR W/SLIDE-OUT From 4-4818 To 6-0435			1	
10	454410	PANEL / INTERIOR / FRONT EVAPORATOR W/SLIDE-OUT From 6-0436			1	
11	213576	EXTERIOR PANEL ASSY / W/HINGE SUPPORT To 5-0167	1	1	1	
11	215697	EXTERIOR PANEL ASSY / W/HINGE SUPPORT From 5-0168				
11	215731	EXTERIOR PANEL ASSY / W/HINGE SUPPORT W/SLIDE-OUT From 5-0168 To 6-0435			1	
11	215866	EXTERIOR PANEL ASSY / W/HINGE SUPPORT W/SLIDE-OUT From 6-0436			1	
12	482640	PANEL / EVAPORATOR FORWARD To 7-0931	1	1		



From 3-4417 To 8-1043	Date:10/2022	PAGE:HF-1865-20
-----------------------	--------------	-----------------

EVAPORATOR & CONDENSOR WALL INSTALLATION

Item#	Part	Description	H 3 4 1	H 3 4 5	V I P 4 5	N O T E S
12	485588	PANEL / EVAPORATOR FORWARD From 7-0932	1	1		
12	482640	PANEL / EVAPORATOR FORWARD To 7-0935			1	
12	215156	PANEL / EVAPORATOR FORWARD W/SLIDE-OUT From 4-4818			1	
12	485603	PANEL / EVAPORATOR FORWARD From 7-0936			1	
12	484112	PANEL / EVAPORATOR FORWARD "OPTION 200946/SPECIAL" To 7-0931			1	H
13	482645	DOOR ASSY BACKWARD	1	1	1	
. A	504363	. STUD 5/16 O.D. X 7/16 (DZUS)	3	3	3	
. B	504353	. RETAINER, 5/16"DIA. (DZUS) STUD	3	3	3	
14	482701	PANEL / FUEL & COND FORWARD To 7-0931	1	1	1	
14	485591	PANEL / FUEL & COND FORWARD From 7-0932	1	1	1	
NS	485601	PANEL / TOP CLOSING / ITEM 14 & CEILLING 135MM x 752MM From 7-0932	1	1	1	
14	482697	PANEL / CONDENSOR FORWARD W/W.C.L.		1		
14	483766	PANEL / FUEL & COND FORWARD W/W.C.L. To 7-0931		1		
14	485547	PANEL / FUEL & COND FORWARD W/SLIDE-OUT From 7-0772 To 7-0931			1	
14	485596	PANEL / FUEL & COND FORWARD W/SLIDE-OUT From 7-0932			1	
NS	485556	PANEL / TOP CLOSING / ITEM 14 & CEILLING 133MM x 866MM From 7-0932			1	
14A	485589	PANEL / FUEL & COND FORWARD W/W.C.L. To 7-0931		1		
14B	485602	PANEL / CONDENSOR UPPER FORWARD W/W.C.L. From 7-0932		1		
15	453606	PANEL / INTERIOR / REAR EVAPORATOR To 4-4832	1	1	1	
15	453971	PANEL / INTERIOR / REAR EVAPORATOR From 4-4833 To 5-0167	1	1	1	
15	454221	PANEL / INTERIOR / REAR EVAPORATOR From 5-0168	1	1	1	
15	453805	PANEL / INTERIOR / REAR EVAPORATOR W/SLIDE-OUT From 4-4818 To 6-0435			1	
15	453659	PANEL / INTERIOR / REAR EVAPORATOR W/SLIDE-OUT From 6-0436			1	
16	452030	INSULATING / UPPER SECTION	2	2	2	
17	453071	INSULATING / CENTER SECTION	2	2	2	
18	453069	INSULATING / LOWER SECTION	2	2	2	
19	451976	DUCT ASSY / FOR FUEL HOSE To 4-4832	1	1	1	
19	453967	CLOSING PLATE ASSY From 4-4833	1	1	1	
20	481717	PLATE ASSY / TO CLOSE DOOR W/"DZUS"	1	1	1	
. A	481718	. PLATE	1	1	1	
. B	504365	. SPRING HOOK / DZUS 5/16	1	1	1	
21	452041	BOX PLASTIC / HINGE CLEARANCE	2	2	2	
22	482646	DOOR ASSY FORWARD		1		
. A	504363	. STUD 5/16 O.D. X 7/16 (DZUS)		3		
. B	504353	. RETAINER, 5/16"DIA. (DZUS) STUD		3		
31	482694	PANEL / EVAPORATOR BACKWARD W/W.C.L. RICON To 4-4704		1		WCL
31	483763	PANEL / EVAPORATOR BACKWARD W/W.C.L. RICON From 4-4705		1		WCL
35	900825	8" CLOSED LID C/W RIM		1		WCL
35	504717	RIVET POP DOME OE 1/8x1/4 SS		6		WCL
35	680096	SEALANT BUTYL ALUM / GREY / 310ml CARTRIDGE	AR	AR	AR	WCL



From 3-4417 To 8-1043	Date:10/2022	PAGE:HF-1865-20
EVAPORATOR & CONDENSOR WALL INSTALLATION		

Item#	Part	Description	H 3 4 1	H 3 4 5	V I P 4 5	N O T E S
50	HF-2215-00	EVAPORATOR & DAMPER CONTROL COMPONENTS				
51	HF-2220-00	UNDER FLOOR AIR DUCTING				
60	HF-0310-10	FUEL FILLING CAP				
70	454325	CLOSING / PIPE TUNNEL SS 110MM X 95MM	1	1	1	
70	Call order desk	CLOSING / PIPE TUNNEL SS 110MM X 95MM	1	1	1	P
70	454326	CLOSING / PIPE TUNNEL SS 100MM X 75MM	1	1	1	
70	Call order desk	CLOSING / PIPE TUNNEL SS 100MM X 75MM	1	1	1	P
71	481714	RUBBER CLOSING AROUND 6 TUBES 130MM x 250MM	1	1	1	
72	481764	PLATE HOLDING RUBBER 130MM x 250MM	1	1	1	
73	453145	CLOSING / PIPE TUNNEL SS 55.0MM x 181MM To 7-0633	1	1	1	
74	454248	CLOSING / PIPE TUNNEL PLASTIC / RH 57.2MM x 181MM From 7-0634	1	1	1	
74	457424	CLOSING / PIPE TUNNEL PLASTIC / RH 57.2MM x 181MM	1	1	1	
74	454249	CLOSING / PIPE TUNNEL PLASTIC / LH 57.2MM x 181MM From 7-0634	1	1	1	
74	457425	CLOSING / PIPE TUNNEL PLASTIC / LH 57.2MM x 181MM	1	1	1	
75	590284	DRAIN BOOT 1" I.D. X 5" / FLAT	3	3	3	
NS	504021	HOSE CLAMP / 11/16"-1"1/2 SS / HS-16	3	3	3	
		C) WITH MUD FLAP / CONDENSOR GRILL				
		H) USE ONLY WITH " OPTION" BAGGAGE DOOR WITH HINGE "SLIDEOUT"				
		WCL) WITH WHEEL CHAIR LIFT RICON				
		P) CALL ORDER DESK FOR SPECIFIC APPLICATION (V.I.N.)				

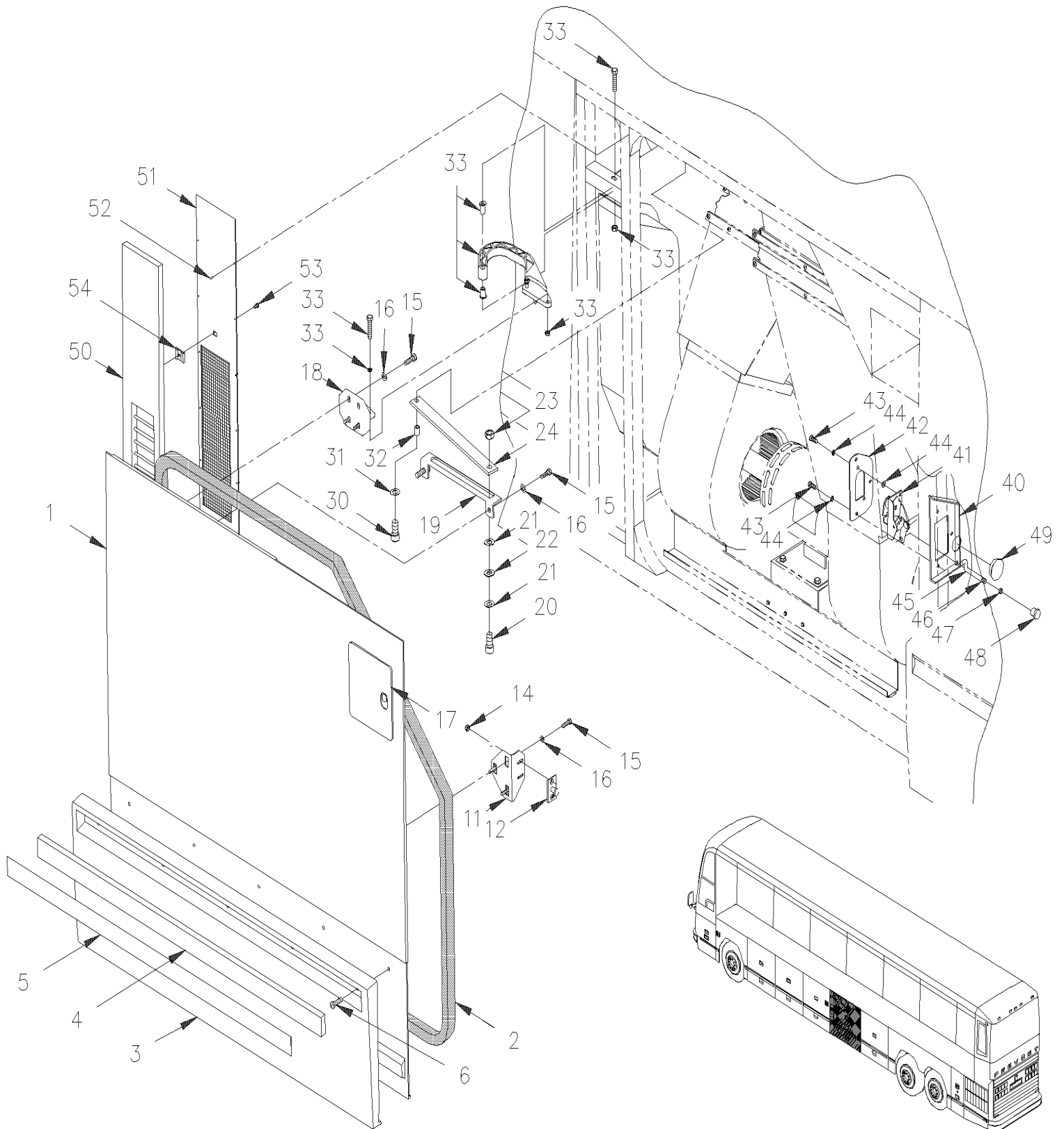


From 3-4417 To 8-1043

Date:10/2022

PAGE:HF-1866-00

EVAPORATOR DOOR ASSY





From 3-4417 To 8-1043	Date:10/2022	PAGE:HF-1866-00
EVAPORATOR DOOR ASSY		

Item#	Part	Description	H 3 4 1	H 3 4 5	V I P 4 5	N O T E S
	287618	EVAPORATOR DOOR ASSY	1	1		
	287618	EVAPORATOR DOOR ASSY To 5-0333			1	
	287619	EVAPORATOR DOOR ASSY From 5-0334			1	
1	285772	DOOR MOULDED / FIBERGLASS	1	1		
1	285772	DOOR MOULDED / FIBERGLASS To 5-0333			1	
1	288670	DOOR MOULDED / FIBERGLASS From 5-0334			1	
2	285778	. RUBBER SEAL EXTRUSION / EVAPORATOR DOOR / 1146MM X 1115MM To 5-0220	1	1	1	
2	289934	. RUBBER SEAL EXTRUSION / EVAPORATOR DOOR / 1146MM X 1115MM From 5-0221	1	1	1	
NS	680066	. ADHESIVE / ADBOND #5014 / 23.6ML BOTTLE	AR	AR	AR	
3	285771	. PROTECTOR PANEL / SH	1	1	1	
3	285905	. PROTECTOR PANEL / WITH GRAVEL GUARD / SH	1	1		
NS	681348	. TAPE RUB ADH2 ACRYLIC .045" x 1" x 108' / VHB4952	AR	AR	AR	
NS	682462	. ADHESIVE SIKA #252 / BLACK / 310ml CARTRIDGE	AR	AR	AR	
4	285709	. EXTRUSION BACKING ASSY W/REFLECTOR 1189MM	1	1	1	
. NS	285542	. . EXTRUSION BACKING 1189MM	1	1	1	
4	280237	. EXTRUSION BACKING ASSY W/REFLECTOR 1185MM	1	1	1	SVC
. NS	280116	. . EXTRUSION 1185MM	1	1	1	SVC
4	685126	. ADHESIVE SIMSON #ISR 70-03 / GREY / 600ml SAUSAGE	AR	AR	AR	SVC
5	283100	. . STRIPE, REFLECTIVE WHITE / 38MM X 15' ROLL	AR	AR	AR	
. NS	780277	. . . STRIPE, REFLECTIVE WHITE / 38MM X 150' ROLL	AR	AR	AR	
NS	680025	. CAULKING STRIP 3/16" O.D. X 14'	AR	AR	AR	
6	500120	. SCREW TP BDG PH #6x1/2 SS	5	5	5	
11	285773	. ANGLE / STRIKER PIN SUPPORT	1	1	1	
12	284438	. PIN STRIKER	1	1	1	
14	502883	. NUT HEX 7/16-14 N500	2	2	2	
15	502862	. SCREW CAP HEX M8-1.25x20 G8.8 N500	AR	AR	AR	
16	5001699	. WASHER BEL SPR 8.2x22x1.4 N500	AR	AR	AR	
17	HF-1875-00	FUEL TANK FILLING DOOR				
18	HF-1879-90	EXTERIOR DOOR HINGE AND SUPPORT				
19	283776	. GUIDE RETAINING ARM To 7-0771	1	1	1	
19	287577	. GUIDE RETAINING ARM From 7-0772	1	1	1	
20	502625	. SCREW SHR HEXS 5/16x3/8 {1/4-20	1	1	1	
21	500270	. WASHER FL .406x1.000x.063 SS	2	2	2	
22	502768	. WASHER FL RUB .312x.625x.125 NEO	1	1	1	
23	502819	. NUT HEX JAM 1/4-20 Z050	1	1	1	
24	283774	. ARM RETAINING	1	1	1	
30	502780	SCREW CAP HEX M8-1.25x25 SS BK	1	1	1	
NS	5001337	NUT INS FL HEX M8-1.25 0.5-3.0 Z050	1	1	1	
31	502583	WASHER LO SERR 8.15x22.3x1.0 Z050	1	1	1	
32	283770	SPACER / TO FIX RETAINING ARM	1	1	1	
33	HF-1879-90	EXTERIOR DOOR HINGE AND SUPPORT				
40	282988	PLATE HOLDER / WELDED TO STRUCTURE	1	1	1	



From 3-4417 To 8-1043	Date:10/2022	PAGE:HF-1866-00
EVAPORATOR DOOR ASSY		

Item#	Part	Description	H 3 4 1	H 3 4 5	V I P 4 5	N O T E S
41	780587	LOCK SPAGNOLET L.H. / W/G-FITTING	1	1	1	
. NS	507607	. GREASE FITTING / M6-1.00	1	1	1	
42	285765	PLATE ADAPTOR	1	1	1	
43	502563	SCREW CAP HEX M6-1.0x12 G8.8 Z050	5	5	5	
44	502564	WASHER LO SPT 6.1x11.8x1.6 Z050	5	5	5	
45	282984	ROD OPENING 52MM	1	1	1	
46	504083	SNAP BUSHING / .250x.468.406	1	1	1	
47	500764	NUT HEX #8-32 Z050	1	1	1	
48	505504	KNOB, PULL / 8-32	1	1	1	
49	504393	SNAP-IN PLUG / 1.200 O.D.	1	1	1	
50	473639	PANEL AIR INTAKE EVAPORATOR / W/SCREEN	1	1		
50	473639	PANEL AIR INTAKE EVAPORATOR / W/SCREEN To 5-0333			1	
50	476632	PANEL AIR INTAKE EVAPORATOR From 5-0334			1	
NS	287332	SUPPORT " L" SHAPE From 5-0151			1	S
51	213544	EXTERIOR PANEL SS	1	1	1	
51	215730	PANEL From 5-0151			1	S
52	504248	RIVET CHY Q PRDG 3/16x1/4 SS	AR	AR	AR	
53	500535	SCREW TP CAP HEX #14x3/4 Z050 To 5-0333	AR	AR	AR	
53	5001639	NUT SPR U M6-1.0 0.34-4 MAG565 From 5-0334	AR	AR	AR	
54	502764	NUT SPR J #14A .035-.046 To 5-0333	AR	AR	AR	
54	500903	NUT SPR J # 14 .035-.046 DP320 To 5-0333	AR	AR	AR	
54	502830	SCREW CAP HEX M6-1.0x20 G8.8 N500 From 5-0334	AR	AR	AR	
		S) WITH "SLIDE-OUT"				
		SVC) SERVICE				

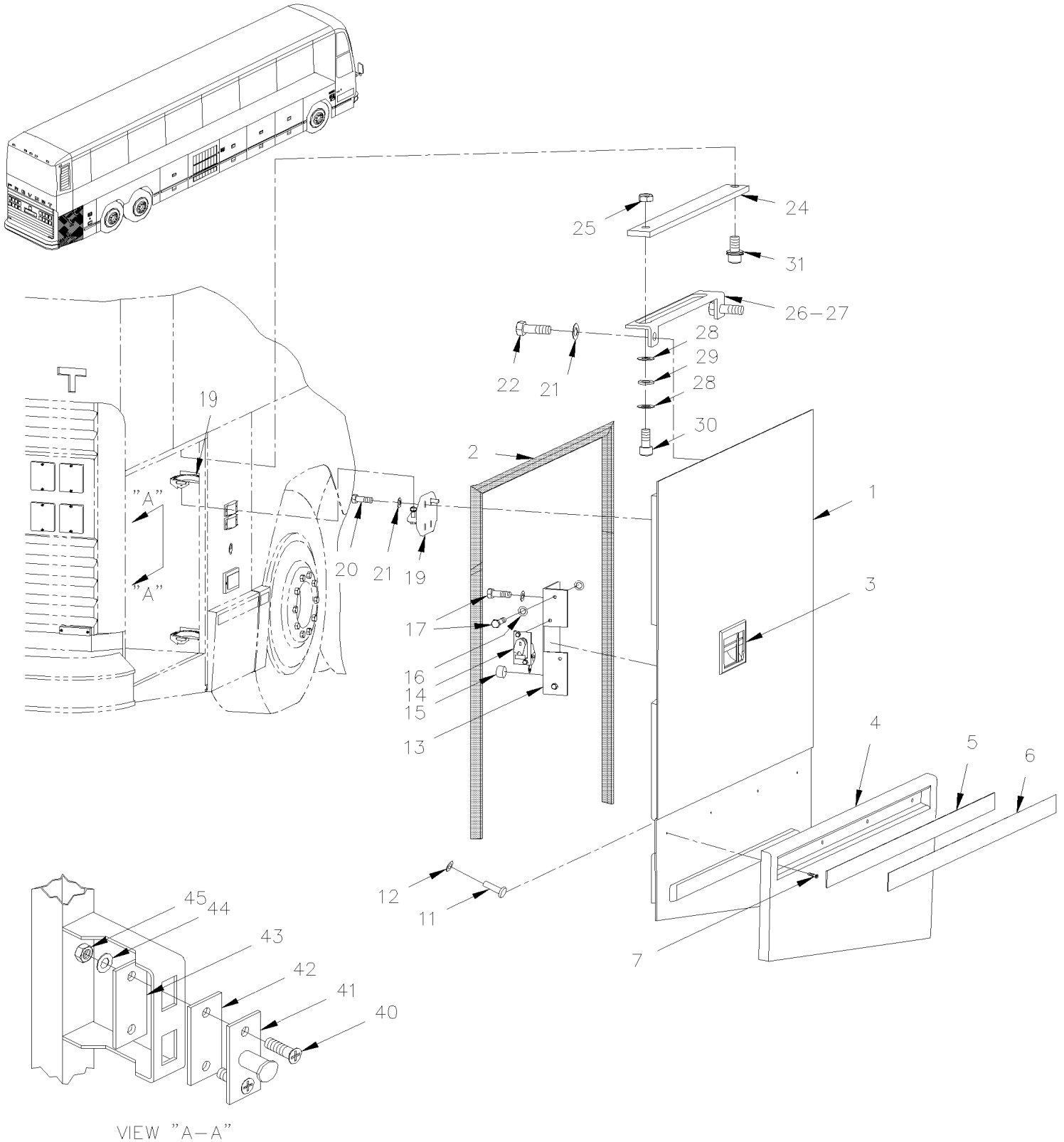


From 3-4417 To 3-4757

Date:10/2022

PAGE:HF-1868-00

A/C COMPRESSOR DOOR ASSY





From 3-4417 To 3-4757	Date:10/2022	PAGE:HF-1868-00
A/C COMPRESSOR DOOR ASSY		

Item#	Part	Description	H 3 4 1	H 3 4 5	V I P 4 5	N O T E S
	286236P	COMPRESSOR DOOR ASSY	1	1	1	
	285273P	COMPRESSOR DOOR ASSY / W/W.C.L.	1	1		
1	285860	. COMPRESSOR DOOR / FIBERGLASS NEW	1	1	1	
2	287240	. RUBBER SEAL EXTRUSION 1035MM X 840MM To 5-0220	1	1	1	
2	289936	. RUBBER SEAL EXTRUSION 1035MM X 840MM From 5-0221	1	1	1	
2	2800148	. RUBBER SEAL EXTRUSION 1035MM X 840MM	1	1	1	
3	HF-1864-32	. HANDLE LOCK & KEYS - TYPE "NS"				
3	HF-1864-32	. HANDLE LOCK & KEYS - TYPE "NS"				
NS	283823	. PLATE CLOSING / 293MM X 318MM	1	1		
4	285863	. PROTECTOR PANEL / SH	1	1	1	
4	286213	. PROTECTOR PANEL / WITH GRAVEL GUARD / SH	1	1	1	A
5	285956	. EXTRUSION BACKING ASSY W/REFLECTOR 1074MM	1	1	1	
. NS	285864	. . EXTRUSION BACKING 1074MM	1	1	1	
5	280234	. EXTRUSION BACKING ASSY W/REFLECTOR 1070MM	1	1	1	SVC
. NS	280119	. . EXTRUSION 1070MM	1	1	1	SVC
5	685126	. ADHESIVE SIMSON #ISR 70-03 / GREY / 600ml SAUSAGE	AR	AR	AR	SVC
6	283100	. . STRIPE, REFLECTIVE WHITE / 38MM X 15' ROLL	AR	AR	AR	
. NS	780277	. . . STRIPE, REFLECTIVE WHITE / 38MM X 150' ROLL	AR	AR	AR	
7	500120	. SCREW TP BDG PH #6x1/2 SS	4	4	4	
11	504108	. RIVET POP DOME OE 1/8x1/2 AL	AR	AR	AR	H
12	500437	. WASHER FL .125x.375x.040 Z050	AR	AR	AR	
13	285764	. SUPPORT LOCK / UPPER	1	1	1	
14	780653	. LOCK SPAGNOLET R.H. / W/G-FITTING	1	1	1	
. NS	780340	. . CLIP, RETAINER ROD	1	1	1	
. NS	507607	. . GREASE FITTING / M6-1.00	1	1	1	
NS	283277	. ROD / HANDLE & LATCH / 465MM	1	1	1	
14	289369	. ROD / HANDLE & LATCH / 454.6MM / SERVICE	1	1	1	S
15	507295	. HOLE PLUG BUTTON / 1.375 O.D. BLACK	1	1	1	
16	502582	. WASHER LO SERR 6.1x16.2x0.9 Z050	10	10	10	
17	502563	. SCREW CAP HEX M6-1.0x12 G8.8 Z050	10	10	10	
19	HF-1879-90	. EXTERIOR DOOR HINGE AND SUPPORT				
20	502790	. SCREW CAP HEX M8-1.25x20 G8.8 Z050	4	4	4	
21	502584	. WASHER LO SERR 8.2x26.3x1.8 Z050	4	4	4	
22	502790	. SCREW CAP HEX M8-1.25x20 G8.8 Z050	4	4	4	
24	283772	ARM RETAINING	1	1	1	
25	502819	NUT HEX JAM 1/4-20 Z050	1	1	1	
26	283771	GUIDE RETAINING ARM	1	1	1	
27	284640	STRAP-HOLDER / W/W.C.L.	1	1		
NS	284439	PLATE, STRAP RETAINING / OBLONG 16.5MM x 25.4MM W/2 HOLES	1	1		
NS	5001161	WASHER LO SPT 8.1x14.8x2.0 SS-304	1	1		
NS	504379	RIVET POP DOME OE 3/16x1/4 SS	2	2		J
NS	505507	STRAP NYLON 1" WIDE / S.L.	1	1		



From 3-4417 To 3-4757	Date:10/2022	PAGE:HF-1868-00
A/C COMPRESSOR DOOR ASSY		

Item#	Part	Description	H 3 4 1	H 3 4 5	V I P 4 5	N O T E S
28	500441	WASHER FL .312x.734x.065 Z050	1	1	1	
29	502768	WASHER FL RUB .312x.625x.125 NEO	1	1	1	
30	502625	SCREW SHR HEXS 5/16x3/8 {1/4-20	1	1	1	
31	500347	SCREW CAP HEX 5/16-18x1 1/4 SS	1	1	1	
NS	283770	SPACER / TO FIX RETAINING ARM	1	1	1	
NS	502523	RIVET NUT FL OKS 5/16-18 .059-.119	1	1	1	
NS	502583	WASHER LO SERR 8.15x22.3x1.0 Z050	1	1	1	
40	500316	SCREW MA FL PH 1/4-28x3/4 SS	2	2	2	F
41	780278	PIN, STRIKER STUD	1	1	1	
42	283046	STRIKER SHIM / W/SLOT / 60MM X 25MM	AR	AR	AR	
43	283326	STRIKER PLATE, MOUNTING / 60MM X 25MM	1	1	1	
44	502582	WASHER LO SERR 6.1x16.2x0.9 Z050	2	2	2	
45	500692	NUT HEX 1/4-28 Z050	2	2	2	
		A) THIS PROTECTOR IS COATED WITH GRAVEL GUARD AND IS BLACK PAINTED, READY TO INSTALL				
		F) TO FIX STRIKER PIN				
		H) TO FIX RUBBER SEAL				
		J) TO FIX RETAINER STRAP				
		S) THIS ROD REQUIRE ALSO IF YOU CHANGE FORMER HANDLE MODEL FOR NEW MODEL # 780794				
		SVC) SERVICE				

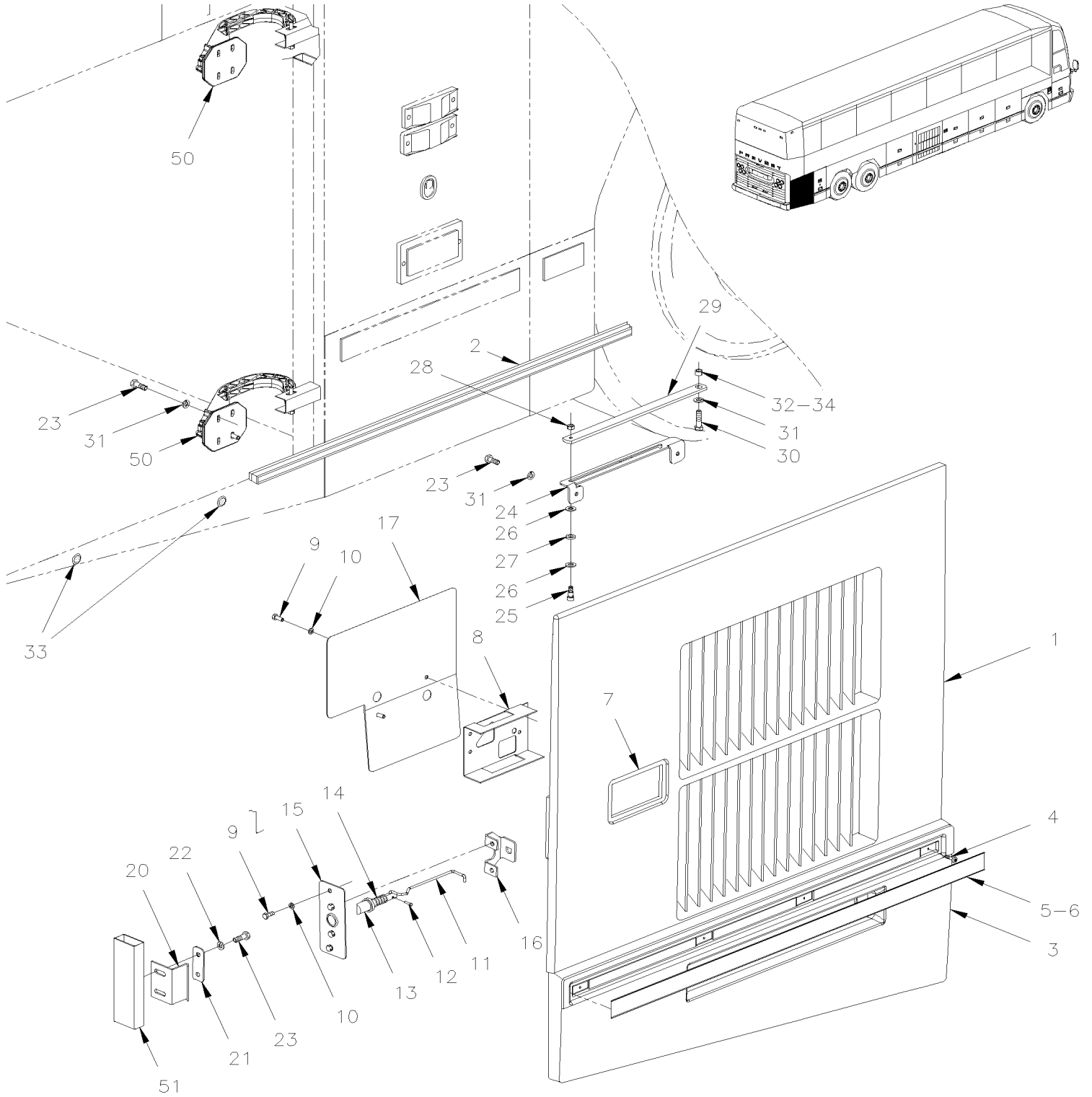


From 4-4758 To 8-1043

Date:10/2022

PAGE:HF-1868-01

A/C COMPRESSOR DOOR ASSY





From 4-4758 To 8-1043	Date:10/2022	PAGE:HF-1868-01
A/C COMPRESSOR DOOR ASSY		

Item#	Part	Description	H 3 4 1	H 3 4 5	V I P 4 5	N O T E S
	288560	COMPRESSOR DOOR ASSY	1	1		
	286654	COMPRESSOR DOOR ASSY			1	
1	287998	. COMPRESSOR DOOR / FIBERGLASS / VENTED	1	1		
1	288681	. COMPRESSOR DOOR / FIBERGLASS / VENTED			1	
NS	288097	. GRILL PERFORATED SS / INSIDE OF DOOR	1	1	1	
NS	509805	. SCREW TP PAN PH #10x1/2 BK	8	8	8	
1	504709	. BUMPER PLUG / 9/32X1 1/16 X 5/8 X 1/16	2	2	2	
2	293281	. RUBBER SEAL EXTRUSION / ADHESIVE / LOWER WINDOW	1	1	1	
3	285863	. PROTECTOR PANEL / SH	1	1	1	
3	286213	. PROTECTOR PANEL / WITH GRAVEL GUARD / SH	1	1	1	A
NS	683083	. ADHESIVE SIKA #252 / BLACK / 600 ml SAUSAGE	AR	AR	AR	
NS	681348	. TAPE RUB ADH2 ACRYLIC .045" x 1" x 108' / VHB4952	AR	AR	AR	
NS	683885	. ADHESIVE SIKA TACK ULTRA FAST 2 / BLACK / 325ml	AR	AR	AR	
4	500120	. SCREW TP BDG PH #6x1/2 SS	4	4	4	
5	285956	. EXTRUSION BACKING ASSY W/REFLECTOR 1074MM	1	1	1	
. NS	285864	. . EXTRUSION BACKING 1074MM	1	1	1	
5	280234	. EXTRUSION BACKING ASSY W/REFLECTOR 1070MM	1	1	1	SVC
. NS	280119	. . EXTRUSION 1070MM	1	1	1	SVC
5	685126	. ADHESIVE SIMSON #ISR 70-03 / GREY / 600ml SAUSAGE	AR	AR	AR	SVC
6	283100	. STRIPE, REFLECTIVE WHITE / 38MM X 15' ROLL	AR	AR	AR	
. NS	780277	. . STRIPE, REFLECTIVE WHITE / 38MM X 150' ROLL	AR	AR	AR	
7	HF-1864-30	. HANDLE LOCK & KEYS - TYPE "PS"				
7	HF-1864-32	. HANDLE LOCK & KEYS - TYPE "NS"				
8	286110	. SUPPORT, HANDLE To 6-0388	1	1	1	
8	289340	. SUPPORT, HANDLE From 6-0389	1	1	1	S
9	955271	. SCREW CAP HEX M6-1.0x16 G8.8 ZG603	8	8	8	
10	500356	. WASHER LO SERR 6.1x16.0x0.9 N500	8	8	8	
11	288064	. ROD / HANDLE & CATCH PIN / 146.5MM To 6-0388	1	1	1	
11	289334	. ROD / HANDLE & CATCH PIN / 135.1MM From 6-0389	1	1	1	S
12	780340	. CLIP, RETAINER ROD	1	1	1	
13	288118	. CATCH PIN ACETAL / 82MM	1	1	1	
14	502910	. SPRING COMPRESSION / .720 O.D. 1.75 x .055	1	1	1	
15	288062	. GUIDE PIN PLATE / 60MM X 140MM	1	1	1	
16	288061	. SUPPORT CATCH PIN	1	1	1	
17	288065	. PLATE CLOSING / 309MM X 298MM	1	1	1	
20	288087	CATCH PIN / RETAINER 49.8MMx36.5MM 90°	1	1	1	
NS	287452	SHIM SPACER 70MM X 25 X 14GA	AR	AR	AR	
21	288088	PLATE RETAINER 66MM X 25.4MM	1	1	1	
22	502857	WASHER LO SERR 8.2x26.3x1.8 N500	2	2	2	
23	502780	SCREW CAP HEX M8-1.25x25 SS BK	4	4	4	
24	283771	GUIDE RETAINING ARM To 7-1030	1	1	1	
24	287043	GUIDE RETAINING ARM From 7-1031	1	1	1	



From 4-4758 To 8-1043	Date:10/2022	PAGE:HF-1868-01
A/C COMPRESSOR DOOR ASSY		

Item#	Part	Description	H 3 4 1	H 3 4 5	V I P 4 5	N O T E S
25	5001560	SCREW SHR HEXS 5/16x3/8 {1/4-20 SS	1	1	1	
26	5001341	WASHER FL 8.4x17.0x1.6 SS	2	2	2	
27	502768	WASHER FL RUB .312x.625x.125 NEO	1	1	1	
28	500384	NUT HEX JAM 1/4-20 G500	1	1	1	
29	283772	ARM RETAINING To 7-1030	1	1	1	
29	287044	ARM RETAINING From 7-1031	1	1	1	
30	502836	SCREW CAP HEX M8-1.25x35 G8.8 N500	4	4	4	
31	502857	WASHER LO SERR 8.2x26.3x1.8 N500	1	1	1	
32	283770	SPACER / TO FIX RETAINING ARM	1	1	1	
33	5001168	BUMPER RUBBER / .750 OD x .562 TH x .187 HOLE	2	2	2	
NS	504416	RIVET POP DOME OE 3/16x5/8 SS	2	2	2	
34	5001063	RIVET NUT FL OKS M8-1.25 11.0-1.5	1	1	1	
50	HF-1879-90	EXTERIOR DOOR HINGE AND SUPPORT				
51	HF-1894-00	REAR STRUCTURE				
		A) THIS PROTECTOR IS COATED WITH GRAVEL GUARD AND IS BLACK PAINTED, READY TO INSTALL				
		S) THIS ROD REQUIRE ALSO IF YOU CHANGE FORMER HANDLE MODEL FOR NEW MODEL # 780794				
		SVC) SERVICE				

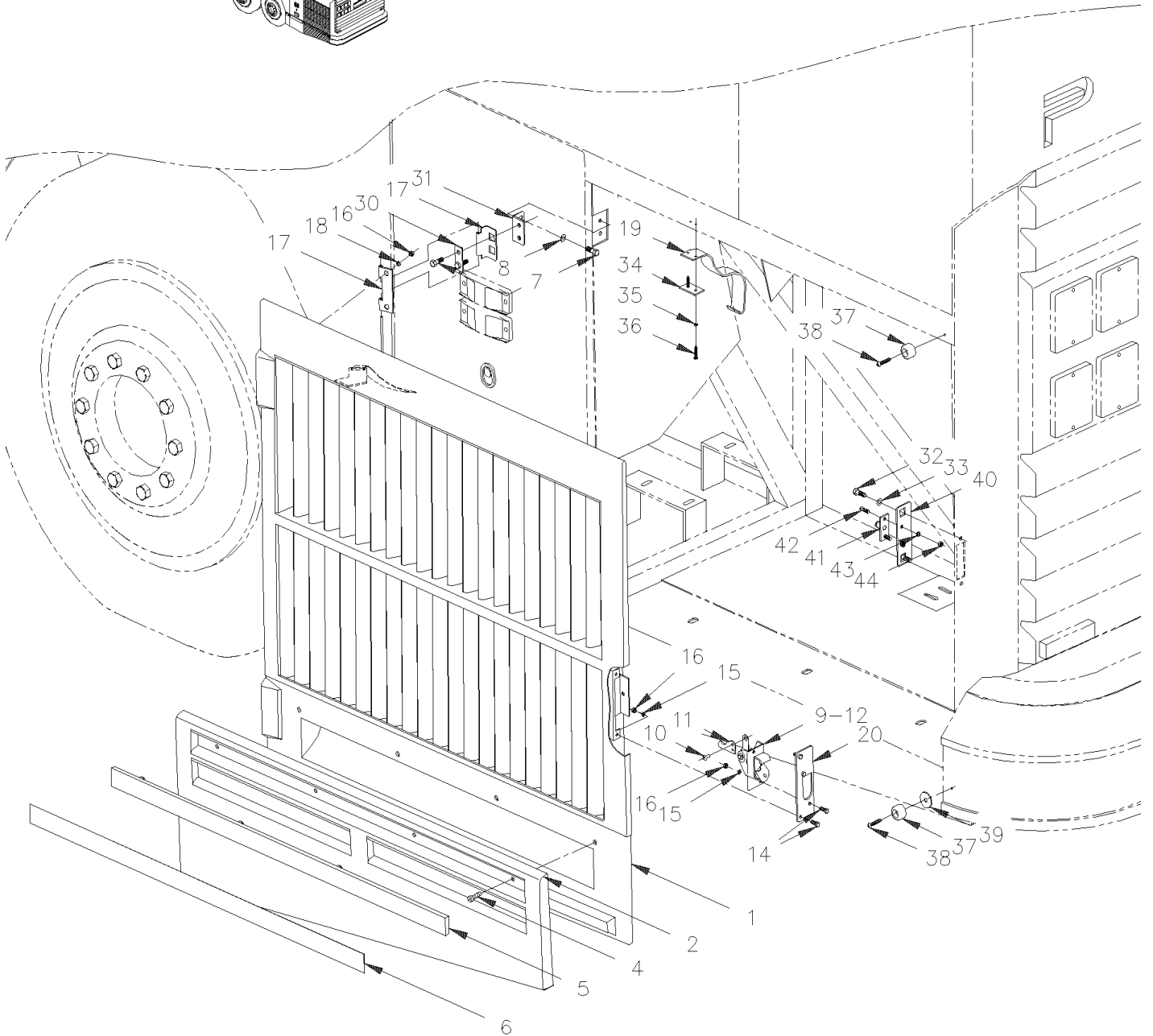
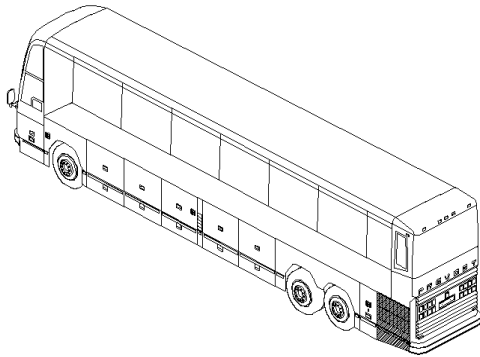


From 3-4417 To 3-4757

Date:10/2022

PAGE:HF-1869-00

RADIATOR DOOR ASSY





From 3-4417 To 3-4757		Date:10/2022	PAGE:HF-1869-00
RADIATOR DOOR ASSY			

Item#	Part	Description	H 3 4 1	H 3 4 5	V I P 4 5	N O T E S
	286711P	RADIATOR DOOR ASSY	1	1	1	
1	286666	. RADIATOR DOOR / FIBERGLASS NEW	1	1	1	
NS	284705	. . ATTACHMENT / TO FIX HINGE	1	1	1	
NS	284717	. . ATTACHMENT / TO FIX LOCK	1	1	1	
NS	284777	. . ATTACHMENT / TO FIX STRAP RETAINER	1	1	1	
2	286665	. PROTECTOR PANEL / SH	1	1	1	
2	287344	. PROTECTOR PANEL / WITH GRAVEL GUARD / SH	1	1		
NS	681348	. TAPE RUB ADH2 ACRYLIC .045" x 1" x 108' / VHB4952	AR	AR	AR	
NS	682462	. ADHESIVE SIKA #252 / BLACK / 310ml CARTRIDGE	AR	AR	AR	D
5	285956	. EXTRUSION BACKING ASSY W/REFLECTOR 1074MM	1	1	1	
. NS	285864	. . EXTRUSION BACKING 1074MM	1	1	1	
5	280234	. EXTRUSION BACKING ASSY W/REFLECTOR 1070MM	1	1	1	SVC
. NS	280119	. . EXTRUSION 1070MM	1	1	1	SVC
5	685126	. ADHESIVE SIMSON #ISR 70-03 / GREY / 600ml SAUSAGE	AR	AR	AR	SVC
6	283100	. . STRIPE, REFLECTIVE WHITE / 38MM X 15' ROLL	AR	AR	AR	
. NS	780277	. . . STRIPE, REFLECTIVE WHITE / 38MM X 150' ROLL	AR	AR	AR	
9	780653	. LOCK SPAGNOLET R.H. / W/G-FITTING	1	1	1	
. NS	780340	. . CLIP, RETAINER ROD	1	1	1	
. NS	507607	. . GREASE FITTING / M6-1.00	1	1	1	
10	504379	. RIVET POP DOME OE 3/16x1/4 SS	2	2	2	
11	288007	. LEVER	1	1	1	
12	284914	. SPRING EXTENSION / .305 O.D. x 1.562 x .051	1	1	1	
14	502531	. SCREW CAP HEX M6-1.0x16 G8.8 Z050	5	5	5	
15	502582	. WASHER LO SERR 6.1x16.2x0.9 Z050	5	5	5	
16	502565	. NUT HEX M6-1.0 SS	5	5	5	
17	284750	. HINGE	2	2	2	
18	502570	. WASHER LO SPT 6.1x11.8x1.6 SS	4	4	4	
19	505507	. STRAP NYLON 1" WIDE / S.L.	AR	AR	AR	
20	285763	. SUPPORT LOCK	1	1	1	
30	284773	PLATE RETAINING	2	2	2	
31	284753	ANGLE / RETAINING HINGE TO STRUCTURAL	2	2	2	
32	502780	SCREW CAP HEX M8-1.25x25 SS BK	8	8	8	
33	502583	WASHER LO SERR 8.15x22.3x1.0 Z050	8	8	8	
34	284439	PLATE, STRAP RETAINING / OBLONG 16.5MM x 25.4MM W/2 HOLES	1	1	1	
35	500157	WASHER FL .125x.375x.032 SS	2	2	2	
36	5001040	SCREW TC PAN PH #6-32x3/4 SS	2	2	2	
37	5001168	BUMPER RUBBER / .750 OD x .562 TH x .187 HOLE	3	3	3	
38	502553	SCREW TP PAN PH #8x1 SS	3	3	3	
39	502820	WASHER FL .187x1.000x.125 RUB BK	2	2	2	
40	284752	PLATE RETAINING	1	1	1	
41	780278	PIN, STRIKER STUD	1	1	1	
42	500316	SCREW MA FL PH 1/4-28x3/4 SS	2	2		



From 3-4417 To 3-4757	Date:10/2022	PAGE:HF-1869-00
RADIATOR DOOR ASSY		

Item#	Part	Description	H 3 4 1	H 3 4 5	V I P 4 5	N O T E S
42	500316	SCREW MA FL PH 1/4-28x3/4 SS			1	
43	500473	WASHER LO SPT .262x.489x.062 Z050	2	2	2	
44	500692	NUT HEX 1/4-28 Z050	2	2	2	
		D) TO FIX PANELS				
		SVC) SERVICE				

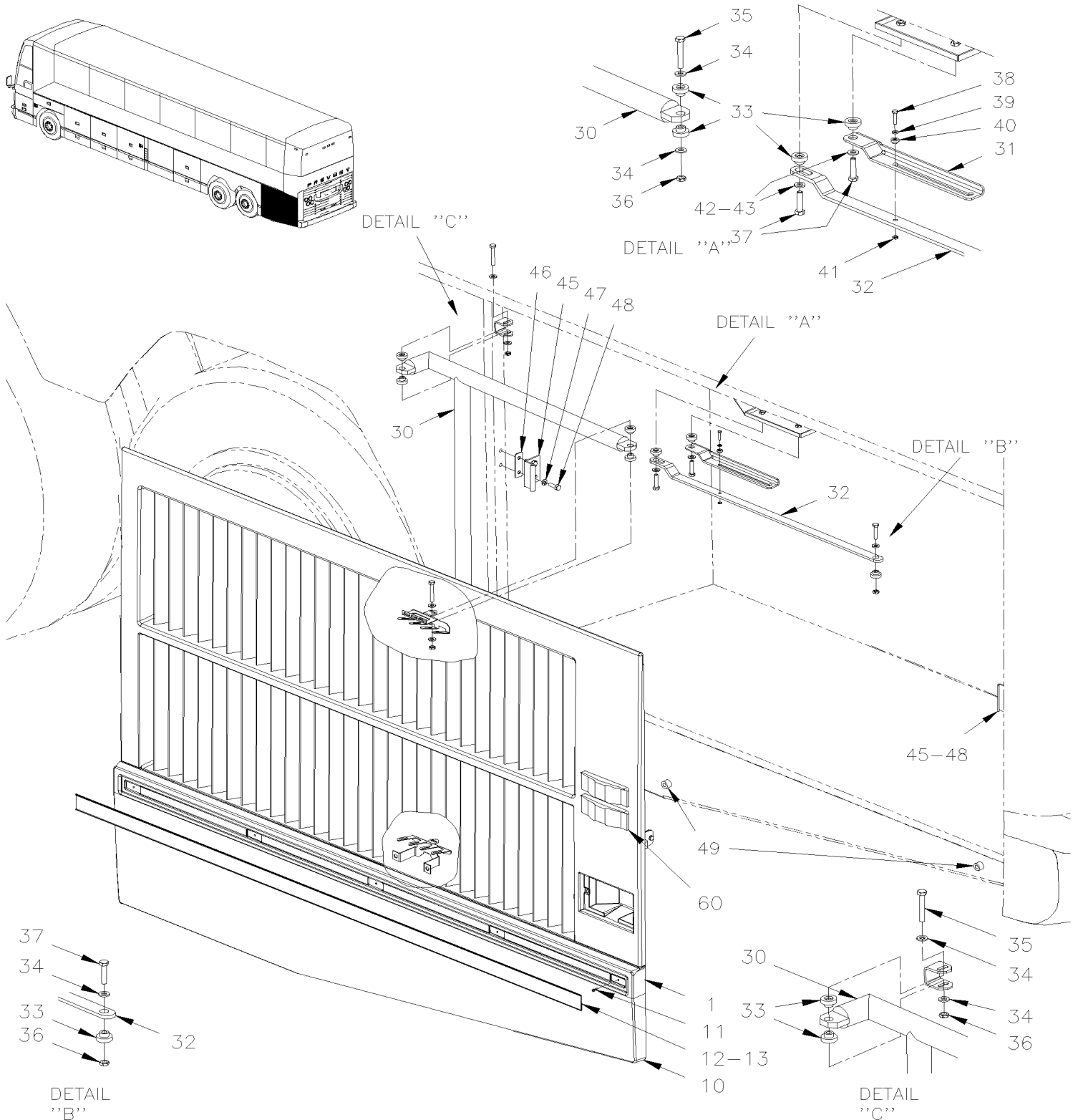
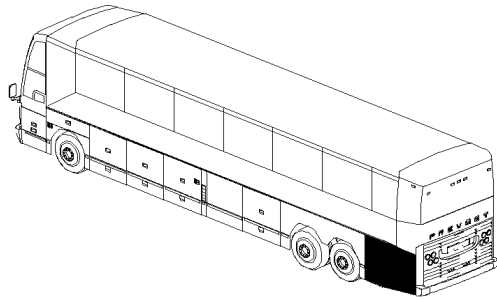


From 4-4758 To 8-1043

Date:10/2022

PAGE:HF-1869-01

RADIATOR DOOR ASSY



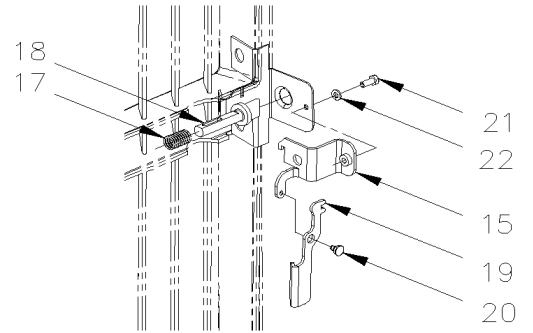
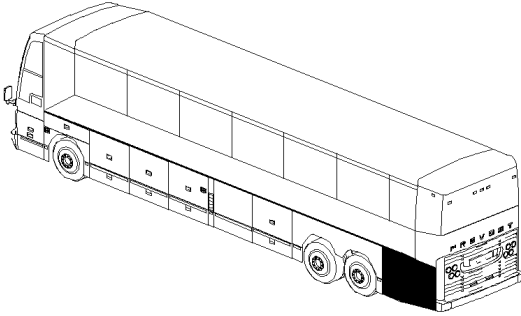


From 4-4758 To 8-1043

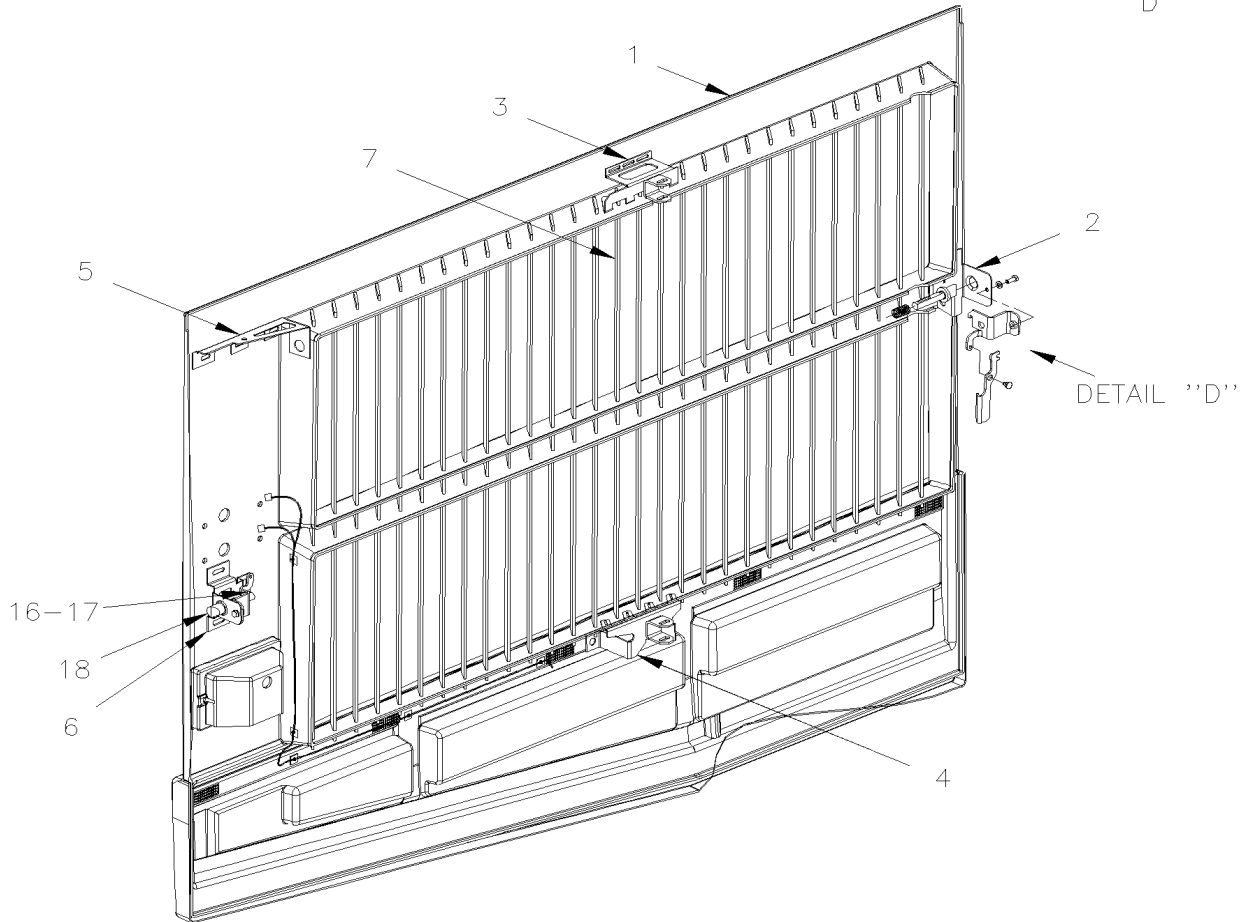
Date:10/2022

PAGE:HF-1869-01

RADIATOR DOOR ASSY



DETAIL
"D"





From 4-4758 To 8-1043	Date:10/2022	PAGE:HF-1869-01
RADIATOR DOOR ASSY		

Item#	Part	Description	H 3 4 1	H 3 4 5	V I P 4 5	N O T E S
1	287988	DOOR MOULDED / FIBERGLASS To 5-0333	1	1	1	
. NS	288096	. LOUVER ROD 37 1/4" To 5-0333	29	29	29	
1	288680	DOOR MOULDED / FIBERGLASS From 5-0334	1	1	1	
. NS	288096	. LOUVER ROD 37 1/4" From 5-0334	29	29	29	
2	288021	. SUPPORT FORWARD CATCH	1	1	1	
3	288052	. ATTACHMENT UPPER ARM	1	1	1	
4	288053	. ATTACHMENT LOWER ARM	1	1	1	
5	288057	. ATTACHMENT STABILIZATOR ARM	1	1	1	
6	288038	. SUPPORT BACKWARD CATCH	1	1	1	
7	288096	. LOUVER ROD 37 1/4"	1	1	1	
10	288017	PROTECTOR PANEL / SH	1	1	1	
10	288120	PROTECTOR PANEL / WITH GRAVEL GUARD SH	1	1	1	
NS	683083	ADHESIVE SIKA #252 / BLACK / 600 ml SAUSAGE	AR	AR	AR	
11	500120	SCREW TP BDG PH #6x1/2 SS	5	5	5	
12	288091	EXTRUSION BACKING ASSY W/REFLECTOR 1664MM	1	1	1	
. NS	288090	. EXTRUSION BACKING 1664MM	1	1	1	
12	280228	EXTRUSION BACKING ASSY W/REFLECTOR 1664MM	1	1	1	SVC
. NS	280122	. EXTRUSION 1664MM	1	1	1	SVC
12	685126	ADHESIVE SIMSON #ISR 70-03 / GREY / 600ml SAUSAGE	AR	AR	AR	SVC
13	283100	. STRIPE, REFLECTIVE WHITE / 38MM X 15' ROLL	AR	AR	AR	
. NS	780277	. . STRIPE, REFLECTIVE WHITE / 38MM X 150' ROLL	AR	AR	AR	
15	288019	GUIDE PIN HOLDER	2	2	2	
16	288080	REAR LATCH SUPPORT	1	1	1	
17	502910	SPRING COMPRESSION / .720 O.D. 1.75 x .055	2	2	2	
18	287391	CATCH PIN SS / 90.5MM	2	2	2	
19	288060	ACTUATOR DOOR LATCH	1	1	1	
20	287271	RIVET SHR FL 9.95x3.6{4.8x4.8 SS	1	1	1	
21	955271	SCREW CAP HEX M6-1.0x16 G8.8 ZG603	2	2	2	
22	502570	WASHER LO SPT 6.1x11.8x1.6 SS	2	2	2	
24	504637	CABLE TIE / 3/16" x 13"	1	1	1	
30	288050	ARM PANTOGRAPH To 4-4845	1	1	1	
30	288190	ARM PANTOGRAPH From 4-4846	1	1	1	
31	288051	GUIDE RETAINING ARM	1	1	1	
32	288054	ARM AUXILIARY	1	1	1	
33	286716	SPACER BUSHING FLANGE / AUX. ARM & SUPPORT ACETAL 8.3MM I.D.	11	11	11	
34	5001341	WASHER FL 8.4x17.0x1.6 SS	11	11	11	
35	502757	SCREW CAP HEX M8-1.25x50 G8.8 N500	1	1	1	
36	966171	NUT HEX NYRT M8x1.25 SS	5	5	5	
37	5001559	SCREW CAP HEX M8-1.25x35 SS BK	3	3	3	
38	5001560	SCREW SHR HEXS 5/16x3/8 {1/4-20 SS	1	1	1	
39	5001341	WASHER FL 8.4x17.0x1.6 SS	1	1	1	
40	502768	WASHER FL RUB .312x.625x.125 NEO	1	1	1	



From 4-4758 To 8-1043	Date:10/2022	PAGE:HF-1869-01
RADIATOR DOOR ASSY		

Item#	Part	Description	H 3 4 1	H 3 4 5	V I P 4 5	N O T E S
41	500384	NUT HEX JAM 1/4-20 G500	1	1	1	
42	500381	WASHER FL 8.4x25.0x2.0 N500	2	2	2	
NS	5001524	WASHER FL .625x.812x.100 NYL	1	1	1	
43	500035	WASHER LO SPT .317x.586x.078 SS	2	2	2	
45	287286	CATCH PIN / RETAINER 45MMx21MM 90°	1	1	1	
46	288088	PLATE RETAINER 66MM X 25.4MM	2	2	2	
47	500035	WASHER LO SPT .317x.586x.078 SS	6	6	6	
48	502780	SCREW CAP HEX M8-1.25x25 SS BK	4	4	4	
48	287452	SHIM SPACER 70MM X 25 X 14GA	1	1	1	
49	5001168	BUMPER RUBBER / .750 OD x .562 TH x .187 HOLE	4	4	4	
NS	504416	RIVET POP DOME OE 3/16x5/8 SS	4	4	4	
50	509828	BUMPER RUBBER / .750 OD x .312 TH x .125 HOLE	2	2	2	
NS	504339	RIVET POP DOME OE 1/8x3/8 SS	2	2	2	
60	HF-0662-00	CLEARANCE & MARKER LIGHT				
		SVC) SERVICE				



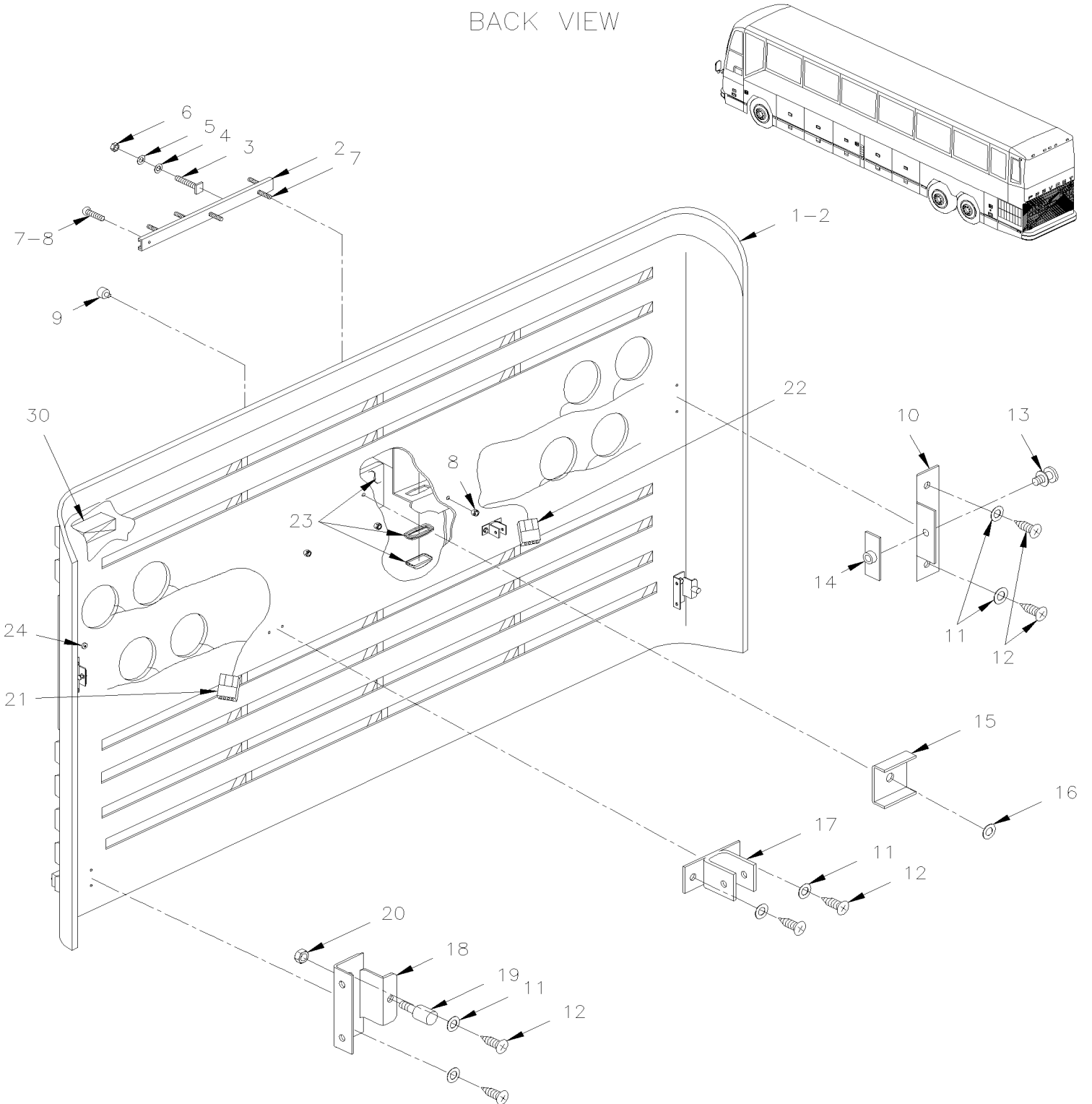
From 3-4417 To 8-1043

Date:10/2022

PAGE:HF-1870-00

ENGINE DOOR ASSY

BACK VIEW





From 3-4417 To 8-1043	Date:10/2022	PAGE:HF-1870-00
ENGINE DOOR ASSY		

Item#	Part	Description	H 3 4 1	H 3 4 5	V I P 4 5	N O T E S
	288813	REAR ENGINE DOOR ASSY W/LIGHTS	1	1		A
1	287964	. DOOR MOULDED / FIBERGLASS	1	1		B
1	289434	DOOR MOULDED / FIBERGLASS SERVICE	1	1		B
1	287970	. DOOR MOULDED / FIBERGLASS			1	C
1	289435	DOOR MOULDED / FIBERGLASS SERVICE			1	C
2	283030	. TRACK / LICENCE PLATE HOLDER 680MM	1	1	1	
2	281343	. TRACK / LICENCE PLATE HOLDER 680 MM	1	1	1	
3	504286	. T SCREW 10-24 X 3/4" / SS / PLATE HOLDER	4	4	4	
4	502637	. WASHER FL .200x.437x.037 SS	4	4	4	
5	502570	. WASHER LO SPT 6.1x11.8x1.6 SS	4	4	4	
6	500787	. NUT HEX #10-24 SS	4	4	4	
7	502666	. SCREW MA FL PH #6-32x3/4 SS BK	3	3	3	
8	500286	. NUT WELL #6-32	3	3	3	
9	504498	. BUMPER PLUG / .406ODx.218THx.250HOLEx.125	2	2	2	
10	285466	. BRACKET ASSY	2	2	2	
11	502584	. WASHER LO SERR 8.2x26.3x1.8 Z050	12	12	12	
12	502790	. SCREW CAP HEX M8-1.25x20 G8.8 Z050	12	12	12	
13	780415	. BOLT STRIKER	2	2	2	
14	283330	. NUT SPECIAL / TO FIX STRIKER	2	2	2	
16	502582	. WASHER LO SERR 6.1x16.2x0.9 Z050	34	34	34	
17	283024	. BRACKET / TO FIX PANTHOGRAPH	2	2	2	
18	285274	. BRACKET / STOPPER	2	2	2	
19	504454	. BUMPER RUBBER BOLT / 20MM ODx20MM TH X M6X15MM STUD	2	2	2	
20	502565	. NUT HEX M6-1.0 SS	2	2	2	
21	064334	. CABLE ASSY R.H. LAMP / REAR ENGINE DOOR	1	1	1	
21	065781	. CABLE ASSY R.H. LAMP / REAR ENGINE DOOR / MUX	1	1	1	
22	064335	. CABLE ASSY L.H. LAMP / REAR ENGINE DOOR	1	1	1	
22	065782	. CABLE ASSY L.H. LAMP / REAR ENGINE DOOR / MUX	1	1	1	
NS	506277	. TAPE RUB ADH1 CC POL 1/2" x 3/4" x 15' / GREY 2520X	AR	AR	AR	
NS	509815	. TIE MOUNT / ATTACHMENT W/TREE MOUNT	10	10	10	
NS	680415	. TAPE ADHESIVE 3" WIDE BLUE	AR	AR	AR	
23	HF-0664-00	. REAR EXTERIOR LIGHTS & PLATE HOLDER				
24	562949	. MAGNET ROUND .200x.700 DIA	1	1	1	
		A) THIS PANEL ASSY INCLUDE ALL ITEMS AT PAGE HF -0664-00 WITHOUT HOLE FOR 110V OUTLET				
		B) THIS PANEL HAVE HOLE FOR 110 VOLTS RIGHT SIDE OF PLATE				
		C) THIS PANEL DO NOT HAVE HOLE FOR 110 VOLTS				

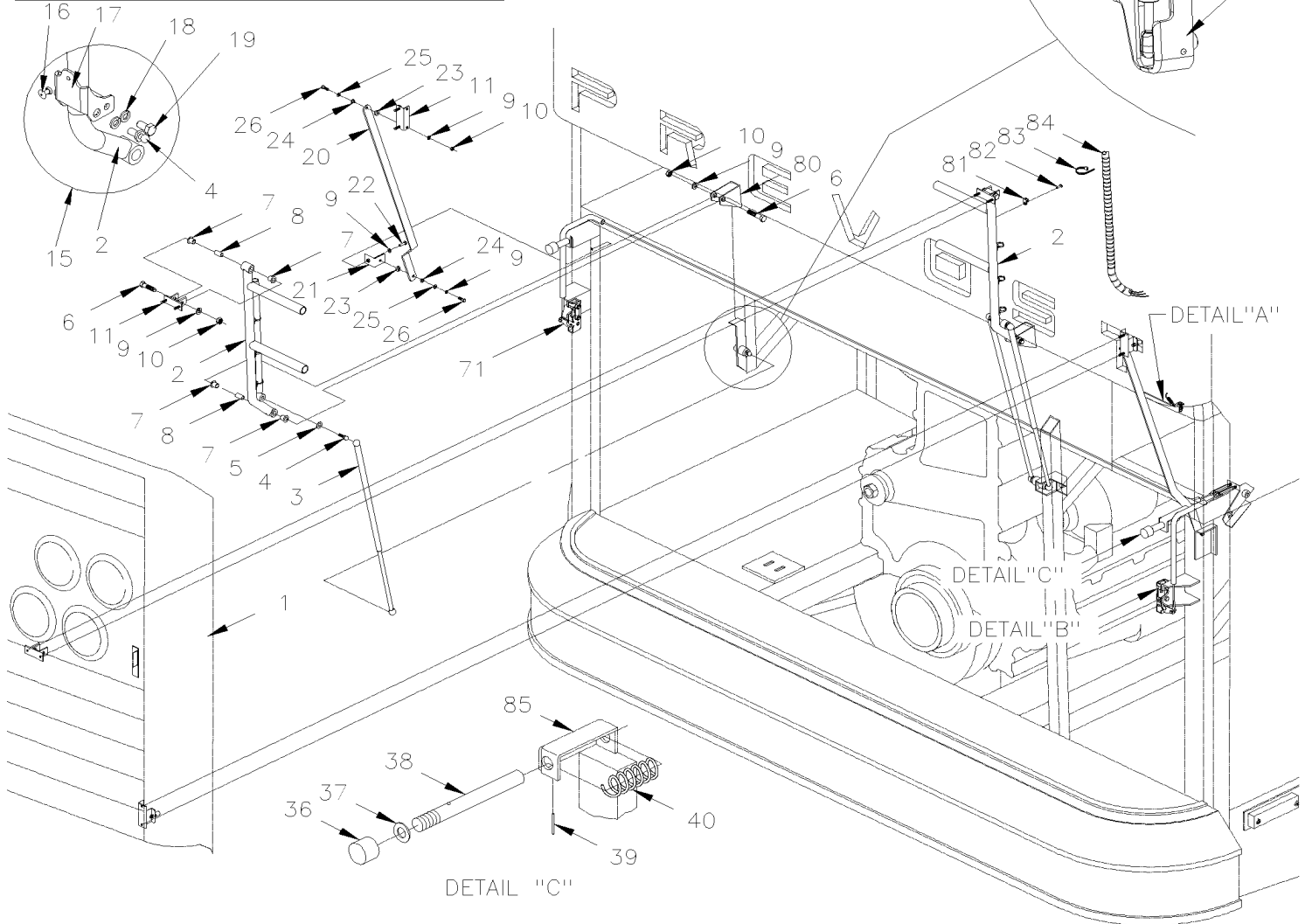
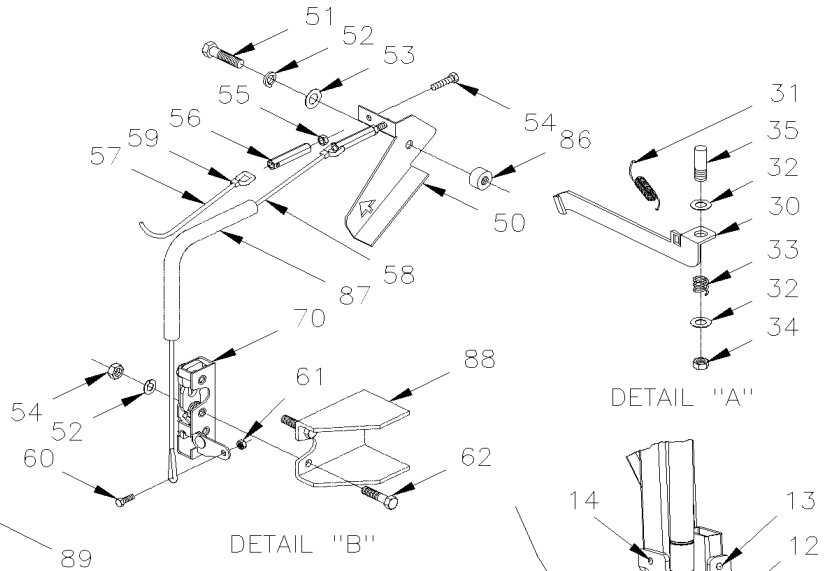
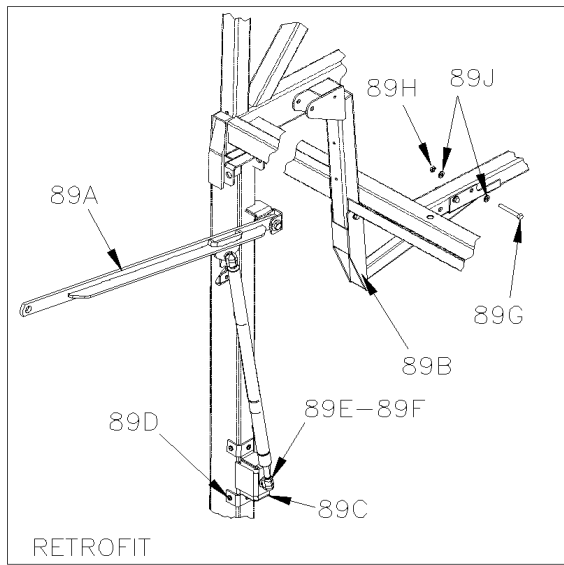


From 3-4417 To 8-1043

Date:10/2022

PAGE:HF-1870-10

REAR ENGINE DOOR - INSTALLATION





From 3-4417 To 8-1043	Date:10/2022	PAGE:HF-1870-10
REAR ENGINE DOOR - INSTALLATION		

Item#	Part	Description	H 3 4 1	H 3 4 5	V I P 4 5	N O T E S
1	HF-1870-00	ENGINE DOOR ASSY				
2	283035	PANTOGRAPH LEVER	1	1	1	
3	980024	CYLINDER GAZ / 669/409MM C/C / 200LBS	3	3	3	
3	192226	CYLINDER GAZ / 669/409MM C/C / 200LBS HD			AR	
. NS	980017	. CLIP BALL STUD 10MM RETAINER			2	
NS	491130	CYLINDER PROTECTOR / PLASTIC	AR	AR	AR	E
NS	504339	RIVET POP DOME OE 1/8x3/8 SS	3	3	3	E
4	980015	BALL STUD / W/10 MM X M8-1.25 / 29.18 MM	6	6	6	
5	980016	NUT, CYLINDER RETAINER	2	2	2	
5	502760	NUT HEX TWAY M8-1.25 Z050	2	2	2	
6	5001178	SCREW CAP HEX M8-1.25x60 SS BK	4	4	4	
7	507142	BUSHING, NYLINER W/SHOULDER (8-L-8-F)	8	8	8	
8	282541	SPACER TUBE 31MM x 12.7MM x 8.5MM	4	4	4	
9	502583	WASHER LO SERR 8.15x22.3x1.0 Z050	AR	AR	AR	
10	502543	NUT HEX M8-1.25 Z050	AR	AR	AR	
10	5001188	NUT HEX M8-1.25 SS	AR	AR	AR	
11	HF-1870-00	ENGINE DOOR ASSY				
12	491130	CYLINDER PROTECTOR / PLASTIC	1	1	1	
13	504717	RIVET POP DOME OE 1/8x1/4 SS	1	1	1	
14	504339	RIVET POP DOME OE 1/8x3/8 SS	1	1	1	
15	289949	KIT RETROFIT ENGINE DOOR CYLINDER PRESSURE INCREASE ADAPTOR	AR	AR	AR	KS
16	504747	. RIVET HKL MMS 3/16x3/8 SS	1	1	1	
17	289951	. CYLINDER ADAPTOR ENGINE DOOR SERIE "H" / "U" SHAPE	1	1	1	
18	5001161	. WASHER LO SPT 8.1x14.8x2.0 SS-304	2	2	2	
19	5001527	. SCREW CAP HEX M8-1.25x16 SS BK	2	2	2	
20	283033	ARM STABILIZER / 30MM OFFSET To 3-4757	2	2	2	
20	288092	ARM STABILIZER 627MM C/C / PROTO From 4-4758	2	2	2	MF
22	502790	SCREW CAP HEX M8-1.25x20 G8.8 Z050	2	2	2	A
23	282540	SPACER BUSHING FLANGE / AUX. ARM & SUPPORT	4	4	4	
24	507289	BUSHING NYLINER / AUXILIARY ARM & ATTACHMENT	4	4	4	
25	500444	WASHER FL .406x.812x.065 Z050	4	4	4	
26	502651	SCREW CAP HEX M8-1.25x35 G8.8 Z050	4	4	4	
30	283328	HOOK SAFETY LOCK	1	1	1	
31	502184	SPRING EXTENSION / .360 O.D. x 1.25 x .031	1	1	1	
32	500441	WASHER FL .312x.734x.065 Z050	2	2	2	B
33	480705	SPRING COMPRESSION / .600 O.D. x 1 x .055 CROMAT	1	1	1	
34	5001189	NUT HEX 5/16-18 SS	1	1	1	
35	481287	SPACER To 3-4440	1	1	1	
35	481496	SPACER From 3-4441	1	1	1	
36	504454	BUMPER RUBBER BOLT / 20MM ODx20MM TH X M6X15MM STUD	2	2	2	
37	500411	WASHER FL .260x.697x.050 SS	4	4	4	
38	283014	STOPPER 120MM	2	2	2	



From 3-4417 To 8-1043	Date:10/2022	PAGE:HF-1870-10
REAR ENGINE DOOR - INSTALLATION		

Item#	Part	Description	H 3 4 1	H 3 4 5	V I P 4 5	N O T E S
39	505513	SPRING, PIN M3 x 24 SS	2	2	2	
40	502181	SPRING COMPRESSION / .720 O.D. x 3 x .067	2	2	2	
50	283037	LEVER	1	1	1	
51	502563	SCREW CAP HEX M6-1.0x12 G8.8 Z050	1	1	1	
52	502582	WASHER LO SERR 6.1x16.2x0.9 Z050	AR	AR	AR	C
53	500468	WASHER FL .281x1.250x.065 Z050	1	1	1	
54	502686	SCREW CAP HEX M6-1.0x30 SS BK	2	2	2	
55	502581	NUT HEX M6-1.0 Z050	2	2	2	
56	283015	TENSIONER	2	2	2	
57	283045	CABLE 1/16 DIA / 2970MM	1	1	1	
58	283069	CABLE 1/16 DIA. / 565MM LG	1	1	1	
59	780341	SLEEVE / TO HOLDING CABLE 1/16OD SS	2	2	2	
60	502550	SCREW CAP HEX M4-0.7x16 G8.8 Z050	2	2	2	D
61	502557	NUT HEX NYRT M4-0.7 SS	2	2	2	
62	502533	SCREW CAP HEX M6-1.0x30 G8.8 Z050	2	2	2	
63	502581	NUT HEX M6-1.0 Z050	2	2	2	
70	289302	LATCH / R.H.	1	1	1	
71	283491	LATCH / L.H.	1	1	1	
80	284746	ANCHOR BRACKET PANTHOGRAPH LEVER / WELDED TO STRUCTURE	2	2	2	
81	504531	TIE MOUNT / 3/16" #10 SCREW / TA1S8-C	AR	AR	AR	
82	504106	RIVET POP DOME OE 1/8x1/4 AL	AR	AR	AR	
83	504637	CABLE TIE / 3/16" x 13"	AR	AR	AR	
84	065625	CABLE HARNESS / ENGINE ACCESSORIES To 3-4624	1	1	1	
84	065468	CABLE HARNESS / ENGINE ACCESSORIES From 3-4625 To 3-4631	1	1	1	
84	065828	CABLE HARNESS / ENGINE ACCESSORIES From 3-4632 To 3-4757	1	1	1	
84	065679	CABLE HARNESS / ENGINE ACCESSORIES From 4-4758 To 4-4866	1	1	1	
84	065981	CABLE HARNESS / ENGINE ACCESSORIES From 4-4867 To 5-0168	1	1	1	
84	066377	CABLE HARNESS / ENGINE ACCESSORIES From 5-0169	1	1	1	
84	066499	CABLE HARNESS / ENGINE ACCESSORIES / W/MUX	1	1	1	
85	212246	GUIDE PIN R.H. / WELDED TO STRUCTURE	1	1	1	
85	212245	GUIDE PIN L.H. / WELDED TO STRUCTURE	1	1	1	
86	283017	PIVOT LEVER / WELDED TO STRUCTURE	1	1	1	
87	283036	GUIDE TUBE R.H. / WELDED TO STRUCTURE	1	1	1	
87	283038	GUIDE TUBE L.H. / WELDED TO STRUCTURE	1	1	1	
NS	211594	SUPPORT GUIDE TUBE WELDED TO STRUCTURE / 36MMX 50MM	2	2	2	
88	211863	SUPPORT LATCH / WELDED TO STRUCTURE	2	2	2	
89	289987	KIT RETROFIT, CYLINDER ENGINE DOOR MOVE STREETSIDE From 4-4758 To 8-1043	AR	AR	AR	
. A	289988	. ARM STABILIZER / ENGINE DDOR / STREESIDE "H" From 4-4758 To 8-1043	1	1	1	
. B	289985	. SUPPORT CYLINDER STRUCTURE / W/STREETSIDE ARM From 4-4758 To 8-1043	1	1	1	
. C	289992	. SUPPORT CYLINDER / LOWER POST From 4-4758 To 8-1043	1	1	1	
. D	504488	. RIVET MGLP PRDG 3/16x17/64 SS From 4-4758 To 8-1043	1	1	1	



From 3-4417 To 8-1043	Date:10/2022	PAGE:HF-1870-10
-----------------------	--------------	-----------------

REAR ENGINE DOOR - INSTALLATION

Item#	Part	Description	H 3 4 1	H 3 4 5	V I P 4 5	N O T E S
. E	502911	. NUT HEXF M8-1.25 SS From 4-4758 To 8-1043	2	2	2	
. F	980015	. BALL STUD / W/10 MM X M8-1.25 / 29.18 MM From 4-4758 To 8-1043	2	2	2	
. G	5001636	. SCREW CAP HEX M6-1.0x50 SS BK From 4-4758 To 8-1043	3	3	3	
. H	502565	. NUT HEX M6-1.0 SS From 4-4758 To 8-1043	3	3	3	
. J	502573	. WASHER FL 6.4x12.5x1.6 SS From 4-4758 To 8-1043	6	6	6	
		A) TO FIX ANGLE SUPPORT TO POST				
		B) W/ITEM #30				
		C) TO FIX LATCH				
		D) TO FIX CABLE TO LATCH				
		E) LOCATED ON STRCUTURAL POST AT LOWER CYLINDER				
		KS) THIS KIT IT USE TO MOVE CYLINDER FOR INCREASE THE POWER AT DOOR CYLINDER FOR DOOR WHO HAVE MORE WEIGHT WITH ADD ACCESSORIES BY CONVERTERS				
		MF) FOR MECHANICAL SECURITY ASK FOR KIT # 289987 KIT TO MOVE CYLINDER ON STREETSIDE				

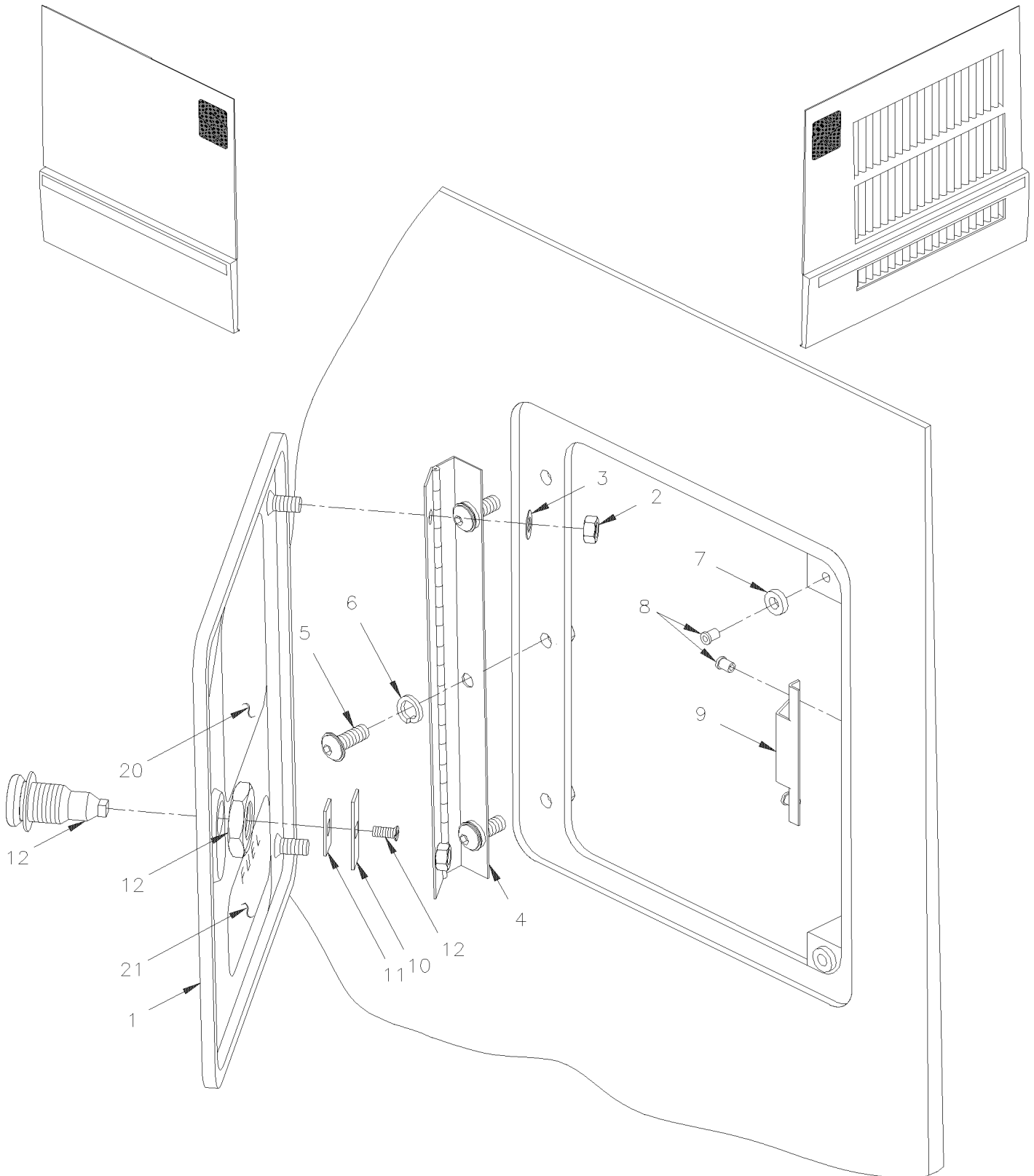


From 3-4417 To 8-1043

Date:10/2022

PAGE:HF-1875-00

FUEL TANK FILLING DOOR





From 3-4417 To 8-1043	Date:10/2022	PAGE:HF-1875-00
FUEL TANK FILLING DOOR		

Item#	Part	Description	H 3 4 1	H 3 4 5	V I P 4 5	N O T E S
1	283214	FUEL DOOR / LH FIXED AT EVAPORATOR DOOR	1	1	1	
1	285637	FUEL DOOR / RH FIXED AT CONDENSOR DOOR	1	1	1	
1	HF-1875-50	FUEL TANK FILLING DOOR - V.I.P.				
2	502707	NUT HEX STO M5-0.8 Z050	2	2	2	
NS	507212	O-RING From 4-4915	1	1	1	
3	500964	WASHER FL .203x.500x.047 Z050	2	2	2	
4	282610	HINGE / FUEL DOOR	1	1	1	
5	502817	SCREW MA PAN PH M6-1.0x16 N500	3	3	3	
6	502582	WASHER LO SERR 6.1x16.2x0.9 Z050	3	3	3	
7	504334	BUMPER RUBBER / .625 OD x .406 TH x .156 HOLE	2	2	2	
8	504339	RIVET POP DOME OE 1/8x3/8 SS	4	4	4	
9	790279	SPRING, CATCH	1	1	1	
10	282613	PLATE, LOCK / 7MM SQ HOLE To 4-4914	1	1	1	
10	288807	PLATE, LOCK / 8MM SQ HOLE From 4-4915	1	1	1	J
11	282612	SPACER / 7MM SQ X 17MM O.D X 16GA To 4-4914	1	1	1	
11	288806	SPACER / 8MM SQ X 17MM O.D X 16GA From 4-4915	1	1	1	
12	HF-1864-30	HANDLE LOCK & KEYS - TYPE "PS"				
12	HF-1864-32	HANDLE LOCK & KEYS - TYPE "NS"				
20	403315	DECAL / "TANK CAPACITY" ENGLISH 235 U.S. GALLONS	AR	AR	AR	
21	402789	DECAL / "CARBURANT" DIESEL #1	AR	AR	AR	
21	402788	DECAL / FUEL RECOMMENDED # 1 OR # 2 AC.. / ENGLISH & FRANCAIS	AR	AR	AR	
21	405636	DECAL / FUEL RECOMMENDED # 1 OR # 2 AC.. / ENGLISH & SPANISH	AR	AR	AR	
		J) SEE KIT AT END OF PAGE HF-1864-32				

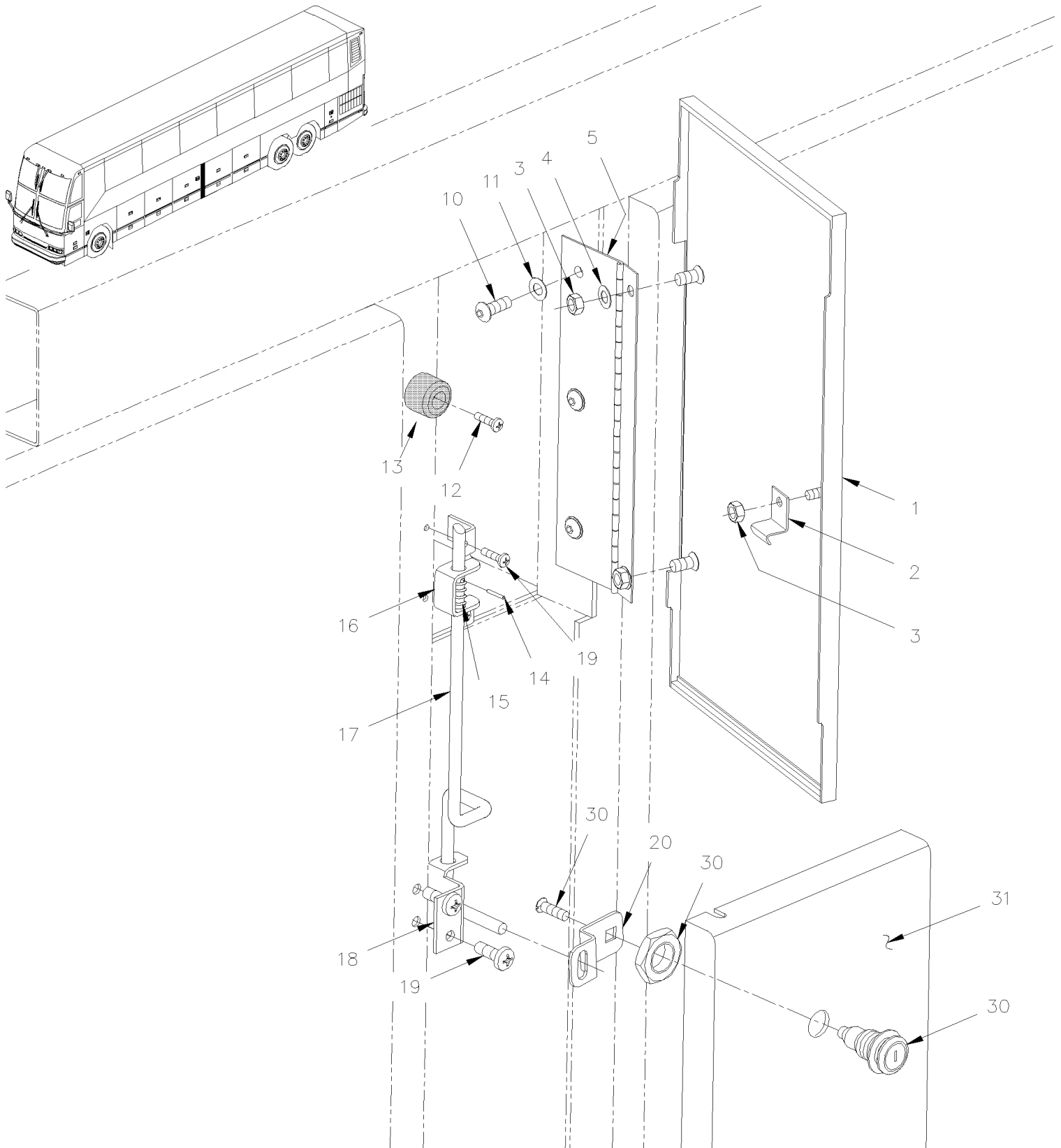


From 3-4417 To 8-1043

Date:10/2022

PAGE:HF-1875-50

FUEL TANK FILLING DOOR - V.I.P.





From 3-4417 To 8-1043	Date:10/2022	PAGE:HF-1875-50
FUEL TANK FILLING DOOR - V.I.P.		

Item#	Part	Description	H 3 4 1	H 3 4 5	V I P 4 5	N O T E S
1	286172	FUEL DOOR / W/SMALL A/C SYSTEM			2	
2	473935	HOOK			1	
3	502561	NUT HEX M5-0.8 Z050			3	
4	502582	WASHER LO SERR 6.1x16.2x0.9 Z050			3	
5	473936	HINGE R.H.			1	
. NS	473934	. SPRING, TORSION / 3.19 I.D. x 38.1 x 29GA			1	
5	473933	HINGE L.H.			1	
. NS	473934	. SPRING, TORSION / 3.19 I.D. x 38.1 x 29GA			1	
NS	5001451	SPACERS ROLLER			1	
NS	502531	SCREW CAP HEX M6-1.0x16 G8.8 Z050			1	
NS	502573	WASHER FL 6.4x12.5x1.6 SS			1	
10	502531	SCREW CAP HEX M6-1.0x16 G8.8 Z050			3	
11	500964	WASHER FL .203x.500x.047 Z050			3	
NS	502583	WASHER LO SERR 8.15x22.3x1.0 Z050			1	
12	500658	SCREW TC PAN PH #10-24x3/4 Z050			1	
13	5001168	BUMPER RUBBER / .750 OD x .562 TH x .187 HOLE			1	
14	505532	SPRING, PIN 3/32 x 5/8 SS			1	
15	474008	SPRING COMPRESSION / .360 O.D. x .625 x .035			1	
NS	502573	WASHER FL 6.4x12.5x1.6 SS			1	
16	473931	ROD GUIDE			1	
17	473930	ROD L.H.			1	
17	473929	ROD R.H.			1	
18	473928	ROD GUIDE LOWER LH			1	
18	473927	ROD GUIDE LOWER RH			1	
19	500133	SCREW TP RND PH #6x3/8 ZP			4	
20	473926	SHUTTER L.H. To 4-4914			1	
20	477471	SHUTTER L.H. / B.A. From 4-4915			1	J
20	473925	SHUTTER R.H. To 4-4914			1	
20	477472	SHUTTER R.H. / B.A. From 4-4915			1	J
NS	282612	SPACER / 7MM SQ X 17MM O.D X 16GA To 4-4914			1	
NS	288806	SPACER / 8MM SQ X 17MM O.D X 16GA From 4-4915			1	J
30	HF-1864-32	HANDLE LOCK & KEYS - TYPE "NS"				
30	HF-1864-32	HANDLE LOCK & KEYS - TYPE "NS"				
NS	507212	O-RING			1	
31	473983	PANEL LOWER FUEL DOOR L.H. / W/SMALL A/C			1	
NS	500536	SCREW TP HEXW SLT #14x1 ZP			2	A
NS	500468	WASHER FL .281x1.250x.065 Z050			2	A
NS	502520	NUT HEX #4-40 Z050			2	A
NS	502764	NUT SPR J #14A .035-.046 To 5-0332			2	A
NS	500903	NUT SPR J # 14 .035-.046 DP320 From 5-0101 To 5-0332			2	A
NS	5001639	NUT SPR U M6-1.0 0.34-4 MAG565 From 5-0333			1	
NS	502830	SCREW CAP HEX M6-1.0x20 G8.8 N500 From 5-0333			1	



From 3-4417 To 8-1043	Date:10/2022	PAGE:HF-1875-50
-----------------------	--------------	-----------------

FUEL TANK FILLING DOOR - V.I.P.

Item#	Part	Description	H 3 4 1	H 3 4 5	V I P 4 5	N O T E S
		A) TO FIX LOWER PANEL FUEL DOOR				
		J) SEE KIT AT END OF PAGE HF-1864-32				

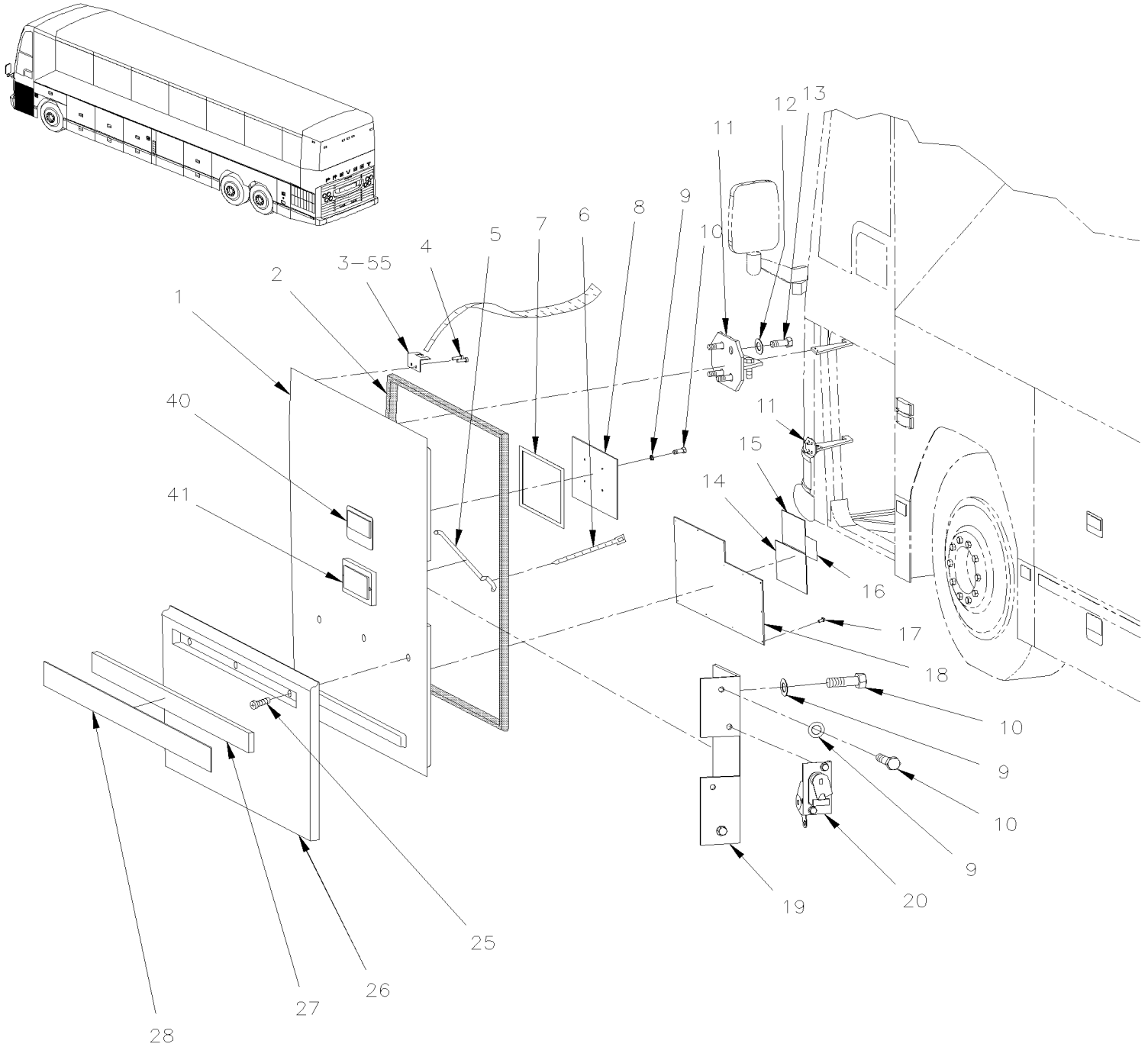


From 3-4417 To 8-1043

Date:10/2022

PAGE:HF-1879-00

FRONT SERVICE DOOR ASSY





From 3-4417 To 8-1043	Date:10/2022	PAGE:HF-1879-00
FRONT SERVICE DOOR ASSY		

Item#	Part	Description	H 3 4 1	H 3 4 5	V I P 4 5	N O T E S
	285389P	FRONT SERVICE DOOR ASSY To 4-4950	1	1	1	
	285461	FRONT SERVICE DOOR ASSY From 4-4951	1	1	1	
1	285567	. DOOR MOULDED / FIBERGLASS To 4-4950	1	1	1	
1	287368	. DOOR MOULDED / FIBERGLASS From 4-4951 To 5-0333	1	1	1	
1	288678	. DOOR MOULDED / FIBERGLASS From 5-0334	1	1	1	
2	285335	. RUBBER SEAL EXTRUSION / FRONT SERVICE DOOR	1	1	1	
2	280149	. RUBBER SEAL EXTRUSION / FRONT SERVICE DOOR	1	1	1	
2	2800116	. RUBBER SEAL EXTRUSION / FRONT SERVICE DOOR	1	1	1	
NS	506005	. TAPE RUB ADH1 CC POL 3/8" x 5/8" x 25' / GREY 2520X	AR	AR	AR	
3	285224	. LH SUPPORT, BELT	1	1	1	
4	504249	. RIVET CHY Q PRDG 3/16x3/8 SS	2	2	2	
5	283261	. ROD / HANDLE & LATCH / 294MM To 6-0388	1	1	1	
5	289331	. ROD / HANDLE & LATCH / 296.8MM From 6-0389	1	1	1	S
6	504273	. CABLE TIE / 1/8" X 3"1/2	1	1	1	
7	506236	. TAPE RUB ADH1 CC POL 1/16" x 1/2" x 100' / GREY 2520	1	1	1	
8	283823	. PLATE CLOSING / 293MM X 318MM To 4-4950	1	1	1	
8	287114	. PLATE CLOSING / 289MM X 314MM From 4-4951	1	1	1	
9	502582	. WASHER LO SERR 6.1x16.2x0.9 Z050	1	1	1	
10	955271	. SCREW CAP HEX M6-1.0x16 G8.8 ZG603	8	8	8	
10	955269	. SCREW CAP HEX M6-1.0x12 G8.8 ZG603	2	2	2	
NS	500356	. WASHER LO SERR 6.1x16.0x0.9 N500	AR	AR	AR	
11	HF-1879-90	. EXTERIOR DOOR HINGE AND SUPPORT				
12	502584	. WASHER LO SERR 8.2x26.3x1.8 Z050	8	8	8	
13	502780	. SCREW CAP HEX M8-1.25x25 SS BK	8	8	8	
14	160295	DECAL / "IT FORBIDDEN TO STOCK ANYTING IN TH. / ENGLISH & FRANCAIS	1	1	1	
14	161191	DECAL / "IT FORBIDDEN TO STOCK ANYTING IN TH. / ENGLISH & SPANISH	1	1	1	
NS	180246	DECAL / VEHICULE WHEELHOUSING.... TREATED / ENGLISH & FRANCAIS	1	1	1	
NS	180252	DECAL / VEHICULE WHEELHOUSING.... TREATED / ENGLISH & SPANISH	1	1	1	
15	063711	DECAL / "WELDING..." / W/SERIES 60 & "WORLD TRANSMISSION / ENGLISH	1	1	1	
15	066046	DECAL / "WELDING..." / W/SERIES 60 & "WORLD TRANSMISSION / ENGLISH & SPANISH	1	1	1	
16	141064	DECAL / COLOR CODE / PNEUMATIC SYSTEM / ENGLISH & FRANCAIS	1	1	1	
16	142370	DECAL / COLOR CODE / PNEUMATIC SYSTEM / ENGLISH & SPANISH	1	1	1	
NS	064124	DECAL / FRONT JUNCTION PANEL - BUS To 3-4439	1	1		
NS	065641	DECAL / FRONT JUNCTION PANEL - BUS From 3-4440 To 3-4757	1	1		
NS	066091	DECAL / FRONT JUNCTION PANEL - BUS From 4-4758 To 5-0022	1	1		
NS	066204	DECAL / FRONT JUNCTION PANEL - BUS From 5-0023	1	1		
NS	064205	DECAL / FRONT JUNCTION PANEL - V.I.P. To 3-4439			1	
NS	065642	DECAL / FRONT JUNCTION PANEL - V.I.P. From 3-4440 To 3-4757			1	
NS	065727	DECAL / FRONT JUNCTION PANEL - V.I.P. From 4-4758 To 4-4894			1	
NS	066068	DECAL / FRONT JUNCTION PANEL - V.I.P. From 4-4895 To 4-4950			1	
NS	066205	DECAL / FRONT JUNCTION PANEL - V.I.P. From 4-4951			1	
17	504105	. RIVET POP DOME OE 1/8x3/16 AL	12	12	12	



From 3-4417 To 8-1043	Date:10/2022	PAGE:HF-1879-00
FRONT SERVICE DOOR ASSY		

Item#	Part	Description	H 3 4 1	H 3 4 5	V I P 4 5	N O T E S
18	285390	. PANEL	1	1	1	
19	285766	. PLATE / LOCK HOLDER / R.H. DOOR	1	1	1	
20	780653	. LOCK SPAGNOLET R.H. / W/G-FITTING	1	1	1	
. NS	780340	. . CLIP, RETAINER ROD	1	1	1	
. NS	507607	. . GREASE FITTING / M6-1.00	1	1	1	
25	502762	. SCREW CAP SQ 5/16-18x1 G2 ZG603	3	3	3	C
NS	5001189	. NUT HEX 5/16-18 SS To 4-4950	3	3	3	
NS	502583	. WASHER LO SERR 8.15x22.3x1.0 Z050 To 4-4950	3	3	3	
NS	283219	. WASHER ,REINFORCEMENT To 4-4950	3	3	3	
NS	507295	. HOLE PLUG BUTTON / 1.375 O.D. BLACK To 4-4950	3	3	3	
NS	500409	. SCREW TP PAN PH #8x1/2 BK From 4-4951	3	3	3	
26	287244	. PROTECTOR PANEL / THICK EXTRUSION 20MM To 4-4950	1	1	1	
26	287390	. . PROTECTOR PANEL / WITH GRAVEL GUARD / DP THICK EXTRUSION 20MM To 4-4950	1	1	1	
26	287316	. PROTECTOR PANEL / SH THIN EXTRUSION .090" From 4-4951	1	1	1	
26	288790	. . PROTECTOR PANEL / WITH GRAVEL GUARD / SH THIN EXTRUSION .090" From 4-4951	1	1	1	
NS	681348	. TAPE RUB ADH2 ACRYLIC .045" x 1" x 108' / VHB4952	AR	AR	AR	
27	287389	EXTRUSION PROFILE 760MM / THICK EXTRUSION 20MM To 4-4950	1	1	1	
27	285475	EXTRUSION BACKING ASSY W/REFLECTOR 760MM / THIN EXTRUSION .090" From 4-4951	1	1	1	
. NS	286205	. EXTRUSION BACKING 760MM From 4-4951	1	1	1	
27	280230	EXTRUSION BACKING ASSY W/REFLECTOR 759MM / THIN EXTRUSION .090" From 4-4951	1	1	1	SVC
. NS	280120	. EXTRUSION 759MM From 4-4951	1	1	1	SVC
27	685126	ADHESIVE SIMSON #ISR 70-03 / GREY / 600ml SAUSAGE	AR	AR	AR	SVC
28	283100	. STRIPE, REFLECTIVE WHITE / 38MM X 15' ROLL	AR	AR	AR	
. NS	780277	. . STRIPE, REFLECTIVE WHITE / 38MM X 150' ROLL	AR	AR	AR	
40	HF-1864-32	HANDLE LOCK & KEYS - TYPE "NS"				
40	HF-1864-32	HANDLE LOCK & KEYS - TYPE "NS"				
41	HF-0663-00	DOCK & CORNERING LIGHT				
55	505507	STRAP NYLON 1" WIDE / S.L.	AR	AR	AR	
		C) TO FIX EXTRUSION				
		S) THIS ROD ARE REQUIRE ONLY IF YOU CHANGE FORMER HANDLE FOR NEW MODEL #780794				
		SVC) SERVICE				

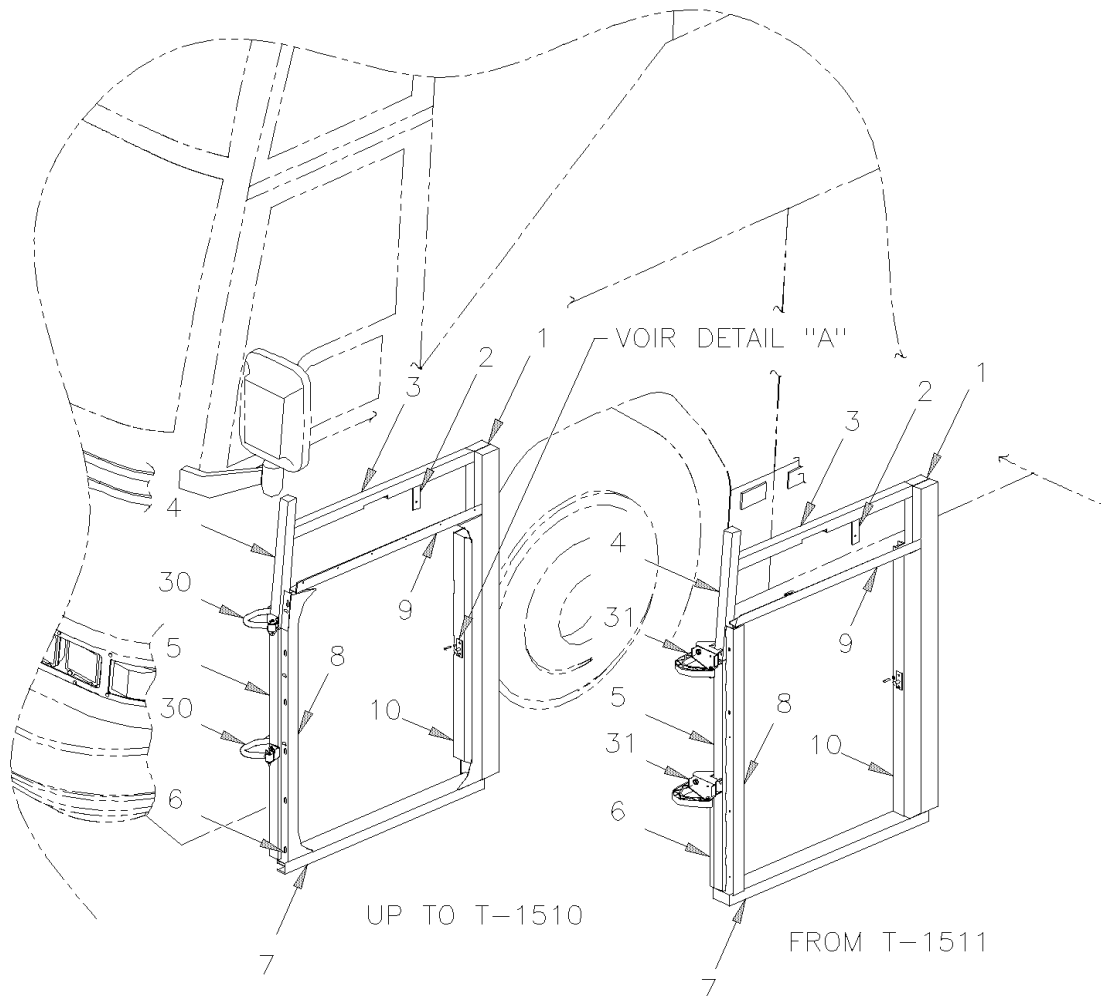
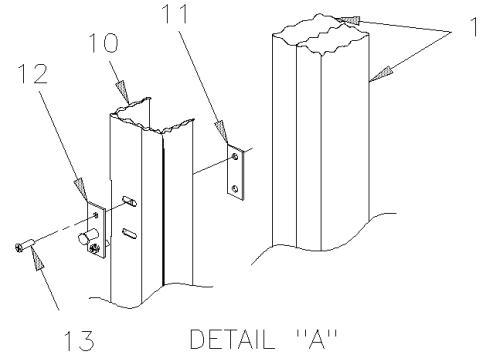
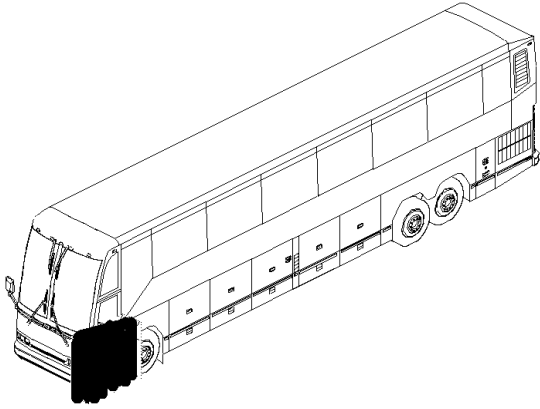


From 3-4417 To 8-1043

Date:10/2022

PAGE:HF-1879-10

FRONT SERVICE DOOR - INSTALLATION





From 3-4417 To 8-1043	Date:10/2022	PAGE:HF-1879-10
FRONT SERVICE DOOR - INSTALLATION		

Item#	Part	Description	H 3 4 1	H 3 4 5	V I P 4 5	N O T E S
1	214552P	TUBE ASSY	1	1	1	
2	211976	ANGLE / TO FIX DRIVER'S WINDOW MOTOR	1	1	1	
3	211977	TUBE To 6-0434	1	1	1	
3	215854	TUBE From 6-0435	1	1	1	
4	250874	TUBE	1	1	1	
5	250875	TUBE	1	1	1	
6	250870	ANGLE SUPPORT	1	1	1	
7	171767	TUBE 900MM	1	1	1	
8	285325	ANGLE SUPPORT	1	1	1	
9	286008	ANGLE "J" FORM TOP	1	1	1	
10	285396	ANGLE POST REAR	1	1	1	
10	213481	ANGLE POST REAR / W/IND SUSPENSION ONLY			1	
12	780278	PIN, STRIKER STUD	1	1	1	
13	500541	SCREW MA FL PH 1/4-20x1/2 SS BK	2	2	2	
31	HF-1879-90	EXTERIOR DOOR HINGE AND SUPPORT				

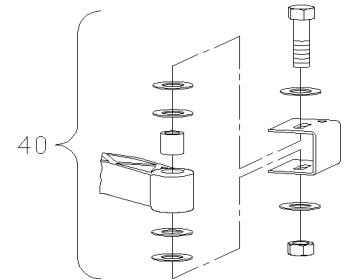
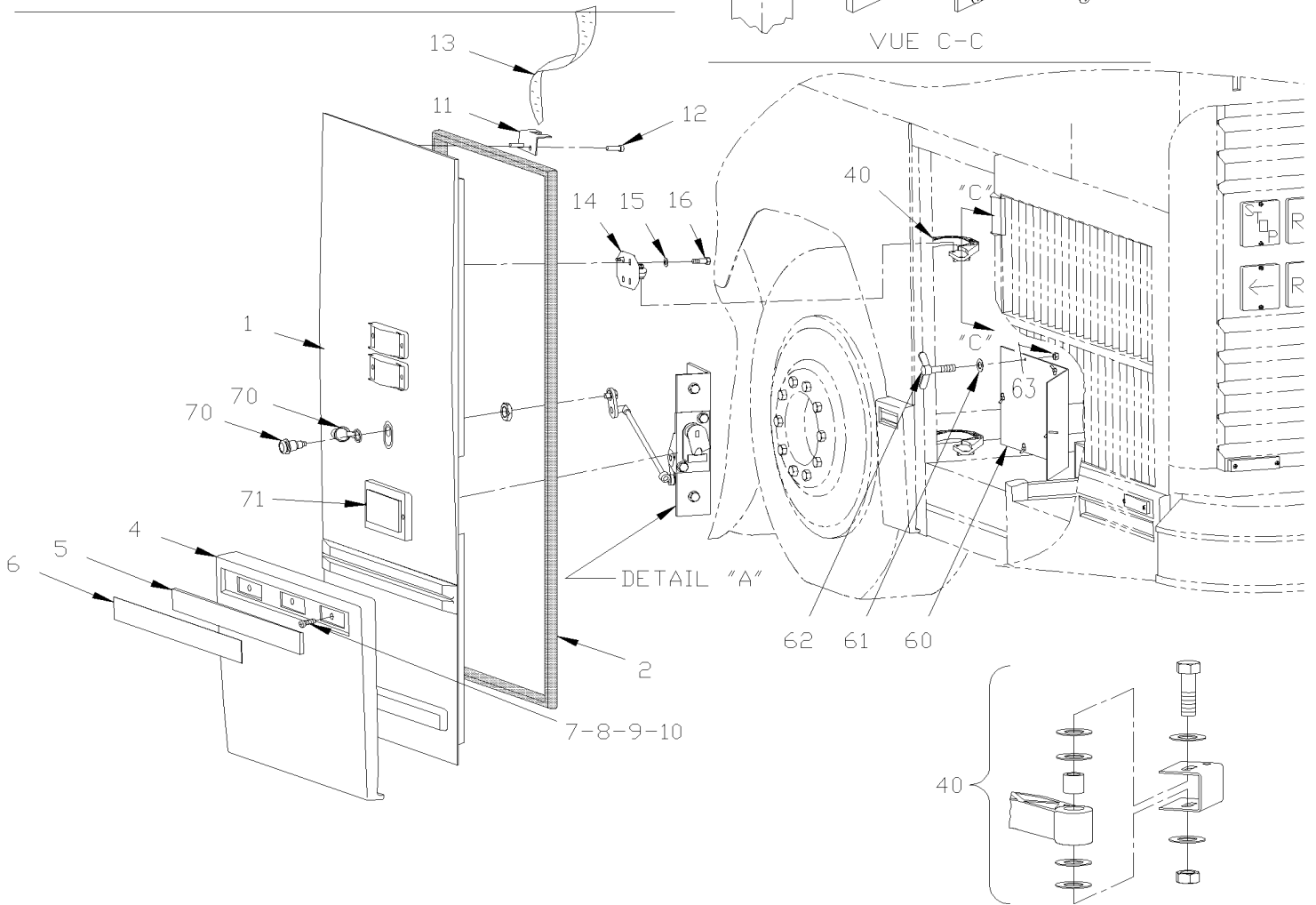
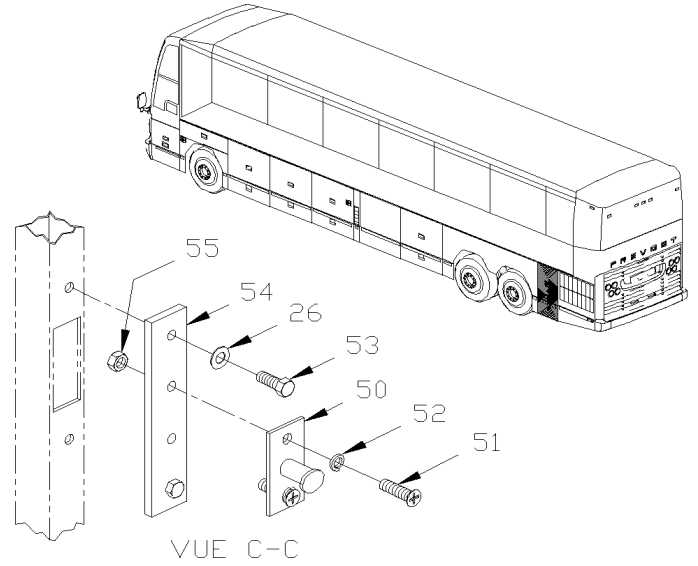
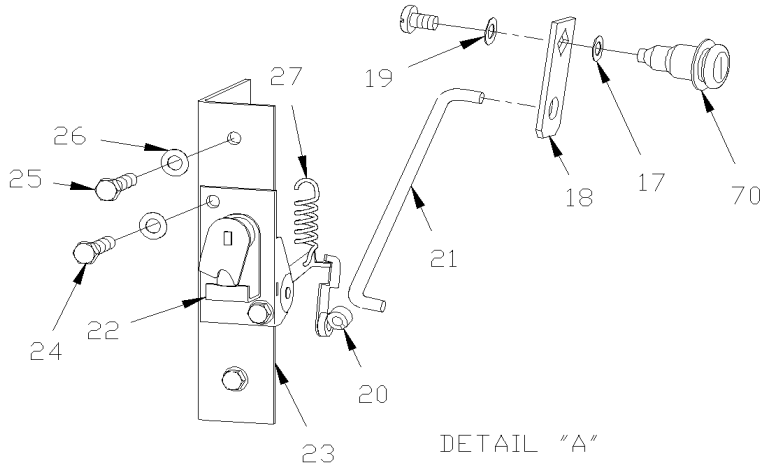


From 3-4417 To 3-4757

Date:10/2022

PAGE:HF-1879-50

REAR SIDE SERVICE DOOR ASSY L.H.





From 3-4417 To 3-4757	Date:10/2022	PAGE:HF-1879-50
REAR SIDE SERVICE DOOR ASSY L.H.		

Item#	Part	Description	H 3 4 1	H 3 4 5	V I P 4 5	N O T E S
	285398P	REAR SERVICE DOOR ASSY L.H To 3-4566	1	1	1	
	288136	REAR SERVICE DOOR ASSY L.H From 3-4567	1	1	1	
1	285568	. DOOR MOULDED / FIBERGLASS To 3-4566	1	1	1	
1	287927	. DOOR MOULDED L.H. / FIBERGLASS SMC From 3-4567	1	1	1	
NS	682462	. ADHESIVE SIKA #252 / BLACK / 310ml CARTRIDGE	AR	AR	AR	
2	285621	. RUBBER SEAL EXTRUSION / REAR SERVICE DOOR / 1095MM X 515MM	1	1	1	
2	287507	. RUBBER SEAL EXTRUSION / REAR SERVICE DOOR / 1095MM X 515MM	1	1	1	
2	288912	. RUBBER SEAL EXTRUSION / REAR SERVICE DOOR / 1095MM X 515MM	1	1	1	
2	2800127	. RUBBER SEAL EXTRUSION / REAR SERVICE DOOR / 1095MM X 515MM	1	1	1	
4	284744	. PROTECTOR PANEL / DP To 3-4566	1	1	1	
4	285132	. PROTECTOR PANEL / WITH GRAVEL GUARD / DP To 3-4566	1	1	1	B
4	287929	. PROTECTOR PANEL / SH From 3-4567	1	1	1	
4	289899	. PROTECTOR PANEL / WITH GRAVEL GUARD / SH From 3-4567	1	1	1	B
NS	680532	. SEALANT SIKA #221 / GREY / 310ml CARTRIDGE	AR	AR	AR	
NS	681348	. TAPE RUB ADH2 ACRYLIC .045" x 1" x 108' / VHB4952	AR	AR	AR	
5	284758	. EXTRUSION PROFILE 488MM To 3-4566	1	1	1	
5	288036	. EXTRUSION BACKING ASSY W/REFLECTOR 511MM From 3-4567	1	1	1	
. NS	288035	. . EXTRUSION BACKING 511MM From 3-4567	1	1	1	
5	280229	. EXTRUSION BACKING ASSY W/REFLECTOR 511MM From 3-4567	1	1	1	SVC
. NS	280121	. . EXTRUSION 511MM From 3-4567	1	1	1	SVC
NS	685126	. ADHESIVE SIMSON #ISR 70-03 / GREY / 600ml SAUSAGE From 3-4567	AR	AR	AR	SVC
6	283100	. . STRIPE, REFLECTIVE WHITE / 38MM X 15' ROLL	AR	AR	AR	
. NS	780277	. . . STRIPE, REFLECTIVE WHITE / 38MM X 150' ROLL	AR	AR	AR	
7	502534	. SCREW CAP SQ 5/16-18x1 G2 Z050 To 3-4566	3	3	3	
7	500120	. SCREW TP BDG PH #6x1/2 SS From 3-4567	3	3	3	
8	283219	. WASHER ,REINFORCEMENT To 3-4566	3	3	3	
9	500374	. WASHER FL .375x.625x.062 RUB To 3-4566	3	3	3	
10	500698	. NUT HEX 5/16-18 BR To 3-4566	3	3	3	
11	284440	. SUPPORT	1	1	1	
12	504249	. RIVET CHY Q PRDG 3/16x3/8 SS	2	2	2	
13	505507	. STRAP NYLON 1" WIDE / S.L.	AR	AR	AR	
14	285273	. SUPPORT	2	2	2	
15	502584	. WASHER LO SERR 8.2x26.3x1.8 Z050	4	4	4	
16	502780	. SCREW CAP HEX M8-1.25x25 SS BK	4	4	4	
17	282612	. SPACER / 7MM SQ X 17MM O.D X 16GA To 4-4914	1	1	1	
17	288806	. SPACER / 8MM SQ X 17MM O.D X 16GA From 4-4915	1	1	1	J
18	284759	. LEVER / 7MM SQ HOLE To 3-4566	1	1	1	
18	288014	. LEVER / 7MM SQ HOLE From 3-4567 To 4-4914	1	1	1	
18	288538	. LEVER / 8MM SQ HOLE From 4-4915	1	1	1	J
19	500411	. WASHER FL .260x.697x.050 SS	3	3	3	
20	780340	. CLIP, RETAINER ROD	2	2	2	
21	284760	. ROD LOCK 221MM To 3-4566	1	1	1	



From 3-4417 To 3-4757	Date:10/2022	PAGE:HF-1879-50
REAR SIDE SERVICE DOOR ASSY L.H.		

Item#	Part	Description	H 3 4 1	H 3 4 5	V I P 4 5	N O T E S
21	288015	. ROD LOCK 208MM From 3-4567	1	1	1	
22	780652	. LOCK SPAGNOLET L.H. / W/G-FITTING	1	1	1	
. NS	780340	. . CLIP, RETAINER ROD	1	1	1	
. NS	507607	. . GREASE FITTING / M6-1.00	1	1	1	
23	285767	. PLATE / LOCK HOLDER / L.H. DOOR	1	1	1	
24	502531	. SCREW CAP HEX M6-1.0x16 G8.8 Z050	2	2	2	
25	502737	. SCREW CAP HEX M6-1.0x25 SS BK	4	4	4	
26	502582	. WASHER LO SERR 6.1x16.2x0.9 Z050	4	4	4	
27	285063	. SPRING EXTENSION / .287 O.D. x 1.562 x .051	1	1	1	
40	HF-1879-90	EXTERIOR DOOR HINGE AND SUPPORT				
50	780278	PIN, STRIKER STUD	1	1	1	
51	500316	SCREW MA FL PH 1/4-28x3/4 SS	2	2	2	
52	500473	WASHER LO SPT .262x.489x.062 Z050	2	2	2	
53	502790	SCREW CAP HEX M8-1.25x20 G8.8 Z050	2	2	2	
54	284770	PLATE SUPPORT / STRIKER PIN	1	1	1	
55	500692	NUT HEX 1/4-28 Z050	2	2	2	
60	482451	COVER PANEL ASSY / WATER HEATER	1	1	1	
. NS	482450	. COVER PANEL / WATER HEATER	1	1	1	
. NS	506003	. TAPE RUB ADH1 CC POL 3/16" x 3/4" x 40' / GREY 2520X	AR	AR	AR	
60	483318	COVER PANEL / WATER HEATER - "ESPAR" 103,000 B.T.U. & - "PROHEAT" 80,000 B.T.U.	1	1	1	
61	500411	WASHER FL .260x.697x.050 SS	6	6	6	
62	5001302	SCREW TH SHR 1/4-20x3/4 SS	6	6	6	
63	214400	NUT SPR U 1/4-20 .064-.125 YC	6	6	6	
. NS	500837	. NUT SPR U 1/4-20 .064-.125	1	1	1	
NS	504565	HOLE PLUG BUTTON / 1.375 O.D. BLACK	1	1	1	
NS	507295	HOLE PLUG BUTTON / 1.375 O.D. BLACK	1	1	1	
70	HF-1864-32	HANDLE LOCK & KEYS - TYPE "NS"				
70	HF-1864-32	HANDLE LOCK & KEYS - TYPE "NS"				
71	HF-0663-00	DOCK & CORNERING LIGHT				
		B) THIS PROTECTOR IS COATED WITH GRAVEL GUARD AND BLACK PAINTED, READY TO INSTALL				
		J) SEE KIT AT END OF PAGE HF-1864-32				
		SVC) SERVICE				

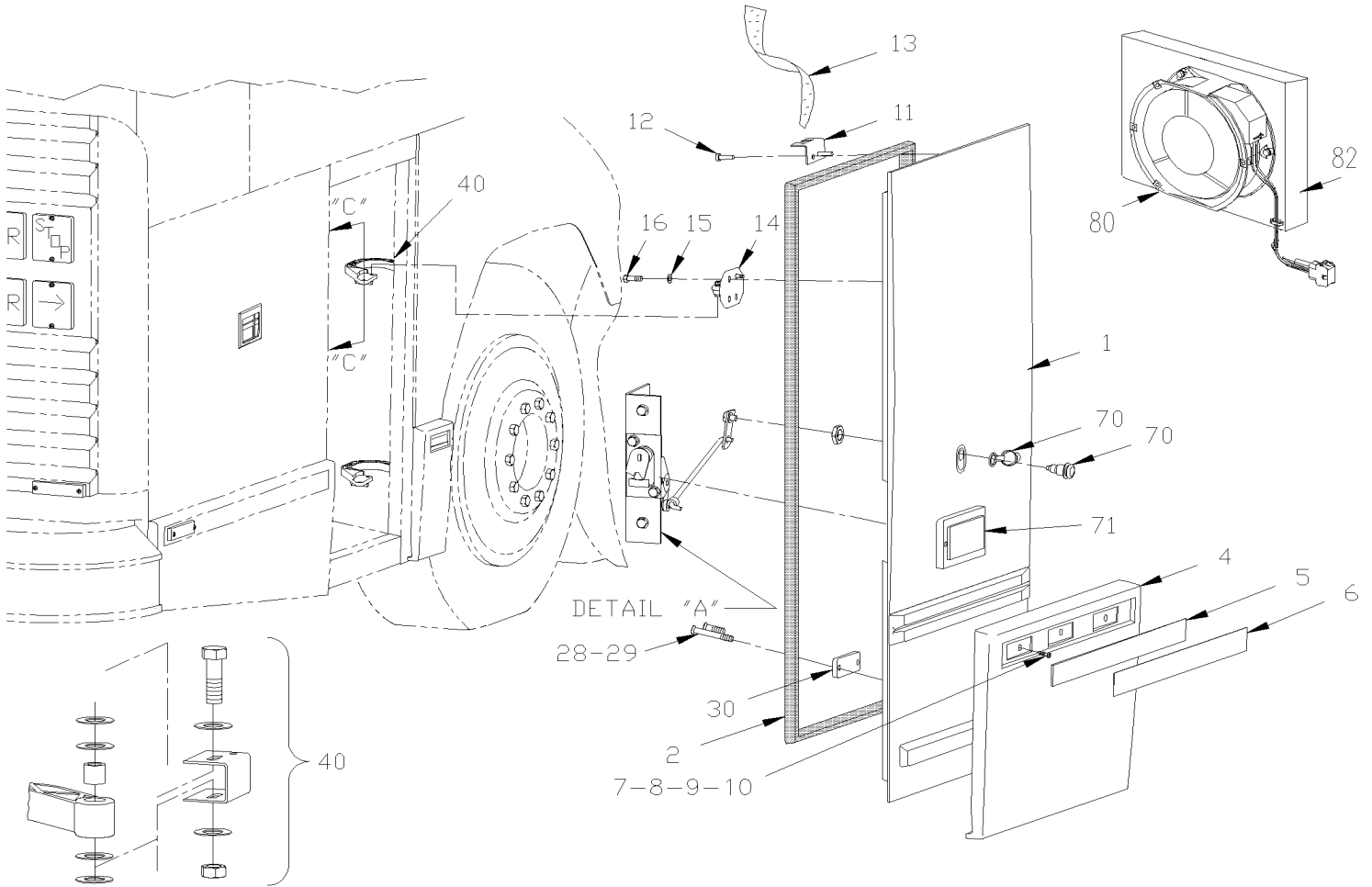
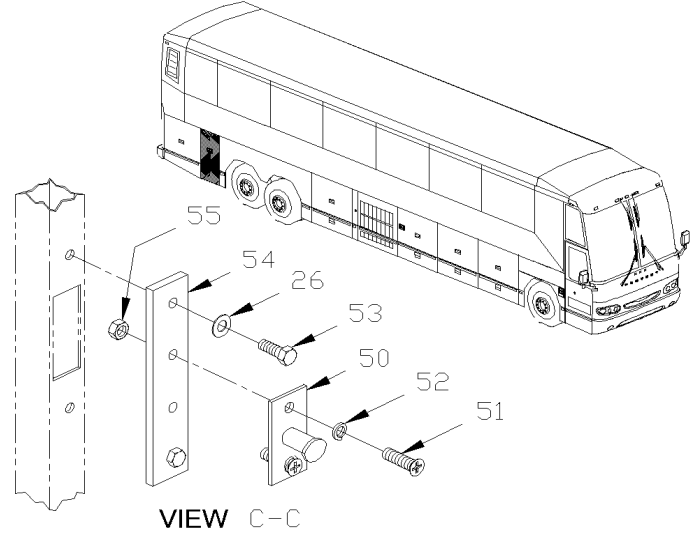
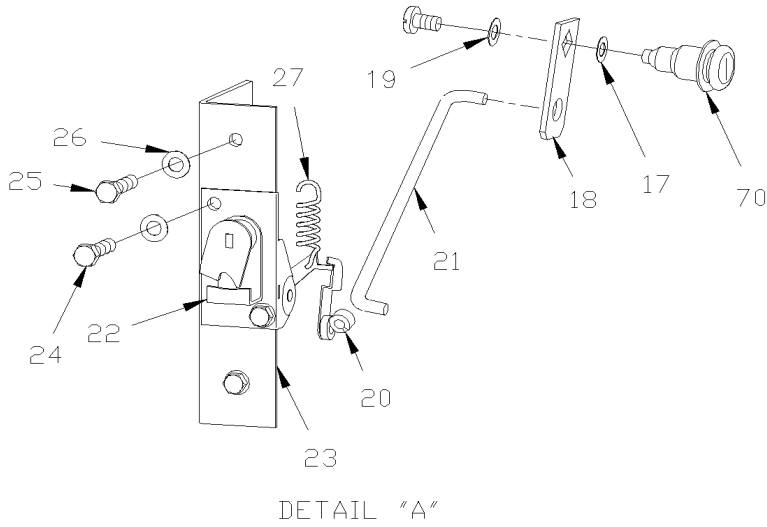


From 3-4417 To 8-1043

Date:10/2022

PAGE:HF-1879-60

REAR SIDE SERVICE DOOR ASSY R.H.





From 3-4417 To 8-1043	Date:10/2022	PAGE:HF-1879-60
REAR SIDE SERVICE DOOR ASSY R.H.		

Item#	Part	Description	H 3 4 1	H 3 4 5	V I P 4 5	N O T E S
	285397P	REAR SERVICE DOOR ASSY R.H To 3-4566	1	1	1	
	288138	REAR SERVICE DOOR ASSY R.H From 3-4567	1	1		
	288138	REAR SERVICE DOOR ASSY R.H From 3-4567 To 5-0333			1	
	288139	REAR SERVICE DOOR ASSY R.H From 5-0334 To 6-0435			1	
1	285568	. DOOR MOULDED / FIBERGLASS To 3-4566	1	1	1	
1	287928	. DOOR MOULDED R.H. / FIBERGLASS SMC From 3-4567	1	1	1	
1	287928	. DOOR MOULDED R.H. / FIBERGLASS SMC From 3-4567 To 5-0333			1	
1	288679	. DOOR MOULDED R.H. / FIBERGLASS SMC From 5-0334 To 6-0435			1	
1	287483	. DOOR MOULDED R.H. / FIBERGLASS SMC / W/VENT / W/MUX From 6-0436			1	
NS	682462	. ADHESIVE SIKA #252 / BLACK / 310ml CARTRIDGE	AR	AR	AR	
2	285621	. RUBBER SEAL EXTRUSION / REAR SERVICE DOOR / 1095MM X 515MM To 5-0220	1	1	1	
2	287507	. RUBBER SEAL EXTRUSION / REAR SERVICE DOOR / 1095MM X 515MM From 5-0221	1	1	1	
2	288912	. RUBBER SEAL EXTRUSION / REAR SERVICE DOOR / 1095MM X 515MM	1	1	1	
2	2800127	. RUBBER SEAL EXTRUSION / REAR SERVICE DOOR / 1095MM X 515MM	1	1	1	
3	283971	. CAP PROTECTOR OPEN / BLACK	1	1	1	
4	284744	. PROTECTOR PANEL / DP To 3-4566	1	1	1	
4	285132	. PROTECTOR PANEL / WITH GRAVEL GUARD / DP To 3-4566	1	1	1	B
4	287929	. PROTECTOR PANEL / SH From 3-4567	1	1	1	
4	289899	. PROTECTOR PANEL / WITH GRAVEL GUARD / SH From 3-4567	1	1	1	B
NS	680532	. SEALANT SIKA #221 / GREY / 310ml CARTRIDGE	AR	AR	AR	
NS	681348	. TAPE RUB ADH2 ACRYLIC .045" x 1" x 108' / VHB4952	AR	AR	AR	
5	284758	. EXTRUSION PROFILE 488MM To 3-4566	1	1	1	
5	288036	. EXTRUSION BACKING ASSY W/REFLECTOR 511MM From 3-4567	1	1	1	
. NS	288035	. . EXTRUSION BACKING 511MM From 3-4567	1	1	1	
5	280229	. EXTRUSION BACKING ASSY W/REFLECTOR 511MM From 3-4567	1	1	1	SVC
. NS	280121	. . EXTRUSION 511MM From 3-4567	1	1	1	SVC
NS	685126	. ADHESIVE SIMSON #ISR 70-03 / GREY / 600ml SAUSAGE From 3-4567	AR	AR	AR	SVC
6	283100	. STRIPE, REFLECTIVE WHITE / 38MM X 15' ROLL To 3-4566	AR	AR	AR	
. NS	780277	. . STRIPE, REFLECTIVE WHITE / 38MM X 150' ROLL To 3-4566	AR	AR	AR	
7	502534	. SCREW CAP SQ 5/16-18x1 G2 Z050 To 3-4566	3	3	3	
7	500120	. SCREW TP BDG PH #6x1/2 SS From 3-4567	3	3	3	
8	283219	. WASHER ,REINFORCEMENT To 3-4566	3	3	3	
9	500374	. WASHER FL .375x.625x.062 RUB To 3-4566	3	3	3	
10	500698	. NUT HEX 5/16-18 BR To 3-4566	3	3	3	
11	284440	. SUPPORT	1	1	1	
12	504249	. RIVET CHY Q PRDG 3/16x3/8 SS	2	2	2	
13	505507	. STRAP NYLON 1" WIDE / S.L.	AR	AR	AR	
14	285273	. SUPPORT	2	2	2	
15	502584	. WASHER LO SERR 8.2x26.3x1.8 Z050	4	4	4	
16	502780	. SCREW CAP HEX M8-1.25x25 SS BK	4	4	4	
17	282612	. SPACER / 7MM SQ X 17MM O.D X 16GA To 4-4914	1	1	1	
17	288806	. SPACER / 8MM SQ X 17MM O.D X 16GA From 4-4915	1	1	1	J



From 3-4417 To 8-1043	Date:10/2022	PAGE:HF-1879-60
REAR SIDE SERVICE DOOR ASSY R.H.		

Item#	Part	Description	H 3 4 1	H 3 4 5	V I P 4 5	N O T E S
18	284759	. LEVER / 7MM SQ HOLE To 3-4566	1	1	1	
18	288014	. LEVER / 7MM SQ HOLE From 3-4567 To 4-4914	1	1	1	
18	288538	. LEVER / 8MM SQ HOLE From 4-4915	1	1	1	J
19	500411	. WASHER FL .260x.697x.050 SS	3	3	3	
20	780340	. CLIP, RETAINER ROD	2	2	2	
21	284760	. ROD LOCK 221MM To 3-4566	1	1	1	
21	288015	. ROD LOCK 208MM From 3-4567	1	1	1	
22	780653	. LOCK SPAGNOLET R.H. / W/G-FITTING	1	1	1	
. NS	780340	. . CLIP, RETAINER ROD	1	1	1	
. NS	507607	. . GREASE FITTING / M6-1.00	1	1	1	
23	285766	. PLATE / LOCK HOLDER / R.H. DOOR	1	1	1	
24	502531	. SCREW CAP HEX M6-1.0x16 G8.8 Z050	2	2	2	
25	502737	. SCREW CAP HEX M6-1.0x25 SS BK	4	4	4	
26	502582	. WASHER LO SERR 6.1x16.2x0.9 Z050	4	4	4	
27	285063	. SPRING EXTENSION / .287 O.D. x 1.562 x .051	1	1	1	
28	502576	. SCREW MA FL PH M8-1.25x25 Z050	1	1	1	
29	500293	. SCREW TP PAN PH #10x1 SS	1	1	1	
30	506250	. RUBBER BUMPER	1	1	1	
40	HF-1879-90	EXTERIOR DOOR HINGE AND SUPPORT				
50	780278	PIN, STRIKER STUD	1	1	1	
51	500316	SCREW MA FL PH 1/4-28x3/4 SS	2	2	2	
52	500473	WASHER LO SPT .262x.489x.062 Z050	2	2	2	
53	502790	SCREW CAP HEX M8-1.25x20 G8.8 Z050	2	2	2	
54	284770	PLATE SUPPORT / STRIKER PIN	1	1	1	
55	500692	NUT HEX 1/4-28 Z050	2	2	2	
70	HF-1864-32	HANDLE LOCK & KEYS - TYPE "NS"				
70	HF-1864-32	HANDLE LOCK & KEYS - TYPE "NS"				
71	HF-0663-00	DOCK & CORNERING LIGHT				
NS	285502	SPRING, TORSION / .625 O.D. x .629 x .125	1	1	1	
80	454419	AXIAL FAN ASSY / W/CONNECTOR From 6-0436			1	
. NS	871361	. AXIAL FAN ASSY 12/28V / 230CFM From 6-0436			1	
. NS	561247	. CONNECTOR / UNIVERSAL MATE-N-LOK / SH 2C / AMP 1-480698-0 From 6-0436			1	
. NS	561673	. SOCKET TERMINAL / 24-18 / AMP 350689-1 From 6-0436			2	
. NS	562387	. CONVOLUTED TUBING / SLIT / BLACK / .250" From 6-0436				AR
. NS	680319	. TAPE ADHESIF ELECTRIC / BLACK 3/4" From 6-0436				AR
82	950399	AIR FILTER From 6-0436			1	
		B) THIS PROTECTOR IS COATED WITH GRAVEL GUARD AND BLACK PAINTED, READY TO INSTALL				
		J) SEE KIT AT END OF PAGE HF-1864-32				
		SVC) SERVICE				

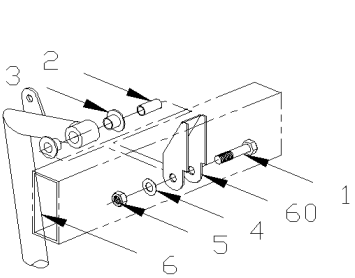


From 3-4417 To 8-1043

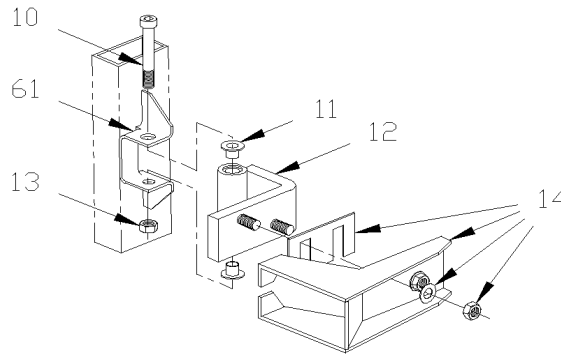
Date:10/2022

PAGE:HF-1879-90

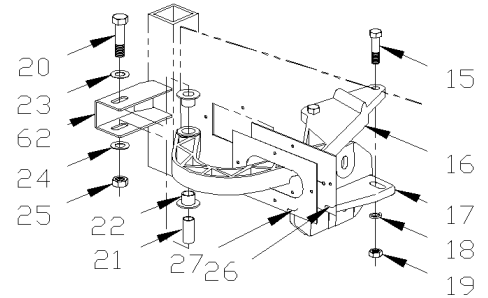
EXTERIOR DOOR HINGE AND SUPPORT



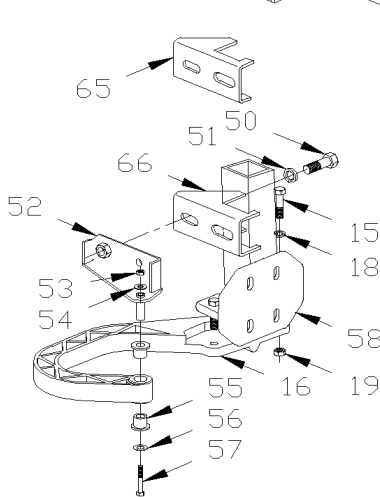
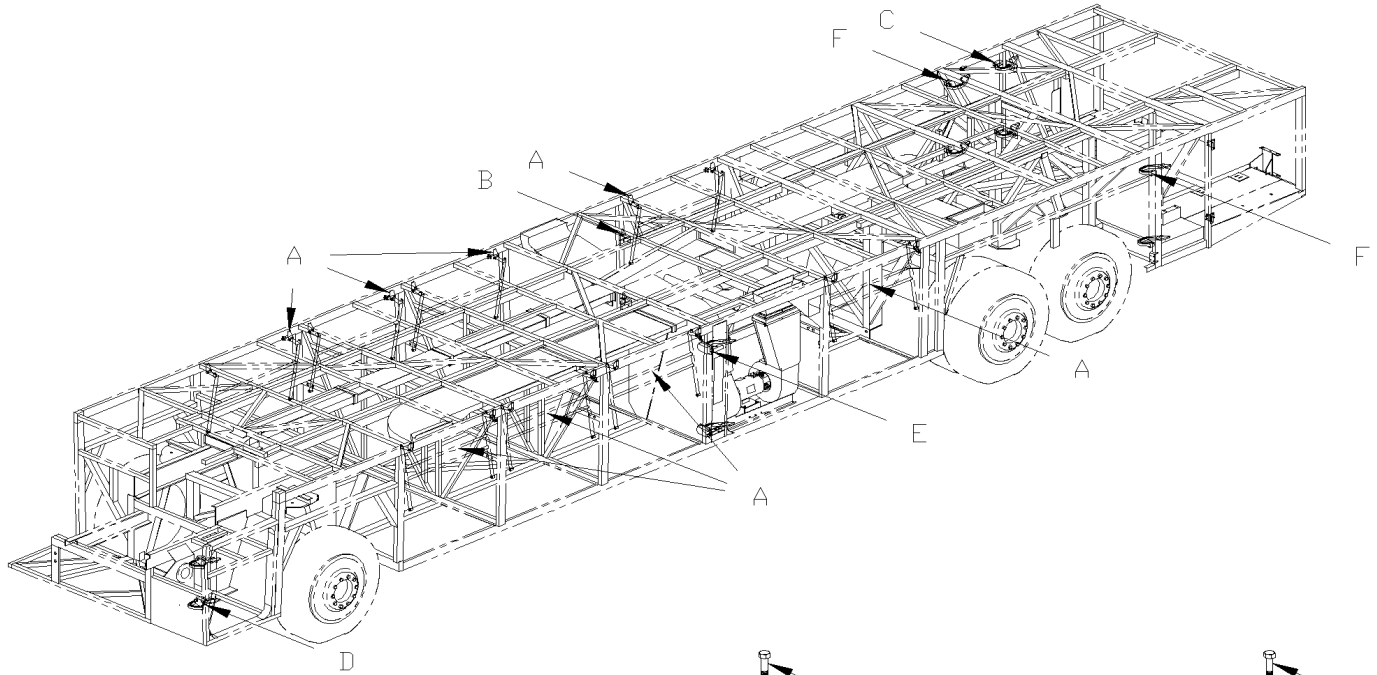
DETAIL "A"



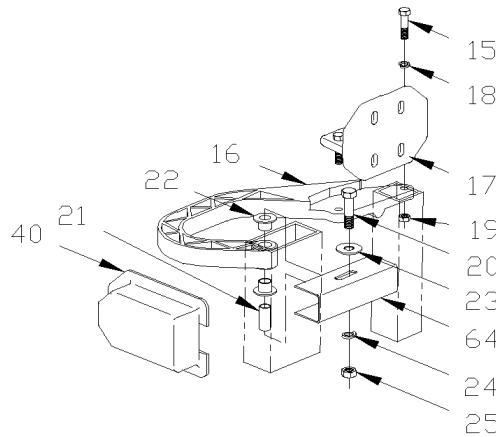
DETAIL "B"



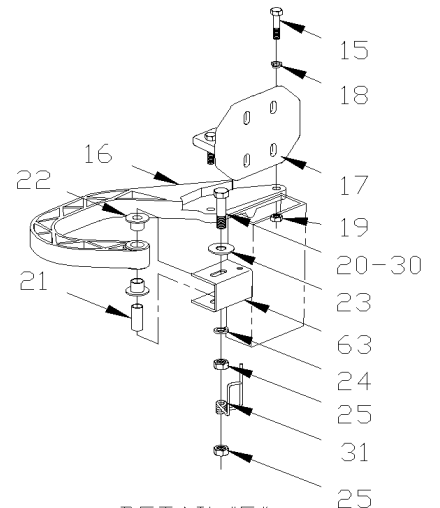
DETAIL "C"



DETAIL "D"



DETAIL "E"



DETAIL "F"



From 3-4417 To 8-1043	Date:10/2022	PAGE:HF-1879-90
EXTERIOR DOOR HINGE AND SUPPORT		

Item#	Part	Description	H 3 4 1	H 3 4 5	V I P 4 5	N O T E S
1	502793	SCREW CAP HEX M6-1.0x45 G8.8 Z050	1	1	1	
2	285710	BUSHING SPACER ACETAL 6.5MM I.D. x 14.15MM O.D. x 31	2	2	2	
NS	504660	RING RETAINER / EXT .750 x 0575 x .050"	AR	AR	AR	
4	502582	WASHER LO SERR 6.1x16.2x0.9 Z050	1	1	1	
5	502581	NUT HEX M6-1.0 Z050	1	1	1	
6	282460	ARM PANTOGRAPH	6			
6	282460	ARM PANTOGRAPH		8	8	
6	285518	ARM PANTOGRAPH	6			
6	285518	ARM PANTOGRAPH		8	8	
10	502596	SCREW SHR HEXS 5/8x2 1/4 {1/2-13 Z050	1	1	1	
11	507299	BUSHING NYLINER	2	2	2	
12	283001	HINGE / CONDENSER DOOR	2	2	2	
13	502595	NUT HEX NYRT 1/2-13 Z050	1	1	1	
14	HF-2255-00	CONDENSOR - INSTALLATION				
15	502651	SCREW CAP HEX M8-1.25x35 G8.8 Z050	AR	AR	AR	
16	285272	HINGE DOOR	AR	AR	AR	
17	285273	SUPPORT	AR	AR	AR	
18	502856	WASHER LO SERR 8.15x22.3x1.0 DP320	AR	AR	AR	
19	500868	NUT HEX NYRT M8-1.25 Z050	AR	AR	AR	
20	502527	SCREW CAP HEX M8-1.25x50 G8.8 Z050	AR	AR	AR	
22	285478	FLANGE BUSHING	AR	AR	AR	
23	5001164	WASHER FL 8.4x25.0x2.0 Z050	AR	AR	AR	
24	502583	WASHER LO SERR 8.15x22.3x1.0 Z050	AR	AR	AR	
25	502543	NUT HEX M8-1.25 Z050	AR	AR	AR	
26	285462	RUBBER SEAL	2	2	2	
NS	680042	GLUE LOCTITE 430 BOTTLE 1OZ	AR	AR	AR	
27	284932	PLATE	2	2	2	
28	504473	RIVET POP DOME OE 1/8x1/4 SS	8	8	8	
30	5001347	SCREW CAP HEX M8-1.25x70 SS	1	1	1	
31	285502	SPRING, TORSION / .625 O.D. x .629 x .125	1	1	1	C
40	452041	BOX PLASTIC / HINGE CLEARANCE	2	2	2	
50	502719	SCREW CAP HEX M10-1.5x20 SS EMN	2	2	2	
51	502585	WASHER LO SERR 10.2x26.3x1.4 ZP	2	2	2	
52	285333	SUPPORT UPPER & LOWER	2	2	2	
53	502782	NUT HEX NYRT M5-0.8 Z050	2	2	2	
54	500964	WASHER FL .203x.500x.047 Z050	2	2	2	
55	507142	BUSHING, NYLINER W/SHOULDER (8-L-8-F)	4	4	4	A
56	500989	WASHER FL .219x.875x.062 Z050	2	2	2	
57	502560	SCREW CAP HEX M5-0.8x45 G8.8 Z050	2	2	2	
58	285814	SUPPORT	2	2	2	
60	285711	SUPPORT / (WELDED)	14			
60	285711	SUPPORT / (WELDED)		16	16	



From 3-4417 To 8-1043	Date:10/2022	PAGE:HF-1879-90
EXTERIOR DOOR HINGE AND SUPPORT		

Item#	Part	Description	H 3 4 1	H 3 4 5	V I P 4 5	N O T E S
61	282491	SUPPORT (WELDED)	2	2	2	
62	213193	SUPPORT / (WELDED)	2	2	2	
63	285399	SUPPORT / (WELDED)	4	4	4	
64	285768	SUPPORT / (WELDED)	2	2	2	
65	285332	SUPPORT UPPER	1	1	1	
66	285323	SUPPORT LOWER	1	1	1	
NS	430500	CLOSING PLATE / USE W/LIGHT FIXED ON PANEL	1	1	1	
		A) TO FIX PANTOGRAPH ARM				
		C) UPPER				

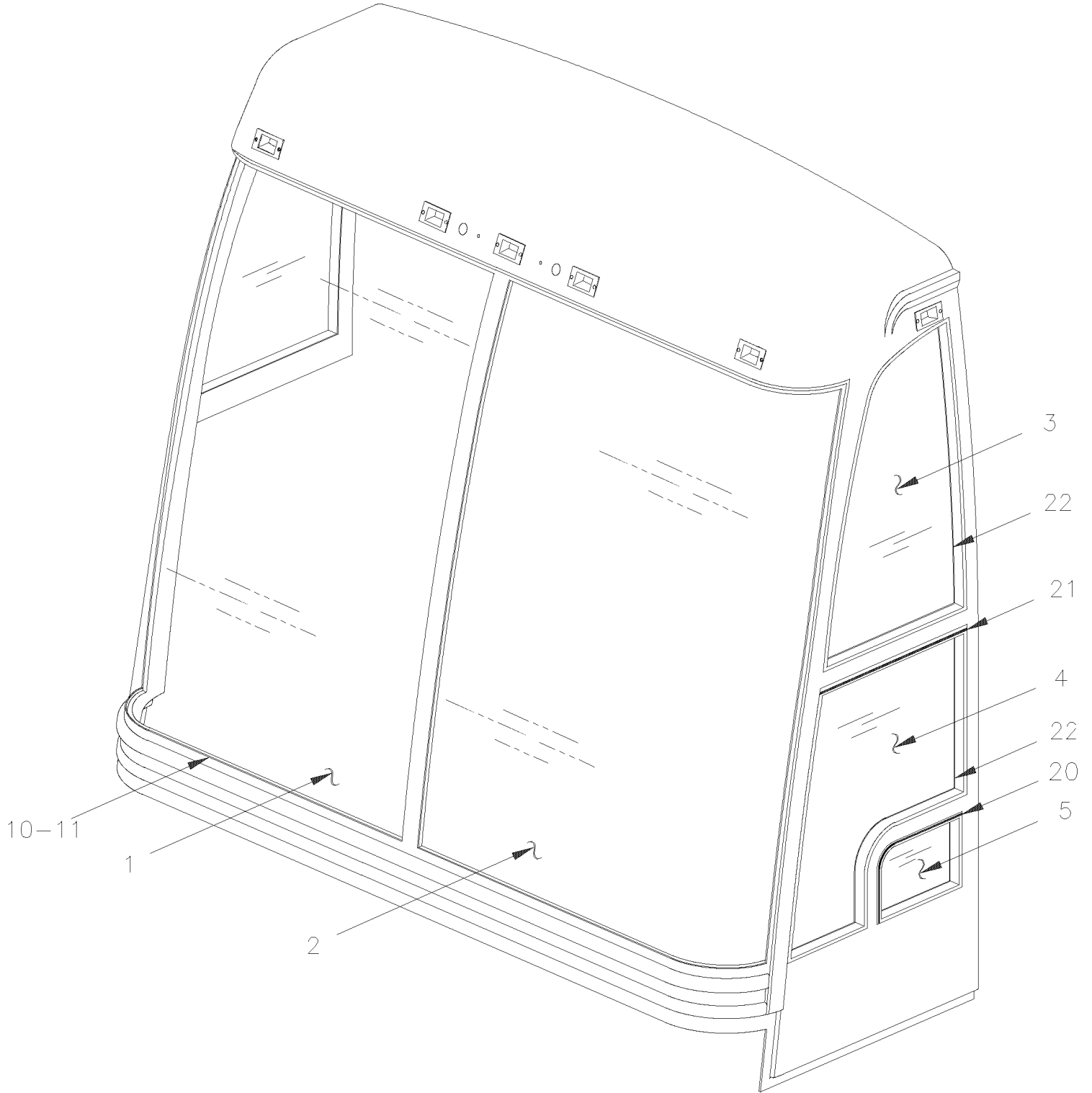


From 3-4417 To 8-1043

Date:10/2022

PAGE:HF-1880-00

WINDSHIELD & CHANNEL





From 3-4417 To 8-1043	Date:10/2022	PAGE:HF-1880-00
WINDSHIELD & CHANNEL		

Item#	Part	Description	H 3 4 1	H 3 4 5	V I P 4 5	N O T E S
1	300450	WINDSHIELD R.H.	1	1	1	
2	300449	WINDSHIELD L.H.	1	1	1	
3	293092	GLASS UPPER L.H. THERMOS	1	1	1	
3	293094	GLASS UPPER L.H. SINGLE	1	1		
3	293093	GLASS UPPER R.H. THERMOS	1	1	1	
3	293095	GLASS UPPER R.H. SINGLE	1	1		
NS	506962	RUB POL 1/4 X 7/16 X 1 LG	AR	AR	AR	
4	293203	GLASS DRIVER'S WINDOW	1	1	1	
4	5060013	TAPE RUB ADH2 CC POL 1/8" x 1/8" x 100' / BLACK I1C-N-A	AR	AR	AR	
5	HF-1886-00	POWER WINDOW - ELECTRICAL INSTALLATION To 6-0434				
5	HF-1886-01	POWER WINDOW - ELECTRICAL INSTALLATION From 6-0435				
10	300451	CHANNEL / WINDSHIELD RUBBER	1	1	1	
11	293059	STRIP, LOCKING / S.L.	80	80	80	
20	293401	DRIP MOULDING DRIVER'S WINDOW	1	1	1	
21	293402	DRIP MOULDING ENTRANCE DOOR WINDOW	1	1	1	
22	683885	ADHESIVE SIKA TACK ULTRA FAST 2 / BLACK / 325ml	AR	AR	AR	
NS	5060013	TAPE RUB ADH2 CC POL 1/8" x 1/8" x 100' / BLACK I1C-N-A	AR	AR	AR	
NS	506962	RUB POL 1/4 X 7/16 X 1 LG	AR	AR	AR	
NS	800355	LUBRICANT CLEAR LUBE 32A / 20 LITER	AR	AR	AR	
NS	800356	LUBRICANT CLEAR LUBE 32A / 430 Gr	AR	AR	AR	
NS	293842	HANDLE ASSY (TO FIX FRONT GLASS CHANNEL)	1	1	1	
. NS	293843	. END TIP "PRÉVOST"	AR	AR	AR	

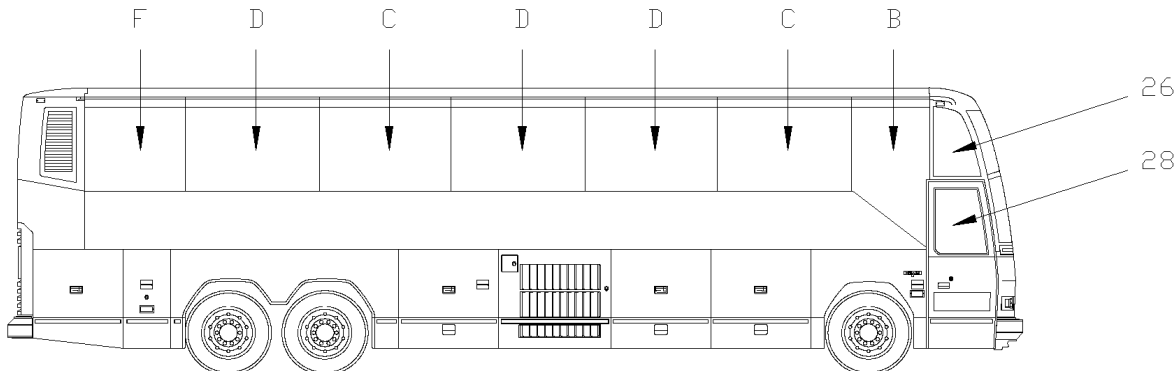
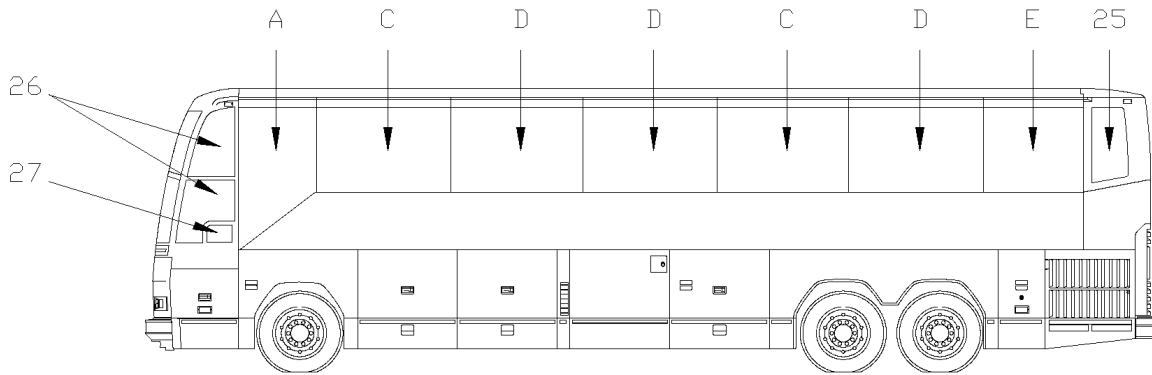


From 3-4417 To 3-4588

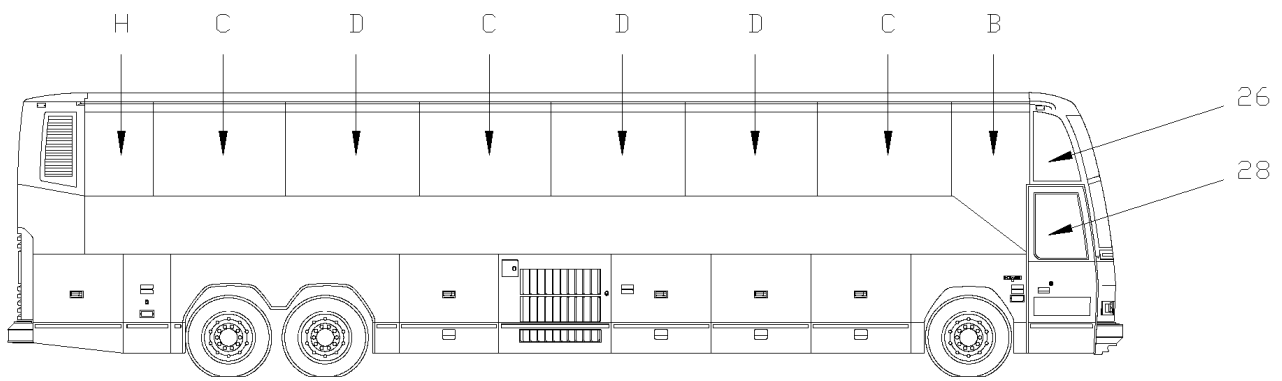
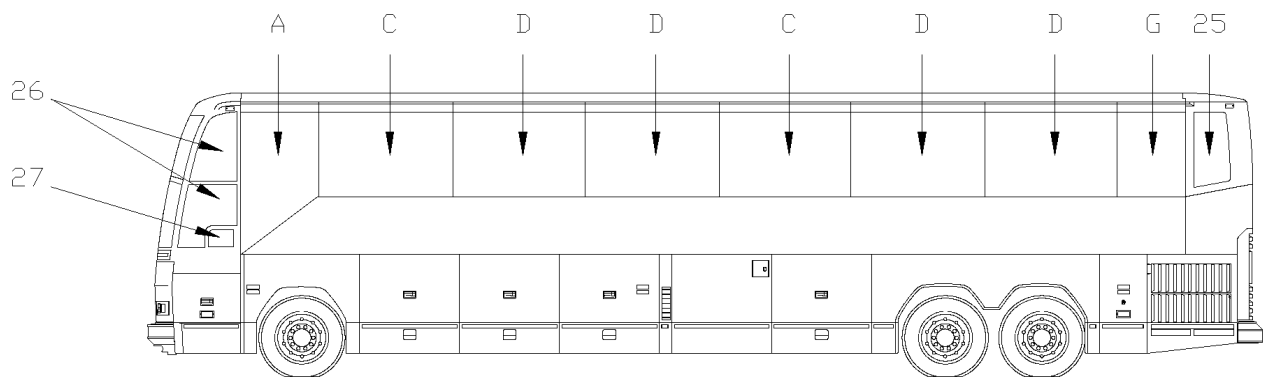
Date:10/2022

PAGE:HF-1884-00

SIDE WINDOW - BUS



H3-41



H3-45

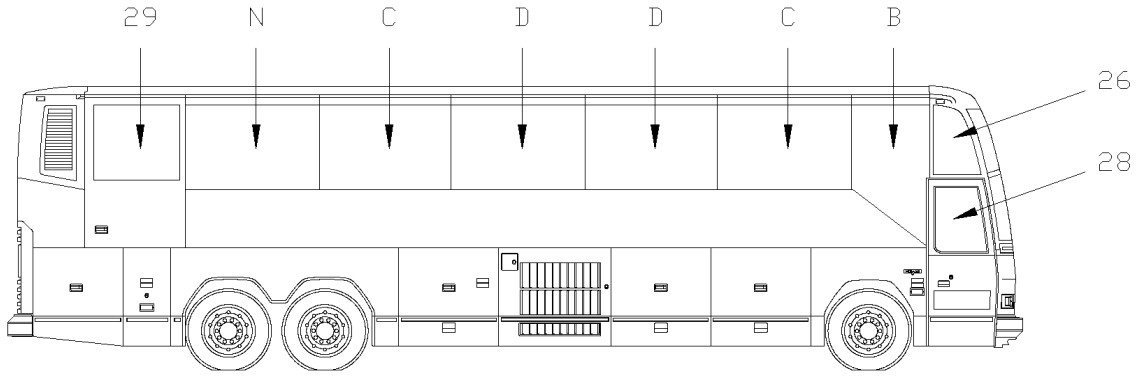


From 3-4417 To 3-4588

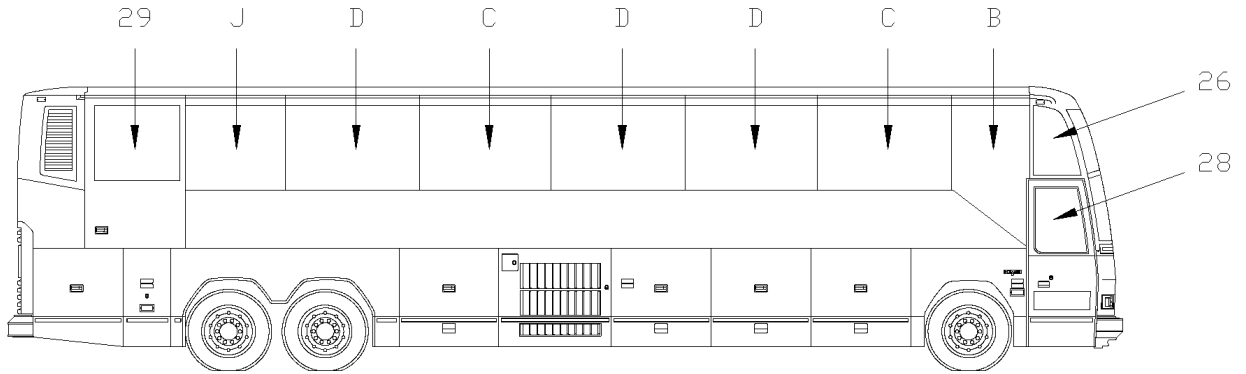
Date:10/2022

PAGE:HF-1884-00

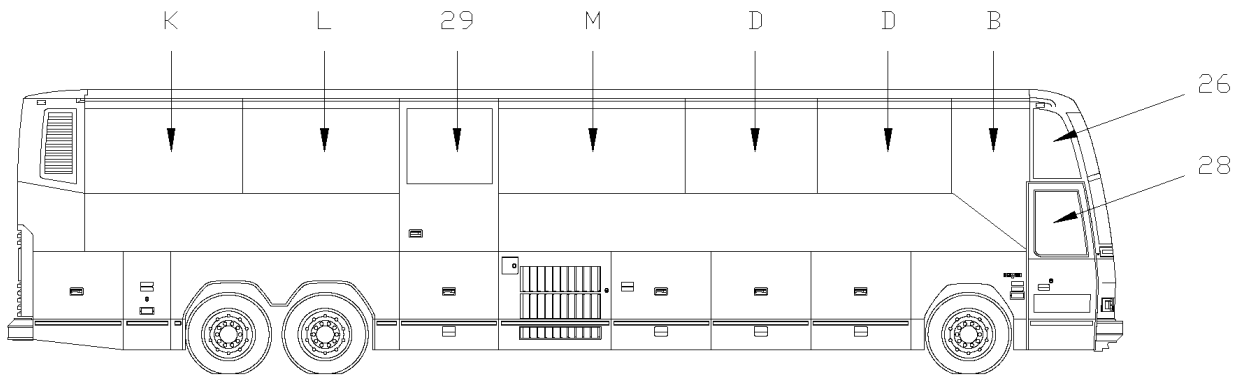
SIDE WINDOW - BUS



H3-41 WITH W.C.L. ST & ST



H3-45 WITH W.C.L. ST & ST



H3-45 WITH W.C.L. RICON



From 3-4417 To 3-4588	Date:10/2022	PAGE:HF-1884-00
SIDE WINDOW - BUS		

Item#	Part	Description	H 3 4 1	H 3 4 5	V I P 4 5	N O T E S
25	293202	GLASS THERMOS 13%	1	1		
26	HF-1880-00	WINDSHIELD & CHANNEL				
27	HF-1886-00	POWER WINDOW - ELECTRICAL INSTALLATION				
28	HF-1862-10	ENTRANCE DOOR ASSY - SEDAN				
29	HF-1862-80	ENTRANCE DOOR ASSY - W.C.L.				
29	HF-1862-81	ENTRANCE DOOR SLIDING - WCL				
NS	293084	EMERGENCY KIT / PLASTIC WINDOW	1	1		A
. NS	293087	. EMERGENCY PLEXIGLASS WINDOW 1652MM	1	1		A
. NS	293189	. SUPPORT	2	2		A
. NS	293216	. DECAL	1	1		A
. NS	504114	. RIVET POP DOME OE 3/16x1/4 AL	4	4		A
. NS	5001381	. SCREW TC CAP HEX 1/4-20x1/2 Z050	2	2		A
. NS	506004	. TAPE RUB ADH1 CC POL 3/8" x 1/2" x 20' / GREY 2520X	AR	AR		A
. NS	IS-98076	. SEE INSTRUCTION SHEET	1	1		A
A	HF-1884-00A	POSITION "A" From 3-4417 To 3-4588				
B	HF-1884-00B	POSITION "B" From 3-4417 To 3-4588				
C	HF-1884-00C	POSITION "C" (FIX TYPE) From 3-4417 To 3-4588				
D	HF-1884-00D	POSITION "D" (OPENING TYPE) From 3-4417 To 3-4588				
E	HF-1884-00E	POSITION "E" From 3-4417 To 3-4588				
F	HF-1884-00F	POSITION "F" From 3-4417 To 3-4588				
G	HF-1884-00G	POSITION "G" From 3-4417 To 3-4588				
H	HF-1884-00H	POSITION "H" From 3-4417 To 3-4588				
J	HF-1884-00J	POSITION "J" From 3-4417 To 3-4588				
K	HF-1884-00K	POSITION "K" From 3-4417 To 3-4588				
L	HF-1884-00L	POSITION "L" From 3-4417 To 3-4588				
M	HF-1884-00M	POSITION "M" From 3-4417 To 3-4588				
N	HF-1884-00N	POSITION "N" From 3-4417 To 3-4588				
		A) THIS ITEM IS LOCATED IN BAGGAGE COMPARTMENT				

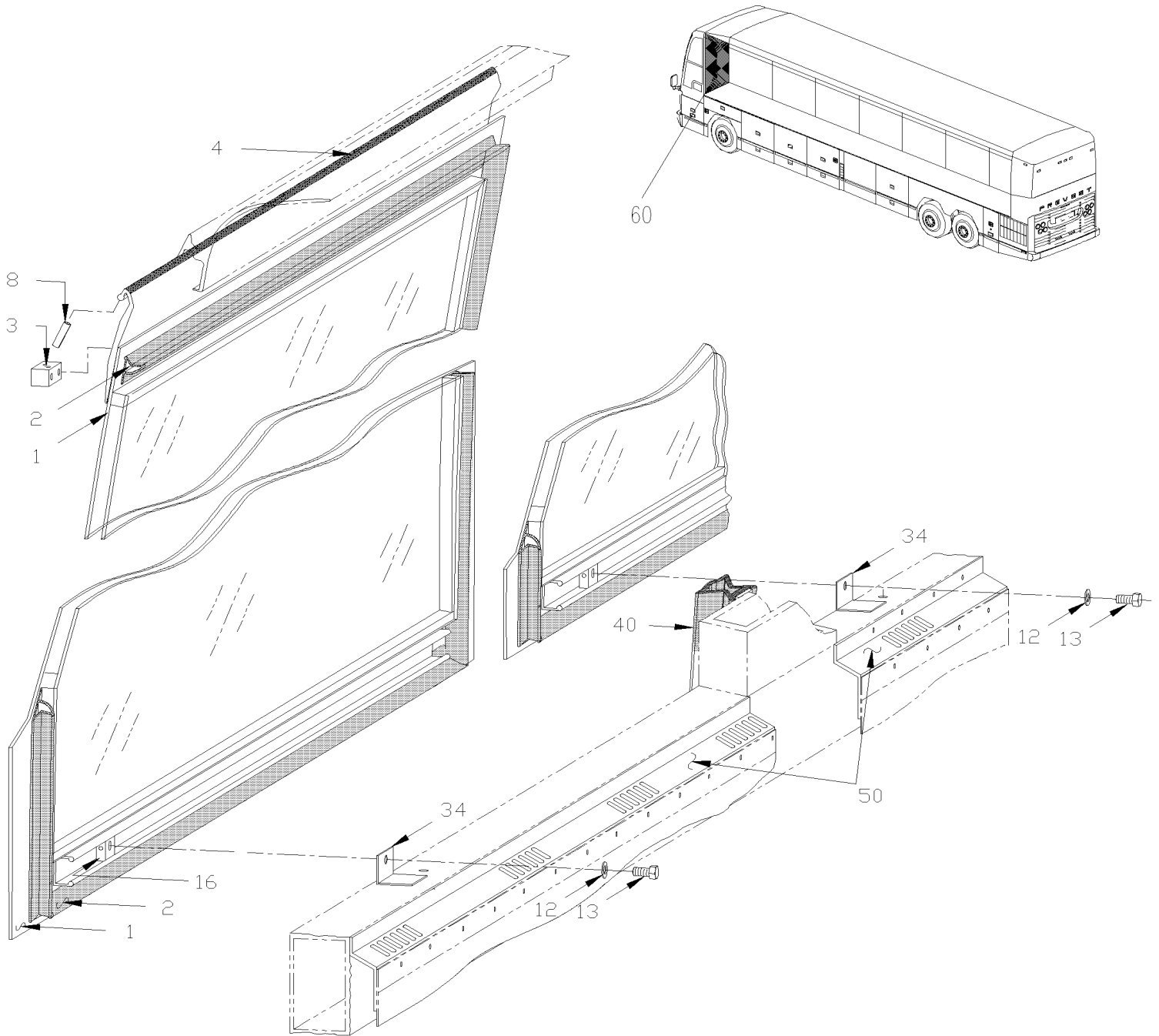


From 3-4417 To 3-4588

Date:10/2022

PAGE:HF-1884-00A

POSITION "A"





From 3-4417 To 3-4588	Date:10/2022	PAGE:HF-1884-00A
POSITION "A"		

Item#	Part	Description	H 3 4 1	H 3 4 5	V I P 4 5	N O T E S
1	292937	GLASS ASSY, THERMO 13% / TRAPEZOIDAL / LH BUS	1	1		
2	292958	. WINDOW SEAL / TRAPEZOIDAL LH 1822MM X 896MM	1	1		
3	293020	. STOPPER BLOCK W/EDGE	1	1		
3	293021	. STOPPER BLOCK	1	1		
NS	500260	. SCREW TC FL PH #8-32x3/4 BK	2	2		
4	682481	. LOW FRICTION TAPE (HOCKEY)	AR	AR		
8	505421	. SPRING, PIN M3 x 18	AR	AR		
12	502585	WASHER LO SERR 10.2x26.3x1.4 ZP	2	2		
13	502719	SCREW CAP HEX M10-1.5x20 SS EMN	2	2		
13	5001628	NUT HEX NYRT M10-1.5 SS SERVICE	2	2		
16	292810	ANCHOR BLOCK W/THREAD M10-1.5	2	2		
16	290302	ANCHOR BLOCK W/SCREW M10-1.5 x 30 SERVICE	2	2		
34	292931	ANGLE / (WELDED)	2	2		
40	292946	SEAL RUBBER 1125MM	12			
40	292946	SEAL RUBBER 1125MM		14		
50	HF-1833-00	WINDOW FINISHING CAP & WALL				
60	5001168	BUMPER RUBBER / .750 OD x .562 TH x .187 HOLE	1	1		A
NS	680066	ADHESIVE / ADBOND #5014 / 23.6ML BOTTLE	1	1		
		A) THIS ITEM IS FIXED AT THE LOWER ARROW				

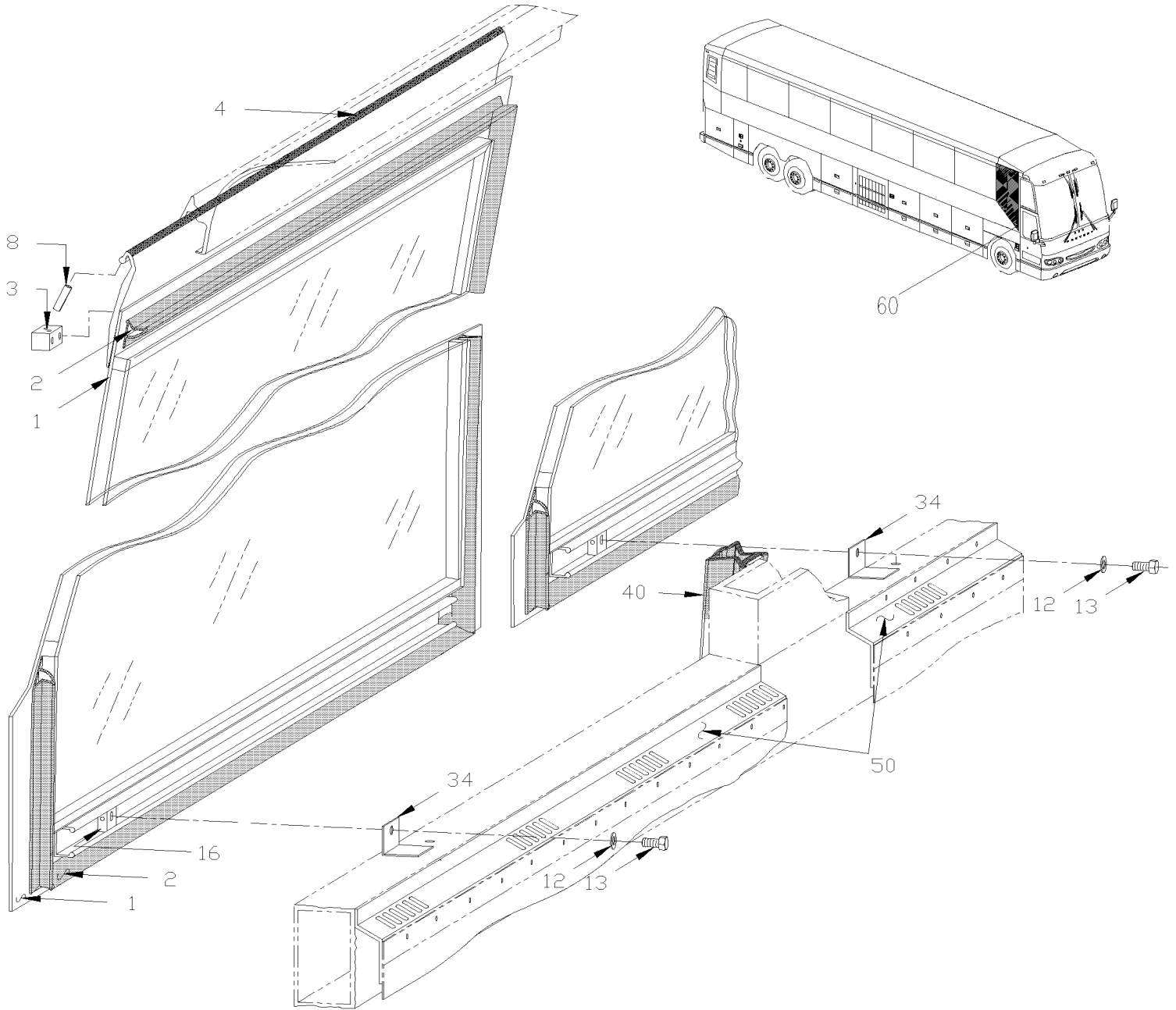


From 3-4417 To 3-4588

Date:10/2022

PAGE:HF-1884-00B

POSITION "B"





From 3-4417 To 3-4588	Date:10/2022	PAGE:HF-1884-00B
POSITION "B"		

Item#	Part	Description	H 3 4 1	H 3 4 5	V I P 4 5	N O T E S
1	292881	GLASS ASSY, THERMO 13% / TRAPEZOIDAL / RH BUS	1	1		
2	292919	. WINDOW SEAL / TRAPEZOIDAL RH 1822MM X 896MM	1	1		
3	293020	. STOPPER BLOCK W/EDGE	1	1		
3	293021	. STOPPER BLOCK	1	1		
NS	500260	. SCREW TC FL PH #8-32x3/4 BK	2	2		
4	682481	. LOW FRICTION TAPE (HOCKEY)	AR	AR		
8	505421	. SPRING, PIN M3 x 18	AR	AR		
12	502585	WASHER LO SERR 10.2x26.3x1.4 ZP	2	2		
13	502719	SCREW CAP HEX M10-1.5x20 SS EMN	2	2		
13	5001628	NUT HEX NYRT M10-1.5 SS SERVICE	2	2		
16	292810	ANCHOR BLOCK W/THREAD M10-1.5	2	2		
16	290302	ANCHOR BLOCK W/SCREW M10-1.5 x 30 SERVICE	2	2		
34	292931	ANGLE / (WELDED)	2	2		
40	292946	SEAL RUBBER 1125MM	12			
40	292946	SEAL RUBBER 1125MM		14		
50	HF-1833-00	WINDOW FINISHING CAP & WALL				
60	5001168	BUMPER RUBBER / .750 OD x .562 TH x .187 HOLE	1	1		A
NS	680066	ADHESIVE / ADBOND #5014 / 23.6ML BOTTLE	1	1		
		A) THIS ITEM IS FIXED AT THE LOWER ARROW				

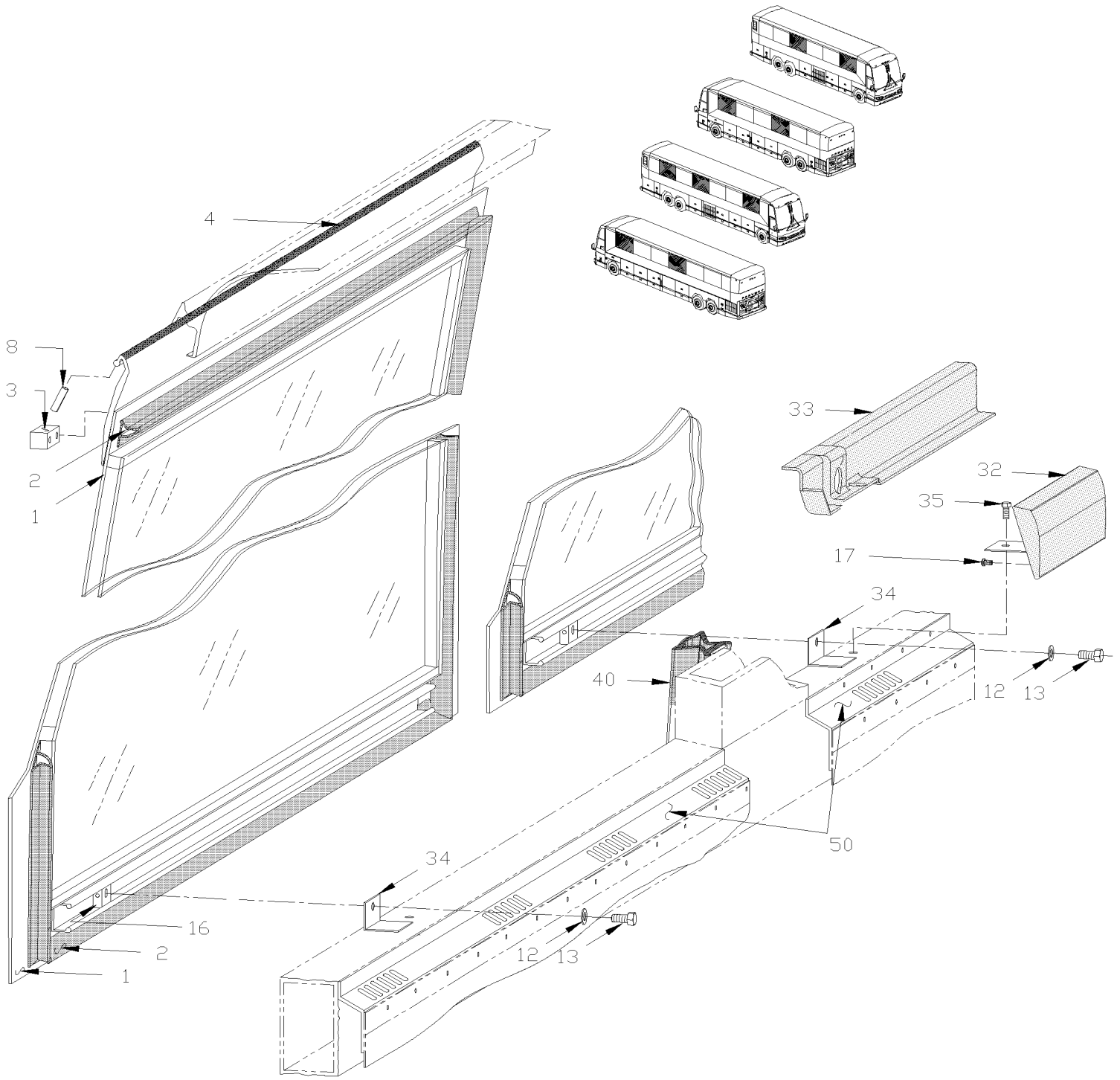


From 3-4417 To 3-4588

Date:10/2022

PAGE:HF-1884-00C

POSITION "C" (FIX TYPE)





From 3-4417 To 3-4588	Date:10/2022	PAGE:HF-1884-00C
POSITION "C" (FIX TYPE)		

Item#	Part	Description	H 3 4 1	H 3 4 5	V I P 4 5	N O T E S
1	292934	GLASS ASSY, THERMOS 13% / FIX TYPE / 1652MM	4			
1	292934	GLASS ASSY, THERMOS 13% / FIX TYPE / 1652MM		5		
1	292935	GLASS ASSY, SINGLE 13% / FIX TYPE / 1652MM	4			
1	292935	GLASS ASSY, SINGLE 13% / FIX TYPE / 1652MM		5		
2	292918	. WINDOW SEAL / 1083MM X 1613MM	1	1		
3	293020	. STOPPER BLOCK W/EDGE	1	1		
3	293021	. STOPPER BLOCK	1	1		
NS	500260	. SCREW TC FL PH #8-32x3/4 BK	2	2		
4	682481	. LOW FRICTION TAPE (HOCKEY)	AR	AR		
NS	292869	. EXTRUSION PLASTIC / WINDOW / 5MM I.D. 1650MM	1	1		
8	505421	. SPRING, PIN M3 x 18	AR	AR		
NS	293068	REINFORCEMENT ANGLE / W/SINGLE FIXED GLASS	2	2		A
12	502585	WASHER LO SERR 10.2x26.3x1.4 ZP	2	2		
13	502719	SCREW CAP HEX M10-1.5x20 SS EMN	2	2		
13	5001628	NUT HEX NYRT M10-1.5 SS SERVICE	2	2		
16	292810	ANCHOR BLOCK W/THREAD M10-1.5	2	2		
16	290302	ANCHOR BLOCK W/SCREW M10-1.5 x 30 SERVICE	2	2		
17	5001374	SCREW CAP HEX M5-0.8x10 SS	AR	AR		
32	292966	HANDLE ASSY / W/FIXED WINDOW	4			
32	292966	HANDLE ASSY / W/FIXED WINDOW		5		
33	326335	FINISHING MOULDING / W/SINGLE GLASS WINDOW	4			
33	326335	FINISHING MOULDING / W/SINGLE GLASS WINDOW		5		
33	326344	FINISHING MOULDING / W/THERMO GLASS WINDOW	4			
33	326344	FINISHING MOULDING / W/THERMO GLASS WINDOW		5		
34	292931	ANGLE / (WELDED)	3	3		
35	500923	SCREW TC CAP HEX 1/4-20x3/4 Z050	3	3		
40	292946	SEAL RUBBER 1125MM	12			
40	292946	SEAL RUBBER 1125MM		14		
NS	404654	DECAL / BLACK 3" X 63" / BLOCK -OFF UPPER WIN	AR	AR		
50	HF-1833-00	WINDOW FINISHING CAP & WALL				
		A) WITH SINGLE GLASS ONLY				

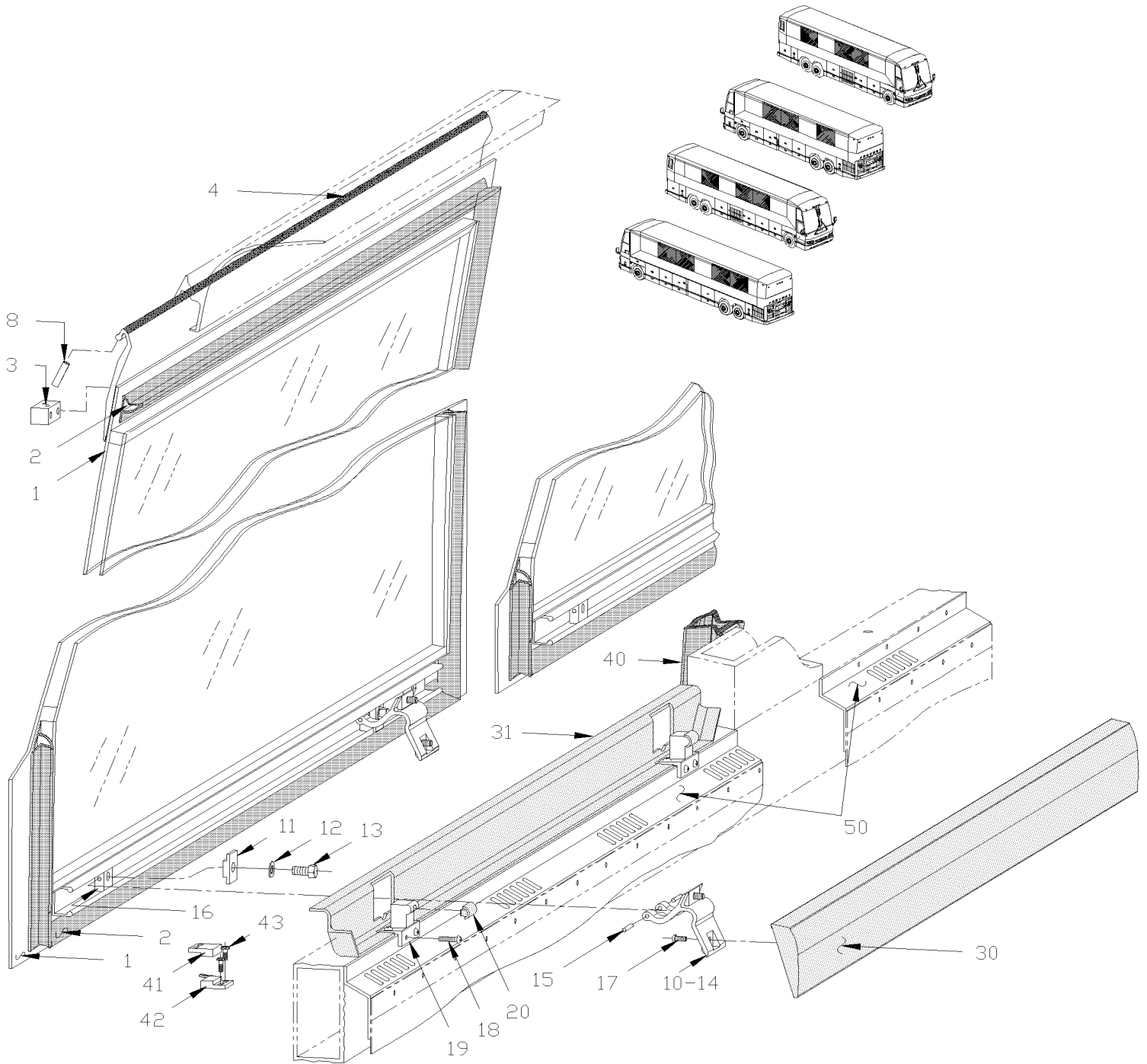


From 3-4417 To 3-4588

Date:10/2022

PAGE:HF-1884-00D

POSITION "D" (OPENING TYPE)





From 3-4417 To 3-4588	Date:10/2022	PAGE:HF-1884-00D
POSITION "D" (OPENING TYPE)		

Item#	Part	Description	H 3 4 1	H 3 4 5	V I P 4 5	N O T E S
1	292880	GLASS ASSY, THERMOS 13% / OPEN TYPE / 1652MM	6			
1	292880	GLASS ASSY, THERMOS 13% / OPEN TYPE / 1652MM		7		
1	293080	GLASS ASSY, SINGLE 13% / OPEN TYPE / 1652MM	6			
1	293080	GLASS ASSY, SINGLE 13% / OPEN TYPE / 1652MM		7		
2	292918	. WINDOW SEAL / 1083MM X 1613MM	1	1		
3	293020	. STOPPER BLOCK W/WEDGE	1	1		
3	293021	. STOPPER BLOCK	1	1		
NS	500260	. SCREW TC FL PH #8-32x3/4 BK	2	2		
4	682481	. LOW FRICTION TAPE (HOCKEY)	AR	AR		
NS	292869	. EXTRUSION PLASTIC / WINDOW / 5MM I.D. 1650MM	1	1		
8	505421	. SPRING, PIN M3 x 18	AR	AR		
10	293006	. HINGE ASSY	2	2		
11	292879	. THEIGHTENING BLOCK	1	1		
12	502585	. WASHER LO SERR 10.2x26.3x1.4 ZP	1	1		
13	502719	. SCREW CAP HEX M10-1.5x20 SS EMN	1	1		
13	5001628	. NUT HEX NYRT M10-1.5 SS SERVICE	2	2		
14	292807	. LEVER	1	1		
15	5001373	. SPRING, PIN M4 x 24	2	2		
16	292810	. ANCHOR BLOCK W/THREAD M10-1.5	1	1		
16	290302	. ANCHOR BLOCK W/SCREW M10-1.5 x 30 SERVICE	2	2		
17	5001374	SCREW CAP HEX M5-0.8x10 SS	AR	AR		
17	5001378	WASHER LO EXT 5.3x10x0.6 Z050	AR	AR		
18	504249	RIVET CHY Q PRDG 3/16x3/8 SS	4	4		
19	293343	SUPPORT	1	1		
. NS	504700	. BUMPER RUBBER BOLT / 14MM ODx10MM TH X M5X17MM STUD	1	1		
20	292837	CUSHION 2.0MM TH / BLACK PLASTIC	2	2		
20	298215	CUSHION / BLACK PLASTIC / 1.5MM TH SERVICE	AR	AR		
20	298225	CUSHION / BLACK PLASTIC / 2.5MM TH SERVICE	AR	AR		
30	293048	HANDLE ASSY / W/OPENING WINDOW	6	6		
30	293048	HANDLE ASSY / W/OPENING WINDOW		7		
30	HF-1829-00	ACCESSORIES PASSENGER'S SEAT - "PREVOST"				
31	326338	FINISHING MOULDING / W/SINGLE GLASS WINDOW	6			
31	326338	FINISHING MOULDING / W/SINGLE GLASS WINDOW		7		
31	326339	FINISHING MOULDING / W/THERMO GLASS WINDOW	6			
31	326339	FINISHING MOULDING / W/THERMO GLASS WINDOW		7		
40	292946	SEAL RUBBER 1125MM	12			
40	292946	SEAL RUBBER 1125MM		14		
41	562641	MAGNET	6			
41	562641	MAGNET		7		
42	064360	SWITCH MAGNETIC ASSY	6			
42	064360	SWITCH MAGNETIC ASSY		7		
42	064678	SWITCH MAGNETIC ASSY W/TAPE DUAL LOCK	AR	AR		



From 3-4417 To 3-4588	Date:10/2022	PAGE:HF-1884-00D
POSITION "D" (OPENING TYPE)		

Item#	Part	Description	H 3 4 1	H 3 4 5	V I P 4 5	N O T E S
43	500862	SCREW TC PAN PH #6-32x3/4 Z050	12	12		
NS	404654	DECAL / BLACK 3" X 63" / BLOCK -OFF UPPER WIN	AR	AR		
50	HF-1833-00	WINDOW FINISHING CAP & WALL				

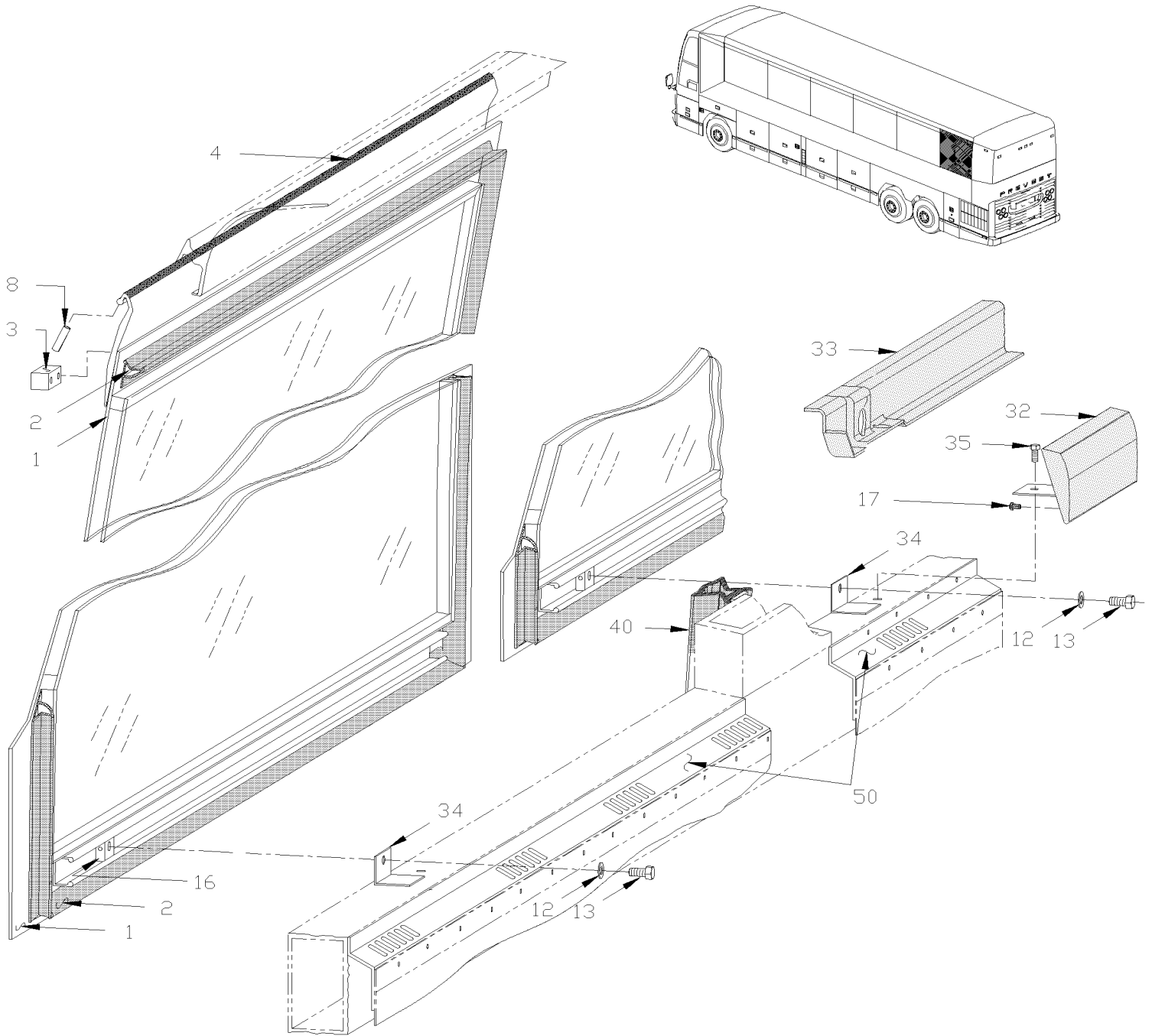


From 3-4417 To 3-4588

Date:10/2022

PAGE:HF-1884-00E

POSITION "E"





From 3-4417 To 3-4588	Date:10/2022	PAGE:HF-1884-00E
POSITION "E"		

Item#	Part	Description	H 3 4 1	H 3 4 5	V I P 4 5	N O T E S
1	292938	GLASS ASSY, THERMOS 13% / 1254MM	1			
1	292950	GLASS ASSY, SINGLE 13% / 1254MM	1			
2	292957	. WINDOW SEAL / 1083MM X 1174MM	1			
3	293020	. STOPPER BLOCK W/WEDGE	1			
3	293021	. STOPPER BLOCK	1			
NS	500260	. SCREW TC FL PH #8-32x3/4 BK	2			
4	682481	. LOW FRICTION TAPE (HOCKEY)	AR			
8	505421	. SPRING, PIN M3 x 18	AR			
NS	293068	REINFORCEMENT ANGLE / W/SINGLE FIXED GLASS	2			A
12	502585	WASHER LO SERR 10.2x26.3x1.4 ZP	2			
13	502719	SCREW CAP HEX M10-1.5x20 SS EMN	2			
13	5001628	NUT HEX NYRT M10-1.5 SS SERVICE	2			
16	292810	ANCHOR BLOCK W/THREAD M10-1.5	2			
16	290302	ANCHOR BLOCK W/SCREW M10-1.5 x 30 SERVICE	2			
17	5001374	SCREW CAP HEX M5-0.8x10 SS	AR			
32	292983	HANDLE ASSY / W/FIXED WINDOW / L.H. REAR	1			
33	326342	FINISHING MOULDING / W/SINGLE GLASS / REAR	2			
33	326346	FINISHING MOULDING / W/THERMO GLASS / REAR	2			
34	292931	ANGLE / (WELDED)	3			
35	500923	SCREW TC CAP HEX 1/4-20x3/4 Z050	3			
40	292946	SEAL RUBBER 1125MM	12			
50	HF-1833-00	WINDOW FINISHING CAP & WALL				
		A) WITH SINGLE GLASS ONLY				

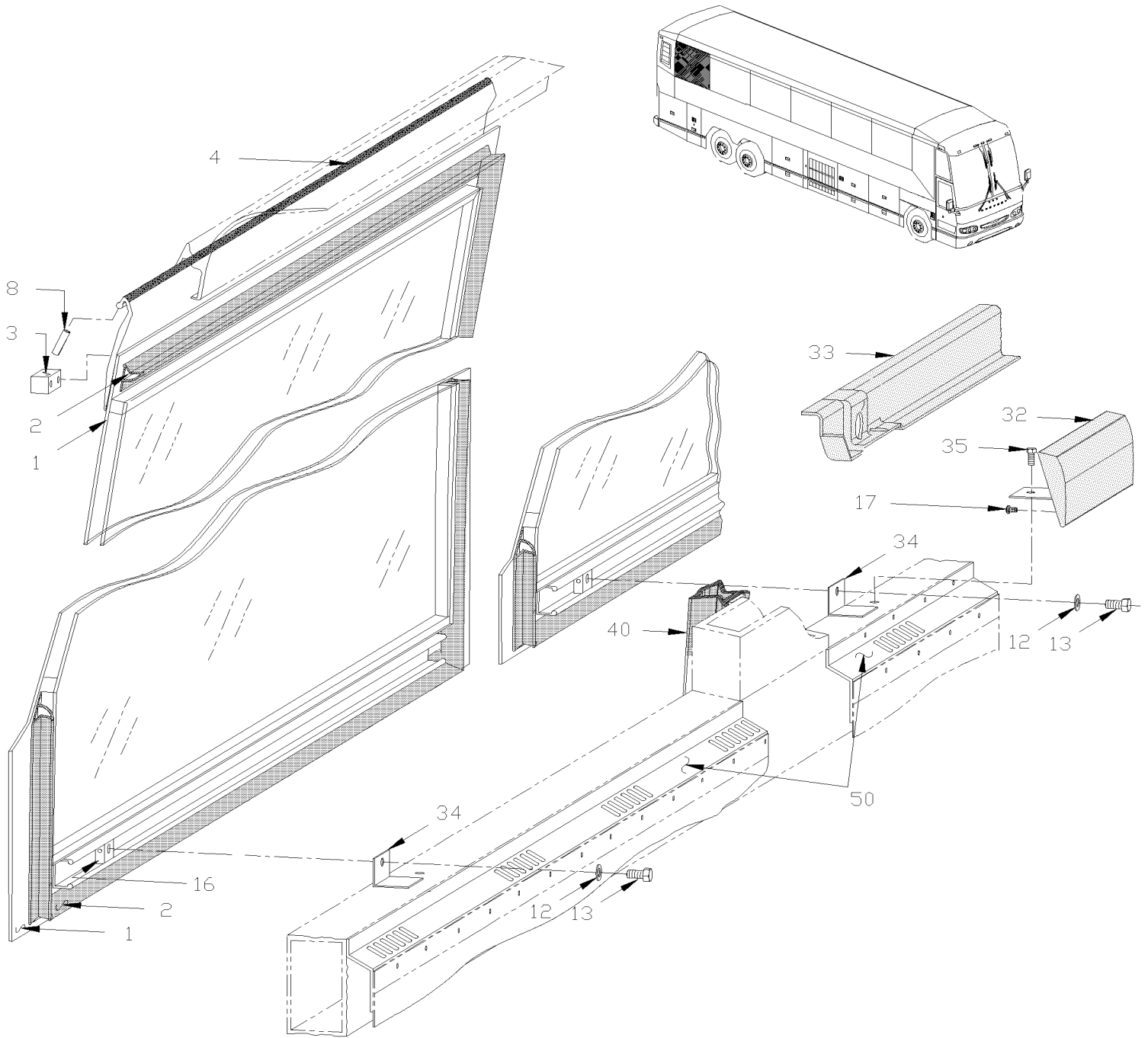


From 3-4417 To 3-4588

Date:10/2022

PAGE:HF-1884-00F

POSITION "F"





From 3-4417 To 3-4588	Date:10/2022	PAGE:HF-1884-00F
POSITION "F"		

Item#	Part	Description	H 3 4 1	H 3 4 5	V I P 4 5	N O T E S
1	292933	GLASS ASSY, THERMOS 13% / 1254MM	1			
1	292945	GLASS ASSY, SINGLE 13% / 1254MM	1			
2	292957	. WINDOW SEAL / 1083MM X 1174MM	1			
3	293020	. STOPPER BLOCK W/WEDGE	1			
3	293021	. STOPPER BLOCK	1			
NS	500260	. SCREW TC FL PH #8-32x3/4 BK	2			
4	682481	. LOW FRICTION TAPE (HOCKEY)	AR			
8	505421	. SPRING, PIN M3 x 18	AR			
NS	293068	REINFORCEMENT ANGLE / W/SINGLE FIXED GLASS	2			A
12	502585	WASHER LO SERR 10.2x26.3x1.4 ZP	2			
13	502719	SCREW CAP HEX M10-1.5x20 SS EMN	2			
13	5001628	NUT HEX NYRT M10-1.5 SS SERVICE	2			
16	292810	ANCHOR BLOCK W/THREAD M10-1.5	2			
16	290302	ANCHOR BLOCK W/SCREW M10-1.5 x 30 SERVICE	2			
17	5001374	SCREW CAP HEX M5-0.8x10 SS	AR			
32	292984	HANDLE ASSY / W/FIXED WINDOW / R.H. REAR / W/ W.C.L. "ST&ST"	1			
33	326342	FINISHING MOULDING / W/SINGLE GLASS / REAR	2			
33	326346	FINISHING MOULDING / W/THERMO GLASS / REAR	2			
34	292931	ANGLE / (WELDED)	3			
35	500923	SCREW TC CAP HEX 1/4-20x3/4 Z050	3			
40	292946	SEAL RUBBER 1125MM	12			
50	HF-1833-00	WINDOW FINISHING CAP & WALL				
		A) WITH SINGLE GLASS ONLY				

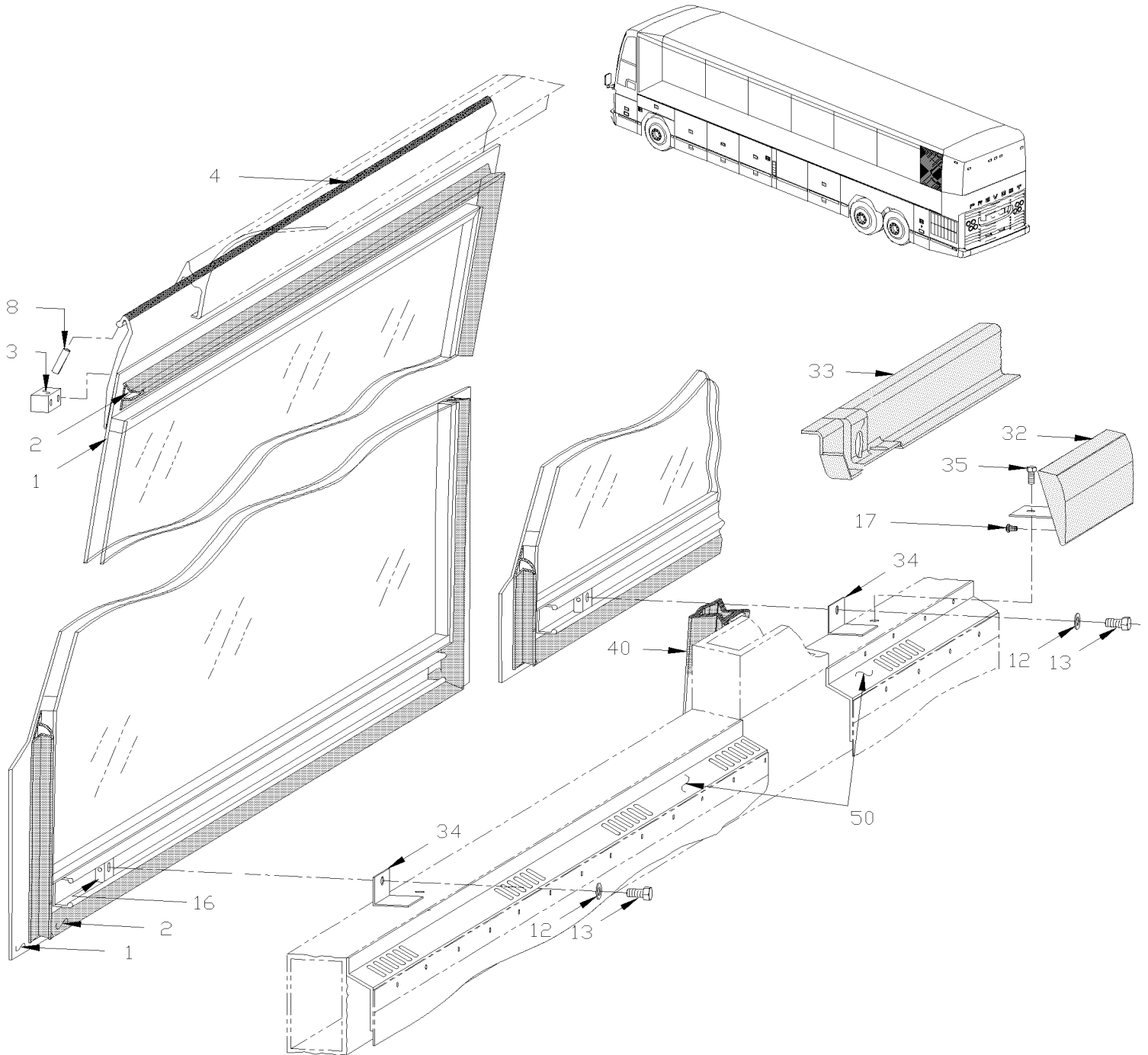


From 3-4417 To 3-4588

Date:10/2022

PAGE:HF-1884-00G

POSITION "G"





From 3-4417 To 3-4588	Date:10/2022	PAGE:HF-1884-00G
POSITION "G"		

Item#	Part	Description	H 3 4 1	H 3 4 5	V I P 4 5	N O T E S
1	292936	GLASS ASSY, THERMOS 13% / 840MM		1		
1	292948	GLASS ASSY, SINGLE 13% / 840MM		1		
2	292956	. WINDOW SEAL / 1083MM X 760MM		1		
3	293020	. STOPPER BLOCK W/EDGE		1		
3	293021	. STOPPER BLOCK		1		
NS	500260	. SCREW TC FL PH #8-32x3/4 BK		2		
4	682481	. LOW FRICTION TAPE (HOCKEY)		AR		
8	505421	. SPRING, PIN M3 x 18		AR		
NS	293068	REINFORCEMENT ANGLE / W/SINGLE FIXED GLASS		2		A
12	502585	WASHER LO SERR 10.2x26.3x1.4 ZP		2		
13	502719	SCREW CAP HEX M10-1.5x20 SS EMN		2		
13	5001628	NUT HEX NYRT M10-1.5 SS SERVICE		2		
16	292810	ANCHOR BLOCK W/THREAD M10-1.5		2		
16	290302	ANCHOR BLOCK W/SCREW M10-1.5 x 30 SERVICE		2		
17	5001374	SCREW CAP HEX M5-0.8x10 SS		AR		
32	292967	HANDLE ASSY / W/FIXED WINDOW / L.H. REAR		1		
33	326343	FINISHING MOULDING / W/SINGLE GLASS / REAR WINDOW		2		
33	326347	FINISHING MOULDING / W/THERMO GLASS / REAR WINDOW		2		
34	292931	ANGLE / (WELDED)		3		
35	500923	SCREW TC CAP HEX 1/4-20x3/4 Z050		3		
40	292946	SEAL RUBBER 1125MM		14		
50	HF-1833-00	WINDOW FINISHING CAP & WALL				
		A) WITH SINGLE GLASS ONLY				

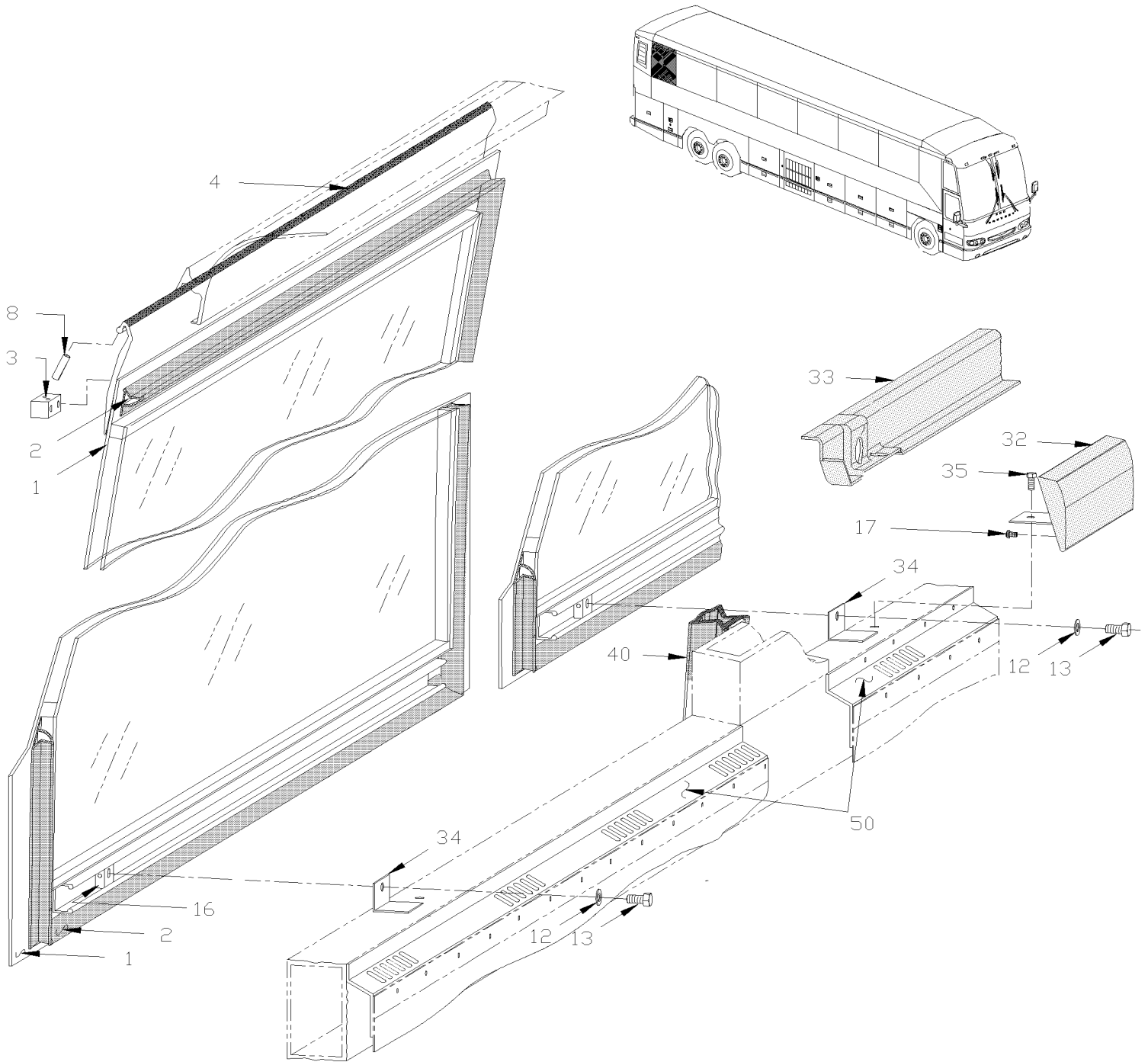


From 3-4417 To 3-4588

Date:10/2022

PAGE:HF-1884-00H

POSITION "H"





From 3-4417 To 3-4588	Date:10/2022	PAGE:HF-1884-00H
POSITION "H"		

Item#	Part	Description	H 3 4 1	H 3 4 5	V I P 4 5	N O T E S
1	292932	GLASS ASSY, THERMOS 13% / 840MM		1		
1	292944	GLASS ASSY, SINGLE 13% / 840MM		1		
2	292956	. WINDOW SEAL / 1083MM X 760MM		1		
3	293020	. STOPPER BLOCK W/EDGE		1		
3	293021	. STOPPER BLOCK		1		
NS	500260	. SCREW TC FL PH #8-32x3/4 BK		2		
4	682481	. LOW FRICTION TAPE (HOCKEY)		AR		
8	505421	. SPRING, PIN M3 x 18		AR		
NS	293068	REINFORCEMENT ANGLE / W/SINGLE FIXED GLASS		2		A
12	502585	WASHER LO SERR 10.2x26.3x1.4 ZP		2		
13	502719	SCREW CAP HEX M10-1.5x20 SS EMN		2		
13	5001628	NUT HEX NYRT M10-1.5 SS SERVICE		2		
16	292810	ANCHOR BLOCK W/THREAD M10-1.5		2		
16	290302	ANCHOR BLOCK W/SCREW M10-1.5 x 30 SERVICE		2		
17	5001374	SCREW CAP HEX M5-0.8x10 SS		AR		
32	292968	HANDLE ASSY / W/FIXED WINDOW / R.H. REAR		1		
33	326343	FINISHING MOULDING / W/SINGLE GLASS / REAR WINDOW		2		
33	326347	FINISHING MOULDING / W/THERMO GLASS / REAR WINDOW		2		
34	292931	ANGLE / (WELDED)		3		
35	500923	SCREW TC CAP HEX 1/4-20x3/4 Z050		3		
40	292946	SEAL RUBBER 1125MM		14		
50	HF-1833-00	WINDOW FINISHING CAP & WALL				
		A) WITH SINGLE GLASS ONLY				

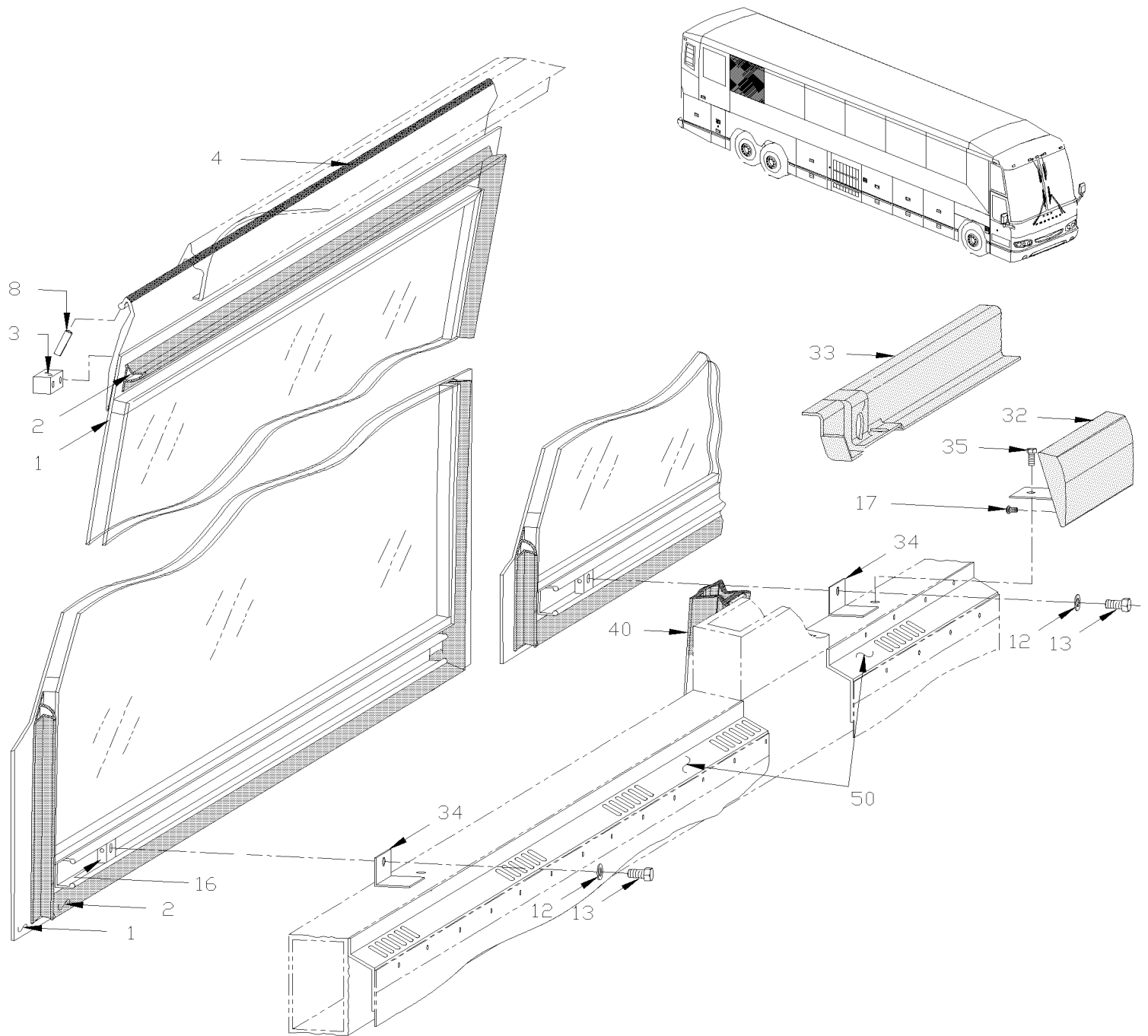


From 3-4417 To 3-4588

Date:10/2022

PAGE:HF-1884-00J

POSITION "J"





From 3-4417 To 3-4588	Date:10/2022	PAGE:HF-1884-00J
POSITION "J"		

Item#	Part	Description	H 3 4 1	H 3 4 5	V I P 4 5	N O T E S
1	292939	GLASS ASSY, THERMOS 13% / 1254MM		1		
1	292951	GLASS ASSY, SINGLE 13% / 1254MM		1		
2	292957	. WINDOW SEAL / 1083MM X 1174MM		1		
3	293020	. STOPPER BLOCK W/WEDGE		1		
3	293021	. STOPPER BLOCK		1		
NS	500260	. SCREW TC FL PH #8-32x3/4 BK		2		
4	682481	. LOW FRICTION TAPE (HOCKEY)		AR		
NS	292960	. EXTRUSION PLASTIC / WINDOW / 5MM I.D. 1252MM		1		
8	505421	. SPRING, PIN M3 x 18		AR		
NS	293068	REINFORCEMENT ANGLE / W/SINGLE FIXED GLASS		2		A
12	502585	WASHER LO SERR 10.2x26.3x1.4 ZP		2		
13	502719	SCREW CAP HEX M10-1.5x20 SS EMN		2		
13	5001628	NUT HEX NYRT M10-1.5 SS SERVICE		2		
16	292810	ANCHOR BLOCK W/THREAD M10-1.5		2		
16	290302	ANCHOR BLOCK W/SCREW M10-1.5 x 30 SERVICE		2		
17	5001374	SCREW CAP HEX M5-0.8x10 SS		AR		
32	292984	HANDLE ASSY / W/FIXED WINDOW / R.H. REAR / W/ W.C.L. "ST&ST"		1		
33	326342	FINISHING MOULDING / W/SINGLE GLASS / REAR		2		
33	326346	FINISHING MOULDING / W/THERMO GLASS / REAR		2		
34	292931	ANGLE / (WELDED)		3		
35	500923	SCREW TC CAP HEX 1/4-20x3/4 Z050		3		
40	292946	SEAL RUBBER 1125MM		14		
50	HF-1833-00	WINDOW FINISHING CAP & WALL				
		A) WITH SINGLE GLASS ONLY				

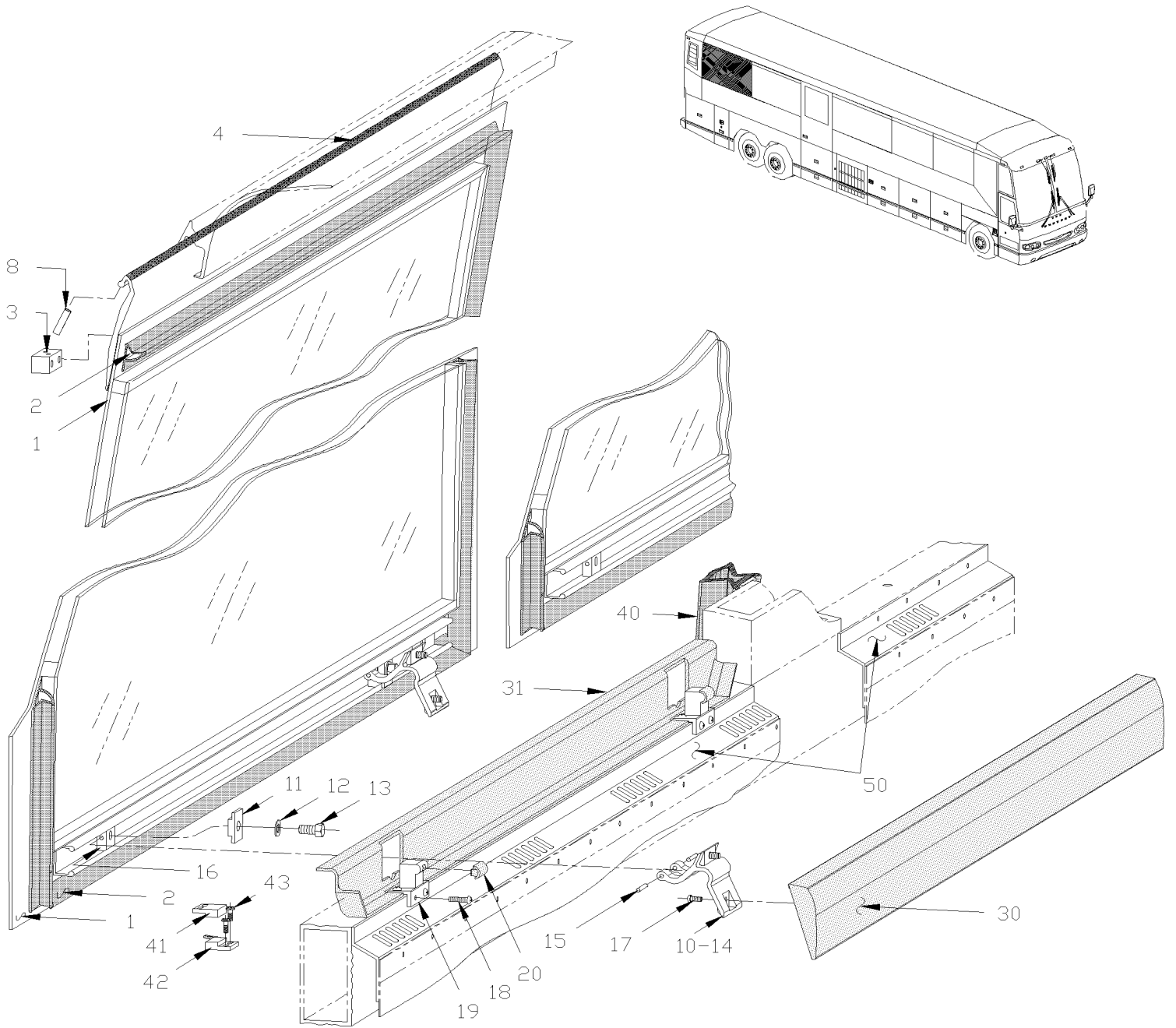


From 3-4417 To 3-4588

Date:10/2022

PAGE:HF-1884-00K

POSITION "K"





From 3-4417 To 3-4588	Date:10/2022	PAGE:HF-1884-00K
POSITION "K"		

Item#	Part	Description	H 3 4 1	H 3 4 5	V I P 4 5	N O T E S
1	292941	GLASS ASSY, THERMOS 13% / 1693.1MM		1		
1	292953	GLASS ASSY, SINGLE 13% / 1693.1MM		1		
2	292918	. WINDOW SEAL / 1083MM X 1613MM		1		
3	293020	. STOPPER BLOCK W/WEDGE		1		
3	293021	. STOPPER BLOCK		1		
NS	500260	. SCREW TC FL PH #8-32x3/4 BK		2		
4	682481	. LOW FRICTION TAPE (HOCKEY)		AR		
NS	292962	. EXTRUSION PLASTIC / WINDOW / 5MM I.D. 1691MM		1		
8	505421	. SPRING, PIN M3 x 18		AR		
10	293006	. HINGE ASSY		2		
11	292879	. THEIGHTENING BLOCK		1		
12	502585	. WASHER LO SERR 10.2x26.3x1.4 ZP		1		
13	502719	. SCREW CAP HEX M10-1.5x20 SS EMN		1		
13	5001628	NUT HEX NYRT M10-1.5 SS SERVICE		2		
14	292807	. LEVER		1		
15	5001373	. SPRING, PIN M4 x 24		2		
16	292810	. ANCHOR BLOCK W/THREAD M10-1.5		1		
16	290302	ANCHOR BLOCK W/SCREW M10-1.5 x 30 SERVICE		2		
17	5001374	SCREW CAP HEX M5-0.8x10 SS		AR		
17	5001378	WASHER LO EXT 5.3x10x0.6 Z050		AR		
18	504249	RIVET CHY Q PRDG 3/16x3/8 SS		4		
19	293343	SUPPORT		2		
. NS	504700	. BUMPER RUBBER BOLT / 14MM ODx10MM TH X M5X17MM STUD		1		
20	292837	CUSHION 2.0MM TH / BLACK PLASTIC		2		
20	298215	CUSHION / BLACK PLASTIC / 1.5MM TH		AR		
20	298225	CUSHION / BLACK PLASTIC / 2.5MM TH SERVICE		AR		
30	293048	HANDLE ASSY / W/OPENING WINDOW SERVICE		1		
30	HF-1829-00	ACCESSORIES PASSENGER'S SEAT - "PREVOST"				
31	326338	FINISHING MOULDING / W/SINGLE GLASS WINDOW		6		
31	326339	FINISHING MOULDING / W/THERMO GLASS WINDOW		6		
40	292946	SEAL RUBBER 1125MM		14		
41	562641	MAGNET		1		
42	064360	SWITCH MAGNETIC ASSY		1		
42	064678	SWITCH MAGNETIC ASSY W/TAPE DUAL LOCK		1		
43	500862	SCREW TC PAN PH #6-32x3/4 Z050		12		
50	HF-1833-00	WINDOW FINISHING CAP & WALL				

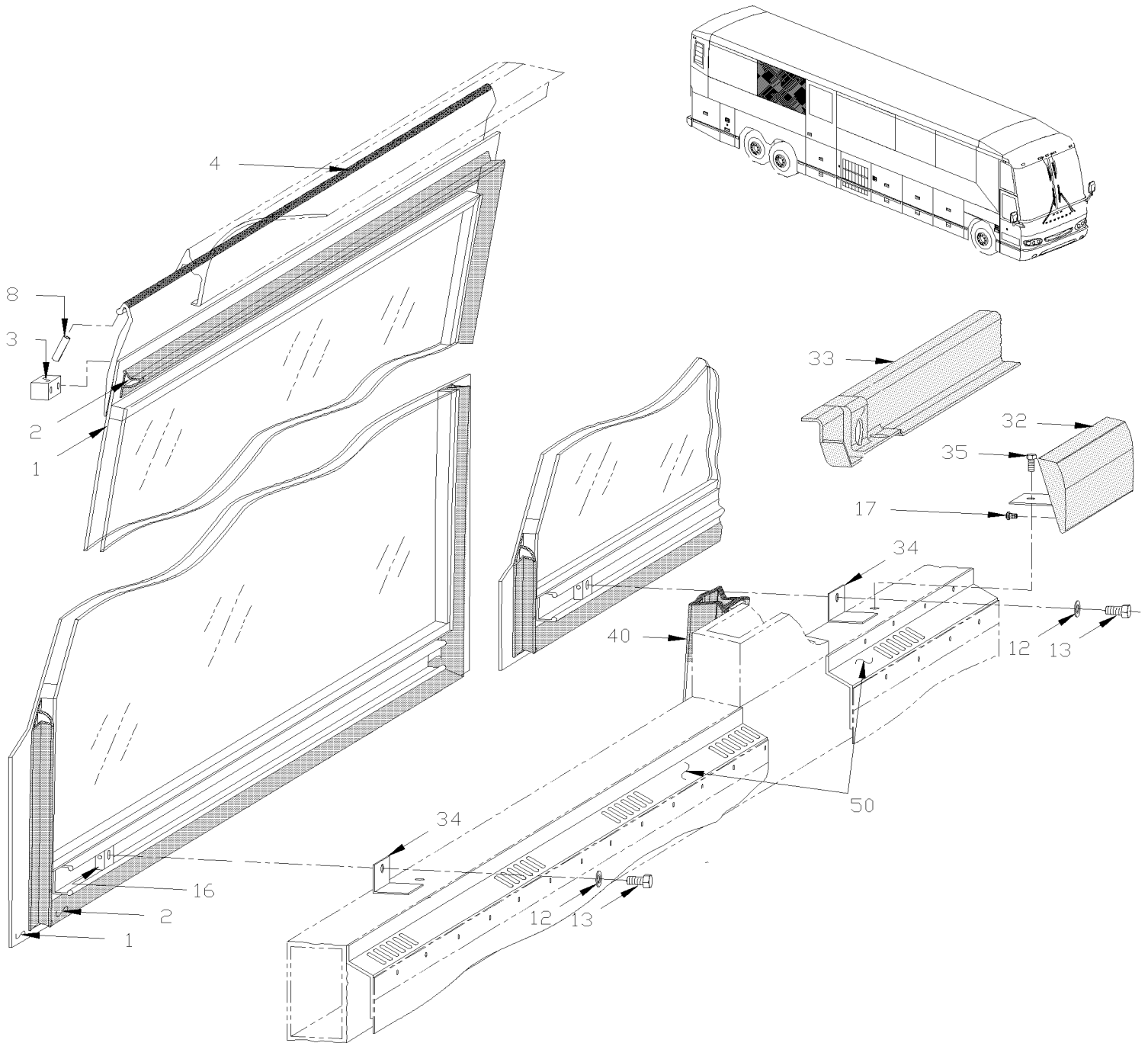


From 3-4417 To 3-4588

Date:10/2022

PAGE:HF-1884-00L

POSITION "L"





From 3-4417 To 3-4588	Date:10/2022	PAGE:HF-1884-00L
POSITION "L"		

Item#	Part	Description	H 3 4 1	H 3 4 5	V I P 4 5	N O T E S
1	292942	GLASS ASSY, THERMOS 13% / 2223MM		1		
1	292954	GLASS ASSY, SINGLE 13% / 2223MM		1		
2	292959	. WINDOW SEAL / 1083MM X 2194MM		1		
3	293020	. STOPPER BLOCK W/WEDGE		1		
3	293021	. STOPPER BLOCK		1		
NS	500260	. SCREW TC FL PH #8-32x3/4 BK		2		
4	682481	. LOW FRICTION TAPE (HOCKEY)		AR		
NS	292963	. EXTRUSION PLASTIC / WINDOW / 5MM I.D. 2221MM		1		
8	505421	. SPRING, PIN M3 x 18		AR		
NS	293068	REINFORCEMENT ANGLE / W/SINGLE FIXED GLASS		2		A
12	502585	WASHER LO SERR 10.2x26.3x1.4 ZP		2		
13	502719	SCREW CAP HEX M10-1.5x20 SS EMN		2		
13	5001628	NUT HEX NYRT M10-1.5 SS SERVICE		2		
16	292810	ANCHOR BLOCK W/THREAD M10-1.5		2		
16	290302	ANCHOR BLOCK W/SCREW M10-1.5 x 30 SERVICE		2		
17	5001374	SCREW CAP HEX M5-0.8x10 SS		AR		
32	292985	HANDLE ASSY / W/FIXED WINDOW / R.H. CENTER /W /W.C.L. "RICON"		1		
33	326354	FINISHING MOULDING / W/SINGLE GLASS WINDOW		1		
33	326353	FINISHING MOULDING / W/THERMO GLASS WINDOW		1		
34	292931	ANGLE / (WELDED)		3		
35	500923	SCREW TC CAP HEX 1/4-20x3/4 Z050		3		
40	292946	SEAL RUBBER 1125MM		14		
50	HF-1833-00	WINDOW FINISHING CAP & WALL				
		A) WITH SINGLE GLASS ONLY				

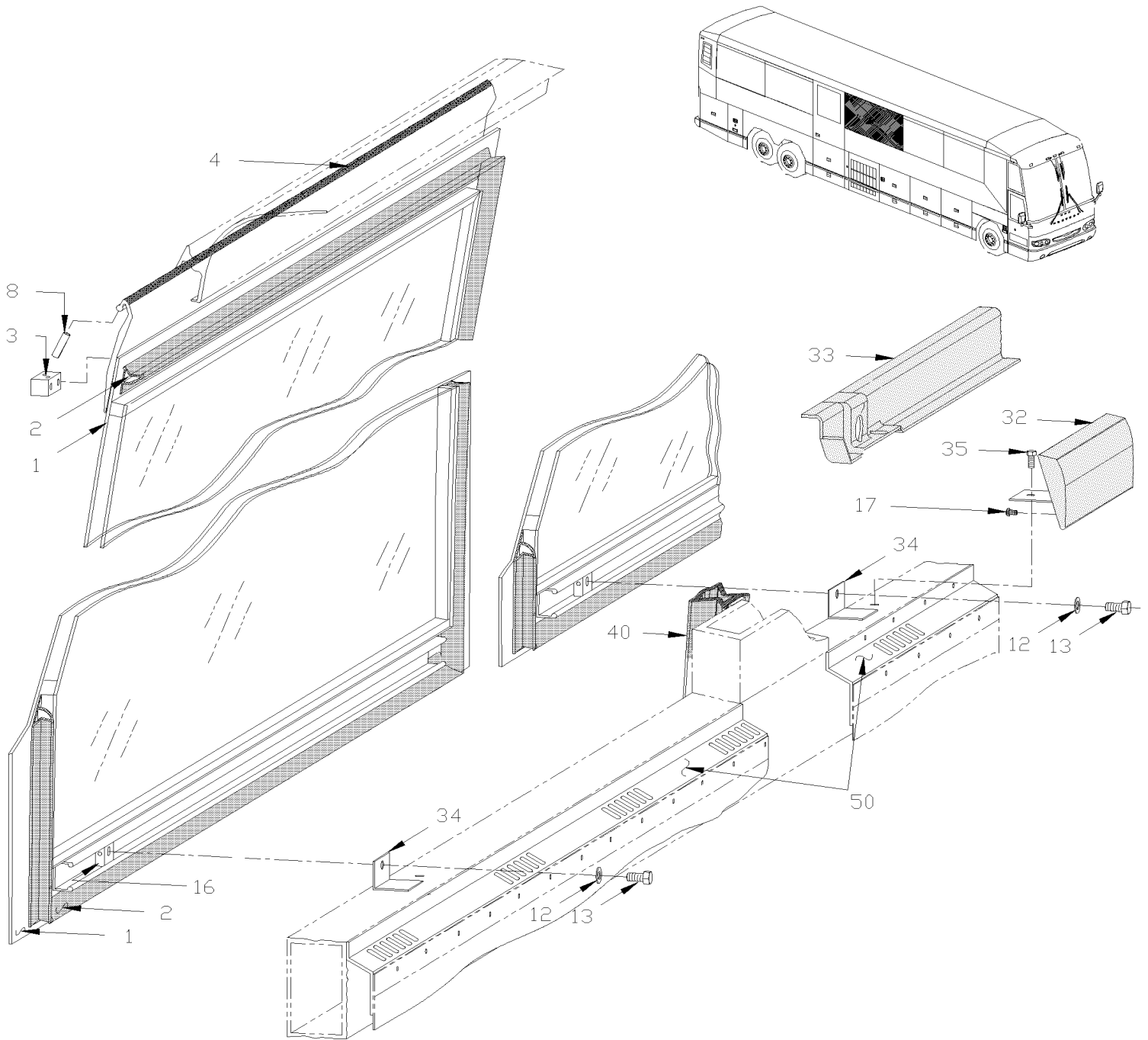


From 3-4417 To 3-4588

Date:10/2022

PAGE:HF-1884-00M

POSITION "M"





From 3-4417 To 3-4588	Date:10/2022	PAGE:HF-1884-00M
POSITION "M"		

Item#	Part	Description	H 3 4 1	H 3 4 5	V I P 4 5	N O T E S
1	292943	GLASS ASSY, THERMOS 13% / 2288.5MM		1		
1	292955	. GLASS ASSY, SINGLE 13% / 2288.5MM		1		
2	292959	. WINDOW SEAL / 1083MM X 2194MM		1		
3	293020	. STOPPER BLOCK W/WEDGE		1		
3	293021	. STOPPER BLOCK		1		
NS	500260	. SCREW TC FL PH #8-32x3/4 BK		2		
4	682481	. LOW FRICTION TAPE (HOCKEY)		AR		
NS	292964	. EXTRUSION PLASTIC / WINDOW / 5MM I.D. 2286MM		1		
8	505421	. SPRING, PIN M3 x 18		AR		
NS	293068	REINFORCEMENT ANGLE / W/SINGLE FIXED GLASS		2		
12	502585	WASHER LO SERR 10.2x26.3x1.4 ZP		2		
13	502719	SCREW CAP HEX M10-1.5x20 SS EMN		2		
13	5001628	NUT HEX NYRT M10-1.5 SS SERVICE		2		
16	292810	ANCHOR BLOCK W/THREAD M10-1.5		2		
16	290302	ANCHOR BLOCK W/SCREW M10-1.5 x 30 SERVICE		2		
17	5001374	SCREW CAP HEX M5-0.8x10 SS		AR		
32	292985	HANDLE ASSY / W/FIXED WINDOW / R.H. CENTER /W /W.C.L. "RICON"		1		
33	326354	FINISHING MOULDING / W/SINGLE GLASS WINDOW		1		
33	326353	FINISHING MOULDING / W/THERMO GLASS WINDOW		1		
34	292931	ANGLE / (WELDED)		3		
35	500923	SCREW TC CAP HEX 1/4-20x3/4 Z050		3		
40	292946	SEAL RUBBER 1125MM		14		
50	HF-1833-00	WINDOW FINISHING CAP & WALL				

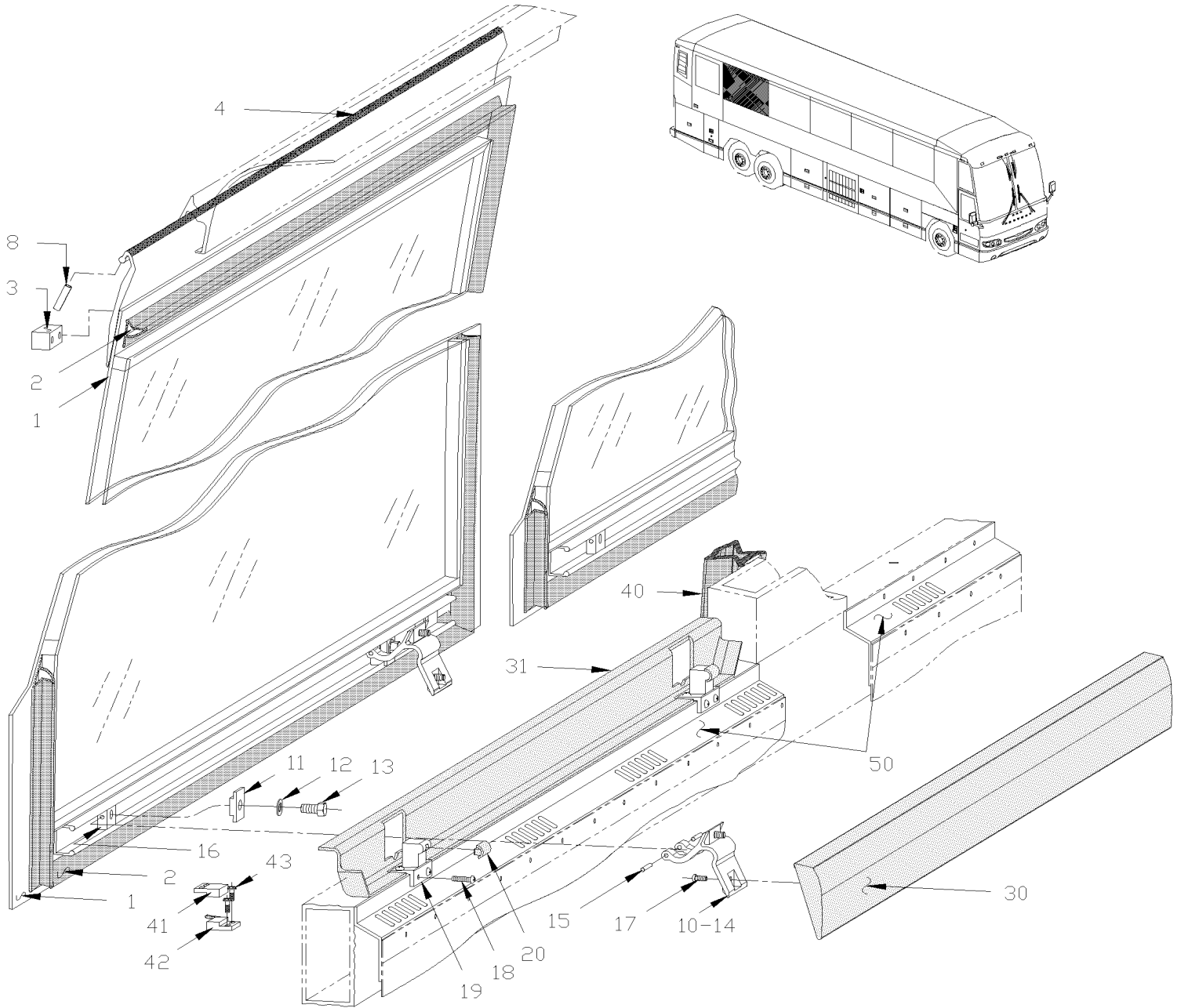


From 3-4417 To 3-4588

Date:10/2022

PAGE:HF-1884-00N

POSITION "N"





From 3-4417 To 3-4588	Date:10/2022	PAGE:HF-1884-00N
POSITION "N"		

Item#	Part	Description	H 3 4 1	H 3 4 5	V I P 4 5	N O T E S
1	292940	GLASS ASSY, THERMOS 13% / 1668MM	1			
1	292952	GLASS ASSY, SINGLE 13% / 1668MM	1			
2	292918	. WINDOW SEAL / 1083MM X 1613MM	1			
3	293020	. STOPPER BLOCK W/EDGE	1			
3	293021	. STOPPER BLOCK	1			
NS	500260	. SCREW TC FL PH #8-32x3/4 BK	2			
4	682481	. LOW FRICTION TAPE (HOCKEY)	AR			
NS	292961	. EXTRUSION PLASTIC / WINDOW / 5MM I.D. 1666MM	1			
8	505421	. SPRING, PIN M3 x 18	AR			
10	293006	. HINGE ASSY	2			
11	292879	. THEIGHTENING BLOCK	1			
12	502585	. WASHER LO SERR 10.2x26.3x1.4 ZP	1			
13	502179	. SPRING EXTENSION / .750 O.D. x 5.375 x	1			
13	5001628	. NUT HEX NYRT M10-1.5 SS SERVICE				
14	292807	. LEVER	1			
15	5001373	. SPRING, PIN M4 x 24	2			
16	292810	. ANCHOR BLOCK W/THREAD M10-1.5	1			
16	290302	. ANCHOR BLOCK W/SCREW M10-1.5 x 30 SERVICE				
17	5001374	SCREW CAP HEX M5-0.8x10 SS	AR			
17	5001378	WASHER LO EXT 5.3x10x0.6 Z050	AR			
18	504249	RIVET CHY Q PRDG 3/16x3/8 SS	4			
19	292836	SUPPORT	2			
. NS	504700	. BUMPER RUBBER BOLT / 14MM ODx10MM TH X M5X17MM STUD	1			
19	293343	SUPPORT	2			
. NS	504700	. BUMPER RUBBER BOLT / 14MM ODx10MM TH X M5X17MM STUD	1			
20	292837	CUSHION 2.0MM TH / BLACK PLASTIC	2			
20	298215	CUSHION / BLACK PLASTIC / 1.5MM TH SERVICE	AR			
20	298225	CUSHION / BLACK PLASTIC / 2.5MM TH SERVICE	AR			
30	293048	HANDLE ASSY / W/OPENING WINDOW	1			
30	HF-1829-00	ACCESSORIES PASSENGER'S SEAT - "PREVOST"				
31	326338	FINISHING MOULDING / W/SINGLE GLASS WINDOW	1			
31	326339	FINISHING MOULDING / W/THERMO GLASS WINDOW	1			
40	292946	SEAL RUBBER 1125MM	12			
41	562641	MAGNET	1			
42	064360	SWITCH MAGNETIC ASSY	1			
42	064678	SWITCH MAGNETIC ASSY W/TAPE DUAL LOCK	1			
43	500862	SCREW TC PAN PH #6-32x3/4 Z050	12			
50	HF-1833-00	WINDOW FINISHING CAP & WALL				

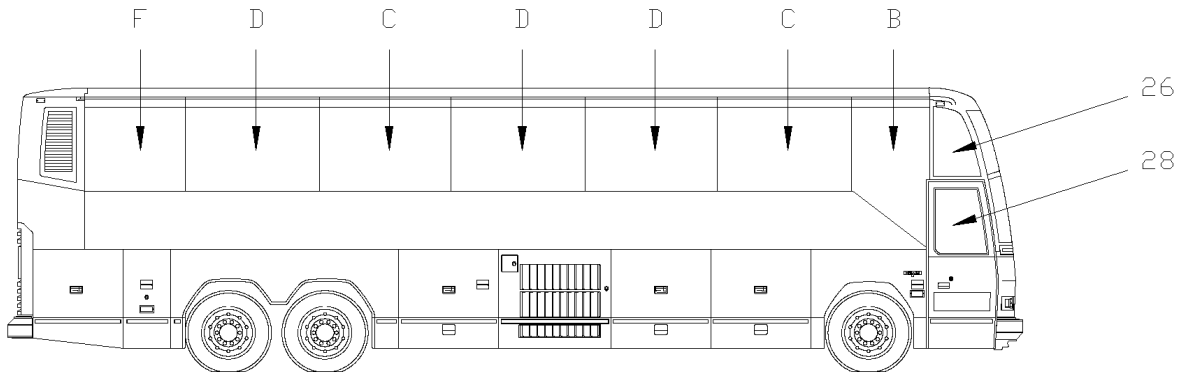
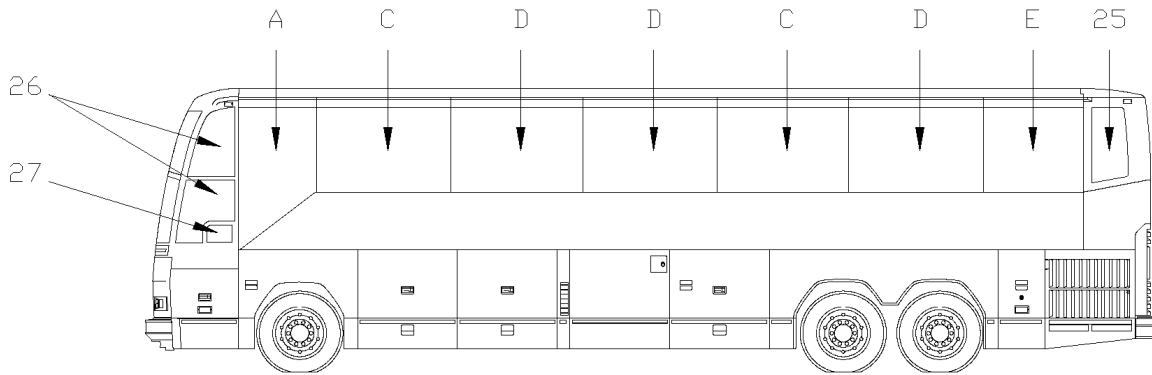


From 3-4589 To 8-1043

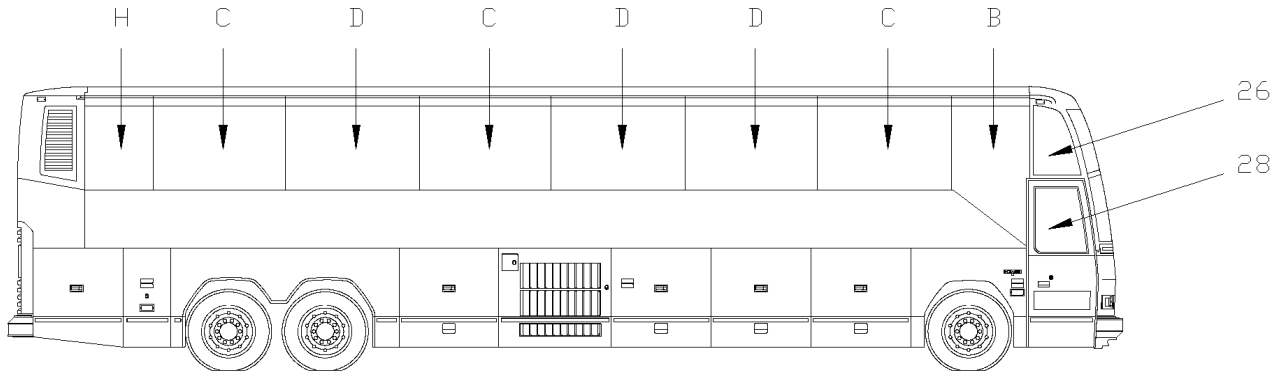
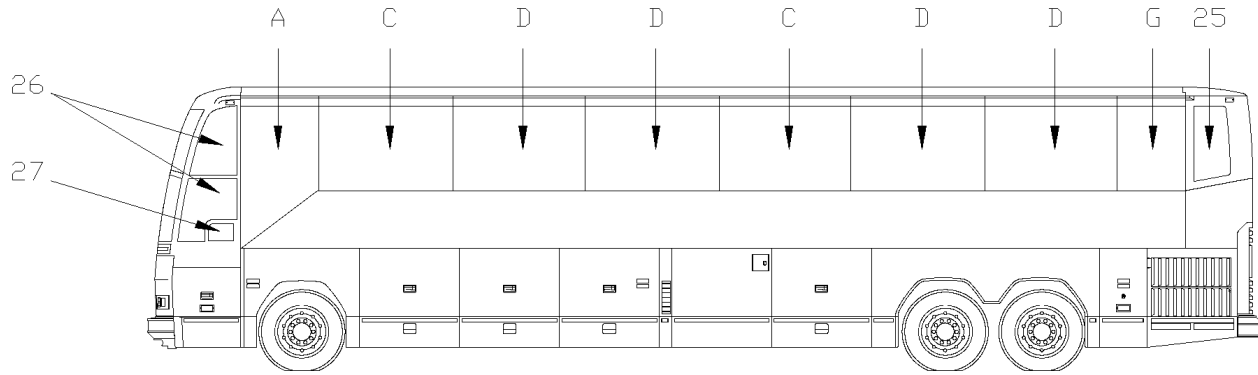
Date:10/2022

PAGE:HF-1884-01

SIDE WINDOW - BUS



H3-41



H3-45

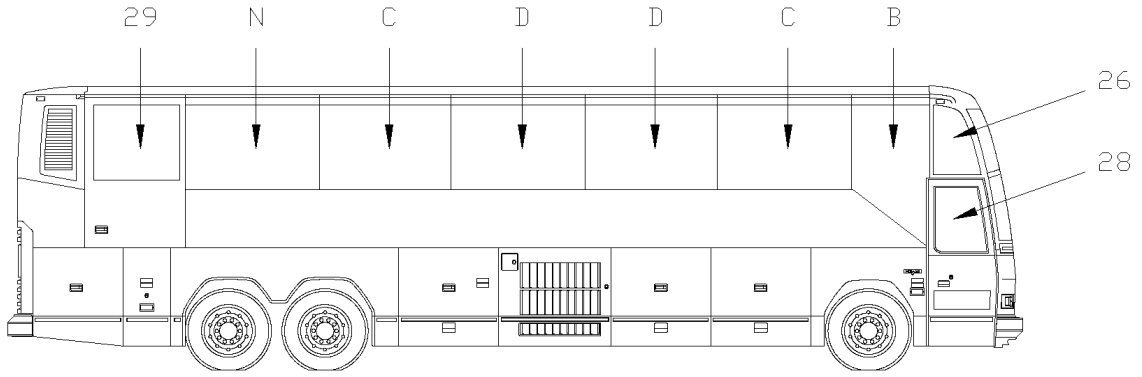


From 3-4589 To 8-1043

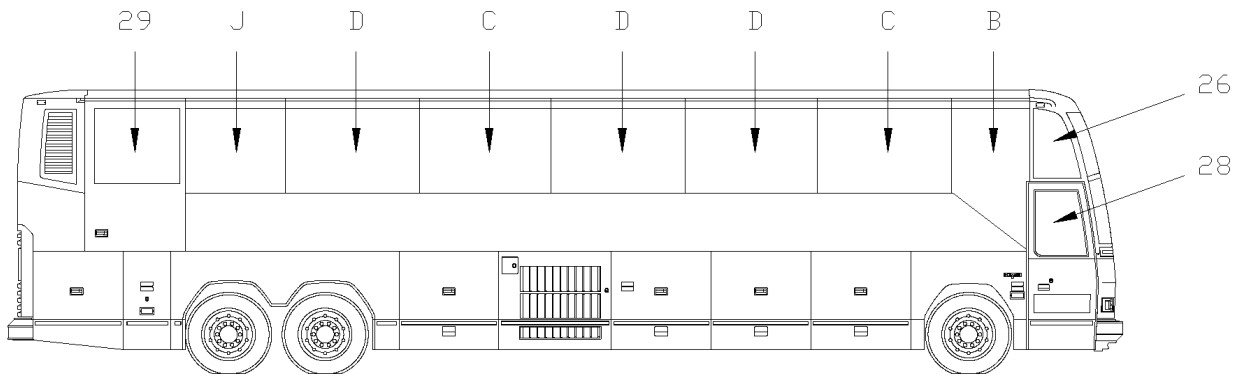
Date:10/2022

PAGE:HF-1884-01

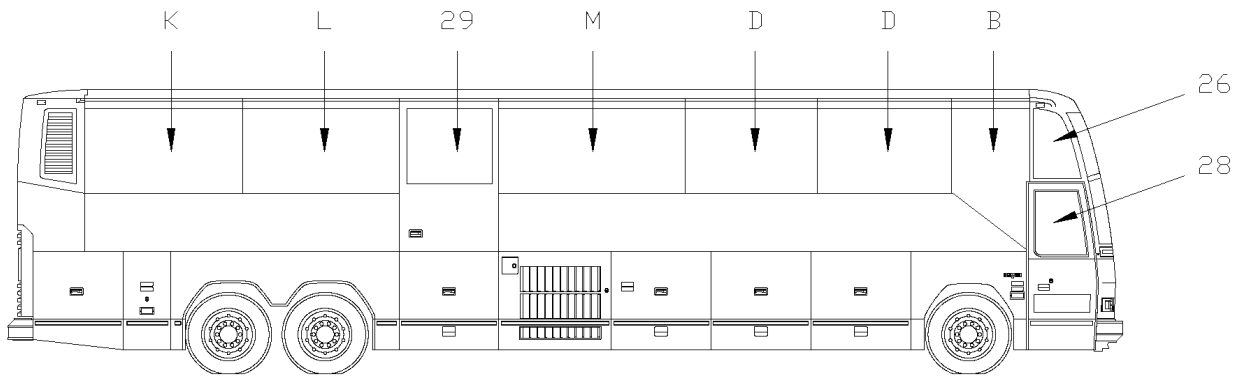
SIDE WINDOW - BUS



H3-41 WITH W.C.L. ST & ST



H3-45 WITH W.C.L. ST & ST



H3-45 WITH W.C.L. RICON



From 3-4589 To 8-1043	Date:10/2022	PAGE:HF-1884-01
SIDE WINDOW - BUS		

Item#	Part	Description	H 3 4 1	H 3 4 5	V I P 4 5	N O T E S
25	293202	GLASS THERMOS 13%	1	1		
26	HF-1880-00	WINDSHIELD & CHANNEL				
27	HF-1886-00	POWER WINDOW - ELECTRICAL INSTALLATION				
27	HF-1886-01	POWER WINDOW - ELECTRICAL INSTALLATION				
28	HF-1862-10	ENTRANCE DOOR ASSY - SEDAN				
29	HF-1862-80	ENTRANCE DOOR ASSY - W.C.L.				
NS	293084	EMERGENCY KIT / PLASTIC WINDOW	1	1		A
. NS	293087	. EMERGENCY PLEXIGLASS WINDOW 1652MM	1	1		A
. NS	293189	. SUPPORT	2	2		A
. NS	293216	. DECAL	1	1		A
. NS	504114	. RIVET POP DOME OE 3/16x1/4 AL	4	4		A
. NS	5001381	. SCREW TC CAP HEX 1/4-20x1/2 Z050	2	2		A
. NS	506004	. TAPE RUB ADH1 CC POL 3/8" x 1/2" x 20' / GREY 2520X	AR	AR		A
. NS	IS-98076	. SEE INSTRUCTION SHEET	1	1		A
A	HF-1884-01A	POSITION "A" From 3-4589 To 8-1043				
B	HF-1884-01B	POSITION "B" From 3-4589 To 8-1043				
C	HF-1884-01C	POSITION "C" (FIX TYPE) From 3-4589 To 8-1043				
D	HF-1884-01D	POSITION "D" (OPENING TYPE) From 3-4589 To 8-1043				
E	HF-1884-01E	POSITION "E" From 3-4589 To 8-1043				
F	HF-1884-01F	POSITION "F" From 3-4589 To 8-1043				
G	HF-1884-01G	POSITION "G" From 3-4589 To 8-1043				
H	HF-1884-01H	POSITION "H" From 3-4589 To 8-1043				
J	HF-1884-01J	POSITION "J" From 3-4589 To 8-1043				
K	HF-1884-01K	POSITION "K" From 3-4589 To 8-1043				
L	HF-1884-01L	POSITION "L" From 3-4589 To 8-1043				
M	HF-1884-01M	POSITION "M" From 3-4589 To 8-1043				
N	HF-1884-01N	POSITION "N" From 3-4589 To 6-0335				
		A) THIS ITEM IS LOCATED IN BAGGAGE COMPARTMENT				

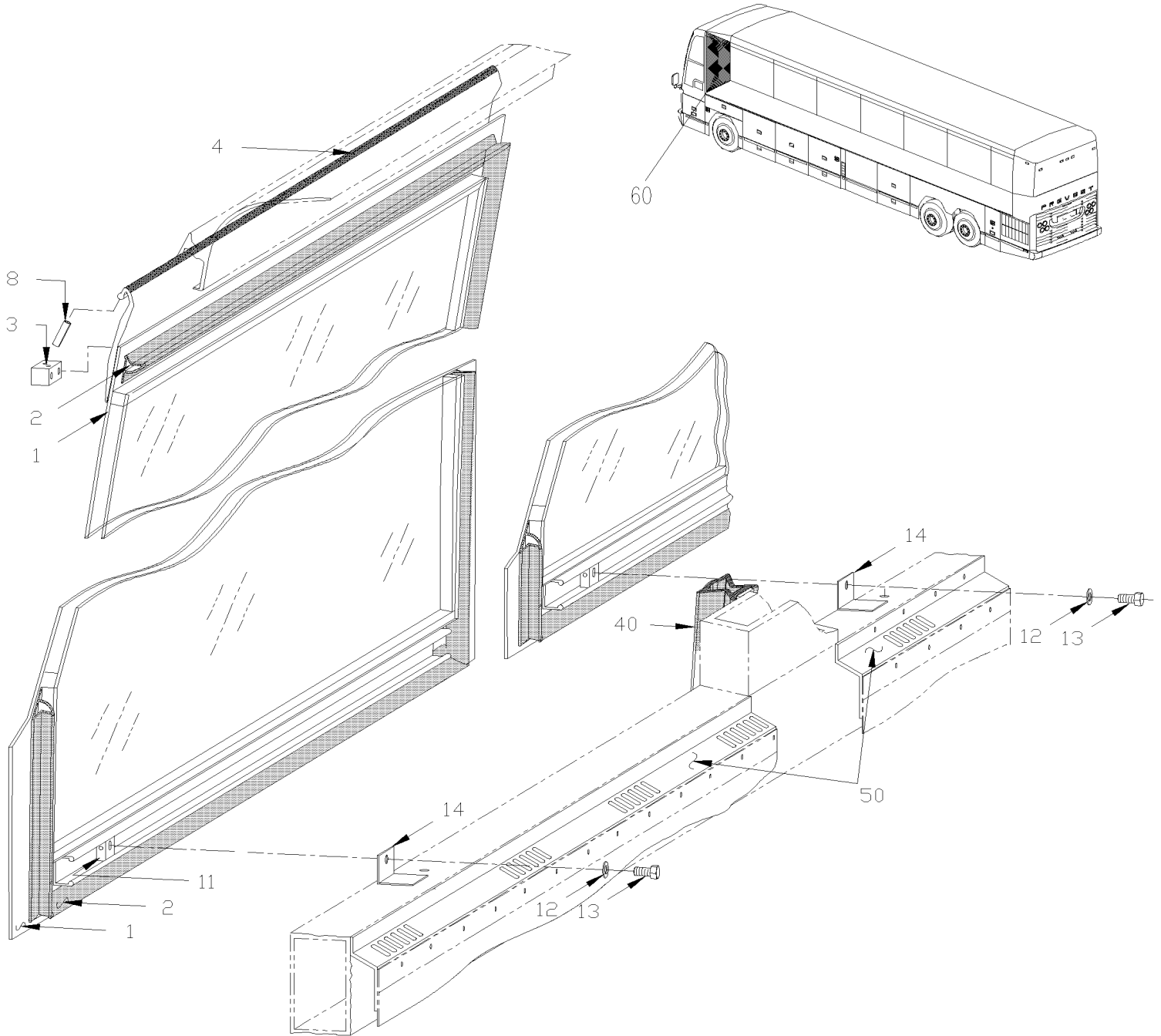


From 3-4589 To 8-1043

Date:10/2022

PAGE:HF-1884-01A

POSITION "A"





From 3-4589 To 8-1043	Date:10/2022	PAGE:HF-1884-01A
POSITION "A"		

Item#	Part	Description	H 3 4 1	H 3 4 5	V I P 4 5	N O T E S
1	292937	GLASS ASSY, THERMO 13% / TRAPEZOIDAL / LH BUS	1	1		
2	292958	. WINDOW SEAL / TRAPEZOIDAL LH 1822MM X 896MM	1	1		
3	293020	. STOPPER BLOCK W/EDGE	1	1		
3	293021	. STOPPER BLOCK	1	1		
NS	500260	. SCREW TC FL PH #8-32x3/4 BK	2	2		
4	682481	. LOW FRICTION TAPE (HOCKEY)	AR	AR		
8	505421	. SPRING, PIN M3 x 18	AR	AR		
11	292810	ANCHOR BLOCK W/THREAD M10-1.5	2	2		
12	502585	WASHER LO SERR 10.2x26.3x1.4 ZP	2	2		
NS	505213	SHIM 1/16" THICK	AR	AR		
13	502719	SCREW CAP HEX M10-1.5x20 SS EMN	2	2		
14	292931	ANGLE / (WELDED)	2	2		
40	292946	SEAL RUBBER 1125MM	12			
40	292946	SEAL RUBBER 1125MM		14		
50	HF-1833-01	WINDOW FINISHING CAP & WALL				
60	5001168	BUMPER RUBBER / .750 OD x .562 TH x .187 HOLE	1	1		
NS	680066	ADHESIVE / ADBOND #5014 / 23.6ML BOTTLE	AR	AR		

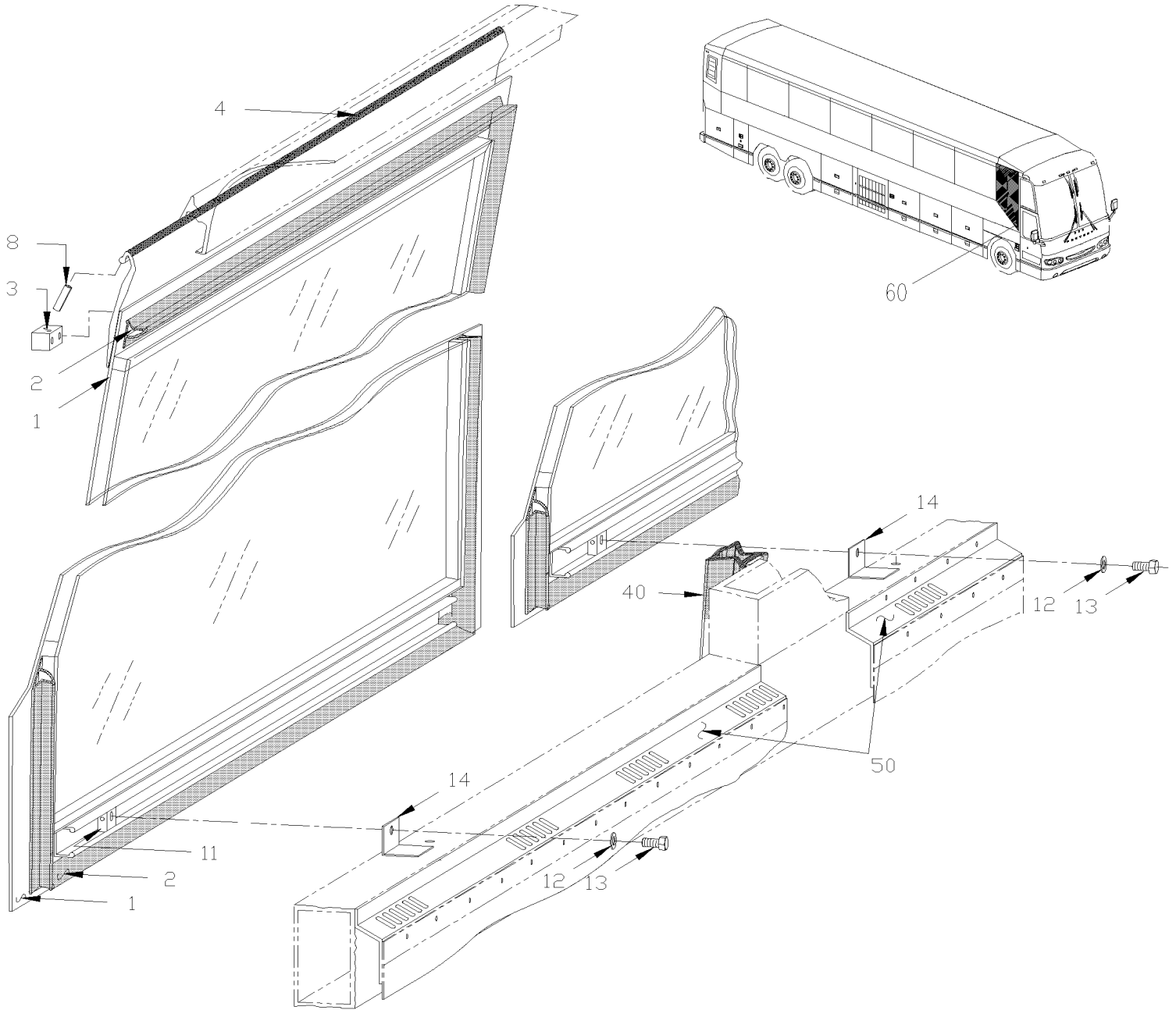


From 3-4589 To 8-1043

Date:10/2022

PAGE:HF-1884-01B

POSITION "B"





From 3-4589 To 8-1043	Date:10/2022	PAGE:HF-1884-01B
POSITION "B"		

Item#	Part	Description	H 3 4 1	H 3 4 5	V I P 4 5	N O T E S
1	292881	GLASS ASSY, THERMO 13% / TRAPEZOIDAL / RH BUS	1	1		
2	292919	. WINDOW SEAL / TRAPEZOIDAL RH 1822MM X 896MM	1	1		
3	293020	. STOPPER BLOCK W/EDGE	1	1		
3	293021	. STOPPER BLOCK	1	1		
NS	500260	. SCREW TC FL PH #8-32x3/4 BK	2	2		
4	682481	. LOW FRICTION TAPE (HOCKEY)	AR	AR		
8	505421	. SPRING, PIN M3 x 18	AR	AR		
11	292810	ANCHOR BLOCK W/THREAD M10-1.5	2	2		
12	502585	WASHER LO SERR 10.2x26.3x1.4 ZP	2	2		
NS	505213	SHIM 1/16" THICK	AR	AR		
13	502719	SCREW CAP HEX M10-1.5x20 SS EMN	2	2		
14	292931	ANGLE / (WELDED)	2	2		
40	292946	SEAL RUBBER 1125MM	12			
40	292946	SEAL RUBBER 1125MM		14		
50	HF-1833-01	WINDOW FINISHING CAP & WALL				
60	5001168	BUMPER RUBBER / .750 OD x .562 TH x .187 HOLE	1	1		
NS	680066	ADHESIVE / ADBOND #5014 / 23.6ML BOTTLE	AR	AR		

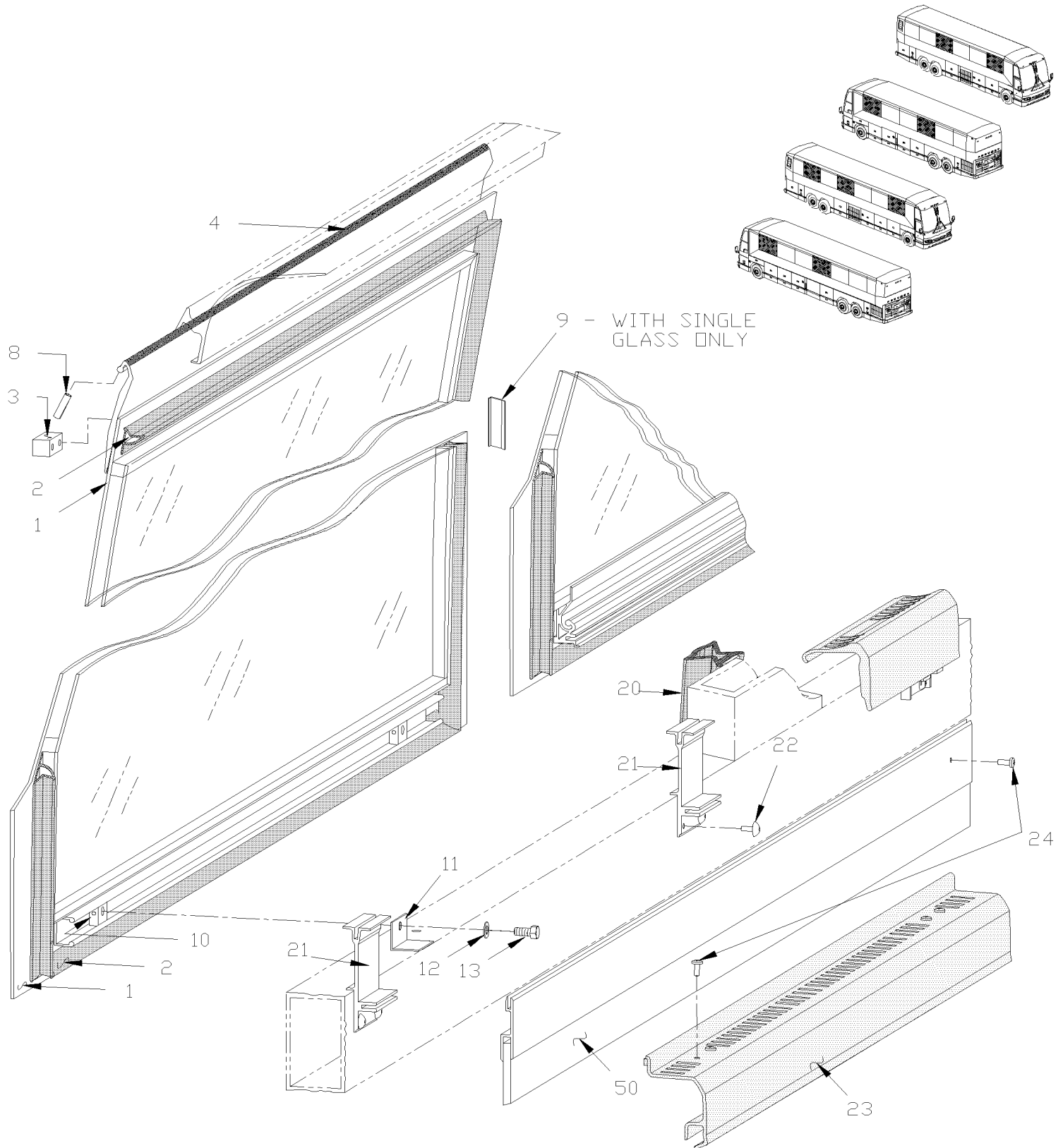


From 3-4589 To 8-1043

Date:10/2022

PAGE:HF-1884-01C

POSITION "C" (FIX TYPE)





From 3-4589 To 8-1043	Date:10/2022	PAGE:HF-1884-01C
POSITION "C" (FIX TYPE)		

Item#	Part	Description	H 3 4 1	H 3 4 5	V I P 4 5	N O T E S
1	292934	GLASS ASSY, THERMOS 13% / FIX TYPE / 1652MM	4			
1	292934	GLASS ASSY, THERMOS 13% / FIX TYPE / 1652MM		5		
1	292935	GLASS ASSY, SINGLE 13% / FIX TYPE / 1652MM	4			
1	292935	GLASS ASSY, SINGLE 13% / FIX TYPE / 1652MM		5		
2	292918	. WINDOW SEAL / 1083MM X 1613MM	1	1		
3	293020	. STOPPER BLOCK W/EDGE	1	1		
3	293021	. STOPPER BLOCK	1	1		
NS	500260	. SCREW TC FL PH #8-32x3/4 BK	2	2		
4	682481	. LOW FRICTION TAPE (HOCKEY)	AR	AR		
NS	292869	. EXTRUSION PLASTIC / WINDOW / 5MM I.D. 1650MM	1	1		
8	505421	. SPRING, PIN M3 x 18	AR	AR		
9	293068	REINFORCEMENT ANGLE / W/SINGLE FIXED GLASS	8			
9	293068	REINFORCEMENT ANGLE / W/SINGLE FIXED GLASS		10		
10	292810	ANCHOR BLOCK W/THREAD M10-1.5	2	2		
11	292931	ANGLE / (WELDED)	3	3		
12	502585	WASHER LO SERR 10.2x26.3x1.4 ZP	2	2		
NS	505213	SHIM 1/16" THICK	AR	AR		
13	502719	SCREW CAP HEX M10-1.5x20 SS EMN	2	2		
20	292946	SEAL RUBBER 1125MM	12			
20	292946	SEAL RUBBER 1125MM		14		
21	293585	SUPPORT MOULDING	2	2		
22	504249	RIVET CHY Q PRDG 3/16x3/8 SS	8	8		
23	293596	FINISHING MOULDING / 1496MM	8			
23	293596	FINISHING MOULDING / 1496MM		10		
23	297097	FINISHING MOULDING W/THERMOS GLASS W/W.C.L. STREETSIDE / 1496MM	1			
23	293818	FINISHING MOULDING 1360MM W/THERMOS GLASS W/W.C.L. STREETSIDE		1		
23	299087	FINISHING MOULDING 1360MM W/THERMOS GLASS W/W.C.L. STREETSIDE		1		
NS	409259	PROTECTOR SWITCH / CAP		2		
. NS	288728	. REINFORCMENT FOR SCREW PROTECTOR CAP		1		
NS	500814	SCREW TP BDG PH #6x3/4 BK		4		
24	500611	SCREW TC PAN PH #10-24x1/2 Z050	AR	AR		
NS	404654	DECAL / BLACK 3" X 63" / BLOCK -OFF UPPER WIN	AR	AR		
50	HF-1833-01	WINDOW FINISHING CAP & WALL				

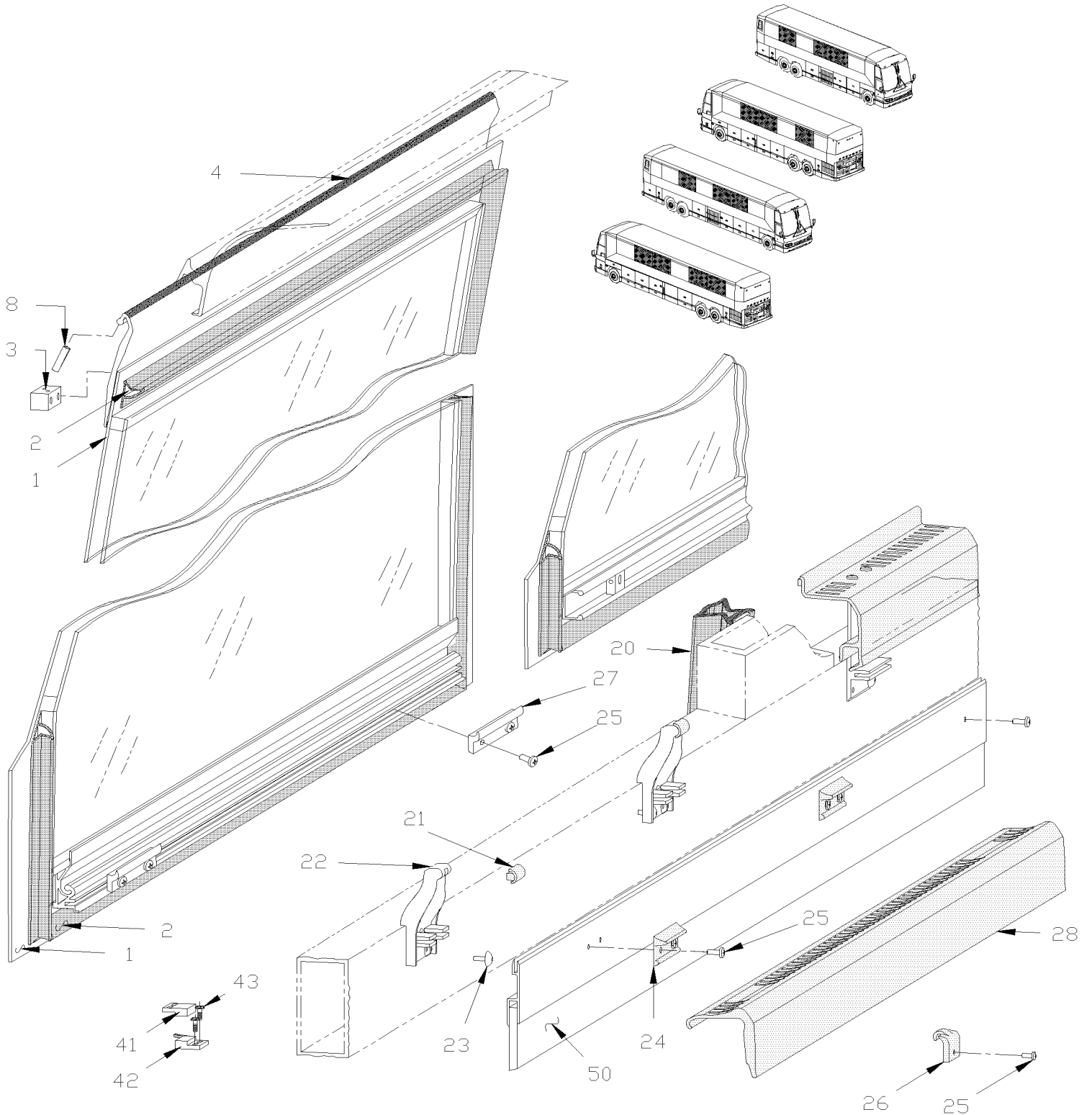


From 3-4589 To 8-1043

Date:10/2022

PAGE:HF-1884-01D

POSITION "D" (OPENING TYPE)





From 3-4589 To 8-1043	Date:10/2022	PAGE:HF-1884-01D
POSITION "D" (OPENING TYPE)		

Item#	Part	Description	H 3 4 1	H 3 4 5	V I P 4 5	N O T E S
1	293606	GLASS ASSY, THERMOS 13% / OPEN TYPE / 1652MM	6			
1	293606	GLASS ASSY, THERMOS 13% / OPEN TYPE / 1652MM		7		
1	293605	GLASS ASSY, SINGLE 13% / OPEN TYPE / 1652MM	6			
1	293605	GLASS ASSY, SINGLE 13% / OPEN TYPE / 1652MM		7		
2	292918	. WINDOW SEAL / 1083MM X 1613MM	1	1		
3	293020	. STOPPER BLOCK W/EDGE	1	1		
3	293021	. STOPPER BLOCK	1	1		
NS	500260	. SCREW TC FL PH #8-32x3/4 BK	2	2		
4	682481	. LOW FRICTION TAPE (HOCKEY)	AR	AR		
NS	292869	. EXTRUSION PLASTIC / WINDOW / 5MM I.D. 1650MM	1	1		
8	505421	. SPRING, PIN M3 x 18	AR	AR		
20	292946	SEAL RUBBER 1125MM	12			
20	292946	SEAL RUBBER 1125MM		14		
21	292837	CUSHION 2.0MM TH / BLACK PLASTIC	2	2		
21	298215	CUSHION / BLACK PLASTIC / 1.5MM TH	2	2		A
21	298225	CUSHION / BLACK PLASTIC / 2.5MM TH	2	2		A
22	293584	SUPPORT	2	2		
23	504249	RIVET CHY Q PRDG 3/16x3/8 SS	4	4		
24	293299	PROTECTOR	2	2		
25	500611	SCREW TC PAN PH #10-24x1/2 Z050	AR	AR		
26	293353	SUPPORT "J" FORM / ALLUMINUM	2	2		
26	791007	SUPPORT W/STOPPER (ONE PIECE) SERVICE	2	2		
27	293124	STOPPER BLOCK	2	2		
28	293603	HANDLE WINDOW OPENING 1496MM	1	1		
28	HF-1829-00	ACCESSORIES PASSENGER'S SEAT - "PREVOST"				
41	562641	MAGNET	6			
41	562641	MAGNET		7		
42	064360	SWITCH MAGNETIC ASSY	6			
42	064360	SWITCH MAGNETIC ASSY		7		
42	064678	SWITCH MAGNETIC ASSY W/TAPE DUAL LOCK	AR	AR		
43	500862	SCREW TC PAN PH #6-32x3/4 Z050	12	12		
NS	404654	DECAL / BLACK 3" X 63" / BLOCK -OFF UPPER WIN	AR	AR		
50	HF-1833-01	WINDOW FINISHING CAP & WALL				
		A) USED IN PRODUCTION SINCE JANUARY 2007				

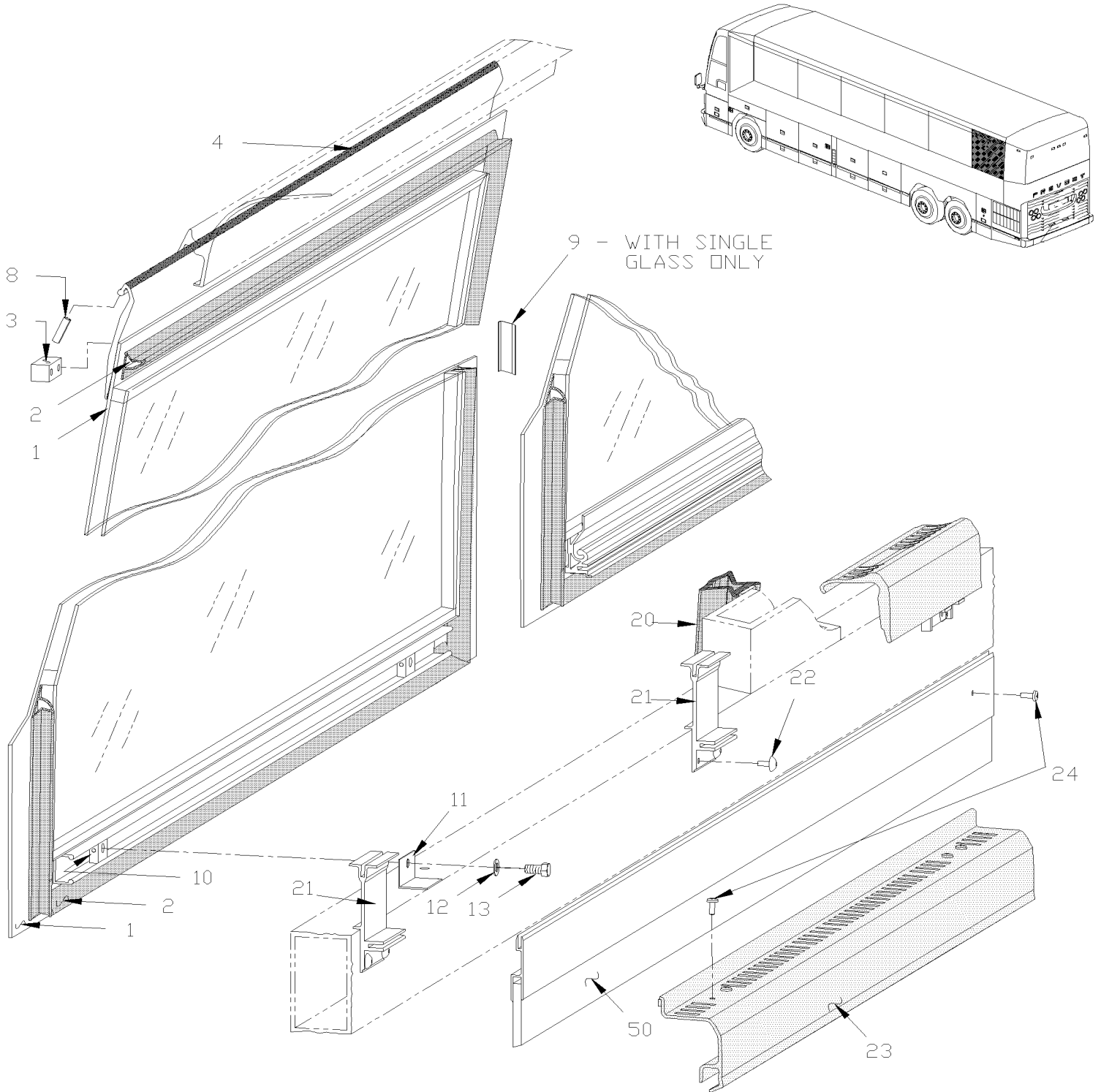


From 3-4589 To 8-1043

Date:10/2022

PAGE:HF-1884-01E

POSITION "E"





From 3-4589 To 8-1043	Date:10/2022	PAGE:HF-1884-01E
POSITION "E"		

Item#	Part	Description	H 3 4 1	H 3 4 5	V I P 4 5	N O T E S
1	292938	GLASS ASSY, THERMOS 13% / 1254MM	1			
1	292950	GLASS ASSY, SINGLE 13% / 1254MM	1			
2	292957	. WINDOW SEAL / 1083MM X 1174MM	1			
3	293020	. STOPPER BLOCK W/EDGE	1			
3	293021	. STOPPER BLOCK	1			
NS	500260	. SCREW TC FL PH #8-32x3/4 BK	2			
4	682481	. LOW FRICTION TAPE (HOCKEY)	AR			
8	505421	. SPRING, PIN M3 x 18	AR			
9	293068	REINFORCEMENT ANGLE / W/SINGLE FIXED GLASS	1			
10	292810	ANCHOR BLOCK W/THREAD M10-1.5	2			
11	292931	ANGLE / (WELDED)	3			
12	502585	WASHER LO SERR 10.2x26.3x1.4 ZP	2			
NS	505213	SHIM 1/16" THICK	AR			
13	502719	SCREW CAP HEX M10-1.5x20 SS EMN	2			
20	292946	SEAL RUBBER 1125MM	12			
21	293585	SUPPORT MOULDING	2			
22	504249	RIVET CHY Q PRDG 3/16x3/8 SS	8			
23	293598	FINISHING MOULDING W/THERMOS GLASS / 1057MM	1			
24	500611	SCREW TC PAN PH #10-24x1/2 Z050	AR			
50	HF-1833-01	WINDOW FINISHING CAP & WALL				

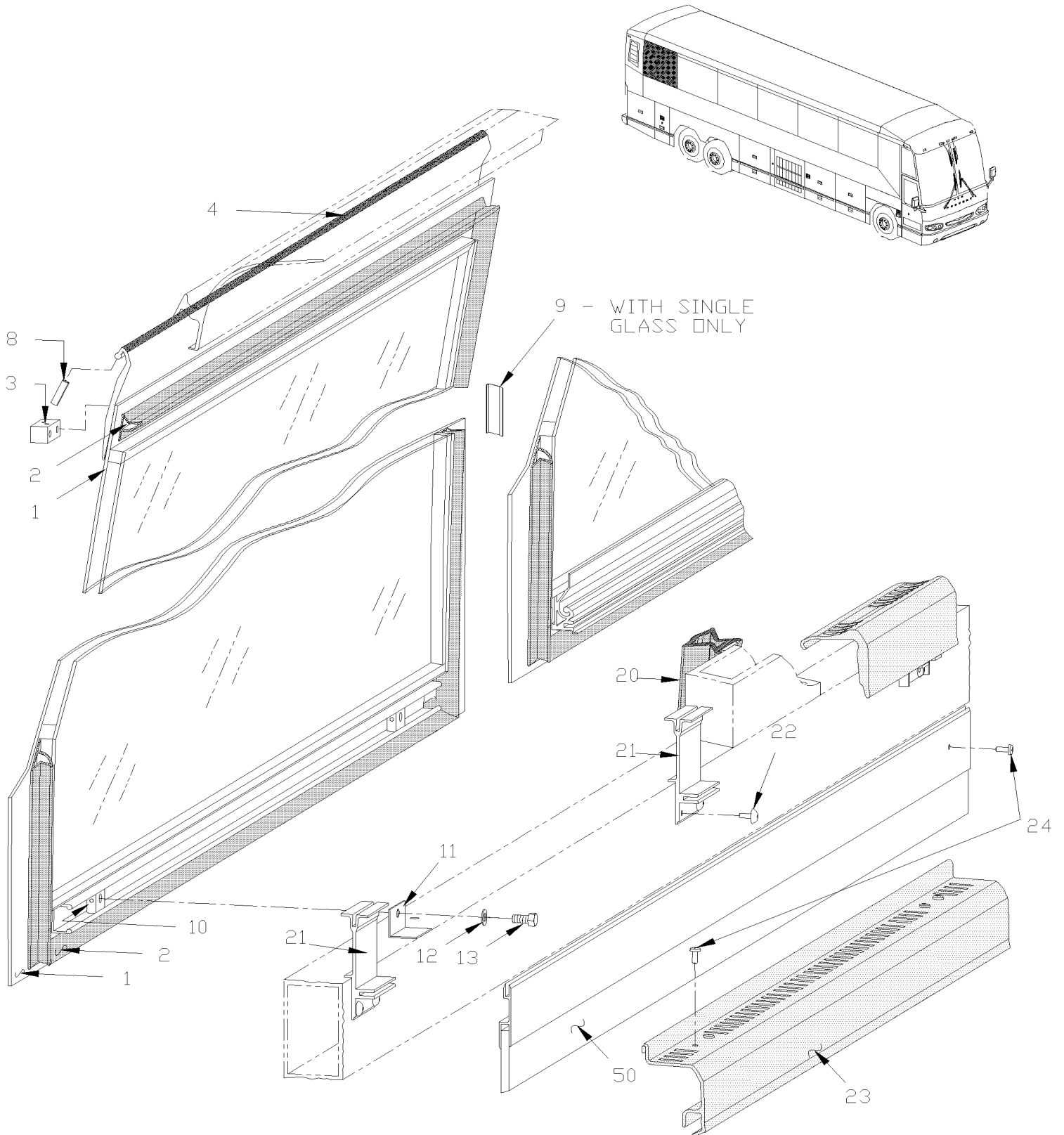


From 3-4589 To 8-1043

Date:10/2022

PAGE:HF-1884-01F

POSITION "F"





From 3-4589 To 8-1043	Date:10/2022	PAGE:HF-1884-01F
POSITION "F"		

Item#	Part	Description	H 3 4 1	H 3 4 5	V I P 4 5	N O T E S
1	292933	GLASS ASSY, THERMOS 13% / 1254MM	1			
1	292945	GLASS ASSY, SINGLE 13% / 1254MM	1			
2	292957	. WINDOW SEAL / 1083MM X 1174MM	1			
3	293020	. STOPPER BLOCK W/EDGE	1			
3	293021	. STOPPER BLOCK	1			
NS	500260	. SCREW TC FL PH #8-32x3/4 BK	2			
4	682481	. LOW FRICTION TAPE (HOCKEY)	AR			
8	505421	. SPRING, PIN M3 x 18	AR			
9	293068	REINFORCEMENT ANGLE / W/SINGLE FIXED GLASS	2			
10	292810	ANCHOR BLOCK W/THREAD M10-1.5	2			
11	292931	ANGLE / (WELDED)	3			
12	502585	WASHER LO SERR 10.2x26.3x1.4 ZP	2			
NS	505213	SHIM 1/16" THICK	AR			
13	502719	SCREW CAP HEX M10-1.5x20 SS EMN	2			
20	292946	SEAL RUBBER 1125MM	12			
21	293585	SUPPORT MOULDING	2			
22	504249	RIVET CHY Q PRDG 3/16x3/8 SS	8			
23	293598	FINISHING MOULDING W/THERMOS GLASS / 1057MM	1			
24	500611	SCREW TC PAN PH #10-24x1/2 Z050	AR			
50	HF-1833-01	WINDOW FINISHING CAP & WALL				

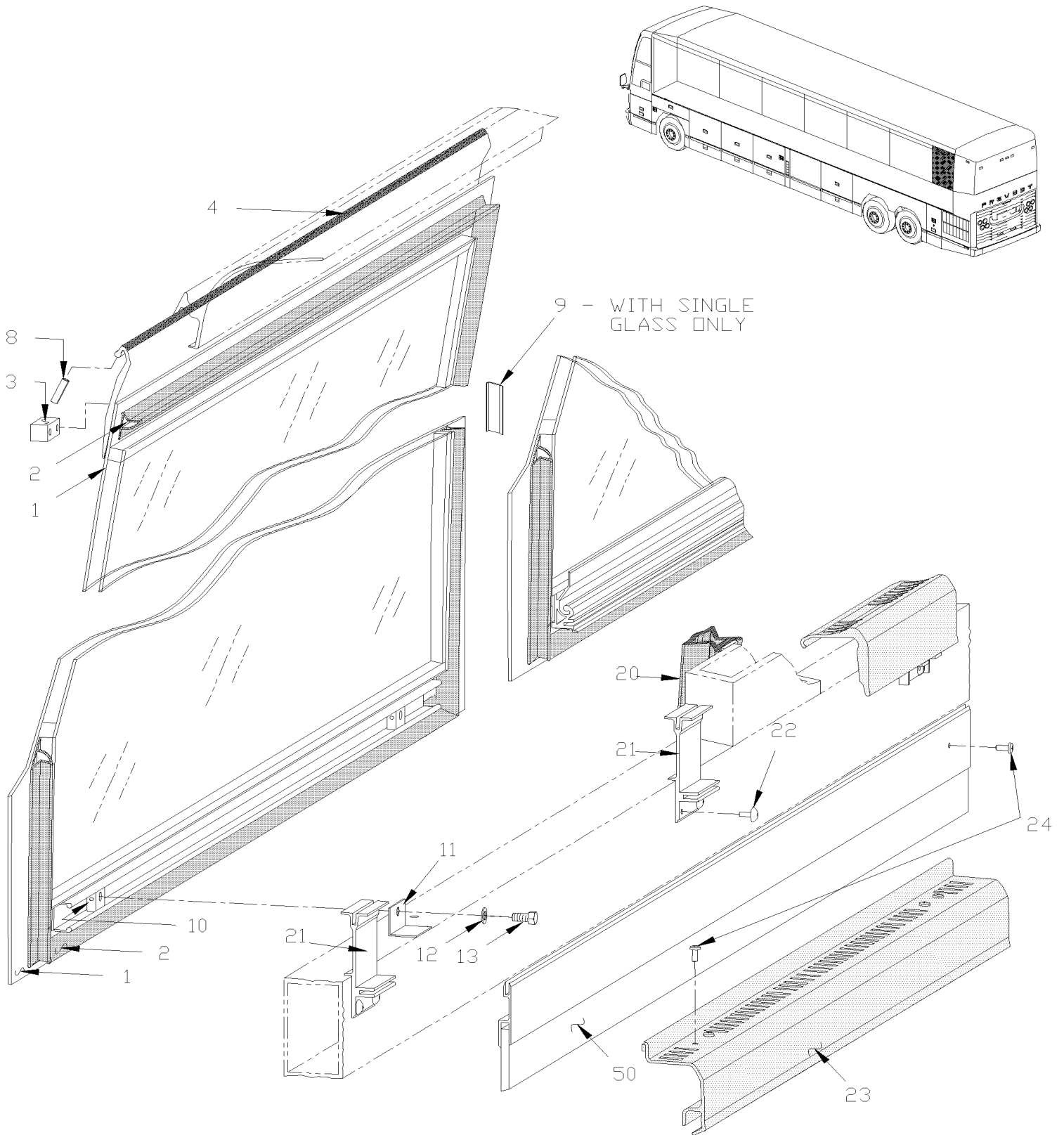


From 3-4589 To 8-1043

Date:10/2022

PAGE:HF-1884-01G

POSITION "G"





From 3-4589 To 8-1043	Date:10/2022	PAGE:HF-1884-01G
POSITION "G"		

Item#	Part	Description	H 3 4 1	H 3 4 5	V I P 4 5	N O T E S
1	292936	GLASS ASSY, THERMOS 13% / 840MM		1		
1	292948	GLASS ASSY, SINGLE 13% / 840MM		1		
2	292956	. WINDOW SEAL / 1083MM X 760MM		1		
3	293020	. STOPPER BLOCK W/EDGE		1		
3	293021	. STOPPER BLOCK		1		
NS	500260	. SCREW TC FL PH #8-32x3/4 BK		2		
4	682481	. LOW FRICTION TAPE (HOCKEY)		AR		
8	505421	. SPRING, PIN M3 x 18		AR		
9	293068	REINFORCEMENT ANGLE / W/SINGLE FIXED GLASS		2		
10	292810	ANCHOR BLOCK W/THREAD M10-1.5		2		
11	292931	ANGLE / (WELDED)		3		
12	502585	WASHER LO SERR 10.2x26.3x1.4 ZP		2		
NS	505213	SHIM 1/16" THICK		AR		
13	502719	SCREW CAP HEX M10-1.5x20 SS EMN		2		
20	292946	SEAL RUBBER 1125MM		14		
21	293585	SUPPORT MOULDING		2		
22	504249	RIVET CHY Q PRDG 3/16x3/8 SS		8		
23	293599	FINISHING MOULDING W/THERMOS GLASS / 643MM		1		
24	500611	SCREW TC PAN PH #10-24x1/2 Z050		AR		
50	HF-1833-01	WINDOW FINISHING CAP & WALL				

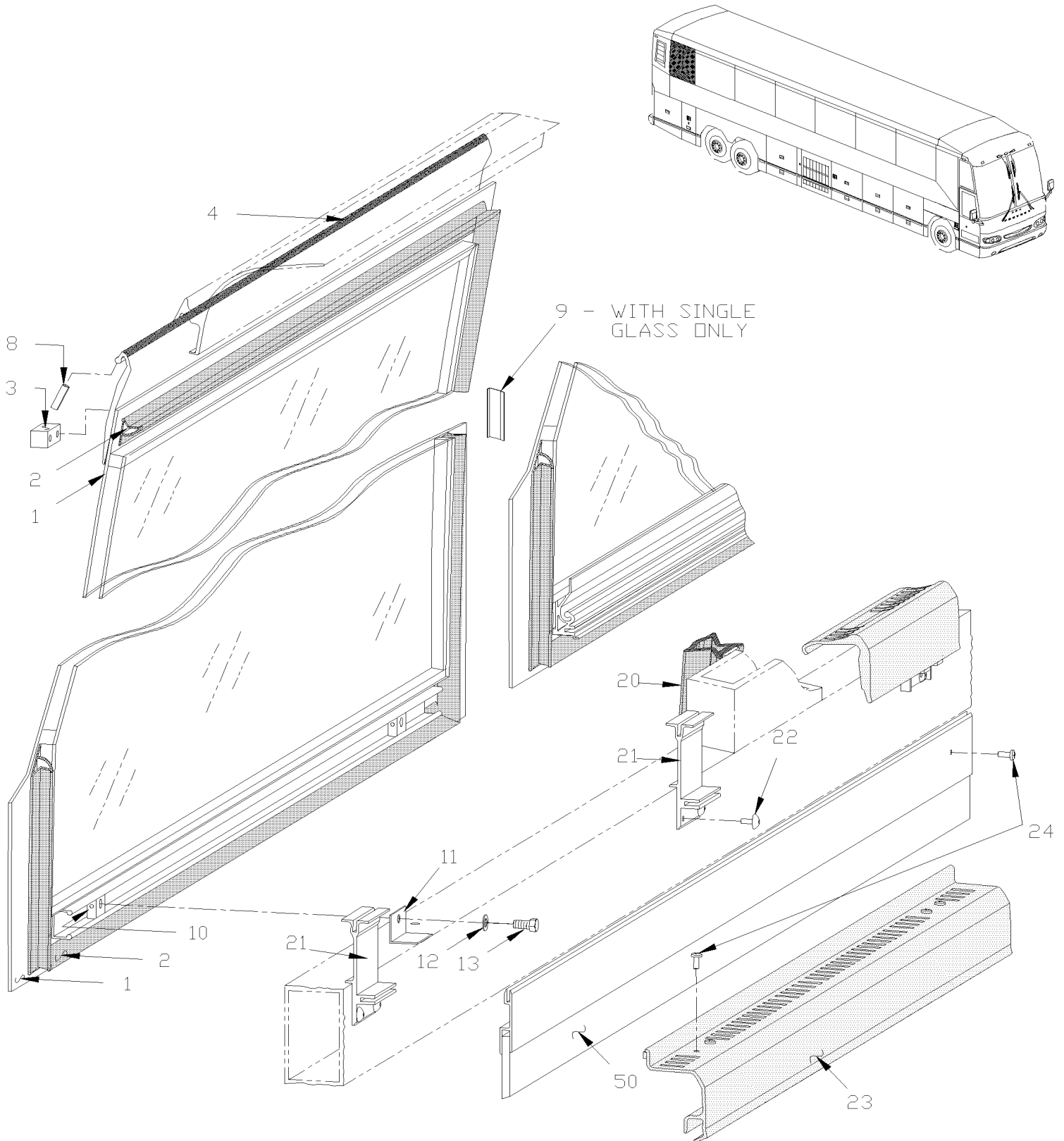


From 3-4589 To 8-1043

Date:10/2022

PAGE:HF-1884-01H

POSITION "H"





From 3-4589 To 8-1043	Date:10/2022	PAGE:HF-1884-01H
POSITION "H"		

Item#	Part	Description	H 3 4 1	H 3 4 5	V I P 4 5	N O T E S
1	292932	GLASS ASSY, THERMOS 13% / 840MM		1		
1	292944	GLASS ASSY, SINGLE 13% / 840MM		1		
2	292956	. WINDOW SEAL / 1083MM X 760MM		1		
3	293020	. STOPPER BLOCK W/EDGE		1		
3	293021	. STOPPER BLOCK		1		
NS	500260	. SCREW TC FL PH #8-32x3/4 BK		2		
4	682481	. LOW FRICTION TAPE (HOCKEY)		AR		
8	505421	. SPRING, PIN M3 x 18		AR		
9	293068	REINFORCEMENT ANGLE / W/SINGLE FIXED GLASS		2		
10	292810	ANCHOR BLOCK W/THREAD M10-1.5		2		
11	292931	ANGLE / (WELDED)		3		
12	502585	WASHER LO SERR 10.2x26.3x1.4 ZP		2		
NS	505213	SHIM 1/16" THICK		AR		
13	502719	SCREW CAP HEX M10-1.5x20 SS EMN		2		
20	292946	SEAL RUBBER 1125MM		14		
21	293585	SUPPORT MOULDING		2		
22	504249	RIVET CHY Q PRDG 3/16x3/8 SS		8		
23	293599	FINISHING MOULDING W/THERMOS GLASS / 643MM		1		
24	500611	SCREW TC PAN PH #10-24x1/2 Z050		AR		
50	HF-1833-01	WINDOW FINISHING CAP & WALL				

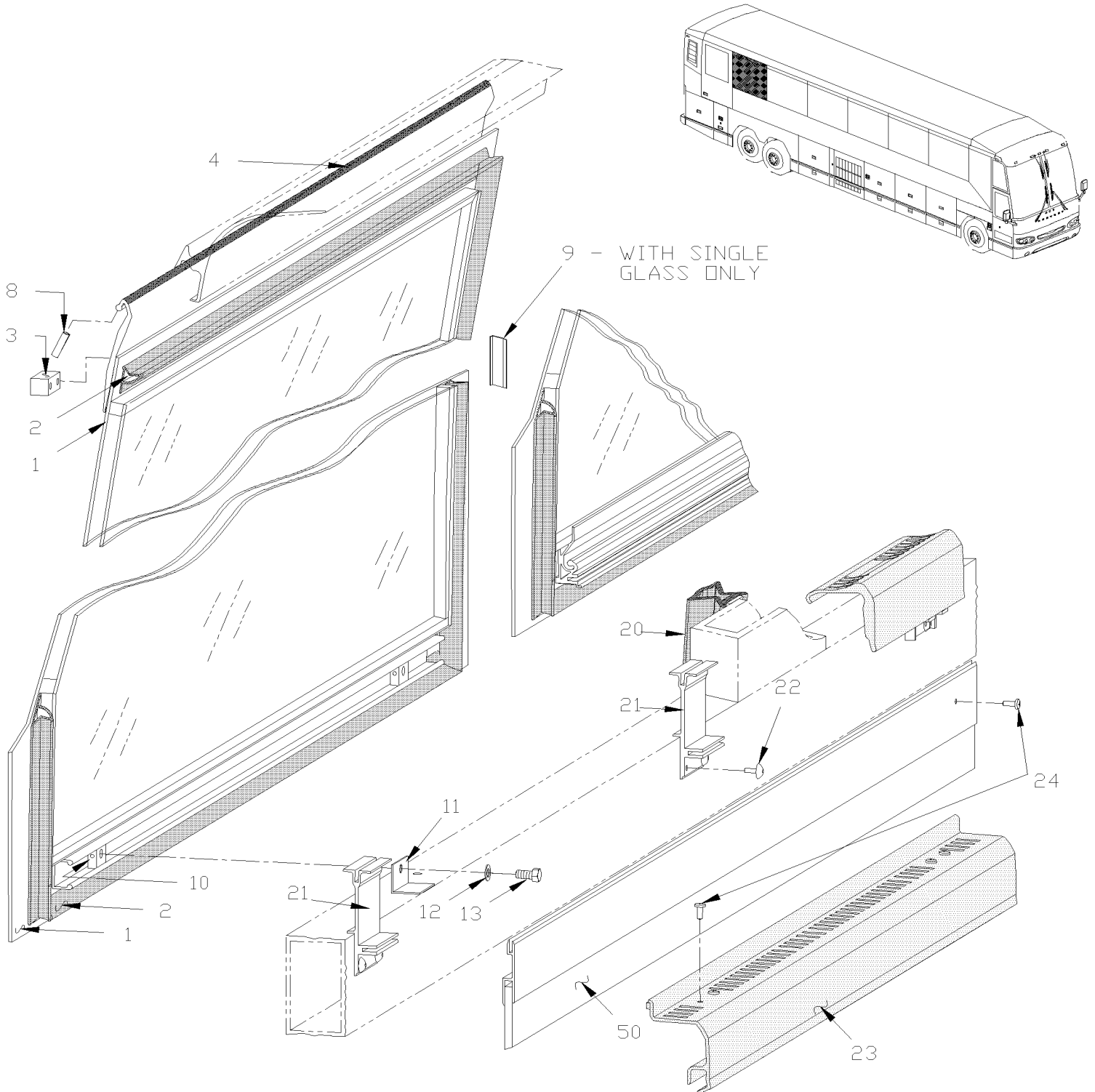


From 3-4589 To 8-1043

Date:10/2022

PAGE:HF-1884-01J

POSITION "J"





From 3-4589 To 8-1043	Date:10/2022	PAGE:HF-1884-01J
POSITION "J"		

Item#	Part	Description	H 3 4 1	H 3 4 5	V I P 4 5	N O T E S
1	292939	GLASS ASSY, THERMOS 13% / 1254MM		1		
1	292951	GLASS ASSY, SINGLE 13% / 1254MM		1		
2	292957	. WINDOW SEAL / 1083MM X 1174MM		1		
3	293020	. STOPPER BLOCK W/EDGE		1		
3	293021	. STOPPER BLOCK		1		
NS	500260	. SCREW TC FL PH #8-32x3/4 BK		2		
4	682481	. LOW FRICTION TAPE (HOCKEY)		AR		
NS	292960	. EXTRUSION PLASTIC / WINDOW / 5MM I.D. 1252MM		1		
8	505421	. SPRING, PIN M3 x 18		AR		
9	293068	REINFORCEMENT ANGLE / W/SINGLE FIXED GLASS		2		
10	292810	ANCHOR BLOCK W/THREAD M10-1.5		2		
11	292931	ANGLE / (WELDED)		2		
12	502585	WASHER LO SERR 10.2x26.3x1.4 ZP		2		
NS	505213	SHIM 1/16" THICK		AR		
13	502719	SCREW CAP HEX M10-1.5x20 SS EMN		2		
20	292946	SEAL RUBBER 1125MM		14		
21	293585	SUPPORT MOULDING		2		
22	504249	RIVET CHY Q PRDG 3/16x3/8 SS		8		
23	293598	FINISHING MOULDING W/THERMOS GLASS / 1057MM		1		
24	500611	SCREW TC PAN PH #10-24x1/2 Z050		AR		
50	HF-1833-01	WINDOW FINISHING CAP & WALL				

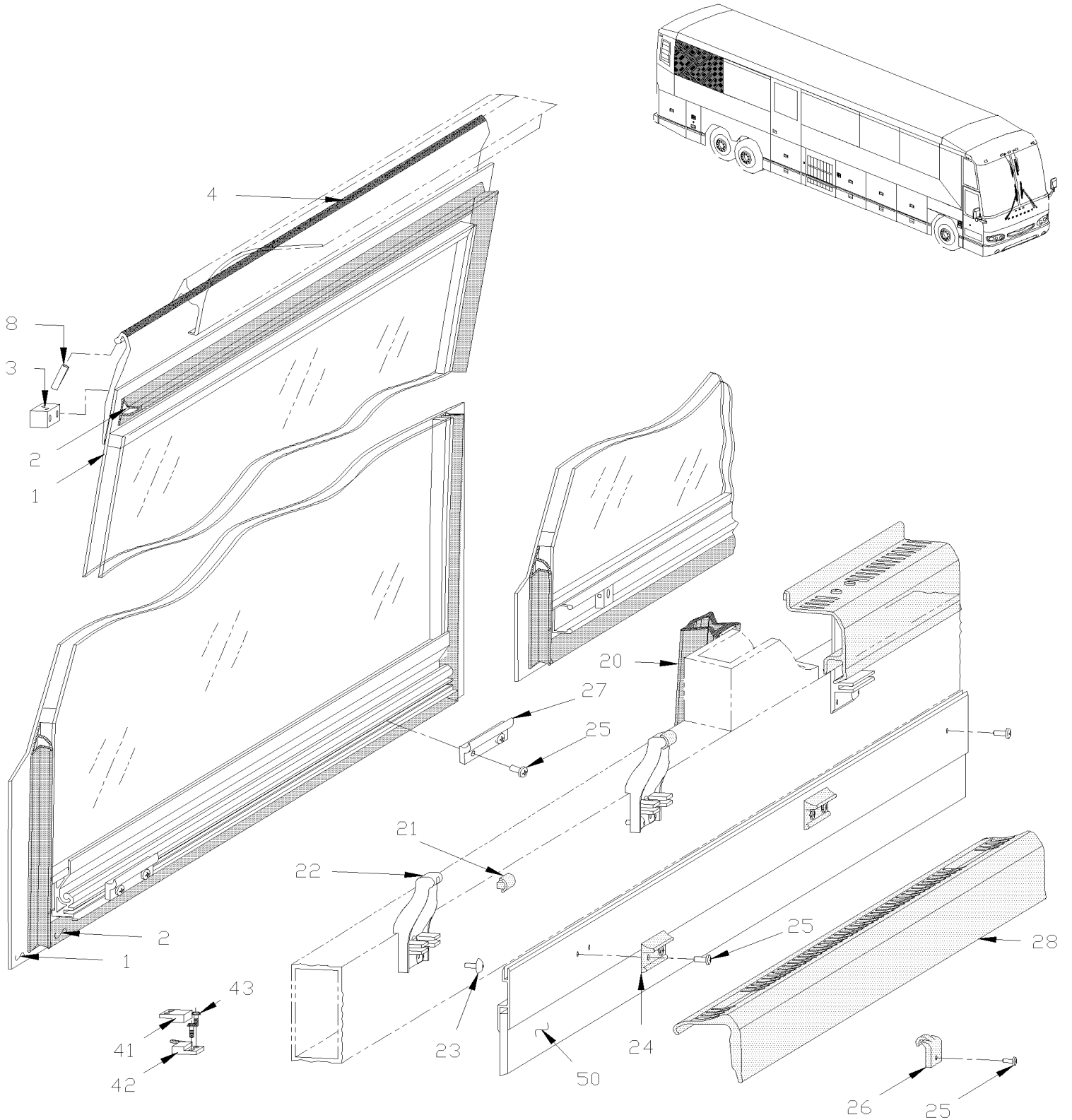


From 3-4589 To 8-1043

Date:10/2022

PAGE:HF-1884-01K

POSITION "K"





From 3-4589 To 8-1043	Date:10/2022	PAGE:HF-1884-01K
POSITION "K"		

Item#	Part	Description	H 3 4 1	H 3 4 5	V I P 4 5	N O T E S
1	293616	GLASS ASSY, THERMOS 13% / OPEN TYPE / 1693.1MM		1		
1	293615	GLASS ASSY, SINGLE 13% / OPEN TYPE / 1693.1MM		1		
2	292918	. WINDOW SEAL / 1083MM X 1613MM		1		
3	293020	. STOPPER BLOCK W/WEDGE		1		
3	293021	. STOPPER BLOCK		1		
NS	500260	. SCREW TC FL PH #8-32x3/4 BK		2		
4	682481	. LOW FRICTION TAPE (HOCKEY)		AR		
NS	292869	. EXTRUSION PLASTIC / WINDOW / 5MM I.D. 1650MM		1		
8	505421	. SPRING, PIN M3 x 18		AR		
20	292946	SEAL RUBBER 1125MM		14		
21	292837	CUSHION 2.0MM TH / BLACK PLASTIC		2		
21	298215	CUSHION / BLACK PLASTIC / 1.5MM TH		2		A
21	298225	CUSHION / BLACK PLASTIC / 2.5MM TH		2		A
22	293584	SUPPORT		2		
23	504249	RIVET CHY Q PRDG 3/16x3/8 SS		4		
24	293299	PROTECTOR		2		
25	500611	SCREW TC PAN PH #10-24x1/2 Z050		AR		
26	293353	SUPPORT "J" FORM / ALLUMINUM		2		
26	791007	SUPPORT W/STOPPER (ONE PIECE) SERVICE		2		
27	293124	STOPPER BLOCK		2		
28	293603	HANDLE WINDOW OPENING 1496MM		1		
28	HF-1829-00	ACCESSORIES PASSENGER'S SEAT - "PREVOST"				
41	562641	MAGNET		1		
42	064360	SWITCH MAGNETIC ASSY		1		
42	064678	SWITCH MAGNETIC ASSY W/TAPE DUAL LOCK		1		
43	500862	SCREW TC PAN PH #6-32x3/4 Z050		12		
50	HF-1833-01	WINDOW FINISHING CAP & WALL				
		A) USED IN PRODUCTION SINCE JANUARY 2007				

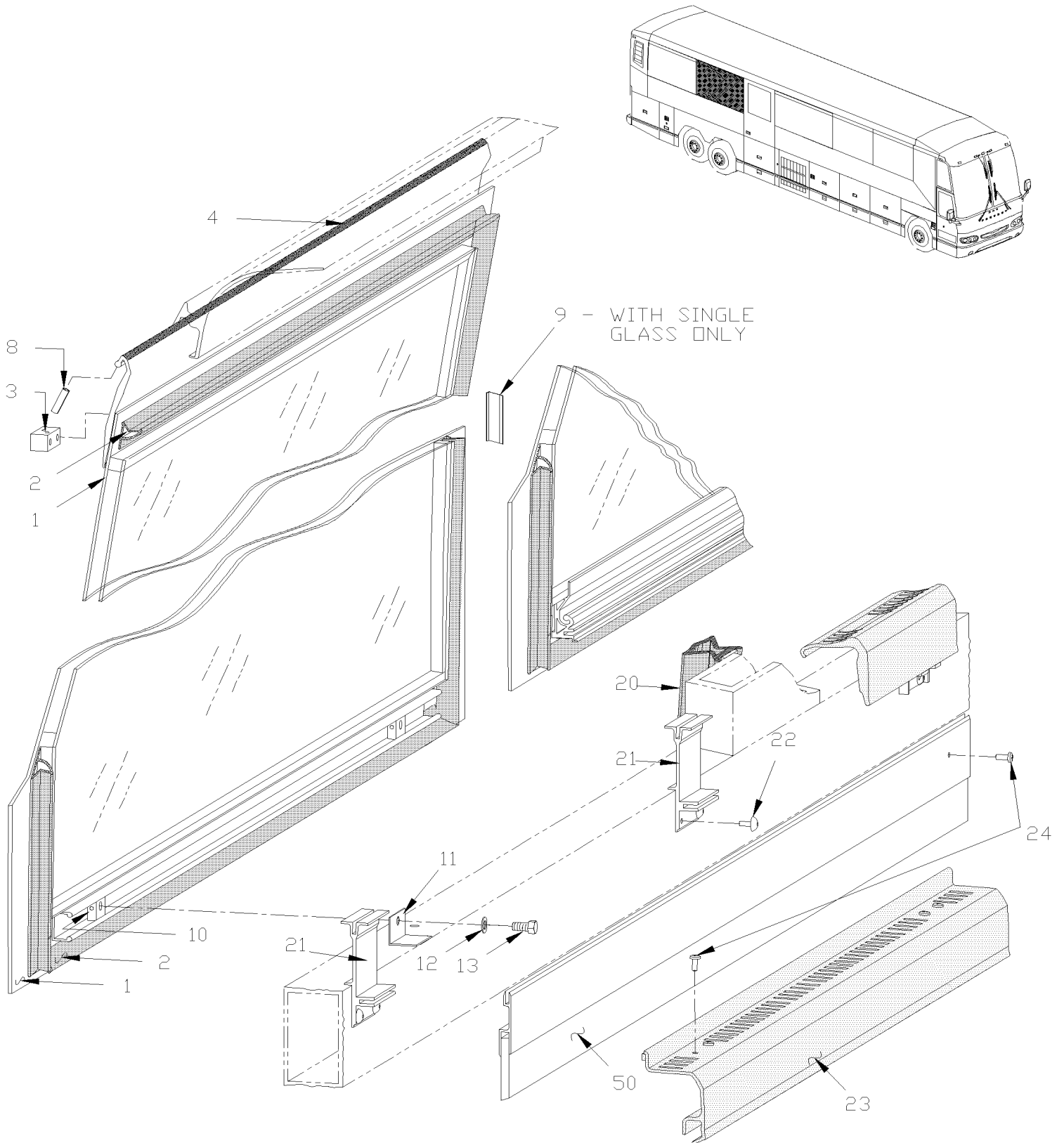


From 3-4589 To 8-1043

Date:10/2022

PAGE:HF-1884-01L

POSITION "L"





From 3-4589 To 8-1043	Date:10/2022	PAGE:HF-1884-01L
POSITION "L"		

Item#	Part	Description	H 3 4 1	H 3 4 5	V I P 4 5	N O T E S
1	292942	GLASS ASSY, THERMOS 13% / 2223MM To 5-0167		1		
1	293803	GLASS ASSY, THERMOS 13% / 2251.5MM From 5-0168		1		
1	292954	GLASS ASSY, SINGLE 13% / 2223MM To 5-0167		1		
1	293802	GLASS ASSY, SINGLE 13% / 2251.5MM From 5-0168		1		
2	292959	. WINDOW SEAL / 1083MM X 2194MM		1		
3	293020	. STOPPER BLOCK W/EDGE		1		
3	293021	. STOPPER BLOCK		1		
NS	500260	. SCREW TC FL PH #8-32x3/4 BK		2		
4	682481	. LOW FRICTION TAPE (HOCKEY)		AR		
NS	292963	. EXTRUSION PLASTIC / WINDOW / 5MM I.D. 2221MM		1		
8	505421	. SPRING, PIN M3 x 18		AR		
9	293068	REINFORCEMENT ANGLE / W/SINGLE FIXED GLASS		2		
10	292810	ANCHOR BLOCK W/THREAD M10-1.5		2		
11	292931	ANGLE / (WELDED)		3		
12	502585	WASHER LO SERR 10.2x26.3x1.4 ZP		2		
NS	505213	SHIM 1/16" THICK		AR		
13	502719	SCREW CAP HEX M10-1.5x20 SS EMN		2		
20	292946	SEAL RUBBER 1125MM		14		
21	293585	SUPPORT MOULDING		2		
22	504249	RIVET CHY Q PRDG 3/16x3/8 SS		8		
23	293604	FINISHING MOULDING W/THERMOS GLASS / 2076MM		1		
24	500611	SCREW TC PAN PH #10-24x1/2 Z050		AR		
50	HF-1833-01	WINDOW FINISHING CAP & WALL				

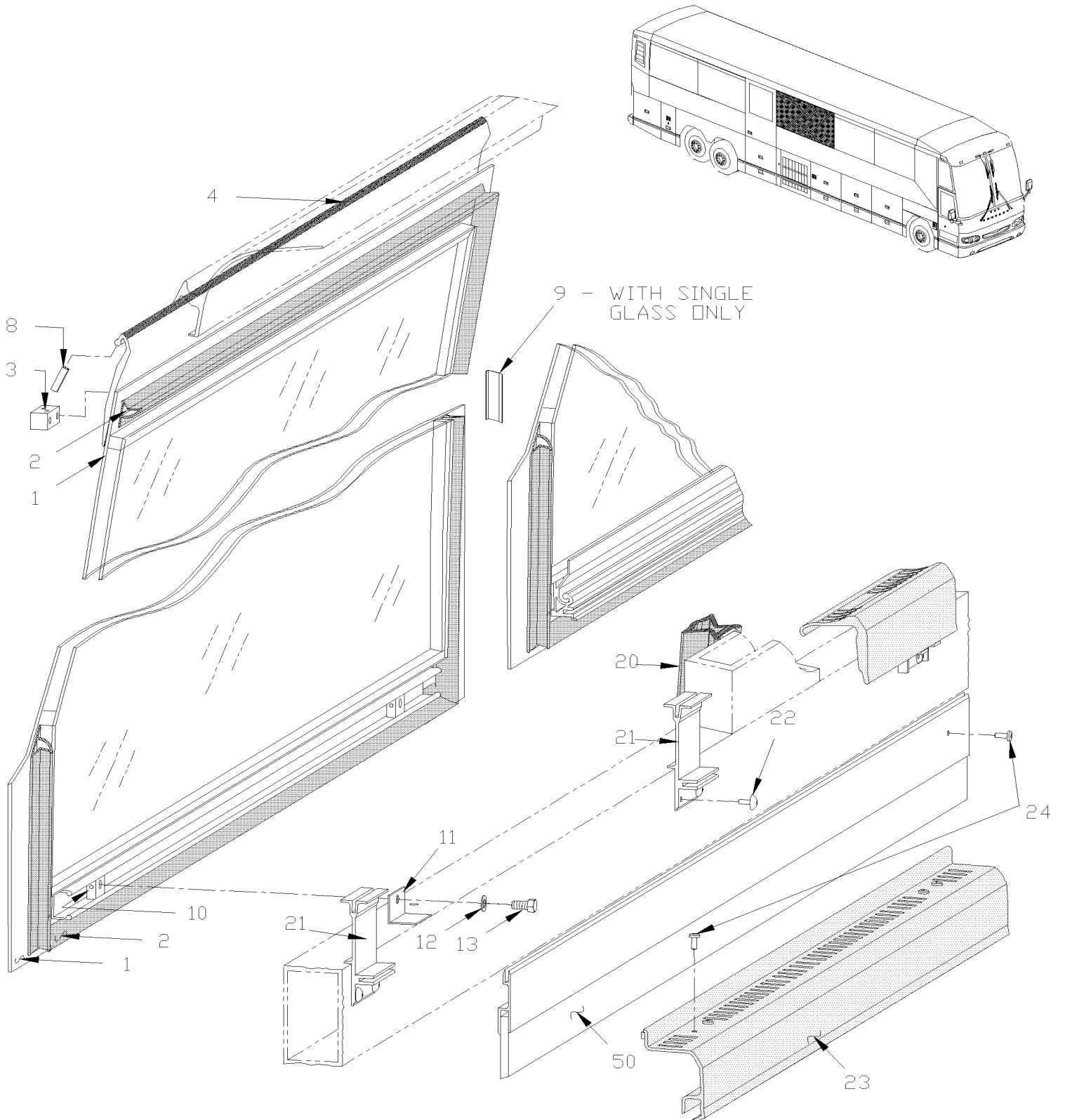


From 3-4589 To 8-1043

Date:10/2022

PAGE:HF-1884-01M

POSITION "M"





From 3-4589 To 8-1043	Date:10/2022	PAGE:HF-1884-01M
POSITION "M"		

Item#	Part	Description	H 3 4 1	H 3 4 5	V I P 4 5	N O T E S
1	292943	GLASS ASSY, THERMOS 13% / 2288.5MM To 5-0167		1		
1	293798	GLASS ASSY, THERMOS 13% / 2296MM From 5-0168		1		
1	292955	GLASS ASSY, SINGLE 13% / 2288.5MM To 5-0167		1		
1	293799	GLASS ASSY, SINGLE 13% / 2296MM From 5-0168		1		
2	292959	. WINDOW SEAL / 1083MM X 2194MM		1		
3	293020	. STOPPER BLOCK W/EDGE		1		
3	293021	. STOPPER BLOCK		1		
NS	500260	. SCREW TC FL PH #8-32x3/4 BK		2		
4	682481	. LOW FRICTION TAPE (HOCKEY)		AR		
NS	292964	. EXTRUSION PLASTIC / WINDOW / 5MM I.D. 2286MM		1		
8	505421	. SPRING, PIN M3 x 18		AR		
9	293068	REINFORCEMENT ANGLE / W/SINGLE FIXED GLASS		2		
10	292810	ANCHOR BLOCK W/THREAD M10-1.5		2		
11	292931	ANGLE / (WELDED)		2		
12	502585	WASHER LO SERR 10.2x26.3x1.4 ZP		2		
NS	505213	SHIM 1/16" THICK		AR		
13	502719	SCREW CAP HEX M10-1.5x20 SS EMN		2		
20	292946	SEAL RUBBER 1125MM		14		
21	293585	SUPPORT MOULDING		2		
22	504249	RIVET CHY Q PRDG 3/16x3/8 SS		8		
23	293604	FINISHING MOULDING W/THERMOS GLASS / 2076MM		1		
24	500611	SCREW TC PAN PH #10-24x1/2 Z050		AR		
50	HF-1833-01	WINDOW FINISHING CAP & WALL				

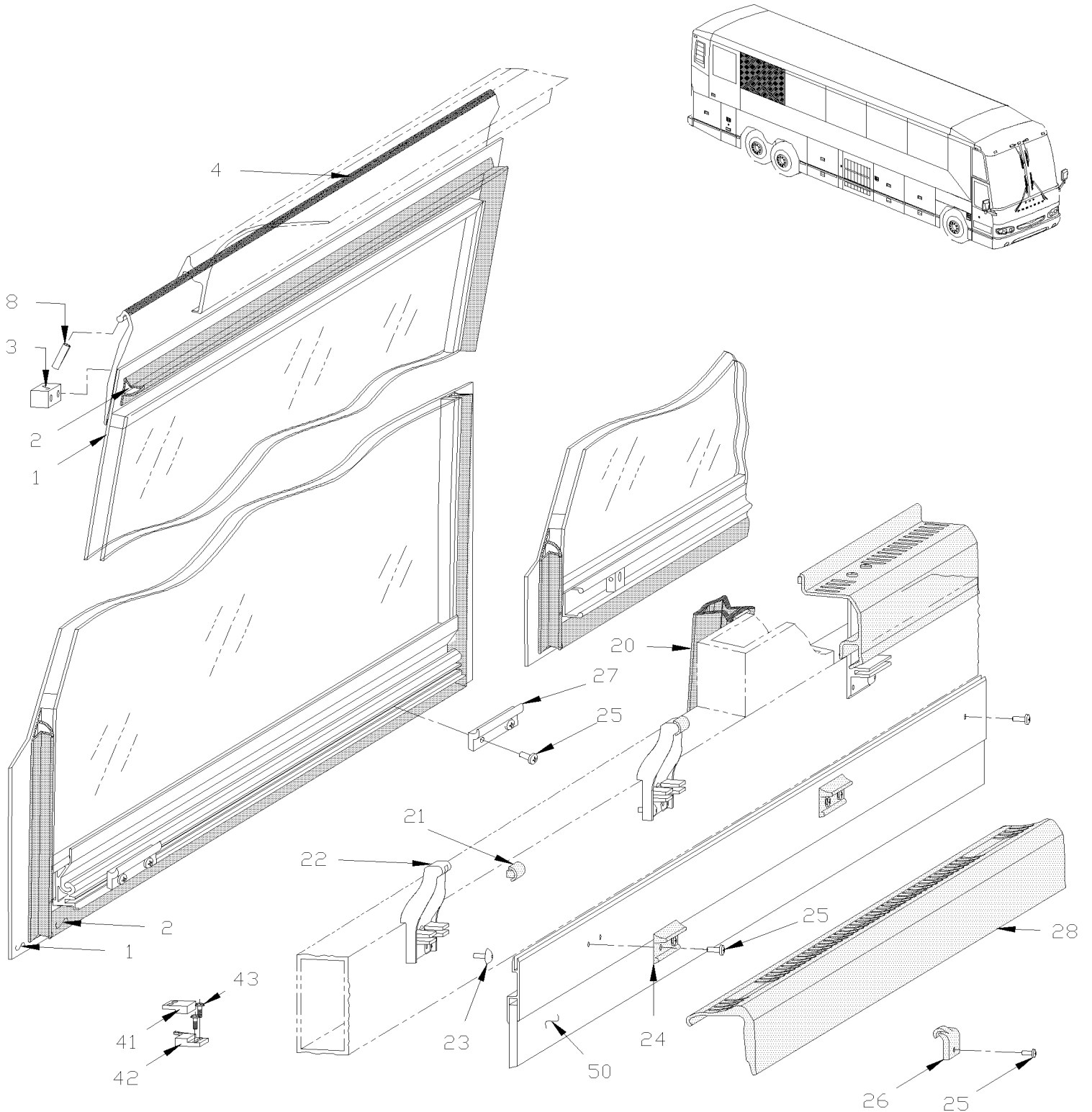


From 3-4589 To 8-1043

Date:10/2022

PAGE:HF-1884-01N

POSITION "N"





From 3-4589 To 8-1043	Date:10/2022	PAGE:HF-1884-01N
POSITION "N"		

Item#	Part	Description	H 3 4 1	H 3 4 5	V I P 4 5	N O T E S
1	293614	GLASS ASSY, THERMOS 13% / OPEN TYPE / 1668MM	1			
1	293613	GLASS ASSY, SINGLE 13% / OPEN TYPE / 1668MM	1			
2	292918	. WINDOW SEAL / 1083MM X 1613MM	1			
3	293020	. STOPPER BLOCK W/WEDGE	1			
3	293021	. STOPPER BLOCK	1			
NS	500260	. SCREW TC FL PH #8-32x3/4 BK	2			
4	682481	. LOW FRICTION TAPE (HOCKEY)	AR			
NS	292869	. EXTRUSION PLASTIC / WINDOW / 5MM I.D. 1650MM	1			
8	505421	. SPRING, PIN M3 x 18	AR			
20	292946	SEAL RUBBER 1125MM	12			
21	292837	CUSHION 2.0MM TH / BLACK PLASTIC	2			
21	298215	CUSHION / BLACK PLASTIC / 1.5MM TH	2			A
21	298225	CUSHION / BLACK PLASTIC / 2.5MM TH	2			A
22	293584	SUPPORT	2			
23	504249	RIVET CHY Q PRDG 3/16x3/8 SS	4			
24	293299	PROTECTOR	2			
25	500611	SCREW TC PAN PH #10-24x1/2 Z050	AR			
26	293353	SUPPORT "J" FORM / ALLUMINUM	2			
26	791007	SUPPORT W/STOPPER (ONE PIECE) SERVICE	2			
27	293124	STOPPER BLOCK	2			
28	293603	HANDLE WINDOW OPENING 1496MM	1			
28	HF-1829-00	ACCESSORIES PASSENGER'S SEAT - "PREVOST"				
41	562641	MAGNET	1			
42	064360	SWITCH MAGNETIC ASSY	1			
42	064678	SWITCH MAGNETIC ASSY W/TAPE DUAL LOCK	1			
43	500862	SCREW TC PAN PH #6-32x3/4 Z050	12			
50	HF-1833-01	WINDOW FINISHING CAP & WALL				
		A) USED IN PRODUCTION SINCE JANUARY 2007				

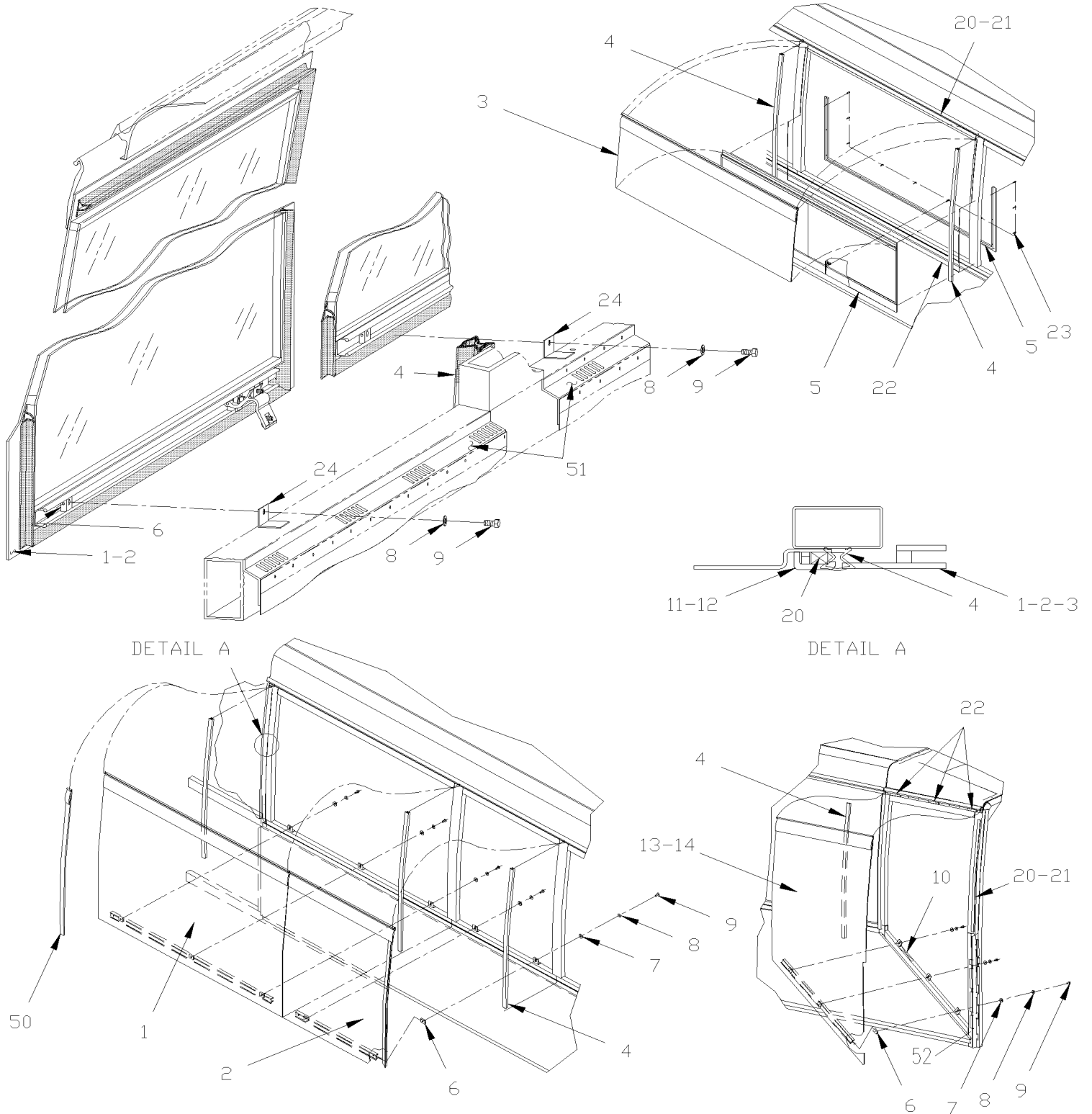


From 3-4417 To 7-0771

Date:10/2022

PAGE:HF-1884-50

SIDE WINDOWS - V.I.P.





From 3-4417 To 7-0771	Date:10/2022	PAGE:HF-1884-50
SIDE WINDOWS - V.I.P.		

Item#	Part	Description	H 3 4 1	H 3 4 5	V I P 4 5	N O T E S
1	292934	GLASS ASSY, THERMOS 13% / FIX TYPE / 1652MM			AR	
NS	292918	. WINDOW SEAL / 1083MM X 1613MM			1	
2	293552	GLASS ASSY, THERMOS 13% / 934MM			AR	
NS	293558	. WINDOW SEAL / 1083MM X 895MM			1	
2	293551	GLASS ASSY, THERMOS 13% / 629MM			AR	
NS	293557	. WINDOW SEAL / 1083MM X 590MM			1	
3	293396	GLASS ASSY, THERMO 13% / UPPER 1652MM x 614.4MM To 7-0992			1	
3	293904	GLASS ASSY, THERMO 13% / UPPER 1652MM x 614.4MM From 7-0993			1	
4	292946	SEAL RUBBER 1125MM			1	
5	HF-1884-70	SLIDING WINDOW L.H. - V.I.P.				
5	HF-1884-75	SLIDING WINDOW R.H. - V.I.P.				
5	HF-1884-65	ELECTRICAL AWNING WINDOW ASSY				
6	292810	ANCHOR BLOCK W/THREAD M10-1.5			AR	
7	502644	WASHER FL 10.5x30.0x2.5 Z050			AR	
8	502585	WASHER LO SERR 10.2x26.3x1.4 ZP			AR	
9	502719	SCREW CAP HEX M10-1.5x20 SS EMN			AR	
10	292949	DECAL "CAUTION" NOT HINGED WINDOW / ENGLISH & FRANCAIS			AR	
10	293795	DECAL "CAUTION" NOT HINGED WINDOW / ENGLISH & SPANISH			AR	
11	475631	PANEL MOULDING RH REAR 35MM			1	
12	475632	PANEL MOULDING LH REAR 35MM			1	
13	293399	GLASS ASSY, THERMO 13% / TRAPEZOIDAL / RH VIP			1	
. NS	292919	. WINDOW SEAL / TRAPEZOIDAL RH 1822MM X 896MM			1	
14	293539	GLASS ASSY, THERMO 13% / TRAPEZOIDAL / LH VIP			1	
. NS	292958	. WINDOW SEAL / TRAPEZOIDAL LH 1822MM X 896MM			1	
14	293408	GLASS ASSY, THERMO 13% / TRAPEZOIDAL / LH VIP / W/SLIDE-OUT "PRÉVOST"			1	A
. NS	292958	. WINDOW SEAL / TRAPEZOIDAL LH 1822MM X 896MM			1	A
20	683447	ADHESIVE SIKATACK PLUS / BLACK / 23 Liters			AR	
21	683448	ACCELERATOR SIKA / 600ml SAUSAGE			AR	
22	683288	ADHESIVE SIKA #255FC / BLACK / 600ml SAUSAGE			AR	
23	5001545	SCREW TP PAN PH #10x7/8 Z050			10	
24	292931	ANGLE / (WELDED)			AR	
50	HF-1854-50	SIDE PANELS - V.I.P.				
51	320186	AIR GRILL & SPACER 48"LG / BELOW WINDOW			AR	
52	5001168	BUMPER RUBBER / .750 OD x .562 TH x .187 HOLE			1	
52	680066	ADHESIVE / ADBOND #5014 / 23.6ML BOTTLE			AR	
		A) USE WITH "SLIDE-OUT" PREVOST				

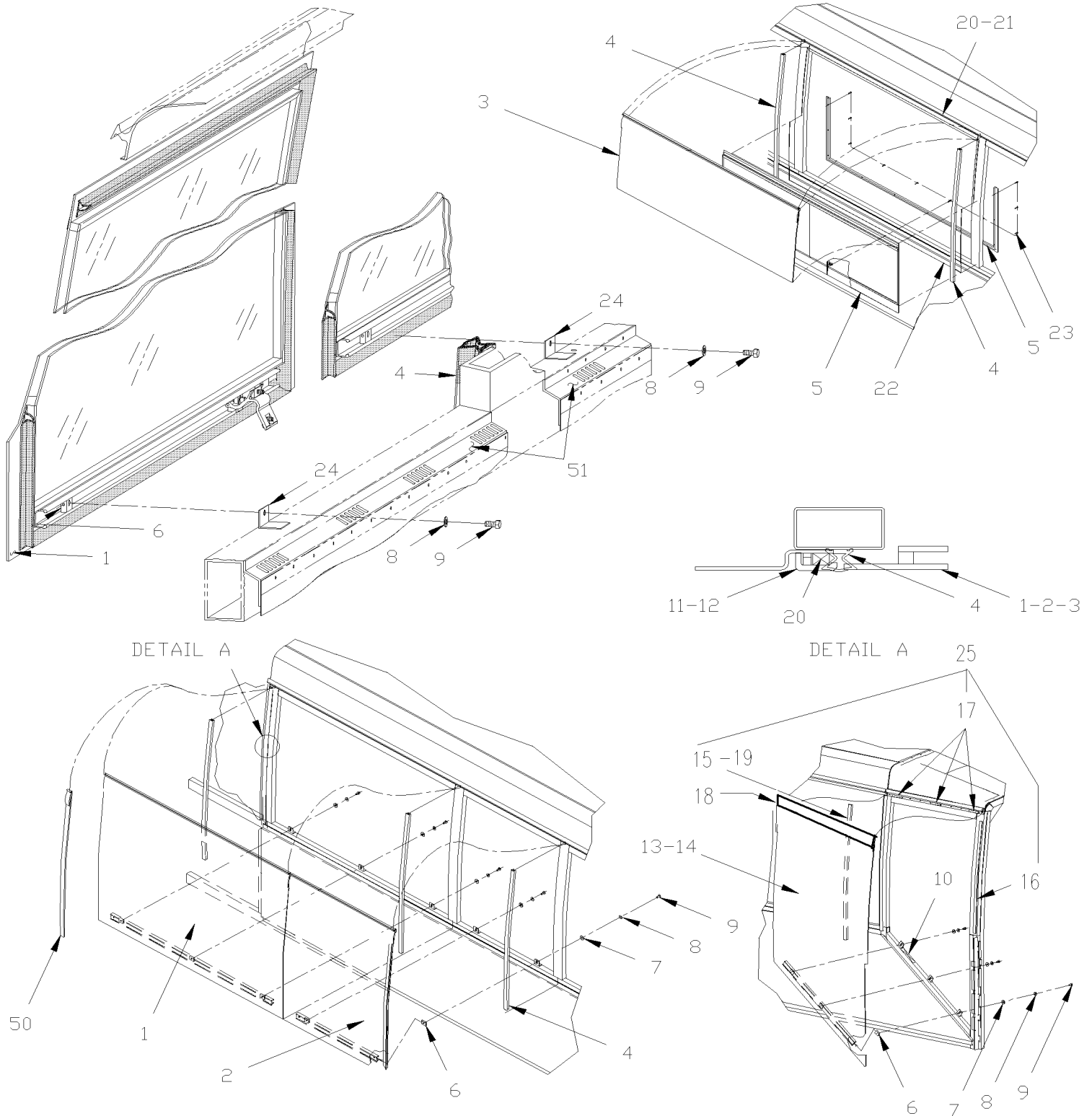


From 7-0772 To 8-1043

Date:10/2022

PAGE:HF-1884-51

SIDE WINDOWS - V.I.P.





From 7-0772 To 8-1043	Date:10/2022	PAGE:HF-1884-51
SIDE WINDOWS - V.I.P.		

Item#	Part	Description	H 3 4 1	H 3 4 5	V I P 4 5	N O T E S
1	297111	GLASS ASSY, THERMOS 13% / FIX TYPE / 1652MM			AR	
. NS	297113	. WINDOW SEAL / 1258MM X 1619MM			1	
. NS	290021	. WINDOW SEAL / 1258MM X 1619MM			1	
. NS	297278	. WINDOW SEAL / 1258MM X 1619MM			1	
1	297129	GLASS ASSY, SINGLE 13% / FIX TYPE / 1652MM			1	
. NS	297113	. WINDOW SEAL / 1258MM X 1619MM			1	
. NS	290021	. WINDOW SEAL / 1258MM X 1619MM			1	
. NS	297278	. WINDOW SEAL / 1258MM X 1619MM			1	
1	297131	GLASS ASSY, THERMOS 13% / OPEN TYPE / 1652MM			1	
. NS	297113	. WINDOW SEAL / 1258MM X 1619MM			1	
. NS	290021	. WINDOW SEAL / 1258MM X 1619MM			1	
. NS	297278	. WINDOW SEAL / 1258MM X 1619MM			1	
2	297135	GLASS ASSY, THERMOS 13% / 934MM			1	
. NS	297137	. WINDOW SEAL / 1252MM X 895MM			1	
. NS	290025	. WINDOW SEAL / 1252MM X 895MM			1	
. NS	297282	. WINDOW SEAL / 1252MM X 895MM			1	
2	297132	GLASS ASSY, THERMOS 13% / FIX TYPE / 29MM			1	
. NS	297134	. WINDOW SEAL / 1252MM X 591MM			1	
. NS	290024	. WINDOW SEAL / 1252MM X 591MM			1	
. NS	297281	. WINDOW SEAL / 1252MM X 591MM			1	
3	297190	GLASS ASSY, THERMO 13% / UPPER 1652MM x 784.2MM			1	
4	297162	SEAL RUBBER 1286MM			AR	
5	HF-1884-70	SLIDING WINDOW L.H. - V.I.P.				
5	HF-1884-75	SLIDING WINDOW R.H. - V.I.P.				
5	HF-1884-65	ELECTRICAL AWNING WINDOW ASSY				
5	HF-1884-80	ELECTRICAL SLIDING WINDOW ASSY				
6	292810	ANCHOR BLOCK W/THREAD M10-1.5			AR	
7	502644	WASHER FL 10.5x30.0x2.5 Z050			AR	
8	502585	WASHER LO SERR 10.2x26.3x1.4 ZP			AR	
8	505213	SHIM 1/16" THICK			AR	
9	502719	SCREW CAP HEX M10-1.5x20 SS EMN			AR	
9	502655	SCREW CAP HEX M10-1.5x25 SS BK			AR	
10	292949	DECAL "CAUTION" NOT HINGED WINDOW / ENGLISH & FRANCAIS			AR	
10	293795	DECAL "CAUTION" NOT HINGED WINDOW / ENGLISH & SPANISH			AR	
11	478197	PANEL UPPER R.H. BACKWARD / 492MM			1	
11	478202	PANEL UPPER R.H. BACKWARD / 670MM			1	
110	478200	PANEL UPPER R.H. BACKWARD / 1922.5MM			1	
12	478204	PANEL UPPER R.H. BACKWARD / 695MM			1	
12	478195	PANEL UPPER / 1652MM			1	
12	478199	PANEL UPPER 2947.5MM			1	
12	476726	PANEL UPPER 3659MM			1	
12	478201	PANEL UPPER 4200MM			1	



From 7-0772 To 8-1043	Date:10/2022	PAGE:HF-1884-51
SIDE WINDOWS - V.I.P.		

Item#	Part	Description	H 3 4 1	H 3 4 5	V I P 4 5	N O T E S
12	476789	PANEL UPPER 4811MM			1	
12	478196	PANEL UPPER 5319MM			1	
13	297125	GLASS ASSY, THERMO 13% / TRAPEZOIDAL / RH VIP			1	
. NS	297127	. WINDOW SEAL / TRAPEZOIDAL RH 1826MM X 900MM			1	
. NS	290023	. WINDOW SEAL / TRAPEZOIDAL RH / 1826MM X 900MM /			1	
14	297138	GLASS ASSY, THERMO 13% / TRAPEZOIDAL / LH VIP			1	
. NS	297105	. WINDOW SEAL / TRAPEZOIDAL LH 1826MM X 900MM			1	
. NS	290020	. WINDOW SEAL / TRAPEZOIDAL LH 1826MM X 900MM			1	
. NS	297277	. WINDOW SEAL / TRAPEZOIDAL LH 1826MM X 900MM			1	
14	297108	GLASS ASSY, THERMO 13% / TRAPEZOIDAL / LH VIP / W/SLIDE-OUT "PREVOST"			1	A
. NS	297105	. WINDOW SEAL / TRAPEZOIDAL LH 1826MM X 900MM			1	A
. NS	290020	. WINDOW SEAL / TRAPEZOIDAL LH 1826MM X 900MM			1	A
. NS	297277	. WINDOW SEAL / TRAPEZOIDAL LH 1826MM X 900MM			1	A
NS	297149	SAFETY ANCHOR W/2 HOLE M6-1.0 / 203MM To 8-1078			1	
14	790645	SAFETY ANCHOR W/2 HOLE M6-1.0 / 203MM From 8-1079			1	
NS	5001648	SCREW CAP HEXS M6-1.0x18 SS BK			1	
NS	502570	WASHER LO SPT 6.1x11.8x1.6 SS			1	
NS	502573	WASHER FL 6.4x12.5x1.6 SS			1	
15	297159	SEAL RUBBER 1190MM To 7-0859			1	B
15	297188	SEAL RUBBER 1141MM To 7-0859			1	B
16	297160	SEAL RUBBER 1860MM To 7-0859			1	B
16	297163	SEAL RUBBER 1270MM To 7-0859			1	B C
16	297189	SEAL RUBBER 1000MM To 7-0859			1	B C
17	297187	SEAL RUBBER 971MM To 7-0859			1	B
17	297192	SEAL RUBBER L.H. ONE PIECE W/SLIDE OUT From 7-0860 To 7-0980			1	B
17	297193	SEAL RUBBER L.H. ONE PIECE W/OUT SLIDE OUT From 7-0860 To 7-0980			1	B
17	297194	SEAL RUBBER R.H. ONE PIECE W/OUT SLIDE OUT From 7-0860 To 7-0980			1	B
18	293913	UPPER MOULDING R.H. / W/OUT SLIDE-OUT / 977.8MM			1	
18	297128	UPPER MOULDING L.H. / W/OUT SLIDE-OUT / 977.8MM			1	
18	297110	UPPER MOULDING L.H. / W/SLIDE-OUT / 1027.6MM			1	
19	290002	REINFORCEMENT "Z" 76MM			2	
NS	502848	SCREW TC CAP HEXF 1/4-20x3/4 N500			2	
20	683447	ADHESIVE SIKATACK PLUS / BLACK / 23 Liters			AR	
21	683448	ACCELERATOR SIKA / 600ml SAUSAGE			AR	
22	683288	ADHESIVE SIKA #255FC / BLACK / 600ml SAUSAGE			AR	
23	5001545	SCREW TP PAN PH #10x7/8 Z050			10	
24	292931	ANGLE / (WELDED)			AR	
25	297192	SEAL RUBBER L.H. ONE PIECE W/SLIDE OUT From 7-0981			1	
25	297193	SEAL RUBBER L.H. ONE PIECE W/OUT SLIDE OUT From 7-0981			1	
25	297194	SEAL RUBBER R.H. ONE PIECE W/OUT SLIDE OUT From 7-0981			1	C
50	HF-1854-51	SIDE PANELS - V.I.P.				
51	320186	AIR GRILL & SPACER 48"LG / BELOW WINDOW			AR	



From 7-0772 To 8-1043	Date:10/2022	PAGE:HF-1884-51
-----------------------	--------------	-----------------

SIDE WINDOWS - V.I.P.

Item#	Part	Description	H 3 4 1	H 3 4 5	V I P 4 5	N O T E S
		A) USE WITH "SLIDE-OUT" PREVOST				
		B) ALLS THOSES SEALS ARE SUPPERSEED BY ONE PIECE SEAL SEE ITEM # 25				
		C) CURBSIDE				

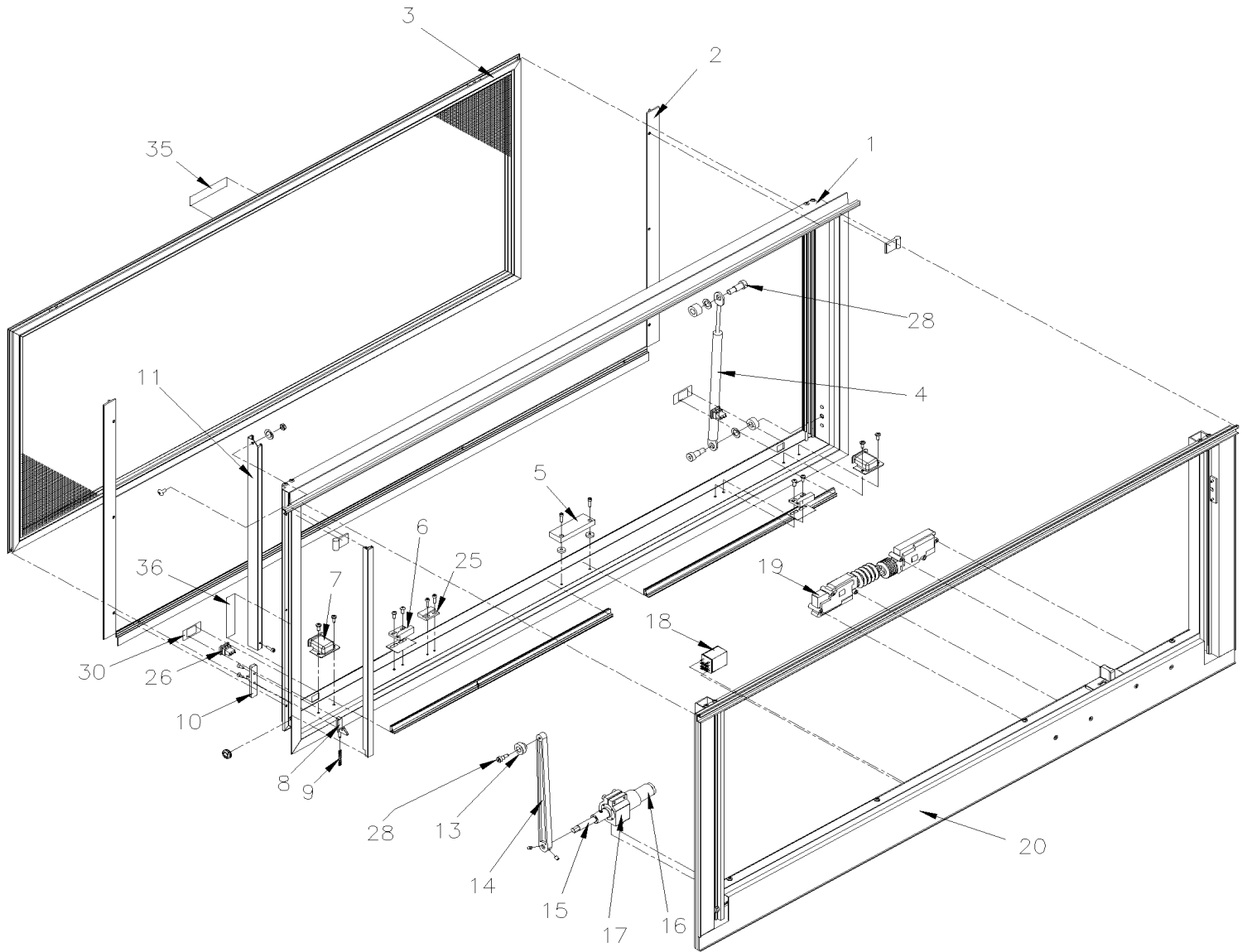


From 4-4895 To 8-1043

Date:10/2022

PAGE:HF-1884-65

ELECTRICAL AWNING WINDOW ASSY



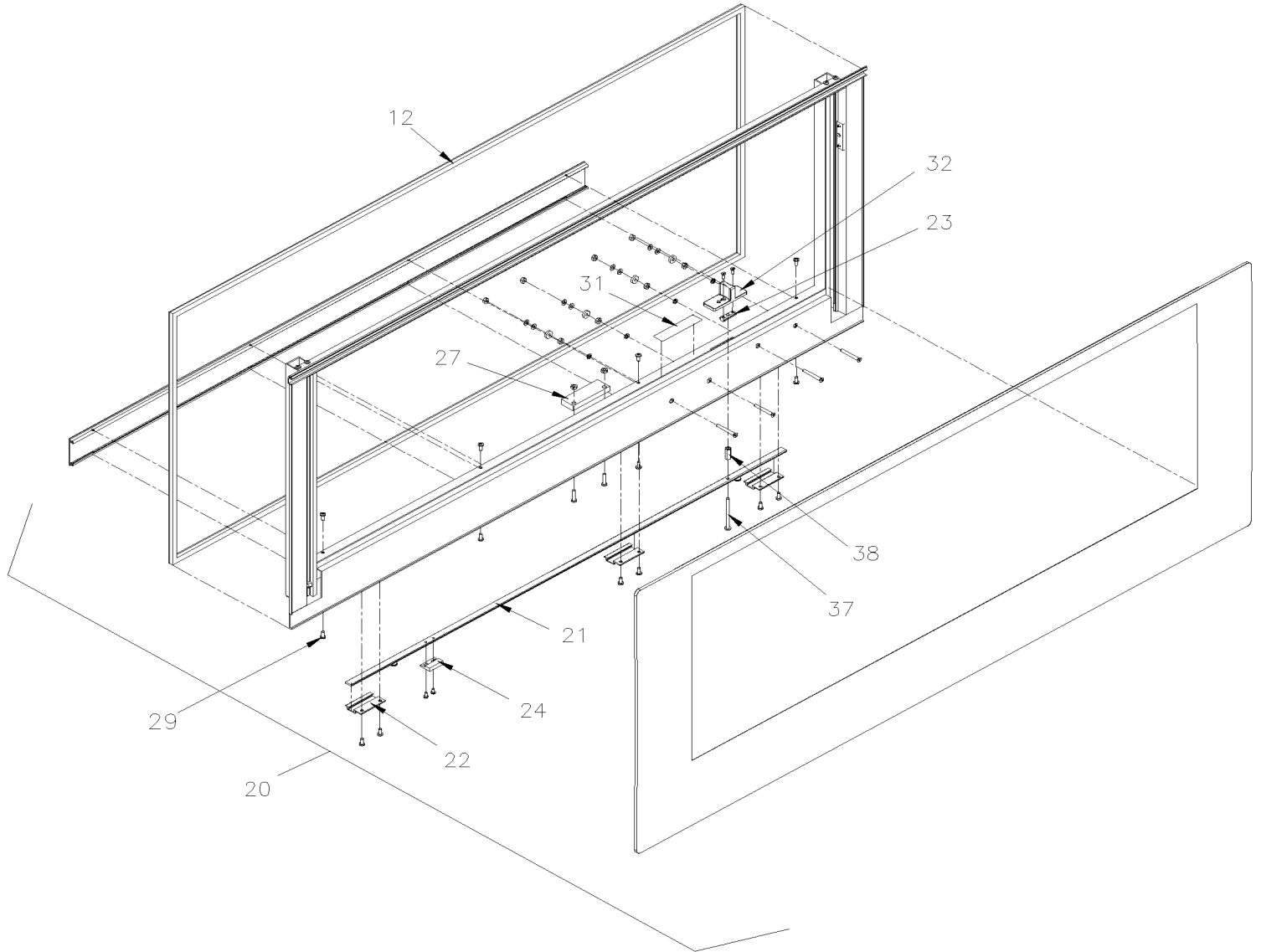


From 4-4895 To 8-1043

Date:10/2022

PAGE:HF-1884-65

ELECTRICAL AWNING WINDOW ASSY



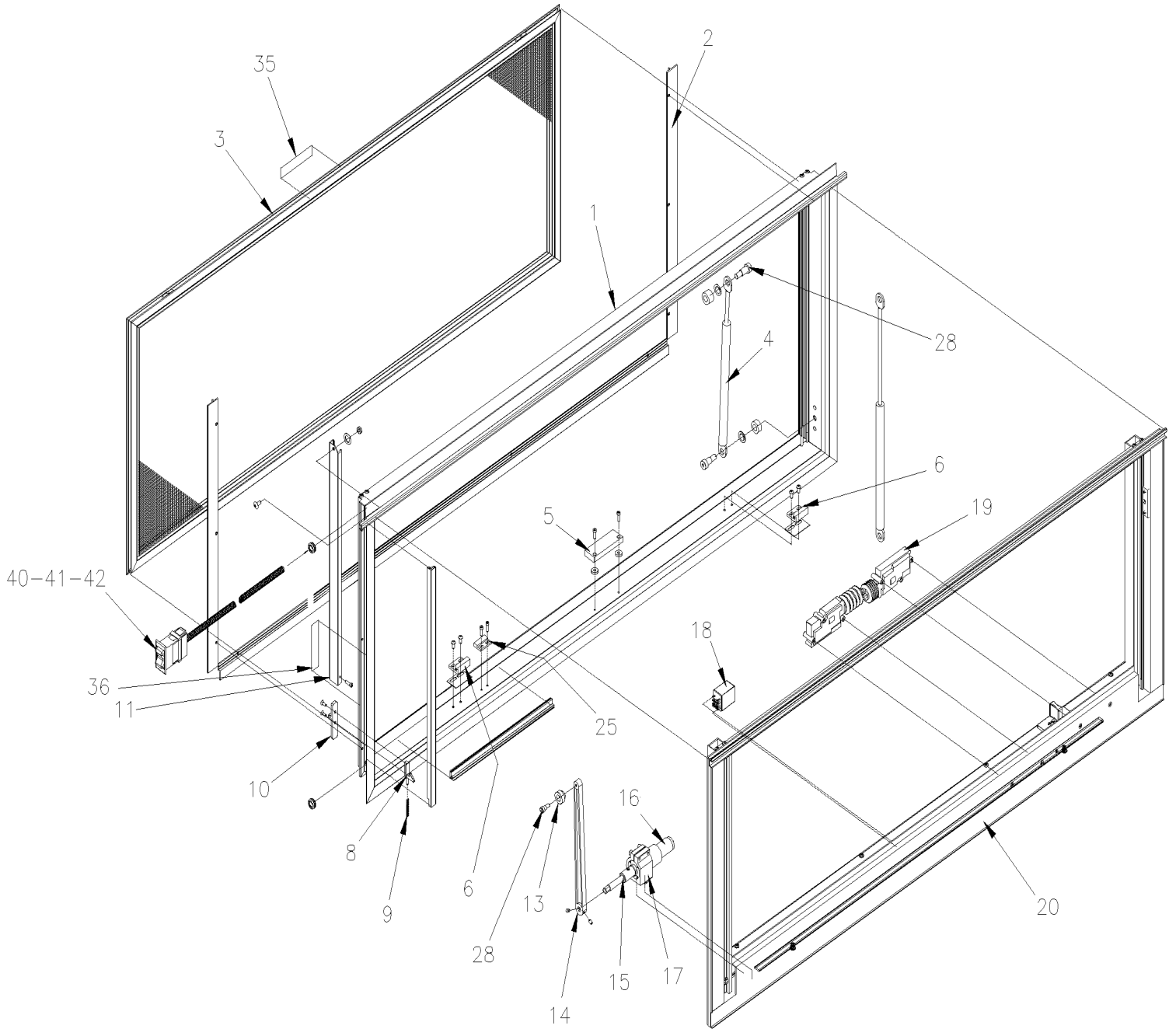


From 4-4895 To 8-1043

Date:10/2022

PAGE:HF-1884-65

ELECTRICAL AWNING WINDOW ASSY





From 4-4895 To 8-1043	Date:10/2022	PAGE:HF-1884-65
ELECTRICAL AWNING WINDOW ASSY		

Item#	Part	Description	H 3 4 1	H 3 4 5	V I P 4 5	N O T E S
	790563	AWNING WINDOW ASSY To 5-0161			1	C
	790606	AWNING WINDOW ASSY From 5-0162 To 6-0376			1	
	790612	AWNING WINDOW ASSY / W/REMOTE SWITCH OPERATING From 6-0377			1	
1	790589	. FRAME ASSY To 6-0376			1	
1	790615	. FRAME ASSY From 5-0162 To 6-0376			1	
1	790617	. FRAME ASSY From 6-0377			1	
NS	790602	RUBBER BLOCK ADJUSTEMENT 1/2" x 1/2" x 1/8" 80DURO			AR	
2	790570	. RETAINING RING			1	
3	790573	. SCREEN / V.I.P. 59 1/2" x 18 1/2" To 5-0161			1	
3	790605	. SCREEN / WRECESS FOR SWITCHES / V.I.P. From 5-0162 To 6-0376			1	
3	790573	. SCREEN / V.I.P. 59 1/2" x 18 1/2" From 6-0377			1	
4	790578	. CYLINDER			1	
5	563442	. PROXIMITY SWITCH MAGNET			1	
6	790577	. TIE BAR KEEPER To 5-0161			1	
6	790609	. TIE BAR KEEPER From 5-0162			1	
NS	790611	. SHIM KEEPER From 5-0162			1	
7	790576	. COVER ROCKER SWITCH To 6-0376			2	
8	790574	. TRACK LATCH			1	
9	790575	. SPRING			1	
10	790582	. RELEASE LATCH HANDLE / RED / SASH			1	
11	790581	. TRACK ROLLER			1	
12	790579	. SEAL			14FT	
13	790586	. ROLLER			1	
14	790585	. ARM			1	
NS	790045	. SET SCREW 10-32X1/4 S/S			2	
15	790587	. MOTOR COUPLER			1	
NS	790619	. MOTOR ASSY W/MOTOR MOUNT / SMALL O.D. From 5-0162			1	D
16	790593	. MOTOR / LARGE O.D. To 5-0161			1	B
16	N.P.N.	. . MOTOR / SMALL O.D. From 5-0162			1	4
17	790588	. MOTOR MOUNT / LARGE O.D. To 5-0161			1	B
17	N.P.N.	. . MOTOR MOUNT / SMALL O.D. From 5-0162			1	4
18	563444	. RELAY 24V			1	
19	790592	. ACTUATOR			2	
20	790591	. GLASS ASSY W/AWNING FRAME To 5-0161			1	
20	790616	. GLASS ASSY W/AWNING FRAME From 5-0162			1	
21	790590	. TIE BAR - H			1	
22	790584	. GUIDE			2	
23	790580	. RELEASE LATCH GUIDE			1	
24	562641	. MAGNET			1	
25	562640	. SWITCH MAGNETIC			1	
26	066183	. CABLE ASSY WITH ROCKER SWITCH AND HARNESS / W/H3 To 5-0161			1	
26	563441	. . SWITCH / M/ON-OFF-M/ON / S.P.D.T / BLACK			2	



From 4-4895 To 8-1043	Date:10/2022	PAGE:HF-1884-65
ELECTRICAL AWNING WINDOW ASSY		

Item#	Part	Description	H 3 4 1	H 3 4 5	V I P 4 5	N O T E S
26	563569	. CABLE ASSY WITH ROCKER SWITCH AND HARNESS / W/H3 From 5-0162 To 6-0376			1	
27	563443	. PROXIMITY SWITCH SENSOR			1	
28	790996	. SHOULDER BOLT			3	
29	N8888119	. SCREW #8-32 X 0.38			AR	
30	790598	. DECAL / OPEN-CLOSE			1	
31	790601	. DECAL / "EMERGENCY EXIT" # 3			1	
32	790620	. RELEASE LATCH HANDLE / RED / FRAME			1	
35	790599	. DECAL / "EMERGENCY EXIT" # 1 / PULL SCREEN			1	
36	790600	. DECAL / "EMERGENCY EXIT" # 2			1	
37	790012	. SCREW MA PAN PH #10-32x2 1/4 SS			1	
38	790013	. COUPLING #10-32x5/16 OD x3/4 ZP			1	
40	563570	. CABLE ASSY WITH ROCKER SWITCH AND HARNESS / W/XL2 & H3 From 6-0377			1	A
NS	293854	. SUPPORT SWITCH / REMOTE OPERATIONAL MODEL From 6-0377			1	
41	563571	. . SWITCH / M/ON-OFF-M/ON S.P.D.T. From 6-0377			1	
42	563572	. . CAP / "OPEN - CLOSE" From 6-0377			1	
NS	066029	CABLE ASSY / POWER AWNING EXTENTION 3M From 4-4895			1	
NS	293862	KIT, RETROFIT TIE BAR KEEPER From 4-4846 To 5-0162			1	
. NS	IS-04099	. SEE INSTRUCTION SHEET From 4-4846 To 5-0162			1	
NS	7770423	MASK FOR WINDOW MTH			1	
		A) THIS SWITCH ASSY COULD BE USE FROM 5-0162				
		B) THIS PART IT SUPPERSEDED BY #790619				
		C) FOR PRODUCT IMPROVEMENT, ASK KIT #293862 TO REPLACE THE KEEPERS.				
		D) INCLUDE ITEM # 15, 16 & 17 WITH ELECTRICAL CONNECTOR				
		4) NO PARTS NUMBER				

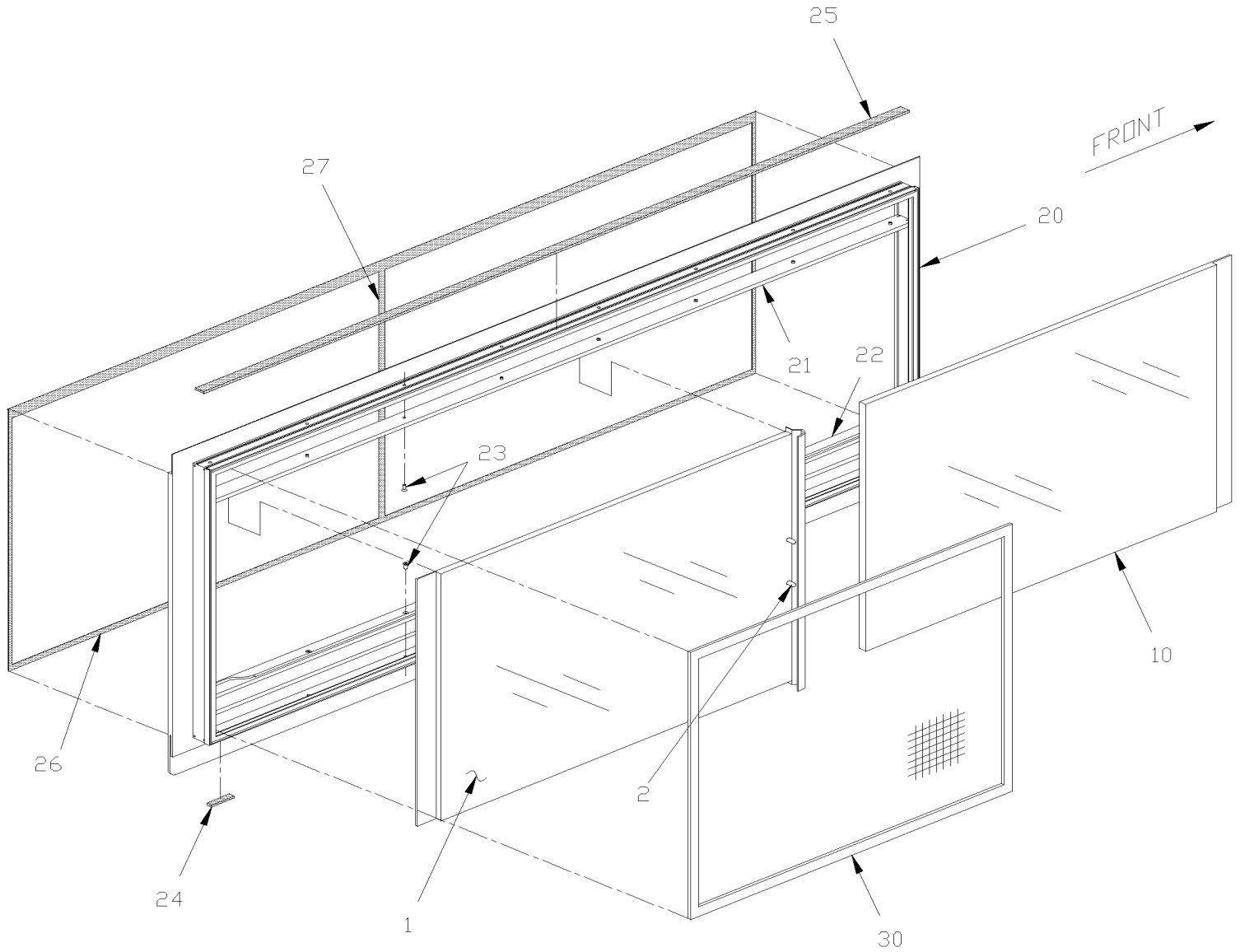


From 3-4417 To 7-0992

Date:10/2022

PAGE:HF-1884-70

SLIDING WINDOW L.H. - V.I.P.





From 3-4417 To 7-0992	Date:10/2022	PAGE:HF-1884-70
SLIDING WINDOW L.H. - V.I.P.		

Item#	Part	Description	H 3 4 1	H 3 4 5	V I P 4 5	N O T E S
	790530	WINDOW ASSY, SLIDING LEFT			1	
	790550	WINDOW ASSY, SLIDING LEFT LAST BACKWARD WINDOW From 7-0649			1	S
1	790558	. GLASS SLIDING L.H			1	
2	790464	. . KNOB			2	
NS	790596	. . ROD LONG UPPER & LOWER / TO OPEN WINDOW CENTER HANDLE			2	
NS	790520	. . SPRING, COMPRESSION			1	
NS	790661	. . ROD SHORT UPPER & LOWER / TO RETAIN WINDOW BACKWARD			2	
10	790557	. GLASS ASSY FIX L.H.			1	
20	N.P.N.	. FRAME			1	4
21	790555	. SLIDING TRACK			1	
22	790554	. SLIDING TRACK			1	
23	N.P.N.	. SCREW MA FL PH SS 10-32X1/2			AR	4
24	N.P.N.	. RUBBER			1	4
25	790561	. SEAL UPPER / BETWEEN			6	
26	790556	. SEAL LOWER & SIDE			1	
27	790562	. SEAL CENTER WINDOW			3	
30	790553	. SCREEN			1	
NS	790552	. RETAINING RING			1	
30	N.P.N.	. RETAINING RING L.H. LAST BACKWARD WINDOW			1	4
		S) FOR SERVICE USED 790530				
		4) NO PARTS NUMBER				

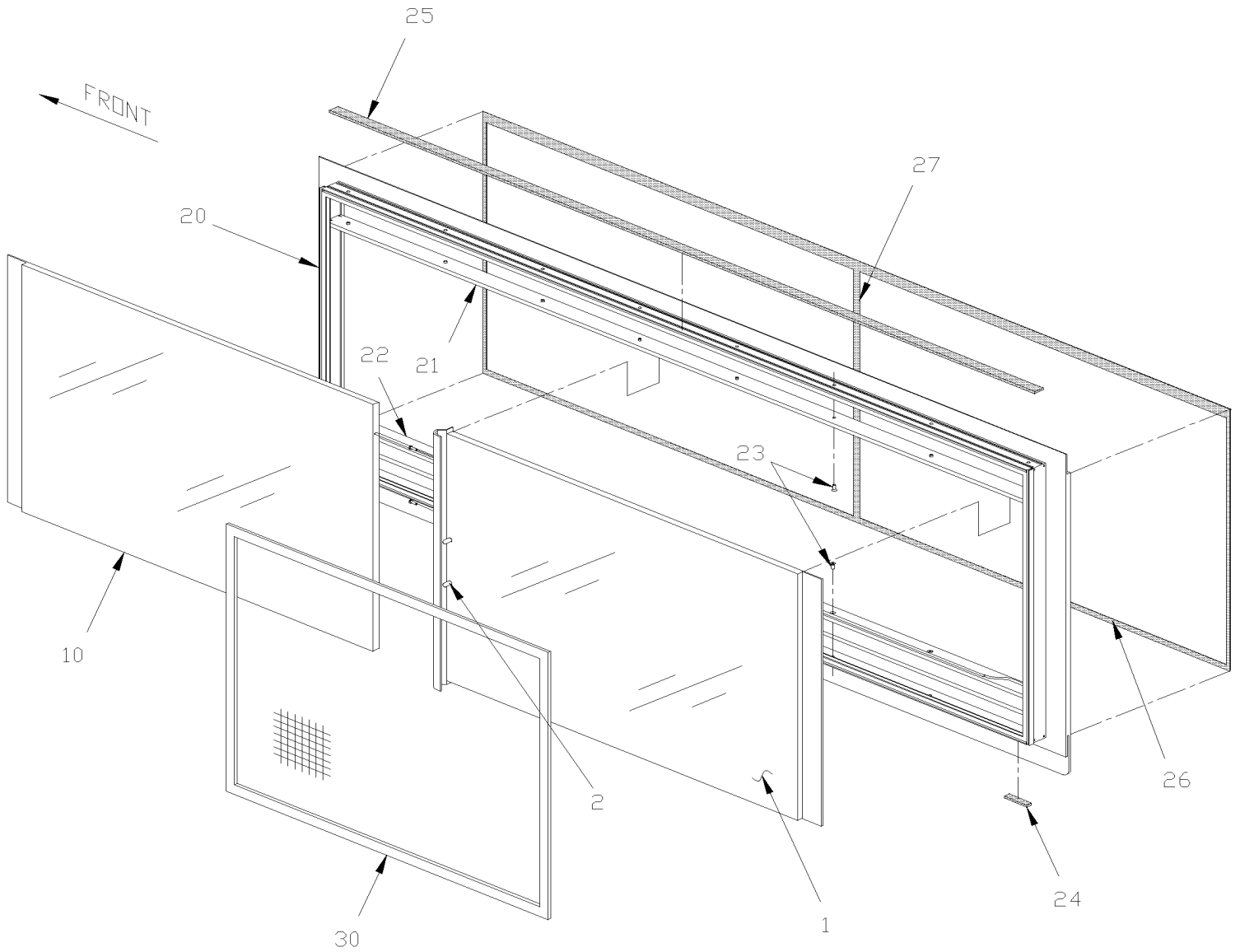


From 3-4417 To 7-0992

Date:10/2022

PAGE:HF-1884-75

SLIDING WINDOW R.H. - V.I.P.





From 3-4417 To 7-0992	Date:10/2022	PAGE:HF-1884-75
SLIDING WINDOW R.H. - V.I.P.		

Item#	Part	Description	H 3 4 1	H 3 4 5	V I P 4 5	N O T E S
	790531	WINDOW ASSY, SLIDING RIGHT			1	
	790549	WINDOW ASSY, SLIDING RIGHT LAST BACKWARD WINDOW From 7-0649			1	S
1	790560	. GLASS SLIDING R.H.			1	
2	790464	. . KNOB			2	
NS	790596	. . ROD LONG UPPER & LOWER / TO OPEN WINDOW CENTER HANDLE			2	
NS	790520	. . SPRING, COMPRESSION			1	
NS	790661	. . ROD SHORT UPPER & LOWER / TO RETAIN WINDOW BACKWARD			1	
10	790559	. GLASS ASSY FIX R.H.			1	
20	N.P.N.	. FRAME			1	4
21	790555	. SLIDING TRACK			1	
22	790554	. SLIDING TRACK			1	
23	N.P.N.	. SCREW MA FL PH SS 10-32X1/2			AR	4
24	N.P.N.	. RUBBER			1	4
25	790561	. SEAL UPPER / BETWEEN			6	
26	790556	. SEAL LOWER & SIDE			1	
27	790562	. SEAL CENTER WINDOW			3	
30	790553	. SCREEN			1	
NS	790552	. RETAINING RING			1	
30	N.P.N.	. RETAINING RING R.H. LAST BACKWARD WINDOW			1	4
		S) FOR SERVICE USED 790531				
		4) NO PARTS NUMBER				

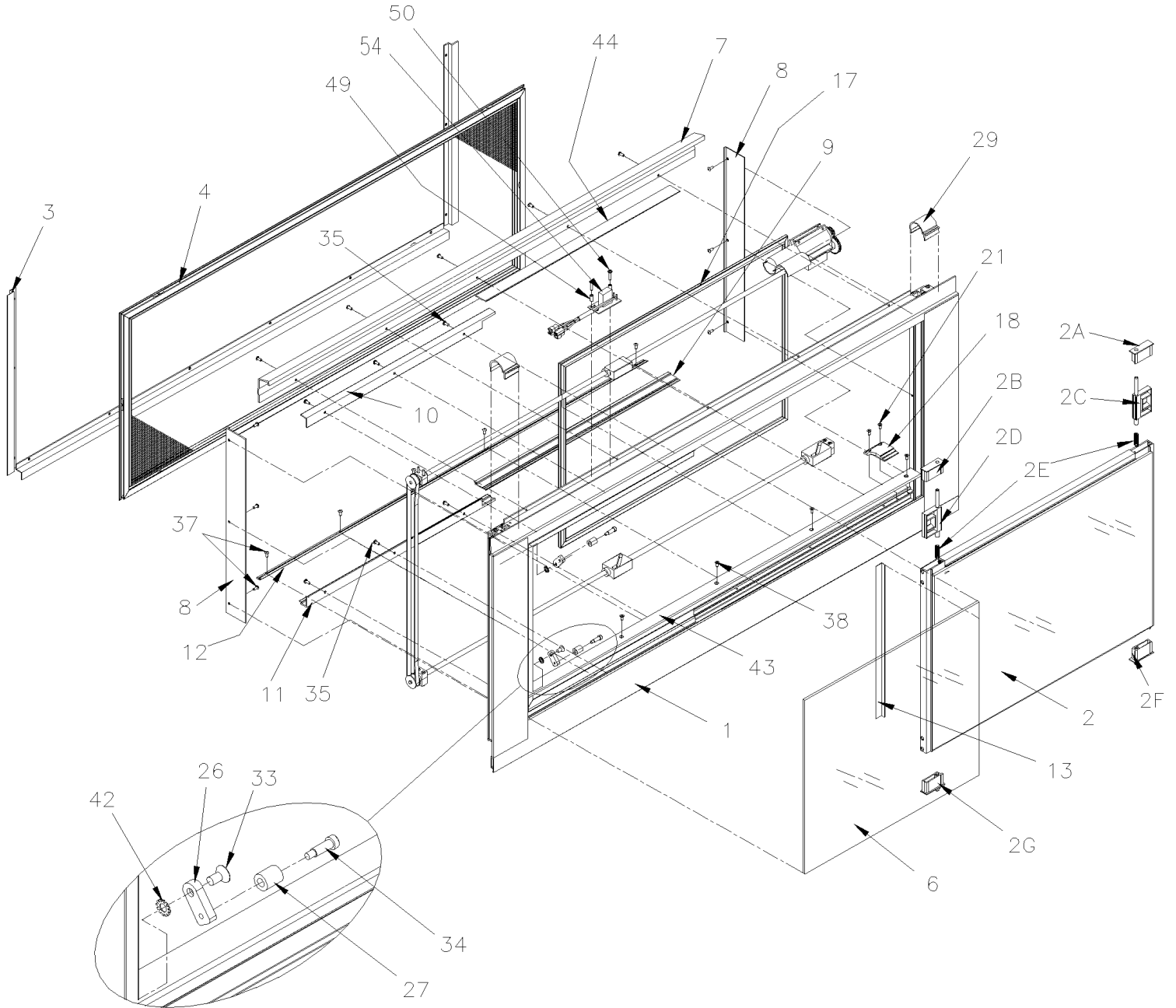


From 7-0993 To 8-1043

Date:10/2022

PAGE:HF-1884-80

ELECTRICAL SLIDING WINDOW ASSY



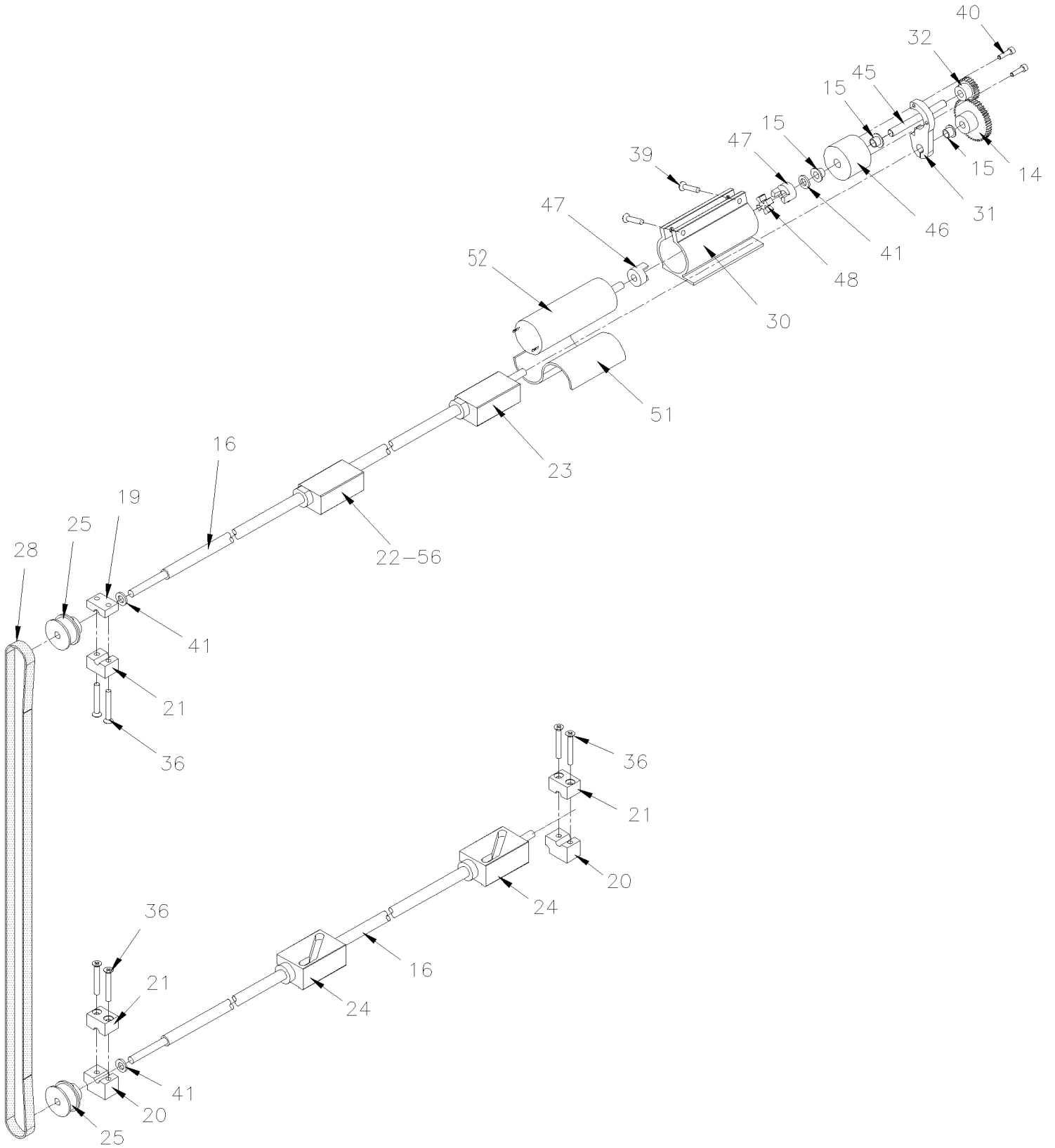


From 7-0993 To 8-1043

Date:10/2022

PAGE:HF-1884-80

ELECTRICAL SLIDING WINDOW ASSY





From 7-0993 To 8-1043	Date:10/2022	PAGE:HF-1884-80
ELECTRICAL SLIDING WINDOW ASSY		

Item#	Part	Description	H 3 4 1	H 3 4 5	V I P 4 5	N O T E S
	791002	ELECTRICAL SLIDING WINDOW ASSY			1	
1	790712	. FRAME COMPONENT ASSY			1	
2	790715	. SASH ASSY - 5MM T GRAY/4mm T CLR			1	
. A	790751	. . SASH INSERT - RH UPPER / LH LOWER			1	
. B	790750	. . SASH INSERT - LH UPPER / RH LOWER			1	
. C	790728	. . RELEASE LATCH ASSY - RH			1	
. D	790727	. . RELEASE LATCH ASSY - LH			1	
. E	790752	. . SPRING RELEASE LATCH			2	
. F	790732	. . FIXED SASH INSERT ASSY - RH			1	
. G	790730	. . FIXED SASH INSERT ASSY - LH			1	
3	790718	. CLAMPRING ASSY			1	
4	790720	. SCREEN ASSY			1	
6	790708	. GLASS ASSY-5MM T GRAY/4mm T CLR-H-FIXED			1	
7	790710	. COVER HEADER ACCESS			1	
8	790714	. JAMB COVER			2	
9	790731	. COVER SASH GUIDE - SILL			2	
10	790735	. COVER FIXED GUIDE- HEADER			1	
11	790739	. COVER FIXED GUIDE- SILL			1	
12	790759	. COVER INNER GUIDE			1	
13	790741	. FIXED GLAZING ANGLE			1	
14	790770	. SPUR GEAR - 1 1/2" - STAINLESS / W/24Volt Motor			1	
14	790780	. SPUR GEAR - 1 1/4" - STAINLESS / W/30Volt Motor			1	
15	790743	. FLANGE BEARING 0.25" DEPTH			1	
16	790745	. DRIVE SHAFT			2	
17	790778	. D-SEAL EPDM SPONGE (PER FT)			AR	
18	790746	. SASH END STOP			1	
19	790747	. BLOCK BASE SUPPORT SHAFT - UPPER			1	
20	790748	. BLOCK BASE SUPPORT SHAFT - LOWER			2	
21	790749	. CAP SUPPORT BLOCK SHAFT			3	
22	790724	. FOLLOWER CAM ASSY - UPPER w/ MAGNET			1	
. NS	790015	. . BUSHING INSERT			1	
23	790725	. FOLLOWER CAM ASSY - UPPER			1	
. NS	790015	. . BUSHING INSERT			1	
24	790726	. FOLLOWER CAM ASSY - LOWER			2	
. NS	790015	. . BUSHING INSERT			1	
25	790753	. PULLEY			2	
26	790754	. BRACKET TENSIONER			2	
27	790755	. ROLLER TENSIONER			2	
28	790756	. DRIVE BELT			1	
29	790757	. COVER, GEAR			1	
30	790740	. MOTOR MOUNT			1	
31	790742	. MOTOR MOUNT END PLATE			1	



From 7-0993 To 8-1043	Date:10/2022	PAGE:HF-1884-80
ELECTRICAL SLIDING WINDOW ASSY		

Item#	Part	Description	H 3 4 1	H 3 4 5	V I P 4 5	N O T E S
32	790769	. SPUR GEAR - 3/4" - ACETAL / W/24Volt Motor			1	
32	790781	. SPUR GEAR - 1" - ACETAL / W/30Volt Motor	1	1	1	
33	N.P.N.	. SCREW CAP FL HEXS 1/4-20 x 1/2			2	4
34	N.P.N.	. SCREW SHR CAP HEX .250x.625			2	4
35	500883	. SCREW TC PAN PH #8-32x3/8 Z050			6	
36	500887	. SCREW MA FL PH #8-32x1 1/4 SS			6	
37	790704	. SCREW CAP BUT HEXS #8-32x3/8 420 S/S BLACK OX			19	
38	790702	. SCREW MA FL PH #8-32x3/8 410 S/S BLACK OX			7	
39	790703	. SCREW MA FL PH #8-32x7/8 TYPE 23 410 SS			2	
40	790773	. SCREW CAP HEXS M3-0.5x9.5 SS			2	
41	790774	. WASHER FL .250x.470x .065			2	
42	790775	. WASHER LO EXT .250x.500x.187 SS			2	
43	790761	. STRIP ANTI FRICTION			1	
44	790763	. COVER SASH GUIDE - HEADER			1	
45	790767	. OUTPUT SHAFT			1	
46	790768	. SUPPORT OUTPUT SHAFT			1	
47	790766	. JAW COUPLER			2	
48	790765	. SPIDER			1	
49	790772	. SPACER SLEEVE			2	
50	790700	. SCREW MA PAN PH #8-32x7/8 TYPE 23 410 SS			1	
51	790771	. PAD VIBRATION DAMPER			1	
52	790779	. MOTOR ELECTRIC 30V ASSY			1	
53	790736	. CABLE ASSY W/CAPACITOR / MOTOR 24V			1	
. NS	790721	. . FRAME WIRING HARNESS WITH RELAY ASSY			1	
. . NS	790002	. . . RELAY			1	
. NS	790722	. . POWER WIRING HARNESS ASSY			1	
. NS	790738	. . MOTOR ELECTRIC 24V ASSY / W/CABLE			1	
. NS	790723	. . PROXIMITY SENSOR ASSY			2	
. NS	563570	. . CABLE ASSY WITH ROCKER SWITCH AND HARNESS / W/XL2 & H3			1	
. NS	790764	. . VOLTAGE REGULATOR			1	
NS	790721	. FRAME WIRING HARNESS WITH RELAY ASSY			1	
. NS	790002	. . RELAY			1	
56	790723	PROXIMITY SENSOR ASSY			1	
NS	790599	DECAL / "EMERGENCY EXIT" # 1 / PULL SCREEN			1	
NS	790600	DECAL / "EMERGENCY EXIT" # 2			1	
		4) NO PARTS NUMBER				

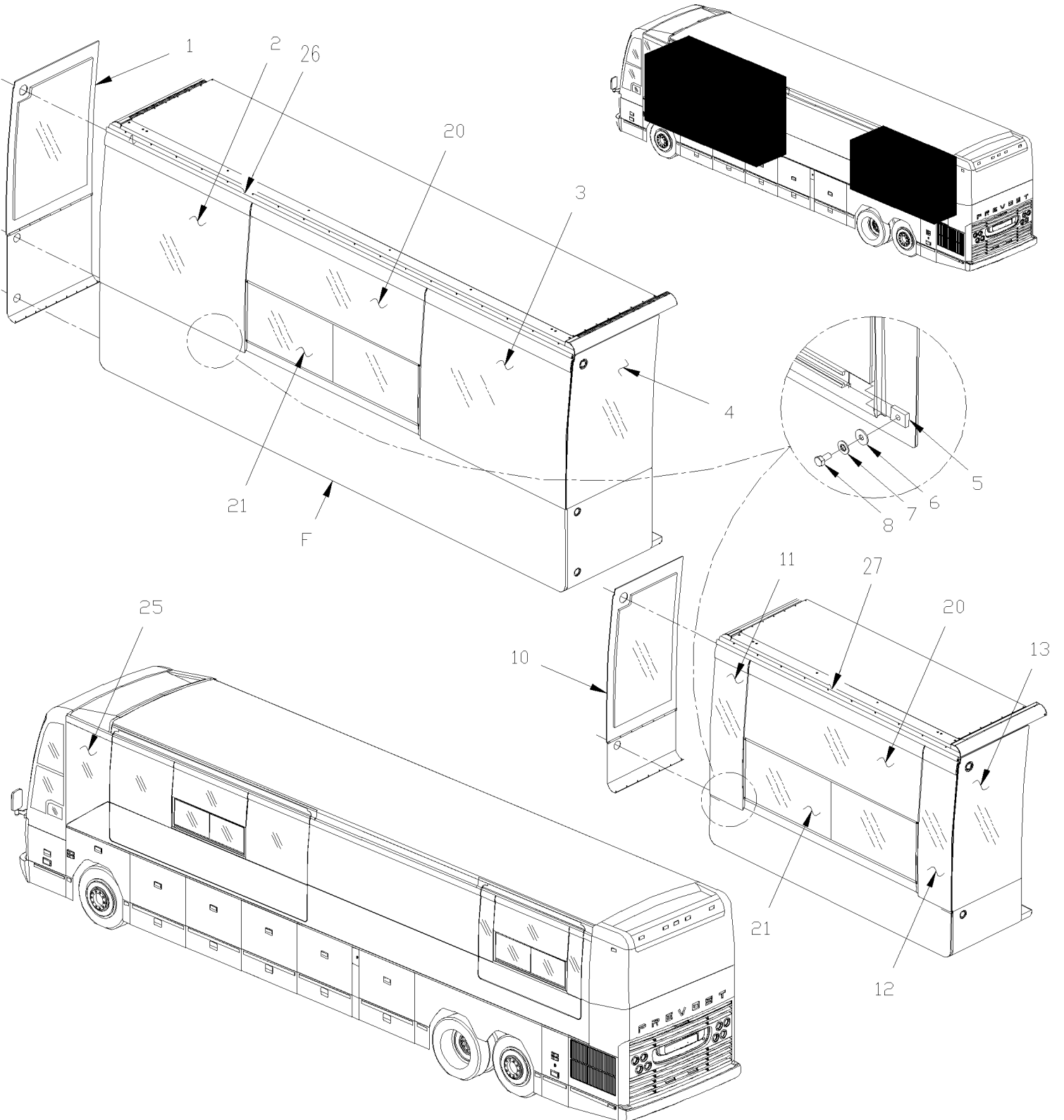


From 3-4417 To 8-1043

Date:10/2022

PAGE:HF-1884-90

SIDE WINDOW - "SLIDE-OUT"





From 3-4417 To 8-1043	Date:10/2022	PAGE:HF-1884-90
SIDE WINDOW - "SLIDE-OUT"		

Item#	Part	Description	H 3 4 1	H 3 4 5	V I P 4 5	N O T E S
1	293662	GLASS, THERMO / FRONT SIDE To 3-4729			1	
1	296983	GLASS, THERMO / FRONT SIDE From 3-4730			1	
2	293658	GLASS, THERMOS / FRONT / 1378MM			1	
. NS	293762	. WINDOW SEAL / 1286MM X 1091MM			1	
3	293659	GLASS, THERMOS / REAR / 1378MM			1	
. NS	293762	. WINDOW SEAL / 1286MM X 1091MM			1	
4	293661	GLASS, THERMO / REAR SIDE			1	
5	292810	ANCHOR BLOCK W/THREAD M10-1.5			AR	
6	502644	WASHER FL 10.5x30.0x2.5 Z050			2	
NS	505213	SHIM 1/16" THICK			AR	
7	502585	WASHER LO SERR 10.2x26.3x1.4 ZP			2	
8	502719	SCREW CAP HEX M10-1.5x20 SS EMN			2	
10	293663	GLASS, THERMO / FRONT SIDE To 3-4729			1	
10	296984	GLASS, THERMO / FRONT SIDE From 3-4730			1	
11	293660	GLASS, SINGLE W/RETAINER / FRONT 312MM			1	
. NS	293768	. WINDOW SEAL / 223MM X 1091MM			1	
12	293665	GLASS, SINGLE W/RETAINER / REAR 312MM			1	
. NS	293768	. WINDOW SEAL / 223MM X 1091MM			1	
13	293664	GLASS, THERMO / REAR SIDE			1	
20	293396	GLASS ASSY, THERMO 13% / UPPER 1652MM x 614.4MM To 7-0992			1	
20	293904	GLASS ASSY, THERMO 13% / UPPER 1652MM x 614.4MM From 7-0993			1	
21	HF-1884-70	SLIDING WINDOW L.H. - V.I.P.				
25	293408	GLASS ASSY, THERMO 13% / TRAPEZOIDAL / LH VIP / W/SLIDE-OUT "PRÉVOST"			1	
. NS	292958	. WINDOW SEAL / TRAPEZOIDAL LH 1822MM X 896MM			1	
26	293656	FRONT WINDOW KEY 4425MM			1	
27	293657	REAR WINDOW KEY 2292MM			1	

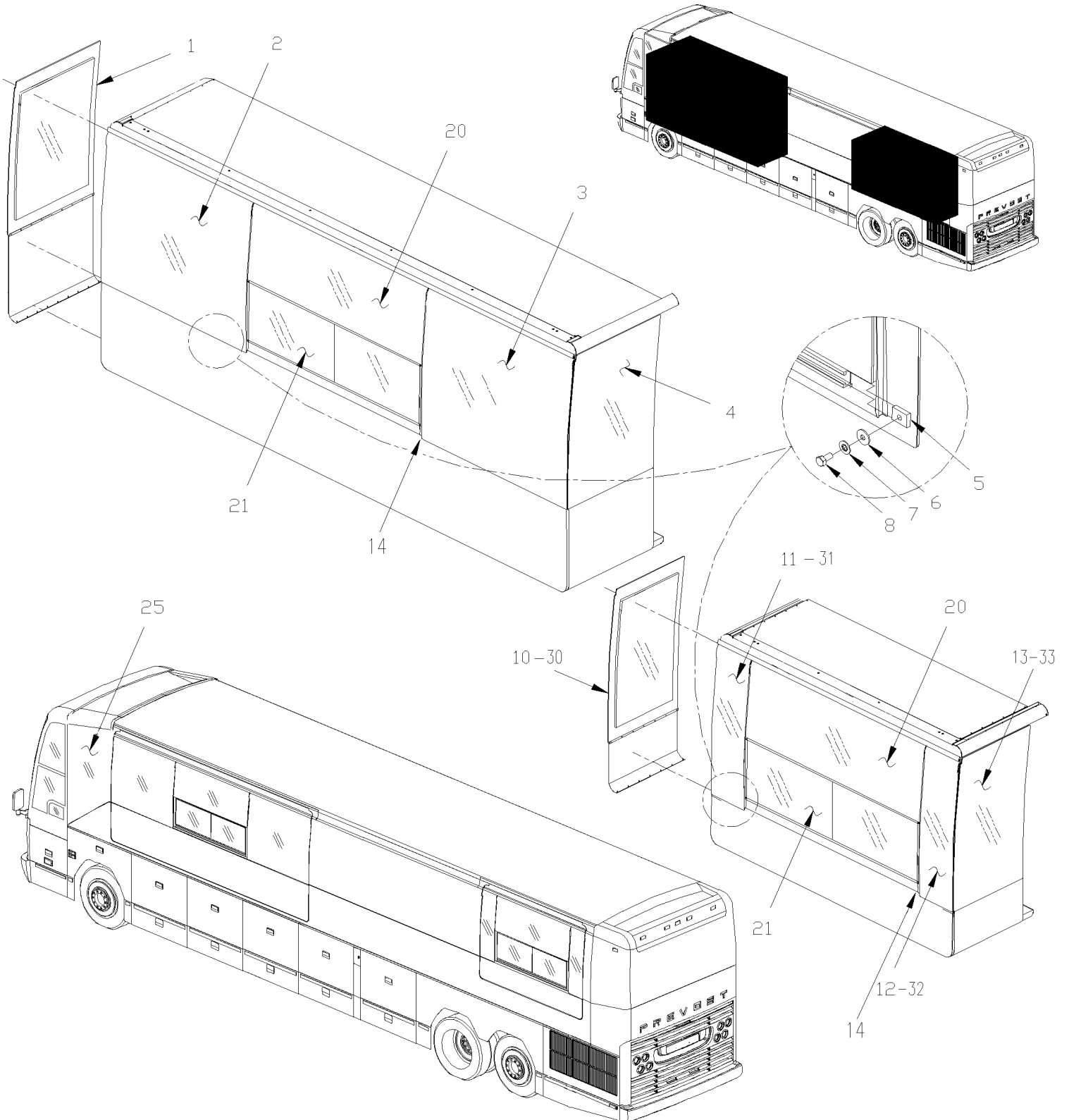


From 3-4417 To 8-1043

Date:10/2022

PAGE:HF-1884-91

SIDE WINDOW - "SLIDE-OUT"





From 3-4417 To 8-1043	Date:10/2022	PAGE:HF-1884-91
SIDE WINDOW - "SLIDE-OUT"		

Item#	Part	Description	H 3 4 1	H 3 4 5	V I P 4 5	N O T E S
1	293865	GLASS, THERMO / FRONT SIDE			1	
2	297098	GLASS, THERMOS / FRONT / 1378MM			1	
. NS	297100	. WINDOW SEAL / 1286MM X 1183MM			1	
. NS	297238	. WINDOW SEAL / 1286MM X 1183MM			1	
3	297106	GLASS, THERMOS / REAR / 1378MM			1	
. NS	297100	. WINDOW SEAL / 1286MM X 1183MM			1	
. NS	297238	. WINDOW SEAL / 1286MM X 1183MM			1	
4	293866	GLASS, THERMO / REAR SIDE			1	
5	292810	ANCHOR BLOCK W/THREAD M10-1.5			AR	
6	502644	WASHER FL 10.5x30.0x2.5 Z050			2	
NS	505213	SHIM 1/16" THICK			AR	
7	502585	WASHER LO SERR 10.2x26.3x1.4 ZP			2	
8	502719	SCREW CAP HEX M10-1.5x20 SS EMN			2	
10	297120	GLASS, THERMO / FRONT SIDE			1	
11	297147	GLASS, SINGLE / 312MM			1	
. NS	297146	. WINDOW SEAL / 219MM X 1183MM			1	
. NS	290061	. WINDOW SEAL / 219MM X 1183MM			1	
. NS	297274	. WINDOW SEAL / 219MM X 1183MM			1	
11	297140	GLASS, THERMO / FRONT 1328MM			1	
. NS	297142	. WINDOW SEAL / 1235MM X 1183MM			1	
. NS	290027	. WINDOW SEAL / 1235MM X 1183MM			1	
11	297114	GLASS, THERMO / FRONT 820MM			1	L
. NS	297116	. WINDOW SEAL / 728MM X 1183MM			1	L
. NS	290022	. WINDOW SEAL / 728MM X 1183MM			1	L
. NS	297279	. WINDOW SEAL / 728MM X 1183MM			1	L
12	297144	GLASS, SINGLE / REAR 312MM			1	
. NS	297146	. WINDOW SEAL / 219MM X 1183MM			1	
. NS	290061	. WINDOW SEAL / 219MM X 1183MM			1	
. NS	297274	. WINDOW SEAL / 219MM X 1183MM			1	
12	297118	GLASS, THERMO / REAR 820MM			1	L
. NS	297116	. WINDOW SEAL / 728MM X 1183MM			1	L
. NS	290022	. WINDOW SEAL / 728MM X 1183MM			1	L
. NS	297279	. WINDOW SEAL / 728MM X 1183MM			1	L
13	297121	GLASS, THERMO / REAR SIDE			1	
14	297158	SEAL RUBBER 1236MM To 7-0859			AR	
14	297186	SEAL RUBBER 1244MM From 7-0860 To 7-0943			AR	
14	297195	SEAL RUBBER FRONT SLIDE OUT 4397MM From 7-0944			1	S
14	297197	SEAL RUBBER REAR SMALL SLIDE OUT 2264MM From 7-0944			1	S
14	297196	SEAL RUBBER REAR LARGE SLIDE OUT 3280MM From 7-0944			1	S
14	297149	SAFETY ANCHOR W/2 HOLE M6-1.0 / 203MM To 8-1078			AR	
14	790645	SAFETY ANCHOR W/2 HOLE M6-1.0 / 203MM From 8-1079			AR	



From 3-4417 To 8-1043 Date:10/2022 PAGE:HF-1884-91

SIDE WINDOW - "SLIDE-OUT"

Item#	Part	Description	H 3 4 1	H 3 4 5	V I P 4 5	N O T E S
20	297101	GLASS ASSY, THERMOS 13% / UPPER / 1652MM			1	
NS	5060044	TAPE RUB ADH2 CC POL 1/4" X 1/4" X 50' / BLACK 11C-N-A			AR	
21	HF-1884-70	SLIDING WINDOW L.H. - V.I.P.				
21	HF-1884-65	ELECTRICAL AWNING WINDOW ASSY				
21	HF-1884-80	ELECTRICAL SLIDING WINDOW ASSY				
25	297108	GLASS ASSY, THERMO 13% / TRAPEZOIDAL / LH VIP / W/SLIDE-OUT "PRÉVOST"			1	
. NS	297105	. WINDOW SEAL / TRAPEZOIDAL LH 1826MM X 900MM			1	
. NS	290020	. WINDOW SEAL / TRAPEZOIDAL LH 1826MM X 900MM			1	
. NS	297277	. WINDOW SEAL / TRAPEZOIDAL LH 1826MM X 900MM			1	
		NEXT FOLLOWING ITEMS ARE RELATED				
		WITH CURB-SIDE SLIDE-OUT				
30	297166	GLASS, THERMO / REAR SIDE From 7-0944			1	C
31	297147	GLASS, SINGLE / 312MM From 7-0944			1	C
. NS	297146	. WINDOW SEAL / 219MM X 1183MM From 7-0944			1	C
. NS	290061	. WINDOW SEAL / 219MM X 1183MM From 7-0944			1	C
. NS	297274	. WINDOW SEAL / 219MM X 1183MM From 7-0944			1	C
31	297172	GLASS, THERMO / FRONT 1328MM From 7-0944			1	C
31	297114	GLASS, THERMO / FRONT 820MM From 7-0944			1	CL
. NS	297116	. WINDOW SEAL / 728MM X 1183MM From 7-0944			1	CL
. NS	290022	. WINDOW SEAL / 728MM X 1183MM From 7-0944			1	CL
. NS	297279	. WINDOW SEAL / 728MM X 1183MM From 7-0944			1	CL
32	297144	GLASS, SINGLE / REAR 312MM From 7-0944			1	CL
. NS	297146	. WINDOW SEAL / 219MM X 1183MM From 7-0944			1	CL
. NS	290061	. WINDOW SEAL / 219MM X 1183MM From 7-0944			1	CL
. NS	297274	. WINDOW SEAL / 219MM X 1183MM From 7-0944			1	CL
32	297118	GLASS, THERMO / REAR 820MM From 7-0944			1	CL
. NS	297116	. WINDOW SEAL / 728MM X 1183MM From 7-0944			1	CL
. NS	290022	. WINDOW SEAL / 728MM X 1183MM From 7-0944			1	CL
. NS	297279	. WINDOW SEAL / 728MM X 1183MM From 7-0944			1	CL
33	297167	GLASS, THERMO / FRONT SIDE From 7-0944			1	C
		C) REVERSE PICTURE WITH REAR CURBSIDE SLIDE-OUT				
		L) USE WITH SLIDE-OUT 10 3/4 FEET LONG				
		S) COVERING ALLS WINDOW UPPER & SIDE "U" SHAPE				

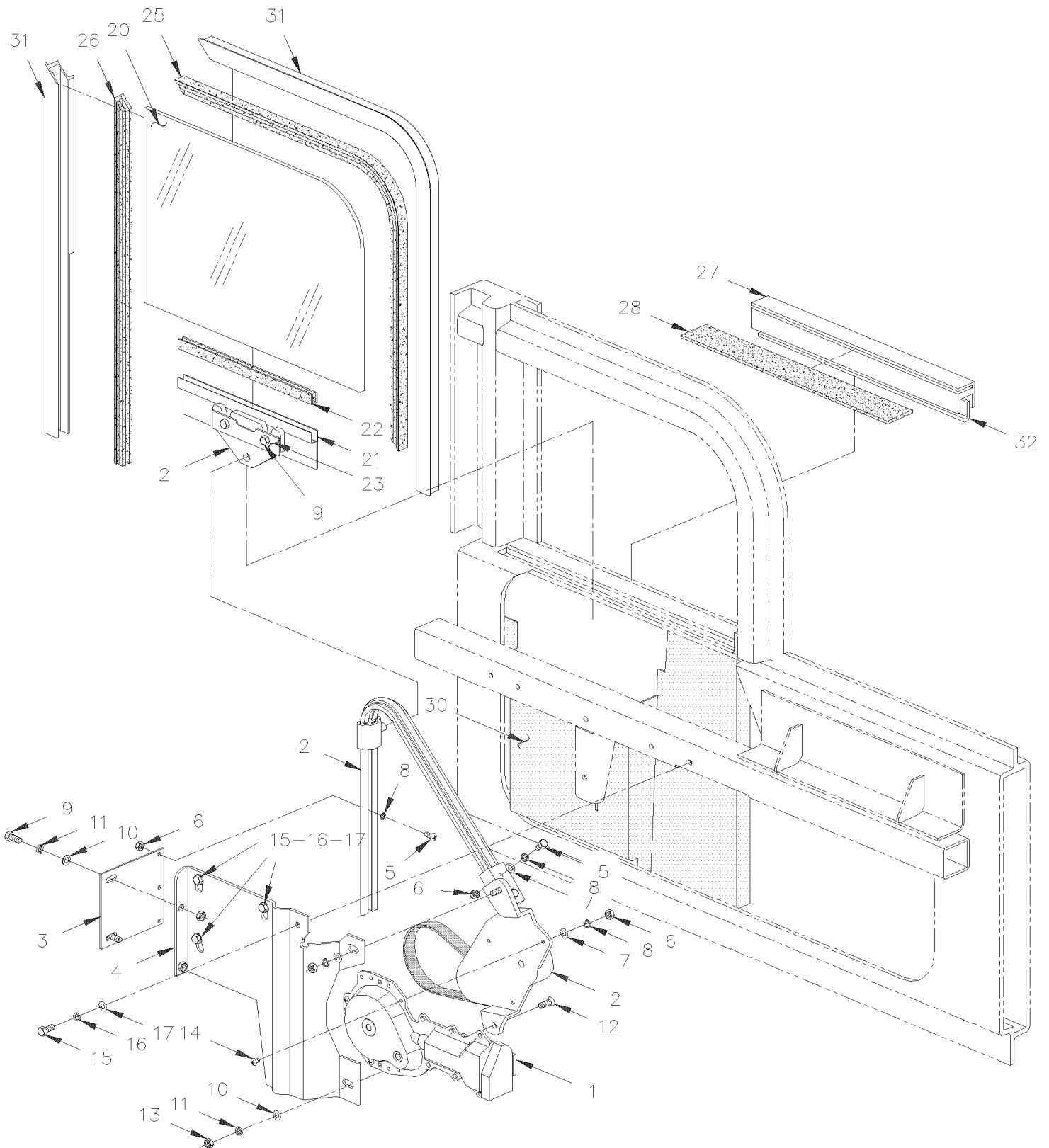


From 3-4417 To 6-0434

Date:10/2022

PAGE:HF-1886-00

POWER WINDOW - ELECTRICAL INSTALLATION





From 3-4417 To 6-0434	Date:10/2022	PAGE:HF-1886-00
-----------------------	--------------	-----------------

POWER WINDOW - ELECTRICAL INSTALLATION

Item#	Part	Description	H 3 4 1	H 3 4 5	V I P 4 5	N O T E S
	291949	REGULATOR & MOTOR ASSY / MODIFIED	1	1	1	B
1	790336	. MOTOR ASSY / 12V / WINDOW R	1	1	1	B
1	197925	. MOTOR ASSY / 12V / WINDOW R	1	1	1	
2	291745	. REGULATOR ASSY / MODIFIED	1	1	1	B
2	790337	. . REGULATOR ASSY / NON MODIFIED	1	1	1	B
3	291744	. SUPPORT	1	1	1	
NS	680025	. CAULKING STRIP 3/16" O.D. X 14'	AR	AR	AR	
4	292276	. SUPPORT	1	1	1	
5	502688	SCREW MA PAN PH M3.5-0.6x10 ZP	5	5	5	
6	502689	NUT HEX M3.5-0.6 NP	5	5	5	
7	502690	WASHER FL 4.3x9.0x0.8 Z050	5	5	5	
8	502691	WASHER LO SPT 3.6x6.7x0.8 Z050	5	5	5	
9	502531	SCREW CAP HEX M6-1.0x16 G8.8 Z050	5	5	5	
10	500440	WASHER FL .250x.562x.065 Z050	8	8	8	
11	502582	WASHER LO SERR 6.1x16.2x0.9 Z050	8	8	8	
12	500442	SCREW MA OV PH 1/4-20x3/4 ZP	2	2	2	
13	500769	NUT HEX 1/4-20 Z050	2	2	2	
14	500668	SCREW MA PAN PH M3.5-0.6x20 Z050	3	3	3	
15	500923	SCREW TC CAP HEX 1/4-20x3/4 Z050	3	3	3	
16	502583	WASHER LO SERR 8.15x22.3x1.0 Z050	3	3	3	
17	500473	WASHER LO SPT .262x.489x.062 Z050	1	1	1	
20	291948	GLASS ASSY	1	1	1	
20	299045	. GLASS / DRIVER'S WINDOW	1	1	1	
21	299049	. SUPPORT ASSY	1	1	1	
22	681092	. ADHESIVE SIKA #255FC / BLACK / 310ml CARTRIDGE	AR	AR	AR	
NS	681091	PRIMER SIKA #206 / BLACK / 250ml	AR	AR	AR	
23	299048	PLATE, ANCHOR	1	1	1	
24	500609	NUT HEX M6-1.0 Z050	4	4	4	
25	291854	FELT SLIDING 610MM	1	1	1	
26	291855	FELT SLIDING 375MM	1	1	1	
NS	680044	SEALANT TAPE BUTYL / GREY / 1/8"x1/2"x25' / 71017F1760	AR	AR	AR	
27	299050	ALUMINIUM EXTRUSION, DRIVER WINDOW / TO FIX FELT LOWER SEAL	AR	AR	AR	
28	292277	FLAP SEAL / W/FLOCKING 25MM x 312MM	1	1	1	
NS	293085	SEAL INTERIOR / CONSOLE & GLASS / 340MM	1	1	1	
30	292326	PROTECTOR, WATER / WHITE PLASTIC	1	1	1	
30	506322	TAPE RUB ADH2 POL .045" x 1" x 223' / WHITE 4085	AR	AR	AR	
NS	680088	SEALANT BUTYL 692 12X203 / BLACK / 310ml CARTRIDGE	AR	AR	AR	
31	292798	ALUMINIUM EXTRUSION / TO FIX SIDE & TOP FELT	1	1	1	
NS	506769	TAPE RUB ADH2 CC POL 1/8" x 1/4" x 60' / BLACK H1CC-N-#14	AR	AR	AR	
31	681091	PRIMER SIKA #206 / BLACK / 250ml	AR	AR	AR	
31	681092	ADHESIVE SIKA #255FC / BLACK / 310ml CARTRIDGE	AR	AR	AR	
32	HF-1851-00	CAP - FRONT & REAR - INSTALLATION				



From 3-4417 To 6-0434	Date:10/2022	PAGE:HF-1886-00
-----------------------	--------------	-----------------

POWER WINDOW - ELECTRICAL INSTALLATION

Item#	Part	Description	H 3 4 1	H 3 4 5	V I P 4 5	N O T E S
50	293872	KIT, RETROFIT ELECTRICAL DRIVER'S WINDOW / SERIES "H"	1	1	1	
. NS	IS-05010	. SEE INSTRUCTION SHEET	1	1	1	
		B) THOSE COMPONENTS ARE SUPPERSEDED BY KIT #293872				

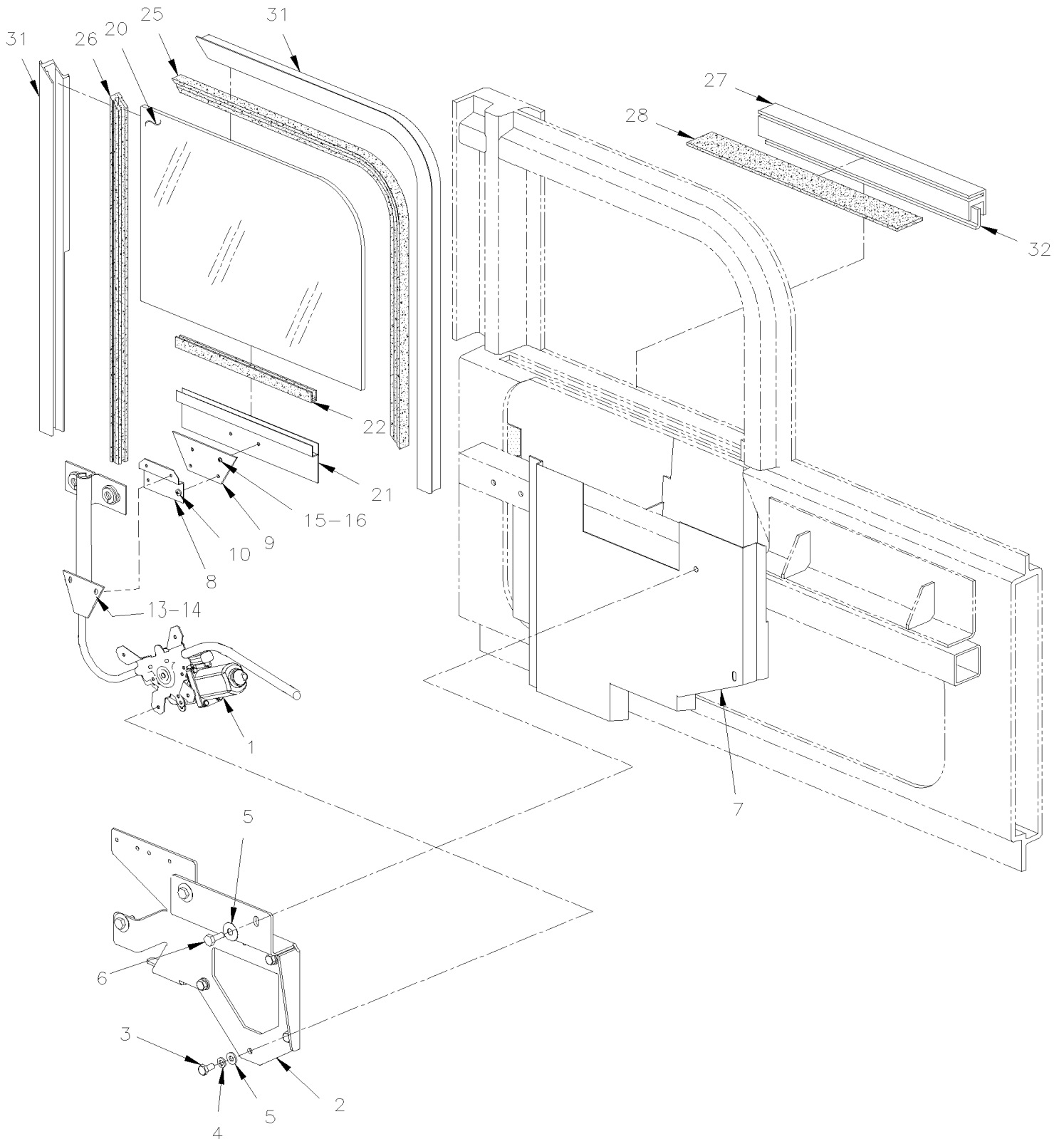


From 6-0435 To 8-1043

Date:10/2022

PAGE:HF-1886-01

POWER WINDOW - ELECTRICAL INSTALLATION





From 6-0435 To 8-1043	Date:10/2022	PAGE:HF-1886-01
POWER WINDOW - ELECTRICAL INSTALLATION		

Item#	Part	Description	H 3 4 1	H 3 4 5	V I P 4 5	N O T E S
	293855P	MOTOR ASSY W/SUPPORT	1	1	1	
	293855P	MOTOR ASSY W/SUPPORT	1	1	1	
1	790501	. MOTOR & REGULATOR ASSY / SERIES "H"	1	1	1	
2	293846	. SUPPORT ASSY	1	1	1	
3	502772	. SCREW CAP HEX 1/4-20x1/2 G5 N500	4	4	4	
4	500440	. WASHER FL .250x.562x.065 Z050	5	5	5	
5	500270	. WASHER FL .406x1.000x.063 SS	4	4	4	
6	502557	. NUT HEX NYRT M4-0.7 SS	3	3	3	
7	293867	. PROTECTOR, WATER / WHITE PLASTIC	1	1	1	
8	293847	SUPPORT "Z" SHAPE To 6-0505	1	1	1	A
8	293899	SUPPORT "Z" SHAPE From 6-0506	1	1	1	
9	293870	SUPPORT TRANSITION PLASTIC BLACK To 6-0505	1	1	1	A
9	293898	SUPPORT TRANSITION PLASTIC BLACK From 6-0506	1	1	1	
NS	293902	ADAPTOR TRANSITION ASSY From 6-0506	1	1	1	B
10	5001198	SCREW MA FL PH M6-1.0x16 Z050	2	2	2	
NS	5001182	NUT HEX NYRT M6-1.0 SS	2	2	2	
13	502772	SCREW CAP HEX 1/4-20x1/2 G5 N500	2	2	2	
14	502570	WASHER LO SPT 6.1x11.8x1.6 SS	2	2	2	
NS	500440	WASHER FL .250x.562x.065 Z050	2	2	2	
15	5001633	SCREW MA FL PH M6-1.0x12 Z050	2	2	2	
16	680066	ADHESIVE / ADBOND #5014 / 23.6ML BOTTLE	AR	AR	AR	
20	291948	GLASS ASSY	1	1	1	
20	299045	. GLASS / DRIVER'S WINDOW	1	1	1	
21	299049	. SUPPORT ASSY	1	1	1	
22	681092	. ADHESIVE SIKA #255FC / BLACK / 310ml CARTRIDGE	AR	AR	AR	
22	681091	. PRIMER SIKA #206 / BLACK / 250ml	AR	AR	AR	
25	291854	FELT SLIDING 610MM	1	1	1	
26	291855	FELT SLIDING 375MM	1	1	1	
26	680044	SEALANT TAPE BUTYL / GREY / 1/8"x1/2"x25' / 71017F1760	AR	AR	AR	
27	299050	ALUMINIUM EXTRUSION, DRIVER WINDOW / TO FIX FELT LOWER SEAL	1	1	1	
28	292277	FLAP SEAL / W/FLOCKING 25MM x 312MM	1	1	1	
30	293867	PROTECTOR, WATER / WHITE PLASTIC	1	1	1	
30	680088	SEALANT BUTYL 692 12X203 / BLACK / 310ml CARTRIDGE	AR	AR	AR	
31	292798	ALUMINIUM EXTRUSION / TO FIX SIDE & TOP FELT	1	1	1	
31	506769	TAPE RUB ADH2 CC POL 1/8" x 1/4" x 60' / BLACK H1CC-N-#14	AR	AR	AR	
32	HF-1851-00	CAP - FRONT & REAR - INSTALLATION				
33	293872	KIT, RETROFIT ELECTRICAL DRIVER'S WINDOW / SERIES "H"	1	1	1	
. NS	IS-05010	. SEE INSTRUCTION SHEET	1	1	1	



From 6-0435 To 8-1043	Date:10/2022	PAGE:HF-1886-01
-----------------------	--------------	-----------------

POWER WINDOW - ELECTRICAL INSTALLATION

Item#	Part	Description	H 3 4 1	H 3 4 5	V I P 4 5	N O T E S
		A) FOR PRODUCT IMPROVEMENTS SUPPERSEDED BY ONE 293902				
		B) INCLUDE ITEM 8 & 9				

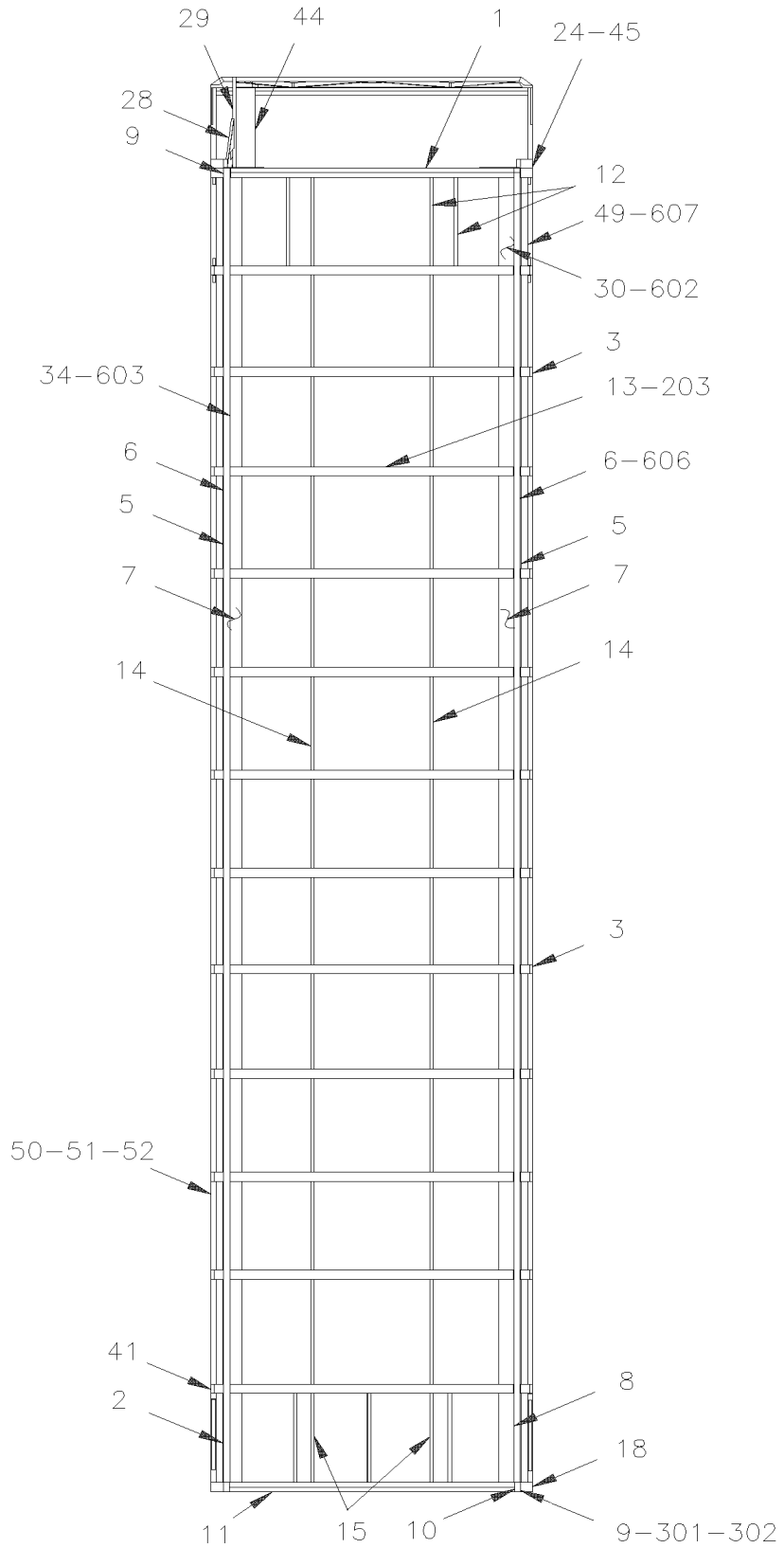


From 3-4417 To 8-1043

Date:10/2022

PAGE:HF-1890-00

ROOF STRUCTURE



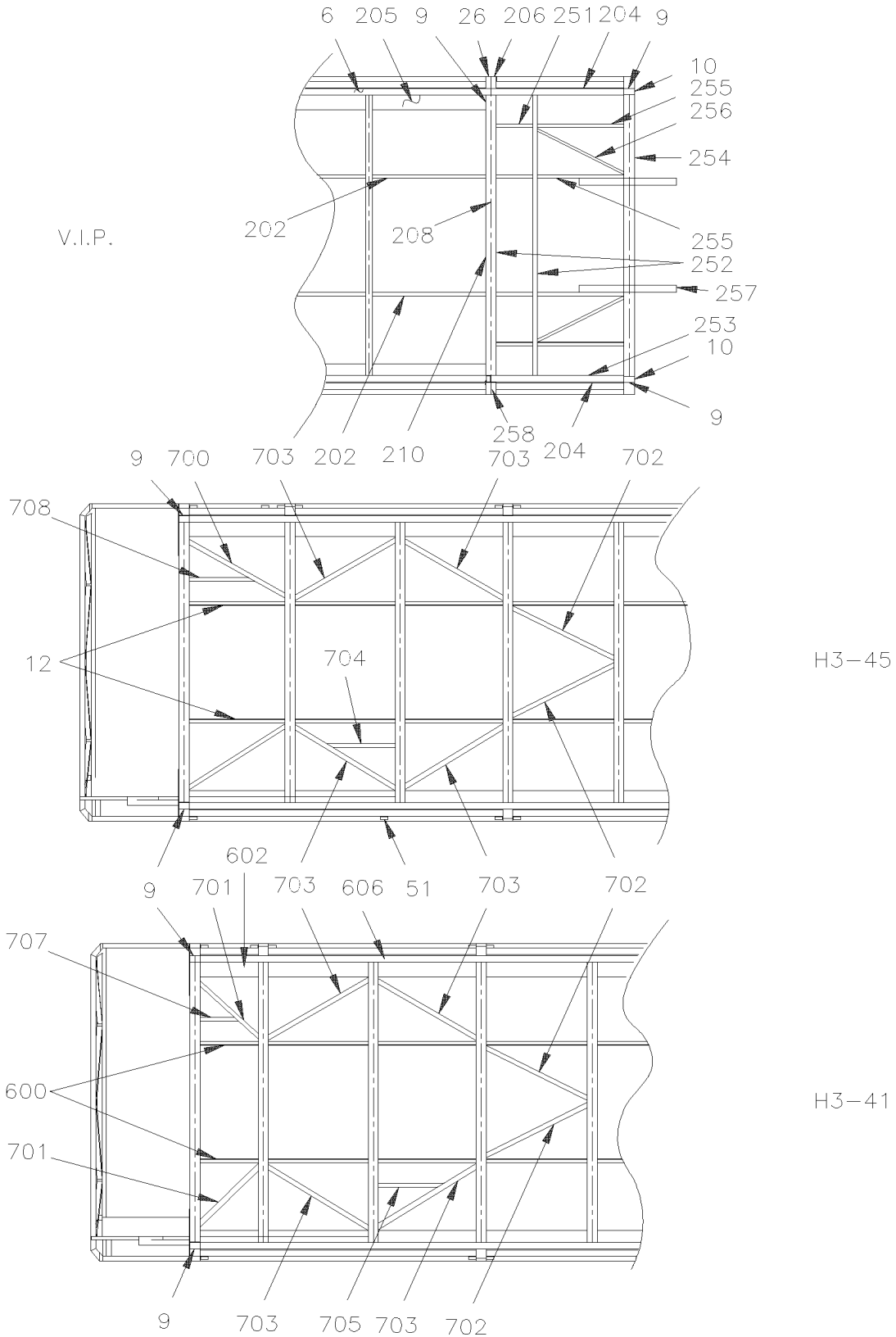


From 3-4417 To 8-1043

Date:10/2022

PAGE:HF-1890-00

ROOF STRUCTURE





From 3-4417 To 8-1043	Date:10/2022	PAGE:HF-1890-00
ROOF STRUCTURE		

Item#	Part	Description	H 3 4 1	H 3 4 5	V I P 4 5	N O T E S
1	Call order desk	ROOF ARCH ASSY	1	1	1	P
2	271051	CORNER FORM	2	2	2	
3	HF-1890-10	STRUCTURE WALL - UPPER				
4	270553	REINFORCEMENT / BETWEEN WINDOW	4	4	4	
5	271053	CORNER FORM		9		
6	270919	TUBE		4		
6	270921	TUBE			4	
7	270558	CORNER PANEL	24			
7	270558	CORNER PANEL		22	22	
8	271006	CORNER FORM	2	2	2	
9	271104	PLATE (CURVED)	6	6	6	
10	270541	CLOSING PLATE	2	2	2	
11	270566P	ROOF ARCH ASSY	1	1	1	
12	271574	FORM / BETWEEN ARCH To 3-4584		4		
12	271626	FORM / BETWEEN ARCH From 3-4585		4		
13	271288	ARCH To 3-4584	12			
13	271288	ARCH To 3-4584		13		
13	271636	ARCH From 3-4585	12			
13	271636	ARCH From 3-4585		13		
14	271041	FORM / BETWEEN ARCH To 3-4584	22		22	
14	271041	FORM / BETWEEN ARCH To 3-4584		24		
14	271620	FORM / BETWEEN ARCH From 3-4585	22		22	
14	271620	FORM / BETWEEN ARCH From 3-4585 To 4-4904		24		
14	271041	FORM / BETWEEN ARCH From 4-4905	2	2		R
15	271103	CORNER FORM To 3-4584	5	5	5	
15	271628	CORNER FORM From 3-4585 To 7-0817	5	5	5	
15	272135	CORNER FORM From 7-0818	5	5	5	
18	270596P	FRONT POST ASSY L.H.	1	1	1	
24	270831	TUBE		1		
24	270915	TUBE		1		
24	270889	TUBE			1	
24	270940	TUBE			1	
26	270624	IN BETWEEN WINDOW TUBE			5	
28	211561	SUPPORT	1	1	1	
29	271207	REINFORCEMENT ASSY	1	1	1	
30	271005	CORNER FORM		2	2	
34	271055	RIGHT CORNER FORM		1		
41	HF-1890-10	STRUCTURE WALL - UPPER				
44	271208	PLATE	1	1	1	
45	270833P	TUBES ASSY		1		
49	271054	REAR LEFT CORNER FORM		1		
50	HF-1890-10	STRUCTURE WALL - UPPER				



From 3-4417 To 8-1043	Date:10/2022	PAGE:HF-1890-00
ROOF STRUCTURE		

Item#	Part	Description	H 3 4 1	H 3 4 5	V I P 4 5	N O T E S
51	292931	ANGLE / (WELDED)	14			
51	292931	ANGLE / (WELDED)		16	16	
52	293062	ANGLE / (WELDED)	4	4	4	
202	271007	FORM / BETWEEN ARCH To 3-4584			2	
202	271619	FORM / BETWEEN ARCH From 3-4585			2	
203	270516	CORNER REINFORCEMENT	26	26	26	
204	270760	CORNER SUPPORT			2	
205	270621	CORNER PANEL			2	
206	270623	IN BETWEEN WINDOW TUBE			2	
208	270761	CLOSING PANEL			1	
210	270533	ROOF ARCH			1	
251	270652	TUBE			4	
252	271288	ARCH To 3-4584			2	
252	271636	ARCH From 3-4585			2	
253	270762	REINFORCEMENT			2	
254	271288	ARCH			2	
255	270616	TUBE			4	
256	270635	TUBE			2	
257	270677	TUBE			2	
258	270516	CORNER REINFORCEMENT			4	
301	270922	CORNER FORM	2	2	2	
302	270591	REINFORCEMENT	2	2	2	
600	271575	FORM / BETWEEN ARCH To 3-4584	2			
600	271627	FORM / BETWEEN ARCH From 3-4585	2			
602	271002	CORNER FORM	1			
603	271057	PANEL, CORNER	1			
606	270920	TUBE	4			
607	271056	CORNER FORM REAR LEFT	1			
700	271059	REINFORCEMENT	2	2		
701	271062	REINFORCEMENT	2			
702	270867	REINFORCEMENT TUBE	2	2		
703	270868	REINFORCEMENT TUBE	4	4		
704	271068	FORM / BETWEEN ARCH To 3-4584	1	1		
704	271623	FORM / BETWEEN ARCH From 3-4585	1	1		
705	271061	FORM / BETWEEN ARCH To 3-4584	1			
705	271622	FORM / BETWEEN ARCH From 3-4585	1			
707	271071	FORM / BETWEEN ARCH To 3-4584	1			
707	261627	FORM / BETWEEN ARCH From 3-4585	1			
708	271572	FORM / BETWEEN ARCH To 3-4584	1	1		
708	271624	FORM / BETWEEN ARCH From 3-4585	1	1		



From 3-4417 To 8-1043	Date:10/2022	PAGE:HF-1890-00
-----------------------	--------------	-----------------

ROOF STRUCTURE

Item#	Part	Description	H 3 4 1	H 3 4 5	V I P 4 5	N O T E S
		R) OVER "RICON" DOOR				
		P) CALL ORDER DESK FOR SPECIFIC APPLICATION (V.I.N.)				

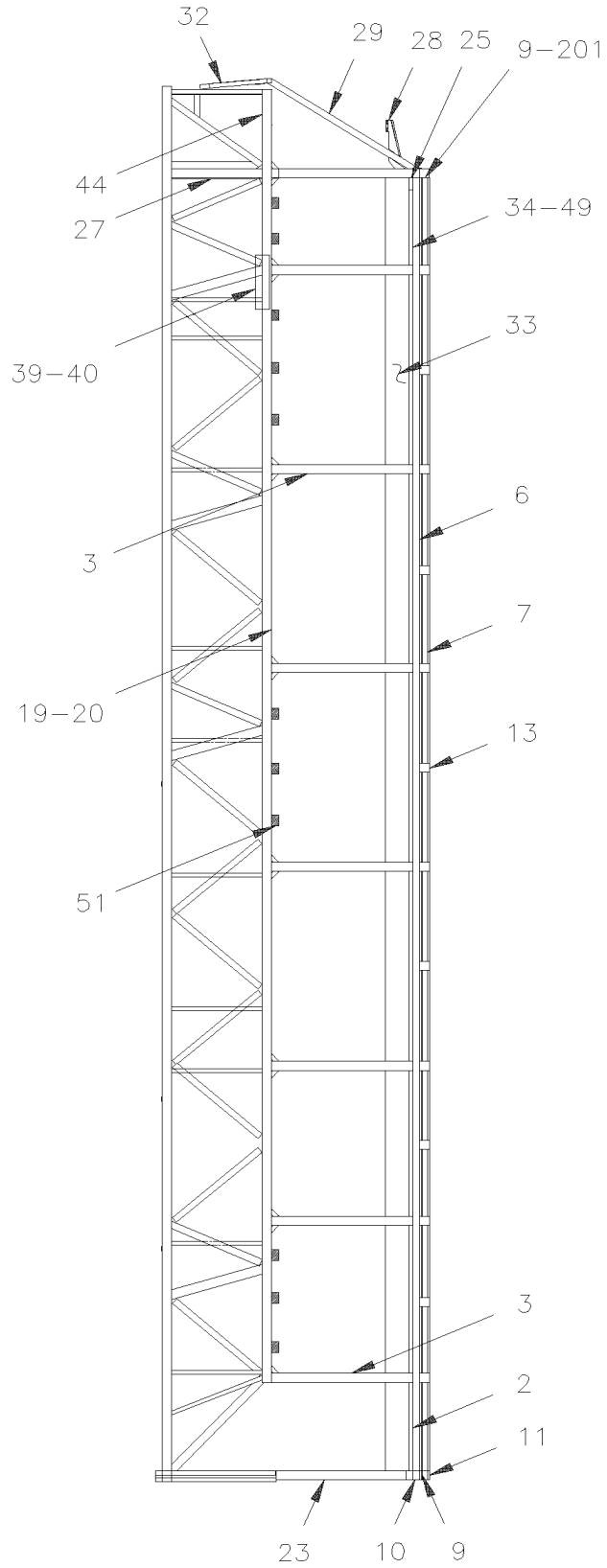


From 3-4417 To 8-1043

Date:10/2022

PAGE:HF-1890-10

STRUCTURE WALL - UPPER



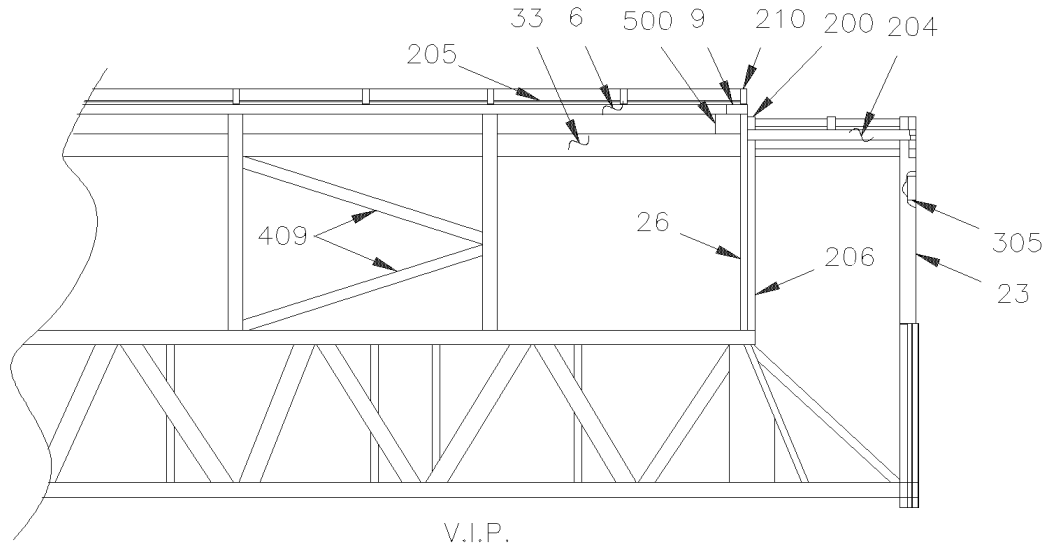


From 3-4417 To 8-1043

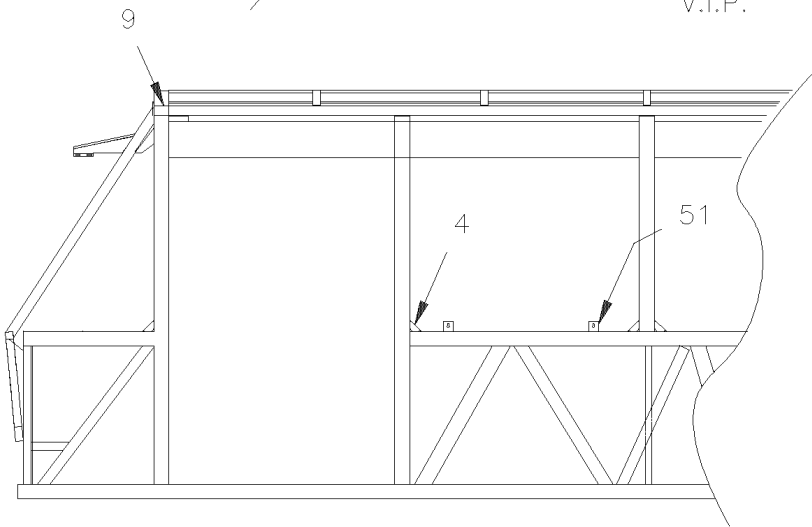
Date:10/2022

PAGE:HF-1890-10

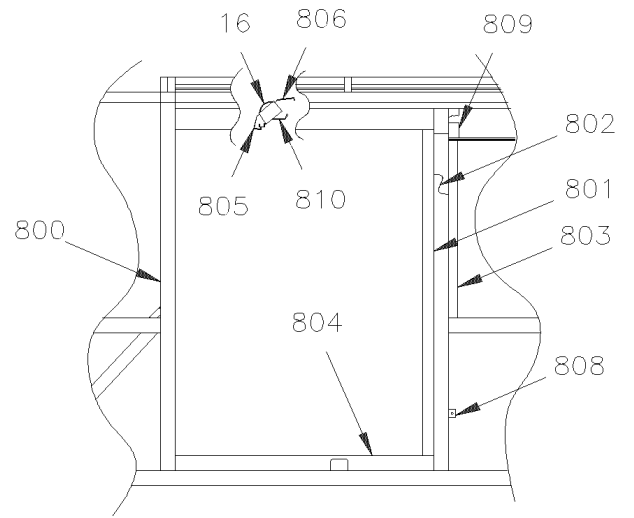
STRUCTURE WALL - UPPER



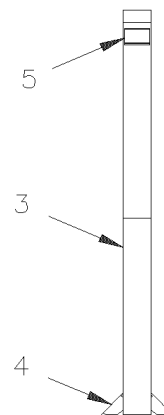
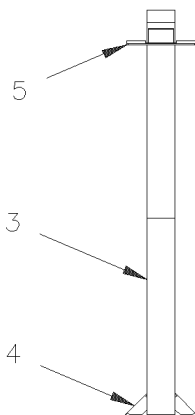
V.I.P.



W.C.L.



W.C.L. ou V.I.P.





From 3-4417 To 8-1043	Date:10/2022	PAGE:HF-1890-10
STRUCTURE WALL - UPPER		

Item#	Part	Description	H 3 4 1	H 3 4 5	V I P 4 5	N O T E S
2	271051	CORNER FORM	2	2	2	
3	270556	POST / BETWEN WINDOW / 1129MM	AR	AR		
3	270622	POST / BETWEN WINDOW / 1283MM			AR	
4	270553	REINFORCEMENT / BETWEEN WINDOW	AR	AR	AR	
5	271048	SUPPORT PARCEL RACK	AR	AR		
6	270919	TUBE		4		
6	270921	TUBE			4	
7	270558	CORNER PANEL	24			
7	270558	CORNER PANEL		22	22	
9	271104	PLATE (CURVED)	6	6	6	
10	270541	CLOSING PLATE	2	2	2	
11	270566P	ROOF ARCH ASSY	1	1	1	
13	271288	ARCH To 3-4584	12			
13	271288	ARCH To 3-4584		13		
13	271636	ARCH From 3-4585	12			
13	271636	ARCH From 3-4585		13		
16	271104	PLATE (CURVED)	6	6	6	
19	HF-1891-00	WALL STRUCTURE - LOWER BUS				
20	HF-1891-00	WALL STRUCTURE - LOWER BUS				
23	270595P	FRONT POST ASSY R.H.	1	1	1	
23	270596P	FRONT POST ASSY L.H.	1	1	1	
25	271098	SUPPORT PARCEL RACK	4	4	4	
26	270624	IN BETWEEN WINDOW TUBE			5	
27	270601	SUPPORT	2	2	2	
28	211561	SUPPORT	1	1	1	
29	271207	REINFORCEMENT ASSY	1	1	1	
32	HF-1894-00	REAR STRUCTURE				
33	270629	SUPPORT			14	
34	271055	RIGHT CORNER FORM		1		
39	362599	SUPPORT	2	2	2	
40	211832	REINFORCEMENT	2	2	2	
44	271208	PLATE	1	1	1	
49	271054	REAR LEFT CORNER FORM		1		
51	292931	ANGLE / (WELDED)	14			
51	292931	ANGLE / (WELDED)		16		
201	210787	PLATE	4	4	4	
203	270516	CORNER REINFORCEMENT	26	26	26	
204	270760	CORNER SUPPORT			2	
205	270621	CORNER PANEL			2	
206	270623	IN BETWEEN WINDOW TUBE			AR	
210	270533	ROOF ARCH			1	
305	270674	REINFORCEMENT			2	



From 3-4417 To 8-1043	Date:10/2022	PAGE:HF-1890-10
STRUCTURE WALL - UPPER		

Item#	Part	Description	H 3 4 1	H 3 4 5	V I P 4 5	N O T E S
409	270678	TUBE			4	
500	271107	PLATE			2	
603	271057	PANEL, CORNER	1			
606	270920	TUBE	4			
607	271056	CORNER FORM REAR LEFT	1			
800	270916	DOUBLE REAR TUBE To 5-0167	1	1	1	
800	271772	DOUBLE REAR TUBE From 5-0168	1	1	1	
801	270865	STAND TUBE To 5-0167	1	1	1	
802	270854	DOUBLE FRONT TUBE To 5-0167	1	1	1	
802	271773	DOUBLE FRONT TUBE From 5-0168	1	1	1	
803	270963	STAND TUBE To 5-0167	1	1	1	
804	270858	TUBE	1	1	1	
805	270855	CORNER PANEL	1	1	1	
806	271001	CORNER EXTRUSION	1	1	1	
807	270877	FIXTURE	1	1	1	
808	231469	SUPPORT SINGLE	1	1	1	
809	271100	SUPPORT	1	1	1	
810	270872	ROOF SUPPORT	1	1	1	
900	Call order desk	POST ASSY / W/"RICON"		1		P
900	271010	POST ASSY			1	
901	270927	POST ASSY / W/"RICON"		1		
901	Call order desk	POST ASSY			1	P
910	271052	CORNER EXTRUSION W/RICON		2		
911	271066	SUPPORT W/RICON		1		
		P) CALL ORDER DESK FOR SPECIFIC APPLICATION (V.I.N.)				



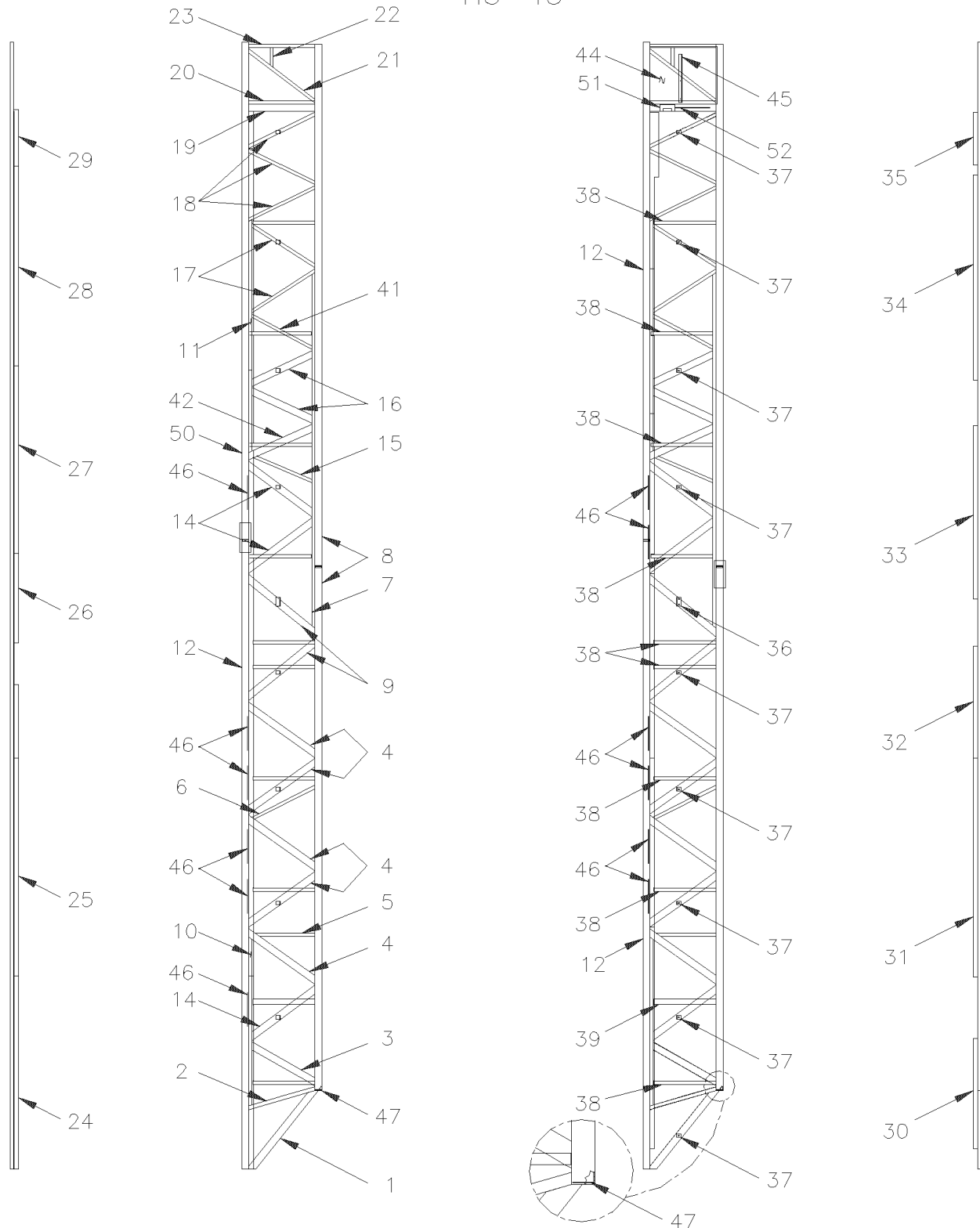
From 3-4417 To 8-1043

Date:10/2022

PAGE:HF-1891-00

WALL STRUCTURE - LOWER BUS

H3-45



TOP VIEW RH RH FROM OUTSIDE

LH FROM INSIDE

TOP VIEW LH



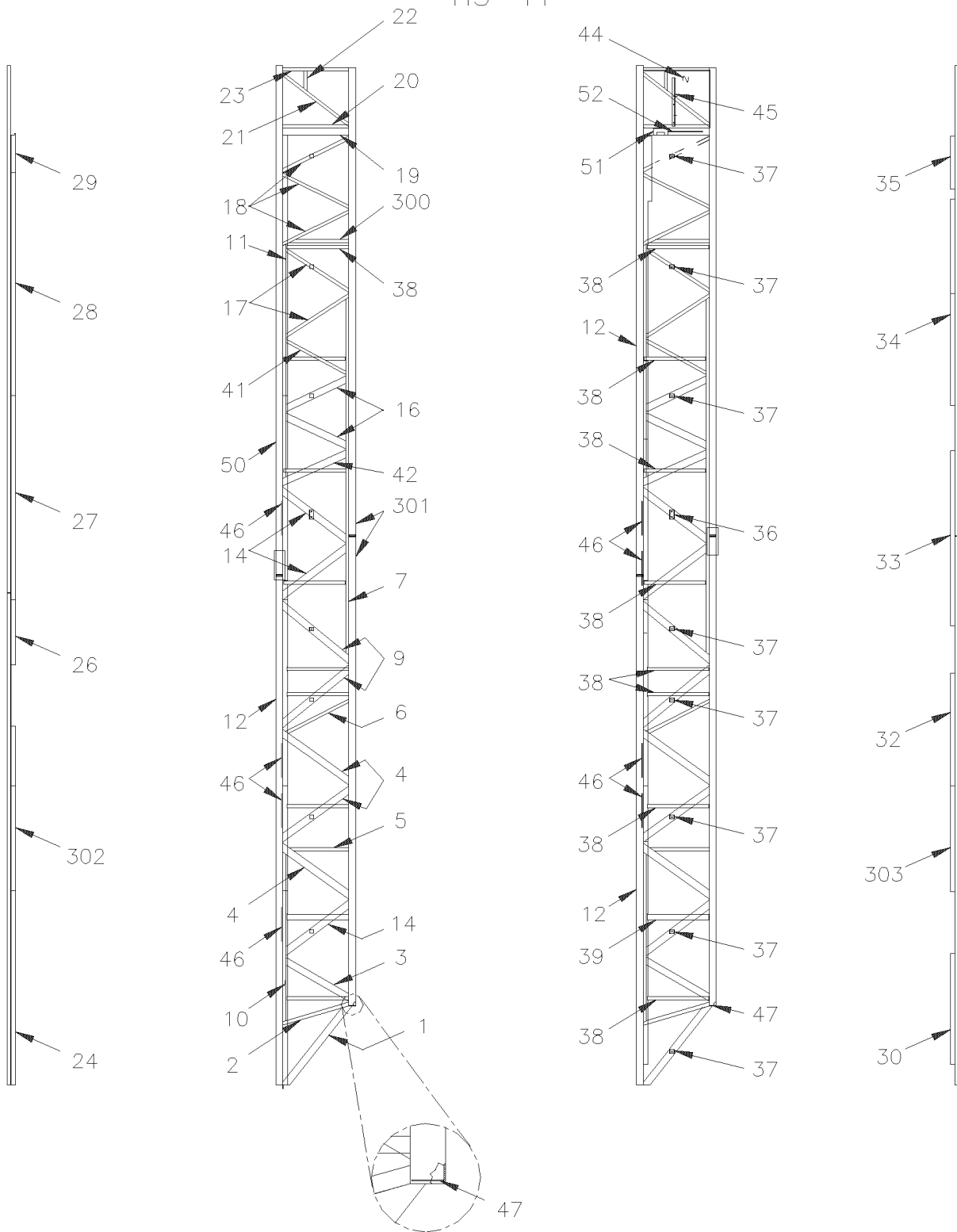
From 3-4417 To 8-1043

Date:10/2022

PAGE:HF-1891-00

WALL STRUCTURE - LOWER BUS

H3-41

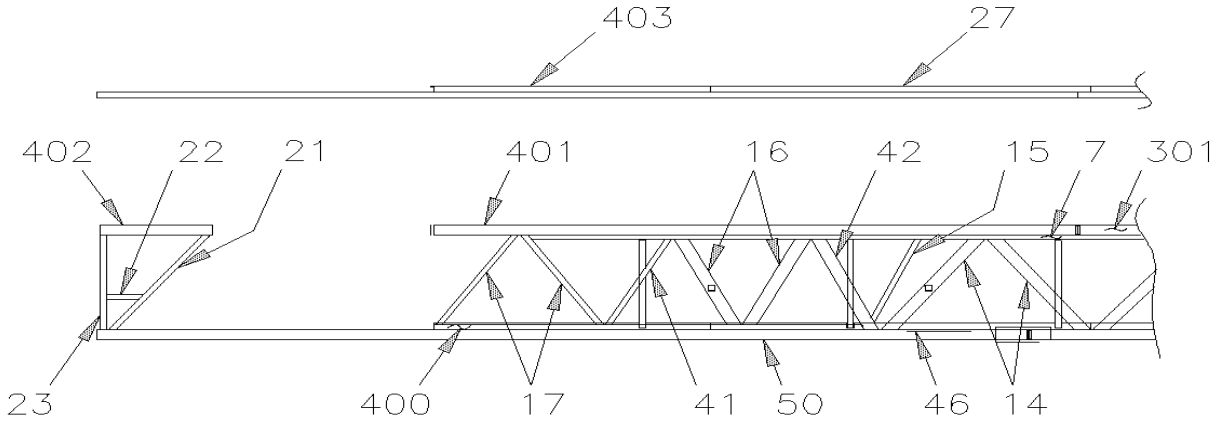


TOP VIEW RH RH FROM OUTSIDE

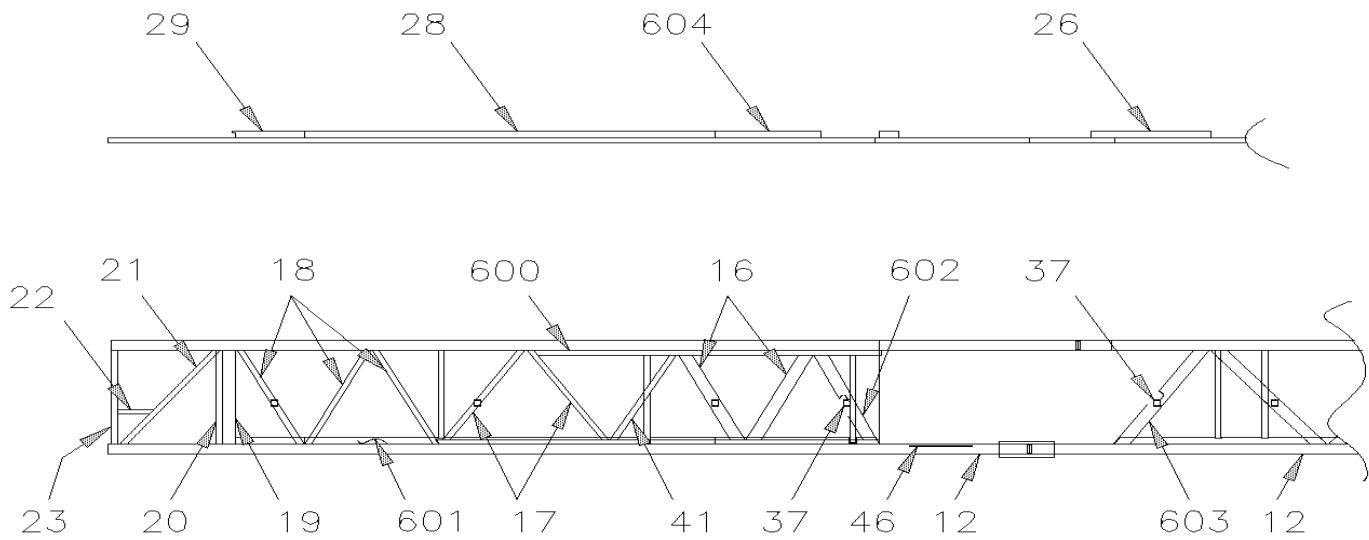
LH FROM INSIDE TOP VIEW LH



From 3-4417 To 8-1043	Date:10/2022	PAGE:HF-1891-00
WALL STRUCTURE - LOWER BUS		



RH FROM OUTSIDE
W.C.L. "ST & ST"



RH FROM OUTSIDE
W.C.L. "RICON"
BUS 45'



From 3-4417 To 8-1043	Date:10/2022	PAGE:HF-1891-00
WALL STRUCTURE - LOWER BUS		

Item#	Part	Description	H 3 4 1	H 3 4 5	V I P 4 5	N O T E S
1	231006	TUBE	1	1		
2	230954	TUBE	1	1		
3	230945	TUBE	1	1		
4	230951	TUBE	3			
4	230951	TUBE		5		
5	231048	TUBE	1	1		
6	231047	TUBE	1	1		
7	231044	TUBE	1	1		
8	230882	TUBE	1			
8	230882	TUBE		2		
9	230952	TUBE	2	2		
10	230967	TUBE	1	1		
11	230966	TUBE	1	1		
12	231163	TUBE		2		
12	231014	TUBE	2			
14	230953	TUBE	3	3		
15	231046	TUBE		1		
16	230948	TUBE	2	2		
17	231051	TUBE	2	2		
18	231050	TUBE	1	1		
19	230962	TUBE	1	1		
20	230963	PLATE	1	1		
21	231053	TUBE	1	1		
22	231045	TUBE	1	1		
23	230688	TUBE 1 1/2" X 1 1/2" / S.L.	1	1		
24	230986	ANGLE #1 R.H.	1	1		
25	230985	ANGLE	1	1		
26	231288	ANGLE			1	B
26	230984	ANGLE			1	C
26	231451	ANGLE	1	1		A
26	230988	ANGLE	1			
27	230988	ANGLE		1		
28	230983	ANGLE	1	1		
29	230898	ANGLE	1	1		
30	230980	ANGLE	1	1		
31	230987	ANGLE	1	1		
32	230990	ANGLE	1	1	1	
32	231284	ANGLE BAR			1	B
32	231453	FLOOR ANGLE BAR	1	1		A
32	231284	ANGLE BAR			1	B
32	230981	ANGLE	1			
33	230981	ANGLE	1	1		



From 3-4417 To 8-1043	Date:10/2022	PAGE:HF-1891-00
WALL STRUCTURE - LOWER BUS		

Item#	Part	Description	H 3 4 1	H 3 4 5	V I P 4 5	N O T E S
34	230982	ANGLE	1	1		
35	231105	ANGLE	1	1		
36	231470	DOUBLE SUPPORT	1	1		
37	231469	SUPPORT SINGLE	8			
37	231469	SUPPORT SINGLE		9		
38	230918	SUPPORT To 3-4578	8	8		
39	230994	SUPPORT To 3-4578	1	1		
40	231019	JOINT BUTT 15MM X 68MM / (WELDED)	4	4		
41	231052	TUBE	1	1		
42	231004	TUBE	1	1		
44	270887	SIDE PANEL	1	1		
45	230761	ANGLE SEAT RETAINER	1	1		
45	230795	ANGLE SEAT RETAINER W/AMERICAN SEATING ONLY	1	1		
46	212655	ATTACHMENT ROD / WELDED (TO FIX ANYTHING) / 373MM x 11MM DEEP	6			
46	212655	ATTACHMENT ROD / WELDED (TO FIX ANYTHING) / 373MM x 11MM DEEP		7		
47	230695	PLATE, CLOSING	1	1		
48	270675	REINFORCEMENT	1	1		
50	231251	RIGHT REAR LOWER TUBE	1	1		
51	321249	MOULDING SUPPORT	1	1		
52	212655	ATTACHMENT ROD / WELDED (TO FIX ANYTHING) / 373MM x 11MM DEEP	1	1		
300	231049	TUBE	1			
301	231015	TUBE	2			
302	230991	ANGLE	1			
303	230992	ANGLE	1			
304	231019	JOINT BUTT 15MM X 68MM / (WELDED)	4			
400	231010	TUBE	1	1		
401	231009	TUBE	1			
401	231500	TUBE		1		
402	231008	TUBE	1	1		
403	231013	ANGLE	1	1		
600	231130	TUBE		1		
601	231132	TUBE		1		
602	231133	TUBE		1		
603	231134	TUBE		1		
604	231135	TUBE		1		
		A) WITH A/C IN PARCEL RACK				
		B) WITH SMALL A/C				
		C) WITH CENTRAL A/C				

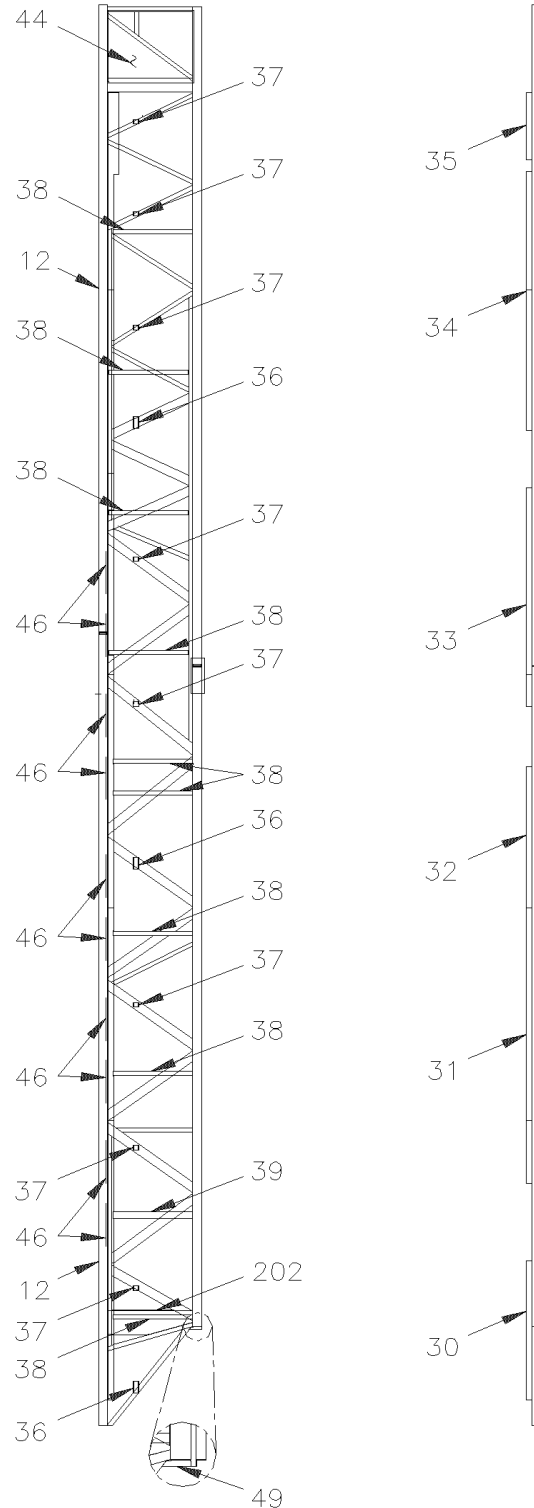
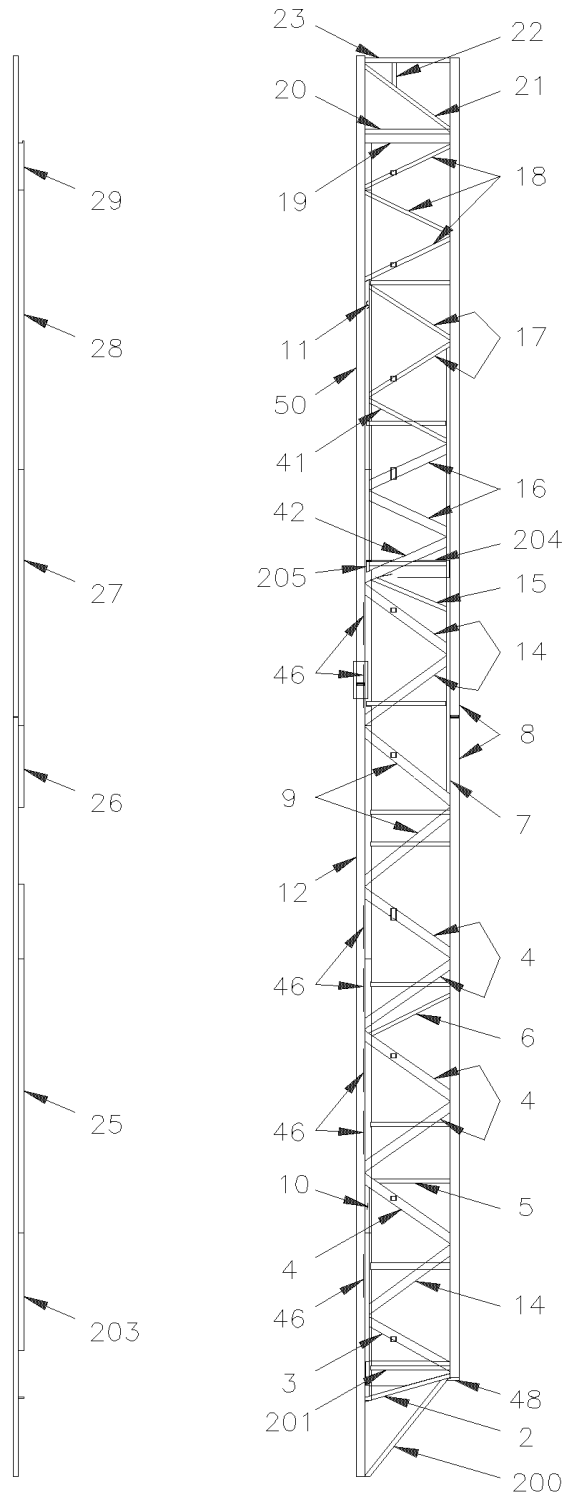


From 3-4417 To 8-1043

Date:10/2022

PAGE:HF-1891-50

WALL STRUCTURE - LOWER V.I.P.



TOP VIEW RH RH FROM OUTSIDE

LH FROM INSIDE TOP VIEW LH



From 3-4417 To 8-1043	Date:10/2022	PAGE:HF-1891-50
WALL STRUCTURE - LOWER V.I.P.		

Item#	Part	Description	H 3 4 1	H 3 4 5	V I P 4 5	N O T E S
2	230954	TUBE			1	
3	230945	TUBE			1	
4	230951	TUBE			5	
5	231048	TUBE			1	
6	231047	TUBE			1	
7	231044	TUBE			1	
8	230882	TUBE			2	
9	230952	TUBE			2	
10	230967	TUBE			1	
11	230966	TUBE			1	
12	231163	TUBE			1	
14	230953	TUBE			3	
15	231046	TUBE			1	
16	230948	TUBE			2	
17	231051	TUBE			2	
18	231050	TUBE			3	
19	230962	TUBE			1	
20	230963	PLATE			1	
21	231053	TUBE			1	
22	231045	TUBE			1	
23	230688	TUBE 1 1/2" X 1 1/2" / S.L.			1	
25	230985	ANGLE			1	
26	230984	ANGLE			1	
27	230988	ANGLE			1	
28	230983	ANGLE			1	
29	230898	ANGLE			1	
30	230980	ANGLE			1	
31	230987	ANGLE			1	
32	230990	ANGLE			1	
33	230981	ANGLE			1	
34	230982	ANGLE			1	
35	231105	ANGLE			1	
36	230972	SUPPORT			2	
37	230974	SUPPORT			8	
38	230918	SUPPORT To 3-4578			10	
39	230994	SUPPORT To 3-4578			1	
40	231019	JOINT BUTT 15MM X 68MM / (WELDED)			4	
41	231052	TUBE			1	
42	231004	TUBE			1	
44	270887	SIDE PANEL			1	
46	212655	ATTACHMENT ROD / WELDED (TO FIX ANYTHING) / 373MM x 11MM DEEP			6	
48	270675	REINFORCEMENT			1	



From 3-4417 To 8-1043	Date:10/2022	PAGE:HF-1891-50
WALL STRUCTURE - LOWER V.I.P.		

Item#	Part	Description	H 3 4 1	H 3 4 5	V I P 4 5	N O T E S
49	270676	REINFORCEMENT			1	
50	231251	RIGHT REAR LOWER TUBE			1	
200	231041	TUBE			1	
201	230969	REINFORCEMENT			1	
202	230971	REINFORCEMENT			1	
203	230993	ANGLE			1	
204	231509	SUPPORT			1	
205	231510	SUPPORT			1	

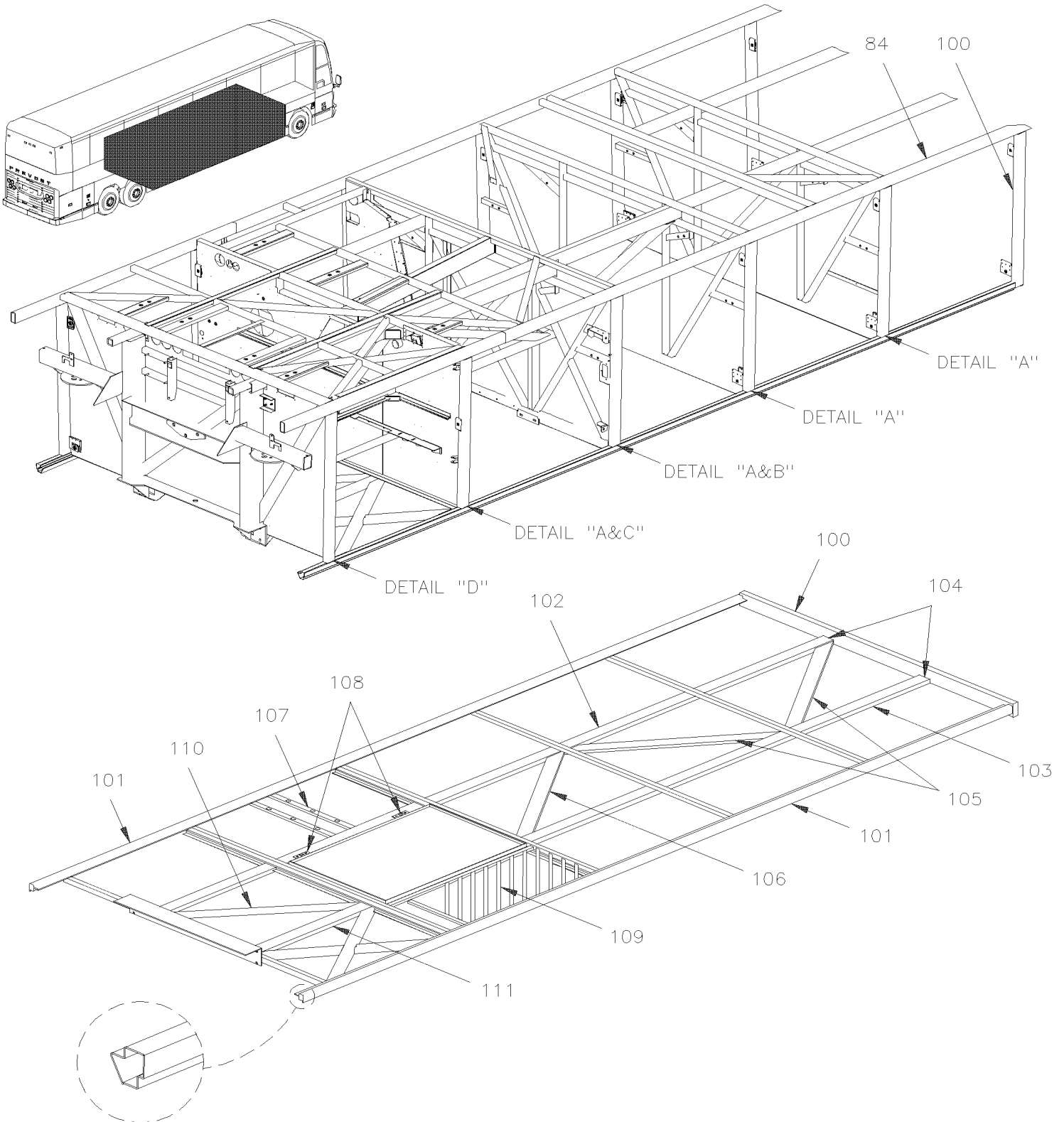


From 3-4417 To 8-1043

Date:10/2022

PAGE:HF-1893-00

BAGGAGE COMPARTMENT STRUCTRE



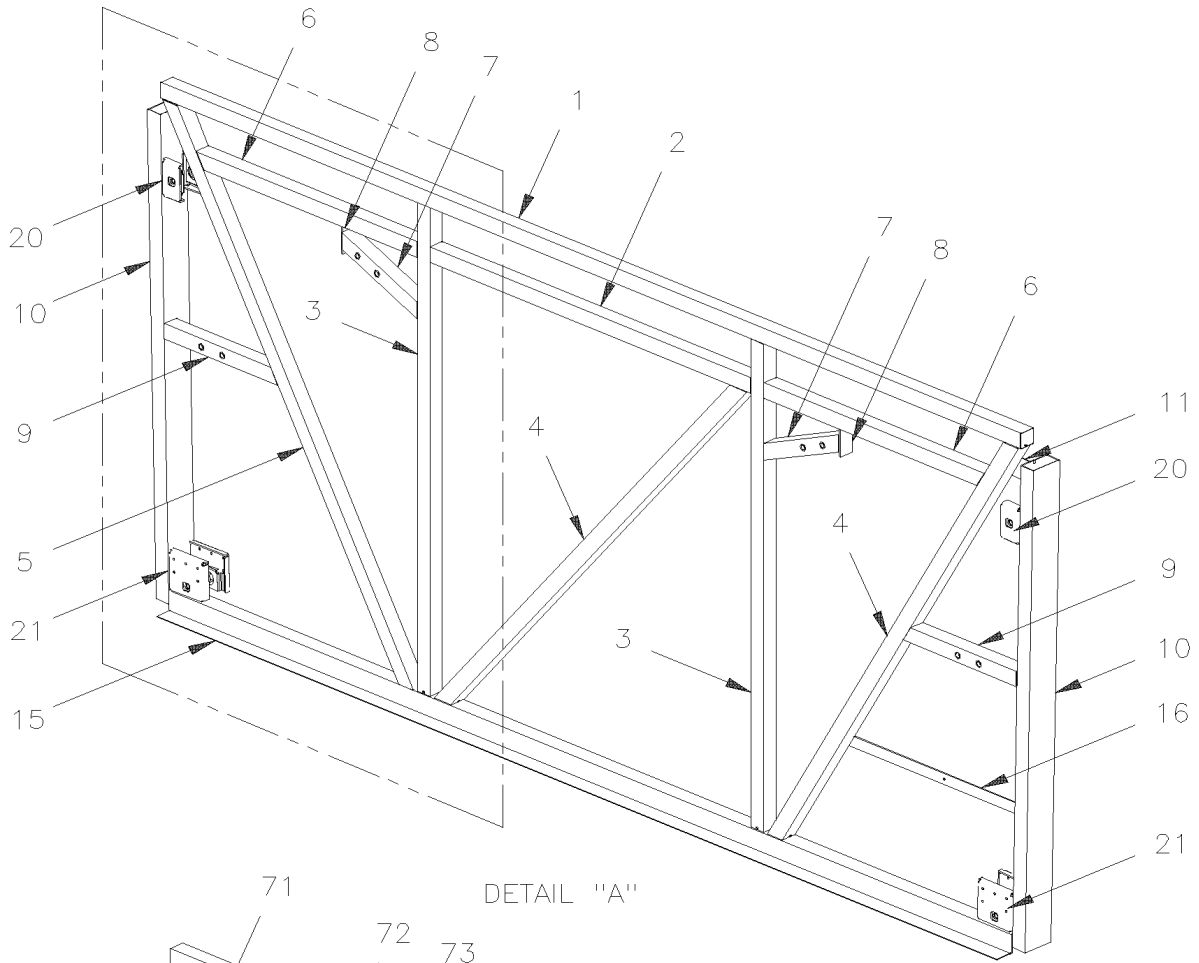


From 3-4417 To 8-1043

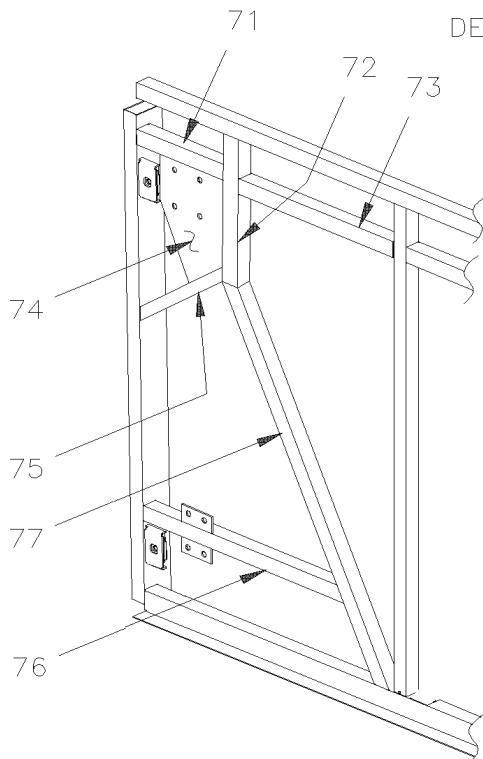
Date:10/2022

PAGE:HF-1893-00

BAGGAGE COMPARTMENT STRUCTRE



DETAIL "A"



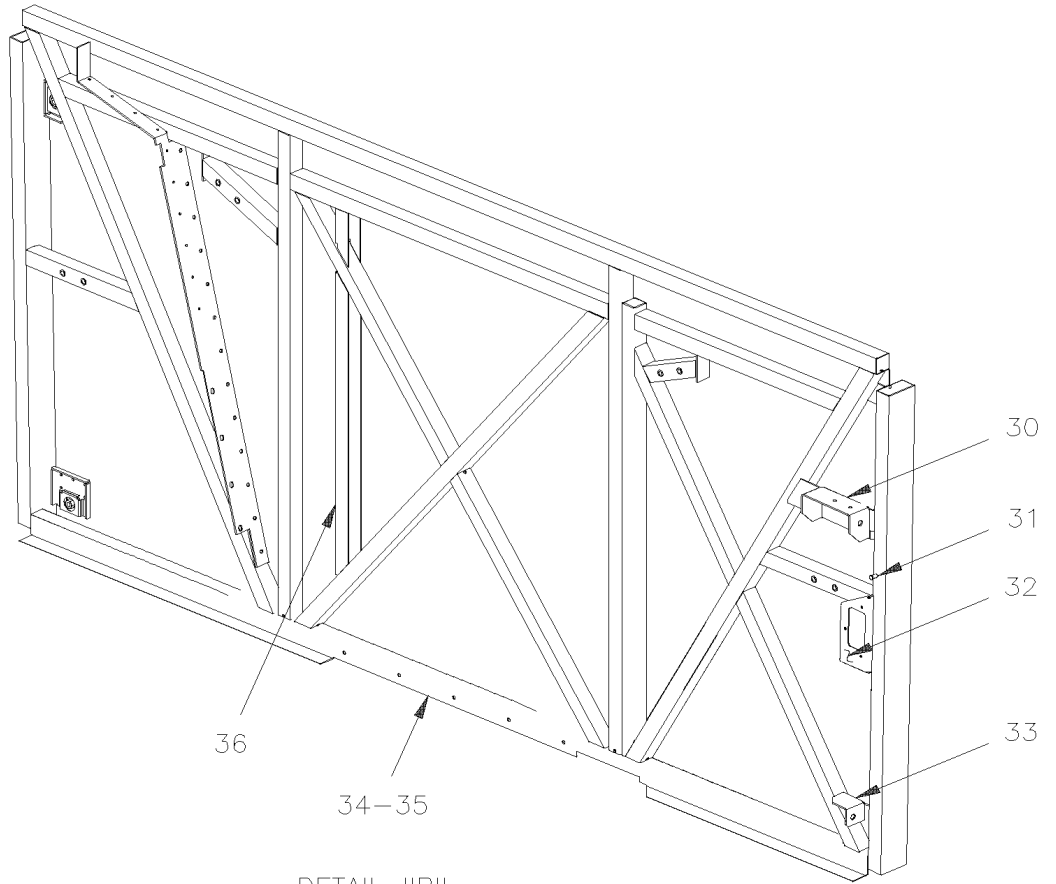


From 3-4417 To 8-1043

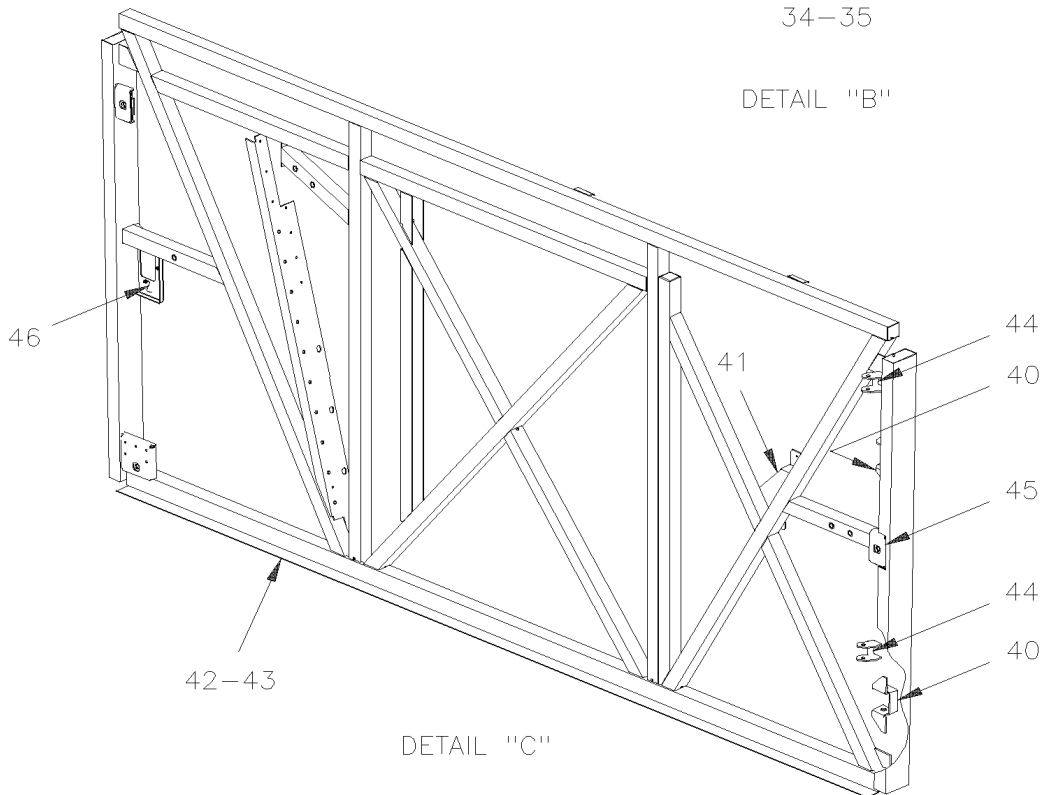
Date:10/2022

PAGE:HF-1893-00

BAGGAGE COMPARTMENT STRUCTRE



DETAIL "B"



DETAIL "C"

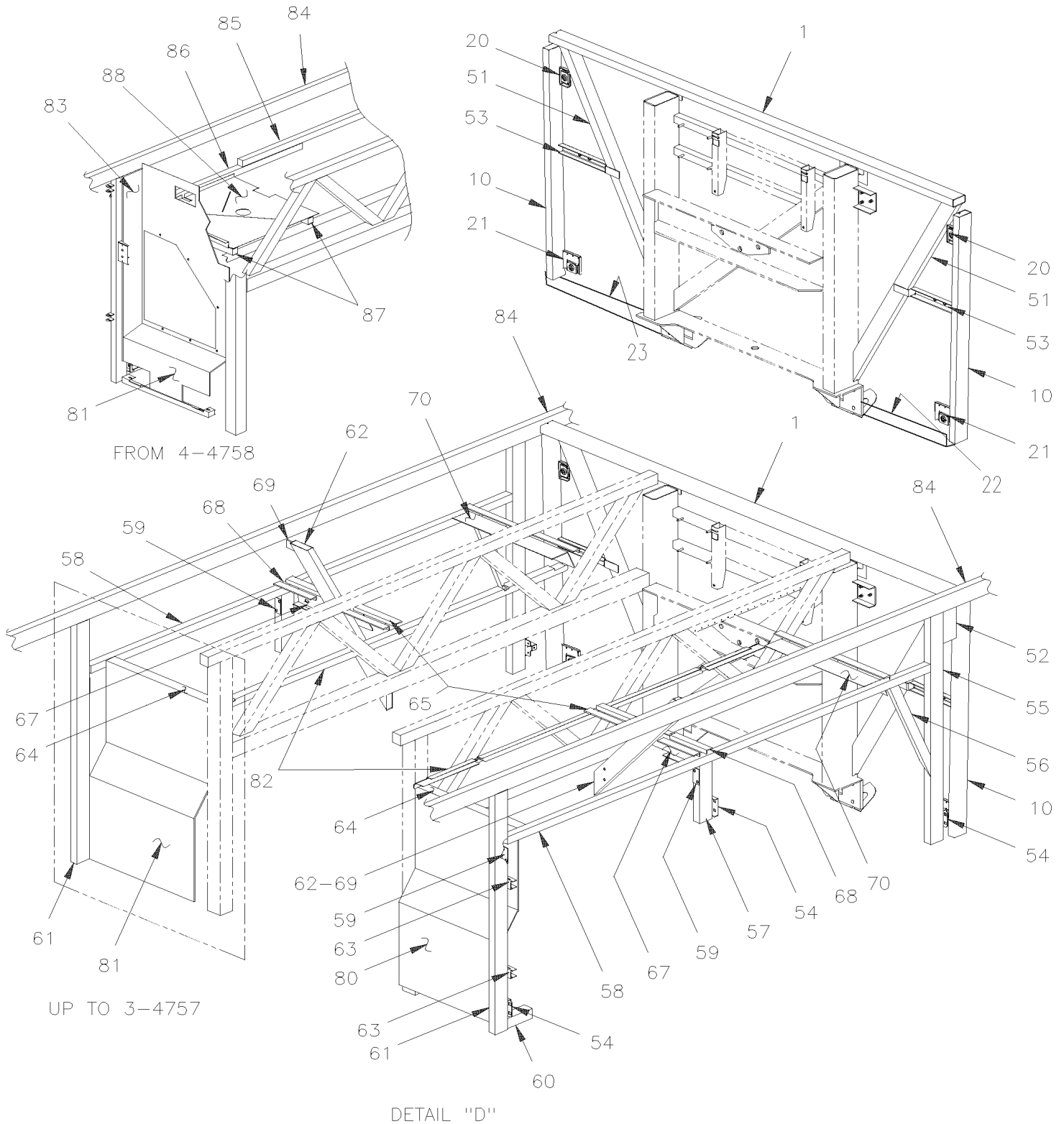


From 3-4417 To 8-1043

Date:10/2022

PAGE:HF-1893-00

BAGGAGE COMPARTMENT STRUCTRE





From 3-4417 To 8-1043	Date:10/2022	PAGE:HF-1893-00
BAGGAGE COMPARTMENT STRUCTRE		

Item#	Part	Description	H 3 4 1	H 3 4 5	V I P 4 5	N O T E S
1	210608	TUBE 2460MM	1	1	1	
2	210550	TUBE 916MM	1	1	1	
3	210961	TUBE 1145MM	2	2	2	
4	213407	TUBE 1354MM	1	1	1	
5	213408	TUBE 1351MM	2	2	2	
6	213388	TUBE 631MM	2	2	2	
7	213386	TUBE CYLINDER ATTACHMENT ASSY 249MM	2	2	2	
8	213387	CLOSING PLATE 34MM X 55MM	2	2	2	
9	213409	TUBE CYLINDER ATTACHMENT ASSY 325MM	2	2	2	
10	213557	TUBE 1139MM	2	2		
10	213564	TUBE / W/ONE FACE SAND / 1139MM			2	
11	213410	REINFORCEMENT PLATE	1	1	1	
15	212466	FLOOR SUPPORT FORM 2410MM / 133MM WIDE 2410MM / 133MM WIDE	1	1	1	
16	363998	SUPPORT LOWER HOSTESS SEAT / BAGGAGE COMP	1	1		
20	282869	FLOATING NUT ASSY WITH CASE	2	2	2	
20	287943	FLOATING NUT ASSY WITH CASE	2	2	2	
21	287903	SUPPORT LOWER / (WELDED TO STRUCTURE)	2	2	2	
22	214479	ANGLE FLOOR SUPPORT / CURBSIDE	1	1	1	
23	214478	ANGLE FLOOR SUPPORT / STREETSIDE	1	1	1	
30	213314	SUPPORT SAFETY LOCK	1	1	1	
31	285688	PIN PIVOT / (WELDED)	1	1	1	
32	285704	SUPPORT / LATCH / (WELDED)	1	1	1	
33	213316	ATTACHMENT	1	1	1	
34	211396	FLOOR SUPPORT FORM 2410MM / 113.5MM WIDE 2410MM / 113.5MM WIDE	1	1	1	
34	212402	FLOOR SUPPORT FORM 2410MM / 133MM WIDE 2410MM / 133MM WIDE To 7-0931	1	1	1	
34	485590	FLOOR SUPPORT FORM 2410MM / 133MM WIDE 2410MM / 133MM WIDE From 7-0932	1	1	1	
35	211405	REINFORCEMENT 45MM X 692MM	1	1	1	
36	211324	SUPPORT "U" 864MM	1	1	1	
36	213435	SUPPORT "U" 871MM	1	1	1	
40	282491	SUPPORT (WELDED)	1	1	1	
41	214518	SUPPORT A/C FILTER DRYER	1	1	1	
42	211396	FLOOR SUPPORT FORM 2410MM / 113.5MM WIDE 2410MM / 113.5MM WIDE	1	1	1	
43	211405	REINFORCEMENT 45MM X 692MM	1	1	1	
44	285351	SUPPORT / (WELDED)		1		
45	287943	FLOATING NUT ASSY WITH CASE		1		
46	282988	PLATE HOLDER / WELDED TO STRUCTURE	1	1	1	
51	171548	TUBE 1272MM	1	1	1	
52	212572	REINFORCEMENT PLATE / 134MM X 200MM	2	2	2	
53	212843	CYLINDER ATTACHMENT 326MM	2	2	2	
54	285667	BRACKET / "U" SHAPE / (WELDED)	3	3	3	
55	212457	TUBE 1139MM	2	2	2	
56	212529	TUBE 608MM	2	2		



From 3-4417 To 8-1043	Date:10/2022	PAGE:HF-1893-00
BAGGAGE COMPARTMENT STRUCTRE		

Item#	Part	Description	H 3 4 1	H 3 4 5	V I P 4 5	N O T E S
56	212996	TUBE 564MM			2	
57	212029	TUBE 248MM			2	
57	212997	TUBE 286MM	2	2		
58	212541	TUBE 2462MM SS	2	2	2	
58	212541	TUBE 2462MM SS To 3-4757	2	2	2	
58	212541	TUBE 2462MM SS From 4-4758	1	1	1	C
58	214920	TUBE 2562MM From 4-4758			1	S
59	213389	REINFORCEMENT ANGLE 30MM X 64MM	AR	AR	AR	
60	212596	ANGLE 100MM	1	1	1	
61	213179	TUBE ASSY / CURBSIDE	1	1	1	
61	213180	TUBE ASSY / STREETSIDE	1	1	1	
62	171692	TUBE 932MM	1	1	1	
63	285399	SUPPORT / (WELDED)	2	2	2	
64	212522	ANGLE 25MM x 65MM x 628MM / (WELDED) To 3-4757	2	2		
64	212522	ANGLE 25MM x 65MM x 628MM / (WELDED) From 4-4758	1	1		
64	212999	ANGLE R.H. / 25MM x 65MM x 628MM / (WELDED)			1	
64	213031	ANGLE L.H. / 25MM x 65MM x 628MM / (WELDED)			1	
65	213012	SUPPORT / "W" SHAPE (WELDED) / 170MM SS			2	
65	212553	SUPPORT / "W" SHAPE (WELDED) / 206MM SS	2	2		
NS	212532	SUPPORT	2	2		
NS	213001	SUPPORT			2	
67	171954	SUPPORT R.H.	1	1	1	
67	171957	SUPPORT L.H.	1	1	1	
68	212531	SUPPORT / "T" SHAPE (WELDED) / 245MM SS	2	2	2	
69	213546	REINFORCEMENT	2	2	2	
70	212521	SUPPORT ANGLE 45° / SLOTTED TO HOLD PANEL (WELDED) 648MM	2	2		
70	212998	SUPPORT ANGLE 45° / SLOTTED TO HOLD PANEL (WELDED) 648MM			2	
71	215561	TUBE 196MM			1	V
71	215163	TUBE 156.5MM			1	V
72	215162	TUBE 306MM			1	H
73	215164	TUBE 499MM			1	H
74	215160	SUPPORT HINGE / W/SLIDE-OUT			1	H
75	214955	TUBE 262MM			1	H
76	215155	TUBE			1	H
77	215161	TUBE 970MM			1	H
80	HF-1894-10	REAR - R.H. SERVICE COMPARTMENT STRUCTURE				
81	HF-1894-05	REAR - L.H. SERVICE COMPARTMENT STRUCTURE				
81	HF-1894-06	REAR - L.H. BACKWARD FENDER - STRUCTURE				
82	HF-1897-10	REAR SUB-FRAME				
83	250851	REINFORCEMENT	1	1	1	
84	HF-1891-00	WALL STRUCTURE - LOWER BUS				
85	215158	TUBE 1824MM From 4-4758	1	1		C



From 3-4417 To 8-1043 Date:10/2022 PAGE:HF-1893-00

BAGGAGE COMPARTMENT STRUCTRE

Item#	Part	Description	H 3 4 1	H 3 4 5	V I P 4 5	N O T E S
86	214843	TUBE 1168MM From 4-4758	1	1		C
86	214920	TUBE 2562MM From 4-4758			1	C
87	214914	TUBE 641MM From 4-4758	2	2		
88	215159	FLOOR / WATER HEATER From 4-4758	1	1		
NS	374322	SPACER ASSY 1" / "WATER HEATER & FENDER From 7-1004	1	1	1	A
100	HF-1895-40	FRONT END STRUCTURE - BUS				
100	HF-1895-55	FRONT END STRUCTURE - I BEAM SUSPENSION - V.I.P.				
100	HF-1895-60	FRONT END STRUCTURE - WIND SUSPENSION - V.I.P.				
101	213796	PROFILE LOWER BAGGAGE DOOR 6594MM		2	2	
101	213798	PROFILE LOWER BAGGAGE DOOR 5348MM	2			
101	213657	PROFILE LOWER BAGGAGE DOOR 3297MM / SERVICE	AR	AR	AR	
102	213276	TUBE 6327MM		1	1	
102	213486	TUBE 5086MM	1			
103	212622	TUBE 2498MM		1	1	
104	230695	PLATE, CLOSING	2	2	2	
105	212683	TUBE 1474MM	2	2		
106	212717	TUBE 1517MM	1	1		
107	213363	ANGLE SUPPORT 702MM	2	2	2	
108	211411	SUPPORT FUEL TANK	2	2	2	
109	213354P	DEFLECTOR FLOOR LOUVER ASSY / WELDED 1265MM x 582MM	1	1	1	
110	212682	TUBE 1426MM	1	1	1	
111	213832	TUBE 1226MM	1	1	1	
		A) FOR PRODUCT IMPROVEMENT WE SUGEST TO ADD THIS SPACER ON PREVIUS VEHICULE				
		C) CURBSIDE				
		H) WITH BAGGAGE DOOR WITH HINGE FOR SLIDEOUT				
		S) STREETSIDE				
		V) WITH "VANTARE" BAGGAGE DOOR WITH HINGE FOR SLIDE OUT				

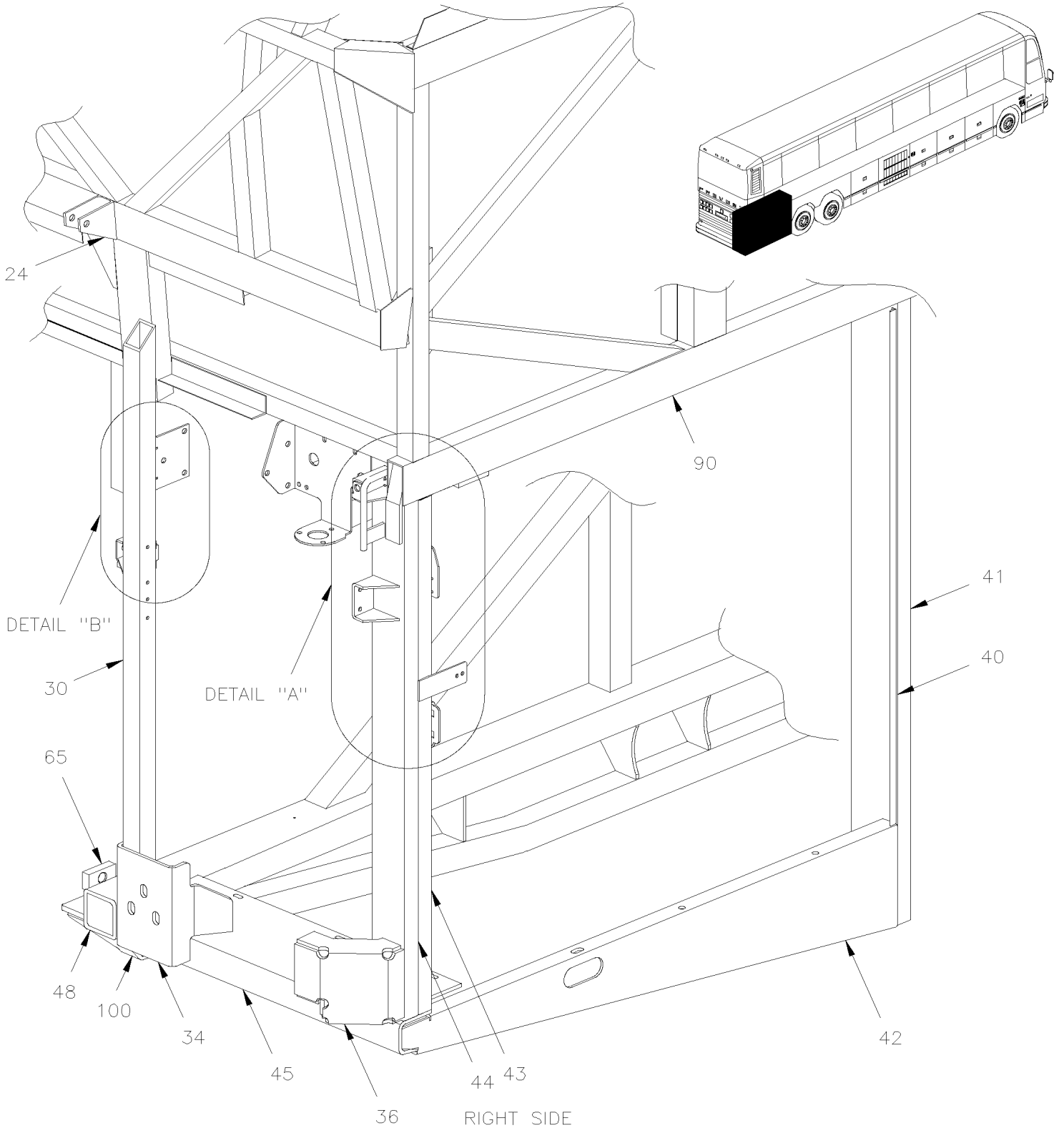


From 3-4417 To 8-1043

Date:10/2022

PAGE:HF-1894-00

REAR STRUCTURE



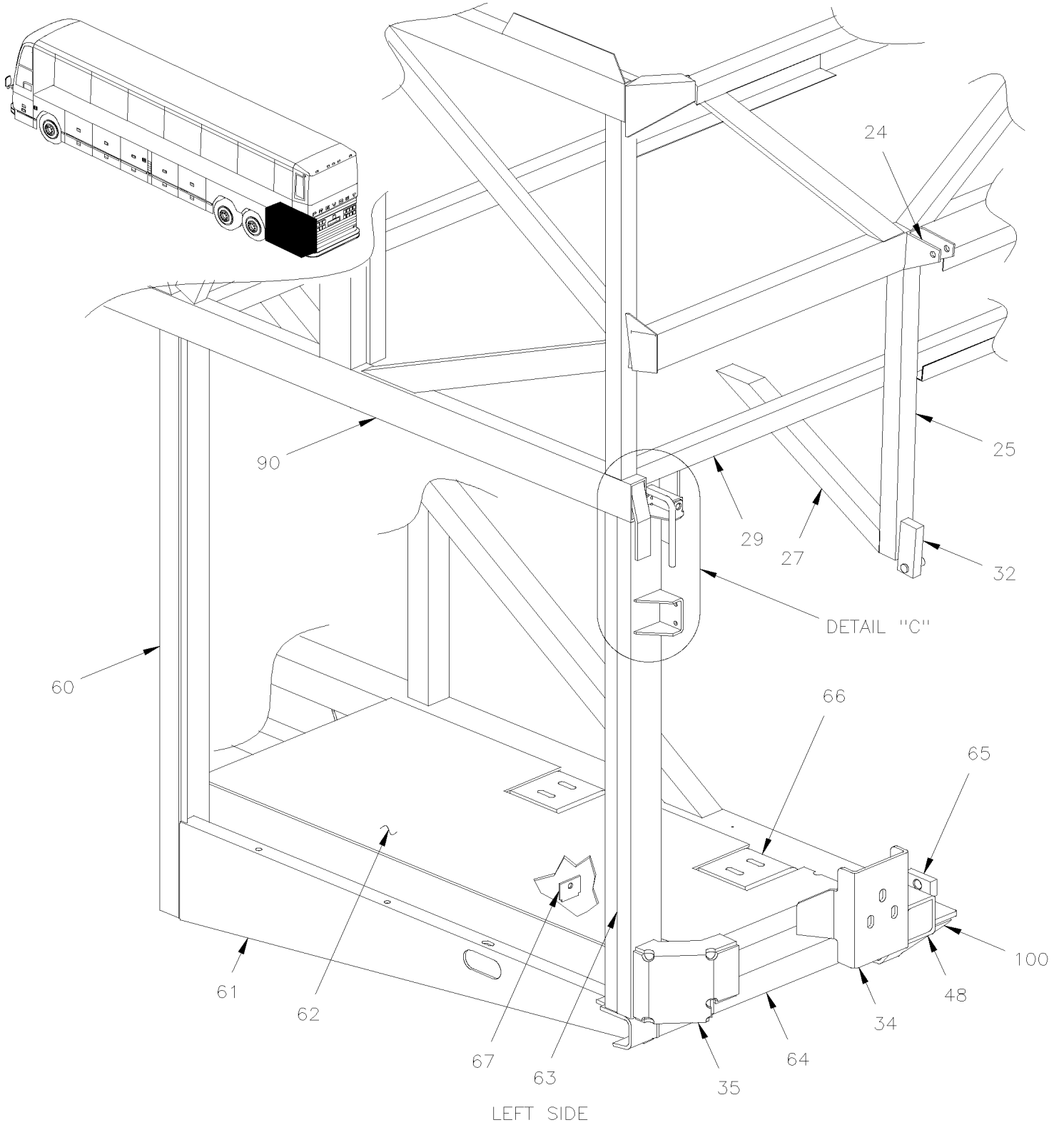


From 3-4417 To 8-1043

Date:10/2022

PAGE:HF-1894-00

REAR STRUCTURE



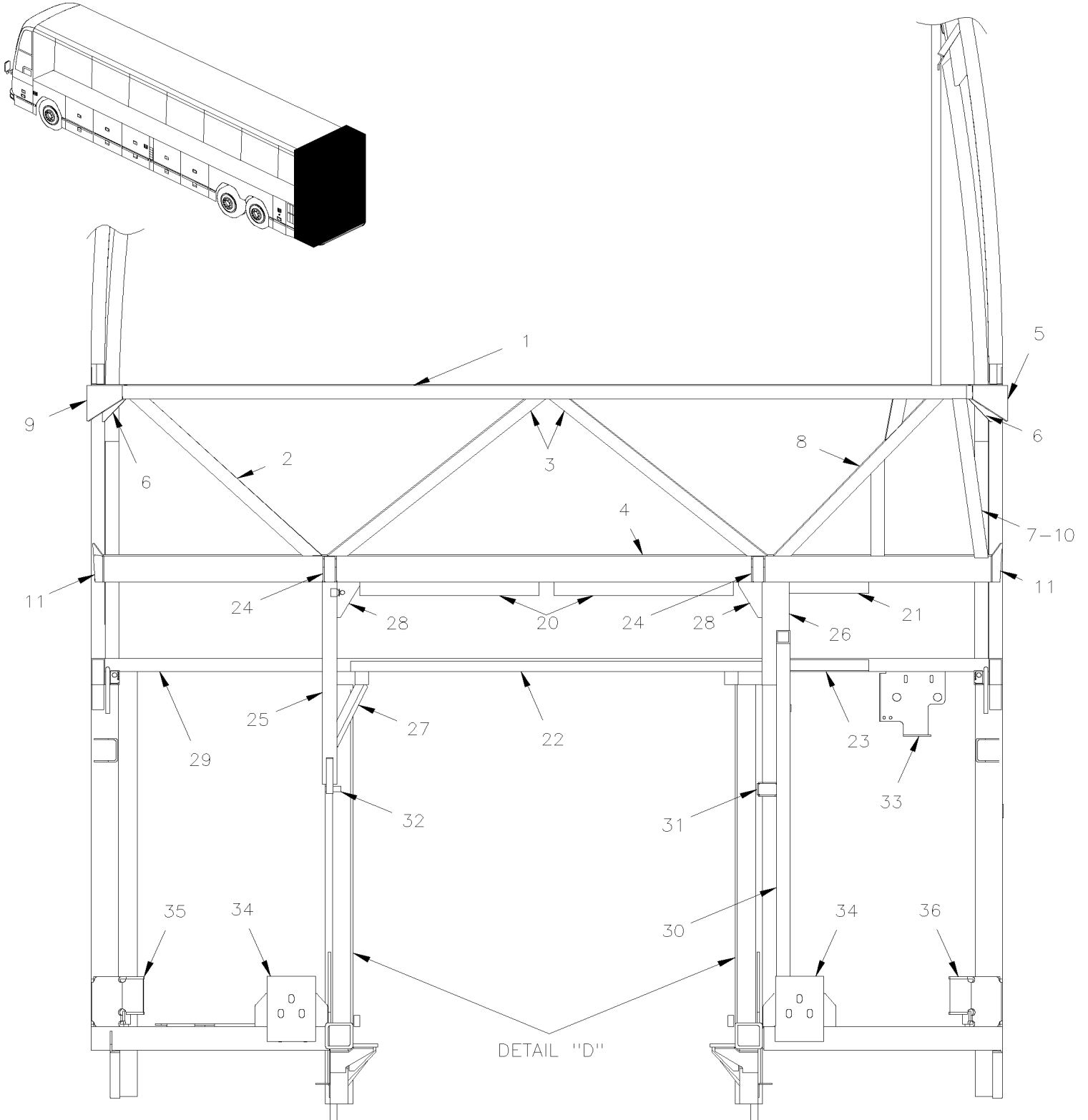


From 3-4417 To 8-1043

Date:10/2022

PAGE:HF-1894-00

REAR STRUCTURE



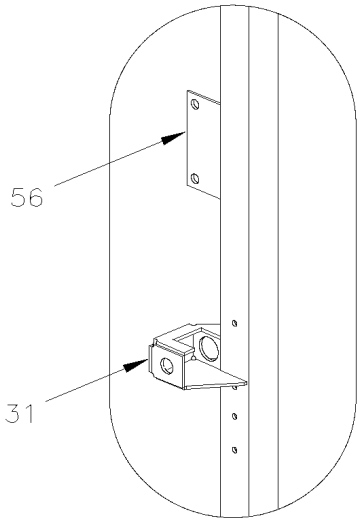


From 3-4417 To 8-1043

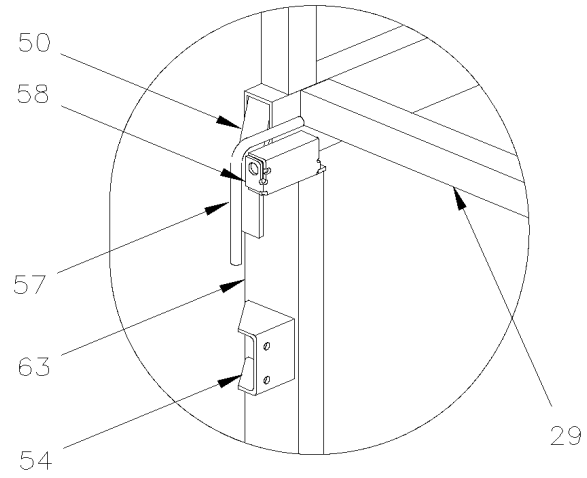
Date:10/2022

PAGE:HF-1894-00

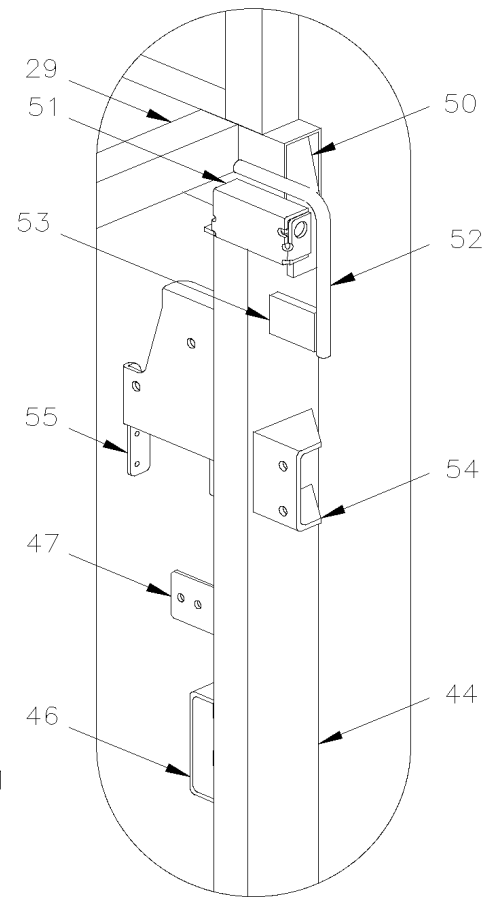
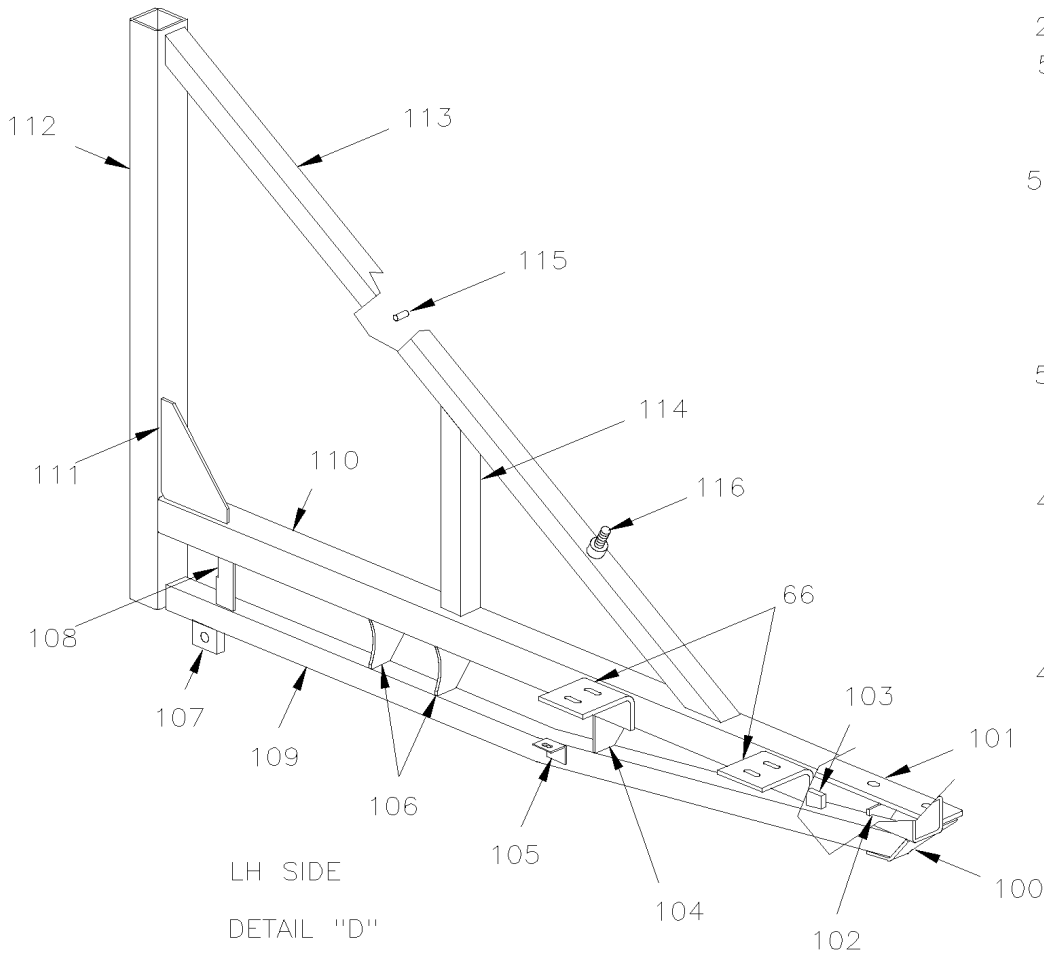
REAR STRUCTURE



DETAIL "B"



DETAIL "C"



DETAIL "A"



From 3-4417 To 8-1043	Date:10/2022	PAGE:HF-1894-00
REAR STRUCTURE		

Item#	Part	Description	H 3 4 1	H 3 4 5	V I P 4 5	N O T E S
	Call order desk	REAR END STRUCRURE ASSY	1	1	1	P
	Call order desk	REAR END STRUCRURE ASSY	1	1	1	P
1	270984	. TUBE UPPER	1	1	1	
2	270812	. TUBE	1	1	1	
3	270813	. TUBE	2	2	2	
4	270973	. TUBE	1	1	1	
5	270981	. PLATE R.H.	1	1	1	
6	270982	. REINFORCEMENT	2	2	2	
7	270817	. TUBE	1	1	1	
8	270818	. TUBE	1	1	1	
9	270983	. PLATE L.H	1	1	1	
10	270980	. PANEL R.H. OUTSIDE	1	1	1	
11	270985	. PLATE	2	2	2	
20	211715	SUPPORT 500MM	1	1	1	
21	212200	SUPPORT 500MM	2	2	2	
22	212173	SUPPORT 1181MM	1	1	1	
23	212172	SUPPORT 222MM	1	1	1	
24	284746	ANCHOR BRACKET PANTHOGRAPH LEVER / WELDED TO STRUCTURE	2	2	2	
25	213747	TUBE	1	1	1	
26	212182	TUBE	1	1	1	
NS	212183	REINFORCEMENT	1	1	1	
27	212190	REINFORCEMENT	1	1	1	
28	211432	SUPPORT	2	2	2	
29	211434	TUBE 2460MM	1	1	1	
30	212181	TUBE	1	1		
30	212611	TUBE			1	
31	213285	ATTACHMENT ASSY / CYLINDER LOWER	1	1	1	
32	214215	ATTACHMENT ASSY / CYLINDER LOWER	1	1	1	
33	214602	ATTACHMENT OIL TANK R.H.	1	1		
34	214652	BRACKET BUMPER L.H. & R.H. / (WELDED AT STRUCTURE)	2	2	2	
34	219761	BRACKET BUMPER L.H. & R.H. / WELDED TO STRUCTURE	2	2		R
35	212662	BRACKET BUMPER L.H. / (WELDED AT STRUCTURE)			1	
36	212660	BRACKET BUMPER R.H. / (WELDED AT STRUCTURE)			1	
40	212785	SUPPORT / SEAL	1	1	1	
41	HF-1894-10	REAR - R.H. SERVICE COMPARTMENT STRUCTURE				
42	212814	REINFORCEMENT R.H. / "TRIANGULAR SHAPE"	1	1	1	
43	212474	SUPPORT / SEAL	1	1	1	
44	211292P	ASSY WITH GUIDE TUBE & GUIDE PIN To 3-4757	1	1	1	A
44	211292P	ASSY WITH GUIDE TUBE & GUIDE PIN To 3-4757	1	1	1	
44	215068	TUBE From 4-4758 To 5-0167	1	1	1	
. NS	5001337	. NUT INS FL HEX M8-1.25 0.5-3.0 Z050 From 4-4758 To 5-0167	2	2	2	
44	215601	TUBE From 5-0167	1	1	1	



From 3-4417 To 8-1043	Date:10/2022	PAGE:HF-1894-00
REAR STRUCTURE		

Item#	Part	Description	H 3 4 1	H 3 4 5	V I P 4 5	N O T E S
. NS	5001337	. NUT INS FL HEX M8-1.25 0.5-3.0 Z050 From 5-0167	2	2	2	
. NS	5001344	. NUT INS FL HEX M6-1.0 0.5-3.0 SS From 5-0167	2	2	2	
45	214000	REINFORCEMENT	1	1		
45	214001	REINFORCEMENT			1	
46	211863	SUPPORT LATCH / WELDED TO STRUCTURE	1	1	1	
47	219043	SUPPORT BACK UP ALARM	1	1	1	
47	219044	SUPPORT BACK UP ALARM & 110V OUTLET	1	1	1	
48	212596	ANGLE 100MM	2	2	2	
50	213257	REINFORCEMENT	2	2	2	
51	212246	GUIDE PIN R.H. / WELDED TO STRUCTURE	1	1	1	
52	283036	GUIDE TUBE R.H. / WELDED TO STRUCTURE	1	1	1	
53	211594	SUPPORT GUIDE TUBE WELDED TO STRUCTURE / 36MMX 50MM	2	2	2	
54	283327	SUPPORT	2	2	2	
55	213267	ATTACHMENT	1	1	1	
56	213288	ATTACHMENT OIL TANK L.H.	1	1	1	
57	283038	GUIDE TUBE L.H. / WELDED TO STRUCTURE	1	1	1	
58	212245	GUIDE PIN L.H. / WELDED TO STRUCTURE To 3-4757	1	1	1	
58	214691	GUIDE PIN L.H. / WELDED TO STRUCTURE From 4-5758	1	1	1	
60	HF-1894-05	REAR - L.H. SERVICE COMPARTMENT STRUCTURE				
61	213751	SIDE MEMBER RADIATOR FLOOR PANEL To 3-4757	1	1	1	
61	214685	SIDE MEMBER RADIATOR FLOOR PANEL From 4-4758 To 4-4831	1	1	1	
61	215374	SIDE MEMBER RADIATOR FLOOR PANEL From 4-4832	1	1	1	
NS	212573	SUPPORT, ANGLE / MUFFLER (WELDED)	1	1	1	
NS	214848	ATTACHMENT MUFFLER EXTENTION From 4-4758	1	1	1	
NS	215133	REINFORCMENT BAR / OVER FLOOR From 4-4758	1	1	1	
62	213750	FLOOR FAN RADIATOR To 3-4757	1	1	1	
62	214688	FLOOR FAN RADIATOR From 4-4758 To 4-4831	1	1	1	
62	215401	FLOOR FAN RADIATOR From 4-4832	1	1	1	
63	212349	TUBE To 3-4757	1	1	1	
63	214690	TUBE From 4-4758	1	1	1	
64	212323	REINFORCEMENT	1	1	1	
65	212489	ATTACHMENT ENGINE CRADDLE	2	2	2	
66	212598	SUPPORT FAN RADIATOR To 3-4757	2	2	2	
66	172723	SUPPORT FAN RADIATOR From 4-4758	2	2	2	
67	212573	SUPPORT, ANGLE / MUFFLER (WELDED)	1	1	1	
90	HF-1891-00	WALL STRUCTURE - LOWER BUS				
100	171809	REINFORCEMENT	1	1	1	
101	172537	TUBE	1	1	1	
102	172538	REINFORCEMENT / L.H.	1	1	1	
102	171812	REINFORCEMENT / R.H.	1	1	1	
103	171810	ATTACHMENT	1	1	1	
104	171546	REINFORCEMENT	1	1	1	



From 3-4417 To 8-1043	Date:10/2022	PAGE:HF-1894-00
REAR STRUCTURE		

Item#	Part	Description	H 3 4 1	H 3 4 5	V I P 4 5	N O T E S
105	212329	ATTACHMENT	1	1	1	
106	171561	REINFORCEMENT	2	2	2	
107	171849	ATTACHMENT	1	1	1	
108	212362	ATTACHMENT	1	1	1	
109	171560	SKID	1	1	1	
110	171559	TUBE	1	1	1	
111	171636	REINFORCEMENT	1	1	1	
112	171557	TUBE	1	1	1	
113	171551	TUBE	1	1	1	
114	171550	TUBE	1	1	1	
115	5001146	SCREW CAP HEX M5-0.8x20 SS BK	2	2	2	
116	380360	STUD, GROUND (WELDED TO STRUCTURE) 1/2-13	1	1	1	
		A) INCLUDES ITEMS 44-46-47-51-52-53 AND 54				
		R) WITH OPTION "ROMEO RIM" REAR BUMPER				
		P) CALL ORDER DESK FOR SPECIFIC APPLICATION (V.I.N.)				

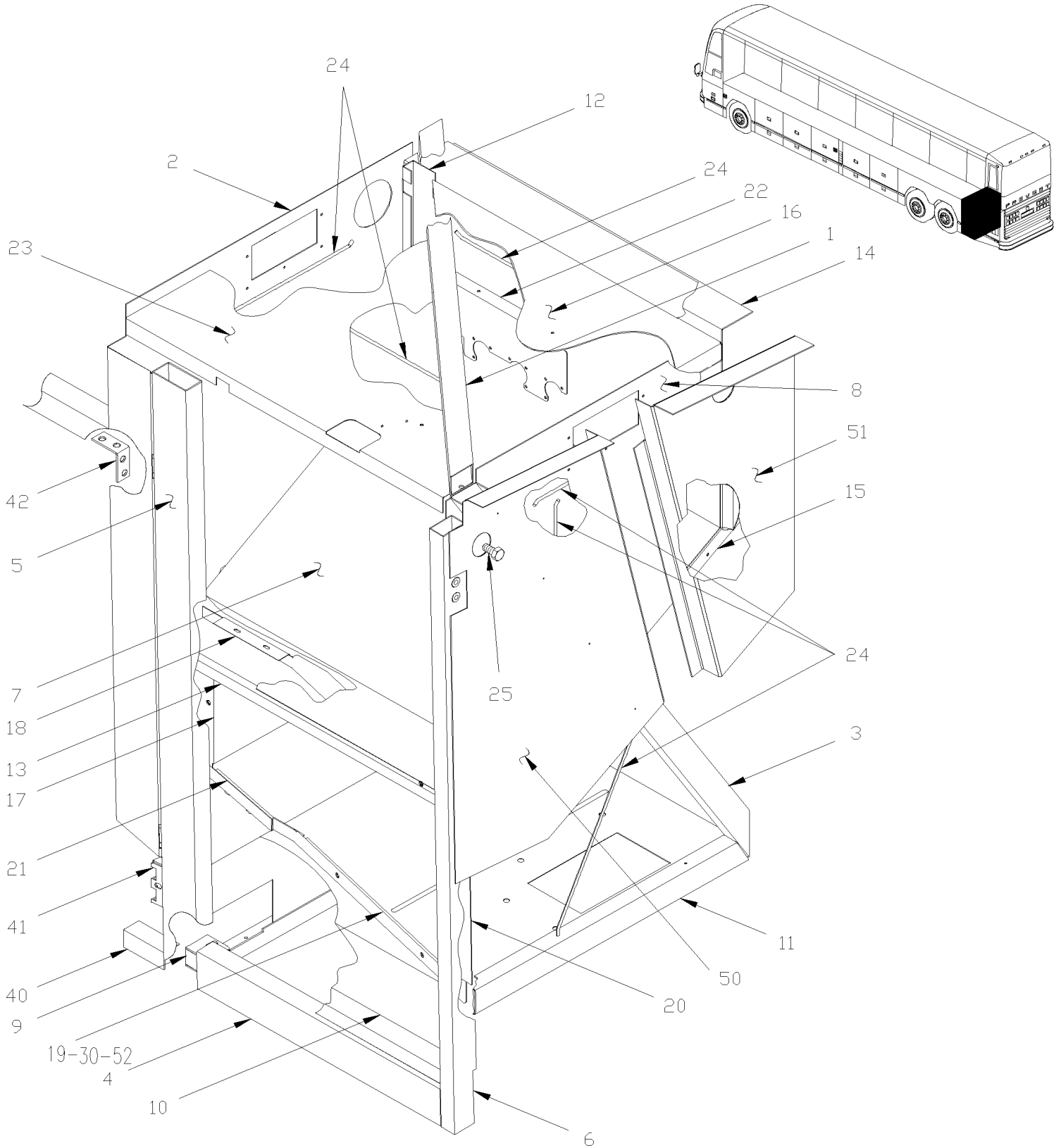


From 3-4417 To 3-4757

Date:10/2022

PAGE:HF-1894-05

REAR - L.H. SERVICE COMPARTMENT STRUCTURE





From 3-4417 To 3-4757	Date:10/2022	PAGE:HF-1894-05
REAR - L.H. SERVICE COMPARTMENT STRUCTURE		

Item#	Part	Description	H 3 4 1	H 3 4 5	V I P 4 5	N O T E S
1	212407	TUBE	1	1	1	
2	214359	PANEL / FOWARD	1	1	1	
2	214358	PANEL / FOWARD / W SMALL A/C SYSTEM			1	
3	212326	TUBE / REINFORCEMENT / BACKWARD	1	1	1	
4	212313	TUBE / LOWER	1	1	1	
5	213179	TUBE ASSY / CURBSIDE	1	1	1	
6	212436	TUBE / BACKWARD	1	1	1	
7	213424	PANEL CENTER	1	1	1	
8	212364	PANEL / BACKWARD	1	1	1	
8	213787	PANEL / BACKWARD / W SMALL A/C SYSTEM			1	
9	212354	SUPPORT To 3-4607	1	1	1	
9	215032	SUPPORT From 3-4608	1	1	1	
10	214531	PANEL / FLOOR	1	1	1	
11	212488	TUBE / BACKWARD / HORIZONTAL	1	1	1	
12	212451	MOULDING REAR L.H.	1	1	1	
13	212415	MOULDING FRONT CENTER	1	1	1	
14	214565	PANEL / CURBSIDE UPPER	1	1	1	
15	212452	MOULDING CENTER BACKWARD	1	1	1	
16	212480	PACEL CEILLING / CURBSIDE	1	1	1	
17	214344	ATTACHMENT COVER 330MM	1	1	1	
18	214345	ATTACHMENT COVER 704MM	1	1	1	
19	214347	ATTACHMENT COVER 550MM	1	1	1	
20	214346	ATTACHMENT COVER 368MM	1	1	1	
21	212031	ANGLE ATTACHMENT 150MM	1	1	1	
22	381812	SUPPORT / CONNECTOR	1	1	1	
23	212479	PACEL CEILLING / STREESIDE	1	1	1	
24	212655	ATTACHMENT ROD / WELDED (TO FIX ANYTHING) / 373MM x 11MM DEEP	1	1	1	
25	5001330	SCREW CAP HEX 1/2-13x1 SS	1	1	1	
NS	5001354	STUD WD WOC M6-1.0X20 SS	2	2	2	
30	482451	COVER PANEL ASSY / WATER HEATER	1	1	1	
. NS	482450	. COVER PANEL / WATER HEATER	1	1	1	
. NS	506003	. TAPE RUB ADH1 CC POL 3/16" x 3/4" x 40' / GREY 2520X	AR	AR	AR	
30	483318	COVER PANEL / WATER HEATER - "ESPAR" 103,000 B.T.U. & - "PROHEAT" 80,000 B.T.U.	1	1	1	
NS	5001302	SCREW TH SHR 1/4-20x3/4 SS	6	6	6	
NS	500411	WASHER FL .260x.697x.050 SS	6	6	6	
NS	214400	NUT SPR U 1/4-20 .064-.125 YC	6	6	6	
. NS	500837	. NUT SPR U 1/4-20 .064-.125	1	1	1	
40	212596	ANGLE 100MM	1	1	1	
41	285667	BRACKET / "U" SHAPE / (WELDED)	1	1	1	
42	213389	REINFORCEMENT ANGLE 30MM X 64MM	1	1	1	
50	213797	PANEL			1	B
50	212366	PANEL L.H.	1	1	1	A



From 3-4417 To 3-4757	Date:10/2022	PAGE:HF-1894-05
-----------------------	--------------	-----------------

REAR - L.H. SERVICE COMPARTMENT STRUCTURE

Item#	Part	Description	H 3 4 1	H 3 4 5	V I P 4 5	N O T E S
51	212542	PANEL R.H.	1	1	1	A
52	HF-1879-50	REAR SIDE SERVICE DOOR ASSY L.H.	1	1	1	
		A) USE WITH LARGE A/C SYSTEM				
		B) USE WITH SMALL A/C SYSTEM				

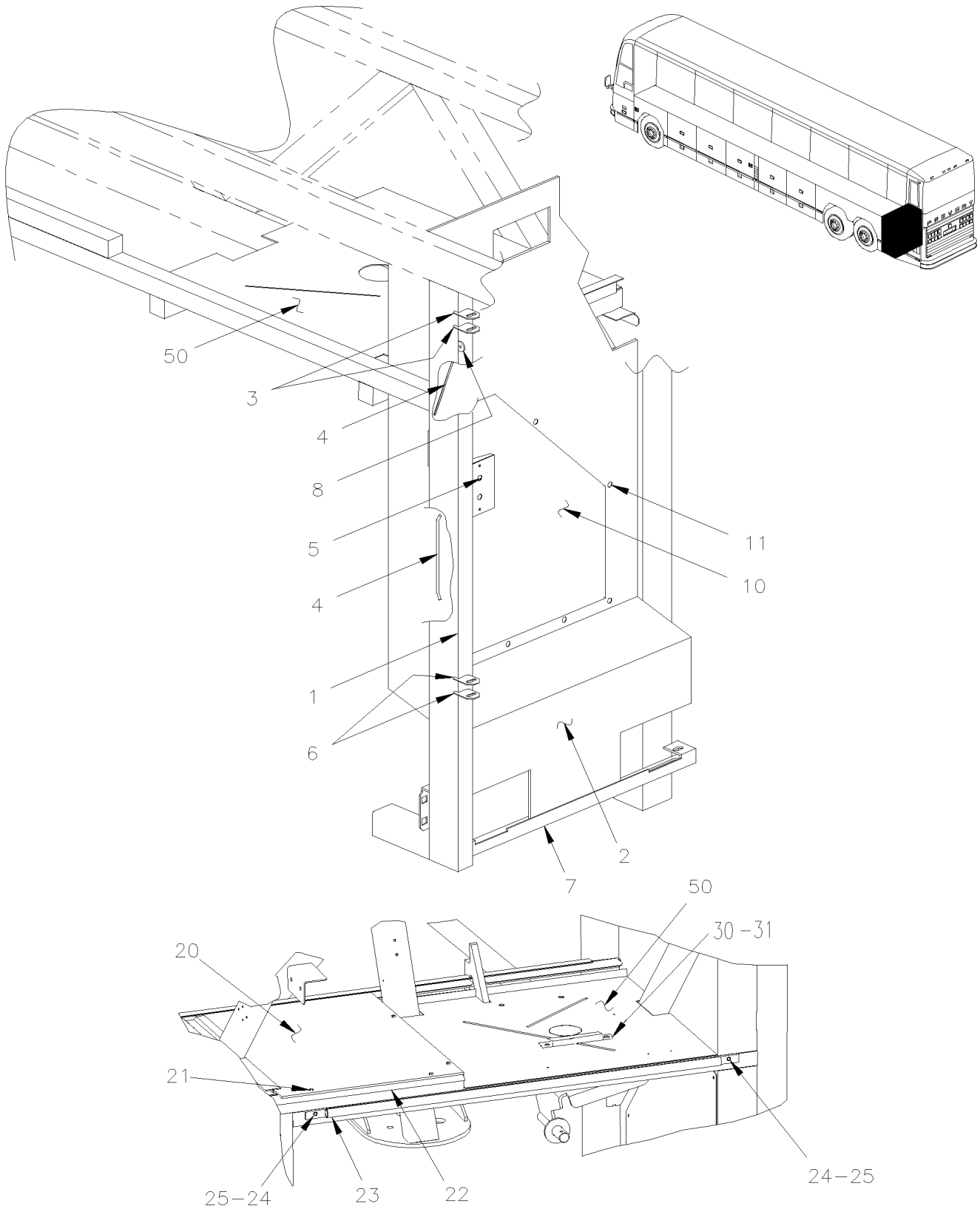


From 4-4758 To 8-1043

Date:10/2022

PAGE:HF-1894-06

REAR - L.H. BACKWARD FENDER - STRUCTURE





From 4-4758 To 8-1043	Date:10/2022	PAGE:HF-1894-06
-----------------------	--------------	-----------------

REAR - L.H. BACKWARD FENDER - STRUCTURE

Item#	Part	Description	H 3 4 1	H 3 4 5	V I P 4 5	N O T E S
1	214687	TUBE	1	1	1	
2	215354	FENDER PANEL ASSY / STREETSIDE	1	1	1	
. NS	Call order desk	. FENDER PANEL	1	1	1	P
3	288098	ATTACHMENT UPPER ARM	2	2	2	
4	212655	ATTACHMENT ROD / WELDED (TO FIX ANYTHING) / 373MM x 11MM DEEP	2	2	2	
5	288059	SUPPORT / CATCH PIN	1	1	1	
6	288099	ATTACHMENT LOWER ARM	2	2	2	
7	215035	SUPPORT "C" 631MM	1	1	1	
8	215357	SUPPORT STOPPER BUMPER "D" SHAPE	1	1	1	
10	460453	FENDER ACCESS PANEL SS	1	1	1	
11	955269	SCREW CAP HEX M6-1.0x12 G8.8 ZG603	11	11	11	
12	955920	WASHER LO SPT 6.5x11.5x1.6 ZP	11	11	11	
20	470448	SPLASH GUARD PANEL / PLASTIC MOULDED From 4-4705 To 4-4705		1		
20	460457	SPLASH GUARD PANEL 675MM X 458MM From 4-4758	1	1		
21	500526	SCREW TP CAP HEXW #12x3/4 N500 From 4-4758	10	10		
22	460447	SEAL RUBBER EXTRUSION EPDM 1470MM From 4-4758	1	1		
22	460076	SEAL RUBBER EXTRUSION EPDM 1470MM	1	1		
23	460454	SEAL 1090MM To 5-0230	1	1		
23	460493	SEAL 1090MM From 5-0231	1	1		
23	460670	SEAL 1090MM	1	1		
23	460686	SEAL 1090MM	1	1		
24	500157	WASHER FL .125x.375x.032 SS From 4-4858	AR	AR		
25	504339	RIVET POP DOME OE 1/8x3/8 SS From 4-4758	AR	AR		
30	374322	SPACER ASSY 1" / "WATER HEATER & FENDER	2	2	2	A
31	500069	SCREW CAP HEX M8-1.25x16 G10.9 DP	4	4	4	
NS	5001341	WASHER FL 8.4x17.0x1.6 SS	4	4	4	
NS	5001161	WASHER LO SPT 8.1x14.8x2.0 SS-304	4	4	4	
NS	5001188	NUT HEX M8-1.25 SS	4	4	4	
50	HF-1893-00	BAGGAGE COMPARTMENT STRUCTRE				
		A) FOR PRODUCT IMPROVEMENT WE SUGEST TO ADD THIS SPACER ON PREVIUS VEHICULE				
		P) CALL ORDER DESK FOR SPECIFIC APPLICATION (V.I.N.)				

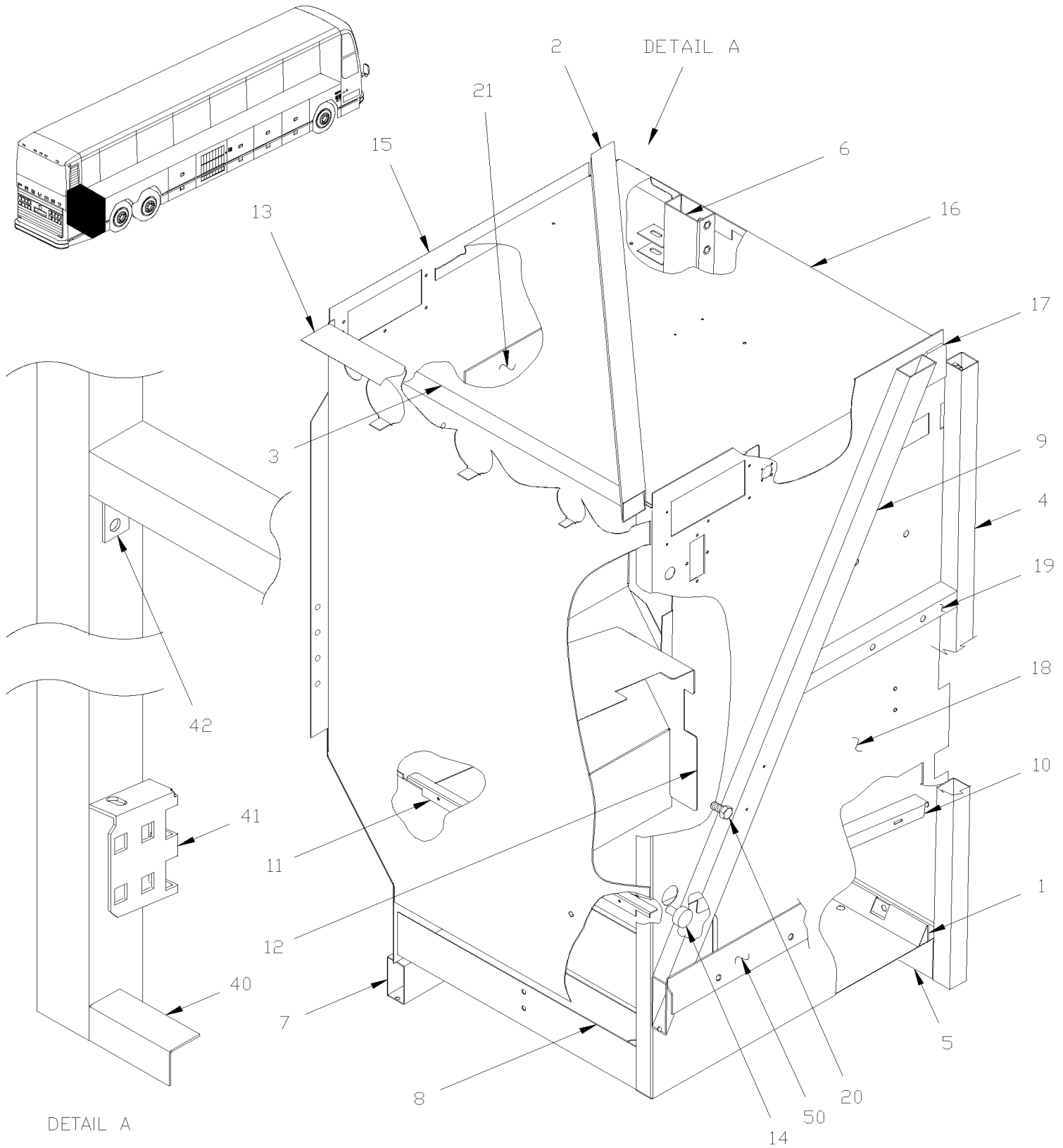


From 3-4417 To 8-1043

Date:10/2022

PAGE:HF-1894-10

REAR - R.H. SERVICE COMPARTMENT STRUCTURE





From 3-4417 To 8-1043	Date:10/2022	PAGE:HF-1894-10
REAR - R.H. SERVICE COMPARTMENT STRUCTURE		

Item#	Part	Description	H 3 4 1	H 3 4 5	V I P 4 5	N O T E S
1	212657	SUPPORT FRONT COVER 523MM To 3-4453	1	1	1	
1	214781	ANGLE 30MM X 90 DEG / TO FIX BATTERY COVER From 3-4454	2	2	2	
NS	214536	ANGLE SUPPORT BATTERY COVER / FORWARD 200MM From 3-4454	1	1	1	
2	212407	TUBE	1	1	1	
3	212478	PANEL CEILLING / STREETSIDE	1	1	1	
4	213194	TUBE / BACKWARD	1	1	1	
. NS	213193	. SUPPORT / (WELDED)	1	1	1	
4	215453	TUBE / BACKWARD From 6-0436			1	
5	212313	TUBE / LOWER	1	1	1	
6	213180	TUBE ASSY / STREETSIDE	1	1	1	
6	215600	TUBE ASSY / CURBSIDE From 6-0436			1	
7	212325	TUBE / LOWER FORWARD To 3-4607	1	1	1	
7	215036	TUBE / LOWER FORWARD From 3-4608	1	1	1	
8	212359	PANEL / FLOOR To 3-4453	1	1	1	
8	214780	PANEL / FLOOR From 3-4454	1	1	1	
9	212412	TUBE / REINFORCEMENT / BACKWARD	1	1	1	
10	212659	SUPPORT BATTERY COVER / BACKWARD	1	1	1	
11	212658	SUPPORT BATTERY COVER / BACKWARD	1	1	1	
12	213185	PANEL BATTERY COVER / FORWARD	1	1	1	
13	213187	PANEL / REAR BOX	1	1	1	
14	380360	STUD, GROUND (WELDED TO STRUCTURE) 1/2-13	1	1	1	
15	214522	PANEL / FOWARD	1	1	1	
15	214523	PANEL / FOWARD / W/W.C.L. "ST & ST" To 3-4757	1	1		
15	214892	PANEL / FOWARD / W/W.C.L. "ST & ST" From 4-4758 To 5-0167	1	1		
15	215455	PANEL / FOWARD / W/W.C.L. "ST & ST" From 5-0168 To 6-0335	1	1		
15	214524	PANEL / FOWARD / W SMALL A/C SYSTEM			1	
16	213294	PANEL CEILLING / CURBSIDE	1	1	1	
16	212816	PANEL CEILLING / CURBSIDE / W/W.C.L. "ST & ST" To 5-0167	1	1		
16	215637	PANEL CEILLING / CURBSIDE / W/W.C.L. "ST & ST" From 5-0168 To 6-0335	1	1		
16	215606	PANEL CEILLING / CURBSIDE From 5-0168 To 7-0969		1		
16	216267	PANEL CEILLING / CURBSIDE From 7-0970		1		
NS	328171	FLAPGATE ASSY 1½" x 1½ TUBE From 5-0168		1		
17	213295	REINFORCEMENT	1	1	1	
17	212815	REINFORCEMENT / W/W.C.L. "ST & ST"	1	1		
18	213170	PANEL / BACKWARD	1	1	1	
18	213215	PANEL / BACKWARD / W/W.C.L.	1	1		
18	213785	PANEL / BACKWARD / W SMALL A/C SYSTEM			1	
19	213169	PLATE SUPPORT / W/W.C.L. "RICON"		1		
20	5001330	SCREW CAP HEX 1/2-13x1 SS	1	1	1	
21	065096	SUPPORT BATTERIES CHARGER	1	1		
40	212596	ANGLE 100MM	1	1	1	
41	285667	BRACKET / "U" SHAPE / (WELDED)	1	1	1	



From 3-4417 To 8-1043	Date:10/2022	PAGE:HF-1894-10
REAR - R.H. SERVICE COMPARTMENT STRUCTURE		

Item#	Part	Description	H 3 4 1	H 3 4 5	V I P 4 5	N O T E S
42	213389	REINFORCEMENT ANGLE 30MM X 64MM	1	1	1	
50	212787	ATTACHMENT / SUMP TANK FLOOR	1	1	1	

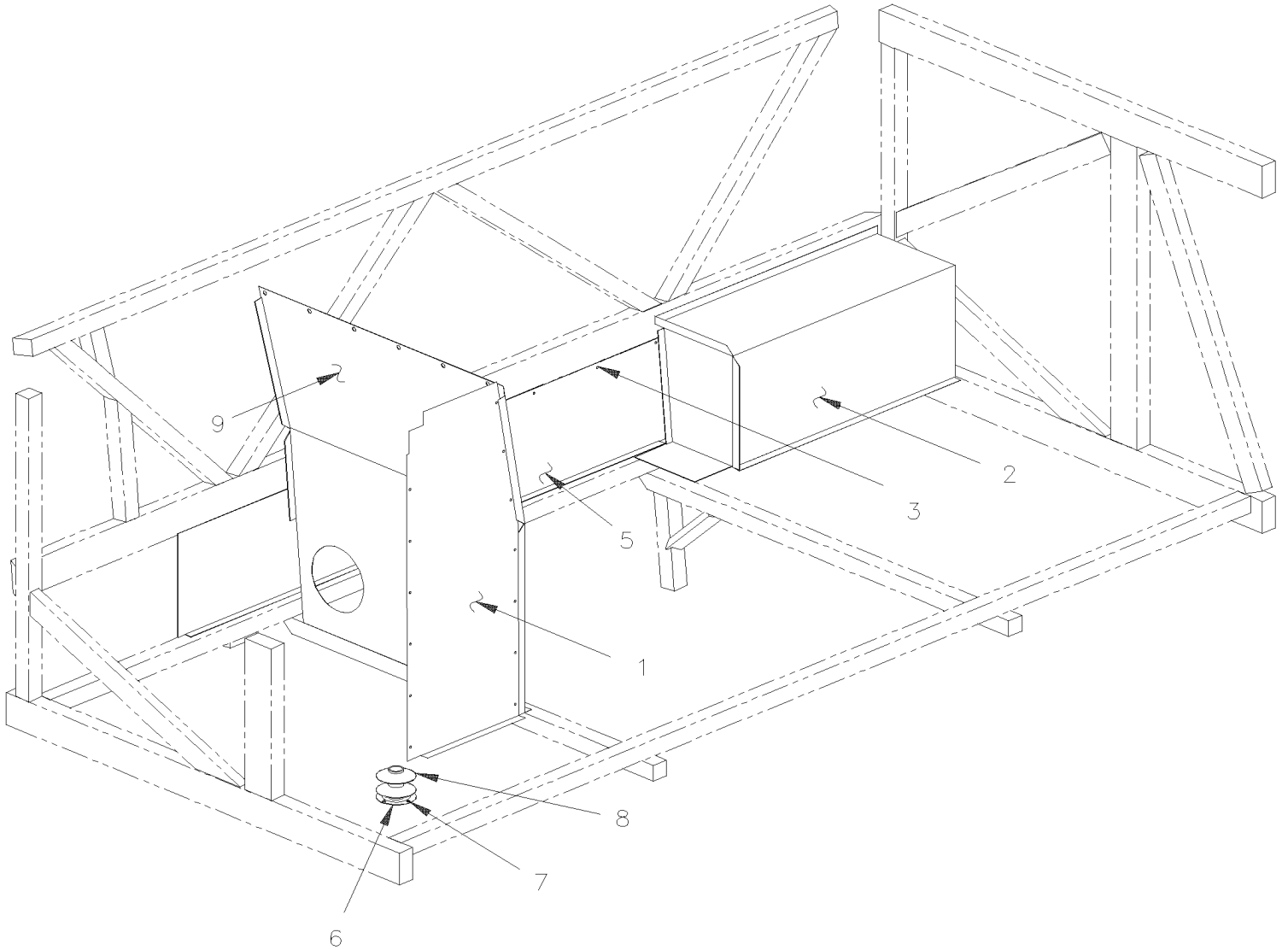


From 3-4417 To 8-1043

Date:10/2022

PAGE:HF-1894-20

REAR UPPER SHEATING





From 3-4417 To 8-1043	Date:10/2022	PAGE:HF-1894-20
REAR UPPER SHEATING		

Item#	Part	Description	H 3 4 1	H 3 4 5	V I P 4 5	N O T E S
1	481669	SIDE PANEL	1	1	1	
2	482195	REAR HUMP ASSY	1	1	1	
3	504488	RIVET MGLP PRDG 3/16x17/64 SS	AR	AR	AR	
3	504347	RIVET POP DOME OE 3/16x1/4 AL	AR	AR	AR	
NS	680096	SEALANT BUTYL ALUM / GREY / 310ml CARTRIDGE	AR	AR	AR	
5	481668	PANEL INSIDE /	1	1	1	
6	020375	RETAINING RING 57MM I.D. x 82MM O.D. SS To 3-4757	1	1	1	
6	382028	RETAINING RING 67MM I.D. x 90MM O.D. SS From 4-4758	1	1	1	
7	500120	SCREW TP BDG PH #6x1/2 SS	4	4	4	
8	504526	CUFF END BELLOW / 1 1/4" I.D. x 3 1/4" x 2 5/8" To 3-4757	1	1	1	
8	504707	CUFF END BELLOW / 2 1/2" I.D. x 3 7/8" x 2 5/8" From 4-4758	1	1	1	
9	481665	PANEL FRONT OF AIR INTAKE	1	1	1	

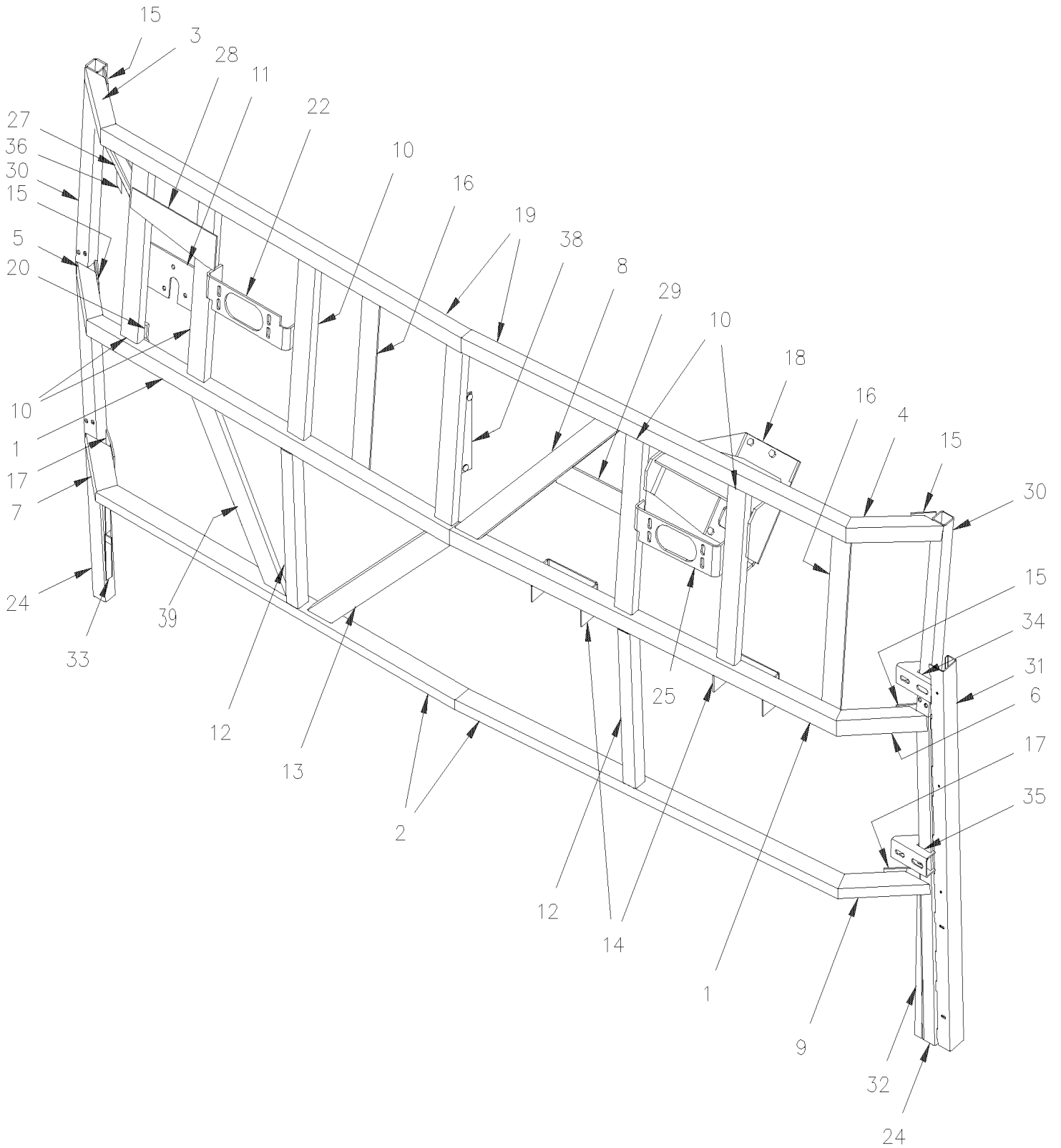


From 3-4417 To 8-1043

Date:10/2022

PAGE:HF-1895-00

FRONT STRUCTURE





From 3-4417 To 8-1043	Date:10/2022	PAGE:HF-1895-00
FRONT STRUCTURE		

Item#	Part	Description	H 3 4 1	H 3 4 5	V I P 4 5	N O T E S
	251164	FRONT STRUCTURE ASSY	1	1		
	251165	FRONT STRUCTURE ASSY			1	
1	250845	. TUBE	2	2	2	
2	250846	. TUBE 1062MM	2	2	2	
3	250863	. TUBE	1	1	1	
4	250864	. TUBE	1	1	1	
5	250865	. TUBE	1	1	1	
6	250866	. TUBE	1	1	1	
7	250847	. TUBE	1	1	1	
8	250867	. TUBE	1	1	1	
9	250848	. TUBE	1	1	1	
10	250976	. TUBE	5	5	5	
11	285322	. SUPPORT	1	1	1	
12	250664	. TUBE	2	2	2	
13	250862	. TUBE	1	1	1	
14	250934	. DASH SUPPORT	2	2	2	
15	250851	. REINFORCEMENT	4	4	4	
16	250942	. DASH SUPPORT	2	2	2	
17	250852	. REINFORCEMENT	2	2	2	
18	161072	. STEERING COLUMN SUPPORT	1	1	1	
NS	502737	. SCREW CAP HEX M6-1.0x25 SS BK	4	4	4	
19	250853	. TUBE	2	2	2	
20	250967	. DASH SUPPORT	1	1	1	
22	250741	. SUPPORT, WIPER PIVOT R.H. / (WELDED AT STRUCTURE)	1	1	1	
24	250875	. TUBE	2	2	2	
25	250742	. SUPPORT, WIPER PIVOT L.H. / (WELDED AT STRUCTURE)	1	1	1	
27	211729	. TUBE	1	1	1	
28	250791	. REINFORCEMENT	1	1	1	
29	250937	. DASH SUPPORT	1	1	1	
30	250874	. TUBE	2	2	2	
31	285325	ANGLE SUPPORT	1	1	1	
32	250870	ANGLE SUPPORT	1	1		
33	250871	ANGLE SUPPORT	1	1	1	
34	285332	SUPPORT UPPER	1	1	1	
35	285323	SUPPORT LOWER	1	1	1	
36	250971	SUPPORT	1	1	1	
38	250964	TUBE ASSY W/PLATE TO FIX HANDRAIL	1	1	1	
. NS	250976	. TUBE	1	1	1	
. NS	250956	. HANDRAIL SUPPORT	1	1	1	
NS	250882	ANGULAR			1	
39	251210	TUBE	1	1	1	



From 3-4417 To 8-1043		Date:10/2022	PAGE:HF-1895-00
-----------------------	--	--------------	-----------------

FRONT STRUCTURE

Item#	Part	Description	H 3 4 1	H 3 4 5	V I P 4 5	N O T E S

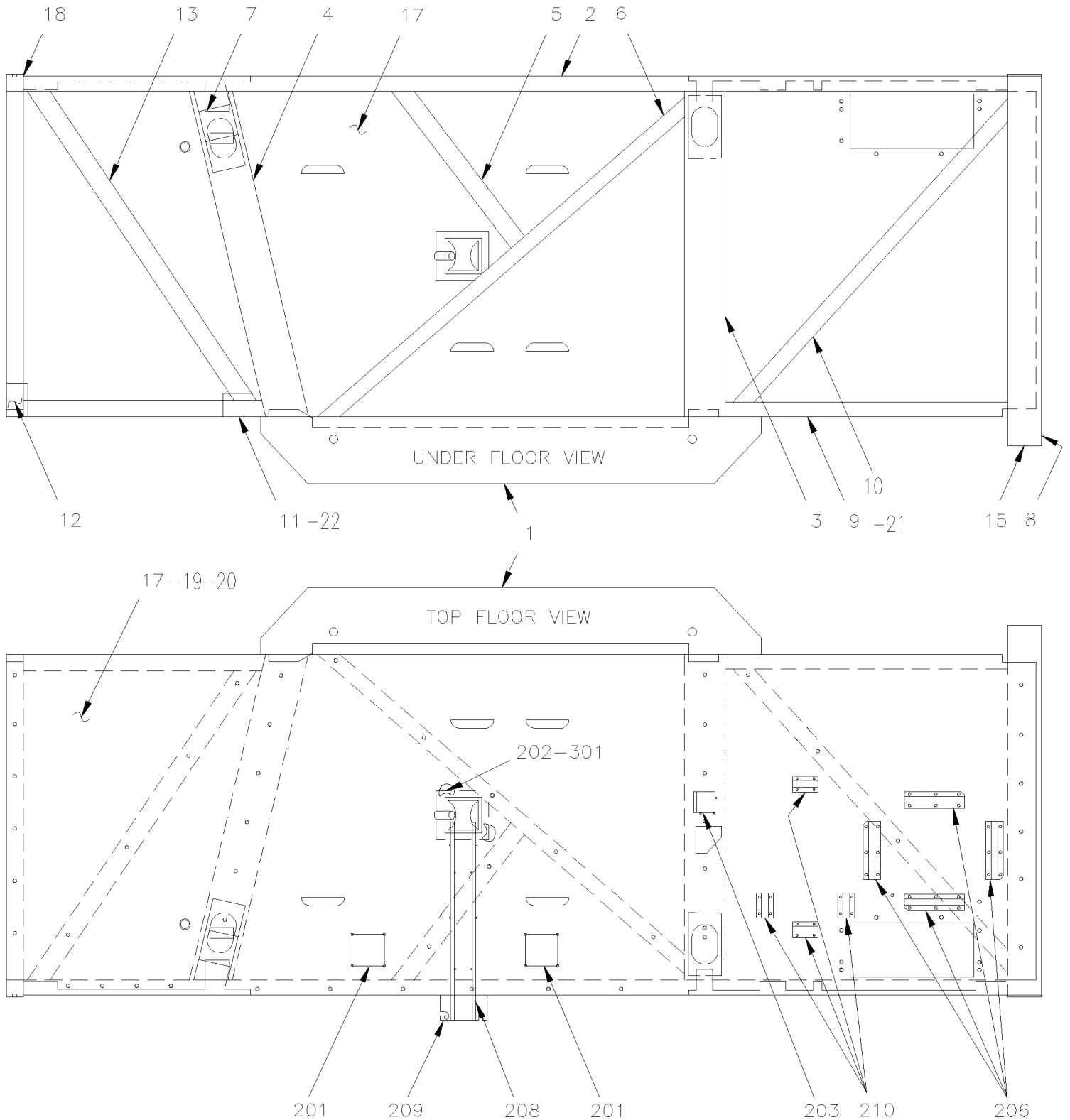


From 3-4417 To 8-1043

Date:10/2022

PAGE:HF-1895-10

FRONT FLOOR STRUCTURE - W/RIGID SUSPENSION





From 3-4417 To 8-1043	Date:10/2022	PAGE:HF-1895-10
FRONT FLOOR STRUCTURE - W/RIGID SUSPENSION		

Item#	Part	Description	H 3 4 1	H 3 4 5	V I P 4 5	N O T E S
	173122	STRUCTURE FLOOR W/PANEL	1	1		
	172497	STRUCTURE FLOOR W/O PANEL	1	1		A
1	171529	.. REINFORCEMENT INFERIOR	1	1		
2	170911	.. TUBE	1	1		
3	171418	.. REINFORCEMENT	1	1		
4	171415	.. REINFORCEMENT	1	1		
5	171109	.. TUBE	1	1		
6	171108	.. TUBE	1	1		
7	171419	.. HOOK, TOWING	1	1		
8	171767	.. TUBE 900MM	1	1		
9	210766	.. REINFORCEMENT	1	1		
10	210764	.. REINFORCEMENT	1	1		
11	210767	.. REINFORCEMENT	1	1		
12	171637	.. TUBE	1	1		
13	210769	.. REINFORCEMENT	1	1		
15	230695	.. PLATE, CLOSING	2	2		
17	214273	.. BOTTOM PANEL	1	1		B
18	260120	.. PLATE, CLOSING / TUBE 33MM x 33MM	1	1		
19	350668	.. SOUND INSULATOR PANEL / (UNDER FLOOR)	1	1		
20	326206	.. SOUND INSULATOR PANEL / (UNDER FLOOR)	1	1		
21	460611	.. SUPPORT / AIR SHIELD / STREETSIDE From 3-4679	1	1		
22	460610	.. SUPPORT / AIR SHIELD / CURBSIDE From 3-4679	1	1		
201	150187	.. SPACER	2	2		
202	240023	.. DRAIN ASSY	1	1		
203	150188	.. STOP, SAFETY	1	1		
206	309048	.. RESERVOIR SUPPORT FOR HOOK / WINDSHIELD WASH.	1	1		
208	211638	.. ROD	2	2		
209	212927	.. PLATE, SPARE TIRE	1	1		
210	300563	RESERVOIR SUPPORT FOR HOOK / HEADLAMP WASH. From 6-0560	4	4	4	
		A) DO NOT INCLUDE ITEM #17 TO 22 & 200 TO 210				
		B) BOTTOM PANEL IN ON PIECE				

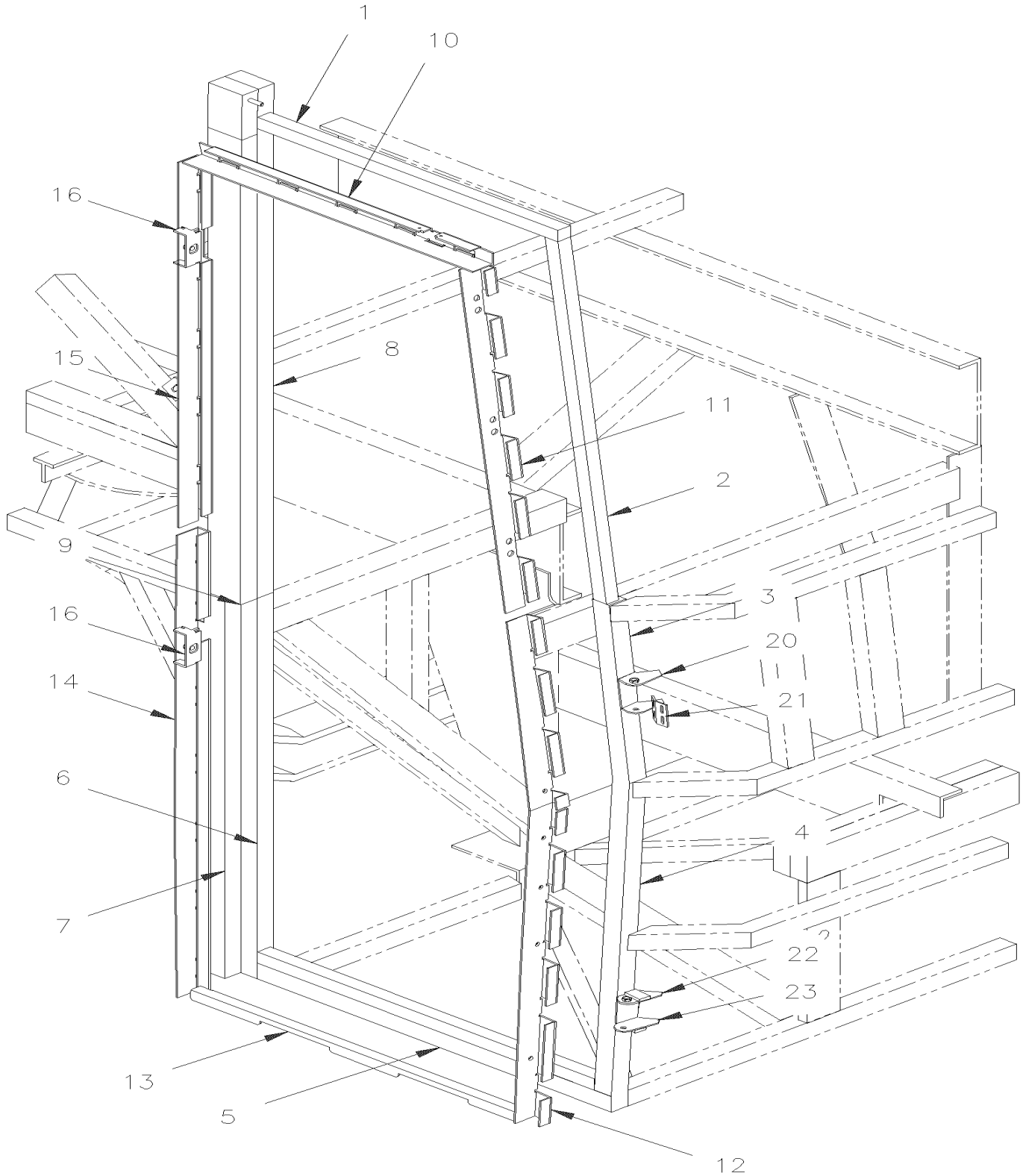


From 3-4417 To 8-1043

Date:10/2022

PAGE:HF-1895-20

ENTRANCE DOOR STRUCTURE





From 3-4417 To 8-1043 Date:10/2022 PAGE:HF-1895-20

ENTRANCE DOOR STRUCTURE

Item#	Part	Description	H 3 4 1	H 3 4 5	V I P 4 5	N O T E S
	214427	ENTRANCE DOOR STRUCTURE ASSY	1	1		B
	216838	ENTRANCE DOOR STRUCTURE ASSY			1	
1	251196	TUBE 644MM	1	1	1	
2	251195	TUBE 857MM	1	1	1	
3	250874	TUBE	1	1	1	
4	250875	TUBE	1	1	1	
5	171637	TUBE	1	1	1	
NS	214554P	TUBE ASSY	1	1	1	A
. NS	211730	. TUBE	1	1	1	A
. NS	260120	. PLATE, CLOSING / TUBE 33MM x 33MM	1	1	1	A
. NS	210832	. TUBE	1	1	1	A
. NS	211731	. FINISHING PANEL	1	1	1	A
. NS	230695	. PLATE, CLOSING	1	1	1	A
7	210832	TUBE	1	1	1	
8	270595P	FRONT POST ASSY R.H.	1	1	1	
9	231465	JOINT BUTT 33MM X 33MM / (WELDED)	1	1	1	
9	231466	JOINT BUTT 33MM X 68MM / (WELDED)	1	1	1	
10	211970	FRAME SUPPORT	1	1		
10	211723	FRAME SUPPORT			1	
11	213153	FRAME SUPPORT	1	1	1	
12	216258	FRAME SUPPORT	1	1	1	
13	214075	FRAME SUPPORT	1	1	1	
14	214115	FRAME SUPPORT	1	1		
14	213199	FRAME SUPPORT			1	
15	213151	FRAME SUPPORT			1	
15	213664	FRAME SUPPORT	1	1		
16	211757	CATCH SUPPORT			2	
20	211984	HINGE SUPPORT / (WELDED TO STRUCTURE)	1	1	1	
21	211987	PLATE / "V" SHAPE 48MM X 57MM 45°	1	1	1	
22	211992	PLATE	4	4	4	
23	211983	HINGE SUPPORT / (WELDED TO STRUCTURE)	1	1	1	
		A) INCLUDES ITEM 6 & 7				
		B) INCLUDE ITEM 1, 2, 3, 4, 10, 11, 12, 14, 15, 20, 21, 22 & 23				

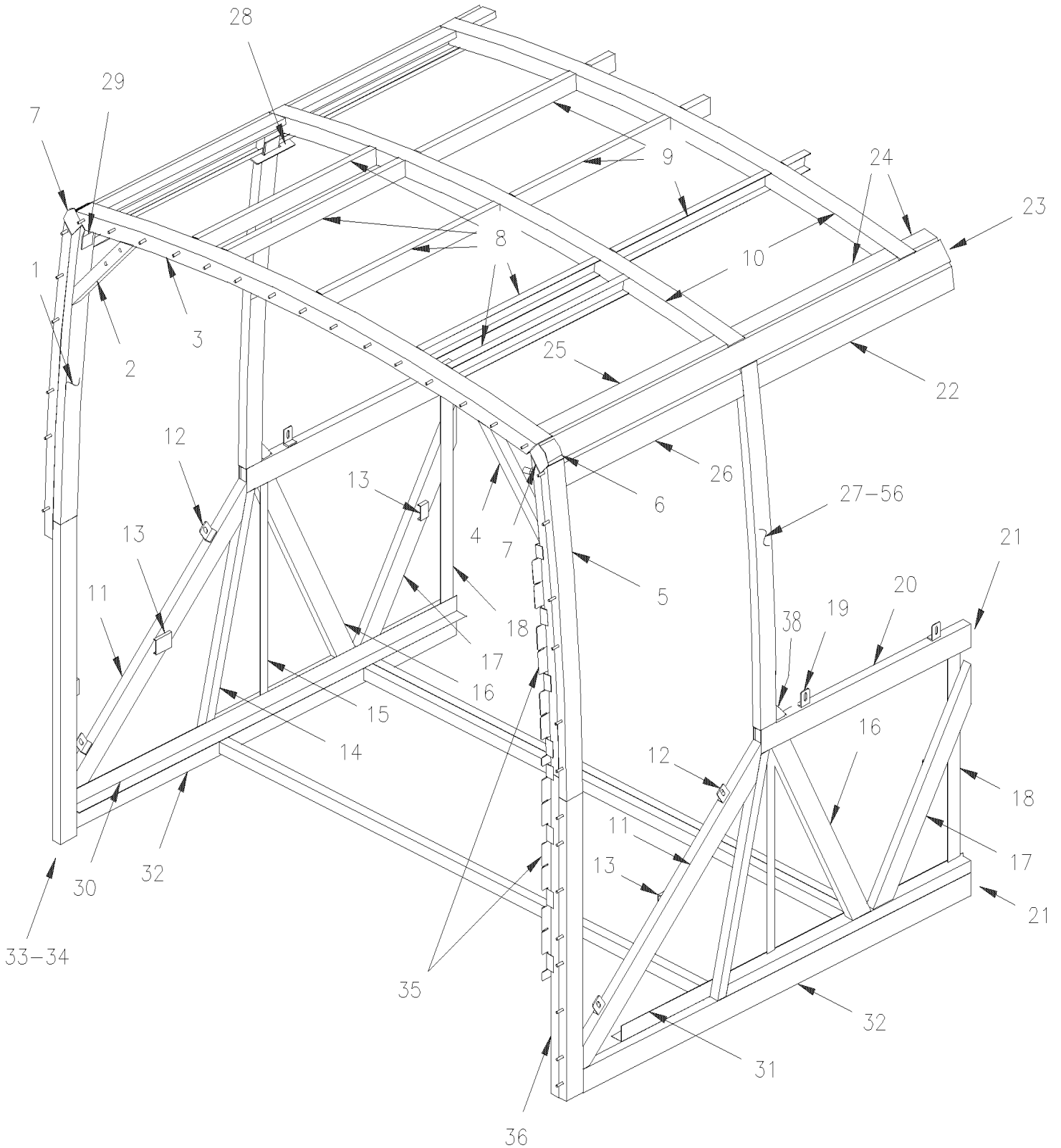


From 3-4417 To 8-1043

Date:10/2022

PAGE:HF-1895-30

FRONT UPPER STRUCTURE



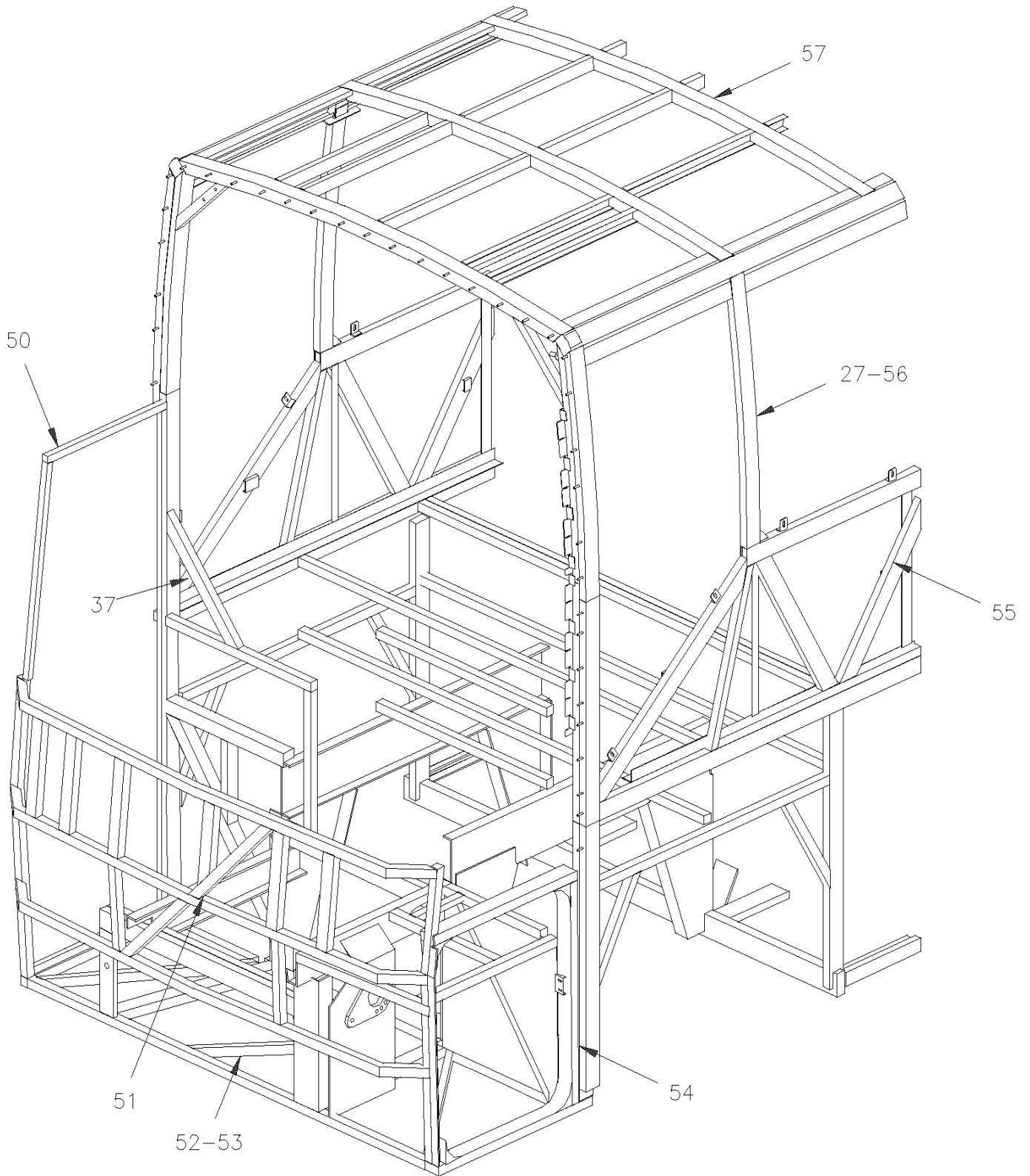


From 3-4417 To 8-1043

Date:10/2022

PAGE:HF-1895-30

FRONT UPPER STRUCTURE





From 3-4417 To 8-1043	Date:10/2022	PAGE:HF-1895-30
FRONT UPPER STRUCTURE		

Item#	Part	Description	H 3 4 1	H 3 4 5	V I P 4 5	N O T E S
1	270595P	FRONT POST ASSY R.H.	1	1	1	
NS	5001300	STUD WD WOC 5/16-18x1 1/4 SS	AR	AR	AR	
2	160799	REINFORCEMENT To 3-4584	2	2	2	
2	161168	REINFORCEMENT From 3-4585	2	2	2	
3	270566P	ROOF ARCH ASSY	1	1	1	
NS	5001300	STUD WD WOC 5/16-18x1 1/4 SS	AR	AR	AR	
4	160760	REINFORCEMENT				
5	270596P	FRONT POST ASSY L.H.	1	1	1	
NS	5001300	STUD WD WOC 5/16-18x1 1/4 SS	AR	AR	AR	
6	271104	PLATE (CURVED)	6	6	6	
7	270541	CLOSING PLATE	2	2	2	
NS	270922	CORNER FORM	2	2		
8	271103	CORNER FORM To 3-4584	5	5	5	
8	271628	CORNER FORM From 3-4585 To 7-0817	5	5	5	
8	272135	CORNER FORM From 7-0818	5	5	5	
9	271041	FORM / BETWEEN ARCH To 3-4584	AR	AR	AR	
9	271620	FORM / BETWEEN ARCH From 3-4585	AR	AR	AR	
10	271288	ARCH To 3-4584	AR	AR	AR	
10	271636	ARCH From 3-4585	AR	AR	AR	
11	231006	TUBE	1	1	1	
12	293062	ANGLE / (WELDED)	1	1	1	
13	231469	SUPPORT SINGLE	1	1	1	
14	230954	TUBE	1	1	1	
15	230918	SUPPORT To 3-4578	1	1	1	
16	230945	TUBE	1	1	1	
17	230953	TUBE	1	1	1	
18	230994	SUPPORT To 3-4578	1	1	1	
19	292931	ANGLE / (WELDED)	1	1	1	
20	231015	TUBE	1	1	1	
20	230882	TUBE	1	1	1	
21	231019	JOINT BUTT 15MM X 68MM / (WELDED)	1	1	1	
22	271053	CORNER FORM	AR	AR	AR	
23	270919	TUBE		1		
23	270920	TUBE	1			
23	270921	TUBE			1	
24	270558	CORNER PANEL	1			
24	270558	CORNER PANEL		1	1	
25	271006	CORNER FORM	2	2	2	
26	271051	CORNER FORM	2	2	2	
27	270556	POST / BETWEEN WINDOW / 1129MM	AR	AR	AR	
28	271048	SUPPORT PARCEL RACK	AR	AR		
NS	270516	CORNER REINFORCEMENT	AR	AR	AR	



From 3-4417 To 8-1043	Date:10/2022	PAGE:HF-1895-30
FRONT UPPER STRUCTURE		

Item#	Part	Description	H 3 4 1	H 3 4 5	V I P 4 5	N O T E S
29	270591	REINFORCEMENT	2	2	2	
30	230980	ANGLE	1	1	1	
31	230986	ANGLE #1 R.H.	1	1	1	
32	231163	TUBE	1	1	1	
33	231465	JOINT BUTT 33MM X 33MM / (WELDED)	1	1	1	
34	231466	JOINT BUTT 33MM X 68MM / (WELDED)	1	1	1	
35	270828	SUPPORT To 6-0559	2	2		
35	272054	SUPPORT From 6-0560	2	2		
36	270837	ANGLE	1	1		
37	212520	TUBE / MODESTY PANEL	1	1	1	
38	270553	REINFORCEMENT / BETWEEN WINDOW	AR	AR	AR	
50	HF-1895-20	ENTRANCE DOOR STRUCTURE	1	1	1	
51	HF-1895-00	FRONT STRUCTURE	1	1	1	
52	HF-1895-10	FRONT FLOOR STRUCTURE - W/RIGID SUSPENSION	1	1	1	
53	HF-1895-50	FRONT FLOOR STRUCTURE - W/WIND SUSPENSION	1	1	1	
54	HF-1879-10	FRONT SERVICE DOOR - INSTALLATION	1	1	1	
55	HF-1891-00	WALL STRUCTURE - LOWER BUS	1	1	1	
55	HF-1891-50	WALL STRUCTURE - LOWER V.I.P.	1	1	1	
56	HF-1890-10	STRUCTURE WALL - UPPER	1	1	1	
57	HF-1890-00	ROOF STRUCTURE	1	1	1	

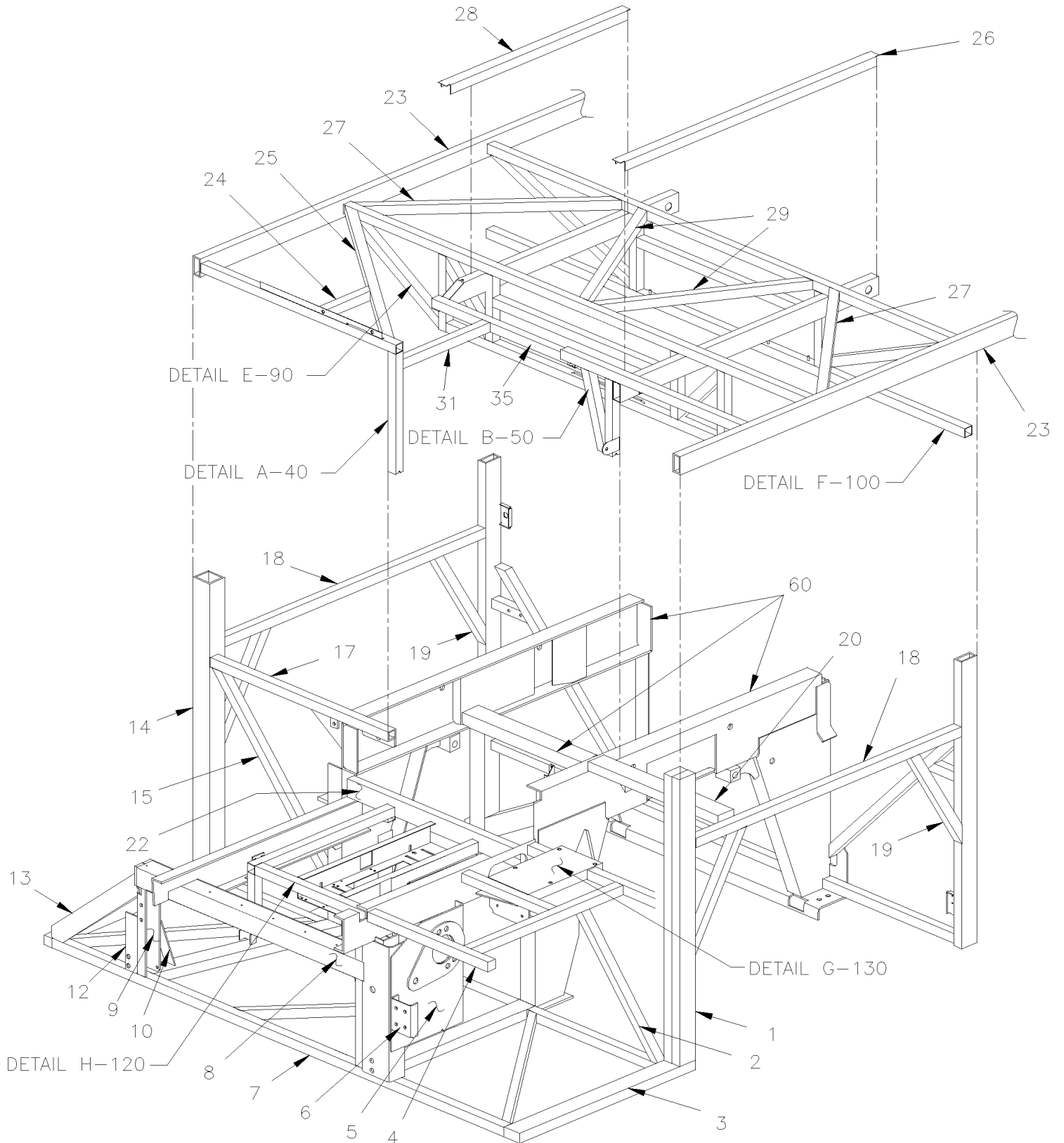


From 3-4417 To 8-1043

Date:10/2022

PAGE:HF-1895-40

FRONT END STRUCTURE - BUS



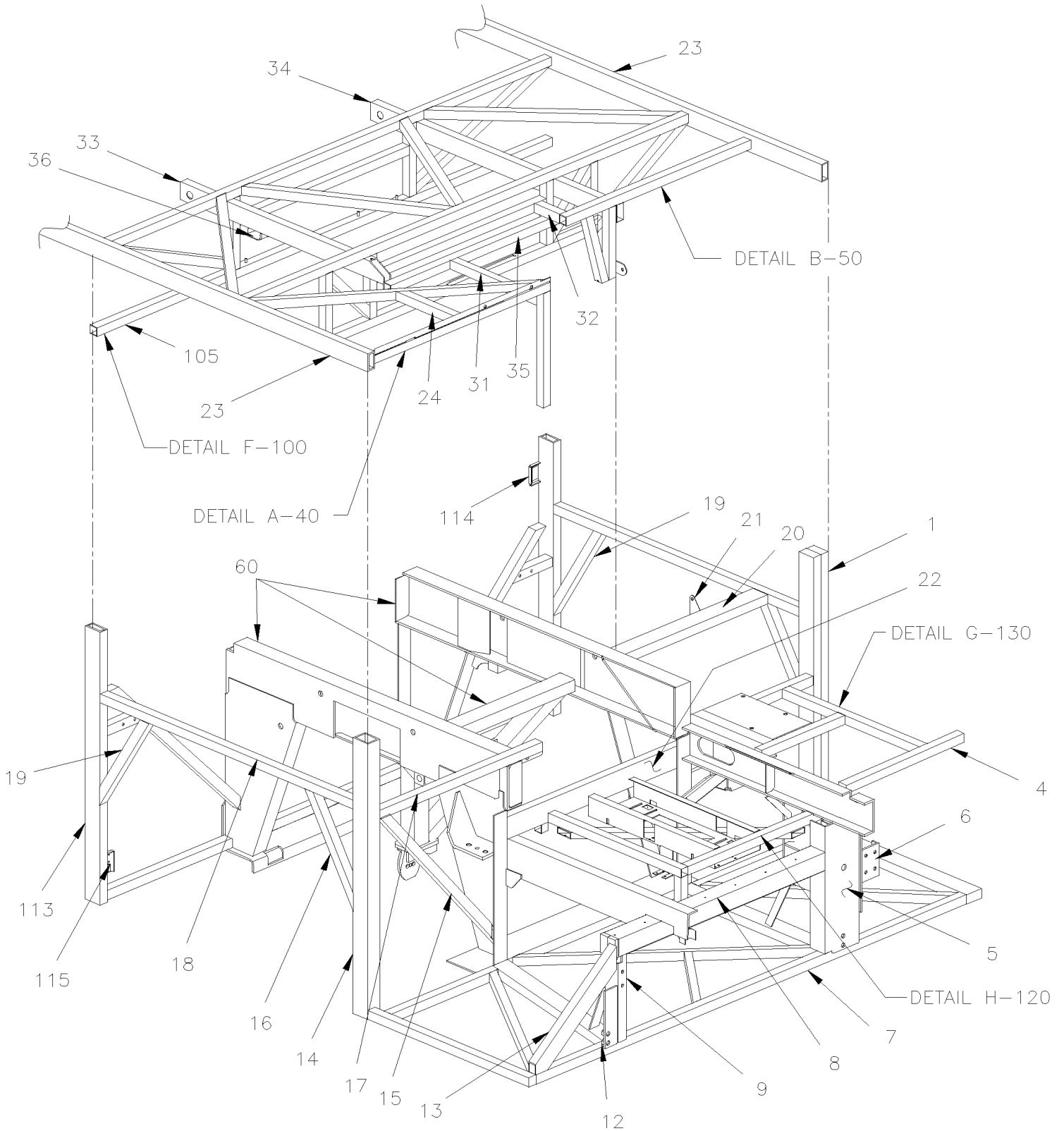


From 3-4417 To 8-1043

Date:10/2022

PAGE:HF-1895-40

FRONT END STRUCTURE - BUS



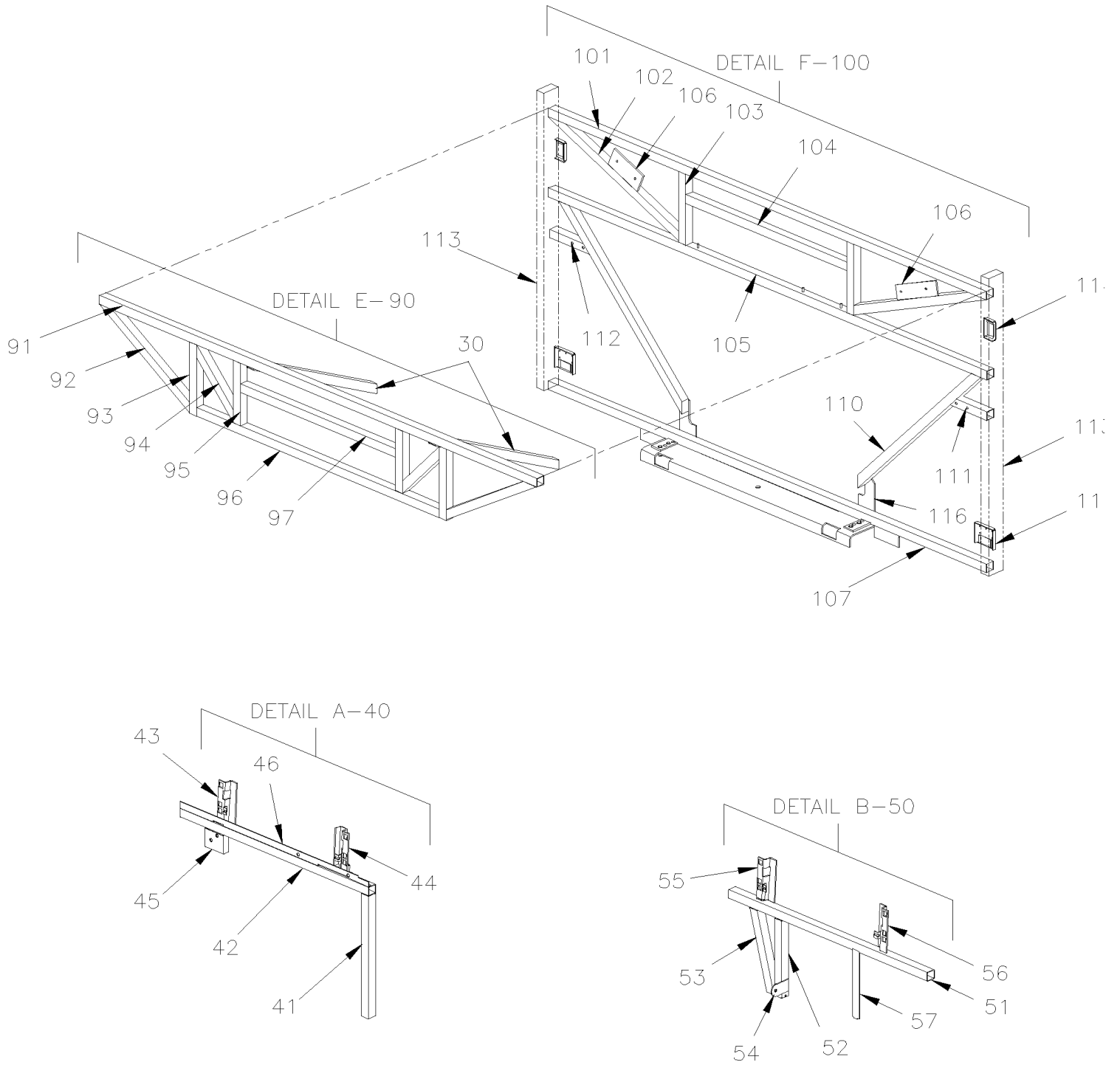


From 3-4417 To 8-1043

Date:10/2022

PAGE:HF-1895-40

FRONT END STRUCTURE - BUS



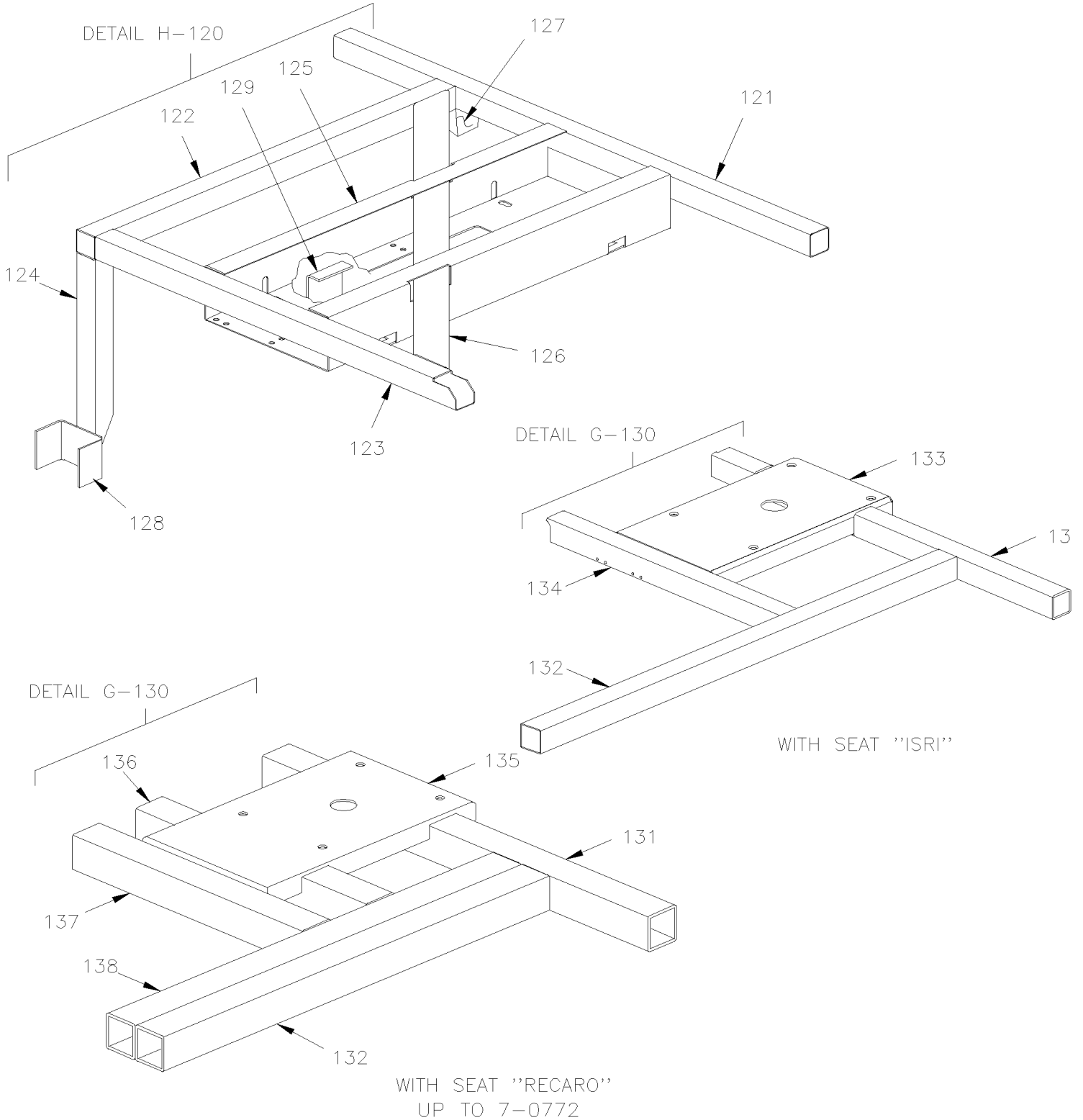


From 3-4417 To 8-1043

Date:10/2022

PAGE:HF-1895-40

FRONT END STRUCTURE - BUS





From 3-4417 To 8-1043	Date:10/2022	PAGE:HF-1895-40
FRONT END STRUCTURE - BUS		

Item#	Part	Description	H 3 4 1	H 3 4 5	V I P 4 5	N O T E S
	172710	FRONT STRUCTURE ASSY COMPLETE AS SHOWN BUS W/ "I" BEAM SUSPENSION	1	1		
1	210936	TUBE 1156MM	2	2		
1	HF-1879-10	FRONT SERVICE DOOR - INSTALLATION				
2	211294	TUBE 868MM	1	1		
3	171767	TUBE 900MM	1	1		
4	213392	TUBE / DRIVER'S FLOOR SUPPORT / 737MM	1	1		
5	172630	SUPPORT GEAR BOX STEERING / W/ "ZF" To 4-4808	1	1		
5	172857	SUPPORT GEAR BOX STEERING / W/ "ZF" From 4-4809	1	1		
6	214599	ATTACHMENT / BUMPER LATCH	1	1		
7	HF-1895-10	FRONT FLOOR STRUCTURE - W/RIGID SUSPENSION				
8	171205	TUBE 1172MM	1	1		
9	171421	SUPPORT R.H. / "C" FORM	1	1		
10	171423	REINFORCEMENT / TRIANGULAR SHAPE	1	1		
12	213961	BUMPER HINGE ATTACHMENT R.H.	1	1		
13	210742	TUBE 597MM	1	1		
14	HF-1895-20	ENTRANCE DOOR STRUCTURE				
15	170775	TUBE 1046MM	1	1		
16	211616	TUBE 655MM	1	1		
17	172221	TUBE 908MM	1	1		
18	213451	TUBE 1405MM	2	2		
19	211960	TUBE 560MM	2	2		
20	171652	TUBE 695MM	1	1		
21	213458	ATTACHMENT SEAT BELT	1	1		
22	171122	REINFORCEMENT	1	1		
23	HF-1891-00	WALL STRUCTURE - LOWER BUS				
24	172615	TUBE 225MM	1	1		
25	172614	TUBE 1168MM	1	1		
26	172610	SEAT SUPPORT / L.H. / 980MM	1	1		
27	171023	TUBE 982MM	2	2		
28	172611	SEAT SUPPORT / R.H. / 980MM To 6-0420	1	1		
28	173216	SEAT SUPPORT / R.H. / 1472MM From 6-0421	1	1		
29	172081	TUBE 836MM	2	2		
30	171024	TUBE 758MM	2	2		
31	172612	TUBE 540MM	1	1		
32	172613	TUBE 137MM	1	1		
33	212427	TUBE 1233MM	1	1		
34	172105	TUBE 1330MM	1	1		
35	170784	TUBE 1068MM	1	1		
36	373832	SUPPORT WATER PUMP / UPPER DEFROSTER	1	1		
40	Call order desk	STRUCTURE ASSY / R.H MODESTY PANEL	1	1		P
41	170796	. TUBE 496MM	1	1		
42	171330	. TUBE 953MM	1	1		



From 3-4417 To 8-1043	Date:10/2022	PAGE:HF-1895-40
FRONT END STRUCTURE - BUS		

Item#	Part	Description	H 3 4 1	H 3 4 5	V I P 4 5	N O T E S
43	327608	. ANCHOR / MODESTY PANEL	1	1		
44	328922	. ANCHOR / MODESTY PANEL	1	1		
45	213614	. ANCHOR ASSY / HAND-RAIL	1	1		
46	171281	. ANCHOR ASSY / HOSTESS SEAT	1	1		
50	Call order desk	STRUCTURE ASSY / L.H MODESTY PANEL	1	1		P
51	172070	. TUBE 1004MM	1	1		
52	171651	. TUBE 312MM	1	1		
53	171650	. TUBE 335MM	1	1		
54	212485	. ATTACHMENT SEAT BELT	1	1		
55	327612	. ANCHOR / MODESTY PANEL	1	1		
56	327610	. ANCHOR / MODESTY PANEL	1	1		
57	213470	REINFORCEMENT 50MM X 328MM	1	1		
60	HF-1897-00	FRONT SUB-FRAME / W/RIGID SUSPENSION				
90	N.S.A.	CROSS MEMBER SUB FLOOR FORWARD	1	1		3
91	172026	. TUBE 2463MM	1	1		
92	172030	. TUBE 578MM	2	2		
93	172069	. TUBE 312MM	2	2		
94	172038	. TUBE 327MM	2	2		
95	172036	. TUBE 273MM	2	2		
96	172029	. TUBE 1396MM	1	1		
97	210550	. TUBE 916MM	1	1		
98	213548	. REINFORCEMENT	2	2		
100	N.S.A.	CROSS MEMBER SUB FLOOR BACKWARD	1	1		3
101	172026	. TUBE 2463MM	1	1		
102	172024	. TUBE 785MM	2	2		
103	172027	. TUBE 312MM	2	2		
104	170732	. TUBE 913MM	1	1		
105	172025	. TUBE 2447MM	1	1		
106	172031	. DOOR CYLINDER SUPPORT / "U" SHAPE 125MM	2	2		
107	172047	. TUBE To 3-4607	1	1		
107	172733	. TUBE From 3-4608	1	1		
110	213447	TUBE 1040MM	2	2		
111	213449	TUBE ASSY / W/INSERT / STREETSIDE	1	1		
112	213448	TUBE ASSY / W/INSERT / CURBSIDE	1	1		
113	213789	TUBE ASSY / STREET SIDE / W/FLOATING NUT / 1196MM	1	1		
113	213790	TUBE ASSY / CURBSIDE / W/FLOATING NUT / 1196MM	1	1		
113	213450	. TUBE 1196MM	1	1		
114	287943	. FLOATING NUT ASSY WITH CASE	1	1		
115	287903	. SUPPORT LOWER / (WELDED TO STRUCTURE)	1	1		
116	171524	REINFORCEMENT	2	2		
120	172604P	FLOOR STEPWELL ASSY	1	1		
121	170909	. TUBE 953MM	1	1		



From 3-4417 To 8-1043	Date:10/2022	PAGE:HF-1895-40
FRONT END STRUCTURE - BUS		

Item#	Part	Description	H 3 4 1	H 3 4 5	V I P 4 5	N O T E S
122	172605	. TUBE 700MM	1	1		
123	172606	. TUBE 651MM	1	1		
124	170862	. TUBE 273MM	1	1		
125	171771	. SUPPORT LOWER / (WELDED TO FRAME) / TO FIX TANK ACCESSORIES	1	1		
126	172607	. TUBE 907MM	1	1		
127	171764	. TUBE 36MM	1	1		
128	170858	. SUPPORT	1	1		
128	173216	SEAT SUPPORT / R.H. / 1472MM	1	1		
129	372742	. SUPPORT / TO FIX WATER VALVE	1	1		
130	213791	DRIVER'S FLOOR ASSY / W/"ISRI" SEAT To 7-0772	1	1		
130	214438	DRIVER'S FLOOR ASSY / W/"RECARO" SEAT To 7-0772	1	1		
130	216071P	DRIVER'S FLOOR ASSY / W/"ISRI" & "RECARO" From 7-0773	1	1		
131	213793	. TUBE 682MM To 7-0772	1	1		
131	216072	. TUBE 682MM From 7-0773	1	1		
132	213384	. TUBE 835MM To 7-0772	1	1		
132	216069	. TUBE 838MM From 7-0773	1	1		
133	213792	. PLATE 197MM X 362MM To 7-0772	1	1		
133	216070	. PLATE 197MM X 324MM From 7-0773	1	1		
NS	5001086	. . NUT HEXF M12-1.75 DP	4	4		
NS	212481	. SUPPORT 209MM To 7-0772	1	1		
134	213735	. TUBE 465MM To 7-0772	1	1		
134	216068	. TUBE 427MM From 7-0773	1	1		
135	214439	. PLATE / W/"RECARO" SEAT / 197MM X 362MM To 7-0772	1	1		
NS	5001086	. . NUT HEXF M12-1.75 DP	4	4		
136	214441	. TUBE / W/"RECARO" SEAT / 418MM To 7-0772	1	1		
137	214440	. TUBE / W/"RECARO" SEAT / 430MM To 7-0772	1	1		
138	214442	. TUBE / W/"RECARO" SEAT / 838MM To 7-0772	1	1		
NS	214443	TUBE / VERTICAL / W/"RECARO" SEAT / 330MM To 7-0772	1	1		
		3) NOT SOLD ASSEMBLY				
		P) CALL ORDER DESK FOR SPECIFIC APPLICATION (V.I.N.)				

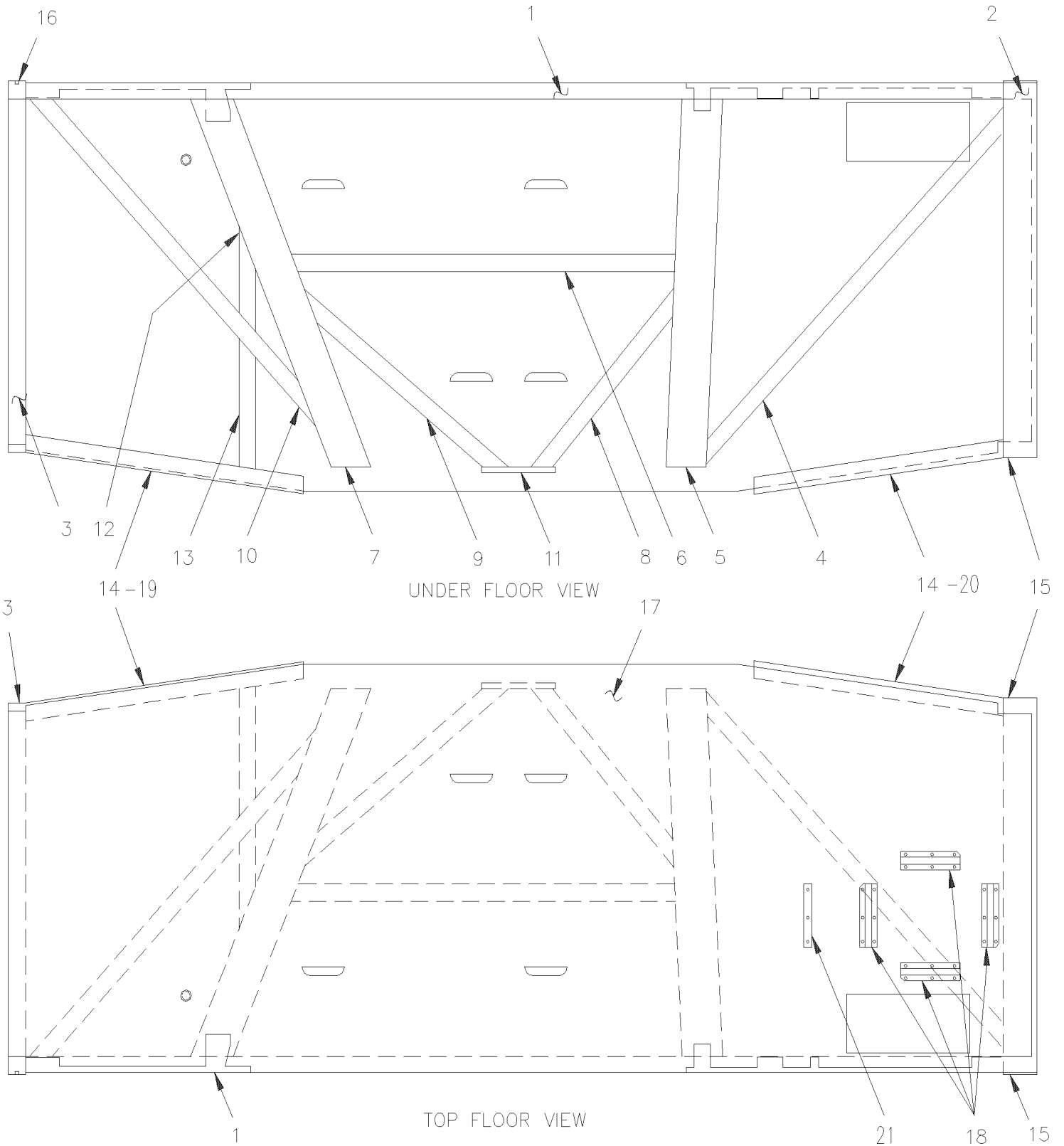


From 3-4417 To 8-1043

Date:10/2022

PAGE:HF-1895-50

FRONT FLOOR STRUCTURE - W/IND SUSPENSION





From 3-4417 To 8-1043	Date:10/2022	PAGE:HF-1895-50
FRONT FLOOR STRUCTURE - W/IND SUSPENSION		

Item#	Part	Description	H 3 4 1	H 3 4 5	V I P 4 5	N O T E S
1	170911	. TUBE			1	
2	171767	. TUBE 900MM			1	
3	171637	. TUBE			1	
4	213425	. TUBE			1	
5	213423	. TUBE			1	
6	213430	. TUBE			1	
7	213422	. TUBE			1	
8	213432	. TUBE			1	
9	213431	. TUBE			1	
10	213427	. TUBE			1	
11	213503	. PLATE			1	
12	172251	. SUPPORT			1	
13	172252	. SUPPORT			1	
14	213438	. TUBE			1	
15	230695	. PLATE, CLOSING			2	
16	260120	. PLATE, CLOSING / TUBE 33MM x 33MM			1	
17	214566	. PANEL From 1-4382			1	
18	309048	. RESERVOIR SUPPORT FOR HOOK / WINDSHIELD WASH.			4	
19	460594	. SUPPORT / AIR SHIELD / STREETSIDE From 3-4680			1	
20	460593	. SUPPORT / AIR SHIELD / CURBSIDE From 3-4680			1	
21	300563	. RESERVOIR SUPPORT FOR HOOK / HEADLAMP WASH.			2	
21	300570	. RESERVOIR SUPPORT SIDE			4	

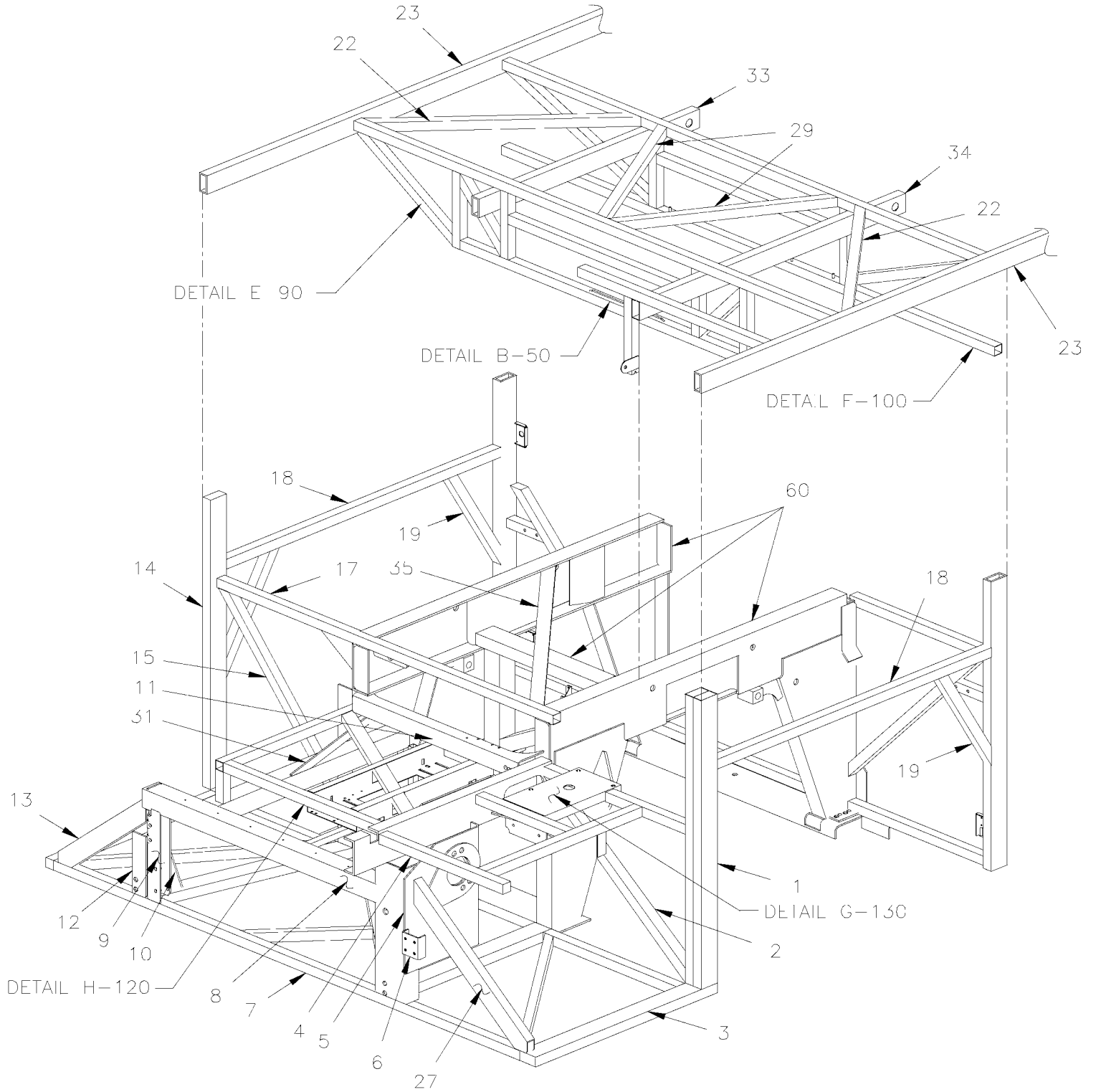


From 3-4417 To 8-1043

Date:10/2022

PAGE:HF-1895-55

FRONT END STRUCTURE - I BEAM SUSPENSION - V.I.P.



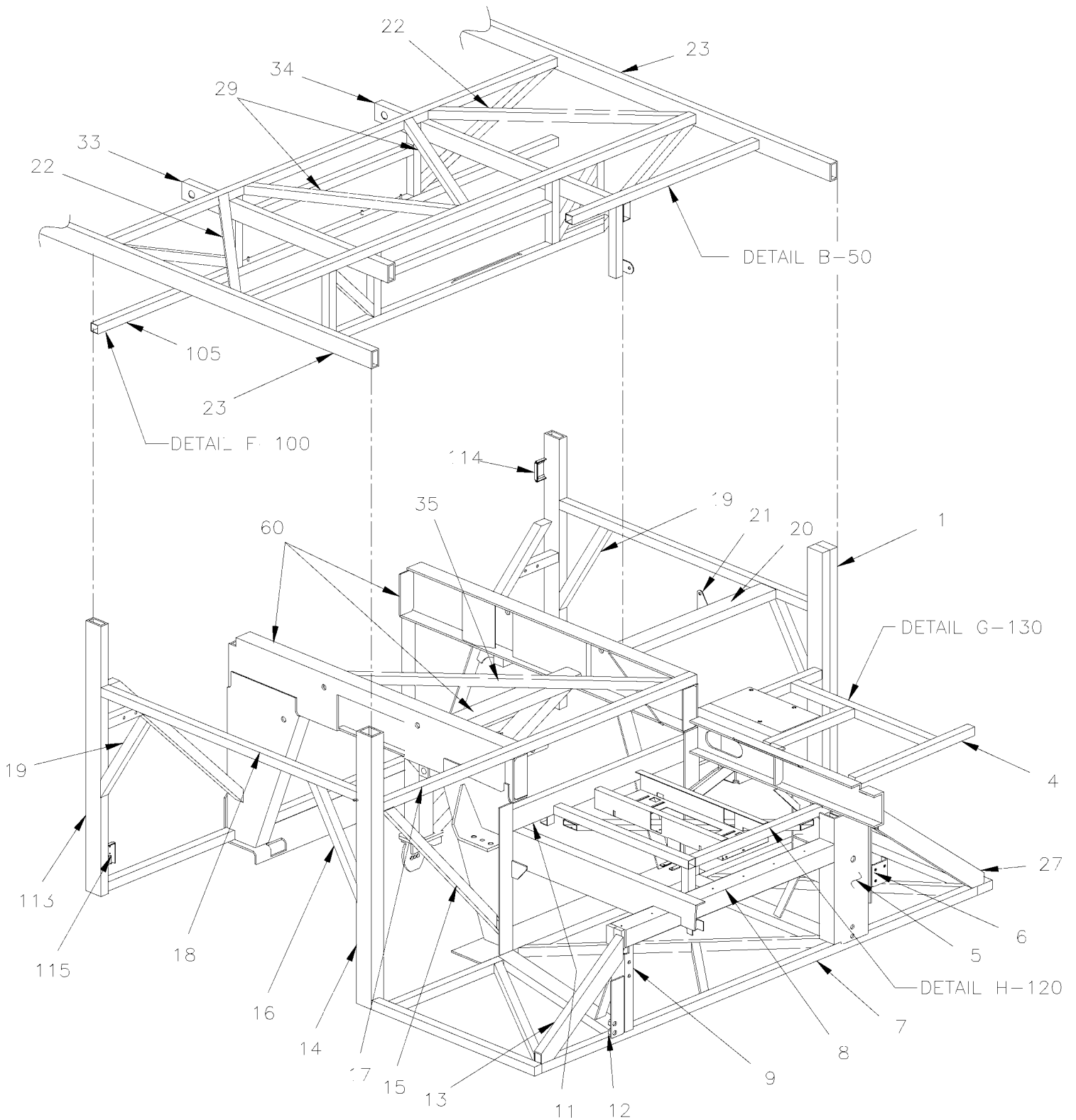


From 3-4417 To 8-1043

Date:10/2022

PAGE:HF-1895-55

FRONT END STRUCTURE - I BEAM SUSPENSION - V.I.P.



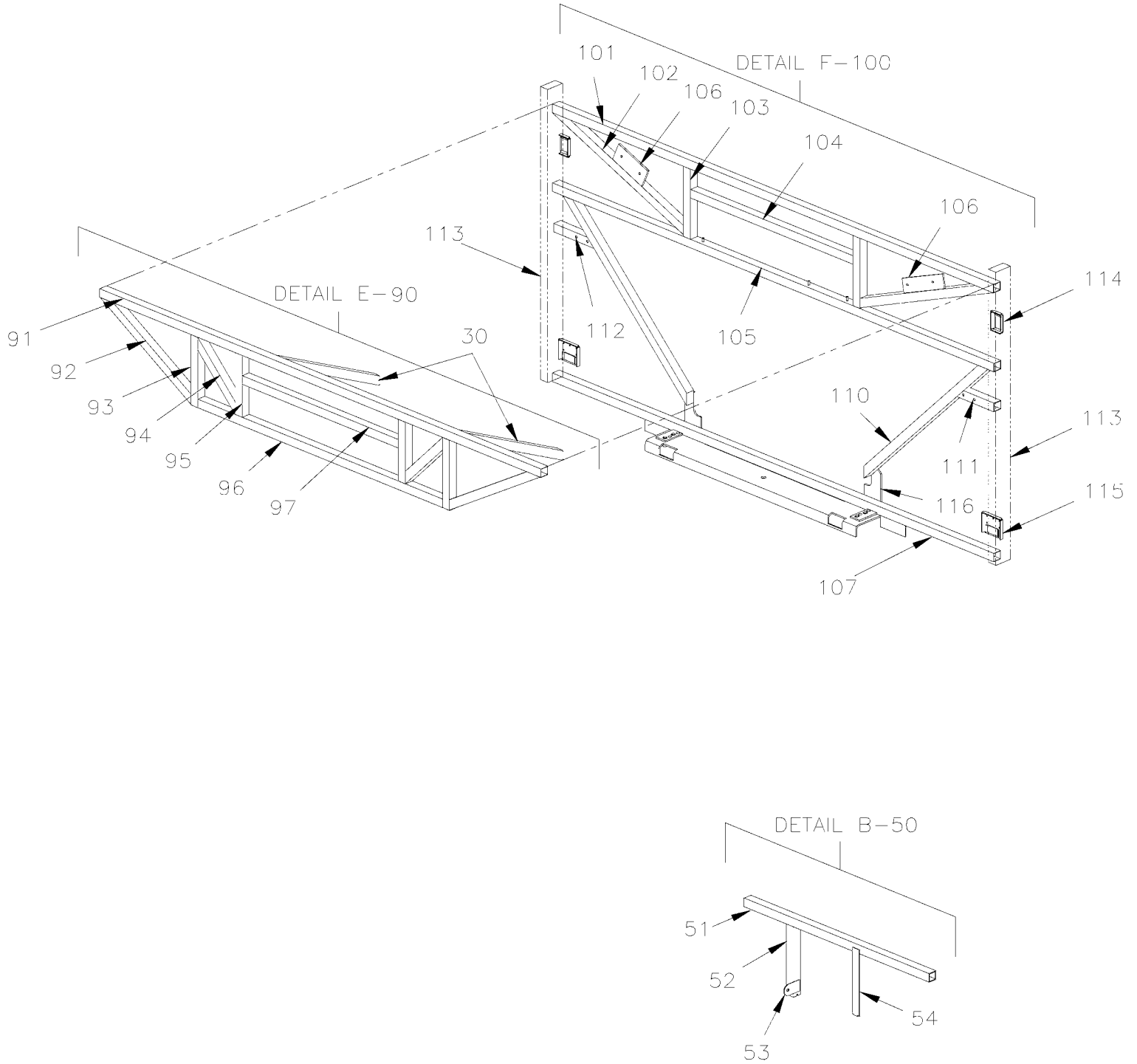


From 3-4417 To 8-1043

Date:10/2022

PAGE:HF-1895-55

FRONT END STRUCTURE - I BEAM SUSPENSION - V.I.P.



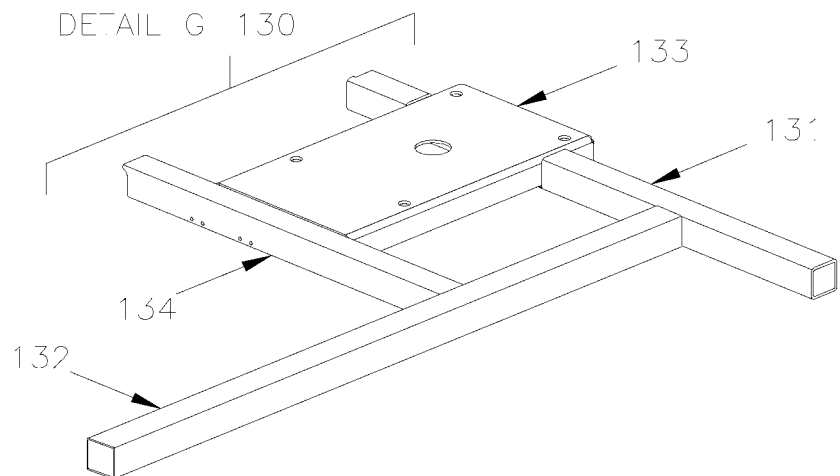
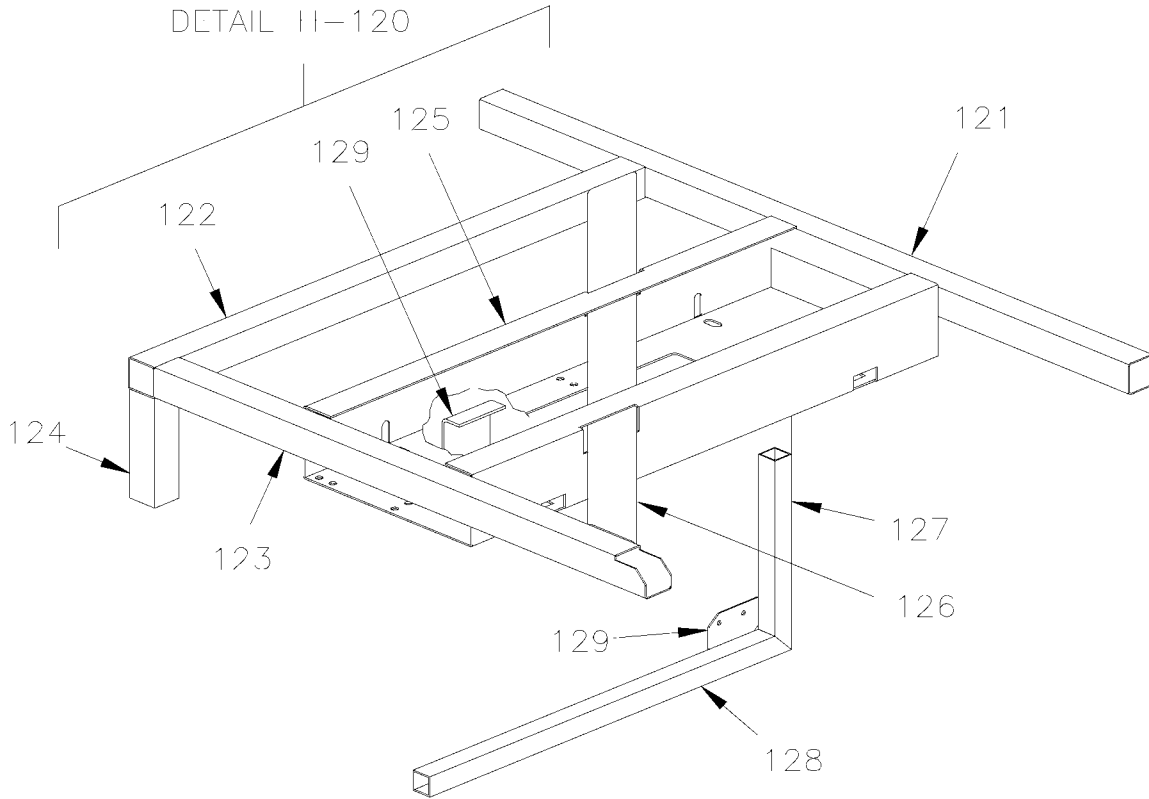


From 3-4417 To 8-1043

Date:10/2022

PAGE:HF-1895-55

FRONT END STRUCTURE - I BEAM SUSPENSION - V.I.P.





From 3-4417 To 8-1043	Date:10/2022	PAGE:HF-1895-55
FRONT END STRUCTURE - I BEAM SUSPENSION - V.I.P.		

Item#	Part	Description	H 3 4 1	H 3 4 5	V I P 4 5	N O T E S
1	210936	TUBE 1156MM			2	
1	HF-1879-10	FRONT SERVICE DOOR - INSTALLATION				
2	211294	TUBE 868MM			1	
3	171767	TUBE 900MM			1	
4	213392	TUBE / DRIVER'S FLOOR SUPPORT / 737MM			1	
5	172630	SUPPORT GEAR BOX STEERING / W/ "ZF"			1	
5	172857	SUPPORT GEAR BOX STEERING / W/ "ZF"			1	
6	214599	ATTACHMENT / BUMPER LATCH			1	
7	HF-1895-10	FRONT FLOOR STRUCTURE - W/RIGID SUSPENSION				
8	213502	TUBE 1188MM			1	
9	214591	SUPPORT R.H. / "C" FORM			1	
10	171423	REINFORCEMENT / TRIANGULAR SHAPE			1	
11	171122	REINFORCEMENT			1	
12	213961	BUMPER HINGE ATTACHMENT R.H.			1	
13	210742	TUBE 597MM			1	
14	HF-1895-20	ENTRANCE DOOR STRUCTURE				
15	170775	TUBE 1046MM			1	
16	211616	TUBE 655MM			1	
17	172090	TUBE 1681MM			1	
18	213451	TUBE 1405MM			2	
19	211960	TUBE 560MM			2	
20	171652	TUBE 695MM			1	
21	213458	ATTACHMENT SEAT BELT			1	
22	171023	TUBE 982MM			2	
23	HF-1891-50	WALL STRUCTURE - LOWER V.I.P.				
27	214568	TUBE 782MM			1	
28	171130	TUBE 402MM			1	
29	172081	TUBE 836MM			2	
30	171024	TUBE 758MM			2	
31	171130	TUBE 402MM			1	
33	171805	TUBE 992MM			1	
34	212419	TUBE 1330MM			1	
35	211356	TUBE			2	
50	Call order desk	STRUCTURE ASSY / L.H. / REAR DRIVER'S			1	P
51	172087	. TUBE 772MM			1	
52	171651	. TUBE 312MM			1	
53	212485	. ATTACHMENT SEAT BELT			1	
54	213470	. REINFORCEMENT 50MM X 328MM			1	
60	HF-1897-00	FRONT SUB-FRAME / W/RIGID SUSPENSION				
90	N.S.A.	CROSS MEMBER SUB FLOOR FORWARD			1	3
91	172026	. TUBE 2463MM			1	
92	172030	. TUBE 578MM			2	



From 3-4417 To 8-1043	Date:10/2022	PAGE:HF-1895-55
FRONT END STRUCTURE - I BEAM SUSPENSION - V.I.P.		

Item#	Part	Description	H 3 4 1	H 3 4 5	V I P 4 5	N O T E S
93	172069	. TUBE 312MM			2	
94	172038	. TUBE 327MM			2	
95	172036	. TUBE 273MM			2	
96	172029	. TUBE 1396MM			1	
97	210550	. TUBE 916MM			1	
98	213548	. REINFORCEMENT			2	
100	N.S.A.	CROSS MEMBER SUB FLOOR BACKWARD			1	3
101	172026	. TUBE 2463MM			1	
102	172024	. TUBE 785MM			2	
103	172027	. TUBE 312MM			2	
104	170732	. TUBE 913MM			1	
105	172025	. TUBE 2447MM			1	
106	172031	. DOOR CYLINDER SUPPORT / "U" SHAPE 125MM			2	
107	172047	. TUBE			1	
110	213447	TUBE 1040MM			2	
111	213449	TUBE ASSY / W/INSERT / STREETSIDE			1	
112	213448	TUBE ASSY / W/INSERT / CURBSIDE			1	
113	213789	TUBE ASSY / STREET SIDE / W/FLOATING NUT / 1196MM			1	
113	213790	TUBE ASSY / CURBSIDE / W/FLOATING NUT / 1196MM			1	
113	213450	. TUBE 1196MM			1	
114	287943	. FLOATING NUT ASSY WITH CASE			1	
115	287903	. SUPPORT LOWER / (WELDED TO STRUCTURE)			1	
116	171524	REINFORCEMENT			2	
120	Call order desk	FLOOR STEPWELL ASSY			1	P
122	170859	. TUBE 721MM			1	
123	171804	. TUBE 901MM			1	
124	171133	. TUBE 130MM			1	
125	171817	. SUPPORT LOWER / (WELDED TO FRAME) / TO FIX			1	
126	171185	. TUBE 1076MM			1	
127	171806	. TUBE / W/SMALL A/C / 245MM			1	
128	171301	. TUBE / W/SMALL A/C / 554MM			1	
128	453148	SUPPORT A/C VALVE / W/SMALL A/C			1	
128	171186	ANGLE SUPPORT 745MM			1	
129	372742	. SUPPORT / TO FIX WATER VALVE			1	
130	213791	DRIVER'S FLOOR ASSY / W/"ISRI" SEAT To 7-0772			1	
130	216071P	DRIVER'S FLOOR ASSY / W/"ISRI" & "RECARO" From 7-0773			1	
131	213793	. TUBE 682MM			1	
132	213384	. TUBE 835MM			1	
133	213792	. PLATE 197MM X 362MM			1	
NS	5001086	. NUT HEXF M12-1.75 DP			4	
134	213735	. TUBE 465MM			1	



From 3-4417 To 8-1043	Date:10/2022	PAGE:HF-1895-55
-----------------------	--------------	-----------------

FRONT END STRUCTURE - I BEAM SUSPENSION - V.I.P.

Item#	Part	Description	H 3 4 1	H 3 4 5	V I P 4 5	N O T E S
		3) NOT SOLD ASSEMBLY				
		P) CALL ORDER DESK FOR SPECIFIC APPLICATION (V.I.N.)				

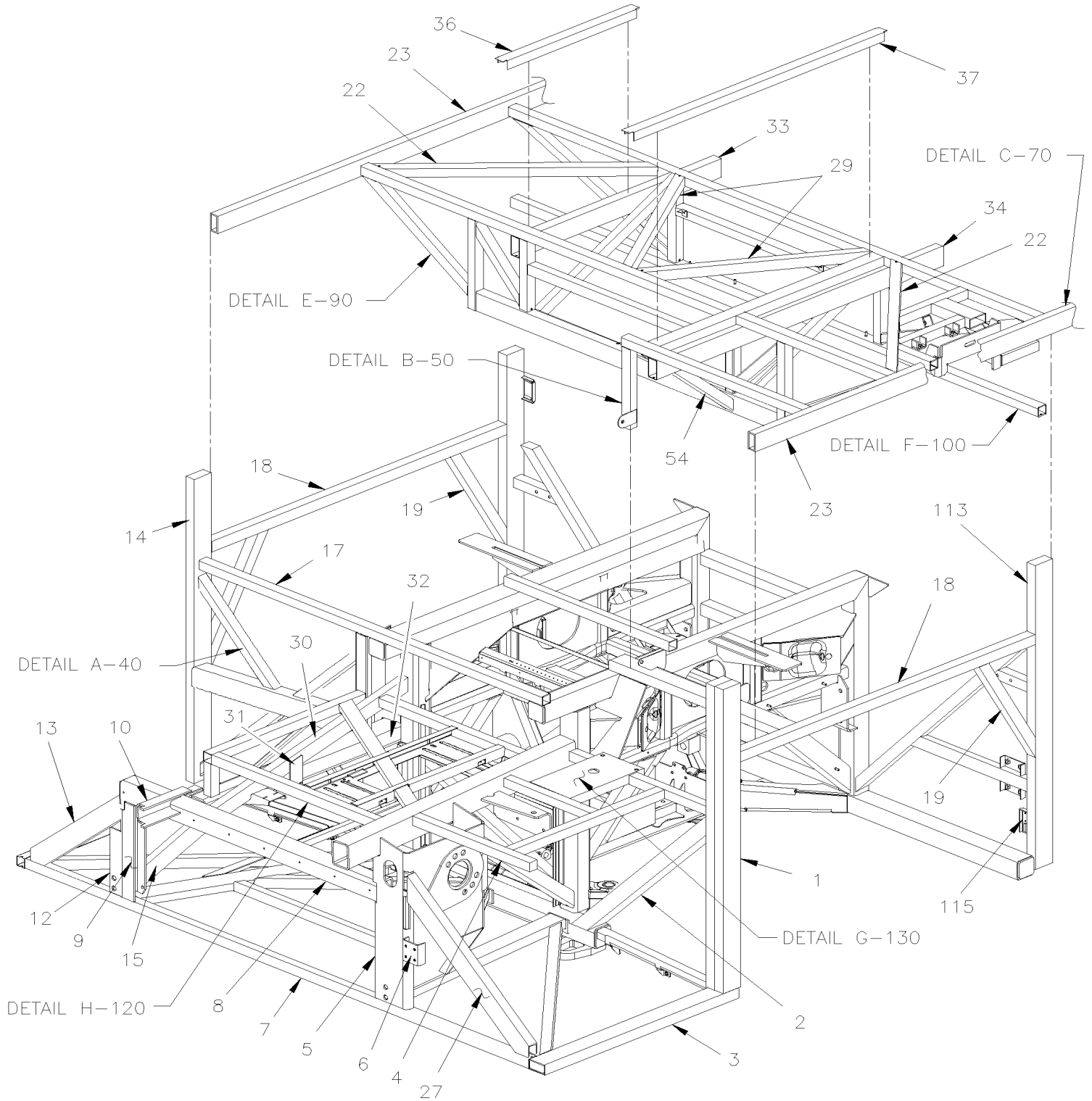


From 3-4417 To 8-1043

Date:10/2022

PAGE:HF-1895-60

FRONT END STRUCTURE - WIND SUSPENSION - V.I.P.



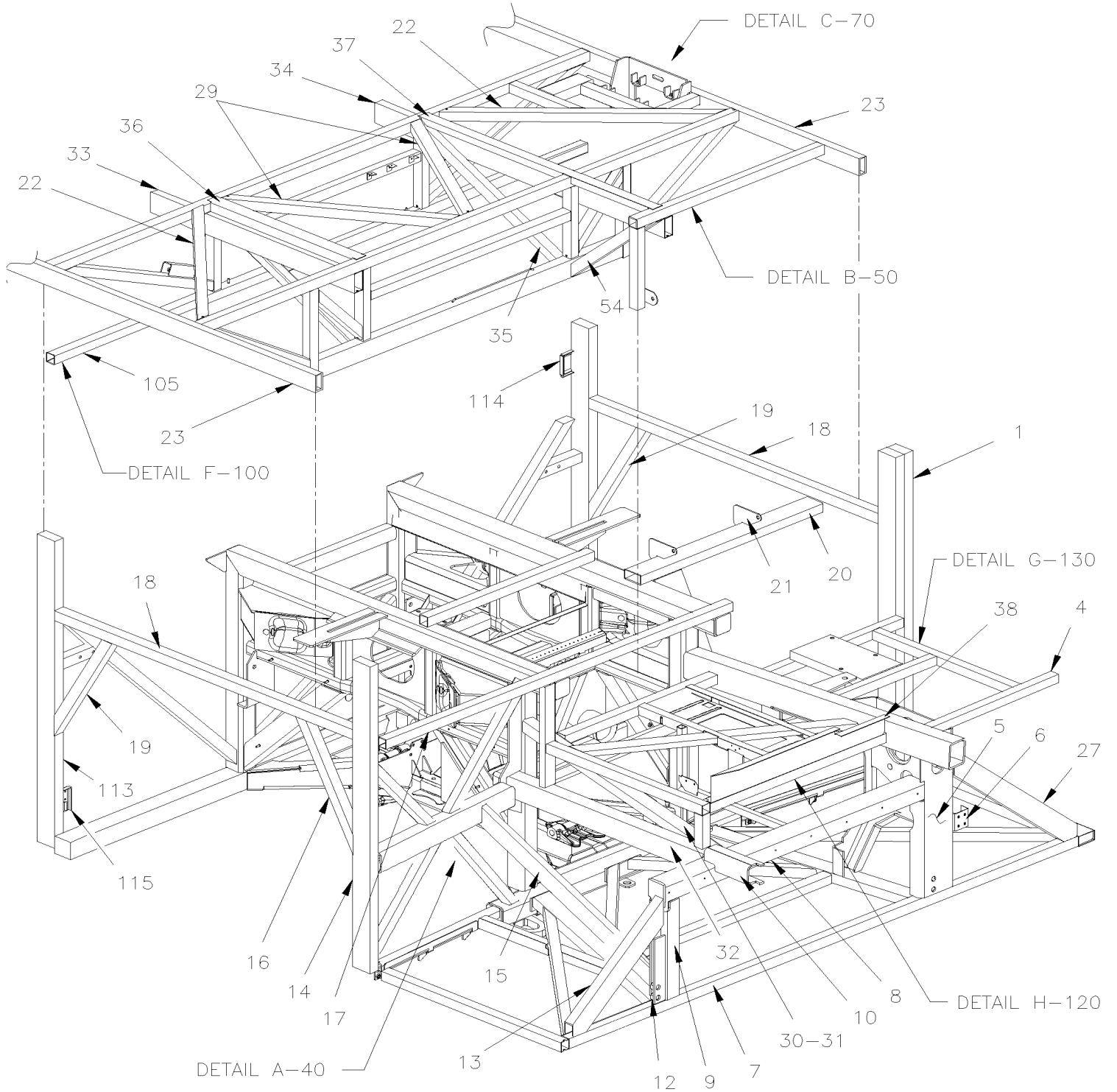


From 3-4417 To 8-1043

Date:10/2022

PAGE:HF-1895-60

FRONT END STRUCTURE - WIND SUSPENSION - V.I.P.



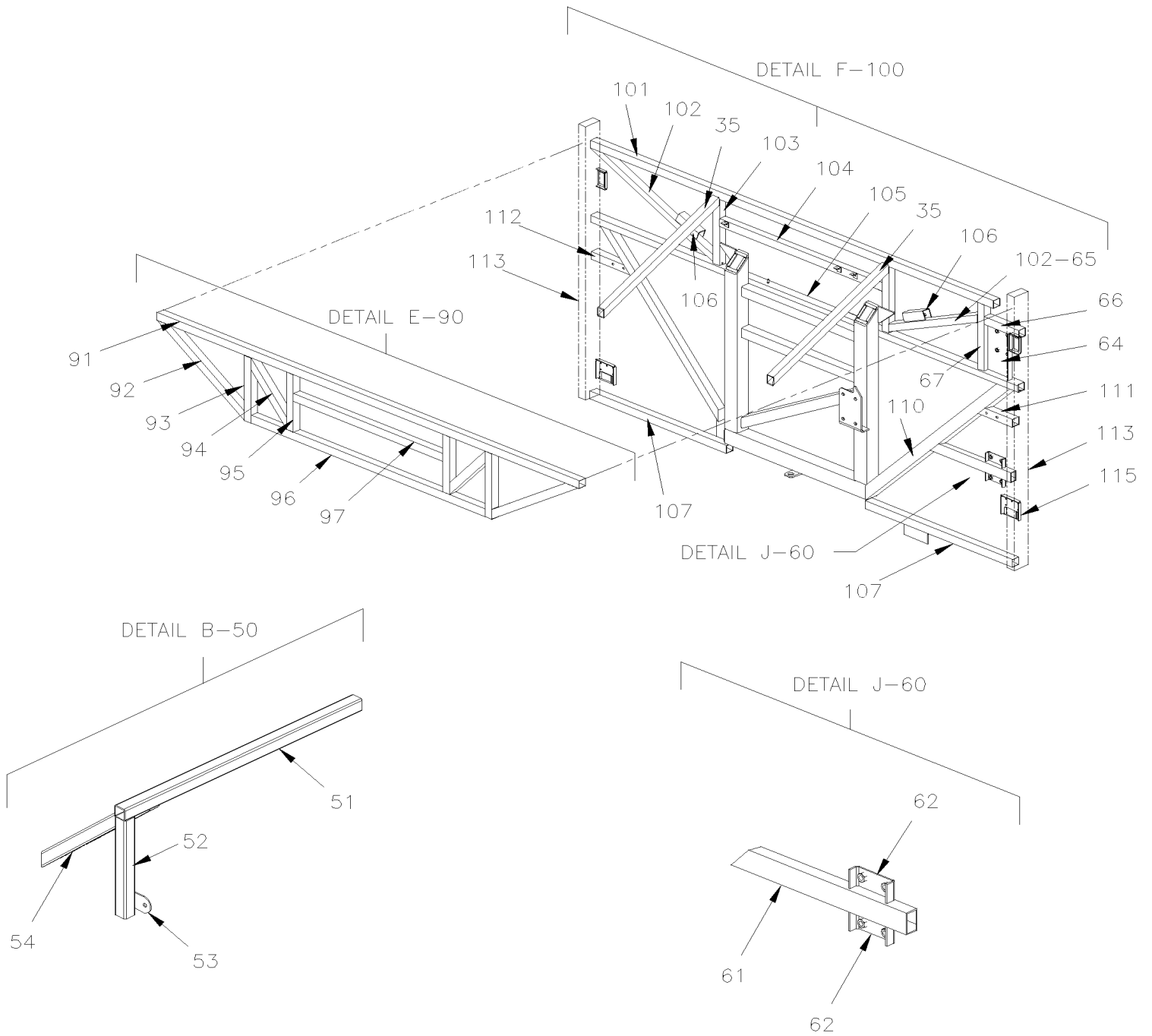


From 3-4417 To 8-1043

Date:10/2022

PAGE:HF-1895-60

FRONT END STRUCTURE - WIND SUSPENSION - V.I.P.



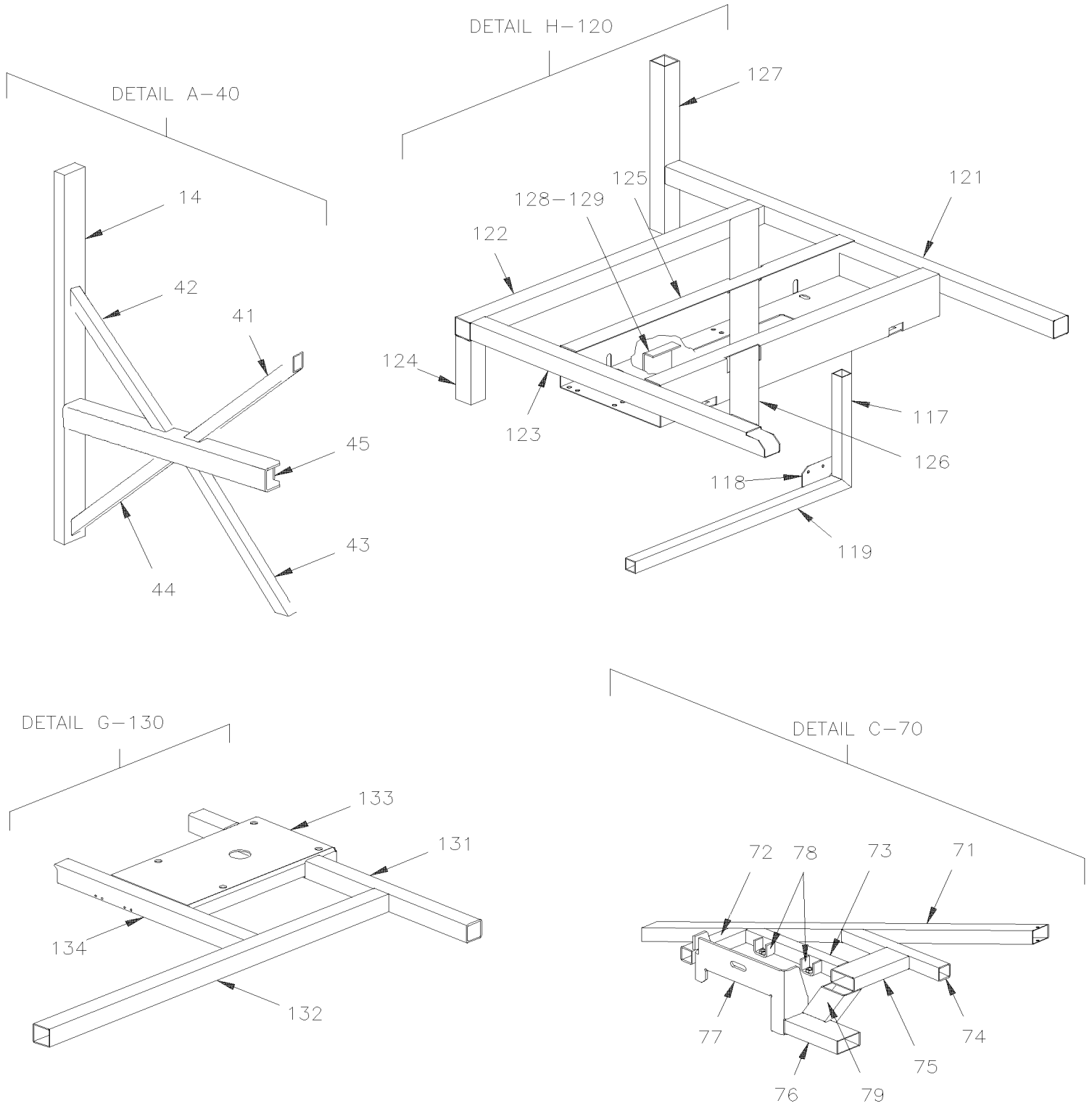


From 3-4417 To 8-1043

Date:10/2022

PAGE:HF-1895-60

FRONT END STRUCTURE - WIND SUSPENSION - V.I.P.





From 3-4417 To 8-1043	Date:10/2022	PAGE:HF-1895-60
FRONT END STRUCTURE - W/IND SUSPENSION - V.I.P.		

Item#	Part	Description	H 3 4 1	H 3 4 5	V I P 4 5	N O T E S
1	210936	TUBE 1156MM			2	
1	HF-1879-10	FRONT SERVICE DOOR - INSTALLATION				
2	213475	TUBE 1005MM			1	
3	171767	TUBE 900MM			1	
4	213474	TUBE / DRIVER'S FLOOR SUPPORT / W/IND SUSPENSION ONLY / 776MM			1	
5	172573	SUPPORT GEAR BOX STEERING / W/ "ZF" / W/IND SUSPENSION ONLY To 3-4757			1	
5	172822	SUPPORT GEAR BOX STEERING / W/ "ZF" / W/IND SUSPENSION ONLY From 4-4758 To 4-4802			1	
5	172859	SUPPORT GEAR BOX STEERING / W/ "ZF" / W/IND SUSPENSION ONLY From 4-4803			1	
6	214599	ATTACHMENT / BUMPER LATCH			1	
7	HF-1895-50	FRONT FLOOR STRUCTURE - W/IND SUSPENSION				
8	213502	TUBE 1188MM			1	
9	214591	SUPPORT R.H. / "C" FORM			1	
10	213499	SUPPORT INSIDE			1	
12	213961	BUMPER HINGE ATTACHMENT R.H.			1	
13	210742	TUBE 597MM			1	
14	HF-1895-20	ENTRANCE DOOR STRUCTURE				
15	213731	TUBE 904MM			1	
16	211616	TUBE 655MM			1	
17	213440	TUBE 1591MM			1	
18	213451	TUBE 1405MM			2	
19	211960	TUBE 560MM			2	
20	213530	TUBE 835MM			1	
21	213458	ATTACHMENT SEAT BELT			2	
22	172104	TUBE 937MM			2	
23	HF-1891-50	WALL STRUCTURE - LOWER V.I.P.				
25	213926	SUPPORT SPARE DOOR / STREET SIDE			1	
27	214568	TUBE 782MM			1	
28	171130	TUBE 402MM			1	
29	172108	TUBE 788MM			2	
30	213497	TUBE 937MM			1	
31	172449	SUPPORT WATER VALVE From Y-3115			1	
32	171336	TUBE 957MM			1	
33	172103	TUBE 937MM			1	
34	172105	TUBE 1330MM			1	
35	172028	TUBE 737MM			2	
36	172106	SEAT SUPPORT 684MM			1	
37	172107	SEAT SUPPORT 1077MM			1	
38	284540	HINGE ASSY, R.H. L.H.			1	
38	Call order desk	SERVICE DOOR From Y-4008			1	P
40	Call order desk	WALL STRUCTURE STEPWELL ASSY			1	P
41	213728	. TUBE 534MM			1	
42	213729	. TUBE 489MM			1	



From 3-4417 To 8-1043	Date:10/2022	PAGE:HF-1895-60
FRONT END STRUCTURE - W/WIND SUSPENSION - V.I.P.		

Item#	Part	Description	H 3 4 1	H 3 4 5	V I P 4 5	N O T E S
43	233730	. TUBE			1	
44	213727	. TUBE 504MM			1	
45	213726	. TUBE 705MM			1	
50	N.S.A.	STRUCTURE ASSY / L.H. / REAR DRIVER'S			1	3
51	172140	TUBE 860MM			1	
52	172141	. TUBE 312MM			1	
53	212485	. ATTACHMENT SEAT BELT			1	
54	213753	TUBE 519MM			1	
57	213470	REINFORCEMENT 50MM X 328MM			1	
60	214782	TUBE ASSY W/HINGE SUPPORT / W/SLIDE-OUT			1	
61	214787	TUBE / W/SLIDE-OUT / 642MM			1	
62	214788	HINGE DOOR LOWER PLATE SUPPORT / W/SLIDE-OUT			2	
64	215169	HINGE DOOR UPPER PLATE SUPPORT / W/SLIDE-OUT			1	
65	215166	. TUBE / W/SLIDE-OUT / 559MM			1	
66	215168	TUBE / W/SLIDE-OUT / 196MM			1	
67	172027	TUBE 312MM			1	
70	Call order desk	LOWER SHAFT MOUNTING PLATE ASSY / W/SLIDE-OUT			1	P
71	172104	. TUBE 937MM			1	
72	214926	. TUBE / W/SLIDE-OUT / 183MM			1	
73	214927	. TUBE / W/SLIDE-OUT / 298MM			1	
74	214930	. TUBE / W/SLIDE-OUT / 316MM			1	
75	214931	. TUBE / W/SLIDE-OUT / 179MM			1	
76	214958	. TUBE / W/SLIDE-OUT / 171MM			1	
77	214966	. PLATE "C" FORM / W/SLIDE-OUT			1	
78	214928	. ATTACHMENT "U" SHAPE / W/SLIDE-OUT / W/SLIDE-OUT			1	
79	214961	. TUBE / W/SLIDE-OUT / 128MM			1	
80	HF-1897-50	FRONT SUB-FRAME / W/INDEPENDENT SUSPENSION - 16500 LBS To 3-4757				
80	HF-1897-51	FRONT SUB-FRAME / W/INDEPENDENT SUSPENSION - 18000 LBS From 4-4758				
90	N.S.A.	CROSS MEMBER SUB FLOOR FORWARD			1	3
91	172026	. TUBE 2463MM			1	
92	172030	. TUBE 578MM			2	
93	172035	. TUBE 350MM			2	
94	172038	. TUBE 327MM			2	
95	172036	. TUBE 273MM			2	
96	172037	. TUBE 1396MM			1	
97	210550	. TUBE 916MM			1	
98	213548	. REINFORCEMENT			2	
100	172058P	CROSS MEMBER SUB FLOOR BACKWARD			1	
100	Call order desk	CROSS MEMBER SUB FLOOR BACKWARD			1	P
101	172026	. TUBE 2463MM			1	
101	215170	. TUBE / W/SLIDE-OUT / 2308MM			1	
102	172024	. TUBE 785MM			2	



From 3-4417 To 8-1043	Date:10/2022	PAGE:HF-1895-60
FRONT END STRUCTURE - W/IND SUSPENSION - V.I.P.		

Item#	Part	Description	H 3 4 1	H 3 4 5	V I P 4 5	N O T E S
103	172027	. TUBE 312MM			2	
104	170732	. TUBE 913MM			1	
105	172025	. TUBE 2447MM			1	
106	172031	. DOOR CYLINDER SUPPORT / "U" SHAPE 125MM			2	
107	213412	. TUBE 798MM To 3-4637			1	
110	213413	TUBE 1133MM			2	
111	213415	TUBE ASSY / W/INSERT / STREETSIDE			1	
112	213414	TUBE ASSY / W/INSERT / CURBSIDE			1	
113	213789	TUBE ASSY / STREET SIDE / W/FLOATING NUT / 1196MM			1	
113	213790	TUBE ASSY / CURBSIDE / W/FLOATING NUT / 1196MM			1	
113	213450	. TUBE 1196MM			1	
114	287943	. FLOATING NUT ASSY WITH CASE			1	
115	287903	. SUPPORT LOWER / (WELDED TO STRUCTURE)			1	
117	171806	TUBE / W/SMALL A/C / 245MM			1	
118	453148	SUPPORT A/C VALVE / W/SMALL A/C To 7-0959			1	
118	454581	SUPPORT A/C VALVE / W/SMALL A/C From 7-0960			1	
119	171301	TUBE / W/SMALL A/C / 554MM			1	
120	Call order desk	FLOOR STEPWELL ASSY			1	P
121	172101	. TUBE 698MM			1	
122	172197	. TUBE 715MM			1	
123	172077	. TUBE 807MM			1	
124	171133	. TUBE 130MM			1	
125	171817	. SUPPORT LOWER / (WELDED TO FRAME) / TO FIX			1	
126	172078	. TUBE 956MM			1	
127	172102	. TUBE 388MM			1	
128	372742	. SUPPORT / TO FIX WATER VALVE			1	
129	373595	SUPPORT WATER PUMP / W/SMALL A/C To 4-4798			1	
129	172869	SUPPORT WATER PUMP / W/SMALL A/C From 4-4799			1	
130	213860	DRIVER'S FLOOR ASSY / W/IND SUSPENSION ONLY			1	
131	213859	. TUBE / W/IND SUSPENSION ONLY / 920MM			1	
132	213500	. TUBE / W/IND SUSPENSION ONLY / 911MM			1	
133	213858	. PLATE			1	
NS	5001086	. NUT HEXF M12-1.75 DP			4	
134	213471	TUBE / W/IND SUSPENSION ONLY / 593MM			1	
		3) NOT SOLD ASSEMBLY				
		P) CALL ORDER DESK FOR SPECIFIC APPLICATION (V.I.N.)				

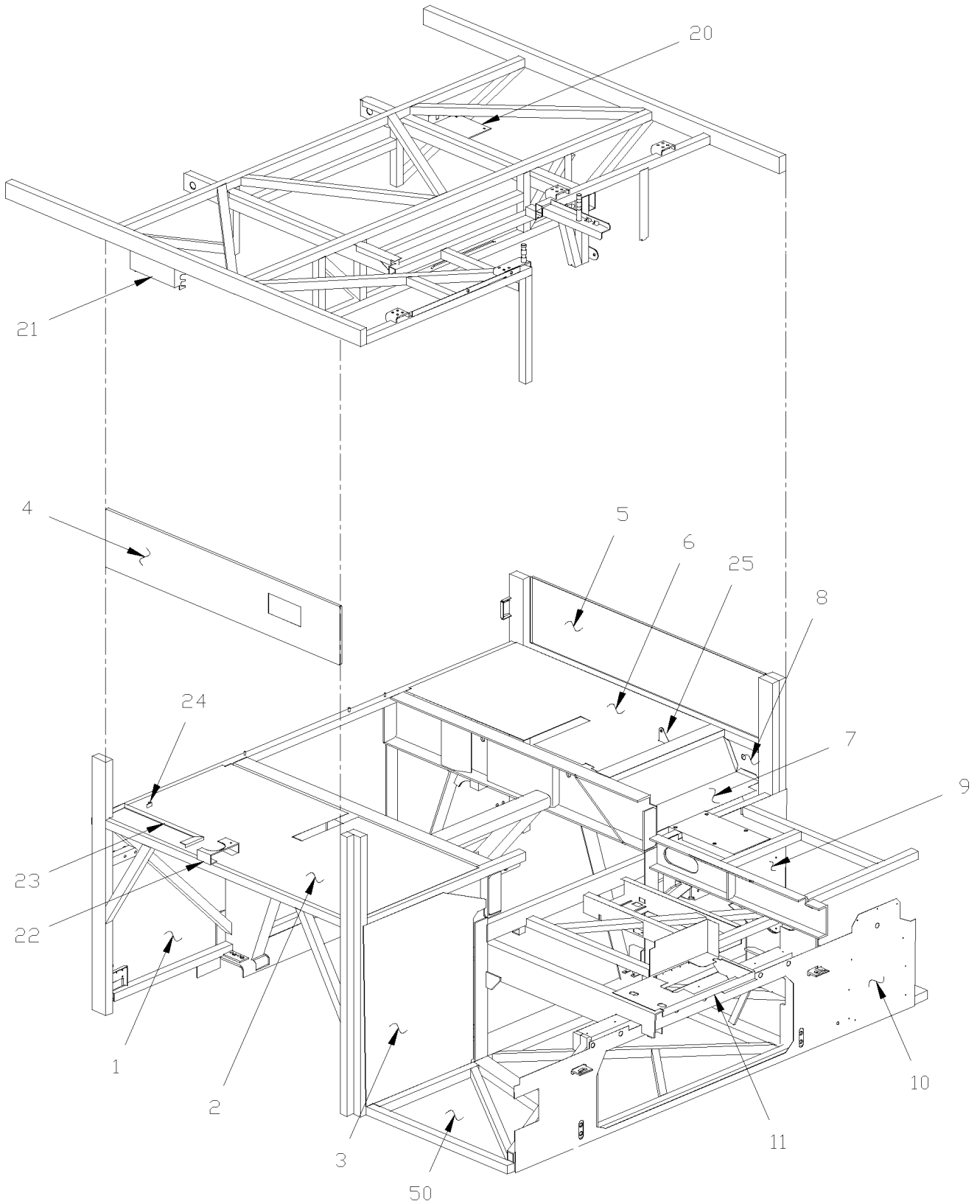


From 3-4417 To 8-1043

Date:10/2022

PAGE:HF-1896-00

FRONT SHEATING - BUS



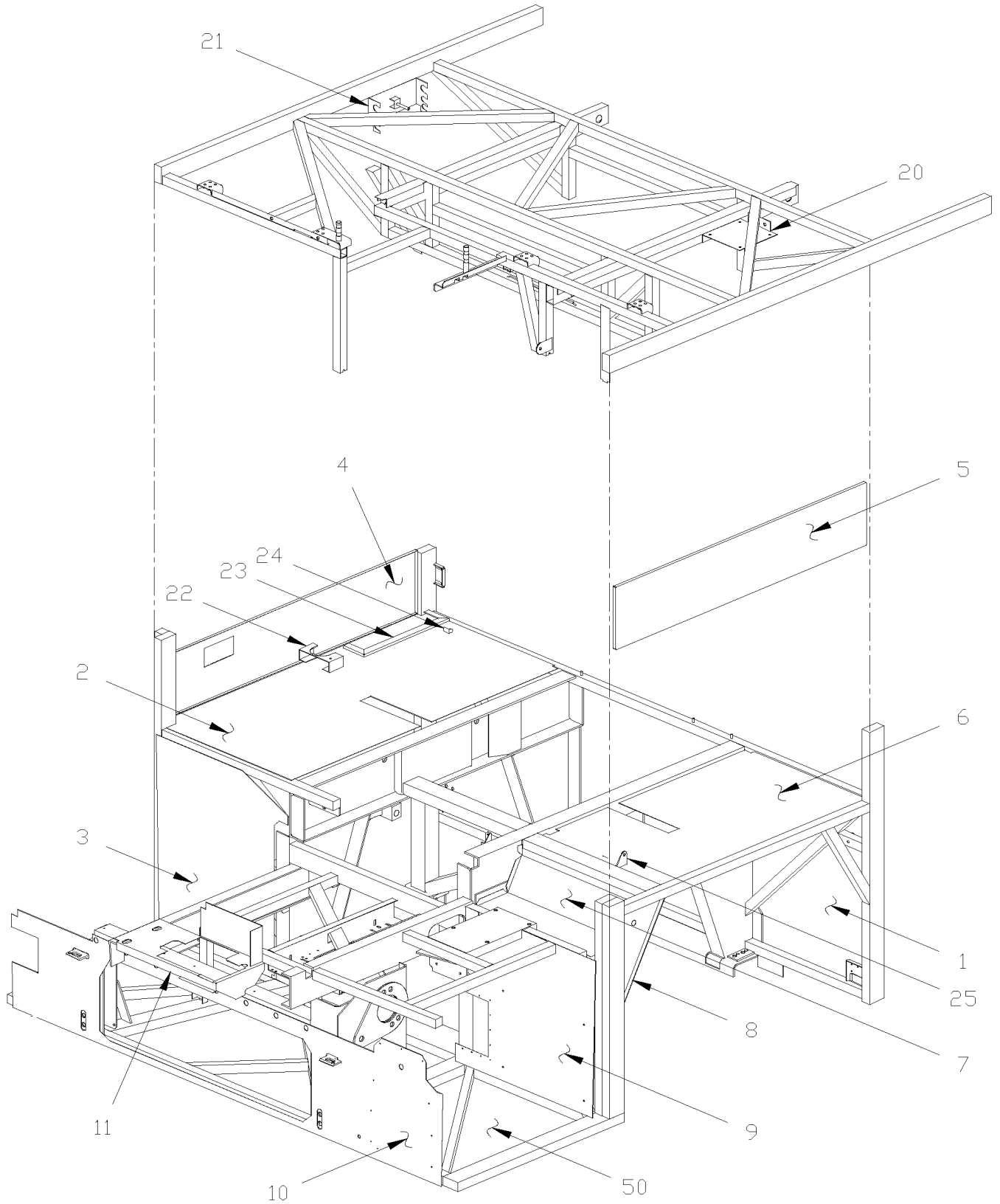


From 3-4417 To 8-1043

Date:10/2022

PAGE:HF-1896-00

FRONT SHEATING - BUS





From 3-4417 To 8-1043	Date:10/2022	PAGE:HF-1896-00
FRONT SHEATING - BUS		

Item#	Part	Description	H 3 4 1	H 3 4 5	V I P 4 5	N O T E S
1	213417	PANEL / FRONT BAGGAGE COMPARTMENT	1	1		
2	213454	PANEL / R.H. TOP WHEELHOUSE	1	1		
3	213689	PANEL / R.H. FRONT WHEELHOUSE	1	1		
4	213641	PANEL SIDE / OVER WHEELHOUSE	1	1		
5	213375	PANEL SIDE / OVER WHEELHOUSE	1	1		
6	213453	PANEL / L.H. TOP WHEELHOUSE	1	1		
7	212465	PANEL / L.H. FRONT TOP WHEELHOUSE	1	1		
8	210945	PANEL SIDE CLOSING L.H. WHEELHOUSE / (TRIANGULAR SHAPE)	1	1		
9	213838	PANEL / L.H. FRONT WHEELHOUSE	1	1		
10	214453	PANEL LOWER REAR BUMPER To 5-0107	1	1		
10	215694	PANEL LOWER REAR BUMPER From 5-0108	1	1		
10	215695	PANEL LOWER REAR BUMPER	1	1		R
11	172633	SUPPORT, DEFROSTER	1	1		
20	381583	SUPPORT "ABS" CONTROL MODULE	1	1		
20	213659	SUPPORT "ABS" CONTROL MODULE	1	1		
21	213593	SUPPORT / JACK ACCESSORIES	1	1		
22	215539	SUPPORT JACK / CURRENT DEC 2003	1	1		
23	211556	RETAINER FLARE BOX	1	1		
24	211115	ANGLE RETAINER	1	1		
25	213458	ATTACHMENT SEAT BELT	1	1		
50	HF-1895-10	FRONT FLOOR STRUCTURE - W/RIGID SUSPENSION				
		R) WITH "ROMEO RIM" BUMPER				

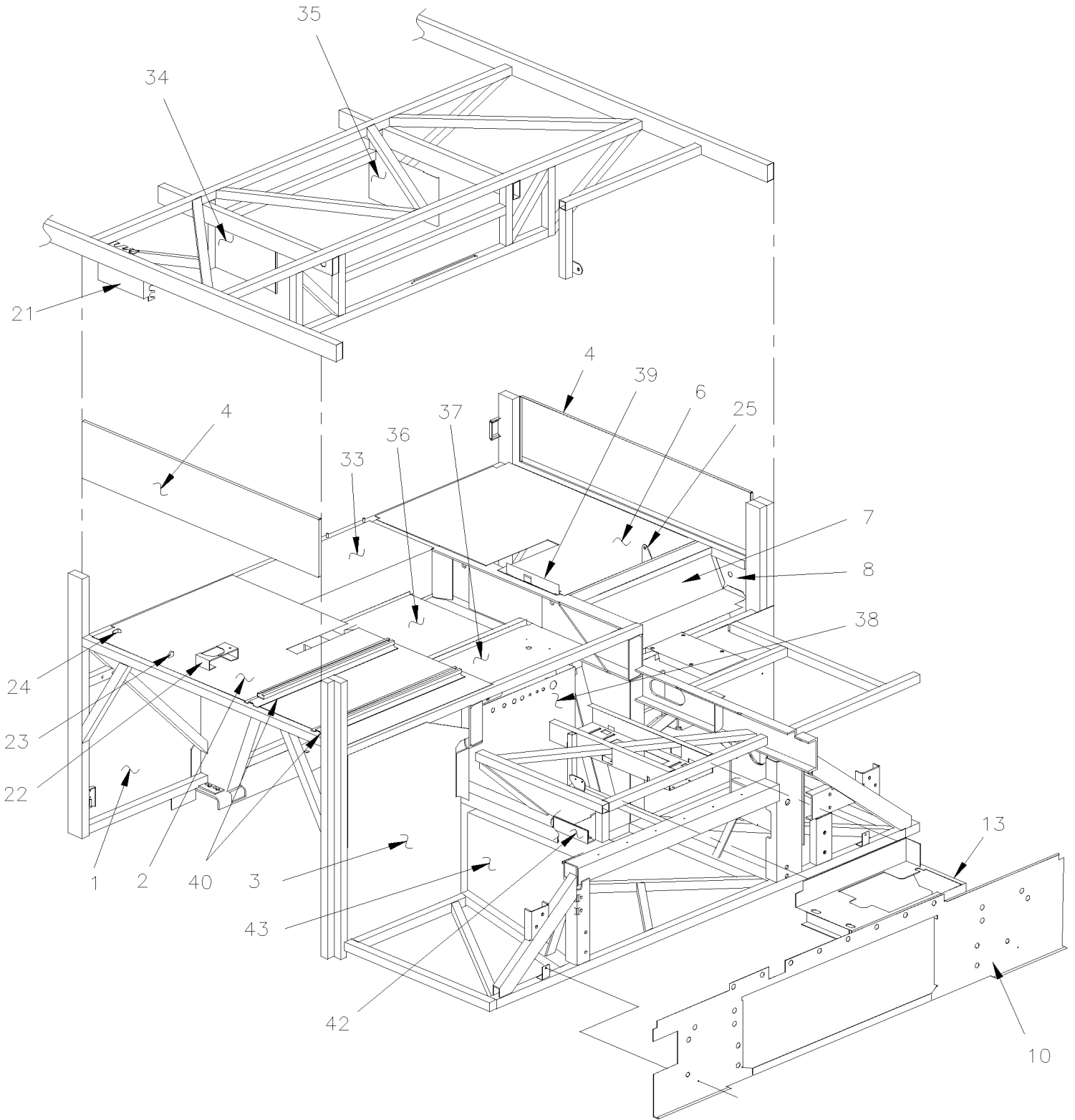


From 3-4417 To 8-1043

Date:10/2022

PAGE:HF-1896-50

FRONT SHEATING - V.I.P.



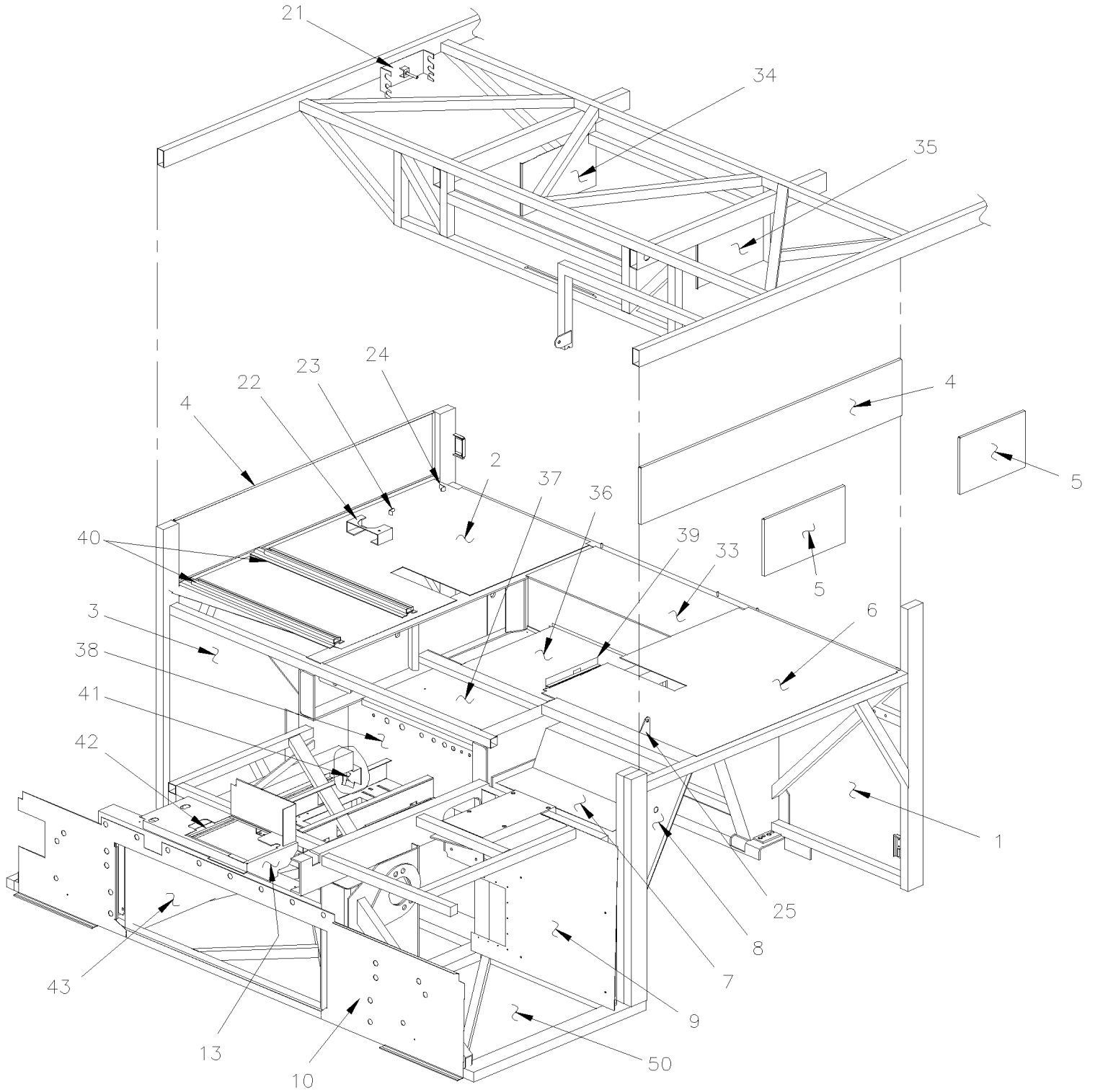


From 3-4417 To 8-1043

Date:10/2022

PAGE:HF-1896-50

FRONT SHEATING - V.I.P.





From 3-4417 To 8-1043	Date:10/2022	PAGE:HF-1896-50
FRONT SHEATING - V.I.P.		

Item#	Part	Description	H 3 4 1	H 3 4 5	V I P 4 5	N O T E S
1	213417	PANEL / FRONT BAGGAGE COMPARTMENT			1	
2	213454	PANEL / R.H. TOP WHEELHOUSE			1	
3	213640	PANEL / R.H. FRONT WHEELHOUSE			1	R C
3	213477	PANEL / R.H. FRONT WHEELHOUSE			1	I
4	213375	PANEL SIDE / OVER WHEELHOUSE			2	
5	213906	PANEL SIDE / OVER WHEELHOUSE / W/SMALL A/C			2	
6	213453	PANEL / L.H. TOP WHEELHOUSE			1	
6	213831	PANEL / L.H. TOP WHEELHOUSE			1	R C
6	213479	PANEL / L.H. TOP WHEELHOUSE			1	I
NS	213997	SUPPORT ASSY			1	R C
7	212465	PANEL / L.H. FRONT TOP WHEELHOUSE			1	R
7	213437	PANEL / L.H. FRONT TOP WHEELHOUSE			1	I
8	210945	PANEL SIDE CLOSING L.H. WHEELHOUSE / (TRIANGULAR SHAPE)			1	
9	213838	PANEL / L.H. FRONT WHEELHOUSE			1	R
9	213436	PANEL / L.H. FRONT WHEELHOUSE To 3-4757			1	I
9	215132	PANEL / L.H. FRONT WHEELHOUSE From 4-4758			1	I
10	214585	PANEL LOWER REAR BUMPER			1	
13	172201	SUPPORT, DEFROSTER			1	
21	213593	SUPPORT / JACK ACCESSORIES			1	
22	215539	SUPPORT JACK / CURRENT DEC 2003			1	
23	211556	RETAINER FLARE BOX			1	
24	211115	ANGLE RETAINER			1	
25	213458	ATTACHMENT SEAT BELT			1	
33	213464	PANEL CENTRAL BACKWARD			1	R
34	213457	PANEL CLOSING CURBSIDE 392MM X 224MM			1	
35	213465	PANEL CLOSING STREET SIDE 392MM X 224MM			1	R
36	213032	CENTER PANEL			1	R
37	212628	PANEL CENTRAL FORWARD			1	R
38	172591	PANEL CENTRAL FRONT LOWER			1	R
38	212630	PANEL CENTRAL FRONT LOWER			1	R
38	213899	PANEL CENTRAL FRONT LOWER			1	R
38	172600	PANEL CENTRAL FRONT LOWER			1	R
39	171807	ANGLE RETAINER			1	
40	323465	SEAT TRACK ASSY			2	
40	325744	SEAT TRACK ASSY			2	
41	211933	PANEL CLOSING / UNDER STEPWELL / NEAR SUB-FRAME			1	R
41	213635	PANEL CLOSING / UNDER STEPWELL / NEAR SUB-FRAME			1	I
42	211932	ANGLE ASSY 965MM			1	R
43	211930	PANEL CLOSING / UNDER STEPWELL			1	R
43	213634	PANEL CLOSING / UNDER STEPWELL			1	I
43	213955	FRONT PANEL			1	I
50	HF-1895-50	FRONT FLOOR STRUCTURE - W/IND SUSPENSION				



From 3-4417 To 8-1043	Date:10/2022	PAGE:HF-1896-50
FRONT SHEATING - V.I.P.		

Item#	Part	Description	H 3 4 1	H 3 4 5	V I P 4 5	N O T E S
147	213754	ANGLE 25MM X 55MM X 345MM SS			1	I
		C) WITH SMALL A/C				
		I) WITH INDEPENDANT SUSPENSION				
		R) WITH I BEAM RIGID SUSPENSION				

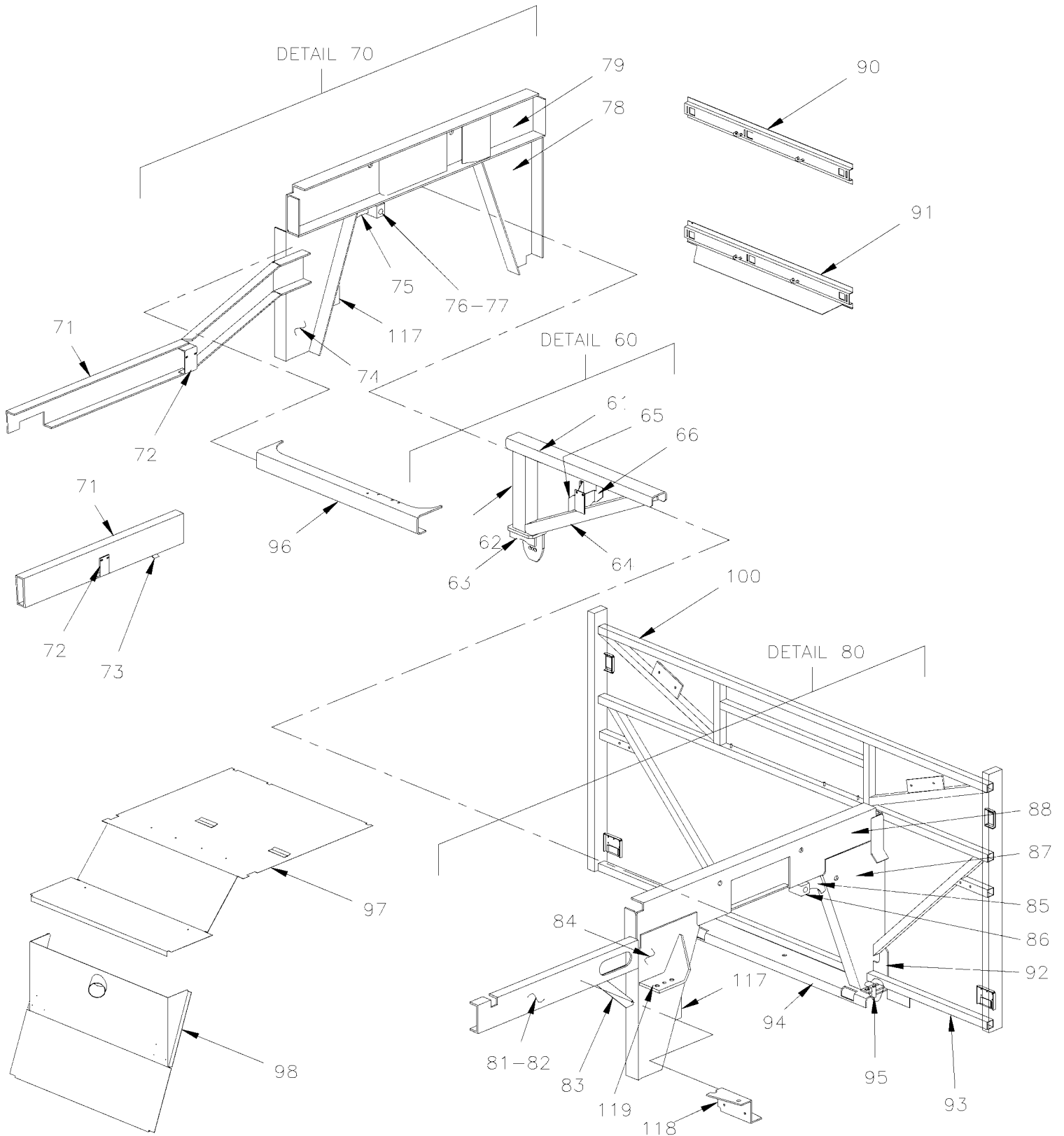


From 3-4417 To 8-1043

Date:10/2022

PAGE:HF-1897-00

FRONT SUB-FRAME / W/RIGID SUSPENSION





From 3-4417 To 8-1043	Date:10/2022	PAGE:HF-1897-00
FRONT SUB-FRAME / W/RIGID SUSPENSION		

Item#	Part	Description	H 3 4 1	H 3 4 5	V I P 4 5	N O T E S
60	171755P	ATTACHMENT PANHARD / FRONT	1	1	1	
61	171748	. CHANNEL "C" 900MM	1	1	1	
62	171750	. TUBE 439MM	1	1	1	
63	131691	. SUPPORT ASSY / (WELDED) To 6-0415	1	1	1	
63	131785	. SUPPORT ASSY / (WELDED) From 6-0416	1	1	1	
64	171749	. CHANNEL "C" 835MM	1	1	1	
65	171160	. SUPPORT	1	1	1	
66	172513	. SUPPORT HEIGHT CONTROL VALVE / (WELDED)	1	1	1	
70	N.S.A.	SUB FRAME R.H. ASSY	1	1	1	3
NS	171972	BELLOW PLATE SUPPORT	1	1		
NS	171970	REINFORCMENT BELLOW SUPPORT	1	1		
NS	172068	REINFORCMENT BELLOW PLATE SUPPORT	1	1		
71	172635	BEAM "C" 1099MM	1	1		
71	171336	TUBE 957MM			1	
72	172636	SUPPORT SOLONOID VALVE	1	1		
72	373567	SUPPORT / WATER PUMP			1	
73	171207	REINFORCEMENT	1	1	1	
74	171532	FRONT BASE FORWARD / CURBSIDE	1	1	1	
75	171837	REINFORCEMENT	1	1	1	
76	110627	ATTACHMENT PIN 1"-14 / SHOCK ABSORBER / 50.8MM LONG	1	1	1	
77	171838	REINFORCEMENT	1	1	1	
78	172046	REAR BASE BACKWARD / CURBSIDE	1	1	1	
79	172043	UPPER SUB FRAME	1	1	1	
80	N.S.A.	SUB FRAME R.H.	1	1	1	3
NS	171972	BELLOW PLATE SUPPORT	1	1	1	
NS	171970	REINFORCMENT BELLOW SUPPORT	1	1	1	
NS	172068	REINFORCMENT BELLOW PLATE SUPPORT	1	1	1	
81	172039	BEAM "C" 987MM	1	1	1	
82	171745	REINFORCEMENT 126MM X 43MM	1	1	1	
83	171744	REINFORCEMENT ANGLE	1	1	1	
84	171720	FRONT BASE FORWARD / STREETSIDE	1	1	1	
85	171731	REINFORCEMENT	1	1	1	
NS	172744	REINFORCEMENT L.H.	1	1		
86	171732	ATTACHMENT PIN 1"-14 / SHOCK ABSORBER / 76MM LONG	1	1	1	
87	172044	REAR BASE BACKWARD / STREETSIDE	1	1	1	
88	172043	UPPER SUB FRAME	1	1	1	
90	171171	SUPPORT LOWER / (WELDED TO FRAME)	1	1	1	
91	171170	SUPPORT UPPER / (WELDED TO FRAME)	1	1	1	
92	171524	REINFORCEMENT	2	2	2	
93	172047	TUBE To 3-4607	1	1	1	
93	172733	TUBE From 3-4608	1	1	1	
94	171528	REINFORCEMENT	1	1	1	



From 3-4417 To 8-1043	Date:10/2022	PAGE:HF-1897-00
FRONT SUB-FRAME / W/RIGID SUSPENSION		

Item#	Part	Description	H 3 4 1	H 3 4 5	V I P 4 5	N O T E S
. NS	502164	. PIN DOWEL M16 X 40MM	2	2	2	
96	171122	REINFORCEMENT	1	1	1	
97	213456	CENTRAL PANEL To 6-0559	1	1	1	
97	216134	CENTRAL PANEL From 6-0560	1	1	1	
98	172591	PANEL CENTRAL FRONT LOWER	1	1	1	
100	HF-1895-40	FRONT END STRUCTURE - BUS				
100	HF-1895-55	FRONT END STRUCTURE - I BEAM SUSPENSION - V.I.P.				
117	172274	SUPPORT "C" FORM / (WELDED)	1	1	1	
118	171138	SUPPORT / BRAKE VALVE	1	1	1	
119	171700	RADIUS ROD SUPPORT STREET SIDE	1	1	1	
119	174894	RADIUS ROD SUPPORT CURBSIDE	1	1	1	
NS	502164	PIN DOWEL M16 X 40MM	AR	AR	AR	
		3) NOT SOLD ASSEMBLY				

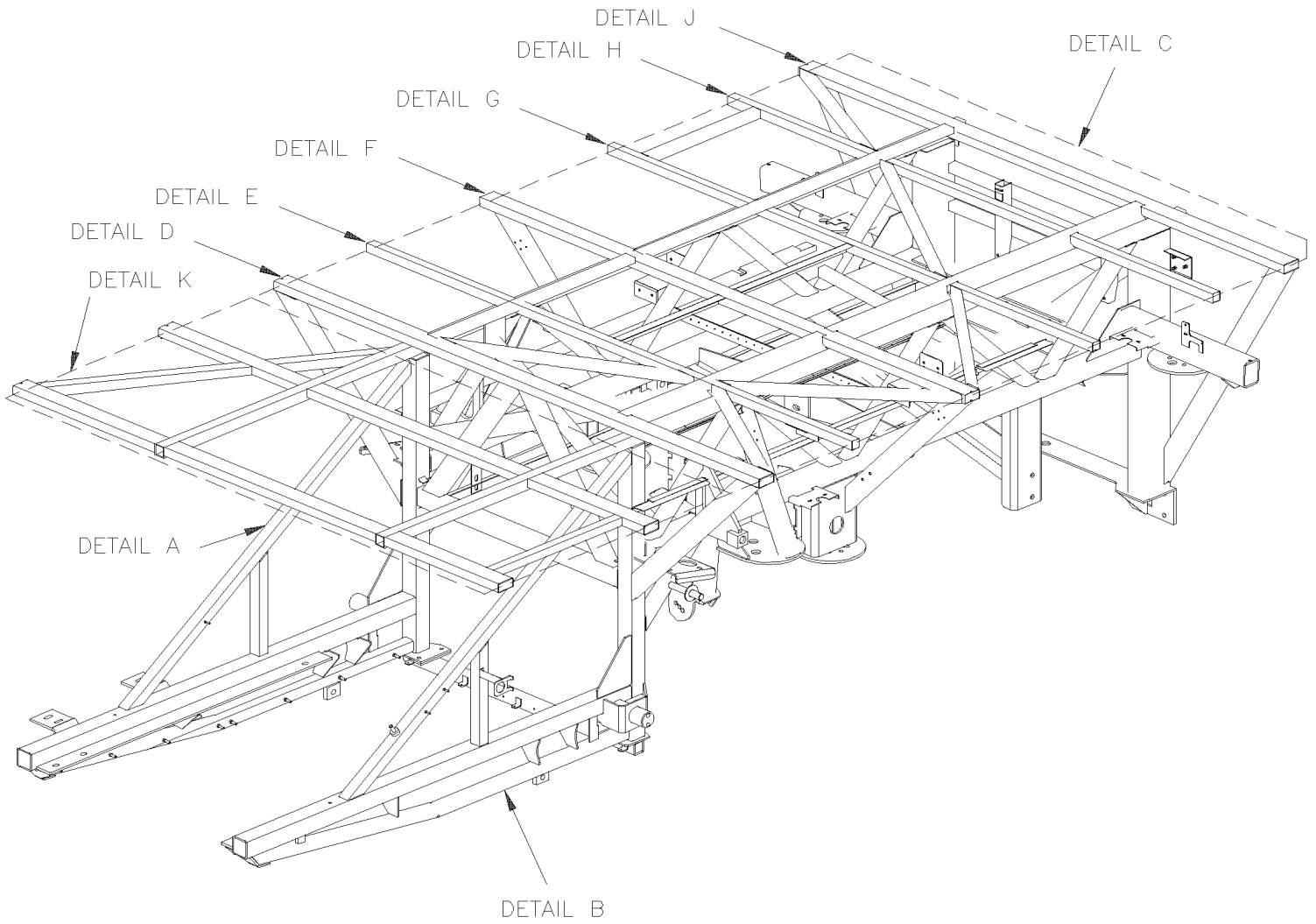
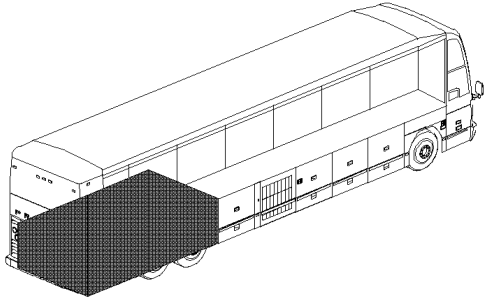


From 3-4417 To 8-1043

Date:10/2022

PAGE:HF-1897-10

REAR SUB-FRAME



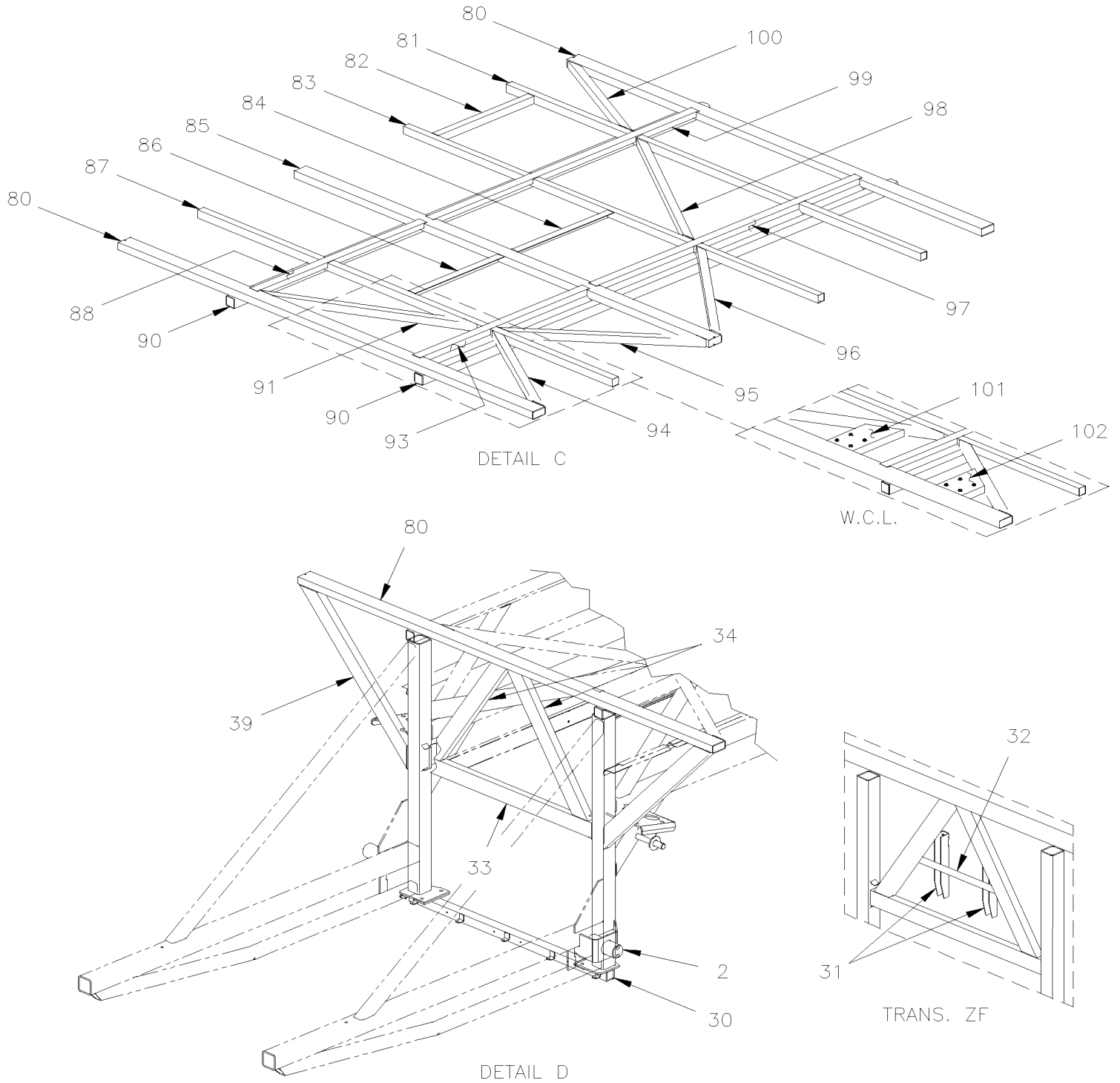


From 3-4417 To 8-1043

Date:10/2022

PAGE:HF-1897-10

REAR SUB-FRAME



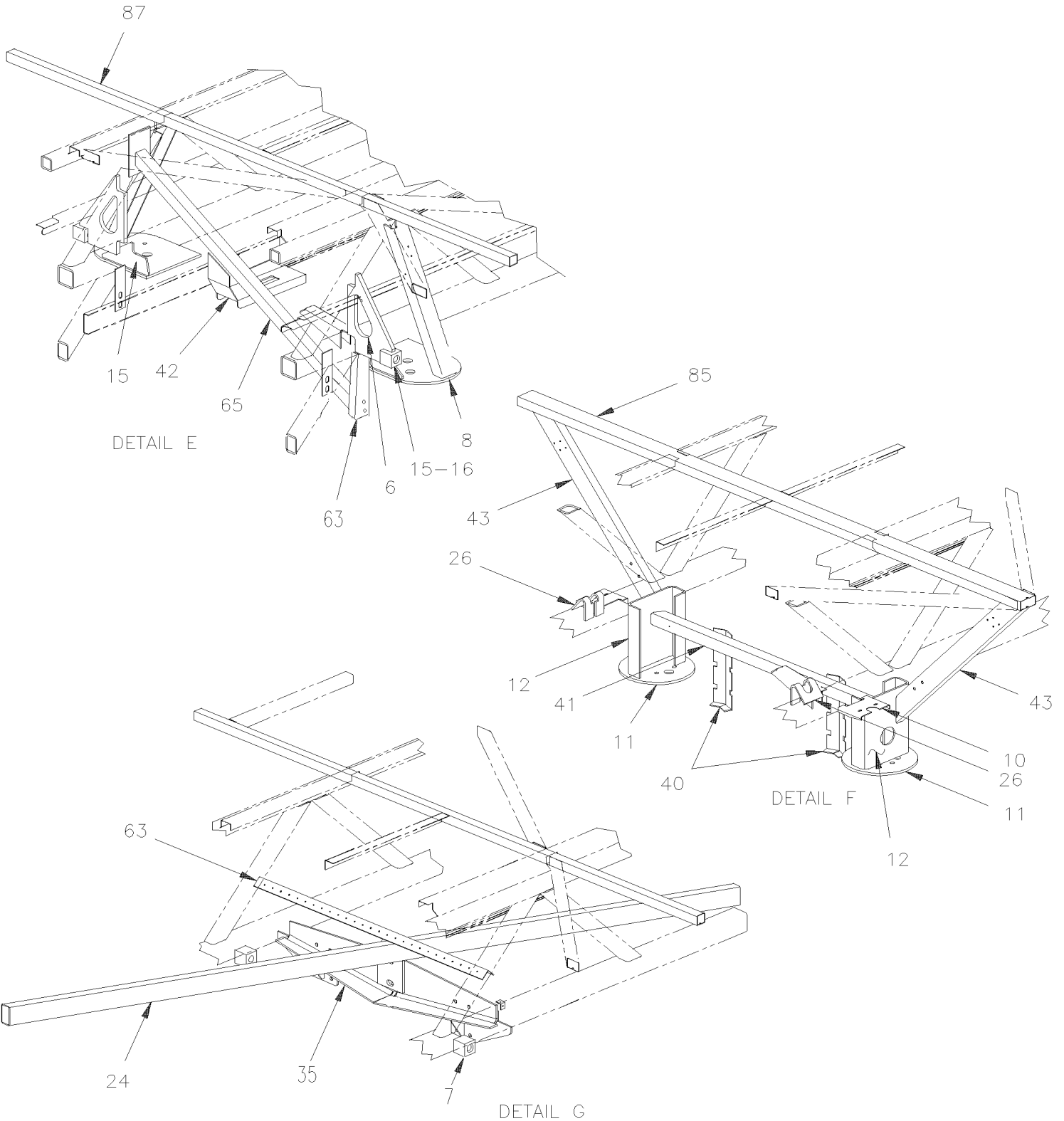


From 3-4417 To 8-1043

Date:10/2022

PAGE:HF-1897-10

REAR SUB-FRAME



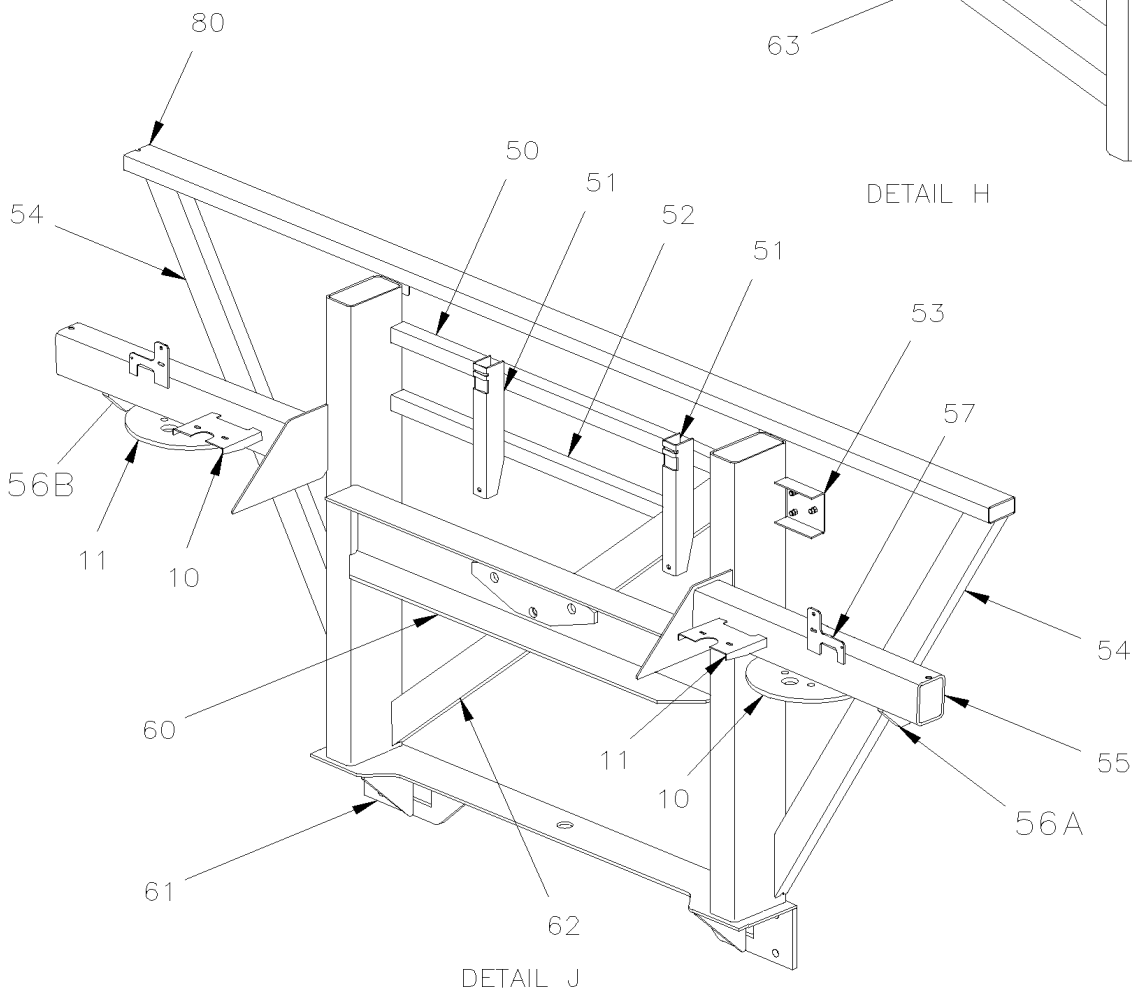
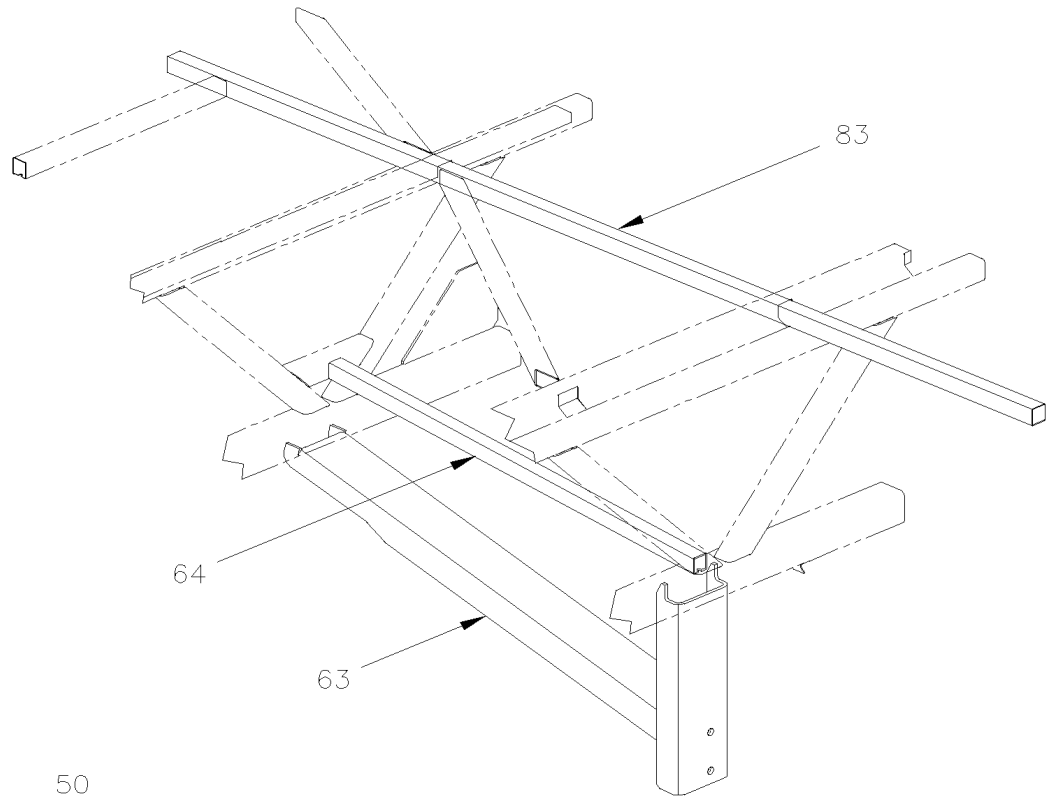


From 3-4417 To 8-1043

Date:10/2022

PAGE:HF-1897-10

REAR SUB-FRAME



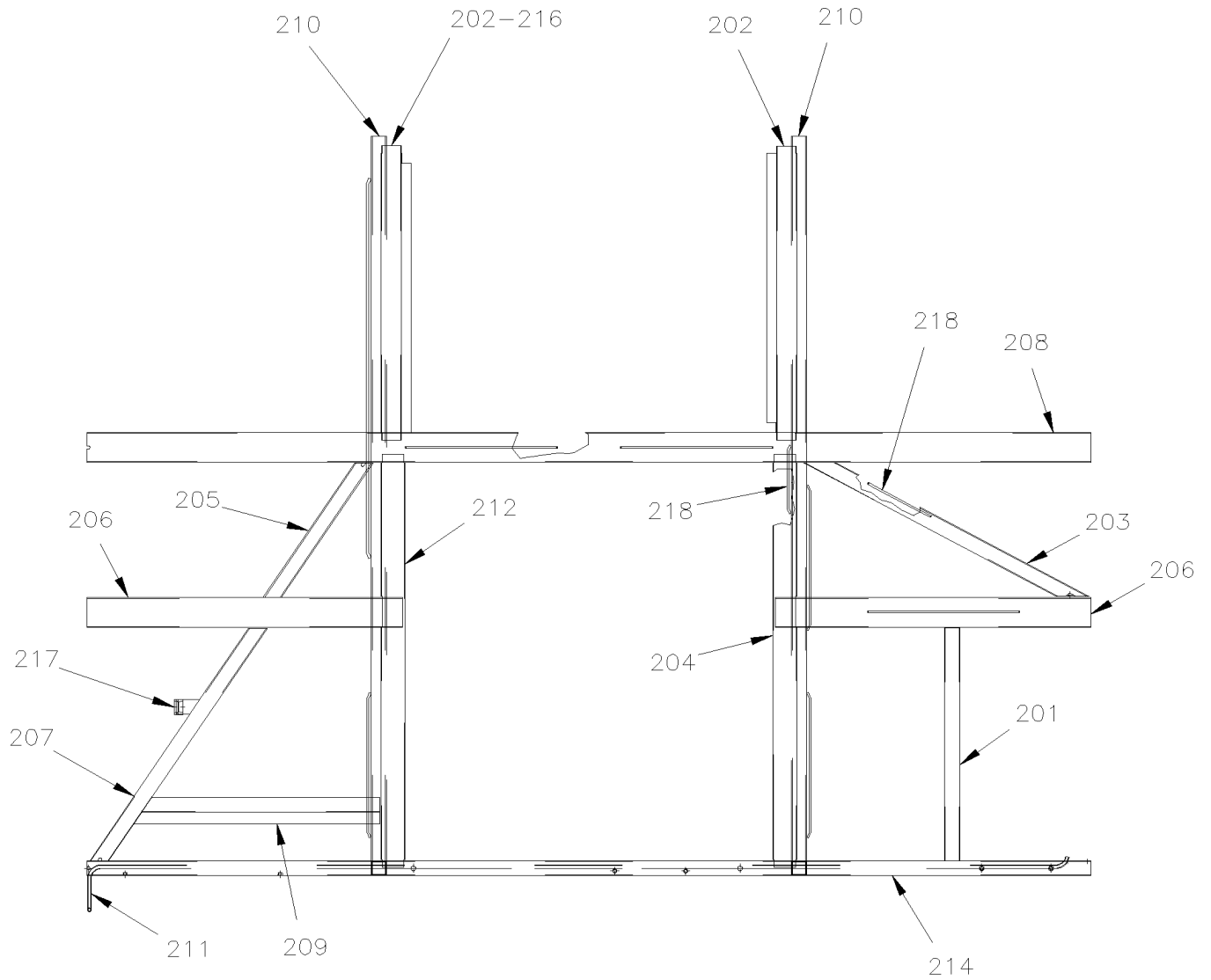
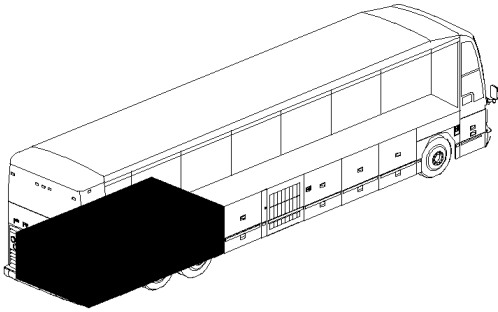


From 3-4417 To 8-1043

Date:10/2022

PAGE:HF-1897-10

REAR SUB-FRAME



DETAIL K

FLOOR OVERVIEW ENGINE COMPARTEMENT



From 3-4417 To 8-1043	Date:10/2022	PAGE:HF-1897-10
REAR SUB-FRAME		

Item#	Part	Description	H 3 4 1	H 3 4 5	V I P 4 5	N O T E S
1	215222	SUPPORT CONNECTOR "ZF" TRANS	1	1		
2	171582	ATTACHMENT ROD R.H.	1	1	1	
2	171583	ATTACHMENT ROD L.H.	1	1	1	
3	171636	REINFORCEMENT	2	2	2	
4	172585	BRACKET / R.H.	1	1	1	
4	172586	BRACKET / L.H.	1	1	1	
5	172519P	ROD ATTACHMENT	1	1	1	
6	172441	SUPPORT SHOCK ASSY	2	2	2	
7	171032	. SUPPORT 1"-14 / SHOCK ABSORBER / 55MM	1	1	1	
8	171752	BELLOW PLATE R.H. / STREETSIDE	1	1	1	
8	171042	BELLOW PLATE / CURBSIDE	1	1	1	
9	171590	REINFORCEMENT BELLOW PLATE	2	2	2	
10	172196	SUPPORT VALVE	4	4	4	
11	131356	BELLOW PLATE	2	2	2	
12	171036	SUPPORT BELLOW R.H.	1	1	1	
12	172216	SUPPORT BELLOW L.H.	1	1	1	
13	171032	SUPPORT 1"-14 / SHOCK ABSORBER / 55MM	2	2	2	
14	171679	SUPPORT VALVE "Z" SHAPE	2	2	2	
15	171048	REINFORCEMENT FORWARD	3	3	3	
16	171751	REINFORCEMENT BACKWARD	1	1	1	
17	171557	TUBE	1	1	1	
20	172060	RETAINER PLASTIC FENDER "F" SHAPE 2105MM SS	2	2	2	
24	171610	TUBE	2	2	2	
25	171795	SUPPORT	1	1	1	
26	131525	ATTACHMENT	1	1	1	
27	171796	SUPPORT	2	2	2	
28	171808	SUPPORT	1	1	1	
30	171605	BAR, TRANSMISSION PROTECTOR	1	1	1	
31	172820	SUPPORT / (WELDED TO FRAME)	2	2		
32	172821	BACK PLATE	1	1		
33	171547	TUBE 1012MM	1	1	1	
34	171621	TUBE 775MM	2	2	2	
35	171761P	ATTACHMENT SUSPENSION ROD ASS.	1	1	1	
36	171660	PLATE	1	1	1	
37	171695	REINFORCEMENT	1	1	1	
38	171797	SUPPORT	1	1	1	
39	171692	TUBE 932MM	2	2	2	
40	171973	SUPPORT AIR TANK			2	
41	171729	TUBE 1154MM			1	
42	171813	SUPPORT	1	1	1	
43	171544	TUBE 932MM	2	2	2	
50	171946	TUBE 961MM	1	1	1	



From 3-4417 To 8-1043	Date:10/2022	PAGE:HF-1897-10
REAR SUB-FRAME		

Item#	Part	Description	H 3 4 1	H 3 4 5	V I P 4 5	N O T E S
51	171669	BRACKET	2	2	2	
52	172580	TUBE 961MM	1	1	1	
53	172032	SUPPORT DOOR CYLINDER	2	2	2	
54	171548	TUBE 1272MM	2	2	2	
55	172129	TUBE 649MM	2	2	2	
55	172578P	TUBE ASSY W/COMPONENTS L.H.	1	1	1	B
55	172579P	TUBE ASSY W/COMPONENTS R.H.	1	1	1	B
56A	121564	SUPPORT SHOCK ASSY CURB SIDE	1	1	1	
. NS	171032	. SUPPORT 1"-14 / SHOCK ABSORBER / 55MM	1	1	1	
56B	121568	SUPPORT SHOCK ASSY STREET SIDE	1	1	1	
. NS	171032	. SUPPORT 1"-14 / SHOCK ABSORBER / 55MM	1	1	1	
57	172083	SUPPORT VALVE HEIGHT CONTROL	1	1	1	
57	171618	SUPPORT VALVE	1	1	1	
60	172583P	CHANNEL W/REINFORCEMENT / TRIPODE REAR AXLE / 1014MM WIDE	1	1	1	
60	Call order desk	CHANNEL W/REINFORCEMENT / TRIPODE REAR AXLE / W/YAW / 1014MM WIDE	1	1	1	P
. NS	172583P	. CHANNEL W/REINFORCEMENT / TRIPODE REAR AXLE / 1014MM WIDE	1	1	1	
. NS	173312	. SUPPORT YAW / EPS SYSTEM	1	1	1	
61	172584	REAR RADIUS ROD ATTACHMENT ANGLE ASSY	1	1	1	
62	171931	TUBE 1441MM	1	1	1	
63	172519P	ROD ATTACHMENT	1	1	1	
64	171611	TUBE 1050MM	1	1	1	
65	171753P	SUPPORT LATERAL ROD	1	1	1	
80	210989	TUBE 2460MM	2	2	2	
81	210608	TUBE 2460MM	1	1	1	
82	171635	TUBE 570MM	1	1	1	
83	212703	TUBE	1	1	1	
83	211136	SUPPORT	7	7	7	
84	171633	ANGLE 571MM	1	1	1	
85	216822	TUBE	1	1	1	
85	211136	SUPPORT	8	8	8	
86	171634	ANGLE 532MM	1	1	1	
87	210608	TUBE 2460MM	1	1	1	
88	171624	SEAT SUPPORT / L.H. / 980MM	1	1		
88	171819	SEAT SUPPORT / L.H. / 980MM	1	1		
90	171567	TUBE 2818MM	1	1	1	
91	171632	TUBE 797MM	1	1	1	
93	171623	SEAT SUPPORT / R.H. / 1006MM	1	1		
93	171818	SEAT SUPPORT / R.H. / 1006MM	1	1		
94	171630	TUBE 803MM	1	1	1	
95	171629	TUBE 879MM	1	1	1	
96	171628	TUBE 903MM	1	1	1	
97	171625	SEAT SUPPORT / R.H. / 1579MM	1	1		



From 3-4417 To 8-1043		Date:10/2022	PAGE:HF-1897-10
REAR SUB-FRAME			

Item#	Part	Description	H 3 4 1	H 3 4 5	V I P 4 5	N O T E S
97	171820	SEAT SUPPORT / R.H. / 1579MM	1	1		
98	171631	TUBE 1063MM	1	1	1	
99	171626	SEAT SUPPORT / L.H. / 1579MM	1	1		
99	171821	SEAT SUPPORT / L.H. / 1579MM	1	1		
100	171627	TUBE 769MM	1	1	1	
101	171873	ANCHOR PLATE W.C.L. To 3-4684	1	1		
102	171872	ANCHOR PLATE W.C.L. To 3-4684	1	1		
201	211221	REINFORCEMENT "U" 599MM	1	1	1	
201	211636	TUBE 599MM			1	
202	212406	SEAT SUPPORT 757MM	1	1	1	
203	212409	TUBE 780MM	1	1	1	
204	214624	SEAT SUPPORT / R.H. / 1060MM	1	1	1	
204	212797	SEAT SUPPORT / R.H. / 1060MM	1			S
205	212352	TUBE 436MM	1	1	1	
206	212347	TUBE 773MM	2	2	2	
207	212351	TUBE 737MM	1	1	1	
208	210989	TUBE 2460MM	1	1	1	
209	212353	REINFORCEMENT "Z" 603MM	1	1	1	
210	212348	TUBE 1899MM	2	2	2	
211	283038	GUIDE TUBE L.H. / WELDED TO STRUCTURE	1	1	1	
212	214625	SEAT SUPPORT / L.H. / 1060MM	1	1	1	
212	212798	SEAT SUPPORT / L.H. / 1060MM	1	1	1	S
214	211434	TUBE 2460MM	1	1	1	
215	212575	CLOSING PLATE 48MM X 35MM	1	1	1	
216	212810	SEAT SUPPORT 757MM	1	1	1	S
217	052059	ATTACHMENT ANGLE / (WELDED TO STRUCTURE) To 3-4757	1	1		
217	5001499	SCREW CAP HEX M8-1.25x30 SS To 3-4757	1	1		
217	213034	ATTACHMENT RADIATOR	1	1	1	
217	260900	ATTACHMENT RADIATOR From 4-4758	1	1	1	
217	260769	ATTACHMENT RADIATOR To 3-4757			1	
218	212655	ATTACHMENT ROD / WELDED (TO FIX ANYTHING) / 373MM x 11MM DEEP	1	1	1	
218	214026	ATTACHMENT ROD / WELDED (TO FIX ANYTHING) / 977MM x 12MM DEEP	1	1	1	
218	214025	ATTACHMENT ROD / WELDED (TO FIX ANYTHING) / 177MM x 11MM DEEP	1	1	1	
		B) INCLUS ITEMS # 10, 11, 55, 56 & 57				
		S) WITH "ST & ST" W.C.L.				
		P) CALL ORDER DESK FOR SPECIFIC APPLICATION (V.I.N.)				

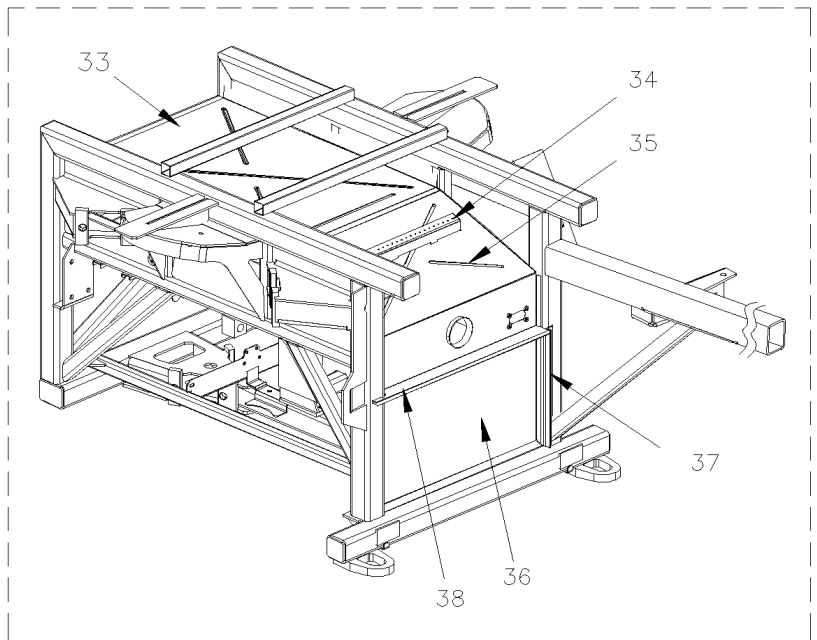
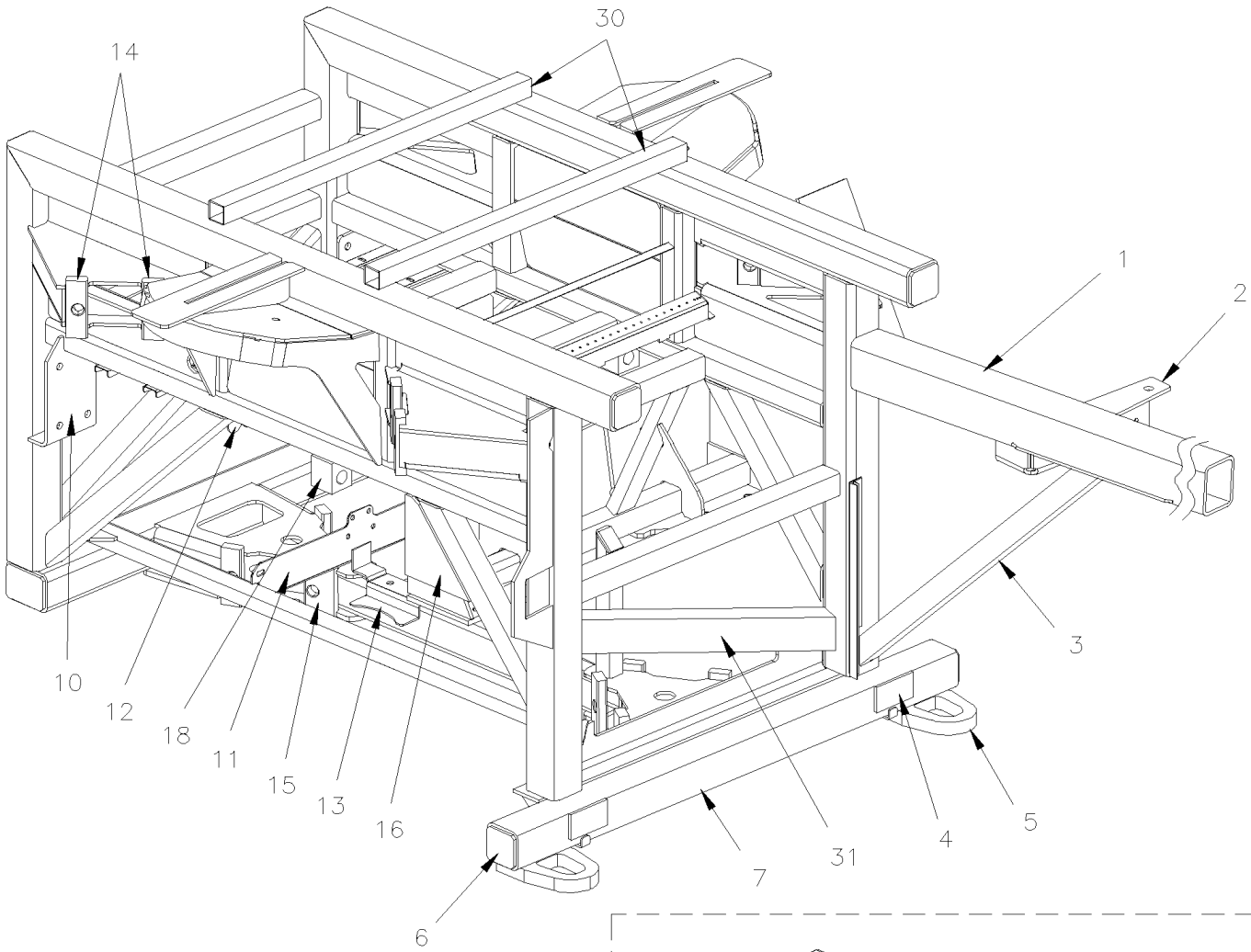


From 3-4417 To 3-4757

Date:10/2022

PAGE:HF-1897-50

FRONT SUB-FRAME / W/INDEPENDENT SUSPENSION - 16500 LBS



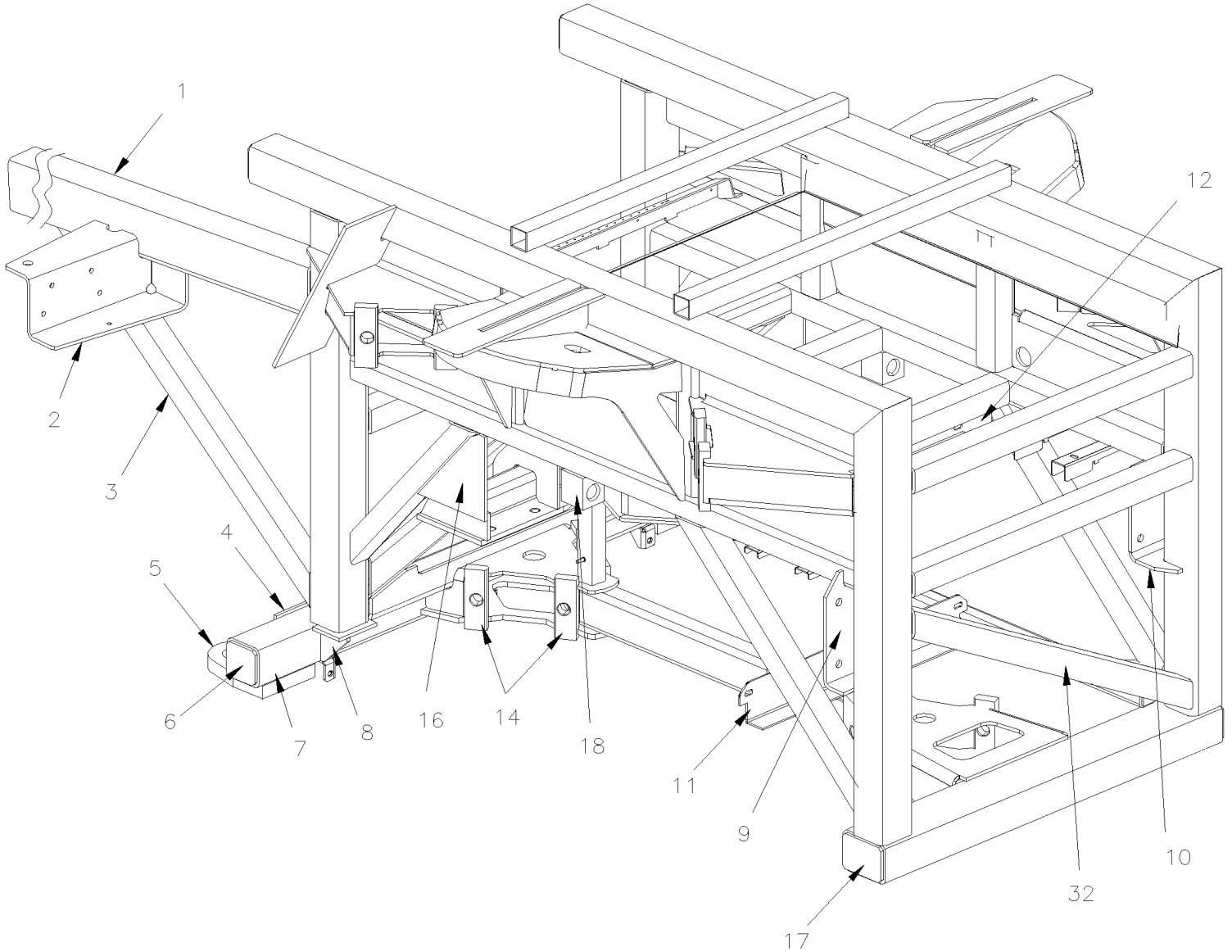


From 3-4417 To 3-4757

Date:10/2022

PAGE:HF-1897-50

FRONT SUB-FRAME / W/INDEPENDENT SUSPENSION - 16500 LBS





From 3-4417 To 3-4757	Date:10/2022	PAGE:HF-1897-50
FRONT SUB-FRAME / W/INDEPENDENT SUSPENSION - 16500 LBS		

Item#	Part	Description	H 3 4 1	H 3 4 5	V I P 4 5	N O T E S
	172330P	FRONT SUB-FRAME ASSY / V.I.P. W/IND 16500			1	
1	172075	. TUBE 1143MM			1	
2	172133	. SUPPORT / BRAKE VALVE			1	
3	172110	. TUBE 793MM			1	
4	213527	. PLATE JOINT 92MM X 51MM			2	
5	171991	. ATTACHMENT / TOWING			2	
6	220944	. CLOSING PLATE 67MM X 67MM			2	
7	172082	. TUBE 1095MM			1	
8	171709	. REINFORCEMENT			2	
9	171908	. ATTACHMENT SWAY BAR STREETSIDE			1	
10	171718	. ATTACHMENT SWAY BAR CURBSIDE			1	
11	171942	. SUPPORT AIR TANK / LOWER			1	
12	171815	. SUPPORT AIR TANK / UPPER			1	
13	172193	. SUPPORT AIR TANK / LOWER			1	
14	171789	. ATTACHMENT 38MM WIDE			14	
15	171710	. ATTACHMENT 57MM WIDE			2	
16	171856	. REINFORCEMENT			2	
17	171888	. CLOSING PLATE 67MM X 92MM			2	
18	110627	. ATTACHMENT PIN 1"-14 / SHOCK ABSORBER / 50.8MM LONG			2	
30	172132	. TUBE 765MM			2	
31	172432	. TUBE 721MM			1	
32	171713	. TUBE 779MM			1	
33	212774	. PANEL CENTRAL BACKWARD			1	
34	172235	. SUPPORT PIPE & HARNESS			1	
35	172631	PANEL CENTRAL FORWARD / W/LARGE A/C From 2-4388			1	
35	172317	PANEL CENTRAL FORWARD / W/SMALL A/C			1	
35	172632	PANEL CENTRAL FORWARD / W/SMALL A/C			1	C
36	212773	PANEL CENTRAL FRONT LOWER			1	
37	213625	SLIDING TRACK ASSY / VERTICAL			1	
38	213623	SLIDE ASSY			1	
		C) WITH SMALL A/C "CALHOUN" WITH AUX A/C				

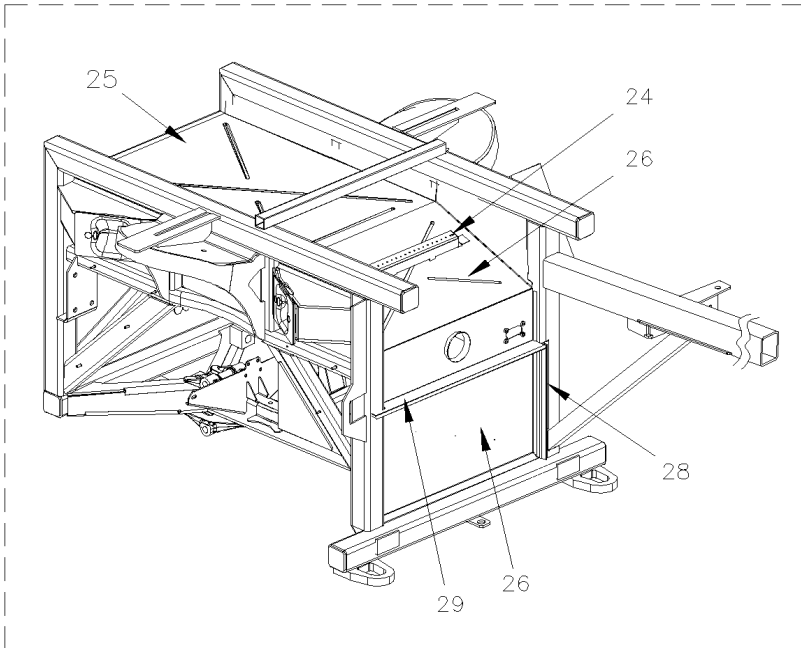
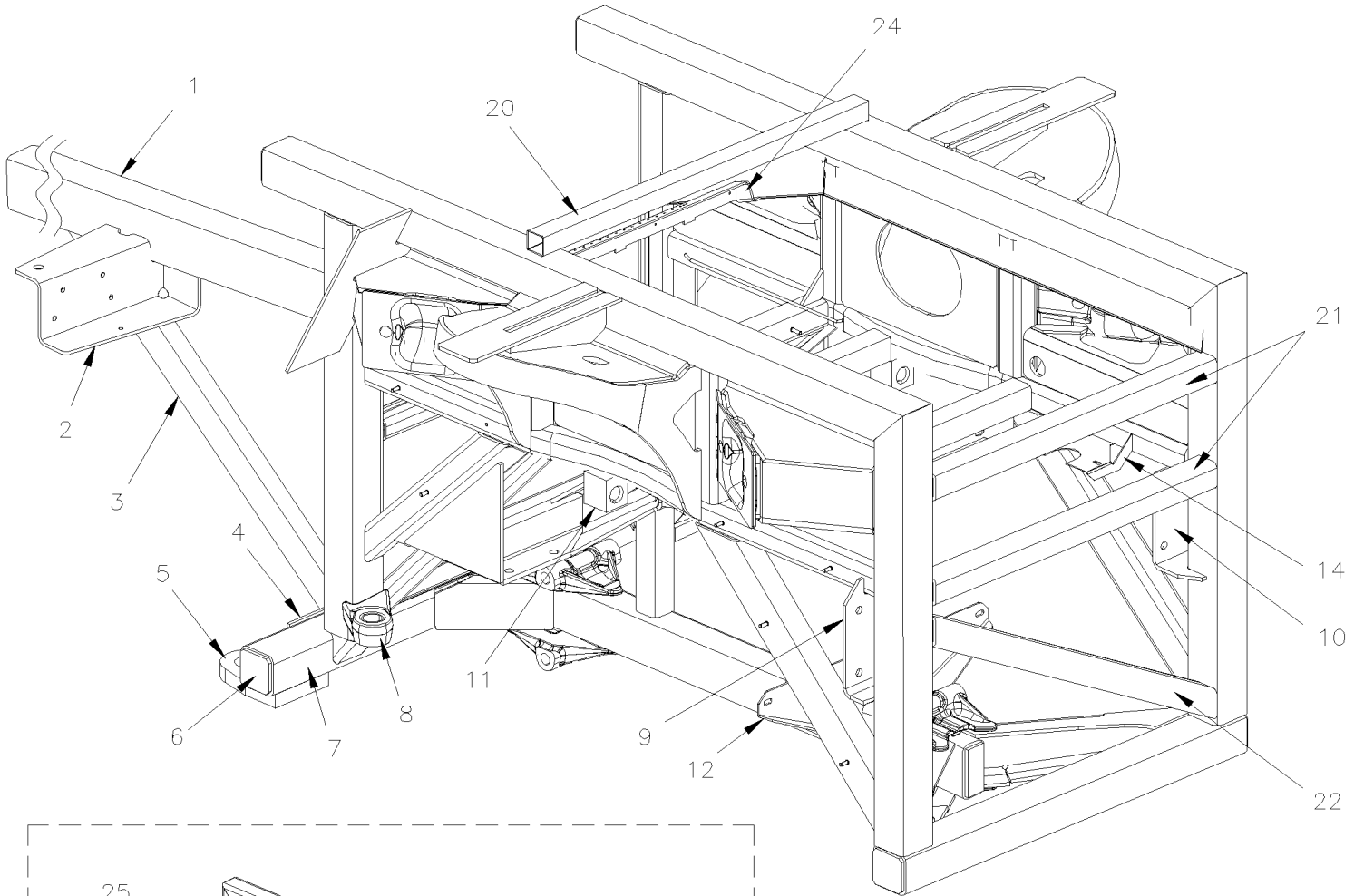


From 4-4758 To 8-1043

Date:10/2022

PAGE:HF-1897-51

FRONT SUB-FRAME / W/INDEPENDENT SUSPENSION - 18000 LBS



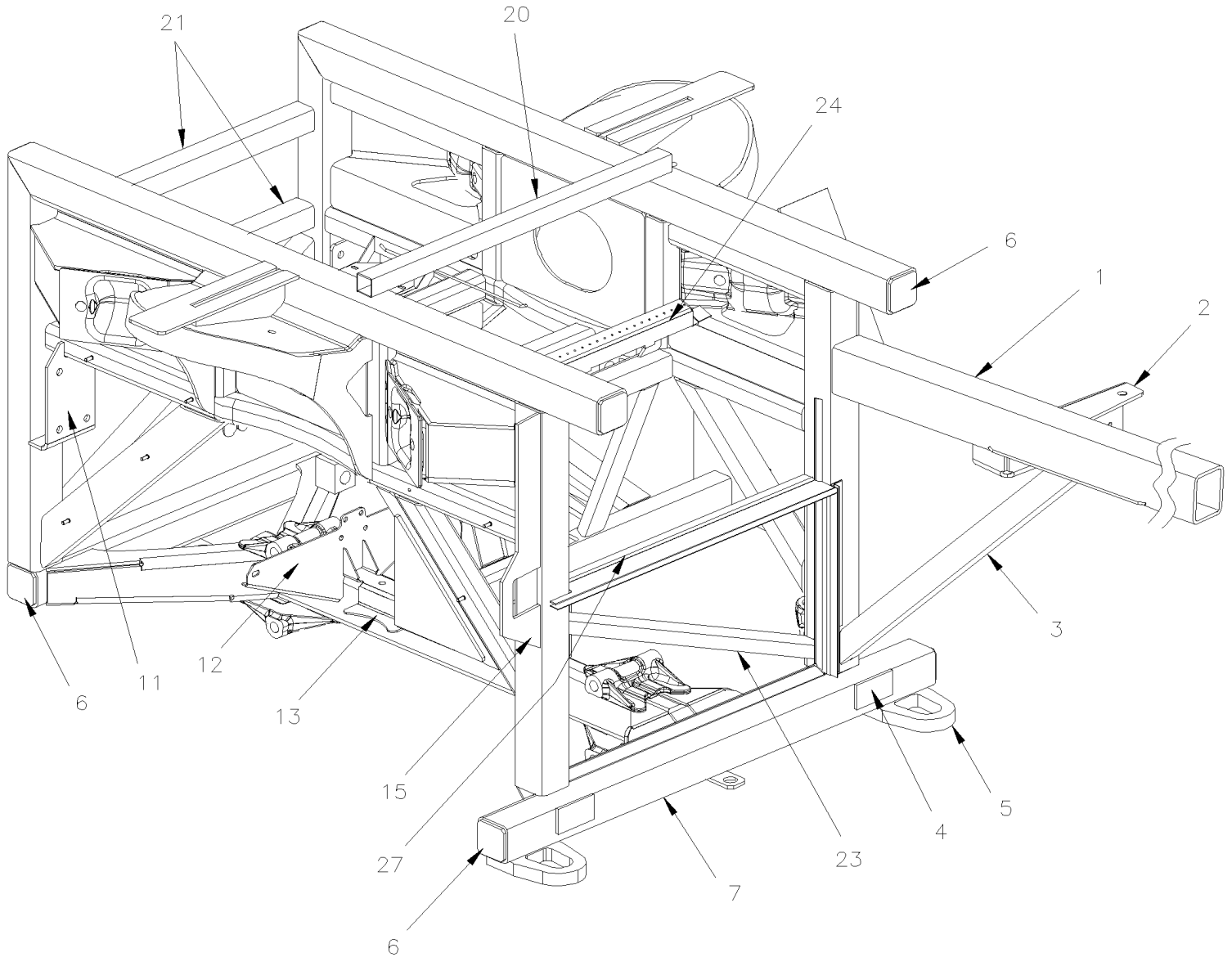


From 4-4758 To 8-1043

Date:10/2022

PAGE:HF-1897-51

FRONT SUB-FRAME / W/INDEPENDENT SUSPENSION - 18000 LBS





From 4-4758 To 8-1043	Date:10/2022	PAGE:HF-1897-51
FRONT SUB-FRAME / W/INDEPENDENT SUSPENSION - 18000 LBS		

Item#	Part	Description	H 3 4 1	H 3 4 5	V I P 4 5	N O T E S
	172762P	FRONT SUB-FRAME ASSY / V.I.P. W/IND 18000			1	A
1	172075	TUBE 1143MM			1	
2	172133	SUPPORT / BRAKE VALVE			1	
3	172836	TUBE 869MM			1	
4	213527	. PLATE JOINT 92MM X 51MM			2	
5	171991	. ATTACHMENT / TOWING			2	
6	220944	. CLOSING PLATE 67MM X 67MM			6	
7	172782	. TUBE 1090MM			1	
8	172815	. SUPPORT POWER STEERING CYLINDER			1	
9	171908	. ATTACHMENT SWAY BAR STREETSIDE			1	
10	171718	. ATTACHMENT SWAY BAR CURBSIDE			1	
11	110627	. ATTACHMENT PIN 1"-14 / SHOCK ABSORBER / 50.8MM LONG			2	
12	172704	. SUPPORT AIR TANK / LOWER			1	
13	172705	. SUPPORT AIR TANK / LOWER			1	
14	131746	. SUPPORT AIR TANK / BELLOW			2	
15	215206	. PLATE			1	
20	172132	. TUBE 765MM			1	
21	172712	. TUBE 733MM			1	
22	171713	. TUBE 779MM			1	
23	171712	. TUBE 661MM			1	
24	172235	. SUPPORT PIPE & HARNESS			1	
25	212774	. PANEL CENTRAL BACKWARD			1	
26	172777	. PANEL CENTRAL FORWARD & LOWER			1	
27	172719	. TUBE 661MM			1	
28	213625	. SLIDING TRACK ASSY / VERTICAL			1	
29	215130	. SLIDING TRACK ASSY / HORIZONTAL			1	
		A) DOES NOT INCLUDE ITEMS 1, 2 AND 3				

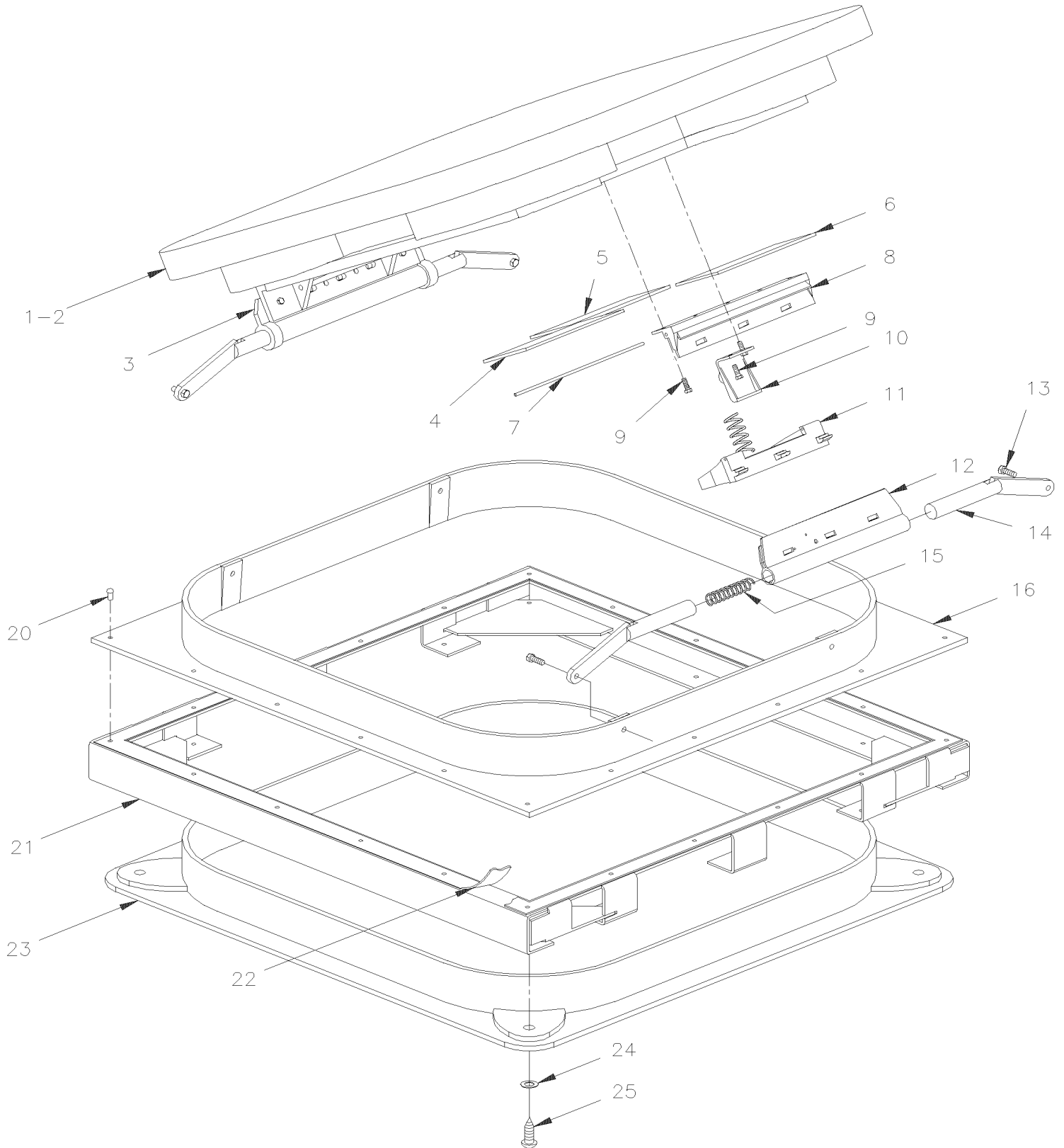


From 3-4417 To 5-0248

Date:10/2022

PAGE:HF-1898-00

ESCAPE HATCH - INSTALLATION





From 3-4417 To 5-0248	Date:10/2022	PAGE:HF-1898-00
ESCAPE HATCH - INSTALLATION		

Item#	Part	Description	H 3 4 1	H 3 4 5	V I P 4 5	N O T E S
1	950291	HATCH ASSY / 23" X 23" GREY	1	1	1	
2	950069	. SEAL, GASKET KIT	1	1	1	
3	N.S.S.	. HINGE	1	1	1	1
4	291263	. DECAL / "EMERGENCY..." / ENGLISH & FRANCAIS	1	1	1	
5	291265	. DECAL, "INSTRUCTION... FRENCH..."	1	1	1	
5	403651	. DECAL, "EMERGEGENCY... JAPAN"	1	1	1	
5	403696	. DECAL / BRAILLE / EMERGENCY EXIT ONLY / ENGLISH & FRANCAIS	1	1	1	
6	291264	. DECAL, "SORTIE D'URGENCE..."	1	1	1	
7	950046	. DECAL "EMERGENCY..."	1	1	1	
8	790373	. BASE, RELEASE / GREY	1	1	1	
9	N.S.P.	. SCREW	AR	AR	AR	2
10	790236	. TAB, BLACK	1	1	1	
11	790371	. HANDLE, RELEASE W/SPRING / GREY	1	1	1	
12	790375	. HINGE, RELEASE / GREY	1	1	1	
13	790372	. SCREW SHR HEXS 7/16x3/16 {5/16-18	4	4	4	
13	950449	. SCREW CAP BUT TORX 5/16-18x3/4 BK G8	4	4	4	
NS	950450	. SPACER BUSHING 5/16I.D.x 7/16O.D.x 3/16TH	4	4	4	
14	790436	. LINK & LEVER ASSY	4	4	4	
15	790449	. SPRING COMPRESSION / .549 O.D. x 2.590 x .078	4	4	4	
16	950205	. FRAME ASSY, EXTERIOR FIBERGLASS / 23" X 23" GREY	1	1	1	
NS	680532	. SEALANT SIKA #221 / GREY / 310ml CARTRIDGE	1	1	1	
17	N8891498	. HINGE COVER GREY	1	1	1	
18	790662	. RELEASE HINGE SHIELD ASSY GREY	1	1	1	
19	790663	. RELEASE KNOB W/SCREW / RED	1	1	1	
20	504546	RIVET CHY MONOLOK PRDG 1/4x5/8 ZP	AR	AR	AR	
21	292398	FRAME ASSY, MOUNTING 23" X 23"	1	1	1	
22	680093	SEALANT TAPE BUTYL / GREY / 1/16"x1 1/2"x50' /71079B11760	AR	AR	AR	
23	291720	MOULDING, INTERIOR 23" X 23" GREY	1	1	1	
24	504399	WASHER RETAINER SNAP CAP #10	4	4	4	
25	500641	SCREW TP PAN PH #8x3/4 Z050	4	4	4	
NS	504400	SNAP CAP #10 FINISHING BLACK	4	4	4	
		1) NOT SOLD SEPARATELY				
		2) NOT SOLD BY PREVOST (SEE MANUFACTURING PART NUMBER AT END OF DESCRIPTION LINE)				

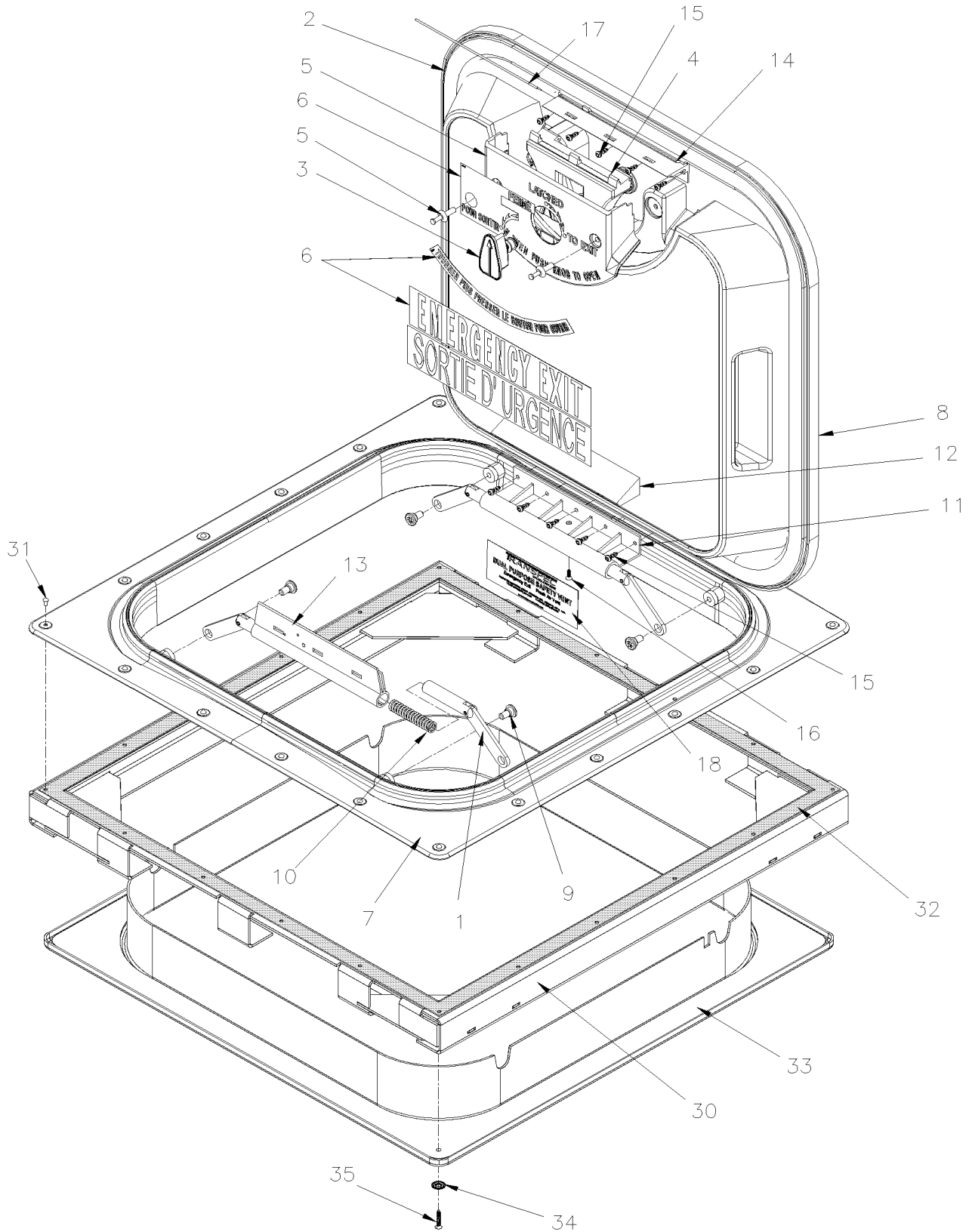


From 5-0249

Date:10/2022

PAGE:HF-1898-01

ESCAPE HATCH - INSTALLATION SERVICE





From 5-0249		Date:10/2022	PAGE:HF-1898-01
ESCAPE HATCH - INSTALLATION SERVICE			

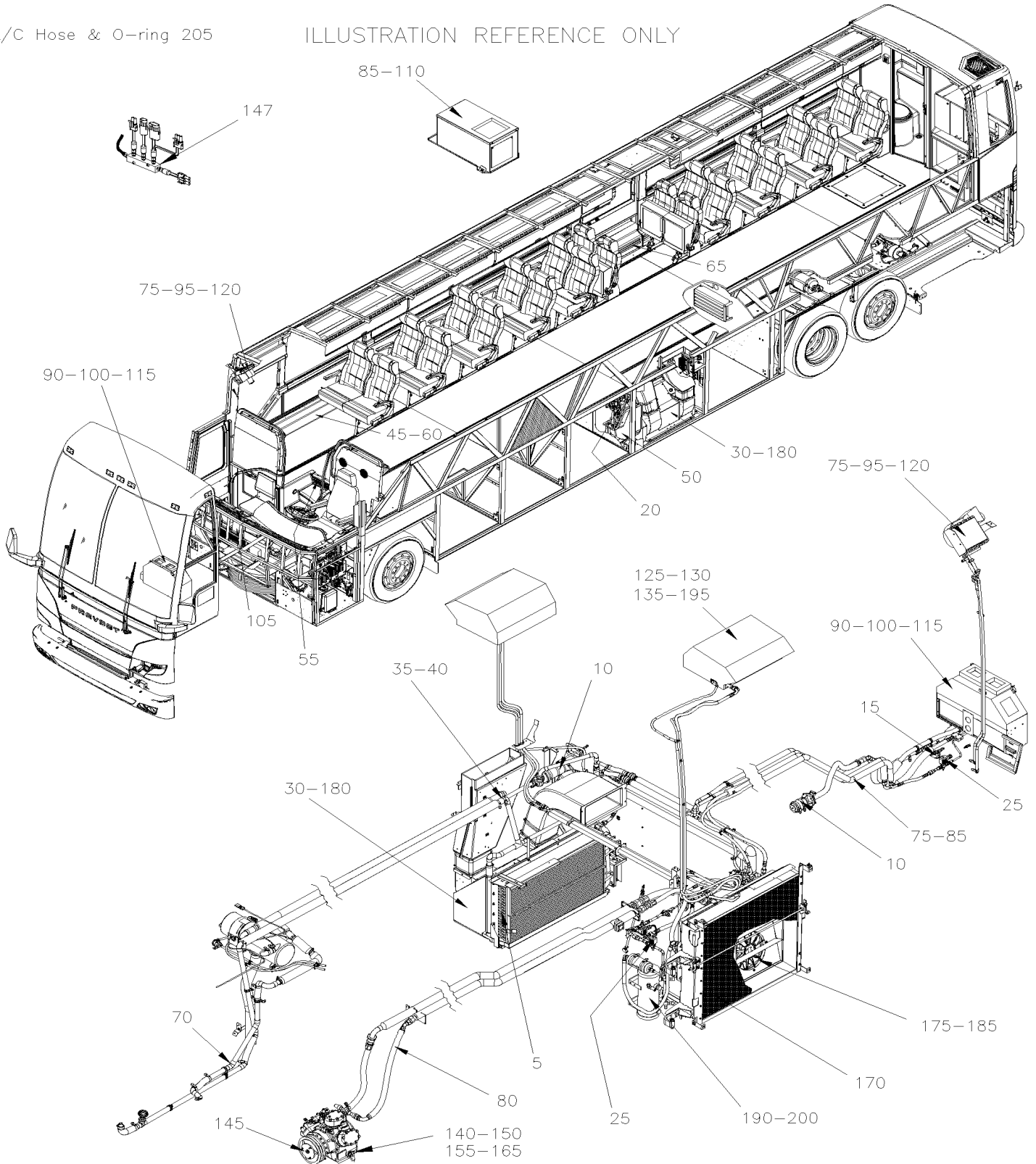
Item#	Part	Description	H 3 4 1	H 3 4 5	V I P 4 5	N O T E S
	950396	HATCH ASSY / 23" X 23" GREY / LOW PROFILE GREY / ENG & FRENCH	1	1	1	
1	790436	. LINK & LEVER ASSY	4	4	4	
2	950069	. SEAL, GASKET KIT	1	1	1	
3	790663	. RELEASE KNOB W/SCREW / RED	1	1	1	
4	790664	. RELEASE HANDLE ASSY GREY	1	1	1	
4	790371	. HANDLE, RELEASE W/SPRING / GREY	1	1	1	
5	790662	. RELEASE HINGE SHIELD ASSY GREY	1	1	1	
6	950690	. DECAL KIT INSTRUCTION / ENGLISH & FRANCAIS	1	1	1	
NS	950229	. DECAL KIT INSTRUCTION / ENGLISH & FRANCAIS	1	1	1	
NS	403651	. DECAL, "EMERGEGENCY... JAPAN"	AR	AR	AR	
NS	405775	. DECAL / BRAILLE / EMERGENCY EXIT ONLY / ENGLISH & FRANCAIS	AR	AR	AR	
7	950205	. FRAME ASSY, EXTERIOR FIBERGLASS / 23" X 23" GREY	1	1	1	
8	950464	. COVER ASSY / LOW PROFILE / GREY ENGLISH & FRENCH	1	1	1	A
9	790372	. SCREW SHR HEXS 7/16x3/16 {5/16-18	4	4	4	
9	950449	. SCREW CAP BUT TORX 5/16-18x3/4 BK G8	4	4	4	
NS	950450	. SPACER BUSHING 5/16I.D.x 7/16O.D.x 3/16TH	4	4	4	
10	790449	. SPRING COMPRESSION / .549 O.D. x 2.590 x .078	4	4	4	
11	N.S.S.	. HINGE COVER SECTION	1	1	1	1
12	N8891498	. HINGE COVER GREY	1	1	1	
13	790375	. HINGE, RELEASE / GREY	1	1	1	
14	6982866	. HANDLE BASE	1	1	1	
15	N8880007	. SPECIAL TORX SCREW #10 x 1/2 SS	10	10	10	
16	7775130	. SCREW FL PH #8 x 1/2 SS	1	1	1	
17	950693	. HINGE PIN SS	1	1	1	
18	N8891500	DECAL PURPOSE SAFETY VENT	1	1	1	
30	292398	FRAME ASSY, MOUNTING 23" X 23"	1	1	1	
NS	680532	SEALANT SIKA #221 / GREY / 310ml CARTRIDGE	1	1	1	
31	504546	RIVET CHY MONOLOK PRDG 1/4x5/8 ZP	20	20	20	
32	680093	SEALANT TAPE BUTYL / GREY / 1/16"x1 1/2"x50' /71079B11760	AR	AR	AR	
33	291720	MOULDING, INTERIOR 23" X 23" GREY	1	1	1	
34	500464	WASHER FN CKF .210x.540 SS	4	4	4	
35	500629	SCREW TP OV PH #8x1 Z050	4	4	4	
		A) INCLUDED ITEMS 2-3-4-5-6-8-11-12-15-16-17				
		1) NOT SOLD SEPARATELY				



	Date:10/2022	HF-22
HEATING & AIR CONDITIONING		

A/C Hose & O-ring 205

ILLUSTRATION REFERENCE ONLY





		Date:10/2022	HF-22			
HEATING & AIR CONDITIONING						
Item#	Part	Description	H 3 4 1	H 3 4 5	V I P 4 5	N O T E S
1	HF-2200-00	AIR CONDITIONING SYSTEM From 3-4417 To 8-1043				
3	HF-2200-05	HEATING SYSTEM From 3-4417 To 8-1043				
5	HF-2205-00	HEATER & EVAPORATOR COIL & FILTER ASSY From 3-4417 To 8-1043				
5	HF-2205-01	HEATER & EVAPORATOR COIL - VIP - W/SLIDE OUT From 7-0772 To 8-1043				
10	HF-2206-00	WATER PUMP #871204 From 3-4417 To 4-4778				
10	HF-2206-01	WATER PUMP #874296 From 3-4417 To 8-1043				
10	HF-2206-02	WATER PUMP #871342 SEALLESS From 4-4779 To 8-1043				
10	871327	WATER PUMP / "ROTRON" 24 V "SPECIAL OPTION" From 6-0657 To 8-1043				
10	HF-2206-99	WATER PUMP #871342 SEALLESS / RETROFIT From 3-4417 To 8-1043				
15	HF-2207-00	WATER VALVE "VERSADRIVE" From 3-4417 To 3-4757				
15	HF-2207-01	WATER VALVE - W/MAIN & DRIVER'S From 4-4758 To 8-1043				
15	HF-2207-02	WATER VALVE - HEATER W/BYPASS From 7-1019 To 8-1043				
15	HF-2207-10	WATER VALVE - DRIVER'S From 3-4417 To 6-0435				
15	HF-2207-20	WATER VALVE - BYPASS W/WATER HEATER From 3-4417 To 7-1018				
15	HF-2207-99	WATER VALVE - W/MAIN & DRIVER'S / SERVICE From 4-4758 To 8-1043				
20	HF-2208-00	A/C EXPANSION VALVE From 3-4417 To 8-1043				
25	HF-2208-10	REFRIGERENT SOLENOID VALVE From 3-4417 To 8-1043				
30	HF-2210-00	HEATER & EVAPORATOR BLOWER - INSTALLATION From 3-4417 To 8-1043				
30	HF-2210-01	HEATER & EVAPORATOR BLOWER - INSTALLATION VIP - W/SLIDE-OUT From 7-0772 To 8-1043				
30	HF-2210-05	HEATER & EVAPORATOR BLOWER - INSTALLATION VIP - W/SLIDE-OUT From 7-0772 To 8-1043				
35	HF-2210-10	WATER HEATER PUMP & FILTER - INSTALLATION From 3-4417 To 8-1043				
35	HF-2210-11	WATER HEATER PUMP - INSTALLATION VIP - W/SLIDE OUT From 7-0772 To 8-1043				
40	HF-2210-20	WATER HEATER PUMP & FILTER - INSTALLATION From 3-4417 To 6-0435				
40	HF-2210-21	WATER HEATER PUMP - INSTALLATION From 6-0436 To 8-1043				
45	HF-2210-50	AIR MAIN SENSOR From 3-4417 To 8-1043				
50	HF-2215-00	EVAPORATOR & DAMPER CONTROL COMPONENTS From 3-4417 To 8-1043				
55	HF-2220-00	UNDER FLOOR AIR DUCTING From 3-4417 To 8-1043				
60	HF-2221-10	DUCTING HEATER & A/C From 3-4417 To 8-1043				
65	HF-2221-80	AIR DUCT W.C.L. DOOR "RICON" From 3-4417 To 8-1043				
70	HF-2222-00	HEATER LINE REAR SECTION From 3-4417 To 3-4757				
70	HF-2222-01	HEATER LINE REAR SECTION From 4-4758 To 8-1043				
75	HF-2222-10	A/C & HEATING LINE FRONT SECTION From 3-4417 To 8-1043				
80	HF-2222-15	A/C LINE REAR SECTION W/05G From 3-4417 To 8-1043				
85	HF-2222-50	SMALL A/C LINE & HEATER LINE From 3-4417 To 3-4757				
85	HF-2222-51	SMALL A/C LINE & HEATER LINE From 4-4758 To 8-1043				
85	HF-2222-55	SMALL A/C LINES & HOSES WITH DETROIT S-60 & R134A From 4-4758 To 8-1043				
90	HF-2225-00	DRIVER'S HEATER & DEFROSTER ASSY From 3-4417 To 6-0435				
90	HF-2225-01	DRIVER'S HEATER & DEFROSTER ASSY WITH MUX From 5-0023 To 8-1043				
95	HF-2225-10	UPPER WINDSHIELD - DEFROSTER ASSY From 3-4417 To 8-1043				
100	HF-2225-50	A/C & HEATER AUXILIARY - V.I.P. From 3-4417 To 8-1043				
105	HF-2230-00	DEFROSTER - INSTALLATION From 3-4417 To 8-1043				
110	HF-2230-50	A/C AUXILIARY V.I.P. - INSTALLATION From 3-4417 To 8-1043				



		Date:10/2022	HF-22			
HEATING & AIR CONDITIONING						
Item#	Part	Description	H 3 4 1	H 3 4 5	V I P 4 5	N O T E S
115	870844	BLOWER & MOTOR ASSY - "M.C.C." "CW" / FAN END From 3-4417 To 8-1043				L
115	871360	BLOWER & MOTOR ASSY - "M.C.C." "CCW" / FAN END From 5-0023 To 8-1043				D
120	HF-2240-10	UPPER WINDSHIELD FAN - INSTALLATION From 3-4417 To 8-1043				
125	HF-2240-20	BLOWER VENTILATION - PARCEL RACK From 3-4417 To 8-1043				
130	HF-2240-25	BLOWER ASSY - PARCEL RACK From 3-4417 To 8-1043				
135	HF-2240-30	BLOWER VENTILATION - PARCEL RACK WITH W.C.L. From 8-0104 To 8-1043				
140	HF-2245-00	A/C COMPRESSOR 05G - INSTALLATION From 3-4417 To 3-4757				
140	HF-2245-01	A/C COMPRESSOR 05G - INSTALLATION From 4-4758 To 6-0435				
140	HF-2245-02	A/C COMPRESSOR 05G - INSTALLATION - WITH MUX From 5-0168 To 8-1043				
140	HF-2245-10	A/C COMPRESSOR "SPECIAL" From 3-4417 To 3-4757				
140	HF-2245-11	A/C COMPRESSOR SMALL - INSTALLATION From 4-4758 To 8-1043				
145	HF-2246-00	A/C CLUTCH 05G - HOUSING MOUNTED From 3-4417 To 8-1043				
147	HF-2248-00	A/C PRESSURE SWITCH From 3-4417 To 3-4757				
150	HF-2250-00	A/C COMPRESSOR ASSY 05G - THREE PORT From 3-4417 To 6-0385				
150	HF-2250-01	A/C COMPRESSOR ASSY 05G - TWIN PORT From 6-0386 To 8-1043				
155	HF-2250-15	A/C ELECTRIC UNLOADER - W/05G COMPRESSOR From 3-4417 To 8-1043				
165	HF-2251-00	GASKET - 05G A/C COMPRESSOR From 3-4417 To 8-1043				
170	HF-2255-00	CONDENSOR - INSTALLATION From 3-4417 To 8-1043				
170	HF-2255-50	CONDENSOR - INSTALLATION SMALL A/C SYSTEM From 3-4417 To 3-4757				
170	HF-2255-51	CONDENSOR - INSTALLATION SMALL A/C SYSTEM From 4-4758 To 8-1043				
175	HF-2260-00	CONDENSOR FAN - INSTALLATION From 3-4417 To 8-1043				
175	HF-2260-99	CONDENSOR FANS - INSTALLATION W/4 MOTORS "RETROFIT" From 3-4417 To 8-1043				
180	HF-2265-00	MOTOR - EVAPORATOR - "PREVOST" - T-17 - 2 SPEEDS From 3-4417 To 8-1043				
180	HF-2265-01	MOTOR - EVAPORATOR BRUSHLESS From 3-4417 To 5-0168				
185	HF-2265-50	MOTOR - CONDENSOR - "PREVOST" - TF-12 From 3-4417 To 3-4427				
185	HF-2265-51	MOTOR - CONDENSOR - "PREVOST" - T11G From 3-4428 To 6-0436				
185	HF-2265-52	MOTOR - CONDENSOR - "PREVOST" - T114 From 6-0437 To 8-1043				
185	HF-2265-53	MOTOR - CONDENSOR BRUSHLESS From 3-4417 To 5-0167				
190	HF-2270-00	RECEIVER TANK & FILTER DRYER From 3-4417 To 8-1043				
195	HF-2270-10	A/C HOSE PARCEL RACK - INSTALLATION From 3-4417 To 8-1043				
200	HF-2270-50	RECEIVER TANK & FILTER DRYER WITH SLIDE-OUT From 7-0772 To 8-1043				
205	HF-2299-00	A/C HOSE & O-RING - W/R-134A From 3-4417 To 8-1043				
		D) USE WITH FRONT DEFROSTER				
		L) USE WITH LAVATORY FAN				

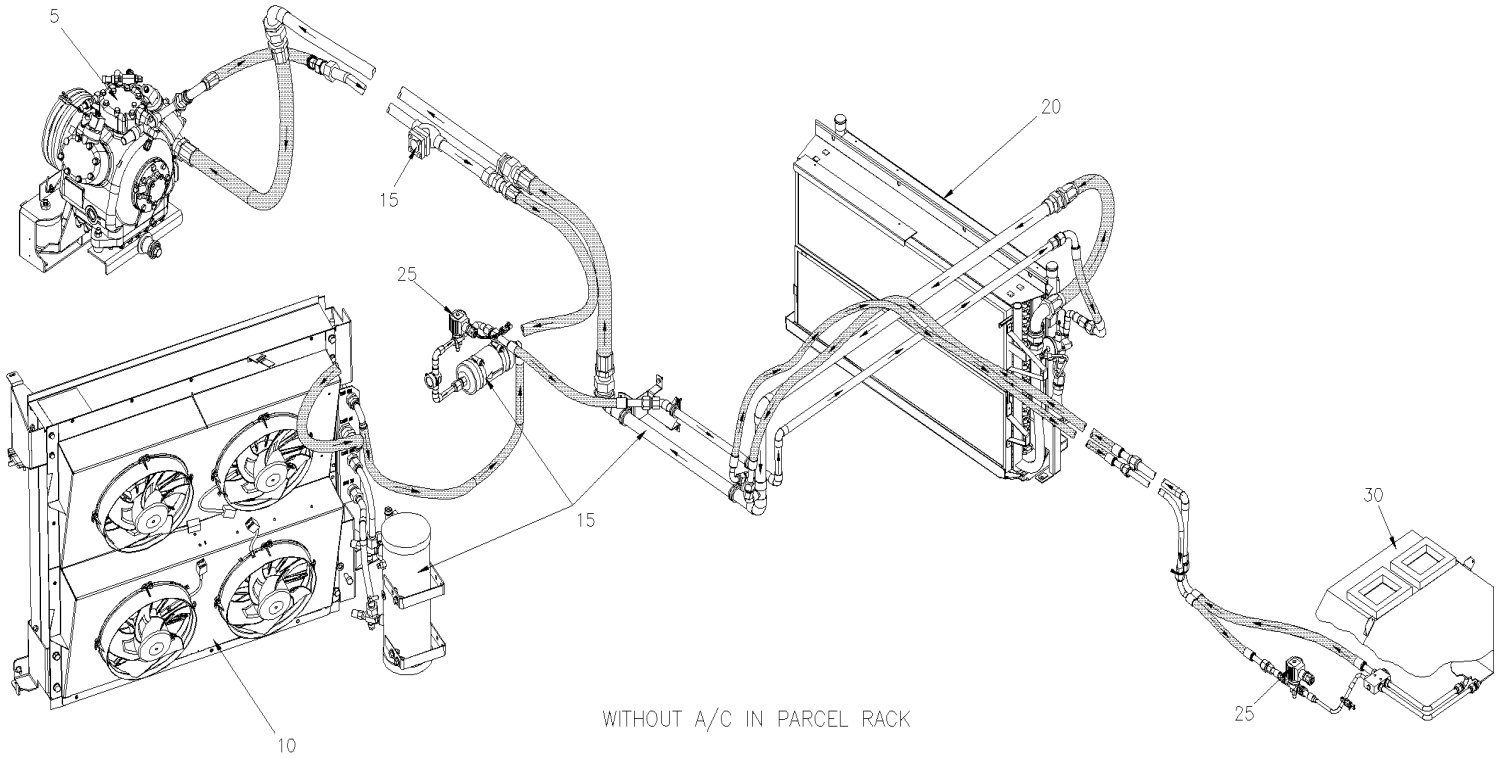


From 3-4417 To 8-1043

Date:10/2022

PAGE:HF-2200-00

AIR CONDITIONING SYSTEM



Typical fans illustration

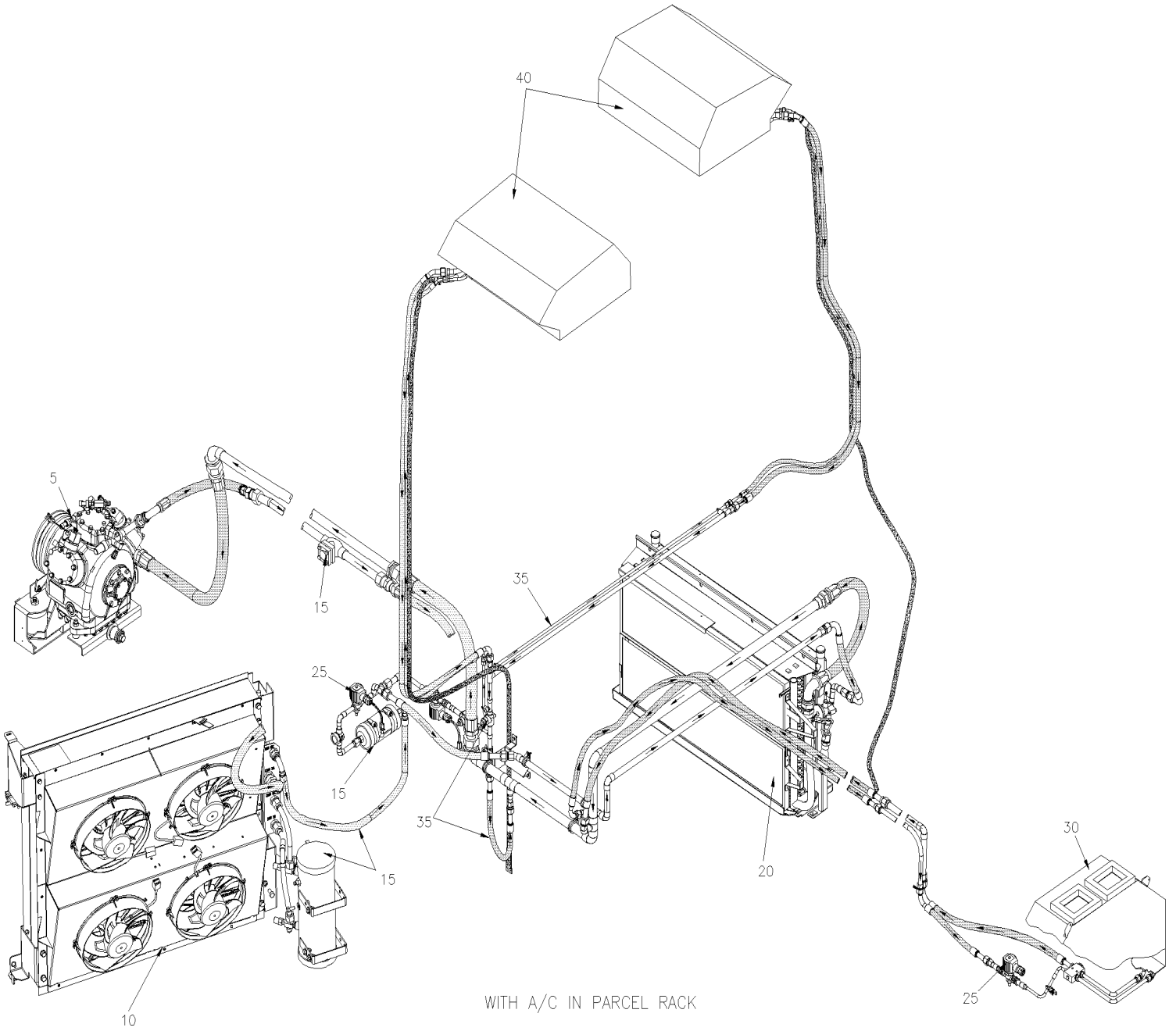


From 3-4417 To 8-1043

Date:10/2022

PAGE:HF-2200-00

AIR CONDITIONING SYSTEM



Typical fans illustration

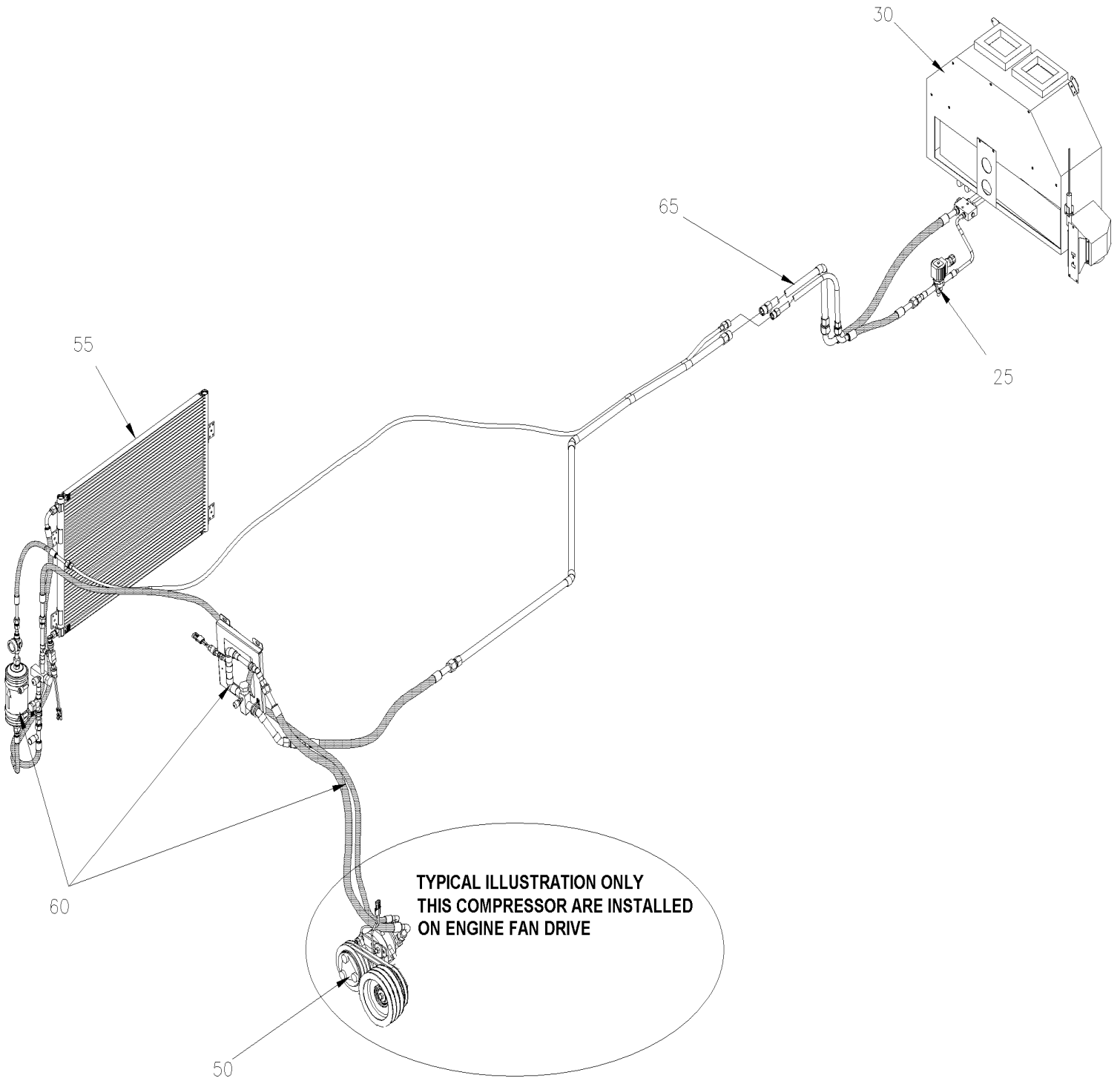


From 3-4417 To 8-1043

Date:10/2022

PAGE:HF-2200-00

AIR CONDITIONING SYSTEM



VIP-45 WITH SMALL A/C SYSTEM



From 3-4417 To 8-1043	Date:10/2022	PAGE:HF-2200-00
AIR CONDITIONING SYSTEM		

Item#	Part	Description	H 3 4 1	H 3 4 5	V I P 4 5	N O T E S
5	HF-2245-00	A/C COMPRESSOR 05G - INSTALLATION From 3-4417 To 3-4757				
5	HF-2245-02	A/C COMPRESSOR 05G - INSTALLATION - WITH MUX From 5-0168 To 8-1043				
5	HF-2245-01	A/C COMPRESSOR 05G - INSTALLATION From 4-4758 To 6-0435				
5	HF-2250-00	A/C COMPRESSOR ASSY 05G - THREE PORT From 3-4417 To 6-0385				
5	HF-2250-01	A/C COMPRESSOR ASSY 05G - TWIN PORT From 6-0386 To 8-1043				
10	HF-2255-00	CONDENSOR - INSTALLATION From 3-4417 To 8-1043				
10	HF-2260-00	CONDENSOR FAN - INSTALLATION From 3-4417 To 8-1043				
10	HF-2260-99	CONDENSOR FANS - INSTALLATION W/4 MOTORS "RETROFIT" From 3-4417 To 8-1043				
15	HF-2270-00	RECEIVER TANK & FILTER DRYER From 3-4417 To 8-1043				
20	HF-2205-00	HEATER & EVAPORATOR COIL & FILTER ASSY From 3-4417 To 8-1043				
20	HF-2205-01	HEATER & EVAPORATOR COIL - VIP - W/SLIDE OUT From 7-0772 To 8-1043				
20	HF-2210-00	HEATER & EVAPORATOR BLOWER - INSTALLATION From 3-4417 To 8-1043				
20	HF-2210-01	HEATER & EVAPORATOR BLOWER - INSTALLATION VIP - W/SLIDE-OUT From 7-0772 To 8-1043				
20	HF-2210-05	HEATER & EVAPORATOR BLOWER - INSTALLATION VIP - W/SLIDE-OUT From 7-0772 To 8-1043				
25	HF-2208-10	REFRIGERENT SOLENOID VALVE From 3-4417 To 8-1043				
30	HF-2225-00	DRIVER'S HEATER & DEFROSTER ASSY From 3-4417 To 6-0435				
35	HF-2270-10	A/C HOSE PARCEL RACK - INSTALLATION From 3-4417 To 8-1043				
40	HF-2240-20	BLOWER VENTILATION - PARCEL RACK From 3-4417 To 8-1043				
50	HF-2245-10	A/C COMPRESSOR "SPECIAL" From 3-4417 To 3-4757				
50	HF-2245-11	A/C COMPRESSOR SMALL - INSTALLATION From 4-4758 To 8-1043				
55	HF-2255-50	CONDENSOR - INSTALLATION SMALL A/C SYSTEM From 3-4417 To 3-4757				
55	HF-2255-51	CONDENSOR - INSTALLATION SMALL A/C SYSTEM From 4-4758 To 8-1043				
60	HF-2222-50	SMALL A/C LINE & HEATER LINE From 3-4417 To 3-4757				
60	HF-2222-51	SMALL A/C LINE & HEATER LINE From 4-4758 To 8-1043				
60	HF-2222-55	SMALL A/C LINES & HOSES WITH DETROIT S-60 & R134A From 4-4758 To 8-1043				



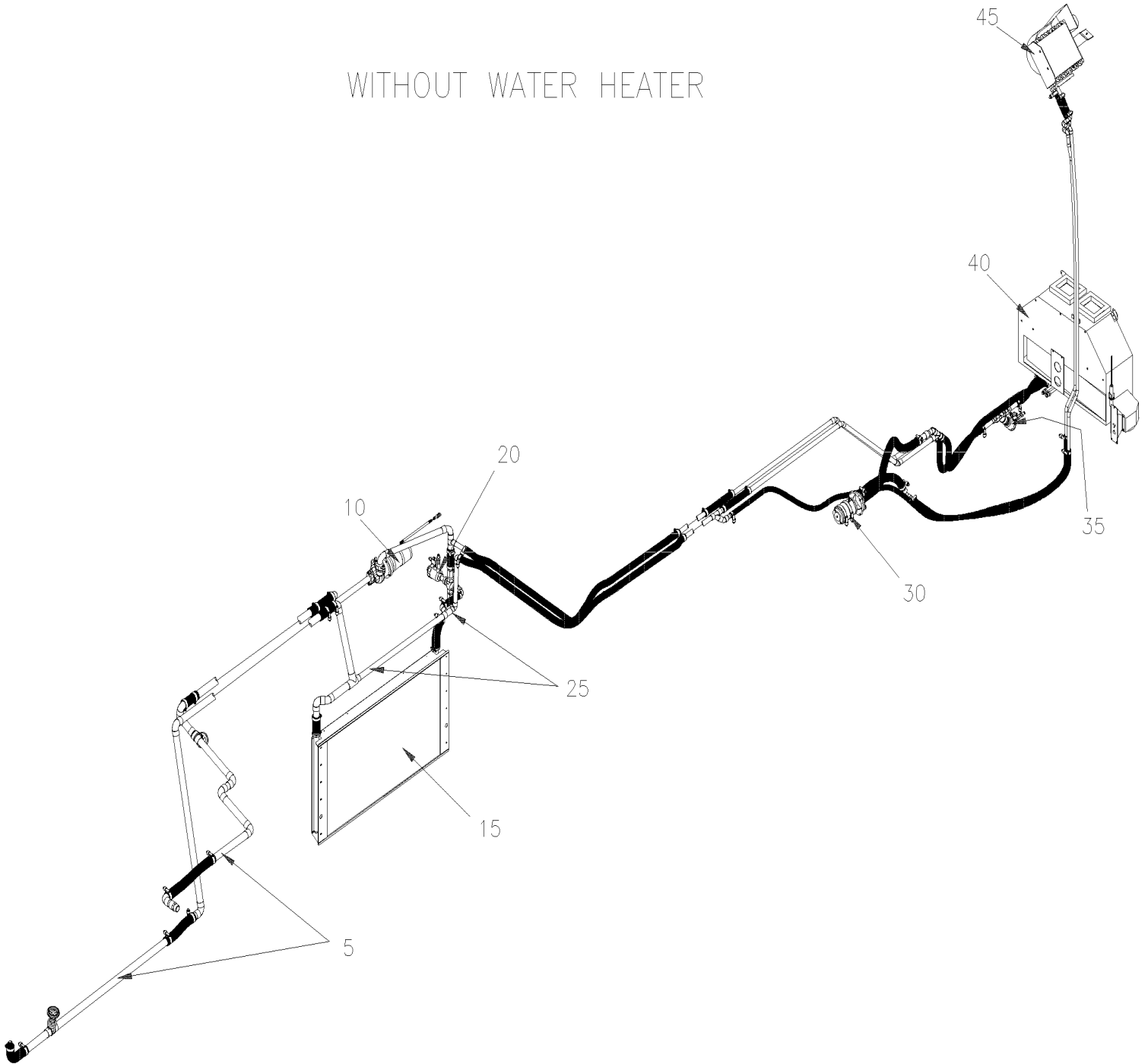
From 3-4417 To 8-1043

Date:10/2022

PAGE:HF-2200-05

HEATING SYSTEM

WITHOUT WATER HEATER





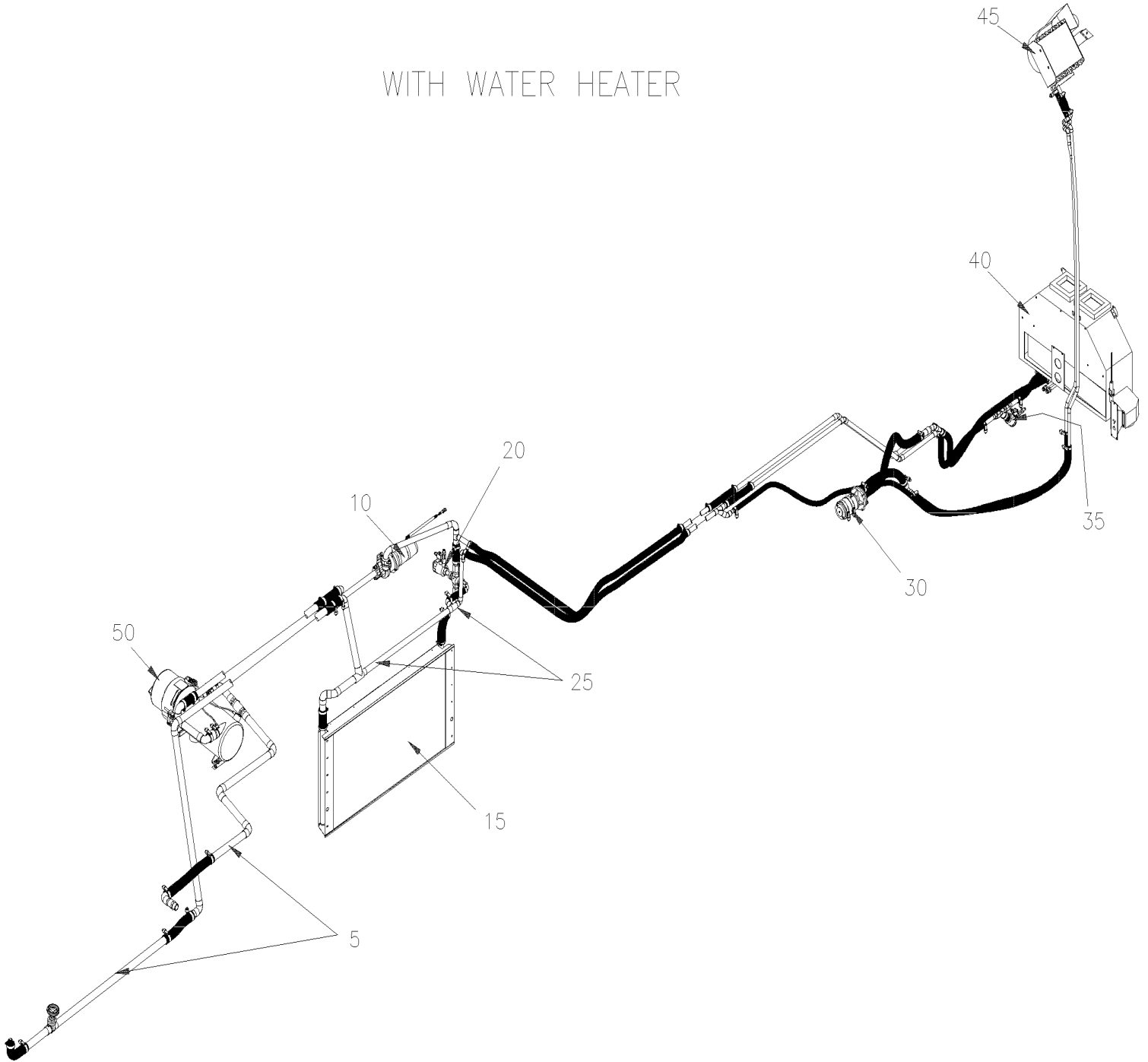
From 3-4417 To 8-1043

Date:10/2022

PAGE:HF-2200-05

HEATING SYSTEM

WITH WATER HEATER





From 3-4417 To 8-1043	Date:10/2022	PAGE:HF-2200-05
HEATING SYSTEM		

Item#	Part	Description	H 3 4 1	H 3 4 5	V I P 4 5	N O T E S
5	HF-2222-00	HEATER LINE REAR SECTION From 3-4417 To 3-4757				
5	HF-2222-01	HEATER LINE REAR SECTION From 4-4758 To 8-1043				
10	HF-2206-00	WATER PUMP #871204 From 3-4417 To 4-4778				
10	HF-2206-02	WATER PUMP #871342 SEALLESS From 4-4779 To 8-1043				
10	HF-2210-20	WATER HEATER PUMP & FILTER - INSTALLATION From 3-4417 To 6-0435				
10	HF-2210-21	WATER HEATER PUMP - INSTALLATION From 6-0436 To 8-1043				
15	HF-2205-00	HEATER & EVAPORATOR COIL & FILTER ASSY From 3-4417 To 8-1043				
15	HF-2205-01	HEATER & EVAPORATOR COIL - VIP - W/SLIDE OUT From 7-0772 To 8-1043				
15	HF-2210-00	HEATER & EVAPORATOR BLOWER - INSTALLATION From 3-4417 To 8-1043				
15	HF-2210-01	HEATER & EVAPORATOR BLOWER - INSTALLATION VIP - W/SLIDE-OUT From 7-0772 To 8-1043				
15	HF-2210-05	HEATER & EVAPORATOR BLOWER - INSTALLATION VIP - W/SLIDE-OUT From 7-0772 To 8-1043				
20	HF-2207-00	WATER VALVE "VERSADRIVE" From 3-4417 To 3-4757				
20	HF-2207-01	WATER VALVE - W/MAIN & DRIVER'S From 4-4758 To 8-1043				
20	HF-2207-02	WATER VALVE - HEATER W/BYPASS From 7-1019 To 8-1043				
25	HF-2210-10	WATER HEATER PUMP & FILTER - INSTALLATION From 3-4417 To 8-1043				
25	HF-2210-11	WATER HEATER PUMP - INSTALLATION VIP - W/SLIDE OUT From 7-0772 To 8-1043				
30	HF-2206-01	WATER PUMP #874296 From 3-4417 To 8-1043				
35	HF-2207-10	WATER VALVE - DRIVER'S From 3-4417 To 6-0435				
40	HF-2225-00	DRIVER'S HEATER & DEFROSTER ASSY From 3-4417 To 6-0435				
40	HF-2225-01	DRIVER'S HEATER & DEFROSTER ASSY WITH MUX From 5-0023 To 8-1043				
40	HF-2230-00	DEFROSTER - INSTALLATION From 3-4417 To 8-1043				
45	HF-2240-10	UPPER WINDSHIELD FAN - INSTALLATION From 3-4417 To 8-1043				
50	HF-2350-10	WATER HEATER - INSTALLATION From 3-4417 To 8-1043				
50	871202	WATER HEATER - "SPHEROS" 100,000 B.T.U.				
50	871100	WATER HEATER - "PROHEAT" 80,000 B.T.U.				
50	871329	WATER HEATER - "PROHEAT" 80,000 B.T.U.				

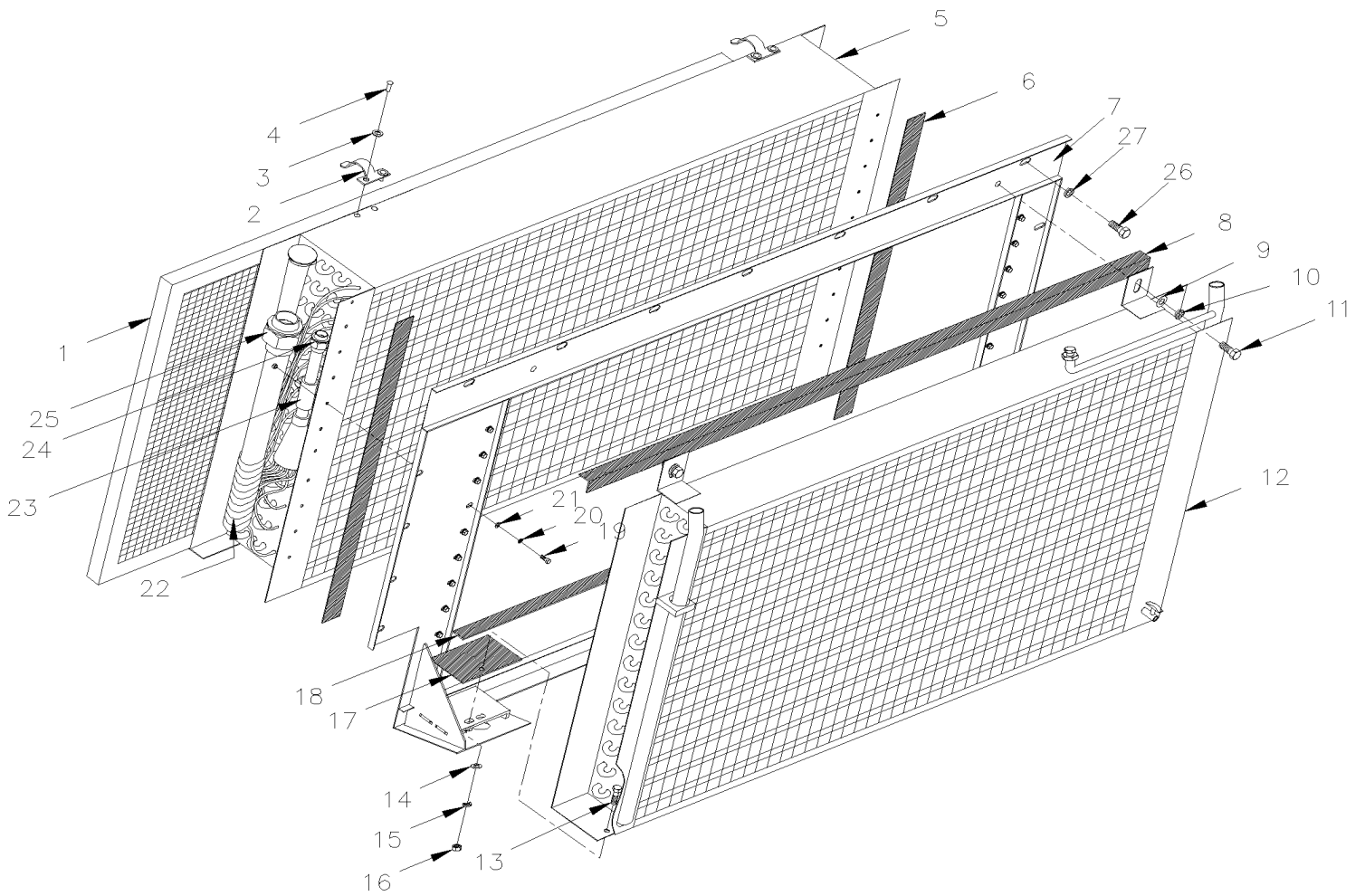
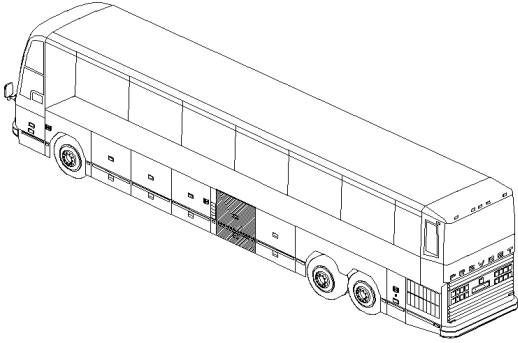


From 3-4417 To 8-1043

Date:10/2022

PAGE:HF-2205-00

HEATER & EVAPORATOR COIL & FILTER ASSY





From 3-4417 To 8-1043	Date:10/2022	PAGE:HF-2205-00
-----------------------	--------------	-----------------

HEATER & EVAPORATOR COIL & FILTER ASSY

Item#	Part	Description	H 3 4 1	H 3 4 5	V I P 4 5	N O T E S
1	871051	FILTER 1" x 23 3/8" x 43 1/2"	1	1	1	
1	870146	AIR FILTER PLEATED 1" x 23 3/8" x 43 1/2" - MERV8	1	1	1	
1	870147	AIR FILTER PLEATED 1" x 23 3/8" x 43 1/2" -MERV13	1	1	1	
2	391009	CLIP RETAINING	2	2	2	
3	500437	WASHER FL .125x.375x.040 Z050	4	4	4	
4	504104	RIVET POP DOME OE 1/8x1/8 SS	4	4	4	
5	950315	COIL EVAPORATOR	1	1	1	
. NS	507346	. O-RING / ORS FITTING / #24 NEO	1	1	1	
. NS	507280	. O-RING / ORS FITTING / #12 NEO	1	1	1	
6	506277	TAPE RUB ADH1 CC POL 1/2" x 3/4" x 15' / GREY 2520X	AR	AR	AR	
7	452484	SUPPORT ASSY To 3-4427	1	1	1	
7	453623	SUPPORT ASSY From 3-4428	1	1	1	
8	506337	RUBBER CHANNEL / 3/32" x 11/32" INT "U" SHAPE / ROUND C.T.L.	AR	AR	AR	
9	500444	WASHER FL .406x.812x.065 Z050	2	2	2	
10	500478	WASHER LO SPT .380x.683x.094 Z050	2	2	2	
11	500044	SCREW CAP HEX 3/8-24x3/4 G5 Z050	2	2	2	
12	871050	HEATER COIL ASSY	1	1	1	
. NS	870124	. BLEEDER VALVE	2	2	2	
NS	501354	. NEEDLE VALVE 1/8 NPT M x 1/8 NPT F	1	1	1	
NS	370355	DECAL "DRAIN..." / ENGLISH & FRANCAIS	1	1	1	
NS	374062	DECAL "DRAIN..." / ENGLISH & SPANISH	1	1	1	
13	500181	SCREW CAP HEX 5/16-18x1 G5 Z050	2	2	2	
14	500441	WASHER FL .312x.734x.065 Z050	2	2	2	
15	500476	WASHER LO SPT .317x.586x.078 Z050	2	2	2	
16	500778	NUT HEX 5/16-18 N500	2	2	2	
17	371735	RUBBER 4 3/4" X 2 7/8" X 3/16" THICK	2	2	2	
18	372543	SEAL RUBBER 19MM X 1065MM	1	1	1	
19	500386	SCREW MA RND PH #10-24x1/2 Z050	20	20	20	
20	500470	WASHER LO SPT .193x.334x.047 Z050	20	20	20	
21	500964	WASHER FL .203x.500x.047 Z050	20	20	20	
22	680091	TAPE INSULATING / 1/8" x 2" x 30' / BLACK PT-1	AR	AR	AR	
23	HF-2208-00	A/C EXPANSION VALVE				
24	373292	HOSE ASSY /EXPANSION VALVE & TUBE / #12 590MM	1	1	1	
. NS	507280	. O-RING / ORS FITTING / #12 NEO	2	2	2	
24	370725	HOSE ASSY /EXPANSION VALVE & TUBE / #12 590MM	1	1	1	S
. NS	507280	. O-RING / ORS FITTING / #12 NEO	2	2	2	S
25	373132	HOSE ASSY /SUCTION & EVAPO.W/R-134a / #24 701MM	1	1	1	
25	950254	HOSE ASSY / W/R-22 / #24 701MM / SS BELLOW	1	1		
NS	507346	O-RING / ORS FITTING / #24 NEO	1	1	1	
26	502830	SCREW CAP HEX M6-1.0x20 G8.8 N500	7	7	7	
26	955513	SCREW CAP HEX 1/4-20x3/4 G5 ZG603	8	8	8	
NS	502908	NUT SPR U 1/4-20 DP320	8	8	8	



From 3-4417 To 8-1043	Date:10/2022	PAGE:HF-2205-00
-----------------------	--------------	-----------------

HEATER & EVAPORATOR COIL & FILTER ASSY

Item#	Part	Description	H 3 4 1	H 3 4 5	V I P 4 5	N O T E S
27	502856	WASHER LO SERR 8.15x22.3x1.0 DP320	15	15	15	
		S) SERVICE				

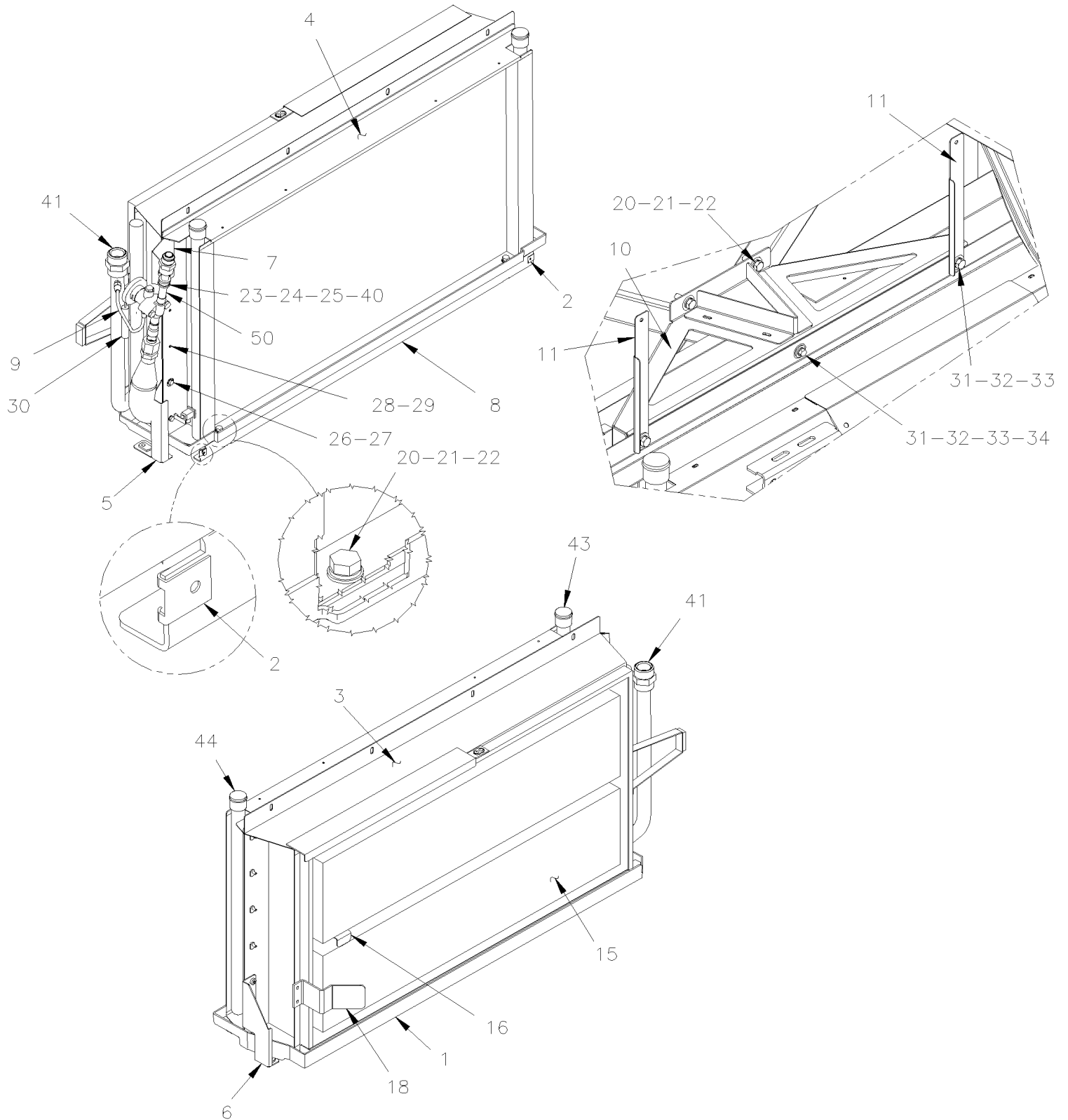


From 7-0772 To 8-1043

Date:10/2022

PAGE:HF-2205-01

HEATER & EVAPORATOR COIL - VIP - W/SLIDE OUT





From 7-0772 To 8-1043	Date:10/2022	PAGE:HF-2205-01
HEATER & EVAPORATOR COIL - VIP - W/SLIDE OUT		

Item#	Part	Description	H 3 4 1	H 3 4 5	V I P 4 5	N O T E S
1	453994	DRAIN PAN			1	
2	481249	NUT			2	
3	950390	COIL EVAPORATOR			1	
. NS	501829	. O-RING / ORS FITTING / #12 NEO			1	
. NS	501803	. O-RING / ORS FITTING / #20 NEO			1	
4	871372	COIL HEATER			1	
5	453983	SUPPORT EVAPORATOR / FORWARD			1	
6	453984	SUPPORT EVAPORATOR / BACKWARD			1	
7	454257	SUPPORT VALVE EXPANSION			1	
8	453982	SUPPORT HEATER CORE			1	
9	454256	TUBE STABILISATOR A/C PRESSURE			1	
10	454333	SUPPORT UPPER HEATER CORE			1	
11	374266	SUPPORT HEATER PIPE RETURN			2	
15	871383	FILTER 1" x 38" x 10 1/2"			2	
16	374231	SLIDING GUIDE 55MM			1	
18	374232	SUPPORT LOWER GUIDE			1	
NS	504340	RIVET POP DOME OE 1/8x3/16 SS			AR	
20	502780	SCREW CAP HEX M8-1.25x25 SS BK			AR	
21	5001341	WASHER FL 8.4x17.0x1.6 SS			AR	
22	500035	WASHER LO SPT .317x.586x.078 SS			AR	
23	952629	CLAMP / 5/8" I.D.			1	
24	500588	SCREW CAP HEX M4-0.7x20 G8.8 Z050			1	
25	500964	WASHER FL .203x.500x.047 Z050			1	
26	955269	SCREW CAP HEX M6-1.0x12 G8.8 ZG603			6	
27	502573	WASHER FL 6.4x12.5x1.6 SS			4	
28	500510	SCREW MA BDG PH #10-32x3/4 SS EMN			8	
29	500914	WASHER LO SPT .193x.334x.047 N500			8	
30	680091	TAPE INSULATING / 1/8" x 2" x 30' / BLACK PT-1			1	
31	502737	SCREW CAP HEX M6-1.0x25 SS BK			3	
32	502853	WASHER LO SPT 6.1x11.8x1.6 N500			AR	
33	500411	WASHER FL .260x.697x.050 SS			3	
34	5001448	WASHER FL .343x.875x.062 SS18-8			AR	
40	454334	HOSE ASSY / #12 335MM			1	
. NS	507280	. O-RING / ORS FITTING / #12 NEO			2	
40	455297	HOSE ASSY / #12 335MM			1	S
. NS	507280	. O-RING / ORS FITTING / #12 NEO			2	S
41	454335	HOSE ASSY / #20 500MM			1	
41	501803	O-RING / ORS FITTING / #20 NEO			1	
43	374247	ELBOW 90° REDUCER 1 1/8" I.D.W/3 1/4" x 1 3/8" I.D. W 3 15/16" C/C			1	
44	051383	HOSE / W/CENTRAL A/C SYSTEM / 1 3/8" I.D. X 150MM			1	
50	HF-2208-00	A/C EXPANSION VALVE	1	1	1	



From 7-0772 To 8-1043	Date:10/2022	PAGE:HF-2205-01
-----------------------	--------------	-----------------

HEATER & EVAPORATOR COIL - VIP - W/SLIDE OUT

Item#	Part	Description	H 3 4 1	H 3 4 5	V I P 4 5	N O T E S
		S) SERVICE				

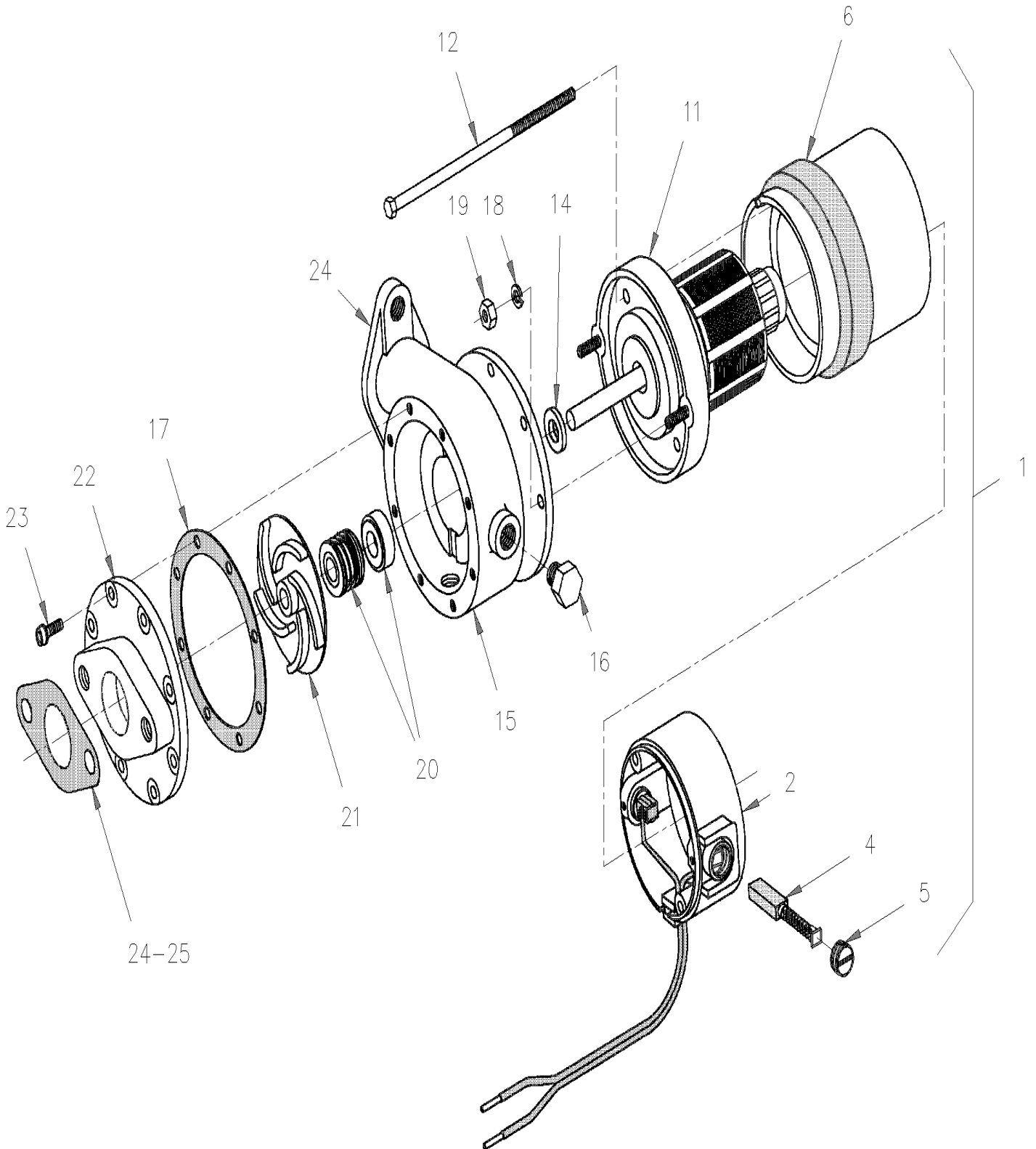


From 3-4417 To 4-4778

Date:10/2022

PAGE:HF-2206-00

WATER PUMP #871204





From 3-4417 To 4-4778	Date:10/2022	PAGE:HF-2206-00
WATER PUMP #871204		

Item#	Part	Description	H 3 4 1	H 3 4 5	V I P 4 5	N O T E S
	871204	WATER PUMP ASSY / 24V / (31726)	1	1	1	R
1	N.S.P.	. MOTOR ASSY (28538)	1	1	1	2
2	N.S.P.	. . HEAD ASSY (28884)	1	1	1	2
2	N.S.S.	. . . BRUSH HOLDER	2	2	2	1
4	871062	. . BRUSH	2	2	2	
5	871063	. . CAP BRUSH	2	2	2	
6	N.S.P.	. . STATOR ASSY (28883)	1	1	1	2
11	N.S.P.	. . ARMATURE ADAPTOR ASSY (28882)	1	1	1	2
11	N.S.S.	. . BEARING	2	2	2	1
12	N.S.S.	. . STUD CASE #10-32 X 5"	2	2	2	1
14	870440	. SLINGER	1	1	1	
15	N.S.P.	. CARRIER / PUMP (21586)	1	1	1	2
16	501303	. PLUG SQUARE HEAD / PIPE FITTING / 1/8NPT-M BR	2	2	2	
17	871205	. GASKET / CARRIER	1	1	1	
18	500470	. WASHER LO SPT .193x.334x.047 Z050	2	2	2	
19	500700	. NUT HEX #10-32 Z050	2	2	2	
20	871310	. KIT SEAL	1	1	1	
21	870436	. IMPELLER	1	1	1	
22	N.S.P.	. FLANGE ADAPTOR (21634)	1	1	1	2
23	N.S.P.	. SCREW #8-32 X 1/2 / BRASS	8	8	8	2
24	870441	GASKET PUMP INLET & OUTLET	1	1	1	
25	871207	QUAD RING	1	1	1	
		R) THOSE PUMP MAY BE SUPPERSEDED BY KIT #374027 WITH "SEALLESS PUMP" SEE PAGE HF-2206-99				
		1) NOT SOLD SEPARATELY				
		2) NOT SOLD BY PREVOST (SEE MANUFACTURING PART NUMBER AT END OF DESCRIPTION LINE)				

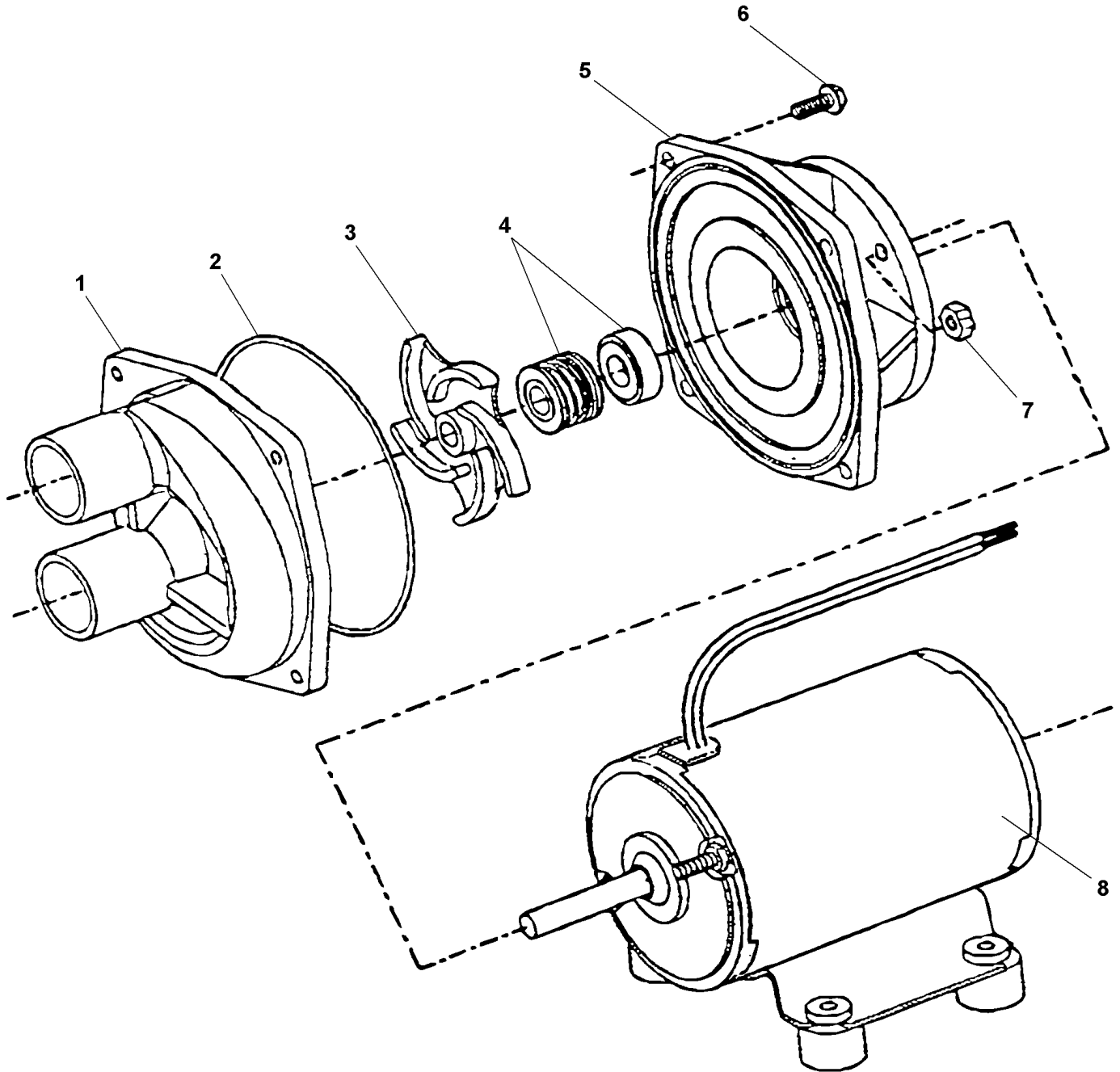


From 3-4417 To 8-1043

Date:10/2022

PAGE:HF-2206-01

WATER PUMP #874296





From 3-4417 To 8-1043	Date:10/2022	PAGE:HF-2206-01
WATER PUMP #874296		

Item#	Part	Description	H 3 4 1	H 3 4 5	V I P 4 5	N O T E S
	067484	WATER PUMP ASSY / W/CONNECTOR				
	874296	. WATER PUMP ASSY / 24V / "MP PUMPS"	1	1		
1	871047	. . COVER	1	1		
2	871065	. . O-RING	1	1		
3	870436	. . IMPELLER	1	1		
4	871346	. . KIT SEAL	1	1		
5	N.P.N.	. . ADAPTER / (28733)	1	1		4
6	N.P.N.	. . SCREW BRASS / (28834)	1	1		4
7	N.P.N.	. . NUT BRASS / (21543)	1	1		4
8	871347	. . MOTOR ASSY 24V	1	1		
NS	561566	. CONNECTOR / WEATHER PACK / PH 2C / BLACK / PED 12010973	1	1		
NS	561568	. PIN TERMINAL / 16-14 / PED 12089305	2	2		
NS	561786	. CABLE SEAL / GRAY / PED 15324980	2	2		
		4) NO PARTS NUMBER				



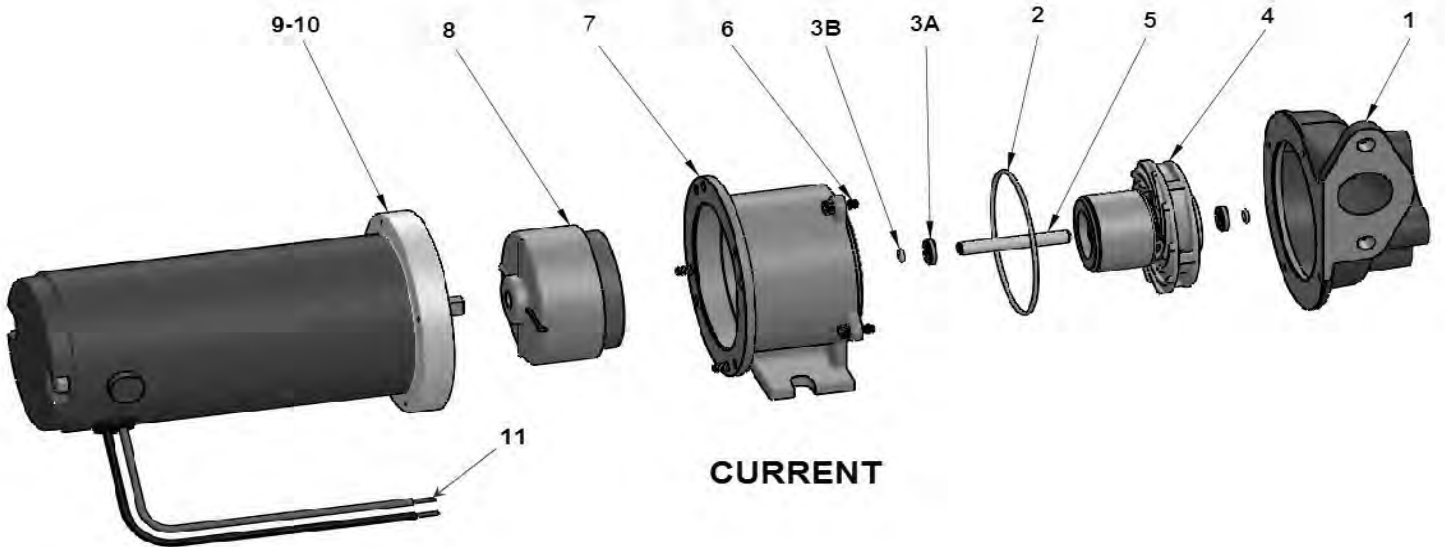
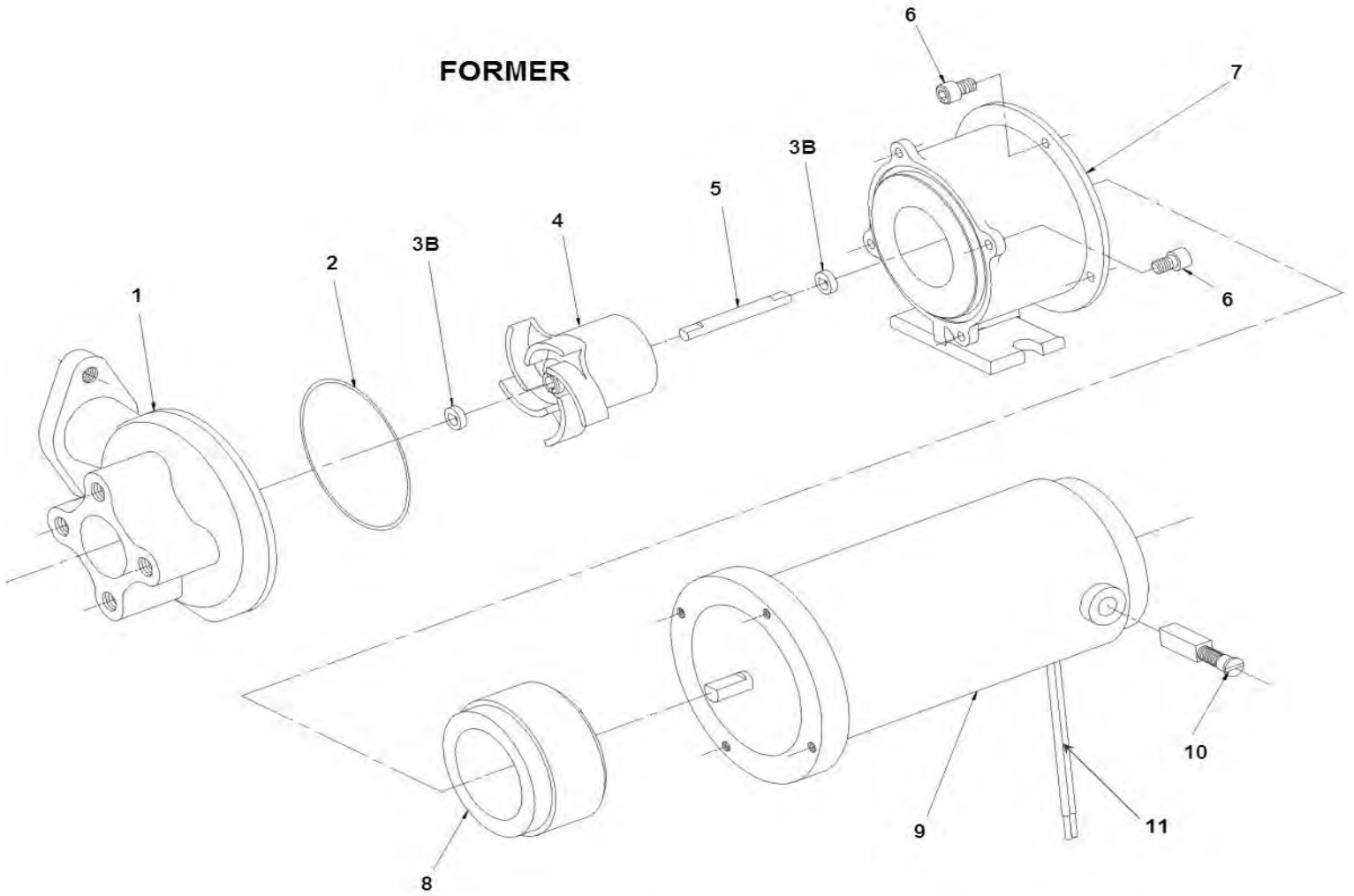
From 4-4779 To 8-1043

Date:10/2022

PAGE:HF-2206-02

WATER PUMP #871342 SEALLESS

FORMER



CURRENT

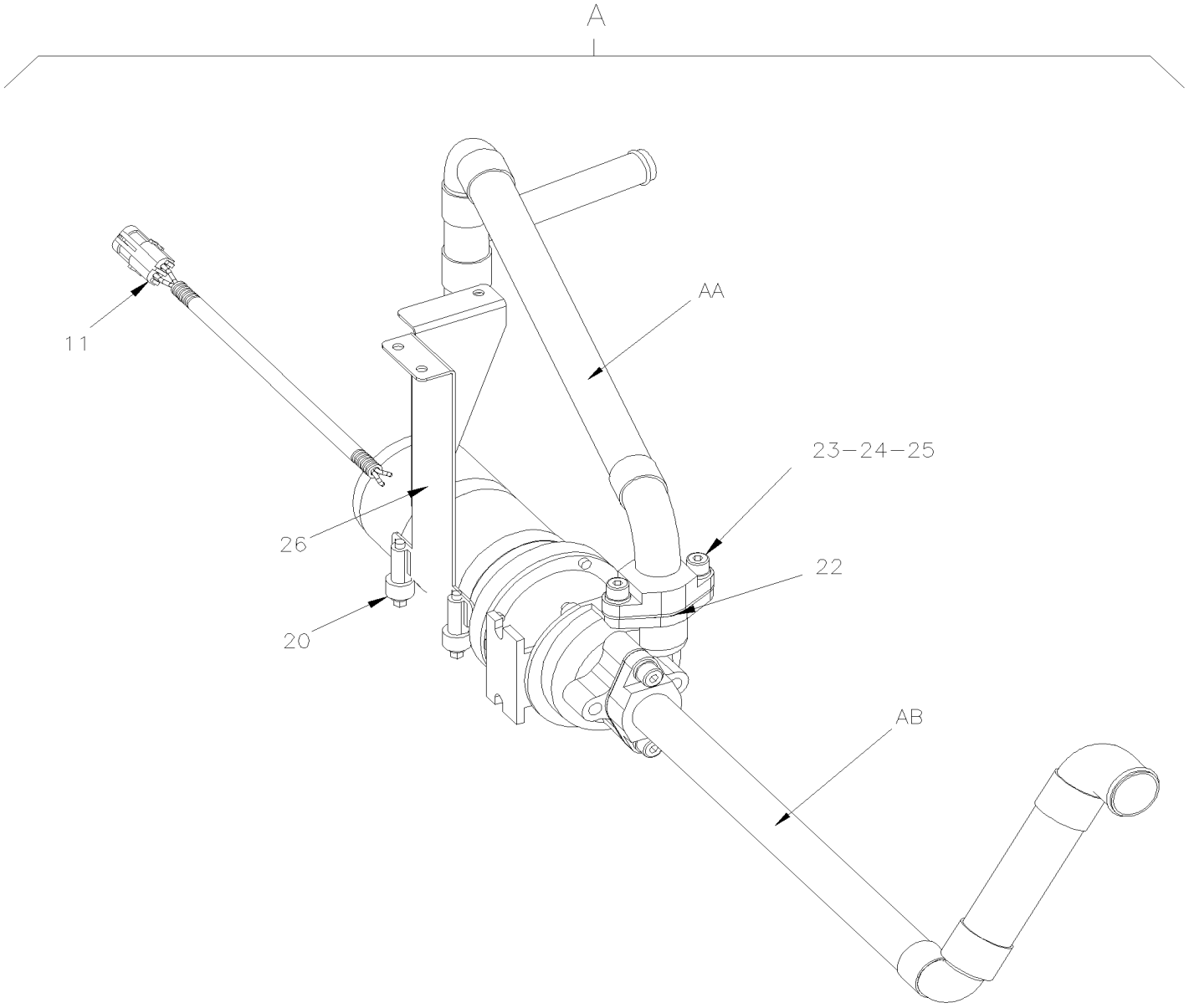


From 4-4779 To 8-1043

Date:10/2022

PAGE:HF-2206-02

WATER PUMP #871342 SEALLESS





From 4-4779 To 8-1043	Date:10/2022	PAGE:HF-2206-02
WATER PUMP #871342 SEALLESS		

Item#	Part	Description	H 3 4 1	H 3 4 5	V I P 4 5	N O T E S
	374032	PUMP WATER ASSY WITH CONNECTOR / SEALLESS MODEL	1	1	1	
	871414	. WATER PUMP ASSY / 24V / SEALLESS / "MP PUMPS"	1	1	1	A
	871342	. WATER PUMP ASSY / 24V / SEALLESS / "MP PUMPS"	1	1	1	
1	N.S.S.	. . HOUSING	1	1	1	1
2	871236	. . O-RING	1	1	1	
3A	870138	. . O-RING	2	2	2	C
3B	871239	. . WASHER SS	2	2	2	F
3B	Call order desk	. . WASHER THRUST	2	2	2	P C
4	871240	. . ROTOR ASSY	1	1	1	F
4	870117	. . ROTOR ASSY	1	1	1	C
5	871241	. . SHAFT SS	1	1	1	F
5	Call order desk	. . SHAFT SS	1	1	1	P C
6	G1094056	. . SCREW CAP HEXS 8-32x3/8	8	8	8	
7	G1094057	. . ADAPTOR	1	1	1	
8	871242	. . DRIVE MAGNET	1	1	1	
9	871322	. . MOTOR ASSY 24V	1	1	1	
10	871323	. . . BRUSH	2	2	2	
11	561566	. CONNECTOR / WEATHER PACK / PH 2C / BLACK / PED 12010973	1	1	1	
NS	561568	. PIN TERMINAL / 16-14 / PED 12089305	2	2	2	
NS	561786	. CABLE SEAL / GRAY / PED 15324980	1	1	1	
20	504026	. HOSE CLAMP / 2"13/16-3"3/4 SS / HS-52 From 7-0772			2	
22	870441	. GASKET PUMP INLET & OUTLET From 7-0772			2	
23	5001580	. SCREW CAP HEXS 3/8-16x7/8 From 7-0772			4	
24	500478	. WASHER LO SPT .380x.683x.094 Z050 From 7-0772			4	
25	871206	. FLANGE ADAPTOR / W/QUAD RING From 7-0772			2	
26	374265	. SUPPORT / WATER PUMP From 7-0772			1	
A	Call order desk	PUMP WATER ASSY WITH PIPE From 7-0772			1	P
. A	374827	. OUTPUT SECTION From 7-0772			1	
. B	374850	. TUBE ASSY WITHOUT FILTER From 7-0772			1	
		A) THIS PUMP IS PACKAGING INDIVIDUALLY WITHOUT ELECTRICAL CONNECTORS				
		C) CURRENT				
		F) FORMER				
		1) NOT SOLD SEPARATELY				
		P) CALL ORDER DESK FOR SPECIFIC APPLICATION (V.I.N.)				

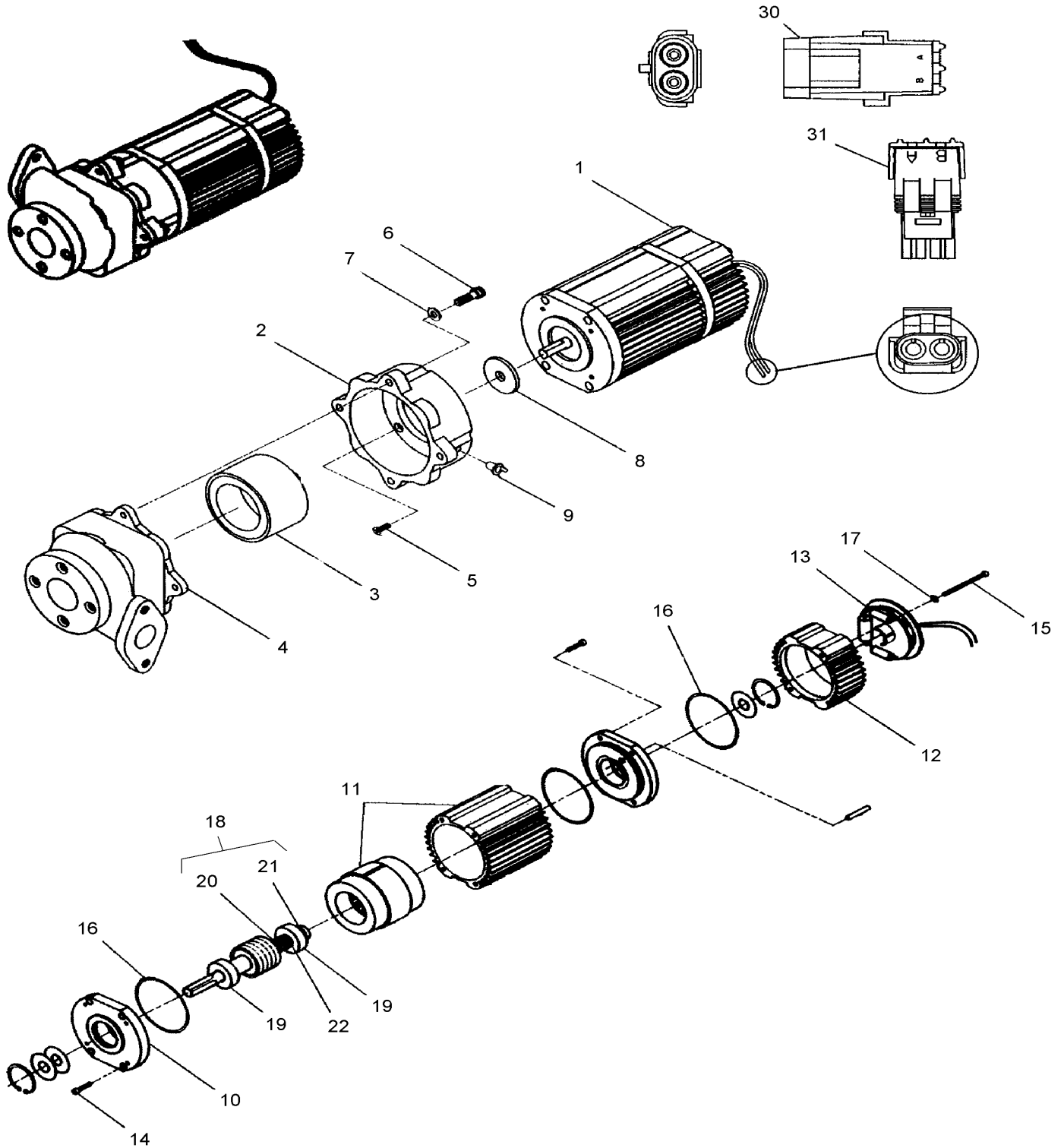


From 6-0657 To 8-1043

Date:10/2022

PAGE:871327

WATER PUMP / "ROTRON" 24 V "SPECIAL OPTION"





From 6-0657 To 8-1043	Date:10/2022	PAGE:871327
WATER PUMP / "ROTRON" 24 V "SPECIAL OPTION"		

Item#	Part	Description	H 3 4 1	H 3 4 5	V I P 4 5	N O T E S
		WATER PUMP ASSY / 24V / SEAL & BRUSHLESS	1	1	1	
1	N8881521	. MOTOR 24 V	1	1	1	
1	G1017727	. MOTOR 24V	1	1	1	
1	N8896644	. MOTOR 24V	1	1	1	
2	N8881522	. CONNECTING HOUSING	1	1	1	
3	N8881523	. DRIVE MAGNET	1	1	1	
3	G1017729	. DRIVE MAGNET	1	1	1	
4	N8881524	. SEALLESS PUMP HOUSING	1	1	1	
4	G1017730	. PUMP ASSY	1	1	1	
5	N8881525	. SCREW #8-32 X 0.50	4	4	4	
6	N8881526	. SCREW 1/4-20 X 0.88	4	4	4	
7	N8881527	. WASHER	4	4	4	
7	G1017733	. WASHER	1	1	1	
8	N8881528	. WASHER	1	1	1	
8	G1014848	. WASHER	1	1	1	
9	N8881529	. PLUG	1	1	1	
9	195971	. PLUG, TREATED	1	1	1	
10	G1017712	. ENDBELL	1	1	1	
11	N8881530	. FRONT HOUSING	1	1	1	
12	G1018142	. REAR HOUSING	1	1	1	
13	G1017716	. ENCODER 24 V	1	1	1	
14	G1017717	. SCREW #8-32 X 0.75	4	4	4	
15	G1017718	. SCREW #8-32 X 2.25	2	2	2	
16	G1017719	. O-RING	2	2	2	
17	G1017720	. WASHER #8	2	2	2	
18	G1017714	. SHAFT AND ROTOR ASM	1	1	1	
19	G1017721	. . BEARING	2	2	2	
19	19503536	. . BEARING	2	2	2	
19	N8881544	. . BEARING	2	2	2	
20	G1017723	. . SPRING	1	1	1	
21	G1017724	. . SNAP RING	1	1	1	
22	G1017725	. . SHIM BEARING	1	1	1	
30	561605	. CONNECTOR / WEATHER PACK / PH 1C / BLACK / PED 12010996	1	1	1	
31	561690	. CONNECTOR / WEATHER PACK / SH 2C / BLACK / PED 12015792	1	1	1	



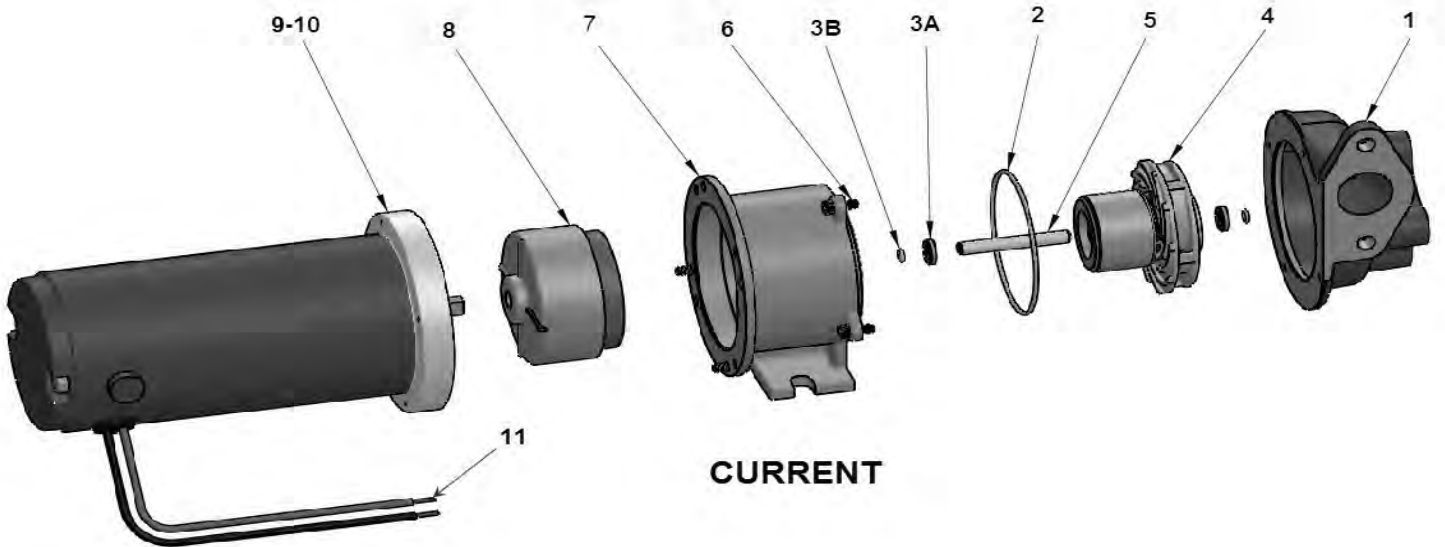
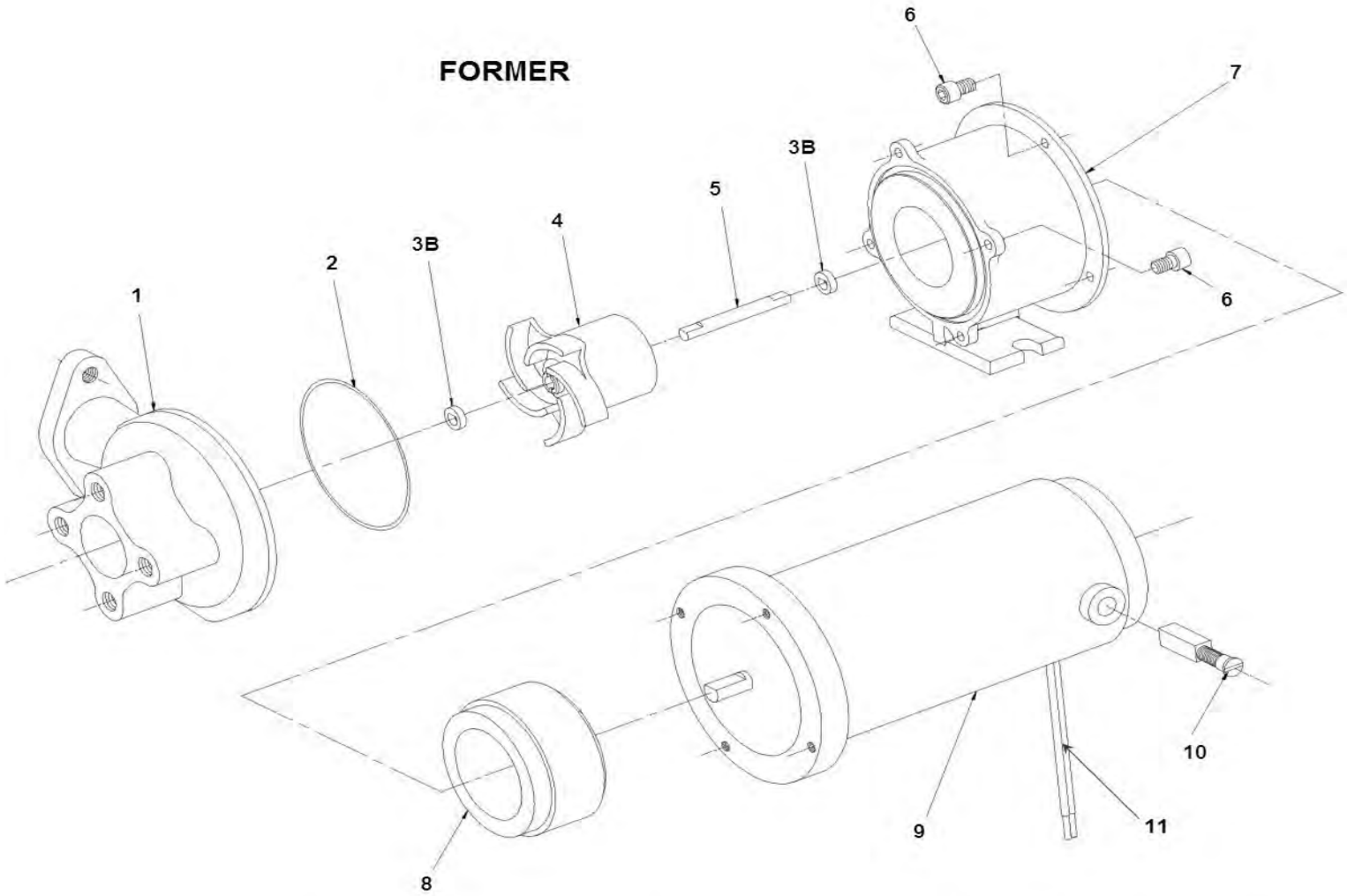
From 3-4417 To 8-1043

Date:10/2022

PAGE:HF-2206-99

WATER PUMP #871342 SEALLESS / RETROFIT

FORMER



CURRENT



From 3-4417 To 8-1043	Date:10/2022	PAGE:HF-2206-99
WATER PUMP #871342 SEALLESS / RETROFIT		

Item#	Part	Description	H 3 4 1	H 3 4 5	V I P 4 5	N O T E S
	374032	PUMP WATER ASSY WITH CONNECTOR / SEALLESS MODEL	1	1	1	
	871414	. WATER PUMP ASSY / 24V / SEALLESS / "MP PUMPS"	1	1	1	A
	871342	. WATER PUMP ASSY / 24V / SEALLESS / "MP PUMPS"	1	1	1	
1	N.S.S.	. . HOUSING	1	1	1	1
2	871236	. . O-RING	1	1	1	
3A	870138	. . O-RING	2	2	2	C
3B	871239	. . WASHER SS	2	2	2	F
3B	Call order desk	. . WASHER THRUST	2	2	2	PC
4	871240	. . ROTOR ASSY	1	1	1	F
4	870117	. . ROTOR ASSY	1	1	1	C
5	871241	. . SHAFT SS	1	1	1	F
5	Call order desk	. . SHAFT SS	1	1	1	PC
6	G1094056	. . SCREW CAP HEXS 8-32x3/8	8	8	8	
7	G1094057	. . ADAPTOR	1	1	1	
8	871242	. . DRIVE MAGNET	1	1	1	
9	871322	. . MOTOR ASSY 24V	1	1	1	
10	871323	. . BRUSH	2	2	2	
11	561566	. CONNECTOR / WEATHER PACK / PH 2C / BLACK / PED 12010973	1	1	1	
NS	561568	. PIN TERMINAL / 16-14 / PED 12089305	2	2	2	
NS	561786	. CABLE SEAL / GRAY / PED 15324980	2	2	2	
NS	374027	KIT, RETROFIT SEALLESS WATER PUMP	1	1	1	AB
NS	374061	WATER PUMP ASSY W/SUPPORT / W/"H" / V.I.P.			1	AS
. NS	IS-03044	. SEE INSTRUCTION SHEET			1	AS
		A) TO REPLACE OLD MODEL #871204				
		B) WITH LARGE A/C SYSTEM				
		C) CURRENT				
		F) FORMER				
		S) WITH SMALL A/C SYSTEM				
		1) NOT SOLD SEPARATELY				
		P) CALL ORDER DESK FOR SPECIFIC APPLICATION (V.I.N.)				

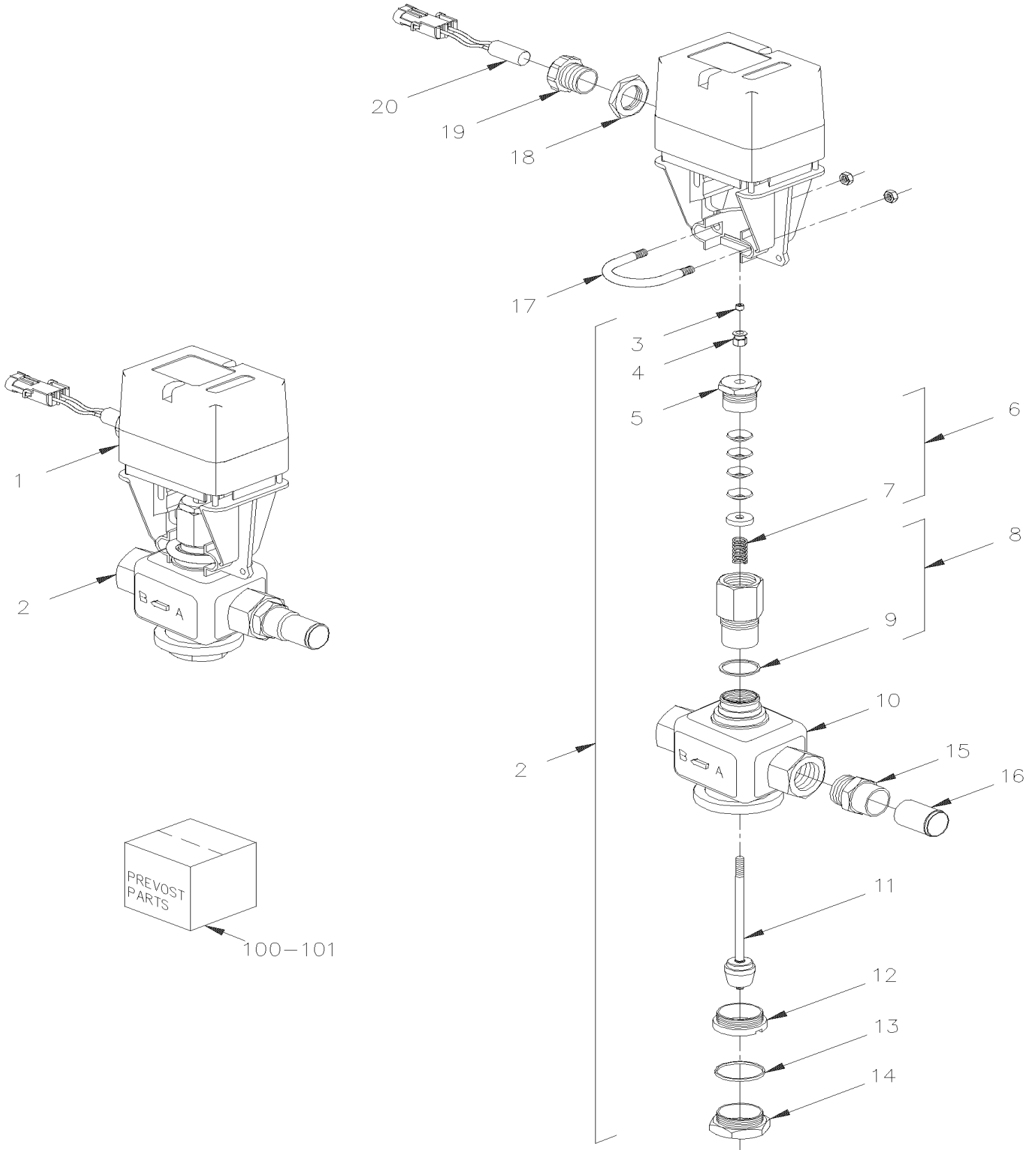


From 3-4417 To 3-4757

Date:10/2022

PAGE:HF-2207-00

WATER VALVE "VERSADRIVE"





From 3-4417 To 3-4757	Date:10/2022	PAGE:HF-2207-00
WATER VALVE "VERSADRIVE"		

Item#	Part	Description	H 3 4 1	H 3 4 5	V I P 4 5	N O T E S
	373729	VALVE ASSY W/FITTING	1	1	1	
1	871184	. VALVE ACTUATOR 0-10 VOLTS	1	1	1	
2	871183	. VALVE BODY ASSY 3/4" NPT	1	1	1	
3	500870	. . SCREW SET HEXS CUP 1/4-28x3/16	1	1	1	
4	N.P.N.	. . BUTTON	1	1	1	4
5	N.P.N.	. . PACKING NUT	1	1	1	4
6	N.P.N.	. . SEAL	1	1	1	4
7	N.P.N.	. . . SPRING	1	1	1	4
8	N.P.N.	. . PACKING CARTRIDGE	1	1	1	4
9	N.P.N.	. . . RING SEAL	1	1	1	4
10	N.P.N.	. . BODY	1	1	1	4
11	N.P.N.	. . PLUG SEAL	1	1	1	4
12	N.P.N.	. . SEAT RING	1	1	1	4
13	N.P.N.	. . RING NUT	1	1	1	4
14	N.P.N.	. . BOTTOM NUT	1	1	1	4
15	501794	. ADAPTER / COPPER @ PIPE / 1Mx3/4NPT-M	2	2	2	
16	372544	. PIPE OUTLET	2	2	2	
17	N.P.N.	. U-BOLT	1	1	1	4
NS	372939	. SUPPORT WATER VALVE "Z" SHAPE	1	1	1	
18	560433	. NUT LOCK 1/2" PIPE	1	1	1	
19	560434	. CONNECTOR 1/2" PIPE	1	1	1	
20	063332	. CABLE ASSY	1	1	1	
100	871187	. . PACKING NUT INCLUDE ITEM 6 + 7	1	1	1	
101	871188	. . KIT MASTER REPAIR PACKING ITEM 8 + 9	1	1	1	
NS	374835	REPLACEMENT OF THE HOT WATER VALVE EQUIPPED WITH ACTUATOR #871184	1	1	1	
. NS	373898	. WATER VALVE ASSY / 24V	1	1	1	
. NS	503402	. TUBE, NYLON 1/4 O.D. / BLACK S.L.	25FT	25FT	25FT	
. NS	563204	. CONNECTOR / SOCKET HOUSING ASSY 4C / BURKET 303148	1	1	1	
. NS	IS-14905	. SEE INSTRUCTION SHEET	1	1	1	
		4) NO PARTS NUMBER				

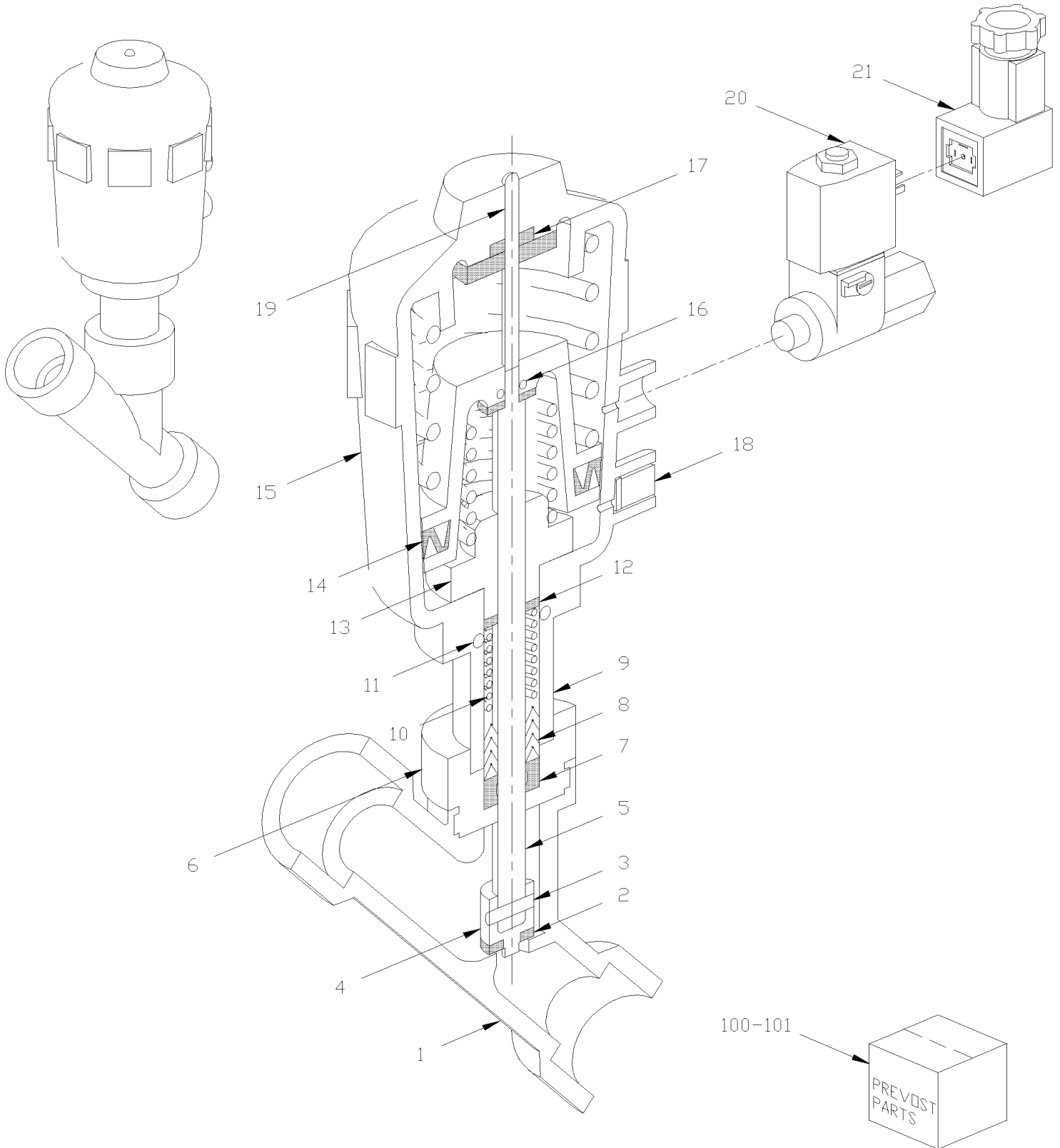


From 4-4758 To 8-1043

Date:10/2022

PAGE:HF-2207-01

WATER VALVE - W/MAIN & DRIVER'S



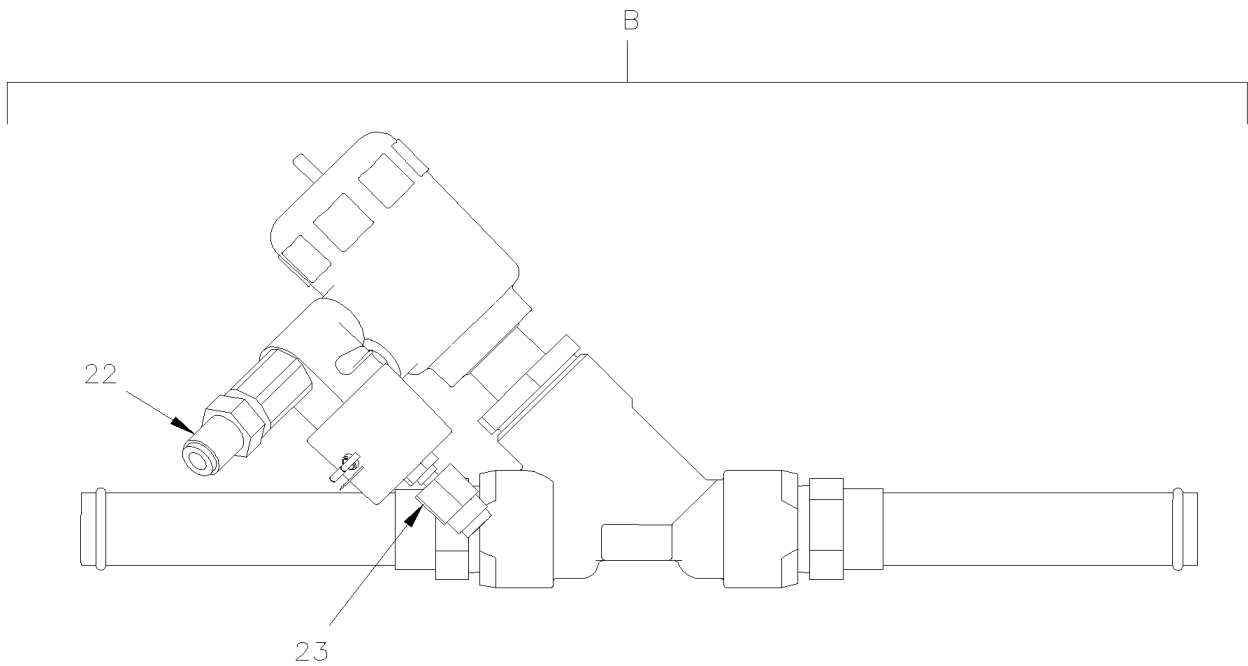
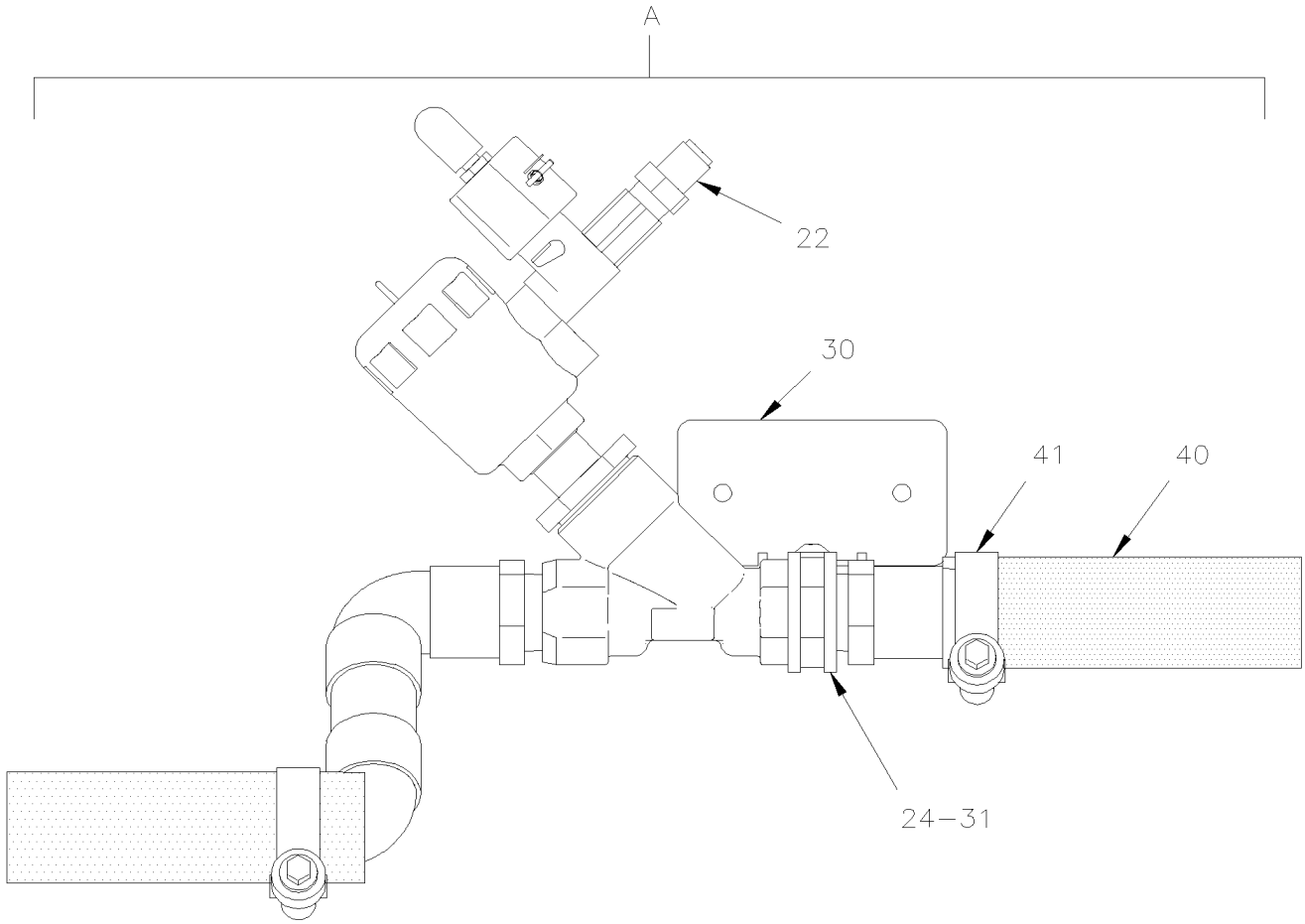


From 4-4758 To 8-1043

Date:10/2022

PAGE:HF-2207-01

WATER VALVE - W/MAIN & DRIVER'S





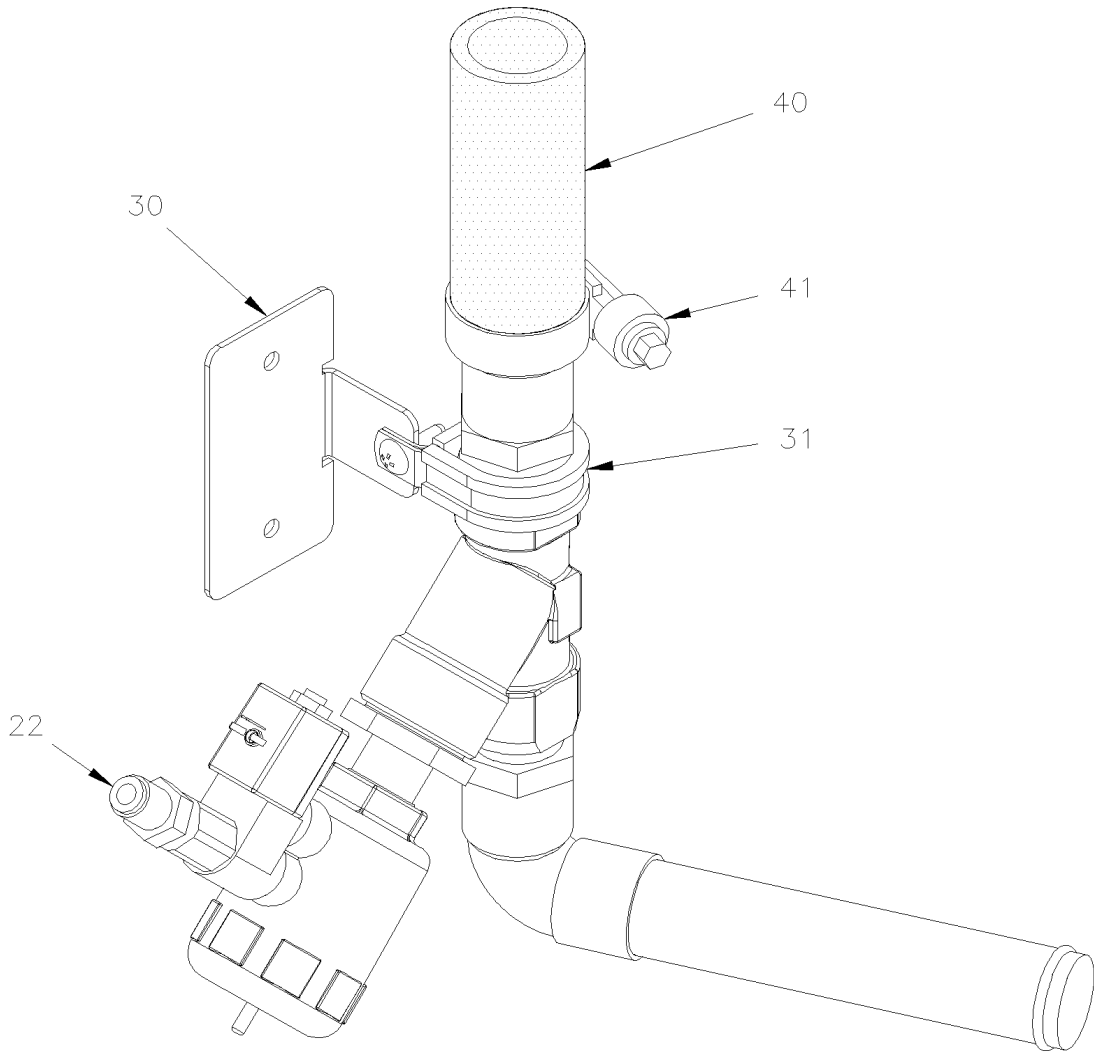
From 4-4758 To 8-1043

Date:10/2022

PAGE:HF-2207-01

WATER VALVE - W/MAIN & DRIVER'S

C





From 4-4758 To 8-1043	Date:10/2022	PAGE:HF-2207-01
WATER VALVE - W/MAIN & DRIVER'S		

Item#	Part	Description	H 3 4 1	H 3 4 5	V I P 4 5	N O T E S
	871252	. WATER VALVE ASSY / 24V	1	1	1	
1	N.S.S.	. . BODY	1	1	1	1
2	N.S.S.	. . SEAL	1	1	1	1
3	N.S.S.	. . PIN	1	1	1	1
4	N.S.S.	. . SWIVEL PLATE	1	1	1	1
5	N.S.S.	. . SPINDLE	1	1	1	1
6	N.S.S.	. . NIPPLE	1	1	1	1
7	N.S.S.	. . WIPER	1	1	1	1
8	N.S.S.	. . V-SEAL	3	3	3	1
9	N.S.S.	. . TUBE	1	1	1	1
10	N.S.S.	. . SPRING	1	1	1	1
11	N.S.S.	. . O-RING	1	1	1	1
12	N.S.S.	. . LIP SEAL	1	1	1	1
13	N.S.S.	. . SCREW	1	1	1	1
14	N.S.S.	. . CYLINDER SEAL	1	1	1	1
15	N.S.S.	. . ACTUATOR CASING	1	1	1	1
16	N.S.S.	. . O-RING	1	1	1	1
17	N.S.S.	. . LIP SEAL	1	1	1	1
18	N.S.S.	. . CONE GLAND 1/8"	2	2	2	1
19	N.S.S.	. . POSITION INDICATOR	1	1	1	1
20	871313	. SOLENOID VALVE 24V 4 WATTS 1/8SPT X 1/4NPT	1	1	1	
. NS	871391	. . COIL 24V 4 WATTS	1	1	1	
21	563204	. CONNECTOR / SOCKET HOUSING ASSY 4C / BURKET 303148	1	1	1	
22	641332	MALE CONNECTOR / PUSH-IN FITTING / #4x1/4NPT-M BR	1	1	1	
23	642028	MALE CONNECTOR / PUSH-IN FITTING / 6MM x M5-0.8 BR	1	1	1	
24	500283	SCREW TC TR PH #10-24x3/4 SS	1	1	1	
30	373899	SUPPORT WATER VALVE	1	1	1	
31	952639	CLAMP / 1"1/4 I.D.	1	1	1	
40	503652	HOSE SILICONE 2PLY 1 1/8" I.D. x 3'	AR	AR	AR	
41	504658	HOSE CLAMP / 13/16"-1"3/4 / C.T. 9420	2	2	2	
100	871311	SEAL KIT / WATER SIDE	1	1	1	
101	871312	SEAL KIT / AIR PISTON SIDE	1	1	1	
A	373898	WATER VALVE ASSY / 24V To 7-1018	1	1	1	
B	374078	WATER VALVE ASSY / 24V 70deg From 5-0168	1	1		M
B	374078	WATER VALVE ASSY / 24V 70deg From 5-0234			1	M
C	374246	WATER VALVE ASSY / 24V W/MUX From 7-0772	1	1	1	M S
		M) UNDER STEPWELL WITH MULTIPLEX				
		S) WITH SLIDE OUT				
		1) NOT SOLD SEPARATELY				

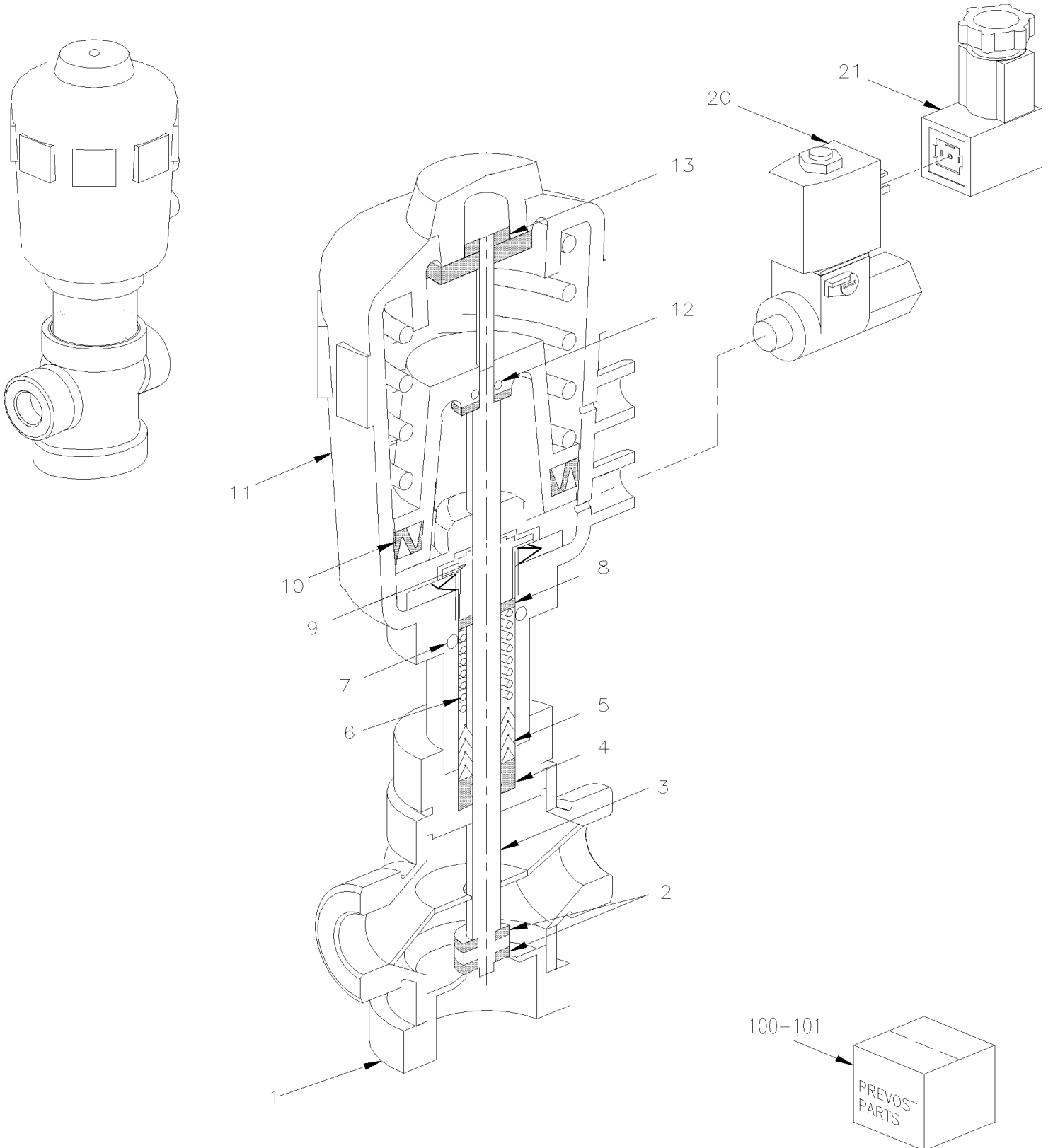


From 7-1019 To 8-1043

Date:10/2022

PAGE:HF-2207-02

WATER VALVE - HEATER W/BYPASS



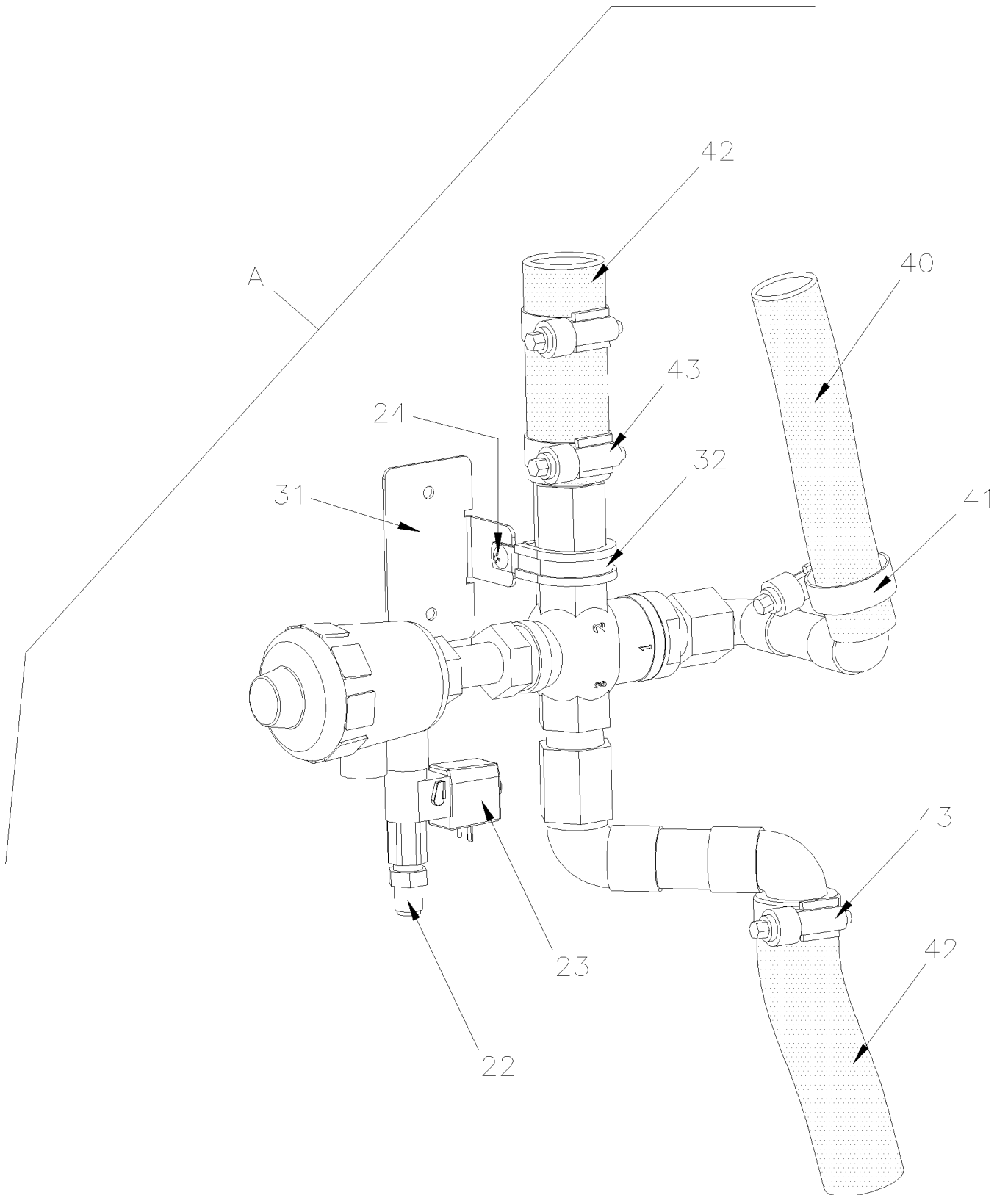


From 7-1019 To 8-1043

Date:10/2022

PAGE:HF-2207-02

WATER VALVE - HEATER W/BYPASS





From 7-1019 To 8-1043	Date:10/2022	PAGE:HF-2207-02
WATER VALVE - HEATER W/BYPASS		

Item#	Part	Description	H 3 4 1	H 3 4 5	V I P 4 5	N O T E S
	871381	. WATER VALVE ASSY / 24V / 3/WAY 3/4" NPT	1	1	1	
1	N.S.S.	. . BODY	1	1	1	1
2	N.S.S.	. . SEAL	1	1	1	1
3	N.S.S.	. . SPINDLE	1	1	1	1
4	N.S.S.	. . WIPER	1	1	1	1
5	N.S.S.	. . V-SEAL	3	3	3	1
6	N.S.S.	. . SPRING	1	1	1	1
7	N.S.S.	. . O-RING	1	1	1	1
8	N.S.S.	. . LIP SEAL	1	1	1	1
9	N.S.S.	. . SCREW PISTON	1	1	1	1
10	N.S.S.	. . CYLINDER SEAL	1	1	1	1
11	N.S.S.	. . ACTUATOR CASING	1	1	1	1
12	N.S.S.	. . O-RING.	1	1	1	1
13	N.S.S.	. . LIP SEAL	1	1	1	1
14	N.S.S.	. . CONE GLAND 1/8"	2	2	2	1
20	871390	. SOLENOID VALVE / 24V 4 WATTS	1	1	1	
. NS	871391	. . COIL 24V 4 WATTS	1	1	1	
21	563204	. CONNECTOR / SOCKET HOUSING ASSY 4C / BURKET 303148	1	1	1	
22	641332	MALE CONNECTOR / PUSH-IN FITTING / #4x1/4NPT-M BR	1	1	1	
23	642028	MALE CONNECTOR / PUSH-IN FITTING / 6MM x M5-0.8 BR	1	1	1	
24	500283	SCREW TC TR PH #10-24x3/4 SS	1	1	1	
31	373899	SUPPORT WATER VALVE	1	1	1	
32	952639	CLAMP / 1"1/4 I.D.	1	1	1	
40	503651	HOSE SILICONE 2PLY 7/8" I.D. x 3'	AR	AR	AR	
41	504658	HOSE CLAMP / 13/16"-1"3/4 / C.T. 9420	1	1	1	
42	503652	HOSE SILICONE 2PLY 1 1/8" I.D. x 3'	AR	AR	AR	
43	504658	HOSE CLAMP / 13/16"-1"3/4 / C.T. 9420	2	2	2	
100	871389	SEAL KIT / WATER SIDE	1	1	1	
101	871388	SEAL KIT / AIR PISTON SIDE	1	1	1	
A	Call order desk	WATER VALVE ASSY W/PIPE & SUPPORT	1	1	1	P
. NS	374281	. ADAPTOR 7/8" I.D. WELDED x 3/4" B.P.T. MALE	1	1	1	
. NS	374282	. ADAPTOR 1 1/8" I.D. WELDED x 3/4" B.P.T. MALE	2	2	2	
		1) NOT SOLD SEPARATELY				
		P) CALL ORDER DESK FOR SPECIFIC APPLICATION (V.I.N.)				

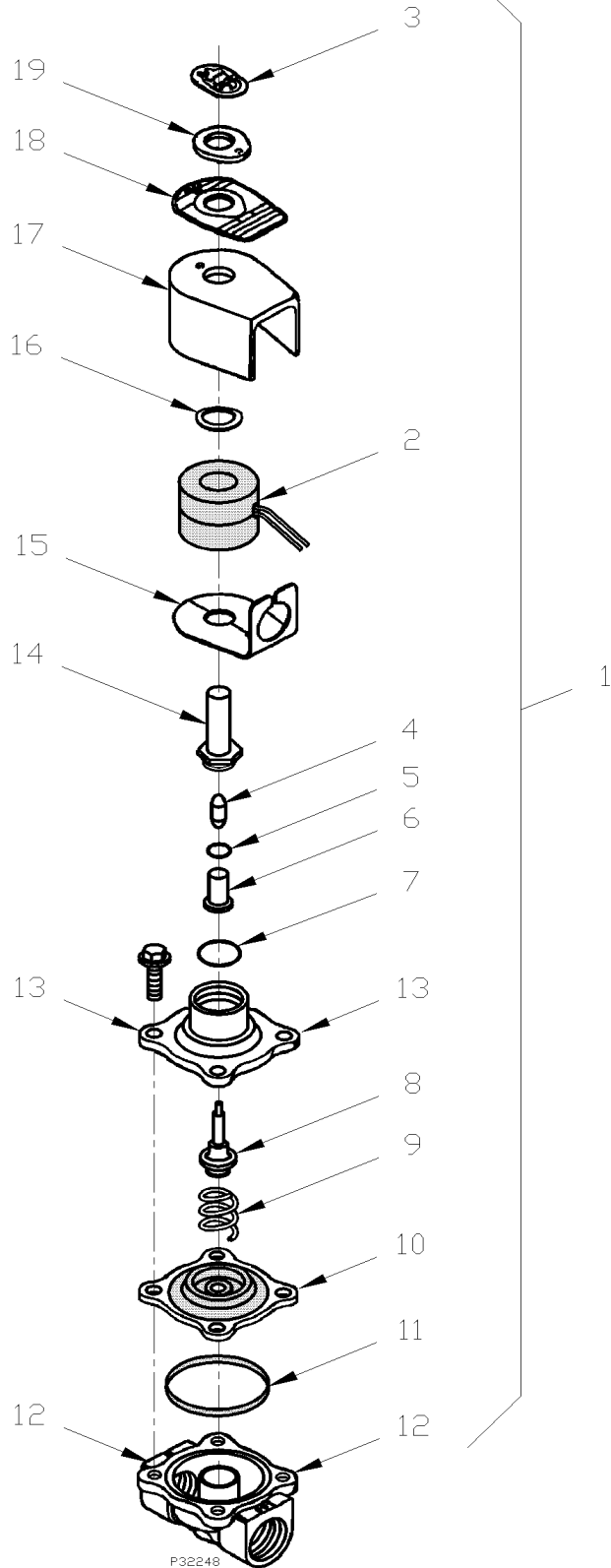


From 3-4417 To 6-0435

Date:10/2022

PAGE:HF-2207-10

WATER VALVE - DRIVER'S



P32248

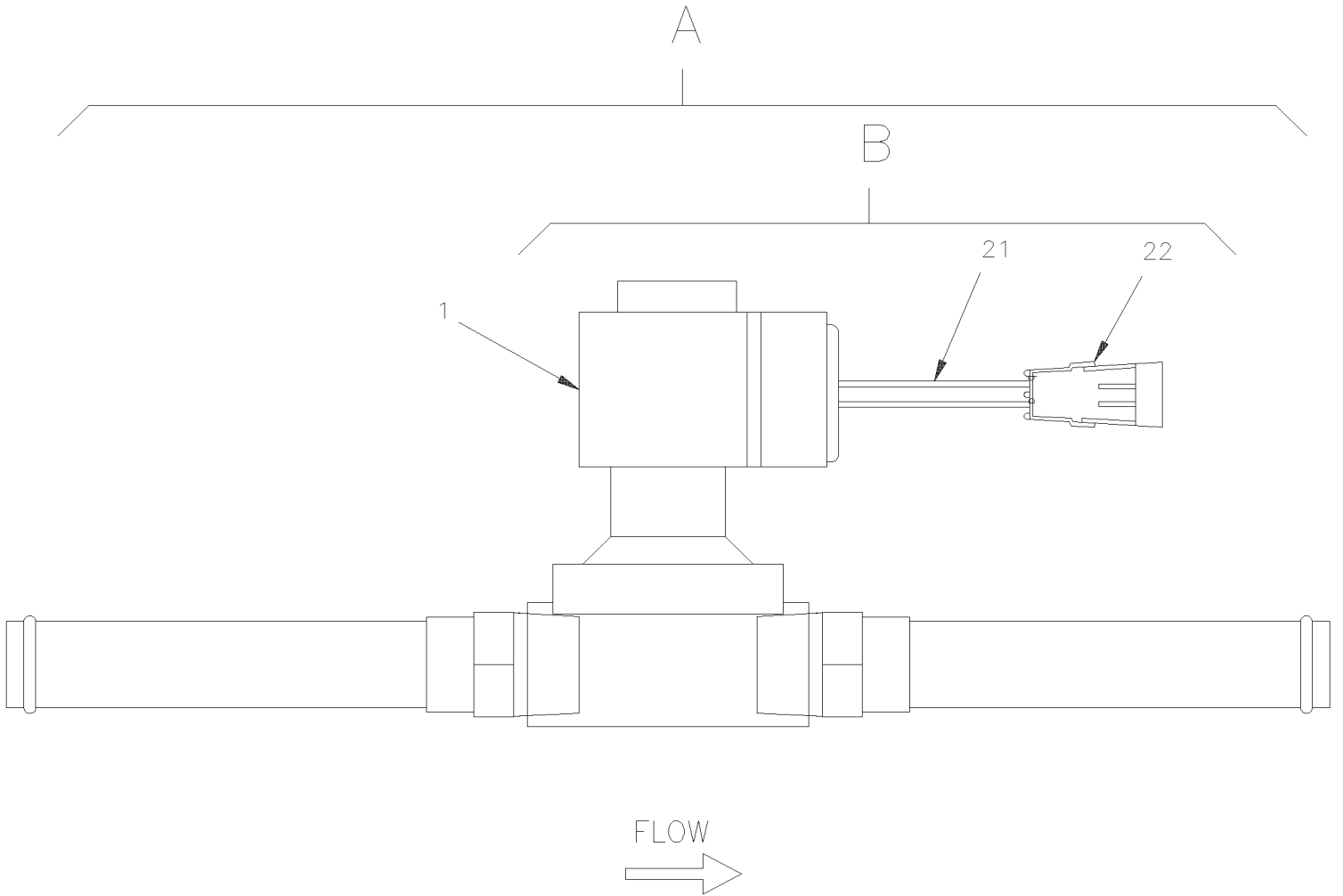


From 3-4417 To 6-0435

Date:10/2022

PAGE:HF-2207-10

WATER VALVE - DRIVER'S





From 3-4417 To 6-0435	Date:10/2022	PAGE:HF-2207-10
WATER VALVE - DRIVER'S		

Item#	Part	Description	H 3 4 1	H 3 4 5	V I P 4 5	N O T E S
1	870812	. . VALVE WATER ASSY / 24 V	1	1	1	
2	870960	. . . COIL 24V	1	1	1	
3	N.S.S.	. . RETAINING CLIP	1	1	1	1
4	N.S.S.	. . CORE	1	1	1	1
5	N.S.S.	. . PLUGNUT GASKET	1	1	1	1
6	N.S.S.	. . PLUGNUT ASSY	1	1	1	1
7	N.S.S.	. . GASKET	1	1	1	1
8	N.S.S.	. . DISC HOLDER	1	1	1	1
9	N.S.S.	. . SPRING	1	1	1	1
10	N.S.S.	. . DIAPHRAGM	1	1	1	1
11	N.S.S.	. . GASKET	1	1	1	1
12	N.S.S.	. . BODY	1	1	1	1
13	N.S.S.	. . VALVE BONNET	1	1	1	1
14	N.S.S.	. . SOLENOID BASE	1	1	1	1
15	N.S.S.	. . HOUSING	1	1	1	1
16	N.S.S.	. . SPRING WASHER	1	1	1	1
17	N.S.S.	. . COVER	1	1	1	1
18	N.S.S.	. . NAMEPLATE	1	1	1	1
19	N.S.S.	. . SPACER	1	1	1	1
21	560931	. DIODE / 3AMPS	1	1	1	
22	561566	. CONNECTOR / WEATHER PACK / PH 2C / BLACK / PED 12010973	1	1	1	
NS	561565	. CABLE SEAL / GREEN / PED 15324982	2	2	2	
NS	561568	. PIN TERMINAL / 16-14 / PED 12089305	2	2	2	
NS	504356	. GROMMET / .625x.875x.062x.312x1.125	1	1	1	
100	870872	KIT REPAIR	AR	AR	AR	A
A	372855	VALVE ASSY / W/PIPE To 5-0167	1	1		
A	372855	VALVE ASSY / W/PIPE			1	
B	372854	. VALVE ASSY / W/CONNECTOR	1	1	1	
		A) INCLUDE ITEMS #3 TO 11				
		1) NOT SOLD SEPARATELY				

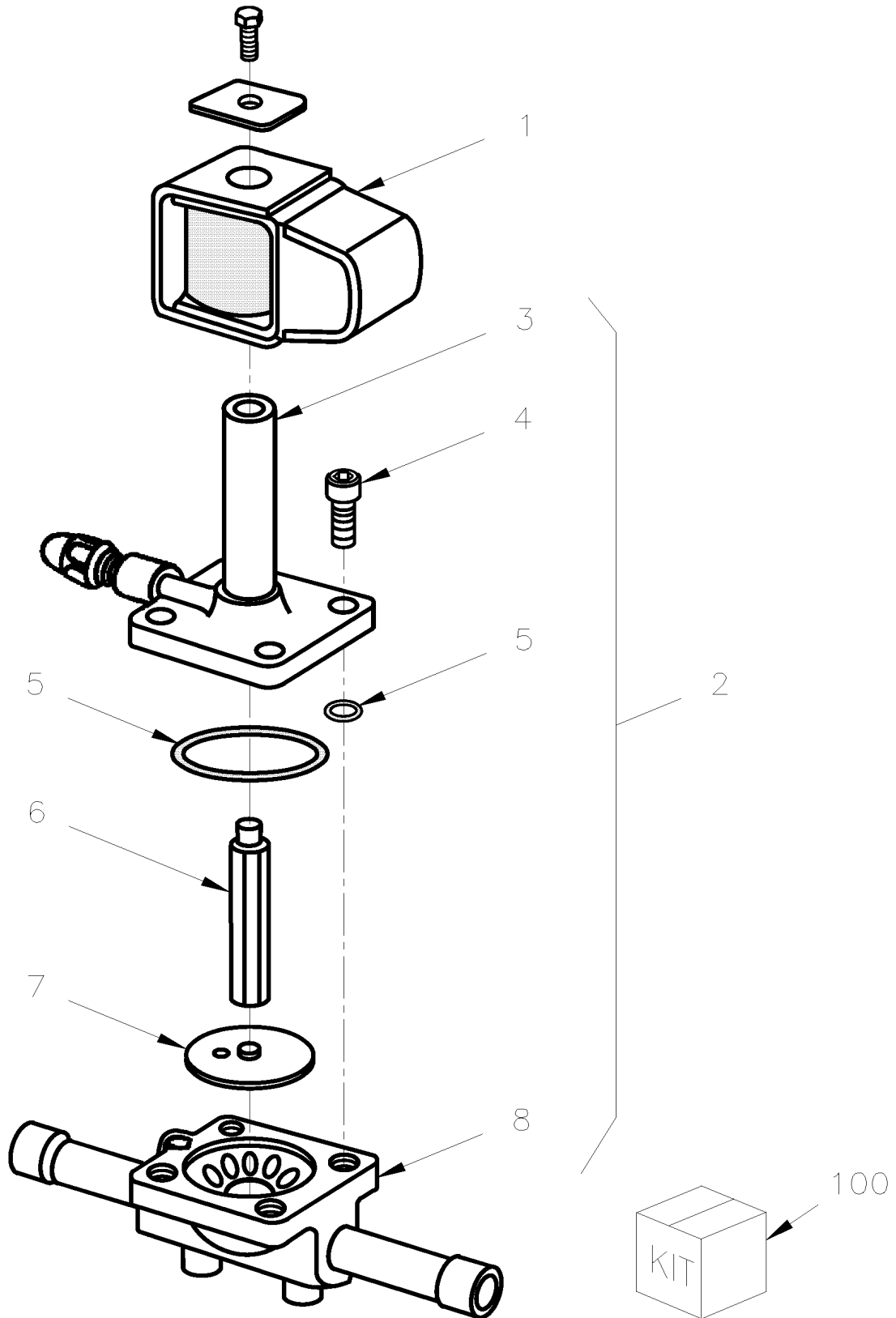


From 3-4417 To 7-1018

Date:10/2022

PAGE:HF-2207-20

WATER VALVE - BYPASS W/WATER HEATER





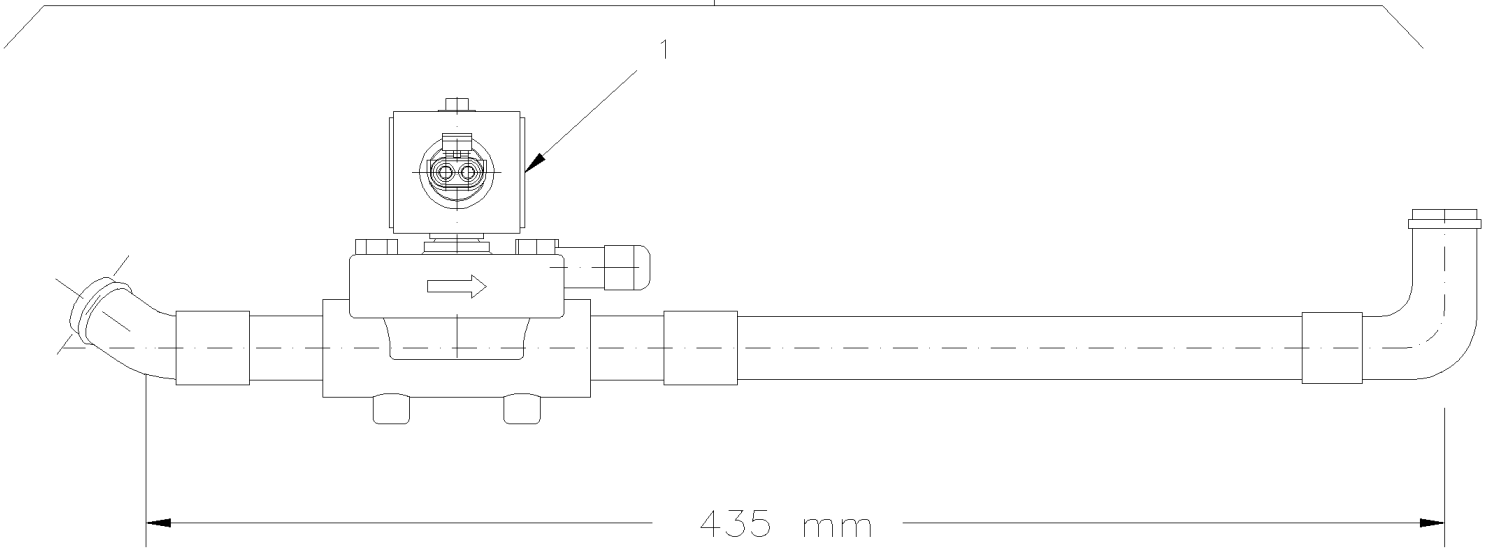
From 3-4417 To 7-1018

Date:10/2022

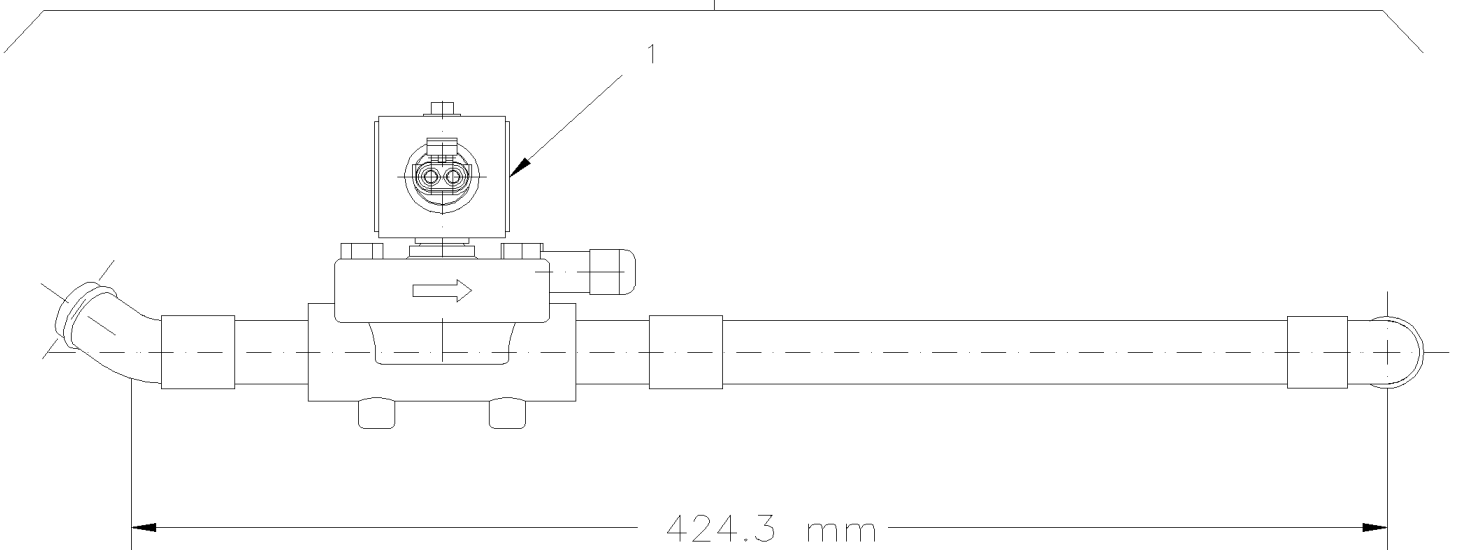
PAGE:HF-2207-20

WATER VALVE - BYPASS W/WATER HEATER

A



B





From 3-4417 To 7-1018	Date:10/2022	PAGE:HF-2207-20
WATER VALVE - BYPASS W/WATER HEATER		

Item#	Part	Description	H 3 4 1	H 3 4 5	V I P 4 5	N O T E S
1	950055	. COIL 24V To 7-0959	1	1	1	
1	950953	. COIL 24V / SERVICE From 7-0960 To 7-1018	1	1	1	
2	870886	. VALVE WATER BYPASS To 7-0959	1	1	1	
2	950952	. VALVE WATER BYPASS / SERVICE From 7-0960 To 7-1018	1	1	1	
3	N.S.S.	. . BONNET & ENCLOSING TUBE ASSY	1	1	1	1
4	500238	. . SCREW CAP HEXS 1/4-20x3/4 ZP	4	4	4	
5	N.S.S.	. . O-RING	1	1	1	1
6	N.S.S.	. . PLUNGER ASSY	1	1	1	1
7	N.S.S.	. . DIAPHRAGM ASSY	1	1	1	1
8	N.S.S.	. . BODY	1	1	1	1
20	561690	. CONNECTOR / WEATHER PACK / SH 2C / BLACK / PED 12015792	1	1	1	
NS	561689	. SOCKET TERMINAL / 20-18 / PED 12089188	2	2	2	
NS	561565	. CABLE SEAL / GREEN / PED 15324982	2	2	2	
100	870980	KIT REPAIR To 7-0959	AR	AR	AR	A
A	372961	WATER BY-PASS VALVE ASSY / W/TUBE & CONNECTOR To 4-4778	1	1	1	
B	374028	WATER BY-PASS VALVE ASSY / W/TUBE & CONNECTOR From 4-4779 To 7-1018	1	1	1	
		A) INCLUDE ITEMS #5, 6 & 7				
		1) NOT SOLD SEPARATELY				

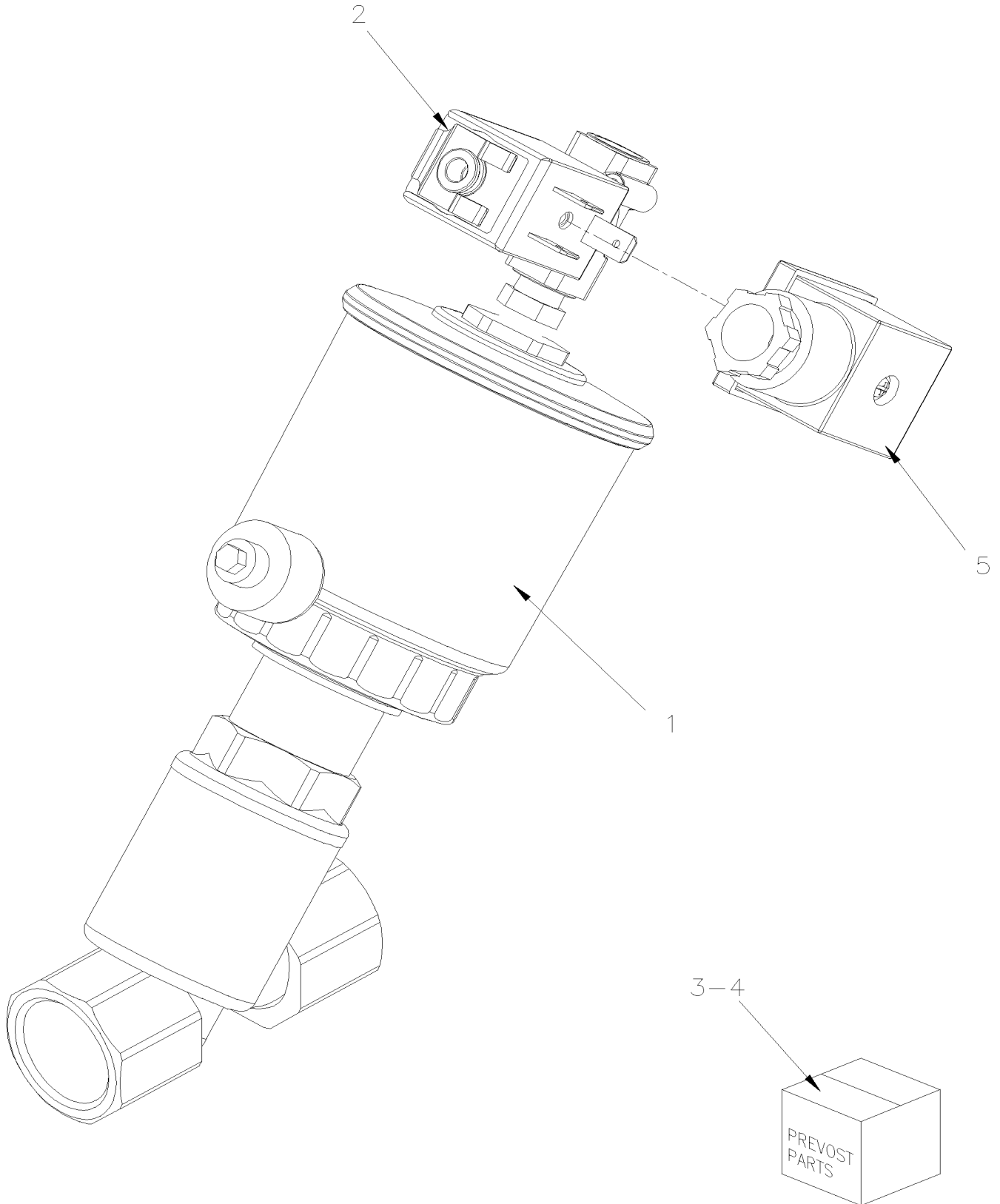


From 4-4758 To 8-1043

Date:10/2022

PAGE:HF-2207-99

WATER VALVE - W/MAIN & DRIVER'S / SERVICE





From 4-4758 To 8-1043	Date:10/2022	PAGE:HF-2207-99
WATER VALVE - W/MAIN & DRIVER'S / SERVICE		

Item#	Part	Description	H 3 4 1	H 3 4 5	V I P 4 5	N O T E S
1	871454	WATER VALVE ASSY / 24V	1	1	1	
2	871458	. VALVE PILOT	1	1	1	
3	871459	. VALVE PSITON SERVICE KIT	1	1	1	
. NS	N.S.S.	. . VALVE PSITON SERVICE KIT	1	1	1	1
. NS	N.S.S.	. . WASHER	1	1	1	1
. NS	N.S.S.	. . WASHER	1	1	1	1
. NS	N.S.S.	. . SEAL	1	1	1	1
4	871460	. CONNECTOR KIT	1	1	1	
5	641385	CONNECTOR / SOCKET HOUSING ASSY 3C / PNEUMAC 54934-01	1	1	1	
		1) NOT SOLD SEPARATELY				

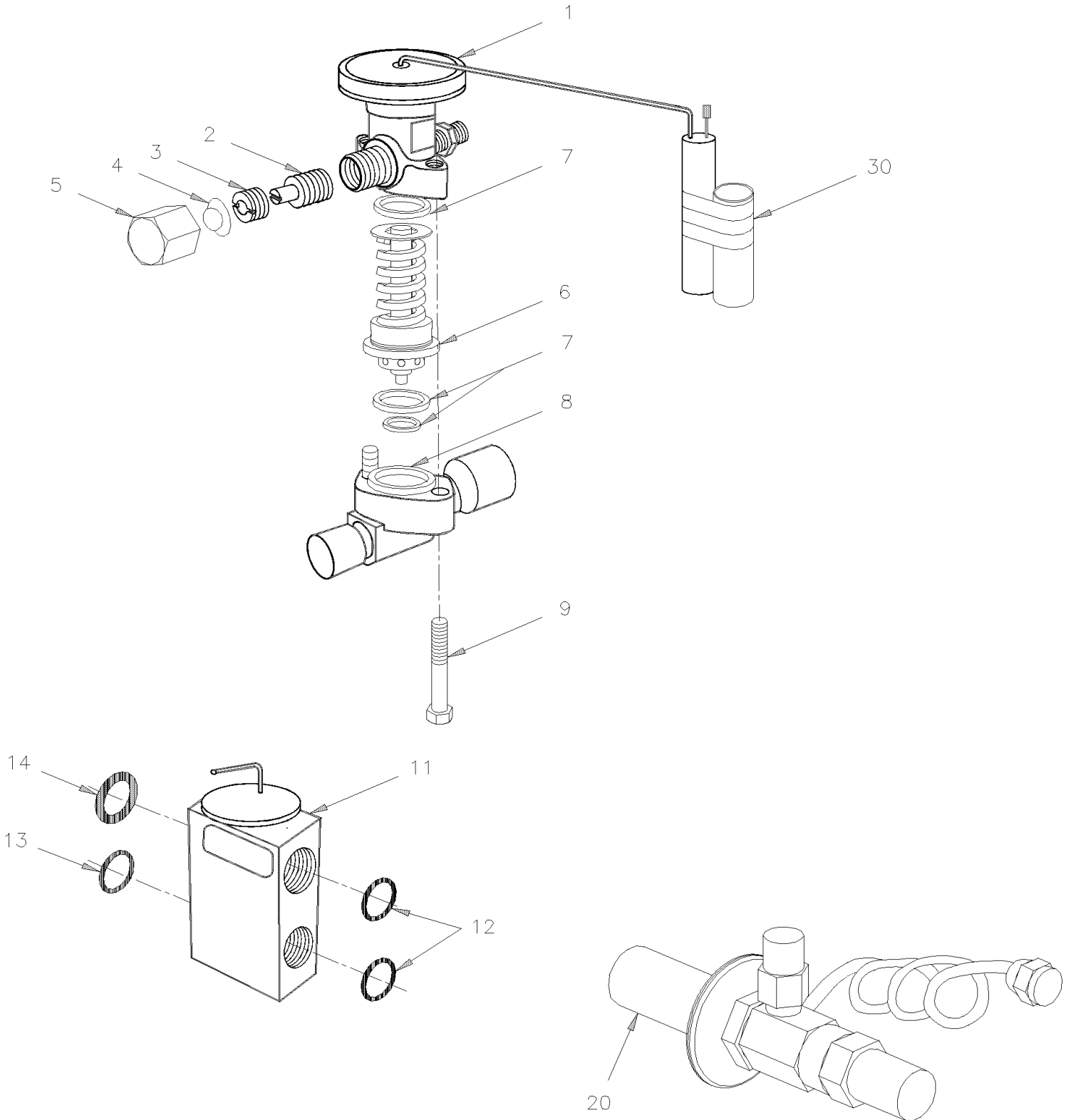


From 3-4417 To 8-1043

Date:10/2022

PAGE:HF-2208-00

A/C EXPANSION VALVE





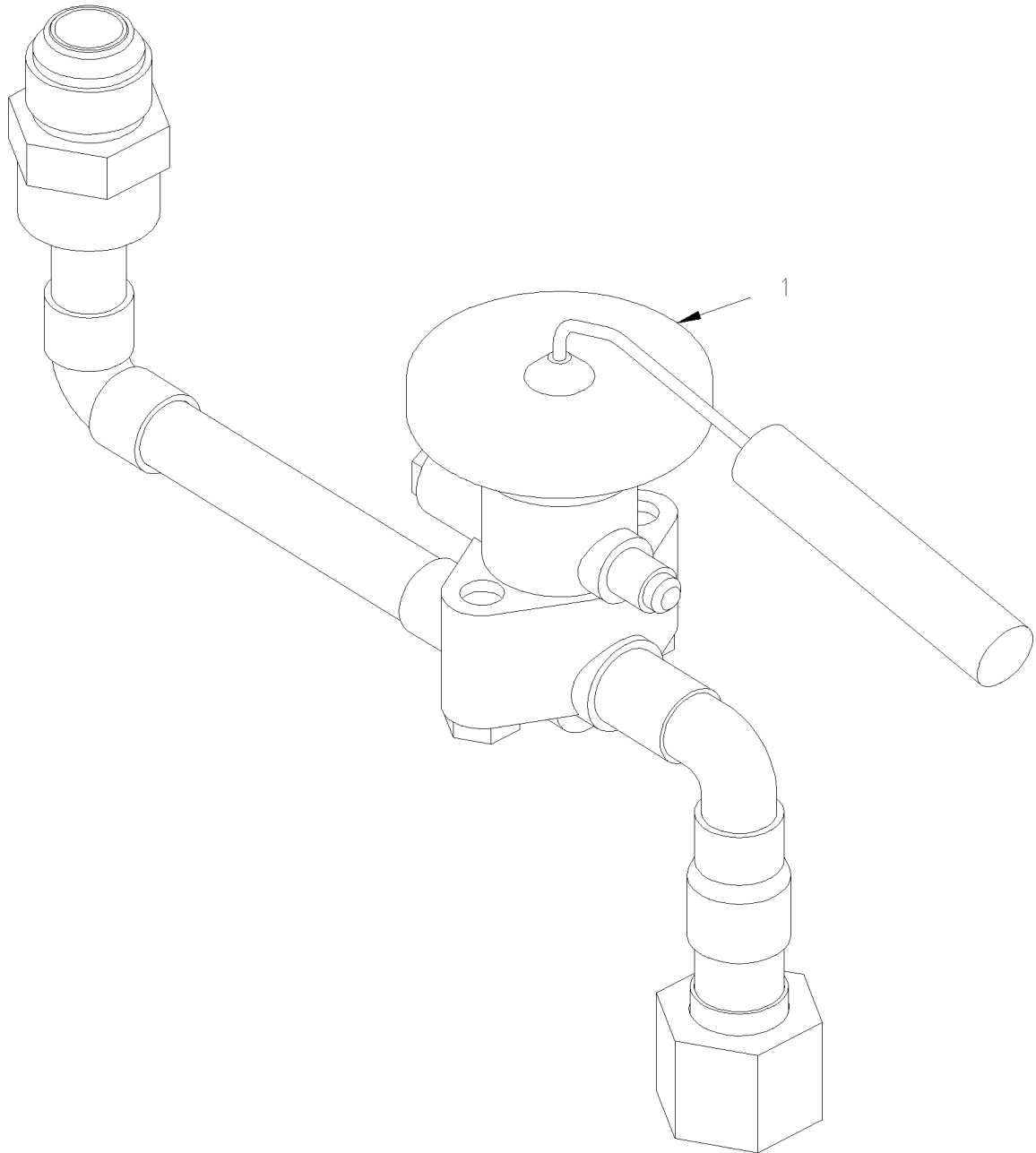
From 3-4417 To 8-1043

Date:10/2022

PAGE:HF-2208-00

A/C EXPANSION VALVE

A





From 3-4417 To 8-1043	Date:10/2022	PAGE:HF-2208-00
A/C EXPANSION VALVE		

Item#	Part	Description	H 3 4 1	H 3 4 5	V I P 4 5	N O T E S
	950316	VALVE, EXPANSION 5 1/2 TON W/R134A	1	1	1	A
	950292	VALVE, EXPANSION 10 TONS	1	1		B
1	950222	. ELEMENT POWER R-22	1	1		E
1	950241	. ELEMENT POWER R134A	1	1	1	H
2	870622	. ADJUSTING STEM & PACKING ASSY	1	1	1	
3	870621	. NUT PACKING	1	1	1	
4	N.S.S.	. SEAL	1	1	1	1
5	870619	. NUT CAP	1	1	1	
6	950317	. CAGE ASSY & SPRING / B6B	1	1	1	
6	950242	. CAGE ASSY & SPRING / B7B	1	1		B
7	870709	. SET GASKET	1	1	1	
8	870687	. FLANGE BODY	1	1		
8	N.S.S.	. FLANGE BODY	1	1	1	1 A
9	500054	. SCREW CAP HEX 3/8-24x2 1/2 G5 ZP	2	2	2	
11	950221	VALVE, EXPANSION / DRIVER'S W/R134A	1	1	1	
11	950282	VALVE, EXPANSION R-22	1	1		
12	507279	O-RING / ORS FITTING / #8 NEO	2	2	2	
13	507278	O-RING / ORS FITTING / #4 NEO	1	1	1	
14	507344	O-RING / ORS FITTING / #10 NEO	1	1	1	
20	950322	VALVE, EXPANSION R-134 / PARCEL-RACK	1	1		
30	680091	TAPE INSULATING / 1/8" x 2" x 30' / BLACK PT-1	AR	AR	AR	F
A	454310	VALVE, EXPANSION ASSY / WITH PIPE From 7-0772			1	S
		A) RELATED TO EXPANSION VALVE ON MAIN EVAPORATOR WITH R-134A				
		B) RELATED TO EXPANSION VALVE ON MAIN EVAPORATOR WITH R-22				
		E) RELATED TO EXPANSION VALVE WITH R-22				
		F) USE FOR COVERING POWER ELEMENT BULB ON A/C PIPE IN EVAPORATOR COMPARTMENT				
		H) RELATED TO EXPANSION VALVE WITH R-134A				
		S) VIP WITH SLIDE-OUT ONLY				
		1) NOT SOLD SEPARATELY				

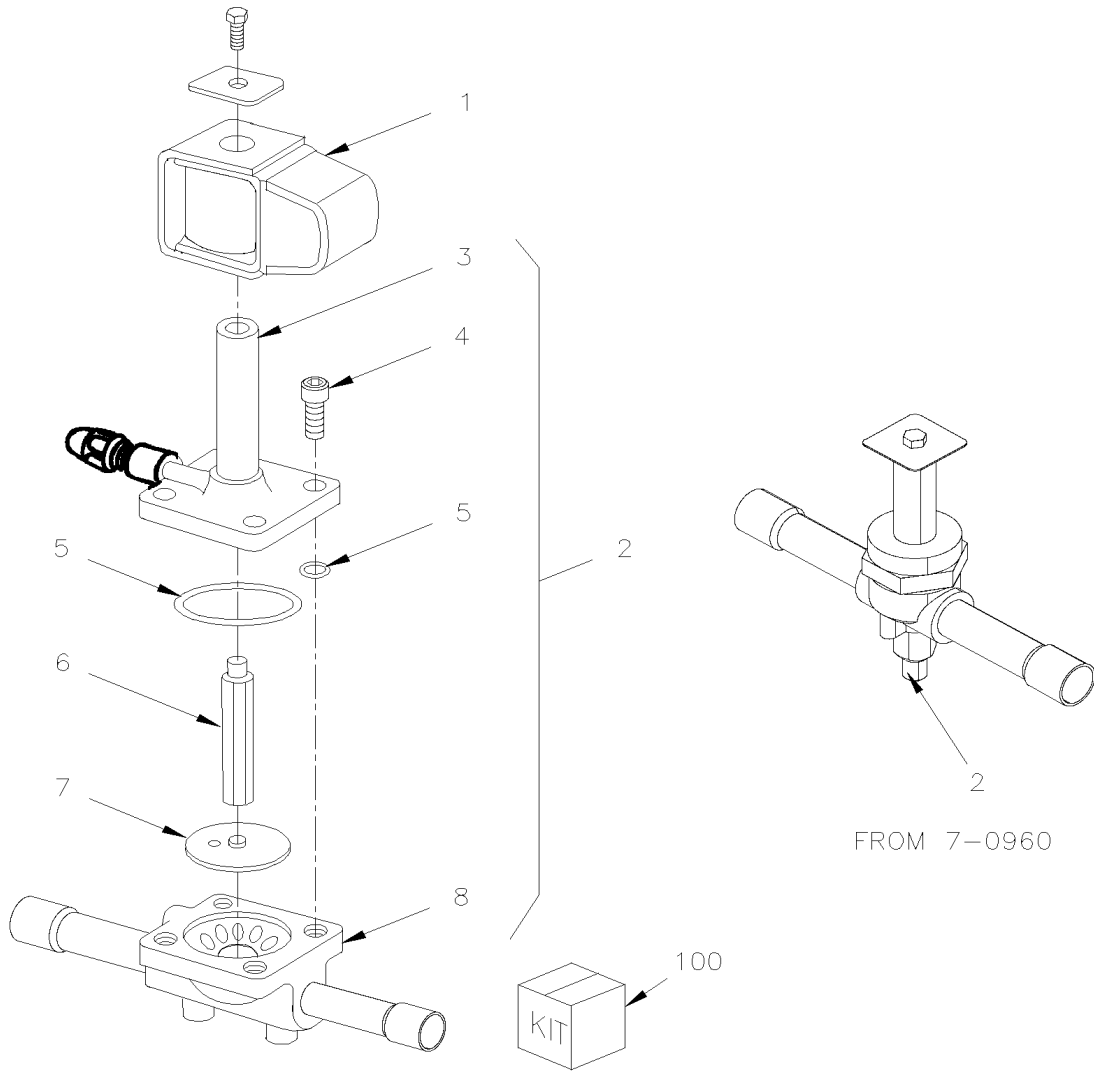


From 3-4417 To 8-1043

Date:10/2022

PAGE:HF-2208-10

REFRIGERENT SOLENOID VALVE



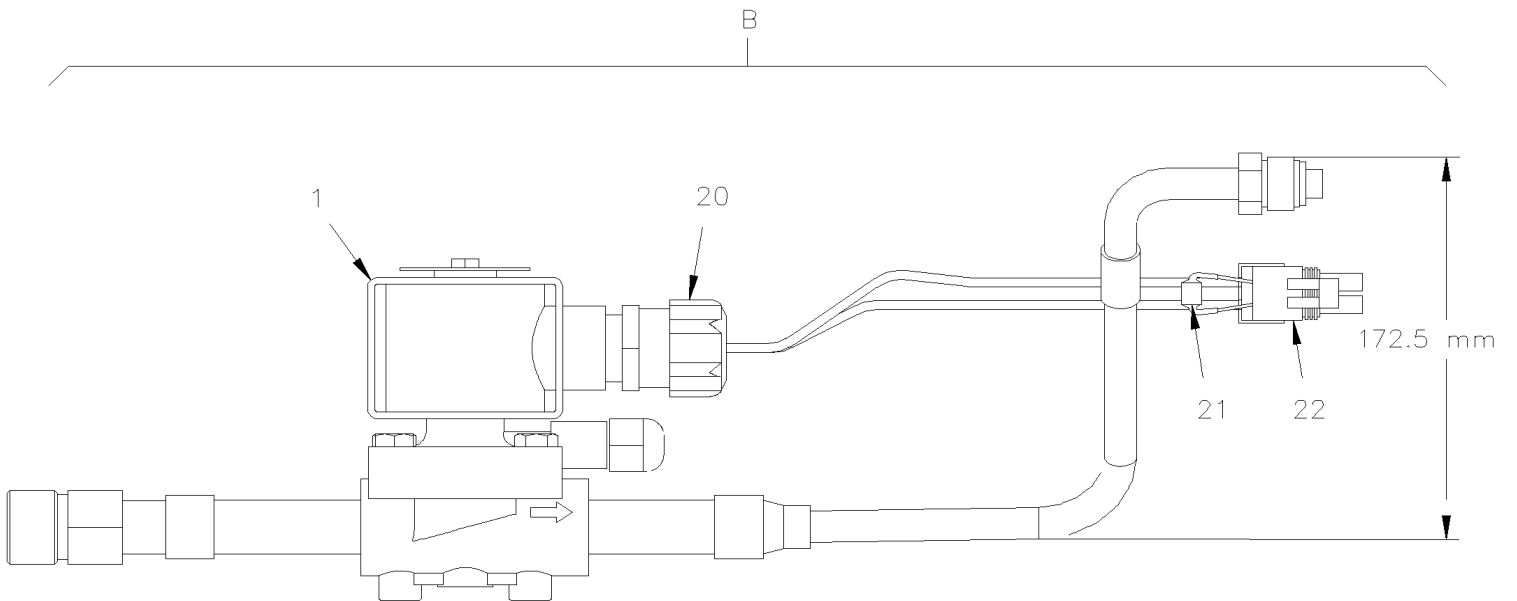
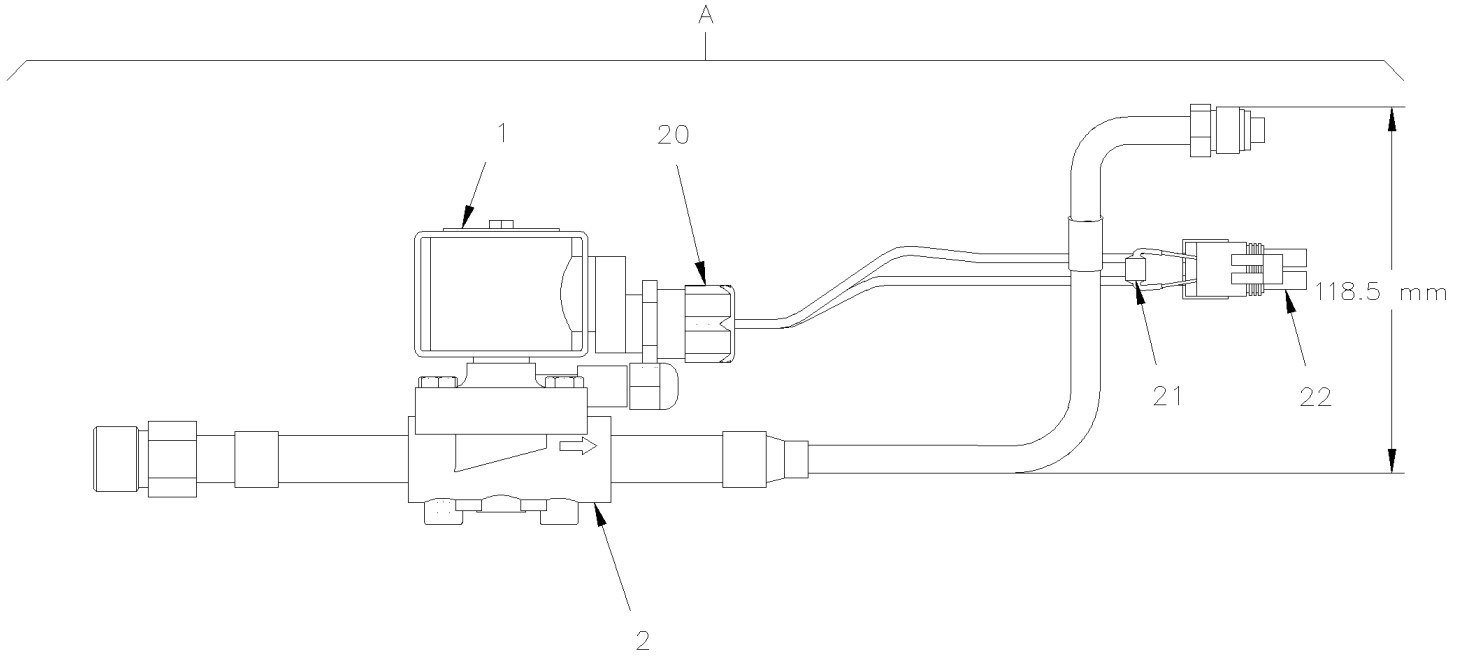


From 3-4417 To 8-1043

Date:10/2022

PAGE:HF-2208-10

REFRIGERENT SOLENOID VALVE



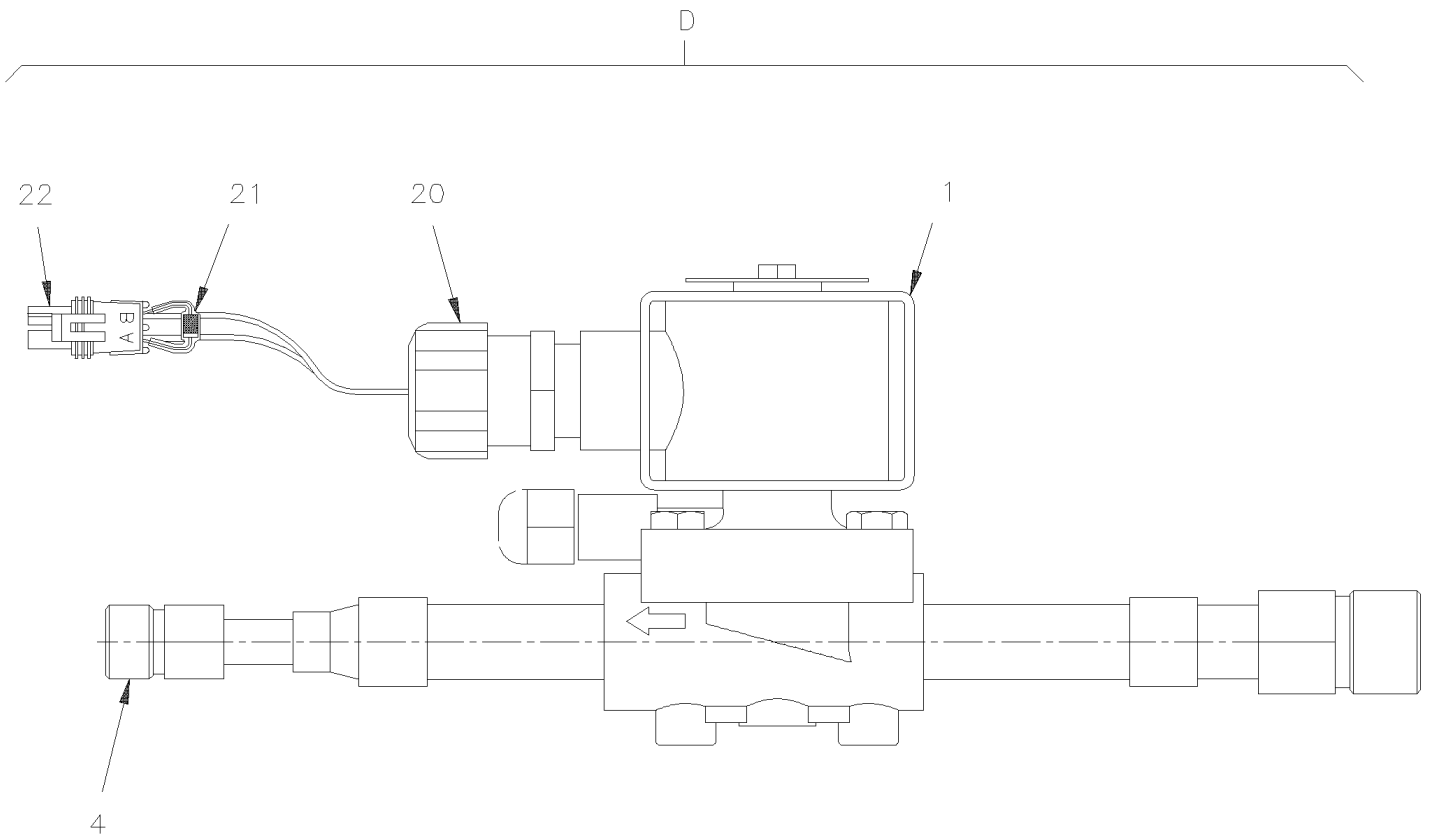
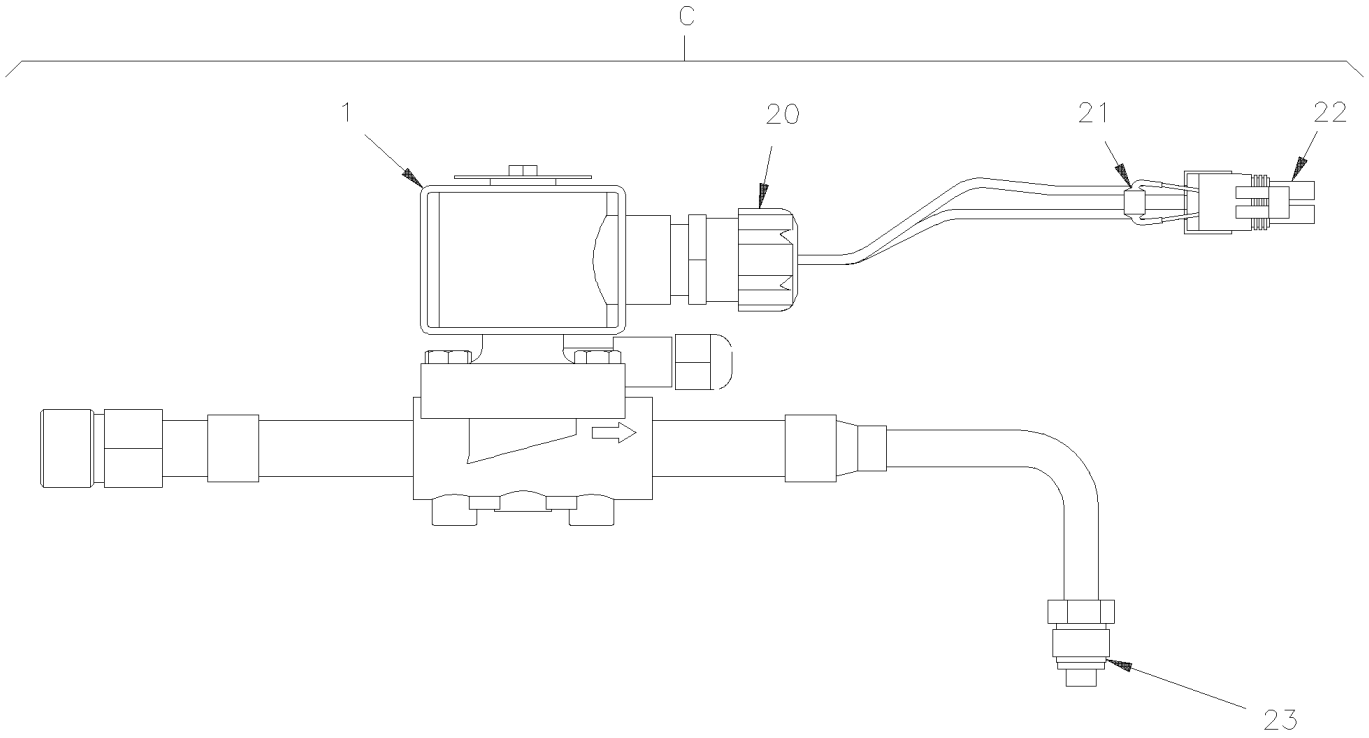


From 3-4417 To 8-1043

Date:10/2022

PAGE:HF-2208-10

REFRIGERENT SOLENOID VALVE





From 3-4417 To 8-1043	Date:10/2022	PAGE:HF-2208-10
REFRIGERENT SOLENOID VALVE		

Item#	Part	Description	H 3 4 1	H 3 4 5	V I P 4 5	N O T E S
1	950055	. COIL 24V To 7-0959	1	1	1	
1	950953	. COIL 24V / SERVICE From 7-0960	1	1	1	
2	950087	. VALVE REFRIGERANT SOLENOID To 7-0959	1	1	1	
2	950951	. VALVE REFRIGERANT SOLENOID From 7-0960	1	1	1	
3	N.S.S.	. . BONNET & ENCLOSING TUBE ASSY To 7-0959	1	1	1	1
4	500238	. . SCREW CAP HEXS 1/4-20x3/4 ZP To 7-0959	4	4	4	
5	N.S.S.	. . O-RING To 7-0959	1	1	1	1
6	N.S.S.	. . PLUNGER ASSY To 7-0959	1	1	1	1
7	N.S.S.	. . DIAPRAGM ASSY To 7-0959	1	1	1	1
8	N.S.S.	. . BODY To 7-0959	1	1	1	1
20	560434	. CONNECTOR 1/2" PIPE To 7-0959	1	1	1	
21	560931	. DIODE / 3AMPS	1	1	1	
22	561690	. CONNECTOR / WEATHER PACK / SH 2C / BLACK / PED 12015792	1	1	1	
NS	561565	. CABLE SEAL / GREEN / PED 15324982	2	2	2	
NS	561578	. SOCKET TERMINAL / 16-14 / PED 12010182	2	2	2	
23	507278	. O-RING / ORS FITTING / #4 NEO	1	1	1	
100	950056	KIT REPAIR To 7-0979	AR	AR	AR	
A	373846	VALVE ASSY / REFRIGERANT SOLENOID	1	1	1	E
B	373675	VALVE ASSY / REFRIGERANT SOLENOID To 7-0959			1	E
B	374360	VALVE ASSY / REFRIGERANT SOLENOID From 7-0960			1	E
C	453290	VALVE ASSY / REFRIGERANT SOLENOID			1	C
D	453151	VALVE ASSY / REFRIGERANT SOLENOID			1	A B
		A) WITH SMALL A/C SYSTEM W/AUX REAR OF DRIVER / WITH "CALHOUN" STYLE				
		B) WITH SMALL A/C SYSTEM UNDER STEPWELL				
		C) WITH SMALL A/C SYSTEM W/AUX REAR OF DRIVER				
		E) WITH LARGE A/C UNDER STEPWELL				
		1) NOT SOLD SEPARATELY				

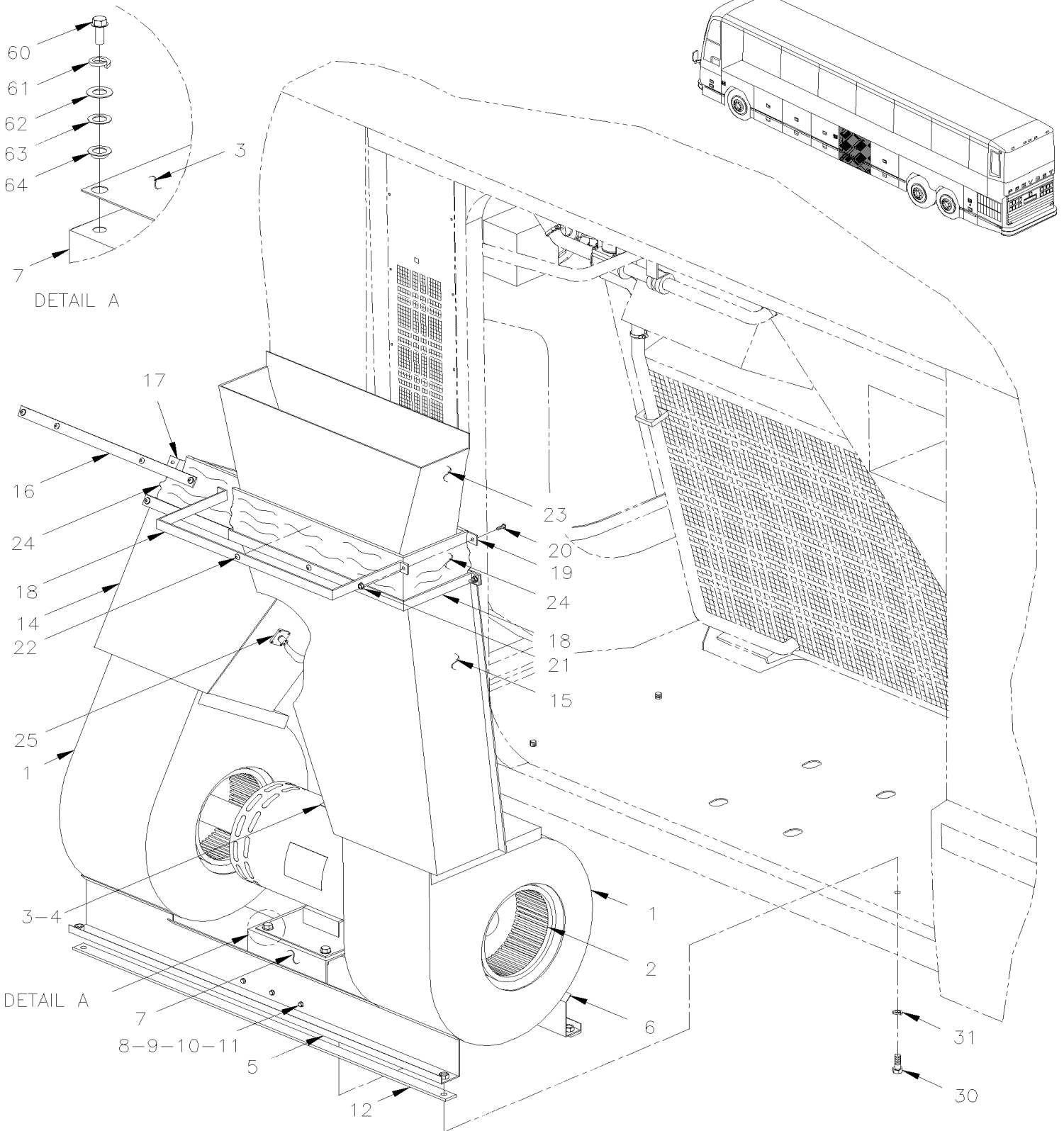


From 3-4417 To 8-1043

Date:10/2022

PAGE:HF-2210-00

HEATER & EVAPORATOR BLOWER - INSTALLATION





From 3-4417 To 8-1043	Date:10/2022	PAGE:HF-2210-00
HEATER & EVAPORATOR BLOWER - INSTALLATION		

Item#	Part	Description	H 3 4 1	H 3 4 5	V I P 4 5	N O T E S
	451820P	MOTOR & BLOWER ASSY	1	1	1	A
1	870955	. HOUSING ASSY To 3-4476	1	1	1	
1	871306	. HOUSING ASSY W/BLOWER WHEEL From 3-4477	1	1	1	
1	871308	. . HOUSING ASSY, GALVANISED From 3-4477	1	1	1	
2	870956	. . BLOWER WHEEL	1	1	1	
NS	500524	. SCREW TP PAN PH #12x5/8 SS	12	12	12	F
3	452085	. KEY 3/16 X 82 MM	2	2	2	
4	HF-2265-00	MOTOR - EVAPORATOR - "PREVOST" - T-17 - 2 SPEEDS				
NS	453337	SUPPORT ASSY	1	1	1	
5	453284	. SUPPORT FRONT	1	1	1	
6	453285	. SUPPORT REAR	1	1	1	
7	453283	. BASE SUB ASSY	1	1	1	
NS	500297	. . NUT WD FLRET 5/16-24	AR	AR	AR	
8	5001447	. . SCREW CAP HEX #10-24x5/8 PT SS BK	6	6	6	
9	5001180	. . NUT HEX NYRT #10-24 SS	6	6	6	
10	5001137	. . WASHER FL .203x.438x.050 SS	6	6	6	
11	506466	. . TAPE RUB ADH1 CC POL 1/16" x 1 1/2" x 100 / GREY 2520	AR	AR	AR	
12	506227	. . TAPE RUB ADH1 CC POL 1/16" x 3/4" x 100' / GREY 2520	AR	AR	AR	
14	452930	. DUCT ASSY L.H. To 3-4757	1	1	1	
14	453940	. DUCT ASSY L.H. From 4-4758	1	1	1	
15	452247	. DUCT ASSY R.H. To 5-0167	1	1	1	
15	459196	. DUCT ASSY R.H. / W/MUX From 5-0168	1	1	1	
15	454087	. DUCT ASSY R.H. / W/SLIDE-OUT From 7-0772			1	
16	452594	RETAINER STRAP / W/SLIDE-OUT / 380MM X 25MM SS From 7-0772			2	
17	452593	RETAINER STRAP / "U" SHAPE / W/SLIDE-OUT / 343MM X 192MM SS From 7-0772			2	
18	452728P	RETAINER STRAP / "U" SHAPE 388MM X 139MM SS	2	2	2	
NS	453292	PLATE RETAINER	1	1	1	
18	454103	RETAINER STRAP / "U" SHAPE / W/SLIDE-OUT / 220MM X 122MM SS From 7-0772			2	
19	452729P	RETAINER STRAP / 425MM X 25MM SS	2	2	2	
19	452593	RETAINER STRAP / "U" SHAPE / W/SLIDE-OUT / 343MM X 192MM SS From 7-0772			1	
19	452594	RETAINER STRAP / W/SLIDE-OUT / 380MM X 25MM SS From 7-0772			1	
20	502708	SCREW CAP HEX M5-0.8x35 SS	6	6	6	
21	502782	NUT HEX NYRT M5-0.8 Z050	6	6	6	
22	5001184	. SCREW TP PAN PH #12x1/2 SS	20	20	20	
23	372949	DUCT, AIR INLET L.H.			1	
23	453002	DUCT, AIR INLET L.H.	1	1		
23	454093	DUCT, AIR INLET L.H. / W/SLIDE-OUT From 7-0772			1	
24	452248	DUCT LEATHERETTE 127MM X 1100MM	2	2	2	
NS	372711	ANGLE SUPPORT	2	2	2	
25	HF-2210-50	AIR MAIN SENSOR				
30	5001446	SCREW CAP HEX 5/16-24x1 SS EMN	8	8	8	
31	5001467	WASHER FL .343x1.250x.062 SS18-8	8	8	8	



From 3-4417 To 8-1043	Date:10/2022	PAGE:HF-2210-00
HEATER & EVAPORATOR BLOWER - INSTALLATION		

Item#	Part	Description	H 3 4 1	H 3 4 5	V I P 4 5	N O T E S
60	5001446	. SCREW CAP HEX 5/16-24x1 SS EMN	4	4	4	
61	500035	. WASHER LO SPT .317x.586x.078 SS	4	4	4	
62	5001448	. WASHER FL .343x.875x.062 SS18-8	4	4	4	
63	502723	WASHER FL .386x.750x.050 NYL	4	4	4	
64	504503	. BUSHING, NYLON 5/16 DIA.	4	4	4	
		A) THIS PART NUMBER INCLUDE MOTOR, SEE PAGE HF-2265-00				
		F) TO FIX HOUSING TO SUPPORT				

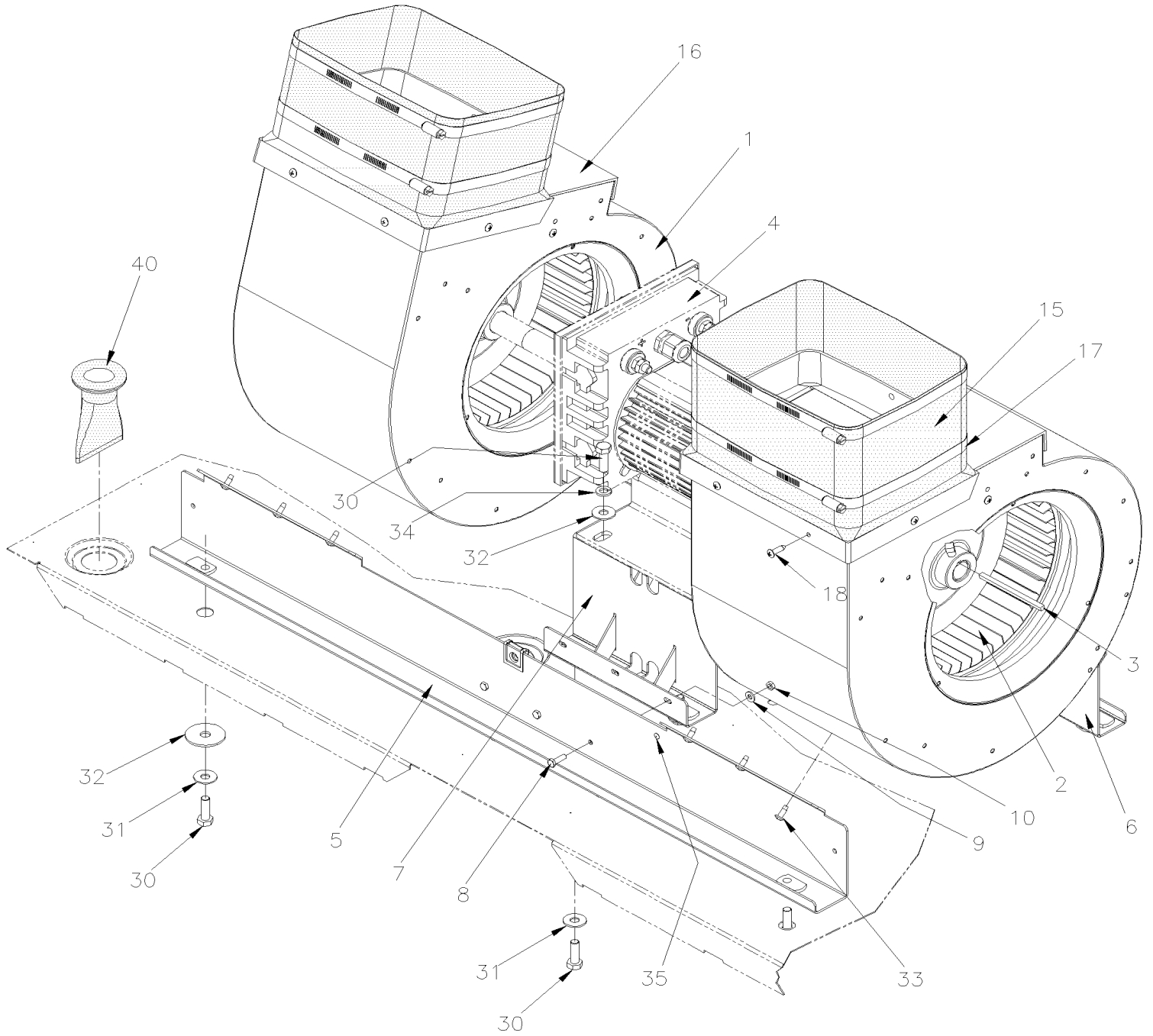


From 7-0772 To 8-1043

Date:10/2022

PAGE:HF-2210-01

HEATER & EVAPORATOR BLOWER - INSTALLATION VIP - W/SLIDE-OUT





From 7-0772 To 8-1043	Date:10/2022	PAGE:HF-2210-01
-----------------------	--------------	-----------------

HEATER & EVAPORATOR BLOWER - INSTALLATION VIP - W/SLIDE-OUT

Item#	Part	Description	H 3 4 1	H 3 4 5	V I P 4 5	N O T E S
1	871306	HOUSING ASSY W/BLOWER WHEEL			2	
1	871308	. HOUSING ASSY, GALVANISED			1	
2	870956	. BLOWER WHEEL			1	
3	452085	KEY 3/16 X 82 MM			2	
4	HF-2265-00	MOTOR - EVAPORATOR - "PREVOST" - T-17 - 2 SPEEDS				
4	HF-2265-01	MOTOR - EVAPORATOR BRUSHLESS				
5	453990	SUPPORT			1	
6	453995	SUPPORT			1	
7	457414	BASE SUB ASSY			1	
8	5001447	SCREW CAP HEX #10-24x5/8 PT SS BK			6	
9	5001137	WASHER FL .203x.438x.050 SS			6	
10	5001180	NUT HEX NYRT #10-24 SS			6	
15	454439	FLEXIBLE DUCT / HEIGHT 160MM			2	
16	453992	TRANSITION ADAPTOR FLEXIBLE DUCT			2	
17	504729	CLAMP HOSE SS/CR 203-279			2	
18	500957	SCREW TP BDG PH #10x3/4 N500			10	
30	502780	SCREW CAP HEX M8-1.25x25 SS BK			AR	
31	5001448	WASHER FL .343x.875x.062 SS18-8			AR	
32	500261	WASHER FL .390x1.500x.083 N500			AR	
33	502868	SCREW TC TR PH #10-16x1/2 N500			AR	
34	500035	WASHER LO SPT .317x.586x.078 SS			AR	
35	504112	RIVET POP DOME OE 1/8x1/8 AL			2	
40	453981	DRAIN BOOT 1" I.D. W/GROOVE 1.5 x 35MM I.D. x 62MM			4	

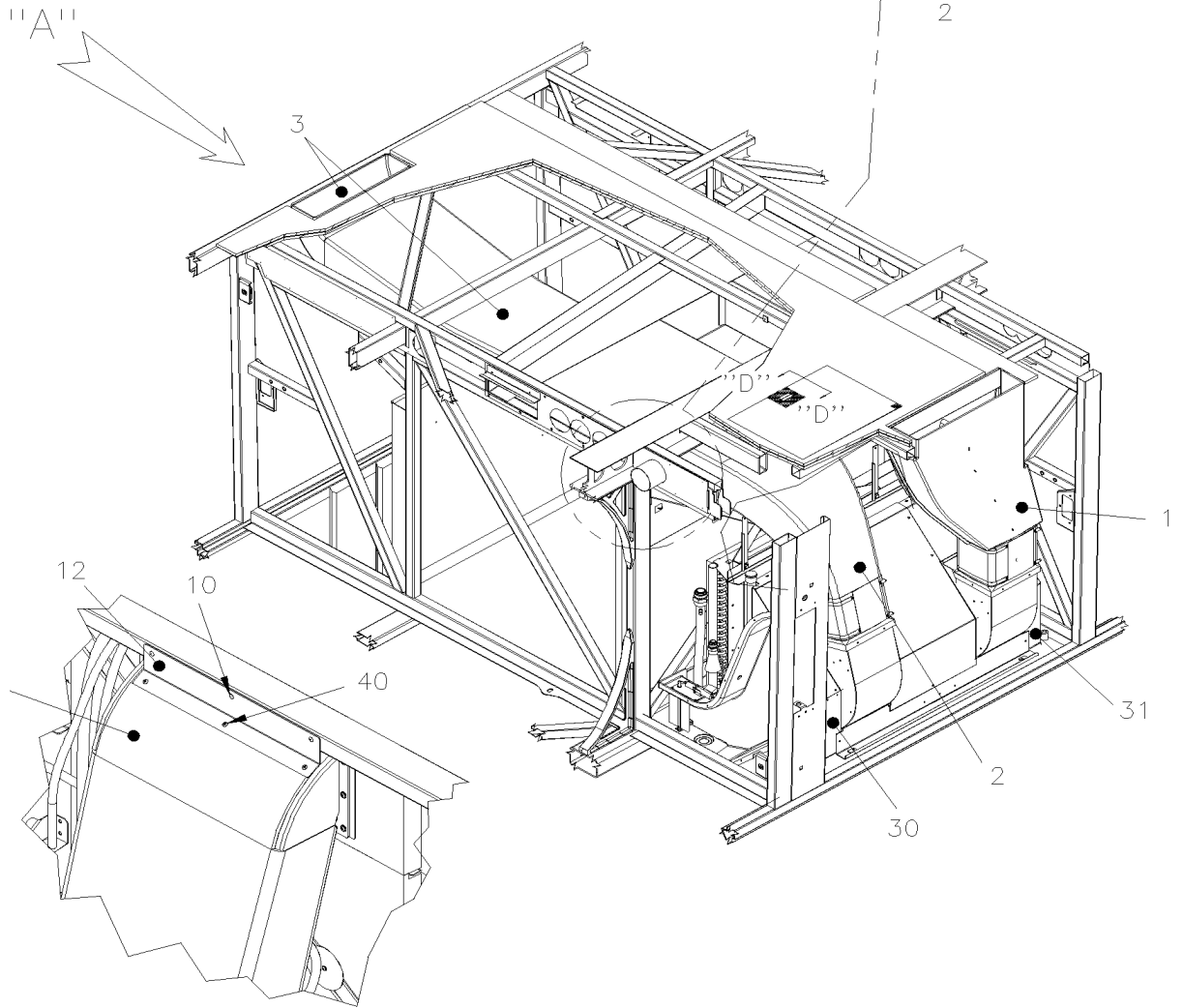
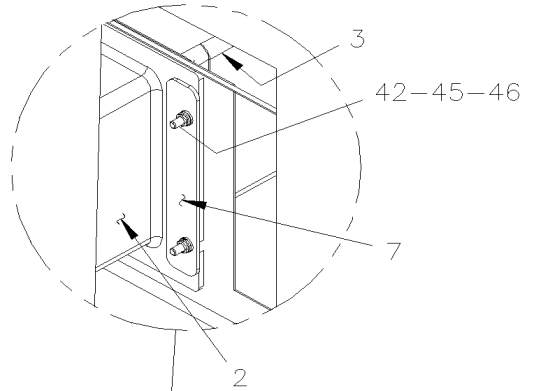
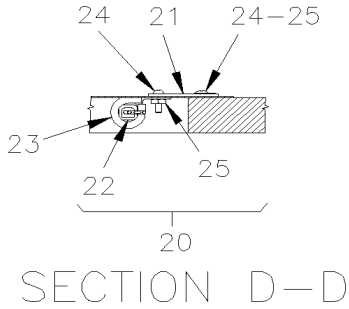


From 7-0772 To 8-1043

Date:10/2022

PAGE:HF-2210-05

HEATER & EVAPORATOR BLOWER - INSTALLATION VIP - W/SLIDE-OUT



VIEW "A"

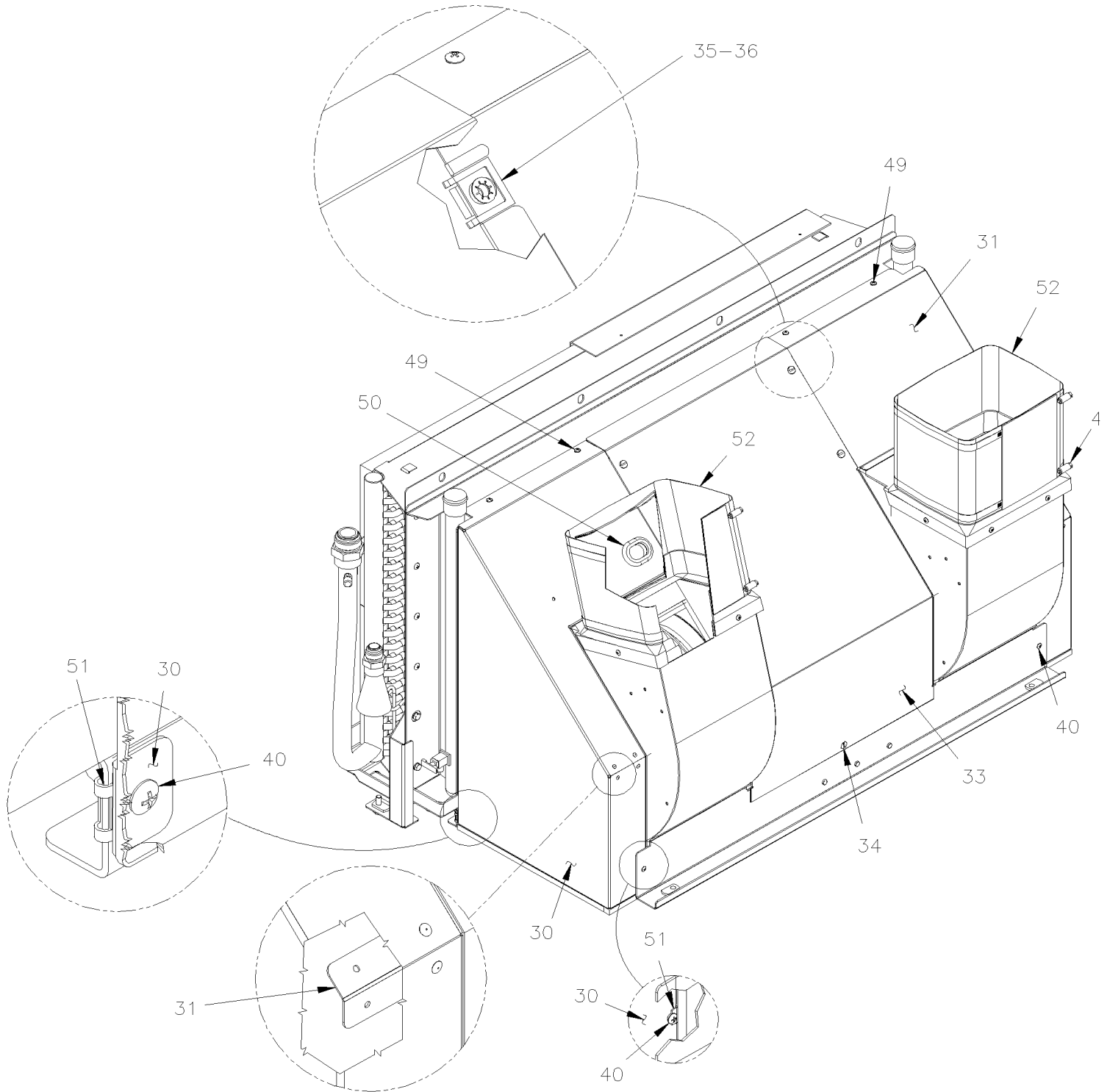


From 7-0772 To 8-1043

Date:10/2022

PAGE:HF-2210-05

HEATER & EVAPORATOR BLOWER - INSTALLATION VIP - W/SLIDE-OUT





From 7-0772 To 8-1043	Date:10/2022	PAGE:HF-2210-05
HEATER & EVAPORATOR BLOWER - INSTALLATION VIP - W/SLIDE-OUT		

Item#	Part	Description	H 3 4 1	H 3 4 5	V I P 4 5	N O T E S
1	454307	DUCT, R,H, OUTLET EVAPORATOR FAN			1	
2	454308	DUCT, L.H. OUTLET EVAPORATOR FAN			1	
3	Call order desk	DUCT, L.H. OUTLET EVAPORATOR FAN			1	P
. NS	454309	. DUCT, L.H. (SEE O,C,2007084)			1	
. NS	454646	. DUCT, L.H.			1	
4	504729	CLAMP HOSE SS/CR 203-279			4	
7	454327	PLATE ATTACHMENT			2	
10	504347	RIVET POP DOME OE 3/16x1/4 AL			3	
12	454546	SUPPORT, CONDENSER DUCT			1	
20	453791	TEMPERATURE SENSOR ASSY W/SUPPORT			1	
21	453792	. SUPPORT TERMISTOR			1	
22	563063	. SENSOR THERMISTOR ASSY / TEMPERATURE / ("DELPHI")			1	
23	952637	. CLAMP / 1"1/16 I.D.			1	
24	500414	. SCREW TP BDG PH #10x3/4 SS			1	
25	500700	. NUT HEX #10-32 Z050			1	
26	453789	. GRILL / AIR RETURN			1	
30	454329	PLENUM FORWARD SECTION			1	
31	453991	REINFORCMENT			1	
32	454328	PLENUM BACKWARD SECTION			1	
33	454331	PLENUM CENTRAL SECTION			1	
34	504681	STUD 6MM (DZUS)			1	
35	504604	FASTENER			1	
36	504605	RECEPTACLE 6 MM			1	
40	500957	SCREW TP BDG PH #10x3/4 N500			AR	
41	502737	SCREW CAP HEX M6-1.0x25 SS BK			AR	
42	502681	NUT HEX NYRT M6-1.0 N500 G8			AR	
43	500642	SCREW TP PAN PH #10x3/4 Z050			AR	
45	502573	WASHER FL 6.4x12.5x1.6 SS			AR	
46	502853	WASHER LO SPT 6.1x11.8x1.6 N500			AR	
47	500804	WASHER FL .203x.500x.047 N500			AR	
48	500411	WASHER FL .260x.697x.050 SS			AR	
49	502868	SCREW TC TR PH #10-16x1/2 N500			AR	
50	504534	GROMMET / .875x1.250x.187x.562x1.625			1	
51	502904	NUT SPR J #10A .035-.050 N500			AR	
52	454439	FLEXIBLE DUCT / HEIGHT 160MM			2	
		P) CALL ORDER DESK FOR SPECIFIC APPLICATION (V.I.N.)				

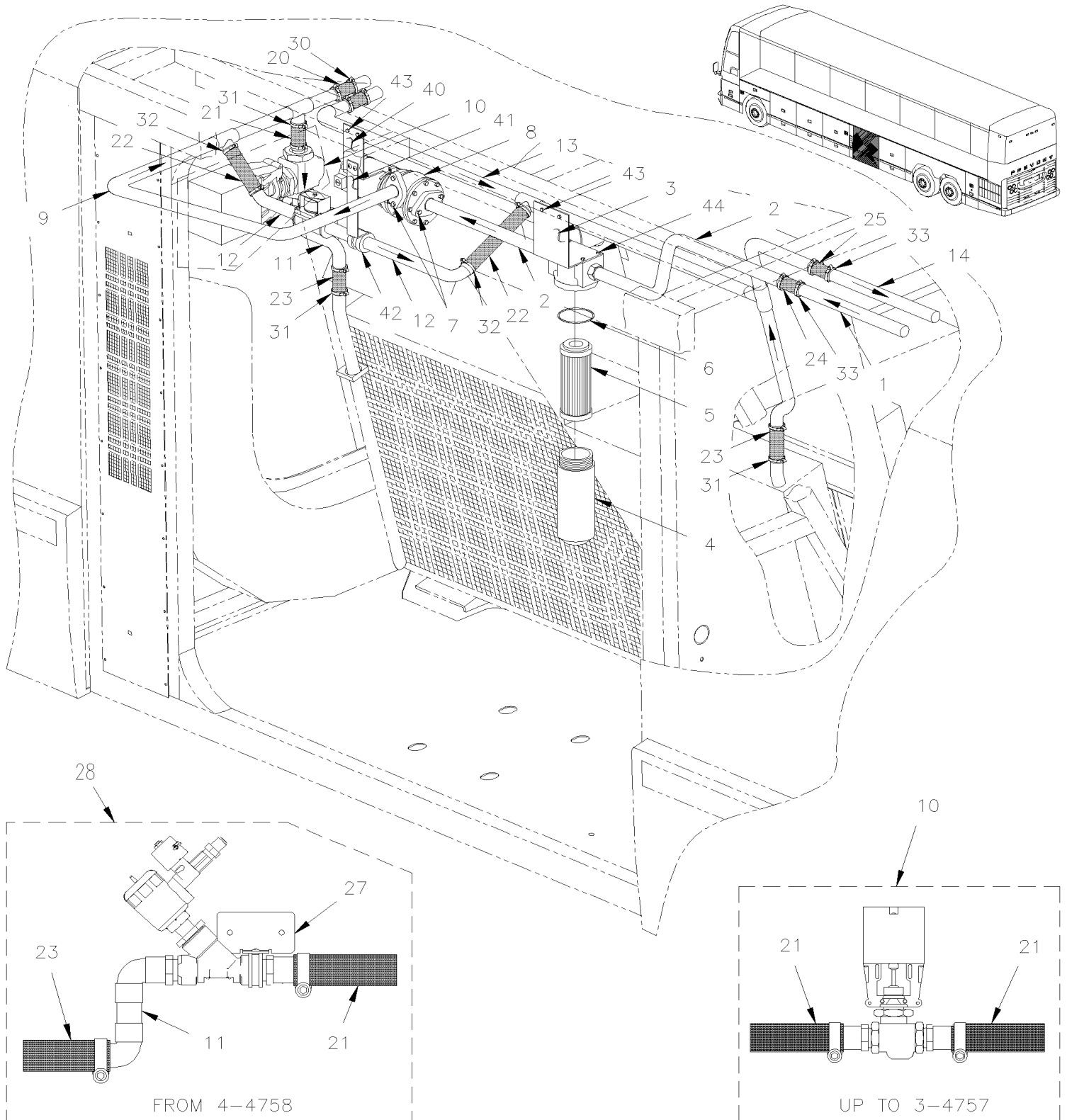


From 3-4417 To 8-1043

Date:10/2022

PAGE:HF-2210-10

WATER HEATER PUMP & FILTER - INSTALLATION





From 3-4417 To 8-1043	Date:10/2022	PAGE:HF-2210-10
WATER HEATER PUMP & FILTER - INSTALLATION		

Item#	Part	Description	H 3 4 1	H 3 4 5	V I P 4 5	N O T E S
1	373573P	PIPE ASSY / ENGINE COMP & WATER FILTER To 3-4757	1	1	1	
1	373878P	PIPE ASSY / ENGINE COMP & WATER FILTER From 4-4758	1	1	1	
1	Call order desk	PIPE ASSY HEATING / FEED LINE / W/OUT WATER HEATER			1	P C
NS	373572	CLOSING PLATE	2	2	2	
2	372870	FILTER ASSY W/TUBE	1	1	1	
2	374019	FILTER ASSY W/TUBE / W/SLIDE OUT To 7-0771			1	C
2	374020	PIPE ASSY / WATER FILTER PIPE & ITEM #1 / W/SLIDE OUT To 7-0771			1	C
2	Call order desk	PUMP WATER ASSY WITH PIPE			1	P C
. A	374827	. OUTPUT SECTION			1	C
. B	374850	. TUBE ASSY WITHOUT FILTER			1	C
3	372863	. SUPPORT / WATER FILTER	1	1	1	
3	871028	. FILTER "PARKER" ASSY	1	1	1	
4	871043	. . BOWL	1	1	1	
5	871029	. . CARTRIDGE	1	1	1	
6	871044	. . SEAL BOWL	2	2	2	
7	870441	GASKET PUMP INLET & OUTLET	2	2	2	
NS	680527	SEALANT 473ml	AR	AR	AR	
NS	500305	SCREW CAP HEX 3/8-16x7/8 G5 Z050	4	4	4	
NS	500478	WASHER LO SPT .380x.683x.094 Z050	4	4	4	
8	HF-2206-00	WATER PUMP #871204				
8	HF-2206-02	WATER PUMP #871342 SEALLESS				
9	373118	PIPE ASSY / WATER PUMP & WATER VALVE To 7-1018	1	1		D
9	372942	PIPE ASSY / WATER PUMP & WATER VALVE From 7-1019	1	1	1	B
9	372942	PIPE ASSY / WATER PUMP & WATER VALVE From 7-1019	1	1	1	B
9	374016	PIPE ASSY / WATER PUMP & WATER VALVE / W/SLIDE OUT To 7-0771			1	B C
9	Call order desk	PUMP WATER ASSY WITH PIPE From 7-0772			1	P
. A	374827	. OUTPUT SECTION From 7-0772			1	
. B	374850	. TUBE ASSY WITHOUT FILTER From 7-0772			1	
10	HF-2207-00	WATER VALVE "VERSADRIVE"				
NS	372939	SUPPORT WATER VALVE "Z" SHAPE To 3-4757	1	1	1	
11	373229	PIPE ASSY / WATER VALVE & HEATER CORE	1	1	1	
12	HF-2207-20	WATER VALVE - BYPASS W/WATER HEATER				
13	373106	PIPE ASSY / RETURN LINE / W/BYPASS VALVE To 7-1018	1	1		
13	Call order desk	PIPE ASSY / RETURN LINE / W/BYPASS VALVE From 7-1019	1	1		P
13	373228	PIPE ASSY / RETURN LINE / W/O BYPASS VALVE To 7-0771			1	
13	374018	PIPE ASSY / RETURN LINE / W/O BYPASS VALVE & W/SLIDE OUT / W/SLIDE OUT To 7-0771			1	C
13	374017	PIPE ASSY / RETURN PIPE & ITEM #14 / W/SLIDE OUT To 7-0771			1	C
13	374026	SUPPORT PIPE / W/SLIDE OUT To 7-0771			1	C
13	374248	PIPE ASSY / RETURN LINE From 7-0772			1	C
14	HF-2222-00	HEATER LINE REAR SECTION To 4-4757				
14	HF-2222-01	HEATER LINE REAR SECTION From 4-4758				
14	Call order desk	PIPE ASSY	1	1		P A



From 3-4417 To 8-1043	Date:10/2022	PAGE:HF-2210-10
WATER HEATER PUMP & FILTER - INSTALLATION		

Item#	Part	Description	H 3 4 1	H 3 4 5	V I P 4 5	N O T E S
14	Call order desk	PIPE ASSY / RETURN LINE TO ENGINE COMPARTMENT From 4-4388 To 7-0771			1	P C
14	373571	CLOSING PLATE	2	2	2	
20	372632	HOSE 7/8" I.D. X 1848MM	2	2	2	
20	503684	. HOSE SILICONE 1 PLY 7/8" I.D. x 100' / S.L.	AR	AR	AR	
21	050937	HOSE / W/O BYPASS VALVE / 1 1/8" I.D. X 3"			2	
21	402376	HOSE / W/BYPASS VALVE / 1 3/8" I.D. X 2 1/4"	2	2		
22	373303	HOSE 7/8" I.D. X 130MM To 4-4778	2	2	2	
. NS	503684	. HOSE SILICONE 1 PLY 7/8" I.D. x 100' / S.L. To 4-4778	ar	ar	ar	
22	374030	HOSE 7/8" I.D. X 145MM From 4-4779	1	1	1	
22	374031	HOSE 7/8" I.D. X 120MM From 4-4779	1	1	1	
23	371217	HOSE 1 1/8" I.D. X 4"	2	2	2	
23	051383	HOSE / W/CENTRAL A/C SYSTEM / 1 3/8" I.D. X 150MM From 7-0772			1	C
23	374247	ELBOW 90° REDUCER 1 1/8" I.D.W/3 1/4" x 1 3 I.D. W 3 15/16" C/C From 7-0772			1	C
24	373218	HOSE 1 3/8" I.D. x 3"	1	1	1	
25	371535	HOSE 1 3/8" I.D. X 127MM	1	1	1	
27	373899	SUPPORT WATER VALVE From 4-4758	1	1	1	
28	HF-2207-01	WATER VALVE - W/MAIN & DRIVER'S				
30	504646	HOSE CLAMP / 11/16"-1"1/4 / C.T. 9412	4	4	4	
31	504291	HOSE CLAMP / 1"1/8-1"3/4 SS / E.T. 20	8	8	8	
31	504657	HOSE CLAMP / 1"1/16-2" C.T. 9424 From 7-0772			4	C
32	504020	HOSE CLAMP / 9/16"-1"1/4 SS / HS-12	4	4	4	
33	504657	HOSE CLAMP / 1"1/16-2" C.T. 9424	4	4	4	
40	373227	SUPPORT / WATER PUMP To 4-4778	1	1	1	
40	374029	SUPPORT / WATER PUMP From 4-4779	1	1	1	
NS	504235	HOSE CLAMP / 3"9/16"-4"1/2 SS / HS-64	2	2	2	
41	452727	SUPPORT / BY-PASS VALVE To 4-4778	1	1	1	
41	374033	SUPPORT W/BYPASS VALVE From 4-4779 To 7-1018	1	1	1	
42	500657	SCREW TC TR PH #10-24x1/2 Z050	3	3	3	
42	560483	CLAMP / 7/8" I.D.	1	1	1	
43	500365	SCREW TP CAP HEX #12x1 Z050	4	4	4	
44	500162	SCREW CAP HEX 1/4-20x1/2 G5 Z050	4	4	4	
NS	500473	WASHER LO SPT .262x.489x.062 Z050	4	4	4	
		A) RETURN LINE TO ENG. COMP. W/ 80000 BTU WEBASTO				
		B) WITHOUT "BYPASS VALVE"				
		C) VIP WITH "SLIDE-OUT"				
		D) WITH BY-PASS VALVE				
		P) CALL ORDER DESK FOR SPECIFIC APPLICATION (V.I.N.)				

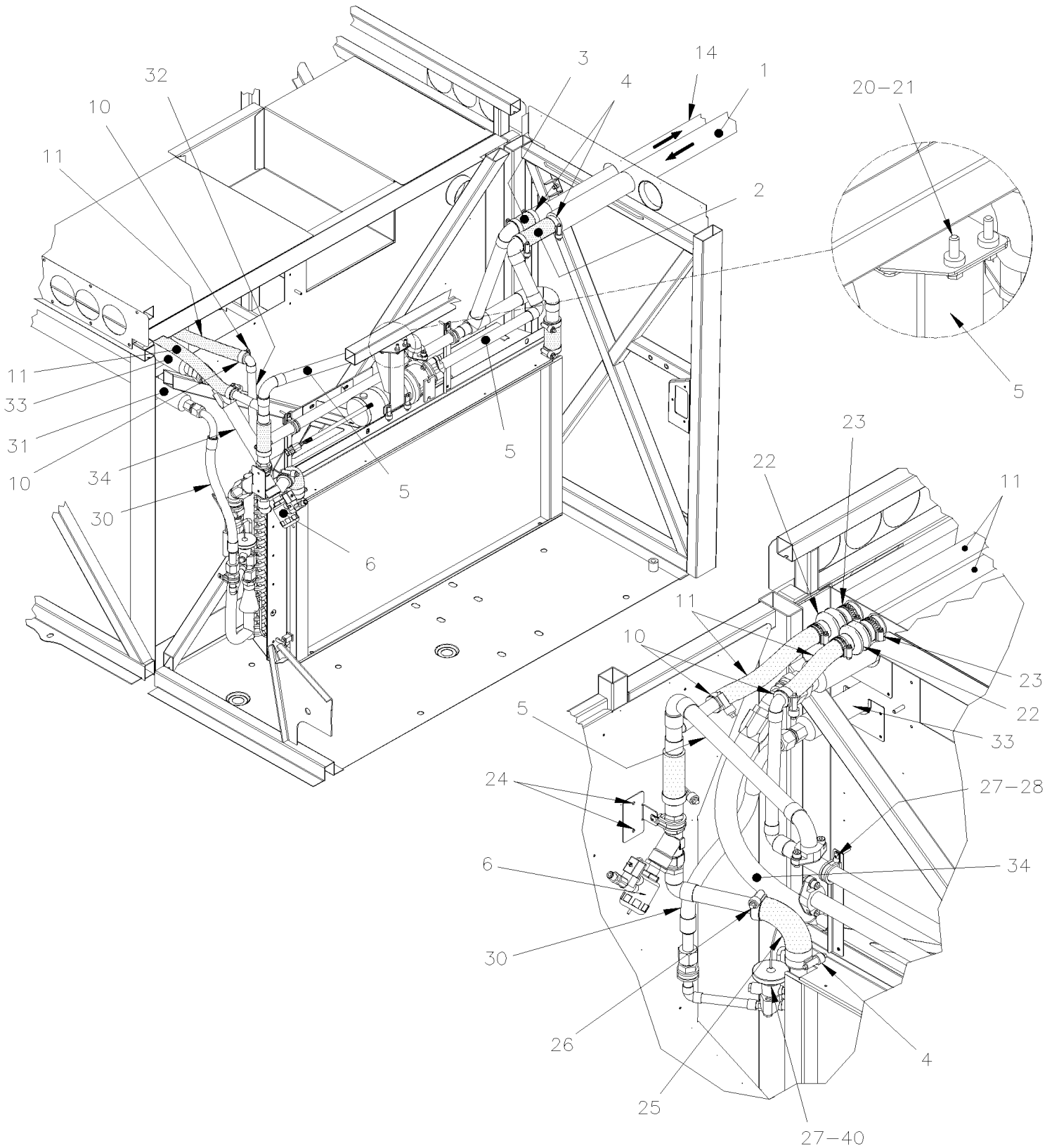


From 7-0772 To 8-1043

Date:10/2022

PAGE:HF-2210-11

WATER HEATER PUMP - INSTALLATION VIP - W/SLIDE OUT





From 7-0772 To 8-1043	Date:10/2022	PAGE:HF-2210-11
WATER HEATER PUMP - INSTALLATION VIP - W/SLIDE OUT		

Item#	Part	Description	H 3 4 1	H 3 4 5	V I P 4 5	N O T E S
1	373878P	PIPE ASSY / ENGINE COMP & WATER FILTER			1	
2	373218	HOSE 1 3/8" I.D. x 3"			1	
3	371535	HOSE 1 3/8" I.D. X 127MM			1	
4	504657	HOSE CLAMP / 1"1/16-2" C.T. 9424			AR	
5	HF-2206-02	WATER PUMP #871342 SEALLESS				
6	HF-2207-01	WATER VALVE - W/MAIN & DRIVER'S				
10	504646	HOSE CLAMP / 11/16"-1"1/4 / C.T. 9412			AR	
11	372632	HOSE 7/8" I.D. X 1848MM			2	
14	Call order desk	PIPE ASSY / RETURN LINE TO ENGINE COMPARTMENT			1	P
20	502737	SCREW CAP HEX M6-1.0x25 SS BK			AR	
21	502853	WASHER LO SPT 6.1x11.8x1.6 N500			AR	
22	504444	CUFF END BELLOW / 1 1/4" I.D. x 1 x 3 7/8"			2	
23	504022	HOSE CLAMP / 3/4"-1"3/4 SS / HS-20			2	
24	500957	SCREW TP BDG PH #10x3/4 N500			AR	
25	374247	ELBOW 90° REDUCER 1 1/8" I.D.W/3 1/4" x 1 3/4 I.D. W 3 15/16" C/C			1	
26	504658	HOSE CLAMP / 13/16"-1"3/4 / C.T. 9420			1	
27	952637	CLAMP / 1"1/16 I.D.			4	
28	500574	SCREW MA TR PH #10-24x1 1/4 SS			2	
NS	500914	WASHER LO SPT .193x.334x.047 N500			2	
NS	502882	NUT HEX #10-24 N500			2	
30	454334	HOSE ASSY / #12 335MM			1	
. NS	507280	. O-RING / ORS FITTING / #12 NEO			2	
30	455297	HOSE ASSY / #12 335MM			1	
. NS	507280	. O-RING / ORS FITTING / #12 NEO			2	
31	454340	PIPE ASSY / PRESSURE			1	
32	374248	PIPE ASSY / RETURN LINE			1	
33	454339	PIPE ASSY / SUCTION			1	
. NS	507346	. O-RING / ORS FITTING / #24 NEO			1	
. NS	501803	. O-RING / ORS FITTING / #20 NEO			1	
34	454335	HOSE ASSY / #20 500MM			1	
34	501803	O-RING / ORS FITTING / #20 NEO			1	
40	HF-2208-00	A/C EXPANSION VALVE				
		P) CALL ORDER DESK FOR SPECIFIC APPLICATION (V.I.N.)				

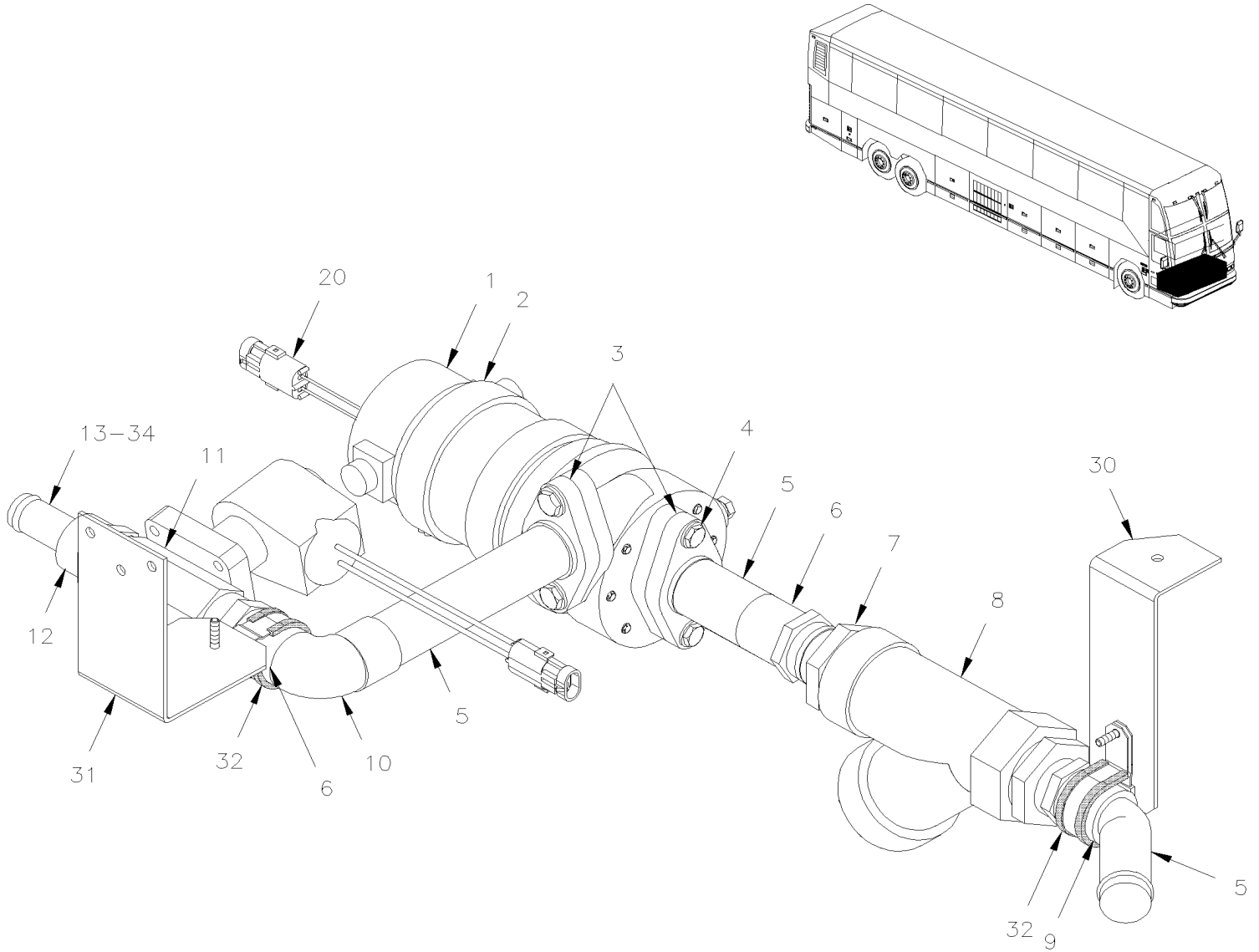


From 3-4417 To 6-0435

Date:10/2022

PAGE:HF-2210-20

WATER HEATER PUMP & FILTER - INSTALLATION





From 3-4417 To 6-0435	Date:10/2022	PAGE:HF-2210-20
WATER HEATER PUMP & FILTER - INSTALLATION		

Item#	Part	Description	H 3 4 1	H 3 4 5	V I P 4 5	N O T E S
	Call order desk	WATER PUMP ASSY W/STRAINER & VALVE To 4-4798			1	P C
	Call order desk	WATER PUMP ASSY W/STRAINER & VALVE To 4-4798			1	P
	Call order desk	WATER PUMP ASSY W/STRAINER & VALVE From 4-4799			1	P C
	Call order desk	WATER PUMP ASSY W/STRAINER & VALVE From 4-4799			1	P
1	HF-2206-00	WATER PUMP #871204				
1	HF-2206-02	WATER PUMP #871342 SEALLESS				
2	504026	HOSE CLAMP / 2"13/16-3"3/4 SS / HS-52			1	
NS	506728	TAPE RUB ADH1 NEO 1/4" x 3/4" x 10' / BLACK			1	
3	871206	FLANGE ADAPTOR / W/QUAD RING			1	
NS	871207	QUAD RING To 4-4798			2	
NS	870441	GASKET PUMP INLET & OUTLET From 4-4799			2	
4	500305	SCREW CAP HEX 3/8-16x7/8 G5 Z050			1	
NS	500478	WASHER LO SPT .380x.683x.094 Z050			1	
5	503199	COPPER TUBE 1.125" O.D.x .050" x 240"			1	
6	501794	ADAPTER / COPPER @ PIPE / 1Mx3/4NPT-M To 4-4798			1	
6	501553	ADAPTER / COPPER @ PIPE / 1Fx1NPT-M From 4-4799			1	
7	501922	ADAPTER / PIPE FITTING / 3/4NPT-Fx1 1/4NPT-M BR To 4-4798			1	
8	870807	STRAINER FILTER, WATER 1" 1/4" N.P.T. To 4-4798			1	
8	871348	STRAINER FILTER, WATER 1" N.P.T. From 4-4799			1	
9	501567	STREET ELBOW 45° / COPPER TUBE / 1Mx1F			1	
10	501762	STREET ELBOW 90° SHORT RADIUS / COPPER TUBE / 1Mx1F			1	
11	372854	VALVE ASSY / W/CONNECTOR			1	
11	HF-2207-10	WATER VALVE - DRIVER'S	1	1	1	
11	HF-2207-01	WATER VALVE - W/MAIN & DRIVER'S	1	1	1	
12	501866	ADAPTER / COPPER @ PIPE / 3/4Fx3/4NPT-M			1	
13	503198	COPPER TUBE .875" O.D. x .045" x 240"			1	
20	561781	CONNECTOR / WEATHER PACK / PH 3C / BLACK / PED 12010717			1	
NS	561783	SEAL PLUG CAVITY / GREEN / PED 12010300			1	
NS	561786	CABLE SEAL / GRAY / PED 15324980			1	
NS	561568	PIN TERMINAL / 16-14 / PED 12089305			1	
30	373564	SUPPORT W/PUMP / INPUT			1	
31	373565	SUPPORT W/PUMP / OUTPUT			1	
NS	373595	SUPPORT WATER PUMP / W/SMALL A/C To 4-4798			1	
NS	172869	SUPPORT WATER PUMP / W/SMALL A/C From 4-4799			1	
32	560912	CLAMP / 1"1/4 I.D.			2	
33	500642	SCREW TP PAN PH #10x3/4 Z050			2	
34	503684	HOSE SILICONE 1 PLY 7/8" I.D. x 100' / S.L.			AR	
40	641332	MALE CONNECTOR / PUSH-IN FITTING / #4x1/4NPT-M BR From 6-0436			1	
41	642028	MALE CONNECTOR / PUSH-IN FITTING / 6MM x M5-0.8 BR From 6-0436			1	



From 3-4417 To 6-0435	Date:10/2022	PAGE:HF-2210-20
-----------------------	--------------	-----------------

WATER HEATER PUMP & FILTER - INSTALLATION

Item#	Part	Description	H 3 4 1	H 3 4 5	V I P 4 5	N O T E S
		C) USE ON "CALHOUN" SMALL A/C SYSTEM				
		P) CALL ORDER DESK FOR SPECIFIC APPLICATION (V.I.N.)				

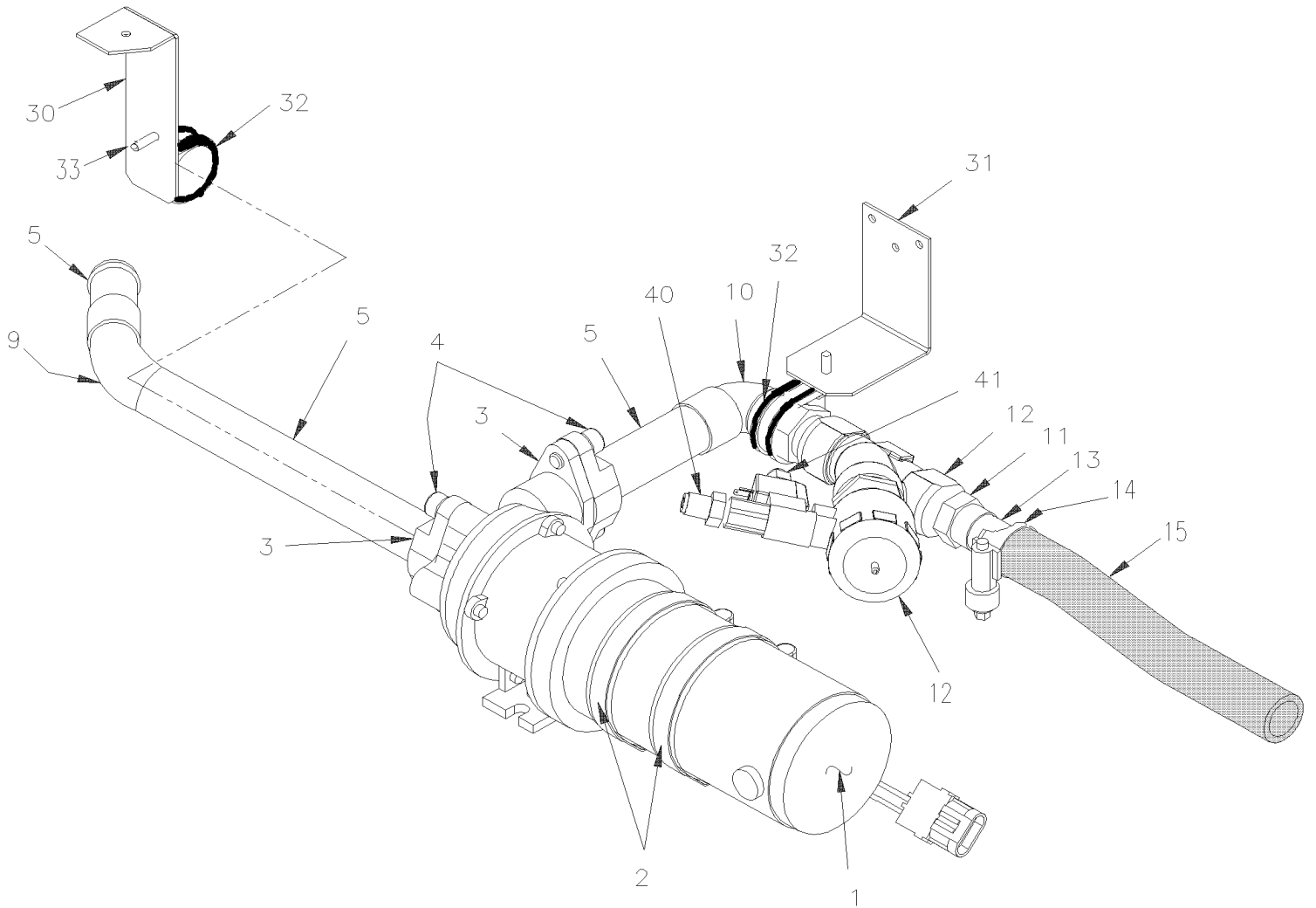


From 6-0436 To 8-1043

Date:10/2022

PAGE:HF-2210-21

WATER HEATER PUMP - INSTALLATION





From 6-0436 To 8-1043	Date:10/2022	PAGE:HF-2210-21
-----------------------	--------------	-----------------

WATER HEATER PUMP - INSTALLATION

Item#	Part	Description	H 3 4 1	H 3 4 5	V I P 4 5	N O T E S
	Call order desk	WATER PUMP ASSY W/PIPE AND WATER VALVE			1	P
1	HF-2206-02	WATER PUMP #871342 SEALLESS				
2	504235	HOSE CLAMP / 3"9/16"-4"1/2 SS / HS-64			2	
NS	506728	TAPE RUB ADH1 NEO 1/4" x 3/4" x 10' / BLACK			AR	
3	871206	FLANGE ADAPTOR / W/QUAD RING			2	
3	870441	GASKET PUMP INLET & OUTLET			2	
4	5001580	SCREW CAP HEXS 3/8-16x7/8			2	
4	500438	WASHER FL .187x.437x.050 Z050			2	
5	503199	COPPER TUBE 1.125" O.D.x .050" x 240"			AR	
9	501567	STREET ELBOW 45° / COPPER TUBE / 1Mx1F			1	
10	501762	STREET ELBOW 90° SHORT RADIUS / COPPER TUBE / 1Mx1F			1	
11	501866	ADAPTER / COPPER @ PIPE / 3/4Fx3/4NPT-M			1	
12	HF-2207-01	WATER VALVE - W/MAIN & DRIVER'S	1	1	1	
13	503198	COPPER TUBE .875" O.D. x .045" x 240"			1	
14	504646	HOSE CLAMP / 11/16"-1"1/4 / C.T. 9412			1	
15	503684	HOSE SILICONE 1 PLY 7/8" I.D. x 100' / S.L.			AR	
30	373564	SUPPORT W/PUMP / INPUT			1	
31	373565	SUPPORT W/PUMP / OUTPUT			1	
32	952639	CLAMP / 1"1/4 I.D.			2	
33	500658	SCREW TC PAN PH #10-24x3/4 Z050			2	
40	641332	MALE CONNECTOR / PUSH-IN FITTING / #4x1/4NPT-M BR			1	
41	642028	MALE CONNECTOR / PUSH-IN FITTING / 6MM x M5-0.8 BR			1	
		P) CALL ORDER DESK FOR SPECIFIC APPLICATION (V.I.N.)				

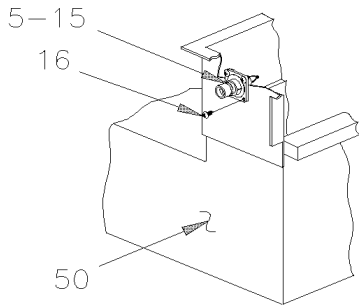


From 3-4417 To 8-1043

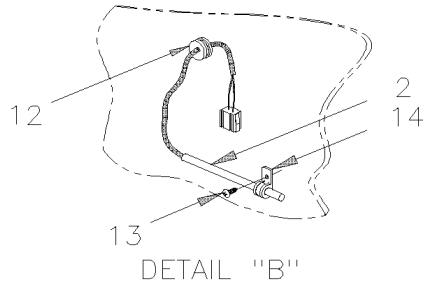
Date:10/2022

PAGE:HF-2210-50

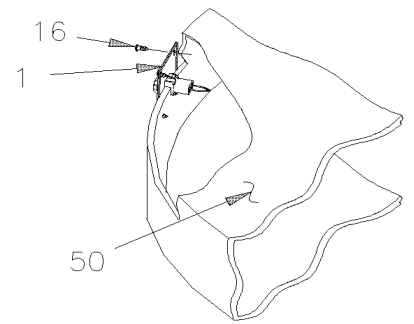
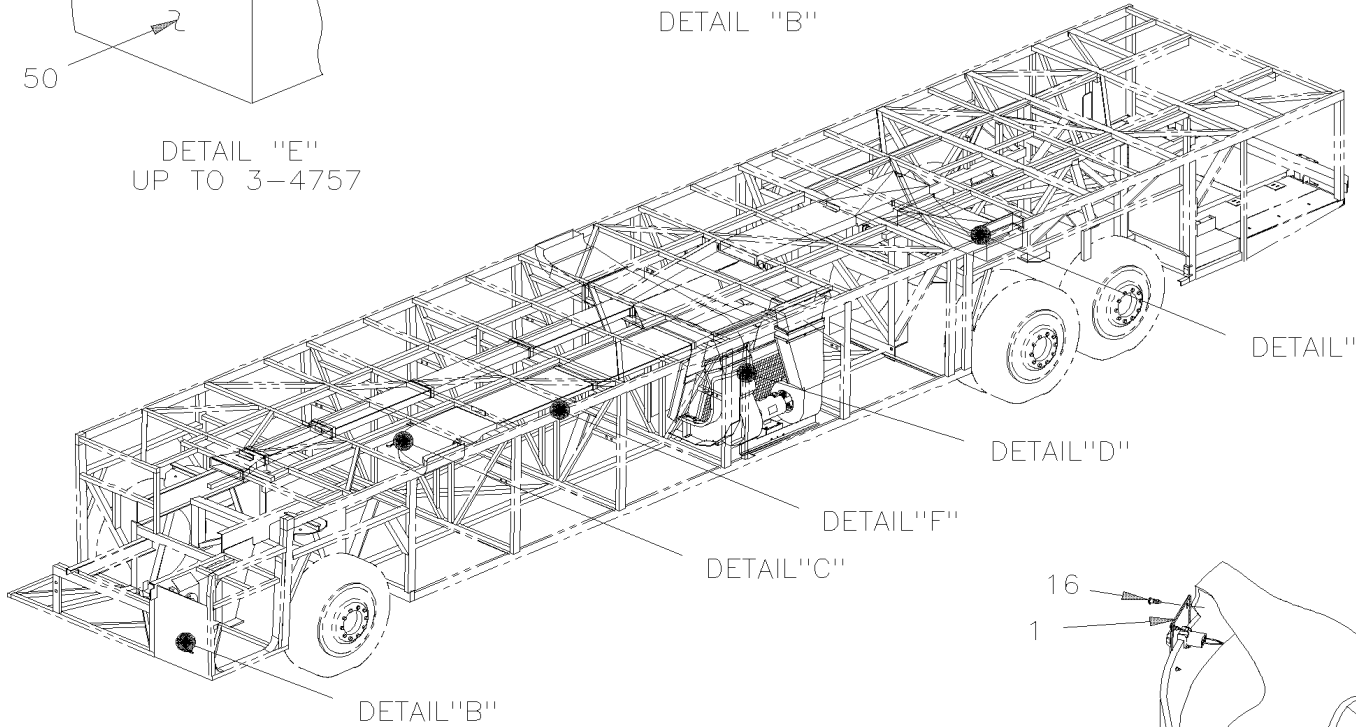
AIR MAIN SENSOR



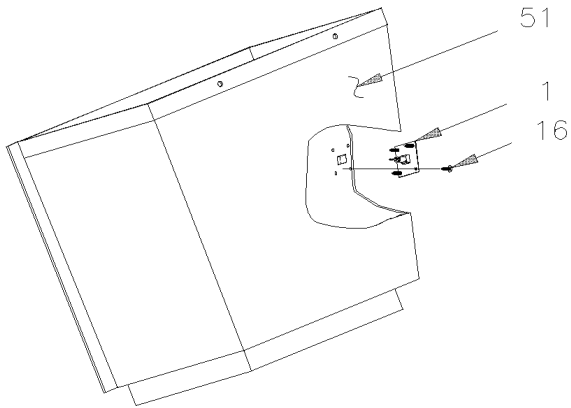
DETAIL "E"
UP TO 3-4757



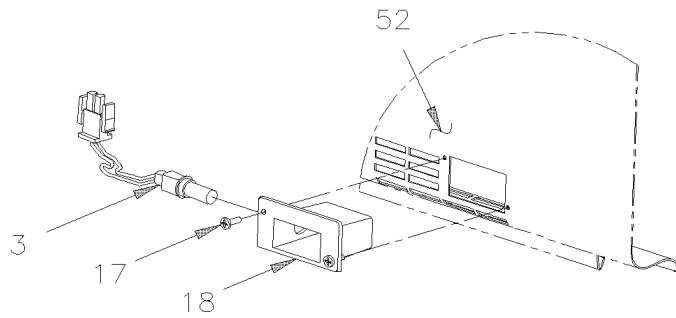
DETAIL "B"



DETAIL "C"
UP TO 3-4757



DETAIL "D"
UP TO 3-4757



DETAIL "F"
FROM 4-4758



From 3-4417 To 8-1043	Date:10/2022	PAGE:HF-2210-50
AIR MAIN SENSOR		

Item#	Part	Description	H 3 4 1	H 3 4 5	V I P 4 5	N O T E S
1	064651	THERMISTOR ASSY W/CONNECTOR	AR	AR	AR	
1	064651	THERMISTOR ASSY W/CONNECTOR To 3-4757	2	2	2	
1	064651	THERMISTOR ASSY W/CONNECTOR From 4-4758	1	1	1	
2	563066	SENSOR THERMISTOR ASSY ("DALLAS") To 5-0167	1	1		A
2	563066	SENSOR THERMISTOR ASSY ("DALLAS") To 6-0435			1	A
2	563335	SENSOR THERMISTOR ASSY / OUTSIDE // PED 15416387 From 5-0168	1	1		AM
2	563335	SENSOR THERMISTOR ASSY / OUTSIDE // PED 15416387 From 6-0436			1	AM
3	563063	SENSOR THERMISTOR ASSY / TEMPERATURE / ("DELPHI") From 4-4758	1	1	1	
5	064670	SENSOR ASSY	1	1	1	
NS	562144	MOUNTING PLATE / ITT CANNON 066-8516-000 To 3-4757	1	1	1	
12	504547	GROMMET / .375x.500x.125x.375x.812 x.625x.125	2	2	2	
13	500952	SCREW TP BDG PH #8x1/2 SS	1	1	1	
14	952625	CLAMP / 3/8" I.D.	1	1	1	
15	561815	CLAMP W/ 2 / ITT CANNON 029-0263-000	2	2	2	
16	500657	SCREW TC TR PH #10-24x1/2 Z050	4	4	4	
17	5001015	SCREW TP BDG PH #6x1/2 SS BK From 4-4758	2	2	2	
18	379057	SENSOR BOX / CENTRAL AIR SENSOR / FIXED INSIDE OF AIR DUCT From 4-4758	1	1		S
NS	374080	SENSOR BOX / CENTRAL AIR SENSOR / FIXED OUTSIDE OF DUCT From 4-4758	1	1		B
NS	328182	PLATE COVER / W/4 VENT HOLES / 64MM x 33MM From 4-4758	1	1		B
50	HF-2220-00	UNDER FLOOR AIR DUCTING				
51	HF-2210-10	WATER HEATER PUMP & FILTER - INSTALLATION				
52	HF-2221-10	DUCTING HEATER & A/C				
		A) USE WITH CONSOLE THERMOMETER AT PAGE H9-0645-30				
		B) USE ONLY IF PEDESTAL SEAT INTERFERE WITH 374080				
		M) WITH MULTIPLEX				
		S) AS SHOWN				

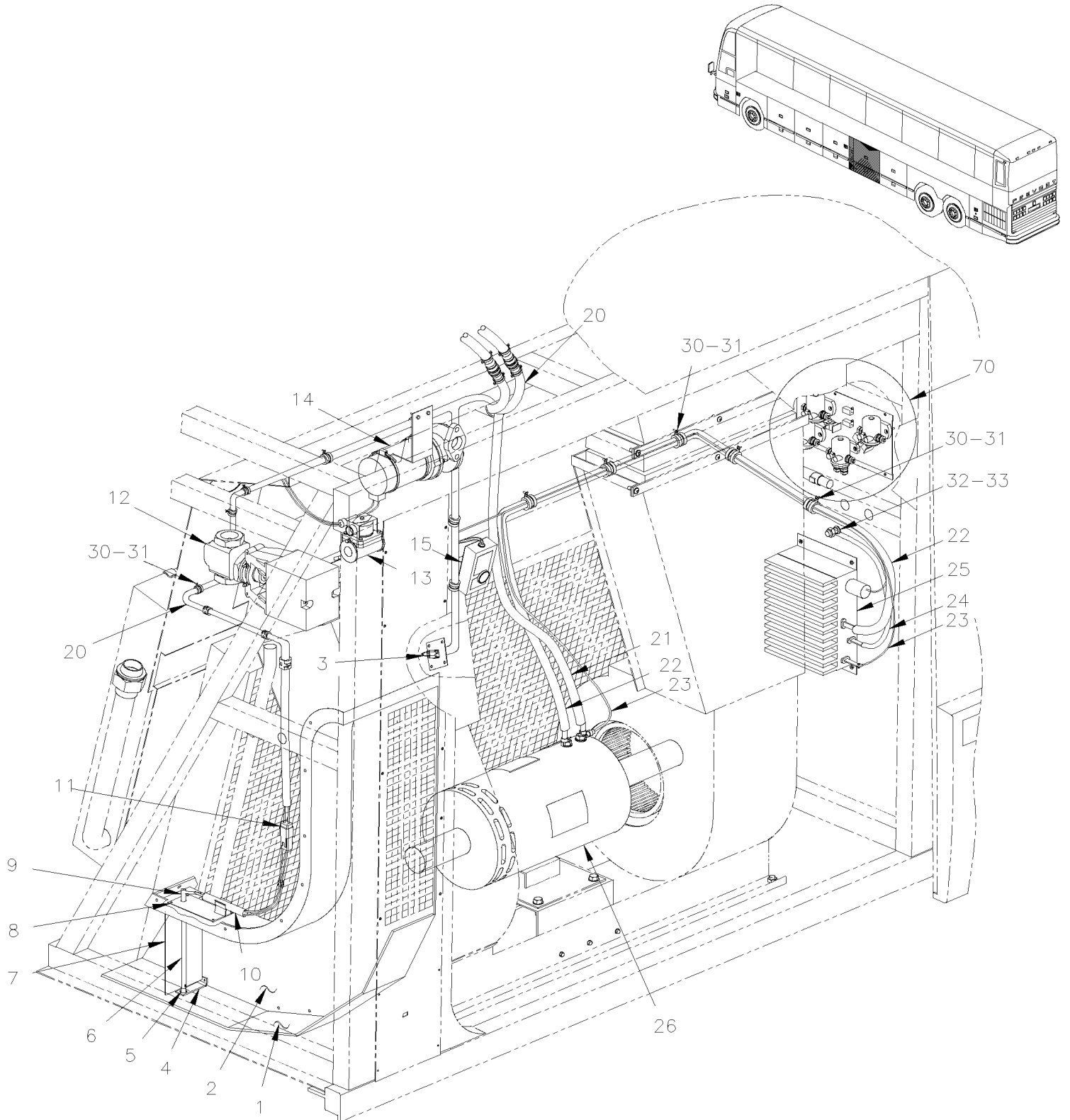


From 3-4417 To 8-1043

Date:10/2022

PAGE:HF-2215-00

EVAPORATOR & DAMPER CONTROL COMPONENTS





From 3-4417 To 8-1043	Date:10/2022	PAGE:HF-2215-00
EVAPORATOR & DAMPER CONTROL COMPONENTS		

Item#	Part	Description	H 3 4 1	H 3 4 5	V I P 4 5	N O T E S
1	451895	PANEL / BOTTOM / INTAKE DUCT	1	1	1	
1	453432	DAMPER DUCT ASSY W/ACTUATOR To 5-0167	1	1	1	
1	459197	DAMPER DUCT ASSY W/ACTUATOR From 5-0168	1	1	1	
1	374241	. DAMPER DUCT ASSY W/ACTUATOR From 7-0649			1	S
2	373556	. FIBERGLASS DUCT To 5-0167	1	1	1	
2	379673	. FIBERGLASS DUCT From 5-0168	1	1	1	
2	374240	. PLASTIC BLACK DUCT From 7-0649			1	S
3	HF-2210-50	AIR MAIN SENSOR				
4	453426	. SUPPORT	1	1	1	
5	504449	. HOLE PLUG BUTTON / .500 O.D. BLACK	1	1	1	
6	452965	. SHAFT	1	1	1	
6	454336	. SHAFT From 7-0649			1	S
NS	504689	. RING RETAINER / EXT .312 x .243 x .025 / SS	1	1	1	
7	452967	. DAMPER	1	1	1	
7	454337	. DAMPER From 7-0649			1	S
8	452966	. FIXTURE PLATE	1	1	1	
NS	507309	. BUSHING NYLINED .312x.375x.078x.500	1	1	1	
9	502243	. SPRING PIN	1	1	1	
10	373415	. ACTUATOR ASSY	1	1	1	
10	871180	. . ACTUATOR W/BOOT	1	1	1	G
. NS	871452	. . . CLIP MOUTING ACTUATOR	1	1	1	G
. NS	N.S.S.	. . . ACTUATOR	1	1	1	1 G
. NS	N.S.S.	. . . BOOT	1	1	1	1 G
10	870135	. . ACTUATOR W/BOOT W/E-COAT PROTECTION	1	1	1	
. NS	871452	. . . CLIP MOUTING ACTUATOR	1	1	1	
11	562486	. . CONNECTOR / DT SERIES / PH 2C / GRAY / DEUTSCH DT04-2P	2	2	2	
NS	562487	. . SECONDARY LOCK / DT SERIES / PH 2C / DEUTSCH W2P	2	2	2	
NS	562286	. . PIN TERMINAL / 18-16 / DEUTSCH 0460-202-16141	4	4	4	
12	HF-2207-00	WATER VALVE "VERSADRIVE"				
13	HF-2207-20	WATER VALVE - BYPASS W/WATER HEATER				
14	HF-2206-00	WATER PUMP #871204				
15	560952	SPRING, TORSION / .896 O.D. x .248 x .020	4	4	4	
20	064493	CABLE HARNESS / A/C JCT PANEL & EVAP COMP	1			
20	064492	CABLE HARNESS / A/C JCT PANEL & EVAP COMP		1		
20	064491	CABLE HARNESS / ACCESSORIES LUGGAGE COMPT			1	
26	HF-2265-00	MOTOR - EVAPORATOR - "PREVOST" - T-17 - 2 SPEEDS				
30	500638	SCREW TP PAN PH #8x1/2 Z050	AR	AR	AR	D
31	560479	CLAMP / 3/8" I.D.	AR	AR	AR	
31	560480	CLAMP / 1/2" I.D.	AR	AR	AR	
31	561569	CLAMP / 1 3/8 I.D.	AR	AR	AR	
32	500998	NUT HEX 1/2-13 BR	1	1	1	
NS	500857	WASHER LO INT .512x.900x.045 Z050	1	1	1	



From 3-4417 To 8-1043	Date:10/2022	PAGE:HF-2215-00
EVAPORATOR & DAMPER CONTROL COMPONENTS		

Item#	Part	Description	H 3 4 1	H 3 4 5	V I P 4 5	N O T E S
33	380360	STUD, GROUND (WELDED TO STRUCTURE) 1/2-13	1	1	1	
70	HF-0621-10	A/C CONDENSOR MOTOR RELAY				
		D) TO FIX CLAMP				
		G) FOR PRODUCT IMPROVEMENT ASK FOR 870135				
		S) VIP W/SLIDE-OUT ONLY				
		1) NOT SOLD SEPARATELY				

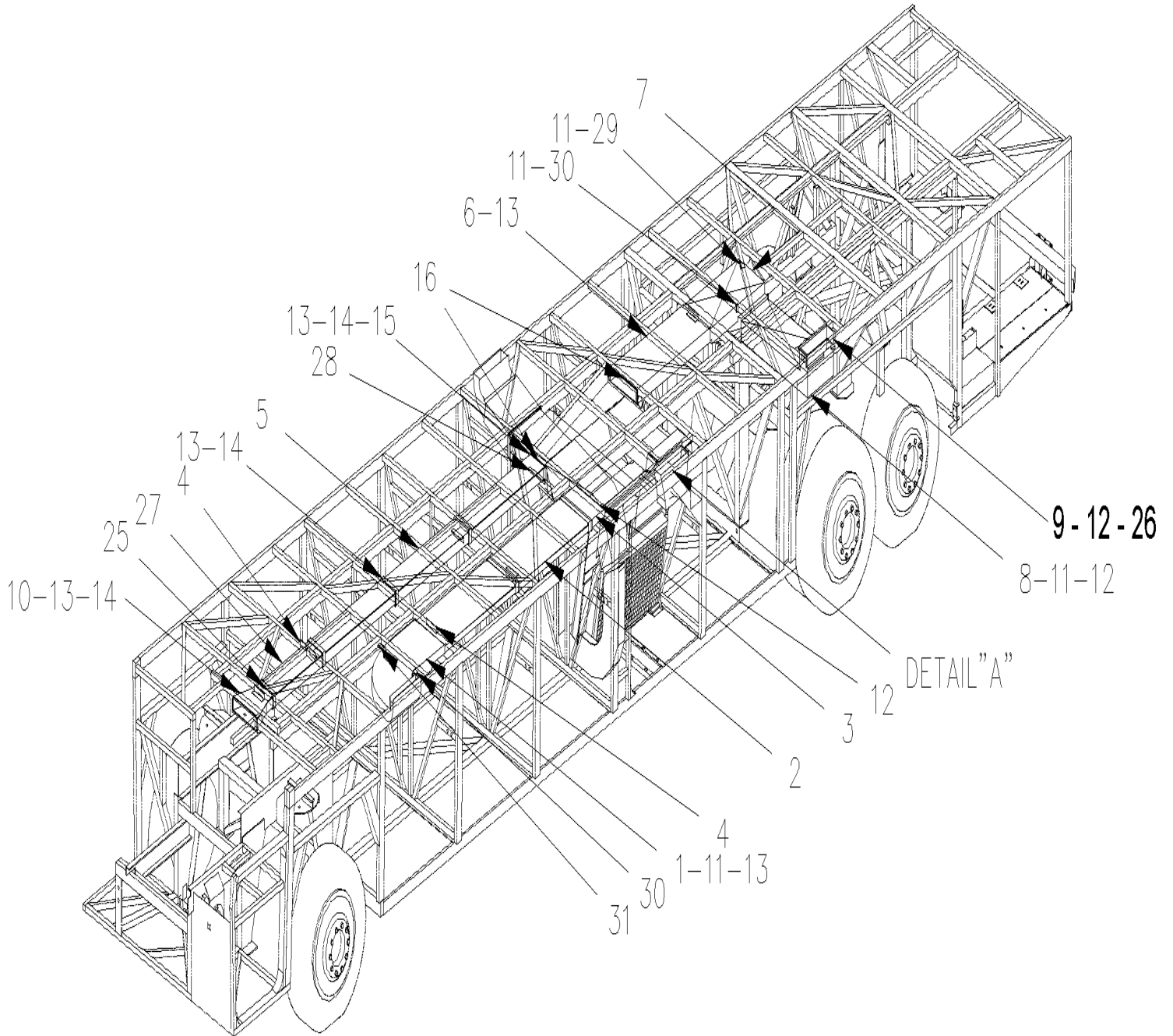


From 3-4417 To 8-1043

Date:10/2022

PAGE:HF-2220-00

UNDER FLOOR AIR DUCTING



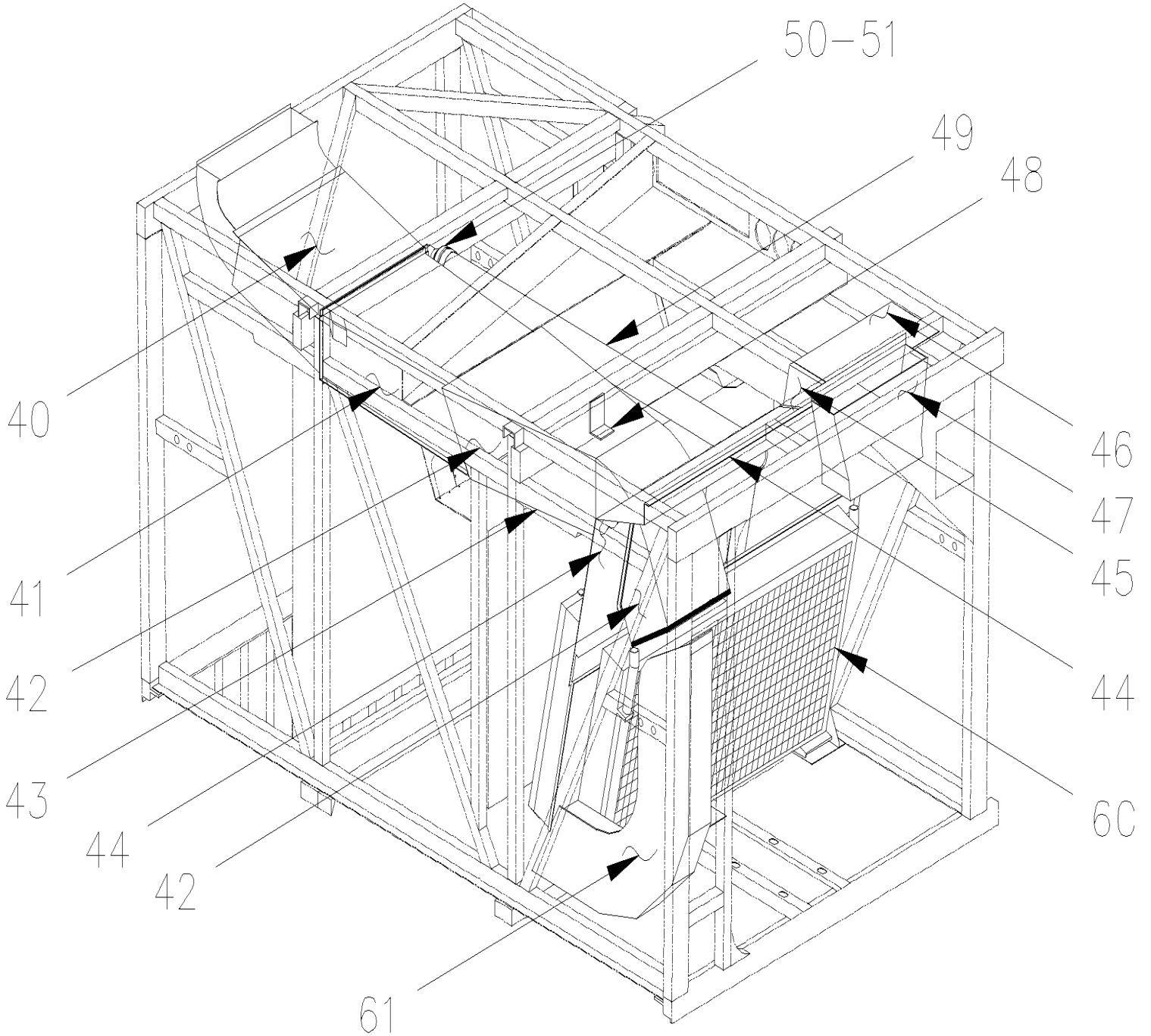


From 3-4417 To 8-1043

Date:10/2022

PAGE:HF-2220-00

UNDER FLOOR AIR DUCTING



DETAIL "A"



From 3-4417 To 8-1043	Date:10/2022	PAGE:HF-2220-00
UNDER FLOOR AIR DUCTING		

Item#	Part	Description	H 3 4 1	H 3 4 5	V I P 4 5	N O T E S
1	452396	DUCT LEFT To 3-4757	1	1	1	
1	454312	DUCT LEFT From 4-4758	1	1	1	
2	452397	DUCT RIGHT 1164MM	1			
2	452397	DUCT RIGHT 1164MM		2	2	
3	452404	DUCT ASSY	1	1	1	
4	451832	ANGULAR BRACKET	7			
4	451832	ANGULAR BRACKET		6	6	
5	452410	FRONT DUCT ASSY	2			
5	452410	FRONT DUCT ASSY		3	3	
6	452407	DUCT ASSY	1	1	1	
7	452377	CENTER REAR DUCT ASSY	1	1	1	
8	452376	REAR DUCT	1	1	1	
9	452462	REAR DUCT To 3-4757	1	1	1	
9	454313	REAR DUCT From 4-4758	1	1	1	
10	453085	FRONT OUTFLOW DUCT	1	1	1	
11	500657	SCREW TC TR PH #10-24x1/2 Z050	AR	AR	AR	
12	680096	SEALANT BUTYL ALUM / GREY / 310ml CARTRIDGE	AR	AR	AR	
13	504114	RIVET POP DOME OE 3/16x1/4 AL	AR	AR	AR	
14	506227	TAPE RUB ADH1 CC POL 1/16" x 3/4" x 100' / GREY 2520	AR	AR	AR	
15	451835	ANGULAR BRACKET	2	2	2	
16	506002	TAPE RUB ADH1 CC POL 3/16" x 1/2" x 40' / GREY 2520	AR	AR	AR	
25	506236	TAPE RUB ADH1 CC POL 1/16" x 1/2" x 100' / GREY 2520	AR	AR	AR	
26	500659	SCREW TC PAN PH #10-32x1 Z050	4	4	4	
27	452413	DUCT, AIR INLET ASSY #1 886MM		1		
27	452522	DUCT, AIR INLET ASSY #1 812MM	1			
27	453095	DUCT, AIR INLET ASSY #1 590MM			1	
28	451801	DUCT SUPPORT	1	1	1	
29	452507	SUPPORT	1	1	1	
30	452509	SUPPORT	3	3	3	
31	452510	SUPPORT	1	1	1	
40	451948	AIR DUCT COMPT CONDENSOR ASSY	1	1		
40	451995	AIR DUCT COMPT CONDENSOR ASSY			1	
40	452867	AIR DUCT COMPT CONDENSOR ASSY / W/RICON		1		
40	453037	AIR DUCT COMPT CONDENSOR ASSY / W/W.C.L. DOOR			1	
41	451950	AIR DUCT CENTRAL ASSY	1	1	1	
42	451951	AIR DUCT LEFT ASSY	1	1	1	
43	451934	FRONT INSULATING	1	1	1	
43	451762	CENTER INSULATING	1	1	1	
43	452899	REAR INSULATING	1	1	1	
44	453274	EVAPORATOR PANEL	1	1	1	
44	453310	EVAPORATOR PANEL	1	1		B
NS	506236	TAPE RUB ADH1 CC POL 1/16" x 1/2" x 100' / GREY 2520	AR	AR	AR	



From 3-4417 To 8-1043	Date:10/2022	PAGE:HF-2220-00
UNDER FLOOR AIR DUCTING		

Item#	Part	Description	H 3 4 1	H 3 4 5	V I P 4 5	N O T E S
NS	500165	SCREW CAP HEX 1/4-20x1 G5 Z050	4	4	4	
NS	506001	TAPE RUB ADH1 CC POL 1/8" x 3/4" x 50' / GREY 2520X	AR	AR	AR	
NS	506338	RUBBER CHANNEL / 1/16" x 1/4" INT "U" SHAPE / ROUND C.T.L.	AR	AR	AR	
45	451937	PLATE CLOSING / UPPER / ITEM 44 & 46	1	1	1	
46	452492	EVAPORATOR PANEL To 4-4832	1	1	1	
46	453969	EVAPORATOR PANEL From 4-4833	1	1	1	
47	372949	DUCT, AIR INLET L.H.			1	
47	453002	DUCT, AIR INLET L.H.	1	1		
NS	372711	ANGLE SUPPORT			1	
48	451932	SUPPORT	1	1	1	
NS	500613	SCREW TP PAN PH #10x1/2 Z050	AR	AR	AR	
49	451954	TUBE PVC / 3" X 1440MM	1	1	1	
50	504441	CUFF END BELLOW / 3 1/2" I.D. x 3 1/2" x 5 5/8"	1	1	1	A
51	504026	HOSE CLAMP / 2"13/16-3"3/4 SS / HS-52	1	1	1	
60	HF-2205-00	HEATER & EVAPORATOR COIL & FILTER ASSY				
61	HF-2215-00	EVAPORATOR & DAMPER CONTROL COMPONENTS				
		A) CUFF END ELBOW				
		B) WITH A/C IN PARCEL RACK				

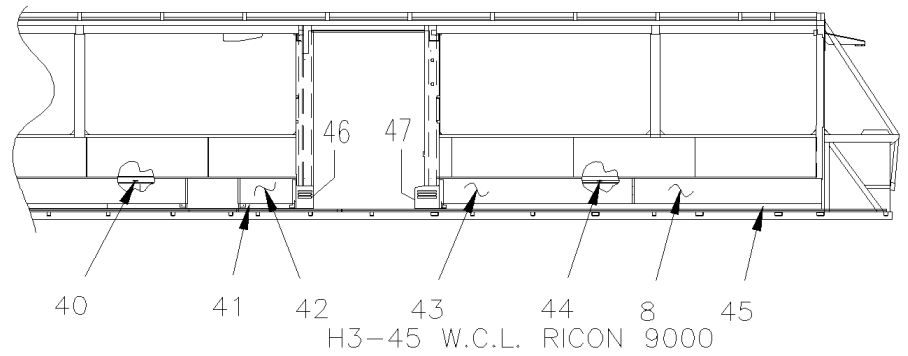
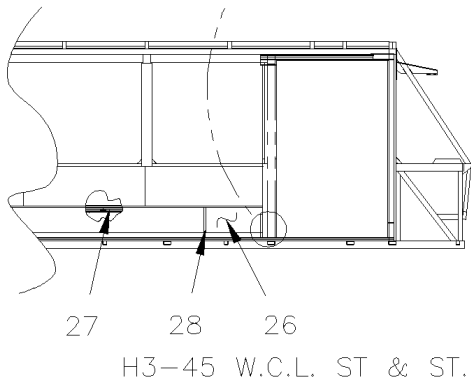
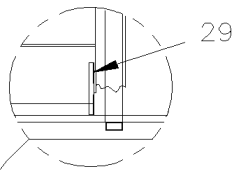
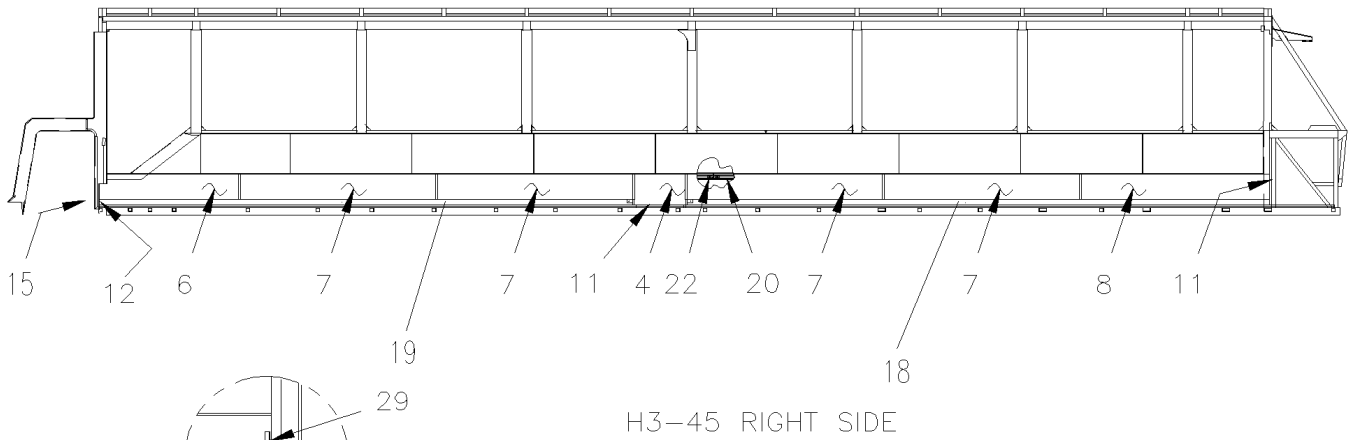
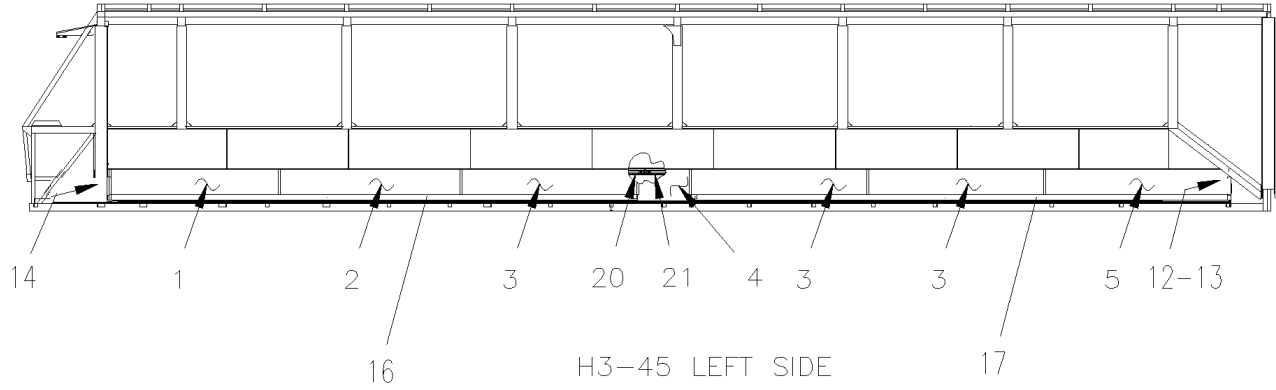


From 3-4417 To 8-1043

Date:10/2022

PAGE:HF-2221-10

DUCTING HEATER & A/C



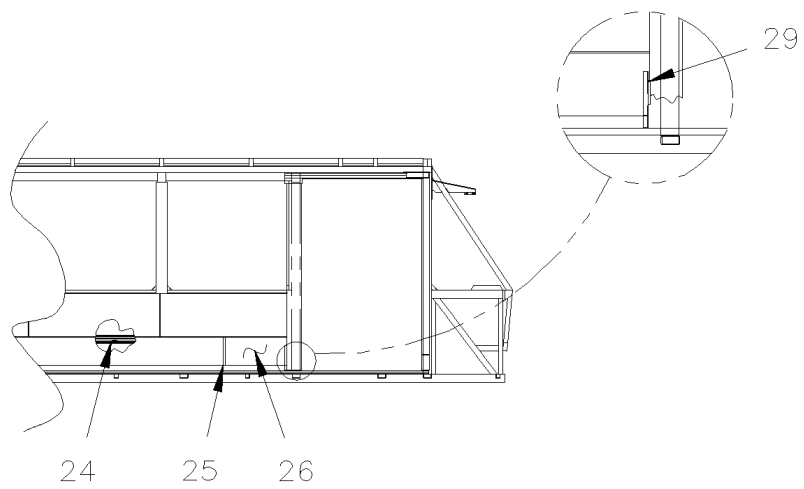
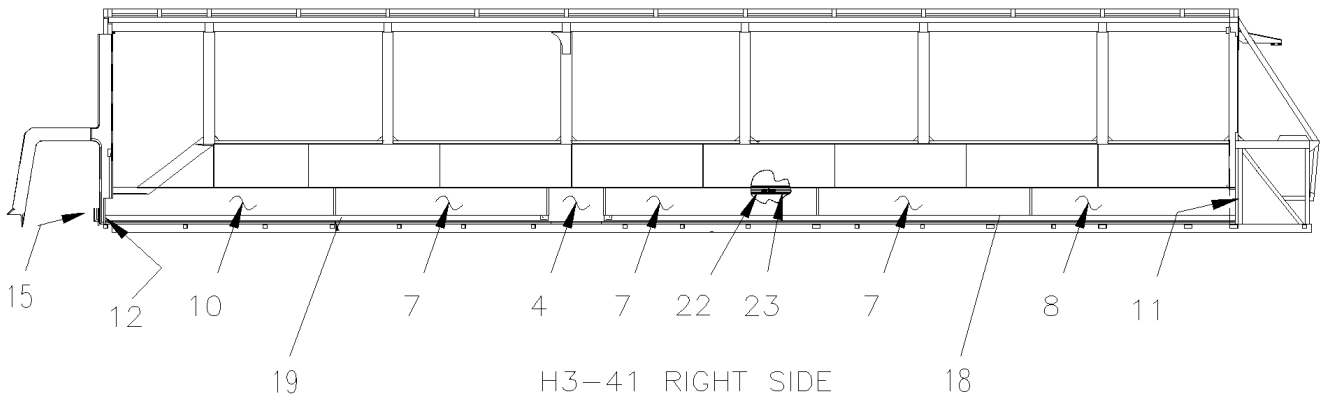
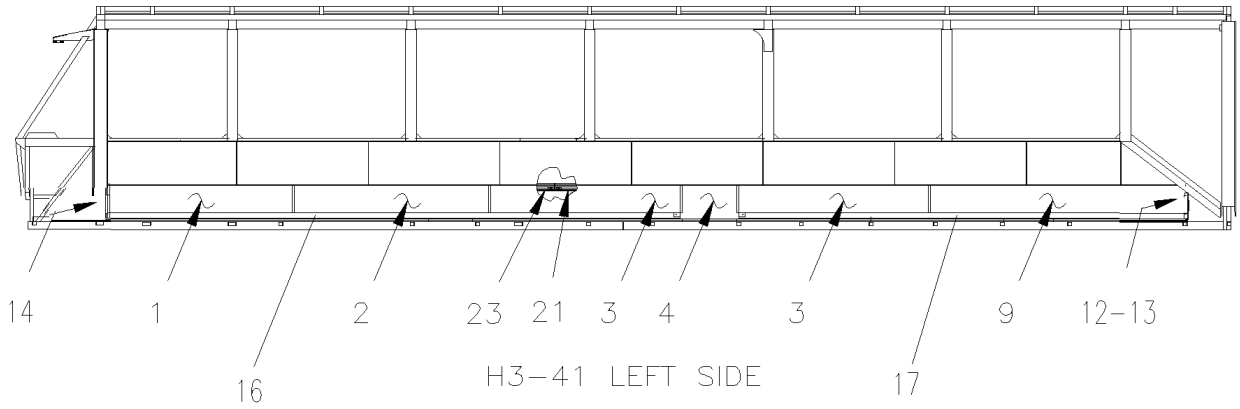


From 3-4417 To 8-1043

Date:10/2022

PAGE:HF-2221-10

DUCTING HEATER & A/C



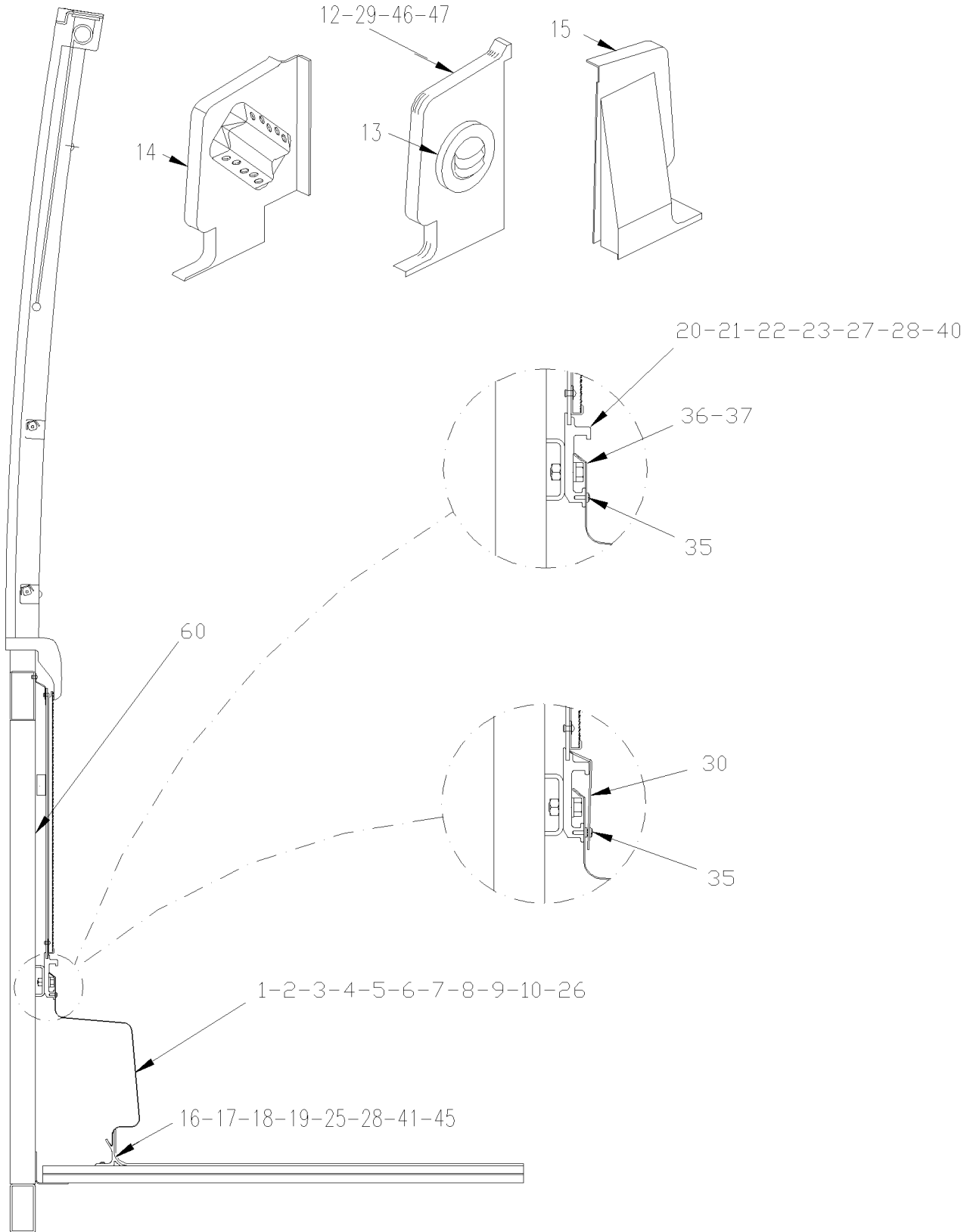


From 3-4417 To 8-1043

Date:10/2022

PAGE:HF-2221-10

DUCTING HEATER & A/C





From 3-4417 To 8-1043	Date:10/2022	PAGE:HF-2221-10
DUCTING HEATER & A/C		

Item#	Part	Description	H 3 4 1	H 3 4 5	V I P 4 5	N O T E S
1	327682	DUCT, AIR 2000 MM To 8-1039	1	1		
1	329524	DUCT, AIR 2000 MM From 8-1040	1	1		
2	327683	DUCT, AIR 1843MM To 3-4757	1	1		
2	327801	DUCT, AIR 1843MM From 4-4758 To 5-0167	1	1		
2	328178	DUCT, AIR 1843 MM From 5-0168 To 8-1039	1	1		
2	329533	DUCT, AIR 1843 MM From 8-1040	1	1		
2	HF-2210-50	AIR MAIN SENSOR				
3	327684	DUCT, AIR 1800 MM To 8-1039	2			
3	327684	DUCT, AIR 1800 MM To 8-1039		3		
3	329525	DUCT, AIR 1800 MM W/1 HOLE 940MM From 8-1040	1	1		
3	329526	DUCT, AIR 1800MM W/2 HOLES 166MM/ 1706MM From 8-1040	1	1		
3	329535	DUCT, AIR 1800 MM W/1 HOLE 1468MM From 8-1040	1	1		
4	327685	DUCT, AIR 548 MM To 8-1039	2	2		
4	329527	DUCT, AIR 548 MM From 8-1040	2	2		
5	327686	DUCT, AIR W/VENT 1877MM W/1 HOLE 1141MM To 8-1039		1		
5	329528	DUCT, AIR W/VENT 1877MM W/1 HOLE 1227MM From 8-1040		1		
6	327687	DUCT, AIR 1422 MM		1		
7	327688	DUCT, AIR 2000 MM / GREY	3	3		
8	327689	DUCT, AIR 1908 MM		1		
9	327690	DUCT, AIR W/VENT 2411MM W/1 HOLE 1141MM To 8-1039	1			
9	329529	DUCT, AIR W/VENT 2411MM W/1 HOLE 1141MM From 8-1040	1			
10	327691	DUCT, AIR 2156 MM	1			
11	506025	RUBBER CHANNEL / 1/18" x 5/16" INT "U" SHAPE / SQUARE C.T.L.	AR	AR		
12	326589	CAP CLOSING / L.H. FRONT DUCT	1	1		
13	870901	LOUVER, ADJUSTABLE / ROUND 3" O.D.	1	1		
14	326587	CAP CLOSING / L.H. REAR DUCT	1	1		
NS	328961	INSULATING PANEL / DUCT END	1	1		
15	326585	CAP CLOSING	1	1		
16	326629	EXTRUSION, FLOOR 5303MM	1	1	1	
17	326630	EXTRUSION, FLOOR 5419MM	1	1	1	
18	326632	EXTRUSION, FLOOR 5864MM	1	1	1	
19	327755	EXTRUSION, FLOOR 5370 MM	1	1	1	
20	326621	EXTRUSION, LOWER WALL 5370MM To 3-4588		2		
20	327713	EXTRUSION, LOWER WALL 5370 MM From 3-4589 To 8-1039		2		
20	329511	EXTRUSION, LOWER WALL 5370 MM From 8-1040		1		
21	326617	EXTRUSION, LOWER WALL 5890MM To 3-4588	1	1		
21	327717	EXTRUSION, LOWER WALL 5890 MM From 3-4589 To 8-1039	1	1		
21	329512	EXTRUSION, LOWER WALL 5890 MM From 8-1040	1	1		
22	326616	EXTRUSION, LOWER WALL 6236MM To 3-4588	1	1		
22	327712	EXTRUSION, LOWER WALL 6236 MM From 3-4589	1	1		
23	326619	EXTRUSION, LOWER WALL 4123MM To 3-4588	1			
23	327715	EXTRUSION, LOWER WALL 4123 MM From 3-4589 To 8-1039	2			



From 3-4417 To 8-1043	Date:10/2022	PAGE:HF-2221-10
DUCTING HEATER & A/C		

Item#	Part	Description	H 3 4 1	H 3 4 5	V I P 4 5	N O T E S
23	329513	EXTRUSION, LOWER WALL 4123 MM From 8-1040	2			
24	326620	EXTRUSION, LOWER WALL 2920MM To 3-4588	2			
24	327714	EXTRUSION, LOWER WALL 2920MM From 3-4589 To 6-0335	1			
25	326653	EXTRUSION, FLOOR 4272MM To 6-0335	1			
26	327694	DUCT, AIR 600MM To 6-0335	1	1		
27	327718	EXTRUSION, LOWER WALL 4165MM To 6-0335		1		
28	326648	EXTRUSION, FLOOR 4512MM To 6-0335		1		
29	326586	CAP CLOSING To 6-0335	1	1		
NS	870901	LOUVER, ADJUSTABLE / ROUND 3" O.D. To 6-0335	1	1		
30	327742	MOULDING, COVER CABLE / GREY / 203MM To 8-1039	AR	AR		
30	329521	MOULDING, COVER CABLE / GREY / 203MM From 8-1040	AR	AR		
30	327709	MOULDING, COVER CABLE / GREY / 330MM To 8-1039	AR	AR		
30	329522	MOULDING, COVER CABLE / GREY / 330MM From 8-1040	AR	AR		
30	327706	MOULDING, COVER CABLE / GREY / 360MM To 8-1039	AR	AR		
30	329518	MOULDING, COVER CABLE / GREY / 360MM From 8-1040	AR	AR		
30	327707	MOULDING, COVER CABLE / GREY / 390MM To 8-1039	AR	AR		
30	329519	MOULDING, COVER CABLE / GREY / 390MM From 8-1040	AR	AR		
30	327708	MOULDING, COVER CABLE / GREY / 465MM To 8-1039	AR	AR		
30	329520	MOULDING, COVER CABLE / GREY / 465MM From 8-1040	AR	AR		
30	327705	MOULDING, COVER CABLE / GREY / 530MM To 8-1039	AR	AR		
30	329517	MOULDING, COVER CABLE / GREY / 530MM From 8-1040	AR	AR		
35	500583	SCREW TP PAN PH #6x1/2 Z050	AR	AR		
35	500417	SCREW TP PAN PH #6x3/8 Z050	AR	AR		
36	5001473	SCREW CAP HEXS 5/16-18x3/4 NYRT	AR	AR		
37	500441	WASHER FL .312x.734x.065 Z050	AR	AR		
40	326618	EXTRUSION, LOWER WALL 6420 MM		1		
41	326649	EXTRUSION, FLOOR 606 MM		1		
42	326700	DUCT, AIR 610 MM		1		
43	326701	DUCT, AIR 1987 MM		1		
44	326623	EXTRUSION, LOWER WALL 3800 MM		1		
45	326650	EXTRUSION, FLOOR 3875 MM		1		
46	326586	CAP CLOSING To 3-4424		1		C
46	327559	DUCT END FORWARD AIR DUCT From 3-4425		1		
46	327560	CAP CLOSING From 3-4425		1		A
47	326585	CAP CLOSING To 3-4424		1		
47	327558	DUCT END BACKWARD AIR DUCT From 3-4425		1		A
48	327561	CLOSING PANEL FORWARD AIR DUCT From 3-4425		1		
49	327562	CLOSING PANEL BACKWARD AIR DUCT From 3-4425		1		
50	500552	SCREW TP OV PH #6x3/4 Z050		AR		
51	500463	WASHER FN CKF .187x.500x.090 BR Z050		AR		
52	504105	RIVET POP DOME OE 1/8x3/16 AL		AR		
53	500640	SCREW TP PAN PH #6x3/4 Z050		AR		



From 3-4417 To 8-1043	Date:10/2022	PAGE:HF-2221-10
DUCTING HEATER & A/C		

Item#	Part	Description	H 3 4 1	H 3 4 5	V I P 4 5	N O T E S
60	850067	ALUMINUM WALL COVERING ADHESIVE / 29" X 409"	2			
60	850068	ALUMINUM WALL COVERING ADHESIVE / 29" X 458"		2		
		A) WITH A/C IN PARCEL RACK				
		C) FOR PRODUCT IMPROVEMENT ASK KIT # 453788 SEE PAGE HF-2221-10				

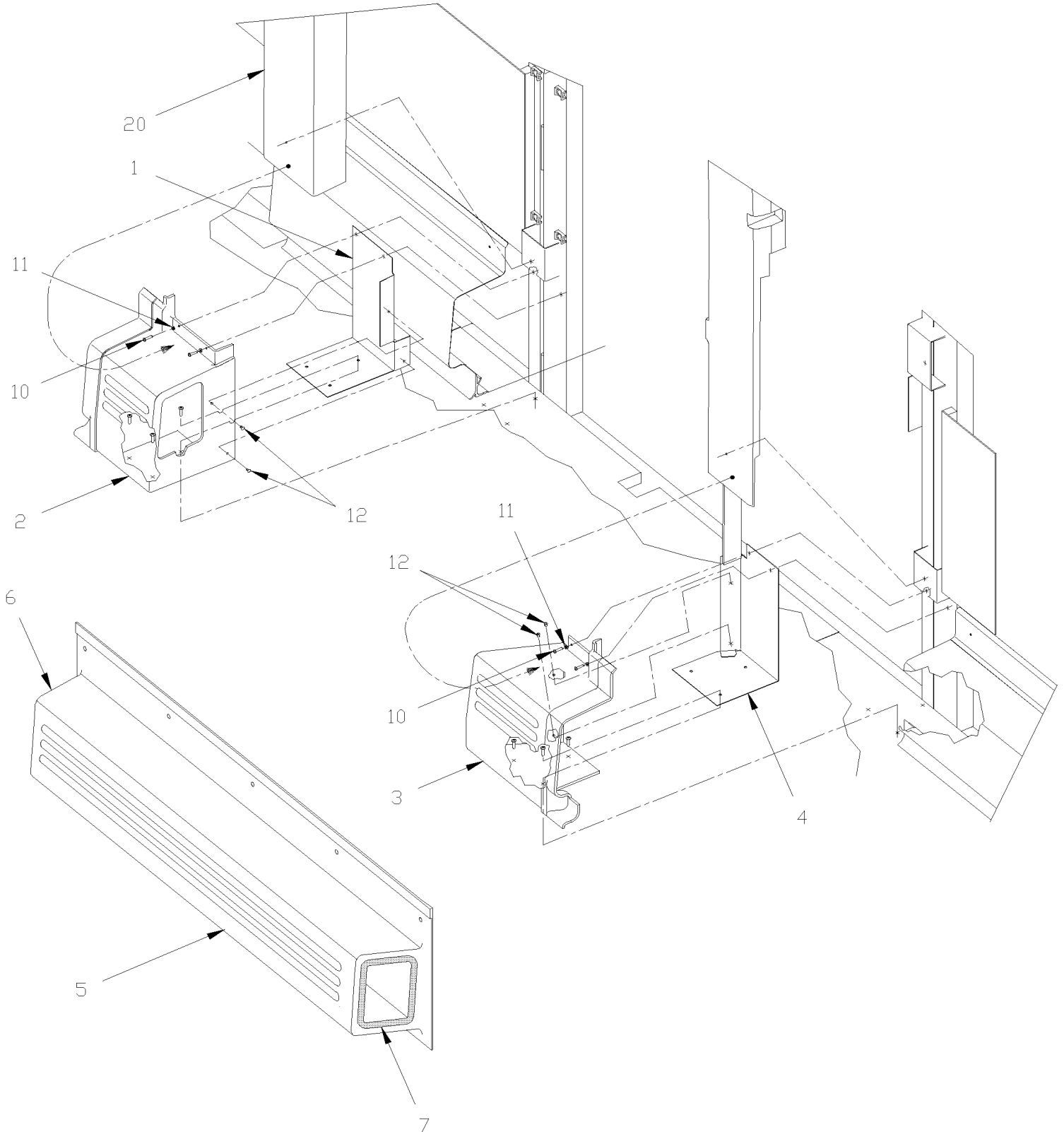


From 3-4417 To 8-1043

Date:10/2022

PAGE:HF-2221-80

AIR DUCT W.C.L. DOOR "RICON"





From 3-4417 To 8-1043	Date:10/2022	PAGE:HF-2221-80
AIR DUCT W.C.L. DOOR "RICON"		

Item#	Part	Description	H 3 4 1	H 3 4 5	V I P 4 5	N O T E S
1	328234	CLOSING PANEL FORWARD AIR DUCT	1	1		A
1	329614	CLOSING PANEL FORWARD AIR DUCT SERVICE	1	1		
2	327559	DUCT END FORWARD AIR DUCT	1	1		
2	327660	DUCT END FORWARD AIR DUCT	1	1		A B
2	329621	DUCT END FORWARD AIR DUCT SERVICE	1	1		
2	328174	DUCT END FORWARD AIR DUCT	1	1		
2	328172	DUCT END FORWARD AIR DUCT	1	1		A B
2	329612	DUCT END FORWARD AIR DUCT SERVICE	1	1		
3	327558	DUCT END BACKWARD AIR DUCT	1	1		
3	328129	DUCT END BACKWARD AIR DUCT	1	1		A B
3	329613	DUCT END BACKWARD AIR DUCT SERVICE	1	1		
4	328235	CLOSING PANEL BACKWARD AIR DUCT	1	1		
5	327557	DUCT DOOR / PLASTIC	1	1		
5	328173	DUCT DOOR / PLASTIC	1	1		A
5	329611	DUCT DOOR / PLASTIC SERVICE	1	1		
5	HF-1862-80	ENTRANCE DOOR ASSY - W.C.L. To 5-0167				
5	HF-1862-81	ENTRANCE DOOR SLIDING - WCL From 5-0168				
6	327614	SEAL DUCT 485MM	1	1		? A
. NS	5061011	. RUBBER EXTRUSION TRIM SEAL / GRIP .090/.120 / 5/8" HOLLOW BULB C.T.L.	AR	AR		A
6	329615	SEAL DUCT 600MM SERVICE	1	1		?
. NS	5061011	. RUBBER EXTRUSION TRIM SEAL / GRIP .090/.120 / 5/8" HOLLOW BULB C.T.L.	AR	AR		
7	327659	SEAL DUCT 513MM	1	1		? A
. NS	5061011	. RUBBER EXTRUSION TRIM SEAL / GRIP .090/.120 / 5/8" HOLLOW BULB C.T.L.	AR	AR		A
7	329615	SEAL DUCT 600MM SERVICE	1	1		?
. NS	5061011	. RUBBER EXTRUSION TRIM SEAL / GRIP .090/.120 / 5/8" HOLLOW BULB C.T.L.	AR	AR		
10	500552	SCREW TP OV PH #6x3/4 Z050	AR	AR		
11	500463	WASHER FN CKF .187x.500x.090 BR Z050	AR	AR		
12	504105	RIVET POP DOME OE 1/8x3/16 AL	AR	AR		
20	HF-1833-00	WINDOW FINISHING CAP & WALL To 3-4588				
20	HF-1833-01	WINDOW FINISHING CAP & WALL From 3-4589				
		A) FOR PRODUCT IMPROVMENT AIR CIRCULATION ASK PARTS MARKED "SERVICE"				
		B) WITH A/C IN PARCEL RACK				
		?) SEE DETAIL SCREEN				

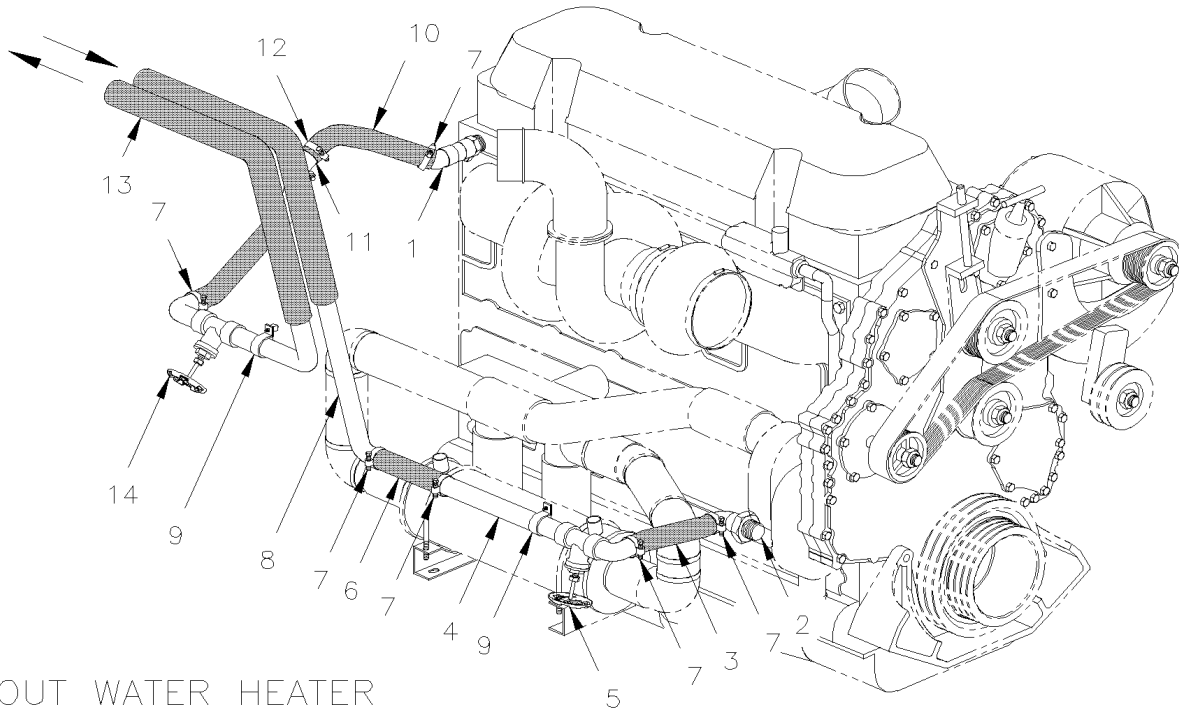


From 3-4417 To 3-4757

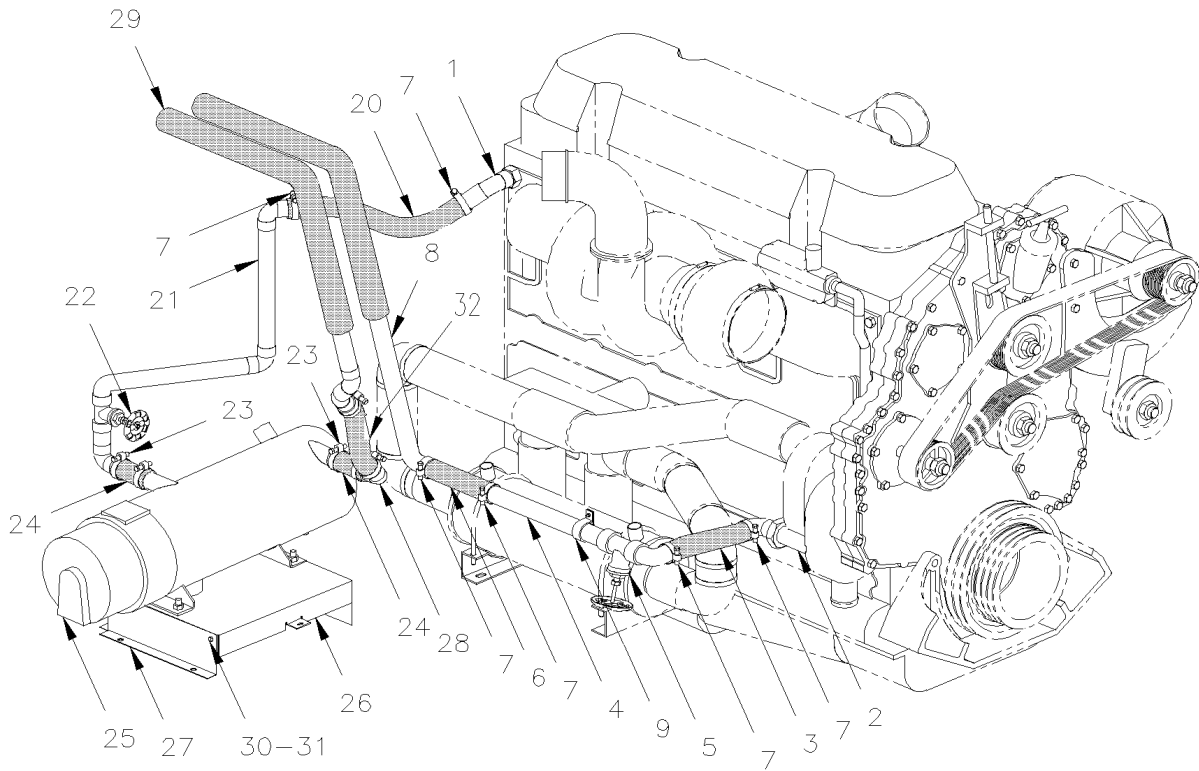
Date:10/2022

PAGE:HF-2222-00

HEATER LINE REAR SECTION



WITHOUT WATER HEATER



WITH "WEBASTO" 100 000 B.T.U.

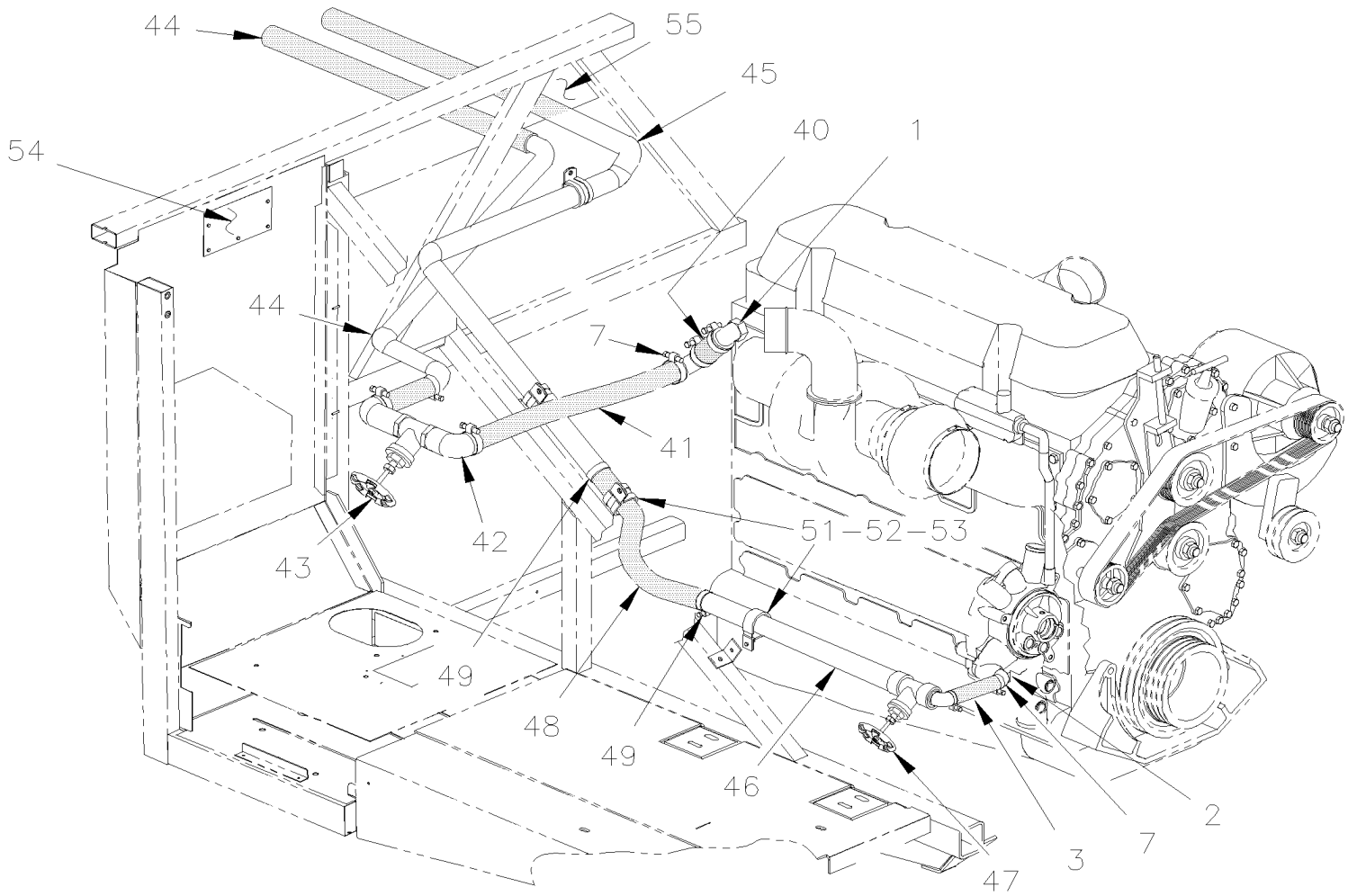


From 3-4417 To 3-4757

Date:10/2022

PAGE:HF-2222-00

HEATER LINE REAR SECTION





From 3-4417 To 3-4757	Date:10/2022	PAGE:HF-2222-00
HEATER LINE REAR SECTION		

Item#	Part	Description	H 3 4 1	H 3 4 5	V I P 4 5	N O T E S
1	373040	ADAPTOR ELBOW 45° / CYLINDER HEAD EXIT	1	1	1	
2	372958	ADAPTOR ELBOW 90° / WATER PUMP INLET	1	1	1	
3	373236	HOSE / ENGINE INLET / 1 3/8" I.D. 195MM	1	1	1	
4	373235	PIPE ASSY W/GATE VALVE	1	1	1	
5	501861	. GATE VALVE 1 1/4" (WELDED)	1	1	1	
6	372960	HOSE 1 3/8" I.D. 229MM	1	1	1	
NS	503392	. HOSE SILICONE 4PLY 1 3/8" I.D. x 4'	AR	AR	AR	
7	504657	HOSE CLAMP / 1"1/16-2" C.T. 9424	AR	AR	AR	
8	373125P	PIPE ASSY / RETURN LINE TO ENGINE COMPARTMENT	1	1	1	
9	561569	CLAMP / 1 3/8 I.D.	AR	AR	AR	
NS	502557	NUT HEX NYRT M4-0.7 SS	AR	AR	AR	
NS	505233	SPACER 7/16 I.D. X 9/16 LG	AR	AR	AR	
10	373383	HOSE ASSY W/ELBOW / 1 3/8" I.D.	1	1	1	
10	503392	. HOSE SILICONE 4PLY 1 3/8" I.D. x 4'	AR	AR	AR	
11	N.S.S.	. ELBOW 45°	1	1	1	1
12	504657	HOSE CLAMP / 1"1/16-2" C.T. 9424	2	2	2	
13	373185P	PIPE ASSY W/GATE VALVE / ENGINE COMP & HEATER COIL HEATER COIL	1	1	1	
14	501861	GATE VALVE 1 1/4" (WELDED)	1	1	1	
20	503392	HOSE SILICONE 4PLY 1 3/8" I.D. x 4'	1	1		
21	373801	PIPE ASSY HEATING / FEED LINE	1	1		
22	501861	GATE VALVE 1 1/4" (WELDED)	1	1		
23	504657	HOSE CLAMP / 1"1/16-2" C.T. 9424	4	4		
24	373800	HOSE REDUCER / 1 1/2" I.D.x1 3/8" I.D.x65MM	2	2		
25	871202	WATER HEATER - "SPHEROS" 100,000 B.T.U.				
26	373805	BOX SUPPORT / W/100000 BTU "WEBASTO"	1	1		
27	373840	COVER BOX SUPPORT	1	1		
28	373804	ELBOW 90° / W/BEAD	1	1		
29	373803P	PIPE ASSY / W/HEATER & HEATER COIL	1	1		
30	502631	SCREW CAP HEX M6-1.0x20 G8.8 Z050	2	2		
31	502564	WASHER LO SPT 6.1x11.8x1.6 Z050	2	2		
32	372960	HOSE 1 3/8" I.D. 229MM	1	1		
41	373383	HOSE ASSY W/ELBOW / 1 3/8" I.D.			1	
41	503392	. HOSE SILICONE 4PLY 1 3/8" I.D. x 4'			AR	
42	373577	PIPE ASSY			1	
43	501861	. GATE VALVE 1 1/4" (WELDED)			1	
44	Call order desk	PIPE ASSY / ENGINE COMP & WATER FILTER / W/SMALL A/C SYSTEM			1	P
45	Call order desk	PIPE ASSY / RETURN LINE TO ENGINE COMPARTMENT / W/SMALL A/C SYSTEM			1	P
46	373578	PIPE ASSY			1	
47	501861	. GATE VALVE 1 1/4" (WELDED)			1	
48	373583	HOSE 7/8" I.D. 405MM			AR	
49	504646	HOSE CLAMP / 11/16"-1"1/4 / C.T. 9412			AR	
51	500957	SCREW TP BDG PH #10x3/4 N500			AR	



From 3-4417 To 3-4757	Date:10/2022	PAGE:HF-2222-00
-----------------------	--------------	-----------------

HEATER LINE REAR SECTION

Item#	Part	Description	H 3 4 1	H 3 4 5	V I P 4 5	N O T E S
52	952633	CLAMP / 7/8" I.D.			AR	
52	952639	CLAMP / 1"1/4 I.D.			AR	
53	502841	NUT HEX NYRT M5-0.8 N500			AR	
54	373908	CLOSING PLATE / W/SMALL A/C SYSTEM 83MM x 180MM			1	
55	Call order desk	CLOSING PLATE / W/SMALL A/C SYSTEM			1	P
		1) NOT SOLD SEPARATELY				
		P) CALL ORDER DESK FOR SPECIFIC APPLICATION (V.I.N.)				

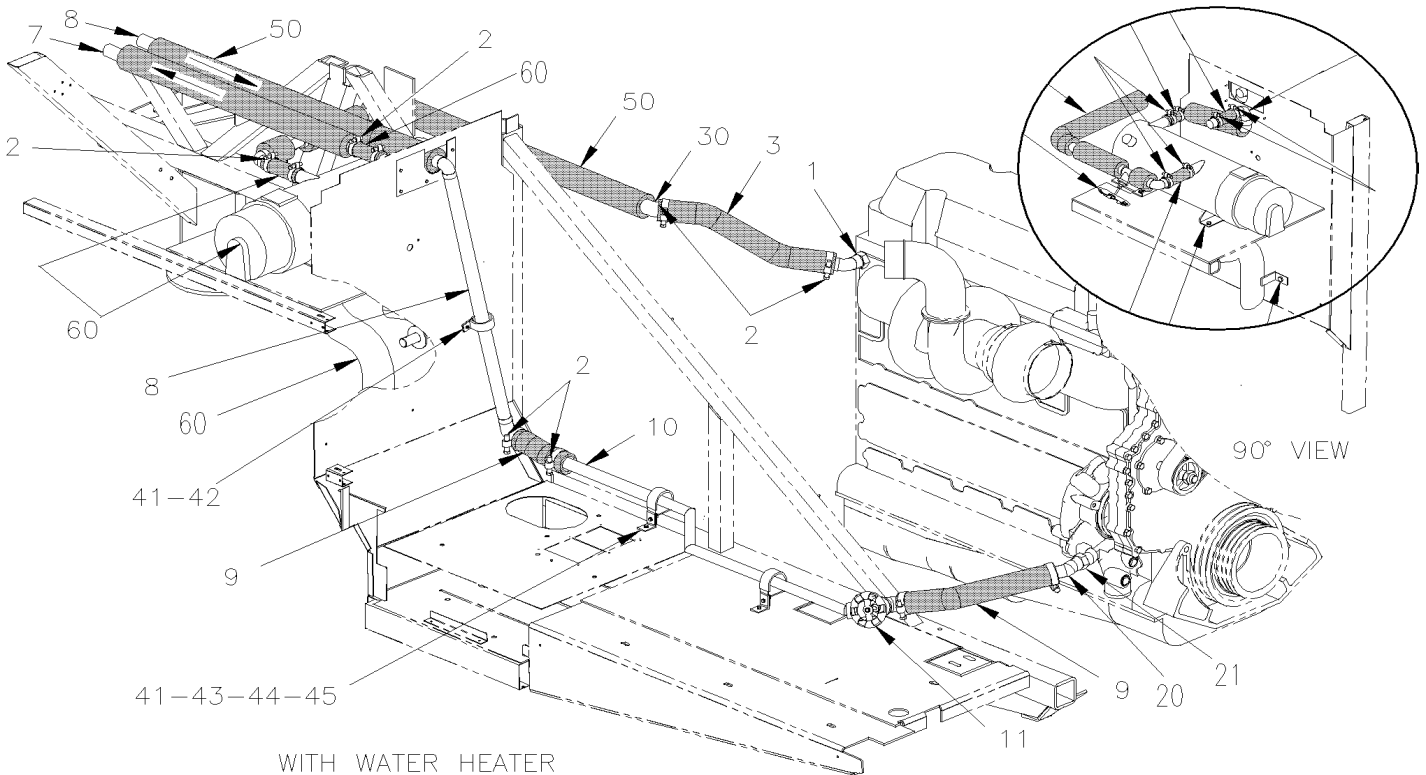
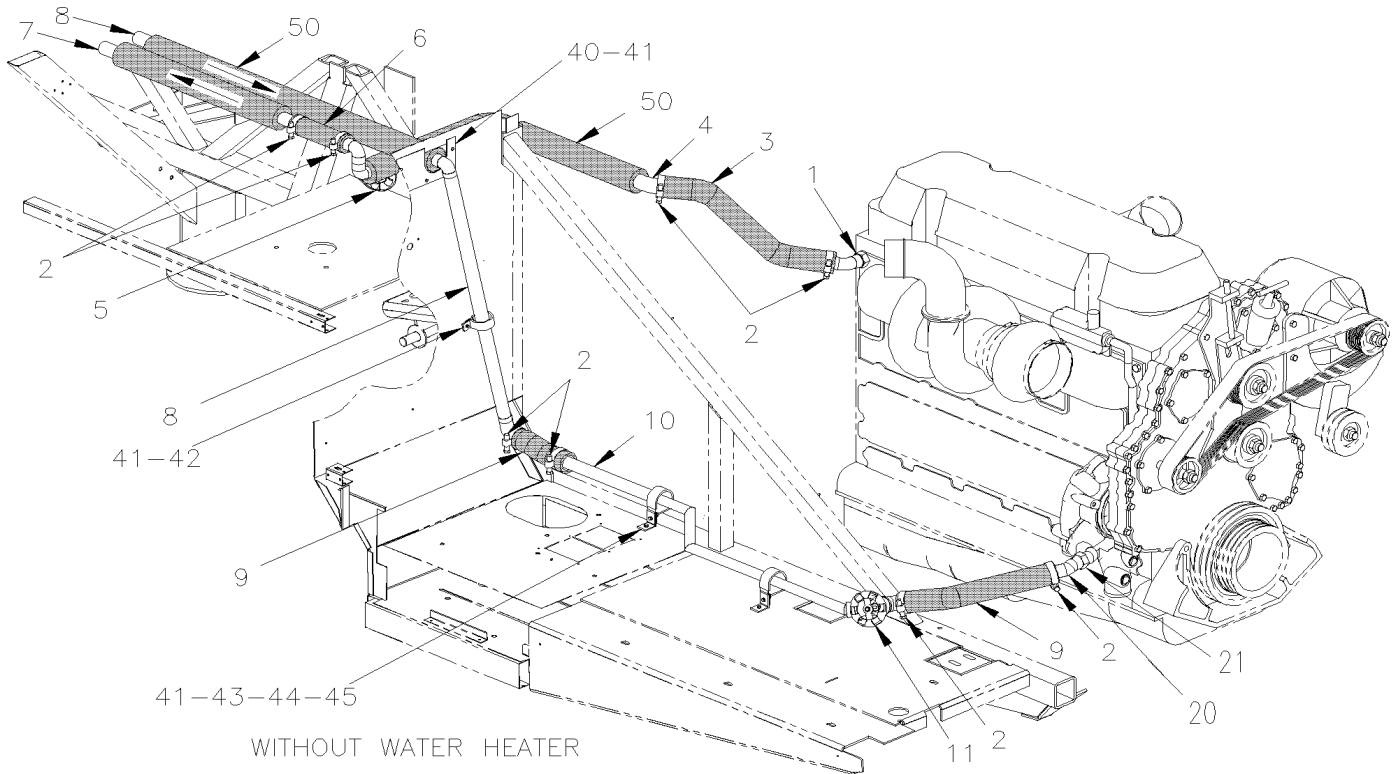


From 4-4758 To 8-1043

Date:10/2022

PAGE:HF-2222-01

HEATER LINE REAR SECTION



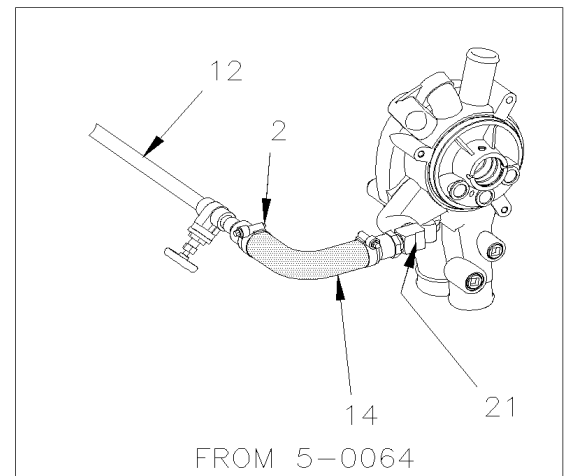
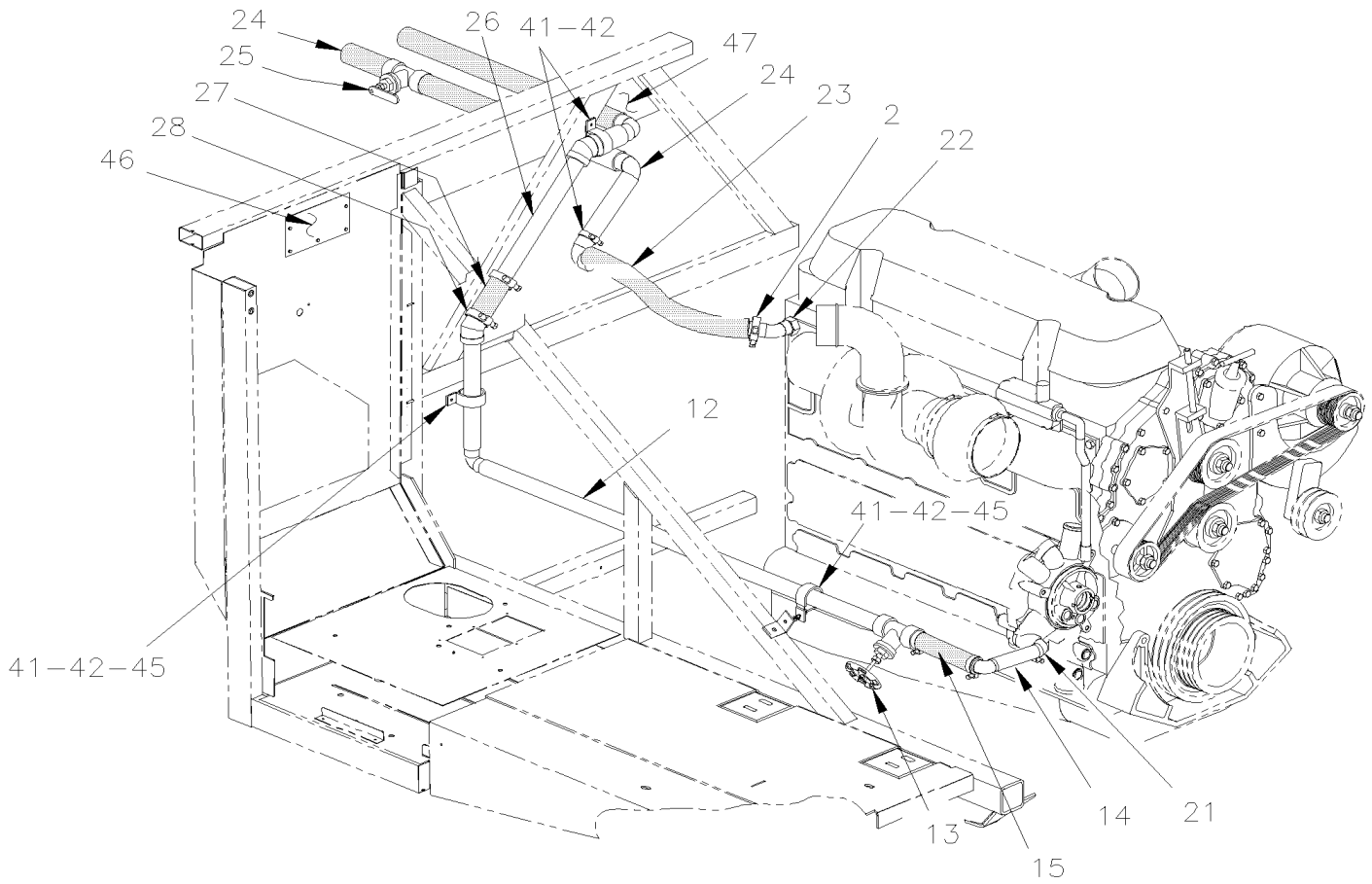


From 4-4758 To 8-1043

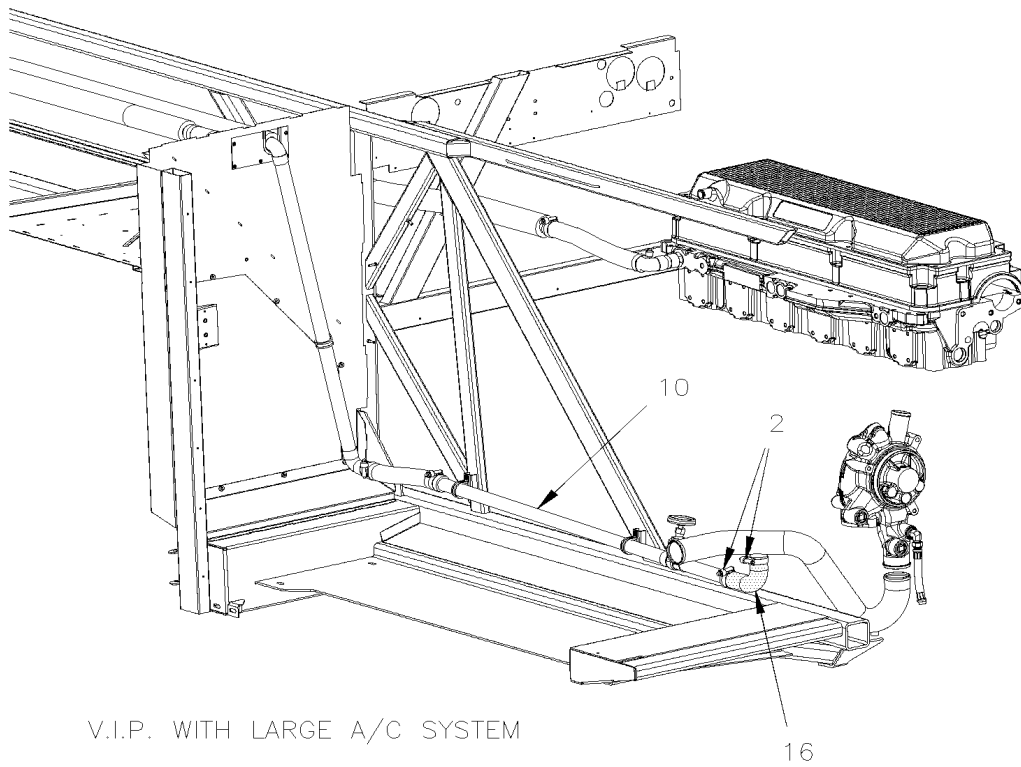
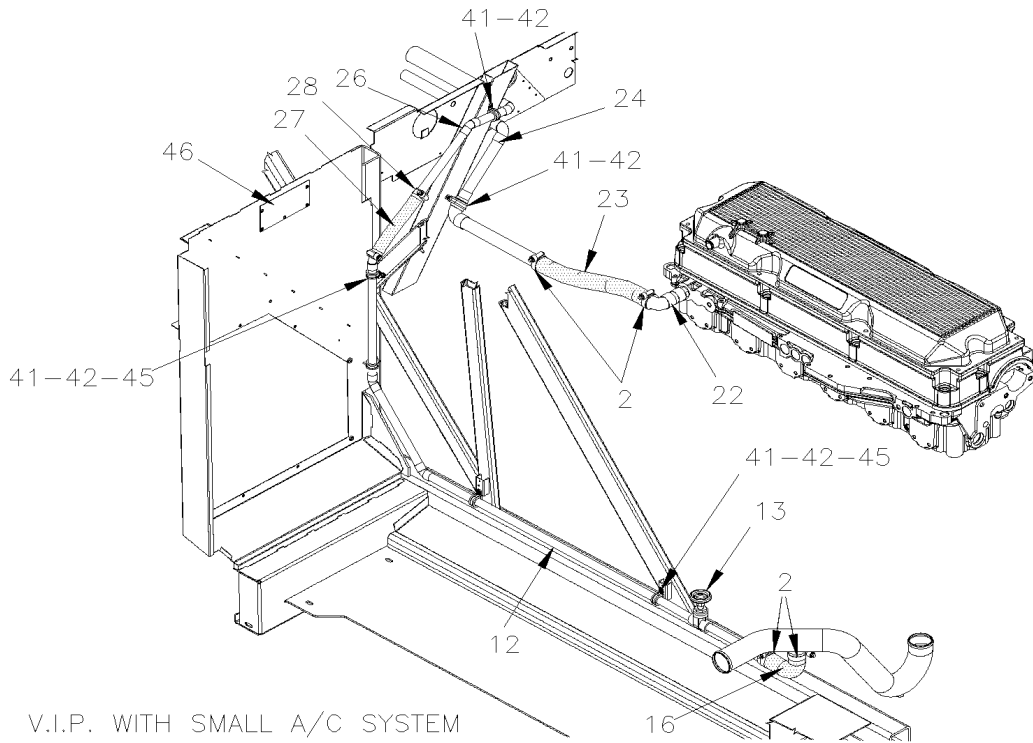
Date:10/2022

PAGE:HF-2222-01

HEATER LINE REAR SECTION



HEATER LINE REAR SECTION





From 4-4758 To 8-1043	Date:10/2022	PAGE:HF-2222-01
-----------------------	--------------	-----------------

HEATER LINE REAR SECTION

Item#	Part	Description	H 3 4 1	H 3 4 5	V I P 4 5	N O T E S
1	373888	HOSE ADAPTOR ELBOW 45° 1 3/8" X 1" NPT / CYLINDER HEAD EXIT	1	1	1	
2	504657	HOSE CLAMP / 1"1/16-2" C.T. 9424	AR	AR	AR	
3	503392	HOSE SILICONE 4PLY 1 3/8" I.D. x 4'	1	1	1	
4	Call order desk	PIPE ASSY HEATING / FEED LINE / W/OUT WATER HEATER	1	1	1	P
5	501861	. GATE VALVE 1 1/4" (WELDED)	1	1	1	
6	051383	HOSE / W/CENTRAL A/C SYSTEM / 1 3/8" I.D. X 150MM	1	1	1	
7	373878P	PIPE ASSY / ENGINE COMP & WATER FILTER	1	1	1	
8	Call order desk	PIPE ASSY / RETURN LINE TO ENGINE COMPARTMENT	1	1		P
9	373145	HOSE 1 3/8" I.D. 260MM	AR	AR	AR	
10	373901P	PIPE RETURN / ENGINE WATER PUMP	1	1	1	
11	501861	. GATE VALVE 1 1/4" (WELDED)	1	1	1	
NS	373919	SUPPORT PIPE TO RAD FLOOR	1	1	1	
12	Call order desk	PIPE RETURN / ENGINE WATER PUMP / W/SMALL A/C SYSTEM To 5-0063			1	P
12	374159P	PIPE RETURN / ENGINE WATER PUMP / W/SMALL A/C SYSTEM From 5-0064			1	
13	501861	. GATE VALVE 1 1/4" (WELDED)			1	
14	373970	ADAPTOR ELBOW 90° 188MM / WATER PUMP INLET / W/SMALL A To 5-0063			1	F
14	373894	ADAPTOR STRAIGHT 86MM / WATER PUMP INLET From 5-0064	1	1	1	
15	373883	HOSE 1 3/8" I.D. 120MM To 5-0063			1	
15	374135	ELBOW 90° X 1 3/8" I.D. / 128MM x 136MM C/C / SILICONE From 5-0064			1	
15	374158	ELBOW 90° X 1 3/8" I.D. / 129MM x 129MM C/C / SILICONE From 5-0564			1	
20	373907	ADAPTOR ELBOW 45° / WATER PUMP INLET	1	1	1	
21	507339	STREET ELBOW 90° / PIPE FITTING / 3/4NPT-Mx3/4NPT-F BR To 5-0063			1	
21	5011273	STREET ELBOW 90° / PIPE FITTING / 3/4NPT-Mx3/4NPT-F GAL From 5-0064			1	
22	373866	HOSE ADAPTOR ELBOW 90° 1 3/8" X 1" NPT / CYLINDER HEAD EXIT			1	
23	373972	HOSE / W/SMALL A/C SYSTEM / 1 3/8" I.D. 395MM			1	
24	Call order desk	PIPE ASSY / ENGINE COMP & WATER FILTER / W/SMALL A/C SYSTEM			1	P
25	870966	. BALL VALVE 1" NPT-F To 7-0890			1	
25	871419	. BALL VALVE 1" NPT-F From 7-0891			1	
25	501553	. ADAPTER / COPPER @ PIPE / 1Fx1NPT-M			2	
26	Call order desk	PIPE ASSY / RETURN LINE TO ENGINE COMPARTMENT / W/SMALL A/C SYSTEM			1	P
27	371534	HOSE 7/8" I.D. X 9"			1	
28	504646	HOSE CLAMP / 11/16"-1"1/4 / C.T. 9412			8	
30	373885P	PIPE ASSY HEATING / FEED LINE	1	1		
31	501861	. GATE VALVE 1 1/4" (WELDED)	1	1		
40	374008	CLOSING PLATE FOR 1 PIPE	1	1	1	
41	500957	SCREW TP BDG PH #10x3/4 N500	AR	AR	AR	
42	952641	CLAMP / 1 5/16" I.D.	AR	AR	AR	
42	952633	CLAMP / 7/8" I.D.	AR	AR	AR	
43	502746	SCREW MA PAN PH M5-0.8x20 SS BK	AR	AR	AR	
44	500804	WASHER FL .203x.500x.047 N500	AR	AR	AR	
45	502841	NUT HEX NYRT M5-0.8 N500	AR	AR	AR	
46	373908	CLOSING PLATE / W/SMALL A/C SYSTEM 83MM x 180MM			1	



From 4-4758 To 8-1043	Date:10/2022	PAGE:HF-2222-01
HEATER LINE REAR SECTION		

Item#	Part	Description	H 3 4 1	H 3 4 5	V I P 4 5	N O T E S
47	453174	PIPE CLOSING ASSY TRIANGULAR SGHAPE			1	
50	506242	PIPE INSULATING / 1 3/8" I.D. X 1/2" TH. X 72 / APT13812	AR	AR	AR	
60	HF-2350-10	WATER HEATER - INSTALLATION				
NS	WB04-09	SEE WARRANTY BULLETIN	1	1	1	
		F) FOR PRODUCT IMPROVEMENT, ASK PARTS #373894 & 374135. SEE WARRANTY BULLETIN WB04-09				
		P) CALL ORDER DESK FOR SPECIFIC APPLICATION (V.I.N.)				

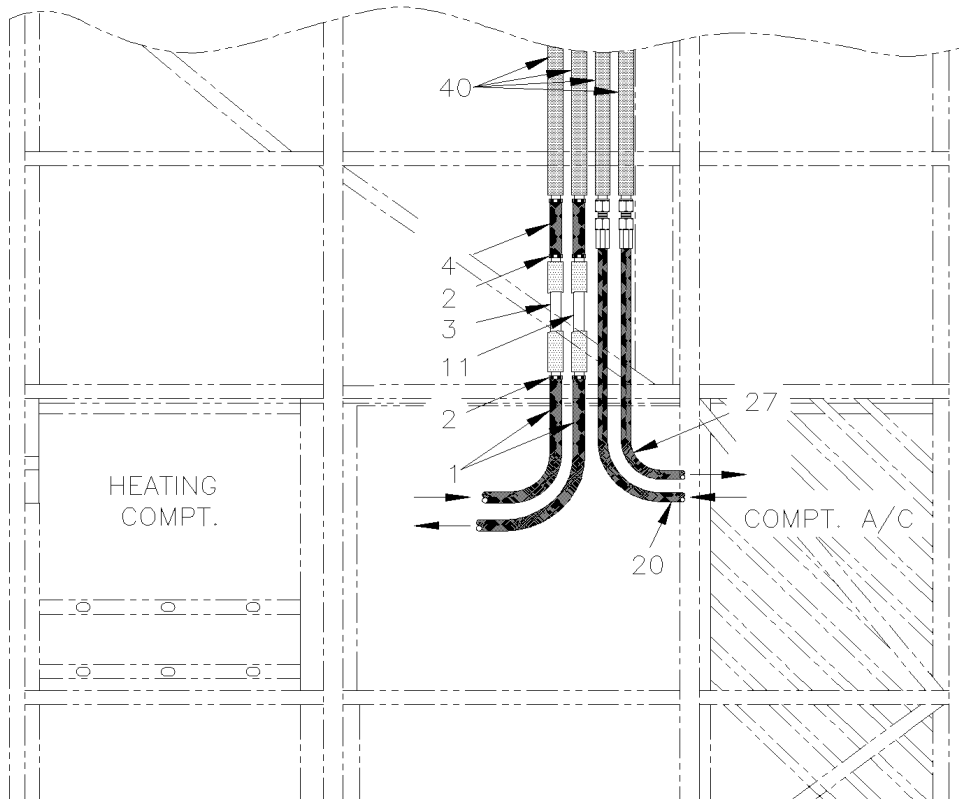
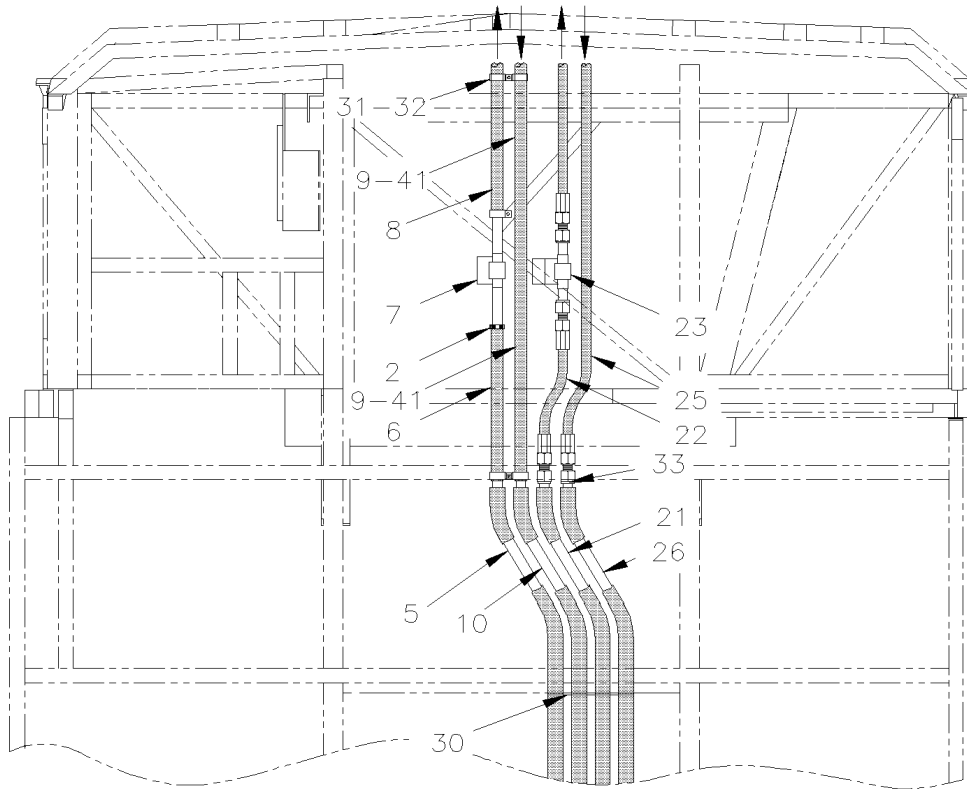


From 3-4417 To 8-1043

Date:10/2022

PAGE:HF-2222-10

A/C & HEATING LINE FRONT SECTION





From 3-4417 To 8-1043	Date:10/2022	PAGE:HF-2222-10
A/C & HEATING LINE FRONT SECTION		

Item#	Part	Description	H 3 4 1	H 3 4 5	V I P 4 5	N O T E S
1	372632	HOSE 7/8" I.D. X 1848MM	2	2	2	
1	503523	. HOSE SILICONE 1PLY 3/4" I.D. x 100' / S.L.	AR	AR	AR	
2	504646	HOSE CLAMP / 11/16"-1"1/4 / C.T. 9412	AR	AR	AR	
3	373453	PIPE ASSY 1294MM	1			
3	373450	PIPE ASSY 2450MM		1	1	
4	373134	HOSE /WATER VALVE & HEATER / 7/8" I.D. 229MM	2	2	2	
4	503523	. HOSE SILICONE 1PLY 3/4" I.D. x 100' / S.L.	AR	AR	AR	
5	373456	PIPE ASSY To 7-0721	1	1		
5	374260	PIPE ASSY From 7-0722	1	1		
5	373511	PIPE ASSY To 7-0721			1	
5	374262	PIPE ASSY From 7-0722			1	
6	373500	HOSE / PIPE & WATER VALVE / 7/8" I.D. 650MM	1	1	1	
7	HF-2207-10	WATER VALVE - DRIVER'S				
NS	372742	SUPPORT / TO FIX WATER VALVE	1	1	1	
NS	500642	SCREW TP PAN PH #10x3/4 Z050	2	2	2	D
8	373134	HOSE /WATER VALVE & HEATER / 7/8" I.D. 229MM	1	1	1	
8	503523	. HOSE SILICONE 1PLY 3/4" I.D. x 100' / S.L.	AR	AR	AR	
9	373550	HOSE / PIPE & HEATER / 7/8" I.D. 1130MM	1	1	1	
10	373511	PIPE ASSY To 7-0721			1	
10	374262	PIPE ASSY From 7-0722			1	
10	373833	PIPE ASSY / W/BY-PASS FOR UPPER DEFROSTER To 7-0721	1	1		
10	374261	PIPE ASSY / W/BY-PASS FOR UPPER DEFROSTER From 7-0722	1	1		
11	373882	PIPE W/Y / 2639MM		1		
11	373892	PIPE W/Y / 1393MM	1			
11	373450	PIPE ASSY 2450MM			1	
20	373451	HOSE ASSY / #10 4570MM	1			
. NS	507344	. O-RING / ORS FITTING / #10 NEO	2			
20	370730	HOSE ASSY / #10 4570MM	1			E
. NS	507344	. O-RING / ORS FITTING / #10 NEO	2			E
20	373448	HOSE ASSY / #10 5606MM		1	1	
. NS	507344	. O-RING / ORS FITTING / #10 NEO		2	2	
20	370728	HOSE ASSY / #10 5606MM		1	1	E
. NS	507344	. O-RING / ORS FITTING / #10 NEO		2	2	E
20	454437	HOSE ASSY / #10 4165MM From 7-0772			1	S
. NS	507344	. O-RING / ORS FITTING / #10 NEO From 7-0772			2	S
20	455306	HOSE ASSY / #10 4165MM From 7-0772			1	E S
. NS	507344	. O-RING / ORS FITTING / #10 NEO From 7-0772			2	E S
21	453416	PIPE ASSY PRESSURE A/C To 7-0721			1	
21	455110	PIPE ASSY PRESSURE A/C From 7-0722			1	
21	453365	PIPE ASSY PRESSURE A/C To 7-0721	1	1		
21	455107	PIPE ASSY PRESSURE A/C From 7-0722	1	1		
21	455110	PIPE ASSY PRESSURE A/C From 7-0772			1	S



From 3-4417 To 8-1043	Date:10/2022	PAGE:HF-2222-10
A/C & HEATING LINE FRONT SECTION		

Item#	Part	Description	H 3 4 1	H 3 4 5	V I P 4 5	N O T E S
22	453479	HOSE ASSY / #10 235MM			1	
. NS	507344	. O-RING / ORS FITTING / #10 NEO			2	
22	455247	HOSE ASSY / #10 235MM			1	E
. NS	507344	. O-RING / ORS FITTING / #10 NEO			2	E
22	453875	HOSE ASSY / #10 372MM	1	1		
. NS	507344	. O-RING / ORS FITTING / #10 NEO	1	1		
22	455270	HOSE ASSY / #10 372MM	1	1		E
. NS	507344	. O-RING / ORS FITTING / #10 NEO	1	1		E
		FOR A/C LINE REAR SECTION				
		SEE PAGE HF-2270-00				
		FOR HEATER LINE REAR SECTION				
		SEE PAGE HF-2210-10, 2210-11 & HF-2222-00				
23	HF-2208-10	REFRIGERENT SOLENOID VALVE				
25	453420	HOSE ASSY / #12 675 MM	1	1	1	
. NS	507280	. O-RING / ORS FITTING / #12 NEO	1	1	1	
. NS	507344	. O-RING / ORS FITTING / #10 NEO	1	1	1	
25	455229	HOSE ASSY / #12 693 MM	1	1	1	E
. NS	507280	. O-RING / ORS FITTING / #12 NEO	1	1	1	E
. NS	507344	. O-RING / ORS FITTING / #10 NEO	1	1	1	E
26	453415	PIPE ASSY RETURN A/C To 7-0721			1	
26	455109	PIPE ASSY RETURN A/C From 7-0722			1	S
26	453364	PIPE ASSY RETURN A/C To 7-0721	1	1		
26	455108	PIPE ASSY RETURN A/C From 7-0722	1	1		
26	455109	PIPE ASSY RETURN A/C From 7-0772			1	
27	373452	HOSE ASSY / #12 3300MM	1			
. NS	507280	. O-RING / ORS FITTING / #12 NEO	2			
27	370731	HOSE ASSY / #12 3300MM	1	1	1	E
. NS	507280	. O-RING / ORS FITTING / #12 NEO	2	2	2	E
27	373449	HOSE ASSY / #12 4546MM	1	1	1	
. NS	507280	. O-RING / ORS FITTING / #12 NEO	2	2	2	
27	370729	HOSE ASSY / #12 4546MM	1	1	1	E
. NS	507280	. O-RING / ORS FITTING / #12 NEO	2	2	2	E
27	379084	HOSE ASSY / #12 4546MM	1	1	1	
. NS	507280	. O-RING / ORS FITTING / #12 NEO	2	2	2	
27	370734	HOSE ASSY / #12 4546MM	1	1	1	E
. NS	507280	. O-RING / ORS FITTING / #12 NEO	2	2	2	E
27	454435	HOSE ASSY / #12 4130MM	1	1	1	S
27	455304	HOSE ASSY / #12 4130MM	1	1	1	E S
27	454594	HOSE ASSY / #12 4130MM SERVICE	1	1	1	S
. NS	507280	. O-RING / ORS FITTING / #12 NEO	2	2	2	S



From 3-4417 To 8-1043	Date:10/2022	PAGE:HF-2222-10
-----------------------	--------------	-----------------

A/C & HEATING LINE FRONT SECTION

Item#	Part	Description	H 3 4 1	H 3 4 5	V I P 4 5	N O T E S
27	455308	HOSE ASSY / #12 4156MM SERVICE	1	1	1	ES
. NS	507280	. O-RING / ORS FITTING / #12 NEO	2	2	2	ES
30	952633	CLAMP / 7/8" I.D.	AR	AR	AR	
30	952629	CLAMP / 5/8" I.D.	AR	AR	AR	
30	500641	SCREW TP PAN PH #8x3/4 Z050	AR	AR	AR	
31	504016	CABLE TIE / 5/16" X 14"1/2	AR	AR	AR	
32	504586	WASHER FL SPACER .450x.625x.875 NYL	AR	AR	AR	
33	372652	PIPE STRAP / UNDER AISLE STEPWELL	1	1	1	
33	372722	PIPE SUPPORT / UNDER AISLE STEPWELL	1	1	1	
33	373510	PIPE SUPPORT			1	
40	506276	. PIPE INSULATING / 7/8" I.D. X 1/2" TH. X 72 / APT07812	AR	AR	AR	
		D) TO FIX WATER VALVE				
		E) SERVICE				
		S) WITH SLIDE OUT				

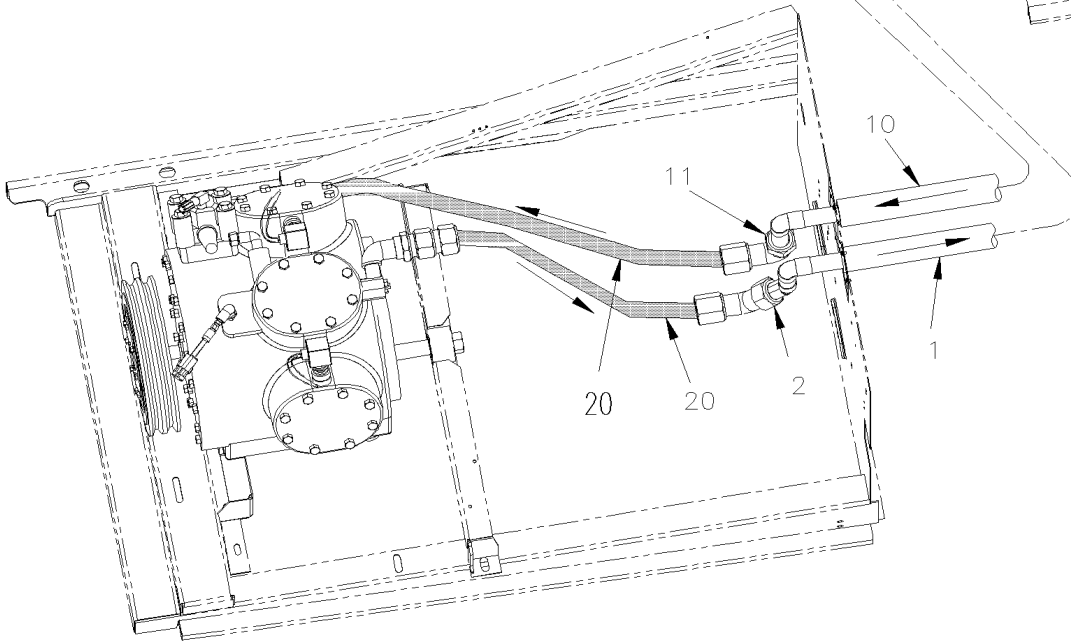
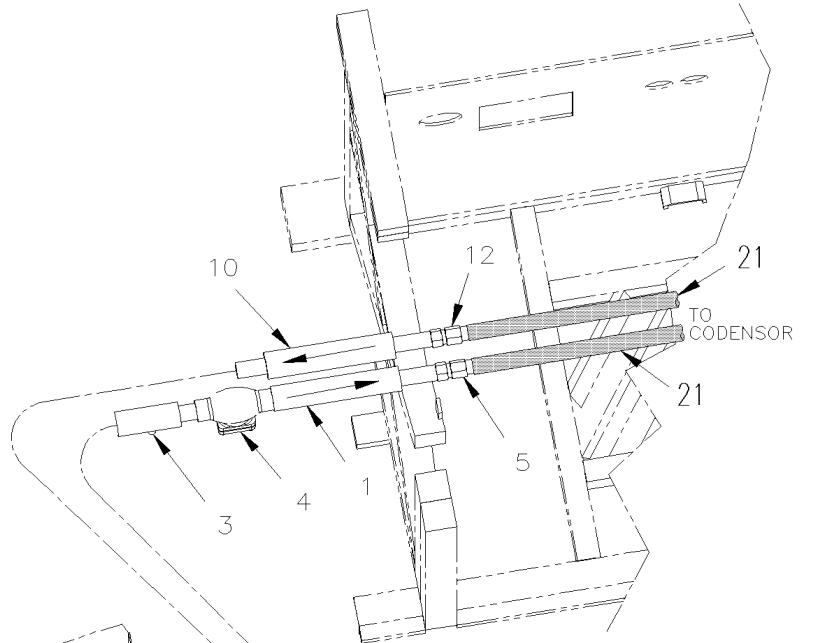
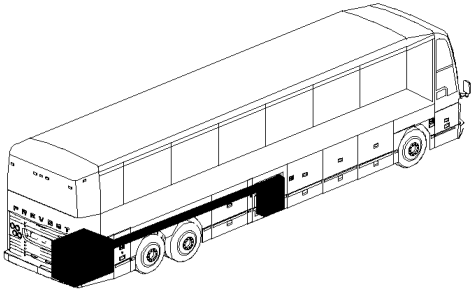


From 3-4417 To 8-1043

Date:10/2022

PAGE:HF-2222-15

A/C LINE REAR SECTION W/05G





From 3-4417 To 8-1043	Date:10/2022	PAGE:HF-2222-15
A/C LINE REAR SECTION W/05G		

Item#	Part	Description	H 3 4 1	H 3 4 5	V I P 4 5	N O T E S
1	454017	TUBE ASSY, PRESSURE / A/C COMPRESSOR	1	1	1	
1	454018	TUBE ASSY, PRESSURE / A/C COMPRESSOR W/"RICON" To 3-4704		1		
1	454115	TUBE ASSY, PRESSURE / A/C COMPRESSOR W/"RICON" From 3-4705		1		
2	5011106	BULKHEAD MALE CONNECTOR / ORS FITTING / #16ORS-Mx#18BRAZE-F BR	1	1	1	
. NS	507345	. O-RING / ORS FITTING / #16 NEO	1	1	1	
3	950249	SCHRADER VALVE 1/4NPT-M	1	1	1	
4	870386	CHECK VALVE	1	1	1	
. NS	870615	. SPRING	1	1	1	
. NS	870616	. PISTON	1	1	1	
. NS	870617	. GASKET	1	1	1	
5	5011106	BULKHEAD MALE CONNECTOR / ORS FITTING / #16ORS-Mx#18BRAZE-F BR	1	1	1	
. NS	507345	. O-RING / ORS FITTING / #16 NEO	1	1	1	
10	373124P	TUBE ASSY, VACUUM / A/C COMPRESSOR	1	1	1	
10	373386P	TUBE ASSY, VACUUM / A/C COMPRESSOR W/"RICON" To 3-4704		1		
10	454116P	TUBE ASSY, VACUUM / A/C COMPRESSOR W/"RICON" From 3-4705		1		
11	5011107	BULKHEAD MALE CONNECTOR / ORS FITTING / #24ORS-Mx#22BRAZE-F BR	1	1	1	
. NS	507346	. O-RING / ORS FITTING / #24 NEO	1	1	1	
12	5011107	BULKHEAD MALE CONNECTOR / ORS FITTING / #24ORS-Mx#22BRAZE-F BR	1	1	1	
. NS	507346	. O-RING / ORS FITTING / #24 NEO	1	1	1	
20	HF-2245-00	A/C COMPRESSOR 05G - INSTALLATION				
21	HF-2270-00	RECEIVER TANK & FILTER DRYER				

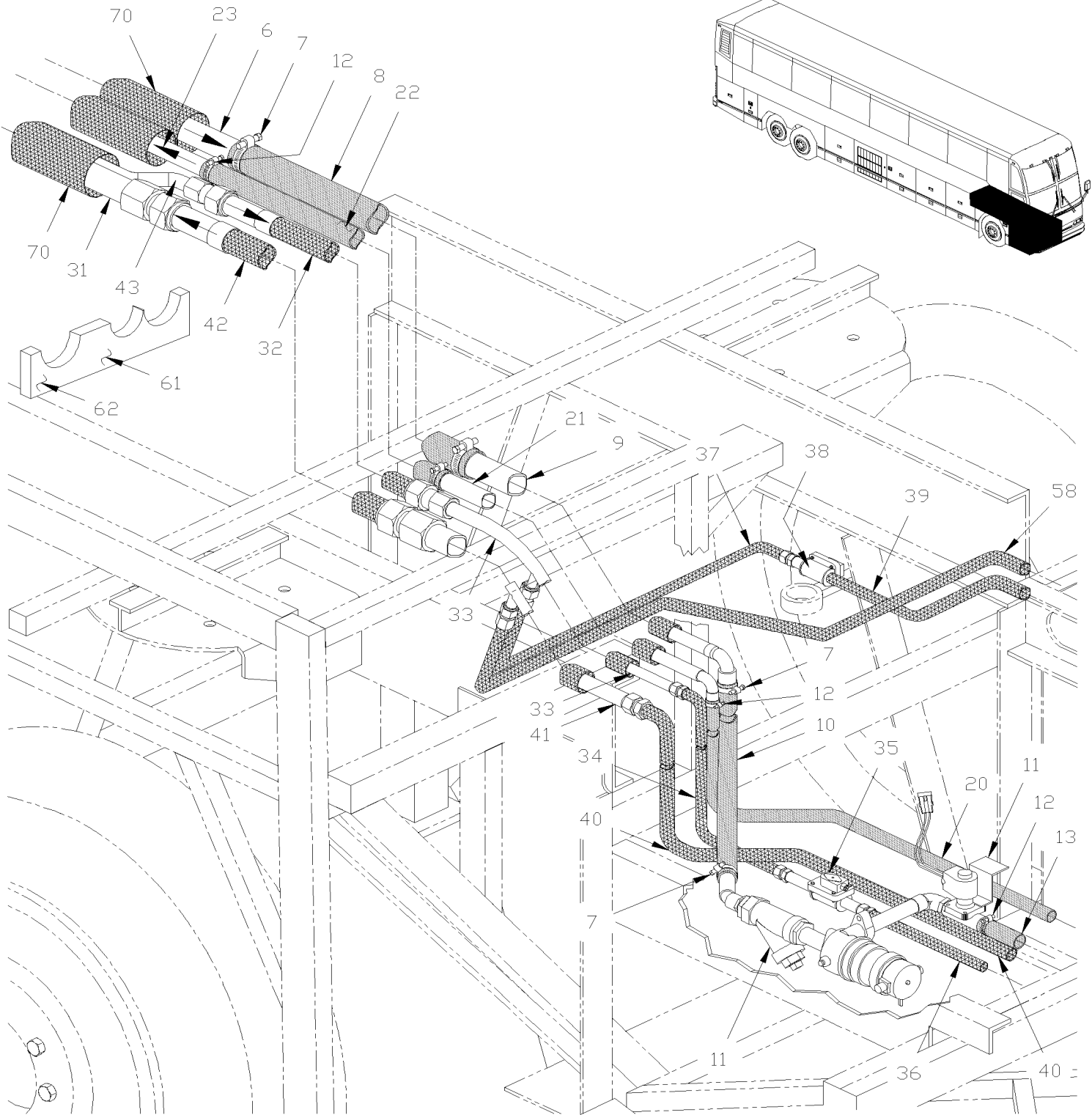


From 3-4417 To 3-4757

Date:10/2022

PAGE:HF-2222-50

SMALL A/C LINE & HEATER LINE



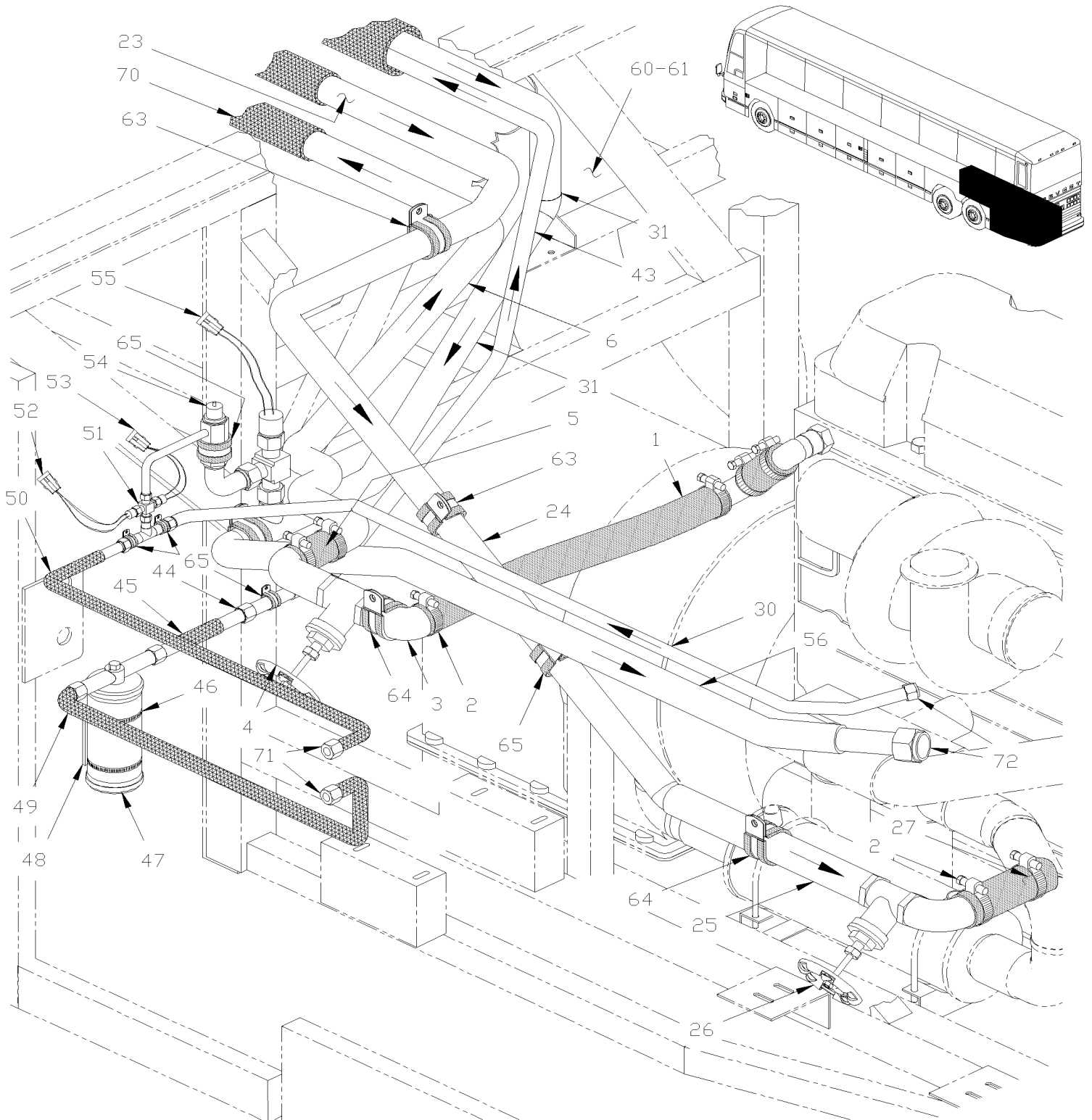


From 3-4417 To 3-4757

Date:10/2022

PAGE:HF-2222-50

SMALL A/C LINE & HEATER LINE





From 3-4417 To 3-4757	Date:10/2022	PAGE:HF-2222-50
SMALL A/C LINE & HEATER LINE		

Item#	Part	Description	H 3 4 1	H 3 4 5	V I P 4 5	N O T E S
1	373383	HOSE ASSY W/ELBOW / 1 3/8" I.D.			1	
2	504657	HOSE CLAMP / 1"1/16-2" C.T. 9424			6	
3	373577	PIPE ASSY			1	
4	501861	. GATE VALVE 1 1/4" (WELDED)			1	
5	372960	HOSE 1 3/8" I.D. 229MM			1	
6	Call order desk	PIPE ASSY / ENGINE COMP & WATER FILTER / W/SMALL A/C SYSTEM			1	P
7	504291	HOSE CLAMP / 1"1/8-1"3/4 SS / E.T. 20			1	
8	503652	HOSE SILICONE 2PLY 1 1/8" I.D. x 3'			1	
9	Call order desk	PIPE ASSY / TO HEATER			1	P A
9	Call order desk	PIPE ASSY / TO HEATER			1	P
10	373586	HOSE ASSY W/ELBOW / 1 3/8" I.D.			1	
11	HF-2210-20	WATER HEATER PUMP & FILTER - INSTALLATION				
12	504646	HOSE CLAMP / 11/16"-1"1/4 / C.T. 9412			1	
13	373134	HOSE /WATER VALVE & HEATER / 7/8" I.D. 229MM			1	
20	373550	HOSE / PIPE & HEATER / 7/8" I.D. 1130MM			1	
21	373459	PIPE ASSY / RETURN FRONT SECTION			1	A
21	Call order desk	PIPE ASSY / RETURN FRONT SECTION			1	P
21	Call order desk	PIPE ASSY / RETURN REAR SECTION			1	P
NS	373601	HOSE / AUX HEATER & PIPE / 7/8" I.D. 1675MM			2	
NS	373589	SUPPORT PIPE (UNDER FLOOR)			2	
NS	373510	PIPE SUPPORT			1	
21	372722	PIPE SUPPORT / UNDER AISLE STEPWELL			1	
22	373582	HOSE 7/8" I.D. 1050MM			1	
23	Call order desk	PIPE ASSY / RETURN LINE TO ENGINE COMPARTMENT / W/SMALL A/C SYSTEM			1	P
24	373583	HOSE 7/8" I.D. 405MM			1	
25	373578	PIPE ASSY			1	
26	501861	. GATE VALVE 1 1/4" (WELDED)			1	
27	373236	HOSE / ENGINE INLET / 1 3/8" I.D. 195MM			1	
30	453407	HOSE ASSY / #8 1505MM			1	
. NS	507343	. O-RING / ORS FITTING / #8 NEO			2	
. NS	950358	. PROTECTOR CAP LOW PRESSURE PORT / "TUBE-O"			1	
30	455223	HOSE ASSY / #8 1505MM			1	S
. NS	507343	. O-RING / ORS FITTING / #8 NEO			2	S
. NS	950358	. PROTECTOR CAP LOW PRESSURE PORT / "TUBE-O"			1	S
31	Call order desk	PIPE ASSY / A/C PRESSURE & SUCTION			1	P
32	453187	HOSE ASSY / #10 740MM			1	
. NS	507344	. O-RING / ORS FITTING / #10 NEO			2	
32	455193	HOSE ASSY / #10 740MM			1	S
. NS	507344	. O-RING / ORS FITTING / #10 NEO			2	S
33	453421	PIPE ASSY / A/C PRESSURE			1	A
33	453418	PIPE ASSY / A/C PRESSURE			1	
34	453424	HOSE ASSY / #10 225MM			1	



From 3-4417 To 3-4757	Date:10/2022	PAGE:HF-2222-50
SMALL A/C LINE & HEATER LINE		

Item#	Part	Description	H 3 4 1	H 3 4 5	V I P 4 5	N O T E S
. NS	507344	. O-RING / ORS FITTING / #10 NEO			2	
34	455230	HOSE ASSY / #10 225MM			1	S
. NS	507344	. O-RING / ORS FITTING / #10 NEO			2	S
35	HF-2208-10	REFRIGERENT SOLENOID VALVE				
NS	500160	SCREW CAP HEX #10-24x1/2 Z050			1	C
NS	500470	WASHER LO SPT .193x.334x.047 Z050			1	C
NS	500438	WASHER FL .187x.437x.050 Z050			1	C
36	453212	HOSE ASSY / #6 265MM			1	
. NS	507278	. O-RING / ORS FITTING / #4 NEO			2	
36	455200	HOSE ASSY / #6 265MM			1	S
. NS	507278	. O-RING / ORS FITTING / #4 NEO			2	S
37	453194	HOSE ASSY / TO A/C AUX VALVE / #10 750MM			1	A
. NS	507344	. O-RING / ORS FITTING / #10 NEO			2	A
37	455197	HOSE ASSY / TO A/C AUX VALVE / #10 750MM			1	A S
. NS	507344	. O-RING / ORS FITTING / #10 NEO			2	A S
37	453342	HOSE ASSY / #10 1100MM			1	
. NS	507344	. O-RING / ORS FITTING / #10 NEO			2	
37	455213	HOSE ASSY / #10 1100MM			1	S
. NS	507344	. O-RING / ORS FITTING / #10 NEO			2	S
38	HF-2208-10	REFRIGERENT SOLENOID VALVE				
39	453201	HOSE ASSY / TO A/C AUX / #6 425MM			1	A
. NS	507278	. O-RING / ORS FITTING / #4 NEO			2	A
39	455199	HOSE ASSY / TO A/C AUX / #6 425MM			1	A S
. NS	507278	. O-RING / ORS FITTING / #4 NEO			2	A S
40	453420	HOSE ASSY / #12 675 MM			1	
. NS	507280	. O-RING / ORS FITTING / #12 NEO			1	
. NS	507344	. O-RING / ORS FITTING / #10 NEO			1	
40	455229	HOSE ASSY / #12 693 MM			1	S
. NS	507280	. O-RING / ORS FITTING / #12 NEO			1	S
. NS	507344	. O-RING / ORS FITTING / #10 NEO			1	S
41	453419	PIPE ASSY / A/C SUCTION			1	A
41	453417	PIPE ASSY / A/C SUCTION			1	
42	453188	HOSE ASSY / #12 740MM			1	
. NS	507280	. O-RING / ORS FITTING / #12 NEO			2	
42	455194	HOSE ASSY / #12 766MM			1	S
. NS	507280	. O-RING / ORS FITTING / #12 NEO			2	S
43	Call order desk	PIPE ASSY / A/C PRESSURE & SUCTION			1	P
44	452437	PIPE ASSY			1	
45	453186	HOSE ASSY / #6 210MM			1	
. NS	507278	. O-RING / ORS FITTING / #4 NEO			2	
45	455192	HOSE ASSY / #6 210MM			1	S
. NS	507278	. O-RING / ORS FITTING / #4 NEO			2	S



From 3-4417 To 3-4757	Date:10/2022	PAGE:HF-2222-50
SMALL A/C LINE & HEATER LINE		

Item#	Part	Description	H 3 4 1	H 3 4 5	V I P 4 5	N O T E S
46	504025	HOSE CLAMP / 2"5/16-3"1/4 SS / HS-44			1	
47	950220	DRYER, RECEIVER TANK			1	
48	452375	SUPPORT RECEIVER TANK			1	
NS	504488	RIVET MGLP PRDG 3/16x17/64 SS			1	
49	453295	HOSE ASSY / #6 1180MM			1	
. NS	507278	. O-RING / ORS FITTING / #4 NEO			2	
49	455208	HOSE ASSY / #6 1180MM			1	S
. NS	507278	. O-RING / ORS FITTING / #4 NEO			2	S
50	453294	HOSE ASSY / #8 1500MM			1	
. NS	507343	. O-RING / ORS FITTING / #8 NEO			2	
50	455207	HOSE ASSY / #8 1500MM			1	S
. NS	507343	. O-RING / ORS FITTING / #8 NEO			2	S
51	453381	PIPE ASSY W/HIGH PRESSURE SWITCH			1	
NS	501902	. CROSS / PIPE FITTING / 1/4NPT-Fx1/4NPT-Fx 1/4NPT-Fx1/4NPT-F BR			1	
NS	950249	. SCHRADER VALVE 1/4NPT-M			1	
NS	950249	SCHRADER VALVE 1/4NPT-M			1	
52	453380	. PRESSURE SWITCH N.C. 350-245 20PS001MB350K245R			1	
53	452832	. PRESSURE SWITCH N.O. 170-130 20SP001MA170J130J			1	
54	453180	BY-PASS VALVE ASSY			1	
54	950065	. BY-PASS VALVE			1	
NS	5011080	MALE CONNECTOR / ORS FITTING / #6ORS-Mx1/4NPT-M STL			1	D
NS	5011082	ADAPTOR / ORS@COPPER TUBE / #6ORS-Fx#6COPPER TUBE			1	D
NS	5011079	MALE CONNECTOR / ORS FITTING / #4ORS-Mx1/4NPT-M STL			1	D
NS	5011081	ADAPTOR / ORS@COPPER TUBE / #4ORS-Fx#4COPPER TUBE			1	D
55	452831	PRESSURE SWITCH N.O. 30-5 20SP001MA030C005C			1	
55	950249	SCHRADER VALVE 1/4NPT-M			1	
56	453406	HOSE ASSY / #12 1420MM			1	
. NS	507344	. O-RING / ORS FITTING / #10 NEO			2	
. NS	950367	. PROTECTOR CAP HIGH PRESSURE PORT / "TUBE-O"			1	
56	455222	HOSE ASSY / #12 1420MM			1	S
. NS	507344	. O-RING / ORS FITTING / #10 NEO			2	S
. NS	950367	. PROTECTOR CAP HIGH PRESSURE PORT / "TUBE-O"			1	S
58	453195	HOSE ASSY / FROM A/C AUX / #10 1450MM			1	
. NS	507344	. O-RING / ORS FITTING / #10 NEO			2	
58	455198	HOSE ASSY / FROM A/C AUX / #10 1450MM			1	S
. NS	507344	. O-RING / ORS FITTING / #10 NEO			2	S
60	453174	PIPE CLOSING ASSY TRIANGULAR SGHAPE			1	
61	453193	CLOSING ASSY (UNDER FLOOR) 110MM X 266MM			3	
61	453174	PIPE CLOSING ASSY TRIANGULAR SGHAPE			1	
NS	680096	SEALANT BUTYL ALUM / GREY / 310ml CARTRIDGE			1	
62	500642	SCREW TP PAN PH #10x3/4 Z050			1	
62	372652	PIPE STRAP / UNDER AISLE STEPWELL			1	



From 3-4417 To 3-4757	Date:10/2022	PAGE:HF-2222-50
-----------------------	--------------	-----------------

SMALL A/C LINE & HEATER LINE

Item#	Part	Description	H 3 4 1	H 3 4 5	V I P 4 5	N O T E S
63	560483	CLAMP / 7/8" I.D.			3	
64	560912	CLAMP / 1"1/4 I.D.			4	
65	560481	CLAMP / 5/8" I.D.			2	
NS	560872	CLAMP / 1"1/16 I.D.			2	
65	560480	CLAMP / 1/2" I.D.			4	
65	560484	CLAMP / 1" I.D.			1	
70	506283	PIPE INSULATING / 1 5/8" I.D. X 1/2" TH. X 72 / APT15812			1	
71	HF-2255-50	CONDENSOR - INSTALLATION SMALL A/C SYSTEM				
72	HF-2245-10	A/C COMPRESSOR "SPECIAL"				
NS	373306	. DECAL (R-134A)			1	
		A) WITH AUX A/C "CALHOUN" STYLE				
		C) TO FIX VALVE				
		D) TO FIX BY-PASS VALVE				
		S) SERVICE				
		P) CALL ORDER DESK FOR SPECIFIC APPLICATION (V.I.N.)				

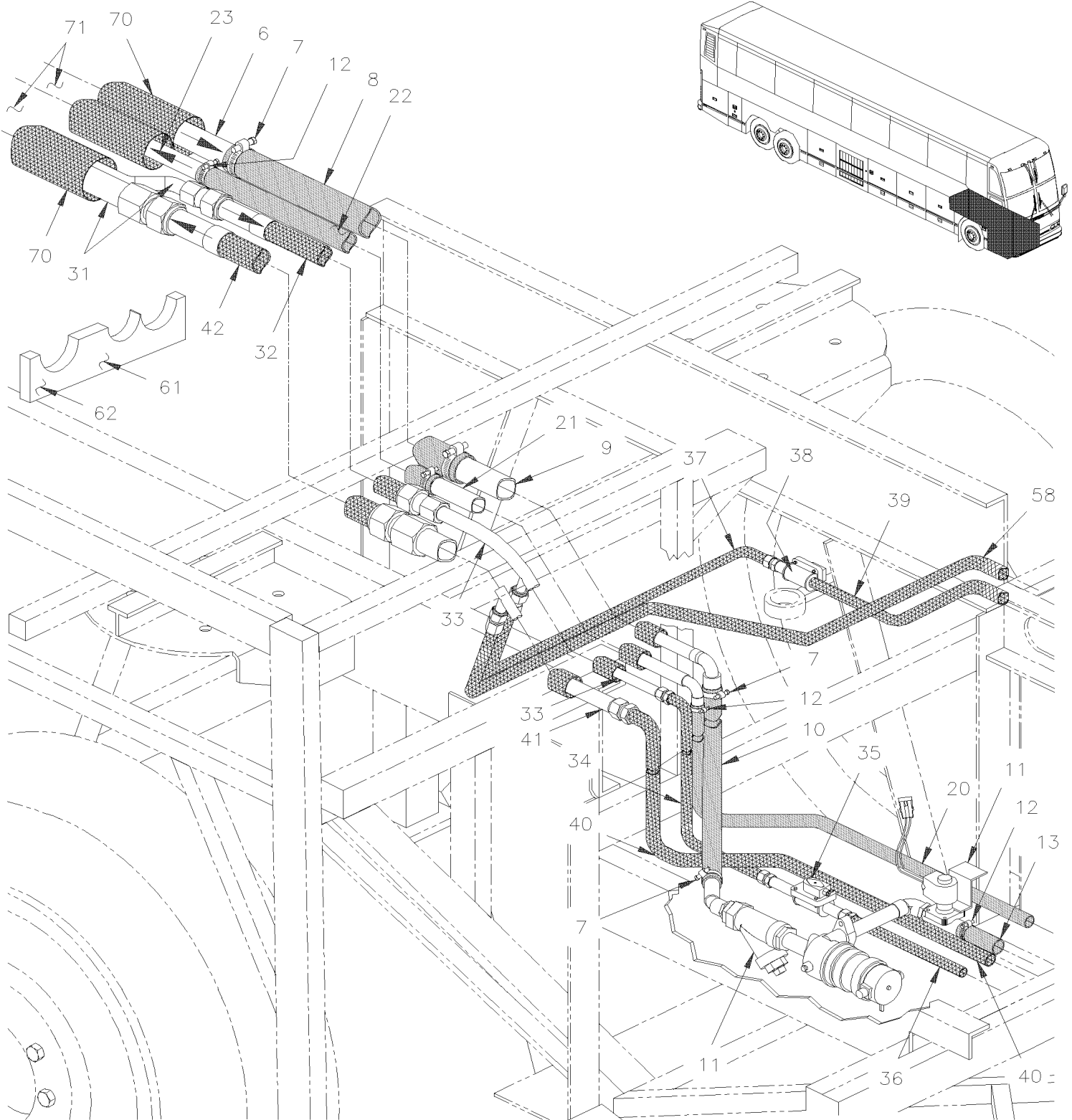


From 4-4758 To 8-1043

Date:10/2022

PAGE:HF-2222-51

SMALL A/C LINE & HEATER LINE





From 4-4758 To 8-1043	Date:10/2022	PAGE:HF-2222-51
SMALL A/C LINE & HEATER LINE		

Item#	Part	Description	H 3 4 1	H 3 4 5	V I P 4 5	N O T E S
6	Call order desk	PIPE ASSY / ENGINE COMP & WATER FILTER / W/SMALL A/C SYSTEM			1	P
7	504291	HOSE CLAMP / 1"1/8-1"3/4 SS / E.T. 20			1	
8	503652	HOSE SILICONE 2PLY 1 1/8" I.D. x 3'			1	
9	Call order desk	PIPE ASSY / TO HEATER To 6-0341			1	P A
9	Call order desk	PIPE ASSY / TO HEATER To 7-0721			1	P
9	Call order desk	PIPE ASSY / TO HEATER From 7-0722 To 7-0771			1	P
9	Call order desk	PIPE ASSY / TO HEATER From 7-0772			1	P
10	373586	HOSE ASSY W/ELBOW / 1 3/8" I.D.			1	
11	HF-2210-20	WATER HEATER PUMP & FILTER - INSTALLATION				
12	504646	HOSE CLAMP / 11/16"-1"1/4 / C.T. 9412			1	
13	373134	HOSE /WATER VALVE & HEATER / 7/8" I.D. 229MM			1	
20	373550	HOSE / PIPE & HEATER / 7/8" I.D. 1130MM			1	
21	Call order desk	PIPE ASSY / RETURN FRONT SECTION			1	P
21	373459	PIPE ASSY / RETURN FRONT SECTION To 6-0341			1	A
21	Call order desk	PIPE ASSY / RETURN REAR SECTION To 7-0721			1	P
21	Call order desk	PIPE ASSY / RETURN REAR SECTION From 7-0722			1	P
NS	373601	HOSE / AUX HEATER & PIPE / 7/8" I.D. 1675MM			2	
NS	373589	SUPPORT PIPE (UNDER FLOOR)			2	
NS	373510	PIPE SUPPORT			1	
21	372722	PIPE SUPPORT / UNDER AISLE STEPWELL			1	
22	373582	HOSE 7/8" I.D. 1050MM			1	
23	Call order desk	PIPE ASSY / RETURN LINE TO ENGINE COMPARTMENT / W/SMALL A/C SYSTEM			1	P
31	Call order desk	PIPE ASSY / A/C PRESSURE & SUCTION			1	P
32	453187	HOSE ASSY / #10 740MM			1	
. NS	507344	. O-RING / ORS FITTING / #10 NEO			2	
32	455193	HOSE ASSY / #10 740MM			1	S
. NS	507344	. O-RING / ORS FITTING / #10 NEO			2	S
33	453421	PIPE ASSY / A/C PRESSURE To 6-0341			1	A
33	453418	PIPE ASSY / A/C PRESSURE To 7-0721			1	
33	455111	PIPE ASSY / A/C PRESSURE From 7-0722 To 7-0771			1	
33	455116	PIPE ASSY / A/C PRESSURE From 7-0772			1	
34	453424	HOSE ASSY / #10 225MM			1	
. NS	507344	. O-RING / ORS FITTING / #10 NEO			2	
34	455230	HOSE ASSY / #10 225MM			1	S
. NS	507344	. O-RING / ORS FITTING / #10 NEO			2	S
35	HF-2208-10	REFRIGERENT SOLENOID VALVE				
NS	500160	SCREW CAP HEX #10-24x1/2 Z050			1	C
NS	500470	WASHER LO SPT .193x.334x.047 Z050			1	C
NS	500438	WASHER FL .187x.437x.050 Z050			1	C
36	453212	HOSE ASSY / #6 265MM			1	
. NS	507278	. O-RING / ORS FITTING / #4 NEO			2	
36	455200	HOSE ASSY / #6 265MM			1	S



From 4-4758 To 8-1043	Date:10/2022	PAGE:HF-2222-51
SMALL A/C LINE & HEATER LINE		

Item#	Part	Description	H 3 4 1	H 3 4 5	V I P 4 5	N O T E S
. NS	507278	. O-RING / ORS FITTING / #4 NEO			2	S
37	453342	HOSE ASSY / #10 1100MM			1	
. NS	507344	. O-RING / ORS FITTING / #10 NEO			2	
37	455213	HOSE ASSY / #10 1100MM			1	S
. NS	507344	. O-RING / ORS FITTING / #10 NEO			2	S
37	453194	HOSE ASSY / TO A/C AUX VALVE / #10 750MM			1	A
. NS	507344	. O-RING / ORS FITTING / #10 NEO			2	A
37	455197	HOSE ASSY / TO A/C AUX VALVE / #10 750MM			1	A S
. NS	507344	. O-RING / ORS FITTING / #10 NEO			2	A S
38	HF-2208-10	REFRIGERENT SOLENOID VALVE				
39	453201	HOSE ASSY / TO A/C AUX / #6 425MM To 6-0341			1	A
. NS	507278	. O-RING / ORS FITTING / #4 NEO To 6-0341			2	A
39	455199	HOSE ASSY / TO A/C AUX / #6 425MM To 6-0341			1	A S
. NS	507278	. O-RING / ORS FITTING / #4 NEO To 6-0341			2	A S
40	453420	HOSE ASSY / #12 675 MM			1	
. NS	507280	. O-RING / ORS FITTING / #12 NEO			1	
. NS	507344	. O-RING / ORS FITTING / #10 NEO			1	
40	455299	HOSE ASSY / #8 2657MM			1	S
. NS	507343	. O-RING / ORS FITTING / #8 NEO			2	S
41	453419	PIPE ASSY / A/C SUCTION To 6-0341			1	A
41	453417	PIPE ASSY / A/C SUCTION To 7-0721			1	
41	455112	PIPE ASSY / A/C SUCTION From 7-0722 To 7-0771			1	
41	455115	PIPE ASSY / A/C SUCTION From 7-0772			1	
42	453188	HOSE ASSY / #12 740MM			1	
. NS	507280	. O-RING / ORS FITTING / #12 NEO			2	
42	455194	HOSE ASSY / #12 766MM			1	S
. NS	507280	. O-RING / ORS FITTING / #12 NEO			2	S
58	453195	HOSE ASSY / FROM A/C AUX / #10 1450MM			1	
. NS	507344	. O-RING / ORS FITTING / #10 NEO			2	
58	455198	HOSE ASSY / FROM A/C AUX / #10 1450MM			1	S
. NS	507344	. O-RING / ORS FITTING / #10 NEO			2	S
61	453193	CLOSING ASSY (UNDER FLOOR) 110MM X 266MM			3	
62	500642	SCREW TP PAN PH #10x3/4 Z050			AR	
62	372652	PIPE STRAP / UNDER AISLE STEPWELL			1	
70	506283	PIPE INSULATING / 1 5/8" I.D. X 1/2" TH. X 72 / APT15812			1	
71	HF-2222-01	HEATER LINE REAR SECTION				
71	HF-2222-55	SMALL A/C LINES & HOSES WITH DETROIT S-60 & R134A	1	1	1	
		A) WITH AUX A/C "CALHOUN" STYLE				



From 4-4758 To 8-1043	Date:10/2022	PAGE:HF-2222-51
SMALL A/C LINE & HEATER LINE		

Item#	Part	Description	H 3 4 1	H 3 4 5	V I P 4 5	N O T E S
		C) TO FIX VALVE				
		S) SERVICE				
		P) CALL ORDER DESK FOR SPECIFIC APPLICATION (V.I.N.)				

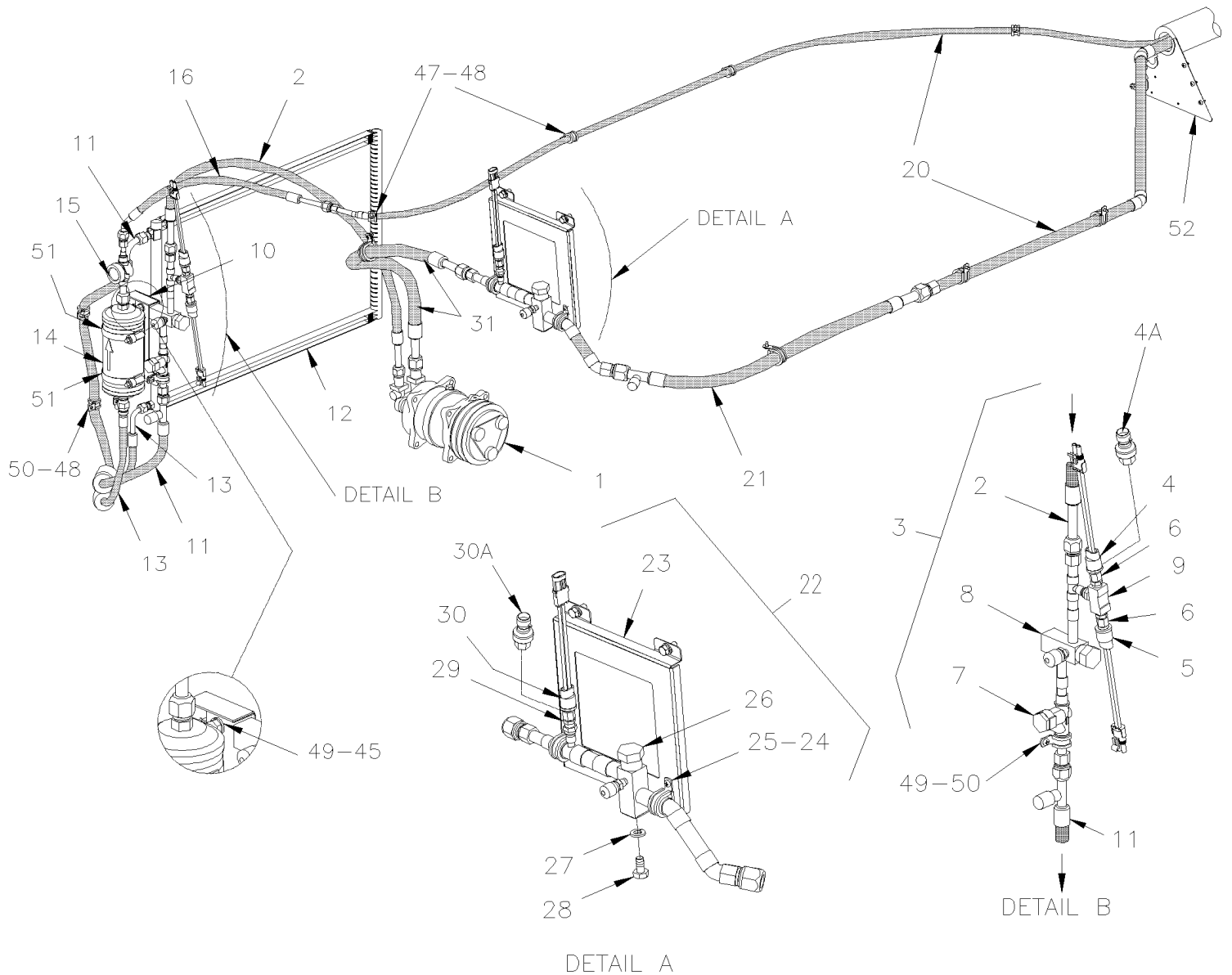
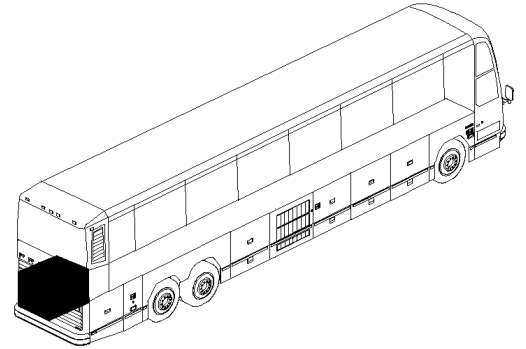
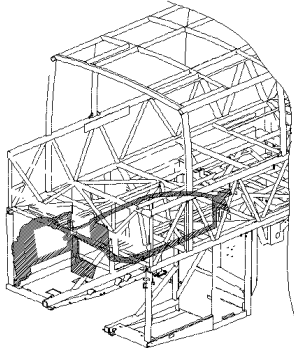


From 4-4758 To 8-1043

Date:10/2022

PAGE:HF-2222-55

SMALL A/C LINES & HOSES WITH DETROIT S-60 & R134A





From 4-4758 To 8-1043	Date:10/2022	PAGE:HF-2222-55
SMALL A/C LINES & HOSES WITH DETROIT S-60 & R134A		

Item#	Part	Description	H 3 4 1	H 3 4 5	V I P 4 5	N O T E S
1	HF-2245-11	A/C COMPRESSOR SMALL - INSTALLATION				
2	454082	HOSE ASSY / #8 795MM			1	
. NS	507343	. O-RING / ORS FITTING / #8 NEO			2	
2	455285	HOSE ASSY / #8 795MM			1	S
. NS	507343	. O-RING / ORS FITTING / #8 NEO			2	S
2	454227	HOSE ASSY / #8 1505MM	1	1	1	A
. NS	507343	. O-RING / ORS FITTING / #8 NEO	2	2	2	A
2	455294	HOSE ASSY / #8 1505MM	1	1	1	A S
. NS	507343	. O-RING / ORS FITTING / #8 NEO	2	2	2	A S
3	454066	VALVE ASSY / HI-SIDE To 6-0435			1	
3	454404	VALVE ASSY / HI-SIDE W/MUX From 6-0436			1	M
4	454084	. PRESSURE SWITCH N.O. 195-150 20PS001MA195K150K To 6-0435			1	
4A	563423	. TRANSDUSER -6.7 to 420 LBS / 1/8 NPT-F From 6-0436			1	M
. NS	563159	. . CONNECTOR / METRI-PACK 150 / SH 3C / PED 12065287 From 6-0436			1	M
5	453380	. PRESSURE SWITCH N.C. 350-245 20PS001MB350K245R			1	
6	950249	. SCHRADER VALVE 1/4NPT-M			2	
7	950326	. CHECK VALVE			1	
8	950376	. VALVE SERVICE HIGH PRESSURE			1	
9	501894	. MALE BRANCHE TEE / PIPE FITTING / 1/4NPT-Fx1/4NPT-Fx1/4NPT-M BR			1	
10	454078	SUPPORT / HIGHT PRESSURE VALVE			1	
11	454079	HOSE ASSY / #8 925MM			1	
. NS	507343	. O-RING / ORS FITTING / #8 NEO			2	
11	455282	HOSE ASSY / #8 925MM			1	S
. NS	507343	. O-RING / ORS FITTING / #8 NEO			2	S
11	454226	HOSE ASSY / #8 1175MM			1	A
. NS	507343	. O-RING / ORS FITTING / #8 NEO			2	A
11	455293	HOSE ASSY / #8 1175MM			1	A S
. NS	507343	. O-RING / ORS FITTING / #8 NEO			2	A S
12	HF-2255-51	CONDENSOR - INSTALLATION SMALL A/C SYSTEM				
13	454077	HOSE ASSY / #6 475MM			1	
. NS	507278	. O-RING / ORS FITTING / #4 NEO			2	
13	454224	HOSE ASSY / #6 550MM			1	A
. NS	507278	. O-RING / ORS FITTING / #4 NEO			1	A
14	950370	FILTER DRYER			1	
. NS	507085	. O-RING 7/16" I.D X 1/32"			1	
15	453514	MOISTURE INDICATOR ASSY			1	
. NS	950379	. MOISTURE INDICATOR			1	
15	950379	. MOISTURE INDICATOR			1	
15	950029	. CAP, MOISTURE INDICATOR			1	
16	453794	HOSE ASSY / #6 375MM To 3-4721			1	
. NS	507278	. O-RING / ORS FITTING / #4 NEO To 3-4721			2	
16	455268	HOSE ASSY / #6 375MM To 3-4721			1	S



From 4-4758 To 8-1043	Date:10/2022	PAGE:HF-2222-55
SMALL A/C LINES & HOSES WITH DETROIT S-60 & R134A		

Item#	Part	Description	H 3 4 1	H 3 4 5	V I P 4 5	N O T E S
. NS	507278	. O-RING / ORS FITTING / #4 NEO To 3-4721			2	S
16	454083	HOSE ASSY / #6 425MM From 3-4722			1	
. NS	507280	. O-RING / ORS FITTING / #12 NEO From 3-4722			2	
16	455286	HOSE ASSY / #6 425MM From 3-4722			1	S
. NS	507280	. O-RING / ORS FITTING / #12 NEO From 3-4722			2	S
16	454225	HOSE ASSY / #6 300MM			1	A
. NS	507278	. O-RING / ORS FITTING / #4 NEO			2	A
16	455292	HOSE ASSY / #6 300MM			1	A S
. NS	507278	. O-RING / ORS FITTING / #4 NEO			2	A S
20	HF-2222-51	SMALL A/C LINE & HEATER LINE	1	1	1	
21	453662	HOSE ASSY / #12 780MM To 3-4721			1	
. NS	507280	. O-RING / ORS FITTING / #12 NEO To 3-4721			2	
21	455263	HOSE ASSY / #12 780MM To 3-4721			1	S
. NS	507280	. O-RING / ORS FITTING / #12 NEO To 3-4721			2	S
21	454081	HOSE ASSY / #12 645MM From 3-4722			1	
. NS	507280	. O-RING / ORS FITTING / #12 NEO From 3-4722			2	
. NS	950358	. PROTECTOR CAP LOW PRESSURE PORT / "TUBE-O" From 3-4722			1	
21	455284	HOSE ASSY / #12 645MM From 3-4722			1	S
. NS	507280	. O-RING / ORS FITTING / #12 NEO From 3-4722			2	S
. NS	950358	. PROTECTOR CAP LOW PRESSURE PORT / "TUBE-O" From 3-4722			1	S
22	454064	VALVE ASSY W/SUPPORT / LOW SIDE To 6-0435			1	
22	454405	VALVE ASSY W/SUPPORT / LOW SIDE From 6-0436			1	M
23	454065	. SUPPORT / LOW PRESSURE VALVE			1	
24	952635	. CLAMP / 1" I.D.			1	
25	509805	. SCREW TP PAN PH #10x1/2 BK			1	
26	950377	. VALVE SERVICE LOW PRESSURE To 7-0779			1	
26	950950	. VALVE SERVICE LOW PRESSURE From 7-0780			1	
. NS	950235	. . GAUGE ADAPTOR ASSY / W/BBLUE CAP FOR R-134A / SUCTION SIDE (ALUMINUM) From 7-0780			1	
27	955920	. WASHER LO SPT 6.5x11.5x1.6 ZP			1	
28	502772	. SCREW CAP HEX 1/4-20x1/2 G5 N500			1	
29	950249	. SCHRADER VALVE 1/4NPT-M			1	
30	452831	. PRESSURE SWITCH N.O. 30-5 20SP001MA030C005C To 6-0435			1	
30A	563423	. TRANSDUSER -6.7 to 420 LBS / 1/8 NPT-F From 6-0436			1	M
. NS	563159	. . CONNECTOR / METRI-PACK 150 / SH 3C / PED 12065287 From 6-0436			1	M
31	454080	HOSE ASSY / #12 940MM			1	
. NS	507344	. O-RING / ORS FITTING / #10 NEO			2	
31	455283	HOSE ASSY / #12 940MM			1	S
. NS	507344	. O-RING / ORS FITTING / #10 NEO			2	S
31	454228	HOSE ASSY / #12 1325MM			1	A
. NS	507344	. O-RING / ORS FITTING / #10 NEO			2	A
31	455295	HOSE ASSY / #12 1325MM			1	A S
. NS	507344	. O-RING / ORS FITTING / #10 NEO			2	A S



From 4-4758 To 8-1043	Date:10/2022	PAGE:HF-2222-55
SMALL A/C LINES & HOSES WITH DETROIT S-60 & R134A		

Item#	Part	Description	H 3 4 1	H 3 4 5	V I P 4 5	N O T E S
45	502916	SCREW CAP HEX 3/8-16x3/4 G8 N500			2	
47	952627	CLAMP / 1/2" I.D.			AR	
48	509805	SCREW TP PAN PH #10x1/2 BK			3	
49	3852496	WASHER LO SPT 10.2x18.1x2.2 ZG603			2	
50	952629	CLAMP / 5/8" I.D.			2	
51	504026	HOSE CLAMP / 2"13/16-3"3/4 SS / HS-52			1	
52	453174	PIPE CLOSING ASSY TRIANGULAR SGHAPE			1	
NS	454231	KIT, RETROFIT "SELTEC" COMPRESSOR / W/V.I.P. To 3-4757			1	
. NS	IS-04009	. SEE INSTRUCTION SHEET To 3-4757			1	
		A) USE ONLY WITH "SELTEC" RETROFIT #454231				
		M) WITH MULTIPLEX				
		S) SERVICE				

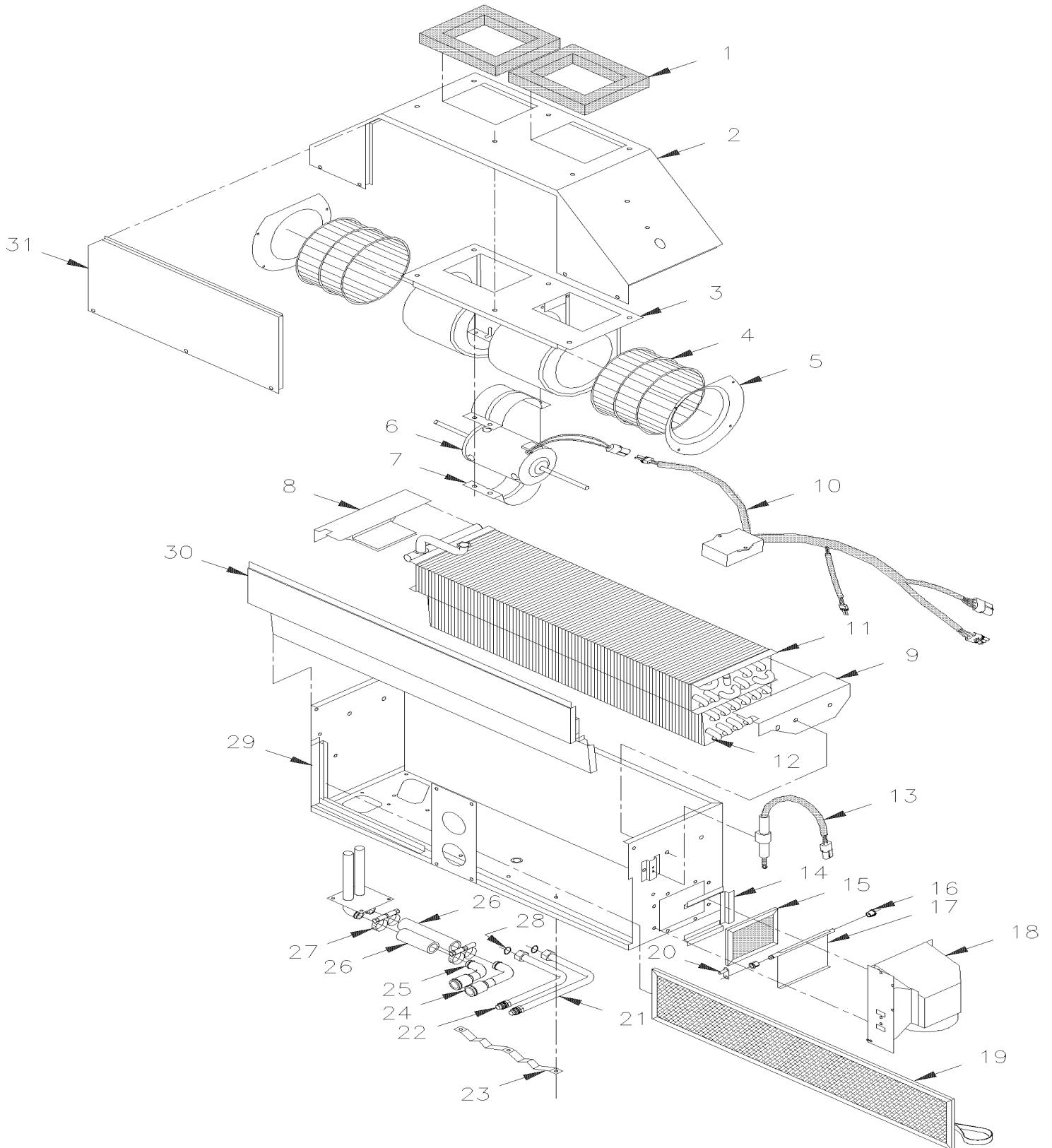


From 3-4417 To 6-0435

Date:10/2022

PAGE:HF-2225-00

DRIVER'S HEATER & DEFROSTER ASSY





From 3-4417 To 6-0435	Date:10/2022	PAGE:HF-2225-00
DRIVER'S HEATER & DEFROSTER ASSY		

Item#	Part	Description	H 3 4 1	H 3 4 5	V I P 4 5	N O T E S
	871104	DEFROSTER & A/C UNIT ASSY	1	1	1	
	871105	DEFROSTER & A/C UNIT ASSY	1	1		A
1	871129	. SEAL	2	2	2	
2	871130	. TOP	1	1	1	
3	871131	. BLOWER ASSY 24V / W/SINGLE MOTOR MOUNT / WITH CONNECTOR	1	1	1	B
3	N8893462	. BLOWER ASSY 24V / W/SINGLE MOTOR MOUNT / WITH CONNECTOR	1	1	1	
3	871132	. BLOWER HOUSING	1	1	1	
4	871133	. BLOWER WHEEL / PLASTIC 5 1/8" x 3 1/2" x 5/16" x I.D.	2	2	2	
NS	N8888160	. SPRING CLIP	2	2	2	
5	871134	. VENTURI	2	2	2	
6	871135	. MOTOR ASSY / 24V	1	1	1	
6	N8893990	. MOTOR ASSY / 24V / WITH CONNECTOR	1	1	1	
7	871136	. MOTOR MOUNTING	2	2	2	
8	871137	. BRACKET L.H.	1	1	1	
9	871138	. BRACKET R.H.	1	1	1	
10	871139	. MODULE CONTROL FAN SPEED /W/SINGLE MOTOR / (STAMPED 35-0060)	1	1	1	
11	871140	. HEATER COIL	1	1	1	
. NS	870127	. DRAIN VALVE ROBINET VIDANGE	1	1	1	
12	871141	. EVAPORATOR COIL	1	1	1	
13	871142	. ACTUATOR, THERMAL	1	1	1	
14	871143	. CHANNEL, FILTER F/A	1	1	1	
15	871144	. FILTER / FRESH AIR 1/4" x 3 5/8" x 5 1/4"	1	1	1	
16	871025	. BUSHING / CABLE PIVOT	2	2	2	
17	871145	. DAMPER TRAP	1	1	1	
18	871146	. BOX, FRESH AIR	1	1	1	
19	871147	. FILTER / RECIRCULATING 1/4" x 6 1/4" x 28"	1	1	1	
20	871148	. LEVER , F/A DAMPER	1	1	1	
21	871149	. TUBE, A/C	1	1	1	
22	871150	. TUBE, A/C	1	1	1	
23	871151	. TUBE SUPPORT	1	1	1	
24	871152	. TUBE HEATER	1	1	1	
25	871153	. TUBE HEATER	1	1	1	
26	503007	. HOSE 2 PLY / RADIATOR HOSE / 5/8" I.D. / S.L.	AR	AR	AR	
27	504646	. HOSE CLAMP / 11/16"-1"1/4 / C.T. 9412	4	4	4	
28	507279	. O-RING / ORS FITTING / #8 NEO	2	2	2	
28	HF-2208-00	A/C EXPANSION VALVE				
29	871154	. CASING	1	1	1	
30	871155	. COVER	1	1	1	
31	871156	. COVER / BLOWER ACCESS	1	1	1	
NS	5001047	. SCREW TC PAN PH M5-0.8X10 ZP	17	17	17	



From 3-4417 To 6-0435	Date:10/2022	PAGE:HF-2225-00
-----------------------	--------------	-----------------

DRIVER'S HEATER & DEFROSTER ASSY

Item#	Part	Description	H 3 4 1	H 3 4 5	V I P 4 5	N O T E S
		A) W / R22 ONLY				
		B) FOR PRODUCT IMPROVEMENT, ASK FOR #871359 AS SHOWN AT PAGE HF-2225-01				

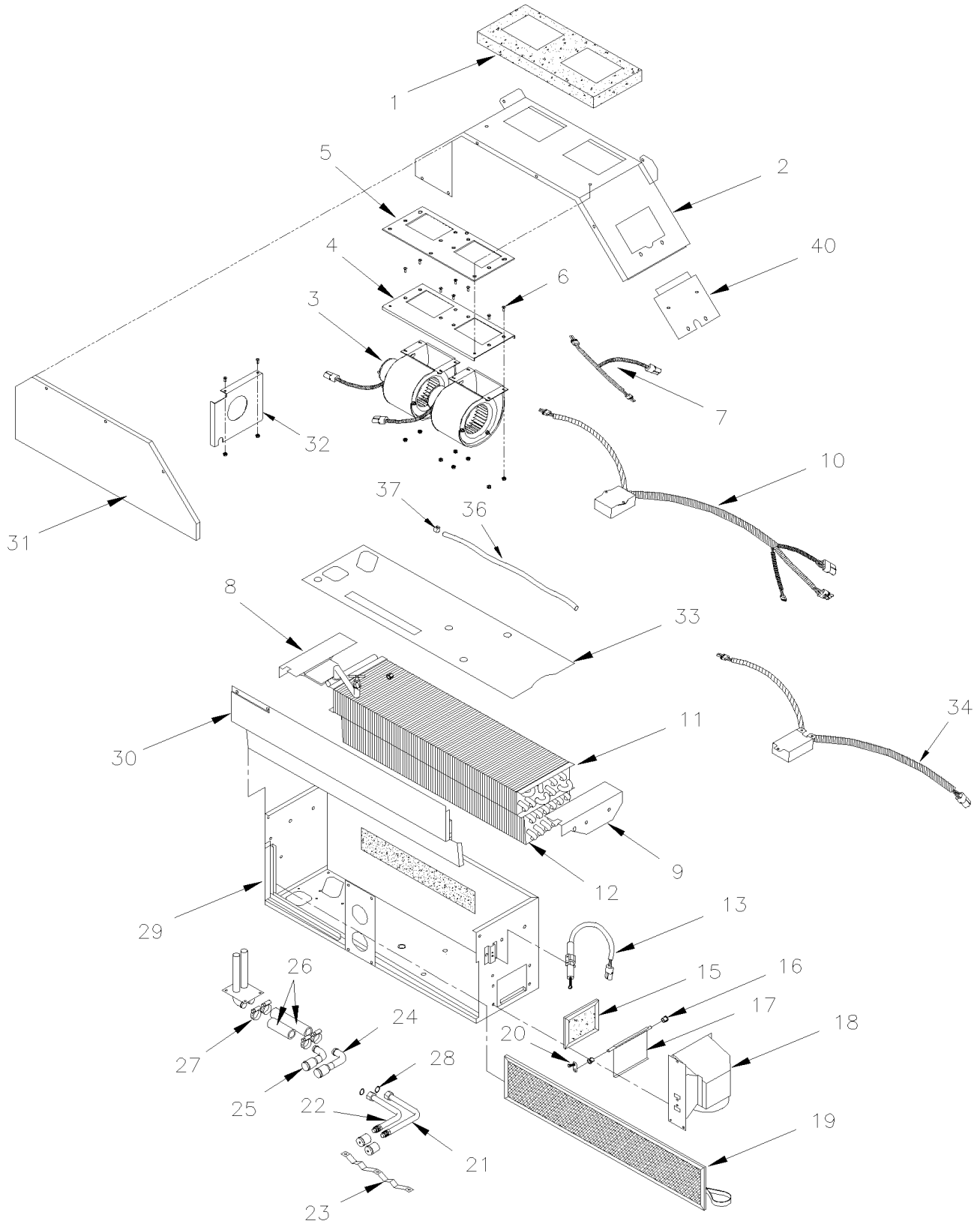


From 5-0023 To 8-1043

Date:10/2022

PAGE:HF-2225-01

DRIVER'S HEATER & DEFROSTER ASSY WITH MUX





From 5-0023 To 8-1043	Date:10/2022	PAGE:HF-2225-01
-----------------------	--------------	-----------------

DRIVER'S HEATER & DEFROSTER ASSY WITH MUX

Item#	Part	Description	H 3 4 1	H 3 4 5	V I P 4 5	N O T E S
		"WARNING" - "WARNING" - "WARNING" - "WARNING"				
		THE FOUR NEXT SERIAL NUMBER ARE MULTIPLEXING 4-4933, 4-4963, 4-4995 & 4-0006				
	871355	DEFROSTER & A/C UNIT ASSY To 5-0167	1	1		
	871375	DEFROSTER & A/C UNIT ASSY / W/MUX From 5-0168	1	1		
	871355	DEFROSTER & A/C UNIT ASSY To 6-0435			1	
	871385	DEFROSTER & A/C UNIT ASSY / W/MUX From 6-0436			1	
1	871129	. SEAL	2	2	2	
2	871130	. TOP To 5-0167	1	1		
2	871399	. TOP From 5-0168	1	1		
2	871130	. TOP To 6-0435			1	
2	871398	. TOP From 6-0436			1	
3	871359	. BLOWER ASSY 24V / W/DOUBLE MOTOR MOUNT	1	1	1	
3	871360	. . BLOWER & MOTOR ASSY - "M.C.C." "CCW" / FAN END	2	2	2	
4	871410	. . PLATE MOUNTING	1	1	1	
5	871411	. . FOAM ASSY	1	1	1	
6	684605	. . SCREW CAP HEXS #10-32x1/2	8	8	8	
6	500423	. . NUT HEX NYRT #10-32 SS	8	8	8	
7	871364	. . CABLE HARNESS	1	1	1	
8	871137	. BRACKET L.H.	1	1	1	
9	871138	. BRACKET R.H.	1	1	1	
10	871380	. MODULE CONTROL FAN SPEED / W/DOUBLE MOTOR (STAMPED 35-0520) To 5-0167	1	1	1	
10	871353	. MODULE CONTROL FAN SPEED / W/DOUBLE MOTOR From 5-0168	1	1	1	
10	871380	. MODULE CONTROL FAN SPEED / W/DOUBLE MOTOR (STAMPED 35-0520) To 6-0435			1	
10	871353	. MODULE CONTROL FAN SPEED / W/DOUBLE MOTOR From 6-0436			1	
10	IS19923	. HVAC MODULE REPLACEMENT To 5-0167	1	1	1	
11	871140	. HEATER COIL	1	1	1	
. NS	870127	. . DRAIN VALVE ROBINET VIDANGE	1	1	1	
12	871141	. EVAPORATOR COIL	1	1	1	
13	871142	. ACTUATOR, THERMAL	1	1	1	
15	871144	. FILTER / FRESH AIR 1/4" x 3 5/8" x 5 1/4"	1	1	1	
16	871025	. BUSHING / CABLE PIVOT	2	2	2	
17	871145	. DAMPER TRAP	1	1	1	
18	871146	. BOX, FRESH AIR	1	1	1	
19	871147	. FILTER / RECIRCULATING 1/4" x 6 1/4" x 28"	1	1	1	
20	871148	. LEVER , F/A DAMPER	1	1	1	
21	871149	. TUBE, A/C	1	1	1	
22	871150	. TUBE, A/C	1	1	1	
23	871151	. TUBE SUPPORT To 5-0167	1	1		
23	871405	. TUBE SUPPORT From 5-0168	1	1		
23	871151	. TUBE SUPPORT To 6-0435			1	



From 5-0023 To 8-1043 Date:10/2022 PAGE:HF-2225-01

DRIVER'S HEATER & DEFROSTER ASSY WITH MUX

Item#	Part	Description	H 3 4 1	H 3 4 5	V I P 4 5	N O T E S
23	871405	. TUBE SUPPORT From 6-0436			1	
24	871152	. TUBE HEATER	1	1	1	
25	871153	. TUBE HEATER	1	1	1	
26	503007	. HOSE 2 PLY / RADIATOR HOSE / 5/8" I.D. / S.L.	AR	AR	AR	
27	504646	. HOSE CLAMP / 11/16"-1"1/4 / C.T. 9412	4	4	4	
28	507279	. O-RING / ORS FITTING / #8 NEO	2	2	2	
28	HF-2208-00	A/C EXPANSION VALVE				
29	871154	. CASING To 5-0167	1	1		
29	871396	. CASING From 5-0168	1	1		
29	871154	. CASING To 6-0435			1	
29	871396	. CASING From 6-0436			1	
30	871155	. COVER To 5-0167	1	1		
30	871401	. COVER From 5-0168	1	1		
30	871155	. COVER To 6-0435			1	
30	871401	. COVER From 6-0436			1	
31	871156	. COVER / BLOWER ACCESS To 5-0167	1	1		
31	871403	. COVER / BLOWER ACCESS From 5-0168	1	1		
31	871156	. COVER / BLOWER ACCESS To 6-0435			1	
31	871403	. COVER / BLOWER ACCESS From 6-0436			1	
32	871409	. DIVIDER From 6-0436			1	
33	871412	. INSULATION From 5-0168	1	1		
33	871412	. INSULATION From 6-0436			1	
34	563660	. MODULE CONTROL FAN SPEED / W/DOUBLE MOTOR W/MUX PASSNGER SIDE From 6-0436			1	A
36	8860148	. TUBE, NYLON 5/16 O.D. / BLACK S.L.	1	1	1	
37	N8888160	. SPRING CLIP	1	1	1	
40	871227	. HARNESS COVER To 5-0167	1	1		
40	871407	. HARNESS COVER From 5-0168	1	1		
40	871227	. HARNESS COVER To 6-0435			1	
40	871408	. HARNESS COVER From 6-0436			1	
		A) WITH SMALL A/C SYSTEM				

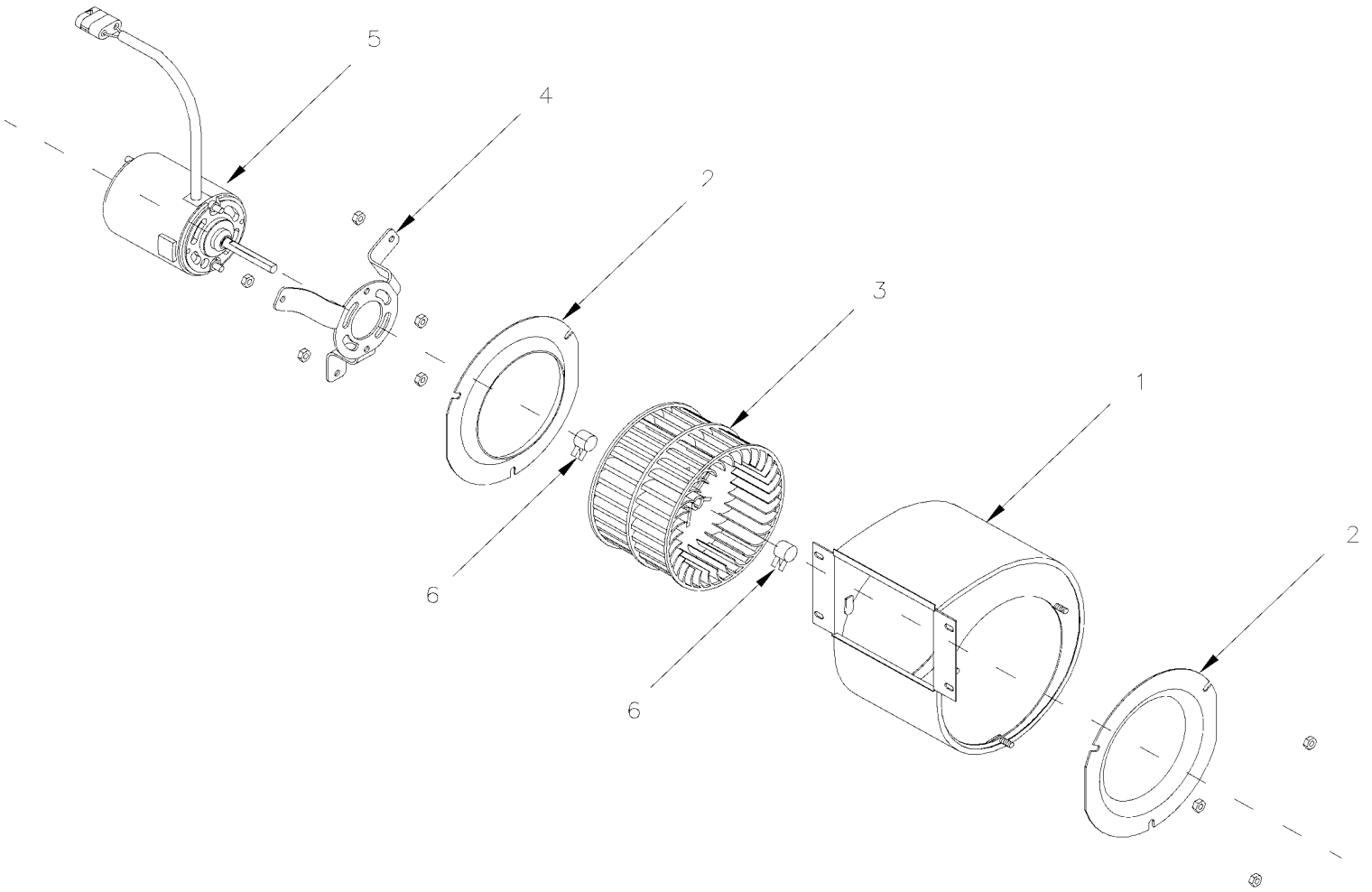


From 5-0023 To 8-1043

Date:10/2022

PAGE:871360

BLOWER & MOTOR ASSY - "M.C.C." "CCW" / FAN END





From 5-0023 To 8-1043	Date:10/2022	PAGE:871360
------------------------------	---------------------	--------------------

BLOWER & MOTOR ASSY - "M.C.C." "CCW" / FAN END

Item#	Part	Description	H 3 4 1	H 3 4 5	V I P 4 5	N O T E S
		BLOWER ASSY 24V / CCW	1	1	1	
1	871365	. BLOWER HOUSING	1	1	1	
2	N8889479	. VENTURY	2	2	2	
3	871133	. BLOWER WHEEL / PLASTIC 5 1/8" x 3 1/2" x 5/16" x I.D.	1	1	1	
4	N8890530	. MOUNTING MOTOR BRACKET	1	1	1	
5	871366	. MOTOR ASSY 24V / CCW	1	1	1	
6	N8888160	. SPRING CLIP	2	2	2	

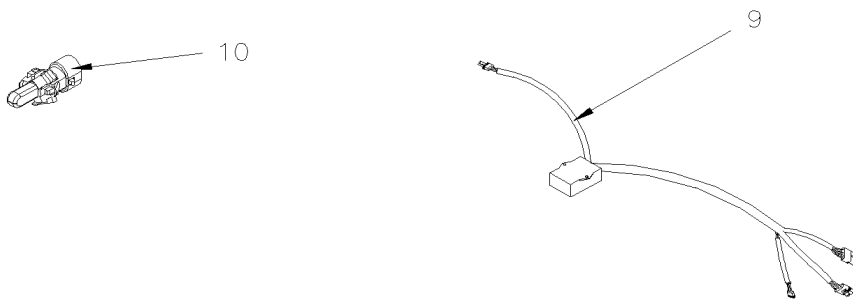
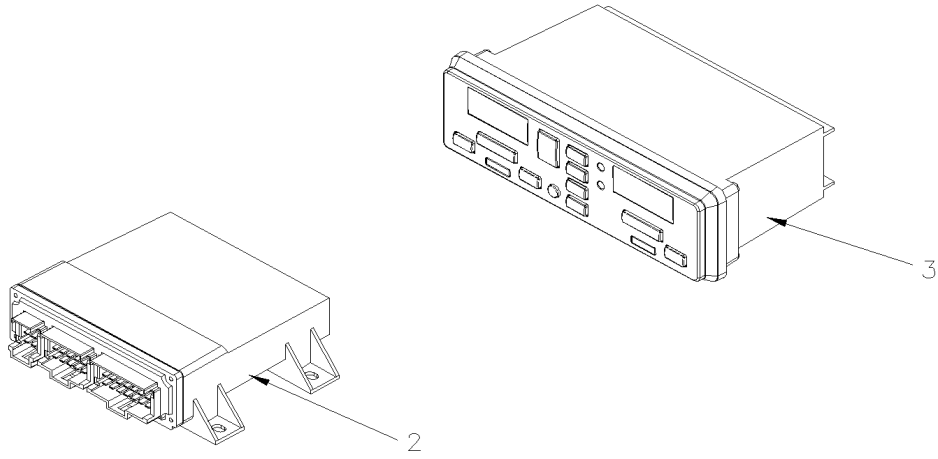


To 5-0167

Date:10/2022

PAGE:IS19923

HVAC MODULE REPLACEMENT





To 5-0167		Date:10/2022	PAGE:IS19923
------------------	--	---------------------	---------------------

HVAC MODULE REPLACEMENT

Item#	Part	Description	H 3 4 1	H 3 4 5	V I P 4 5	N O T E S
NS	23499009-FAC	PROGRAMMED MCM # HVAC MODULE	1	1	1	
2	22722846	I/O A E-MODULE VOLVO MULTIPLEX	1	1	1	
3	870008	A/C CONTROL MODULE	1	1	1	
NS	0600035	HVAC INTERFACE HARNESS WITH HVAC	1	1	1	
NS	0600036	OUTSIDE TEMPERATURE SENSOR HARNESS	1	1	1	
NS	0600037	DUAL TO SINGLE MOTOR WIRING ADAPTOR	1	1	1	
NS	0600038	SINGLE MOTOR DRIVE HARNESS	1	1	1	
NS	0600039	DUAL MOTOR DRIVE HARNESS	1	1	1	
9	871353	MODULE CONTROL FAN SPEED / W/DOUBLE MOTOR	1	1	1	
10	563335	SENSOR THERMISTOR ASSY / OUTSIDE // PED 15416387	1	1	1	
NS	563332	RELAY 24V S.P.D.T. W/RESISTOR / "VOLVO" (20374662)	2	2	2	
NS	504637	CABLE TIE / 3/16" x 13"	15	15	15	
NS	5001374	SCREW CAP HEX M5-0.8x10 SS	3	3	3	
NS	5001449	NUT HEX M5-0.8 SS	3	3	3	
NS	5001480	NUT HEX NYRT #8-32 SS	1	1	1	
NS	IS-19923	SEE INSTRUCTION SHEET	1	1	1	

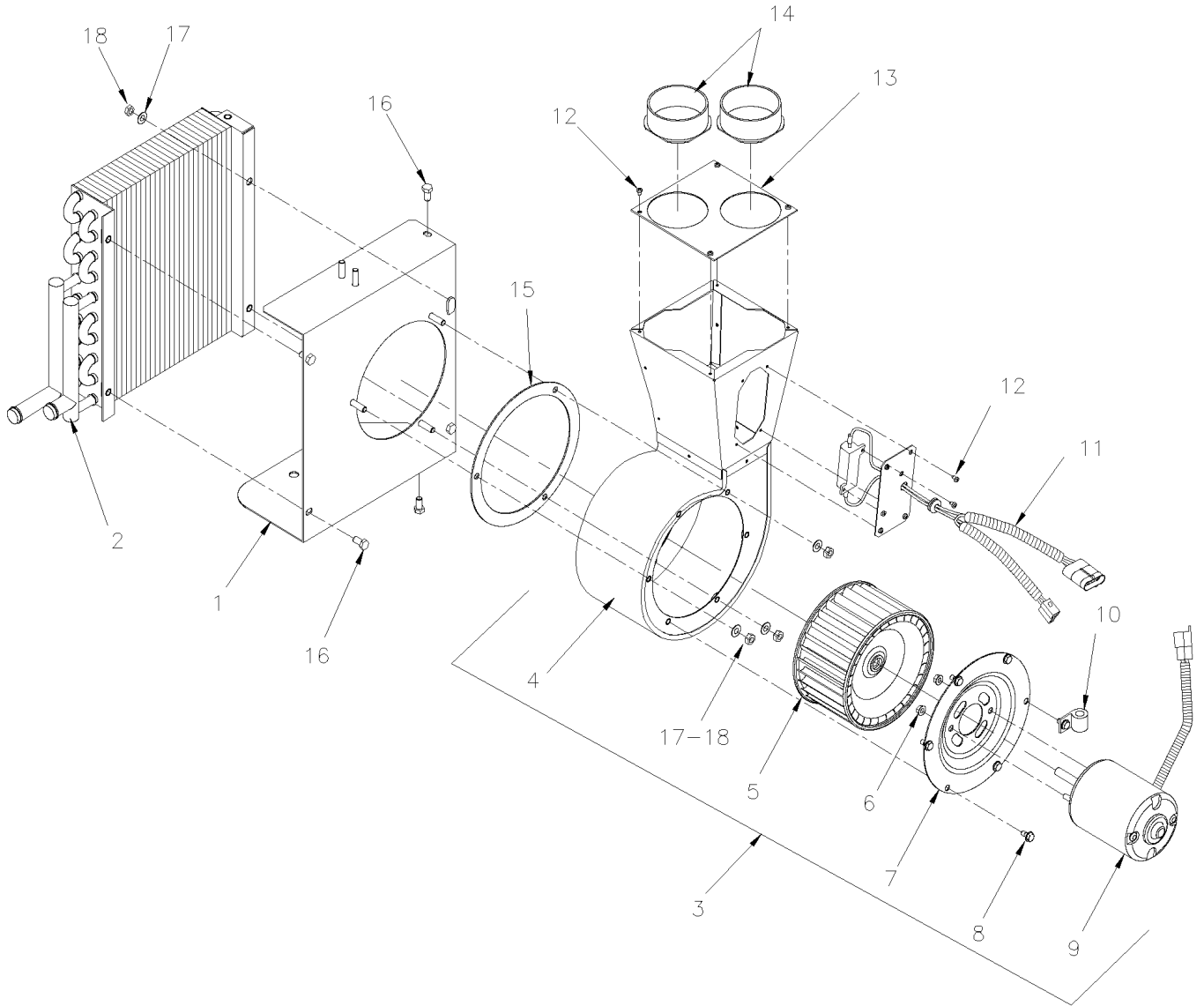


From 3-4417 To 8-1043

Date:10/2022

PAGE:HF-2225-10

UPPER WINDSHIELD - DEFROSTER ASSY





From 3-4417 To 8-1043	Date:10/2022	PAGE:HF-2225-10
UPPER WINDSHIELD - DEFROSTER ASSY		

Item#	Part	Description	H 3 4 1	H 3 4 5	V I P 4 5	N O T E S
	373823	UPPER DEFROSTER ASSY / W/MOTOR To 4-4883	1	1		
	374072	UPPER DEFROSTER ASSY / W/MOTOR From 4-4884	1	1		
1	871253	. SUPPORT PLATE	1	1		
2	871254	. HEATER COIL	1	1		
3	871255	. BLOWER ASSY 24V	1	1		
4	871256	. . BLOWER HOUSING	1	1		
5	871017	. . BLOWER WHEEL / STEEL	1	1		
6	500423	. . NUT HEX NYRT #10-32 SS	2	2		
7	871020	. . PLATE MOUNTING / MOTOR	1	1		
8	N.P.N.	. . SCR CAP HEX ZP M5-10	6	6		4
9	562167	. . MOTOR ASSY / 24V	1	1		
10	952625	. . CLAMP / 3/8" I.D.	1	1		
11	871259	. HARNESS ASSY / W/COVER & RESISTOR 12 ohms To 4-4883	1	1		A
11	871351	. HARNESS ASSY / W/COVER & RESISTOR 6 ohms From 4-4884	1	1		
. NS	563436	. . RESISTOR / 6 OHMS 50 WATTS RCD From 4-4884	1	1		
12	502783	. SCREW TP CAP HEXW #6x3/8 ZP	10	10		
13	871258	. ADAPTOR PLATE	1	1		
14	871257	. HOSE ADAPTOR 2 1/2"	2	2		
15	506002	. TAPE RUB ADH1 CC POL 3/16" x 1/2" x 40' / GREY 2520	AR	AR		
16	5001106	SCREW CAP HEX M6-1.0x10 G8.8 Z050	5	5		
17	500473	WASHER LO SPT .262x.489x.062 Z050	4	4		
18	502581	NUT HEX M6-1.0 Z050	4	4		
NS	374474	KIT UPPER DEFROSTER RETROFIT	1	1		
. A	328921	. FINISHING POST CAP / FRONT R.H.	1	1		
. B	373829	. HOSE 1 1/8" I.D. x 1160MM	2	2		
. C	373835	. HOSE ASSY REDUCER 1 1/8" TO 5/8"	1	1		
. D	373882	. PIPE W/Y / 2639MM	1	1		
. E	374072	. UPPER DEFROSTER ASSY / W/MOTOR	1	1		
. F	374261	. PIPE ASSY / W/BY-PASS FOR UPPER DEFROSTER	1	1		
. G	503031	. HOSE FLEXIBLE / AIR DUCT 2 1/2" I.D. X 12' / RUBBER	1	1		
. H	503720	. HOSE SILICONE 1 PLY 5/8" I.D. x 25' / S.L.	1	1		
. I	561566	. CONNECTOR / WEATHER PACK / PH 2C / BLACK / PED 12010973	1	1		
. J	561568	. PIN TERMINAL / 16-14 / PED 12089305	2	2		
. K	561786	. CABLE SEAL / GRAY / PED 15324980	2	2		
. L	870900	. NOZZLE AIR	2	2		
. M	874296	. WATER PUMP ASSY / 24V / "MP PUMPS"	1	1		
		A) FOR PRODUCT IMPROVEMENT, REPLACE BY 871351				
		4) NO PARTS NUMBER				

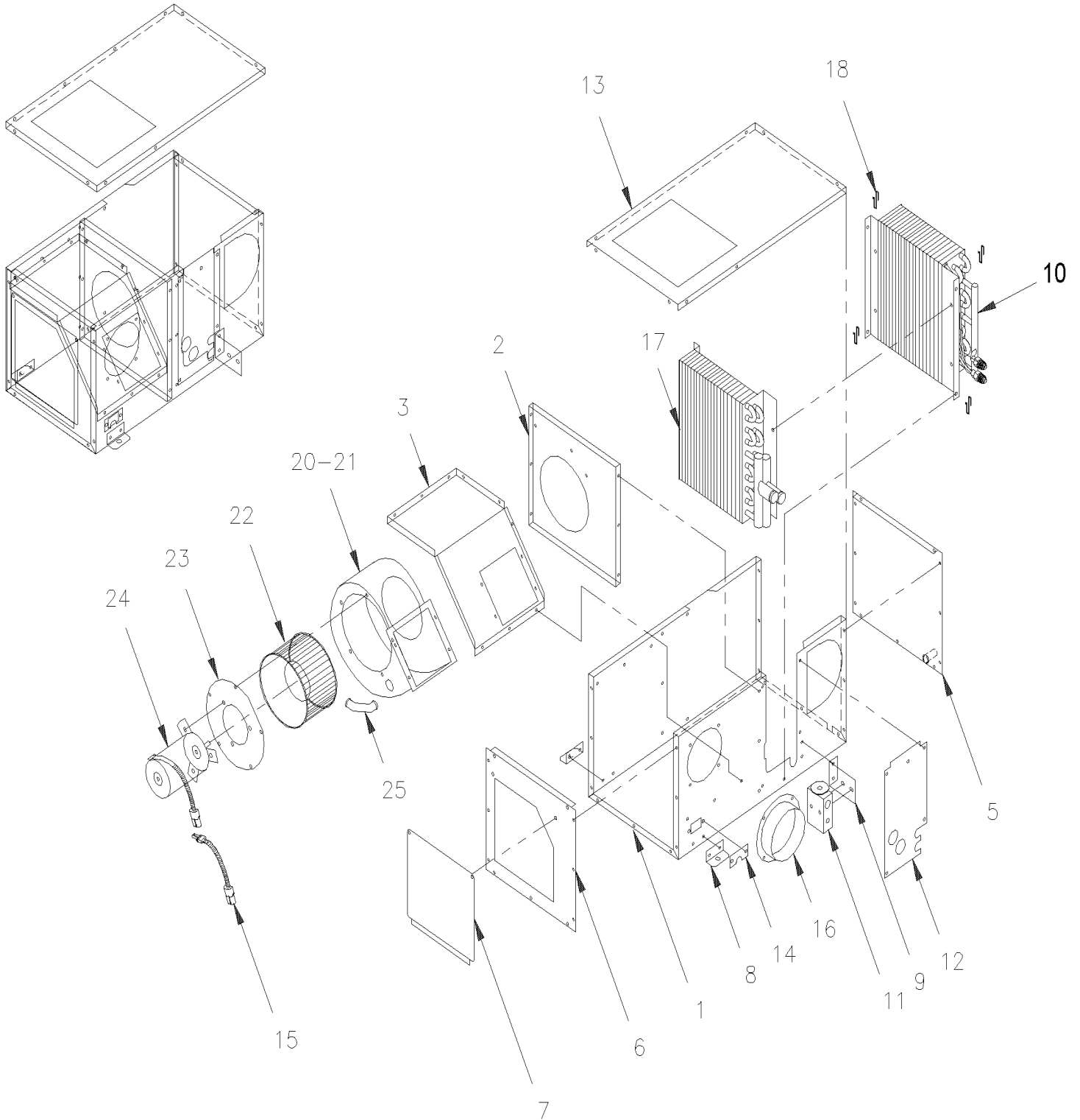


From 3-4417 To 8-1043

Date:10/2022

PAGE:HF-2225-50

A/C & HEATER AUXILIARY - V.I.P.





From 3-4417 To 8-1043	Date:10/2022	PAGE:HF-2225-50
A/C & HEATER AUXILIARY - V.I.P.		

Item#	Part	Description	H 3 4 1	H 3 4 5	V I P 4 5	N O T E S
	871162	A/C UNIT AUXILLIARY ASSY To 6-0341			1	O
	871177	A/C UNIT AUXILLIARY ASSY W/HEATER COIL			1	
1	N.S.P.	. CASING / (24-3709)			1	2
2	N.S.P.	. PARTITION / (24-3233)			1	2
3	N.S.P.	. BLOWER MTG PLATE / (24-3234)			1	2
5	N.S.P.	. END COVER - COIL END / (24-3232)			1	2
6	N.S.P.	. END COVER - BLOWER END / (24-3231)			1	2
7	N.S.P.	. BLOWER ACCESS DOOR / (24-3235)			1	2
8	N.S.P.	. MTG BRACKET / (24-3240)			2	2
9	N.S.P.	. MTG BRACKET (VALVE) / (24-3238)			1	2
10	871216	. EVAPORATOR COIL			1	
11	950221	. VALVE, EXPANSION / DRIVER'S W/R134A			1	
12	N.S.P.	. COVER PLATE / (24-3710)			1	2
13	N.S.P.	. COVER / (24-3237)			1	2
14	N.S.P.	. HARNESS COVER / (24-3239)			1	2
15	N.S.P.	. BLOWER WIRE EXTENSION / (35-0089)			1	2
16	871335	. HOSE ADAPTOR 4"			1	
17	871215	. HEATER COIL			1	
18	N.S.P.	. CLIPS / (29-0437)			4	2
20	871217	. BLOWER 24V			1	
21	871218	. BLOWER HOUSING			1	
22	871219	. BLOWER WHEEL			1	
23	871220	. MOTOR PLATE			1	
24	871221	. MOTOR 24V			1	
25	871222	. TUBE			1	
		O) OPTION "CALHOUN"				
		2) NOT SOLD BY PREVOST (SEE MANUFACTURING PART NUMBER AT END OF DESCRIPTION LINE)				

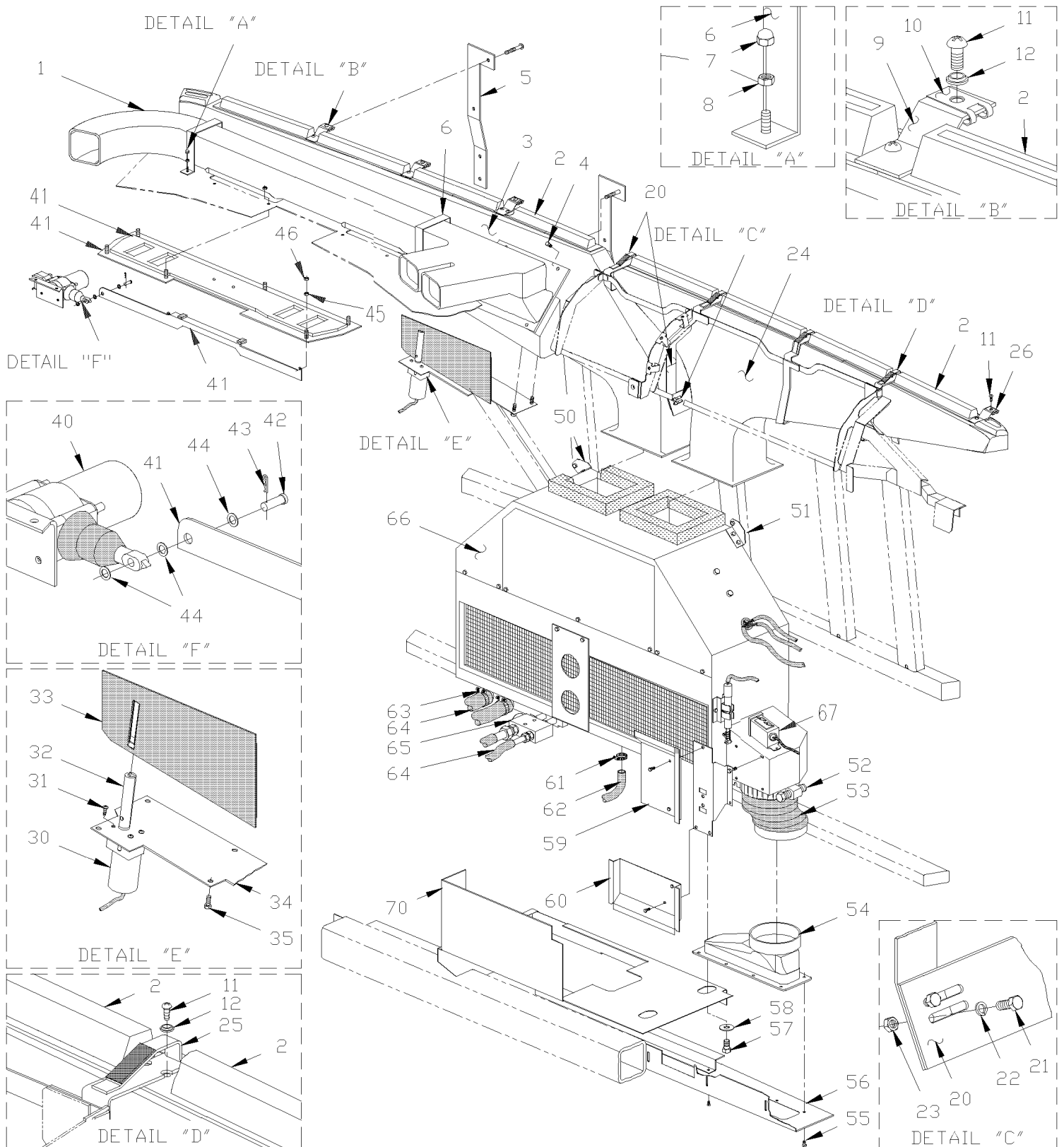


From 3-4417 To 8-1043

Date:10/2022

PAGE:HF-2230-00

DEFROSTER - INSTALLATION





From 3-4417 To 8-1043	Date:10/2022	PAGE:HF-2230-00
DEFROSTER - INSTALLATION		

Item#	Part	Description	H 3 4 1	H 3 4 5	V I P 4 5	N O T E S
1	392057	DUCT DRIVER LH SECTION To 3-4443	1	1	1	
1	392211	DUCT DRIVER LH SECTION From 3-4444	1	1	1	
1	392084	DUCT DRIVER RH SECTION To 3-4443	1	1	1	
1	392212	DUCT DRIVER RH SECTION From 3-4444	1	1	1	
. NS	391003	. SEAL DUCT From 3-4444	1	1	1	
NS	392064	SUPPORT	1	1	1	
NS	392085	. DEFLECTOR (INSIDE DUCT)	1	1	1	
2	391931	. LOUVER	4	4	4	
3	392014	. DEFROSTER DUCT ASSY STREETSIDE	1	1	1	
3	391925	. DEFROSTER DUCT STREETSIDE	1	1	1	
NS	392292	GASKET / DRIVER'S DUCT & WINDSHIELD DUCT	1	1	1	
NS	391979	DEFLECTOR / (INSIDE OF DUCT)	1	1	1	
4	500641	SCREW TP PAN PH #8x3/4 Z050	1	1	1	
4	500841	SCREW TP PAN PH #14x3/4 Z050				
5	392016	STRAP / TO FIX DUCT LH TO STRUCTURE To 3-4443	2	2	2	
6	392015	STRAP / TO FIX DUCT DRIVER TO STRUCTURE To 3-4443	2	2	2	
7	5001404	NUT HEX CAP M4-0.7 SS	4	4	4	
8	502557	NUT HEX NYRT M4-0.7 SS	4	4	4	
9	392163	CAP SUPPORT L.H. & CENTER	2	2	2	
9	392164	CAP SUPPORT R.H.	1	1	1	
10	5001405	NUT SPR U M4-0.7 0.8-4.0x9.5	AR	AR	AR	
11	5001411	SCREW MA FL PH M4-0.7x20 BK	AR	AR	AR	
12	500345	WASHER FN CKF .187x.500x.090 BR BK	AR	AR	AR	
20	391956	STRUCTURE / R.H.	1	1		
20	391996	STRUCTURE / R.H.				
21	502529	SCREW MA BDG PH M5-0.8x12 BZC	2	2	2	
22	500440	WASHER FL .250x.562x.065 Z050	2	2	2	
23	502782	NUT HEX NYRT M5-0.8 Z050	2	2	2	
24	391923	DEFROSTER DUCT CURBSIDE	1	1		
25	392018	STRAP R.H. / TO FIX DUCT TO STRUCTURE	1	1	1	
25	392019	STRAP L.H. / TO FIX DUCT TO STRUCTURE	1	1	1	
26	392017	SUPPORT / R.H. WINDSHIELD	1	1	1	
30	391962	DAMPER	1	1	1	
30	392282	DAMPER ASSY	1	1	1	
30	871424	. MOTOR	1	1	1	
31	N.P.N.	. SCREW	7	7	7	4
32	N.P.N.	. SHAFT	1	1	1	4
33	N.P.N.	. TRAP ASSY	1	1	1	4
34	N.P.N.	. PLATE	1	1	1	4
35	N.P.N.	SCREW	4	4	4	4
NS	563429	SWITCH MAGNETIC ASSY	1	1	1	
. NS	562641	. MAGNET	1	1	1	



From 3-4417 To 8-1043	Date:10/2022	PAGE:HF-2230-00
DEFROSTER - INSTALLATION		

Item#	Part	Description	H 3 4 1	H 3 4 5	V I P 4 5	N O T E S
40	890009	LOCK ACTUATOR / 12V	1	1	1	
. NS	562076	. CONNECTOR / PACK-CON I / FEMALE HOUSING / 2C / PED 8911772	1	1	1	
41	392063	DAMPER, FOOT ASSY	1	1	1	
42	502023	. PIN, CLEVIS 1/4 x 51/64	1	1	1	
43	502180	. PIN HITCH CLIP 3/32 x 1/2 Z050	1	1	1	
44	500411	. WASHER FL .260x.697x.050 SS	2	2	2	
NS	563429	. SWITCH MAGNETIC ASSY	1	1	1	
. NS	562641	. . MAGNET	1	1	1	
NS	562641	. MAGNET	1	1	1	
45	N.S.S.	. SPACER	6	6	6	1
46	5001036	. SCREW MA PAN PH M4-0.7x10 Z050	6	6	6	
50	373551	ATTACHMENT L.H.	1	1	1	
51	373552	ATTACHMENT R.H.	1	1	1	
NS	500642	SCREW TP PAN PH #10x3/4 Z050	2	2	2	
NS	504114	RIVET POP DOME OE 3/16x1/4 AL	4	4	4	
52	504235	HOSE CLAMP / 3"9/16"-4"1/2 SS / HS-64	2	2	2	
53	373530	HOSE 4" I.D. 85MM	1	1	1	
53	503434	. HOSE FLEXIBLE / AIR DUCT 4" I.D. X 12' / RUBBER	AR	AR	AR	
54	373503	TRANSITION AIR INLET	1	1	1	
55	500414	SCREW TP BDG PH #10x3/4 SS	8	8	8	
56	473609	PANEL AIR INTAKE W/GRILL	1	1	1	
57	500179	SCREW CAP HEX 5/16-18x3/4 G5 Z050	3	3	3	
58	500462	WASHER FL .343x1.500x.083 SS	3	3	3	
NS	500476	WASHER LO SPT .317x.586x.078 Z050	3	3	3	
59	373851	DEFLECTOR, UPPER / PLASTIC GREY	1	1		
59	373553	DEFLECTOR, ONE PIECE, ALU			1	
60	373850	DEFLECTOR, LOWER / PLASTIC GREY	1	1		
NS	502761	SCREW TP BDG PH #10x3/4 SS BK	5	5	5	
NS	500803	NUT SPR J #10A .035-.050	5	5	5	
NS	506268	TAPE RUB ADH1 URE 3/8" x 1/2" x 25' / GREY 1820	AR	AR	AR	
61	504014	HOSE CLAMP / 1/4"-5/8" SS / HM-4	2	2	2	
62	373421	HOSE #10 900MM	1	1	1	
62	373428	HOSE #10 50MM	1	1	1	
62	503666	. HOSE 1/2" I.D. 100' / S.L.	AR	AR	AR	
NS	641418	ELBOW UNION 90° / COMPRESSION FITTING / #10x#10 PLAS WHITE	1	1	1	
NS	504356	GROMMET / .625x.875x.062x.312x1.125	1	1	1	
NS	590286	DRAIN BOOT 1 1/4" I.D. X 4" / FLAT	1	1	1	
63	504646	HOSE CLAMP / 11/16"-1"1/4 / C.T. 9412	2	2	2	
64	HF-2222-10	A/C & HEATING LINE FRONT SECTION				
65	HF-2208-00	A/C EXPANSION VALVE				
66	HF-2225-00	DRIVER'S HEATER & DEFROSTER ASSY				
66	HF-2225-01	DRIVER'S HEATER & DEFROSTER ASSY WITH MUX				



From 3-4417 To 8-1043	Date:10/2022	PAGE:HF-2230-00
-----------------------	--------------	-----------------

DEFROSTER - INSTALLATION

Item#	Part	Description	H 3 4 1	H 3 4 5	V I P 4 5	N O T E S
67	950035	THERMOSTAT			1	B
67	500583	SCREW TP PAN PH #6x1/2 Z050			2	B
70	172633	SUPPORT, DEFROSTER	1	1		
70	172201	SUPPORT, DEFROSTER			1	
		B) WITH SMALL A/C SYSTEM ONLY				
		1) NOT SOLD SEPARATELY				
		4) NO PARTS NUMBER				

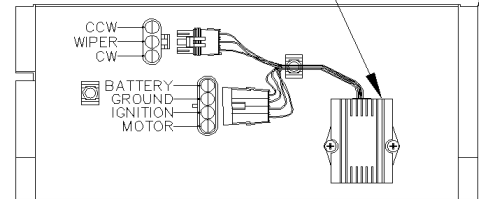
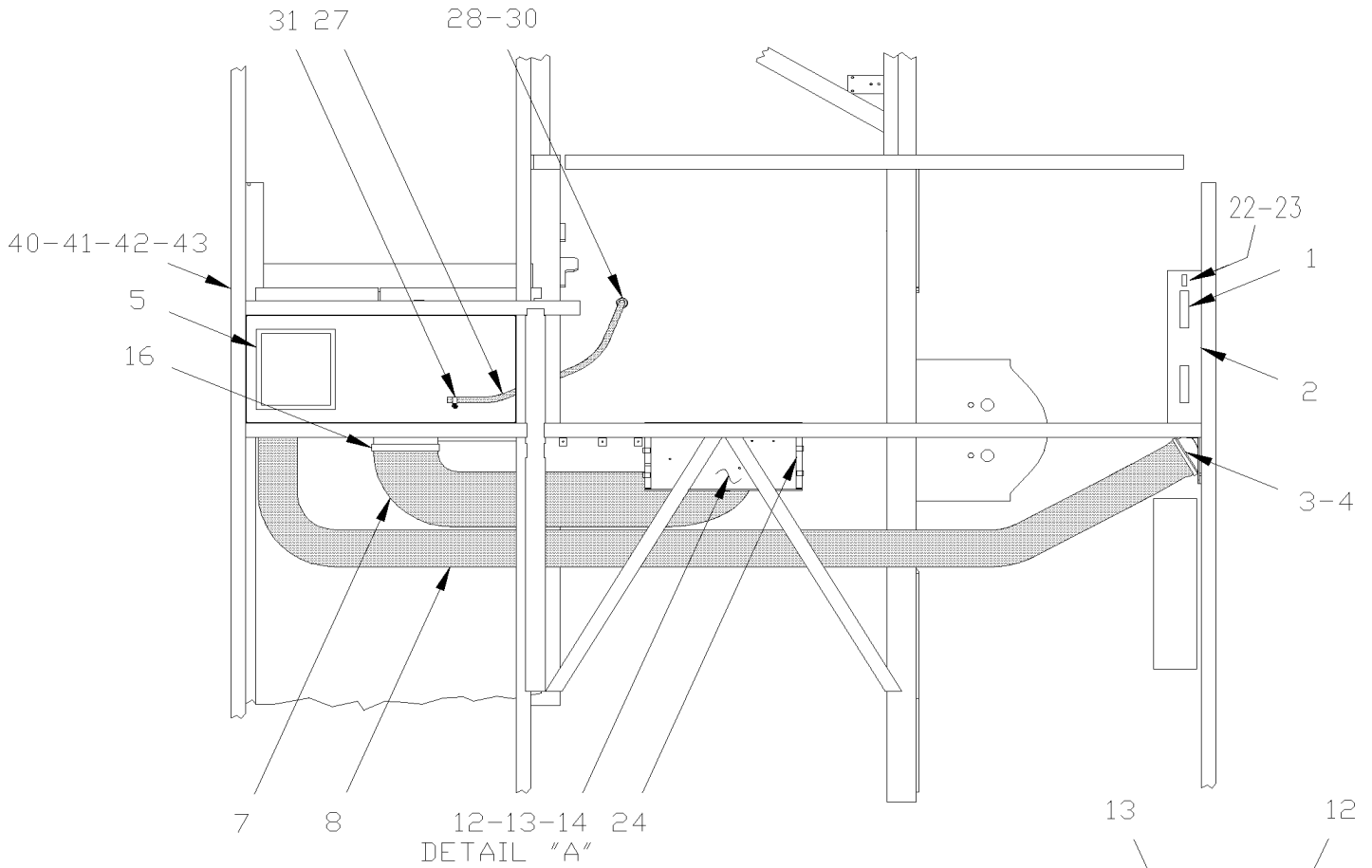


From 3-4417 To 8-1043

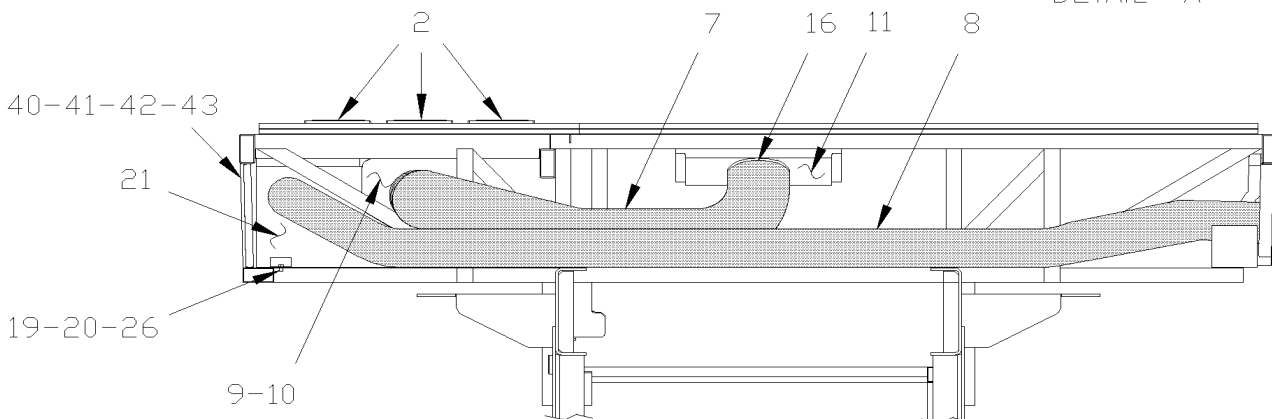
Date:10/2022

PAGE:HF-2230-50

A/C AUXILIARY V.I.P. - INSTALLATION



DETAIL "A"





From 3-4417 To 8-1043	Date:10/2022	PAGE:HF-2230-50
A/C AUXILIARY V.I.P. - INSTALLATION		

Item#	Part	Description	H 3 4 1	H 3 4 5	V I P 4 5	N O T E S
1	373487	DUCT, AIR / R.H. FRONT LOWER To 6-0435			1	
1	374193	DUCT, AIR / R.H. FRONT LOWER From 6-0436			1	
NS	5001119	SCREW TP BDG PH #8x3/4 SS			12	
2	871027	DIFFUSOR			5	
NS	502611	SCREW TP FL PH #6x1/2 Z050			10	
3	453162	CONDUIT CO-PILOTE (PLASTIC)			1	
NS	506268	TAPE RUB ADH1 URE 3/8" x 1/2" x 25' / GREY 1820			AR	
4	500638	SCREW TP PAN PH #8x1/2 Z050			11	
5	453304	GASKET			1	
7	453197	HOSE 6" I.D.1300MM			1	
7	503670	. HOSE FLEXIBLE / AIR DUCT 6" I.D. X 25' / RUBBER			AR	
8	453196	HOSE 4" I.D. 2850MM			1	
8	503434	. HOSE FLEXIBLE / AIR DUCT 4" I.D. X 12' / RUBBER			AR	
NS	504235	HOSE CLAMP / 3"9/16"-4"1/2 SS / HS-64			2	
9	453182	AIR RETURN (PLASTIC)			1	
10	453183	GASKET			1	
NS	680532	SEALANT SIKA #221 / GREY / 310ml CARTRIDGE			AR	
11	Call order desk	AIR INTAKE ASSY			1	P
12	453161	. AIR RETURN (PLASTIC)			1	
13	064803	. MODULE CONTROL FAN SPEED ASSY W/CONNECTOR / W/SINGLE MOTOR			1	
13	871169	. . MODULE CONTROL FAN SPEED /W/SINGLE MOTOR / (STAMPED 35-0041)			1	
14	453202	FILTER ASSY			1	
NS	871164	. FILTER 1/4" X 6 1/4" X 14 1/2"			1	
14	506268	. TAPE RUB ADH1 URE 3/8" x 1/2" x 25' / GREY 1820			1	
16	504031	HOSE CLAMP / 5"-7" SS / HS-104			1	
19	5001003	WASHER LO SPT 8.1x12.7x2.0 Z050			1	
20	500069	SCREW CAP HEX M8-1.25x16 G10.9 DP			2	
21	HF-2225-50	A/C & HEATER AUXILIARY - V.I.P.				
NS	454046	DRAIN PAN / PLASTIC / (UNDER UNIT) From 3-4733			1	A
22	562699	SWITCH / M/ON-OFF-M/ON / D.P.D.T. / W/GREEN LED From 6-0436			1	
23	563278	CAP / HI SPEED MAIN VENTILATION From 6-0436			1	
24	5001394	CLIP "U-TYPE FASTENERS"			4	
NS	504114	RIVET POP DOME OE 3/16x1/4 AL			3	
26	500874	WASHER FL 8.4x17.0x1.6 Z050			2	
27	453203	HOSE 1/2" I.D. 875MM			1	
27	503666	. HOSE 1/2" I.D. 100' / S.L.			AR	
28	590286	DRAIN BOOT 1 1/4" I.D. X 4" / FLAT			1	
NS	504637	CABLE TIE / 3/16" x 13"			1	
30	504356	GROMMET / .625x.875x.062x.312x1.125			1	
31	504014	HOSE CLAMP / 1/4"-5/8" SS / HM-4			1	
40	453216	ACCESS PANEL COVER ASSY			1	
NS	481249	NUT			14	



From 3-4417 To 8-1043	Date:10/2022	PAGE:HF-2230-50
A/C AUXILIARY V.I.P. - INSTALLATION		

Item#	Part	Description	H 3 4 1	H 3 4 5	V I P 4 5	N O T E S
NS	500414	SCREW TP BDG PH #10x3/4 SS			14	
41	453214	FRAME ACCESS PANEL			1	
41	476597	COVER ACCESS 573MM 257MM From 7-0772	1	1	1	
42	453217	ANGLE BAR			2	
NS	500438	WASHER FL .187x.437x.050 Z050			28	
NS	500432	SCREW TC PAN PH #8-32x3/4 Z050			10	
43	506302	RUBBER EXTRUSION TRIM SEAL / GRIP .024 / 7/16" HOLLOW BULB C.T.L. To 6-0341			AR	
43	478328	RUBBER SEAL 1090MM From 6-0342			1	
43	478243	RUBBER SEAL 1348MM From 6-0342			1	
		A) FOR PRODUCT IMPROVMENT ADD 454046 UP TO 3-4732				
		P) CALL ORDER DESK FOR SPECIFIC APPLICATION (V.I.N.)				

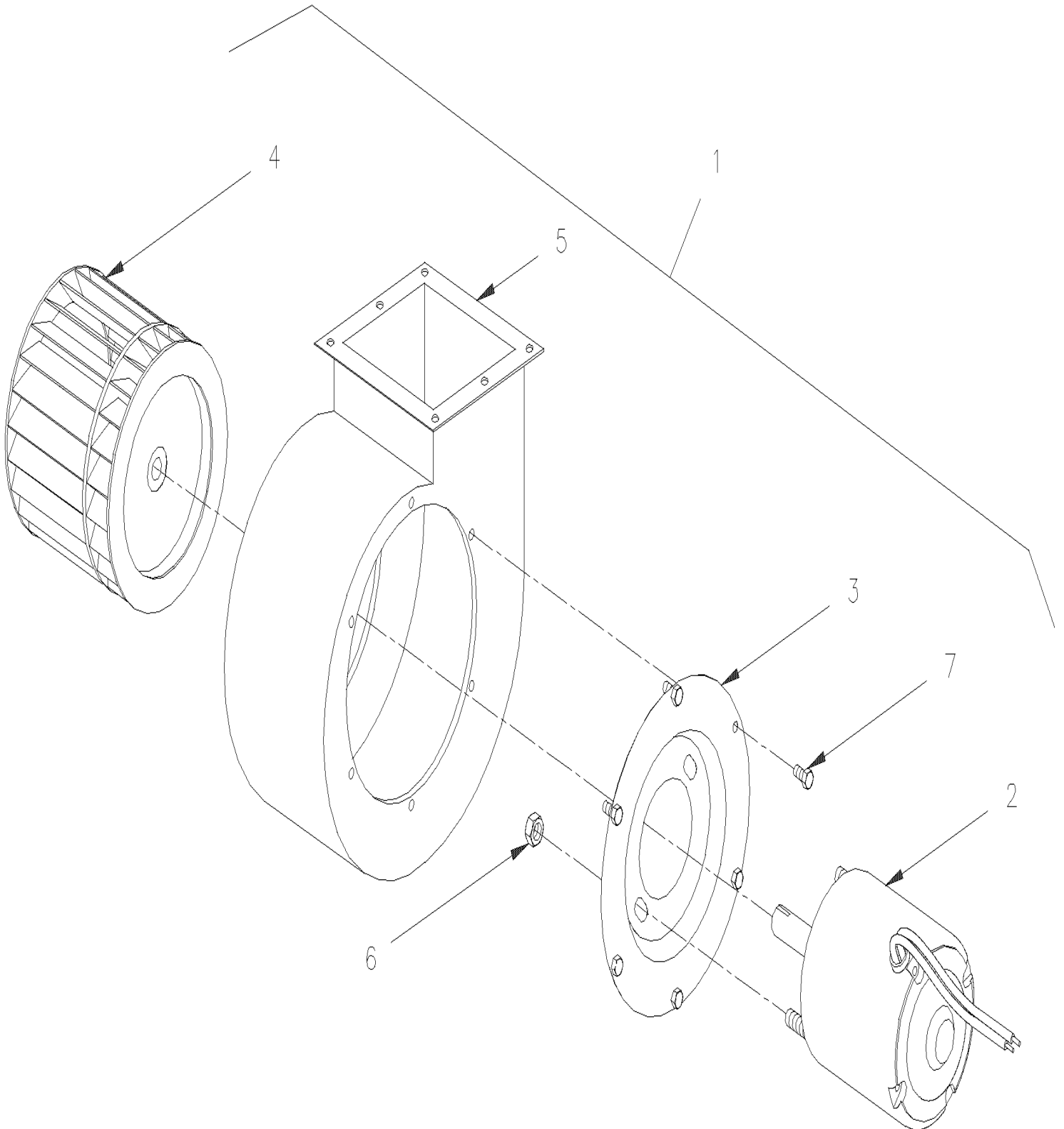


From 3-4417 To 8-1043

Date:10/2022

PAGE:870844

BLOWER & MOTOR ASSY - "M.C.C." "CW" / FAN END





From 3-4417 To 8-1043	Date:10/2022	PAGE:870844
BLOWER & MOTOR ASSY - "M.C.C." "CW" / FAN END		

Item#	Part	Description	H 3 4 1	H 3 4 5	V I P 4 5	N O T E S
1		BLOWER ASSY 24V / CW	1	1	1	
2	562167	. MOTOR ASSY / 24V	1	1	1	
3	871020	. PLATE MOUNTING / MOTOR	1	1	1	
4	871017	. BLOWER WHEEL / STEEL	1	1	1	
5	871440	. HOUSING BLOWER	1	1	1	
6	500786	. NUT HEX #10-24 Z050	2	2	2	
7	500978	. SCREW CAP HEX #10-24x3/4 Z050	6	6	6	

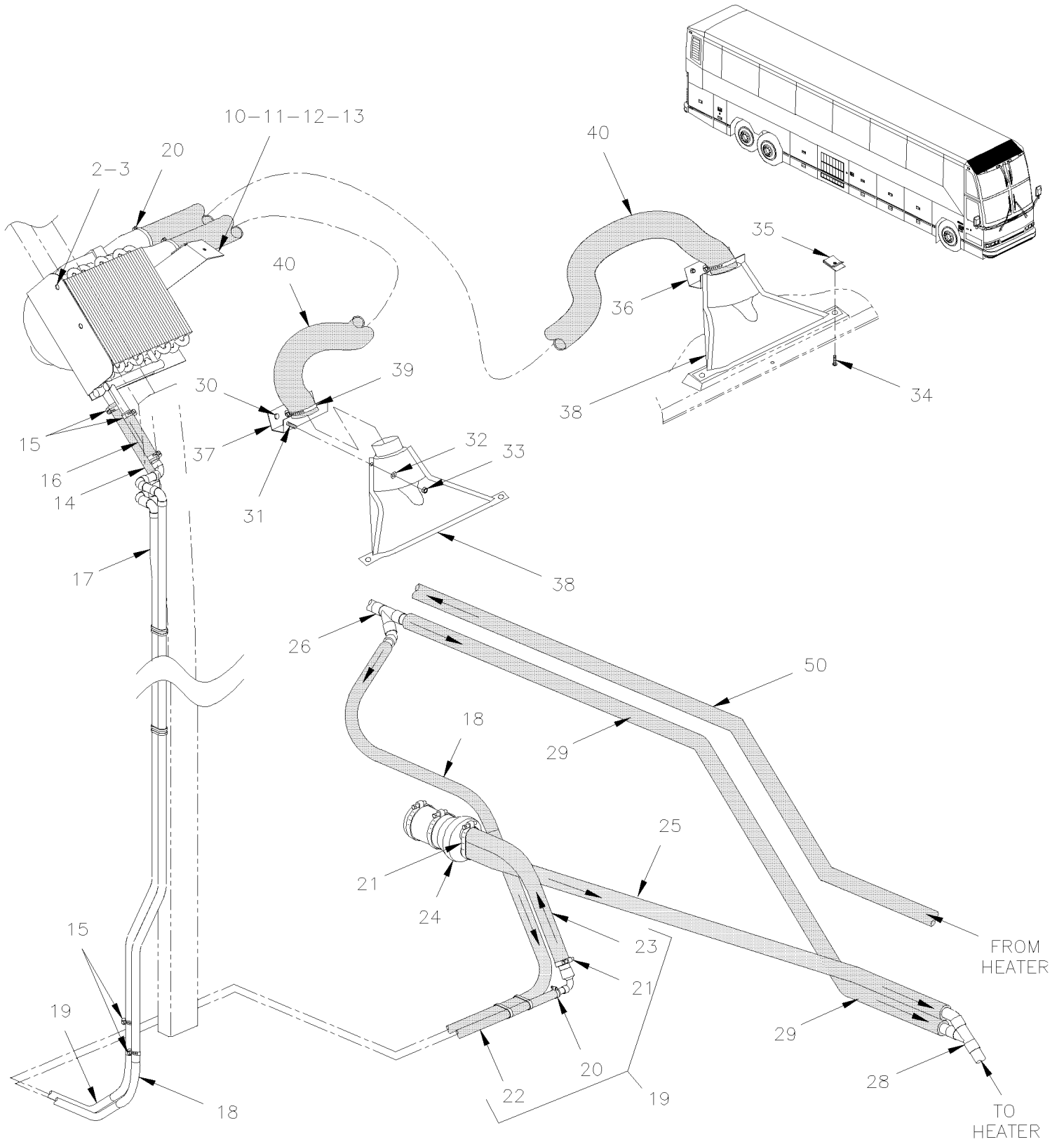


From 3-4417 To 8-1043

Date:10/2022

PAGE:HF-2240-10

UPPER WINDSHIELD FAN - INSTALLATION





From 3-4417 To 8-1043	Date:10/2022	PAGE:HF-2240-10
UPPER WINDSHIELD FAN - INSTALLATION		

Item#	Part	Description	H 3 4 1	H 3 4 5	V I P 4 5	N O T E S
1	HF-2225-10	UPPER WINDSHIELD - DEFROSTER ASSY				
2	500179	SCREW CAP HEX 5/16-18x3/4 G5 Z050 To 3-4579	2	2		
2	502790	SCREW CAP HEX M8-1.25x20 G8.8 Z050 From 3-4580	2	2		
3	502523	RIVET NUT FL OKS 5/16-18 .059-.119 To 3-4579	2	2		
3	5001337	NUT INS FL HEX M8-1.25 0.5-3.0 Z050 From 3-4580	2	2		
3	502583	WASHER LO SERR 8.15x22.3x1.0 Z050 To 3-4579	2	2		
3	5001699	WASHER BEL SPR 8.2x22x1.4 N500 From 3-4580	2	2		
10	373836	SUPPORT / UPPER DEFROSTER	1	1		
11	500643	SCREW TP PAN PH #12x3/4 Z050	2	2		
12	502511	NUT HEX NYRT M6-1.0 Z050	2	2		
13	5001462	WASHER FL 6.4x18.0x1.6 Z050	2	2		
14	373828	HOSE 5/8" I.D. 165MM	1	1		
14	503720	HOSE SILICONE 1 PLY 5/8" I.D. x 25' / S.L.	AR	AR		
15	504646	HOSE CLAMP / 11/16"-1"1/4 / C.T. 9412	7	7		
16	373827	HOSE 5/8" I.D. 113MM	1	1		
16	503720	. HOSE SILICONE 1 PLY 5/8" I.D. x 25' / S.L.	AR	AR		
17	373847	PIPE ASSY / UPPER DEFROSTER & PUMP	1	1		
18	373831	HOSE 5/8" I.D. 2300MM	1	1		
18	503720	. HOSE SILICONE 1 PLY 5/8" I.D. x 25' / S.L.	AR	AR		
19	373835	HOSE ASSY REDUCER 1 1/8" TO 5/8"	1	1		
20	504646	. HOSE CLAMP / 11/16"-1"1/4 / C.T. 9412	1	1		
21	504658	. HOSE CLAMP / 13/16"-1"3/4 / C.T. 9420	1	1		
22	503720	. HOSE SILICONE 1 PLY 5/8" I.D. x 25' / S.L.	AR	AR		
23	503652	. HOSE SILICONE 2PLY 1 1/8" I.D. x 3'	AR	AR		
24	HF-2206-01	WATER PUMP #874296				
25	373829	HOSE 1 1/8" I.D. x 1160MM	1	1		
25	503796	HOSE SILICONE 2 PLY / NOMEX-ARAMID 1 1/8" I.D. x 6'	AR	AR		S
26	373833	PIPE ASSY / W/BY-PASS FOR UPPER DEFROSTER To 7-0721	1	1		
26	374261	PIPE ASSY / W/BY-PASS FOR UPPER DEFROSTER From 7-0722	1	1		
28	373892	PIPE W/Y / 1393MM	1			
28	373882	PIPE W/Y / 2639MM		1		
29	504026	HOSE CLAMP / 2"13/16-3"3/4 SS / HS-52	2	2		
30	500638	SCREW TP PAN PH #8x1/2 Z050	6	6		
31	502531	SCREW CAP HEX M6-1.0x16 G8.8 Z050	4	4		
32	500440	WASHER FL .250x.562x.065 Z050	4	4		
33	502511	NUT HEX NYRT M6-1.0 Z050	4	4		
34	500432	SCREW TC PAN PH #8-32x3/4 Z050	4	4		
35	500563	NUT SPR U #8-32 .094-.125	4	4		
36	340954	SUPPORT AIR NOZZLE / L.H.	1	1		
37	340955	SUPPORT AIR NOZZLE / R.H.	1	1		
38	870900	NOZZLE AIR	2	2		
39	504024	HOSE CLAMP / 1"13/16"-2"3/4 SS / HS-36	4	4		



From 3-4417 To 8-1043	Date:10/2022	PAGE:HF-2240-10
UPPER WINDSHIELD FAN - INSTALLATION		

Item#	Part	Description	H 3 4 1	H 3 4 5	V I P 4 5	N O T E S
40	503031	HOSE FLEXIBLE / AIR DUCT 2 1/2" I.D. X 12' RUBBER	AR	AR		
NS	374474	KIT UPPER DEFROSTER RETROFIT	1	1		
. A	328921	. FINISHING POST CAP / FRONT R.H.	1	1		
. B	373829	. HOSE 1 1/8" I.D. x 1160MM	2	2		
. C	373835	. HOSE ASSY REDUCER 1 1/8" TO 5/8"	1	1		
. D	373882	. PIPE W/Y / 2639MM	1	1		
. E	374072	. UPPER DEFROSTER ASSY / W/MOTOR	1	1		
. F	374261	. PIPE ASSY / W/BY-PASS FOR UPPER DEFROSTER	1	1		
. G	503031	. HOSE FLEXIBLE / AIR DUCT 2 1/2" I.D. X 12' RUBBER	1	1		
. H	503720	. HOSE SILICONE 1 PLY 5/8" I.D. x 25' / S.L.	1	1		
. I	561566	. CONNECTOR / WEATHER PACK / PH 2C / BLACK / PED 12010973	1	1		
. J	561568	. PIN TERMINAL / 16-14 / PED 12089305	2	2		
. K	561786	. CABLE SEAL / GRAY / PED 15324980	2	2		
. L	870900	. NOZZLE AIR	2	2		
. M	874296	. WATER PUMP ASSY / 24V / "MP PUMPS"	1	1		
50	HF-2222-10	A/C & HEATING LINE FRONT SECTION				
		S) SERVICE				

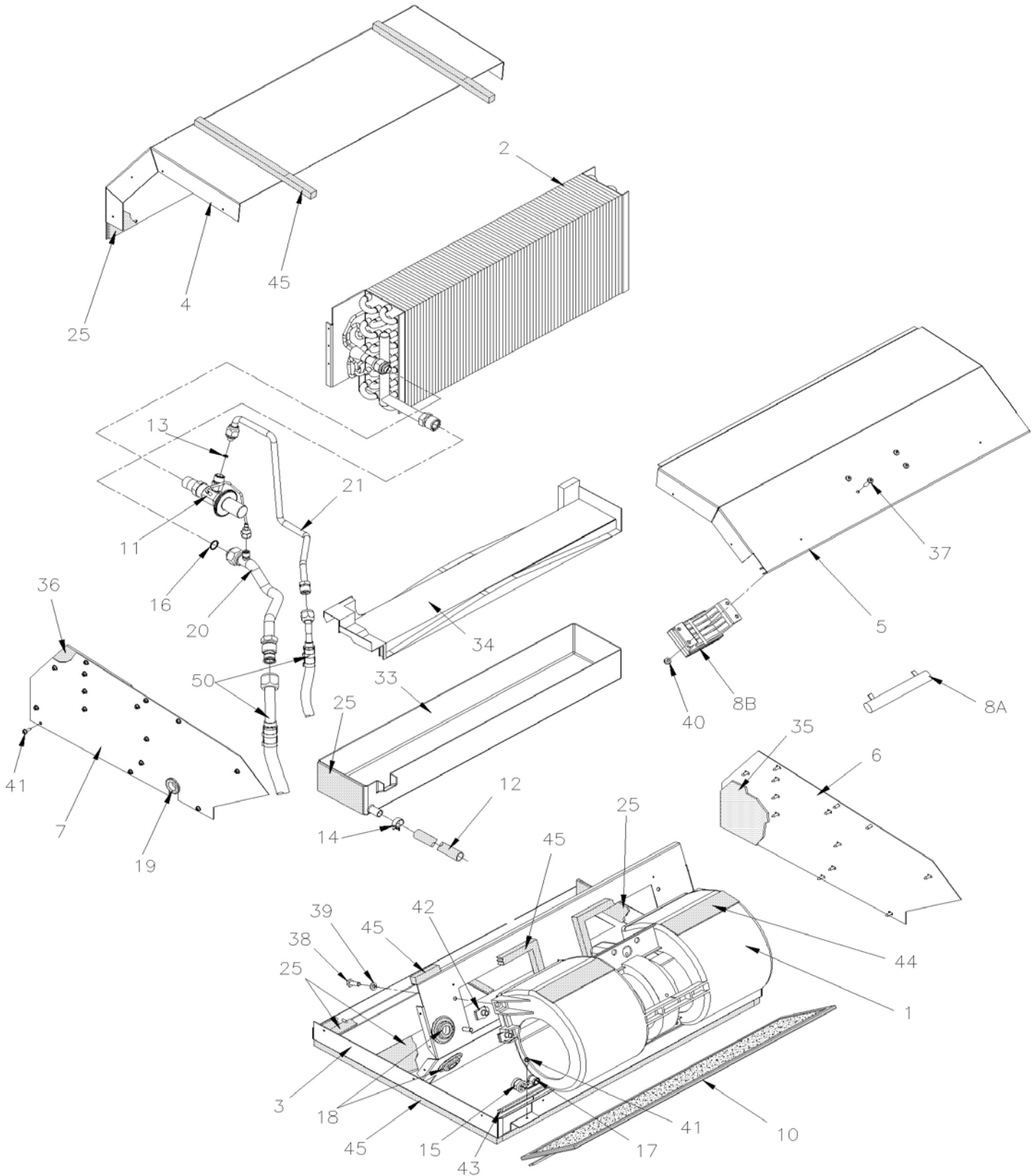


From 3-4417 To 8-1043

Date:10/2022

PAGE:HF-2240-20

BLOWER VENTILATION - PARCEL RACK



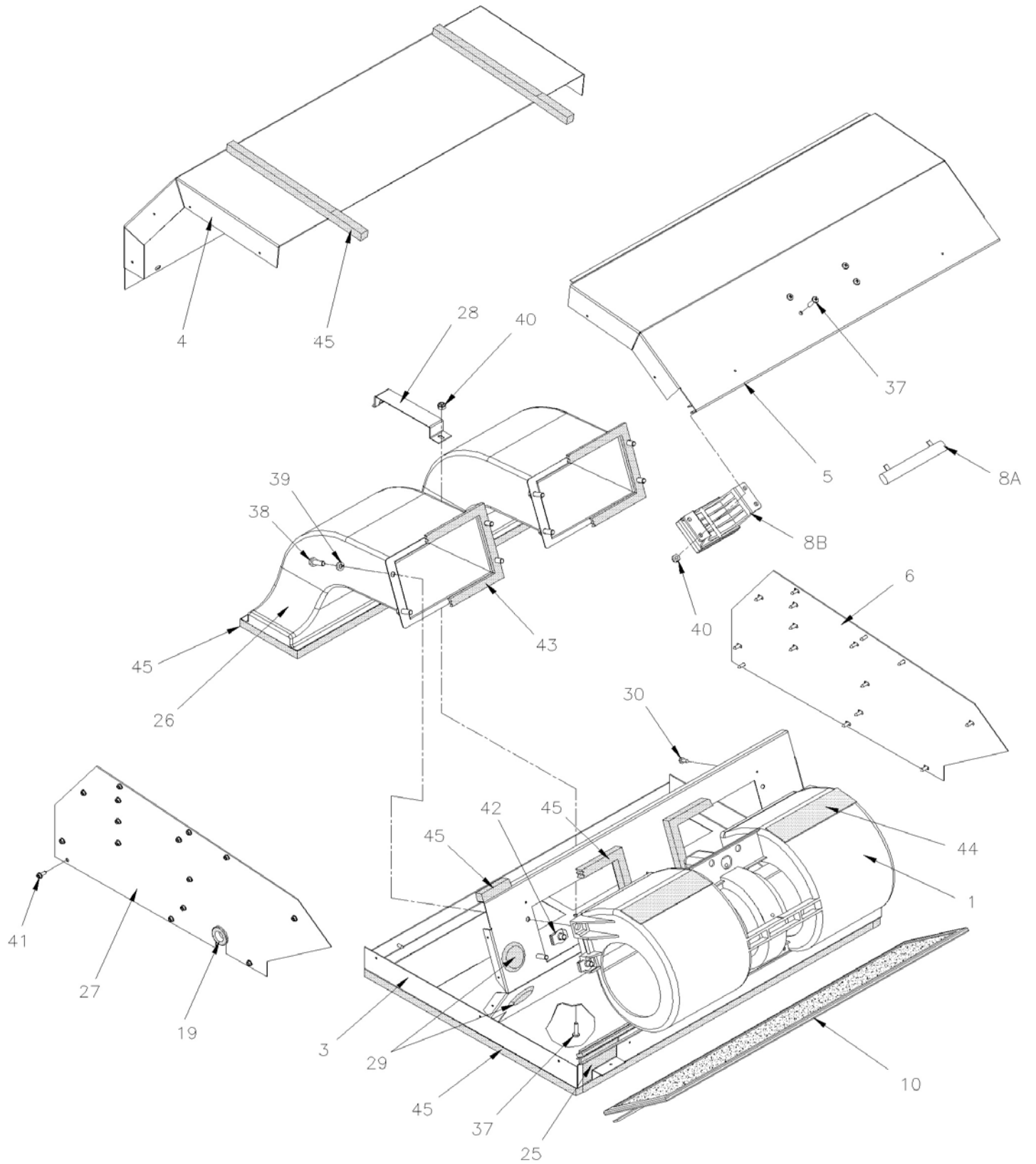


From 3-4417 To 8-1043

Date:10/2022

PAGE:HF-2240-20

BLOWER VENTILATION - PARCEL RACK





From 3-4417 To 8-1043	Date:10/2022	PAGE:HF-2240-20
BLOWER VENTILATION - PARCEL RACK		

Item#	Part	Description	H 3 4 1	H 3 4 5	V I P 4 5	N O T E S
	950293	VENTILATION UNIT ASSY W/A/C SYSTEM	1	1		
	871173	VENTILLATION UNIT ASSY	1	1		
1	HF-2240-25	. BLOWER ASSY - PARCEL RACK				A
NS	871264	. WIRE HARNESS	1	1		
NS	453959	PARCEL RACK BRUSHLESS FAN KIT From 5-0168	1	1		
NS	0610572	HARNESS PARCEL RACK FAN From 5-0168	1	1		
2	950321	. EVAPORATOR COIL	1	1		
3	871266	. BASE PLATE ASSY	1	1		
4	871189	. TOP COVER	1	1		
5	871268	. BLOWER COVER	1	1		
6	871267	. LEFT SIDE PANEL	1	1		
7	871267	. LEFT SIDE PANEL	1	1		
8A	871261	. RESISTOR 100 WATT / CYLINDRICAL	1	1		
8B	871453	. MODULE RESISTOR 100 WATT	1	1		
10	871159	. FILTER 1/4" x 5 3/4" x 23"	1	1		
11	950322	. VALVE, EXPANSION R-134 / PARCEL-RACK	1	1		
NS	871445	. O-RING #4	1	1		
12	503707	. HOSE / PVC REINFORCED 1/2" I.D. 100' / S.L.	1	1		
13	N8894484	. O-RING #6	1	1		
14	Call order desk	. HOSE CLAMP / 1 /2"	1	1		P
15	N8887164	. CLAMP / #10	1	1		
16	871444	. O-RING #10	1	1		
17	N8895767	. CLAMP / 3/8"	1	1		
18	G5009550	. GROMMET 5/8"	2	2		
19	N8889852	. GROMMET	1	1		
20	871272	. LO-SIDE HARDLINE	1	1		
21	871271	. HI-SIDE HARDLINE	1	1		
25	Call order desk	. NEOPRENE / 1 /8"	2	2		P
26	871262	. DUCT ASSY	2	2		
27	871265	. RIGHT SIDE PANEL	1	1		
28	Call order desk	. BRACKET	1	1		P
29	Call order desk	. HOLE PLUG / 1 1/4"	2	2		P
30	Call order desk	. SCREW TP PAN PH #8x1/2	4	4		P
33	871273	. DRAIN PAN	1	1		
34	950529	. INSERT / DRAIN PAN	1	1		
35	Call order desk	. FOAM / 1/8"	1	1		P
36	Call order desk	. FOAM / 1/8"	1	1		P
37	N8890509	. SCREW MA PAN PH #10-32x3/4 ZP	4	4		
38	Call order desk	. SCREW CAP HEX 1/4-20x3/4	4	4		P
39	N8892465	. WASHER LO SPT 1/4	4	4		
40	Call order desk	. NUT HEX NYRT #10-32	4	4		P
41	Call order desk	. SCREW TC CAP HEXW SLT #8-32 X 1/2"	34	34		P



From 3-4417 To 8-1043	Date:10/2022	PAGE:HF-2240-20
-----------------------	--------------	-----------------

BLOWER VENTILATION - PARCEL RACK

Item#	Part	Description	H 3 4 1	H 3 4 5	V I P 4 5	N O T E S
42	Call order desk	. NUT SPR U 1/4-20	4	4		P
43	N8889679	. FOAM / 3/16"x1 1/2"	1	1		
44	Call order desk	. FOAM / 1/16"x5"	2	2		P
45	Call order desk	. FOAM / 1/2"x1/2"	2	2		P
50	HF-2270-10	A/C HOSE PARCEL RACK - INSTALLATION				
		A) FOR PRODUCT IMPROVMENT ASK FOR KIT 453959 AND 0610572 ONLY FOR VEHICLE FROM 5-0168				
		P) CALL ORDER DESK FOR SPECIFIC APPLICATION (V.I.N.)				

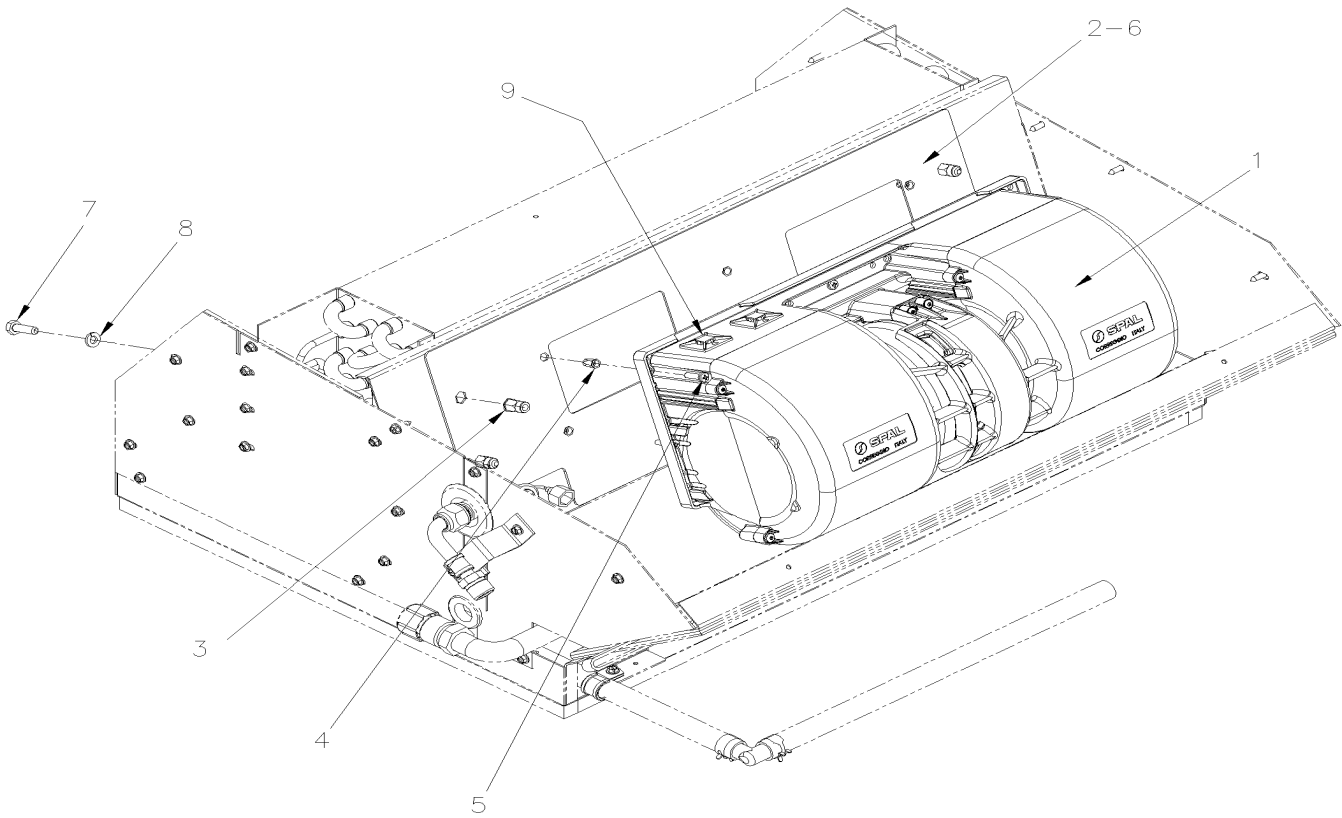


From 5-0168

Date:10/2022

PAGE:453959

PARCEL RACK BRUSHLESS FAN KIT





From 5-0168	Date:10/2022	PAGE:453959
PARCEL RACK BRUSHLESS FAN KIT		

Item#	Part	Description	H 3 4 1	H 3 4 5	V I P 4 5	N O T E S
1	950623	BLOWER 24V	2	2	2	
2	453961	TRANSITION PLATE	2	2	2	
3	5001344	. NUT INS FL HEX M6-1.0 0.5-3.0 SS	4	4	4	
4	504726	. NUT INS FL HEX M4-0.7 0.5-2.0 DP	5	5	5	
5	502698	SCREW MA PAN PH M4-0.7x16 SS BK	10	10	10	
5	502636	WASHER LO SPT 4.1x7.6x0.9 Z050	10	10	10	
5	680038	THREAD LOCKER LOCTITE #243 / BLUE / 50ml	AR	AR	AR	
6	506071	TAPE RUB ADH1 CC POL 1/8" x 1/2" x 50' / GREY 2520X	AR	AR	AR	
7	502622	SCREW CAP HEX M6-1.0x20 SS BK	8	8	8	
8	502853	WASHER LO SPT 6.1x11.8x1.6 N500	8	8	8	
9	562679	4 WAY ADH. BACKED MOUNTS 1.000 x 1.000 x .160	4	4	4	

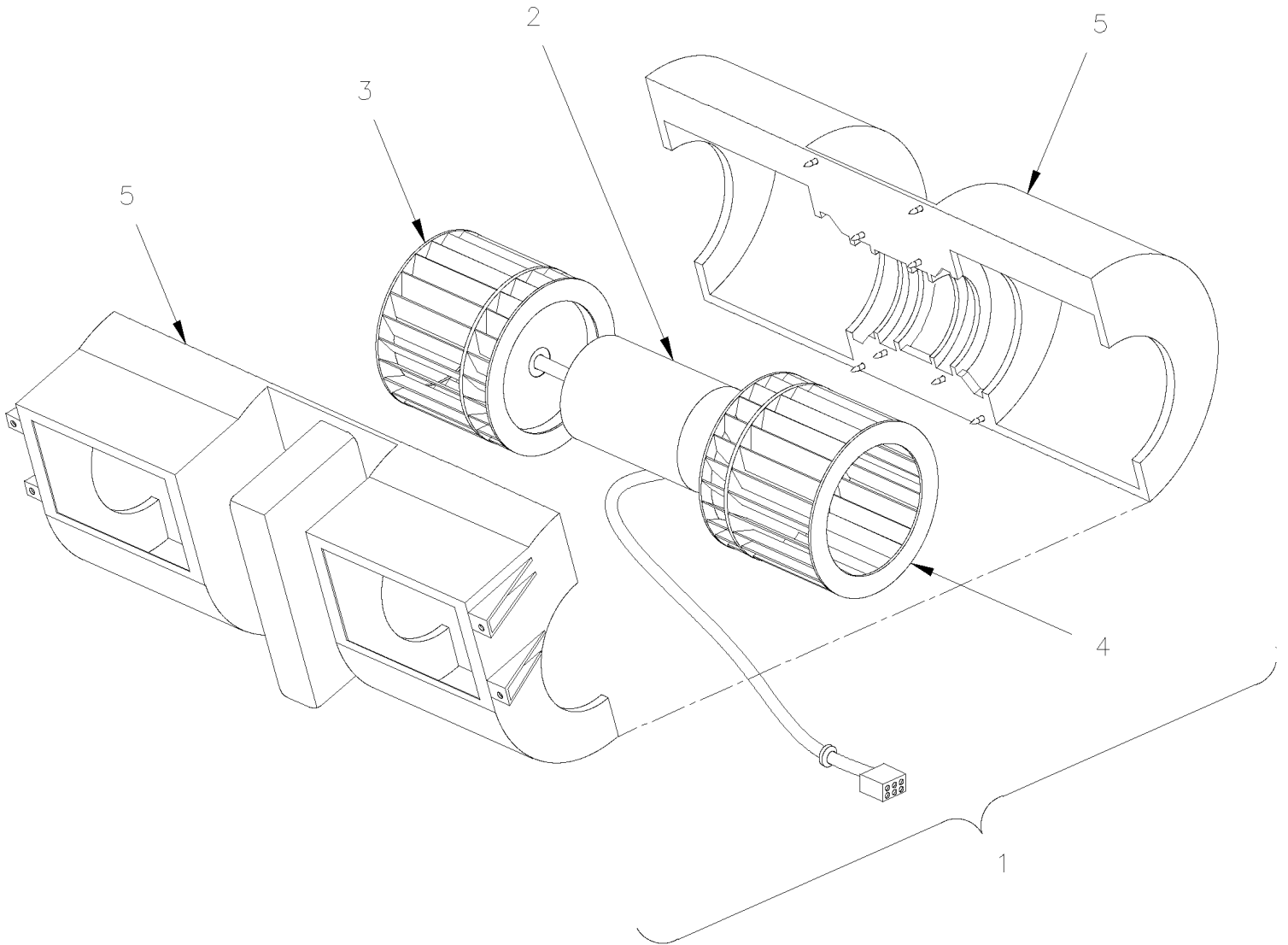


From 3-4417 To 8-1043

Date:10/2022

PAGE:HF-2240-25

BLOWER ASSY - PARCEL RACK





From 3-4417 To 8-1043	Date:10/2022	PAGE:HF-2240-25
BLOWER ASSY - PARCEL RACK		

Item#	Part	Description	H 3 4 1	H 3 4 5	V I P 4 5	N O T E S
1	871157	BLOWER ASSY 24V	2	2		
2	N.P.N.	. MOTOR 24V	1	1		4
3	N.P.N.	. BLOWER WHEEL	1	1		4
4	N.P.N.	. BLOWER WHEEL	1	1		4
5	N.P.N.	. HOUSING	1	1		4
		4) NO PARTS NUMBER				

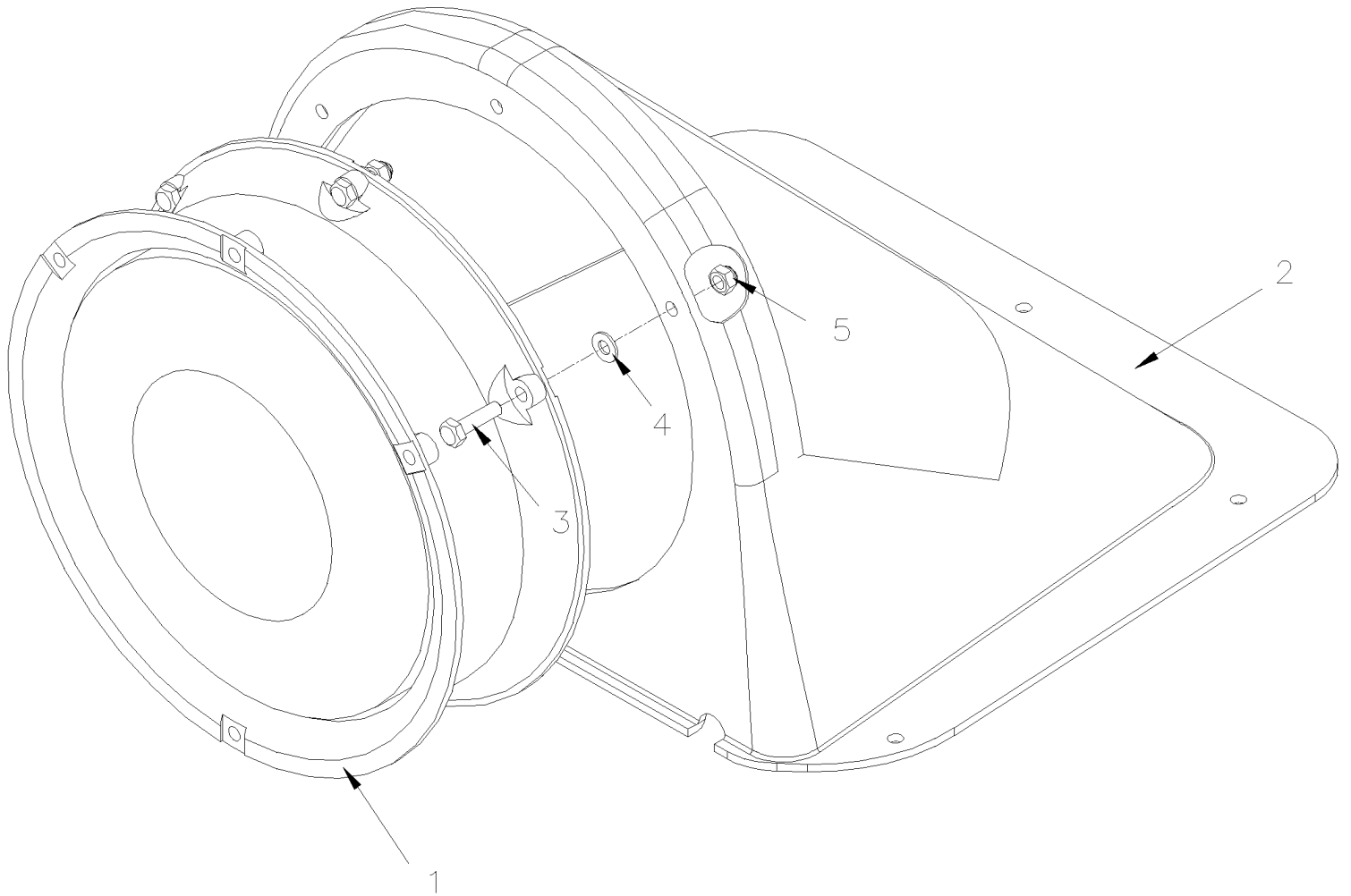


From 8-0104 To 8-1043

Date:10/2022

PAGE:HF-2240-30

BLOWER VENTILATION - PARCEL RACK WITH W.C.L.





From 8-0104 To 8-1043 Date:10/2022 PAGE:HF-2240-30

BLOWER VENTILATION - PARCEL RACK WITH W.C.L.

Item#	Part	Description	H 3 4 1	H 3 4 5	V I P 4 5	N O T E S
	Call order desk	FAN AXIAL 24V ASSY / W/DEFLECTOR	1	1		P
1	454419	. AXIAL FAN ASSY / W/CONNECTOR	1	1	1	V
. NS	871361	. . AXIAL FAN ASSY 12/28V / 230CFM	1	1	1	V
. NS	561247	. . CONNECTOR / UNIVERSAL MATE-N-LOK / SH 2C / AMP 1-480698-0	1	1	1	V
. NS	561673	. . SOCKET TERMINAL / 24-18 / AMP 350689-1	2	2	2	V
. NS	562387	. . CONVOLUTED TUBING / SLIT / BLACK / .250"	AR	AR	AR	V
. NS	680319	. . TAPE ADHESIF ELECTRIC / BLACK 3/4"	AR	AR	AR	V
2	374315	. SUPPORT FAN DEFLECTOR / GREY	1	1		
3	502550	. SCREW CAP HEX M4-0.7x16 G8.8 Z050	4	4		
4	502556	. WASHER FL 4.3x9.0x0.8 SS	4	4		
5	500590	. NUT HEX NYRT M4-0.7 Z050	4	4		
NS	316116	COVER R.H. / PLAIN OFFSET W/CORD & FAN VENT, GREY	1	1		
NS	316112	COVER R.H. ASSY / W/LIGHT OFFSET & FAN VENT GREY	1	1		
. NS	316113	. COVER R.H. / W/LIGHT HOLE & VENT HOLE	1	1		
		V) THIS FAN USE ALSO INSI DOOR BATTERIES COMPARTEMENT WITH V.I.P ONLY (HF-1879-60)				
		P) CALL ORDER DESK FOR SPECIFIC APPLICATION (V.I.N.)				

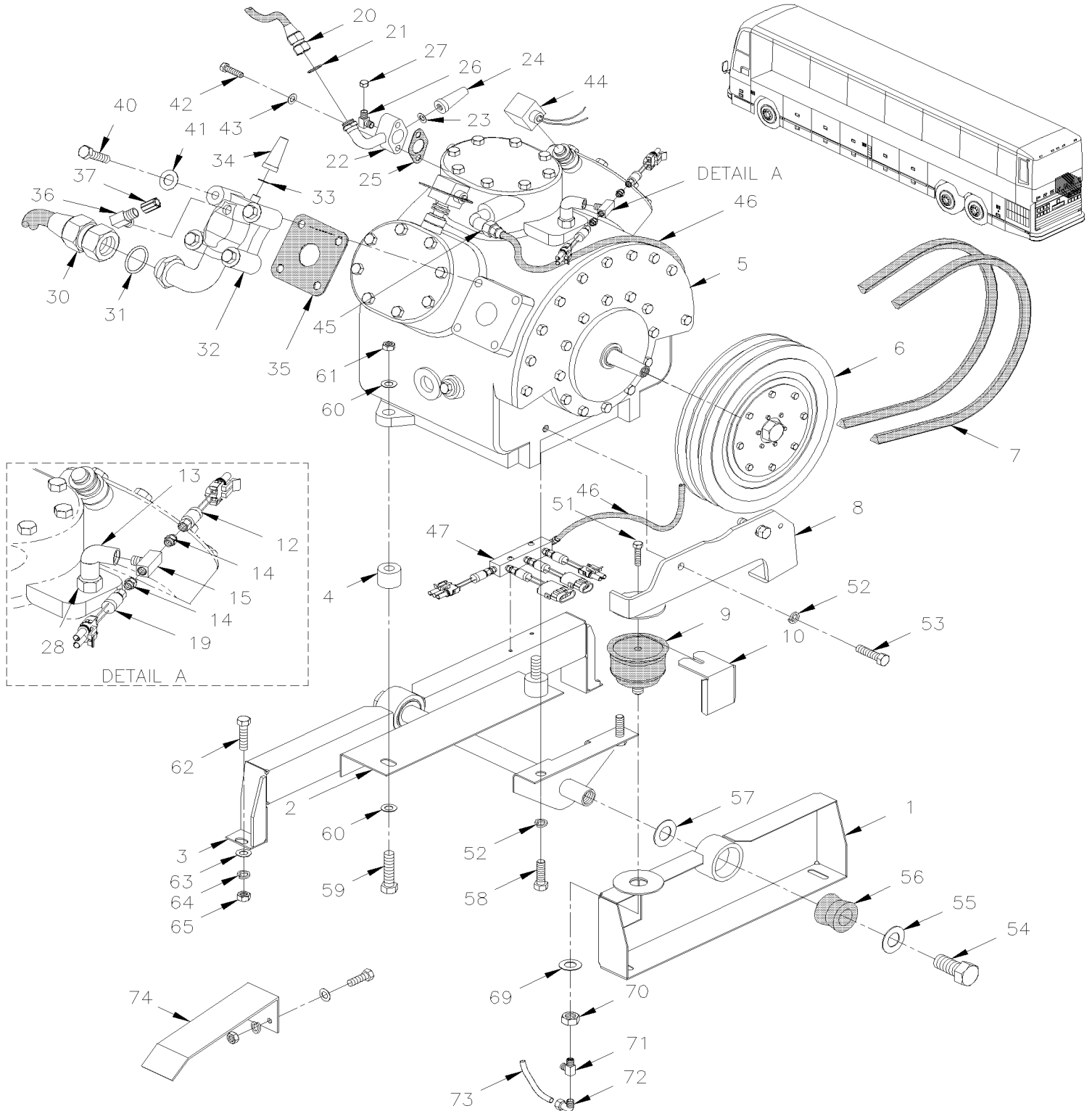


From 3-4417 To 3-4757

Date:10/2022

PAGE:HF-2245-00

A/C COMPRESSOR 05G - INSTALLATION





From 3-4417 To 3-4757	Date:10/2022	PAGE:HF-2245-00
A/C COMPRESSOR 05G - INSTALLATION		

Item#	Part	Description	H 3 4 1	H 3 4 5	V I P 4 5	N O T E S
1	451082	SUPPORT ASSY	1	1	1	
2	451086	SUPPORT ASSY	1	1	1	
3	451081	SUPPORT OPPOSITE PULLEY SIDE	1	1	1	
3	451084	SUPPORT OPPOSITE PULLEY SIDE	1	1	1	
4	452268	SLEEVE SPACER	2	2	2	
5	HF-2250-00	A/C COMPRESSOR ASSY 05G - THREE PORT	1	1	1	
6	HF-2246-00	A/C CLUTCH 05G - HOUSING MOUNTED				
7	506864	V-BELT / BX-100 / SET OF 2 9212-0404	1	1		
7	506664	V-BELT / BX-97 / SET OF 2 9212-0390			1	
8	452050	TENSIONER FOR BELLOW	1	1	1	
9	950208	BELLOW ASSY / BELT TENSIONER / 3" O.D.	1	1	1	
. NS	504695	. HOSE CLAMP STEPLESS SPRING SS / OETIKER / 2.9-3.3	1	1	1	
10	453059	BELLOW PROTECTOR	1	1	1	
12	452406	PRESSURE SWITCH N.O. 30-15 20SP001MA030C015C W/ R134	1	1	1	
13	501332	STREET ELBOW 90° / PIPE FITTING / 1/4NPT-Mx1/4NPT-F BR	1	1	1	
14	950249	SCHRADER VALVE 1/4NPT-M	1	1	1	
15	501894	MALE BRANCHE TEE / PIPE FITTING / 1/4NPT-Fx1/4NPT-Fx1/4NPT-M BR	1	1	1	
NS	064671	CABLE ASSY / PRESSURE SWITCH	1	1	1	
18	501332	STREET ELBOW 90° / PIPE FITTING / 1/4NPT-Mx1/4NPT-F BR	1	1	1	
19	950245	PRESSURE SWITCH N.C. 20-30 LO-UNLOAD W/WIRE BLACK W/ R134	1	1	1	
19	064671	CABLE ASSY / PRESSURE SWITCH	1	1	1	
20	454019	HOSE ASSY / DISCHARGE W/R-134a / #16 788MM / SS BELLOW	1	1	1	
NS	505182	. COIL PROTECTOR / PLASTIC / #16	AR	AR	AR	
21	507345	O-RING / ORS FITTING / #16 NEO	2	2	2	
22	950378	VALVE ASSY / DISCHARGE / W/R134A	1	1	1	
23	870751	. GASKET	1	1	1	
24	870752	. GASKET, CAP SEAL	1	1	1	
25	870753	GASKET / DISCHARGE VALVE	1	1	1	
26	5011133	ELBOW 90° 1/8 NPT X M15 / W/R134A	1	1	1	
NS	5011134	GAUGE ADAPTOR ASSY M15 / W/BLACK CAP W/R134A	1	1	1	
27	950287	SCHROUDER CAP / HIGH PRESSURE	1	1	1	
28	5011184	FEMALE CONNECTOR / PIPE @ ORB / 1/4NPT-Fx#4ORB-M STL	AR	AR	AR	
30	373126	HOSE ASSY / SUCTION W/R-134a / #24 1122MM	1	1	1	
NS	505182	. COIL PROTECTOR / PLASTIC / #16	AR	AR	AR	
31	507346	O-RING / ORS FITTING / #24 NEO	2	2	2	
32	950264	VALVE ASSY / SUCTION / W/R134A	1	1	1	
33	870751	. GASKET	1	1	1	
34	870752	. GASKET, CAP SEAL	1	1	1	
35	870754	GASKET / SUCTION VALVE	1	1	1	
36	5011131	ELBOW 90° 1/4 NPT X M13 / W/R134A	1	1	1	
NS	5011132	GAUGE ADAPTOR ASSY M13 / W/BLACK CAP W/R134A	1	1	1	
37	950288	SCHROUDER CAP / LOW PRESSURE	1	1	1	



From 3-4417 To 3-4757	Date:10/2022	PAGE:HF-2245-00
A/C COMPRESSOR 05G - INSTALLATION		

Item#	Part	Description	H 3 4 1	H 3 4 5	V I P 4 5	N O T E S
40	870755	SCREW CAP HEX 1/2-13x2 1/2 G5 ZP	4	4	4	
41	870756	GASKET	4	4	4	
42	870877	SCREW CAP HEX 5/16-18x2 G5 ZP	2	2	2	
43	870750	GASKET	2	2	2	
44	HF-2250-15	A/C ELECTRIC UNLOADER - W/05G COMPRESSOR				
45	501037	MALE ELBOW 90° / SAE 45° FITTING / #4FL-Mx1/4NPT-M BR	1	1	1	
NS	5011184	FEMALE CONNECTOR / PIPE @ ORB / 1/4NPT-Fx#4ORB-M STL	AR	AR	AR	
46	453010	HOSE ASSY TEFLON #4 715MM To 3-4757	1	1	1	
47	HF-2248-00	A/C PRESSURE SWITCH				
51	500845	SCREW CAP HEX 5/16-18x1/2 G5 Z050	1	1	1	
52	500478	WASHER LO SPT .380x.683x.094 Z050	2	2	2	
53	500191	SCREW CAP HEX 3/8-16x1 G5 Z050	2	2	2	
54	500225	SCREW CAP HEX 5/8-11x1 G5 Z050	2	2	2	
55	5001151	WASHER CON 16.5x50.0x4.5 ZP	2	2	2	
56	630062	BUSHING / RUBBER / (ONE PIECE) 2" x 1.005" I.D.	2	2	2	
57	500997	WASHER FL 1.062x2.500x.125 SS	2	2	2	
58	500192	SCREW CAP HEX 3/8-16x1 1/4 G5 Z050	2	2	2	
59	500096	SCREW CAP HEX 1/2-20x3 G5 Z050	2	2	2	
60	500446	WASHER FL .531x1.250x.125 Z050	4	4	4	
61	500718	NUT HEX STO 1/2-20 Z050	2	2	2	
62	502549	SCREW CAP HEX M10-1.5x35 G8.8 Z050	5	5	5	
64	502616	WASHER LO SPT 10.2x18.1x2.2 SS	5	5	5	
65	500680	NUT HEX STO M10-1.5 Z050	5	5	5	
69	5001150	WASHER FL 17.0x30.0x3.0 N500	1	1	1	
70	500792	NUT HEX 5/8-11 Z050	1	1	1	
71	501707	ADAPTER TEE / SAE 45° FITTING / #4FL-Mx1/8NPT-Mx1/8NPT-F BR	1	1	1	
72	641369	MALE ELBOW 90° NON-SWIVEL / PUSH-IN FITTING / #4x1/8NPT-M BR	1	1	1	
73	503402	TUBE, NYLON 1/4 O.D. / BLACK S.L.	AR	AR	AR	
74	HF-0120-00	DRIVE PULLEY & BELTS - W/2 "BOSCH"				
74	HF-0120-50	DRIVE PULLEY & BELTS - V.I.P.				

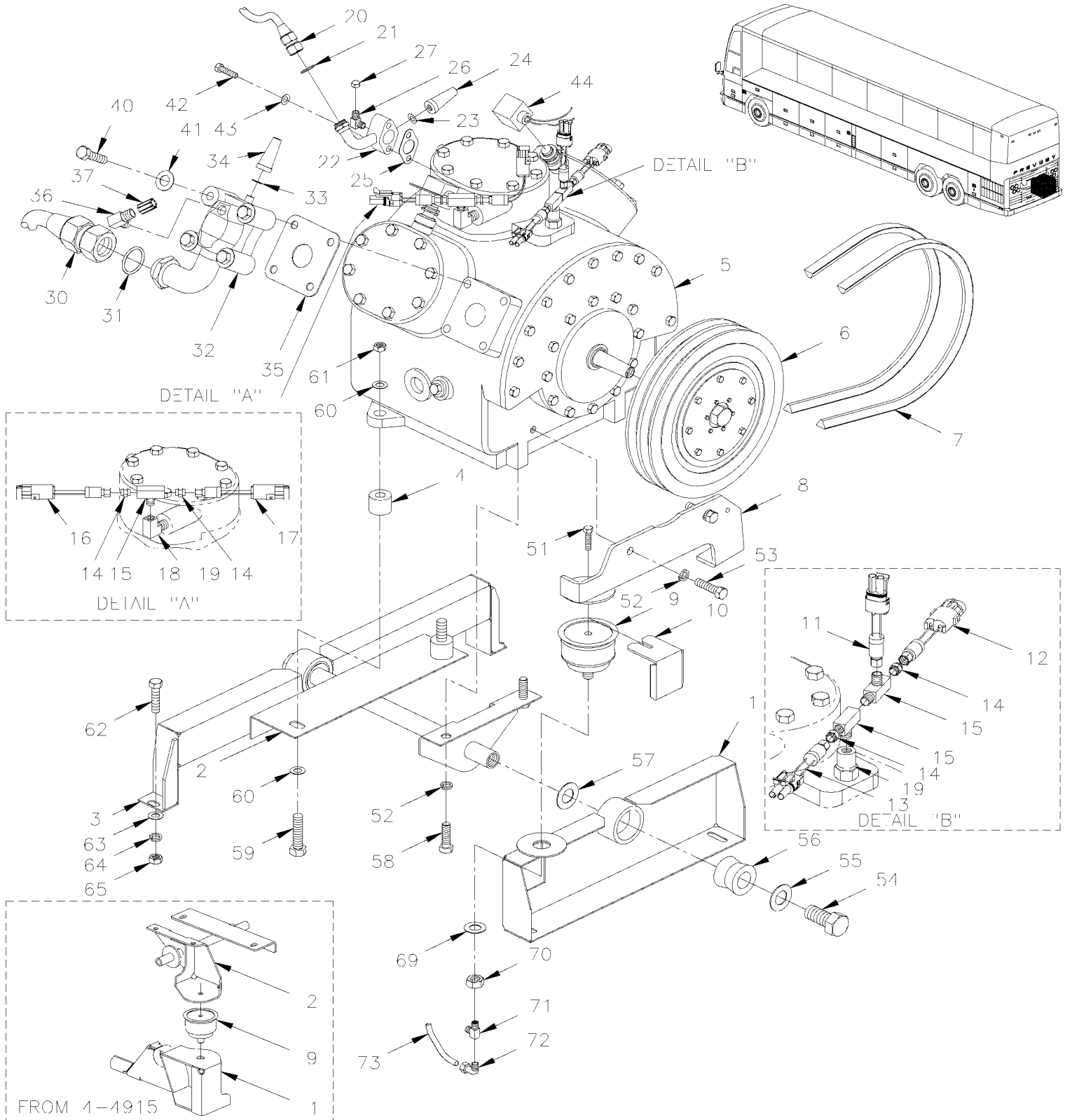


From 4-4758 To 6-0435

Date:10/2022

PAGE:HF-2245-01

A/C COMPRESSOR 05G - INSTALLATION





From 4-4758 To 6-0435	Date:10/2022	PAGE:HF-2245-01
A/C COMPRESSOR 05G - INSTALLATION		

Item#	Part	Description	H 3 4 1	H 3 4 5	V I P 4 5	N O T E S
1	453655	SUPPORT ASSY To 4-4914	1	1	1	
1	454190	SUPPORT ASSY From 4-4915	1	1	1	A
2	453656	SUPPORT ASSY To 4-4914	1	1	1	
2	453651	SUPPORT ASSY From 4-4915	1	1	1	A
3	453309	SUPPORT OPPOSITE PULLEY SIDE	1	1	1	
4	452268	SLEEVE SPACER	2	2	2	
5	HF-2250-00	A/C COMPRESSOR ASSY 05G - THREE PORT				
6	HF-2246-00	A/C CLUTCH 05G - HOUSING MOUNTED				
7	506864	V-BELT / BX-100 / SET OF 2 9212-0404	1	1		
7	506664	V-BELT / BX-97 / SET OF 2 9212-0390			1	D
7	506864	V-BELT / BX-100 / SET OF 2 9212-0404			1	B
8	453647	TENSIONER FOR BELLOW To 4-4914	1	1	1	
9	950208	BELLOW ASSY / BELT TENSIONER / 3" O.D. To 4-4914	1	1	1	
. NS	504695	. HOSE CLAMP STEPLESS SPRING SS / OETIKER / 2.9-3.3 To 4-4914	1	1	1	
9	550840	BELLOW ASSY / BELT TENSIONER / 4" O.D. From 4-4915	1	1	1	
10	453059	BELLOW PROTECTOR	1	1	1	
11	950246	PRESSURE SWITCH N.C. 25-37 LO-UNLOAD W/WIRE BLACK To 5-0233	1	1	1	
12	452831	PRESSURE SWITCH N.O. 30-5 20SP001MA030C005C To 5-0233	1	1	1	
13	950245	PRESSURE SWITCH N.C. 20-30 LO-UNLOAD W/WIRE BLACK To 5-0233	1	1	1	
14	950249	SCHRADER VALVE 1/4NPT-M	1	1	1	
15	501894	MALE BRANCHE TEE / PIPE FITTING / 1/4NPT-Fx1/4NPT-Fx1/4NPT-M BR	1	1	1	
NS	501338	MALE RUN TEE / PIPE FITTING / 1/4NPT-Mx1/4NPT-Fx1/4NPT-F BR	1	1	1	
16	453380	PRESSURE SWITCH N.C. 350-245 20PS001MB350K245R	1	1	1	
17	950244	PRESSURE SWITCH N.O. 275-220 HI-UNLOAD W/WIRE GREEN To 5-0233	1	1	1	
NS	950250	HARNESS CABLE ASSY / SWITCHES & CLUTCH	1	1	1	
18	501332	STREET ELBOW 90° / PIPE FITTING / 1/4NPT-Mx1/4NPT-F BR	1	1	1	
19	5011184	FEMALE CONNECTOR / PIPE @ ORB / 1/4NPT-Fx#4ORB-M STL	AR	AR	AR	
20	454019	HOSE ASSY / DISCHARGE W/R-134a / #16 788MM / SS BELLOW	1	1	1	
21	507345	O-RING / ORS FITTING / #16 NEO	2	2	2	
22	950378	VALVE ASSY / DISCHARGE / W/R134A	1	1	1	
23	870751	. GASKET	1	1	1	
24	870752	. GASKET, CAP SEAL	1	1	1	
25	870753	GASKET / DISCHARGE VALVE	1	1	1	
26	5011133	ELBOW 90° 1/8 NPT X M15 / W/R134A	1	1	1	
NS	5011134	GAUGE ADAPTOR ASSY M15 / W/BLACK CAP W/R134A	1	1	1	
27	950287	SCHROUDER CAP / HIGH PRESSURE	1	1	1	
28	5011184	FEMALE CONNECTOR / PIPE @ ORB / 1/4NPT-Fx#4ORB-M STL	AR	AR	AR	
30	373126	HOSE ASSY / SUCTION W/R-134a / #24 1122MM	1	1	1	
31	507346	O-RING / ORS FITTING / #24 NEO	2	2	2	
32	950264	VALVE ASSY / SUCTION / W/R134A	1	1	1	
33	870751	. GASKET	1	1	1	
34	870752	. GASKET, CAP SEAL	1	1	1	



From 4-4758 To 6-0435	Date:10/2022	PAGE:HF-2245-01
A/C COMPRESSOR 05G - INSTALLATION		

Item#	Part	Description	H 3 4 1	H 3 4 5	V I P 4 5	N O T E S
35	870754	GASKET / SUCTION VALVE	1	1	1	
36	5011131	ELBOW 90° 1/4 NPT X M13 / W/R134A	1	1	1	
NS	5011132	GAUGE ADAPTOR ASSY M13 / W/BLACK CAP W/R134A	1	1	1	
37	950288	SCHROUDER CAP / LOW PRESSURE	1	1	1	
40	870755	SCREW CAP HEX 1/2-13x2 1/2 G5 ZP	4	4	4	
41	870756	GASKET	4	4	4	
42	870877	SCREW CAP HEX 5/16-18x2 G5 ZP	2	2	2	
43	870750	GASKET	2	2	2	
44	HF-2250-15	A/C ELECTRIC UNLOADER - W/05G COMPRESSOR				
45	501037	MALE ELBOW 90° / SAE 45° FITTING / #4FL-Mx1/4NPT-M BR	1	1	1	
NS	5011184	FEMALE CONNECTOR / PIPE @ ORB / 1/4NPT-Fx#4ORB-M STL	AR	AR	AR	
51	500845	SCREW CAP HEX 5/16-18x1/2 G5 Z050 To 4-4914	1	1	1	
51	502926	SCREW CAP HEX 3/8-16x7/8 G5 N500 From 4-4915	1	1	1	A
52	500478	WASHER LO SPT .380x.683x.094 Z050 To 4-4914	2	2	2	
NS	500832	WASHER FL .406x.812x.065 N500 From 4-4915	1	1	1	A
53	500191	SCREW CAP HEX 3/8-16x1 G5 Z050 To 4-4914	2	2	2	
54	500225	SCREW CAP HEX 5/8-11x1 G5 Z050	2	2	2	
55	5001151	WASHER CON 16.5x50.0x4.5 ZP	2	2	2	
56	630062	BUSHING / RUBBER / (ONE PIECE) 2" x 1.005" I.D.	2	2	2	
57	500997	WASHER FL 1.062x2.500x.125 SS	2	2	2	
58	500192	SCREW CAP HEX 3/8-16x1 1/4 G5 Z050	2	2	2	
59	500096	SCREW CAP HEX 1/2-20x3 G5 Z050	2	2	2	
60	500446	WASHER FL .531x1.250x.125 Z050	4	4	4	
61	500718	NUT HEX STO 1/2-20 Z050	2	2	2	
62	502549	SCREW CAP HEX M10-1.5x35 G8.8 Z050	5	5	5	
63	500445	WASHER FL .437x1.000x.083 Z050	5	5	5	
64	502616	WASHER LO SPT 10.2x18.1x2.2 SS	5	5	5	
65	500680	NUT HEX STO M10-1.5 Z050	5	5	5	
69	5001150	WASHER FL 17.0x30.0x3.0 N500 To 4-4914	1	1	1	
69	500218	WASHER LO SPT .380x.683x.098 DP320 From 4-4915	1	1	1	A
70	500792	NUT HEX 5/8-11 Z050 To 4-4914	1	1	1	
70	502917	NUT HEX JAM 3/4-16 G2 N500 From 4-4915	1	1	1	A
71	501707	ADAPTER TEE / SAE 45° FITTING / #4FL-Mx1/8NPT-Mx1/8NPT-F BR	1	1	1	
72	641369	MALE ELBOW 90° NON-SWIVEL / PUSH-IN FITTING / #4x1/8NPT-M BR	1	1	1	
73	503402	TUBE, NYLON 1/4 O.D. / BLACK S.L.	AR	AR	AR	
		A) USE WITH BELLOW 4" O.D.				
		B) WITH 2 ALTERNATORS "BOSCH" 24V-140Amps				
		D) WITH ALTERNATOR 50DN "DELCO"				

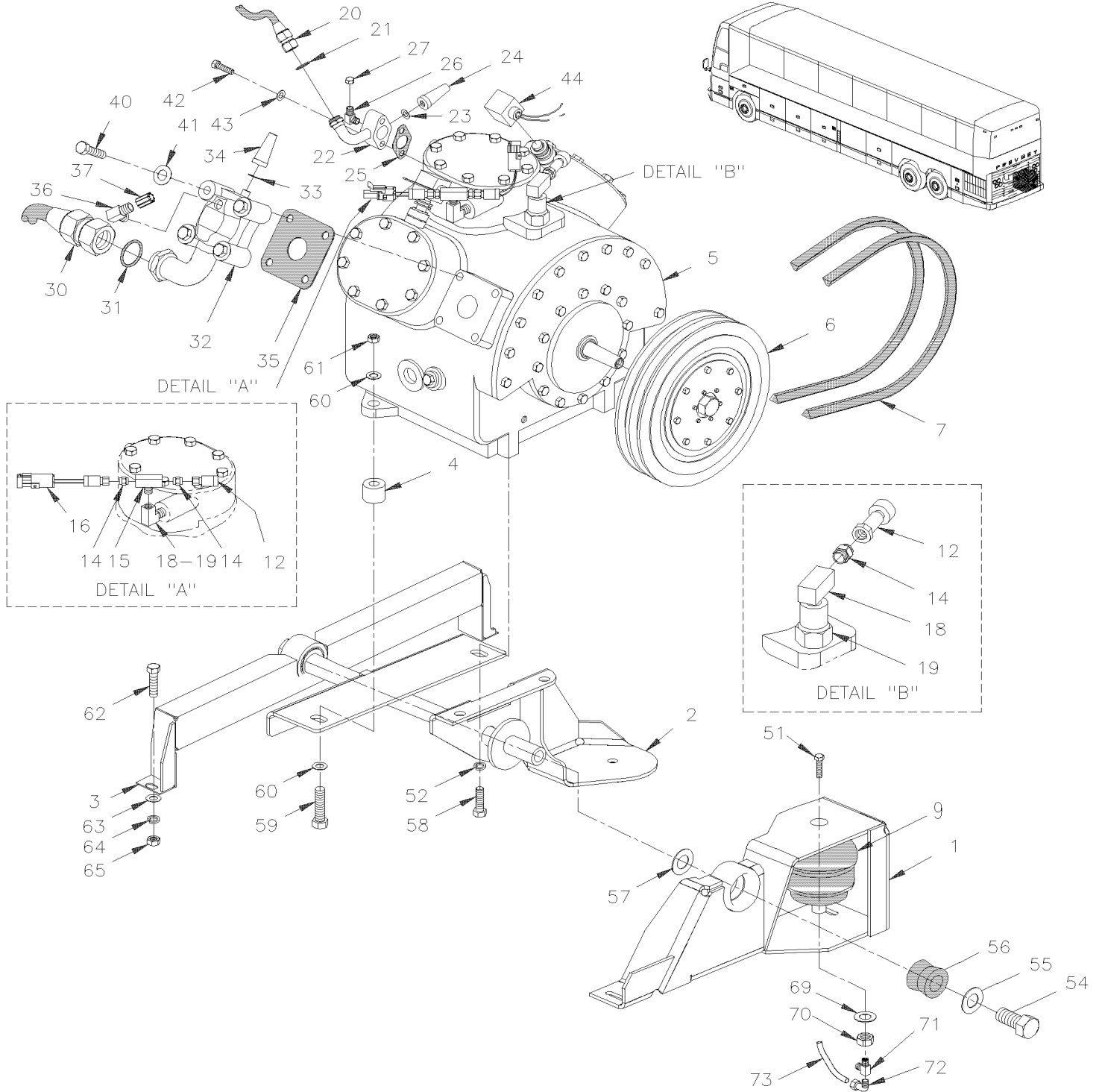


From 5-0168 To 8-1043

Date:10/2022

PAGE:HF-2245-02

A/C COMPRESSOR 05G - INSTALLATION - WITH MUX





From 5-0168 To 8-1043	Date:10/2022	PAGE:HF-2245-02
A/C COMPRESSOR 05G - INSTALLATION - WITH MUX		

Item#	Part	Description	H 3 4 1	H 3 4 5	V I P 4 5	N O T E S
1	454190	SUPPORT ASSY	1	1	1	
2	453651	SUPPORT ASSY	1	1	1	S
3	453309	SUPPORT OPPOSITE PULLEY SIDE	1	1	1	
4	452268	SLEEVE SPACER	2	2	2	
5	HF-2250-00	A/C COMPRESSOR ASSY 05G - THREE PORT To 6-0385				
5	HF-2250-01	A/C COMPRESSOR ASSY 05G - TWIN PORT From 6-0386				
6	HF-2246-00	A/C CLUTCH 05G - HOUSING MOUNTED				
7	506864	V-BELT / BX-100 / SET OF 2 9212-0404	1	1		
7	506664	V-BELT / BX-97 / SET OF 2 9212-0390			1	D
7	506864	V-BELT / BX-100 / SET OF 2 9212-0404			1	B
9	550840	BELLOW ASSY / BELT TENSIONER / 4" O.D.	1	1	1	
11	950246	PRESSURE SWITCH N.C. 25-37 LO-UNLOAD W/WIRE BLACK	1	1	1	
12	563423	TRANSDUSER -6.7 to 420 LBS / 1/8 NPT-F	2	2	2	
. NS	563159	. CONNECTOR / METRI-PACK 150 / SH 3C / PED 12065287	1	1	1	
13	950245	PRESSURE SWITCH N.C. 20-30 LO-UNLOAD W/WIRE BLACK	1	1	1	
NS	501338	MALE RUN TEE / PIPE FITTING / 1/4NPT-Mx1/4NPT-Fx1/4NPT-F BR	1	1	1	
14	950249	SCHRADER VALVE 1/4NPT-M	1	1	1	
15	501894	MALE BRANCHE TEE / PIPE FITTING / 1/4NPT-Fx1/4NPT-Fx1/4NPT-M BR	1	1	1	
16	453380	PRESSURE SWITCH N.C. 350-245 20PS001MB350K245R	1	1	1	
18	501332	STREET ELBOW 90° / PIPE FITTING / 1/4NPT-Mx1/4NPT-F BR	1	1	1	
19	5011184	FEMALE CONNECTOR / PIPE @ ORB / 1/4NPT-Fx#4ORB-M STL	AR	AR	AR	
20	454019	HOSE ASSY / DISCHARGE W/R-134a / #16 788MM / SS BELLOW	1	1	1	
21	507345	O-RING / ORS FITTING / #16 NEO	2	2	2	
22	950378	VALVE ASSY / DISCHARGE / W/R134A	1	1	1	
23	870751	. GASKET	1	1	1	
24	870752	. GASKET, CAP SEAL	1	1	1	
25	870753	GASKET / DISCHARGE VALVE	1	1	1	
26	5011133	ELBOW 90° 1/8 NPT X M15 / W/R134A	1	1	1	
NS	5011134	GAUGE ADAPTOR ASSY M15 / W/BLACK CAP W/R134A	1	1	1	
27	950287	SCHROUDER CAP / HIGH PRESSURE	1	1	1	
30	373126	HOSE ASSY / SUCTION W/R-134a / #24 1122MM	1	1	1	
31	507346	O-RING / ORS FITTING / #24 NEO	2	2	2	
32	950264	VALVE ASSY / SUCTION / W/R134A	1	1	1	
33	870751	. GASKET	1	1	1	
34	870752	. GASKET, CAP SEAL	1	1	1	
35	870754	GASKET / SUCTION VALVE	1	1	1	
36	5011131	ELBOW 90° 1/4 NPT X M13 / W/R134A	1	1	1	
NS	5011132	GAUGE ADAPTOR ASSY M13 / W/BLACK CAP W/R134A	1	1	1	
37	950288	SCHROUDER CAP / LOW PRESSURE	1	1	1	
40	870755	SCREW CAP HEX 1/2-13x2 1/2 G5 ZP	4	4	4	
41	870756	GASKET	4	4	4	
42	870877	SCREW CAP HEX 5/16-18x2 G5 ZP	2	2	2	



From 5-0168 To 8-1043	Date:10/2022	PAGE:HF-2245-02
A/C COMPRESSOR 05G - INSTALLATION - WITH MUX		

Item#	Part	Description	H 3 4 1	H 3 4 5	V I P 4 5	N O T E S
43	870750	GASKET	2	2	2	
44	HF-2250-15	A/C ELECTRIC UNLOADER - W/05G COMPRESSOR				
45	501037	MALE ELBOW 90° / SAE 45° FITTING / #4FL-Mx1/4NPT-M BR	1	1	1	
NS	5011184	FEMALE CONNECTOR / PIPE @ ORB / 1/4NPT-Fx#4ORB-M STL	AR	AR	AR	
51	502926	SCREW CAP HEX 3/8-16x7/8 G5 N500	1	1	1	
NS	500832	WASHER FL .406x.812x.065 N500	1	1	1	
52	500478	WASHER LO SPT .380x.683x.094 Z050	4	4	4	
54	500225	SCREW CAP HEX 5/8-11x1 G5 Z050	2	2	2	
55	5001151	WASHER CON 16.5x50.0x4.5 ZP	2	2	2	
56	630062	BUSHING / RUBBER / (ONE PIECE) 2" x 1.005" I.D.	2	2	2	
57	500997	WASHER FL 1.062x2.500x.125 SS	2	2	2	
58	500192	SCREW CAP HEX 3/8-16x1 1/4 G5 Z050	2	2	2	
59	500096	SCREW CAP HEX 1/2-20x3 G5 Z050	2	2	2	
60	500446	WASHER FL .531x1.250x.125 Z050	4	4	4	
61	500718	NUT HEX STO 1/2-20 Z050	2	2	2	
62	502549	SCREW CAP HEX M10-1.5x35 G8.8 Z050	5	5	5	
63	500445	WASHER FL .437x1.000x.083 Z050	5	5	5	
64	502616	WASHER LO SPT 10.2x18.1x2.2 SS	5	5	5	
65	500680	NUT HEX STO M10-1.5 Z050	5	5	5	
69	5001150	WASHER FL 17.0x30.0x3.0 N500	1	1	1	
69	500218	WASHER LO SPT .380x.683x.098 DP320	1	1	1	
70	500792	NUT HEX 5/8-11 Z050	1	1	1	
70	502917	NUT HEX JAM 3/4-16 G2 N500	1	1	1	
71	501707	ADAPTER TEE / SAE 45° FITTING / #4FL-Mx1/8NPT-Mx1/8NPT-F BR	1	1	1	
72	641369	MALE ELBOW 90° NON-SWIVEL / PUSH-IN FITTING / #4x1/8NPT-M BR	1	1	1	
73	503402	TUBE, NYLON 1/4 O.D. / BLACK S.L.	AR	AR	AR	
		B) WITH 2 ALTERNATORS "BOSCH" 24V-140Amps				
		D) WITH ALTERNATOR 50DN "DELCO"				
		S) AS SHOWN				

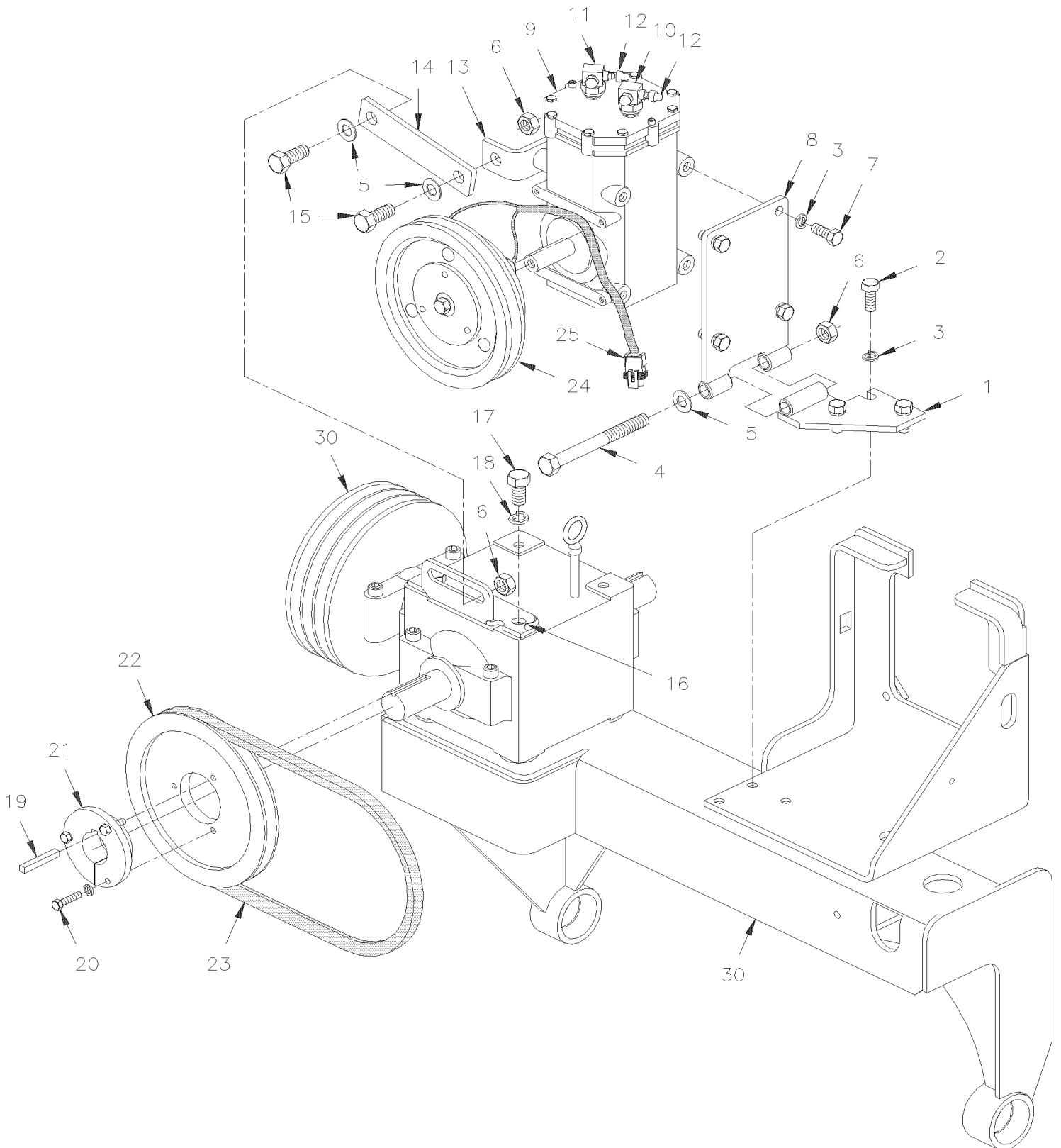


From 3-4417 To 3-4757

Date:10/2022

PAGE:HF-2245-10

A/C COMPRESSOR "SPECIAL"





From 3-4417 To 3-4757	Date:10/2022	PAGE:HF-2245-10
A/C COMPRESSOR "SPECIAL"		

Item#	Part	Description	H 3 4 1	H 3 4 5	V I P 4 5	N O T E S
1	452444	PIVOT ASSY / SUPPORT			1	
2	502559	SCREW CAP HEX M10-1.5x25 G8.8 Z050			3	
3	500257	WASHER LO SPT 10.2x18.1x2.2 Z050			9	
4	500105	SCREW CAP HEX 1/2-20x5 1/2 G5 ZP			1	
5	571351	WASHER, 1/2" I.D. FLAT			3	
6	500718	NUT HEX STO 1/2-20 Z050			3	
7	500191	SCREW CAP HEX 3/8-16x1 G5 Z050			6	
8	452471	PIVOT ASSY / COMPRESSOR			1	
9	950219	A/C COMPRESSOR ASSY "TECUMSEH" / R-134A			1	
9	950393	A/C COMPRESSOR ASSY "CCI" / R-134A			1	S
10	950076	VALVE ASSY / DISCHARGE / W/O-RING 1/2" / W/"TECUMSEH" COMPRESSOR			1	
10	950235	GAUGE ADAPTOR ASSY / W/BBLUE CAP FOR R-134A / SUCTION SIDE (ALUMINUM)			1	
NS	950368	ADAPTOR FITTING / O-RING PORT TO ROTOLOCK			2	A
NS	950369	SEAL TEFLON / O-RING PORT TO ROTOLOCK			2	A
NS	950383	SEAL TEFLON / O-RING PORT TO ROTOLOCK			2	A
11	950077	VALVE ASSY / SUCTION / W/O-RING 5/8" / W/"TECUMSEH" COMPRESSOR			1	
11	950234	GAUGE ADAPTOR ASSY / W/RED CAP FOR R-134A / DISCHARGE SIDE (ALUMINUM)			1	
12	950157	. CAP VALVE / PROTECTOR / STEEL			1	
13	453122	TENSIONNER SUPPORT			1	
14	452442	TENSIONNER			2	
15	500086	SCREW CAP HEX 1/2-20x1 1/4 G5 Z050			2	
16	452443	TENSIONER BRACKET / GEARBOX			2	
17	500213	SCREW CAP HEX 1/2-13x1 G5 Z050			2	
18	500482	WASHER LO SPT .506x.873x.125 Z050			2	
19	550186	KEY 1/4" X 1/4" X 1 1/4"			1	
20	500167	SCREW CAP HEX 1/4-20x1 1/4 G5 PT Z050			3	
NS	500473	WASHER LO SPT .262x.489x.062 Z050			3	
21	950230	CONE BUSHING 1 1/4 I.D X 2 1/8 O.D. X 3 5/16			1	
22	950211	PULLEY DRIVE 7.15 O.D. / SINGLE "V"			1	
23	506685	V-BELT / A-35 9002-2035			1	
24	950079	PULLEY ASSY W/COIL 24V			1	
25	561566	CONNECTOR / WEATHER PACK / PH 2C / BLACK / PED 12010973			1	
NS	561568	PIN TERMINAL / 16-14 / PED 12089305			2	
NS	561565	CABLE SEAL / GREEN / PED 15324982			2	
30	HF-0520-00	FAN DRIVE - INSTALLATION - SHORT				
NS	451144	OIL DIPSTICK / (REQUIRED TO CHANGE)			1	
NS	454231	KIT, RETROFIT "SELTEC" COMPRESSOR / W/V.I.P. To 3-4757			1	
. NS	IS-04009	. SEE INSTRUCTION SHEET To 3-4757			1	



From 3-4417 To 3-4757	Date:10/2022	PAGE:HF-2245-10
-----------------------	--------------	-----------------

A/C COMPRESSOR "SPECIAL"

Item#	Part	Description	H 3 4 1	H 3 4 5	V I P 4 5	N O T E S
		A) SOME COMPRESSOR MODEL REQUIRES ALL THOSE ITEMS TO INSTALL SERVICING VALVE INLET AND OUTLET				
		S) SERVICE AFTERMARKET				

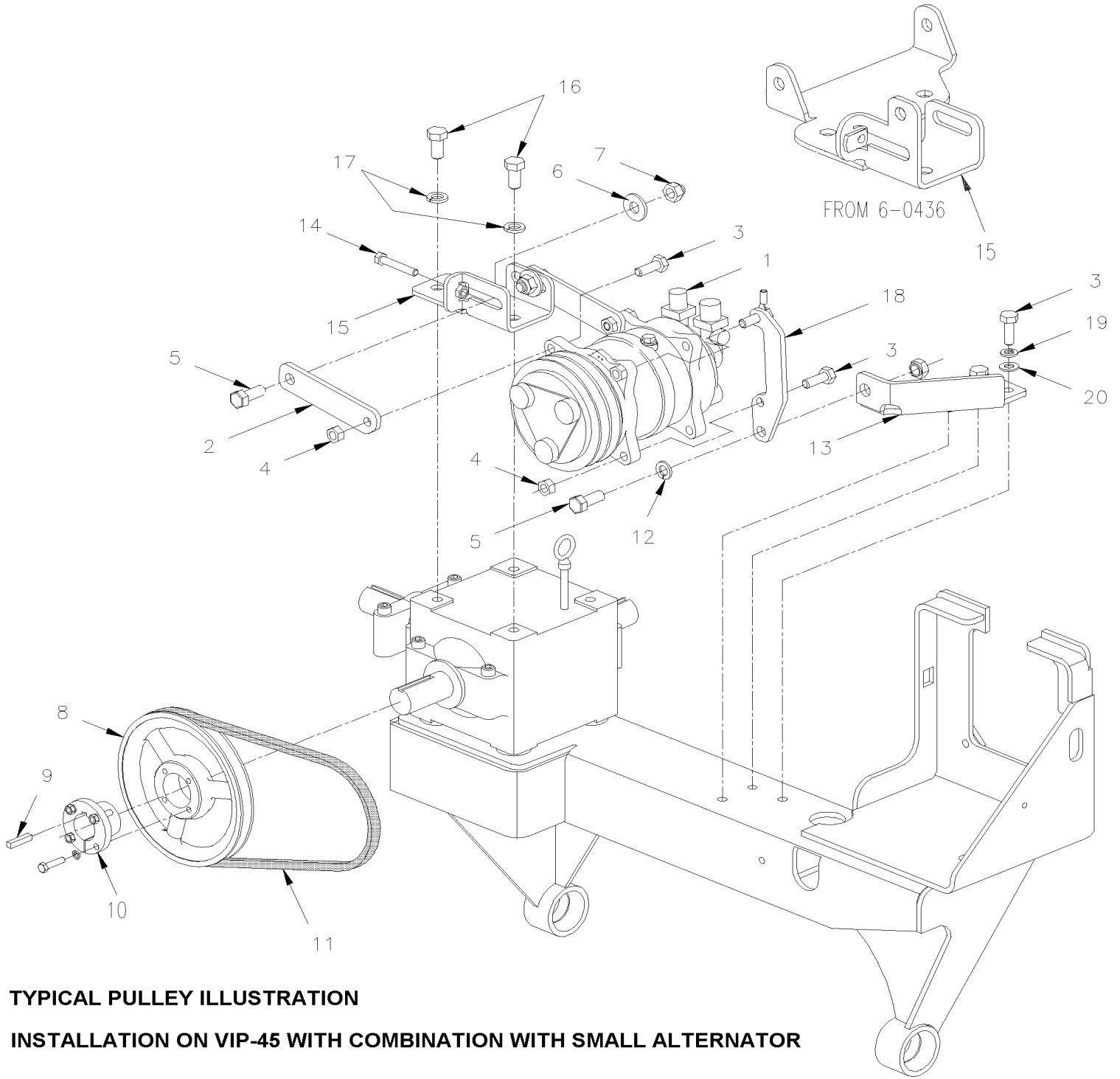


From 4-4758 To 8-1043

Date:10/2022

PAGE:HF-2245-11

A/C COMPRESSOR SMALL - INSTALLATION



TYPICAL PULLEY ILLUSTRATION

INSTALLATION ON VIP-45 WITH COMBINATION WITH SMALL ALTERNATOR

SEE PAGE HF- 0610-54



From 4-4758 To 8-1043	Date:10/2022	PAGE:HF-2245-11
A/C COMPRESSOR SMALL - INSTALLATION		

Item#	Part	Description	H 3 4 1	H 3 4 5	V I P 4 5	N O T E S
1	950372	A/C COMPRESSOR ASSY "TH16HD"			1	
. NS	950445	. MANIFOLD FITTING 3/4-16 & 7/8-14			1	
2	454060	TENSIONER 116.6MM C/C To 4-4803			2	
2	454143	TENSIONER 122.7MM C/C From 4-4804 To 6-0435			2	
2	454316	TENSIONER 122.7MM C/C / OFFSET From 6-0436			1	
3	500603	SCREW CAP HEX SLT #10-24x2 Z050			7	
4	5001758	NUT HEX STO M10-1.5 N500			4	
5	970970	SCREW CAP HEX M12-1.75x30 G8.8 ZG603			3	
6	971084	NUT HEX STO M12-1.75 ZG603			2	
7	500211	WASHER FL .531x1.250x.125 N500			2	
8	950374	PULLEY DRIVE 7.25 O.D. / SINGLE "V" To 4-4952			1	
8	950388	PULLEY DRIVE 7.25 O.D. / SINGLE "V" From 4-4953 To 5-0237			1	
8	950392	PULLEY DRIVE 7.25 O.D. / DOUBLE "V" From 5-0238 To 6-0435			1	
8	950397	PULLEY DRIVE 7.15 O.D. / TRIPLE "V" From 6-0436			1	
9	550186	KEY 1/4" X 1/4" X 1 1/4" To 6-0435			1	
9	550293	KEY 1/4" X 1/4" X 1 13/16" From 6-0436			1	
10	950375	CONE BUSHING 1 1/4 I.D X 2 1/8 O.D. X 3 5/16 To 4-4952			1	
10	950389	CONE BUSHING 1 1/4 I.D X 2 1/8 O.D. X 3 5/16 From 4-4953			1	
11	506685	V-BELT / A-35 9002-2035			2	
12	500747	WASHER LO SPT 12.2x21.1x2.5 N500			1	
13	454057	PIVOT ASSY / SUPPORT To 4-4803			1	
13	454137	PIVOT ASSY / SUPPORT From 4-4804 To 6-0435			1	
13	454318	PIVOT ASSY / SUPPORT From 6-0436			1	
14	502757	SCREW CAP HEX M8-1.25x50 G8.8 N500			1	
15	454059	TENSIONNER SUPPORT To 4-4803			1	
15	454127	TENSIONNER SUPPORT From 4-4804 To 6-0435			1	
15	066496	SUPPORT ALTERNATOR & A/C COMPRESSOR From 6-0436			1	
16	5001565	SCREW CAP HEX 1/2-13x1 G5 N500			2	
17	500944	WASHER LO SPT .506x.873x.125 N500			2	
18	454058	PIVOT ASSY / COMPRESSOR To 4-4803			1	
18	454138	PIVOT ASSY / COMPRESSOR From 4-4804			1	
19	3852496	WASHER LO SPT 10.2x18.1x2.2 ZG603			3	
20	500832	WASHER FL .406x.812x.065 N500			3	
50	HF-0610-54	ALTERNATOR MOUNTING / "BOSCH" - 24V/140A / GEARBOX INSTAL				

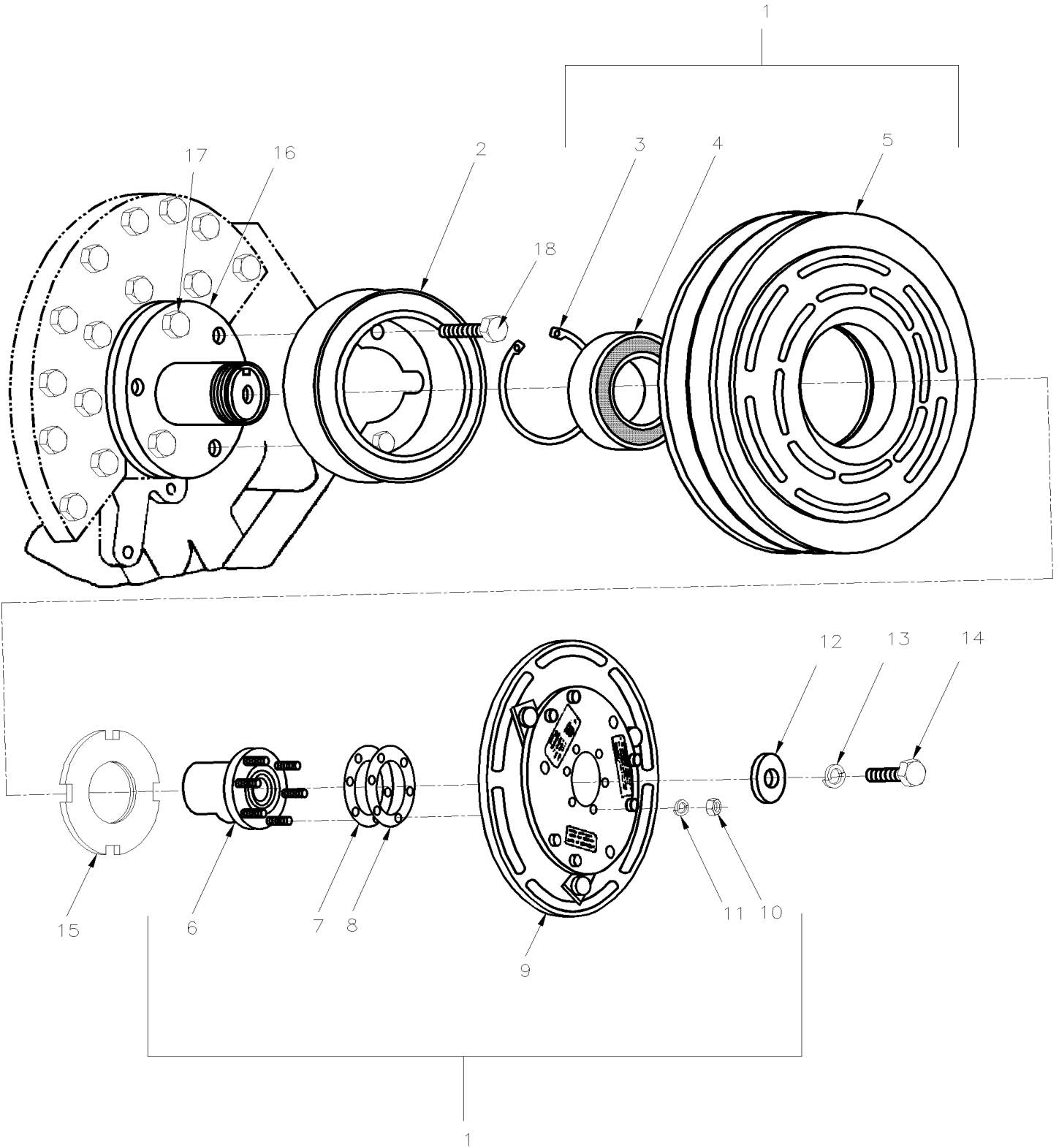


From 3-4417 To 8-1043

Date:10/2022

PAGE:HF-2246-00

A/C CLUTCH 05G - HOUSING MOUNTED





From 3-4417 To 8-1043	Date:10/2022	PAGE:HF-2246-00
A/C CLUTCH 05G - HOUSING MOUNTED		

Item#	Part	Description	H 3 4 1	H 3 4 5	V I P 4 5	N O T E S
1	950204	CLUTCH HOUSING-MOUNTED/24V DC 9" DIA 2B GROVE	1	1	1	A
2	950156	COIL 24V	1	1	1	A
3	950146	. CIRCLIP INTERNAL	1	1	1	
4	950141	. BEARING	1	1	1	
5	N.S.S.	. PULLEY	1	1	1	1
6	N.S.S.	. HUB DRIVE	1	1	1	1
7	950104	. SHIM 0.010	1	1	1	
8	950103	. SHIM 0.020	5	5	5	
9	N.S.S.	. ARMATURE	1	1	1	1
10	500769	. NUT HEX 1/4-20 Z050	6	6	6	
11	500473	. WASHER LO SPT .262x.489x.062 Z050	6	6	6	
NS	561813	CONNECTOR / SURE-SEAL / FEMALE HOUSING 2C / ITT CANNON 120-1804-000	1	1	1	
NS	561023	PIN TERMINAL / 18-14 / ITT CANNON 030-2196-001	1	1	1	
NS	561024	SOCKET TERMINAL / 18-14 / ITT CANNON 031-1267-001	1	1	1	
NS	561815	CLAMP W/ 2 / ITT CANNON 029-0263-000	1	1	1	
12	870784	WASHER 13/32" I.D. X 1 1/2" O.D. X 3/16" TH	1	1	1	
13	500478	WASHER LO SPT .380x.683x.094 Z050	1	1	1	
14	870785	SCREW CAP HEX 3/8-24x7/8 G8 ZP	1	1	1	
15	950093	NUT / W/HUB MOUNTING ONLY	1	1	1	
16	950092	HUB HOUSING MOUNT	1	1	1	
16	950408	HUB HOUSING MOUNT W/GROOVE FOR TWIN PORT	1	1	1	
. NS	950409	. SEAL, LIP, SHAFT SEAL / W/TWIN PORT ONLY	1	1	1	
. NS	870795	. GASKET, HUB BEARING	1	1	1	
17	500192	SCREW CAP HEX 3/8-16x1 1/4 G5 Z050	6	6	6	
18	186679	SCREW CAP HEX 3/8-16x1 1/4 G8 ZP	1	1	1	
NS	950105	SOCKET / TOOL FOR INSTALLATION				
NS	950106	PUSHER ROTOR / TOOL				
NS	950107	SPANNER WRENCH / TOOL				
		A) THIS COIL IS NOT INCLUDE WITH #950204				
		1) NOT SOLD SEPARATELY				

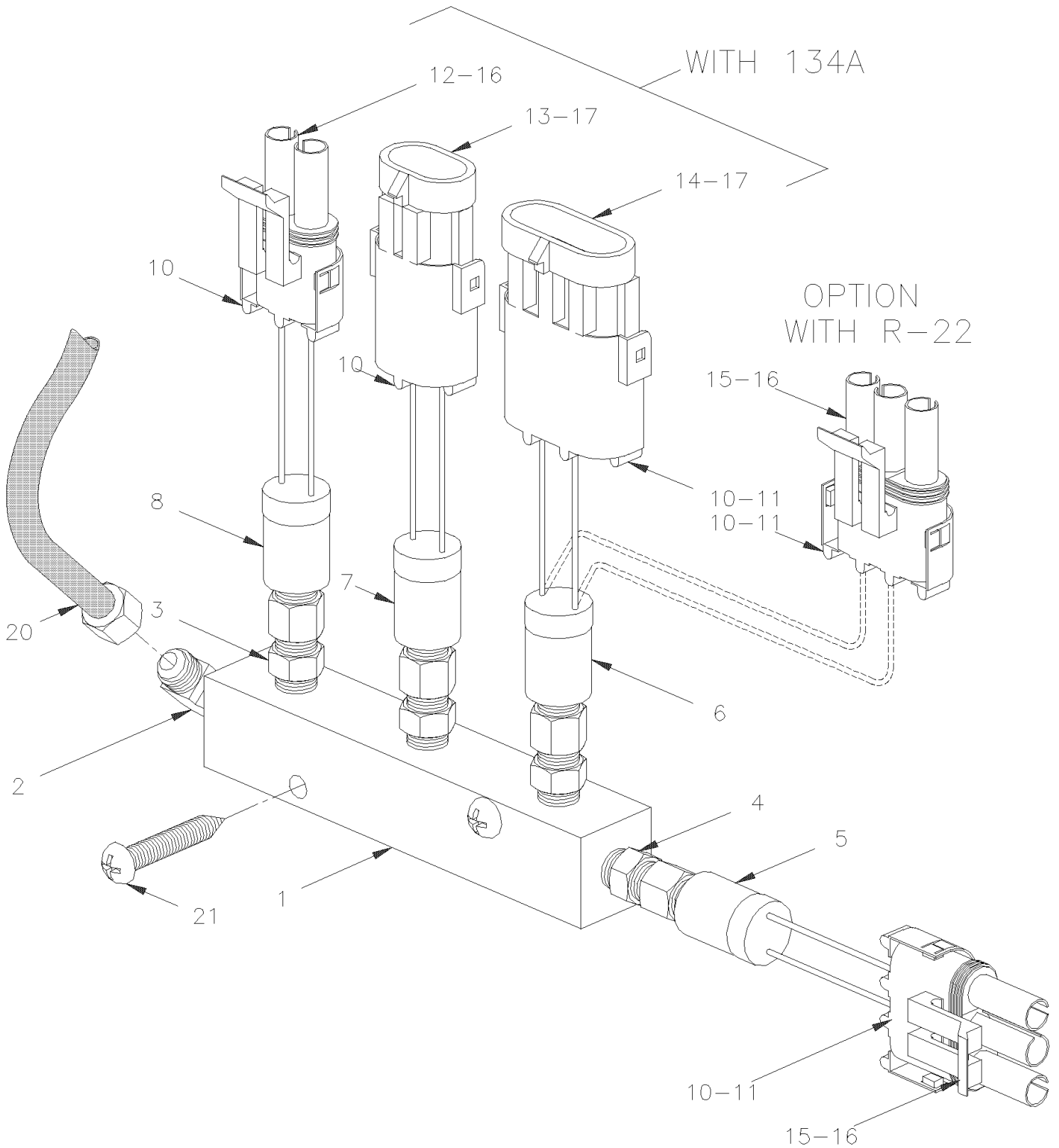


From 3-4417 To 3-4757

Date:10/2022

PAGE:HF-2248-00

A/C PRESSURE SWITCH





From 3-4417 To 3-4757		Date:10/2022	PAGE:HF-2248-00
A/C PRESSURE SWITCH			

Item#	Part	Description	H 3 4 1	H 3 4 5	V I P 4 5	N O T E S
1	070903	MANIFOLD	1	1	1	
2	501035	MALE CONNECTOR / SAE 45° FITTING / #10FL-Mx3/8NPT-M BR	1	1	1	
3	950030	SCHRADER VALVE 1/8NPT-M	3	3	3	
4	950249	SCHRADER VALVE 1/4NPT-M	1	1	1	
5	453004	PRESSURE SWITCH N.O. 195-150 20PS001MA195K150K	1	1	1	A
5	453208	PRESSURE SWITCH N.O. 60-35 20PS001MA280K220K	1	1		B
6	453003	PRESSURE SWITCH N.O. 138-105 20PS001MA138H105H	1	1	1	C
6	453008	PRESSURE SWITCH N.O. 195-150 20PS001MA195K150K	1	1		D
7	452421	PRESSURE SWITCH N.O. 280-220 20SP001MA280K220R	1	1	1	E
7	453209	PRESSURE SWITCH N.O. 390-310 20PS001MA390R310G	1	1		F
8	453380	PRESSURE SWITCH N.C. 350-245 20PS001MB350K245R	1	1	1	G
8	453210	PRESSURE SWITCH N.C. 418-320 20PS001MEB418G320R	1	1		H
10	561840	. CABLE SEAL / BLUE / PED 15324981	AR	AR	AR	
11	561783	. SEAL PLUG CAVITY / GREEN / PED 12010300	AR	AR	AR	
12	561690	. CONNECTOR / WEATHER PACK / SH 2C / BLACK / PED 12015792	1	1	1	
13	561566	. CONNECTOR / WEATHER PACK / PH 2C / BLACK / PED 12010973	1	1	1	
14	561781	. CONNECTOR / WEATHER PACK / PH 3C / BLACK / PED 12010717	1	1	1	
15	561782	. CONNECTOR / WEATHER PACK / SH 3C / BLACK / PED 12015793	1	1	1	
16	561578	. SOCKET TERMINAL / 16-14 / PED 12010182	AR	AR	AR	
17	561568	. PIN TERMINAL / 16-14 / PED 12089305	AR	AR	AR	
20	453010	HOSE ASSY TEFLON #4 715MM	1	1	1	
21	500579	SCREW MA RND PH #10-24x1 3/4 Z050	2	2	2	
NS	500470	WASHER LO SPT .193x.334x.047 Z050	2	2	2	
NS	500786	NUT HEX #10-24 Z050	2	2	2	
		A) WITH R134A 2ND SPEED CONDENSOR FAN				
		B) WITH R-22 2ND SPEED CONDENSOR FAN				
		C) WITH R-134A LOW SPEED CONDENSOR FAN				
		D) WITH R-22 LOW SPEED CONDENSOR FAN				
		E) WITH R134A HIGH UNLOAD PRESSURE				
		F) WITH R-22 HIGH UNLOAD PRESSURE				
		G) WITH R-134A A/C HIGH PRESSURE				
		H) WITH R-12 A/C HIGH PRESSURE				

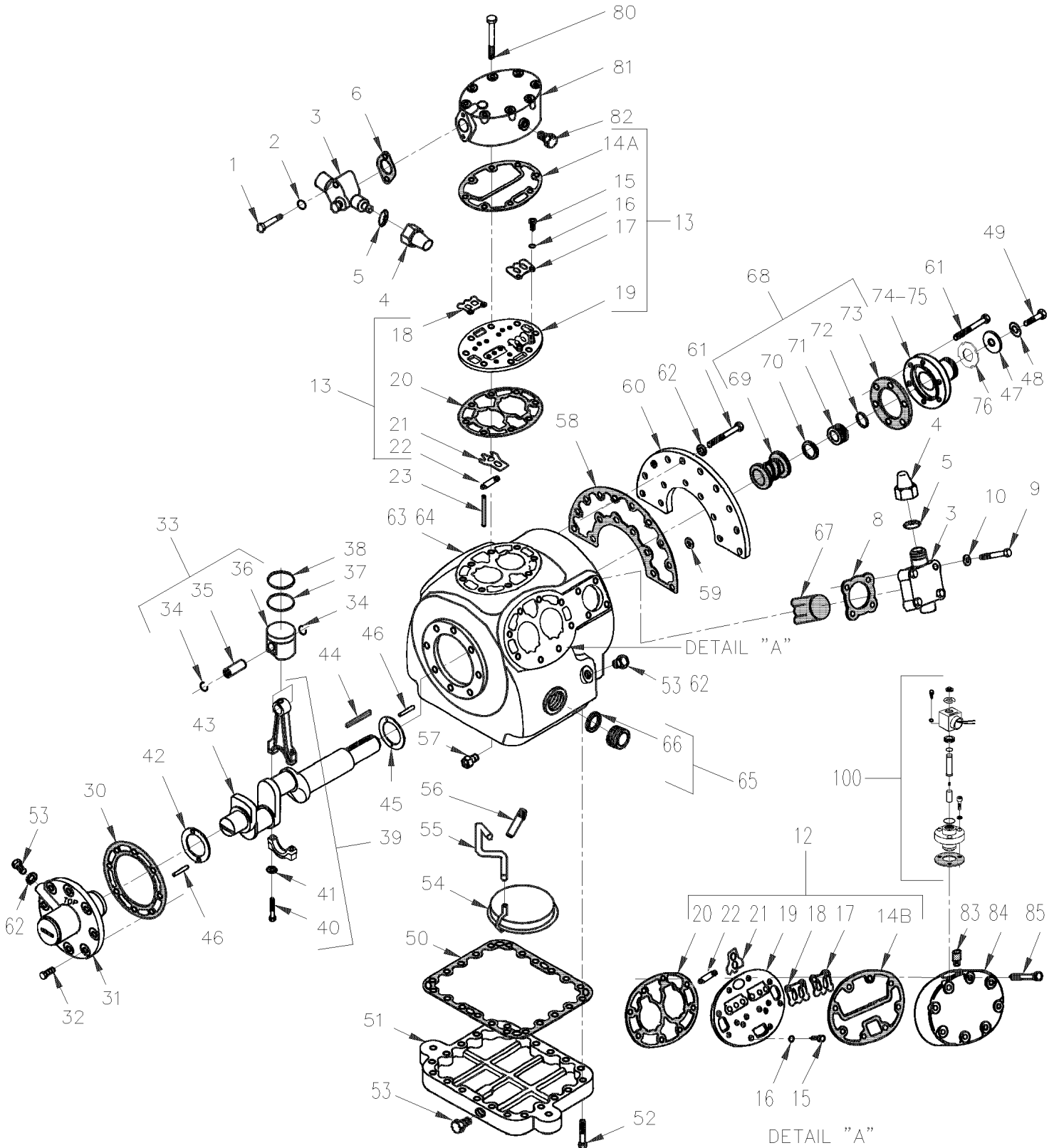


From 3-4417 To 6-0385

Date:10/2022

PAGE:HF-2250-00

A/C COMPRESSOR ASSY 05G - THREE PORT





From 3-4417 To 6-0385	Date:10/2022	PAGE:HF-2250-00
A/C COMPRESSOR ASSY 05G - THREE PORT		

Item#	Part	Description	H 3 4 1	H 3 4 5	V I P 4 5	N O T E S
	950298D	A/C COMPRESSOR ASSY / W/41 C.F.M. / REMAN / W/O OIL & ACCESSORIES				
1	870877	. SCREW CAP HEX 5/16-18x2 G5 ZP	2	2	2	
2	870750	. GASKET	2	2	2	
3	HF-2245-00	. A/C COMPRESSOR 05G - INSTALLATION				
4	870446	. . CAP SEAL	1	1	1	
5	870752	. . . GASKET, CAP SEAL	1	1	1	
6	870753	. GASKET / DISCHARGE VALVE	1	1	1	
8	870754	. GASKET / SUCTION VALVE	1	1	1	
9	870755	. SCREW CAP HEX 1/2-13x2 1/2 G5 ZP	4	4	4	
10	870756	. GASKET	4	4	4	
12	950325	. VALVE PLATE ASSY / SIDE BANK	4	4	4	
13	950324	. VALVE PLATE ASSY / CENTER BANK	1	1	1	
14A	870760	. . GASKET, CENTER CYLINDER HEAD	1	1	1	
14B	870797	. . GASKET, L.H & R.H CYLINDER HEAD	1	1	1	
15	870761	. . SCREW CAP HEXS 1/4-28 x 3/8"	4	4	4	
16	500473	. . WASHER LO SPT .262x.489x.062 Z050	4	4	4	
17	870762	. . VALVE STOP DISCHARGE	2	2	2	
18	870763	. . VALVE DISCHARGE	2	2	2	
19	N.S.S.	. . PLATE VALVE	1	1	1	1
20	870764	. . GASKET, VALVE PLATE	1	1	1	
21	950276	. . VALVE SUCTION	2	2	2	
22	870766	. . SPRING / SUCTION VALVE	2	2	2	
23	870767	. PIN DOWEL VALVE PLATE	4	4	4	
30	870771	. GASKET / OIL PUMP	1	1	1	
31	950286	. OIL PUMP ASSY / (LOW PROFIL)	1	1	1	
32	500192	. SCREW CAP HEX 3/8-16x1 1/4 G5 Z050	8	8	8	
33	950272	. PISTON & PIN ASSY / STANDARD / W/41 CFM	6	6	6	
33	950274	. PISTON & PIN ASSY/.020" OVERSIZE / W/41 CFM	6	6	6	
34	N.S.S.	. . RETAINER	2	2	2	1
35	N.S.S.	. . PIN	1	1	1	1
36	N.S.S.	. . PISTON SINGLE RING	1	1	1	1
37	870774	. RING / W/DOUBLE RING PISTON ONLY	6	6	6	
38	870775	. RING COMPRESSION / STANDARD	6	6	6	
38	870815	. RING COMPRESSION / .020" OVERSIZE	6	6	6	
39	870776	. CONNECTING ROD & CLIP ASSY / STANDARD	6	6	6	
39	870816	. CONNECTING ROD & CLIP ASSY / .010" OVERSIZE	6	6	6	
NS	870767	. . PIN DOWEL VALVE PLATE	2	2	2	
40	870777	. . BOLT	2	2	2	
41	500440	. . WASHER FL .250x.562x.065 Z050	1	1	1	
42	870778	. WASHER THRUST / PUMP END	1	1	1	
43	950273	. CRANKSHAFT ASSY / W/41 CFM	1	1	1	



From 3-4417 To 6-0385	Date:10/2022	PAGE:HF-2250-00
A/C COMPRESSOR ASSY 05G - THREE PORT		

Item#	Part	Description	H 3 4 1	H 3 4 5	V I P 4 5	N O T E S
44	950140	. KEY CRANKSHAFT / W/HOUSING-MOUNTED CLUTCH	1	1	1	
45	870781	. WASHER THRUST	1	1	1	
46	870782	. PIN STRAIGHT 1/8" DIA. X 1/2"	2	2	2	
NS	870783	. PIN STRAIGHT .094" X 5/16"	2	2	2	
47	870784	. WASHER 13/32" I.D. X 1 1/2" O.D. X 3/16" TH	1	1	1	
48	500478	. WASHER LO SPT .380x.683x.094 Z050	1	1	1	
49	870785	. SCREW CAP HEX 3/8-24x7/8 G8 ZP	1	1	1	
50	870786	. GASKET, BOTTOM PLATE	1	1	1	
51	950444	. PLATE BOTTOM	1	1	1	
52	500191	. SCREW CAP HEX 3/8-16x1 G5 Z050	22	22	22	
53	950303	. PLUG, O-RING / (CURRENT)	2	2	2	
54	870787	. SCREEN ASSY / OIL FILTER	1	1	1	
55	870788	. TUBE / OIL SUCTION	1	1	1	
56	870789	. VALVE / OIL RELIEF	1	1	1	
57	870790	. CHECK VALVE ASSY / OIL RETURN	2	2	2	
58	870791	. GASKET, SHAFT END COVER	1	1	1	
59	950139	. WASHER .393x.622x.031	2	2	2	
60	870792	. FLANGE	1	1	1	
61	500192	. SCREW CAP HEX 3/8-16x1 1/4 G5 Z050	21	21	21	
62	950139	. WASHER .393x.622x.031	21	21	21	
63	N.S.S.	. CRANKCASE	1	1	1	1
64	950283	. . BEARING, MAIN SEAL END	1	1	1	
65	870768	. SIGHT GLASS ASSY	2	2	2	
66	870769	. . GASKET, SIGHT GLASS	2	2	2	
67	870770	. STRAINER SUCTION	1	1	1	
68	950327	. SHAFT SEAL ASSY / W/HOUSING-MOUNTED CLUTCH	1	1	1	
69	N.S.S.	. . SEAL / SHAFT	1	1	1	1
70	870794	. . RING CARBON	1	1	1	
71	N.S.S.	. . RING WEAR	1	1	1	1
72	N.S.S.	. . O-RING	1	1	1	1
73	870795	. . GASKET, HUB BEARING	1	1	1	
74	950092	. HUB HOUSING MOUNT	1	1	1	
75	N.S.S.	. . RING FELT & RETAINING	1	1	1	1
76	950093	. NUT / W/HUB MOUNTING ONLY	1	1	1	
80	G1091280	. SCREW CAP HEX 3/8-16 X 3"1/4	8	8	8	
81	870757	. HEAD CYLINDER / CENTER BANK	1	1	1	
82	501303	. PLUG SQUARE HEAD / PIPE FITTING / 1/8NPT-M BR	1	1	1	
83	870799	. STRAINER	1	1	1	
84	870798	HEAD CYLINDER / UNLOADER	1	1	1	
85	502694	SCREW CAP HEX 3/8-16x3 1/4 G5 ZP	1	1	1	
100	HF-2250-15	A/C ELECTRIC UNLOADER - W/05G COMPRESSOR	1	1	1	
NS	950236	REFRIGERANT OIL POE / USE W/134A (4LITER)	AR	AR	AR	



From 3-4417 To 6-0385	Date:10/2022	PAGE:HF-2250-00
A/C COMPRESSOR ASSY 05G - THREE PORT		

Item#	Part	Description	H 3 4 1	H 3 4 5	V I P 4 5	N O T E S
		1) NOT SOLD SEPARATELY				

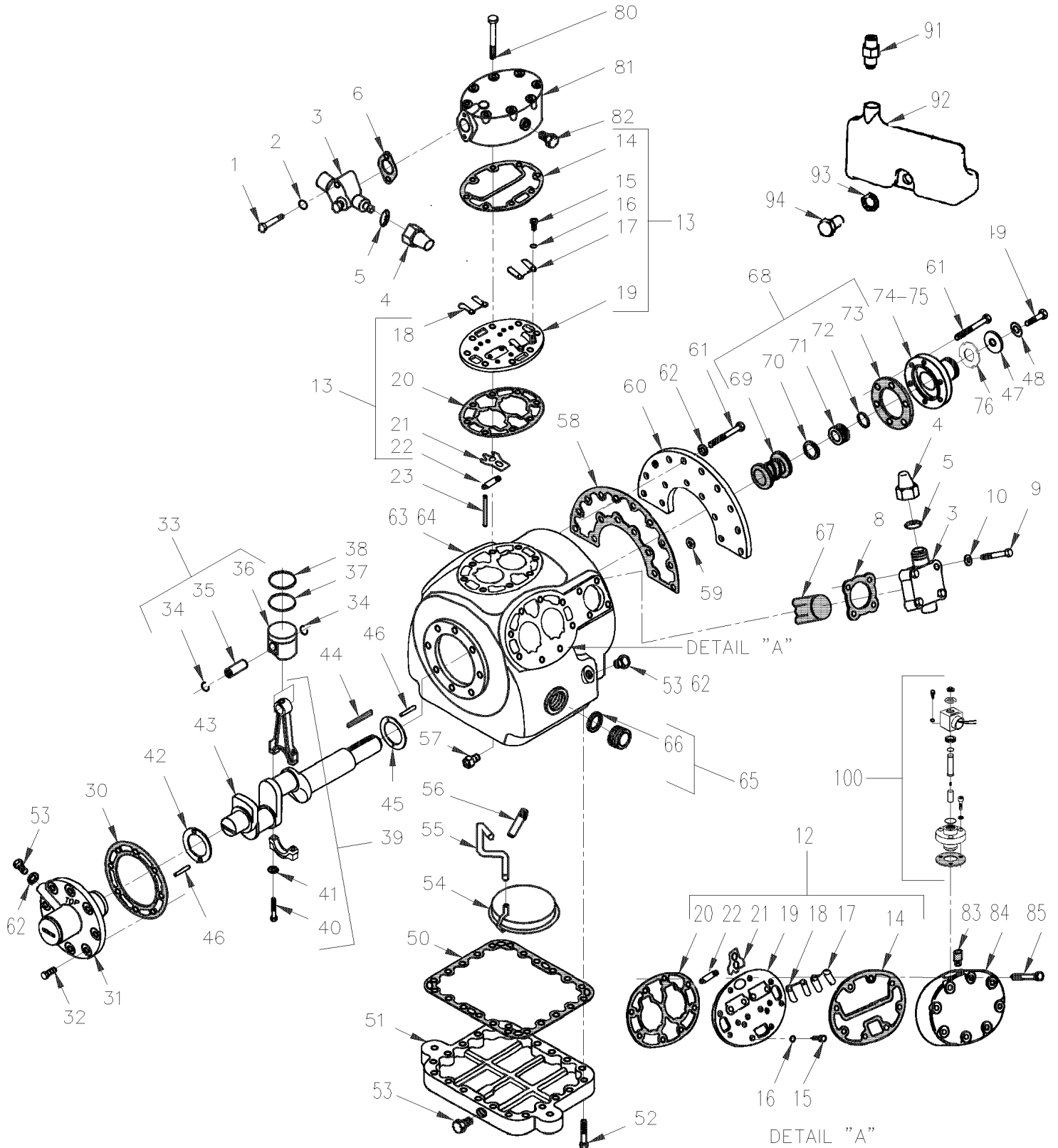


From 6-0386 To 8-1043

Date:10/2022

PAGE:HF-2250-01

A/C COMPRESSOR ASSY 05G - TWIN PORT





From 6-0386 To 8-1043	Date:10/2022	PAGE:HF-2250-01
A/C COMPRESSOR ASSY 05G - TWIN PORT		

Item#	Part	Description	H 3 4 1	H 3 4 5	V I P 4 5	N O T E S
	950401	A/C COMPRESSOR ASSY REBUILT / W/41 C.F.M W/O ACCESSORIES TWIN PORT				
1	870877	. SCREW CAP HEX 5/16-18x2 G5 ZP	2	2	2	
2	870750	. GASKET	2	2	2	
3	HF-2245-01	. A/C COMPRESSOR 05G - INSTALLATION				
4	870446	. . CAP SEAL	1	1	1	
5	870752	. . . GASKET, CAP SEAL	1	1	1	
6	950425	. GASKET / DISCHARGE VALVE / (METAL)	1	1	1	
8	950423	. GASKET / SUCTION VALVE / (METAL)	1	1	1	
9	870755	. SCREW CAP HEX 1/2-13x2 1/2 G5 ZP	4	4	4	
10	870756	. GASKET	4	4	4	
12	950415	. VALVE PLATE ASSY / SIDE BANK / W/TWIN PORT ONLY	2	2	2	
NS	870800	. . CHECK VALVE ASSY / UNLOADER	2	2	2	
13	950414	. VALVE PLATE ASSY / CENTER BANK / W/TWIN PORT ONLY	1	1	1	
14	950421	. . GASKET, CYLINDER HEAD / W/TWIN PORT ONLY	1	1	1	
15	870761	. . SCREW CAP HEXS 1/4-28 x 3/8"	4	4	4	
16	500473	. . WASHER LO SPT .262x.489x.062 Z050	4	4	4	
17	950416	. . VALVE DISCHARGE / W/TWIN PORT ONLY	2	2	2	
18	950417	. . BACKER VALVE DISCHARGE / W/TWIN PORT ONLY	2	2	2	
19	N.S.S.	. . PLATE VALVE	1	1	1	1
20	950420	. . GASKET, VALVE PLATE / W/TWIN PORT ONLY	1	1	1	
21	950418	. . VALVE SUCTION / W/TWIN PORT ONLY	2	2	2	
22	950419	. . SPRING / SUCTION VALVE / W/TWIN PORT ONLY	2	2	2	
23	870767	. PIN DOWEL VALVE PLATE	4	4	4	
30	870771	. GASKET / OIL PUMP	1	1	1	
31	950403	. OIL PUMP ASSY / W/TWIN PORT ONLY	1	1	1	
32	500192	. SCREW CAP HEX 3/8-16x1 1/4 G5 Z050	8	8	8	
33	950272	. PISTON & PIN ASSY / STANDARD / W/41 CFM	6	6	6	
33	950274	. PISTON & PIN ASSY/.020" OVERSIZE / W/41 CFM	6	6	6	
34	N.S.S.	. . RETAINER	2	2	2	1
35	N.S.S.	. . PIN	1	1	1	1
36	N.S.S.	. . PISTON SINGLE RING	1	1	1	1
37	870774	. RING / W/DOUBLE RING PISTON ONLY	6	6	6	
38	870775	. RING COMPRESSION / STANDARD	6	6	6	
38	870815	. RING COMPRESSION / .020" OVERSIZE	6	6	6	
39	870776	. CONNECTING ROD & CLIP ASSY / STANDARD	6	6	6	
39	870816	. CONNECTING ROD & CLIP ASSY / .010" OVERSIZE	6	6	6	
NS	870767	. . PIN DOWEL VALVE PLATE	2	2	2	
40	870777	. . BOLT	2	2	2	
41	500440	. . WASHER FL .250x.562x.065 Z050	1	1	1	
42	870778	. WASHER THRUST / PUMP END	1	1	1	
43	950406	. CRANKSHAFT ASSY / W/41 CFM / W/TWIN PORT ONLY	1	1	1	



From 6-0386 To 8-1043	Date:10/2022	PAGE:HF-2250-01
A/C COMPRESSOR ASSY 05G - TWIN PORT		

Item#	Part	Description	H 3 4 1	H 3 4 5	V I P 4 5	N O T E S
44	950140	. KEY CRANKSHAFT / W/HOUSING-MOUNTED CLUTCH	1	1	1	
45	870781	. WASHER THRUST	1	1	1	
46	870782	. PIN STRAIGHT 1/8" DIA. X 1/2"	2	2	2	
NS	870783	. PIN STRAIGHT .094" X 5/16"	2	2	2	
47	870784	. WASHER 13/32" I.D. X 1 1/2" O.D. X 3/16" TH	1	1	1	
48	500478	. WASHER LO SPT .380x.683x.094 Z050	1	1	1	
49	870785	. SCREW CAP HEX 3/8-24x7/8 G8 ZP	1	1	1	
50	950402	. GASKET, BOTTOM PLATE / (METAL)	1	1	1	
51	950444	. PLATE BOTTOM	1	1	1	
52	500191	. SCREW CAP HEX 3/8-16x1 G5 Z050	22	22	22	
53	950303	. PLUG, O-RING / (CURRENT)	2	2	2	
54	870787	. SCREEN ASSY / OIL FILTER	1	1	1	
55	870788	. TUBE / OIL SUCTION	1	1	1	
56	870789	. VALVE / OIL RELIEF	1	1	1	
57	870790	. CHECK VALVE ASSY / OIL RETURN	2	2	2	
58	950412	. GASKET, SHAFT END COVER / W/TWIN PORT ONLY	1	1	1	
59	950139	. WASHER .393x.622x.031	2	2	2	
60	870792	. FLANGE	1	1	1	
61	500192	. SCREW CAP HEX 3/8-16x1 1/4 G5 Z050	21	21	21	
62	950139	. WASHER .393x.622x.031	21	21	21	
63	N.S.S.	. CRANKCASE	1	1	1	1
64	950283	. . BEARING, MAIN SEAL END	1	1	1	
65	870768	. SIGHT GLASS ASSY	2	2	2	
66	870769	. . GASKET, SIGHT GLASS	2	2	2	
67	870770	. STRAINER SUCTION	1	1	1	
68	950407	. SHAFT SEAL ASSY / W/HOUSING-MOUNTED CLUTCH / W/TWIN PORT ONLY	1	1	1	
69	N.S.S.	. . SEAL / SHAFT	1	1	1	1
70	870794	. . RING CARBON	1	1	1	
71	N.S.S.	. . RING WEAR	1	1	1	1
72	N.S.S.	. . O-RING	1	1	1	1
73	870795	. . GASKET, HUB BEARING	1	1	1	
74	950408	. HUB HOUSING MOUNT W/GROOVE FOR TWIN PORT	1	1	1	
. NS	950409	. . SEAL, LIP, SHAFT SEAL / W/TWIN PORT ONLY	1	1	1	
. NS	870795	. . GASKET, HUB BEARING	1	1	1	
75	950409	. SEAL, LIP, SHAFT SEAL / W/TWIN PORT ONLY	1	1	1	
76	950093	. NUT / W/HUB MOUNTING ONLY	1	1	1	
80	G1091280	. SCREW CAP HEX 3/8-16 X 3"1/4	8	8	8	
81	870757	. HEAD CYLINDER / CENTER BANK	1	1	1	
82	501303	. PLUG SQUARE HEAD / PIPE FITTING / 1/8NPT-M BR	1	1	1	
83	870799	. STRAINER	1	1	1	
84	950426	HEAD CYLINDER / UNLOADER / W/TWIN PORT ONLY	1	1	1	
85	502694	SCREW CAP HEX 3/8-16x3 1/4 G5 ZP	1	1	1	



From 6-0386 To 8-1043	Date:10/2022	PAGE:HF-2250-01
A/C COMPRESSOR ASSY 05G - TWIN PORT		

Item#	Part	Description	H 3 4 1	H 3 4 5	V I P 4 5	N O T E S
91	950410	ACCESS VALVE / W/TWIN PORT ONLY	1	1	1	
92	950411	RESERVOIR / W/TWIN PORT ONLY	1	1	1	
93	500856	WASHER LO INT .384x.692x.040 ZP	1	1	1	
94	950967	SCREW CAP HEX 3/8-16 X 3/4 G8	1	1	1	
100	HF-2250-15	A/C ELECTRIC UNLOADER - W/05G COMPRESSOR	1	1	1	
NS	950236	REFRIGERANT OIL POE / USE W/134A (4LITER)	AR	AR	AR	
		1) NOT SOLD SEPARATELY				

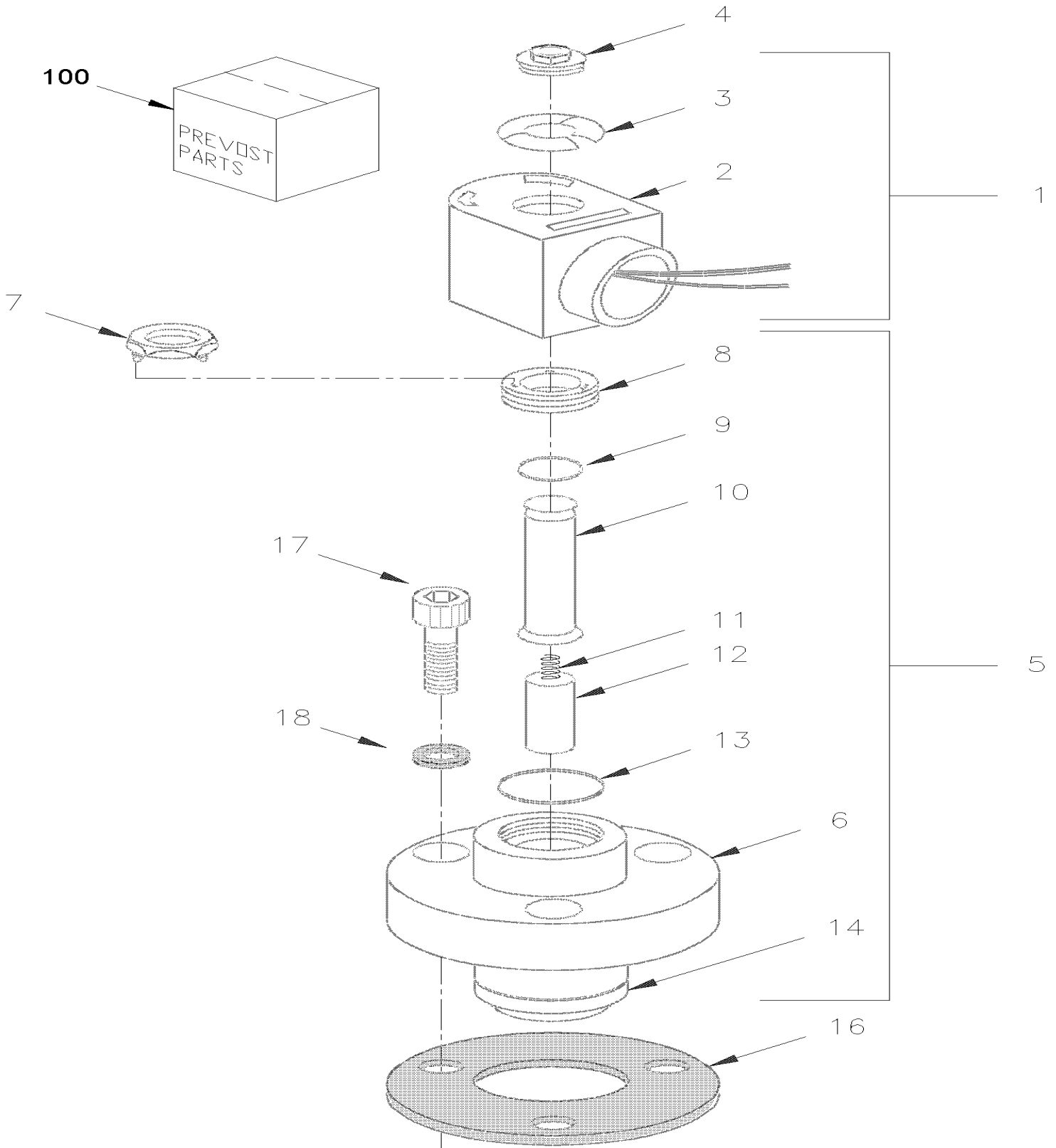


From 3-4417 To 8-1043

Date:10/2022

PAGE:HF-2250-15

A/C ELECTRIC UNLOADER - W/05G COMPRESSOR





From 3-4417 To 8-1043	Date:10/2022	PAGE:HF-2250-15
A/C ELECTRIC UNLOADER - W/05G COMPRESSOR		

Item#	Part	Description	H 3 4 1	H 3 4 5	V I P 4 5	N O T E S
1	063969	COIL ASSY W/CONNECTOR	2	2	2	
2	950096	. COIL 24V	1	1	1	
3	N.S.S.	. NAMEPLATE / VOLTAGE	1	1	1	1
4	N.S.S.	. CAP, SNAP	1	1	1	1
4	N.S.S.	. CAP, SNAP	1	1	1	1
NS	561812	. CONNECTOR / SURE-SEAL / MALE HOUSING 2C / ITT CANNON 120-1807-000	1	1	1	
NS	561023	. PIN TERMINAL / 18-14 / ITT CANNON 030-2196-001	1	1	1	
NS	561024	. SOCKET TERMINAL / 18-14 / ITT CANNON 031-1267-001	1	1	1	
NS	561815	CLAMP W/ 2 / ITT CANNON 029-0263-000	AR	AR	AR	A
5	950095	BODY / UNLOADER VALVE	1	1	1	
6	N.S.S.	. BODY, VALVE	1	1	1	1
7	N.S.S.	. NUT / FOR REMOVING OR REPLACING TUBE COLLAR	1	1	1	1
8	N.S.S.	. COLLAR / TUBE	1	1	1	1
9	N.S.S.	. O-RING	1	1	1	1
10	N.S.S.	. TUBE	1	1	1	1 A
11	N.S.S.	. SPRING, PLUNGER	1	1	1	1
12	N.S.S.	. PLUNGER	1	1	1	1
13	N.S.S.	. O-RING	1	1	1	1
14	870818	. RING, PISTON	1	1	1	
16	870820	GASKET, UNLOADER	1	1	1	
17	5001415	SCREW CAP HEXS 1/4-28x3/4	3	3	3	
18	950305	GASKET / W/ALLEN BOLT	3	3	3	
100	950413	KIT, STEM REPAIR	1	1	1	B
		A) TO RETAINING CONNECTOR TO WIRING HARNESS				
		B) INCLUDE ITEMS # 7, 10, 11,11, 12 & 13				
		1) NOT SOLD SEPARATELY				

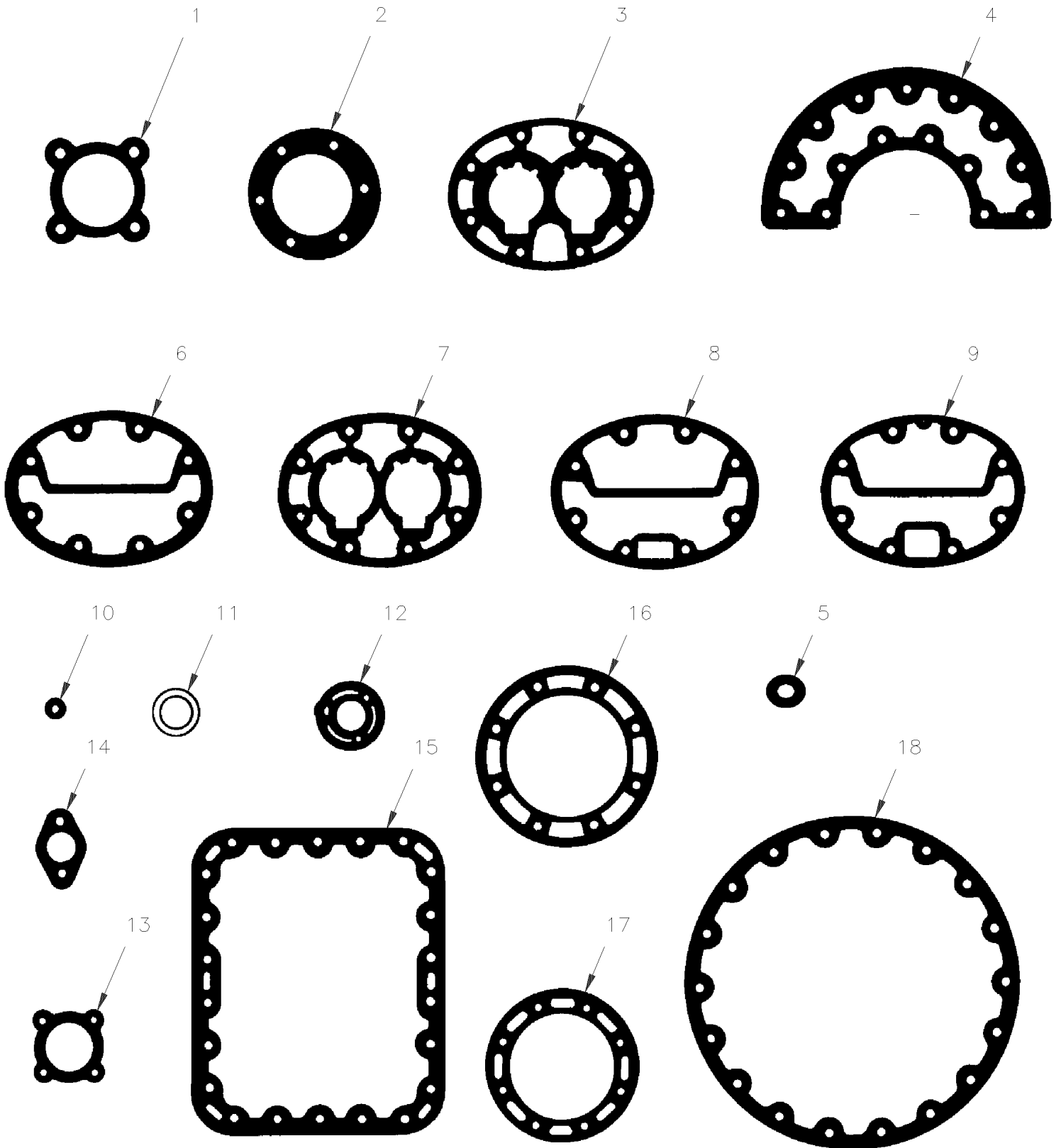


From 3-4417 To 8-1043

Date:10/2022

PAGE:HF-2251-00

GASKET - 05G A/C COMPRESSOR





From 3-4417 To 8-1043	Date:10/2022	PAGE:HF-2251-00
GASKET - 05G A/C COMPRESSOR		

Item#	Part	Description	H 3 4 1	H 3 4 5	V I P 4 5	N O T E S
	870829	KIT GASKET	1	1	1	
	950422	KIT GASKET / W/TWIN PORT ONLY	1	1	1	
1	870754	. GASKET / SUCTION VALVE	1	1	1	
1	950423	. GASKET / SUCTION VALVE / (METAL)	1	1	1	
2	870795	. GASKET, HUB BEARING	1	1	1	
3	870764	. GASKET, VALVE PLATE	3	3	3	
4	N.S.S.	. GASKET / END FLANGE	1	1	1	1
4	950412	. GASKET, SHAFT END COVER / W/TWIN PORT ONLY	1	1	1	
5	870791	. GASKET, SHAFT END COVER	2	2	2	
6	N.S.S.	. GASKET / LEFT & RIGHT CYLINDER HEAD - STANDARDS	2	2	2	1
7	N.S.S.	. GASKET / VALVE PLATE	3	3	3	1
7	950420	. GASKET, VALVE PLATE / W/TWIN PORT ONLY	1	1	1	
8	870760	. GASKET, CENTER CYLINDER HEAD	1	1	1	
8	950421	. GASKET, CYLINDER HEAD / W/TWIN PORT ONLY	1	1	1	
9	870797	. GASKET, L.H & R.H CYLINDER HEAD	2	2	2	
10	N.S.S.	. GASKET / OIL SUPPLY TUBE	1	1	1	1
11	870769	. GASKET, SIGHT GLASS	2	2	2	
11	950424	. GASKET, SIGHT GLASS / (METAL)	1	1	1	
12	870820	. GASKET, UNLOADER	2	2	2	
13	N.S.S.	. GASKET / OIL PUMP COVER	1	1	1	1
14	870753	. GASKET / DISCHARGE VALVE	2	2	2	
14	950425	. GASKET / DISCHARGE VALVE / (METAL)	1	1	1	
15	870786	. GASKET, BOTTOM PLATE	1	1	1	
15	950402	. GASKET, BOTTOM PLATE / (METAL)	1	1	1	
16	870771	. GASKET / OIL PUMP	1	1	1	
17	N.S.S.	. SEAL / SHAFT	1	1	1	1
18	N.S.S.	. GASKET / MOTOR END COVER	1	1	1	1
		1) NOT SOLD SEPARATELY				

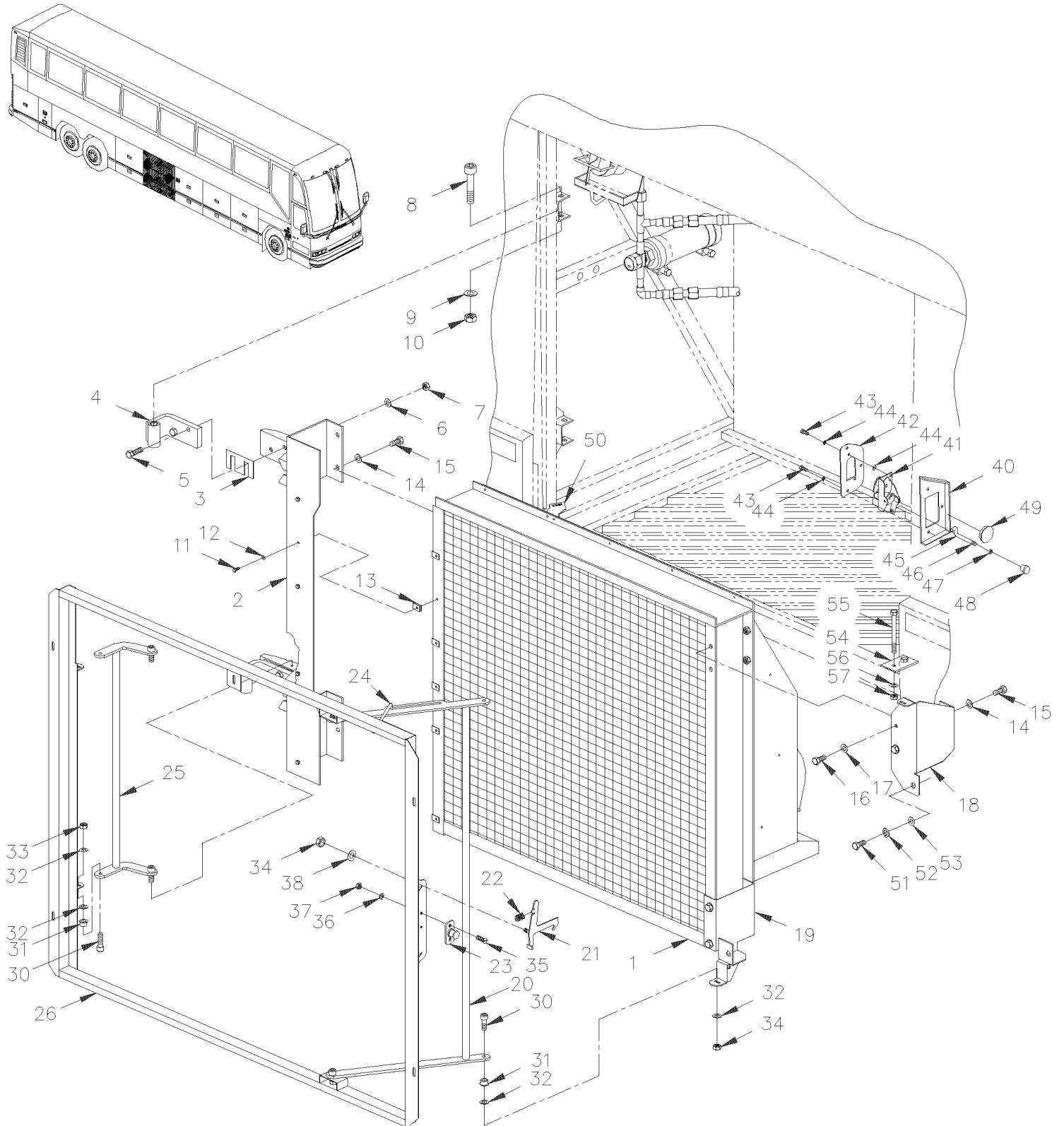


From 3-4417 To 8-1043

Date:10/2022

PAGE:HF-2255-00

CONDENSOR - INSTALLATION





From 3-4417 To 8-1043	Date:10/2022	PAGE:HF-2255-00
CONDENSOR - INSTALLATION		

Item#	Part	Description	H 3 4 1	H 3 4 5	V I P 4 5	N O T E S
1	453013	CONDENSOR COPPER	1	1	1	
. NS	501829	. O-RING / ORS FITTING / #12 NEO	3	3	3	
. NS	N8892888	. O-RING ORS-16, .921 ID X .139 THK	1	1	1	
. NS	N8908582	. FITTING #16 ORS	1	1	1	
. NS	950636	. FITTING	3	3	3	
1	453125P	CONDENSOR COPPER / PAINTED BLACK	1	1	1	O
. NS	501829	. O-RING / ORS FITTING / #12 NEO	3	3	3	O
. NS	N8892888	. O-RING ORS-16, .921 ID X .139 THK	1	1	1	O
2	285484	ATTACHMENT / HINGE	1	1	1	
3	285598	SPACER SHIM	1	1	1	
4	283001	HINGE / CONDENSER DOOR	2	2	2	
5	5001338	SCREW CAP HEX M12-1.75x45 G10.9 N500	4	4	4	
6	500446	WASHER FL .531x1.250x.125 Z050	12	12	12	
7	502591	NUT HEX NYRT M12-1.75 CP	8	8	8	
8	502596	SCREW SHR HEXS 5/8x2 1/4 {1/2-13 Z050	2	2	2	
9	507299	BUSHING NYLINER	4	4	4	A
10	502595	NUT HEX NYRT 1/2-13 Z050	2	2	2	
11	502622	SCREW CAP HEX M6-1.0x20 SS BK	8	8	8	
12	502570	WASHER LO SPT 6.1x11.8x1.6 SS	8	8	8	
13	502738	NUT SPR U M6-1.0 0.6-4.0	8	8	8	
14	5001003	WASHER LO SPT 8.1x12.7x2.0 Z050	8	8	8	
15	5001314	SCREW CAP HEX M12-1.75x19 G8.8 ZP	8	8	8	
16	502528	SCREW CAP HEX M8-1.25x20 G8.8 EMN	6	6	6	
17	500874	WASHER FL 8.4x17.0x1.6 Z050	6	6	6	
NS	502744	NUT HEX STO M8-1.25 Z050	8	8	8	
18	285817	PLATE END / UPPER R.H.	1	1	1	
19	285819	PALTE END / LOWER R.H.	1	1	1	
20	285828	PANTOGRAPH ARM RIGHT	1	1	1	
21	285690	LATCH ASSY	1	1	1	
22	502245	SPRING COMPRESSION / .600 O.D. x 1.25 x .059	1	1	1	
23	780278	PIN, STRIKER STUD	1	1	1	
24	285656	RETAINING ROD	1	1	1	
NS	504323	GROMMET / .375x.500x.062x.281x.687	1	1	1	
25	285826	PANTOGRAPH ARM LEFT	1	1	1	
26	285831	DOOR FRAME (WELDED)	1	1	1	
30	502625	SCREW SHR HEXS 5/16x3/8 {1/4-20	8	8	8	
31	507301	BUSHING NYLINER	8	8	8	
32	500441	WASHER FL .312x.734x.065 Z050	8	8	8	
NS	500975	WASHER FL .378x.620x.094 NYL	8	8	8	
33	500868	NUT HEX NYRT M8-1.25 Z050	4	4	4	
34	5001352	NUT HEX NYRT 1/4-20 SS	4	4	4	
35	500316	SCREW MA FL PH 1/4-28x3/4 SS	2	2	2	



From 3-4417 To 8-1043	Date:10/2022	PAGE:HF-2255-00
CONDENSOR - INSTALLATION		

Item#	Part	Description	H 3 4 1	H 3 4 5	V I P 4 5	N O T E S
36	502583	WASHER LO SERR 8.15x22.3x1.0 Z050	2	2	2	B
37	500692	NUT HEX 1/4-28 Z050	2	2	2	
38	500985	WASHER FL .343x.875x.125 Z050	2	2	2	
40	282988	PLATE HOLDER / WELDED TO STRUCTURE	1	1	1	
41	780652	LOCK SPAGNOLET L.H. / W/G-FITTING	1	1	1	
. NS	780340	. CLIP, RETAINER ROD	1	1	1	
. NS	507607	. GREASE FITTING / M6-1.00	1	1	1	
42	285765	PLATE ADAPTOR	1	1	1	
43	502563	SCREW CAP HEX M6-1.0x12 G8.8 Z050	5	5	5	
44	502564	WASHER LO SPT 6.1x11.8x1.6 Z050	5	5	5	
45	282984	ROD OPENING 52MM	1	1	1	
46	504083	SNAP BUSHING / .250x.468.406	1	1	1	
47	500764	NUT HEX #8-32 Z050	1	1	1	
48	505504	KNOB, PULL / 8-32	1	1	1	
49	507295	HOLE PLUG BUTTON / 1.375 O.D. BLACK	1	1	1	
50	453015	BELT RETAINER	1	1	1	
NS	505507	STRAP NYLON 1" WIDE / S.L.	AR	AR	AR	
51	5001231	SCREW CAP HEX M10-1.5x25 SS	2	2	2	
52	502616	WASHER LO SPT 10.2x18.1x2.2 SS	2	2	2	
53	500270	WASHER FL .406x1.000x.063 SS	2	2	2	
54	482328	BLOCK SUPPORT	1	1	1	
NS	482329	SHIM	AR	AR	AR	
55	500346	SCREW MA FL PH 1/4-20x1 SS BK	2	2	2	
56	500473	WASHER LO SPT .262x.489x.062 Z050	2	2	2	
57	500771	NUT HEX 1/4-20 SS	2	2	2	
		A) TO FIX DOOR HINGES				
		B) W/ITEM 4 & 16				
		O) OPTION				

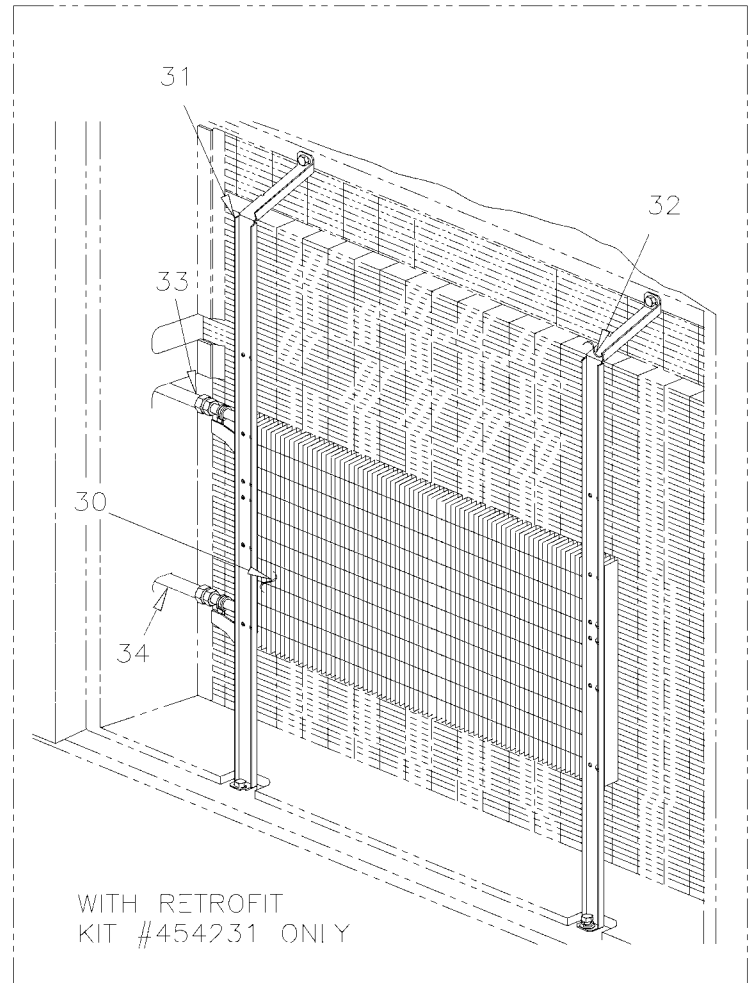
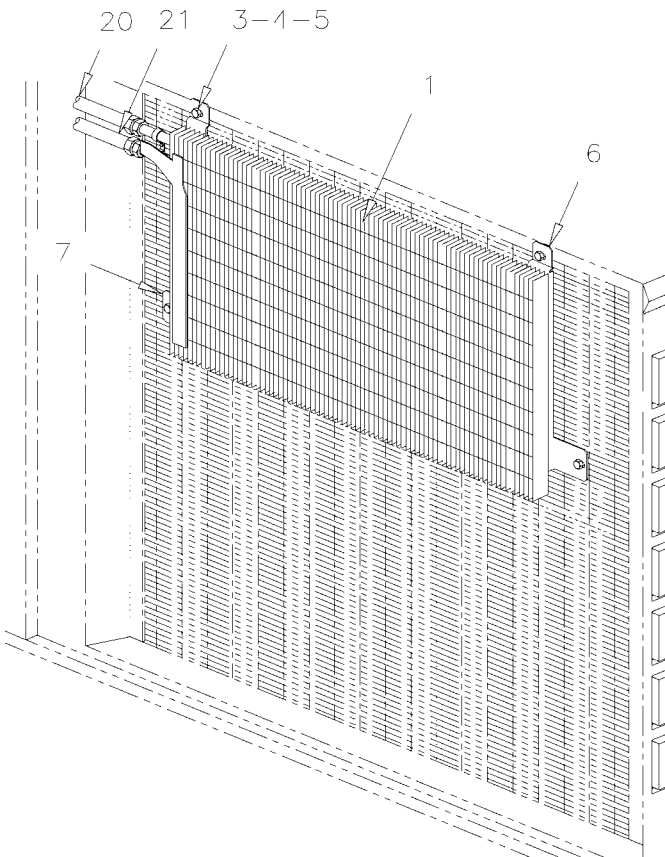
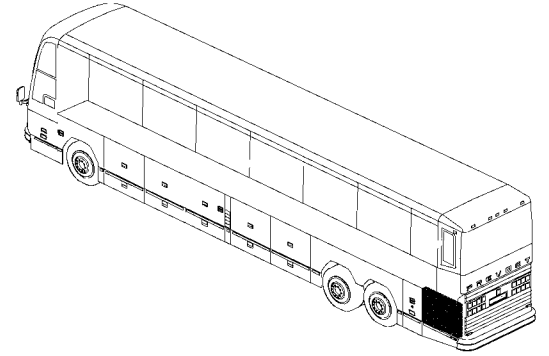


From 3-4417 To 3-4757

Date:10/2022

PAGE:HF-2255-50

CONDENSOR - INSTALLATION SMALL A/C SYSTEM





From 3-4417 To 3-4757 Date:10/2022 PAGE:HF-2255-50

CONDENSOR - INSTALLATION SMALL A/C SYSTEM

Item#	Part	Description	H 3 4 1	H 3 4 5	V I P 4 5	N O T E S
1	950335	CONDENSER COIL			1	
1	IS14130	RETROFIT KIT FOR OBSOLETE CONDENSORS 950018 & 950335			1	
3	500179	SCREW CAP HEX 5/16-18x3/4 G5 Z050			4	
4	502583	WASHER LO SERR 8.15x22.3x1.0 Z050			4	
5	500985	WASHER FL .343x.875x.125 Z050			4	
6	453586	SUPPORT FORWARD			1	
7	453587	SUPPORT BACKWARD			1	
20	453294	HOSE ASSY / #8 1500MM			1	
. NS	507343	. O-RING / ORS FITTING / #8 NEO			2	
20	455207	HOSE ASSY / #8 1500MM			1	S
. NS	507343	. O-RING / ORS FITTING / #8 NEO			2	S
21	453295	HOSE ASSY / #6 1180MM			1	
. NS	507278	. O-RING / ORS FITTING / #4 NEO			2	
21	455208	HOSE ASSY / #6 1180MM			1	S
. NS	507278	. O-RING / ORS FITTING / #4 NEO			2	S
30	950381	CONDENSOR COIL			1	A
30	950467	CONDENSOR COIL E-COAT LT-8			1	A S
31	454230	SUPPORT FORWARD			1	A
32	454229	SUPPORT BACKWARD			1	A
33	454226	HOSE ASSY / #8 1175MM			1	A
. NS	507343	. O-RING / ORS FITTING / #8 NEO			2	A
33	455293	HOSE ASSY / #8 1175MM			1	A S
. NS	507343	. O-RING / ORS FITTING / #8 NEO			2	A S
34	454224	HOSE ASSY / #6 550MM			1	
. NS	507278	. O-RING / ORS FITTING / #4 NEO			1	
NS	454231	KIT, RETROFIT "SELTEC" COMPRESSOR / W/V.I.P. To 3-4757			1	
. NS	IS-04009	. SEE INSTRUCTION SHEET To 3-4757			1	
		A) USE ONLY WITH "SELTEC" RETROFIT #454231				
		S) SERVICE				

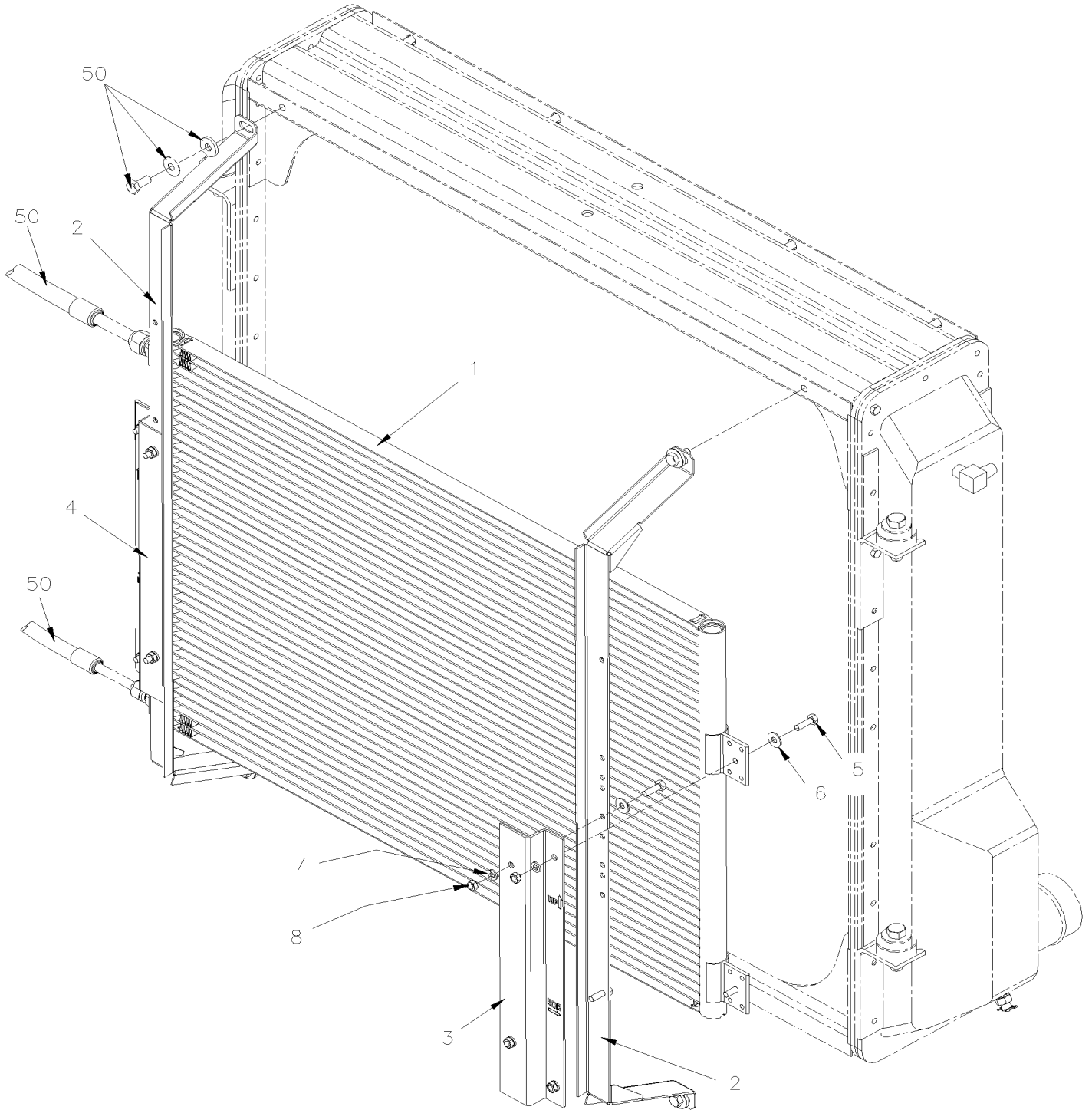


From 3-4417 To 3-4757

Date:10/2022

PAGE:IS14130

RETROFIT KIT FOR OBSOLETE CONDENSORS 950018 & 950335





From 3-4417 To 3-4757	Date:10/2022	PAGE:IS14130
RETROFIT KIT FOR OBSOLETE CONDENSORS 950018 & 950335		

Item#	Part	Description	H 3 4 1	H 3 4 5	V I P 4 5	N O T E S
1	950958	CONDENSOR COIL E-COAT 8.2	1	1	1	
2	052382	SUPPORT	2	2	2	
3	053697	SUPPORT / REAR	1	1	1	
4	053698	SUPPORT / FRONT	1	1	1	
5	502622	SCREW CAP HEX M6-1.0x20 SS BK	8	8	8	
6	500411	WASHER FL .260x.697x.050 SS	8	8	8	
7	502570	WASHER LO SPT 6.1x11.8x1.6 SS	8	8	8	
8	502565	NUT HEX M6-1.0 SS	8	8	8	
10	IS-14130	SEE INSTRUCTION SHEET	1	1	1	
10	FI-14130	VOIR FEUILLE D'INSTRUCTION	1	1	1	
50	XL-2255-10	CONDENSOR - INSTALLATION - AUXILIARY A/C From P-722 To Y-7045				
50	Y2-2255-10	CONDENSOR - INSTALLATION SMALL A/C SYSTEM From Y-7046 To 3-8164				
50	H3-2255-50	CONDENSOR - INSTALLATION SMALL A/C SYSTEM From X-2458 To 2-4416			1	
50	HF-2255-50	CONDENSOR - INSTALLATION SMALL A/C SYSTEM From 3-4417 To 3-4757			1	

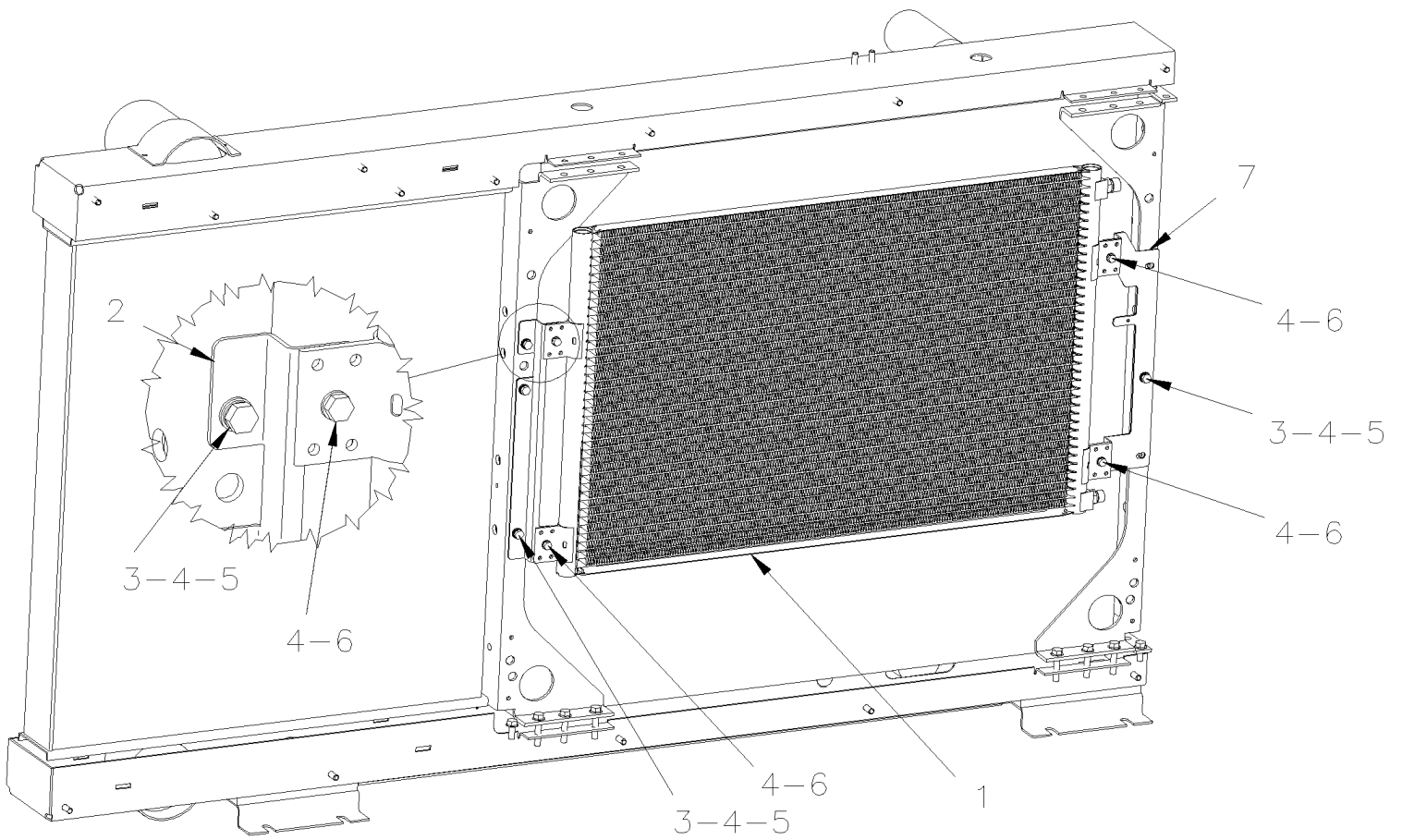


From 4-4758 To 8-1043

Date:10/2022

PAGE:HF-2255-51

CONDENSOR - INSTALLATION SMALL A/C SYSTEM





From 4-4758 To 8-1043	Date:10/2022	PAGE:HF-2255-51
-----------------------	--------------	-----------------

CONDENSOR - INSTALLATION SMALL A/C SYSTEM

Item#	Part	Description	H 3 4 1	H 3 4 5	V I P 4 5	N O T E S
1	950381	CONDENSOR COIL			1	
1	950467	CONDENSOR COIL E-COAT LT-8			1	
2	454050	SUPPORT FORWARD			1	
3	502848	SCREW TC CAP HEXF 1/4-20x3/4 N500			AR	
4	955920	WASHER LO SPT 6.5x11.5x1.6 ZP			AR	
5	500877	WASHER FL .250x.562x.065 N500			AR	
6	502830	SCREW CAP HEX M6-1.0x20 G8.8 N500			AR	
7	454051	SUPPORT BACKWARD			1	

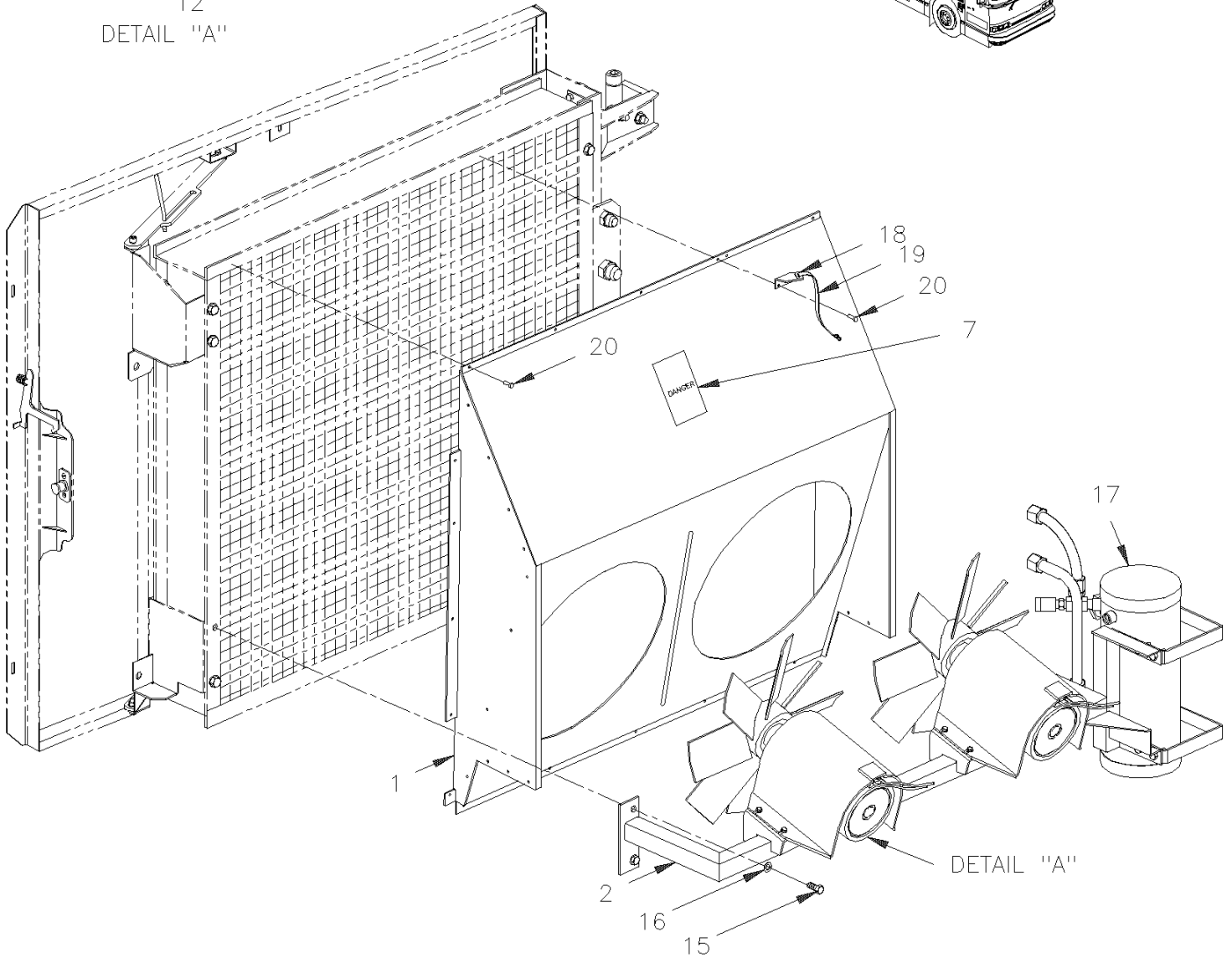
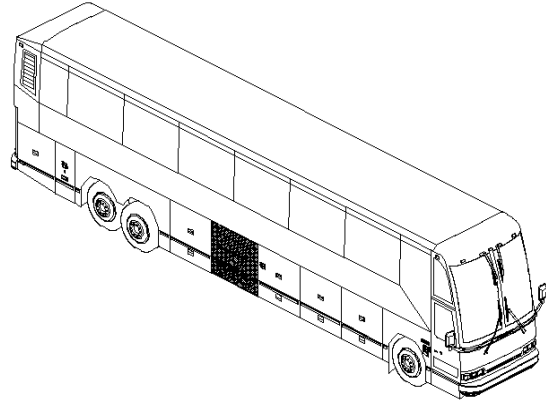
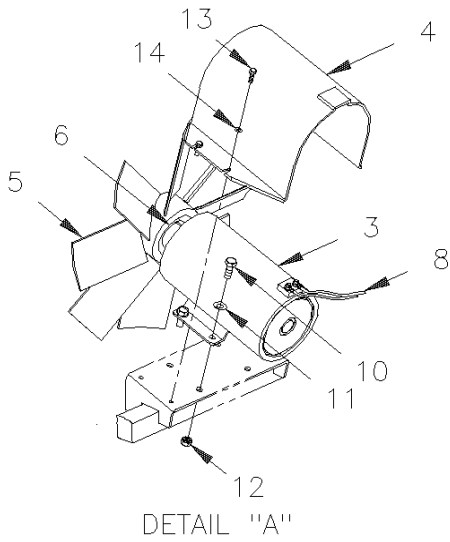


From 3-4417 To 8-1043

Date:10/2022

PAGE:HF-2260-00

CONDENSOR FAN - INSTALLATION





From 3-4417 To 8-1043	Date:10/2022	PAGE:HF-2260-00
-----------------------	--------------	-----------------

CONDENSOR FAN - INSTALLATION

Item#	Part	Description	H 3 4 1	H 3 4 5	V I P 4 5	N O T E S
1	452948	SHROUD	1	1	1	
2	453090	FAN MOTOR & RECEIVER TANK SUPPORT To 3-4428	1	1	1	
2	453616	FAN MOTOR & RECEIVER TANK SUPPORT From 3-4429 To 3-4730	1	1	1	
2	457130	FAN MOTOR & RECEIVER TANK SUPPORT From 3-4731	1	1	1	
NS	283482	SHIM 138MM X 45MM X 24GA SS To 3-4428	AR	AR	AR	
NS	453686	SHIM 142MM X 46MM X 24GA SS From 3-4429	AR	AR	AR	
3	HF-2265-50	MOTOR - CONDENSOR - "PREVOST" - TF-12 To 3-4427				
3	HF-2265-51	MOTOR - CONDENSOR - "PREVOST" - T11G From 3-4428 To 6-0436				
3	HF-2265-52	MOTOR - CONDENSOR - "PREVOST" - T114 From 6-0437				
3	HF-2265-53	MOTOR - CONDENSOR BRUSHLESS				O
4	453016	PROTECTOR COVER	2	2	2	
5	871090	FAN BLADE	2	2	2	
6	452069	KEY	2	2	2	
7	402792	DECAL / "DANGER" SHUT DOWN A/C BEFORE SERVI. / ENGLISH & FRANCAIS	1	1	1	
7	405637	DECAL / "DANGER" SHUT DOWN A/C BEFORE SERVI. / ENGLISH & SPANISH	1	1	1	
8	065273	CABLE ASSY / RR BAT. COMPT & EVAPO. PANEL	1	1	1	
10	502528	SCREW CAP HEX M8-1.25x20 G8.8 EMN	12	12	12	
11	500874	WASHER FL 8.4x17.0x1.6 Z050	12	12	12	
12	502744	NUT HEX STO M8-1.25 Z050	8	8	8	
13	502568	SCREW MA PAN PH M6-1.0x20 EMN	8	8	8	
14	500468	WASHER FL .281x1.250x.065 Z050	8	8	8	
15	5001314	SCREW CAP HEX M12-1.75x19 G8.8 ZP	4	4	4	
16	5001003	WASHER LO SPT 8.1x12.7x2.0 Z050	4	4	4	
17	HF-2270-00	RECEIVER TANK & FILTER DRYER				
18	453015	BELT RETAINER	1	1	1	
19	505507	STRAP NYLON 1" WIDE / S.L.	AR	AR	AR	
20	504488	RIVET MGLP PRDG 3/16x17/64 SS	2	2	2	
NS	562303	SWITCH / S.P.S.T. / N.C. To 6-0359	1	1	1	
20	563464	SWITCH / S.P.S.T. / N.C. / W/RUBBER BOOT From 6-0360	1	1	1	
21	IS16903	CONDENSOR BRUSHLESS FAN INSTALLATION MULTIPLEX KIT From 5-0168	1	1	1	
		O) OPTION BRUSHLESS MOTOR				

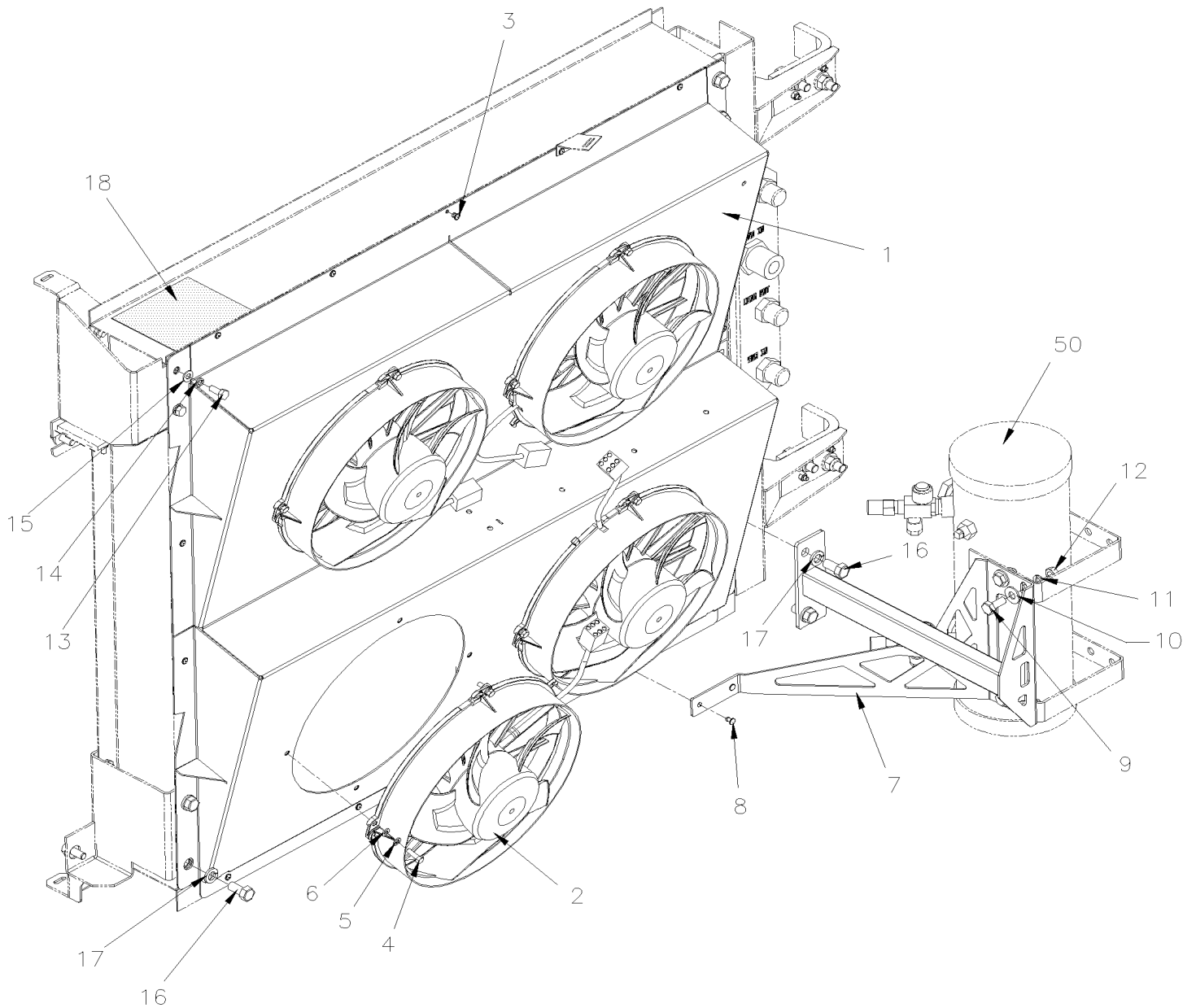
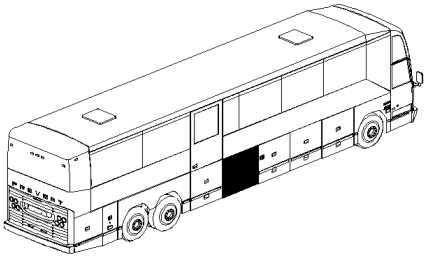


From 3-4417 To 8-1043

Date:10/2022

PAGE:HF-2260-99

CONDENSOR FANS - INSTALLATION W/4 MOTORS "RETROFIT"





From 3-4417 To 8-1043 Date:10/2022 PAGE:HF-2260-99

CONDENSOR FANS - INSTALLATION W/4 MOTORS "RETROFIT"

Item#	Part	Description	H 3 4 1	H 3 4 5	V I P 4 5	N O T E S
1	454583	SHROUD FAN	1	1	1	
1	455324	SHROUD FAN	1	1	1	
2	563461	CONDENSOR FAN ASSY 24V	4	4	4	
. NS	563691	. CONNECTOR / JUNIOR POWER TIMER / SH 6C / AMP 1-963212-1	1	1	1	
2	565881	CONDENSOR FAN ASSY 24V	4	4	4	
. NS	563691	. CONNECTOR / JUNIOR POWER TIMER / SH 6C / AMP 1-963212-1	1	1	1	
3	504488	RIVET MGLP PRDG 3/16x17/64 SS	12	12	12	
4	502622	SCREW CAP HEX M6-1.0x20 SS BK	16	16	16	
5	502570	WASHER LO SPT 6.1x11.8x1.6 SS	16	16	16	
6	502573	WASHER FL 6.4x12.5x1.6 SS	16	16	16	
7	457443	SUPPORT RECEIVER TANK	1	1	1	
8	504487	RIVET MGLP PRDG 3/16x7/16 SS	2	2	2	
9	502559	SCREW CAP HEX M10-1.5x25 G8.8 Z050	2	2	2	
10	500445	WASHER FL .437x1.000x.083 Z050	2	2	2	
11	500257	WASHER LO SPT 10.2x18.1x2.2 Z050	2	2	2	
12	500256	NUT HEX M10-1.5 Z050	2	2	2	
13	502528	SCREW CAP HEX M8-1.25x20 G8.8 EMN	2	2	2	
14	5001003	WASHER LO SPT 8.1x12.7x2.0 Z050	2	2	2	
15	500874	WASHER FL 8.4x17.0x1.6 Z050	2	2	2	
16	500850	SCREW CAP HEX M12-1.75X25 G8.8 Z050	6	6	6	
17	500482	WASHER LO SPT .506x.873x.125 Z050	6	6	6	
18	402792	DECAL / "DANGER" SHUT DOWN A/C BEFORE SERVI. / ENGLISH & FRANCAIS	1	1	1	
18	405637	DECAL / "DANGER" SHUT DOWN A/C BEFORE SERVI. / ENGLISH & SPANISH	1	1	1	
		TO COMPLETE YOU NEED FOLLOWING ITEMS				
20	066875	CABLE RJB TO CONDENSOR FANS & FUEL SENSOR	1	1	1	R
NS	563691	CONNECTOR / JUNIOR POWER TIMER / SH 6C / AMP 1-963212-1	4	4	4	
NS	563692	SOCKET TERMINAL / 20-16 / AMP 964285-2	24	24	24	
NS	563145	SEAL PLUG / NATURAL / AMP 828922-1	24	24	24	
50	HF-2270-00	RECEIVER TANK & FILTER DRYER				
		R) WHIT THIS CABLE YOU MAY BE USE ONLY FANS MOTORS SECTIONS OR ORDER CONNECTORS BELOOW SEPARATELY				

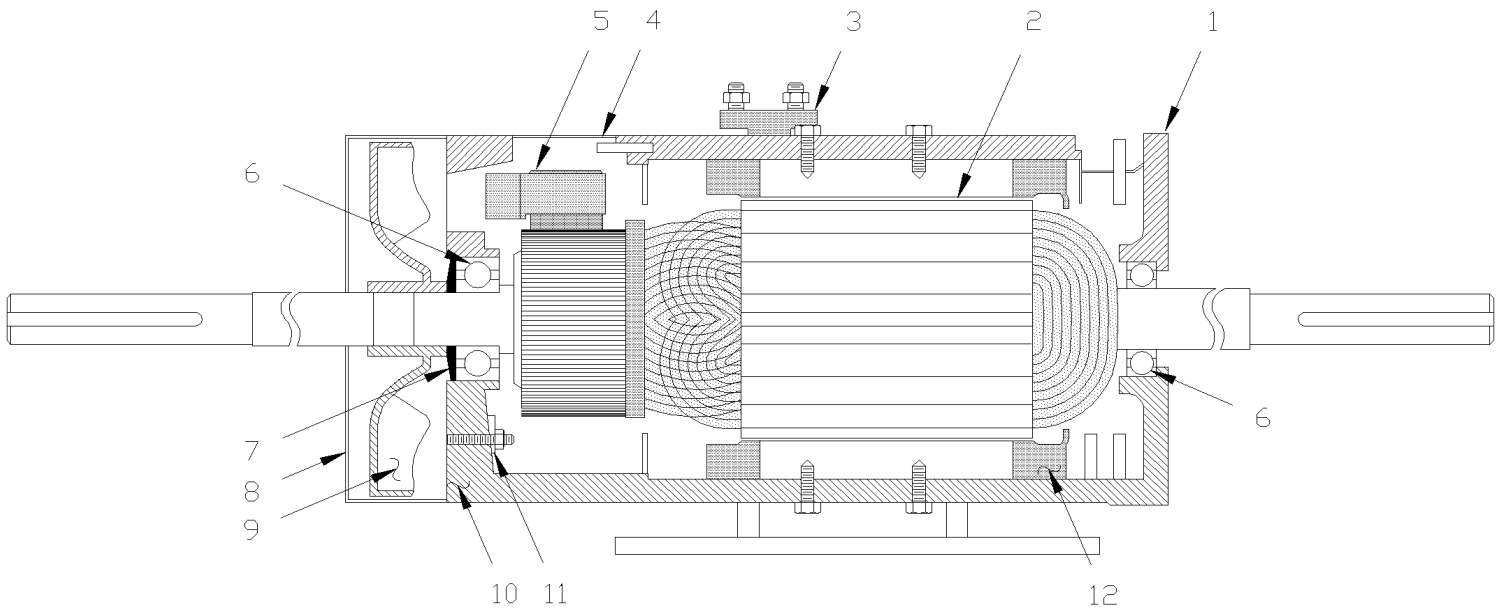


From 3-4417 To 8-1043

Date:10/2022

PAGE:HF-2265-00

MOTOR - EVAPORATOR - "PREVOST" - T-17 - 2 SPEEDS





From 3-4417 To 8-1043	Date:10/2022	PAGE:HF-2265-00
MOTOR - EVAPORATOR - "PREVOST" - T-17 - 2 SPEEDS		

Item#	Part	Description	H 3 4 1	H 3 4 5	V I P 4 5	N O T E S
	563008	MOTOR "PREVOST" / 2.1 HP / 1400 & 1880 RPM / (STAMPED T-17)	1	1	1	
1	563079	. COVER	1	1	1	
2	563077	. ARMATURE MOTOR	1	1	1	
3	563122	. BLOCK, RECEPTACLE	1	1	1	
4	562527	. GRILLE PROTECTOR	1	1	1	
5	562951	. BRUSH	4	4	4	
6	561210	. BALL BEARING	2	2	2	
7	561211	. WASHER SPRING	1	1	1	
8	562521	. COVER / FAN END	1	1	1	
9	562526	. FAN	1	1	1	
10	563078	. COVER / COMMUTATOR END	1	1	1	
11	563081	. BRUSH HOLDER ASSY / W/SPRING	1	1	1	
11	562546	. . SPRING, TORSION / .750 O.D. x .322 x .020	4	4	4	
12	563080	. STATOR WOUND / COMPLETE	1	1	1	
NS	453830	KIT, SERVICE, REPLACEMENT BRUSH MOTOR	1	1	1	
. NS	IS-05903	. SEE INSTRUCTION SHEET	1	1	1	
. NS	562951	. BRUSH	4	4	4	
. NS	680309	. HONING / STONE (FOR CLEAN COMMUTATOR)	2	2	2	



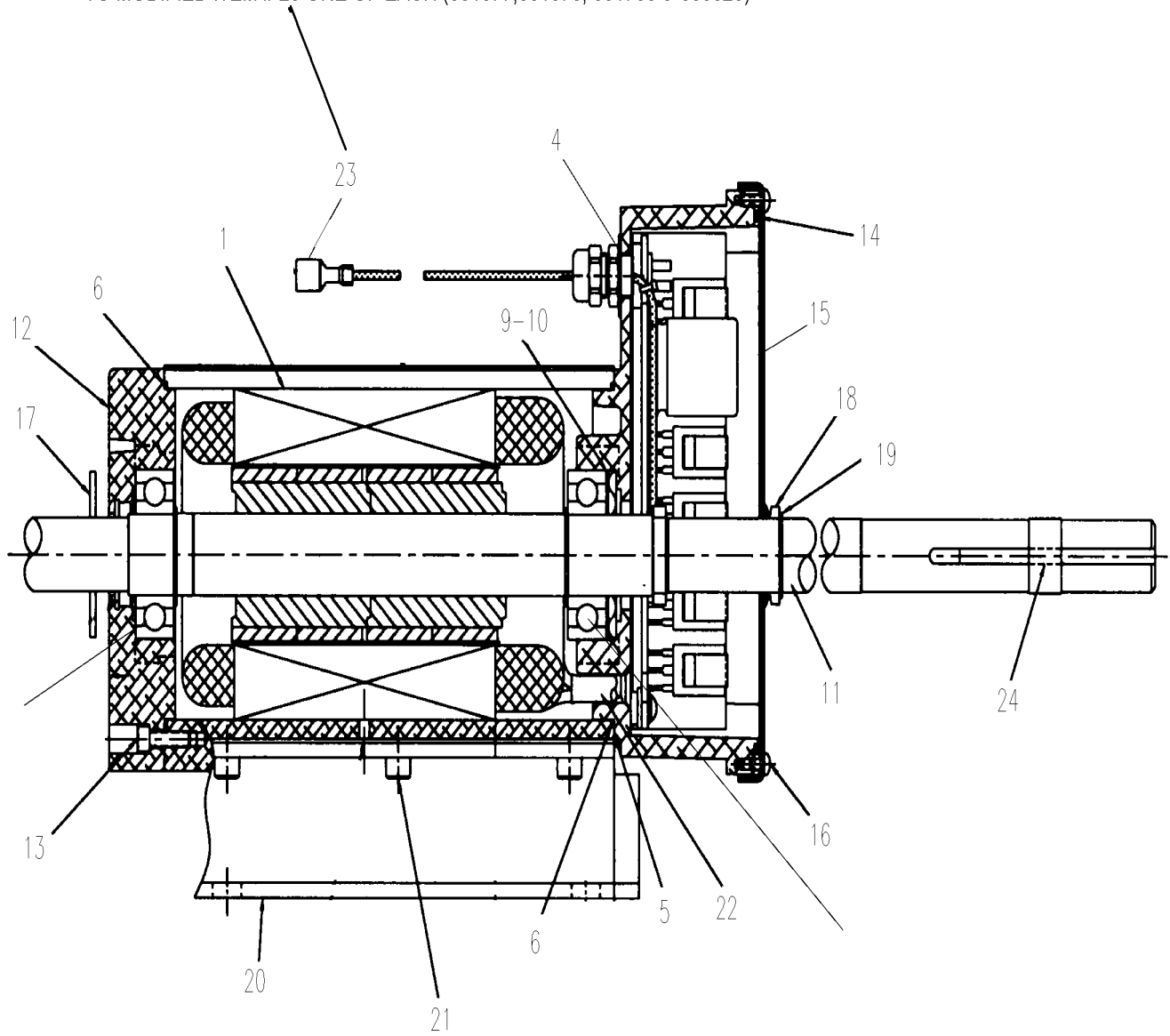
From 3-4417 To 5-0168

Date:10/2022

PAGE:HF-2265-01

MOTOR - EVAPORATOR BRUSHLESS

NOTE.: IN REPLACEMENT OF FORMER MOTOR MODEL YOU REQUIRE THOSE PARTS
TO MODIFIED ITEM # 23 ONE OF EACH (561577,561578, 561786 & 563623)





From 3-4417 To 5-0168	Date:10/2022	PAGE:HF-2265-01
MOTOR - EVAPORATOR BRUSHLESS		

Item#	Part	Description	H 3 4 1	H 3 4 5	V I P 4 5	N O T E S
	563586	MOTOR EVAPORATOR BRUSHLESS / (E-50348-0A)	1	1		S
	564216	MOTOR EVAPORATOR BRUSHLESS / 2 SPEEDS	1	1		
		"WARNING" - "WARNING" -"WARNING" - "WARNING"				
		THE FOLLOWING PARTS NUMBER ARE NOT				
		"PREVOST" NUMBER AND IT NOT IN S.A.P. SYSTEM				
		THEY ARE O.E.M. MFG NUMBER				
1	Call order desk	. MOTOR ASSY / COMPLETE	1	1		P
4	564621	. CONTROLLER ASSEMBLY	1	1		
5	Call order desk	. GASKET	1	1		P
6	Call order desk	. O-RING 3.989" x .070"	1	1		P
7	Call order desk	. SCREW MA PAN 8-32 x ?	1	1		P
8	Call order desk	. HEAT-SHRINK TUBING	1	1		P
9	Call order desk	. WAVE SPRING	1	1		P
10	Call order desk	. SHIM	1	1		P
11	Call order desk	. SHAFT / ROTOR ASSY W/KEYS	1	1		P
12	Call order desk	. ENDBELL	1	1		P
13	Call order desk	. SCREW MA PAN 8-32 x .875"	1	1		P
14	Call order desk	. O-RING SEAL	1	1		P
15	Call order desk	. COVER	1	1		P
16	Call order desk	. SCREW MA PAN #6-32	1	1		P
17	Call order desk	. SLINGER	1	1		P
18	Call order desk	. V-SEAL	1	1		P
19	Call order desk	. EXTERNAL RETAINING RING	1	1		P
20	Call order desk	. BASE PLATE	1	1		P
21	Call order desk	. SCREW CAP HEXS 1/4-20 x ?	1	1		P
22	Call order desk	. TUBING	1	1		P
23	Call order desk	. TERMINAL (0.032 X 0.25)	1	1		P
24	Call order desk	. KEY SQUARE 3/16" x 3"	1	1		P
30	032937	KIT / SHAFT SHIELD	1	1	1	S
. NS	033188	. SHIELD / SHAFT	1	1	1	S
. NS	500443	. SCREW TP PAN PH #8x1/2 N500	5	5	5	S
. NS	IS-10125	. SEE INSTRUCTION SHEET	1	1	1	S
		S) USE WITH OLD MOTOR 563586 WITHOUT SEAL ON THE SHAFT				
		P) CALL ORDER DESK FOR SPECIFIC APPLICATION (V.I.N.)				

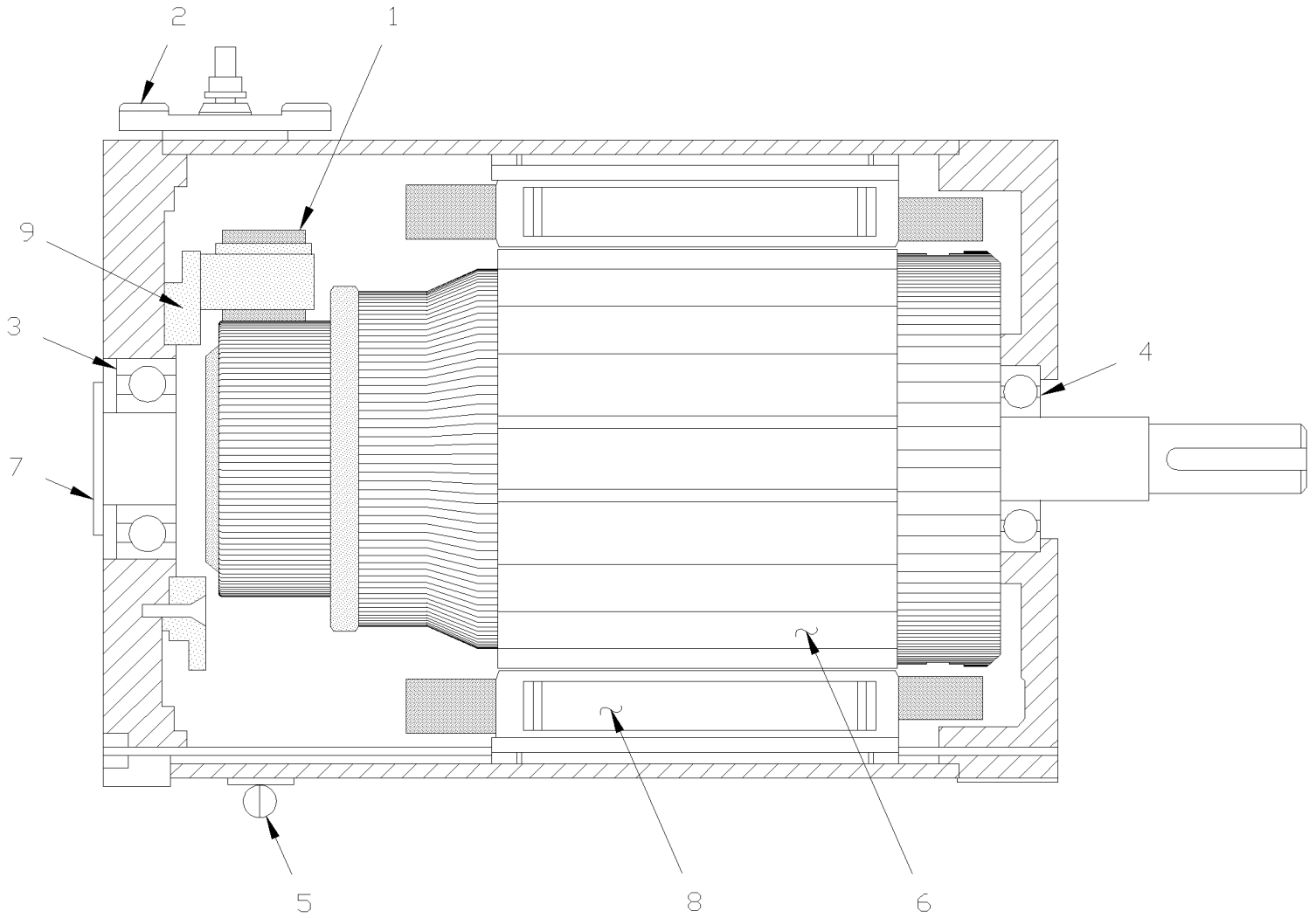


From 3-4417 To 3-4427

Date:10/2022

PAGE:HF-2265-50

MOTOR - CONDENSOR - "PREVOST" - TF-12





From 3-4417 To 3-4427	Date:10/2022	PAGE:HF-2265-50
MOTOR - CONDENSOR - "PREVOST" - TF-12		

Item#	Part	Description	H 3 4 1	H 3 4 5	V I P 4 5	N O T E S
	562579	MOTOR / .57 HP / 1950 RPM / MODEL TF-12 / W/2" SHAFT	2	2	2	A
1	561914	. BRUSH	4	4	4	
2	561913	. BOARD, TERMINAL	1	1	1	
3	507226	. BALL BEARING	1	1	1	
4	507308	. BALL BEARING	1	1	1	
5	562097	. STRAP ASSY W/HOOK	1	1	1	
6	563119	. ARMATURE / TF12 / W/2" SHAFT	1	1	1	
7	562653	. CAP PROTECTOR	1	1	1	
8	563121	. FIELD COIL ASSY	1	1	1	
9	563072	. COVER ASSY / WITH BRUSH HOLDER	1	1	1	
NS	562545	. SPRING, TORSION / .875 O.D. x .317 x .0	4	4	4	
50	066644	KIT RETROFIT MOTOR T114 W/CONNECTORS / W/2" SHAFT / SERVICE	1	1	1	
NS	563595	PIN TERMINAL / 12-10 / PED 12052139	2	2	2	
NS	563596	SOCKET TERMINAL / 12 / PED 12065197	2	2	2	
NS	563597	CABLE SEAL / PURPLE / PED 15324990	4	4	4	
NS	563599	CAP LOCK CONNECTOR / GRAY / PED 12020833	1	1	1	
NS	563600	CONNECTOR / METRI-PACK 480 / 2C PH / PED 12052613	1	1	1	
NS	563601	CONNECTOR / METRI-PACK 480 / 2C SH / PED 12065863	1	1	1	
NS	563602	SECONDARY LOCK / METRI-PACK 480 / 2C / BLACK / PED 12059897	2	2	2	
		A) THIS MOTORS IT SUPPERSEDED BY KIT # 066644				

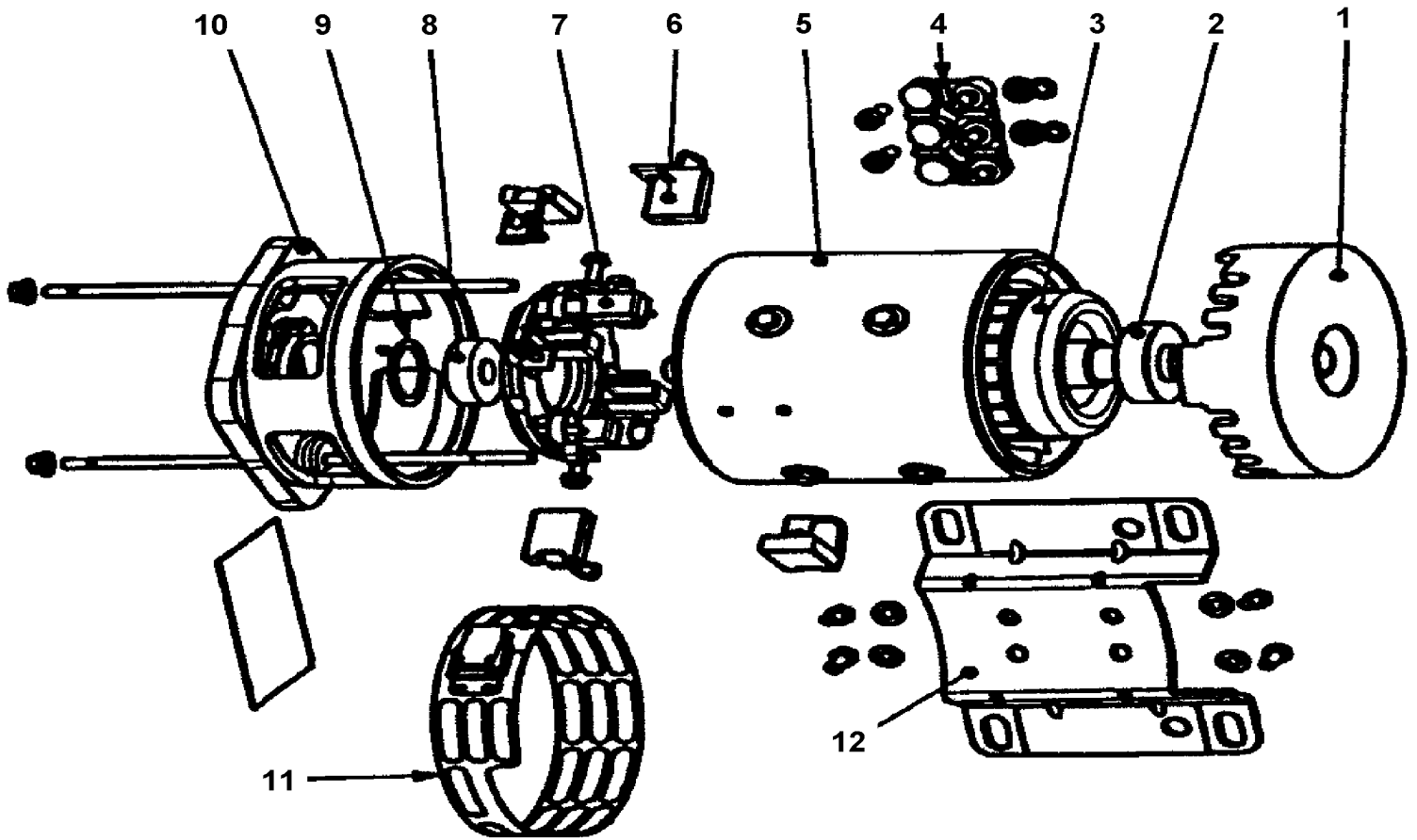


From 3-4428 To 6-0436

Date:10/2022

PAGE:HF-2265-51

MOTOR - CONDENSOR - "PREVOST" - T11G



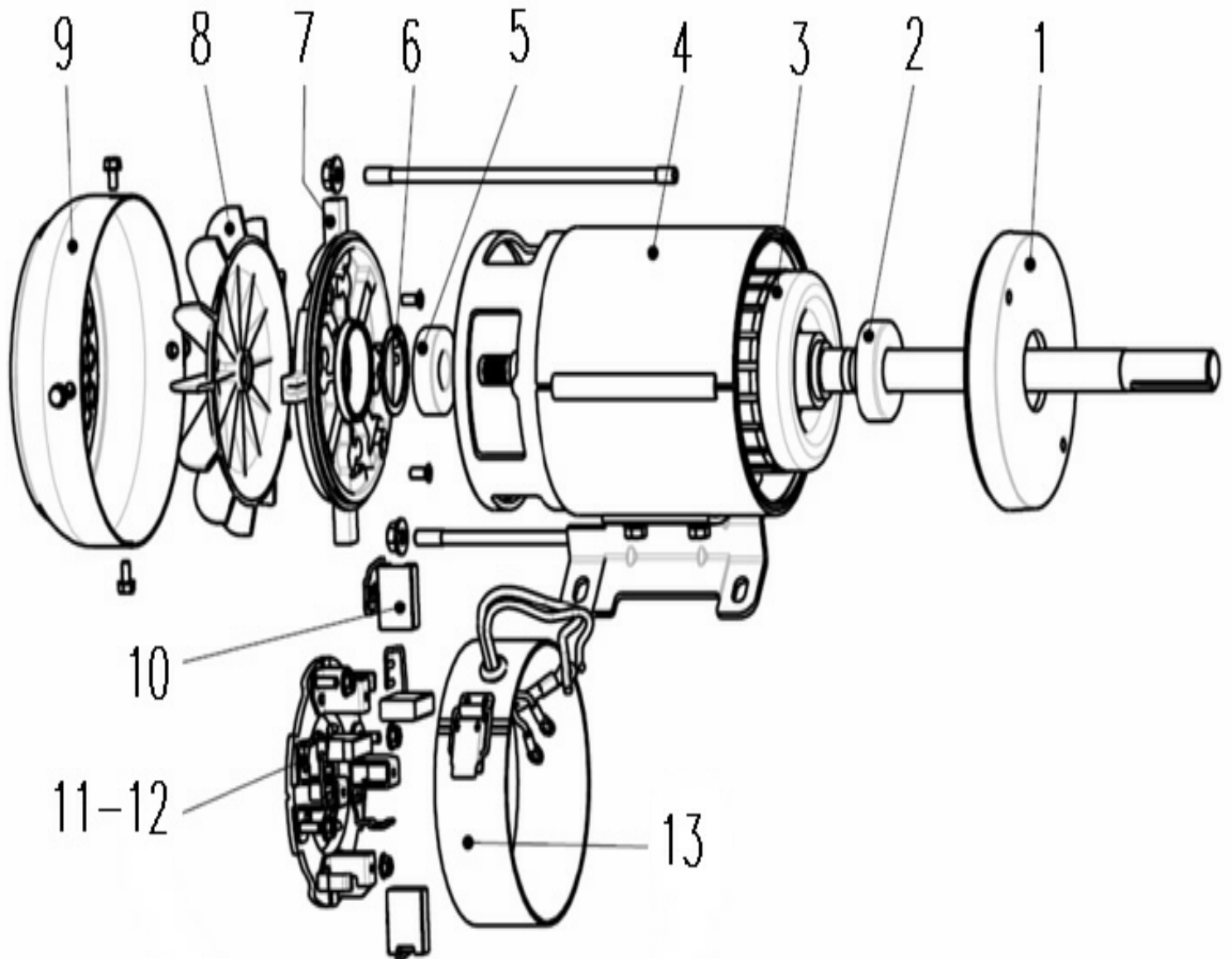


From 3-4428 To 6-0436	Date:10/2022	PAGE:HF-2265-51
MOTOR - CONDENSOR - "PREVOST" - T11G		

Item#	Part	Description	H 3 4 1	H 3 4 5	V I P 4 5	N O T E S
	563051	MOTOR / .57 HP / 1950 RPM / MODEL TF-11G / W/2" SHAFT	2	2	2	AB
1	563114	. COVER	1	1	1	
2	507226	. BALL BEARING	1	1	1	
3	563112	. ARMATURE / T11G / W/2" SHAFT	1	1	1	
4	563117	. BLOCK TERMINAL	1	1	1	
5	563110	. FIELD COIL ASSY	1	1	1	
6	561914	. BRUSH	4	4	4	
7	563111	. BRUSH HOLDER ASSY	1	1	1	
7	562545	. . SPRING, TORSION / .875 O.D. x .317 x .0	4	4	4	
8	560974	. BALL BEARING	1	1	1	
9	561211	. WASHER SPRING	1	1	1	
10	563113	. COVER COMUTATOR END	1	1	1	
11	563116	. GRILL PROTECTOR	1	1	1	
12	563115	. REMOVABLE SOCKET	1	1	1	
50	453625	KIT RETROFIT MOTOR / W/2" SHAFT	AR	AR	AR	
. NS	IS-00051	. SEE INSTRUCTION SHEET	1	1	1	
51	066644	KIT RETROFIT MOTOR T114 W/CONNECTORS / W/2" SHAFT	AR	AR	AR	
NS	563595	PIN TERMINAL / 12-10 / PED 12052139	2	2	2	
NS	563596	SOCKET TERMINAL / 12 / PED 12065197	2	2	2	
NS	563597	CABLE SEAL / PURPLE / PED 15324990	4	4	4	
NS	563599	CAP LOCK CONNECTOR / GRAY / PED 12020833	1	1	1	
NS	563600	CONNECTOR / METRI-PACK 480 / 2C PH / PED 12052613	1	1	1	
NS	563601	CONNECTOR / METRI-PACK 480 / 2C SH / PED 12065863	1	1	1	
NS	563602	SECONDARY LOCK / METRI-PACK 480 / 2C / BLACK / PED 12059897	1	1	1	
		A) THIS MOTOR IS INCLUDE IN KIT #453625				
		B) THIS MOTORS IT SUPPERSEDED BY KIT # 066644				



From 6-0437 To 8-1043	Date:10/2022	PAGE:HF-2265-52
MOTOR - CONDENSOR - "PREVOST" - T114		





From 6-0437 To 8-1043	Date:10/2022	PAGE:HF-2265-52
MOTOR - CONDENSOR - "PREVOST" - T114		

Item#	Part	Description	H 3 4 1	H 3 4 5	V I P 4 5	N O T E S
	Call order desk	MOTOR / .57 HP / 1950 RPM / MODEL T114 / W/2" SHAFT & CONNECTORS	1	1	1	P
	563454	. MOTOR / .57 HP / 1950 RPM / MODEL T114 / W/2" SHAFT / US MOTOR	2	2	2	C
	560424	. MOTOR / .57 HP / 1950 RPM // W/2" SHAFT / SCOTT DC SERVICE	2	2	2	C
1	563729	. . COVER				
2	560974	. . BALL BEARING	1	1	1	
3	563726	. . ARMATURE / T114 / W/2" SHAFT				
4	563727	. . PERMANENT MAGNET / ASSY W/CASE				
5	0907240	. . BALL BEARING	1	1	1	
6	N.P.N.	. . PRELOAD WASHER	1	1	1	4
7	563728	. . COVER COMMUTATOR END				
8	563730	. . FAN				
9	563732	. . COVER FAN PROTECTOR				
10	561914	. . BRUSH	4	4	4	
11	563111	. . BRUSH HOLDER ASSY	1	1	1	
12	562545	. . . SPRING, TORSION / .875 O.D. x .317 x .0	4	4	4	
13	563731	. . PROTECTOR GRILL				
NS	563595	. PIN TERMINAL / 12-10 / PED 12052139	2	2	2	
NS	563596	. SOCKET TERMINAL / 12 / PED 12065197	2	2	2	
NS	563597	. CABLE SEAL / PURPLE / PED 15324990	4	4	4	
NS	563599	. CAP LOCK CONNECTOR / GRAY / PED 12020833	1	1	1	
NS	563600	. CONNECTOR / METRI-PACK 480 / 2C PH / PED 12052613	1	1	1	
NS	563601	. CONNECTOR / METRI-PACK 480 / 2C SH / PED 12065863	1	1	1	
NS	563602	. SECONDARY LOCK / METRI-PACK 480 / 2C / BLACK / PED 12059897	2	2	2	
		C) SERVICE PARTS OF MOTOR ARE NOT INTERCHANGEABLE BETWEEN 563454 AND 560424				
		4) NO PARTS NUMBER				
		P) CALL ORDER DESK FOR SPECIFIC APPLICATION (V.I.N.)				

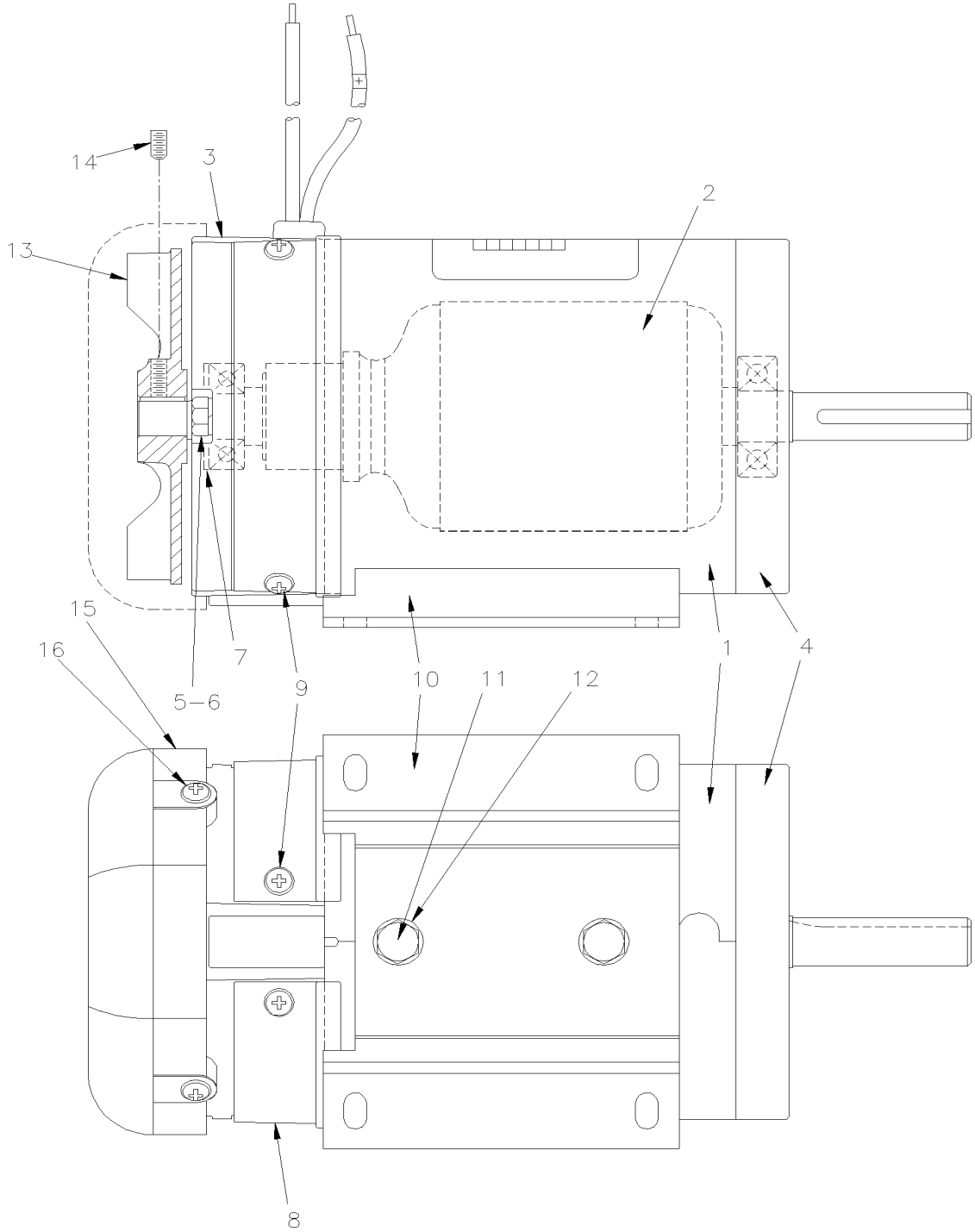


From 6-0437 To 8-1043

Date:10/2022

PAGE:560424

MOTOR / .57 HP / 1950 RPM // W/2" SHAFT / SCOTT DC





From 6-0437 To 8-1043	Date:10/2022	PAGE:560424
MOTOR / .57 HP / 1950 RPM // W/2" SHAFT / SCOTT DC		

Item#	Part	Description	H 3 4 1	H 3 4 5	V I P 4 5	N O T E S
1	Call order desk	FRAME ASSEMBLY	1	1	1	P
2	Call order desk	ARMATURE ASSEMBLY	1	1	1	P
3	Call order desk	BRUSH END ASSEMBLY	1	1	1	P
3	560423	. BRUSH	1	1	1	
4	Call order desk	DRIVE END CAP	1	1	1	P
5	Call order desk	SCREW CAP HEX 1/4-20x6 3/4	2	2	2	P
6	Call order desk	WASHER LOCK SPRING 1/4	2	2	2	P
7	Call order desk	WASHER SPRING	1	1	1	P
8	Call order desk	BRUSH ACCESS COVER	2	2	2	P
9	Call order desk	SCREW MA PAN PH #10-32x3/8	1	1	1	P
10	Call order desk	BASE	1	1	1	P
11	Call order desk	SCREW CAP HEX 5/16-18x1/2	2	2	2	P
12	Call order desk	WASHER LO INT 5/16	2	2	2	P
13	Call order desk	FAN 12 BLADES	1	1	1	P
14	Call order desk	SCREW SET HEXS CUP #10-32x3/8	1	1	1	P
15	Call order desk	FAN COVER W/VENT SLOTS	1	1	1	P
16	Call order desk	SCREW MA PAN PH #10-32x3/4	4	4	4	P
		P) CALL ORDER DESK FOR SPECIFIC APPLICATION (V.I.N.)				

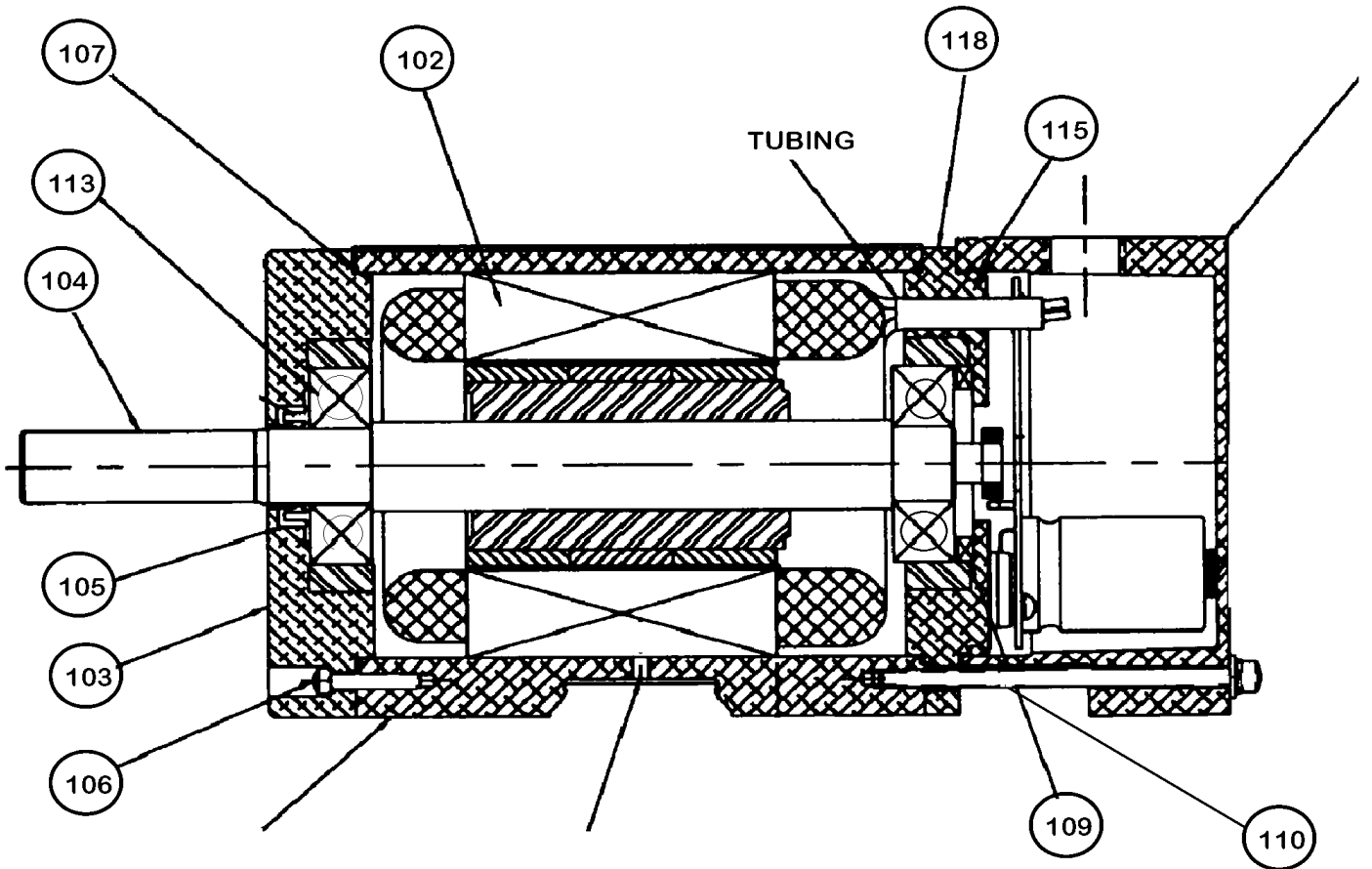


From 3-4417 To 5-0167

Date:10/2022

PAGE:HF-2265-53

MOTOR - CONDENSOR BRUSHLESS



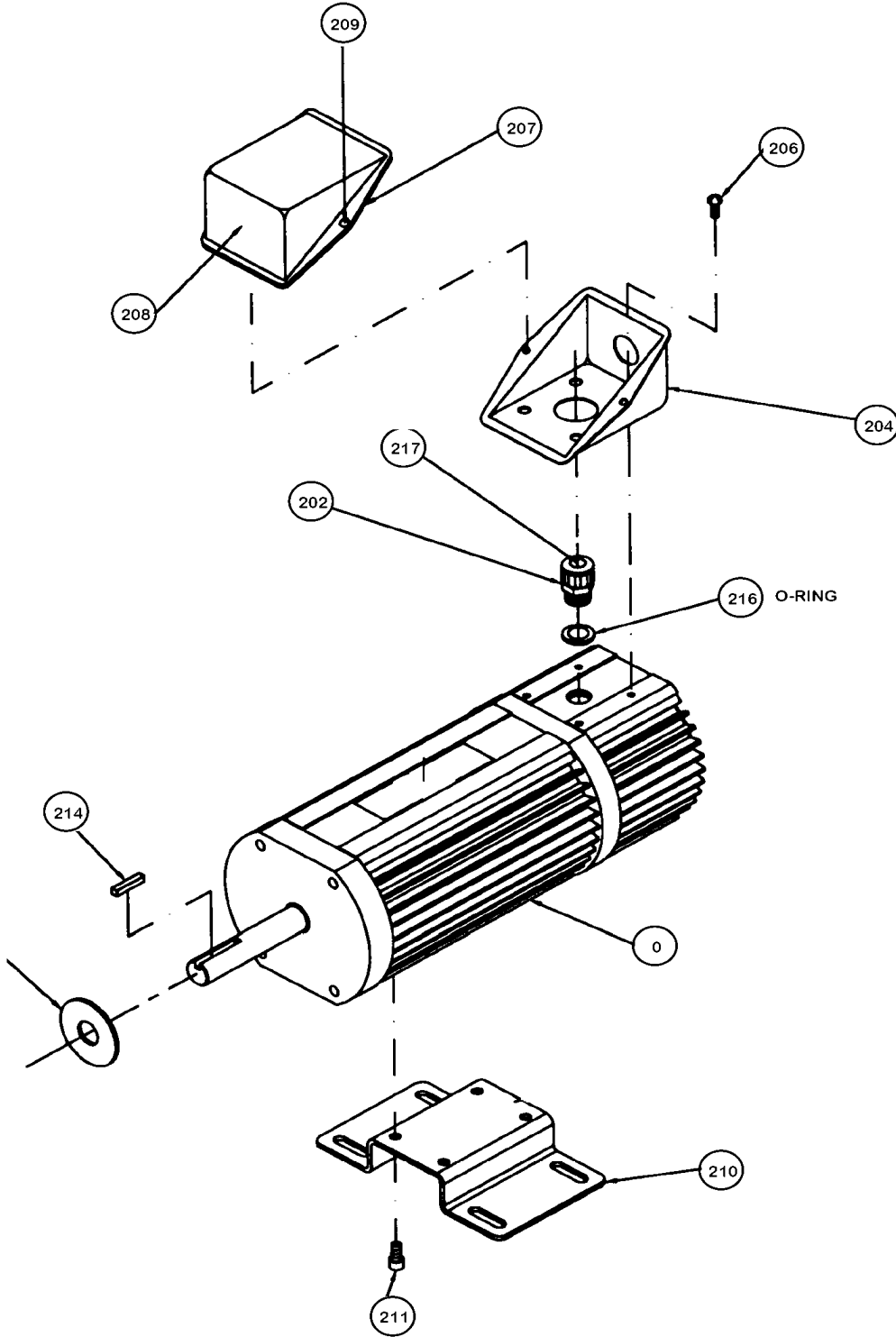


From 3-4417 To 5-0167

Date:10/2022

PAGE:HF-2265-53

MOTOR - CONDENSOR BRUSHLESS





From 3-4417 To 5-0167	Date:10/2022	PAGE:HF-2265-53
MOTOR - CONDENSOR BRUSHLESS		

Item#	Part	Description	H 3 4 1	H 3 4 5	V I P 4 5	N O T E S
	563585	MOTOR CONDENSOR BRUSHLESS / (E-50599-0)	2	2		
102	Call order desk	. STATOR/HOUSING ASSY	1	1		P
103	Call order desk	. REAR ENDBELL	1	1		P
104	Call order desk	. SHAFT / ROTOR ASSY W/BEARING & KEY	1	1		P
105	19510465	. LIP SEAL	1	1		
106	19501109	. SCREW MA PAN 8-32 x .875"	4	4		
107	19504444	. O-RING 3.989" x .070"	2	2		
109	N8885731	. SHIM 1.56" I.D. x 2.04 O.D.	1	1		
110	N8885730	. WAVE SPRING	1	1		
113	19501284	. BEARING	2	2		
115	N8885727	. O-RING 3.737" x .103"	2	2		
116	Call order desk	. ELECTRONICS HOUSING	1	1		P
118	Call order desk	. ENDCAP / ELECTRONICS ASSY	1	1		P
120	19512159	. WASHER FLAT #10	4	4		
121	Call order desk	. WASHER LOCK #10	1	1		P
122	Call order desk	. SCREW FIL HEAD #10	1	1		P
125	Call order desk	. SCREW CAP HEXS 10-24 x .062"	1	1		P
202	Call order desk	. STRAIN-RELIEF KIT	1	1		P
204	19501285	. JUNCTION BOX / (BOTTOM HALF)	1	1		
206	Call order desk	. SCREW MA PAN 10-24	1	1		P
207	Call order desk	. GASKET JCT BOX	1	1		P
208	19501283	. JUNCTION BOX / (TOP HALF)	1	1		
209	19501282	. SCREW 6-32	2	2		
210	Call order desk	. BASE PLATE	1	1		P
211	Call order desk	. SCREW CAP HEXS 1/4-20 x ?	1	1		P
214	Call order desk	. KEY	1	1		P
		P) CALL ORDER DESK FOR SPECIFIC APPLICATION (V.I.N.)				

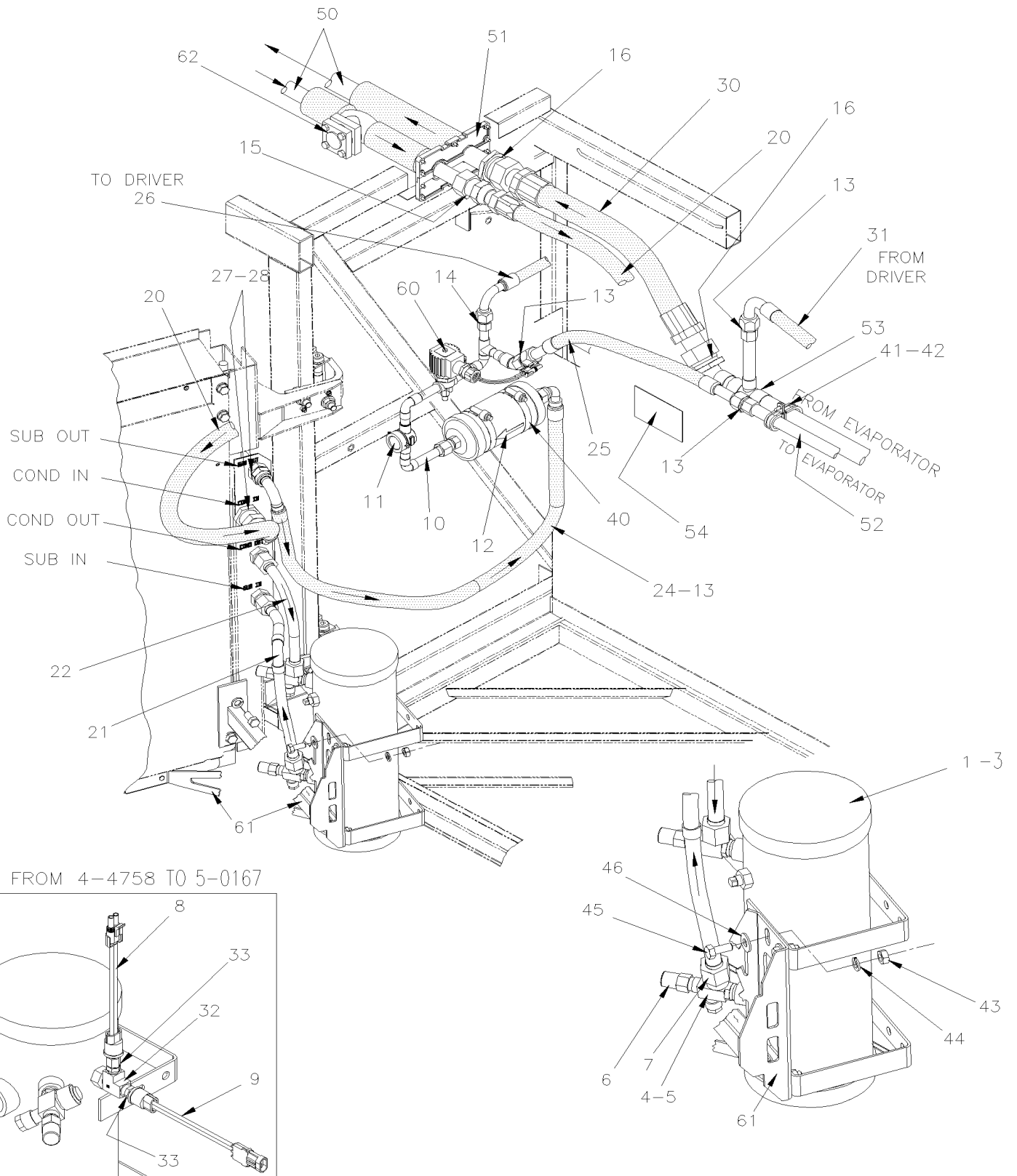


From 3-4417 To 8-1043

Date:10/2022

PAGE:HF-2270-00

RECEIVER TANK & FILTER DRYER





From 3-4417 To 8-1043	Date:10/2022	PAGE:HF-2270-00
RECEIVER TANK & FILTER DRYER		

Item#	Part	Description	H 3 4 1	H 3 4 5	V I P 4 5	N O T E S
		"WARNING" - "WARNING" - "WARNING"				
	 V.I.P.-45 EFFECTIVITY END WITH	1	1	1	
	 SLIDE-OUT ONLY To 7-0771				
	 SEE PAGE HF-2270-50 From 7-0772				
1	950261	RECEIVER TANK ASSY	1	1	1	
. NS	950428	. SIGHTGLASS / W/BALL 1NPT-M (FORMER)	1	1	1	
. NS	951198	. SIGHTGLASS / W/BALL 1 1/4NPT-F (CURRENT)	1	1	1	
3	870890	VALVE, SAFETY 450 PSI	1	1	1	
NS	501330	STREET ELBOW 45° / PIPE FITTING / 3/8NPT-Mx3/8NPT-F BR From 5-0168	1	1	1	
4	950228	VALVE ASSY / SERVICE / INLET & OUTLET	2	2	2	
. NS	950284	. CAP / PROTECTOR / FOR GAUGE	1	1	1	
. NS	507169	. O-RING 1/2 I.D.	1	1	1	
5	950285	. CAP VALVE / PROTECTOR / PLASTIC	1	1	1	
6	950284	. CAP / PROTECTOR / FOR GAUGE	1	1	1	
7	507169	O-RING 1/2 I.D.	AR	AR	AR	
8	062644	PRESSURE SWITCH N.O. 120-90 20SP001AA120G090E From 4-4758 To 5-0167	1	1	1	
9	452832	PRESSURE SWITCH N.O. 170-130 20SP001MA170J130J From 4-4758 To 5-0167	1	1	1	
10	453692	MOISTURE INDICATOR ASSY	1	1		
10	453692	MOISTURE INDICATOR ASSY To 7-0771			1	
11	950029	. CAP, MOISTURE INDICATOR	1	1	1	
12	950332	. FILTER DRYER	1	1	1	
. NS	507370	. . O-RING #10	1	1	1	U
13	507280	O-RING / ORS FITTING / #12 NEO	2	2	2	
14	507344	O-RING / ORS FITTING / #10 NEO	AR	AR	AR	
15	507345	O-RING / ORS FITTING / #16 NEO	AR	AR	AR	
16	507346	O-RING / ORS FITTING / #24 NEO	AR	AR	AR	
20	950256	HOSE ASSY / W/R-134a / #16 1096MM / SS BELLOW	1	1	1	
21	452999	TUBE ASSY / CONDENSOR OUT & RECEIVER TANK	1	1	1	
22	452990	TUBE ASSY / RECEIVER TANK & COND-SUB-OUT	1	1	1	
24	453696	HOSE ASSY / COND SUB-OUT / #12 1100MM	1	1	1	
25	453785	HOSE ASSY / #12 465MM	1	1	1	
. NS	507280	. O-RING / ORS FITTING / #12 NEO	2	2	2	
25	455266	HOSE ASSY / #12 465MM	1	1	1	
. NS	507280	. O-RING / ORS FITTING / #12 NEO	2	2	2	
26	373451	HOSE ASSY / #10 4570MM	1			
. NS	507344	. O-RING / ORS FITTING / #10 NEO	2			
26	370730	HOSE ASSY / #10 4570MM	1			
. NS	507344	. O-RING / ORS FITTING / #10 NEO	2			
26	373448	HOSE ASSY / #10 5606MM		1	1	
. NS	507344	. O-RING / ORS FITTING / #10 NEO		2	2	
26	370728	HOSE ASSY / #10 5606MM		1	1	



From 3-4417 To 8-1043	Date:10/2022	PAGE:HF-2270-00
RECEIVER TANK & FILTER DRYER		

Item#	Part	Description	H 3 4 1	H 3 4 5	V I P 4 5	N O T E S
. NS	507344	. O-RING / ORS FITTING / #10 NEO		2	2	
27	507544	SWIVEL NUT ELBOW 90° SHORT / JIC 37° FITTING/ #12JIC-Fx#12JIC-Mx1.82 STL	AR	AR	AR	
28	507344	O-RING / ORS FITTING / #10 NEO	AR	AR	AR	
30	373432	HOSE ASSY / SUCTION LINE W/R-134a / #24 537MM	1	1	1	
. NS	507346	. O-RING / ORS FITTING / #24 NEO	2	2	2	
31	373452	HOSE ASSY / #12 3300MM	1			
. NS	507280	. O-RING / ORS FITTING / #12 NEO	2			
31	370731	HOSE ASSY / #12 3300MM	1			
. NS	507280	. O-RING / ORS FITTING / #12 NEO	2			
31	379085	HOSE ASSY / #12 3300MM	1			
. NS	507280	. O-RING / ORS FITTING / #12 NEO	2			
31	373449	HOSE ASSY / #12 4546MM O VOIR VIP To 3-1825		1	1	
. NS	507280	. O-RING / ORS FITTING / #12 NEO To 3-1825		2	2	
31	370729	HOSE ASSY / #12 4546MM To 3-1325		1	1	
. NS	507280	. O-RING / ORS FITTING / #12 NEO To 3-1325		2	2	
31	379084	HOSE ASSY / #12 4546MM From 3-1326		1	1	S
. NS	507280	. O-RING / ORS FITTING / #12 NEO From 3-1326		2	2	S
31	454435	HOSE ASSY / #12 4130MM To 3-1325		1	1	
31	454594	HOSE ASSY / #12 4130MM From 3-1326		1	1	S
. NS	507280	. O-RING / ORS FITTING / #12 NEO From 3-1326		2	2	S
31	455308	HOSE ASSY / #12 4156MM From 3-1326		1	1	S
. NS	507280	. O-RING / ORS FITTING / #12 NEO From 3-1326		2	2	S
32	501338	MALE RUN TEE / PIPE FITTING / 1/4NPT-Mx1/4NPT-Fx1/4NPT-F BR From 4-4758 To 5-0167	1	1	1	
33	950249	SCHRADER VALVE 1/4NPT-M From 4-4758 To 5-0167	2	2	2	
40	504025	HOSE CLAMP / 2"5/16-3"1/4 SS / HS-44	2	2	2	
41	952633	CLAMP / 7/8" I.D.	6	6	6	
42	500957	SCREW TP BDG PH #10x3/4 N500	AR	AR	AR	
43	500256	NUT HEX M10-1.5 Z050	4	4	4	
44	500257	WASHER LO SPT 10.2x18.1x2.2 Z050	4	4	4	
45	502559	SCREW CAP HEX M10-1.5x25 G8.8 Z050	4	4	4	
46	500445	WASHER FL .437x1.000x.083 Z050	4	4	4	
47	500850	SCREW CAP HEX M12-1.75X25 G8.8 Z050	2	2	2	
48	500482	WASHER LO SPT .506x.873x.125 Z050	2	2	2	
49	504487	RIVET MGLP PRDG 3/16x7/16 SS	2	2	2	
50	HF-2222-15	A/C LINE REAR SECTION W/05G				
51	453145	CLOSING / PIPE TUNNEL SS 55.0MM x 181MM To 7-0633	2	2	2	
51	454248	CLOSING / PIPE TUNNEL PLASTIC / RH 57.2MM x 181MM From 7-0634 To 7-0787	2	2	2	
51	457424	CLOSING / PIPE TUNNEL PLASTIC / RH 57.2MM x 181MM From 7-0788	2	2	2	
51	454122	CLOSING / PIPE TUNNEL SS 85MM x 181MM To 7-0633	2	2	2	
51	457428	CLOSING / PIPE TUNNEL PLASTIC 85MM x 181MM From 7-0634 To 7-0787	2	2	2	
51	457426	CLOSING / PIPE TUNNEL PLASTIC 85MM x 181MM From 7-0788	2	2	2	
NS	373373	CLOSING / PIPE TUNNEL SS 85MM x 196MM	2	2	2	



From 3-4417 To 8-1043	Date:10/2022	PAGE:HF-2270-00
RECEIVER TANK & FILTER DRYER		

Item#	Part	Description	H 3 4 1	H 3 4 5	V I P 4 5	N O T E S
NS	500623	SCREW TC PAN PH #10-24x3/4 N500	AR	AR	AR	
52	373129	PIPE ASSY / PRESSURE	1	1	1	
53	373431	PIPE ASSY / SUCTION	1	1	1	
54	453066	DECAL R134A / NOMINAL CHARGE 24 LBS // ENGLISH & FRANCAIS	1	1	1	
54	454180	DECAL R134A / NOMINAL CHARGE 24 LBS // ENGLISH & SPANISH	1	1	1	
60	HF-2208-10	REFRIGERENT SOLENOID VALVE				
61	HF-2260-00	CONDENSOR FAN - INSTALLATION				
62	HF-2222-15	A/C LINE REAR SECTION W/05G				
		S) IN SERVICE COVERED WITH INSULATING TUBE FOR PERFORMANCE				
		U) UNDER CONSTRUCTION				

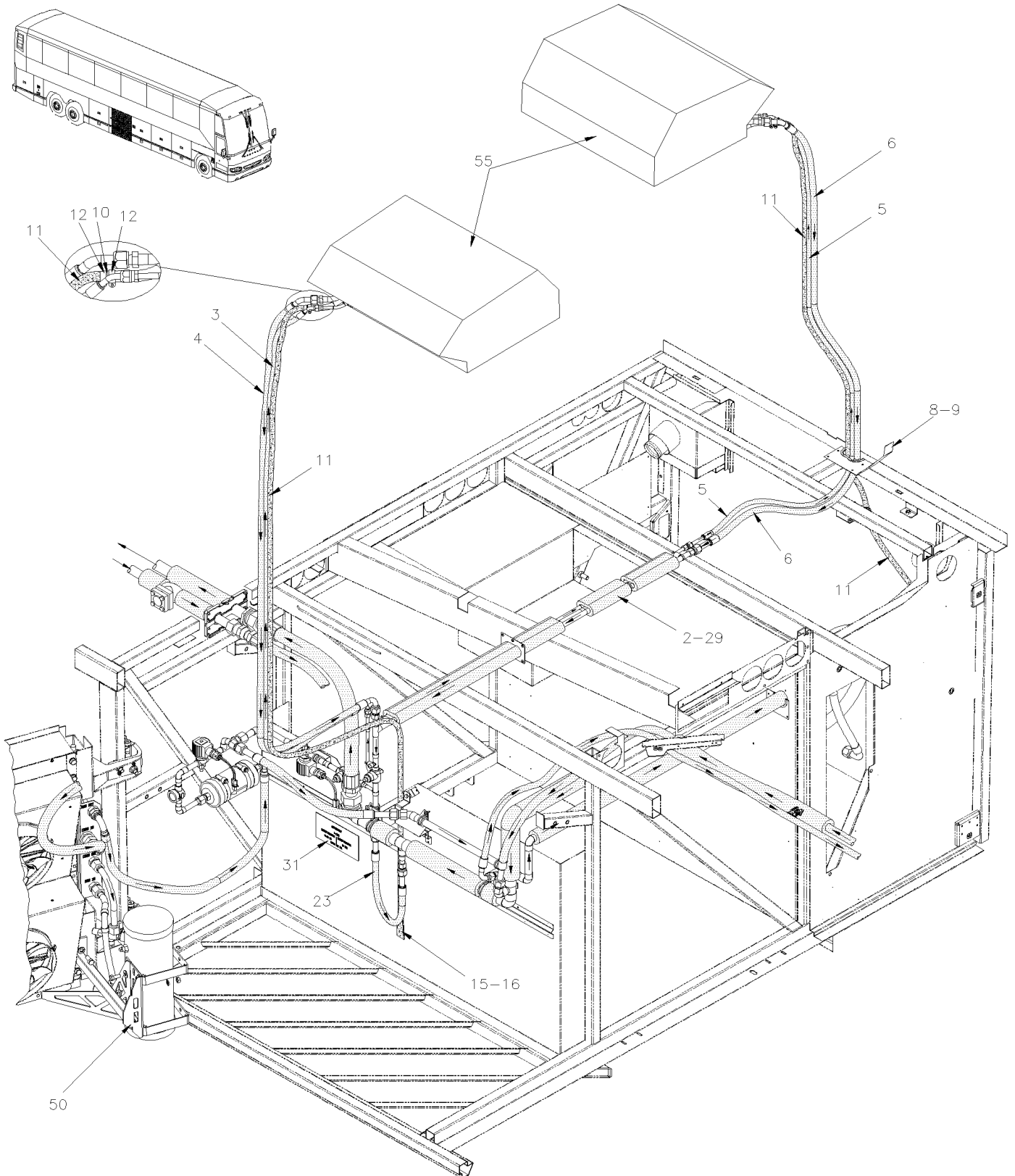


From 3-4417 To 8-1043

Date:10/2022

PAGE:HF-2270-10

A/C HOSE PARCEL RACK - INSTALLATION



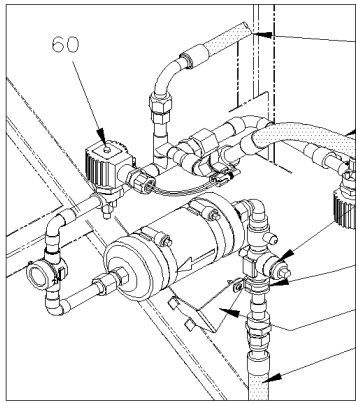


From 3-4417 To 8-1043

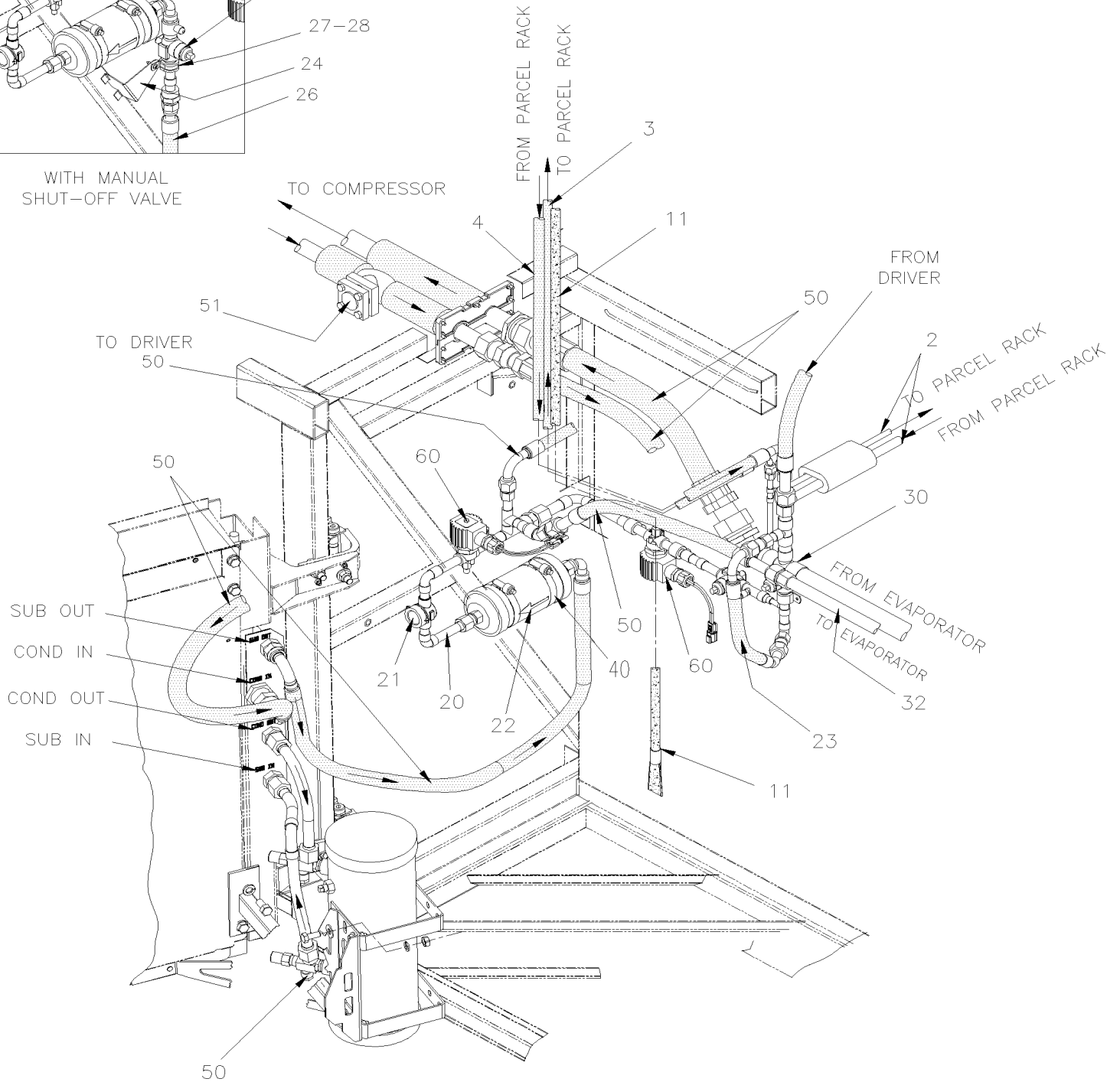
Date:10/2022

PAGE:HF-2270-10

A/C HOSE PARCEL RACK - INSTALLATION



WITH MANUAL SHUT-OFF VALVE





From 3-4417 To 8-1043	Date:10/2022	PAGE:HF-2270-10
A/C HOSE PARCEL RACK - INSTALLATION		

Item#	Part	Description	H 3 4 1	H 3 4 5	V I P 4 5	N O T E S
1	453555	HOSE ASSY / #10 245MM From X-2270	1	1		
. NS	507344	. O-RING / ORS FITTING / #10 NEO From X-2270	2	2		
1	455256	HOSE ASSY / #10 245MM From X-2270	1	1		
. NS	507344	. O-RING / ORS FITTING / #10 NEO From X-2270	2	2		
2	453693P	PIPE ASSY / PRESSURE & RETURN	1	1		
3	453374	HOSE ASSY / #6 2400MM	1			
. NS	507278	. O-RING / ORS FITTING / #4 NEO	2			
3	455216	HOSE ASSY / #6 2400MM	1			
. NS	507278	. O-RING / ORS FITTING / #4 NEO	2			
3	453557	HOSE ASSY / #6 2315MM		1		
. NS	507278	. O-RING / ORS FITTING / #4 NEO		2		
3	455257	HOSE ASSY / #6 2315MM		1		
. NS	507278	. O-RING / ORS FITTING / #4 NEO		2		
3	453549	HOSE ASSY / #6 3435MM		1		W
. NS	507278	. O-RING / ORS FITTING / #4 NEO		2		W
3	455254	HOSE ASSY / #6 3435MM		1		W
. NS	507278	. O-RING / ORS FITTING / #4 NEO		2		W
4	453372	HOSE ASSY / #10 2400MM	1			
. NS	507344	. O-RING / ORS FITTING / #10 NEO	2			
4	455214	HOSE ASSY / #10 2400MM	1			
. NS	507344	. O-RING / ORS FITTING / #10 NEO	2			
4	453558	HOSE ASSY / #10 2240MM		1		
. NS	507344	. O-RING / ORS FITTING / #10 NEO		2		
4	455258	HOSE ASSY / #10 2240MM		1		
. NS	507344	. O-RING / ORS FITTING / #10 NEO		2		
4	453550	HOSE ASSY / #10 3385MM		1		W
. NS	507344	. O-RING / ORS FITTING / #10 NEO		2		W
4	455255	HOSE ASSY / #10 3385MM		1		W
. NS	507344	. O-RING / ORS FITTING / #10 NEO		2		W
NS	504634	T-CLIP / 7/8" - 1"	1	1		
NS	500267	SCREW TC FL PH #10-32x1 1/2 Z050	1	1		
5	453375	HOSE ASSY / #6 2800MM	1			
. NS	507278	. O-RING / ORS FITTING / #4 NEO	2			
5	455217	HOSE ASSY / #6 2800MM	1			
. NS	507278	. O-RING / ORS FITTING / #4 NEO	2			
5	453227	HOSE ASSY / #6 2315MM		1		
. NS	507278	. O-RING / ORS FITTING / #4 NEO		2		
5	455203	HOSE ASSY / #6 2315MM		1		
. NS	507278	. O-RING / ORS FITTING / #4 NEO		2		
6	453373	HOSE ASSY / #10 2800MM	1			
. NS	507344	. O-RING / ORS FITTING / #10 NEO	2			
6	455215	HOSE ASSY / #10 2800MM	1			



From 3-4417 To 8-1043	Date:10/2022	PAGE:HF-2270-10
A/C HOSE PARCEL RACK - INSTALLATION		

Item#	Part	Description	H 3 4 1	H 3 4 5	V I P 4 5	N O T E S
. NS	507344	. O-RING / ORS FITTING / #10 NEO	2			
6	453230	HOSE ASSY / #10 2240MM		1		
. NS	507344	. O-RING / ORS FITTING / #10 NEO		2		
6	455205	HOSE ASSY / #10 2240MM		1		
. NS	507344	. O-RING / ORS FITTING / #10 NEO		2		
8	454896	DEFLECTOR AIR	2	2		
NS	454897	CLOSING PANEL		1		W
9	500641	SCREW TP PAN PH #8x3/4 Z050	AR	AR		
10	453234	UNION / DRAIN	2	2		
11	453232	HOSE POLYETHYLENE / 1/2 ID 3175MM	2	2		
11	453556	HOSE POLYETHYLENE / 1/2 ID 3825MM		1		W
11	503666	. HOSE 1/2" I.D. 100' / S.L.	AR	AR		
12	504230	HOSE CLAMP / 3/8"-7/8" SS / HS-6	4	4		
13	952629	CLAMP / 5/8" I.D.	AR	AR		
14	500957	SCREW TP BDG PH #10x3/4 N500	AR	AR		
15	504637	CABLE TIE / 3/16" x 13"	2	2		
16	590286	DRAIN BOOT 1 1/4" I.D. X 4" / FLAT	2	2		
20	453614	MOISTURE INDICATOR ASSY / W/A/C PARCEL RACK	1	1		
20	453814	MOISTURE INDICATOR ASSY / W/MAN SHUT-OFF / W/A/C PARCEL RACK	1	1		M
. NS	457418	. VALVE ASSY MANUAL "SHUT-OFF" A/C LINE / TO "EASILY REMOVED FILTER DR	1	1		M
21	950029	. CAP, MOISTURE INDICATOR	1	1		
22	950332	. FILTER DRYER	1	1		
. NS	507370	. . O-RING #10	1	1		U
23	454620	HOSE ASSY / #10 480MM	1	1		
. NS	507344	. O-RING / ORS FITTING / #10 NEO	2	2		
23	455321	HOSE ASSY / #10 480MM	1	1		
. NS	507344	. O-RING / ORS FITTING / #10 NEO	2	2		
24	215546	SUPPORT MOISTURE INDICATOR	1	1		M
25	457418	VALVE ASSY MANUAL "SHUT-OFF" A/C LINE / TO "EASILY REMOVED FILTER DR	1	1		M
26	453815	HOSE ASSY / COND SUB-OUT / #12 1100MM	1	1		M
26	507280	O-RING / ORS FITTING / #12 NEO	1	1		M
27	952631	CLAMP / 3/4" I.D.	1	1		M
28	500957	SCREW TP BDG PH #10x3/4 N500	1	1		M
29	506267	PIPE INSULATING / 1 1/8" I.D. X 1/2" TH. X / APT11812	1	1		
29	503390	TUBE / PVC PIPE / 3"x10' WHITE PVC	AR	AR		
30	453546	PIPE ASSY / SUCTION / W/A/C PARCEL RACK	1	1		
30	453589	PIPE ASSY / SUCTION / W/R-22 / W/A/C PARCEL RACK	1	1		
31	453244	DECAL R134A / NOMINAL CHARGE 26 LBS // ENGLISH & FRANCAIS	1	1		
31	454181	DECAL R134A / 26LBS / W/A/C PARCEL RACK / ENGLISH & SPANISH	1	1		
32	453590	PIPE ASSY / SUCTION	1	1		
32	373325	PIPE ASSY / SUCTION / W/R-22	1	1		
32	373431	PIPE ASSY / SUCTION	1	1		



From 3-4417 To 8-1043	Date:10/2022	PAGE:HF-2270-10
A/C HOSE PARCEL RACK - INSTALLATION		

Item#	Part	Description	H 3 4 1	H 3 4 5	V I P 4 5	N O T E S
32	373129	PIPE ASSY / PRESSURE	1	1		
40	504026	HOSE CLAMP / 2"13/16-3"3/4 SS / HS-52	2	2		
50	HF-2270-00	RECEIVER TANK & FILTER DRYER				
51	HF-2222-15	A/C LINE REAR SECTION W/05G				
55	HF-2240-20	BLOWER VENTILATION - PARCEL RACK				
60	HF-2208-10	REFRIGERENT SOLENOID VALVE				
		M) WITH MANUAL SHUT-OFF VALVE TO EASIER REPLACE FILTER DRIER # 950332				
		W) WITH W.C.L. RICON				
		U) UNDER CONSTRUCTION				

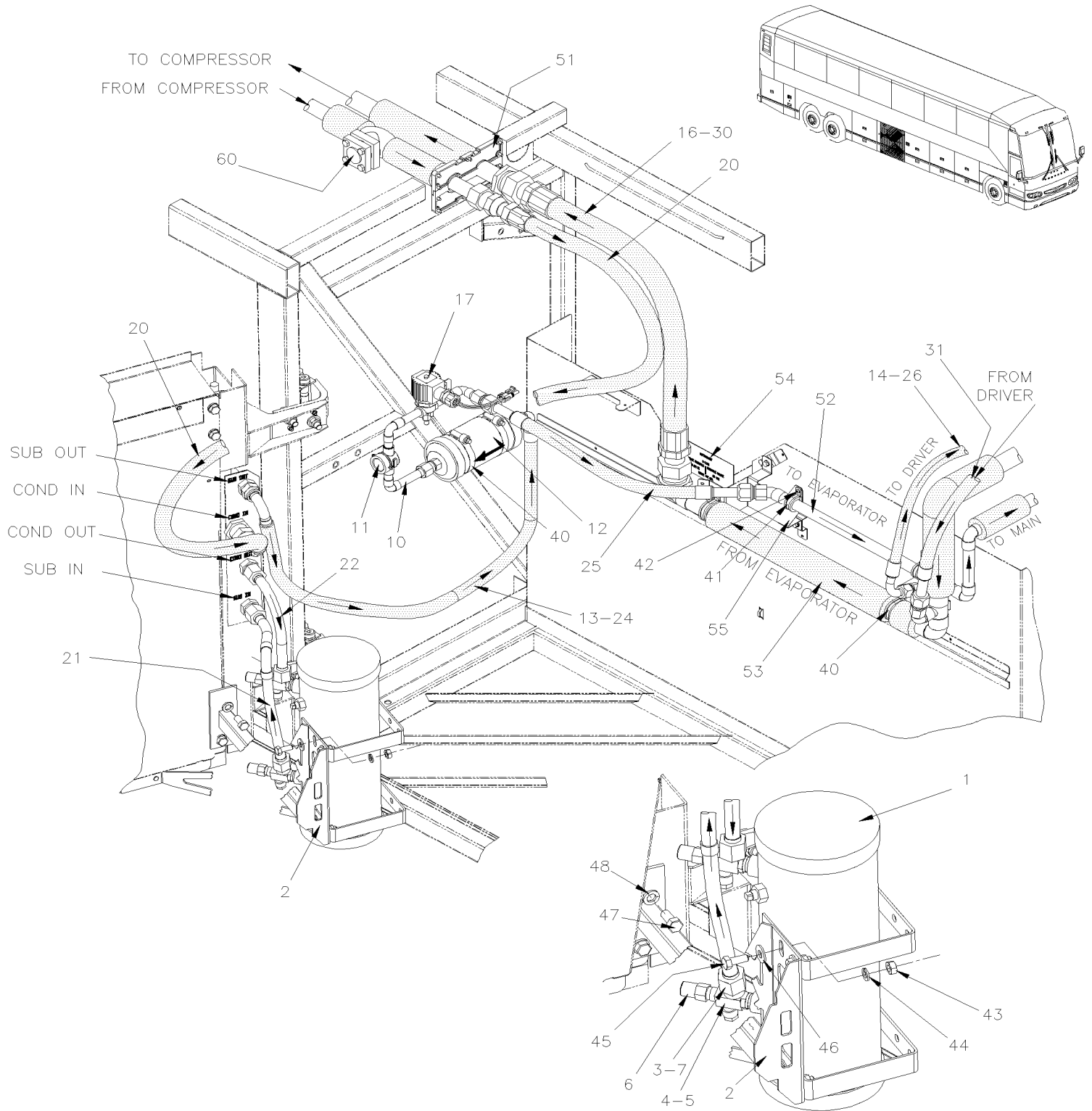


From 7-0772 To 8-1043

Date:10/2022

PAGE:HF-2270-50

RECEIVER TANK & FILTER DRYER WITH SLIDE-OUT





From 7-0772 To 8-1043 Date:10/2022 PAGE:HF-2270-50

RECEIVER TANK & FILTER DRYER WITH SLIDE-OUT

Item#	Part	Description	H 3 4 1	H 3 4 5	V I P 4 5	N O T E S
		"WARNING" - "WARNING" - "WARNING"			1	
	 VIP WITH SLIDE-OUT ONLY From 7-0772				
1	950261	RECEIVER TANK ASSY			1	
. NS	950428	. SIGHTGLASS / W/BALL 1NPT-M (FORMER)			1	
. NS	951198	. SIGHTGLASS / W/BALL 1 1/4NPT-F (CURRENT)			1	
2	HF-2260-00	CONDENSOR FAN - INSTALLATION				
3	870890	VALVE, SAFETY 450 PSI			1	
4	950228	VALVE ASSY / SERVICE / INLET & OUTLET			2	
. NS	950284	. CAP / PROTECTOR / FOR GAUGE			1	
. NS	507169	. O-RING 1/2 I.D.			1	
5	950285	. CAP VALVE / PROTECTOR / PLASTIC			1	
6	950284	. CAP / PROTECTOR / FOR GAUGE			1	
7	507169	O-RING 1/2 I.D.			AR	
10	454432	MOISTURE INDICATOR ASSY W/SLIDE-OUT			1	
11	950029	. CAP, MOISTURE INDICATOR			1	
12	950332	. FILTER DRYER			1	
. NS	507370	. . O-RING #10			1	U
13	507280	O-RING / ORS FITTING / #12 NEO			2	
14	507344	O-RING / ORS FITTING / #10 NEO			AR	
15	507345	O-RING / ORS FITTING / #16 NEO			AR	
16	507346	O-RING / ORS FITTING / #24 NEO			AR	
17	HF-2208-10	REFRIGERENT SOLENOID VALVE				
20	950256	HOSE ASSY / W/R-134a / #16 1096MM / SS BELLOW O			1	
21	452999	TUBE ASSY / CONDENSOR OUT & RECEIVER TANK			1	
22	452990	TUBE ASSY / RECEIVER TANK & COND-SUB-OUT			1	
24	453696	HOSE ASSY / COND SUB-OUT / #12 1100MM			1	
25	454436	HOSE ASSY / #12 475MM			1	
. NS	507280	. O-RING / ORS FITTING / #12 NEO			2	
25	455305	HOSE ASSY / #12 475MM			1	
. NS	507280	. O-RING / ORS FITTING / #12 NEO			2	
26	454437	HOSE ASSY / #10 4165MM			1	
. NS	507344	. O-RING / ORS FITTING / #10 NEO			2	
26	455306	HOSE ASSY / #10 4165MM			1	
. NS	507344	. O-RING / ORS FITTING / #10 NEO			2	
30	454438	HOSE ASSY / #24 885MM			1	
31	454435	HOSE ASSY / #12 4130MM To 8-1325			1	
31	454594	HOSE ASSY / #12 4130MM From 8-1326			1	
. NS	507280	. O-RING / ORS FITTING / #12 NEO From 8-1326			2	
31	455308	HOSE ASSY / #12 4156MM From 8-1326			1	
. NS	507280	. O-RING / ORS FITTING / #12 NEO From 8-1326			2	
40	504026	HOSE CLAMP / 2"13/16-3"3/4 SS / HS-52			2	



From 7-0772 To 8-1043 Date:10/2022 PAGE:HF-2270-50

RECEIVER TANK & FILTER DRYER WITH SLIDE-OUT

Item#	Part	Description	H 3 4 1	H 3 4 5	V I P 4 5	N O T E S
41	952633	CLAMP / 7/8" I.D.			6	
42	500957	SCREW TP BDG PH #10x3/4 N500			AR	
43	500256	NUT HEX M10-1.5 Z050			4	
44	500257	WASHER LO SPT 10.2x18.1x2.2 Z050			4	
45	502559	SCREW CAP HEX M10-1.5x25 G8.8 Z050			4	
46	500445	WASHER FL .437x1.000x.083 Z050			4	
47	500850	SCREW CAP HEX M12-1.75X25 G8.8 Z050			2	
48	500482	WASHER LO SPT .506x.873x.125 Z050			2	
49	504487	RIVET MGLP PRDG 3/16x7/16 SS			2	
50	HF-2222-15	A/C LINE REAR SECTION W/05G				
51	457424	CLOSING / PIPE TUNNEL PLASTIC / RH 57.2MM x 181MM			2	
NS	500623	SCREW TC PAN PH #10-24x3/4 N500			AR	
52	454340	PIPE ASSY / PRESSURE			1	
53	454339	PIPE ASSY / SUCTION			1	
. NS	507346	. O-RING / ORS FITTING / #24 NEO			1	
. NS	501803	. O-RING / ORS FITTING / #20 NEO			1	
54	453066	DECAL R134A / NOMINAL CHARGE 24 LBS // ENGLISH & FRANCAIS			1	
54	454180	DECAL R134A / NOMINAL CHARGE 24 LBS // ENGLISH & SPANISH			1	
55	454597	SUPPORT HOSE			2	
60	HF-2208-10	REFRIGERENT SOLENOID VALVE				
61	HF-2260-00	CONDENSOR FAN - INSTALLATION				
62	HF-2222-15	A/C LINE REAR SECTION W/05G				
		U) UNDER CONSTRUCTION				



From 3-4417 To 8-1043

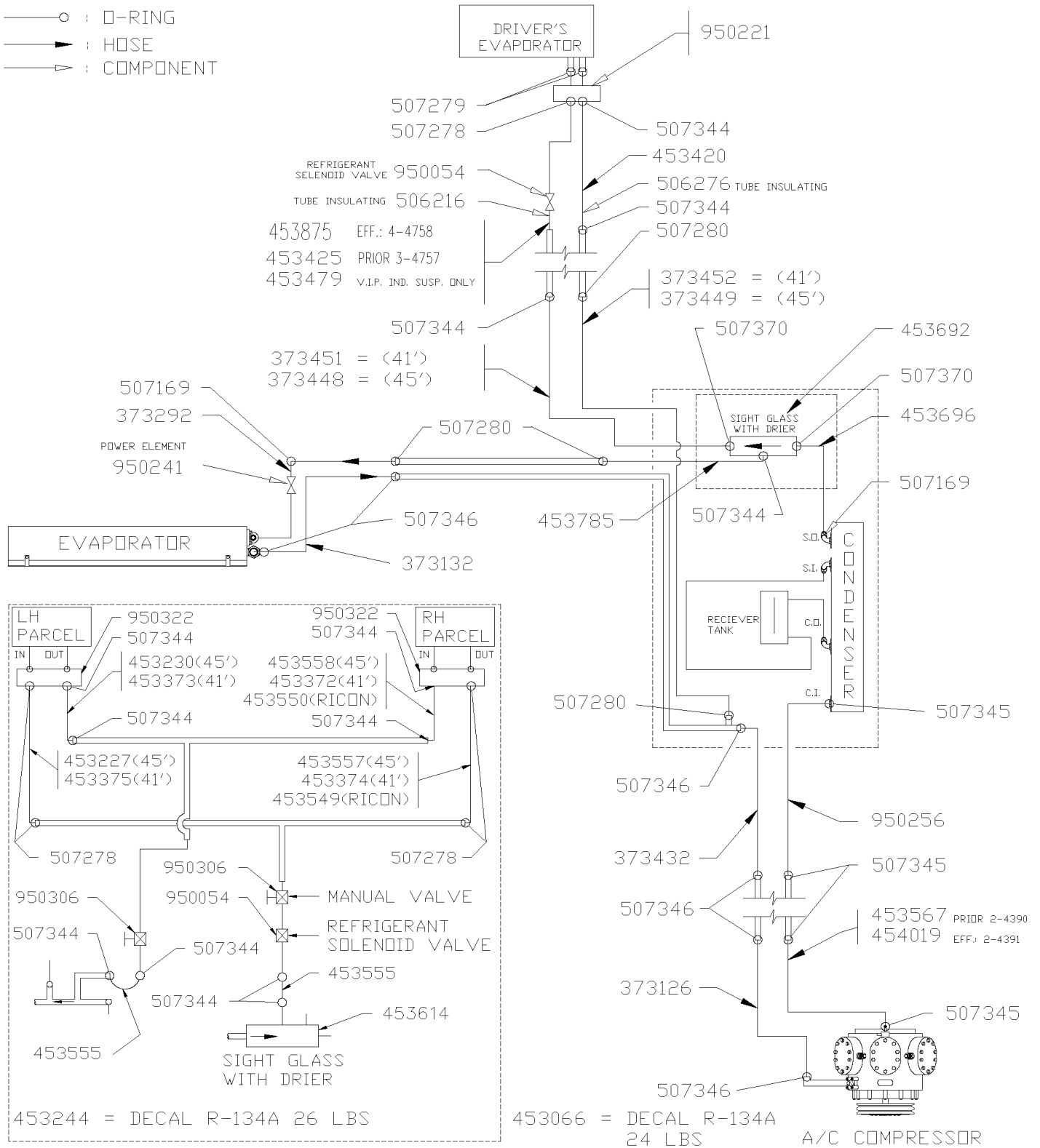
Date:10/2022

PAGE:HF-2299-00

A/C HOSE & O-RING - W/R-134A

H3-41, H3-45 & V.I.P. 45 ONLY

- : O-RING
- : HOSE
- ▷ : COMPONENT





From 3-4417 To 8-1043	Date:10/2022	PAGE:HF-2299-00
A/C HOSE & O-RING - W/R-134A		

Item#	Part	Description	H 3 4 1	H 3 4 5	V I P 4 5	N O T E S
1	950221	VALVE, EXPANSION / DRIVER'S W/R134A	AR	AR	AR	
2	507279	O-RING / ORS FITTING / #8 NEO	AR	AR	AR	
3	507278	O-RING / ORS FITTING / #4 NEO	AR	AR	AR	
4	507344	O-RING / ORS FITTING / #10 NEO	AR	AR	AR	
5	453420	HOSE ASSY / #12 675 MM	AR	AR	AR	
. NS	507280	. O-RING / ORS FITTING / #12 NEO	1	1	1	
. NS	507344	. O-RING / ORS FITTING / #10 NEO	1	1	1	
5	455229	HOSE ASSY / #12 693 MM	AR	AR	AR	S
. NS	507280	. O-RING / ORS FITTING / #12 NEO	1	1	1	S
. NS	507344	. O-RING / ORS FITTING / #10 NEO	1	1	1	S
6	506276	PIPE INSULATING / 7/8" I.D. X 1/2" TH. X 72 / APT07812	AR	AR	AR	
7	950087	VALVE REFRIGERANT SOLENOID To 7-0959	AR	AR	AR	
7	950951	VALVE REFRIGERANT SOLENOID From 7-0960	AR	AR	AR	
8	506216	PIPE INSULATING / 5/8" I.D. X 1/2" TH. X 72 / APT05812	AR	AR	AR	
9	507280	O-RING / ORS FITTING / #12 NEO	AR	AR	AR	
10	453425	HOSE ASSY / #10 365 MM	AR	AR	AR	
. NS	507344	. O-RING / ORS FITTING / #10 NEO	2	2	2	
10	455231	HOSE ASSY / #10 365 MM	AR	AR	AR	S
. NS	507344	. O-RING / ORS FITTING / #10 NEO	2	2	2	S
11	453479	HOSE ASSY / #10 235MM	AR	AR	AR	
. NS	507344	. O-RING / ORS FITTING / #10 NEO	2	2	2	
11	455247	HOSE ASSY / #10 235MM	AR	AR	AR	S
. NS	507344	. O-RING / ORS FITTING / #10 NEO	2	2	2	S
12	373452	HOSE ASSY / #12 3300MM	AR	AR	AR	
. NS	507280	. O-RING / ORS FITTING / #12 NEO	2	2	2	
12	370731	HOSE ASSY / #12 3300MM	AR	AR	AR	S
. NS	507280	. O-RING / ORS FITTING / #12 NEO	2	2	2	S
13	373449	HOSE ASSY / #12 4546MM	AR	AR	AR	
. NS	507280	. O-RING / ORS FITTING / #12 NEO	2	2	2	
13	370729	HOSE ASSY / #12 4546MM	AR	AR	AR	S
. NS	507280	. O-RING / ORS FITTING / #12 NEO	2	2	2	S
16	453614	MOISTURE INDICATOR ASSY / W/A/C PARCEL RACK	AR	AR	AR	
17	373451	HOSE ASSY / #10 4570MM	AR	AR	AR	
. NS	507344	. O-RING / ORS FITTING / #10 NEO	2	2	2	
17	370730	HOSE ASSY / #10 4570MM	AR	AR	AR	S
. NS	507344	. O-RING / ORS FITTING / #10 NEO	2	2	2	S
18	373448	HOSE ASSY / #10 5606MM	AR	AR	AR	
. NS	507344	. O-RING / ORS FITTING / #10 NEO	2	2	2	
18	370728	HOSE ASSY / #10 5606MM	AR	AR	AR	S
. NS	507344	. O-RING / ORS FITTING / #10 NEO	2	2	2	S
19	507169	O-RING 1/2 I.D.	AR	AR	AR	
20	373292	HOSE ASSY /EXPANSION VALVE & TUBE / #12 590MM	AR	AR	AR	



From 3-4417 To 8-1043	Date:10/2022	PAGE:HF-2299-00
A/C HOSE & O-RING - W/R-134A		

Item#	Part	Description	H 3 4 1	H 3 4 5	V I P 4 5	N O T E S
. NS	507280	. O-RING / ORS FITTING / #12 NEO	2	2	2	
20	370725	HOSE ASSY /EXPANSION VALVE & TUBE / #12 590MM	AR	AR	AR	S
. NS	507280	. O-RING / ORS FITTING / #12 NEO	2	2	2	S
21	453696	HOSE ASSY / COND SUB-OUT / #12 1100MM	AR	AR	AR	
22	950241	ELEMENT POWER R134A	AR	AR	AR	
23	507370	O-RING #10	AR	AR	AR	
26	453785	HOSE ASSY / #12 465MM	AR	AR	AR	
. NS	507280	. O-RING / ORS FITTING / #12 NEO	2	2	2	
26	455266	HOSE ASSY / #12 465MM	AR	AR	AR	S
. NS	507280	. O-RING / ORS FITTING / #12 NEO	2	2	2	S
27	373132	HOSE ASSY /SUCTION & EVAPO.W/R-134a / #24 701MM	AR	AR	AR	
28	950322	VALVE, EXPANSION R-134 / PARCEL-RACK	AR	AR	AR	
29	453230	HOSE ASSY / #10 2240MM	AR	AR	AR	
. NS	507344	. O-RING / ORS FITTING / #10 NEO	2	2	2	
29	455205	HOSE ASSY / #10 2240MM	AR	AR	AR	S
. NS	507344	. O-RING / ORS FITTING / #10 NEO	2	2	2	S
30	453558	HOSE ASSY / #10 2240MM	AR	AR	AR	
. NS	507344	. O-RING / ORS FITTING / #10 NEO	2	2	2	
30	455258	HOSE ASSY / #10 2240MM	AR	AR	AR	S
. NS	507344	. O-RING / ORS FITTING / #10 NEO	2	2	2	S
31	453373	HOSE ASSY / #10 2800MM	AR	AR	AR	
. NS	507344	. O-RING / ORS FITTING / #10 NEO	2	2	2	
31	455215	HOSE ASSY / #10 2800MM	AR	AR	AR	S
. NS	507344	. O-RING / ORS FITTING / #10 NEO	2	2	2	S
32	453372	HOSE ASSY / #10 2400MM	AR	AR	AR	
. NS	507344	. O-RING / ORS FITTING / #10 NEO	2	2	2	
32	455214	HOSE ASSY / #10 2400MM	AR	AR	AR	S
. NS	507344	. O-RING / ORS FITTING / #10 NEO	2	2	2	S
33	453550	HOSE ASSY / #10 3385MM	AR	AR	AR	
. NS	507344	. O-RING / ORS FITTING / #10 NEO	2	2	2	
33	455255	HOSE ASSY / #10 3385MM	AR	AR	AR	S
. NS	507344	. O-RING / ORS FITTING / #10 NEO	2	2	2	S
34	453227	HOSE ASSY / #6 2315MM	AR	AR	AR	
. NS	507278	. O-RING / ORS FITTING / #4 NEO	2	2	2	
34	455203	HOSE ASSY / #6 2315MM	AR	AR	AR	S
. NS	507278	. O-RING / ORS FITTING / #4 NEO	2	2	2	S
35	453375	HOSE ASSY / #6 2800MM	AR	AR	AR	
. NS	507278	. O-RING / ORS FITTING / #4 NEO	2	2	2	
35	455217	HOSE ASSY / #6 2800MM	AR	AR	AR	S
. NS	507278	. O-RING / ORS FITTING / #4 NEO	2	2	2	S
36	453557	HOSE ASSY / #6 2315MM	AR	AR	AR	
. NS	507278	. O-RING / ORS FITTING / #4 NEO	2	2	2	



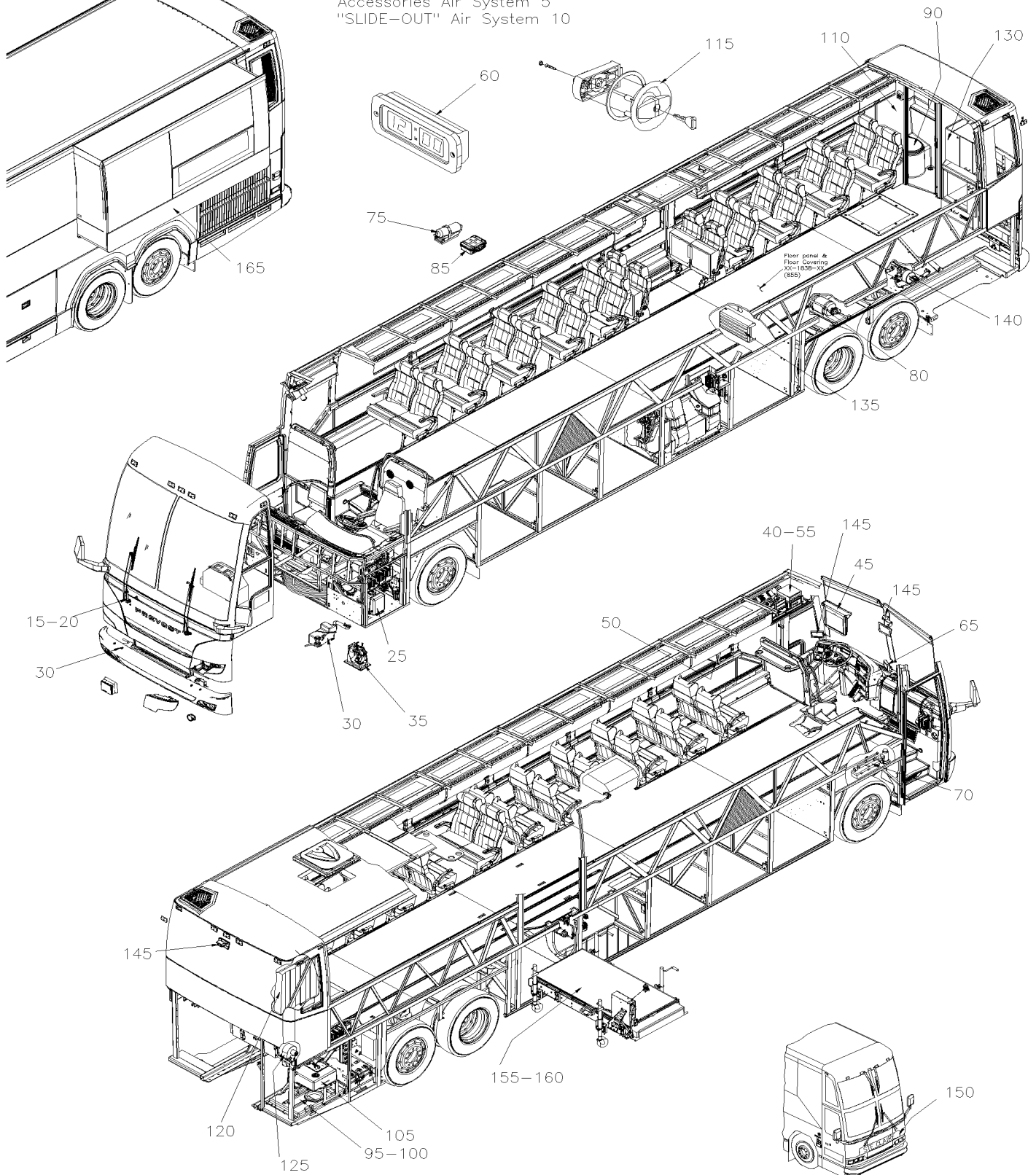
From 3-4417 To 8-1043	Date:10/2022	PAGE:HF-2299-00
A/C HOSE & O-RING - W/R-134A		

Item#	Part	Description	H 3 4 1	H 3 4 5	V I P 4 5	N O T E S
36	455257	HOSE ASSY / #6 2315MM	AR	AR	AR	S
. NS	507278	. O-RING / ORS FITTING / #4 NEO	2	2	2	S
37	453374	HOSE ASSY / #6 2400MM	AR	AR	AR	
. NS	507278	. O-RING / ORS FITTING / #4 NEO	2	2	2	
37	455216	HOSE ASSY / #6 2400MM	AR	AR	AR	S
. NS	507278	. O-RING / ORS FITTING / #4 NEO	2	2	2	S
38	453549	HOSE ASSY / #6 3435MM	AR	AR	AR	
. NS	507278	. O-RING / ORS FITTING / #4 NEO	2	2	2	
38	455254	HOSE ASSY / #6 3435MM	AR	AR	AR	S
. NS	507278	. O-RING / ORS FITTING / #4 NEO	2	2	2	S
39	507345	O-RING / ORS FITTING / #16 NEO	AR	AR	AR	
40	507346	O-RING / ORS FITTING / #24 NEO	AR	AR	AR	
41	950306	BALL VALVE MANUAL SHUT OFF A/C LINE W/SHREADER (WELDED)	AR	AR	AR	
42	453555	HOSE ASSY / #10 245MM	AR	AR	AR	
. NS	507344	. O-RING / ORS FITTING / #10 NEO	2	2	2	
42	455256	HOSE ASSY / #10 245MM	AR	AR	AR	S
. NS	507344	. O-RING / ORS FITTING / #10 NEO	2	2	2	S
43	453692	MOISTURE INDICATOR ASSY	AR	AR	AR	
44	453244	DECAL R134A / NOMINAL CHARGE 26 LBS // ENGLISH & FRANCAIS	AR	AR	AR	
44	454181	DECAL R134A / 26LBS / W/A/C PARCEL RACK / ENGLISH & SPANISH	AR	AR	AR	
45	950256	HOSE ASSY / W/R-134a / #16 1096MM / SS BELLOW	AR	AR	AR	
46	373432	HOSE ASSY / SUCTION LINE W/R-134a / #24 537MM	AR	AR	AR	
. NS	507346	. O-RING / ORS FITTING / #24 NEO	2	2	2	
47	453716	HOSE ASSY / DISCHARGE W/R-134a / #16 533MM / SS BELLOW	AR	AR	AR	
48	373126	HOSE ASSY / SUCTION W/R-134a / #24 1122MM	AR	AR	AR	
49	453066	DECAL R134A / NOMINAL CHARGE 24 LBS // ENGLISH & FRANCAIS	AR	AR	AR	
49	454180	DECAL R134A / NOMINAL CHARGE 24 LBS // ENGLISH & SPANISH	AR	AR	AR	
50	453567	HOSE ASSY / DISCHARGE W/R-134a / #16 440MM	AR	AR	AR	
51	454019	HOSE ASSY / DISCHARGE W/R-134a / #16 788MM / SS BELLOW	AR	AR	AR	
52	453875	HOSE ASSY / #10 372MM	AR	AR	AR	
. NS	507344	. O-RING / ORS FITTING / #10 NEO	1	1	1	
52	455270	HOSE ASSY / #10 372MM	AR	AR	AR	S
. NS	507344	. O-RING / ORS FITTING / #10 NEO	1	1	1	S
		S) SERVICE				



	Date:10/2022	HF-23
ACCESSORIES		

Accessories Air System 5
"SLIDE-OUT" Air System 10





		Date:10/2022	HF-23			
ACCESSORIES						
Item#	Part	Description	H 3 4 1	H 3 4 5	V I P 4 5	N O T E S
5	HF-2300-00	ACCESSORIES AIR SYSTEM From 3-4417 To 4-4866				
5	HF-2300-01	ACCESSORIES AIR SYSTEM From 4-4867 To 8-1043				
10	HF-2300-90	"SLIDE-OUT" AIR SYSTEM From 3-4417 To 7-0771				
10	HF-2300-91	"SLIDE-OUT" AIR SYSTEM From 7-0772 To 8-1043				
15	HF-2305-00	LOWER WINDSHIELD WIPER From 3-4417 To 8-1043				
15	HF-2305-05	LOWER WINDSHIELD WIPER - INSTALLATION From 3-4417 To 8-1043				
20	HF-2305-10	UPPER WINDSHIELD WIPER From 3-4417 To 8-1043				
20	HF-2305-15	UPPER WINDSHIELD WIPER - INSTALLATION From 3-4417 To 8-1043				
25	HF-2305-20	WINDSHIELD WASHER - INSTALLATION From 3-4417 To 8-1043				
30	HF-2305-25	HEAD LAMP CLEANING WASHER TANK From 6-0443 To 8-1043				
35	HF-2310-00	HORN - INSTALLATION From 3-4417 To 8-1043				
40	HF-2315-00	SOUND SYSTEM & ACCESSORIES From 3-4417 To 8-1043				
40	HF-2315-10	BOARD UNDER FLOOR - "R.E.I." From 3-4417 To 8-1043				
40	HF-2315-12	BACK SEAT AUDIO WITH "XM" & 4 X 8 CD INSTALL IN BAGGAGE COMPT From 3-4417 To 8-1043				
40	HF-2315-15	SUBWOOFER - INSTALLATION From 6-0560 To 8-1043				
40	HF-2315-20	INDIVIDUAL STATIONS - "R.E.I." From 3-4417 To 8-1043				
40	HF-2315-21	2 VIDEOS & AUDIO W/SATELLITE From 4-4936 To 4-4936				
40	HF-2315-30	SOUND SYSTEM - "KARAOKE" & DVD From 3-4417 To 4-4820				
40	HF-2315-50	POWERVERTER - 24/110 VOLTS - 1000 WATTS From 3-4417 To 8-1043				
40	HF-2315-51	POWERVERTER - 24/110 VOLTS - 1000 WATTS From 3-4417 To 8-1043				
40	HF-2315-60	ROOF ANTENNA & WIRING "R.E.I." From 3-4417 To 8-1043				
45	HF-2317-00	FRONT MONITOR - VIDEO - "R.E.I." From 3-4417 To 5-0167				
45	HF-2317-01	FRONT MONITOR FLAT SCREEN - VIDEO - "R.E.I." From 3-4417 To 8-1043				
50	HF-2317-10	SIDE MONITOR - VIDEO - "R.E.I." From 3-4417 To 8-1043				
50	HF-2317-11	SIDE MONITOR FLAT SCREEN - VIDEO -"R.E.I." From 3-4417 To 8-1043				
55	HF-2317-20	VIDEO VHS PLAYER - INSTALLATION "R.E.I." From 3-4417 To 8-1043				
55	HF-2317-30	VIDEO & AUDIO SYSTEM - INSTALLATION From 4-4821 To 5-0147				
55	HF-2317-31	VIDEO & AUDIO SYSTEM - INSTALLATION From 5-0148 To 6-0559				
55	HF-2317-32	VIDEO & AUDIO SYSTEM - INSTALLATION From 6-0560 To 8-1043				
60	HF-2318-00	CLOCK (DIGITAL) From 3-4417 To 8-1043				
65	HF-2319-00	GROUND POSITIONING SYSTEM - INSTALLATION From 6-0643 To 8-1043				
70	HF-2320-00	JACK & FLARE KIT - INSTALLATION From 3-4417 To 8-1043				
75	HF-2320-30	EXTINGUISHER - INSTALLATION From 3-4417 To 8-1043				
80	HF-2320-35	FIRE PROTECTION SYSTEM INSTALLATION From 5-0230 To 8-1043				
85	HF-2320-40	FIRST AID KIT & AXE - INSTALLATION From 3-4417 To 8-1043				
90	HF-2325-00	LAVATORY - ACCESSORIES From 3-4417 To 8-1043				
95	HF-2326-00	TOILET PUMP ASSY From 3-4417 To 8-1043				
100	HF-2327-00	SUMP TANK - PLASTIC 30 GALLONS From 3-4417 To 8-1043				
105	HF-2327-10	SUMP TANK - AUXILIARY 13 GALLONS From 3-4417 To 8-1043				
110	HF-2328-00	LAVATORY WALL - INSTALLATION From 3-4417 To 8-1043				
115	HF-2329-00	LAVATORY DOOR LOCK & SWITCH From 3-4417 To 8-1043				
120	HF-2330-00	WATER & SUMP TANK - INSTALLATION From 3-4417 To 8-1043				



		Date:10/2022	HF-23			
ACCESSORIES						

Item#	Part	Description	H 3 4 1	H 3 4 5	V I P 4 5	N O T E S
125	HF-2337-00	LAVATORY FAN - INSTALLATION From 3-4417 To 8-1043				
130	HF-2345-00	GALLEY ASSY From 3-4417 To 8-1043				
130	HF-2345-10	GALLEY ACCESSORIES From 3-4417 To 8-1043				
135	HF-2345-40	POWERVERTER - INSTALLATION From 3-4417 To 8-1043				
135	HF-2345-99	110 VOLT - OUTLET / "RETROFIT" From 3-4417 To 8-1043				
140	HF-2350-05	WATER HEATER - "OPTION" - "ESPAR" 103000 B.T.U. From 3-4417 To 8-1043				
140	HF-2350-10	WATER HEATER - INSTALLATION From 3-4417 To 8-1043				
145	HF-2355-00	BACK-UP CAMERA - INSTALLATION From 3-4417 To 8-1043				
145	HF-2355-10	FRONT CAMERA - INSTALLATION From 3-4417 To 8-1043				
145	HF-2355-20	FRONT MONITOR BACK-UP - INSTALLATION From 3-4417 To 8-1043				
150	HF-2360-00	MONOGRAM ASSY & LETTERS From 3-4417 To 8-1043				
155	HF-2370-00	W.C.L. "ST & ST" - PUMP INSTALLATION From 3-4417 To 6-0335				
155	HF-2370-05	W.C.L. "ST & ST" - MODEL SSPL 660 LTA From 3-4417 To 6-0335				
155	HF-2370-10	W.C.L. - DECAL From 3-4417 To 8-1043				
155	HF-2370-15	W.C.L. "ST" & "ST" ACCESSORIES From 3-4417 To 6-0335				
155	HF-2370-20	W.C.L. SEAT BELTS From 3-4417 To 3-4684				
155	HF-2370-21	W.C.L. SEAT BELTS From 3-4685 To 8-1043				
160	HF-2380-00	W.C.L. "RICON" - INSTALLATION MODEL "F9A" From 3-4417 To 4-4704				
160	HF-2380-01	W.C.L. "RICON" REMOVABLE - INSTALLATION MODEL "F9T" From 4-4705 To 5-0178				
160	HF-2380-02	W.C.L. "RICON" REMOVABLE - INSTALLATION MODEL "F9TF" From 5-0179 To 8-1043				
160	HF-2380-05	W.C.L. "RICON" MODEL "F9A" From 3-4417 To 4-4704				
160	HF-2380-06	W.C.L. "RICON" REMOVABLE MODEL "F9T" From 4-4705 To 5-0178				
160	HF-2380-07	W.C.L. "RICON" REMOVABLE MODEL "F9TF" From 5-0179 To 8-1043				
160	HF-2380-10	W.C.L. "RICON" - LIFT ENCLOSURE ASSY MODEL "F9A" From 3-4417 To 4-4704				
160	HF-2380-11	W.C.L. "RICON" - LIFT ENCLOSURE ASSY MODEL "F9T" & "F9TF" From 4-4705 To 8-1043				
160	HF-2380-20	W.C.L. "RICON" - PLATFORM ASSY MODEL "F9A" From 3-4417 To 4-4704				
160	HF-2380-21	W.C.L. "RICON" - PLATFORM ASSY MODEL "F9T" From 4-4705 To 5-0178				
160	HF-2380-22	W.C.L. "RICON" - PLATFORM ASSY MODEL "F9TF" From 5-0179 To 8-1043				
160	HF-2380-30	W.C.L. "RICON" - TRAVELING FRAME ASSY MODEL "F9A" From 3-4417 To 4-4704				
160	HF-2380-31	W.C.L. "RICON" - TRAVELING FRAME ASSY MODEL "F9T" & "F9TF" From 4-4705 To 8-1043				
160	HF-2380-40	W.C.L. "RICON" - CARRIAGE ASSY MODEL "F9A" From 3-4417 To 4-4704				
160	HF-2380-41	W.C.L. "RICON" - CARRIAGE ASSY MODEL "F9T" & "F9TF" From 4-4705 To 8-1043				
160	HF-2380-50	W.C.L. "RICON" - BRIDGE PLATE ASSY 9" MODEL "F9A" From 3-4417 To 4-4704				
160	HF-2380-51	W.C.L. "RICON" - BRIDGE PLATE ASSY 9" MODEL "F9T" & "F9TF" From 4-4705 To 8-1043				
160	HF-2380-60	W.C.L. "RICON" - PUMP INSTALLATION MODEL "F9A" From 3-4417 To 4-4704				
160	HF-2380-61	W.C.L. "RICON" - PUMP INSTALLATION MODEL "F9T" & "F9TF" From 4-4705 To 8-1043				
160	HF-2380-65	W.C.L. "RICON" - PUMP ASSY From 3-4417 To 8-1043				
165	HF-2390-00	"SLIDE-OUT" LOCKING PIN & SEAL From 3-4417 To 7-0771				
165	HF-2390-01	"SLIDE-OUT" INFLATED SEAL From 7-0772 To 8-1043				
165	HF-2390-10	"SLIDE-OUT" AIR CONTROL PANEL From 3-4417 To 7-0771				
165	HF-2390-11	"SLIDE-OUT" AIR CONTROL PANEL - MUX From 7-0772 To 8-1043				
165	HF-2390-20	"SLIDE-OUT" - FRONT MECHANISM - INSTALLATION From 3-4417 To 7-0771				



	Date:10/2022	HF-23
ACCESSORIES		

Item#	Part	Description	H 3 4 1	H 3 4 5	V I P 4 5	N O T E S
165	HF-2390-21	"SLIDE-OUT" - FRONT MECHANISM - INSTALLATION From 7-0772 To 8-1043				
165	HF-2390-30	"SLIDE-OUT" - REAR MECHANISM - INSTALLATION From 3-4417 To 7-0771				
165	HF-2390-31	"SLIDE-OUT" - REAR MECHANISM - INSTALLATION From 7-0772 To 8-1043				
165	HF-2390-40	"SLIDE-OUT" - BED SUPPORT From 3-4417 To 8-1043				
165	HF-2390-50	"SLIDE-OUT" - INSTALLATION From 3-4417 To 7-0771				
165	HF-2390-51	"SLIDE-OUT" - INSTALLATION From 7-0772 To 8-1043				
165	HF-2390-70	"SLIDE-OUT" - CYLINDER LOCK PIN ASSY From 3-4417 To 7-0771				



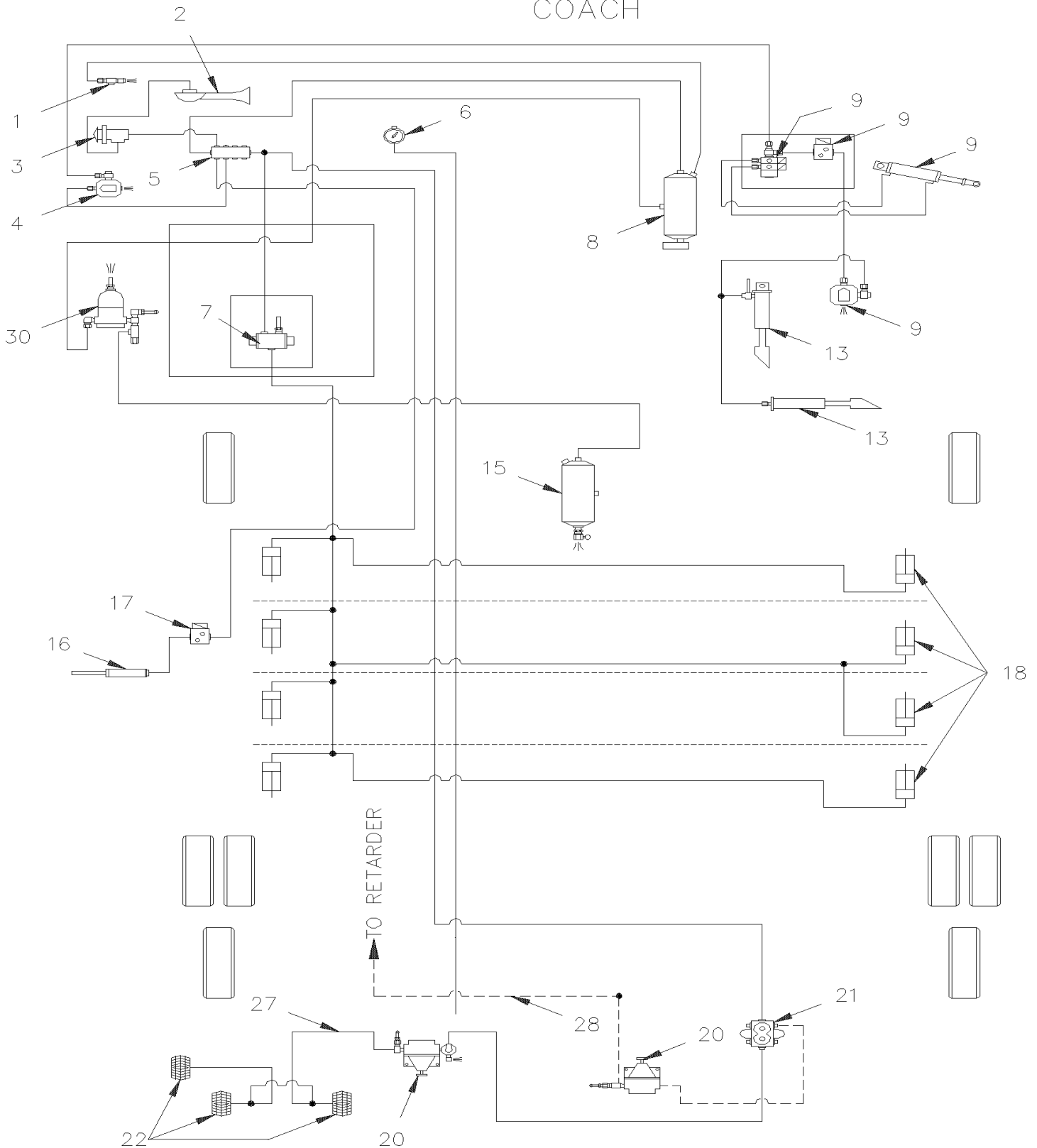
From 3-4417 To 4-4866

Date:10/2022

PAGE:HF-2300-00

ACCESSORIES AIR SYSTEM

COACH





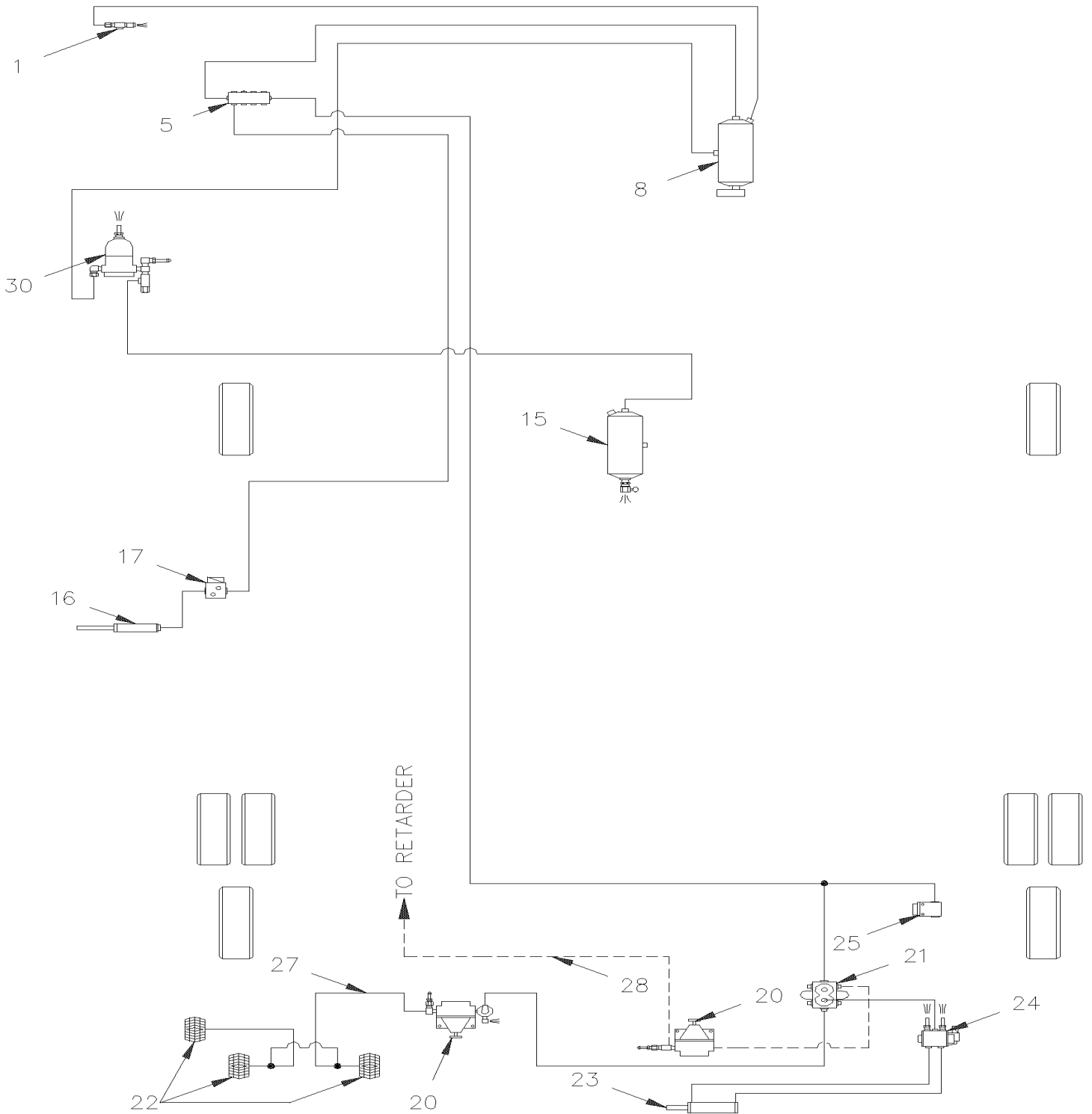
From 3-4417 To 4-4866

Date:10/2022

PAGE:HF-2300-00

ACCESSORIES AIR SYSTEM

V.I.P.





From 3-4417 To 4-4866	Date:10/2022	PAGE:HF-2300-00
ACCESSORIES AIR SYSTEM		

Item#	Part	Description	H 3 4 1	H 3 4 5	V I P 4 5	N O T E S
1	501354	NEEDLE VALVE 1/8 NPT M x 1/8 NPT F	1	1	1	
2	640093	HORN AIR	1	1		
3	562804	VALVE, 2 WAYS N.C.	1	1	1	
. NS	562848	. CONNECTOR / SOCKET HOUSING ASSY 3C / PNEUMAC 54933-05	1	1	1	
4	641417	VALVE, 3 WAYS 1/8NPT-Fx1/8NPT-Fx1/8NPT-F BR	1	1		B
. NS	642014	. HANDLE / RED	1	1		B
4	642161	VALVE, 3 WAYS 1/8NPT-Fx1/8NPT-Fx1/8NPT-F BR / SERVICE	1	1	1	
. NS	642014	. HANDLE / RED	1	1	1	
5	641415	MANIFOLD / PUSH-IN FITTING / 2x#6 / 4x#4 PLAS	1	1	1	
6	HF-0645-20	CENTER DASHBOARD PANEL				
7	641530	VALVE, 3 WAYS, 2 POSITIONS / 2 SOLENOIDS	1	1		
. NS	641929	. COIL 24V	1	1		
. NS	641169	. SPOOL	1	1		
. NS	641385	. CONNECTOR / SOCKET HOUSING ASSY 3C / PNEUMAC 54934-01	1	1		
8	140869	AIR TANK / 1791 IN° / 9 1/2" O.D. X 27"	1	1	1	
9	HF-1802-00	ENTRANCE DOOR CONTROL				
12	641417	VALVE, 3 WAYS 1/8NPT-Fx1/8NPT-Fx1/8NPT-F BR	1	1	1	
. NS	642014	. HANDLE / RED	1	1	1	
12	642161	VALVE, 3 WAYS 1/8NPT-Fx1/8NPT-Fx1/8NPT-F BR / SERVICE	1	1	1	
. NS	642014	. HANDLE / RED	1	1	1	
13	HF-1862-10	ENTRANCE DOOR ASSY - SEDAN				
15	140869	AIR TANK / 1791 IN° / 9 1/2" O.D. X 27"	1	1	1	
16	HF-2215-00	EVAPORATOR & DAMPER CONTROL COMPONENTS				
17	HF-2207-00	WATER VALVE "VERSADRIVE"				
18	780351	HANDLE ASSY / W/AIR CYLINDER TYPE "PS" To 4-4914	8	8		
18	780712	HANDLE ASSY / W/AIR CYLINDER TYPE "NS" From 4-4915	8	8		
. NS	780340	. CLIP, RETAINER ROD From 4-4915	2	2		
20	641472	AIR PRESSURE REGULATOR 1/4" NPT / COPPER	1	1		
21	640055	MANIFOLD / PIPE FITTING / 7 PORTS 1/4NPT-F STL	1	1	1	
22	950208	BELLOW ASSY / BELT TENSIONER / 3" O.D.	3	3	3	
. NS	504695	. HOSE CLAMP STEPLESS SPRING SS / OETIKER / 2.9-3.3	1	1	1	
23	990224	AIR CYLINDER / BACK-UP CAMERA			1	
24	641527	VALVE, 4 WAYS, 2 POSITIONS			1	
. NS	641929	. COIL 24V			1	
. NS	641186	. SPOOL			1	
. NS	641385	. CONNECTOR / SOCKET HOUSING ASSY 3C / PNEUMAC 54934-01			1	
NS	641212	SILENCER / MUFFLER / 1/4NPT-M	1	1	1	
25	641274	VALVE, 3 WAYS, 2 POSITIONS N.C.	1	1	1	
27	052041	HOSE ASSY TEFLON #4 1230MM	1	1	1	
28	140376	HOSE ASSY TEFLON #6 686MM	1	1	1	D
30	HF-1220-15	AIR FILTER - ACCESSORIES				



From 3-4417 To 4-4866		Date:10/2022	PAGE:HF-2300-00
-----------------------	--	--------------	-----------------

ACCESSORIES AIR SYSTEM

Item#	Part	Description	H 3 4 1	H 3 4 5	V I P 4 5	N O T E S
		B) MANUAL EMERGENCY (HF-1802-00)				
		D) RETARDER				



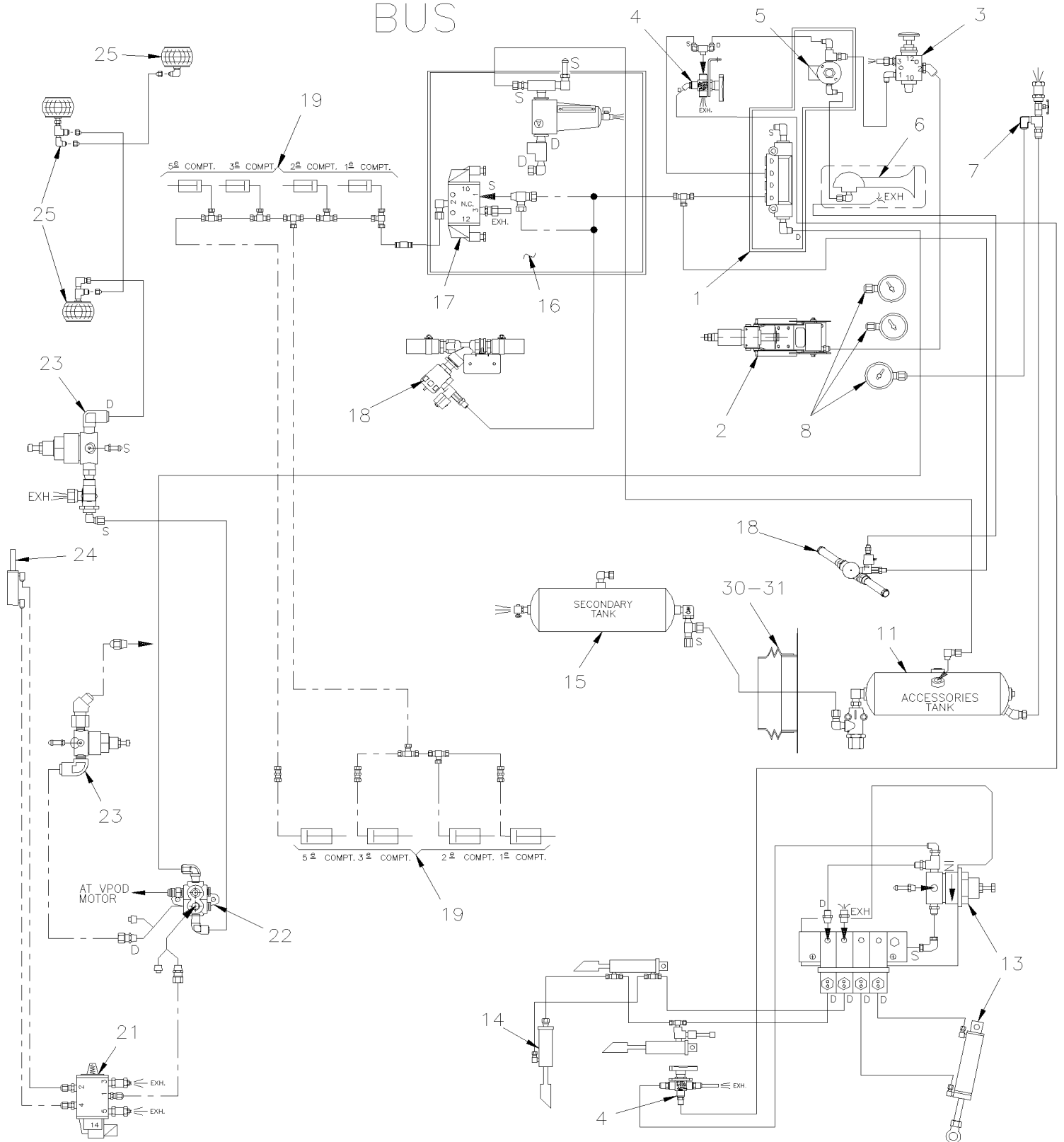
From 4-4867 To 8-1043

Date:10/2022

PAGE:HF-2300-01

ACCESSORIES AIR SYSTEM

BUS





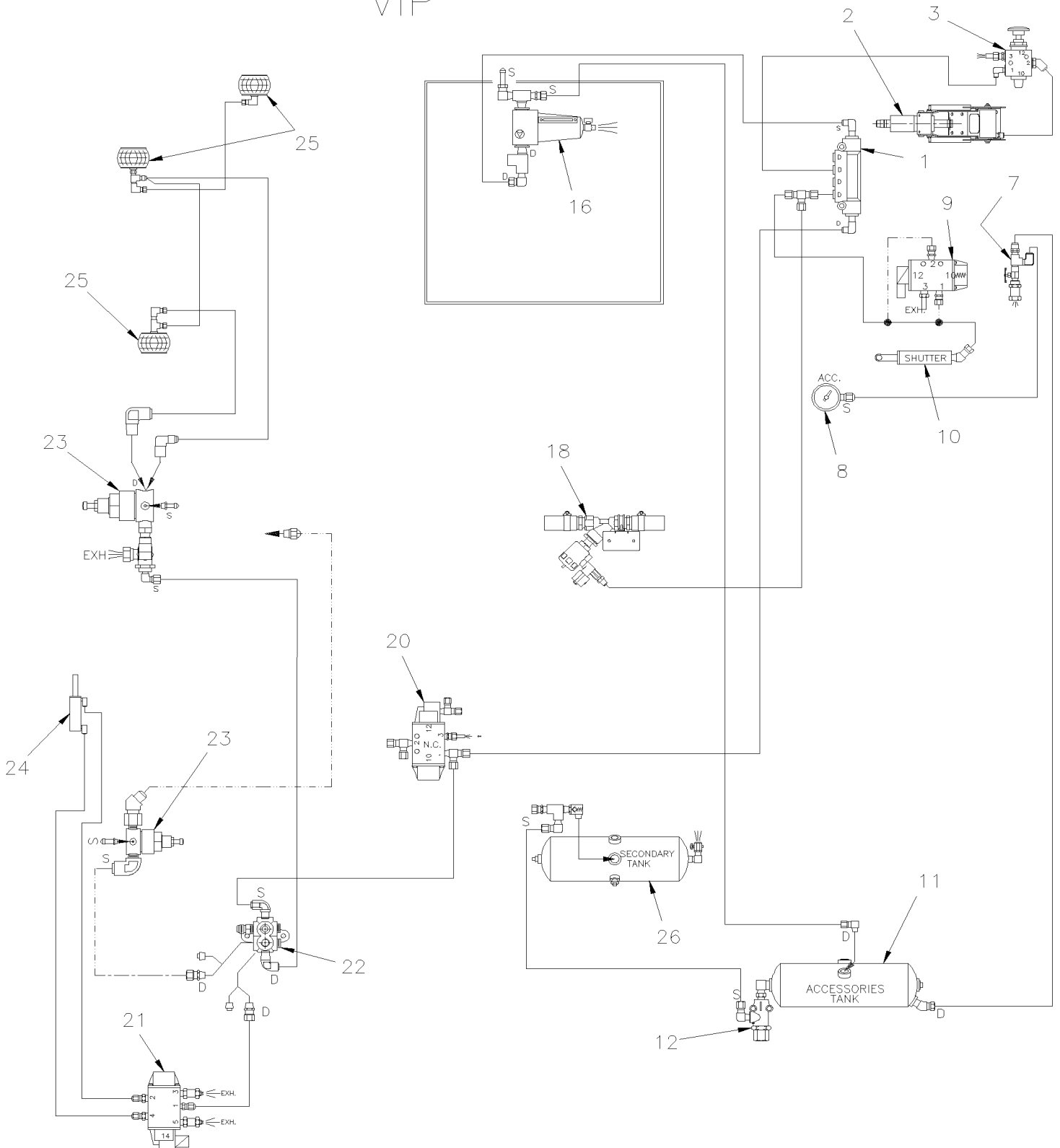
From 4-4867 To 8-1043

Date:10/2022

PAGE:HF-2300-01

ACCESSORIES AIR SYSTEM

VIP





From 4-4867 To 8-1043	Date:10/2022	PAGE:HF-2300-01
ACCESSORIES AIR SYSTEM		

Item#	Part	Description	H 3 4 1	H 3 4 5	V I P 4 5	N O T E S
1	641415	MANIFOLD / PUSH-IN FITTING / 2x#6 / 4x#4 PLAS	1	1	1	
2	HF-1405-00	STEERING WHEEL & COLUMN ASSY				
3	641445	VALVE, 3 WAYS, 2 POSITIONS MECHANICAL	1	1	1	
. NS	641992	. KNOB	1	1	1	
3	501307	ADAPTER / PIPE FITTING / 1/8NPT-Fx1/8NPT-M BR	1	1	1	
3	641365	MALE ELBOW 45° NON-SWIVEL / PUSH-IN FITTING / #4x1/8NPT-M BR	2	2	2	
4	641417	VALVE, 3 WAYS 1/8NPT-Fx1/8NPT-Fx1/8NPT-F BR	2	2		
. NS	642014	. HANDLE / RED	1	1		
4	642161	VALVE, 3 WAYS 1/8NPT-Fx1/8NPT-Fx1/8NPT-F BR / SERVICE	2	2		
. NS	642014	. HANDLE / RED	1	1		
5	562804	VALVE, 2 WAYS N.C.	1	1	1	
. NS	562848	. CONNECTOR / SOCKET HOUSING ASSY 3C / PNEUMAC 54933-05	1	1	1	
6	640093	HORN AIR	1	1		
7	501354	NEEDLE VALVE 1/8 NPT M x 1/8 NPT F	1	1	1	
8	HF-0645-20	CENTER DASHBOARD PANEL				
9	N.P.N.	SUPPLIED BY CONVERTER			1	4
10	051570	SHUTTER ASSY			1	
. NS	550568	. CYLINDER AIR / SHUTTER / W/4" MOUNT			1	
. NS	550569	. BOOT RUBBER			1	
. NS	550577	. SPRING EXTENSION / .350 O.D. x 6.875 x .069			1	
. NS	550179	. BUSHING 5/16" I.D. / NYLON			AR	
11	140868	AIR TANK / W/END LOWER DRAIN 1228 IN° / 8" O.D. X 26"	1	1	1	
12	640439	VALVE, PRESSURE PROTECTION / PR-2 75PSI	1	1	1	
13	HF-1802-00	ENTRANCE DOOR CONTROL To 5-0108				
13	HF-1802-01	ENTRANCE DOOR CONTROL From 5-0109				
14	HF-1862-10	ENTRANCE DOOR ASSY - SEDAN				
15	140869	AIR TANK / 1791 IN° / 9 1/2" O.D. X 27"	1	1		
16	HF-1220-15	AIR FILTER - ACCESSORIES				
17	641530	VALVE, 3 WAYS, 2 POSITIONS / 2 SOLENOIDS	1	1		
. NS	641929	. COIL 24V	1	1		
. NS	641169	. SPOOL	1	1		
. NS	641385	. CONNECTOR / SOCKET HOUSING ASSY 3C / PNEUMAC 54934-01	1	1		
18	HF-2207-01	WATER VALVE - W/MAIN & DRIVER'S				
19	HF-1864-32	HANDLE LOCK & KEYS - TYPE "NS"				
19	HF-1864-32	HANDLE LOCK & KEYS - TYPE "NS"				
20	641274	VALVE, 3 WAYS, 2 POSITIONS N.C.	1	1	1	
21	641527	VALVE, 4 WAYS, 2 POSITIONS	1	1	1	
. NS	641929	. COIL 24V	1	1	1	
. NS	641186	. SPOOL	1	1	1	
. NS	641385	. CONNECTOR / SOCKET HOUSING ASSY 3C / PNEUMAC 54934-01	1	1	1	
NS	641212	SILENCER / MUFFLER / 1/4NPT-M	1	1	1	
22	640055	MANIFOLD / PIPE FITTING / 7 PORTS 1/4NPT-F STL	1	1	1	



From 4-4867 To 8-1043	Date:10/2022	PAGE:HF-2300-01
ACCESSORIES AIR SYSTEM		

Item#	Part	Description	H 3 4 1	H 3 4 5	V I P 4 5	N O T E S
23	641472	AIR PRESSURE REGULATOR 1/4" NPT / COPPER	1	1	1	
24	990224	AIR CYLINDER / BACK-UP CAMERA	AR	AR		
24	990224	AIR CYLINDER / BACK-UP CAMERA			1	
25	550840	BELLOW ASSY / BELT TENSIONER / 4" O.D.	3	3	3	
26	141834	AIR TANK / 1303 IN° / 8" O.D. X 27"1/2			1	
30	504499	CUFF END BELLOW / 2 7/8" I.D. x 3 5/8" x 4 7/16	1	1	1	
31	141567	PROTECTOR RUBBER 100MM	1	1	1	
NS	509558	WEATHERSEAL SNAP-ON 1/8" / SINGLE LIP / WH / C.T.L.	AR	AR	AR	
		NEXT ITEMS ARE RELATED WITH				
		FRONT AIR FILLING				
NS	287622	SUPPORT AIR VALVE	1	1		
NS	641417	VALVE, 3 WAYS 1/8NPT-Fx1/8NPT-Fx1/8NPT-F BR	1	1		
. NS	642014	. HANDLE / RED	1	1		
NS	642161	VALVE, 3 WAYS 1/8NPT-Fx1/8NPT-Fx1/8NPT-F BR / SERVICE	1	1		
. NS	642014	. HANDLE / RED	1	1		
NS	640488	VALVE, AIR FILL 1/8" NPT	1	1		
. NS	650164	. CAP VALVE / CHROME	1	1		
NS	642021	DROP-EAR ELBOW 90° / PIPE FITTING / 1/8NPT-F BR	1	1		
NS	140381	DECAL / "AIR BRAKE SYSTEM FILL" // ENGLISH & FRANCAIS	1	1		
40	142369	DECAL / "AIR BRAKE SYSTEM FILL" // ENGLISH & SPANISH	1	1		
NS	283989	DECAL "EMERGENCY DOOR VALVE" / IN STEERING COMPARTMENT	1	1		
NS	501310	ADAPTER / PIPE FITTING / 1/4NPT-Fx1/8NPT-M BR	1	1		
NS	641936	BALL VALVE 1/4 NPT M x 1/4 NPT F	1	1		
		4) NO PARTS NUMBER				

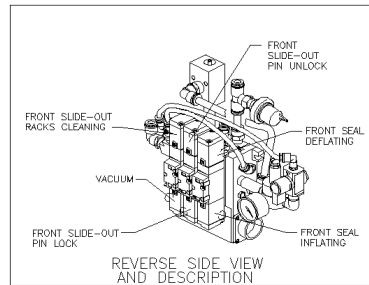
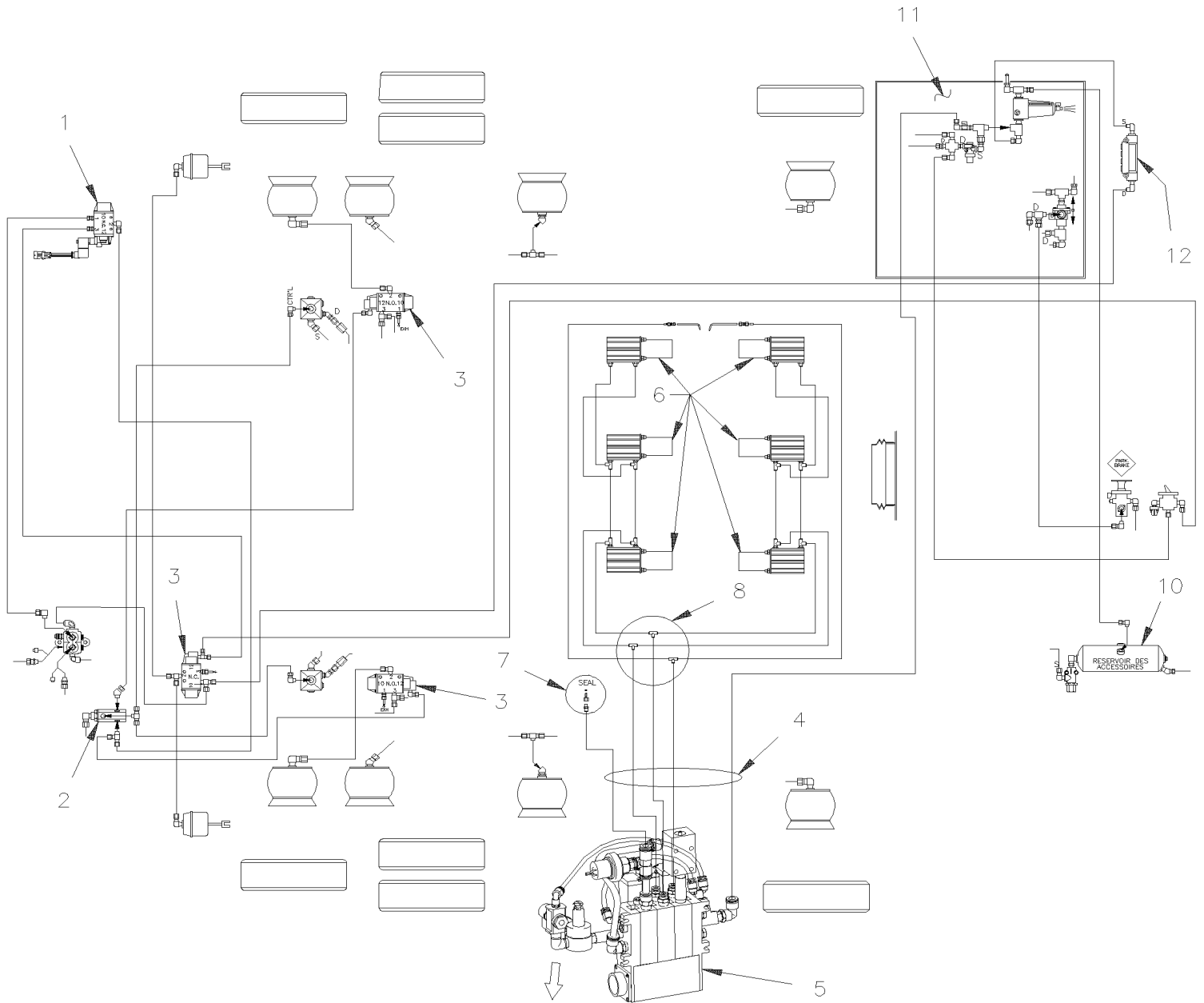


From 3-4417 To 7-0771

Date:10/2022

PAGE:HF-2300-90

"SLIDE-OUT" AIR SYSTEM



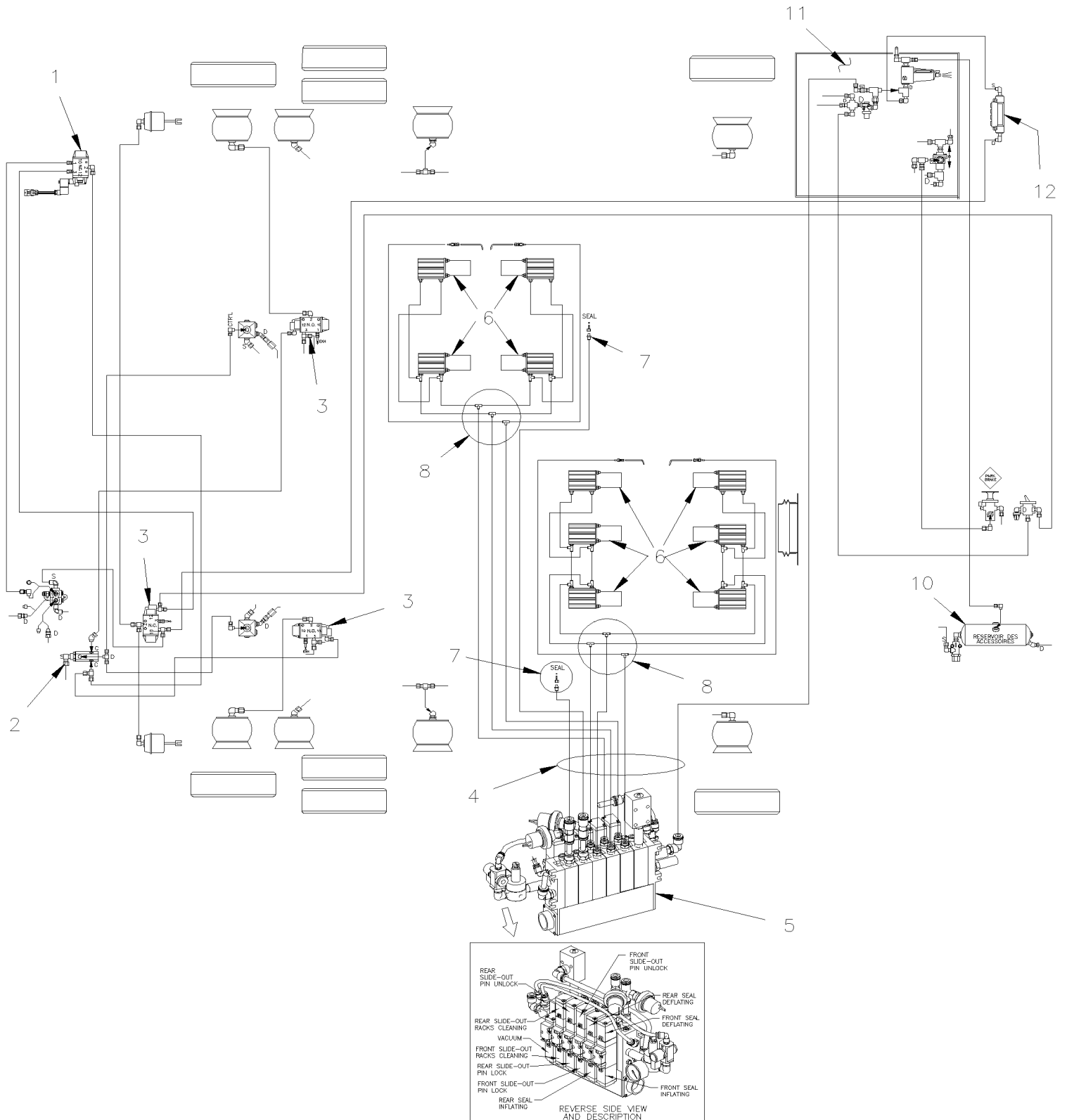


From 3-4417 To 7-0771

Date:10/2022

PAGE:HF-2300-90

"SLIDE-OUT" AIR SYSTEM





From 3-4417 To 7-0771	Date:10/2022	PAGE:HF-2300-90
"SLIDE-OUT" AIR SYSTEM		

Item#	Part	Description	H 3 4 1	H 3 4 5	V I P 4 5	N O T E S
1	641937	VALVE, 3 WAYS, 2 POSITIONS N.C. / W/MAN OVERRIDE			1	
. NS	641929	. COIL 24V			1	
. NS	641385	. CONNECTOR / SOCKET HOUSING ASSY 3C / PNEUMAC 54934-01			1	
2	640442	VALVE, INVERSION TR-2			1	
3	641274	VALVE, 3 WAYS, 2 POSITIONS N.C.			3	
4	HF-1202-00	TUBES PLASTIC / AIR D.O.T.				
5	HF-2390-10	"SLIDE-OUT" AIR CONTROL PANEL				
6	HF-2390-70	"SLIDE-OUT" - CYLINDER LOCK PIN ASSY				
7	HF-2390-00	"SLIDE-OUT" LOCKING PIN & SEAL				
8	641955	UNION TEE / PUSH-IN FITTING / #4x#4x#4 BR			AR	
9	642015	VALVE / SPRING BRAKE SR-7			2	
10	140868	AIR TANK / W/END LOWER DRAIN 1228 IN° / 8" O.D. X 26"			1	
11	HF-1260-00	VALVE SUPPORT ASSY To 3-4757				
11	HF-1260-01	VALVE SUPPORT ASSY From 4-4758				
12	641897	MANIFOLD / PUSH-IN FITTING / 2x#6 / 4x#4 PLAS			1	
12	641415	MANIFOLD / PUSH-IN FITTING / 2x#6 / 4x#4 PLAS			1	

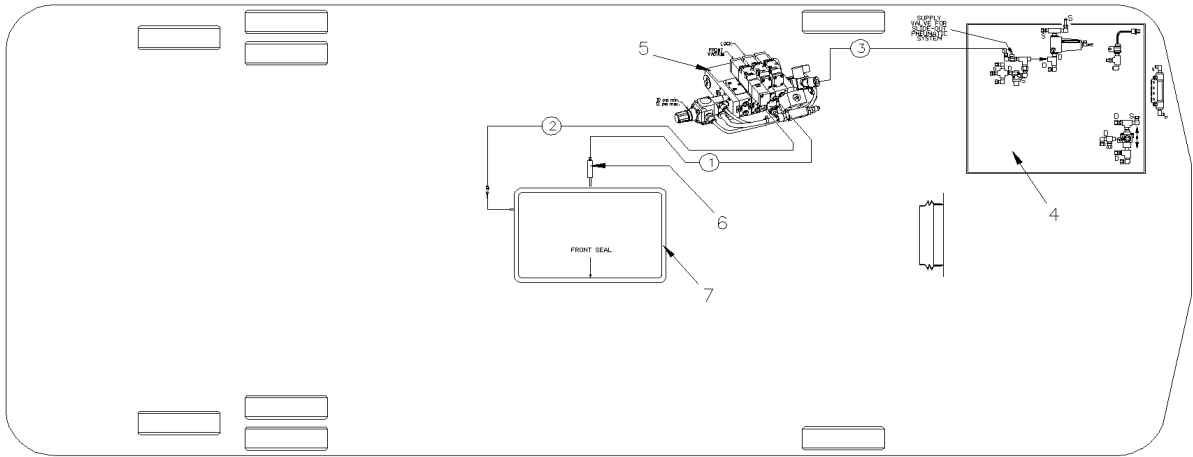


From 7-0772 To 8-1043

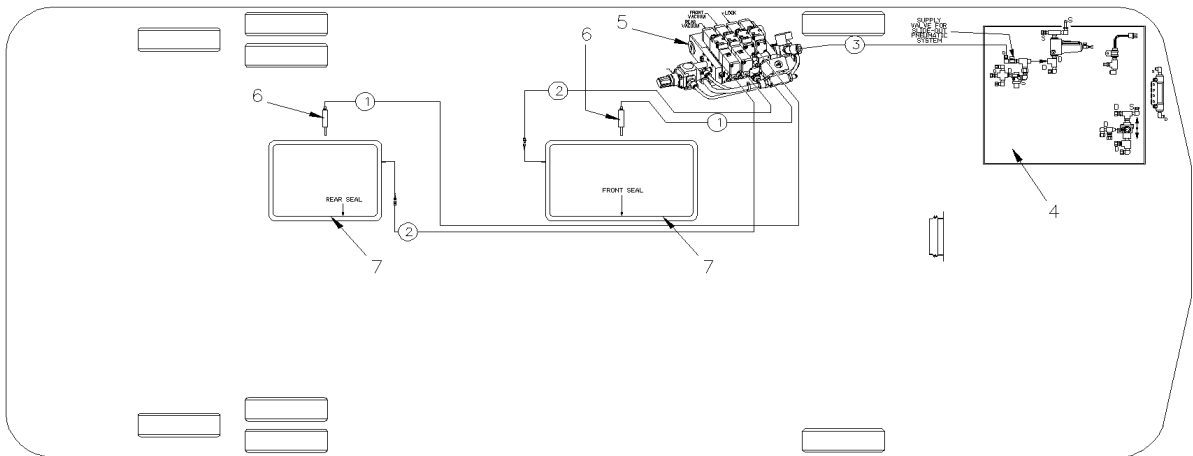
Date:10/2022

PAGE:HF-2300-91

"SLIDE-OUT" AIR SYSTEM



WITH FRONT SINGLE SLIDE-OUT



WITH DOUBLE SLIDE-OUT

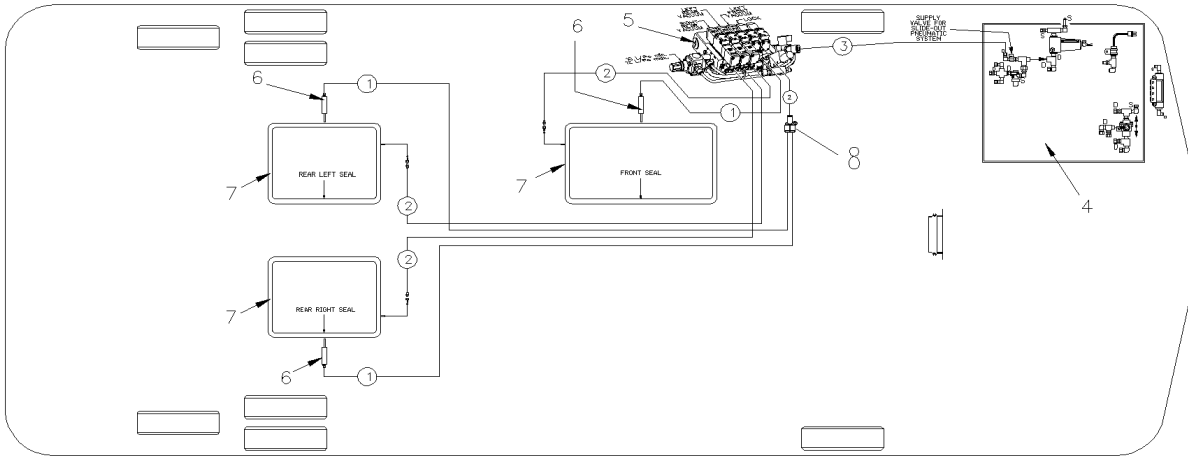


From 7-0772 To 8-1043

Date:10/2022

PAGE:HF-2300-91

"SLIDE-OUT" AIR SYSTEM



WITH TRIPLE SLIDE-OUT



From 7-0772 To 8-1043	Date:10/2022	PAGE:HF-2300-91
"SLIDE-OUT" AIR SYSTEM		

Item#	Part	Description	H 3 4 1	H 3 4 5	V I P 4 5	N O T E S
1	503536	TUBE, NYLON 1/8 O.D. / BLACK S.L.			AR	
2	503404	TUBE, NYLON 3/8 O.D. / BLACK S.L.			AR	
3	503488	TUBE, NYLON 1/2 O.D. / BLACK S.L./			AR	
4	HF-1260-01	VALVE SUPPORT ASSY				
5	HF-2390-11	"SLIDE-OUT" AIR CONTROL PANEL - MUX				
6	HF-2390-21	"SLIDE-OUT" - FRONT MECHANISM - INSTALLATION				
6	HF-2390-31	"SLIDE-OUT" - REAR MECHANISM - INSTALLATION				
7	HF-2390-01	"SLIDE-OUT" INFLATED SEAL				
8	642095	UNION "Y" / PUSH-IN FITTING / #2x#2x#2 PLAS			AR	

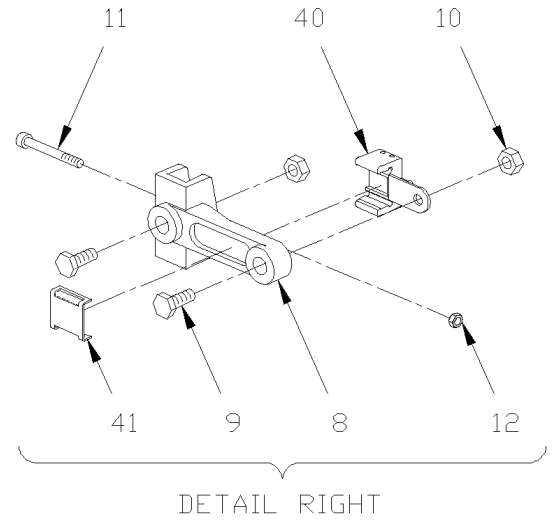
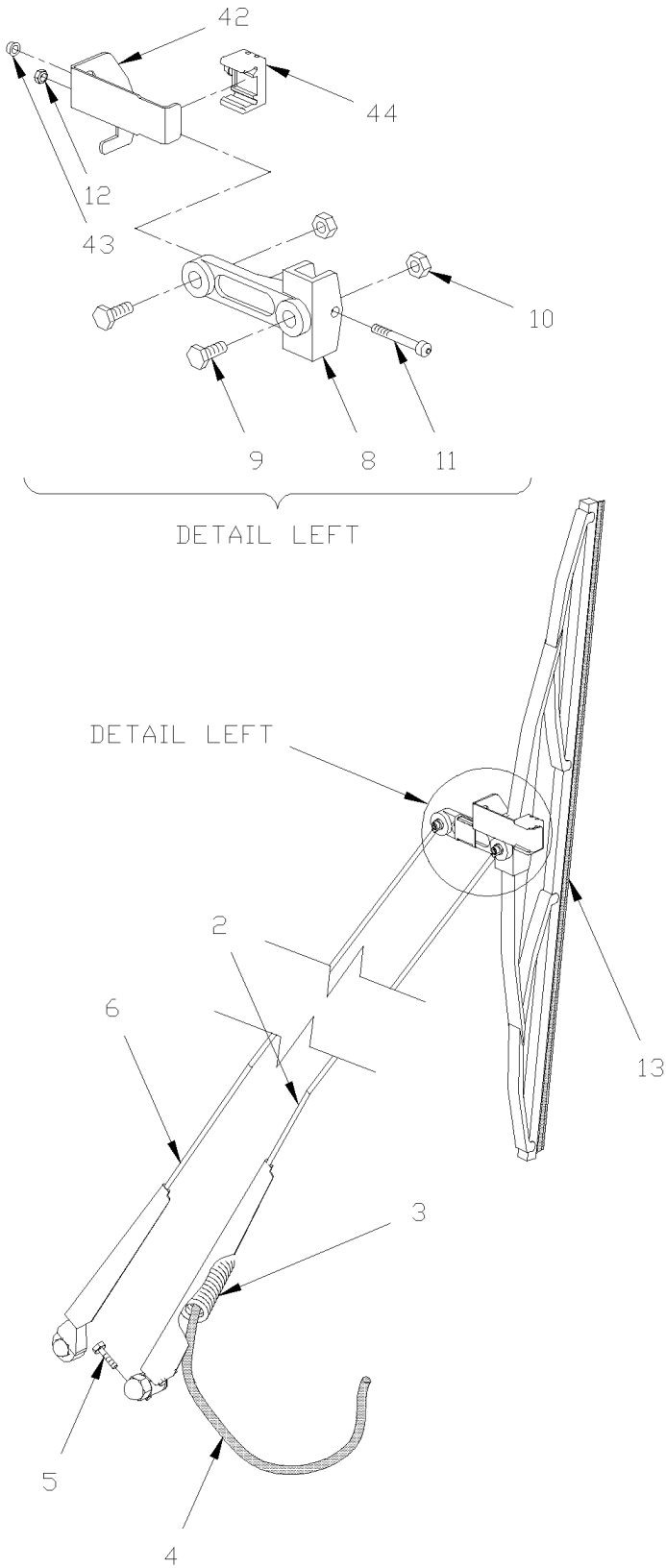


From 3-4417 To 8-1043

Date:10/2022

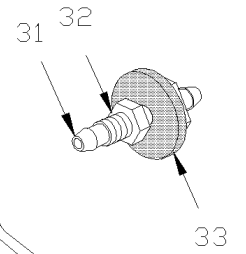
PAGE:HF-2305-00

LOWER WINDSHIELD WIPER



DETAIL LEFT

DETAIL RIGHT





From 3-4417 To 8-1043	Date:10/2022	PAGE:HF-2305-00
LOWER WINDSHIELD WIPER		

Item#	Part	Description	H 3 4 1	H 3 4 5	V I P 4 5	N O T E S
	800283	WIPER ARM ASSY 33" C/C / W/PLASTIC LINK ("H" MODEL)	2	2	2	
2	800310	. WIPER ARM / MAIN 33" C/C	1	1	1	
3	800312	. . SPRING EXTENSION / .528 O.D. x 5.41 x .118	1	1	1	
4	503696	. . HOSE 1/8" I.D	1	1	1	A
5	10539188	. . SCREW CAP HEX 1/4-28x1 G8 BK	1	1	1	
6	800313	. WIPER ARM / IDLER 33" C/C	1	1	1	
8	800308	. LINK ASSY	1	1	1	
9	800243	. SCREW SHR CAP HEX 1/4x33/64{10-32	2	2	2	
10	500423	. NUT HEX NYRT #10-32 SS	2	2	2	
11	800309	. SCREW #10-32x.390 SS	1	1	1	
12	500423	. NUT HEX NYRT #10-32 SS	1	1	1	
13	800284	WIPER BLADE ASSY 22"	1	1	1	
. NS	800383	. RUBBER BLADE REFILL / (ONLY) WIPER REFILL 22"	1	1	1	
NS	191104	WIPER BLADE ASSY 22" ALTERNATIVE PART	1	1	1	
. NS	800316	. RUBBER BLADE REFILL / (ONLY) WIPER REFILL 22"	1	1	1	
. NS	800180	. CLIP / RETAINER END	2	2	2	
31	300469	ADAPTOR HOSE #3 / WET ARM M8-1.25 x 44MM	2	2	2	
32	5001188	NUT HEX M8-1.25 SS	2	2	2	
33	502820	WASHER FL .187x1.000x.125 RUB BK	2	2	2	
40	800330	NOZZLE, WINDSHIELD WASHER / "BOSCH"	1	1	1	
41	300473	. CLIP RETAINER / NOZZLE W/W "BOSCH"	2	2	2	A
42	300487	. SUPPORT NOZZLE ASSY	1	1	1	A
43	504529	. GROMMET / .250x.375x.062x.281x.625	1	1	1	A
44	300474	. NOZZLE, WINDSHIELD WASHER / "BOSCH" / MODIFIED	2	2	2	A
44	800330	. . NOZZLE, WINDSHIELD WASHER / "BOSCH"	1	1	1	
		A) THESE COMPONENTS ARE INSTALLED BY "PREVOST" AND NOT INCLUDE WITH ARM ASSY # 800283				

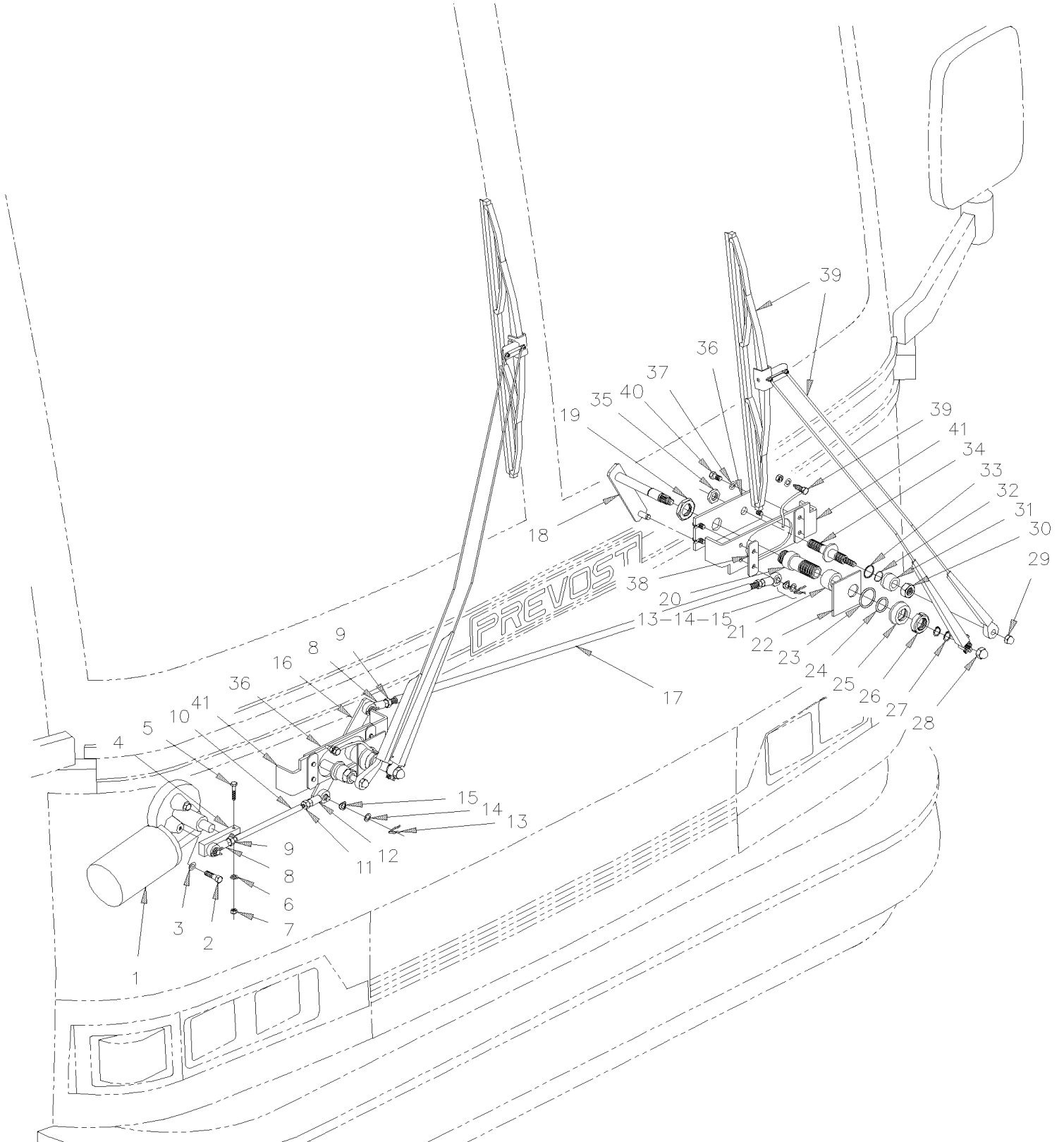


From 3-4417 To 8-1043

Date:10/2022

PAGE:HF-2305-05

LOWER WINDSHIELD WIPER - INSTALLATION





From 3-4417 To 8-1043	Date:10/2022	PAGE:HF-2305-05
LOWER WINDSHIELD WIPER - INSTALLATION		

Item#	Part	Description	H 3 4 1	H 3 4 5	V I P 4 5	N O T E S
1	800328	MOTOR WIPER ASSY / 24V / BOSCH	1	1	1	
2	5001217	SCREW CAP HEX M8-1.25x20 G10.9	3	3	3	
3	502507	WASHER LO SPT 8.1x14.8x2.0 Z050	3	3	3	
4	300184	LEVER / MOTOR	1	1	1	
5	502533	SCREW CAP HEX M6-1.0x30 G8.8 Z050	1	1	1	
6	502564	WASHER LO SPT 6.1x11.8x1.6 Z050	1	1	1	
7	502565	NUT HEX M6-1.0 SS	1	1	1	
8	502174	ROD END MALE 3/8-24 / 3/8 I.D.	3	3	3	
9	500956	NUT HEX JAM 3/8-24 Z050	3	3	3	
10	300253	ROD, W/R.H. & L.H. THREAD	1	1	1	
11	5001039	NUT HEX JAM LH 3/8-24 Z050	1	1	1	
12	502186	ROD END MALE L.H. 3/8-24-L.H./ 3/8 I.D.	1	1	1	
13	502185	PIN HAIR CUTTER .062 X 9/32	4	4	4	
14	500905	WASHER SPR WAVE .750x.015	4	4	4	
15	5001011	WASHER FL .406x.625x.040 Z050	4	4	4	
16	300186	LEVER RIGHT PIVOT	1	1	1	
17	309026	ROD, L.H. / L.H. WIPER	1	1	1	
18	300192	LEVER LEFT PIVOT	1	1	1	
NS	680739	GREASE SYNTHETIC / RED 20KG	AR	AR	AR	
19	502821	NUT HEX JAM 1 1/8-18 Z050	1	1	1	
20	300198	TUBE ASSY	2	2	2	
20	300197	. MAIN WIPER ARM THREADED TUBE	1	1	1	
NS	800125	. BUSHING 5/8" I.D. X 7/8" O.D. X 5/8" L	2	2	2	
NS	800276	V-RING	1	1	1	
21	300302	SPACER 38MM O.D.x 30MM I.D. x 12.5MM	2	2	2	
22	300370	WASHER / 54MM O.D.x 30MM I.D. 1/8TH AL	1	1	1	
23	507321	O-RING 1 5/8" I.D. X 1/8"	2	2	2	
24	507320	O-RING 1 1/8" I.D. X 1/8"	2	2	2	
25	300271	SPACER	2	2	2	
26	800064	NUT SPANNER 1 1/8-18 / PLASTIC	2	2	2	
27	504691	RING RETAINER / EXT .625 x .588 x .035" / SS	2	2	2	
28	800062	NUT HEX CAP 3/8-24 BK	2	2	2	
29	800078	NUT HEX CAP 1/4-28 BK	2	2	2	
30	800079	NUT HEX 5/8-18 BK	2	2	2	
31	300301	SPACER	2	2	2	
32	507318	O-RING 5/8" I.D. X 1/16"	2	2	2	
33	507303	O-RING 1/2" I.D. FLAT FACE	2	2	2	
34	300274	SECONDARY SHAFT IDLE ARM	1	1	1	
35	502822	NUT HEX JAM THN 5/8-18x3/16 Z050	1	1	1	
36	300208	PLATE, MOUNTING	1	1	1	
37	502583	WASHER LO SERR 8.15x22.3x1.0 Z050	8	8	8	
38	300206	PLATE, THREADED	4	4	4	



From 3-4417 To 8-1043	Date:10/2022	PAGE:HF-2305-05
-----------------------	--------------	-----------------

LOWER WINDSHIELD WIPER - INSTALLATION

Item#	Part	Description	H 3 4 1	H 3 4 5	V I P 4 5	N O T E S
NS	300471	SPACER	AR	AR	AR	
39	HF-2305-00	LOWER WINDSHIELD WIPER				
40	502790	SCREW CAP HEX M8-1.25x20 G8.8 Z050	8	8	8	
41	250742	SUPPORT, WIPER PIVOT L.H. / (WELDED AT STRUCTURE)	1	1	1	
41	250741	SUPPORT, WIPER PIVOT R.H. / (WELDED AT STRUCTURE)	1	1	1	

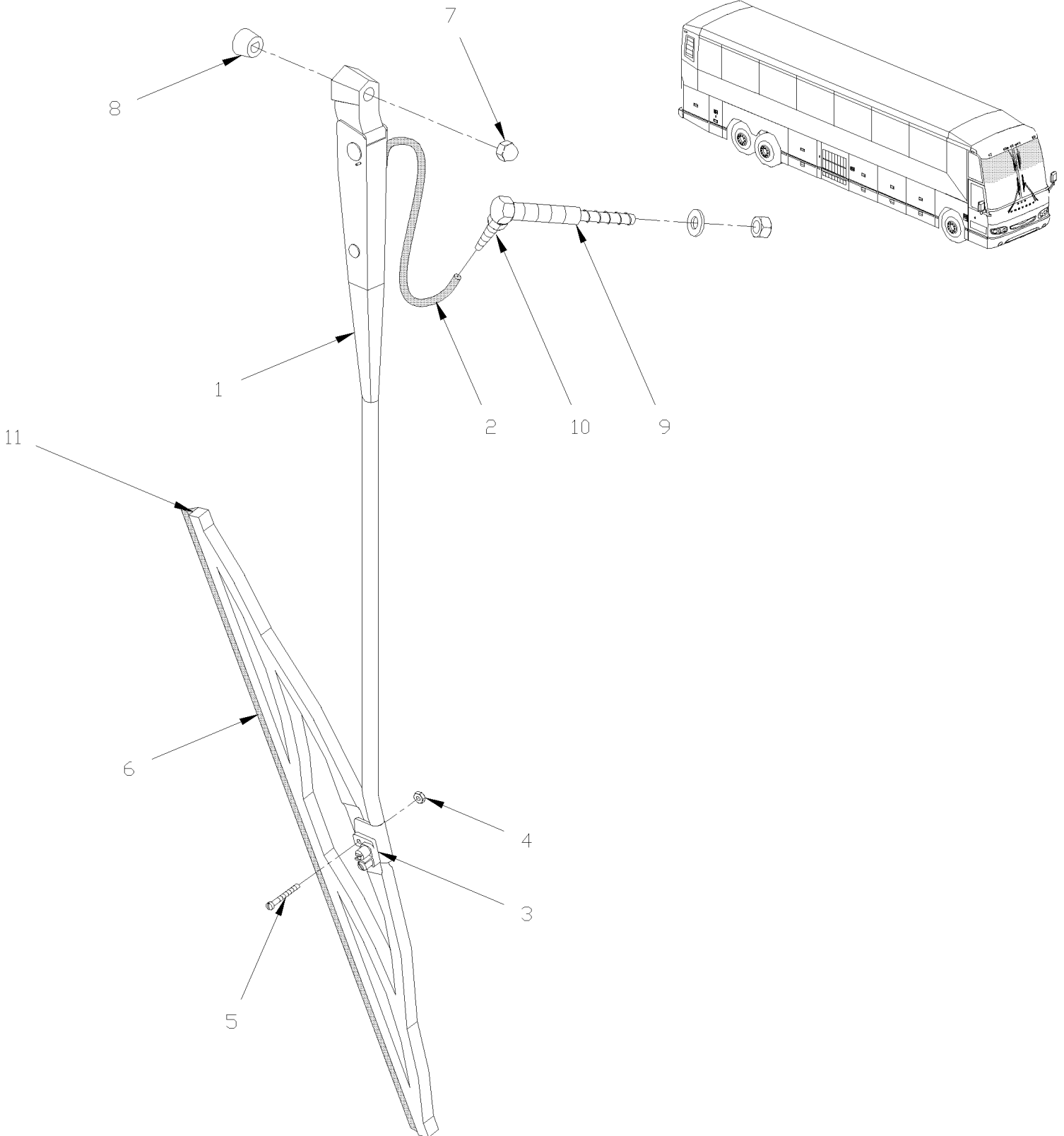


From 3-4417 To 8-1043

Date:10/2022

PAGE:HF-2305-10

UPPER WINDSHIELD WIPER





From 3-4417 To 8-1043	Date:10/2022	PAGE:HF-2305-10
UPPER WINDSHIELD WIPER		

Item#	Part	Description	H 3 4 1	H 3 4 5	V I P 4 5	N O T E S
1	800626	ARM WIPER, R.H. UPPER	1	1	1	
1	800625	ARM WIPER, L.H. UPPER	1	1	1	
2	300292	. HOSE #2 54"	AR	AR	AR	
2	300106	. HOSE #2 30"	AR	AR	AR	
2	300250	. HOSE #2 33"	AR	AR	AR	
2	300107	. HOSE #2 42"	AR	AR	AR	
2	300269	. HOSE #2 50'	AR	AR	AR	
2	800227	. HOSE WINDSHIELD WASHER WIPER ARM 100 FT	AR	AR	AR	
3	800357	. NOZZLE, WINDSHIELD WASHER / R.H.	1	1	1	
3	800358	. NOZZLE, WINDSHIELD WASHER / L.H.	1	1	1	
4	500423	. NUT HEX NYRT #10-32 SS	1	1	1	
5	800309	. SCREW #10-32x.390 SS	1	1	1	
6	800284	WIPER BLADE ASSY 22"	1	1	1	
. NS	800383	. RUBBER BLADE REFILL / (ONLY) WIPER REFILL 22"	1	1	1	
6	191104	WIPER BLADE ASSY 22" ALTERNATIVE PART	1	1	1	
. NS	800316	. RUBBER BLADE REFILL / (ONLY) WIPER REFILL 22"	1	1	1	
. NS	800180	. CLIP / RETAINER END	2	2	2	
7	800062	NUT HEX CAP 3/8-24 BK	1	1	1	
8	800282	ADAPTOR, DRIVE KNURLED	1	1	1	
9	800321	ADAPTOR ASSY 90 DEG / #3 TO #2 WET ARM	1	1	1	
10	800317	. ADAPTOR HOSE #2 (ALUMINUM)	1	1	1	
11	800180	. CLIP / RETAINER END	1	1	1	

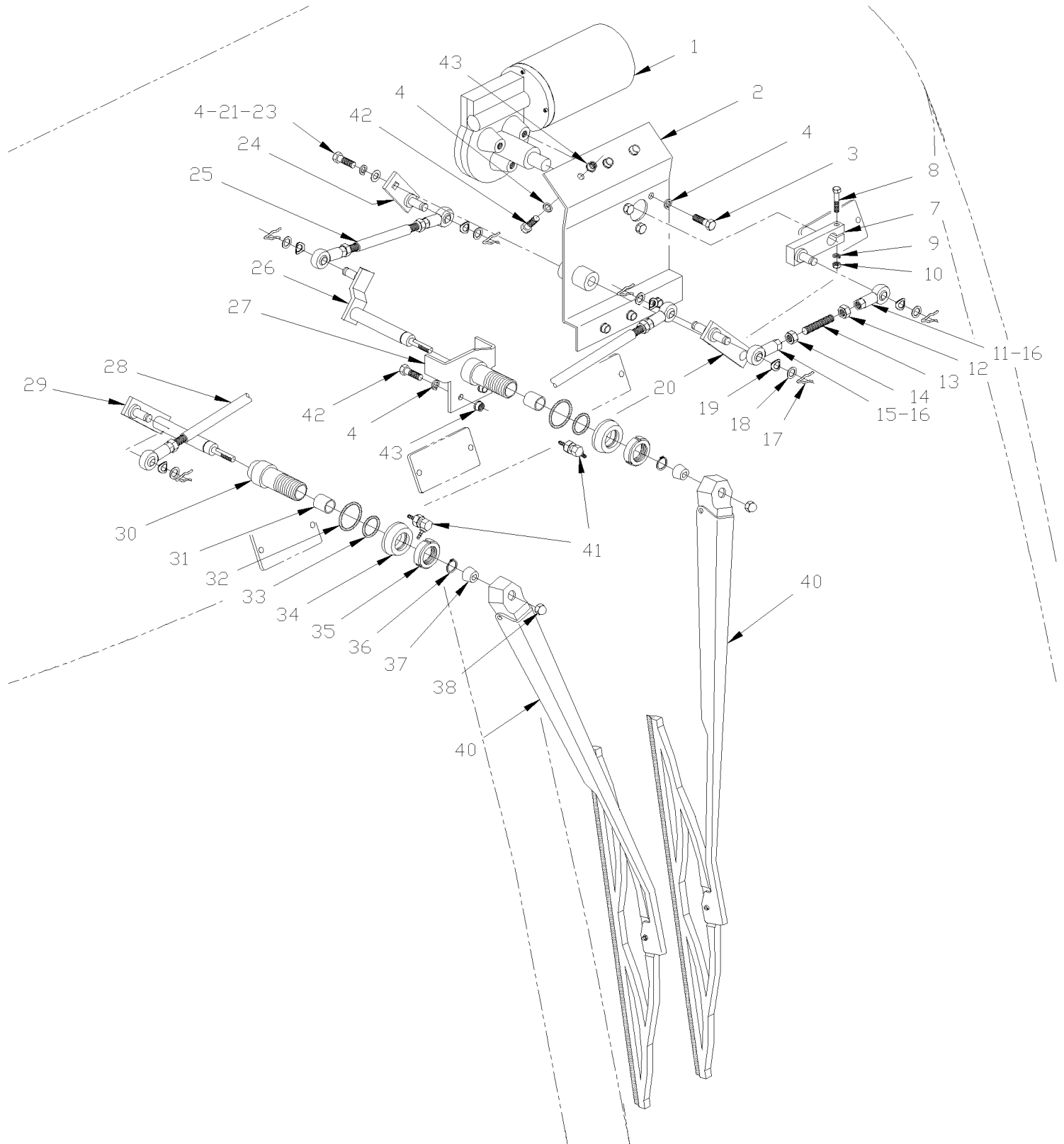


From 3-4417 To 8-1043

Date:10/2022

PAGE:HF-2305-15

UPPER WINDSHIELD WIPER - INSTALLATION





From 3-4417 To 8-1043	Date:10/2022	PAGE:HF-2305-15
UPPER WINDSHIELD WIPER - INSTALLATION		

Item#	Part	Description	H 3 4 1	H 3 4 5	V I P 4 5	N O T E S
1	800328	MOTOR WIPER ASSY / 24V / BOSCH	1	1	1	
2	300227	SUPPORT	1	1	1	
NS	800274	BUSHING FLANGE 5/8" I.D. X 7/8" O.D. X 3/4" L	1	1	1	
3	5001217	SCREW CAP HEX M8-1.25x20 G10.9	3	3	3	
4	502507	WASHER LO SPT 8.1x14.8x2.0 Z050	4	4	4	
7	300447	LEVER / MOTOR	1	1	1	
8	502533	SCREW CAP HEX M6-1.0x30 G8.8 Z050	1	1	1	
9	502564	WASHER LO SPT 6.1x11.8x1.6 Z050	1	1	1	
10	502565	NUT HEX M6-1.0 SS	1	1	1	
11	502174	ROD END MALE 3/8-24 / 3/8 I.D.	2	2	2	
12	500956	NUT HEX JAM 3/8-24 Z050	2	2	2	
13	300248	ROD THREADED / W/3/8-24 LH & RH THREAD 54MM	1	1	1	
14	5001039	NUT HEX JAM LH 3/8-24 Z050	2	2	2	
15	502186	ROD END MALE L.H. 3/8-24-L.H./ 3/8 I.D.	2	2	2	
16	680739	GREASE SYNTHETIC / RED 20KG	AR	AR	AR	
17	502185	PIN HAIR CUTTER .062 X 9/32	3	3	3	
18	5001011	WASHER FL .406x.625x.040 Z050	3	3	3	
19	500905	WASHER SPR WAVE .750x.015	3	3	3	
20	300236	INVERTION PIVOT To 3-4439	1	1	1	
20	300480	INVERTION PIVOT From 3-4440	1	1	1	
21	502780	SCREW CAP HEX M8-1.25x25 SS BK	1	1	1	
23	5001045	WASHER BEL SPR .331x.827x.098 Z050	1	1	1	
24	300232	LEVER ASSY To 3-4439	1	1	1	
24	300477	LEVER ARM From 3-4440	1	1	1	
25	300257	ROD THREADED / W/3/8-24 LH & RH THREAD 173MM	1	1	1	
26	300238	LEFT PIVOT	1	1	1	
27	300260	MAIN WIPER ARM THREADED TUBE STREETSIDE	1	1	1	
28	300255	ROD THREADED / W/3/8-24 LH & RH THREAD 555MM	1	1	1	
29	300367	RIGHT PIVOT To 3-4439	1	1	1	
29	300485	RIGHT PIVOT From 3-4440	1	1	1	
30	300139	MAIN WIPER ARM THREADED TUBE	1	1	1	
31	800125	BUSHING 5/8" I.D. X 7/8" O.D. X 5/8" L	1	1	1	
NS	800274	BUSHING FLANGE 5/8" I.D. X 7/8" O.D. X 3/4" L	1	1	1	
NS	800276	V-RING	1	1	1	
NS	680100	THREAD LOCKER LOCTITE #271 / RED / 250ml	AR	AR	AR	
32	507321	O-RING 1 5/8" I.D. X 1/8"	2	2	2	
33	507320	O-RING 1 1/8" I.D. X 1/8"	2	2	2	
34	300271	SPACER	2	2	2	
35	800064	NUT SPANNER 1 1/8-18 / PLASTIC	2	2	2	
36	504512	RING RETAINER / EXT .625 x .588 x .037" / SS	1	1	1	
37	800282	ADAPTOR, DRIVE KNURLED	2	2	2	
38	800062	NUT HEX CAP 3/8-24 BK	2	2	2	



From 3-4417 To 8-1043	Date:10/2022	PAGE:HF-2305-15
UPPER WINDSHIELD WIPER - INSTALLATION		

Item#	Part	Description	H 3 4 1	H 3 4 5	V I P 4 5	N O T E S
40	HF-2305-10	UPPER WINDSHIELD WIPER				
42	500181	SCREW CAP HEX 5/16-18x1 G5 Z050	8	8	8	
43	500277	RIVET NUT FL KNURLED OKS 5/16-18 .150-.312	8	8	8	

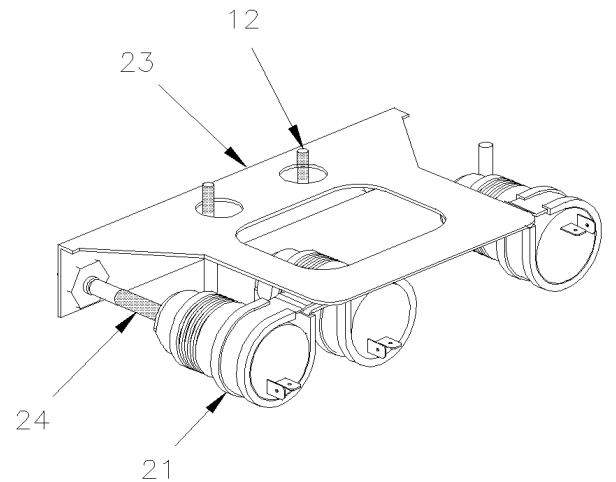
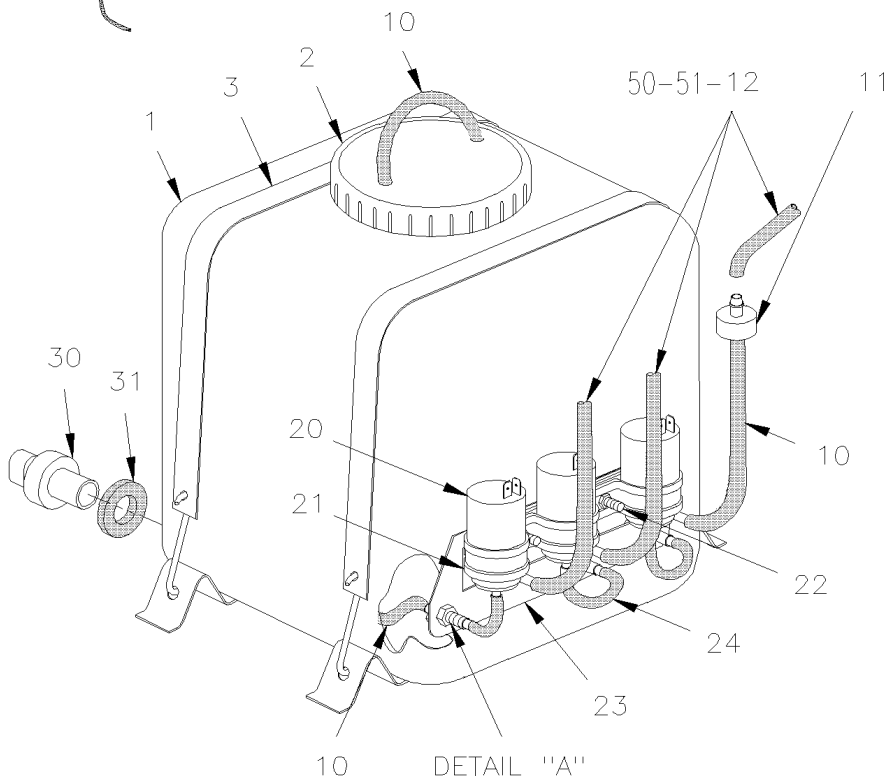
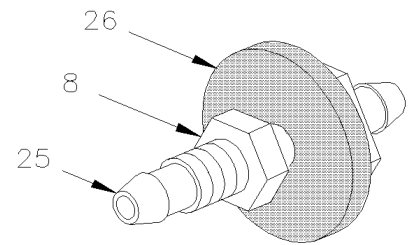
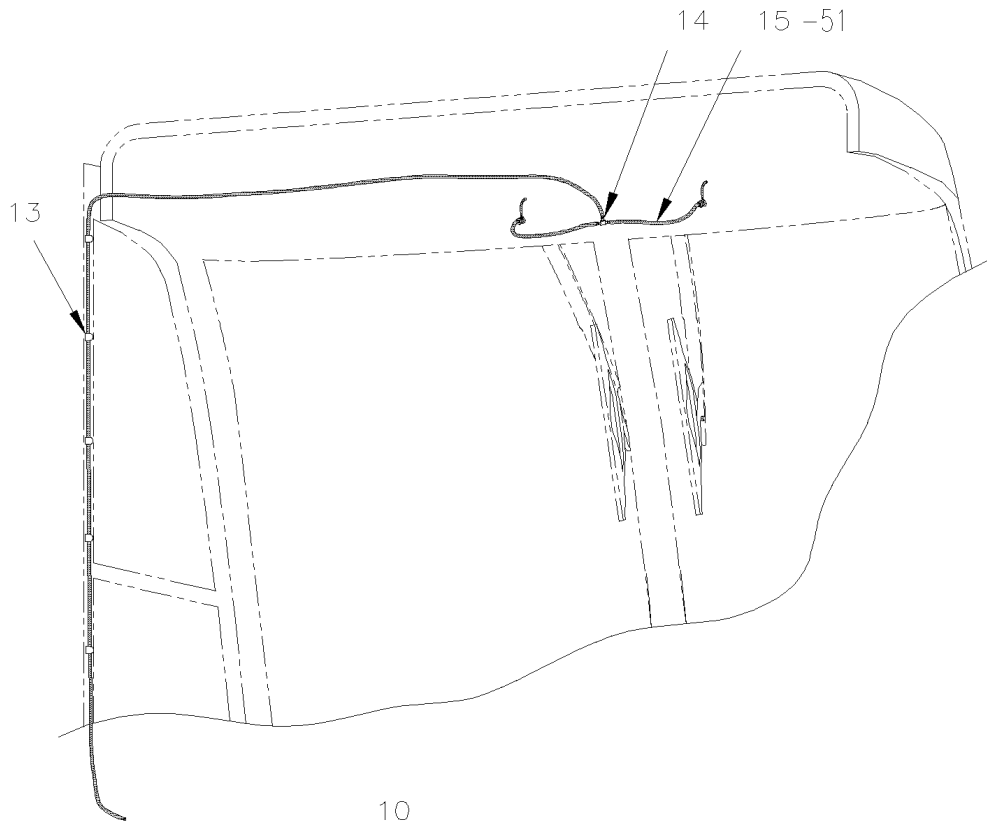


From 3-4417 To 8-1043

Date:10/2022

PAGE:HF-2305-20

WINDSHIELD WASHER - INSTALLATION





From 3-4417 To 8-1043	Date:10/2022	PAGE:HF-2305-20
WINDSHIELD WASHER - INSTALLATION		

Item#	Part	Description	H 3 4 1	H 3 4 5	V I P 4 5	N O T E S
1	800285	TANK, WINDSHIELD WASHER	1	1	1	
2	800286	COVER ASSY W/PLUG	1	1	1	
3	504483	TIE RUBBER BELT, W/HOOK 23"	2	2	2	
8	5001188	NUT HEX M8-1.25 SS	3	3	3	
10	300161	HOSE #3 150MM	5	5	5	
11	800288	VALVE, CHECK To 4-4994	2	2	2	
12	503002	HOSE / EPDM 5/32" I.D. / S.L.	AR	AR	AR	
13	504637	CABLE TIE / 3/16" x 13"	7	7	7	
14	800322	UNION TEE / HOSE BARB FITTING / 5/32x5/32x5/32 PLAS	1	1	1	
15	300106	HOSE #2 30"	AR	AR	AR	
15	300250	HOSE #2 33"	AR	AR	AR	
15	300107	HOSE #2 42"	AR	AR	AR	
15	300292	HOSE #2 54"	AR	AR	AR	
15	300269	HOSE #2 50'	AR	AR	AR	
15	503002	. HOSE / EPDM 5/32" I.D. / S.L.	AR	AR	AR	
20	800346	PUMP WINDSHIELD WASHER 24V	3	3	3	
21	952641	CLAMP / 1 5/16" I.D.	3	3	3	
22	5001180	NUT HEX NYRT #10-24 SS	2	2	2	
23	300463	SUPPORT W/WASHER PUMP / MOUNTED VERTICAL To 4-4994	1	1	1	A
23	300545	SUPPORT W/WASHER PUMP / MOUNTED HORIZONTAL From 4-4995	1	1	1	
NS	506236	TAPE RUB ADH1 CC POL 1/16" x 1/2" x 100' / GREY 2520	AR	AR	AR	
24	300470	HOSE #3 120MM To 4-4994	3	3	3	
24	300546	HOSE #3 40MM From 4-4995	3	3	3	
25	300469	ADAPTOR HOSE #3 / WET ARM M8-1.25 x 44MM	3	3	3	
26	502820	WASHER FL .187x1.000x.125 RUB BK	3	3	3	
30	800347	SENSOR LEVEL-LOW / "BOSCH" To 5-0211	1	1	1	S
. NS	562426	. CONNECTOR / METRI-PACK 150.2 P2S / SH 2C / PED 12162193 To 5-0211	1	1	1	S
. NS	562857	. SOCKET TERMINAL / 18-16 / PED 12089340 To 5-0211	2	2	2	S
30	800364	SENSOR LEVEL-LOW From 5-0212	1	1	1	
. NS	563409	. CONNECTOR / SUPERSEAL 1.5 SERIES / SH 2C / AMP 282080-1 From 5-0212	1	1	1	
. NS	562607	. SOCKET TERMINAL / 20-16 / AMP 183025-1 From 5-0212	2	2	2	
NS	067948	CABLE ASSY / ADAPTOR / NEW LEVEL (SERVICE ONLY) To 5-0212	1	1	1	
30	066561	CABLE ASSY / ADAPTOR / FORMER LEVEL & NEW LEVEL (SERVICE ONLY)	1	1	1	
31	800349	SEAL RETAINER To 5-0167	1	1	1	
50	HF-2305-00	LOWER WINDSHIELD WIPER				
51	HF-2305-10	UPPER WINDSHIELD WIPER				
		A) FOR PRODUCT IMPROVEMENT, INSTALL NEW SUPPORT #300545 AND REMOVE CHECK VALVE #800288				
		S) THIS SENSOR LEVEL IT SUPPERSEDED BY # 800364 AND YOU NEED CABLE ADAPTOR # 067948TO REPLACE				

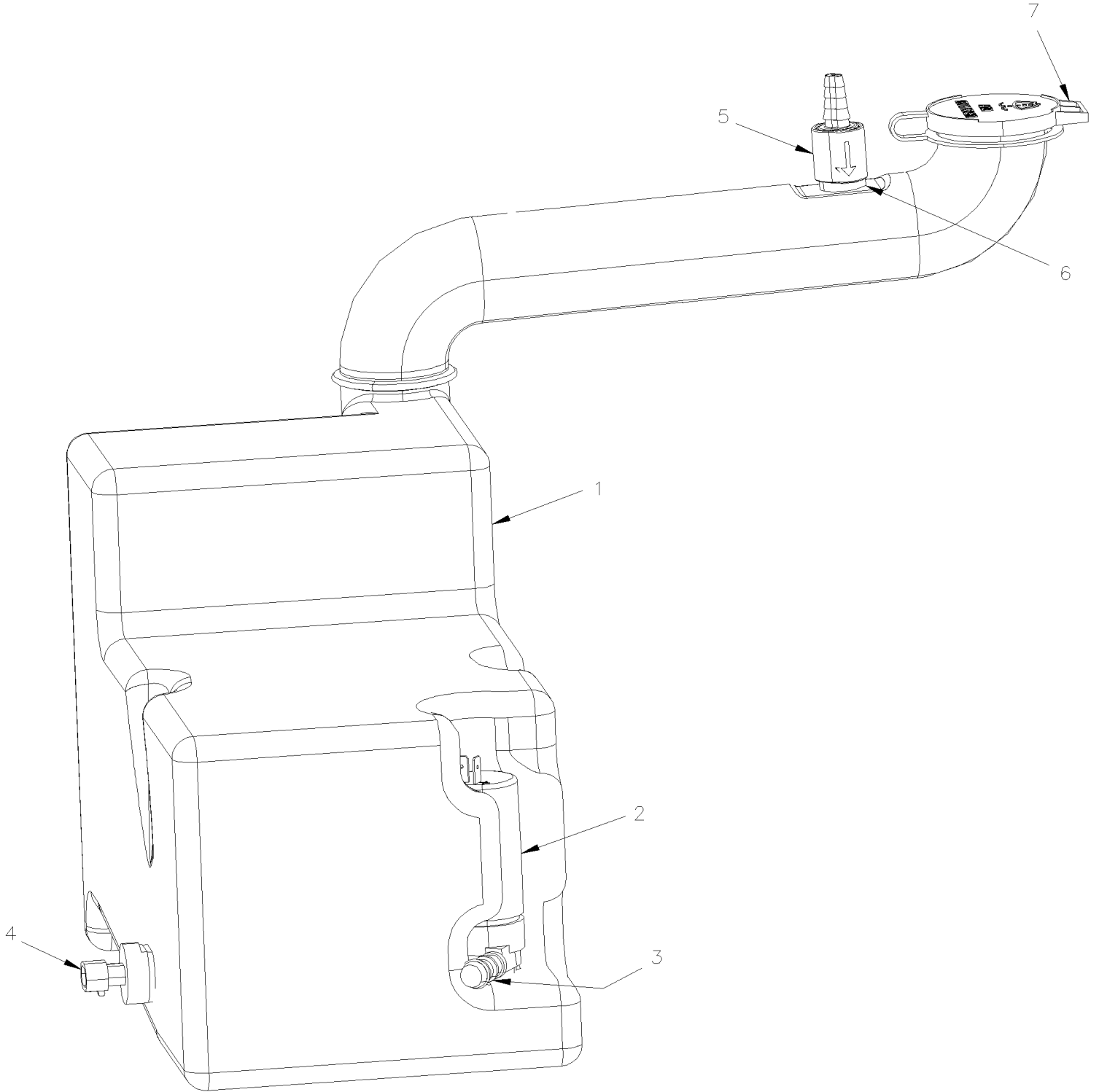


From 6-0443 To 8-1043

Date:10/2022

PAGE:HF-2305-25

HEAD LAMP CLEANING WASHER TANK



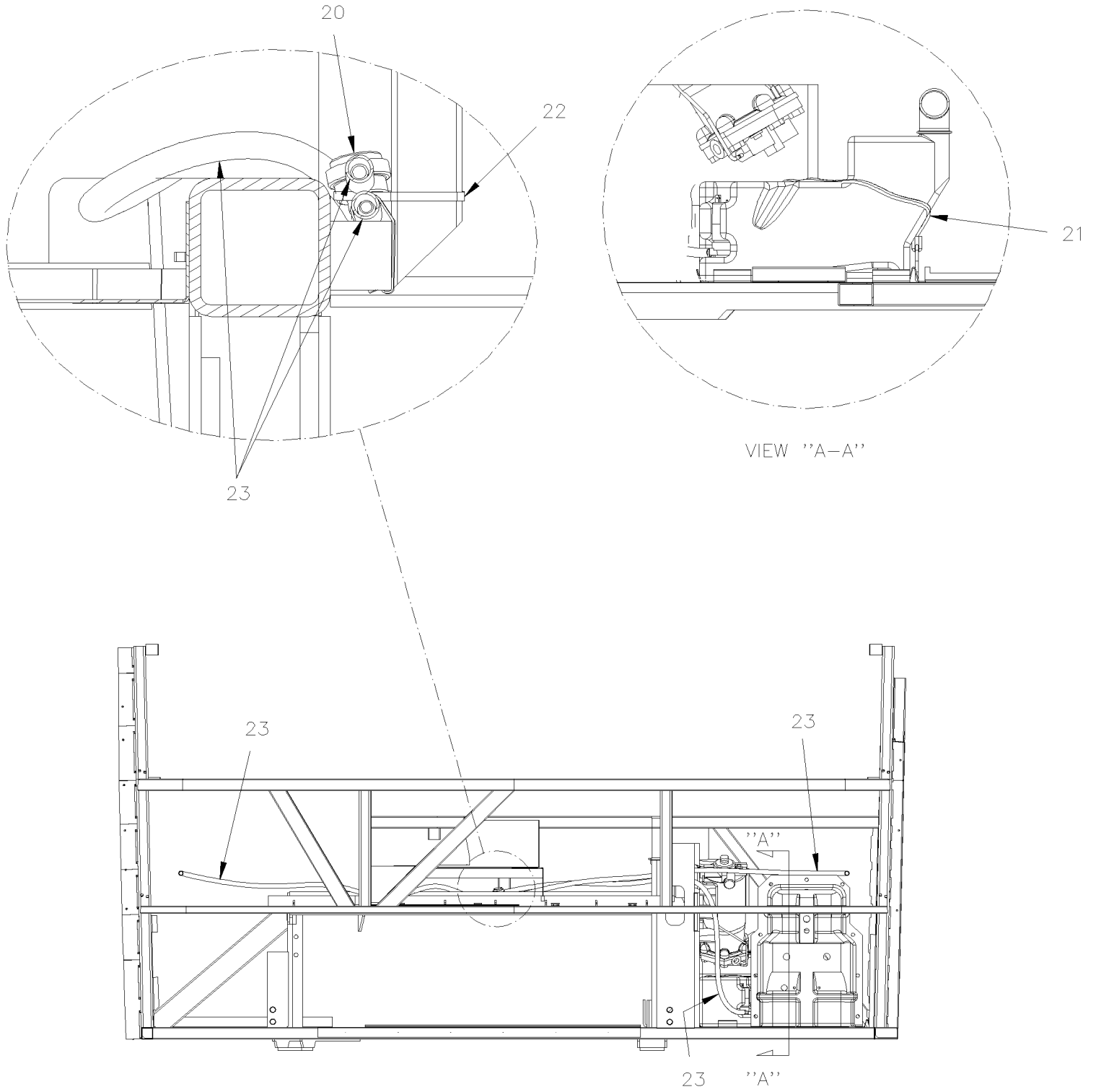


From 6-0443 To 8-1043

Date:10/2022

PAGE:HF-2305-25

HEAD LAMP CLEANING WASHER TANK



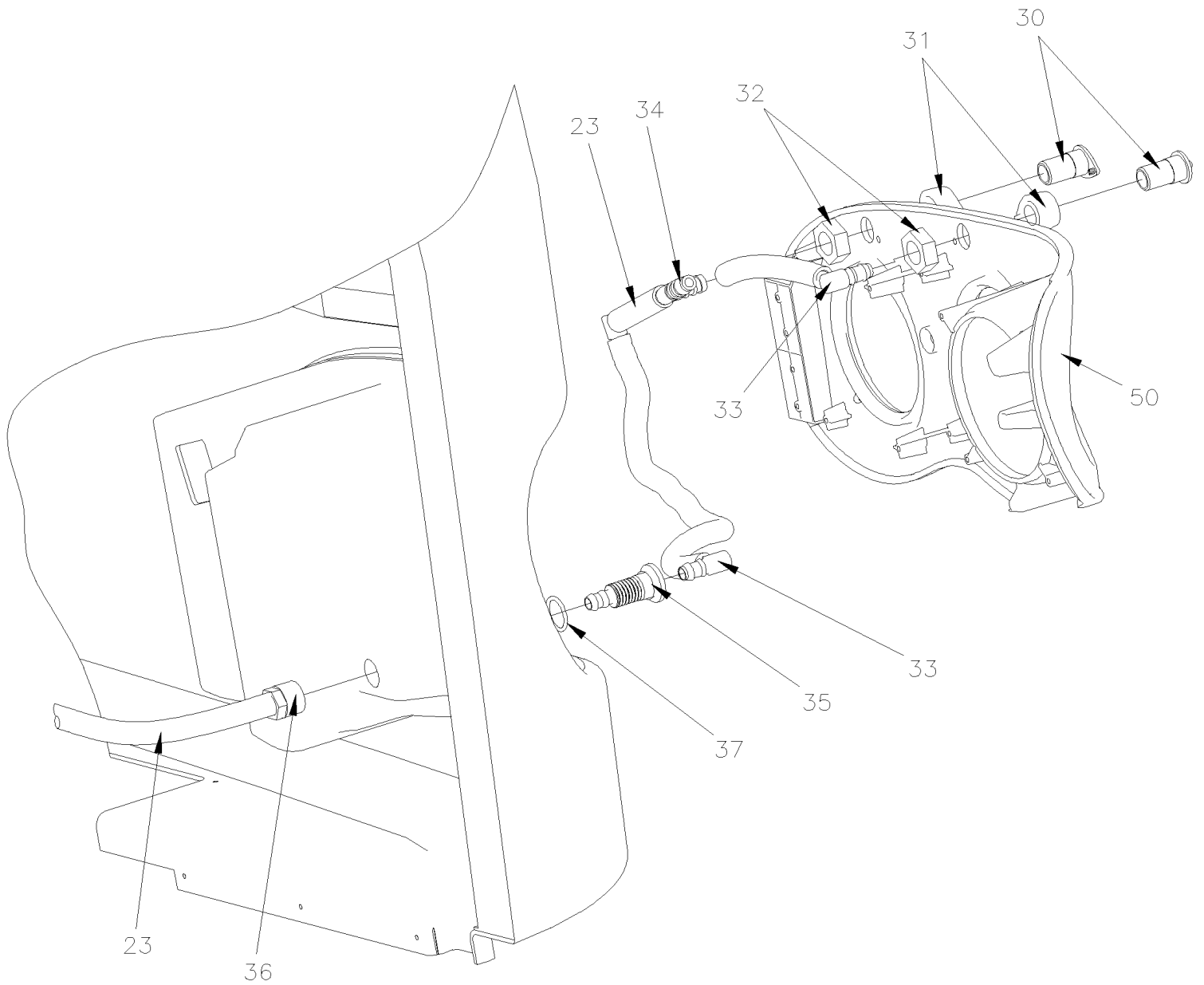


From 6-0443 To 8-1043

Date:10/2022

PAGE:HF-2305-25

HEAD LAMP CLEANING WASHER TANK





From 6-0443 To 8-1043	Date:10/2022	PAGE:HF-2305-25
HEAD LAMP CLEANING WASHER TANK		

Item#	Part	Description	H 3 4 1	H 3 4 5	V I P 4 5	N O T E S
	Call order desk	HEADLAMP WASHER TANK ASSY	1	1	1	P
1	800365	. HEADLAMP WASHER TANK	1	1	1	
2	800367	. PUMP SEALBEAM WASHER	1	1	1	
3	800368	. GROMMET PUMP	1	1	1	
4	800364	. SENSOR LEVEL-LOW	1	1	1	
. NS	563409	. . CONNECTOR / SUPERSEAL 1.5 SERIES / SH 2C / AMP 282080-1	1	1	1	
. NS	562607	. . SOCKET TERMINAL / 20-16 / AMP 183025-1	2	2	2	
5	800351	. CHECK VALVE	1	1	1	
6	800348	. SEAL RETAINER	1	1	1	
7	20462640	. COVER WASHER RESERVOIR	1	1	1	
20	800371	VALVE CENTRAL	1	1	1	
21	504731	TIE RUBBER BELT, W/HOOK 15"	1	1	1	
22	504637	CABLE TIE / 3/16" x 13"	2	2	2	
23	800376	HOSE HEADLAMP WASHER / 5M	AR	AR	AR	
30	800372	NOZZLE SEALBEAM WASHER	4	4	4	
NS	800377	TOOL, ALIGNMENT NOZZLE HEADLAMP	AR	AR	AR	
31	800374	SPACER NOZZLE WASHER	4	4	4	
32	502881	NUT HEX JAM THN 5/8-18x3/8 N500	4	4	4	
33	800369	ELBOW NOZZLE ADAPTOR	6	6	6	
34	800370	TEE CONNECTOR	2	2	2	
35	800375	ADAPTOR WALL / FRONT FACE	2	2	2	
36	800373	NUT NOZZLE ADAPTOR	2	2	2	
37	507214	O-RING	2	2	2	
50	HF-0660-00	HEADLAMP "HALOGENE" & FRONT DIRECTIONAL LAMPS				
50	HF-0660-01	HEADLAMP "XENON" & FRONT DIRECTIONAL LAMPS				
51	430631	RETROFIT KIT, HEADLAMP WASHER / SERIES "H"	1	1	1	
52	300563	RESERVOIR SUPPORT FOR HOOK / HEADLAMP WASH.	2	2	2	
53	300570	RESERVOIR SUPPORT SIDE	4	4	4	
55	067487	RETROFIT KIT, HEADLAMP WASHER / SERIES "H" ELECTRIC SECTION BUS W/O MUX To 5-0167	1	1		
. NS	066837	. CABLE ASSY / HEADLAMP WASHER RELAY To 5-0167	1	1		
. NS	066838	. CABLE ASSY / SWITCH HEADLAMP WASHER PUMP / "H" SERIES To 5-0167	1	1		
. NS	562699	. SWITCH / M/ON-OFF-M/ON / D.P.D.T. / W/GREEN LED To 5-0167	1	1		
. NS	564007	. CAP / WASHER WIDSHIELD & HEADLAMP To 5-0167	1	1		
. NS	565862	. RELAY / HEADLAMP WASHER To 5-0167	1	1		
55	067488	RETROFIT KIT, HEADLAMP WASHER / SERIES "H" ELECTRIC SECTION BUS W/MUX From 5-0168	1	1		
. NS	066960	. CABLE ASSY / SWITCH HEADLAMP WASHER PUMP / "H" SERIES / MUX From 5-0168	1	1		
. NS	066961	. CABLE ASSY / HEADLAMP WASHER PUMP / "H" SERIES From 5-0168	1	1		
. NS	562699	. SWITCH / M/ON-OFF-M/ON / D.P.D.T. / W/GREEN LED From 5-0168	1	1		
. NS	564007	. CAP / WASHER WIDSHIELD & HEADLAMP From 5-0168	1	1		
. NS	563623	. BUTT SPLICE / 16-14 / BLUE / W/THERMORETRAC / PANDUIT BSH14-Q From 5-0168	2	2		
55	067486	RETROFIT KIT, HEADLAMP WASHER / SERIES "H" ELECTRIC SECTION VIP W/O MUX To 6-0435			1	
. NS	066837	. CABLE ASSY / HEADLAMP WASHER RELAY To 6-0435			1	



From 6-0443 To 8-1043	Date:10/2022	PAGE:HF-2305-25
HEAD LAMP CLEANING WASHER TANK		

Item#	Part	Description	H 3 4 1	H 3 4 5	V I P 4 5	N O T E S
. NS	066838	. CABLE ASSY / SWITCH HEADLAMP WASHER PUMP / "H" SERIES To 6-0435			1	
. NS	564006	. CAP / HEADLAMP WASHER To 6-0435			1	
. NS	564008	. SWITCH / OFF-M/ON / S.P.S.T. / W/GREEN LED To 6-0435			1	
. NS	565862	. RELAY / HEADLAMP WASHER To 6-0435			1	
55	067489	RETROFIT KIT, HEADLAMP WASHER / SERIES "H" ELECTRIC SECTION VIP W/MUX From 6-0436			1	
. NS	066960	. CABLE ASSY / SWITCH HEADLAMP WASHER PUMP / "H" SERIES / MUX From 6-0436			1	
. NS	066961	. CABLE ASSY / HEADLAMP WASHER PUMP / "H" SERIES From 6-0436			1	
. NS	564006	. CAP / HEADLAMP WASHER From 6-0436			1	
. NS	564008	. SWITCH / OFF-M/ON / S.P.S.T. / W/GREEN LED From 6-0436			1	
. NS	563623	. BUTT SPLICE / 16-14 / BLUE / W/THERMORETRAC / PANDUIT BSH14-Q From 6-0436			2	
		P) CALL ORDER DESK FOR SPECIFIC APPLICATION (V.I.N.)				

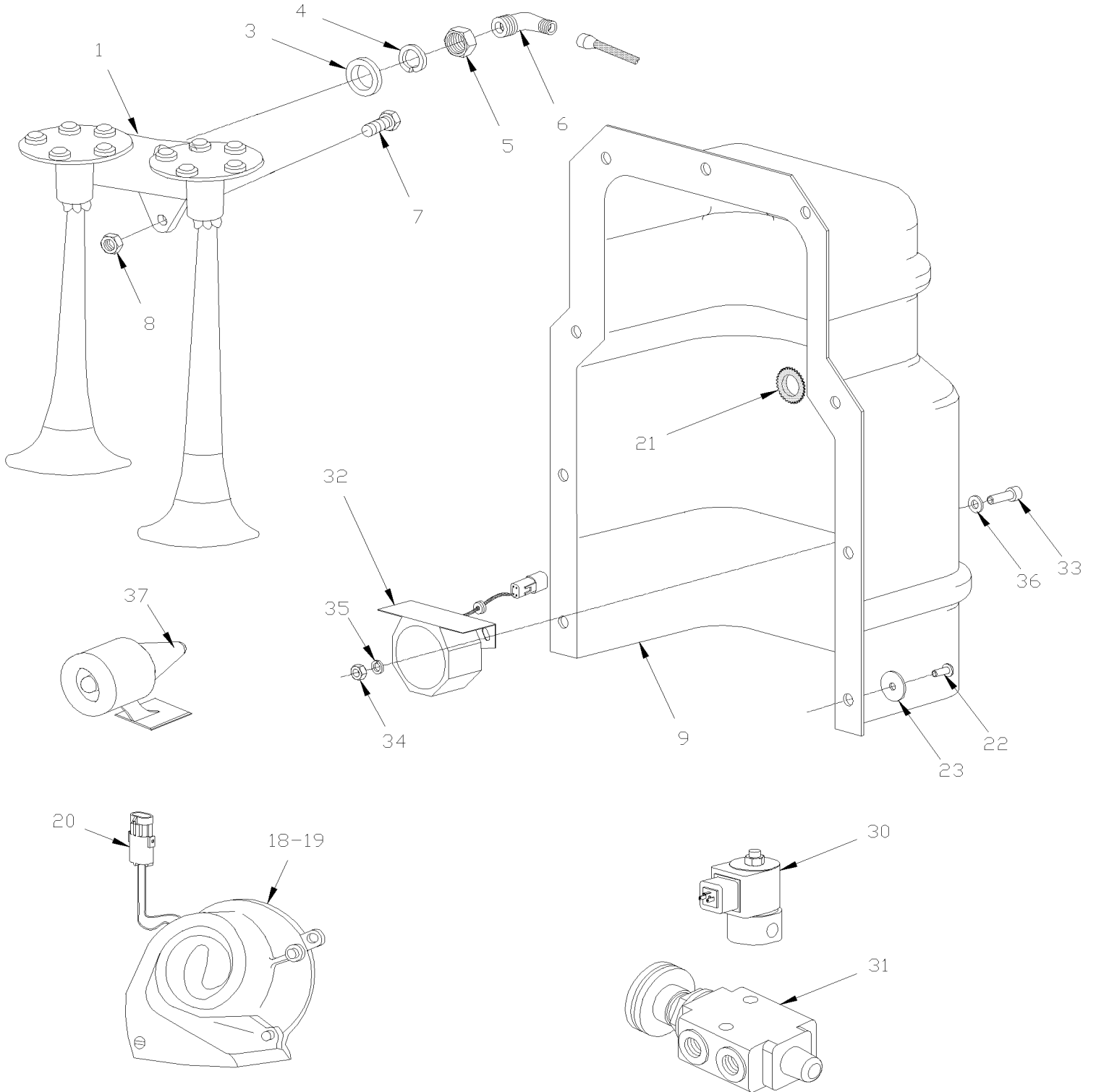


From 3-4417 To 8-1043

Date:10/2022

PAGE:HF-2310-00

HORN - INSTALLATION



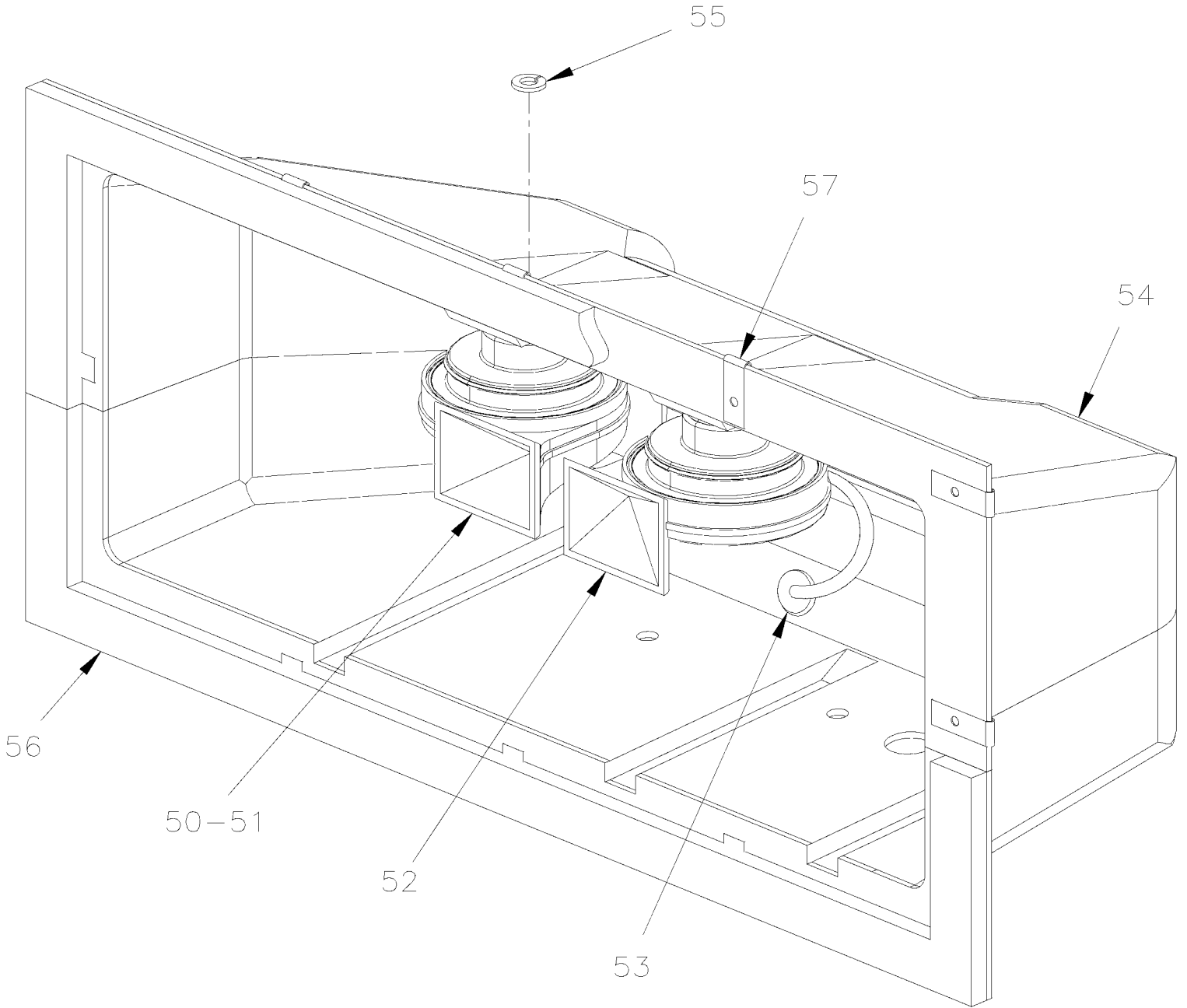


From 3-4417 To 8-1043

Date:10/2022

PAGE:HF-2310-00

HORN - INSTALLATION





From 3-4417 To 8-1043	Date:10/2022	PAGE:HF-2310-00
HORN - INSTALLATION		

Item#	Part	Description	H 3 4 1	H 3 4 5	V I P 4 5	N O T E S
1	640093	HORN AIR	1	1		
3	500448	WASHER FL .625x1.469x.109 ZP	1	1		
4	500858	WASHER LO INT .769x1.245x.055 Z050	1	1		
5	500730	NUT HEX JAM THN 5/8-18x3/8 ZP	1	1		
6	640996	MALE ELBOW 90° / NTA FITTING / #4x1/8NPT-M BR	2	2		
7	500025	SCREW CAP HEX 5/16-24x1 G5 ZP	1	1		
8	500699	NUT HEX 5/16-24 Z050	1	1		
NS	141538	BOX ASSY W/ELECTRIC HORN 12V To 5-0167	1	1		B
NS	142492	BOX ASSY W/ELECTRIC HORN 12V / W/MUX From 5-0168	1	1		B
NS	142248	BOX ASSY W/ELECTRIC HORN 12V AND "KNEELING ALARM" To 5-0167	1	1		C
NS	142493	BOX ASSY W/ELECTRIC HORN 12V AND "KNEELING ALARM" / W/MUX From 5-0168	1	1		C
9	142249	. BOX, COVER / ELECTRICAL & AIR To 5-0167	1	1	1	
9	142490	. BOX, COVER / ELECTRICAL & AIR / W/MUX From 5-0168	1	1	1	
9	142491	. BOX, COVER / ELECTRICAL & AIR W/"KNEELING ALARM" / W/MUX From 5-0168	1	1	1	
18	563015	. HORN, ELECTRIC / LOW 405HZ / 12V "FIAM" SERVICE	1	1	1	
18	563023	. HORN, ELECTRIC / HIGH 485HZ / 12V "FIAM" SERVICE	1	1	1	
19	500468	. WASHER FL .281x1.250x.065 Z050	2	2	2	
NS	500489	. WASHER LO INT .894x1.410x.060 Z050	2	2	2	
20	065257	. HARNESS / HORN & CONNECTOR	1	1	1	
21	504070	. GROMMET / .375x.625x.156x.406x1.000	1	1	1	
NS	504598	. GROMMET / 1.187x.937x.125x.437	1	1	1	
NS	504593	. GROMMET / .250x.437x.250x.375x.625 To 5-0167	1	1	1	
22	502868	SCREW TC TR PH #10-16x1/2 N500	13	13	13	
23	500805	WASHER FL .218x.875x.062 N500	13	13	13	
30	562804	VALVE, 2 WAYS N.C.	1	1	1	
. NS	562848	. CONNECTOR / SOCKET HOUSING ASSY 3C / PNEUMAC 54933-05	1	1	1	
31	641445	VALVE, 3 WAYS, 2 POSITIONS MECHANICAL	1	1	1	
. NS	641992	. KNOB	1	1	1	
32	065593	ALARM "KNEELING"	1	1		
. NS	563164	. ALARM "KNEELING"	1	1		
33	502622	SCREW CAP HEX M6-1.0x20 SS BK	2	2		
34	502565	NUT HEX M6-1.0 SS	2	2		
35	502570	WASHER LO SPT 6.1x11.8x1.6 SS	2	2		
36	502573	WASHER FL 6.4x12.5x1.6 SS	2	2		
37	901075	WHISTLE, ULTRASOUND	1	1	1	A
37	680532	SEALANT SIKA #221 / GREY / 310ml CARTRIDGE	AR	AR	AR	A
50	141539	HORN ASSY W/BOX 12V / H3 V.I.P. To 6-0435			1	
50	142502	HORNS BOX ASSY ELECTRIC From 6-0436			1	
51	563015	. HORN, ELECTRIC / LOW 405HZ / 12V "FIAM" SERVICE			1	
52	563023	. HORN, ELECTRIC / HIGH 485HZ / 12V "FIAM" SERVICE			1	
53	504593	. GROMMET / .250x.437x.250x.375x.625 From 6-0436			1	
NS	065257	. HARNESS / HORN & CONNECTOR			1	



From 3-4417 To 8-1043	Date:10/2022	PAGE:HF-2310-00
-----------------------	--------------	-----------------

HORN - INSTALLATION

Item#	Part	Description	H 3 4 1	H 3 4 5	V I P 4 5	N O T E S
54	141161	. BOX, PLASTIC / BLACK / ELECTRIC HORN To 6-0435			1	
54	142501	. BOX, PLASTIC / BLACK / ELECTRIC HORN From 6-0436			1	
55	500468	. WASHER FL .281x1.250x.065 Z050			2	
NS	500489	. WASHER LO INT .894x1.410x.060 Z050			2	
56	506282	. TAPE RUB ADH1 CC POL 3/8" x 1" x 20' / GREY 2520			AR	
57	500252	NUT SPR U #10-24 .156-.187			10	
		A) FIX ON ROOF				
		B) INCLUDE ITEMS # 9, 18, 19, 20 & 21 WITHOUT AIR HORN				
		C) INCLUDE ITEMS # 9, 18,19, 20, 21, 32 TO 36 WITHOUT AIR HORN				

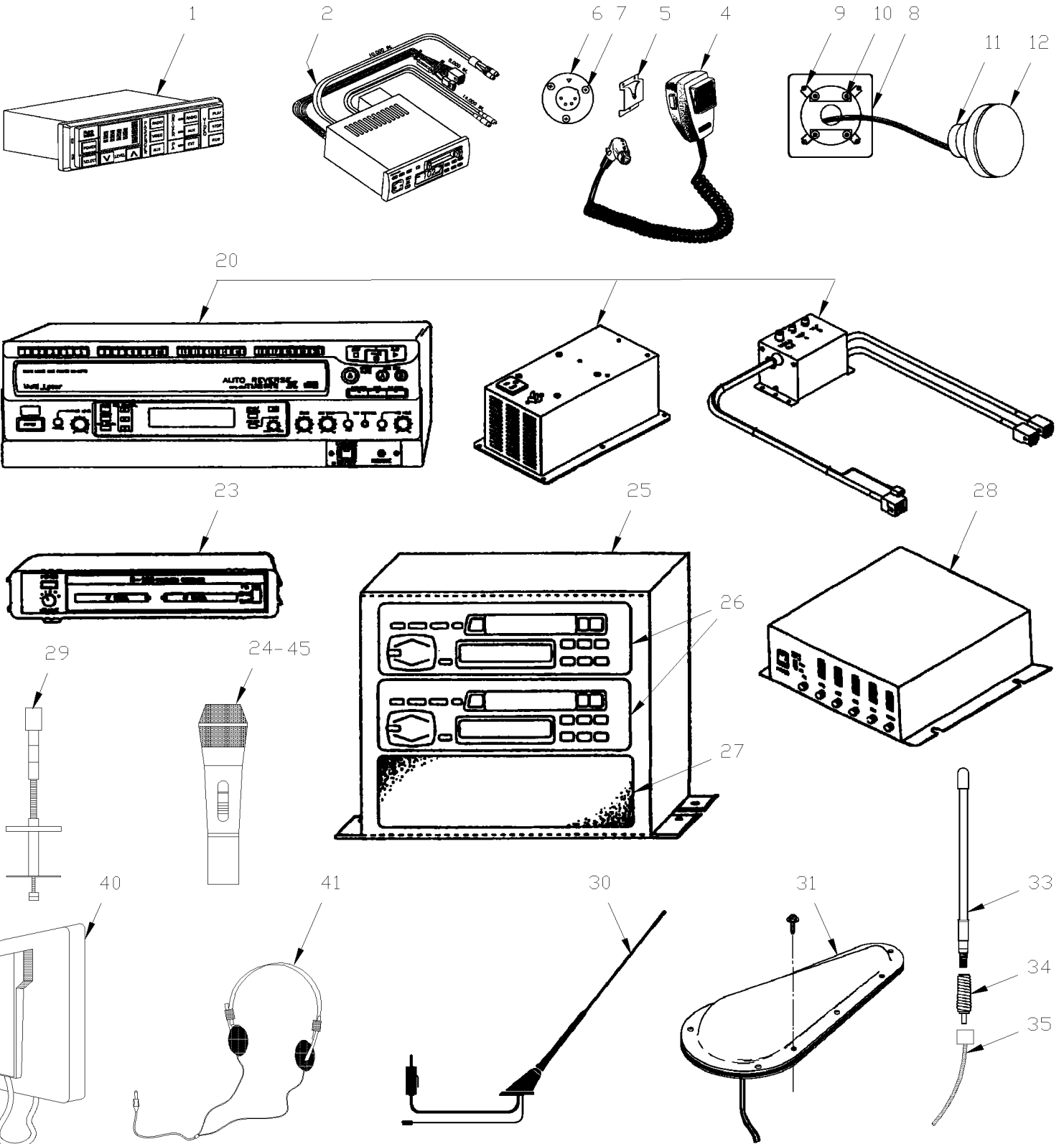


From 3-4417 To 8-1043

Date:10/2022

PAGE:HF-2315-00

SOUND SYSTEM & ACCESSORIES





From 3-4417 To 8-1043	Date:10/2022	PAGE:HF-2315-00
SOUND SYSTEM & ACCESSORIES		

Item#	Part	Description	H 3 4 1	H 3 4 5	V I P 4 5	N O T E S
1	900803	CONTROL HEAD / "R.E.I." SYSTEM 2000 To 6-0559	1	1		R
. NS	563064	. BULB (CONTROL HEAD GREEN) / 12VOLTS / 2700 To 6-0559	1	1		R
1	901192	CONTROL HEAD / "VOLVO" (VSS-04) From 6-0560	1	1		
. NS	901266	. REMOTE CONTROL / CONTROL HEAD VOLVO / VSS04 From 6-0560	1	1		
		WHEN CHANGE VSS04 TO VSS05 YOU NEED CONTROL HEAD 21516503 From 6-0560				
		& HARNESS KIT 409439 & NEW RADIO From 6-0560				
		901417P OR 901418P OR 901419P From 6-0560				
1	IS08080	SOUND SELECTOR REPLACEMENT, VSS04 VS VSS05 From 6-0560	1	1		
. NS	900238	. CONTROL HEAD / "VOLVO" (VSS-05A) From 6-0560	1	1		
. . NS	21251311	. . REMOTE CONTROL / CONTROL HEAD VOLVO / VSS05 From 6-0560	1	1		
. NS	0610388	. CABLE INTERFACE VSS04 TO VSS05 From 6-0560	1	1		
. NS	IS-08080	. SEE INSTRUCTION SHEET From 6-0560	1	1		
1	21516503	CONTROL HEAD / "VOLVO" (VSS-05) From 6-0560	1	1		
. NS	21251311	. REMOTE CONTROL / CONTROL HEAD VOLVO / VSS05 From 6-0560	1	1		
1	901417P	RADIO "PREVOST" AM/FM/CD & MP3 BLUETOOTH COMPUTERIZ From 6-0560	1	1		
1	901418P	RADIO "PREVOST" AM/FM/CD & MP3 BLUETOOTH SIRIUS COMPUTERIZ From 6-0560	1	1		
1	901419P	RADIO "PREVOST" AM/FM/CD & MP3 BLUETOOTH & XM COMPUTERIZ From 6-0560	1	1		
2	901032	RADIO "PANASONIC" CQ-R 145 CAHH / 700760 or 700914 To 6-0359	1	1		
2	900984	RADIO "PANASONIC" CQ-DP22 / AM/FM/CD / 700717 To 6-0359	1	1		
2	901053	RADIO "PANASONIC" CD-DF401U (CQ-DP102U) / AM / (700721 or 700788) To 6-0359	1	1		
2	901179	RADIO "PANASONIC" CQ-C3301U / AM/FM/CD & XM / 700966 >> 710171 From 6-0360	1	1		
2	903302	RADIO "R.E.I." R805 MOD2000 / AM/FM/CD/MP3 / 710152	1	1		
4	900808	MICROPHONE / W/6' CORD / "REI" TYPE C.B.	1	1		
. NS	900721	. CONNECTOR MICROPHONE 90° / R4F	1	1		
4	900829	MICROPHONE / W/10' CORD / "REI" TYPE C.B.	1	1		
. NS	900721	. CONNECTOR MICROPHONE 90° / R4F	1	1		
. NS	900900	. CABLE MICROPHONE 10' / "REI"	1	1		
4	901286	MICROPHONE / W/10' CORD / "REI" TYPE C.B.	1	1		
. NS	900721	. CONNECTOR MICROPHONE 90° / R4F	1	1		
. NS	900900	. CABLE MICROPHONE 10' / "REI"	1	1		
4	7770304	HANDS FREE MICROPHONE	1	1		
5	900859	BRACKET, MOUNTING / MICROPHONE	AR	AR		
6	404226	OUTLET, MICROPHONE / 12" W/CONNECTOR	AR	AR		
7	500583	SCREW TP PAN PH #6x1/2 Z050	AR	AR		
8	405063	RECEPTACLE ASSY / DRIVER'S To 7-0989	2	2		
9	500996	NUT SPR U #6-32 .135-.150	4	4		
NS	5001145	SCREW TP BDG PH #6x1 BK	8	8		
10	500638	SCREW TP PAN PH #8x1/2 Z050	4	4		
11	901037	SPEAKER / 5 1/4" To 7-0989	1	1		
11	901195	SPEAKER COAXIAL From 7-0990	1	1		



From 3-4417 To 8-1043	Date:10/2022	PAGE:HF-2315-00
SOUND SYSTEM & ACCESSORIES		

Item#	Part	Description	H 3 4 1	H 3 4 5	V I P 4 5	N O T E S
12	901038	GRILLE / SPEAKER STAMPED "PREVOST" To 7-0989	1	1		
12	901261	GRILLE / SPEAKER NO STAMPED From 7-0990	1	1		
NS	404762	CABLE ASSY / DRIVER'S SPEAKER & CONSOLE	1	1		
20	HF-2315-30	SOUND SYSTEM - "KARAOKE" & DVD				
23	900952	RECEIVER WIRELESS MICROPHONE / 16-CHANNEL To 5-0026	1	1		
. NS	901300	. ANTENNA RIGID / REAR OF RECEIVER To 5-0026	1	1		
23	901201	RECEIVER WIRELESS MICROPHONE / 16 CHANNEL From 5-0027	1	1		
24	900954	MICROPHONE, WIRELESS / 16 CHANNEL	1	1		
. NS	685199	. BATTERY 1.5V / TYPE "AA" / RECHARGEABLE	AR	AR		
NS	900953	STATION WIRELESS BATTERY CHARGING 16 CHANNEL	1	1		
25	404488	SUPPORT, RADIO	1	1		
25	405753	SUPPORT DVD / USE WITH 3 DVD	1	1		
26	901046	RADIO "SONY" CDXL550X AM/FM/CD	1	1		
26	900915	RADIO "SONY" XR-4800 AM/FM/CASS. To 3-4676	1	1		A
26	901078	RADIO "PIONEER" KEH-P1010 AM/FM/CASS. From 3-4677	1	1		
26	901148	RADIO "PANASONIC" CQ-C3301U / AM/FM/CD & XM / 700972	1	1		
26	901189	RADIO "PANASONIC" CQ-C3301U / AM/FM/CD & XM / 690450	1	1		
26	901067	RADIO "PANASONIC" CQ-DP383U / AM/FM/CD & XM / 700789	1	1		
27	900849	PLATE RADIO "DUMMY"	AR	AR		
28	HF-2315-20	INDIVIDUAL STATIONS - "R.E.I."				
29	901045	MICROPHONE / W/GOOSE NECK 36"	1	1		
NS	504234	SPRING CLIP 5/16"	2	2		
NS	500409	SCREW TP PAN PH #8x1/2 BK	2	2		
NS	500862	SCREW TC PAN PH #6-32x3/4 Z050	3	3		
NS	404430	SUPPORT GOOSE NECK	1	1		
30	900661	ANTENNA, RADIO / W/AMPLIFIER To 7-0796	1	1		
. NS	901068	. ANTENNA STICK / REPLACEMENT To 7-0796	1	1		
30	901253	ANTENNA, RADIO / W/AMPLIFIER From 7-0797	1	1		
30	901318	ANTENNA, RADIO / W/AMPLIFIER	1	1		
NS	900663	ADAPTOR / RADIO & ANTENNA CABLE / MOTOROLA MALE to EURO FEMA	1	1		
NS	900775	Y RADIO ANTENNA CABLE / TO USE W/2 RADIOS	AR	AR		
31	900668	ANTENNA ASSY / CELLULAR / "TEARDROP" To 5-0040	1	1		
31	901124	ANTENNA ASSY / CELLULAR From 5-0041	1	1		
33	900888	ANTENNA ASSY / C.B. / 12"	1	1		
34	900895	SPRING EXTENSION / .828 O.D. x 3.010 X .104 W/3/8	1	1		
36	900889	CABLE, ANTENNA 22' / 511386	1	1		
NS	5001242	WASHER SHR .375x.110 NYL	2	2		
NS	403488	WASHER	1	1		
40	404188	MASTER INTERPHONE ASSY / FRONT TELEPHONE	1	1		
40	404187	SECONDARY INTERPHONE ASSY / REAR TELEPHONE	1	1		
41	900881	HEAD SET EARPHONE	AR	AR		
. NS	900882	. FOAM CUSHION PAD / (SET OF 2) / FOR 900881	1	1		



From 3-4417 To 8-1043	Date:10/2022	PAGE:HF-2315-00
SOUND SYSTEM & ACCESSORIES		

Item#	Part	Description	H 3 4 1	H 3 4 5	V I P 4 5	N O T E S
45	900745	MICROPHONE / W/10' CORD / "SHURE" / TYPE ENTERTAINER	1	1		
. NS	900900	. CABLE MICROPHONE 10' / "REI"	1	1		
NS	563011	SPEAKER / EXTERIOR / PIONEER	1	1		B
NS	421397	GRILLE SS / SPEAKER / EXTERIOR 200MM X 125	1	1		B
NS	382102	BOX / EXTERIOR SPEAKER	1	1		B
NS	502557	NUT HEX NYRT M4-0.7 SS	4	4		B
NS	504357	WASHER FL .187x.437x.050 SS	4	4		B
NS	5001094	SCREW MA PAN PH M4-0.7x16 SS BK	3	3		B
		A) IT SUPERSEDED BY #405442				
		B) WITH EXTERIOR SPEAKER FIXED FRONT FENDER PANEL				
		R) WITH EXTERIOR SPEAKER FIXED FRONT FENDER PANEL				

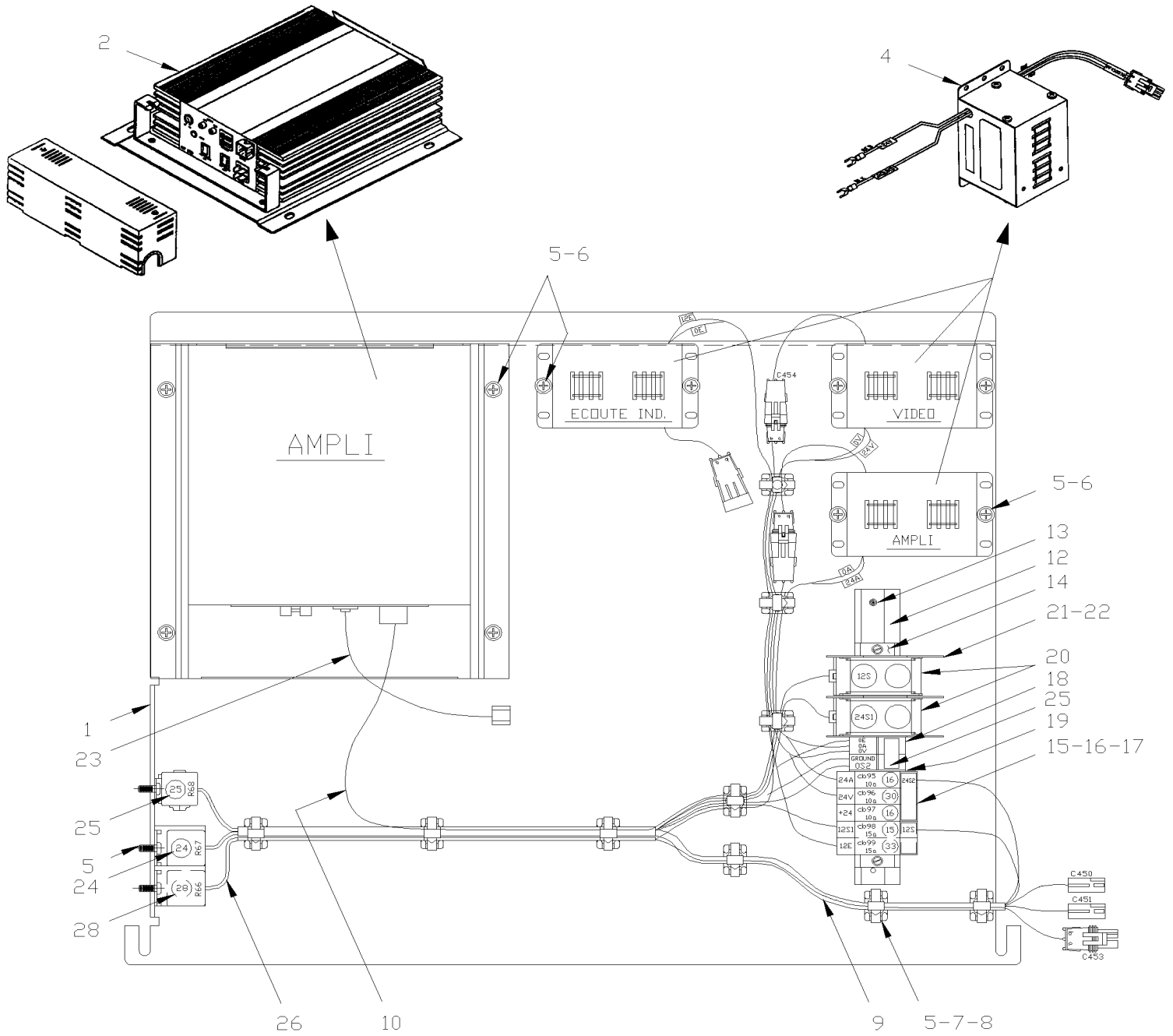


From 3-4417 To 8-1043

Date:10/2022

PAGE:HF-2315-10

BOARD UNDER FLOOR - "R.E.I."





From 3-4417 To 8-1043	Date:10/2022	PAGE:HF-2315-10
BOARD UNDER FLOOR - "R.E.I."		

Item#	Part	Description	H 3 4 1	H 3 4 5	V I P 4 5	N O T E S
		PA & AMPLI PLATE ASSY / SOUND SYSTEM	1	1		
1	404296	. PLATE MOUNTING	1	1		
2	901056	. AMPLI AUDIO & VIDEO / SYST 3000	1	1		
4	404225	. NOISE FILTER / P/A, VIDEO & HOOKUP INDIVIDU / 450030	AR	AR		
5	500657	. SCREW TC TR PH #10-24x1/2 Z050	AR	AR		
6	500964	. WASHER FL .203x.500x.047 Z050	AR	AR		
7	504013	. TIE MOUNT / 1/4" X 1/4" I.D.	10	10		
8	504637	. CABLE TIE / 3/16" x 13"	AR	AR		
9	404573	. CABLE ASSY / SOUND SYSTEM MASTER	1	1		
10	405314	. CABLE ASSY 28" / FILTER & AMPLI	1	1		
11	404255	. CABLE ASSY / 24V POWER / 13"	1	1		
12	380885	. RAIL SUPPORT / 225MM	1	1		
13	504006	. RIVET POP CK OE 1/8x5/16 AL	3	3		
14	561729	. STOPPER	2	2		
15	561793	. BREAKER 15AMPS / 24V /	1	1		
16	561792	. BREAKER 10AMPS / 24V /	2	2		
17	381813	. BUS BAR / W/2 HOLES 25MM	2	2		
17	381814	. BUS BAR / W/3 HOLES 38MM	2	2		
NS	381236	. DUMMY ASSY W/SCREW	1	1		
NS	502531	. SCREW CAP HEX M6-1.0x16 G8.8 Z050	3	3		
18	561726	. BLOCK JUNCTION	2	2		
19	561728	. END CLOSING	1	1		
20	561727	. SCREW MA PAN PH	2	2		
21	561731	. COVER SUPPORT	3	3		
22	561732	. COVER / PROTECTOR / 2 BLOCKS	1	1		
23	404291	CABLE ASSY / MASTER P/A & BACK-UP P/A / 12"	1	1		
24	562092	RELAY 12V S.P.D.T. W/DIODE / To 5-0142	1	1		
24	563337	RELAY 12V S.P.D.T. W/RESISTOR / From 5-0143	1	1		
25	561991	. RELAY 24V S.P.S.T. / 70 AMPS N.O.	1	1		
26	404284	CABLE ASSY / VIDEO FILTERS VCP & AMPLI	1	1		
28	561707	. RELAY 24V S.P.D.T. W/RESISTOR / To 5-0142	1	1		
28	563332	. RELAY 24V S.P.D.T. W/RESISTOR / "VOLVO" (20374662) From 5-0143	1	1		
NS	405478	CABLE "Y" CONTROL AMPLI / W/SUBWOOFER / 511690	1	1		A
NS	405479	CABLE "Y" CONTROL AUDIO AMPLI / W/SUBWOOFER / 511691	1	1		A
NS	405480	CABLE SUBWOOFER SPEAKER / 511689	1	1		A
40	405481	INSULATOR STEREO / 461005	1	1		A
NS	404307	PROTECTOR SOUND SYSTEM	1	1		
NS	404579	DECAL "SOUND SYSTEM"	1	1		
NS	502581	NUT HEX M6-1.0 Z050	3	3		
NS	5001164	WASHER FL 8.4x25.0x2.0 Z050	3	3		



From 3-4417 To 8-1043	Date:10/2022	PAGE:HF-2315-10
-----------------------	--------------	-----------------

BOARD UNDER FLOOR - "R.E.I."

Item#	Part	Description	H 3 4 1	H 3 4 5	V I P 4 5	N O T E S
		A) USE WITH SUBWOOFER SPEAKER IN BAGGAGE COMPARTMENT				



From 3-4417 To 8-1043

Date:10/2022

PAGE:HF-2315-12

BACK SEAT AUDIO WITH "XM" & 4 X 8 CD INSTALL IN BAGGAGE COMPT

"OPTION SPECIAL # 200561"**SEE DIAGRAM # D-061020 PAGE 35.SP6****&****D-480173 INSTALL BAG SUPPORT**



From 3-4417 To 8-1043 Date:10/2022 PAGE:HF-2315-12

BACK SEAT AUDIO WITH "XM" & 4 X 8 CD INSTALL IN BAGGAGE COMPT

Item#	Part	Description	H 3 4 1	H 3 4 5	V I P 4 5	N O T E S
1	901208	CABLE POWER	1	1		
2	901156	CABLE AUDIO 8 CIRCUITS	1	1		
3	901152	CD CHARGER MODEL CX-DP880U	1	1		
4	901148	RADIO "PANASONIC" CQ-C3301U / AM/FM/CD & XM / 700972	1	1		
5	901107	CABLE ADAPTOR RCA TO MOLEX / 4"	1	1		
6	901102	8 CHANNEL AMPLIFIER MODULE	1	1		
7	901101	MODULE BOX / FOR 3 CD PLAYER	1	1		
8	901081	ADAPTOR "Y" RCA / 1M/2F / 11"	3	3		
9	404498	CABLE ADAPTOR INTER. MODULE / 511211	1	1		
10	901021	CABLE ASSY	1	1		
11	901151	ANTENNA ROOF / XM RADIO	1	1		
12	901211	CABLE AUDIO	2	2		
13	901020	CABLE ASSY / ENTERTAINMENT MODULE RIGHT SEAT	1	1		
14	901062	CABLE RCA / 2M/2F / 23'	1	1		
15	901019	CABLE ASSY / ENTERTAINMENT MODULE LEFT SEAT	1	1		
16	404302	CABLE ASSY 20' / 510520 /	2	2		
17	901018	CABLE ASSY / 2 JCT BOX MODULES	1	1		
18	901211	CABLE AUDIO	1	1		
19	901149	RECEIVER / XM "SATELLITE"	2	2		
20	901150	CABLE / XM TUNER & RADIO	2	2		
21	404288	CABLE ASSY / "Y" 9" CONTROL HEAD & ENTERTAINMENT MODULE	1	1		
NS	484045	SUPPORT AUDIO SYSTEM / LOC. FIRST BAG. COMP.	1	1		
NS	5001499	SCREW CAP HEX M8-1.25x30 SS	4	4		
NS	5001527	SCREW CAP HEX M8-1.25x16 SS BK	4	4		
NS	5001341	WASHER FL 8.4x17.0x1.6 SS	4	4		
NS	500035	WASHER LO SPT .317x.586x.078 SS	4	4		
NS	5001315	SCREW CAP HEX 1/4-20x1 SS	6	6		
NS	500411	WASHER FL .260x.697x.050 SS	6	6		
NS	500477	WASHER LO SPT .262x.489x.062 SS	6	6		

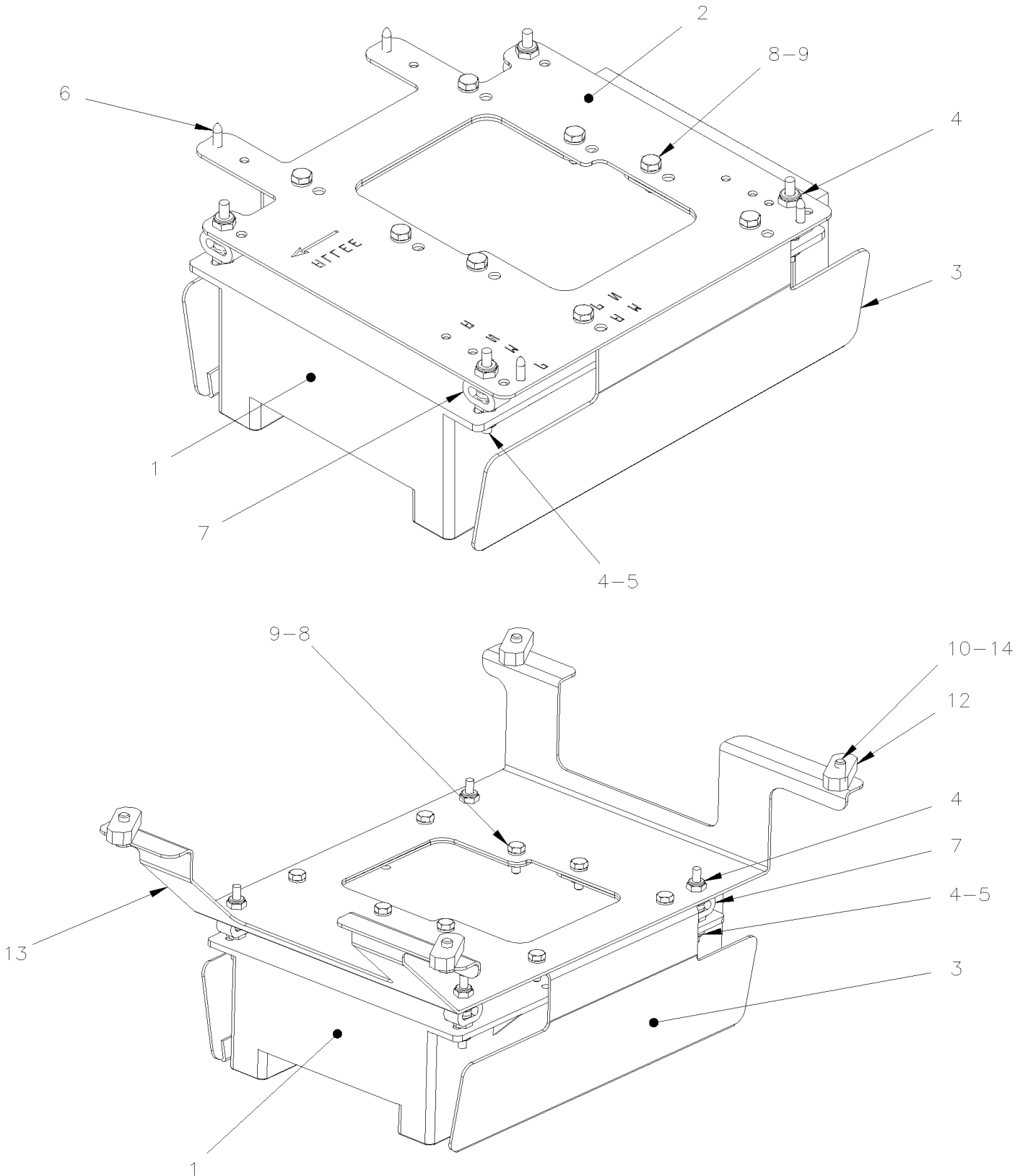


From 6-0560 To 8-1043

Date:10/2022

PAGE:HF-2315-15

SUBWOOFER - INSTALLATION





From 6-0560 To 8-1043	Date:10/2022	PAGE:HF-2315-15
SUBWOOFER - INSTALLATION		

Item#	Part	Description	H 3 4 1	H 3 4 5	V I P 4 5	N O T E S
1	901193	SUBWOOFER ASSY	1	1		
2	405780	PLATE MOUNTING	1	1		
3	405829	DEFLECTOR SPEAKER	2	2		
4	502874	NUT HEX NYRT 1/4-20 N500	8	8		
5	500877	WASHER FL .250x.562x.065 N500	8	8		
6	500526	SCREW TP CAP HEXW #12x3/4 N500	4	4		
7	5060076	RUBBER CUSHION ABSORBANT	4	4		
8	500163	SCREW CAP HEX 1/4-20x3/4 G5 Z050	16	16		
9	500473	WASHER LO SPT .262x.489x.062 Z050	16	16		
10	500476	WASHER LO SPT .317x.586x.078 Z050	4	4		A
12	5001642	T NUT 5/16-18	4	4		A
13	405787	PLATE MOUNTING "AMERICAN SEATING ONLY"	1	1		A
14	500179	SCREW CAP HEX 5/16-18x3/4 G5 Z050	4	4		A
NS	405846	KIT , SUBWOOFER ASSY / SERIES "H" To 6-0559	1	1		B C
NS	066743	CABLE EXTENSION 2M / SUBWOOFER To 6-0559	2	2		
NS	066707	CABLE ASSY / MAIN AISLE LAMP W/SUBWOOFER / SERIES "H" To 6-0559	1	1		
		A) USE ONLY WITH "AMERICAN SEATING" ONLY				
		B) THIS KIT DO NOT INCLUDE FOLLOWING ITEMS.: # 2 OR 13 & 10, 12 & 14				
		C) WITH THIS KIT YOU REQUIRE ALSO KIT 405843 AS SHOW AT PAGE Y2-2317-32				

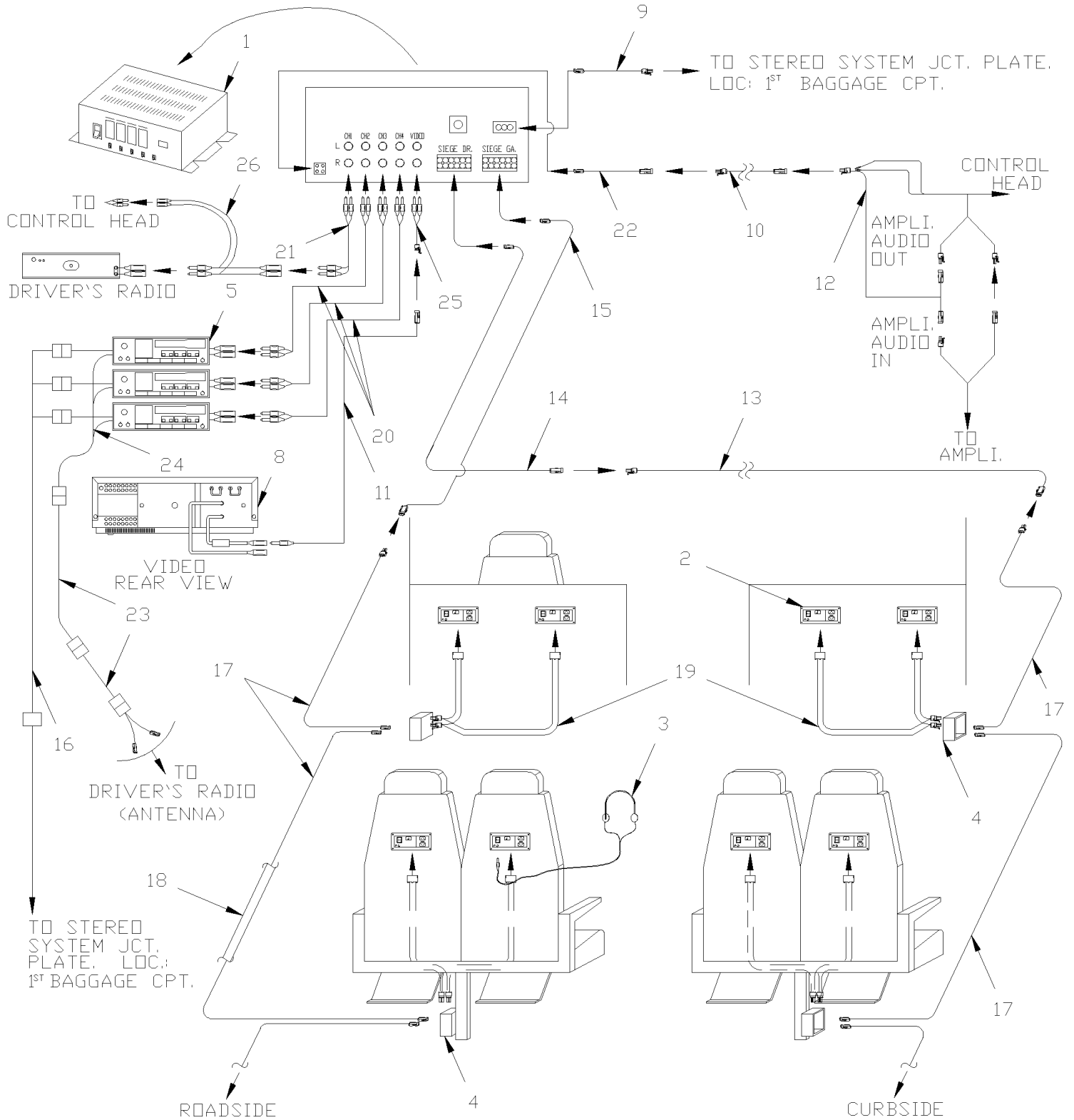


From 3-4417 To 8-1043

Date:10/2022

PAGE:HF-2315-20

INDIVIDUAL STATIONS - "R.E.I."



NOTE: RADIOS, ITEM #1, ARE LOCATED IN THE PARCEL RACK ON LEFT SIDE (2nd DOOR).



From 3-4417 To 8-1043	Date:10/2022	PAGE:HF-2315-20
INDIVIDUAL STATIONS - "R.E.I."		

Item#	Part	Description	H 3 4 1	H 3 4 5	V I P 4 5	N O T E S
1	900845	ENTERTAINER CONTROL MODULE	1	1		
NS	404542	SIDE PANEL FINISHING	2	2		
2	901006	SELECTOR HEAD SET MODULE	AR	AR		
NS	363644	HEADREST REINFORCEMENT	AR	AR		B
NS	405199	RECEPTACLE BOX / PLASTIC From 1-4149	AR	AR		
3	900881	HEAD SET EARPHONE	AR	AR		
NS	900882	FOAM CUSHION PAD / (SET OF 2) / FOR 900881	1	1		
4	901007	JUNCTION BOX MODULE SINGLE	1	1		
4	900899	JUNCTION BOX MODULE DOUBLE	1	1		
5	900915	RADIO "SONY" XR-4800 AM/FM/CASS. To 3-4676	1	1		C
5	901078	RADIO "PIONEER" KEH-P1010 AM/FM/CASS. From 3-4677	1	1		
5	901046	RADIO "SONY" CDXL550X AM/FM/CD	1	1		
5	900849	PLATE RADIO "DUMMY"	AR	AR		
NS	404488	SUPPORT, RADIO	1	1		
8	HF-2317-20	VIDEO VHS PLAYER - INSTALLATION "R.E.I."				
8	900987	CD CHARGER / 8 DISCS / "PANASONIC" CX-DP801 / MODIFIED To 3-4445	1	1		
8	901057	CD CHARGER / 8 DISCS / "PANASONIC" CX-DP88 / MODIFIED From 3-4446	1	1		
8	901152	CD CHARGER MODEL CX-DP880U	1	1	1	
9	064485	CABLE ASSY 24V POWER / ENT MODULE / 23.5'	1	1		
10	404302	CABLE ASSY 20' / 510520 /	1	1		
11	404380	CABLE ASSY RCA / M/M / USE WITH 2 VIDEOS / 510300	1	1		
11	900988	CABLE ASSY / CD & RADIO IN DASH To 3-4445	1	1		
11	901058	CABLE ASSY CD / DIN / 280" From 3-4446	1	1		
11	901059	CABLE RCA / 2M/2M / 23' From 3-4446 To 4-4917	1	1		
11	901110	CABLE RCA / 2M/2M / 25' From 4-4918	1	1		
12	404288	CABLE ASSY / "Y" 9" CONTROL HEAD & ENTERTAINMENT MODULE	1	1		
13	901021	CABLE ASSY	1	1		
14	901020	CABLE ASSY / ENTERTAINMENT MODULE RIGHT SEAT	1	1		
15	901019	CABLE ASSY / ENTERTAINMENT MODULE LEFT SEAT	1	1		
16	404504	CABLE ASSY / RADIO POWER To 5-0147	1	1		
17	901018	CABLE ASSY / 2 JCT BOX MODULES	1	1		
17	065567	CABLE ASSY / 2 JCT BOX MODULES	1	1		
18	325056	PROTECTOR MOULDING	1	1		
19	901008	CABLE SEAT ASSY / JCT BOX & CHANNEL SELECTOR	1	1		
19	404501	CABLE SEAT ASSY / JCT BOX & CHANNEL SELECTOR CHANNEL SELECTOR	1	1		A
20	900856	CABLE RCA / 2M/2M / 3'	1	1		
21	900855	CABLE RCA / 2M/2M / 20'	1	1		
22	404498	CABLE ADAPTOR INTER. MODULE / 511211	1	1		
23	900774	CABLE, ANTENNA EXTENSION / 12'	1	1		
24	900775	Y RADIO ANTENNA CABLE / TO USE W/2 RADIOS	AR	AR		
25	900758	ADAPTOR "Y" RCA / 1F/2M / 9"	1	1		
26	900671	ADAPTOR "Y" RCA / 1M/2F / 4"	1	1		



From 3-4417 To 8-1043	Date:10/2022	PAGE:HF-2315-20
-----------------------	--------------	-----------------

INDIVIDUAL STATIONS - "R.E.I."

Item#	Part	Description	H 3 4 1	H 3 4 5	V I P 4 5	N O T E S
NS	404525	INSULATING, NOISE	1	1		
		A) USE WITH SINGLE SEAT ONLY				
		B) USE WITH SELECTOR HEAD SET MODULE FIX ON THE HEADREST				
		C) IT SUPERSEDED BY #405442				

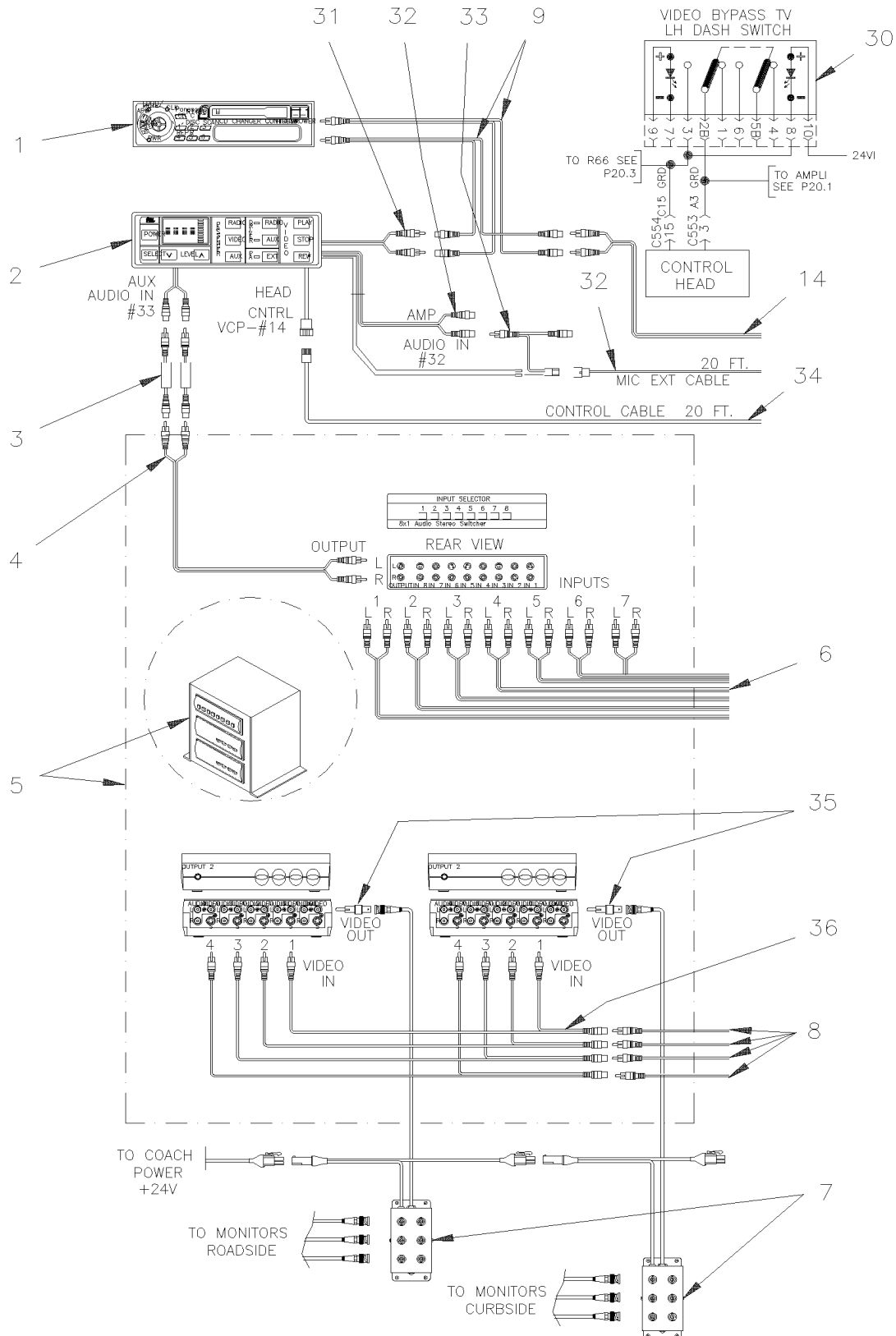


From 4-4936 To 4-4936

Date:10/2022

PAGE:HF-2315-21

2 VIDEOS & AUDIO W/SATELLITE



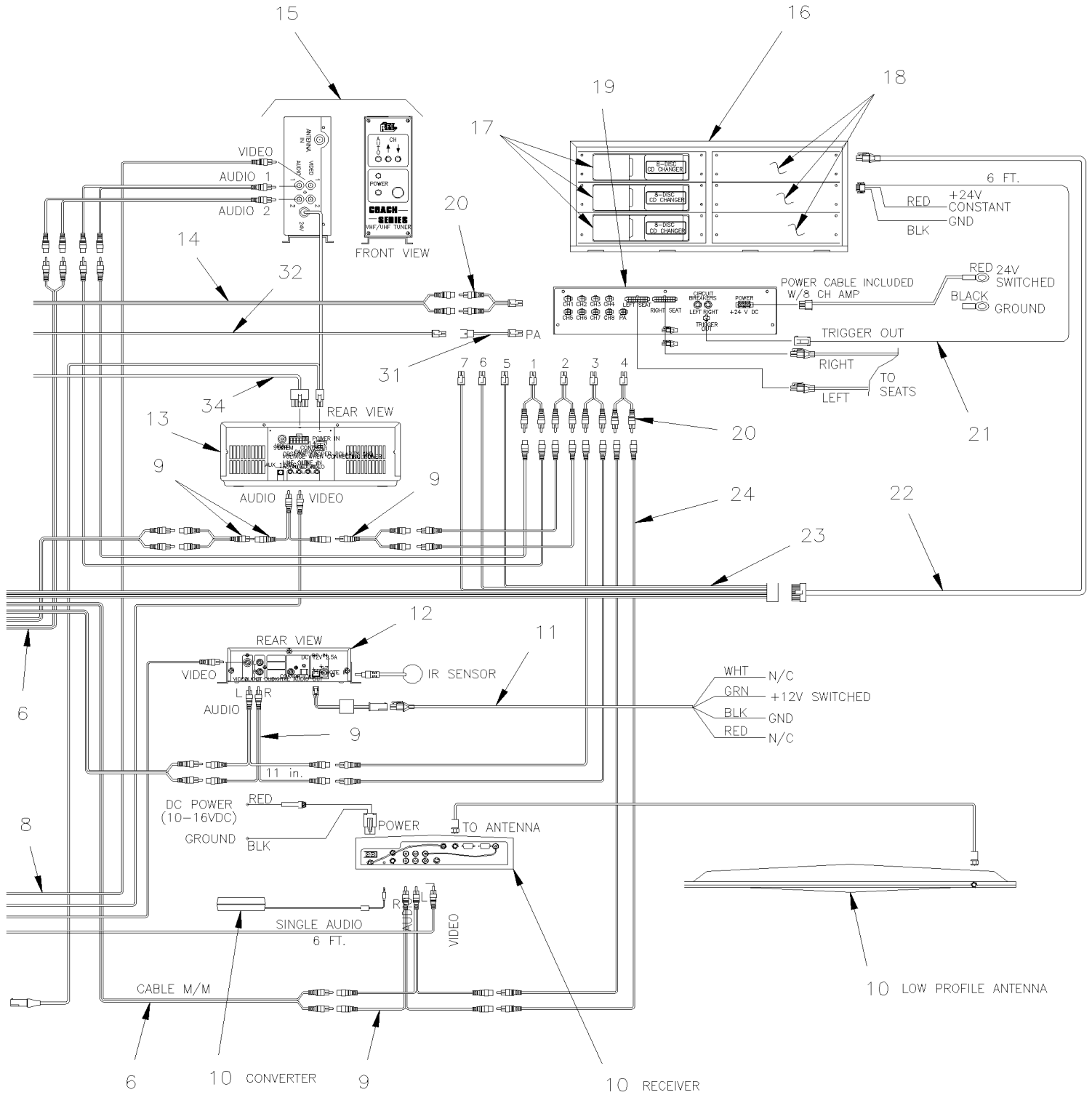


From 4-4936 To 4-4936

Date:10/2022

PAGE:HF-2315-21

2 VIDEOS & AUDIO W/SATELLITE





From 4-4936 To 4-4936	Date:10/2022	PAGE:HF-2315-21
2 VIDEOS & AUDIO W/SATELLITE		

Item#	Part	Description	H 3 4 1	H 3 4 5	V I P 4 5	N O T E S
1	901032	RADIO "PANASONIC" CQ-R 145 CAHH / 700760 or 700914		1		
2	900803	CONTROL HEAD / "R.E.I." SYSTEM 2000		1		
. NS	563064	. BULB (CONTROL HEAD GREEN) / 12VOLTS / 2700		1		
3	901106	AUDIO FILTER		2		
4	901059	CABLE RCA / 2M/2M / 23'		1		
5	901100	SELECTORAUDIO & VIDEO 8 CHANNEL		1		
6	901083	CABLE RCA / 2M/2M / 10'		1		
7	901117	VIDEO DISTRIBUTION AMPLI W/BNC		2		
. NS	901119	. CABLE POWER DVA/VIDEO		1		
7	901403	VIDEO DISTRIBUTION AMPLI W/BNC		1		S
8	901082	CABLE RCA / 1M/1M / 6'		4		
9	901081	ADAPTOR "Y" RCA / 1M/2F / 11"		6		
10	901111	KIT, DSS SATELLITE TV RECEIVER		1		
10	901280	KIT, DSS SATELLITE ANTENNA INSTALLATION		1		S
11	901079	CABLE POWER DVD ADAPTOR / 6'		1		
12	901096	DVD REI / MP3		1		
. NS	901098	. REMOTE CONTROL "MP3" DVD		1		
13	901030	VIDEO V-3000 VCP, SYS 2000 24V To 7-0985		1		
. NS	901065	. REMOTE CONTROL / VDO REI V-3000 To 7-0985		1		
13	7770197	KIT, VHS TO DVD CONVERSION To 7-0985		1		
. NS	901339	. DVD PLAYER 12V To 7-0985		1		
. . NS	901377	. . REMOTE CONTROL / DVD R.E.I. To 7-0985		1		
. NS	407639	. SUPPORT, DVD To 7-0985		1		
. NS	901347	. CABLE ASSY / W/2 BNC FEMALE/ FEMALE 1" To 7-0985		1		
. NS	901564	. ADAPTOR, RCA MALE TO BNC FEMALE To 7-0985		1		
. NS	563071	. CONNECTOR / MINI FIT JR / SH 4C / MOLEX 39-01-3042 To 7-0985		1		
. NS	562593	. WIRE CABLE 18 / YELLOW / TXL To 7-0985		AR		
. NS	562587	. WIRE CABLE 18 / BLACK / TXL To 7-0985		AR		
. NS	562463	. SOCKET TERMINAL / 24-18 / MOLEX 39-00-0039 To 7-0985		2		
. NS	563622	. BUTT SPLICE / 22-18 / RED / W/THERMORETRAC / PANDUIT BSH18-Q To 7-0985		2		
. NS	5001017	. SCREW TC CAP HEXW #10-24x1/2 Z050 To 7-0985		4		
. NS	502853	. WASHER LO SPT 6.1x11.8x1.6 N500 To 7-0985		1		
. NS	IS-16901A	. SEE INSTRUCTION SHEET To 7-0985		1		
14	901062	CABLE RCA / 2M/2F / 23'		1		
14	901110	CABLE RCA / 2M/2M / 25'		1		
15	901054	TUNER TV 24V		1		
16	901101	MODULE BOX / FOR 3 CD PLAYER		1		
17	901109	. CD CHARGER / 8 DISCS / "PANASONIC" CX-DP88		3		
17	901152	. CD CHARGER MODEL CX-DP880U		1		
18	901108	CLOSING PLATE / 540717		3		
19	901102	8 CHANNEL AMPLIFIER MODULE		1		
20	901107	CABLE ADAPTOR RCA TO MOLEX / 4"		6		



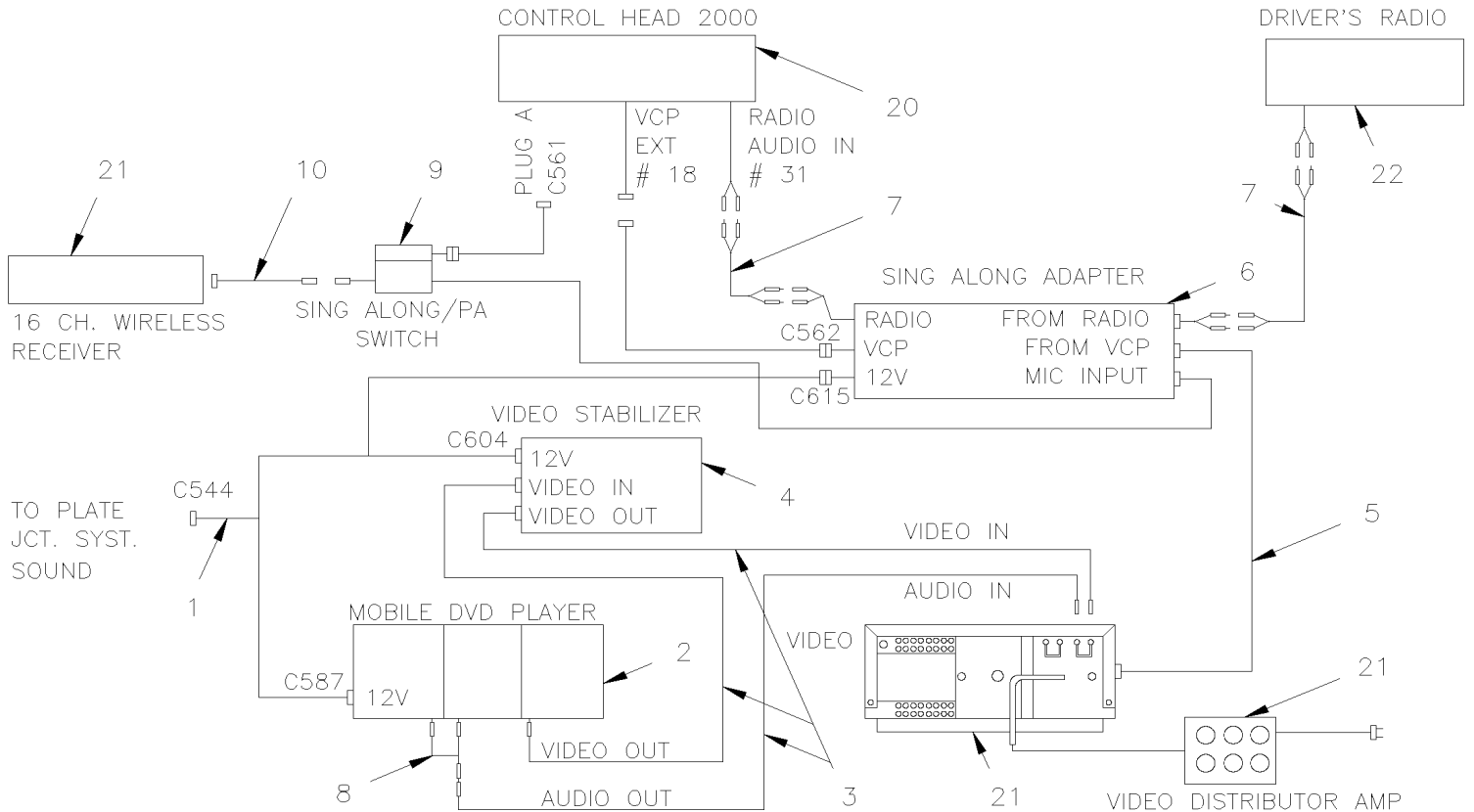
From 4-4936 To 4-4936	Date:10/2022	PAGE:HF-2315-21
2 VIDEOS & AUDIO W/SATELLITE		

Item#	Part	Description	H 3 4 1	H 3 4 5	V I P 4 5	N O T E S
21	901104	CABLE POWER TRIGGER		1		
22	901103	CABLE 8 CHANEL / 10'		1		
23	901105	CABLE ASSY / CHANNEL SELECTOR & MODULE		1		
24	901073	CABLE RCA / 1M/1F / 6'		8		
30	562697	SWITCH / ON-ON / D.P.D.T. / CH-OVER / W/RED & GREEN LED		1		
NS	562714	CAP / PLAIN (W/O DESCRIPTION)		1		
31	N.P.N.	PA ADAPTER CABLE / 511211		AR		4
32	N.P.N.	MICROPHONE EXTENSION 20' / 510520		AR		4
33	N.P.N.	ADAPTER AUDIO / 510645		AR		4
34	N.P.N.	CABLE / 510605		AR		4
35	562207	CONNECTOR / BNC / FEMALE / RCA MALE / AMP 12343		2		
36	900758	ADAPTOR "Y" RCA / 1F/2M / 9"		2		
		S) FOR SERVICE				
		4) NO PARTS NUMBER				

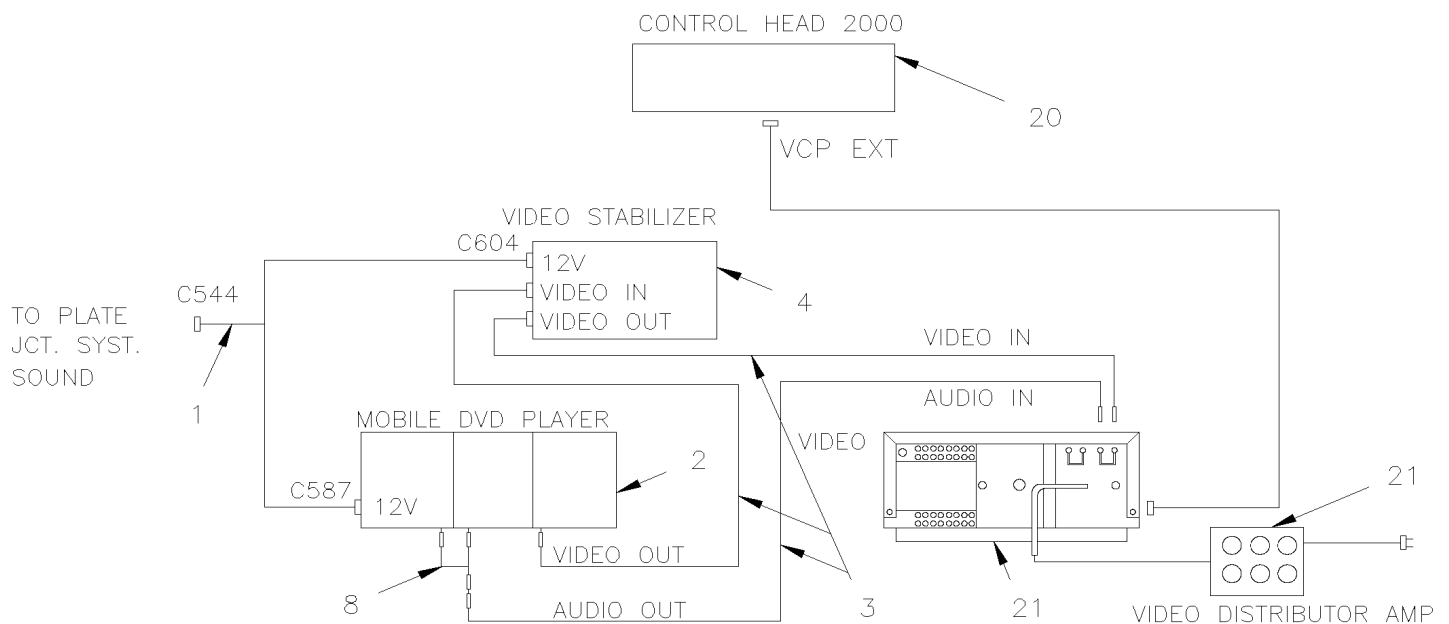


From 3-4417 To 4-4820	Date:10/2022	PAGE:HF-2315-30
SOUND SYSTEM - "KARAOKE" & DVD		

VCP & DVD WITH KARAOKE



VCP & DVD





From 3-4417 To 4-4820	Date:10/2022	PAGE:HF-2315-30
SOUND SYSTEM - "KARAOKE" & DVD		

Item#	Part	Description	H 3 4 1	H 3 4 5	V I P 4 5	N O T E S
1	405187	CABLE ASSY DVD To 4-4827	1	1		
1	405687	CABLE ASSY DVD From 4-4828	1	1		
2	901033	DVD REI To 3-4610	1	1		
2	901069	DVD REI / MP3 From 3-4611 To 4-4827	1	1		
2	901096	DVD REI / MP3 From 4-4828 To 4-4974	1	1		
. NS	901098	. REMOTE CONTROL "MP3" DVD From 4-4828 To 4-4974	1	1		
2	901116	DVD REI / MP3 From 4-4975	1	1		
. NS	901264	. REMOTE CONTROL / DVD REI From 4-4975	1	1		
3	404380	CABLE ASSY RCA / M/M / USE WITH 2 VIDEOS / 510300	1	1		
4	901034	STABILIZER VIDEO MODIFIED To 4-4825	1	1		A
4	901095	AMPLI VIDEO From 4-4826	1	1		
5	405190	HARNESS INTERFACE VIDEO/SING ALONE ADAP	1	1		
6	901035	ADAPTOR KARAOKE	1	1		
7	900855	CABLE RCA / 2M/2M / 20'	1	1		
8	900758	ADAPTOR "Y" RCA / 1F/2M / 9"	1	1		
9	901036	SWITCH KARAOKE	1	1		
10	405191	HARNESS WIRE LESS MIC/SING ALONE ADAPTOR	1	1		
20	900803	CONTROL HEAD / "R.E.I." SYSTEM 2000	1	1		
. NS	563064	. BULB (CONTROL HEAD GREEN) / 12VOLTS / 2700	1	1		
21	HF-2317-20	VIDEO VHS PLAYER - INSTALLATION "R.E.I."				
22	HF-2315-00	SOUND SYSTEM & ACCESSORIES				
NS	405660	KIT, DVD REPLACEMENT To 4-4827	AR	AR		
. NS	IS-04036	. SEE INSTRUCTION SHEET To 4-4827	1	1		
NS	405659	KIT, VIDEO STABILIZATOR REPLACEMENT To 4-4825	AR	AR		
. NS	IS-03099	. SEE INSTRUCTION SHEET To 4-4825	1	1		
		A) THIS PART IS SUPERSEDED BY KIT #405659				

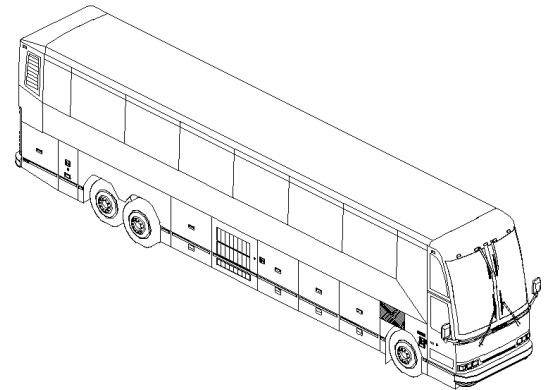


From 3-4417 To 8-1043

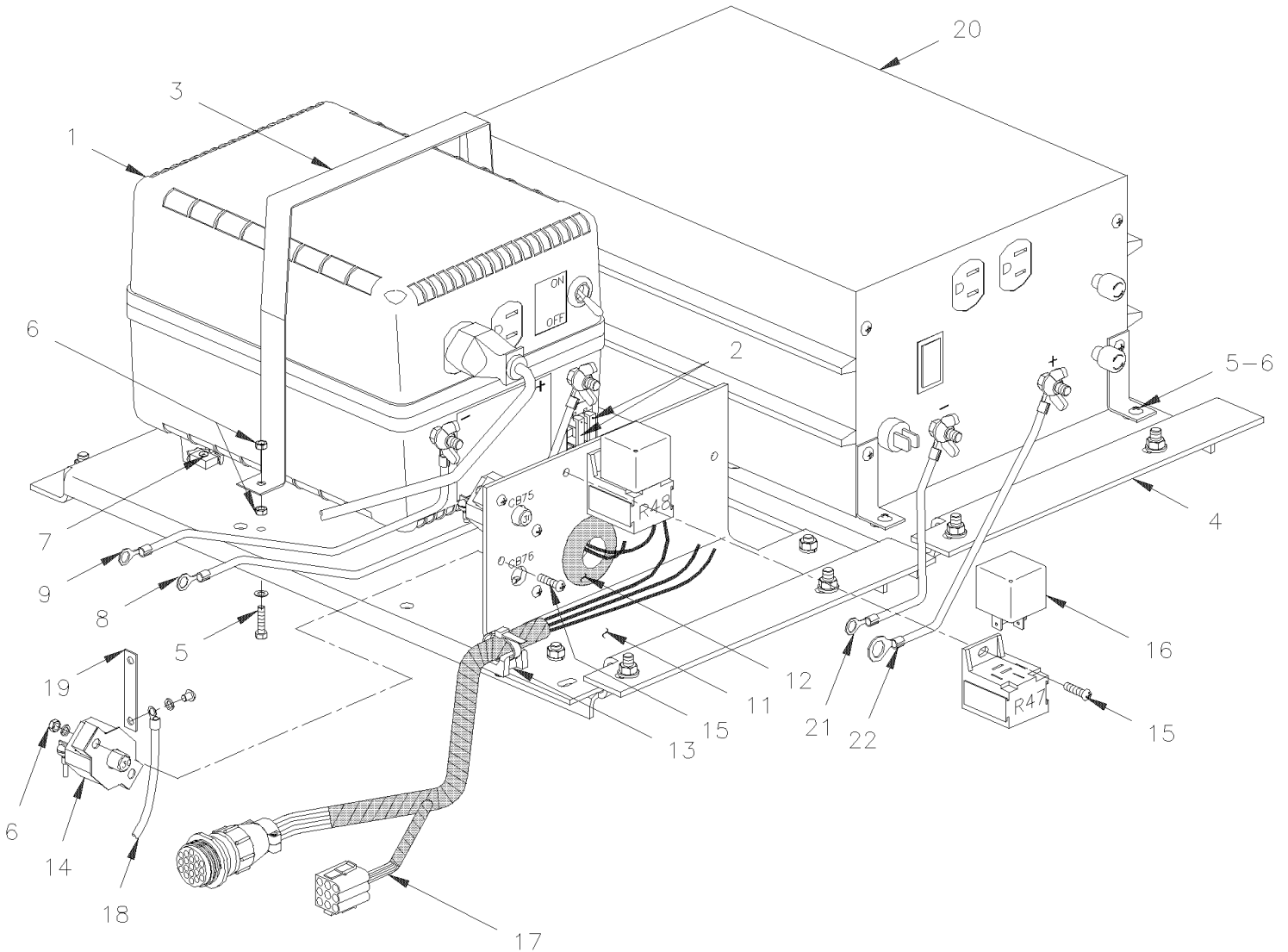
Date:10/2022

PAGE:HF-2315-50

POWERVERTER - 24/110 VOLTS - 1000 WATTS



FRONT





From 3-4417 To 8-1043	Date:10/2022	PAGE:HF-2315-50
POWERVERTER - 24/110 VOLTS - 1000 WATTS		

Item#	Part	Description	H 3 4 1	H 3 4 5	V I P 4 5	N O T E S
20	562456	POWERVERTER ASSY / 24/110 V 1000 WATTS	1	1		B C
20	562472	. FUSE / ATC 40 AMPS ORANGE	4	4		B
21	064264	CABLE ASSY #0	1	1		B
22	064263	CABLE ASSY #24PV	1	1		B
NS	065708	KIT, INVERTER REPLACEMENT / BAGGAGE COMPARMENT	1	1		
. NS	IS-01028	. SEE INSTRUCTION SHEET	1	1		
NS	065710	KIT, INVERTER REPLACEMENT / INSIDE GALLEY SERIE "H"	1	1		
. NS	IS-01028	. SEE INSTRUCTION SHEET	1	1		
		B) THOSE ITEMS ARE RELATED WITH "GALLEY"				
		C) THIS POWERVERTER IS SUPERSEDED BY KIT #065708 OR #065710				



From 3-4417 To 8-1043

Date:10/2022

PAGE:HF-2315-51

POWERVERTER - 24/110 VOLTS - 1000 WATTS



1-2-3

4

5-6-7

8



From 3-4417 To 8-1043	Date:10/2022	PAGE:HF-2315-51
POWERVERTER - 24/110 VOLTS - 1000 WATTS		

Item#	Part	Description	H 3 4 1	H 3 4 5	V I P 4 5	N O T E S
1	502631	SCREW CAP HEX M6-1.0x20 G8.8 Z050	4	4	4	
2	502511	NUT HEX NYRT M6-1.0 Z050	4	4	4	
3	500441	WASHER FL .312x.734x.065 Z050	4	4	4	
4	562456	POWERVERTER ASSY / 24/110 V 1000 WATTS	1	1	1	A
5	064459	SUPPORT	1	1	1	
6	500841	SCREW TP PAN PH #14x3/4 Z050	5	5	5	
7	500473	WASHER LO SPT .262x.489x.062 Z050	5	5	5	
8	065243	CABLE ASSY / INVERTER	1	1	1	
8	562657	PLUG DOUBLE 110 VAC MURAL / WHITE	1	1	1	
8	562659	COVER PLATE DOUBLE 110V OUTLET / WHITE	1	1	1	
8	562661	RECEPTACLE BOX / 110Vac outlet WHITE	1	1	1	
8	560933	CONNECTOR / 15 AMPS / HUBBELL 5266-C	1	1	1	
8	562595	SPECIAL WIRE CABLE 14/3 / WHITE (BOAT CABLE)	1	1	1	
8	562664	PROTECTOR METALLIC 1"/CABLE	1	1	1	
NS	065708	KIT, INVERTER REPLACEMENT / BAGGAGE COMPARMENT	1	1	1	
. NS	IS-01028	. SEE INSTRUCTION SHEET	1	1	1	
NS	065710	KIT, INVERTER REPLACEMENT / INSIDE GALLEY SERIE "H"	1	1	1	
. NS	IS-01028	. SEE INSTRUCTION SHEET	1	1	1	
		A) THIS POWERVERTER IS SUPERSEDED BY KIT #065708 OR #065710				

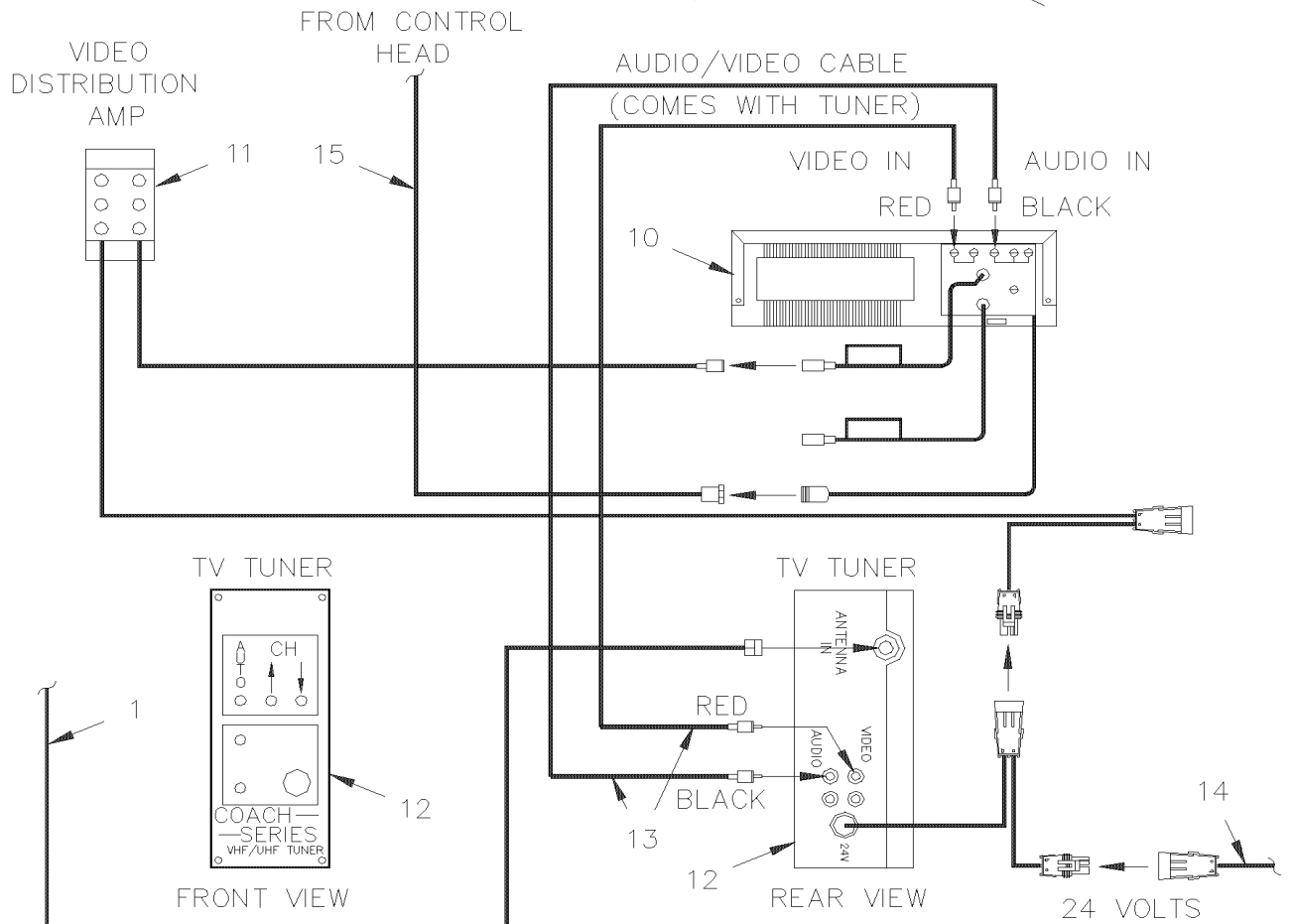
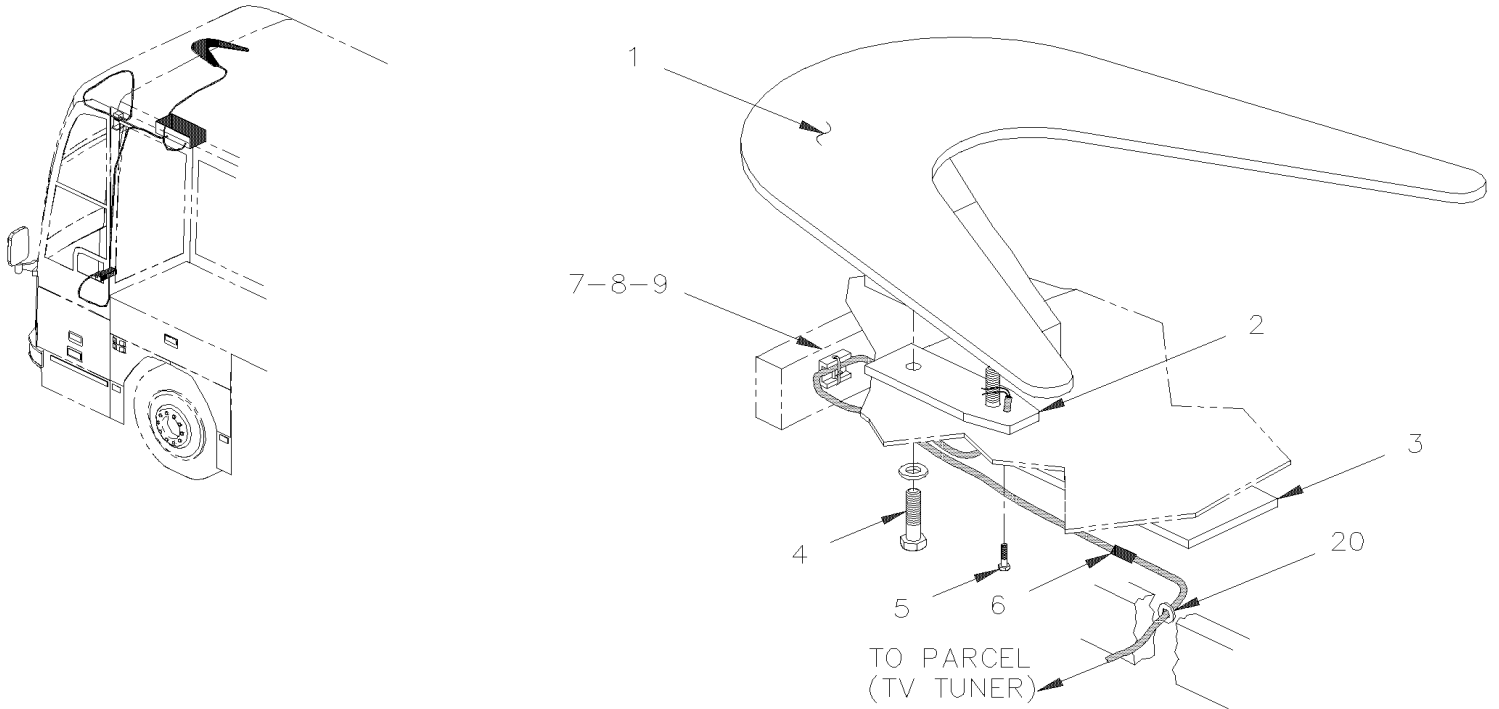


From 3-4417 To 8-1043

Date:10/2022

PAGE:HF-2315-60

ROOF ANTENNA & WIRING "R.E.I."





From 3-4417 To 8-1043	Date:10/2022	PAGE:HF-2315-60
ROOF ANTENNA & WIRING "R.E.I."		

Item#	Part	Description	H 3 4 1	H 3 4 5	V I P 4 5	N O T E S
1	900794	ANTENNA, ROOF / "WINTENNA" MODEL 2 3/4"	1	1		
NS	403355	DECAL / VEHICLE HEIGHT 11' 9"	1	1		
NS	901071	SATELLITE RADIO RECEIVER	1	1		S
NS	901072	ADAPTOR "Y" RCA / 1M/2M	1	1		S
NS	901073	CABLE RCA / 1M/1F / 6'	1	1		S
NS	901062	CABLE RCA / 2M/2F / 23'	1	1		S
NS	900758	ADAPTOR "Y" RCA / 1F/2M / 9"	2	2		S
2	403298	GASKET, ANTENNA	1	1		
3	404345	PLATE, REINFORCEMENT / ROOF	1	1		
4	500048	SCREW CAP HEX 3/8-24x1 1/4 G5 ZP	1	1		
5	500617	SCREW TP PAN PH #8x1 Z050	1	1		
5	5001209	SCREW CAP HEX M6-1.0x25 G8.8 Z050	1	1		
5	500441	WASHER FL .312x.734x.065 Z050	1	1		
6	560786	SHRINK TUBING / .500" - .250" / BLACK / ALPHA FIT-300-1/2-4B	AR	AR		
7	504006	RIVET POP CK OE 1/8x5/16 AL	4	4		
8	504013	TIE MOUNT / 1/4" X 1/4" I.D.	4	4		
9	504637	CABLE TIE / 3/16" x 13"	4	4		
10	HF-2317-20	VIDEO VHS PLAYER - INSTALLATION "R.E.I."				
12	900814	TUNER TV 24V To 4-4820	1	1		
12	901054	TUNER TV 24V From 4-4821	1	1		
NS	404589	PROTECTOR VIDEO BOX	1	1		
13	900785	CABLE RCA / 2M/2M / 10'	1	1		
14	405316	CABLE ASSY / DASH COMPONENT & HARNESS ABOVE To 4-4820	1	1		
14	405485	CABLE ASSY / DASH COMPONENT & HARNESS ABOVE From 4-4821 To 5-0147	1	1		
14	409123	CABLE ASSY / DASH COMPONENT & HARNESS ABOVE From 5-0148 To 6-0359	1	1		
14	409148	CABLE ASSY / DASH & PLATE IN BAGGAGE From 6-0360	1	1		
14	404571	CABLE ASSY / DASH & PARCEL RACK To 6-0359	1	1		
14	409149	CABLE ASSY / DASH & PARCEL RACK / AUDIO From 6-0360	1	1		
15	404283	CABLE ASSY / FILTER VCP & CONTROL HEAD / 20'	1	1		
20	504063	GROMMET / .562x.812x.062x.312x1.062	1	1		
		S) WITH SATELLITE RADIO RECEIVER				

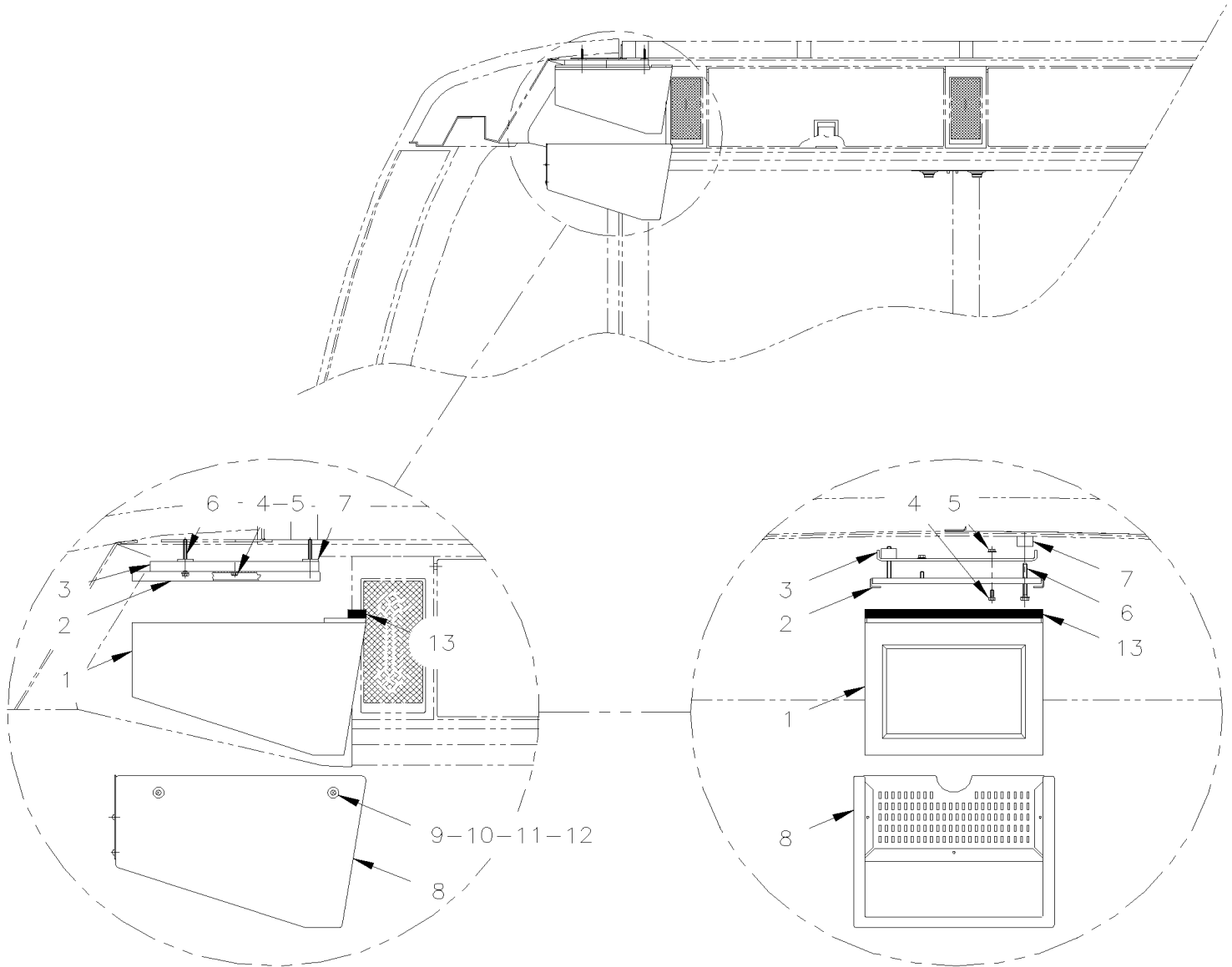


From 3-4417 To 5-0167

Date:10/2022

PAGE:HF-2317-00

FRONT MONITOR - VIDEO - "R.E.I."





From 3-4417 To 5-0167	Date:10/2022	PAGE:HF-2317-00
FRONT MONITOR - VIDEO - "R.E.I."		

Item#	Part	Description	H 3 4 1	H 3 4 5	V I P 4 5	N O T E S
1	900809	MONITOR 2000 24V To 3-4634	1	1		
1	901070	MONITOR 2000 24V From 3-4635	1	1		
1	400316	KIT CENTRAL MONITOR LCD	1	1		
2	404306	MONITOR SLIDE BRACKET To 4-4820	1	1		
. NS	900862	. KEY MONITOR LOCK To 4-4820	1	1		
2	405496	MONITOR SLIDE BRACKET From 4-4821	1	1		
. NS	900862	. KEY MONITOR LOCK From 4-4821	1	1		
NS	900862	KEY MONITOR LOCK	1	1		
3	404666P	SUPPORT CENTRAL MONITOR	1	1		
4	500162	SCREW CAP HEX 1/4-20x1/2 G5 Z050	AR	AR		
5	500770	NUT HEX STO 1/4-20 Z050	AR	AR		
6	500625	SCREW TC CAP HEXW 1/4-20x2 Z050	4	4		
7	404642	SPACER	4	4		
8	404395P	BOX COVER ASSY / W/TISSUS / S.C.C.	1	1		
8	404369	. BOX	1	1		
8	404393	. GRILLE	1	1		
8	500409	. SCREW TP PAN PH #8x1/2 BK	1	1		
9	500640	SCREW TP PAN PH #6x3/4 Z050	4	4		
10	504399	WASHER RETAINER SNAP CAP #10	4	4		
11	504400	SNAP CAP #10 FINISHING BLACK	4	4		
12	403497	SPACER	4	4		
13	506235	TAPE RUB ADH1 PVC.NITRIL 1/2" x 1" x 15' / BLACK 1210	AR	AR		
NS	404638	DECAL MOUNTING PLATE / 250MM x 50MM	1	1		
NS	404636	DECAL / "WATCH YOUR STEP"	1	1		
NS	404637	DECAL / "ATTENTION À LA MARCHE" / BILINGUAL To 5-0022	1	1		
NS	405689	DECAL / "ATTENTION À LA MARCHE" / BILINGUAL From 5-0023	1	1		

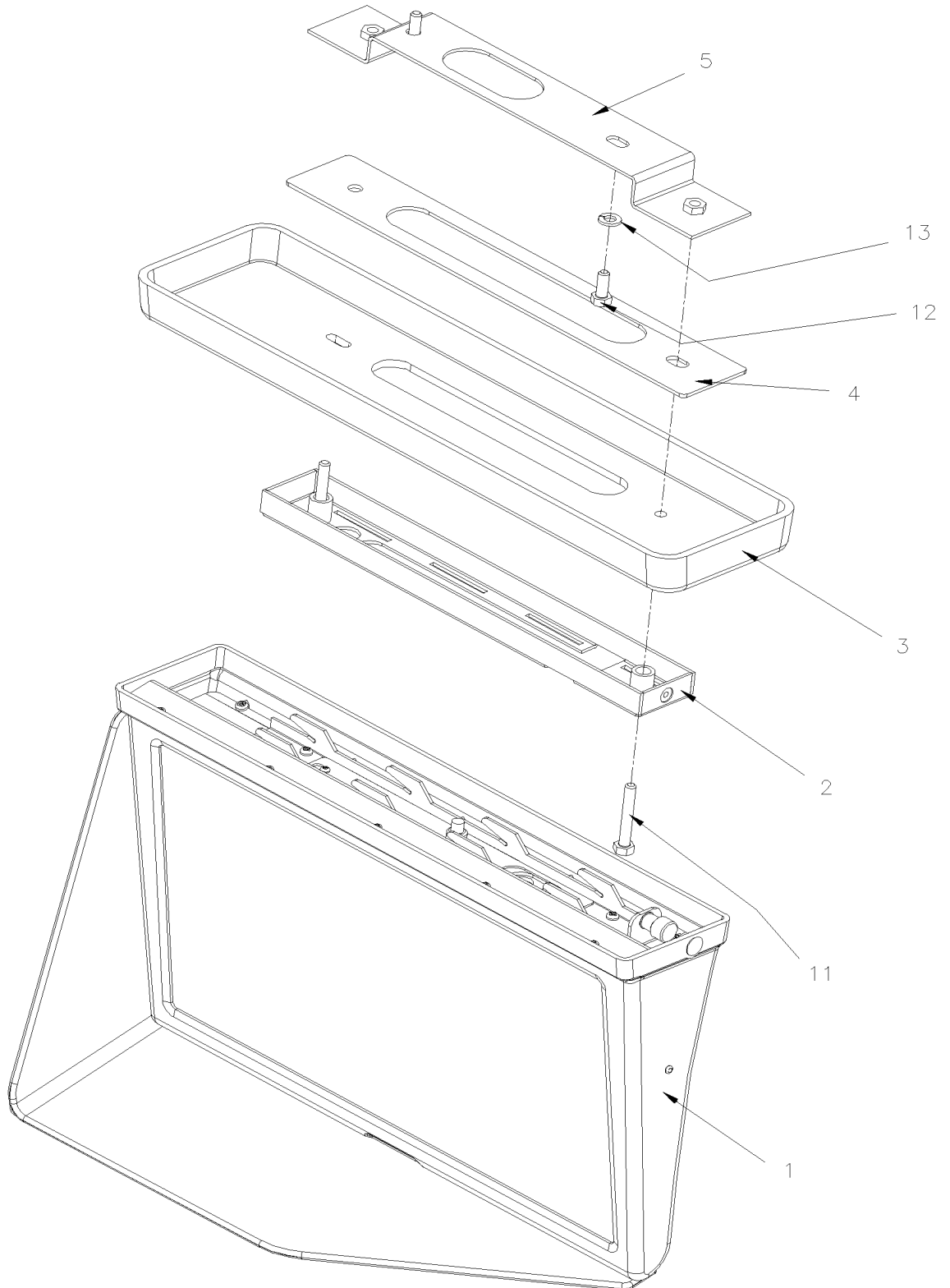


From 3-4417 To 5-0167

Date:10/2022

PAGE:400316

KIT CENTRAL MONITOR LCD





From 3-4417 To 5-0167	Date:10/2022	PAGE:400316
-----------------------	--------------	-------------

KIT CENTRAL MONITOR LCD

Item#	Part	Description	H 3 4 1	H 3 4 5	V I P 4 5	N O T E S
1	900021	MONITOR 15.6" LCD 24V W/ DEFLECTOR	1	1	1	
2	901358	SUPPORT MONITOR 15.4" 16/9 SCREEN	1	1	1	
3	400294	TRANSITION MOLDING, CENTRAL MONITOR	1	1	1	
4	400309	SPACER, CENTRAL MONITOR	1	1	1	
5	400291	SUPPORT ASSY	1	1	1	
11	5000310	SCREW CAP HEX M6-1.0x40 BK	2	2	2	
12	5001697	SCREW CAP HEX M6-1.0x16 SS BK	2	2	2	
13	500477	WASHER LO SPT .262x.489x.062 SS	2	2	2	

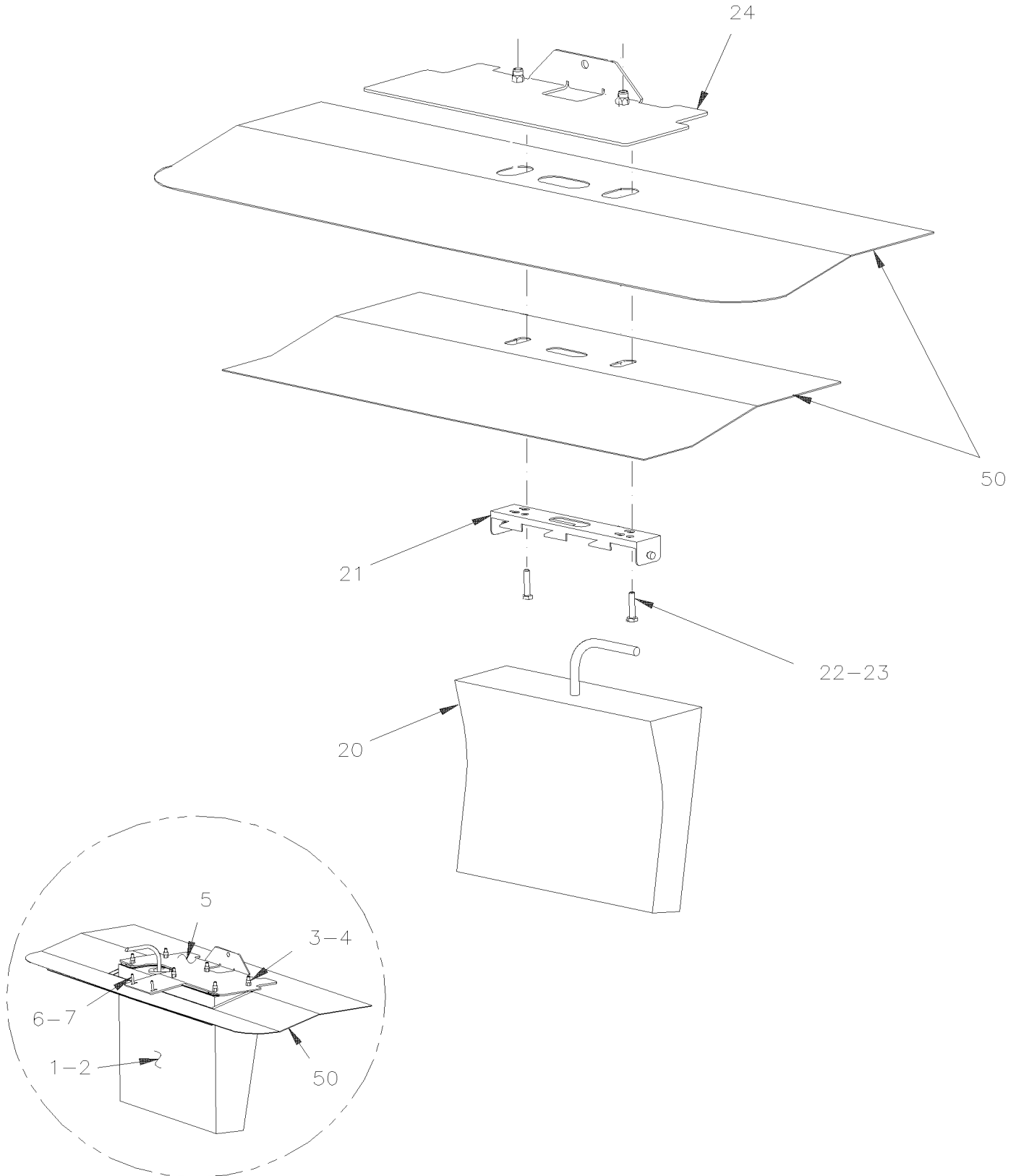


From 3-4417 To 8-1043

Date:10/2022

PAGE:HF-2317-01

FRONT MONITOR FLAT SCREEN - VIDEO - "R.E.I."



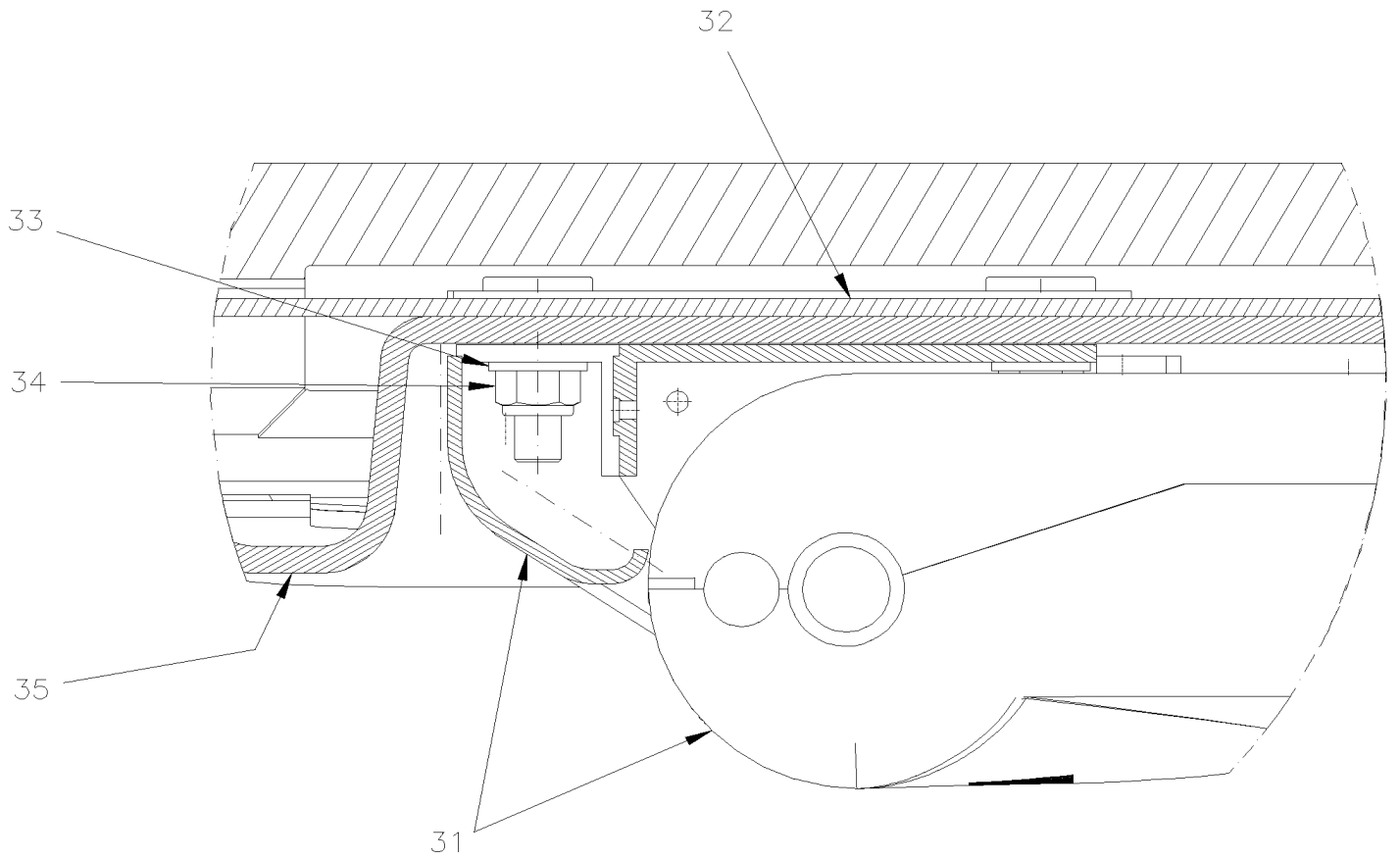
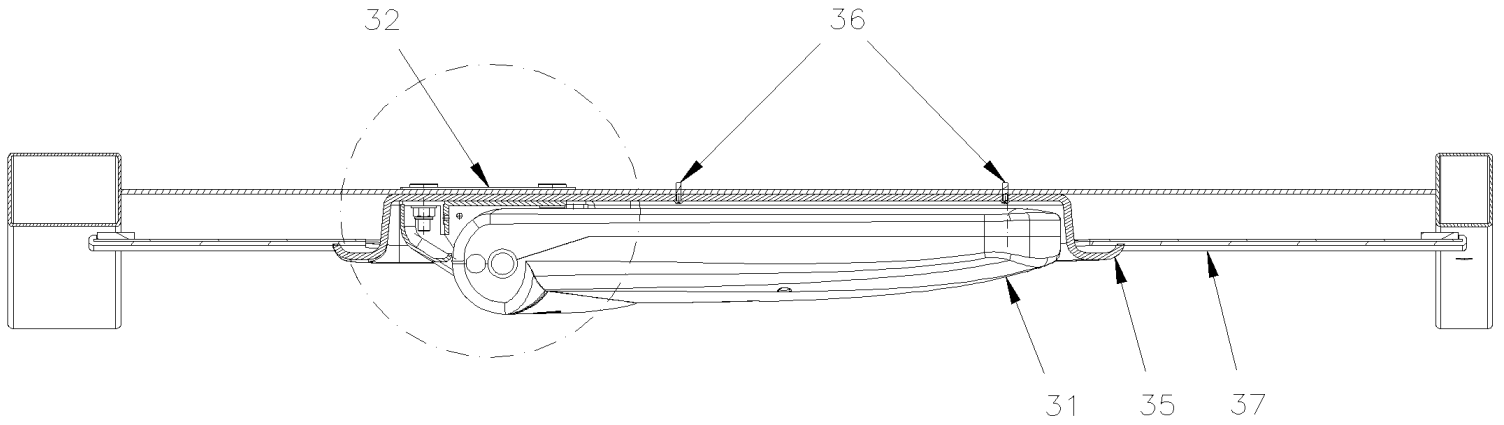


From 3-4417 To 8-1043

Date:10/2022

PAGE:HF-2317-01

FRONT MONITOR FLAT SCREEN - VIDEO - "R.E.I."





From 3-4417 To 8-1043	Date:10/2022	PAGE:HF-2317-01
FRONT MONITOR FLAT SCREEN - VIDEO - "R.E.I."		

Item#	Part	Description	H 3 4 1	H 3 4 5	V I P 4 5	N O T E S
		PARTS RELATED WITH 14" & 15" CENTRAL MONITOR "SPECIAL"				
1	901084	MONITOR 15" LCD	1	1		
1	901212	MONITOR 14.1" LCD	1	1		
NS	500697	SCREW TP BDG PH M5x8 BK	6	6		
NS	500840	WASHER LO EXT .195x.410x.025 N500	6	6		
2	901085	SUPPORT CENTRAL MONITOR / W/FLAT SCREEN 15"	1	1		
2	901214	SUPPORT CENTRAL MONITOR / W/FLAT SCREEN 14"	1	1		
3	502533	SCREW CAP HEX M6-1.0x30 G8.8 Z050	6	6		
4	502582	WASHER LO SERR 6.1x16.2x0.9 Z050	6	6		
5	407531	REINFORCEMENT FRONT MONITOR / SUPPORT	1	1		
6	500510	SCREW MA BDG PH #10-32x3/4 SS EMN	4	4		
7	502774	NUT WELL #10-32x.625	4	4		
		PARTS RELATED WITH 10" CENTRAL MONITOR				
20	901130	MONITOR 10" LCD 24V To 6-0420	1	1		
. NS	901138	. PLUG CAP / GREY OVER SCREW 12.51MM O.D. To 6-0420	1	1		
20	903214	MONITOR 10" LCD 24V From 6-0421	1	1		
. NS	901243	. PLUG CAP / GREY OVER SCREW 9.31MM O.D. From 6-0421	1	1		
20	406730	KIT, CENTRAL MONITOR REI 10.1" H3 SAV	1	1		S
. NS	901547	. MONITOR, LCD REI 10.1"	1	1		S
. NS	406725	. SUPPORT, CENTRAL MONITOR 10.1" ASSY	1	1		S
21	407587	SUPPORT CENTRAL MONITOR / W/FLAT SCREEN 10" To 6-0420	1	1		
21	409159	SUPPORT CENTRAL MONITOR / W/FLAT SCREEN 10" From 6-0421	1	1		
21	341124	SHIM	1	1		
22	502533	SCREW CAP HEX M6-1.0x30 G8.8 Z050 To 6-0420	2	2		
23	502582	WASHER LO SERR 6.1x16.2x0.9 Z050	2	2		
24	407558	REINFORCEMENT FRONT MONITOR 10" SUPPORT To 7-0614	1	1		
24	476596	REINFORCEMENT FRONT MONITOR 10" SUPPORT From 7-0615	1	1		
NS	405858	SHIELD SCREEN DEFLECTOR / W/10" SCREEN / PLASTIC GREY From 7-0629	1	1		
		PARTS RELATED WITH 17" CENTRAL MONITOR				
		ELECTRICAL RETRACTABLE				
31	901259	MONITOR 17" LCD 24V CHARCOAL To 8-1043	1	1		A
. NS	901294	. REMOTE CONTROL / MONITOR LCD To 8-1043	1	1		A
31	901284	MONITOR 17" LCD 24V CHARCOAL To 8-1043	1	1		
. NS	901294	. REMOTE CONTROL / MONITOR LCD To 8-1043	1	1		
31	901275	MONITOR 17" LCD 24V LIGHT GREY From 7-0671	1	1		
. NS	901294	. REMOTE CONTROL / MONITOR LCD From 7-0671	1	1		
NS	066988	CABLE ASSY / SCREEN To 8-1043	1	1		



From 3-4417 To 8-1043	Date:10/2022	PAGE:HF-2317-01
FRONT MONITOR FLAT SCREEN - VIDEO - "R.E.I."		

Item#	Part	Description	H 3 4 1	H 3 4 5	V I P 4 5	N O T E S
31	067157	CABLE ASSY / SCREEN From 7-0671	1	1		
32	272119	PLATE SUPPORT W/30 MM STUDS / W/17" MONITOR	2	2		
32	272382	PLATE SUPPORT W/40 MM STUDS / W/17" MONITOR	1	1		B
NS	272383	SPACER SHIM PLASTIC TAPER	2	2		B
33	500874	WASHER FL 8.4x17.0x1.6 Z050	4	4		
34	502847	NUT HEX NYRT M8-1.25 N500	4	4		
35	341159	BOX RECEPTACLE To 7-0945	1	1		
35	341165	BOX RECEPTACLE From 7-0916	1	1		
36	500576	SCREW TC PAN PH #6-32x1/2 Z050	4	4		
37	Call order desk	CEILING PANEL ASSY #1 / W/17" MONITOR 922MM x 640MM	1	1		P
NS	341153	CEILING PANEL W/17" MONITOR 922MM x 640MM	1	1		
		PARTS RELATED WITH ALLS CENTRAL MONITOR				
NS	409155	DECAL / "WATCH YOUR STEP" 35 x 235 To 7-0628	1	1		
NS	405905	DECAL / "WATCH YOUR STEP" 16 x 200 From 7-0629	1	1		
NS	409156	DECAL / "ATTENTION À LA MARCHE" / BILINGUAL 35 x 235 To 7-0628	1	1		
NS	405906	DECAL / "ATTENTION À LA MARCHE" / BILINGUAL 43 x241 From 7-0629	1	1		
NS	409157	DECAL / "WATCH YOUR STEP" / "CUINDADO CON EL 35 x 235 To 7-0628	1	1		
NS	405907	DECAL / "WATCH YOUR STEP" / "CUINDADO CON EL 43 x 241 From 7-0629	1	1		
50	HF-1837-00	CEILING PANELS & MOULDING				
		A) THIS FLAT SCREEN IT SUPPERSEDED BY 901284 AND YOU NEED 1 CONNECTOR 564004 WITH 5 TERMINALS 564005				
		B) FOR PRODUCT IMPROVEMENT INSTALL THIS SPACERS FOR BETTER OPERATION ON PRIVIOUS VEHICULE				
		S) SERVICE				
		P) CALL ORDER DESK FOR SPECIFIC APPLICATION (V.I.N.)				

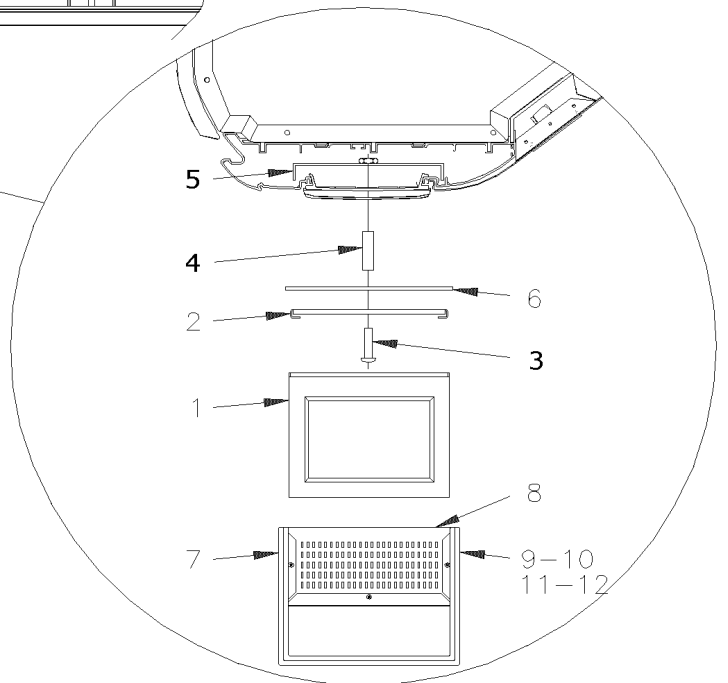
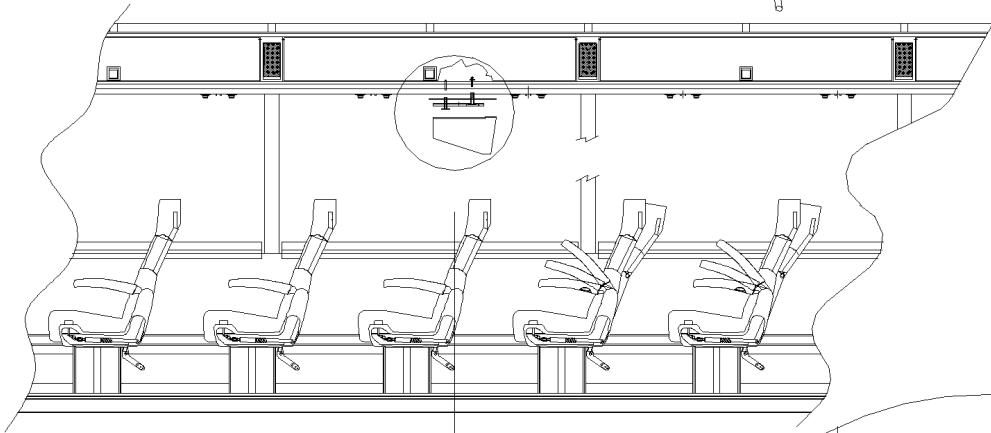
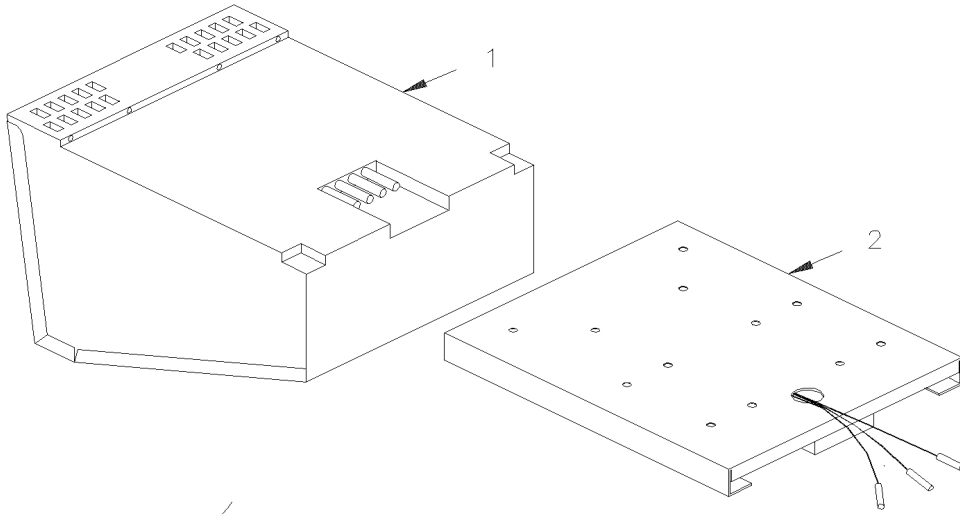


From 3-4417 To 8-1043

Date:10/2022

PAGE:HF-2317-10

SIDE MONITOR - VIDEO - "R.E.I."





From 3-4417 To 8-1043	Date:10/2022	PAGE:HF-2317-10
SIDE MONITOR - VIDEO - "R.E.I."		

Item#	Part	Description	H 3 4 1	H 3 4 5	V I P 4 5	N O T E S
1	900809	MONITOR 2000 24V To 3-4634	AR	AR		
1	901070	MONITOR 2000 24V From 3-4635	AR	AR		
1	400321	KIT PARCEL RACK MONITOR LCD	1	1		
2	404306	MONITOR SLIDE BRACKET To 4-4820	AR	AR		
. NS	900862	. KEY MONITOR LOCK To 4-4820	1	1		
2	405496	MONITOR SLIDE BRACKET From 4-4821	AR	AR		
. NS	900862	. KEY MONITOR LOCK From 4-4821	1	1		
NS	900862	KEY MONITOR LOCK	1	1		
3	5001485	SCREW CAP HEX M10-1.5x60 G8.8 Z050	2	2		
4	404610	SPACER 5/8" O.D. TUBE X 35MM	1	1		
5	404611	SUPPORT	1	1		
6	404388P	COVER ASSY	1	1		
7	404370P	BOX COVER ASSY / W/TISSUS / S.C.C.	1	1		
7	404369	. BOX	1	1		
8	404371	. GRILLE	1	1		
NS	500409	. SCREW TP PAN PH #8x1/2 BK	3	3		
9	500640	SCREW TP PAN PH #6x3/4 Z050	4	4		
10	504399	WASHER RETAINER SNAP CAP #10	4	4		
11	504400	SNAP CAP #10 FINISHING BLACK	4	4		
12	403497	SPACER	4	4		A
		A) SUPPORT & BOX				

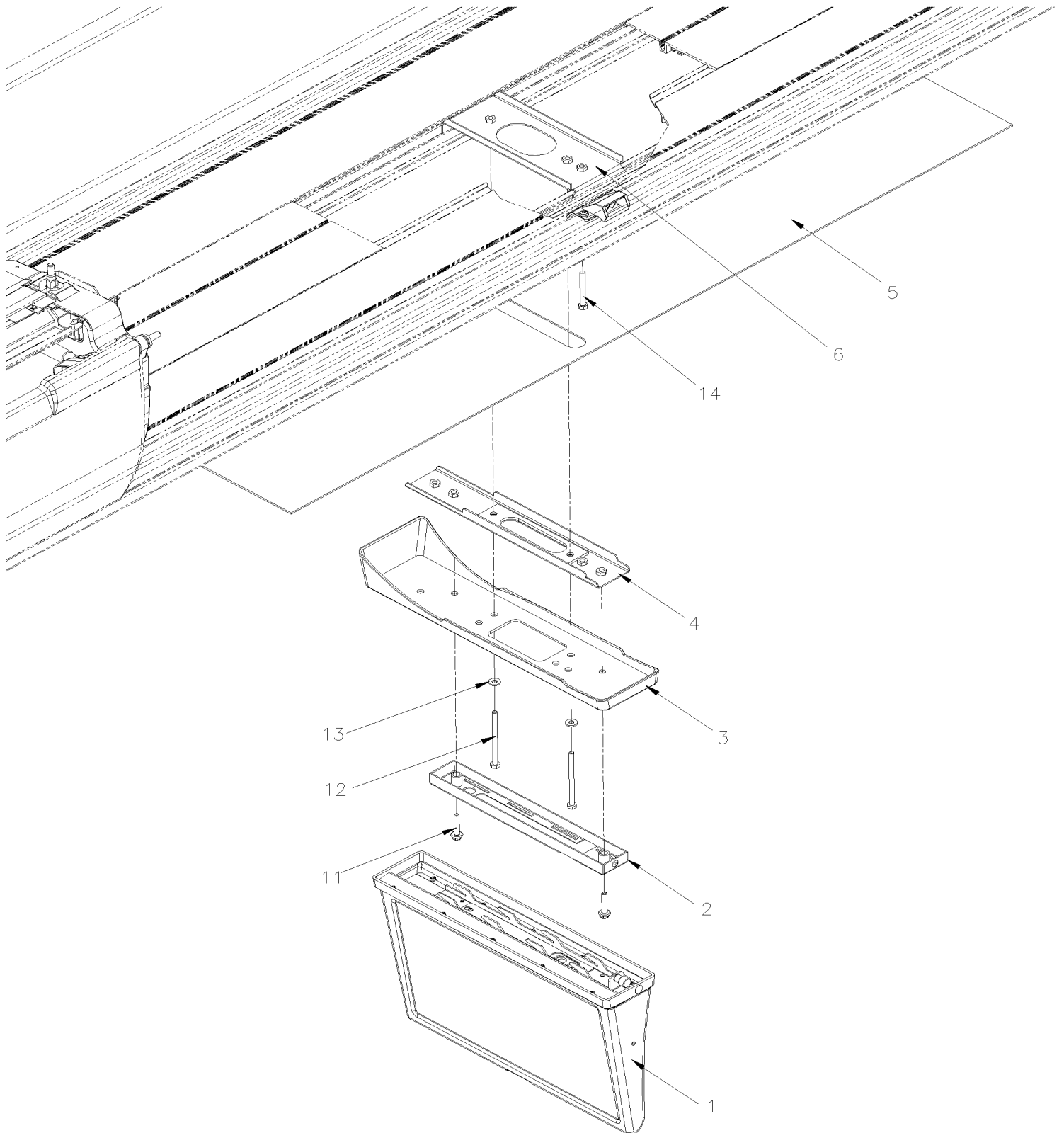


From 3-4417 To 8-1043

Date:10/2022

PAGE:400321

KIT PARCEL RACK MONITOR LCD





From 3-4417 To 8-1043	Date:10/2022	PAGE:400321
KIT PARCEL RACK MONITOR LCD		

Item#	Part	Description	H 3 4 1	H 3 4 5	V I P 4 5	N O T E S
1	900016	MONITOR 15.6" LCD 24V	1	1	1	
2	901358	SUPPORT MONITOR 15.4" 16/9 SCREEN	1	1	1	
3	900013	FINISHING CAP W/15.6" MONITOR	1	1	1	
4	406332	SUPPORT MONITOR	1	1	1	
5	310215	PANEL 1200MM / 500MM POSITION SCREEN	1	1	1	
6	402823	SUPPORT MONITOR	1	1	1	
11	5001815	SCREW CAP HEXF M6-1.0x30 G 8.8 N500	2	2	2	
11	680038	THREAD LOCKER LOCTITE #243 / BLUE / 50ml	AR	AR	AR	
12	5001826	SCREW CAP HEX M6-1.0x80 FT Z050	2	2	2	
13	500877	WASHER FL .250x.562x.065 N500	2	2	2	
14	502656	SCREW CAP HEX M6-1.0x50 SS	1	1	1	

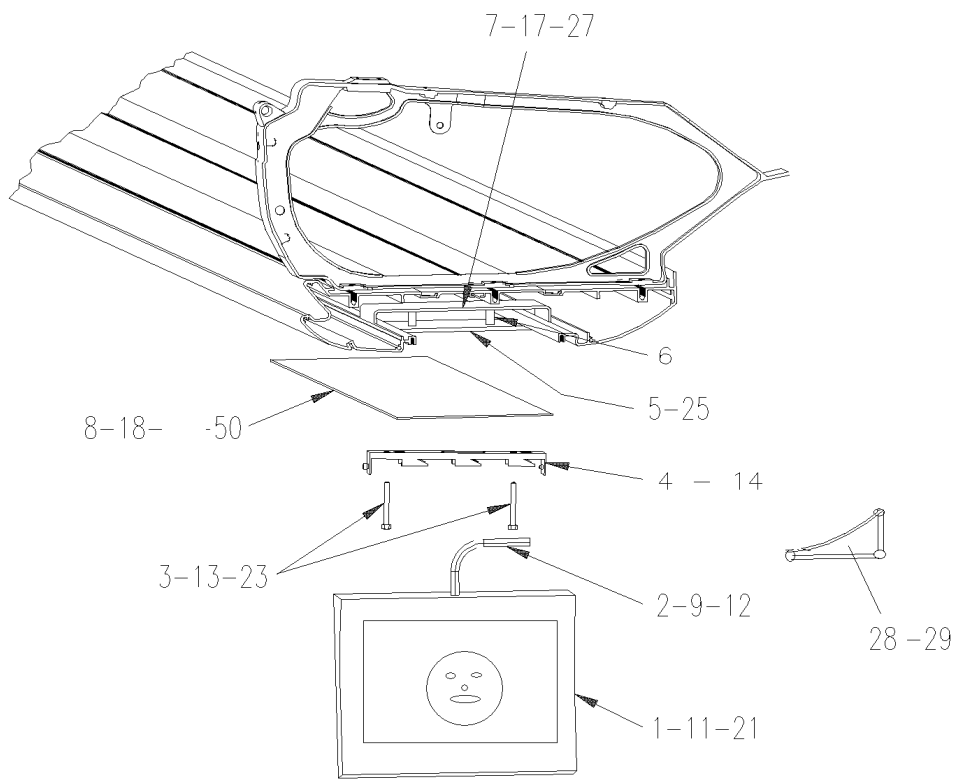


From 3-4417 To 8-1043

Date:10/2022

PAGE:HF-2317-11

SIDE MONITOR FLAT SCREEN - VIDEO - "R.E.I."





From 3-4417 To 8-1043	Date:10/2022	PAGE:HF-2317-11
SIDE MONITOR FLAT SCREEN - VIDEO -"R.E.I."		

Item#	Part	Description	H 3 4 1	H 3 4 5	V I P 4 5	N O T E S
1	901130	MONITOR 10" LCD 24V To 6-0420	AR	AR		
. NS	901138	. PLUG CAP / GREY OVER SCREW 12.51MM O.D. To 6-0420	1	1		
1	903214	MONITOR 10" LCD 24V From 6-0421	1	1		
. NS	901243	. PLUG CAP / GREY OVER SCREW 9.31MM O.D. From 6-0421	1	1		
1	406729	KIT, PARCEL RACK MONITOR REI 10.1" SAV	1	1		
2	561681	CONVOLUTED TUBING / SLIT / BLACK & GRAY / .350"	1	1		
3	502541	SCREW CAP HEX M6-1.0x65 G8.8 Z050	2	2		
4	901131	SUPPORT MONITOR / W/FLAT SCREEN 10" To 6-0420	AR	AR		
4	903213	SUPPORT CENTRAL MONITOR / W/FLAT SCREEN 10" From 6-0421	1	1		
5	407564	SHIM / BLACK PLASTIC / 50MM X 207MM	AR	AR		
6	407561	SPACER 5/8" OD TUBE X 24MM / W/FL 6MM	AR	AR		
7	407562	SUPPORT MONITOR R.H. To 6-0420	AR	AR		
7	409151	SUPPORT MONITOR R.H. From 6-0421	1	1		
7	407563	SUPPORT MONITOR L.H. To 6-0420	AR	AR		
7	409150	SUPPORT MONITOR L.H. From 6-0421	1	1		
8	310653P	PANEL 655MM / 382MM POSITION SCREEN / L.H. W/10" LCD SCREEN	1	1		
8	310654P	PANEL 655MM / 382MM POSITION SCREEN / R.H. W/ LCD SCREEN	1	1		
9	HF-2317-20	VIDEO VHS PLAYER - INSTALLATION "R.E.I."				
		FOLLOWING ITEMS ARE RELATED ONLY WITH				
		FLAT SCREEN FOLDING 12" MONITOR				
11	901086	MONITOR 12" LCD / FOLDING	AR	AR		
12	405461	CABLE ASSY / 24V POWER / W/12" MONITOR / 10' / 511824	AR	AR		
12	405462	CABLE ASSY / 24V POWER / W/12" MONITOR / 511693 / 15'	AR	AR		
12	405463	CABLE ASSY / 24V POWER / W/12" MONITOR / 35' / 511825	AR	AR		
13	500195	SCREW CAP HEX 3/8-16x2 1/2 G5 Z050	AR	AR		
NS	502510	WASHER FL .375x.875x.083	AR	AR		
13	500478	WASHER LO SPT .380x.683x.094 Z050	AR	AR		
14	901089	SUPPORT MONITOR / W/FLAT SCREEN 12" FOLDING	AR	AR		
17	901087	SUPPORT SIDE MONITOR TRANSITION L.H.	AR	AR		
17	901088	SUPPORT SIDE MONITOR TRANSITION R.H.	AR	AR		
18	312761P	PANEL 315MM	1	1		
18	312840P	PANEL 753MM	1	1		
18	Call order desk	PANEL 243MM	1	1		P
18	313328P	PANEL 388MM	1	1		
		FOLLOWING ITEMS ARE RELATED ONLY WITH				
		FLAT SCREEN 15.4" MONITOR 16/9				
21	901269	MONITOR 15.4" LCD 24V / 16/9 SCREEN	AR	AR		
23	509838	SCREW CAP HEX M6-1.0x55 G8.8 ZP	2	2		A



From 3-4417 To 8-1043	Date:10/2022	PAGE:HF-2317-11
SIDE MONITOR FLAT SCREEN - VIDEO -"R.E.I."		

Item#	Part	Description	H 3 4 1	H 3 4 5	V I P 4 5	N O T E S
24	901270	SUPPORT MONITOR 15.4" 16/9 SCREEN	AR	AR		
25	405802	SHIM / BLACK PLASTIC / 50MM X 207MM	1	1		A
27	409168	SUPPORT MONITOR R.H. 1ST	1	1		A
28	405942	FINISHING CAP ASSY W/TISSUS S.C.C. R.H. W/15.4" MONITOR	AR	AR		
. NS	405940	. FINISHING CAP	1	1		
28	405943	FINISHING CAP ASSY W/TISSUS S.C.C. # 1 FRONT R.H. W/15.4" MONITOR	1	1		
. NS	405941	. FINISHING CAP # 1	1	1		
28	405944	FINISHING CAP ASSY W/TISSUS S.C.C. L.H. W/15.4" MONITOR	AR	AR		
. NS	405853	. FINISHING CAP ADAPTOR SCREEN POSITION / W/16	1	1		
29	500463	WASHER FN CKF .187x.500x.090 BR Z050	AR	AR		
NS	500552	SCREW TP OV PH #6x3/4 Z050	AR	AR		
50	HF-1836-00	PARCEL RACK				
		A) USE ONLY WITH FIRST FRONT SIDE MONITOR R.H.				
		P) CALL ORDER DESK FOR SPECIFIC APPLICATION (V.I.N.)				

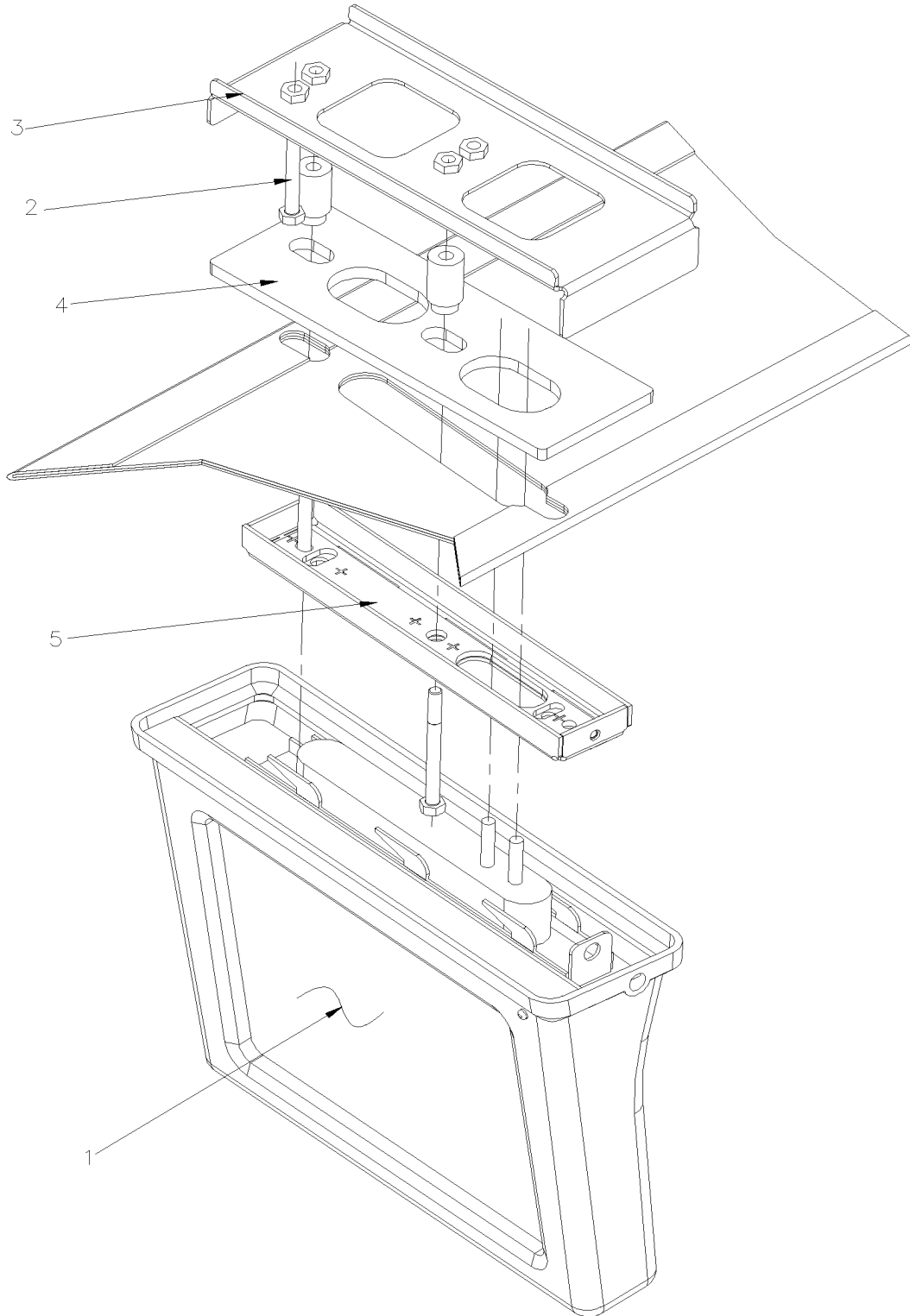


From 3-4417 To 8-1043

Date:10/2022

PAGE:406729

KIT, PARCEL RACK MONITOR REI 10.1" SAV





From 3-4417 To 8-1043	Date:10/2022	PAGE:406729
KIT, PARCEL RACK MONITOR REI 10.1" SAV		

Item#	Part	Description	H 3 4 1	H 3 4 5	V I P 4 5	N O T E S
1	901547	MONITOR, LCD REI 10.1"	1	1	1	
2	502656	SCREW CAP HEX M6-1.0x50 SS	2	2	2	
3	406722	SUPPORT, PARCEL RACK MONITOR 10.1"	1	1	1	
4	406723	SPACER, PARCEL RACK MONITOR 10.1"	1	1	1	
5	406724	SUPPORT, MONITOR 10.1" ASSY	1	1	1	

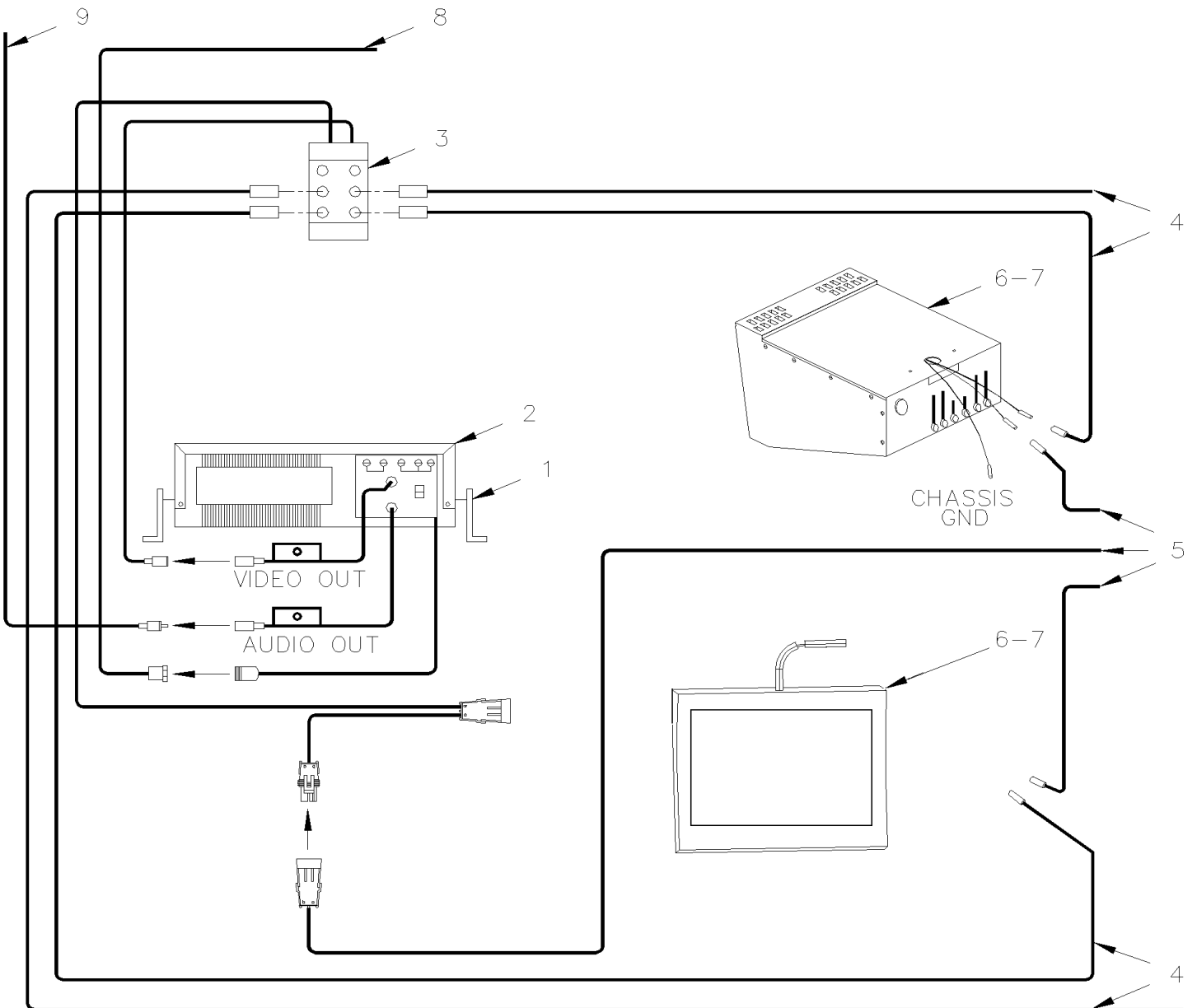
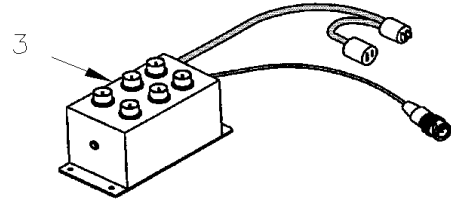
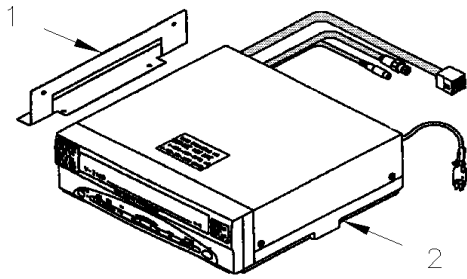


From 3-4417 To 8-1043

Date:10/2022

PAGE:HF-2317-20

VIDEO VHS PLAYER - INSTALLATION "R.E.I."



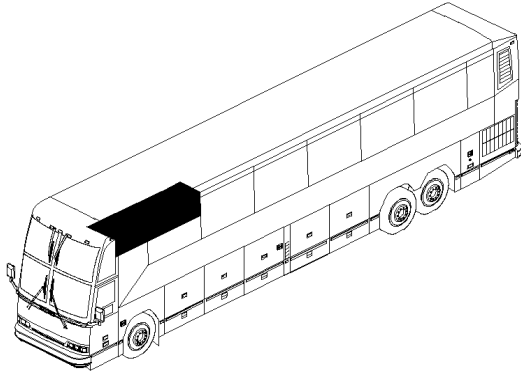


From 3-4417 To 8-1043

Date:10/2022

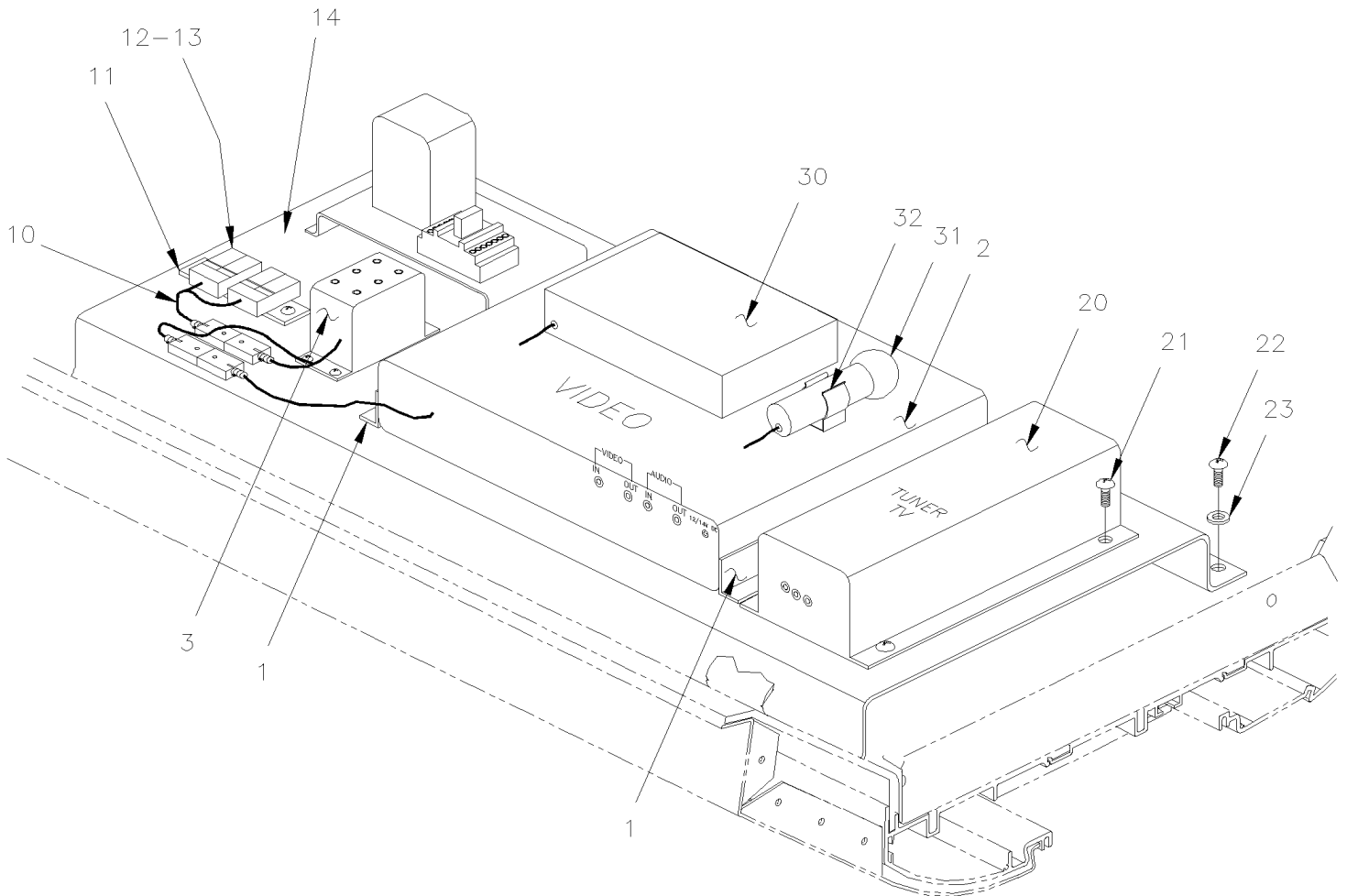
PAGE:HF-2317-20

VIDEO VHS PLAYER - INSTALLATION "R.E.I."



FOR INSTALLATION FROM 4-4821

SEE PAGE HF-2317-30 & HF-2317-31



PARCEL RACK



From 3-4417 To 8-1043 Date:10/2022 PAGE:HF-2317-20

VIDEO VHS PLAYER - INSTALLATION "R.E.I."

Item#	Part	Description	H 3 4 1	H 3 4 5	V I P 4 5	N O T E S
1	901028	VCP R.H. ADAPTOR BRACKET To 4-4820	1	1		
1	405500	VCP R.H. ADAPTOR BRACKET From 4-4821 To 7-0985	1	1		
1	901029	VCP L.H. ADAPTOR BRACKET To 4-4820	1	1		
1	405501	VCP L.H. ADAPTOR BRACKET From 4-4821 To 7-0985	1	1		
2	901030	VIDEO V-3000 VCP, SYS 2000 24V To 7-0985	1	1		
. NS	901065	. REMOTE CONTROL / VDO REI V-3000 To 7-0985	1	1		
2	7770197	KIT, VHS TO DVD CONVERSION To 7-0985	1	1		
. NS	901339	. DVD PLAYER 12V To 7-0985	1	1		
. . NS	901377	. . REMOTE CONTROL / DVD R.E.I. To 7-0985	1	1		
. NS	407639	. SUPPORT, DVD To 7-0985	1	1		
. NS	901347	. CABLE ASSY / W/2 BNC FEMALE/ FEMALE 1" To 7-0985	1	1		
. NS	901564	. ADAPTOR, RCA MALE TO BNC FEMALE To 7-0985	1	1		
. NS	563071	. CONNECTOR / MINI FIT JR / SH 4C / MOLEX 39-01-3042 To 7-0985	1	1		
. NS	562593	. WIRE CABLE 18 / YELLOW / TXL To 7-0985	AR	AR		
. NS	562587	. WIRE CABLE 18 / BLACK / TXL To 7-0985	AR	AR		
. NS	562463	. SOCKET TERMINAL / 24-18 / MOLEX 39-00-0039 To 7-0985	2	2		
. NS	563622	. BUTT SPLICE / 22-18 / RED / W/THERMORETRAC / PANDUIT BSH18-Q To 7-0985	2	2		
. NS	5001017	. SCREW TC CAP HEXW #10-24x1/2 Z050 To 7-0985	4	4		
. NS	502853	. WASHER LO SPT 6.1x11.8x1.6 N500 To 7-0985	1	1		
. NS	IS-16901A	. SEE INSTRUCTION SHEET To 7-0985	1	1		
NS	900884	SWITCH VIDEO / USE WITH 2 VIDEO To 7-0985	1	1		
NS	404380	CABLE ASSY RCA / M/M / USE WITH 2 VIDEOS / 510300 To 7-0985	1	1		
3	901055	VIDEO DISTRIBUTION AMPLI W/BNC To 4-4974	1	1		
3	901117	VIDEO DISTRIBUTION AMPLI W/BNC From 4-4975	1	1		
. NS	901119	. CABLE POWER DVA/VIDEO From 4-4975	1	1		
3	901403	VIDEO DISTRIBUTION AMPLI W/BNC	1	1		S
3	900817	DUAL VCP MODULE / USE W/KARAOKE	1	1		
NS	901119	CABLE POWER DVA/VIDEO From 4-4975	1	1		
4	901146	CABLE ASSY COAX / RG-59 / 7'	1	1		
4	404232	CABLE ASSY COAX / RG-59 / 10' / 510443	AR	AR		
4	404233	CABLE ASSY COAX / RG-59 / 15' / 511062	AR	AR		
4	404234	CABLE ASSY COAX / RG-59 / 20' / 510407	AR	AR		
4	404235	CABLE ASSY COAX / RG-59 / 24' / 510414	AR	AR		
4	404236	CABLE ASSY COAX / RG-59 / 33' / 510928	AR	AR		
4	404237	CABLE ASSY COAX / RG-59 / 44' / 510929	AR	AR		
5	405732	CABLE ASSY / 24V POWER / 6'	AR	AR		
5	404244	CABLE ASSY / 24V POWER / 10' To 4-4820	AR	AR		RC
5	405487	CABLE ASSY / 24V POWER / 10' From 4-4821	AR	AR		R
5	404245	CABLE ASSY / 24V POWER / 15' To 4-4820	AR	AR		RC
5	405488	CABLE ASSY / 24V POWER / 15' From 4-4821	AR	AR		R
5	404246	CABLE ASSY / 24V POWER / 20' To 4-4820	AR	AR		RC
5	405489	CABLE ASSY / 24V POWER / 20' From 4-4821	AR	AR		R



From 3-4417 To 8-1043	Date:10/2022	PAGE:HF-2317-20
VIDEO VHS PLAYER - INSTALLATION "R.E.I."		

Item#	Part	Description	H 3 4 1	H 3 4 5	V I P 4 5	N O T E S
5	404247	CABLE ASSY / 24V POWER / 25' To 4-4820	AR	AR		RC
5	405490	CABLE ASSY / 24V POWER / 25' From 4-4821	AR	AR		R
5	404248	CABLE ASSY / 24V POWER / 30' To 4-4820	AR	AR		RC
5	405491	CABLE ASSY / 24V POWER / 30' From 4-4821	AR	AR		R
5	404249	CABLE ASSY / 24V POWER / 35' To 4-4820	AR	AR		RC
5	405492	CABLE ASSY / 24V POWER / 35' From 4-4821	AR	AR		R
5	404250	CABLE ASSY / 24V POWER / 40' To 4-4820	AR	AR		RC
5	405493	CABLE ASSY / 24V POWER / 40' From 4-4821	AR	AR		R
5	405379	CABLE ASSY / 24V POWER / 60' To 4-4820	1	1		RC
5	405494	CABLE ASSY / 24V POWER / 60' From 4-4821	1	1		R
6	HF-2317-00	FRONT MONITOR - VIDEO - "R.E.I."				
7	HF-2317-10	SIDE MONITOR - VIDEO - "R.E.I."				
7	HF-2317-11	SIDE MONITOR FLAT SCREEN - VIDEO -"R.E.I."				
8	404283	CABLE ASSY / FILTER VCP & CONTROL HEAD / 20'	1	1		
9	900783	CABLE RCA / 2M/2M / 10'	1	1		
10	404255	CABLE ASSY / 24V POWER / 13"	1	1		
11	380904	RAIL SUPPORT / 80MM	1	1		
12	561726	BLOCK JUNCTION	4	4		
NS	381813	BUS BAR / W/2 HOLES 25MM	1	1		
13	561728	END CLOSING	1	1		
14	404588	MOUNTING PLATE To 4-4820	1	1		
14	405482	MOUNTING PLATE From 4-4821 To 5-0147	1	1		
14	409125	MOUNTING PLATE From 5-0148	1	1		
NS	404589	PROTECTOR VIDEO BOX	1	1		
20	900814	TUNER TV 24V	1	1		
21	500654	SCREW TC BDG PH #8-32x1/2 Z050	4	4		
22	500841	SCREW TP PAN PH #14x3/4 Z050	6	6		
23	500441	WASHER FL .312x.734x.065 Z050	6	6		
30	900952	RECEIVER WIRELESS MICROPHONE / 16-CHANNEL To 5-0026	1	1		
. NS	901300	. ANTENNA RIGID / REAR OF RECEIVER To 5-0026	1	1		
30	901201	RECEIVER WIRELESS MICROPHONE / 16 CHANNEL From 5-0027	1	1		
31	900954	MICROPHONE, WIRELESS / 16 CHANNEL	1	1		
. NS	685199	. BATTERY 1.5V / TYPE "AA" / RECHARGEABLE	AR	AR		
32	900953	STATION WIRELESS BATTERY CHARGING 16 CHANNEL	1	1		
		R) CABLE W/R.E.I. MONITOR USE W/CON 1 # 563071 & 3 TERM # 562483				
		RC) CABLE W/R.E.I. MONITOR USE W/CON 1 # 562554				
		S) FOR SERVICE				

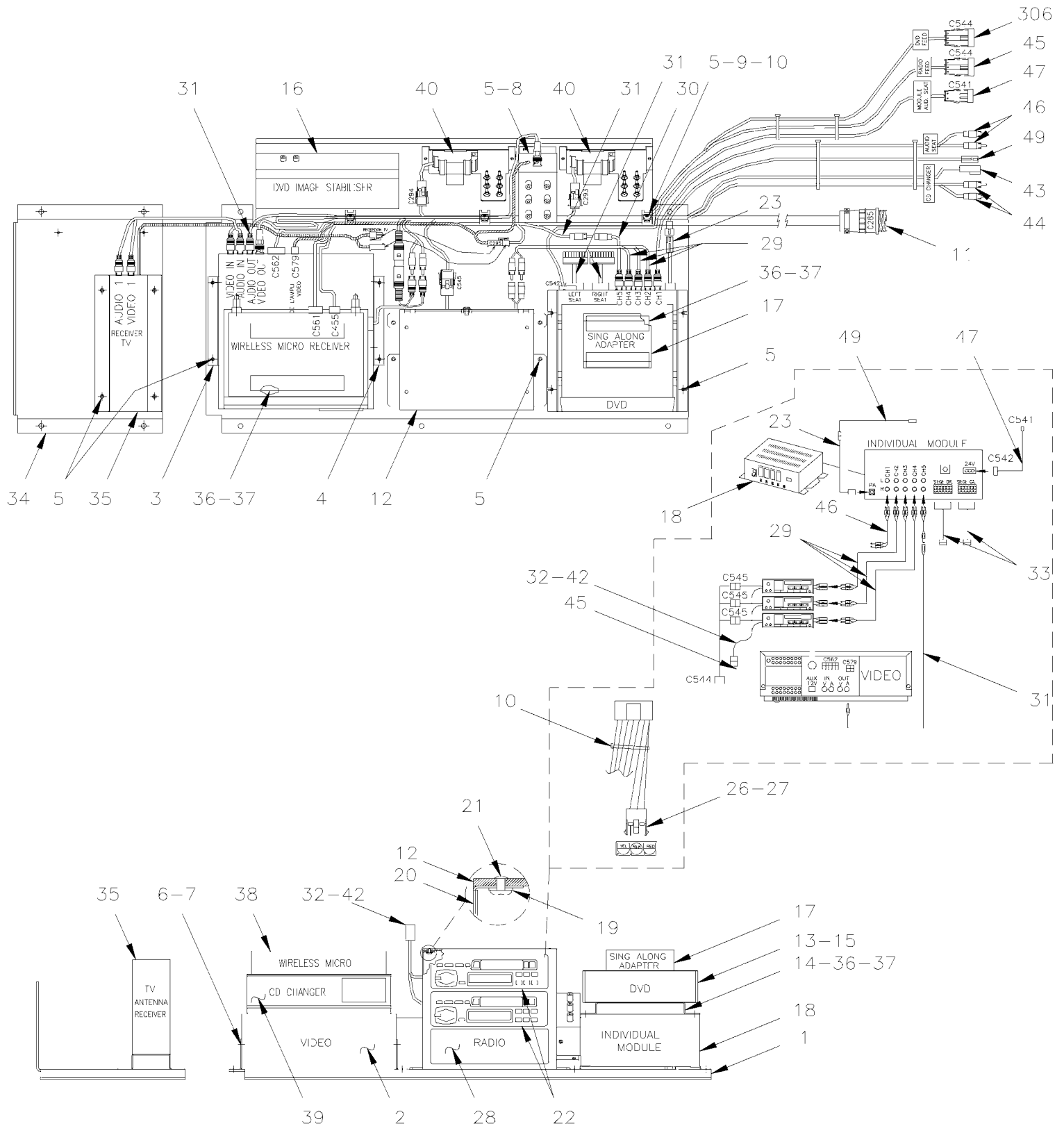


From 4-4821 To 5-0147

Date:10/2022

PAGE:HF-2317-30

VIDEO & AUDIO SYSTEM - INSTALLATION





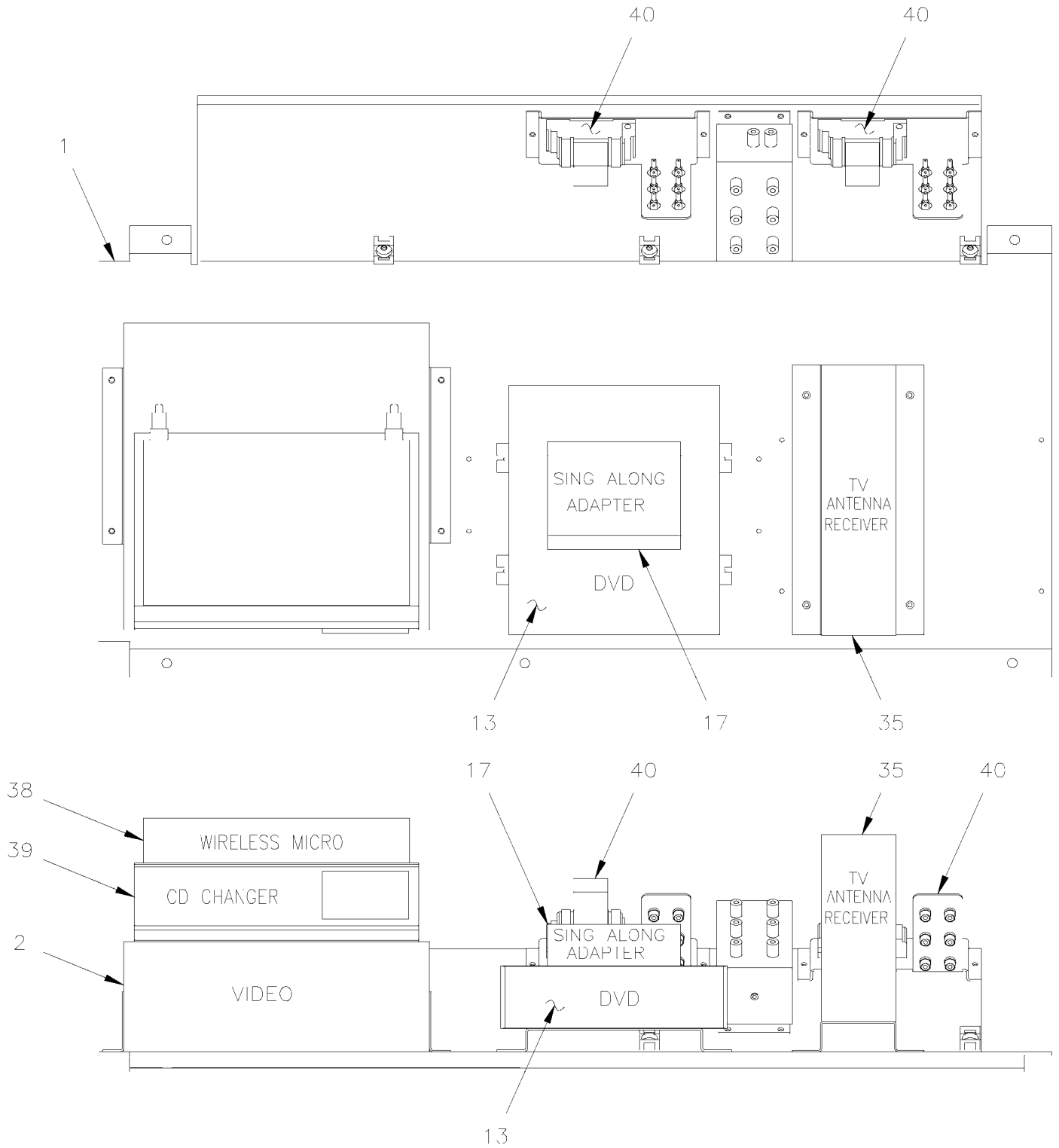
From 4-4821 To 5-0147

Date:10/2022

PAGE:HF-2317-30

VIDEO & AUDIO SYSTEM - INSTALLATION

COMPONENTS POSITION
W/O INDIVIDUAL LISTENING





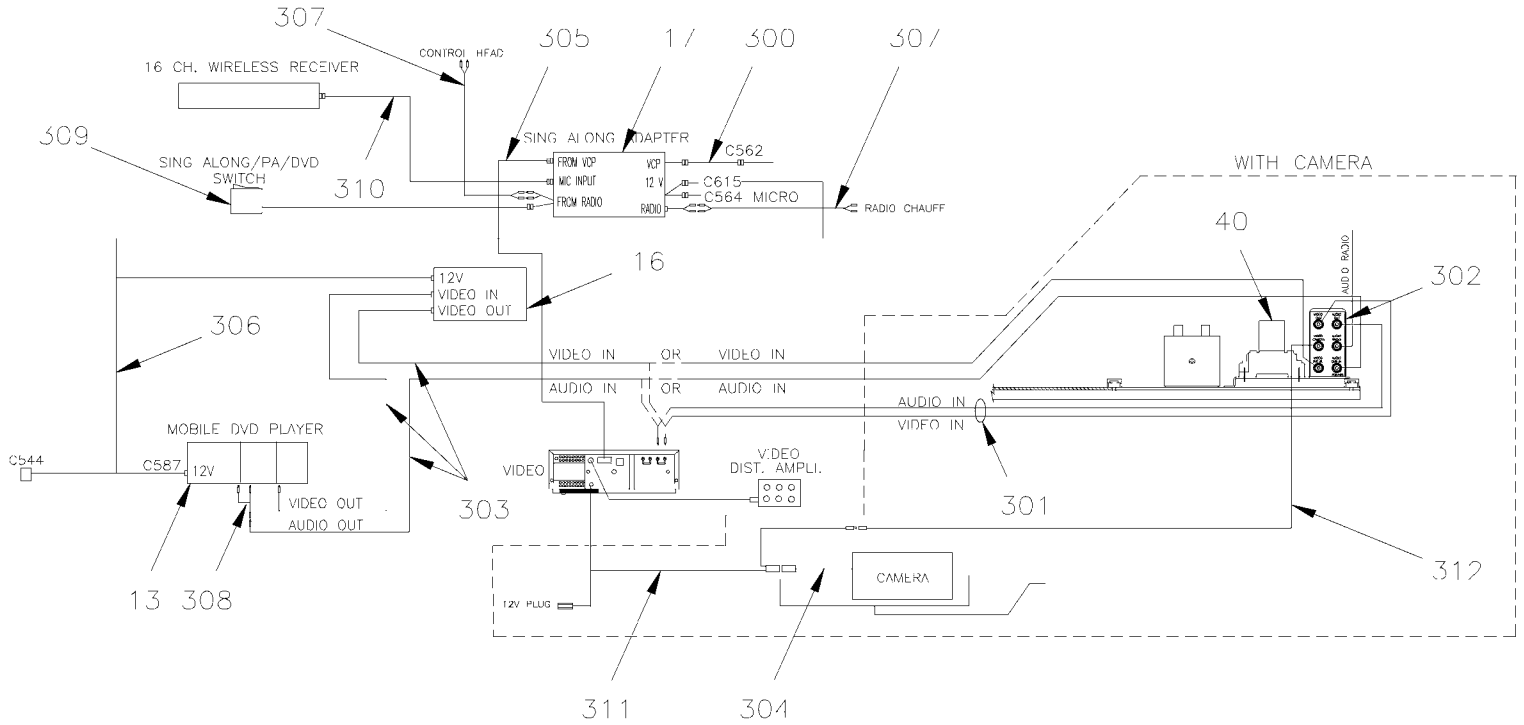
From 4-4821 To 5-0147

Date:10/2022

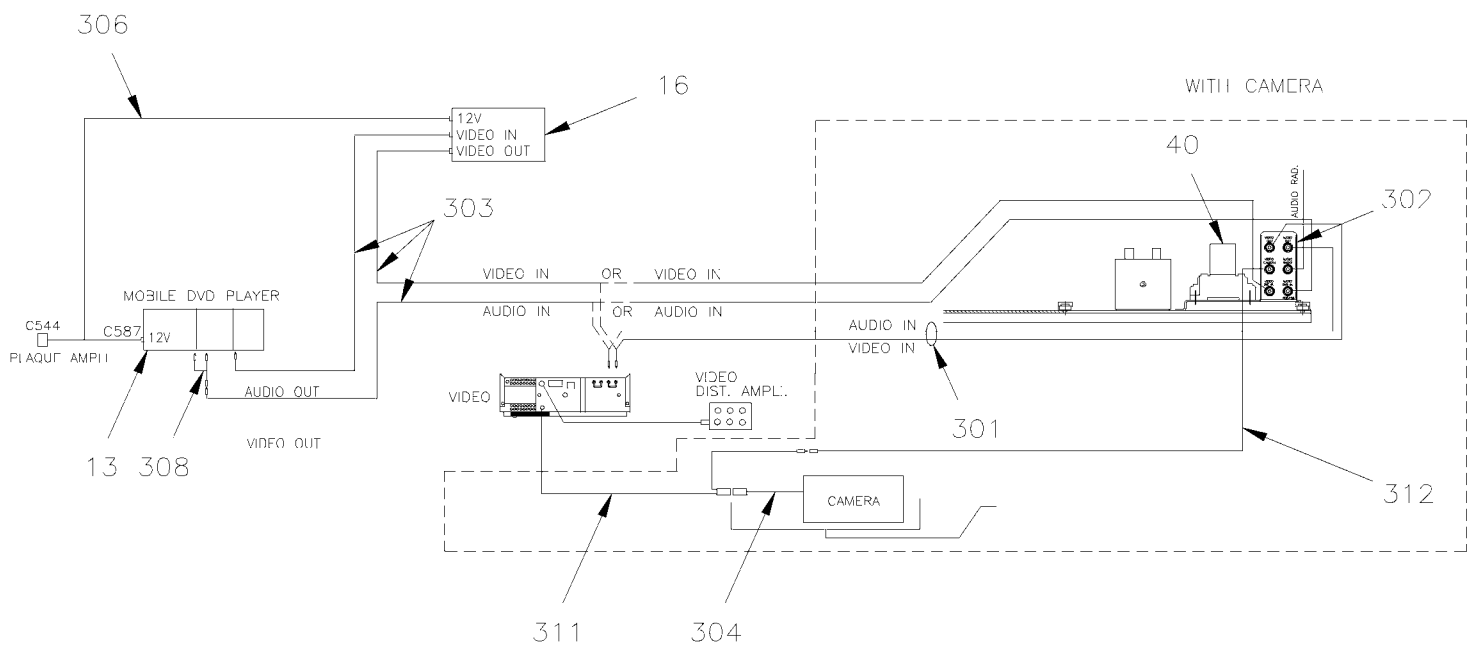
PAGE:HF-2317-30

VIDEO & AUDIO SYSTEM - INSTALLATION

VCP, DVD SING ALONG WITH OR WITHOUT CAMERA



VCP, DVD WITH OR WITHOUT CAMERA





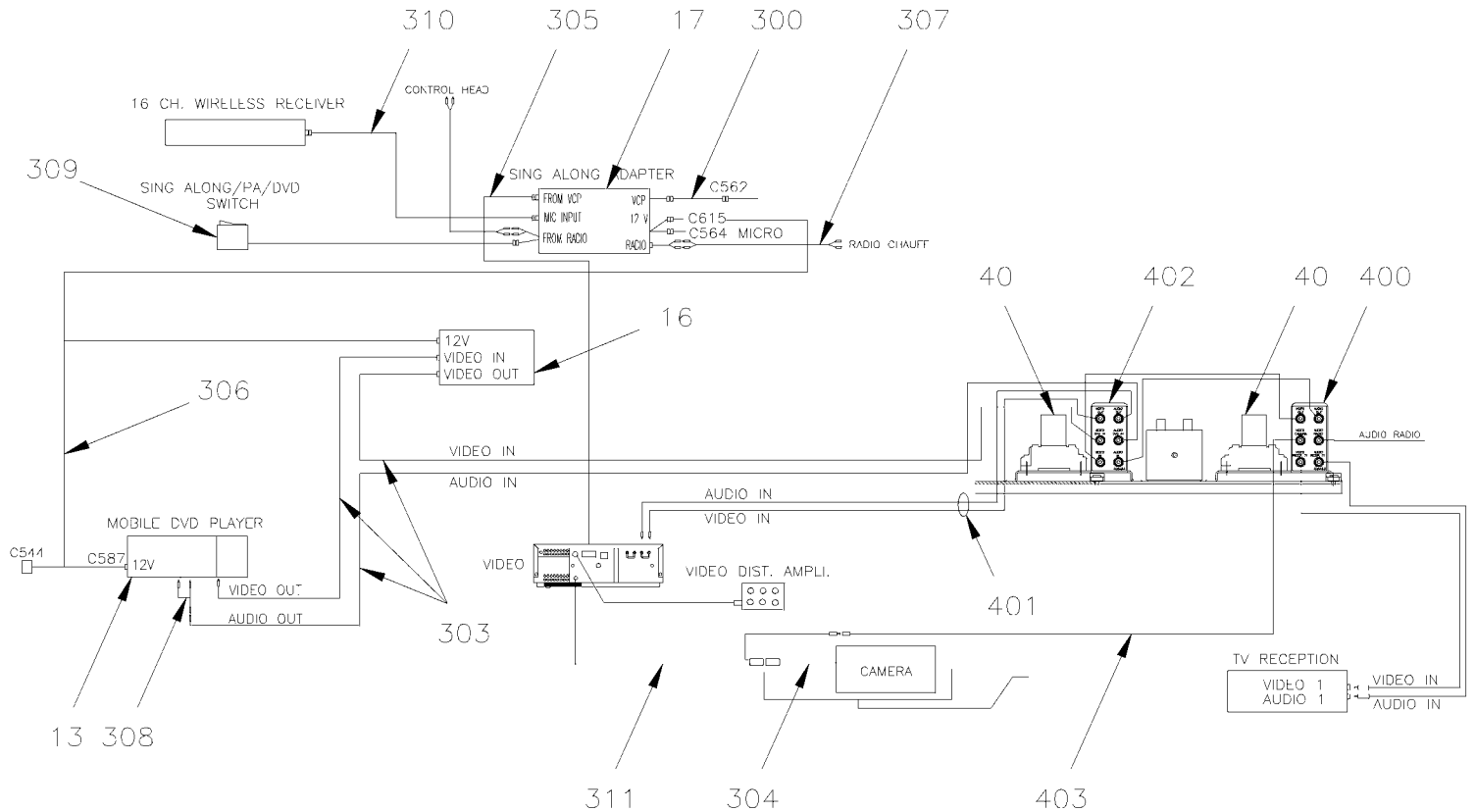
From 4-4821 To 5-0147

Date:10/2022

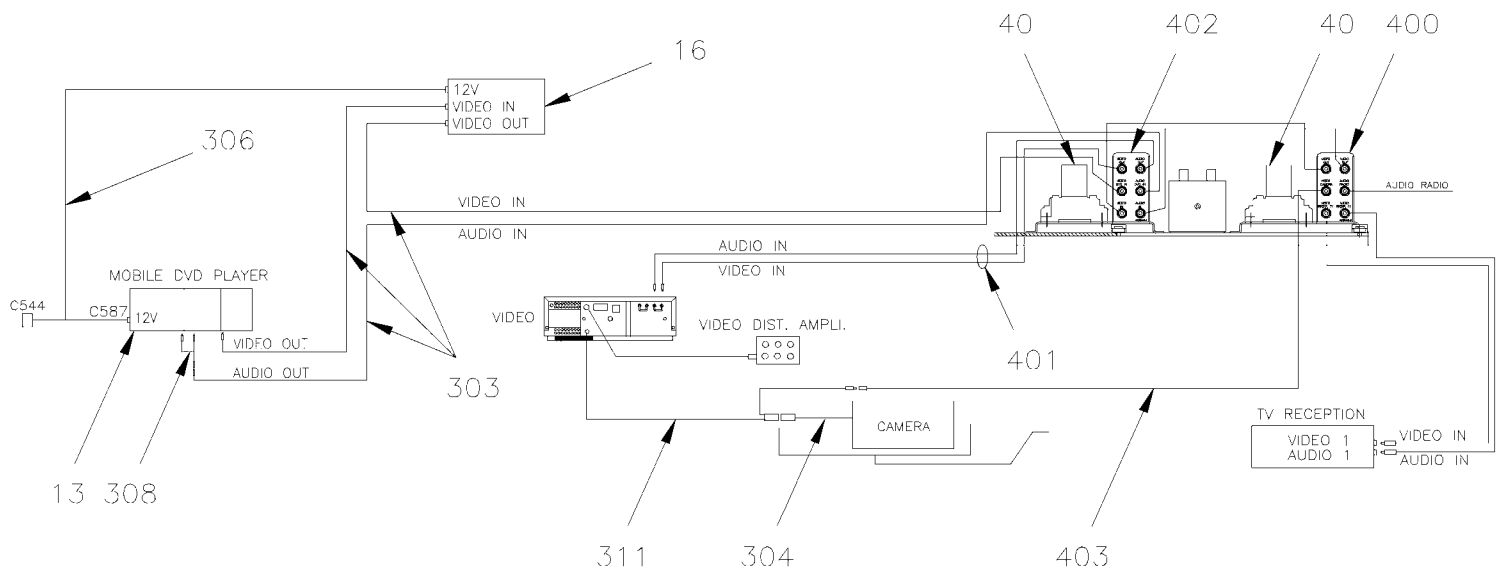
PAGE:HF-2317-30

VIDEO & AUDIO SYSTEM - INSTALLATION

VCP, DVD SING ALONG, CAMERA AND TV RECEPTION



VCP, DVD, CAMERA AND TV RECEPTION





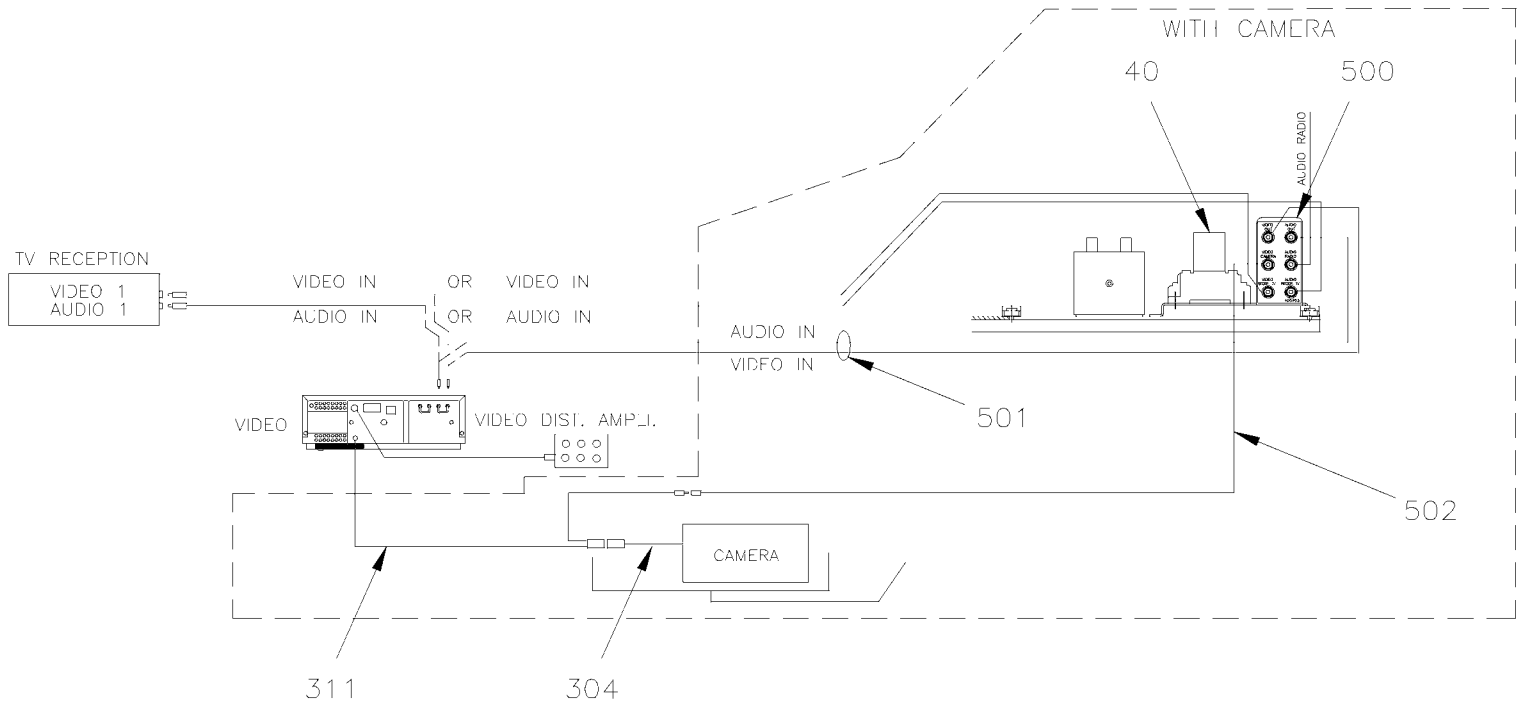
From 4-4821 To 5-0147

Date:10/2022

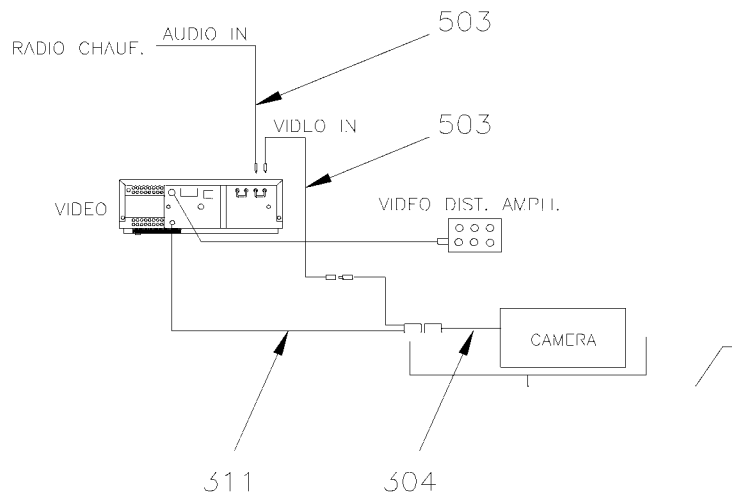
PAGE:HF-2317-30

VIDEO & AUDIO SYSTEM - INSTALLATION

VCP, TV RECEPTION WITH OR WITHOUT CAMERA



VCP WITH CAMERA





From 4-4821 To 5-0147	Date:10/2022	PAGE:HF-2317-30
VIDEO & AUDIO SYSTEM - INSTALLATION		

Item#	Part	Description	H 3 4 1	H 3 4 5	V I P 4 5	N O T E S
1	405482	MOUNTING PLATE	1	1		
2	901030	VIDEO V-3000 VCP, SYS 2000 24V To 7-0979	1	1		
. NS	901065	. REMOTE CONTROL / VDO REI V-3000 To 7-0979	1	1		
2	7770197	KIT, VHS TO DVD CONVERSION To 7-0979	1	1		
. NS	901339	. DVD PLAYER 12V To 7-0979	1	1		
. . NS	901377	. . REMOTE CONTROL / DVD R.E.I. To 7-0979	1	1		
. NS	407639	. SUPPORT, DVD To 7-0979	1	1		
. NS	901347	. CABLE ASSY / W/2 BNC FEMALE/ FEMALE 1" To 7-0979	1	1		
. NS	901564	. ADAPTOR, RCA MALE TO BNC FEMALE To 7-0979	1	1		
. NS	563071	. CONNECTOR / MINI FIT JR / SH 4C / MOLEX 39-01-3042 To 7-0979	1	1		
. NS	562593	. WIRE CABLE 18 / YELLOW / TXL To 7-0979	AR	AR		
. NS	562587	. WIRE CABLE 18 / BLACK / TXL To 7-0979	AR	AR		
. NS	562463	. SOCKET TERMINAL / 24-18 / MOLEX 39-00-0039 To 7-0979	2	2		
. NS	563622	. BUTT SPLICE / 22-18 / RED / W/THERMORETRAC / PANDUIT BSH18-Q To 7-0979	2	2		
. NS	5001017	. SCREW TC CAP HEXW #10-24x1/2 Z050 To 7-0979	4	4		
. NS	502853	. WASHER LO SPT 6.1x11.8x1.6 N500 To 7-0979	1	1		
. NS	IS-16901A	. SEE INSTRUCTION SHEET To 7-0979	1	1		
3	405501	VCP L.H. ADAPTOR BRACKET To 7-0979	1	1		
4	405500	VCP R.H. ADAPTOR BRACKET To 7-0979	1	1		
5	500654	SCREW TC BDG PH #8-32x1/2 Z050	AR	AR		
6	5001036	SCREW MA PAN PH M4-0.7x10 Z050	4	4		
7	502636	WASHER LO SPT 4.1x7.6x0.9 Z050	4	4		
8	901055	VIDEO DISTRIBUTION AMPLI W/BNC To 4-4974	1	1		
8	901117	VIDEO DISTRIBUTION AMPLI W/BNC From 4-4975	1	1		
. NS	901119	. CABLE POWER DVA/VIDEO From 4-4975	1	1		
8	901403	VIDEO DISTRIBUTION AMPLI W/BNC	1	1		S
9	504013	TIE MOUNT / 1/4" X 1/4" I.D.	3	3		
10	504637	CABLE TIE / 3/16" x 13"	AR	AR		
11	405486	HARNESS, VIDEO PANEL	1	1		
12	404488	SUPPORT, RADIO	1	1		
13	901069	DVD REI / MP3 To 4-4827	1	1		
13	901096	DVD REI / MP3 From 4-4828 To 4-4974	1	1		
. NS	901098	. REMOTE CONTROL "MP3" DVD From 4-4828 To 4-4974	1	1		
13	901116	DVD REI / MP3 From 4-4975	1	1		
. NS	901264	. REMOTE CONTROL / DVD REI From 4-4975	1	1		
14	405499	SUPPORT DVD	2	2		
15	901074	KIT, TRIM PANEL DVD	1	1		
16	901034	STABILIZER VIDEO MODIFIED	1	1		A
17	901035	ADAPTOR KARAOKE	1	1		
18	900845	ENTERTAINER CONTROL MODULE	1	1		
19	500437	WASHER FL .125x.375x.040 Z050	8	8		
20	404542	SIDE PANEL FINISHING	2	2		



From 4-4821 To 5-0147	Date:10/2022	PAGE:HF-2317-30
VIDEO & AUDIO SYSTEM - INSTALLATION		

Item#	Part	Description	H 3 4 1	H 3 4 5	V I P 4 5	N O T E S
21	504475	RIVET POP CK OE 1/8x3/16 AL	8	8		
22	901078	RADIO "PIONEER" KEH-P1010 AM/FM/CASS.	1	1		
22	901046	RADIO "SONY" CDXL550X AM/FM/CD	1	1		
23	404498	CABLE ADAPTOR INTER. MODULE / 511211	1	1		
24	5001036	SCREW MA PAN PH M4-0.7x10 Z050	1	1		
25	500022	WASHER LO INT .168x.340x.023 Z050	1	1		
26	561667	CONNECTOR / UNIVERSAL MATE-N-LOK / PH 3C / AMP 1-480701-0	1	1		
27	562122	PIN TERMINAL / 20-14 / AMP 350547-1	2	2		
28	900849	PLATE RADIO "DUMMY"	AR	AR		
29	900856	CABLE RCA / 2M/2M / 3'	1	1		
30	900758	ADAPTOR "Y" RCA / 1F/2M / 9"	1	1		
31	404380	CABLE ASSY RCA / M/M / USE WITH 2 VIDEOS / 510300	1	1		
32	900775	Y RADIO ANTENNA CABLE / TO USE W/2 RADIOS	1	1		
33	901022	CABLE SEAT AUDIO	2	2		
34	405483	PANEL TV RECEIVER	1	1		
35	901054	TUNER TV 24V	1	1		
36	506755	VELCRO / HOOK ADHESIF 1" x 75'	AR	AR		
37	506756	VELCRO / LOOP ADHESIF 1" x 75'	AR	AR		
38	900952	RECEIVER WIRELESS MICROPHONE / 16-CHANNEL To 5-0026	1	1		
NS	901300	. ANTENNA RIGID / REAR OF RECEIVER To 5-0026	1	1		
38	901201	RECEIVER WIRELESS MICROPHONE / 16 CHANNEL From 5-0027	1	1		
39	901057	CD CHARGER / 8 DISCS / "PANASONIC" CX-DP88 / MODIFIED	1	1		
40	HF-2355-10	FRONT CAMERA - INSTALLATION				
42	900663	ADAPTOR / RADIO & ANTENNA CABLE / MOTOROLA MALE to EURO FEMA	1	1		
43	901058	CABLE ASSY CD / DIN / 280"	1	1		
44	901059	CABLE RCA / 2M/2M / 23'	1	1		
45	404504	CABLE ASSY / RADIO POWER	1	1		
46	900855	CABLE RCA / 2M/2M / 20'	1	1		
47	064486	CABLE ASSY 24V POWER / ENT MODULE / 33.5'	1	1		
49	404302	CABLE ASSY 20' / 510520 /	1	1		
300	405326	WIRING HARNESS	1	1		
301	900856	CABLE RCA / 2M/2M / 3'	1	1		
302	405455	DECAL, VCR CAMERA & DVD RELAY / ENGLISH	1	1		
303	404380	CABLE ASSY RCA / M/M / USE WITH 2 VIDEOS / 510300	2	2		
304	900912	CABLE ASSY / FRONT CAMERA	1	1		
305	405190	HARNESS INTERFACE VIDEO/SING ALONE ADAP	1	1		
306	405657	CABLE ASSY DVD	1	1		
307	900855	CABLE RCA / 2M/2M / 20'	2	2		
308	900758	ADAPTOR "Y" RCA / 1F/2M / 9"	1	1		
309	901036	SWITCH KARAOKE	1	1		
310	405191	HARNESS WIRE LESS MIC/SING ALONE ADAPTOR	1	1		
311	900913	CABLE ASSY / VIDEO & FRONT CAMERA	1	1		



From 4-4821 To 5-0147	Date:10/2022	PAGE:HF-2317-30
VIDEO & AUDIO SYSTEM - INSTALLATION		

Item#	Part	Description	H 3 4 1	H 3 4 5	V I P 4 5	N O T E S
312	900918	CABLE RCA / 1M/1F/ 3'	1	1		
400	405453	DECAL, VCR, CAMERA & TV RELAY	1	1		
401	900856	CABLE RCA / 2M/2M / 3'	1	1		
402	405454	DECAL, VCR & DVD RELAY	1	1		
403	900918	CABLE RCA / 1M/1F/ 3'	1	1		
500	405453	DECAL, VCR, CAMERA & TV RELAY	1	1		
501	900856	CABLE RCA / 2M/2M / 3'	1	1		
502	900918	CABLE RCA / 1M/1F/ 3'	1	1		
503	900866	CABLE RCA / 1M/1M / 25'	1	1		
NS	405660	KIT, DVD REPLACEMENT	1	1		
. NS	IS-04036	. SEE INSTRUCTION SHEET	1	1		
NS	405659	KIT, VIDEO STABILIZATOR REPLACEMENT	1	1		
. NS	IS-03099	. SEE INSTRUCTION SHEET	1	1		
		A) THIS PART IS SUPERSEDED BY KIT #405659				
		S) FOR SERVICE				

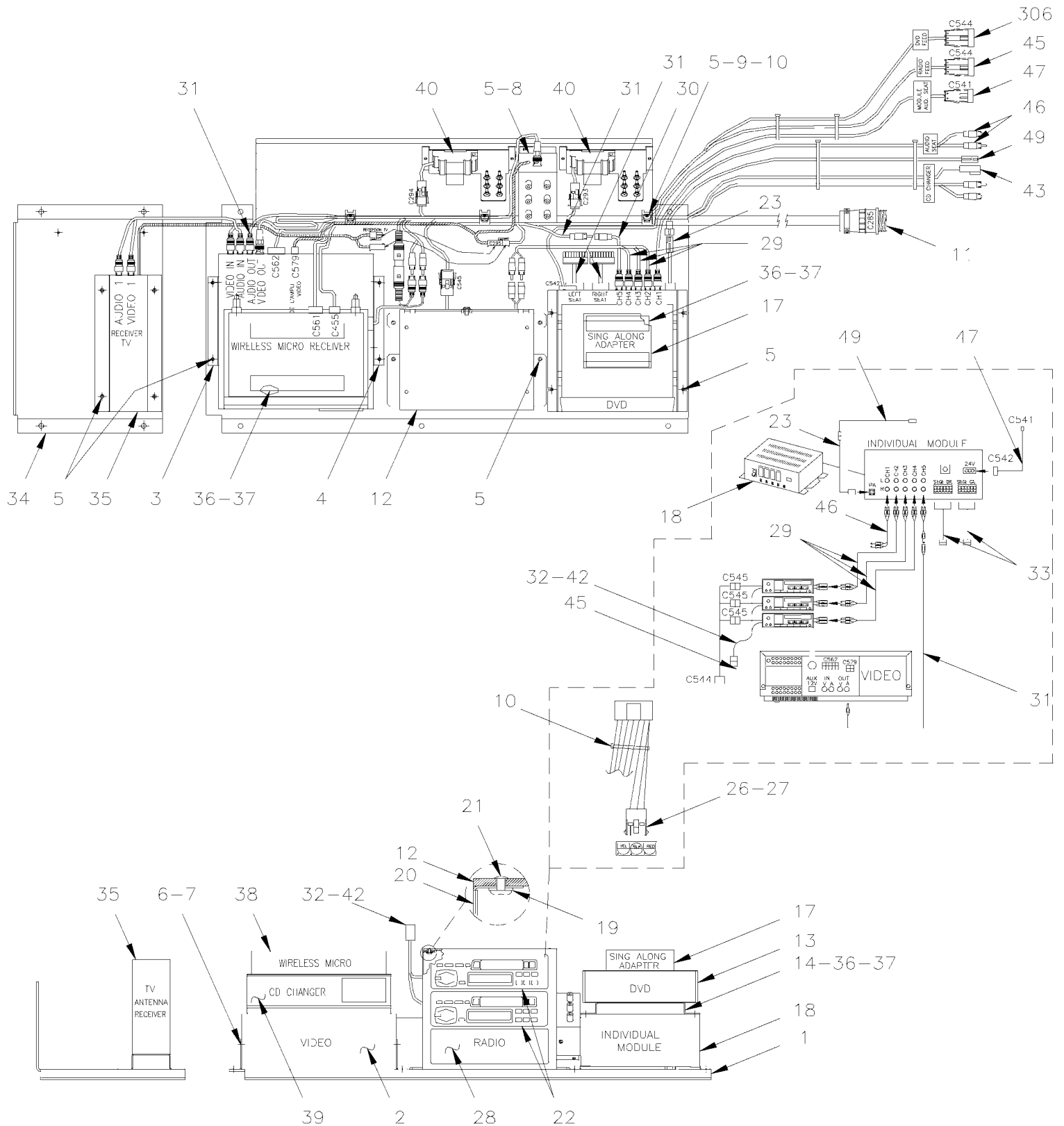


From 5-0148 To 6-0559

Date:10/2022

PAGE:HF-2317-31

VIDEO & AUDIO SYSTEM - INSTALLATION



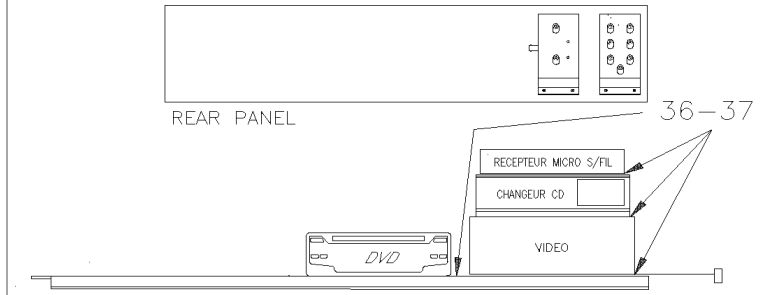
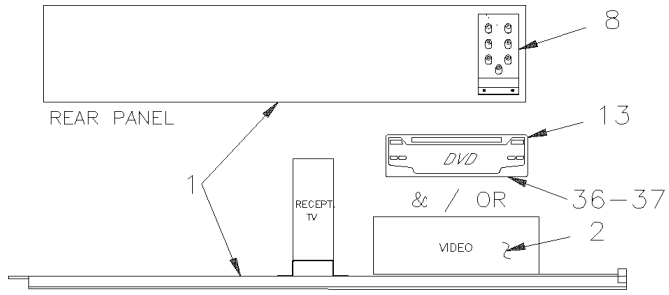


From 5-0148 To 6-0559

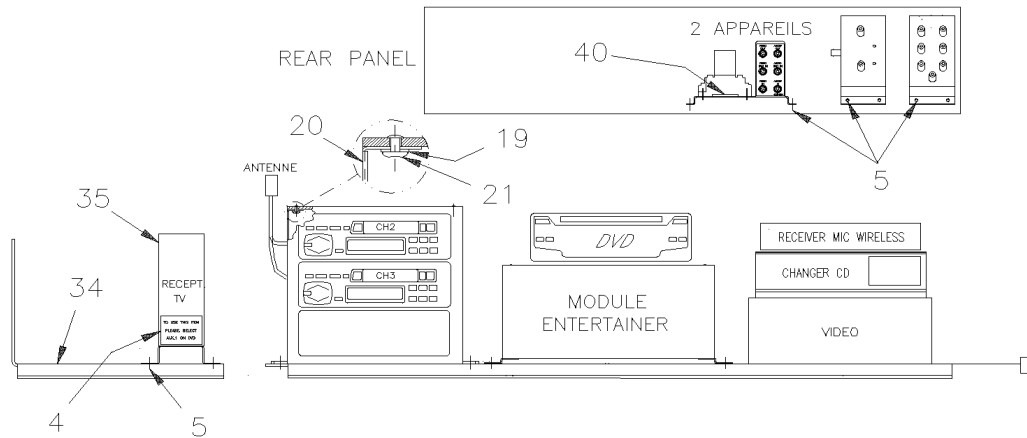
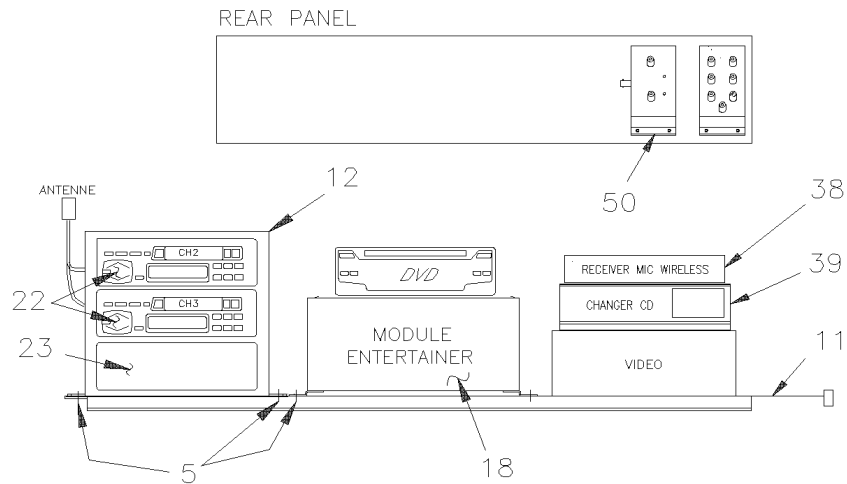
Date:10/2022

PAGE:HF-2317-31

VIDEO & AUDIO SYSTEM - INSTALLATION



VIDEO WITH CHARGER CD & WIRELESS MICROPHONE (WITH OR WITHOUT DVD)



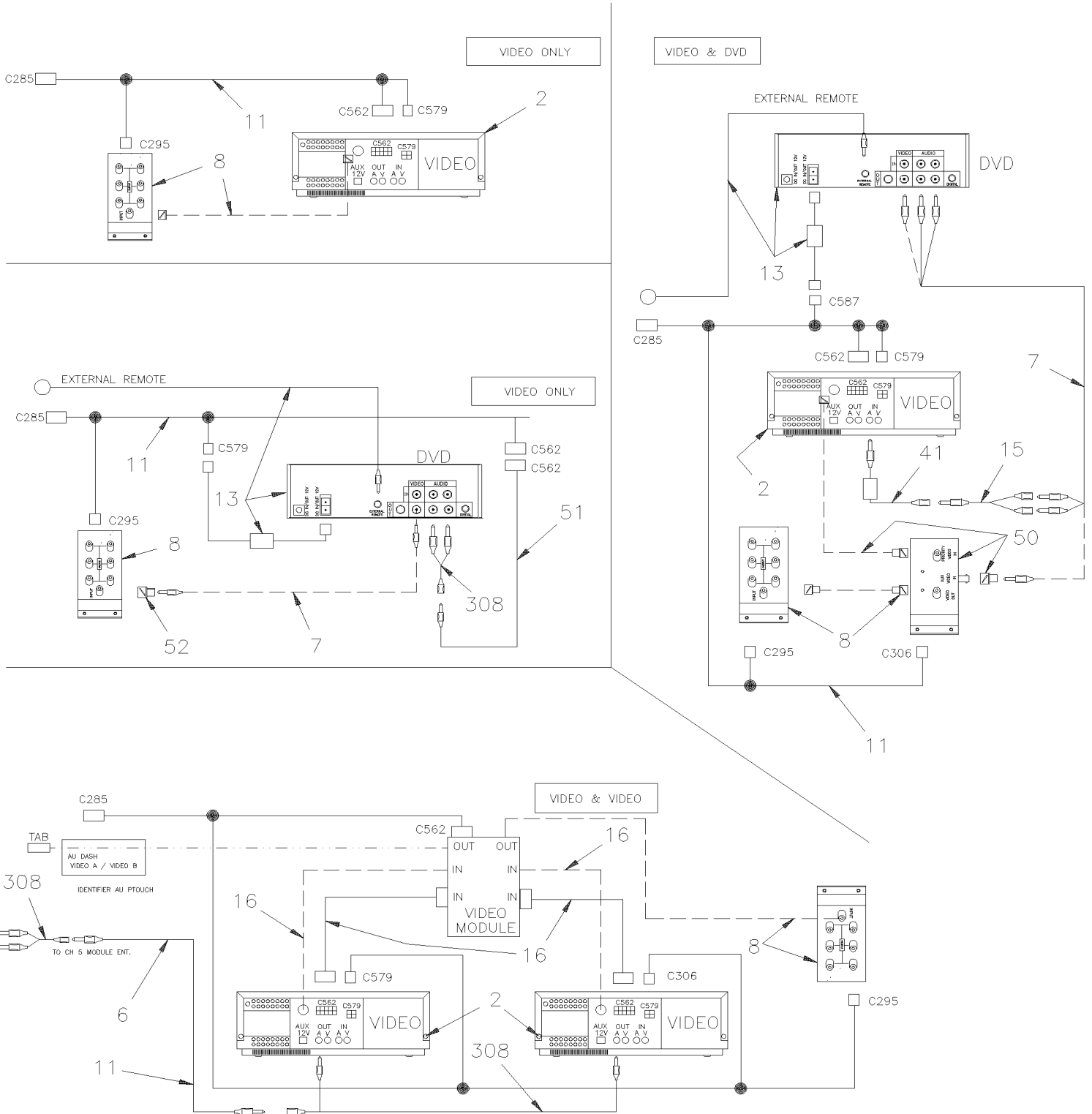


From 5-0148 To 6-0559

Date:10/2022

PAGE:HF-2317-31

VIDEO & AUDIO SYSTEM - INSTALLATION



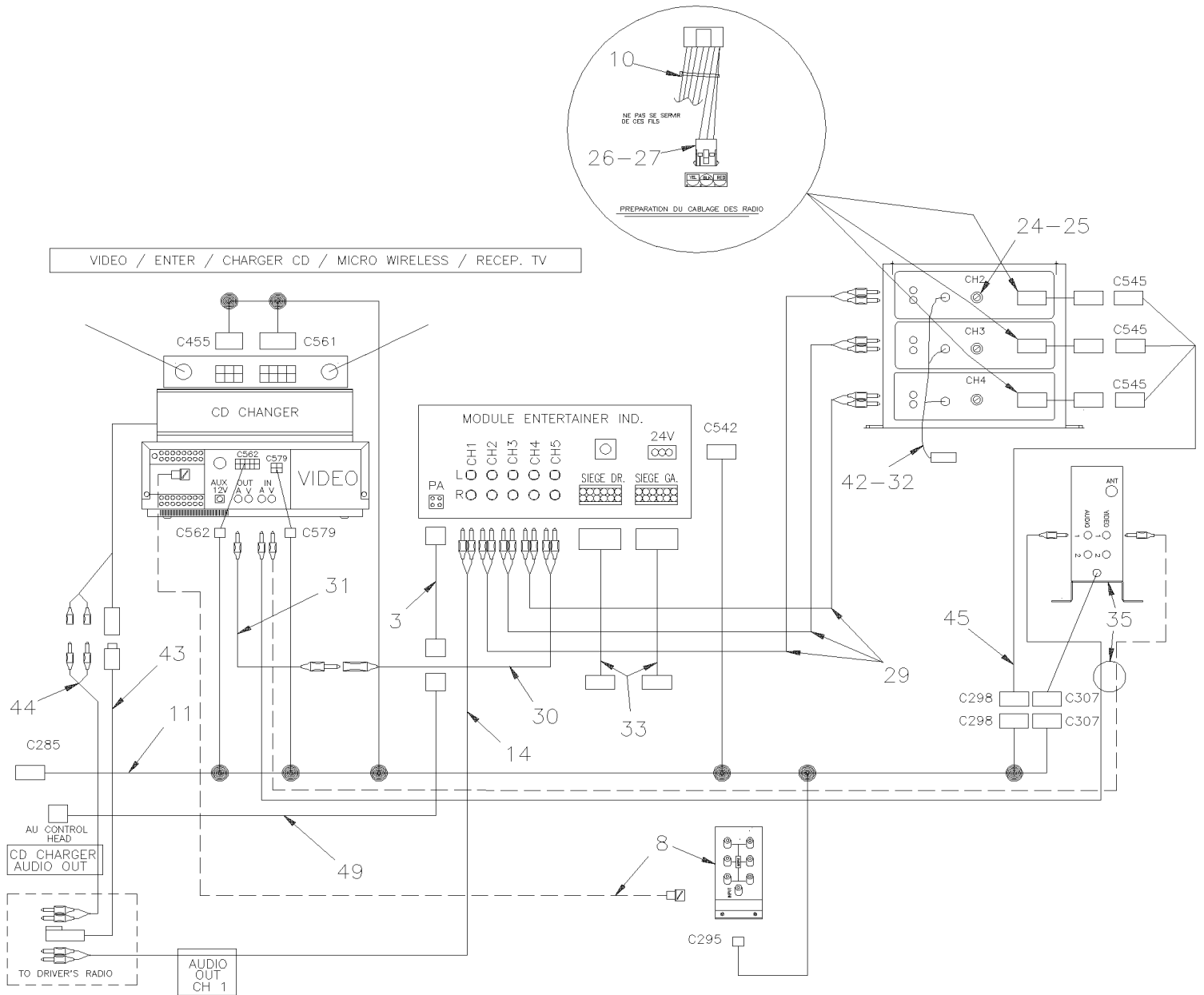


From 5-0148 To 6-0559

Date:10/2022

PAGE:HF-2317-31

VIDEO & AUDIO SYSTEM - INSTALLATION





From 5-0148 To 6-0559

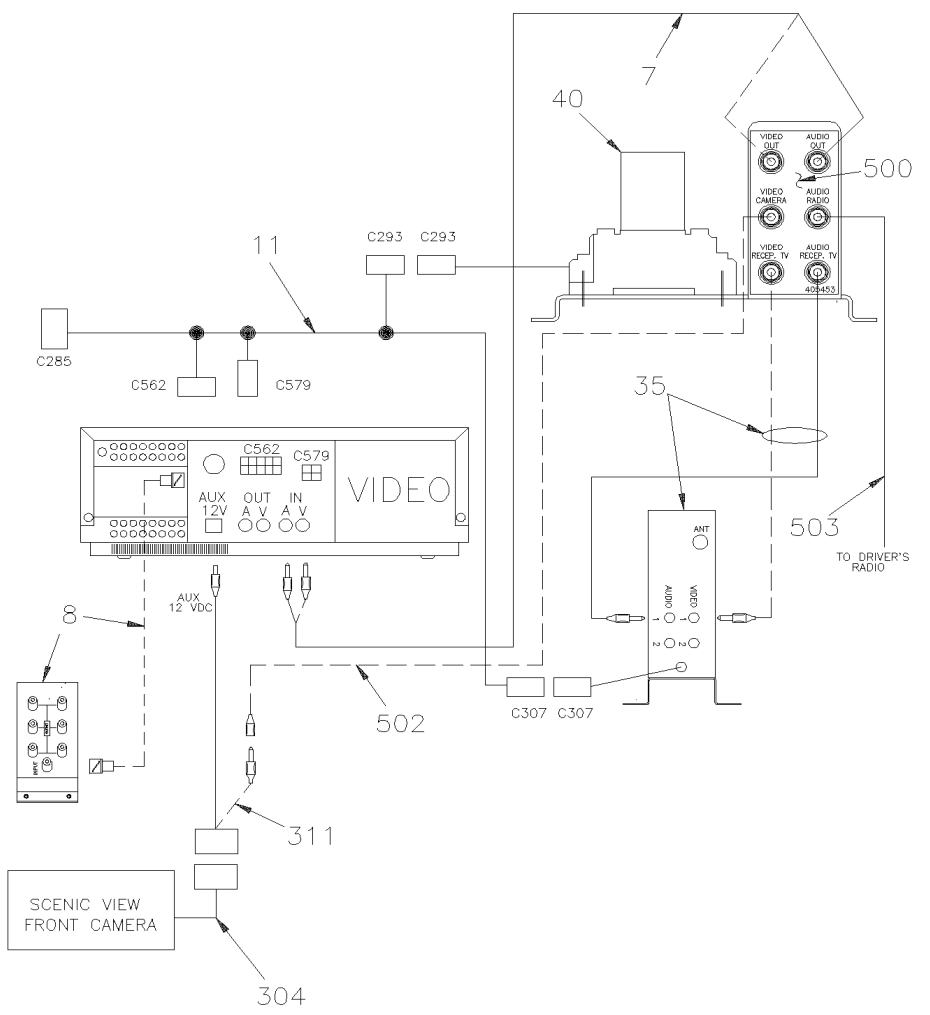
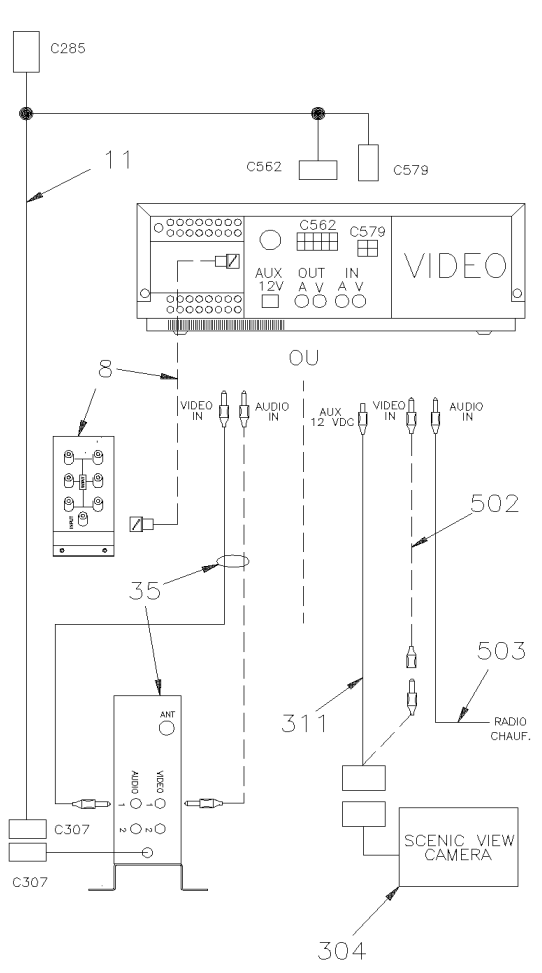
Date:10/2022

PAGE:HF-2317-31

VIDEO & AUDIO SYSTEM - INSTALLATION

VIDEO / RECEP.TV OR FRONT CAMERA

VIDEO / RECEP.TV / FRONT CAMERA





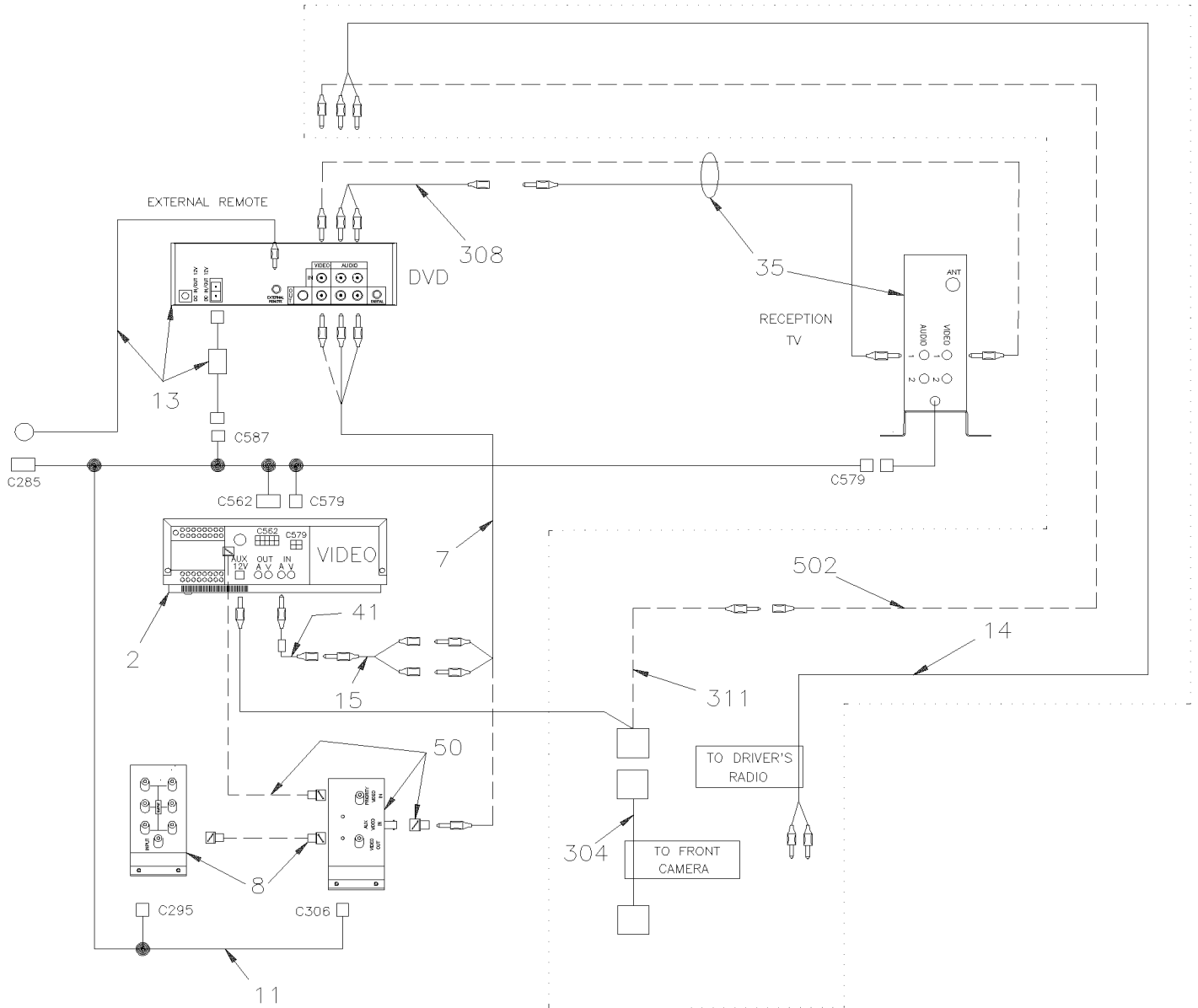
From 5-0148 To 6-0559

Date:10/2022

PAGE:HF-2317-31

VIDEO & AUDIO SYSTEM - INSTALLATION

VIDEO / DVD / RECEPTION TV OR FRONT CAMERA



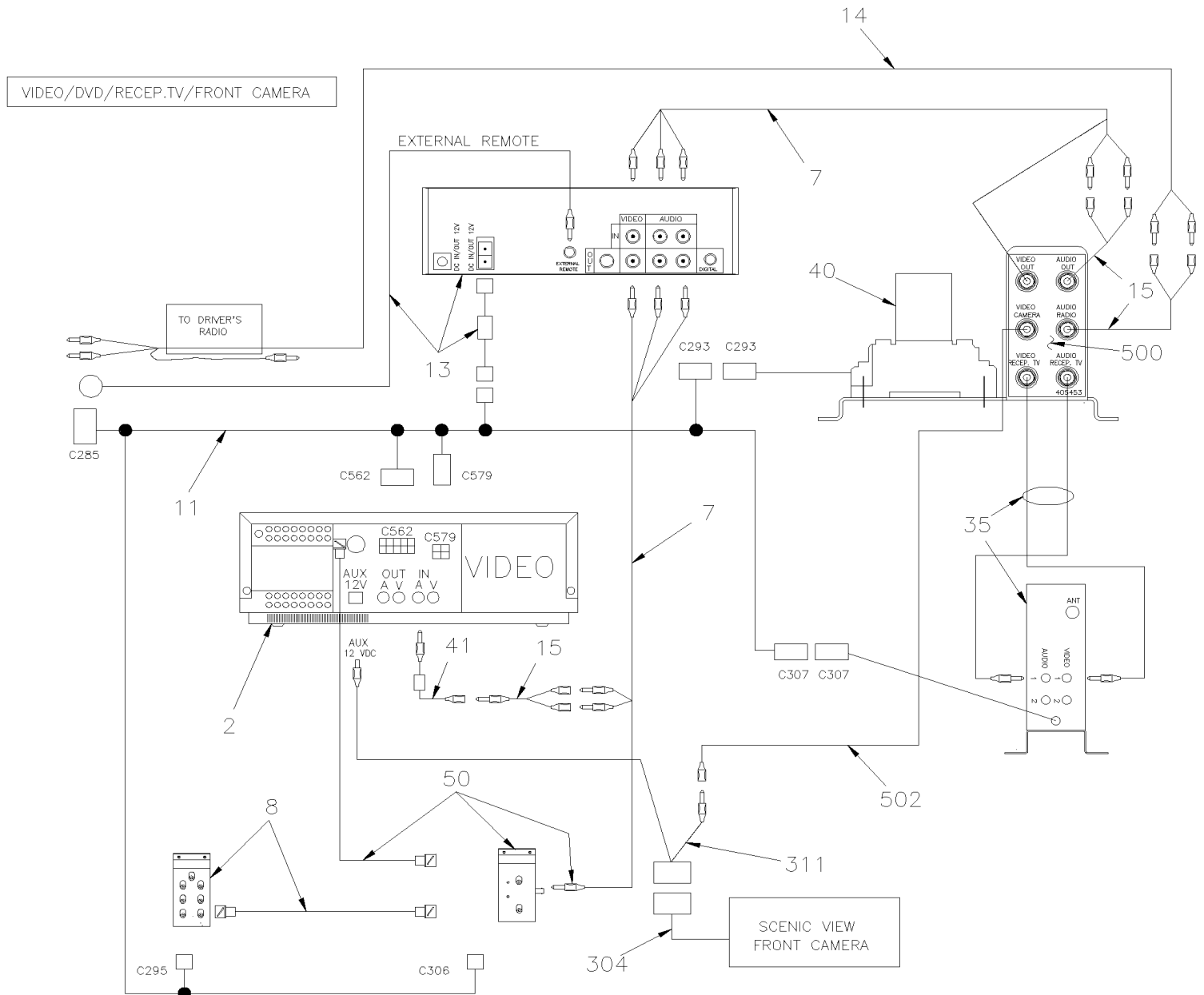


From 5-0148 To 6-0559

Date:10/2022

PAGE:HF-2317-31

VIDEO & AUDIO SYSTEM - INSTALLATION





From 5-0148 To 6-0559	Date:10/2022	PAGE:HF-2317-31
VIDEO & AUDIO SYSTEM - INSTALLATION		

Item#	Part	Description	H 3 4 1	H 3 4 5	V I P 4 5	N O T E S
1	409125	MOUNTING PLATE	1	1		
2	901030	VIDEO V-3000 VCP, SYS 2000 24V To 7-0979	1	1		
. NS	901065	. REMOTE CONTROL / VDO REI V-3000 To 7-0979	1	1		
2	7770197	KIT, VHS TO DVD CONVERSION To 7-0979	1	1		
. NS	901339	. DVD PLAYER 12V To 7-0979	1	1		
. . NS	901377	. . REMOTE CONTROL / DVD R.E.I. To 7-0979	1	1		
. NS	407639	. SUPPORT, DVD To 7-0979	1	1		
. NS	901347	. CABLE ASSY / W/2 BNC FEMALE/ FEMALE 1" To 7-0979	1	1		
. NS	901564	. ADAPTOR, RCA MALE TO BNC FEMALE To 7-0979	1	1		
. NS	563071	. CONNECTOR / MINI FIT JR / SH 4C / MOLEX 39-01-3042 To 7-0979	1	1		
. NS	562593	. WIRE CABLE 18 / YELLOW / TXL To 7-0979	AR	AR		
. NS	562587	. WIRE CABLE 18 / BLACK / TXL To 7-0979	AR	AR		
. NS	562463	. SOCKET TERMINAL / 24-18 / MOLEX 39-00-0039 To 7-0979	2	2		
. NS	563622	. BUTT SPLICE / 22-18 / RED / W/THERMORETRAC / PANDUIT BSH18-Q To 7-0979	2	2		
. NS	5001017	. SCREW TC CAP HEXW #10-24x1/2 Z050 To 7-0979	4	4		
. NS	502853	. WASHER LO SPT 6.1x11.8x1.6 N500 To 7-0979	1	1		
. NS	IS-16901A	. SEE INSTRUCTION SHEET To 7-0979	1	1		
3	405501	VCP L.H. ADAPTOR BRACKET To 7-0979	1	1		
4	405500	VCP R.H. ADAPTOR BRACKET To 7-0979	1	1		
5	500654	SCREW TC BDG PH #8-32x1/2 Z050	AR	AR		
6	5001036	SCREW MA PAN PH M4-0.7x10 Z050	4	4		
7	901135	CABLE RCA / 3M/3M / 3'	1	1		
8	901117	VIDEO DISTRIBUTION AMPLI W/BNC From 4-4975	1	1		
. NS	901119	. CABLE POWER DVA/VIDEO From 4-4975	1	1		
8	901403	VIDEO DISTRIBUTION AMPLI W/BNC	1	1	1	S
9	504013	TIE MOUNT / 1/4" X 1/4" I.D.	3	3		
10	504637	CABLE TIE / 3/16" x 13"	AR	AR		
11	409122	HARNESS, VIDEO PANEL To 6-0359	1	1		
11	409146	HARNESS, VIDEO PANEL From 6-0360	1	1		
12	404488	SUPPORT, RADIO	1	1		
13	901116	DVD REI / MP3	1	1		
. NS	901264	. REMOTE CONTROL / DVD REI	1	1		
14	901136	CABLE RCA / 3M/3M / 20'	1	1		
NS	405499	SUPPORT DVD	2	2		
15	900671	ADAPTOR "Y" RCA / 1M/2F / 4"	2	2		
16	901119	CABLE POWER DVA/VIDEO	1	1		
17	901035	ADAPTOR KARAOKE	1	1		
18	900845	ENTERTAINER CONTROL MODULE	1	1		
19	500437	WASHER FL .125x.375x.040 Z050	8	8		
20	404542	SIDE PANEL FINISHING	2	2		
21	504475	RIVET POP CK OE 1/8x3/16 AL	8	8		
22	901078	RADIO "PIONEER" KEH-P1010 AM/FM/CASS.	1	1		



From 5-0148 To 6-0559	Date:10/2022	PAGE:HF-2317-31
VIDEO & AUDIO SYSTEM - INSTALLATION		

Item#	Part	Description	H 3 4 1	H 3 4 5	V I P 4 5	N O T E S
22	901046	RADIO "SONY" CDXL550X AM/FM/CD	1	1		
23	404498	CABLE ADAPTOR INTER. MODULE / 511211	1	1		
24	5001036	SCREW MA PAN PH M4-0.7x10 Z050	1	1		
25	500022	WASHER LO INT .168x.340x.023 Z050	1	1		
26	561667	CONNECTOR / UNIVERSAL MATE-N-LOK / PH 3C / AMP 1-480701-0	1	1		
27	562122	PIN TERMINAL / 20-14 / AMP 350547-1	2	2		
28	900849	PLATE RADIO "DUMMY"	AR	AR		
29	900856	CABLE RCA / 2M/2M / 3'	1	1		
30	900758	ADAPTOR "Y" RCA / 1F/2M / 9"	1	1		
31	404380	CABLE ASSY RCA / M/M / USE WITH 2 VIDEOS / 510300	1	1		
32	900775	Y RADIO ANTENNA CABLE / TO USE W/2 RADIOS	1	1		
33	901022	CABLE SEAT AUDIO	2	2		
34	405483	PANEL TV RECEIVER	1	1		
35	901054	TUNER TV 24V	1	1		
36	506755	VELCRO / HOOK ADHESIF 1" x 75'	AR	AR		
37	506756	VELCRO / LOOP ADHESIF 1" x 75'	AR	AR		
38	900952	RECEIVER WIRELESS MICROPHONE / 16-CHANNEL To 5-0026	1	1		
NS	901300	. ANTENNA RIGID / REAR OF RECEIVER To 5-0026	1	1		
38	901201	RECEIVER WIRELESS MICROPHONE / 16 CHANNEL From 5-0027	1	1		
39	901057	CD CHARGER / 8 DISCS / "PANASONIC" CX-DP88 / MODIFIED	1	1		
40	HF-2355-10	FRONT CAMERA - INSTALLATION				
NS	901106	AUDIO FILTER	1	1		
41	901106	AUDIO FILTER	1	1		
42	900663	ADAPTOR / RADIO & ANTENNA CABLE / MOTOROLA MALE to EURO FEMA	1	1		
43	901058	CABLE ASSY CD / DIN / 280"	1	1		
44	901059	CABLE RCA / 2M/2M / 23'	1	1		
44	901110	CABLE RCA / 2M/2M / 25'	1	1		
45	404504	CABLE ASSY / RADIO POWER	1	1		
46	900855	CABLE RCA / 2M/2M / 20'	1	1		
47	064486	CABLE ASSY 24V POWER / ENT MODULE / 33.5'	1	1		
49	404302	CABLE ASSY 20' / 510520 /	1	1		
50	901120	VIDEO SIGNAL DETECTOR / USE W/2 SIGNALS	1	1		
300	405326	WIRING HARNESS	1	1		
301	900856	CABLE RCA / 2M/2M / 3'	1	1		
302	405455	DECAL, VCR CAMERA & DVD RELAY / ENGLISH	1	1		
302	405651	DECAL, VCR CAMERA & DVD RELAY / ENGLISH & SPANISH	1	1		
303	404380	CABLE ASSY RCA / M/M / USE WITH 2 VIDEOS / 510300	2	2		
304	900912	CABLE ASSY / FRONT CAMERA	1	1		
305	405190	HARNESS INTERFACE VIDEO/SING ALONE ADAP	1	1		
306	405657	CABLE ASSY DVD	1	1		
307	900855	CABLE RCA / 2M/2M / 20'	2	2		
308	900758	ADAPTOR "Y" RCA / 1F/2M / 9"	1	1		



From 5-0148 To 6-0559 Date:10/2022 PAGE:HF-2317-31

VIDEO & AUDIO SYSTEM - INSTALLATION

Item#	Part	Description	H 3 4 1	H 3 4 5	V I P 4 5	N O T E S
309	901036	SWITCH KARAOKE	1	1		
310	405191	HARNESS WIRE LESS MIC/SING ALONE ADAPTOR	1	1		
311	900913	CABLE ASSY / VIDEO & FRONT CAMERA	1	1		
312	900918	CABLE RCA / 1M/1F/ 3'	1	1		
400	405453	DECAL, VCR, CAMERA & TV RELAY	1	1		
401	900856	CABLE RCA / 2M/2M / 3'	1	1		
402	405454	DECAL, VCR & DVD RELAY	1	1		
403	900918	CABLE RCA / 1M/1F/ 3'	1	1		
500	405453	DECAL, VCR, CAMERA & TV RELAY	1	1		
501	900856	CABLE RCA / 2M/2M / 3'	1	1		
502	900918	CABLE RCA / 1M/1F/ 3'	1	1		
503	900866	CABLE RCA / 1M/1M / 25'	1	1		
NS	484045	SUPPORT AUDIO SYSTEM / LOC. FIRST BAG. COMP. From 5-0454		1		
NS	405660	KIT, DVD REPLACEMENT	1	1		
. NS	IS-04036	. SEE INSTRUCTION SHEET	1	1		
		S) FOR SERVICE				

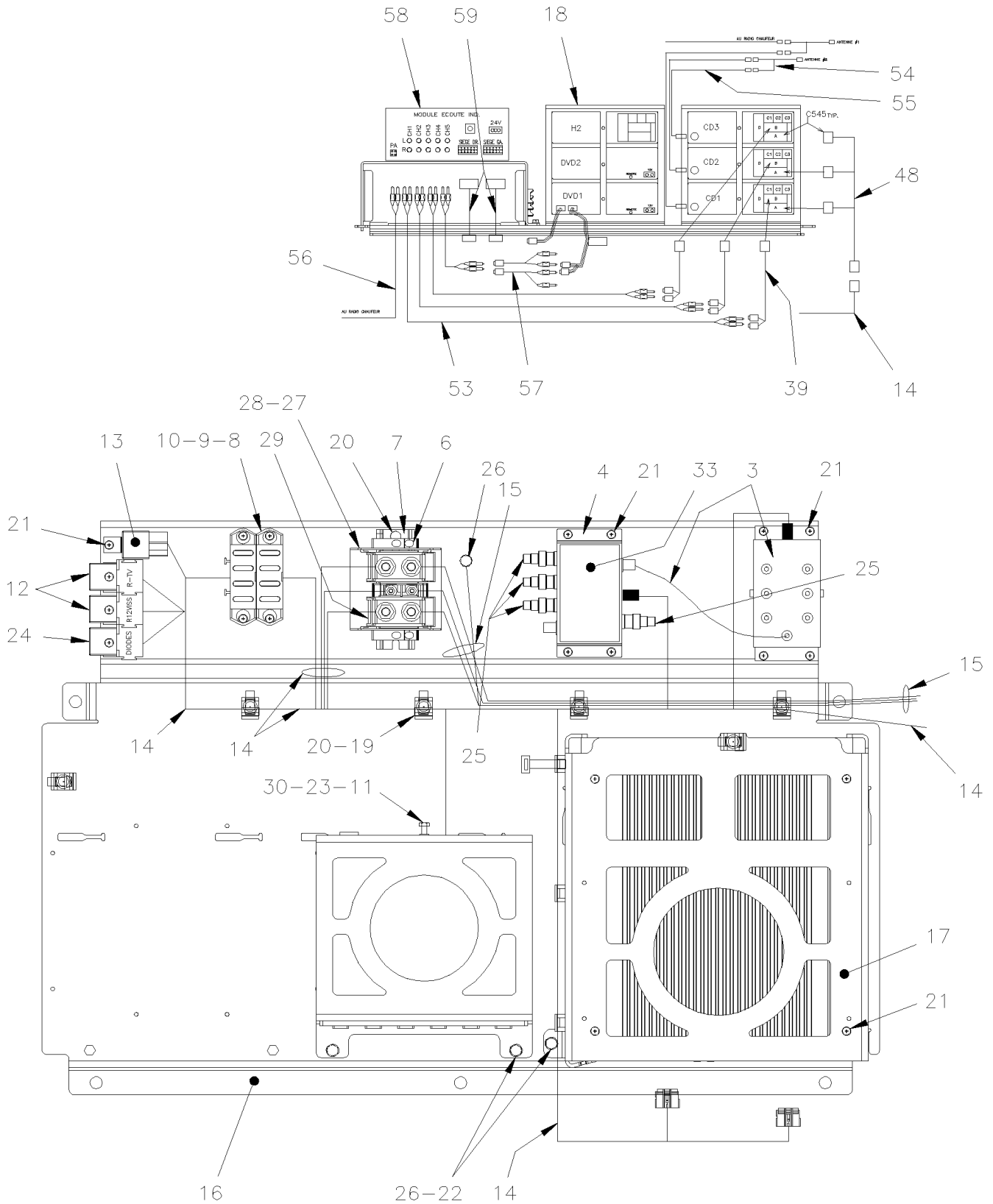


From 6-0560 To 8-1043

Date:10/2022

PAGE:HF-2317-32

VIDEO & AUDIO SYSTEM - INSTALLATION



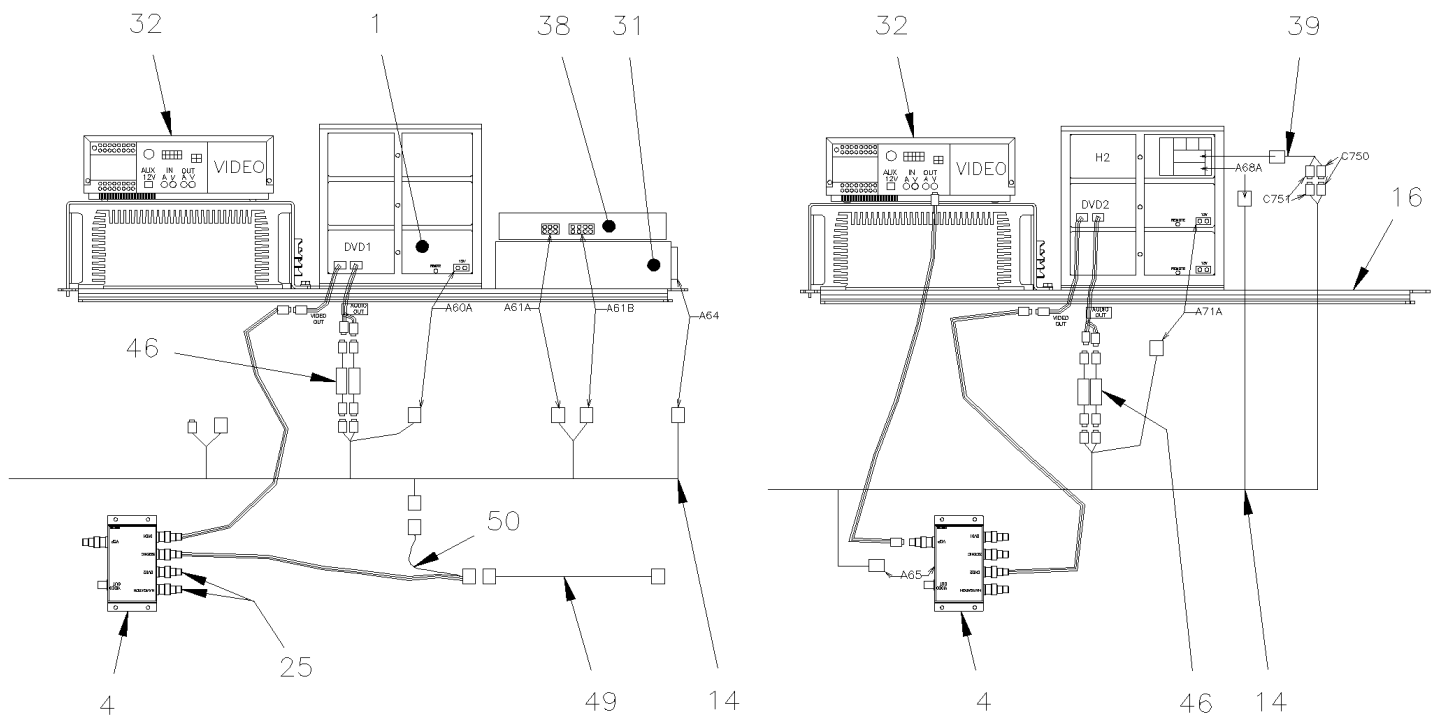
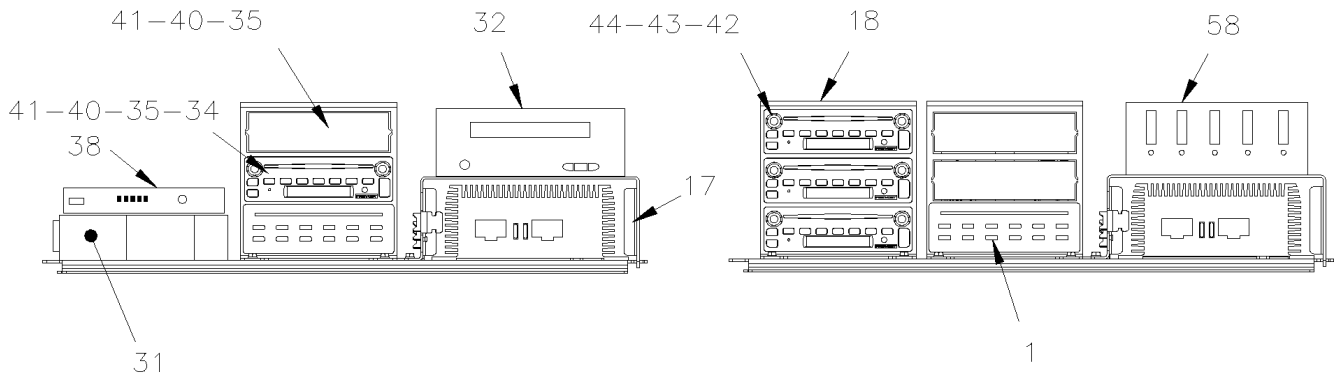
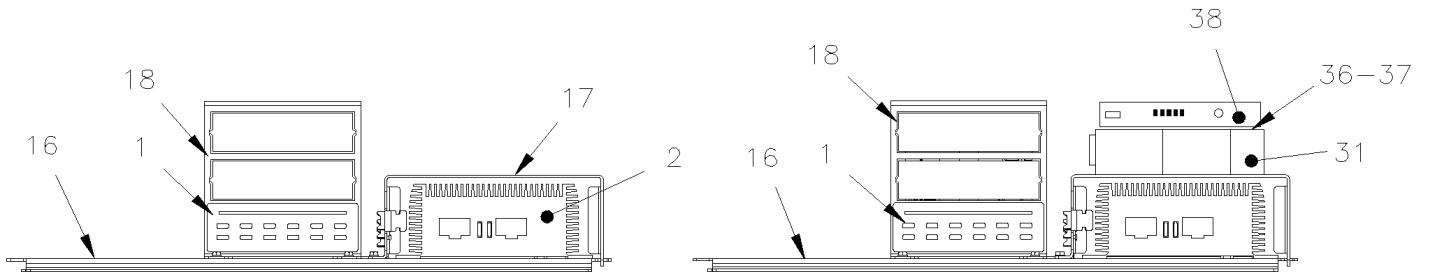


From 6-0560 To 8-1043

Date:10/2022

PAGE:HF-2317-32

VIDEO & AUDIO SYSTEM - INSTALLATION



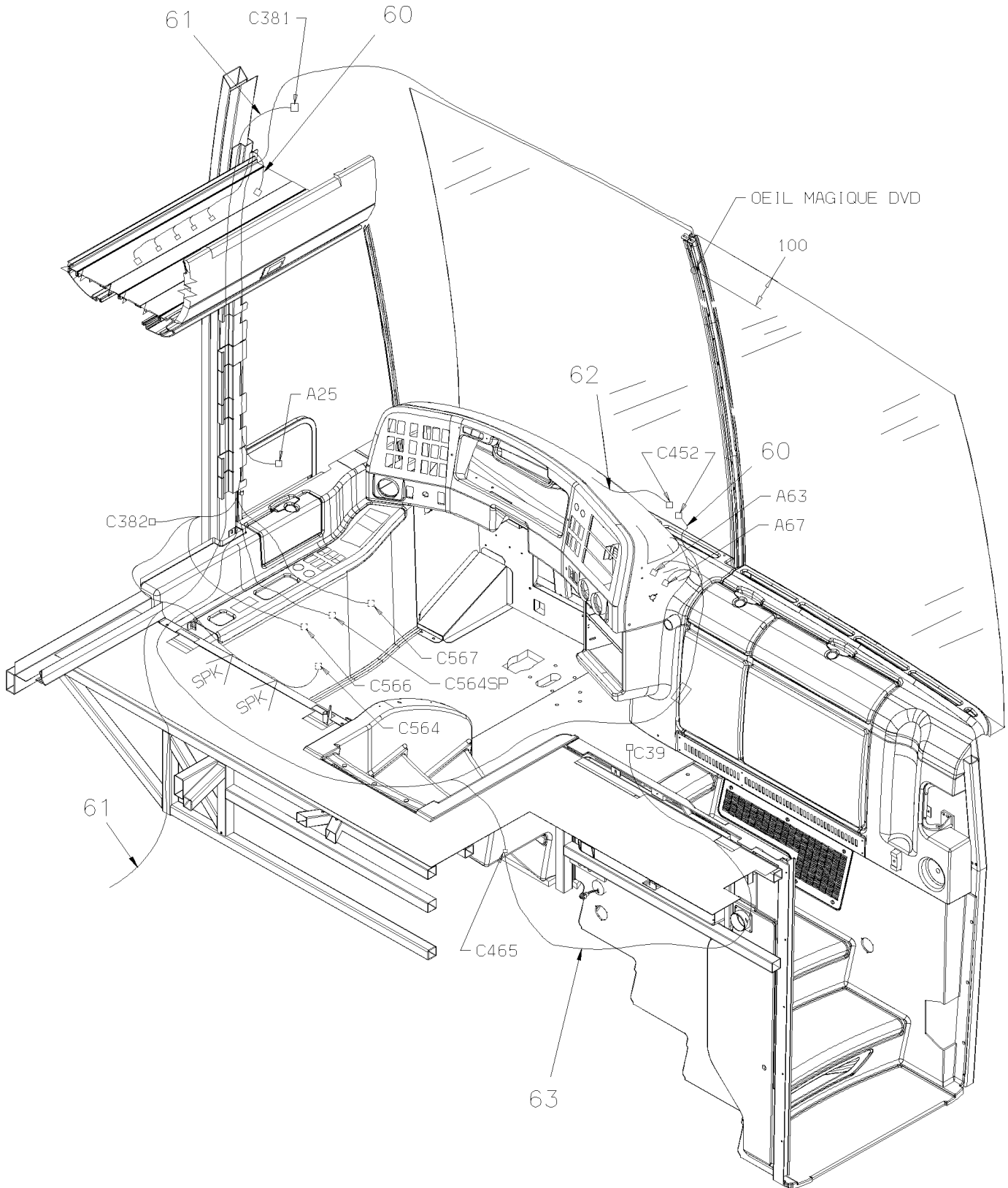


From 6-0560 To 8-1043

Date:10/2022

PAGE:HF-2317-32

VIDEO & AUDIO SYSTEM - INSTALLATION





From 6-0560 To 8-1043	Date:10/2022	PAGE:HF-2317-32
VIDEO & AUDIO SYSTEM - INSTALLATION		

Item#	Part	Description	H 3 4 1	H 3 4 5	V I P 4 5	N O T E S
	405845	PLATE AUDIO ASSY WITH COMPONENTS	1	1		
1	901198	. DVD PLAYER 12V (VOLVO) VD-404	1	1		S
. NS	901265	. . REMOTE CONTROL / DVD VOLVO	1	1		S
. NS	901302	. . SENSOR ASSY W/CABLE / DVD REMOTE CONTROL	1	1		S
1	901339	. DVD PLAYER 12V	1	1		
. NS	901377	. . REMOTE CONTROL / DVD R.E.I.	1	1		
1	409294	. CABLE INTERFACE DVD "VOLVO" to DVD "REI" 4 CONN. to 6 CONN.	1	1		
2	901191	. AMPLIFICATOR AUDIO / 400 WATTS / ONKYO	1	1		
3	901117	. VIDEO DISTRIBUTION AMPLI W/BNC	1	1		
. NS	901119	. . CABLE POWER DVA/VIDEO	1	1		
3	901403	. VIDEO DISTRIBUTION AMPLI W/BNC	1	1	1	T
4	901199	. SCREEN PLAY SELECTOR	1	1		
5	561726	. BLOCK JUNCTION	1	1		
6	562645	. STOPPER "U" RAIL	2	2		
7	382184	. RAIL SUPPORT "U" SHAPE 112MM	1	1		
8	562598	. FUSE / ATO 2 AMPS GREY	1	1		
8	562407	. FUSE / ATO 10 AMPS RED	4	4		
9	562396	. FUSE / ATO 30 AMPS GREEN	1	1		
10	562605	. FUSE / ATO 20 AMPS YELLOW	1	1		
11	500470	. WASHER LO SPT .193x.334x.047 Z050	1	1		
12	563337	. RELAY 12V S.P.D.T. W/RESISTOR /	2	2		
13	561991	. RELAY 24V S.P.S.T. / 70 AMPS N.O.	1	1		
14	066770	. CABLE ASSY / DASH & PARCEL RACK To 7-0748	1	1		
14	066867	. CABLE ASSY / DASH & PARCEL RACK From 7-0749 To 7-0817	1	1		
14	066966	. CABLE ASSY / DASH & PARCEL RACK From 7-0818 To 7-0985	1	1		
14	067126	. CABLE ASSY / DASH & PARCEL RACK From 7-0986	1	1		
. NS	563994	. . CONNECTOR / METRI-PACK 150 / SH 2C / PED 12047662 From 7-0986	ar	ar		
14	067514	. CABLE ASSY / DASH & PARCEL RACK From 7-0991	1	1		R
. NS	563994	. . CONNECTOR / METRI-PACK 150 / SH 2C / PED 12047662 From 7-0991	1	1		R
15	066708	. CABLE POWER To 7-0748	1	1		
15	066866	. CABLE POWER From 7-0749	1	1		
15	066985	. CABLE POWER	1	1		C
16	405776	. PLATE SUPPORT MAIN SYSTEM To 7-0796	1	1		
16	405884	. PLATE SUPPORT MAIN SYSTEM From 7-0797	1	1		
17	405777	. SUPPORT VIDEO OVER AMPLI To 7-0796	1	1		
17	405921	. SUPPORT VIDEO OVER AMPLI From 7-0797	1	1		
18	405778	. SUPPORT, RADIO (MORE THAN 3 RADIO) & DVD VOLVO To 7-0796	1	1		
18	405922	. SUPPORT, RADIO (MORE THAN 3 RADIO) & DVD VOLVO From 7-0797	1	1		
18	406361	. SUPPORT, RADIO (3 RADIO) & DVD REI	1	1		
18	406360	. SUPPORT, RADIO (1RADIO) & DVD REI	1	1		
19	504013	. TIE MOUNT / 1/4" X 1/4" I.D.	9	9		
20	504347	. RIVET POP DOME OE 3/16x1/4 AL	9	9		



From 6-0560 To 8-1043	Date:10/2022	PAGE:HF-2317-32
VIDEO & AUDIO SYSTEM - INSTALLATION		

Item#	Part	Description	H 3 4 1	H 3 4 5	V I P 4 5	N O T E S
21	500564	. SCREW MA RND PH #8-32x3/4 Z050	16	16		
22	502631	. SCREW CAP HEX M6-1.0x20 G8.8 Z050	8	8		
23	502561	. NUT HEX M5-0.8 Z050	1	1		
24	901200	. DIODE BLOCK ON RELAY BASE	1	1		
25	900777	. CONNECTOR BNC PLUG TO RCA ADAPTOR / ELEC 21-142-0	AR	AR		
26	502564	. WASHER LO SPT 6.1x11.8x1.6 Z050	1	1		
27	562024	. COVER / PROTECTOR / 3 BLOCKS	1	1		
28	561731	. COVER SUPPORT	2	2		
29	561727	. SCREW MA PAN PH	2	2		
30	5001146	. SCREW CAP HEX M5-0.8x20 SS BK	1	1		
NS	066880	DECAL VDO PLATE / BREAKER & FUSE IDENTIF 115MM x 115MM	1	1		
NS	067001	DECAL From 7-0818	1	1		
31	901116	DVD REI / MP3	1	1		
. NS	901264	. REMOTE CONTROL / DVD REI	1	1		
32	901030	VIDEO V-3000 VCP, SYS 2000 24V To 7-0985	1	1		
. NS	901065	. REMOTE CONTROL / VDO REI V-3000 To 7-0985	1	1		
32	7770197	KIT, VHS TO DVD CONVERSION To 7-0985	1	1		
. NS	901339	. DVD PLAYER 12V To 7-0985	1	1		
. . NS	901377	. . REMOTE CONTROL / DVD R.E.I. To 7-0985	1	1		
. NS	407639	. SUPPORT, DVD To 7-0985	1	1		
. NS	901347	. CABLE ASSY / W/2 BNC FEMALE/ FEMALE 1" To 7-0985	1	1		
. NS	901564	. ADAPTOR, RCA MALE TO BNC FEMALE To 7-0985	1	1		
. NS	563071	. CONNECTOR / MINI FIT JR / SH 4C / MOLEX 39-01-3042 To 7-0985	1	1		
. NS	562593	. WIRE CABLE 18 / YELLOW / TXL To 7-0985	AR	AR		
. NS	562587	. WIRE CABLE 18 / BLACK / TXL To 7-0985	AR	AR		
. NS	562463	. SOCKET TERMINAL / 24-18 / MOLEX 39-00-0039 To 7-0985	2	2		
. NS	563622	. BUTT SPLICE / 22-18 / RED / W/THERMORETRAC / PANDUIT BSH18-Q To 7-0985	2	2		
. NS	5001017	. SCREW TC CAP HEXW #10-24x1/2 Z050 To 7-0985	4	4		
. NS	502853	. WASHER LO SPT 6.1x11.8x1.6 N500 To 7-0985	1	1		
. NS	IS-16901A	. SEE INSTRUCTION SHEET To 7-0985	1	1		
33	066733	. DECAL "VIDEO DISTRIBUTION"	1	1		
34	901198	DVD PLAYER 12V (VOLVO) VD-404	AR	AR		S
. NS	901265	. REMOTE CONTROL / DVD VOLVO	1	1		S
. NS	901302	. SENSOR ASSY W/CABLE / DVD REMOTE CONTROL	1	1		S
34	901339	DVD PLAYER 12V	AR	AR		
. NS	901377	. REMOTE CONTROL / DVD R.E.I.	1	1		
34	409294	CABLE INTERFACE DVD "VOLVO" to DVD "REI" 4 CONN. to 6 CONN.	1	1		
35	901190	RADIO AM-FM-CD-CDX / "PRÉVOST" MP3 VR-300	1	1		
36	506755	VELCRO / HOOK ADHESIF 1" x 75'	AR	AR		
37	506756	VELCRO / LOOP ADHESIF 1" x 75'	AR	AR		
38	901201	RECEIVER WIRELESS MICROPHONE / 16 CHANNEL	1	1		
39	066804	ADAPTOR AUDIO SIRIUS SH 8C x 2F RCA	1	1		



From 6-0560 To 8-1043	Date:10/2022	PAGE:HF-2317-32
VIDEO & AUDIO SYSTEM - INSTALLATION		

Item#	Part	Description	H 3 4 1	H 3 4 5	V I P 4 5	N O T E S
. NS	903217	. CONVERTISSOR AUDIO	1	1		
40	901209	RADIO "PREVOST" AM-FM-CD / "XM" READY (DELPHI)	1	1		
41	901218	RADIO "PREVOST" AM-FM-CD / "SIRIUS" READY (DELPHI)	1	1		
42	901190	RADIO AM-FM-CD-CDX / "PRÉVOST" MP3 VR-300	1	1		
43	901218	RADIO "PREVOST" AM-FM-CD / "SIRIUS" READY (DELPHI)	1	1		
44	901209	RADIO "PREVOST" AM-FM-CD / "XM" READY (DELPHI)	1	1		
45	N.P.N.	BOX	1	1		4
46	901106	. AUDIO FILTER	2	2		
47	901106	AUDIO FILTER	1	1		
49	900912	CABLE ASSY / FRONT CAMERA	1	1		
50	066822	CABLE ASSY / VIDEO & FRONT CAMERA	1	1		
53	900856	CABLE RCA / 2M/2M / 3'	1	1		
54	900775	Y RADIO ANTENNA CABLE / TO USE W/2 RADIOS	AR	AR		
55	900774	CABLE, ANTENNA EXTENSION / 12'	AR	AR		
NS	066863	CABLE GROUND	1	1		
56	901110	CABLE RCA / 2M/2M / 25'	1	1		
57	900671	ADAPTOR "Y" RCA / 1M/2F / 4"	AR	AR		
58	900845	ENTERTAINER CONTROL MODULE	1	1		
59	900671	ADAPTOR "Y" RCA / 1M/2F / 4"	AR	AR		
60	066770	CABLE ASSY / DASH & PARCEL RACK To 7-0748	1	1		
60	066867	CABLE ASSY / DASH & PARCEL RACK From 7-0749 To 7-0817	1	1		
60	066966	CABLE ASSY / DASH & PARCEL RACK From 7-0818	1	1		
60	066984	CABLE ASSY / DASH & PARCEL RACK	1	1		C
61	066748	CABLE POWER AUDIO To 7-0748	1	1		
61	066864	CABLE POWER AUDIO From 7-0749	1	1		
62	HF-1806-00	CENTRAL DASHBOARD PANEL				
63	Call order desk	CABLE EXTENSION MICRO MODESTY PANEL R.H. From 7-0749	1	1		P
NS	405843	KIT, RETROFIT "VOLVO" SOUND SYSTEM "H" To 6-0559	1	1		A B
NS	066746	. CABLE HARNESS / SPEAKER CURBSIDE RR / W/W.C.L. / 7 SP To 6-0559	1	1		
NS	066744	. CABLE HARNESS / SPEAKER STREETSIDE / 16 SP To 6-0559	1	1		
NS	066745	. CABLE HARNESS / SPEAKER CURBSIDE FRT / W/W.C.L. / 10 To 6-0559	1	1		
NS	066700	. CABLE SPEAKERS POWER To 6-0559	1	1		
75	066864	. CABLE POWER AUDIO To 6-0559	1	1		
75	066796	. RESISTOR 4 OHMS 25W W/CONNECTOR To 6-0559	5	5		
NS	066704	. CABLE SPEAKER / JCT & LH & RH To 6-0559	1	1		
NS	319034	. COVER L.H. ASSY / W/LIGHT & VENT HOLE To 6-0559	1	1		
. NS	313882	. . COVER L.H. / W/VENT HOLE To 6-0559	1	1		
NS	901175	. CABLE POWER 60' To 6-0559	1	1		
NS	901176	. CABLE POWER INTERFACE 9' To 6-0559	1	1		
NS	901190	. RADIO AM-FM-CD-CDX / "PRÉVOST" MP3 VR-300 To 6-0559	1	1		
NS	901192	. CONTROL HEAD / "VOLVO" (VSS-04) To 6-0559	1	1		



From 6-0560 To 8-1043	Date:10/2022	PAGE:HF-2317-32
VIDEO & AUDIO SYSTEM - INSTALLATION		

Item#	Part	Description	H 3 4 1	H 3 4 5	V I P 4 5	N O T E S
. NS	901266	. . REMOTE CONTROL / CONTROL HEAD VOLVO / VSS04 To 6-0559	1	1		
		WHEN CHANGE VSS04 TO VSS05 YOU NEED CONTROL HEAD 21516503 To 6-0559				
		& HARNESS KIT 409439 & NEW RADIO To 6-0559				
		901417P OR 901418P OR 901419P To 6-0559				
82	IS08080	. SOUND SELECTOR REPLACEMENT, VSS04 VS VSS05 To 6-0559	1	1		
. NS	900238	. . CONTROL HEAD / "VOLVO" (VSS-05A) To 6-0559	1	1		
. . NS	21251311	. . . REMOTE CONTROL / CONTROL HEAD VOLVO / VSS05 To 6-0559	1	1		
. NS	0610388	. . CABLE INTERFACE VSS04 TO VSS05 To 6-0559	1	1		
. NS	IS-08080	. . SEE INSTRUCTION SHEET To 6-0559	1	1		
82	21516503	. CONTROL HEAD / "VOLVO" (VSS-05) To 6-0559	1	1		
. NS	21251311	. . REMOTE CONTROL / CONTROL HEAD VOLVO / VSS05 To 6-0559	1	1		
82	901417P	. RADIO "PREVOST" AM/FM/CD & MP3 BLUETOOTH COMPUTERIZ To 6-0559	1	1		
82	901418P	. RADIO "PREVOST" AM/FM/CD & MP3 BLUETOOTH SIRIUS COMPUTERIZ To 6-0559	1	1		
82	901419P	. RADIO "PREVOST" AM/FM/CD & MP3 BLUETOOTH & XM COMPUTERIZ To 6-0559	1	1		
NS	392305	. ADAPTOR RADIO TO STRUCTURE To 6-0559	1	1		
NS	392312	. PARTIAL STRUCTURE TO FIT "VOLVO" AUDIO SOUND To 6-0559	1	1		
NS	392301	. PANEL / FRONT INSTRUMENTATION To 6-0559	1	1		
NS	312596	. COVER R.H. / PLAIN To 6-0559	1	1		
87	392301	. PANEL / FRONT INSTRUMENTATION To 6-0559	1	1		
88	066863	. CABLE GROUND To 6-0559	1	1		
NS	405924	PROTECTOR COVER ALLUMINUM / OVER FUSE HOLDER / BLACK	1	1		
90	430669	KIT, REPLACEMENT DVD "VOLVO" TO "REI"	1	1		
. NS	409294	. CABLE INTERFACE DVD "VOLVO" to DVD "REI" 4 CONN. to 6 CONN.	1	1		
. NS	901436	. DVD PLAYER 12V	1	1		
. . NS	901264	. . REMOTE CONTROL / DVD REI	1	1		
. NS	901347	. CABLE ASSY / W/2 BNC FEMALE/ FEMALE 1"	1	1		
. NS	IS-09048	. SEE INSTRUCTION SHEET	1	1		
		A) THIS KIT INCLUDE ALLS ITEMS LISTED BELOW THIS LINE AND PLATE AUDIO ASSY # 405845 ABOVE				
		B) WITH THIS KIT YOU NEED ALSO READING LIGHT # 830186 OR 330379				
		C) USE ONLY WITH SYSTEM INSTALL IN SECOND DOOR OF PARCEL RACK				
		R) USE ONLY WITH "OPTION" R.E.I. CONTROL HEAD				
		S) THIS DVD MAY BY REPLACE BY ONE # 901339 AND ONE CABLE # 409294				
		T) FOR SERVICE				
		4) NO PARTS NUMBER				
		P) CALL ORDER DESK FOR SPECIFIC APPLICATION (V.I.N.)				



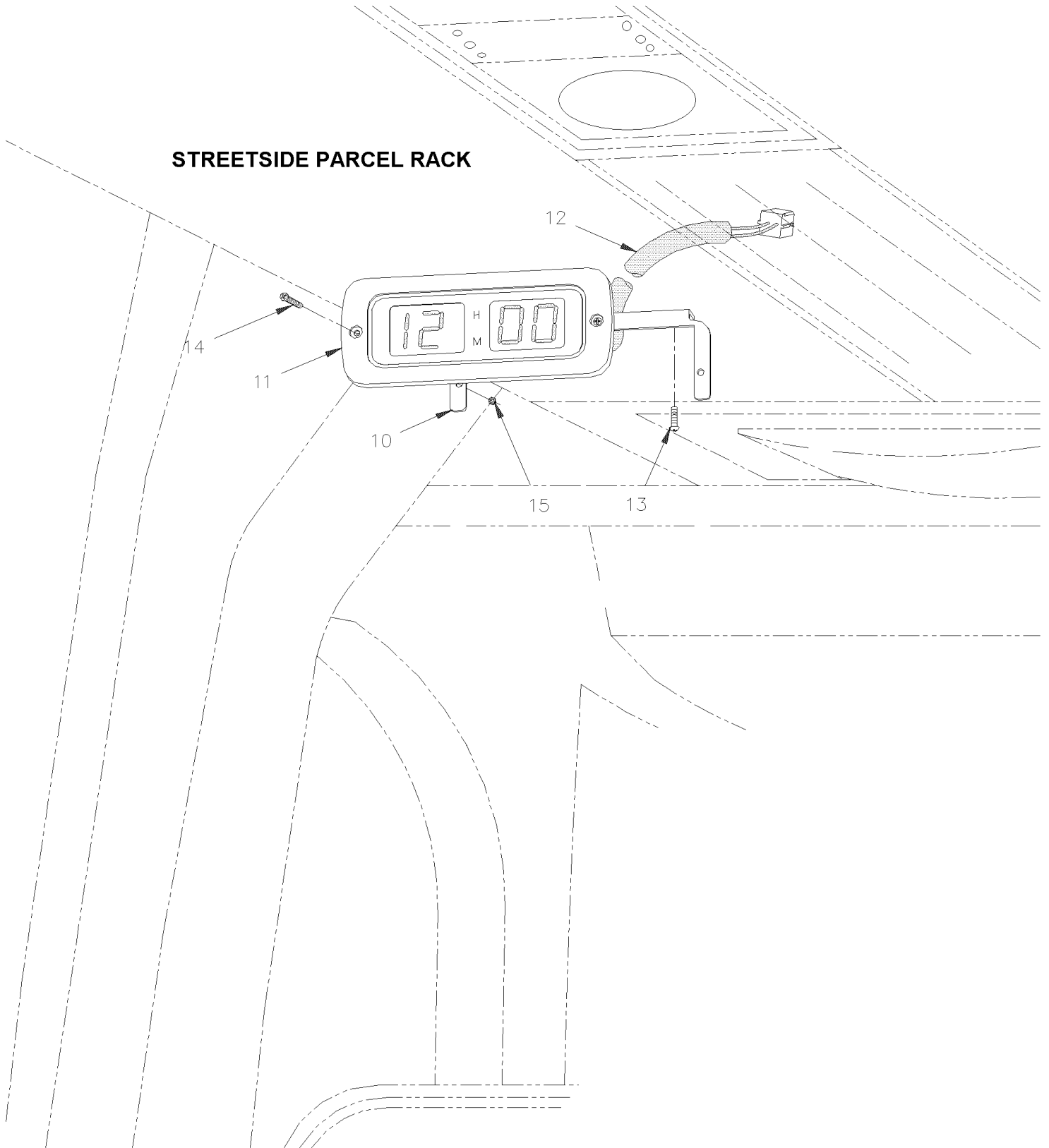
From 3-4417 To 8-1043

Date:10/2022

PAGE:HF-2318-00

CLOCK (DIGITAL)

STREETSIDE PARCEL RACK





From 3-4417 To 8-1043	Date:10/2022	PAGE:HF-2318-00
CLOCK (DIGITAL)		

Item#	Part	Description	H 3 4 1	H 3 4 5	V I P 4 5	N O T E S
10	404546	SUPPORT	1	1		
11	404547	DIGITAL CLOCK / 12HRS To 5-4979	1	1		
11	404551	DIGITAL CLOCK / 24HRS To 5-4979	1	1		
11	407502	DIGITAL CLOCK / 12/24HRS From 5-4980	1	1		
NS	900867	. DIGITAL CLOCK To 5-4979	1	1		
NS	901123	. DIGITAL CLOCK From 5-4980	1	1		
NS	561476	. CONNECTOR / (.062) / SH 4C / MOLEX 03-06-1044	1	1		
NS	561478	. SOCKET TERMINAL / 24-18 / MOLEX 02-06-1103	3	3		
NS	562387	. CONVOLUTED TUBING / SLIT / BLACK / .250"	AR	AR		
12	064199	CABLE ASSY / CLOCK & FRONT JCT PANEL To 5-0167	1	1		
12	066206	CABLE ASSY TO DIGITAL CLOCK From 5-0168	1	1		
13	500409	SCREW TP PAN PH #8x1/2 BK	3	3		
14	500260	SCREW TC FL PH #8-32x3/4 BK	2	2		
15	500670	NUT HEX NYRT #8-32 Z050	2	2		
20	340395	REPLACEMENT KIT DIGITAL CLOCK 12H				
20	340409	REPLACEMENT KIT DIGITAL CLOCK 24H				

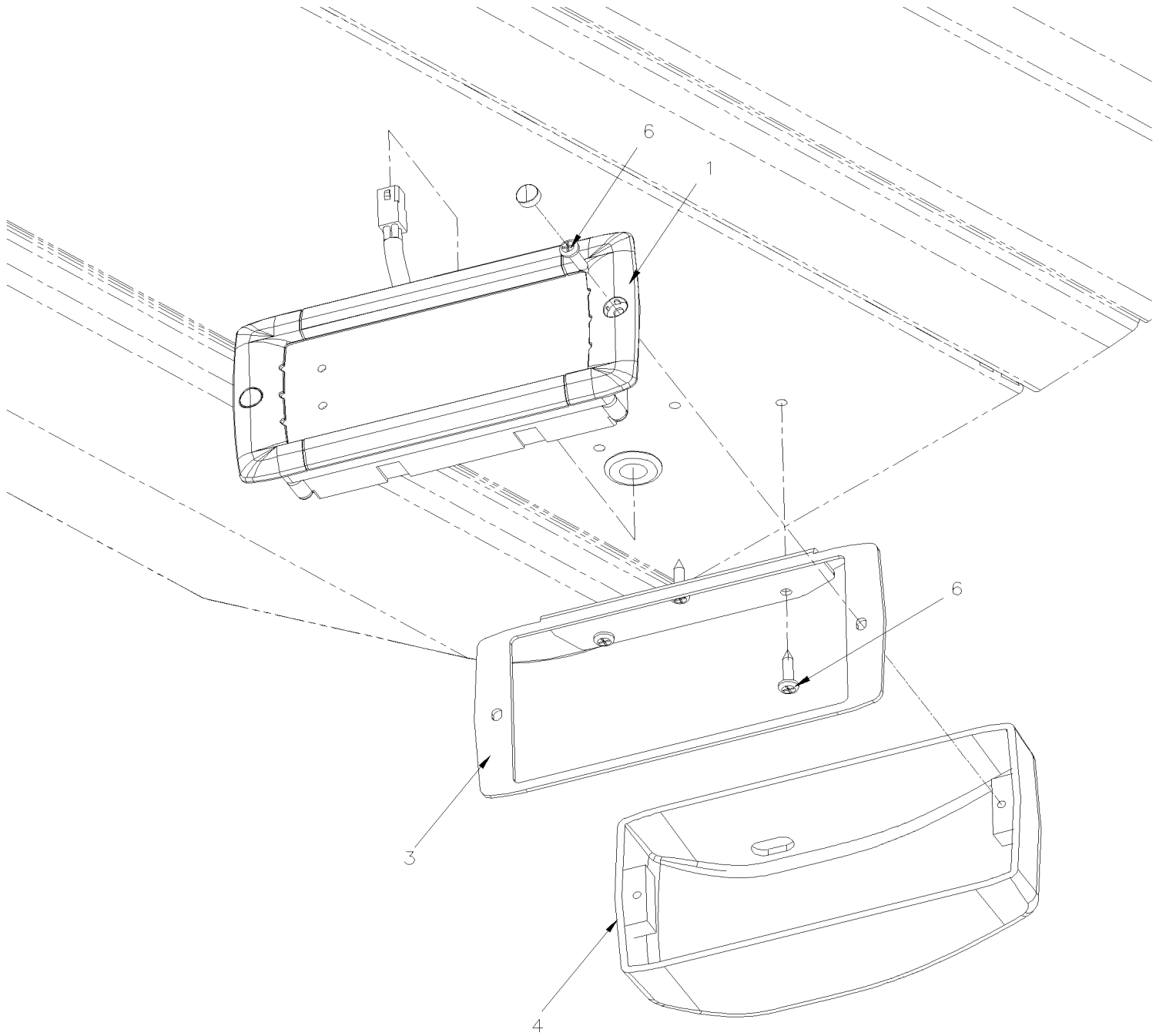


From 3-4417 To 8-1043

Date:10/2022

PAGE:340395

REPLACEMENT KIT DIGITAL CLOCK 12H



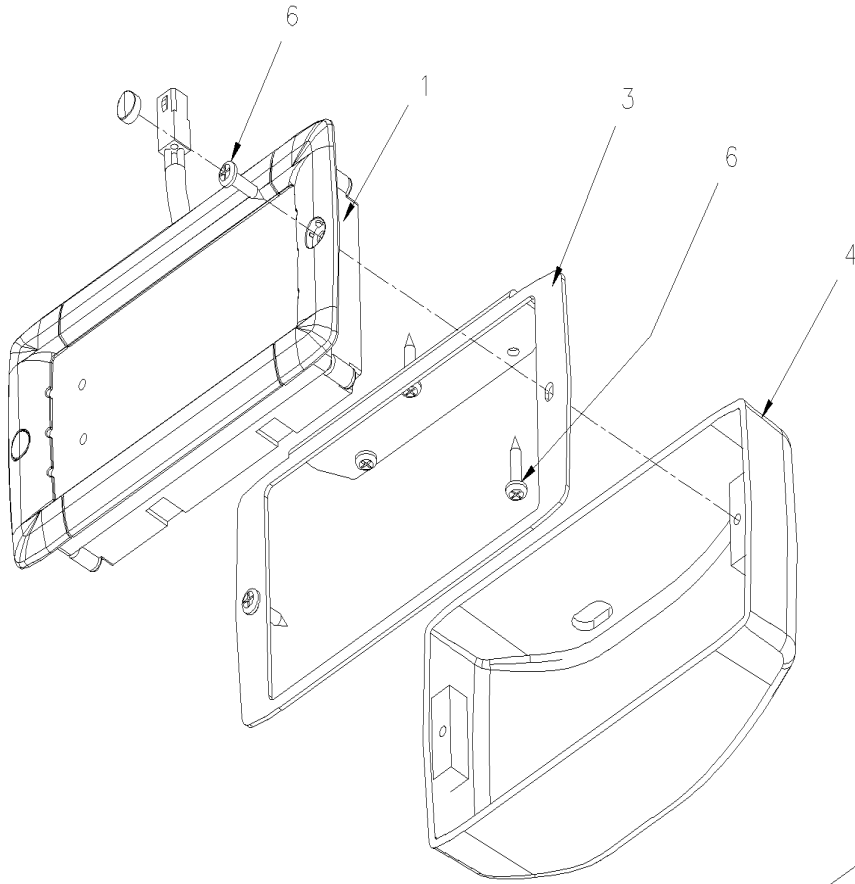


From 3-4417 To 8-1043

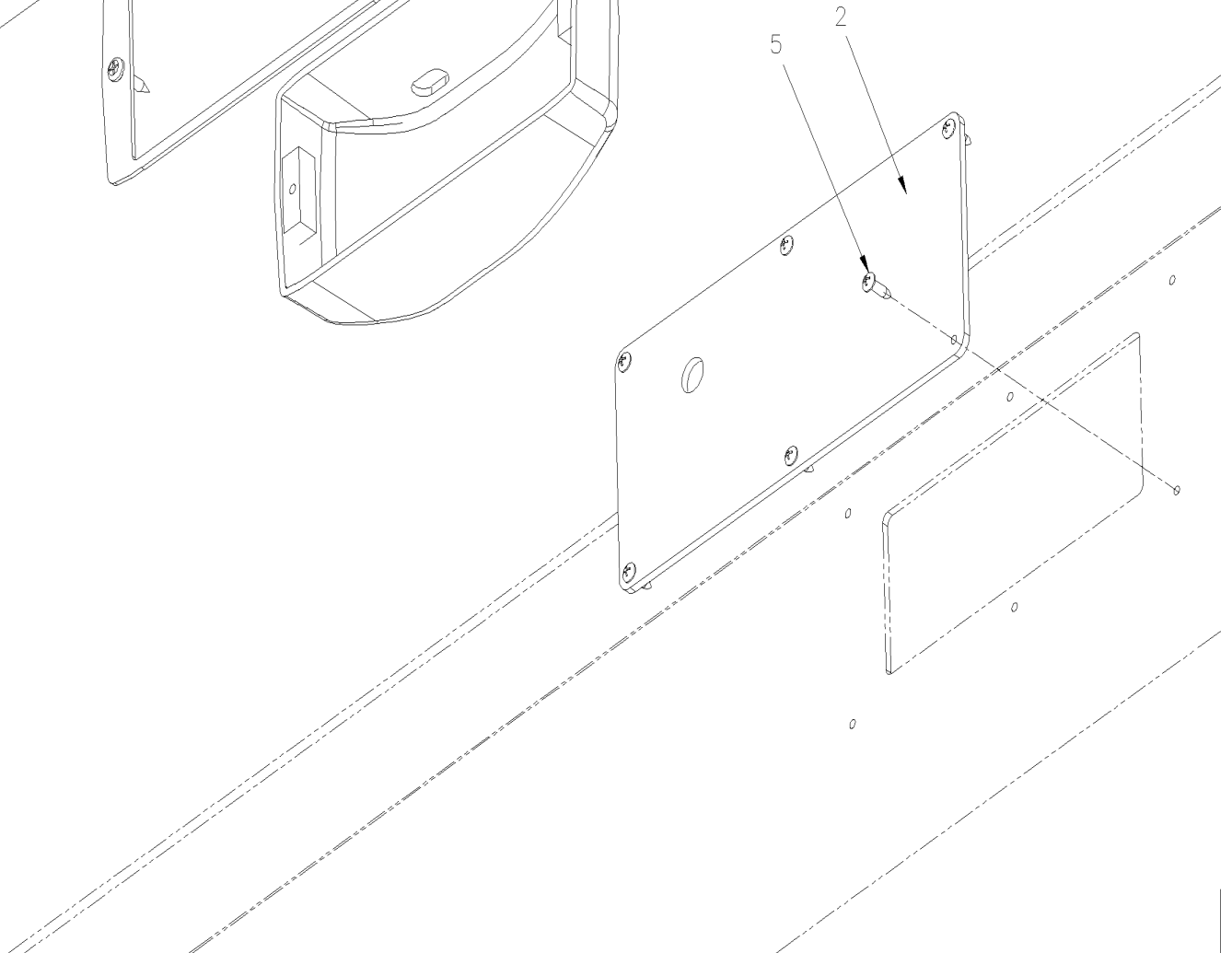
Date:10/2022

PAGE:340395

REPLACEMENT KIT DIGITAL CLOCK 12H



H3-41 & H3-45 ONLY





From 3-4417 To 8-1043	Date:10/2022	PAGE:340395
REPLACEMENT KIT DIGITAL CLOCK 12H		

Item#	Part	Description	H 3 4 1	H 3 4 5	V I P 4 5	N O T E S
1	901569	DIGITAL CLOCK, GREEN LEDS - 12H	1	1	1	
2	Call order desk	PLATE CLOSING	1	1		P
3	400133	SUPPORT DIGITAL CLOCK / STREET SIDE	1	1	1	
4	400236	COVER DIGITAL CLOCK	1	1	1	
5	500120	SCREW TP BDG PH #6x1/2 SS	6	6		
6	5001155	SCREW TP PAN PH #8X3/4 N050	5	5	5	
		P) CALL ORDER DESK FOR SPECIFIC APPLICATION (V.I.N.)				

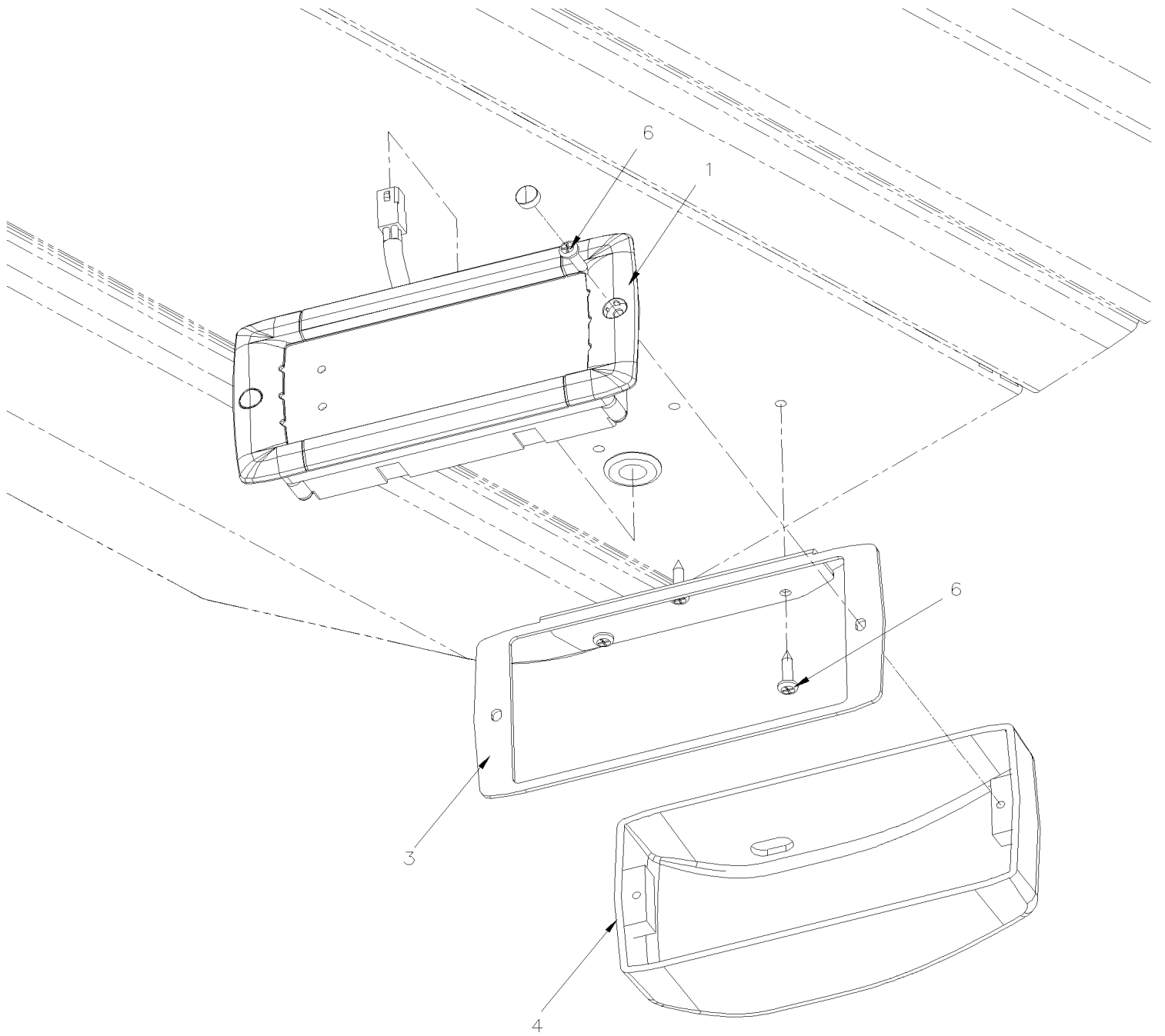


From 3-4417 To 8-1043

Date:10/2022

PAGE:340409

REPLACEMENT KIT DIGITAL CLOCK 24H



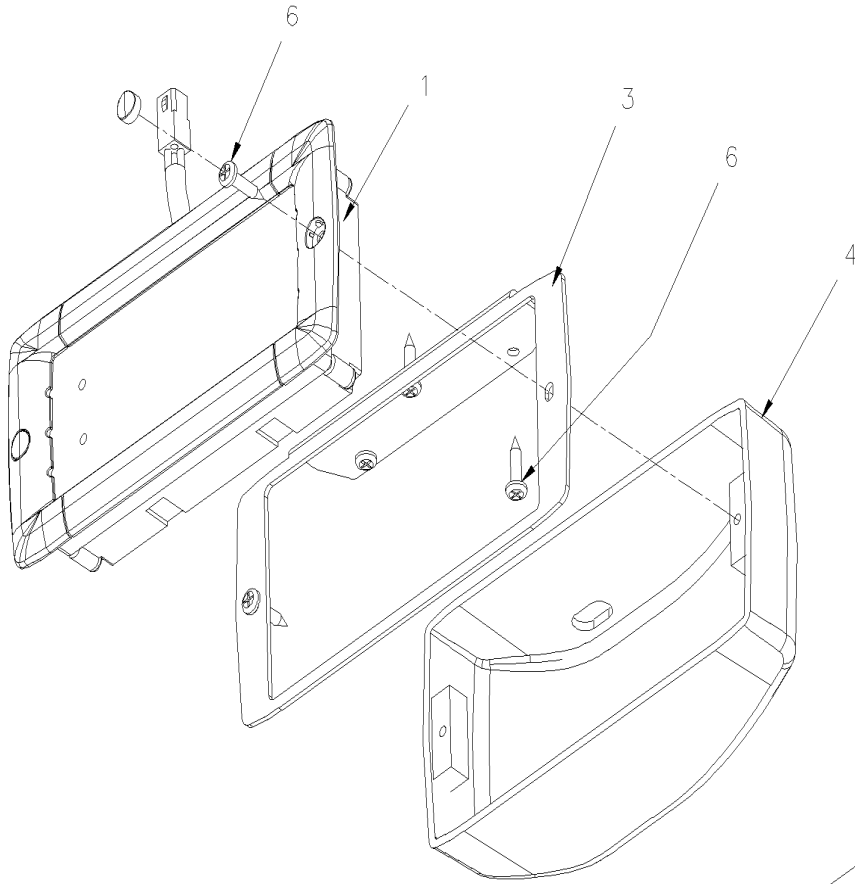


From 3-4417 To 8-1043

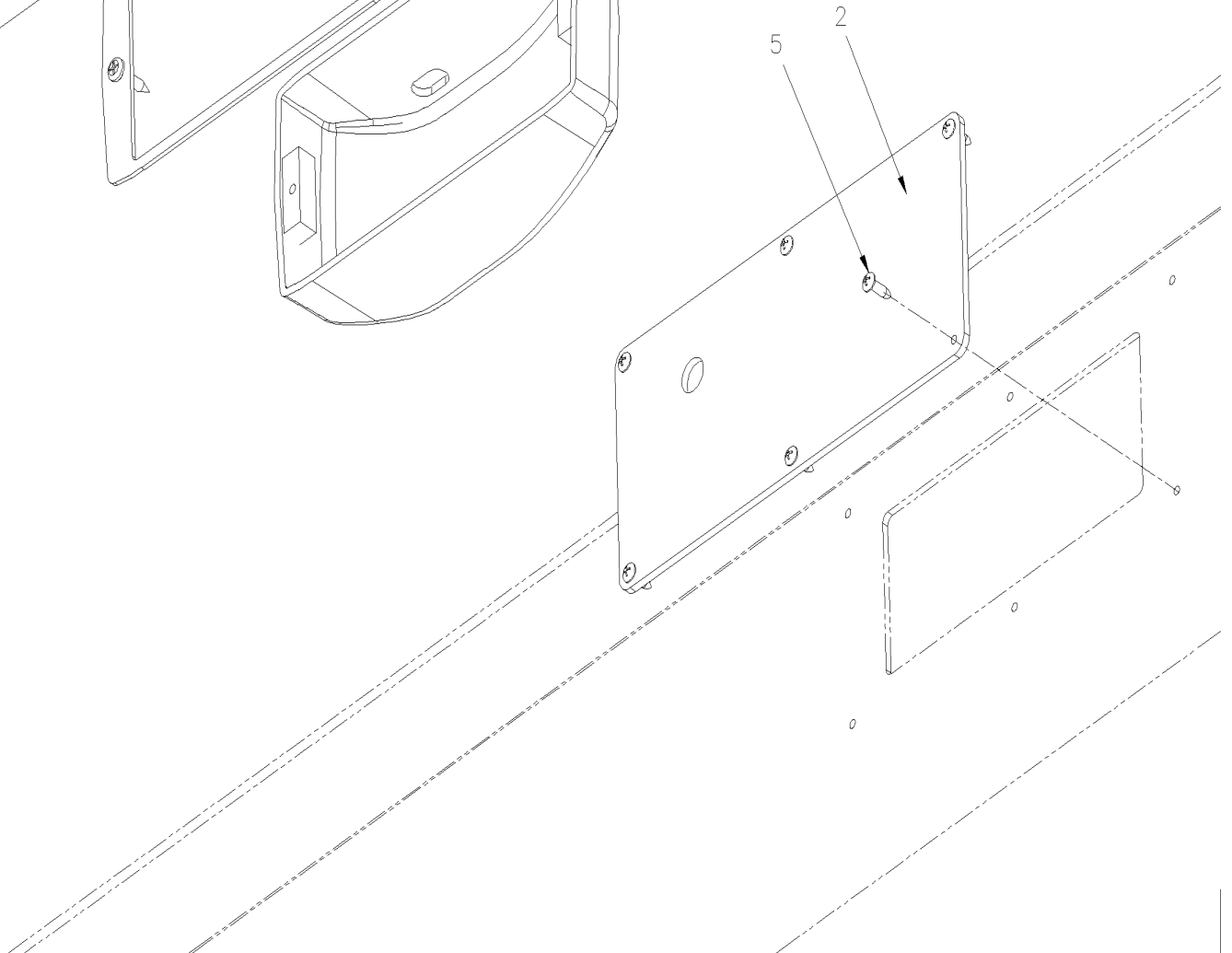
Date:10/2022

PAGE:340409

REPLACEMENT KIT DIGITAL CLOCK 24H



H3-41 & H3-45 ONLY





From 3-4417 To 8-1043	Date:10/2022	PAGE:340409
REPLACEMENT KIT DIGITAL CLOCK 24H		

Item#	Part	Description	H 3 4 1	H 3 4 5	V I P 4 5	N O T E S
1	901569	DIGITAL CLOCK, GREEN LEDS - 12H	1	1	1	
2	Call order desk	PLATE CLOSING	1	1		P
3	400133	SUPPORT DIGITAL CLOCK / STREET SIDE	1	1	1	
4	400236	COVER DIGITAL CLOCK	1	1	1	
5	500120	SCREW TP BDG PH #6x1/2 SS	6	6		
6	5001155	SCREW TP PAN PH #8X3/4 N050	5	5	5	
		P) CALL ORDER DESK FOR SPECIFIC APPLICATION (V.I.N.)				

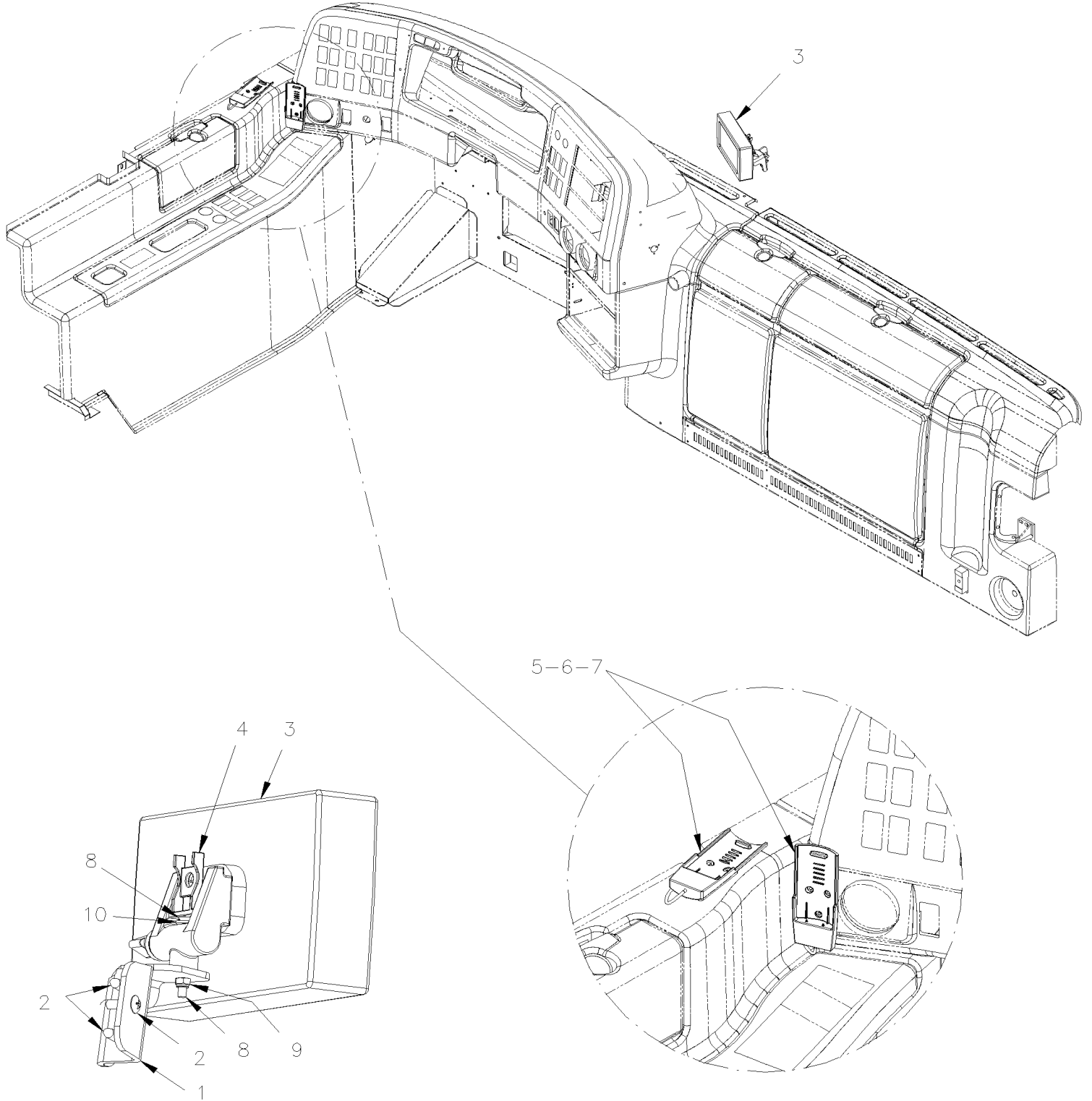


From 6-0643 To 8-1043

Date:10/2022

PAGE:HF-2319-00

GROUND POSITIONING SYSTEM - INSTALLATION





From 6-0643 To 8-1043 Date:10/2022 PAGE:HF-2319-00

GROUND POSITIONING SYSTEM - INSTALLATION

Item#	Part	Description	H 3 4 1	H 3 4 5	V I P 4 5	N O T E S
1	405814	SUPPORT "GPS" NAVIGATION SCREEN / "H" SERIES	1	1		
2	500957	SCREW TP BDG PH #10x3/4 N500	3	3		
3	901231	GPS NAVIGATION SCREEN	1	1		
4	901232	SUPPORT VIDEO FOR SCREEN	1	1		
5	901244	RECEPTACLE REMOTE CONTROL	1	1		
6	500286	NUT WELL #6-32	3	3		
7	5001303	SCREW MA BDG PH #6-32x1 ZP EMN	3	3		
8	502530	SCREW MA OV PH M4-0.7x40 SS	1	1		
9	500539	NUT HEX NYRT M4-0.7 N500	1	1		
10	502630	WASHER FL .156x.375x.049 Z050	1	1		
		ALSO USE FOR RETROFIT INSTALLATION				
NS	901230	CPU NAVIGATOR VDO / W/CD DVD FORMAT	1	1		
NS	901234	CONVERTER 24V @ 9V	1	1		
NS	901250	SWITCH AUDIO ASSY	1	1		
NS	901255	ANTENNA "GPS"	1	1		
NS	502561	NUT HEX M5-0.8 Z050	1	1		
NS	500470	WASHER LO SPT .193x.334x.047 Z050	1	1		
NS	066952	CABLE ASSY NAVIGATOR RCA & BNC	1	1		
NS	066953	CABLE ASSY NAVIGATOR W/MINI DIN CONNECTOR S/VIDEO	1	1		
NS	066954	CABLE INTERFACE W/CAMERA CLARION BLK& WHITE	1	1		B
26	067185	CABLE INTERFACE W/CAMERA "R.E.I." COLOR	1	1		C
NS	506755	VELCRO / HOOK ADHESIF 1" x 75'	AR	AR		
NS	506756	VELCRO / LOOP ADHESIF 1" x 75'	AR	AR		
NS	900774	CABLE, ANTENNA EXTENSION / 12'	1	1		
NS	900775	Y RADIO ANTENNA CABLE / TO USE W/2 RADIOS	1	1		
NS	901258	ADAPTOR / RADIO & ANTENNA CABLE 90° / EURO MALE to MOTOROLA FEM	1	1		
		B) BLACK & WHITE CAMERA MAY BE LINKED TO FRONT FLAT SCREEN "GPS" MONITOR # 901231 WITH CABLE #066954				
		C) COLOR CAMERA MAY BE LINKED TO FRONT FLAT SCREEN "GPS" MONITOR # 901231 WITH CABLE #067185				



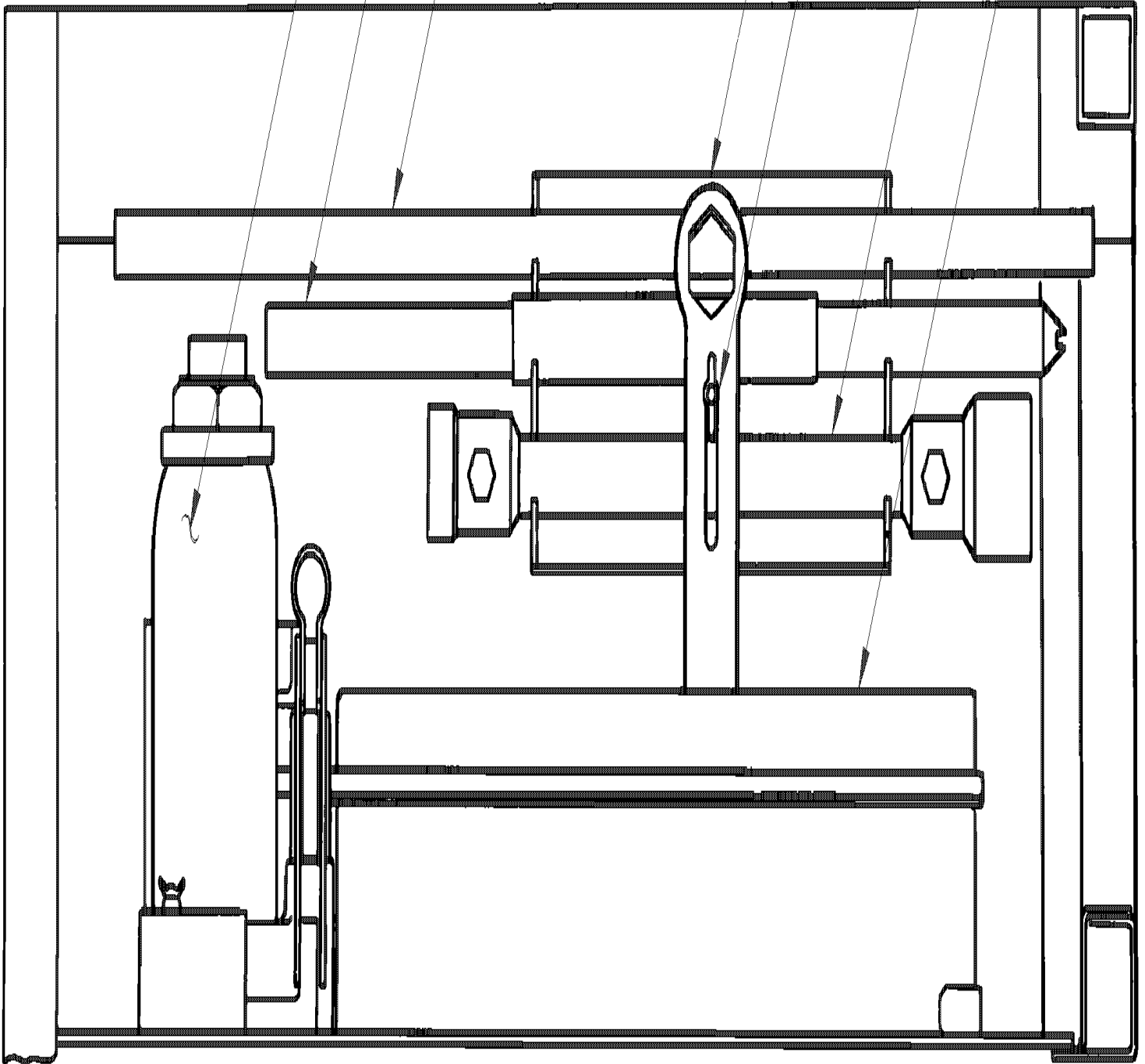
From 3-4417 To 8-1043

Date:10/2022

PAGE:HF-2320-00

JACK & FLARE KIT - INSTALLATION

1 1 2 3 4 5 6





From 3-4417 To 8-1043	Date:10/2022	PAGE:HF-2320-00
JACK & FLARE KIT - INSTALLATION		

Item#	Part	Description	H 3 4 1	H 3 4 5	V I P 4 5	N O T E S
1	505505	JACK, 12TONS	1	1	1	
NS	5001012	SCREW TH 5/16-18x1 1/2 BZC	1	1	1	
2	690002	HANDLE, W/WRENCH WHEEL NUT	1	1	1	
3	410556	KEY (FOR FRONT BUMPER NUT)	1	1	1	
. NS	410545	. KEY	1	1	1	
. NS	410557	. RUBBER	1	1	1	
4	500782	NUT WING 5/16-18 Z050	1	1	1	
5	690001	WRENCH, WHEEL NUT 1 1/2" & 13/16 SQUARE	1	1	1	
5	690005	WRENCH, WHEEL 33 MM	1	1	1	
6	930283	FLARE KIT, TRIANGULAR	1	1	1	
6	930442	FLARE KIT, TRIANGULAR	1	1	1	S
		S) SERVICE				

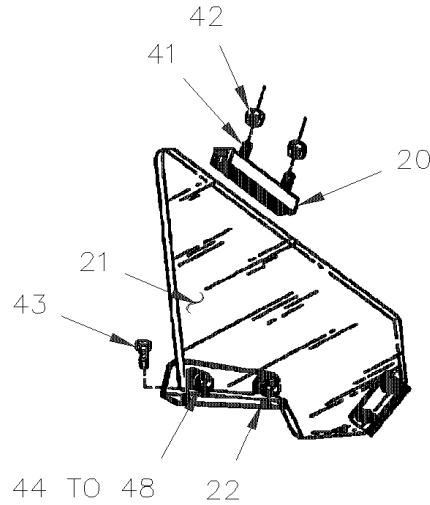
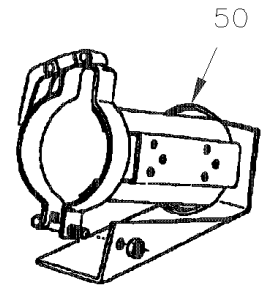
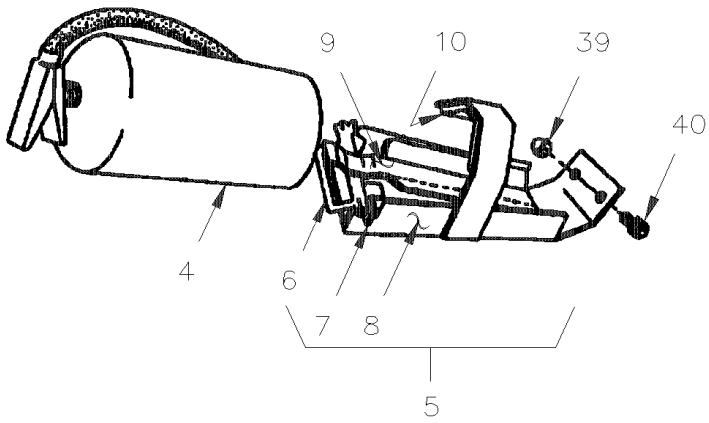
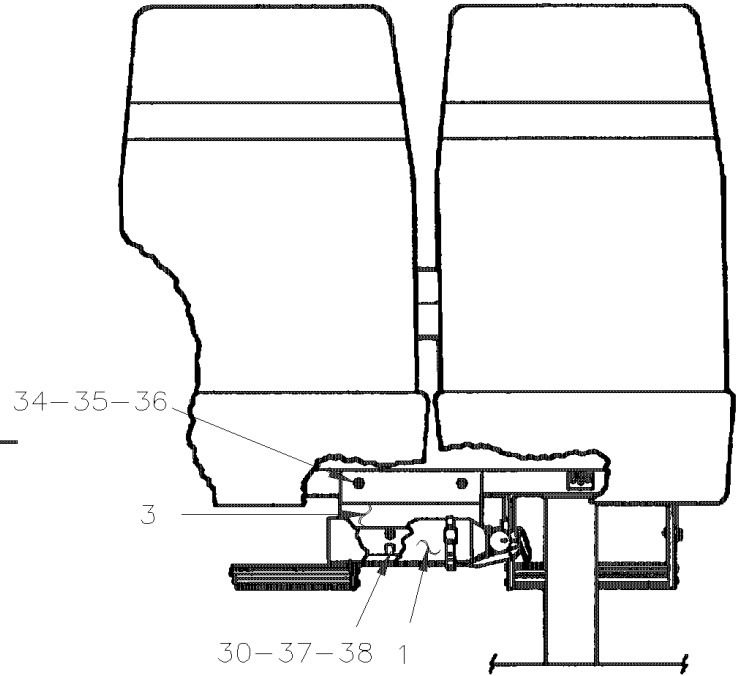
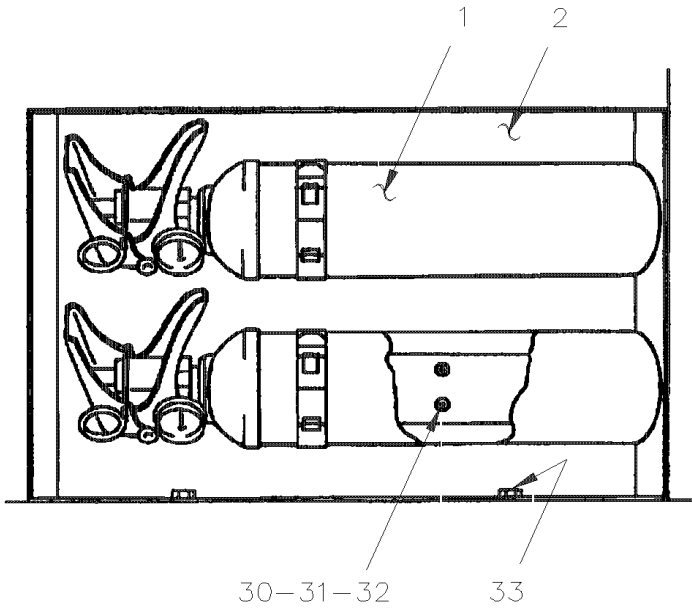


From 3-4417 To 8-1043

Date:10/2022

PAGE:HF-2320-30

EXTINGUISHER - INSTALLATION



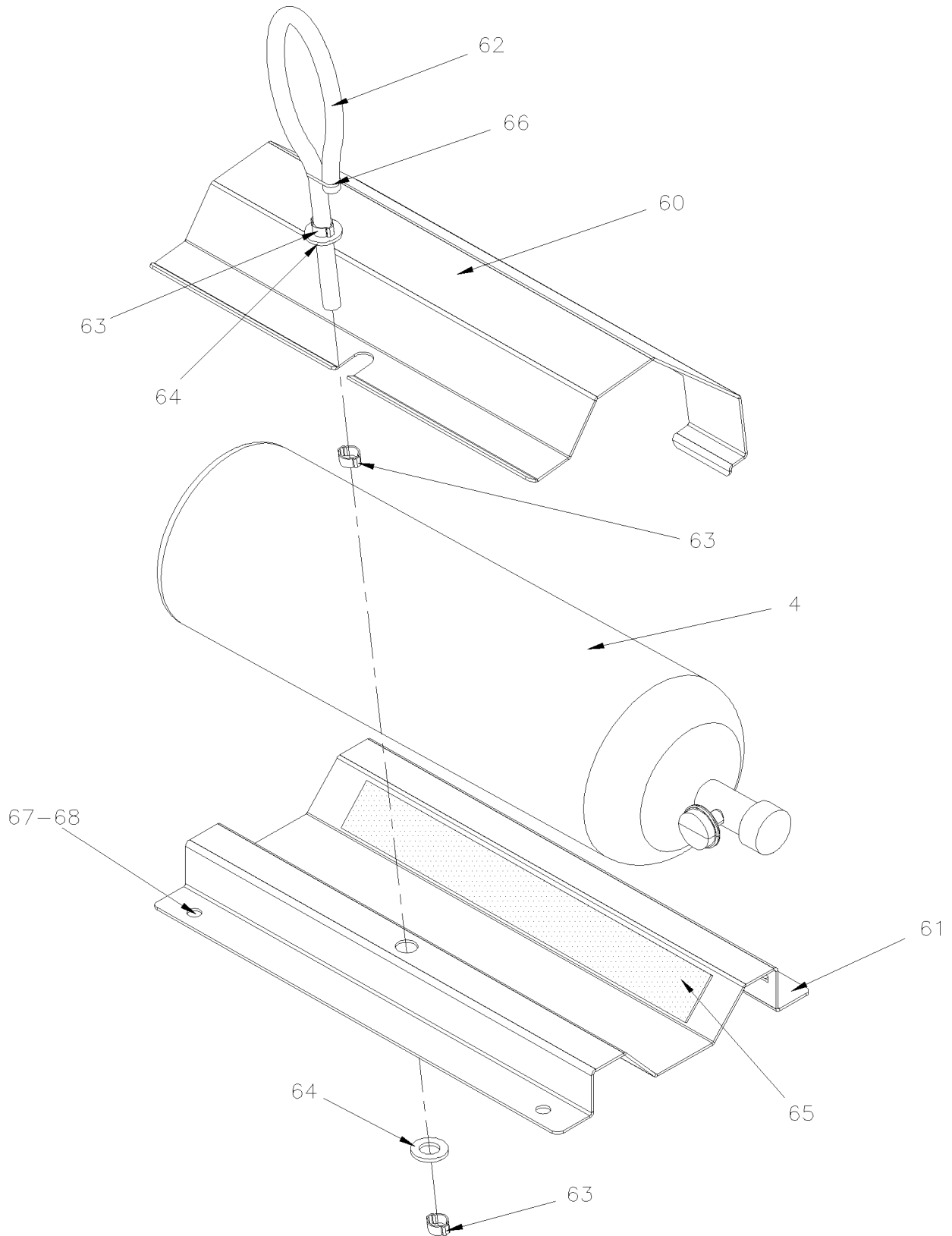


From 3-4417 To 8-1043

Date:10/2022

PAGE:HF-2320-30

EXTINGUISHER - INSTALLATION





From 3-4417 To 8-1043	Date:10/2022	PAGE:HF-2320-30
EXTINGUISHER - INSTALLATION		

Item#	Part	Description	H 3 4 1	H 3 4 5	V I P 4 5	N O T E S
1	900702	EXTINGUISHER 2.5 LBS / W/PLASTIC HANDLE	2		2	
2	324391	SUPPORT ASSY / EXTINGUISHER	1		1	
NS	327989	SUPPORT ASSY / EXTINGUISHER / OPTION "RED-ARROW" From 5-0387 To 5-0405		1		
3	324349	SUPPORT ASSY / EXTINGUISHER	2	2		
NS	470949	SPACER RUBBER 3/4" O.D. / S.Q.	2	2		
NS	900651	EXTINGUISHER 20 LBS	1	1		
NS	403465	SUPPORT / FOR EXTINGUISHER 20 LBS / UNDER SEAT	1	1		
NS	407589	SUPPORT ASSY / 10 LBS INTINGUISHER / IN DRIVER'S COMPT. STAIRWAY	1	1		
4	900449	EXTINGUISHER 10 LBS	1	1		
NS	900618	SUPPORT	1	1		
4	900618	SUPPORT	1	1		
5	403581	SUPPORT ASSY / 10 LBS INTINGUISHER / IN PARCEL RACK	1	1		
6	402575	HANDLE ASSY / TILTING SUPPORT	1	1		
7	402571	CLIP, SPRING	2	2		
8	404633	BRACKET ASSY / TILTING SUPPORT	1	1		
9	402567	SUPPORT, TILTING	1	1		
9	505188	PIN, SPRING 1/4" X 7/8"	1	1		
9	470949	SPACER RUBBER 3/4" O.D. / S.Q.	2	2		
10	506235	TAPE RUB ADH1 PVC.NITRIL 1/2" x 1" x 15' / BLACK 1210	AR	AR		
NS	325738	PLATE RETAINING WITH STUDS	2	2		A
NS	500411	WASHER FL .260x.697x.050 SS	4	4		A
NS	500771	NUT HEX 1/4-20 SS	4	4		A
NS	502570	WASHER LO SPT 6.1x11.8x1.6 SS	4	4		A
NS	324689	SPACER ASSY WITH CARPET	1	1		A
20	402555	FIXTURE, UPPER	2	2		
21	404645	GUARD, PLEXIGLASS	1	1		
22	404644	FIXTURE, LOWER	2	2		
30	500572	SCREW MA TR PH #10-24x1/2 SS BK	8	8		
31	500470	WASHER LO SPT .193x.334x.047 Z050	8	8		
32	500786	NUT HEX #10-24 Z050	8	8		
33	500535	SCREW TP CAP HEX #14x3/4 Z050	4	4		
34	500559	SCREW MA TR PH 1/4-20x1 1/2 SS EMN	4	4		
35	500468	WASHER FL .281x1.250x.065 Z050	4	4		
36	500770	NUT HEX STO 1/4-20 Z050	4	4		
37	500964	WASHER FL .203x.500x.047 Z050	8	8		
38	500767	NUT HEX #10-24 Z050	8	8		
39	500772	NUT HEX CAP 1/4-20 NP	2	2		
40	500394	SCREW MA TR SLT 1/4-20x1/2 Z050	2	2		
41	500510	SCREW MA BDG PH #10-32x3/4 SS EMN	4	4		
42	500519	NUT WELL #10-32x.518	4	4		
43	500657	SCREW TC TR PH #10-24x1/2 Z050	2	2		
44	500607	SCREW MA TR PH #10-24x1 SS	4	4		



From 3-4417 To 8-1043	Date:10/2022	PAGE:HF-2320-30
EXTINGUISHER - INSTALLATION		

Item#	Part	Description	H 3 4 1	H 3 4 5	V I P 4 5	N O T E S
45	500891	NUT HEX CAP #10-24 Z050	6	6		
46	900251	BUSHING, RUBBER	8	8		
47	400380	SPACER 5/16 O.D. x 17/32" x 18GA	4	4		
47	505539	SPACER 5/16 O.D. x 17/32" x 18GA	4	4		
48	500989	WASHER FL .219x.875x.062 Z050	4	4		
50	401821	SUPPORT / FOR EXTINGUISHER 10 LBS	1	1		
NS	323290	DECAL / FIRE EXTINGUISHER	1	1		
NS	407693	DECAL "FIRE EXTINGUISHER INSIDE" GREY	1	1		
NS	402763	DECAL / UNDER SEAT EXTINGUISHER	1	1		
NS	327523	DECAL / FIRE EXTINGUISHER / (PARCEL RACK DOOR	1	1		
60	405273	COVER, EXTINGUISHER 10 LBS	1	1		
61	405274	BASE SUPPORT EXTINGUISHER 10LBS	1	1		
62	405276	CORD, RUBBER 370MM	1	1		
. NS	506066	. CORD, RUBBER EXTRUSION NEO 7/16" O.D. / C.T.L.	AR	AR		
63	504452	CLAMP "E-Z CLIP" / "TUBE-O" / 7/16" / HC9-7	3	3		
64	5001458	WASHER FL 12.0x24.0x2.5 NYL	2	2		
65	506466	TAPE RUB ADH1 CC POL 1/16" x 1 1/2" x 100 / GREY 2520	AR	AR		
66	504637	CABLE TIE / 3/16" x 13"	AR	AR		
67	502706	SCREW TP PAN PH #14x1 SS	4	4		
68	500411	WASHER FL .260x.697x.050 SS	4	4		
		A) THOSE ITEMS ARE USE WITH 10LBS EXTINGUISHER IN STEPWELL COMPARTMENT				

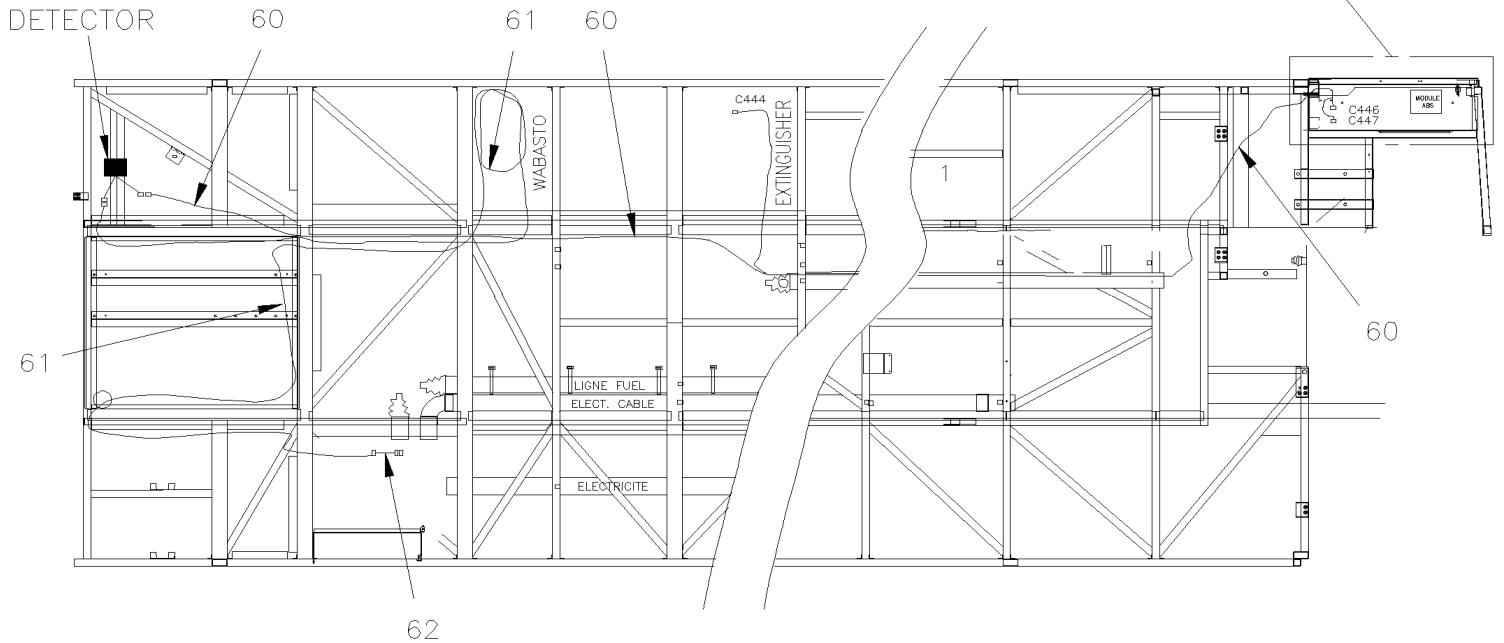
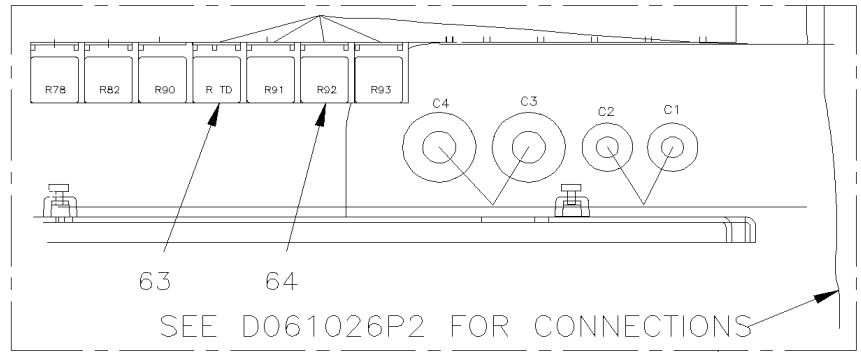
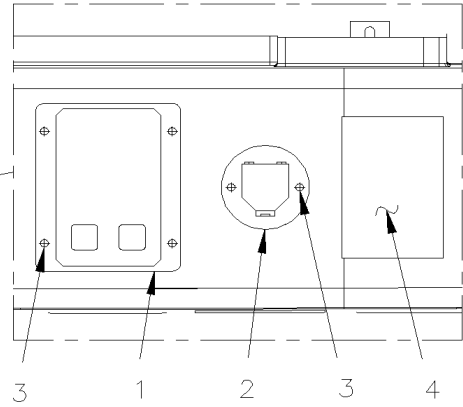
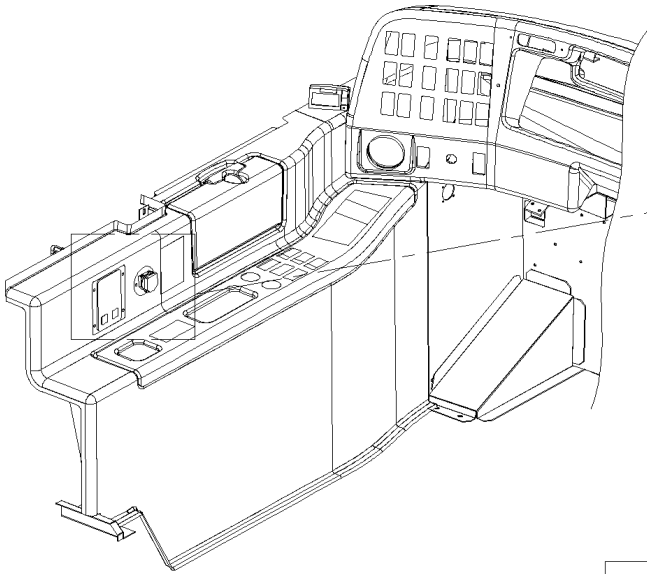


From 5-0230 To 8-1043

Date:10/2022

PAGE:HF-2320-35

FIRE PROTECTION SYSTEM INSTALLATION



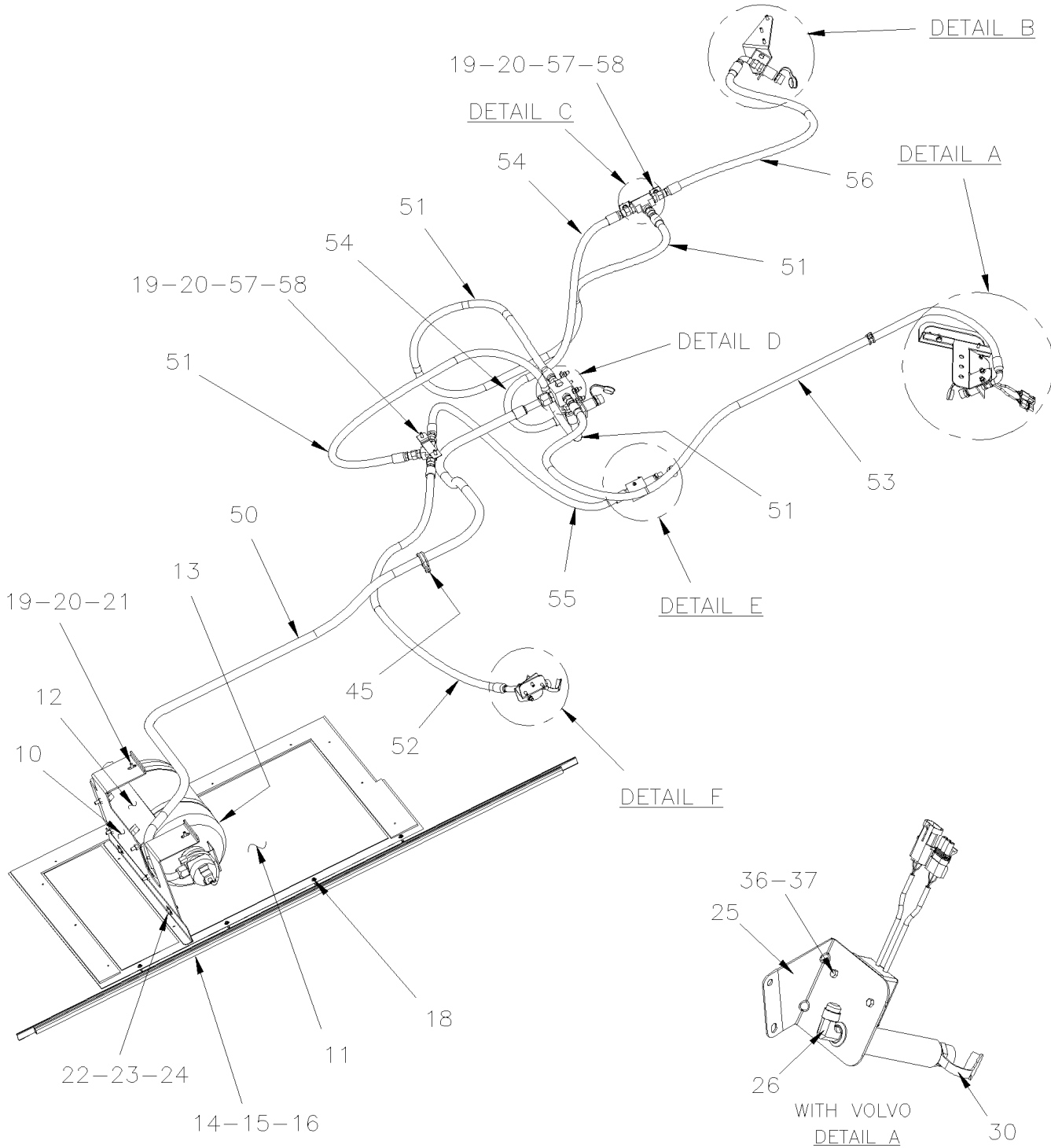


From 5-0230 To 8-1043

Date:10/2022

PAGE:HF-2320-35

FIRE PROTECTION SYSTEM INSTALLATION



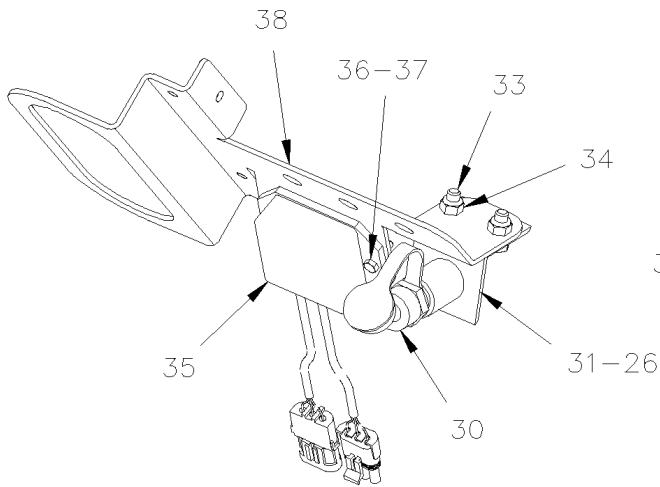


From 5-0230 To 8-1043

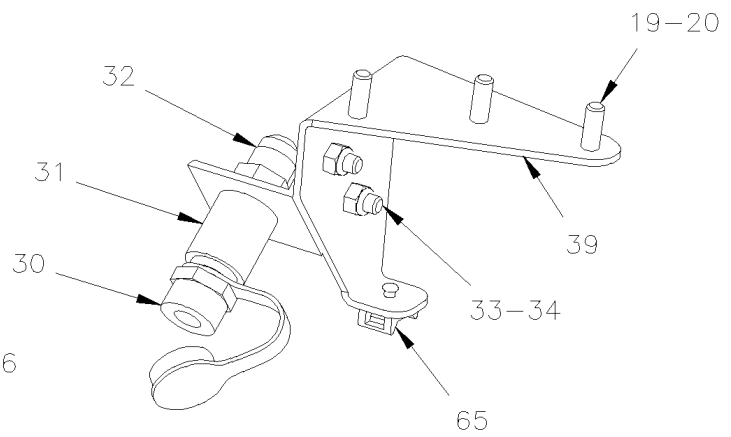
Date:10/2022

PAGE:HF-2320-35

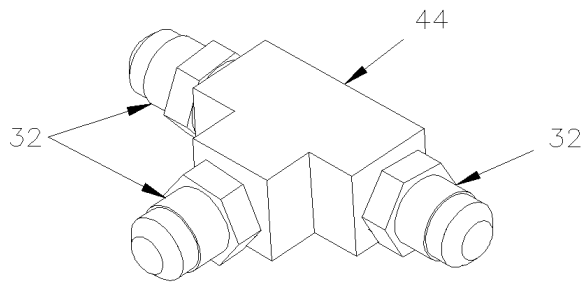
FIRE PROTECTION SYSTEM INSTALLATION



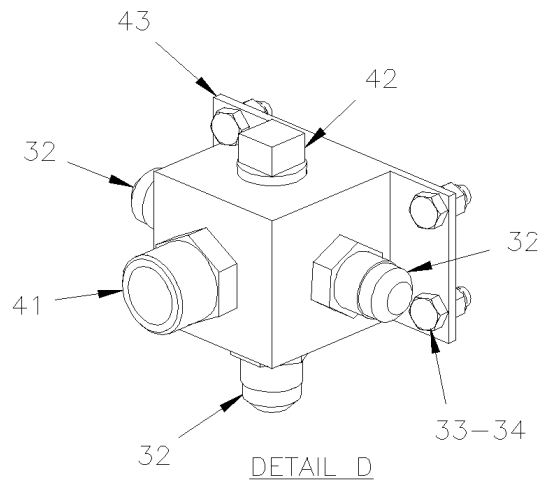
WITH DETROIT
DETAIL A



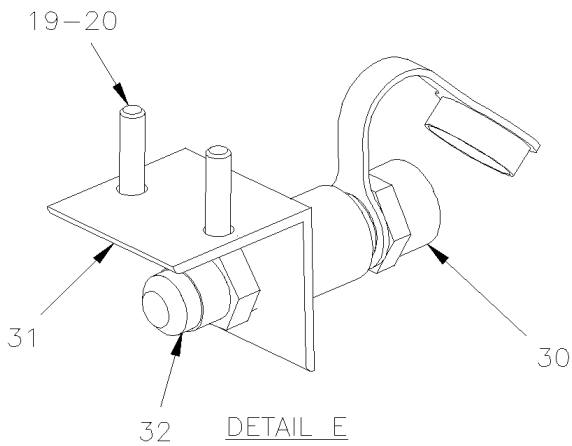
DETAIL B



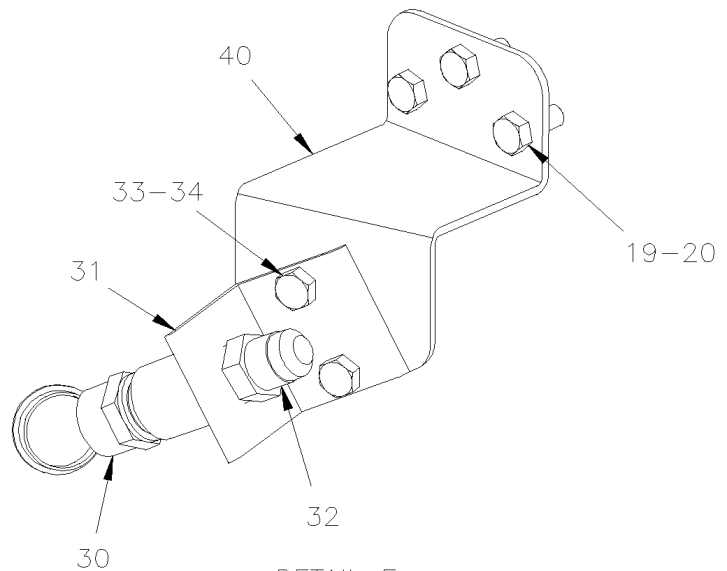
DETAIL C



DETAIL D



DETAIL E



DETAIL F



From 5-0230 To 8-1043	Date:10/2022	PAGE:HF-2320-35
FIRE PROTECTION SYSTEM INSTALLATION		

Item#	Part	Description	H 3 4 1	H 3 4 5	V I P 4 5	N O T E S
1	563455	PANEL FIRE PROTECTOR DISPLAY	1	1		
2	563456	BUTTON FIRE / MANUAL OPERATING	1	1		
. NS	563462	. SEAL BUTTON FIRE / MANUAL OPERATING	1	1		
3	500814	SCREW TP BDG PH #6x3/4 BK	6	6		
4	405725	DECAL / "IN CASE OF FIRE..." / ENGLISH & FRANCAIS	1	1		
4	405724	DECAL / "IN CASE OF FIRE..." / ENGLISH	1	1		
10	409129	SUPPORT EXTINGUISHER	1	1		
11	460630P	PANEL ASSY FIRE INSTINGUISHER INSTALLATION	1	1		
. NS	460629	. SLIDING PANEL FIRE / PROTECTOR	1	1		
. NS	460628	. PANEL ASSY FIRE / PROTECTOR	1	1		
. NS	464676	. INSULATING PANEL	1	1		
. NS	464677	. INSULATING PANEL	1	1		
. NS	504339	. RIVET POP DOME OE 1/8x3/8 SS	10	10		
12	901126	BRACKET EXTINGUISHER	1	1		
. NS	901389	. COLLAR TO FIX EXTINGUISHER	2	2		
13	901125	EXTINGUISHER 25 LBS	1	1		
. NS	901299	. KIT REPAIR, FIRE EXTINGUISHER SYSTEM	1	1		
14	460494	RUBBER SEAL EXTRUSION / 1820MM	1	1		
14	460675	RUBBER SEAL EXTRUSION / 1820MM	1	1		
14	460688	RUBBER SEAL EXTRUSION / 1820MM	1	1		
14	460029	RUBBER SEAL EXTRUSION / 1820MM	1	1		
15	504339	RIVET POP DOME OE 1/8x3/8 SS	2	2		
16	500157	WASHER FL .125x.375x.032 SS	2	2		
17	500526	SCREW TP CAP HEXW #12x3/4 N500	4	4		
19	502848	SCREW TC CAP HEXF 1/4-20x3/4 N500	AR	AR		
20	955920	WASHER LO SPT 6.5x11.5x1.6 ZP	18	18		
21	500411	WASHER FL .260x.697x.050 SS	2	2		
22	955297	SCREW CAP HEX M8-1.25x25 G8.8 ZG603	6	6		
23	5001161	WASHER LO SPT 8.1x14.8x2.0 SS-304	6	6		
24	5001448	WASHER FL .343x.875x.062 SS18-8	2	2		
30	901128	NOZZLE DRY CHEMICAL	5	5		
. NS	901184	. CAP PROTECTOR NOZZLE	1	1		
31	901127	BRACKET SUPPORT 90 DEG	5	5		
32	501616	MALE CONNECTOR / SAE 45° FITTING / #8FL-Mx1/2NPT-M BR	AR	AR		
33	502862	SCREW CAP HEX M8-1.25x20 G8.8 N500	16	16		
34	502847	NUT HEX NYRT M8-1.25 N500	16	16		
35	563457	FIRE SENSOR PM-3M	1	1		
36	5001146	SCREW CAP HEX M5-0.8x20 SS BK	2	2		
37	502841	NUT HEX NYRT M5-0.8 N500	2	2		
38	408118	SUPPORT FIRE NOZZLE, LAMP & SENSOR	1	1		
39	408116	SUPPORT FIRE NOZZLE / RESERVOIR SECTION	1	1		
40	408119	SUPPORT FIRE NOZZLE / WATER HEATER SECTION	1	1		



From 5-0230 To 8-1043	Date:10/2022	PAGE:HF-2320-35
FIRE PROTECTION SYSTEM INSTALLATION		

Item#	Part	Description	H 3 4 1	H 3 4 5	V I P 4 5	N O T E S
41	507581	NIPPLE HEX / PIPE FITTING / 3/4NPT-Mx3/4NPT-Mx1 9/16 BR	1	1		
42	501306	PLUG SQUARE HEAD / PIPE FITTING / 1/2NPT-M BR	1	1		
43	901133	BLOCK DISTRIBUTOR EXTINGUISHER	1	1		
44	501472	FEMALE UNION TEE / PIPE FITTING / 1/2NPT-Fx1/2NPT-Fx1/2NPT-F BR	1	1		
45	952631	CLAMP / 3/4" I.D.	14	14		
45	952637	CLAMP / 1"1/16 I.D.	4	4		
47	500623	SCREW TC PAN PH #10-24x3/4 N500	18	18		
48	500470	WASHER LO SPT .193x.334x.047 Z050	18	18		
49	5001137	WASHER FL .203x.438x.050 SS	18	18		
50	409133	HOSE ASSY / #12 2750MM	1	1		
. NS	507280	. O-RING / ORS FITTING / #12 NEO	2	2		
50	455163	HOSE ASSY / #12 2750MM SERVICE	1	1		S
. NS	507280	. O-RING / ORS FITTING / #12 NEO	2	2		S
51	409134	HOSE ASSY / #8 1525MM	2	2		
52	409135	HOSE ASSY / #8 1220MM	1	1		
53	409136	HOSE ASSY / #8 2750MM	1	1		
54	409137	HOSE ASSY / #8 915MM	1	1		
55	409139	HOSE ASSY / #8 1220MM	1	1		
56	409140	HOSE ASSY / #8 915MM	1	1		
57	409138	SUPPORT	2	2		
58	504021	HOSE CLAMP / 11/16"-1"1/2 SS / HS-16	AR	AR		
NS	405727	KIT, RETROFIT FIRE EXTINGUISHER	1	1		
. NS	IS-04083	. SEE INSTRUCTION SHEET	1	1		
NS	060904	KIT, CABLE FIRE SENSOR DETECTOR / W/OUT MUX To 5-0167	1	1		
. NS	IS-04083	. SEE INSTRUCTION SHEET To 5-0167	1	1		
NS	060903	KIT, CABLE FIRE SENSOR DETECTOR / W/MUX From 5-0168	1	1		
. NS	IS-04083	. SEE INSTRUCTION SHEET From 5-0168	1	1		
60	066397	. CABLE ASSY / FIRE DETECTOR / W/OUT MUX To 5-0167	1	1		
60	066463	. CABLE ASSY / FIRE DETECTOR / W/MUX From 5-0168 To 7-0947	1	1		
60	067497	. CABLE ASSY / FIRE DETECTOR FRT JCT BOX From 7-0948	1	1		
60	067498	. CABLE ASSY / FIRE DETECTOR REAR SECTION From 7-0948	1	1		
61	563458	. CABLE THERMO DETECTOR (LINEAR FIRE CABLE) / 35 ft / 168C/180C // 334F/356F	1	1		
62	563587	. MODULE DETECTOR / END CIRCUIT	1	1		
63	563615	. RELAY, TIME DELAY RELAY - OFF / 2 HOURS	1	1		
64	563332	. RELAY 24V S.P.D.T. W/RESISTOR / "VOLVO" (20374662)	1	1		
65	504013	. TIE MOUNT / 1/4" X 1/4" I.D.	1	1		
NS	504248	. RIVET CHY Q PRDG 3/16x1/4 SS	1	1		
NS	19500355	TEST KIT EXTINGUISHER 25LBS / WSIMULATOR & POWER CABLE	1	1		
. NS	685536	. POWER CABLE / USED W 24VOLT	1	1		
. NS	685537	. SOURCE SIMILATOR	1	1		



From 5-0230 To 8-1043	Date:10/2022	PAGE:HF-2320-35
FIRE PROTECTION SYSTEM INSTALLATION		

Item#	Part	Description	H 3 4 1	H 3 4 5	V I P 4 5	N O T E S
. NS	901301	. TEST KIT EXTINGUISHER 25LBS	1	1		
. . NS	685128	. . VALVE SIMULATOR / EXTINGUISHER 25LBS	1	1		
. . NS	685129	. . TEST SWITCH W/CABLE 48" / EXTINGUISHER 25LBS	1	1		
. . NS	N.P.N.	. . STORAGE CASE	1	1		4
NS	901301	TEST KIT EXTINGUISHER 25LBS	1	1		
. NS	685128	. VALVE SIMULATOR / EXTINGUISHER 25LBS	1	1		
. NS	685129	. TEST SWITCH W/CABLE 48" / EXTINGUISHER 25LBS	1	1		
. NS	N.P.N.	. STORAGE CASE	1	1		4
67	068139	KIT CABLE SUPPORT / THERMAL PROTECTOR RETROFIT	1	1	1	
. A	071638	. BASE SUPPORT / W/NUT M4-0.7	1	1	1	
. B	509815	. TIE MOUNT / ATTACHMENT W/TREE MOUNT	1	1	1	
. C	071639	. ANGLE CABLE SUPPORT / THERMAL DETECTOR 25.4MMx 61.3MMx25.4	1	1	1	
. D	504013	. TIE MOUNT / 1/4" X 1/4" I.D.	1	1	1	
. E	502556	. WASHER FL 4.3x9.0x0.8 SS	1	1	1	
. F	502834	. WASHER LO SPT 4.1x7.6x0.9 N500	1	1	1	
. G	502685	. SCREW CAP HEX M4-0.7x20 SS EMN	1	1	1	
		S) SERVICE				
		4) NO PARTS NUMBER				

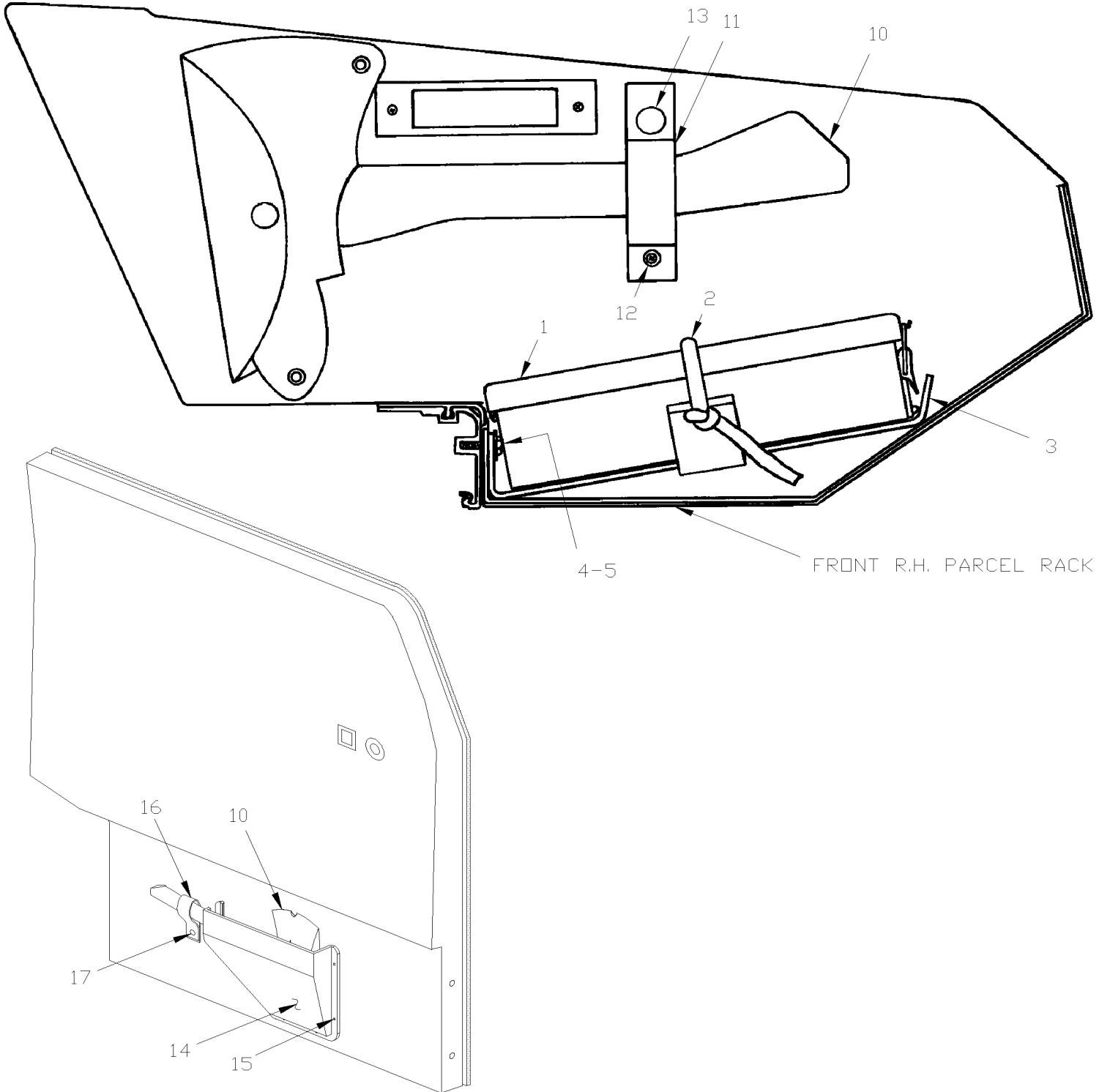


From 3-4417 To 8-1043

Date:10/2022

PAGE:HF-2320-40

FIRST AID KIT & AXE - INSTALLATION





From 3-4417 To 8-1043	Date:10/2022	PAGE:HF-2320-40
FIRST AID KIT & AXE - INSTALLATION		

Item#	Part	Description	H 3 4 1	H 3 4 5	V I P 4 5	N O T E S
1	900014	KIT, FIRST AID (SMALL)	1	1		
1	900767	KIT, FIRST AID (EXTRA LARGE) / W / W.C.L.	1	1		
1	900990	KIT, FIRST AID / SASKATCHEWAN MODEL	1	1		
1	900991	KIT, FIRST AID / MANITOBA & N-BRUNSWICK MODEL	1	1		
1	900992	KIT, FIRST AID / NOVA-SCOTIA MODEL	1	1		
1	900993	KIT, FIRST AID / ALBERTA MODEL	1	1		
1	900994	KIT, FIRST AID / NEWFUNLAND MODEL	1	1		
1	900995	KIT, FIRST AID / QUEBEC & BRI. COLUMBIA MODEL	1	1		
1	900996	KIT, FIRST AID / ONTARIO, I.P.E. & USA MODEL	1	1		
NS	323292	DECAL / FIRST AID	1	1		
NS	327524	DECAL / FIRST AID / (PARCEL RACK DOOR)	1	1		
NS	195889	KIT "EMERGENCY CLEANING" BIOHAZARD CASE OF 25	AR	AR		
1	19503251	KIT "EMERGENCY CLEANING" STANDARD	AR	AR		
2	506066	CORD, RUBBER EXTRUSION NEO 7/16" O.D. / C.T.L.	1	1		
NS	504452	CLAMP "E-Z CLIP" / "TUBE-O" / 7/16" / HC9-7	1	1		
NS	502525	WASHER FL .484x.750x.031 Z050	1	1		
3	312807	SUPPORT ASSY / W/FIRST AID KIT (SMALL) / 139MM	1	1		
3	312806	SUPPORT ASSY / W/FIRST AID KIT (LARGE) / 205MM	1	1		
4	500162	SCREW CAP HEX 1/4-20x1/2 G5 Z050	1	1		
5	500440	WASHER FL .250x.562x.065 Z050	1	1		
10	900046	FIRE AXE To 5-0136	1	1		
10	901132	FIRE AXE From 5-0137	1	1		
NS	323291	DECAL / AXE	1	1		
NS	901134	FIRE AXE CASE LEATHER From 5-0137	1	1		
11	403582	STRAP / TO FIX AXE	1	1		
NS	506035	TAPE RUB ADH1 NEO 1/2" x 1" x 15' / BLACK 1220X	1	1		
12	504106	RIVET POP DOME OE 1/8x1/4 AL	1	1		
NS	500157	WASHER FL .125x.375x.032 SS	3	3		
13	504003	FASTENER RIVET BASE	3	3		
NS	504107	RIVET POP DOME OE 1/8x5/16 AL	1	1		
14	405180	SUPPORT ASSY W/BUMPER	1	1		
15	504339	RIVET POP DOME OE 1/8x3/8 SS	8	8		
16	404922	STRAP / TO FIX AXE	1	1		
17	504003	FASTENER RIVET BASE	1	1		

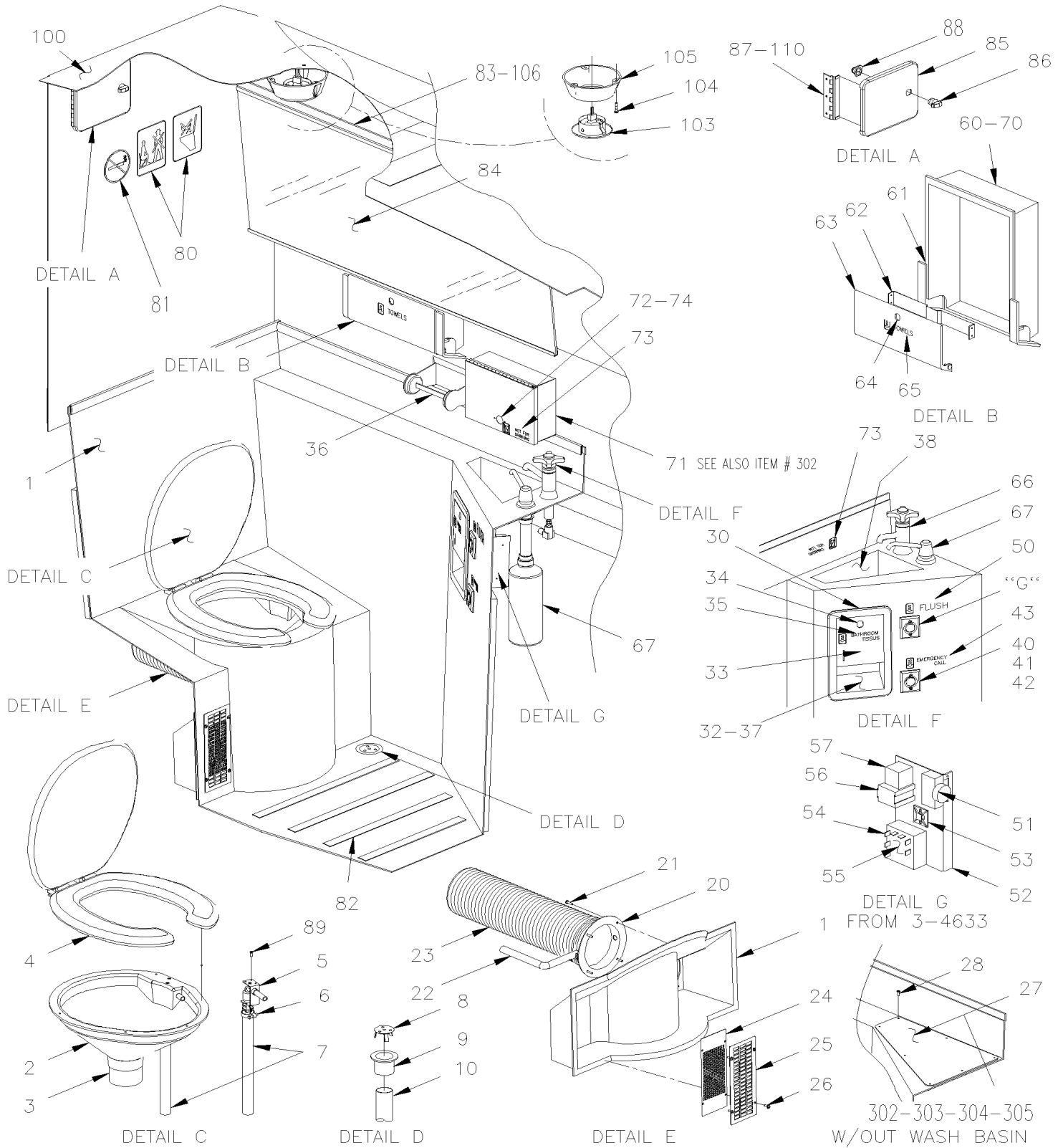


From 3-4417 To 8-1043

Date:10/2022

PAGE:HF-2325-00

LAVATORY - ACCESSORIES



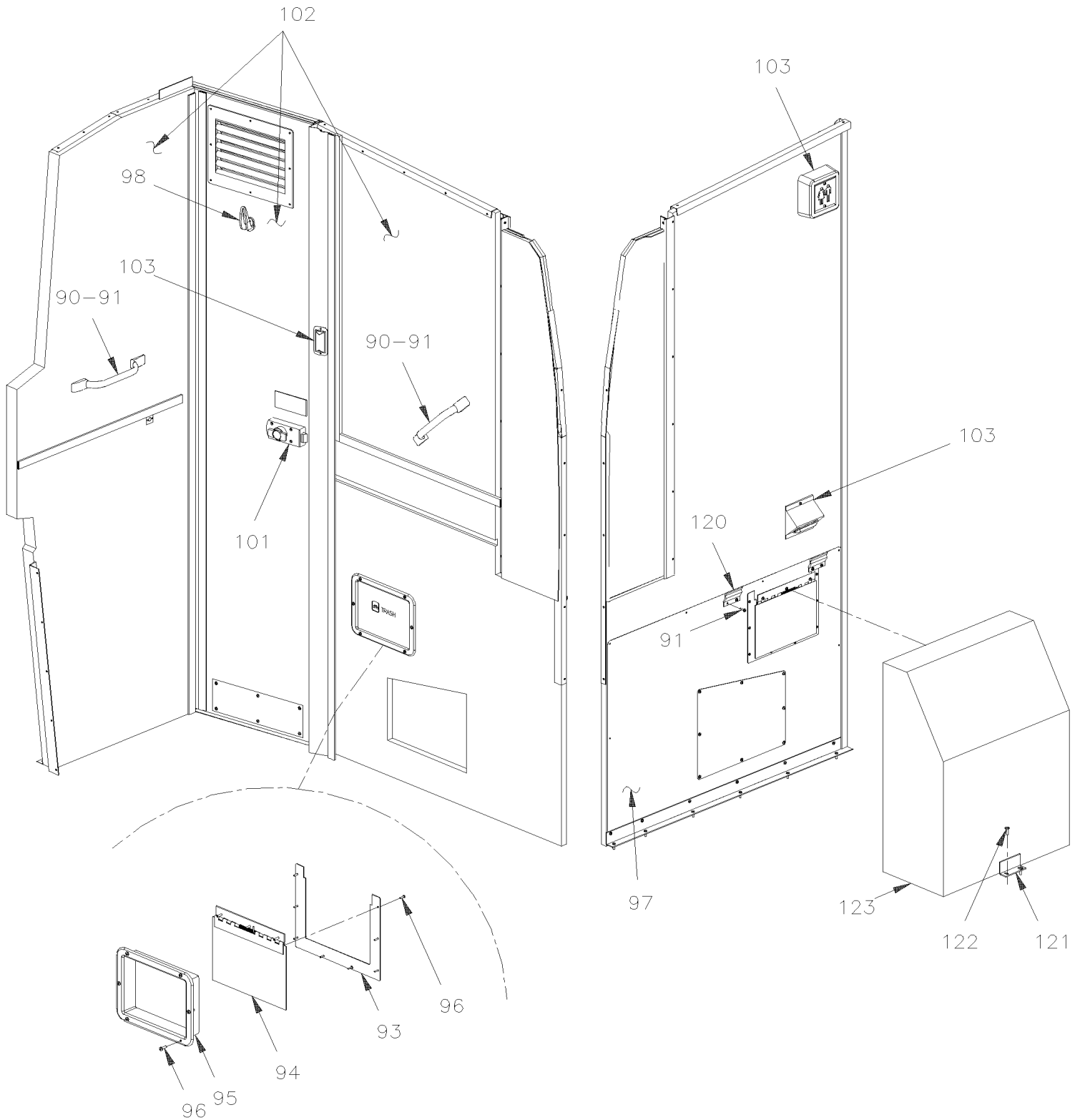


From 3-4417 To 8-1043

Date:10/2022

PAGE:HF-2325-00

LAVATORY - ACCESSORIES





From 3-4417 To 8-1043	Date:10/2022	PAGE:HF-2325-00
LAVATORY - ACCESSORIES		

Item#	Part	Description	H 3 4 1	H 3 4 5	V I P 4 5	N O T E S
	407524	LAVATORY ASSY W/BASIN WASH	1	1		
	403168P	LAVATORY ASSY W/BASIN WASH	1	1		
1	404095	TOILET FIBERGLASS ASSY To 3-4537	1	1		
1	405363	TOILET FIBERGLASS ASSY From 3-4538 To 3-4632	1	1		
1	405410	TOILET FIBERGLASS ASSY From 3-4633	1	1		
1	408226	TOILET FIBERGLASS ASSY / W/W.C.L. "RED ARROW" From 6-0405	1	1		
1	404099	TOILET FIBERGLASS ASSY / W/W.C.L. "ST & ST" To 3-4537	1	1		
1	405370	TOILET FIBERGLASS ASSY / W/W.C.L. "ST & ST" From 3-4538 To 3-4632	1	1		
1	405411	TOILET FIBERGLASS ASSY / W/W.C.L. "ST & ST" From 3-4633 To 6-0335	1	1		
2	403084	BOWL ASSY, TOILET / W/SS LAVATORY To 3-4537	1	1		
2	901049	BOWL ASSY, TOILET / W/ACRYLIC LAVATORY From 3-4538	1	1		
3	404322	PIPE ABS 3" I.D. X 73MM	1	1		
4	900338	SEAT & COVER ASSY, TOILET / "BEMIS"	1	1		
NS	504427	NUT WELL 1/4-20	2	2		
NS	500610	SCREW MA RND PH 1/4x1 3/4 SS	2	2		
5	405361	SUPPORT	1	1		
5	405362	PIPE ASSY	1	1		
6	504319	HOSE CLAMP / 1"-1"1/2 SS / E.T. 16	1	1		
7	403191	HOSE 3/4" I.D. x 1900MM	1	1		
8	401927	GRILLE ASSY, STRAINER	1	1		
9	900219	STRAINER ASSY, FLOOR	1	1		
NS	900861	PIGTAIL / DRAIN TUBE	1	1		
10	590285	DRAIN BOOT 2" I.D. X 6" / FLAT	1	1		
NS	504019	HOSE CLAMP / 9/16"-1"1/16 SS / HS-10	1	1		
20	403060	FLANGE HOSE ADAPTOR 4" O.D. / W/5/8" HOSE	1	1		
21	500641	SCREW TP PAN PH #8x3/4 Z050	4	4		
22	403190	HOSE 5/8" I.D. 500MM	1	1		
23	403058	HOSE FLEXIBLE 5" I.D. X 460MM	1	1		
24	283827	SCREEN 84.5 x 223	1	1		
25	403151	GRILLE / SIDE OF BOWL / 91MM x 226MM	1	1		
26	500638	SCREW TP PAN PH #8x1/2 Z050	8	8		
27	403382	COVER / FORMICA / W/O WASHBASSIN	AR	AR		
27	404198	COVER / SS / W/O WASHBASSIN	AR	AR		
28	500656	SCREW TP OV PH #6x3/4 SS	7	7		
NS	500463	WASHER FN CKF .187x.500x.090 BR Z050	7	7		
30	404754	DISPENSER ASSY / PLASTIC GREY	1	1		
32	404748	. BOX / PLASTIC GREY	1	1		
33	404747	. DOOR / PLASTIC GREY	1	1		
34	780538	. LOCK	1	1		
. NS	780539	. . KEY / (CH751)	1	1		
NS	403145	SUPPORT DISPENSER	1	1		
NS	502789	SCREW MA PAN PH M6-1.0x20 Z050	1	1		



From 3-4417 To 8-1043	Date:10/2022	PAGE:HF-2325-00
LAVATORY - ACCESSORIES		

Item#	Part	Description	H 3 4 1	H 3 4 5	V I P 4 5	N O T E S
NS	900085	PAPER, TOILET / BOX OF 96 PACK	AR	AR		
35	402746	DECAL / "BATHROOM TISSUS" / ENGLISH To 6-0341	1	1		
35	402586	DECAL / "PAPIER HYGIENIQUE" To 6-0341	1	1		
35	407541	DECAL / "BATHROOM TISSUS" / ENGLISH & FRANCAIS From 6-0342	1	1		
35	405633	DECAL / "BATHROOM TISSUS" / ENGLISH & SPANISH	1	1		
36	900656	DISPENSER / TOILET PAPER ASSY (TO USE W/STD) ROLL)	1	1		
NS	900657	PAPER, TOILET / ROLL S.Q.	AR	AR		
37	403553	CLOSING PANEL SS	1	1		
38	900509	STRAINER / WASHBASIN	1	1		
40	561676	BUTTON / EMERGENCY	1	1		
41	403040	PROTECTOR / EMERGENCY SWITCH / PLASTIC GREY / 44MM X 54MM	2	2		
NS	500148	SCREW MA RND PH #6-32x1/2 SS	4	4		
42	500862	SCREW TC PAN PH #6-32x3/4 Z050	2	2		
43	402745	DECAL / "EMERGENCY CALL" / ENGLISH To 6-0341	1	1		
43	402582	DECAL / "APPEL D'URGENCE" To 6-0341	1	1		
43	405452	DECAL / "EMERGENCY CALL" / ENGLISH & FRANCAIS From 6-0342	1	1		
43	405632	DECAL / "EMERGENCY CALL" / ENGLISH & SPANISH	1	1		
44	402585	DECAL / "POUBELLE"	1	1		
44	407540	DECAL / "TRASH" / ENGLISH & FRANCAIS	1	1		
44	405630	DECAL / "TRASH" / ENGLISH & SPANISH	1	1		
50	402744	DECAL / LAVATORY PUMP FLUSH / ENGLISH To 6-0341	1	1		
50	402587	DECAL / "CHASSE D'EAU" To 6-0341	1	1		
50	405414	DECAL / "FLUSH" / ENGLISH & FRANCAIS From 6-0342	1	1		
50	405631	DECAL / LAVATORY PUMP FLUSH / ENGLISH & SPANISH	1	1		
51	900349	PUSH BUTTON, OPERATOR To 3-4632	1	1		C
NS	900350	. BRACKET, MOUNTING To 3-4632	1	1		C
NS	900348	. SWITCH, TIMER To 3-4632	1	1		C
51	900602	. PUSH BUTTON / OPERATOR From 3-4633 To 5-0167	1	1		
51	563326	. PUSH BUTTON / OPERATOR / BLACK From 5-0168	1	1		
52	382030	. FLUSH PUMP SWITCH ASSY From 3-4633 To 5-0167	1	1		
52	382031	. . SUPPORT From 3-4633 To 5-0167	1	1		
53	562679	. . 4 WAY ADH. BACKED MOUNTS 1.000 x 1.000 x .160 From 3-4633 To 5-0167	1	1		
54	065830	. . RESISTOR ASSY 1M OHMS 1/2 W From 3-4633 To 5-0167	1	1		
55	563327	. . TIME DELAY OFF From 3-4633 To 5-0167	1	1		
56	065813	. . CABLE ASSY / TIMER FLUSH PUMP From 3-4633 To 5-0167	1	1		
57	563332	. . RELAY 24V S.P.D.T. W/RESISTOR / "VOLVO" (20374662) From 3-4633 To 5-0167	1	1		
NS	065514	CABLE ASSY / TIMER & ACCESSORIES To 3-4632	1	1		
NS	065829	CABLE ASSY / TIMER & ACCESSORIES From 3-4633 To 5-0167	1	1		
57	066218	CABLE ASSY / TIMER & ACCESSORIES / MUX From 5-0168	1	1		
60	404753	DISPENSER ASSY / PLASTIC GREY	1	1		
61	404746	. BOX / PLASTIC GREY	1	1		
62	403161	. SUPPORT, ALUMINIUM	1	1		



From 3-4417 To 8-1043	Date:10/2022	PAGE:HF-2325-00
LAVATORY - ACCESSORIES		

Item#	Part	Description	H 3 4 1	H 3 4 5	V I P 4 5	N O T E S
63	404745	. DOOR / PLASTIC GREY	1	1		
64	780538	. LOCK	1	1		B
. NS	780539	. . KEY / (CH751)	1	1		B
65	402584	DECAL / "ESSUIE-MAIN" To 6-0341	1	1		
65	402747	DECAL / "TOWELS" To 6-0341	1	1		
65	407539	DECAL / "TOWELS" / ENGLISH & FRANCAIS From 6-0342	1	1		
65	405634	DECAL / "TOWELS" / ENGLISH & SPANISH	1	1		
66	900582	FAUCET	1	1		
67	900084	DISPENSER / SOAP	1	1		
NS	19501055	SOAP BASE ANGLED COUNTER MOUNT ROUND 2" O.D. / WHITE	AR	AR		
NS	19503252	SOAP BASE ANGLED COUNTER MOUNT ROUND 2" O.D. / BLACK	AR	AR		
NS	19501054	SOAP BASE 12° ANGLED COUNTER MOUNT ROUND 2" 5/8" / BLACK	AR	AR		
NS	19503186	HAND SANITIZER WATERLESS ALCOHOLIC SCREWABLE BOTTLE	AR	AR		
NS	19503185	HAND SANITIZER WATERLESS NON-ALCOHOLIC SCREWABLE BOTTLE	AR	AR		
NS	19503187	HAND & FACE REFRESHER TOWELLETES	AR	AR		
70	900328	TOWEL, PAPER	AR	AR		
NS	403891	CLOSING PANEL SS / TO USE W/O DISPENSER ASSY	1	1		
NS	500640	SCREW TP PAN PH #6x3/4 Z050	6	6		F
NS	500996	NUT SPR U #6-32 .135-.150	6	6		F
71	404999	DISPENSER SS / WET TOWELS	1	1		
NS	402026	. BOX	1	1		
72	901051	. LOCK	1	1		
72	N.S.S.	. . KEY	1	1		1
73	402583	DECAL / "NON POTABLE" To 6-0341	1	1		
73	402748	DECAL / "NOT FOR DRINKING" / ENGLISH To 6-0341	1	1		
73	407538	DECAL / "NOT FOR DRINKING" / ENGLISH & FRANCAIS From 6-0342	1	1		
73	405635	DECAL / "NOT FOR DRINKING" / ENGLISH & SPANISH	1	1		
74	900588	TISSUS / WET PAPER	AR	AR		
80	404344	DECAL / "NO GARBAGE & PLEASE SIT DOWN"	1	1		
81	901026	DECAL / "NO SMOKING" / 4" O.D.	1	1		
82	900515	TAPE ANTISKID ADH / GREY / 1" X 60'	AR	AR		
83	403156	SUPPORT / MIRROR LOWER	1	1		
83	403153	SUPPORT / MIRROR UPPER	1	1		
NS	506494	TAPE RUB ADH2 URE 1/8" x 1" x 100' / WHITE 4008	AR	AR		
NS	506236	TAPE RUB ADH1 CC POL 1/16" x 1/2" x 100' / GREY 2520	AR	AR		
84	403041	MIRROR ASSY / SAFETY	1	1		
NS	506466	TAPE RUB ADH1 CC POL 1/16" x 1 1/2" x 100 / GREY 2520	AR	AR		
85	404482	ACCES DOOR ASSY To 3-4491	1	1		K
85	405366	ACCES DOOR ASSY / PLASTIC GREY From 3-4492	1	1		
85	405364	. ACCES DOOR / PLASTIC GREY From 3-4492	1	1		
86	780538	. LOCK From 3-4492	1	1		
. NS	780539	. . KEY / (CH751) From 3-4492	1	1		



From 3-4417 To 8-1043	Date:10/2022	PAGE:HF-2325-00
LAVATORY - ACCESSORIES		

Item#	Part	Description	H 3 4 1	H 3 4 5	V I P 4 5	N O T E S
87	405365	. HINGE From 3-4492	1	1		
NS	506785	. TAPE RUB ADH2 CC POL 1/16" x 1/4" x 200' / BLACK I1C-N-A From 3-4492	AR	AR		
87	682462	. ADHESIVE SIKA #252 / BLACK / 310ml CARTRIDGE From 3-4492	AR	AR		
88	288755	. PIVOT LOCK ACTUATOR 33.5MM From 3-4492	1	1		
89	502885	SCREW TC FL PH #8-32x5/8 N500	2	2		
90	901047	HANDLE / SHORT	2	2		
90	860295	HANDLE / SHORT	1	1		
91	500641	SCREW TP PAN PH #8x3/4 Z050	AR	AR		
93	403675	FRAME / STANLESS STEEL / EXTERIOR	1	1		
94	403677	TRAP ASSY 232MM x 146MM	1	1		
. NS	403674	. HINGE	1	1		
. NS	502209	. SPRING, TORSION / .140 I.D. x 1.86 x .063	1	1		
95	403045	FRAME / PLASTIC / EXTERIOR / PLASTIC GREY	1	1		
96	500640	SCREW TP PAN PH #6x3/4 Z050	2	2		
97	403687	CLOSING PANEL / W/W.C.L. "ST & ST" 889MM X 533MM To 6-0335	1	1		A
98	900297	HOOK / COAT	1	1		
100	HF-1834-00	REAR FINISHING CAP				
101	HF-2329-00	LAVATORY DOOR LOCK & SWITCH				
102	HF-2328-00	LAVATORY WALL - INSTALLATION				
103	HF-0655-00	INTERIOR LIGHTING				
104	502643	SCREW MA PAN PH #8-32x1 1/4 Z050	3	3		
NS	500678	NUT WELL #8-32x.450	3	3		
105	405371	LAMP SUPPORT / LAVATORY GREY PLATINE	1	1		
110	501325	NIPPLE / PIPE FITTING / 3/8NPT-Mx3/8NPT-Mx1 BR	1	1		
110	5011180	BALL VALVE 3/8 NPT M x 3/8 NPT M	1	1		
110	5011178	MALE CONNECTOR / GARDEN FITTING / 3/4GARDEN-Mx3/8NPT-M BR	1	1		
110	404474	HOSE ADAPTER SS 1/4" NPT X 6 GARDEN HOSE MALE	1	1		
120	404459	BRACKET, RETAINING / TO FIX CONTAINER TO WALL	2	2		
121	400860	ANGLE / TO FIX DUSTBIN TO FLOOR / 3"	1	1		
122	500841	SCREW TP PAN PH #14x3/4 Z050	2	2		
123	404450	COVER, BASKET	1	1		
NS	405713	DECAL / "TRASH DEPOSIT" PICTOGRAM / PHOTOLUMINESCENT From 5-0137	1	1		
NS	404005	CONTAINER ASSY	1	1		A
NS	404006	. COVER	1	1		A
NS	504353	. RETAINER, 5/16"DIA. (DZUS) STUD	2	2		A
NS	504354	. STUD 5/16 O.D. X 3/8 (DZUS)	2	2		A
NS	504365	. SPRING HOOK / DZUS 5/16	2	2		A
NS	509558	. WEATHERSEAL SNAP-ON 1/8" / SINGLE LIP / WH / C.T.L.	AR	AR		A
NS	500510	SCREW MA BDG PH #10-32x3/4 SS EMN	4	4		A
NS	500519	NUT WELL #10-32x.518	4	4		A
NS	562176	DETECTOR / SMOKE (OPTION)	1	1		
NS	505412	. SPACER, ROLL	2	2		



From 3-4417 To 8-1043	Date:10/2022	PAGE:HF-2325-00
-----------------------	--------------	-----------------

LAVATORY - ACCESSORIES

Item#	Part	Description	H 3 4 1	H 3 4 5	V I P 4 5	N O T E S
NS	502630	. WASHER FL .156x.375x.049 Z050	2	2		
NS	500440	. WASHER FL .250x.562x.065 Z050	4	4		
NS	504481	. RIVET POP DOME OE 1/8x.515 STL	2	2		
		NEXT PACK ARE FOR SERVICE				
300	900655	CHEMICAL PACK / "TIMSEN-AIR" / (BOX OF 960)	AR	AR		
300	403678	CHEMICAL PACK / "TIMSEN-AIR" / (BOX OF 40)	AR	AR		
301	900329	CHEMICAL PACK / "INCA GOLD" / S.Q.	AR	AR		
301	900654	CHEMICAL PACK / "INCA" FORMULE 104 / S.Q.	AR	AR		
301	900893	CHEMICAL PACK / "CELESTE INDUSTRIE" / S.Q.	AR	AR		
301	900894	CHEMICAL PACK / "CELESTE INDUSTRIE" / (BOX OF 100)	AR	AR		
		WET TOWEL DISPENDER MOULDED				
302	405275	SUPPORT WET TOWEL DISPENDER	1	1		
303	405303	DISPENSER PLASTIC / WET TOWELS	1	1		
. NS	780538	. LOCK	1	1		
. . NS	780539	. . KEY / (CH751)	1	1		
304	500656	SCREW TP OV PH #6x3/4 SS	8	8		
305	500463	WASHER FN CKF .187x.500x.090 BR Z050	8	8		
306	065897	KIT, RETROFIT / FLUSH PUMP W/2 SWITCH / SERIE "H"	1	1		
. NS	IS-02112	. SEE INSTRUCTION SHEET	1	1		
307	405368	KIT, CLEANING DOOR LAVATORY	1	1		
. NS	IS-02026	. SEE INSTRUCTION SHEET	1	1		
		A) FOR COACH EQUIPPED W/W.C.L. W/ WASTE CONTAINER INSIDE OF LAVATORY				
		B) SOME COACH USE LOCK /504502 TO USE W/O KEY				
		C) THIS TIMER & SUPPORT ARE SUPPERSEDED BY KIT#065896 FOR VEHICULE EQUIPPED WITH ONE INSIDE OPERATING SWITCH OR BY KIT #065897 FOR VEHICULE EQUIPPED WITH EXTERIOR AUXILIARY SWITCH IN REAR ENGINE COMPARTMENT				
		F) TO FIX CLOSING PANEL				
		K) THIS PART IS SUPERSEDED BY KIT #405368				
		1) NOT SOLD SEPARATELY				

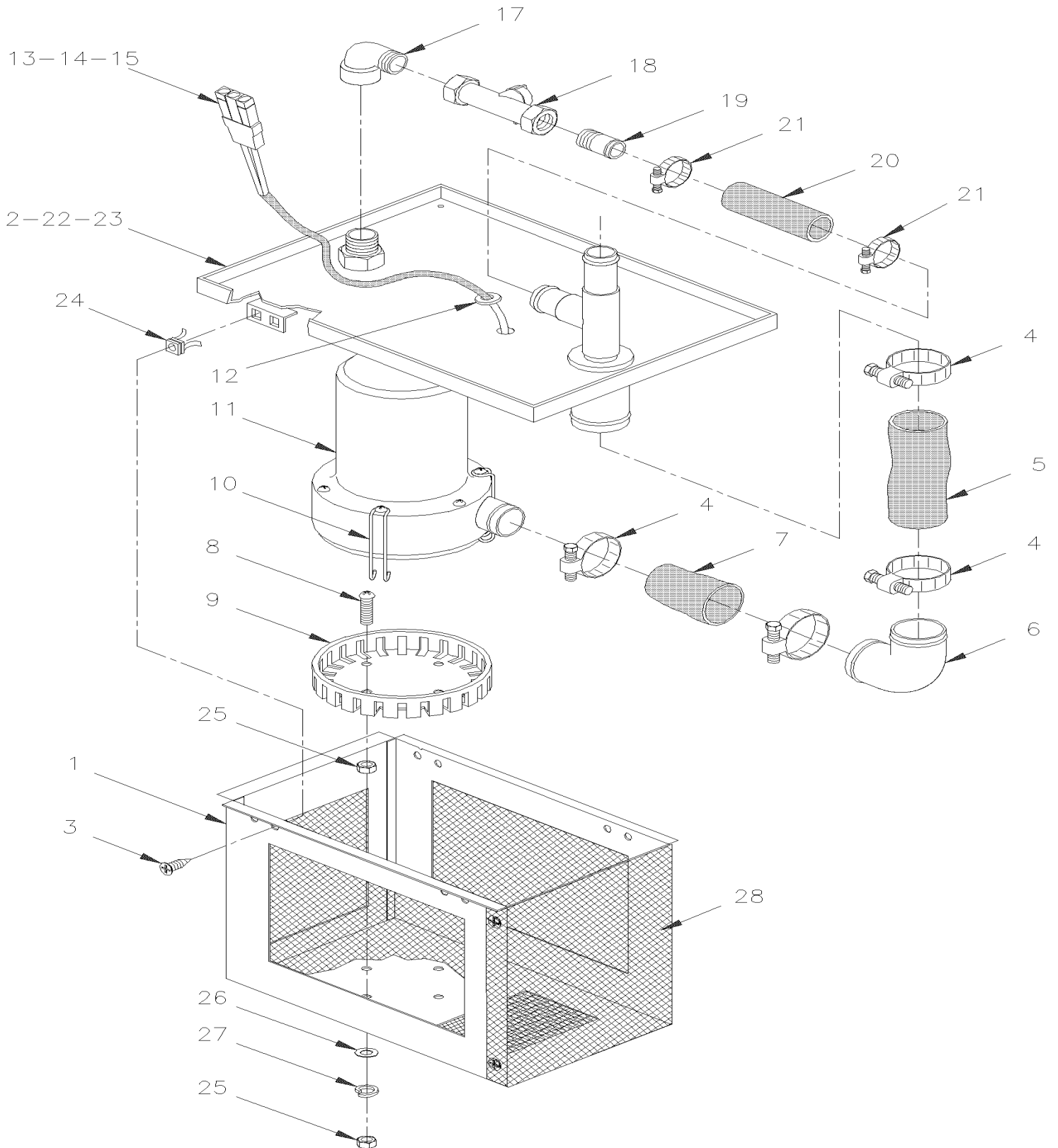


From 3-4417 To 8-1043

Date:10/2022

PAGE:HF-2326-00

TOILET PUMP ASSY





From 3-4417 To 8-1043	Date:10/2022	PAGE:HF-2326-00
TOILET PUMP ASSY		

Item#	Part	Description	H 3 4 1	H 3 4 5	V I P 4 5	N O T E S
	404898	SUMP PUMP ASSY W/BOX	1	1		C
	404902	SUMP PUMP ASSY W/BOX	1	1		C B
1	404899	. FRAME / PUMP BOX	1	1		
2	403467	. COVER / PUMP BOX / STD	1	1		
2	404484	. COVER / PUMP BOX / W/AUXILIARY BATTERY OR 8	1	1		
3	500124	. SCREW TP TR PH #8x1/2 SS	12	12		
4	504413	. HOSE CLAMP / 1"1/16-2" SS / HAS-24	4	4		
5	503391	. HOSE SILICONE 4PLY 1 1/8" I.D. x 3'	AR	AR		
6	403470	. TUBE ASSY	1	1		
7	503391	. HOSE SILICONE 4PLY 1 1/8" I.D. x 3'	AR	AR		A
8	500556	. SCREW MA TR PH 1/4-20x3/4 SS	4	4		
9	901421	. BASE, STRAINER	AR	AR		
11	900960	. PUMP TOILET	1	1		
12	504323	. GROMMET / .375x.500x.062x.281x.687	1	1		
13	561786	. CABLE SEAL / GRAY / PED 15324980	2	2		
14	561568	. PIN TERMINAL / 16-14 / PED 12089305	2	2		
15	561566	. CONNECTOR / WEATHER PACK / PH 2C / BLACK / PED 12010973	1	1		
17	507557	. STREET ELBOW 90° / PIPE FITTING / 1/2NPT-Mx1/2NPT-F BR	1	1		
18	530096	. BALL VALVE 1/2" NPT 1/2 NPT F x 1/2 NPT F	1	1		
19	030827	. NIPPLE	1	1		
20	381115	. HOSE 7/8" I.D. X 3"	1	1		
20	372387	. HOSE 7/8" I.D. X 76MM	1	1		
21	504022	. HOSE CLAMP / 3/4"-1"3/4 SS / HS-20	2	2		
22	409053	. GASKET / PUMP COVER 8 HOLES	2	2		
23	502621	. NUT HEX STO M6-1.0 Z050	1	1		A
24	502741	. NUT AN #8 NYL	12	12		
25	500769	. NUT HEX 1/4-20 Z050	8	8		
26	502573	. WASHER FL 6.4x12.5x1.6 SS	4	4		
27	502570	. WASHER LO SPT 6.1x11.8x1.6 SS	4	4		
28	403037	. PROTECTION GRILL	1	1		
29	409416	KIT NEW PUMP / SEAL	1	1		
		A) TO FIX PUMP				
		B) USE IN AUXILIARY SUMP TANK				
		C) WHEN YOU REPLACE THE SUMP PUMP WITH NEW ONE YOU HAVE ORDER #409416				

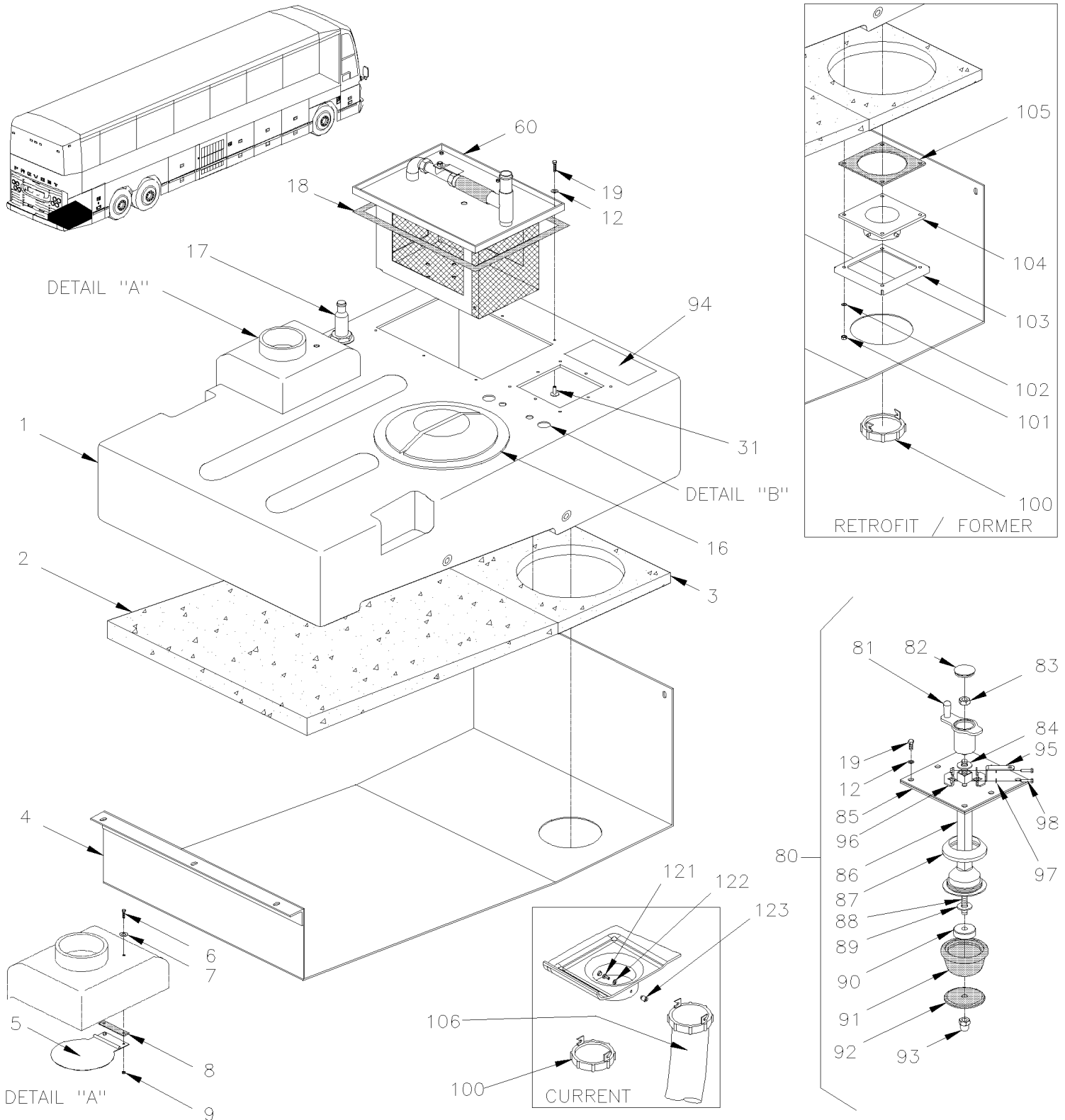


From 3-4417 To 8-1043

Date:10/2022

PAGE:HF-2327-00

SUMP TANK - PLASTIC 30 GALLONS



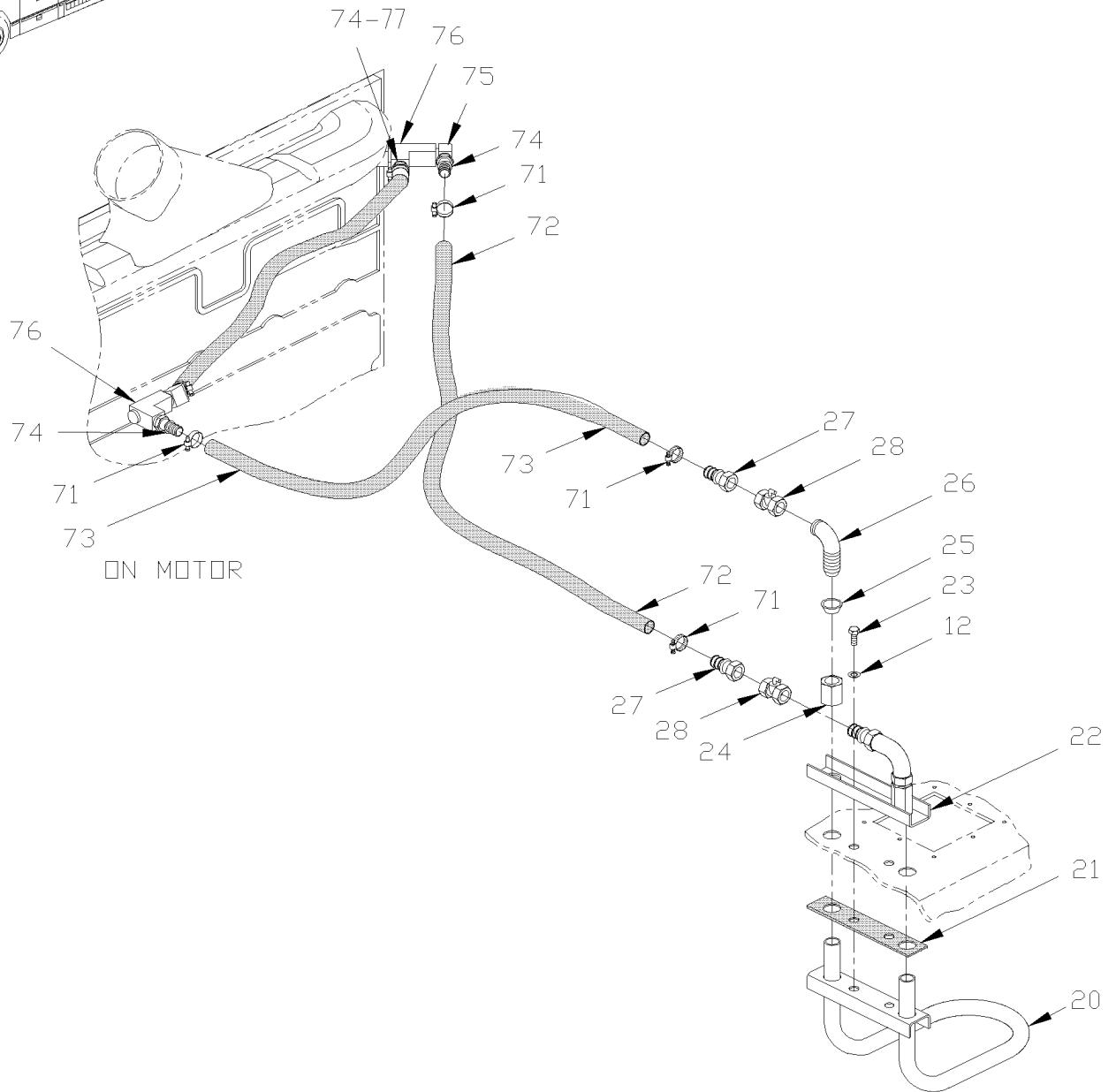
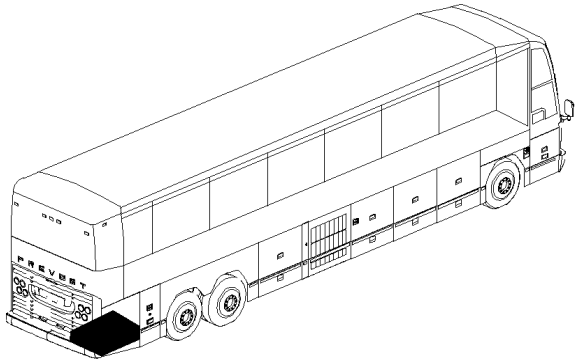


From 3-4417 To 8-1043

Date:10/2022

PAGE:HF-2327-00

SUMP TANK - PLASTIC 30 GALLONS



DETAIL "B"



From 3-4417 To 8-1043	Date:10/2022	PAGE:HF-2327-00
SUMP TANK - PLASTIC 30 GALLONS		

Item#	Part	Description	H 3 4 1	H 3 4 5	V I P 4 5	N O T E S
	404781	SUMP TANK ASSY / W/O PUMP / W/HEATER	1	1		
	405296	SUMP TANK ASSY / USE WITH AUXILAIRY SUMP TANK	1	1		A
1	405209	. SUMP TANK	1	1		G
. NS	D400361	. . DIAGRAM INSTALL	1	1		G
1	405208	. SUMP TANK	1	1		A
. NS	D400361	. . DIAGRAM INSTALL	1	1		A
2	404340	. INSULATOR PANEL	1	1		
3	404341	. INSULATOR PANEL	1	1		
4	404335	. BOTTOM PANEL	1	1		
5	404176	. TRAP DOOR WELDED	1	1		
6	502622	. SCREW CAP HEX M6-1.0x20 SS BK	2	2		
7	502582	. WASHER LO SERR 6.1x16.2x0.9 Z050	4	4		
8	404155	. GASKET	1	1		
9	502581	. NUT HEX M6-1.0 Z050	2	2		
16	900825	. 8" CLOSED LID C/W RIM	1	1		
18	409053	. GASKET / PUMP COVER 8 HOLES	1	1		
19	502563	. SCREW CAP HEX M6-1.0x12 G8.8 Z050	12	12		
20	404337	. HEATER ASSY	1	1		
21	404367	. GASKET	1	1		
22	404339	. SUPPORT PLATE	1	1		
23	502737	. SCREW CAP HEX M6-1.0x25 SS BK	2	2		
24	5011027	. NUT FLARELESS TUBE / JIC 37° FITTING / #10 STL	2	2		
25	5011028	. FERRULE FLARELESS TUBE / JIC 37° FITTING / #10 STL	2	2		
26	5011176	. MALE ELBOW 90° / JIC 37° FITTING / #10JIC-Mx1/2NPT-M STL	2	2		
27	507605	. MALE CONNECTOR / HOSE BARB FITTING / #12x1/2NPT-M BR	2	2		
28	530096	. BALL VALVE 1/2" NPT 1/2 NPT F x 1/2 NPT F	2	2		
31	5001182	. NUT HEX NYRT M6-1.0 SS	6	6		
60	HF-2326-00	TOILET PUMP ASSY				
71	504646	HOSE CLAMP / 11/16"-1"1/4 / C.T. 9412	4	4		
72	404427	HOSE / HEATER & ENGINE / 3/4" I.D. 1260MM	1	1		
73	402618	HOSE / HEATER & ENGINE / 3/4" I.D. 960MM	1	1		
73	503523	. HOSE SILICONE 1PLY 3/4" I.D. x 100' / S.L.	AR	AR		
74	507605	MALE CONNECTOR / HOSE BARB FITTING / #12x1/2NPT-M BR	3	3		
75	5011038	MALE ELBOW 90° / BEADED HOSE BARB / #12x1/2NPT-M To 3-4758	1	1		
76	501473	MALE RUN TEE / PIPE FITTING / 1/2NPT-Mx1/2NPT-Fx1/2NPT-F BR To 3-4758	2	2		
77	501528	STREET ELBOW 45° / PIPE FITTING / 1/2NPT-Mx1/2NPT-F BR	1	1		
80	404948P	EMPTYING PLUG ASSY	1	1		
81	404953	. CRANK	1	1		E
81	405446	. CRANK W/FLANGE	1	1		D
82	689948	. PLUG	1	1		
83	502567	. NUT HEX M10-1.5 SS	1	1		
84	509802	. WASHER FL .500x1.125x.081 BR	2	2		



From 3-4417 To 8-1043	Date:10/2022	PAGE:HF-2327-00
SUMP TANK - PLASTIC 30 GALLONS		

Item#	Part	Description	H 3 4 1	H 3 4 5	V I P 4 5	N O T E S
85	404949	. PLATE ASSY / W/19MM SQ HOLE	1	1		
. NS	404950	. . PLATE	1	1		
. NS	404951	. . SEAL RUBBER / W/19MM SQ HOLE	1	1		
. NS	405083	. . SEAL RETAINER	1	1		
. NS	504643	. . RIVET POP DOME OE 1/8x1/2 SS	4	4		
85	407499	. PLATE ASSY / W/22MM SQ HOLE SERVICE	1	1		
. NS	407497	. . PLATE	1	1		
. NS	407498	. . SEAL RUBBER / W/22MM SQ HOLE	1	1		
. NS	407496	. . SEAL RETAINER FORMER ONE PIECE	1	1		
. NS	409262	. . SEAL RETAINER CURRENT TWO PIECES	2	2		
. NS	504643	. . RIVET POP DOME OE 1/8x1/2 SS	4	4		
86	407494	. TUBE PLASTIC	1	1		
86	409257	. TUBE PLASTIC SERVICE	1	1		
87	404956	. CLAMPING RING	1	1		
87	409256	. CLAMPING RING SERVICE	1	1		
88	407495	. ROD	1	1		
89	5001443	. WASHER FL 10.3x38.0x3.0 SS	1	1		
90	404958	. SPACER	1	1		B
91	409989	. PLUG RUBBER	1	1		
92	404959	. WASHER, CONIC	1	1		
93	5001511	. NUT HEX CAP M10-1.5 SS	1	1		
94	405194	DECAL "OPENING & CLOSING SUMP TANK PICTOGRA	1	1		
95	405439	HANDLE / USE W/SS TUBE ITEM # 86 To 4-4801	1	1		E
95	405437	HANDLE / USE W/PLASTIC TUBE ITEM # 86 From 4-4802	1	1		D
96	405438	COLLAR ASSY W/NUT	1	1		E
96	405436	COLLAR ASSY W/NUT	1	1		D
97	5001165	SCREW CAP HEX M6-1.0x20 SS EMN	2	2		
98	502570	WASHER LO SPT 6.1x11.8x1.6 SS	2	2		
100	900520	CAP	1	1		C F
101	502511	NUT HEX NYRT M6-1.0 Z050	4	4		C
102	502564	WASHER LO SPT 6.1x11.8x1.6 Z050	4	4		C
103	404972	PLATE / TO FIXING EMTYING PLUG	1	1		C
104	900522	HOSE ADAPTOR / BAYONET FLANGE	1	1		C
105	404342	GASKET	1	1		C
106	900525	HOSE SUMP TANK	1	1		C F
121	500557	SCREW MA PAN PH #8-32x3/8 SS	2	2		F
122	502556	WASHER FL 4.3x9.0x0.8 SS	2	2		F
123	405827	ADAPTOR WITH SPECIAL NUT / TO FIX DUMP HOSE	2	2		F
NS	D400361	DIAGRAM INSTALL	1	1		F
130	405440	KIT COLLAR & HANDLE / W/SS TUBE	AR	AR		E
. NS	IS-02130	. SEE INSTRUCTION SHEET	1	1		E
130	405441	KIT COLLAR & HANDLE / W/PLASTIC TUBE	AR	AR		D



From 3-4417 To 8-1043	Date:10/2022	PAGE:HF-2327-00
SUMP TANK - PLASTIC 30 GALLONS		

Item#	Part	Description	H 3 4 1	H 3 4 5	V I P 4 5	N O T E S
. NS	IS-02130	. SEE INSTRUCTION SHEET	1	1		D
131	406621	KIT SERVICE SEPTIC TANK	1	1	1	
. NS	406551	. SUMP TANK	1	1	1	
. NS	406552	. GASKET / PUMP COVER 14 HOLES	1	1	1	
. NS	502573	. WASHER FL 6.4x12.5x1.6 SS	6	6	6	
. NS	5001181	. SCREW CAP HEX M6-1.0x12 SS	6	6	6	
. NS	IS-11135	. SEE INSTRUCTION SHEET	1	1	1	
		A) USE WITH OPTION AUXILIARY TANK OVER SEE PAGE HF-2327-10				
		B) USE WITH FORMER MODEL				
		C) FORMER // RETROFIT HOSE ADAPTOR TO DUMP SUMP WITH NEW MODEL OF TANK (#405208 & 405209) YOU REQUIRE FOLLOWING PARTS AFTER REMOVE THE EXIT NIPPLE MOULDED TO TANK				
		D) USE WITH PLASTIC TUBE #86				
		E) USE WITH STAINLESS STEEL TUBE #86				
		F) CURRENT // FOR RETROFIT HOSE ADAPTOR TO DUMP SUMP WITH NEW MODEL OF TANK (#405208 & 405209) YOU REQUIRE FOLLOWING PARTS WITH KEEP THE EXIT NIPPLE MOULDED TO TANK				
		G) IF YOU HAVE TO REPLACE THE SUMP TANK AUXILIARY USE #406621				

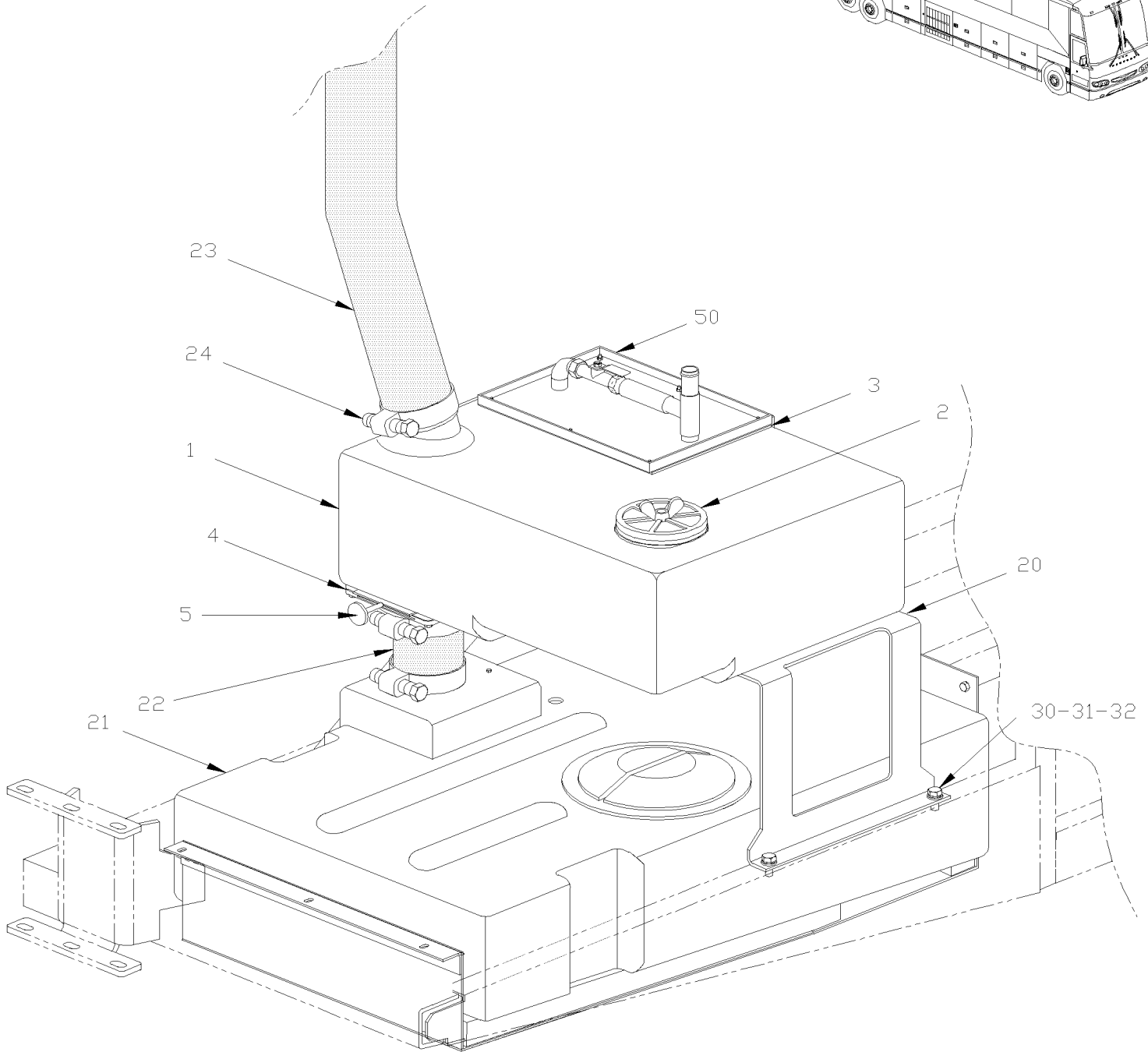
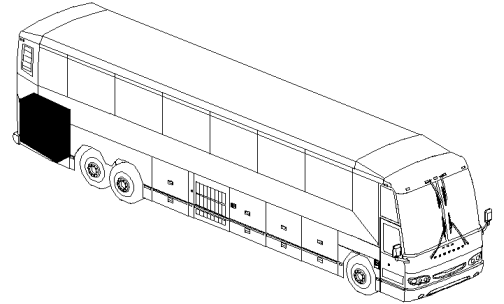


From 3-4417 To 8-1043

Date:10/2022

PAGE:HF-2327-10

SUMP TANK - AUXILIARY 13 GALLONS





From 3-4417 To 8-1043	Date:10/2022	PAGE:HF-2327-10
SUMP TANK - AUXILIARY 13 GALLONS		

Item#	Part	Description	H 3 4 1	H 3 4 5	V I P 4 5	N O T E S
1	405109	SUMP TANK AUXILIARY PLASTIC 8 HOLES TO FIX PUMP	1	1		A
2	504702	CAP	1	1		
3	409053	GASKET / PUMP COVER 8 HOLES	1	1		
4	405141	THREADED VALVE ASSY	1	1		
4	900197	. THREADED VALVE ASSY W/PLASTIC HANDLE	1	1		
5	403109	. HANDLE, THREADED VALVE / STANLESS STEEL	1	1		
NS	502818	SCREW CAP HEX M6-1.0x35 G8.8 Z050	4	4		
NS	502573	WASHER FL 6.4x12.5x1.6 SS	4	4		
20	405107	SUPPORT TANK / W/PLASTIC TANK	1	1		
21	405208	SUMP TANK	1	1		
. NS	D400361	. DIAGRAM INSTALL	1	1		
22	405050	HOSE FLEXIBLE 3 1/2" I.D. X 140MM	1	1		
23	405049	HOSE FLEXIBLE 3 1/2" I.D. X 405MM	1	1		
24	504235	HOSE CLAMP / 3"9/16"-4"1/2 SS / HS-64	2	2		
30	502655	SCREW CAP HEX M10-1.5x25 SS BK	3	3		
31	502616	WASHER LO SPT 10.2x18.1x2.2 SS	4	4		
32	500958	WASHER FL .531x1.062x.095 SS	4	4		
NS	502567	NUT HEX M10-1.5 SS	1	1		
NS	405205	KIT, RETROFIT AUXILIARY SUMP TANK ASSY	1	1		
. NS	IS-00005	. SEE INSTRUCTION SHEET	1	1		
35	406620	KIT SERVICE SEPTIC TANK AUXILIARY	1	1		
. NS	406550	. SUMP TANK AUXILIARY PLASTIC	1	1		
. NS	406552	. GASKET / PUMP COVER 14 HOLES	1	1		
. NS	502573	. WASHER FL 6.4x12.5x1.6 SS	6	6		
. NS	5001181	. SCREW CAP HEX M6-1.0x12 SS	6	6		
. NS	IS-11135	. SEE INSTRUCTION SHEET	1	1		
50	HF-2326-00	TOILET PUMP ASSY				
		A) FOR RETROFIT THIS OPTION YOU REQUIRE KIT # 405205				

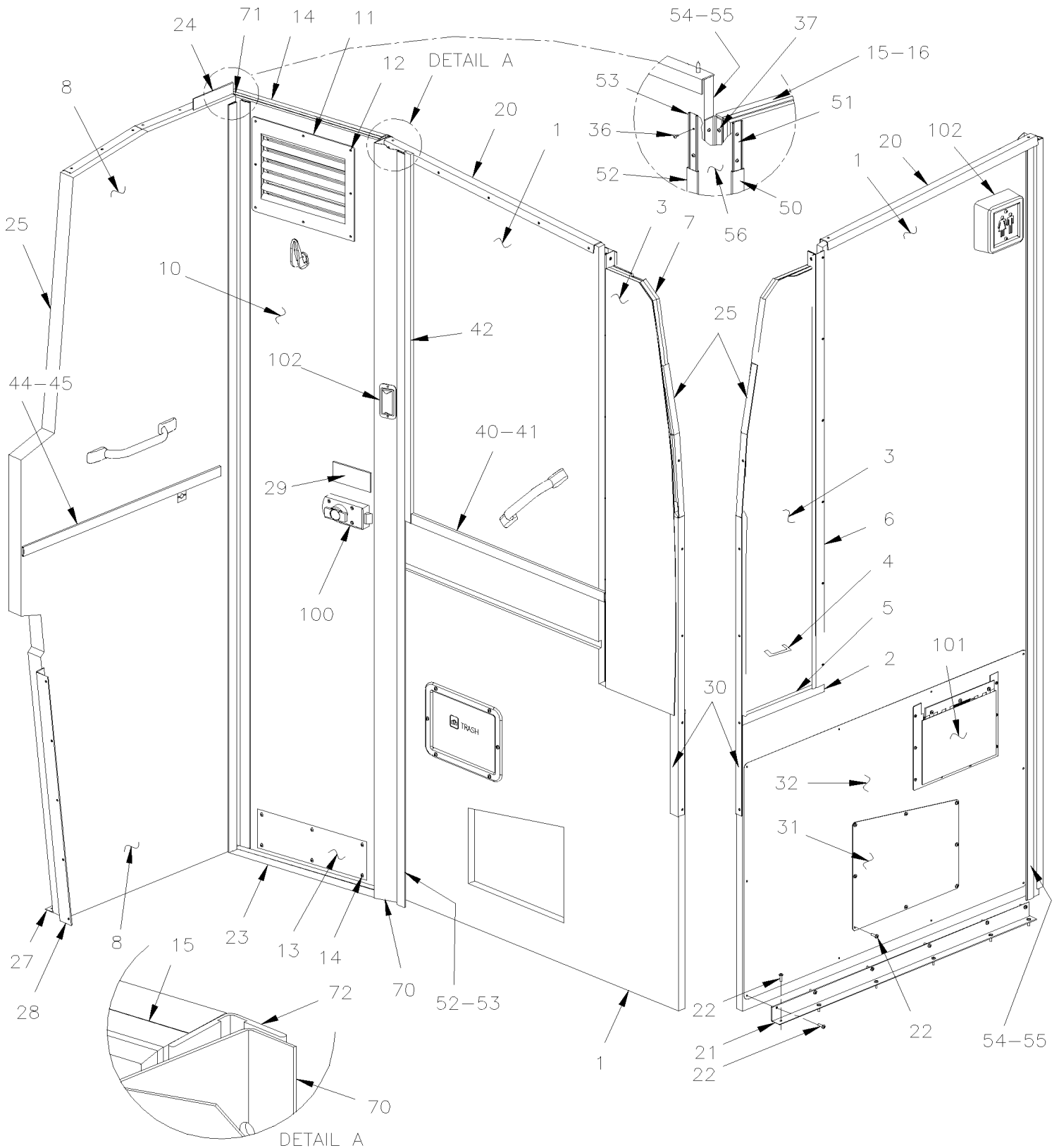


From 3-4417 To 8-1043

Date:10/2022

PAGE:HF-2328-00

LAVATORY WALL - INSTALLATION



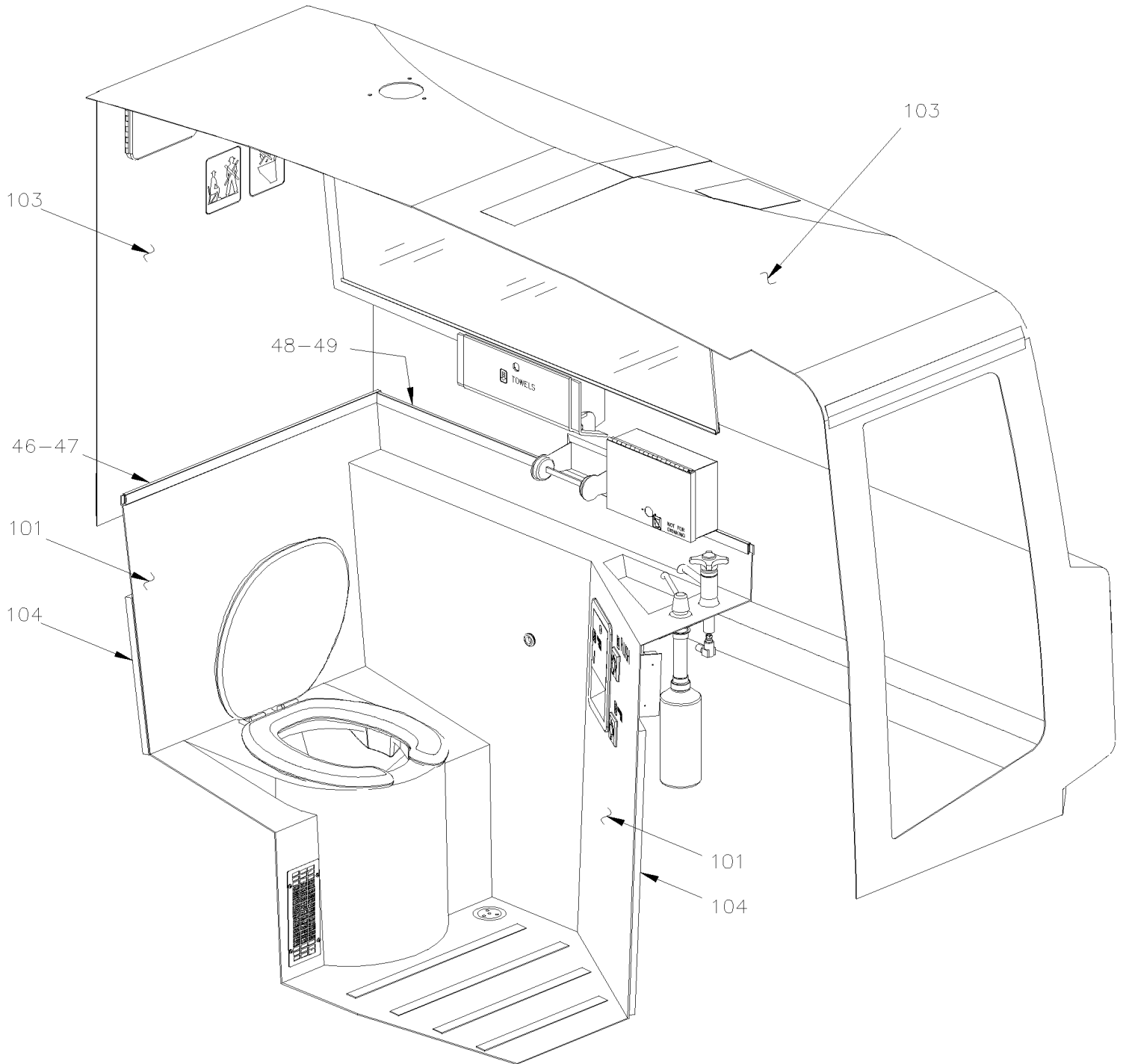


From 3-4417 To 8-1043

Date:10/2022

PAGE:HF-2328-00

LAVATORY WALL - INSTALLATION





From 3-4417 To 8-1043	Date:10/2022	PAGE:HF-2328-00
LAVATORY WALL - INSTALLATION		

Item#	Part	Description	H 3 4 1	H 3 4 5	V I P 4 5	N O T E S
1	403193P	FRONT WALL ASSY / LAVATORY / SPECIFY COLOR	1	1		
1	Call order desk	FRONT WALL ASSY / LAVATORY / SPECIFY COLOR	1	1		P
1	508342	. FORMICA	AR	AR		
1	500641	. SCREW TP PAN PH #8x3/4 Z050	3	3		
2	403147	. ANGLE, FINISHING	1	1		
3	403196P	CLOSING PANEL ASSY / WATER TANK / SPECIFY COLOR / MIDNIGHT CHARCOAL	1	1		
3	Call order desk	CLOSING PANEL ASSY / WATER TANK / SPECIFY COLOR /W/W.C.L. "ST & ST" To 6-0335	1	1		P
3	Call order desk	CLOSING PANEL ASSY / WATER TANK / SPECIFY GREY	1	1		P
3	508342	. FORMICA	AR	AR		
4	900568	. HANDLE / DOOR	1	1		
NS	500575	. SCREW TP PAN PH #8x1 1/4	2	2		
5	403146	. ANGLE, FINISHING / LOWER	1	1		
6	403157	. MOULDING, FINISHING / SIDE	1	1		
6	403698	MOULDING, FINISHING/ SIDE W/W.C.L. "ST & ST" / S.B.	1	1		
7	405013	CORD FILLING / WALL CAP / GREY / 1020MM	1	1		
7	405826	CORD FILLING / WALL CAP OPTION "RED ARROW" CORD FILLING / WALL CAP OPT	1	1		
8	403195P	SIDE WALL ASSY / LAVATORY / SPECIFY COLOR	1	1		
8	508342	. FORMICA	AR	AR		
10	406080	DOOR, ASSY / SPECIFY COLOR	1	1		
10	508342	. FORMICA	AR	AR		
NS	065516	CABLE / LAVATORY DOOR LOCK SWITCH / INSIDE OF DOOR	1	1		
11	405065	. GRILL, VENT / MED GREY	2	2		
NS	506191	. TAPE RUB ADH1 CC POL 1/8" x 1/4" x 50' / GREY 2520X	AR	AR		
12	500814	. SCREW TP BDG PH #6x3/4 BK	8	8		
13	403608	PROTECTOR PANEL SS 18"1/4 X 4"	1	1		
13	404303	PROTECTOR PANEL 405MM X 100MM SS	1	1		
14	500952	SCREW TP BDG PH #8x1/2 SS	6	6		
15	403132	. MOULDING "J" FORM / 415MM (16 5/16") / A/A	2	2		E
15	403130	. MOULDING "J" FORM / 415MM (16 5/16") / A/A	2	2		F
16	403131	. MOULDING "J" FORM / 1930MM (76") / F/F	2	2		E
16	403129	. MOULDING "J" FORM / 1930MM (76") / A/A	2	2		F
18	860585	VINYL , GREY	AR	AR		
20	403139	MOULDING "U" 22MM X 25MM X 662MM	1	1		
NS	504114	RIVET POP DOME OE 3/16x1/4 AL	14	14		
21	403140	ANGLE / W/W.C.L. "ST & ST" / 914MM	1	1		
22	500641	. SCREW TP PAN PH #8x3/4 Z050	AR	AR		
23	403155	FLOOR MOULDING / COVERING & TOILET	1	1		
24	403141	MOULDING "U" 22MM X 25MM X 490MM	1	1		
25	405013	CORD FILLING / WALL CAP / GREY / 1020MM	2	2		
27	403142	. ANGLE, SUPPORT / SIDE WALL TO FLOOR (25MM X 38MM X 508MM)	1	1		
28	403143	ANGLE 25MM X 38MM X 670MM	1	1		
29	402743	DECAL "LOCK FOR LIGHTING"	1	1		



From 3-4417 To 8-1043	Date:10/2022	PAGE:HF-2328-00
LAVATORY WALL - INSTALLATION		

Item#	Part	Description	H 3 4 1	H 3 4 5	V I P 4 5	N O T E S
29	402741	DECAL "VEROUILLER"	1	1		
29	405222	DECAL / LAVATORY OPEN / LOCK / ENGLISH	1	1		
30	403144	ANGLE 20MM X 25MM X 1715MM / FIXED AT WINDOW POST	1	1		
30	403987	ANGLE 20MM X 25MM X 1150MM / FIXED AT WINDOW POST W/W.C.L. "ST & ST" To 6-0335	1	1		
31	404756	CLOSING PLATE / TRAP ACCESS	AR	AR		A
32	403687	CLOSING PANEL / W/W.C.L. "ST & ST" 889MM X 533MM	1	1		
36	500640	SCREW TP PAN PH #6x3/4 Z050	AR	AR		
37	500614	SCREW TP FL PH #6x3/4 Z050	AR	AR		
40	403114	MOULDING RETAINER / 623MM (24 1/2")	1	1		
41	404224	MOULDING CAP / GREY PLASTIC 629MM (24 3/4")	1	1		
42	403262	SPACER ASSY / FRONT WALL / FORMICA GREY	1	1		
44	403117	MOULDING RETAINER / 615MM (24 1/4")	1	1		
45	404221	MOULDING CAP / GREY PLASTIC 621MM (24 3/8")	1	1		
46	403115	MOULDING RETAINER / 733MM (28 7/8")	1	1		
47	404222	MOULDING CAP / GREY PLATINE 739MM / 29 1/8"	1	1		
48	403116	MOULDING RETAINER / 1081MM (42 1/2")	1	1		
49	404223	MOULDING CAP / GREY PLATINE 1085MM / 42 5/8"	1	1		
50	403124	MOULDING CAP / GREY PLATINE 1930MM / 76"	1	1		
51	403123	MOULDING RETAINER / 1955MM (77")	1	1		
52	403125	MOULDING CAP / GREY PLATINE 1948MM / 76 5/8"	1	1		
53	403126	MOULDING RETAINER / 1943MM (76 1/2")	1	1		
54	403112	MOULDING RETAINER / 1943MM (76 1/2")	2	2		
55	403113	MOULDING CAP / SS 1948MM (76 11/16")	2	2		
56	405268	LEATHERETTE / GREY / 125MM X 1970MM	1	1		
70	405213	MOULDING / WALL	1	1		
70	405277	MOULDING / WALL	1	1		B
NS	405015	LEATHERETTE / SWITCH COVERING / 60 X 125MM	1	1		
NS	405278	PLATE RETAINING AUXILIARY SWITCH	1	1		B
NS	563083	SWITCH / OFF-ON / S.P.S.T. / BLACK	1	1		B
NS	500582	SCREW TP PAN PH #8x3/8 Z050	2	2		B
71	403158	MOULDING ASSY W/HINGE	1	1		
72	403162	MOULDING / DOOR STOPPER	1	1		
NS	500641	SCREW TP PAN PH #8x3/4 Z050	AR	AR		
NS	506071	TAPE RUB ADH1 CC POL 1/8" x 1/2" x 50' / GREY 2520X	AR	AR		
100	HF-2329-00	LAVATORY DOOR LOCK & SWITCH				
101	HF-2325-00	LAVATORY - ACCESSORIES				
102	HF-0655-00	INTERIOR LIGHTING				
103	HF-1834-00	REAR FINISHING CAP				
104	350222	INSULATING PAD TRIANGULAR SHAPE 230MM x 230MM	1	1		
104	350223	INSULATING PAD REAR LOWER WALL	1	1		
104	350224	INSULATING PAD / 635MM x 360MM	1	1		
104	350249	INSULATING PAD REAR LOWER TOILET	1	1		



From 3-4417 To 8-1043	Date:10/2022	PAGE:HF-2328-00
LAVATORY WALL - INSTALLATION		

Item#	Part	Description	H 3 4 1	H 3 4 5	V I P 4 5	N O T E S
104	350305	INSULATING PAD / 640MM x 90MM	1	1		
104	350306	INSULATING PAD / 880MM x 90MM	1	1		
104	350376	INSULATING PAD / 965MM x 280MM	1	1		
		A) FOR COACH EQUIPPED W/W.C.L. "ST & ST." SEE NOTE "A" PAGE HF-2325-00 FOR WASTE CONTAINER				
		B) USE WITH AUXILIARY SWITCH FOR LAVATORY LIGHTING				
		E) WITH TISSU FINISHING				
		F) WITH CARPET FINISHING				
		P) CALL ORDER DESK FOR SPECIFIC APPLICATION (V.I.N.)				

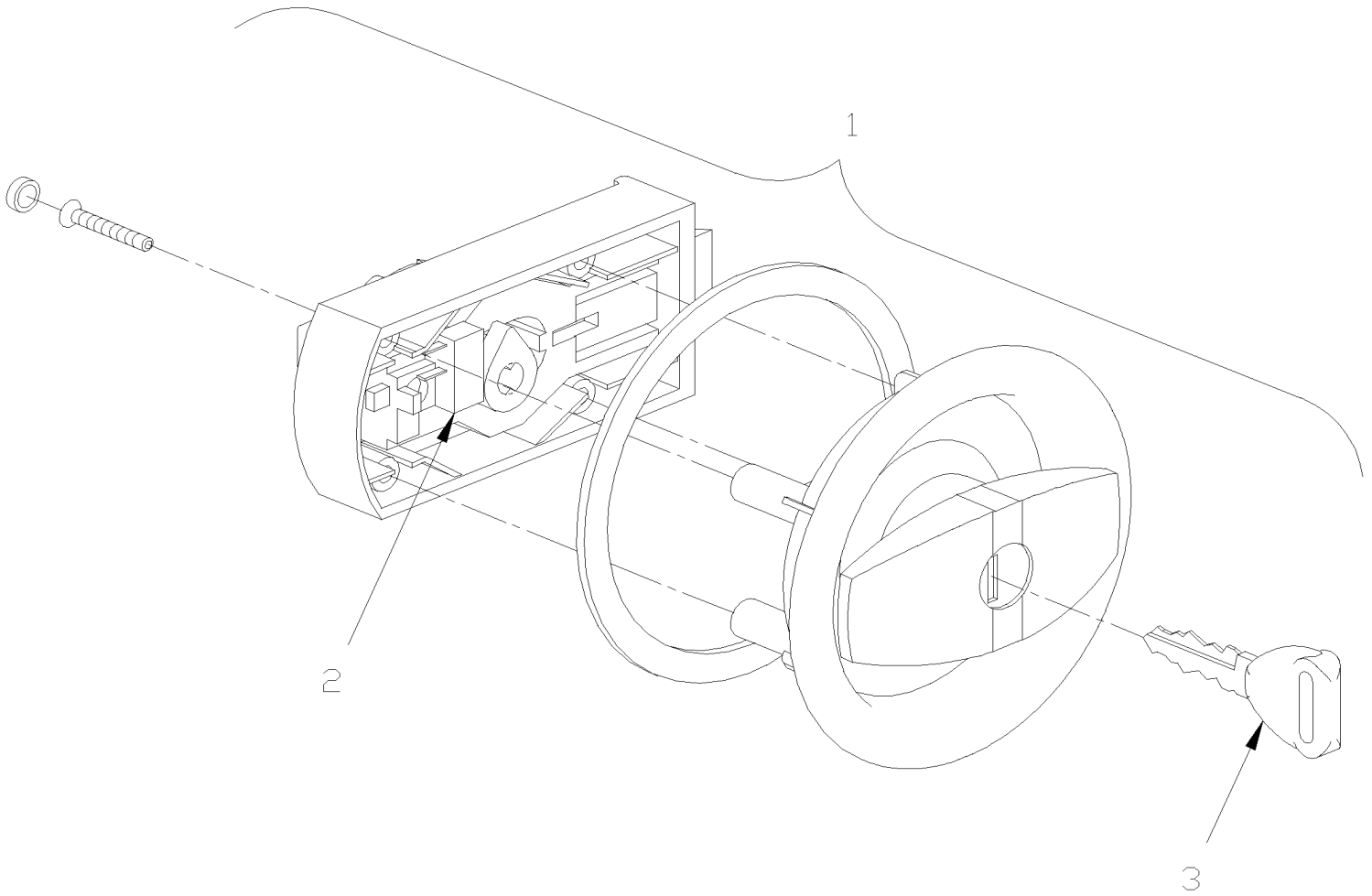


From 3-4417 To 8-1043

Date:10/2022

PAGE:HF-2329-00

LAVATORY DOOR LOCK & SWITCH





From 3-4417 To 8-1043	Date:10/2022	PAGE:HF-2329-00
LAVATORY DOOR LOCK & SWITCH		

Item#	Part	Description	H 3 4 1	H 3 4 5	V I P 4 5	N O T E S
1	901039	LOCK ASSY, DOOR To 5-0099	1	1		
1	901114	LOCK ASSY, DOOR From 5-0100	1	1		
2	563097	. MICRO SWITCH / N.C.	1	1		
3	901066	. KEY / LAVATORY DOOR "HAPPICH" To 5-0099	1	1		
3	HF-1864-32	HANDLE LOCK & KEYS - TYPE "NS"				

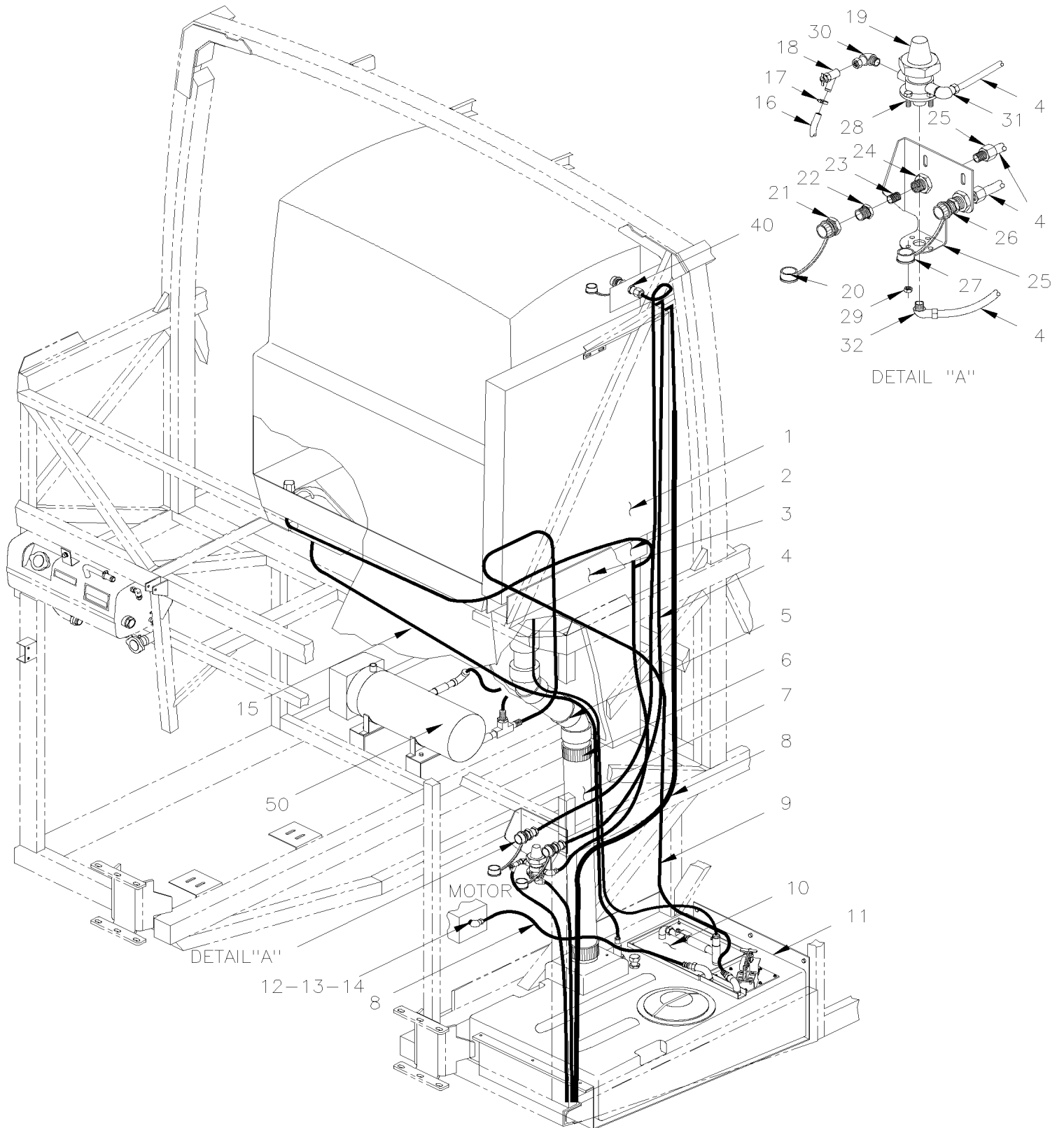


From 3-4417 To 8-1043

Date:10/2022

PAGE:HF-2330-00

WATER & SUMP TANK - INSTALLATION





From 3-4417 To 8-1043	Date:10/2022	PAGE:HF-2330-00
WATER & SUMP TANK - INSTALLATION		

Item#	Part	Description	H 3 4 1	H 3 4 5	V I P 4 5	N O T E S
1	405240	TANK / WATER ASSY / W/FITING PLASTIC	1	1		
. NS	900959	. TANK / WATER 66Liters	1	1		
2	641040	MALE ELBOW 90° / NTA FITTING / #8x3/8NPT-M BR	2	2		
2	641182	MALE RUN TEE / NTA FITTING / #8x#8x3/8NPT-M BR	1	1		
3	403851	SUPPORT / WATER TANK	1	1		
3	310674	ANGLE, #5 / L.H. / USE ONLY W/O FRESH WATER TANK	1	1		
3	504068	GROMMET / .500x.750x.062x.312x1.062	1	1		
3	500365	SCREW TP CAP HEX #12x1 Z050	6	6		
3	504249	RIVET CHY Q PRDG 3/16x3/8 SS	5	5		A
4	503488	TUBE, NYLON 1/2 O.D. / BLACK S.L./	AR	AR		
NS	641012	BULKHEAD UNION / NTA FITTING / #8x3/8NPT-M BR	AR	AR		
5	403074	TUBE ASSY / ABS To 5-0158	1	1		
5	405693	TUBE ASSY / SS From 5-0159	1	1		
NS	530211	ELBOW 45° X 3 1/2" I.D. RUBBER From 5-0159	1	1		
NS	504235	HOSE CLAMP / 3"9/16"-4"1/2 SS / HS-64 From 5-0159	2	2		
6	503532	UNION / ABS PIPE / 3Fx3F NEO	3	3		
NS	504235	HOSE CLAMP / 3"9/16"-4"1/2 SS / HS-64	2	2		
7	402418	HOSE FLEXIBLE 3 1/2" I.D. X 32"	1	1		
7	503039	. HOSE FLEXIBLE / 3 1/2" I.D. X 10'	AR	AR		
NS	405049	HOSE FLEXIBLE 3 1/2" I.D. X 405MM	1	1		C
NS	405050	HOSE FLEXIBLE 3 1/2" I.D. X 140MM	1	1		C
8	503006	HOSE 5/8" I.D. 50' / S.L.	AR	AR		
9	503523	HOSE SILICONE 1PLY 3/4" I.D. x 100' / S.L.	AR	AR		
10	HF-2326-00	TOILET PUMP ASSY				
11	HF-2327-00	SUMP TANK - PLASTIC 30 GALLONS				
12	507557	STREET ELBOW 90° / PIPE FITTING / 1/2NPT-Mx1/2NPT-F BR	1	1		
13	501373	MALE CONNECTOR / HOSE BARB FITTING / #10x1/2NPT-M GALV	1	1		
14	504020	HOSE CLAMP / 9/16"-1"1/4 SS / HS-12	1	1		
15	503006	HOSE 5/8" I.D. 50' / S.L.	AR	AR		
NS	900191	TUBE, TAIL 1 1/2" X 4" LG	1	1		
NS	504023	HOSE CLAMP / 1"5/16"-2"1/4 SS / HS-28	1	1		
16	503527	HOSE RADIATOR / 5/8" I.D. X 25'"GREEN STRIPE"	AR	AR		
17	504319	HOSE CLAMP / 1"-1"1/2 SS / E.T. 16	2	2		
18	501531	DRAIN VALVE 3/8 NPT M x 5/8 HOSE	1	1		
20	900326	DUST CAP / QUICK DISCONNECT "B SERIES" / #10 VINYL	2	2		
21	900323	NIPPLE / QUICK DISCONNECT "B SERIES" / #10x1/2NPT-F BR	2	2		
22	404474	HOSE ADAPTER SS 1/4" NPT X 6 GARDEN HOSE MALE	2	2		
23	501325	NIPPLE / PIPE FITTING / 3/8NPT-Mx3/8NPT-Mx1 BR	1	1		
24	641012	BULKHEAD UNION / NTA FITTING / #8x3/8NPT-M BR	2	2		
25	HF-1894-00	REAR STRUCTURE				
26	900324	COUPLER / QUICK DISCONNECT "B SERIES" / #8x1/2NPT-F BR	1	1		
27	900325	DUST PLUG / QUICK DISCONNECT "B SERIES" / #8 VINYL	1	1		



From 3-4417 To 8-1043	Date:10/2022	PAGE:HF-2330-00
WATER & SUMP TANK - INSTALLATION		

Item#	Part	Description	H 3 4 1	H 3 4 5	V I P 4 5	N O T E S
28	500163	SCREW CAP HEX 1/4-20x3/4 G5 Z050	3	3		
29	500749	NUT HEX THK 1-14x1 5/16	3	3		
NS	500473	WASHER LO SPT .262x.489x.062 Z050	3	3		
30	501333	STREET ELBOW 90° / PIPE FITTING / 3/8NPT-Mx3/8NPT-F BR	1	1		
31	641040	MALE ELBOW 90° / NTA FITTING / #8x3/8NPT-M BR	1	1		
32	641076	MALE ELBOW 90° / NTA FITTING / #8x1/2NPT-M BR	1	1		
50	871202	WATER HEATER - "SPHEROS" 100,000 B.T.U.				
		A) TO FIX ANGLE				
		C) USE WITH OPTION AUXILIARY TANK OVER				

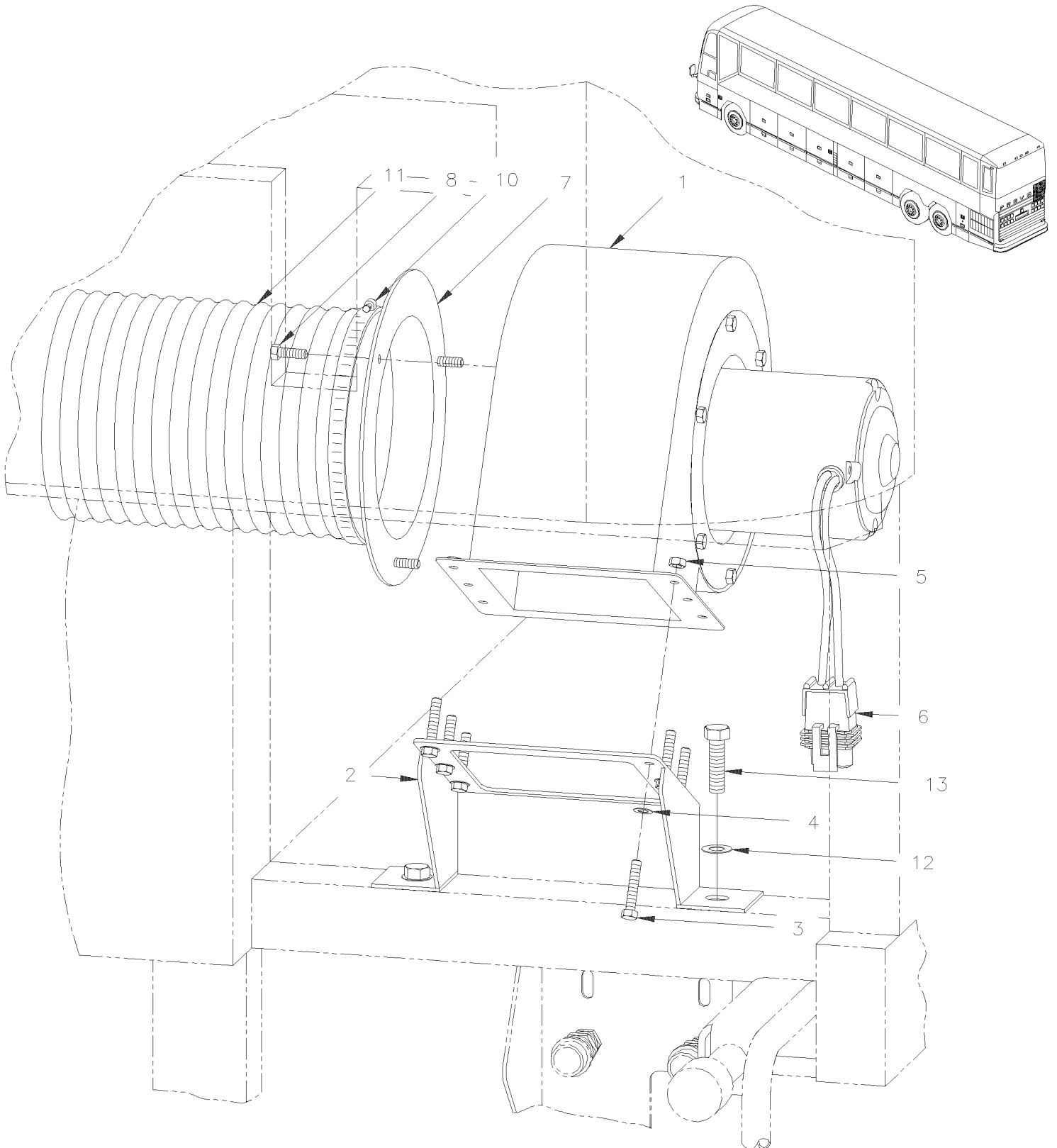


From 3-4417 To 8-1043

Date:10/2022

PAGE:HF-2337-00

LAVATORY FAN - INSTALLATION





From 3-4417 To 8-1043	Date:10/2022	PAGE:HF-2337-00
LAVATORY FAN - INSTALLATION		

Item#	Part	Description	H 3 4 1	H 3 4 5	V I P 4 5	N O T E S
		BLOWER ASSY / LAVATORY				
1	870844	. BLOWER & MOTOR ASSY - "M.C.C." "CW" / FAN END				
2	403085	. SUPPORT ASSY	1	1		
3	500588	. SCREW CAP HEX M4-0.7x20 G8.8 Z050	6	6		
4	500591	. WASHER FL 4.3x9.0x0.8 Z050	6	6		
5	500590	. NUT HEX NYRT M4-0.7 Z050	6	6		
6	561690	. CONNECTOR / WEATHER PACK / SH 2C / BLACK / PED 12015792	1	1		
NS	561578	. SOCKET TERMINAL / 16-14 / PED 12010182	2	2		
NS	561786	. CABLE SEAL / GRAY / PED 15324980	2	2		
7	403063	. FLANGE / HOSE ADAPTOR	1	1		
8	502685	. SCREW CAP HEX M4-0.7x20 SS EMN	3	3		
NS	500589	. NUT WELL M4-0.7x13.5	3	3		
10	504324	HOSE CLAMP / 4"1/2-6"1/2 SS / HS-96	2	2		
11	503522	HOSE FLEXIBLE / AIR DUCT 5" I.D. X 12' / LINEN RUBBER	AR	AR		
12	500874	WASHER FL 8.4x17.0x1.6 Z050	2	2		
NS	502507	WASHER LO SPT 8.1x14.8x2.0 Z050	2	2		
13	500069	SCREW CAP HEX M8-1.25x16 G10.9 DP	2	2		
NS	454393	LAVATORY FAN - INSTALLATION	1	1		

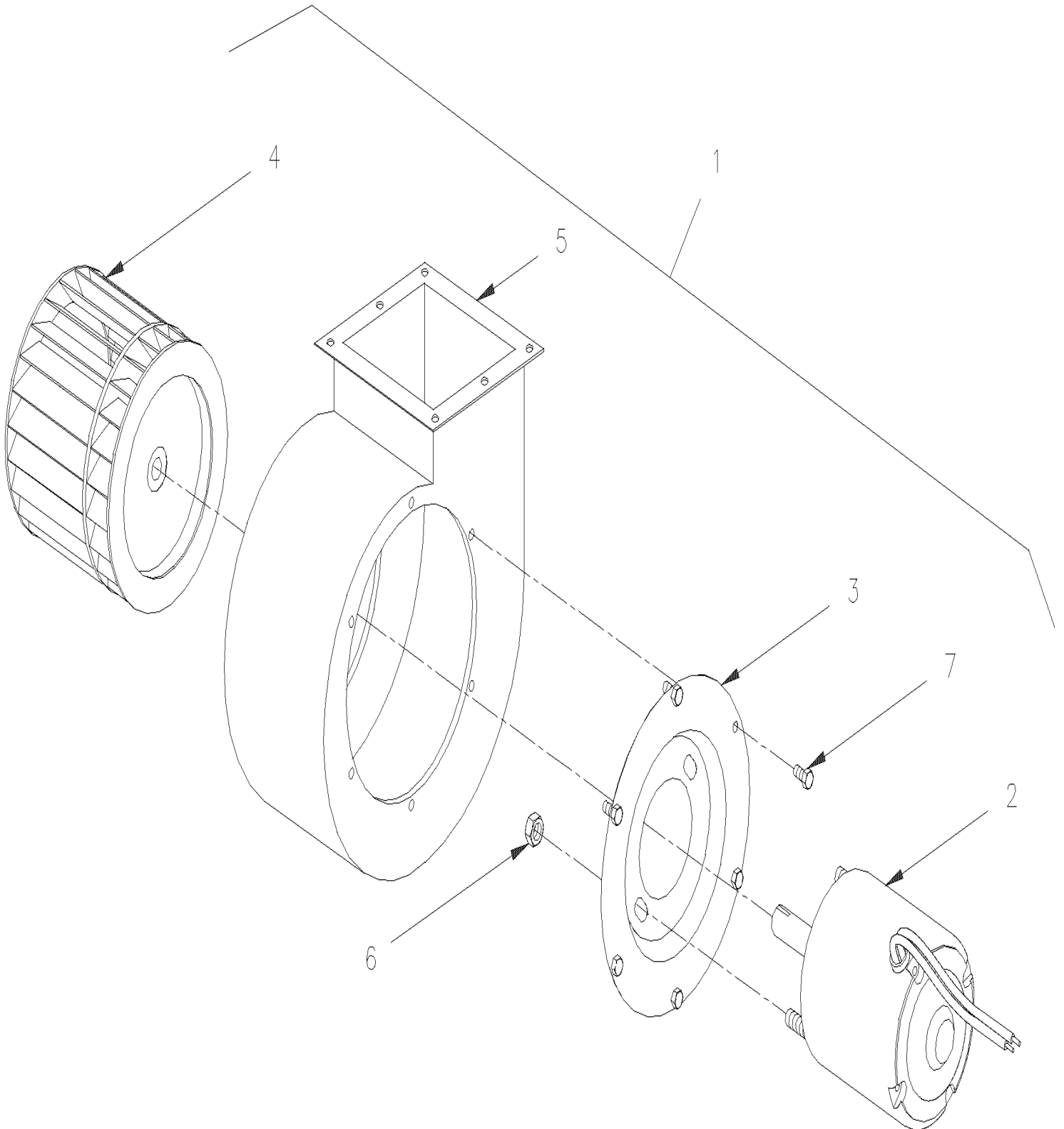


From 3-4417 To 8-1043

Date:10/2022

PAGE:870844

BLOWER & MOTOR ASSY - "M.C.C." "CW" / FAN END





From 3-4417 To 8-1043	Date:10/2022	PAGE:870844
-----------------------	--------------	-------------

BLOWER & MOTOR ASSY - "M.C.C." "CW" / FAN END

Item#	Part	Description	H 3 4 1	H 3 4 5	V I P 4 5	N O T E S
1		BLOWER ASSY 24V / CW	1	1	1	
2	562167	. MOTOR ASSY / 24V	1	1	1	
3	871020	. PLATE MOUNTING / MOTOR	1	1	1	
4	871017	. BLOWER WHEEL / STEEL	1	1	1	
5	871440	. HOUSING BLOWER	1	1	1	
6	500786	. NUT HEX #10-24 Z050	2	2	2	
7	500978	. SCREW CAP HEX #10-24x3/4 Z050	6	6	6	

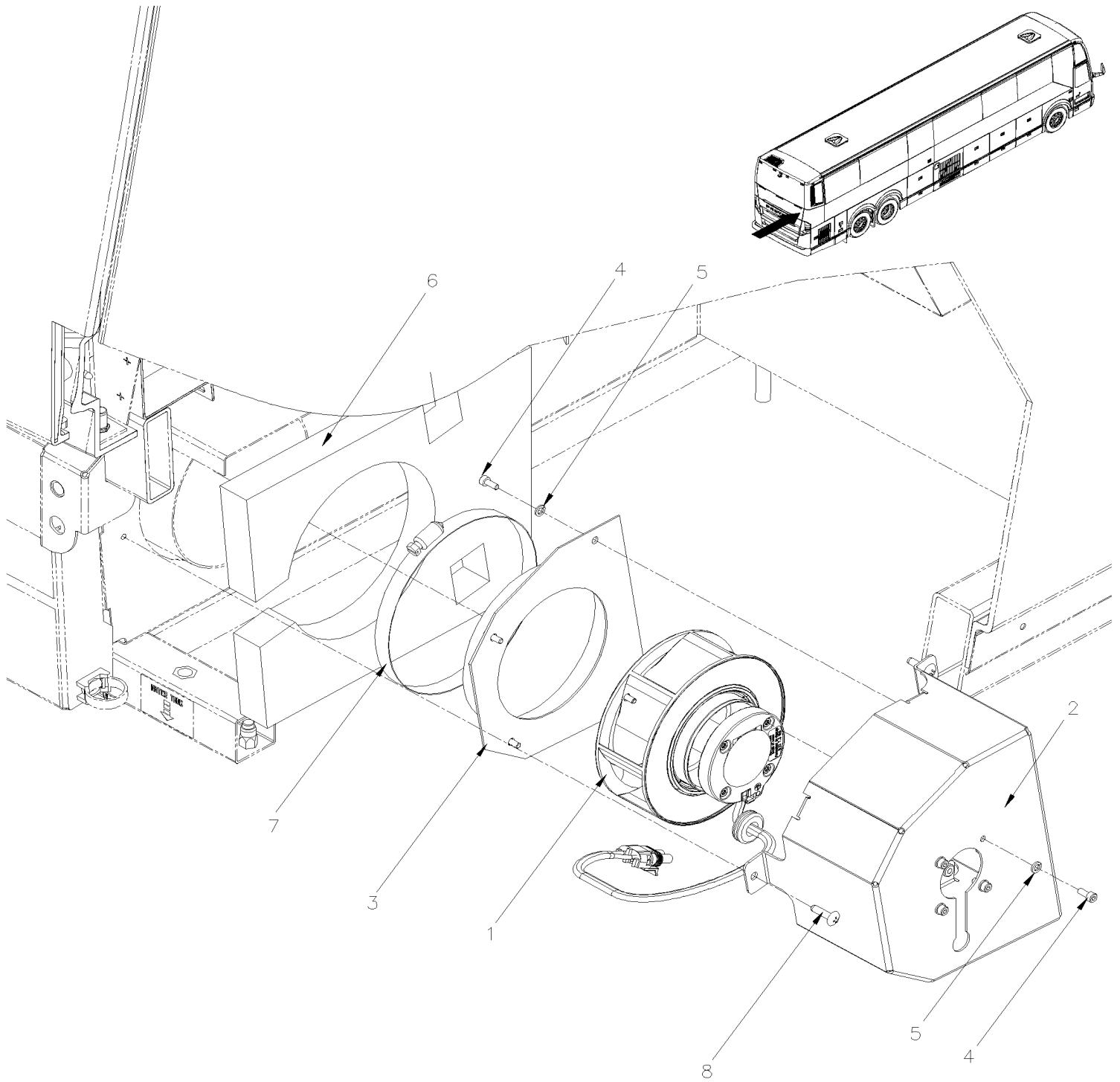


From 3-4417 To 8-1043

Date:10/2022

PAGE:454393

LAVATORY FAN - INSTALLATION





From 3-4417 To 8-1043	Date:10/2022	PAGE:454393
LAVATORY FAN - INSTALLATION		

Item#	Part	Description	H 3 4 1	H 3 4 5	V I P 4 5	N O T E S
1	950624	FAN BRUSHLESS	1	1		
. NS	561690	. CONNECTOR / WEATHER PACK / SH 2C / BLACK / PED 12015792	1	1		
2	454382	BRACKET FOR LAVATORY FAN	1	1		
3	454383	PLATE FOR LAVATORY FAN ASSY	1	1		
4	5002180	SCREW CAP HEXS M4X0.7x10 SS	8	8		
5	500914	WASHER LO SPT .193x.334x.047 N500	8	8		
6	354192	INSULATION	1	1		
7	504324	HOSE CLAMP / 4"1/2-6"1/2 SS / HS-96	1	1		
8	500283	SCREW TC TR PH #10-24x3/4 SS	3	3		
NS	IS-19165	SEE INSTRUCTION SHEET	1	1		
NS	FI-19165	VOIR FEUILLE D'INSTRUCTION	1	1		

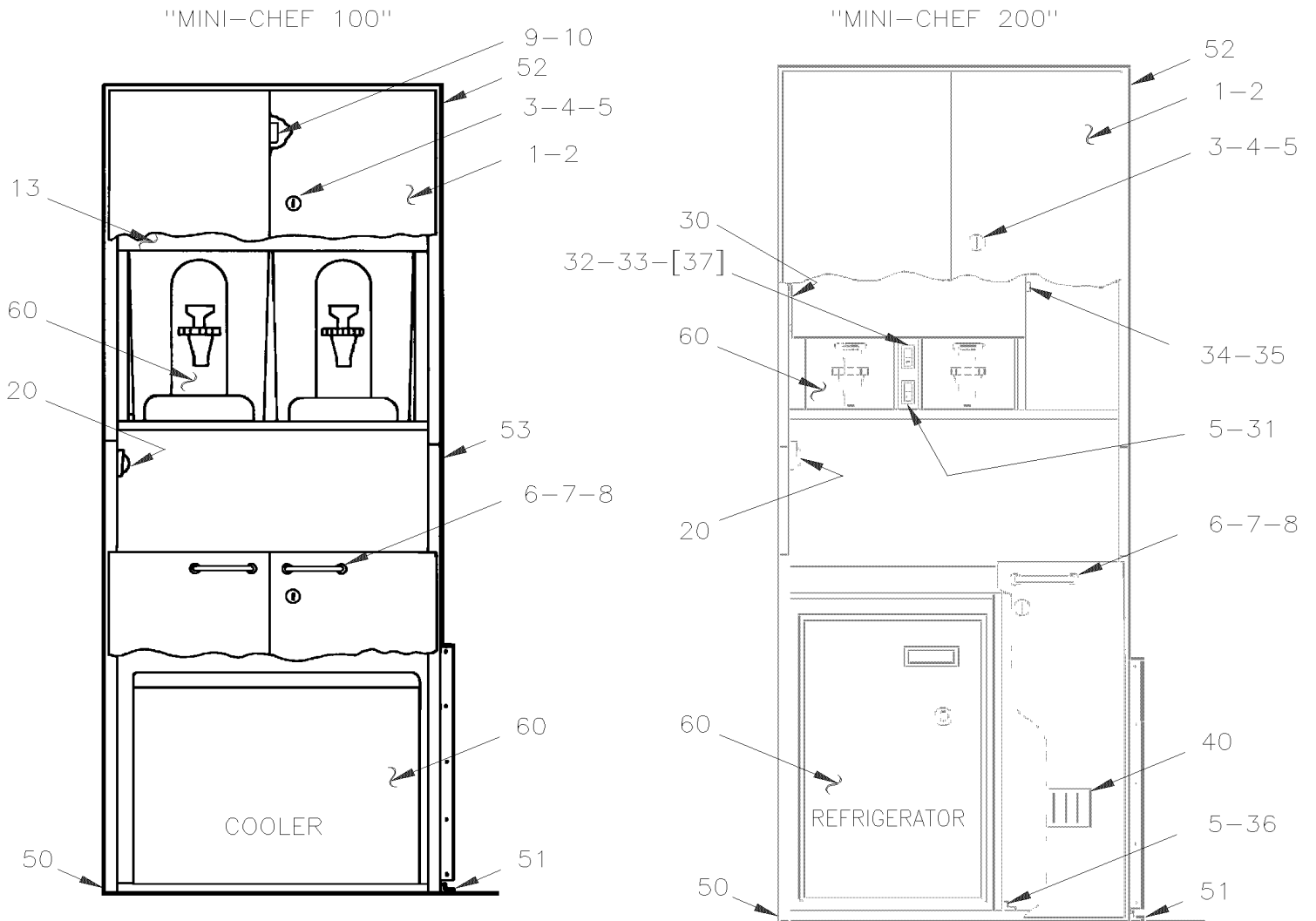


From 3-4417 To 8-1043

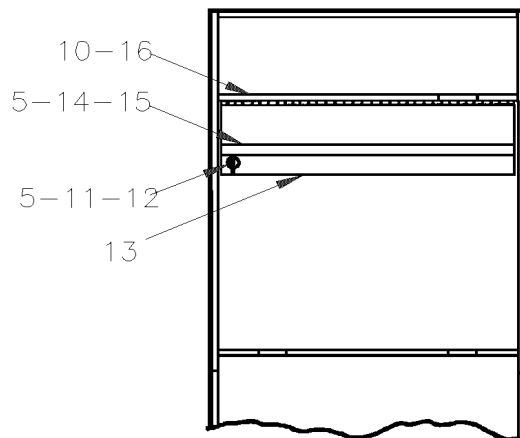
Date:10/2022

PAGE:HF-2345-00

GALLEY ASSY



"MINI-CHEF 100" (DOOR OPEN)





From 3-4417 To 8-1043	Date:10/2022	PAGE:HF-2345-00
GALLEY ASSY		

Item#	Part	Description	H 3 4 1	H 3 4 5	V I P 4 5	N O T E S
	N.S.P.	GALLEY "MINI-CHEF 101" ASSY/W/COOLER	1	1		2 A
	N.S.P.	GALLEY "MINI-CHEF 101" ASSY/W/REFRIGERATOR 1.2 CU FT	1	1		2 A
	N.S.P.	GALLEY "MINI CHEF 101" ASSY W/COFFEE MACHINE & MICROWAVE & POWER VERTER	AR	AR		2 B
	N.S.P.	GALLEY "MINI-CHEF 201" ASSY /W/COOLER	1	1		2 A
	N.S.P.	GALLEY "MINI-CHEF 201" ASSY/W/REFRIGERATOR	1	1		2 A
	N.S.P.	GALLEY "MINI CHEF 201" / W/REFRIGERATOR & MICROWAVE	1	1		2 A
1	N.S.S.	. DOOR ASSY / GALLEY "MINI-CHEF"	4	4		1
2	900569	. MOULDING, PLASTIC	AR	AR		
2	900587	. HINGE, DOOR / GALLEY	8	8		
2	900514	. PLATE, MOUNTING / HINGE	8	8		
2	500626	. SCREW TP OV PH #8x3/4 Z050	AR	AR		
3	780180	. LOCK CYLINDER W/KEY / "VIRO"	2	2		
. NS	780501	. . KEY	1	1		
3	780806	. LOCK CYLINDER W/KEY / "VIRO"	AR	AR		
. NS	780501	. . KEY	1	1		
3	289549	. PIVOT LOCK ACTUATOR 42.4MM / W/11MM OFFSET	1	1		S
4	402737	. REINFORCEMENT / DOOR LOCK	2	2		C
5	500583	. SCREW TP PAN PH #6x1/2 Z050	AR	AR		
6	900568	. HANDLE / DOOR	4	4		
7	500645	. SCREW TP OV PH #8x1 1/4 Z050	8	8		
8	500464	. WASHER FN CKF .210x.540 SS	8	8		
9	402738	. PLATE, RETAINING / DOOR	4	4		
10	502611	. SCREW TP FL PH #6x1/2 Z050	AR	AR		
11	504502	. LATCH ASSY, DOOR	1	1		
12	402827	. ANGLE, RETAINING / LATCH	1	1		
13	403249	. PLATE, CLOSING	1	1		
13	506004	. TAPE RUB ADH1 CC POL 3/8" x 1/2" x 20' / GREY 2520X	AR	AR		
14	403250	. MOULDING CAP / GREY PLATINE 524MM / 20 5/8"	AR	AR		
15	403251	. MOULDING RETAINER / 514MM (20 1/4")	AR	AR		
16	403248	. HINGE / DOOR	1	1		
20	830124	. LAMP ASSY	1	1		
20	561942	. BULB / 10WATT-24VOLTS / SAE# 6429	AR	AR		
30	402828	. HINGE, DOOR	1	1		
30	900621	. LATCH ASSY	1	1		
30	403321	. SPACER / LATCH & SHELF	1	1		
31	402736	. SUPPORT / SWITCH GALLEY SS 349.25MM x 38.1MM	1	1		
31	403326	. SUPPORT / SWITCH / W/GALLEY & W/MICROWAVE 461MM x 110MM	1	1		
32	561468	. SWITCH / OFF-ON S.P.S.T.	2	2		
33	063019	. INSERT / GREEN / L.H. CONTAINER (GALLEY)	1	1		
33	063020	. INSERT / GREEN / R.H. CONTAINER (GALLEY)	1	1		



From 3-4417 To 8-1043	Date:10/2022	PAGE:HF-2345-00
GALLEY ASSY		

Item#	Part	Description	H 3 4 1	H 3 4 5	V I P 4 5	N O T E S
34	403081	. HOOK / DOOR	1	1		
35	500656	. SCREW TP OV PH #6x3/4 SS	2	2		
36	402849	. ANGLE, RETAINING	2	2		
NS	063347	CABLE ASSY / REAR OF GALLEY & REAR JCT PANEL	1	1		
NS	063831	CABLE ASSY / INVERTER 750 WATT & GALLEY ON R.H. SIDE	1	1		
NS	062929	CABLE ASSY / INVERTER 1000W & GALLEY ON R.H. SIDE	1	1		
NS	064411	CABLE ASSY / INVERTER 1000W & GALLEY ON L.H. SIDE	1	1		
37	063273	CABLE ASSY / INVERTER 1000W & GALLEY ON L.H. SIDE	1	1		
48	400877	ANGLE, FINISHING / FRONT GALLEY	1	1		
NS	900280	THRU HULL, CONNECTOR / PLASTIC	1	1		
50	403324	ANGLE / TO FIX GALLEY	1	1		
NS	Call order desk	BASE ASSY / GALLEY & FLOOR	1	1		P
51	403323	ANGLE / TO FIX GALLEY	2	2		
52	403322	ANGLE / TO FIX GALLEY	1	1		
53	403328	CLOSING PANEL	1	1		
NS	500686	SCREW TP OV PH #6x1/2 BK	AR	AR		
55	500345	WASHER FN CKF .187x.500x.090 BR BK	AR	AR		
NS	504106	RIVET POP DOME OE 1/8x1/4 AL	AR	AR		
NS	500638	SCREW TP PAN PH #8x1/2 Z050	AR	AR		
60	HF-2345-10	GALLEY ACCESSORIES				
		A) REFRIGERATOR, COOLER, ICE BOX & HOT LIQUID DISPENSOR ARE NOT INCLUDED IN ASSEMBLY SEE HF-2345-10				
		B) THIS PART NUMBER INCLUDE ALLS COMPONENTS & INVERTER 1000 W				
		C) DOOR LOCK				
		S) REQUIERED ONLY IN SERVICE IF YOU NEED TO CHANGE YOUR OLD CYLINDER LOCK # 780180				
		1) NOT SOLD SEPARATELY				
		2) NOT SOLD BY PREVOST (SEE MANUFACTURING PART NUMBER AT END OF DESCRIPTION LINE)				
		P) CALL ORDER DESK FOR SPECIFIC APPLICATION (V.I.N.)				

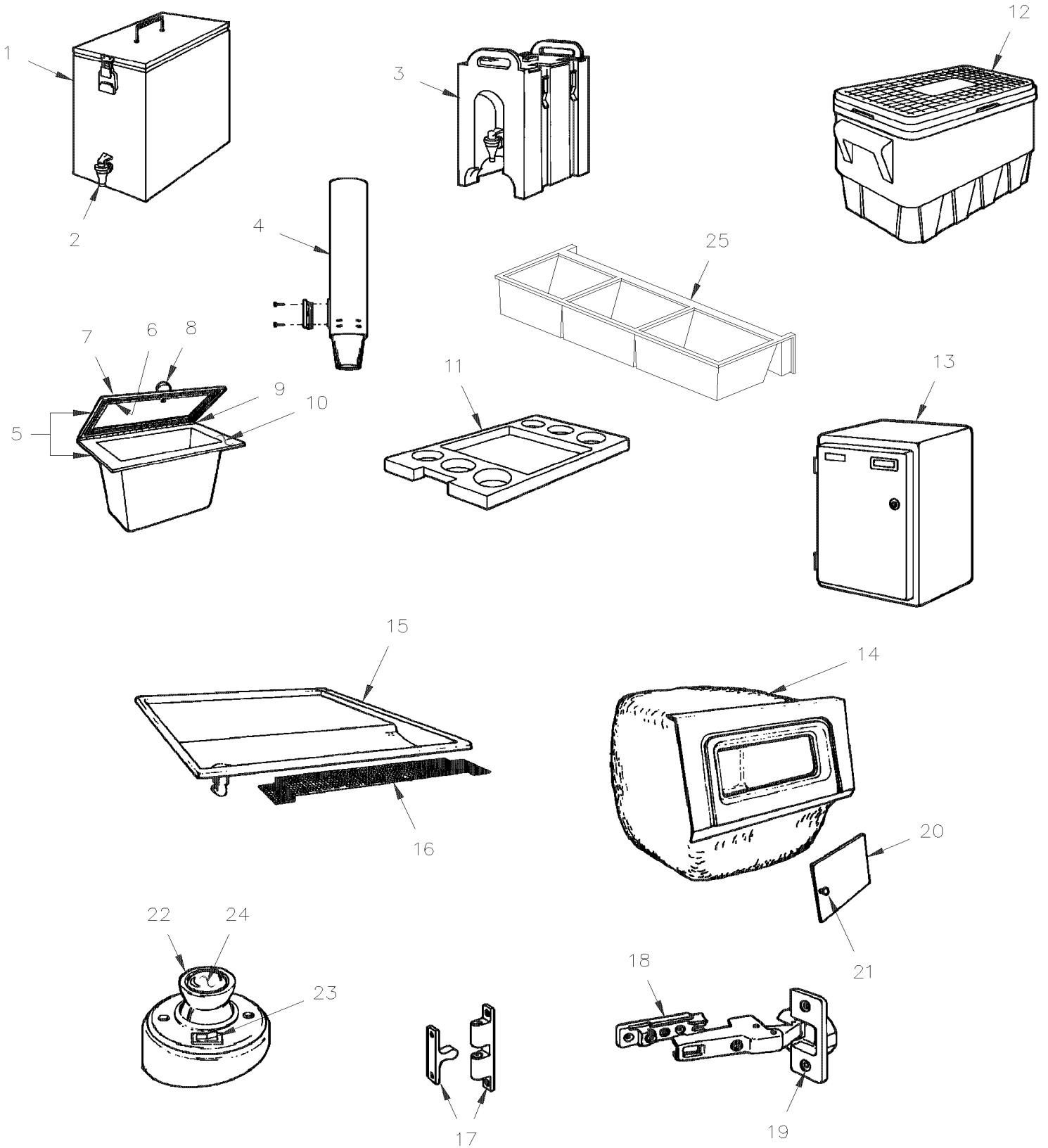


From 3-4417 To 8-1043

Date:10/2022

PAGE:HF-2345-10

GALLEY ACCESSORIES





From 3-4417 To 8-1043		Date:10/2022	PAGE:HF-2345-10
GALLEY ACCESSORIES			

Item#	Part	Description	H 3 4 1	H 3 4 5	V I P 4 5	N O T E S
1	403640	DISPENSER ASSY / HOT LIQUID	2	2		
1	900488	. DISPENSER, HOT LIQUID	1	1		
2	900483	. SPIGOT ASSY / 1/2 NPT W/900488	1	1		
2	900678	. ADAPTOR / SPIGOT & CONTAINER	1	1		
2	900426	. PLUG, 3 PINS MALE	1	1		
2	900427	. SWITCH, TEMPERATURE	1	1		
2	900676	. GASKET COVER	1	1		
2	403639	. ADAPTOR, ON COVER FOR SAFETY CAP	1	1		
3	900583	CONTAINER, LIQUID	2	2		
3	900677	. SPIGOT ASSY / W/PLASTIC WING NUT	1	1		
4	402826	DISPENSER, CUP / MODIFIED SHORT	1	1		
4	900391	CUP DISPENSER / CUP / LONG	1	1		
NS	900249	CUP / 100 UNIT PACK	AR	AR		
5	404755	ICE CONTAINER ASSY	1	1		
6	402734	. COVER, ICE CONTAINER	1	1		
7	506002	. TAPE RUB ADH1 CC POL 3/16" x 1/2" x 40' / GREY 2520	AR	AR		
8	505018	. KNOB	1	1		
8	500541	. SCREW MA FL PH 1/4-20x1/2 SS BK	1	1		
9	402829	HINGE, COVER	1	1		
10	404749	CONTAINER, ICE	1	1		
11	404752	TRAY, SERVICE	1	1		
12	900585	COOLER 23 LITERS	1	1		
13	900741	REFRIGERATOR "NORCOLD" 2.5 CU. FT MODEL DE-351 120/12 V W/ICE BOX	1	1		
13	900738 FORMER	REFRIGERATOR "NORCOLD" 4 CU. FT MODEL DE-390	1	1		
. NS	901539	. HINGE ASSY	1	1		
13	900584	REFRIGERATOR "FRENSELE" 1.2 CU. FT / W/GALLEY "MINI-CHEF"	1	1		
NS	900586	COMPRESSOR, 24 VOLTS, REFRIGERATOR / W/900584 ONLY	1	1		
14	400989	ICE BOX ASSY	1	1		
15	400821	DRAIN PAN ASSY / BEIGE To 6-0386	1	1		
15	405774	DRAIN PAN ASSY / GREY 325MM x 460MM (RED ARROW) From 6-0387	1	1		
16	400806	GRILLE DRAIN SS 466.7MM x 96MM To 6-0386	1	1		
16	405783	GRILLE DRAIN SS 362MM x 96MM From 6-0387	1	1		
NS	900280	THRU HULL, CONNECTOR / PLASTIC	1	1		
17	900425	CATCH ASSY	AR	AR		
18	900514	PLATE, MOUNTING / HINGE	2	2		
19	900389	HINGE, DOOR	2	2		
20	401009	DOOR, SLIDING	1	1		
21	505018	KNOB	1	1		
22	830124	LAMP ASSY	AR	AR		
23	830139	LAMP ASSY / W/ONE BULB	AR	AR		
24	562278	BULB / 10WATT-24VOLTS / SAE# 6429	1	1		
25	404485	BIN W/3 SEPARATOR	1	1		



From 3-4417 To 8-1043	Date:10/2022	PAGE:HF-2345-10
GALLEY ACCESSORIES		

Item#	Part	Description	H 3 4 1	H 3 4 5	V I P 4 5	N O T E S
NS	403932	BOX ACRYLIC 269MM x 520MM	1	1		
25	403933	BOX ACRYLIC W/3 DIVISORS 105/105/59 269MM x 520MM	1	1		
25	403934	BOX ACRYLIC W/3 DIVISORS 89/89/91 269MM x 520MM	1	1		
25	403935	BOX ACRYLIC W/2 DIVISORS 100/169 269MM x 520MM	1	1		
NS	900620	MICRO WAVE "SANYO"	1	1		
NS	900919	MICRO WAVE "SANYO"	1	1		

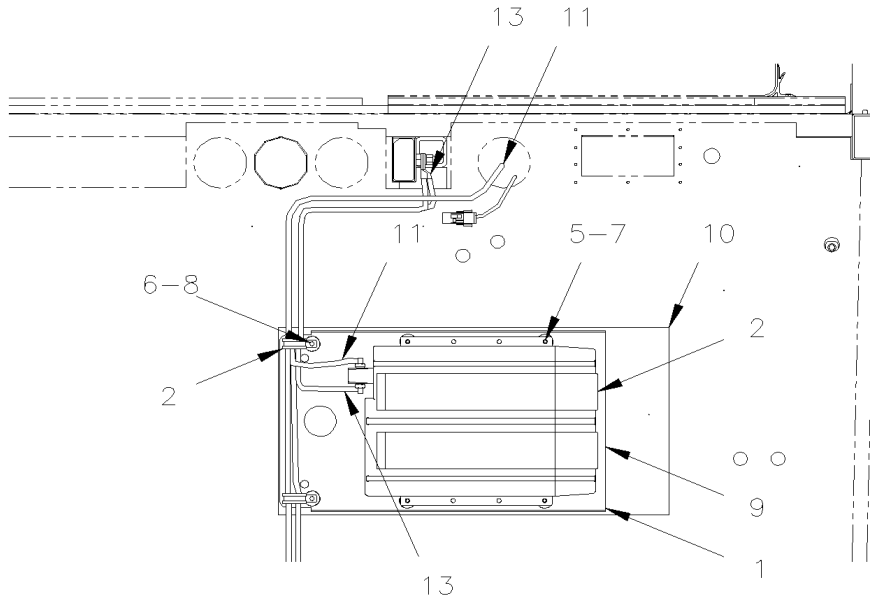


From 3-4417 To 8-1043

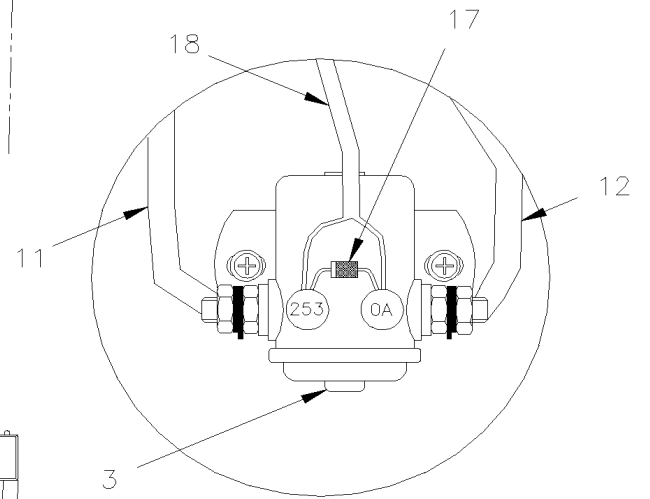
Date:10/2022

PAGE:HF-2345-40

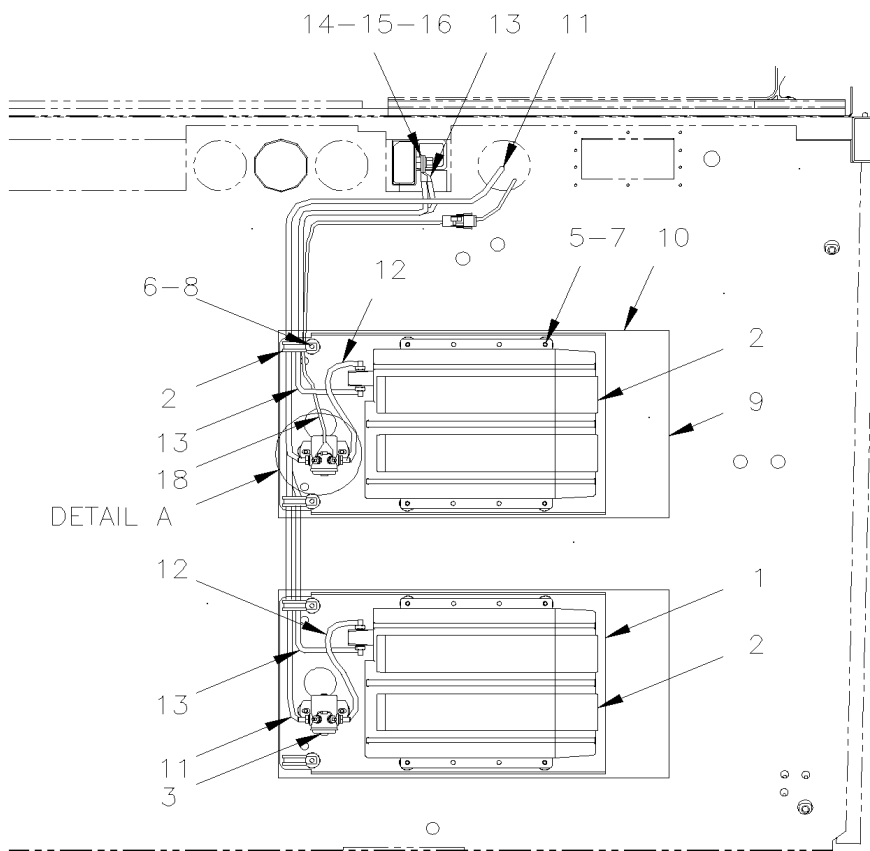
POWERVERTER - INSTALLATION



WITHOUT RELAY



DETAIL A



WITH RELAY

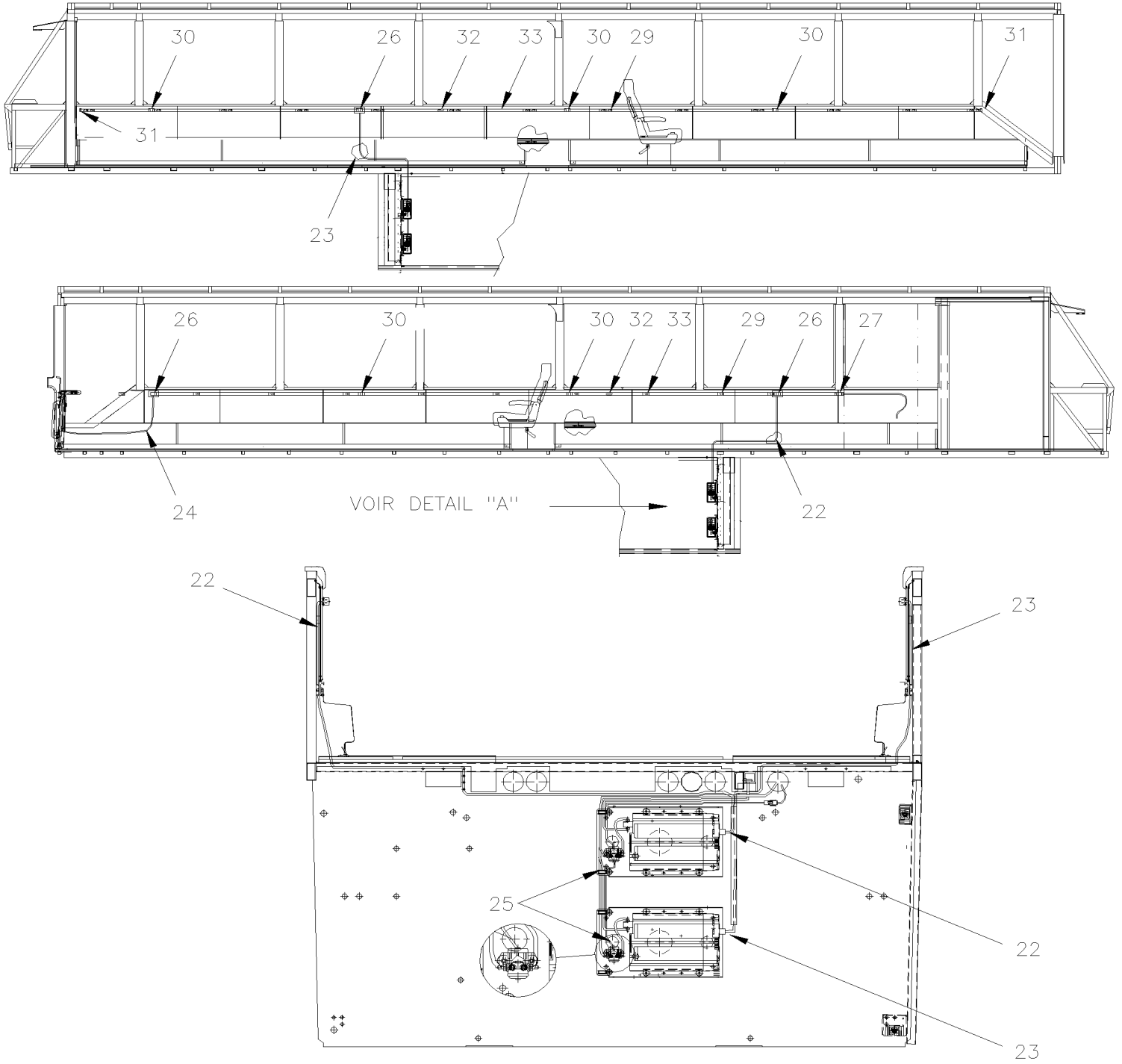


From 3-4417 To 8-1043

Date:10/2022

PAGE:HF-2345-40

POWERVERTER - INSTALLATION



DETAIL "A"



From 3-4417 To 8-1043	Date:10/2022	PAGE:HF-2345-40
POWERVERTER - INSTALLATION		

Item#	Part	Description	H 3 4 1	H 3 4 5	V I P 4 5	N O T E S
1	065519	INVERTER, SUPPORT	1	1		
2	563082	POWERVERTER ASSY / 24/110 V 1800 WATTS W/DISPLAY ON INVERTER	1	1		
NS	562567	POWERVERTER ASSY / 24/110 V 5000 WATTS	1	1		A
3	561005	SWITCH MAGNETIC / 24V S.P.S.T. / 200AMPS N.O.	1	1		
4	952637	CLAMP / 1"1/16 I.D.	2	2		
5	5001182	NUT HEX NYRT M6-1.0 SS	6	6		
6	500590	NUT HEX NYRT M4-0.7 Z050	2	2		
7	502573	WASHER FL 6.4x12.5x1.6 SS	6	6		
8	502637	WASHER FL .200x.437x.037 SS	2	2		
9	563131	POWERVERTER, COVER	1	1		
10	500572	SCREW MA TR PH #10-24x1/2 SS BK	6	6		
11	065538	CABLE ASSY #4 x 5425MM	1	1		
12	065540	CABLE ASSY #4 x 250MM	1	1		
13	065542	CABLE ASSY #4 x 1750MM	1	1		
14	5001330	SCREW CAP HEX 1/2-13x1 SS	1	1		
15	500998	NUT HEX 1/2-13 BR	1	1		
16	500482	WASHER LO SPT .506x.873x.125 Z050	1	1		
17	060798	DIODE ASSY	1	1		
18	065531	CABLE INVERTER	1	1		
22	065546	CABLE ASSY / W/CONNECTOR 3000MM	1	1		
23	065545	CABLE ASSY / W/CONNECTOR 4500MM	1	1		
NS	560933	. CONNECTOR / 15 AMPS / HUBBELL 5266-C	1	1		
NS	562595	. SPECIAL WIRE CABLE 14/3 / WHITE (BOAT CABLE)	1	1		
24	065547	CABLE ASSY 2850MM	1	1		
25	065532	CABLE ASSY 525MM	1	1		
26	563098	STARTER, 110V FEEDER HATRD WIRED	4	4		
27	563105	STARTED, 110V KO FEEDER	1	1		
28	563146	COVER, END TRACK	2	2		
29	563100	RECEPTACLE 110V	35	35		
30	563101	CONNECTOR STRAIGHT TRACK	5	5		
31	563102	TRACK END CAP	3	3		
32	563099	TRACK 110V 96"	8	8		
33	563103	COVER, TRACK	13	13		
NS	560838	BREAKER 200AMPS / 24V /	1	1		A
NS	382025	SUPPORT, BREAKER	1	1		A
NS	562657	PLUG DOUBLE 110 VAC MURAL / WHITE	2	2		A
NS	562659	COVER PLATE DOUBLE 110V OUTLET / WHITE	2	2		A
NS	562661	RECEPTACLE BOX / 110Vac outlet WHITE	2	2		
		A) USE WITH 5000W POWERVERTER				

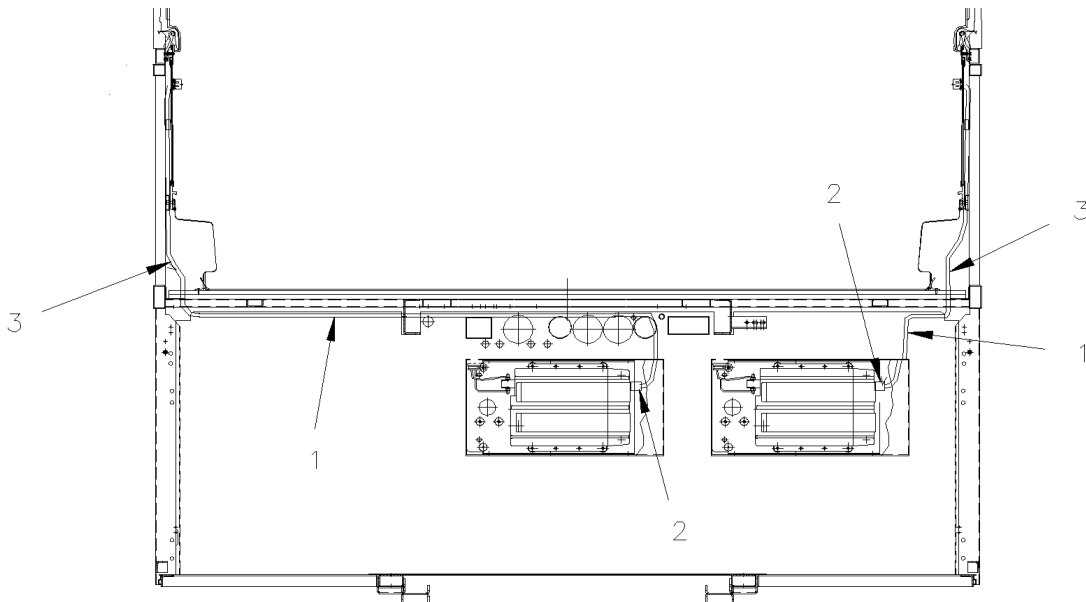
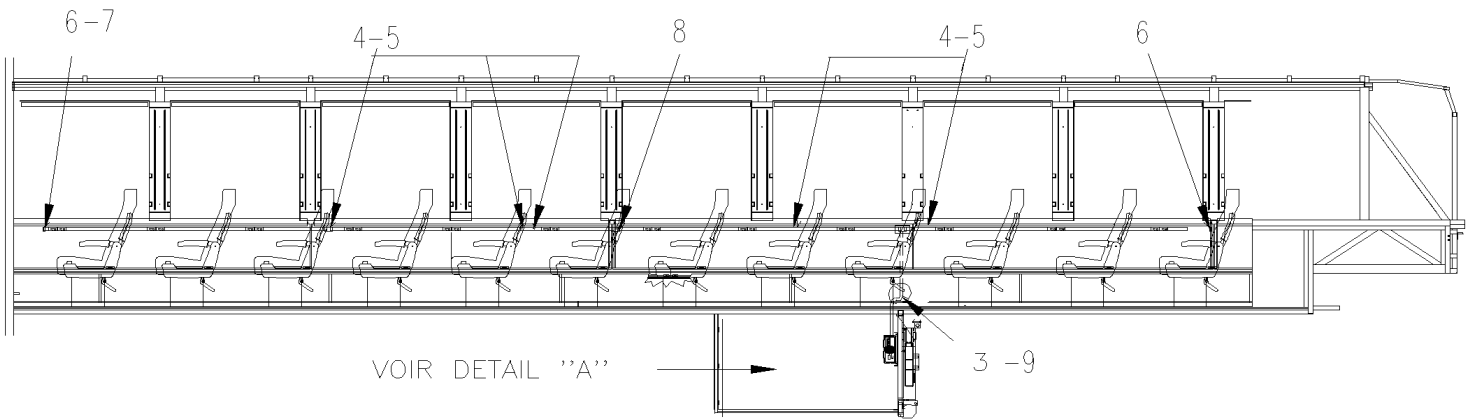
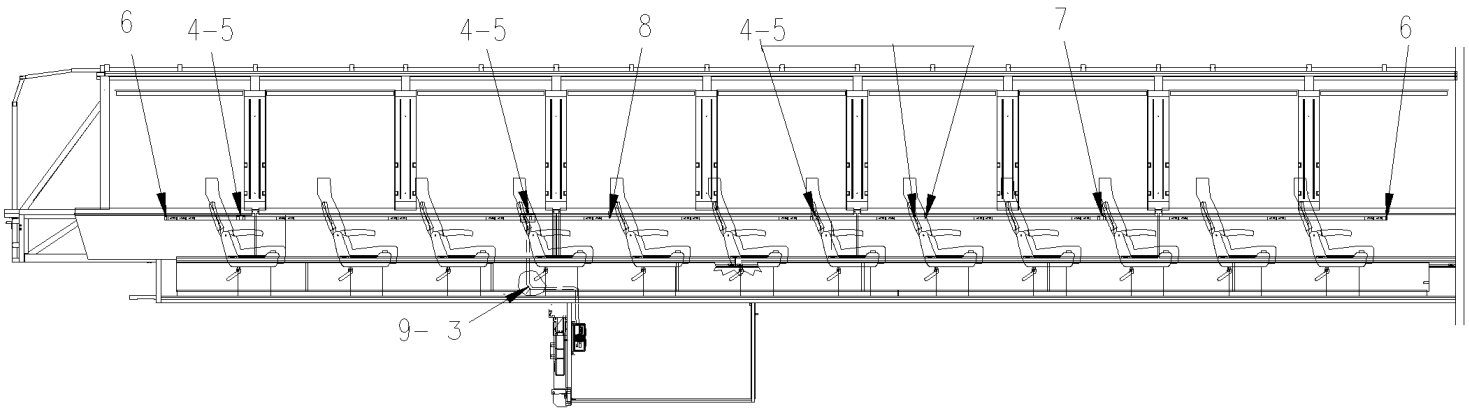


From 3-4417 To 8-1043

Date:10/2022

PAGE:HF-2345-99

110 VOLT - OUTLET / "RETROFIT"



DETAIL "A"



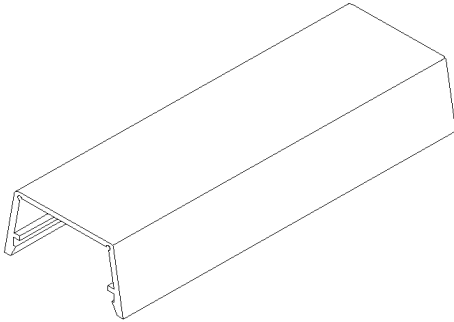
From 3-4417 To 8-1043

Date:10/2022

PAGE:HF-2345-99

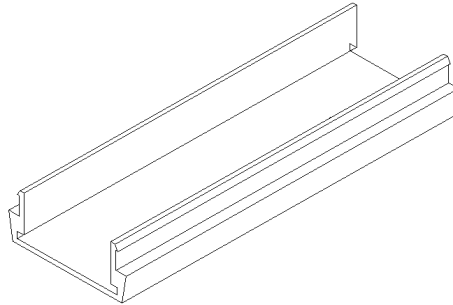
110 VOLT - OUTLET / "RETROFIT"

564151



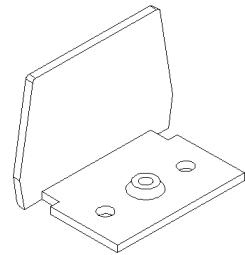
COVER ALUMINIUM
RACEWAY 110V

564152



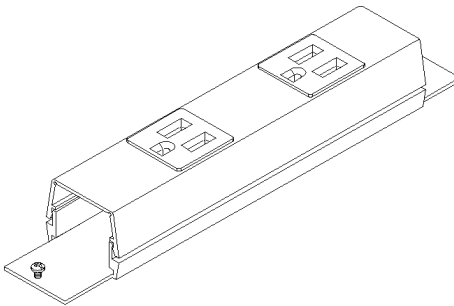
BASE ALUMINIUM
RACEWAY 110V

564153



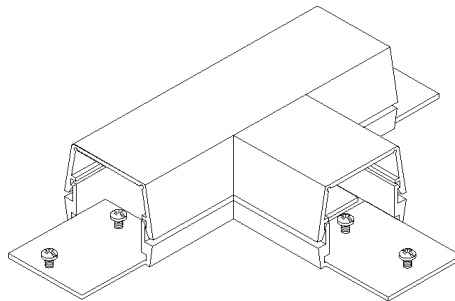
BLANK END FITTING
RACEWAY 110V

564154



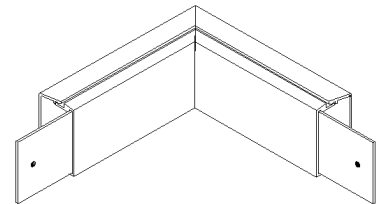
RECEPTACLE DOUBLE
RACEWAY 110V

564155



TEE
RACEWAY 110V

564156



ELNOW
RACEWAY 110V



From 3-4417 To 8-1043

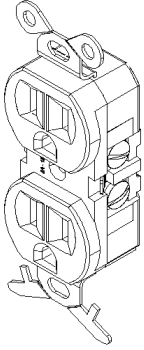
Date:10/2022

PAGE:HF-2345-99

110 VOLT - OUTLET / "RETROFIT"

562657

WHITE



PLUG DOUBLE
OUTLET 110V

562659

WHITE

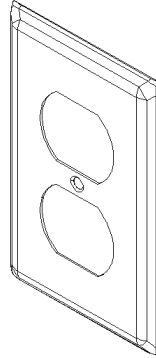
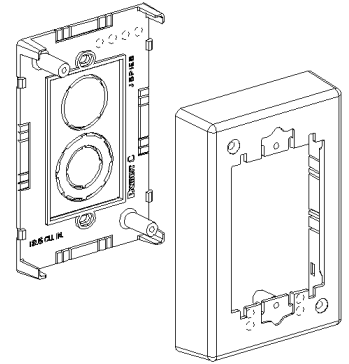


PLATE OUTLET 110V

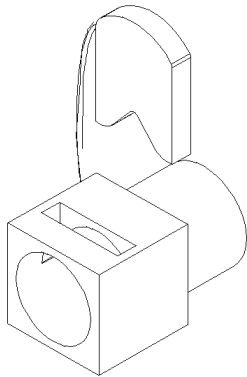
564129

WHITE



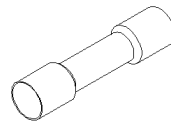
RECEPTACLE BOX
OUTLET 110V

564467



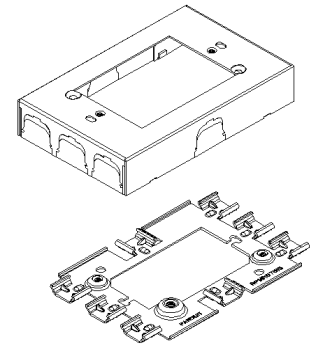
CONNECTOR IBERVILLE

563624



563848

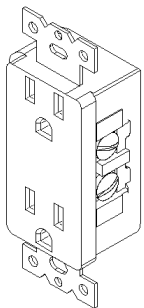
WHITE



RECEPTACLE BOX
OUTLET 110V

563846

WHITE



PLUG DOUBLE
OUTLET 110V

563847

WHITE

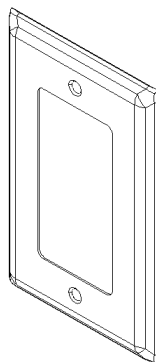


PLATE OUTLET 110V



From 3-4417 To 8-1043	Date:10/2022	PAGE:HF-2345-99
110 VOLT - OUTLET / "RETROFIT"		

Item#	Part	Description	H 3 4 1	H 3 4 5	V I P 4 5	N O T E S
1	562664	PROTECTOR METALLIC 1"/CABLE	AR	AR		
2	560933	CONNECTOR / 15 AMPS / HUBBELL 5266-C	AR	AR		
3	562595	SPECIAL WIRE CABLE 14/3 / WHITE (BOAT CABLE)	AR	AR		
4	564151	RACEWAY BASE ALUMINUM 60"	AR	AR		
5	564152	RACEWAY COVER ALUMINUM 60"	AR	AR		
6	564153	BLANK END FITTING CLOSING	AR	AR		
7	564154	RECEPTACLE DOUBLE / IN-LINE 15 Amps	AR	AR		
8	564155	TEE ALUMINUM RACEWAY	AR	AR		
9	564156	ELBOW 90° EXTERNAL RACEWAY	AR	AR		
20	562657	PLUG DOUBLE 110 VAC MURAL / WHITE	AR	AR		
21	562659	COVER PLATE DOUBLE 110V OUTLET / WHITE	AR	AR		
22	564129	RECEPTACLE BOX / 110Vac outlet / WHITE	AR	AR		
23	564467	CONNECTOR IBERVILLE 1/2" PLASTIC GREY	AR	AR		
24	563624	BUTT SPLICE / 12-10 / YELLOW / W/THERMORETRAC / PANDUIT BSH10-E	AR	AR		
25	563848	RECEPTACLE BOX / 100Vac outlet WHITE NYLON	AR	AR		
26	562662	PLUG DOUBLE 110 VAC MURAL WHITE NYLON "DECORA"	AR	AR		
26	563846	PLUG DOUBLE 110 VAC MURAL WHITE NYLON "DECORA"	AR	AR		
26	564507	PLUG DOUBLE 110 VAC MURAL GREY NYLON "DECORA"	AR	AR		
27	563847	COVER PLATE DOUBLE 110V OUTLET WHITE NYLON	AR	AR		
27	564508	COVER PLATE DOUBLE 110V OUTLET SILVER	AR	AR		

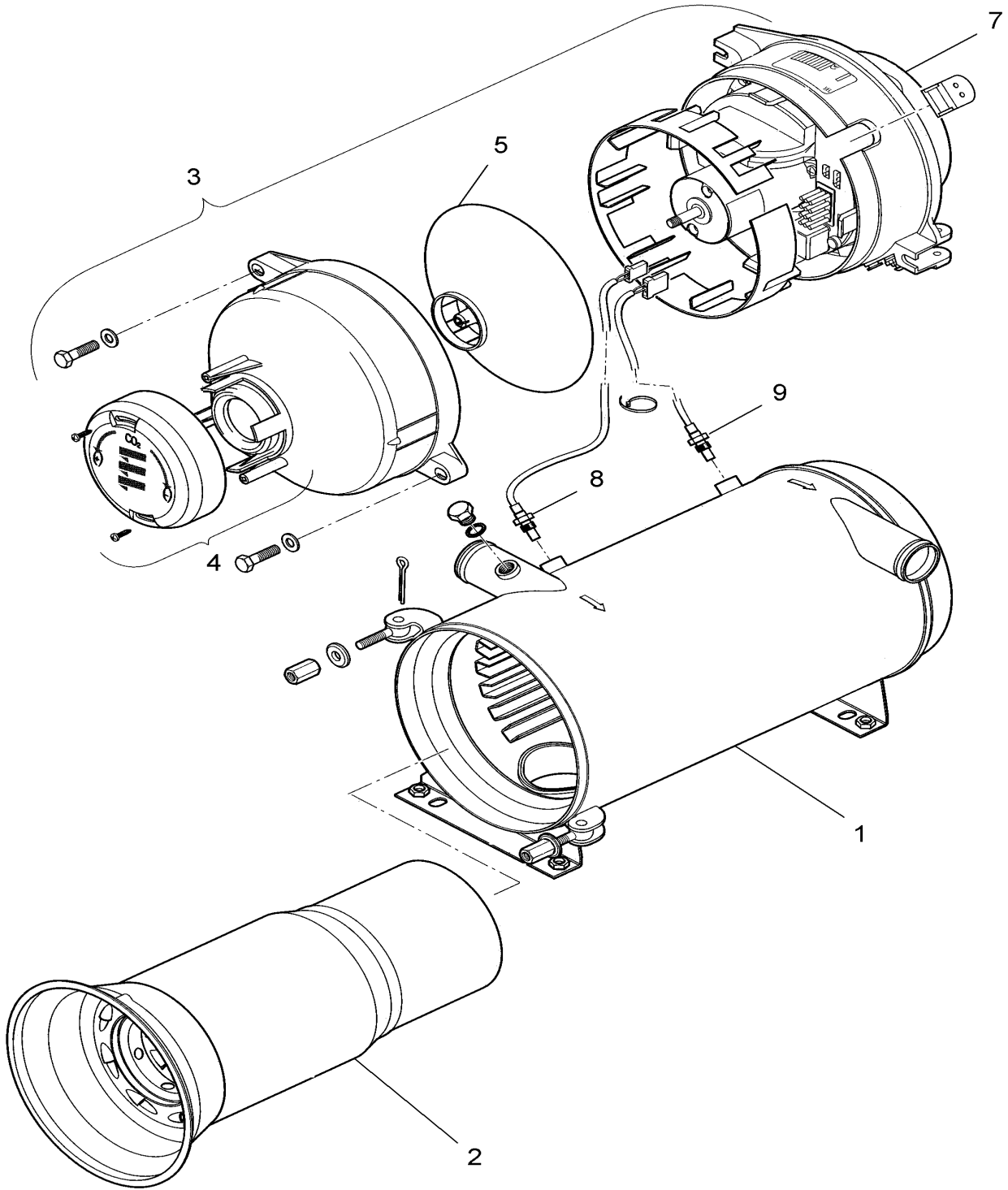


From 3-4417 To 8-1043

Date:10/2022

PAGE:HF-2350-05

WATER HEATER - "OPTION" - "ESPAR" 103000 B.T.U.



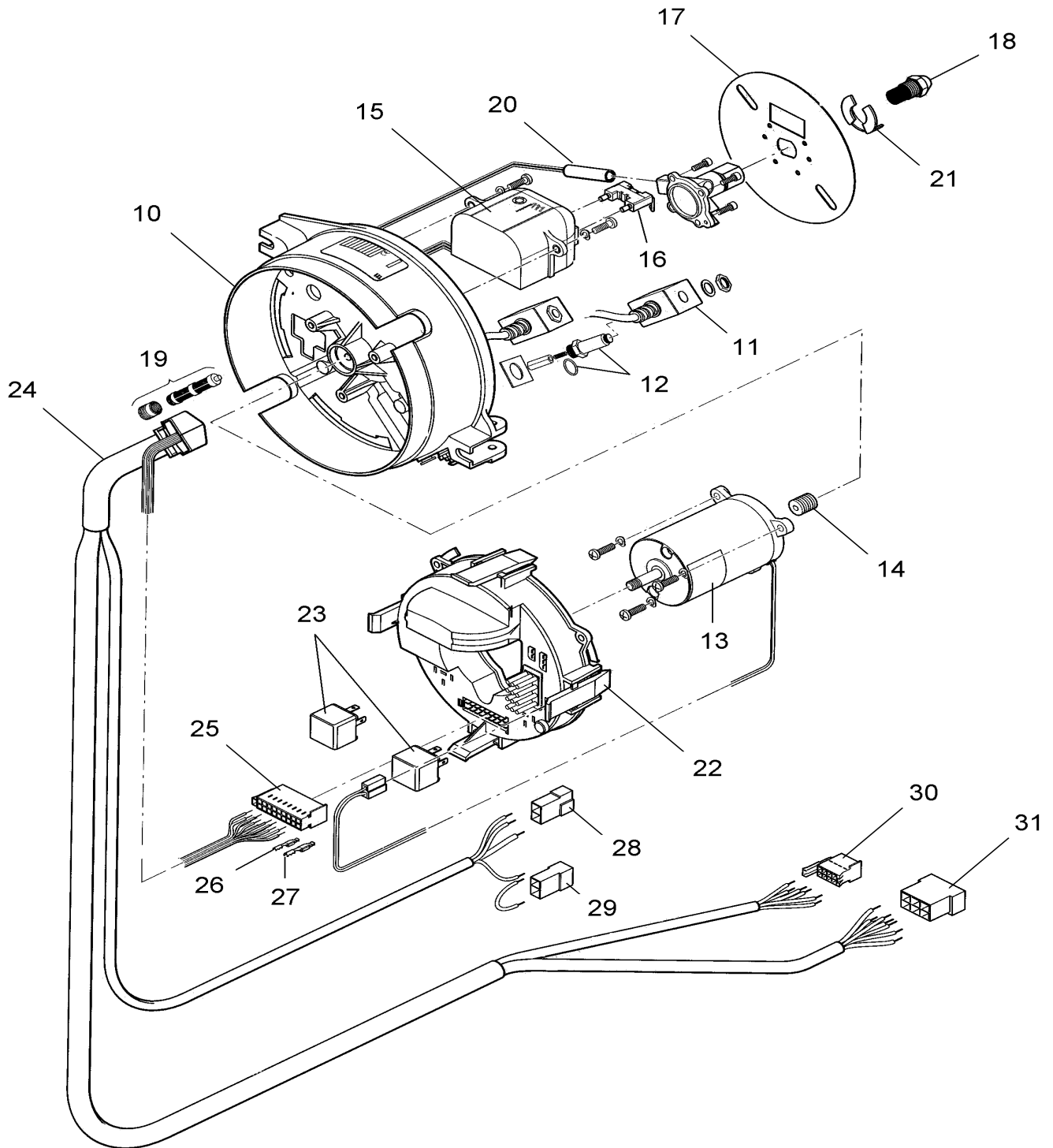


From 3-4417 To 8-1043

Date:10/2022

PAGE:HF-2350-05

WATER HEATER - "OPTION" - "ESPAR" 103000 B.T.U.





From 3-4417 To 8-1043	Date:10/2022	PAGE:HF-2350-05
------------------------------	---------------------	------------------------

WATER HEATER - "OPTION" - "ESPAR" 103000 B.T.U.

Item#	Part	Description	H 3 4 1	H 3 4 5	V I P 4 5	N O T E S
1	1818 06 00 00	HEAT EXCHANGER	1	1		A
2	1818 57 00 00	FLAME TUBE	1	1		A
3	1818 99 10 00	BURNER	1	1		A
4	1818 15 08 00	HOOD	1	1		A
5	1818 15 02 00	FAN WHEEL	1	1		A
7	1818 15 00 04	SLEEVE	1	1		A
8	1818 41 00 00	TEMPERATURE SENSOR	1	1		A
9	1818 40 00 00	SAFETY THERMAL CUTOUT SWITCH	1	1		A
10	1818 99 45 01	PUMP	1	1		A
11	249 00 004	SOLENOID COIL	1	1		
12	249 00 008	HARDWARE FOR SOLENOID COIL	1	1		
13	1818 15 01 00	ELECTRIC MOTOR	1	1		A
14	1818 45 00 01	COUPLING	1	1		A
15	1818 15 03 00	IGNITION SPARK GENERATOR	1	1		A
16	1818 15 04 00	IGNITION ELECTRODES	1	1		A
17	1818 15 00 05	BAFFLE PLATE	1	1		A
18	330 00 027	FUEL ATOMIZER NOZZLE	1	1		
19	249 00 009	STRAINER	1	1		
20	1000 30 85 00	TWIN LEAF-SPRING CONTACT	1	1		A
21	121 22 100	RETAINING SPRING	1	1		
22	1818 50 00 10	CONTROL UNIT	1	1		A
23	203 00 087	RELAY	1	1		
24	1818 01 01 00	CABLE HARNESS	1	1		A
25	206 31 292	SOCKET HOUSING	1	1		
26	562807	SOCKET TERMINAL / 16-14 / AMP 927777-3	AR	AR		
27	562806	SOCKET TERMINAL / 20-16 / AMP 927779-3	AR	AR		
28	562473	CONNECTOR / FASTIN-FASTON (.250) / TH 2C / AMP 180908-0	1	1		
29	562643	CONNECTOR / FASTIN-FASTON (.250) / TH 2C / AMP 180924	1	1		
30	206 31 298	SOCKET HOUSING	1	1		
31	206 31 006	SOCKET HOUSING	1	1		
		A) ADD PREFIX "25 " TO HAVE COMPLETE NUMBER				

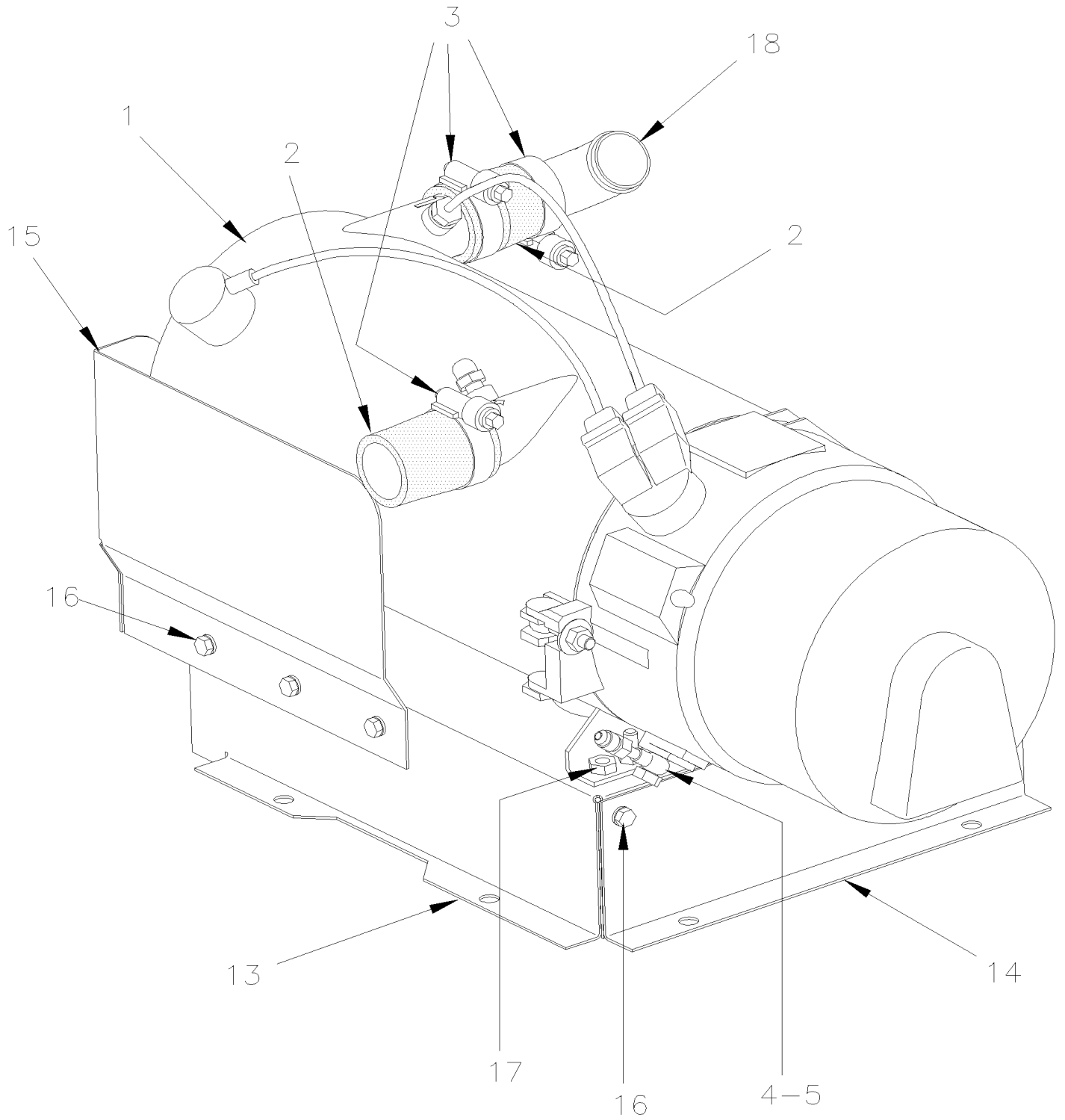


From 3-4417 To 8-1043

Date:10/2022

PAGE:HF-2350-10

WATER HEATER - INSTALLATION



UP TO 3-4758

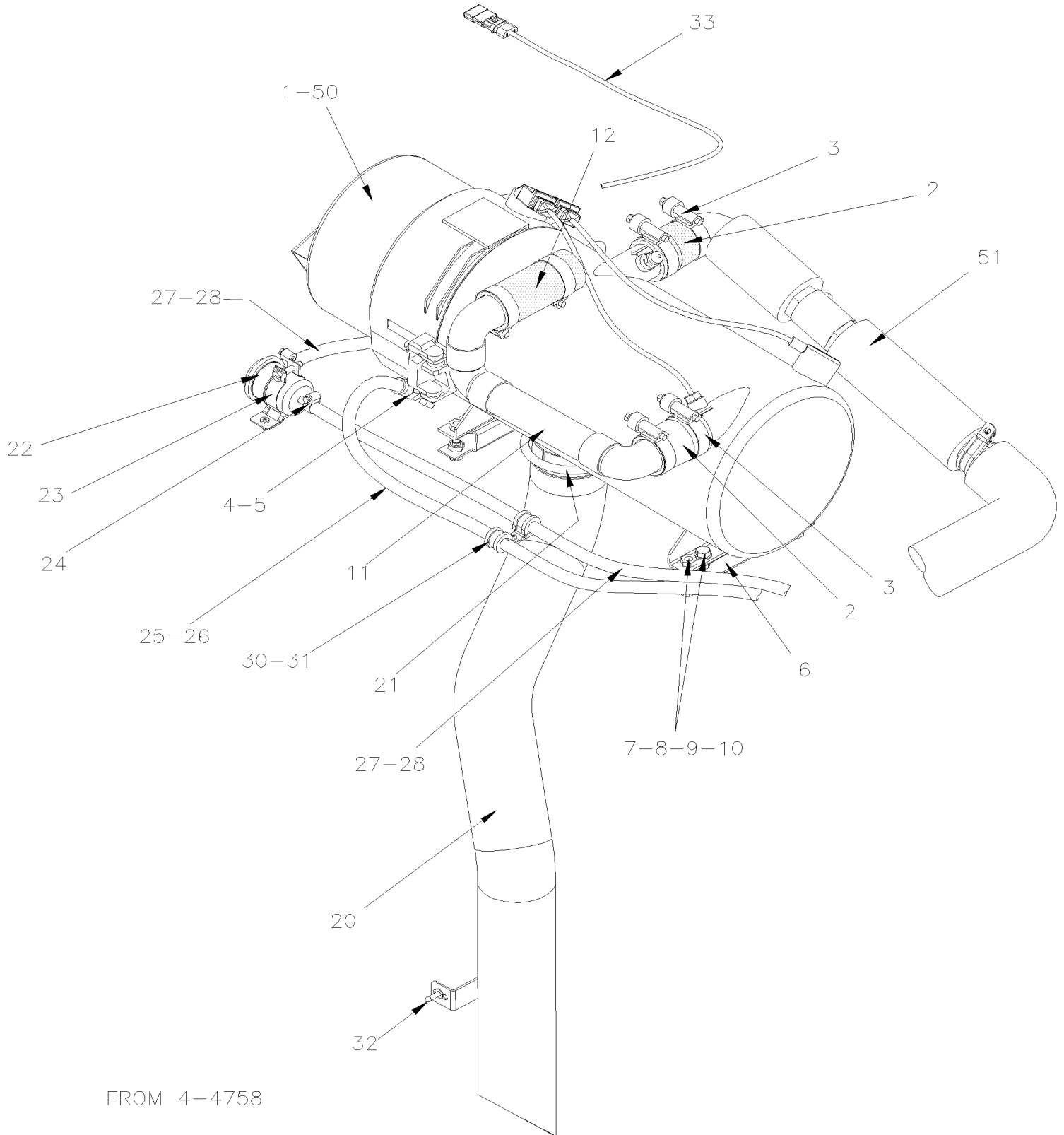


From 3-4417 To 8-1043

Date:10/2022

PAGE:HF-2350-10

WATER HEATER - INSTALLATION



FROM 4-4758



From 3-4417 To 8-1043	Date:10/2022	PAGE:HF-2350-10
WATER HEATER - INSTALLATION		

Item#	Part	Description	H 3 4 1	H 3 4 5	V I P 4 5	N O T E S
	Call order desk	WATER HEATER ASSY / MODEL THERMO 300 ASSY W/HOSE & SPACERS To 3-4757	1	1	1	P
	373886P	WATER HEATER ASSY ASSY W/HOSE & SPACERS From 4-4758	1	1	1	
1	871202	. WATER HEATER - "SPHEROS" 100,000 B.T.U. From 3-4417 To 8-1043	1	1	1	
2	373800	. HOSE REDUCER / 1 1/2" I.D.x1 3/8" I.D.x65MM	2	2	2	
3	504657	. HOSE CLAMP / 1"1/16-2" C.T. 9424	3	3	3	
4	5011238	. BANJO UNION / 10MMx#6JIC-M	1	1	1	
5	5011237	. BANJO UNION / 10MMx#4JIC-M	1	1	1	
6	374322	. SPACER ASSY 1" / "WATER HEATER & FENDER	2	2	2	
7	500069	. SCREW CAP HEX M8-1.25x16 G10.9 DP	4	4	4	
8	5001341	. WASHER FL 8.4x17.0x1.6 SS	4	4	4	
9	5001161	. WASHER LO SPT 8.1x14.8x2.0 SS-304	4	4	4	
10	5001188	. NUT HEX M8-1.25 SS	4	4	4	
11	373887P	. PIPE ASSY / "WATER HEATER" / EXIT LINE	1	1	1	
12	051383	HOSE / W/CENTRAL A/C SYSTEM / 1 3/8" I.D. X 150MM	1	1	1	
13	373805	BOX SUPPORT / W/100000 BTU "WEBASTO" To 3-4757	1	1	1	
13	373765	BOX SUPPORT / W/80000 BTU "PROHEAT" To 3-4757	1	1	1	
NS	373284	SPACER / W/80000 BTU / "PROHEAT" To 3-4757	2	2	2	
14	373840	COVER BOX SUPPORT To 3-4757	1	1	1	
15	373856	DEFLECTOR HEAD SHIELD PLATE To 3-4757	1	1	1	
16	502631	SCREW CAP HEX M6-1.0x20 G8.8 Z050 To 3-4757	AR	AR	AR	
NS	502564	WASHER LO SPT 6.1x11.8x1.6 Z050 To 3-4757	AR	AR	AR	
17	502780	SCREW CAP HEX M8-1.25x25 SS BK To 3-4757	4	4	4	
NS	500441	WASHER FL .312x.734x.065 Z050 To 3-4757	4	4	4	
NS	502744	NUT HEX STO M8-1.25 Z050 To 3-4757	4	4	4	
18	373804	ELBOW 90° / W/BEAD To 3-4757	1	1	1	
20	373950	PIPE EXHAUST From 4-4758	1	1	1	
20	374386	PIPE EXHAUST From 4-4758	1	1	1	A
21	871203	U-CLAMP / 3" I.D. From 4-4758	1	1	1	
22	871037	FILTER, FUEL	1	1	1	
23	871038	SUPPORT, FILTER FUEL	1	1	1	
24	504014	HOSE CLAMP / 1/4"-5/8" SS / HM-4	2	2	2	
25	373790	HOSE / FUEL LINE / #4 7924MM	1	1	1	
25	503706	. HOSE FC-332-4 #4	AR	AR	AR	
26	501347	. FEMALE CONNECTOR SWIVEL / PUSH-LOK FITTING #4JIC-Fx#4 BR	1	1	1	
27	373837	HOSE / FUEL LINE / #4 7924MM	1	1	1	
27	503706	. HOSE FC-332-4 #4	AR	AR	AR	
28	5011235	. FEMALE CONNECTOR SWIVEL / PUSH-LOK FITTING #6JIC-Fx#4 BR	1	1	1	
30	952627	CLAMP / 1/2" I.D.	AR	AR	AR	
31	500946	SCREW TP BDG PH #8x1/2 N500	AR	AR	AR	
32	500526	SCREW TP CAP HEXW #12x3/4 N500	1	1	1	
33	067266	CABLE THERMO DETECTOR (LINEAR FIRE CABLE) / 3M / 168C/180C // 334F/356F From 5-0230	1	1	1	
. NS	563587	. MODULE DETECTOR / END CIRCUIT From 5-0230	1	1	1	



From 3-4417 To 8-1043	Date:10/2022	PAGE:HF-2350-10
-----------------------	--------------	-----------------

WATER HEATER - INSTALLATION

Item#	Part	Description	H 3 4 1	H 3 4 5	V I P 4 5	N O T E S
50	871100	WATER HEATER - "PROHEAT" 80,000 B.T.U. From 3-4417 To 3-4757				
50	871329	WATER HEATER - "PROHEAT" 80,000 B.T.U. From 4-4758				
51	373801	PIPE ASSY HEATING / FEED LINE To 3-4757	1	1	1	
51	373885P	PIPE ASSY HEATING / FEED LINE From 4-4758	1	1	1	
52	501861	. GATE VALVE 1 ¼" (WELDED)	1	1	1	
53	HF-2222-00	HEATER LINE REAR SECTION To 3-4757				
53	HF-2222-01	HEATER LINE REAR SECTION From 4-4758				
		A) THIS PIPE GIVE MORE CLEAREANCE IF YOUR COACH ARE EQUIPPED WITH TIRE SERIES 365				
		P) CALL ORDER DESK FOR SPECIFIC APPLICATION (V.I.N.)				

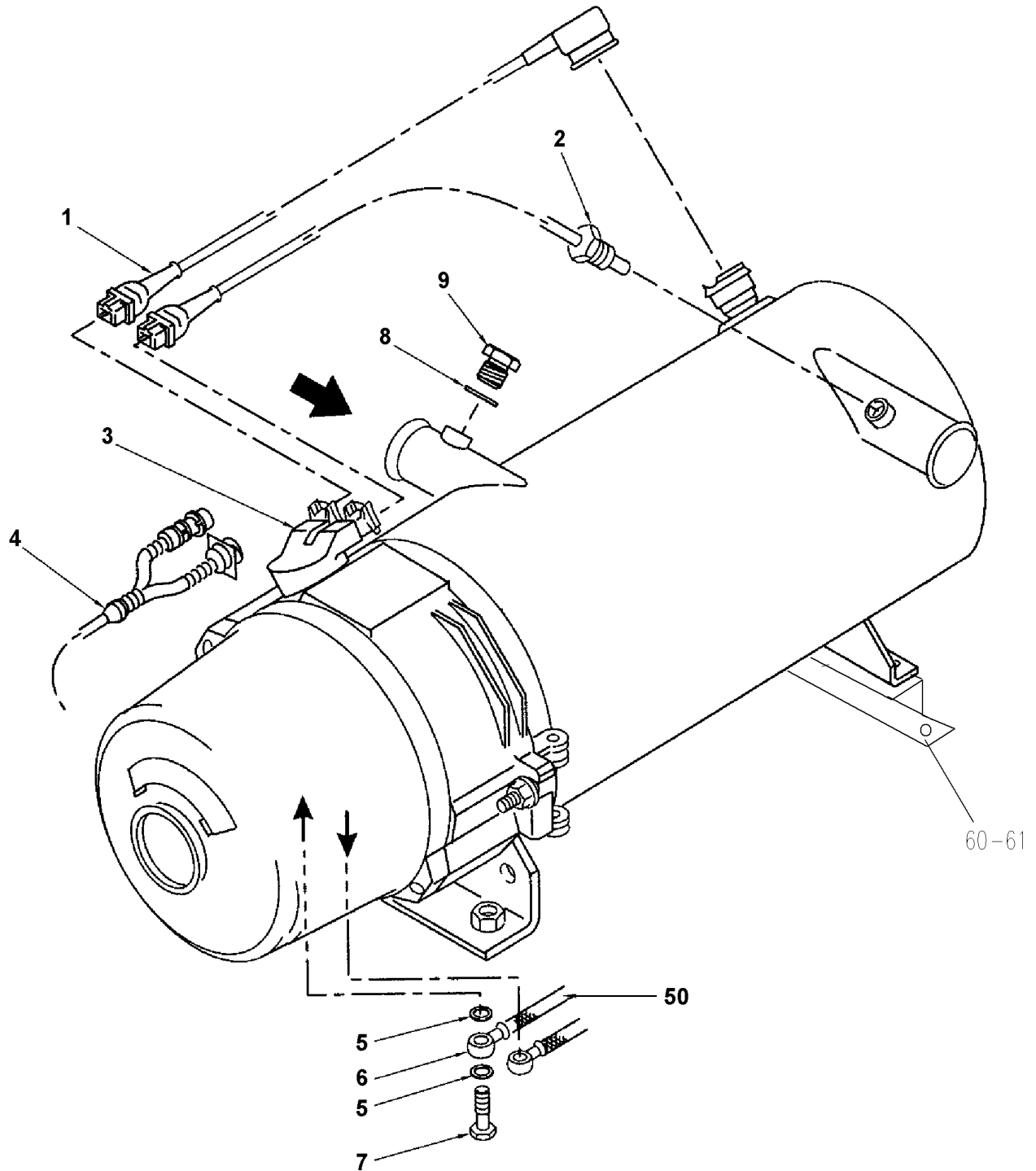


From 3-4417 To 8-1043

Date:10/2022

PAGE:871202

WATER HEATER - "SPHEROS" 100,000 B.T.U.



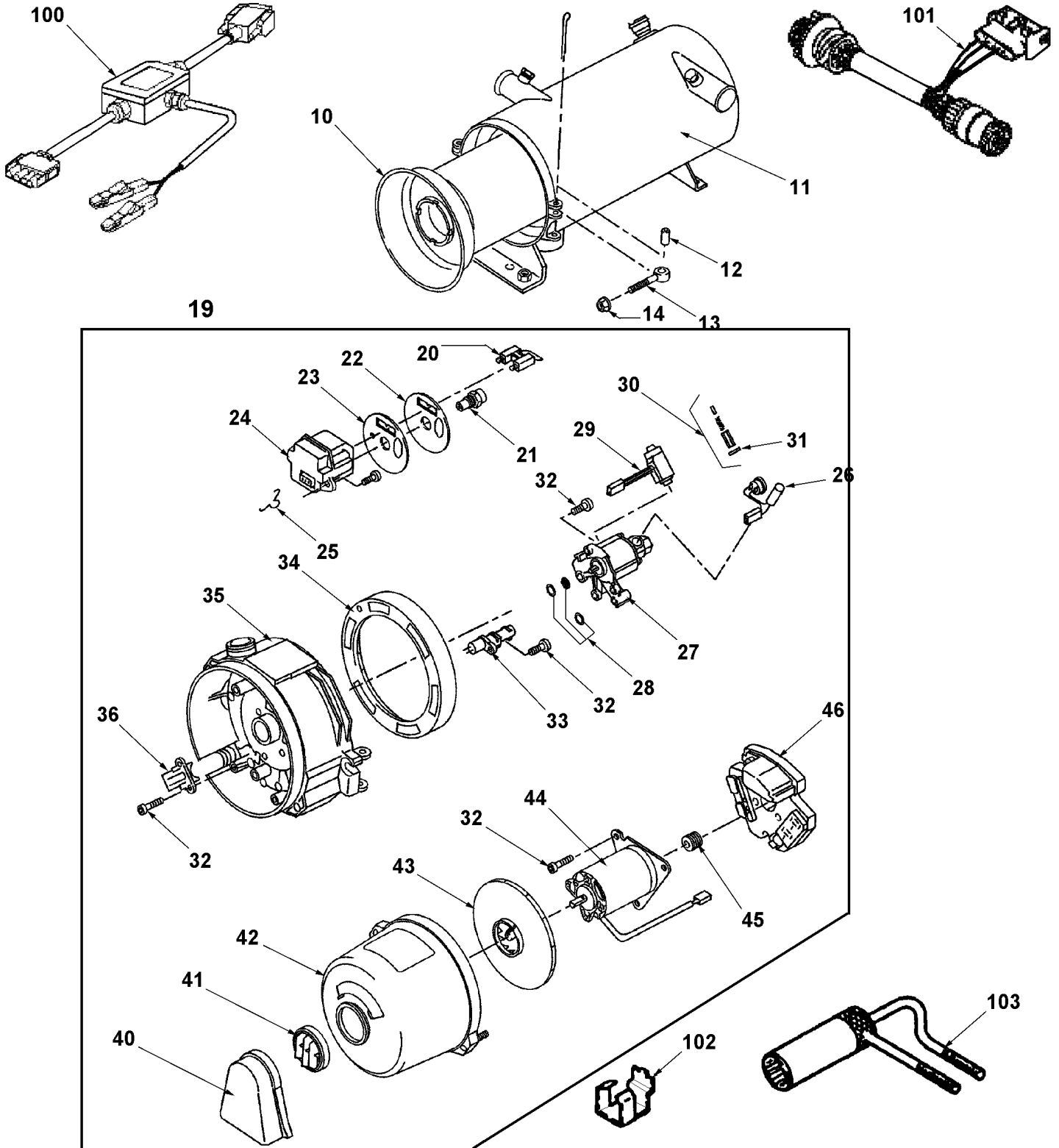


From 3-4417 To 8-1043

Date:10/2022

PAGE:871202

WATER HEATER - "SPHEROS" 100,000 B.T.U.





From 3-4417 To 8-1043	Date:10/2022	PAGE:871202
WATER HEATER - "SPHEROS" 100,000 B.T.U.		

Item#	Part	Description	H 3 4 1	H 3 4 5	V I P 4 5	N O T E S
		WATER HEATER - "WEBASTO" 100,000 B.T.U.	1	1	1	
1	871284	. OVERHEAT PROTECTION	1	1	1	
2	871285	. TEMPERATURE SENSOR	1	1	1	
2	G1094742	. TEMPERATURE SENSOR	1	1	1	
3	194873	. CABLE ASSY / WITH RUBBER BOOT / CONTROL & HARNESS CABLE	1	1	1	
4	871286	. MASTER WIRING HARNESS	1	1	1	
5	870923	. BANJO WASHER / M10	1	1	1	
6	5011237	. BANJO UNION / 10MMx#4JIC-M	1	1	1	
6	5011238	. BANJO UNION / 10MMx#6JIC-M	1	1	1	
7	870929	. BANJO BOLT / M10-1.0	1	1	1	
8	N.S.P.	. GASKET / (151 173)	1	1	1	2
9	N.S.P.	. PLUG / (199 87A)	1	1	1	2
10	871288	. COMBUSTION CHAMBER	1	1	1	
11	871289	. HEAT EXCHANGER	1	1	1	
NS	871431	. . STICKER WEBASTO	1	1	1	
12	N8890598	. COLLAR	2	2	2	
13	N8890596	. EYE BOLT	2	2	2	
14	502692	. NUT HEXF STO M8-1.25 Z050	1	1	1	
19	N8894780	. BURNER HEAD ASSY / 24V - "WEBASTO" THERMO 300	1	1	1	
19	N8896417	. BURNER HEAD ASSY / 24V - "WEBASTO" THERMO 350	1	1	1	
20	871290	. . IGNITION ELECTRODE	1	1	1	
21	871291	. . NOZZLE 0.85GPH - "WEBASTO" THERMO 300	1	1	1	
21	870918	. . NOZZLE 0.80GPH	AR	AR	AR	
22	871368	. . PHOTODISC	1	1	1	
23	871369	. . PHOTODISC	1	1	1	
24	871292	. . ELECTRONIC IGNITION UNIT	1	1	1	
25	N8883147	. . HOLDING STRAP	1	1	1	
26	871293	. . HEATING ELEMENT WITH THERMOSTAT	1	1	1	
27	871294	. . FUEL PUMP	1	1	1	
28	871295	. . . SMALLL PARTS FOR FUEL PUMP	1	1	1	
29	871296	. . . MAGNETIC COIL	1	1	1	
30	870919 UNLOADER POWER ASSY	1	1	1	
31	871297 GASKET	1	1	1	
32	502653	. . SCREW MA PAN PH M5-0.8x16 SS	AR	AR	AR	
33	871298	. . FLAME DETECTOR	1	1	1	
34	194824	. . ADJUSTING RING	1	1	1	
35	N8890616	. . HOUSING	1	1	1	
35	G1094733	. . HOUSING	1	1	1	
36	N8890590	. . CORE GRIP	1	1	1	
36	G1094734	. . CORE GRIP	1	1	1	
40	871299	. . SPLASHGUARD	1	1	1	
41	871300	. . GRID	1	1	1	



From 3-4417 To 8-1043	Date:10/2022	PAGE:871202
WATER HEATER - "SPHEROS" 100,000 B.T.U.		

Item#	Part	Description	H 3 4 1	H 3 4 5	V I P 4 5	N O T E S
42	871301	. . HOOD	1	1	1	
NS	G1017565	. . DECAL "DANGER"	1	1	1	
43	871302	. . FAN ROTOR	1	1	1	
44	871303	. . DRIVE ASSY	1	1	1	
45	871304	. . . CLUTCH	1	1	1	
46	871305	. . ELECTRONIC CONTROL	1	1	1	
		SEE WATER HEATER - INSTALLATION				
60	374322	SPACER ASSY 1" / "WATER HEATER & FENDER	2	2	2	
61	500069	SCREW CAP HEX M8-1.25x16 G10.9 DP	4	4	4	
NS	5001341	WASHER FL 8.4x17.0x1.6 SS	4	4	4	
NS	5001161	WASHER LO SPT 8.1x14.8x2.0 SS-304	4	4	4	
NS	5001188	NUT HEX M8-1.25 SS	4	4	4	
100	871320	DIAGNOSTIC KIT VERSION 2.2	AR	AR	AR	
100	N8894700	DIAGNOSTIC KIT VERSION 2.?	AR	AR	AR	
101	871321	ADAPTOR HARNESS / W/ROUND CONECTORS	AR	AR	AR	
101	195314	ADAPTOR HARNESS / W/RECTANGULAR CONECTORS	1	1	1	
102	870937	GAUGE / IGNITION ELECTRODE	AR	AR	AR	
103	870938	BOX WRENCH / HIGH PRESSURE NOZZLE	AR	AR	AR	
		2) NOT SOLD BY PREVOST (SEE MANUFACTURING PART NUMBER AT END OF DESCRIPTION LINE)				

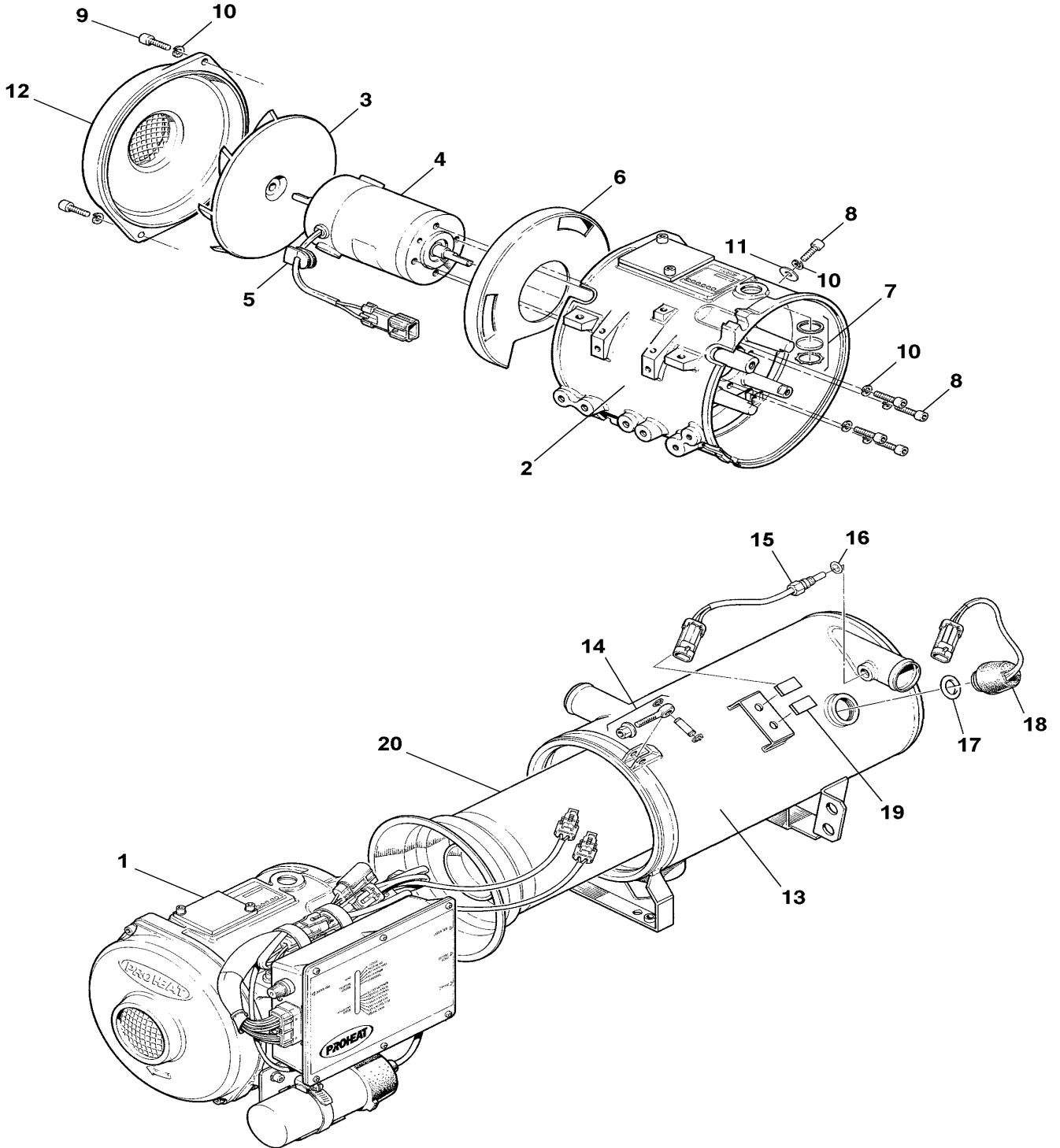


From 3-4417 To 3-4757

Date:10/2022

PAGE:871100

WATER HEATER - "PROHEAT" 80,000 B.T.U.



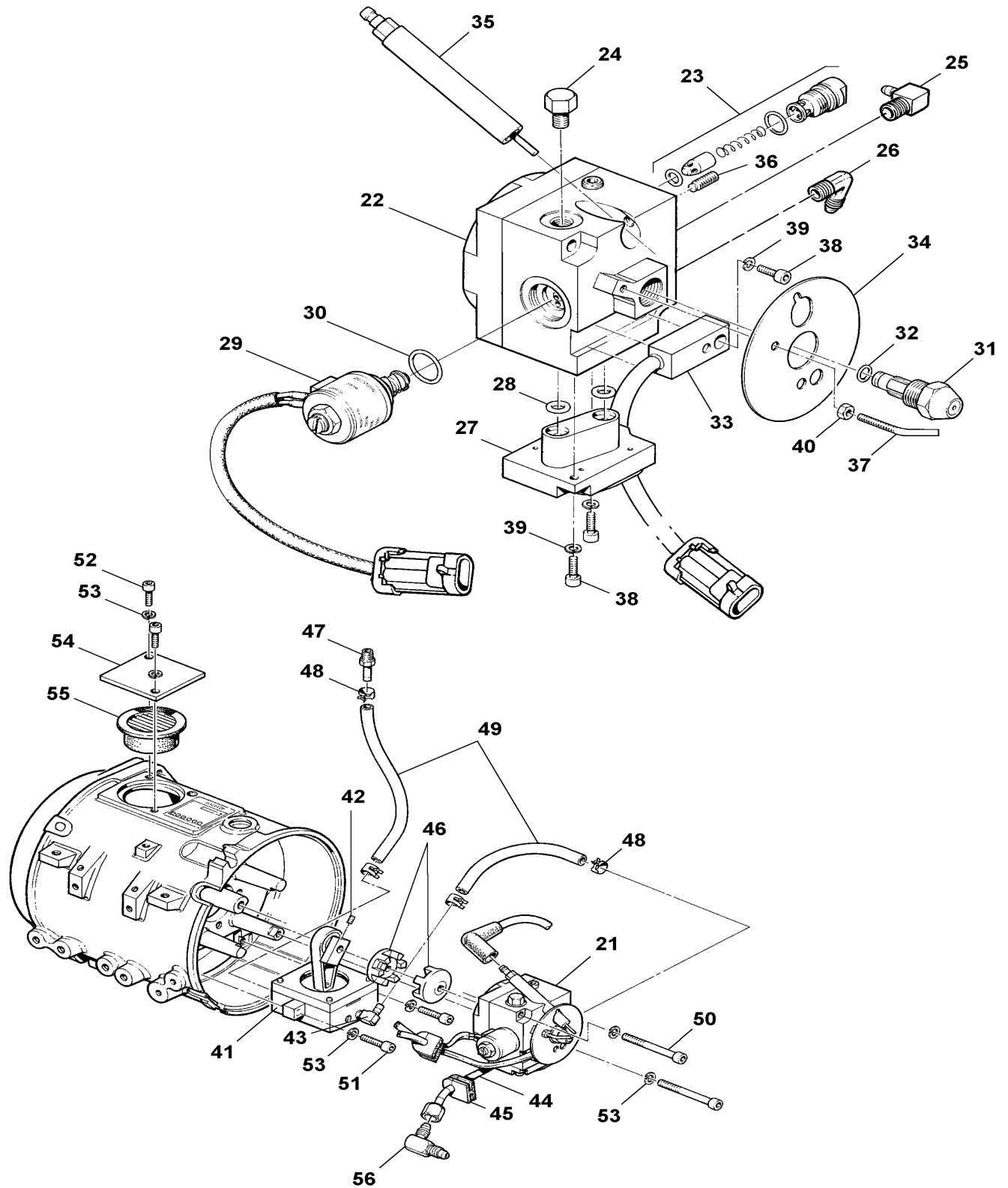


From 3-4417 To 3-4757

Date:10/2022

PAGE:871100

WATER HEATER - "PROHEAT" 80,000 B.T.U.



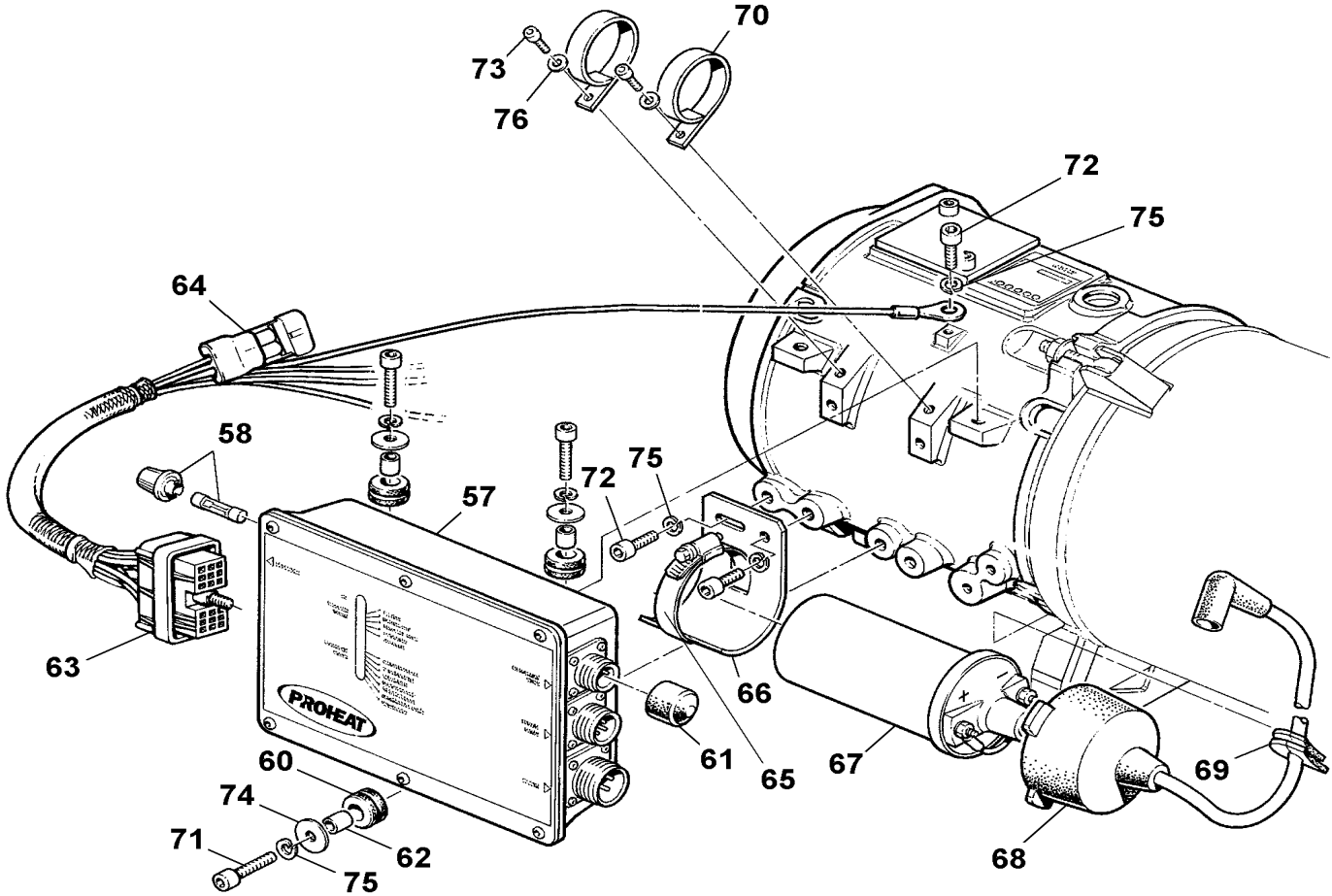


From 3-4417 To 3-4757

Date:10/2022

PAGE:871100

WATER HEATER - "PROHEAT" 80,000 B.T.U.





From 3-4417 To 3-4757	Date:10/2022	PAGE:871100
WATER HEATER - "PROHEAT" 80,000 B.T.U.		

Item#	Part	Description	H 3 4 1	H 3 4 5	V I P 4 5	N O T E S
		WATER HEATER - "PROHEAT" 80,000 B.T.U.	1	1	1	
1	N8890283	. BURNER HEAD ASM	1	1	1	
2	N8890292	. . CASTING BURNER HEAD	1	1	1	
3	N8890294	. . FAN BLADE	1	1	1	
NS	N8890347	. . . RETAINING RING	1	1	1	
4	N8890295	. . MOTOR 24V	1	1	1	
5	N8890296	. . GROMMET STYLE " D "	1	1	1	
6	N8890297	. . BAFFLE AIR ADJUST	1	1	1	
7	N8890298	. . SIGHT GLASS KIT	1	1	1	
8	N8890299	. . SCREW CAP HEXS M6-1.0x20 ZP	5	5	5	
9	N8890300	. . SCREW CAP HEXS M6-1.0x16 ZP	2	2	2	
10	N8890301	. . WASHER LO SPT M6 ZP	7	7	7	
11	N8890302	. . WASHER FL 1/4 ZP	1	1	1	
12	N8890293	. . COVER	1	1	1	
13	N8890285	. HEAT EXCHANGER	1	1	1	
14	N8890286	. . EYE BOLT KIT	2	2	2	
15	N8890287	. TEMPERATURE SENSOR	1	1	1	
16	N8890288	. . O-RING	1	1	1	
17	N8890289	. OVERHEAT BREAKER SENSOR	1	1	1	
18	N8890290	. . O-RING	1	1	1	
19	N8890291	. CLIP	2	2	2	
20	N8890284	. COMBUSTION TUBE	1	1	1	
21	N8890306	. FUEL DELIVERY UNIT	1	1	1	
22	N8890331	. . FUEL PUMP	1	1	1	
23	N8890334	. . . RELIEF VALVE KIT	1	1	1	
24	N8890341	. . . PLUG HEX-HEAD / ORB FITTING / #2ORB-M BR	1	1	1	
25	N8890305	. . . ELBOW 1/4 ID HOSE x 1/8 NPT MALE	1	1	1	
26	N8890346	. . . ELBOW 1/4 JIC MALE x 1/8 NTP MALE	1	1	1	
27	N8890332	. . FUEL REGULATOR	1	1	1	
28	N8890333	. . . O-RING	2	2	2	
29	N8890335	. . SELENOID VALVE 24V	1	1	1	
30	N8890336	. . . O-RING	1	1	1	
31	N8890337	. . NOZZLE	1	1	1	
32	N8890338	. . . O-RING	1	1	1	
33	N8890339	. . FLAME SENSOR	1	1	1	
34	N8890340	. . FLAME SHIELD	1	1	1	
35	N8890342	. . ELECTRODE SPARK	1	1	1	
36	N8890348	. . . SET SCREW	1	1	1	
37	N8890343	. . ELECTRODE GROUND	1	1	1	
38	N8890329	. . SCREW CAP HEXS M4-0.7x10 ZP	3	3	3	
39	N8890344	. . WASHER LO SPT ZP M4	3	3	3	
40	N8890345	. . NUT HEX ZP M4x.7x10MM	1	1	1	



From 3-4417 To 3-4757	Date:10/2022	PAGE:871100
WATER HEATER - "PROHEAT" 80,000 B.T.U.		

Item#	Part	Description	H 3 4 1	H 3 4 5	V I P 4 5	N O T E S
41	N8890303	. COMPRESSOR	1	1	1	
42	N8890304	. . SCREW SET #10-32x3/8	1	1	1	
43	N8890305	. . ELBOW 1/4 ID HOSE x 1/8 NPT MALE	2	2	2	
44	N8890307	. FUEL TUBE	1	1	1	
45	N8890296	. GROMMET STYLE " D "	2	2	2	
46	N8890308	. COUPLING 8MM	1	1	1	
47	N8890309	. FITTING 1/4 ID X 1/8 NPT MALE	1	1	1	
48	N8890310	. SPRING CLAMP	1	1	1	
49	N8890311	. HOSE 3/16 ID	AR	AR	AR	
50	N8890312	. SCREW CAP HEXS M6-1.0x60 ZP	2	2	2	
51	N8890299	. SCREW CAP HEXS M6-1.0x20 ZP	2	2	2	
52	N8890300	. SCREW CAP HEXS M6-1.0x16 ZP	2	2	2	
53	N8890301	. WASHER LO SPT M6 ZP	6	6	6	
54	N8890313	. COVER	1	1	1	
55	N8890314	. AIR FILTER	1	1	1	
56	N8890315	. ELBOW 1/4 JIC MALE	1	1	1	
57	N8890316	. CONTROL MODULE 24V	1	1	1	
58	N8890317	. . FUSE HOLDER	1	1	1	
NS	560062	. . . FUSE / 15 AMPS / AGC-15	1	1	1	
60	N8890320	. . GROMMET	3	3	3	
61	N8890323	. . VINYL CAP	1	1	1	
62	N8890319	. SPACER	3	3	3	
63	N8890321	. MAIN HARNESS	1	1	1	
64	N8890322	. SUSTITUTION PLUG	1	1	1	
65	N8890324	. CLAMP SS #32	1	1	1	
66	N8890325	. BRACKET "J"	1	1	1	
67	N8890326	. IGNITION COIL	1	1	1	
68	N8890327	. IGNITION LEAD & BOOT	1	1	1	
69	N8890296	. GROMMET STYLE " D "	1	1	1	
70	N8890328	. WIRE CLIP	2	2	2	
71	N8890299	. SCREW CAP HEXS M6-1.0x20 ZP	2	2	2	
72	N8890300	. SCREW CAP HEXS M6-1.0x16 ZP	2	2	2	
73	N8890329	. SCREW CAP HEXS M4-0.7x10 ZP	1	1	1	
74	N8890302	. WASHER FL 1/4 ZP	3	3	3	
75	N8890301	. WASHER LO SPT M6 ZP	6	6	6	
76	N8890330	. WASHER FL ZP M4	2	2	2	
		FOLLOWING ITEMS ARE RELATED WITH				
		AUTOMATIC START				
		WITH WATER HEATER INSTALLATION				
		WITH BATTERIES CHARGER 110V				



From 3-4417 To 3-4757	Date:10/2022	PAGE:871100
WATER HEATER - "PROHEAT" 80,000 B.T.U.		

Item#	Part	Description	H 3 4 1	H 3 4 5	V I P 4 5	N O T E S
111	066236	CABLE I/F BATTERIES CHARGER / W/RELAY BASE				A
111	068248	CABLE I/F BATTERIES CHARGER / W/RELAY BASE	1	1	1	A
112	066332	CABLE ASSY POWER / W/FUSE HOLDER & RECTIFIER				A
113	563332	RELAY 24V S.P.D.T. W/RESISTOR / "VOLVO" (20374662)				A
114	500946	SCREW TP BDG PH #8x1/2 N500				A
		A) LOCATED NEAR EVAPORATOR MOTOR RELAY				

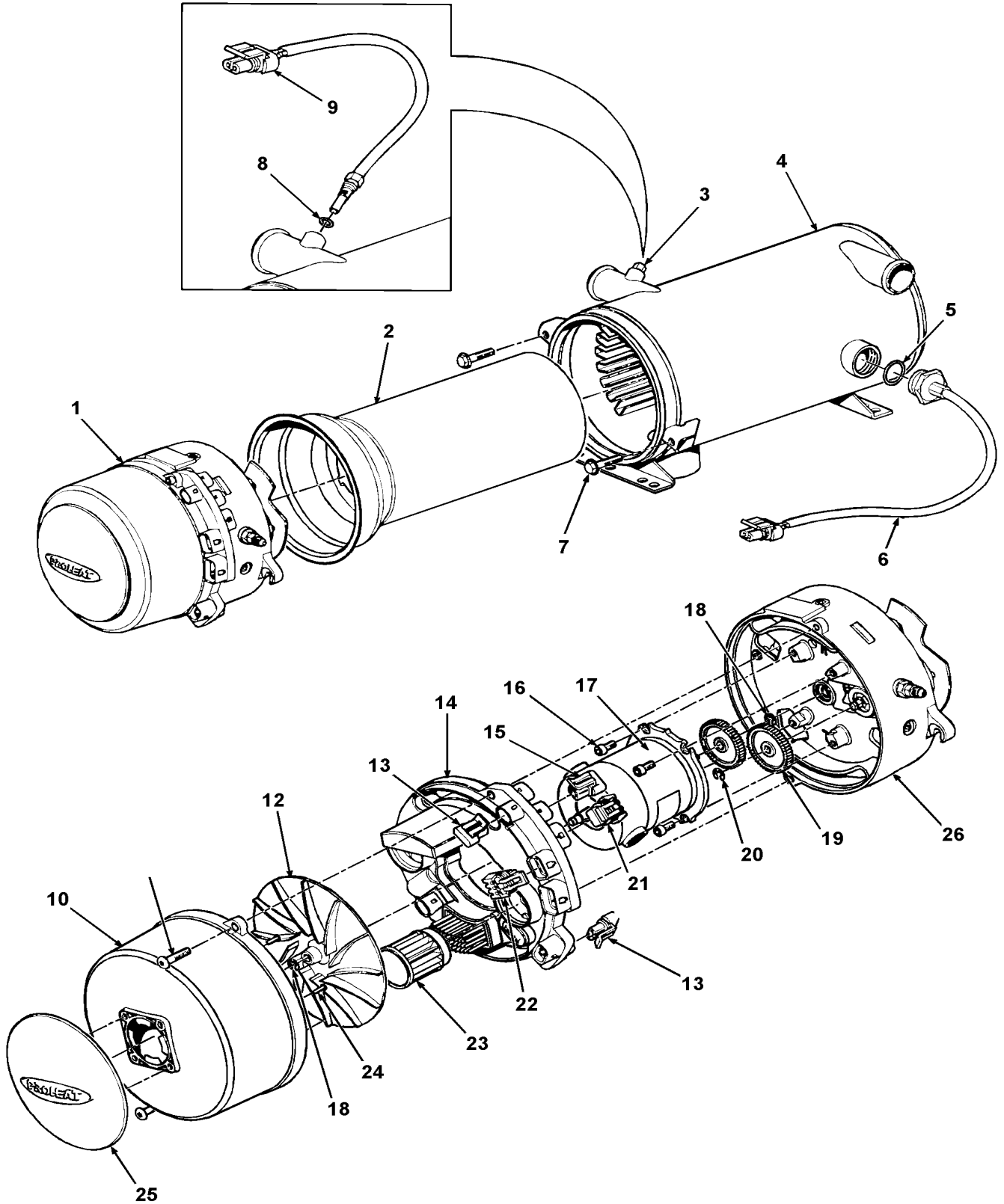


From 4-4758

Date:10/2022

PAGE:871329

WATER HEATER - "PROHEAT" 80,000 B.T.U.



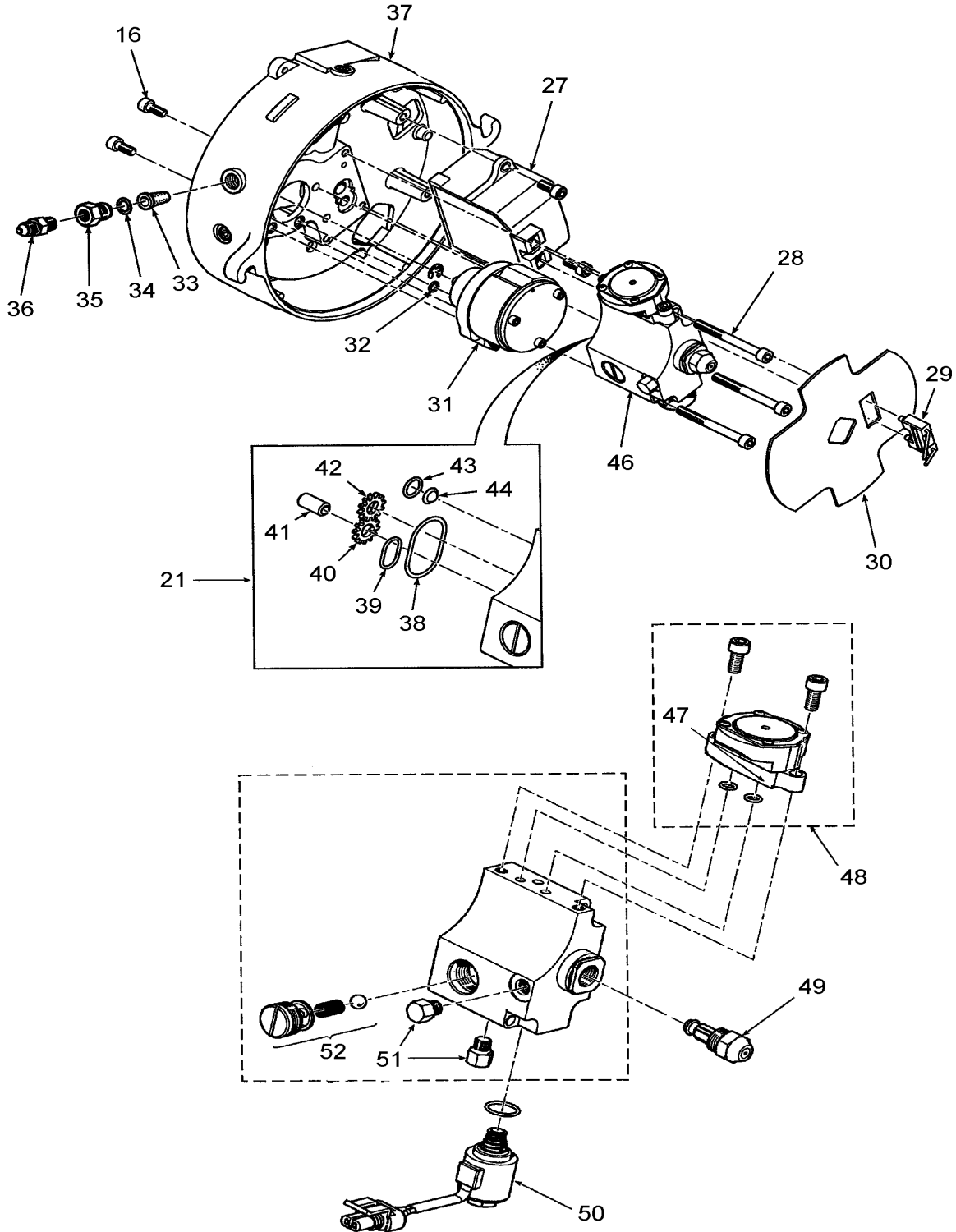


From 4-4758

Date:10/2022

PAGE:871329

WATER HEATER - "PROHEAT" 80,000 B.T.U.





From 4-4758	Date:10/2022	PAGE:871329
WATER HEATER - "PROHEAT" 80,000 B.T.U.		

Item#	Part	Description	H 3 4 1	H 3 4 5	V I P 4 5	N O T E S
NS	065839	CABLE ASSY INTERFACE W/"PRO-HEAT" M-80 To 4-4887				
NS	066172	CABLE ASSY INTERFACE W/"PRO-HEAT" M-80 From 4-4888				
NS	065839	CABLE ASSY INTERFACE W/"PRO-HEAT" M-80 To 5-8366				
NS	066172	CABLE ASSY INTERFACE W/"PRO-HEAT" M-80 From 5-8367 To 7-8753				
NS	066172	CABLE ASSY INTERFACE W/"PRO-HEAT" M-80 From 7-8754				
		WATER HEATER - "PROHEAT" 80,000 B.T.U.	1	1	1	
1	N8892398	. BURNER HEAD ASSY	1	1	1	
2	N8892399	. COMBUSTION TUBE	1	1	1	
3	N8892400	. PLUG	1	1	1	
4	N8892401	. HEAT EXCHANGER	1	1	1	
5	N8892402	. O-RING, TEMPERATURE SENSOR, OVERHEAT	1	1	1	
6	N8892403	. TEMPERATURE SENSOR, OVERHEAT	1	1	1	
7	N8892405	. SCREW HEXW M8X1.25X30 (2/PKG)	1	1	1	
8	N8892406	. O-RING, TEMPERATURE SENSOR	1	1	1	
9	N8892407	. TEMPERATURE SENSOR, WITH O-RING	1	1	1	
10	N8892408	. BLOWER HOUSING	1	1	1	
11	N8892409	. SCREW CAP BUT HEXS SS M6X1X25 (2/PKG)	1	1	1	
12	N8892410	. BLOWER	1	1	1	
13	N8892411	. PLUG (2/PKG)	1	1	1	
14	N8892412	. PRIMARY CONTROL MODULE	1	1	1	
15	N8892413	. PLUG	1	1	1	
16	N8892414	. SCREW CAP HEXS M6-1.0x16 ZP	1	1	1	
17	N8892415	. MOTOR 24V	1	1	1	
18	N8892416	. RETAINING RING (3/PKG)	1	1	1	
19	N8892417	. GEAR SET	1	1	1	
20	N8892418	. RETAINING RING (2/PKG)	1	1	1	
21	N8892419	. PLUG, CAN BUS PRIMARY CONTROL MODULE	1	1	1	
22	N8892420	. PLUG, DATALINK PRIMARY CONTROL MODULE	1	1	1	
23	N8892421	. AIR FILTER	1	1	1	
24	N8892422	. SCREW, AIR INLET	1	1	1	
25	N8892423	. SPLASH GUARD	1	1	1	
26	N8892414	. SCREW CAP HEXS M6-1.0x16 ZP	1	1	1	
27	N8892426	. KIT IGNITION MODULE & ELECTRODE	1	1	1	
28	N8892427	. SCREW CAP HEXS SS M6X1X60 (3/PKG)	1	1	1	
29	N8892428	. IGNITION ELECTRODES	1	1	1	
30	N8892429	. FLAME SHIELD	1	1	1	
31	N8892430	. COMPRESSOR	1	1	1	
32	N8892431	. O-RING (3/PKG)	1	1	1	
33	N8892432	. FUEL FILTER	1	1	1	
34	N8892433	. O-RING, FUEL FILTER	1	1	1	
35	N8892434	. ADAPTER	1	1	1	
36	N8892435	. MALE CONNECTOR / JIC 37° FITTING / #4JIC-Mx1/8NPT-M BR	1	1	1	



From 4-4758	Date:10/2022	PAGE:871329
WATER HEATER - "PROHEAT" 80,000 B.T.U.		

Item#	Part	Description	H 3 4 1	H 3 4 5	V I P 4 5	N O T E S
37	N8892436	. BURNER HEAD FLANGE ASSY	1	1	1	
38	N8892437	. O-RING, GEAR PUMP	1	1	1	
39	N8892438	. O-RING, AIR INTAKE	1	1	1	
40	N8892439	. GEAR & PINION, FUEL PUMP	1	1	1	
41	N8892440	. IDLER SHAFT, FUEL PUMP	1	1	1	
42	N8892441	. GEAR DRIVE, FUEL PUMP	1	1	1	
43	N8892442	. O-RING, FUEL INTAKE	1	1	1	
44	N8892443	. SCREEN, INLET	1	1	1	
45	N8892444	. FUEL PUMP SERVICE KIT	1	1	1	
46	N8892445	. FUEL DELIVERY BLOCK ASM	1	1	1	
47	N8892446	. O-RING (3/PKG)	1	1	1	
48	N8892447	. REGULATOR ASM	1	1	1	
49	N8892448	. NOZZLE	1	1	1	
50	N8892449	. SOLENOID	1	1	1	
51	N8892450	. PLUG HEX-HEAD / ORB FITTING / #2ORB-M BR	1	1	1	
52	N8892451	. RELIEF VALVE KIT	1	1	1	
NS	N8892404	. PROHEAT DATA LINK KIT	1	1	1	
		FOLLOWING ITEMS ARE RELATED WITH				
		AUTOMATIC START				
		WITH WATER HEATER INSTALLATION				
		WITH BATTERIES CHARGER 110V				
111	066236	CABLE I/F BATTERIES CHARGER / W/RELAY BASE	1	1	1	A
111	068248	CABLE I/F BATTERIES CHARGER / W/RELAY BASE	1	1	1	A
111	066968	CABLE ASSY W/FUSE HOLDER / W/"PRO-HEAT" M-80 / "OPTION"	1	1	1	
112	066332	CABLE ASSY POWER / W/FUSE HOLDER & RECTIFIER	1	1	1	A
113	563332	RELAY 24V S.P.D.T. W/RESISTOR / "VOLVO" (20374662)	1	1	1	A
114	500946	SCREW TP BDG PH #8x1/2 N500	1	1	1	A
		A) USE WHEN YOU DO NOT HAVE A FIRE SUPPRESSIONS SYSTEMEUTILISE SEULEMENT				

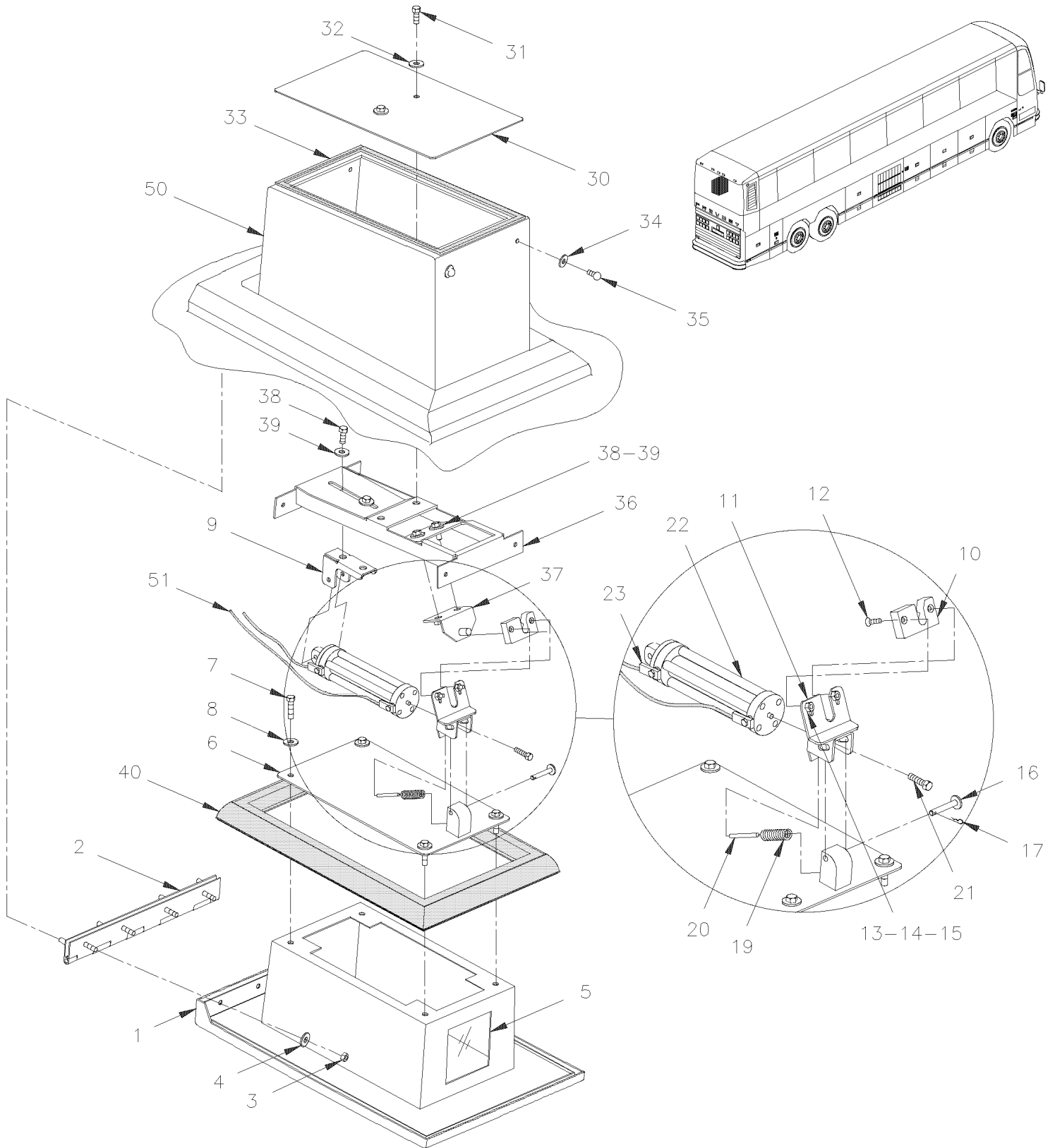


From 3-4417 To 8-1043

Date:10/2022

PAGE:HF-2355-00

BACK-UP CAMERA - INSTALLATION





From 3-4417 To 8-1043	Date:10/2022	PAGE:HF-2355-00
BACK-UP CAMERA - INSTALLATION		

Item#	Part	Description	H 3 4 1	H 3 4 5	V I P 4 5	N O T E S
	490770	HOUSING ASSY			1	
1	490767	. HOUSING			1	
2	490765	. HINGE			1	
3	5001180	. NUT HEX NYRT #10-24 SS			4	
4	500989	. WASHER FL .219x.875x.062 Z050			4	
5	490768	. GLASS WINDOW			1	
5	682176	. SEALANT SIKA #221 / BLACK / 310ml CARTRIDGE			AR	
5	680453	. SEALANT TAPE / CLEAR / 1/32"x1/2"x65' / 1795			AR	
6	490761	. PLATE ASSY / ATTACHMENT			1	
7	502622	. SCREW CAP HEX M6-1.0x20 SS BK			4	
8	502571	. WASHER FL SEAL .281x.625x20GA SS			4	
9	490760	. ATTACHMENT / UPPER CYLINDER			1	
10	990225	. CATCH ASSY			1	
11	490755	. ATTACHMENT			1	
12	502642	. SCREW MA FL PH #6-32x3/4 SS			2	
13	500581	. WASHER LO SPT .141x.250x.031 SS			2	
14	502556	. WASHER FL 4.3x9.0x0.8 SS			2	
15	500553	. NUT HEX #6-32 SS			2	
16	490459	. PIN, CLEVIS / TO FIX CYLINDER TO COVER ATTACHMENT			2	
17	502187	. PIN HITCH CLIP 1/16 x 1 5/32 ZP			1	
NS	502637	. WASHER FL .200x.437x.037 SS			2	
19	490759	. SPRING COMPRESSION / .322 O.D. x 1.439 x .058			1	
20	505221	. SPRING, PIN 1/8 X 3/8			1	
21	500512	. SCREW CAP HEXF #10-32x1/2 ZP			1	
22	990224	. AIR CYLINDER / BACK-UP CAMERA			1	
23	642167	. MALE ELBOW 90° SWIVEL / PUSH-IN FITTING / #2x10-32 BR			2	
30	490769	COVER			1	
NS	506071	TAPE RUB ADH1 CC POL 1/8" x 1/2" x 50' / GREY 2520X			AR	
31	502622	SCREW CAP HEX M6-1.0x20 SS BK			1	
32	502571	WASHER FL SEAL .281x.625x20GA SS			1	
33	506648	TAPE RUB ADH1 CC POL 1/8" x 1/2"x 50' / GREY 2542			AR	
34	500964	WASHER FL .203x.500x.047 Z050			4	
35	504488	RIVET MGLP PRDG 3/16x17/64 SS			4	
36	490756	ATTACHMENT / UPPER TO FIX CYLINDER			1	
37	490757	ATTACHMENT / LOWER TO FIX CATCH			1	
38	5001181	SCREW CAP HEX M6-1.0x12 SS			4	
39	502582	WASHER LO SERR 6.1x16.2x0.9 Z050			4	
40	490766	RUBBER SEAL EXTRUSION / BACK-UP CAMERA / 281MM X 167.5MM			1	E
50	HF-1851-00	CAP - FRONT & REAR - INSTALLATION				
51	HF-1202-00	TUBES PLASTIC / AIR D.O.T.				



From 3-4417 To 8-1043	Date:10/2022	PAGE:HF-2355-00
-----------------------	--------------	-----------------

BACK-UP CAMERA - INSTALLATION

Item#	Part	Description	H 3 4 1	H 3 4 5	V I P 4 5	N O T E S
		E) THIS SEAL ARE FIXED TO REAR CAP				

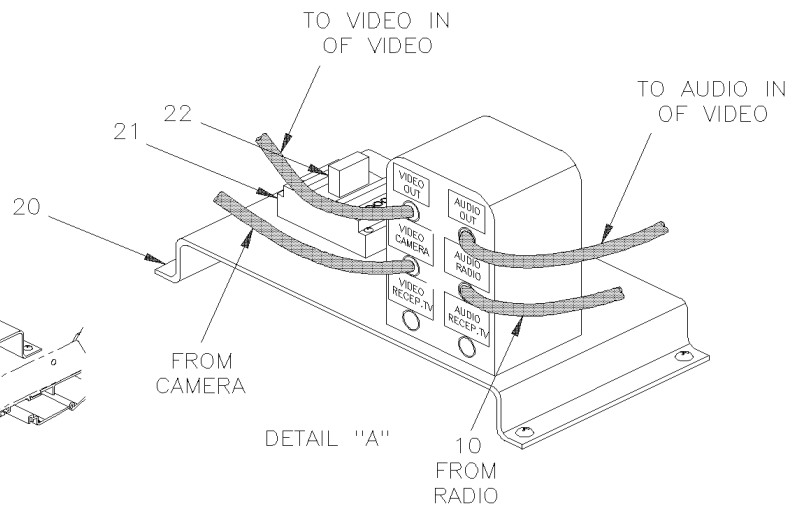
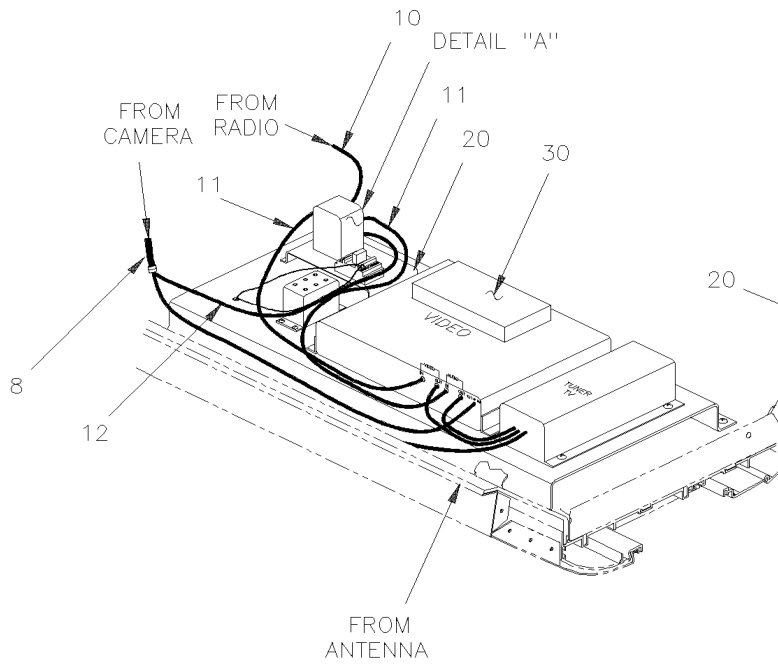
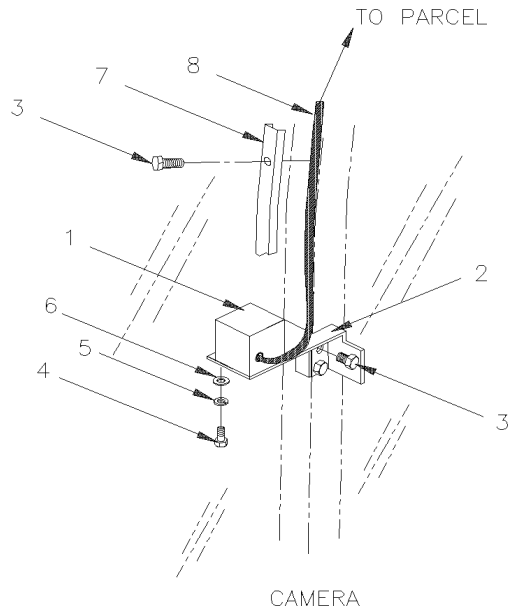
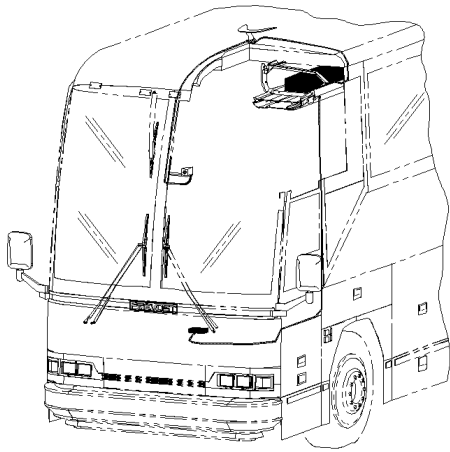


From 3-4417 To 8-1043

Date:10/2022

PAGE:HF-2355-10

FRONT CAMERA - INSTALLATION





From 3-4417 To 8-1043 Date:10/2022 PAGE:HF-2355-10

FRONT CAMERA - INSTALLATION

Item#	Part	Description	H 3 4 1	H 3 4 5	V I P 4 5	N O T E S
1	900914	FRONT CAMERA	1	1		
2	405263	MIRROR SUPPORT W/CAMERA / CENTER WINDSHIELD	1	1		
3	500641	SCREW TP PAN PH #8x3/4 Z050	6	6		
4	500162	SCREW CAP HEX 1/4-20x1/2 G5 Z050	2	2		
5	500440	WASHER FL .250x.562x.065 Z050	2	2		
6	500473	WASHER LO SPT .262x.489x.062 Z050	2	2		
7	326554	MOULDING HIDE WIRE 820MM To 6-0559	1	1		
7	327552	MOULDING HIDE WIRE 723MM From 6-0560	1	1		
8	900912	CABLE ASSY / FRONT CAMERA	1	1		
10	900866	CABLE RCA / 1M/1M / 25' To 6-0559	1	1		
10	901110	CABLE RCA / 2M/2M / 25' From 6-0560	1	1		
10	900671	ADAPTOR "Y" RCA / 1M/2F / 4" To 6-0559	1	1		
10	900758	ADAPTOR "Y" RCA / 1F/2M / 9" To 6-0559	1	1		
11	900856	CABLE RCA / 2M/2M / 3' To 6-0559	2	2		
12	900913	CABLE ASSY / VIDEO & FRONT CAMERA To 6-0559	1	1		
12	066822	CABLE ASSY / VIDEO & FRONT CAMERA From 6-0560	1	1		
13	500576	SCREW TC PAN PH #6-32x1/2 Z050 To 6-0559	4	4		
13	500467	WASHER LO INT .138x.275x.019 Z050 To 6-0559	4	4		
20	404701	RELAY AND RCA PLUG PLATE ASSY To 6-0559	1	1		
21	562937	. BASE SOCKET To 6-0559	1	1		
22	562936	. RELAY 24V 4.P.D.T. To 6-0559	1	1		
NS	562161	. BOARD TERMINAL To 6-0559	1	1		
30	HF-2317-20	VIDEO VHS PLAYER - INSTALLATION "R.E.I."				

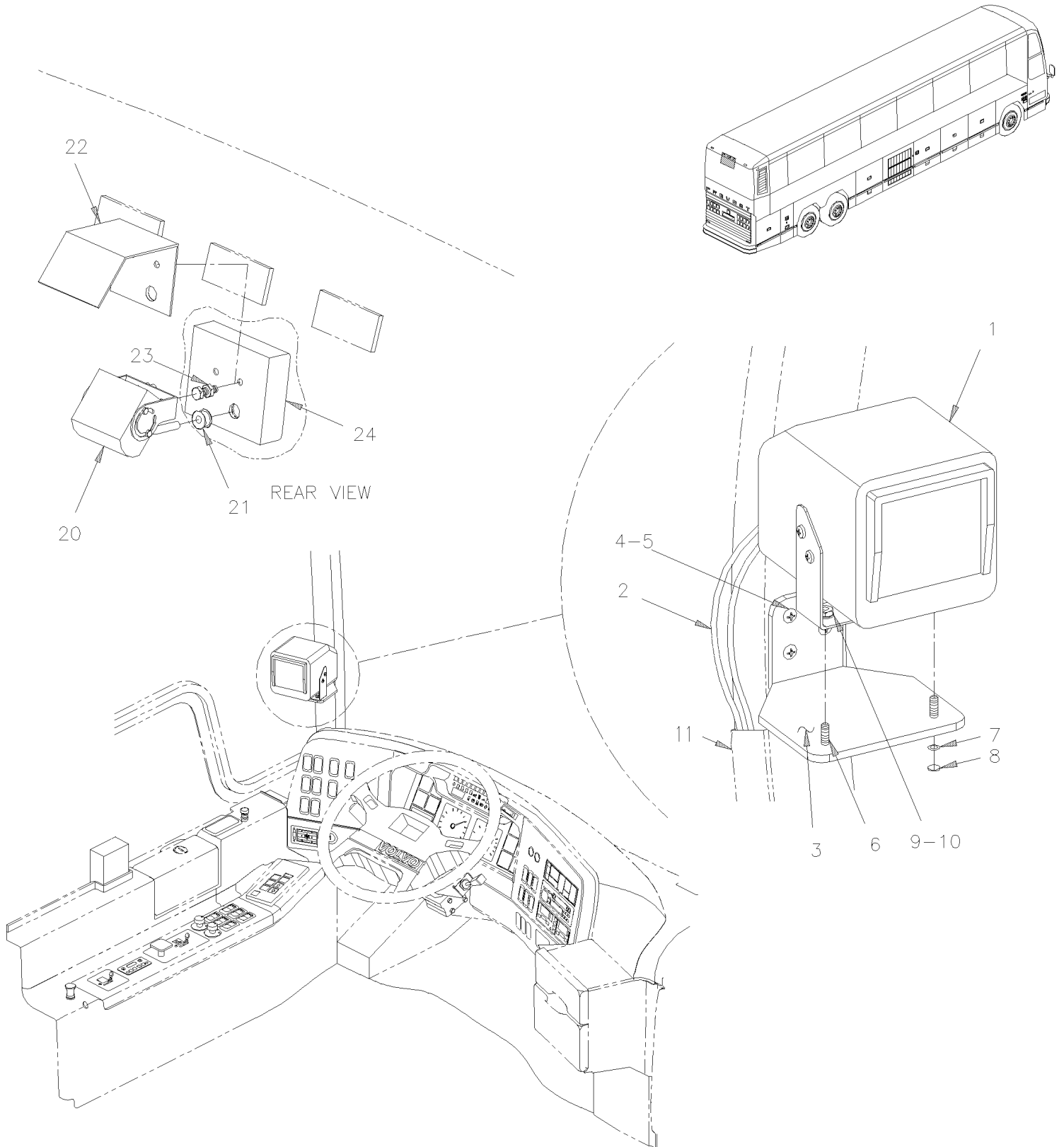


From 3-4417 To 8-1043

Date:10/2022

PAGE:HF-2355-20

FRONT MONITOR BACK-UP - INSTALLATION





From 3-4417 To 8-1043 Date:10/2022 PAGE:HF-2355-20

FRONT MONITOR BACK-UP - INSTALLATION

Item#	Part	Description	H 3 4 1	H 3 4 5	V I P 4 5	N O T E S
1	990334	MONITOR - "CLARION" / BLACK & WHITE 12 VOLT	1	1	1	
2	065063	CABLE ASSY / BACK-UP MONITOR	1	1	1	
. NS	990335	. CABLE MONITOR "CLARION"	1	1	1	
. NS	560851	. CONNECTOR / COM. MATE-N-LOCK / PH 4C / AMP 1-480426-0	1	1	1	
. NS	504397	. GROMMET / .750x1.062x.062x.375x1.375	1	1	1	
. NS	N.P.N.	. CABLE ASSY / BACK-UP MONITOR	AR	AR	AR	4
2	064410	CABLE ASSY / BACK-UP CAMERA VIDEO / CAMERA & MONITOR B&W / 60'	1	1	1	
. NS	990288	. CABLE BACK-UP CAMERA 60'	1	1	1	
. NS	561681	. CONVOLUTED TUBING / SLIT / BLACK & GRAY / .350"	25	25	25	
3	490848	MONITOR SUPPORT	1	1	1	
4	502735	SCREW MA BDG PH #10-32x1 SS BK	4	4	4	
5	502774	NUT WELL #10-32x.625	4	4	4	
6	5001000	SCREW MA BDG PH #8-32x5/8 SS	2	2	2	
7	504412	WASHER RETAINER SNAP CAP #8	2	2	2	
8	504403	SNAP CAP #8 FINISHING BLACK	2	2	2	
9	500438	WASHER FL .187x.437x.050 Z050	2	2	2	
10	500670	NUT HEX NYRT #8-32 Z050	2	2	2	
11	327281	MOULDING HIDE CABLE	1	1	1	
20	990303	BACK-UP CAMERA - "CLARION" / BLACK & WHITE	1	1	1	B
20	901267	BACK-UP CAMERA - "R.E.I." / COLOR	1	1	1	C
21	504625	GROMMET / .250x.750x.250x.437x1.000	1	1	1	
22	490853	PROTECTOR, CAMERA	1	1	1	
23	502737	SCREW CAP HEX M6-1.0x25 SS BK	3	3	3	
23	5001433	SCREW CAP HEX M6-1.0x25 SS	3	3	3	
NS	502573	WASHER FL 6.4x12.5x1.6 SS	3	3	3	
23	502570	WASHER LO SPT 6.1x11.8x1.6 SS	3	3	3	
24	490852	PLATE, FIXATION / (INSIDE OF REAR CAP)	1	1	1	
NS	680532	SEALANT SIKA #221 / GREY / 310ml CARTRIDGE	AR	AR	AR	
NS	066954	CABLE INTERFACE W/CAMERA CLARION BLK& WHITE From 6-0643	1	1	1	B
NS	067185	CABLE INTERFACE W/CAMERA "R.E.I." COLOR From 6-0643	1	1	1	C
		B) BLACK & WHITE CAMERA MAY BE LINKED TO FRONT FLAT SCREEN "GPS" MONITOR # 901231 WITH CABLE #066954				
		C) COLOR CAMERA MAY BE LINKED TO FRONT FLAT SCREEN "GPS" MONITOR # 901231 WITH CABLE #067185				
		4) NO PARTS NUMBER				

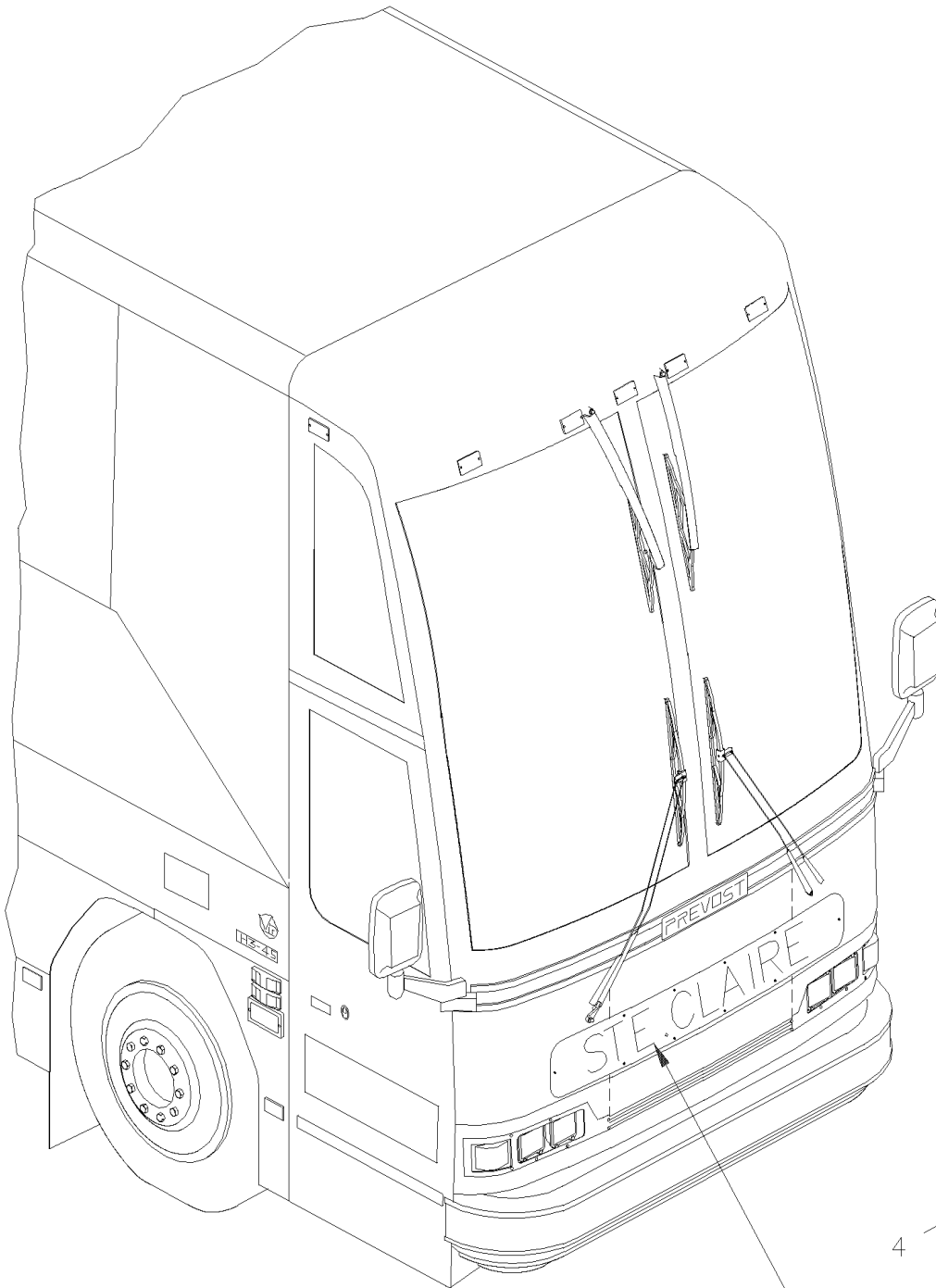


From 3-4417 To 8-1043

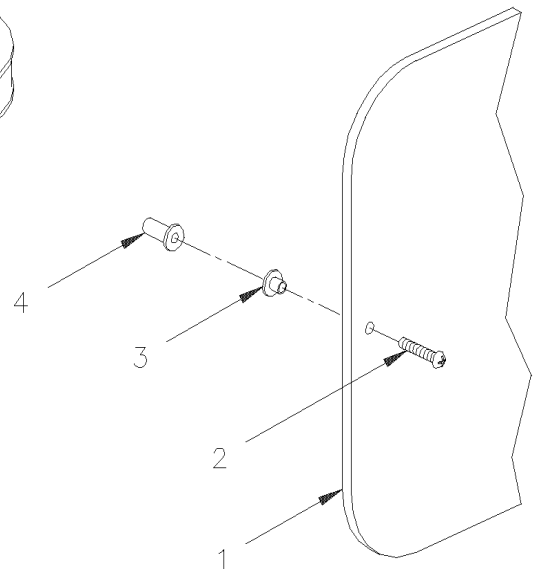
Date:10/2022

PAGE:HF-2360-00

MONOGRAM ASSY & LETTERS



This monogram is only a example





From 3-4417 To 8-1043	Date:10/2022	PAGE:HF-2360-00
MONOGRAM ASSY & LETTERS		

Item#	Part	Description	H 3 4 1	H 3 4 5	V I P 4 5	N O T E S
		BEFORE ORDERING "MONOGRAM" OR "DECAL" PLEASE SPECIFY NAME...				
	490392	DECAL / ON BAGGAGE DOOR "OWNER & OPERATOR ICC # & ETC...."	1	1		
1	490494P	MONOGRAM ASSY / FRONT BLACK W/ACRYLIC LETTER (WHITE OR GREY)	1	1		
1	490492	. MONOGRAM PLATE, BLACK PLASTIC / 9 3/4" X 82 5/8"	1	1		
1	490716P	MONOGRAM ASSY / FRONT RED W/ACRYLIC LETTER GREY	1	1		
1	490700	. MONOGRAM PLATE, RED PLASTIC / 9 3/4" X 82 5/8"	1	1		
1	490683P	MONOGRAM ASSY / FRONT CLEAR W/PAINT LETTER OR "SCOTCH"	1	1		
1	490686	. MONOGRAM PLATE, CLEAR PLASTIC / 9 3/4" X 90 1/2"	1	1		
2	502735	SCREW MA BDG PH #10-32x1 SS BK	10	10		A
3	900251	BUSHING, RUBBER	10	10		B
4	500519	NUT WELL #10-32x.518	10	10		
NS	680130	GLUE / TO FIX ACRYLIC LETTER TO MONOGRAM 1 Liter	AR	AR		
NS	490307	LETTER "A" / ACRYLIC WHITE	AR	AR		
NS	490608	LETTER "A" / ACRYLIC GREY	AR	AR		
NS	490308	LETTER "B" / ACRYLIC WHITE	AR	AR		
NS	490609	LETTER "B" / ACRYLIC GREY	AR	AR		
NS	490309	LETTER "C" / ACRYLIC WHITE	AR	AR		
NS	490610	LETTER "C" / ACRYLIC GREY	AR	AR		
NS	490310	LETTER "D" / ACRYLIC WHITE	AR	AR		
NS	490611	LETTER "D" / ACRYLIC GREY	AR	AR		
NS	490311	LETTER "E" / ACRYLIC WHITE	AR	AR		
NS	490612	LETTER "E" / ACRYLIC GREY	AR	AR		
NS	490312	LETTER "F" / ACRYLIC WHITE	AR	AR		
NS	490613	LETTER "F" / ACRYLIC GREY	AR	AR		
NS	490313	LETTER "G" / ACRYLIC WHITE	AR	AR		
NS	490614	LETTER "G" / ACRYLIC GREY	AR	AR		
NS	490314	LETTER "H" / ACRYLIC WHITE	AR	AR		
NS	490615	LETTER "H" / ACRYLIC GREY	AR	AR		
NS	490336	LETTER "I" / ACRYLIC WHITE	AR	AR		
NS	490616	LETTER "I" / ACRYLIC GREY	AR	AR		
NS	490315	LETTER "J" / ACRYLIC WHITE	AR	AR		
NS	490617	LETTER "J" / ACRYLIC GREY	AR	AR		
NS	490316	LETTER "K" / ACRYLIC WHITE	AR	AR		
NS	490618	LETTER "K" / ACRYLIC GREY	AR	AR		
NS	490317	LETTER "L" / ACRYLIC WHITE	AR	AR		
NS	490619	LETTER "L" / ACRYLIC GREY	AR	AR		
NS	490318	LETTER "M" / ACRYLIC WHITE	AR	AR		
NS	490620	LETTER "M" / ACRYLIC GREY	AR	AR		



From 3-4417 To 8-1043	Date:10/2022	PAGE:HF-2360-00
MONOGRAM ASSY & LETTERS		

Item#	Part	Description	H 3 4 1	H 3 4 5	V I P 4 5	N O T E S
NS	490319	LETTER "N" / ACRYLIC WHITE	AR	AR		
NS	490621	LETTER "N" / ACRYLIC GREY	AR	AR		
NS	490320	LETTER "O" / ACRYLIC WHITE	AR	AR		
NS	490622	LETTER "O" / ACRYLIC GREY	AR	AR		
NS	490321	LETTER "P" / ACRYLIC WHITE	AR	AR		
NS	490597	LETTER "P" / ACRYLIC GREY	AR	AR		
NS	490322	LETTER "Q" / ACRYLIC WHITE	AR	AR		
NS	490624	LETTER "Q" / ACRYLIC GREY	AR	AR		
NS	490323	LETTER "R" / ACRYLIC WHITE	AR	AR		
NS	490625	LETTER "R" / ACRYLIC GREY	AR	AR		
NS	490324	LETTER "S" / ACRYLIC WHITE	AR	AR		
NS	490626	LETTER "S" / ACRYLIC GREY	AR	AR		
NS	490325	LETTER "T" / ACRYLIC WHITE	AR	AR		
NS	490599	LETTER "T" / ACRYLIC GREY	AR	AR		
NS	490326	LETTER "U" / ACRYLIC WHITE	AR	AR		
NS	490628	LETTER "U" / ACRYLIC GREY	AR	AR		
NS	490327	LETTER "V" / ACRYLIC WHITE	AR	AR		
NS	490629	LETTER "V" / ACRYLIC GREY	AR	AR		
NS	490328	LETTER "W" / ACRYLIC WHITE	AR	AR		
NS	490598	LETTER "W" / ACRYLIC GREY	AR	AR		
NS	490329	LETTER "X" / ACRYLIC WHITE	AR	AR		
NS	490631	LETTER "X" / ACRYLIC GREY	AR	AR		
NS	490330	LETTER "Y" / ACRYLIC WHITE	AR	AR		
NS	490632	LETTER "Y" / ACRYLIC GREY	AR	AR		
NS	490331	LETTER "Z" / ACRYLIC WHITE	AR	AR		
NS	490633	LETTER "Z" / ACRYLIC GREY	AR	AR		
NS	490332	AND "&" / ACRYLIC WHITE	AR	AR		
NS	490634	AND "&" / ACRYLIC GREY	AR	AR		
NS	490333	DOT "." / ACRYLIC WHITE	AR	AR		
NS	490635	DOT "." / ACRYLIC GREY	AR	AR		
NS	490334	DASH "-" / ACRYLIC WHITE	AR	AR		
NS	490636	DASH "-" / ACRYLIC GREY	AR	AR		
NS	490335	COMA "," / ACRYLIC WHITE	AR	AR		
NS	490637	COMA "," / ACRYLIC GREY	AR	AR		
		A) TO FIX MONOGRAM				
		B) BODY & MONOGRAM				

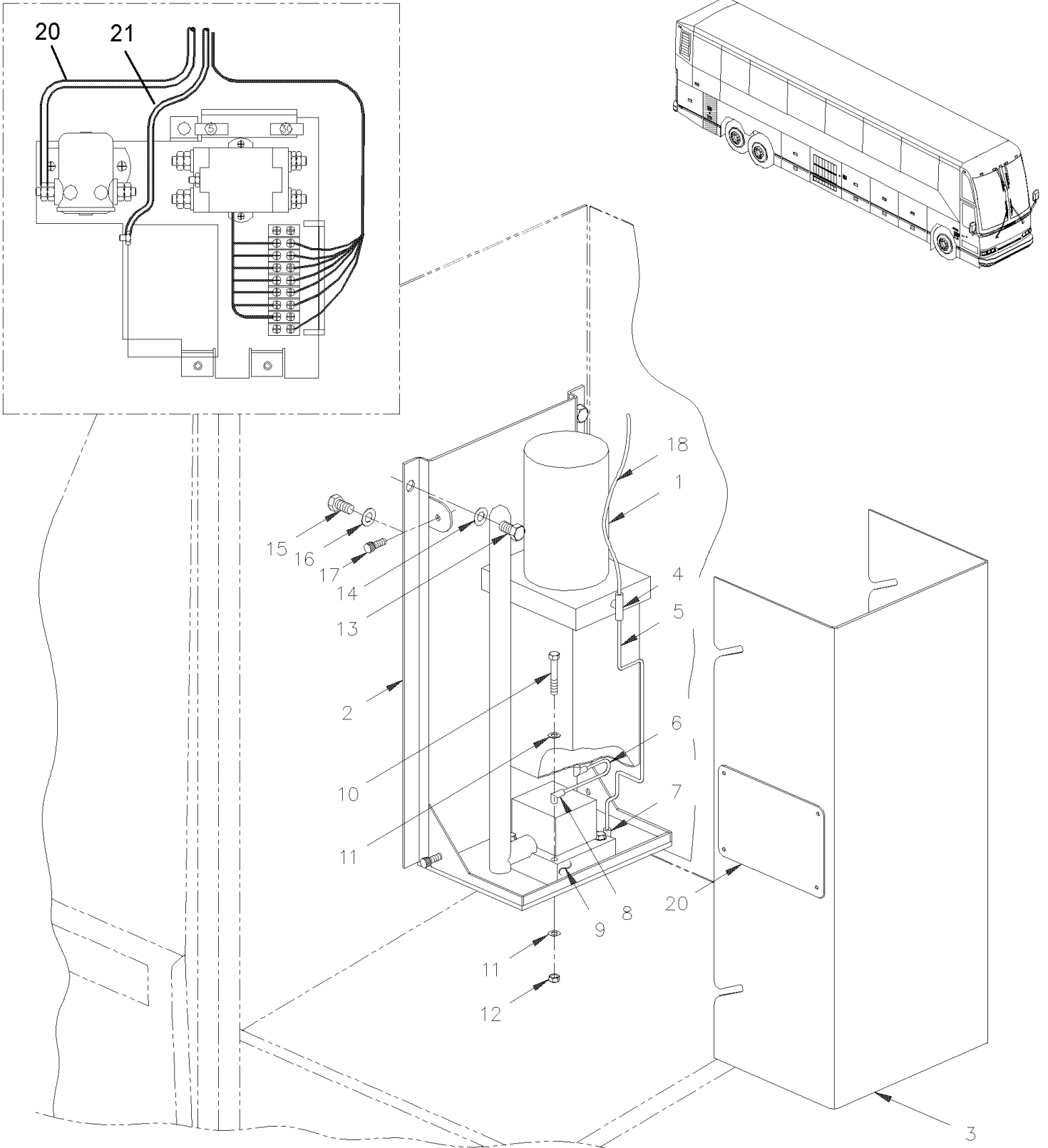


From 3-4417 To 6-0335

Date:10/2022

PAGE:HF-2370-00

W.C.L. "ST & ST" - PUMP INSTALLATION





From 3-4417 To 6-0335	Date:10/2022	PAGE:HF-2370-00
W.C.L. "ST & ST" - PUMP INSTALLATION		

Item#	Part	Description	H 3 4 1	H 3 4 5	V I P 4 5	N O T E S
1	860835	PUMP HYDRAULIC ASSY 24V	1	1		
2	285458	SUPPORT ASSY	1	1		
3	285456	COVER ASSY	1	1		
NS	810034	. CARPET OZITE / S.L. 12 FT WIDE	AR	AR		
4	5011060	MALE RUN TEE / JIC 37° FITTING / #6JIC-Mx #6JIC-Mx3/8NPT-M STL	1	1		
5	285196	HOSE ASSY / #6 330MM	1	1		
6	285195	PIPE COPPER TUBE	1	1		
7	501695	MALE ELBOW 90° / JIC 37° FITTING / #6JIC-Mx1/4NPT-M STL	1	1		
8	641372	MALE ELBOW 90° NON-SWIVEL / PUSH-IN FITTING / #6x1/4NPT-M BR	2	2		
9	860836	HAND PUMP ASSEMBLY / (B13067)	1	1		
10	500172	SCREW CAP HEX 1/4-20x2 1/2 G5 PT ZP	4	4		
11	500440	WASHER FL .250x.562x.065 Z050	8	8		
12	500770	NUT HEX STO 1/4-20 Z050	4	4		A
13	502617	NUT HEX NYRT M10-1.5 Z050	4	4		
NS	500462	WASHER FL .343x1.500x.083 SS	4	4		
14	500602	SCREW TH SHR 1/4-20x3/4	4	4		
15	500190	SCREW CAP HEX 3/8-16x3/4 G5 Z050	2	2		
16	502616	WASHER LO SPT 10.2x18.1x2.2 SS	2	2		
17	5001323	NUT THUMB KNURLED M6-1.0	4	4		
18	285197	HOSE ASSY / #6 8535MM	1	1		
NS	560482	CLAMP / 3/4" I.D. / W/HOLE 3/16"	2	2		
NS	501695	MALE ELBOW 90° / JIC 37° FITTING / #6JIC-Mx1/4NPT-M STL	1	1		
20	860865	INSTRUCTION PLATE MANUAL PUMP	1	1		
		A) TO FIX BALLAST				

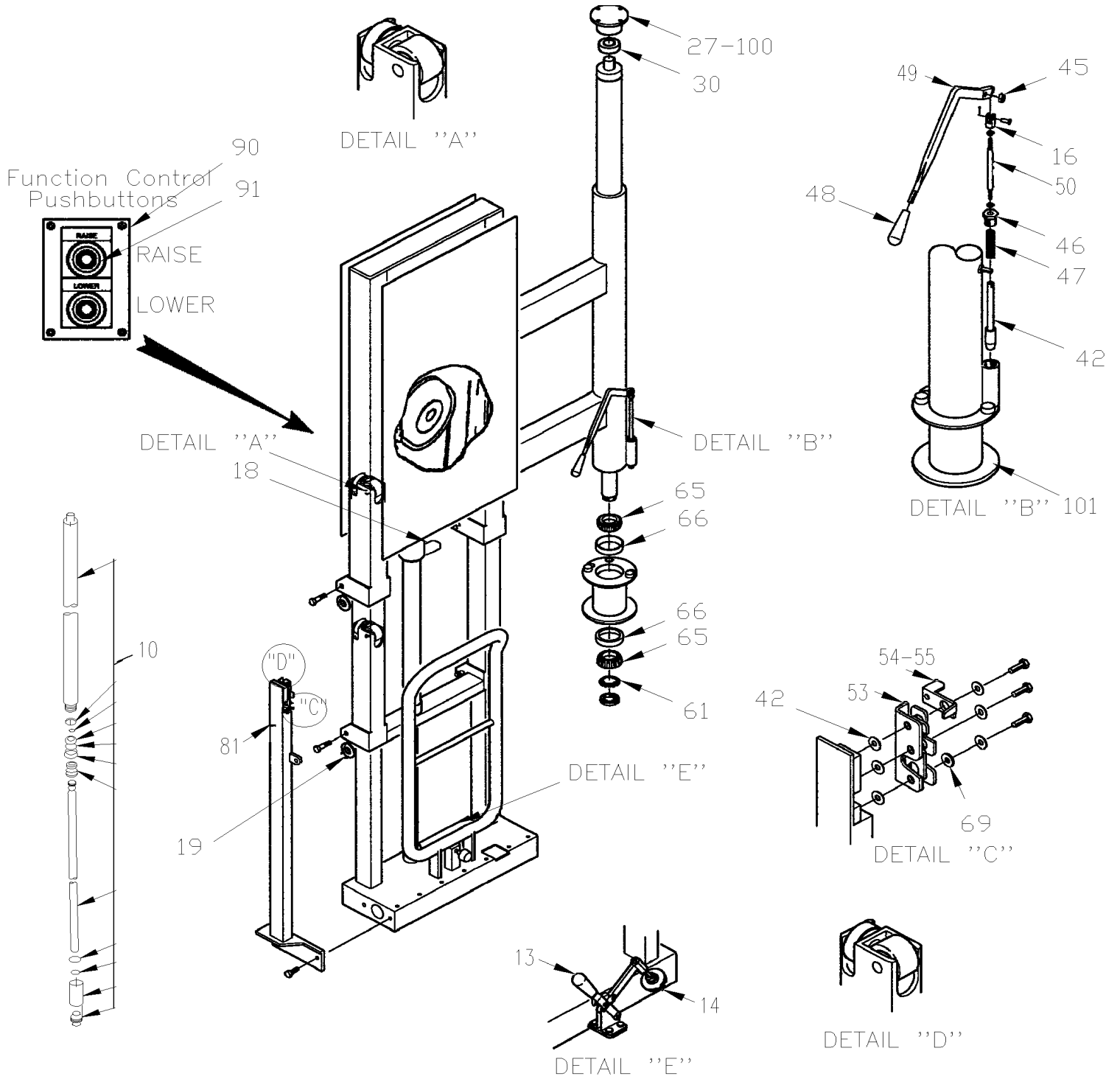


From 3-4417 To 6-0335

Date:10/2022

PAGE:HF-2370-05

W.C.L. "ST & ST" - MODEL SSPL 660 LTA



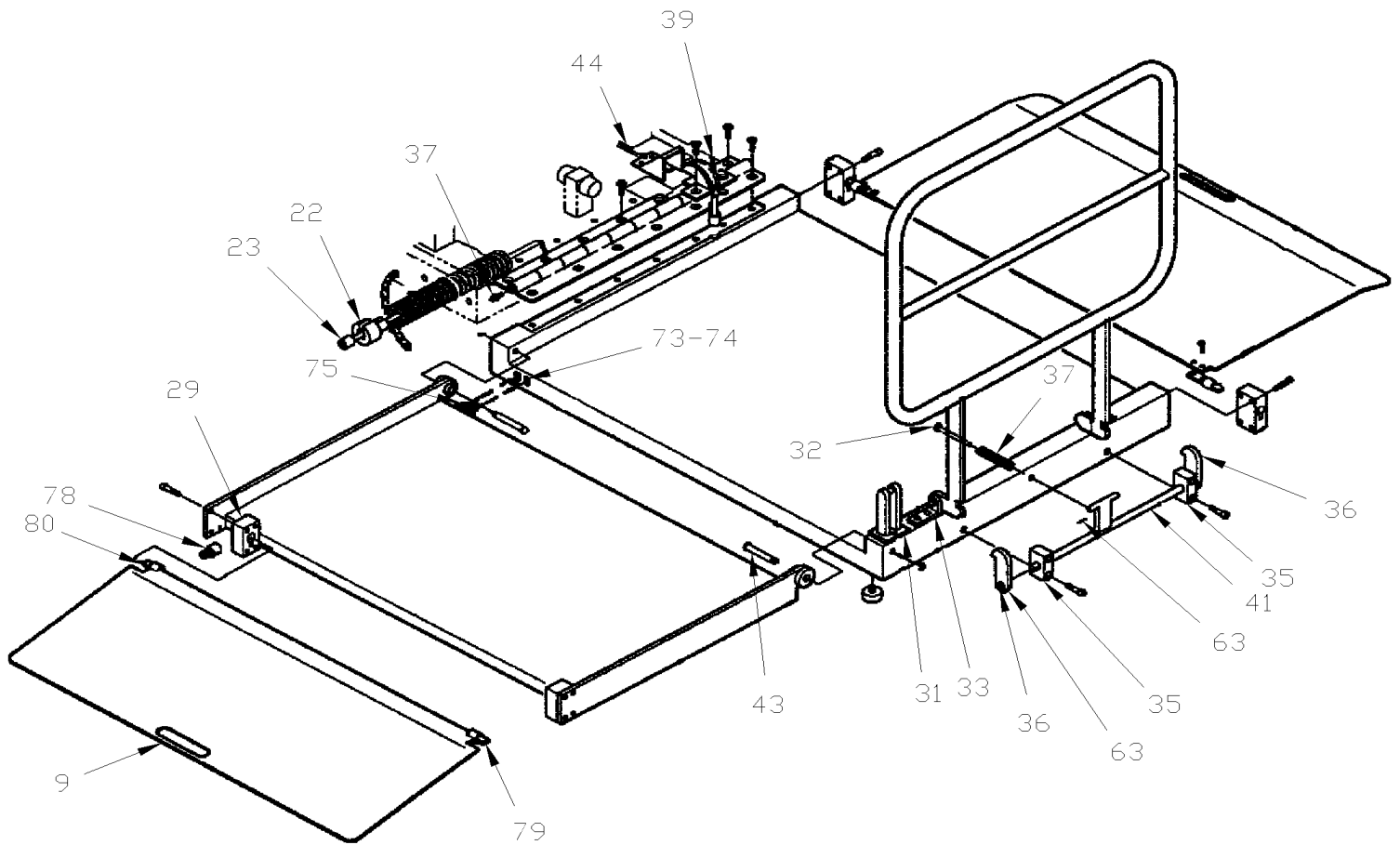


From 3-4417 To 6-0335

Date:10/2022

PAGE:HF-2370-05

W.C.L. "ST & ST" - MODEL SSPL 660 LTA





From 3-4417 To 6-0335	Date:10/2022	PAGE:HF-2370-05
W.C.L. "ST & ST" - MODEL SSPL 660 LTA		

Item#	Part	Description	H 3 4 1	H 3 4 5	V I P 4 5	N O T E S
	860827	LIFT ASSY COMPLETE / MODEL		1		
9	862042	BARRIER		1		
10	N.S.P.	CYLINDER ASSY 66" STROKE (C-14872)		1		2
10	N.S.P.	CYLINDER ASSY 66" STROKE (D-14059)		1		2
13	861010	CLAMP		1		
14	861011	CLAMP PAD		1		
16	861049	CLEVIS		1		
18	860900	FLOW VALVE		1		
19	861012	ROLLER		2		
22	861015	CABLE COLLAR		1		
23	861016	CABLE		1		
27	861020	ROTATING CAP		1		
29	861022	LOCK BLOCK, FRONT		2		
30	861058	BEARING		1		
31	861023	LATCH		1		
32	861024	PIN		1		
33	861025	BRACKET		1		
35	861027	PIVOT BLOCK		2		
36	861028	LATCH		2		
37	861029	SPRING		1		
39	861039	PULLEY CABLE		1		
41	861033	BELL CRANK		1		
42	861034	INDEX PIN		1		
43	861035	PIN		2		
44	861036	CABLE COVER		1		
45	861049	CLEVIS		1		
46	861050	SPRING CAP		1		
47	861051	SPRING COMPRESSION / .767 O.D. x 2.512 x .104		1		
48	861052	HANDLE		1		
49	861018	HANDLE LEVER		1		
50	861048	ROD		1		
52	861057	BEARING		4		
53	861053	LATCH		1		
54	861054	LEVER		1		
55	861056	BALL JOINT		1		
61	861059	WASHER, LOCK		1		
62	861060	SNAP RING		2		
63	861061	ROLL PIN 1/8 X 3/4		3		
65	861064	BEARING CONE		2		
66	861065	BEARING CUP		2		
67	861066	GROMMET		2		
69	861067	SPACER		1		



From 3-4417 To 6-0335	Date:10/2022	PAGE:HF-2370-05
W.C.L. "ST & ST" - MODEL SSPL 660 LTA		

Item#	Part	Description	H 3 4 1	H 3 4 5	V I P 4 5	N O T E S
73	861371	SWITCH, UPPER		1		
74	861372	SPRING		1		
75	861370	SWITCH LOWER		3		
78	861369	SWITCH - L.H. CONSOLE - BUS		1		
79	862043	PIN		1		
80	862044	PIN		1		
81	861242	SAFETY BELT KIT		AR		
90	064093	REMOTE CONTROL / "ST"& "ST" To 3-4506		1		
91	562301	. SWITCH / S.P.S.T. / N.O. / WHITE To 3-4506		2		
NS	403618	. PLATE IDENTIFICATION / UP & DOWN To 3-4506		1		
NS	064092	PLATE To 3-4506		1		
NS	900859	BRACKET, MOUNTING / MICROPHONE To 3-4506		1		
100	324699	FINISHING PLATE UPPER / 132MM O.D.		1		
NS	340884	SPACER UPPER / 98.5MM O.D.		1		
NS	5001499	SCREW CAP HEX M8-1.25x30 SS		4		
NS	5001161	WASHER LO SPT 8.1x14.8x2.0 SS-304		4		
NS	506071	TAPE RUB ADH1 CC POL 1/8" x 1/2" x 50' / GREY 2520X		AR		
101	324659	FINISHING PLATE LOWER / 202MM O.D.		1		
NS	327148	SPACER / FLOOR / 35MM		4		
NS	5001493	SCREW CAP HEX M10-1.5x70 SS		4		
NS	502616	WASHER LO SPT 10.2x18.1x2.2 SS		4		
NS	500618	SCREW TP FL PH #10x1 Z050		2		
		2) NOT SOLD BY PREVOST (SEE MANUFACTURING PART NUMBER AT END OF DESCRIPTION LINE)				

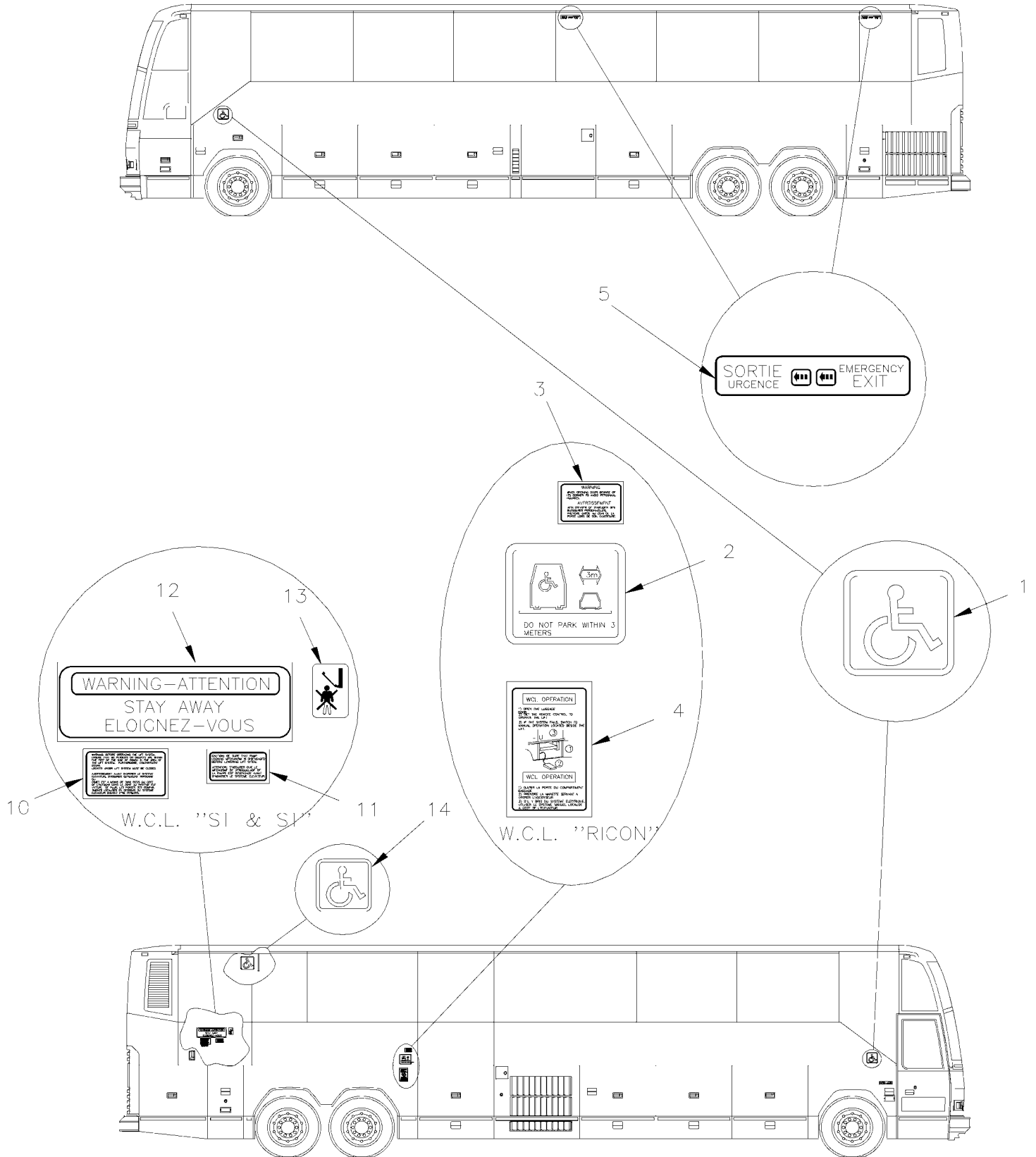


From 3-4417 To 8-1043

Date:10/2022

PAGE:HF-2370-10

W.C.L. - DECAL



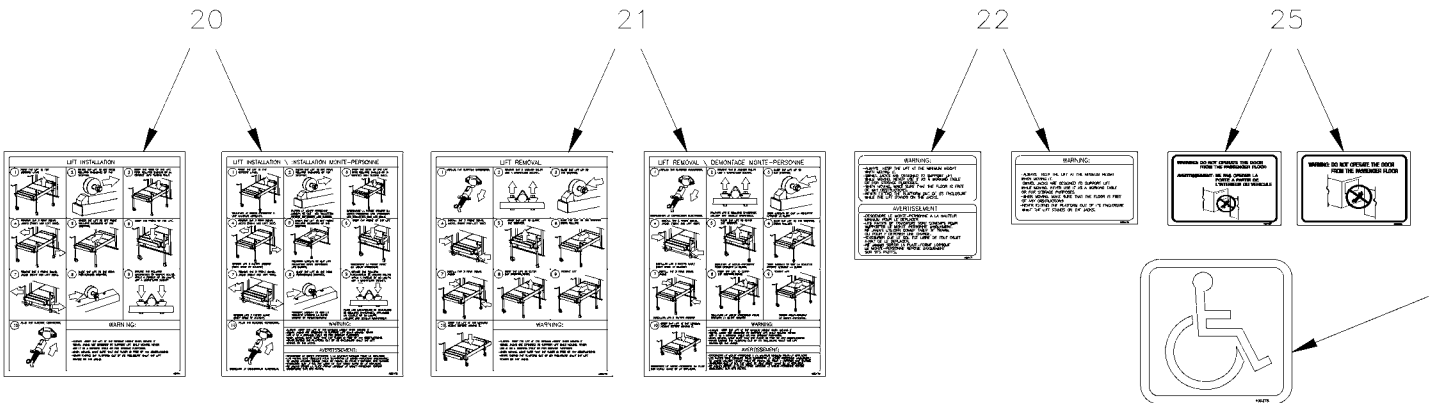
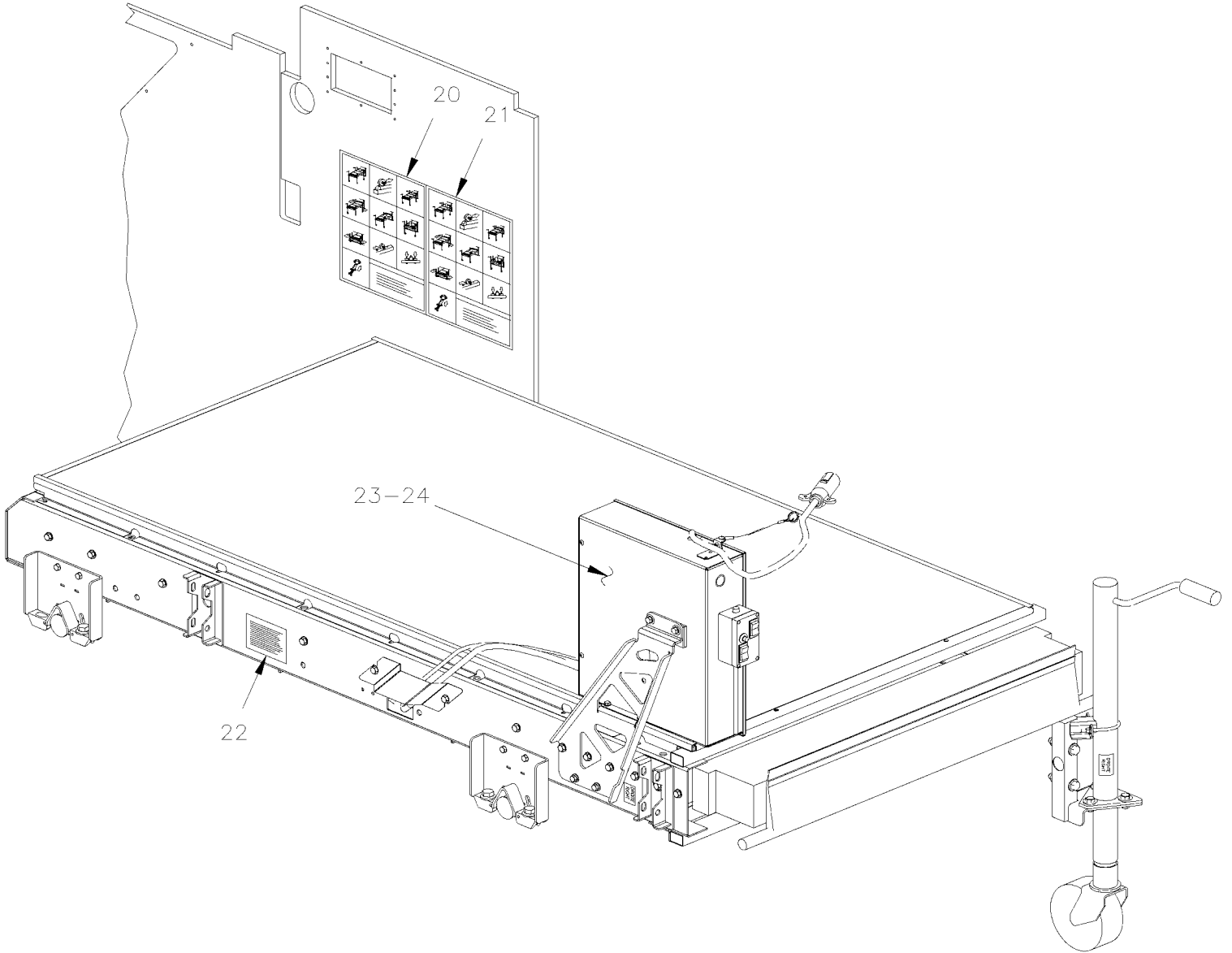


From 3-4417 To 8-1043

Date:10/2022

PAGE:HF-2370-10

W.C.L. - DECAL





From 3-4417 To 8-1043	Date:10/2022	PAGE:HF-2370-10
W.C.L. - DECAL		

Item#	Part	Description	H 3 4 1	H 3 4 5	V I P 4 5	N O T E S
1	404087	DECAL / BLUE W/CHAIR / 180MM x 180MM	2	2		
2	404083	DECAL / DO NOT PARK WITHIN 3 METRES / ENGLISH & FRANCAIS	1	1		A
2	404089	DECAL / DO NOT PARK WITHIN 3 METRES / ENGLISH	1	1		
2	405645	DECAL / DO NOT PARK WITHIN 3 METRES / ENGLISH & SPANISH	1	1		
3	403898	DECAL / "WARNING" WHEN OPENING DOOR BEWARE.. / ENGLISH & FRANCAIS	1	1		A
3	404332	DECAL / "WARNING" WHEN OPENING DOOR BEWARE.. / ENGLISH	1	1		
3	405644	DECAL / "WARNING" WHEN OPENING DOOR BEWARE.. / ENGLISH & SPANISH	1	1		
4	404333	DECAL / WCL OPERATION 1. 2.	1	1		
5	404084	DECAL / EMERGENCY EXIT / (RED ON CLEAR) / ENGLISH & FRANCAIS	1	1		A
5	404088	DECAL / EMERGENCY EXIT / (RED ON CLEAR) / ENGLISH	1	1		
5	405629	DECAL / EMERGENCY EXIT / (RED ON CLEAR) / ENGLISH & SPANISH	1	1		
10	403896	DECAL / AVANT D'OPERER LE.FERMEES To 6-0335	1	1		A
11	403897	DECAL / S'ASURER QUE.ELEVATEUR To 6-0335	1	1		A
12	404085	DECAL / ATTENTION ELOIGNEZ-VOUS To 6-0335	1	1		A
12	404090	DECAL / WARNING STAY AWAY To 6-0335	1	1		
13	403895	DECAL / PICTOGRAM MAN W/X RED OVER & PLATFORM To 6-0335	1	1		
14	405378	DECAL / BLUE W/CHAIR / 102MM x 102MM	1	1		
20	405474	DECAL / PICTOGRAM LIFT INSTALL... / ENGLISH To 5-0193	1	1		
20	405745	DECAL / PICTOGRAM LIFT INSTALL... / ENGLISH From 5-0194	1	1		
20	405475	DECAL / PICTOGRAM LIFT INSTALL... / MONTAGE / ENGLISH & FRANCAIS To 5-0193	1	1		
20	405746	DECAL / PICTOGRAM LIFT INSTALL... / MONTAGE / ENGLISH & FRANCAIS From 5-0194	1	1		
20	405654	DECAL / PICTOGRAM LIFT INSTALL... / ENGLISH & SPANISH To 5-0193	1	1		
20	405742	DECAL / PICTOGRAM LIFT INSTALL... / ENGLISH & SPANISH From 5-0194	1	1		
21	405472	DECAL / PICTOGRAM LIFT REMOVAL / DEMONTAGE.. / ENGLISH & FRANCAIS To 5-0193	1	1		
21	405744	DECAL / PICTOGRAM LIFT REMOVAL / DEMONTAGE.. / ENGLISH & FRANCAIS From 5-0194	1	1		
21	405473	DECAL / PICTOGRAM LIFT REMOVAL / ENGLISH To 5-0193	1	1		
21	405743	DECAL / PICTOGRAM LIFT REMOVAL / ENGLISH From 5-0194	1	1		
21	405653	DECAL / PICTOGRAM LIFT REMOVAL / ENGLISH & SPANISH To 5-0193	1	1		
21	405741	DECAL / PICTOGRAM LIFT REMOVAL / ENGLISH & SPANISH From 5-0194	1	1		
22	405471	DECAL / "WARNING" ALWAYS KEEP THE LIFT AT T... / ENGLISH & FRANCAIS	1	1		
22	405470	DECAL / "WARNING" ALWAYS KEEP THE LIFT AT T... / ENGLISH	1	1		
22	405652	DECAL / "WARNING" ALWAYS KEEP THE LIFT AT T... / ENGLISH & SPANISH	1	1		
23	405469	DECAL / INSTRUCTION D'OPÉRATION MANUEL / FRENCH	1	1		
24	405503	DECAL / RICON W.C.L. OPERATING INSTRUCTION / ENGLISH To 5-0193	1	1		
24	405749	DECAL / RICON W.C.L. OPERATING INSTRUCTION EXIT / ENGLISH From 5-0194	1	1		
24	405504	DECAL / INSTRUCTION D'OPÉRATION DE L'ÉLEVATEU / FRENCH To 5-0193	1	1		
24	405750	DECAL / RICON W.C.L. OPERATING INSTRUCTION EXIT / ENGLISH & FRANCAIS From 5-0194	1	1		
25	405468	DECAL / MANUAL OPERATING INSTRUCTION... / ENGLISH	1	1		
25	405467	DECAL / INSTRUCTION D'OPÉRATION DE L'ÉLEVATEU / FRENCH To 5-0193	1	1		
25	405747	DECAL / RICON W.C.L. OPERATING INSTRUCTION ENTER / ENGLISH From 5-0194	1	1		
26	405378	DECAL / BLUE W/CHAIR / 102MM x 102MM	1	1		
NS	405466	DECAL / RICON W.C.L. OPERATING INSTRUCTION / ENGLISH To 5-0193	1	1		



From 3-4417 To 8-1043	Date:10/2022	PAGE:HF-2370-10
W.C.L. - DECAL		

Item#	Part	Description	H 3 4 1	H 3 4 5	V I P 4 5	N O T E S
NS	405748	DECAL / RICON W.C.L. OPERATING INSTRUCTION ENTER / ENGLISH & FRANCAIS From 5-0194	1	1		
		A) BILINGUAL FRENCH & ENGLISH				

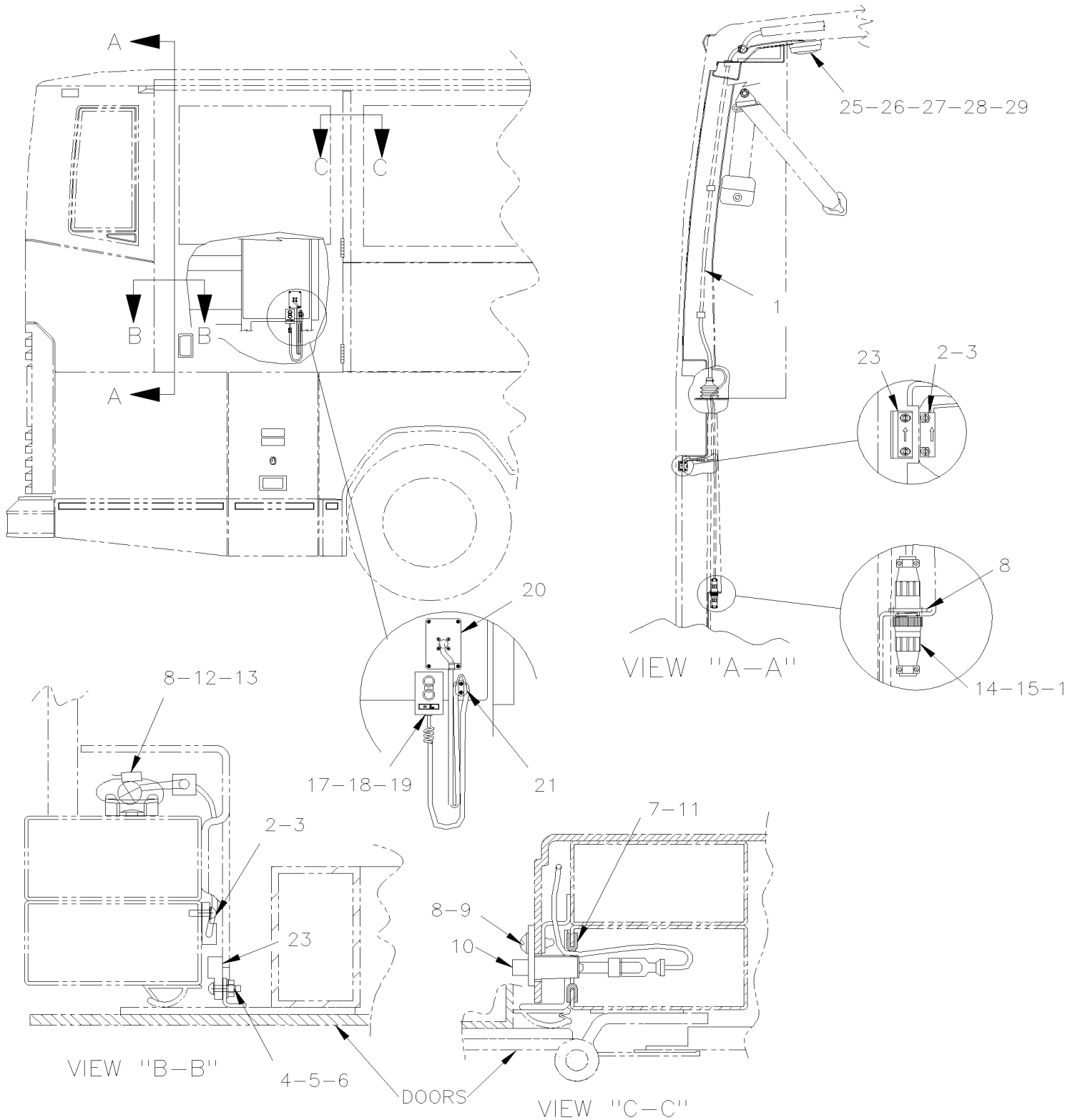


From 3-4417 To 6-0335

Date:10/2022

PAGE:HF-2370-15

W.C.L. "ST" & "ST" ACCESSORIES





From 3-4417 To 6-0335	Date:10/2022	PAGE:HF-2370-15
W.C.L. "ST" & "ST" ACCESSORIES		

Item#	Part	Description	H 3 4 1	H 3 4 5	V I P 4 5	N O T E S
1	063963	CABLE ASSY / W.C.L. ACCESSORIES / "ST & ST"	1	1		
2	063971	SWITCH MAGNETIC ASSY	1	1		
2	064360	SWITCH MAGNETIC ASSY	1	1		
3	500798	SCREW TP PAN PH #4-3/8 ZP	2	2		
4	500518	SCREW MA BDG PH #4-40x1/2 Z050	2	2		
5	502520	NUT HEX #4-40 Z050	2	2		
6	500467	WASHER LO INT .138x.275x.019 Z050	2	2		
7	506338	RUBBER CHANNEL / 1/16" x 1/4" INT "U" SHAPE / ROUND C.T.L.	AR	AR		
8	500654	SCREW TC BDG PH #8-32x1/2 Z050	AR	AR		
9	500022	WASHER LO INT .168x.340x.023 Z050	1	1		
10	562303	SWITCH / S.P.S.T. / N.C.	1	1		
11	680066	ADHESIVE / ADBOND #5014 / 23.6ML BOTTLE	AR	AR		
12	504637	CABLE TIE / 3/16" x 13"	AR	AR		
13	504013	TIE MOUNT / 1/4" X 1/4" I.D.	AR	AR		
14	561687	CONNECTOR / CPC SERIES 1 / SH 4C / AMP 206060-1	1	1		
15	561651	CABLE CLAMP / CPC / #11 / AMP 206062-1	2	2		
16	561240	SOCKET TERMINAL / 18-16 / SIGNAL CONTACT / AMP 66101-2	3	3		
17	064093	REMOTE CONTROL / "ST"& "ST" To 3-4505	1	1		
17	862445	REMOTE CONTROL / "ST"& "ST" From 3-4506	1	1		
18	403618	. PLATE IDENTIFICATION / UP & DOWN To 3-4505	1	1		
19	562301	. SWITCH / S.P.S.T. / N.O. / WHITE To 3-4505	2	2		
20	064092	PLATE	1	1		
21	900859	BRACKET, MOUNTING / MICROPHONE	1	1		
23	562641	MAGNET	1	1		
25	830110	LAMP ASSY	1	1		
26	502677	SCREW MA RND PH M4-0.7x25 SS	1	1		
27	500589	NUT WELL M4-0.7x13.5	2	2		
28	561553	BULB / 10WATT-24VOLTS / SAE# 5637	2	2		
29	504062	GROMMET / .4375x.687x.125x.375x.937	1	1		
NS	405285	PROTECTOR W.C.L. "ST & ST" / PLASTIC From 3-4506	1	1		

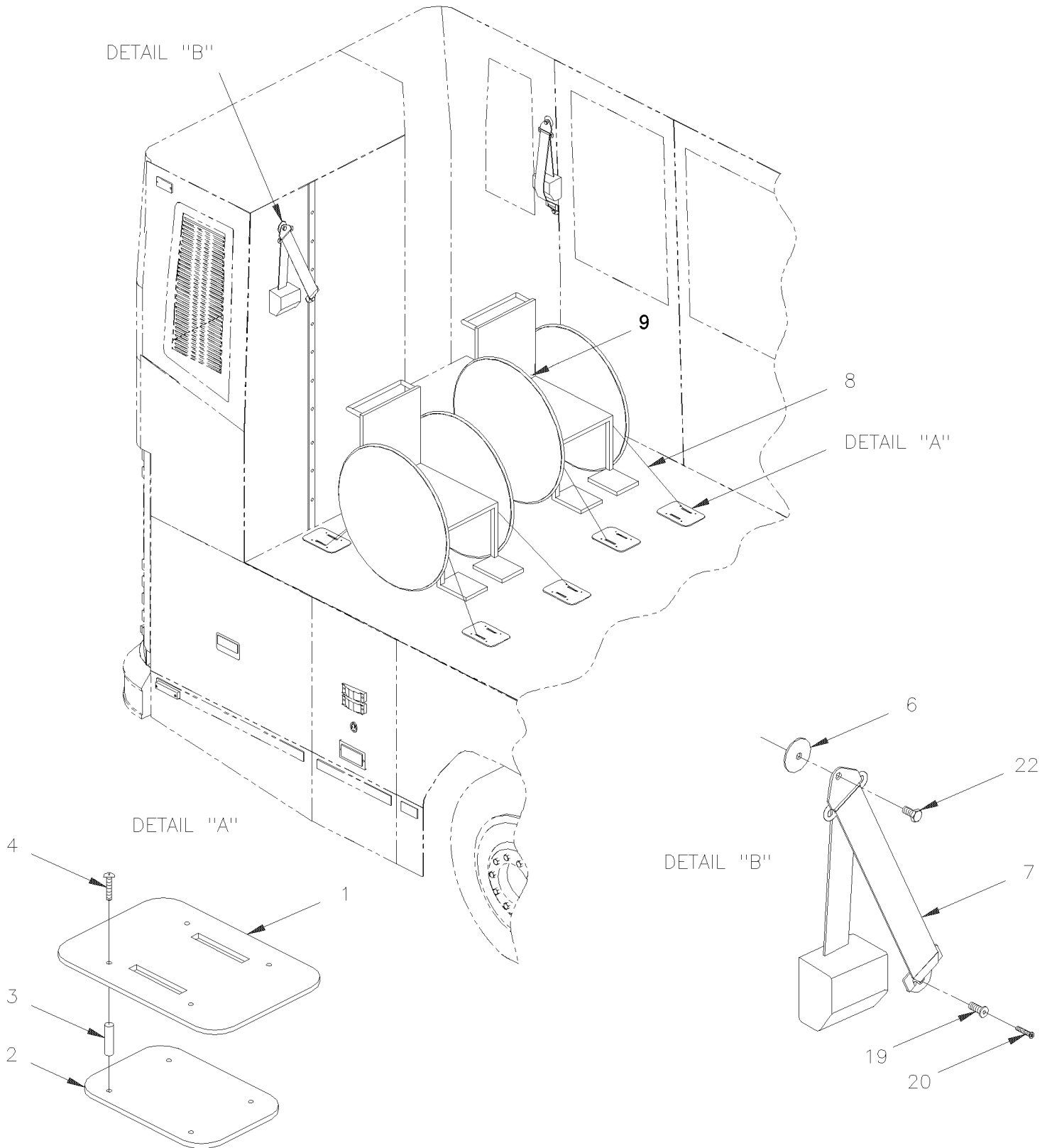


From 3-4417 To 3-4684

Date:10/2022

PAGE:HF-2370-20

W.C.L. SEAT BELTS





From 3-4417 To 3-4684	Date:10/2022	PAGE:HF-2370-20
W.C.L. SEAT BELTS		

Item#	Part	Description	H 3 4 1	H 3 4 5	V I P 4 5	N O T E S
2	363374	RECEPTACLE	4	4		
3	504617	SPACER M10 X 30	12	12		
3	504618	SPACER M10 X 12	4	4		
4	5001187	SCREW MA FL SLT M8-1.25x50 SS EMN	16	16		
6	403873	FINISHING WASHER	1	1		
7	860824	BELT RETAINER / SHOULDER	1	1		
8	860825	BELT RETAINER / WHEELCHAIR	1	1		
9	860826	BELT RETAINER / ABDOMINAL	1	1		
19	500322	RIVET NUT FL OKS 1/4-20x.35x.216	1	1		
20	5001097	SCREW TC OV PH #6-32x3/4 SS410 BK	1	1		
22	500074	SCREW CAP HEX 7/16-20x2 G5 Z050	2	2		
NS	862967	SAFETY BELT CUTTER / W.C.L. / EMERGENCY	1	1		
1H3-2	363375	ANCHOR PLATE	4	4		

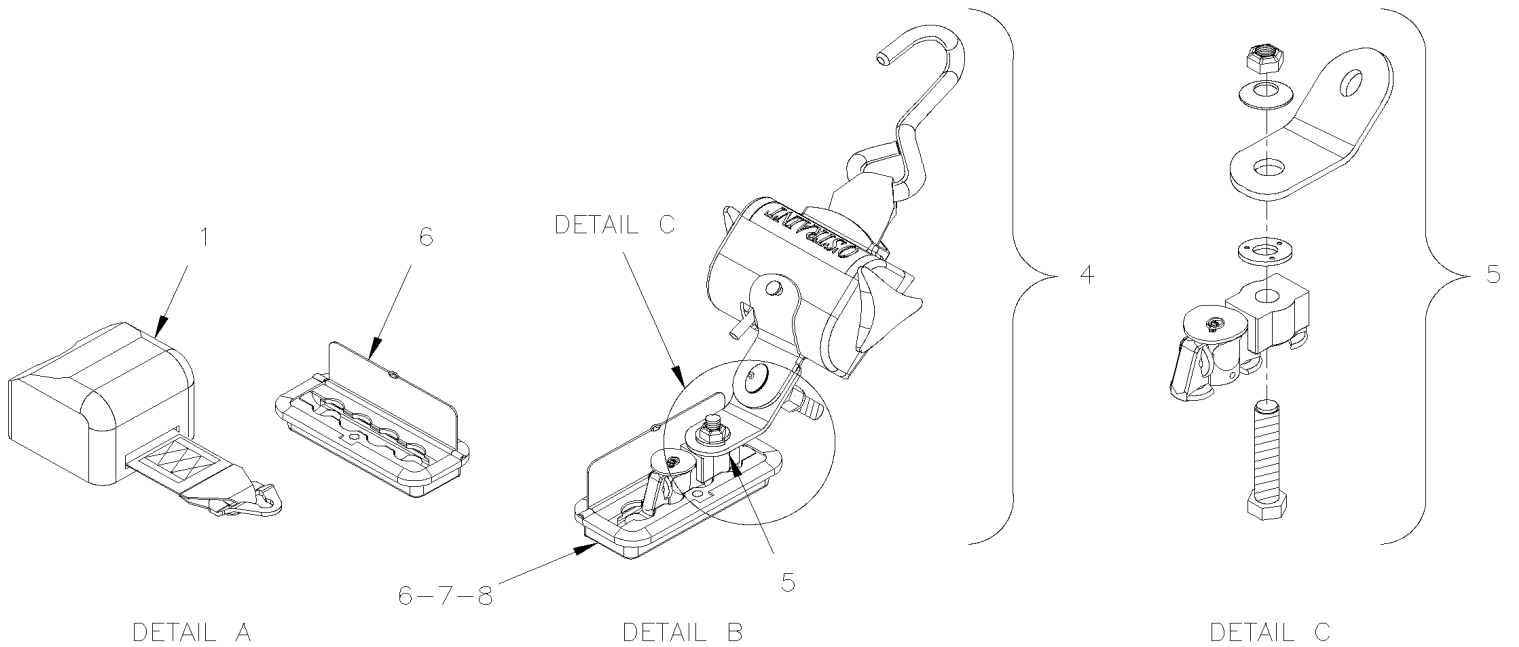
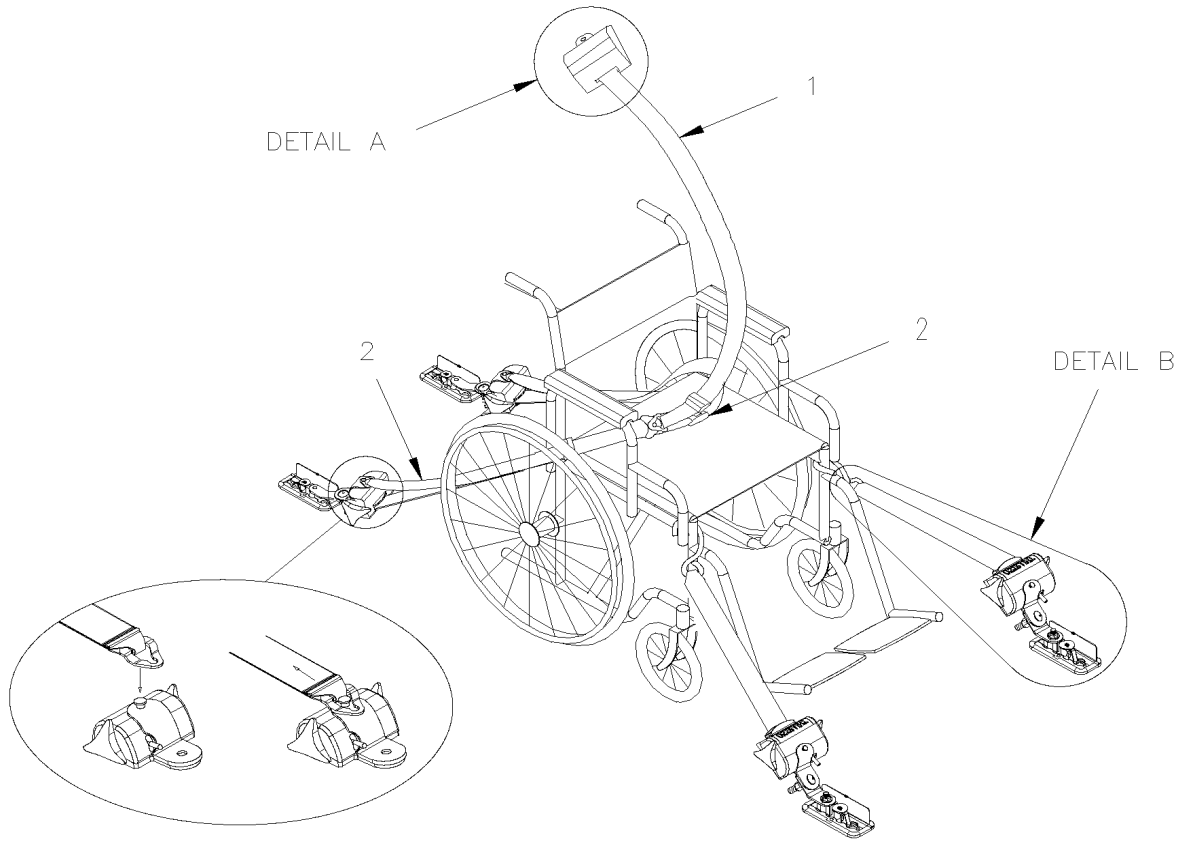


From 3-4685 To 8-1043

Date:10/2022

PAGE:HF-2370-21

W.C.L. SEAT BELTS





From 3-4685 To 8-1043	Date:10/2022	PAGE:HF-2370-21
-----------------------	--------------	-----------------

W.C.L. SEAT BELTS

Item#	Part	Description	H 3 4 1	H 3 4 5	V I P 4 5	N O T E S
	861930	KIT SAFETY BELT	AR	AR		A
1	861931	. RETRACTALE SHOULDER BELT	1	1		
2	861932	. REGULAR LAP BELT / KIT MALE & FEMALE	1	1		
4	861934	. RETRACTABLE SEAT MOUNTED / BELT ASSY (SET OF 4 W/TRAC ADAPTOR)	1	1		
5	861935	. . KIT TRAC ADAPTOR	4	4		
6	861929	FLOOR POCKET W/COVER	8	8		
NS	862213	SCREW CAP CK HEXS 5/16-18x1 3/4 SS	2	2		
7	223822	SPACER 1/2" O.D. X 20MM	16	16		
8	223818	ANCHOR PLATE	8	8		
		A) INCLUDE ITEM 1, 2, 3, 4, 5 & 7				

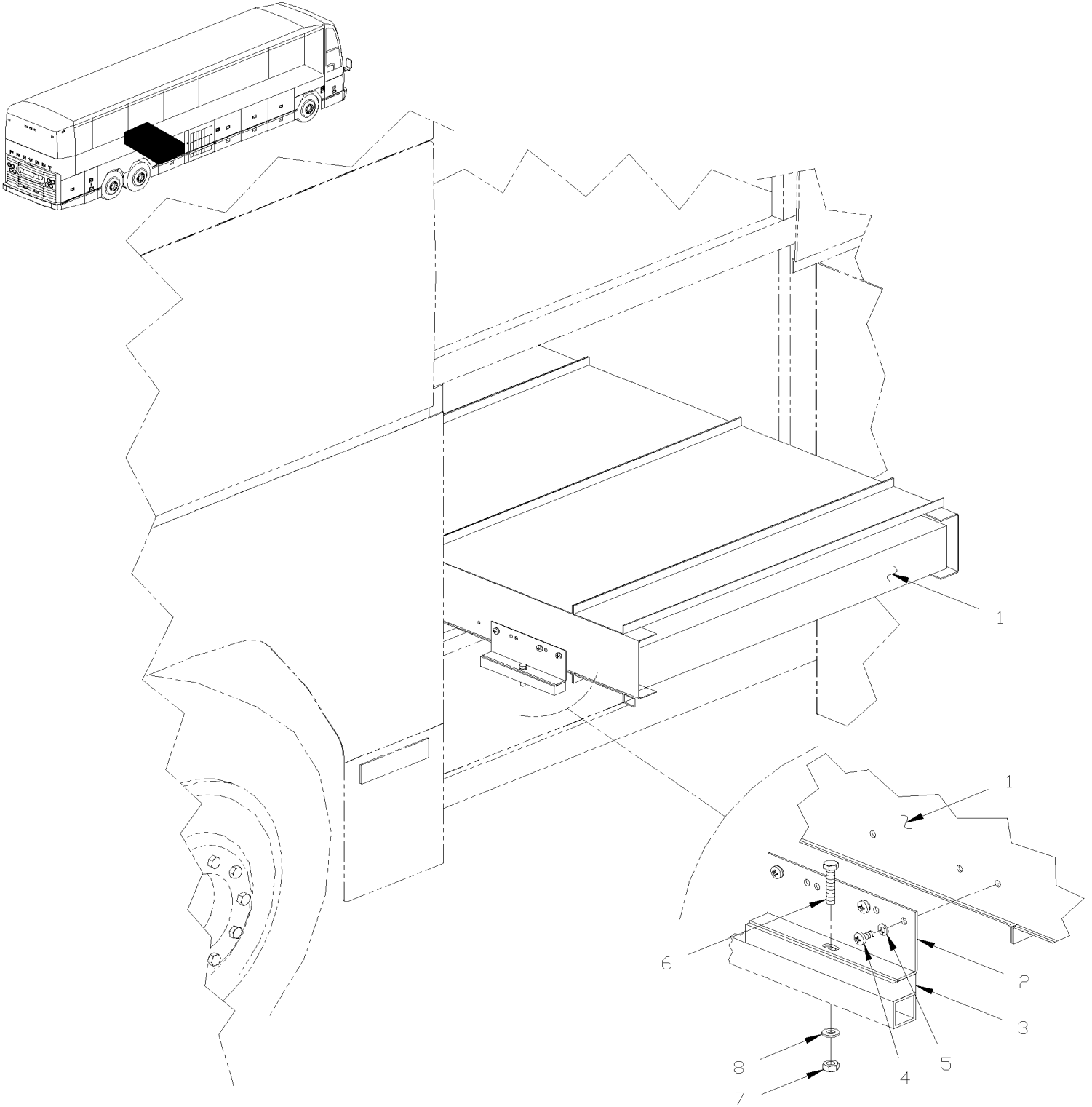


From 3-4417 To 4-4704

Date:10/2022

PAGE:HF-2380-00

W.C.L. "RICON" - INSTALLATION MODEL "F9A"





From 3-4417 To 4-4704	Date:10/2022	PAGE:HF-2380-00
W.C.L. "RICON" - INSTALLATION MODEL "F9A"		

Item#	Part	Description	H 3 4 1	H 3 4 5	V I P 4 5	N O T E S
1	HF-2380-05	W.C.L. "RICON" MODEL "F9A"				
2	325275	SUPPORT		4		
3	325276	SPACER		4		
4	500565	SCREW MA RND PH 5/16-18x3/4 SS		12		
5	500035	WASHER LO SPT .317x.586x.078 SS		12		
6	502680	SCREW CAP HEX M10-1.5x50 SS		4		
7	502617	NUT HEX NYRT M10-1.5 Z050		4		
8	500445	WASHER FL .437x1.000x.083 Z050		4		
NS	285401	ARM PROTECTOR / (TRIANGULAR SHAPE PLASTIC)		1		
NS	285416	PROTECTOR CHANEL / "C" SHAPE 1300MM		1		
NS	5001097	SCREW TC OV PH #6-32x3/4 SS410 BK		7		
NS	500345	WASHER FN CKF .187x.500x.090 BR BK		7		
NS	285835	SHELF REAR		1		
NS	285836	SHELF FRONT		1		
NS	351270	INSULATION		3		
NS	351271	INSULATION		1		
NS	500272	SCREW MA FL PH #8-32x1/2 ZP		4		
NS	500446	WASHER FL .531x1.250x.125 Z050		2		
NS	500716	NUT HEX 1/2-20 Z050		2		

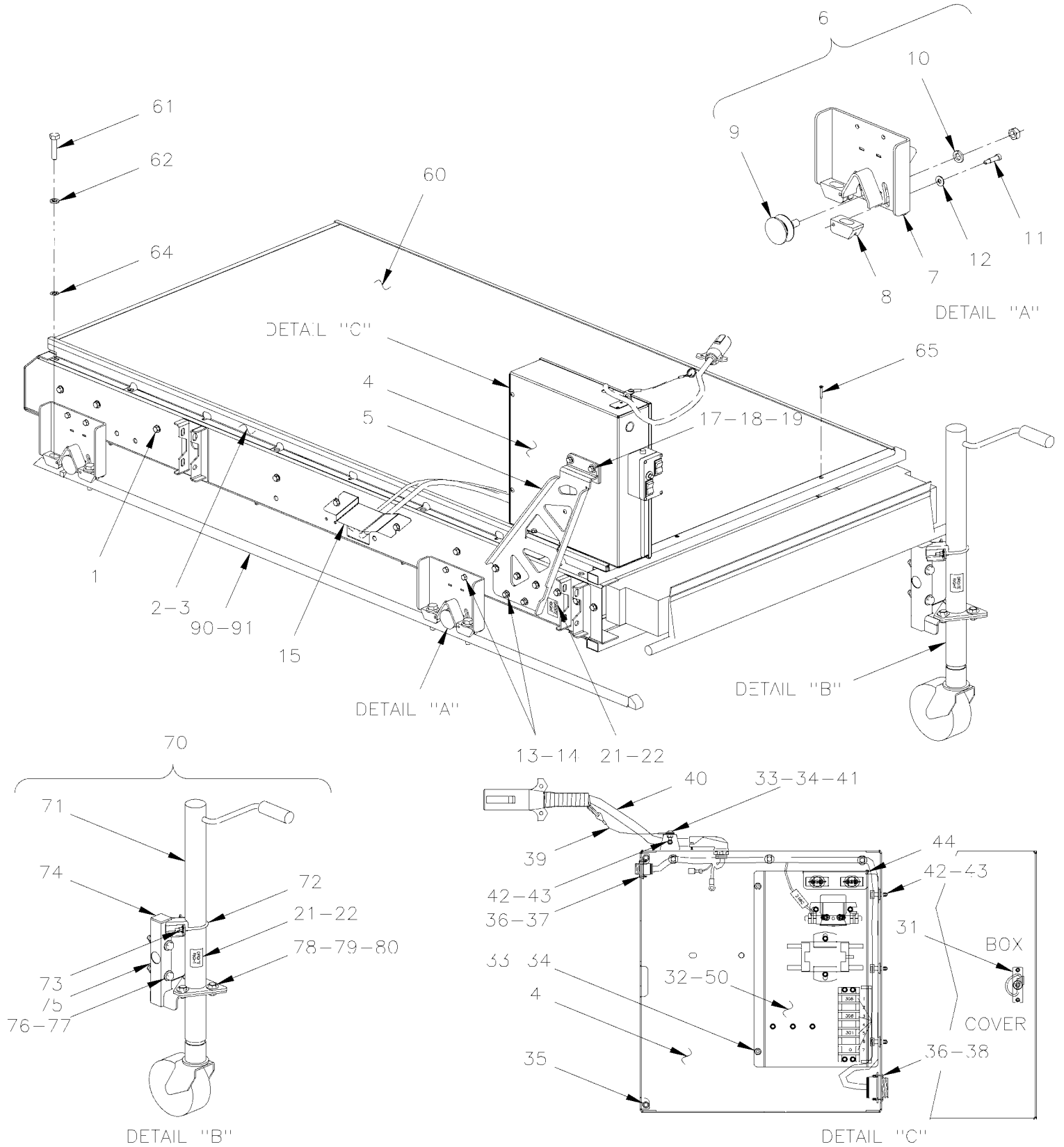


From 4-4705 To 5-0178

Date:10/2022

PAGE:HF-2380-01

W.C.L. "RICON" REMOVABLE - INSTALLATION MODEL "F9T"





From 4-4705 To 5-0178	Date:10/2022	PAGE:HF-2380-01
W.C.L. "RICON" REMOVABLE - INSTALLATION MODEL "F9T"		

Item#	Part	Description	H 3 4 1	H 3 4 5	V I P 4 5	N O T E S
1	862352	W.C.L. "RICON" - F9T-DE004 To 5-0178	1	1		
2	490971	SLIDING TRACK REMOVABLE R.H.	1	1		
3	490990	SLIDING TRACK REMOVABLE L.H.	1	1		
4	364035	BOX ASSY	1	1		
5	364029	SUPPORT PUMP ASSY	1	1		
6	491008	CARRIER ASSY / W/WHEEL	4	4		
7	490998	. PLATE SUPPORT	1	1		
8	490995	. CALIPER	1	1		
9	990418	. WHEEL / W/"V" GROOVE USE W/SCREW	1	1		
NS	500652	. NUT HEX 1/2-20 SS	1	1		
10	500944	. WASHER LO SPT .506x.873x.125 N500	2	2		
11	502638	. WASHER FL .312x.734x.065 N500	2	2		
12	500631	. SCREW SHR HEXS 5/16x3/4 {1/4-20 SS	2	2		
13	955525	SCREW CAP HEX 5/16-18x1 G5 ZG603	10	10		
14	500942	WASHER LO SPT 8.1x14.8x2.0 N500	10	10		
NS	502638	WASHER FL .312x.734x.065 N500	2	2		
15	491013	PLATE PROTECTOR	1	1		
17	500347	SCREW CAP HEX 5/16-18x1 1/4 SS	2	2		
NS	364031	SPACER	2	2		
18	5001448	WASHER FL .343x.875x.062 SS18-8	2	2		
19	500035	WASHER LO SPT .317x.586x.078 SS	2	2		
21	491002	DECAL / GAUCHE / LEFT / ENGLISH & FRANCAIS	1	1		
21	491056	DECAL / LEFT IZQUIERDA / ENGLISH & SPANISH	1	1		
22	491001	DECAL / DROIT / RIGHT / ENGLISH & FRANCAIS	1	1		
22	491055	DECAL / RIGHT DERECHA / ENGLISH & SPANISH	1	1		
30	491033	BOX ASSY W/POWER PLATE	1	1		
31	504203	SPRING LATCH / KNURLED STEEL KNOB	1	1		
NS	504105	RIVET POP DOME OE 1/8x3/16 AL	2	2		
32	563370	POWER PLATE ASSY "RICON"	1	1		
33	5001180	NUT HEX NYRT #10-24 SS	5	5		
34	5001241	SCREW MA TR PH #10-24x1/2 SS	5	5		
35	504498	BUMPER PLUG / .406ODx.218THx.250HOLEx.125	2	2		
36	500518	SCREW MA BDG PH #4-40x1/2 Z050	8	8		
37	561820	NUT, RING #13 / 1.125" I.D. W/4 4-40	1	1		
38	561823	NUT, RING #23 / 1.812" I.D. W/4 4-40	1	1		
39	502929	CABLE RETAINING 150MM	1	1		
40	065857	CABLE ASSY / POWER / W.C.L. "RICON"	1	1		
41	500964	WASHER FL .203x.500x.047 Z050	1	1		
42	509815	TIE MOUNT / ATTACHMENT W/TREE MOUNT	AR	AR		
43	504637	CABLE TIE / 3/16" x 13"	AR	AR		
44	506338	RUBBER CHANNEL / 1/16" x 1/4" INT "U" SHAPE / ROUND C.T.L.	AR	AR		
NS	680066	ADHESIVE / ADBOND #5014 / 23.6ML BOTTLE	AR	AR		



From 4-4705 To 5-0178	Date:10/2022	PAGE:HF-2380-01
W.C.L. "RICON" REMOVABLE - INSTALLATION MODEL "F9T"		

Item#	Part	Description	H 3 4 1	H 3 4 5	V I P 4 5	N O T E S
50	HF-2380-61	W.C.L. "RICON" - PUMP INSTALLATION MODEL "F9T" & "F9TF"				
60	990417	PANEL FIBERGLASS / OVER W.C.L. "RICON" / 1000MM X 1940MM	1	1		
61	5001538	SCREW CAP HEXF SERR M12-1.75x50 G500	8	8		
62	500944	WASHER LO SPT .506x.873x.125 N500	8	8		
64	5001568	NUT PUSH RND M12 ZP	8	8		
65	502903	SCREW TC FL PH #10-24x1 1/4 N500	2	2		
70	490988P	TRANSPORTER JACK ASSY L.H.	2	2		
70	490989P	TRANSPORTER JACK ASSY R.H.	2	2		
71	990416	. JACK	1	1		
72	503399	. U-CLAMP / 2" I.D. X 1/4-20	1	1		
73	500769	. NUT HEX 1/4-20 Z050	2	2		
NS	500441	. WASHER FL .312x.734x.065 Z050	2	2		
NS	500473	. WASHER LO SPT .262x.489x.062 Z050	2	2		
74	508394	. GLIDE SQUARE END 1.5 X 1.5 TUBE 14GA / P	1	1		
75	490981	. SUPPORT JACK L.H.	1	1		
75	490982	. SUPPORT JACK R.H.	1	1		
76	5001862	. SCREW CAP HEX M12-1.75x70 G10.9 N500	2	2		
77	500860	. NUT HEX M12-1.75 Z050	2	2		
NS	500958	. WASHER FL .531x1.062x.095 SS	4	4		
78	502559	. SCREW CAP HEX M10-1.5x25 G8.8 Z050	3	3		
79	502644	. WASHER FL 10.5x30.0x2.5 Z050	3	3		
80	500680	. NUT HEX STO M10-1.5 Z050	3	3		
90	215121	TRACK W.C.L. BACKWARD	1	1		
91	255122	TRACK W.C.L. FORWARD	1	1		

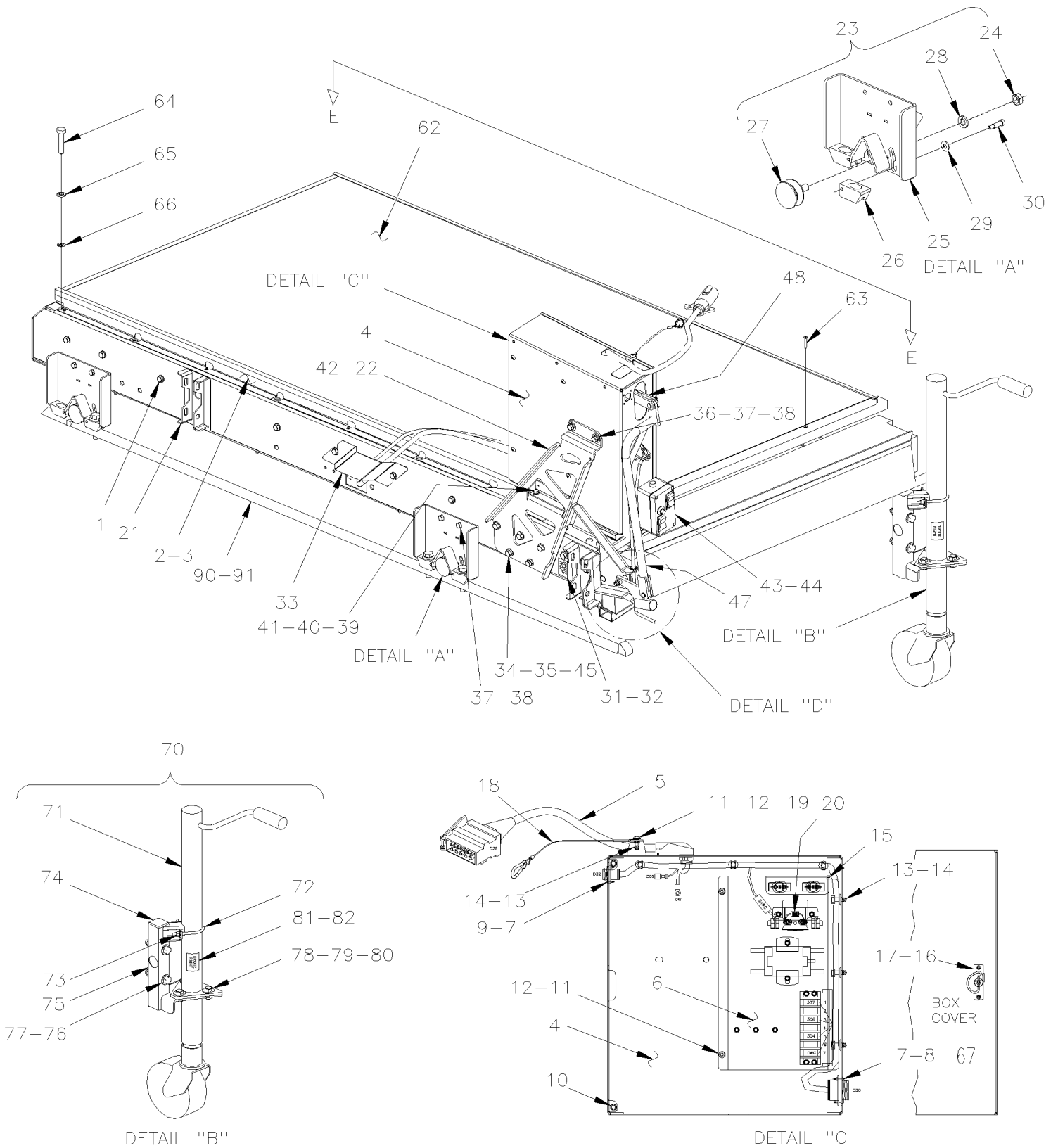


From 5-0179 To 8-1043

Date:10/2022

PAGE:HF-2380-02

W.C.L. "RICON" REMOVABLE - INSTALLATION MODEL "F9TF"



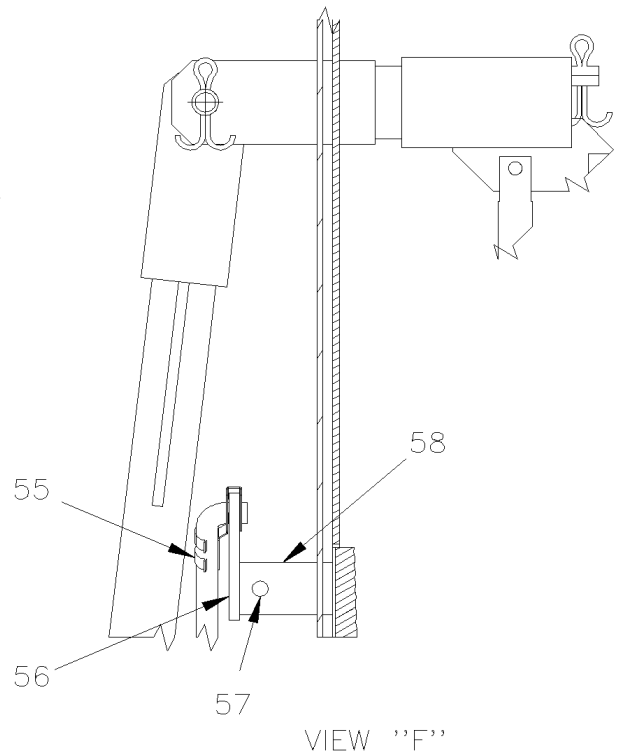
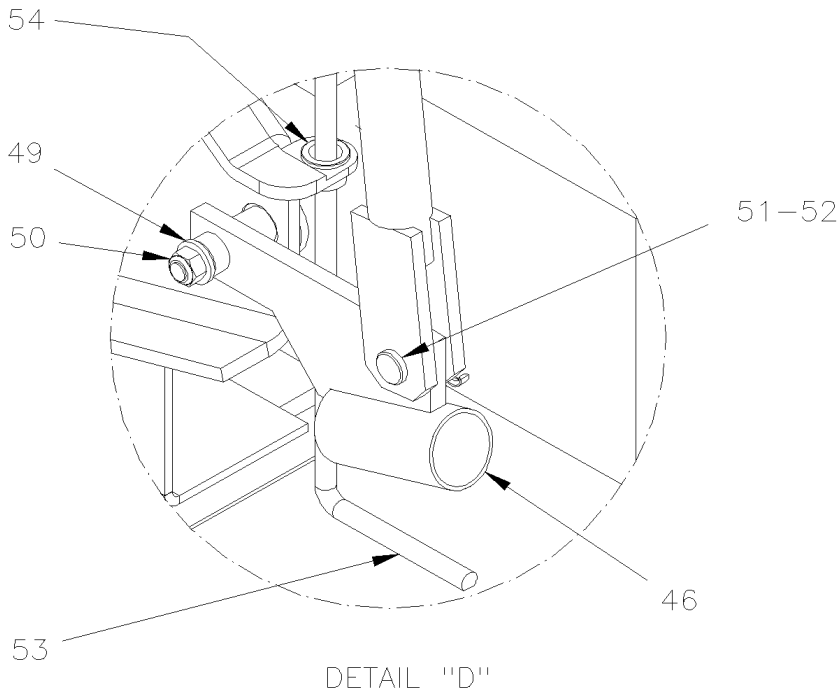
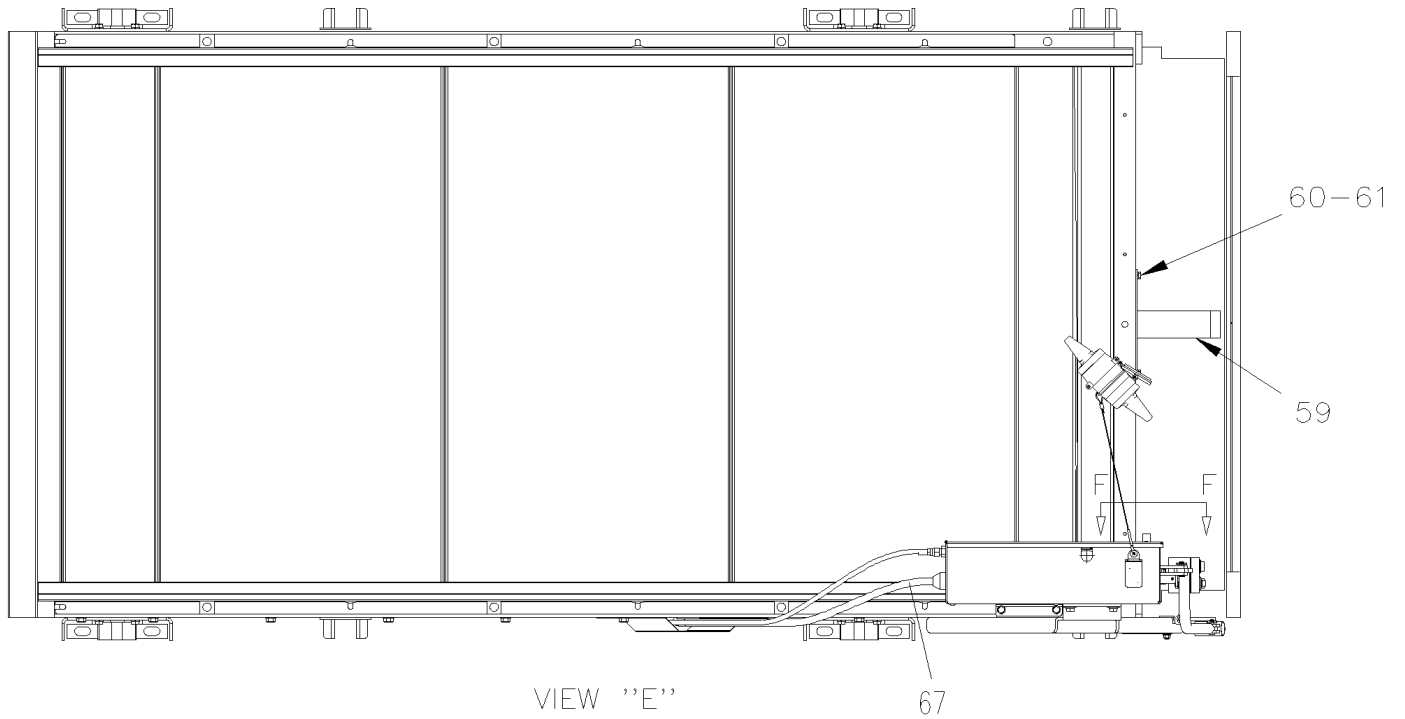


From 5-0179 To 8-1043

Date:10/2022

PAGE:HF-2380-02

W.C.L. "RICON" REMOVABLE - INSTALLATION MODEL "F9TF"





From 5-0179 To 8-1043	Date:10/2022	PAGE:HF-2380-02
W.C.L. "RICON" REMOVABLE - INSTALLATION MODEL "F9TF"		

Item#	Part	Description	H 3 4 1	H 3 4 5	V I P 4 5	N O T E S
	490891P	. REMOVABLE W.C.L. COMPLETE ASSY W/ PUMP BOX ASSY / "F9TF"	1	1		A
1	862662	W.C.L. "RICON" - F9TF-DE004	1	1		
1	HF-2380-07	W.C.L. "RICON" REMOVABLE MODEL "F9TF"				
2	490971	SLIDING TRACK REMOVABLE R.H.	1	1		
3	490990	SLIDING TRACK REMOVABLE L.H.	1	1		
4	491017P	BOX ASSY W/POWER PLATE	1	1		
4	364074	. BOX ASSY	1	1		
5	066307	. CABLE ASSY / POWER / W.C.L. "RICON"	1	1		
6	563370	. POWER PLATE ASSY "RICON"	1	1		
7	500518	. SCREW MA BDG PH #4-40x1/2 Z050	8	8		
8	561823	. NUT, RING #23 / 1.812" I.D. W/4 4-40	1	1		
9	561820	. NUT, RING #13 / 1.125" I.D. W/4 4-40	1	1		
10	504498	. BUMPER PLUG / .406ODx.218THx.250HOLEx.125	2	2		
11	5001180	. NUT HEX NYRT #10-24 SS	5	5		
12	5001241	. SCREW MA TR PH #10-24x1/2 SS	5	5		
13	509815	. TIE MOUNT / ATTACHMENT W/TREE MOUNT	6	6		
14	504637	. CABLE TIE / 3/16" x 13"	11	11		
15	506338	. RUBBER CHANNEL / 1/16" x 1/4" INT "U" SHAPE / ROUND C.T.L.	AR	AR		
NS	680066	. ADHESIVE / ADBOND #5014 / 23.6ML BOTTLE	AR	AR		
16	504105	. RIVET POP DOME OE 1/8x3/16 AL	2	2		
17	504203	. SPRING LATCH / KNURLED STEEL KNOB	1	1		
18	364072P	. CABLE RETAINING ASSY	1	1		
18	283069	. . CABLE 1/16 DIA. / 565MM LG	1	1		
18	780341	. . SLEEVE / TO HOLDING CABLE 1/16OD SS	1	1		
18	504723	. . SPRING HOOK	1	1		
19	500964	. WASHER FL .203x.500x.047 Z050	1	1		
20	064792	. DIODE ASSY	1	1		
. NS	561740	. . DIODE / 3AMPS	1	1		
. NS	560082	. . RING TERMINAL #10 / 16-14 / INSULATED / AMP 626033-2	1	1		
. NS	560815	. . RING TERMINAL #10 / 22-18 / INSULATED / AMP 42037-2	1	1		
. NS	562499	. . SHRINK TUBING / .250" - .125" / CLEAR / ALPHA FIT 221-1/4	AR	AR		
21	491009	. ATTACHMENT ASSY	4	4		
22	491094	SUPPORT PUMP ASSY	1	1		
23	491008	CARRIER ASSY / W/WHEEL	4	4		
24	500652	. NUT HEX 1/2-20 SS	1	1		
25	490998	. PLATE SUPPORT	1	1		
26	490995	. CALIPER	1	1		
27	990418	. WHEEL / W/"V" GROOVE USE W/SCREW	1	1		
28	500944	. WASHER LO SPT .506x.873x.125 N500	1	1		
29	502638	. WASHER FL .312x.734x.065 N500	2	2		
30	500631	. SCREW SHR HEXS 5/16x3/4 {1/4-20 SS	2	2		
31	491002	DECAL / GAUCHE / LEFT / ENGLISH & FRANCAIS	1	1		



From 5-0179 To 8-1043	Date:10/2022	PAGE:HF-2380-02
W.C.L. "RICON" REMOVABLE - INSTALLATION MODEL "F9TF"		

Item#	Part	Description	H 3 4 1	H 3 4 5	V I P 4 5	N O T E S
31	491056	DECAL / LEFT IZQUIERDA / ENGLISH & SPANISH	1	1		
32	491001	DECAL / DROIT / RIGHT / ENGLISH & FRANCAIS	1	1		
32	491055	DECAL / RIGHT DERECHA / ENGLISH & SPANISH	1	1		
33	491013	PLATE PROTECTOR	1	1		
34	955525	SCREW CAP HEX 5/16-18x1 G5 ZG603	10	10		
35	500942	WASHER LO SPT 8.1x14.8x2.0 N500	10	10		
36	500347	SCREW CAP HEX 5/16-18x1 1/4 SS	2	2		
37	5001448	WASHER FL .343x.875x.062 SS18-8	2	2		
38	500035	WASHER LO SPT .317x.586x.078 SS	2	2		
39	955513	SCREW CAP HEX 1/4-20x3/4 G5 ZG603	2	2		
40	500877	WASHER FL .250x.562x.065 N500	2	2		
41	502874	NUT HEX NYRT 1/4-20 N500	10	10		
42	364031	SPACER	2	2		
43	900859	BRACKET, MOUNTING / MICROPHONE	1	1		
44	504379	RIVET POP DOME OE 3/16x1/4 SS	2	2		
45	502638	WASHER FL .312x.734x.065 N500	2	2		
46	491091	PIVOT ASSY	1	1		
47	491087	ARM ASSY	1	1		
48	491083	TUBE ASSY	1	1		
49	500877	WASHER FL .250x.562x.065 N500	1	1		
50	502681	NUT HEX NYRT M6-1.0 N500 G8	1	1		
51	502024	PIN, CLEVIS 5/16 x 13/16 BZC	2	2		
52	502102	PIN, COTTER 1/8 x 1	3	3		
53	491097	ROD	1	1		
54	504226	SNAP BUSHING / .391x.578x.406	1	1		
55	504243	CLIP ROD 1/4" L.H.	1	1		
56	491100	PIVOT	1	1		
57	505420	SPRING, PIN M4.5 x 20	1	1		
58	491101	UNION	1	1		
59	491102	GUIDE	1	1		
60	502772	SCREW CAP HEX 1/4-20x1/2 G5 N500	2	2		
61	502853	WASHER LO SPT 6.1x11.8x1.6 N500	2	2		
62	990417	PANEL FIBERGLASS / OVER W.C.L. "RICON" / 1000MM X 1940MM	1	1		
63	502903	SCREW TC FL PH #10-24x1 1/4 N500	2	2		
64	5001538	SCREW CAP HEXF SERR M12-1.75x50 G500	8	8		
65	500944	WASHER LO SPT .506x.873x.125 N500	8	8		
66	5001568	NUT PUSH RND M12 ZP	8	8		
67	864071	HARNESS, ELECTRICAL, MAIN, W/HYDRAULIC LINE	1	1		
70	490988P	TRANSPORTER JACK ASSY L.H.	2	2		
70	490989P	TRANSPORTER JACK ASSY R.H.	2	2		
71	990416	. JACK	1	1		



From 5-0179 To 8-1043	Date:10/2022	PAGE:HF-2380-02
W.C.L. "RICON" REMOVABLE - INSTALLATION MODEL "F9TF"		

Item#	Part	Description	H 3 4 1	H 3 4 5	V I P 4 5	N O T E S
72	503399	. U-CLAMP / 2" I.D. X 1/4-20	1	1		
73	500769	. NUT HEX 1/4-20 Z050	2	2		
NS	500441	. WASHER FL .312x.734x.065 Z050	2	2		
NS	500473	. WASHER LO SPT .262x.489x.062 Z050	2	2		
74	508394	. GLIDE SQUARE END 1.5 X 1.5 TUBE 14GA / P	1	1		
75	490981	. SUPPORT JACK L.H.	1	1		
75	490982	. SUPPORT JACK R.H.	1	1		
76	5001862	. SCREW CAP HEX M12-1.75x70 G10.9 N500	2	2		
77	500860	. NUT HEX M12-1.75 Z050	2	2		
NS	500958	. WASHER FL .531x1.062x.095 SS	4	4		
78	502559	. SCREW CAP HEX M10-1.5x25 G8.8 Z050	3	3		
79	502644	. WASHER FL 10.5x30.0x2.5 Z050	3	3		
80	500680	. NUT HEX STO M10-1.5 Z050	3	3		
81	491002	. DECAL / GAUCHE / LEFT / ENGLISH & FRANCAIS	1	1		
81	491056	. DECAL / LEFT IZQUIERDA / ENGLISH & SPANISH	1	1		
82	491001	. DECAL / DROIT / RIGHT / ENGLISH & FRANCAIS	1	1		
82	491055	. DECAL / RIGHT DERECHA / ENGLISH & SPANISH	1	1		
90	215857	TRACK ANGULAR ASSY W.C.L. BACKWARD	1	1		
91	215861	TRACK BASE W.C.L. FORWARD UNDER FLOOR	1	1		
		A) DO NOT INCLUDED TRANSPORTER JACK L.H. & R.H.				
		R) THIS NUMBER USED ONLY WITH "RETROFIT" MAKE AT PREVOST SHOP ON VEHICULE				

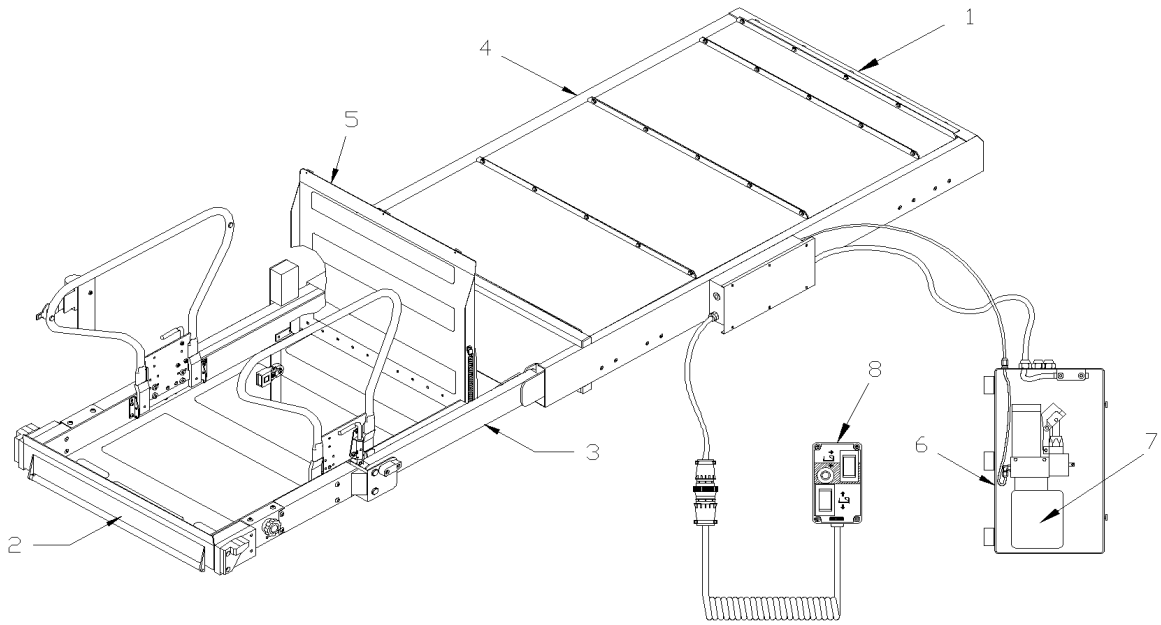


From 3-4417 To 4-4704

Date:10/2022

PAGE:HF-2380-05

W.C.L. "RICON" MODEL "F9A"



OPERATING INSTRUCTION DECAL
(PN 10102)



PART OF SERIAL
NUMBER STICKER
(ONLY RICON
REPLACEABLE)



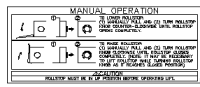
ECLIPSE/MIRAGE
PATENT NO. DECAL
(PN 32-10-170)



PART OF SERIAL
NUMBER DECAL



WARNING
DECAL
(PN 26217)



MANUAL OPERATION
ROLLSTOP DECAL
(PN 26207)



MAXIMUM LOAD
DECAL
(PN 26213)



RICON LOGO DECAL
(PN 32-10-158)



RICON LOGO DECAL
(PN 32-10-158)



From 3-4417 To 4-4704	Date:10/2022	PAGE:HF-2380-05
W.C.L. "RICON" MODEL "F9A"		

Item#	Part	Description	H 3 4 1	H 3 4 5	V I P 4 5	N O T E S
	860901	W.C.L. "RICON" - F9A	1	1		
1	HF-2380-10	. W.C.L. "RICON" - LIFT ENCLOSURE ASSY MODEL "F9A"				
2	HF-2380-20	. W.C.L. "RICON" - PLATFORM ASSY MODEL "F9A"				
3	HF-2380-30	. W.C.L. "RICON" - TRAVELING FRAME ASSY MODEL "F9A"				
4	HF-2380-40	. W.C.L. "RICON" - CARRIAGE ASSY MODEL "F9A"				
5	HF-2380-50	. W.C.L. "RICON" - BRIDGE PLATE ASSY 9" MODEL "F9A"				
6	HF-2380-60	. W.C.L. "RICON" - PUMP INSTALLATION MODEL "F9A"				
7	HF-2380-65	. . W.C.L. "RICON" - PUMP ASSY				
8	862206	. CONTROLER	1	1		
. NS	196844	. . SWITCH / M/ON-OFF-M/ON S P.D.T WHITE	1	1		
NS	864191	DVD "SAFETY RECALL "RICON" W.C.L.	1	1		
NS	864173	DECAL "FASTEN BELT" WCL	1	1		
NS	864194	DECAL "ATTACHEZ LA CEINTURE" WCL	1	1		

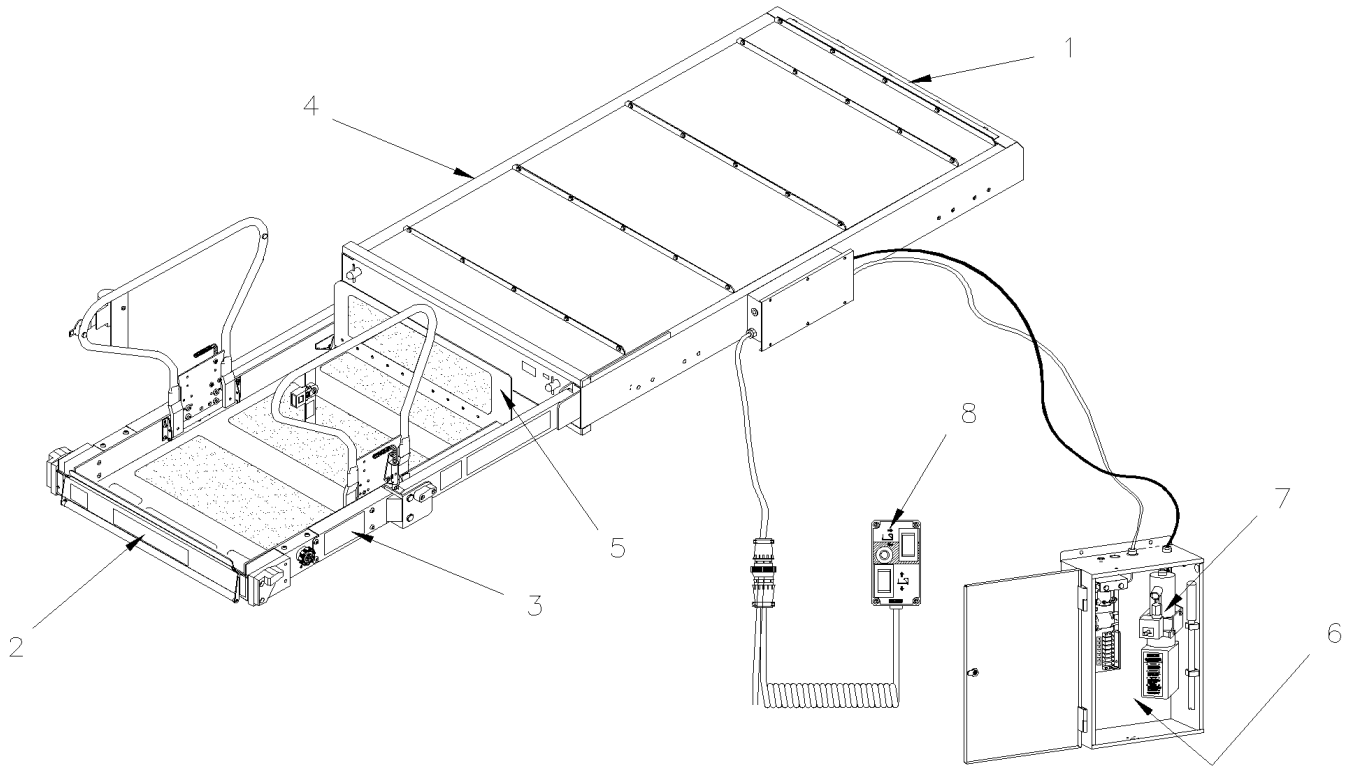


From 4-4705 To 5-0178

Date:10/2022

PAGE:HF-2380-06

W.C.L. "RICON" REMOVABLE MODEL "F9T"

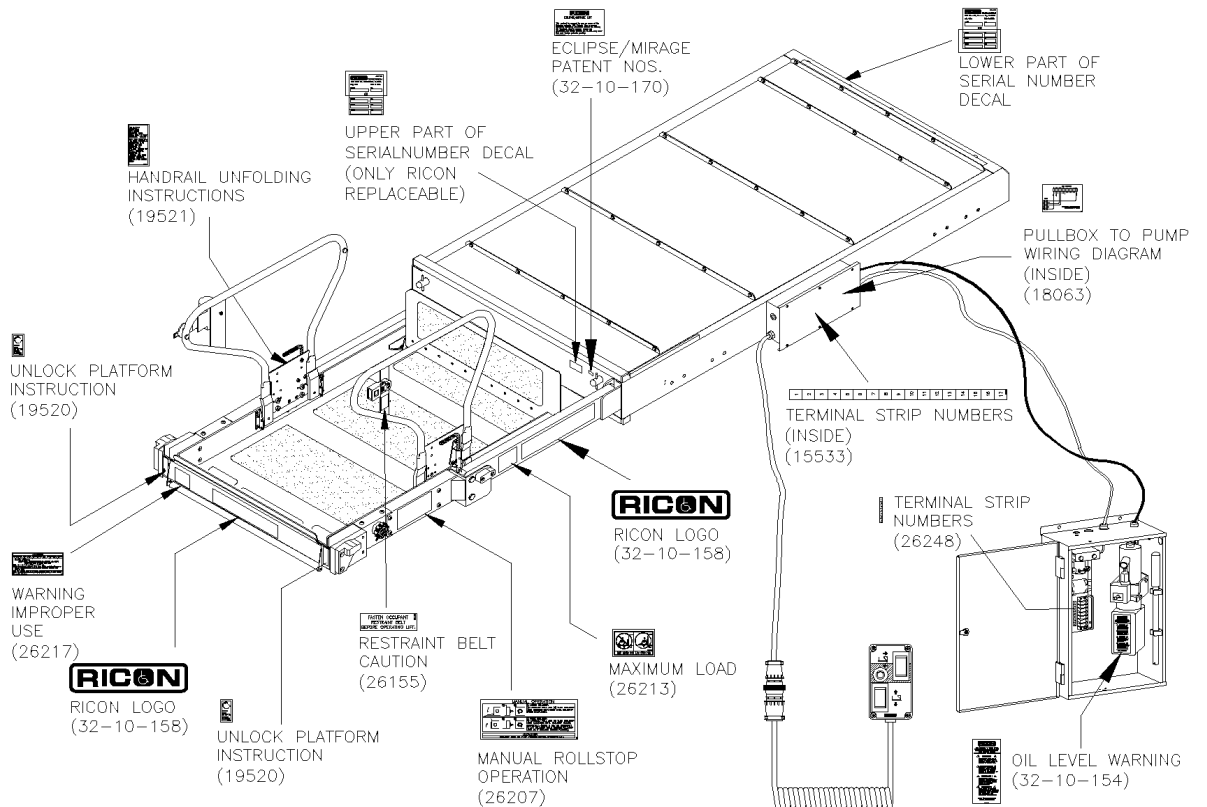


DECALS AFFIXED TO BUS

OPERATING INSTRUCTIONS - ENTRY/EXIT (ENTRY-19535, EXIT-19537)

NO PARKING (26119)

OPERATING INSTRUCTIONS (19551)





From 4-4705 To 5-0178	Date:10/2022	PAGE:HF-2380-06
W.C.L. "RICON" REMOVABLE MODEL "F9T"		

Item#	Part	Description	H 3 4 1	H 3 4 5	V I P 4 5	N O T E S
	862352	W.C.L. "RICON" - F9T-DE004	1	1		
1	HF-2380-11	. W.C.L. "RICON" - LIFT ENCLOSURE ASSY MODEL "F9T" & "F9TF"				
2	HF-2380-21	. W.C.L. "RICON" - PLATFORM ASSY MODEL "F9T"				
3	HF-2380-31	. W.C.L. "RICON" - TRAVELING FRAME ASSY MODEL "F9T" & "F9TF"				
4	HF-2380-41	. W.C.L. "RICON" - CARRIAGE ASSY MODEL "F9T" & "F9TF"				
5	HF-2380-51	. W.C.L. "RICON" - BRIDGE PLATE ASSY 9" MODEL "F9T" & "F9TF"				
6	HF-2380-61	. W.C.L. "RICON" - PUMP INSTALLATION MODEL "F9T" & "F9TF"				
7	HF-2380-65	. . W.C.L. "RICON" - PUMP ASSY				
8	196149	PENDANT, W/COILED CORD	1	1		

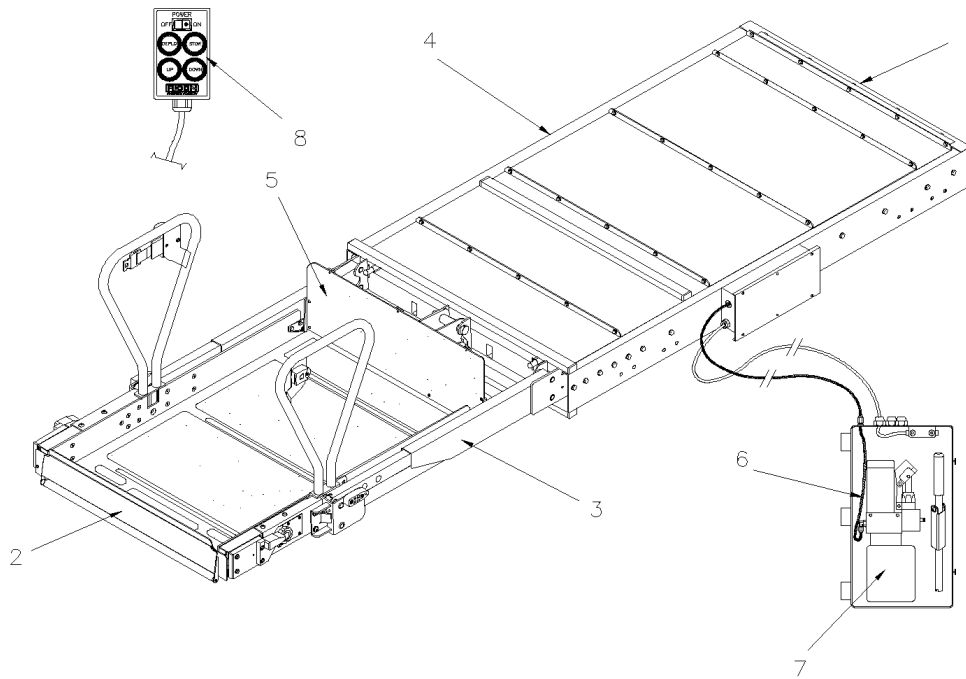


From 5-0179 To 8-1043

Date:10/2022

PAGE:HF-2380-07

W.C.L. "RICON" REMOVABLE MODEL "F9TF"



DECALS AFFIXED TO VEHICLE

LIFT OPERATING INSTRUCTIONS, ENTRY-32159, EXIT-32160

LIFT OPERATING INSTRUCTIONS, ENTRY AND EXIT, FOR LIFTS WITH A STOP AT INTERMEDIATE HEIGHT ENTRY-32154, EXIT-32155

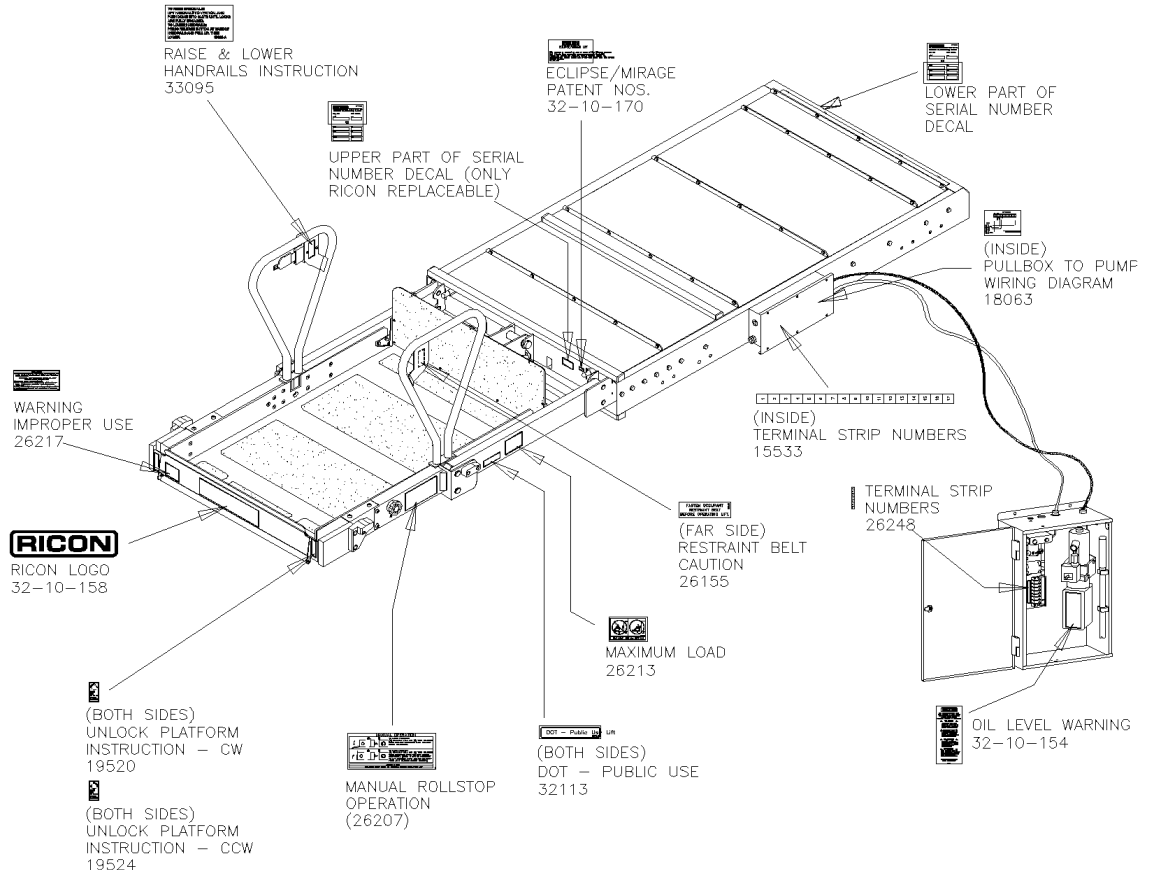
NO PARKING (26119)

MANUAL OPERATING INSTRUCTIONS (19551)

MANUAL OPERATING INSTRUCTIONS - ENGLISH-FRENCH (29254)

PLATFORM STOW HEIGHT (19550)

TWS WARNING (31997)





From 5-0179 To 8-1043	Date:10/2022	PAGE:HF-2380-07
W.C.L. "RICON" REMOVABLE MODEL "F9TF"		

Item#	Part	Description	H 3 4 1	H 3 4 5	V I P 4 5	N O T E S
	862662	W.C.L. "RICON" - F9TF-DE004	1	1		
1	HF-2380-11	. W.C.L. "RICON" - LIFT ENCLOSURE ASSY MODEL "F9T" & "F9TF"				
2	HF-2380-22	. W.C.L. "RICON" - PLATFORM ASSY MODEL "F9TF"				
3	HF-2380-31	. W.C.L. "RICON" - TRAVELING FRAME ASSY MODEL "F9T" & "F9TF"				
4	HF-2380-41	. W.C.L. "RICON" - CARRIAGE ASSY MODEL "F9T" & "F9TF"				
5	HF-2380-51	. W.C.L. "RICON" - BRIDGE PLATE ASSY 9" MODEL "F9T" & "F9TF"				
6	HF-2380-61	. W.C.L. "RICON" - PUMP INSTALLATION MODEL "F9T" & "F9TF"				
7	HF-2380-65	. . W.C.L. "RICON" - PUMP ASSY				
8	862986	PENDANT, W/COILED CORD	1	1		
8	862987	HARNESS PENDANT EXTENSION, PULLBOX TO PENDANT	1	1		
8	862988	HARNESS, TWS INTERFACE, W/PCB	1	1		
NS	862989	CYCLE COUNTER	1	1		
NS	19514002	ROLLSTOP ADJ. TOOL	1	1		
NS	19514003	BRIDGEPLATE HGT GAUGE TOOL	1	1		

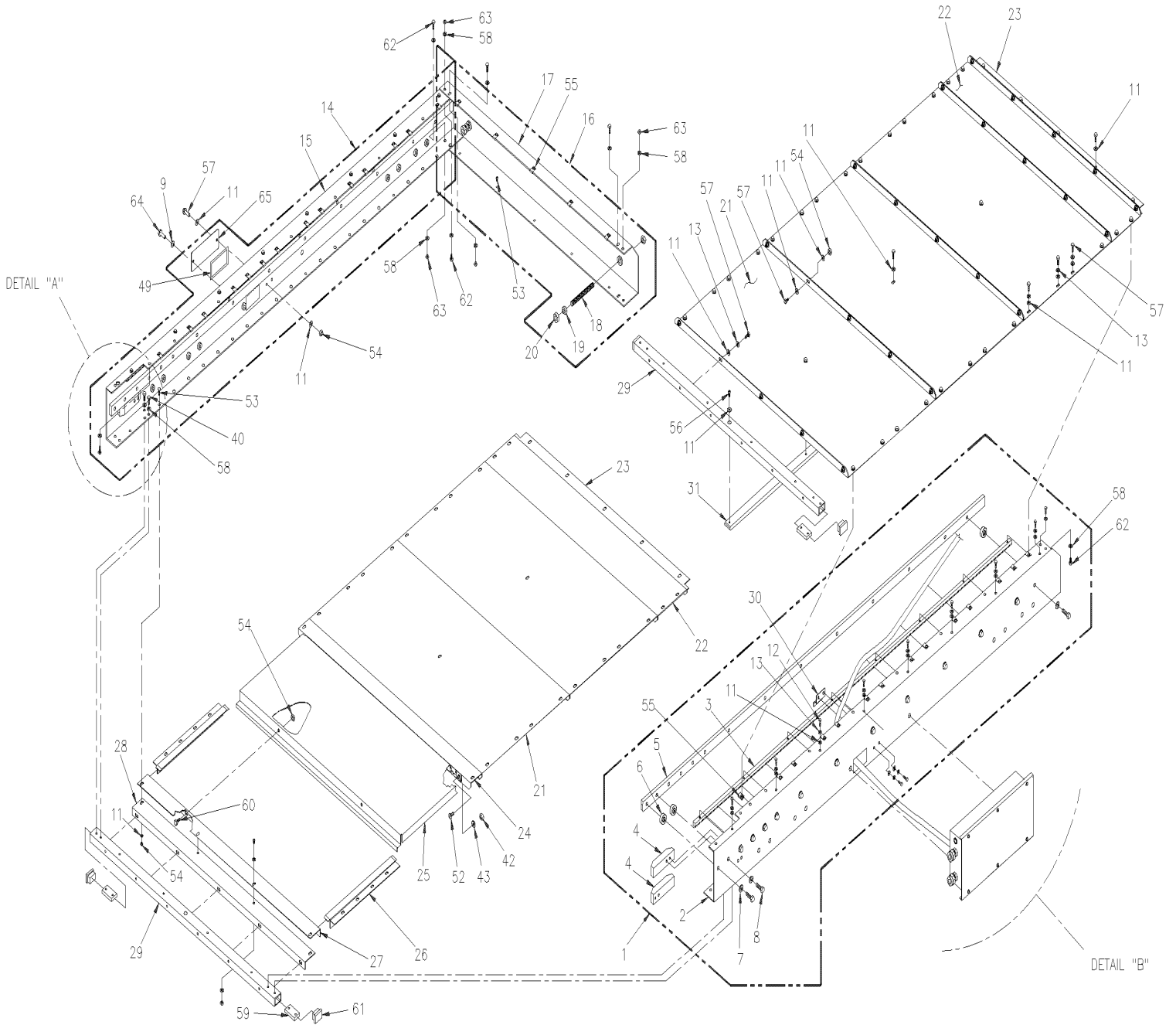


From 3-4417 To 4-4704

Date:10/2022

PAGE:HF-2380-10

W.C.L. "RICON" - LIFT ENCLOSURE ASSY MODEL "F9A"



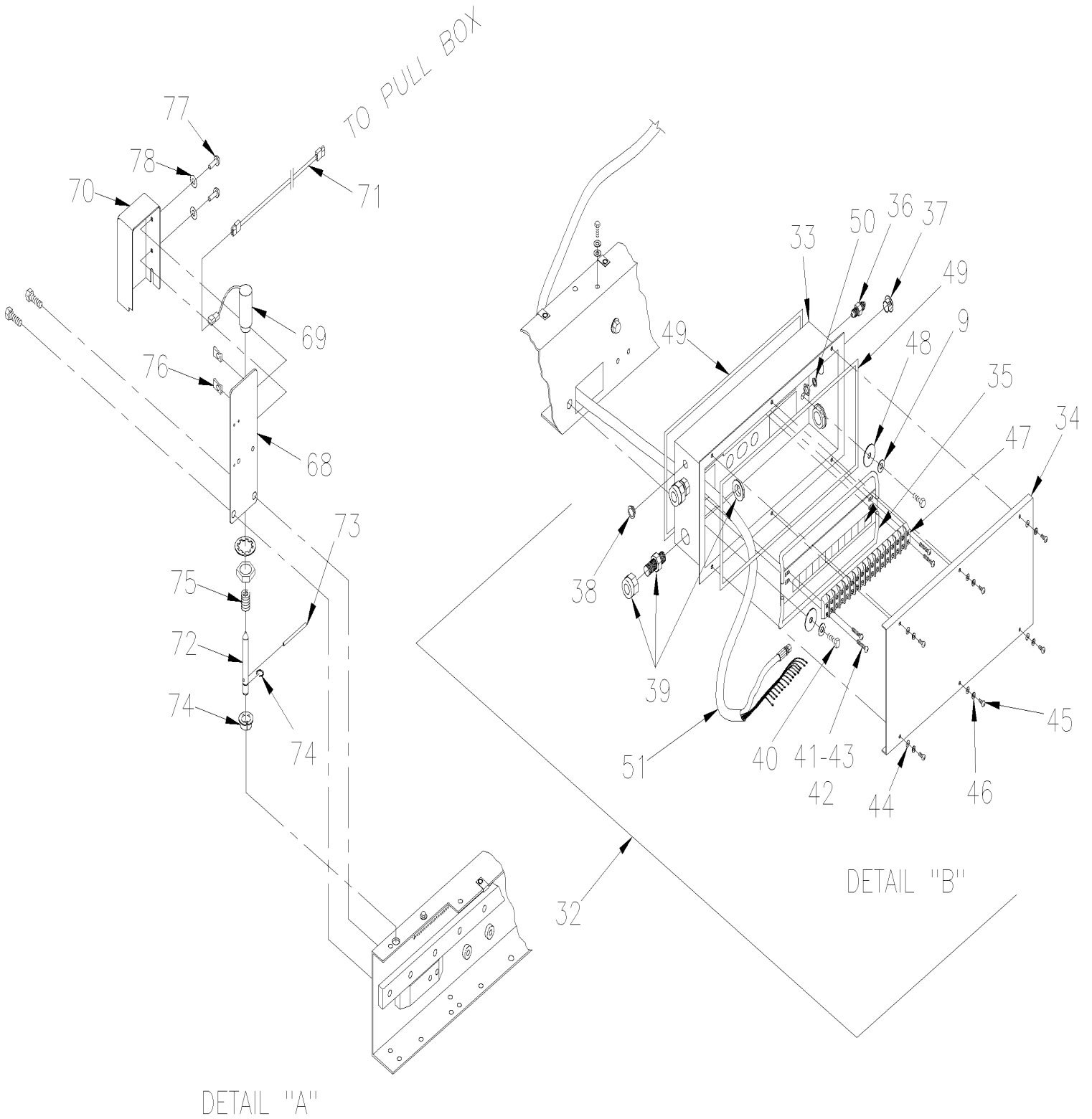


From 3-4417 To 4-4704

Date:10/2022

PAGE:HF-2380-10

W.C.L. "RICON" - LIFT ENCLOSURE ASSY MODEL "F9A"





From 3-4417 To 4-4704	Date:10/2022	PAGE:HF-2380-10
W.C.L. "RICON" - LIFT ENCLOSURE ASSY MODEL "F9A"		

Item#	Part	Description	H 3 4 1	H 3 4 5	V I P 4 5	N O T E S
1	Call order desk	CHANNEL / MTG FRAME / 78.81 / RH MECH ASSY	1	1		P
2	Call order desk	CHANNEL / MTG FRAME / 78.81 / RH WELD ASSY	1	1		P
3	863006	GEAR RACK	2	2		
4	862109	STOP BLOCK	2	2		
4	862110	STOP BLOCK	2	2		
5	862993	RAIL, GUIDE, CARRIAGE	2	2		
6	Call order desk	SPACER .40THK	28	28		P
7	500270	WASHER FL .406x1.000x.063 SS	28	28		
8	Call order desk	SCREW CAP HEX 3/8-16x1.00 SS	1	1		P
9	500035	WASHER LO SPT .317x.586x.078 SS	14	14		
11	500411	WASHER FL .260x.697x.050 SS	AR	AR		
12	5001315	SCREW CAP HEX 1/4-20x1 SS	16	16		
13	502570	WASHER LO SPT 6.1x11.8x1.6 SS	58	58		
14	Call order desk	CHANNEL / MTG FRAME / 78.81 / LH MECH ASSY	1	1		P
15	Call order desk	CHANNEL / MTG FRAME / 78.81 / LH WELD ASSY	1	1		P
16	Call order desk	CHANNEL / MTG FRAME / REAR ASSY	1	1		P
17	Call order desk	CHANNEL / MTG FRAME / REAR WELD ASSY	1	1		P
18	Call order desk	SOC SET 1/2-20x2.00 FLAT POINT / SS	2	2		P
19	Call order desk	NUT HEX THN 1/2-20	4	4		P
20	863008	BUMPER, CARRIAGE STOP	2	2		
21	Call order desk	COVER / 19.98"	5	5		P
22	Call order desk	COVER / 6.67"	2	2		P
23	Call order desk	BRACKET / COVER MOUNTING	2	2		P
24	Call order desk	BRACKET / ACCESS DOOR MOUNTING	1	1		P
25	Call order desk	PANEL / BOTTOM ACCESS COVER / TRIAN LIFT	1	1		P
26	Call order desk	BRACKET / ACCESS DOOR SIDE SHIELD / WELD ASSY	2	2		P
27	Call order desk	FLANGE / ACCESS DOOR ADJUSTEMENT	1	1		P
28	Call order desk	FLANGE / ACCESS DOOR MOUNTING	1	1		P
29	862998	TUBE, FORWARD CROSSMEMBER	2	2		
30	Call order desk	BRACKET / HOSE/CABLE CLAMP ASSEMBLY	1	1		P
31	Call order desk	RAIL / CARRIAGE GUIDE / SW	1	1		P
32	Call order desk	PULL BOX / MECHANICAL ASSY	1	1		P
33	Call order desk	BOX / PULL BOX	1	1		P
34	Call order desk	COVER / PULL BOX	1	1		P
35	Call order desk	TIE BAR / PULL BOX / WELD ASSY	1	1		P
36	863086	FITTING, BUN, 1/4J, 2.08L	1	1		
37	N8889990	HOLE PLUG HEYCO	1	1		
38	Call order desk	PLUG / 0.43 - 0.45 DIA / UP TO .06 THK / BLK	1	1		P
39	Call order desk	STRAIN RELIEF / STRE THRU LIQ TIGHT	3	3		P
40	Call order desk	SCREW CAP HEX 5/16-18x5/8 G5	10	10		P
41	Call order desk	SCREW CAP BUT #10-24x7/8 SS	4	4		P
42	5001180	NUT HEX NYRT #10-24 SS	9	9		



From 3-4417 To 4-4704	Date:10/2022	PAGE:HF-2380-10
W.C.L. "RICON" - LIFT ENCLOSURE ASSY MODEL "F9A"		

Item#	Part	Description	H 3 4 1	H 3 4 5	V I P 4 5	N O T E S
43	Call order desk	WASHER FL #10 SS	13	13		P
44	Call order desk	WASHER FL #8 SS	6	6		P
45	Call order desk	SCREW CAP BUT #8-32x1/2 SS	6	6		P
46	Call order desk	WASHER LO SPT #8 SS	6	6		P
47	Call order desk	TERMINAL STRIP / 15 THERM	1	1		P
48	Call order desk	WASHER LO SPT 7/16 SS	2	2		P
49	506465	TAPE RUB ADH1 CC NEO 1/8" x 1/4" x 60' / BLACK 1220	AR	AR		
50	N8886025	WASHER LO EXT 7/16 SS	1	1		
51	Call order desk	HARNESS MAIN / WITH HYDRAULIC	1	1		P
52	Call order desk	SCREW CAP CK HEXS #10-24x1/2 SS	5	5		P
53	Call order desk	SCREW CRG 1/4-20x5/8 SS	39	39		P
54	5001251	NUT HEX NYRT 1/4-20 SS	56	56		
55	500837	NUT SPR U 1/4-20 .064-.125	36	36		
56	Call order desk	SCREW CAP BUT HEXS 1/4-20x5/8 SS	3	3		P
57	N8886004	SCREW CAP HEX 1/4-20x5/8 SS	AR	AR		
58	Call order desk	WASHER FL 5/16 SS	14	14		P
59	Call order desk	PLATE FORWARD CROSS MEMBER MOUNTING	4	4		P
60	Call order desk	SCREW CAP HEX 1/4-20x3/4 SS	2	2		P
61	868230	CAP RECTANGLE / BLACK	4	4		
62	Call order desk	SCREW CAP HEX 5/16-18x3/4 SS	4	4		P
63	500685	NUT HEX NYRT 5/16-18 SS	4	4		
64	Call order desk	SCREW CAP HEX 5/16-18x1/2 SS	1	1		P
65	Call order desk	PLATE / PLUG / ENCLOSURE	1	1		P
68	Call order desk	BRACKET-WASSY / STOW LOCK F9A	1	1		P
69	862111	SOLENOID / 24V STO LOC.3 + 1lb @ 1"	1	1		
70	Call order desk	COVER STOW LOCK MIRAGE	1	1		P
71	862112	HARNESS - L PULL BOX TO STOW LOCK	1	1		
72	Call order desk	PIN-STOW LOCK / MIRAGE	1	1		P
73	Call order desk	PIN SS 5/32x2.50	1	1		P
74	Call order desk	BUSHING-FLANGE .50x.25	1	1		P
		P) CALL ORDER DESK FOR SPECIFIC APPLICATION (V.I.N.)				

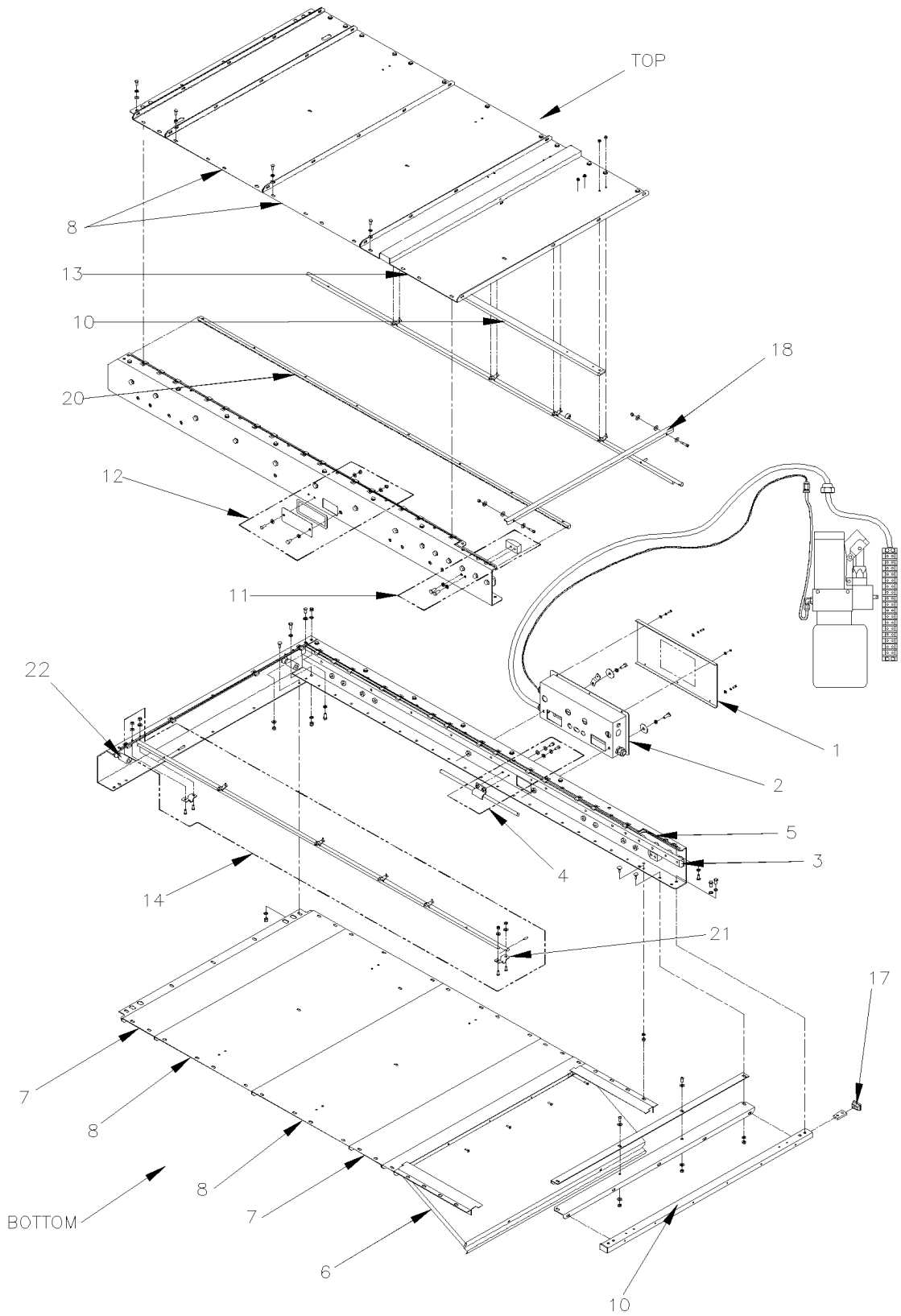


From 4-4705 To 8-1043

Date:10/2022

PAGE:HF-2380-11

W.C.L. "RICON" - LIFT ENCLOSURE ASSY MODEL "F9T" & "F9TF"





From 4-4705 To 8-1043	Date:10/2022	PAGE:HF-2380-11
W.C.L. "RICON" - LIFT ENCLOSURE ASSY MODEL "F9T" & "F9TF"		

Item#	Part	Description	H 3 4 1	H 3 4 5	V I P 4 5	N O T E S
1	862991	KIT, PULLBOX COVER	1	1		
2	Call order desk	PULLBOX ASSY To 5-0178	1	1		P
2	862992	PULLBOX ASSY From 5-0179	1	1		
3	862999	RAIL, CARRIAGE GUIDE	2	2		
4	862994	KIT, HOSE CLAMP	1	1		
5	19509886	WEATHERSTRIP	1	1		
6	862995	KIT, SERVICE ACCESS PANEL	1	1		
7	862996	KIT, ROLLSTOP GEAR	2	2		
8	862997	KIT, ENCLOSURE COVER, 19.98"	4	4		
10	862998	TUBE, FORWARD CROSSMEMBER	1	1		
11	863000	KIT, STOP BLOCK	2	2		
12	863001	KIT, BLOCK-OFF PLATE	1	1		
13	863002	KIT, ENCLOSURE COVER, LINKAGE	1	1		
14	863003	KIT, PLATFORM RELEASE SHAFT / LH	2	2		
17	863004	PLUG, RECTANGULAR, 1.0 X 1.5, NYLON, BLACK	4	4		
18	868231	TIE BAR, PLATFORM RELEASE SHAFTS	1	1		
20	863006	GEAR RACK	2	2		
21	863007	BRACKET, PLATFORM RELEASE SHAFT	4	4		
22	863008	BUMPER, CARRIAGE STOP	2	2		
		P) CALL ORDER DESK FOR SPECIFIC APPLICATION (V.I.N.)				

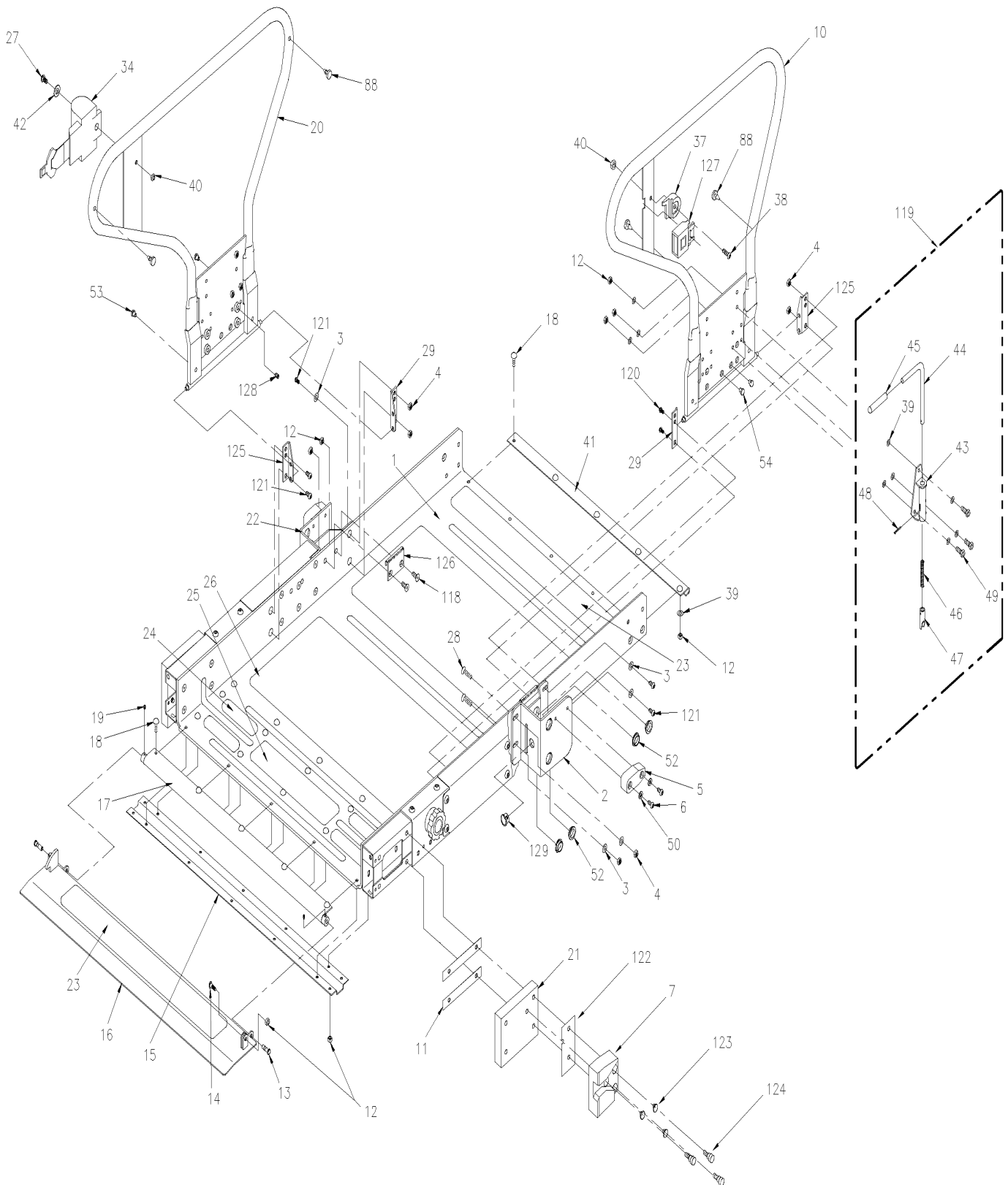


From 3-4417 To 4-4704

Date:10/2022

PAGE:HF-2380-20

W.C.L. "RICON" - PLATFORM ASSY MODEL "F9A"



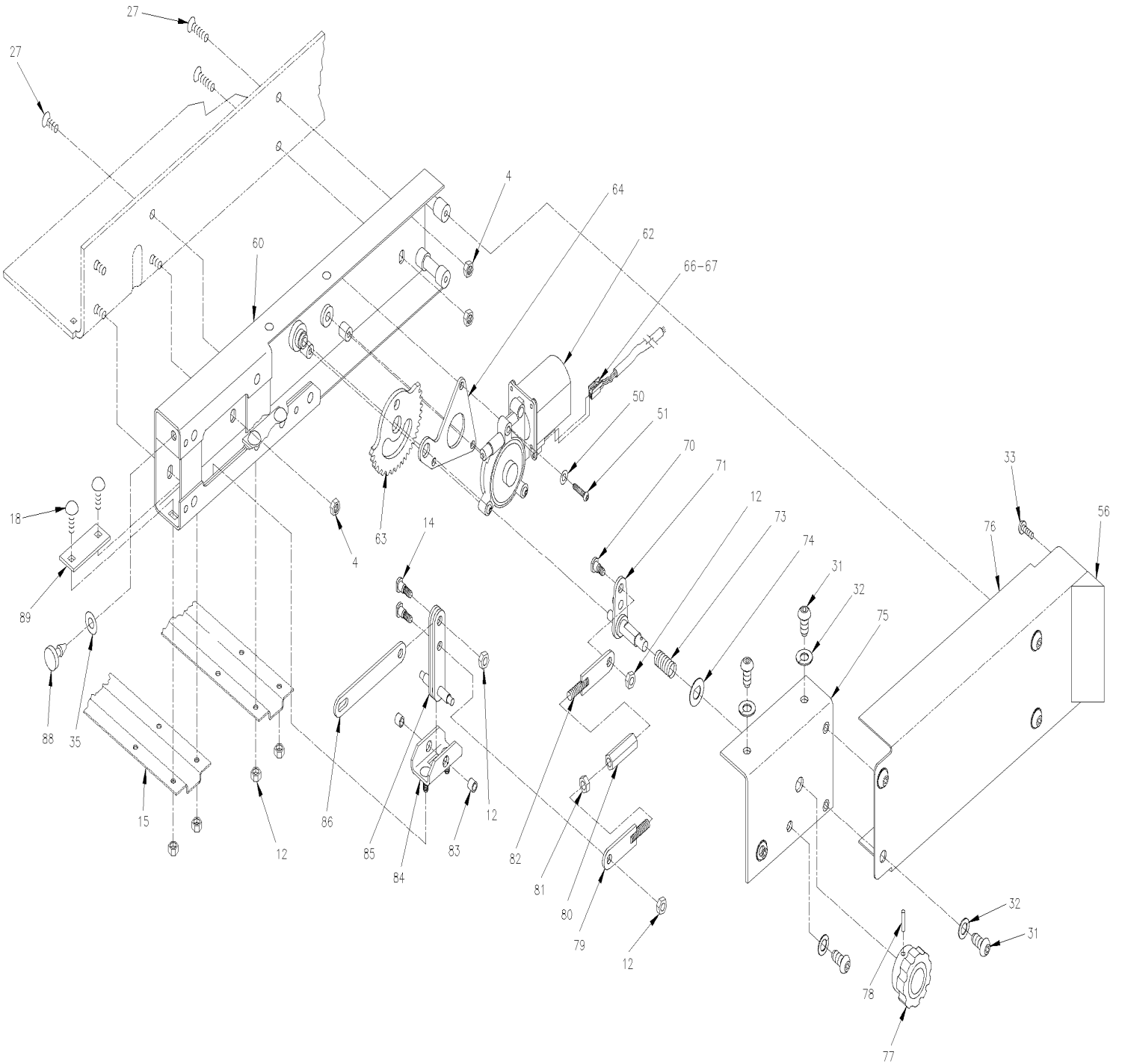


From 3-4417 To 4-4704

Date:10/2022

PAGE:HF-2380-20

W.C.L. "RICON" - PLATFORM ASSY MODEL "F9A"



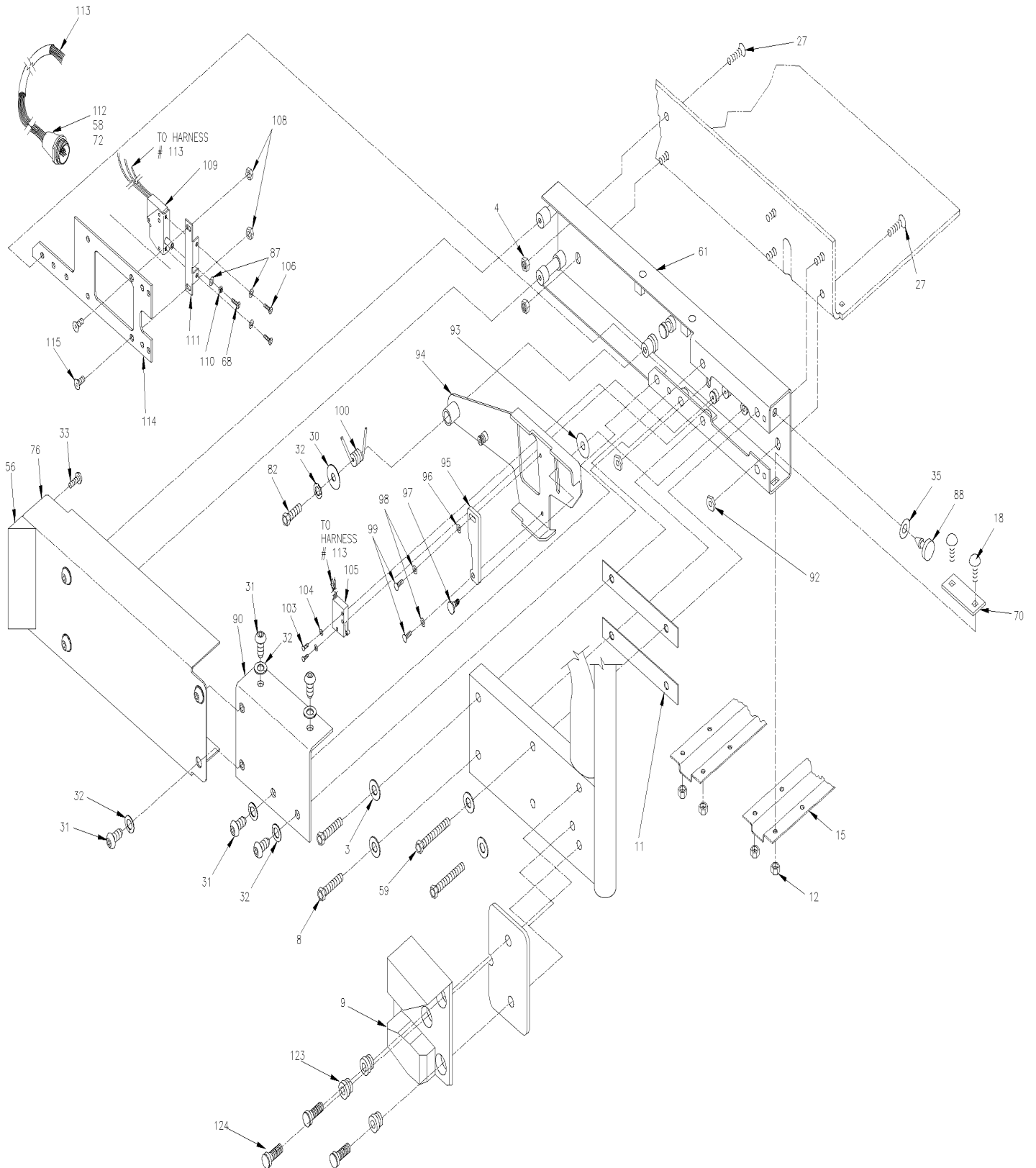


From 3-4417 To 4-4704

Date:10/2022

PAGE:HF-2380-20

W.C.L. "RICON" - PLATFORM ASSY MODEL "F9A"





From 3-4417 To 4-4704	Date:10/2022	PAGE:HF-2380-20
W.C.L. "RICON" - PLATFORM ASSY MODEL "F9A"		

Item#	Part	Description	H 3 4 1	H 3 4 5	V I P 4 5	N O T E S
1	Call order desk	PLATFORM 32.25x47.00		1		P
2	866132	BRACKET-WASSY / PLATFORM PIVOT RH		1		
3	Call order desk	WASHER FL .32x.75x.08 SS		20		P
4	500685	NUT HEX NYRT 5/16-18 SS		AR		
5	862113	STOW GUIDE		2		
6	Call order desk	SCREW CAP BUT HEXS 1/4-20x3/4 SS		4		P
7	862114	BLOCK / PLAFORM GUIDE / RH		1		
8	Call order desk	SCREW CAP HEX 5/16-18x1 1/2 SS		4		P
9	862115	BLOCK / PLAFORM GUIDE / LH		1		
10	Call order desk	HANDRAIL WELD ASSEMBLY / FOLDING / RH		1		P
10	Call order desk	HANDRAIL WELD ASSEMBLY / FOLDING / RH		1		P
11	Call order desk	SHIM HANDRAIL .50THK		4		P
12	500771	NUT HEX 1/4-20 SS		47		
13	Call order desk	PIN-CLEVIS SS 5/16x1.00		2		P
14	N8886020	SCREW SHR .250x.313		3		
15	Call order desk	STIFFENER / RIB / PRS / SW		2		P
16	Call order desk	ROLLSTOP WELD ASSY / PRS / SW		1		P
17	863649	STIFFENER, TUBE, PRS. PIVOT, WELD ASSY., SW		1		
18	Call order desk	SCREW CRG 1/4-20x3/4 SS		31		P
19	Call order desk	SCREW SET HEXS SS 1/4-20x1/4 1/4-20x1/4 SS		2		P
20	Call order desk	HANDRAIL WELD ASSEMBLY / FOLDING / LH		1		P
21	Call order desk	COVER-WASSY / RS		2		P
21	Call order desk	COVER-WASSY / RS		2		P
22	866133	BRACKET-WASSY / PLATFORM PIVOT LH		1		
23	863621	SAFETY TREAD / 25.50x3.0 / SAFETY YELLOW		2		
24	863017	SAFETY TREAD / 5.5x1.5 / SAFETY YELLOW		4		
25	863016	SAFETY TREAD / 12.75x3.0 / SAFETY YELLOW		1		
26	863620	SAFETY TREAD / 25.50x12 / OCEAN GREY		2		
27	Call order desk	SCREW CAP CK HEXS 5/16-18x3/4 SS		9		P
28	Call order desk	SCREW CAP CK HEXS 5/16-18x1.00 SS		8		P
29	Call order desk	BRACKET-HANDRAIL PIVOT RH		2		P
30	Call order desk	WASHER LO SPT 7/16 SS		1		P
31	Call order desk	SCREW CAP BUT HEXS 5/16-18x1/2 SS		16		P
32	Call order desk	WASHER LO SPT 5/16 SS		17		P
33	Call order desk	SCREW MA PH #8-32x1/16 SS		4		P
34	862116	RETRACTOR-RESTRAINT BELT		1		
35	500975	WASHER FL .378x.620x.094 NYL		2		
37	860137	BLOCK-BUCKLE MOUNT		1		
38	Call order desk	SCREW CAP BUT HEXS 5/16-18x1 3/8 SS		1		P
39	N8885992	WASHER FL .250 SS		23		
40	Call order desk	NUT HEX CAP 5/16-18 SS		2		P
41	Call order desk	STIFFENER / PLATFORM REAR / SW-T		1		P



From 3-4417 To 4-4704	Date:10/2022	PAGE:HF-2380-20
W.C.L. "RICON" - PLATFORM ASSY MODEL "F9A"		

Item#	Part	Description	H 3 4 1	H 3 4 5	V I P 4 5	N O T E S
42	Call order desk	WASHER COUNTER SINK		1		P
43	Call order desk	BRACKET-WASSY / LATCH		2		P
45	Call order desk	CAP-VINYL YLW .375-2.5 BLK LETTER.		2		P
46	N.S.S.	SPRING 2.5X.50X.52		2		1
47	864174	KIT LATCH ASSY		2		
48	Call order desk	ROLL PIN SS 1/8x1.00		2		P
49	Call order desk	SCREW CAP HEX 1/4-20x3/4 SS		6		P
50	502570	WASHER LO SPT 6.1x11.8x1.6 SS		10		
51	Call order desk	SCREW CAP BUT HEXS 1/4-20x.1 1/8 SS		2		P
52	863018	BEARING, FLANGED, 3/4I.D. X 1/4W		8		
53	195003	BUMPER-RUBBER .50X.31X.31		2		
54	Call order desk	BUMPER-RUBBER		3		P
56	Call order desk	BLOCK-PRS COVER		2		P
58	Call order desk	PIN MALE TAPE 66098-7 / (BAG OF TEN)		6		P
59	Call order desk	SCREW CAP HEX 5/16-18x2.00 SS		4		P
60	Call order desk	CHANNEL-WASSY / HOUSING / PRS / RH		1		P
60	Call order desk	CHANNEL-WASSY / HOUSING / SHORT PRS / RH		1		P
61	Call order desk	CHANNEL-WASSY / HOUSING / PRS / LH		1		P
61	Call order desk	CHANNEL-WASSY / HOUSING / SHORT PRS / RH		1		P
62	862117	KIT MOTOR, 24V W/HARDAWARE		1		
63	867628	GEAR PRS		1		
64	Call order desk	PLATE / KEEPER / PRS / GEAR		1		P
66	19518250	TERMINAL CONNECTOR-2 CIRCUIT / PACK-CON		1		
67	Call order desk	TERMINAL / PACK-CON SERIE 1 / HD FEM		1		P
68	Call order desk	SCREW MA PAN PH #6-32x5/8 SS		1		P
70	862208	BOLT-SHOULDER PRS		1		
71	862207	RELEASE TRIGGER / WELD ASSY / PRS		1		
72	Call order desk	STRAIN RELIEF		1		P
73	N.S.S.	SPRING / MANUAL RELEASE TRIGGER / PRS		1		1
74	867694	WASHER 1/2 D/SHAPE 1.00X.30		1		
75	Call order desk	BRACKET / MANUAL RELEASE RH / WELD ASSY		1		P
76	Call order desk	COVER/ PRS SW		2		P
77	862210	KNOB KIT		1		
77	862118	. KNOB / PWR ROLL STOP / MIRAGE		1		
78	862119	. ROLL PIN SS 1/8x1 1/4		1		
79	863623	LINK / GEAR / WELD ASSEMBLY / RH		1		
80	863622	LINK / HEX ADJUSTABLE / PRS		1		
81	5001189	NUT HEX 5/16-18 SS		1		
82	863624	LINK / GEAR / WELD ASSEMBLY / LH THD		1		
83	Call order desk	BUSHING / PIVOT SHAFT / PRS		2		P
84	Call order desk	BRACKET / MTG / COMP LINK / WELD ASSY		1		P
85	Call order desk	LINK COMPENSATOR / WELD ASSY / PRS		1		P



From 3-4417 To 4-4704	Date:10/2022	PAGE:HF-2380-20
W.C.L. "RICON" - PLATFORM ASSY MODEL "F9A"		

Item#	Part	Description	H 3 4 1	H 3 4 5	V I P 4 5	N O T E S
86	Call order desk	LINK / ROLL STOP / PRS		1		P
87	Call order desk	WASHER LO SPT #6 SS		3		P
88	862120	BUMPER / RUBBER 1.000 O.D. x .13THK		2		
89	Call order desk	KEEPER / REINFORCEMENT		4		P
90	Call order desk	BRACKET / MANUAL RELEASE / LH / WELD ASSY		1		P
92	Call order desk	T-NUT SS 5/16-18		4		P
93	Call order desk	WASHER FL .315x1.156x.062 NYL		1		P
94	Call order desk	FOOT / PRS ACTUATOR / WELD ASSY		1		P
95	863041	PLATE, ACTUATOR, SWITCH		1		
96	Call order desk	WASHER FL #10 SS		1		P
97	Call order desk	SHOULDER SCREW / FLAP LATCH		1		P
98	N8885969	WASHER LO SPT .193 SS		2		
99	Call order desk	SCREW CAP BUT HEXS #10-24x3/8 SS		2		P
100	862121	SPRING / LH / ROLLSTOP ACTUATOR RETURN		1		
103	Call order desk	SCREW MA PAN PH #4-40x5/8		2		P
104	Call order desk	WASHER LO SPT #4		2		P
105	862122	LIMIT SWITCH / SEALED / PRS		1		
106	Call order desk	SCREW MA PAN PH #6-32x1/4 SS		2		P
108	5001180	NUT HEX NYRT #10-24 SS		2		
109	862123	PLUNGER SWITCH / SEALED / TAPPED 6-32		1		
109	864026	PLUNGER SWITCH / SEALED / TAPPED 6-32		1		
110	500553	NUT HEX #6-32 SS		1		
111	Call order desk	BRACKET / MOUNTING / LIMIT SWITCH / PRS		1		P
112	Call order desk	RECEPTACLE / 9 PIN WO/FLANGE		1		P
113	863512	HARNESS ASSY / ROLLSTOP SWITCH		1		A
113	863039	. HARNESS, W/TWO ROLLSTOP SWITCHES		1		
. NS	865043	. . ROLLSTOP PLUNGER		1		
114	Call order desk	PLATE / REINF LH / WELD ASSY / PRS SW-T		1		P
115	Call order desk	SCREW CAP CK HEXS #10-24x1/2 SS		2		P
118	N8885961	SCREW CAP FL HEXS 1/4-20x3/4 SS		4		
119	865085	MECH ASSY-LATCH		1		
120	Call order desk	SCREW CAP BUT HEXS 5/16-18x3/4 SS		2		P
121	Call order desk	SCREW CAP BUT HEXS 5/16-18x1.00 SS		6		P
124	Call order desk	SCREW CAP HEX 5/16-18x1/2 SS		6		P
125	Call order desk	BRACKET-HANDRAIL / LH		2		P
126	Call order desk	PLATE-HANDRAIL LOCK/ STRICKER		2		P
127	862124	BUCKLE-RESTRAINT BELT W/O SWITCH		1		
127	862216	BUCKLE-RESTRAINT BELT W/SWITCH		1		
128	Call order desk	SCREW SET HEXS SS 5/16-18x.50 5/16-18x1/2 SS		2		P
129	Call order desk	BUSHING .75x.25 THK SNAP IN		1		P



From 3-4417 To 4-4704	Date:10/2022	PAGE:HF-2380-20
W.C.L. "RICON" - PLATFORM ASSY MODEL "F9A"		

Item#	Part	Description	H 3 4 1	H 3 4 5	V I P 4 5	N O T E S
		A) INCLUDE ITEMS 58, 68, 72, 87, 105, 108, 109, 110, 111, 112 & 113				
		1) NOT SOLD SEPARATELY				
		P) CALL ORDER DESK FOR SPECIFIC APPLICATION (V.I.N.)				

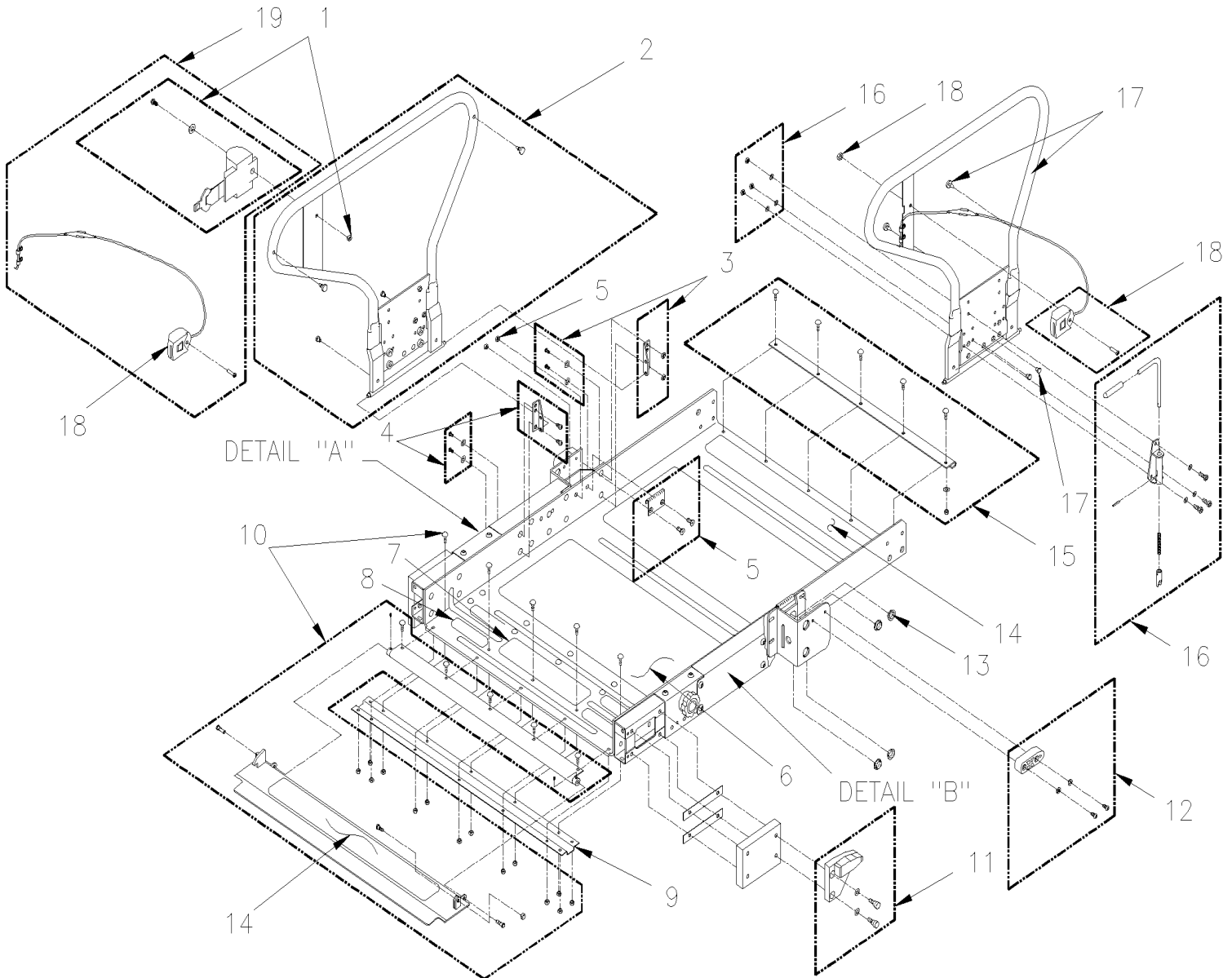


From 4-4705 To 5-0178

Date:10/2022

PAGE:HF-2380-21

W.C.L. "RICON" - PLATFORM ASSY MODEL "F9T"



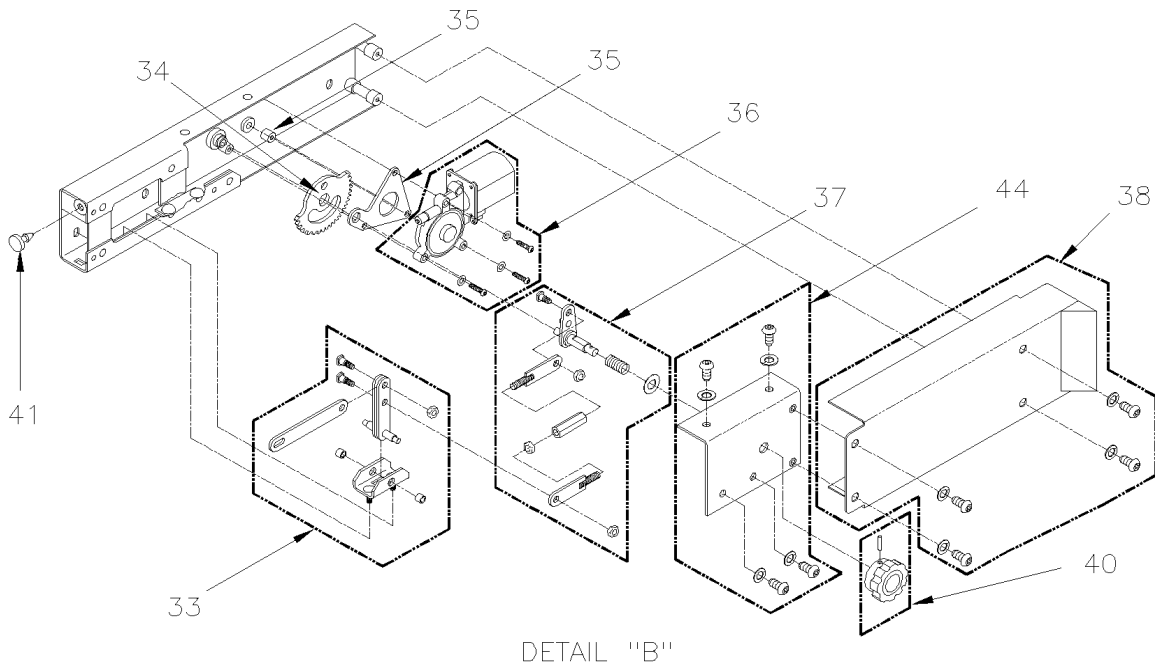
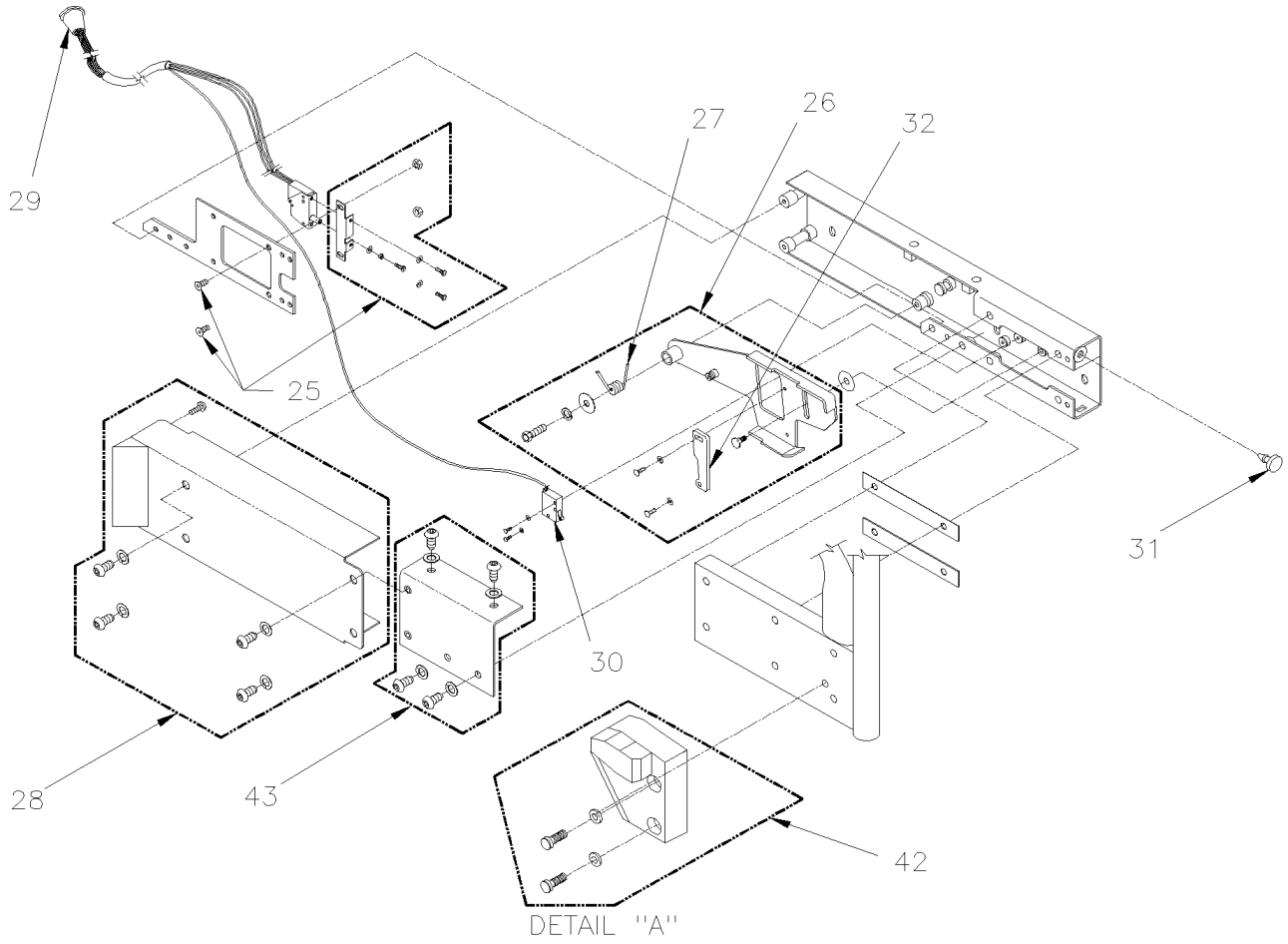


From 4-4705 To 5-0178

Date:10/2022

PAGE:HF-2380-21

W.C.L. "RICON" - PLATFORM ASSY MODEL "F9T"





From 4-4705 To 5-0178	Date:10/2022	PAGE:HF-2380-21
W.C.L. "RICON" - PLATFORM ASSY MODEL "F9T"		

Item#	Part	Description	H 3 4 1	H 3 4 5	V I P 4 5	N O T E S
1	862116	RETRACTOR-RESTRAINT BELT	1	1		
2	19508803	KIT, FOLDING HANDRAIL, LH	1	1		
3	19509877	KIT, HANDRAIL PIVOT BRACKET ASSY RH	1	1		
4	19509878	KIT, HANDRAIL PIVOT BRACKET ASSY RH	1	1		
5	Call order desk	KIT, HANDRAIL STRIKER	1	1		P
6	863620	SAFETY TREAD / 25.50x12 / OCEAN GREY	1	1		
7	863016	SAFETY TREAD / 12.75x3.0 / SAFETY YELLOW	1	1		
8	863017	SAFETY TREAD / 5.5x1.5 / SAFETY YELLOW	1	1		
9	19509879	PLATFORM STIFFENER, FRONT	4	4		
10	Call order desk	KIT, ROLLSTOP ASSY	1	1		P
11	862114	BLOCK / PLATFORM GUIDE / RH	1	1		
12	862115	BLOCK / PLATFORM GUIDE / LH	1	1		
13	863018	BEARING, FLANGED, 3/4I.D. X 1/4W	2	2		
14	863621	SAFETY TREAD / 25.50x3.0 / SAFETY YELLOW	4	4		
15	863021	KIT, STIFFENER, PLATFORM, REAR	1	1		
16	864174	KIT LATCH ASSY	1	1		
17	19508804	KIT, FOLDING HANDRAIL, RH	1	1		
17	862120	BUMPER / RUBBER 1.000 O.D. x .13THK	2	2		
17	Call order desk	BUMPER / RUBBER 1.000 O.D. x .50THK	2	2		P
17	Call order desk	BUMPER / RUBBER .870 O.D. x .40THK	2	2		P
17	Call order desk	BUMPER / RUBBER .630 O.D. x .31THK	4	4		P
18	7775207	KIT, SAFETY BELT BUCKLE ASSEMBLY WITH DETECTOR	1	1		
19	862124	BUCKLE-RESTRAINT BELT W/O SWITCH	1	1		
25	863036	KIT, MOUNTING BRACKET, LIMIT SWITCH	1	1		
26	863037	KIT, ACTUATOR FOOT ASSY	1	1		
27	862121	SPRING / LH / ROLLSTOP ACTUATOR RETURN	1	1		
28	19509874	KIT, SIDE COVER	1	1		
29	863039	HARNESS, W/TWO ROLLSTOP SWITCHES	1	1		
. NS	865043	. ROLLSTOP PLUNGER	1	1		
30	863129	LIMIT SWITCH	1	1		
31	862120	BUMPER / RUBBER 1.000 O.D. x .13THK	1	1		
32	863041	PLATE, ACTUATOR, SWITCH	1	1		
33	863031	KIT, ROLLSTOP LINKAGE	1	1		
34	862996	KIT, ROLLSTOP GEAR	1	1		
35	863032	KIT, GEAR MOTOR MTG PLATE	1	1		
36	862117	KIT MOTOR, 24V W/HARDAWARE	1	1		
37	863033	KIT, GEAR LINKAGE	1	1		
38	19509874	KIT, SIDE COVER	1	1		
40	862210	KNOB KIT	1	1		
41	862120	BUMPER / RUBBER 1.000 O.D. x .13THK	1	1		
42	Call order desk	KIT, PLATFORM GUIDE LH	1	1		P
43	19509876	KIT, ROLLSTOP RELEASE BRACKET	1	1		



From 4-4705 To 5-0178	Date:10/2022	PAGE:HF-2380-21
W.C.L. "RICON" - PLATFORM ASSY MODEL "F9T"		

Item#	Part	Description	H 3 4 1	H 3 4 5	V I P 4 5	N O T E S
44	19509875	KIT, ROLLSTOP ACTUATOR BRACKET	1	1		
		P) CALL ORDER DESK FOR SPECIFIC APPLICATION (V.I.N.)				

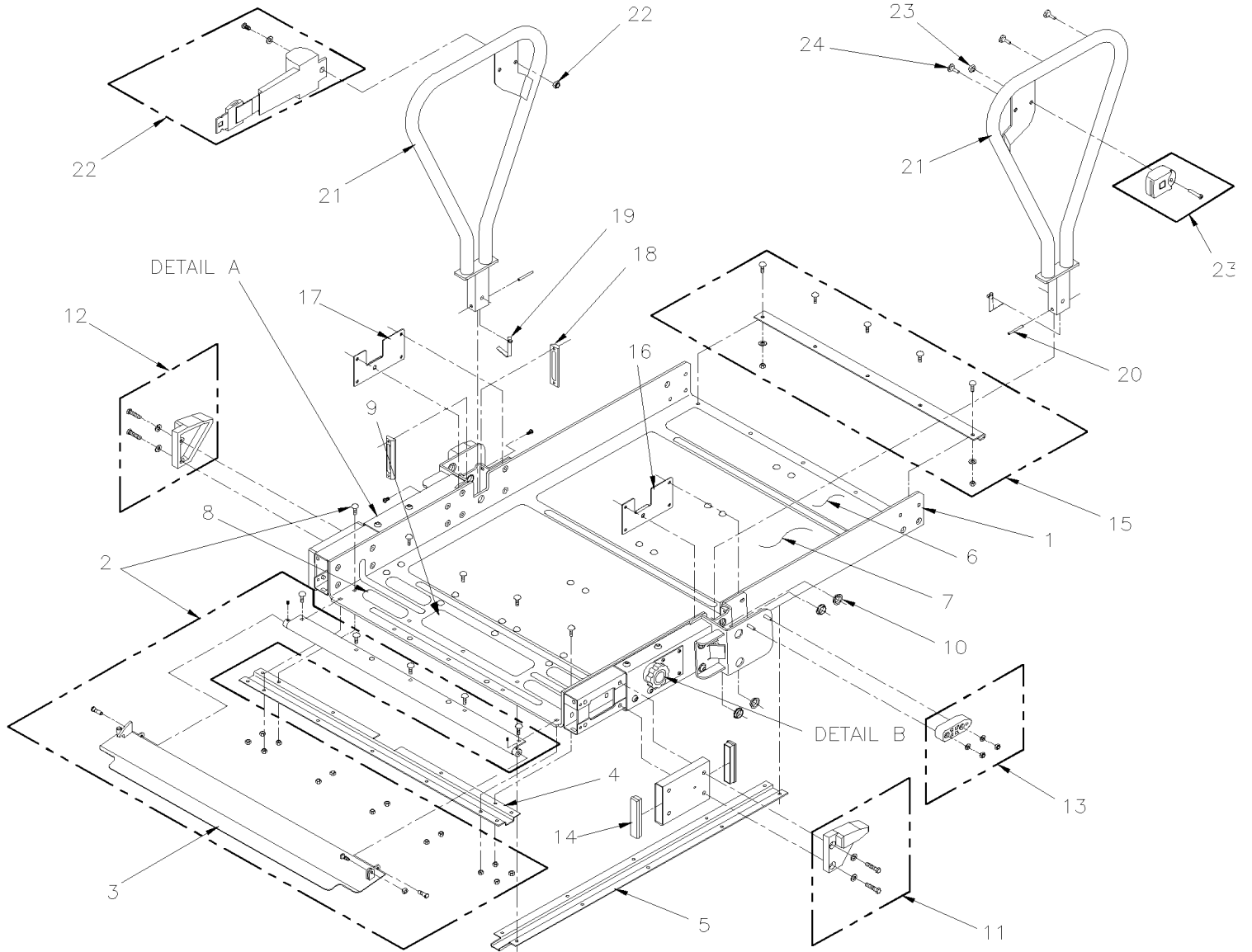


From 5-0179 To 8-1043

Date:10/2022

PAGE:HF-2380-22

W.C.L. "RICON" - PLATFORM ASSY MODEL "F9TF"



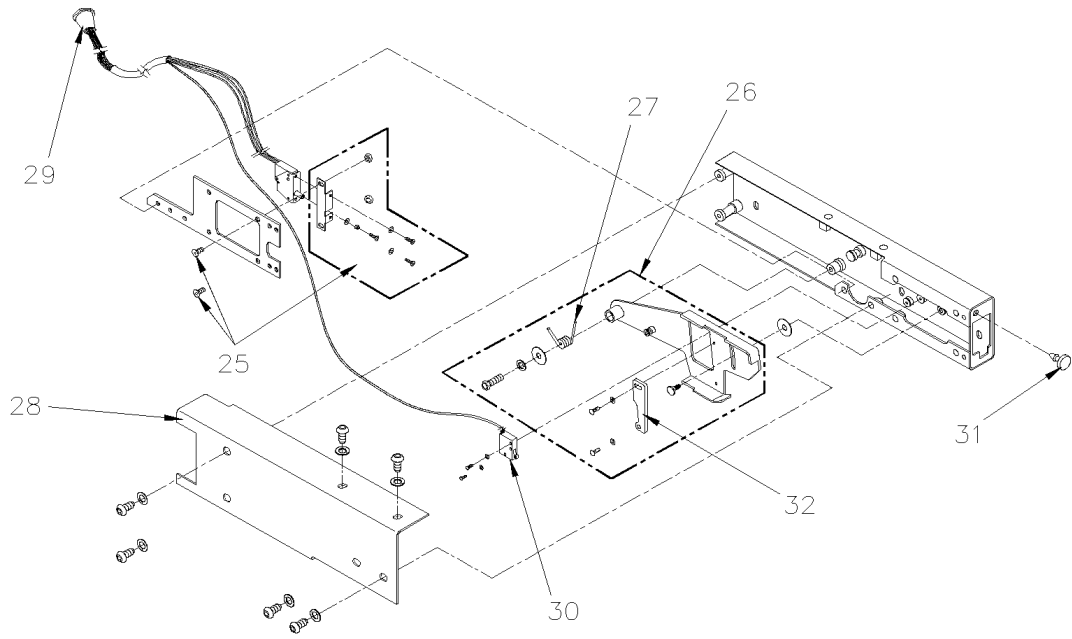


From 5-0179 To 8-1043

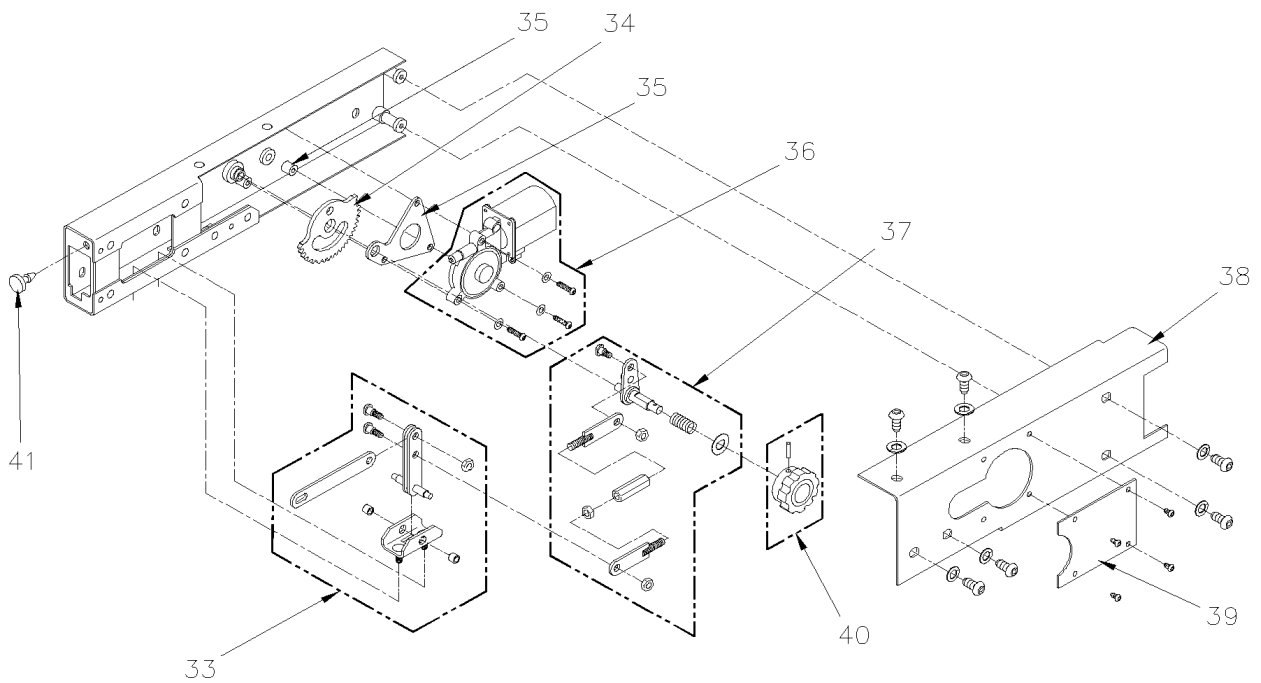
Date:10/2022

PAGE:HF-2380-22

W.C.L. "RICON" - PLATFORM ASSY MODEL "F9TF"



DETAIL A



DETAIL B



From 5-0179 To 8-1043	Date:10/2022	PAGE:HF-2380-22
W.C.L. "RICON" - PLATFORM ASSY MODEL "F9TF"		

Item#	Part	Description	H 3 4 1	H 3 4 5	V I P 4 5	N O T E S
1	865627	PLATFORM	1	1		
2	863010	KIT, ROLLSTOP ASSEMBLY	1	1		
3	Call order desk	ROLLSTOP, PAINTED	1	1		P
4	865628	STIFFENER & HARNESS CONDUIT, NOTCHED	1	1		
5	865629	HARNESS CONDUIT, FRONT TO REAR	1	1		
6	863014	SAFETREAD, 3.0 X 31.0, YELLOW	1	1		
7	863015	SAFETREAD, 16.0 X 31.0, GRAY	1	1		
8	863016	SAFETY TREAD / 12.75x3.0 / SAFETY YELLOW	1	1		
9	863017	SAFETY TREAD / 5.5x1.5 / SAFETY YELLOW	4	4		
10	863018	BEARING, FLANGED, 3/4I.D. X 1/4W	1	1		
11	862114	BLOCK / PLATFORM GUIDE / RH	1	1		
12	862115	BLOCK / PLATFORM GUIDE / LH	1	1		
13	863019	KIT, PLATFORM GUIDE, REAR	2	2		
14	863020	CAP, RECTANGULAR, SNAP-IN	4	4		
15	863021	KIT, STIFFENER, PLATFORM, REAR	1	1		
16	865630	PLATE, PIN LOCK, RH	1	1		
17	865631	PLATE, PIN LOCK, LH	1	1		
18	863024	HANDRAIL GUIDE	4	4		
19	863618	BUTTON, HANDRAIL LOCK	2	2		
20	863026	PIN, HANDRAIL PIVOT	2	2		
21	864222	HANDRAIL	2	2		
22	863028	KIT, SAFETY BELT W/RETRACTOR	1	1		
23	863029	KIT, SAFETY BELT BUCKLE ASSEMBLY	1	1		
23	7775207	KIT, SAFETY BELT BUCKLE ASSEMBLY WITH DETECTOR	1	1	1	
24	862120	BUMPER / RUBBER 1.000 O.D. x .13THK	1	1		
25	863036	KIT, MOUNTING BRACKET, LIMIT SWITCH	1	1		
26	863037	KIT, ACTUATOR FOOT ASSY	1	1		
27	862121	SPRING / LH / ROLLSTOP ACTUATOR RETURN	1	1		
28	863038	COVER, ROLLSTOP, LH	1	1		
29	863039	HARNESS, W/TWO ROLLSTOP SWITCHES	1	1		
. NS	865043	. ROLLSTOP PLUNGER	1	1		
30	863040	SWITCH LIMIT, W/LEADS	1	1		
31	862120	BUMPER / RUBBER 1.000 O.D. x .13THK	1	1		
32	863041	PLATE, ACTUATOR, SWITCH	1	1		
33	863031	KIT, ROLLSTOP LINKAGE	1	1		
34	862996	KIT, ROLLSTOP GEAR	1	1		
35	863032	KIT, GEAR MOTOR MTG PLATE	1	1		
36	862117	KIT MOTOR, 24V W/HARDAWARE	1	1		
37	863033	KIT, GEAR LINKAGE	1	1		
38	863034	COVER, ROLLSTOP, RH	1	1		
39	868236	COVER PLATE, MANUAL RELEASE	1	1		
40	862210	KNOB KIT	1	1		



From 5-0179 To 8-1043	Date:10/2022	PAGE:HF-2380-22
W.C.L. "RICON" - PLATFORM ASSY MODEL "F9TF"		

Item#	Part	Description	H 3 4 1	H 3 4 5	V I P 4 5	N O T E S
41	862120	BUMPER / RUBBER 1.000 O.D. x .13THK	1	1		
		P) CALL ORDER DESK FOR SPECIFIC APPLICATION (V.I.N.)				

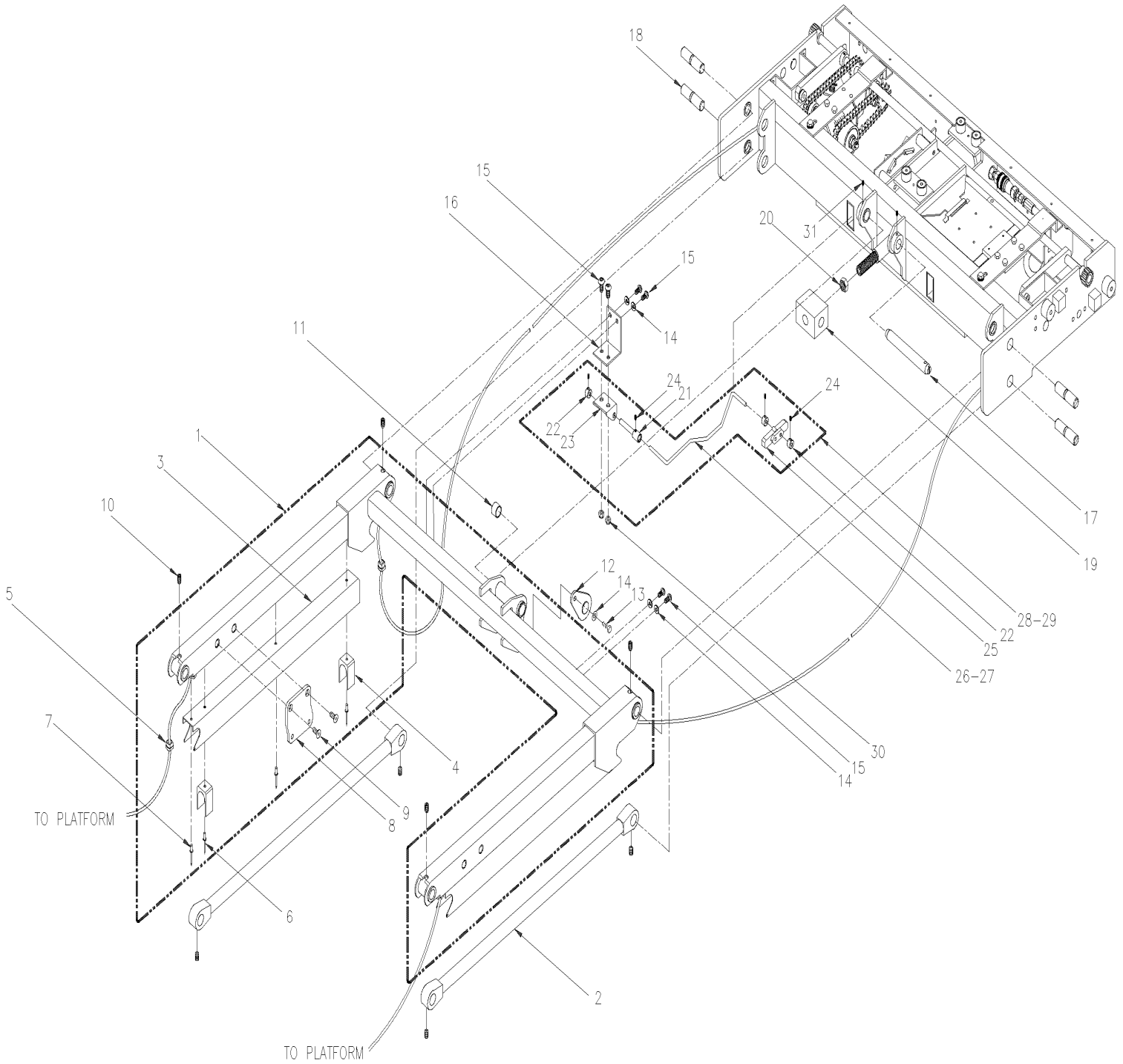


From 3-4417 To 4-4704

Date:10/2022

PAGE:HF-2380-30

W.C.L. "RICON" - TRAVELING FRAME ASSY MODEL "F9A"





From 3-4417 To 4-4704	Date:10/2022	PAGE:HF-2380-30
W.C.L. "RICON" - TRAVELING FRAME ASSY MODEL "F9A"		

Item#	Part	Description	H 3 4 1	H 3 4 5	V I P 4 5	N O T E S
1	862125	LIFTING FRAME-ASSY / 43.00 CENTERS / EXT	1	1		
2	862126	ARM-WASSY / LOWER / 43.00 CENTERS	2	2		
3	Call order desk	COVER-ARM 30.313 CENTERS	2	2		P
4	Call order desk	BLOCK-ARM GUIDE	4	4		P
5	Call order desk	STRAIN RELIEF	4	4		P
6	Call order desk	RIVET STEEL 3/16x5/8	4	4		P
7	Call order desk	RIVET STEEL 3/16x3/8	4	4		P
8	Call order desk	PLATE-BRIDGE PLATE ACTUATOR MOUNT	2	2		P
9	Call order desk	SCREW CAP FL HEXS 1/4-20x5/8	4	4		P
10	Call order desk	SCREW SET HEXS SS 5/16-18x.50 5/16-18x1/2 SS	8	8		P
11	862127	BEARING DU / .75x.875x.63	6	6		
12	862212	KIT KEEPER PLATE	1	1		
13	Call order desk	SCREW CAP HEX 5/16-18x5/8 SS	2	2		P
14	Call order desk	WASHER LO SPT 5/16 SS	6	6		P
15	Call order desk	SCREW CAP BUT 5/16-18x5/8 SS	6	6		P
16	Call order desk	BRACKET-ACTUATOR ROD PIVOT / EXT	1	1		P
17	863055	PIN, .75D X 6.0L	1	1		
18	862128	PIN-PIVOT / LIFTING FRAME	4	4		
19	196113	TRUNNION-CYLINDER	1	1		
20	Call order desk	NUT HEX JAM 3/4-16 SS	1	1		P
21	Call order desk	COLLAR-ACTUATOR ROD	1	1		P
22	Call order desk	COLLAR .25x.63x.38	3	3		P
23	Call order desk	BRACKET-F9000 SERIES ELCT SYSTEM	1	1		P
24	Call order desk	SCREW SET HEXS SS 10-32x1/4 #10-32x1/4 SS	6	6		P
25	Call order desk	BLOCK-SWITCH ACTUATOR CAM	1	1		P
26	Call order desk	ROD-SWITCH CAM ACTUATOR LH	1	1		P
27	Call order desk	ROD-SWITCH CAM ACTUATOR RH	1	1		P
28	862129	SWITCH ACTUATOR ASSY / LH	1	1		
29	862130	SWITCH ACTUATOR ASSY / RH	1	1		
30	Call order desk	NUT HEX THN 5/16-18 NYL	2	2		P
31	Call order desk	SCREW SET HEXS SS 1/4-20x1/4 1/4-20x1/4 SS	2	2		P
		P) CALL ORDER DESK FOR SPECIFIC APPLICATION (V.I.N.)				

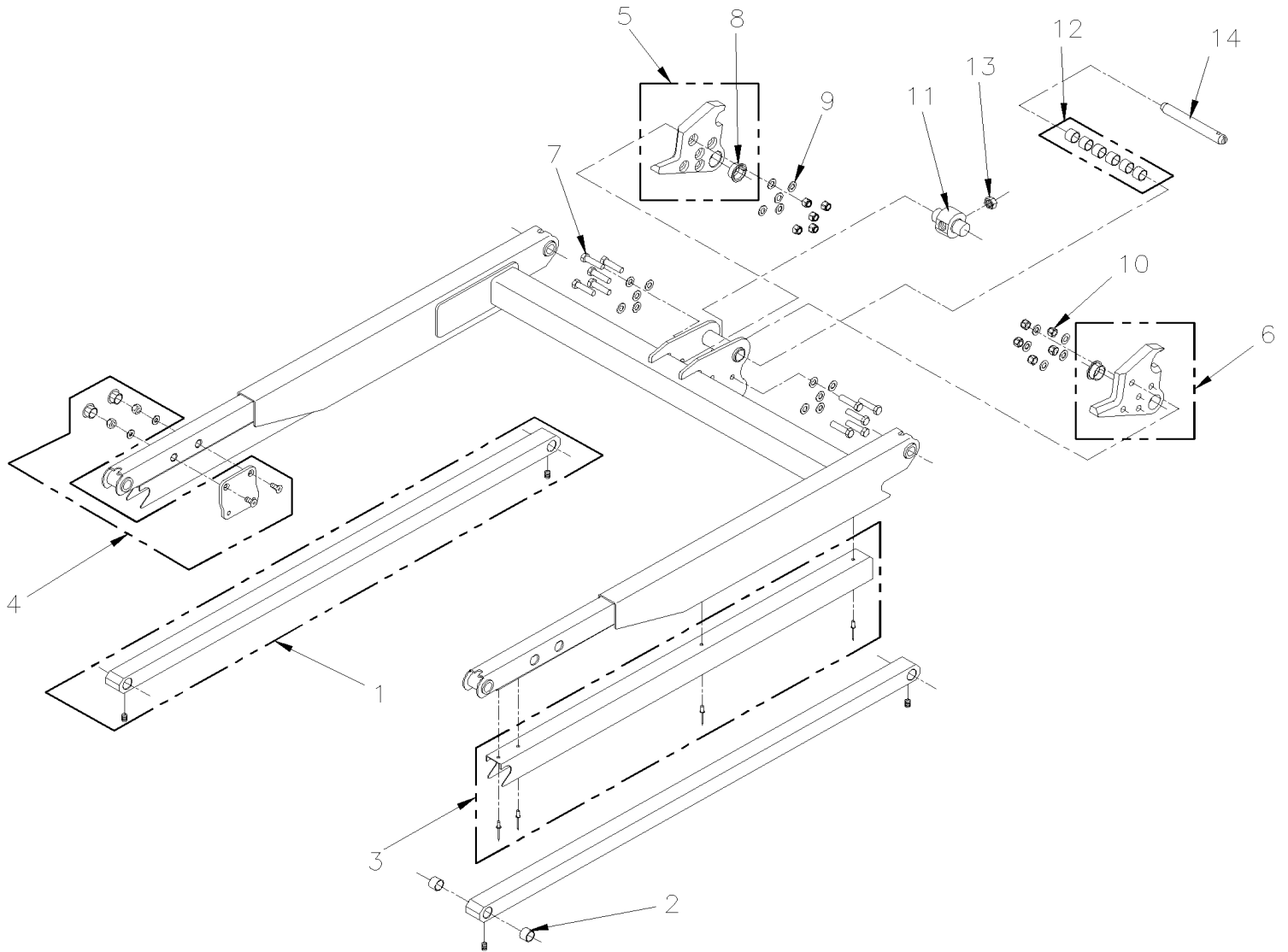


From 4-4705 To 8-1043

Date:10/2022

PAGE:HF-2380-31

W.C.L. "RICON" - TRAVELING FRAME ASSY MODEL "F9T" & "F9TF"





From 4-4705 To 8-1043	Date:10/2022	PAGE:HF-2380-31
W.C.L. "RICON" - TRAVELING FRAME ASSY MODEL "F9T" & "F9TF"		

Item#	Part	Description	H 3 4 1	H 3 4 5	V I P 4 5	N O T E S
1	863042	KIT, LOWER ARM	2	2		
2	863043	BUSHING, .88O.D. X .75I.D. X .38	4	4		
3	863044	KIT, COVER, LOWER ARM	2	2		
4	863045	KIT, PLATE, BRIDGEPLATE ACTUATOR	2	2		
5	863046	PLATE ASSY, CLEVIS REINFORCEMENT, LH	1	1		
6	863047	PLATE ASSY, CLEVIS REINFORCEMENT, RH	1	1		
7	863048	SCREW CAP HEX 3/8-16x1 1/2 SS	1	1		
8	863049	BEARING, FLANGED, 1.00 I.D. X .75W	2	2		
9	863050	WASHER FL .40x.75x.06 SS	2	2		
10	863051	NUT, ESN, 3/8-16, SS	1	1		
11	863052	TRUNNION, SOLID PIN	1	1		
12	863053	KIT, BEARING, .75I.D. X .875O.D. X .63	1	1		
13	863054	NUT, JAM, 3/4-16	1	1		
14	863055	PIN, .75D X 6.0L	1	1		

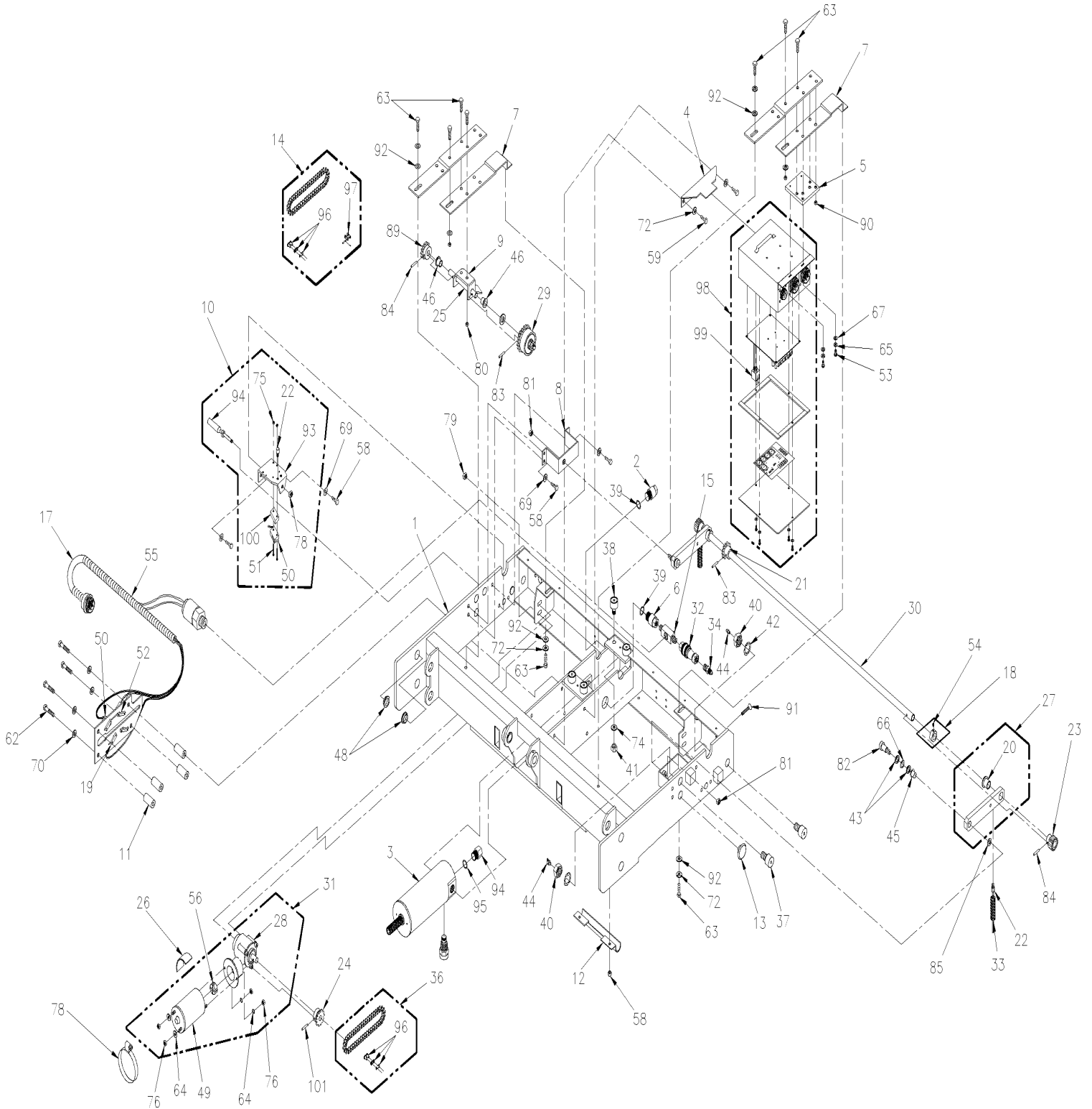


From 3-4417 To 4-4704

Date:10/2022

PAGE:HF-2380-40

W.C.L. "RICON" - CARRIAGE ASSY MODEL "F9A"





From 3-4417 To 4-4704	Date:10/2022	PAGE:HF-2380-40
W.C.L. "RICON" - CARRIAGE ASSY MODEL "F9A"		

Item#	Part	Description	H 3 4 1	H 3 4 5	V I P 4 5	N O T E S
1	Call order desk	CARRIAGE-WASSY STANDARD	1	1		P
2	Call order desk	FITTING / PIVOT	1	1		P
3	862131	CYLINDER / HYDRAULIC / WO/INTERNAL POT	1	1		
4	Call order desk	BRACKET-CARRIAGE ELECT BOX MTG	1	1		P
6	863583	KIT, FITTING, PIVOT 1/4 NPT, WITH O-RING	1	1		
7	863068	BRACKET, IDLER SHAFT, REAR	2	2		
8	Call order desk	BRACKET-ASSY / DRIVE SHAFT ARM / PIVOT	2	2		P
9	Call order desk	SUPPORT / WASSY / IDLER SHAFT	1	1		P
10	862211	MICRO SWITCH ASSY	2	2		
11	Call order desk	SPACER-SWITCH PLATE / STAND OFF	3	3		P
12	Call order desk	CLAMP-HARNESS	1	1		P
13	Call order desk	BUTTON / CARRIAGE / GUIDE	2	2		P
14	862132	CHAIN DRIVE / PRIMARY; TRAIN LIFT	1	1		
15	863583	KIT, FITTING, PIVOT 1/4 NPT, WITH O-RING	1	1		
16	Call order desk	SWITCH PLATE	1	1		P
17	862133	HARNESS-ASSY SWITCH PLATE UP TO SEPT 99	1	1		
17	862134	HARNESS-ASSY SWITCH PLATE W/PRESSURE SWITCH FROM SEPT 99	1	1		
18	Call order desk	COLLAR SET SCREW	2	2		P
19	862135	BLOCK / SWITCH RETAINER / PLASTIC	4	4		
20	Call order desk	BEARING DU .625x.719x.38	2	2		P
21	862136	SPOCKET 12 TEETH #35 .625 BORE	1	1		
22	862137	BUTTON / SPRING SUPPROT	2	2		
23	862138	GEAR 1.125PD / .63 FACE W/HUB	2	2		
24	862139	SPOCKET 8 TEETH #35 .5 BORE	1	1		
25	862140	SHAFT / INTERMEDIATE DRIVE .50x5.00	1	1		
26	Call order desk	GASKET / RUBBER 1/8x1/2	1	1		P
27	Call order desk	LINK / DRIVE SHAFT / PIVOT / ASSY	2	2		P
28	862141	GEAR BOX / RATIO 24:1	1	1		
29	862142	CLUTCH / TORQUE LIMIT RICON	1	1		
30	862143	SHAFT / FINAL DRIVE - DS200	1	1		
31	862144	GEAR-MOTOR ASSY 24V	1	1		
32	863236	FITTING / QUICK-DISCONNECT 1/4	1	1		
33	862145	SPRING COMPRESSION .44x2.1	2	2		
34	863732	ADAPTOR STRAIGHT 1/4NPT-1/4JIC MALE	1	1		
36	862132	CHAIN DRIVE / PRIMARY; TRAIN LIFT	1	1		
37	Call order desk	CAM FOLLOWER 1 1/4x3/4 CRWND	4	4		P
38	N8886024	CAM FOLLOWER 1.00x5/8 / 7/16-20	4	4		
39	863582	O-RING / NITRILE .644x.87	2	2		
40	863733	NUT HEX JAM 3/16	5	5		
41	Call order desk	NUT HEX JAM 7/16-20	4	4		P
42	863734	WASHER LO INT 3/4	4	4		
43	Call order desk	WASHER NYL	4	4		P



From 3-4417 To 4-4704	Date:10/2022	PAGE:HF-2380-40
W.C.L. "RICON" - CARRIAGE ASSY MODEL "F9A"		

Item#	Part	Description	H 3 4 1	H 3 4 5	V I P 4 5	N O T E S
44	863735	FITTING / GREASE / 65DEG / PRESS-IN	4	4		
45	Call order desk	BUSHING NY LINER .50x.50	2	2		P
46	862146	BUSHING 12 EDU08 3/4x1/2	2	2		
47	Call order desk	BUSHING 12 FDU08 1x1/2	1	1		P
48	863018	BEARING, FLANGED, 3/4I.D. X 1/4W	8	8		
49	862147	MOTOR-1/4HP / 24VDC / SHORT SHAFT	1	1		
50	862122	LIMIT SWITCH / SEALED / PRS	1	1		
51	Call order desk	SCREW MA PAN PH #4-40x1 1/8	4	4		P
52	Call order desk	SCREW MA PAN PH #4-40x1.00 ZP	8	8		P
53	Call order desk	SCREW MA PAN PH #8-32x1/2 SS	2	2		P
54	Call order desk	SCREW SET HEXS 10-24x1/4 #10-24x1/4	2	2		P
55	561482	CONVOLUTED TUBING / UNSLIT / BLACK / .500"	4	4		
56	Call order desk	COUPLING-ACTUATOR	1	1		P
58	N.P.N.	SCREW CAP HEX SS 1/4-20X1/2	10	10		4
59	Call order desk	SCREW CAP HEX 5/16-18x1/2 SS	2	2		P
61	Call order desk	SCREW CAP HEX 5/16-18x7/8 G5	1	1		P
62	Call order desk	SCREW CAP HEX 5/16-18x2 1/2 G5	3	3		P
63	Call order desk	SCREW CAP HEX 5/16-18x3/4 SS	4	4		P
64	Call order desk	WASHER LO INT #10	4	4		P
65	Call order desk	WASHER LO SPT #8 SS	2	2		P
66	Call order desk	WASHER SPR WAVE 1/2	2	2		P
67	Call order desk	WASHER FL #8 SS	22	22		P
69	N8885992	WASHER FL .250 SS	10	10		
70	Call order desk	WASHER FL 5/16	3	3		P
72	Call order desk	WASHER LO SPT 5/16 SS	10	10		P
74	N8886025	WASHER LO EXT 7/16 SS	4	4		
75	500425	NUT HEX NYRT #4-40 SS	4	4		
76	Call order desk	NUT HEX #10-32	4	4		P
78	5001352	NUT HEX NYRT 1/4-20 SS	2	2		
79	Call order desk	NUT HEX 5/16-18 SS	2	2		P
80	500685	NUT HEX NYRT 5/16-18 SS	2	2		
81	Call order desk	NUT HEX NYRT 3/8-16	2	2		P
82	862148	BOLT-SHOULDER 1/2x3/4	2	2		
83	862149	PIN "SPIROL" 5/32x1 1/4	2	2		
84	862150	PIN "SPIROL" 5/32x1.00	3	3		
85	Call order desk	WASHER .578x1.06x.310 NYL	2	2		P
86	Call order desk	CLUTCH / TORQUE LIMITING WARNER	1	1		P
90	500685	NUT HEX NYRT 5/16-18 SS	4	4		
91	Call order desk	SCREW CAP FL HEXS 1/4-20x5/8	2	2		P
92	Call order desk	WASHER FL .32x.75x.08 SS	AR	AR		P
93	Call order desk	BRACKET-PLUNGER / MICRO SWITCH	3	3		P
94	863234	PLUG 3/4-16 CAV / O-RING SEAL / HEX HD	1	1		



From 3-4417 To 4-4704	Date:10/2022	PAGE:HF-2380-40
W.C.L. "RICON" - CARRIAGE ASSY MODEL "F9A"		

Item#	Part	Description	H 3 4 1	H 3 4 5	V I P 4 5	N O T E S
NS	862209	SPRING	1	1		
95	863235	SPACER-IMMEDIATE DRIVE	1	1		
96	862151	LINK-MASTER NICKEL #35	2	2		
97	862152	OFFSET-LINK #35 - 1/2 LINK	1	1		
98	862099	CONTROL BOX 24V / YELLOW / W STD W.C.L.	1	1		
98	862957	CONTROL BOX 24V / YELLOW / W/REMOVABLE W.C.L.	1	1		
99	862153	RELAY 12V	1	1		
100	Call order desk	BRACKET / ALUM-LIMIT SWITCH	1	1		P
101	862154	ROLL PIN 5/32x3/4	1	1		
		4) NO PARTS NUMBER				
		P) CALL ORDER DESK FOR SPECIFIC APPLICATION (V.I.N.)				

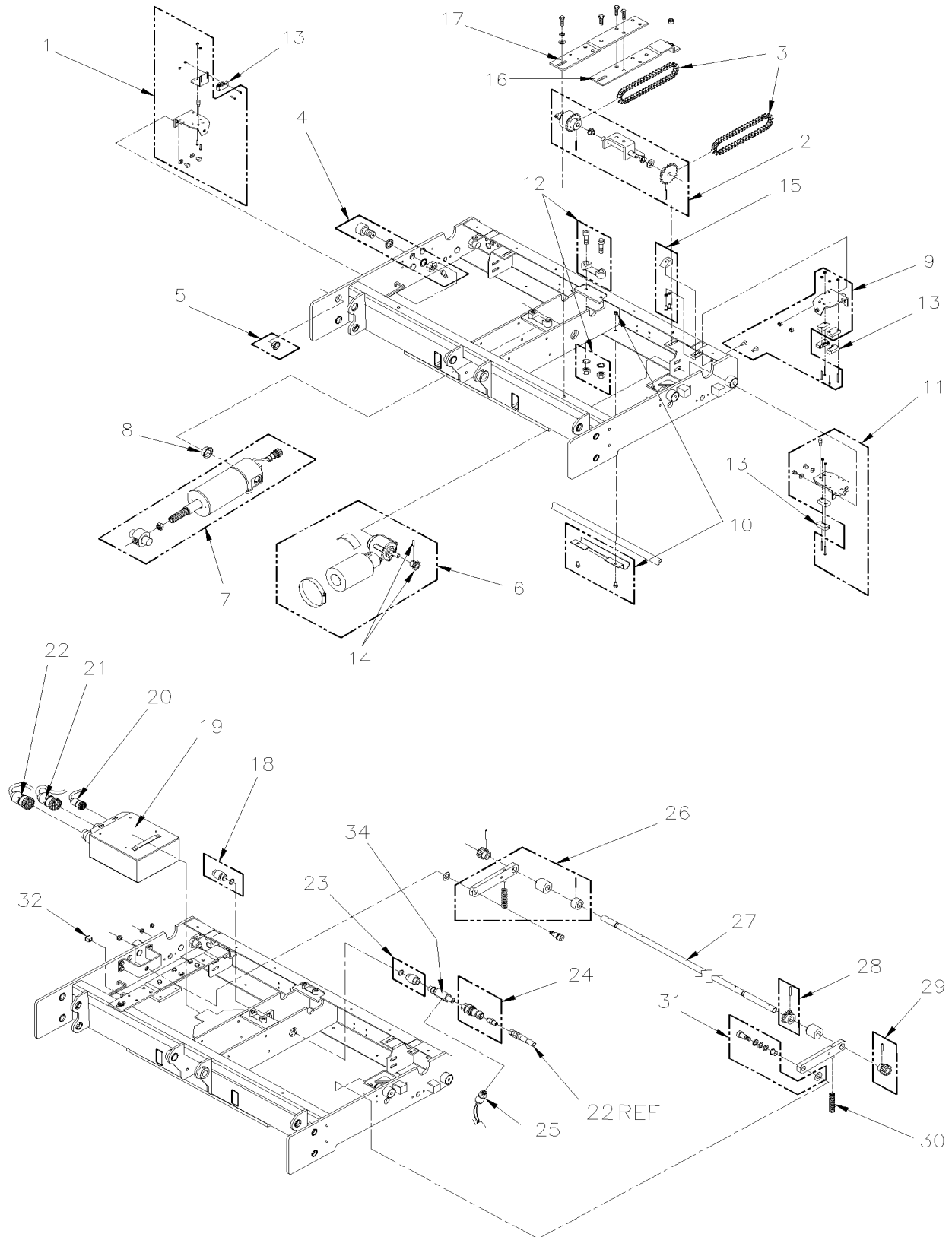


From 4-4705 To 8-1043

Date:10/2022

PAGE:HF-2380-41

W.C.L. "RICON" - CARRIAGE ASSY MODEL "F9T" & "F9TF"





From 4-4705 To 8-1043	Date:10/2022	PAGE:HF-2380-41
W.C.L. "RICON" - CARRIAGE ASSY MODEL "F9T" & "F9TF"		

Item#	Part	Description	H 3 4 1	H 3 4 5	V I P 4 5	N O T E S
1	863056	KIT, PLATFORM RELEASE SWITCH BRACKET	1	1		
2	863057	KIT, INTERMEDIATE SHAFT ASSY	1	1		
3	863058	DRIVE CHAIN	2	2		
4	19509869	KIT, CARRIAGE ROLLER, 1 1/4 O.D. To 5-0178	4	4		
4	863059	KIT, CARRIAGE ROLLER, 1 1/4 O.D. From 5-0179	4	4		
5	863128	BEARING	1	1		
6	863060	KIT, GEAR MOTOR ASSY, 24V	1	1		
7	864161	HYDRAULIC CYLINDER ASSEMBLY To 5-0178	1	1		
7	863061	HYDRAULIC CYLINDER ASSEMBLY From 5-0179	1	1		
8	863062	FLANGED BEARING, 1" I.D.B20	1	1		
9	863063	KIT, STOW SWITCH BRACKET	1	1		
10	863064	KIT, HARNESS CLAMP	1	1		
11	863065	KIT, DEPLOY SWITCH BRACKET	1	1		
12	N8892390	KIT, GUIDE BLOCKS CARRIAGE	1	1		
13	863129	LIMIT SWITCH	4	4		
14	863066	KIT, SPROCKET, 8T	1	1		
15	863067	KIT, MANUAL RELEASE RESET RAMP	2	2		
16	863068	BRACKET, IDLER SHAFT, REAR	1	1		
17	863069	BRACKET, IDLER SHAFT, FRONT	1	1		
18	863070	KIT, PIVOT CAP, HYDRAULIC CYLINDER	1	1		
19	196349	CONTROL BOX 24V / YELLOW (#29272) / W/REMOVABLE W.C.L. To 5-0178	1	1		
19	862957	CONTROL BOX 24V / YELLOW / W/REMOVABLE W.C.L. From 5-0179	1	1		
20	863071	HARNESS, ELECTRICAL, HYDRAULIC CYLINDER To 5-0178	1	1		
20	863071	HARNESS, ELECTRICAL, HYDRAULIC CYLINDER From 5-0179	1	1		
21	866153	HARNESS, ELECTRICAL, CARRIAGE To 5-0178	1	1		
21	863072	HARNESS, ELECTRICAL, CARRIAGE From 5-0179	1	1		
22	19507735	HARNESS, ELECTRICAL, MAIN, W/HYDRAULIC LINE To 5-0178	1	1		
22	864071	HARNESS, ELECTRICAL, MAIN, W/HYDRAULIC LINE From 5-0179	1	1		
23	19509871	KIT, PIVOT FITTING, HYDRAULIC CYLINDER To 5-0178	1	1		
23	863074	KIT, PIVOT FITTING, HYDRAULIC CYLINDER From 5-0179	1	1		
24	863076	KIT, QUICK DISCONNECT FITTING	1	1		
25	863077	KIT, PRESSURE SWITCH, W/ELECTRICAL TERMINALS	1	1		
26	863078	KIT, DRIVESHAFT LINK ASSY	2	2		
27	863079	DRIVESHAFT, FINAL	1	1		
28	863080	KIT, SPROCKET, 12 TEETH	1	1		
29	863081	KIT, PINION GEAR, 18 TEETH	2	2		
30	863082	SPRING, COM, .609O.D. X 2.53	2	2		
31	863083	KIT, BUSHING ASSY, DRIVESHAFT LINK	2	2		
32	863084	DUST CAP, CONTROLLER PROGRAMMING CONNECTOR	1	1		
34	866059	MANIFOLD, HYD, PRESSURE SWITCH (PACKAGED)	1	1	1	



From 4-4705 To 8-1043	Date:10/2022	PAGE:HF-2380-41
W.C.L. "RICON" - CARRIAGE ASSY MODEL "F9T" & "F9TF"		

Item#	Part	Description	H 3 4 1	H 3 4 5	V I P 4 5	N O T E S

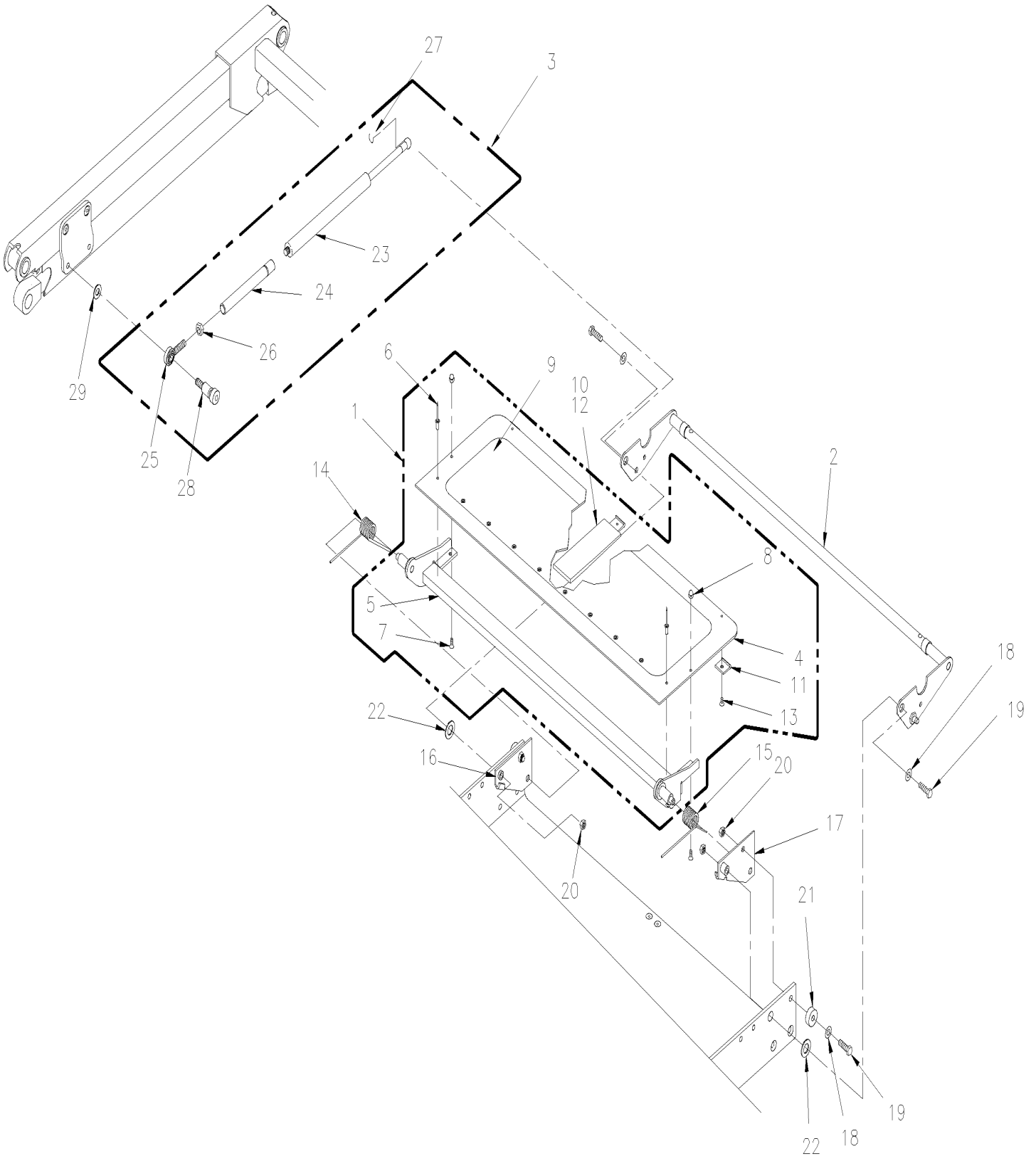


From 3-4417 To 4-4704

Date:10/2022

PAGE:HF-2380-50

W.C.L. "RICON" - BRIDGE PLATE ASSY 9" MODEL "F9A"





From 3-4417 To 4-4704 Date:10/2022 PAGE:HF-2380-50

W.C.L. "RICON" - BRIDGE PLATE ASSY 9" MODEL "F9A"

Item#	Part	Description	H 3 4 1	H 3 4 5	V I P 4 5	N O T E S
1	860058	BRIDGEPLATE ASSEMBLY 9"	1	1		
2	8611004	STIRUP-W-ASSY / BRIDGEPLATE	1	1		
3	Call order desk	ROD-ASSY / BRIDGEPLATE ACTUATOR 26" UTS	2	2		P
3	196586	KIT, ACTUATOR ROD ASSEMBLY, BRIDGEPLATE	2	2		
4	860335	PLATE-BRIDGE BLANK 9.00"	1	1		
5	Call order desk	ASSY., WELD B-PLATE SUPPORT	1	1		P
6	Call order desk	RIVET-BLIND AL 3/16x3/8	10	10		P
7	Call order desk	SCREW CAP CK HEXS #10-24x1/2 SS	2	2		P
8	Call order desk	NUT HEX CAP #10-24	2	2		P
9	860341	SAFETY TREAD / 25.560x7.00 / SAFETY YELLOW	1	1		
10	860343	BLOCK-BRIDGEPLATE GUIDE / BUMPER	1	1		
11	860346	SKID-BRIDGEPLATE	3	3		
12	860347	TAPE-ADHESIVE / TRANSFER 10MILx 1" WIDE	AR	AR		
13	Call order desk	SCREW MA FL PH #10-24x1/4	3	3		P
14	863106	SPRING, BRIDGEPLATE RETURN, LH	1	1		
15	863105	SPRING, BRIDGEPLATE RETURN, RH	1	1		
16	Call order desk	BRACKET-B-PLATE MOUNT / LH	1	1		P
17	Call order desk	BRACKET-B-PLATE MOUNT / RH	1	1		P
18	Call order desk	WASHER FL .32x.59x.06 SS	4	4		P
19	Call order desk	SCREW CAP HEX 5/16-18x1 1/4 SS	4	4		P
20	Call order desk	NUT HEX NYRT 5/16-18 SS	4	4		P
21	Call order desk	BUSHING .75x.32x.38	2	2		P
22	Call order desk	WASHER FL .578x1.067x.062 NYL	2	2		P
23	862155	SPRING-PNEUMATIC 100LBF 16.75"	2	2		
24	861709	ROD-ASSY / B-PLATE ACTUATOR 26" UTS	1	1		
24	Call order desk	ROD-ASSY / B-PLATE ACTUATOR 18.5"-23.5" UTS	1	1		P
25	Call order desk	ROD END-(M) LT THD R1700	2	2		P
26	Call order desk	NUT HEX LH 3/8-24	2	2		P
27	980017	CLIP BALL STUD 10MM RETAINER	2	2		
28	Call order desk	SCREW CAP HEX 5/16-18x1/2 SS	2	2		P
29	Call order desk	STANDOFF-BRIDGEPLATE ACTUATOR	2	2		P
		P) CALL ORDER DESK FOR SPECIFIC APPLICATION (V.I.N.)				

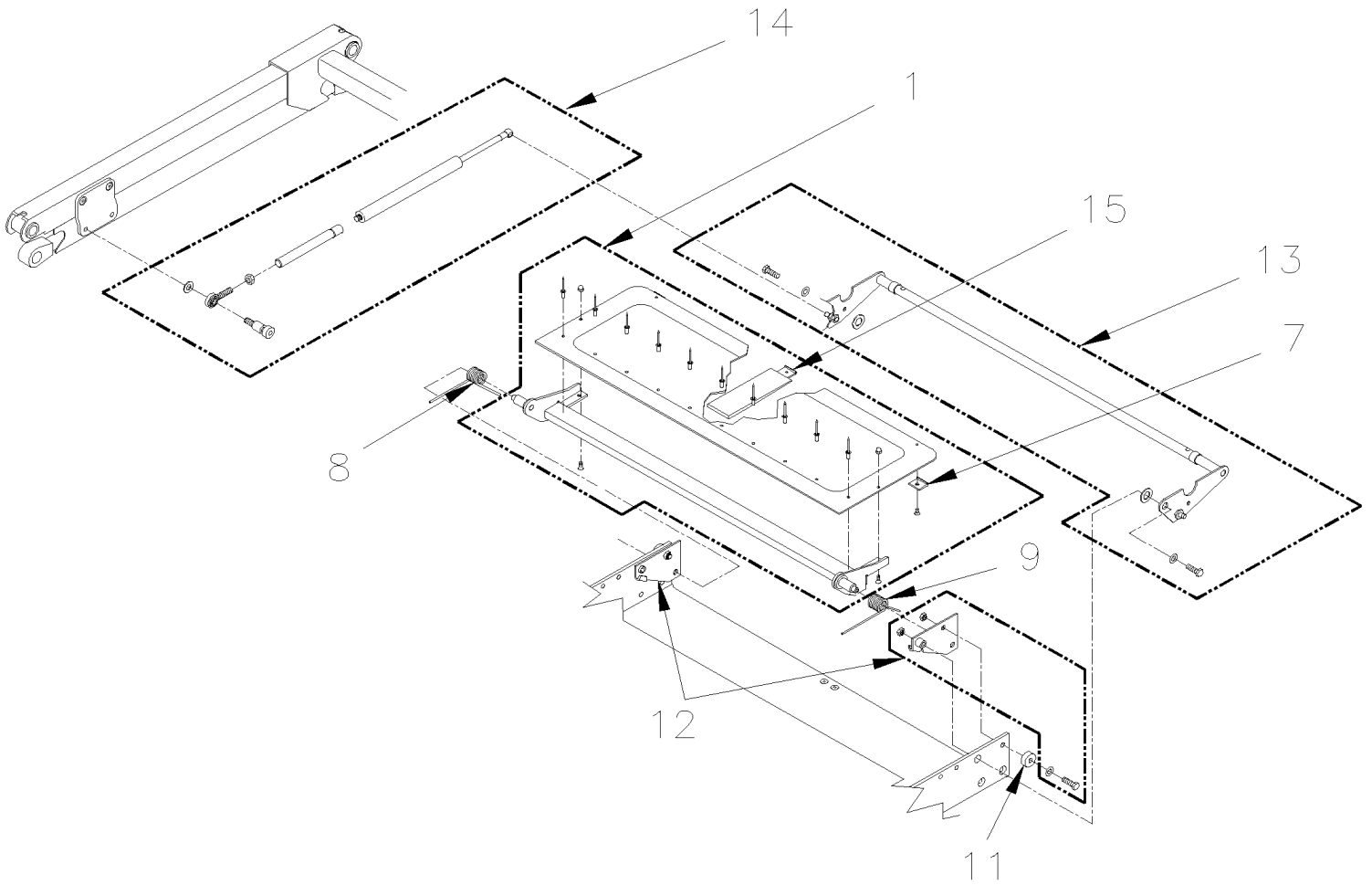


From 4-4705 To 8-1043

Date:10/2022

PAGE:HF-2380-51

W.C.L. "RICON" - BRIDGE PLATE ASSY 9" MODEL "F9T" & "F9TF"



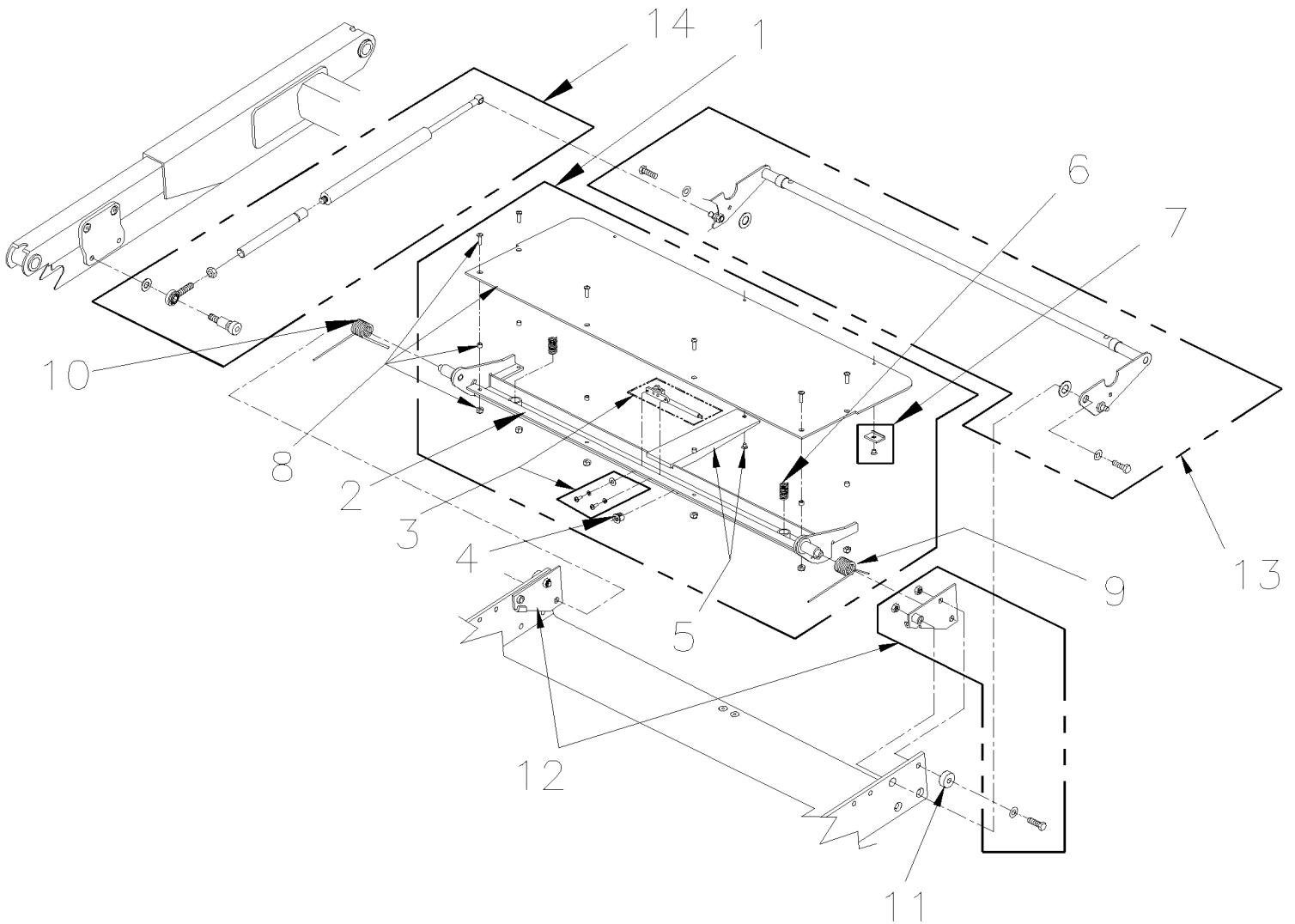


From 4-4705 To 8-1043

Date:10/2022

PAGE:HF-2380-51

W.C.L. "RICON" - BRIDGE PLATE ASSY 9" MODEL "F9T" & "F9TF"





From 4-4705 To 8-1043	Date:10/2022	PAGE:HF-2380-51
W.C.L. "RICON" - BRIDGE PLATE ASSY 9" MODEL "F9T" & "F9TF"		

Item#	Part	Description	H 3 4 1	H 3 4 5	V I P 4 5	N O T E S
1	19509866	BRIDGEPLATE ASSEMBLY 9" To 5-0178	1	1		
1	863097	BRIDGEPLATE ASSEMBLY 9" From 5-0179	1	1		
2	860228	FRAME, BRIDGEPLATE	1	1		
3	863099	KIT, SWITCH ASSEMBLY	1	1		
4	863100	BUSHING, SNAP-IN, 1/2	1	1		
5	863101	KIT, GUIDE, BRIDGEPLATE, W/SCREW	1	1		
6	863102	SPRING, COMP. SST, .480D X .75L	2	2		
7	863103	SKID, BRIDGEPLATE BRACKET	2	2		
8	863104	KIT, PLATE, BRIDGEPLATE	1	1		
9	863105	SPRING, BRIDGEPLATE RETURN, RH	1	1		
10	863106	SPRING, BRIDGEPLATE RETURN, LH	1	1		
11	863107	BUSHING .75x.32x.38	1	1		
12	863108	KIT, MOUNTING BRACKETS, LH AND RH	1	1		
13	863109	KIT, STIRRUP ASSEMBLY	1	1		
14	196586	KIT, ACTUATOR ROD ASSEMBLY, BRIDGEPLATE To 5-0178	1	1		
14	863110	KIT, ACTUATOR ROD ASSEMBLY, BRIDGEPLATE From 5-0179	2	2		
15	196658	BUMPER, BRIDGEPLATE To 5-0178	1	1		

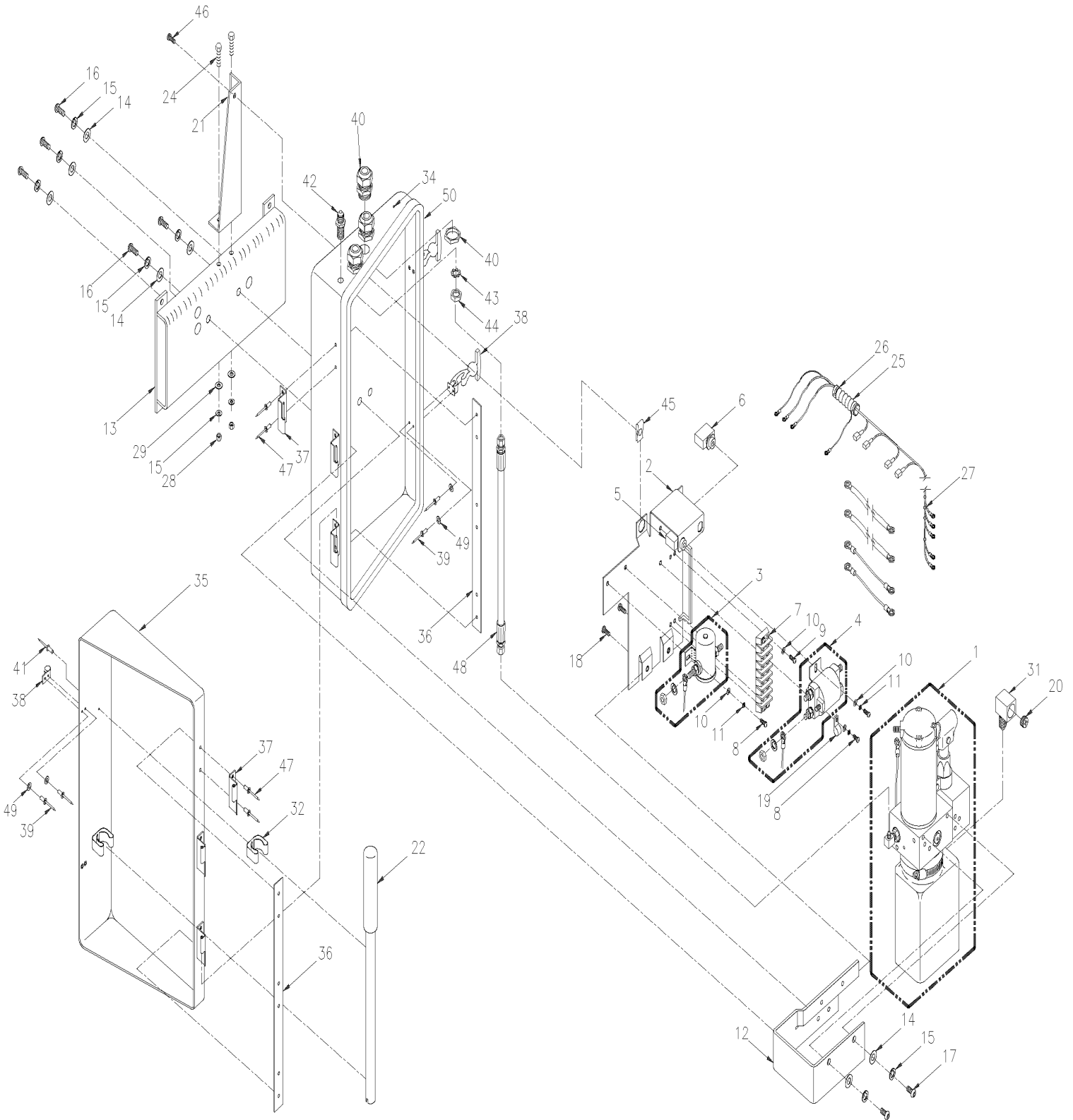


From 3-4417 To 4-4704

Date:10/2022

PAGE:HF-2380-60

W.C.L. "RICON" - PUMP INSTALLATION MODEL "F9A"





From 3-4417 To 4-4704	Date:10/2022	PAGE:HF-2380-60
W.C.L. "RICON" - PUMP INSTALLATION MODEL "F9A"		

Item#	Part	Description	H 3 4 1	H 3 4 5	V I P 4 5	N O T E S
1	HF-2380-65	W.C.L. "RICON" - PUMP ASSY				
2	Call order desk	PLATE-WASSY / SOLENOID	1	1		P
3	862100	SOLENOID / SP 24V	1	1		
4	862101	SOLENOID-24V DP LARGE	1	1		
5	862102	CIRCUIT BREAKER / 8AMP	1	1		
6	862103	CIRCUIT BREAKER / 30AMPS	1	1		
6	860986	CIRCUIT BREAKER / 50AMPS	1	1		
7	Call order desk	TERMINAL STRIP / 10-18GA	1	1		P
8	Call order desk	SCREW MA PH #10-32x5/16 SS	4	4		P
9	Call order desk	SCREW MA PH #10-32x3/4	4	4		P
10	Call order desk	WASHER FL #10 SS	8	8		P
11	N8885969	WASHER LO SPT .193 SS	4	4		
12	Call order desk	BRACKET-PUMP MOUNTING	1	1		P
13	Call order desk	BRACKET-WASSY / PUMP MOUTING	1	1		P
14	Call order desk	WASHER FL .32x.75x.08 SS	7	7		P
15	Call order desk	WASHER LO SPT 5/16 SS	11	11		P
16	Call order desk	SCREW CAP BUT HEXS 5/16-24x3/4 SS	5	5		P
17	Call order desk	SCREW CAP BUT HEXS 5/16-18x3/4 SS	2	2		P
18	Call order desk	SCREW CAP BUT HEXS #10-32x1/2 SS	2	2		P
19	Call order desk	CLAMP / CABLE-3/8	1	1		P
20	863095	PLUG, BREATHER, RESERVOIR	1	1		
21	Call order desk	BRACKET-STIFFENER	1	1		P
22	868483	HANDLE-MANUAL BACKUP PUMP	1	1		
24	Call order desk	SCREW CAP HEX 5/16-18x3/4 SS	2	2		P
25	561482	CONVOLUTED TUBING / UNSLIT / BLACK / .500"	AR	AR		
26	504012	CABLE TIE / 3/16" X 6"1/2	2	2		
27	504012	CABLE TIE / 3/16" X 6"1/2	9	9		
28	502600	NUT HEX NYRT 5/16-18 Z050	2	2		
29	5001189	NUT HEX 5/16-18 SS	2	2		
31	Call order desk	FITTING-STREET ELBOW / FEMALE	1	1		P
32	504585	SPRING CLIP 3/4"	2	2		
34	Call order desk	BASE-PUMP ENCLOSURE	1	1		P
35	Call order desk	DOOR-PUMP ENCLOSURE	1	1		P
36	Call order desk	PLATE REINFORCEMENT-PUMP ENCLOSURE	2	2		P
37	Call order desk	HINGE SS 2.50x2.00	6	6		P
38	Call order desk	LATCH / DRAW-FLEXIBLE-HANDLE	2	2		P
39	504431	RIVET POP DOME OE 1/8x3/8 AL	8	8		
40	Call order desk	STRAIN RELIEF / STRE THRU LIQ TIGHT	3	3		P
41	504247	RIVET POP DOME OE 5/32x3/8 AL	2	2		
42	863086	FITTING, BUN, 1/4J, 2.08L	1	1		
43	N8886025	WASHER LO EXT 7/16 SS	1	1		
44	Call order desk	NUT HEX JAM 7/16-20	1	1		P



From 3-4417 To 4-4704	Date:10/2022	PAGE:HF-2380-60
W.C.L. "RICON" - PUMP INSTALLATION MODEL "F9A"		

Item#	Part	Description	H 3 4 1	H 3 4 5	V I P 4 5	N O T E S
45	500837	NUT SPR U 1/4-20 .064-.125	1	1		
46	Call order desk	SCREW CAP BUT HEXS 1/4-20x3/4 SS	1	1		P
47	504120	RIVET POP DOME CLE 3/16x1/2 AL	12	12		
48	Call order desk	HOSE-ASSY / 11"x 1/4JIC x1/4JIC	1	1		P
49	Call order desk	WASHER FL #8	8	8		P
50	Call order desk	SEAL / DOOR-7/16X53/64	AR	AR		P
		P) CALL ORDER DESK FOR SPECIFIC APPLICATION (V.I.N.)				

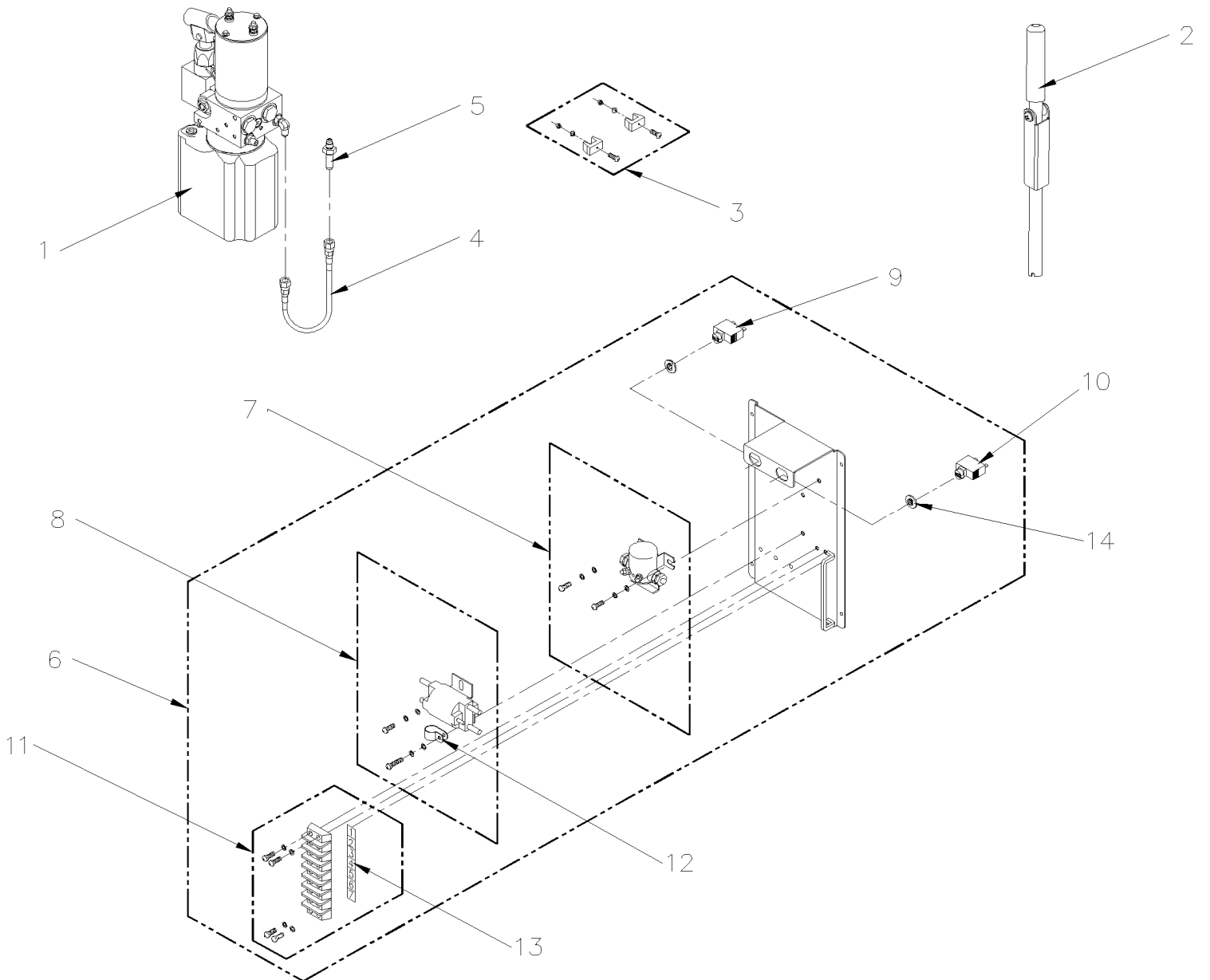


From 4-4705 To 8-1043

Date:10/2022

PAGE:HF-2380-61

W.C.L. "RICON" - PUMP INSTALLATION MODEL "F9T" & "F9TF"





From 4-4705 To 8-1043	Date:10/2022	PAGE:HF-2380-61
W.C.L. "RICON" - PUMP INSTALLATION MODEL "F9T" & "F9TF"		

Item#	Part	Description	H 3 4 1	H 3 4 5	V I P 4 5	N O T E S
1	HF-2380-65	W.C.L. "RICON" - PUMP ASSY				
2	464678	HANDLE-MANUAL BACKUP PUMP	1	1		
3	868251	TOOL CLIP	1	1		
4	863085	HOSE ASSY 13 3/4"	1	1		
5	863086	FITTING, BUN, 1/4J, 2.08L	1	1		
6	863087	KIT, SOLENOID PLATE ASSY, 24VDC	1	1		
7	862100	SOLENOID / SP 24V	1	1		
8	862101	SOLENOID-24V DP LARGE	1	1		
9	862102	CIRCUIT BREAKER / 8AMP	1	1		
10	862103	CIRCUIT BREAKER / 30AMPS	1	1		
11	863088	KIT, TERMINAL STRIP	1	1		
12	863089	CLAMP, NYLON, 3/8" BLACK	1	1		
13	863090	DECAL "TERMINAL STRIP NUMBERS"	1	1		
14	863091	ADAPTOR .625 D-HOLE	1	1		

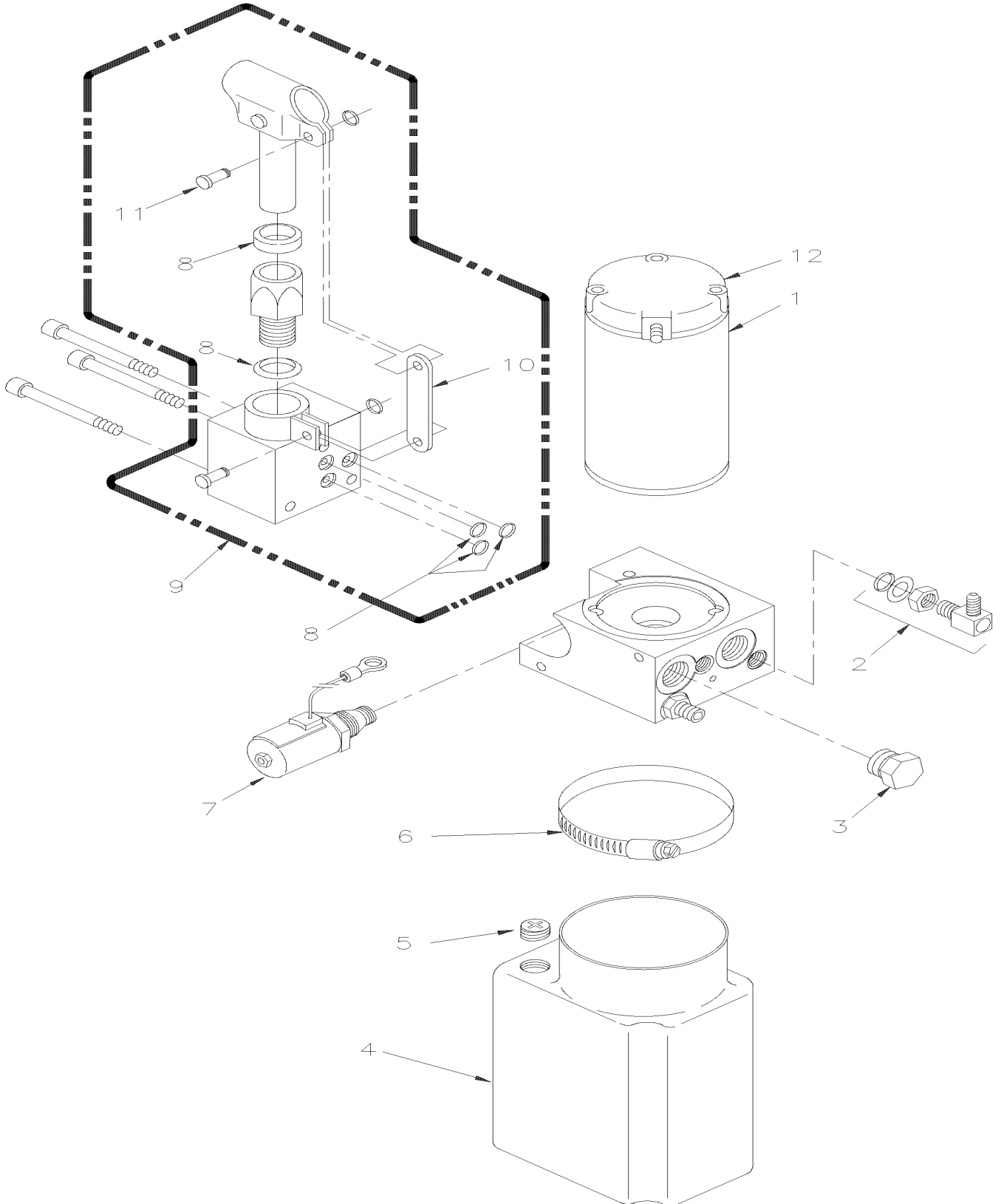


From 3-4417 To 8-1043

Date:10/2022

PAGE:HF-2380-65

W.C.L. "RICON" - PUMP ASSY





From 3-4417 To 8-1043	Date:10/2022	PAGE:HF-2380-65
W.C.L. "RICON" - PUMP ASSY		

Item#	Part	Description	H 3 4 1	H 3 4 5	V I P 4 5	N O T E S
	192298	PUMP ASSY 2.0 KPSI / 24V To 4-4704	1	1		
	863112	PUMP ASSY 2.0 KPSI / 24V From 4-4705 To 5-0178	1	1		
	863112	PUMP ASSY 2.0 KPSI / 24V From 5-0179	1	1		
1	N.S.S.	. MOTOR ASSY. / 24V 3" MONARCCH PUMP	1	1		1
2	868147	. FITTING / "L" 1/4 SAE O-RING BOSS 1/4 JIC	1	1		
3	860122	. PLUG / 3/4-16 CAVITY / W/O-RING	2	2		
4	862105	. RESERVOIR / RICON POWER UNIT / PLASTIC To 4-4704	1	1		
4	863092	. RESERVOIR / RICON POWER UNIT / PLASTIC From 4-4705	1	1		
5	863095	. PLUG, BREATHER, RESERVOIR	1	1		
6	504235	. HOSE CLAMP / 3"9/16"-4"1/2 SS / HS-64	1	1		
7	860153	. KIT DOWN VALVE / W/TERMINALS	1	1		
8	862107	. SEAL KIT / MANUAL BACK-UP PUMP	1	1		
9	863093	. BACK-UP PUMP ASSY, MANUAL W/O HANDLE	1	1		
10	868253	. BRACKET / TENSION LINK / MANARCH PUMP	1	1		
11	868254	. PIN & RETAINING RING-BACKUP PUMP	2	2		
12	862108	. KIT / PUMP MOTOR BRUSH SET	1	1		
NS	685682	OIL HYDRAULIC W.C.L. (19 LITERS)	1	1		
		1) NOT SOLD SEPARATELY				

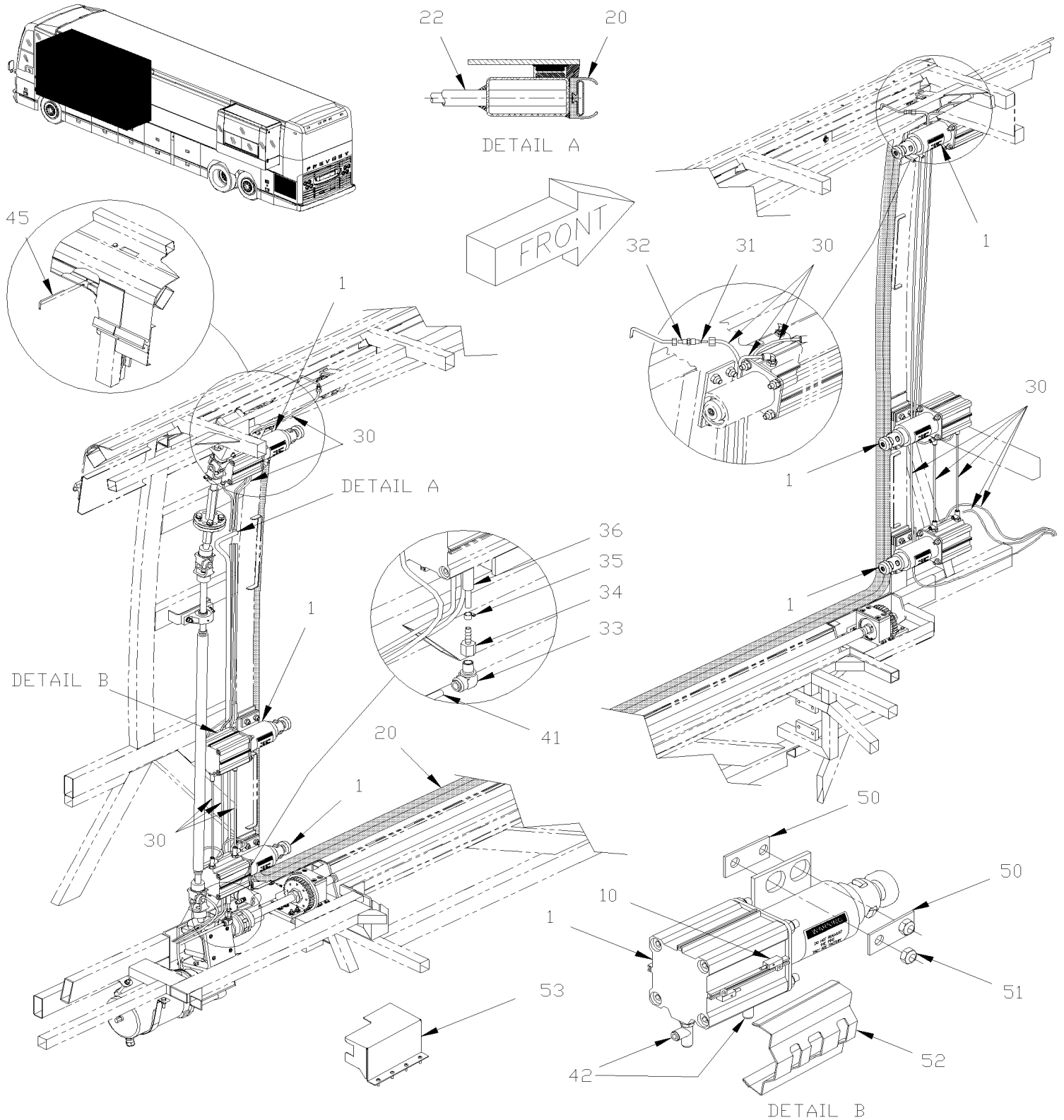


From 3-4417 To 7-0771

Date:10/2022

PAGE:HF-2390-00

"SLIDE-OUT" LOCKING PIN & SEAL



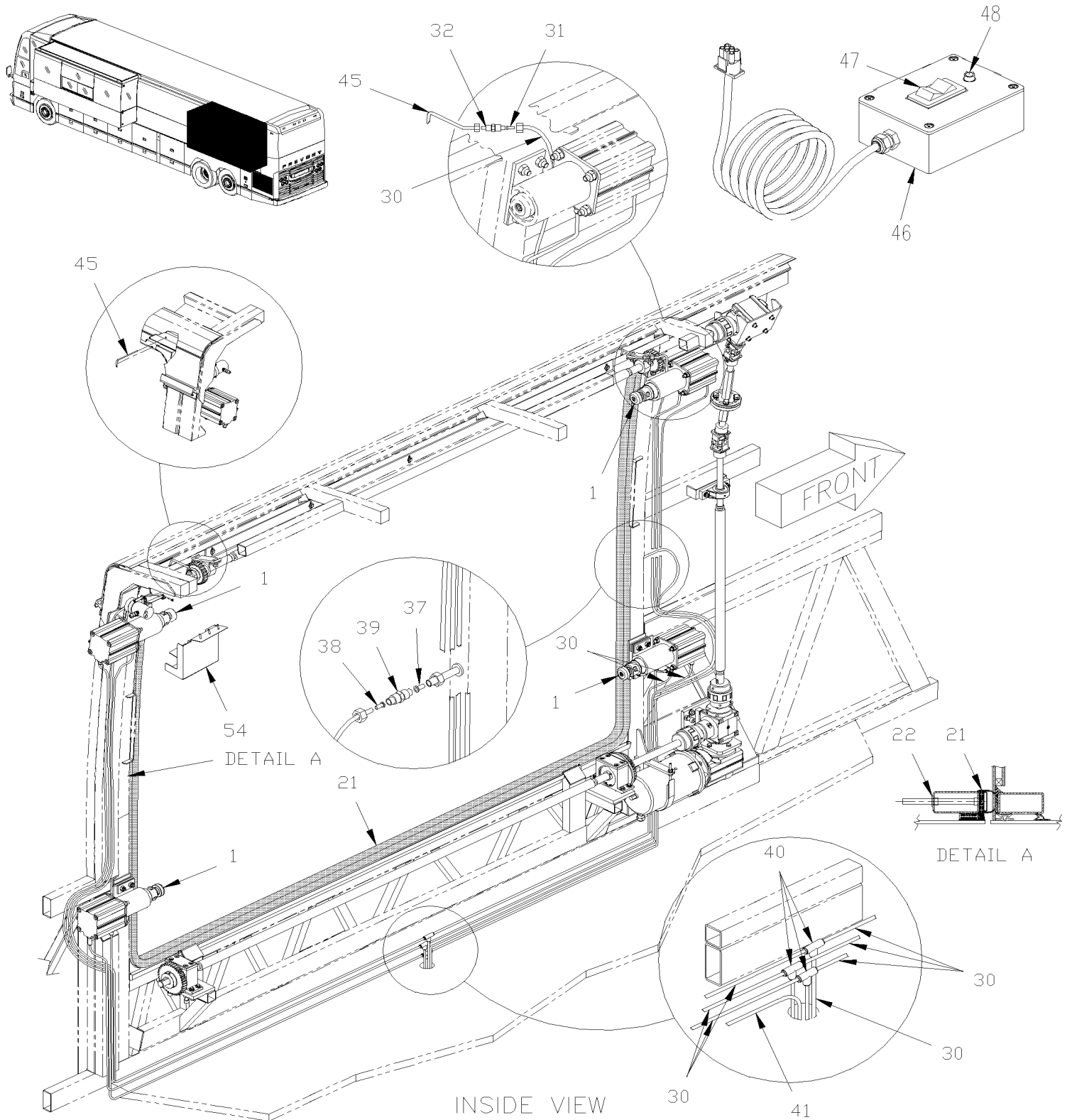


From 3-4417 To 7-0771

Date:10/2022

PAGE:HF-2390-00

"SLIDE-OUT" LOCKING PIN & SEAL





From 3-4417 To 7-0771	Date:10/2022	PAGE:HF-2390-00
"SLIDE-OUT" LOCKING PIN & SEAL		

Item#	Part	Description	H 3 4 1	H 3 4 5	V I P 4 5	N O T E S
1	HF-2390-70	"SLIDE-OUT" - CYLINDER LOCK PIN ASSY				
10	690407	LIMIT SWITCH ASSY W/CONNECTOR To 4-4816			2	
. NS	690342	. LIMIT SWITCH W/WIRE To 4-4816			1	
. NS	690308	. CONNECTOR / MINI UNIVERSAL MATE-N-LOK / SH 4C / AMP 172167-1 To 4-4816			1	
10	065846	LIMIT SWITCH ASSY W/CONNECTOR From 4-4817			2	
10	563345	LIMIT SWITCH W/WIRE From 4-4817			2	
20	690422	SEAL, INFLATABLE FRONT / "VIP" / STREETSIDE 4465MM x 1975MM / 978MM To 4-4816			1	
20	476323	SEAL, INFLATABLE FRONT / "VIP" / STREETSIDE 4465MM x 1975MM / 978MM From 4-4817			1	
20	479427	SEAL INSTALLATION / FRONT / "VIP" / STREETSIDE 4465MM x 1975MM			1	
. NS	471622	. SEAL INFLATABLE / FRONT 4465MM x 1975MM			1	
. NS	471623	. BASE SEAL / FRONT 4465MM x 1975MM			1	
. NS	IS-16080	. SEE INSTRUCTION SHEET			1	
. NS	FI-16080	. VOIR FEUILLE D'INSTRUCTION			1	
21	690229	SEAL, INFLATABLE REAR 2330MM x 1673MM / 763MM To 4-4816			1	
21	476321	SEAL, INFLATABLE REAR 2330MM x 1673MM / 763MM From 4-4817			1	
21	479435	SEAL INSTALLATION / REAR 2330MM x 1673MM			1	
. NS	470960	. SEAL INFLATABLE / REAR 2330MM x 1673MM			1	
. NS	470961	. BASE SEAL / REAR 2330MM x 1673MM			1	
. NS	IS-16080	. SEE INSTRUCTION SHEET			1	
. NS	FI-16080	. VOIR FEUILLE D'INSTRUCTION			1	
22	503540	TUBE, NYLON 5/8 O.D. / BLACK S.L.				AR
NS	682176	SEALANT SIKA #221 / BLACK / 310ml CARTRIDGE				AR
30	503402	TUBE, NYLON 1/4 O.D. / BLACK S.L.				AR
31	690324	INSERT / COMPRESS-ALIGN FITTING / #4x.040 BR To 4-4816			2	
31	642012	INSERT / COMPRESS-ALIGN FITTING / #4x.040 BR From 4-4817			2	
32	690322	UNION REDUCER / COMPRESS-ALIGN FITTING / #4x#3 BR To 4-4816			2	
32	642011	UNION REDUCER / COMPRESS-ALIGN FITTING / #4x#3 BR From 4-4817			2	
33	641372	MALE ELBOW 90° NON-SWIVEL / PUSH-IN FITTING / #6x1/4NPT-M BR			1	
34	N.P.N.	FEMALE ADAPTOR NPT X 1/4 HOSE			1	4
35	504014	HOSE CLAMP / 1/4"-5/8" SS / HM-4			1	
36	N.P.N.	HOSE 1/2			1	4
37	690323	BRASS INSERT TUBE 5/16 I.D.			1	
38	690321	BRASS INSERT TUBE 3/8 I.D.			1	
39	690325	BRASS INSERT TUBE 3/8 I.D.			1	
40	690382	BRANCH TEE UNION PUSH-IN 1/4 TUBE			3	
41	503404	TUBE, NYLON 3/8 O.D. / BLACK S.L.				AR
42	HF-2390-70	"SLIDE-OUT" - CYLINDER LOCK PIN ASSY				
45	690219	TUBE, AIR To 4-4816			2	
45	144635	TUBE, AIR From 4-4817			2	
46	382048	REMOTE CONTROL / SINGLE SLIDE-OUT			1	
. NS	563380	. SWITCH / M/ON-OFF-M/ON S P.D.T BLACK			1	
. NS	564421	. PILOT LIGHT GREEN / LED 24V			1	



From 3-4417 To 7-0771	Date:10/2022	PAGE:HF-2390-00
"SLIDE-OUT" LOCKING PIN & SEAL		

Item#	Part	Description	H 3 4 1	H 3 4 5	V I P 4 5	N O T E S
. NS	382047	. DECAL "REMOTE CONTROL"			1	
NS	382047	. DECAL "REMOTE CONTROL"			1	
47	563380	. SWITCH / M/ON-OFF-M/ON S P.D.T BLACK			1	
48	563379	. PILOT LIGHT GREEN / 28 VOLTS			1	
50	690125	PLATE To 4-4816			AR	
50	144623	PLATE From 4-4817			AR	
NS	144636	SPACER 0.015"			AR	
NS	144637	SPACER 0.031"			AR	
NS	144638	SPACER 0.062"			AR	
NS	144639	SPACER 0.125"			AR	
NS	144640	SPACER 0,187"			AR	
NS	144641	SPACER 0,250"			AR	
51	502617	NUT HEX NYRT M10-1.5 Z050			AR	
53	Call order desk	TRANSDUCER			1	P
54	Call order desk	TRANSDUCER			1	P
		4) NO PARTS NUMBER				
		P) CALL ORDER DESK FOR SPECIFIC APPLICATION (V.I.N.)				

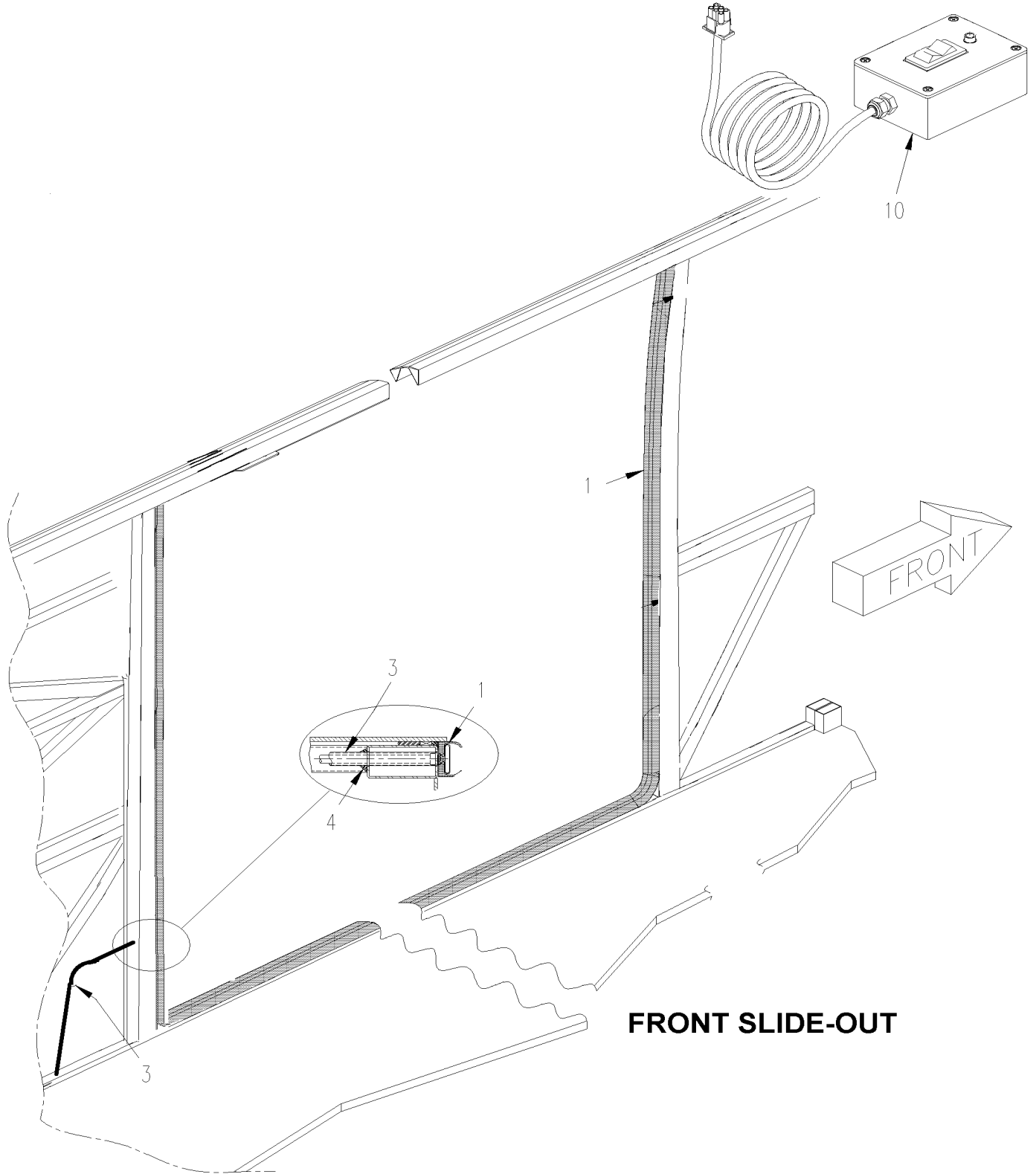


From 7-0772 To 8-1043

Date:10/2022

PAGE:HF-2390-01

"SLIDE-OUT" INFLATED SEAL



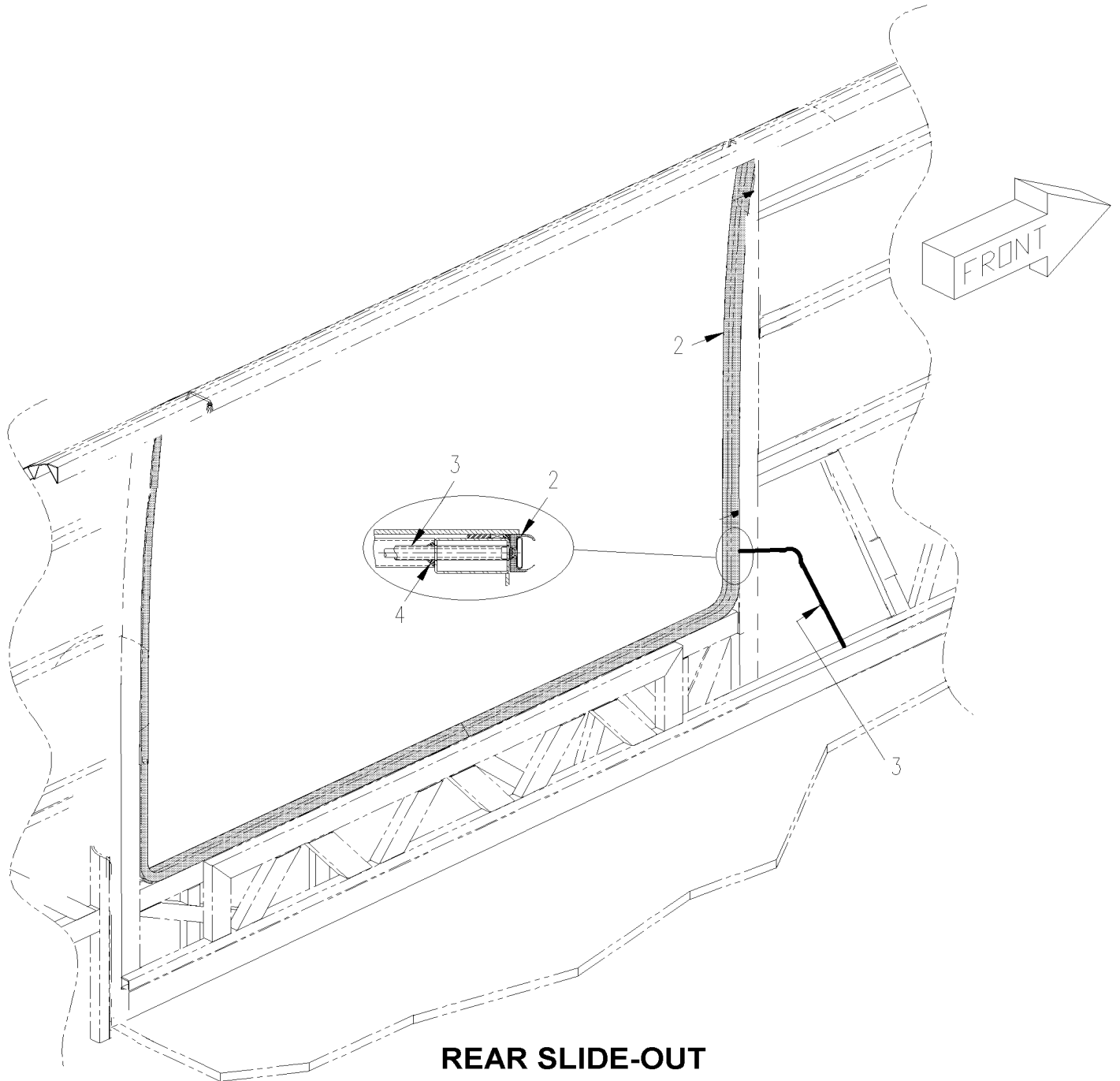


From 7-0772 To 8-1043

Date:10/2022

PAGE:HF-2390-01

"SLIDE-OUT" INFLATED SEAL



REAR SLIDE-OUT



From 7-0772 To 8-1043	Date:10/2022	PAGE:HF-2390-01
-----------------------	--------------	-----------------

"SLIDE-OUT" INFLATED SEAL

Item#	Part	Description	H 3 4 1	H 3 4 5	V I P 4 5	N O T E S
1	476701	SEAL, INFLATABLE ASSY FRONT / "VIP" / W/14' STREET 4464MM x 1971MM / 300MM			1	
1	479742	SEAL INSTALLATION / FRONT / "VIP" / W/14' STREET 4464MM x 1971MM			1	
. NS	470499	. SEAL, BASE FRONT / "VIP" / W/14' STREET 4464MM x 1971MM / 300MM			1	
. NS	470500	. SEAL, INFLATABLE FRONT / "VIP" / W/14' STREET 4464MM x 1971MM / 300MM			1	
. NS	IS-16078	. SEE INSTRUCTION SHEET			1	
. NS	FI-16078	. VOIR FEUILLE D'INSTRUCTION			1	
2	476704	SEAL, INFLATABLE ASSY REAR / "VIP" / W/10' STREET 3347MM x 1673MM / 115MM			1	
2	479740	SEAL INSTALLATION / REAR / "VIP" / W/10' STREET 3347MM x 1673MM			1	
. NS	470586	. SEAL, BASE REAR / "VIP" / W/10' STREET 3347MM x 1673MM / 115MM			1	
. NS	470587	. SEAL, INFLATABLE REAR / "VIP" / W/10' STREET 3347MM x 1673MM / 115MM			1	
. NS	IS-16078	. SEE INSTRUCTION SHEET			1	
. NS	FI-16078	. VOIR FEUILLE D'INSTRUCTION			1	
2	476702	SEAL, INFLATABLE ASSY REAR / "VIP" / W/7' STREET 2331MM x 1673MM / 115MM			1	
2	479739	SEAL INSTALLATION / REAR / "VIP" / W/7' STREET 2331MM x 1673MM			1	
. NS	470592	. SEAL, BASE REAR / "VIP" / W/7' STREET 2231MM x 1673MM / 115MM			1	
. NS	470593	. SEAL, INFLATABLE REAR / "VIP" / W/7' STREET 2231MM x 1673MM / 115MM			1	
. NS	IS-16078	. SEE INSTRUCTION SHEET			1	
NS	478309	SEAL, INFLATABLE ASSY REAR / "VIP" / W/7' CURB 2331MM x 1971MM / 300MM From 7-0994			1	
2	479737	SEAL INSTALLATION / REAR / "VIP" / W/7' CURB 2331MM x 1971MM			1	
. NS	470596	. SEAL, BASE REAR / "VIP" / W/7' CURB 2331MM x 1971MM / 300MM			1	
. NS	470597	. SEAL, INFLATABLE REAR / "VIP" / W/7' CURB 2331MM x 1971MM / 300MM			1	
. NS	IS-16078	. SEE INSTRUCTION SHEET			1	
. NS	FI-16078	. VOIR FEUILLE D'INSTRUCTION			1	
NS	478310	SEAL, INFLATABLE ASSY REAR / "VIP" / W/10' CURB 3347MM x 1971MM / 300MM From 7-0994			1	
2	479738	SEAL INSTALLATION / REAR / "VIP" / W/10' CURB 3347MM x 1971MM			1	
. NS	470594	. SEAL, BASE REAR / "VIP" / W/10' CURB 3347MM x 1971MM / 300MM			1	
. NS	470595	. SEAL, INFLATABLE REAR / "VIP" / W/10' CURB 3347MM x 1971MM / 300MM			1	
. NS	IS-16078	. SEE INSTRUCTION SHEET			1	
. NS	FI-16078	. VOIR FEUILLE D'INSTRUCTION			1	
3	503541	TUBE, NYLON 3/4" O.D. / BLACK S.L			AR	
NS	504715	HOSE CLAMP / 7/32"-5/8" SS			1	
NS	642010	FEMALE CONNECTOR / HOSE BARB FITTING / #4x1/4NPT-F BR			1	
NS	641331	MALE CONNECTOR / PUSH-IN FITTING / #6x1/4NPT-M BR			1	
NS	509815	TIE MOUNT / ATTACHMENT W/TREE MOUNT			AR	
NS	562679	4 WAY ADH. BACKED MOUNTS 1.000 x 1.000 x .160			AR	
NS	504637	CABLE TIE / 3/16" x 13"			AR	
3	504720	GROMMET / 2.375x3.000x.250x.437x3.250			AR	
4	684517	ADHESIVE SIMSON #ISR 70-03 / GREY / 310ml CARTRIDGE			AR	
10	382048	REMOTE CONTROL / SINGLE SLIDE-OUT			1	
. NS	563380	. SWITCH / M/ON-OFF-M/ON S P.D.T BLACK			1	
. NS	564421	. PILOT LIGHT GREEN / LED 24V			1	
. NS	382047	. DECAL "REMOTE CONTROL"			1	



From 7-0772 To 8-1043		Date:10/2022	PAGE:HF-2390-01
-----------------------	--	--------------	-----------------

"SLIDE-OUT" INFLATED SEAL

Item#	Part	Description	H 3 4 1	H 3 4 5	V I P 4 5	N O T E S

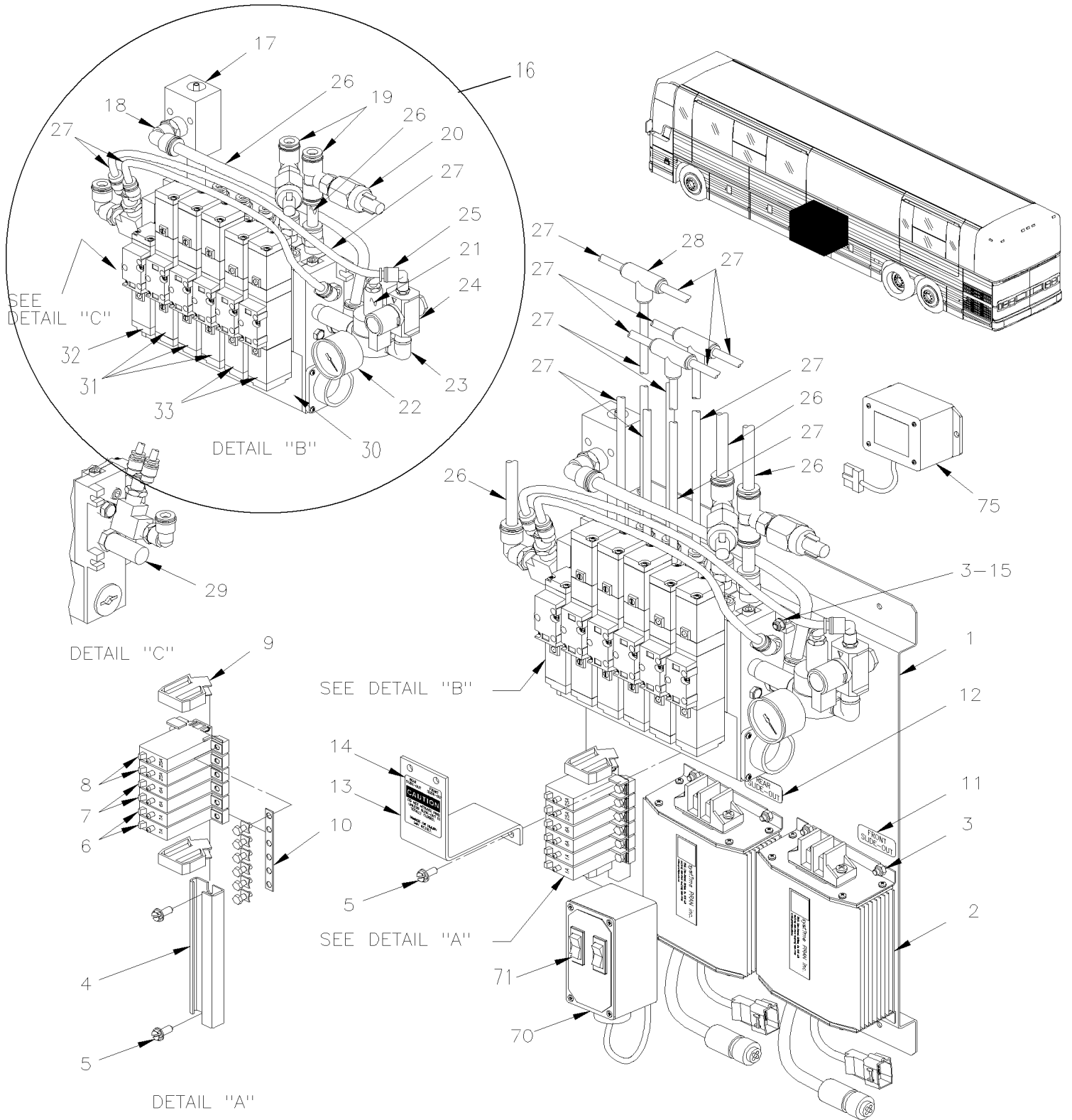


From 3-4417 To 7-0771

Date:10/2022

PAGE:HF-2390-10

"SLIDE-OUT" AIR CONTROL PANEL



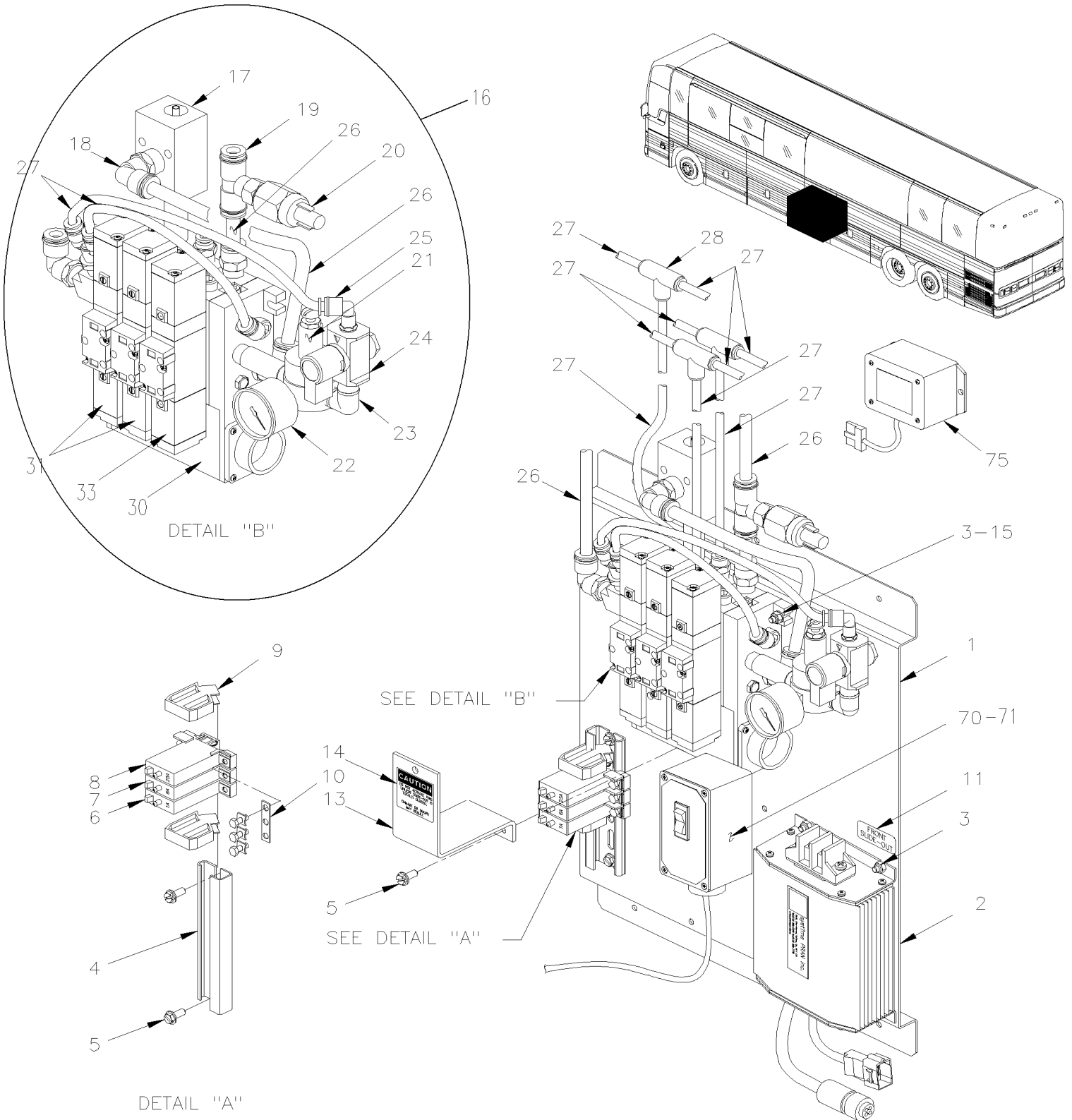


From 3-4417 To 7-0771

Date:10/2022

PAGE:HF-2390-10

"SLIDE-OUT" AIR CONTROL PANEL



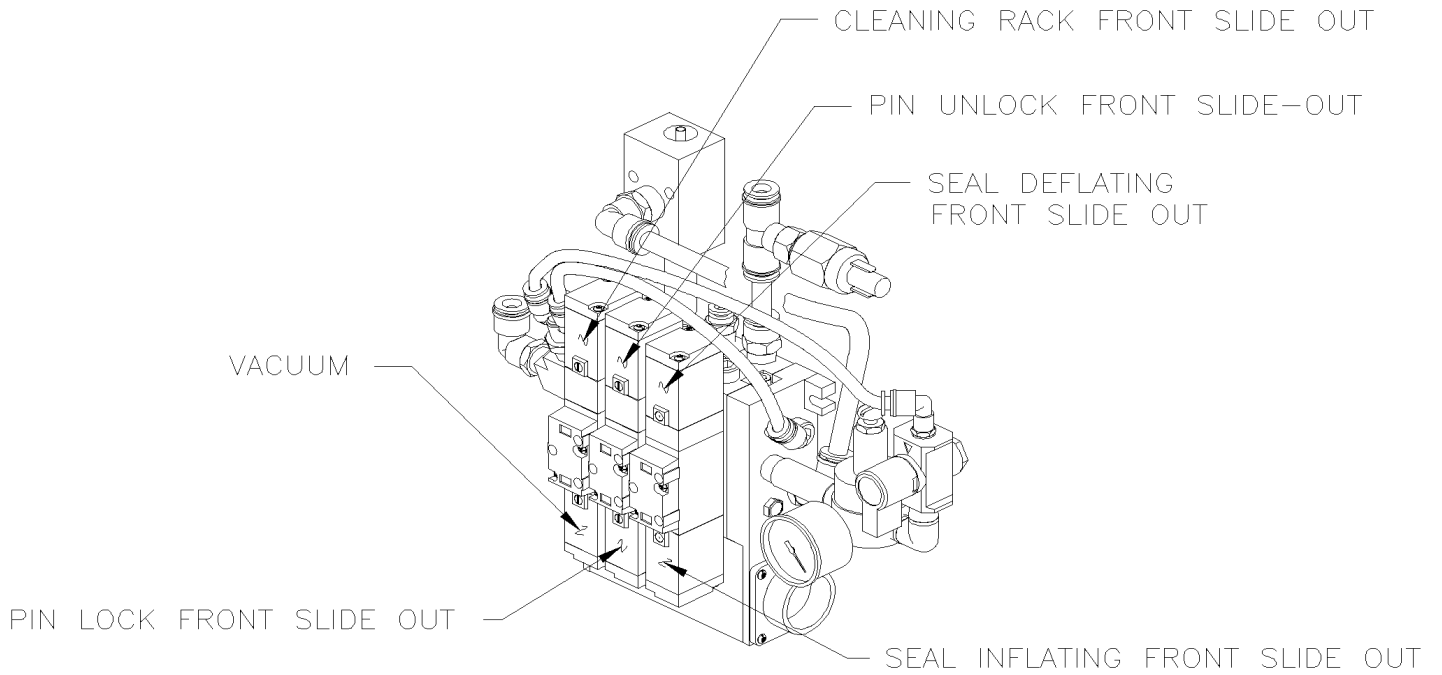


From 3-4417 To 7-0771

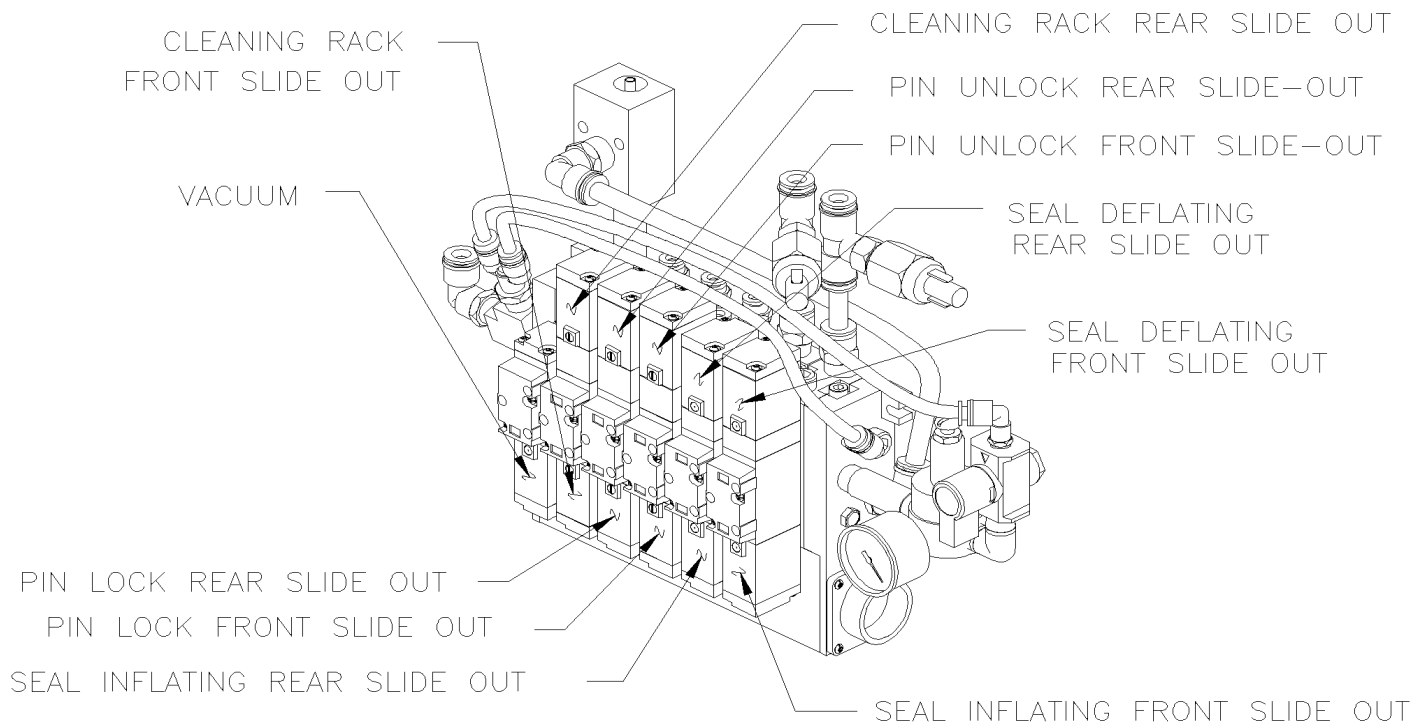
Date:10/2022

PAGE:HF-2390-10

"SLIDE-OUT" AIR CONTROL PANEL



WITH FRONT SLIDE OUT ONLY



WITH FRONT & REAR SLIDE OUT

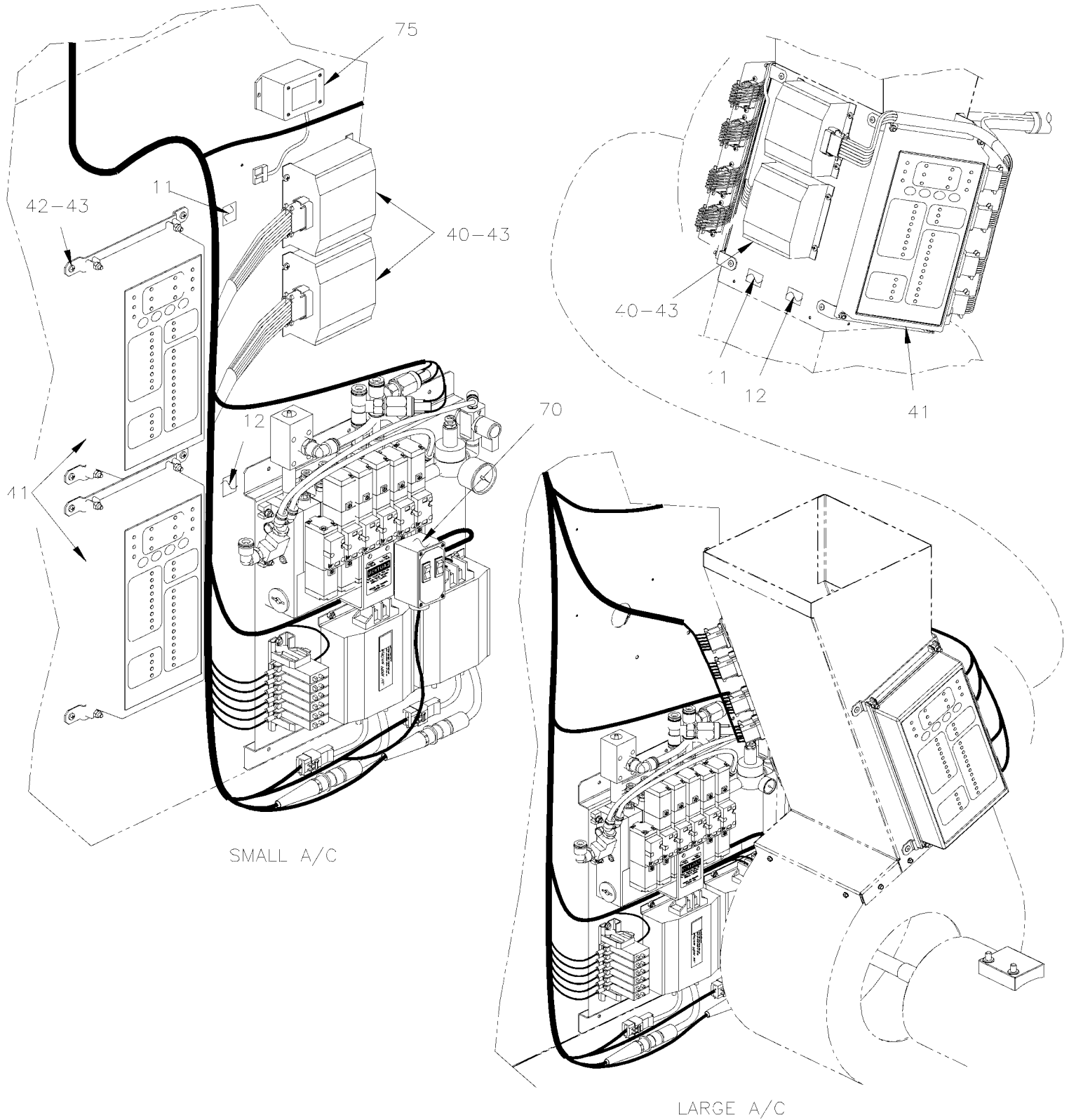


From 3-4417 To 7-0771

Date:10/2022

PAGE:HF-2390-10

"SLIDE-OUT" AIR CONTROL PANEL





From 3-4417 To 7-0771	Date:10/2022	PAGE:HF-2390-10
"SLIDE-OUT" AIR CONTROL PANEL		

Item#	Part	Description	H 3 4 1	H 3 4 5	V I P 4 5	N O T E S
1	065903	SUPPORT / DRIVE CONTROL MODULE W/DOUBLE SLIDE-OUT			1	
1	065904	SUPPORT / DRIVE CONTROL MODULE W/SINGLE SLIDE-OUT			1	
2	563318	MODULE MOTOR DRIVE ASM 24V			1	F
2	563319	MODULE MOTOR DRIVE ASM 24V			1	R
3	502783	SCREW TP CAP HEXW #6x3/8 ZP To 4-4907			12	
3	502841	NUT HEX NYRT M5-0.8 N500 From 4-4908			12	
4	690063	RAIL SUPPORT / 100MM To 4-4907			1	
4	381203	RAIL SUPPORT / 100MM From 4-4908			1	
5	690275	SCR TP HEXW SLT ZP #12-16 X 1/2 LG. To 4-4907			4	
5	502868	SCREW TC TR PH #10-16x1/2 N500 From 4-4908			4	
6	690356	BREAKER 1AMP / 24V / To 4-4907			2	
6	563382	BREAKER 1AMP / 24V / From 4-4908			2	
7	561790	BREAKER 6AMPS / 24V /			2	
8	561795	BREAKER 25AMPS / 24V /			1	
9	690357	STOPPER To 4-4907			1	
9	561729	STOPPER From 4-4908			1	
10	381817	BUS BAR / W/6 HOLES 77MM			1	
11	690096	DECAL "FRONT SLIDE OUT" To 4-4907			1	
11	065921	DECAL "FRONT SLIDE OUT" From 4-4908			1	
12	690097	DECAL "REAR SLIDE OUT" STICKER To 4-4907			1	
12	065922	DECAL "REAR SLIDE OUT" STICKER From 4-4908			1	
13	144819	PROTECTOR VALVE / W/DOUBLE "SLIDE-OUT" To 4-4907			1	
13	142345	PROTECTOR VALVE / W/DOUBLE "SLIDE-OUT" From 4-4908			1	
13	144825	PROTECTOR VALVE / W/SINGLE "SLIDE-OUT" To 4-4907			1	
13	142346	PROTECTOR VALVE / W/SINGLE "SLIDE-OUT" From 4-4908			1	
14	144823	DECAL "DO NOT ACTIVE...." / W/DOUBLE "SLIDE-OUT"			1	
14	144824	DECAL "DO NOT ACTIVE...." / W/SINGLE "SLIDE-OUT"			1	
15	N.P.N.	FLAT WASHER M5 ZP			4	4
16	144820	BLOCK VALVE ASSY COMPLET / W/DOUBLE "SLIDE-OUT" To 4-4907			1	
16	142371	BLOCK VALVE ASSY COMPLET / W/DOUBLE "SLIDE-OUT" From 4-4908			1	
16	144821	BLOCK VALVE ASSY COMPLET / W/SINGLE "SLIDE-OUT" To 4-4907			1	
16	142372	BLOCK VALVE ASSY COMPLET / W/SINGLE "SLIDE-OUT" From 4-4908			1	
17	690344	. VACUUM GENERATORS			1	
18	641375	. MALE ELBOW 90° NON-SWIVEL / PUSH-IN FITTING / #6x3/8NPT-M BR			1	
19	642002	. FEMALE BRANCH TEE / PUSH-IN FITTING / #6X#6X1/4NPT-F PLAS			1	
20	690361	. VACUUM SWITCH 16" HG To 4-4907			1	
20	690423	. VACUUM SWITCH 1" HG / W/2 WIRES From 4-4908			1	
20	690411	. PRESSURE SWITCH To 5-0067			AR	H
21	690380	. PRESSURE REGULATOR			1	
22	690379	. PRESSURE GAUGE 1/8 NPT			1	
23	641999	. MALE ELBOW 90° / PIPE FITTING / 3/8NPT-Mx3/8NPT-M BR			1	
24	690351	. PORT RELIEVING SHUT-OFF VALVE			1	



From 3-4417 To 7-0771	Date:10/2022	PAGE:HF-2390-10
"SLIDE-OUT" AIR CONTROL PANEL		

Item#	Part	Description	H 3 4 1	H 3 4 5	V I P 4 5	N O T E S
25	641371	. MALE ELBOW 90° NON-SWIVEL / PUSH-IN FITTING / #4x1/4NPT-M BR			1	
26	503404	. TUBE, NYLON 3/8 O.D. / BLACK S.L.			AR	
27	503402	. TUBE, NYLON 1/4 O.D. / BLACK S.L.			AR	
28	690382	. BRANCH TEE UNION PUSH-IN 1/4 TUBE			6	
29	N17945	. SILENCER / MUFFLER / 1/4NPT-M			1	AS
29	641926	. SILENCER / MUFFLER / 1/4NPT-M			2	
NS	642048	. SILENCER / MUFFLER / 1/8NPT-M			1	
30	642006	. BLOCK VALVE / W/DOUBLE "SLIDE-OUT"			1	
30	642007	. BLOCK VALVE / W/SINGLE "SLIDE-OUT"			1	
30	642055	. . BLOCK VALVE SUB ASSY / W/SINGLE SLIDE OUT			1	S
30	642056	. . BLOCK VALVE SUB ASSY / W/DOUBLE SLIDE OUT			1	D
31	641996	. . . SOLENOID VALVE 5/3 ASSY / W/DOUBLE COIL			AR	
. NS	642059 GASKET VALVE BODY / RECTANGULAR			1	
32	641997	. . . SOLENOID VALVE 5/2 ASSY / W/SIMPLE COIL 2			1	
. NS	642059 GASKET VALVE BODY / RECTANGULAR			1	
33	641995	. . . SOLENOID VALVE 5/2 ASSY / W/DOUBLE COIL 2			AR	
. NS	642059 GASKET VALVE BODY / RECTANGULAR			1	
40	563222	SAFETY MODULE PR-4101			2	
41	563261	MODULE CONTROLER SLIDE-OUT / "PRAN" To 4-4907			2	
41	062328	FRONT SLIDE-OUT MODULE REPLACEMENT KIT To 4-4907			1	A
41	062381	REAR SLIDE-OUT MODULE REPLACEMENT KIT To 4-4907			1	A
41	563430	MODULE CONTROLER SLIDE-OUT / "PRAN" From 4-4908			2	
41	060481	SLIDE-OUT MODULE REPLACEMENT KIT From 4-4908			2	A
41	7770121	DIAGNOSTIC TOOL			1	
42	065908	SUPPORT / PRAN MODULE			2	
43	500854	SCREW TC BDG PH #8-32x3/4 N500			AR	
70	382091	REMOTE CONTROL / DOUBLE SLIDE-OUT From 4-4908			1	
71	563547	. SWITCH / M/ON-OFF-M/ON D P.D.T WHITE From 4-4908			2	
NS	066171	. DECAL From 4-4908			1	
75	563540	REGULATOR VOLTAGE / PRAN From 4-4908			1	
		A) SERVICE ONLY				
		AS) AS SHOWN				
		D) INCLUDE ITEM # 31 QTY 3 , ITEM # 32 QTY 1 & ITEM # 33 QTY 2				
		F) USE WITH FRONT "SLIDE-OUT" ONLY				
		H) USE ONLY WITH "HIGH" ALTITUDE OPERATIONAL				
		R) USE WITH REAR "SLIDE-OUT" ONLY				
		S) INCLUDE ITEM # 31 QTY 2 & ITEM # 33 QTY 1				
		4) NO PARTS NUMBER				

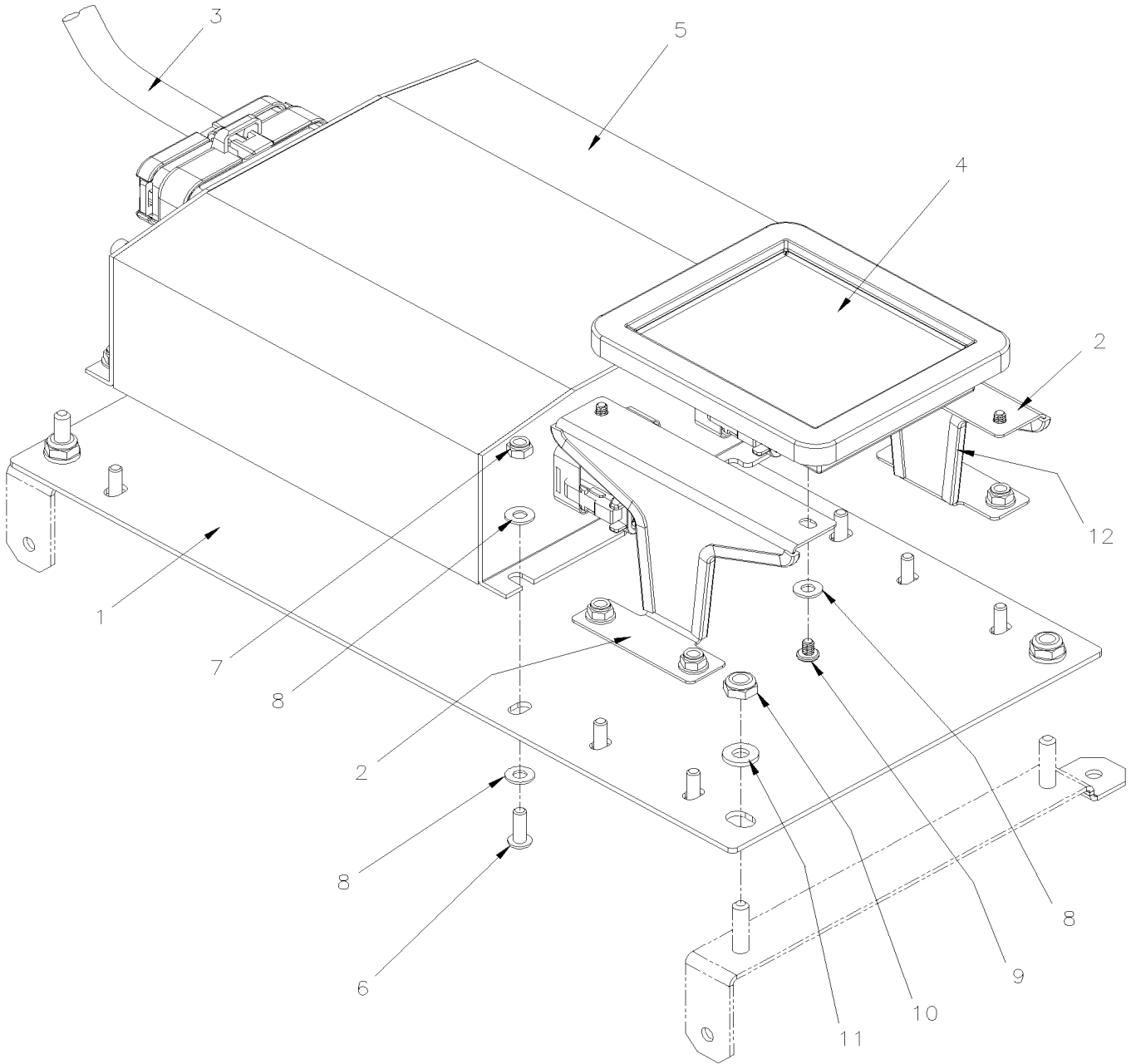


To 4-4907

Date:10/2022

PAGE:062328

FRONT SLIDE-OUT MODULE REPLACEMENT KIT





To 4-4907	Date:10/2022	PAGE:062328
FRONT SLIDE-OUT MODULE REPLACEMENT KIT		

Item#	Part	Description	H 3 4 1	H 3 4 5	V I P 4 5	N O T E S
1	060575	BASE	1	1	1	
2	060579	KEYBOARD SUPPORT	2	2	2	
3	560555	WIRING FOR SLIDE OUT MODULE / GEN 2	1	1	1	
4	560556	KEYBOARD FRONT SLIDE-OUT MODULE / GEN 2	1	1	1	
5	560557	MODULE SLIDE-OUT / GEN 2	1	1	1	
NS	560558	WIRE INTERFACE PRAN J1939	1	1	1	
6	5001996	SCREW MA PAN PH M4-0.7x12 N500	8	8	8	
7	500539	NUT HEX NYRT M4-0.7 N500	8	8	8	
8	502556	WASHER FL 4.3x9.0x0.8 SS	20	20	20	
9	5000355	SCREW MA PAN PH #6-32x3/16 SS	4	4	4	
10	502841	NUT HEX NYRT M5-0.8 N500	4	4	4	
11	5001137	WASHER FL .203x.438x.050 SS	4	4	4	
12	5060120	GROMMET EDGING ADHESIVE .036-.062	AR	AR	AR	

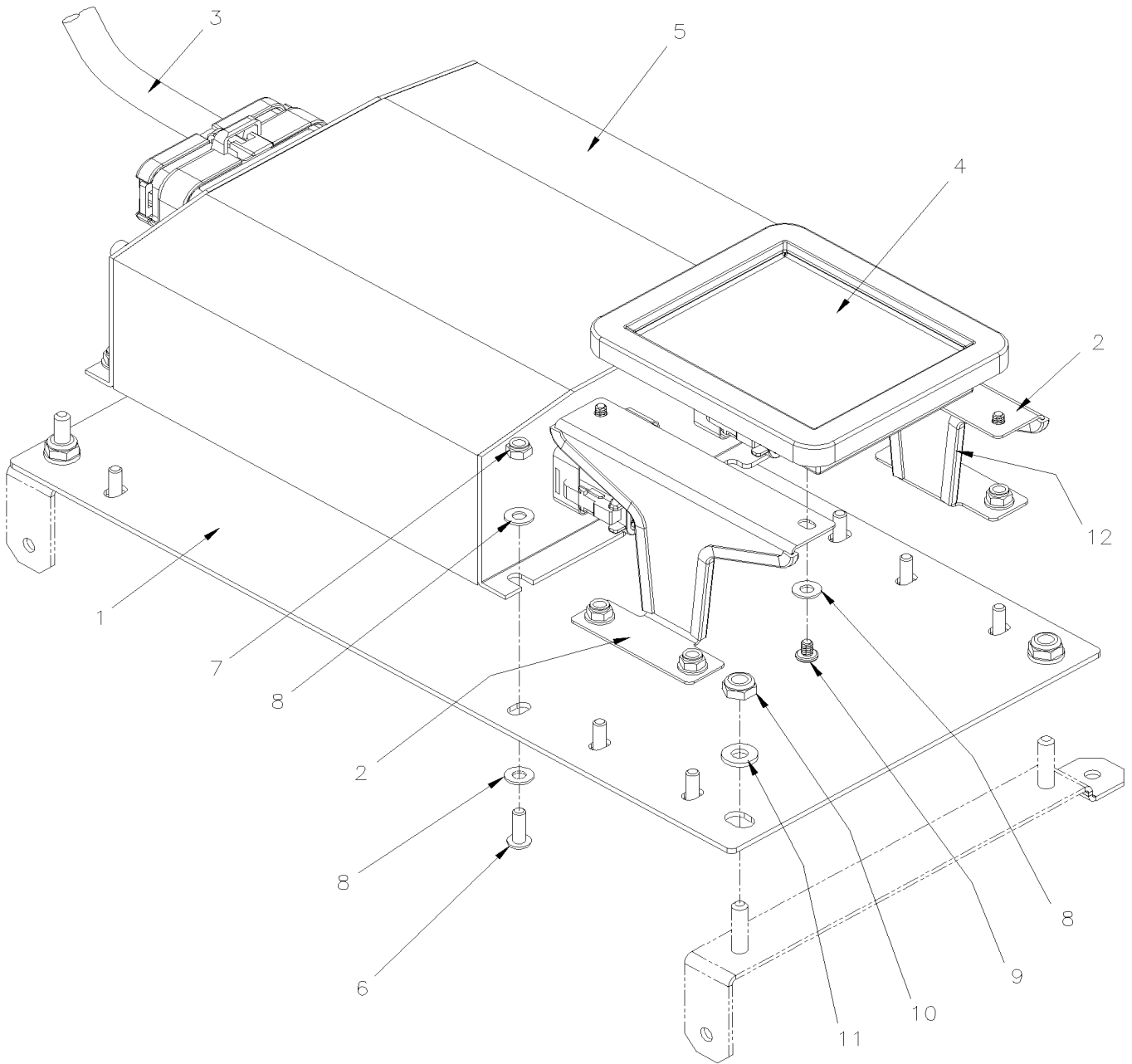


To 4-4907

Date:10/2022

PAGE:062381

REAR SLIDE-OUT MODULE REPLACEMENT KIT





To 4-4907	Date:10/2022	PAGE:062381
-----------	--------------	-------------

REAR SLIDE-OUT MODULE REPLACEMENT KIT

Item#	Part	Description	H 3 4 1	H 3 4 5	V I P 4 5	N O T E S
1	060575	BASE	1	1	1	
2	060579	KEYBOARD SUPPORT	2	2	2	
3	560555	WIRING FOR SLIDE OUT MODULE / GEN 2	1	1	1	
4	560559	KEYBOARD REAR SLIDE-OUT MODULE / GEN 2	1	1	1	
5	560557	MODULE SLIDE-OUT / GEN 2	1	1	1	
NS	560558	WIRE INTERFACE PRAN J1939	1	1	1	
6	5001996	SCREW MA PAN PH M4-0.7x12 N500	8	8	8	
7	500539	NUT HEX NYRT M4-0.7 N500	8	8	8	
8	502556	WASHER FL 4.3x9.0x0.8 SS	20	20	20	
9	5000355	SCREW MA PAN PH #6-32x3/16 SS	4	4	4	
10	502841	NUT HEX NYRT M5-0.8 N500	4	4	4	
11	5001137	WASHER FL .203x.438x.050 SS	4	4	4	
12	5060120	GROMMET EDGING ADHESIVE .036-.062	AR	AR	AR	

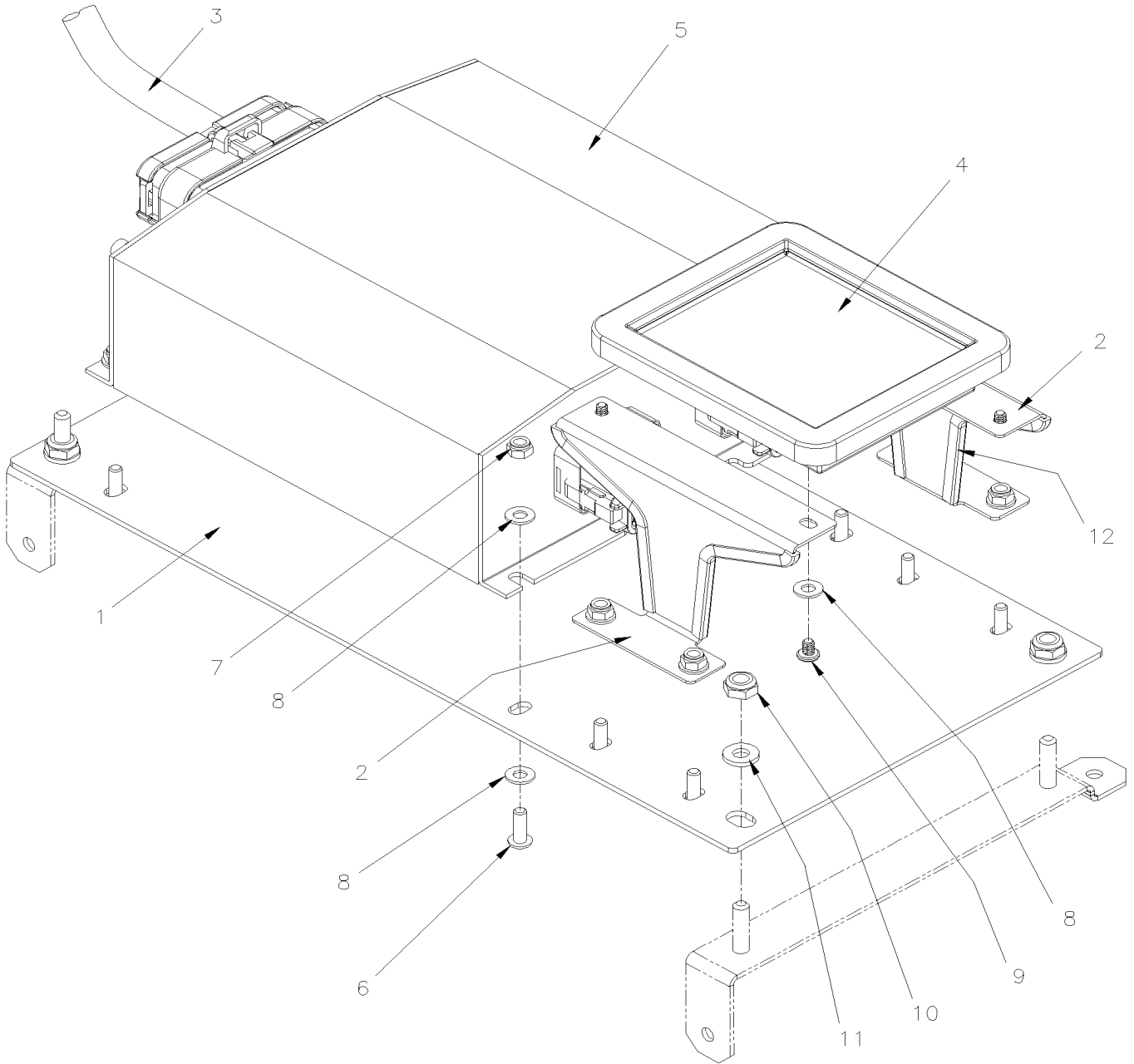


From 4-4908

Date:10/2022

PAGE:060481

SLIDE-OUT MODULE REPLACEMENT KIT





From 4-4908	Date:10/2022	PAGE:060481
SLIDE-OUT MODULE REPLACEMENT KIT		

Item#	Part	Description	H 3 4 1	H 3 4 5	V I P 4 5	N O T E S
1	060575	BASE	1	1	1	
2	060579	KEYBOARD SUPPORT	2	2	2	
3	560351	WIRING FOR SLIDE OUT MODULE	1	1	1	
4	560348	KEYPAD FOR PRAN MODULE	1	1	1	
5	560349	PRAN MODULE	1	1	1	
6	5001996	SCREW MA PAN PH M4-0.7x12 N500	8	8	8	
7	500539	NUT HEX NYRT M4-0.7 N500	8	8	8	
8	502556	WASHER FL 4.3x9.0x0.8 SS	20	20	20	
9	5000355	SCREW MA PAN PH #6-32x3/16 SS	4	4	4	
10	502841	NUT HEX NYRT M5-0.8 N500	4	4	4	
11	5001137	WASHER FL .203x.438x.050 SS	4	4	4	
12	5060120	GROMMET EDGING ADHESIVE .036-.062	AR	AR	AR	
13	IS-16103	SEE INSTRUCTION SHEET	1	1	1	

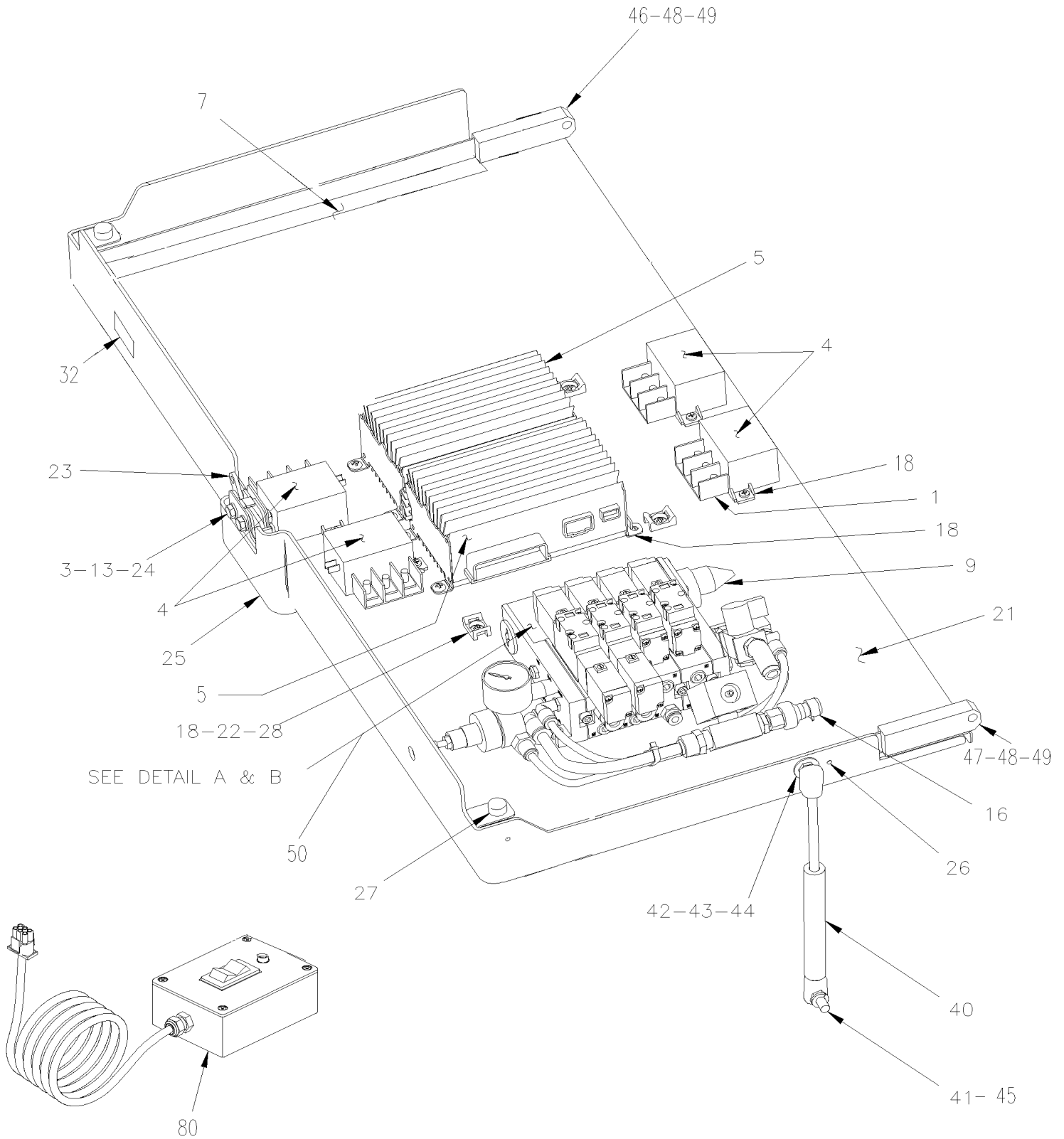


From 7-0772 To 8-1043

Date:10/2022

PAGE:HF-2390-11

"SLIDE-OUT" AIR CONTROL PANEL - MUX





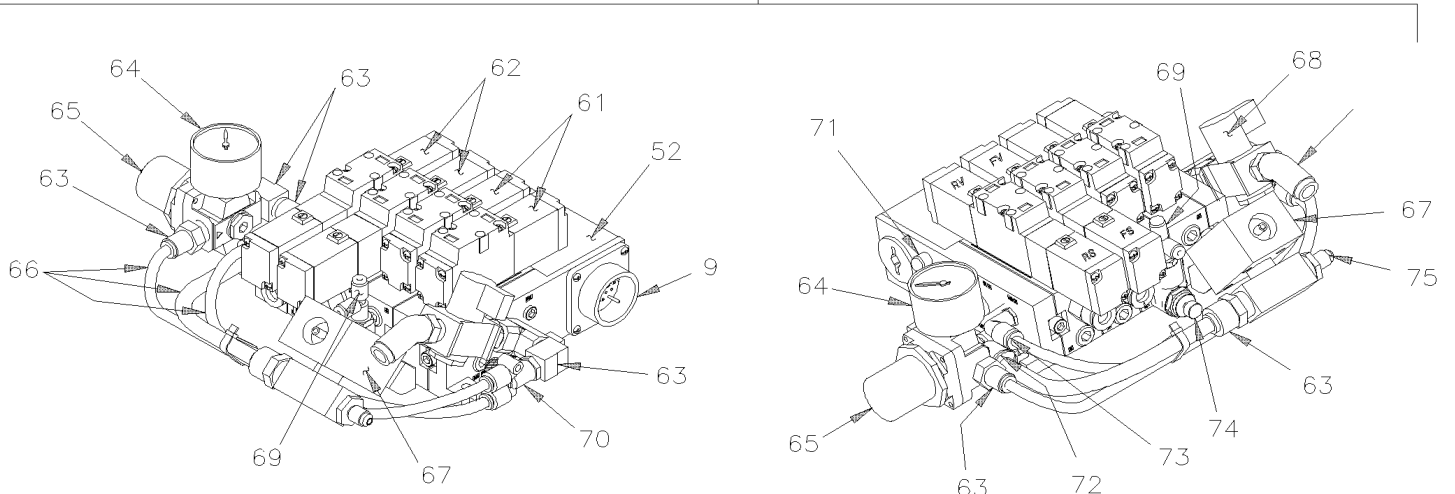
From 7-0772 To 8-1043

Date:10/2022

PAGE:HF-2390-11

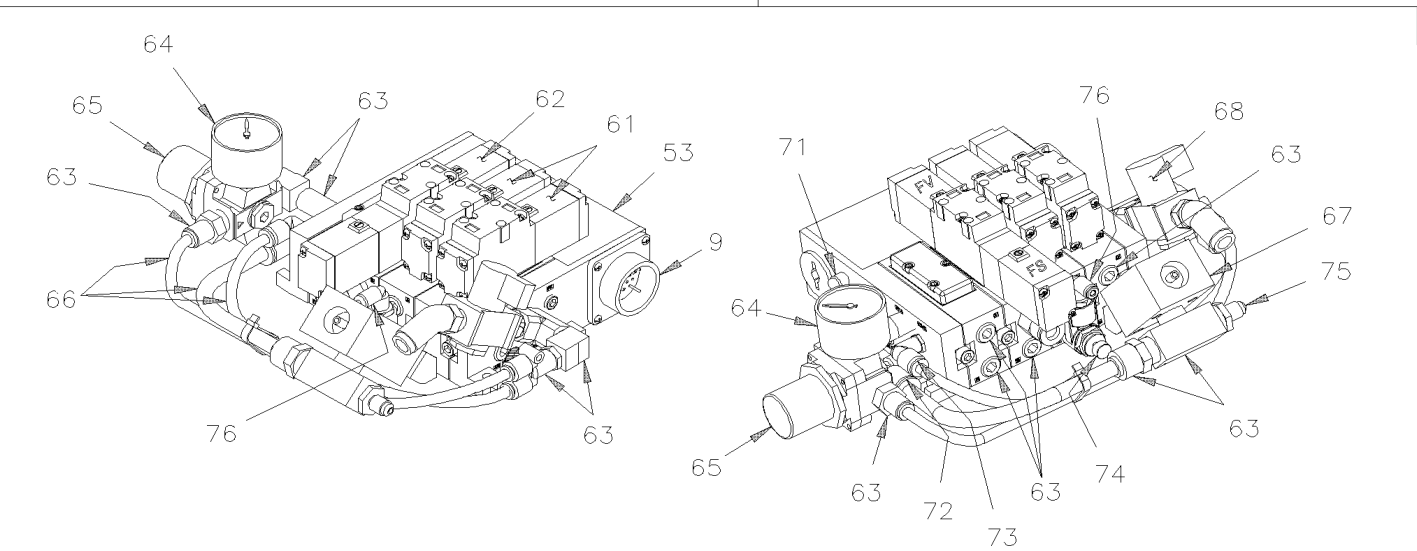
"SLIDE-OUT" AIR CONTROL PANEL - MUX

50



WITH DOOBLE SLIDE-OUT

51



WITH SINGLE SLIDE-OUT



From 7-0772 To 8-1043	Date:10/2022	PAGE:HF-2390-11
"SLIDE-OUT" AIR CONTROL PANEL - MUX		

Item#	Part	Description	H 3 4 1	H 3 4 5	V I P 4 5	N O T E S
1	5001182	NUT HEX NYRT M6-1.0 SS			6	
3	500440	WASHER FL .250x.562x.065 Z050			2	
4	563445	RELAY POWER 24V 130 AMPS / S.P.D.T. N.O.			4	
5	563273	I/O B-MODULE VOLVO MULTIPLEX / ALUMINUM To 7-0791			AR	
. NS	563132	. CONNECTOR / SH 2C / YAZAKI 7283-6458-40 To 7-0791			1	
. NS	563133	. CONNECTOR / JUNIOR POWER TIMER / SH 29C / AMP 1-963449-2 To 7-0791			1	
. NS	562957	. CONNECTOR / SH 5C / GREEN / JAE IL-AG5-5S-S3C1 To 7-0791			1	
5	565865	I/O B-MODULE VOLVO MULTIPLEX / ALUMINUM From 7-0792			AR	
. NS	563132	. CONNECTOR / SH 2C / YAZAKI 7283-6458-40 From 7-0792			1	
. NS	563133	. CONNECTOR / JUNIOR POWER TIMER / SH 29C / AMP 1-963449-2 From 7-0792			1	
. NS	562957	. CONNECTOR / SH 5C / GREEN / JAE IL-AG5-5S-S3C1 From 7-0792			1	
7	066928	ANGLE HOLDING SUPPORT (OPEN)			1	
9	066793	WIRING HARNESS SLIDE-OUT FRONT LEFT			1	
9	067147	WIRING HARNESS SLIDE-OUT FRONT LEFT From 7-0944 To 7-0944			1	
9	066794	WIRING HARNESS SLIDE-OUT REAR LEFT			1	
9	067123	WIRING HARNESS SLIDE-OUT REAR RIGHT From 7-0944 To 7-0944			1	
13	502819	NUT HEX JAM 1/4-20 Z050			2	
15	500658	SCREW TC PAN PH #10-24x3/4 Z050			4	
16	563459	TRANSDUSER -14.7 to 100LBS / 1/8 NPT-F			1	
. NS	563159	. CONNECTOR / METRI-PACK 150 / SH 3C / PED 12065287			1	
17	500841	SCREW TP PAN PH #14x3/4 Z050			4	
18	502868	SCREW TC TR PH #10-16x1/2 N500			AR	
20	500638	SCREW TP PAN PH #8x1/2 Z050			1	
21	066632	PANEL MOUNTING / W/DOUBLE "SLIDE-OUT"			1	
21	067156	PANEL MOUNTING / W/TRIPLE "SLIDE-OUT" From 7-0944 To 7-0944			1	
22	504013	TIE MOUNT / 1/4" X 1/4" I.D.			AR	
23	780778	LOCK L.H.			1	
24	500163	SCREW CAP HEX 1/4-20x3/4 G5 Z050			1	
25	066380	COVER PLASTIC			1	
26	504105	RIVET POP DOME OE 1/8x3/16 AL			6	
27	504334	BUMPER RUBBER / .625 OD x .406 TH x .156 HOLE			1	
NS	500576	SCREW TC PAN PH #6-32x1/2 Z050			2	
28	504637	CABLE TIE / 3/16" x 13"			AR	
32	066885	DECAL "JCT BOX SLIDE-OUT "VIP" / W/DOUBLE "SLIDE-OUT"			1	
32	067182	DECAL "JCT BOX SLIDE-OUT "VIP" / W/TRIPLE "SLIDE-OUT" From 7-0944 To 7-0944			1	
40	980029	CYLINDER GAZ / 354/219MM C/C / 46LBS			1	
41	980015	BALL STUD / W/10 MM X M8-1.25 / 29.18 MM			1	
42	980027	BALL STUD / W/10 MM X M8-1.25 / 36.5MM			1	
43	500332	WASHER FL .328x.875x.062 N500			1	
44	500868	NUT HEX NYRT M8-1.25 Z050			1	
45	Call order desk	CYLINDER SUPPORT FIXED TO STRUCTURE			1	P
46	066489	HINGE BLOCK L.H. FIXED TO STRUCTURE			1	



From 7-0772 To 8-1043	Date:10/2022	PAGE:HF-2390-11
"SLIDE-OUT" AIR CONTROL PANEL - MUX		

Item#	Part	Description	H 3 4 1	H 3 4 5	V I P 4 5	N O T E S
47	066490	HINGE BLOCK R.H. FIXED TO STRUCTURE			1	
NS	5001634	SCREW SET HEXS CUP M6-1.0X12MM Z050			6	
48	507381	BUSHING W/SHOULDER 1/4" I,D,			2	
49	502180	PIN HITCH CLIP 3/32 x 1/2 Z050			2	
50	144866	CONTROL VALVE ASSY / W/DOUBLE "SLIDE-OUT"			1	
51	144867	CONTROL VALVE ASSY / W/SINGLE "SLIDE-OUT"			1	
51	144881	CONTROL VALVE ASSY / W/TRIPLE "SLIDE-OUT" From 7-0944 To 7-0944			1	
52	642024	. BLOCK VALVE / W/DOUBLE "SLIDE-OUT"			1	D
53	642025	. BLOCK VALVE / W/SINGLE "SLIDE-OUT"			1	S
53	642091	. BLOCK VALVE / W/TRIPLE "SLIDE-OUT" From 7-0944 To 7-0944			1	
61	641995	. . . SOLENOID VALVE 5/2 ASSY / W/DOUBLE COIL 2			1	
. NS	642059	. . . GASKET VALVE BODY / RECTANGULAR			1	
62	641997	. . . SOLENOID VALVE 5/2 ASSY / W/SIMPLE COIL 2			1	
. NS	642059	. . . GASKET VALVE BODY / RECTANGULAR			1	
63	HF-1201-00	. FITTING - MISCELLANEOUS				
64	690379	. PRESSURE GAUGE 1/8 NPT			1	
65	647891	. PRESSURE REGULATOR			1	
66	HF-1202-00	. TUBES PLASTIC / AIR D.O.T.				
67	690344	. VACUUM GENERATORS			1	
67	690424	. VACUUM GENERATORS From 7-0944 To 7-0944			1	
68	690351	. PORT RELIEVING SHUT-OFF VALVE			1	
69	641920	. MALE RUN TEE / PUSH-IN FITTING / #2x#2x1/4NPT-M PLAS			1	
70	642047	. MALE BRANCH "Y" / PUSH-IN FITTING / #4X#4X1/4NPT-M PLAS			1	
71	642048	. SILENCER / MUFFLER / 1/8NPT-M			1	
71	641926	. SILENCER / MUFFLER / 1/4NPT-M			2	
72	642051	. MALE ELBOW 90° / PUSH-IN FITTING / #6x1/4NPT-M PLAS			1	
73	642052	. MALE ELBOW 90° / PUSH-IN FITTING / #2x3/8NPT-M PLAS			1	
74	642050	. AIR REGULATOR			1	
75	642049	. MALE CONNECTOR / PUSH-IN FITTING / #4x3/8NPT-M PLAS			1	
76	642053	. MALE ELBOW 90° / PUSH-IN FITTING / #2x1/4NPT-M PLAS			1	
80	382048	REMOTE CONTROL / SINGLE SLIDE-OUT			AR	
. NS	563380	. SWITCH / M/ON-OFF-M/ON S P.D.T BLACK			1	
. NS	564421	. PILOT LIGHT GREEN / LED 24V			1	
. NS	382047	. DECAL "REMOTE CONTROL"			1	
		D) INCLUDE ITEM # 61 QTY 2 & ITEM # 62 QTY 2				
		S) INCLUDE ITEM # 61 QTY 1 & ITEM # 62 QTY 2				
		P) CALL ORDER DESK FOR SPECIFIC APPLICATION (V.I.N.)				



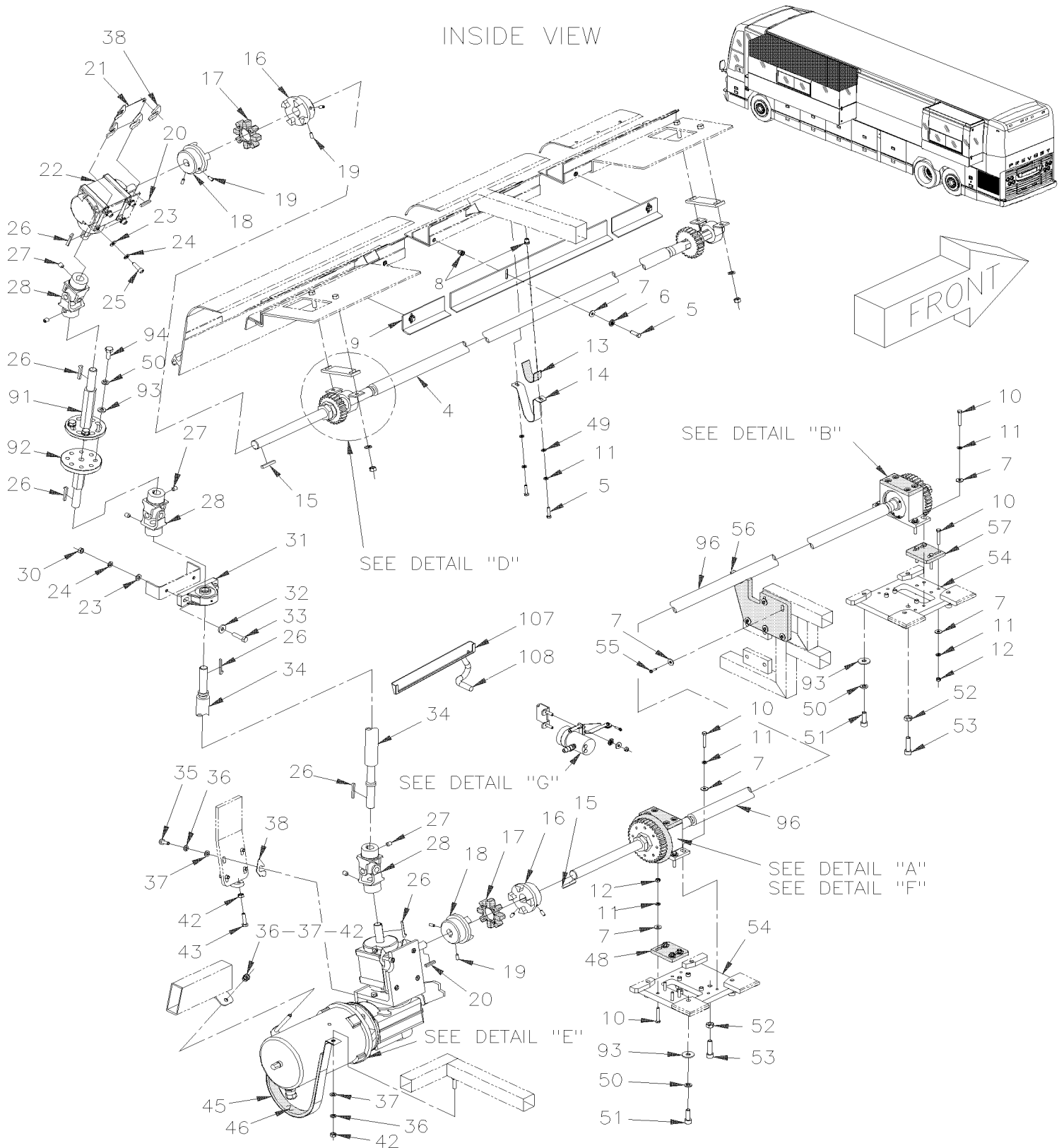
From 3-4417 To 7-0771

Date:10/2022

PAGE:HF-2390-20

"SLIDE-OUT" - FRONT MECHANISM - INSTALLATION

INSIDE VIEW



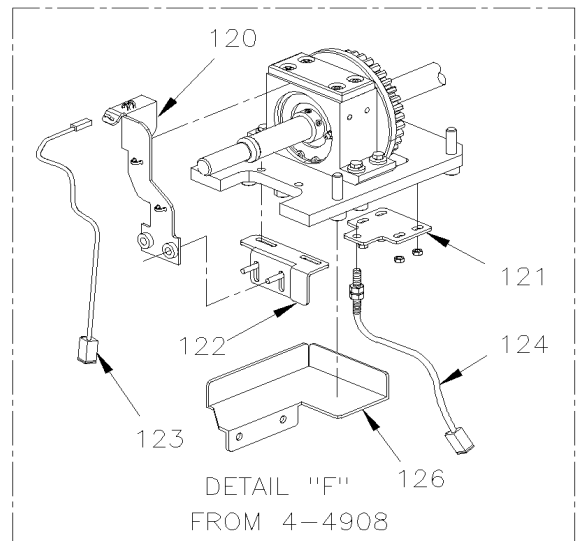
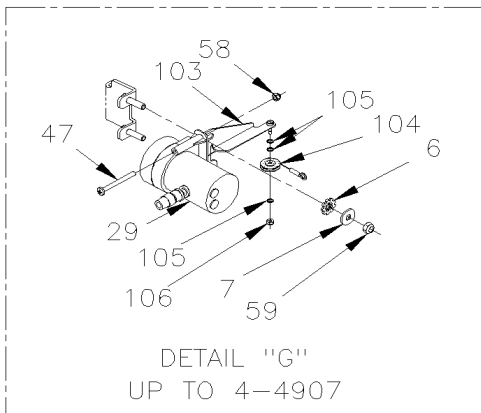
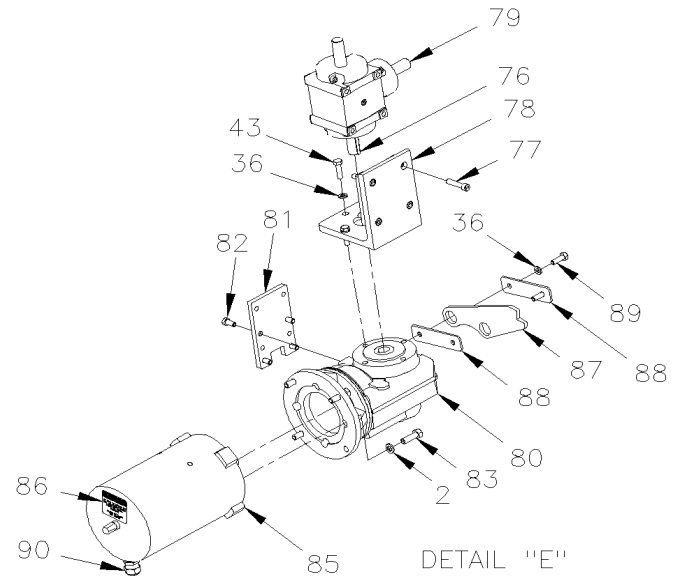
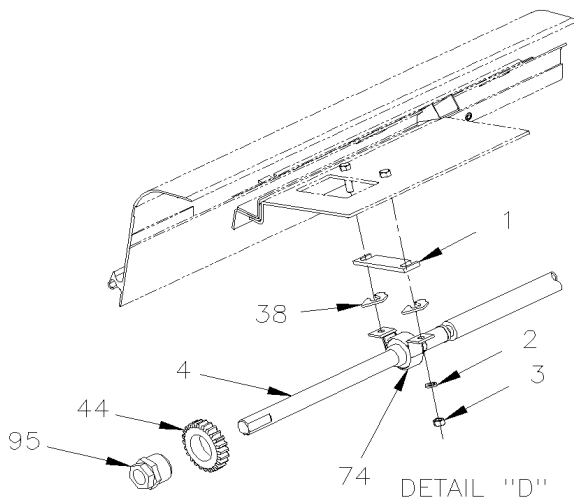
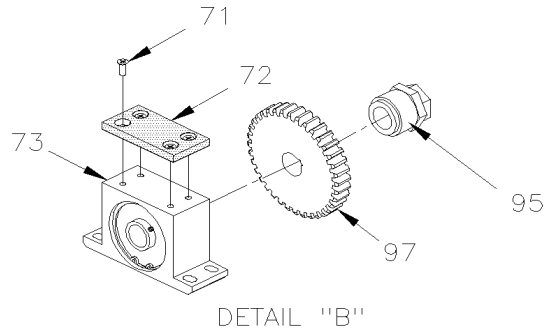
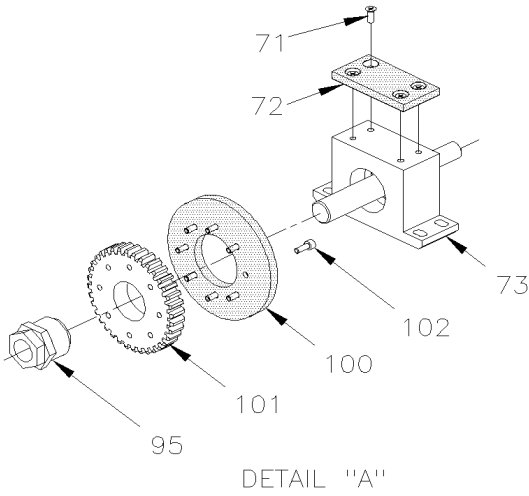


From 3-4417 To 7-0771

Date:10/2022

PAGE:HF-2390-20

"SLIDE-OUT" - FRONT MECHANISM - INSTALLATION



INSIDE VIEW



From 3-4417 To 7-0771	Date:10/2022	PAGE:HF-2390-20
------------------------------	---------------------	------------------------

"SLIDE-OUT" - FRONT MECHANISM - INSTALLATION

Item#	Part	Description	H 3 4 1	H 3 4 5	V I P 4 5	N O T E S
1	690019	SPACER 6.35MM To 4-4847			2	
1	479128	SPACER 6.35MM From 4-4848			2	
2	500478	WASHER LO SPT .380x.683x.094 Z050			8	
3	500783	NUT HEX 3/8-16 Z050			4	
4	476228	UPPER SHAFT			1	
5	5001209	SCREW CAP HEX M6-1.0x25 G8.8 Z050			8	
6	690267	WASHER LO SERR 6.1x16.0x0.9 ZP To 4-4847			8	
6	500356	WASHER LO SERR 6.1x16.0x0.9 N500 From 4-4848			8	
7	690261	WASHER FL 6.4x12.0x1.6 SS To 4-4847			29	
7	502573	WASHER FL 6.4x12.5x1.6 SS From 4-4848			29	
8	690259	NUT INS TYPE "A-L" OE M6-1.0 0.7-4.2 ZP To 4-4847			8	
8	502842	NUT INS TYPE "A-L" OE M6-1.0 0.7-4.2 Z050 From 4-4848			8	
9	476105	UPPER LIMITING KEY			1	
10	502793	SCREW CAP HEX M6-1.0x45 G8.8 Z050 To 4-4907			16	
10	5001209	SCREW CAP HEX M6-1.0x25 G8.8 Z050 From 4-4908			16	
NS	942605	WASHER LO EXT 6.4x11.0x0.7 ZP From 4-4908			AR	
11	502564	WASHER LO SPT 6.1x11.8x1.6 Z050			18	
12	502581	NUT HEX M6-1.0 Z050			8	
13	690347	PLASTIC PAD To 4-4847			AR	
13	5060057	TAPE RUB ADH1 UHMW .050" X 1" X 50' From 4-4848			AR	
14	476231	SUPPORT			1	
15	690006	PARALLEL KEY To 4-4847			2	
15	476160	PARALLEL KEY From 4-4848			2	
16	690016	COUPLING SHAFT DRIVE 1" I.D. / TYPE GS 38 To 3-4502			2	
16	407513	COUPLING SHAFT DRIVE 1" I.D. / TYPE GS 38 From 3-4503			2	
. NS	502506	. SCREW SET HEXS CUP M4-0.7x16 From 3-4503			1	
. NS	5001282	. SCREW SET HEXS CUP 1/4-20x5/8 From 3-4503			1	
17	690364	SPIDER RUBBER / TYPE GS 38 To 4-4847			2	
17	507632	SPIDER RUBBER / TYPE GS 38 From 4-4848			2	
18	690017	COUPLING SHAFT DRIVE 3/4" I.D. / TYPE GS 38 To 3-4502			2	
19	407512	COUPLING SHAFT DRIVE 3/4" I.D. / TYPE GS 38 From 3-4503			2	
. NS	502503	. SCREW CAP HEXS 5/16-18x1 1/2 N500 From 3-4503			1	
. NS	5001282	. SCREW SET HEXS CUP 1/4-20x5/8 From 3-4503			1	
20	690233	STEP KEY To 4-4847			2	
20	476039	STEP KEY From 4-4848			2	
21	690245	PLATE To 4-4847			1	
21	479129	PLATE From 4-4848			1	
22	690346	RIGHT ANGLE GEARBOX UPPER RATIO 1:1 To 4-4847			1	
22	970299	RIGHT ANGLE GEARBOX UPPER RATIO 1:1 From 4-4848			1	
23	500441	WASHER FL .312x.734x.065 Z050			6	
24	500476	WASHER LO SPT .317x.586x.078 Z050			6	
25	5001263	SCREW CAP HEXS 5/16-18x1 ZP			4	



From 3-4417 To 7-0771	Date:10/2022	PAGE:HF-2390-20
"SLIDE-OUT" - FRONT MECHANISM - INSTALLATION		

Item#	Part	Description	H 3 4 1	H 3 4 5	V I P 4 5	N O T E S
26	690234	KEY 3/16" X 3/16" To 3-4625			6	
26	476037	KEY 3/16" X 3/16" From 3-4626			6	
27	5001167	SCREW SET HEXS CUP 3/8-16x1/2			6	
28	505525	U-JOINT ASSY 3/4" O.D.SHAFT X 5" To 3-4625			3	
28	475977	U-JOINT ASSY 3/4" O.D.SHAFT X 5" From 3-4626			3	
. NS	476066	. "C" CLAMP From 3-4626			2	
. NS	500239	. SCREW CAP HEXS 1/4-20x1 ZP From 3-4626			4	
. NS	500319	. SCREW SET HEXS CUP 5/16-18x1/2 From 3-4626			2	
28	690320	KIT, CROSS & BEARING 15/16" O.D. X 2 1/4"			3	
29	690355	LINEAR POSITION TRANSDUCER To 4-4907			1	
30	500778	NUT HEX 5/16-18 N500			2	
31	690317	PILLOW BLOCK NP 3/4 To 4-4847			1	
31	507630	PILLOW BLOCK NP 3/4 From 4-4848			1	
32	500441	WASHER FL .312x.734x.065 Z050			2	
33	500183	SCREW CAP HEX 5/16-18x1 1/2 G5 PT Z050			2	
34	476233	LOWER VERTICAL SHAFT			1	
35	502790	SCREW CAP HEX M8-1.25x20 G8.8 Z050			4	
36	5001003	WASHER LO SPT 8.1x12.7x2.0 Z050			12	
37	500874	WASHER FL 8.4x17.0x1.6 Z050			6	
38	690056	SPACER 0.015" To 4-4847			AR	
38	144636	SPACER 0.015" From 4-4848			AR	
38	690057	SPACER 0.031" To 4-4847			AR	
38	144637	SPACER 0.031" From 4-4848			AR	
38	690058	SPACER 0.062" To 4-4847			AR	
38	144638	SPACER 0.062" From 4-4848			AR	
38	690059	SPACER 0.125" To 4-4847			AR	
38	144639	SPACER 0.125" From 4-4848			AR	
38	690404	SPACER 0,187" To 4-4847			AR	
38	144640	SPACER 0,187" From 4-4848			AR	
38	690403	SPACER 0,250" To 4-4847			AR	
38	144641	SPACER 0,250" From 4-4848			AR	
42	502543	NUT HEX M8-1.25 Z050			4	
43	500544	SCREW CAP HEX M8-1.25x30 G8.8 Z050			5	
44	690075	TOP GEAR To 4-4847			1	
44	479115	TOP GEAR From 4-4848			1	
45	476072	SUPPORT ASSY			1	
46	690338	SELF SEALING SPONGE RUBBER 1" X 5/16" TH.			AR	
47	690270	SCREW MA PAN PH M4-0.7x45 ZP To 4-4847			2	
47	502921	SCREW MA PAN PH M4-0.7x45 Z050 From 4-4848 To 4-4907			2	
48	690117	PLASTIC STOPPER To 4-4847			1	
48	476071	PLASTIC STOPPER From 4-4848			1	
49	502644	WASHER FL 10.5x30.0x2.5 Z050			2	



From 3-4417 To 7-0771	Date:10/2022	PAGE:HF-2390-20
"SLIDE-OUT" - FRONT MECHANISM - INSTALLATION		

Item#	Part	Description	H 3 4 1	H 3 4 5	V I P 4 5	N O T E S
50	500257	WASHER LO SPT 10.2x18.1x2.2 Z050			12	
51	70314708	SCREW CAP HEXS M10-1.5X30 G8.8 ZP			8	
52	500256	NUT HEX M10-1.5 Z050			8	
53	500317	SCREW CAP HEXS M10-1.5x45 G8.8 ZP			8	
54	382015	MOUNTING PLATE To 4-4907			2	
54	382060	MOUNTING PLATE From 4-4908			2	
55	500539	NUT HEX NYRT M4-0.7 N500			5	
56	476101	SHAFT SUPPORT			1	
57	382015	MOUNTING PLATE To 4-4847			1	
57	382060	MOUNTING PLATE From 4-4848			1	
58	500590	NUT HEX NYRT M4-0.7 Z050 To 4-4907			2	
59	502511	NUT HEX NYRT M6-1.0 Z050 To 4-4907			2	
66	690219	TUBE, AIR To 4-4847			2	
66	144635	TUBE, AIR From 4-4848			2	
67	682176	SEALANT SIKA #221 / BLACK / 310ml CARTRIDGE			AR	
69	690125	PLATE To 4-4847			24	
69	144623	PLATE From 4-4848			24	
70	502617	NUT HEX NYRT M10-1.5 Z050			24	
71	5001198	SCREW MA FL PH M6-1.0x16 Z050			8	
72	690037	SLIDING PAD To 4-4847			2	
72	479101	SLIDING PAD From 4-4848			2	
73	690222	PILLOW BLOCK ASSY W/BEARING & SKID PAD To 4-4847			2	
73	479123	PILLOW BLOCK ASSY W/BEARING & SKID PAD From 4-4848 To 4-4907			2	
73	476399	PILLOW BLOCK ASSY W/BEARING & SKID PAD / WITH 2 HOLES TO INSTALL REE From 4-4908			2	
74	690315	PILLOW BLOCK LPB1 To 4-4847			2	
74	507631	PILLOW BLOCK LPB1 From 4-4848			2	
. NS	5000101	. PILLOW BLOCK From 4-4848			1	
. NS	5000100	. BEARING 1PO ID x 52MM OD From 4-4848			1	
76	690007	PARALLEL KEY To 4-4847			1	
76	476037	KEY 3/16" X 3/16" From 4-4848			1	
77	502512	SCREW CAP HEXS 5/16-18x1 1/2 ZP			4	
78	690035	SUPPORT ASSY To 4-4847			1	
78	476087	SUPPORT ASSY From 4-4848			1	
79	690345	RIGHT ANGLE GEARBOX LOWER RATIO 1:1.5 To 4-4847			1	
79	970298	RIGHT ANGLE GEARBOX LOWER RATIO 1:1.5 From 4-4848			1	
80	690314	REDUCER 140:1 To 4-4847			1	
80	970297	REDUCER 140:1 From 4-4848			1	
81	Call order desk	SUPPORT			1	P
82	690256	SCREW CAP HEXS M8-1.25x18 G8.8 To 4-4847			4	
82	5001573	SCREW CAP HEXS M8-1.25x18 G8.8 From 4-4848			4	
83	500192	SCREW CAP HEX 3/8-16x1 1/4 G5 Z050			4	
NS	N25539	THREAD LOCKER LOCTITE #262 / RED / 250ml			AR	



From 3-4417 To 7-0771	Date:10/2022	PAGE:HF-2390-20
-----------------------	--------------	-----------------

"SLIDE-OUT" - FRONT MECHANISM - INSTALLATION

Item#	Part	Description	H 3 4 1	H 3 4 5	V I P 4 5	N O T E S
85	690363	MOTOR 1/3 HP To 4-4847			1	
85	563315	MOTOR 1/3 HP From 4-4848			1	
86	690236	DECAL "MANUAL OPERATION" To 4-4847			2	
86	476108	DECAL "MANUAL OPERATION" From 4-4848			2	
87	Call order desk	MOTOR REINFORCEMENT			1	P
88	690239	SPACER			2	
89	502589	SCREW CAP HEX M8-1.25x25 G8.8 Z050			2	
90	690337	CONNECTOR STRAIGHT-THRU / HEYCO #3231 / BLK 1/2NPT-M / .170-.450 To 4-4847			1	
90	563336	CONNECTOR STRAIGHT-THRU / HEYCO #3231 / BLK 1/2NPT-M / .170-.450 From 4-4848			1	
91	690246	SHAFT, UPPER (WELDED) To 4-4847			1	
91	475988	SHAFT, UPPER (WELDED) From 4-4848			1	
92	690247	SHAFT, BOTTOM (WELDED) To 4-4847			1	
92	475985	SHAFT, BOTTOM (WELDED) From 4-4848			1	
93	502644	WASHER FL 10.5x30.0x2.5 Z050			12	
94	5001231	SCREW CAP HEX M10-1.5x25 SS			4	
95	690313	CPG TRANTORQUE GT To 4-4847			2	
95	505523	CPG TRANTORQUE GT From 4-4848			2	
96	476196	LOWER SHAFT			1	
97	479103	GEAR			1	
100	690076	GUIDE WHEEL To 4-4847			1	
100	479102	GUIDE WHEEL From 4-4848			1	
101	690077	GEAR To 4-4847			1	
101	479105	GEAR From 4-4848			1	
102	502531	SCREW CAP HEX M6-1.0x16 G8.8 Z050			8	
103	Call order desk	LIMITS SWITCH SUPPORT To 4-4907			1	P
104	690279	IDLER PULLEY To 4-4907			1	
105	690278	SHIM RND 1/64" To 4-4847			3	
105	502923	SHIM RND 1/64" From 4-4848 To 4-4907			3	
106	500425	NUT HEX NYRT #4-40 SS To 4-4907			1	
120	066030	SENSOR SUPPORT From 4-4908			1	
121	066044	SENSOR SUPPORT From 4-4908			1	
122	066063	SENSOR SUPPORT From 4-4908			1	
123	066079	LIMITING REED SWITCH ASSY W/LED S.P.D.T. / W/SLIDE OUT From 4-4908			1	?
. NS	563426	. HALL EFFECT SENSOR From 4-4908			1	
. NS	830122	. LED GREEN / 24VOLTS / L-41-1302-5100A From 4-4908			1	
. NS	562477	. CONNECTOR / DT SERIES / SH 4C / GRAY / DEUTSCH DT06-4S From 4-4908			1	
124	066080	SWITCH PROXIMITY ASSY / TEETH READER SLIDE OUT From 4-4908			1	?
. NS	563321	. SWITCH PROXIMITY / S.P.S.T. / W/2 WIRES / TEETH READER SLIDE OUT From 4-4908			1	
. NS	563431	. RESISTOR / 2.2K OHMS / 2 W From 4-4908			1	
. NS	562479	. CONNECTOR / DT SERIES / PH 4C / GRAY / DEUTSCH DT04-4P-C015 From 4-4908			1	
126	476362	GUARD SENSOR From 4-4908			1	



From 3-4417 To 7-0771 Date:10/2022 PAGE:HF-2390-20

"SLIDE-OUT" - FRONT MECHANISM - INSTALLATION

Item#	Part	Description	H 3 4 1	H 3 4 5	V I P 4 5	N O T E S
		?) SEE DETAIL SCREEN				
		P) CALL ORDER DESK FOR SPECIFIC APPLICATION (V.I.N.)				

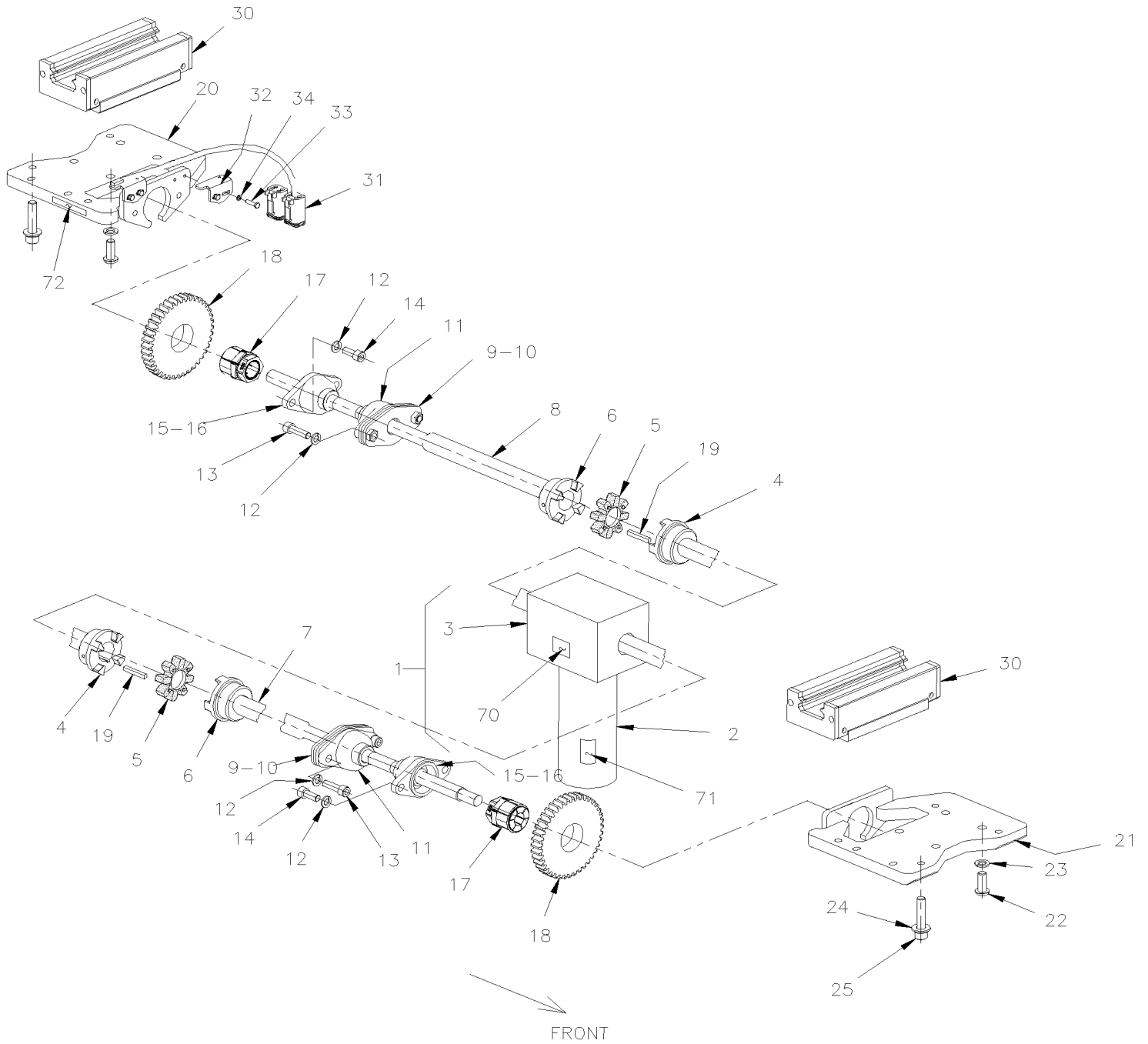


From 7-0772 To 8-1043

Date:10/2022

PAGE:HF-2390-21

"SLIDE-OUT" - FRONT MECHANISM - INSTALLATION



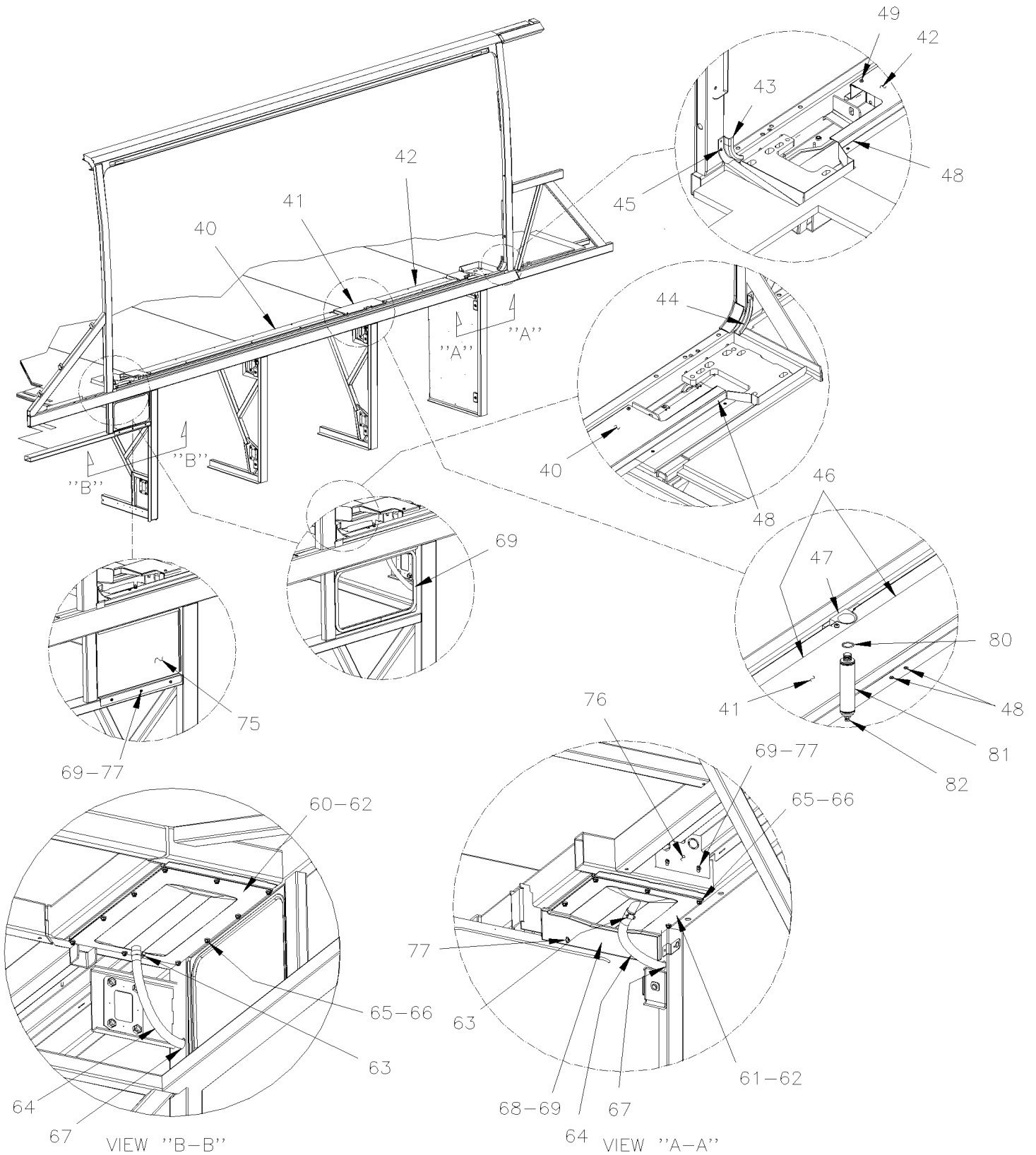


From 7-0772 To 8-1043

Date:10/2022

PAGE:HF-2390-21

"SLIDE-OUT" - FRONT MECHANISM - INSTALLATION





From 7-0772 To 8-1043	Date:10/2022	PAGE:HF-2390-21
-----------------------	--------------	-----------------

"SLIDE-OUT" - FRONT MECHANISM - INSTALLATION

Item#	Part	Description	H 3 4 1	H 3 4 5	V I P 4 5	N O T E S
1	066651	MOTOR 24V ASSY W/CONNECTOR			1	?
. NS	563936	. MOTOR 24V ASSY W/GEAR-BOX			1	
. . NS	563937	. . MOTOR 24V			1	
. . NS	563938	. . GEAR BOX RATIO 738/1			1	
. NS	561944	. CONNECTOR / CPC SERIES 3 / PH 3C / AMP 206426-1			1	
. NS	561655	. CABLE CLAMP / CPC / #17 / AMP 206070-8			1	
. NS	561698	. PIN TERMINAL 16-12 / POWER CONTACT / AMP 66261-4			2	
2	563936	. MOTOR 24V ASSY W/GEAR-BOX			1	
. NS	563937	. . MOTOR 24V			1	
. NS	563938	. . GEAR BOX RATIO 738/1			1	
3	563938	. GEAR BOX RATIO 738/1			1	
NS	505533	. KEY 6MM x 6MM x 40MM			2	
NS	5001450	SCREW CAP HEX M8-1.25x20 G10.9 DP			4	
NS	500035	WASHER LO SPT .317x.586x.078 SS			4	
4	505530	COUPLING SHAFT DRIVE 20MM I.D. / TYPE GS 28			2	
5	505529	SPIDER RUBBER / TYPE GS 28			2	
6	505528	COUPLING SHAFT DRIVE 1 1/8" I.D. / TYPE GS 28			2	
7	470134	SHAFT 2578MM			1	
8	470135	SHAFT 1192MM			1	
9	470129	PLATE TORQUE			2	
10	470128	SPACER 3/16"			AR	
11	507641	PILLOW BEARING ASSY			2	
NS	501499	GREASE FITTING 45° / 1/4-28			2	
NS	684754	GREASE OPTIMOL OLISTA / CARTRIGE 14Oz			AR	
NS	477916	CLOSING PLATE SS 168MM x 94MM			2	
NS	477917	PLATE PLASTIC 76MM x 74MM			2	
NS	5001017	SCREW TC CAP HEXW #10-24x1/2 Z050			8	
NS	500964	WASHER FL .203x.500x.047 Z050			8	
NS	504511	GROMMET / .500x1.000x.062x.250x1.250			1	
12	502616	WASHER LO SPT 10.2x18.1x2.2 SS			8	
13	5001620	SCREW CAP HEXS M10-1.5X35 G10.9 G500			4	
14	5001616	SCREW CAP HEXS M10-1.5X25 G10.9 DP			4	
15	470116	PILLOW BEARING ASSY			2	
16	501490	GREASE FITTING / 1/8 NPT			1	
17	470118	COUPLING TORQUE			2	
18	470119	GEAR 5 1/4" W/40TH			2	
19	505527	KEY SQUARE 1/4" x 1/4" x 1 3/4"			2	
20	477752	BASE GUIDE ASSY FORWARD			1	
21	477753	BASE GUIDE ASSY BACKWARD			1	
22	5001621	SCREW CAP HEXS M12-1.75x55 G10.9 DP			8	
22	5001615	SCREW CAP BUT HEXS M12-1.75x30 G10.9 G500			8	
23	500747	WASHER LO SPT 12.2x21.1x2.5 N500			8	



From 7-0772 To 8-1043	Date:10/2022	PAGE:HF-2390-21
-----------------------	--------------	-----------------

"SLIDE-OUT" - FRONT MECHANISM - INSTALLATION

Item#	Part	Description	H 3 4 1	H 3 4 5	V I P 4 5	N O T E S
24	5001622	SCREW CAP HEXS M12-1.75x40 G10.9 DP			8	
25	5001623	NUT HEX JAM M12x1.75 SS			8	
NS	684420	SCREW MARKER LOCK 90ml			AR	
30	470107	GUIDE			2	
NS	507642	DUMMY RAIL GUIDE LINEAR BEARING 254MM / USE WITH 470107 ONLY			AR	W
NS	685232	RAIL GUIDE EXTENSION TOOL L.H.			AR	T
NS	685233	RAIL GUIDE EXTENSION TOOL R.H.			AR	T
31	066852	LIMITING REED SWITCH ASSY W/LED S.P.D.T. / W/SLIDE OUT			2	?
. NS	563426	. HALL EFFECT SENSOR			1	
. NS	563452	. LED GREEN / 5VOLTS			1	
. NS	562477	. CONNECTOR / DT SERIES / SH 4C / GRAY / DEUTSCH DT06-4S			1	
32	477829	SUPPORT LIMITING READ SWITCH			1	
33	5001146	SCREW CAP HEX M5-0.8x20 SS BK			4	
34	500804	WASHER FL .203x.500x.047 N500			4	
40	328248	PROTECTOR PLATE FORWARD			1	
41	328628	PROTECTOR PLATE CENTER			1	
42	328250	PROTECTOR PLATE BACKWARD			1	
43	477748	GUTTER MOULDING BACKWARD			1	
44	477747	GUTTER MOULDING FORWARD			1	
45	504379	RIVET POP DOME OE 3/16x1/4 SS			AR	
46	506227	TAPE RUB ADH1 CC POL 1/16" x 3/4" x 100' / GREY 2520			AR	
47	328224	GASKET JOINT			1	
48	5001349	SCREW WO TR PH #8x7/8			13	
49	500799	SCREW TC PAN PH #8-32x3/8 N500			AR	
NS	680532	SEALANT SIKA #221 / GREY / 310ml CARTRIDGE			AR	
60	476527	ACCESS PANEL ASSY			1	
61	476535	ACCESS PANEL			1	
62	478123	GASKET			1	
63	504230	HOSE CLAMP / 3/8"-7/8" SS / HS-6			1	
64	503707	HOSE / PVC REINFORCED 1/2" I.D. 100' / S.L.			AR	
65	5001605	SCREW TP HEXW SLT #12x3/4 SS			20	
66	5001686	WASHER FL SEAL .218x.625x20GA SS			20	
67	684517	ADHESIVE SIMSON #ISR 70-03 / GREY / 310ml CARTRIDGE			AR	
68	485568	CLOSING PANEL / SIDE WALL			1	
. NS	506268	. TAPE RUB ADH1 URE 3/8" x 1/2" x 25' / GREY 1820			AR	
69	478328	RUBBER SEAL 1090MM			1	
69	5061121	. RUBBER SEAL			AR	
NS	680459	ADHESIVE CYANOACRYLATE LOCTITE 404 Quick Set(TM)			AR	
NS	478243	RUBBER SEAL 1348MM			1	
70	477987	DECAL " ON OVERRIDE MUST BE LOW TORQUE..."			1	
71	478251	DECAL "SEAL MUST BE DEFLATED..."			1	
NS	477988	DECAL "PAT PENDING"			1	



From 7-0772 To 8-1043	Date:10/2022	PAGE:HF-2390-21
"SLIDE-OUT" - FRONT MECHANISM - INSTALLATION		

Item#	Part	Description	H 3 4 1	H 3 4 5	V I P 4 5	N O T E S
72	477990	DECAL "THIS SLIDE-OUT PLATE IS FACTORY.."			1	
NS	477991	DECAL "CAUTION" DO NOT MAKE ANY MODI.."			1	
73	502868	SCREW TC TR PH #10-16x1/2 N500			9	
74	500855	WASHER FL .188x.438x.049 N500			9	
75	476554	ACCESS PANEL SIDE / AUX A/C			1	
76	476591	CLOSING PLATE			1	
77	500855	WASHER FL .188x.438x.049 N500			AR	
80	507345	O-RING / ORS FITTING / #16 NEO			1	
81	642027	CYLINDER 1 1/16"			1	
82	641126	MALE CONNECTOR / PUSH-IN FITTING / #2x1/8NPT-M BR			1	
		T) THOSE RAIL EXTENTION TOOLS ARE FOR EASY REMOVED SLIDE-OUT FROM STRUCTURE				
		W) WARNING YOUR REQUIRE THIS DUMMY BEFORE REMOVE THE SLIDE-OUT FROM STRUCTURE				
		?) SEE DETAIL SCREEN				



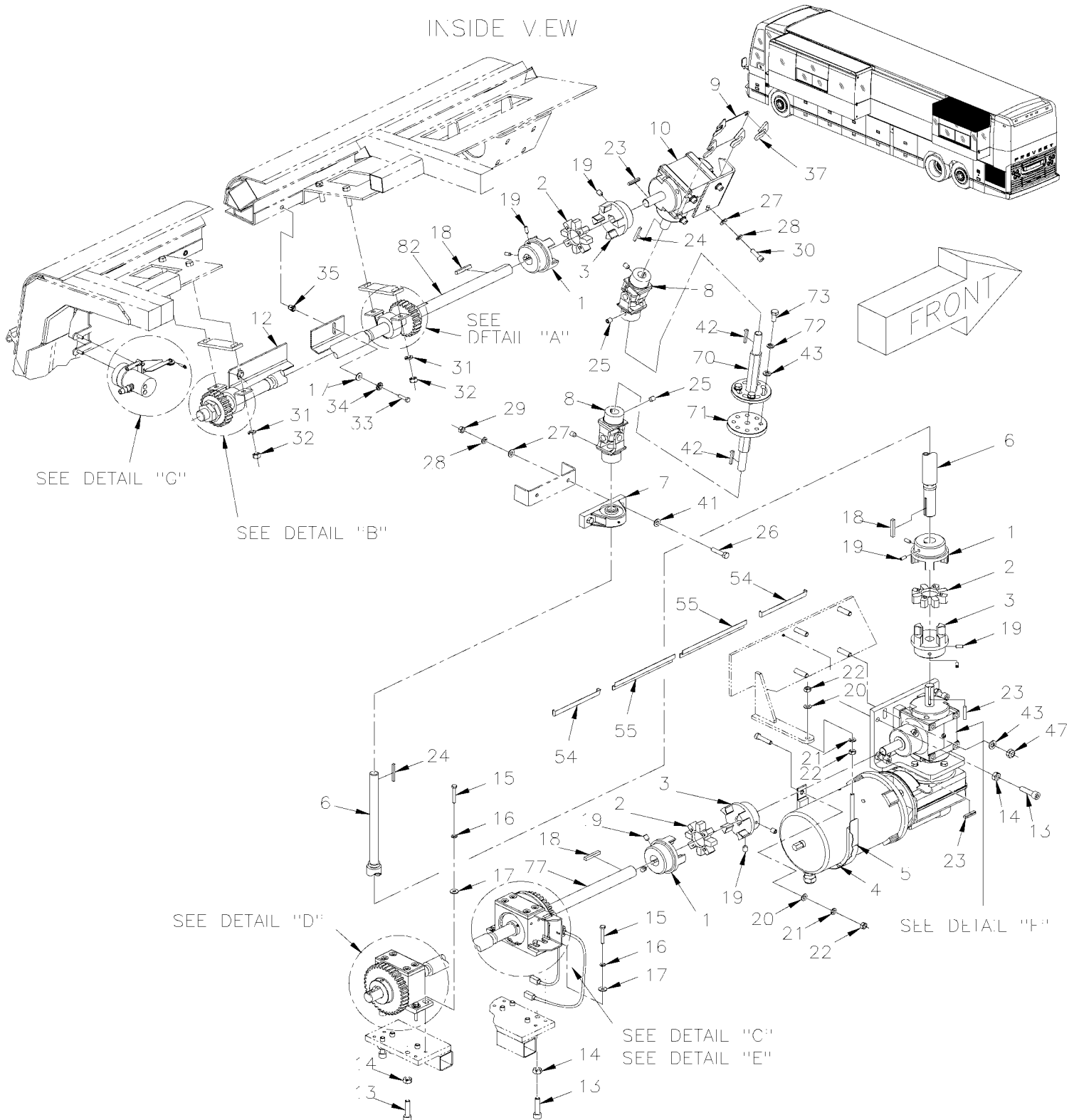
From 3-4417 To 7-0771

Date:10/2022

PAGE:HF-2390-30

"SLIDE-OUT" - REAR MECHANISM - INSTALLATION

INSIDE V.E.W



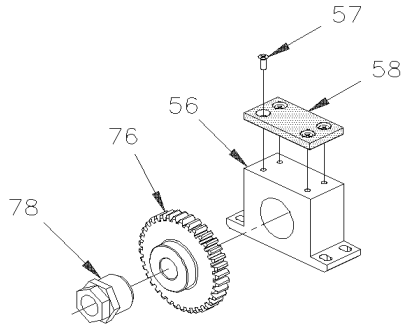


From 3-4417 To 7-0771

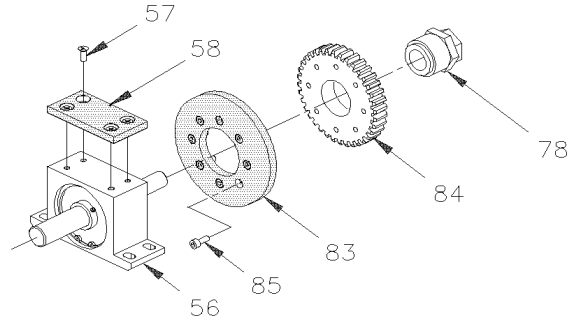
Date:10/2022

PAGE:HF-2390-30

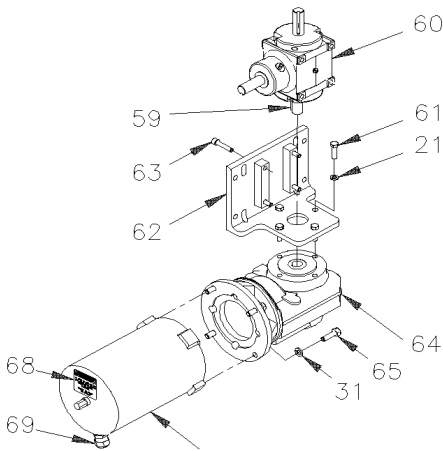
"SLIDE-OUT" - REAR MECHANISM - INSTALLATION



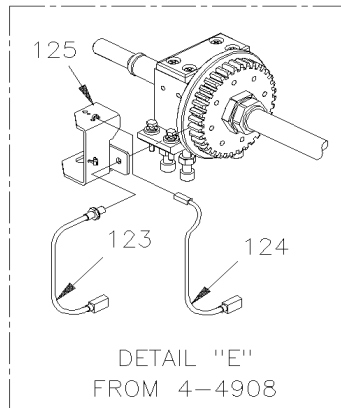
DETAIL "D"



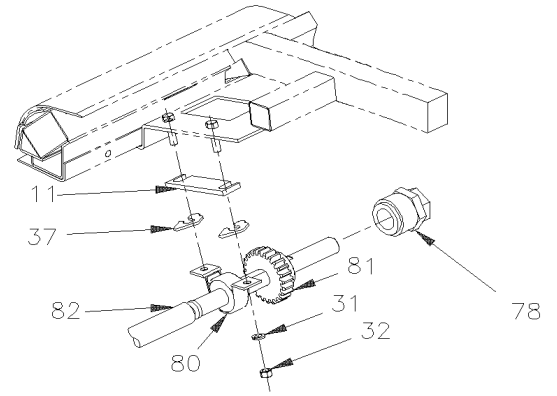
DETAIL "C"



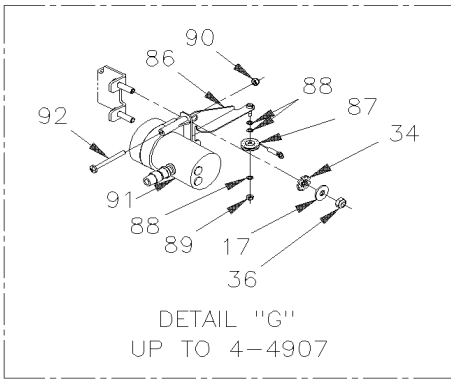
DETAIL "F"



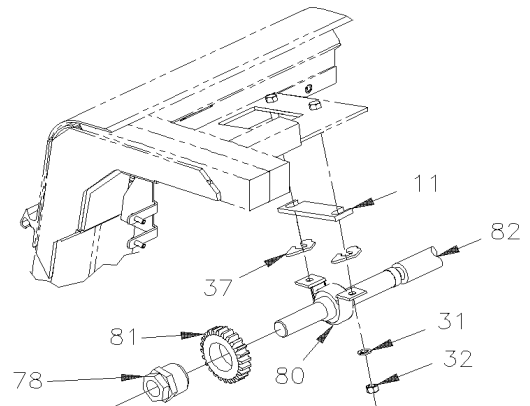
DETAIL "E"
FROM 4-4908



DETAIL "A"



DETAIL "G"
UP TO 4-4907



DETAIL "B"

INSIDE VIEW



From 3-4417 To 7-0771	Date:10/2022	PAGE:HF-2390-30
"SLIDE-OUT" - REAR MECHANISM - INSTALLATION		

Item#	Part	Description	H 3 4 1	H 3 4 5	V I P 4 5	N O T E S
1	690016	COUPLING SHAFT DRIVE 1" I.D. / TYPE GS 38 To 3-4502			1	
1	407513	COUPLING SHAFT DRIVE 1" I.D. / TYPE GS 38 From 3-4503			1	
. NS	502506	. SCREW SET HEXS CUP M4-0.7x16 From 3-4503			1	
. NS	5001282	. SCREW SET HEXS CUP 1/4-20x5/8 From 3-4503			1	
2	690365	SPIDER RUBBER / TYPE GS 38 To 3-4503			1	
2	5061049	SPIDER 38 DURO 64 HYTREL From 3-4504			1	
3	690017	COUPLING SHAFT DRIVE 3/4" I.D. / TYPE GS 38 To 3-4502			1	
3	407512	COUPLING SHAFT DRIVE 3/4" I.D. / TYPE GS 38 From 3-4503			1	
. NS	502503	. SCREW CAP HEXS 5/16-18x1 1/2 N500 From 3-4503			1	
. NS	5001282	. SCREW SET HEXS CUP 1/4-20x5/8 From 3-4503			1	
4	690338	SELF SEALING SPONGE RUBBER 1" X 5/16" TH.			1	
5	690160	GLASS, SINGLE 13% / UPPER / 1287.4MM			1	
6	690046	LOWER VERTICAL SHAFT To 4-4847			1	
6	479118	LOWER VERTICAL SHAFT From 4-4848			1	
7	690317	PILLOW BLOCK NP 3/4 To 4-4847			1	
7	507630	PILLOW BLOCK NP 3/4 From 4-4848			1	
8	505525	U-JOINT ASSY 3/4" O.D.SHAFT X 5" To 3-4625			2	
8	475977	U-JOINT ASSY 3/4" O.D.SHAFT X 5" From 3-4626			2	
. NS	476066	. "C" CLAMP From 3-4626			2	
. NS	500239	. SCREW CAP HEXS 1/4-20x1 ZP From 3-4626			4	
. NS	500319	. SCREW SET HEXS CUP 5/16-18x1/2 From 3-4626			2	
NS	500239	. SCREW CAP HEXS 1/4-20x1 ZP From 3-4626			4	
NS	500319	. SCREW SET HEXS CUP 5/16-18x1/2 From 3-4626			2	
9	690245	PLATE To 4-4847			1	
9	479129	PLATE From 4-4848			1	
10	690346	RIGHT ANGLE GEARBOX UPPER RATIO 1:1 To 4-4847			1	
10	970299	RIGHT ANGLE GEARBOX UPPER RATIO 1:1 From 4-4848			1	
11	690019	SPACER 6.35MM To 4-4847			2	
11	479128	SPACER 6.35MM From 4-4848			2	
12	476106	UPPER LIMITING KEY			1	
13	500317	SCREW CAP HEXS M10-1.5x45 G8.8 ZP			12	
14	500256	NUT HEX M10-1.5 Z050			12	
15	502793	SCREW CAP HEX M6-1.0x45 G8.8 Z050			8	
16	502564	WASHER LO SPT 6.1x11.8x1.6 Z050			8	
17	690261	WASHER FL 6.4x12.0x1.6 SS To 4-4847			15	
17	502573	WASHER FL 6.4x12.5x1.6 SS From 4-4848			15	
18	690006	PARALLEL KEY To 4-4847			3	
18	476160	PARALLEL KEY From 4-4848			3	
19	5001282	SCREW SET HEXS CUP 1/4-20x5/8			12	
20	500874	WASHER FL 8.4x17.0x1.6 Z050			2	
21	5001003	WASHER LO SPT 8.1x12.7x2.0 Z050			6	
22	502543	NUT HEX M8-1.25 Z050			3	



From 3-4417 To 7-0771 Date:10/2022 PAGE:HF-2390-30

"SLIDE-OUT" - REAR MECHANISM - INSTALLATION

Item#	Part	Description	H 3 4 1	H 3 4 5	V I P 4 5	N O T E S
23	690233	STEP KEY To 4-4847			3	
23	476039	STEP KEY From 4-4848			3	
24	690007	PARALLEL KEY To 4-4847			2	
24	476037	KEY 3/16" X 3/16" From 4-4848			2	
25	5001167	SCREW SET HEXS CUP 3/8-16x1/2			4	
26	500183	SCREW CAP HEX 5/16-18x1 1/2 G5 PT Z050			2	
27	500441	WASHER FL .312x.734x.065 Z050			6	
28	500476	WASHER LO SPT .317x.586x.078 Z050			6	
29	500778	NUT HEX 5/16-18 N500			2	
30	5001263	SCREW CAP HEXS 5/16-18x1 ZP			4	
31	500478	WASHER LO SPT .380x.683x.094 Z050			8	
32	500783	NUT HEX 3/8-16 Z050			4	
33	5001209	SCREW CAP HEX M6-1.0x25 G8.8 Z050			5	
34	690267	WASHER LO SERR 6.1x16.0x0.9 ZP To 4-4847			7	
34	500356	WASHER LO SERR 6.1x16.0x0.9 N500 From 4-4848			7	
35	690259	NUT INS TYPE "A-L" OE M6-1.0 0.7-4.2 ZP To 4-4847			5	
35	502842	NUT INS TYPE "A-L" OE M6-1.0 0.7-4.2 Z050 From 4-4848			5	
36	502511	NUT HEX NYRT M6-1.0 Z050 To 4-4907			2	
37	690056	SPACER 0.015" To 4-4847			AR	
37	144636	SPACER 0.015" From 4-4848			AR	
37	690057	SPACER 0.031" To 4-4847			AR	
37	144637	SPACER 0.031" From 4-4848			AR	
37	690058	SPACER 0.062" To 4-4847			AR	
37	144638	SPACER 0.062" From 4-4848			AR	
37	690059	SPACER 0.125" To 4-4847			AR	
37	144639	SPACER 0.125" From 4-4848			AR	
37	690404	SPACER 0,187" To 4-4847			AR	
37	144640	SPACER 0,187" From 4-4848			AR	
37	690403	SPACER 0,250" To 4-4847			AR	
37	144641	SPACER 0,250" From 4-4848			AR	
41	500441	WASHER FL .312x.734x.065 Z050			2	
42	690234	KEY 3/16" X 3/16" To 4-4847			2	
42	476037	KEY 3/16" X 3/16" From 4-4848			2	
43	502644	WASHER FL 10.5x30.0x2.5 Z050			8	
47	502216	NUT HEXF M10-1.5 SS			4	
52	690219	TUBE, AIR To 4-4847			2	
52	144635	TUBE, AIR From 4-4848			2	
54	221266	GUTTER			2	
55	Call order desk	GUTTER			1	P
56	690222	PILLOW BLOCK ASSY W/BEARING & SKID PAD To 4-4847			2	
56	479123	PILLOW BLOCK ASSY W/BEARING & SKID PAD From 4-4848 To 4-4907			2	
56	476399	PILLOW BLOCK ASSY W/BEARING & SKID PAD / WITH 2 HOLES TO INSTALL REE From 4-4908			2	



From 3-4417 To 7-0771	Date:10/2022	PAGE:HF-2390-30
"SLIDE-OUT" - REAR MECHANISM - INSTALLATION		

Item#	Part	Description	H 3 4 1	H 3 4 5	V I P 4 5	N O T E S
57	5001198	SCREW MA FL PH M6-1.0x16 Z050			8	
58	690037	SLIDING PAD			2	
59	690007	PARALLEL KEY			1	
60	690345	RIGHT ANGLE GEARBOX LOWER RATIO 1:1.5 To 4-4847			1	
60	970298	RIGHT ANGLE GEARBOX LOWER RATIO 1:1.5 From 4-4848			1	
61	500544	SCREW CAP HEX M8-1.25x30 G8.8 Z050			4	
62	475979	SUPPORT ASSY			1	
63	502512	SCREW CAP HEXS 5/16-18x1 1/2 ZP			4	
64	690314	REDUCER 140:1 To 4-4847			1	
64	970297	REDUCER 140:1 From 4-4848			1	
65	500192	SCREW CAP HEX 3/8-16x1 1/4 G5 Z050			4	
66	690363	MOTOR 1/3 HP To 4-4847			1	
66	563315	MOTOR 1/3 HP From 4-4848			1	
67	N25539	THREAD LOCKER LOCTITE #262 / RED / 250ml			AR	
68	690236	DECAL "MANUAL OPERATION" To 4-4847			2	
68	476108	DECAL "MANUAL OPERATION" From 4-4848			2	
69	690337	CONNECTOR STRAIGHT-THRU / HEYCO #3231 / BLK 1/2NPT-M / .170-.450 To 4-4847			1	
69	563336	CONNECTOR STRAIGHT-THRU / HEYCO #3231 / BLK 1/2NPT-M / .170-.450 From 4-4848			1	
70	690246	SHAFT, UPPER (WELDED) To 4-4847			1	
70	475988	SHAFT, UPPER (WELDED) From 4-4848			1	
71	690247	SHAFT, BOTTOM (WELDED) To 4-4847			1	
71	475985	SHAFT, BOTTOM (WELDED) From 4-4848			1	
72	500257	WASHER LO SPT 10.2x18.1x2.2 Z050			4	
73	5001231	SCREW CAP HEX M10-1.5x25 SS			4	
76	479103	GEAR			1	
77	479104	LOWER SHAFT			1	
78	690313	CPG TRANTORQUE GT To 4-4847			2	
78	505523	CPG TRANTORQUE GT From 4-4848			2	
80	690315	PILLOW BLOCK LPB1 To 4-4847			2	
80	507631	PILLOW BLOCK LPB1 From 4-4848			2	
. NS	5000101	. PILLOW BLOCK From 4-4848			1	
. NS	5000100	. BEARING 1PO ID x 52MM OD From 4-4848			1	
81	690075	TOP GEAR To 4-4847			1	
81	479115	TOP GEAR From 4-4848			2	
82	479117	UPPER SHAFT			1	
83	690076	GUIDE WHEEL To 4-4847			1	
83	479102	GUIDE WHEEL From 4-4848			1	
84	690077	GEAR To 4-4847			1	
84	479105	GEAR From 4-4848			1	
85	502531	SCREW CAP HEX M6-1.0x16 G8.8 Z050			8	
86	065850	TRANSDUCER LINEAR SUPPORT To 4-4907			1	
87	690279	IDLER PULLEY To 4-4847			1	



From 3-4417 To 7-0771	Date:10/2022	PAGE:HF-2390-30
"SLIDE-OUT" - REAR MECHANISM - INSTALLATION		

Item#	Part	Description	H 3 4 1	H 3 4 5	V I P 4 5	N O T E S
87	502924	IDLER PULLEY From 4-4848 To 4-4907			1	
88	690278	SHIM RND 1/64" To 4-4847			3	
88	502923	SHIM RND 1/64" From 4-4848 To 4-4907			3	
89	500425	NUT HEX NYRT #4-40 SS To 4-4907			1	
90	500590	NUT HEX NYRT M4-0.7 Z050 To 4-4907			2	
91	690388	LINEAR POSITION TRANSDUCER To 4-4847			1	
91	563346	LINEAR POSITION TRANSDUCER From 4-4848 To 4-4907			1	
92	690270	SCREW MA PAN PH M4-0.7x45 ZP To 4-4847			2	
92	502921	SCREW MA PAN PH M4-0.7x45 Z050 From 4-4848 To 4-4907			2	
123	066080	SWITCH PROXIMITY ASSY / TEETH READER SLIDE OUT From 4-4908			1	?
. NS	563321	. SWITCH PROXIMITY / S.P.S.T. / W/2 WIRES / TEETH READER SLIDE OUT From 4-4908			1	
. NS	563431	. RESISTOR / 2.2K OHMS / 2 W From 4-4908			1	
. NS	562479	. CONNECTOR / DT SERIES / PH 4C / GRAY / DEUTSCH DT04-4P-C015 From 4-4908			1	
124	066079	LIMITING REED SWITCH ASSY W/LED S.P.D.T. / W/SLIDE OUT From 4-4908			1	?
. NS	563426	. HALL EFFECT SENSOR From 4-4908			1	
. NS	830122	. LED GREEN / 24VOLTS / L-41-1302-5100A From 4-4908			1	
. NS	562477	. CONNECTOR / DT SERIES / SH 4C / GRAY / DEUTSCH DT06-4S From 4-4908			1	
125	066033	SENSOR SUPPORT From 4-4908			1	
		?) SEE DETAIL SCREEN				
		P) CALL ORDER DESK FOR SPECIFIC APPLICATION (V.I.N.)				

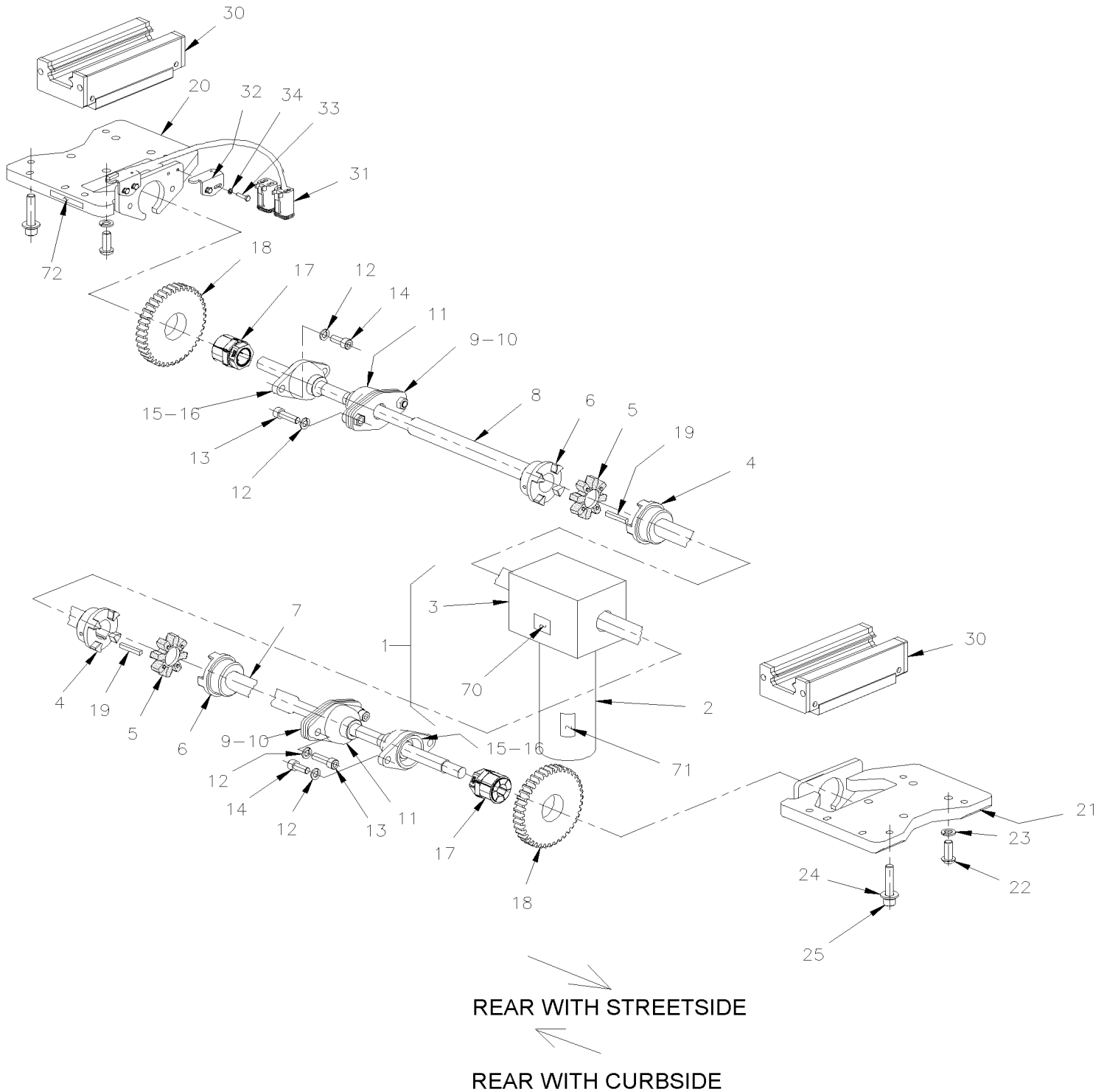


From 7-0772 To 8-1043

Date:10/2022

PAGE:HF-2390-31

"SLIDE-OUT" - REAR MECHANISM - INSTALLATION





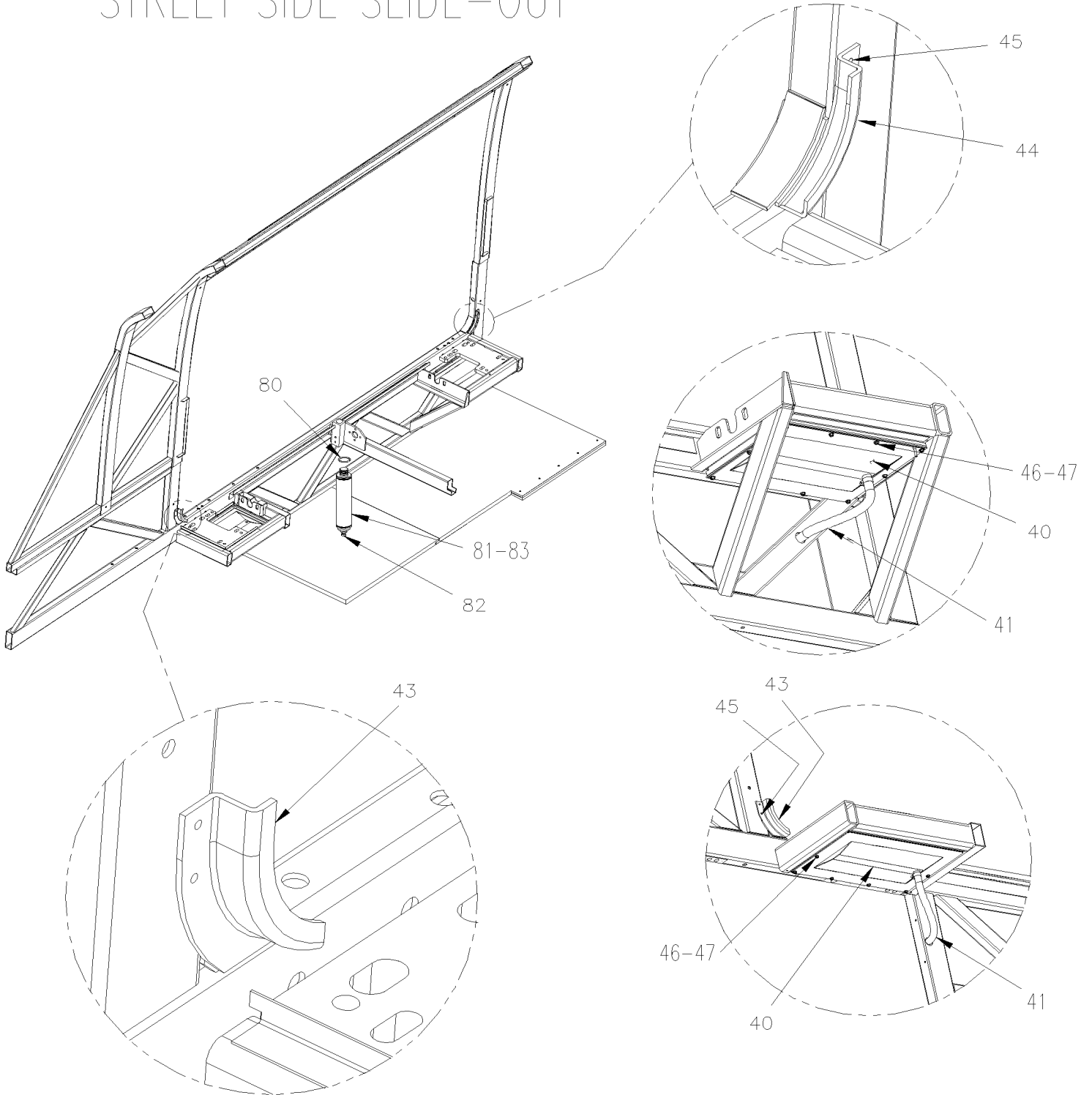
From 7-0772 To 8-1043

Date:10/2022

PAGE:HF-2390-31

"SLIDE-OUT" - REAR MECHANISM - INSTALLATION

STREET SIDE SLIDE-OUT





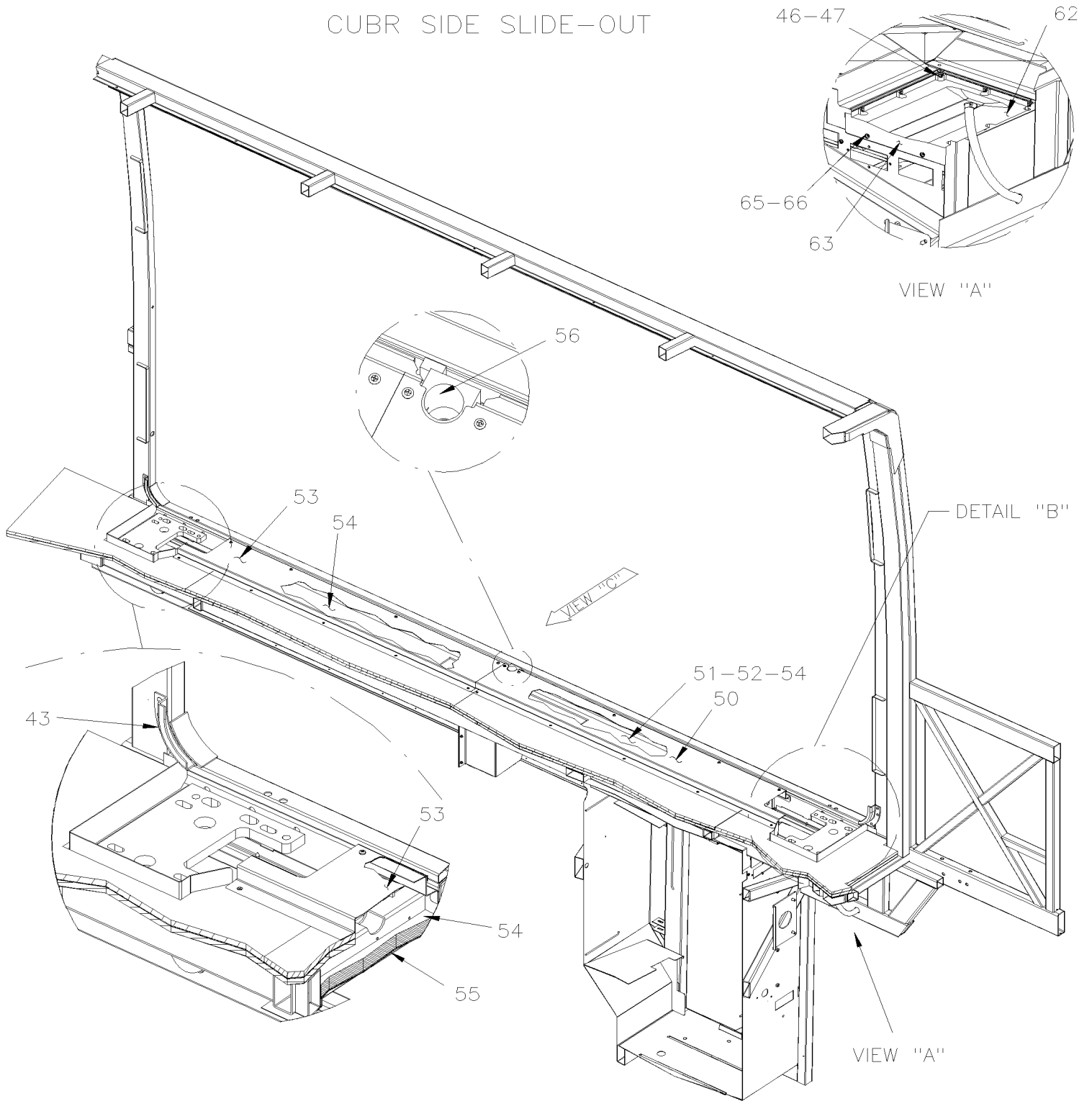
From 7-0772 To 8-1043

Date:10/2022

PAGE:HF-2390-31

"SLIDE-OUT" - REAR MECHANISM - INSTALLATION

CUBR SIDE SLIDE-OUT





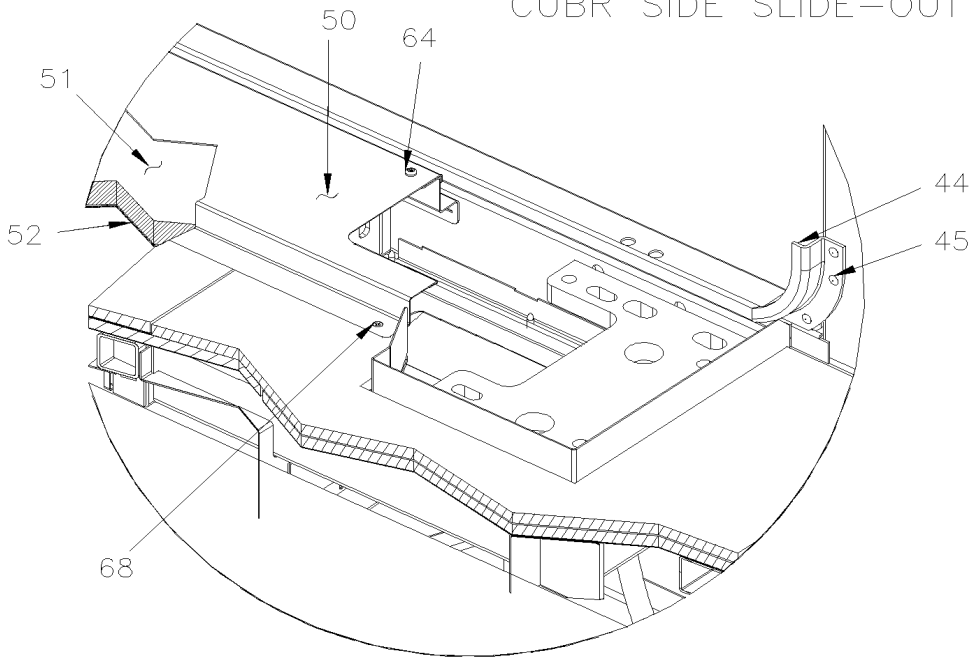
From 7-0772 To 8-1043

Date:10/2022

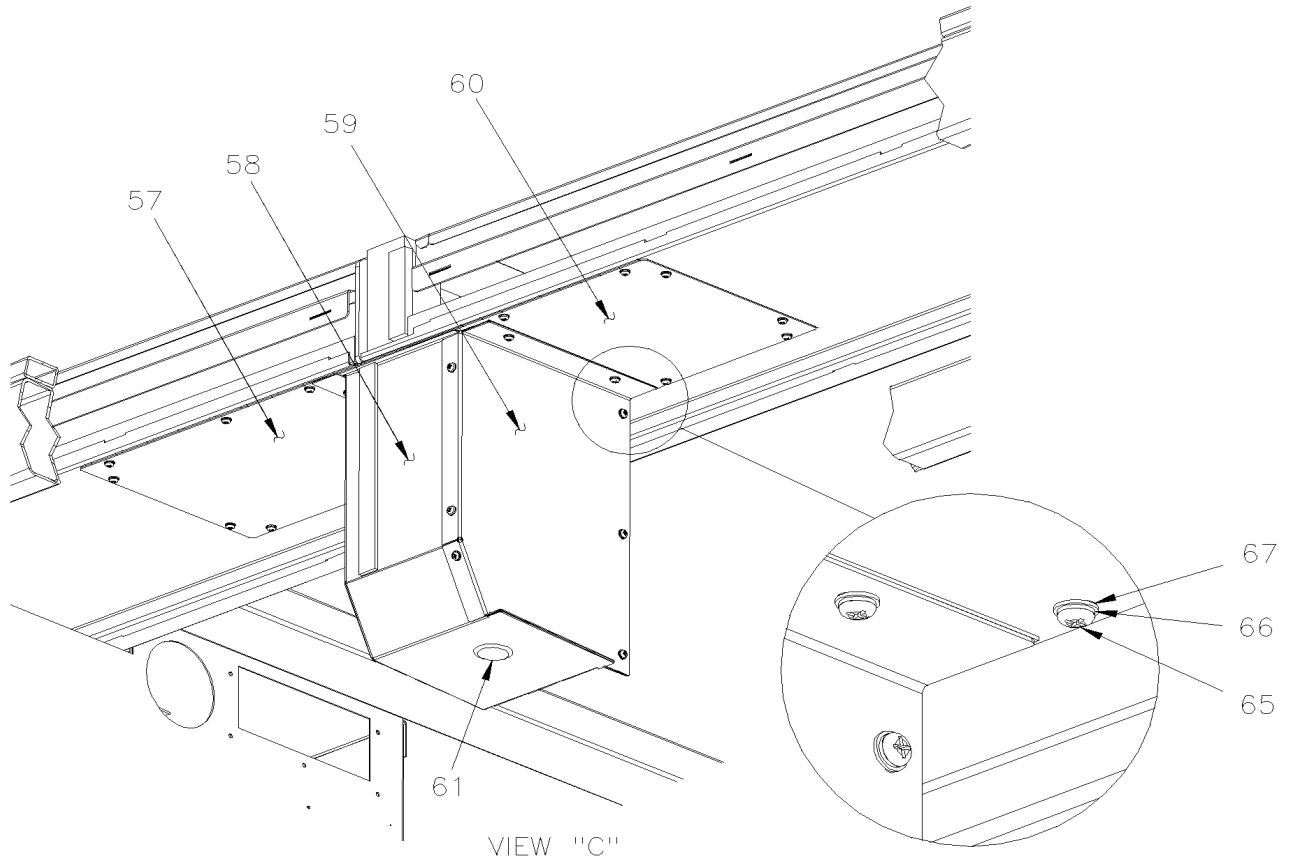
PAGE:HF-2390-31

"SLIDE-OUT" - REAR MECHANISM - INSTALLATION

CUBR SIDE SLIDE-OUT



DETAIL "B"



VIEW "C"



From 7-0772 To 8-1043	Date:10/2022	PAGE:HF-2390-31
"SLIDE-OUT" - REAR MECHANISM - INSTALLATION		

Item#	Part	Description	H 3 4 1	H 3 4 5	V I P 4 5	N O T E S
1	066651	MOTOR 24V ASSY W/CONNECTOR To 7-0648			1	?
. NS	563936	. MOTOR 24V ASSY W/GEAR-BOX To 7-0648			1	
. . NS	563937	. . MOTOR 24V To 7-0648			1	
. . NS	563938	. . GEAR BOX RATIO 738/1 To 7-0648			1	
. NS	561944	. CONNECTOR / CPC SERIES 3 / PH 3C / AMP 206426-1 To 7-0648			1	
. NS	561655	. CABLE CLAMP / CPC / #17 / AMP 206070-8 To 7-0648			1	
. NS	561698	. PIN TERMINAL 16-12 / POWER CONTACT / AMP 66261-4 To 7-0648			2	
1	066969	MOTOR 24V ASSY W/CONNECTOR From 7-0649			1	?
. NS	564036	. MOTOR 24V ASSY W/GEAR-BOX From 7-0649			1	
. . NS	563937	. . MOTOR 24V From 7-0649			1	
. . NS	563938	. . GEAR BOX RATIO 738/1 From 7-0649			1	
. NS	561944	. CONNECTOR / CPC SERIES 3 / PH 3C / AMP 206426-1 From 7-0649			1	
. NS	561655	. CABLE CLAMP / CPC / #17 / AMP 206070-8 From 7-0649			1	
. NS	561698	. PIN TERMINAL 16-12 / POWER CONTACT / AMP 66261-4 From 7-0649			2	
2	563936	. MOTOR 24V ASSY W/GEAR-BOX To 7-0648			1	
. NS	563937	. . MOTOR 24V To 7-0648			1	
. NS	563938	. . GEAR BOX RATIO 738/1 To 7-0648			1	
2	564036	. MOTOR 24V ASSY W/GEAR-BOX From 7-0649			1	
. NS	563937	. . MOTOR 24V From 7-0649			1	
. NS	563938	. . GEAR BOX RATIO 738/1 From 7-0649			1	
3	563938	. GEAR BOX RATIO 738/1			1	
NS	505533	. KEY 6MM x 6MM x 40MM			2	
NS	5001450	SCREW CAP HEX M8-1.25x20 G10.9 DP			4	
NS	500035	WASHER LO SPT .317x.586x.078 SS			4	
4	505530	COUPLING SHAFT DRIVE 20MM I.D. / TYPE GS 28			2	
5	505529	SPIDER RUBBER / TYPE GS 28			2	
6	505528	COUPLING SHAFT DRIVE 1 1/8" I.D. / TYPE GS 28			2	
7	470144	SHAFT 859MM / BACKWARD			1	C
7	476544	SHAFT 1326MM			1	
8	470141	SHAFT 776MM / FORWARD			1	C
8	476544	SHAFT 1326MM			1	
9	470129	PLATE TORQUE			2	
10	470128	SPACER 3/16"			AR	
11	507641	PILLOW BEARING ASSY			2	
NS	501499	GREASE FITTING 45° / 1/4-28			2	
NS	684754	GREASE OPTIMOL OLISTA / CARTRIGE 14Oz			AR	
12	5001620	SCREW CAP HEXS M10-1.5X35 G10.9 G500			4	
13	502616	WASHER LO SPT 10.2x18.1x2.2 SS			4	
14	5001616	SCREW CAP HEXS M10-1.5X25 G10.9 DP			4	
15	470116	PILLOW BEARING ASSY			2	
16	501490	GREASE FITTING / 1/8 NPT			1	
17	470118	COUPLING TORQUE			2	



From 7-0772 To 8-1043	Date:10/2022	PAGE:HF-2390-31
-----------------------	--------------	-----------------

"SLIDE-OUT" - REAR MECHANISM - INSTALLATION

Item#	Part	Description	H 3 4 1	H 3 4 5	V I P 4 5	N O T E S
18	470119	GEAR 5 1/4" W/40TH			2	
19	505527	KEY SQUARE 1/4" x 1/4" x 1 3/4"			2	
20	477752	BASE GUIDE ASSY FORWARD			1	C
21	477753	BASE GUIDE ASSY BACKWARD			1	C
22	5001621	SCREW CAP HEXS M12-1.75x55 G10.9 DP			1	
22	5001615	SCREW CAP BUT HEXS M12-1.75x30 G10.9 G500			8	
23	500747	WASHER LO SPT 12.2x21.1x2.5 N500			8	
24	5001622	SCREW CAP HEXS M12-1.75x40 G10.9 DP			8	
25	5001623	NUT HEX JAM M12x1.75 SS			8	
NS	684420	SCREW MARKER LOCK 90ml			AR	
30	470107	GUIDE			2	
NS	507642	DUMMY RAIL GUIDE LINEAR BEARING 254MM / USE WITH 470107 ONLY			AR	W
NS	685232	RAIL GUIDE EXTENSION TOOL L.H.			AR	T
NS	685233	RAIL GUIDE EXTENSION TOOL R.H.			AR	T
31	066852	LIMITING REED SWITCH ASSY W/LED S.P.D.T. / W/SLIDE OUT			2	?
. NS	563426	. HALL EFFECT SENSOR			1	
. NS	563452	. LED GREEN / 5VOLTS			1	
. NS	562477	. CONNECTOR / DT SERIES / SH 4C / GRAY / DEUTSCH DT06-4S			1	
32	470120	SUPPORT LIMITING READ SWITCH			2	
33	5001146	SCREW CAP HEX M5-0.8x20 SS BK			4	
34	500804	WASHER FL .203x.500x.047 N500			4	
NS	500914	WASHER LO SPT .193x.334x.047 N500			4	
40	Call order desk	ACCESS PANEL ASSY W/DRAIN			2	P
40	477888	. ACCESS PANEL			1	
NS	477889	. GASKET			2	
41	503707	. HOSE / PVC REINFORCED 1/2" I.D. 100' / S.L.			AR	
NS	504230	. HOSE CLAMP / 3/8"-7/8" SS / HS-6			2	
43	477748	GUTTER MOULDING BACKWARD			1	
44	477747	GUTTER MOULDING FORWARD			1	
45	504379	RIVET POP DOME OE 3/16x1/4 SS			4	
NS	680532	SEALANT SIKA #221 / GREY / 310ml CARTRIDGE			AR	
NS	684517	ADHESIVE SIMSON #ISR 70-03 / GREY / 310ml CARTRIDGE			AR	
46	500526	SCREW TP CAP HEXW #12x3/4 N500			16	
47	5001686	WASHER FL SEAL .218x.625x20GA SS			16	
		NEXT FOLOWING ITEMS #50 TO 69 ARE				
		RELATED WITH CURBSIDE SLIDE-OUT				
50	328422	PROTECTOR PLATE BACKWARD 1398MM From 8-1067			1	SL
50	328457	PROTECTOR PLATE BACKWARD 931MM			1	
51	351871	INSULATING 1" / BACKWARD 1112MM From 8-1067			1	SL
51	351903	INSULATING 1" / BACKWARD 643MM			1	



From 7-0772 To 8-1043	Date:10/2022	PAGE:HF-2390-31
-----------------------	--------------	-----------------

"SLIDE-OUT" - REAR MECHANISM - INSTALLATION

Item#	Part	Description	H 3 4 1	H 3 4 5	V I P 4 5	N O T E S
52	351897	INSULATING 1/16" / BACKWARD 1112MM From 8-1067			1	SL
53	328421	PROTECTOR PLATE FORWARD 1374MM From 8-1067			1	SL
53	328456	PROTECTOR PLATE FORWARD 826MM			1	
53	506227	TAPE RUB ADH1 CC POL 1/16" x 3/4" x 100' / GREY 2520			AR	
54	351870	INSULATING 1" / FORWARD 1219MM From 8-1067			1	SL
54	351905	INSULATING 1" / FORWARD 667.5MM			1	
55	351896	INSULATING 1/16" / FORWARD 1219MM From 8-1067			1	SL
56	328224	GASKET JOINT From 8-1067			1	
57	Call order desk	ACCESS PANEL ASSY / BACKWARD			1	P SL
. NS	476913	. ACCESS PANEL / BACKWARD			1	SL
. NS	351880	. INSULATING 1"			1	SL
. NS	351895	. INSULATING 1/16"			1	SL
. NS	506001	. TAPE RUB ADH1 CC POL 1/8" x 3/4" x 50' / GREY 2520X			AR	SL
. NS	680532	. SEALANT SIKA #221 / GREY / 310ml CARTRIDGE			AR	SL
57	Call order desk	ACCESS PANEL ASSY / BACKWARD			1	P
. NS	476940	. ACCESS PANEL / BACKWARD			1	
. NS	351902	. INSULATING 1"			1	
. NS	506001	. TAPE RUB ADH1 CC POL 1/8" x 3/4" x 50' / GREY 2520X			AR	
58	Call order desk	PROTECTOR MOTOR BOX ASSY			1	P SL
. NS	476903	. PROTECTOR MOTOR BOX			1	SL
. NS	506001	. TAPE RUB ADH1 CC POL 1/8" x 3/4" x 50' / GREY 2520X			AR	SL
. NS	506071	. TAPE RUB ADH1 CC POL 1/8" x 1/2" x 50' / GREY 2520X			AR	SL
. NS	506191	. TAPE RUB ADH1 CC POL 1/8" x 1/4" x 50' / GREY 2520X			AR	SL
. NS	680532	. SEALANT SIKA #221 / GREY / 310ml CARTRIDGE			AR	SL
59	Call order desk	COVER ASSY / PROTECTOR MOTOR BOX			1	P SL
. NS	476904	. COVER PANEL / PROTECTOR MOTOR BOX			1	SL
. NS	506001	. TAPE RUB ADH1 CC POL 1/8" x 3/4" x 50' / GREY 2520X			AR	SL
. NS	506071	. TAPE RUB ADH1 CC POL 1/8" x 1/2" x 50' / GREY 2520X			AR	SL
. NS	680532	. SEALANT SIKA #221 / GREY / 310ml CARTRIDGE			AR	SL
59	Call order desk	COVER ASSY / PROTECTOR MOTOR BOX			1	P
. NS	476939	. COVER PANEL / PROTECTOR MOTOR BOX			1	
. NS	476953	. GASKET			1	
. NS	506001	. TAPE RUB ADH1 CC POL 1/8" x 3/4" x 50' / GREY 2520X			AR	
. NS	684517	. ADHESIVE SIMSON #ISR 70-03 / GREY / 310ml CARTRIDGE			AR	
60	Call order desk	ACCESS PANEL ASSY/ FORWARD			1	P SL
. NS	476932	. ACCESS PANEL / FORWARD			1	SL
. NS	351881	. INSULATING 1"			1	SL
. NS	351894	. INSULATING 1/16"			1	SL
. NS	506001	. TAPE RUB ADH1 CC POL 1/8" x 3/4" x 50' / GREY 2520X			AR	SL
. NS	680532	. SEALANT SIKA #221 / GREY / 310ml CARTRIDGE			AR	SL
60	476942P	ACCESS PANEL ASSY/ FORWARD			1	
. NS	476938	. ACCESS PANEL / FORWARD			1	



From 7-0772 To 8-1043	Date:10/2022	PAGE:HF-2390-31
-----------------------	--------------	-----------------

"SLIDE-OUT" - REAR MECHANISM - INSTALLATION

Item#	Part	Description	H 3 4 1	H 3 4 5	V I P 4 5	N O T E S
. NS	351900	. INSULATING 1"			1	
. NS	351901	. INSULATING 1/16"			1	
. NS	506001	. TAPE RUB ADH1 CC POL 1/8" x 3/4" x 50' / GREY 2520X			AR	
61	504433	SNAP-IN PLUG / 1.090 O.D.			1	
62	476880P	ACCESS PANEL ASSY			2	
. NS	476881	. ACCESS PANEL			1	
. NS	486892	. INSULATING			1	
63	485585	CLOSING PANEL			1	
64	500799	SCREW TC PAN PH #8-32x3/8 N500			AR	
65	502799	SCREW CAP HEX M4-0.7X16 G8.8 N500			AR	
66	502834	WASHER LO SPT 4.1x7.6x0.9 N500			AR	
67	502556	WASHER FL 4.3x9.0x0.8 SS			AR	
68	5001349	SCREW WO TR PH #8x7/8			8	
69	Call order desk	ACCESS PANEL ASSY			1	P SB
. NS	476972	. ACCESS PANEL			1	SB
. NS	506227	. TAPE RUB ADH1 CC POL 1/16" x 3/4" x 100' / GREY 2520			AR	SB
70	477987	DECAL " ON OVERRIDE MUST BE LOW TORQUE..."			1	
71	477989	DECAL "SEAL MUST BE DEFLATED..."			1	
NS	477988	DECAL "PAT PENDING"			1	
72	477990	DECAL "THIS SLIDE-OUT PLATE IS FACTORY.."			1	
NS	477991	DECAL "CAUTION" DO NOT MAKE ANY MODI.."			1	
73	502556	WASHER FL 4.3x9.0x0.8 SS			26	
74	502834	WASHER LO SPT 4.1x7.6x0.9 N500			26	
75	502799	SCREW CAP HEX M4-0.7X16 G8.8 N500			26	
80	507345	O-RING / ORS FITTING / #16 NEO			1	
81	642027	CYLINDER 1 1/16"			1	
82	641126	MALE CONNECTOR / PUSH-IN FITTING / #2x1/8NPT-M BR			1	
83	470133	SAFETY PIN 1 1/4" O.D. x 120MM To 8-1066			1	
83	470182	SAFETY PIN 1 1/4" O.D. x 116MM From 8-1067			1	
		C) REVERSE PICTURE WITH REAR CURBSIDE SLIDE-OUT				
		SB) WITH 7.5 FOOT SLIDE OUT BACKWARD POSITION				
		SL) WITH 10.5 FOOT SLIDE -OUT				
		T) THOSE RAIL EXTENTION TOOLS ARE FOR EASY REMOVED SLIDE-OUT FROM STRUCTURE				
		W) WARNING YOU REQUIRE THIS DUMMY BEFORE REMOVE SLIDE-OUT FROM STRUCTURE				
		?) SEE DETAIL SCREEN				
		P) CALL ORDER DESK FOR SPECIFIC APPLICATION (V.I.N.)				

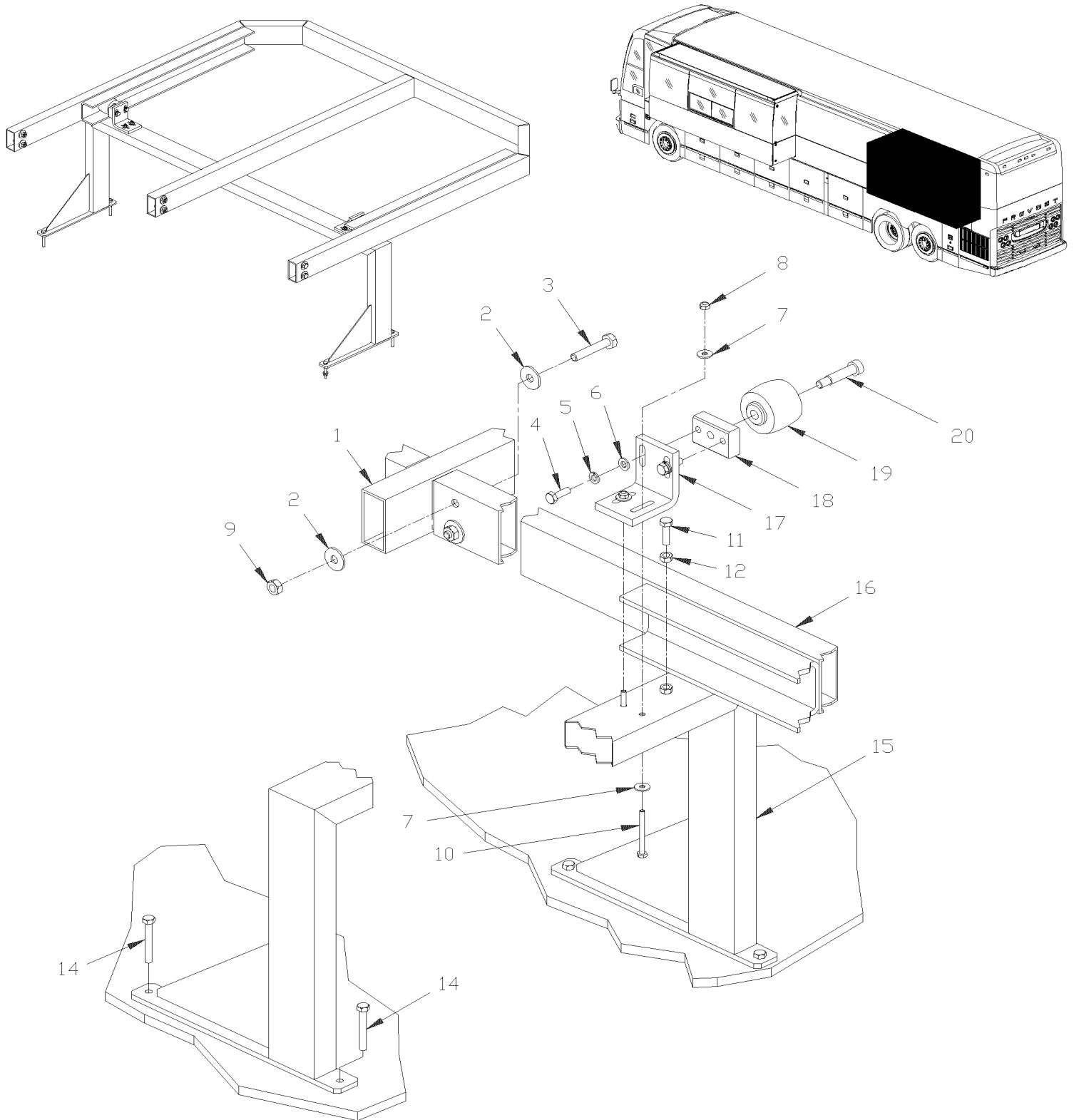


From 3-4417 To 8-1043

Date:10/2022

PAGE:HF-2390-40

"SLIDE-OUT" - BED SUPPORT





From 3-4417 To 8-1043	Date:10/2022	PAGE:HF-2390-40
"SLIDE-OUT" - BED SUPPORT		

Item#	Part	Description	H 3 4 1	H 3 4 5	V I P 4 5	N O T E S
1	Call order desk	REAR SLIDE-OUT ASSY To 7-0771			1	P
1	Call order desk	REAR SLIDE-OUT ASSY / 7.5 From 7-0772			1	P
1	Call order desk	REAR SLIDE-OUT ASSY / 10.7 From 7-0772			1	P
2	502644	WASHER FL 10.5x30.0x2.5 Z050			12	
3	5001485	SCREW CAP HEX M10-1.5x60 G8.8 Z050			6	
4	502589	SCREW CAP HEX M8-1.25x25 G8.8 Z050			4	
5	5001003	WASHER LO SPT 8.1x12.7x2.0 Z050			4	
6	500874	WASHER FL 8.4x17.0x1.6 Z050			4	
7	690261	WASHER FL 6.4x12.0x1.6 SS			14	
7	502573	WASHER FL 6.4x12.5x1.6 SS			14	
8	502611	SCREW TP FL PH #6x1/2 Z050			10	
9	500256	NUT HEX M10-1.5 Z050			6	
10	509839	SCREW CAP HEX M6-1.0x60 G8.8 ZP			4	
11	500544	SCREW CAP HEX M8-1.25x30 G8.8 Z050			2	
12	502543	NUT HEX M8-1.25 Z050			2	
13	680038	THREAD LOCKER LOCTITE #243 / BLUE / 50ml			AR	
14	500185	SCREW CAP HEX 5/16-18x2 1/4 G5 Z050			1	
15	226909P	SUPPORT REAR BED ASSY			1	
16	690215	SUPPORT REAR BED			1	
16	407525	SUPPORT REAR BED			1	
17	476178	ANGLE SUPPORT			2	
18	476177	PLATE			2	
19	476181	WHEEL			2	
20	5001064	SCREW SHR HEXS 12x40 {M10-1.5			2	
		P) CALL ORDER DESK FOR SPECIFIC APPLICATION (V.I.N.)				

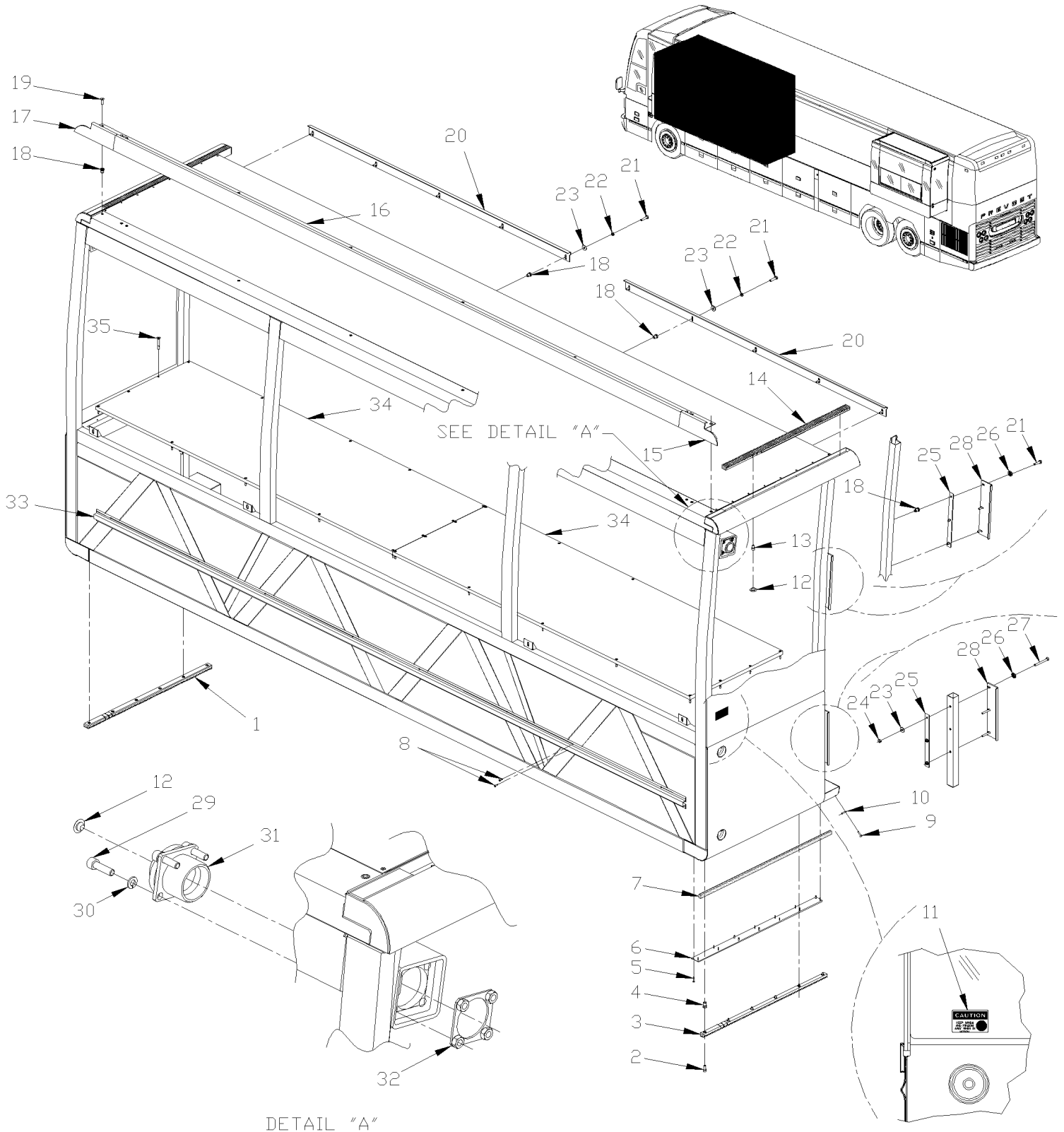


From 3-4417 To 7-0771

Date:10/2022

PAGE:HF-2390-50

"SLIDE-OUT" - INSTALLATION



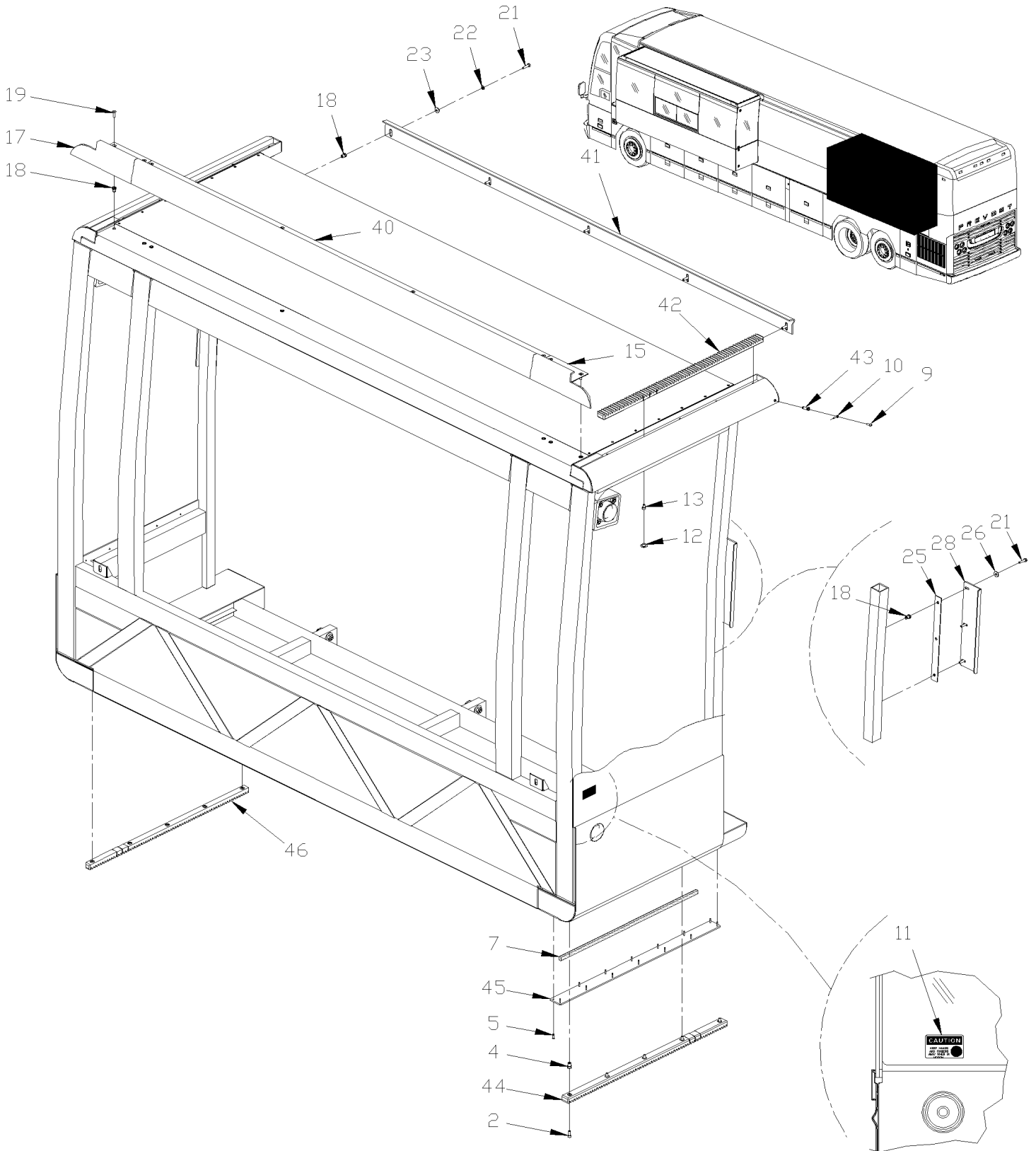


From 3-4417 To 7-0771

Date:10/2022

PAGE:HF-2390-50

"SLIDE-OUT" - INSTALLATION





From 3-4417 To 7-0771	Date:10/2022	PAGE:HF-2390-50
"SLIDE-OUT" - INSTALLATION		

Item#	Part	Description	H 3 4 1	H 3 4 5	V I P 4 5	N O T E S
1	690183	FRONT BOTTOM RACK To 4-4847			1	
1	407517	FRONT BOTTOM RACK From 4-4848			1	
2	502531	SCREW CAP HEX M6-1.0x16 G8.8 Z050			12	
3	690184	FRONT BOTTOM RACK To 4-4847			1	
3	407516	FRONT BOTTOM RACK From 4-4848			1	
4	690280	NUT INS TYPE "A-L" OE M6-1.0 4.2-6.6 ZP To 4-4847			12	
4	502839	NUT INS TYPE "A-L" OE M6-1.0 4.2-6.6 Z050 From 4-4848			12	
5	504107	RIVET POP DOME OE 1/8x5/16 AL			28	
6	690138	SLIDING PLATE / FORWARD / S.B. To 4-4847			2	
6	490498	SLIDING PLATE / FORWARD / S.B. From 4-4848 To 4-4907			2	
6	476352	SLIDING PLATE / BACKWARD / S.B. From 4-4908 To 4-4999			2	
6	477585	SLIDING PLATE / BACKWARD / B.A. From 4-5000			2	
7	506277	TAPE RUB ADH1 CC POL 1/2" x 3/4" x 15' / GREY 2520X				AR
8	504339	RIVET POP DOME OE 1/8x3/8 SS			16	
9	690258	SCREW MA PAN PH M5-0.8x16 ZP To 4-4847			1	
9	502653	SCREW MA PAN PH M5-0.8x16 SS From 4-4848			1	
10	HF-2390-20	"SLIDE-OUT" - FRONT MECHANISM - INSTALLATION	1	1	1	
11	690232	DECAL " KEEP HANDS & FINGERS AWAY.." To 4-4847			2	
11	476130	DECAL " KEEP HANDS & FINGERS AWAY.." From 4-4848			2	
12	690285	SNAP-IN PLUG 1/2" To 4-4847			18	
12	502840	SNAP-IN PLUG / .500 O.D. From 4-4848			18	
13	5001025	SCREW CAP HEXS M6-1.0x12 G8.8			12	
14	690196	TOP RACK To 4-4847			2	
14	407515	TOP RACK From 4-4848			2	
15	475686	EXTRUSION / BACKWARD / 268.4MM			1	
16	475689	EXTRUSION / CENTRAL FRONT / 3887MM			1	
17	475688	EXTRUSION / FOWARD / 268.4MM			1	
18	690259	NUT INS TYPE "A-L" OE M6-1.0 0.7-4.2 ZP			26	
19	502631	SCREW CAP HEX M6-1.0x20 G8.8 Z050			10	
20	690142	ROOF KEY To 4-4847			2	
20	476179	PLATE TOP STOPPER 1790MM From 4-4848			2	
21	5001209	SCREW CAP HEX M6-1.0x25 G8.8 Z050			16	
22	502564	WASHER LO SPT 6.1x11.8x1.6 Z050			10	
23	690261	WASHER FL 6.4x12.0x1.6 SS To 4-4847			16	
23	502573	WASHER FL 6.4x12.5x1.6 SS From 4-4848			16	
24	502511	NUT HEX NYRT M6-1.0 Z050			6	
25	690214	SPACER To 4-4847			4	
25	476180	SPACER From 4-4848			4	
26	690267	WASHER LO SERR 6.1x16.0x0.9 ZP To 4-4847			12	
26	500356	WASHER LO SERR 6.1x16.0x0.9 N500 From 4-4848			12	
27		SCR CAP HEX ZP M6-1.0 X 55 / (5000138)			6	
28	690141	SIDE KEY To 4-4847			4	



From 3-4417 To 7-0771	Date:10/2022	PAGE:HF-2390-50
"SLIDE-OUT" - INSTALLATION		

Item#	Part	Description	H 3 4 1	H 3 4 5	V I P 4 5	N O T E S
28	476176	SIDE KEY STOPPER 300MM From 4-4848			4	
29	690271	SCREW CAP HEXS M10-1.5x35 G10.9 To 4-4847			24	
29	502877	SCREW CAP HEXS M10-1.5x35 G10.9 From 4-4848			24	
30	500257	WASHER LO SPT 10.2x18.1x2.2 Z050			24	
31	690144	STEEL RECEPTACLE To 4-4847			6	
31	407518	STEEL RECEPTACLE From 4-4848			6	
31	690216	CHROMIUM-PLATED RECEPTACLE			6	
32	690139	BOLTING PLATE ASSY To 4-4847			6	
32	490964	BOLTING PLATE ASSY From 4-4848			6	
33		HORIZONTAL RIBBAND / (0200679)			1	
34		FLOOR PANEL ASSY / (0200773)			2	
35	5001535	SCREW DR WF RO #14x1 3/4 Z050			28	
36	N25539	THREAD LOCKER LOCTITE #262 / RED / 250ml			AR	
37	682176	SEALANT SIKA #221 / BLACK / 310ml CARTRIDGE			AR	
40	475687	EXTRUSION / CENTRAL REAR / 1754MM			1	
41	690142	ROOF KEY			1	
42	690195	TOP RACK To 4-4847			2	
42	407522	TOP RACK From 4-4848			2	
43	690260	NUT INS TYPE "A-L" OE M5-0.8 3.3-5.7 ZP To 4-4847			1	
43	502879	NUT INS TYPE "A-L" OE M5-0.8 3.3-5.7 ZP From 4-4848			1	
44	690220	FRONT BOTTOM RACK To 4-4847			1	
44	407520	FRONT BOTTOM RACK From 4-4848			1	
45	690191	SLIDING PLATE To 4-4847			2	
45	490965	SLIDING PLATE / FORWARD / S.B. From 4-4848 To 4-4907			2	
45	476353	SLIDING PLATE / FORWARD / S.B. From 4-4908			2	
46	690221	FRONT BOTTOM RACK To 4-4847			1	
46	407521	FRONT BOTTOM RACK From 4-4848			1	

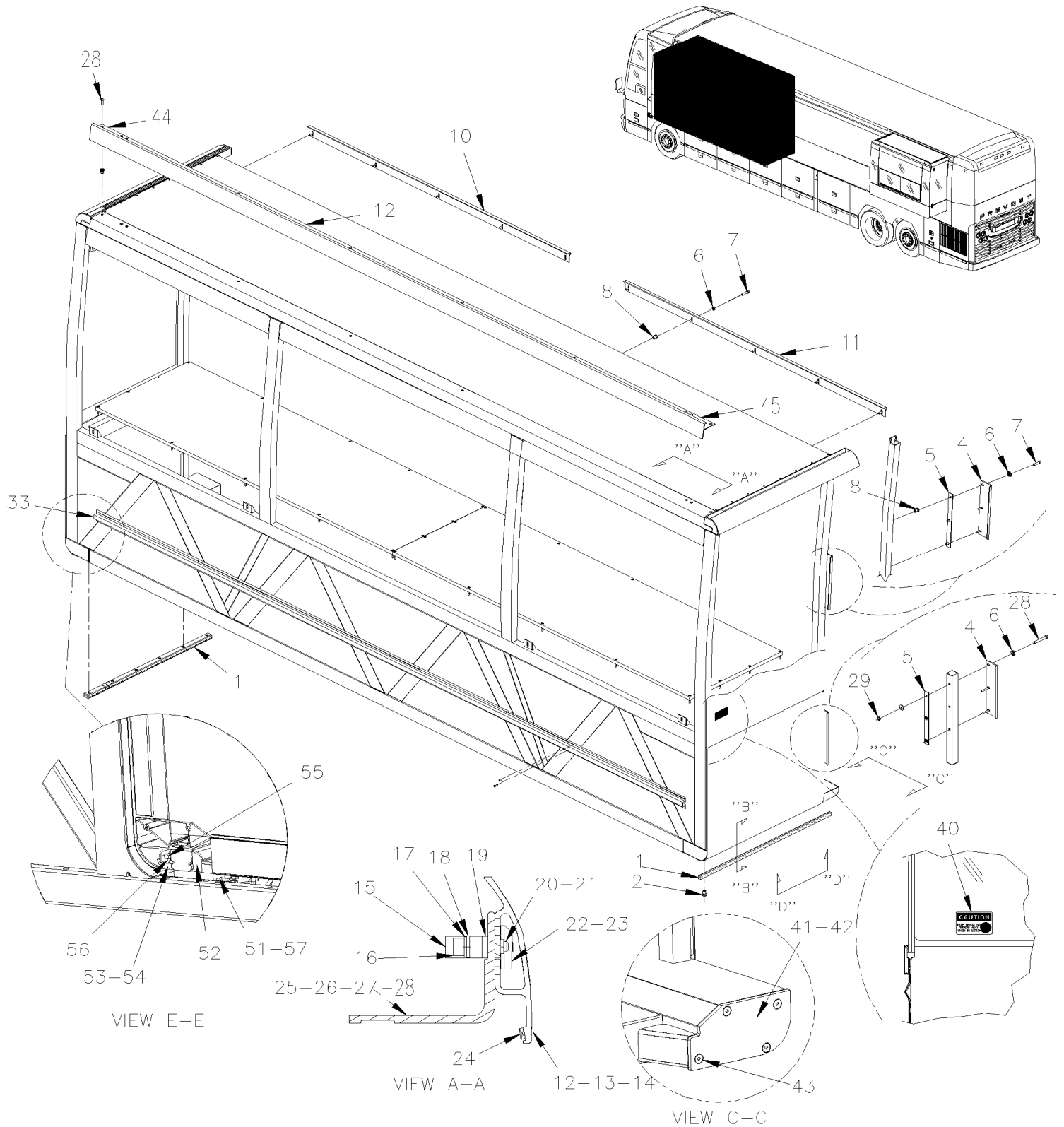


From 7-0772 To 8-1043

Date:10/2022

PAGE:HF-2390-51

"SLIDE-OUT" - INSTALLATION



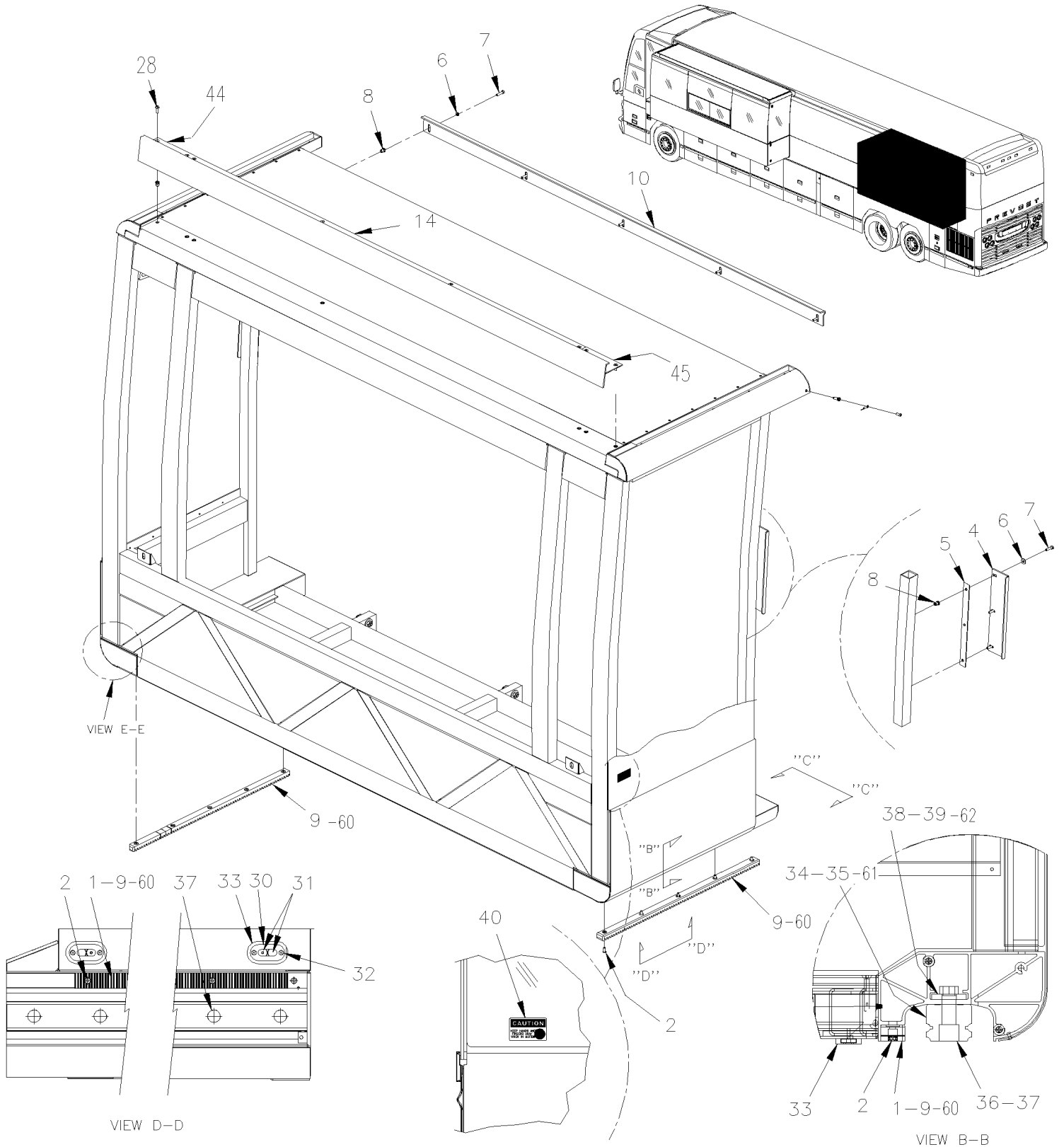


From 7-0772 To 8-1043

Date:10/2022

PAGE:HF-2390-51

"SLIDE-OUT" - INSTALLATION





From 7-0772 To 8-1043	Date:10/2022	PAGE:HF-2390-51
"SLIDE-OUT" - INSTALLATION		

Item#	Part	Description	H 3 4 1	H 3 4 5	V I P 4 5	N O T E S
1	470125	BOTTOM RACK 935MM			2	
2	502531	SCREW CAP HEX M6-1.0x16 G8.8 Z050			12	
4	476176	SIDE KEY STOPPER 300MM			4	
5	476180	SPACER			4	
6	5001586	WASHER FL 6.4x17.0x3.0 Z050			AR	
7	5001209	SCREW CAP HEX M6-1.0x25 G8.8 Z050			16	
8	502839	NUT INS TYPE "A-L" OE M6-1.0 4.2-6.6 Z050			AR	
9	470125	BOTTOM RACK 935MM			2	
10	477994	PLATE TOP STOPPER 1354MM X 67.2MM HIGHT To 7-0943			1	
10	479224	PLATE TOP STOPPER 1354MM X 54.2MM HIGHT To 7-0943			1	L
10	479251	PLATE TOP STOPPER 1354MM X 59.8MM From 7-0944			1	
11	478263	PLATE TOP STOPPER 1600MM X 67.2MM HIGHT To 7-0943			1	
11	479223	PLATE TOP STOPPER 1600MM X 54.2MM HIGHT To 7-0943			1	L
11	479252	PLATE TOP STOPPER 1600MM X 59.8MM From 7-0944			1	
12	Call order desk	EXTRUSION & STOPPER ASSY / 4426MM			1	P
12	478013	. KEY ROOF 4426MM			1	
13	Call order desk	KEY OUTSIDE ROOF ASSY 3309MM			1	P
13	478036	. KEY ROOF 3309MM			1	
14	Call order desk	KEY OUTSIDE ROOF ASSY 2295MM			1	P
14	478219	. KEY ROOF 2295MM			1	
15	478012	. STOPPER BLOCK			2	
16	5001610	. SCREW CAP HEXS M6-1.0x25 SS EMN			2	
17	502570	. WASHER LO SPT 6.1x11.8x1.6 SS			12	
18	502573	. WASHER FL 6.4x12.5x1.6 SS			12	
19	477725	. SHIM 12.7MM x 101MM x 11GA			AR	
19	477807	. SHIM 12.7MM x 101MM x 16GA			AR	
20	477778	. ANCHOR PLATE W/THREAD			2	
21	5001612	. SCREW CAP FL HEXS M4-0.7x8 SS EMN			2	
22	478011	. PLATE ATTACHMENT 51MM			2	
23	5001648	. SCREW CAP HEXS M6-1.0x18 SS BK			8	
24	506191	. TAPE RUB ADH1 CC POL 1/8" x 1/4" x 50' / GREY 2520X			AR	
25	478060	. SUPPORT KEY ROOF 4281MM			1	
26	478078	. SUPPORT KEY ROOF 3164MM			1	
27	478061	. SUPPORT KEY ROOF 2148MM			1	
28	971850	SCREW MA FL TORX M6-1.0x20 G8.8 ZP			AR	
29	502511	NUT HEX NYRT M6-1.0 Z050			6	
30	470124	SUPPORT MAGNET / ALUMINUM			2	
31	562949	MAGNET ROUND .200x.700 DIA			4	
32	5001614	SCREW CAP FL HEXS M4-0.7x16 SS EMN			4	
33	476473	GASKET MAGNET SUPPORT			2	
34	470108	RAIL GUIDE LINEAR BEARING 1058MM			2	
35	470126	RAIL GUIDE LINEAR BEARING 904MM			2	



From 7-0772 To 8-1043	Date:10/2022	PAGE:HF-2390-51
"SLIDE-OUT" - INSTALLATION		

Item#	Part	Description	H 3 4 1	H 3 4 5	V I P 4 5	N O T E S
NS	507642	DUMMY RAIL GUIDE LINEAR BEARING 254MM / USE WITH 470107 ONLY			AR	W
NS	685232	RAIL GUIDE EXTENSION TOOL L.H.			1	T
NS	685233	RAIL GUIDE EXTENSION TOOL R.H.			1	T
36	5001617	SCREW CAP HEXS M14-2.0x55 G10.9 DP			AR	
NS	680038	THREAD LOCKER LOCTITE #243 / BLUE / 50ml			AR	
37	504721	FINISHING PLUG / RAIL GUIDE			AR	
38	470104	ATTACHMENT STRIP 1020MM			2	
39	477901	ATTACHMENT STRIP 900MM			2	
40	476130	DECAL " KEEP HANDS & FINGERS AWAY.."			2	
NS	477989	DECAL "SEAL MUST BE DEFLATED..."			1	
41	477879	CLOSING PLATE / FORWARD			1	
NS	477744	GASKET CLOSING PLATE / FORWARD			1	
42	477681	CLOSING PLATE / BACKWARD			1	
NS	477790	GASKET CLOSING PLATE / BACKWARD			1	
43	5001617	SCREW CAP HEXS M14-2.0x55 G10.9 DP			8	
44	476624P	CLOSING END ASSY / LH LH			1	
NS	474696	. LOWER CAP L.H. / "U" SHAPE FORMER to 7-0859 To 7-0859			1	
NS	474700	. LOWER CAP L.H. / "U" SHAPE From 7-0860			1	
NS	474695	. UPPER CAP L.H. ANGLE FORMER to 7-0859 To 7-0859			1	
NS	474701	. UPPER CAP L.H. ANGLE From 7-0860			1	
NS	478011	. PLATE ATTACHMENT 51MM			1	
NS	5060074	. TAPE RUB ADH1 URE 3/8" X 2" X 30' / GREY 1820			AR	
NS	5001648	. SCREW CAP HEXS M6-1.0x18 SS BK			2	
NS	502570	. WASHER LO SPT 6.1x11.8x1.6 SS			2	
45	476625P	CLOSING END ASSY / RH RH			1	
45	474698	. LOWER CAP R.H. / "U" SHAPE FORMER to 7-0859 To 7-0859			1	
45	474702	. LOWER CAP R.H. / "U" SHAPE From 7-0860			1	
45	474697	. UPPER CAP R.H. ANGLE FORMER to 7-0859 To 7-0859			1	
45	474703	. UPPER CAP R.H. ANGLE From 7-0860			1	
45	478011	. PLATE ATTACHMENT 51MM			1	
45	5060074	. TAPE RUB ADH1 URE 3/8" X 2" X 30' / GREY 1820			AR	
45	5001648	. SCREW CAP HEXS M6-1.0x18 SS BK			2	
45	502570	. WASHER LO SPT 6.1x11.8x1.6 SS			2	
50	502839	NUT INS TYPE "A-L" OE M6-1.0 4.2-6.6 Z050			12	
51	470114	SPACER NYLON 100MM x 41MM x 35MM			2	
52	476415	SEALING BLOCK 77MM			2	
53	476416	SEALING BLOCK 77MM			1	
54	476436	SEALING BLOCK 77MM			1	
55	5001603	SCREW CAP HEXS M10-1.5x20 SS EMN			2	
56	5001602	SCREW SET HEXS FLAT M6-1.0x6 SS			2	
57	5001604	SCREW CAP HEXS M8-1.25x70 G8.8 G500			4	
NS	502889	WASHER LO SPT 8.1x12.7x2.0 N500			4	



From 7-0772 To 8-1043	Date:10/2022	PAGE:HF-2390-51
"SLIDE-OUT" - INSTALLATION		

Item#	Part	Description	H 3 4 1	H 3 4 5	V I P 4 5	N O T E S
NS	479248	KIT STOPPER FRONT SLIDE-OUT "LIBERTY COACH"			1	L
NS	479249	KIT STOPPER REAR L SLIDE-OUT "LIBERTY COACH"			1	L
NS	479250	KIT STOPPER REAR R SLIDE-OUT "LIBERTY COACH"			1	L
		NEXT FOLLOWING ITEMS ARE RELATED				
		WITH CURB-SIDE SLIDE OUT				
60	476617	BOTTOM RACK 635MM			2	
61	476618	RAIL GUIDE LINEAR BEARING 753MM			1	
62	476616	ATTACHMENT STRIP 750MM			1	
		L) USE ONLY WITH "LIBERTY COACH" CONVERTER'S				
		T) THOSE RAIL EXTENTION TOOLS ARE FOR EASY REMOVED SLIDE-OUT FROM STRUCTURE				
		W) WARNING YOUR REQUIRE 2 OF THIS DUMMY BEFORE REMOVE THE SLIDE-OUT FROM STRUCTURE				
		P) CALL ORDER DESK FOR SPECIFIC APPLICATION (V.I.N.)				

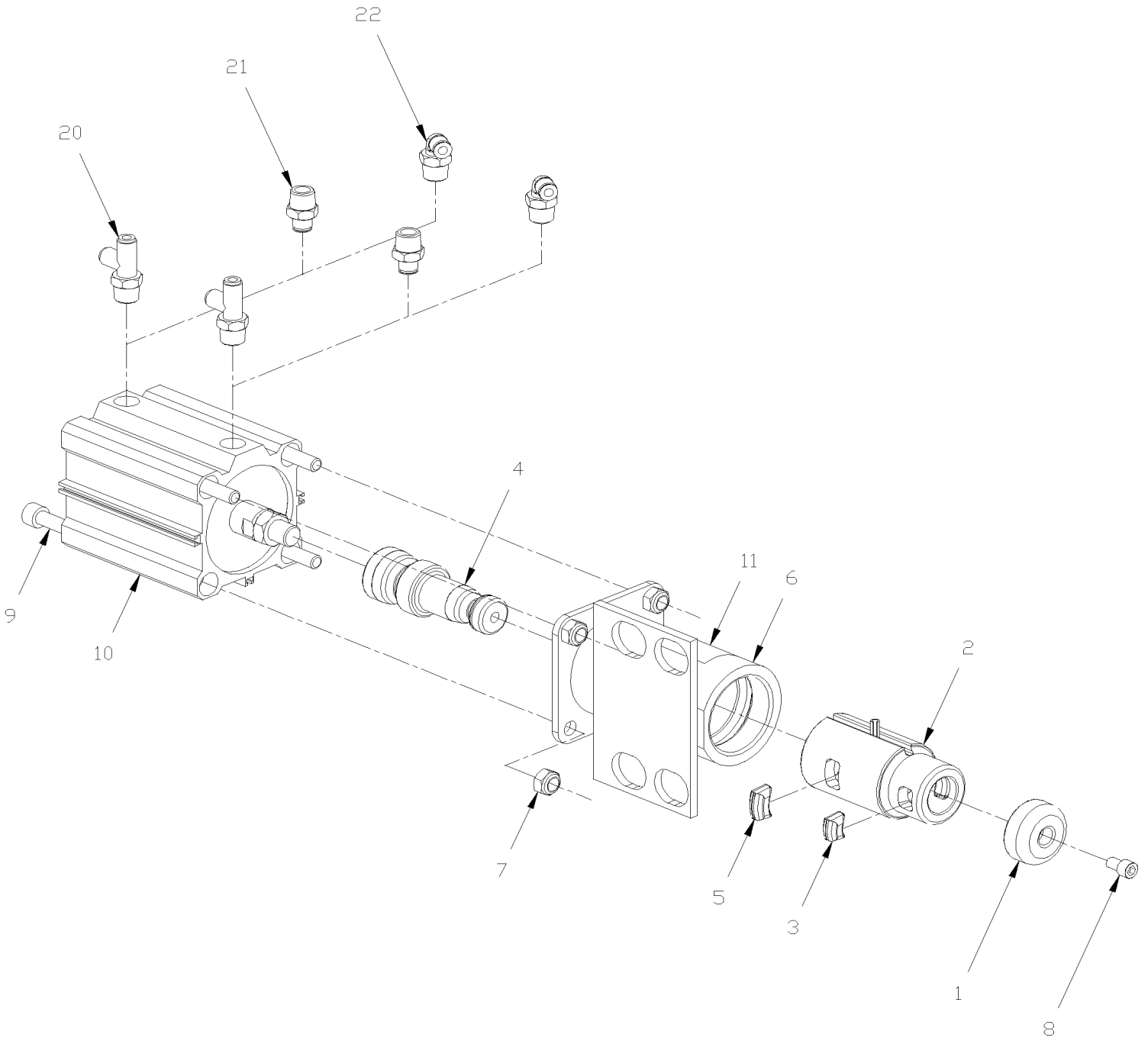


From 3-4417 To 7-0771

Date:10/2022

PAGE:HF-2390-70

"SLIDE-OUT" - CYLINDER LOCK PIN ASSY





From 3-4417 To 7-0771	Date:10/2022	PAGE:HF-2390-70
"SLIDE-OUT" - CYLINDER LOCK PIN ASSY		

Item#	Part	Description	H 3 4 1	H 3 4 5	V I P 4 5	N O T E S
	N.P.N.	CYLINDER AIR ASSY / W/2 SHOES 5 DEG To 3-4502			AR	4
	641976	CYLINDER AIR ASSY / W/2 SHOES 7 DEG From 3-4503			AR	
. NS	690402	. SLEEVE & SLIDING PIN ASSY W/SHOES 7 DEG From 3-4503			1	
1	641974	. . SWIVEL HEAD To 4-4797			1	
1	144627	. . SWIVEL HEAD From 4-4798			1	
2	690397	. . SLEEVE SLIDING / 2 SHOES MODEL To 4-4797			1	
2	144628	. . SLEEVE SLIDING / 2 SHOES MODEL From 4-4798			1	
3	641967	. . SHOE PIN SMALL 7 DEG From 3-4503 To 4-4797			2	
3	144631	. . SHOE PIN SMALL 7 DEG From 4-4798			2	
4	641959	. . SHAFT PIN 7 DEG From 3-4503 To 4-4797			1	
4	144630	. . SHAFT PIN 7 DEG From 4-4798			1	
5	641968	. . SHOE PIN LARGE 7 DEG From 3-4503 To 4-4797			2	
5	144629	. . SHOE PIN LARGE 7 DEG From 4-4798			2	
6	641975	. RECEPTACLE ASSY From 3-4503 To 4-4797			1	
6	144624	. RECEPTACLE ASSY From 4-4798			1	
7	502859	. NUT HEX NYRT M10-1.5 N500			4	
8	690393	. SCREW CAP HEXS 5/16-18x1/2 ZP			1	
9	690417	. SCREW CAP HEXS M10-1.5x140			4	
10	690412	. CYLINDER AIR			1	
11	144622	DECAL / "DO NOT READJUST..."			1	
20	641960	MALE RUN TEE / PUSH-IN FITTING / #4x#4x3/8NPT-M PLAS			1	
20	641961	MALE RUN TEE / PUSH-IN / W/RESTRICTION #4x#4x 3/8NPT-M x .71ID PLAS			1	
21	641964	MALE CONNECTOR / PUSH-IN FITTING / #4x3/8NPT-M PLAS			1	
21	641965	MALE CONNECTOR / PUSH-IN / W/RESTRICTION #4x 3/8NPT-M x .71ID PLAS			1	
22	641962	MALE ELBOW 90° / PUSH-IN FITTING / #4x3/8NPT-M PLAS			1	
22	641963	MALE ELBOW 90° / PUSH-IN / W/RESTRICTION #4x3/8NPT-M x .71ID PLAS			1	
		4) NO PARTS NUMBER				