

PREVOST

COACH MANUFACTURER

PARTS MANUAL



PA1230

10-2022

PARTS MANUAL



General information

A. Vehicle Identification Number (V.I.N.)

Each time spare parts have to be ordered, you must refer to your vehicle identification number serial number. In order to understand the meaning of this number, please refer to the following:

2 P C W 3 3 4 9 5 8 1 0 2 9279

W = VEHICLE MODEL
9 = VEHICLE LENGTH
8 = MODEL YEAR
9279 = SEQUENCE NUMBER

Vehicle Model

This manual covers vehicle model XL-II MTH bus shells.

W	MTH bus shell
Y	MTH bus shell Entertainer

Vehicle Length

9	45 feet
----------	---------

Model Year

YEAR	CODE	YEAR	CODE
2008	8	2011	B
2009	9	2012	C
2010	A	2013	D

Sequence Number

This number represents the sequence the vehicle has followed on the assembly line.

B. Effectivity

This manual covers information for vehicles from the **8-9279** to **B-9999**.

The heading of each page in this manual refers to an effectivity serial number and in the parts description, you may find additional information on the effectivity of a specific part to a serial number (refer to FROM:).

In the description, you may also remark the expression UP TO which means that a component is effective to the vehicles manufactured up to the specified serial number (refer to UP TO:).

C. Illustrations

An exploded view is conveniently located at the beginning of each section and is meant to assist the user in identifying parts and components.

The illustrations show the typical construction of the different assemblies and, in all cases, may not reproduced the full detail or exact shape of parts shown, however, they represent parts which have same or similar function.

PARTS MANUAL

C. Illustrations

An exploded view is conveniently located at the beginning of each section and is meant to assist the user in identifying parts and components.

The illustrations show the typical construction of the different assemblies and , in all cases, may not reproduced the full detail or exact shape of parts shown, however, they represent parts which have same or similar function.

D. General

The information, illustrations and components/system descriptions contained in this manual are correct at time of publication. Prévost Car Inc., however, maintains a policy of continuous improvement of its product without imposing upon itself any obligation to install them on products previously manufactured.

Prévost Car Inc., reserves the right at any time to discontinue or change specifications, designs, features, models or equipment without incurring obligation.

PARTS MANUAL

E. Parts and Service Center

CANADA

Canadian Parts Customer Service 2955-A Watt Street Québec, Québec Canada, G1X 3W1	Toll free phone: 1 (800) 463-8876 Tel.: (418) 654-0174 Fax: (800) 939-0133 Fax: (418) 658-1723	Service Center British Columbia 11911 No. 5 Road Richmond, British Columbia Canada, V7A 4E9	Tel.: (604) 940-3306 Fax: (604) 940-3384
Service Center 850 Chemin Olivier Saint-Nicolas, Quebec Canada G7A 2N1	Toll free phone: 1 866 870-2046 Tel.: (418) 831-2046 Fax: (418) 831-7432	Service Ontario 8301-A Keele Street Vaughan, Ontario Canada, L4K 1Z6	Tel.: (905) 738-0881 Fax: (905) 738-0891
Service Center Alberta 292 MacDonald Crescent Fort McMurray, Alberta Canada T9H 4B6	Tel.: (780) 792-9526 Fax: (780) 743-0983		

UNITED STATES

US Parts Customer Service 2250 Point Blvd., Suite 410 Elgin, IL USA, 60123	Toll free phone 1 800 799-9938 Main office (847) 844-7680 Parts 1 800 621-5519	Prevost Parts & Service Center 800 South Cartwright Street Goodlettsville, TN USA, 37072	Toll free phone 1 877 299-8881 Main office (615) 299-8881 Fax: (615) 299-8816 After-Hours (615) 519-1372 Parts Emergency
Prevost Parts & Service Center 3384 De Forest Circle Mira Loma, CA USA, 91752	Toll free phone 1 800 421-9958 Main office (951) 360-2550 Fax: (951) 360-2560 After-Hours (951) 314-0226 Parts Emergency	Prevost Parts & Service Center 201 South Avenue South Plainfield, NJ USA, 07080	Toll free phone 1 800 223-0830 Main office (908) 222-7211 Fax: (908) 222-7304 Fax parts (908) 222-7305 After-Hours (201) 315-4064 Parts Emergency
Prevost Parts & Service Center 6821 Central Avenue, Newark, CA USA, 94560	Main office (310) 283-1852 After-Hours: (951) 314-0226 Parts Emergency	Prevost Parts & Service Center 15200 Frye Road Fort Worth, TX USA, 76155-2702	Service/Parts 1 866 773-8678 Main office (817) 685-0250 Fax : (817) 685-0460 After-Hours (817) 271-8653 Parts Emergency
Prevost Parts & Service Center 6931 Business Park Blvd North Jacksonville, FL USA, 32256	Toll free phone 1 800 874-7740 Main office (904) 886-4555 Fax: (904) 886-0092 After-Hours (904) 412-8023 Parts Emergency	Prevost Parts & Service Center 11851 Cutten Road Houston, TX USA, 77066	Service/Parts 1 877 602-0273 Main office (713) 849-8562 Fax: (281) 315-1571 After-Hours (346) 333-5520 Parts Emergency
Prevost Parts & Service Center 1300 Green Forest Court Winter Garden, FL USA, 34787	Toll free phone 1 866 726-6235 Main office (407) 554-0196 After-Hours: (407) 259-5720 Parts Emergency	Prevost Parts & Service Center 3715 N. Carnation St. Franklin Park, IL USA, 60131	Main office (847) 778-7475 Fax: (847) 737-2242 After-Hours 1 800 463-7738 Parts Emergency

PARTS MANUAL

KEY & ABBREVIATIONS

(XXXX-XX)	SEE PAGE	N/A	NOT AVAILABLE
<>	BETWEEN	NEG.	NEGATIVE
°	DEGREE	N.O.	NORMALLY OPEN
#	NUMBER	N.C.	NORMALLY CLOSE
??	INFORMATION NOT AVAILABLE AT TIME OF PUBLICATION	N.P.N.	NO PARTS NUMBER
ABS	ANTILOCK BRAKING SYSTEM	NPT	NATIONAL PIPE THREAD
AR	AS REQUIRED	NS	NOT SHOWN
ASSY	ASSEMBLY	N.S.P.	NOT SOLD AT PREVOST (SEE MANUFACTURING PART NUMBER AT THE END OF DESCRIPTION LINE)
CCW	COUNTERCLOCKWISE	N.S.S.	NOT SOLD SEPARATELY
C.E.	COMMUTATOR END	O.D.	OUTSIDE DIAMETER
CHR	CHROME	OPT.	OPTION
CW	CLOCKWISE	O.S.	OVERSIZE
CYL.	CYLINDER	PH	PHILLIPS
C/C	CENTER/CENTER	POS.	POSITIVE
D.E.	DRIVE END	RR	REAR
DIA.	DIAMETER	S.C.C.	SPECIFY COLOR CODE
DIFF.	DIFFERENTIAL	SCT	SECTION
D.P.D.T.	DOUBLE POLE DOUBLE THROW	S.D.	SPECIFY DIMENSION
ECU	ELECTRONIC CONTROL UNIT	S.L.	SPECIFY LENGHT
EDU	ELECTRONIC DISTRIBUTOR UNIT	SM	SMALL
EFF	EFFECTIVE	S.P.S.T.	SINGLE POLE SINGLE THROW
ENG.	ENGINE	S.P.D.T.	SINGLE POLE DOUBLE THROW
EXT	EXTERNAL	S.Q.	SPECIFY QUANTITY
FR	FRONT	SS	STAINLESS STEEL
GND	GROUND	STD	STANDARD
HD	HEAD	STO	STOVER
HEX	HEXAGONAL	SW	SWIVEL
H.P.	HIGH PRESSURE	SWL FITT.	SWIVEL FITTING
HVAC	HEATING, VENTILATION & AIR CONDITIONING	TPG	TAPING
HYD	HYDRAULIC	TH	THICKNESS
I.D.	INSIDE DIAMETER	TRANS.	TRANSMISSION
INT	INTERNAL	TXV	THERMAL EXPANSION VALVE
JCT	JUNCTION	U.S.	UNDERSIZE
LED	LIGHT-EMITTING DIODE	W	WITH
L.P.	LOW PRESSURE	W/O	WITHOUT
LUGG.	LUGGAGE	WIND.	WINDOW
M & F	MALE & FEMALE	ZP	ZINC PLATED

PARTS MANUAL

MEASUREMENT EQUIVALENTS

Fraction - Inches (dec.) - Millimeter

25.4mm = 1 inch

1mm = .03937 inch

fraction	decimal	mm	fraction	decimal	mm
1/64	0.0156	0.397	33/64	0.5156	13.097
1/32	0.0313	0.794	17/32	0.5313	13.494
-	0.0394	1	35/64	0.5469	13.891
3/64	0.0469	1.191	-	0.5512	14
1/16	0.0625	1.588	9/16	0.5625	14.288
5/64	0.0781	1.984	37/64	0.5781	14.684
-	0.0787	2	-	0.5906	15
3/32	0.0938	2.381	19/32	0.5938	15.081
7/64	0.1093	2.778	39/64	0.6094	15.478
-	0.1181	3	5/8	0.6250	15.875
1/8	0.1250	3.175	-	0.6299	16
9/64	0.1406	3.572	41/64	0.6406	16.272
5/32	0.1563	3.969	21/32	0.6563	16.669
-	0.1575	4	-	0.6693	17
11/64	0.1719	4.366	43/64	0.6719	17.066
3/16	0.1875	4.762	11/16	0.6875	17.462
-	0.1969	5	45/64	0.7031	17.859
13/64	0.2031	5.159	-	0.7087	18
7/32	0.2188	5.556	23/32	0.7188	18.256
15/64	0.2344	5.953	47/64	0.7344	18.653
-	0.2362	6	-	0.7480	19
1/4	0.2500	6.350	3/4	0.7500	19.050
17/64	0.2656	6.747	49/64	0.7656	19.447
-	0.2756	7	25/32	0.7813	19.844
9/32	0.2813	7.144	-	0.7874	20
19/64	0.2969	7.541	51/64	0.7969	20.241
5/16	0.3125	7.938	13/16	0.8125	20.638
-	0.3150	8	-	0.8268	21
21/64	0.3281	8.334	53/64	0.8281	21.034
11/32	0.3438	8.731	27/32	0.8438	21.431
-	0.3543	9	55/64	0.8594	21.828
23/64	0.3594	9.128	-	0.8661	22
3/8	0.3750	9.525	7/8	0.8750	22.225
25/64	0.3906	9.922	57/64	0.8096	22.622
-	0.3937	10	-	0.9055	23
13/32	0.4063	10.319	29/32	0.9063	23.019
27/64	0.4219	10.716	59/64	0.9219	23.416
-	0.4331	11	15/16	0.9375	23.812
7/16	0.4375	11.112	-	0.9449	24
29/64	0.4531	11.509	61/64	0.9531	24.209
15/32	0.4688	11.906	31/32	0.9688	24.606
-	0.4724	12	-	0.9843	25
31/64	0.4844	12.303	63/64	0.9844	25.003
12	0.5000	12.700	1/1	1	25.400
-	0.5118	13	-	-	-

PARTS MANUAL

TABLE OF CONTENTS

GENERAL	00
ENGINE	01
CLUTCH	02
FUEL	03
EXHAUST	04
COOLING	05
ELECTRICAL	06
TRANSMISSION	07
PROPELLER SHAFT	09
FRONT AXLE	10
REAR AXLE	11
BRAKE	12
WHEEL, HUBS & TIRES	13
STEERING	14
SUSPENSION	16
BODY	18
HEATING & AIR CONDITIONING	22
ACCESSORIES	23
WHEEL CHAIR LIFT	25

PARTS MANUAL

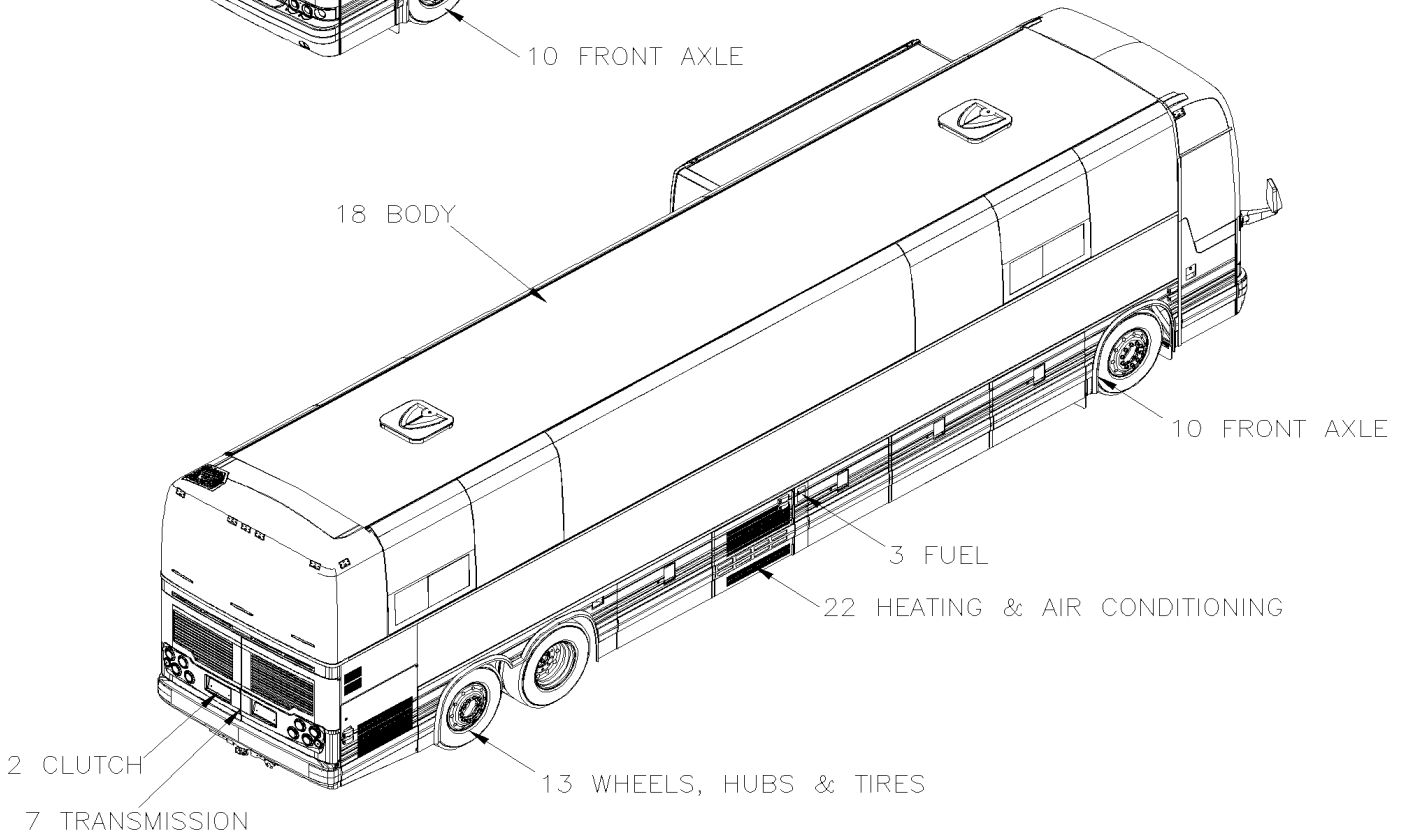
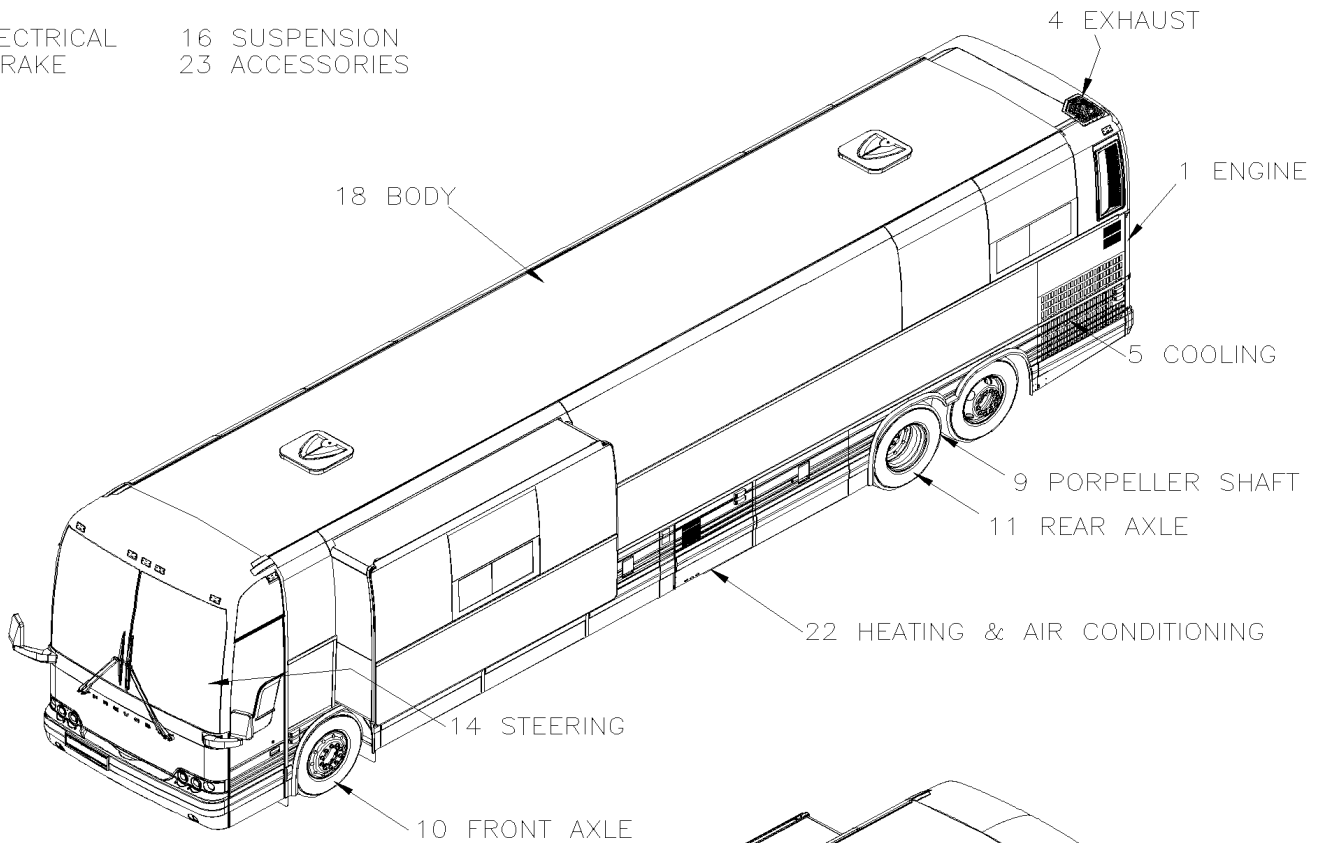
To have more information about fast moving parts, place an order for the book PA-1105 to your nearest parts order desk.

Thank you!

	Date:10/2022	PAGE: XL-II MTH
XL-II / MTH / 2007 - 2010 / VIN FROM 8-9122 TO B-5001		

6 ELECTRICAL
12 BRAKE

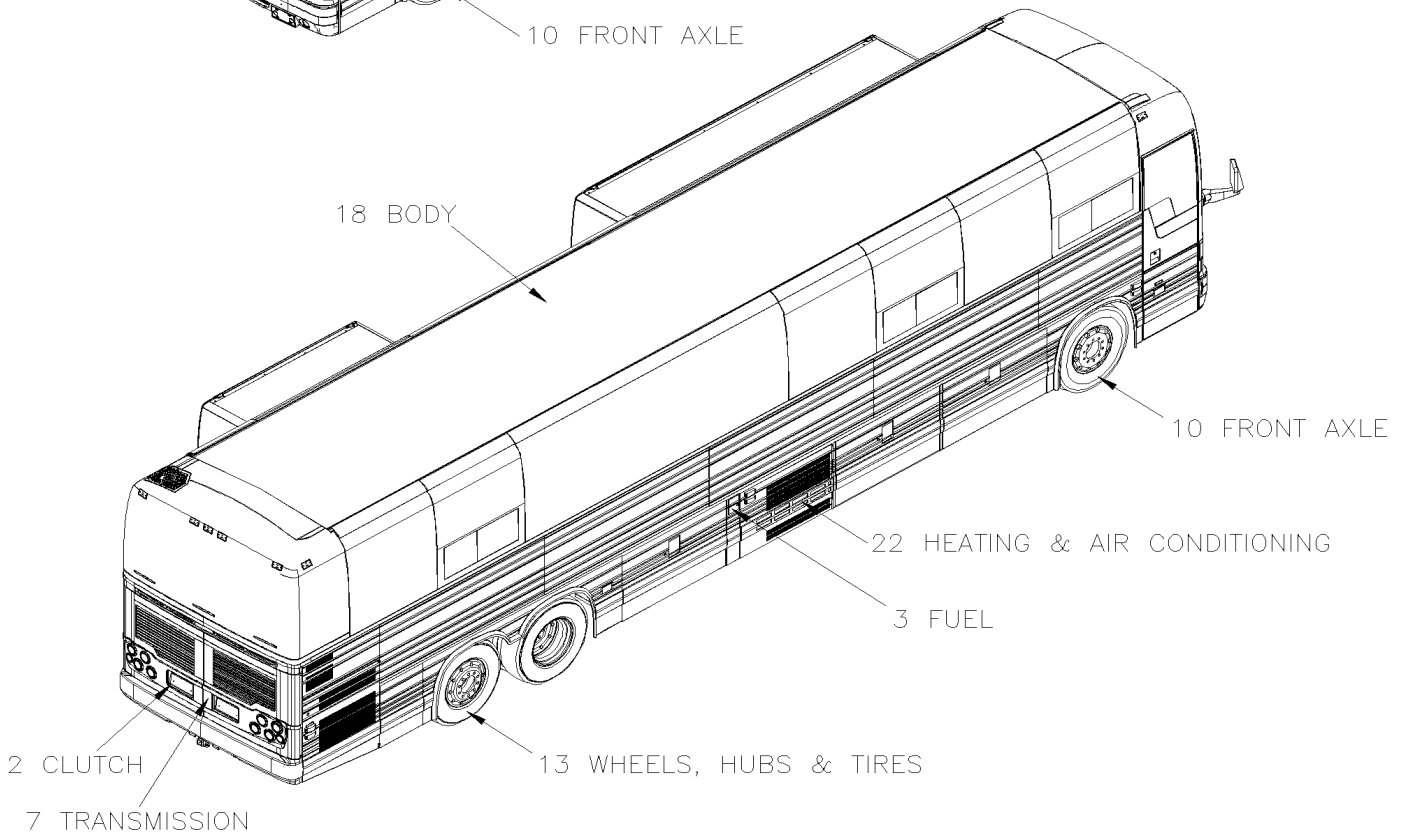
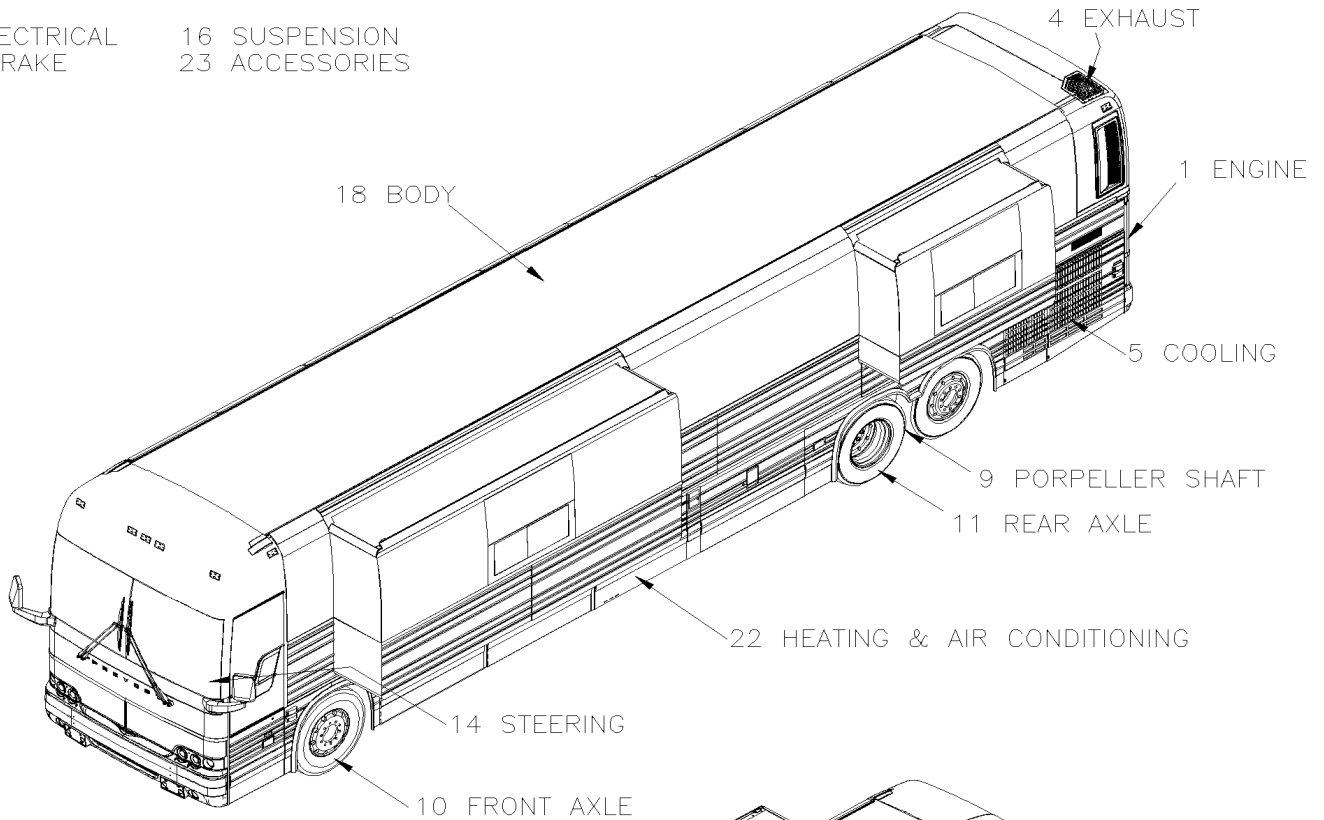
16 SUSPENSION
23 ACCESSORIES



	Date:10/2022	PAGE: XL-II MTH
XL-II / MTH / 2007 - 2010 / VIN FROM 8-9122 TO B-5001		

6 ELECTRICAL
12 BRAKE

16 SUSPENSION
23 ACCESSORIES

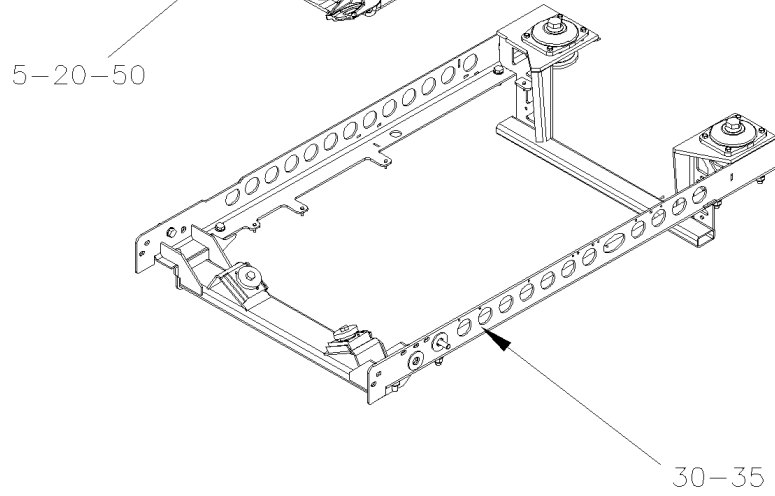
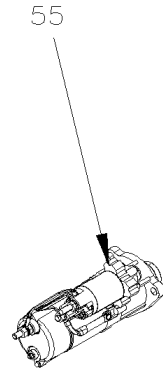
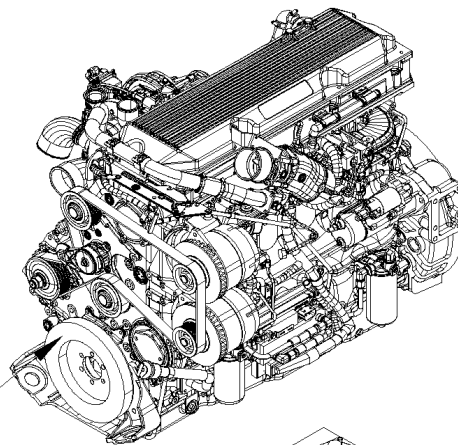
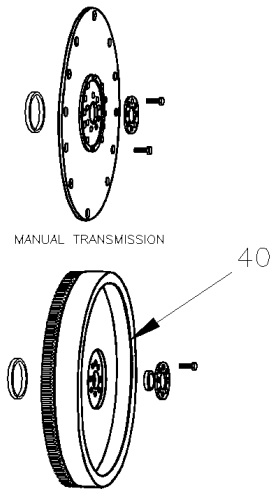
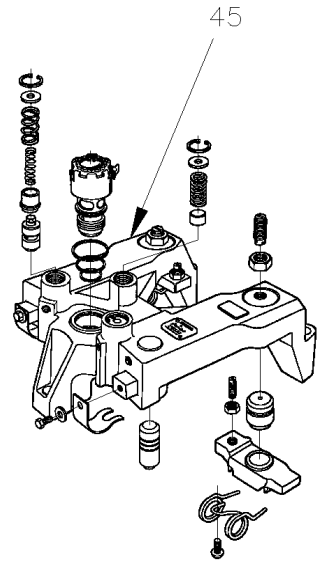
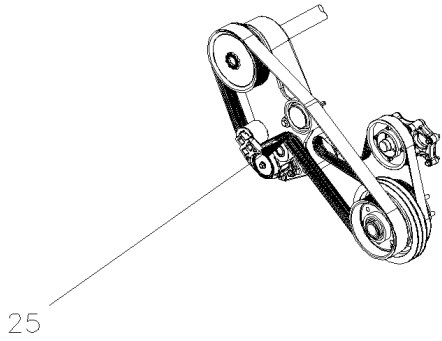




	Date:10/2022	PAGE: XL-II MTH
XL-II / MTH / 2007 - 2010 / VIN FROM 8-9122 TO B-5001		

Item#	Part	Description	X L I I M T H 4 5	X L I I M T H 4 5 E	N O T E S
		IF NO USE BOOK XL-II (PA-1152)			
1	MTH-01	ENGINE			
2	MTH-02	CLUTCH			
3	MTH-03	FUEL			
4	MTH-04	EXHAUST			
5	MTH-05	COOLING			
6	MTH-06	ELECTRICAL			
7	MTH-07	TRANSMISSION			
9	MTH-09	PROPELLER SHAFT			
10	MTH-10	FRONT AXLE			
11	MTH-11	REAR AXLE			
12	MTH-12	BRAKE			
13	MTH-13	WHEELS, HUBS & TIRES			
14	MTH-14	STEERING			
16	MTH-16	SUSPENSION			
18	MTH-18	BODY			
22	MTH-22	HEATING & AIR CONDITIONING			
23	MTH-23	ACCESSORIES			
40	MTH-DRIVER-00	DRIVER'S SEAT			

	Date:10/2022	MTH-01
ENGINE		





		Date:10/2022	MTH-01		
ENGINE					
Item#	Part	Description	X L I I M T H 4 5	X L I I M T H 4 5 E	NOTES
5	MTH-0100-00	ENGINE WIRING HARNESS - INSTALLATION From 8-9279 To B-9999			
5	MTH-0100-05	VOLVO ENGINE CONTROL SYSTEM From 9-9591 To B-9999			
5	MTH-0100-06	ENGINE WIRING HARNESS - INSTALLATION WITH "VOLVO" ENGINE D-061103 From 9-9591 To B-9999			
5	MTH-0100-10	STARTER - INSTALLATION From 8-9279 To B-9999			
15	MTH-0105-00	ENGINE OIL RESERVOIR - PLASTIC DETROIT S-60 From 8-9279 To B-9999			
20	MTH-0105-05	ENGINE OIL FILLER CAP & DIPSTICK WITH VOLVO D13 From 9-9591 To B-9999			
25	MTH-0120-00	DRIVE PULLEY, BELTS & TENSIONER WITH DETROIT S-60 From 8-9279 To B-9999			
25	MTH-0120-01	DRIVE PULLEY, BELTS & TENSIONER WITH VOLVO D13 From 9-9591 To B-9999			
30	MTH-0150-00	ENGINE CRADLE - WITH DETROIT S-60 From 8-9279 To B-9999			
30	MTH-0150-01	ENGINE CRADLE - WITH VOLVO D13 From 9-9591 To B-9999			
35	MTH-0155-10	ENGINE TRANSMISSION GUARD & AIR SHIELD DETROIT S-60 From 8-9279 To B-9999			
35	MTH-0155-11	ENGINE TRANSMISSION GUARD & AIR SHIELD VOLVO D13 From 9-9591 To B-9999			
40	MTH-0160-00	FLYWHEEL & FLEXPLATE From 8-9279 To B-9999			
45	MTH-0165-00	JACOB'S - ENGINE BRAKE - WITH DETROIT S-60 From 8-9279 To B-9999			
50	MTH-0170-00	ENGINE "VOLVO" D-13 - SPECIFIC PARTS FOR PREVOST From 9-9591 To B-9999			
55	MTH-0175-00	STARTER MOTOR / "MELCO" / VOLVO From 9-9591 To B-9999			

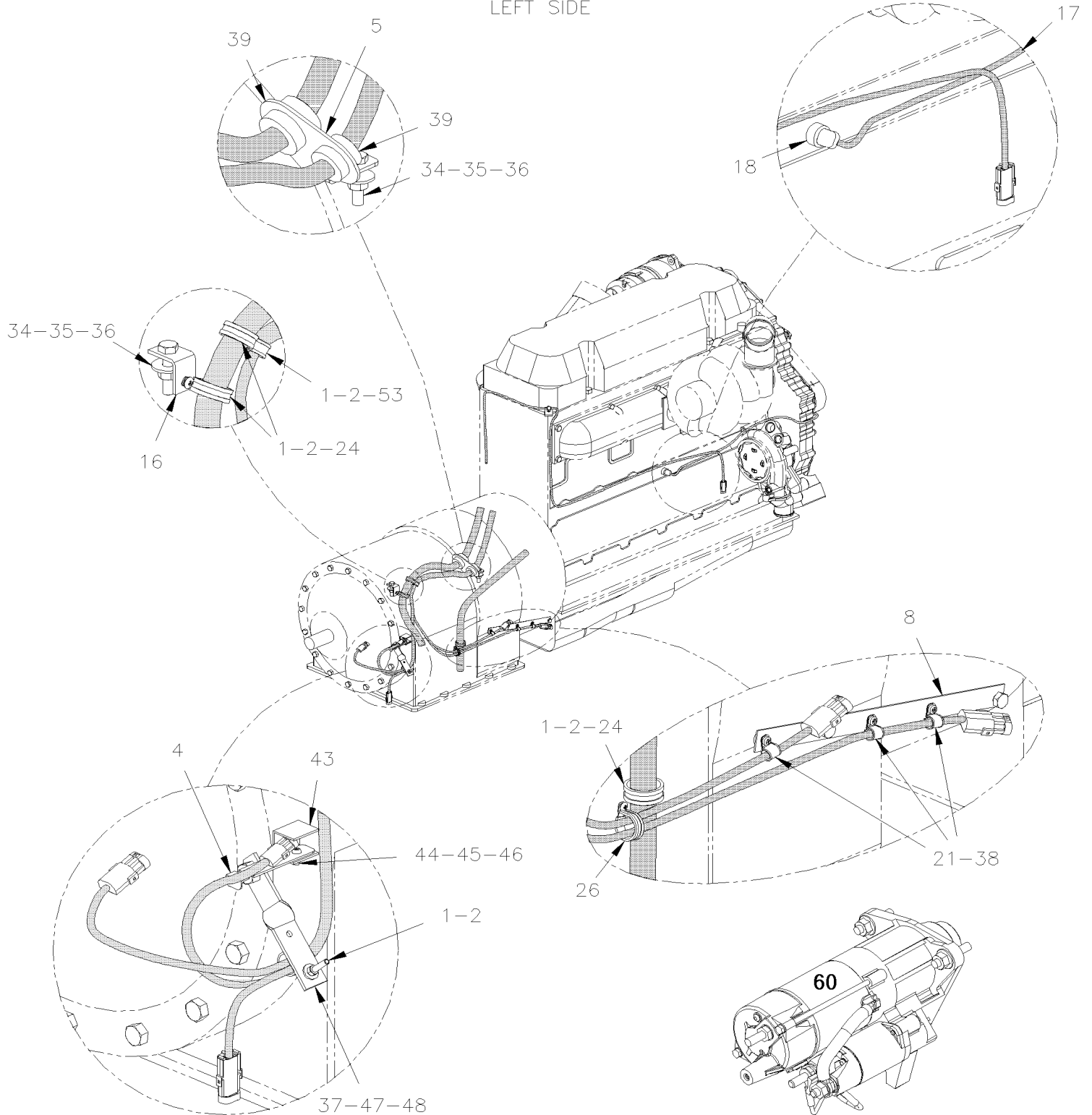
From 8-9279 To B-9999

Date:10/2022

PAGE:MTH-0100-00

ENGINE WIRING HARNESS - INSTALLATION

LEFT SIDE

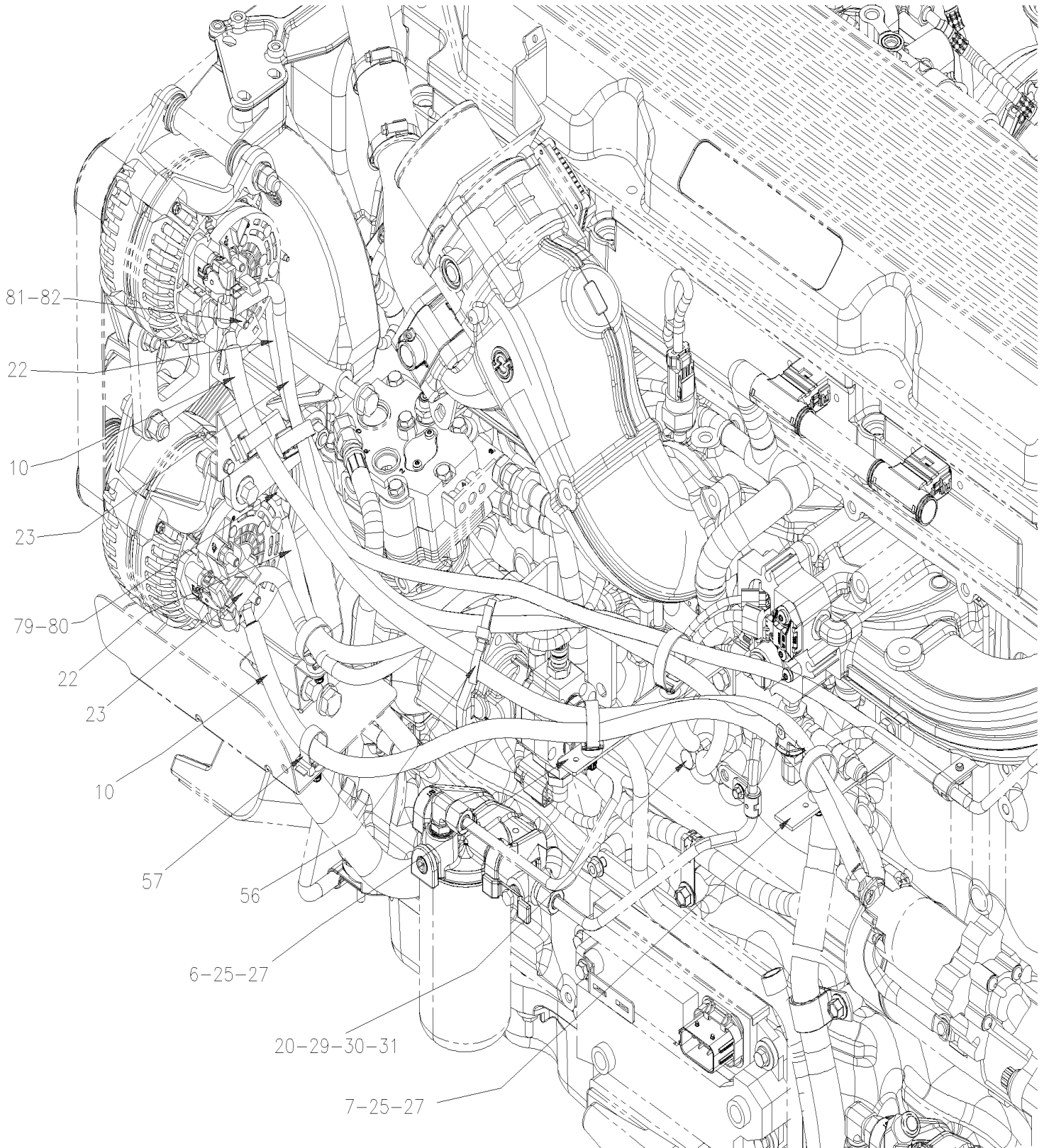


From 8-9279 To B-9999

Date:10/2022

PAGE:MTH-0100-00

ENGINE WIRING HARNESS - INSTALLATION





From 8-9279 To B-9999	Date:10/2022	PAGE:MTH-0100-00
-----------------------	--------------	------------------

ENGINE WIRING HARNESS - INSTALLATION

Item#	Part	Description	X L I M T H 4 5	X L I M T H 4 5 E	N O T E S
1	500574	SCREW MA TR PH #10-24x1 1/4 SS	AR	AR	
2	500786	NUT HEX #10-24 Z050	AR	AR	
3	500440	WASHER FL .250x.562x.065 Z050	AR	AR	
4	504637	CABLE TIE / 3/16" x 13"	AR	AR	
5	071403	SUPPORT CABLE HARNESS / W/1 HOLE & 1 STUD / GEN IV From 7-9001	1	1	
6	065697	SUPPORT HARNESS / LONG	1	1	
7	010667	SUPPORT	2	2	
8	071029	SUPPORT CABLE / STRAP 298MM	1	1	
9	952631	CLAMP / 3/4" I.D.	6	6	
10	064740	CABLE ASSY W/ALTERNATOR # 102-2/0		2	
11	952637	CLAMP / 1"1/16 I.D.	3	3	
12	070368	SUPPORT	1	1	
13	067312	CABLE ASSY # 0C	1	1	
NS	062212	CABLE ASSY # 0B	1	1	
15	504016	CABLE TIE / 5/16" X 14"1/2	1	1	
16	061025	SUPPORT	1	1	
17	063295	CABLE ASSY / 110V BLOCK HEATER ENGINE SECTION	1	1	
18	564525	BLOCK HEATER	1	1	
19	5002254	WASHER FL .500X.750X.062, SS302	AR	AR	
20	684013	RUBBER PROTECTOR / COLOR GUARD 14.5oz	AR	AR	
21	952625	CLAMP / 3/8" I.D.	2	2	
22	065027	CABLE GROUND ALT "BOSCH" To 9-9585		2	A
23	066848	CABLE ASSY / ENGINE ACCESSORIES From 7-9001	1	1	
24	952635	CLAMP / 1" I.D.	3	3	
25	500257	WASHER LO SPT 10.2x18.1x2.2 Z050	AR	AR	
26	952629	CLAMP / 5/8" I.D.	2	2	
27	502559	SCREW CAP HEX M10-1.5x25 G8.8 Z050	AR	AR	
28	500441	WASHER FL .312x.734x.065 Z050	AR	AR	
29	500482	WASHER LO SPT .506x.873x.125 Z050	AR	AR	
31	500850	SCREW CAP HEX M12-1.75X25 G8.8 Z050	AR	AR	
32	061027	SUPPORT 2"1/2 LG	1	1	
33	500860	NUT HEX M12-1.75 Z050	AR	AR	
34	502549	SCREW CAP HEX M10-1.5x35 G8.8 Z050	AR	AR	
35	500680	NUT HEX STO M10-1.5 Z050	AR	AR	
36	502644	WASHER FL 10.5x30.0x2.5 Z050	AR	AR	
37	061129	SUPPORT FLAT TWISTED / TUBE DIPSTICK	1	1	
38	5001036	SCREW MA PAN PH M4-0.7x10 Z050	AR	AR	
39	065750	CABLE ASSY / TRANS & SPEED SWITCH / W/RETARDER	1	1	R
39	065751	CABLE ASSY / TRANS & SPEED SWITCH / W/O RETARDER	1	1	O
41	502561	NUT HEX M5-0.8 Z050	AR	AR	
42	504601	CLAMP / 5/16" I.D. x .375 HOLE	1	1	R
43	065398	SUPPORT RETARDER TEMPERATURE SENSOR	1	1	R



From 8-9279 To B-9999 Date:10/2022 PAGE:MTH-0100-00

ENGINE WIRING HARNESS - INSTALLATION

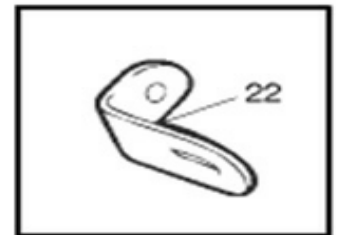
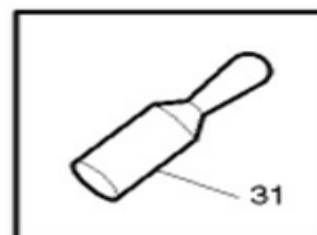
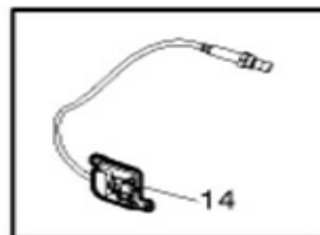
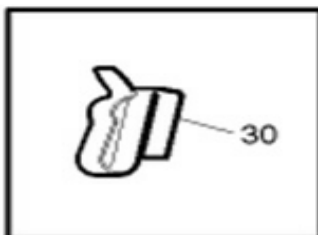
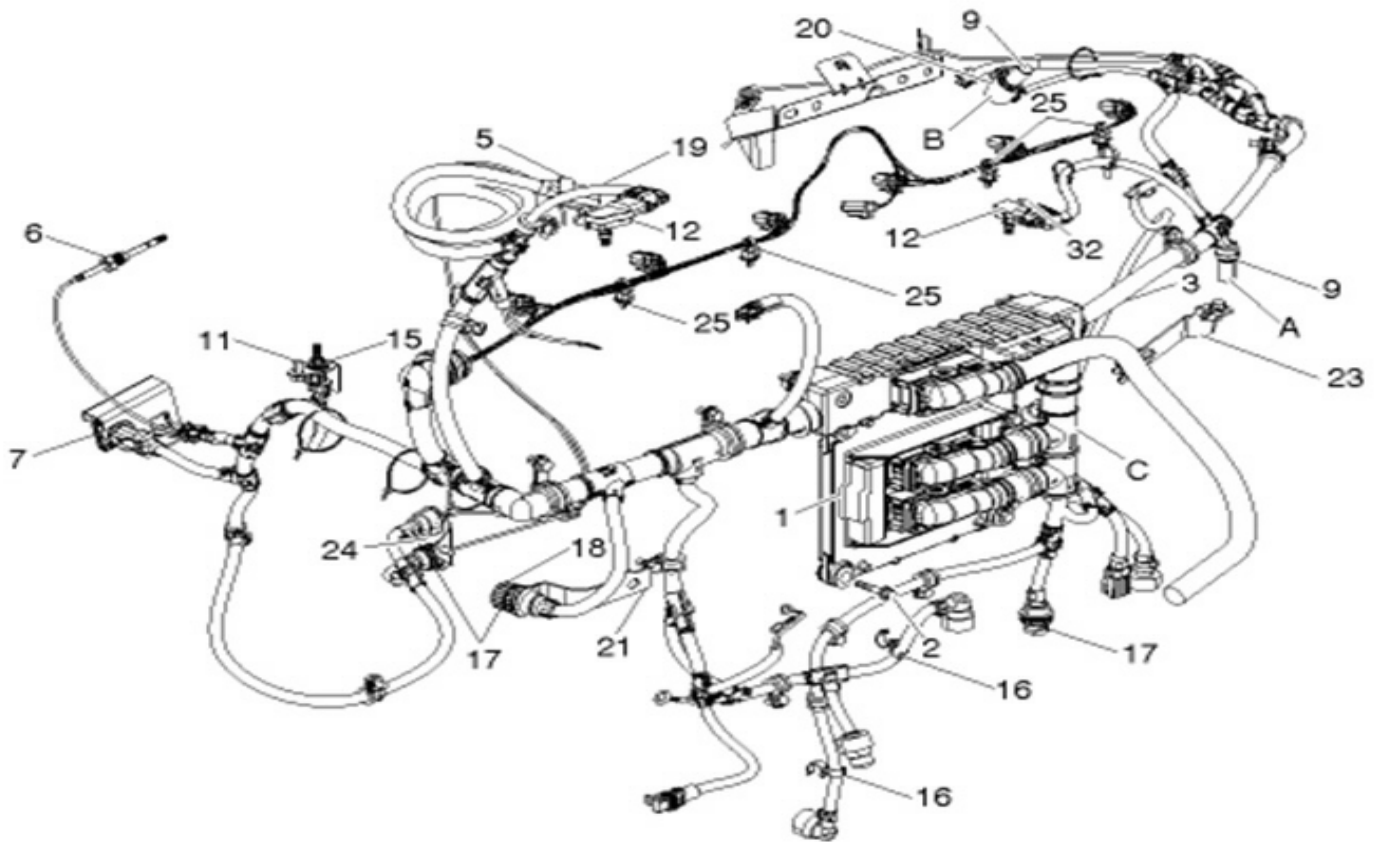
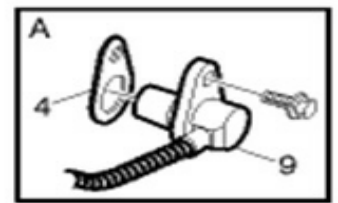
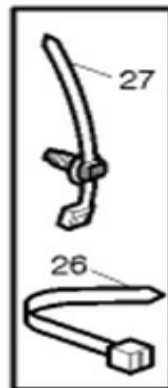
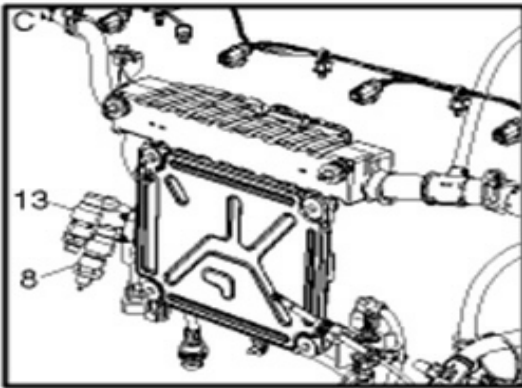
Item#	Part	Description	X L I M T H 4 5	X L I M T H 4 5 E	N O T E S
44	500344	SCREW MA RND PH M4-0.7x12 Z050	AR	AR	R
45	502524	NUT HEX M4-0.7 Z050	AR	AR	R
46	502636	WASHER LO SPT 4.1x7.6x0.9 Z050	AR	AR	R
47	071097	PROTECTOR SUPPORT SS 102MM X 90MM	1	1	R
49	071440	PROTECTOR SUPPORT SS "V" SHAPE 80MM HIGH From 7-9241 To 9-9597	1	1	O
49	079022	PROTECTOR SUPPORT SS "V" SHAPE 74MM HIGH From 9-9598	1	1	O
50	MTH-0155-10	ENGINE TRANSMISSION GUARD & AIR SHIELD DETROIT S-60			
51	502862	SCREW CAP HEX M8-1.25x20 G8.8 N500 From 4-8165	AR	AR	
NS	500381	WASHER FL 8.4x25.0x2.0 N500 From 4-8165	AR	AR	
56	504637	CABLE TIE / 3/16" x 13"	AR	AR	
57	504750	CABLE TIE / 1/2" x 15" / CHRISTMAS TREE	AR	AR	
60	510004	STARTER MOTOR / W/RELAY To 9-9607	1	1	
. NS	510011	. RELAY KIT To 9-9607	1	1	
. NS	510015	. SOLENOID KIT To 9-9607	1	1	
60	510005	STARTER MOTOR, W/O RELAY 24V / W/"DETROIT" ENG From 9-9608	1	1	
61	5001668	SCREW CB 12POINT 5/8-11x2 1/4	3	3	
NS	502884	WASHER LO SPT 16.2x27.4x3.5 N500	3	3	
80	502681	NUT HEX NYRT M6-1.0 N500 G8	2	2	
81	500877	WASHER FL .250x.562x.065 N500	2	2	
82	502847	NUT HEX NYRT M8-1.25 N500	2	2	
83	5001736	WASHER FL 8.4x18.0x2.0 N500	2	2	
		O) W/O RETARDER			
		R) WITH RETARDER			

From 9-9591 To B-9999

Date:10/2022

PAGE:MTH-0100-05

VOLVO ENGINE CONTROL SYSTEM





From 9-9591 To B-9999	Date:10/2022	PAGE:MTH-0100-05
VOLVO ENGINE CONTROL SYSTEM		

Item#	Part	Description	X L I I M T H 4 5	X L I I M T H 4 5 E	N O T E S
1	21107008	CONTROL UNIT 1 / 6		1	
1	21300060	CONTROL UNIT 8 +		1	
NS	20946783	SHIELD CONTROL UNIT INSTAL		1	
2	947760	SCREW CAP HEXF M8-1.25x40 G8.8 ZP		4	
3	21033597	CABLE HARNESS ASSY 1 / 3		1	
3	21271767	CABLE HARNESS ASSY RXX 4 / 6		1	
3	21400265	CABLE HARNESS ASSY RXX 8 +		1	
3	21159796	CABLE HARNESS ASSY PH/PX 4 / 6		1	
3	21400113	CABLE HARNESS ASSY PH/PX 8 +		1	
4	20556179	SHIM		1	
5	20738963	HUMIDITY SENSOR 1		1	
5	21046544	HUMIDITY SENSOR 3 +		1	
6	21010707	TEMPERATURE SENSOR DP MIX CHAMBER TEMP		1	
7	20930137	PRESSURE SENSOR EGR DIFF PRESSURE 1 / 4		1	
NS	21364040	O-RING SENSOR INSTAL 1 / 4		2	
7	21304786	PRESSURE SENSOR EGR DIFF PRESSURE 5 +		1	
8	20796744	PRESSURE SENSOR,CRANKCASE TB-130329258-1		1	
9	20513343	SENSOR,ENGINE SPEED TB-128951072-1		2	
10	20556179	SHIM		AR	
11	20513340	SENSOR COOLANT TEMPERATURE		1	
12	20524936	PRESSURE SENSOR BOOST PRESSURE/TEMP		2	
13	20886108	PRESSURE SENSOR OIL PRESSURE		1	
14	20789066	SENSOR NOX ASSY W/CABLE 1		1	
14	21069361	SENSOR NOX ASSY W/CABLE 3 / 8		1	
14	21346963	SENSOR "NOX" / SCR FILTER 9 To B-9982		1	
14	21479637	SENSOR "NOX" / SCR FILTER From B-9983		1	
14	21567763	SENSOR "NOX" / SCR FILTER		1	
15	20771140	HEAT SHIELD 1 / 3		1	
15	20857215	HEAT SHIELD 4 +		1	
16	21018335	CAP		3	
17	3963413	RING LOCK / AMP 964610-1		4	
18	20374157	CAP		2	
19	20448962	HOUSING		1	
20	20749801	HEAT SHIELD		1	
21	20577191	BRACKET		1	
22	965576	BRACKET		1	
23	20590744	BRACKET		1	
24	3832422	BRACKET		1	
25	8131393	RETAINER		4	
26	20885496	RETAINER		AR	
NS	948210	CABLE TIE 190MM		2	
26	948211	CABLE TIE 275MM		AR	



From 9-9591 To B-9999	Date:10/2022	PAGE:MTH-0100-05
VOLVO ENGINE CONTROL SYSTEM		

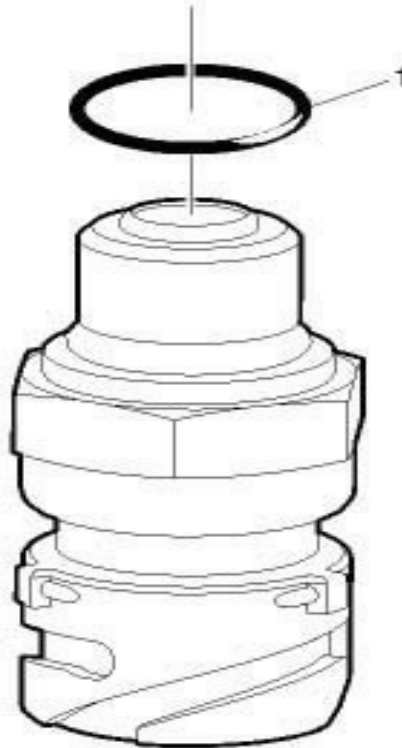
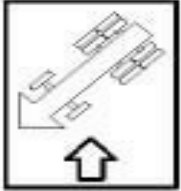
Item#	Part	Description	X L I I M T H 4 5	X L I I M T H 4 5 E	N O T E S
26	983472	CABLE TIE HIGHT TEMP		AR	
27	980881	CABLE TIE 200MM W/PUSH-IN RETAINER		AR	
28	945081	CLAMP / 7/8" I.D.		1	
28	946834	CLAMP 11.1MM		1	
28	949746	CLAMP 12.7MM		AR	
28	949747	CLAMP / 5/8" I.D.		AR	
28	949786	CLAMP 20.0MM		AR	
28	949997	CLAMP 31.8MM		AR	
28	977743	CLAMP 15.9MM		1	
28	981664	CLAMP 15.9MM		1	
29	944926	SCREW CAP HEXF M8-1.25x14		1	
29	946173	SCREW CAP HEXF M8-1.25x20		2	
29	946440	SCREW CAP HEXF M12-1.75x140 G8.8 MAGNI 565		18	
29	5001742	SCREW CAP HEXF M8-1.25x30 G8.8 N500		AR	
29	946934	SCREW CAP HEXF M6-1.0x20		1	
30	20786586	WIRES JUMPER @ERG VALVE		1	
31	3988328	BRACKET PH/PX		1	
32	984936	RETAINER 7th INJECTOR HARNESS		4	
33	3545508	RETAINER		3	
34	21029459	BRACKET		1	
35	961613	NUT WD SQ M6-1.0		AR	
37	504637	CABLE TIE / 3/16" x 13"		1	

From 9-9591 To B-9999

Date:10/2022

PAGE:20796744

PRESSURE SENSOR,CRANKCASE TB-130329258-1





From 9-9591 To B-9999	Date:10/2022	PAGE:20796744
-----------------------	--------------	---------------

PRESSURE SENSOR,CRANKCASE TB-130329258-1

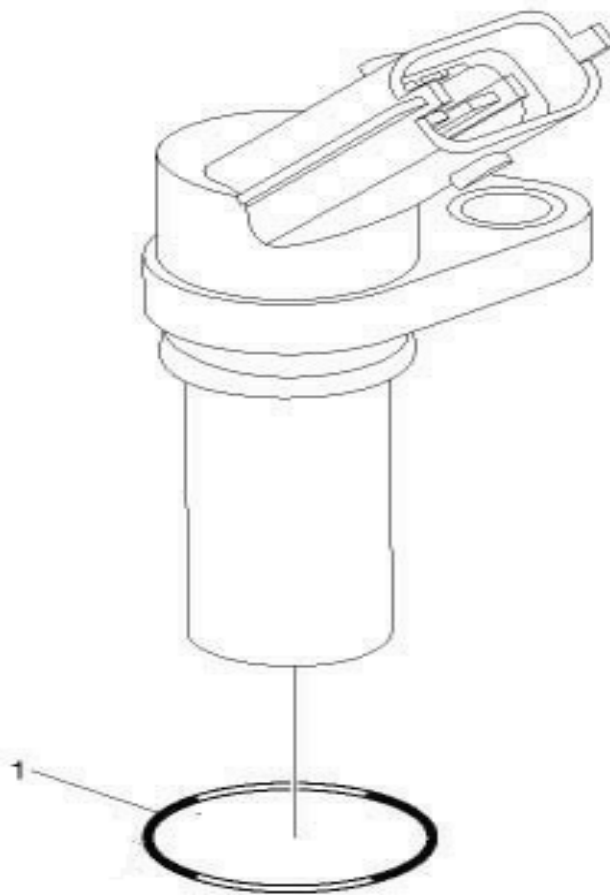
Item#	Part	Description	X L I I M T H 4 5	X L I I M T H 4 5 E	N O T E S
1	968559	O-RING (PRESSURE SENSOR)	1	1	

From 9-9591 To B-9999

Date:10/2022

PAGE:20513343

SENSOR,ENGINE SPEED TB-128951072-1





From 9-9591 To B-9999	Date:10/2022	PAGE:20513343
SENSOR,ENGINE SPEED TB-128951072-1		

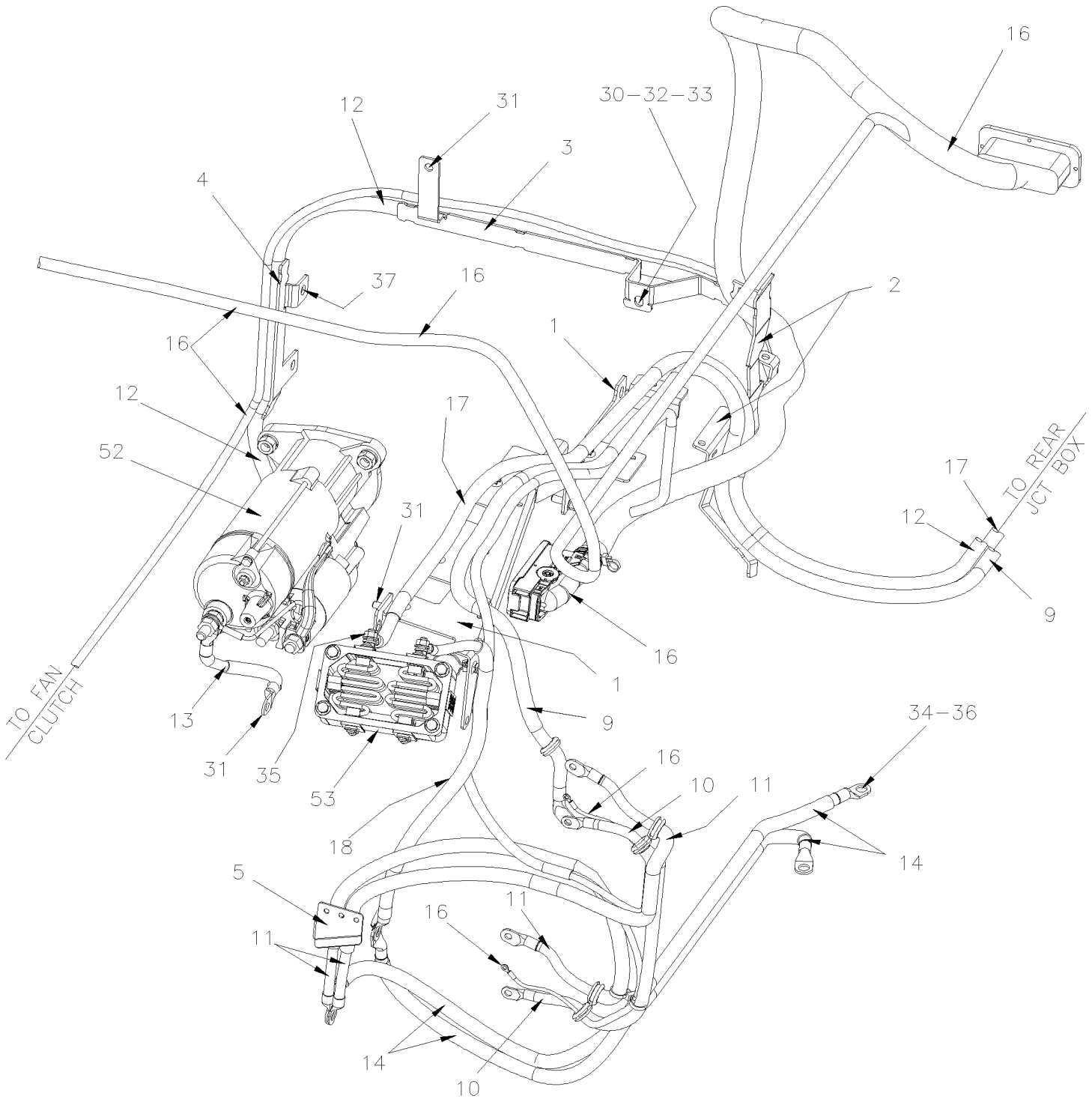
Item#	Part	Description	X L I I M T H 4 5	X L I I M T H 4 5 E	N O T E S
1	20966752	O-RING	1	1	

From 9-9591 To B-9999

Date:10/2022

PAGE:MTH-0100-06

ENGINE WIRING HARNESS - INSTALLATION WITH "VOLVO" ENGINE D-061103



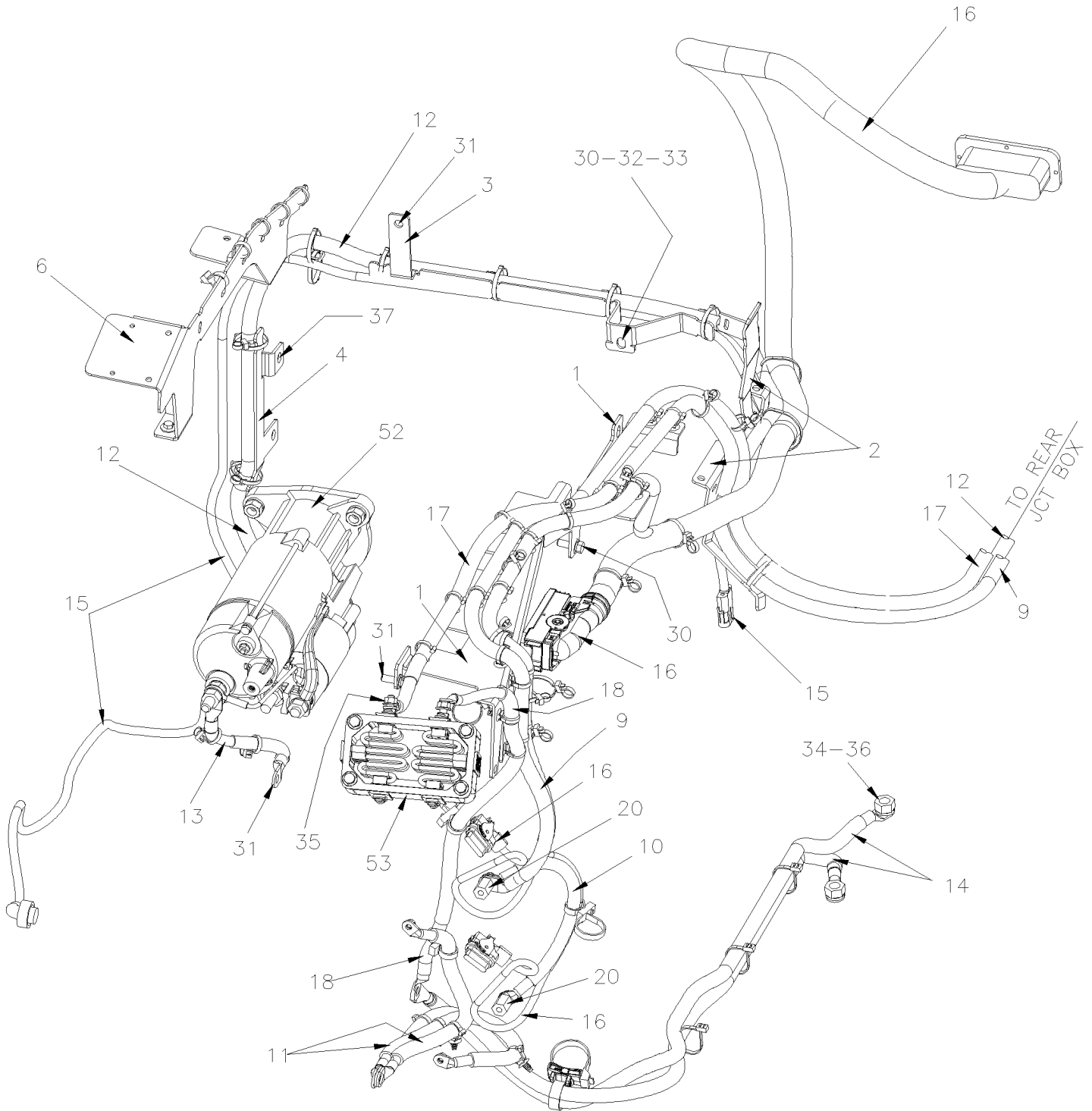
WITH 2 ALTERNATOR 240-140AMP
AND EPA 2007

From 9-9591 To B-9999

Date:10/2022

PAGE:MTH-0100-06

ENGINE WIRING HARNESS - INSTALLATION WITH "VOLVO" ENGINE D-061103



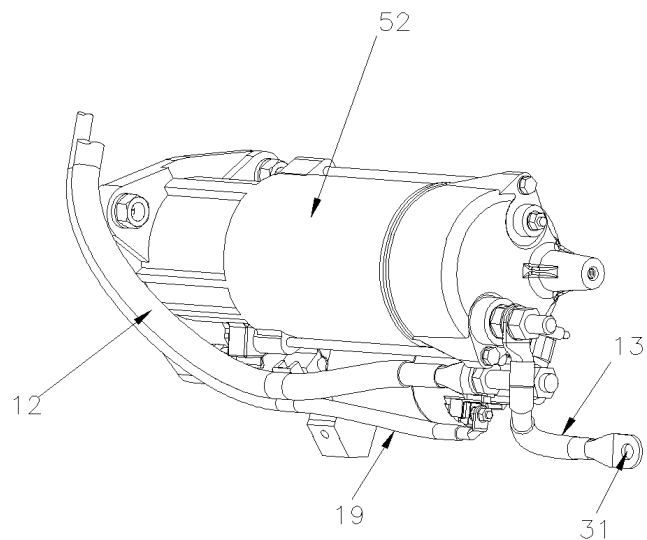
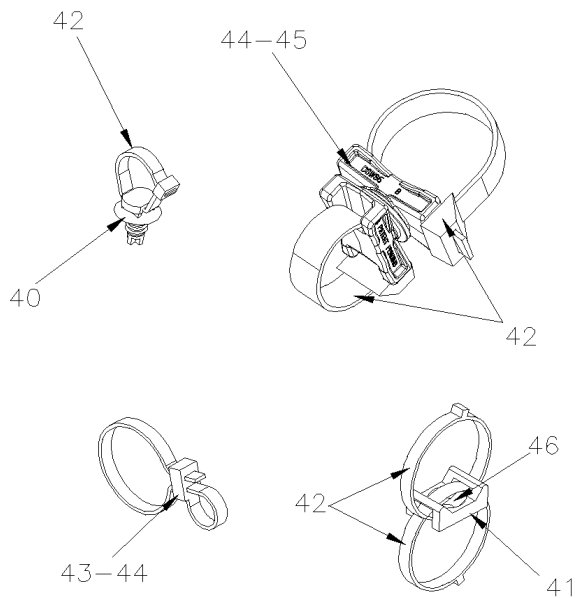
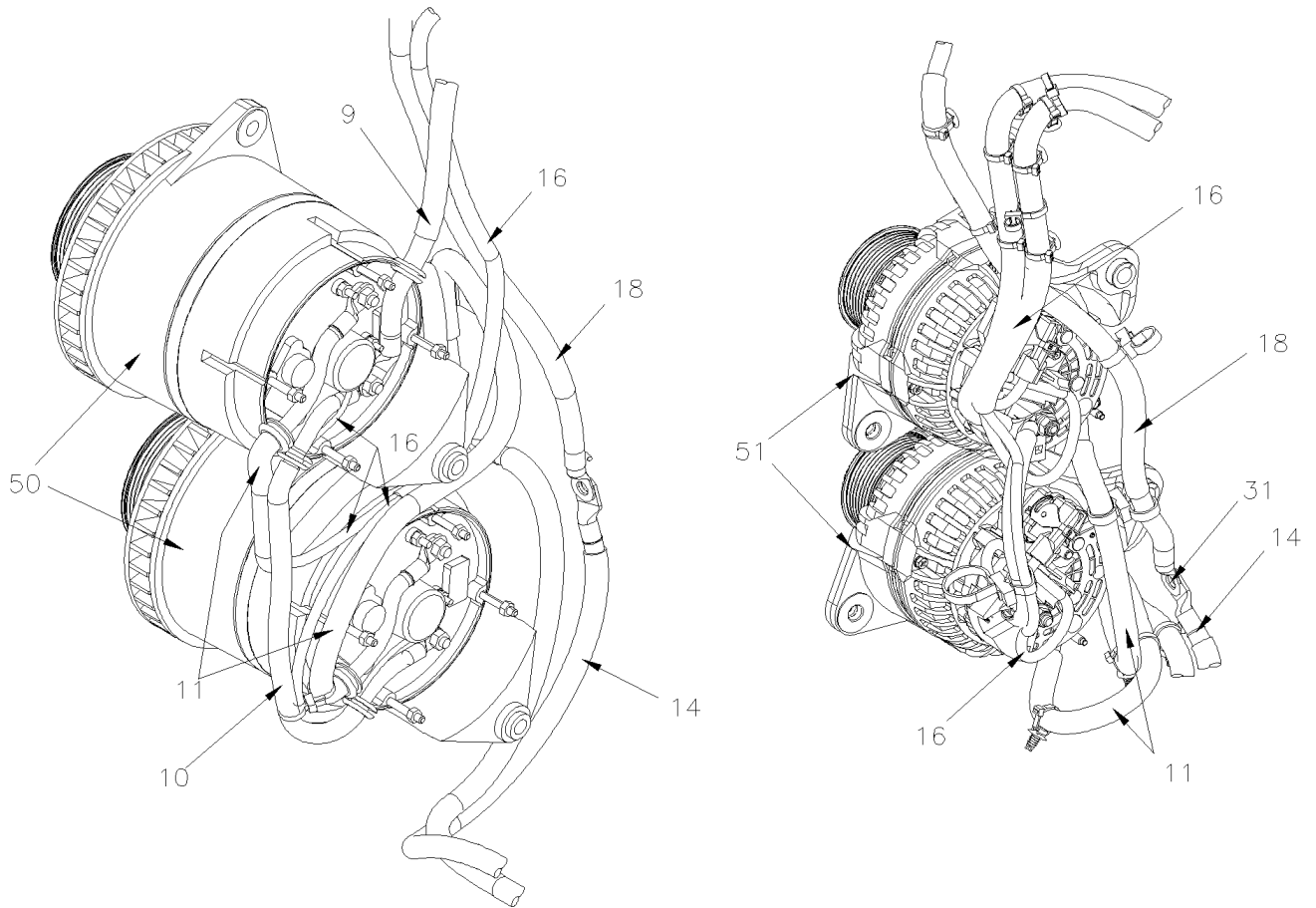
WITH 2 ALTERNATOR 24V-120AMP
EPA 2010

From 9-9591 To B-9999

Date:10/2022

PAGE:MTH-0100-06

ENGINE WIRING HARNESS - INSTALLATION WITH "VOLVO" ENGINE D-061103





From 9-9591 To B-9999	Date:10/2022	PAGE:MTH-0100-06
ENGINE WIRING HARNESS - INSTALLATION WITH "VOLVO" ENGINE D-061103		

Item#	Part	Description	X L I I M T H 4 5	X L I I M T H 4 5 E	N O T E S
1	012512	SUPPORT CABLE		1	
2	012526	SUPPORT CABLE COMPRESSOR		1	
3	012527	SUPPORT CABLE REAR ENGINE		1	
4	012530	SUPPORT CABLE STARTOR MOTOR		1	
5	067206	SUPPORT CABLE GROUND ALTERNATOR		1	
7	012523	SUPPORT CABLE / NEAR LOWER ENGINE OIL FILTER ANGLE SS W/5 HOLES		1	
9	067285	CABLE ASSY W/ALTERNATOR # 102-2/0 To A-9974		1	
. NS	504064	. GROMMET / .562x.812x.125x1.062 To A-9974		1	
9	067824	CABLE ASSY W/ALTERNATOR # 102-2/0 From A-9975		1	
10	067085	CABLE ALT POWER HARNESS W/VOLVO		1	
11	067202	CABLE ALTERNATOR GROUND BODY		2	
. NS	504064	. GROMMET / .562x.812x.125x1.062		1	
12	067284	CABLE ASSY SW24V TO STARTER		1	
13	067086	CABLE ASSY # 0C		1	
NS	684013	RUBBER PROTECTOR / COLOR GUARD 14.5oz		AR	
14	067203	CABLE GROUND MOTOR TO BODY		2	
15	067413	CABLE ASSY / 110V BLOCK HEATER ENGINE SECTION		1	
NS	063295	CABLE ASSY / 110V BLOCK HEATER ENGINE SECTION		1	
16	067507	CABLE ASSY / ENGINE & FAN CLUTCH W/"VOLVO" ENGINE To A-9974		1	
16	067827	CABLE ASSY / ENGINE & FAN CLUTCH W/"VOLVO" ENGINE From A-9975		1	
16	067648	CABLE ASSY / RR JCT & ENGINE PROTO From A-9926 To A-9926		1	
17	067101	CABLE HEATER ELEMENT RELAY PROTO		1	
17	067283	CABLE HEATER ELEMENT RELAY		1	
18	067102	CABLE NEG HEATER ELEMENT		1	
19	067328	CABLE ASSY / STARTOR "MELCO" X3 W/D13		1	
20	564159	ADAPTOR STUD M8 Male x M8 Female M8-1.25 x 18MM SS From A-9975		2	
30	507637	SCREW CAP HEXF M8-1.25x20 G10.9 PHC		8	
31	502804	SCREW CAP HEX M10-1.5x25 G8.8 N500		4	
32	5001751	WASHER FL 10.5x26.0x2.0 N500		4	
33	5001737	WASHER LO SPT 10.2x18.1x2.2 N500		4	
34	502595	NUT HEX NYRT 1/2-13 Z050		2	
35	500615	NUT HEX M8-1.25 BR		2	
36	500958	WASHER FL .531x1.062x.095 SS		2	
37	5001755	SCREW CAP HEX M12-1.75x30 G8.8 N500		2	
38	5001786	SCREW CAP HEXF M12-1.75x30 G8.8 N500		2	
40	509815	TIE MOUNT / ATTACHMENT W/TREE MOUNT		AR	
41	504013	TIE MOUNT / 1/4" X 1/4" I.D.		AR	
42	504637	CABLE TIE / 3/16" x 13"		AR	
42	504016	CABLE TIE / 5/16" X 14"1/2		AR	
42	509491	CABLE TIE / 13MM x 383MM		AR	
43	507664	CABLE TIE / 3/16" 11" / DOUBLE LOOP HEAD		AR	



From 9-9591 To B-9999 Date:10/2022 PAGE:MTH-0100-06

ENGINE WIRING HARNESS - INSTALLATION WITH "VOLVO" ENGINE D-061103

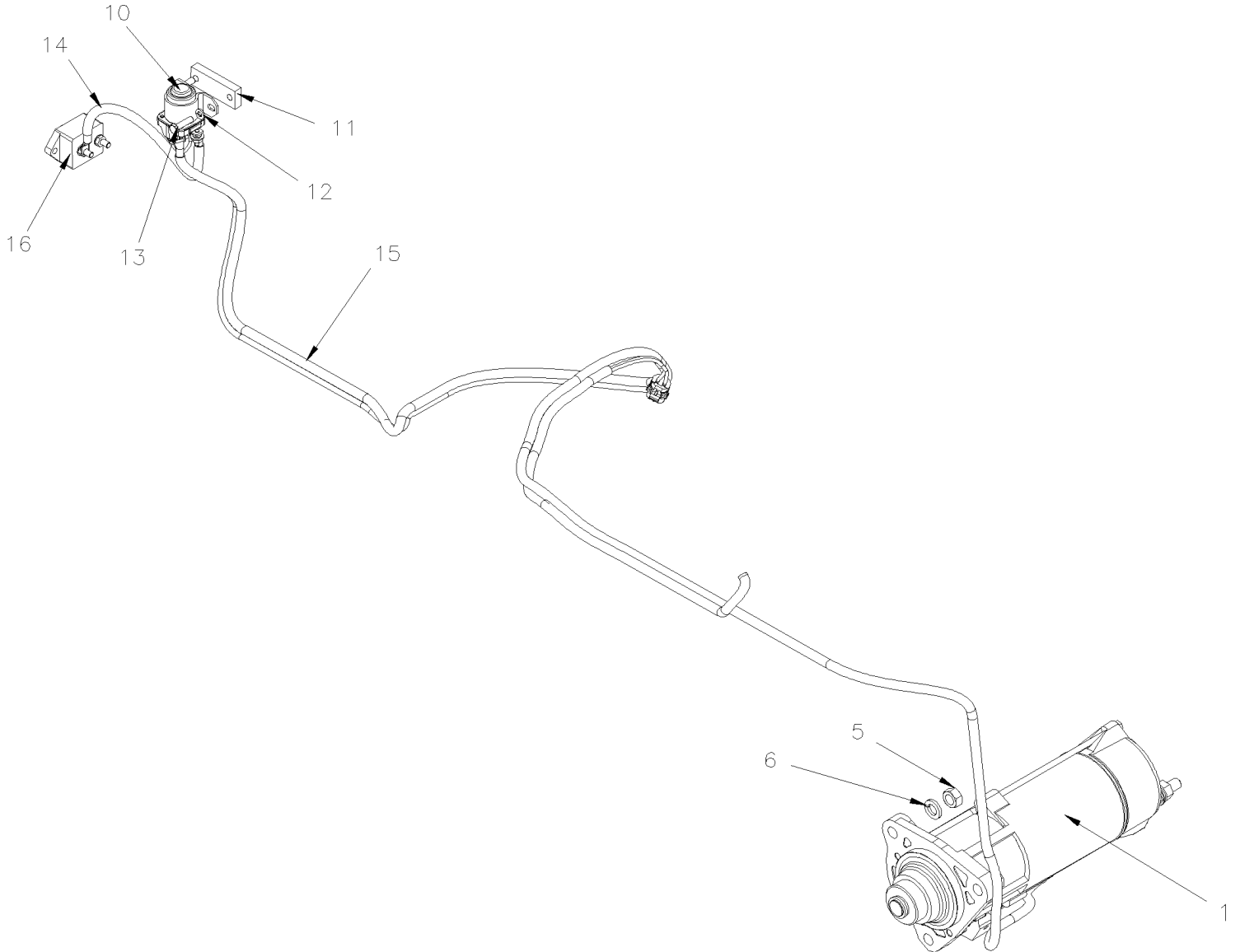
Item#	Part	Description	X L I I M T H 4 5	X L I I M T H 4 5 E	N O T E S
44	507665	CABLE TIE / 1/2" X 20" / TRIPPLE LOOP HEAD		AR	
45	504752	ROTATIF SPACER DOUBLE / LARGE		AR	
46	502817	SCREW MA PAN PH M6-1.0x16 N500		1	
50	MTH-0605-00	ALTERNATOR 24V/140 AMPS / "BOSCH"			
51	MTH-0605-01	ALTERNATOR 24V/120 AMPS / "BOSCH"			
52	MTH-0100-10	STARTER - INSTALLATION			
53	Refer To Volvo	AIR INTAKE PRE HEATER ASSY		1	V
		V) SEE IMPACT OR CALL ORDER DESK			

From 8-9279 To B-9999

Date:10/2022

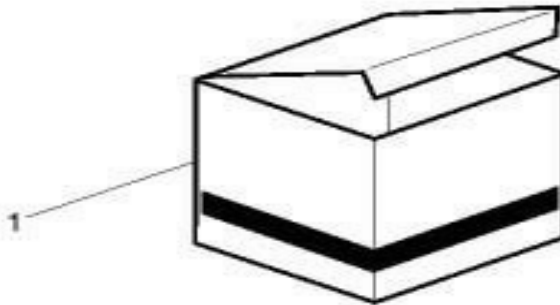
PAGE:MTH-0100-10

STARTER - INSTALLATION





From 8-9279 To B-9999		Date:10/2022	PAGE:21212425
VOLVO STARTER 24V, MELCO WITHOUT RELAY TB-129577391-1			





From 8-9279 To B-9999	Date:10/2022	PAGE:21212425
-----------------------	--------------	---------------

VOLVO STARTER 24V, MELCO WITHOUT RELAY TB-129577391-1

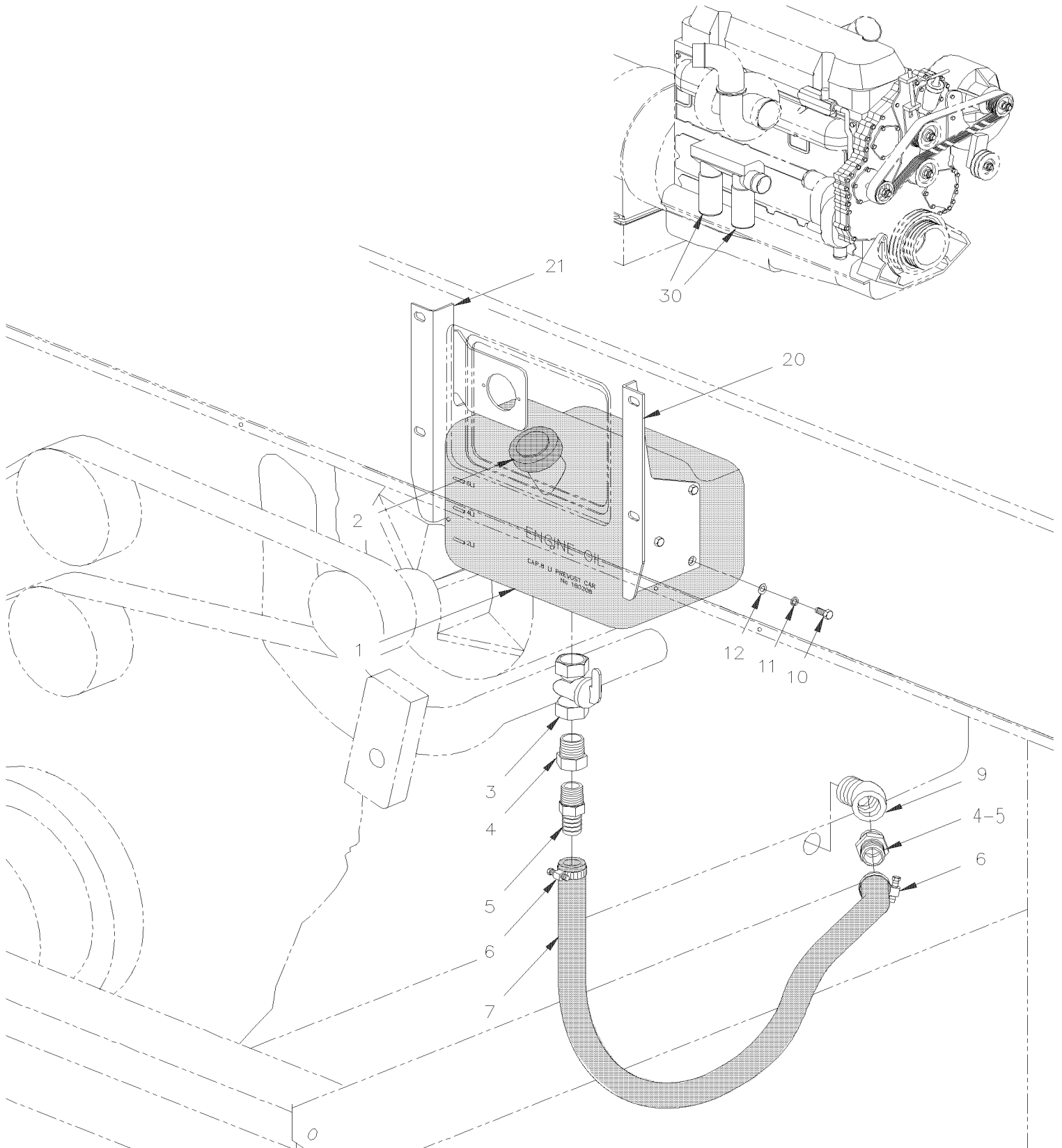
Item#	Part	Description	X L I I M T H 4 5	X L I I M T H 4 5 E	N O T E S
1	85125992	KIT	1	1	

From 8-9279 To B-9999

Date:10/2022

PAGE:MTH-0105-00

ENGINE OIL RESERVOIR - PLASTIC DETROIT S-60

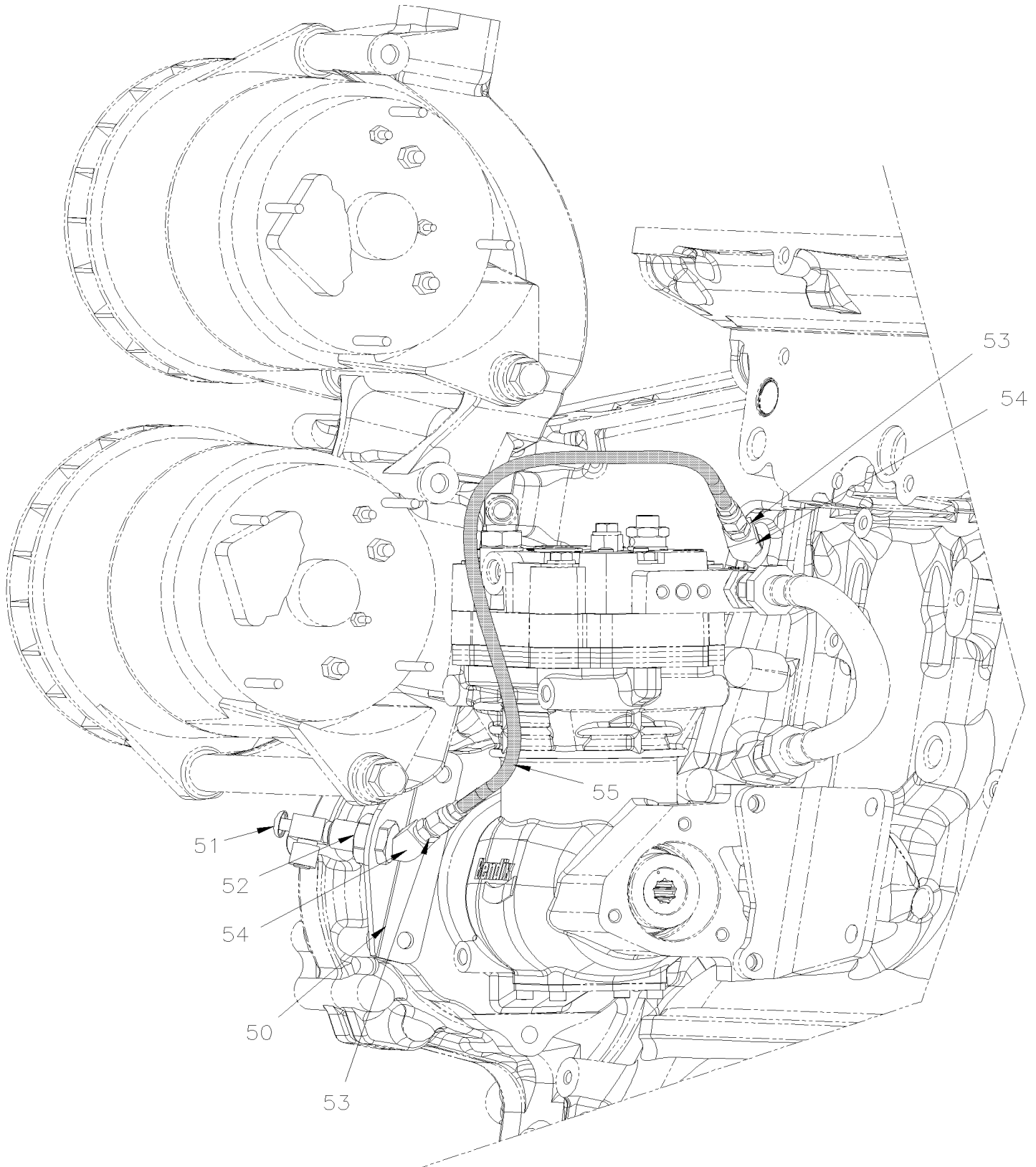


From 8-9279 To B-9999

Date:10/2022

PAGE:MTH-0105-00

ENGINE OIL RESERVOIR - PLASTIC DETROIT S-60





From 8-9279 To B-9999	Date:10/2022	PAGE:MTH-0105-00
ENGINE OIL RESERVOIR - PLASTIC DETROIT S-60		

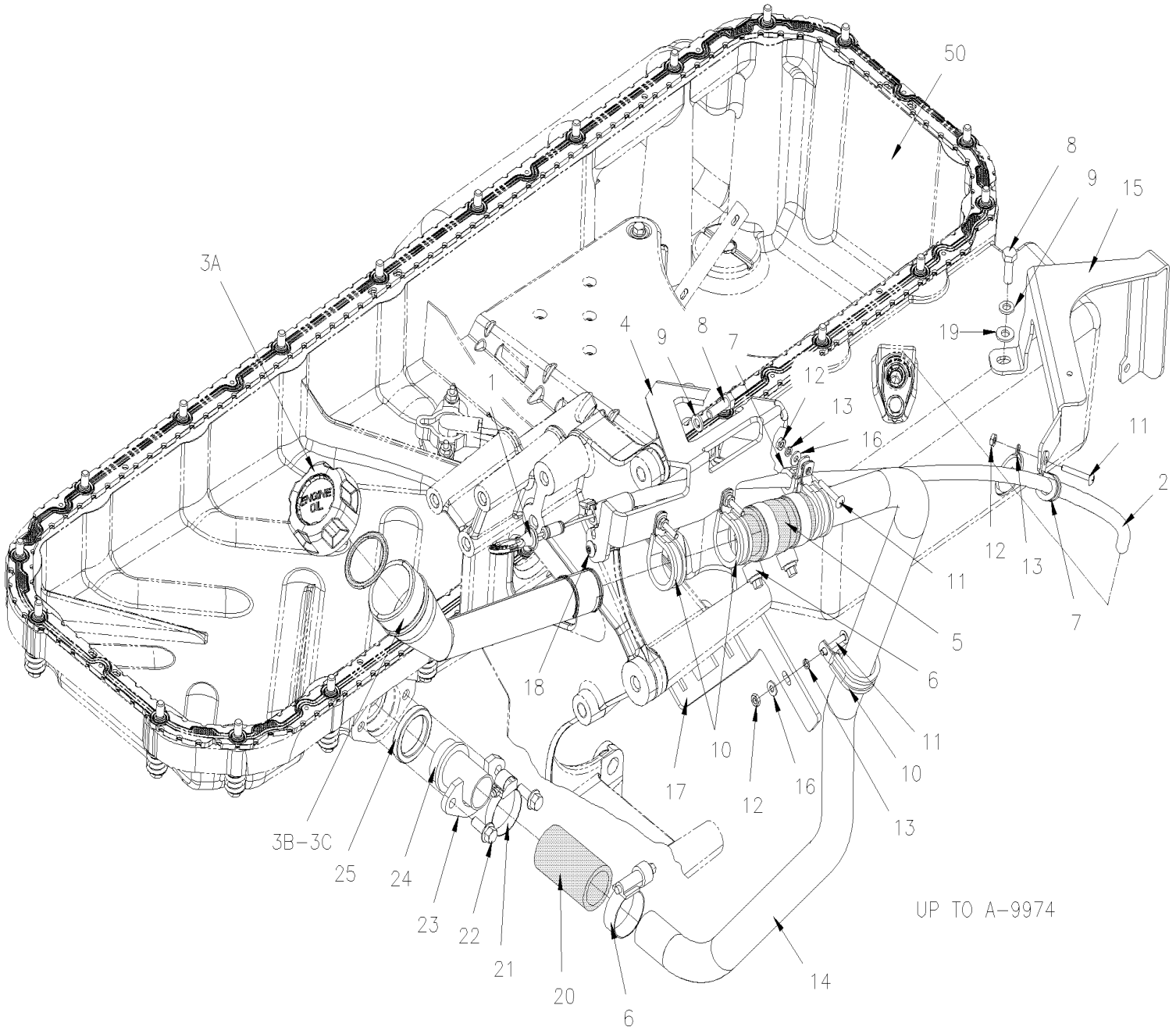
Item#	Part	Description	X L I I M T H 4 5	X L I I M T H 4 5 E	N O T E S
1	180208	TANK OIL	1	1	
2	683477	CAP	1	1	
3	5011045	VALVE 3/4"	1	1	
4	501462	BUSHING REDUCER / PIPE FITTING / 3/4NTP-Mx1/2NPT-F BR	2	2	
5	507605	MALE CONNECTOR / HOSE BARB FITTING / #12x1/2NPT-M BR	2	2	
6	504020	HOSE CLAMP / 9/16"-1"1/4 SS / HS-12	2	2	
7	180196	HOSE #12 1853MM	1	1	
7	503547	. HOSE / RUBBER #12 / S.L.	AR	AR	
9	5011051	STREET ELBOW 45° / PIPE FITTING / 3/4NPT-Mx3/4NPT-F BR	1	1	
10	502531	SCREW CAP HEX M6-1.0x16 G8.8 Z050	6	6	
11	500411	WASHER FL .260x.697x.050 SS	6	6	
NS	502564	WASHER LO SPT 6.1x11.8x1.6 Z050	6	6	
11	012399	DECAL "OIL SPEC" 15W/40 / ENGLISH & FRANCAIS	1	1	
11	012400	DECAL "OIL SPEC" 15W/40 / ENGLISH & SPANISH	1	1	
20	180239	SUPPORT L.H. / OIL RESERVOIR	1	1	
21	180240	SUPPORT R.H. / OIL RESERVOIR	1	1	
21	502862	SCREW CAP HEX M8-1.25x20 G8.8 N500	4	4	A
21	502889	WASHER LO SPT 8.1x12.7x2.0 N500	4	4	A
21	192288	WASHER FL 8.4x18.0x2.0 ZG603	4	4	A
30	510458	OIL FILTER, CARTRIDGE / PF-2100 / ENGINE / W/SERIES 60	2	2	
		FOLLOWING PARTS ARE RELATED WITH			
		OIL VALVE FOR OIL SAMPLE ACCESS "OPTION"			
50	012540	SUPPORT VALVE	1	1	
51	510841	VALVE ASSY	1	1	
52	501711	BULKHEAD COUPLING / PIPE FITTING / 1/4NPT-Fx1/4NPT-Fx1 1/2 BR	1	1	
53	501027	MALE CONNECTOR / SAE 45° FITTING / #4FL-Mx1/4NPT-M BR	2	2	
54	501329	STREET ELBOW 45° / PIPE FITTING / 1/4NPT-Mx1/4NPT-F BR	2	2	
55	012541	HOSE ASSY TEFLON #4 457MM	1	1	
		A) TO FIX AT STRUCTURE			

From 9-9591 To B-9999

Date:10/2022

PAGE:MTH-0105-05

ENGINE OIL FILLER CAP & DIPSTICK WITH VOLVO D13

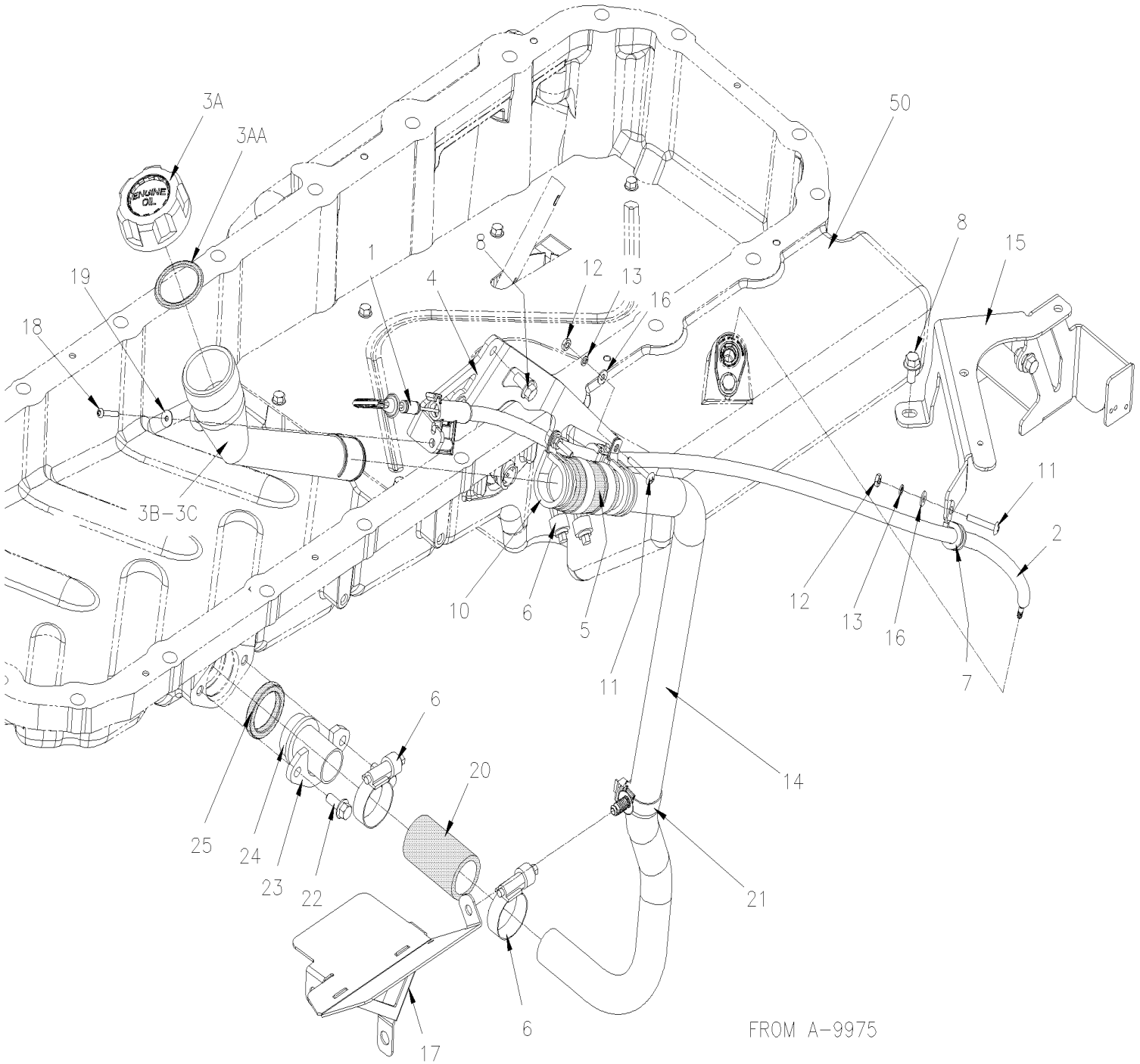


From 9-9591 To B-9999

Date:10/2022

PAGE:MTH-0105-05

ENGINE OIL FILLER CAP & DIPSTICK WITH VOLVO D13





From 9-9591 To B-9999 Date:10/2022 PAGE:MTH-0105-05

ENGINE OIL FILLER CAP & DIPSTICK WITH VOLVO D13

Item#	Part	Description	X L I I M T H 4 5	X L I I M T H 4 5 E	N O T E S
1	012565	DIPSTICK ASSY / ENGINE OIL / W/D13 1360MM		1	A
1	012807	DIPSTICK ASSY / TUBE AND DIPSTICK		1	S
1	012806	. DIPSTICK ASSY / ENGINE OIL / W/D13 1394MM		1	S
2	012542	TUBE OIL DIPSTICK W/D13 1270MM		1	A
2	012805	. TUBE OIL DIPSTICK W/D13 1290MM		1	S
2	5001750	WASHER FL 4.3x14.0x1.0 N500		1	S
2	5001793	SCREW TP M4.2 x 30 N500		1	S
3	20808092	OIL FILLER NECK		1	
. A	20807510	. OIL CAP / WITH GASKET		1	
. . A	20365079	. . GASKET OIL CAP		1	
. B	8149891	. OIL NECK / PIPE FILLER		1	
. C	943361	. SPACER WASHER 6.5 X 12 X 4		1	
3	22281824	OIL FILLER NECK TB-133887958-1		1	S
. A	20807510	. OIL CAP / WITH GASKET		1	S
. . A	20365079	. . GASKET OIL CAP		1	S
. B	22281825	. OIL NECK / PIPE FILLER		1	S
. C	943361	. SPACER WASHER 6.5 X 12 X 4		1	S
. NS	8149895	. SUPPORT RING		1	S
4	012473	SUPPORT DIPSTICK & FILLER NECK To A-9974		1	
4	012634	SUPPORT DIPSTICK & FILLER NECK From A-9975		1	
5	3034195	RACCORD COUPLING		1	
6	504657	HOSE CLAMP / 1"1/16-2" C.T. 9424		3	
7	952627	CLAMP / 1/2" I.D.		2	
8	955297	SCREW CAP HEX M8-1.25x25 G8.8 ZG603 To A-9974		2	
8	5001780	SCREW CAP HEXF M8-1.25x16 G8.8 N500 From A-9975		2	
9	500942	WASHER LO SPT 8.1x14.8x2.0 N500 To A-9974		2	
10	952639	CLAMP / 1"1/4 I.D.		4	
11	500574	SCREW MA TR PH #10-24x1 1/4 SS		5	
12	502882	NUT HEX #10-24 N500		5	
13	500914	WASHER LO SPT .193x.334x.047 N500		5	
14	012472	OIL FILLER TUBE To A-9974		1	
14	012126	OIL FILLER TUBE From A-9975		1	
15	012520	SUPPORT OIL FILLER TUBE		1	
16	500804	WASHER FL .203x.500x.047 N500		4	
17	012475	SUPPORT OIL FILLERTUBE To A-9974		1	
17	067854	PROTECTION PLATE ASSY W/"VOLVO" ENGINE From A-9975		1	
18	9959910	SCREW TP M4.2 x 30		1	
19	192288	WASHER FL 8.4x18.0x2.0 ZG603 To A-9974		1	
19	5001750	WASHER FL 4.3x14.0x1.0 N500 From A-9975		1	
20	1136335	HOSE 31.75MM I.D. x 70MM		1	
21	980132	HOSE CLAMP		1	
22	946173	SCREW CAP HEXF M8-1.25x20		2	

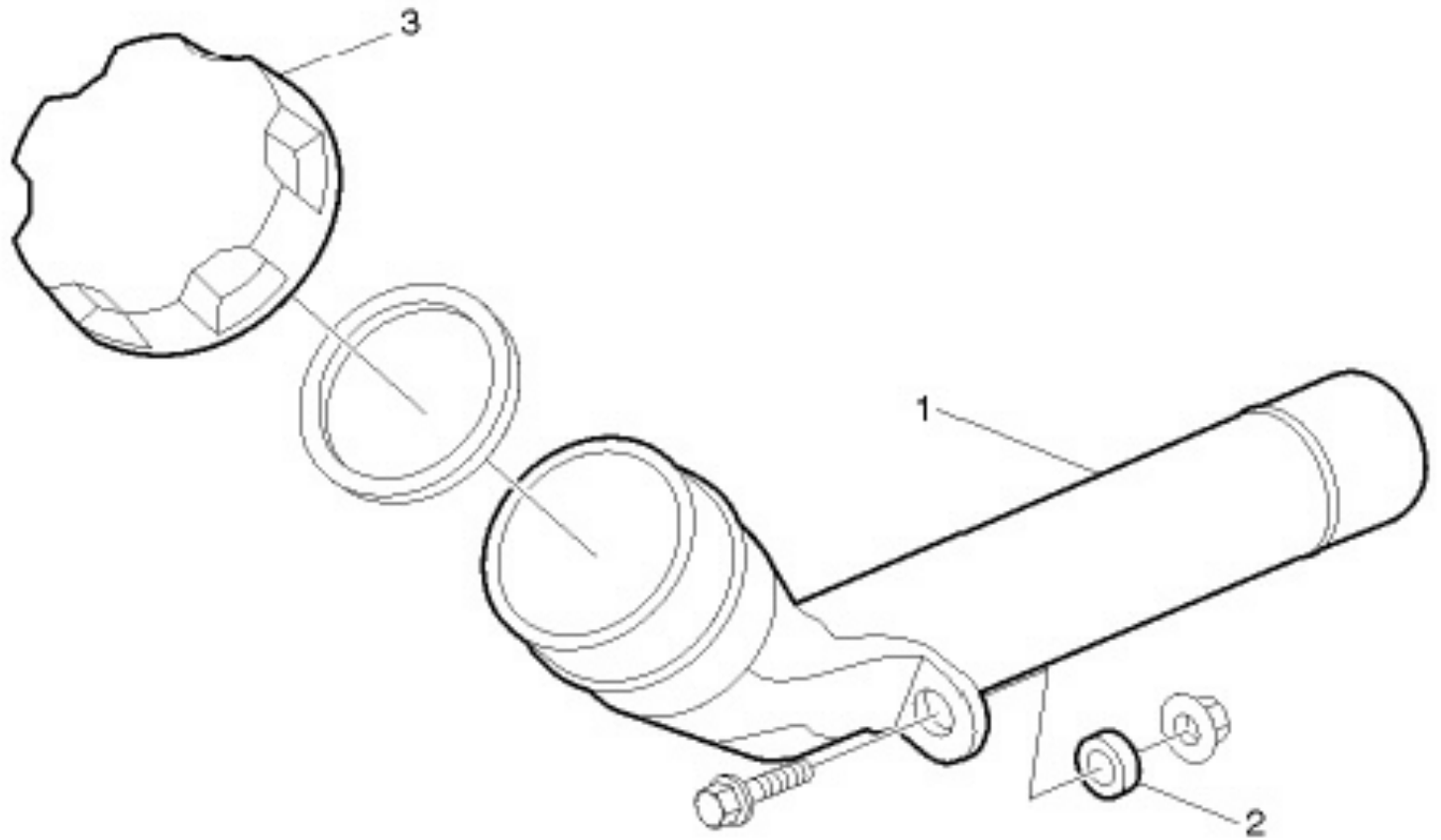


From 9-9591 To B-9999	Date:10/2022	PAGE:MTH-0105-05
-----------------------	--------------	------------------

ENGINE OIL FILLER CAP & DIPSTICK WITH VOLVO D13

Item#	Part	Description	X L I I M T H 4 5	X L I I M T H 4 5 E	N O T E S
23	469950	FLANGE		1	
24	70329332	INLET PIPE		1	
25	20555696	SEALING RING		1	
50	Refer To Volvo	SEE IMPACT OR CALL ORDER DESK			V
		A) WHEN YOU REPLACE THE DIPSTICK USE #012807			
		S) USE ONLY WITH EPA 2007			
		V) SEE IMPACT OR CALL ORDER DESK			

From 9-9591 To B-9999	Date:10/2022	PAGE:22281824
OIL FILLER NECK TB-133887958-1		





From 9-9591 To B-9999	Date:10/2022	PAGE:22281824
OIL FILLER NECK TB-133887958-1		

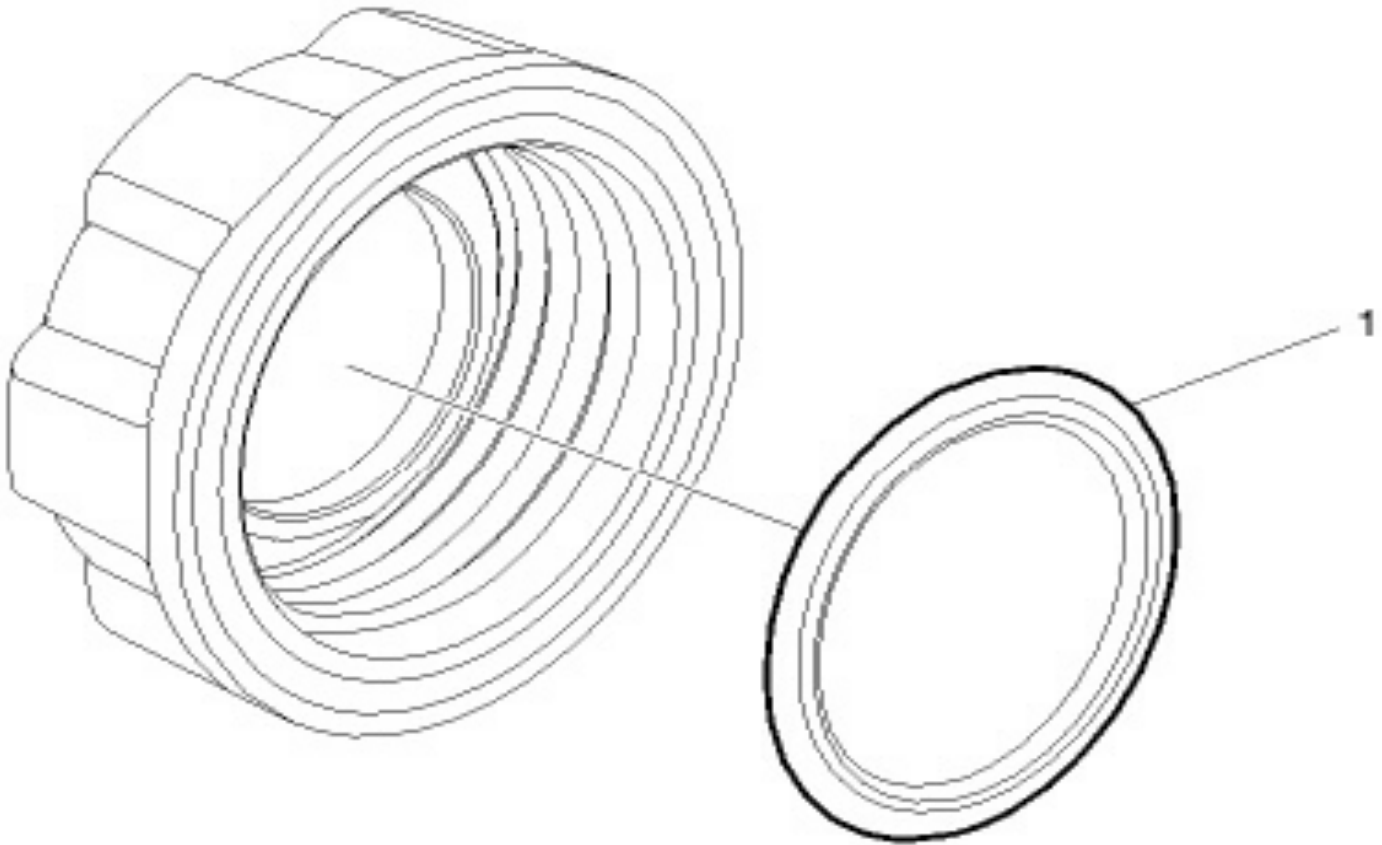
Item#	Part	Description	X L I I M T H 4 5	X L I I M T H 4 5 E	N O T E S
1	22281825	OIL NECK / PIPE FILLER	1	1	
2	60112502	SPACER WASHER	1	1	
3	20807510	OIL CAP / WITH GASKET	1	1	
. A	20365079	. GASKET OIL CAP	1	1	

From 9-9591 To B-9999

Date:10/2022

PAGE:20807510

OIL CAP / WITH GASKET





From 9-9591 To B-9999	Date:10/2022	PAGE:20807510
-----------------------	--------------	---------------

OIL CAP / WITH GASKET

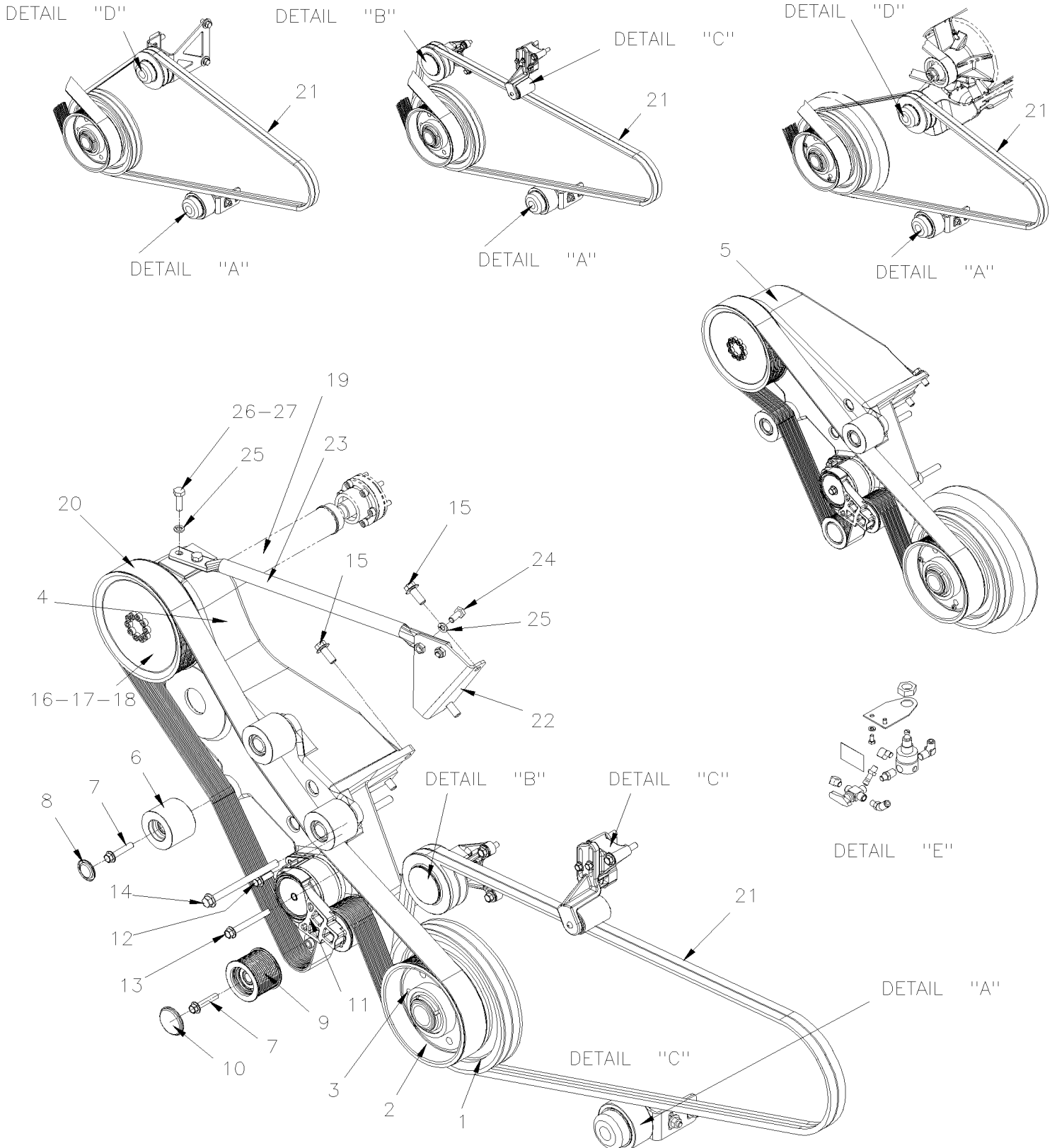
Item#	Part	Description	X L I I M T H 4 5	X L I I M T H 4 5 E	N O T E S
1	20365079	GASKET OIL CAP	1	1	

From 8-9279 To B-9999

Date:10/2022

PAGE:MTH-0120-00

DRIVE PULLEY, BELTS & TENSIONER WITH DETROIT S-60





From 8-9279 To B-9999	Date:10/2022	PAGE:MTH-0120-00
DRIVE PULLEY, BELTS & TENSIONER WITH DETROIT S-60		

Item#	Part	Description	X L I I M T H 4 5	X L I I M T H 4 5 E	N O T E S
1	550914	PULLEY DRIVE 279MM O.D. / W/2 V To 9-9550	1	1	
10	550955	PULLEY DRIVE 279MM O.D. / W/2 V From 9-9551	1	1	
2	550913	PULLEY DAMPER 201MM O.D. / W/14 RIB To A-9913	1	1	
. NS	550951	. KIT, DAMPER BUSHING To A-9913	1	1	
. . NS	N.S.S.	. . RUBBER DAMPER BUSHING To A-9913	6	6	1
. . NS	N.S.S.	. . SCREW CAP HEXS To A-9913	6	6	1
. . NS	N.S.S.	. . SCREW CAP BUT TORX To A-9913	3	3	1
2	550963	PULLEY DAMPER 201MM O.D. / W/14 RIB From A-9914	1	1	
. NS	550951	. KIT, DAMPER BUSHING From A-9914	1	1	
. . NS	N.S.S.	. . RUBBER DAMPER BUSHING From A-9914	6	6	1
. . NS	N.S.S.	. . SCREW CAP HEXS From A-9914	6	6	1
. . NS	N.S.S.	. . SCREW CAP BUT TORX From A-9914	3	3	1
2	550982	PULLEY 201MM O.D. / W/14 RIB ALTERNATIVE PART	1	1	
3	5001661	. SCREW CAP HEXS M8-1.25x35 G10.9 AD MAGNI 565	6	6	
NS	680038	THREAD LOCKER LOCTITE #243 / BLUE / 50ml	AR	AR	
4	550920	PULLEY SUPPORT / W/SHORT BACK		1	
. NS	WB09-13	. SEE WARRANTY BULLETIN		1	
5	550919	PULLEY SUPPORT / W/LONG BACK	1		
. NS	WB09-13	. SEE WARRANTY BULLETIN	1		
6	550922	PULLEY ASSY W/BEARING 74MM O.D. x 57MM	2		
6	550922	PULLEY ASSY W/BEARING 74MM O.D. x 57MM		3	
7	5001752	SCREW CAP HEXF M10-1.5x50 G8.8 N500	AR	AR	
7	5001843	SCREW CAP HEXF AD M10-1.5x50 G10.9 N500	AR	AR	
8	550924	PROTECTOR CAP / STEEL 40.7MM O.D. x 5MM	AR	AR	
8	557056	PROTECTOR CAP / STEEL 40.7MM O.D. x 11MM	AR	AR	
9	550923	PULLEY ASSY PK14	1	1	
10	550927	PROTECTOR CAP / PLASTIC 54MM O.D. x 2.6MM	1	1	
11	550925	AUTOMATIC TENSIONER ASSY	1	1	
. NS	010032	. TOOL KEY 1 1/2" / TENSIONER RELEASE	1	1	
12	5001644	SCREW CAP HEXF M10-1.5x30 G8.8 G500	1	1	
13	965189	SCREW CAP HEXF M10-1.5x90 G8.8 ZG603	1	1	
14	979935	SCREW CAP HEXF M12-1.75x160 G8.8 ZG603	2	2	
14	5001763	SCREW CAP HEXF M12-1.75x160 G8.8 N500	2	2	
15	965191	SCREW CAP HEXF M12-1.75x30 G8.8 ZG603	4	4	
15	5001777	SCREW CAP HEXF M12-1.75x30 G10.9 N500	4	4	
16	550961	PULLEY ASSY / FAN DRIVE 212MM O.D. W/14 RIB From A-9893	1	1	
. NS	550983	. BEARING From A-9893	1	1	
. NS	551021	. SCREW CAP HEXS M8-1.25 x 30 From A-9893	10	10	
16	550981	PULLEY ASSY / FAN DRIVE 212MM O.D. W/14 RIB ALTERNATIVE PART	1	1	
. NS	551020	. BEARING	1	1	
. NS	551021	. SCREW CAP HEXS M8-1.25 x 30	10	10	
. NS	551022	. RETAINING RING	1	1	



From 8-9279 To B-9999	Date:10/2022	PAGE:MTH-0120-00
DRIVE PULLEY, BELTS & TENSIONER WITH DETROIT S-60		

Item#	Part	Description	X L I I M T H 4 5	X L I I M T H 4 5 E	N O T E S
17	5001738	SCREW CAP HEX M8-1.25x30 G8.8 N500	6	6	
18	5001161	WASHER LO SPT 8.1x14.8x2.0 SS-304	6	6	
19	MTH-0520-50	FAN DRIVE - INSTALLATION			
20	550921	MULTI V-BELT / 14 RIB 91" (2310) 14PK2310	1		
20	550926	MULTI V-BELT / 14 RIB 102.5" (2605MM) 14PK2605		1	
21	506864	V-BELT / BX-100 / SET OF 2 9212-0404	1	1	
21	506664	V-BELT / BX-97 / SET OF 2 9212-0390	1	1	
21	5060086	V-BELT / BX-96 / SET OF 2 9013-2096	1	1	
21	5060121	SUPER V-BELT / 2B-96	1	1	
21	5060082	V-BELT / BX-92 / SET OF 2 9013-2092	1	1	D
21	5060077	V-BELT / BX-95 / SET OF 2 9013-2095	1	1	
22	052846	ANGLE SUPPORT		1	
23	052847	BRACE ROD 550MM		1	
24	502804	SCREW CAP HEX M10-1.5x25 G8.8 N500		2	
25	3852496	WASHER LO SPT 10.2x18.1x2.2 ZG603		4	
26	970949	SCREW CAP HEX M10-1.5x35 G8.8 ZG603		2	
27	052845	PLATE ATTACHMENT SS W/NUT		1	
30	454444	PULLEY ASSY W/BEARING & SUPPORT / XL-II & X3	1	1	B
31	454445	. ANGLE SUPPORT	1	1	
32	052205	. SPACER 20MM I.D. X 12.5MM TH	1	1	
33	453834	. PULLEY / 45MM x 90MM O.D.	1	1	
34	507340	. BALL BEARING 20 ID x 52 OD x 22.2 W	1	1	
35	504095	. RING RETAINER / INT 2.00 x 2.12 x .062	1	1	
36	453835	. SCREW CAP HEX M20-2.5x65	1	1	
37	453076	. CAP, DUST	1	1	
38	5001252	. NUT HEX STO M20-2.5 DP	1	1	
40	500065	. SCREW CAP HEX M10-1.5x30 G10.9 DP	2	2	
41	500897	. WASHER FL .437x1.000x.083 N500	4	4	
42	5001758	. NUT HEX STO M10-1.5 N500	2	2	
50	012466	PULLEY ASSY IDLER	1	1	
NS	680752	. GREASE LITHIUM / BLUE	AR	AR	
51	N.S.S.	. BASE SUPPORT ASSY			1
52	507371	. SEAL	1	1	
53	012459	. PULLEY 116MM O.D. x 53.5MM	1	1	
54	510618	. BALL BEARING DBL ROW / 30MM x 62MM x 27 W	1	1	
55	504040	. RING RETAINER / INT 2.440 x 1.860 x 0.078 STL BLK	1	1	
56	012062	. WASHER FL 10.2 x38.1x5 ST	1	1	
57	500829	. SCREW CAP HEX M10-1.5x40 G8.8	1	1	



From 8-9279 To B-9999	Date:10/2022	PAGE:MTH-0120-00
DRIVE PULLEY, BELTS & TENSIONER WITH DETROIT S-60		

Item#	Part	Description	X L I I M T H 4 5	X L I I M T H 4 5 E	N O T E S
58	510798	. PROTECTOR CAP / "PREVOST"	1	1	
59	5001644	SCREW CAP HEXF M10-1.5x30 G8.8 G500	2	2	
60	5001596	SCREW CAP HEXF M14-2.0x90 G8.8 MAGNI 565	1	1	B
NS	012453	. SUPPORT	1	1	
NS	012456	. ROLLER 48MM O.D. x 64MM	1	1	
NS	012458	. BEARING MODIFIED PREVOST	1	1	
NS	5006768	. SCREW DRV RND #14x5/8 Z050	1	1	
65	012467	SNUBBER ASSY	1	1	
66	5001643	SCREW CAP HEXF M8-1.25x25 G8.8 G500	2	2	
67	5001595	SCREW CAP HEXF M10-1.5x60 G8.8 G500	3	3	
68	012455	ADAPTOR SNUBBER MOUNTING	1	1	
70	453795	SUPPORT IDLER PULLEY / W/SMALL A/C	1	1	
71	453078	PULLEY ASSY W/BEARING & SEAL / 5" O.D. X 2V	1	1	
72	454182	. PULLEY / 5" O.D. X 2V	1	1	
73	507340	. BALL BEARING 20 ID x 52 OD x 22.2 W	1	1	
74	504095	. RING RETAINER / INT 2.00 x 2.12 x .062	1	1	
75	5001124	SCREW CAP HEX M20-2.5x80 G8.8 ZP	1	1	
75	983296	SCREW CAP HEX M20-2.5x90 G10.9 ZP	1	1	D
76	502558	WASHER FL 21.0x37.0x3.0 G500	1	1	
77	052219	SPACER 20MM I.D. X 19.44MM TH	1	1	
78	500809	NUT HEX STO M20-2.5 N500	1	1	
79	453076	CAP, DUST	1	1	
80	502705	SCREW CAP HEX M12-1.75x25 G8.8 N500	2	2	
81	500747	WASHER LO SPT 12.2x21.1x2.5 N500	2	2	
82	500211	WASHER FL .531x1.250x.125 N500	2	2	
83	5001476	SCREW CAP HEX M14-2.0x45 G8.8 G500	1	1	
90	641472	AIR PRESSURE REGULATOR 1/4" NPT / COPPER	1	1	
91	142454	SUPPORT AIR REGULATOR / FLAT STYLE	1	1	
92	500734	NUT HEX JAM 3/4-16 Z050	1	1	
93	641371	MALE ELBOW 90° NON-SWIVEL / PUSH-IN FITTING / #4x1/4NPT-M BR	1	1	
94	501331	STREET ELBOW 90° / PIPE FITTING / 1/8NPT-Mx1/8NPT-F BR	2	2	
95	640488	VALVE, AIR FILL 1/8" NPT	1	1	
NS	650164	. CAP VALVE / CHROME	1	1	
96	501650	NIPPLE REDUCER HEX / PIPE FITTING / 1/4NPT-Mx1/8NPT-Mx1 3/16 BR	1	1	
97	641417	VALVE, 3 WAYS 1/8NPT-Fx1/8NPT-Fx1/8NPT-F BR	1	1	
NS	642014	. HANDLE / RED	1	1	
97	642161	VALVE, 3 WAYS 1/8NPT-Fx1/8NPT-Fx1/8NPT-F BR / SERVICE	1	1	
NS	642014	. HANDLE / RED	1	1	



From 8-9279 To B-9999	Date:10/2022	PAGE:MTH-0120-00
DRIVE PULLEY, BELTS & TENSIONER WITH DETROIT S-60		

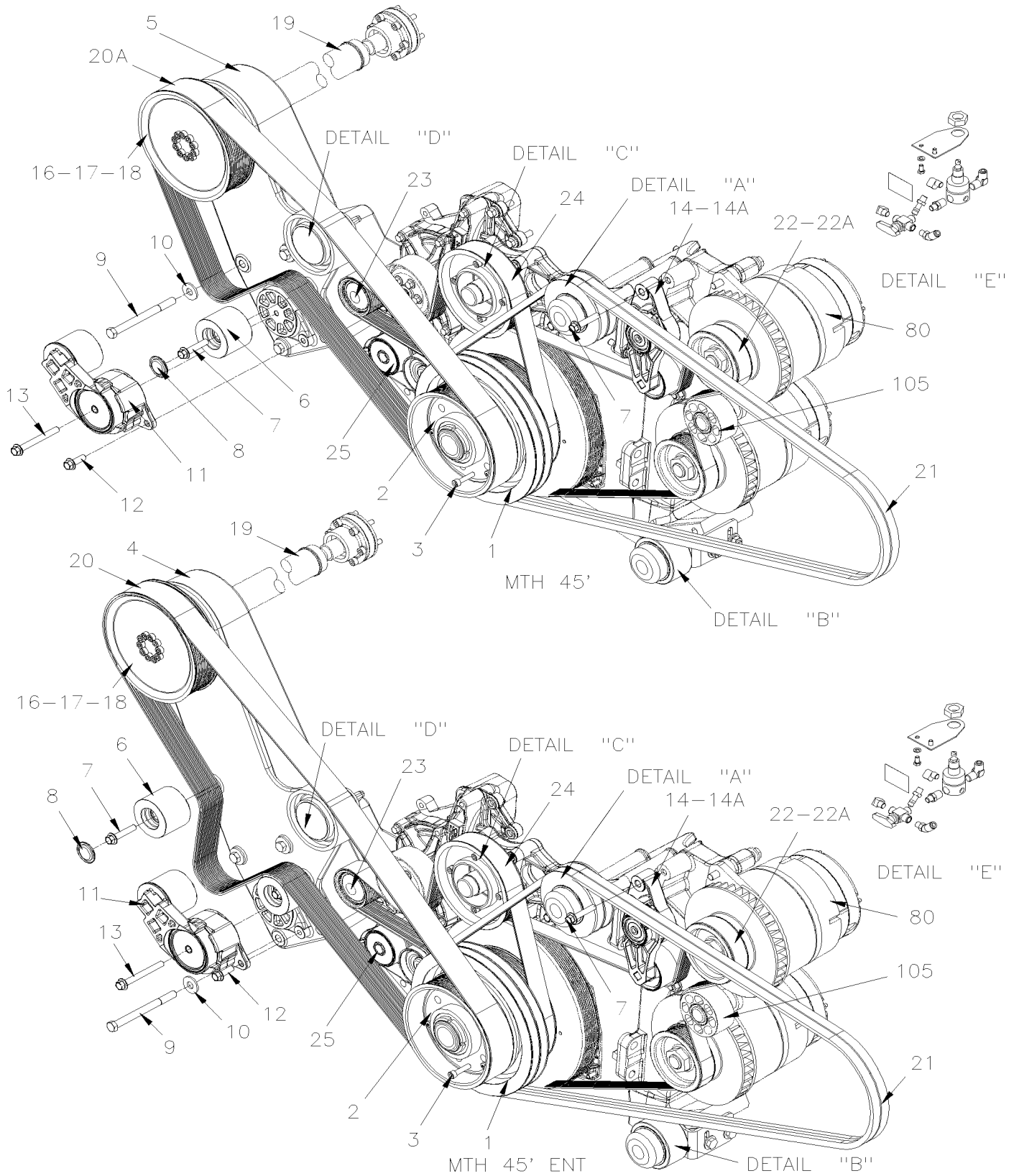
Item#	Part	Description	X L I I M T H 4 5	X L I I M T H 4 5 E	N O T E S
98	641365	MALE ELBOW 45° NON-SWIVEL / PUSH-IN FITTING / #4x1/8NPT-M BR	1	1	
100	012123	DECAL "BELT TENSIONER" 35 PSI	1	1	
101	5001181	SCREW CAP HEX M6-1.0x12 SS	2	2	
102	502570	WASHER LO SPT 6.1x11.8x1.6 SS	2	2	
103	685290	TOOL PULLEY RETAINER / FOR TORQ # 550912	1	1	
110	MTH-0605-00	ALTERNATOR 24V/140 AMPS / "BOSCH"			
110	MTH-0605-01	ALTERNATOR 24V/120 AMPS / "BOSCH"			
111	MTH-0610-00	ALTERNATOR MOUNTING / "BOSCH" 2X140AMPS DETROIT S-60			
112	MTH-0610-05	ALTERNATOR MOUNTING / "BOSCH" 2X120AMPS DETROIT S-60			
112	MTH-0610-55	ALTERNATOR MOUNTING / "NEIHOF"READY INSTALLATION			
112	MTH-0610-56	ALTERNATOR MOUNTING / 24V-75Amps D-061092			
112	MTH-0610-57	ALTERNATOR MOUNTING / 24V-140Amps D-061091			
112	MTH-0610-58	ALTERNATOR MOUNTING / 12V-200Amps			
113	MTH-2245-00	A/C COMPRESSOR 05G - INSTALLATION			
		D) WITH 24V 270Amps OR 12V 300Amps MODEL 50DN ALTERNATOR			
		1) NOT SOLD SEPARATELY			

From 9-9591 To B-9999

Date:10/2022

PAGE:MTH-0120-01

DRIVE PULLEY, BELTS & TENSIONER WITH VOLVO D13

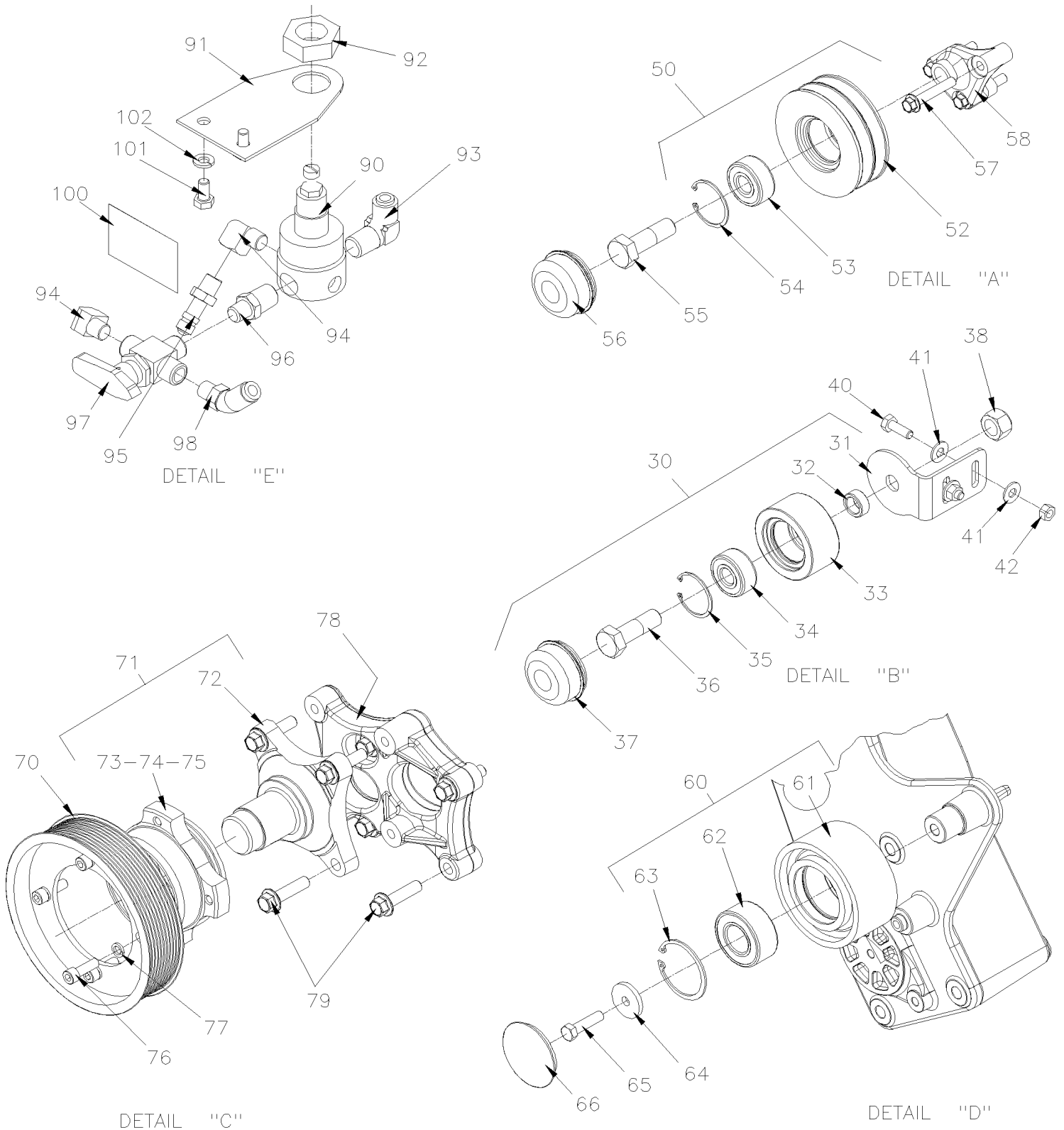


From 9-9591 To B-9999

Date:10/2022

PAGE:MTH-0120-01

DRIVE PULLEY, BELTS & TENSIONER WITH VOLVO D13

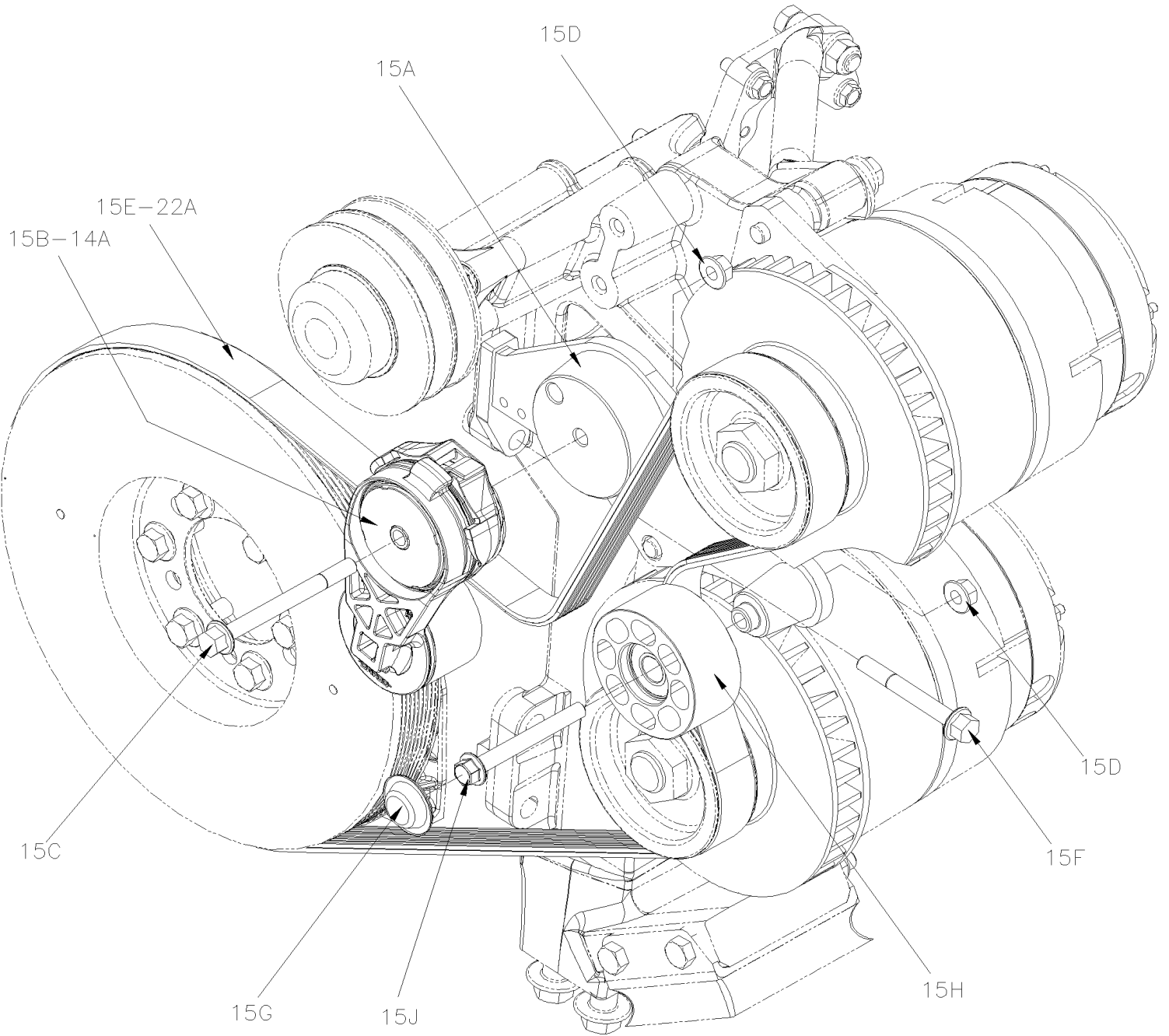


From 9-9591 To B-9999

Date:10/2022

PAGE:MTH-0120-01

DRIVE PULLEY, BELTS & TENSIONER WITH VOLVO D13





From 9-9591 To B-9999	Date:10/2022	PAGE:MTH-0120-01
DRIVE PULLEY, BELTS & TENSIONER WITH VOLVO D13		

Item#	Part	Description	X L I M T H 4 5	X L I M T H 4 5 E	N O T E S
1	012342	PULLEY DRIVE 279MM x 2V & 219MM x 10RIB		1	
1	21264333	PULLEY DRIVE 279MM x 2V & 219MM x 10RIB SERVICE		1	
NS	5001673	SCREW CAP HEXF M12-1.75x50 G8.8 MAGNI 565		6	
2	550913	PULLEY DAMPER 201MM O.D. / W/14 RIB To A-9913		1	
. NS	550951	. KIT, DAMPER BUSHING To A-9913		1	
. . NS	N.S.S.	. . RUBBER DAMPER BUSHING To A-9913		6	1
. . NS	N.S.S.	. . SCREW CAP HEXS To A-9913		6	1
. . NS	N.S.S.	. . SCREW CAP BUT TORX To A-9913		3	1
2	550963	PULLEY DAMPER 201MM O.D. / W/14 RIB From A-9914		1	
. NS	550951	. KIT, DAMPER BUSHING From A-9914		1	
. . NS	N.S.S.	. . RUBBER DAMPER BUSHING From A-9914		6	1
. . NS	N.S.S.	. . SCREW CAP HEXS From A-9914		6	1
. . NS	N.S.S.	. . SCREW CAP BUT TORX From A-9914		3	1
2	550982	PULLEY 201MM O.D. / W/14 RIB ALTERNATIVE PART		1	
3	5001661	. SCREW CAP HEXS M8-1.25x35 G10.9 AD MAGNI 565		6	
NS	680038	THREAD LOCKER LOCTITE #243 / BLUE / 50ml		AR	
4	20966630	LONG FAN ARM SUPPORT		1	
6	550922	PULLEY ASSY W/BEARING 74MM O.D. x 57MM		2	
7	5001752	SCREW CAP HEXF M10-1.5x50 G8.8 N500 To A-9993		AR	
7	5001843	SCREW CAP HEXF AD M10-1.5x50 G10.9 N500 SERVICE From A-9994		AR	
8	550924	PROTECTOR CAP / STEEL 40.7MM O.D. x 5MM To A-9993		2	
8	557056	PROTECTOR CAP / STEEL 40.7MM O.D. x 11MM SERVICE From A-9994		2	
9	973967	SCREW CAP HEX M12-1.75x140 G8.8 MAGNI 565		4	
10	500211	WASHER FL .531x1.250x.125 N500		4	
11	550925	AUTOMATIC TENSIONER ASSY		1	
. NS	010032	. TOOL KEY 1 1/2" / TENSIONER RELEASE		1	
12	5001644	SCREW CAP HEXF M10-1.5x30 G8.8 G500		1	
13	965189	SCREW CAP HEXF M10-1.5x90 G8.8 ZG603		1	
14	20762060	AUTOMATIC TENSIONER ASSY To 9-9613		1	
14	20935523	AUTOMATIC TENSIONER ASSY From 9-9614 To A-9917		1	
14	21404578	AUTOMATIC TENSIONER ASSY From A-9918 To B-9972		1	
14	21422767	AUTOMATIC TENSIONER ASSY SERVICE From B-9973		1	
NS	5001752	SCREW CAP HEXF M10-1.5x50 G8.8 N500 SERVICE		2	
14A	510991	AUTOMATIC TENSIONER ASSY		1	G
15	010325	KIT "BELT TENSIONNER"		1	G
. A	010323	. SUPPORT, ASSEMBLY		1	G
. B	510991	. AUTOMATIC TENSIONER ASSY		1	G
. C	5001884	. SCREW CAP HEXF M10-1.5X110 G10.9 N500		1	G
. D	5001727	. NUT HEXF NYRT M10-1.5 N500		2	G
. E	5061286	. MULTI V-BELT / 8 RIB 80.91" (2055) 8PK2055 ORION QT+ SD		1	G
. F	5001843	. SCREW CAP HEXF AD M10-1.5x50 G10.9 N500		1	G
. G	557056	. PROTECTOR CAP / STEEL 40.7MM O.D. x 11MM		1	G



From 9-9591 To B-9999	Date:10/2022	PAGE:MTH-0120-01
DRIVE PULLEY, BELTS & TENSIONER WITH VOLVO D13		

Item#	Part	Description	X L I M T H 4 5	X L I M T H 4 5 E	N O T E S
. H	510970	. PULLEY ASSY		1	G
. . NS	560974	. . BALL BEARING		2	G
. J	5001784	. SCREW CAP HEXF M10-1.5x90 G8.8 AD N500		1	G
. E2	506212	. MULTI V-BELT / 8 RIB 80.91" (2055) 8PK2055 ORION QT+ SD ARAMIDE		1	G
. E3	5061287	. MULTI V-BELT / 8 RIB 75.79" (1925) 8PK1925 ORION QT+ SD		1	G
. E4	506244	. MULTI V-BELT / 8 RIB 75.79" (1925) 8PK1925 ORION QT+ SD ARAMIDE		1	G
16	550912	PULLEYASSY / FAN DRIVE 212MM O.D. W/14 RIB To A-9892		1	
. NS	551021	. SCREW CAP HEXS M8-1.25 x 30 To A-9892		10	
16	550961	PULLEY ASSY / FAN DRIVE 212MM O.D. W/14 RIB From A-9893		1	
. NS	550983	. BEARING From A-9893		1	
. NS	551021	. SCREW CAP HEXS M8-1.25 x 30 From A-9893		10	
16	550981	PULLEY ASSY / FAN DRIVE 212MM O.D. W/14 RIB ALTERNATIVE PART		1	
. NS	551020	. BEARING		1	
. NS	551021	. SCREW CAP HEXS M8-1.25 x 30		10	
. NS	551022	. RETAINING RING		1	
17	5001738	SCREW CAP HEX M8-1.25x30 G8.8 N500		6	
18	5001161	WASHER LO SPT 8.1x14.8x2.0 SS-304		6	
19	MTH-0520-50	FAN DRIVE - INSTALLATION			
20	5060097	MULTI V-BELT / 14 RIB 99.44" (2526) 14PK2526		1	
20	5060108	MULTI V-BELT / 14 RIB 99.44" (2526) 14PK2526 QT (21-2111) SERVICE		1	
20	5060105	MULTI V-BELT / 14 RIB 99.44" (2526) 14PK2526 QT + SD (21-2117) SERVICE		1	H
21	5060095	V-BELT / BX-99 / SET OF 2 9013-2099		1	B
21	506664	V-BELT / BX-97 / SET OF 2 9212-0390		1	A
22	5060093	MULTI V-BELT / 8 RIB 76.18" (1935) 8PK1935 To 9-9653		1	E F
22	506039	MULTI V-BELT / 8 RIB 76.18" (1935) 8PK1935 QT + ARAMIDE To 9-9653		1	
22	5060101	MULTI V-BELT / 8 RIB 78.54" (1995) 8PK1995 (5080785) From 9-9654		1	
22	5060111	MULTI V-BELT / 8 RIB 78.54" (1995) 8PK1995 QT (21-2113) SERVICE From 9-9654		1	
22	506062	MULTI V-BELT / 8 RIB 78.54" (1995) 8PK1995 QT + ARAMIDE SERVICE From 9-9654		1	
22	5060106	MULTI V-BELT / 8 RIB 78.54" (1995) 8PK1995 QT + SD (21-2119) SERVICE From 9-9654		1	H
22	506057	MULTI V-BELT / 8 RIB 78.54" (1995) 8PK1995 QT + SD ARAMIDE SERVICE From 9-9654		1	H
22	5060098	MULTI V-BELT / 8 RIB 73" (1865) 8PK1865		1	C
22	506042	MULTI V-BELT / 8 RIB 73" (1865) 8PK1865 QT + ARAMIDE		1	C
22	019095	DECAL / "BELT ROUTING" SHORT END COOL 2007		1	
22A	5061286	MULTI V-BELT / 8 RIB 80.91" (2055) 8PK2055 ORION QT+ SD		1	G
22A	506212	MULTI V-BELT / 8 RIB 80.91" (2055) 8PK2055 ORION QT+ SD ARAMIDE		1	G
22A	5061287	MULTI V-BELT / 8 RIB 75.79" (1925) 8PK1925 ORION QT+ SD EMERGENCY		1	G
22A	506244	MULTI V-BELT / 8 RIB 75.79" (1925) 8PK1925 ORION QT+ SD ARAMIDE EMERGENCY		1	G
23	Refer To Volvo	PULLEY IDLER		1	V
24	20712534	MULTI V-BELT / 10 RIB 59.5" (1512MM) 10PK1512		1	
24	5060110	MULTI V-BELT / 10 RIB 59.5" (1512MM) 10PK1512 QT (21-2112) SERVICE		1	
24	5060104	MULTI V-BELT / 10 RIB 59.5" (1512MM) 10PK1512 QT + SD (21-2112)		1	H
25	20487079	AUTOMATIC TENSIONER ASSY		1	



From 9-9591 To B-9999

Date:10/2022

PAGE:MTH-0120-01

DRIVE PULLEY, BELTS & TENSIONER WITH VOLVO D13

Item#	Part	Description	X L I I M T H 4 5	X L I I M T H 4 5 E	N O T E S
25	012696	KIT, WATER PUMP TENSIONER ASSY W/SUPPORT SERVICE		1	
. NS	012695	. SUPPORT ADAPTOR AUTOMTIC TENSIONER ASSY W/DOWEL / WATER PUMP		1	
. . NS	502941	. . DOWEL PIN		2	
. NS	510991	. AUTOMATIC TENSIONER ASSY		1	
. NS	5001620	. SCREW CAP HEXS M10-1.5X35 G10.9 G500		1	
. NS	5001799	. SCREW CAP HEXF M10-1.5x70 G10.9 N500		1	
. NS	20712534	. MULTI V-BELT / 10 RIB 59.5" (1512MM) 10PK1512		1	
30	454444	PULLEY ASSY W/BEARING & SUPPORT / XL-II & X3		1	
31	454445	. ANGLE SUPPORT		1	
32	052205	. SPACER 20MM I.D. X 12.5MM TH		1	
33	453834	. PULLEY / 45MM x 90MM O.D.		1	
34	507340	. BALL BEARING 20 ID x 52 OD x 22.2 W		1	K
34	507014	. BALL BEARING 20 ID x 52 OD x 22.2 W		1	
35	504095	. RING RETAINER / INT 2.00 x 2.12 x .062		1	
36	453835	. SCREW CAP HEX M20-2.5x65		1	
37	453076	. CAP, DUST		1	
38	5001252	. NUT HEX STO M20-2.5 DP		1	
40	500065	. SCREW CAP HEX M10-1.5x30 G10.9 DP		2	
41	500897	. WASHER FL .437x1.000x.083 N500		4	
42	5001758	. NUT HEX STO M10-1.5 N500		2	
50	454500	PULLEY ASSY W/BEARING		1	
52	454182	. PULLEY / 5" O.D. X 2V		1	
53	507340	. BALL BEARING 20 ID x 52 OD x 22.2 W		1	K
53	507014	. BALL BEARING 20 ID x 52 OD x 22.2 W		1	
54	504095	. RING RETAINER / INT 2.00 x 2.12 x .062		1	
55	453835	SCREW CAP HEX M20-2.5x65		1	
56	453076	CAP, DUST		1	
57	5001595	SCREW CAP HEXF M10-1.5x60 G8.8 G500		3	
58	454548	SUPPORT PULLEY ALT & A/C		1	
60	052896	PULLEY ASSY W/BEARING / 54MM x 117MM O.D.		1	
61	052625	. PULLEY / 54MM x 117MM O.D.		1	
62	510618	. BALL BEARING DBL ROW / 30MM x 62MM x 27 W		1	
63	504040	. RING RETAINER / INT 2.440 x 1.860 x 0.078 STL BLK		1	
64	012062	WASHER FL 10.2 x38.1x5 ST		1	
65	500829	SCREW CAP HEX M10-1.5x40 G8.8		1	
66	510798	PROTECTOR CAP / "PREVOST"		1	
70	8149875	PULLEY 171 MM O.D. W/10RIB		1	
71	20845416	HUB ASSY To 9-9590		1	
71	21146745	HUB ASSY From 9-9591		1	



From 9-9591 To B-9999 Date:10/2022 PAGE:MTH-0120-01

DRIVE PULLEY, BELTS & TENSIONER WITH VOLVO D13

Item#	Part	Description	X L I M T H 4 5	X L I M T H 4 5 E	N O T E S
72	20459796	. SHAFT MOUNTING		1	
73	N.S.S.	. BEARING HOUSING		1	1
74	1675715	. BALL BEARING (BA2B 309609 BE) To 9-9590		1	
74	21146660	. BALL BEARING From 9-9591		1	
75	1675790	. NUT M40 x 9MM		1	
76	984065	SCREW CAP HEXS M8-1.25x25 G8.8 DP		4	
77	502889	WASHER LO SPT 8.1x12.7x2.0 N500		4	
78	012497	SUPPORT PILLEY TENSIONER WATER PUMP To A-9992		1	
78	21270170	SUPPORT PULLEY TENSIONER WATER PUMP From A-9993		1	
79	5001308	SCREW CAP HEXF M10-1.5x40 G10.9 N500		8	
80	MTH-0605-00	ALTERNATOR 24V/140 AMPS / "BOSCH"			
90	641472	AIR PRESSURE REGULATOR 1/4" NPT / COPPER		1	
91	142454	SUPPORT AIR REGULATOR / FLAT STYLE		1	
92	500734	NUT HEX JAM 3/4-16 Z050		1	
93	641371	MALE ELBOW 90° NON-SWIVEL / PUSH-IN FITTING / #4x1/4NPT-M BR		1	
94	501331	STREET ELBOW 90° / PIPE FITTING / 1/8NPT-Mx1/8NPT-F BR		2	
95	640488	VALVE, AIR FILL 1/8" NPT		1	
. NS	650164	. CAP VALVE / CHROME		1	
96	501650	NIPPLE REDUCER HEX / PIPE FITTING / 1/4NPT-Mx1/8NPT-Mx1 3/16 BR		1	
97	641417	VALVE, 3 WAYS 1/8NPT-Fx1/8NPT-Fx1/8NPT-F BR		1	
. NS	642014	. HANDLE / RED		1	
97	642161	VALVE, 3 WAYS 1/8NPT-Fx1/8NPT-Fx1/8NPT-F BR / SERVICE		1	
. NS	642014	. HANDLE / RED		1	
98	641365	MALE ELBOW 45° NON-SWIVEL / PUSH-IN FITTING / #4x1/8NPT-M BR		1	
99	142808	HOSE ASSY TEFLON #4 1385MM		1	
100	012123	DECAL "BELT TENSIONER" 35 PSI		1	
101	5001181	SCREW CAP HEX M6-1.0x12 SS		2	
102	502570	WASHER LO SPT 6.1x11.8x1.6 SS		2	
103	685290	TOOL PULLEY RETAINER / FOR TORQ # 550912		1	
104	067742	KIT RETROFIT "ADD PULLEY" To 9-9653		1	E
105	MTH-0610-01	ALTERNATOR MOUNTING / "BOSCH" 2X140AMPS VOLVO D13			
		A) WITH SMALL A/C			
		B) WITH LARGE A/C			
		C) EMERGENCY USE ONLY WITH ONE ALTERNATOR			
		E) FOR PRODUCT IMPROVEMENT ASK KIT # 067742 SEE DETAIL AT PAGE MTH-0610-01			
		F) FOR PRODUCT IMPROVEMENT ASK KIT # 012770			



From 9-9591 To B-9999	Date:10/2022	PAGE:MTH-0120-01
-----------------------	--------------	------------------

DRIVE PULLEY, BELTS & TENSIONER WITH VOLVO D13

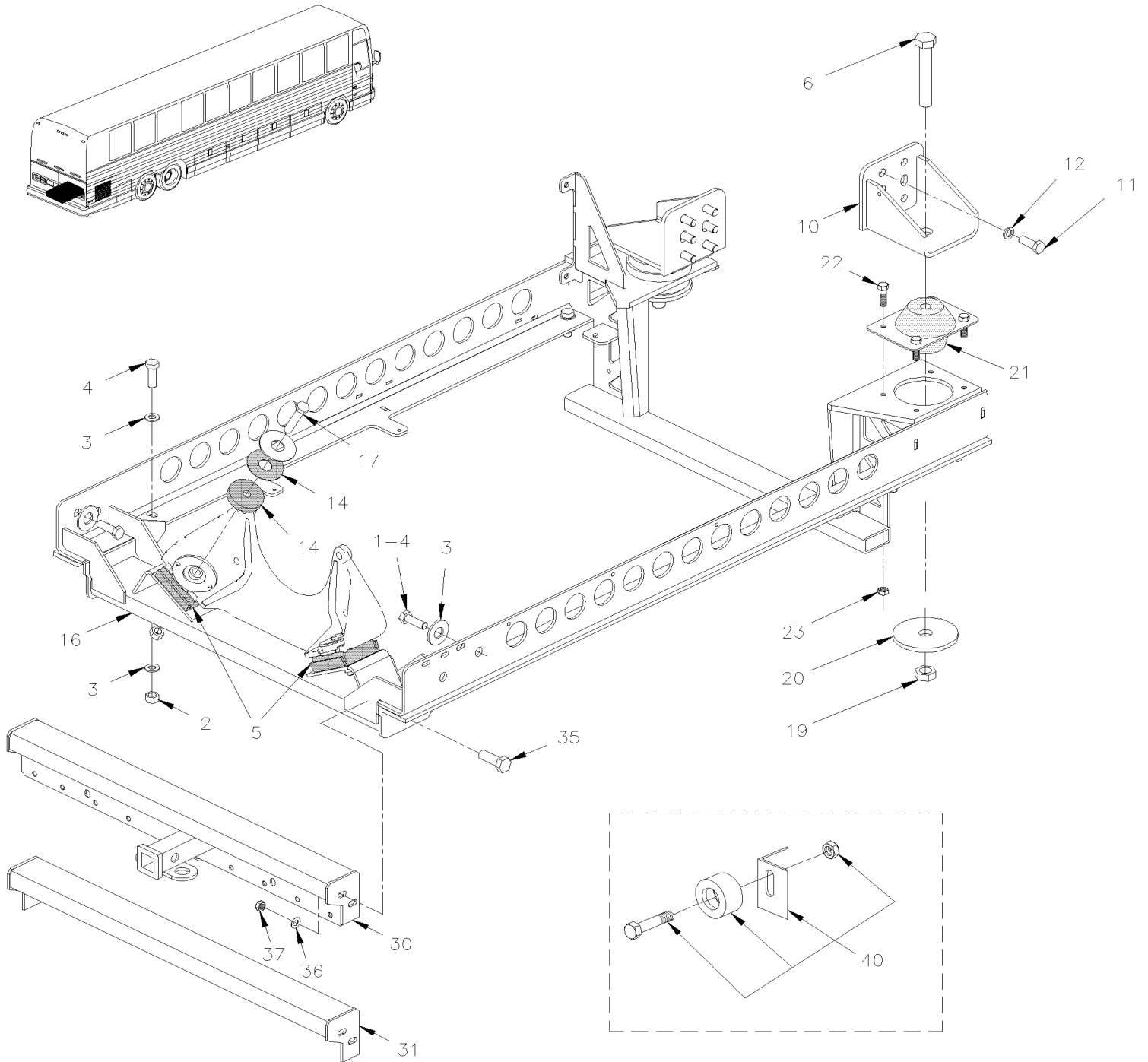
Item#	Part	Description	X L I I M T H 4 5	X L I I M T H 4 5 E	N O T E S
		G) USE WITH PRODUCT IMPROVMENT NEW PULLEY CONFIGURATION			
		H) HEAVY DUTY			
		K) REPLACE BY # 507014			
		1) NOT SOLD SEPARATELY			
		V) SEE IMPACT OR CALL ORDER DESK			

From 8-9279 To B-9999

Date:10/2022

PAGE:MTH-0150-00

ENGINE CRADLE - WITH DETROIT S-60





From 8-9279 To B-9999	Date:10/2022	PAGE:MTH-0150-00
ENGINE CRADLE - WITH DETROIT S-60		

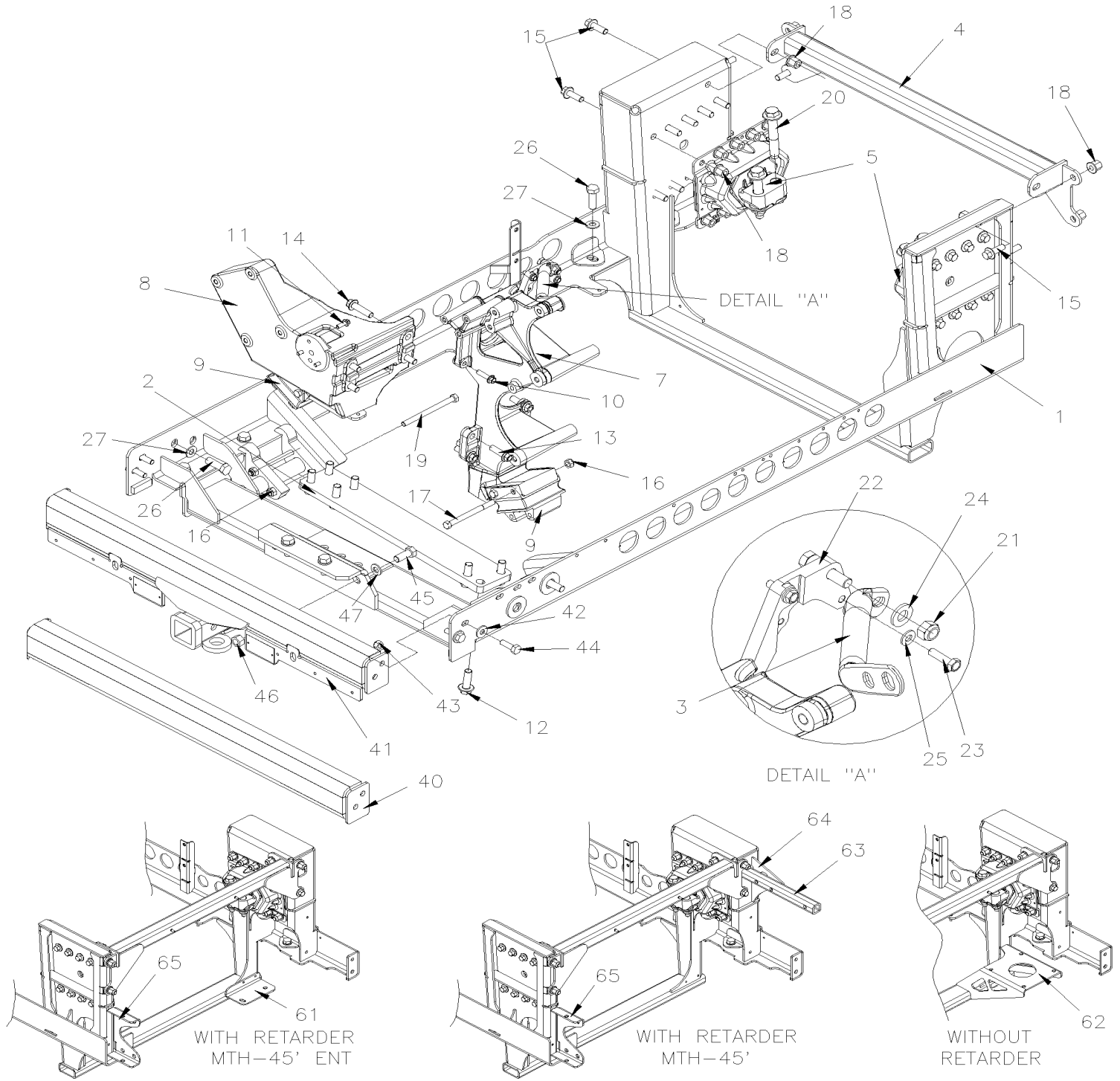
Item#	Part	Description	X L I I M T H 4 5	X L I I M T H 4 5 E	N O T E S
1	500776	SCREW CAP HEX M16-2.0x110 G8.8 Z050	2	2	
2	500781	NUT HEX STO M16-2.0 DP	8	8	
3	5001150	WASHER FL 17.0x30.0x3.0 N500	14	14	
4	5001372	SCREW CAP HEX M16-2.0x50 G10.9 N500	8	8	
5	510427	INSULATOR, RUBBER MOUNT SQUARE	2	2	
6	500571	SCREW CAP HEX M24-3.0x150 G10.9 N500	2	2	
10	012194	SUPPORT REAR	2	2	
11	5001590	SCREW CAP HEX M16-2.0x40 G10.9 N500	12	12	
12	502894	SCREW CAP HEX M8-1.25x120 G8.8 ZG603	12	12	
13	5001150	WASHER FL 17.0x30.0x3.0 N500	12	12	
14	510428	INSULATOR, RUBBER MOUNT ROUND	2	2	
16	012379	ENGINE CRADLE / W/WORLD, W/O RETARDER	1	1	
16	012837	ENGINE CRADLE / W/WORLD, W/O RETARDER & W/TRAILER HITCH	1	1	
16	012378	ENGINE CRADLE / W/WORLD, W/RETARDER & TRAILER HITCH	1	1	
16	012386	ENGINE CRADLE / W/WORLD, W/RETARDER	1	1	
16	015994	. ENGINE CRADLE FIXING /	1	1	
17	5001501	SCREW CAP HEX M16-2.0x90 G10.9 Z050	2	2	
19	500570	NUT HEX STO M24-3.0 GR.10 N500	2	2	
20	012178	WASHER, INSULATOR	2	2	
21	510456	INSULATOR, RUBBER	2	2	
22	5001308	SCREW CAP HEXF M10-1.5x40 G10.9 N500	8	8	
23	5001758	NUT HEX STO M10-1.5 N500	8	8	
30	410778	PROTECTOR ASSY / W/TRAILER HITCH	1	1	
31	410807	PROTECTOR ASSY	1	1	
35	502731	SCREW CAP HEX M12-1.75x40 G8.8 Z050	4	4	
35	502544	SCREW CAP HEX M16-2.0x40 G8.8 Z050	4	4	
36	500446	WASHER FL .531x1.250x.125 Z050	4	4	
36	5001150	WASHER FL 17.0x30.0x3.0 N500	4	4	
37	500811	NUT HEX STO M12-1.75 G500	4	4	
37	500781	NUT HEX STO M16-2.0 DP	4	4	
40	MTH-0120-00	DRIVE PULLEY, BELTS & TENSIONER WITH DETROIT S-60			

From 9-9591 To B-9999

Date:10/2022

PAGE:MTH-0150-01

ENGINE CRADLE - WITH VOLVO D13





From 9-9591 To B-9999	Date:10/2022	PAGE:MTH-0150-01
ENGINE CRADLE - WITH VOLVO D13		

Item#	Part	Description	X L I I M T H 4 5	X L I I M T H 4 5 E	N O T E S
1	012840	ENGINE CRADLE / WWORLD, W/D13 EPA 2007 WITH TRAILER HITCH & RETARDER		1	
1	012841	ENGINE CRADLE / WWORLD, W/D13 EPA 2007 WITH TRAILER HITCH & W/O RET.		1	
1	012842	ENGINE CRADLE / WWORLD, W/D13 EPA 2007 W/O TRAILER HITCH & W/RET.		1	
1	012843	ENGINE CRADLE / WWORLD, W/D13 EPA 2007 W/O TRAILER HITCH & W/O RET.		1	
2	012419	BAR PROTECTOR & REINFORCMENT W/D13		1	
3	012500	ALTERNATOR BRACE W/D13		1	
4	012368	REINFORCEMENT ASSY W/D13		1	
5	20499474	ENGINE MOUNT FRONT W/D13		2	
7	012501	ENGINE MOUNT & ALTERNATOR MOUNT CURBSIDE W/D13		1	
8	20966683	ENGINE MOUNT STREET SIDE W/D13		1	
9	3037072	INSULATOR, RUBBER MOUNT W/D13		2	
10	5001308	SCREW CAP HEXF M10-1.5x40 G10.9 N500		4	
11	5001643	SCREW CAP HEXF M8-1.25x25 G8.8 G500		3	
12	5001656	SCREW CAP HEXF M16-2.0x50 G10.9 G500		7	
13	5001671	SCREW CAP HEXF M14-2.0x45 G8.8 G500		8	
14	5001672	SCREW CAP HEXF M14-2.0x55 G8.8 G500		4	
15	966358	SCREW CAP HEXF M14-2.0x40 G8.8 MAGNI 565		26	
16	971084	NUT HEX STO M12-1.75 ZG603		8	
17	973967	SCREW CAP HEX M12-1.75x140 G8.8 MAGNI 565		4	
18	979231	NUT HEXF M14-XXX MAGGI 565		26	
19	979935	SCREW CAP HEXF M12-1.75x160 G8.8 ZG603		4	
20	991198	SCREW CAP HEXF DOG POINT M20-2.5x120 G10.9		4	
21	500811	NUT HEX STO M12-1.75 G500		1	
22	012499	ALTERNATOR BRACE PLATE W/D13		1	
23	5001687	SCREW CAP HEX M8-1.25x30 G10.9 MAGNI 565		3	
24	5001585	WASHER FL 13.5x27x2.46-4.5 DP		1	
25	192288	WASHER FL 8.4x18.0x2.0 ZG603		1	
26	5001372	SCREW CAP HEX M16-2.0x50 G10.9 N500		4	
27	5001150	WASHER FL 17.0x30.0x3.0 N500		4	
28	012546	NUT STO SPECIAL / WELDED ON PLATE M16-2.0 DP		AR	
40	N.P.N.	PROTECTOR ASSY		1	4
41	411094	PROTECTOR ASSY / W/TRAILER HITCH		1	
42	502731	SCREW CAP HEX M12-1.75x40 G8.8 Z050		4	
43	500811	NUT HEX STO M12-1.75 G500		4	
44	500446	WASHER FL .531x1.250x.125 Z050		4	
45	502544	SCREW CAP HEX M16-2.0x40 G8.8 Z050		4	
46	500781	NUT HEX STO M16-2.0 DP		4	
47	5001150	WASHER FL 17.0x30.0x3.0 N500		4	
61	071428	SUPPORT OIL COOLER W/RETARDER		1	A
62	071418	SUPPORT LOWER		1	B
65	071432	SUPPORT ACCUMULATOR		1	A



From 9-9591 To B-9999	Date:10/2022	PAGE:MTH-0150-01
ENGINE CRADLE - WITH VOLVO D13		

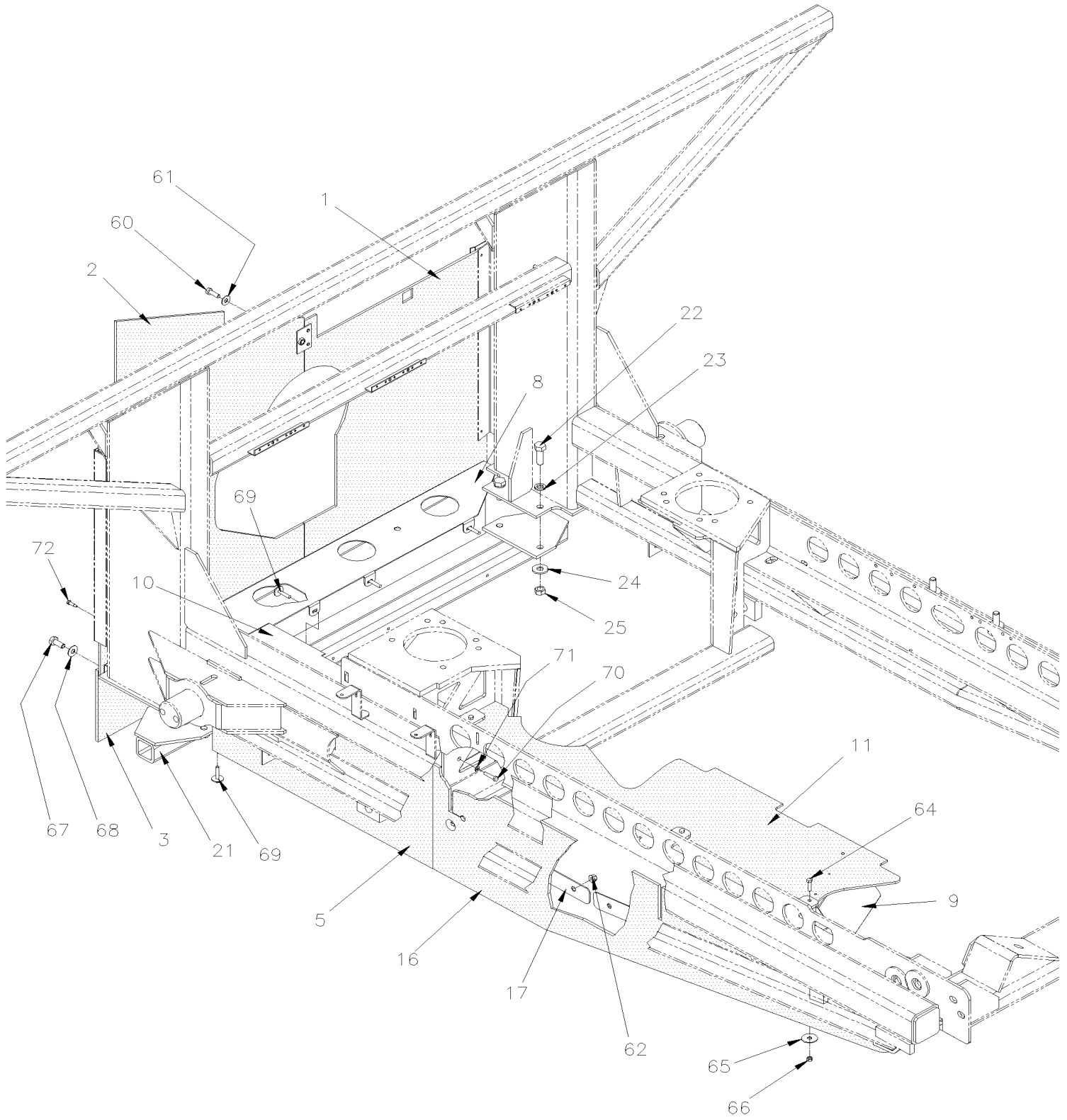
Item#	Part	Description	X L I I M T H 4 5	X L I I M T H 4 5 E	N O T E S
		A) WITH RETARDER			
		B) WITHOUT RETARDER			
		4) NO PARTS NUMBER			

From 8-9279 To B-9999

Date:10/2022

PAGE:MTH-0155-10

ENGINE TRANSMISSION GUARD & AIR SHIELD DETROIT S-60



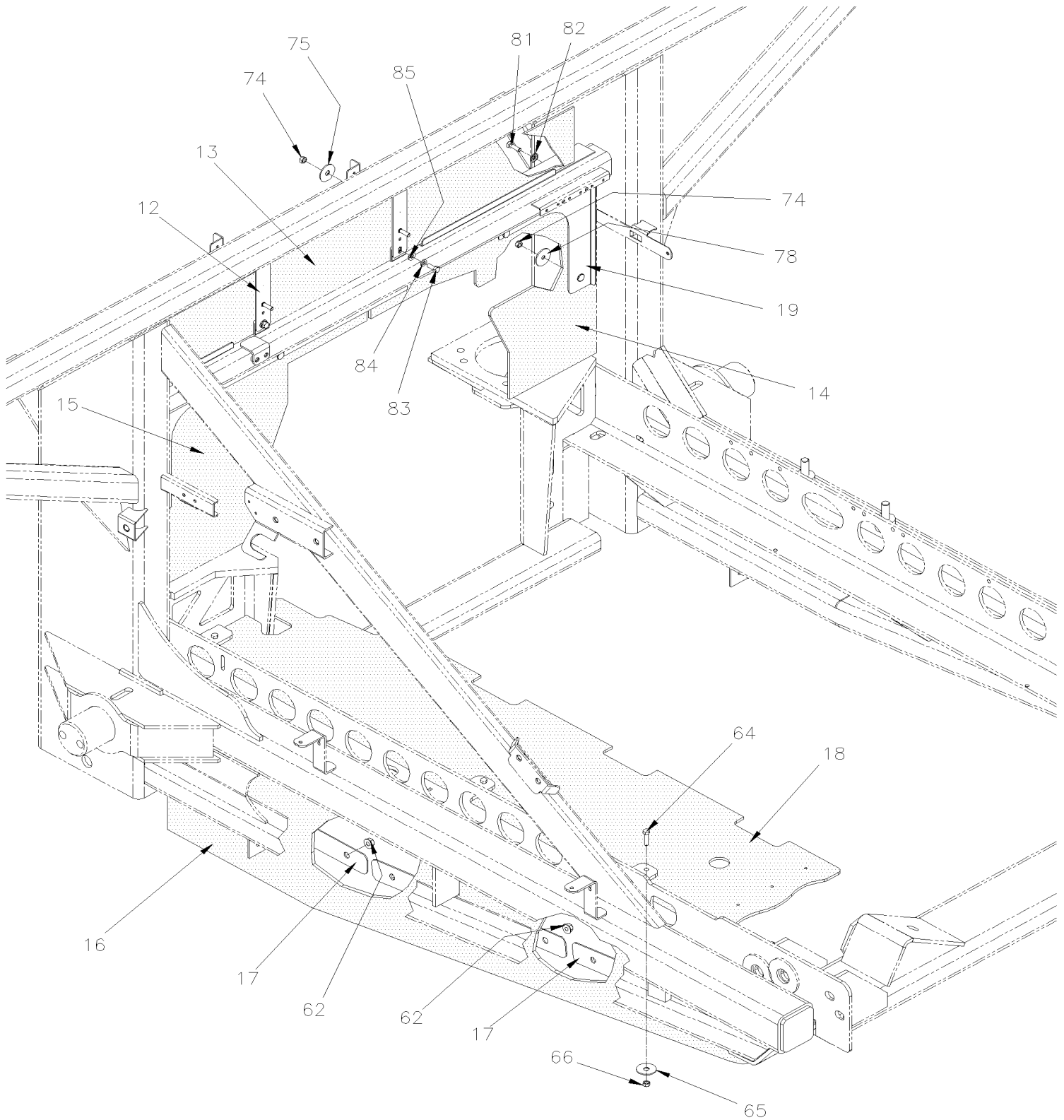
MTH-45

From 8-9279 To B-9999

Date:10/2022

PAGE:MTH-0155-10

ENGINE TRANSMISSION GUARD & AIR SHIELD DETROIT S-60



MTH-45E



From 8-9279 To B-9999		Date:10/2022	PAGE:MTH-0155-10
ENGINE TRANSMISSION GUARD & AIR SHIELD DETROIT S-60			

Item#	Part	Description	X L I I M T H 4 5	X L I I M T H 4 5 E	N O T E S
1	071101	PROTECTOR R.H.	1		S
. NS	071109	. PLATE ASSY W/WEDL-NUT M8-1.25	2		S
. NS	504379	. RIVET POP DOME OE 3/16x1/4 SS	4		S
1	071223	PROTECTOR R.H. / W/RETARDER	1		AR
2	071130	PROTECTOR L.H. To 8-9331	1		
2	071464	PROTECTOR L.H. / W/O RETARDER From 8-9332	1		S
2	071370	PROTECTOR L.H. To 8-9331	1		R
2	071465	PROTECTOR L.H. / W/RETARDER From 8-9332	1		R
3	071103	PROTECTOR LOWER 186MM x 1094MM	1		
5	052855	AIR SHIELD FORWARD	1		
8	071365	SUPPORT, LOWER	1		
9	012301	DEFLECTOR PROTECTOR SS 110MM x 215MM / ENGINE COOLANT PIPE To 9-9642	1		
10	052540	AIR SHIELD BOX SS	1		
10	052856	AIR SHIELD BOX SS	1		
11	012428	AIR SHIELD / W/O RETARDER	1		
11	012184	AIR SHIELD / W/RETARDER	1		A
12	012575	SUPPORT / GUARD UPPER		2	
13	012407	GUARD CENTRAL PART UPPER From 8-9276 To 8-9456		1	
13	012569	GUARD CENTRAL PART UPPER From 8-9457		1	
14	012408	GUARD LOWER R.H. / W/O RETARDER		1	
14	012410	GUARD LOWER R.H. / W/RETARDER		1	A
15	012409	GUARD LOWER L.H. / W/O RETARDER		1	
16	053451	AIR SHIELD BACKWARD	1	1	
17	053452	ATTACHMENT 431MM	4		
17	053452	ATTACHMENT 431MM		3	
18	012428	AIR SHIELD / W/O RETARDER		1	
18	012184	AIR SHIELD / W/RETARDER		1	
19	272250	SUPPORT SS ASSY W/STUDS / W/O RETARDER & ZF		1	
19	277991	SUPPORT SS ASSY W/STUDS / W/RETARDER		1	
21	171605	BAR, TRANSMISSION PROTECTOR	1		
22	502731	SCREW CAP HEX M12-1.75x40 G8.8 Z050	4		
23	500482	WASHER LO SPT .506x.873x.125 Z050	4		
24	500446	WASHER FL .531x1.250x.125 Z050	4		
25	500860	NUT HEX M12-1.75 Z050	4		
60	502780	SCREW CAP HEX M8-1.25x25 SS BK	10		
61	500874	WASHER FL 8.4x17.0x1.6 Z050	3		
62	502744	NUT HEX STO M8-1.25 Z050	8	8	
64	502737	SCREW CAP HEX M6-1.0x25 SS BK	3	3	
65	5001467	WASHER FL .343x1.250x.062 SS18-8	3	3	



From 8-9279 To B-9999	Date:10/2022	PAGE:MTH-0155-10
ENGINE TRANSMISSION GUARD & AIR SHIELD DETROIT S-60		

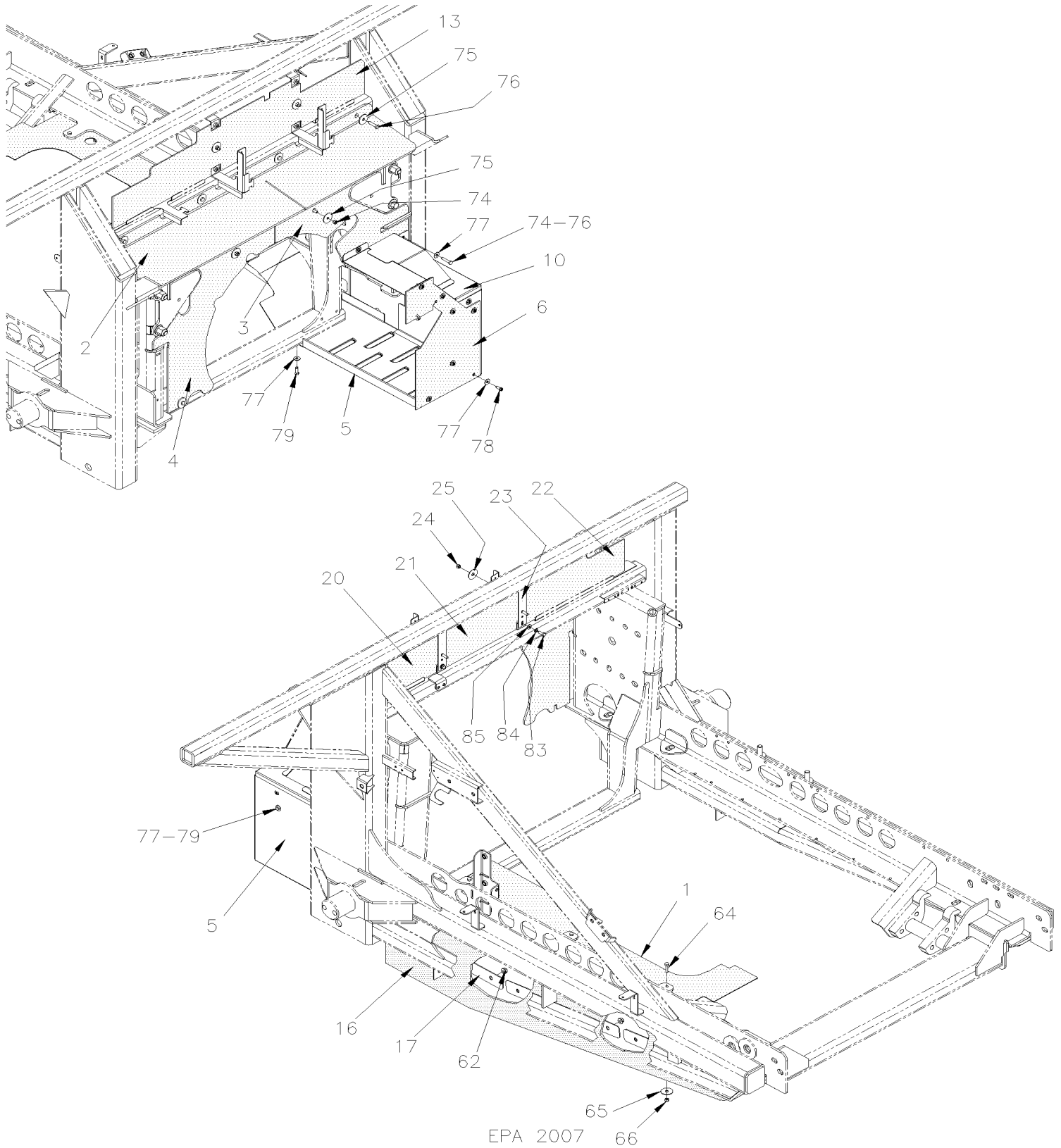
Item#	Part	Description	X L I I M T H 4 5	X L I I M T H 4 5 E	N O T E S
66	502511	NUT HEX NYRT M6-1.0 Z050	3	3	
67	5001231	SCREW CAP HEX M10-1.5x25 SS	6		
68	500270	WASHER FL .406x1.000x.063 SS	6		
69	502810	SCREW TP CAP HEXW FL M6.3-1.81x30 PHC	6		
70	502686	SCREW CAP HEX M6-1.0x30 SS BK	2		
71	502853	WASHER LO SPT 6.1x11.8x1.6 N500	2		
72	5001169	SCREW TP CAP HEXW #12x3/4 SS410	2		
74	502621	NUT HEX STO M6-1.0 Z050		7	
75	500468	WASHER FL .281x1.250x.065 Z050		7	
78	502573	WASHER FL 6.4x12.5x1.6 SS		AR	
80	502837	NUT HEXF STO M8-1.25 N500	12	12	
81	502631	SCREW CAP HEX M6-1.0x20 G8.8 Z050		4	
82	500356	WASHER LO SERR 6.1x16.0x0.9 N500		4	
83	955271	SCREW CAP HEX M6-1.0x16 G8.8 ZG603		4	
84	502853	WASHER LO SPT 6.1x11.8x1.6 N500		4	
85	500877	WASHER FL .250x.562x.065 N500		4	
		A) AS SHOWN			
		R) WITH RETARDER			
		S) WITHOUT RETARDER			

From 9-9591 To B-9999

Date:10/2022

PAGE:MTH-0155-11

ENGINE TRANSMISSION GUARD & AIR SHIELD VOLVO D13

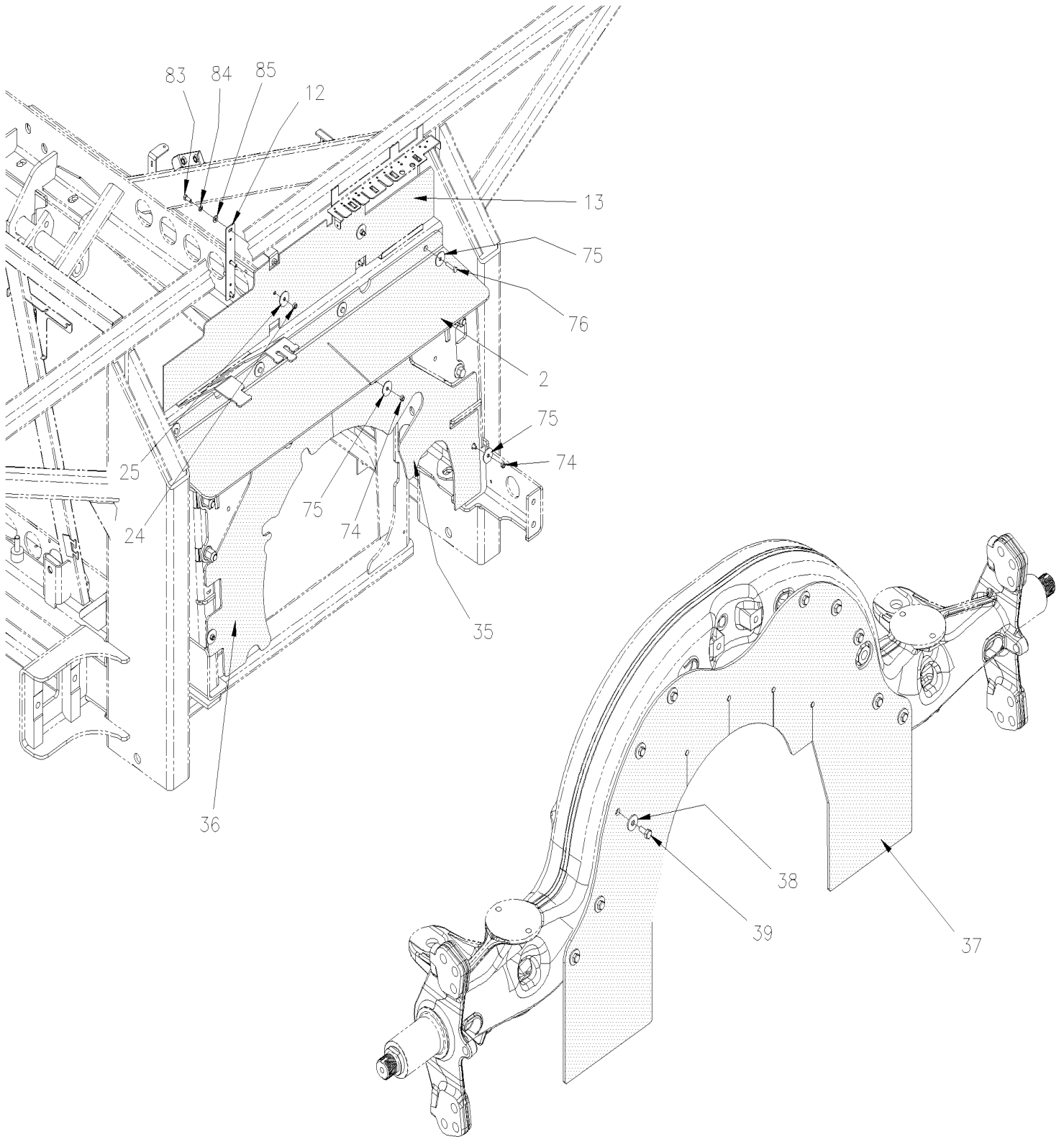


From 9-9591 To B-9999

Date:10/2022

PAGE:MTH-0155-11

ENGINE TRANSMISSION GUARD & AIR SHIELD VOLVO D13





From 9-9591 To B-9999	Date:10/2022	PAGE:MTH-0155-11
ENGINE TRANSMISSION GUARD & AIR SHIELD VOLVO D13		

Item#	Part	Description	X L I I M T H 4 5	X L I I M T H 4 5 E	N O T E S
1	012552	AIR SHIELD PLASTIC		1	
2	012476	GUARD CENTRAL PART UPPER 227MM x 1000MM		1	
3	012484	GUARD UPPER L.H.		1	
4	012477	GUARD LOWER R.H. / W/O RETARDER		1	
4	012485	GUARD LOWER R.H. / W/RETARDER		1	
5	012488	PLATE SHIELD		1	
6	071520	GUARD LOWER L.H. / W/O RETARDER		1	
6	071529	GUARD LOWER L.H. / W/RETARDER		1	
10	071519	COVER ASSY / W/O RETARDER		1	
10	071528	COVER ASSY / W/RETARDER		1	
12	012575	SUPPORT / GUARD UPPER		2	
13	012570	GUARD CENTRAL PART UPPER		1	A
13	012693	GUARD CENTRAL PART UPPER W/OUT WATER HEATER		1	
16	053451	AIR SHIELD BACKWARD		1	
17	053452	ATTACHMENT 431MM		3	
19	012407	GUARD CENTRAL PART UPPER From 8-9276		1	
19	012569	GUARD CENTRAL PART UPPER W/O WEBASTO From 8-9457		1	
20	012578P	GUARD ASSY UPPER W/"WEBASTO"		1	
20	012573	. GUARD UPPER L.H. /W/WEBASTO		1	
21	012572	. GUARD UPPER CENTRAL /W/WEBASTO		1	
22	012574	. GUARD UPPER R.H. /W/WEBASTO		1	
23	012575	. SUPPORT / GUARD UPPER		2	
24	502860	. NUT HEX STO M6-1.0 N500		2	
25	500913	. WASHER FL .281x1.250x.065 N500		2	
32	502860	NUT HEX STO M6-1.0 N500 From A-9953		2	
33	500913	WASHER FL .281x1.250x.065 N500 From A-9953		2	
34	012476	GUARD CENTRAL PART UPPER 227MM x 1000MM From A-9953		1	
35	012661	GUARD UPPER L.H. From A-9953		1	
36	012662	GUARD UPPER R.H. W/ "WORLD" TRANS From A-9953		1	
37	071592	PROTECTOR PANEL W/ "WORLD" TRANS From A-9953		1	
38	502804	SCREW CAP HEX M10-1.5x25 G8.8 N500 From A-9953		10	
39	5001417	WASHER FL 11.0x34.0x3.0 SS From A-9953		10	
62	502744	NUT HEX STO M8-1.25 Z050		8	
64	502737	SCREW CAP HEX M6-1.0x25 SS BK		3	
65	5001467	WASHER FL .343x1.250x.062 SS18-8		3	
66	502511	NUT HEX NYRT M6-1.0 Z050		3	
74	502621	NUT HEX STO M6-1.0 Z050		6	
75	500468	WASHER FL .281x1.250x.065 Z050		9	
76	502533	SCREW CAP HEX M6-1.0x30 G8.8 Z050		5	
77	500411	WASHER FL .260x.697x.050 SS		9	
78	500526	SCREW TP CAP HEXW #12x3/4 N500		9	
79	502848	SCREW TC CAP HEXF 1/4-20x3/4 N500		4	



From 9-9591 To B-9999	Date:10/2022	PAGE:MTH-0155-11
-----------------------	--------------	------------------

ENGINE TRANSMISSION GUARD & AIR SHIELD VOLVO D13

Item#	Part	Description	X L I I M T H 4 5	X L I I M T H 4 5 E	N O T E S
80	502837	NUT HEXF STO M8-1.25 N500		12	
83	955271	SCREW CAP HEX M6-1.0x16 G8.8 ZG603		4	
84	502853	WASHER LO SPT 6.1x11.8x1.6 N500		4	
85	500877	WASHER FL .250x.562x.065 N500		4	
		A) AS SHOWN			

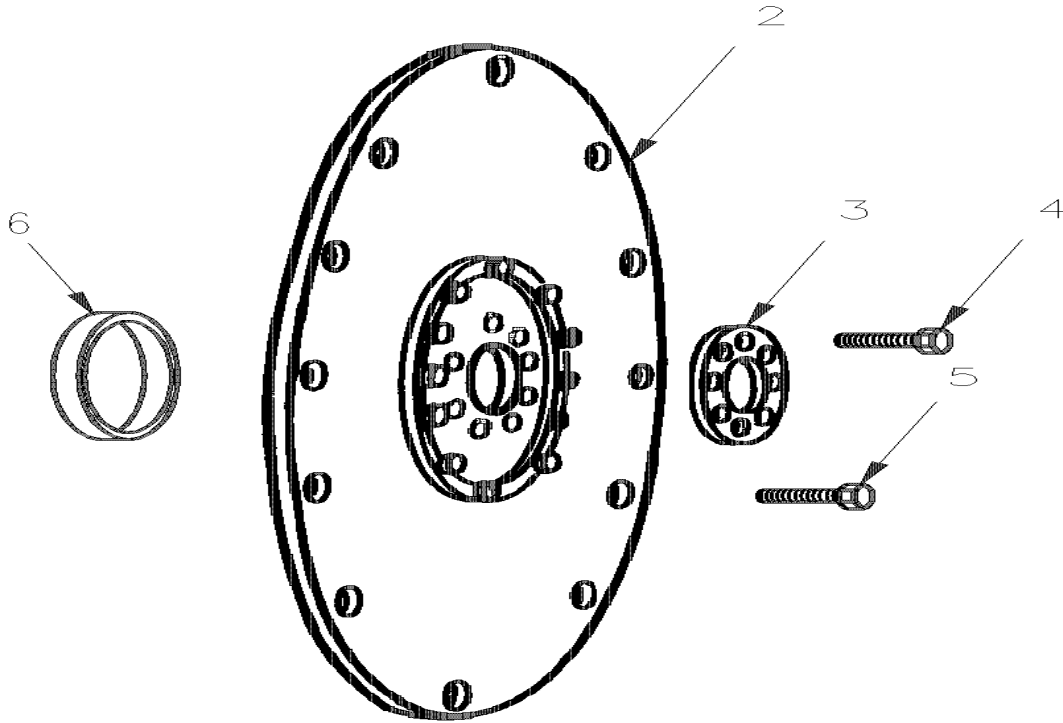
From 8-9279 To B-9999

Date:10/2022

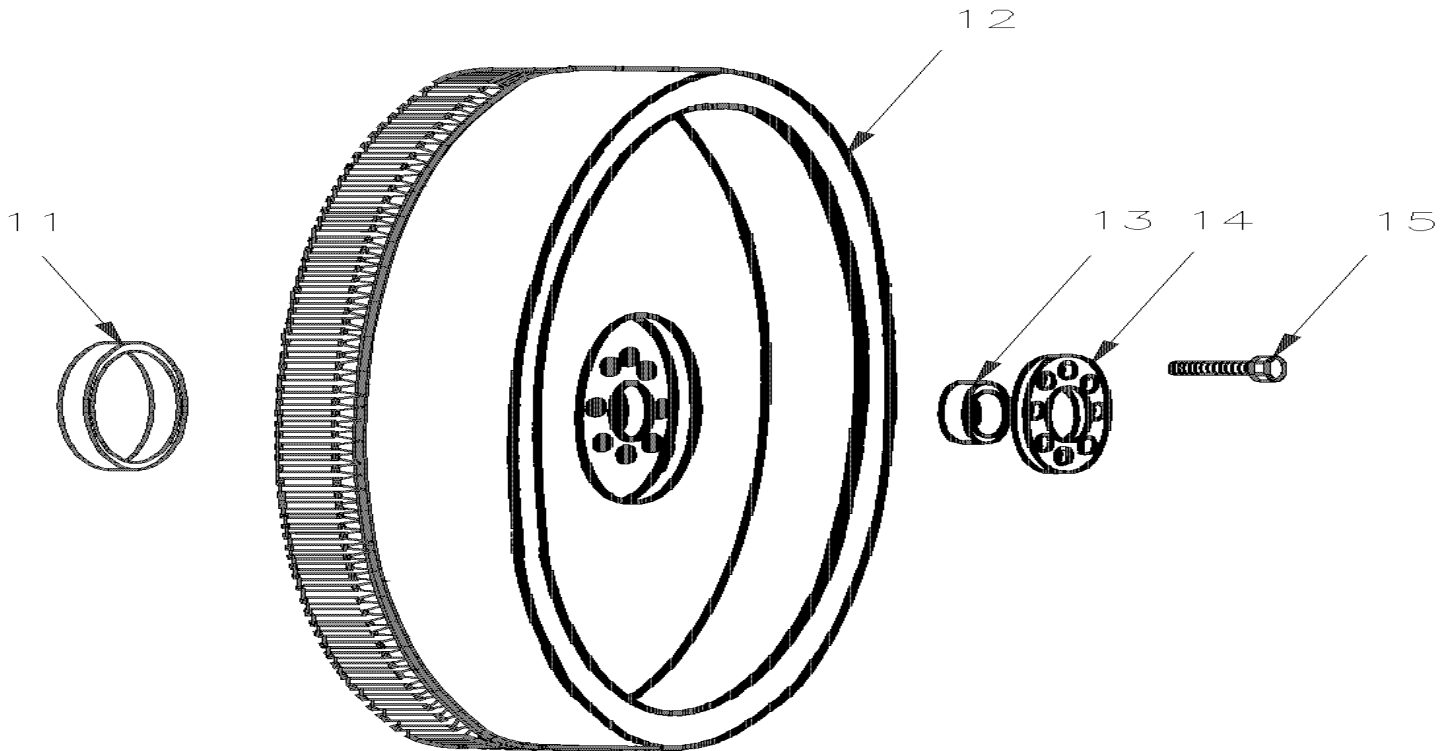
PAGE:MTH-0160-00

FLYWHEEL & FLEXPLATE

AUTOMATIC TRANSMISSION



MANUAL TRANSMISSION





From 8-9279 To B-9999	Date:10/2022	PAGE:MTH-0160-00
FLYWHEEL & FLEXPLATE		

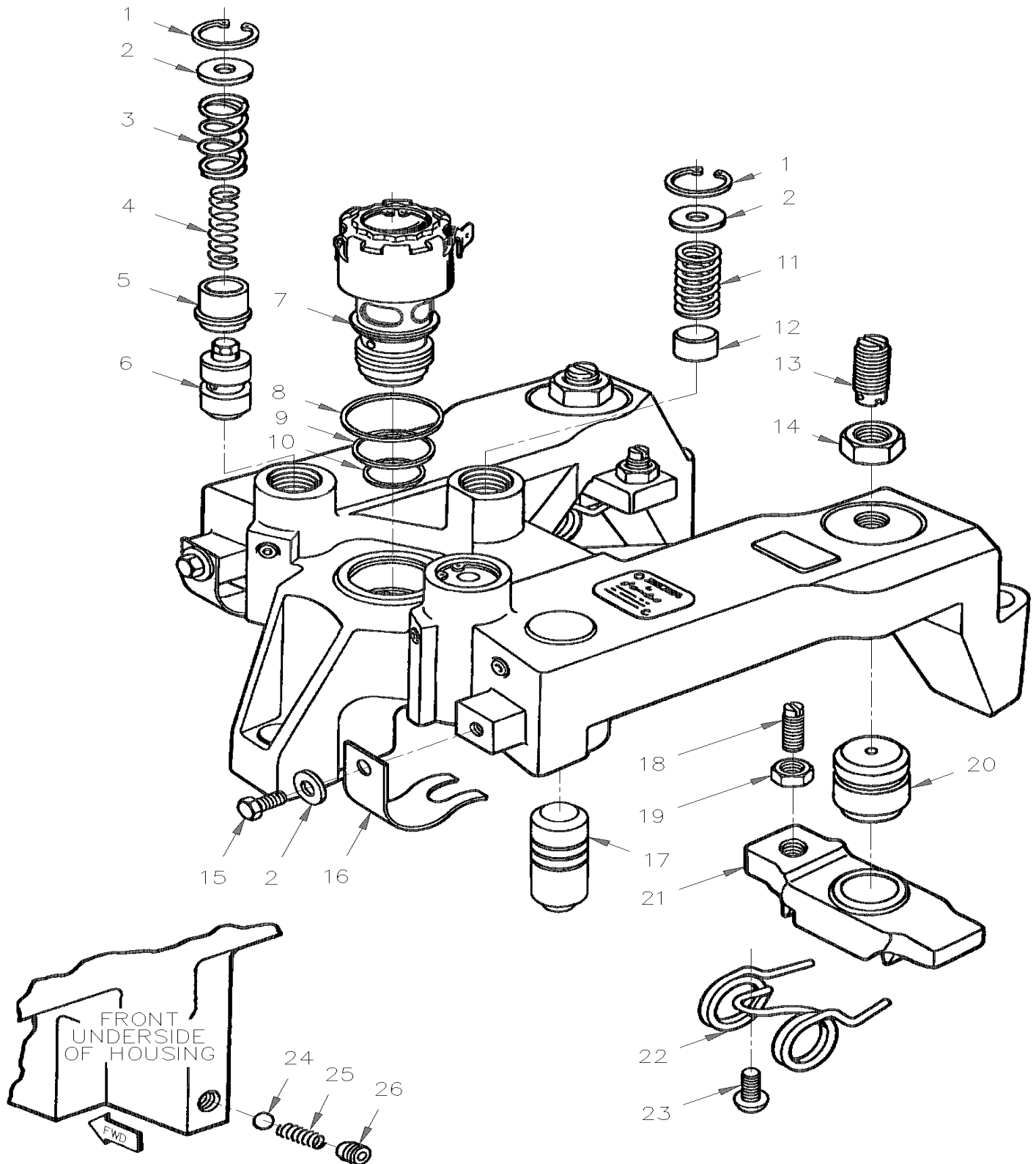
Item#	Part	Description	X L I I M T H 4 5	X L I I M T H 4 5 E	N O T E S
		SERIES 60 WITH AUTOMATIC TRANSMISSION			
	571728	KIT AUTO TRANS ADAPTOR FOR SERIES 60	1	1	
	510363	KIT AUTO TRANS ADAPTOR FOR SERIES 60	1	1	
2	N.S.P.	. PLATE FLEXIBLE 29513005	3	3	2
3	N.S.P.	. WEARPLATE 29514029	1	1	2
4	510476	. SCREW CAP HEX / FLEX PLATE / 9/16-18 X 1 3/4"	12	12	
4		. HUB ADAPTOR 29510823	1	1	
NS	510937	. SCREW PATCH LOCK M5-0.8x14	2	2	
NS	295131006	RING GEAR ADAPTOR ASSY / W/AUTOMATIC TRANS	1	1	
5	5001217	SCREW CAP HEX M8-1.25x20 G10.9	12	12	
6	N.S.P.	SEAL OIL 23519651	1	1	2
		2) NOT SOLD BY PREVOST (SEE MANUFACTURING PART NUMBER AT END OF DESCRIPTION LINE)			

From 8-9279 To B-9999

Date:10/2022

PAGE:MTH-0165-00

JACOB'S - ENGINE BRAKE - WITH DETROIT S-60





From 8-9279 To B-9999	Date:10/2022	PAGE:MTH-0165-00
JACOB'S - ENGINE BRAKE - WITH DETROIT S-60		

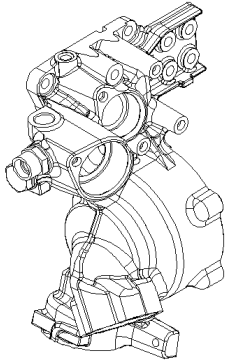
Item#	Part	Description	X L I I M T H 4 5	X L I I M T H 4 5 E	N O T E S
	510508	KIT JACOB'S 12.7 LITER	1	1	
	N.S.P.	HOUSING ASSY - 12 VOLTS (#017122)	3	3	2
1	N.S.P.	. RETAINING RING (#012991)	3	3	2
2	N.S.P.	. COVER (#016505)	5	5	2
3	N.S.P.	. STOP SPRING (#001519)	2	2	2
4	N.S.P.	. SPRING (GREEN) (#001518)	2	2	2
5	N.S.P.	. COLLAR (#016557)	2	2	2
6	N.S.P.	. CONTROL VALVE (011930)	2	2	2
7	N.S.P.	. SOLENOID VALVE (#016440)	1	1	2
8	510411	. SEAL RING / UPPER	1	1	
9	510412	. SEAL RING / CENTER	1	1	
10	510413	. SEAL RING / LOWER	1	1	
11	N.S.P.	. SPRING (#012990)	1	1	2
12	N.S.P.	. PISTON - ACCUMULATOR (#012983)	1	1	2
13	N.S.P.	. POWER LASH SCREW ASSY (#020382)	2	2	2
14	N.S.P.	. HEX NUT (#011395)	2	2	2
15	N.S.P.	. SCREW (#001492)	2	2	2
16	N.S.P.	. FLAT SPRING (#016535)	2	2	2
17	N.S.P.	. MASTER PISTON (#012981)	2	2	2
18	N.S.P.	. ADJUSTING SCREW (#011426)	2	2	2
19	N.S.P.	. HEX NUT (#001026)	2	2	2
20	N.S.P.	. SLAVE PISTON (#017048)	2	2	2
21	N.S.P.	. BRIDGE (#016771)	2	2	2
22	N.S.P.	. TORSION SPRING (#019576)	2	2	2
23	N.S.P.	. BUTTONHEAD SCREW (#0190741)	2	2	2
24	N.S.P.	. BALL (#001021)	2	2	2
25	N.S.P.	. BALL CHECK SPRING (#011720)	1	1	2
26	N.S.P.	. PIPE PLUG (#008888)	1	1	2
26	N.S.P.	SOLONOID HARNESS EXTERNAL (#017393)	1	1	2
26	N.S.P.	SOLONOID HARNESS INTERNAL (#017392)	1	1	2
26	N.S.P.	FILLER GAUGE .020 LASH / TO USE W/12.7 LITER (#017278)	AR	AR	2
2) NOT SOLD BY PREVOST (SEE MANUFACTURING PART NUMBER AT END OF DESCRIPTION LINE)					

From 9-9591 To B-9999

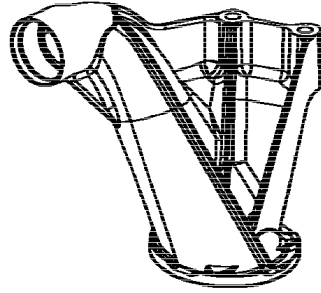
Date:10/2022

PAGE:MTH-0170-00

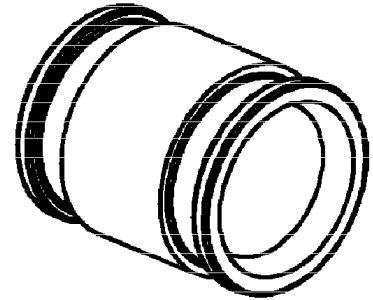
ENGINE "VOLVO" D-13 - SPECIFIC PARTS FOR PREVOST



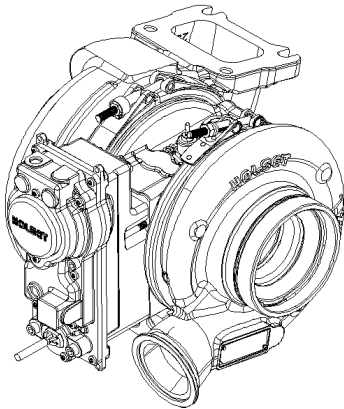
THERMOSTAT HOUSING
1



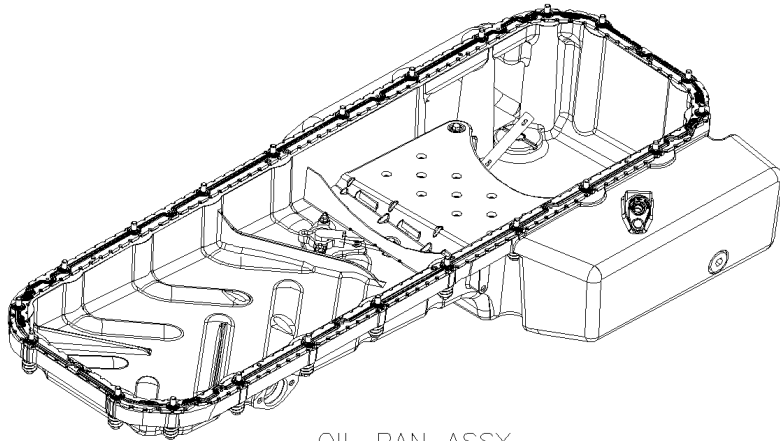
OIL STRAINER ASSY
2



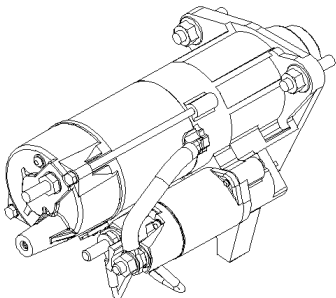
CONNECTION PIPE OIL
OIL STRAINER
3



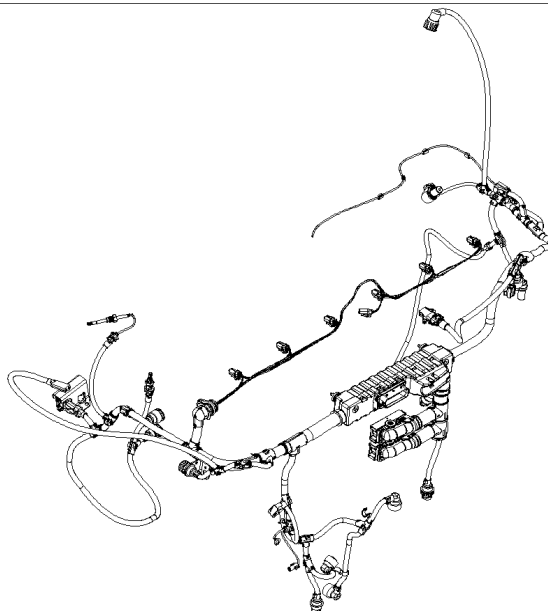
TURBOCHARGER HE431
4



OIL PAN ASSY
5



STARTER MOTOR MELCO
26



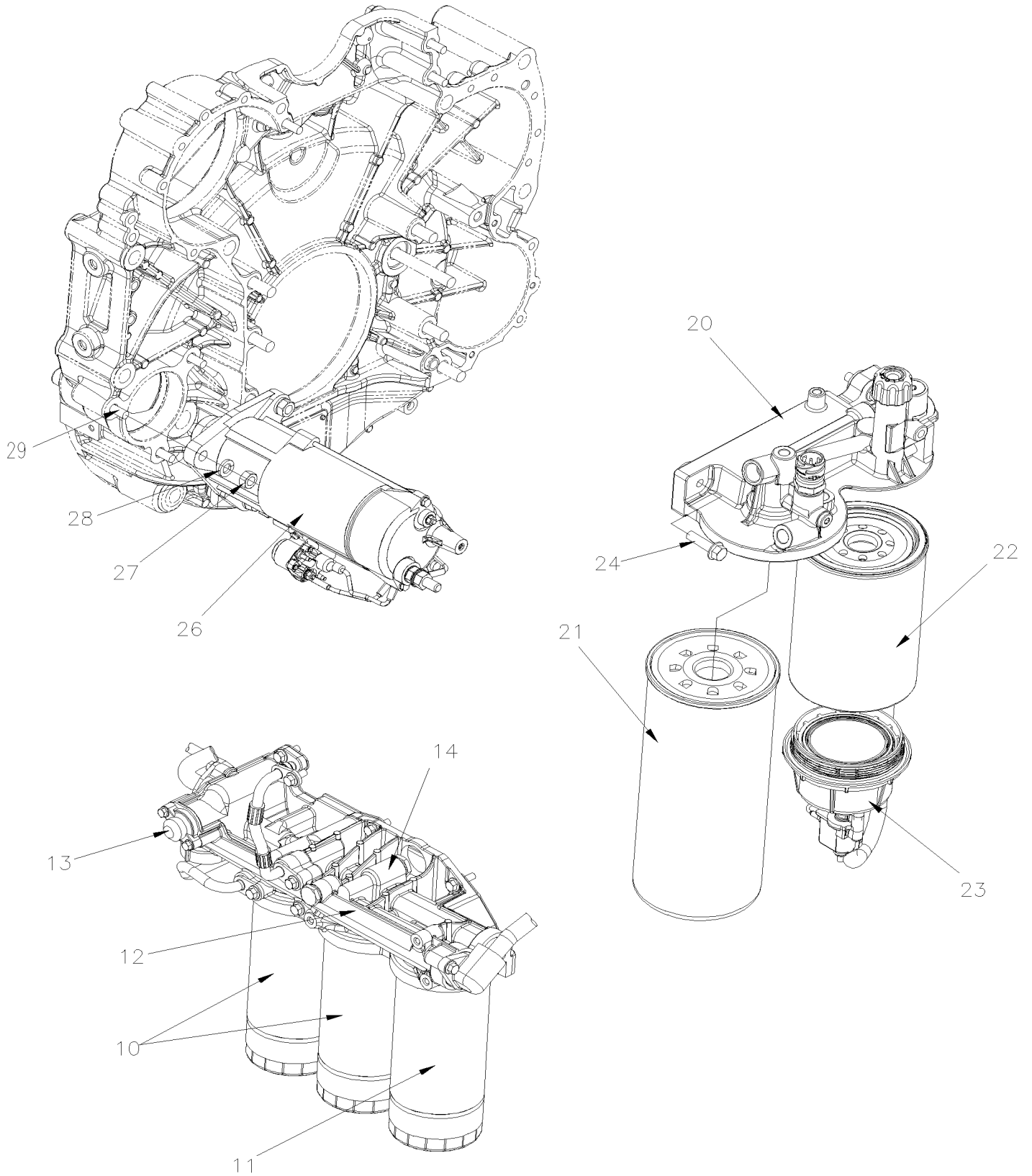
WIRING HARNESS
7

From 9-9591 To B-9999

Date:10/2022

PAGE:MTH-0170-00

ENGINE "VOLVO" D-13 - SPECIFIC PARTS FOR PREVOST





From 9-9591 To B-9999	Date:10/2022	PAGE:MTH-0170-00
ENGINE "VOLVO" D-13 - SPECIFIC PARTS FOR PREVOST		

Item#	Part	Description	X L I I M T H 4 5	X L I I M T H 4 5 E	N O T E S
1	20936109	THERMOSTAT HOUSING / W/D13 ENGINE / "PRÉVOST"		1	
. NS	20936107	. THERMOSTAT HOUSING		1	
. NS	192639	. NIPPLE 15xM18		1	
. NS	960632	. PLUG HEX M18-1.5x12		1	
. NS	977935	. GASKET M18x18		2	
2	20954445	OIL STRAINER ASSY		1	
3	21008852	CONNECTION ENGINE OIL STRAINER / W/D13 ENGINE		1	
4	21023367	TURBOCHARGER HE431		1	
5	20945172	ENGINE OIL PAN ASSY / W/D13 ENGINE / "PRÉVOST"		1	
. NS	20934820	. OIL PAN / "PRÉVOST"		1	
. NS	20571854	. PLUG MAGNETIC & GASKET		1	
. NS	24424110	. OIL LEVER SENSOR		1	
. NS	953035	. STUD M6x35x22		2	
. NS	945407	. FLANGE NUT M6x6		2	
. NS	20724256	. PIPE		1	
. NS	946173	. SCREW CAP HEXF M8-1.25x20		1	
. NS	20960713	. PLATE BAFFLE		1	
. NS	965175	. SCREW FLANGE M6x12		5	
. NS	968612	. PLUG		1	
. NS	968209	. O-RING 23.7x2.8		1	
. NS	20700754	. CLIP		3	
7	20980492	ENGINE WIRING HARNESS ASSY W/D13 ENGINE / "PRÉVOST"		1	
10	478736	OIL FILTER (LONG LIFE)		2	
11	V477556	OIL FILTER / W/BY-PASS SEE PREV # 510938		1	
11	510938	OIL FILTER / W/BY-PASS		1	
12	21061917	HOUSING OIL FILTER ASSY		1	
13	20903074	. THERMOSTAT OIL FILTER FIXED TO FILTER HOUSING		1	
NS	949659	. O-RING		1	
NS	947542	. FLANGE SCREW		1	
14	V471085	. VALVE BY-PASS		1	
NS	466653	. SPRING BY-PASS		1	
NS	947627	. GASKET BY-PASS		1	
NS	471598	. PLUG BY-PASS		1	
20	21023285	HOUSING FUEL FILTER ASSY W/PRIMER PUMP TB-111262697-1		1	
NS	20898038	. PRESSURE SENSOR		1	
NS	968559	. O-RING (PRESSURE SENSOR)		1	
21	20405160	FUEL FILTER (LONG)		1	
21	20972293	FUEL FILTER (LONG) MAIN / PRINCIPAL		1	
22	20879806	FUEL FILTER WATER SEPARATOR		1	
23	20771580	BOWL / WWATER DETECTOR IN FUEL UAUXFUEL		1	



From 9-9591 To B-9999	Date:10/2022	PAGE:MTH-0170-00
ENGINE "VOLVO" D-13 - SPECIFIC PARTS FOR PREVOST		

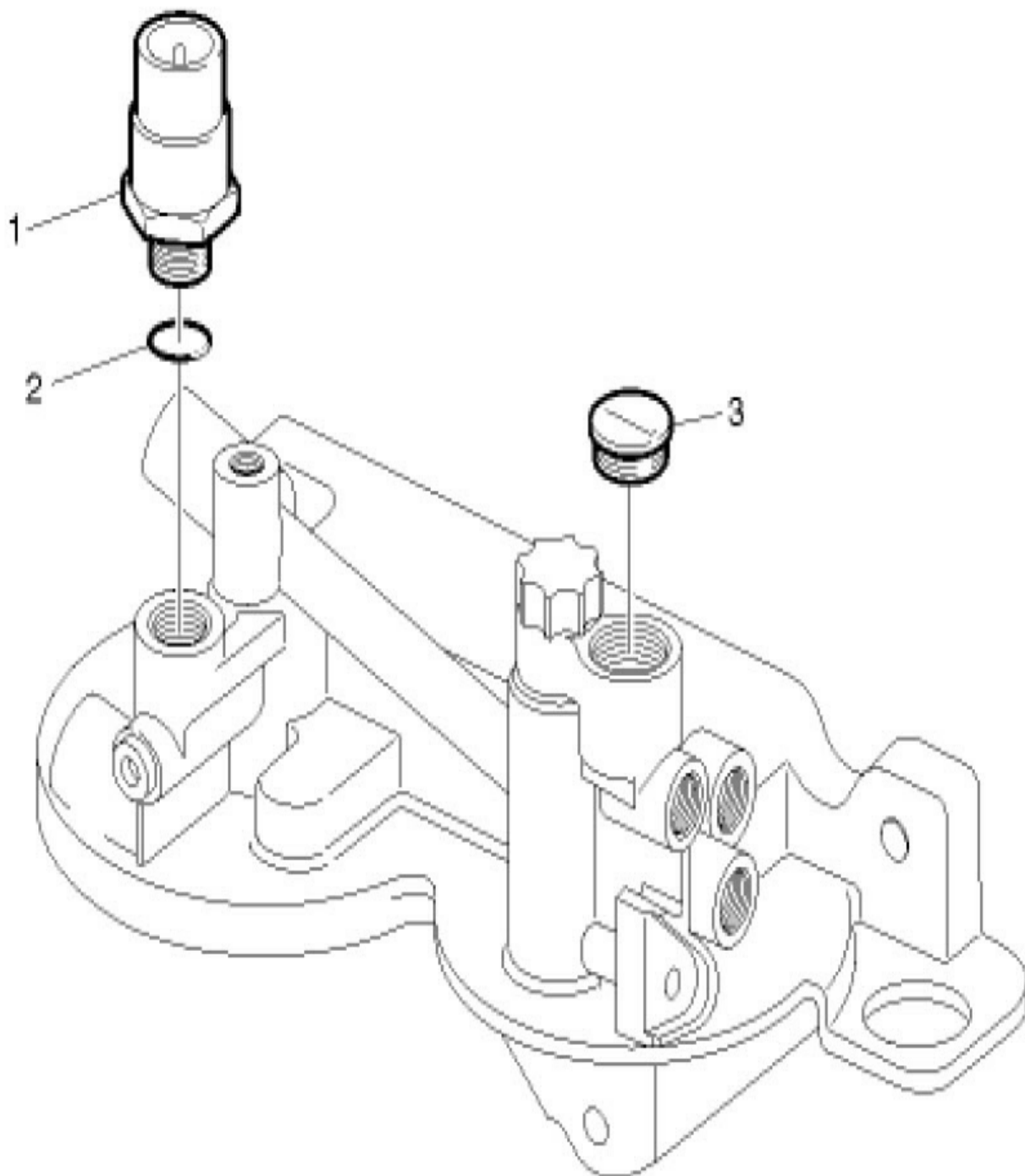
Item#	Part	Description	X L I I M T H 4 5	X L I I M T H 4 5 E	N O T E S
23	20875050	BOWL / WWATER DETECTOR & HEATER ELEMENT		1	
NS	20869389	BOWL AF-E		1	
24	5001742	SCREW CAP HEXF M8-1.25x30 G8.8 N500		3	
26	20982072	STARTER MOTOR / "MELCO" / "MITSUBISHI" 105PT		1	
. NS	510888	. SOLONOID KIT		1	
. . NS	IS752SOL	. . INSTRUCTION SHEET / SOLENOID REPLACEMENT		1	
. NS	510889	. SMALL STARTOR RELAY KIT / WITH CABLES		1	
. . NS	564095	. . SMALL STARTOR RELAY		1	
. . NS	IS752MAG	. . INSTRUCTION SHEET / MAGNETIC SWITCH REPLACEMENT		1	
26	510928	STARTER MOTOR, W/O RELAY 24V / W/"DETROIT" ENG		1	
. NS	510888	. SOLONOID KIT		1	
. . NS	IS752SOL	. . INSTRUCTION SHEET / SOLENOID REPLACEMENT		1	
. NS	564095	. SMALL STARTOR RELAY		1	
27	971072	NUT HEX M12-1.75 ZG603		3	
28	500482	WASHER LO SPT .506x.873x.125 Z050		3	
29	V953098	STUD M12x55x33		3	

From 9-9591 To B-9999

Date:10/2022

PAGE:21023285

HOUSING FUEL FILTER ASSY W/PRIMER PUMP TB-111262697-1





From 9-9591 To B-9999	Date:10/2022	PAGE:21023285
HOUSING FUEL FILTER ASSY W/PRIMER PUMP TB-111262697-1		

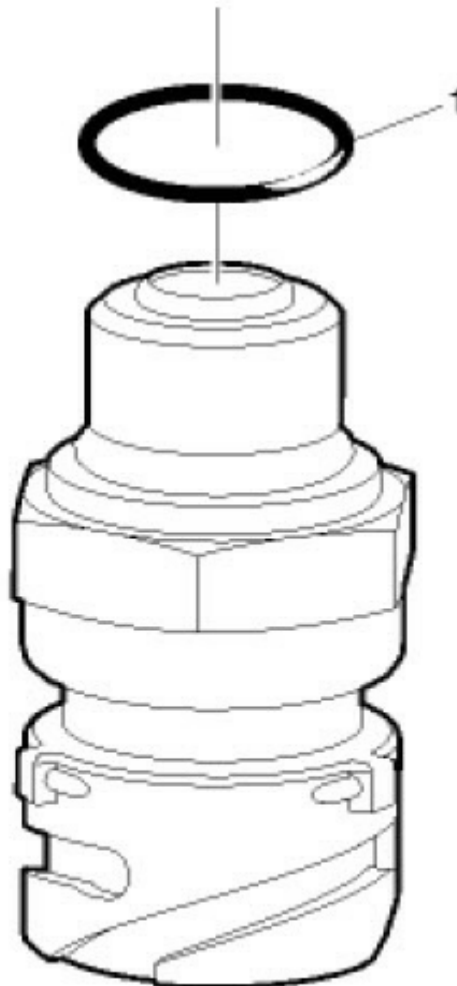
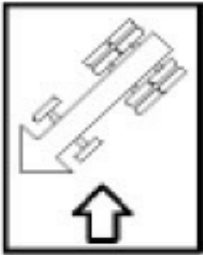
Item#	Part	Description	X L I I M T H 4 5	X L I I M T H 4 5 E	N O T E S
1	21302639	PRESSURE SENSOR,FUEL/OIL TB-130959470-1	1	1	
2	968559	O-RING (PRESSURE SENSOR)	1	1	
3	20744692	CAP	1	1	

From 9-9591 To B-9999

Date:10/2022

PAGE:21302639

PRESSURE SENSOR,FUEL/OIL TB-130959470-1





From 9-9591 To B-9999	Date:10/2022	PAGE:21302639
PRESSURE SENSOR,FUEL/OIL TB-130959470-1		

Item#	Part	Description	X L I I M T H 4 5	X L I I M T H 4 5 E	N O T E S
1	968559	O-RING (PRESSURE SENSOR)	1	1	



From 9-9591 To B-9999	Date:10/2022	PAGE:MTH-0175-00
STARTER MOTOR / "MELCO" / VOLVO		

Item#	Part	Description	X L I I M T H 4 5	X L I I M T H 4 5 E	N O T E S
	20982072	STARTER MOTOR / "MELCO" / "MITSUBISHI" 105PT		1	
. NS	510888	. SOLOINOID KIT		1	
. . NS	IS752SOL	. . INSTRUCTION SHEET / SOLENOID REPLACEMENT		1	
. NS	510889	. SMALL STARTOR RELAY KIT / WITH CABLES		1	
. . NS	564095	. . SMALL STARTOR RELAY		1	
. . NS	IS752MAG	. . INSTRUCTION SHEET / MAGNETIC SWITCH REPLACEMENT		1	
	510928	STARTER MOTOR, W/O RELAY 24V / W/"DETROIT" ENG		1	
. NS	510888	. SOLOINOID KIT		1	
. . NS	IS752SOL	. . INSTRUCTION SHEET / SOLENOID REPLACEMENT		1	
. NS	564095	. SMALL STARTOR RELAY		1	
1	20491054	. SOLOINOID		1	
1	510888	. SOLOINOID KIT		1	
. NS	IS752SOL	. . INSTRUCTION SHEET / SOLENOID REPLACEMENT		1	
2	20491058	. RELAY KIT		1	
2	510889	. SMALL STARTOR RELAY KIT / WITH CABLES		1	
. NS	564095	. . SMALL STARTOR RELAY		1	
. NS	IS752MAG	. . INSTRUCTION SHEET / MAGNETIC SWITCH REPLACEMENT		1	
3	20491053	. GEAR SET		1	
4	20486521	. INTERMEDIATE LEVER		1	
5	20486514	. SHAFT		1	
6	20486513	. ROTOR		1	
7	20491055	. HOUSING		1	
8	20491056	. BRUSH SET ASSY		1	
9	20491057	. COVER REAR		1	
10	20486516	. SMALL PARTS KIT HARDWARE		1	
11	067326	CABLE ASSY / STARTOR "MELCO" H3 W/D13		1	
12	067327	CABLE ASSY / RELAY & BREAKER		1	
13	067337	CABLE EXTENTION ASSY / STARTER W/D13		1	
14	067335	SPACER / PLASTIC / RELAY / STARTOR MELCO		1	
15	564095	SMALL STARTOR RELAY		1	
16	688914	PRIMER LOCTITE #7649 1.75 oz		1	

PREVOST.



**PARTS
MANUAL**

		Date:10/2022	MTH-02
CLUTCH			

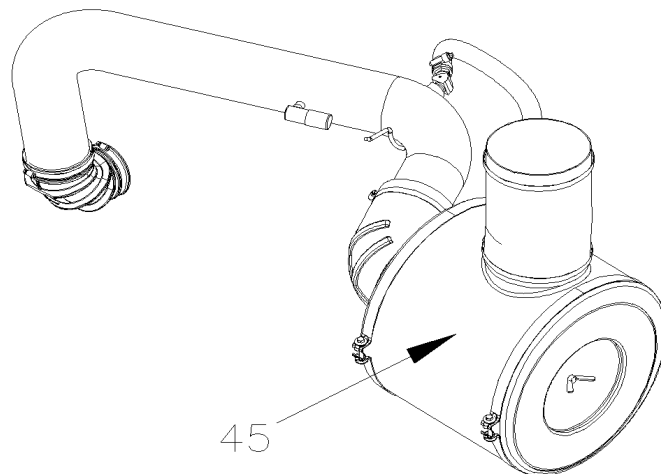
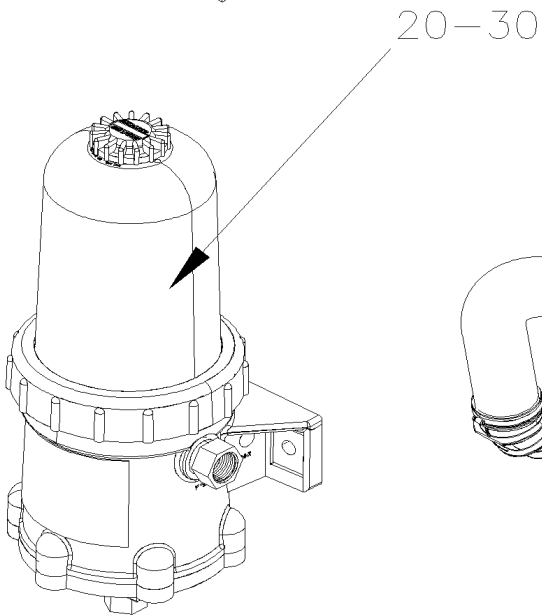
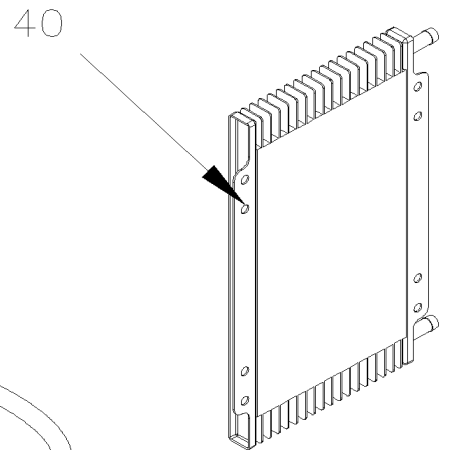
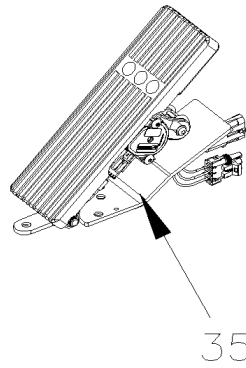
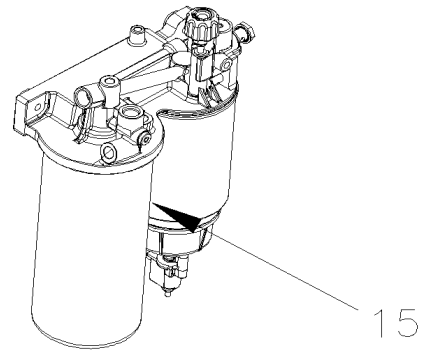
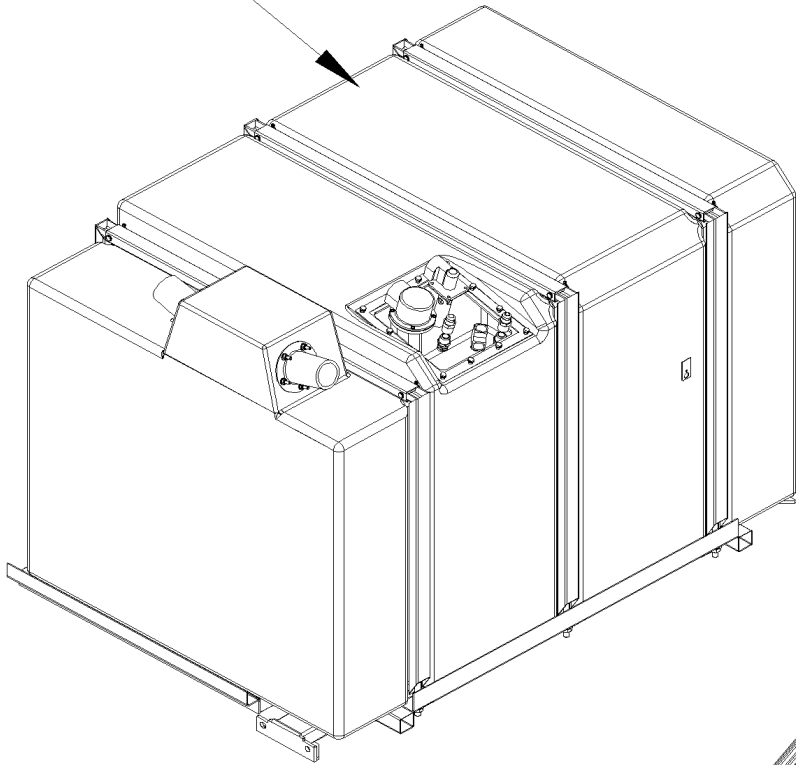




		Date:10/2022	MTH-02		
CLUTCH					
Item#	Part	Description	X L I I M T H 4 5	X L I I M T H 4 5 E	N O T E S

	Date:10/2022	MTH-03
FUEL		

5 Fuel Hose – Installation 10





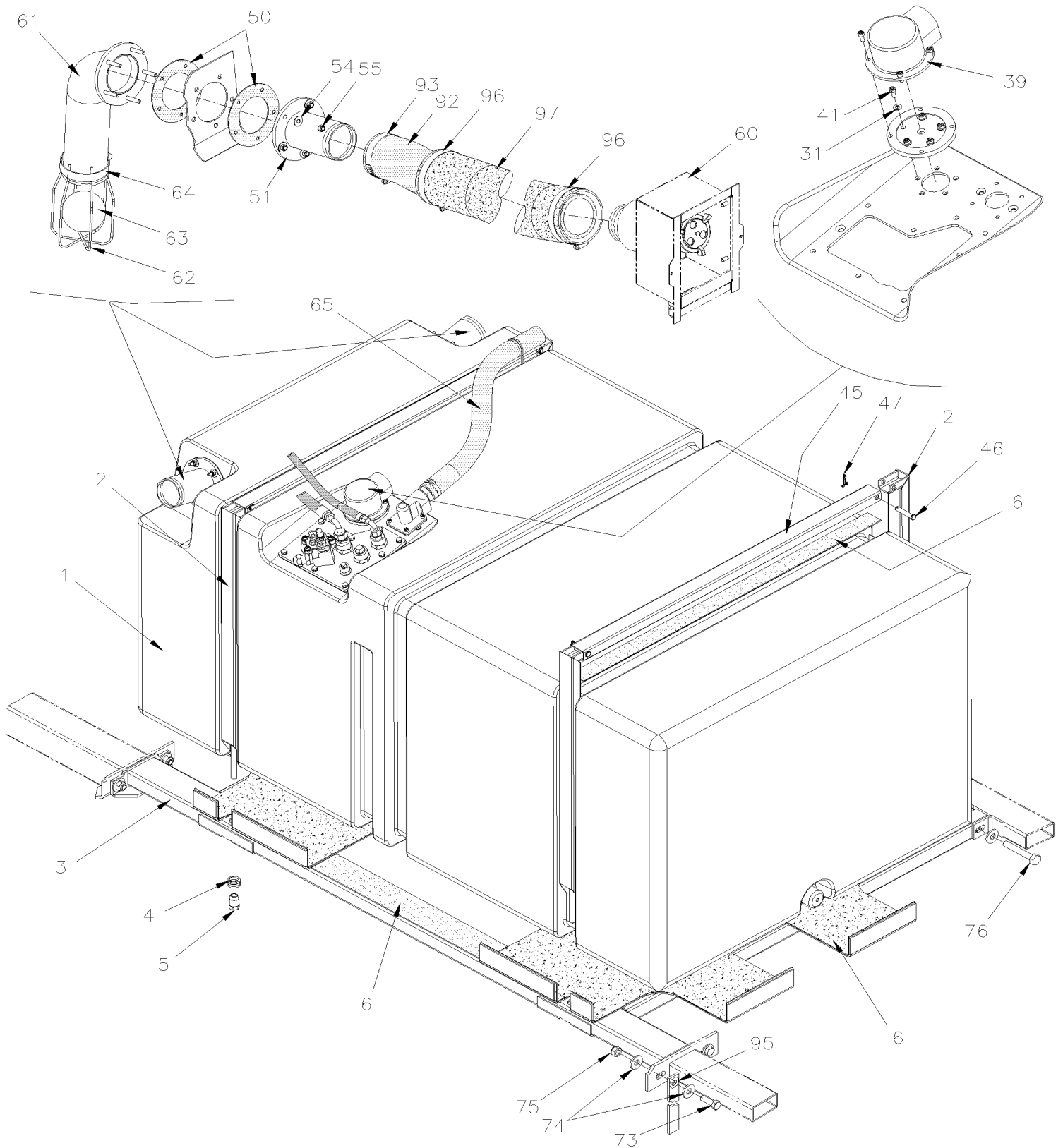
		Date:10/2022	MTH-03		
FUEL					
Item#	Part	Description	X L I I M T H 4 5	X L I I M T H 4 5 E	N O T E S
5	MTH-0305-00	FUEL TANK PLASTIC 208 GALLONS From 8-9279 To B-9999			
5	MTH-0305-01	FUEL TANK PLASTIC 180 & 70 GALLONS From 8-9279 To B-9999			
15	MTH-0311-00	FUEL FILTER - PRIMARY & SECONDARY WITH DETROIT S-60 From 8-9279 To B-9999			
15	MTH-0311-01	FUEL FILTER - PRIMARY & SECONDARY WITH VOLVO D13 From 9-9591 To B-9999			
20	MTH-0311-15	FUEL FILTER / "PRO 382" From 8-9279 To B-9999			
30	MTH-0312-10	FUEL PRO - INSTALLATION WITH DETROIT S-60 From 8-9279 To B-9999			
30	MTH-0312-11	FUEL PRO - INSTALLATION WITH VOLVO D13 From 9-9591 To B-9999			
35	MTH-0315-10	ACCELERATOR PEDAL - ELECTRONIC From 8-9279 To B-9999			
40	MTH-0316-00	FUEL COOLER - INSTALLATION From 8-9279 To B-9999			
45	MTH-0330-00	AIR FILTER & INTAKE - INSTALLATION WITH DETROIT S-60 From 8-9279 To B-9999			
45	MTH-0330-01	AIR FILTER & INTAKE - INSTALLATION WITH VOLVO D13 From 9-9591 To B-9999			

From 8-9279 To B-9999

Date:10/2022

PAGE:MTH-0305-00

FUEL TANK PLASTIC 208 GALLONS

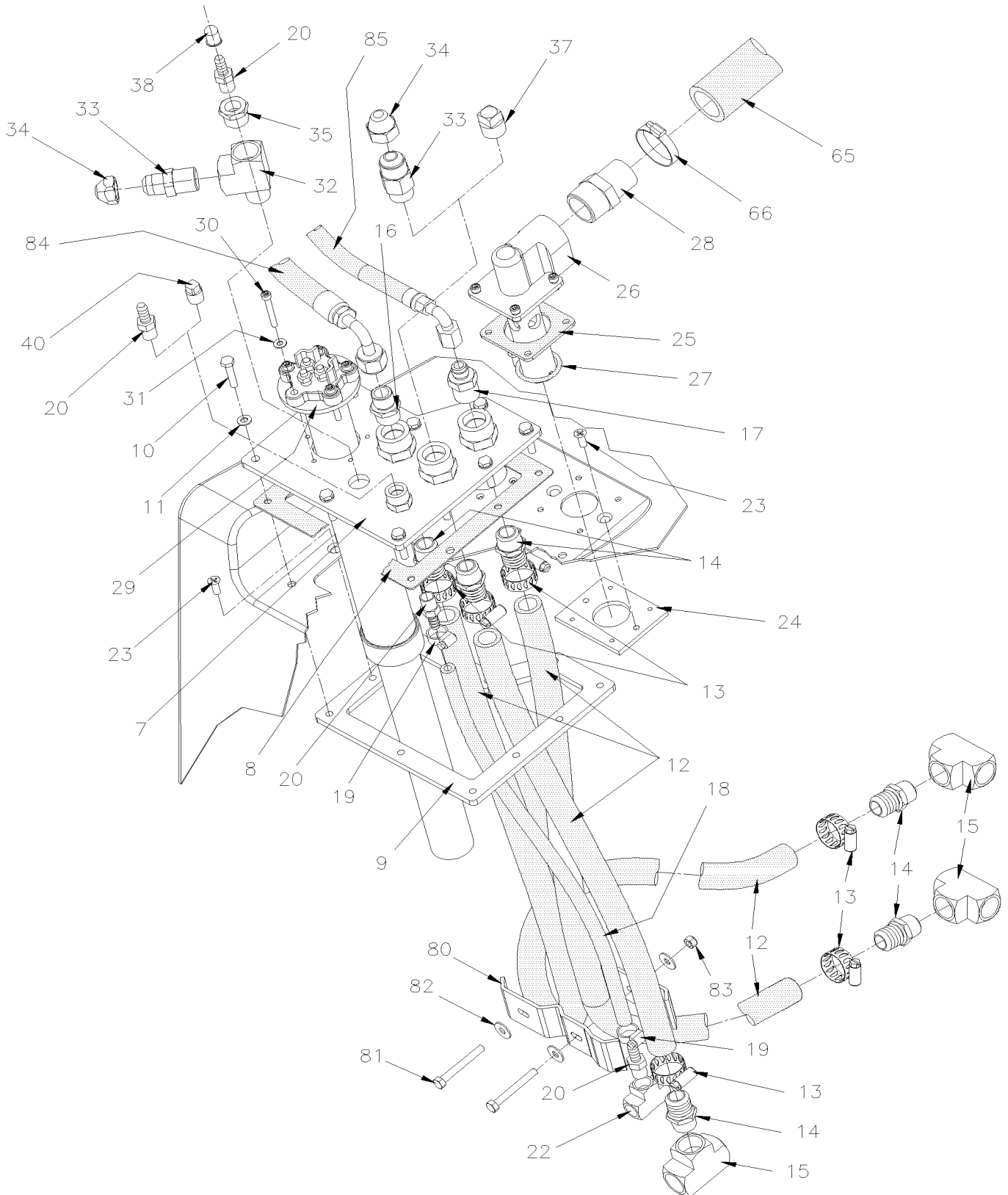


From 8-9279 To B-9999

Date:10/2022

PAGE:MTH-0305-00

FUEL TANK PLASTIC 208 GALLONS





From 8-9279 To B-9999	Date:10/2022	PAGE:MTH-0305-00
FUEL TANK PLASTIC 208 GALLONS		

Item#	Part	Description	X L I I M T H 4 5	X L I I M T H 4 5 E	N O T E S
	Call order desk	FUEL TANK ASSY	1		P
	Call order desk	FUEL TANK ASSY	1		P
	Call order desk	FUEL TANK ASSY	1		P
	Call order desk	FUEL TANK ASSY	1		P
1	032796	. FUEL TANK / 208 GALLONS US / W/TWO INLET HOLES	1		
1	030404	. FUEL TANK / 208 GALLONS US / W/TWO INLET HOLES	1		
2	032463	. ATTACHMENT POST ASSY / 689MM	4		
3	031814	. REMOVABLE FLOOR ASSY	1		
3	032596	. REMOVABLE FLOOR ASSY W/S-O	1		
3	032447	. SHIM 197MM x 40MM SS	AR		
4	502932	. SPRING COMPRESSION / SS .975 O.D. x 1.250 x .125	AR		
5	032607	. NUT HEX SPECIAL M12-1.75 SS	4		
NS	680038	. THREAD LOCKER LOCTITE #243 / BLUE / 50ml	AR		
6	506758	. TAPE RUB ADH1 NEO 1/16"X 1 1/2"X50'	AR		
6	031857	. RUBBER / ON THE CORNER OF TANK 418MM x 549MM	4		
6	031861	. RUBBER / ON THE RIGHT SIDE OF TANK 70MM x 480MM	1		
6	031859	. RUBBER / ON TOP OF TANK 30MM x 480MM	3		
6	031860	. RUBBER / BOTH SIDE OF TANK 30MM x 152MM	2		
NS	506007	. TAPE RUB ADH1 CC NEO 3/4" x 1" x 10' / BLACK 1220	AR		
7	032775	. MAIN PLATE / "L" SHAPE	1		
8	032777	. GASKET / "L" SHAPE	1		
9	032776	. INTERIOR FRAME ASSY / "L" SHAPE	1		
10	502686	. SCREW CAP HEX M6-1.0x30 SS BK	8		
11	5001392	. WASHER FL 6.0x12.0x1.5 COP	8		
12	531417	. HOSE / 2556 / #10 X 48"	3		
13	504019	. HOSE CLAMP / 9/16"-1"1/16 SS / HS-10	6		
14	501942	. MALE CONNECTOR / PUSH-LOK FITTING / 1/2NPT-Mx#10 BR	3		
15	501472	. FEMALE UNION TEE / PIPE FITTING / 1/2NPT-Fx1/2NPT-Fx1/2NPT-F BR	3		
16	501739	. MALE CONNECTOR / JIC 37° FITTING / #8JIC-Mx1/2NPT-M STL	1		
17	501930	. MALE CONNECTOR / JIC 37° FITTING / #6JIC-Mx1/2NPT-M STL	1		
18	531444	. HOSE / 2556 / #4 X 18 1/2"	1		
19	504014	. HOSE CLAMP / 1/4"-5/8" SS / HM-4	2		
20	507602	. MALE CONNECTOR / PUSH-LOK FITTING / 1/4NPT-Mx#4 BR	4		
22	501337	. FEMALE UNION TEE / PIPE FITTING / 1/4NPT-Fx1/4NPT-Fx1/4NPT-F BR	1		
23	5001198	. SCREW MA FL PH M6-1.0x16 Z050	8		
24	031899	. INTERIOR FRAME	1		
25	531443	. GASKET / VALVE CONTROL LEVEL	1		
26	504701	. VALVE, FUEL TANK LEVEL CONTROL	1		
26	531459	VALVE, FUEL TANK LEVEL CONTROL EMCO	1		
NS	530212	. GASKET / VALVE CONTROL LEVEL	1		
27	507356	. O-RING	1		
28	501205	. ADAPTER / COPPER @ PIPE / 1Mx1NPT-M	1		



From 8-9279 To B-9999	Date:10/2022	PAGE:MTH-0305-00
FUEL TANK PLASTIC 208 GALLONS		

Item#	Part	Description	X L I I M T H 4 5	X L I I M T H 4 5 E	N O T E S
29	531387	. SENSOR, FUEL LEVEL / 24"	1		
30	5011135	. SCREW CAP HEXS #10-24x1 1/2 N500	10		
31	500593	. WASHER FL .200x.437x.036 BR	10		
32	501473	. MALE RUN TEE / PIPE FITTING / 1/2NPT-Mx1/2NPT-Fx1/2NPT-F BR	1		
33	501616	. MALE CONNECTOR / SAE 45° FITTING / #8FL-Mx1/2NPT-M BR	1		
34	501053	. CAP NUT / SAE 45° FITTING / #8FL-F BR	1		
35	501316	. BUSHING REDUCER / PIPE FITTING / 1/2NPT-Mx1/4NPT-F BR	1		
37	501306	. PLUG SQUARE HEAD / PIPE FITTING / 1/2NPT-M BR To A-9968	1		
37	501966	PLUG HEXS / PIPE FITTING / 1/2NPT-M STL From A-9969	1		
38	680733	. CAP PROTECTOR (NO-THREADED)	1		
39	530156	. VALVE PRESSURE	1		
. NS	531427	. . GASKET / (SMALL)	1		
. NS	531428	. . GASKET / (LARGE)	1		
40	501304	. PLUG SQUARE HEAD / PIPE FITTING / 1/4NPT-M BR To A-9968	1		
40	501800	PLUG HEXS / PIPE FITTING / 1/4NPT-M STL From A-9969	1		
41	500143	. SCREW CAP HEXS #10-24x1/2 N500	5		
45	032443	. TRANSVERSAL CROSS BAR / 833.5 MM	2		
46	502121	. PIN, CLEVIS 3/8 x 1.625 BZC	4		
47	502102	. PIN, COTTER 1/8 x 1	4		
50	031804	. GASKET	4		
50	032938	. GASKET	2		
51	031896	. FILLING HOSE ADAPTOR ASSY / L.H.	2		
54	502511	. NUT HEX NYRT M6-1.0 Z050	10		
55	500411	. WASHER FL .260x.697x.050 SS	10		
61	032437	. TUBE BALL RETAINER	2		
61	032914	. TUBE BALL RETAINER	2		
62	032438	. BASKET	2		
63	032657	. BALL 70MM O.D.	2		
63	032871	. BALL 77MM O.D.	2		S
64	504293	. HOSE CLAMP / 2"5/16-3"1/4 SS / E.T. 44	2		
65	032415	. HOSE #16 X 28" LG	2		
. NS	503579	. . HOSE 1" I.D. X 50' / "GREEN STRIPE"	AR		
NS	504637	. CABLE TIE / 3/16" x 13"	AR		
66	504021	. HOSE CLAMP / 11/16"-1"1/2 SS / HS-16	1		
73	500806	SCREW CAP HEX M12-1.75X35 G10.9 G500	4		
73	5001609	SCREW CAP HEX M12-1.75x80 G10.9 DP	2		
74	500211	WASHER FL .531x1.250x.125 N500	12		
75	500811	NUT HEX STO M12-1.75 G500	6		
76	5001609	SCREW CAP HEX M12-1.75x80 G10.9 DP	2		
80	032779	HOLDING PLATE / TO HOLD TUBE	2		
81	502656	SCREW CAP HEX M6-1.0x50 SS	2		
82	500411	WASHER FL .260x.697x.050 SS	4		



From 8-9279 To B-9999	Date:10/2022	PAGE:MTH-0305-00
FUEL TANK PLASTIC 208 GALLONS		

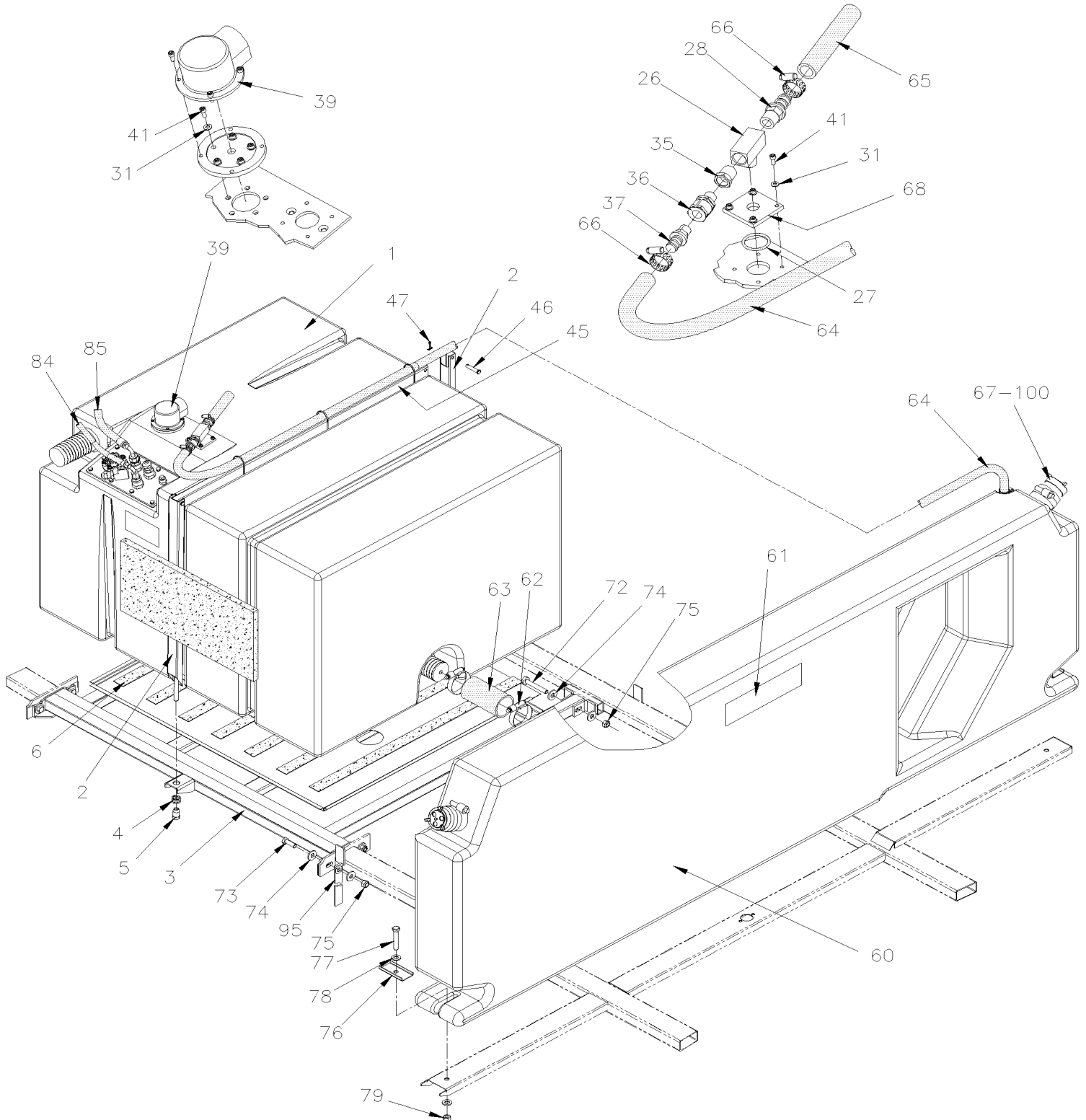
Item#	Part	Description	X L I I M T H 4 5	X L I I M T H 4 5 E	N O T E S
83	502511	NUT HEX NYRT M6-1.0 Z050	4		
85	032097	HOSE ASSY / #6 7991MM	1		
90	MTH-1875-00	FUEL TANK FILLING DOOR			
91	505056	ANTISTATIC STRAP / UNDER STRUCTURE	1		
NS	032823	DECAL / ULTRA LOW SULFURE DIESEL (ULSD) / ENGLISH & SPANISH To 9-9595	1		
NS	21298228	DECAL / ULTRA LOW SULFURE DIESEL (ULSD) / ENGLISH & SPANISH From 9-9596	1		
NS	032822	DECAL / ULTRA LOW SULFURE DIESEL / ENGLISH & FRANCAIS To 9-9595	1		
NS	21298562	DECAL / ULTRA LOW SULFURE DIESEL / ENGLISH & FRANCAIS From 9-9596	1		
NS	031164	DECAL / CERTIFICATION	1		
NS	400137	DECAL / DIESEL FUEL BLACK	1		
NS	403747	DECAL / INSTRUCTION FOR FILLING TANK /208 GAL BLACK	1		
92	031956	FILLING HOSE #40 652MM	1		
92	031855	FILLING HOSE #40 937MM	1		
93	504381	HOSE CLAMP / 2"3/4-3"5/8 SS / HT-350	2		
96	504235	HOSE CLAMP / 3"9/16"-4"1/2 SS / HS-64	4		
97	032569	HOSE 3 1/2" I.D. X 610MM	1		
97	032570	HOSE 3 1/2" I.D. X 915MM	1		
		D13) WITH "VOLVO" ENGINE			
		S) SERVICE			
		P) CALL ORDER DESK FOR SPECIFIC APPLICATION (V.I.N.)			

From 8-9279 To B-9999

Date:10/2022

PAGE:MTH-0305-01

FUEL TANK PLASTIC 180 & 70 GALLONS





From 8-9279 To B-9999		Date:10/2022	PAGE:MTH-0305-01
FUEL TANK PLASTIC 180 & 70 GALLONS			

Item#	Part	Description	X L I I M T H 4 5	X L I I M T H 4 5 E	N O T E S
1	032480	FUEL TANK / 180 GALLONS US		1	
2	032506	ATTACHMENT ASSY 722MM		2	
3	032608	REMOVABLE FLOOR		1	
NS	032091	BOTTOM PANEL		1	
4	502932	SPRING COMPRESSION / SS .975 O.D. x 1.250 x .125		2	
5	032607	NUT HEX SPECIAL M12-1.75 SS		2	
6	506758	TAPE RUB ADH1 NEO 1/16"X 1 1/2"X50'		AR	
NS	506757	TAPE RUB ADH1 NEO 3/4" x 10" x 25 1/2" / BLACK 1220		1	
NS	506007	TAPE RUB ADH1 CC NEO 3/4" x 1" x 10' / BLACK 1220		AR	
7	032090	MAIN PLATE		1	
8	032096	GASKET		1	
9	032092	INTERIOR FRAME		1	
10	502686	SCREW CAP HEX M6-1.0x30 SS BK		10	
11	5001392	WASHER FL 6.0x12.0x1.5 COP		10	
12	531417	HOSE / 2556 / #10 X 48"		1	
13	504019	HOSE CLAMP / 9/16"-1"1/16 SS / HS-10		2	
14	501942	MALE CONNECTOR / PUSH-LOK FITTING / 1/2NPT-Mx#10 BR		2	
15	501472	FEMALE UNION TEE / PIPE FITTING / 1/2NPT-Fx1/2NPT-Fx1/2NPT-F BR		1	
17	501930	MALE CONNECTOR / JIC 37° FITTING / #6JIC-Mx1/2NPT-M STL		1	
18	531444	HOSE / 2556 / #4 X 18 1/2"		1	
18	531445	HOSE / 2556 / #10 X 18 1/2"		1	
19	504014	HOSE CLAMP / 1/4"-5/8" SS / HM-4		2	
20	507602	MALE CONNECTOR / PUSH-LOK FITTING / 1/4NPT-Mx#4 BR		4	
NS	507333	PROTECTOR CAP / BLACK / .172 I.D. x .500		AR	
22	501337	FEMALE UNION TEE / PIPE FITTING / 1/4NPT-Fx1/4NPT-Fx1/4NPT-F BR		1	
23	5001198	SCREW MA FL PH M6-1.0x16 Z050		2	
25	531443	GASKET / VALVE CONTROL LEVEL		1	
26	507556	MALE BRANCHE TEE / PIPE FITTING / 1/2NPT-Fx1/2NPT-Fx1/2NPT-M BR		1	
27	507356	O-RING		1	
28	507605	MALE CONNECTOR / HOSE BARB FITTING / #12x1/2NPT-M BR		1	
29	531387	SENSOR, FUEL LEVEL / 24"		1	
30	5011135	SCREW CAP HEXS #10-24x1 1/2 N500		5	
31	500593	WASHER FL .200x.437x.036 BR		5	
32	501473	MALE RUN TEE / PIPE FITTING / 1/2NPT-Mx1/2NPT-Fx1/2NPT-F BR		1	
33	501616	MALE CONNECTOR / SAE 45° FITTING / #8FL-Mx1/2NPT-M BR		2	
34	501053	CAP NUT / SAE 45° FITTING / #8FL-F BR		1	
35	501534	BUSHING REDUCER / PIPE FITTING / 1/2NPT-Mx3/8NPT-F BR		1	
36	530042	CHECK VALVE 3/8 NPT		1	
37	501949	MALE CONNECTOR / PUSH-LOK FITTING / 3/8NPT-Mx#8 BR		1	
38	5011064	MALE CONNECTOR / HOSE BARB FITTING / #3x1/4NPT-M BR		1	
39	530156	VALVE PRESSURE		1	
. NS	531427	GASKET / (SMALL)		1	



From 8-9279 To B-9999	Date:10/2022	PAGE:MTH-0305-01
FUEL TANK PLASTIC 180 & 70 GALLONS		

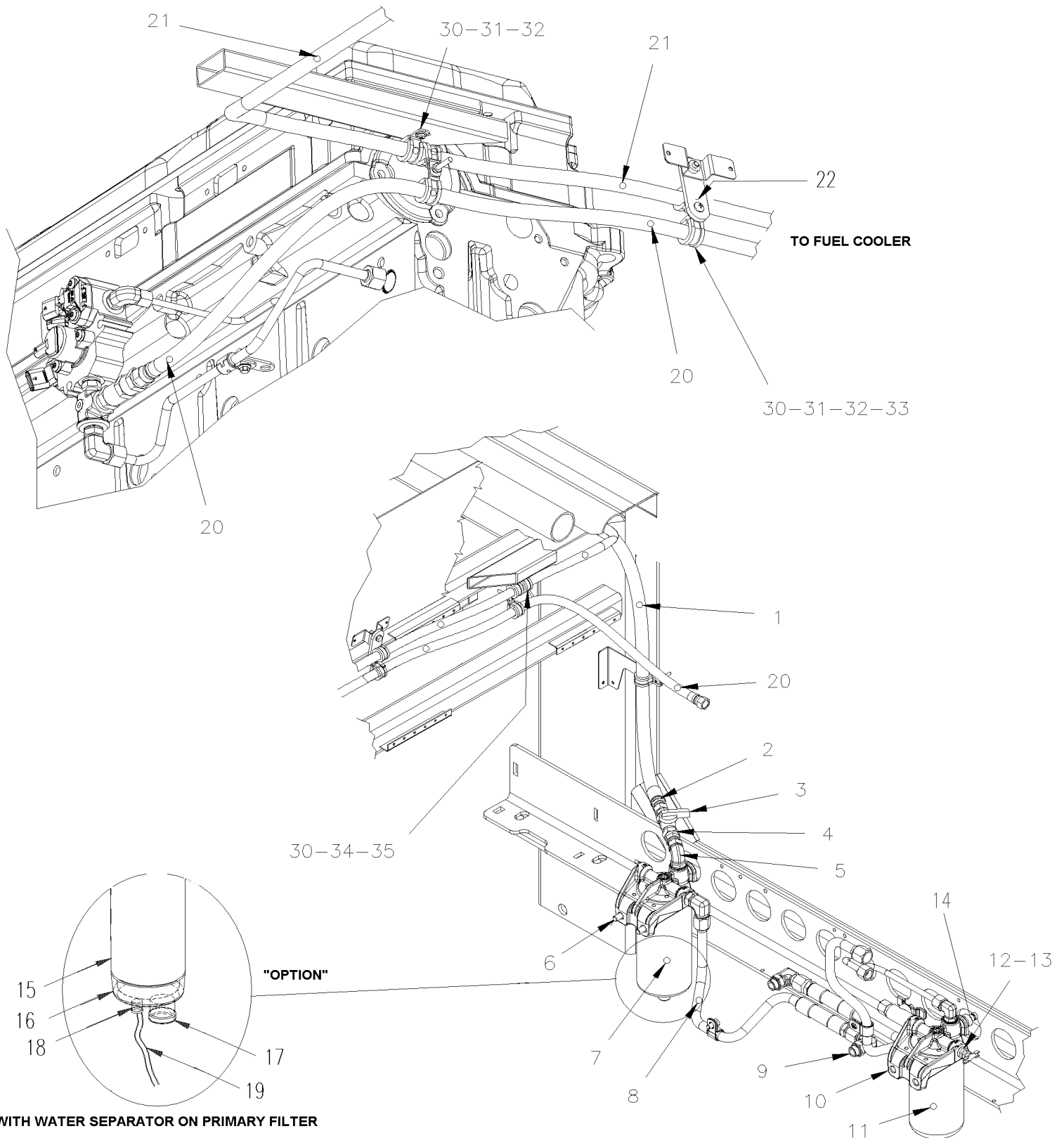
Item#	Part	Description	X L I I M T H 4 5	X L I I M T H 4 5 E	N O T E S
. NS	531428	. GASKET / (LARGE)		1	
41	500143	SCREW CAP HEXS #10-24x1/2 N500		5	
45	032508	TRANSVERSAL BAR 985MM		1	
46	502121	PIN, CLEVIS 3/8 x 1.625 BZC		2	
47	502102	PIN, COTTER 1/8 x 1		2	
60	032705	FUEL TANK / 70 GALLONS US		1	
. NS	032147	. FILLING TUBE STRAIGHT		1	
. NS	030003	. FILLING TUBE WITH 145 DEG / BEND		1	
61	032178	DECAL "CAUTION"		1	
62	032177	HOSE #40 150MM		1	
63	504562	HOSE CLAMP / 2"3/4-3"5/8 / C.T. 350		2	
64	032210	HOSE #8 1090MM		1	
NS	504637	CABLE TIE / 3/16" x 13"		4	
65	032166	HOSE #12 120"		1	
66	504021	HOSE CLAMP / 11/16"-1"1/2 SS / HS-16		1	
67	531424	FUEL FILLING CAP / SCREW TYPE CAP		2	
68	032204	SPIRACLE PLATE		1	
68	531443	GASKET / VALVE CONTROL LEVEL		1	
69	501316	BUSHING REDUCER / PIPE FITTING / 1/2NPT-Mx1/4NPT-F BR		1	
70	502737	SCREW CAP HEX M6-1.0x25 SS BK		2	
71	502570	WASHER LO SPT 6.1x11.8x1.6 SS		2	
72	5001862	SCREW CAP HEX M12-1.75x70 G10.9 N500		2	
73	500806	SCREW CAP HEX M12-1.75X35 G10.9 G500		8	
74	500211	WASHER FL .531x1.250x.125 N500		16	
75	500811	NUT HEX STO M12-1.75 G500		8	
76	032149	FIXING PLATE		2	
77	5001392	WASHER FL 6.0x12.0x1.5 COP		10	
78	500958	WASHER FL .531x1.062x.095 SS		2	
79	500875	NUT HEX M12-1.75 SS		2	
80	032240	HOLDING PLATE / TO HOLD TUBE		2	
81	502656	SCREW CAP HEX M6-1.0x50 SS		2	
82	500411	WASHER FL .260x.697x.050 SS		2	
83	502511	NUT HEX NYRT M6-1.0 Z050		2	
95	505056	ANTISTATIC STRAP / UNDER STRUCTURE		1	
96	401877	DECAL / FUEL CAPACITY 250 U.S. / INST. FILLIN		1	
100	MTH-1875-00	FUEL TANK FILLING DOOR			

From 8-9279 To B-9999

Date:10/2022

PAGE:MTH-0311-00

FUEL FILTER - PRIMARY & SECONDARY WITH DETROIT S-60





From 8-9279 To B-9999	Date:10/2022	PAGE:MTH-0311-00
-----------------------	--------------	------------------

FUEL FILTER - PRIMARY & SECONDARY WITH DETROIT S-60

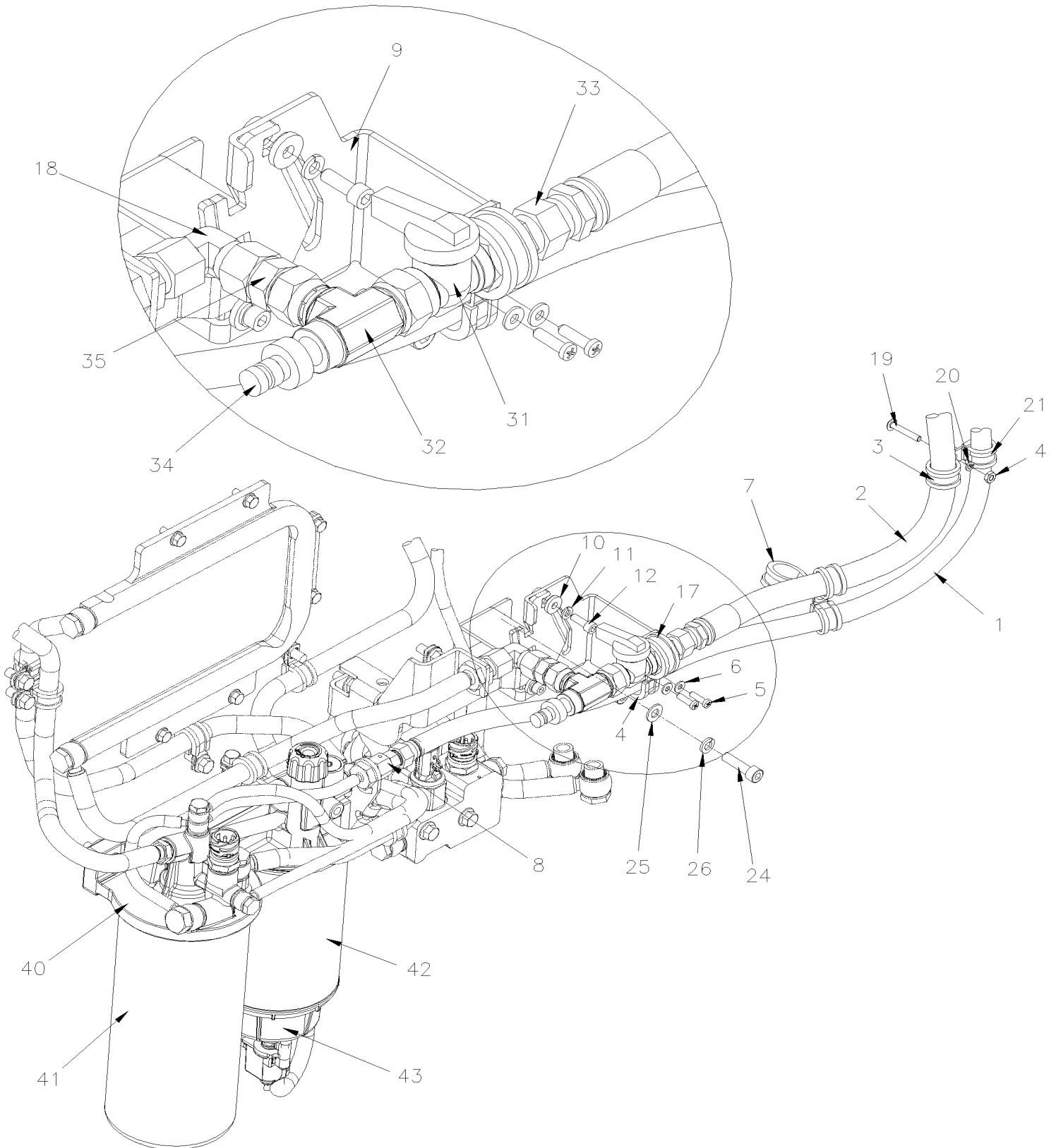
Item#	Part	Description	X L I I M T H 4 5	X L I I M T H 4 5 E	N O T E S
		4) NO PARTS NUMBER			

From 9-9591 To B-9999

Date:10/2022

PAGE:MTH-0311-01

FUEL FILTER - PRIMARY & SECONDARY WITH VOLVO D13





From 9-9591 To B-9999	Date:10/2022	PAGE:MTH-0311-01
FUEL FILTER - PRIMARY & SECONDARY WITH VOLVO D13		

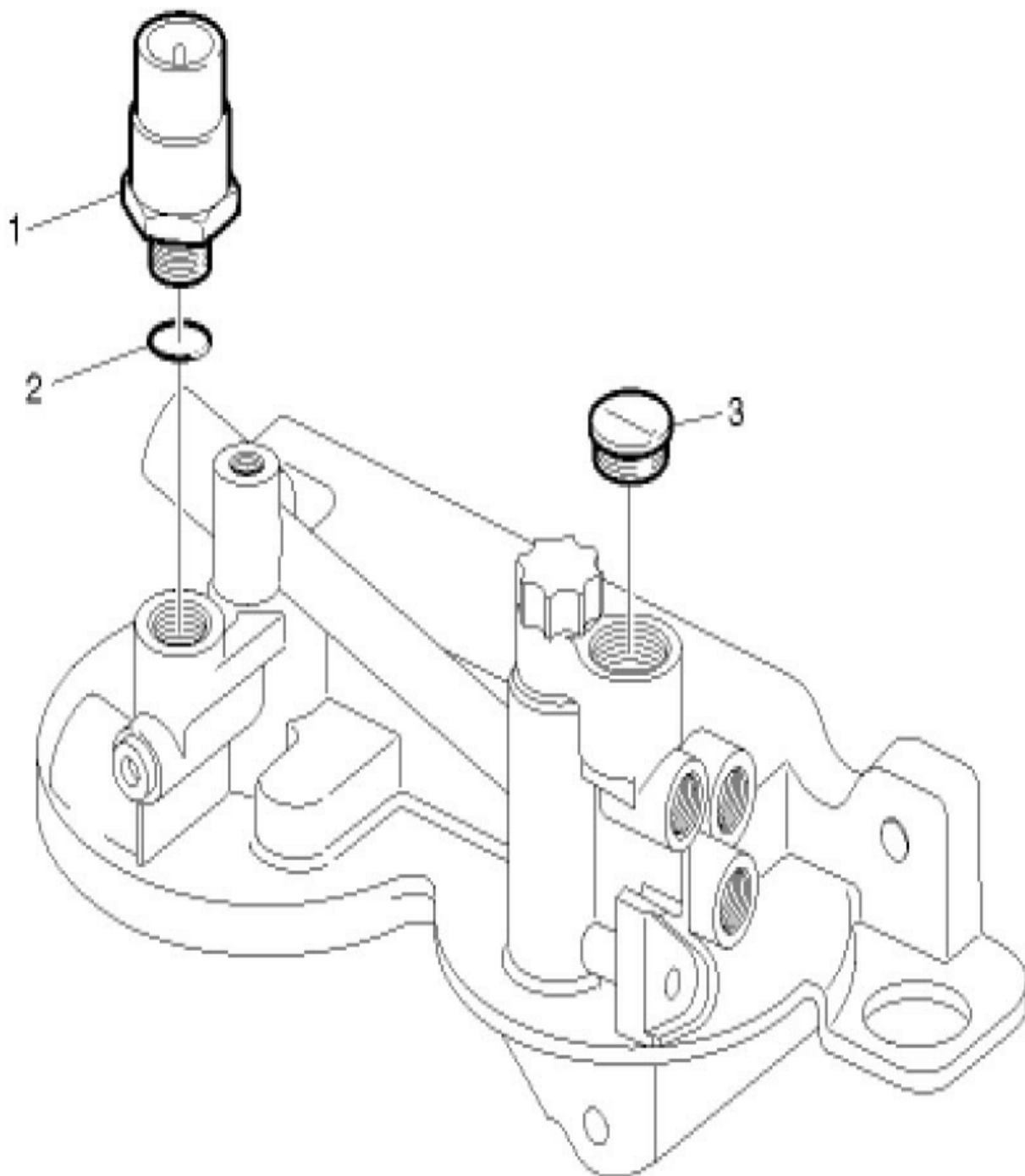
Item#	Part	Description	X L I I M T H 4 5	X L I I M T H 4 5 E	N O T E S
1	032554	HOSE ASSY / #8 5225MM		1	
2	032742	HOSE ASSY / #6 6600MM		1	
3	952631	CLAMP / 3/4" I.D.		2	
4	952629	CLAMP / 5/8" I.D.		3	
5	500623	SCREW TC PAN PH #10-24x3/4 N500		2	
6	500855	WASHER FL .188x.438x.049 N500		1	
7	952635	CLAMP / 1" I.D.		1	
8	507662	MALE CONNECTOR SWIVEL / JIC 37° @ METRIC24° / #6JIC-MxM16-1.5 W/24° O-RING-F		1	
9	032758	SUPPORT FUEL LINE		1	
10	5001654	WASHER FL 6.4x17.0x3.0 SS		2	
11	502570	WASHER LO SPT 6.1x11.8x1.6 SS		2	
12	5001648	SCREW CAP HEXS M6-1.0x18 SS BK		2	
17	952637	CLAMP / 1"1/16 I.D.		1	
18	964016	ELBOW		1	
19	500574	SCREW MA TR PH #10-24x1 1/4 SS		2	
20	500914	WASHER LO SPT .193x.334x.047 N500		2	
21	502882	NUT HEX #10-24 N500		2	
24	5001598	SCREW CAP HEXS M8-1.25x30 SS		1	
25	5001341	WASHER FL 8.4x17.0x1.6 SS		1	
26	5001161	WASHER LO SPT 8.1x14.8x2.0 SS-304		1	
31	530096	BALL VALVE 1/2" NPT 1/2 NPT F x 1/2 NPT F		1	
32	5001677	SWIVEL NUT ADAPTER TEE / JIC 37° FITTING / #8JIC-Fx1/2NPT-Mx1/4NTP-F STL		1	
33	501616	MALE CONNECTOR / SAE 45° FITTING / #8FL-Mx1/2NPT-M BR		1	
34	504706	NIPPLE / QUICK DISCONNECT "SAE J1502" / #4x1/4NPT-M STL W/DUST CAP		1	
NS	195533	DUST CAP / QUICK DISCONNECT "SAE J1502" / #4		1	
35	507659	MALE CONNECTOR SWIVEL / JIC 37° @ METRIC24° / #8JIC-MxM18-1.5 W/24° O-RING-F		1	
40	Refer To Volvo	HOUSING FUEL FILTER ASSY W/PRIMER PUMP TB-111262697-1		1	V
41	20405160	FUEL FILTER (LONG)		1	
41	20972293	FUEL FILTER (LONG) MAIN / PRINCIPAL		1	
42	20879806	FUEL FILTER WATER SEPARATOR		1	
43	20771580	BOWL / W/WATER DETECTOR IN FUEL UAUXFUEL		1	
43	20875050	BOWL / W/WATER DETECTOR & HEATER ELEMENT		1	
43	Refer To Volvo	BOWL AF-E		1	V
46	032895	HOSE ASSY / #6 6730MM		1	
		V) SEE IMPACT OR CALL ORDER DESK			

From 9-9591 To B-9999

Date:10/2022

PAGE:21023285

HOUSING FUEL FILTER ASSY W/PRIMER PUMP TB-111262697-1





From 9-9591 To B-9999	Date:10/2022	PAGE:21023285
HOUSING FUEL FILTER ASSY W/PRIMER PUMP TB-111262697-1		

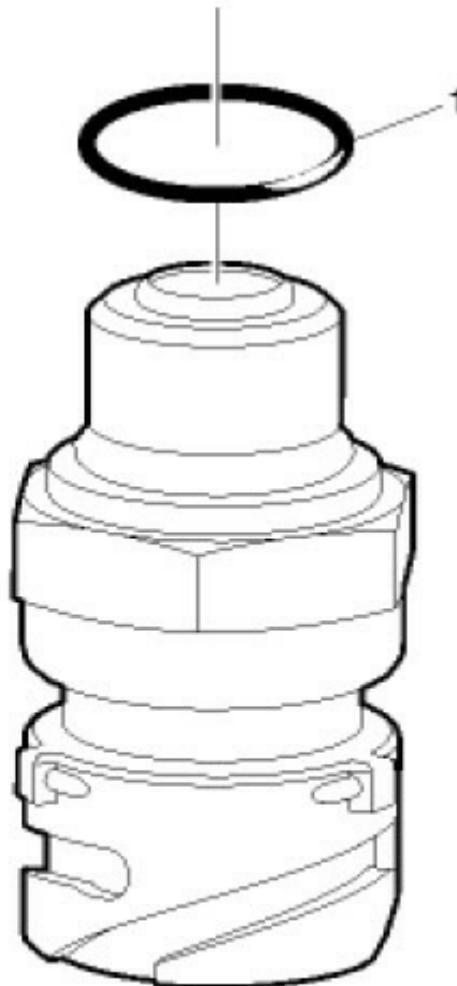
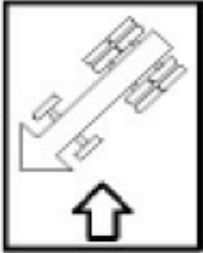
Item#	Part	Description	X L I I M T H 4 5	X L I I M T H 4 5 E	N O T E S
1	21302639	PRESSURE SENSOR,FUEL/OIL TB-130959470-1	1	1	
2	968559	O-RING (PRESSURE SENSOR)	1	1	
3	20744692	CAP	1	1	

From 9-9591 To B-9999

Date:10/2022

PAGE:21302639

PRESSURE SENSOR,FUEL/OIL TB-130959470-1





From 9-9591 To B-9999	Date:10/2022	PAGE:21302639
PRESSURE SENSOR,FUEL/OIL TB-130959470-1		

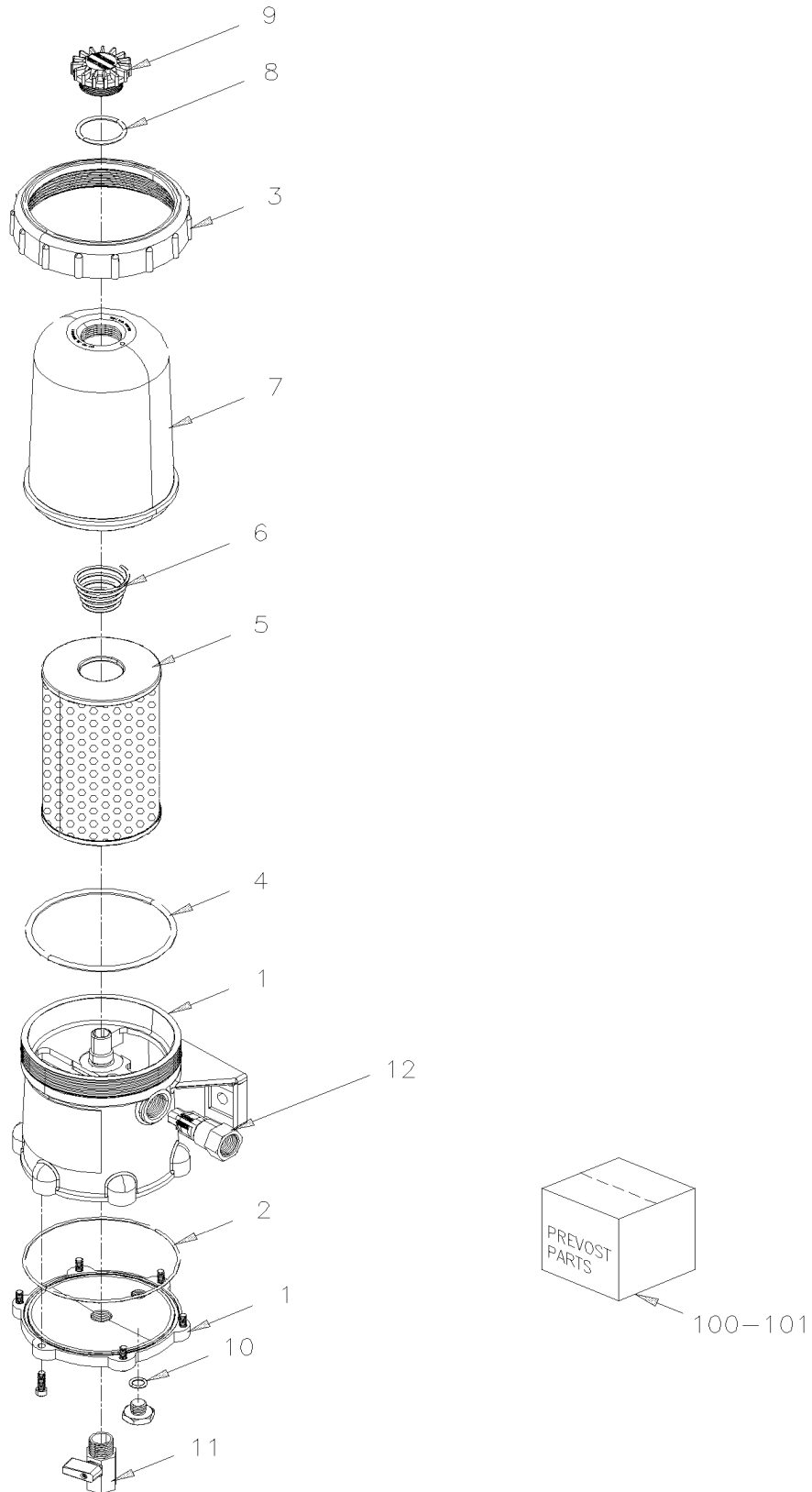
Item#	Part	Description	X L I I M T H 4 5	X L I I M T H 4 5 E	N O T E S
1	968559	O-RING (PRESSURE SENSOR)	1	1	

From 8-9279 To B-9999

Date:10/2022

PAGE:MTH-0311-15

FUEL FILTER / "PRO 382"





From 8-9279 To B-9999	Date:10/2022	PAGE:MTH-0311-15
FUEL FILTER / "PRO 382"		

Item#	Part	Description	X L I I M T H 4 5	X L I I M T H 4 5 E	N O T E S
	531468	FILTER ASSY "FUEL PRO 382" / WITHOUT HEATER ELEMENT	1	1	
	21248323	FILTER ASSY "FUEL PRO 382" / WITHOUT HEATER ELEMENT	1	1	
1	N.S.S.	. BODY CASTING	1	1	1
1	G1093948	. UNHEATED BOTTOM PLATE	1	1	
1	N8893568	. UNHEATED BOTTOM PLATE	1	1	
2	G1093947	. SEAL BOTTOM COVER	1	1	
2	N8893573	. SEAL BOTTOM COVER	1	1	
2	85103295	. SEAL BOTTOM COVER	1	1	
3	531441	. COLLAR, COVER	2	2	
3	N8893571	. COLLAR, COVER	1	1	
3	3948920	. COLLAR, COVER	1	1	
4	N.S.S.	. SEAL COVER	2	2	1
4	N8893570	. O-RING	1	1	
5	510795	. FILTER FUEL, ELEMENT / W/"PRO FILTER"	1	1	
5	N8893572	. FILTER FUEL, ELEMENT / W/"PRO FILTER"	1	1	
5	85120233	. FILTER FUEL, ELEMENT / W/"PRO FILTER"	1	1	
6	531440	. SPRING	1	1	
6	3099140	. SPRING	1	1	
6	3099140	. SPRING	1	1	
7	531438	. COVER, FILTER ELEMENT	1	1	
7	N8893569	. COVER, FILTER ELEMENT	1	1	
7	85116443	. COVER, FILTER ELEMENT	1	1	
8	N.S.S.	. SEAL CAP VENT	1	1	1
9	531439	. CAP VENT	1	1	
9	3948921	. CAP VENT	1	1	
10		. SEAL O-RING	1	1	
11		. DRAIN VALVE	1	1	
11	3099141	. DRAIN VALVE	1	1	
11	G1093949	. DRAIN VALVE	1	1	
12	N.S.P.	. CHECK VALVE / (23518325)	2	2	2
12	3947686	. CHECK VALVE BODY ONLY	1	1	
100	531442	O-RING SET	1	1	A
. A	DAV380048	. ANTI TAMPER SEAL	1	1	A
. B	3946027	. O-RING	1	1	A
100	G1093444	O-RING SET	1	1	A
. A	DAV380048	. ANTI TAMPER SEAL	1	1	A
. B	3946027	. O-RING	1	1	A
100	3946029	O-RING SET	1	1	A
. A	N.S.S.	. ANTI TAMPER SEAL	1	1	1 A
. B	N.S.S.	. O-RING	1	1	1 A
101	N.S.P.	CHECK VALVE REPAIR KIT / (23518326)	1	1	2



From 8-9279 To B-9999	Date:10/2022	PAGE:MTH-0311-15
FUEL FILTER / "PRO 382"		

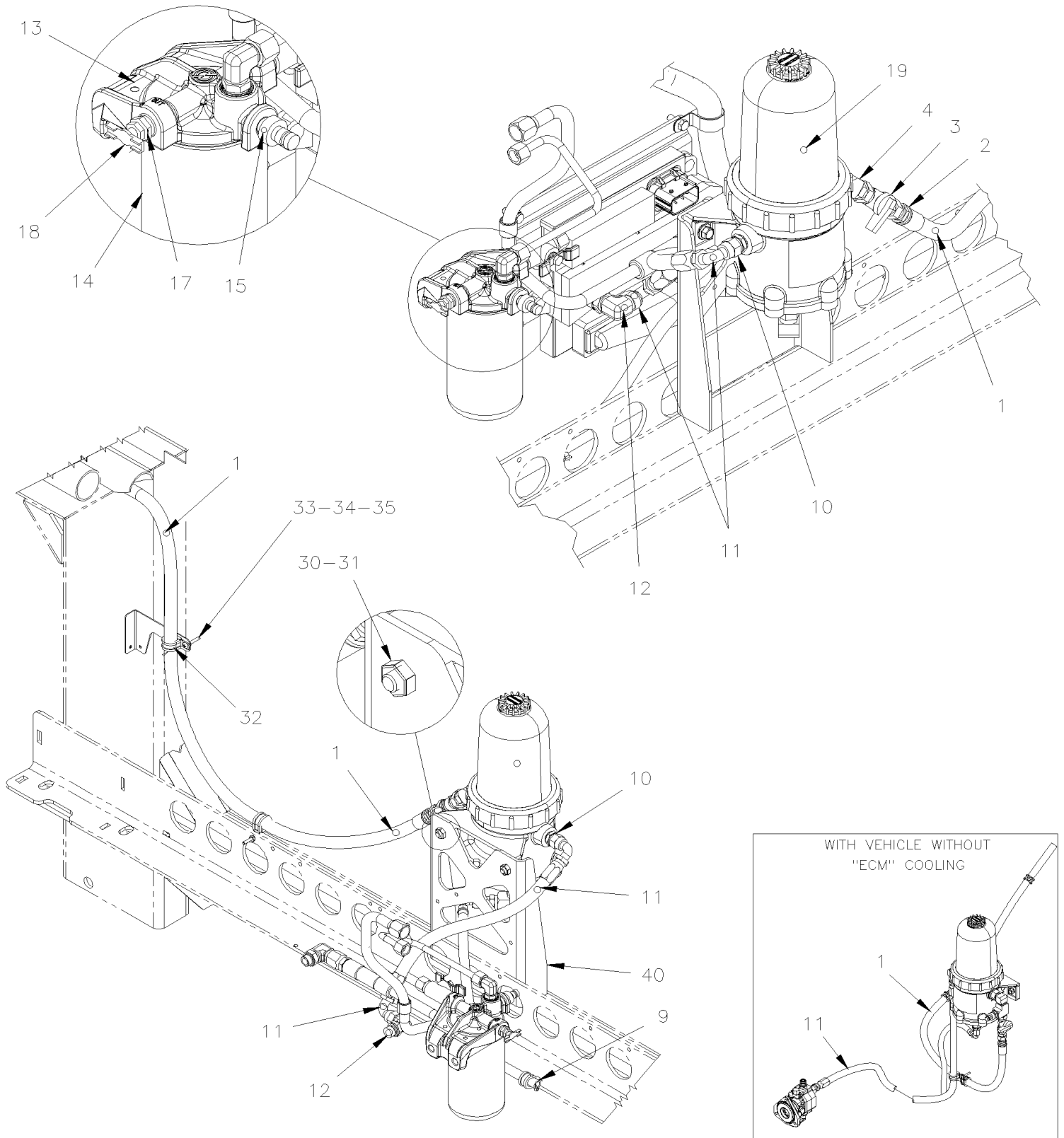
Item#	Part	Description	X L I I M T H 4 5	X L I I M T H 4 5 E	N O T E S
101	G1093945	CHECK VALVE REPAIR KIT /	1	1	
101	1117798	CHECK VALVE REPAIR KIT /	1	1	
NS	G1093952	COLLAR VENT CAP WRENCH METAL	1	1	
NS	3093385	COLLAR VENT CAP WRENCH METAL	1	1	
		A) INCLUDES ITEMS # 4 AND 8			
		1) NOT SOLD SEPARATELY			
		2) NOT SOLD BY PREVOST (SEE MANUFACTURING PART NUMBER AT END OF DESCRIPTION LINE)			
		1) NOT SOLD SEPARATELY			

From 8-9279 To B-9999

Date:10/2022

PAGE:MTH-0312-10

FUEL PRO - INSTALLATION WITH DETROIT S-60





From 8-9279 To B-9999	Date:10/2022	PAGE:MTH-0312-10
FUEL PRO - INSTALLATION WITH DETROIT S-60		

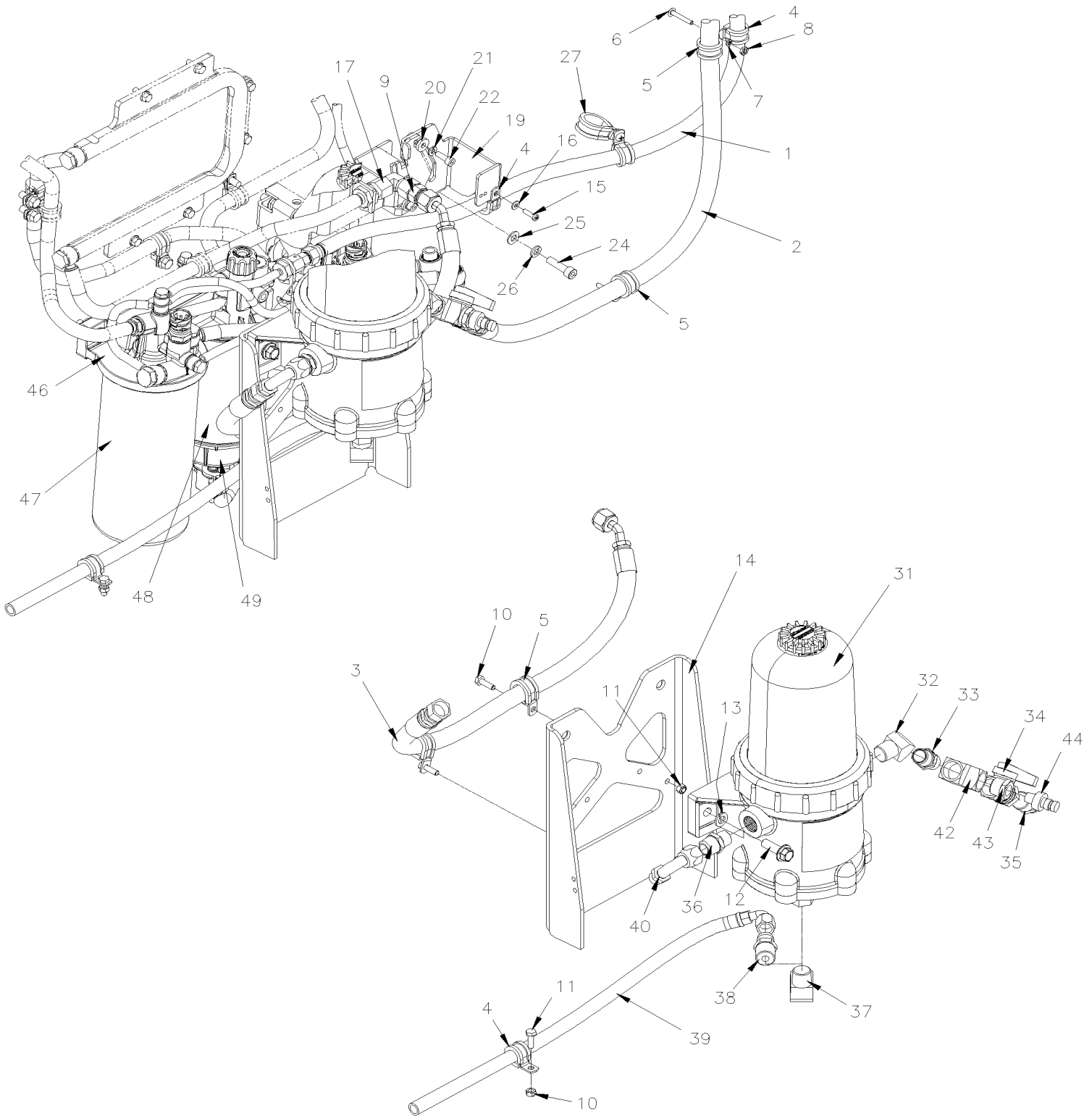
Item#	Part	Description	X L I I M T H 4 5	X L I I M T H 4 5 E	N O T E S
1	032652	HOSE ASSY / #8 6500MM	1	1	
2	501616	MALE CONNECTOR / SAE 45° FITTING / #8FL-Mx1/2NPT-M BR	1	1	
3	530096	BALL VALVE 1/2" NPT 1/2 NPT F x 1/2 NPT F	1	1	
4	5011067	NIPPLE HEX / PIPE FITTING / 1/2NPT-Mx1/2NPT-Mx1 13/16 BR	1	1	
5	501528	STREET ELBOW 45° / PIPE FITTING / 1/2NPT-Mx1/2NPT-F BR	1	1	
6	501473	MALE RUN TEE / PIPE FITTING / 1/2NPT-Mx1/2NPT-Fx1/2NPT-F BR	1	1	
7	507557	STREET ELBOW 90° / PIPE FITTING / 1/2NPT-Mx1/2NPT-F BR	1	1	
8	501618	MALE CONNECTOR / SAE 45° FITTING / #6FL-Mx1/2NPT-M BR	1	1	
9	032614	HOSE ASSY / #8 420MM	1	1	
10	501739	MALE CONNECTOR / JIC 37° FITTING / #8JIC-Mx1/2NPT-M STL	2	2	
11	032681	HOSE ASSY / #8 380MM To 9-9641		1	
11	032836	HOSE ASSY / #8 350MM From 9-9642		1	
11	032747	HOSE ASSY / #8 425MM To 9-9641	1		
11	032837	HOSE ASSY / #8 400MM From 9-9642	1		
12	5011204	MALE ELBOW 90° / JIC 37° FITTING / #8JIC-MxM18-1.5-M STL To 9-9641	1	1	
. NS	N.P.N.	. O-RING To 9-9641	1	1	4
. NS	N.P.N.	. WASHER RET To 9-9641	1	1	4
12	5011247	MALE CONNECTOR / JIC 37° FITTING / #8JIC-MxM16-1.5 ORB-M STL From 9-9642	1	1	
13	510344	COVER / W/SECONDARY FILTER To 9-9641	1	1	
14	510794	FUEL FILTER, CARTRIDGE // SECONDARY To 9-9641	1	1	
15	504706	NIPPLE / QUICK DISCONNECT "SAE J1502" / #4x1/4NPT-M STL W/DUST CAP To 9-9641	1	1	
. NS	195533	. DUST CAP / QUICK DISCONNECT "SAE J1502" / #4 To 9-9641	1	1	
17	501314	BUSHING REDUCER / PIPE FITTING / 3/8NPT-Mx1/4NPT-F BR To 9-9641	1	1	
18	501129	EXTERNAL SEAL DRAIN 1/4 NPT To 9-9641	1	1	
19	MTH-0311-15	FUEL FILTER / "PRO 382"			
30	946472	SCREW CAP HEXF M10-1.5x30 G8.8 ZG603	2	2	
31	3852496	WASHER LO SPT 10.2x18.1x2.2 ZG603	2	2	
32	952631	CLAMP / 3/4" I.D.	AR	AR	
32	952629	CLAMP / 5/8" I.D.	AR	AR	
33	500574	SCREW MA TR PH #10-24x1 1/4 SS	AR	AR	
34	500877	WASHER FL .250x.562x.065 N500	AR	AR	
35	502882	NUT HEX #10-24 N500	AR	AR	
40	032612	SUPPORT "FUEL PRO" (WELDED AT STRUCTURE)	1	1	
		4) NO PARTS NUMBER			

From 9-9591 To B-9999

Date:10/2022

PAGE:MTH-0312-11

FUEL PRO - INSTALLATION WITH VOLVO D13





From 9-9591 To B-9999	Date:10/2022	PAGE:MTH-0312-11
FUEL PRO - INSTALLATION WITH VOLVO D13		

Item#	Part	Description	X L I M T H 4 5	X L I M T H 4 5 E	N O T E S
1	032742	HOSE ASSY / #6 6600MM		1	
2	032699	HOSE ASSY / #8 5764MM		1	
3	032741	HOSE ASSY / #8 700MM		1	
4	952629	CLAMP / 5/8" I.D.		3	
5	952631	CLAMP / 3/4" I.D.		4	
6	500574	SCREW MA TR PH #10-24x1 1/4 SS		3	
7	500914	WASHER LO SPT .193x.334x.047 N500		3	
8	502882	NUT HEX #10-24 N500		3	
9	507659	MALE CONNECTOR SWIVEL / JIC 37° @ METRIC24° / #8JIC-MxM18-1.5 W/24° O-RING-F		1	
10	502830	SCREW CAP HEX M6-1.0x20 G8.8 N500		3	
11	502681	NUT HEX NYRT M6-1.0 N500 G8		3	
12	946472	SCREW CAP HEXF M10-1.5x30 G8.8 ZG603		2	
13	3852496	WASHER LO SPT 10.2x18.1x2.2 ZG603		2	
14	032679	SUPPORT "FUEL PRO" (WELDED AT STRUCTURE)		1	
15	500623	SCREW TC PAN PH #10-24x3/4 N500		1	
16	500855	WASHER FL .188x.438x.049 N500		1	
17	964016	ELBOW		1	
18	507662	MALE CONNECTOR SWIVEL / JIC 37° @ METRIC24° / #6JIC-MxM16-1.5 W/24° O-RING-F		1	
19	032758	SUPPORT FUEL LINE		1	
20	5001654	WASHER FL 6.4x17.0x3.0 SS		2	
21	502570	WASHER LO SPT 6.1x11.8x1.6 SS		2	
22	5001648	SCREW CAP HEXS M6-1.0x18 SS BK		2	
24	5001598	SCREW CAP HEXS M8-1.25x30 SS		1	
25	5001341	WASHER FL 8.4x17.0x1.6 SS		1	
26	5001161	WASHER LO SPT 8.1x14.8x2.0 SS-304		1	
27	952635	CLAMP / 1" I.D.		1	
31	MTH-0311-15	FUEL FILTER / "PRO 382"			
32	501528	STREET ELBOW 45° / PIPE FITTING / 1/2NPT-Mx1/2NPT-F BR		1	
33	5011067	NIPPLE HEX / PIPE FITTING / 1/2NPT-Mx1/2NPT-Mx1 13/16 BR		1	
34	530096	BALL VALVE 1/2" NPT 1/2 NPT F x 1/2 NPT F		1	
35	501616	MALE CONNECTOR / SAE 45° FITTING / #8FL-Mx1/2NPT-M BR		1	
36	501739	MALE CONNECTOR / JIC 37° FITTING / #8JIC-Mx1/2NPT-M STL		1	
37	507557	STREET ELBOW 90° / PIPE FITTING / 1/2NPT-Mx1/2NPT-F BR		1	
38	501618	MALE CONNECTOR / SAE 45° FITTING / #6FL-Mx1/2NPT-M BR		1	
39	032614	HOSE ASSY / #8 420MM		1	
40	501845	SWIVEL NUT ELBOW 90° LONG / JIC 37° FITTING / #8JIC-Fx#8JIC-Mx1.86 STL		1	
42	501473	MALE RUN TEE / PIPE FITTING / 1/2NPT-Mx1/2NPT-Fx1/2NPT-F BR		1	
43	501316	BUSHING REDUCER / PIPE FITTING / 1/2NPT-Mx1/4NPT-F BR		1	
44	504706	NIPPLE / QUICK DISCONNECT "SAE J1502" / #4x1/4NPT-M STL W/DUST CAP		1	
NS	195533	. DUST CAP / QUICK DISCONNECT "SAE J1502" / #4		1	
46	Refer To Volvo	HOUSING FUEL FILTER ASSY W/PRIMER PUMP TB-111262697-1		1	V
47	20405160	FUEL FILTER (LONG)		1	



From 9-9591 To B-9999	Date:10/2022	PAGE:MTH-0312-11
FUEL PRO - INSTALLATION WITH VOLVO D13		

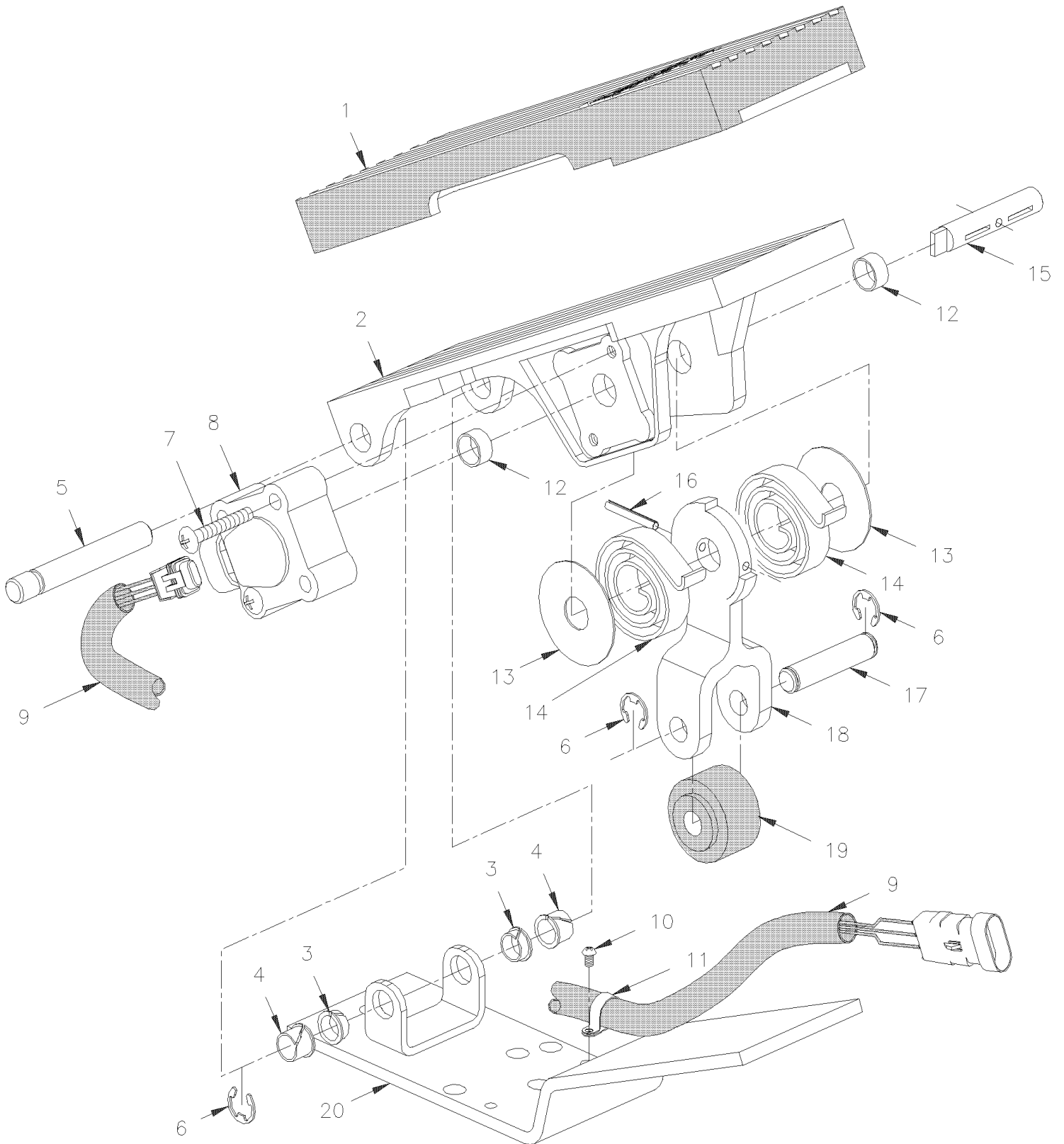
Item#	Part	Description	X L I I M T H 4 5	X L I I M T H 4 5 E	N O T E S
47	20972293	FUEL FILTER (LONG) MAIN / PRINCIPAL		1	
48	20879806	FUEL FILTER WATER SEPARATOR		1	
49	20771580	BOWL / W/WATER DETECTOR IN FUEL UAUXFUEL		1	
49	Refer To Volvo	BOWL AF-E		1	V
		V) SEE IMPACT OR CALL ORDER DESK			

From 8-9279 To B-9999

Date:10/2022

PAGE:MTH-0315-10

ACCELERATOR PEDAL - ELECTRONIC





From 8-9279 To B-9999	Date:10/2022	PAGE:MTH-0315-10
ACCELERATOR PEDAL - ELECTRONIC		

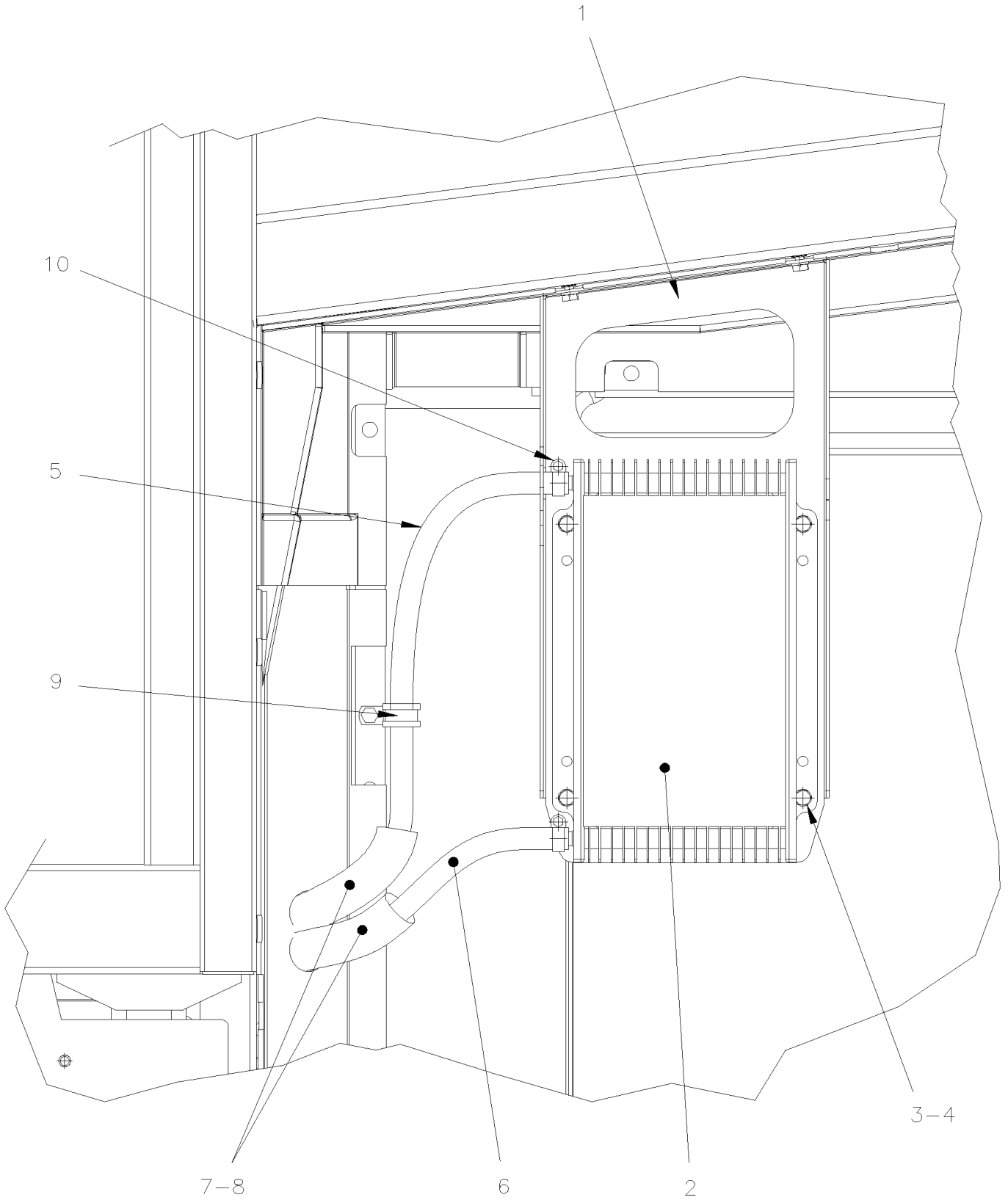
Item#	Part	Description	X L I I M T H 4 5	X L I I M T H 4 5 E	N O T E S
	531455	ACCELERATOR PEDAL ASSY To 9-9602	1	1	
	531483	ACCELERATOR PEDAL ASSY /W/5V SENSOR "DETROIT" From 9-9603	1	1	
	531487	ACCELERATOR PEDAL ASSY / W0-32V SENSOR "VOLVO" "VOLVO" From 9-9619		1	W
1	531401	. THREADLE COVER	1	1	
2	N.S.S.	. THREADLE	1	1	1
3	N.S.S.	. BUSHING, INNER	2	2	1
3	N.S.S.	. BUSHING, INNER	1	1	1
4	507260	. BUSHING NYLINER W/SHOULDER .375x.437x.375x.594	2	2	
5	N.S.S.	. PIN, THREADLE	1	1	1
6	N.S.S.	. RING, SNAP 5/16" I.D.	3	3	1
7	500427	. SCREW MA RND PH #10-32x1 1/4 ZP	2	2	
8	531402	. POTENTIOMETER PEDAL SENSOR 0-5V	1	1	
8	568084	. POTENTIOMETER PEDAL SENSOR 0-32V "VOLVO" From 9-9619	1	1	W
9	N8887087	. WIRE HARNESS	1	1	
10	500883	. . SCREW TC PAN PH #8-32x3/8 Z050	2	2	
11	N.S.S.	. . CLIP	2	2	1
12	N.S.S.	. BUSHING, GARLOCK	2	2	1
13	N.S.S.	. THRUST, WASHER-OUTER	2	2	1
13	N.S.S.	. THRUST, WASHER-INNER	2	2	1
14	N.S.S.	. SPRING	2	2	1
15	N.S.S.	. SHAFT SENSOR DRIVE	1	1	1
16	505208	. SPRING, PIN 1/8 X 7/8	1	1	
17	N.S.S.	. ROLLER, PIN	1	1	1
18	N.S.S.	. LEVER, THREADLE	1	1	1
19	N.S.S.	. ROLLER	1	1	1
20	531462	. BASE PLATE / (includes item #5)	1	1	
NS	531393	KIT REPAIR / LOWER THREADLE PIN	1	1	A
NS	531394	KIT REPAIR / ROLLER	1	1	B
		A) INCLUDES ITEMS #3-4-5-6			
		B) INCLUDES ITEMS 6-18-19			
		W) SEE "WARRANTY" BULLETIN # 10-33			
		1) NOT SOLD SEPARATELY			

From 8-9279 To B-9999

Date:10/2022

PAGE:MTH-0316-00

FUEL COOLER - INSTALLATION





From 8-9279 To B-9999	Date:10/2022	PAGE:MTH-0316-00
FUEL COOLER - INSTALLATION		

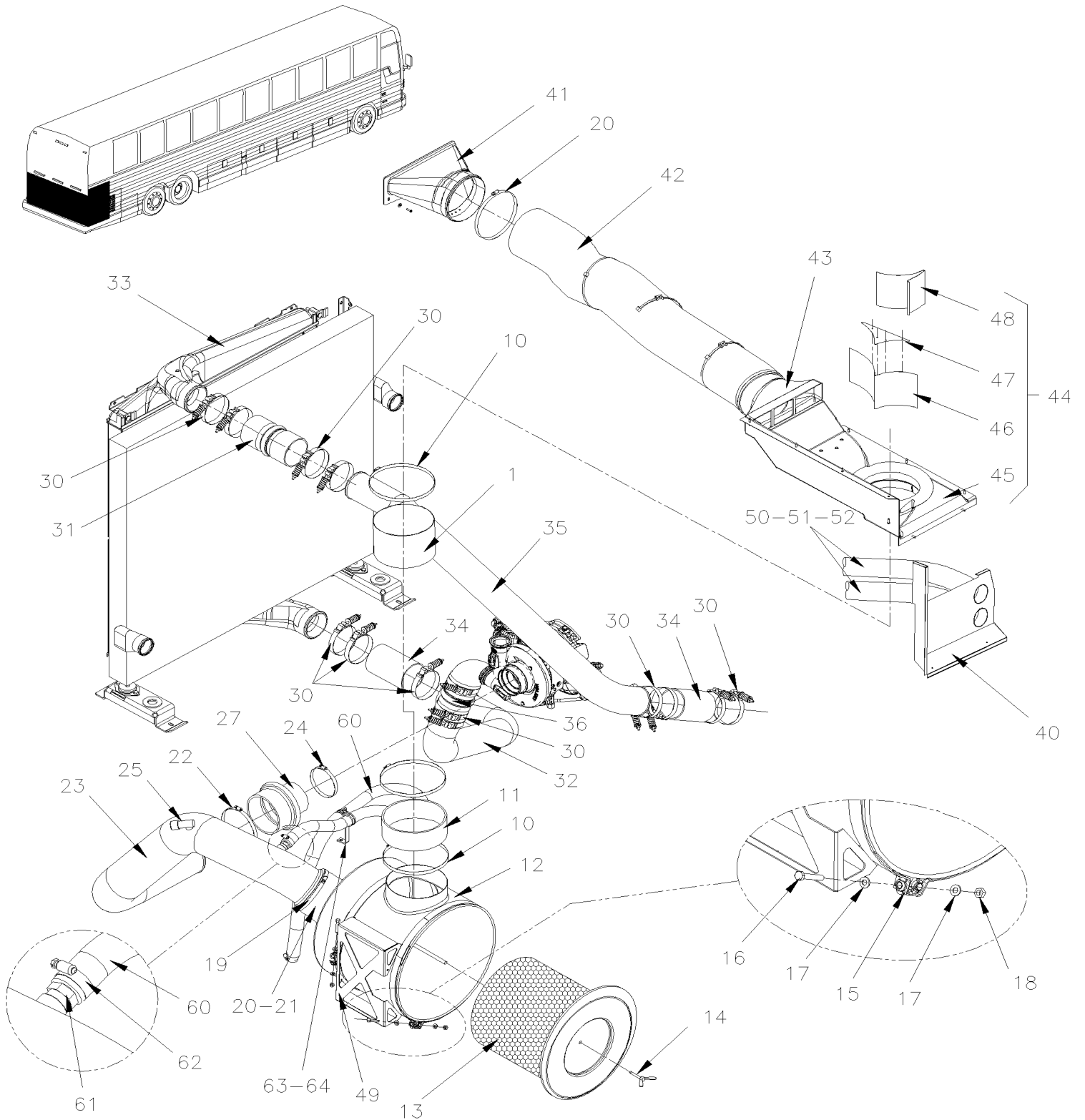
Item#	Part	Description	X L I I M T H 4 5	X L I I M T H 4 5 E	N O T E S
1	052772	SUPPORT FUEL COOLER		1	
NS	052771	SUPPORT FUEL COOLER	1		
2	531422	FUEL COOLER	1	1	
3	955269	SCREW CAP HEX M6-1.0x12 G8.8 ZG603	4	4	
4	502853	WASHER LO SPT 6.1x11.8x1.6 N500	4	4	
5	032753	HOSE ASSY / #6 7200MM	1	1	
6	032727	HOSE ASSY / #6 2000MM		1	
6	032754	HOSE ASSY / #6 2400MM	1		
7	033184	HOSE PROTECTOR 300MM	1	1	
8	504637	CABLE TIE / 3/16" x 13"	1	1	
9	952629	CLAMP / 5/8" I.D.	AR	AR	
10	504014	HOSE CLAMP / 1/4"-5/8" SS / HM-4	2	2	
NS	031701	SUPPORT HOSE FUEL		3	
NS	283770	SPACER / TO FIX RETAINING ARM	1		

From 8-9279 To B-9999

Date:10/2022

PAGE:MTH-0330-00

AIR FILTER & INTAKE - INSTALLATION WITH DETROIT S-60

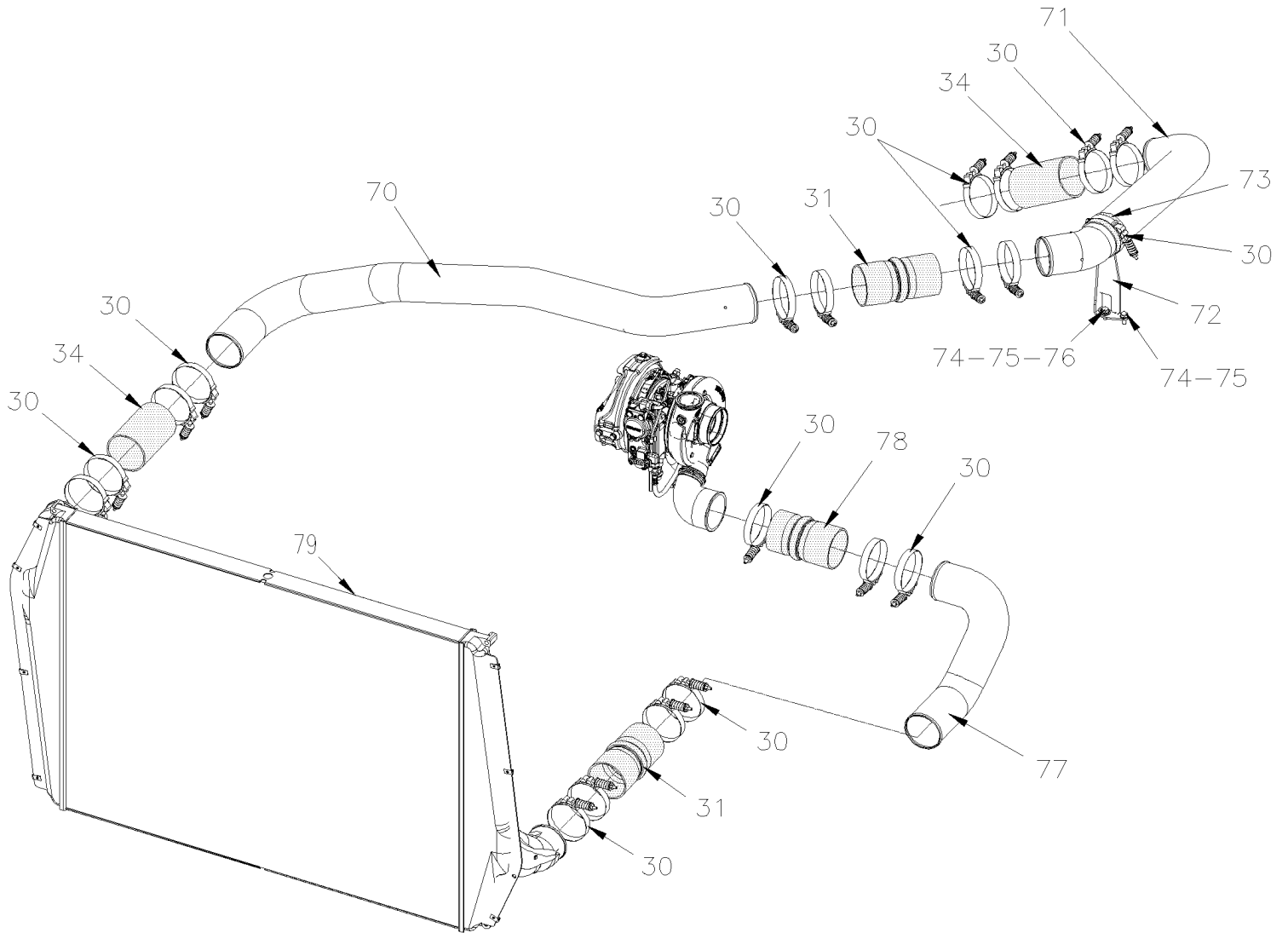


From 8-9279 To B-9999

Date:10/2022

PAGE:MTH-0330-00

AIR FILTER & INTAKE - INSTALLATION WITH DETROIT S-60



MTH 45'



From 8-9279 To B-9999	Date:10/2022	PAGE:MTH-0330-00
AIR FILTER & INTAKE - INSTALLATION WITH DETROIT S-60		

Item#	Part	Description	X L I I M T H 4 5	X L I I M T H 4 5 E	N O T E S
1	031777	TUBE 8" O.D. X 8 5/16" / MTH 83"	1	1	
10	504415	HOSE CLAMP / 7"1/4-9"1/4 SS / HS-152	2	2	
11	530210	HOSE FLEXIBLE / 8" O.D. x 125MM	1	1	
11	531403	HOSE 8" I.D. 3"	1	1	
12	530206	FILTER AIR 18"	1	1	
13	530197	. ELEMENT AIR FILTER 18"	1	1	
14	531420	. NUT WING 1/2-13 NY	1	1	
15	031465	STRAP MOUNTING / W/18" AIR FILTER	2	2	
16	502927	SCREW CAP HEX M8-1.25x50 G8.8 N500	2	2	
17	192288	WASHER FL 8.4x18.0x2.0 ZG603	2	2	
18	946036	NUT HEX STO M8-1.25 ZG603	2	2	
19	504031	HOSE CLAMP / 5"-7" SS / HS-104	1	1	
20	504229	HOSE CLAMP / 6"1/2-8"1/2 SS / HS-100	3	3	
21	530169	ELBOW 45° DEGRES / REDUCER 7" X 6"	1	1	
22	504324	HOSE CLAMP / 4"1/2-6"1/2 SS / HS-96	3	3	
23	032672	PIPE 5 1/2" O.D. / AIR FILTER & TURBO		1	
23	032816	PIPE 5 1/2" O.D. / AIR FILTER & TURBO		1	A
23	032714	PIPE 5 1/2" O.D. / AIR FILTER & TURBO	1		
NS	510848	HUMIDITY SENSOR 3/8" NPT / FIXED AT PIPE NEAR TURBO	1	1	
24	504257	HOSE CLAMP / 4"1/16-5" SS / HS-72	1	1	
25	530161	GAUGE AIR RESTRICTION 20" H2O 1/8" NPT	1	1	
27	531476	REDUCER RUBBER / 5 1/2" X 4" DIA.	1	1	
30	032543	HOSE CLAMP SPRING LOAD / MODIFIED "PREVOST" / 4"1/8-4"7/16 To 9-9595	AR	AR	
. NS	531386	. HOSE CLAMP SPRING LOAD / HEAVY DUTY 4"1/8-4"7/16 To 9-9595	1	1	
. NS	502930	. SPRING COMPRESSION / .975 O.D. x 1.5 x .225 To 9-9595	1	1	
. NS	500401	. WASHER FL .343x.875x.125 N500 To 9-9595	1	1	
. NS	500897	. WASHER FL .437x1.000x.083 N500 To 9-9595	2	2	
30	21185959	HOSE CLAMP SPRING LOAD / MODIFIED "PREVOST" / 4"1/8-4"7/16 From 9-9596	AR	AR	
. NS	531386	. HOSE CLAMP SPRING LOAD / HEAVY DUTY 4"1/8-4"7/16 From 9-9596	1	1	
. NS	502930	. SPRING COMPRESSION / .975 O.D. x 1.5 x .225 From 9-9596	1	1	
. NS	500401	. WASHER FL .343x.875x.125 N500 From 9-9596	1	1	
. NS	500897	. WASHER FL .437x1.000x.083 N500 From 9-9596	2	2	
31	531469	HOSE / W/2 RING / 4" I.D. 8" / 500°F To 9-9595	2	2	
31	70396486	HOSE / W/2 RING / 4" I.D. 8" / 500°F From 9-9596	2	2	
32	052823	PIPE 4" O.D. / AIR COOLER & TURBO		1	
33	550916	AIR COOLER ASSY		1	
33	550970	AIR COOLER ASSY TitanX SERVICE		1	
33	550967	AIR COOLER ASSY Dura-Lite SERVICE		1	
34	531471	HOSE SILICONE 4" I.D. 6 1/2" / 500°F	2	2	
35	052824	PIPE 4" O.D. / AIR COOLER & MANIFOLD		1	
36	550928	HOSE 4" I.D. 9"		1	
40	215305	AIR INTAKE R.H. / MTH 86"	1		



From 8-9279 To B-9999 Date:10/2022 PAGE:MTH-0330-00

AIR FILTER & INTAKE - INSTALLATION WITH DETROIT S-60

Item#	Part	Description	X L I I M T H 4 5	X L I I M T H 4 5 E	N O T E S
40	215347	AIR INTAKE R.H. / MTH 89" AS SHOWN To 9-9639		1	
41	032673	AIR INTAKE LH ADAPTOR		1	
41	219058	AIR INTAKE LH ADAPTOR	1		
41	219059	AIR INTAKE LH ADAPTOR / WITH SLIDE-OUT	1		
42	032674	HOSE 7" I.D. 1480MM	1	1	
NS	503236	HOSE FLEXIBLE / AIR DUCT 7" I.D. X 12' / LINEN RUBBER	AR	AR	
43	032671	AIR INTAKE ADAPTOR	1	1	
44	031767P	BOX ASSY / FIBERGLASS	1	1	
45	031754	FIBERGLASS BOX	1	1	
46	031769	DEFLECTOR FRONT	1	1	
47	031775	COVER FRONT DEFLECTOR	1	1	
48	031757	DEFLECTOR REAR	1	1	
NS	500642	SCREW TP PAN PH #10x3/4 Z050	AR	AR	
NS	500641	SCREW TP PAN PH #8x3/4 Z050	AR	AR	
NS	504528	HOLE PLUG BUTTON / .437 O.D. BLACK	3	3	
49	032781	SUPPORT FILTER AIR	1	1	
NS	502862	SCREW CAP HEX M8-1.25x20 G8.8 N500	4	4	
NS	502889	WASHER LO SPT 8.1x12.7x2.0 N500	4	4	
NS	192288	WASHER FL 8.4x18.0x2.0 ZG603	4	4	
50	064981	HOSE FLEXIBLE / 2 3/4" I.D. X 1524MM To 9-9639	2	2	
51	504025	HOSE CLAMP / 2"5/16-3"1/4 SS / HS-44 To 9-9639	4	4	
52	MTH-0605-00	ALTERNATOR 24V/140 AMPS / "BOSCH"			
60	032677	HOSE / (SUCTION AIR COMPRESSOR) / #16 1350MM	1	1	
NS	504021	HOSE CLAMP / 11/16"-1"1/2 SS / HS-16	2	2	
61	5011240	MALE CONNECTOR / BEADED HOSE BARB / #16x3/4NPT-M BR	1	1	
NS	501518	STREET ELBOW 90° / PIPE FITTING / 3/4NPT-Mx3/4NPT-F BR	1	1	
NS	5011051	STREET ELBOW 45° / PIPE FITTING / 3/4NPT-Mx3/4NPT-F BR	1	1	
62	952641	CLAMP / 1 5/16" I.D.	1	1	
63	500574	SCREW MA TR PH #10-24x1 1/4 SS	2	2	
NS	500914	WASHER LO SPT .193x.334x.047 N500	2	2	
63	502882	NUT HEX #10-24 N500	2	2	
64	061025	SUPPORT	1	1	
64	032676	SUPPORT HOSE	1	1	
70	053504	PIPE 4" O.D. / AIR COOLER SIDE	1		
71	052829	PIPE 4" O.D. / MANIFOLD SIDE	1		
72	052725	SUPPORT PIPE	1		
72	059063	SUPPORT PIPE From B-5010	1		
73	531470	PROTECTOR SILICONE 4" I.D. X 1 3/4" WIDE	1		
74	502804	SCREW CAP HEX M10-1.5x25 G8.8 N500	2		
75	500487	WASHER LO SPT .443x.779x.109 N500	2		
76	960143	WASHER FL 10.5x26.0x2.0 ZP	1		
77	053503	PIPE 4" O.D. / AIR COOLER & TURBO	1		



From 8-9279 To B-9999	Date:10/2022	PAGE:MTH-0330-00
-----------------------	--------------	------------------

AIR FILTER & INTAKE - INSTALLATION WITH DETROIT S-60

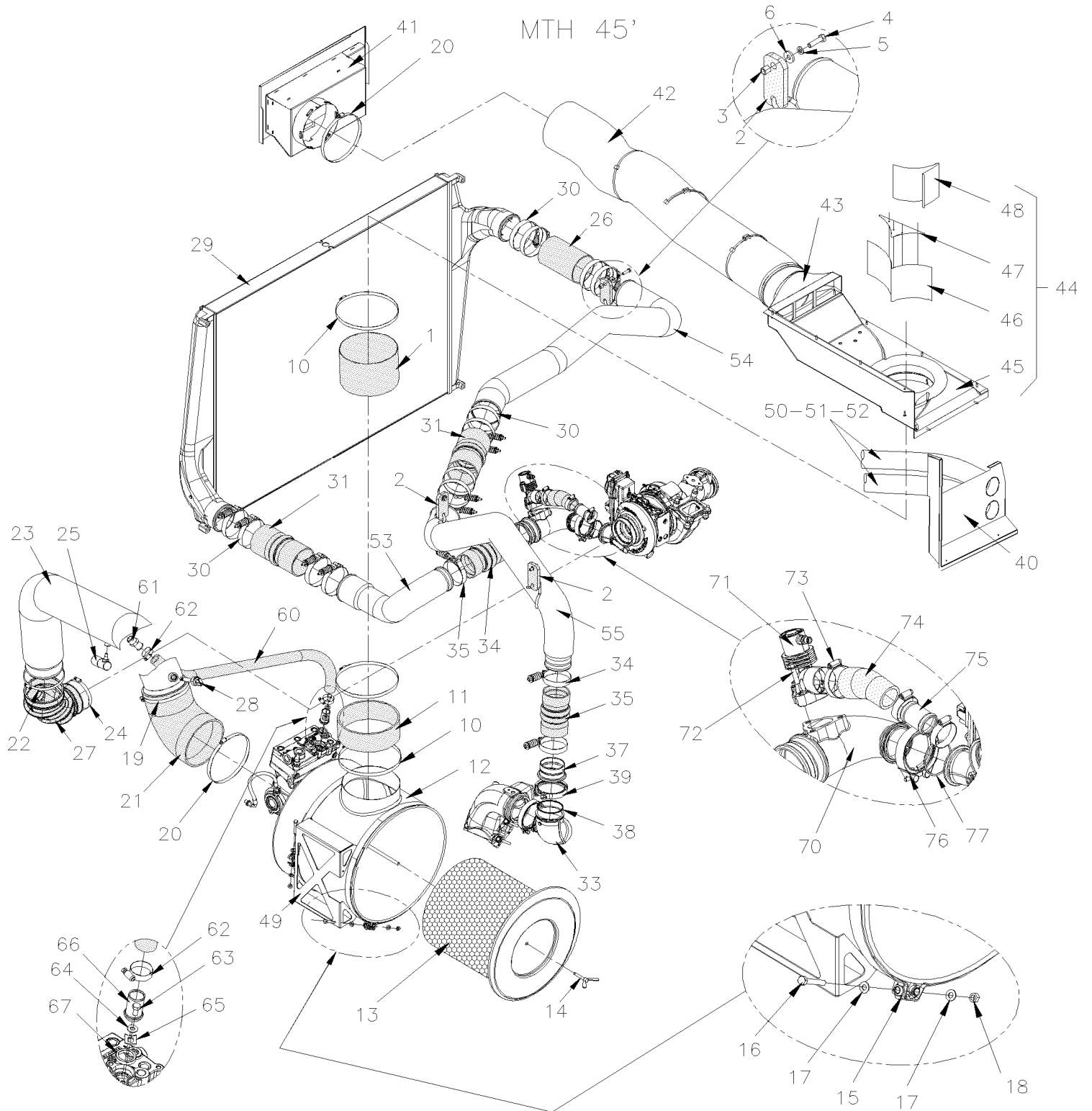
Item#	Part	Description	X L I I M T H 4 5	X L I I M T H 4 5 E	N O T E S
78	531467	HOSE / W/2 RING / 4" I.D. 7" / 500F°	1		
79	550918	AIR COOLER ASSY H & MTH-45	1		
79	21120811	AIR COOLER ASSY H, MTH-45 & 9700	1		
		A) THIS PIPE HAVE A HOLE FOR ADD AIR FILTER RESTRICTION GAUGE			

From 9-9591 To B-9999

Date:10/2022

PAGE:MTH-0330-01

AIR FILTER & INTAKE - INSTALLATION WITH VOLVO D13



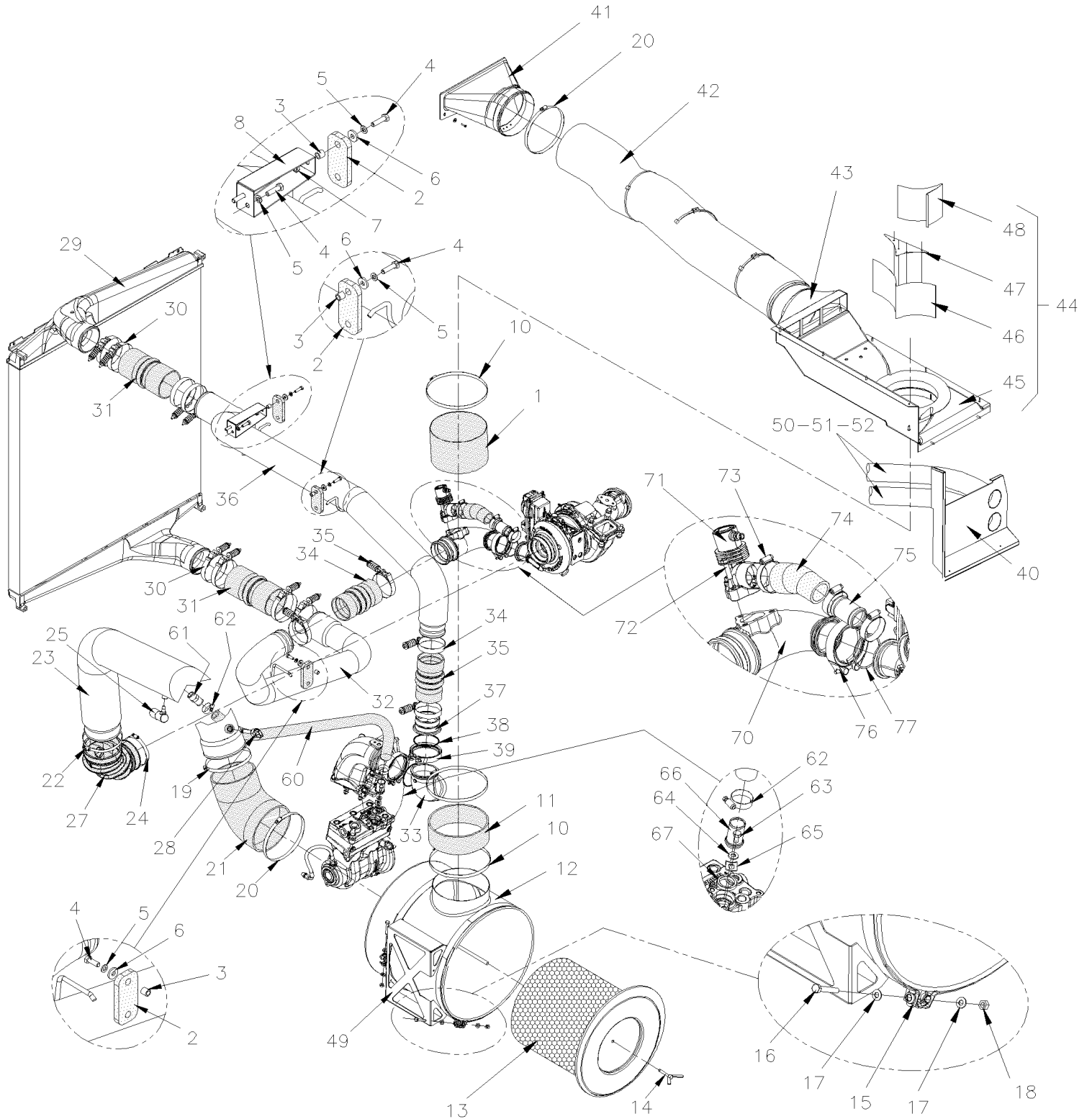
From 9-9591 To B-9999

Date:10/2022

PAGE:MTH-0330-01

AIR FILTER & INTAKE - INSTALLATION WITH VOLVO D13

MTH 45' ENT





From 9-9591 To B-9999	Date:10/2022	PAGE:MTH-0330-01
AIR FILTER & INTAKE - INSTALLATION WITH VOLVO D13		

Item#	Part	Description	X L I I M T H 4 5	X L I I M T H 4 5 E	N O T E S
1	032759	TUBE 8" O.D. X 5 3/4" VOLVO		1	
2	032541	RUBBER SUPPORT 106.5 x 48 / 2 Holes 72MM C/C		3	
3	032540	SPACER 1/2" O.D.X 12MM SS		3	
4	5001499	SCREW CAP HEX M8-1.25x30 SS		5	
5	500942	WASHER LO SPT 8.1x14.8x2.0 N500		5	
6	500401	WASHER FL .343x.875x.125 N500		3	
7	502609	NUT WD HEX M8-1.25 SS		1	
8	052891	SUPPORT PIPE AIR COOLER & MANIFOLD		1	
10	504415	HOSE CLAMP / 7"1/4-9"1/4 SS / HS-152		2	
11	531403	HOSE 8" I.D. 3"		1	
12	531478	FILTER AIR 18"		1	
13	530197	. ELEMENT AIR FILTER 18"		1	
14	531420	. NUT WING 1/2-13 NY		1	
15	031465	STRAP MOUNTING / W/18" AIR FILTER		2	
16	502927	SCREW CAP HEX M8-1.25x50 G8.8 N500		2	
17	192288	WASHER FL 8.4x18.0x2.0 ZG603		2	
18	946036	NUT HEX STO M8-1.25 ZG603		2	
19	504031	HOSE CLAMP / 5"-7" SS / HS-104		1	
20	504229	HOSE CLAMP / 6"1/2-8"1/2 SS / HS-100		3	
21	531475	ELBOW 68° DEGRES / REDUCER 7" X 6"		1	
22	504324	HOSE CLAMP / 4"1/2-6"1/2 SS / HS-96		3	
23	052922	PIPE 5 1/2" O.D. / AIR FILTER & TURBO		1	
24	504257	HOSE CLAMP / 4"1/16-5" SS / HS-72		1	
25	530161	GAUGE AIR RESTRICTION 20" H2O 1/8" NPT		1	
27	21228220	ELBOW INLET, RUBBER		1	
28	21046544	HUMIDITY SENSOR		1	
29	550916	AIR COOLER ASSY		1	
29	550970	AIR COOLER ASSY TitanX SERVICE		1	
29	550967	AIR COOLER ASSY Dura-Lite SERVICE		1	
30	032543	HOSE CLAMP SPRING LOAD / MODIFIED "PREVOST" / 4"1/8-4"7/16 To 9-9595		8	
. NS	531386	. HOSE CLAMP SPRING LOAD / HEAVY DUTY 4"1/8-4"7/16 To 9-9595		1	
. NS	502930	. SPRING COMPRESSION / .975 O.D. x 1.5 x .225 To 9-9595		1	
. NS	500401	. WASHER FL .343x.875x.125 N500 To 9-9595		1	
. NS	500897	. WASHER FL .437x1.000x.083 N500 To 9-9595		2	
30	21185959	HOSE CLAMP SPRING LOAD / MODIFIED "PREVOST" / 4"1/8-4"7/16 From 9-9596		8	
. NS	531386	. HOSE CLAMP SPRING LOAD / HEAVY DUTY 4"1/8-4"7/16 From 9-9596		1	
. NS	502930	. SPRING COMPRESSION / .975 O.D. x 1.5 x .225 From 9-9596		1	
. NS	500401	. WASHER FL .343x.875x.125 N500 From 9-9596		1	
. NS	500897	. WASHER FL .437x1.000x.083 N500 From 9-9596		2	
31	531469	HOSE / W/2 RING / 4" I.D. 8" / 500°F		2	
32	052833	PIPE 4" O.D. / AIR COOLER & TURBO		1	
33	052885	ELBOW AIR INTAKE/ MODIFIED		1	



From 9-9591 To B-9999	Date:10/2022	PAGE:MTH-0330-01
-----------------------	--------------	------------------

AIR FILTER & INTAKE - INSTALLATION WITH VOLVO D13

Item#	Part	Description	X L I I M T H 4 5	X L I I M T H 4 5 E	N O T E S
34	032762	HOSE CLAMP SPRING LOAD / MODIFIED "PREVOST" / 3"5/8-3"15/16 To 9-9595		1	
. NS	531480	. HOSE CLAMP SPRING LOAD / HEAVY DUTY 3"5/8-3"15/16 To 9-9595		1	
. NS	502930	. SPRING COMPRESSION / .975 O.D. x 1.5 x .225 To 9-9595		1	
. NS	500401	. WASHER FL .343x.875x.125 N500 To 9-9595		1	
. NS	500897	. WASHER FL .437x1.000x.083 N500 To 9-9595		2	
34	21185962	HOSE CLAMP SPRING LOAD / MODIFIED "PREVOST" / 3"5/8-3"15/16 From 9-9596		1	
. NS	531480	. HOSE CLAMP SPRING LOAD / HEAVY DUTY 3"5/8-3"15/16 From 9-9596		1	
. NS	502930	. SPRING COMPRESSION / .975 O.D. x 1.5 x .225 From 9-9596		1	
. NS	500401	. WASHER FL .343x.875x.125 N500 From 9-9596		1	
. NS	500897	. WASHER FL .437x1.000x.083 N500 From 9-9596		2	
35	20550690	HOSE 86MM I.D. X 162.5MM		2	
36	052777	PIPE 4" O.D. / AIR COOLER & MANIFOLD		1	
37	1675067	HOSE CONNECTOR		1	
38	1675066	GASKET 107.7MM I.D. V-CLAMP		2	
39	20592783	V-CLAMP / (USE W GASKET) 107.7MM I.D.		2	
40	215302	AIR INTAKE R.H. To A-9974		1	
40	218355	AIR INTAKE R.H. From A-9975		1	
41	032673	AIR INTAKE LH ADAPTOR		1	
NS	500877	WASHER FL .250x.562x.065 N500		4	
NS	500623	SCREW TC PAN PH #10-24x3/4 N500		4	
42	032674	HOSE 7" I.D. 1480MM		1	
. NS	503236	. HOSE FLEXIBLE / AIR DUCT 7" I.D. X 12' / LINEN RUBBER		AR	
NS	504737	CABLE TIE / .300" X 30"1/2		3	
NS	504013	TIE MOUNT / 1/4" X 1/4" I.D.		3	
43	032671	AIR INTAKE ADAPTOR		1	
44	031767P	BOX ASSY / FIBERGLASS		1	
45	031754	. FIBERGLASS BOX		1	
46	031769	. DEFLECTOR FRONT		1	
47	031775	. COVER FRONT DEFLECTOR		1	
48	031757	. DEFLECTOR REAR		1	
NS	500957	SCREW TP BDG PH #10x3/4 N500		AR	
NS	504528	HOLE PLUG BUTTON / .437 O.D. BLACK		3	
49	032781	SUPPORT FILTER AIR		1	
NS	502862	SCREW CAP HEX M8-1.25x20 G8.8 N500		4	
NS	502889	WASHER LO SPT 8.1x12.7x2.0 N500		4	
49	192288	WASHER FL 8.4x18.0x2.0 ZG603		4	
50	067110	HOSE FLEXIBLE / 2 3/4" I.D. X 1825MM		2	
51	504025	HOSE CLAMP / 2"5/16-3"1/4 SS / HS-44		4	
52	MTH-0605-00	ALTERNATOR 24V/140 AMPS / "BOSCH"			
60	052841	HOSE 1100MM		1	
. NS	505182	. COIL PROTECTOR / PLASTIC / #16		AR	
61	5011240	MALE CONNECTOR / BEADED HOSE BARB / #16x3/4NPT-M BR		1	



From 9-9591 To B-9999 Date:10/2022 PAGE:MTH-0330-01

AIR FILTER & INTAKE - INSTALLATION WITH VOLVO D13

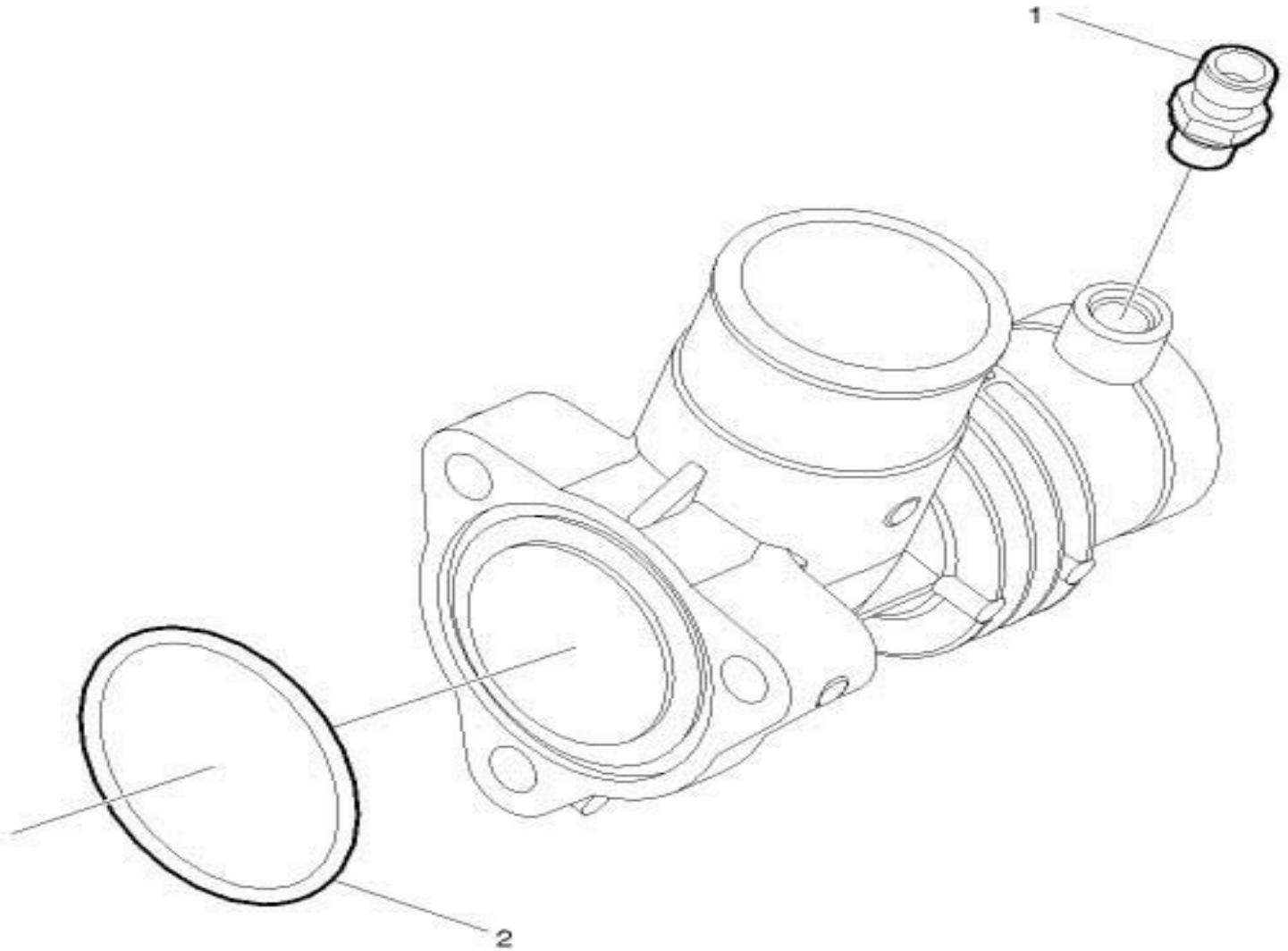
Item#	Part	Description	X L I I M T H 4 5	X L I I M T H 4 5 E	N O T E S
62	504291	HOSE CLAMP / 1"1/8-1"3/4 SS / E.T. 20		2	
63	500820	SCREW CAP HEX M8-1.25x16 G10.9 N500		1	
64	192288	WASHER FL 8.4x18.0x2.0 ZG603		1	
65	1546531	ANGLE RETAINER 13MM I.D.		1	
66	032763	PIPE AIR INLET COMPRESSOR 25.5 O.D. x 52MM / W/FLANGE 28MM O.D.		1	
67	504738	RUBBER JOINT		1	
70	052907	ELBOW TURBO DRV To 9-9595		1	
70	70396027	ELBOW TURBO DRV From 9-9596		1	
71	20940438	DRV VALVE (HEAT MODE VALVE) TB-113379305-1		1	
72	5001742	SCREW CAP HEXF M8-1.25x30 G8.8 N500		3	
73	504024	HOSE CLAMP / 1"13/16"-2"3/4 SS / HS-36		3	
74	052848	HOSE DRV VALVE		1	
75	20905754	BUSHING DRV VALVE		1	
76	20592787	V-CLAMP / 81.7MM I.D.		1	
77	8167682	GASKET 60MM I.D.		1	
NS	8081420	DECAL ETHER / ENGLISH & FRANCAIS		1	
NS	8081419	DECAL ETHER / ENGLISH & SPANISH		1	

From 9-9591 To B-9999

Date:10/2022

PAGE:20940438

DRV VALVE (HEAT MODE VALVE) TB-113379305-1



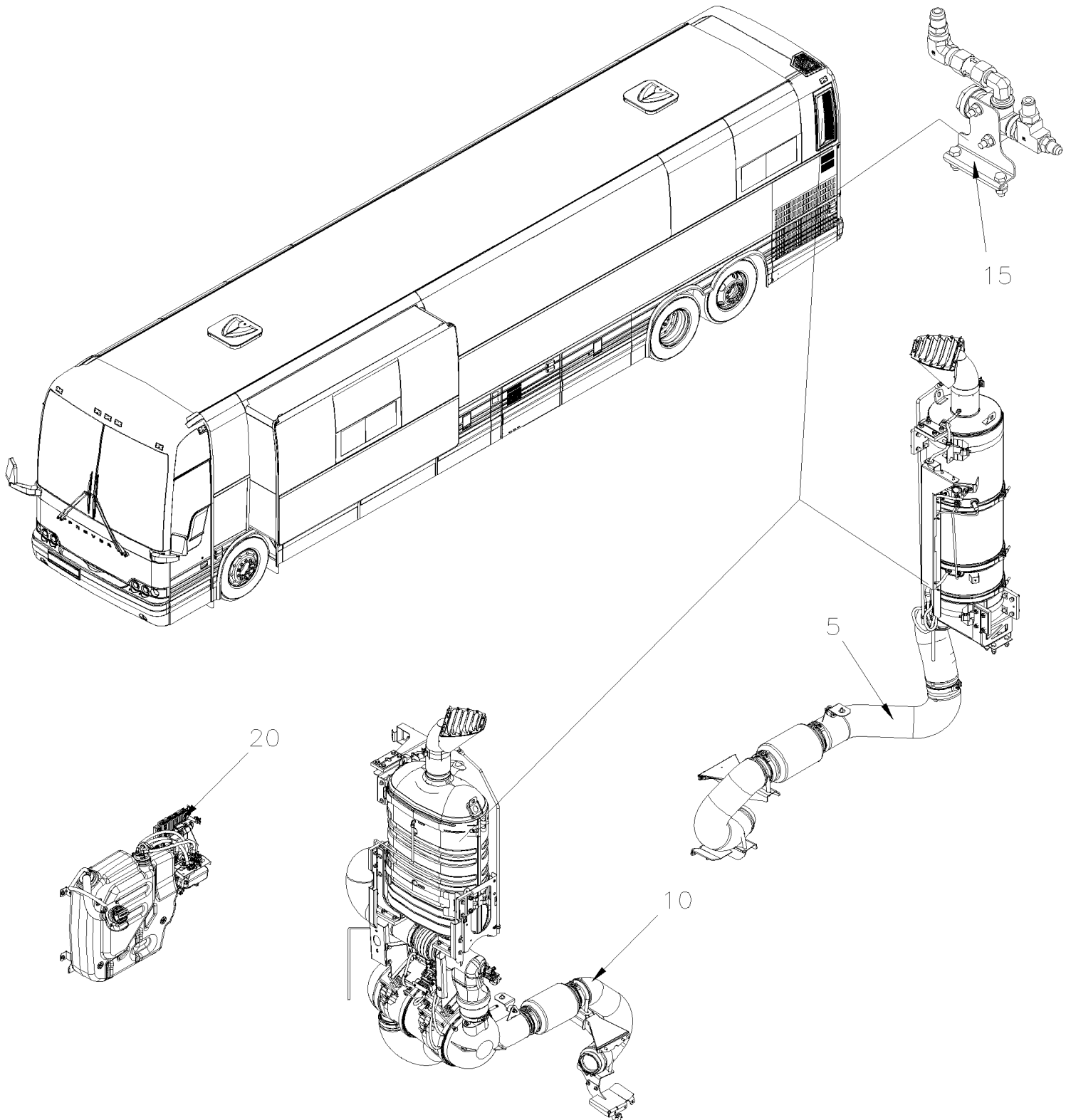


From 9-9591 To B-9999	Date:10/2022	PAGE:20940438
DRV VALVE (HEAT MODE VALVE) TB-113379305-1		

Item#	Part	Description	X L I M T H 4 5	X L I M T H 4 5 E	N O T E S
1	21018786	NIPPLE HEAT MODE VALVE	1	1	
2	20974821	O-RING DISCHARGE RECIR. VALVE	1	1	



	Date:10/2022	MTH-04
EXHAUST		





		Date:10/2022	MTH-04
EXHAUST			

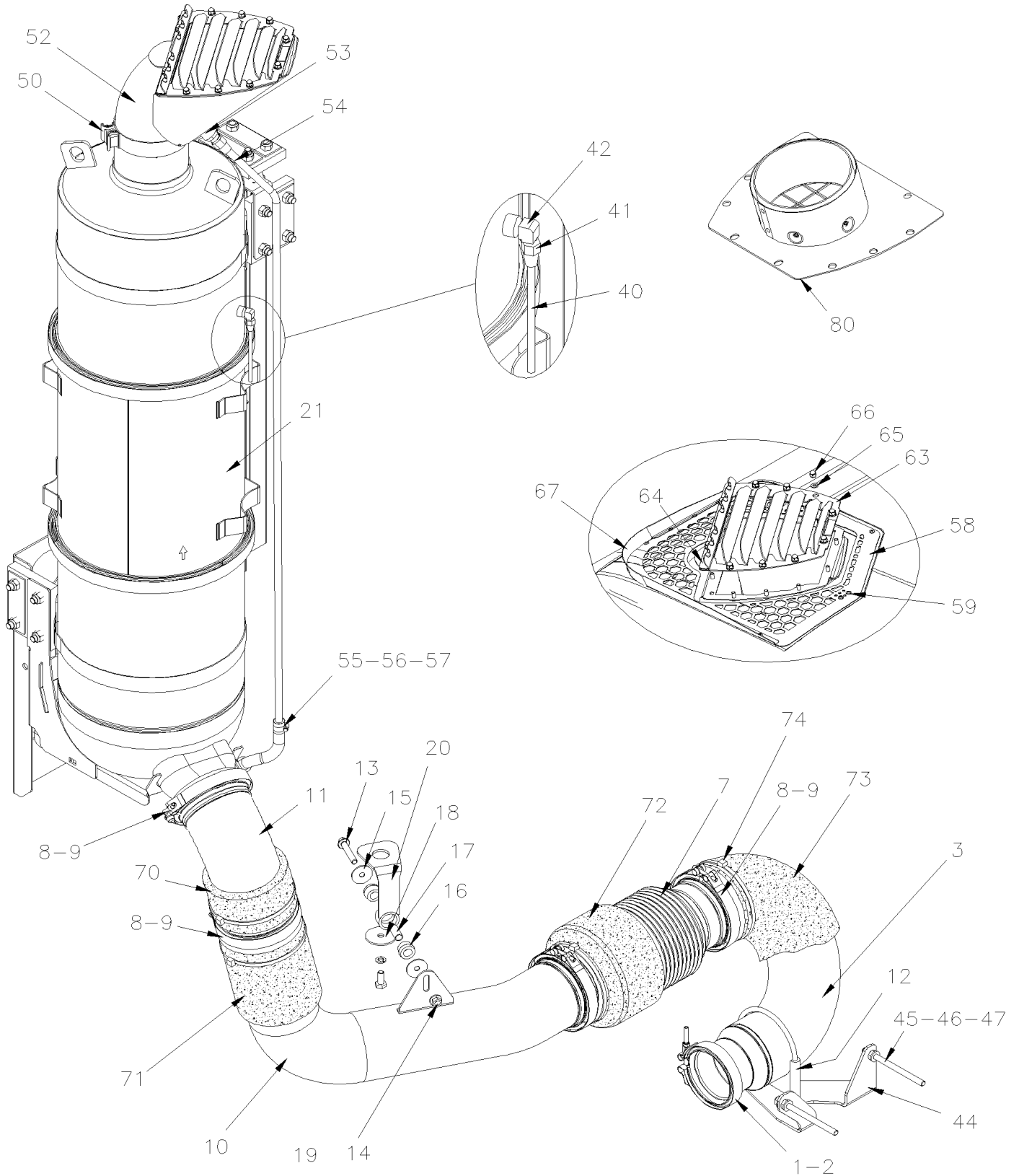
Item#	Part	Description	X L I I M T H 4 5	X L I I M T H 4 5 E	N O T E S
5	MTH-0405-00	MUFFLER - INSTALLATION WITH DPF FILTER WITH DETROIT S-60 From 8-9279 To B-9999			
5	MTH-0405-01	MUFFLER - INSTALLATION WITH DPF FILTER WITH VOLVO D13 From 9-9591 To B-9999			
15	MTH-0405-10	7TH INJECTOR / EXHAUST VOLVO D13 From 9-9591 To B-9999			

From 8-9279 To B-9999

Date:10/2022

PAGE:MTH-0405-00

MUFFLER - INSTALLATION WITH DPF FILTER WITH DETROIT S-60

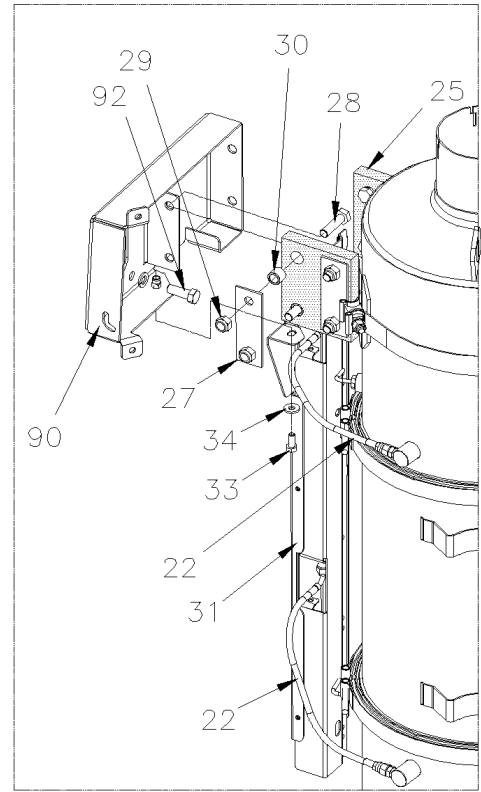
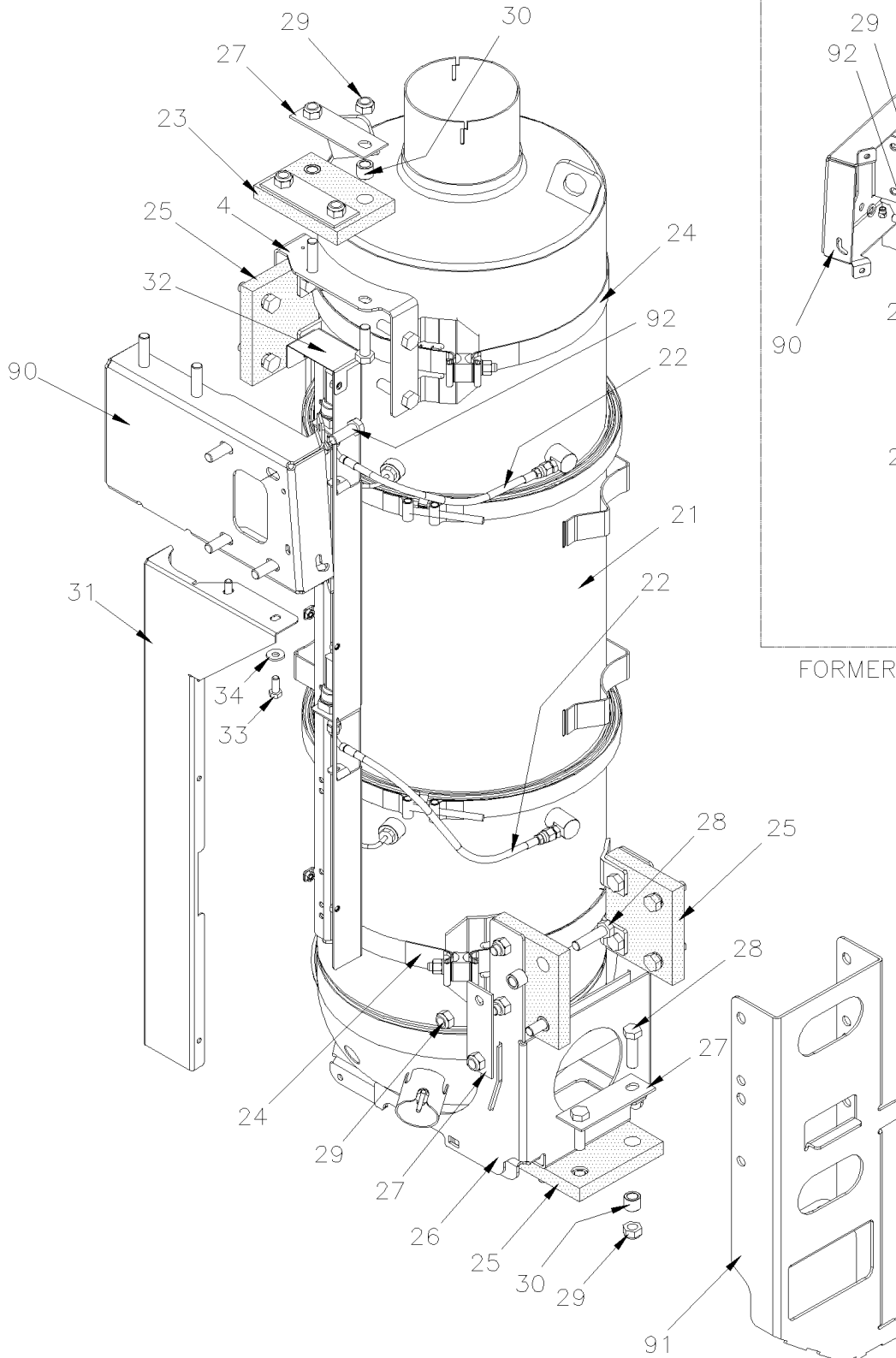


From 8-9279 To B-9999

Date:10/2022

PAGE:MTH-0405-00

MUFFLER - INSTALLATION WITH DPF FILTER WITH DETROIT S-60



FORMER INSTALLATION



From 8-9279 To B-9999 Date:10/2022 PAGE:MTH-0405-00

MUFFLER - INSTALLATION WITH DPF FILTER WITH DETROIT S-60

Item#	Part	Description	X L I M T H 4 5	X L I M T H 4 5 E	NOTES
1	540062	V CLAMP 4.75" I.D.	1	1	
2	21048738	GASKET 4.81" I.D. V-CLAMP	1	1	
3	040630	PIPE, EXHAUST "U"	1	1	
NS	041142	REINFORCEMENT "U" PIPE ASSY.	1	1	I
4	040688	SUPPORT UPPER DPF To B-9953	1	1	
4	040923	SUPPORT UPPER DPF From B-9954	1	1	
. NS	503702	. HOSE / (SAFETY STRIPE) / 3/8" I.D. 50' / S.L. From B-9954	AR	AR	
. NS	992081	. HOSE CLAMP / 12MM/22MM From B-9954	1	1	
7	540066	BELLOWS - EXHAUST 5" I.D. x 14.49"	1	1	
8	21021850	V-CLAMP / (USE W GASKET) 5.91" I.D.	4	4	
9	21048740	GASKET 5.91" I.D. V-CLAMP	4	4	
10	040642	PIPE, EXHAUST / CENTER	1		
10	040683	PIPE, EXHAUST / CENTER		1	
11	040657	PIPE, EXHAUST / UPPER	1	1	
12	540018	U-CLAMP / (GUILLOTINE TYPE) / 5" I.D.	2	2	
13	5001595	SCREW CAP HEXF M10-1.5x60 G8.8 G500	1	1	
14	971098	NUT HEXF STO M10-1.5 G8 ZP	1	1	
15	500261	WASHER FL .390x1.500x.083 N500	2	2	
16	661074	BUSHING / RUBBER 3/4" x 5/8" I.D.	2	2	
17	505217	SPACER 7/16" X 1 1/4"	1	1	
18	040627	WASHER FL 10.5x54x11GA SS	1	1	
18	3852496	WASHER LO SPT 10.2x18.1x2.2 ZG603	1	1	
19	502804	SCREW CAP HEX M10-1.5x25 G8.8 N500	1	1	
20	040639	ANGLE PIPE SUPPORT	1	1	
21	540065	DPF EXHAUST FILTER	1	1	
22	040620	HOSE ASSY TEFLON #4 240MM	1	1	
22	040744	HOSE ASSY TEFLON #4 280MM	1	1	
23	040579	MUFFLER CONNECTION RUBBER 135MM x 93MM To 9-9595	1	1	
23	21120785	MUFFLER CONNECTION RUBBER 135MM x 93MM From 9-9596	1	1	
24	040603	CLAMP SUPPORT ASSY	2	2	
. A	5001801	. SCREW CAP HEXF M10-1.5x55 G10.9 N500	1	1	
. B	540085	. SPACER / HALF MOON SHAPE	2	2	
. C	540086	. SPACER / ANVIL SHAPE	1	1	
. D	5001758	. NUT HEX STO M10-1.5 N500	1	1	
25	040574	MUFFLER CONNECTION RUBBER 135MM x 107MM	4	4	
26	040578	SUPPORT LOWER DPF To 8-9389	1	1	
26	040725	SUPPORT LOWER DPF From 8-9390 To B-9953	1	1	
26	040926	SUPPORT LOWER DPF From B-9954	1	1	
27	040575	PLATE ATTACHMENT 120MM X 40MM To 9-9595	6	6	
27	21138255	PLATE ATTACHMENT 120MM X 40MM From 9-9596	1	1	
28	5001338	SCREW CAP HEX M12-1.75x45 G10.9 N500	AR	AR	
29	500811	NUT HEX STO M12-1.75 G500	AR	AR	



From 8-9279 To B-9999	Date:10/2022	PAGE:MTH-0405-00
-----------------------	--------------	------------------

MUFFLER - INSTALLATION WITH DPF FILTER WITH DETROIT S-60

Item#	Part	Description	X L I M T H 4 5	X L I M T H 4 5 E	N O T E S
30	040680	SPACER 3/4" O.D. X 16MM SS To B-9970	AR	AR	
30	040937	SPACER 3/4" O.D. X 16MM ST From B-9971	AR	AR	
31	040716	PROTECTOR CABLE SUPPORT To B-9953	1	1	
31	040930	PROTECTOR CABLE SUPPORT From B-9954	1	1	
32	040667	PROTECTOR CABLE SUPPORT	1	1	
33	502862	SCREW CAP HEX M8-1.25x20 G8.8 N500	2	2	
34	500321	WASHER BEL SPR .331x.827x.098 N500	2	2	
NS	5001337	NUT INS FL HEX M8-1.25 0.5-3.0 Z050	2	2	
40	040621	TUBE DRAIN 1/4" O.D. 128MM COPPER	1	1	
41	501012	NUT LONG / SAE 45° FITTING / #4FL-F BR	1	1	
42	501037	MALE ELBOW 90° / SAE 45° FITTING / #4FL-Mx1/4NPT-M BR	1	1	
44	040635	PIPE "U" SUPPORT	1	1	
45	510626	STUD M10-1.5 x 120	2	2	
46	960143	WASHER FL 10.5x26.0x2.0 ZP	2	2	
47	5001758	NUT HEX STO M10-1.5 N500	2	2	
50	540067	CLAMP BAND SEAL / LAP JOINT / 5" I.D.x1.25"	1	1	
52	040592	DIFFUSOR ASSY To 8-9465	1	1	
52	040719	DIFFUSOR ASSY From 8-9466 To 9-9595	1	1	
52	21102422	DIFFUSOR ASSY From 9-9596	1	1	
53	640873	MALE CONNECTOR / AB FITTING / #8x1/2NPT-M BR	1	1	
54	040599	TUBE DRAIN 1/2" O.D. 1354MM SS W/BEND To 8-9389	1	1	
54	040723	TUBE DRAIN 1/2" O.D. 1472MM SS W/BEND From 8-9390	1	1	
54	040724	TUBE DRAIN 1/2" O.D. 1646MM SS W/BEND From 8-9390		1	
55	040700	HOSE DRAIN / 1/2" I.D. 1900MM To 8-9389	1	1	
NS	503593	HOSE FC-505-10 / FREON R-134a To 8-9389	AR	AR	
NS	504018	HOSE CLAMP / 7/16"-1" SS / HS-8 To 8-9389	1	1	
56	952631	CLAMP / 3/4" I.D.	1	1	
57	955269	SCREW CAP HEX M6-1.0x12 G8.8 ZG603	1	1	
57	502681	NUT HEX NYRT M6-1.0 N500 G8	1	1	
58	040590	GRILL ROOF	1	1	
NS	040710	HOSE ADAPTOR, EXHAUST W/TOP DIFFUSOR FOR ADAPTEUR GARAGE VENTILATION	1	1	
NS	5001685	SCREW TH SHR 1/4-20x1 1/2 SS	2	2	
59	500952	SCREW TP BDG PH #8x1/2 SS	15	15	
63	040668	GRILL DIFFUSOR To 8-9541	1	1	
63	040747	GRILL DIFFUSOR From 8-9542 To 9-9595	1	1	
63	21139384	GRILL DIFFUSOR From 9-9596	1	1	
NS	040706	KIT EXTENSION DIFFUSOR / 9"	AR	AR	
NS	040648	EXTENTION DIFFUSOR / 9"	1	1	
NS	040671	PROTECTOR GRILL EXTENTION / 9"	1	1	
NS	5001684	NUT HEX CAP M6-1.0 SS	10	10	
NS	502573	WASHER FL 6.4x12.5x1.6 SS	10	10	



From 8-9279 To B-9999 Date:10/2022 PAGE:MTH-0405-00

MUFFLER - INSTALLATION WITH DPF FILTER WITH DETROIT S-60

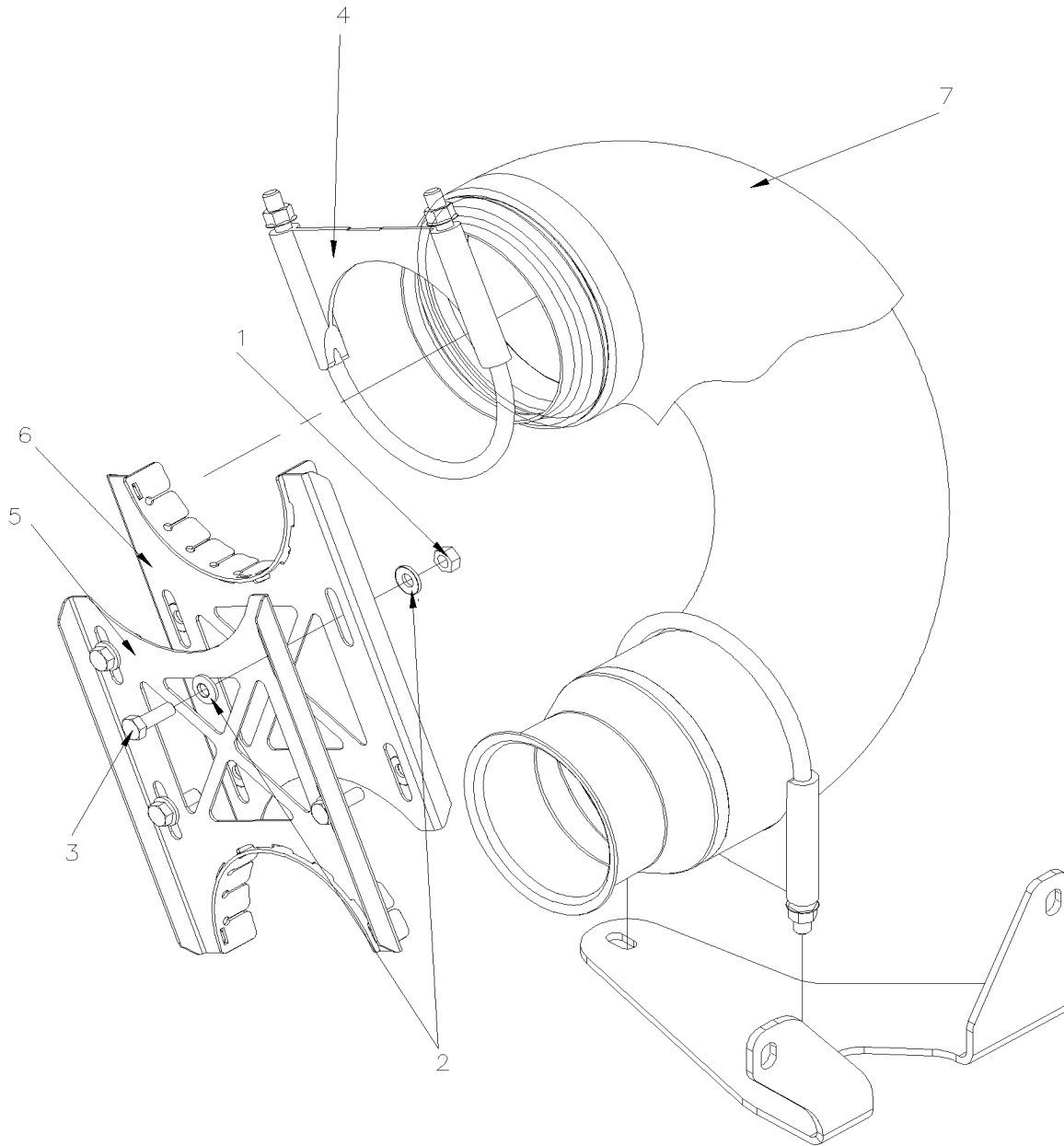
Item#	Part	Description	X L I M T H 4 5	X L I M T H 4 5 E	N O T E S
NS	040707	KIT EXTENSION DIFFUSOR / 6 5/8"	AR	AR	
. NS	040677	. EXTENTION DIFFUSOR / 6 5/8"	1	1	
. NS	040679	. PROTECTOR GRILL EXTENTION / 6 5/8"	1	1	
. NS	5001684	. NUT HEX CAP M6-1.0 SS	10	10	
. NS	502573	. WASHER FL 6.4x12.5x1.6 SS	10	10	
64	040161	PLATE "WARNING" THIS DIFFUSOR MUST BE FLUSH.. To 9-9595	1	1	
64	21139388	PLATE "WARNING" THIS DIFFUSOR MUST BE FLUSH.. From 9-9596	1	1	
65	502573	WASHER FL 6.4x12.5x1.6 SS	10	10	
66	5001684	NUT HEX CAP M6-1.0 SS	10	10	
67	040745	DEFLECTOR TAPER - X SERIES From 8-9542	1	1	
70	040693	INSULATED BLANKET / PIPE EXHAUST DPF	1	1	
71	040641	INSULATED BLANKET / PIPE	1		
71	040684	INSULATED BLANKET / PIPE		1	
72	040692	INSULATED BLANKET / BELLOW	1	1	
73	040640	INSULATED BLANKET / PIPE	1	1	
74	504737	CABLE TIE / .300" X 30"1/2	AR	AR	
80	040750	GRILL DIFFUSOR / 5" O.D. PIPE From 8-9542	1	1	
90	040576	SUPPORT UPPER DPF	1	1	F
90	040690	SUPPORT UPPER DPF	1	1	C
91	232037	SUPPORT LOWER DPF	1		
91	232013	SUPPORT LOWER DPF		1	
92	500806	SCREW CAP HEX M12-1.75X35 G10.9 G500	4	4	
92	500747	WASHER LO SPT 12.2x21.1x2.5 N500	4	4	
		C) CURRENT			
		F) FORMER			
		I) FOR PRODUCT IMPROVEMENT			

From 8-9279 To B-9999

Date:10/2022

PAGE:041142

REINFORCEMENT "U" PIPE ASSY.





From 8-9279 To B-9999	Date:10/2022	PAGE:041142
REINFORCEMENT "U" PIPE ASSY.		

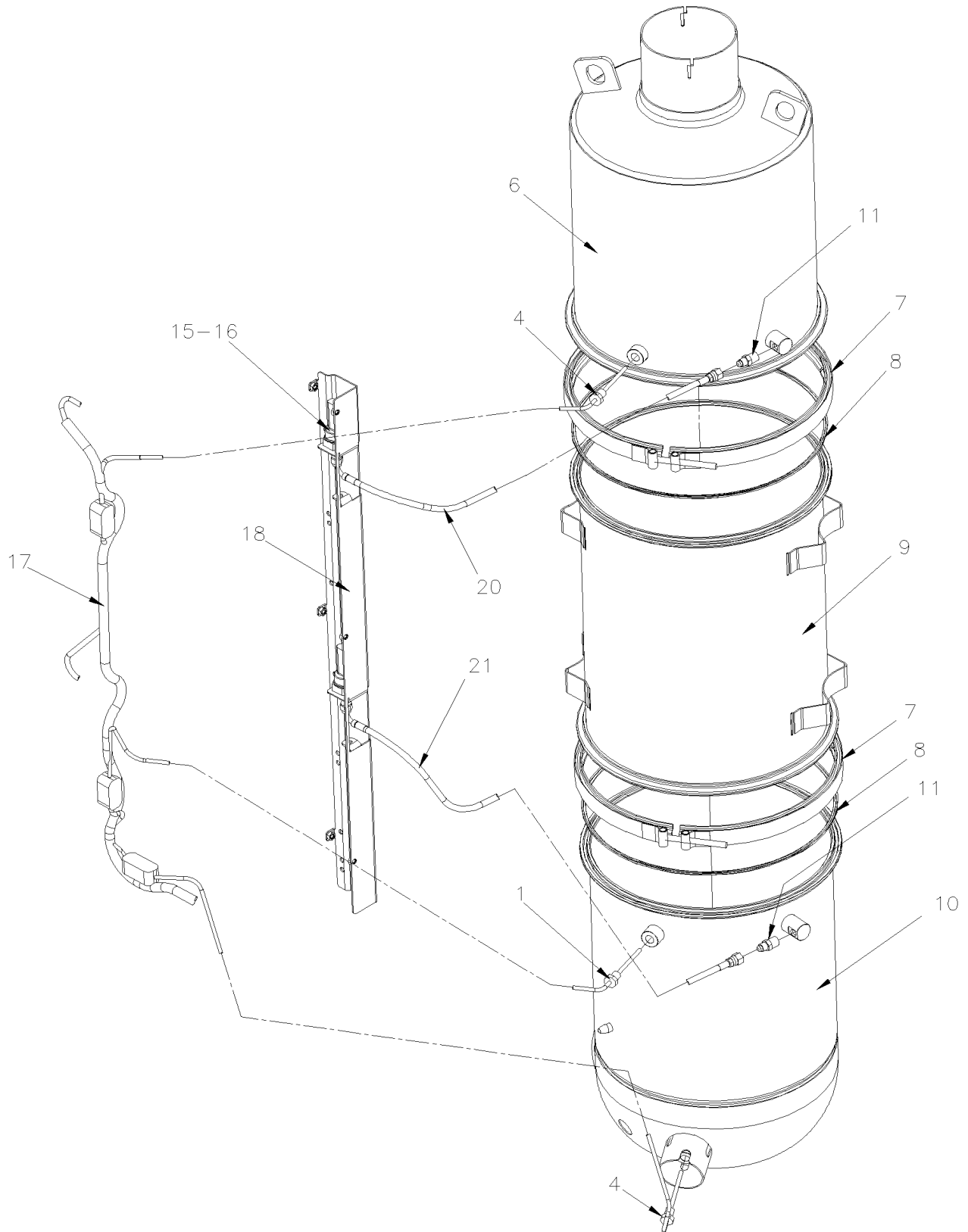
Item#	Part	Description	X L I I M T H 4 5	X L I I M T H 4 5 E	N O T E S
1	5001740	NUT HEX STO M8-1.25 N500	4	4	
2	5001868	WASHER BEL SPR 8.4x18x2 SS	8	8	
3	502780	SCREW CAP HEX M8-1.25x25 SS BK	4	4	
4	540018	U-CLAMP / (GUILLOTINE TYPE) / 5" I.D.	1	1	
5	046572	LOWER SUPPORT	1	1	
6	046571	HIGHER SUPPORT	1	1	
7	041090	COVER, EXHAUST PIPE	1	1	

From 8-9279 To B-9999

Date:10/2022

PAGE:540065

DPF EXHAUST FILTER





From 8-9279 To B-9999 Date:10/2022 PAGE:540065

DPF EXHAUST FILTER

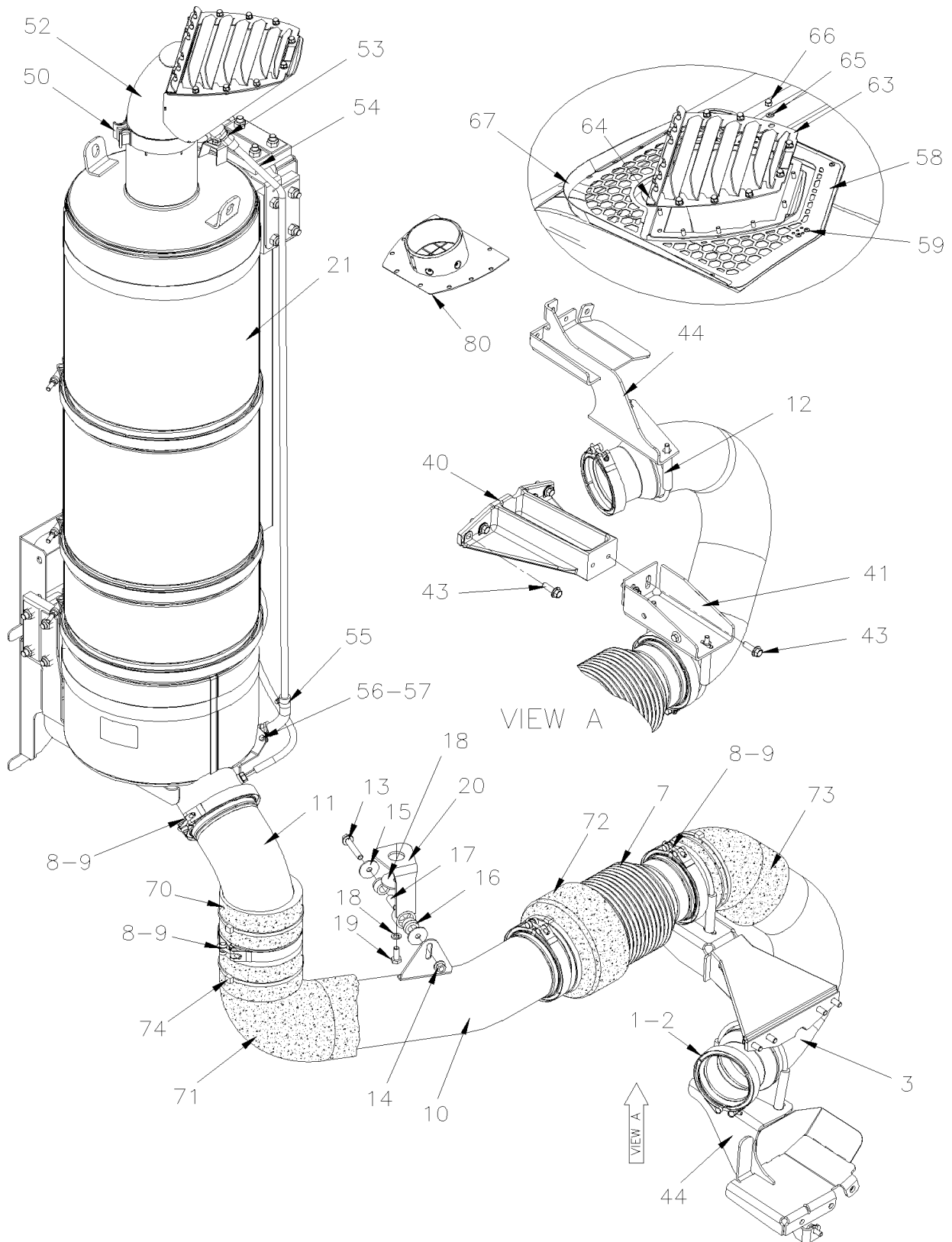
Item#	Part	Description	X L I I M T H 4 5	X L I I M T H 4 5 E	N O T E S
		DPF EXHAUST FILTER	1	1	
1	A6805420018	. SENSOR DOC OUTLET TEMPERATURE /	1	1	
4	A6804910337	. SENSOR DOC INLET TEMPERATURE / SENSOR DPF OUTLET TEMPERATURE	2	2	
6	A6804921255	. MODULE 12" ATD TO RAIN TRAP OUTLET	1	1	
7	A4709950002	. V-BAND CLAMP 12"	2	2	
8	A4709970045	. GASKET "V" SHAPE	2	2	
9	RA6804908692	. REMAN KIT DPF MODULE WITH GASKET	1	1	
10	RA6804901514	. MODULE 12" ATU TO 10" DOC	1	1	
11	A4709970070	. FITTING 7/16-20 1/4 COMP SS	1	1	
15	A4721530028	. SENSOR DPF PRESSURE 40KPA GAGE ATD	2	2	
16	A0039903050	. NUT HEX JAM 7/16-20 SS	2	2	
17	A4721500633	. HARNESS ASSY DPF	1	1	
18	A6805420555	. BRACKET MOUNTING SENSOR	1	1	
20	040744	HOSE ASSY TEFLON #4 280MM	1	1	
21	040620	HOSE ASSY TEFLON #4 240MM	1	1	

From 9-9591 To B-9999

Date:10/2022

PAGE:MTH-0405-01

MUFFLER - INSTALLATION WITH DPF FILTER WITH VOLVO D13

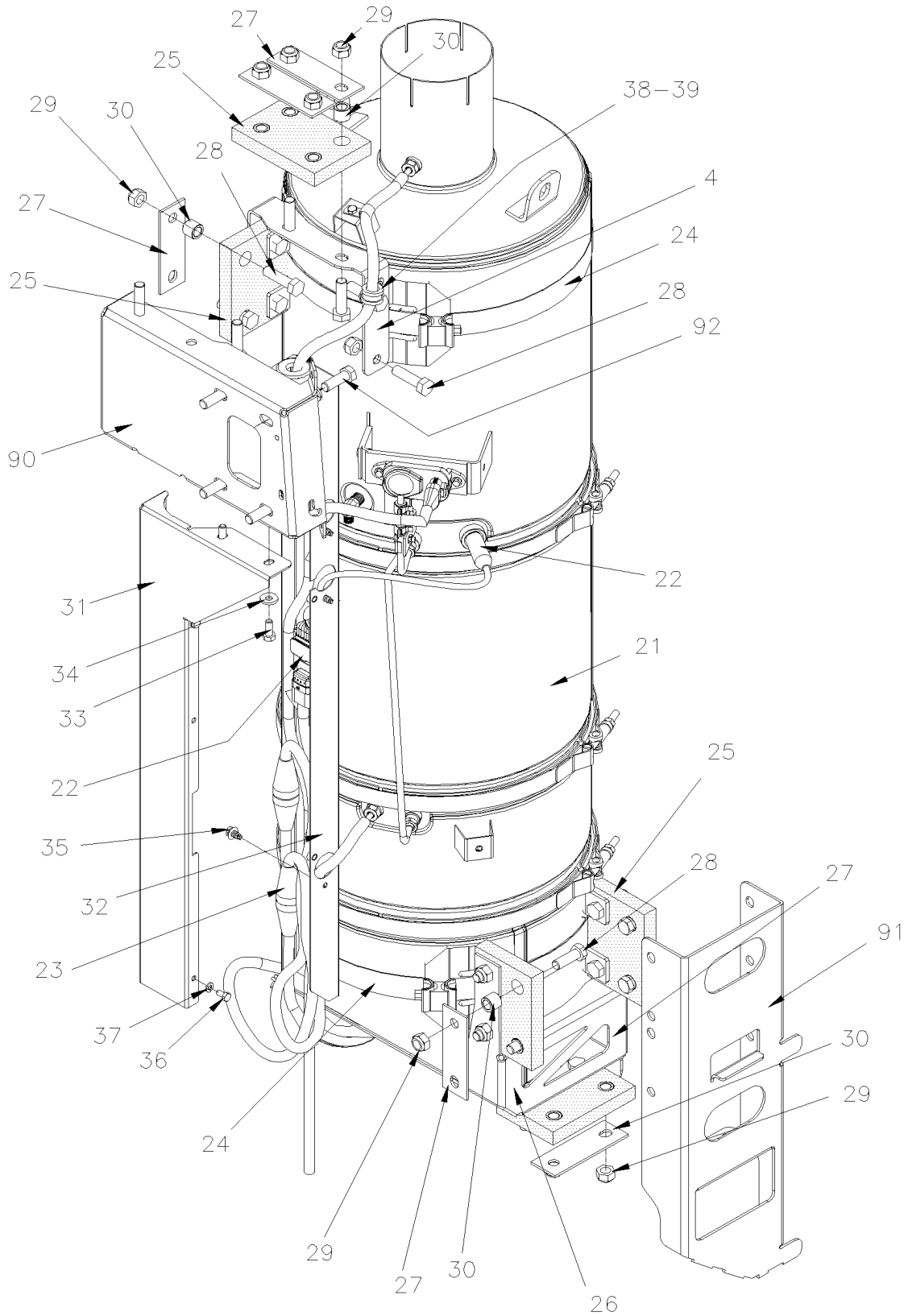


From 9-9591 To B-9999

Date:10/2022

PAGE:MTH-0405-01

MUFFLER - INSTALLATION WITH DPF FILTER WITH VOLVO D13





From 9-9591 To B-9999 Date:10/2022 PAGE:MTH-0405-01

MUFFLER - INSTALLATION WITH DPF FILTER WITH VOLVO D13

Item#	Part	Description	X L I I M T H 4 5	X L I I M T H 4 5 E	N O T E S
1	21060426	V-CLAMP / (USE W GASKET) 4.81" I.D.		1	
2	21048738	GASKET 4.81" I.D. V-CLAMP		1	
3	040651	PIPE, EXHAUST "U"		1	
4	040687	SUPPORT UPPER DPF To 9-9595		1	
4	21138599	SUPPORT UPPER DPF From 9-9596 To B-9953		1	
4	040929	SUPPORT UPPER DPF From B-9954		1	
7	540066	BELLOWS - EXHAUST 5" I.D. x 14.49"		1	
8	21021850	V-CLAMP / (USE W GASKET) 5.91" I.D.		4	
9	21048740	GASKET 5.91" I.D. V-CLAMP		4	
10	040685	PIPE, EXHAUST / CENTER		1	
11	040657	PIPE, EXHAUST / UPPER		1	
12	540018	U-CLAMP / (GUILLOTINE TYPE) / 5" I.D.		2	
13	5001595	SCREW CAP HEXF M10-1.5x60 G8.8 G500		1	
14	971098	NUT HEXF STO M10-1.5 G8 ZP		1	
15	500261	WASHER FL .390x1.500x.083 N500		2	
16	661074	BUSHING / RUBBER 3/4" x 5/8" I.D.		2	
17	505217	SPACER 7/16" X 1 1/4"		1	
18	040627	WASHER FL 10.5x54x11GA SS		1	
18	3852496	WASHER LO SPT 10.2x18.1x2.2 ZG603		1	
19	502804	SCREW CAP HEX M10-1.5x25 G8.8 N500		1	
20	040639	ANGLE PIPE SUPPORT		1	
21	21096838	MUFFLER DPF EXHAUST FILTER		1	
. NS	Refer To Volvo	. FOR SERVICE PARTS SEE IMPACT			V
. NS	Refer To Volvo	. OR CALL ORDER DESK			V
21	85000725	PARTICULATE FILTER (reman)		1	
. NS	Refer To Volvo	. FOR SERVICE PARTS SEE IMPACT			V
. NS	Refer To Volvo	. OR CALL ORDER DESK			V
22	20789066	SENSOR NOX ASSY W/CABLE To 8-9513		1	
22	21069361	SENSOR NOX ASSY W/CABLE From 8-9514		1	
23	20891130	CABLE ASSY SENSOR MODULE		1	
24	040623	CLAMP SUPPORT ASSY To 9-9595		2	
24	21120780	CLAMP SUPPORT ASSY From 9-9596		1	
25	040579	MUFFLER CONNECTION RUBBER 135MM x 93MM To 9-9595		5	
25	21120785	MUFFLER CONNECTION RUBBER 135MM x 93MM From 9-9596		1	
26	040636	SUPPORT LOWER DPF To 9-9595		1	
26	21102659	SUPPORT LOWER DPF From 9-9596 To B-9953		1	
26	040931	SUPPORT LOWER DPF From B-9954		1	
27	040575	PLATE ATTACHMENT 120MM X 40MM To 9-9595		6	
27	21138255	PLATE ATTACHMENT 120MM X 40MM From 9-9596		1	
28	5001338	SCREW CAP HEX M12-1.75x45 G10.9 N500		AR	
29	500811	NUT HEX STO M12-1.75 G500		AR	
30	040680	SPACER 3/4" O.D. X 16MM SS To B-9971		AR	



From 9-9591 To B-9999 Date:10/2022 PAGE:MTH-0405-01

MUFFLER - INSTALLATION WITH DPF FILTER WITH VOLVO D13

Item#	Part	Description	X L I M T H 4 5	X L I M T H 4 5 E	N O T E S
30	040937	SPACER 3/4" O.D. X 16MM ST From B-9972		AR	
31	040689	PROTECTOR CABLE SUPPORT To B-9953		1	
31	040928	PROTECTOR CABLE SUPPORT From B-9954		1	
32	041068	CABLE SUPPORT To B-9953		1	
32	040924	CABLE SUPPORT From B-9954		1	
NS	955269	SCREW CAP HEX M6-1.0x12 G8.8 ZG603		2	
NS	500877	WASHER FL .250x.562x.065 N500		2	
NS	504264	GROMMET / .750x1.250x.062x.250x1.625		1	
33	502862	SCREW CAP HEX M8-1.25x20 G8.8 N500		2	
34	500321	WASHER BEL SPR .331x.827x.098 N500		2	
NS	5001337	NUT INS FL HEX M8-1.25 0.5-3.0 Z050		2	
35	509815	TIE MOUNT / ATTACHMENT W/TREE MOUNT		AR	
36	955269	SCREW CAP HEX M6-1.0x12 G8.8 ZG603		2	
37	502853	WASHER LO SPT 6.1x11.8x1.6 N500		2	
38	952629	CLAMP / 5/8" I.D.		1	
39	502868	SCREW TC TR PH #10-16x1/2 N500		1	
40	040664	SUPPORT PRIMARY / EXHAUST PIPE		1	
41	040659	SUPPORT SECONDARY / EXHAUST PIPE		1	
43	5001644	SCREW CAP HEXF M10-1.5x30 G8.8 G500		6	
44	040662	SUPPORT EXHAUST PIPE To 9-9595		1	
50	540067	CLAMP BAND SEAL / LAP JOINT / 5" I.D.x1.25"		1	
52	040719	DIFFUSOR ASSY To 9-9595		1	
52	21102422	DIFFUSOR ASSY From 9-9596		1	
53	640873	MALE CONNECTOR / AB FITTING / #8x1/2NPT-M BR		1	
54	040599	TUBE DRAIN 1/2" O.D. 1354MM SS W/BEND		1	
55	040700	HOSE DRAIN / 1/2" I.D. 1900MM		1	
NS	503593	HOSE FC-505-10 / FREON R-134a		AR	
NS	504018	HOSE CLAMP / 7/16"-1" SS / HS-8		1	
56	952631	CLAMP / 3/4" I.D.		1	
57	955269	SCREW CAP HEX M6-1.0x12 G8.8 ZG603		1	
57	502681	NUT HEX NYRT M6-1.0 N500 G8		1	
58	040590	GRILL ROOF		1	
NS	040710	HOSE ADAPTOR, EXHAUST W/TOP DIFFUSOR FOR ADAPTEUR GARAGE VENTILATION		1	
NS	5001685	SCREW TH SHR 1/4-20x1 1/2 SS		2	
59	500952	SCREW TP BDG PH #8x1/2 SS		15	
63	040747	GRILL DIFFUSOR To 9-9595		1	
63	21139384	GRILL DIFFUSOR From 9-9596		1	
NS	040706	KIT EXTENSION DIFFUSOR / 9"		AR	
NS	040648	EXTENTION DIFFUSOR / 9"		1	
NS	040671	PROTECTOR GRILL EXTENTION / 9"		1	
NS	5001684	NUT HEX CAP M6-1.0 SS		10	



From 9-9591 To B-9999 Date:10/2022 PAGE:MTH-0405-01

MUFFLER - INSTALLATION WITH DPF FILTER WITH VOLVO D13

Item#	Part	Description	X L I I M T H 4 5	X L I I M T H 4 5 E	N O T E S
. NS	502573	. WASHER FL 6.4x12.5x1.6 SS		10	
NS	040707	KIT EXTENSION DIFFUSOR / 6 5/8"		AR	
. NS	040677	. EXTENTION DIFFUSOR / 6 5/8"		1	
. NS	040679	. PROTECTOR GRILL EXTENTION / 6 5/8"		1	
. NS	5001684	. NUT HEX CAP M6-1.0 SS		10	
. NS	502573	. WASHER FL 6.4x12.5x1.6 SS		10	
64	040161	PLATE "WARNING" THIS DIFFUSOR MUST BE FLUSH.. To 9-9595		1	
64	21139388	PLATE "WARNING" THIS DIFFUSOR MUST BE FLUSH.. From 9-9596		1	
65	502573	WASHER FL 6.4x12.5x1.6 SS		10	
66	5001684	NUT HEX CAP M6-1.0 SS		10	
67	040745	DEFLECTOR TAPER - X SERIES		1	
70	040693	INSULATED BLANKET / PIPE EXHAUST DPF		1	
71	040686	INSULATED BLANKET / PIPE		1	
72	040692	INSULATED BLANKET / BELLOW		1	
73	040654	INSULATED BLANKET / PIPE TURBO		1	
74	504737	CABLE TIE / .300" X 30"1/2		AR	
80	040750	GRILL DIFFUSOR / 5" O.D. PIPE From 8-9542		1	
90	040690	SUPPORT UPPER DPF		1	
91	232013	SUPPORT LOWER DPF		1	
92	500806	SCREW CAP HEX M12-1.75X35 G10.9 G500		4	
92	500747	WASHER LO SPT 12.2x21.1x2.5 N500		4	
		V) SEE IMPACT OR CALL ORDER DESK			



From 9-9591 To B-9999	Date:10/2022	PAGE:21096838
-----------------------	--------------	---------------

MUFFLER DPF EXHAUST FILTER

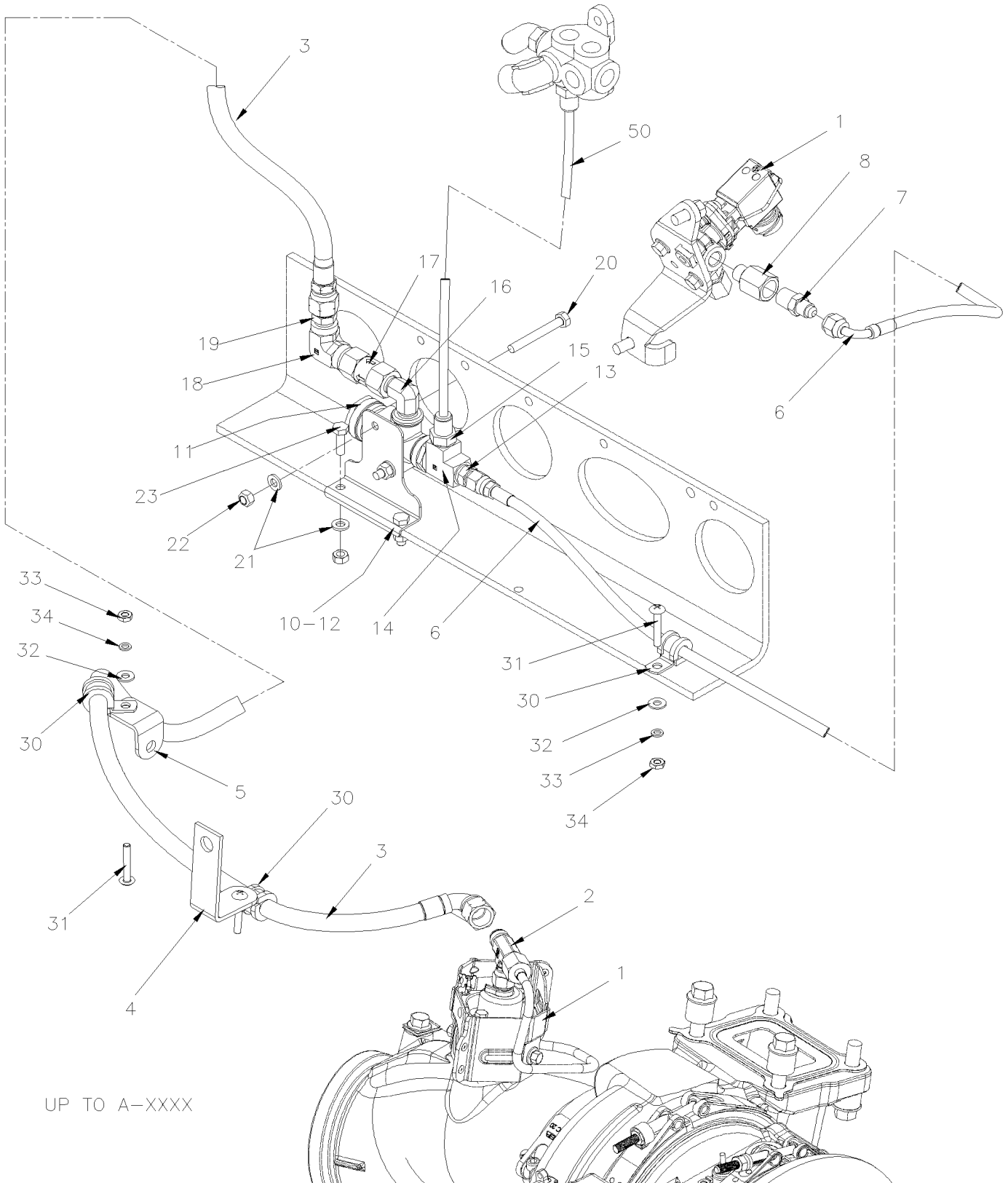
Item#	Part	Description	X L I I M T H 4 5	X L I I M T H 4 5 E	N O T E S
1	20944633	SILENCER			
2	20864129	CATALYTIC CONVERTER			
3	20864316	PARTICULATE FILTER			
4	20966118	SILENCER			
5	21371339	GASKET			
6	20864019	CLAMP			
7	20451990	SENSOR TEMPERATURE STRAIGHT END, 39 HARNESS "			
8	20451992	SENSOR DIFFERENTIAL PRESSURE			
9	20864325	TUBE			
10	20906269	TUBE			
11	20942072	KIT HOSES AND CLAMPS FOR DPF			
12	20915806	CLAMP			
13	21076411	CABLE HARNESS			
14	21009859	HOSE			
15	21009862	CLAMP			
16	21022201	TEMPERATURE SENSOR STRAIGHT END, 23 HARNESS "			
17	21022199	TEMPERATURE SENSOR 90DEG END, 28 HARNESS "			
18	21147959	ELBOW			
19	21180016	BRACKET			
20	963548	HEXAGON SCREW			
21	940191	WASHER			
22	963553	HEXAGON SCREW M6x10			

From 9-9591 To B-9999

Date:10/2022

PAGE:MTH-0405-10

7TH INJECTOR / EXHAUST VOLVO D13

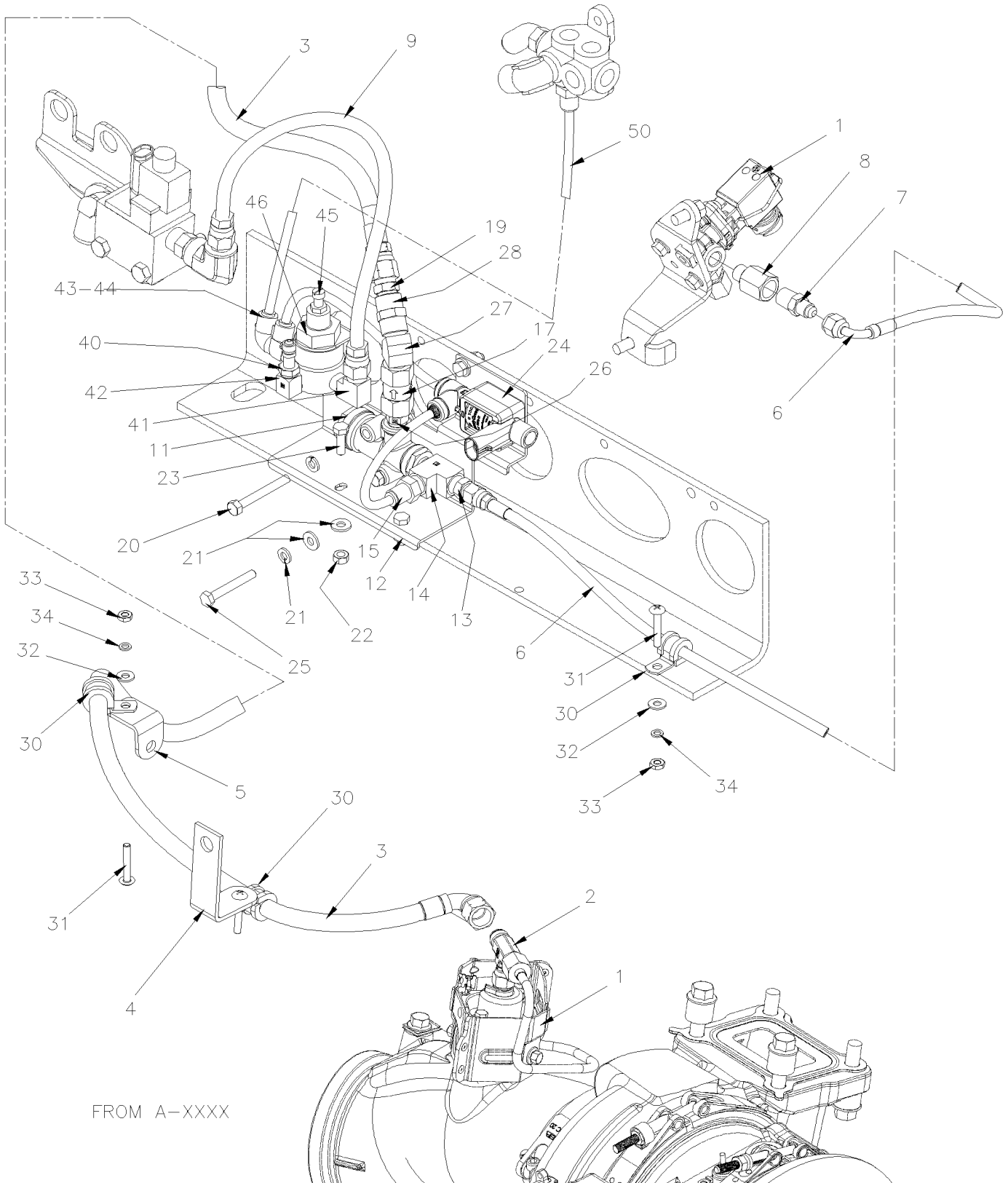


From 9-9591 To B-9999

Date:10/2022

PAGE:MTH-0405-10

7TH INJECTOR / EXHAUST VOLVO D13





From 9-9591 To B-9999	Date:10/2022	PAGE:MTH-0405-10
7TH INJECTOR / EXHAUST VOLVO D13		

Item#	Part	Description	X L I I M T H 4 5	X L I I M T H 4 5 E	N O T E S
1	Refer To Volvo	SEE IMPACT OR CALL ORDER DESK		1	V
2	21226456	CHECK VALVE		1	
3	143025	HOSE ASSY TEFLON #6 1524MM		1	
4	143024	ANGLE SUPPORT 75x50		1	
NS	946173	SCREW CAP HEXF M8-1.25x20		1	
NS	507637	SCREW CAP HEXF M8-1.25x20 G10.9 PHC		1	
5	142893	ANGLE SUPPORT 34x32		1	
6	143023	HOSE ASSY TEFLON #4 820MM		1	WB
6	142806	HOSE ASSY TEFLON #4 1500MM		1	
NS	501332	STREET ELBOW 90° / PIPE FITTING / 1/4NPT-Mx1/4NPT-F BR		1	
7	501027	MALE CONNECTOR / SAE 45° FITTING / #4FL-Mx1/4NPT-M BR		1	
8	5011304	FEMALE CONNECTOR / PIPE @ ORB / 1/4NPT-FxM12-1.5 ORB-M		1	
9	071089	HOSE ASSY TEFLON #6 355MM From A-9952			
10	Call order desk	VALVE ASSY RV-3 W/SUPPORT To A-9951		1	P
10	Call order desk	VALVE ASSY RV-3 W/SUPPORT To A-9951		1	P
10	Call order desk	VALVE ASSY RV-3 W/SUPPORT From A-9952		1	P
10	Call order desk	VALVE ASSY RV-3 W/SUPPORT From A-9952		1	P
11	21243502	VALVE PRESSURE REDUCER RV-3 / K028993		1	
12	143022	SUPPORT VALVE "T" SHAPE To A-9951		1	
12	143123	SUPPORT VALVE From A-9952		1	
13	501027	MALE CONNECTOR / SAE 45° FITTING / #4FL-Mx1/4NPT-M BR		1	
14	501338	MALE RUN TEE / PIPE FITTING / 1/4NPT-Mx1/4NPT-Fx1/4NPT-F BR		1	
15	641332	MALE CONNECTOR / PUSH-IN FITTING / #4x1/4NPT-M BR		1	
16	641999	MALE ELBOW 90° / PIPE FITTING / 3/8NPT-Mx3/8NPT-M BR To A-9951		1	
17	640135	VALVE, CHECK 1/4 NPT		1	
18	501335	FEMALE ELBOW 90° / PIPE FITTING / 1/4NPT-Fx1/4NPT-F BR To A-9951		1	
19	501029	MALE CONNECTOR / SAE 45° FITTING / #6FL-Mx1/4NPT-M BR		1	
20	502656	SCREW CAP HEX M6-1.0x50 SS		2	
21	502573	WASHER FL 6.4x12.5x1.6 SS		4	
21	500877	WASHER FL .250x.562x.065 N500		4	
21	502853	WASHER LO SPT 6.1x11.8x1.6 N500		1	
22	502860	NUT HEX STO M6-1.0 N500		2	
23	502830	SCREW CAP HEX M6-1.0x20 G8.8 N500		3	
24	20807261	VALVE SOLONID 3 WAY From A-9952		1	
25	502843	SCREW CAP HEX M6-1.0x45 G8.8 N500 From A-9952		2	
26	501321	NIPPLE HEX / PIPE FITTING / 1/4NPT-Mx1/4NPT-Mx1 3/8 BR From A-9952		1	
27	501329	STREET ELBOW 45° / PIPE FITTING / 1/4NPT-Mx1/4NPT-F BR From A-9952		1	
28	501318	COUPLING / PIPE FITTING / 1/4NPT-Fx1/4NPT-F BR From A-9952		1	
NS	952627	CLAMP / 1/2" I.D.		3	
30	952625	CLAMP / 3/8" I.D.		3	
31	500574	SCREW MA TR PH #10-24x1 1/4 SS		AR	



From 9-9591 To B-9999	Date:10/2022	PAGE:MTH-0405-10
7TH INJECTOR / EXHAUST VOLVO D13		

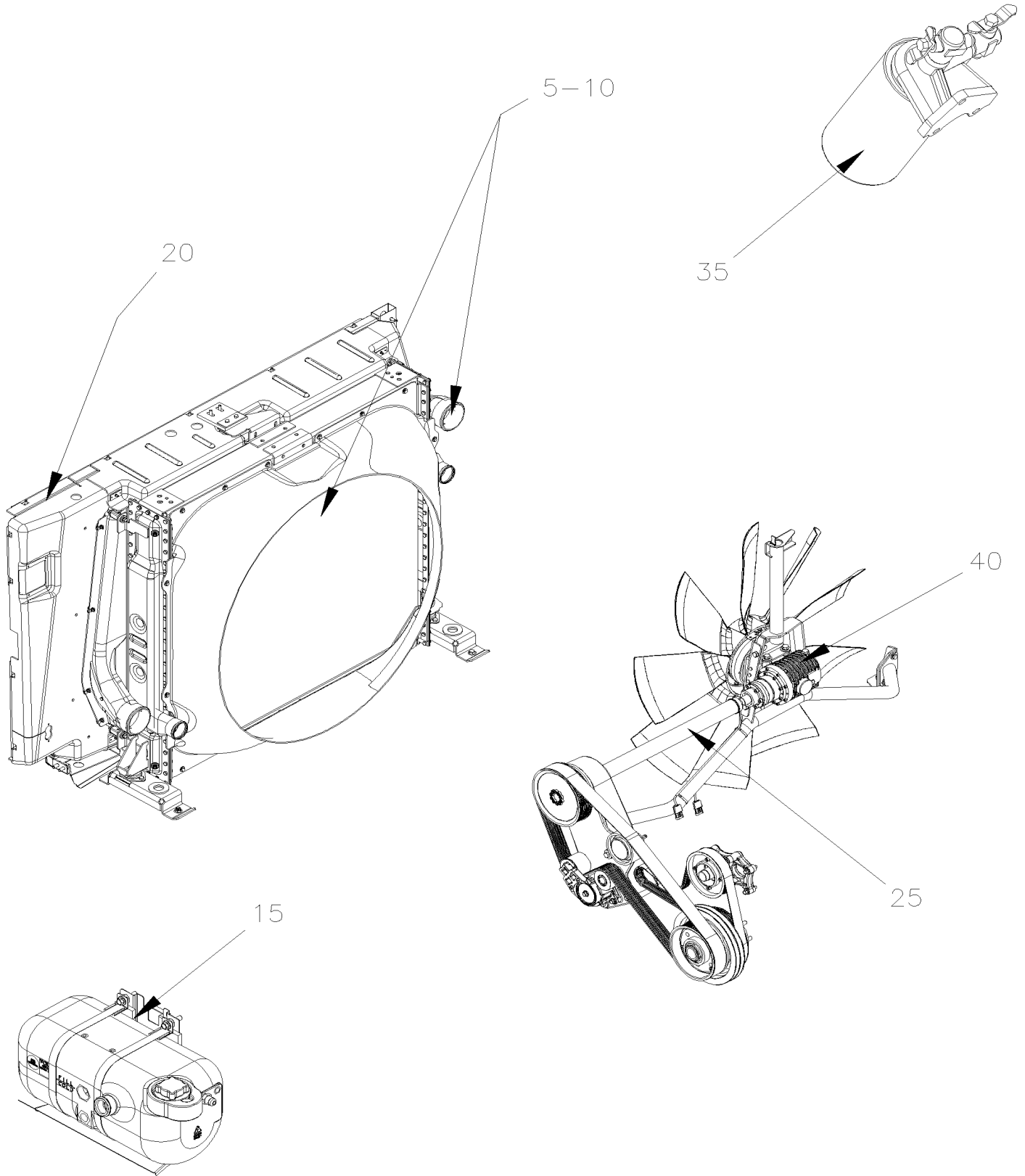
Item#	Part	Description	X L I I M T H 4 5	X L I I M T H 4 5 E	N O T E S
32	500964	WASHER FL .203x.500x.047 Z050		AR	
NS	502570	WASHER LO SPT 6.1x11.8x1.6 SS		AR	
33	500470	WASHER LO SPT .193x.334x.047 Z050		AR	
NS	500787	NUT HEX #10-24 SS		AR	
34	500786	NUT HEX #10-24 Z050		AR	
NS	5001241	SCREW MA TR PH #10-24x1/2 SS		AR	
		NEXT ITEMS ARE RELATED WITH			
		TRANSMISSION WITH RETARDER			
40	640488	VALVE, AIR FILL 1/8" NPT From A-9952		1	W
NS	650164	CAP VALVE / CHROME From A-9952		1	W
41	641371	MALE ELBOW 90° NON-SWIVEL / PUSH-IN FITTING / #4x1/4NPT-M BR From A-9952		1	W
42	501331	STREET ELBOW 90° / PIPE FITTING / 1/8NPT-Mx1/8NPT-F BR From A-9952		1	W
43	501312	BUSHING REDUCER / PIPE FITTING / 1/4NPT-Mx1/8NPT-F BR From A-9952		1	W
44	642127	MALE ELBOW 90° SWIVEL DUAL PORT / PUSH-IN / #4x#4x1/8NPT-M BR From A-9952		1	W
45	641472	AIR PRESSURE REGULATOR 1/4" NPT / COPPER From A-9952		1	W
46	500734	NUT HEX JAM 3/4-16 Z050 From A-9952		1	W
50	503402	TUBE, NYLON 1/4 O.D. / BLACK S.L.		AR	
60	012584	KIT EXHAUST AIR INJECTOR To 9-9595		1	
61	012632	KIT CHECK VALVE FUEL LINE To 9-9595		1	
NS	501007	SWIVEL NUT ELBOW 90° / JIC 37° FITTING / #4JIC-Fx#4JIC-M STL To 9-9595		1	
NS	030004	ANGLE SUPPORT 50MM x 19MM To 9-9595		1	
NS	946440	SCREW CAP HEXF M12-1.75x140 G8.8 MAGNI 565 To 9-9595		1	
NS	21226456	CHECK VALVE To 9-9595		1	
NS	21339351	CHECK VALVE To 9-9595		1	
62	144054	KIT RETROFIT AIR VALVE / D13 SERIES MTH 45ENT		1	
NS	067930	CABLE ASSY POWER AIR VALVE FOR D13		1	
NS	642023	VALVE, 5 WAYS, 2 POSITIONS 24V / MODEL V19		1	
NS	641385	CONNECTOR / SOCKET HOUSING ASSY 3C / PNEUMAC 54934-01		1	
NS	641943	SILENCER / MUFFLER / 1/8NPT-M		2	
NS	641369	MALE ELBOW 90° NON-SWIVEL / PUSH-IN FITTING / #4x1/8NPT-M BR		1	
NS	641242	MALE CONNECTOR / PUSH-IN FITTING / #4x1/8NPT-M BR		1	
NS	501303	PLUG SQUARE HEAD / PIPE FITTING / 1/8NPT-M BR		1	
NS	5001696	SCREW MA PAN PH M4-0.7x35 SS		2	
NS	502557	NUT HEX NYRT M4-0.7 SS		2	
NS	562482	SOCKET TERMINAL / 16-14 / DEUTSCH 0462-209-16141		1	
NS	561565	CABLE SEAL / GREEN / PED 15324982		1	
NS	561568	PIN TERMINAL / 16-14 / PED 12089305		1	



From 9-9591 To B-9999	Date:10/2022	PAGE:MTH-0405-10
7TH INJECTOR / EXHAUST VOLVO D13		

Item#	Part	Description	X L I I M T H 4 5	X L I I M T H 4 5 E	N O T E S
. NS	561605	. CONNECTOR / WEATHER PACK / PH 1C / BLACK / PED 12010996		1	
. NS	WB10-03	. SEE WARRANTY BULLETIN		1	
		B) FOR PRODUCT IMPROVEMENT ASK KIT # 012632			
		W) WITH TRANSMISION "WORLD"			
		WB) SEE WARRANTY BULLETIN # WB-10-26 AND SCI 10-25 SERVICE CENTER INFORMATION			
		P) CALL ORDER DESK FOR SPECIFIC APPLICATION (V.I.N.)			
		V) SEE IMPACT OR CALL ORDER DESK			

	Date:10/2022	MTH-05
COOLING		





	Date:10/2022	MTH-05
COOLING		

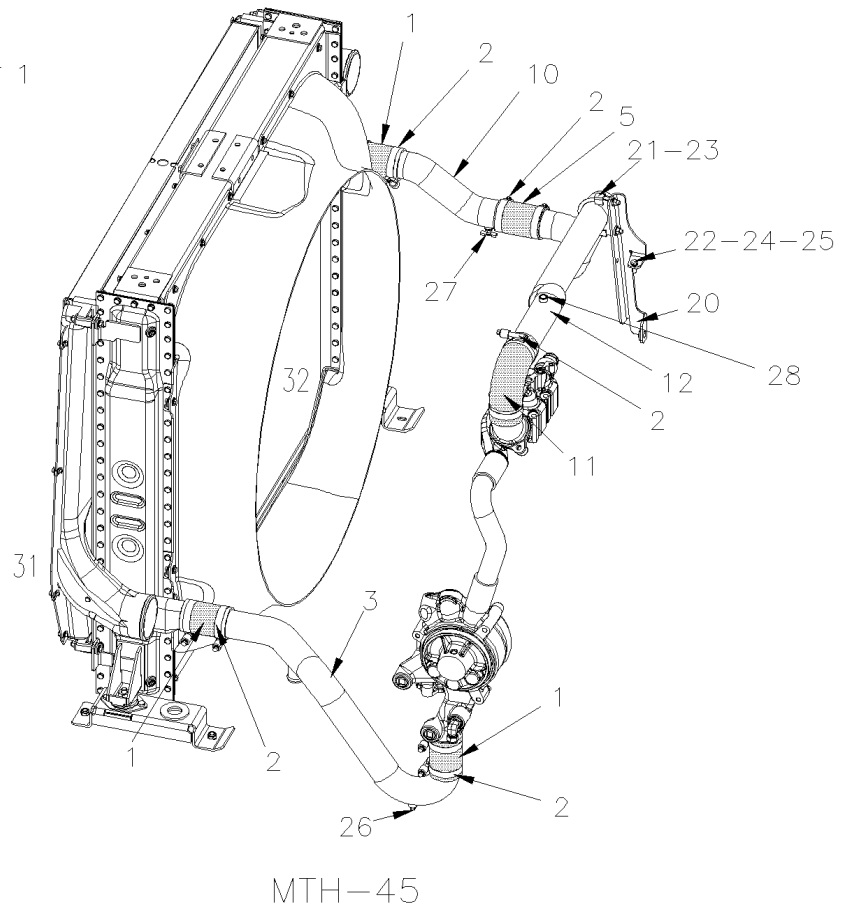
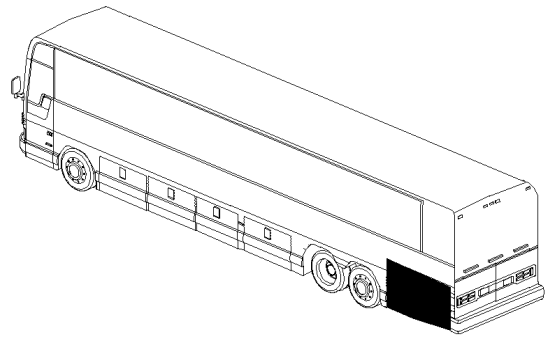
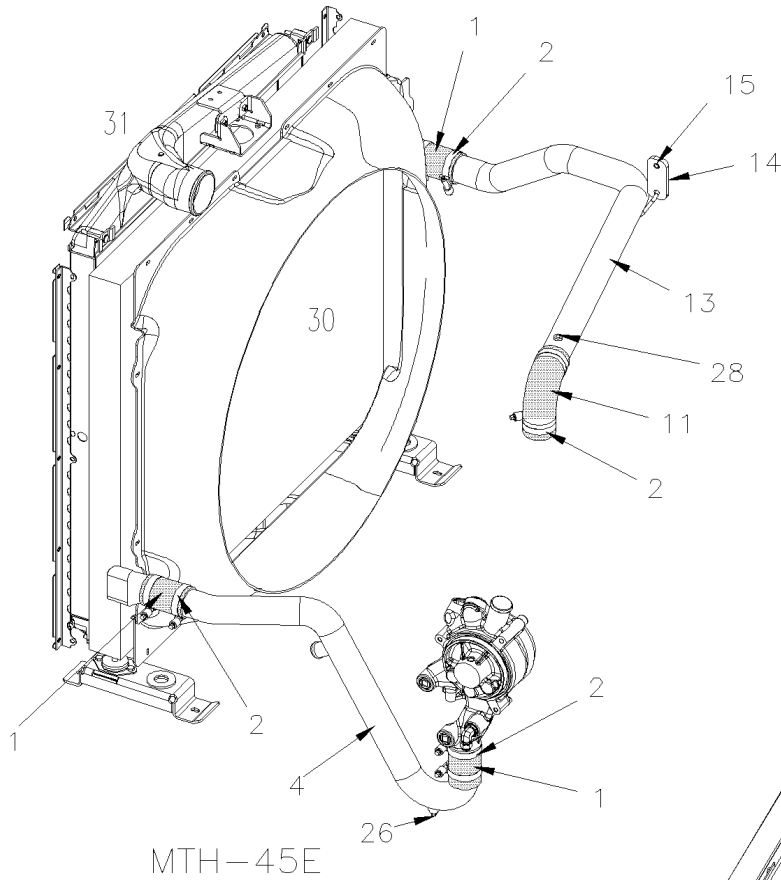
Item#	Part	Description	X L I I M T H 4 5	X L I I M T H 4 5 E	N O T E S
5	MTH-0500-00	COOLANT PIPING WITH DETROIT S-60 From 8-9279 To B-9999			
5	MTH-0500-01	COOLANT PIPING WITH VOLVO D13 From 9-9591 To B-9999			
10	MTH-0505-50	RADIATOR ASSY From 8-9340 To B-9999			
10	MTH-0505-51	RADIATOR ASSY - MTH 45' ENT From 8-9279 To B-9999			
15	MTH-0510-00	SURGE TANK From 8-9279 To B-9999			
20	MTH-0518-50	RADIATOR SEALING FRAME - MTH 45' From 8-9340 To B-9999			
20	MTH-0518-60	RADIATOR SEALING FRAME - MTH-45' ENT From 8-9279 To B-9999			
25	MTH-0520-50	FAN DRIVE - INSTALLATION From 8-9279 To B-9999			
35	MTH-0530-00	COOLANT FILTER - INSTALLATION WITH DETROIT S-60 From 8-9279 To B-9999			
35	MTH-0530-01	COOLANT FILTER - INSTALLATION WITH VOLVO D13 From 9-9591 To B-9999			
40	MTH-0540-50	FAN CLUTCH & ANGLE DRIVE ASSY From 8-9279 To B-9999			

From 8-9279 To B-9999

Date:10/2022

PAGE:MTH-0500-00

COOLANT PIPING WITH DETROIT S-60

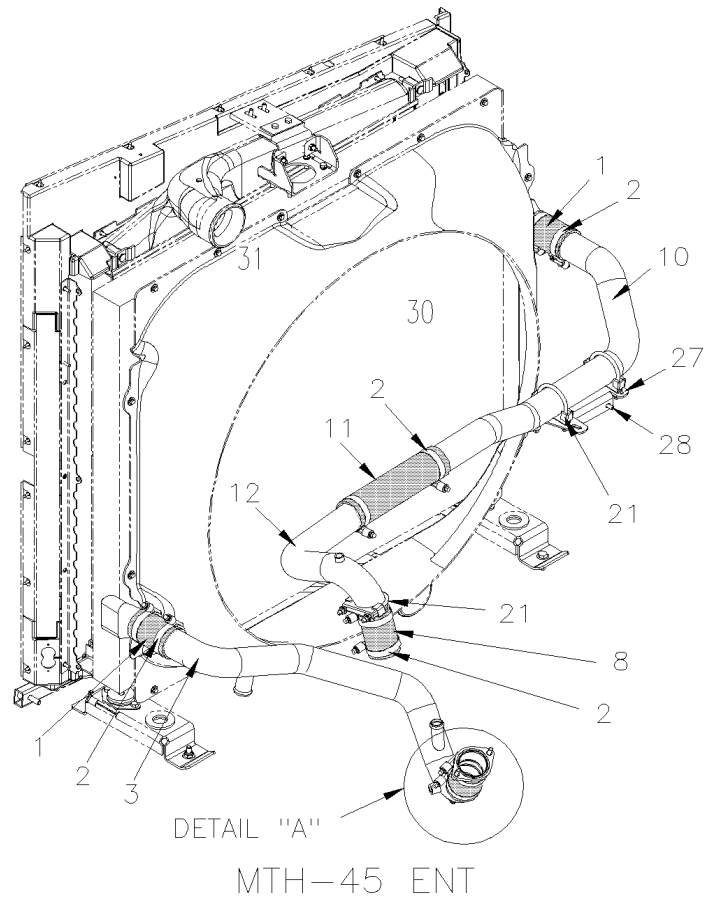
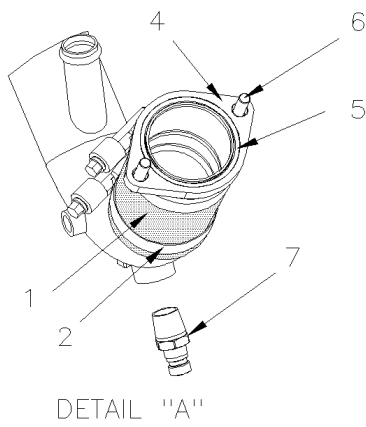
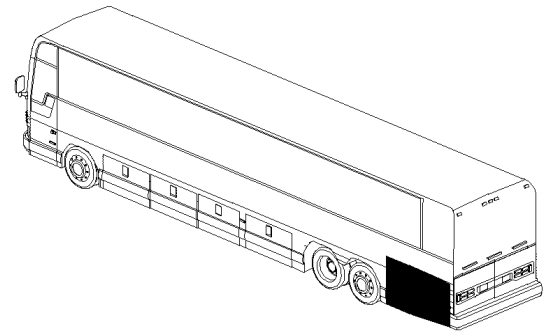
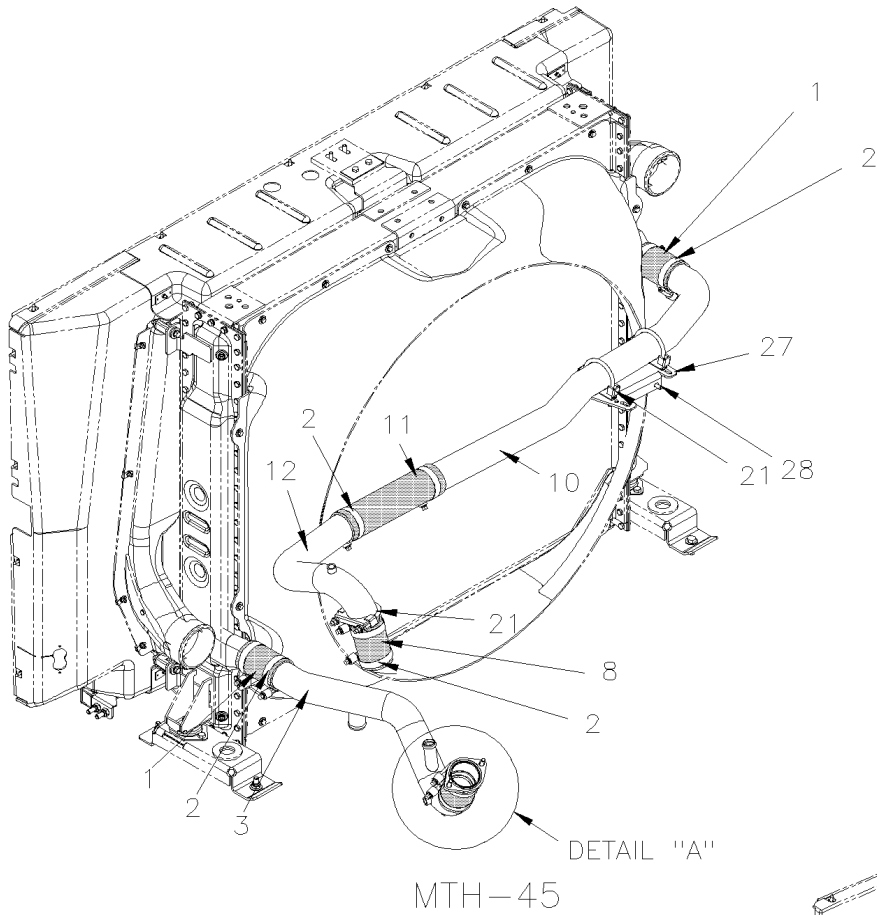


From 9-9591 To B-9999

Date:10/2022

PAGE:MTH-0500-01

COOLANT PIPING WITH VOLVO D13

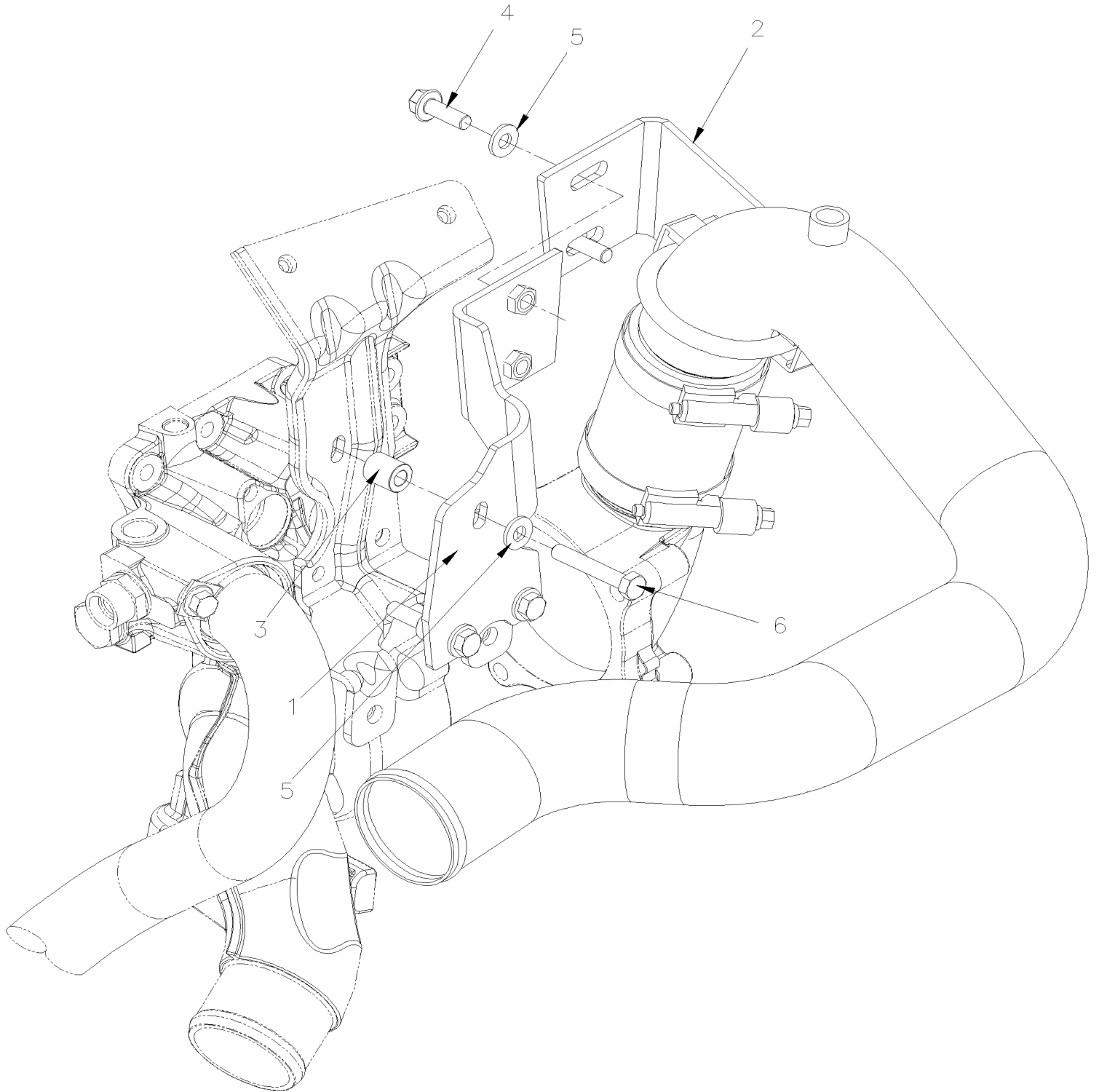


From 9-9591 To B-9999

Date:10/2022

PAGE:053635

PIPE SUPPORT SERVICE KIT





From 9-9591 To B-9999	Date:10/2022	PAGE:053635
PIPE SUPPORT SERVICE KIT		

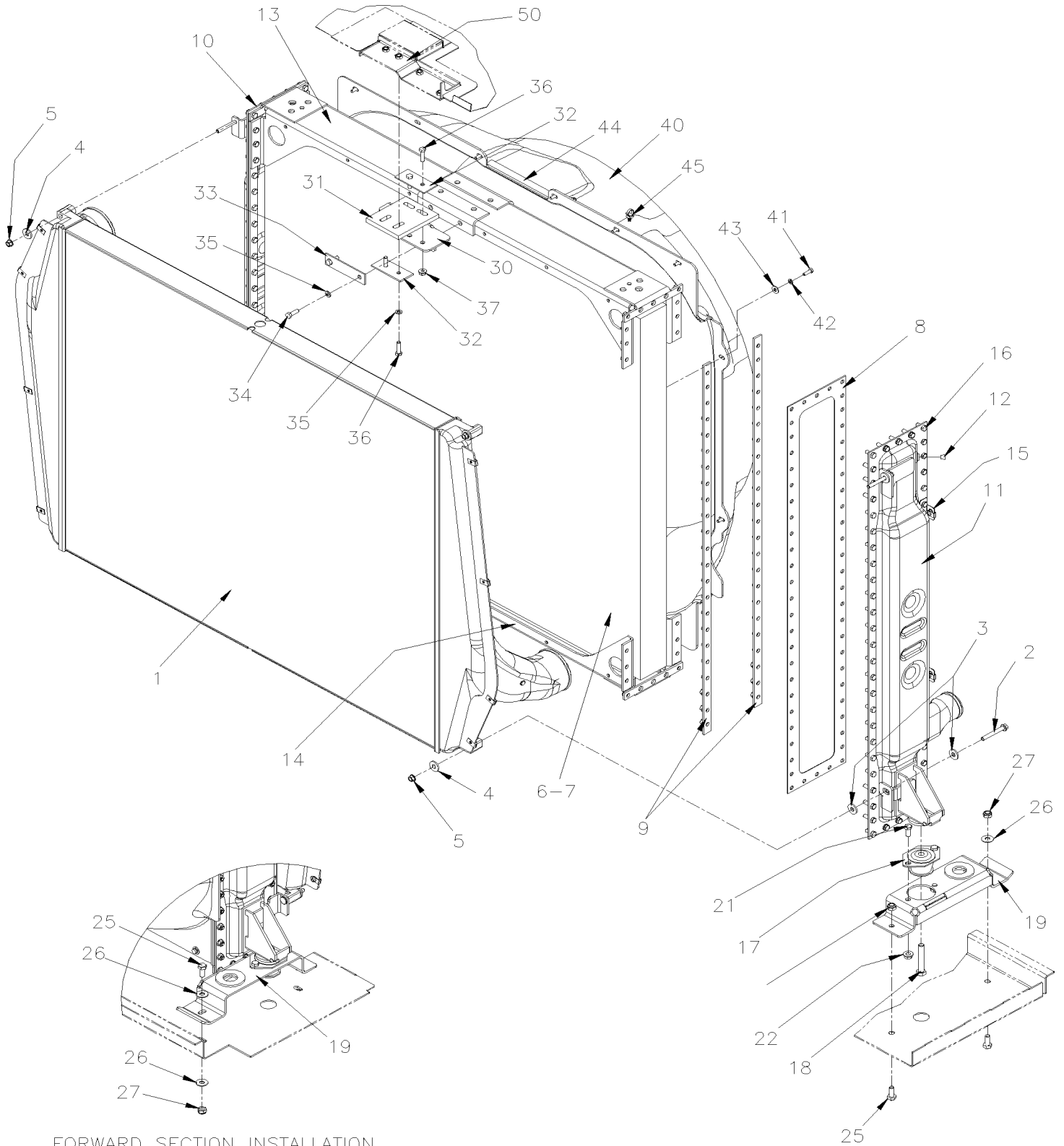
Item#	Part	Description	X L I I M T H 4 5	X L I I M T H 4 5 E	N O T E S
1	053648	SUPPORT WATER PIPE	1	1	
2	053649	SUPPORT WATER PIPE	1	1	
3	053650	SPACER	3	3	
4	5001643	SCREW CAP HEXF M8-1.25x25 G8.8 G500	2	2	
5	5001736	WASHER FL 8.4x18.0x2.0 N500	5	5	
6	502927	SCREW CAP HEX M8-1.25x50 G8.8 N500	3	3	

From 8-9340 To B-9999

Date:10/2022

PAGE:MTH-0505-50

RADIATOR ASSY



FORWARD SECTION INSTALLATION



From 8-9340 To B-9999	Date:10/2022	PAGE:MTH-0505-50
RADIATOR ASSY		

Item#	Part	Description	X L I I M T H 4 5	X L I I M T H 4 5 E	N O T E S
	N.S.A.	RADIATOR & AIR COOLER ASSY H & MTH-45 To 9-9676	1		3
	N.S.A.	RADIATOR & AIR COOLER ASSY H, MTH-45 & 9700 From 9-9677 To A-9976	1		3
	N.S.A.	RADIATOR & AIR COOLER ASSY H, MTH-45 & 9700 From A-9977	1		3
1	550918	. AIR COOLER ASSY H & MTH-45 To 9-9676	1		
1	21120811	. AIR COOLER ASSY H, MTH-45 & 9700 From 9-9677 To A-9976	1		
1	21576798	. AIR COOLER ASSY H, MTH-45 & 9700 TitanX From A-9977	1		
1	21576801	. AIR COOLER ASSY H, MTH-45 & 9700 Dura-Lite From A-9977	1		
1	550296	. GASKET / COVER / BOLT KIT	1		
2	N20874	. SCREW CAP HEX M8-1.25x70 G8.8 YP	2		
3	502220	. WASHER FL .375x1.000x.125 RUB	4		
4	500270	. WASHER FL .406x1.000x.063 SS	6		
5	5001082	. NUT HEXF M8-1.25 G500	4		
6	550917	. RADIATOR ASSY H & MTH-45 To A-9976	1		
6	21120738	. RADIATOR ASSY H, MTH-45 & 9700 From A-9977	1		
6	7775022	. RADIATOR ASSY SERVICE	1		
6	550297	. . BOLT KIT / TO FIX AIR COOLER	1		
7	550931	. . CORE ASSY	1		
8	550937	. . GASKET	2		
9	550940	. . REINFORCMENT BAR	4		
10	550942	. . TANK ASSY / FORWARD	1		
11	550943	. . TANK ASSY / BACKWARD	1		
NS	501304	. . PLUG SQUARE HEAD / PIPE FITTING / 1/4NPT-M BR To A-9976	2		
12	501800	. . PLUG HEXS / PIPE FITTING / 1/4NPT-M STL From A-9977	2		
13	550944	. . SUPPORT ASSY TOP	1		
14	550945	. . SUPPORT ASSY BOTTOM	1		
15	550938	. . ANGLE BRACKET 16 GA SS	2		
16	500179	. . SCREW CAP HEX 5/16-18x3/4 G5 Z050	66		
16	500181	. . SCREW CAP HEX 5/16-18x1 G5 Z050	44		
16	502846	. . NUT HEX 5/16-18 N500	AR		
17	550904	. BUSHING RUBBER	2		
17	550905	. WASHER FL 16x52x3 ZP	2		
18	N21798	. SCREW CAP HEX M12-1.75x75 G8.8 YP	2		
19	550932	. BRACKET ASSY / RUBBER MOUNTING SUPPORT	2		
21	500190	. SCREW CAP HEX 3/8-16x3/4 G5 Z050	4		
22	500301	. NUT HEXF STO 3/8-16 Z050	4		
25	502804	SCREW CAP HEX M10-1.5x25 G8.8 N500	4		
26	5001751	WASHER FL 10.5x26.0x2.0 N500	4		
27	502859	NUT HEX NYRT M10-1.5 N500	4		
30	052789	ATTACHMENT UPPER RADIATOR 130MM	1		
31	052441	RUBBER PAD 100MM X 123MM To 9-9595	1		



From 8-9340 To B-9999	Date:10/2022	PAGE:MTH-0505-50
-----------------------	--------------	------------------

RADIATOR ASSY

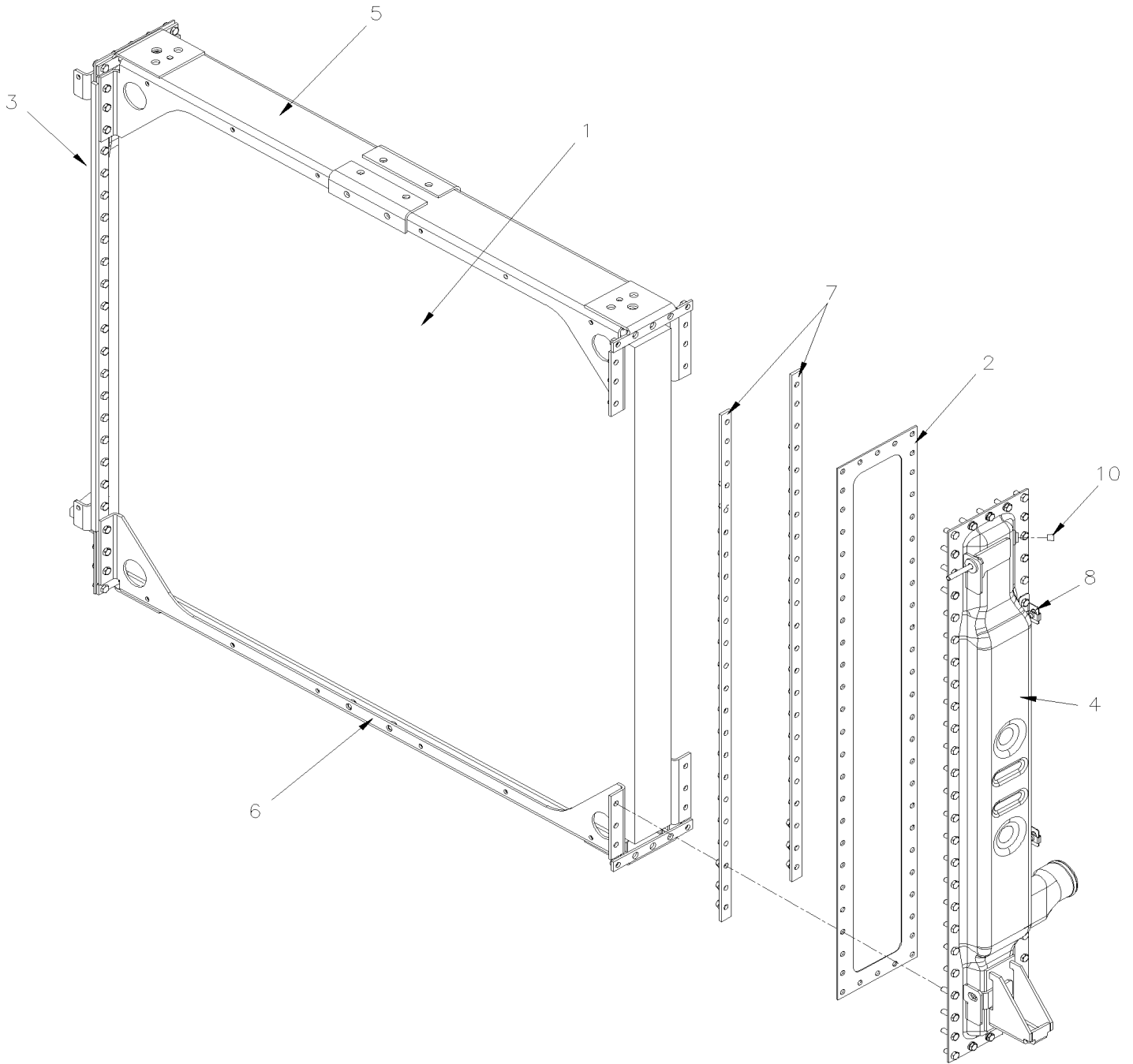
Item#	Part	Description	X L I I M T H 4 5	X L I I M T H 4 5 E	N O T E S
31	21185073	RUBBER PAD 100MM X 123MM From 9-9596	1		
32	052473	PLATE / UPPER RADIATOR 40MM X 90MM	1		
33	052795	PLATE / UPPER RADIATOR 30MM X 120MM	1		
34	5001745	SCREW CAP HEX M8-1.25x25 G8.8 N500	2		
35	500942	WASHER LO SPT 8.1x14.8x2.0 N500	4		
36	5001738	SCREW CAP HEX M8-1.25x30 G8.8 N500	4		
37	502837	NUT HEXF STO M8-1.25 N500	2		
40	052683	SHROUD W/38" FAN BLADE To 9-9595	1		
40	21120999	SHROUD W/38" FAN BLADE From 9-9596	1		
41	502830	SCREW CAP HEX M6-1.0x20 G8.8 N500	AR		
42	502853	WASHER LO SPT 6.1x11.8x1.6 N500	AR		
43	502638	WASHER FL .312x.734x.065 N500	AR		
44	506040	TAPE RUB ADH1 CC EPDM 5/16" x 3/4" x 25' / BLACK OR GREY 144X	AR		
45	509815	TIE MOUNT / ATTACHMENT W/TREE MOUNT	3		
45	504637	CABLE TIE / 3/16" x 13"	3		
50	MTH-1894-05	REAR LH - STRUCTURE			
		3) NOT SOLD ASSEMBLY			

From 8-9340 To B-9999

Date:10/2022

PAGE:7775022

RADIATOR ASSY SERVICE





From 8-9340 To B-9999	Date:10/2022	PAGE:7775022
-----------------------	--------------	--------------

RADIATOR ASSY SERVICE

Item#	Part	Description	X L I I M T H 4 5	X L I I M T H 4 5 E	N O T E S
1	7770990	CORE ASSY	1	1	
2	7770989	GASKET	1	1	
3	7775146	TANK, LEFT	1	1	
4	7775147	TANK, RIGHT	1	1	
5	7775148	BRACKET UPPER	1	1	
6	7775149	BRACKET LOWER	1	1	
7	7775150	CLAMP STRIP	4	4	
8	7775151	ANGULAR SS 3"	4	4	
10	501304	PLUG SQUARE HEAD / PIPE FITTING / 1/4NPT-M BR	2	2	



From 8-9279 To B-9999	Date:10/2022	PAGE:MTH-0505-51
RADIATOR ASSY - MTH 45' ENT		

Item#	Part	Description	X L I I M T H 4 5	X L I I M T H 4 5 E	N O T E S
	N.S.A.	RADIATOR & AIR COOLER ASSY To A-9976		1	3
	N.S.A.	RADIATOR & AIR COOLER ASSY From A-9977		1	3
1	550916	. AIR COOLER ASSY To A-9976		1	
1	550970	. AIR COOLER ASSY TitanX SERVICE From A-9977		1	
1	550967	. AIR COOLER ASSY Dura-Lite SERVICE From A-9977		1	
2	N20874	. SCREW CAP HEX M8-1.25x70 G8.8 YP		2	
3	502220	. WASHER FL .375x1.000x.125 RUB		4	
4	500270	. WASHER FL .406x1.000x.063 SS		6	
5	5001082	. NUT HEXF M8-1.25 G500		4	
6	550915	. RADIATOR ASSY		1	
6	7770005	. RADIATOR ASSY SERVICE		1	
7	550931	. . CORE ASSY		1	
8	550937	. . GASKET		2	
9	550940	. . REINFORCMENT BAR		4	
10	550933	. . TANK ASSY / FORWARD		1	
11	550934	. . TANK ASSY / BACKWARD		1	
12	501304	. . PLUG SQUARE HEAD / PIPE FITTING / 1/4NPT-M BR		2	
13	550935	. . SUPPORT ASSY TOP		1	
14	550936	. . SUPPORT ASSY BOTTOM		1	
15	550938	. . ANGLE BRACKET 16 GA SS		4	
16	550939	. . ANGLE BAR 14 GA SS		2	
17	550904	. BUSHING RUBBER		2	
NS	550905	. WASHER FL 16x52x3 ZP		2	
18	N21798	. SCREW CAP HEX M12-1.75x75 G8.8 YP		2	
19	550932	. BRACKET ASSY / RUBBER MOUNTING SUPPORT		2	
21	500190	. SCREW CAP HEX 3/8-16x3/4 G5 Z050		4	
22	500301	. NUT HEXF STO 3/8-16 Z050		4	
25	970949	SCREW CAP HEX M10-1.5x35 G8.8 ZG603		4	
26	960143	WASHER FL 10.5x26.0x2.0 ZP		4	
27	502859	NUT HEX NYRT M10-1.5 N500		4	
30	052671	ANGLE ATTACHMENT / TO STRUCTURE		1	
31	052441	RUBBER PAD 100MM X 123MM To 9-9595		1	
31	21185073	RUBBER PAD 100MM X 123MM From 9-9596		1	
32	940142	SCREW CAP HEX M8-1.25x30 G8.8 ZG603		8	
33	500942	WASHER LO SPT 8.1x14.8x2.0 N500		8	
34	052473	PLATE / UPPER RADIATOR 40MM X 90MM		2	
35	500401	WASHER FL .343x.875x.125 N500		4	
36	052669	ATTACHMENT UPPER RADIATOR		1	
37	502851	NUT HEX M8-1.25 N500		2	
40	052683	SHROUD W/38" FAN BLADE To 9-9595		1	
40	21120999	SHROUD W/38" FAN BLADE From 9-9596		1	
41	502830	SCREW CAP HEX M6-1.0x20 G8.8 N500		AR	



From 8-9279 To B-9999	Date:10/2022	PAGE:MTH-0505-51
RADIATOR ASSY - MTH 45' ENT		

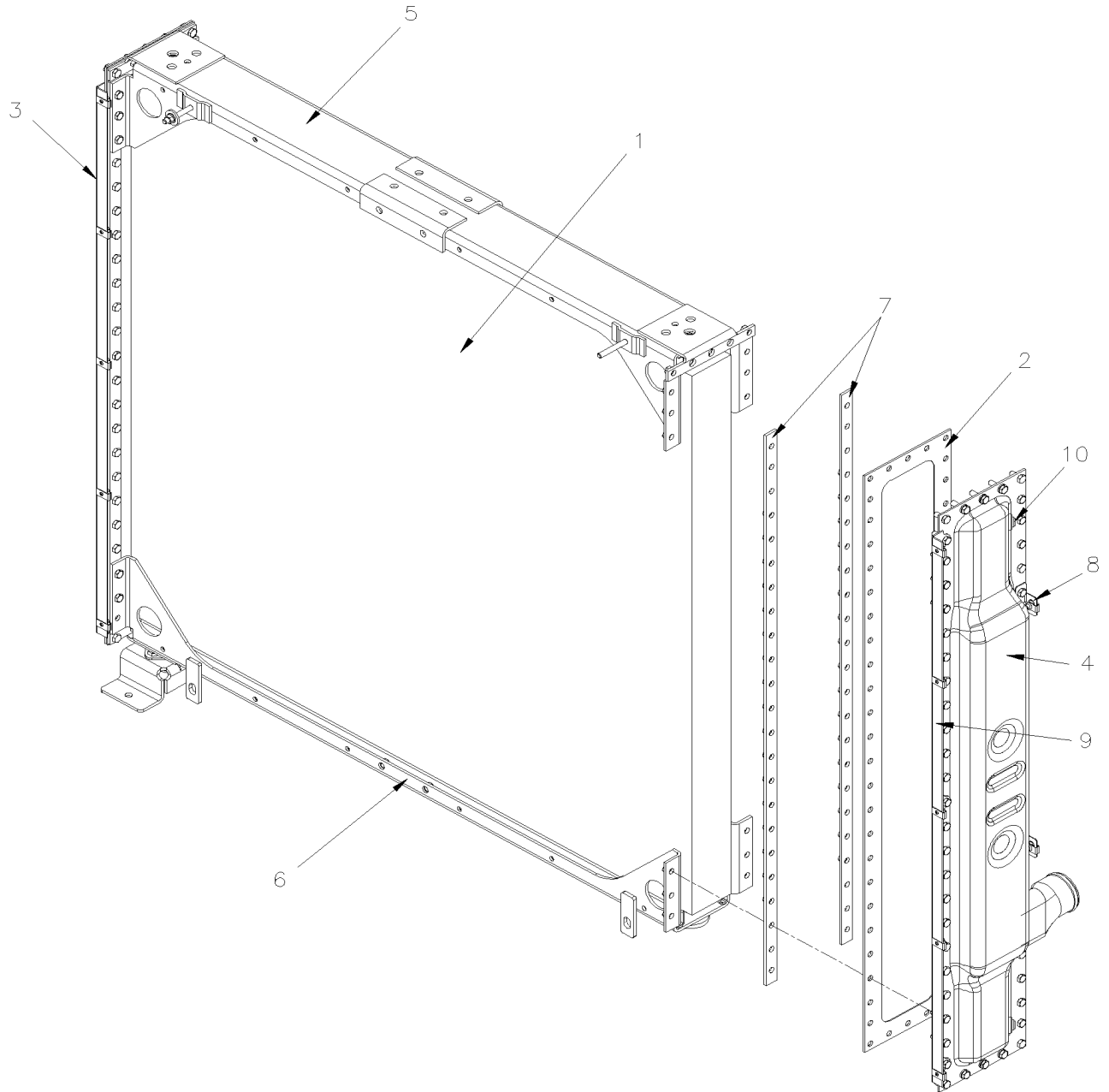
Item#	Part	Description	X L I I M T H 4 5	X L I I M T H 4 5 E	N O T E S
42	502853	WASHER LO SPT 6.1x11.8x1.6 N500		AR	
43	502638	WASHER FL .312x.734x.065 N500		AR	
44	506277	TAPE RUB ADH1 CC POL 1/2" x 3/4" x 15' / GREY 2520X		AR	
		3) NOT SOLD ASSEMBLY			

From 8-9279 To B-9999

Date:10/2022

PAGE:7770005

RADIATOR ASSY SERVICE





From 8-9279 To B-9999	Date:10/2022	PAGE:7770005
-----------------------	--------------	--------------

RADIATOR ASSY SERVICE

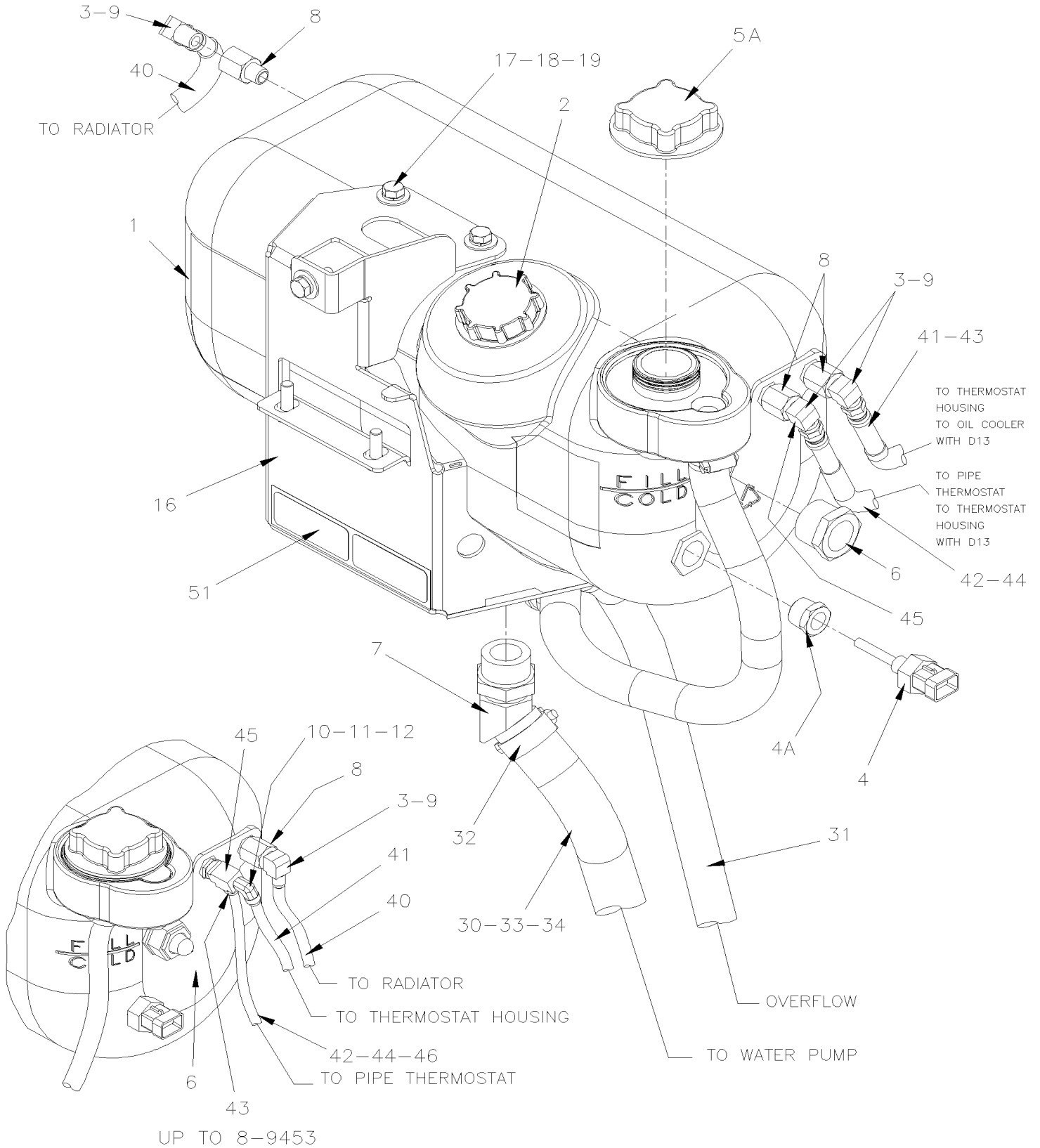
Item#	Part	Description	X L I M T H 4 5	X L I M T H 4 5 E	N O T E S
1	7770990	CORE ASSY	1	1	
2	7770989	GASKET	1	1	
3	7770951	TANK, LEFT	1	1	
4	7770952	TANK, RIGHT	1	1	
5	7770953	BRACKET UPPER	1	1	
6	7770954	BRACKET LOWER	1	1	
7	7770955	CLAMP STRIP	4	4	
8	7775151	ANGULAR SS 3"	4	4	
9	7770956	ANGULAR SS 41"	2	2	
10	501304	PLUG SQUARE HEAD / PIPE FITTING / 1/4NPT-M BR	2	2	

From 8-9279 To B-9999

Date:10/2022

PAGE:MTH-0510-00

SURGE TANK

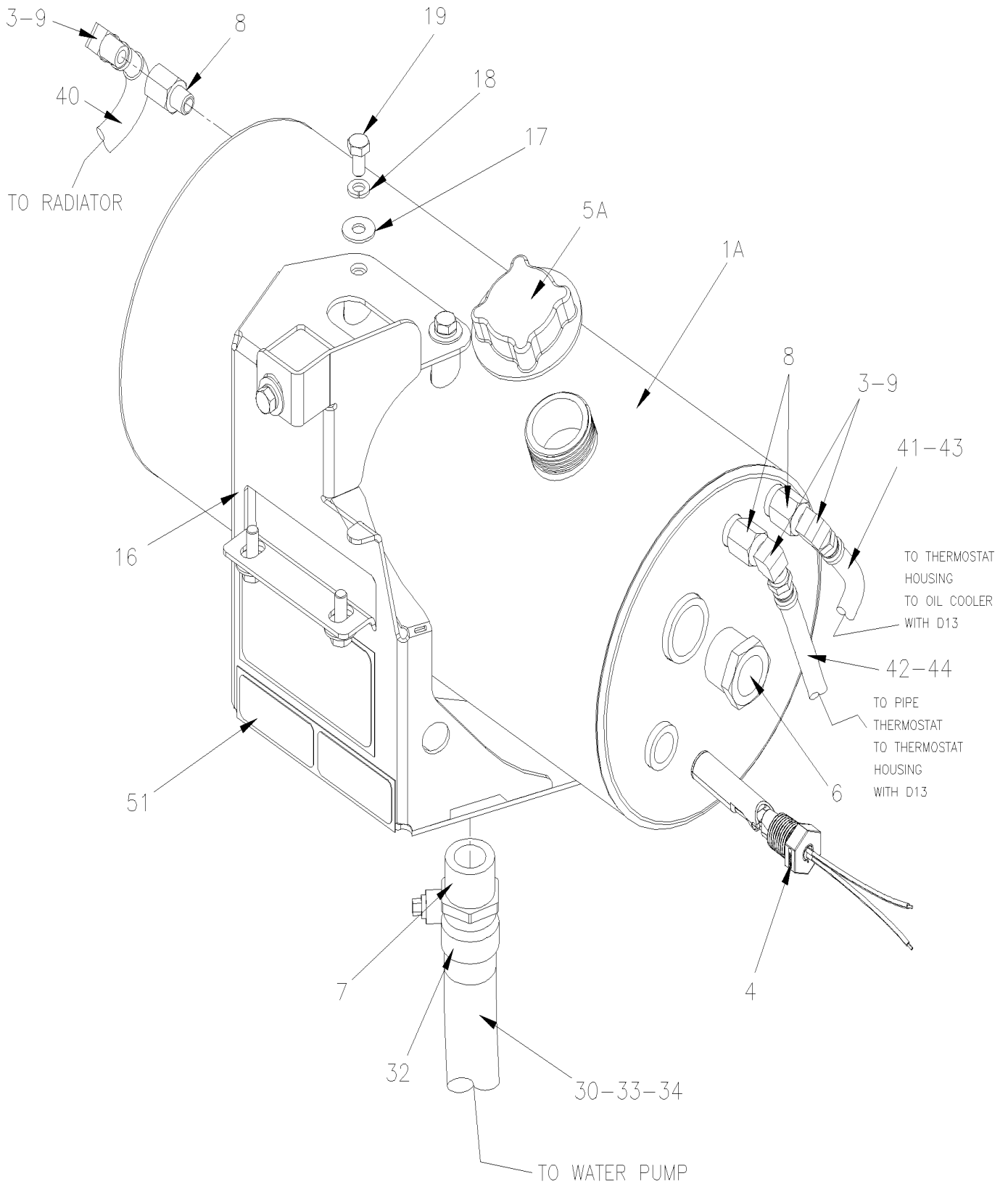


From 8-9279 To B-9999

Date:10/2022

PAGE:MTH-0510-00

SURGE TANK

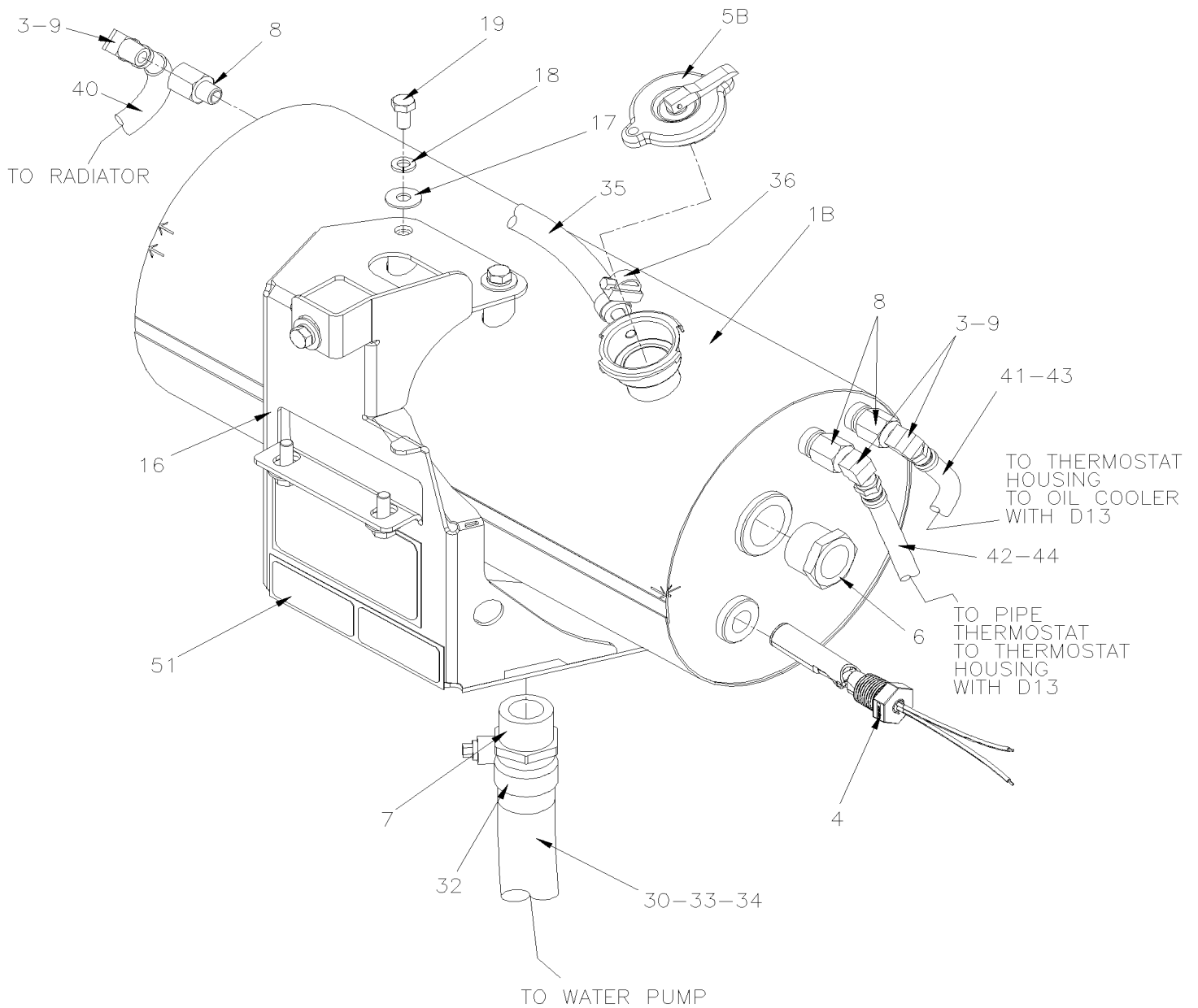


From 8-9279 To B-9999

Date:10/2022

PAGE:MTH-0510-00

SURGE TANK





From 8-9279 To B-9999	Date:10/2022	PAGE:MTH-0510-00
SURGE TANK		

Item#	Part	Description	X L I M T H 4 5	X L I M T H 4 5 E	N O T E S
	Call order desk	SURGE TANK ASSY W/SUPPORT	1	1	P
	Call order desk	SURGE TANK ASSY W/SUPPORT To 8-9453	1	1	P
	Call order desk	SURGE TANK ASSY W/SUPPORT From 8-9454	1	1	P
	Call order desk	SURGE TANK ASSY W/SUPPORT PROTO To 8-9453		1	P D13
	Call order desk	SURGE TANK ASSY W/SUPPORT From 8-9454		1	P D13
1	70307450	. SURGE TANK PLASTIC To 8-9453	1	1	
1	70307450	. SURGE TANK PLASTIC From 8-9454 To 9-9595	1	1	N
1	21176709	. SURGE TANK PLASTIC From 9-9596 To 9-9656	1	1	½"
1	21334408	. SURGE TANK PLASTIC From 9-9657 To A-9907	1	1	1"
1A	550960	. SURGE TANK ROUND STAINLESS From A-9908	1	1	1"
. NS	8149353	. . PRESSURE CAP 14LBS From A-9908	1	1	1"
1B	050028	. SURGE TANK ROUND STAINLESS	1	1	1"
2	3979593	. FILLER CAP	1	1	
. NS	3979595	. . SEAL	1	1	
3	501037	. MALE ELBOW 90° / SAE 45° FITTING / #4FL-Mx1/4NPT-M BR	3	3	
4	562395	. SENSOR PROBE "LOW LEVEL COOLANT" / 1/4" NPT	1	1	
4	067304	. SENSOR PROBE "LOW LEVEL COOLANT" ASSY / 1/2" NPT From 8-9454		1	D13
. NS	564465	. . SENSOR PROBE "LOW LEVEL COOLANT" / 1/2" NPT From 8-9454		1	D13
. NS	21242838	. . SENSOR PROBE "LOW LEVEL COOLANT" / 1/2" NPT From 8-9454		1	D13
. NS	563764	. . CONNECTOR / CPC SERIES 3 / PH 3C / PED 15300002 From 8-9454		1	D13
. NS	563765	. . PIN TERMINAL / 18-16 / PED 12048159 From 8-9454		2	D13
. NS	563369	. . CABLE SEAL / GRAY / PED 12010293 From 8-9454		2	D13
. NS	562387	. . CONVOLUTED TUBING / SLIT / BLACK / .250" From 8-9454		AR	D13
. NS	562388	. . SECONDARY LOCK / METRI-PACK 280 / 2C / BLUE / PED 15300014 From 8-9454		1	D13
4A	501316	. BUSHING REDUCER / PIPE FITTING / 1/2NPT-Mx1/4NPT-F BR From 8-9454	1	1	
5A	8149353	. PRESSURE CAP 14LBS	1	1	
5B	550984	. CAP PRESSURE / OVER 13 LBS	1	1	A
6	550850	. SIGHT GLASS 1/2" NPT To 9-9595	1	1	
. NS	N8881803	. . BODY ½ NPT To 9-9595	1	1	
. NS	N8881804	. . NUT BODY TO FIX GLASS To 9-9595	1	1	
. NS	N8881805	. . GLASS To 9-9595	1	1	
. NS	N8881806	. . O-RING To 9-9595	1	1	
6	21246185	. SIGHT GLASS 1/2" NPT From 9-9596 To 9-9656	1	1	
. NS	N8881803	. . BODY ½ NPT From 9-9596 To 9-9656	1	1	
. NS	N8881804	. . NUT BODY TO FIX GLASS From 9-9596 To 9-9656	1	1	
. NS	N8881805	. . GLASS From 9-9596 To 9-9656	1	1	
. NS	N8881806	. . O-RING From 9-9596 To 9-9656	1	1	
6	21331481	. SIGHT GLASS 1" NPT From 9-9657	1	1	
7	5001521	. MALE ELBOW 45° / BEADED HOSE BARB / #16x#16ORB-M STL	1	1	
7	5011285	. MALE CONNECTOR / BEADED HOSE BARB / #16x#16ORB-M STL To 9-9595		1	D13
7	21247975	. MALE CONNECTOR / BEADED HOSE BARB / #16x#16ORB-M STL From 9-9595		1	D13
8	501308	. ADAPTER / PIPE FITTING / 1/4NPT-Fx1/4NPT-M BR	3	3	



From 8-9279 To B-9999	Date:10/2022	PAGE:MTH-0510-00
SURGE TANK		

Item#	Part	Description	X L I I M T H 4 5	X L I I M T H 4 5 E	N O T E S
8	501304	. PLUG SQUARE HEAD / PIPE FITTING / 1/4NPT-M BR W/RETARDER		1	D13 R
8	501800	. PLUG HEXS / PIPE FITTING / 1/4NPT-M STL From A-9969		1	D13 R
9	680098	. THREAD SEALANT LOCTITE #567 / WHITE / 250ml	AR	AR	
10	501312	. BUSHING REDUCER / PIPE FITTING / 1/4NTP-Mx1/8NPT-F BR To 8-9453	1	1	
11	501707	. ADAPTER TEE / SAE 45° FITTING / #4FL-Mx1/8NPT-Mx1/8NPT-F BR To 8-9453	1	1	
12	501036	. MALE ELBOW 90° / SAE 45° FITTING / #4FL-Mx1/8NPT-M BR To 8-9453	1	1	
16	052680	. SUPPORT ASSY / SURGE TANK To B-9953	1	1	
16	053574	. SUPPORT ASSY / SURGE TANK From B-9954	1	1	
17	5001448	. WASHER FL .343x.875x.062 SS18-8	4	4	
18	5001161	. WASHER LO SPT 8.1x14.8x2.0 SS-304	4	4	
19	5001527	. SCREW CAP HEX M8-1.25x16 SS BK	4	4	
30	052869	HOSE 1" I.D. 625MM	1		
30	052799	HOSE 1" I.D. 665MM		1	
30	053476	HOSE 1" I.D. 1030MM		1	D13
. NS	503579	. HOSE 1" I.D. X 50' / "GREEN STRIPE"		AR	D13
30	503579	. HOSE 1" I.D. X 50' / "GREEN STRIPE"	1	1	
31	052792	HOSE #12 1550MM	1		
31	052879	HOSE #12 1640MM		1	
31	053464	HOSE #12 1700MM		1	D13
. NS	503006	. HOSE 5/8" I.D. 50' / S.L.		AR	D13
31	503006	. HOSE 5/8" I.D. 50' / S.L.	AR	AR	
32	504658	. HOSE CLAMP / 13/16"-1"3/4 / C.T. 9420	1	1	
33	5011255	MALE ELBOW 90° / JIC 37° FITTING / #16JIC-MxM33-2.0 ORB-M STL	1	1	
34	5011147	FEMALE CONNECTOR SWIVEL / COLLAR FITTING / #16JIC-Fx#16 STL	1	1	
35	503702	HOSE / (SAFETY STRIPE) / 3/8" I.D. 50' / S.L.	AR	AR	A
36	992081	HOSE CLAMP / 12MM/22MM	1	1	A
40	052867	HOSE ASSY / #4 1010MM To 8-9453	1		
40	052851	HOSE ASSY / #4 1055MM To 8-9453		1	
40	053513	HOSE ASSY / #4 580MM From 8-9454	1	1	
41	052868	HOSE ASSY / #4 574MM	1		
41	052852	HOSE ASSY / #4 470MM		1	
41	509884	MALE ELBOW 90° / JIC 37° FITTING / #4JIC-MxM12-1.5-M STL	1	1	
. NS	N.P.N.	. O-RING	1	1	4
. NS	N.P.N.	. WASHER RET	1	1	4
41	509883	SWIVEL NUT BRANCH TEE / JIC 37° FITTING / #4JIC-Mx#4JIC-Mx#4JIC-F STL	1	1	
42	053513	HOSE ASSY / #4 580MM		1	
42	052852	HOSE ASSY / #4 470MM	1		
42	501347	. FEMALE CONNECTOR SWIVEL / PUSH-LOK FITTING #4JIC-Fx#4 BR	2	2	
42	503692	. HOSE / (SAFETY STRIPE) / 1/4" I.D. 50' / S.L.	AR	AR	
42	505181	. COIL PROTECTOR / PLASTIC / #8	AR	AR	
43	052916	HOSE ASSY TEFLON #4 2015MM		1	D13 O
44	053477	HOSE ASSY / #6 620MM		1	D13



From 8-9279 To B-9999	Date:10/2022	PAGE:MTH-0510-00
SURGE TANK		

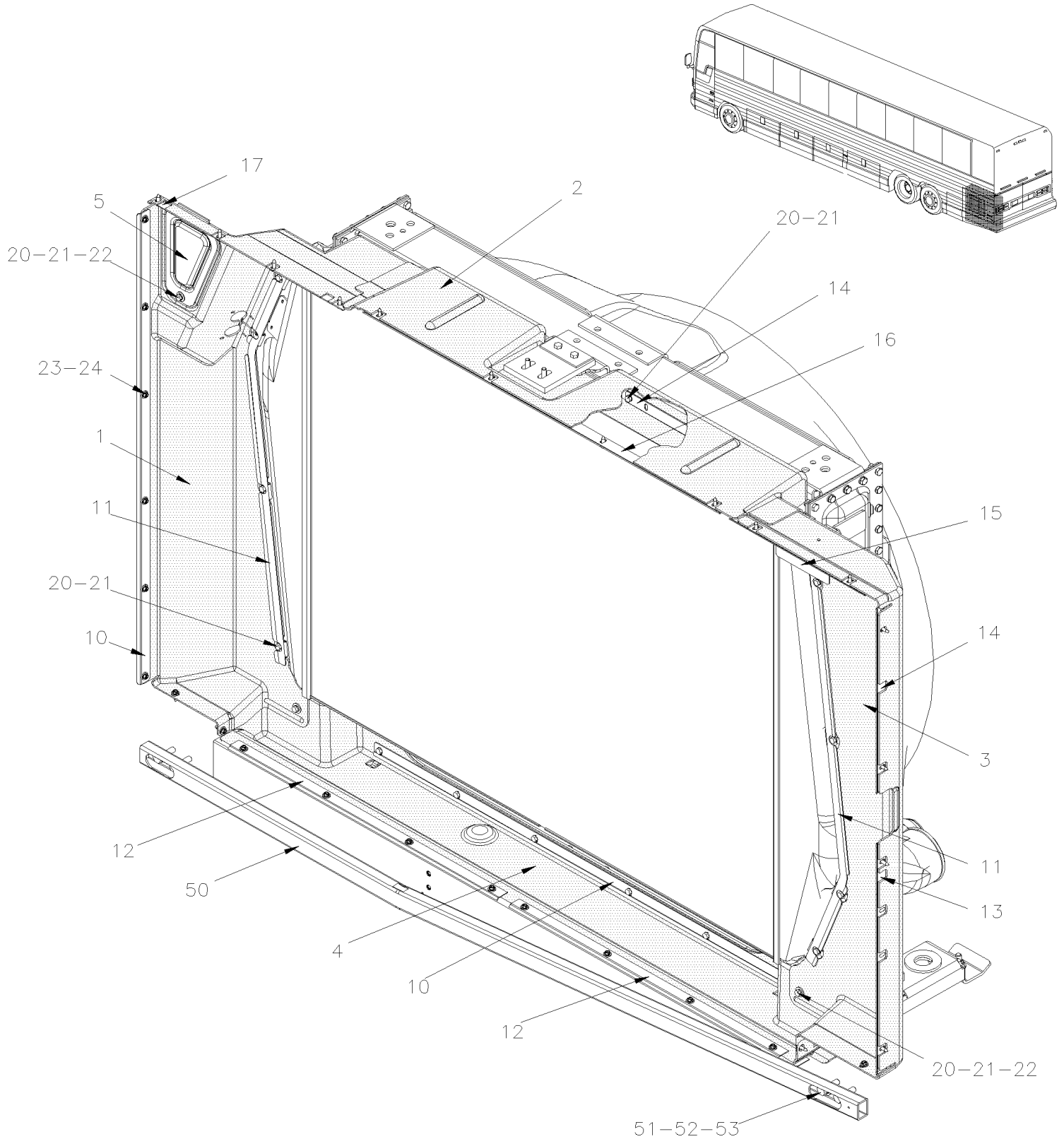
Item#	Part	Description	X L I I M T H 4 5	X L I I M T H 4 5 E	N O T E S
. NS	503702	. HOSE / (SAFETY STRIPE) / 3/8" I.D. 50' / S.L.		AR	D13
. NS	5011260	. FEMALE CONNECTOR SWIVEL / PUSH-LOK FITTING / #8FL-Fx#6 BR		1	D13
44	504018	HOSE CLAMP / 7/16"-1" SS / HS-8		1	D13
45	501332	STREET ELBOW 90° / PIPE FITTING / 1/4NPT-Mx1/4NPT-F BR		1	D13
45	501033	MALE CONNECTOR / SAE 45° FITTING / #8FL-Mx1/4NPT-M BR		1	D13
NS	052635	DECAL SPEC / ANTIFREEZE / W/ "DETROIT" ENGINE / ENGLISH & FRANCAIS	1	1	
NS	053487	DECAL SPEC / ANTIFREEZE / W/ "VOLVO" ENGINE FR/ENG	1	1	
NS	053488	DECAL SPEC / ANTIFREEZE / W/ "VOLVO" ENGINE / ENGLISH & SPANISH	1	1	
51	050781	DECAL / COOLANT CAPACITY / 91 LITERS / ENGLISH & FRANCAIS	1	1	
NS	685125	ANTIFREEZE / ETHYLENE GLYCOL / SPEC #7SE298 & TMC RP-329, T	AR	AR	S60
. NS	M104-06	. SEE MAINTENANCE INFORMATION	1	1	S60
NS	685127	. COOLANT PRESTONE / 4 LITERS 50%/50% PRE-MIXED W/"VOLVO"		AR	D13
NS	685241	. COOLANT PRESTONE / 208 LITERS 50%/50% PRE-MIXED W/"VOLVO"		AR	D13
		1/2") THIS TANK HAVE 1/2" NPT SIGHT GLASS			
		1") THIS TANK HAVE 1" NPT SIGHT GLASS			
		A) USE WITH SURGE TANK 050028			
		D13) WITH "VOLVO" ENGINE D-13			
		N) NOTE WITH THIS EFFECTIVITY WE CHANGE THE EXIT FOR COOLANT LEVEL AND THE EXIT FOR ONE HOSE AT CURBESIDE END			
		O) WITH TRANS WITHOUT RETARDER			
		R) WITH TRANS WITH RETARDER			
		S60) WITH DETROIT S60 ENGINE			
		P) CALL ORDER DESK FOR SPECIFIC APPLICATION (V.I.N.)			
		4) NO PARTS NUMBER			

From 8-9340 To B-9999

Date:10/2022

PAGE:MTH-0518-50

RADIATOR SEALING FRAME - MTH 45'





From 8-9340 To B-9999		Date:10/2022	PAGE:MTH-0518-50
RADIATOR SEALING FRAME - MTH 45'			

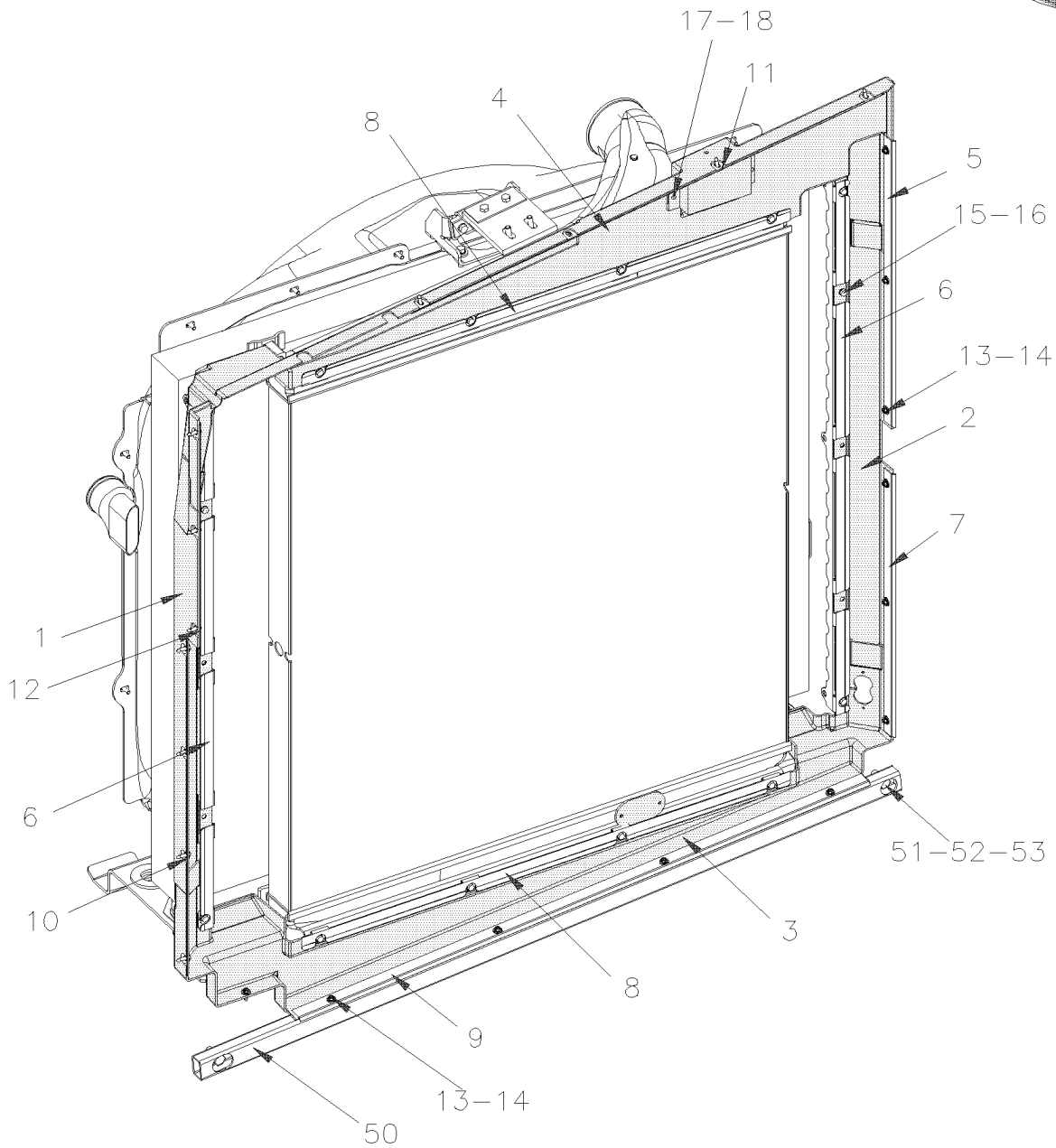
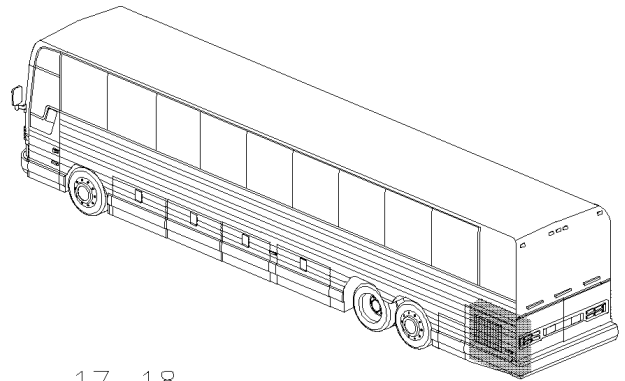
Item#	Part	Description	X L I I M T H 4 5	X L I I M T H 4 5 E	N O T E S
	052866	KIT SEALING FRAME W5	1		
1	052861	. FRAME, SEALING / FORWARD	1		
2	052864	. FRAME, SEALING / UPPER	1		
3	052862	. FRAME, SEALING / BACKWARD	1		
4	052863	. FRAME, SEALING / LOWER	1		
5	052865	. ACCESS PANEL	1		
NS	506002	TAPE RUB ADH1 CC POL 3/16" x 1/2" x 40' / GREY 2520	AR		
10	052749	ANGLE REINFORCEMENT 1030MM	2		
11	052750	REINFORCMENT "U" 862MM	2		
. NS	5001965	. NUT SPR U M6-1.0 0.6-4.0 N500	8		
12	052793	ANGLE REINFORCEMENT 658MM	2		
13	052871	ANGLE REINFORCEMENT 495MM	1		
14	052748	ANGLE REINFORCEMENT 400MM	3		
15	052870	ANGLE REINFORCEMENT 330MM	1		
16	052805	ANGLE REINFORCEMENT 871MM	1		
17	052636	ANGLE REINFORCEMENT 470MM	1		
20	955271	SCREW CAP HEX M6-1.0x16 G8.8 ZG603	AR		
20	5001965	NUT SPR U M6-1.0 0.6-4.0 N500	AR		
21	502853	WASHER LO SPT 6.1x11.8x1.6 N500	AR		
22	502638	WASHER FL .312x.734x.065 N500	AR		
23	500526	SCREW TP CAP HEXW #12x3/4 N500	AR		
24	500877	WASHER FL .250x.562x.065 N500	AR		
50	289419	TUBE PROTECTOR LOWER RADIATOR ASS	1		
51	970949	SCREW CAP HEX M10-1.5x35 G8.8 ZG603	3		
52	500487	WASHER LO SPT .443x.779x.109 N500	3		
53	960143	WASHER FL 10.5x26.0x2.0 ZP	3		

From 8-9279 To B-9999

Date:10/2022

PAGE:MTH-0518-60

RADIATOR SEALING FRAME - MTH-45' ENT





From 8-9279 To B-9999	Date:10/2022	PAGE:MTH-0518-60
RADIATOR SEALING FRAME - MTH-45' ENT		

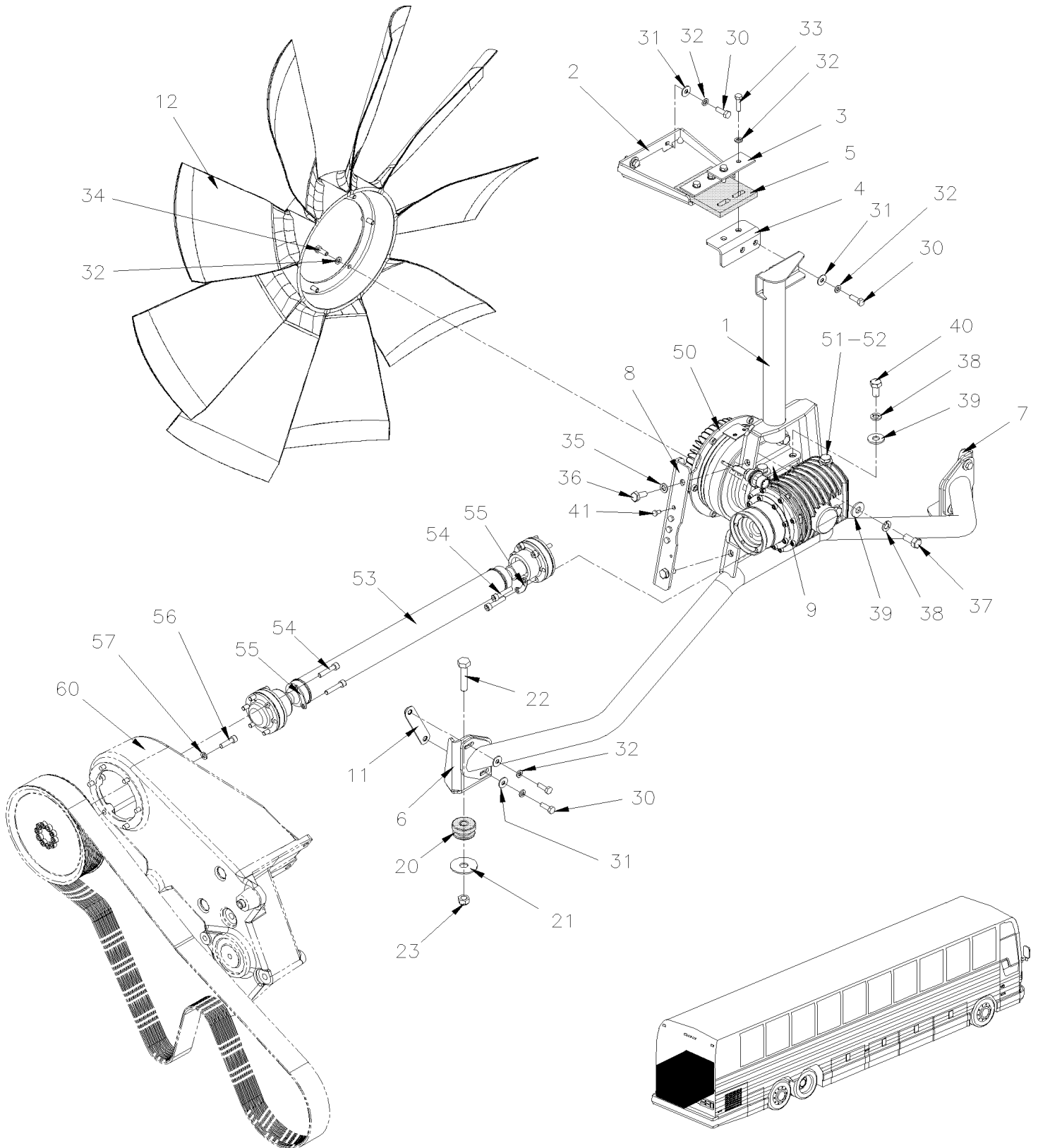
Item#	Part	Description	X L I I M T H 4 5	X L I I M T H 4 5 E	N O T E S
1	052774	FRAME, SEALING / FORWARD		1	
2	052779	FRAME, SEALING / BACKWARD		1	
3	052780	FRAME, SEALING / LOWER		1	
4	052781	FRAME, SEALING / UPPER		1	
5	052804	ANGLE REINFORCEMENT 662MM		1	
6	052814	REINFORCMENT "U" 1043MM		2	
7	052778	ANGLE REINFORCEMENT 515MM		1	
8	052815	REINFORCMENT "U" 893MM		2	
9	052817	ANGLE REINFORCEMENT 1045MM		1	
10	052793	ANGLE REINFORCEMENT 658MM		AR	
11	052805	ANGLE REINFORCEMENT 871MM		AR	
12	052816	ANGLE REINFORCEMENT 435MM		AR	
13	500526	SCREW TP CAP HEXW #12x3/4 N500		AR	
14	500877	WASHER FL .250x.562x.065 N500		AR	
15	502853	WASHER LO SPT 6.1x11.8x1.6 N500		AR	
16	502830	SCREW CAP HEX M6-1.0x20 G8.8 N500		AR	
16	5001965	NUT SPR U M6-1.0 0.6-4.0 N500		AR	
17	5001067	WASHER FL .128x.312x.032 SS		2	
18	504339	RIVET POP DOME OE 1/8x3/8 SS		2	
50	289399	TUBE PROTECTOR LOWER RADIATOR 1211MM		1	
51	502705	SCREW CAP HEX M12-1.75X25 G8.8 N500		2	
52	500958	WASHER FL .531x1.062x.095 SS		2	
53	500747	WASHER LO SPT 12.2x21.1x2.5 N500		2	

From 8-9279 To B-9999

Date:10/2022

PAGE:MTH-0520-50

FAN DRIVE - INSTALLATION





From 8-9279 To B-9999	Date:10/2022	PAGE:MTH-0520-50
FAN DRIVE - INSTALLATION		

Item#	Part	Description	X L I I M T H 4 5	X L I I M T H 4 5 E	N O T E S
1	052740	TRIPOD SUPPORT LONG To 8-9389	1		
1	052893	TRIPOD SUPPORT LONG From 8-9390	1		
1	052836	TRIPOD SUPPORT SHORT To 8-9378		1	
1	052908	TRIPOD SUPPORT SHORT From 8-9379		1	
2	052728	SUPPORT UPPER TRIPOD	1	1	
NS	502851	NUT HEX M8-1.25 N500	2	2	A
3	052473	PLATE / UPPER RADIATOR 40MM X 90MM	2	2	
4	052730	ANGLE OFFSET RETAINER / UPPER RADIATOR To 8-9374	1	1	
4	052903	ANGLE OFFSET RETAINER / UPPER RADIATOR From 8-9375	1	1	
NS	502851	NUT HEX M8-1.25 N500	2	2	A
5	052441	RUBBER PAD 100MM X 123MM To 9-9595	1	1	
5	21185073	RUBBER PAD 100MM X 123MM From 9-9596	1	1	
6	052736	SUPPORT LOWER TRIPOD / BACKWARD To 8-9378	1	1	
6	052901	SUPPORT LOWER TRIPOD / BACKWARD From 8-9379	1	1	
7	052737	SUPPORT LOWER TRIPOD / FORWARD To 8-9378	1	1	
7	052905	SUPPORT LOWER TRIPOD / FORWARD From 8-9379	1	1	
8	052735	ANGLE CLOSING BACKWARD SUPPORT TRIPOD To 9-9895	1	1	
8	052979	ANGLE CLOSING BACKWARD SUPPORT TRIPOD From 9-9896	1	1	
9	052734	ANGLE RETAINER UPPER 90° GEARBOX To 8-9382	1	1	
9	052884	ANGLE RETAINER UP & LOWER 90° GEARBOX From 8-9383 To 9-9895	2	2	
9	052884	ANGLE RETAINER UP & LOWER 90° GEARBOX From 9-9896	1	1	
10	052762	ANGLE RETAINER LOWER 90° GEARBOX To 8-9382	1	1	
10	052884	ANGLE RETAINER UP & LOWER 90° GEARBOX From 8-9383 To 9-9895	1	1	
10	052998	ANGLE RETAINER LOWER 90° GEARBOX From 9-9896	1	1	
11	052840	PLATE ATTACHMENT W/2 NUTS M8-1.25	2	2	
12	550908	FAN ASSY / CCW 38" / 9 BLADES PLASTIC	1	1	
20	052764	RUBBER BUSHING To 9-9595	2	2	
20	21183424	RUBBER BUSHING From 9-9596	2	2	
21	052765	WASHER FL 12.5MMx52MMx3MM	2	2	
22	5001861	SCREW CAP HEX M12-1.75x60 G10.9 N500	2	2	
23	971084	NUT HEX STO M12-1.75 ZG603	2	2	
30	955297	SCREW CAP HEX M8-1.25x25 G8.8 ZG603	8	8	
31	500332	WASHER FL .328x.875x.062 N500	12	12	
32	500942	WASHER LO SPT 8.1x14.8x2.0 N500	18	18	
33	940142	SCREW CAP HEX M8-1.25x30 G8.8 ZG603	4	4	
34	502862	SCREW CAP HEX M8-1.25x20 G8.8 N500	6	6	
35	502804	SCREW CAP HEX M10-1.5x25 G8.8 N500	2	2	
36	502616	WASHER LO SPT 10.2x18.1x2.2 SS	2	2	
37	502705	SCREW CAP HEX M12-1.75X25 G8.8 N500	4	4	
38	500747	WASHER LO SPT 12.2x21.1x2.5 N500	8	8	
39	500211	WASHER FL .531x1.250x.125 N500	8	8	
40	5001645	SCREW CAP HEX M12-1.5x25 G8.8 N500	4	4	



From 8-9279 To B-9999	Date:10/2022	PAGE:MTH-0520-50
FAN DRIVE - INSTALLATION		

Item#	Part	Description	X L I I M T H 4 5	X L I I M T H 4 5 E	N O T E S
41	5001181	SCREW CAP HEX M6-1.0x12 SS	4	4	
41	680038	THREAD LOCKER LOCTITE #243 / BLUE / 50ml	AR	AR	
50	MTH-0540-50	FAN CLUTCH & ANGLE DRIVE ASSY			
51	550946	CHECK VALVE	1	1	
52	550947	GASKET CHECK VALVE	1	1	
53	550909	DRIVE SHAFT 740MM	1		
. NS	550930	. PLATE REINFORCMENT HALF CIRCLE	6		
. NS	502743	. SCREW CAP HEXS M8-1.25x40 G8.8	12		
53	557068	DRIVE SHAFT 740MM SERVICE ONLY	1		
. NS	550930	. PLATE REINFORCMENT HALF CIRCLE	6		
. NS	502743	. SCREW CAP HEXS M8-1.25x40 G8.8	12		
53	550979	DRIVE SHAFT 740MM ALTERNATIVE PART	1		
. NS	5000356	. SCREW CAP HEXS LOW HEAD M8-1.25x40 G8.8 YZP	12		
53	550910	DRIVE SHAFT 478MM		1	
. NS	550930	. PLATE REINFORCMENT HALF CIRCLE		6	
. NS	502743	. SCREW CAP HEXS M8-1.25x40 G8.8		12	
53	557069	DRIVE SHAFT 478MM SERVICE ONLY		1	
. NS	550930	. PLATE REINFORCMENT HALF CIRCLE		6	
. NS	502743	. SCREW CAP HEXS M8-1.25x40 G8.8		12	
53	550980	DRIVE SHAFT 478MM ALTERNATIVE PART		1	
. NS	5000356	. SCREW CAP HEXS LOW HEAD M8-1.25x40 G8.8 YZP		12	
54	502743	SCREW CAP HEXS M8-1.25x40 G8.8	12	12	B
55	550930	PLATE REINFORCMENT HALF CIRCLE	6	6	B
56	5001598	SCREW CAP HEXS M8-1.25x30 SS	6	6	
57	5001161	WASHER LO SPT 8.1x14.8x2.0 SS-304	6	6	
60	MTH-0120-00	DRIVE PULLEY, BELTS & TENSIONER WITH DETROIT S-60			
60	MTH-0120-01	DRIVE PULLEY, BELTS & TENSIONER WITH VOLVO D13			
70	052801	KIT RETROFIT FAN CLUTCH AIR DEFLECTOR SERIES XL-II To 9-9894		1	
71	052992	. AIR DEFLECTOR BACKWARD		1	
72	053005	. SPACER 100x30x6.4 RUB		1	
73	052993	. AIR DEFLECTOR FORWARD		1	
74	052994	. RETAINER UPPER SUPPORT AIR DEFLECTOR		1	
75	504379	. RIVET POP DOME OE 3/16x1/4 SS		2	
76	504357	. WASHER FL .187x.437x.050 SS		2	
77	5001730	. SCREW CAP HEXF M6-1.0x16 G10.9 N500		7	
78	500356	. WASHER LO SERR 6.1x16.0x0.9 N500		7	
79	504750	. CABLE TIE / 1/2" x 15" / CHRISTMAS TREE		1	
80	053004	RETAINER LOWER SUPPORT AIR DEFLECTOR To 9-9894		2	R
81	504635	U-BOLT 1 3/4" I.D. x 2 3/4" x 5/16-18 To 9-9894		2	R
82	502638	WASHER FL .312x.734x.065 N500 To 9-9894		2	R



From 8-9279 To B-9999	Date:10/2022	PAGE:MTH-0520-50
FAN DRIVE - INSTALLATION		

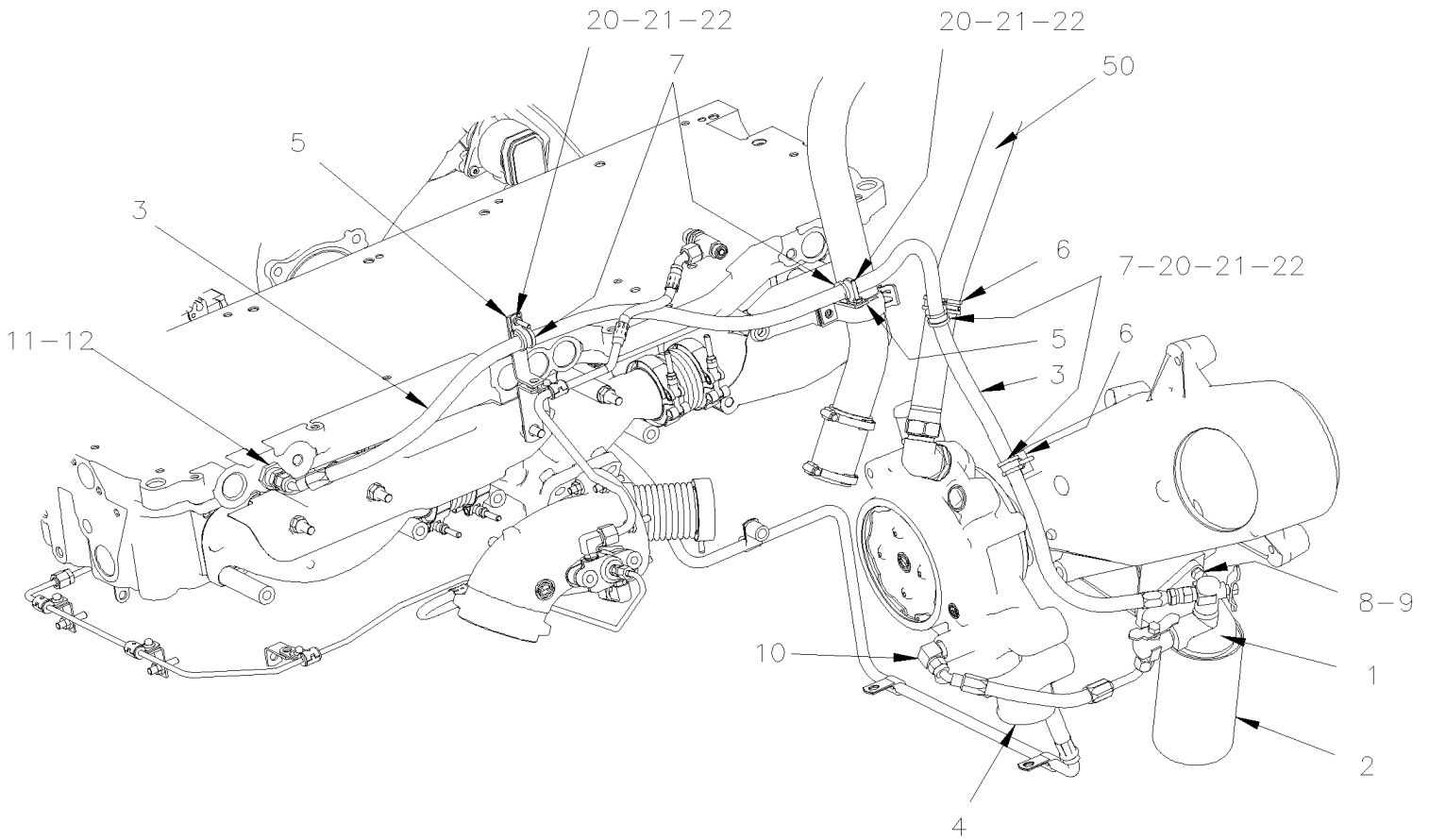
Item#	Part	Description	X L I I M T H 4 5	X L I I M T H 4 5 E	N O T E S
83	500248	NUT HEX STO 5/16-18 N500 To 9-9894		2	R
		A) FOR PRODUCT IMPROVMENT ADD 2 X 502851			
		B) ONLY USE WITH THE OEM PART			
		R) RETROFIT			

From 8-9279 To B-9999

Date:10/2022

PAGE:MTH-0530-00

COOLANT FILTER - INSTALLATION WITH DETROIT S-60





From 8-9279 To B-9999 Date:10/2022 PAGE:MTH-0530-00

COOLANT FILTER - INSTALLATION WITH DETROIT S-60

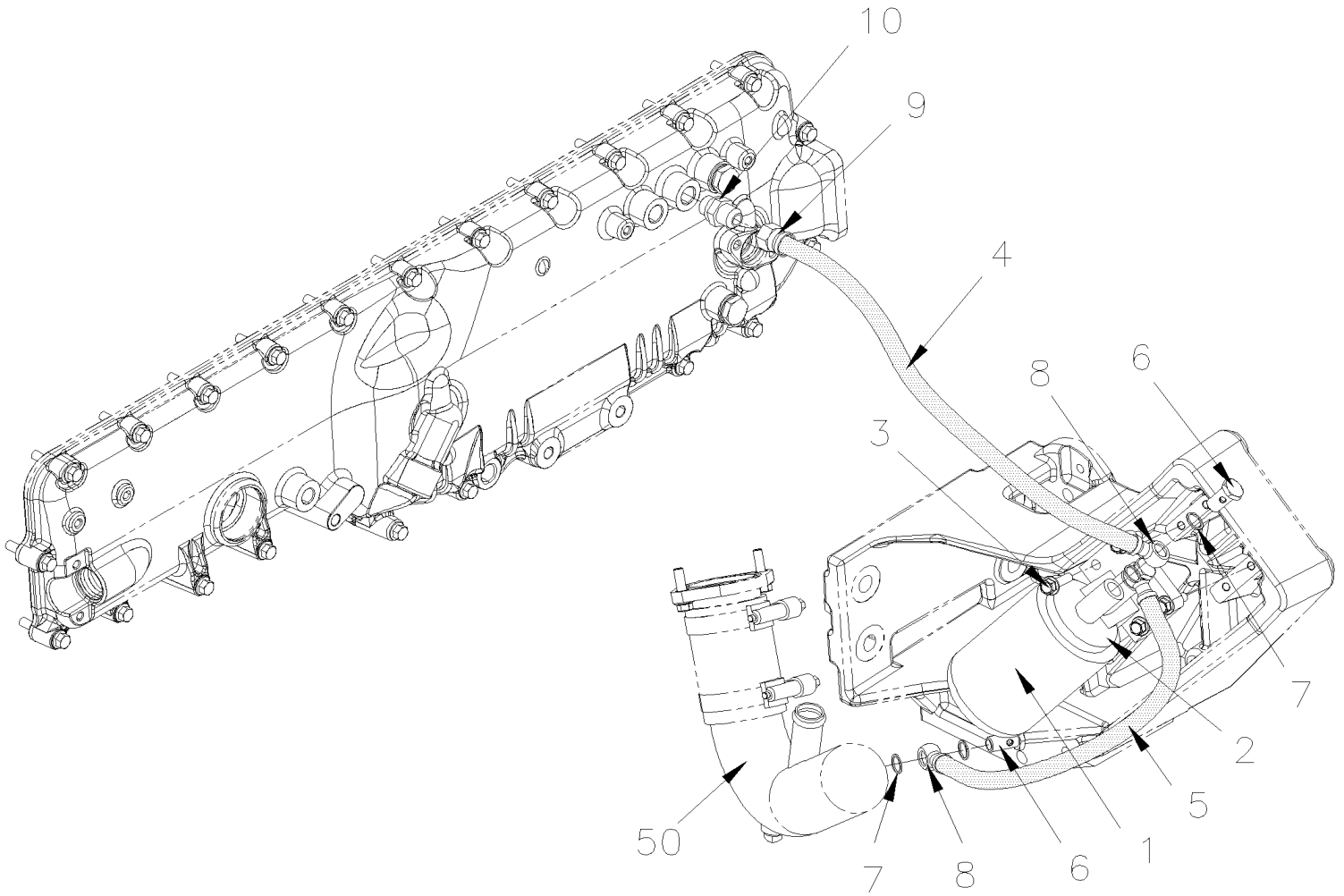
Item#	Part	Description	X L I I M T H 4 5	X L I I M T H 4 5 E	N O T E S
1	550874	ADAPTOR HEAD, COOLANT FILTER	1	1	
1	550061	VALVE	1	1	
2	550630	CARTRIGE "MAINTENANCE" "NALCOOL" 3000	1	1	
3	052759	HOSE ASSY / #6 1560MM	1	1	
4	052760	HOSE ASSY / #6 215MM	1	1	
5	070368	SUPPORT	2	2	
6	061025	SUPPORT	1	1	
7	952629	CLAMP / 5/8" I.D.	4	4	
8	955297	SCREW CAP HEX M8-1.25x25 G8.8 ZG603	3	3	
9	502889	WASHER LO SPT 8.1x12.7x2.0 N500	3	3	
10	501042	MALE ELBOW 90° / SAE 45° FITTING / #6FL-Mx3/8NPT-M BR	1	1	
11	501618	MALE CONNECTOR / SAE 45° FITTING / #6FL-Mx1/2NPT-M BR	1	1	
12	501462	BUSHING REDUCER / PIPE FITTING / 3/4NTP-Mx1/2NPT-F BR	1	1	
20	500574	SCREW MA TR PH #10-24x1 1/4 SS	AR	AR	
21	500914	WASHER LO SPT .193x.334x.047 N500	AR	AR	
22	502882	NUT HEX #10-24 N500	AR	AR	
50	MTH-0510-00	SURGE TANK			

From 9-9591 To B-9999

Date:10/2022

PAGE:MTH-0530-01

COOLANT FILTER - INSTALLATION WITH VOLVO D13





From 9-9591 To B-9999	Date:10/2022	PAGE:MTH-0530-01
COOLANT FILTER - INSTALLATION WITH VOLVO D13		

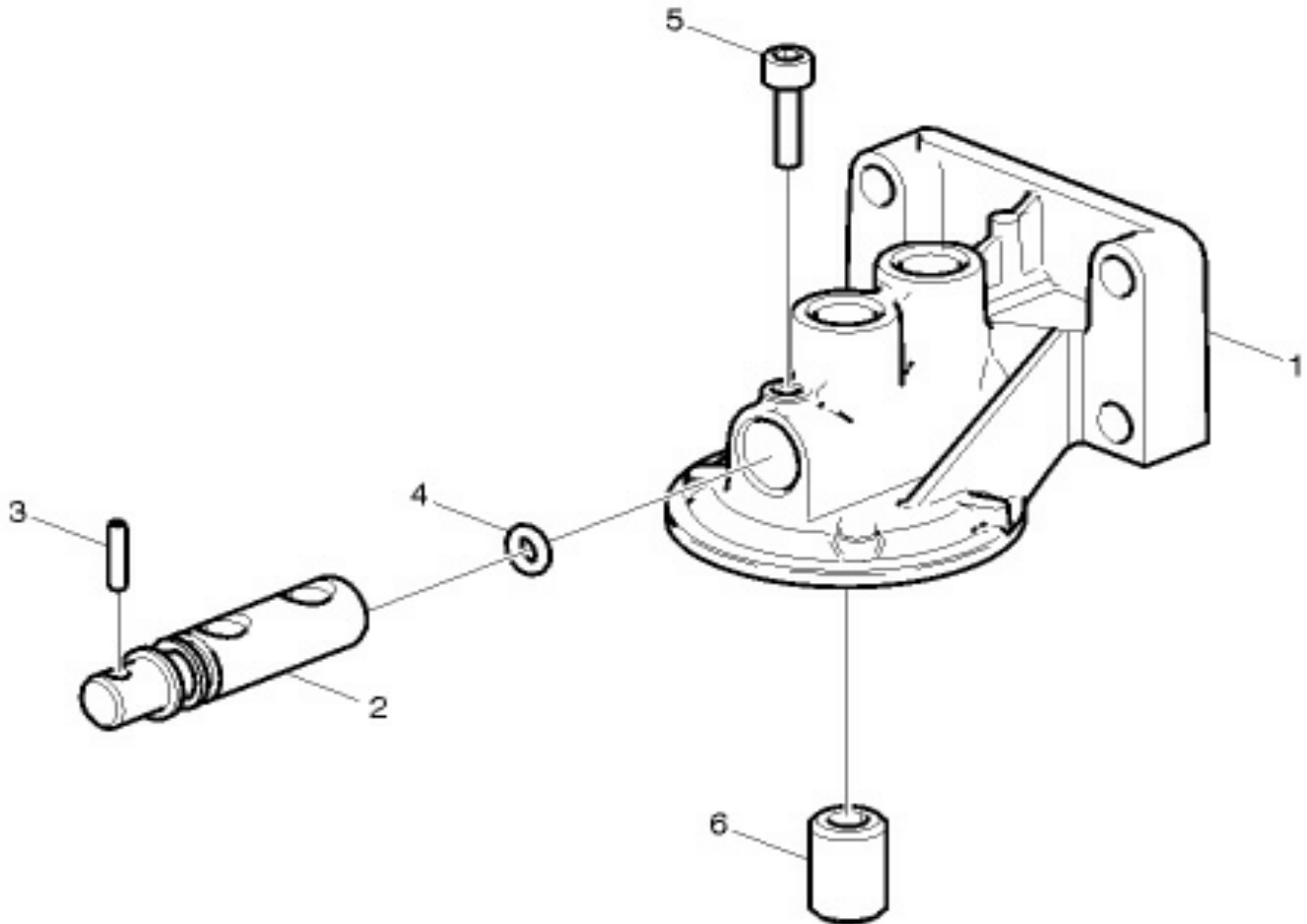
Item#	Part	Description	X L I I M T H 4 5	X L I I M T H 4 5 E	N O T E S
1	20458771	CARTRIGE "MAINTENANCE" COOLANT LONG LIFE "WITH D13 ENGINE"		1	
2	3979836	ADAPTOR HEAD, COOLANT FILTER		1	
3	5001742	SCREW CAP HEXF M8-1.25x30 G8.8 N500		4	
4	053469	HOSE #6 470MM		1	
. NS	503702	. HOSE / (SAFETY STRIPE) / 3/8" I.D. 50' / S.L.		AR	
5	053468	HOSE #6 376MM		1	
. NS	503702	. HOSE / (SAFETY STRIPE) / 3/8" I.D. 50' / S.L.		AR	
6	507655	BANJO BOLT / M14-1.5		3	
7	507657	BANJO WASHER / M14		6	
8	507653	BANJO UNION / 14MMx#6HOSE		3	
9	5011260	FEMALE CONNECTOR SWIVEL / PUSH-LOK FITTING / #8FL-Fx#6 BR		1	
10	5011192	MALE CONNECTOR / JIC 37° FITTING / #8JIC-MxM18-1.5-M STL		1	
. NS	N.P.N.	. O-RING		1	4
. NS	N.P.N.	. WASHER RET		1	4
50	MTH-0500-01	COOLANT PIPING WITH VOLVO D13			
		4) NO PARTS NUMBER			

From 9-9591 To B-9999

Date:10/2022

PAGE:3979836

ADAPTOR HEAD, COOLANT FILTER





From 9-9591 To B-9999	Date:10/2022	PAGE:3979836
ADAPTOR HEAD, COOLANT FILTER		

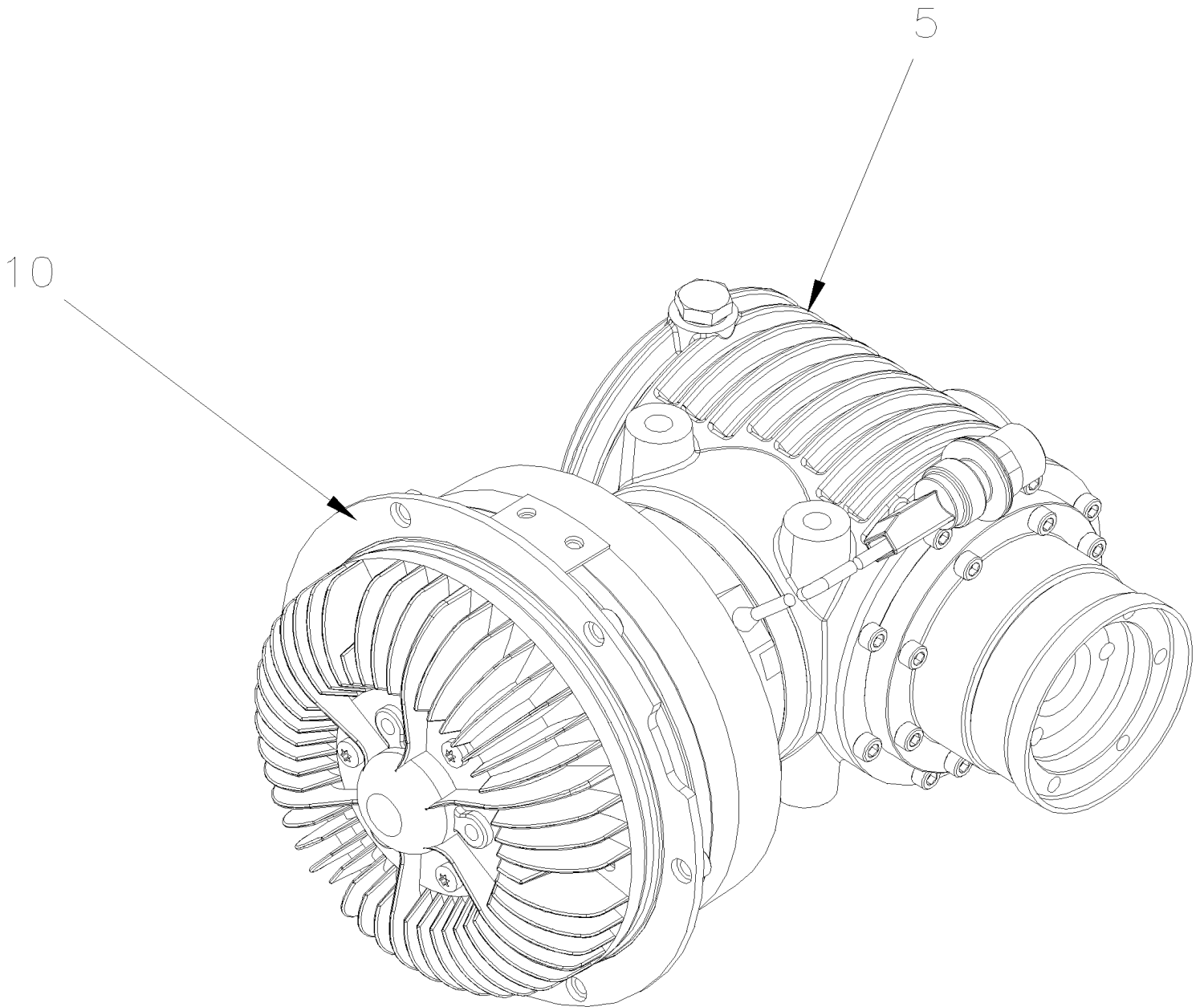
Item#	Part	Description	X L I I M T H 4 5	X L I I M T H 4 5 E	N O T E S
1	1661683	HOUSING	1	1	
2	1661686	SPINDLE	1	1	
3	951972	SPRING PIN	1	1	
4	968725	O-RING 11.3X2.4	1	1	
5	963692	HEX. SOCKET SCREW	1	1	
6	1676554	NIPPLE COOLANT FILTER	1	1	

From 8-9279 To B-9999

Date:10/2022

PAGE:MTH-0540-50

FAN CLUTCH & ANGLE DRIVE ASSY





From 8-9279 To B-9999 Date:10/2022 PAGE:MTH-0540-50

FAN CLUTCH & ANGLE DRIVE ASSY

Item#	Part	Description	X L I I M T H 4 5	X L I I M T H 4 5 E	N O T E S
	550911	GEARBOX ASSY WITH FAN CLUTCH To A-9882	1	1	
. NS	MI10-24	. SEE MAINTENANCE INFORMATION To A-9882	1	1	
	550958	GEARBOX ASSY WITH FAN CLUTCH From A-9883 To A-9953	1	1	
. NS	MI10-24	. SEE MAINTENANCE INFORMATION From A-9883 To A-9953	1	1	
	550962	GEARBOX ASSY WITH FAN CLUTCH From A-9954	1	1	
. NS	MI10-24	. SEE MAINTENANCE INFORMATION From A-9954	1	1	
	550974	GEARBOX ASSY WITH FAN CLUTCH ALTERNATIVE PART	1	1	A
. NS	551003	. BREATHER W/ OIL DIPSTICK	1	1	A
. NS	551004	. WASHER, DRAIN PLUG	1	1	A
. NS	551005	. PLUG, DRAIN	1	1	A
. NS	550062	. LOCKING TABS	1	1	A
	069718	HARNESS JUMPER FAN CLUTCH	1	1	A
NS	680719	. OIL SYNTHETIC GEAR BOX TITAN SAE 75W90 W/O-RING WASHER	1	1	
	068063	CABLE ADAPTOR FORMER TO CURRENT FAN CLUTCH / WITH 3 CONTACTS To A-9882	1	1	
5	N.P.N.	. GEARBOX	1	1	4
10	N.P.N.	. FAN CLUTCH	1	1	4
		A) USE 069718 WHEN YOU CHANGE THE FAN CLUTCH 550962 FOR A FAN CLUTCH 550974			
		4) NO PARTS NUMBER			

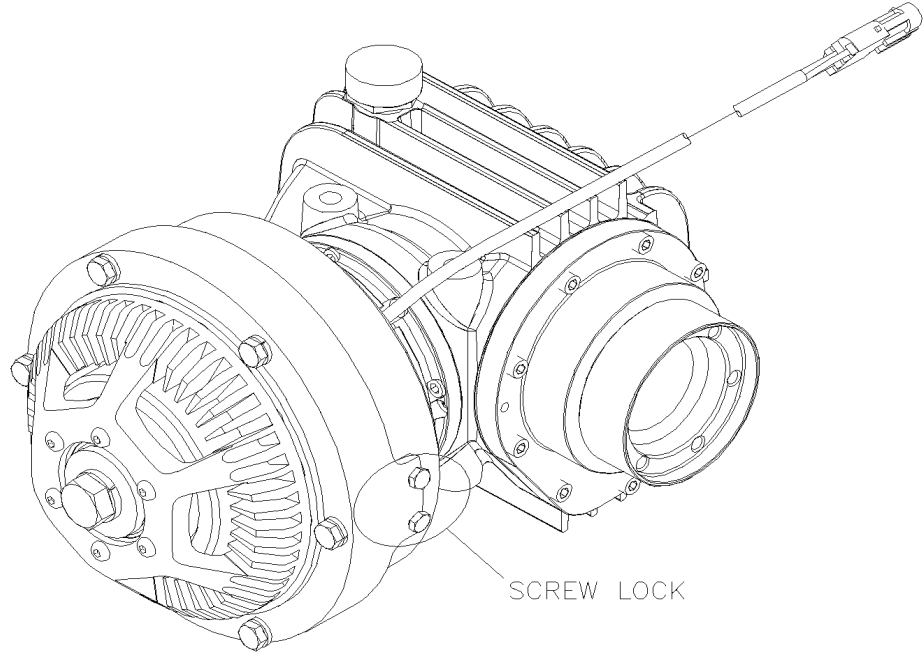
From 8-9279 To B-9999

Date:10/2022

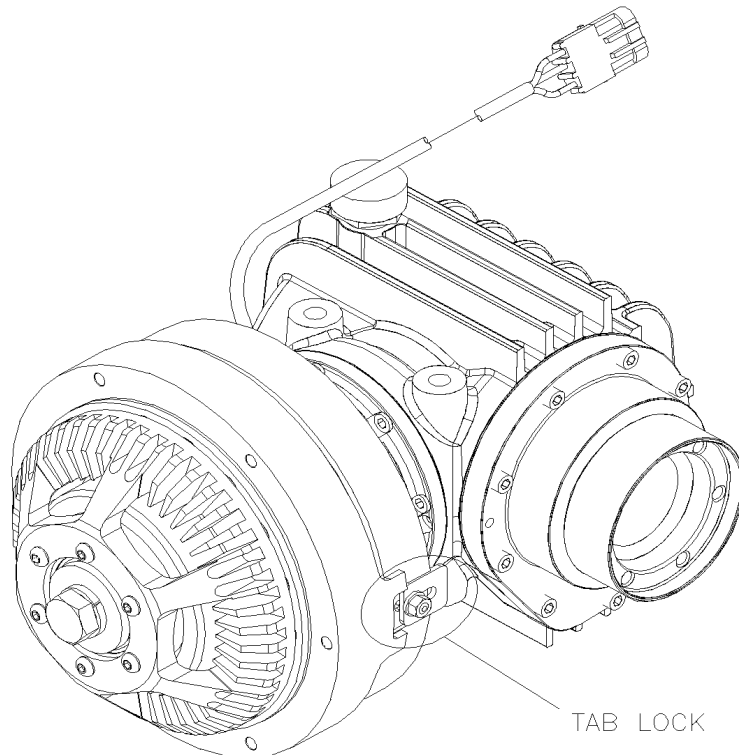
PAGE:550974

GEARBOX ASSY WITH FAN CLUTCH ALTERNATIVE PART

FORMER



CURRENT





From 8-9279 To B-9999	Date:10/2022	PAGE:550974
-----------------------	--------------	-------------

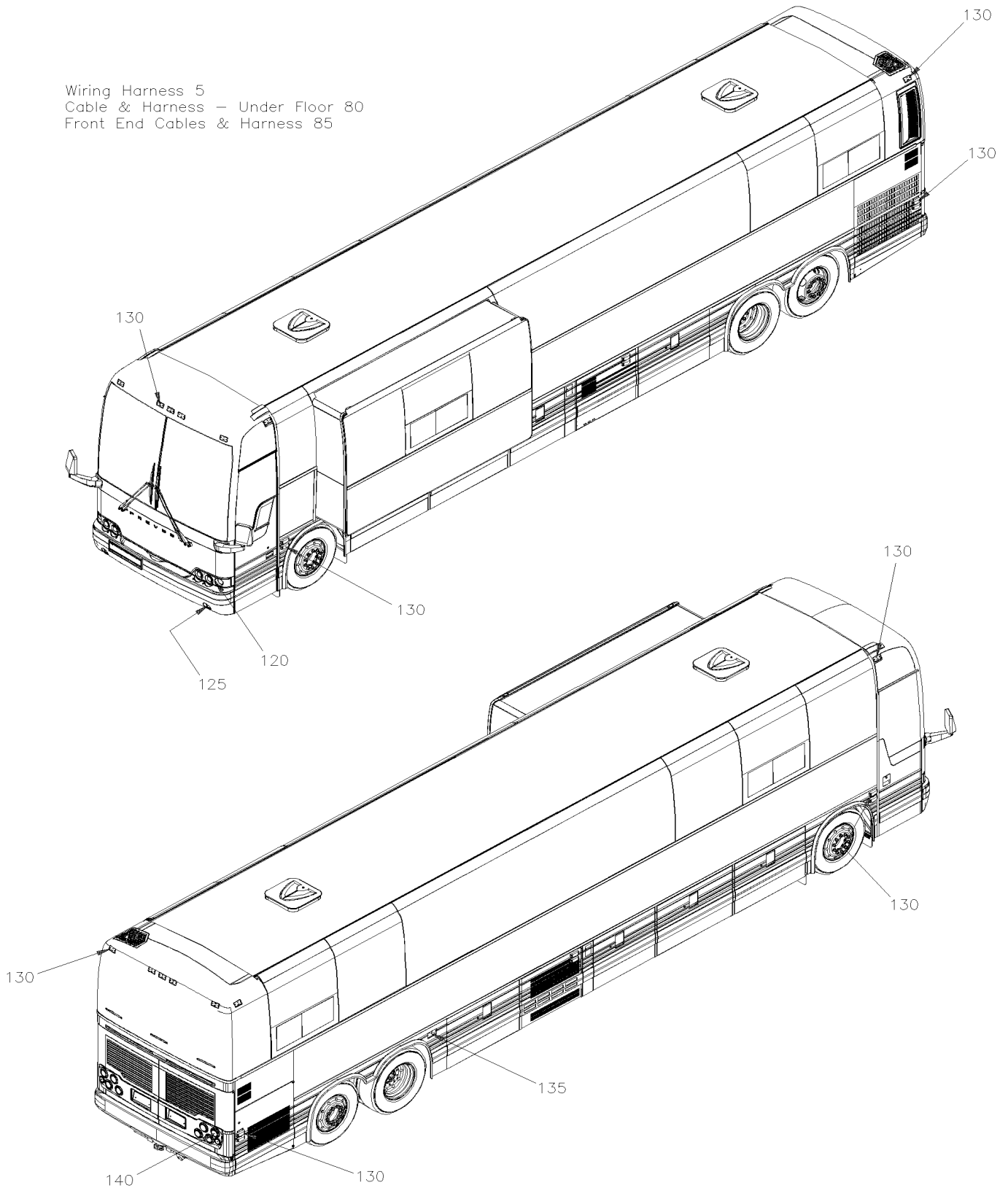
GEARBOX ASSY WITH FAN CLUTCH ALTERNATIVE PART

Item#	Part	Description	X L I I M T H 4 5	X L I I M T H 4 5 E	N O T E S
1		FORMER WITH SCREW LOCK	1	1	
2		CURRENT WITH TAB LOCK	1	1	



	Date:10/2022	MTH-06
ELECTRICAL		

Wiring Harness 5
Cable & Harness – Under Floor 80
Front End Cables & Harness 85



	Date:10/2022	MTH-06
ELECTRICAL		

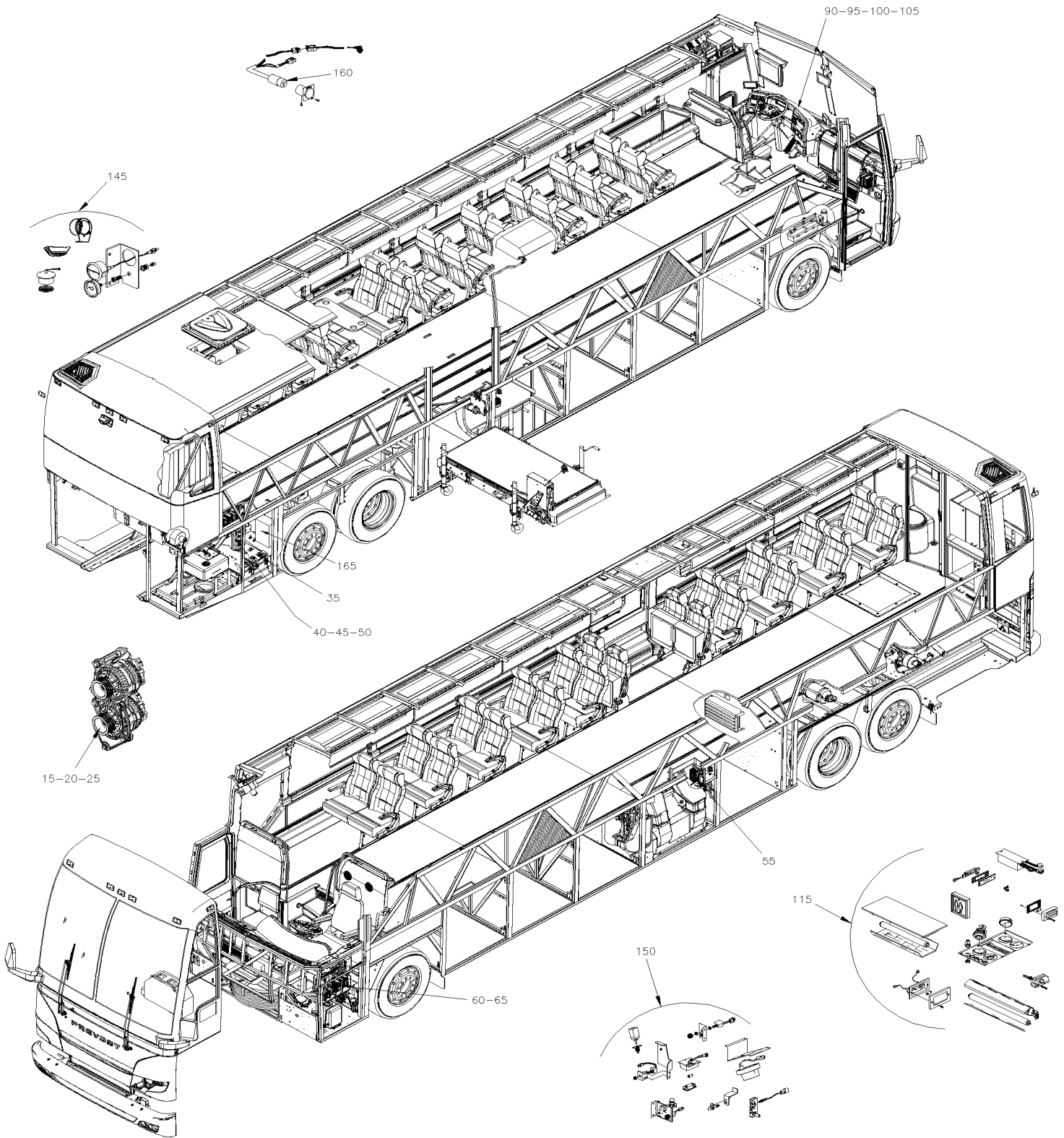


ILLUSTRATION REFERENCE ONLY



	Date:10/2022	MTH-06
ELECTRICAL		

Item#	Part	Description	X L I M T H 4 5	X L I M T H 4 5 E	N O T E S
5	MTH-0600-50	WIRING HARNESS - MTH W/MUX DIAGRAM D-061080 From 8-9279 To B-9999			
15	MTH-0605-00	ALTERNATOR 24V/140 AMPS / "BOSCH" From 8-9279 To B-9999			
15	MTH-0605-01	ALTERNATOR 24V/120 AMPS / "BOSCH" From 9-9640 To B-9999			
17	MTH-0605-50	ALTERNATOR 24V/270 AMPS / "DELCO" #562235 From 8-9279 To B-9999			
17	MTH-0605-51	ALTERNATOR 12V/300 AMPS / "DELCO" #562355 From 8-9279 To B-9999			
20	MTH-0610-00	ALTERNATOR MOUNTING / "BOSCH" 2X140AMPS DETROIT S-60 From 8-9279 To 9-9639			
20	MTH-0610-01	ALTERNATOR MOUNTING / "BOSCH" 2X140AMPS VOLVO D13 From 9-9591 To B-9999			
20	MTH-0610-05	ALTERNATOR MOUNTING / "BOSCH" 2X120AMPS DETROIT S-60 From 9-9640 To B-9999			
23	MTH-0610-15	VOLTAGE REGULATOR - 24 VOLTS W/270 AMPS From 8-9279 To B-9999			
25	MTH-0610-55	ALTERNATOR MOUNTING / "NEIHOF"READY INSTALLATION From 8-9279 To B-9999			
25	MTH-0610-56	ALTERNATOR MOUNTING / 24V-75Amps D-061092 From 8-9279 To B-9999			
25	MTH-0610-57	ALTERNATOR MOUNTING / 24V-140Amps D-061091 From 8-9279 To B-9999			
25	MTH-0610-58	ALTERNATOR MOUNTING / 12V-200Amps From 8-9279 To B-9999			
35	MTH-0615-50	BATTERIES INSTALLATION - MTH From 8-9279 To B-9999			
40	MTH-0616-00	JUNCTION BOX COMPONENTS, RELAY & BREAKER From 8-9279 To B-9999			
45	MTH-0620-05	REAR JUNCTION BOX FAN - INSTALLATION From 8-9279 To B-9999			
50	MTH-0620-50	REAR JUNCTION BOX ASSY From 8-9279 To B-9999			
55	MTH-0621-50	A/C CONDENSOR MOTOR RELAY From 8-9279 To B-9999			
60	MTH-0625-00	FRONT JUNCTION PANEL From 8-9279 To B-9999			
65	MTH-0625-10	FRONT JUNCTION BOX - INSTALLATION From 8-9279 To B-9999			
80	MTH-0630-50	CABLE & HARNESS - UNDER FLOOR - MTH From 8-9279 To B-9999			
85	MTH-0640-50	CABLE & HARNESS - FRONT END INSTALLATION From 8-9279 To B-9999			
90	MTH-0645-05	SWITCHES L.H. CONSOLE - MTH From 8-9279 To B-9999			
95	MTH-0645-10	L.H. DASHBOARD PANEL From 8-9279 To B-9999			
100	MTH-0645-20	CENTER DASHBOARD PANEL From 8-9279 To B-9999			
105	MTH-0645-30	R.H. DASHBOARD PANEL From 8-9279 To B-9999			
115	MTH-0655-00	INTERIOR LIGHTING From 8-9279 To B-9999			
120	MTH-0660-00	HEADLAMP & FRONT DIRECTIONAL LAMPS ROUND "HALOGENE" & "XENON" From 8-9279 To B-9999			
125	MTH-0661-00	FOG LAMP From 8-9279 To B-9999			
130	MTH-0662-00	CLEARANCE & MARKER LIGHT From 8-9279 To B-9999			
135	MTH-0663-00	DOCK & CORNERING LIGHT From 8-9279 To B-9999			
140	MTH-0664-00	REAR EXTERIOR LIGHTS & PLATE HOLDER From 8-9279 To B-9999			
145	MTH-0665-00	ENGINE COMPARTMENT - ELECTRIC COMPONENTS From 8-9279 To B-9999			
150	MTH-0665-10	SWITCHES, LIGHTS, AJAR - UNDER FLOOR From 8-9279 To B-9999			
160	MTH-0666-00	BLOCK HEATER RECEPTACLE From 8-9279 To B-9999			

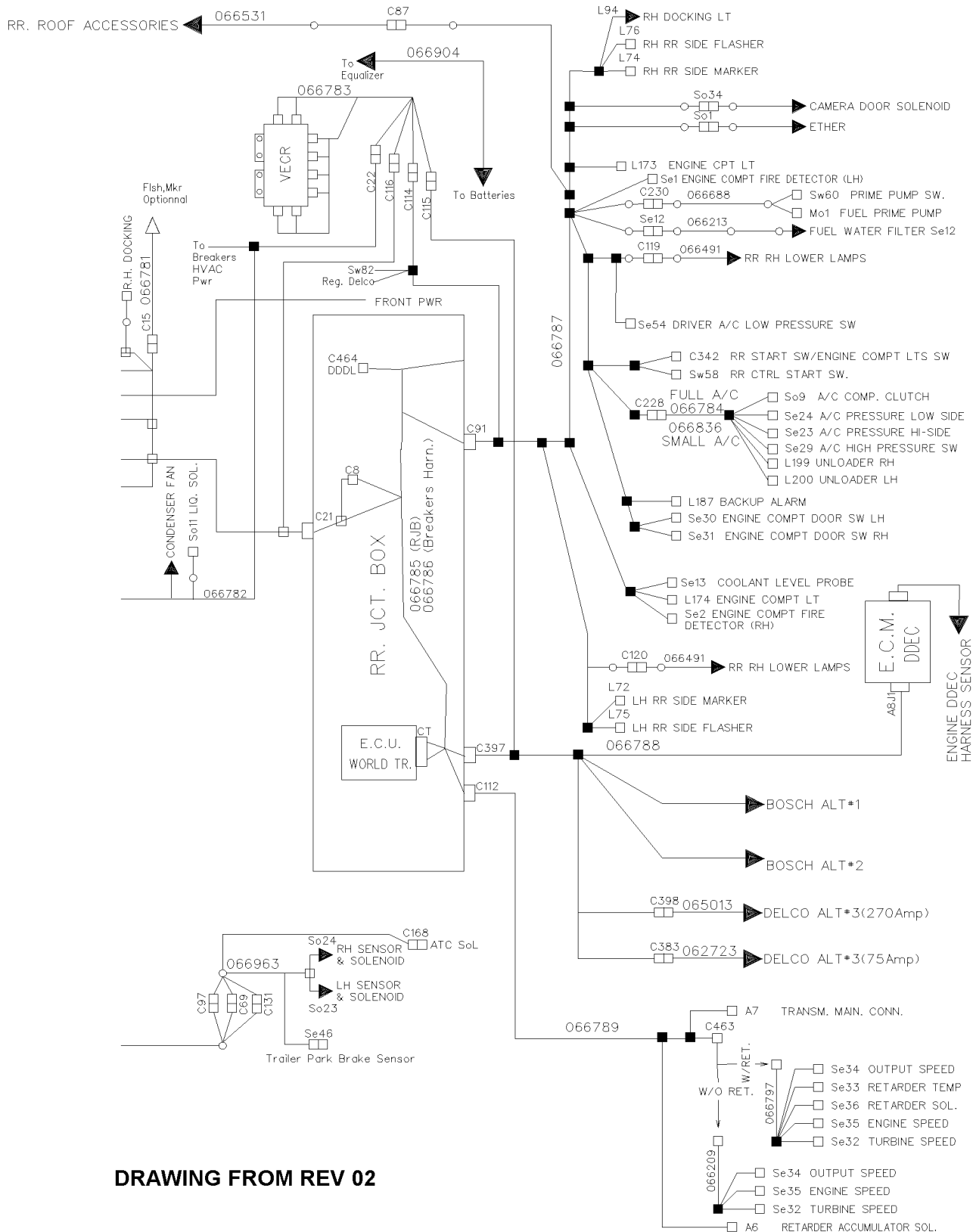


From 8-9279 To B-9999

Date:10/2022

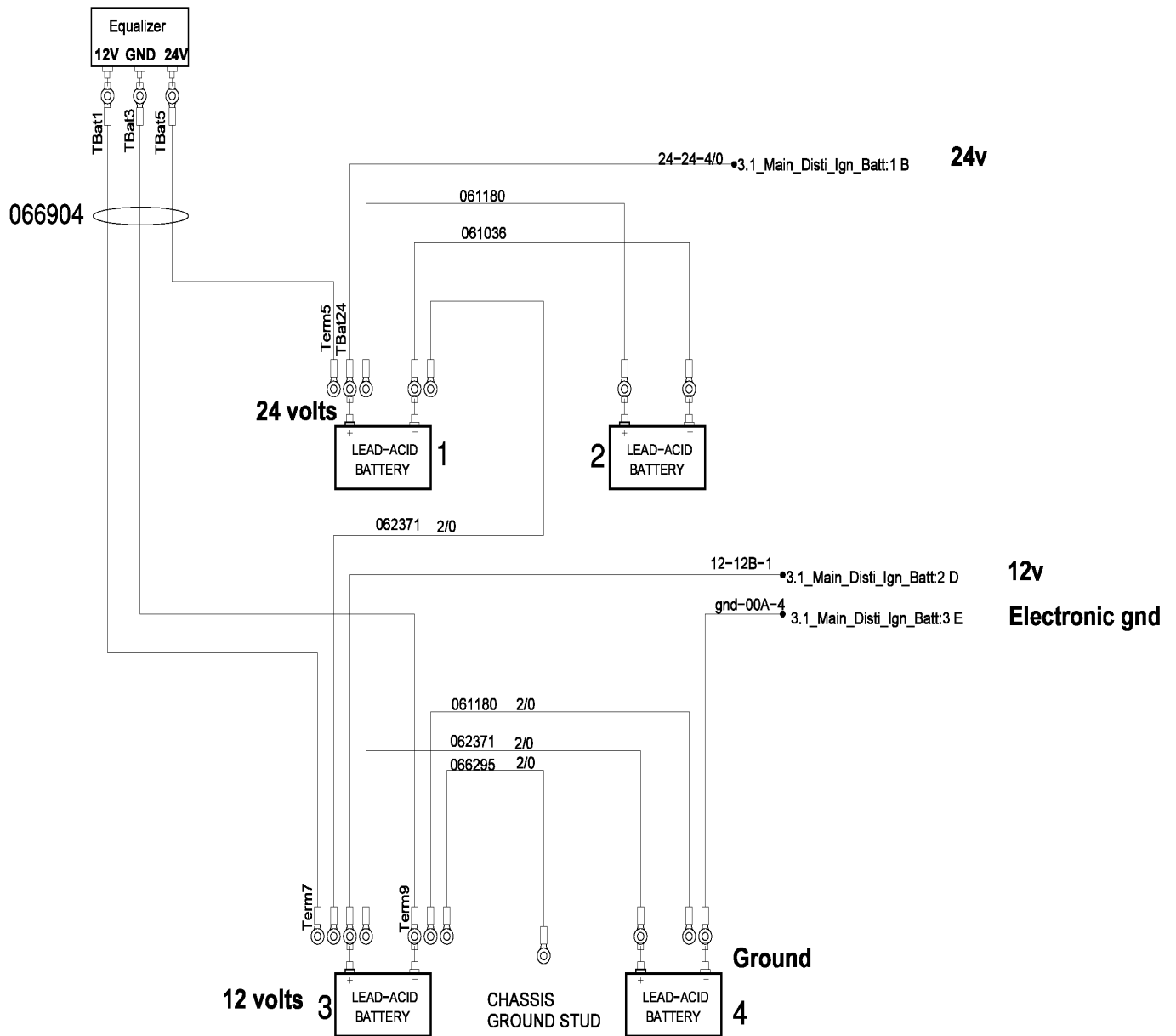
PAGE:MTH-0600-50

WIRING HARNESS - MTH W/MUX DIAGRAM D-061080



DRAWING FROM REV 02

BATTERIES STANDARD





From 8-9279 To B-9999	Date:10/2022	PAGE:MTH-0600-50
WIRING HARNESS - MTH W/MUX DIAGRAM D-061080		

Item#	Part	Description	X L I I M T H 4 5	X L I I M T H 4 5 E	N O T E S
		IN BATTERIES COMPARTMENT			
1	066295	CABLE ASSY / TO GROUND	1	1	
2	062371	CABLE ASSY / B + TO B +	1	1	
3	061180	CABLE ASSY / B - TO B -	1	1	
4	061036	CABLE ASSY / B - TO B -	1	1	
7	066904	CABLE HARNESS / EQUALIZER / MUX	1	1	
		FROM REAR JUNCTION BOX			
		TO E.C.U. & ENGINE ACCESSORIES			
42	067031	CABLE ASSY / ECU & REAR JCT BOX To 8-9422	1	1	S60
42	067236	CABLE ASSY / ECU & REAR JCT BOX From 8-9423 To 9-9607	1	1	S60
42	067394	CABLE ASSY / ECU & REAR JCT BOX From 9-9608	1	1	S60
42	067239	CABLE ASSY / ECU & REAR JCT BOX From 9-9591 To A-9951		1	D13
42	068109	CABLE ASSY / ECU & REAR JCT BOX From A-9952		1	D13
		INSIDE REAR JUNCTION BOX			
51	067026	CABLE HARNESS / REAR JUNCTION BOX To 8-9422	1	1	
51	067279	CABLE HARNESS / REAR JUNCTION BOX From 8-9423 To 8-9492	1	1	
51	067592	CABLE HARNESS / REAR JUNCTION BOX From 9-9591 To 9-9598	1	1	
51	067403	CABLE HARNESS / REAR JUNCTION BOX From 9-9599 To A-9953	1	1	
51	068110	CABLE HARNESS / REAR JUNCTION BOX From A-9954	1	1	
53	066786	CABLE POWER / BREAKERS & HVAC	1	1	
		FROM REAR JUNCTION BOX			
		TO ENGINE COMPARTMENT			
61	067032	CABLE HARNESS / ENGINE ACCESSORIES To 8-9422	1	1	
61	067235	CABLE HARNESS / ENGINE ACCESSORIES From 8-9423 To 9-9590	1	1	
61	067593	CABLE HARNESS / ENGINE ACCESSORIES From 9-9591 To 9-9599	1	1	
61	067404	CABLE HARNESS / ENGINE ACCESSORIES From 9-9600 To 9-9777	1	1	
61	067865	CABLE HARNESS / ENGINE ACCESSORIES From 9-9778	1	1	
61	7770134	WIRING HARNESS / DPF ONLY W/DETROIT S60	1	1	
62	066531	CABLE ASSY / RH ROOF ACCESSORIES	1	1	
63	066491	CABLE / ENGINE DOOR REAR LAMP W/LEDS	2	2	
64	067036	CABLE ASSY TO REAR "VEC" To 8-9421	1	1	
64	067240	CABLE ASSY TO REAR "VEC" From 8-9422 To 9-9590	1	1	
64	067594	CABLE ASSY TO REAR "VEC" From 9-9591 To 9-9607	1	1	
64	067395	CABLE ASSY TO REAR "VEC" From 9-9608	1	1	
65	066213	CABLE ASSY / FUEL WATER FILTER	1	1	



From 8-9279 To B-9999	Date:10/2022	PAGE:MTH-0600-50
WIRING HARNESS - MTH W/MUX DIAGRAM D-061080		

Item#	Part	Description	X L I I M T H 4 5	X L I I M T H 4 5 E	N O T E S
68	066784	CABLE ASSY / A/C COMPRESSOR 05G	1	1	
68	066836	CABLE ASSY / A/C COMPRESSOR W/SMALL SYSTEM	1	1	
69	066688	CABLE ASSY / FUEL PUMP PRIMER	1	1	
		FROM REAR JUNCTION BOX			
		TO COMPARTMENT UNDER FLOOR			
101	066777	CABLE ASSY / FRT JCT BOX & REAR JCT BOX		1	
101	066886	CABLE ASSY / FRT JCT BOX & REAR JCT BOX To 8-9469	1		
101	067286	CABLE ASSY / FRT JCT BOX & REAR JCT BOX From 8-9470	1		
102	067034	CABLE ASSY / POWER TO FRONT ACCESSORIES To 8-9421	1		
102	067980	CABLE ASSY / POWER TO FRONT ACCESSORIES From 8-9422 To 8-9492	1		
102	069113	CABLE ASSY / POWER TO FRONT ACCESSORIES From 8-9493 To 9-9599	1		
102	067401	CABLE ASSY / POWER TO FRONT ACCESSORIES From 9-9600	1		
102	067029	CABLE ASSY / POWER TO FRONT ACCESSORIES To 8-9421		1	
102	067981	CABLE ASSY / POWER TO FRONT ACCESSORIES From 8-9422 To 8-9492		1	
102	069114	CABLE ASSY / POWER TO FRONT ACCESSORIES From 8-9493 To 9-9599		1	
102	067402	CABLE ASSY / POWER TO FRONT ACCESSORIES From 9-9600		1	
102	067238	CABLE ASSY / POWER TO FRONT ACCESSORIES From 9-9591		1	D13
103	062796	CABLE ASSY / ACTUATOR POWER / EACH DOOR	1	1	
104	066780	CABLE ASSY / KEYLESS ENTRANCE DOOR	1	1	
105	066781	CABLE ASSY / SIDE MARKER "ADDITIONAL"	1	1	
106	066782	CABLE ASSY / EVAPORATOR ACCESSORIES COMPARTMENT From 7-9096 To 9-9817	1	1	
106	067616	CABLE ASSY / EVAPORATOR ACCESSORIES COMPARTMENT From 9-9818 To A-9882	1	1	
106	067738	CABLE ASSY / EVAPORATOR ACCESSORIES COMPARTMENT From A-9883	1	1	
106	068156	CABLE ASSY / EVAPORATOR ACCESSORIES COMPARTMENT From A-9926 To A-9926		1	
107	066776	WIRING HARNESS SLIDE-OUT REAR LEFT	1		
108	066790	WIRING HARNESS SLIDE-OUT FRONT LEFT	1	1	
		FROM REAR JUNCTION BOX			
		OF VEHICLE WITH "WORLD" TRANSMISSION			
112	066210	CABLE ASSY / RESISTANCE MODULE & SWITCH / MUX	1	1	
114	066789	CABLE ASSY / E.C.U. & TRANS SPEED SWITCH / MUX	1	1	
115	066797	CABLE HARNESS / SENSOR WTEC W/RETARDER / MUX	1	1	
116	066209	CABLE HARNESS / SENSOR WTEC W/OUT RETARDER / MUX	1	1	
		INSIDE FRONT JUNCTION BOX			
141	067027	WIRING HARNESS FRONT JUNCTION BOX / W/MUX To 8-9422	1	1	
141	067277	WIRING HARNESS FRONT JUNCTION BOX / W/MUX From 8-9423 To 9-9599	1	1	
141	067400	WIRING HARNESS FRONT JUNCTION BOX / W/MUX From 9-9600 To A-9872	1	1	



From 8-9279 To B-9999	Date:10/2022	PAGE:MTH-0600-50
WIRING HARNESS - MTH W/MUX DIAGRAM D-061080		

Item#	Part	Description	X L I I M T H 4 5	X L I I M T H 4 5 E	N O T E S
141	067831	WIRING HARNESS FRONT JUNCTION BOX / W/MUX From A-9873	1	1	
142	066570	CABLE ASSY TO STEERING SPEED SIGNAL ECU	1	1	
143	068073	UNIVERSAL CAN HARNESS / FRT JCT BOX	1	1	
		FROM FRONT JUNCTION BOX			
		TO "ABS" MODULE			
161	066532	CABLE ASSY / FJB TO "ABS" & CABLE FRT & RR		1	
161	066962	CABLE ASSY / FJB TO "ABS" & CABLE FRT & RR	1		
162	066224	CABLE ASSY / FRONT "ABS" SENSOR & VALVE / MUX	1	1	
163	066550	CABLE ASSY / REAR "ABS" SENSOR & VALVE / MUX	1	1	
163	066963	CABLE ASSY / REAR "ABS" SENSOR & VALVE / MUX	1	1	
		FROM FRONT JUNCTION BOX			
		TO FORWARD VEHICULE			
173	066773	CABLE ASSY / FRONT LOWER END / MUX To A-9872	1	1	
173	067832	CABLE ASSY / FRONT LOWER END / MUX From A-9873	1	1	
173	066428	CABLE ASSY CAN POWER LOGIC	1	1	
174	066907	CABLE ASSY / FRONT ROOF / MUX	1	1	
175	066774	WIRING HARNESS DASHBOARD CENTRAL MODULE	1	1	
176	066834	CABLE ASSY FRT SERVICE COMPARTMENT / MUX	1	1	
177	066835	CABLE ASSY FRONT SERVICE DOOR / MUX	1	1	
		CABLE / CONNECTED AT HARNESS / # 175			
		FROM DASHBOARD CENTRAL MODULE			
181	066932	WIRING HARNESS DASHBOARD LEFT MODULE	1	1	
182	066511	CABLE HARNESS / CLEAR. LIGHT REAR IN DEFLECTOR / MUX	1	1	
183	065429	CABLE ASSY / VALVE "LEVEL-LOW"	1	1	
		CABLE / CONNECTED AT HARNESS / # 173			
		FROM CABLE ASS FRONT LOWER END			
191	067176	CABLE ASSY / ENTRANCE DOOR MODULE / MUX	1	1	
192	066780	CABLE ASSY / KEYLESS ENTRANCE DOOR To A-9965	1	1	
192	068082	CABLE ASSY / KEYLESS ENTRANCE DOOR From A-9966	1	1	
194	066990	CABLE ASSY / W/"HALOGENE" LAMPS / MUX	2	2	
195	066991	CABLE ASSY / W/"XENON" LAMPS / MUX	2	2	
		MISCELLANEOUS CABLE			



From 8-9279 To B-9999	Date:10/2022	PAGE:MTH-0600-50
WIRING HARNESS - MTH W/MUX DIAGRAM D-061080		

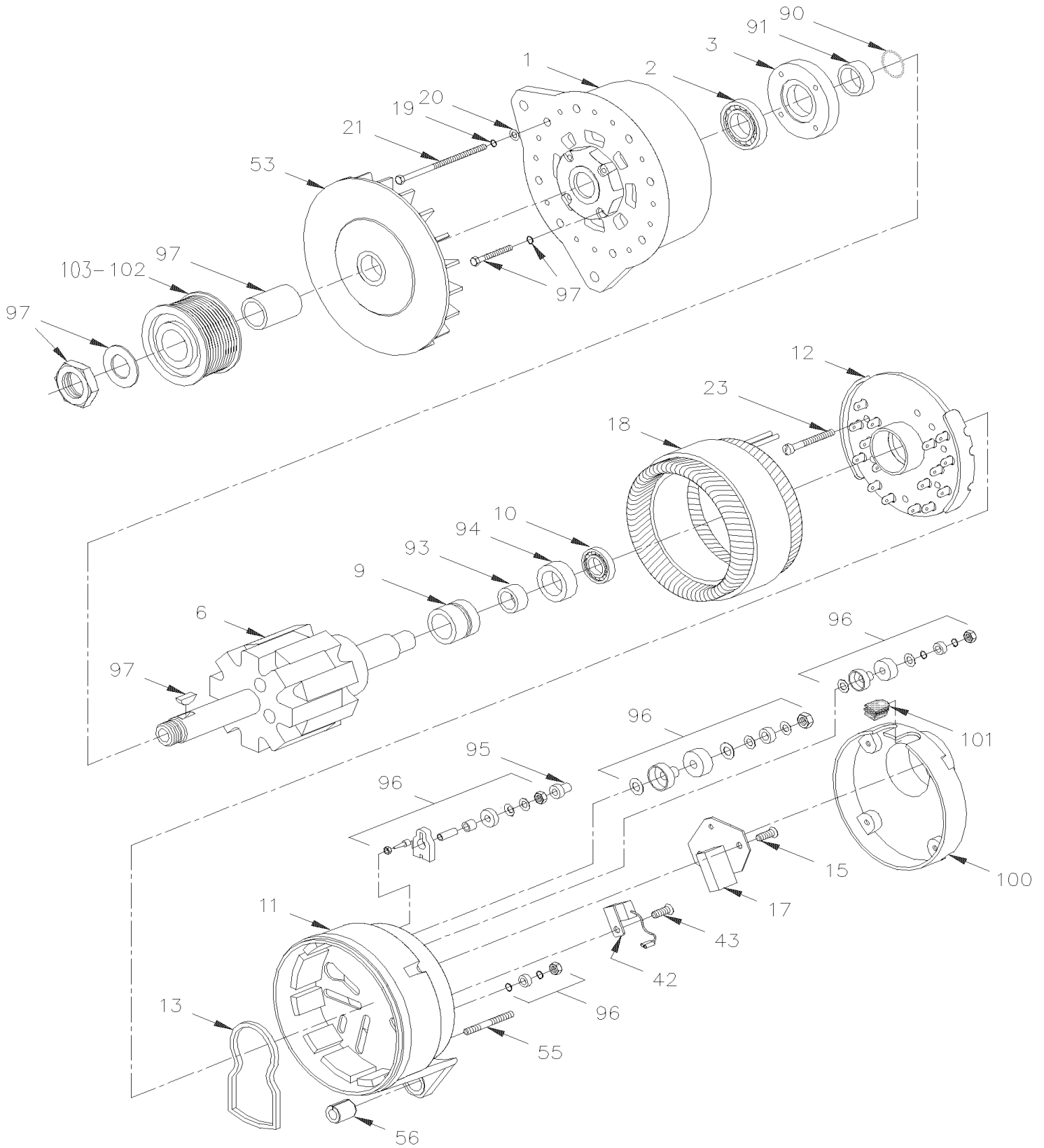
Item#	Part	Description	X L I I M T H 4 5	X L I I M T H 4 5 E	N O T E S
201	063296	CABLE ASSY / 110V BLOCK HEATER	1	1	
201	065517	CABLE ASSY / 110V BLOCK HEATER	1	1	
202	063295	CABLE ASSY / 110V BLOCK HEATER ENGINE SECTION	1	1	
		D13) WITH "VOLVO" ENGINE			
		S60) WITH "DETROIT" ENGINE			

From 8-9279 To B-9999

Date:10/2022

PAGE:MTH-0605-00

ALTERNATOR 24V/140 AMPS / "BOSCH"





From 8-9279 To B-9999	Date:10/2022	PAGE:MTH-0605-00
ALTERNATOR 24V/140 AMPS / "BOSCH"		

Item#	Part	Description	X L I M T H 4 5	X L I M T H 4 5 E	N O T E S
	562752	ALTERNATOR ASSY 24V/140 AMPS	2	2	
1	562971	. DRIVE END SHIELD	1	1	
2	562972	. BALL BEARING	1	1	
3	562973	. COVER PLATE / (1 120 033 009)	1	1	
6	562974	. ROTOR / (1 124 037 004)	1	1	
9	562975	. . COLLECTOR-RING	1	1	
10	562976	. CYLINDER ROLLER BEARING	1	1	
NS	684922	. . GREASE "POLYREX" EM / TO USE W/"BOSCH" ALTERNATOR	AR	AR	
11	562977	. COLLECTOR-RING END SHIELD	1	1	
12	562978	. RECTIFIER PLATE ASSY / (1 127 320 973)	1	1	
13	562979	. . SEAL	1	1	
15	562980	. WASHER-AND-SCREW ASSEMBLY	3	3	
17	562981	. TRANSISTOR REGULATOR	1	1	
17	562982	. . COMPRESSION SPRING	2	2	
17	562983	. . BRUSH SET	2	2	
17	562984	. GASKET	1	1	
18	562985	. STATOR ASSY	1	1	
19	562986	. WASHER LOCK SPRING 6MM	4	4	
20	562987	. PLAIN WASHER	4	4	
21	562988	. OVAL-HEAD SCREW	4	4	
23	562989	. WASHER-AND-SCREW ASSEMBLY	3	3	
42	562990	. SUPPRESSION CAPACITOR	1	1	
43	562991	. OVAL-HEAD SCREW M6 X 10-5.8	1	1	
53	562992	. FAN	1	1	
55	562993	. STUD M6 X 35-5.6 / (2 912 212 207)	4	4	
56	562994	. EXPANSION BUSHING / (1 120 300 018)	1	1	
90	562995	. RETAINER DIN 9045-30 / (2916 600 016)	1	1	
91	562996	. SUPPORT RING / (1 120 114 002)	1	1	
93	562997	. SPACER RING	1	1	
94	562998	. RADIAL SEAL	1	1	
95	562999	. PROTECTIVE CAP	1	1	
96	563000	. PARTS SET TERMINAL B+,B-,D+,W /	1	1	
97	563001	. KIT NUT & WASHER M24-1.5 YC	1	1	
100	562851	AIR-INTAKE COVER	1	1	
100	067178	AIR-INTAKE COVER / (1 125 500 023) / MODIFIED UPPER ALTER From 9-9591	1	1	D13
101	563002	GROMMET / (1 120 312 000)	1	1	
101	504421	GROMMET / .625x.875x.187x.437x1.125	1	1	
102	066062	PULLEY ALTERNATOR / "BOSCH" / 10 RIB	1	1	
103	MTH-0610-00	ALTERNATOR MOUNTING / "BOSCH" 2X140AMPS DETROIT S-60			
103	MTH-0610-01	ALTERNATOR MOUNTING / "BOSCH" 2X140AMPS VOLVO D13			D13



From 8-9279 To B-9999	Date:10/2022	PAGE:MTH-0605-00
-----------------------	--------------	------------------

ALTERNATOR 24V/140 AMPS / "BOSCH"

Item#	Part	Description	X L I I M T H 4 5	X L I I M T H 4 5 E	N O T E S
		D13) WITH "VOLVO" ENGINE			

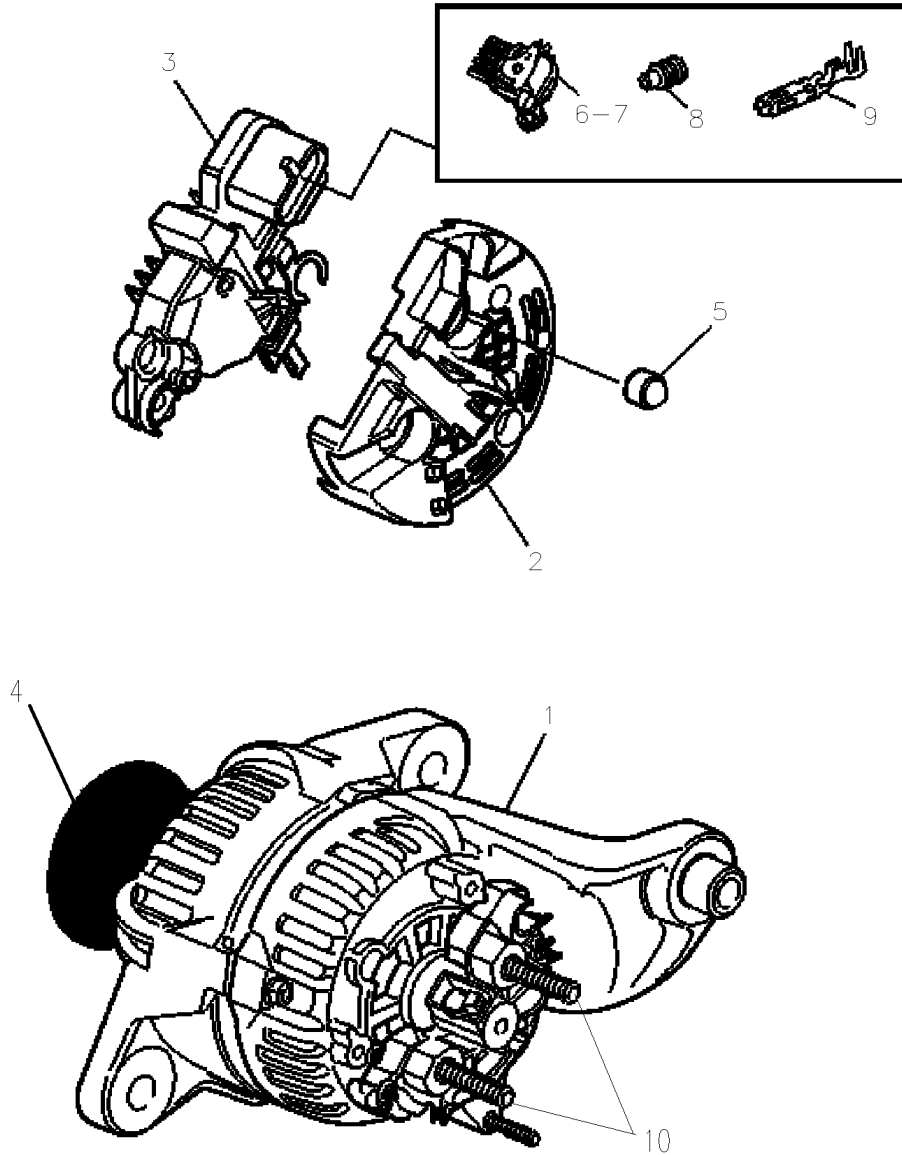
From 9-9640 To B-9999

Date:10/2022

PAGE:MTH-0605-01

ALTERNATOR 24V/120 AMPS / "BOSCH"

HARNESS INSTALLATION 50





From 9-9640 To B-9999	Date:10/2022	PAGE:MTH-0605-01
ALTERNATOR 24V/120 AMPS / "BOSCH"		

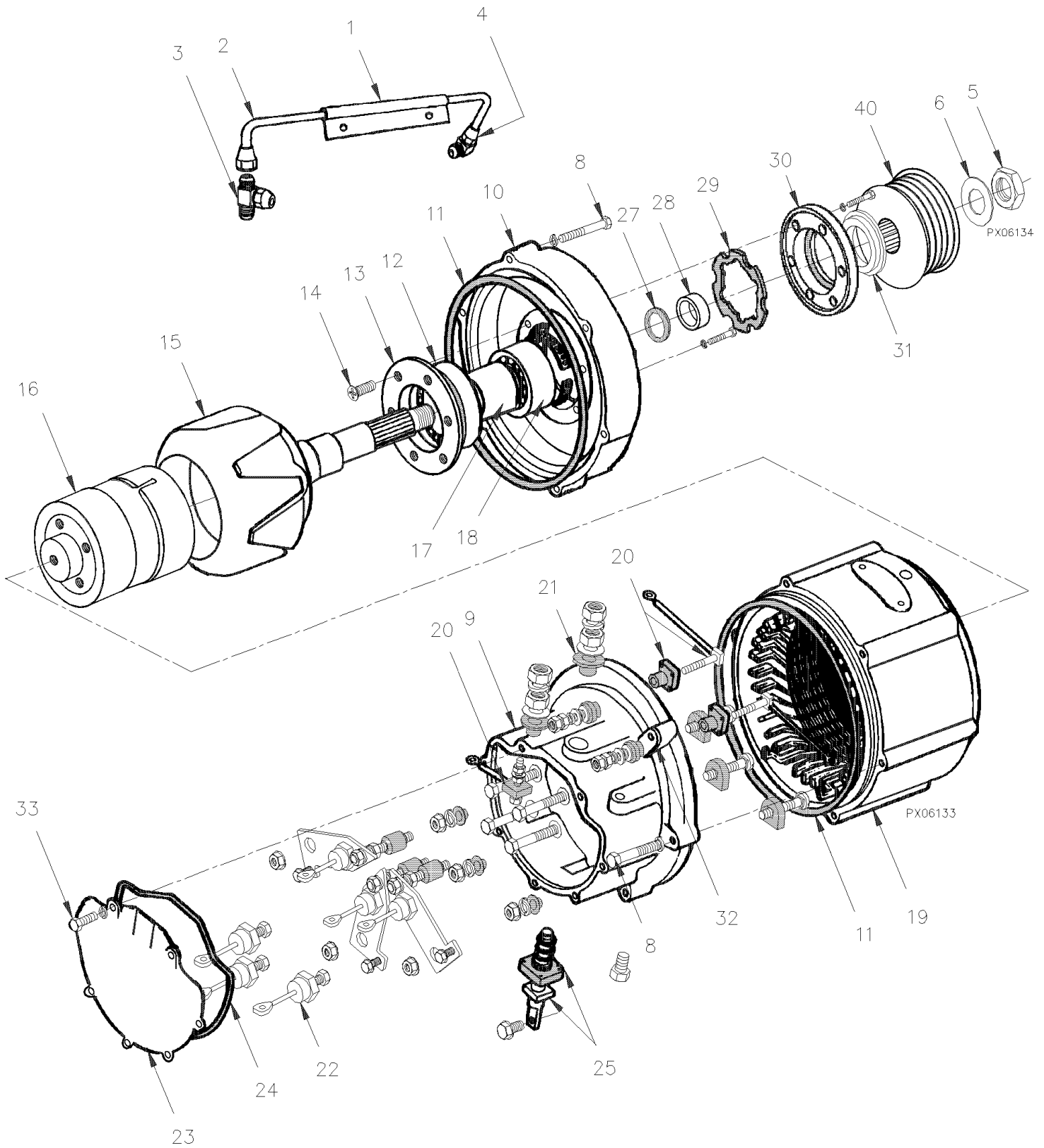
Item#	Part	Description	X L I I M T H 4 5	X L I I M T H 4 5 E	N O T E S
1	564119	ALTERNATOR ASSY 24V/120 AMPS / W/OUT PULLEY From A-9975	1	1	
. NS	564469	. CONNECTOR / MKR-PLUS / SH 5C / G&H 18241 000 000 From A-9975	1	1	
2	20523388	. COVER	1	1	
3	20523391	. BRUSH ASSY W/CHARGE REGULATOR / 24VOLT	1	1	
4	564120	. PULLEY ALTERNATOR / "BOSCH" / 76MM O.D. x 10 RIB		1	
4	565869	PULLEY ALTERNATOR / "BOSCH" / 83MM DOB x 8 RIB From A-9975	1	1	D13
NS	21034254	FLANGE NUT	1	1	
5	20576874	NUT, CAP PROTECTOR	1	1	
6	564469	CONNECTOR / MKR-PLUS / SH 5C / G&H 18241 000 000	1	1	
6	20429872	CONNECTOR / MKR-PLUS / SH 5C	1	1	
7	564470	COVER / MKR-PLUS	1	1	
7	20429873	COVER / MKR-PLUS	1	1	
8	564473	CABLE SEAL / BLUE // G&H 16695 627 642	1	1	
8	3944654	CABLE SEAL / BLUE /	1	1	
8	564474	CABLE SEAL / RED // G&H 16694 627 626	1	1	
9	564471	SOCKET TERMINAL / 18-16 / G&H 26780	1	1	
10	564159	ADAPTOR STUD M8 Male x M8 Female M8-1.25 x 18MM SS	2	2	
50	MTH-0100-06	ENGINE WIRING HARNESS - INSTALLATION WITH "VOLVO" ENGINE D-061103			
		D13) WITH "VOLVO" ENGINE			

From 8-9279 To B-9999

Date:10/2022

PAGE:MTH-0605-50

ALTERNATOR 24V/270 AMPS / "DELCO" #562235





From 8-9279 To B-9999	Date:10/2022	PAGE:MTH-0605-51
ALTERNATOR 12V/300 AMPS / "DELCO" #562355		

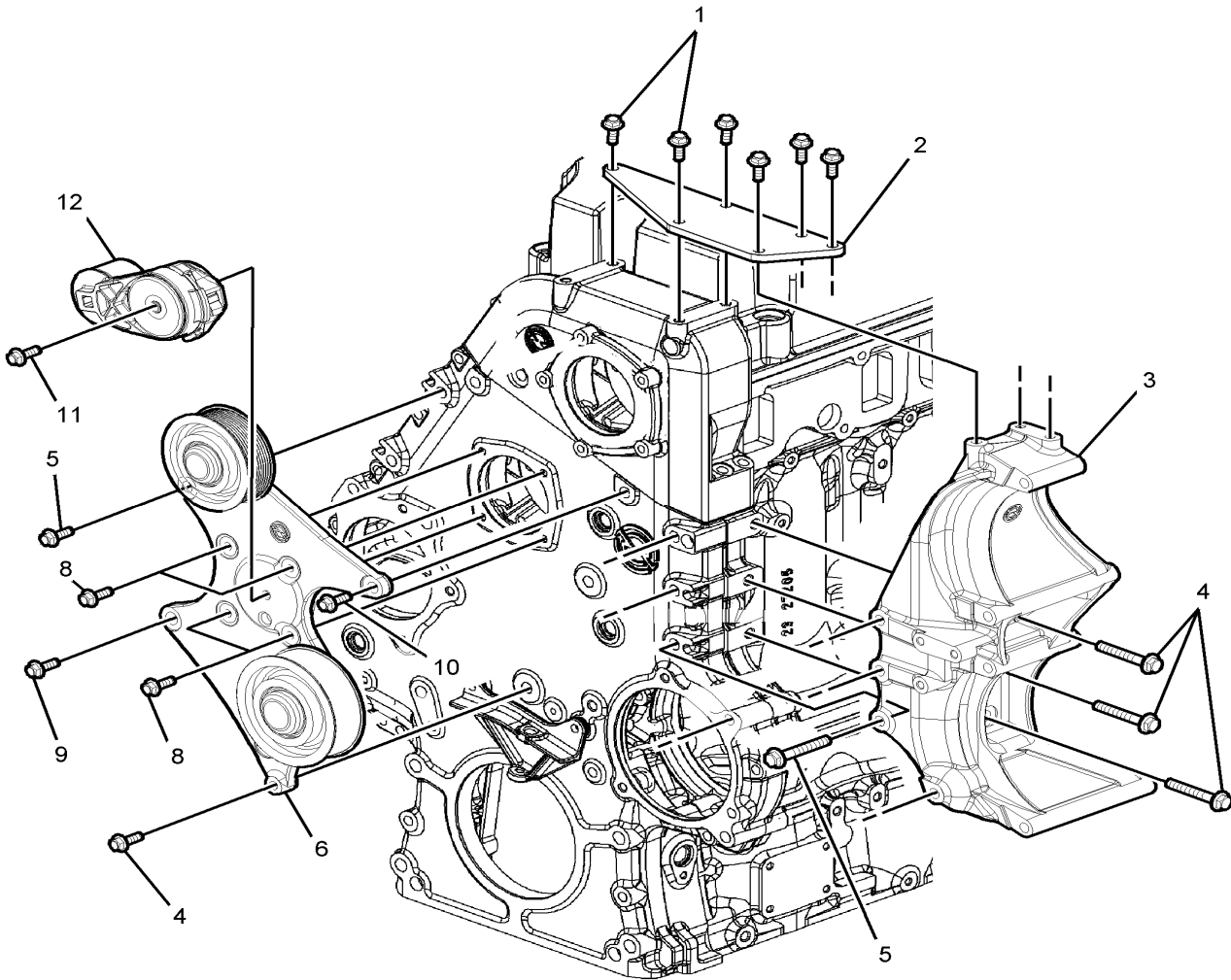
Item#	Part	Description	X L I I M T H 4 5	X L I I M T H 4 5 E	N O T E S
	562355	ALTERNATOR ASSY 12V/300 AMPS /	1		
1	561169	. CLAMP / OIL LINE TUBE	1		
2	562238	. OIL LINE TUBE	1		
3	561171	. TEE	1		
4	561170	. ELBOW 90°	1		
5	562457	. NUT, DRIVE END	1		
6	560973	. WASHER / PINION	1		
8	500170	. SCREW CAP HEX 1/4-20x2 G5 PT Z050	12		
NS	500473	. WASHER LO SPT .262x.489x.062 Z050	12		
9	N8885614	. FRAME RECTIFIER END	1		
10	562241	. FRAME D.E.	1		
. NS	562509	. . OIL SEAL 2.247" O.D.	1		
10	10523585	. FRAME D.E.	1		
11	562196	. O-RING	2		
12	562186	. BEARING INNER D.E.	1		
13	N8885671	. RETAINER BEARING (1941060)	1		
14	500371	. SCREW MA FL PH M4-0.7x8 N500	6		
15	562240	. ROTOR	1		
16	562448	. FIELD ASSY	1		
18	562184	. BEARING OUTER D.E.	1		
19	562449	. STATOR ASSY / W/RIGID LEAD	1		
20	560724	. STUD TERMINAL FIELD	2		
21	560846	. SLEEVE INSULATOR DC+ STUD	1		
22	562193	. DIODE (NEGATIF) / ALTERNATOR 50 DN	6		
23	562466	. COVER / RECTIFIER END / ALUMINUM DIE CAST	1		
24	562467	. . O-RING	1		
25	562450	. STUD TERMINAL DC +	1		
27	562242	. O-RING / SPACER COLLAR & BEARING	1		
28	562245	. SPACER COLLAR D.E.	1		
29	562243	. GASKET PLATE DRIVE END	1		
30	562244	. RETAINER BEARING D.E.	1		
31	562509	. . OIL SEAL 2.247" O.D.	1		
31	N8896697	. OIL SEAL W/FLANGE 30375" O.D.	1		
. NS	N8885631	. . O-RING / SPACER COLLAR & BEARING	1		
. NS	N8893250	. . SPACER COLLAR D.E.	1		
32	562386	. STRAP / FIELD TERMINAL & GROUND	1		
33	500163	. SCREW CAP HEX 1/4-20x3/4 G5 Z050	6		
40	510926	PULLEY ALTERNATOR 10 RIB	1		

From 8-9279 To 9-9639

Date:10/2022

PAGE:MTH-0610-00

ALTERNATOR MOUNTING / "BOSCH" 2X140AMPS DETROIT S-60

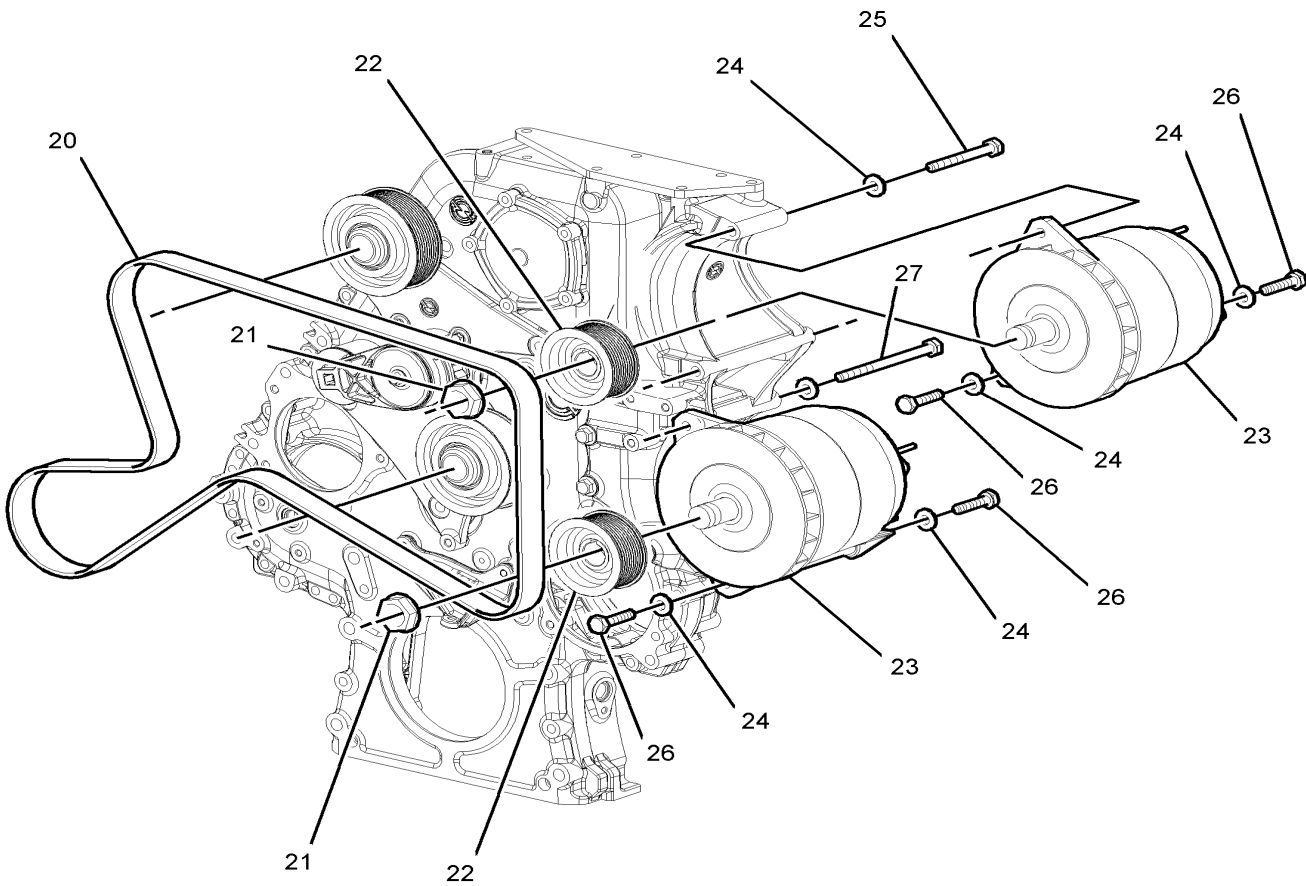


From 8-9279 To 9-9639

Date:10/2022

PAGE:MTH-0610-00

ALTERNATOR MOUNTING / "BOSCH" 2X140AMPS DETROIT S-60

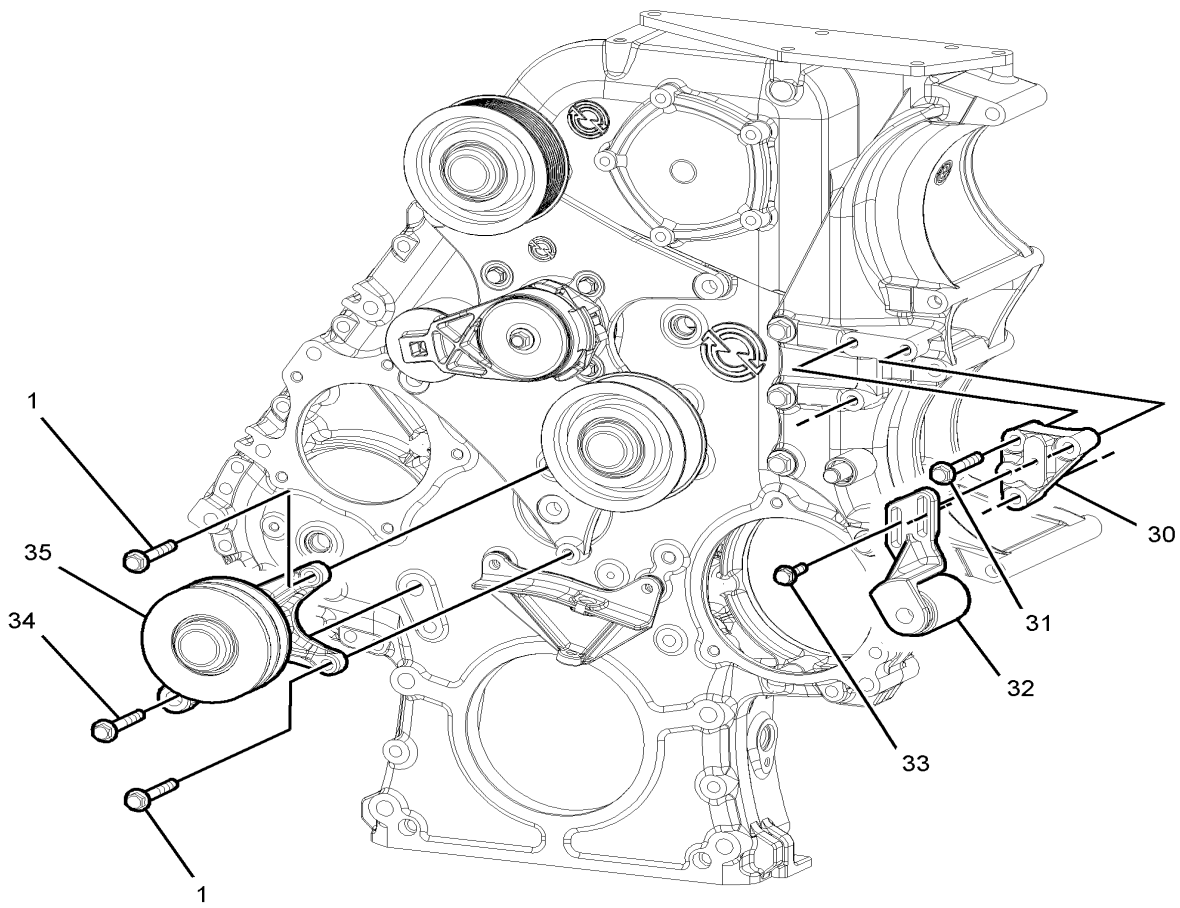


From 8-9279 To 9-9639

Date:10/2022

PAGE:MTH-0610-00

ALTERNATOR MOUNTING / "BOSCH" 2X140AMPS DETROIT S-60





From 8-9279 To 9-9639 Date:10/2022 PAGE:MTH-0610-00

ALTERNATOR MOUNTING / "BOSCH" 2X140AMPS DETROIT S-60

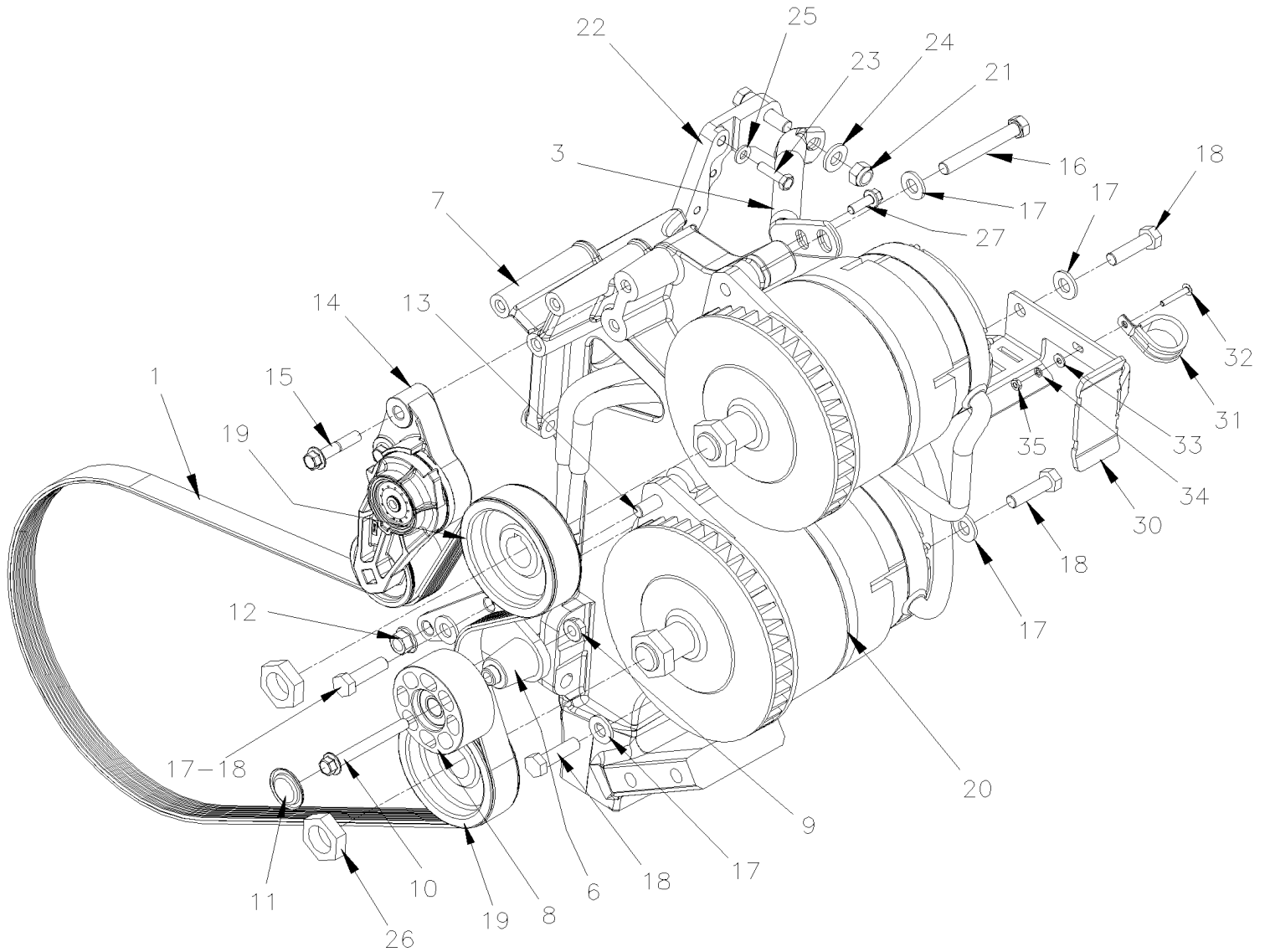
Item#	Part	Description	X L I I M T H 4 5	X L I I M T H 4 5 E	N O T E S
1	5001644	SCREW CAP HEXF M10-1.5x30 G8.8 G500		8	
2	23527310	STRAP		1	
3	23530258	BRACKET		1	
4	23528697	SCREW CAP HEXF M12-1.75x60 G10.9		4	
5	23528406	SCREW CAP HEXF M12-1.75x80 G10.9		6	
6	23534290	PULLEY ASSY CURRENT		1	
8	11504822	SCREW CAP HEXF M9-1.25x30 G10.9		4	
9	23528698	SCREW CAP HEX M14-2.00x130 G10.9		1	
10	23528406	SCREW CAP HEXF M12-1.75x80 G10.9		2	
11	11503669	SCREW CAP HEX M10-1.50x80 G10.9		1	
12	012329	AUTOMATIC TENSIONER ASSY		1	
20	5060088	MULTI V-BELT / 10 RIB 88.38" (2245) 23356465		1	
20	5060056	MULTI V-BELT / 10 RIB 78 3/4" (2000) 23530282		1	A
21	563001	KIT NUT & WASHER M24-1.5 YC		2	
22	066062	PULLEY ALTERNATOR / "BOSCH" / 10 RIB		2	
23	MTH-0605-00	ALTERNATOR 24V/140 AMPS / "BOSCH"			
24	23509483	WASHER		6	
25	23528696	SCREW CAP HEX M12-1.50x100		1	
26	23523176	SCREW CAP HEX M12-1.75x50		4	
27	23523490	SCREW CAP HEX M12-1.50x150		1	
30	012455	ADAPTOR SNUBBER MOUNTING		1	
31	5001595	SCREW CAP HEXF M10-1.5x60 G8.8 G500		3	
32	012467	SNUBBER ASSY		1	D
NS	012453	. SUPPORT		1	
NS	012456	. ROLLER 48MM O.D. x 64MM		1	
NS	012458	. BEARING MODIFIED PREVOST		1	
NS	5006768	. SCREW DRV RND #14x5/8 Z050		1	
33	5001643	SCREW CAP HEXF M8-1.25x25 G8.8 G500		2	
34	5001596	SCREW CAP HEXF M14-2.0x90 G8.8 MAGNI 565		1	
35	012466	PULLEY ASSY IDLER		1	D
		A) EMERGENCY USE ONLY WITH ONE ALTERNATOR			
		D) SEE DETAIL AT PAGE MTH-0120-00			

From 9-9591 To B-9999

Date:10/2022

PAGE:MTH-0610-01

ALTERNATOR MOUNTING / "BOSCH" 2X140AMPS VOLVO D13

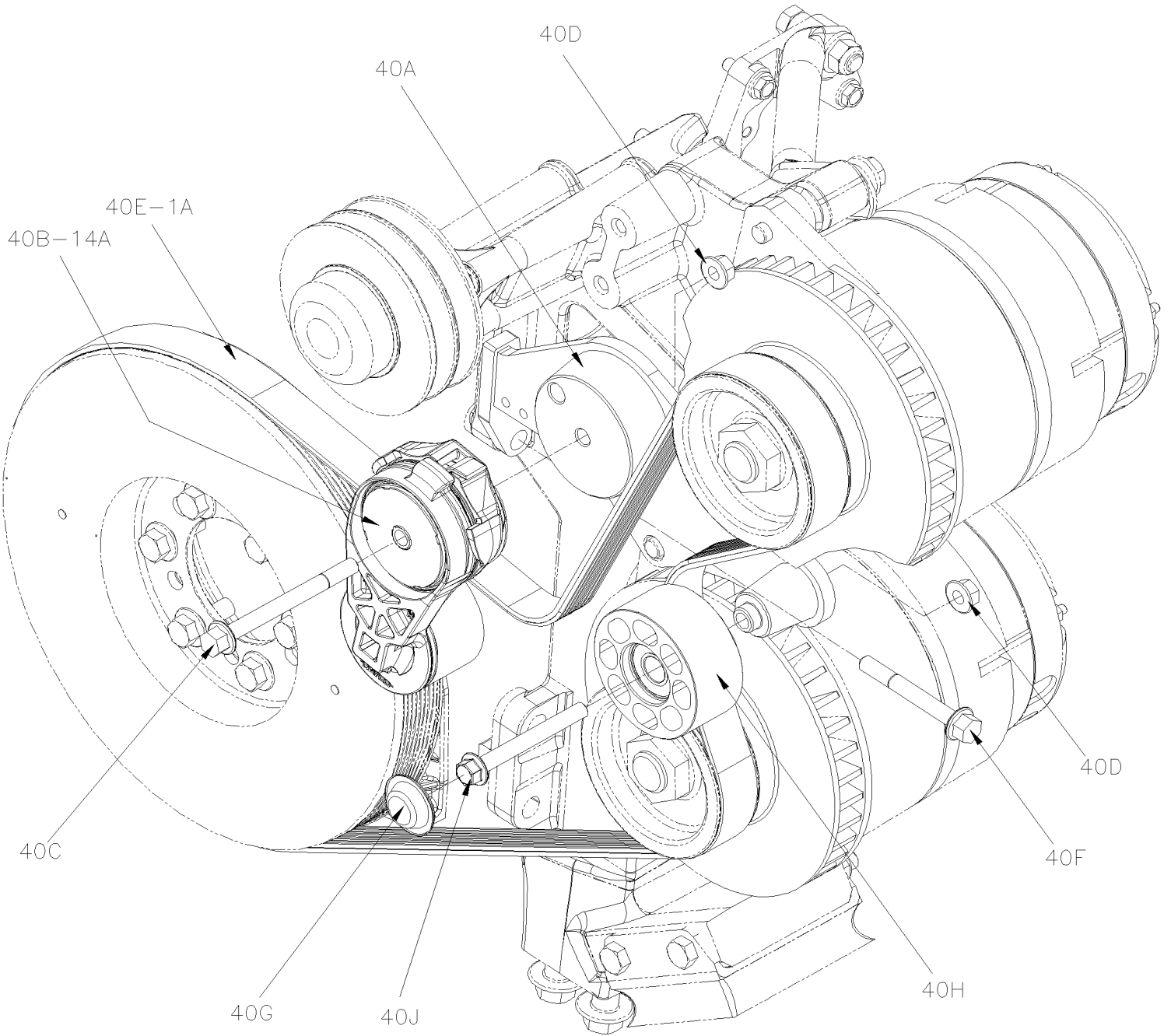


From 9-9591 To B-9999

Date:10/2022

PAGE:MTH-0610-01

ALTERNATOR MOUNTING / "BOSCH" 2X140AMPS VOLVO D13





From 9-9591 To B-9999	Date:10/2022	PAGE:MTH-0610-01
ALTERNATOR MOUNTING / "BOSCH" 2X140AMPS VOLVO D13		

Item#	Part	Description	X L I I M T H 4 5	X L I I M T H 4 5 E	N O T E S
1	5060093	MULTI V-BELT / 8 RIB 76.18" (1935) 8PK1935 To 9-9653		1	A F
1	506039	MULTI V-BELT / 8 RIB 76.18" (1935) 8PK1935 QT + ARAMIDE To 9-9653		1	A F
1	5060101	MULTI V-BELT / 8 RIB 78.54" (1995) 8PK1995 (5080785) From 9-9654		1	
1	5060111	MULTI V-BELT / 8 RIB 78.54" (1995) 8PK1995 QT (21-2113) From 9-9654		1	
1	506062	MULTI V-BELT / 8 RIB 78.54" (1995) 8PK1995 QT + ARAMIDE From 9-9654		1	
1	5060106	MULTI V-BELT / 8 RIB 78.54" (1995) 8PK1995 QT + SD (21-2119) From 9-9654		1	H
1	506057	MULTI V-BELT / 8 RIB 78.54" (1995) 8PK1995 QT + SD ARAMIDE From 9-9654		1	H
1	5060098	MULTI V-BELT / 8 RIB 73" (1865) 8PK1865		1	E
1	506042	MULTI V-BELT / 8 RIB 73" (1865) 8PK1865 QT + ARAMIDE		1	E
1A	5061286	MULTI V-BELT / 8 RIB 80.91" (2055) 8PK2055 ORION QT+ SD		1	G
1A	506212	MULTI V-BELT / 8 RIB 80.91" (2055) 8PK2055 ORION QT+ SD ARAMIDE		1	G
1A	5061287	MULTI V-BELT / 8 RIB 75.79" (1925) 8PK1925 ORION QT+ SD EMERGENCY		1	E G
1A	506244	MULTI V-BELT / 8 RIB 75.79" (1925) 8PK1925 ORION QT+ SD ARAMIDE EMERGENCY		1	G
3	012500	ALTERNATOR BRACE W/D13		1	
6	012589	SUPPORT ASSY IDLER PULLEY From 9-9654		1	
7	012501	ENGINE MOUNT & ALTERNATOR MOUNT CURBSIDE W/D13		1	
NS	5001308	SCREW CAP HEXF M10-1.5x40 G10.9 N500		4	
NS	5001671	SCREW CAP HEXF M14-2.0x45 G8.8 G500		1	
8	510970	PULLEY ASSY From 9-9654		1	
. NS	560974	. BALL BEARING From 9-9654		2	
9	5001084	NUT HEXF M10-1.5 G500 From 9-9654		1	
10	5001784	SCREW CAP HEXF M10-1.5x90 G8.8 AD N500 From 9-9654		1	
11	550924	PROTECTOR CAP / STEEL 40.7MM O.D. x 5MM From 9-9654		1	
11	557056	PROTECTOR CAP / STEEL 40.7MM O.D. x 11MM		1	
12	5001721	NUT HEXF STO M12-1.5 G10.9 MAG565 From 9-9654		1	
13	5001583	SCREW CAP HEX M12-1.5x100 G10.9 DP From 9-9654		1	
14	20762060	AUTOMATIC TENSIONER ASSY To 9-9613		1	
14	20935523	AUTOMATIC TENSIONER ASSY From 9-9614 To A-9917		1	
14	21404578	AUTOMATIC TENSIONER ASSY From A-9918 To B-9972		1	
14	510991	AUTOMATIC TENSIONER ASSY		1	
14	510991	AUTOMATIC TENSIONER ASSY		1	
NS	068151	SUPPORT ADAPTOR AUTOMTIC TENSIONER ALTERNATOR		1	
NS	5001644	SCREW CAP HEXF M10-1.5x30 G8.8 G500		1	
NS	5001802	SCREW CAP HEXF M10-1.5x80 G10.9 N500		1	
14A	510991	AUTOMATIC TENSIONER ASSY	1	1	
14A	510991	AUTOMATIC TENSIONER ASSY	1	1	
15	965186	SCREW CAP HEXF M10-1.5x50 G8.8 ZG603		2	
16	5001693	SCREW CAP HEX M12-1.5x90 G10.9 MAGNI 565		1	
17	5001585	WASHER FL 13.5x27x2.46-4.5 DP		5	
18	5001338	SCREW CAP HEX M12-1.75x45 G10.9 N500		4	
19	067037	PULLEY ALTERNATOR / "BOSCH" / 8 RIB		2	



From 9-9591 To B-9999	Date:10/2022	PAGE:MTH-0610-01
ALTERNATOR MOUNTING / "BOSCH" 2X140AMPS VOLVO D13		

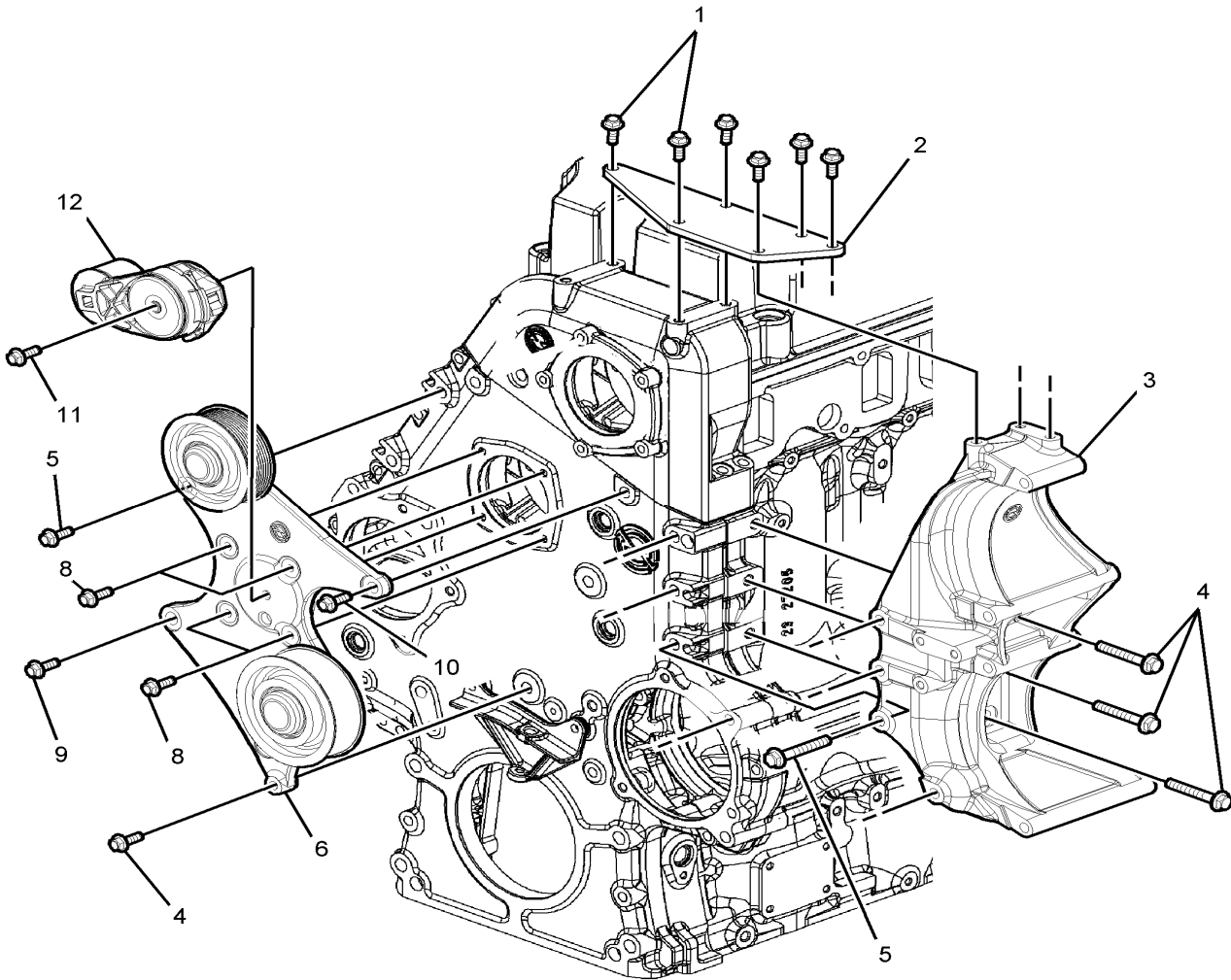
Item#	Part	Description	X L I I M T H 4 5	X L I I M T H 4 5 E	N O T E S
20	MTH-0605-00	ALTERNATOR 24V/140 AMPS / "BOSCH"			
21	500811	NUT HEX STO M12-1.75 G500		1	
22	012499	ALTERNATOR BRACE PLATE W/D13		1	
23	5001687	SCREW CAP HEX M8-1.25x30 G10.9 MAGNI 565		3	
24	5001585	WASHER FL 13.5x27x2.46-4.5 DP		1	
25	192288	WASHER FL 8.4x18.0x2.0 ZG603		3	
26	563001	KIT NUT & WASHER M24-1.5 YC		1	
27	5001643	SCREW CAP HEXF M8-1.25x25 G8.8 G500 From 9-9654		1	
30	012475	SUPPORT OIL FILLERTUBE From 9-9654		1	
31	952639	CLAMP / 1"1/4 I.D. From 9-9654		1	
32	500574	SCREW MA TR PH #10-24x1 1/4 SS From 9-9654		1	
33	500804	WASHER FL .203x.500x.047 N500 From 9-9654		1	
34	500914	WASHER LO SPT .193x.334x.047 N500 From 9-9654		1	
35	502882	NUT HEX #10-24 N500 From 9-9654		1	
37	067742	KIT RETROFIT "ADD PULLEY" To 9-9653		1	B
40	010325	KIT "BELT TENSIONNER"		1	G
. A	010323	. SUPPORT, ASSEMBLY		1	G
. B	510991	. AUTOMATIC TENSIONER ASSY		1	G
. C	5001884	. SCREW CAP HEXF M10-1.5X110 G10.9 N500		1	G
. D	5001727	. NUT HEXF NYRT M10-1.5 N500		2	G
. E	5061286	. MULTI V-BELT / 8 RIB 80.91" (2055) 8PK2055 ORION QT+ SD		1	G
. F	5001843	. SCREW CAP HEXF AD M10-1.5x50 G10.9 N500		1	G
. G	557056	. PROTECTOR CAP / STEEL 40.7MM O.D. x 11MM		1	G
. H	510970	. PULLEY ASSY		1	G
. . NS	560974	. . BALL BEARING		2	G
. J	5001784	. SCREW CAP HEXF M10-1.5x90 G8.8 AD N500		1	G
. E2	506212	. MULTI V-BELT / 8 RIB 80.91" (2055) 8PK2055 ORION QT+ SD ARAMIDE		1	G
. E3	5061287	. MULTI V-BELT / 8 RIB 75.79" (1925) 8PK1925 ORION QT+ SD		1	G
. E4	506244	. MULTI V-BELT / 8 RIB 75.79" (1925) 8PK1925 ORION QT+ SD ARAMIDE		1	G
		A) FOR PRODUCT IMPROVEMEN ASK KIT # 067742			
		B) INCLUDE ITEMS WITH GREEN HOT SPOT ITEMS 1, 6, 8, 9, 10, 11, 12, 13			
		E) USE ON EMERGENCY WITH ONE ALTERNATOR			
		F) USE WITH PRODUCT IMPROVMENT NEW PULLEY CONFIGURATION			
		G) USE IF YOU HAVE DID PRODUCT IMPROVEMENT KIT # 012770			
		H) SUPER HEAVY DUTY			

From 9-9640 To B-9999

Date:10/2022

PAGE:MTH-0610-05

ALTERNATOR MOUNTING / "BOSCH" 2X120AMPS DETROIT S-60

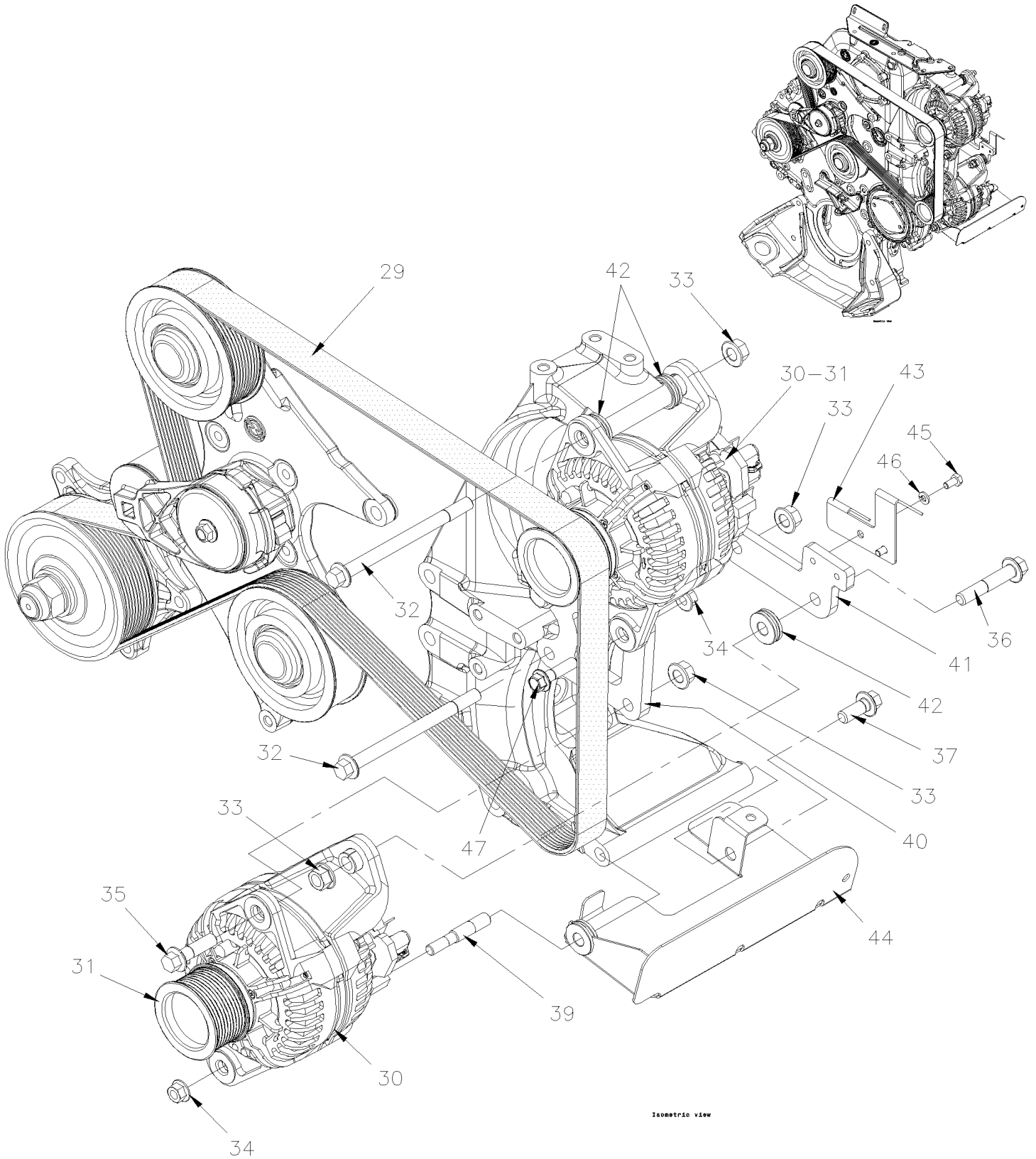


From 9-9640 To B-9999

Date:10/2022

PAGE:MTH-0610-05

ALTERNATOR MOUNTING / "BOSCH" 2X120AMPS DETROIT S-60

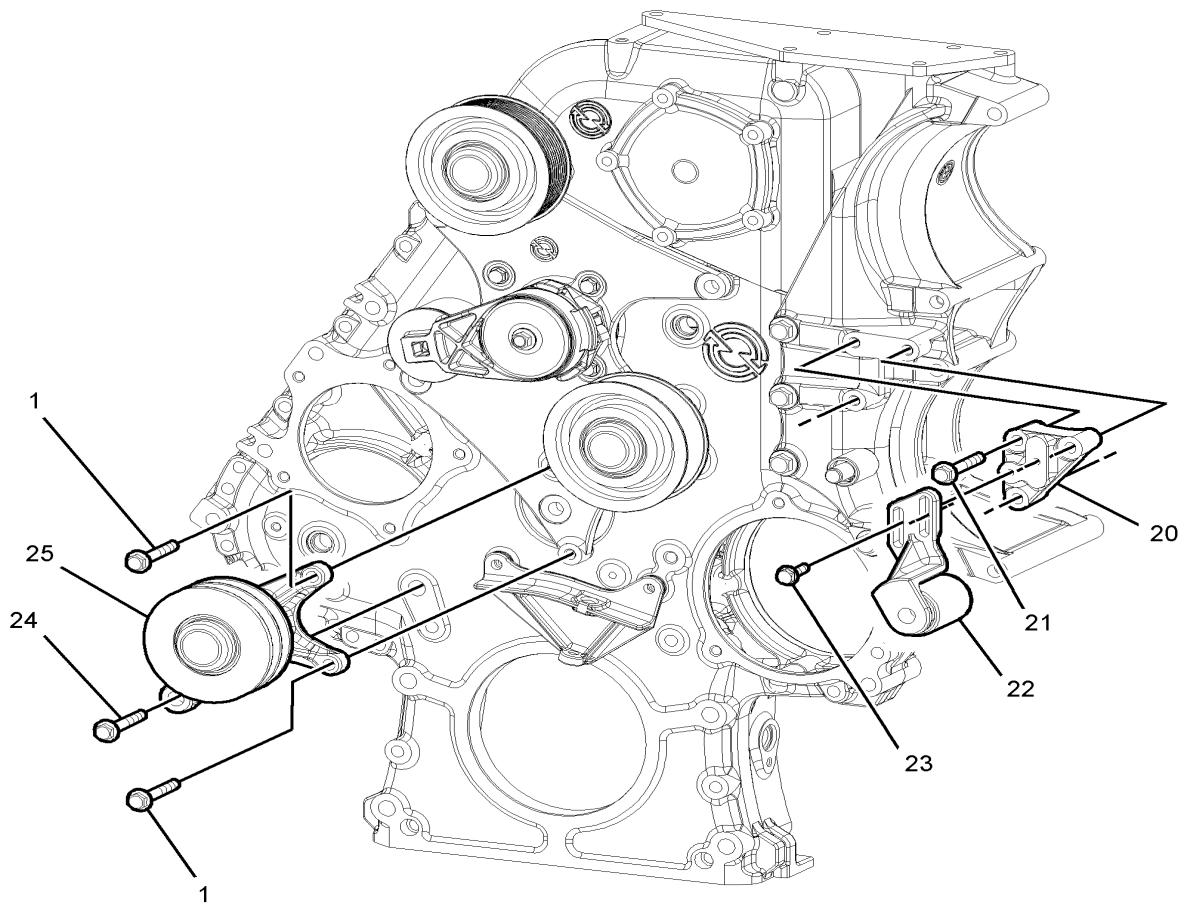


From 9-9640 To B-9999

Date:10/2022

PAGE:MTH-0610-05

ALTERNATOR MOUNTING / "BOSCH" 2X120AMPS DETROIT S-60





From 9-9640 To B-9999	Date:10/2022	PAGE:MTH-0610-05
ALTERNATOR MOUNTING / "BOSCH" 2X120AMPS DETROIT S-60		

Item#	Part	Description	X L I M T H 4 5	X L I M T H 4 5 E	N O T E S
1	5001644	SCREW CAP HEXF M10-1.5x30 G8.8 G500		8	
2	23527310	STRAP		1	
3	23530258	BRACKET		1	
4	23528697	SCREW CAP HEXF M12-1.75x60 G10.9		4	
5	23528406	SCREW CAP HEXF M12-1.75x80 G10.9		6	
6	23534290	PULLEY ASSY CURRENT		1	
8	11504822	SCREW CAP HEXF M9-1.25x30 G10.9		4	
9	23528698	SCREW CAP HEX M14-2.00x130 G10.9		1	
10	23528406	SCREW CAP HEXF M12-1.75x80 G10.9		2	
11	11503669	SCREW CAP HEX M10-1.50x80 G10.9		1	
12	012329	AUTOMATIC TENSIONER ASSY		1	
20	012455	ADAPTOR SNUBBER MOUNTING		1	
21	5001595	SCREW CAP HEXF M10-1.5x60 G8.8 G500		3	
NS	012453	. SUPPORT		1	
NS	012456	. ROLLER 48MM O.D. x 64MM		1	
NS	012458	. BEARING MODIFIED PREVOST		1	
NS	5006768	. SCREW DRV RND #14x5/8 Z050		1	
22	012467	SNUBBER ASSY		1	D
23	5001643	SCREW CAP HEXF M8-1.25x25 G8.8 G500		2	
24	5001596	SCREW CAP HEXF M14-2.0x90 G8.8 MAGNI 565		1	
25	012466	PULLEY ASSY IDLER		1	D
29	5060088	MULTI V-BELT / 10 RIB 88.38" (2245) 23356465		1	
29	5060056	MULTI V-BELT / 10 RIB 78 3/4" (2000) 23530282		1	A
30	564119	ALTERNATOR ASSY 24V/120 AMPS / W/OUT PULLEY		2	
NS	564469	. CONNECTOR / MKR-PLUS / SH 5C / G&H 18241 000 000		1	
31	564120	PULLEY ALTERNATOR / "BOSCH" / 76MM O.D. x 10 RIB		2	
32	5001723	SCREW CAP HEXF M12-1.75x160 G10.9 N500		2	
33	5001728	NUT HEXF STO M12-1.75 N500 G10		4	
34	5001727	NUT HEXF NYRT M10-1.5 N500		2	
35	5001724	SCREW CAP HEXF M12-1.75x45 G10.9 N500		2	
36	5001725	SCREW CAP HEXF M12-1.75x65 G10.9 N500		1	
37	5001726	SCREW CAP HEXF M12-1.75x30 G10.9 N500		1	
39	564476	STUD M10-1.5 x M12-1.75 x 70MM		1	
40	067619	SUPPORT / ALTERNATOR FORWARD		1	
41	067620	SUPPORT / ALTERNATOR BACKWARD		1	
42	067621	BUSHING 31.0MM O.D.x9.5MM		3	
43	067622	SUPPORT / WIRING HARNESS		1	
44	067633	PROTECTION PLATE ASSY W/"DETROIT" ENGINE		1	
44	067776	PROTECTION PLATE ASSY W/"DETROIT" ENGINE		1	
44	069116	PROTECTION PLATE ASSY W/"DETROIT" ENGINE		1	
45	955269	SCREW CAP HEX M6-1.0x12 G8.8 ZG603		2	
46	502853	WASHER LO SPT 6.1x11.8x1.6 N500		2	



From 9-9640 To B-9999	Date:10/2022	PAGE:MTH-0610-05
-----------------------	--------------	------------------

ALTERNATOR MOUNTING / "BOSCH" 2X120AMPS DETROIT S-60

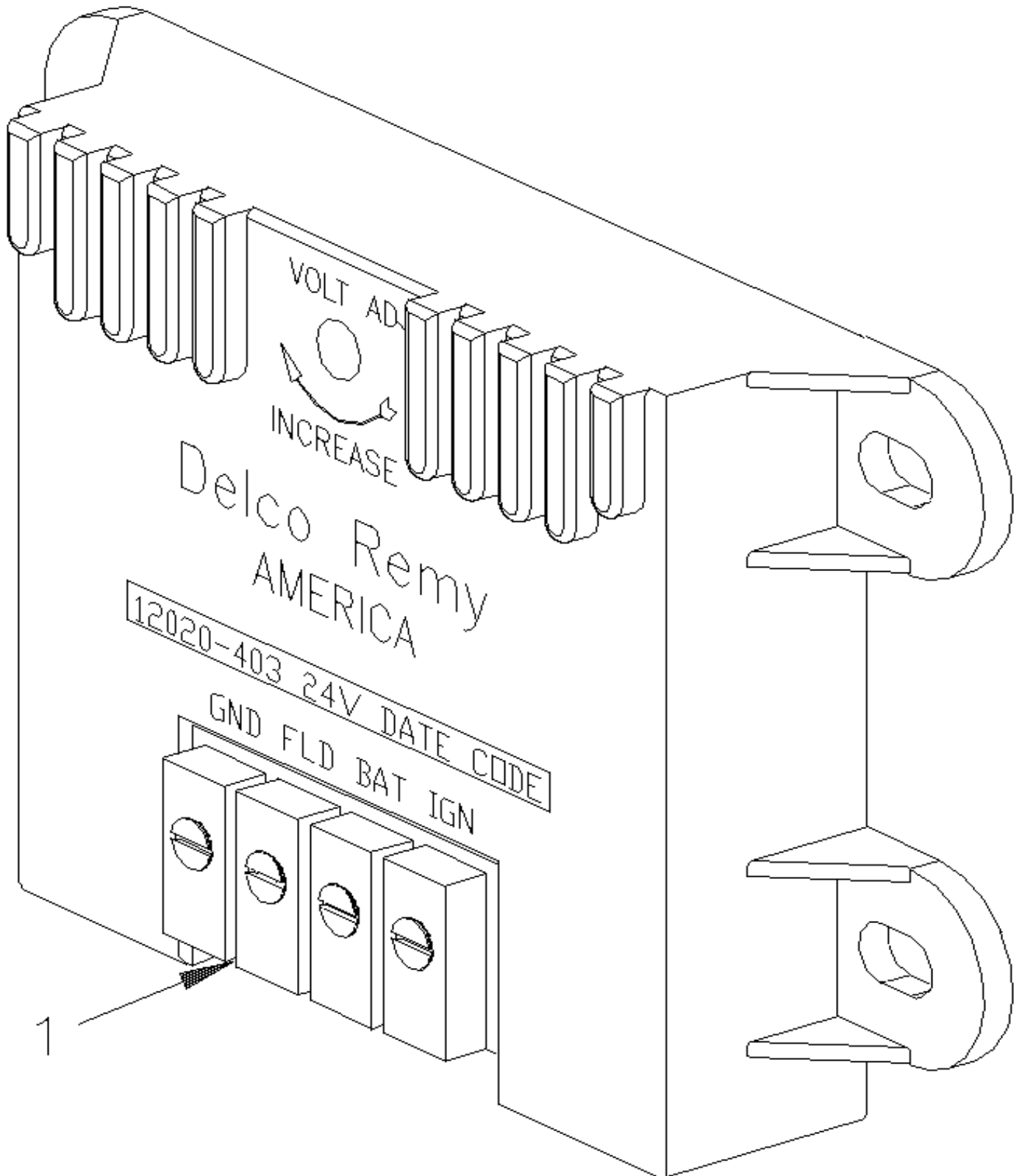
Item#	Part	Description	X L I I M T H 4 5	X L I I M T H 4 5 E	N O T E S
47	5001308	SCREW CAP HEXF M10-1.5x40 G10.9 N500		1	
		A) EMERGENCY USE ONLY WITH ONE ALTERNATOR			
		D) SEE DETAIL AT PAGE HF-0120-00			

From 8-9279 To B-9999

Date:10/2022

PAGE:MTH-0610-15

VOLTAGE REGULATOR - 24 VOLTS W/270 AMPS





From 8-9279 To B-9999	Date:10/2022	PAGE:MTH-0610-15
-----------------------	--------------	------------------

VOLTAGE REGULATOR - 24 VOLTS W/270 AMPS

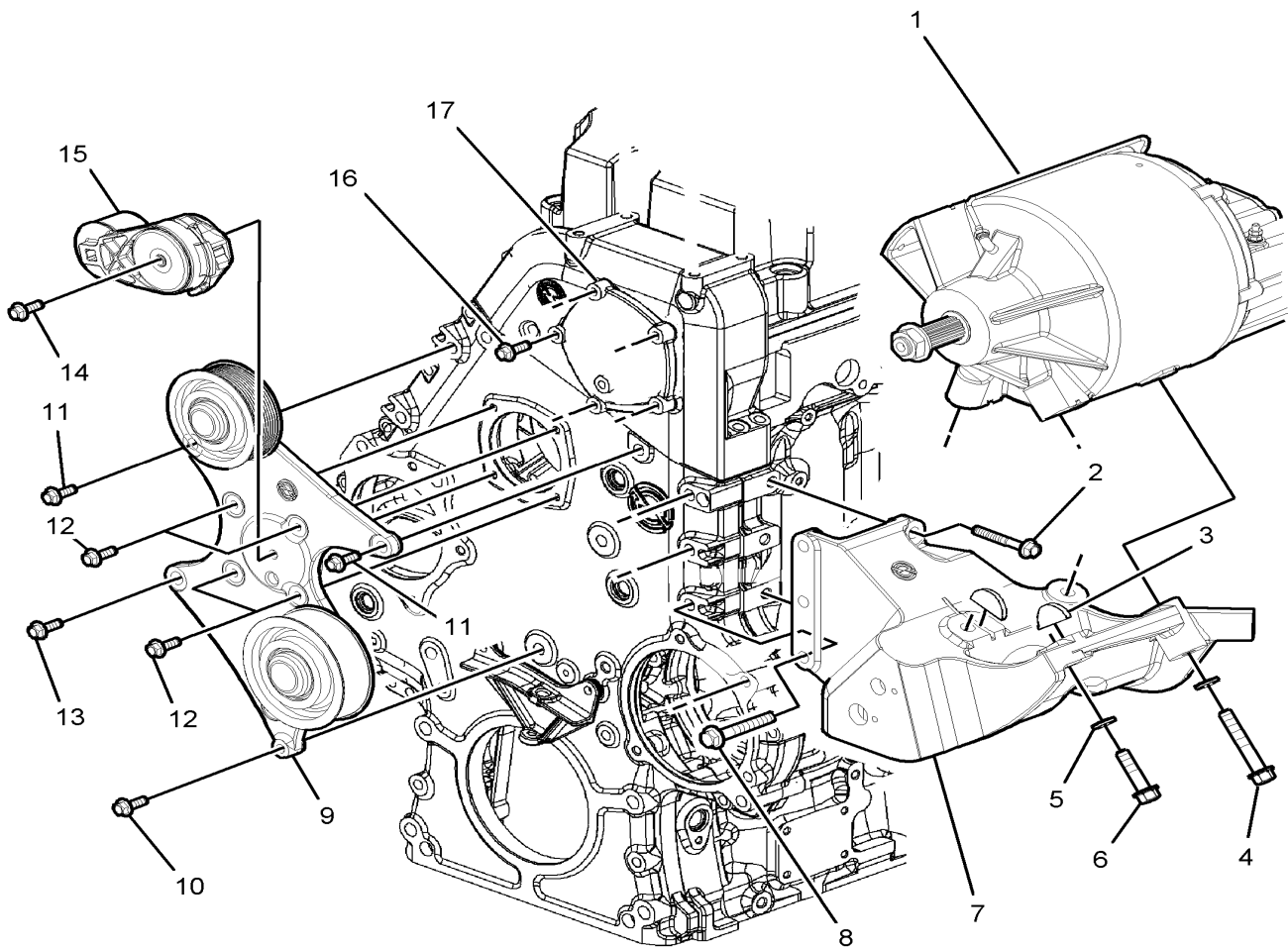
Item#	Part	Description	X L I I M T H 4 5	X L I I M T H 4 5 E	N O T E S
1	563439	REGULATOR ASSY 24V / W/5 SCREWS	1		
1	564017	NOISE SUPPRESSOR CONDENSATOR / STAMPED	1		
. NS	MI06-04	. SEE MAINTENANCE INFORMATION	1		
1	562776	REGULATOR ASSY 12V	1		
1	064577	JUMPER, WIRE	1		

From 8-9279 To B-9999

Date:10/2022

PAGE:MTH-0610-55

ALTERNATOR MOUNTING / "NEIHOFF"READY INSTALLATION

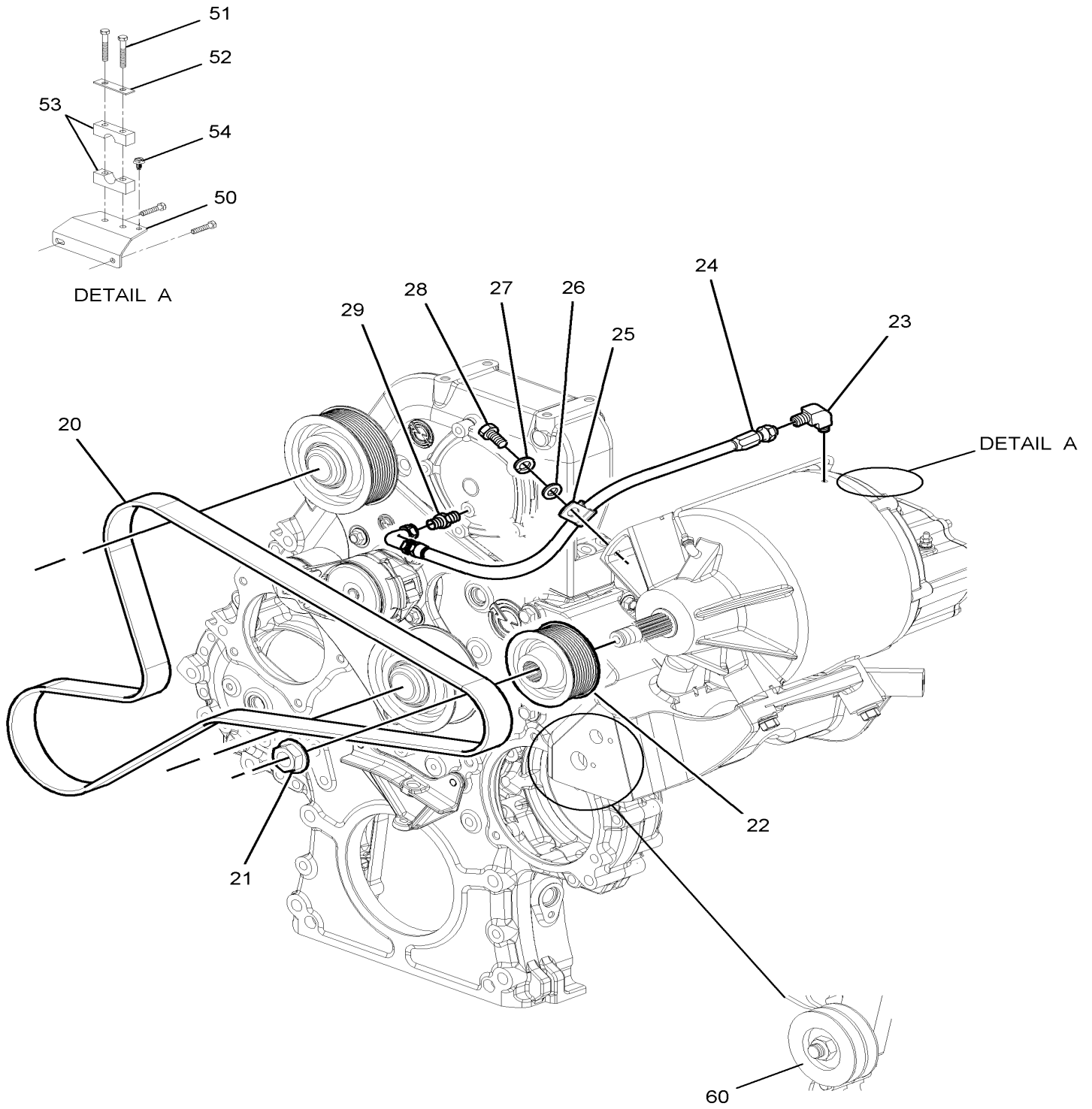


From 8-9279 To B-9999

Date:10/2022

PAGE:MTH-0610-55

ALTERNATOR MOUNTING / "NEIHOF"READY INSTALLATION

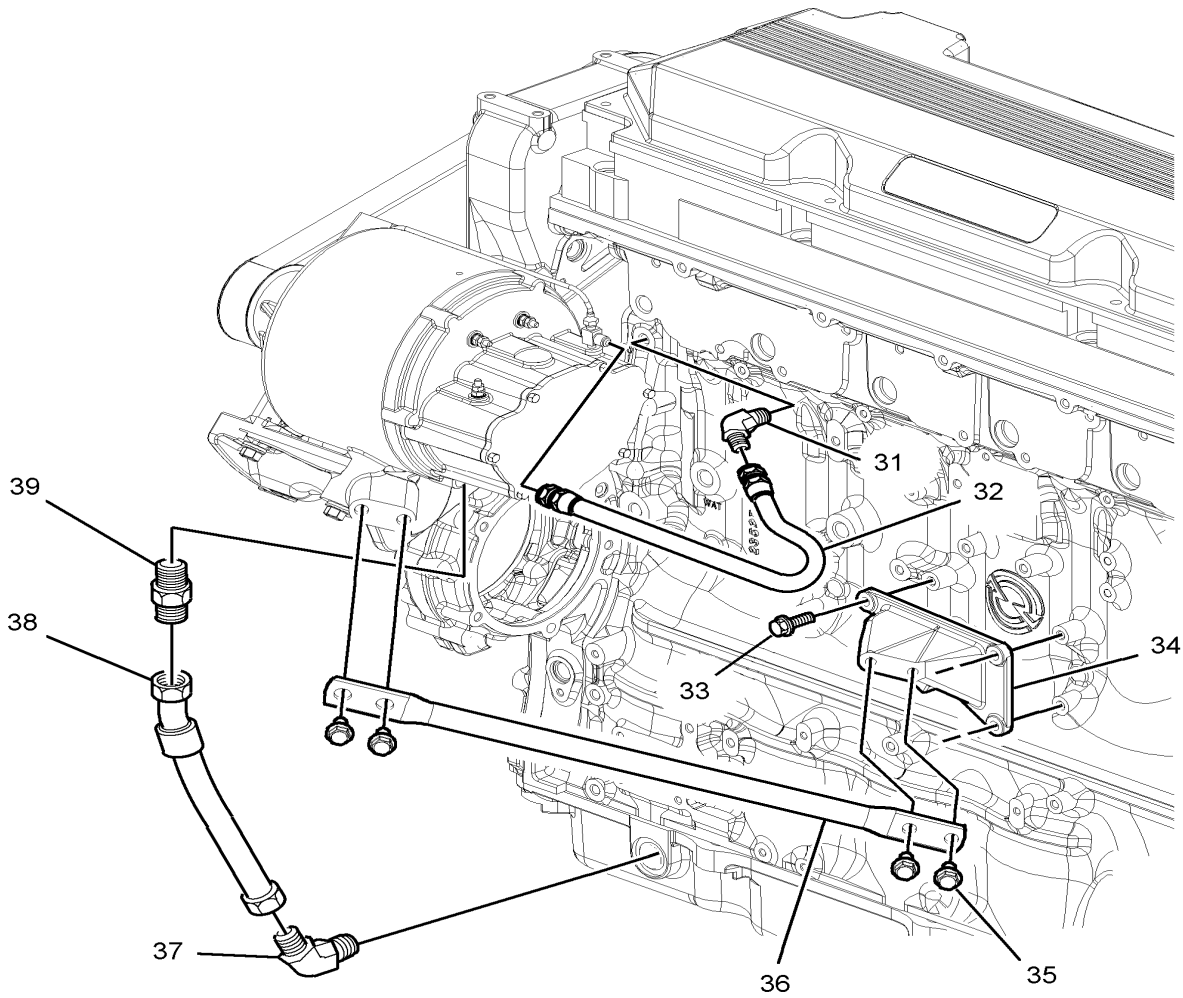


From 8-9279 To B-9999

Date:10/2022

PAGE:MTH-0610-55

ALTERNATOR MOUNTING / "NEIHOFF"READY INSTALLATION





From 8-9279 To B-9999

Date:10/2022

PAGE:MTH-0610-55

ALTERNATOR MOUNTING / "NEIHOFF"READY INSTALLATION

Item#	Part	Description	X L I M T H 4 5	X L I M T H 4 5 E	NOTES
		SEE YOUR CONVERTER'S FOR THIS ITEM			
2	23509520	SCREW CAP HEXF M12-1.75x47	2		
3	00120502	KEY, WOODRUFF 3/16" X 7/8"	2		
4	179893	SCREW CAP HEX 1/2-13x3.00	1		
5	5132715	WASHER	4		
6	0455001	SCREW CAP HEX 1/2-13x2 G8 ZP	3		
7	23530336	SUPPORT	1		
8	23528406	SCREW CAP HEXF M12-1.75x80 G10.9	3		
9	23534290	PULLEY ASSY CURRENT	1		
10	23528697	SCREW CAP HEXF M12-1.75x60 G10.9	1		
11	23519770	SCREW CAP HEXF M12-1.75x75 G10.9	2		
12	5249900304	SCREW CAP HEXF M12-1.75x75 G10.9	4		
13	23528696	SCREW CAP HEX M12-1.50x100	1		
14	11503669	SCREW CAP HEX M10-1.50x80 G10.9	1		
15	012329	AUTOMATIC TENSIONER ASSY	1		
16	11504822	SCREW CAP HEXF M9-1.25x30 G10.9	5		
17	23530576	COVER	1		
20	5060056	MULTI V-BELT / 10 RIB 78 3/4" (2000) 23530282	1		
21	562457	NUT, DRIVE END	1		
22	510926	PULLEY ALTERNATOR 10 RIB	AR		
23	8924998	ELBOW 1/4 NPT X 3/8 TUBE	1		
24	HAHU0185	HOSE	1		
25	23528937	CLIP	1		
26	500985	WASHER FL .343x.875x.125 Z050	1		
27	500480	WASHER LO SPT .443x.779x.109 Z050	1		
28	500305	SCREW CAP HEX 3/8-16x7/8 G5 Z050	1		
29	8929833	CONNECTOR 1/4 NPT X 1/4 TUBE	1		
31	23523489	ELBOW 1/4 NPT X 3/8 TUBE	1		
32	FKHH0182	HOSE ASSY #5 X 20.50"	1		
34	23511744	SUPPORT	1		
35	11509528	SCREW CAP HEX M12-1.75x30 G10.9	4		
36	23530558	BRACE	1		
37	9402830	ELBOW 1" NPT X 1" TUBE	1		
38	BELM0194	HOSE ASSY /	1		
39	9402713	MALE CONNECTOR / JIC 37° FITTING / #16JIC-Mx1NPT-M STL	1		
50	065693	SUPPORT, DELCO ALT HARNESS	1		
51	500170	SCREW CAP HEX 1/4-20x2 G5 PT Z050	2		
52	504614	PLATE RETAINING / COLLAR	1		
53	504703	COLLAR 1/2" I.D. / TO FIX HOSE	1		
54	509815	TIE MOUNT / ATTACHMENT W/TREE MOUNT	2		
60	MTH-0120-00	DRIVE PULLEY, BELTS & TENSIONER WITH DETROIT S-60			



From 8-9279 To B-9999 Date:10/2022 PAGE:MTH-0610-55

ALTERNATOR MOUNTING / "NEIHOFF"READY INSTALLATION

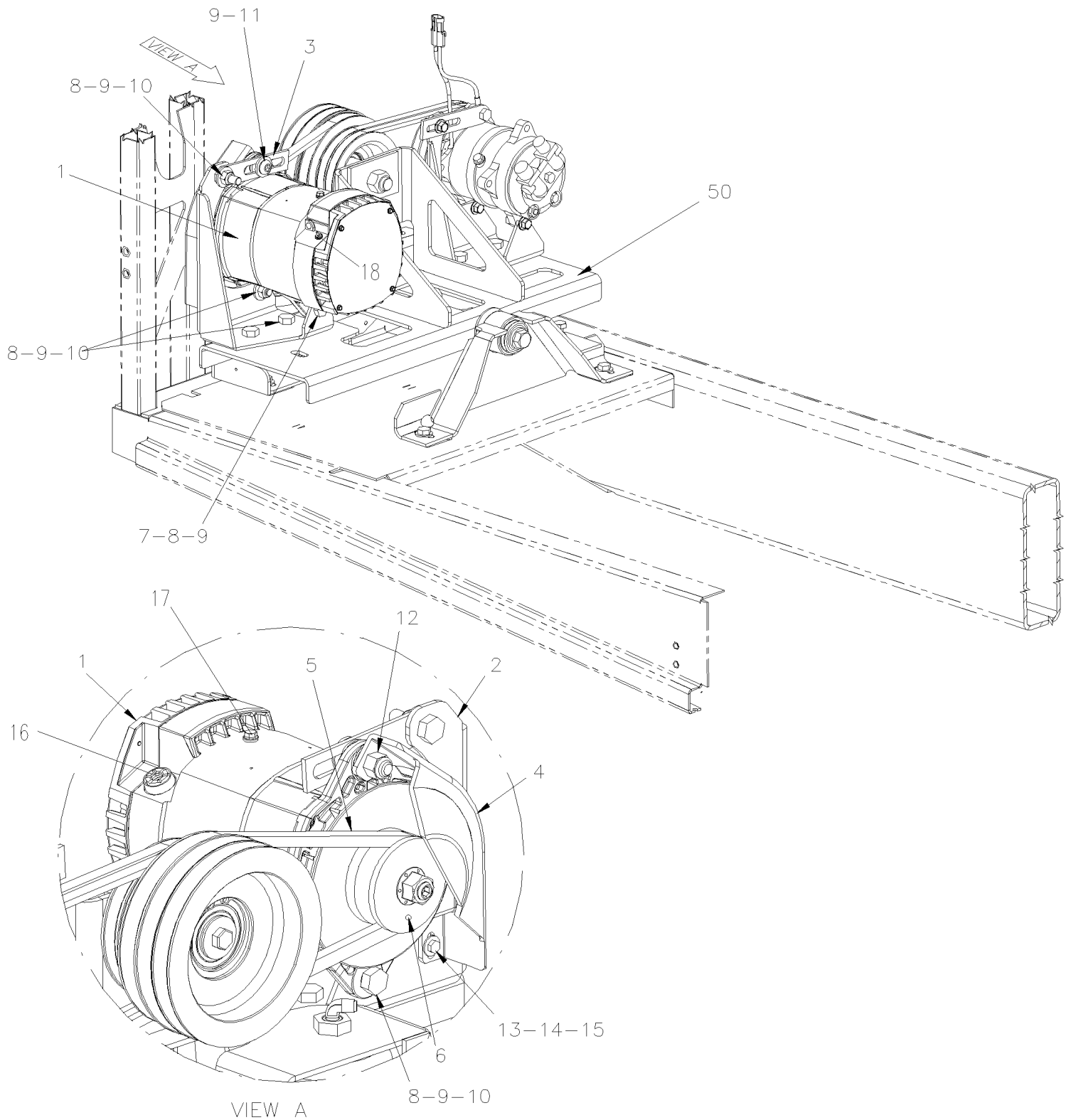
Item#	Part	Description	X L I I M T H 4 5	X L I I M T H 4 5 E	N O T E S

From 8-9279 To B-9999

Date:10/2022

PAGE:MTH-0610-56

ALTERNATOR MOUNTING / 24V-75Amps D-061092





From 8-9279 To B-9999	Date:10/2022	PAGE:MTH-0610-56
ALTERNATOR MOUNTING / 24V-75Amps D-061092		

Item#	Part	Description	X L I I M T H 4 5	X L I I M T H 4 5 E	N O T E S
1	562326	ALTERNATOR ASSY 24V/75 AMPS	1	1	
2	066873	SUPPORT ALTERNATOR	1	1	
3	066814	TENSIONER 150MM	1	1	
4	066945	GUARD PROTECTOR	1	1	
5	5060089	V-BELT / BX-31 9013-2031	1	1	
5	506683	V-BELT / BX-31 9013-2031	1	1	
6	562926	PULLEY 3.3" O.D. / W/ "LEECE-NEVILLE"	1	1	
7	5001043	SCREW CAP HEX M12-1.75x50 G8.8 Z050	1	1	
8	500811	NUT HEX STO M12-1.75 G500	5	5	
9	500446	WASHER FL .531x1.250x.125 Z050	7	7	
10	502731	SCREW CAP HEX M12-1.75x40 G8.8 Z050	4	4	
11	500403	SCREW CAP BUT HEXS 1/2-13x2 N500	1	1	
12	502595	NUT HEX NYRT 1/2-13 Z050	1	1	
13	955271	SCREW CAP HEX M6-1.0x16 G8.8 ZG603	1	1	
14	501462	BUSHING REDUCER / PIPE FITTING / 3/4NTP-Mx1/2NPT-F BR	1	1	
15	502511	NUT HEX NYRT M6-1.0 Z050	1	1	
16	063432	CABLE ASSY #24G-2	1	1	
17	067311	CABLE ASSY GRD	1	1	
18	062723	CABLE ASSY / W/"DELCO" 75 AMPS	1	1	
50	MTH-2245-50	A/C SMALL COMPRESSOR - INSTALLATION			

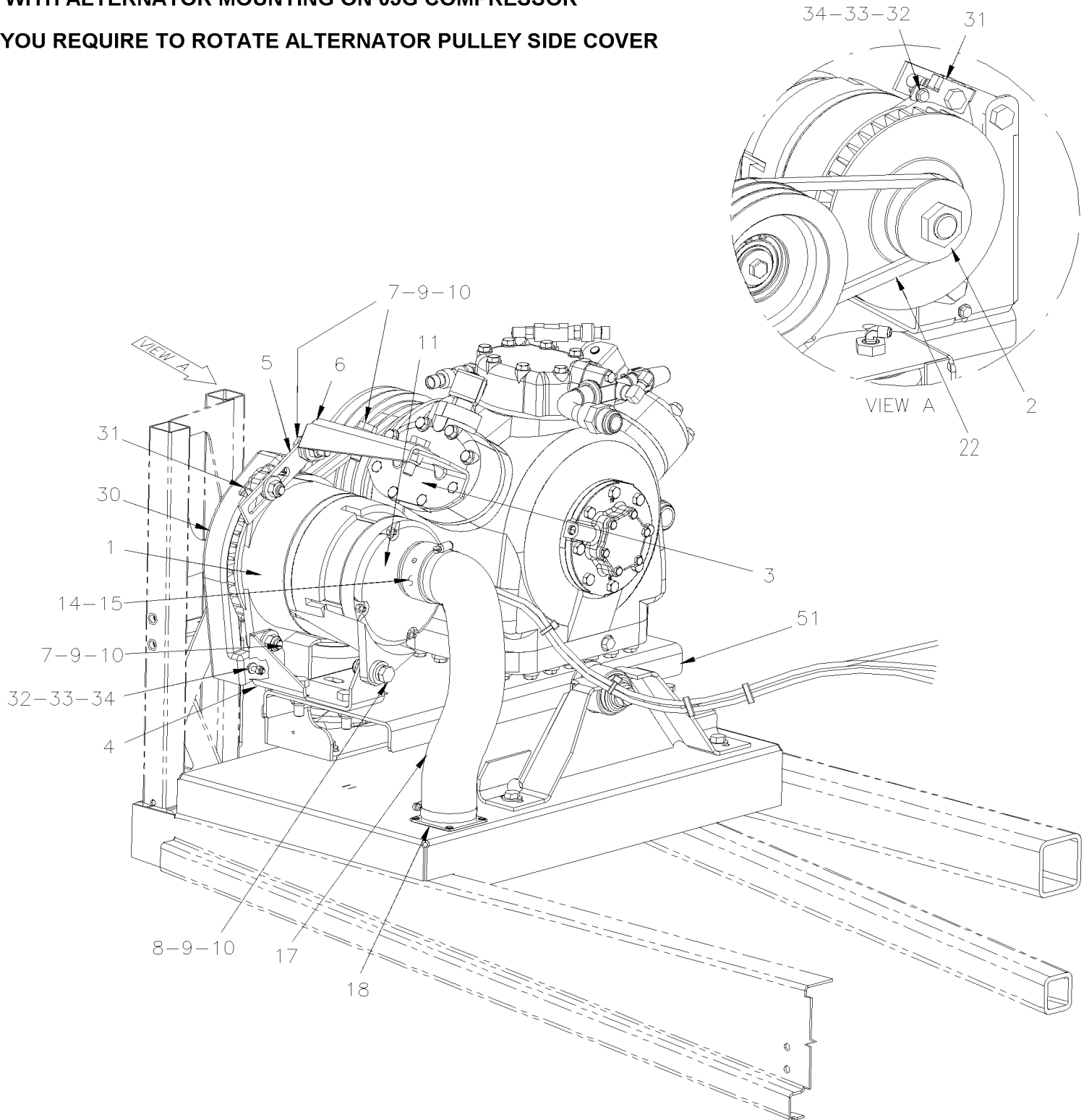
From 8-9279 To B-9999

Date:10/2022

PAGE:MTH-0610-57

ALTERNATOR MOUNTING / 24V-140Amps D-061091

WITH ALTERNATOR MOUNTING ON 05G COMPRESSOR
YOU REQUIRE TO ROTATE ALTERNATOR PULLEY SIDE COVER

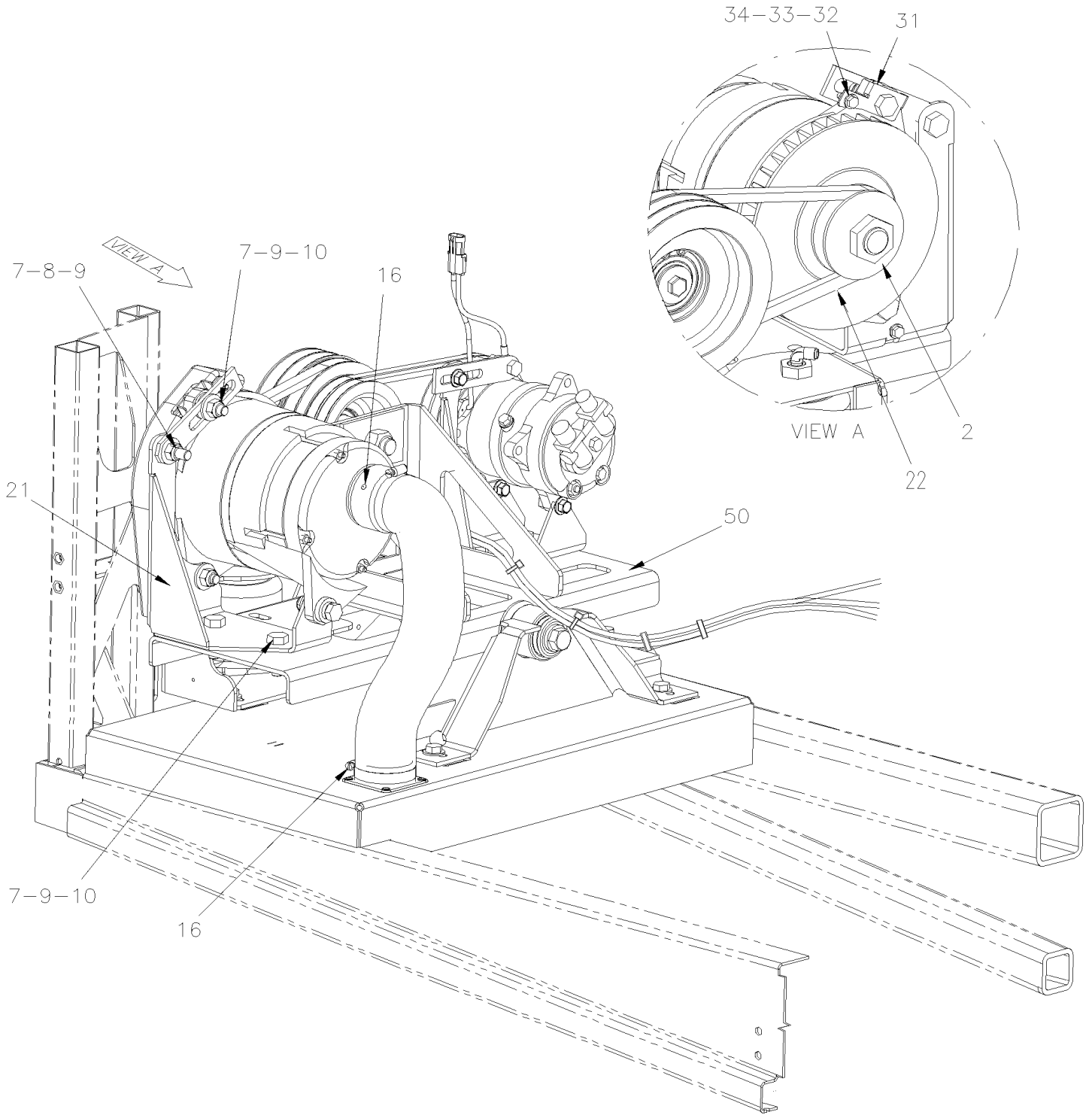


From 8-9279 To B-9999

Date:10/2022

PAGE:MTH-0610-57

ALTERNATOR MOUNTING / 24V-140Amps D-061091



SMALL A/C SYSTEM



From 8-9279 To B-9999	Date:10/2022	PAGE:MTH-0610-57
ALTERNATOR MOUNTING / 24V-140Amps D-061091		

Item#	Part	Description	X L I I M T H 4 5	X L I I M T H 4 5 E	N O T E S
1	562752	ALTERNATOR ASSY 24V/140 AMPS	1	1	
2	064543	PULLEY ALTERNATOR "BOSCH" / W/ 1Vx 88.9MM O.D.	1	1	
2	066823	PULLEY ALTERNATOR "BOSCH" / W/ 2Vx 82.6MM O.D.	1	1	
3	454490	ANGLE SUPPORT / (BOLTED ON 05G COMPRESSOR)	1	1	
4	066813	SUPPORT ALTERNATOR W/05G COMPRESSOR	1	1	
5	066814	TENSIONER 150MM	1	1	
6	066815	SUPPORT UPPER TENSIONER	1	1	
7	502731	SCREW CAP HEX M12-1.75x40 G8.8 Z050	7	7	
8	5001043	SCREW CAP HEX M12-1.75x50 G8.8 Z050	1	1	
9	500446	WASHER FL .531x1.250x.125 Z050	8	8	
10	500811	NUT HEX STO M12-1.75 G500	1	1	
11	562851	AIR-INTAKE COVER	1	1	
NS	504421	GROMMET / .625x.875x.187x.437x1.125	1	1	
12	502565	NUT HEX M6-1.0 SS	4	4	
13	502570	WASHER LO SPT 6.1x11.8x1.6 SS	4	4	
14	064552	ADAPTOR	1	1	
15	504339	RIVET POP DOME OE 1/8x3/8 SS	1	1	
16	504025	HOSE CLAMP / 2"5/16-3"1/4 SS / HS-44	1	1	
17	066484	HOSE 2 1/2" I.D. 420MM	1	1	
NS	503674	HOSE FLEXIBLE / AIR DUCT 2 1/2" I.D. X 25'	AR	AR	
18	329119	HOSE ADAPTOR 2 1/2" O.D.	1	1	
20	500854	SCREW TC BDG PH #8-32x3/4 N500	1	1	
21	066874	SUPPORT ALTERNATOR W/SD7 COMPRESSOR	1	1	
22	5060089	V-BELT / BX-31 9013-2031	1	1	
22	506683	V-BELT / BX-31 9013-2031	1	1	
22	5060079	V-BELT / AX-38 / SET OF 2 9012-2038	2	2	
23	952639	CLAMP / 1"1/4 I.D.	2	2	
24	500574	SCREW MA TR PH #10-24x1 1/4 SS	2	2	
25	5001180	NUT HEX NYRT #10-24 SS	2	2	
26	065027	CABLE GROUND ALT "BOSCH" To 9-9585	1	1	
26	067320	CABLE GROUND ALT "BOSCH" From 9-9586	1	1	
30	066944	GUARD PROTECTOR	1	1	
31	067038	SUPPORT GUARD	1	1	
32	502830	SCREW CAP HEX M6-1.0x20 G8.8 N500	2	2	
33	502511	NUT HEX NYRT M6-1.0 Z050	2	2	
34	5001462	WASHER FL 6.4x18.0x1.6 Z050	2	2	
50	MTH-2245-50	A/C SMALL COMPRESSOR - INSTALLATION			
51	MTH-2245-00	A/C COMPRESSOR 05G - INSTALLATION			
52	MTH-2246-00	A/C CLUTCH 05G - HOUSING MOUNTED			



From 8-9279 To B-9999	Date:10/2022	PAGE:MTH-0610-57
-----------------------	--------------	------------------

ALTERNATOR MOUNTING / 24V-140Amps D-061091

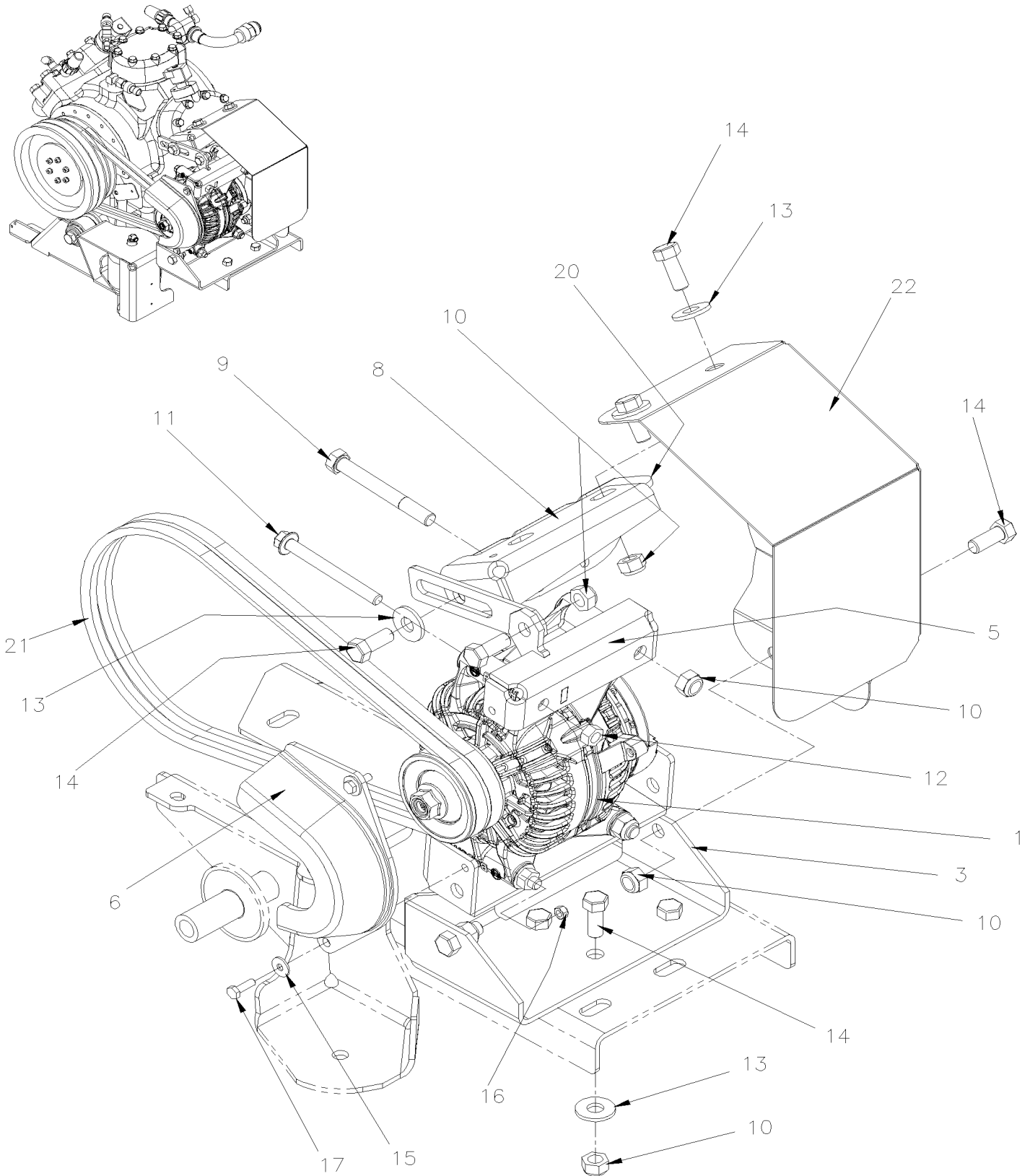
Item#	Part	Description	X L I I M T H 4 5	X L I I M T H 4 5 E	N O T E S

From 8-9279 To B-9999

Date:10/2022

PAGE:MTH-0610-58

ALTERNATOR MOUNTING / 12V-200Amps





From 8-9279 To B-9999		Date:10/2022	PAGE:MTH-0610-58
-----------------------	--	--------------	------------------

ALTERNATOR MOUNTING / 12V-200Amps

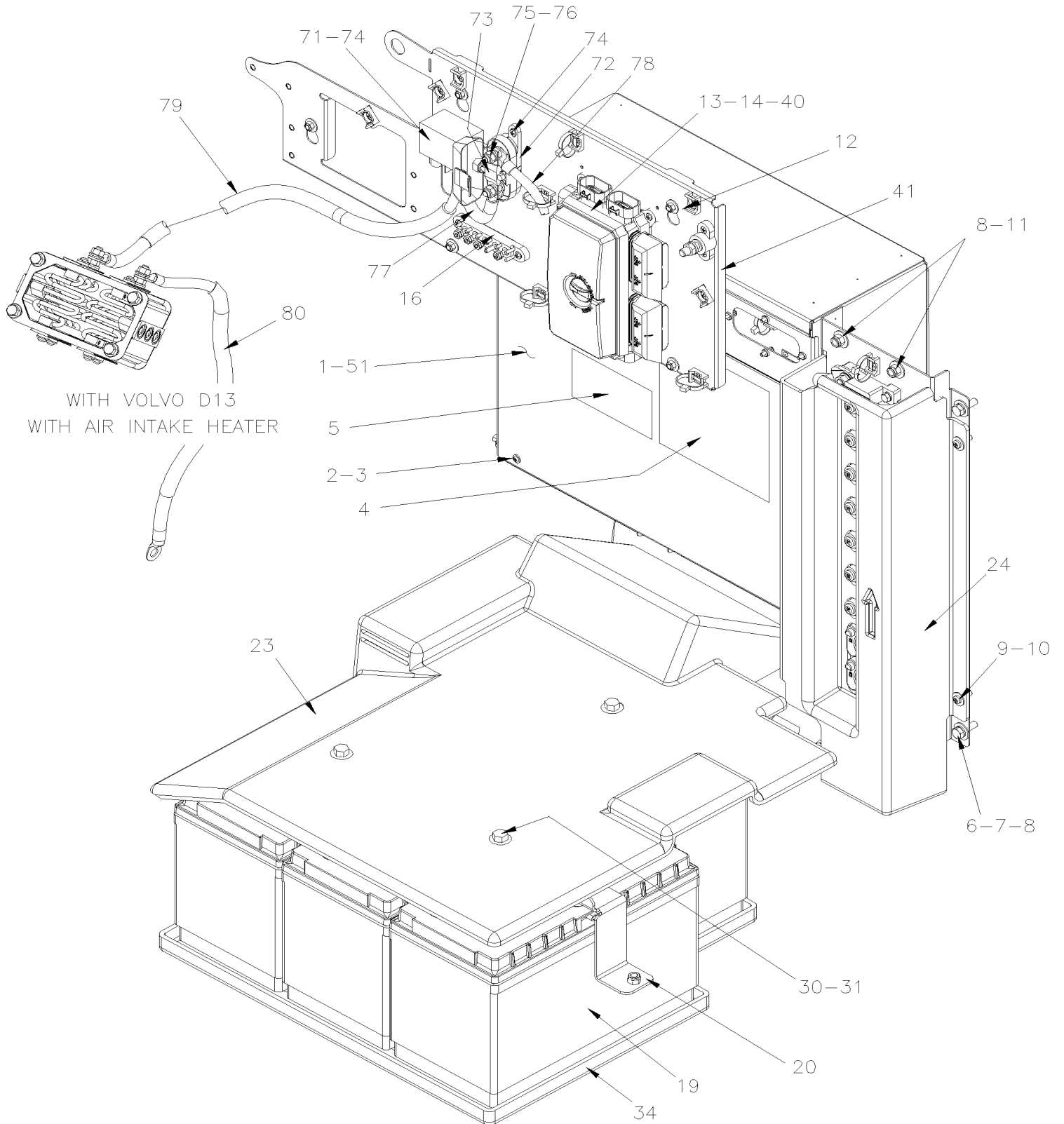
Item#	Part	Description	X L I I M T H 4 5	X L I I M T H 4 5 E	N O T E S
1	563734	ALTERNATOR ASSY 12V/200AMPS / HD10E 200A 14V	1	1	
2	067065	PULLEY ALTERNATOR "BOSCH" / W/ 2V x 82.5MM OD	1	1	
3	067057	SUPPORT PIVOT ALTERNATOR	1	1	
4	067056	SUPPORT ALTERNATOR LOWER "BOSCH" 12V	1	1	
5	067063	SUPPORT ALTERNATOR UPPER "BOSCH" 12V	1	1	
6	067066	GUARD PROTECTOR	1	1	
7	066814	TENSIONER 150MM	1	1	
8	067064	SUPPORT UPPER TENSIONER	1	1	
9	5001688	SCREW CAP HEX M12-1.75x100 G10.9 G500	2	2	
10	500811	NUT HEX STO M12-1.75 G500	11	11	
11	5001785	SCREW CAP HEXF M10-1.5x100 G10.9 N500	2	2	
12	5001758	NUT HEX STO M10-1.5 N500	2	2	
13	500446	WASHER FL .531x1.250x.125 Z050	6	6	
14	5001755	SCREW CAP HEX M12-1.75x30 G8.8 N500	9	9	
15	5001462	WASHER FL 6.4x18.0x1.6 Z050	2	2	
16	502511	NUT HEX NYRT M6-1.0 Z050	2	2	
17	502830	SCREW CAP HEX M6-1.0x20 G8.8 N500	2	2	
20	454490	ANGLE SUPPORT / (BOLTED ON 05G COMPRESSOR)	1	1	
21	5060094	V-BELT / AX-40 / SET OF 2 9012-2040	1	1	
22	068419	MUD GARD FOR ALTERNATOR SERVICE	1	1	
50	MTH-2245-00	A/C COMPRESSOR 05G - INSTALLATION			

From 8-9279 To B-9999

Date:10/2022

PAGE:MTH-0615-50

BATTERIES INSTALLATION - MTH

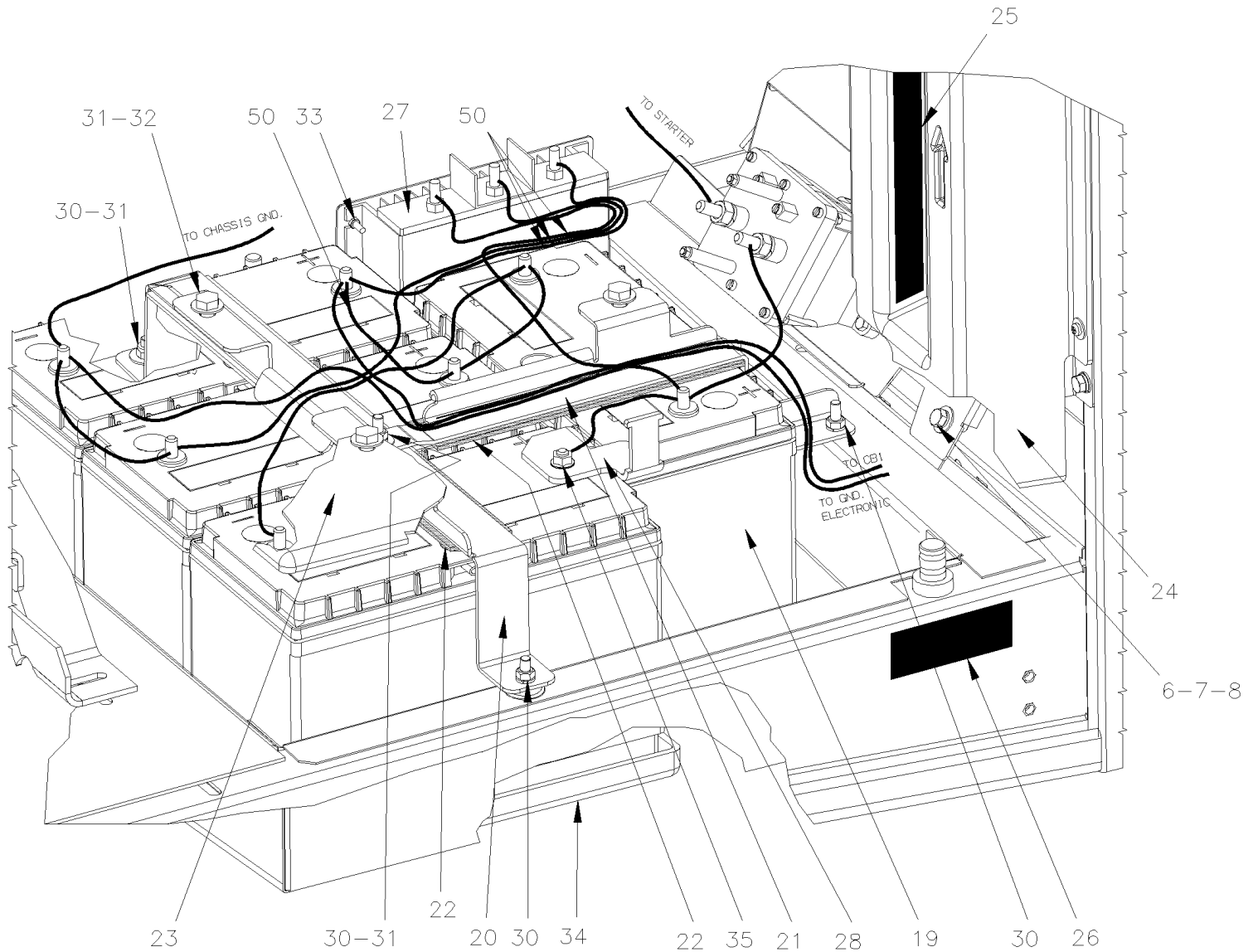


From 8-9279 To B-9999

Date:10/2022

PAGE:MTH-0615-50

BATTERIES INSTALLATION - MTH





From 8-9279 To B-9999	Date:10/2022	PAGE:MTH-0615-50
BATTERIES INSTALLATION - MTH		

Item#	Part	Description	X L I M T H 4 5	X L I M T H 4 5 E	N O T E S
1	382226	COVER REAR JCT BOX	1	1	
2	502698	SCREW MA PAN PH M4-0.7x16 SS BK	3	3	
3	504357	WASHER FL .187x.437x.050 SS	3	3	
4	066913	DECAL / REAR JCT BOX COMPONENTS CONN, From 7-9096 To 8-9121	1	1	
4	067124	DECAL / REAR JCT BOX COMPONENTS CONN, From 8-9279 To 9-9659	1	1	
4	067410	DECAL / REAR JCT BOX COMPONENTS CONN, From 9-9660	1	1	
5	066155	DECAL PIN OUT / JCT BOX W/MUX	1	1	
6	502780	SCREW CAP HEX M8-1.25x25 SS BK	4	4	
7	5001161	WASHER LO SPT 8.1x14.8x2.0 SS-304	4	4	
8	5001448	WASHER FL .343x.875x.062 SS18-8	8	8	
9	502568	SCREW MA PAN PH M6-1.0x20 EMN	2	2	
10	500411	WASHER FL .260x.697x.050 SS	2	2	
11	966171	NUT HEX NYRT M8x1.25 SS	4	4	
12	560422	BLOCK, TERMINAL / 1 STUD 3/8-16 / BLACK	1	1	
13	067035	DECAL / VEC REAR	1	1	
14	563698	VEC DISTRIBUTION MODULE / REAR JCT BOX	1	1	
. NS	564104	. COVER / VEC BOX	1	1	
. NS	563269	. RELAY 24V S.P.D.T. W/RESISTOR /	3	3	
. NS	563004	. FUSE / ATM 2 AMPS GREY	1	1	
. NS	563279	. FUSE / ATM 3 AMPS VIOLET	1	1	
. NS	563005	. FUSE / ATM 7.5 AMPS BROWN	1	1	
. NS	563283	. FUSE / ATM 10 AMPS RED	12	12	
. NS	563284	. FUSE / ATM 15 AMPS BLUE	11	11	
. NS	563282	. FUSE / ATM 20 AMPS YELLOW	9	9	
. NS	563153	. FUSE / ATM 25 AMPS NATURAL	6	6	
. NS	563165	. FUSE / ATM 30 AMPS GREEN	1	1	
. NS	564464	. MINI BREAKER / 20 AMPS / SERIES 223	1	1	
. NS	563181	. CONNECTOR / SH 8C / YELLOW / BUSSMANN 32006-E21	1	1	
. NS	563182	. CONNECTOR / SH 8C / ORANGE / BUSSMANN 32006-G21	1	1	
. NS	563183	. CONNECTOR / SH 8C / RED / BUSSMANN 32006-F21	1	1	
. NS	563184	. CONNECTOR / SH 8C / GREEN / BUSSMANN 32006-C21	1	1	
. NS	563185	. CONNECTOR / SH 8C / BLACK / BUSSMANN 32006-A21	1	1	
. NS	563186	. CONNECTOR / SH 8C / GREY / BUSSMANN 32006-B21	1	1	
. NS	563187	. CONNECTOR / SH 8C / BROWN / BUSSMANN 32006-H21	1	1	
. NS	563448	. CONNECTOR / SH 8C / BLUE / BUSSMANN 32006-D21	1	1	
. NS	19518268	. COVER RUBBER RED	2	2	
15	563439	REGULATOR ASSY 24V / W/5 SCREWS	1	1	
16	563218	JUNCTION BLOCK W/5 STUDS	1	1	
19	563030	BATTERY 12V/930 CCA / GR31	4	4	
20	382216	ATTACHMENT BATTERIES LONG	1	1	
21	382217	ATTACHMENT BATTERIES SHORT	1	1	
22	5060074	TAPE RUB ADH1 URE 3/8" X 2" X 30' / GREY 1820	AR	AR	



From 8-9279 To B-9999	Date:10/2022	PAGE:MTH-0615-50
BATTERIES INSTALLATION - MTH		

Item#	Part	Description	X L I I M T H 4 5	X L I I M T H 4 5 E	N O T E S
23	382192	COVER PROTECTOR BATTERIES	1	1	
24	382215	COVER PROTECTOR BREAKERS	1	1	
25	067024	DECAL / BREAKERS	1	1	
26	062682	DECAL / "BOOSTER BLOCK" / ENGLISH & FRANCAIS To 9-9851	1	1	
26	067314	DECAL / "BOOSTER BLOCK" - GRD / ENGLISH & FRANCAIS From 9-9852	1	1	
26	067313	DECAL / "BOOSTER BLOCK" + 24 / ENGLISH & FRANCAIS From 9-9852	1	1	
27	563334	EQUALIZER "VANNER" 100AMPS	1	1	
28	382210	BOOSTER PLATE	1	1	
30	966171	NUT HEX NYRT M8x1.25 SS	4	4	
31	500270	WASHER FL .406x1.000x.063 SS	5	5	
32	502655	SCREW CAP HEX M10-1.5x25 SS BK	3	3	
33	5001180	NUT HEX NYRT #10-24 SS	4	4	
34	380671	TRAY, BATTERIES	1	1	
35	5001522	NUT HEXF LO 3/8-16 SS	1	1	
40	067036	CABLE ASSY TO REAR "VEC"	1	1	
40	067240	CABLE ASSY TO REAR "VEC" To 8-9492	1	1	
40	067594	CABLE ASSY TO REAR "VEC" From 8-9493 To 9-9607	1	1	
40	067395	CABLE ASSY TO REAR "VEC" From 9-9608	1	1	
41	382366	PANEL MOUNTING	1	1	
50	MTH-0600-50	WIRING HARNESS - MTH W/MUX DIAGRAM D-061080			
51	MTH-0620-50	REAR JUNCTION BOX ASSY			
71	563348	RELAY POWER 24V 200 AMPS / S.P.S.T. N.O.		1	H
. NS	5001182	. NUT HEX NYRT M6-1.0 SS		1	H
. NS	502573	. WASHER FL 6.4x12.5x1.6 SS		1	H
. NS	563409	. CONNECTOR / SUPERSEAL 1.5 SERIES / SH 2C / AMP 282080-1		1	H
. NS	562607	. SOCKET TERMINAL / 20-16 / AMP 183025-1		1	H
NS	5001182	NUT HEX NYRT M6-1.0 SS		2	H
72	563750	FUSEHOLDER W/RED COVER / MEGA FUSE /		1	H
73	563751	FUSE / MEGA FUSE / 125 AMPS / GREEN		1	H
73	564174	FUSE / MEGA FUSE / 150 AMPS / ORANGE		1	H
74	502868	SCREW TC TR PH #10-16x1/2 N500		4	H
75	500612	SCREW TP FL PH #8x1/2 ZP		2	H
76	500035	WASHER LO SPT .317x.586x.078 SS		2	H
77	067100	CABLE ASS FUSE & HEATER ELEMENT		1	H
78	067698	CABLE ASSY		1	H
79	067289	CABLE HEATER ELEMENT RELAY		1	H
80	067102	CABLE NEG HEATER ELEMENT		1	H
NS	500615	NUT HEX M8-1.25 BR		2	H
NS	5001161	WASHER LO SPT 8.1x14.8x2.0 SS-304		2	H



From 8-9279 To B-9999	Date:10/2022	PAGE:MTH-0615-50
-----------------------	--------------	------------------

BATTERIES INSTALLATION - MTH

Item#	Part	Description	X L I I M T H 4 5	X L I I M T H 4 5 E	N O T E S
		H) WITH D13 ENGINE WITH AIR INTAKE HEATER			

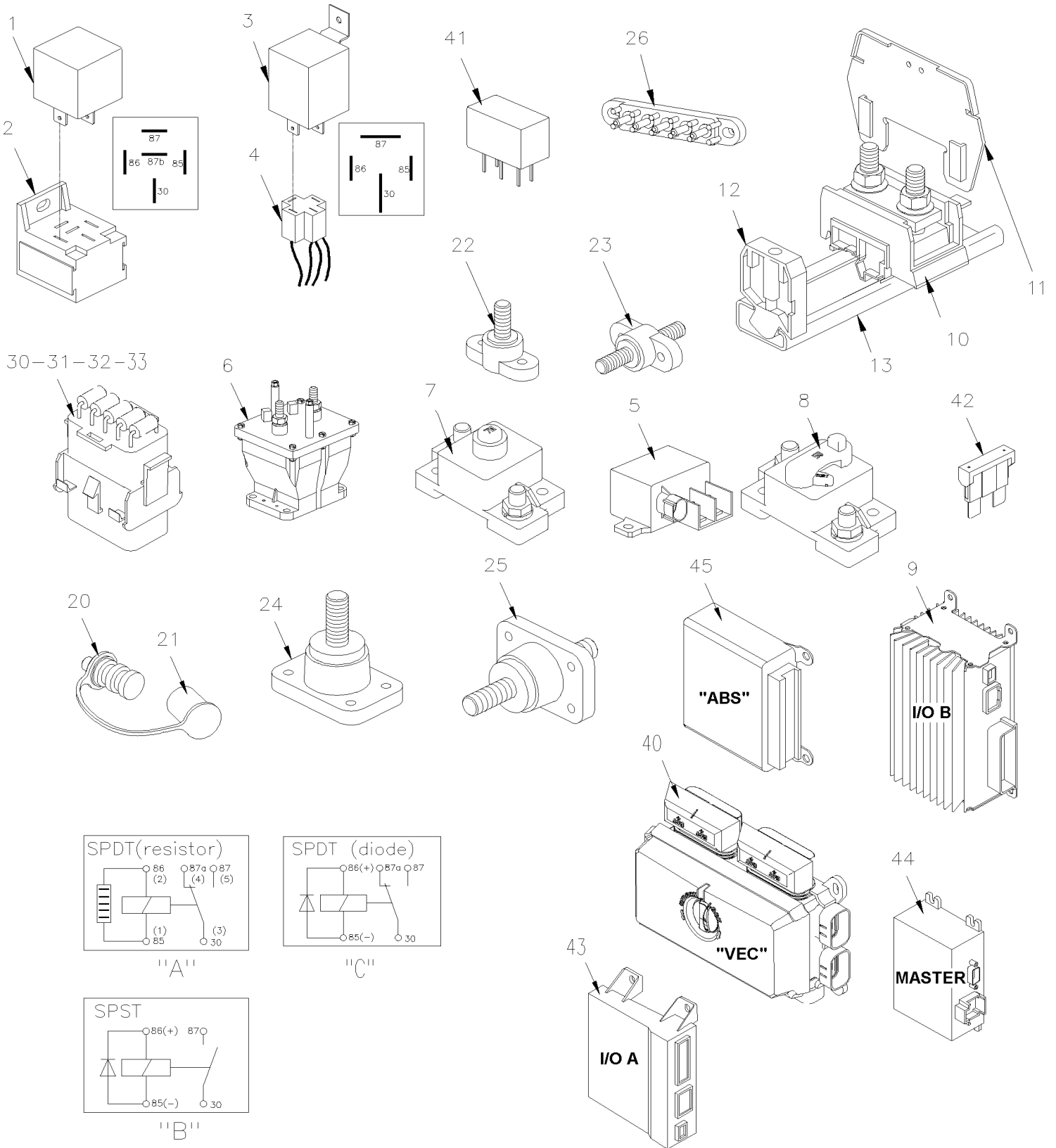


From 8-9279 To B-9999

Date:10/2022

PAGE:MTH-0616-00

JUNCTION BOX COMPONENTS, RELAY & BREAKER





From 8-9279 To B-9999 Date:10/2022 PAGE:MTH-0616-00

JUNCTION BOX COMPONENTS, RELAY & BREAKER

Item#	Part	Description	X L I M T H 4 5	X L I M T H 4 5 E	N O T E S
1	563332	RELAY 24V S.P.D.T. W/RESISTOR / "VOLVO" (20374662)	AR	AR	A
1	561707	RELAY 24V S.P.D.T. W/RESISTOR /	1	1	C
1	563337	RELAY 12V S.P.D.T. W/RESISTOR /	AR	AR	A
2	561183	RELAY BASE / TAB TERMINAL / BOSCH 3334485008	AR	AR	
3	561991	RELAY 24V S.P.S.T. / 70 AMPS N.O.	AR	AR	B
4	562367	CONNECTOR / TAB HOUSING 4C / POTTER BRUMFIELD VCF7-1000	AR	AR	
5	563348	RELAY POWER 24V 200 AMPS / S.P.S.T. N.O.	AR	AR	
. NS	5001182	. NUT HEX NYRT M6-1.0 SS	1	1	
. NS	502573	. WASHER FL 6.4x12.5x1.6 SS	1	1	
. NS	563409	. CONNECTOR / SUPERSEAL 1.5 SERIES / SH 2C / AMP 282080-1	1	1	
. NS	562607	. SOCKET TERMINAL / 20-16 / AMP 183025-1	1	1	
6	562364	RELAY 24V S.P.S.T. / 300 AMPS N.O. // BATTERY DISCONNECT	1	1	
7	563704	BREAKER 35AMPS / 24V /	AR	AR	
7	563705	BREAKER 40AMPS / 24V /	AR	AR	
7	563706	BREAKER 60AMPS / 24V /	AR	AR	
7	563707	BREAKER 70AMPS / 24V /	AR	AR	
7	563708	BREAKER 90AMPS / 24V /	AR	AR	
8	563710	BREAKER 50AMPS / 24V /	AR	AR	
8	563709	BREAKER 150AMPS / 24V /	AR	AR	
9	565865	I/O B-MODULE VOLVO MULTIPLEX / ALUMINUM To 8-9493	AR	AR	
. NS	563132	. CONNECTOR / SH 2C / YAZAKI 7283-6458-40 To 8-9493	1	1	
. NS	563133	. CONNECTOR / JUNIOR POWER TIMER / SH 29C / AMP 1-963449-2 To 8-9493	1	1	
. NS	562957	. CONNECTOR / SH 5C / GREEN / JAE IL-AG5-5S-S3C1 To 8-9493	1	1	
9	564075	I/O B-MODULE VOLVO MULTIPLEX / ALUMINUM From 8-9494	AR	AR	
. NS	563132	. CONNECTOR / SH 2C / YAZAKI 7283-6458-40 From 8-9494	1	1	
. NS	563133	. CONNECTOR / JUNIOR POWER TIMER / SH 29C / AMP 1-963449-2 From 8-9494	1	1	
. NS	562957	. CONNECTOR / SH 5C / GREEN / JAE IL-AG5-5S-S3C1 From 8-9494	1	1	
9	564193	I/O B-MODULE VOLVO MULTIPLEX / ALUMINUM	AR	AR	
. NS	563132	. CONNECTOR / SH 2C / YAZAKI 7283-6458-40	1	1	
. NS	563133	. CONNECTOR / JUNIOR POWER TIMER / SH 29C / AMP 1-963449-2	1	1	
. NS	562957	. CONNECTOR / SH 5C / GREEN / JAE IL-AG5-5S-S3C1	1	1	
10	561727	SCREW MA PAN PH	AR	AR	
11	561731	COVER SUPPORT	AR	AR	
NS	562024	COVER / PROTECTOR / 3 BLOCKS	1	1	
12	562645	STOPPER "U" RAIL	AR	AR	
13	382184	RAIL SUPPORT "U" SHAPE 112MM	AR	AR	
13	382187	RAIL SUPPORT "U" SHAPE 400MM	AR	AR	
20	561856	BOOSTER BLOCK, REMOTE / RED	AR	AR	
20	561857	BOOSTER BLOCK, REMOTE / BLACK	AR	AR	
21	562691	. PROTECTOR CAP / RED	1	1	
21	562692	. PROTECTOR CAP / BLACK	1	1	
22	560422	BLOCK, TERMINAL / 1 STUD 3/8-16 / BLACK	AR	AR	



From 8-9279 To B-9999 Date:10/2022 PAGE:MTH-0616-00

JUNCTION BOX COMPONENTS, RELAY & BREAKER

Item#	Part	Description	X L I M T H 4 5	X L I M T H 4 5 E	N O T E S
23	561102	BLOCK, JUNCTION / 2 STUD 3/8-16 / BLACK	AR	AR	
24	560177	BLOCK, TERMINAL / 1 STUD 1/2-13 / BLACK	AR	AR	
NS	562024	COVER / PROTECTOR / 3 BLOCKS	AR	AR	
25	560176	BLOCK, JUNCTION / 2 STUD 1/2-13 / RED	AR	AR	
26	563218	JUNCTION BLOCK W/5 STUDS	AR	AR	
NS	500765	NUT HEX #10-32 BR	AR	AR	
30	381145	DIODE ASSY / W/5 3AMPS	AR	AR	
31	382097	DIODE ASSY / W/3 3AMPS & 2 RESISTORS 270 OHMS	AR		
31	382097	DIODE ASSY / W/3 3AMPS & 2 RESISTORS 270 OHMS To 9-9639		AR	
31	382421	DIODE ASSY / W/3 3AMPS From 9-9640		AR	
32	382175	DIODE ASSY / W/3 3AMPS & 2 RESISTORS 100 OHMS	AR	AR	
40	563698	VEC DISTRIBUTION MODULE / REAR JCT BOX	1	1	
NS	564104	COVER / VEC BOX	1	1	
NS	563269	RELAY 24V S.P.D.T. W/RESISTOR /	3	3	
NS	563004	FUSE / ATM 2 AMPS GREY	1	1	
NS	563279	FUSE / ATM 3 AMPS VIOLET	1	1	
NS	563005	FUSE / ATM 7.5 AMPS BROWN	1	1	
NS	563283	FUSE / ATM 10 AMPS RED	12	12	
NS	563284	FUSE / ATM 15 AMPS BLUE	11	11	
NS	563282	FUSE / ATM 20 AMPS YELLOW	9	9	
NS	563153	FUSE / ATM 25 AMPS NATURAL	6	6	
NS	563165	FUSE / ATM 30 AMPS GREEN	1	1	
NS	564464	MINI BREAKER / 20 AMPS / SERIES 223	1	1	
NS	563181	CONNECTOR / SH 8C / YELLOW / BUSSMANN 32006-E21	1	1	
NS	563182	CONNECTOR / SH 8C / ORANGE / BUSSMANN 32006-G21	1	1	
NS	563183	CONNECTOR / SH 8C / RED / BUSSMANN 32006-F21	1	1	
NS	563184	CONNECTOR / SH 8C / GREEN / BUSSMANN 32006-C21	1	1	
NS	563185	CONNECTOR / SH 8C / BLACK / BUSSMANN 32006-A21	1	1	
NS	563186	CONNECTOR / SH 8C / GREY / BUSSMANN 32006-B21	1	1	
NS	563187	CONNECTOR / SH 8C / BROWN / BUSSMANN 32006-H21	1	1	
NS	563448	CONNECTOR / SH 8C / BLUE / BUSSMANN 32006-D21	1	1	
NS	19518268	COVER RUBBER RED	2	2	
40	563674	VEC DISTRIBUTION MODULE / FRONT JCT BOX	1	1	
NS	564104	COVER / VEC BOX	1	1	
NS	563004	FUSE / ATM 2 AMPS GREY	1	1	
NS	563279	FUSE / ATM 3 AMPS VIOLET	14	14	
NS	563280	FUSE / ATM 5 AMPS AMBER	2	2	
NS	563005	FUSE / ATM 7.5 AMPS BROWN	3	3	
NS	563283	FUSE / ATM 10 AMPS RED	6	6	
NS	563284	FUSE / ATM 15 AMPS BLUE	9	9	
NS	563282	FUSE / ATM 20 AMPS YELLOW	6	6	
NS	563153	FUSE / ATM 25 AMPS NATURAL	1	1	



From 8-9279 To B-9999 Date:10/2022 PAGE:MTH-0616-00

JUNCTION BOX COMPONENTS, RELAY & BREAKER

Item#	Part	Description	X L I M T H 4 5	X L I M T H 4 5 E	N O T E S
. NS	563165	. FUSE / ATM 30 AMPS GREEN	3	3	
. NS	564464	. MINI BREAKER / 20 AMPS / SERIES 223	1	1	
. NS	563181	. CONNECTOR / SH 8C / YELLOW / BUSSMANN 32006-E21	1	1	
. NS	563182	. CONNECTOR / SH 8C / ORANGE / BUSSMANN 32006-G21	1	1	
. NS	563183	. CONNECTOR / SH 8C / RED / BUSSMANN 32006-F21	1	1	
. NS	563184	. CONNECTOR / SH 8C / GREEN / BUSSMANN 32006-C21	1	1	
. NS	563185	. CONNECTOR / SH 8C / BLACK / BUSSMANN 32006-A21	1	1	
. NS	563186	. CONNECTOR / SH 8C / GREY / BUSSMANN 32006-B21	1	1	
. NS	563187	. CONNECTOR / SH 8C / BROWN / BUSSMANN 32006-H21	1	1	
. NS	563448	. CONNECTOR / SH 8C / BLUE / BUSSMANN 32006-D21	1	1	
. NS	19518268	. COVER RUBBER RED	2	2	
40	563449	VEC DISTRIBUTION MODULE / W/SLIDE-OUT	1	1	
. NS	564104	. COVER / VEC BOX	1	1	
. NS	563004	. FUSE / ATM 2 AMPS GREY	1	1	
. NS	563279	. FUSE / ATM 3 AMPS VIOLET	1	1	
. NS	563280	. FUSE / ATM 5 AMPS AMBER	1	1	
. NS	563005	. FUSE / ATM 7.5 AMPS BROWN	1	1	
. NS	563284	. FUSE / ATM 15 AMPS BLUE	1	1	
. NS	563282	. FUSE / ATM 20 AMPS YELLOW	1	1	
. NS	563153	. FUSE / ATM 25 AMPS NATURAL	1	1	
. NS	563165	. FUSE / ATM 30 AMPS GREEN	1	1	
. NS	563181	. CONNECTOR / SH 8C / YELLOW / BUSSMANN 32006-E21	1	1	
. NS	563182	. CONNECTOR / SH 8C / ORANGE / BUSSMANN 32006-G21	1	1	
. NS	563183	. CONNECTOR / SH 8C / RED / BUSSMANN 32006-F21	1	1	
. NS	563184	. CONNECTOR / SH 8C / GREEN / BUSSMANN 32006-C21	1	1	
. NS	563185	. CONNECTOR / SH 8C / BLACK / BUSSMANN 32006-A21	1	1	
. NS	563186	. CONNECTOR / SH 8C / GREY / BUSSMANN 32006-B21	1	1	
. NS	563187	. CONNECTOR / SH 8C / BROWN / BUSSMANN 32006-H21	1	1	
. NS	563448	. CONNECTOR / SH 8C / BLUE / BUSSMANN 32006-D21	1	1	
. NS	19518268	. COVER RUBBER RED	2	2	
41	563269	. RELAY 24V S.P.D.T. W/RESISTOR /	AR	AR	A V
42	563004	. FUSE / ATM 2 AMPS GREY	AR	AR	V
42	563279	. FUSE / ATM 3 AMPS VIOLET	AR	AR	V
42	563280	. FUSE / ATM 5 AMPS AMBER	AR	AR	V
42	563005	. FUSE / ATM 7.5 AMPS BROWN	AR	AR	V
42	563283	. FUSE / ATM 10 AMPS RED	AR	AR	V
42	563284	. FUSE / ATM 15 AMPS BLUE	AR	AR	V
42	563282	. FUSE / ATM 20 AMPS YELLOW	AR	AR	V
42	563153	. FUSE / ATM 25 AMPS NATURAL	AR	AR	V
42	563165	. FUSE / ATM 30 AMPS GREEN	AR	AR	V
43	565864	I/O A-MODULE VOLVO MULTIPLEX / BLACK To 8-9493	AR	AR	
. NS	562767	. CONNECTOR / SH 30C / GREEN / JAE IL-AG5-30S-D3C1 To 8-9493	1	1	



From 8-9279 To B-9999 Date:10/2022 PAGE:MTH-0616-00

JUNCTION BOX COMPONENTS, RELAY & BREAKER

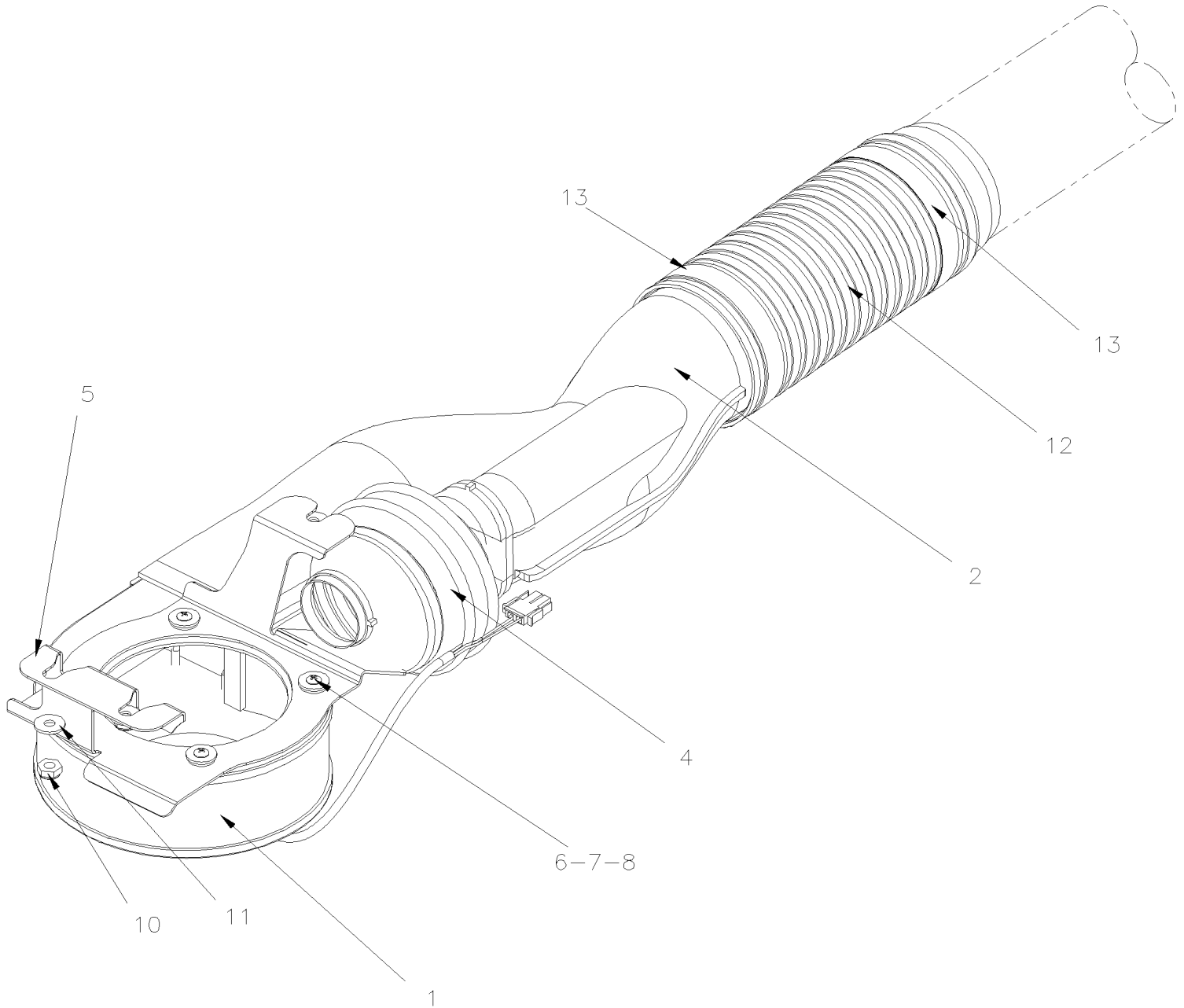
Item#	Part	Description	X L I I M T H 4 5	X L I I M T H 4 5 E	N O T E S
. NS	562957	. CONNECTOR / SH 5C / GREEN / JAE IL-AG5-5S-S3C1 To 8-9493	1	1	
. NS	563132	. CONNECTOR / SH 2C / YAZAKI 7283-6458-40 To 8-9493	1	1	
43	564101	I/O A-MODULE VOLVO MULTIPLEX / BLACK From 8-9494	AR	AR	
. NS	562767	. CONNECTOR / SH 30C / GREEN / JAE IL-AG5-30S-D3C1 From 8-9494	1	1	
. NS	562957	. CONNECTOR / SH 5C / GREEN / JAE IL-AG5-5S-S3C1 From 8-9494	1	1	
. NS	563132	. CONNECTOR / SH 2C / YAZAKI 7283-6458-40 From 8-9494	1	1	
43	564194	I/O A-MODULE VOLVO MULTIPLEX / BLACK	AR	AR	
. NS	562767	. CONNECTOR / SH 30C / GREEN / JAE IL-AG5-30S-D3C1	1	1	
. NS	562957	. CONNECTOR / SH 5C / GREEN / JAE IL-AG5-5S-S3C1	1	1	
. NS	563132	. CONNECTOR / SH 2C / YAZAKI 7283-6458-40	1	1	
44	563295	MASTER ID-MODULE VOLVO MULTIPLEX	1	1	
. NS	562794	. CONNECTOR / JUNIOR POWER TIMER / SH 9C / AMP 964561-4	1	1	
44	069538	"MASTER ID":REPLACEMENT WITH "MCM" MODULE	1	1	D
. NS	069420	. HARNESS MCM	1	1	D
. NS	IS-11003	. SEE INSTRUCTION SHEET	1	1	D
45	7770363	CONTROL UNIT 12V / ABS 4 CH / UNPROGRAMMED	1	1	
45	641948P	CONTROL UNIT 12V / ABS 4 CH / PROGRAMMED	1	1	
		A) SEE CONTACT CONFIGURATION "A"			
		B) SEE CONTACT CONFIGURATION "B"			
		C) SEE CONTACT CONFIGURATION "C"			
		D) CUSTOMER MUST CHECK ABS MODULE NUMBER BEFORE ORDERING. IF MODULE IS 642083 (BENDIX 5019416): MUST REPLACE BY 642206. ASK VIN TO CUSTOMER AND PROGRAM AT THE SAME TIME AS MCM			
		V) INSIDE OF "VEC"			

From 8-9279 To B-9999

Date:10/2022

PAGE:MTH-0620-05

REAR JUNCTION BOX FAN - INSTALLATION





From 8-9279 To B-9999 Date:10/2022 PAGE:MTH-0620-05

REAR JUNCTION BOX FAN - INSTALLATION

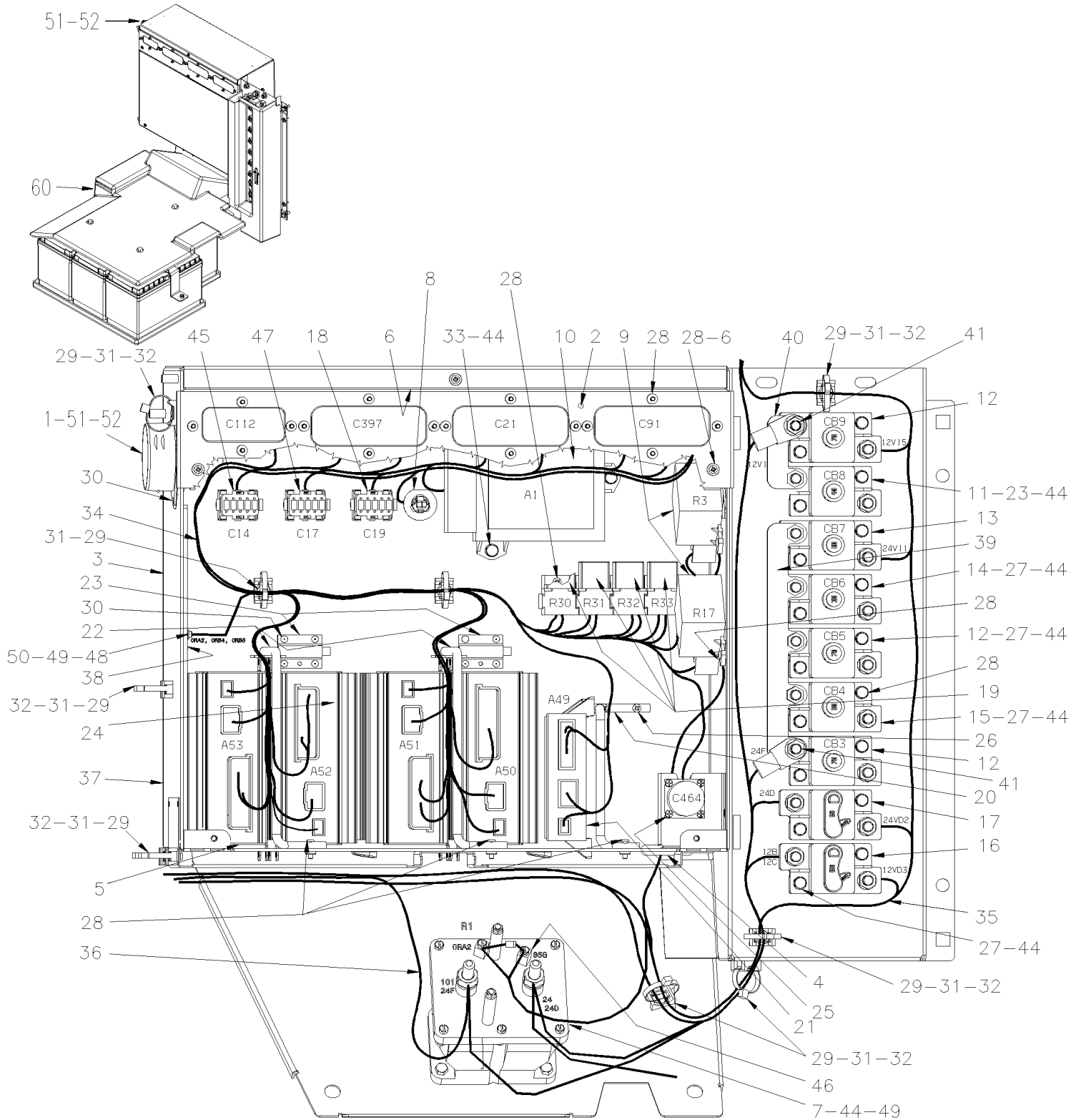
Item#	Part	Description	X L I I M T H 4 5	X L I I M T H 4 5 E	N O T E S
	Call order desk	FAN ASSY / REAR JUNCTION BOX, W/MUX	1	1	P
	Call order desk	FAN ASSY / REAR JUNCTION BOX, W/MUX	1	1	P
1	454539	. FAN ASSY 24V W/CONNECTOR	1	1	
1	950439	. . FAN ASSY 24V	1	1	
1	561247	. . CONNECTOR / UNIVERSAL MATE-N-LOK / SH 2C / AMP 1-480698-0	1	1	
NS	562131	. . SOCKET TERMINAL / 20-14 / AMP 350550-1	2	2	
1	563158	. . SHRINK TUBING / .300" - .060" / BLACK / 3M EPS-400.300	AR	AR	
2	950438	. ADAPTOR "Y" FAN & CABLE TUBE	1	1	
3	504024	. HOSE CLAMP / 1"13/16"-2"3/4 SS / HS-36	1	1	
4	504499	. CUFF END BELLOW / 2 7/8" I.D. x 3 5/8" x 4 7/16	1	1	
5	454521	. SUPPORT	1	1	
6	500642	. SCREW TP PAN PH #10x3/4 Z050	8	8	
7	5001462	. WASHER FL 6.4x18.0x1.6 Z050	4	4	
8	500950	. WASHER FL .187x.625x.094 RUB	8	8	
10	502716	NUT HEX NYRT 1/4-20	4	4	
11	5001462	WASHER FL 6.4x18.0x1.6 Z050	4	4	
12	454522	HOSE FLEXIBLE 3 1/2 I.D X 200MM	1	1	
12	457482	HOSE FLEXIBLE 3 1/2 I.D X 342MM	1	1	
NS	503746	. HOSE FLEXIBLE / AIR DUCT 3 1/2" I.D. X 12' / PLASTIC	AR	AR	
13	504026	HOSE CLAMP / 2"13/16-3"3/4 SS / HS-52	2	2	
		P) CALL ORDER DESK FOR SPECIFIC APPLICATION (V.I.N.)			

From 8-9279 To B-9999

Date:10/2022

PAGE:MTH-0620-50

REAR JUNCTION BOX ASSY





From 8-9279 To B-9999	Date:10/2022	PAGE:MTH-0620-50
REAR JUNCTION BOX ASSY		

Item#	Part	Description	X L I M T H 4 5	X L I M T H 4 5 E	N O T E S
1	329119	HOSE ADAPTOR 2 1/2" O.D.	1	1	
2	382199	CONECTOR PANEL SUPPORT	1	1	
NS	382226	COVER REAR JCT BOX	1	1	
3	382203	BOX ASSY	1	1	
4	502681	NUT HEX NYRT M6-1.0 N500 G8	3	3	
5	5060074	TAPE RUB ADH1 URE 3/8" X 2" X 30' / GREY 1820	AR	AR	
6	504357	WASHER FL .187x.437x.050 SS	3	3	
7	562364	RELAY 24V S.P.S.T. / 300 AMPS N.O. // BATTERY DISCONNECT	1	1	
8	563335	SENSOR THERMISTOR ASSY / OUTSIDE // PED 15416387	1	1	
9	563348	RELAY POWER 24V 200 AMPS / S.P.S.T. N.O.	2	2	
. NS	5001182	. NUT HEX NYRT M6-1.0 SS	1	1	
. NS	502573	. WASHER FL 6.4x12.5x1.6 SS	1	1	
. NS	563409	. CONNECTOR / SUPERSEAL 1.5 SERIES / SH 2C / AMP 282080-1	1	1	
. NS	562607	. SOCKET TERMINAL / 20-16 / AMP 183025-1	1	1	
10	572048	E.C.U. 4000MH / GEN IV To 8-9374	1		
10	572067	E.C.U. 4000MH / GEN IV From 8-9375 To 9-9589	1		
10	572113	INTERFACE TCM / B500 / GEN IV From 9-9590	1		
10	572047	E.C.U. B500 / GEN IV To 8-9374		1	
10	572066	E.C.U. B500 / GEN IV From 8-9375 To 9-9589		1	
10	572114	E.C.U. 4000MH / GEN IV From 9-9590		1	
11	563705	BREAKER 40AMPS / 24V /	1	1	
12	563707	BREAKER 70AMPS / 24V /	1	1	
13	563706	BREAKER 60AMPS / 24V /	1	1	
14	563704	BREAKER 35AMPS / 24V /	1	1	
15	563708	BREAKER 90AMPS / 24V /	1	1	
16	563709	BREAKER 150AMPS / 24V /	1	1	
17	563710	BREAKER 50AMPS / 24V /	1	1	
18	381145	DIODE ASSY / W/5 3AMPS	1	1	
19	563332	RELAY 24V S.P.D.T. W/RESISTOR / "VOLVO" (20374662)	4	4	
20	382179	ROD ATTACHMENT / I/O A MODULE	1	1	
21	565864	I/O A-MODULE VOLVO MULTIPLEX / BLACK To 8-9493	1	1	
. NS	562767	. CONNECTOR / SH 30C / GREEN / JAE IL-AG5-30S-D3C1 To 8-9493	1	1	
. NS	562957	. CONNECTOR / SH 5C / GREEN / JAE IL-AG5-5S-S3C1 To 8-9493	1	1	
. NS	563132	. CONNECTOR / SH 2C / YAZAKI 7283-6458-40 To 8-9493	1	1	
21	564101	I/O A-MODULE VOLVO MULTIPLEX / BLACK From 8-9494	1	1	
. NS	562767	. CONNECTOR / SH 30C / GREEN / JAE IL-AG5-30S-D3C1 From 8-9494	1	1	
. NS	562957	. CONNECTOR / SH 5C / GREEN / JAE IL-AG5-5S-S3C1 From 8-9494	1	1	
. NS	563132	. CONNECTOR / SH 2C / YAZAKI 7283-6458-40 From 8-9494	1	1	
21	564194	I/O A-MODULE VOLVO MULTIPLEX / BLACK	1	1	
. NS	562767	. CONNECTOR / SH 30C / GREEN / JAE IL-AG5-30S-D3C1	1	1	
. NS	562957	. CONNECTOR / SH 5C / GREEN / JAE IL-AG5-5S-S3C1	1	1	
. NS	563132	. CONNECTOR / SH 2C / YAZAKI 7283-6458-40	1	1	



From 8-9279 To B-9999	Date:10/2022	PAGE:MTH-0620-50
REAR JUNCTION BOX ASSY		

Item#	Part	Description	X L I I M T H 4 5	X L I I M T H 4 5 E	N O T E S
22	382166	ROD ATTACHMENT / I/O B MODULE	2	2	
23	382169	HINGE ROD ATTACHMENT	2	2	
24	565865	I/O B-MODULE VOLVO MULTIPLEX / ALUMINUM To 8-9493	4	4	
. NS	563132	. CONNECTOR / SH 2C / YAZAKI 7283-6458-40 To 8-9493	1	1	
. NS	563133	. CONNECTOR / JUNIOR POWER TIMER / SH 29C / AMP 1-963449-2 To 8-9493	1	1	
. NS	562957	. CONNECTOR / SH 5C / GREEN / JAE IL-AG5-5S-S3C1 To 8-9493	1	1	
24	564075	I/O B-MODULE VOLVO MULTIPLEX / ALUMINUM From 8-9494	4	4	
. NS	563132	. CONNECTOR / SH 2C / YAZAKI 7283-6458-40 From 8-9494	1	1	
. NS	563133	. CONNECTOR / JUNIOR POWER TIMER / SH 29C / AMP 1-963449-2 From 8-9494	1	1	
. NS	562957	. CONNECTOR / SH 5C / GREEN / JAE IL-AG5-5S-S3C1 From 8-9494	1	1	
24	564193	I/O B-MODULE VOLVO MULTIPLEX / ALUMINUM	4	4	
. NS	563132	. CONNECTOR / SH 2C / YAZAKI 7283-6458-40	1	1	
. NS	563133	. CONNECTOR / JUNIOR POWER TIMER / SH 29C / AMP 1-963449-2	1	1	
. NS	562957	. CONNECTOR / SH 5C / GREEN / JAE IL-AG5-5S-S3C1	1	1	
25	500601	SCREW TC PAN PH #6-32x3/8 N500	4	4	
26	500965	SCREW TC BDG PH #8-32x1/2 N500	2	2	
27	502622	SCREW CAP HEX M6-1.0x20 SS BK	22	22	
28	502698	SCREW MA PAN PH M4-0.7x16 SS BK	30	30	
29	504013	TIE MOUNT / 1/4" X 1/4" I.D.	10	10	
30	504340	RIVET POP DOME OE 1/8x3/16 SS	12	12	
31	504379	RIVET POP DOME OE 3/16x1/4 SS	10	10	
32	504637	CABLE TIE / 3/16" x 13"	AR	AR	
33	955269	SCREW CAP HEX M6-1.0x12 G8.8 ZG603	3	3	
34	067026	CABLE HARNESS / REAR JUNCTION BOX To 8-9421	1	1	
34	067279	CABLE HARNESS / REAR JUNCTION BOX From 8-9422 To 9-9590	1	1	
34	067592	CABLE HARNESS / REAR JUNCTION BOX From 9-9591 To 9-9599	1	1	
34	067403	CABLE HARNESS / REAR JUNCTION BOX From 9-9600 To 9-9908	1	1	
34	068110	CABLE HARNESS / REAR JUNCTION BOX From 9-9909	1	1	
35	066786	CABLE POWER / BREAKERS & HVAC	1	1	
36	066833	CABLE STARTER W/MUX	1	1	
36	067257	CABLE STARTER W/VOLVO From 9-9591		1	D13
37	066918	INSULATED PAD	1	1	
38	066938	INSULATED PAD	1	1	
39	382211	BUS BAR 5 HOLES	1	1	
40	382212	BUS BAR 2 HOLES	1	1	
41	5001522	NUT HEXF LO 3/8-16 SS	2	2	
44	502570	WASHER LO SPT 6.1x11.8x1.6 SS	21	21	
45	382175	DIODE ASSY / W/3 3AMPS & 2 RESISTORS 100 OHMS	1	1	
46	064792	DIODE ASSY	1	1	
. NS	561740	. DIODE / 3AMPS	1	1	
. NS	560082	. RING TERMINAL #10 / 16-14 / INSULATED / AMP 626033-2	1	1	
. NS	560815	. RING TERMINAL #10 / 22-18 / INSULATED / AMP 42037-2	1	1	



From 8-9279 To B-9999	Date:10/2022	PAGE:MTH-0620-50
-----------------------	--------------	------------------

REAR JUNCTION BOX ASSY

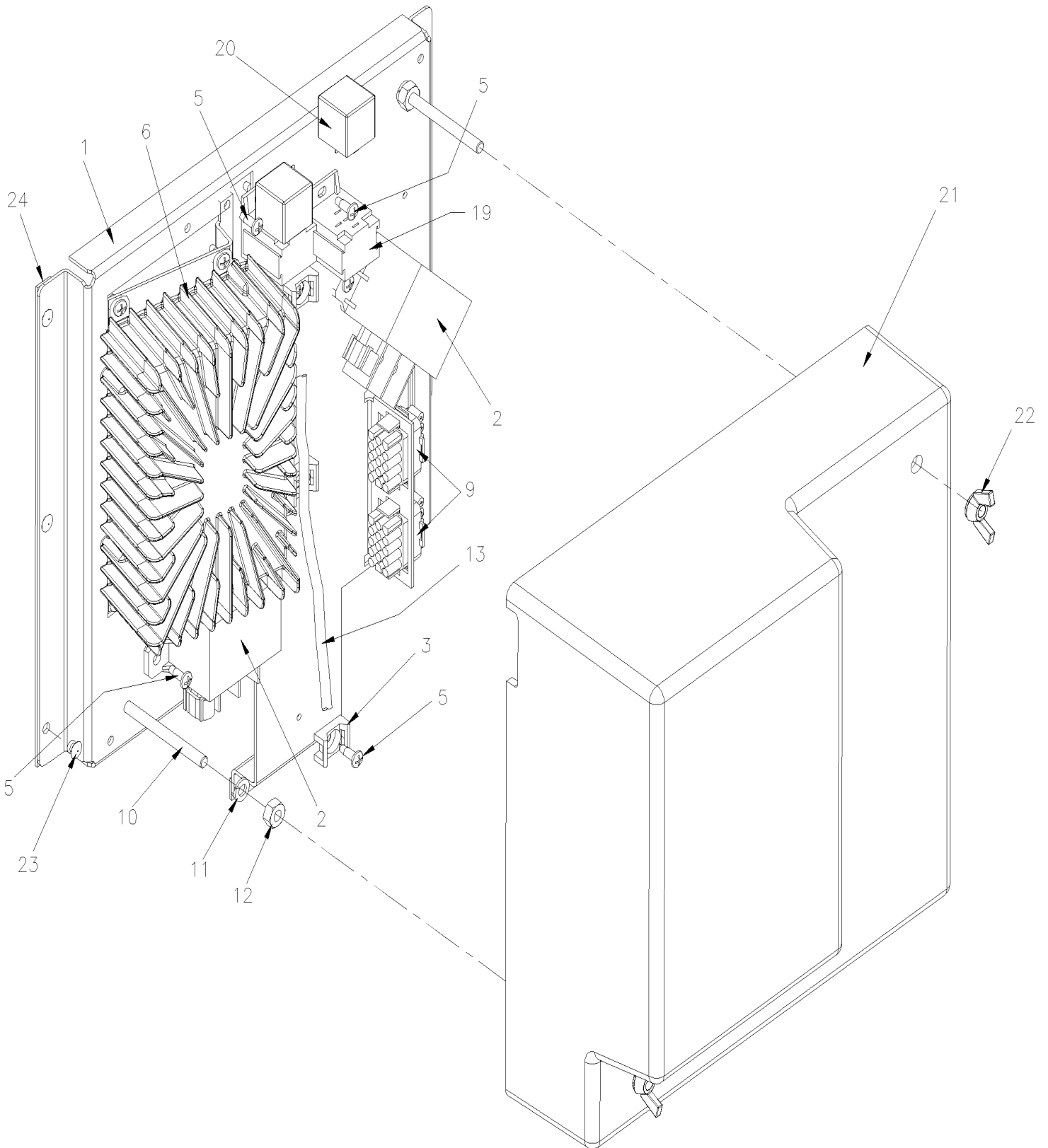
Item#	Part	Description	X L I I M T H 4 5	X L I I M T H 4 5 E	N O T E S
. NS	562499	. SHRINK TUBING / .250" - .125" / CLEAR / ALPHA FIT 221-1/4	AR	AR	
47	382097	DIODE ASSY / W/3 3AMPS & 2 RESISTORS 270 OHMS	1		
47	382097	DIODE ASSY / W/3 3AMPS & 2 RESISTORS 270 OHMS To 9-9639		1	
47	382421	DIODE ASSY / W/3 3AMPS From 9-9640		1	
48	502681	NUT HEX NYRT M6-1.0 N500 G8	1	1	
49	500877	WASHER FL .250x.562x.065 N500	1	1	
50	5001182	NUT HEX NYRT M6-1.0 SS	4	4	
51	503031	HOSE FLEXIBLE / AIR DUCT 2 1/2" I.D. X 12' / RUBBER	AR	AR	
NS	5060085	PIPE INSULATING / 2 5/8" I.D. X 1/2" TH. X 72	AR	AR	
52	504023	HOSE CLAMP / 1"5/16-2"1/4 SS / HS-28	1	1	
60	MTH-0615-50	BATTERIES INSTALLATION - MTH			
		D13) WITH "VOLVO" ENGINE			

From 8-9279 To B-9999

Date:10/2022

PAGE:MTH-0621-50

A/C CONDENSOR MOTOR RELAY





From 8-9279 To B-9999	Date:10/2022	PAGE:MTH-0621-50
A/C CONDENSOR MOTOR RELAY		

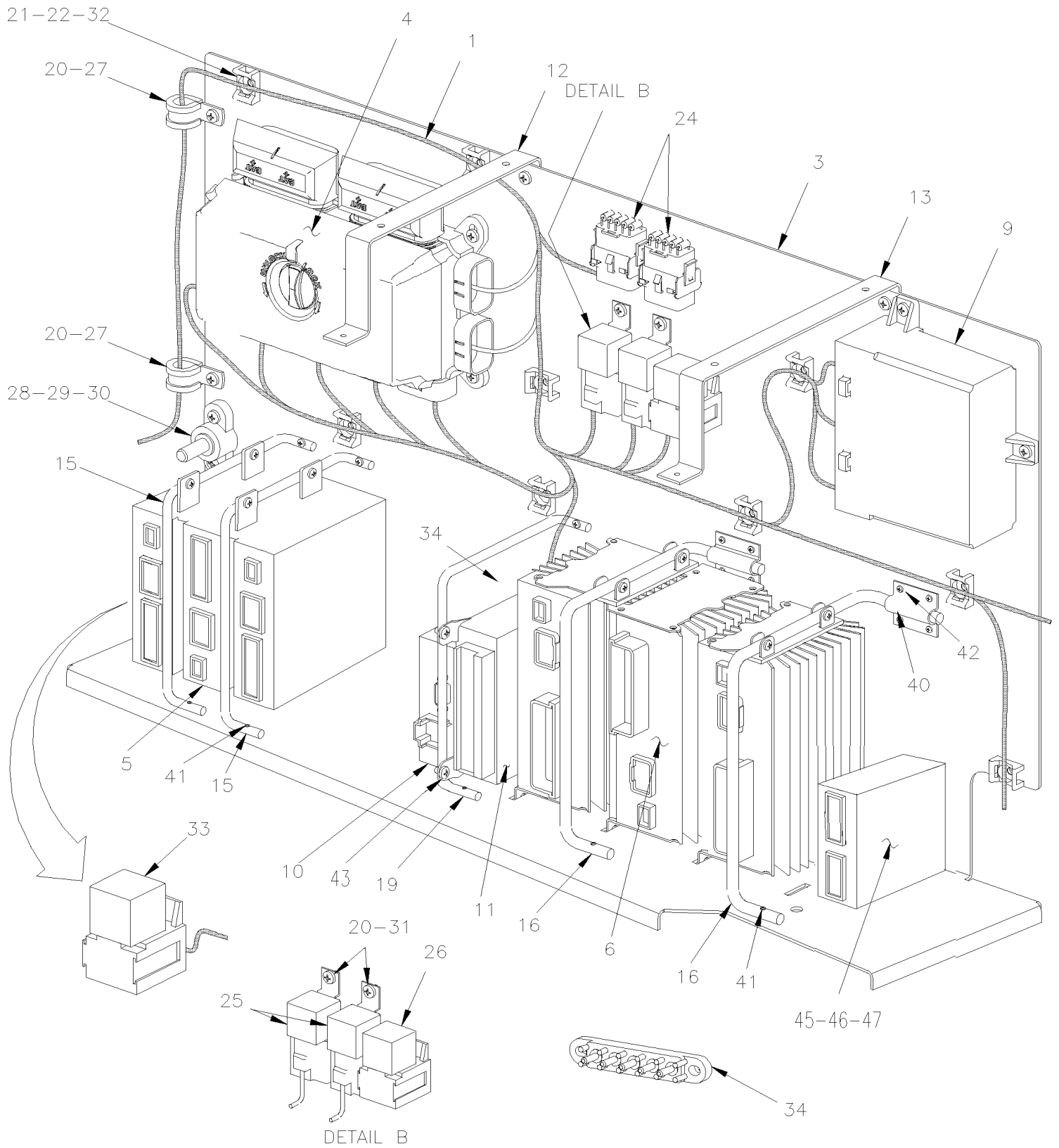
Item#	Part	Description	X L I I M T H 4 5	X L I I M T H 4 5 E	N O T E S
1	382077	PANEL MOUNTING REAR JCT BOX / MUX	1	1	
2	563348	RELAY POWER 24V 200 AMPS / S.P.S.T. N.O.	1	1	
. NS	5001182	. NUT HEX NYRT M6-1.0 SS	1	1	
. NS	502573	. WASHER FL 6.4x12.5x1.6 SS	1	1	
. NS	563409	. CONNECTOR / SUPERSEAL 1.5 SERIES / SH 2C / AMP 282080-1	1	1	
. NS	562607	. SOCKET TERMINAL / 20-16 / AMP 183025-1	1	1	
3	504013	TIE MOUNT / 1/4" X 1/4" I.D.	AR	AR	
NS	504637	CABLE TIE / 3/16" x 13"	AR	AR	
5	502868	SCREW TC TR PH #10-16x1/2 N500	AR	AR	
6	564075	I/O B-MODULE VOLVO MULTIPLEX / ALUMINUM To B-5029	1	1	
. NS	563132	. CONNECTOR / SH 2C / YAZAKI 7283-6458-40 To B-5029	1	1	
. NS	563133	. CONNECTOR / JUNIOR POWER TIMER / SH 29C / AMP 1-963449-2 To B-5029	1	1	
. NS	562957	. CONNECTOR / SH 5C / GREEN / JAE IL-AG5-5S-S3C1 To B-5029	1	1	
6	564193	I/O B-MODULE VOLVO MULTIPLEX / ALUMINUM From B-5030	1	1	
. NS	563132	. CONNECTOR / SH 2C / YAZAKI 7283-6458-40 From B-5030	1	1	
. NS	563133	. CONNECTOR / JUNIOR POWER TIMER / SH 29C / AMP 1-963449-2 From B-5030	1	1	
. NS	562957	. CONNECTOR / SH 5C / GREEN / JAE IL-AG5-5S-S3C1 From B-5030	1	1	
9	381145	DIODE ASSY / W/5 3AMPS	2	2	
10	5001593	SCREW MA RND SLT 1/4-20x2 3/4 SS	1	1	
11	500477	WASHER LO SPT .262x.489x.062 SS	1	1	
12	500771	NUT HEX 1/4-20 SS	1	1	
13	066782	CABLE ASSY / EVAPORATOR ACCESSORIES COMPARTMENT To 9-9606	1	1	
13	067616	CABLE ASSY / EVAPORATOR ACCESSORIES COMPARTMENT From 9-9607 To 9-9817	1	1	
13	067738	CABLE ASSY / EVAPORATOR ACCESSORIES COMPARTMENT From 9-9818	1	1	
19	561183	RELAY BASE / TAB TERMINAL / BOSCH 3334485008	1	1	
20	563332	RELAY 24V S.P.D.T. W/RESISTOR / "VOLVO" (20374662)	2	2	
21	382078	COVER PROTECTOR	1	1	
21	067573	DECAL RELAY IDENTIFICATION EVAPORATOR CONTROL	1	1	
NS	066155	DECAL PIN OUT / JCT BOX W/MUX	1	1	
22	5001348	NUT WING 1/4-20 NYL	1	1	
23	504379	RIVET POP DOME OE 3/16x1/4 SS	7	7	
24	506236	TAPE RUB ADH1 CC POL 1/16" x 1/2" x 100' / GREY 2520	AR	AR	

From 8-9279 To B-9999

Date:10/2022

PAGE:MTH-0625-00

FRONT JUNCTION PANEL

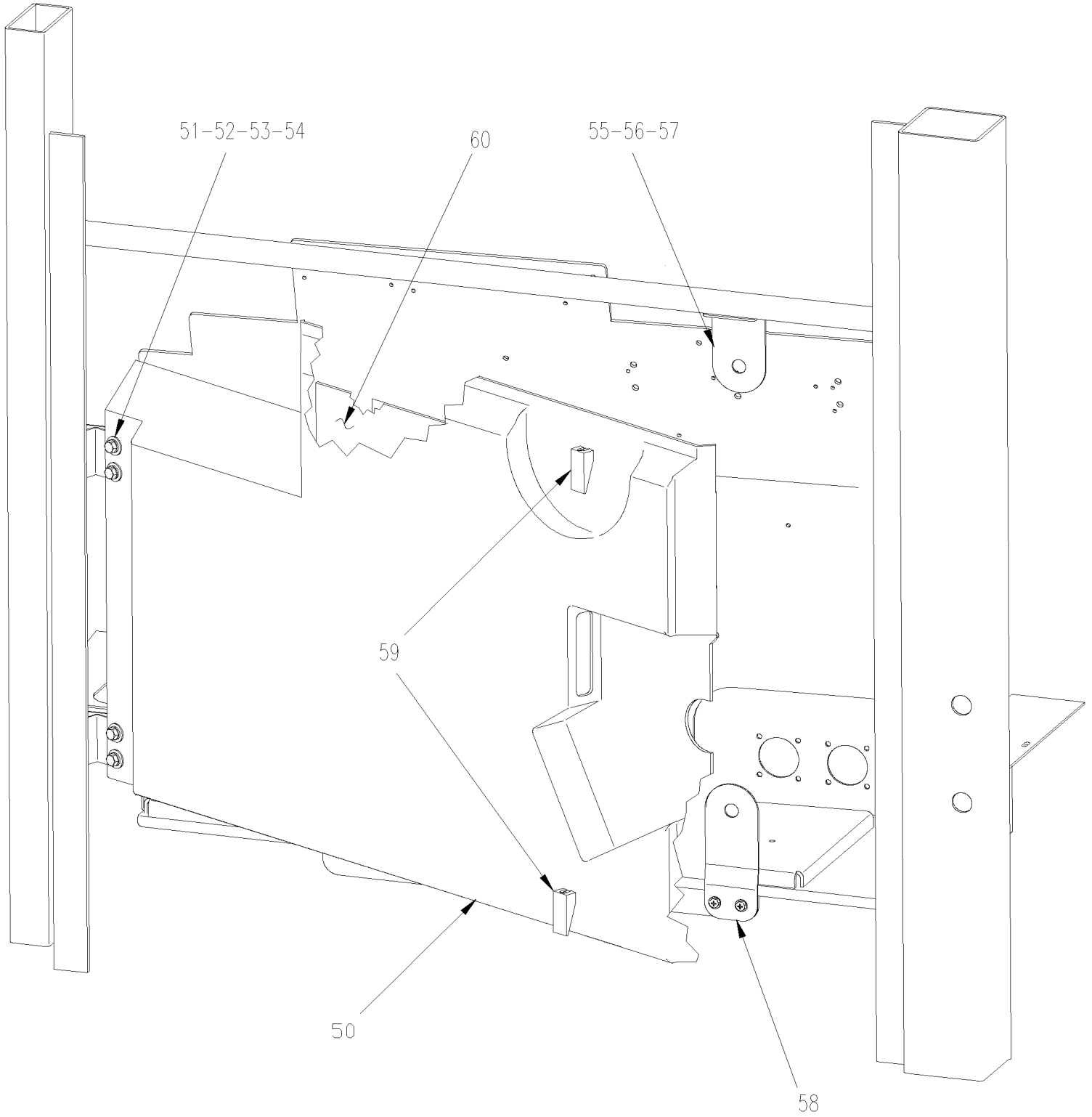


From 8-9279 To B-9999

Date:10/2022

PAGE:MTH-0625-00

FRONT JUNCTION PANEL



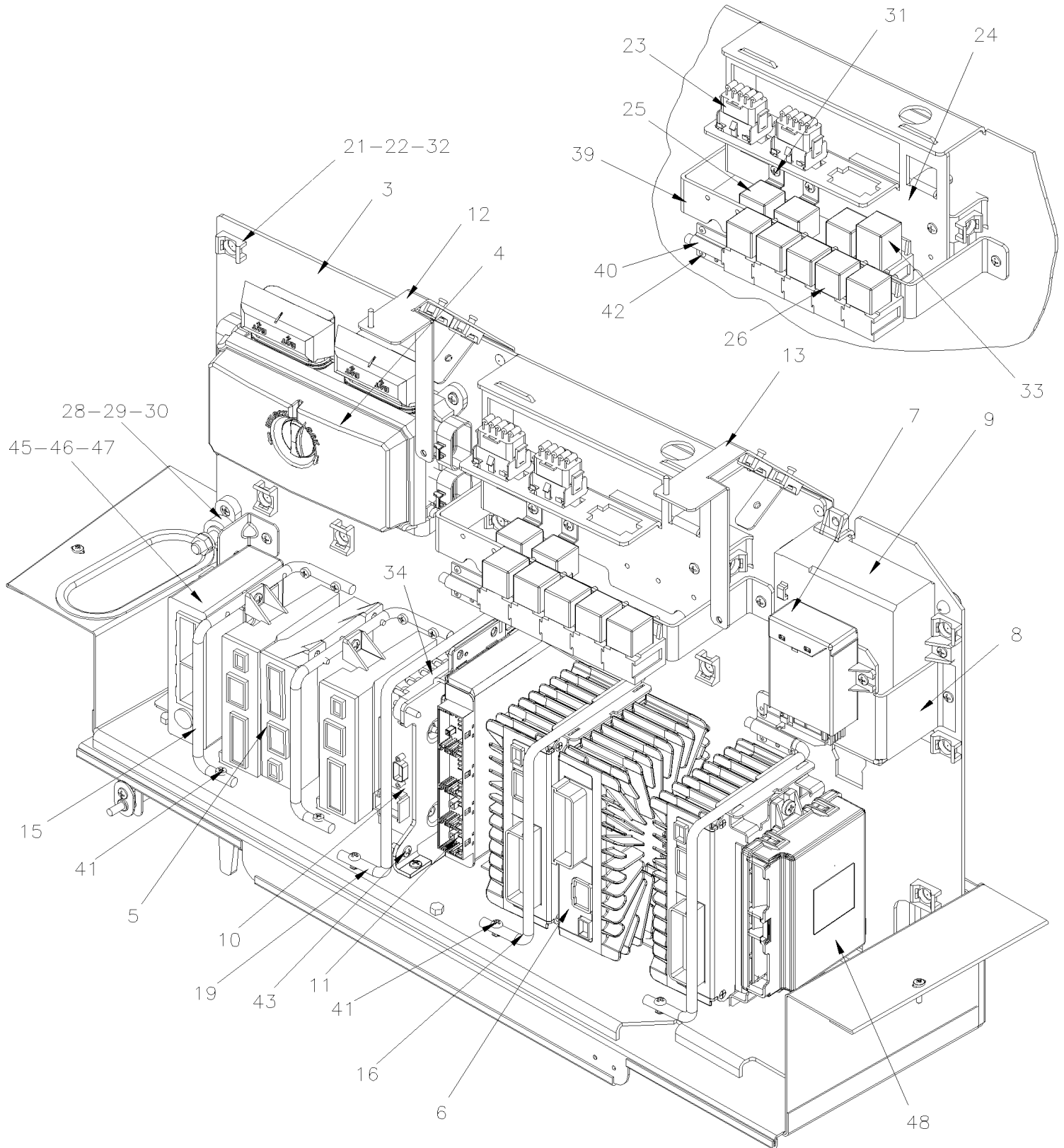


From 8-9279 To B-9999

Date:10/2022

PAGE:MTH-0625-00

FRONT JUNCTION PANEL





From 8-9279 To B-9999	Date:10/2022	PAGE:MTH-0625-00
------------------------------	---------------------	-------------------------

FRONT JUNCTION PANEL

Item#	Part	Description	X L I I M T H 4 5	X L I I M T H 4 5 E	N O T E S
1	067027	WIRING HARNESS FRONT JUNCTION BOX / W/MUX To 8-9421	1	1	
1	067277	WIRING HARNESS FRONT JUNCTION BOX / W/MUX From 8-9422 To 9-9599	1	1	
1	067400	WIRING HARNESS FRONT JUNCTION BOX / W/MUX From 9-9600 To A-9872	1	1	
1	067831	WIRING HARNESS FRONT JUNCTION BOX / W/MUX From A-9873	1	1	
2	068073	UNIVERSAL CAN HARNESS / FRT JCT BOX	1	1	
3	382374	FRONT PANEL BOX From 8-9279 To 9-9590	1	1	
3	382402	FRONT PANEL BOX From 9-9591		1	D13
4	563361	VEC DISTRIBUTION MODULE / FRONT JCT BOX To 8-9320	1	1	P
. NS	564104	. COVER / VEC BOX To 8-9320	1	1	P
. NS	563269	. RELAY 24V S.P.D.T. W/RESISTOR / To 8-9320	1	1	P
. NS	563004	. FUSE / ATM 2 AMPS GREY To 8-9320	1	1	P
. NS	563279	. FUSE / ATM 3 AMPS VIOLET To 8-9320	14	14	P
. NS	563280	. FUSE / ATM 5 AMPS AMBER To 8-9320	2	2	P
. NS	563005	. FUSE / ATM 7.5 AMPS BROWN To 8-9320	5	5	P
. NS	563283	. FUSE / ATM 10 AMPS RED To 8-9320	6	6	P
. NS	563284	. FUSE / ATM 15 AMPS BLUE To 8-9320	4	4	P
. NS	563282	. FUSE / ATM 20 AMPS YELLOW To 8-9320	7	7	P
. NS	563153	. FUSE / ATM 25 AMPS NATURAL To 8-9320	2	2	P
. NS	563165	. FUSE / ATM 30 AMPS GREEN To 8-9320	3	3	P
. NS	564464	. MINI BREAKER / 20 AMPS / SERIES 223 To 8-9320	1	1	P
. NS	563181	. CONNECTOR / SH 8C / YELLOW / BUSSMANN 32006-E21 To 8-9320	1	1	P
. NS	563182	. CONNECTOR / SH 8C / ORANGE / BUSSMANN 32006-G21 To 8-9320	1	1	P
. NS	563183	. CONNECTOR / SH 8C / RED / BUSSMANN 32006-F21 To 8-9320	1	1	P
. NS	563184	. CONNECTOR / SH 8C / GREEN / BUSSMANN 32006-C21 To 8-9320	1	1	P
. NS	563185	. CONNECTOR / SH 8C / BLACK / BUSSMANN 32006-A21 To 8-9320	1	1	P
. NS	563186	. CONNECTOR / SH 8C / GREY / BUSSMANN 32006-B21 To 8-9320	1	1	P
. NS	563187	. CONNECTOR / SH 8C / BROWN / BUSSMANN 32006-H21 To 8-9320	1	1	P
. NS	563448	. CONNECTOR / SH 8C / BLUE / BUSSMANN 32006-D21 To 8-9320	1	1	P
. NS	19518268	. COVER RUBBER RED To 8-9320	2	2	P
4	563674	VEC DISTRIBUTION MODULE / FRONT JCT BOX From 8-9321	1	1	
. NS	564104	. COVER / VEC BOX From 8-9321	1	1	
. NS	563004	. FUSE / ATM 2 AMPS GREY From 8-9321	1	1	
. NS	563279	. FUSE / ATM 3 AMPS VIOLET From 8-9321	14	14	
. NS	563280	. FUSE / ATM 5 AMPS AMBER From 8-9321	2	2	
. NS	563005	. FUSE / ATM 7.5 AMPS BROWN From 8-9321	3	3	
. NS	563283	. FUSE / ATM 10 AMPS RED From 8-9321	6	6	
. NS	563284	. FUSE / ATM 15 AMPS BLUE From 8-9321	9	9	
. NS	563282	. FUSE / ATM 20 AMPS YELLOW From 8-9321	6	6	
. NS	563153	. FUSE / ATM 25 AMPS NATURAL From 8-9321	1	1	
. NS	563165	. FUSE / ATM 30 AMPS GREEN From 8-9321	3	3	
. NS	564464	. MINI BREAKER / 20 AMPS / SERIES 223 From 8-9321	1	1	
. NS	563181	. CONNECTOR / SH 8C / YELLOW / BUSSMANN 32006-E21 From 8-9321	1	1	



From 8-9279 To B-9999	Date:10/2022	PAGE:MTH-0625-00
------------------------------	---------------------	-------------------------

FRONT JUNCTION PANEL

Item#	Part	Description	X L I M T H 4 5	X L I M T H 4 5 E	N O T E S
. NS	563182	. CONNECTOR / SH 8C / ORANGE / BUSSMANN 32006-G21 From 8-9321	1	1	
. NS	563183	. CONNECTOR / SH 8C / RED / BUSSMANN 32006-F21 From 8-9321	1	1	
. NS	563184	. CONNECTOR / SH 8C / GREEN / BUSSMANN 32006-C21 From 8-9321	1	1	
. NS	563185	. CONNECTOR / SH 8C / BLACK / BUSSMANN 32006-A21 From 8-9321	1	1	
. NS	563186	. CONNECTOR / SH 8C / GREY / BUSSMANN 32006-B21 From 8-9321	1	1	
. NS	563187	. CONNECTOR / SH 8C / BROWN / BUSSMANN 32006-H21 From 8-9321	1	1	
. NS	563448	. CONNECTOR / SH 8C / BLUE / BUSSMANN 32006-D21 From 8-9321	1	1	
. NS	19518268	. COVER RUBBER RED From 8-9321	2	2	
5	565864	I/O A-MODULE VOLVO MULTIPLEX / BLACK To A-9872	3	3	
. NS	562767	. CONNECTOR / SH 30C / GREEN / JAE IL-AG5-30S-D3C1 To A-9872	1	1	
. NS	562957	. CONNECTOR / SH 5C / GREEN / JAE IL-AG5-5S-S3C1 To A-9872	1	1	
. NS	563132	. CONNECTOR / SH 2C / YAZAKI 7283-6458-40 To A-9872	1	1	
5	564101	I/O A-MODULE VOLVO MULTIPLEX / BLACK From A-9873	3	3	
. NS	562767	. CONNECTOR / SH 30C / GREEN / JAE IL-AG5-30S-D3C1 From A-9873	1	1	
. NS	562957	. CONNECTOR / SH 5C / GREEN / JAE IL-AG5-5S-S3C1 From A-9873	1	1	
. NS	563132	. CONNECTOR / SH 2C / YAZAKI 7283-6458-40 From A-9873	1	1	
5	564194	I/O A-MODULE VOLVO MULTIPLEX / BLACK	3	3	
. NS	562767	. CONNECTOR / SH 30C / GREEN / JAE IL-AG5-30S-D3C1	1	1	
. NS	562957	. CONNECTOR / SH 5C / GREEN / JAE IL-AG5-5S-S3C1	1	1	
. NS	563132	. CONNECTOR / SH 2C / YAZAKI 7283-6458-40	1	1	
6	565865	I/O B-MODULE VOLVO MULTIPLEX / ALUMINUM To A-9872	3	3	
. NS	563132	. CONNECTOR / SH 2C / YAZAKI 7283-6458-40 To A-9872	1	1	
. NS	563133	. CONNECTOR / JUNIOR POWER TIMER / SH 29C / AMP 1-963449-2 To A-9872	1	1	
. NS	562957	. CONNECTOR / SH 5C / GREEN / JAE IL-AG5-5S-S3C1 To A-9872	1	1	
6	564075	I/O B-MODULE VOLVO MULTIPLEX / ALUMINUM From A-9873	3	3	
. NS	563132	. CONNECTOR / SH 2C / YAZAKI 7283-6458-40 From A-9873	1	1	
. NS	563133	. CONNECTOR / JUNIOR POWER TIMER / SH 29C / AMP 1-963449-2 From A-9873	1	1	
. NS	562957	. CONNECTOR / SH 5C / GREEN / JAE IL-AG5-5S-S3C1 From A-9873	1	1	
6	564193	I/O B-MODULE VOLVO MULTIPLEX / ALUMINUM	3	3	
. NS	563132	. CONNECTOR / SH 2C / YAZAKI 7283-6458-40	1	1	
. NS	563133	. CONNECTOR / JUNIOR POWER TIMER / SH 29C / AMP 1-963449-2	1	1	
. NS	562957	. CONNECTOR / SH 5C / GREEN / JAE IL-AG5-5S-S3C1	1	1	
7	564076	ECU TIRE PRESSURE	1	1	
. NS	564073	. CONNECTOR TANDEM SPRING/ AMPMODU / SH 32C / AMP 1394010-1	1	1	
8	382406	SUPPORT TIRE ECU PRESSURE	1	1	
9	563274	CECM VOLVO MULTIPLEX MODULE	1	1	
10	563295	MASTER ID-MODULE VOLVO MULTIPLEX	1	1	
. NS	562794	. CONNECTOR / JUNIOR POWER TIMER / SH 9C / AMP 964561-4	1	1	
10	069538	"MASTER ID" REPLACEMENT WITH "MCM" MODULE	1	1	A
. NS	069420	. HARNESS MCM	1	1	A
. NS	IS-11003	. SEE INSTRUCTION SHEET	1	1	A
10	066009	CABLE ADAPTOR / INTERFACE PC TO MASTER ID (3Meter)	1	1	



From 8-9279 To B-9999	Date:10/2022	PAGE:MTH-0625-00
-----------------------	--------------	------------------

FRONT JUNCTION PANEL

Item#	Part	Description	X L I M T H 4 5	X L I M T H 4 5 E	N O T E S
. NS	562650	. CONNECTOR / HDP-20 / SH 9C / AMP 205203-1	2	2	
11	7770363	CONTROL UNIT 12V / ABS 4 CH / UNPROGRAMMED To 8-9276	1	1	
11	641948P	CONTROL UNIT 12V / ABS 4 CH / PROGRAMMED To 8-9276	1	1	
11	642081	ECU ABS / W/6 CHANNELS / STANDARD From 8-9279	1	1	
11	642083	ECU ABS / W/6 CHANNELS / ADVANCED ESP From 8-9279 To 9-9725	1	1	
11	642131	ECU ABS / W/6 CHANNELS / ADVANCED ESP From 9-9726 To A-9904	1	1	
11	642146	ECU ABS / W/6 CHANNELS / ADVANCED ESP UNPROGRAMMED / NON-PROGRAMME From A-9905	1	1	
NS	067060	CABLE ASSY ESP FRT JC BOX	1	1	
12	382126	SUPPORT FRONT PANEL UPPER FORWARD	1	1	
13	382129	SUPPORT FRONT PANEL UPPER BACKWARD	1	1	
15	382179	ROD ATTACHMENT / I/O A MODULE	2	2	
16	382222	ROD ATTACHMENT CABLE / I/O B To 8-9493	2	2	
16	382417	ROD ATTACHMENT / I/O B MODULE From 8-9494	2	2	
19	382223	ROD ATTACHMENT CABLE To 8-9492	1	1	
19	382418	ROD ATTACHMENT CABLE From 8-9494	1	1	
20	500945	SCREW TC BDG PH #10-24x1/2 G500	AR	AR	
21	504013	TIE MOUNT / 1/4" X 1/4" I.D.	AR	AR	
22	504347	RIVET POP DOME OE 3/16x1/4 AL	AR	AR	
23	381145	DIODE ASSY / W/5 3AMPS	2	2	
23	382244	RESISTANCE ASSY / W/5 RESISTORS 1.2k OHMS	1	1	
24	382387	DIODE SUPPORT PLATE From 9-9591		1	D13
25	561991	RELAY 24V S.P.S.T. / 70 AMPS N.O.	2	2	
26	563332	RELAY 24V S.P.D.T. W/RESISTOR / "VOLVO" (20374662)	AR	AR	
27	952627	CLAMP / 1/2" I.D.	2	2	
28	560422	BLOCK, TERMINAL / 1 STUD 3/8-16 / BLACK	1	1	
29	500478	WASHER LO SPT .380x.683x.094 Z050	1	1	
30	500379	NUT HEX 3/8-16 BR	1	1	
31	500623	SCREW TC PAN PH #10-24x3/4 N500	1	1	
32	504637	CABLE TIE / 3/16" x 13"	AR	AR	
33	563033	E.C.U. / W/STEERING ASSIST (STP 272 or 330) ((77//125))	1	1	
33	661170	E.C.U. / W/STEERING ASSIST (STP 338) ((60//95))	1	1	C
34	563218	JUNCTION BLOCK W/5 STUDS	1	1	
NS	500765	NUT HEX #10-32 BR	AR	AR	
39	382407	SUPPORT / RELAY	1	1	
40	382169	HINGE ROD ATTACHMENT	5	5	
41	509827	SCREW MA RND PH M4-0.7x20 SS	9	9	
42	504340	RIVET POP DOME OE 1/8x3/16 SS	12	12	
43	502868	SCREW TC TR PH #10-16x1/2 N500	AR	AR	
44	500965	SCREW TC BDG PH #8-32x1/2 N500	AR	AR	
45	563541	KEYLESS MODULE / 350' RANGE	1	1	
46	382162	SUPPORT UPPER KEYLESS MODULE	1	1	
47	382163	SUPPORT LOWER KEYLESS MODULE	1	1	



From 8-9279 To B-9999	Date:10/2022	PAGE:MTH-0625-00
-----------------------	--------------	------------------

FRONT JUNCTION PANEL

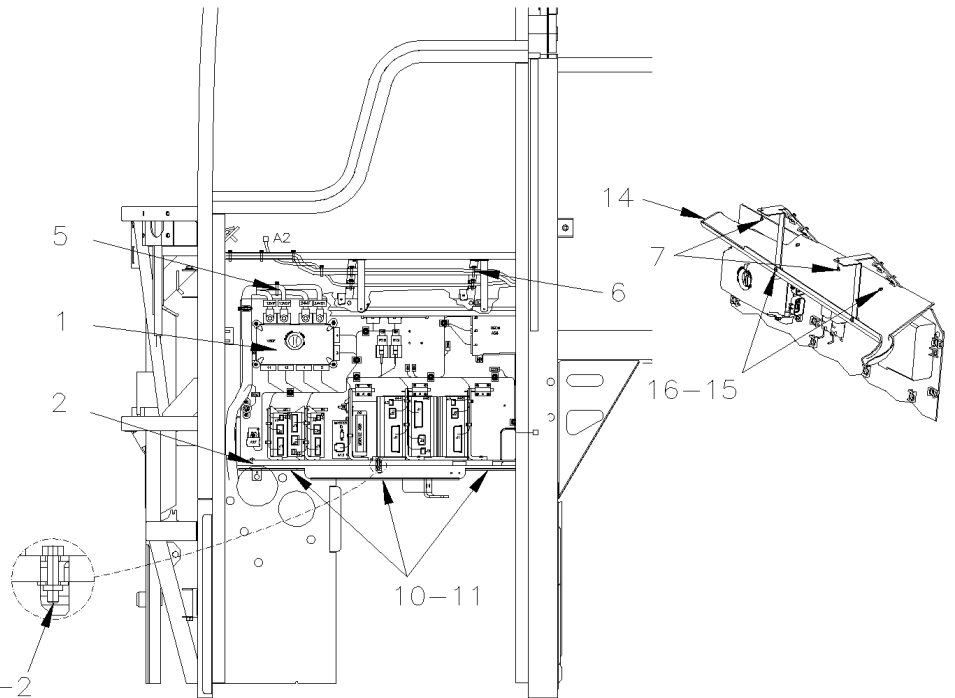
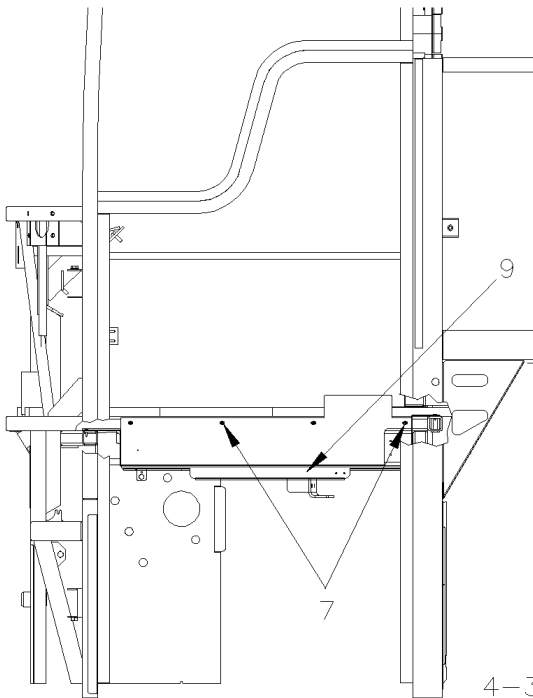
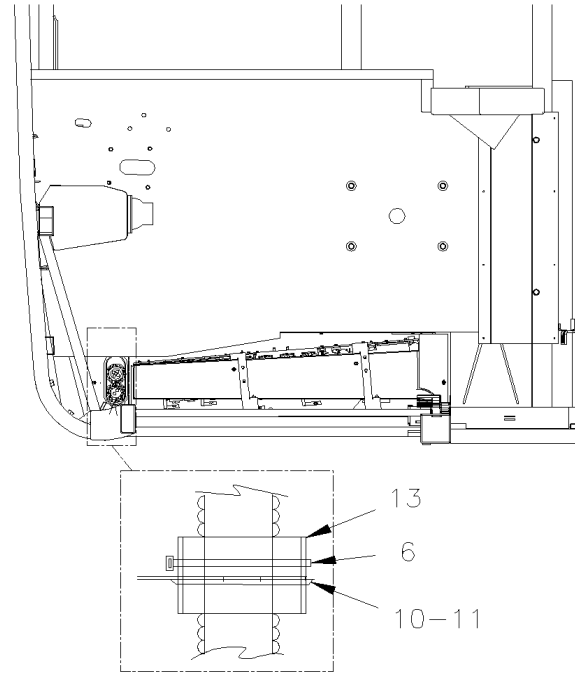
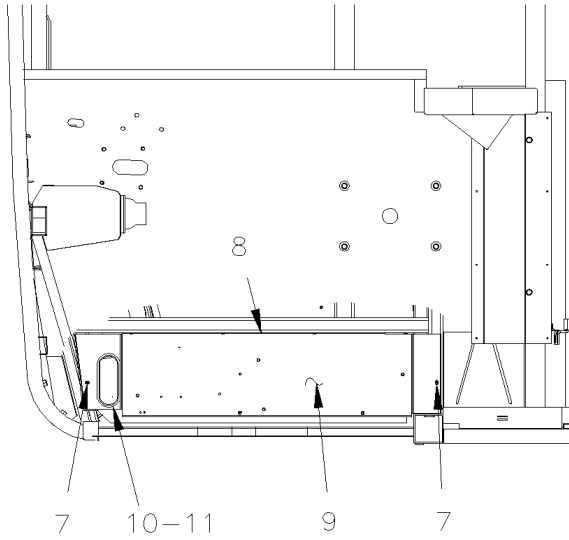
Item#	Part	Description	X L I I M T H 4 5	X L I I M T H 4 5 E	N O T E S
48	563703	CPC MODULE DETROIT PROTO	1	1	
48	563762	CPC MODULE DETROIT To 9-9587	1	1	
48	565866	CPC MODULE DETROIT From 9-9588 To 9-9721	1	1	
48	565867	CPC MODULE DETROIT From 9-9722	1	1	
50	287562	PROTECTOR FRONT ELECTRIC COMPARTMENT	1	1	
51	502531	SCREW CAP HEX M6-1.0x16 G8.8 Z050	4	4	
52	500411	WASHER FL .260x.697x.050 SS	10	10	
53	502570	WASHER LO SPT 6.1x11.8x1.6 SS	6	6	
54	287210	ATTACHMENT PLATE W/NUT	2	2	
55	500641	SCREW TP PAN PH #8x3/4 Z050	4	4	
56	500438	WASHER FL .187x.437x.050 Z050	4	4	
57	384286	RETAINER UPPER	1	1	
58	382360	RETAINER LOWER	1	1	
59	901052	LATCH RUBBER	2	2	
60	067138	DECAL "FRT JCT BOX" COMPONENTS To 8-9320	1	1	
60	067222	DECAL "FRT JCT BOX" COMPONENTS From 8-9321 To 8-9421	1	1	
60	067562	DECAL "FRT JCT BOX" COMPONENTS From 8-9422 To 8-9422	1	1	
60	067563	DECAL "FRT JCT BOX" COMPONENTS From 8-9422 To 9-9599	1	1	
60	067409	DECAL "FRT JCT BOX" COMPONENTS From 9-9600	1	1	
61	066155	DECAL PIN OUT / JCT BOX W/MUX	1	1	
		A) CUSTOMER MUST CHECK ABS MODULE NUMBER BEFORE ORDERING. IF MODULE IS 642083 (BENDIX 5019416): MUST REPLACE BY 642206. ASK VIN TO CUSTOMER AND PROGRAM AT THE SAME TIME AS MCM			
		C) THIS E.C.U. GIVE LESS ASSISTANCE AT LOW SPEED			
		D13) WITH "VOLVO" ENGINE			
		P) FOR PRODUCT IMPROVEMENT FUSE F82 MAY BE REPLACE BY MINI BREAKER # 564464 WITH NEW DECAL # 382408			

From 8-9279 To B-9999

Date:10/2022

PAGE:MTH-0625-10

FRONT JUNCTION BOX - INSTALLATION

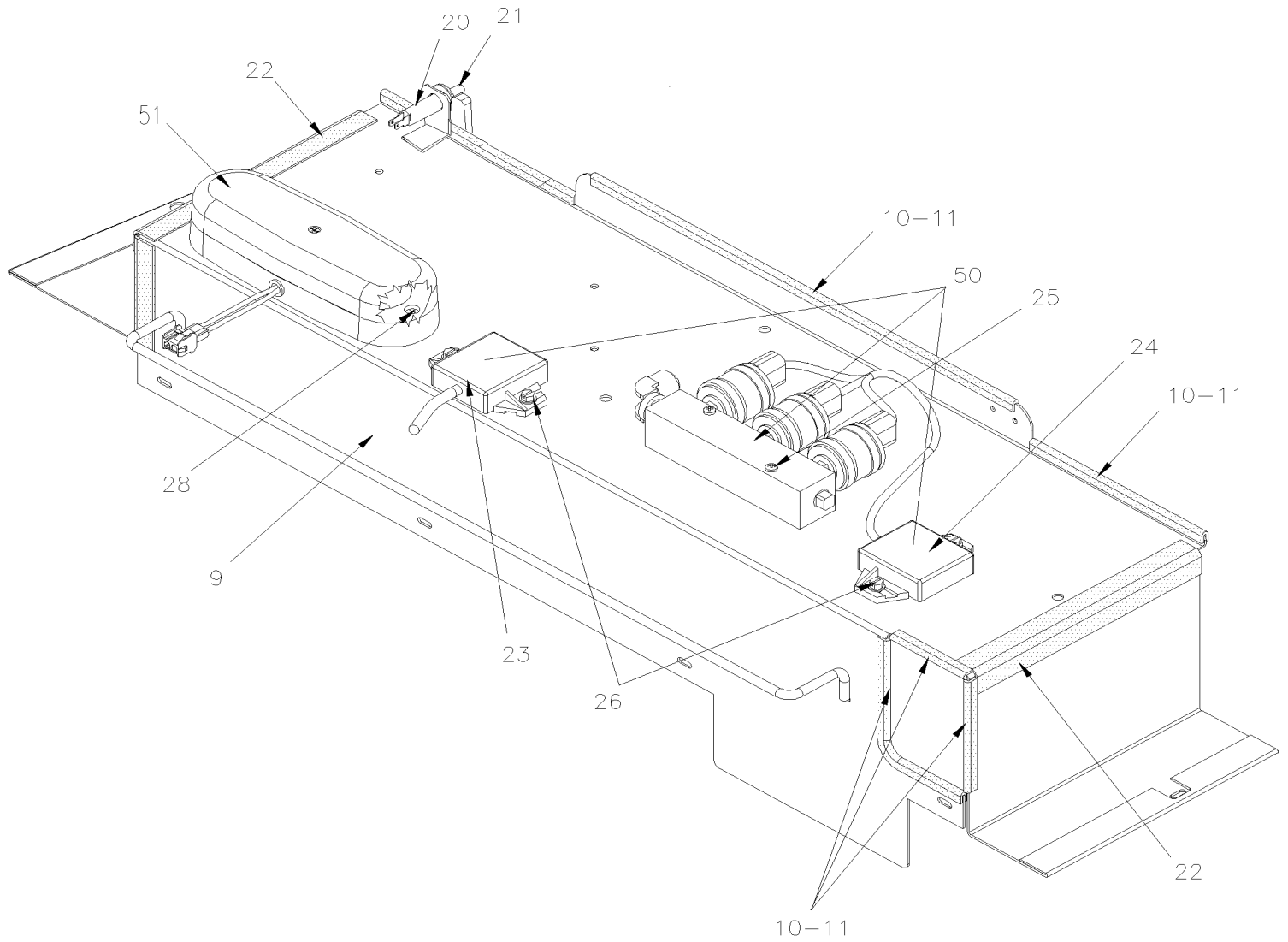


From 8-9279 To B-9999

Date:10/2022

PAGE:MTH-0625-10

FRONT JUNCTION BOX - INSTALLATION





From 8-9279 To B-9999 Date:10/2022 PAGE:MTH-0625-10

FRONT JUNCTION BOX - INSTALLATION

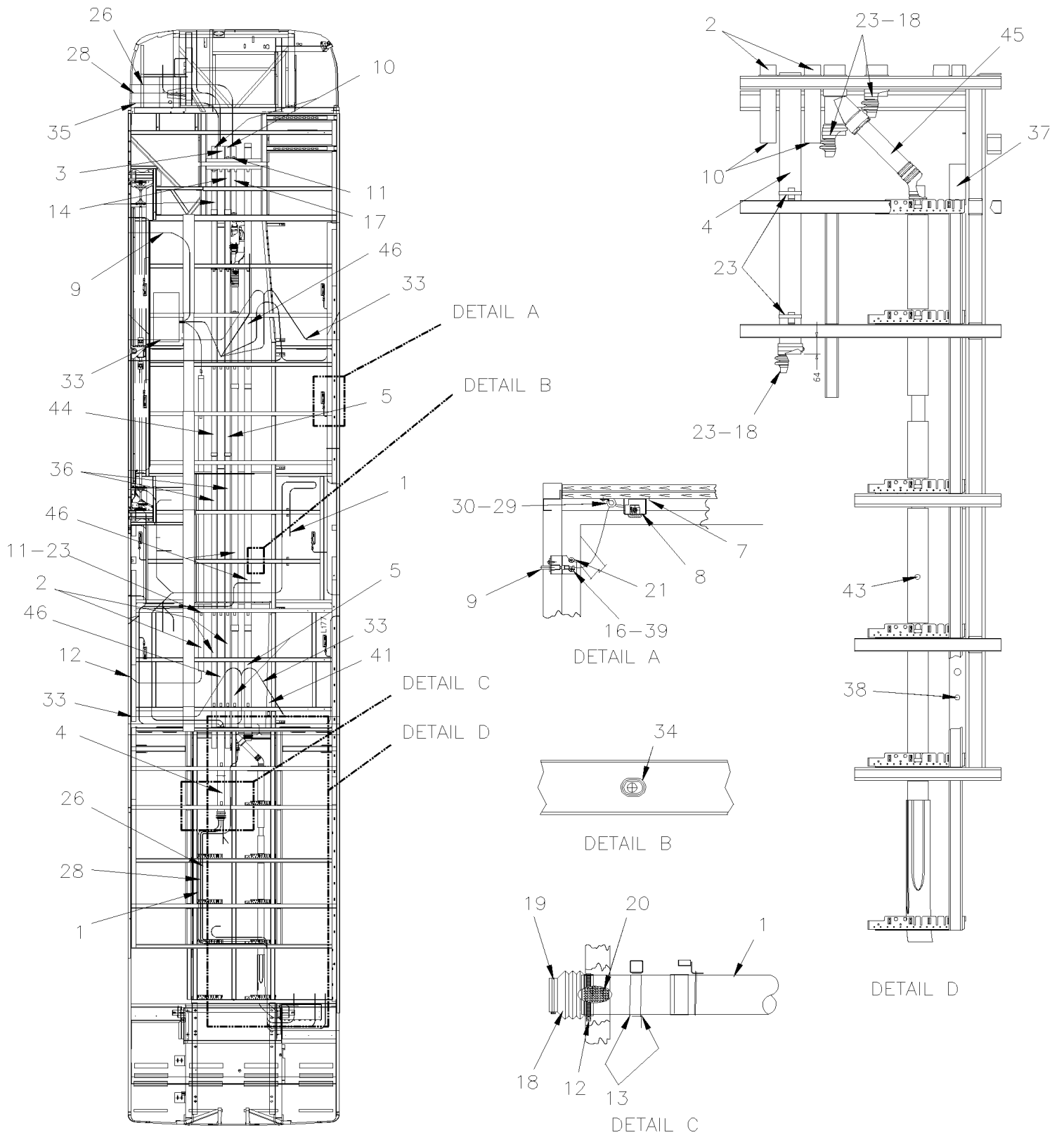
Item#	Part	Description	X L I I M T H 4 5	X L I I M T H 4 5 E	N O T E S
1	MTH-0625-00	FRONT JUNCTION PANEL			
2	502565	NUT HEX M6-1.0 SS	4	4	
3	502564	WASHER LO SPT 6.1x11.8x1.6 Z050	4	4	
4	502737	SCREW CAP HEX M6-1.0x25 SS BK	1	1	
5	504016	CABLE TIE / 5/16" X 14"1/2	AR	AR	
6	504637	CABLE TIE / 3/16" x 13"	AR	AR	
7	500641	SCREW TP PAN PH #8x3/4 Z050	6	6	
8	680532	SEALANT SIKA #221 / GREY / 310ml CARTRIDGE	AR	AR	
9	382378	SUPPORT FRONT JCT BOX	1	1	
10	506338	RUBBER CHANNEL / 1/16" x 1/4" INT "U" SHAPE / ROUND C.T.L.	AR	AR	
11	680066	ADHESIVE / ADBOND #5014 / 23.6ML BOTTLE	AR	AR	
12	500615	NUT HEX M8-1.25 BR	12	12	
13	371600	INSULATING PAD 76.2MM x 374.7MM	1	1	
14	382135	DRIP PAN FRONT JCT BOX	1	1	
15	502556	WASHER FL 4.3x9.0x0.8 SS	4	4	
16	502698	SCREW MA PAN PH M4-0.7x16 SS BK	4	4	
NS	5001182	NUT HEX NYRT M6-1.0 SS	1	1	
NS	500964	WASHER FL .203x.500x.047 Z050	1	1	
NS	064993	CABLE ASSY / 12Volt "CB" DELIVERY	1	1	
20	066638	SWITCH SUPPORT / FRONT SERVICE DOOR	1	1	
21	563464	SWITCH / S.P.S.T. / N.C. / W/RUBBER BOOT	1	1	
22	382404	RUBBER PROTECTOR, CORNER	2	2	
23	562357	RESISTANCE MODULE	1	1	
24	562381	RESISTANCE MODULE	1	1	
25	500508	SCREW TC PAN PH #10-32x1 1/2 Z050	2	2	
26	5001245	SCREW TC CAP HEXW SLT #12-24x1/2 Z050	AR	AR	
27	500473	WASHER LO SPT .262x.489x.062 Z050	AR	AR	
28	500430	SCREW TC PAN PH #8-32x1 1/4 SS BK	2	2	
50	MTH-0750-00	AUTOMATIC TRANSMISSION - "WORLD" WITH DETROIT S-60			
50	MTH-0750-01	AUTOMATIC TRANSMISSION - "WORLD" WITH VOLVO D13			
51	MTH-0665-10	SWITCHES, LIGHTS, AJAR - UNDER FLOOR			

From 8-9279 To B-9999

Date:10/2022

PAGE:MTH-0630-50

CABLE & HARNESS - UNDER FLOOR - MTH





From 8-9279 To B-9999	Date:10/2022	PAGE:MTH-0630-50
CABLE & HARNESS - UNDER FLOOR - MTH		

Item#	Part	Description	X L I M T H 4 5	X L I M T H 4 5 E	N O T E S
1	067012	CABLE ASSY / POWER HVAC	1		
1	066782	CABLE ASSY / EVAPORATOR ACCESSORIES COMPARTMENT To 9-9600		1	
1	067616	CABLE ASSY / EVAPORATOR ACCESSORIES COMPARTMENT From 9-9601 To 9-9817		1	
1	067738	CABLE ASSY / EVAPORATOR ACCESSORIES COMPARTMENT From 9-9818		1	
1	068156	CABLE ASSY / EVAPORATOR ACCESSORIES COMPARTMENT From A-9926 To A-9926		1	
2	065443	TUBE PVC / 2" X 3660MM W/F	AR	AR	
3	063384	TUBE PVC / 3" X 1020MM	1		
3	063796	TUBE PVC / 3" X 1575MM		1	
4	063386	TUBE PVC / 3" X 1090MM	1		
4	066698	TUBE PVC / 3" X 1980MM		1	
5	066929	TUBE PVC / 3" X 1350MM	1		
6	066170	TUBE PVC / 2" X 1450MM		1	
NS	680290	ADHESIVE PVC / 946ml	AR		
7	5001452	SCREW TP PAN PH #8x1 1/2 SS	AR		
8	330224	LAMP ASSY 24V / BAGGAGE COMPARTMENT LAMP W/2 BULBS G4-10W	1	1	
NS	330396	BULB / 10 WATTS -28VOLTS / SAE# G4-28	2	2	
9	066533	SWITCH ASSY / BAGGAGE COMPARTMENT	AR	AR	
10	504489	PLUG	4	4	
11	504024	HOSE CLAMP / 1"13/16"-2"3/4 SS / HS-36	23	23	
12	504023	HOSE CLAMP / 1"5/16"-2"1/4 SS / HS-28	20	20	
13	680532	SEALANT SIKA #221 / GREY / 310ml CARTRIDGE	AR	AR	
14	065460	TUBE PVC / 2" X 845MM	2		
14	065459	TUBE PVC / 2" X 1453MM		2	
16	500432	SCREW TC PAN PH #8-32x3/4 Z050	AR	AR	
17	066919	TUBE PVC / 2" X 900MM	1	1	
18	504499	CUFF END BELLOW / 2 7/8" I.D. x 3 5/8" x 4 7/16	3	3	
19	504016	CABLE TIE / 5/16" X 14"1/2	9	9	
20	371600	INSULATING PAD 76.2MM x 374.7MM	AR	AR	
21	504357	WASHER FL .187x.437x.050 SS	AR	AR	
22	066779	CABLE FRONT BAGGAGE COMPARTMENT	1		
22	066832	CABLE FRONT BAGGAGE COMPARTMENT		1	
23	504026	HOSE CLAMP / 2"13/16"-3"3/4 SS / HS-52	AR	AR	
26	066962	CABLE ASSY / FJB TO "ABS" & CABLE FRT & RR	1	1	
28	066886	CABLE ASSY / FRT JCT BOX & REAR JCT BOX To 8-9469	1	1	
28	067286	CABLE ASSY / FRT JCT BOX & REAR JCT BOX From 8-9470	1	1	
29	952631	CLAMP / 3/4" I.D.	AR	AR	
30	500641	SCREW TP PAN PH #8x3/4 Z050	AR	AR	
33	066781	CABLE ASSY / SIDE MARKER "ADDITIONAL"	AR	AR	
34	504534	GROMMET / .875x1.250x.187x.562x1.625	6	6	
35	067034	CABLE ASSY / POWER TO FRONT ACCESSORIES To 8-9421	1		
35	067980	CABLE ASSY / POWER TO FRONT ACCESSORIES From 8-9422 To 9-9588	1		
35	069113	CABLE ASSY / POWER TO FRONT ACCESSORIES From 9-9589 To 9-9599	1		



From 8-9279 To B-9999	Date:10/2022	PAGE:MTH-0630-50
CABLE & HARNESS - UNDER FLOOR - MTH		

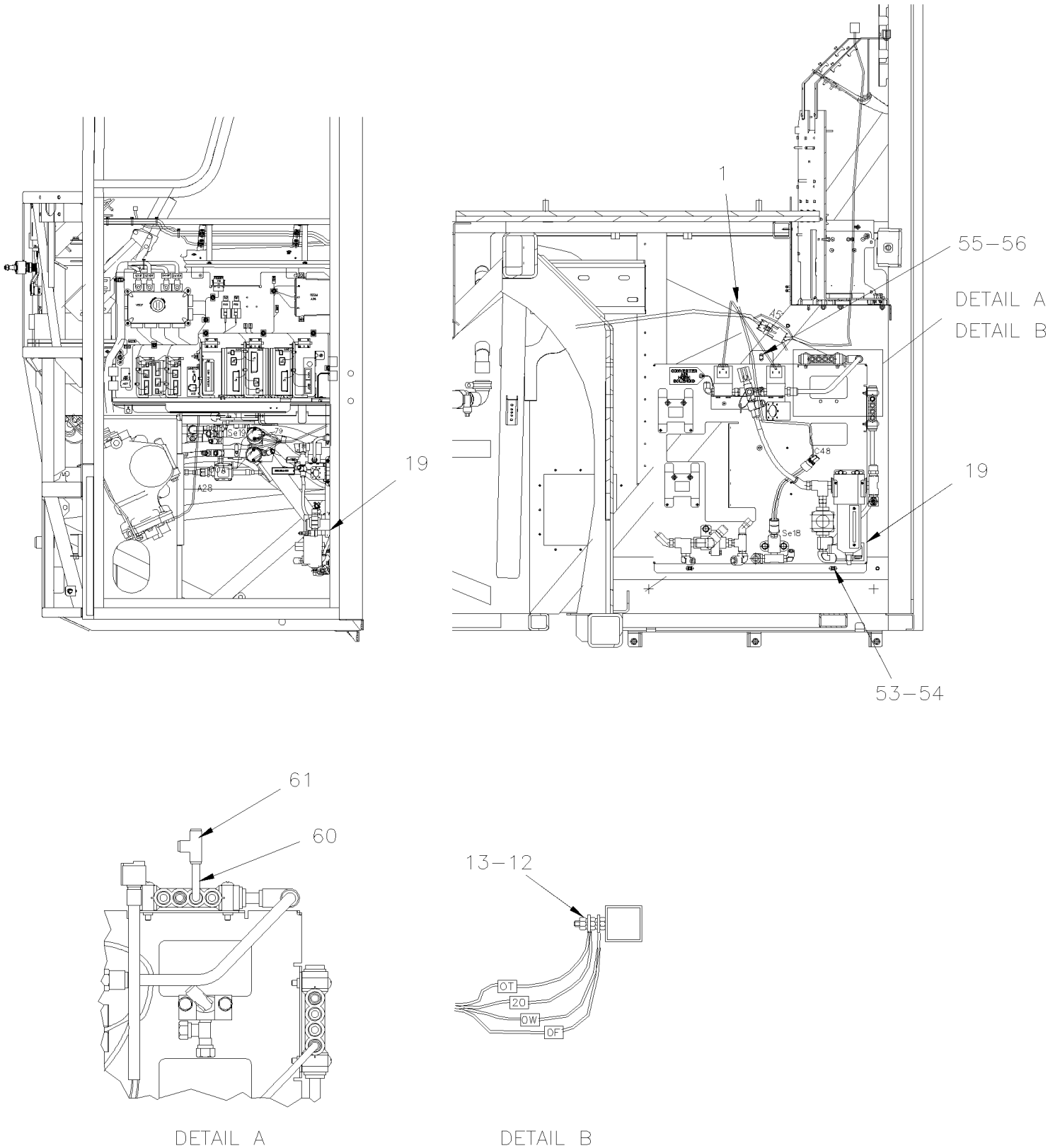
Item#	Part	Description	X L I I M T H 4 5	X L I I M T H 4 5 E	N O T E S
35	067401	CABLE ASSY / POWER TO FRONT ACCESSORIES From 9-9600	1		
35	067029	CABLE ASSY / POWER TO FRONT ACCESSORIES		1	
35	067981	CABLE ASSY / POWER TO FRONT ACCESSORIES From 8-9422 To 9-9588		1	
35	069114	CABLE ASSY / POWER TO FRONT ACCESSORIES From 9-9589 To 9-9599		1	
35	067402	CABLE ASSY / POWER TO FRONT ACCESSORIES From 9-9600		1	
36	503715	TUBE / PVC PIPE / 2"x10' GRAY PVC	2		
37	142070	TUBE PVC / 2" X 1270MM	1		
37	144849	TUBE PVC / 2" X 1320MM		1	
38	142071	TUBE PVC / 2" X 1016MM W/ 1 HOLE	1		
380	144850	TUBE PVC / 2" X 1000MM W/ 1 HOLE		1	
39	500834	WASHER LO INT .168x.340x.023 N500	12		
NS	500022	WASHER LO INT .168x.340x.023 Z050	4		
40	562679	4 WAY ADH. BACKED MOUNTS 1.000 x 1.000 x .160	1		
41	066112	TUBE PVC / 2" X 1575MM	1		
42	MTH-0620-05	REAR JUNCTION BOX FAN - INSTALLATION			
43	Call order desk	TUBE PVC 2" X VEHICULE ASSY W/INSULATED NOT FO SALE	1		P
44	066947	TUBE PVC / 3" X 3048MM	1		
45	Call order desk	TUBE PVC Y 3" X 3" X 3" ASSY NOT FO SALE	1		P
46	503390	TUBE / PVC PIPE / 3"x10' WHITE PVC	AR		
		D13) WITH "VOLVO" ENGINE			
		P) CALL ORDER DESK FOR SPECIFIC APPLICATION (V.I.N.)			

From 8-9279 To B-9999

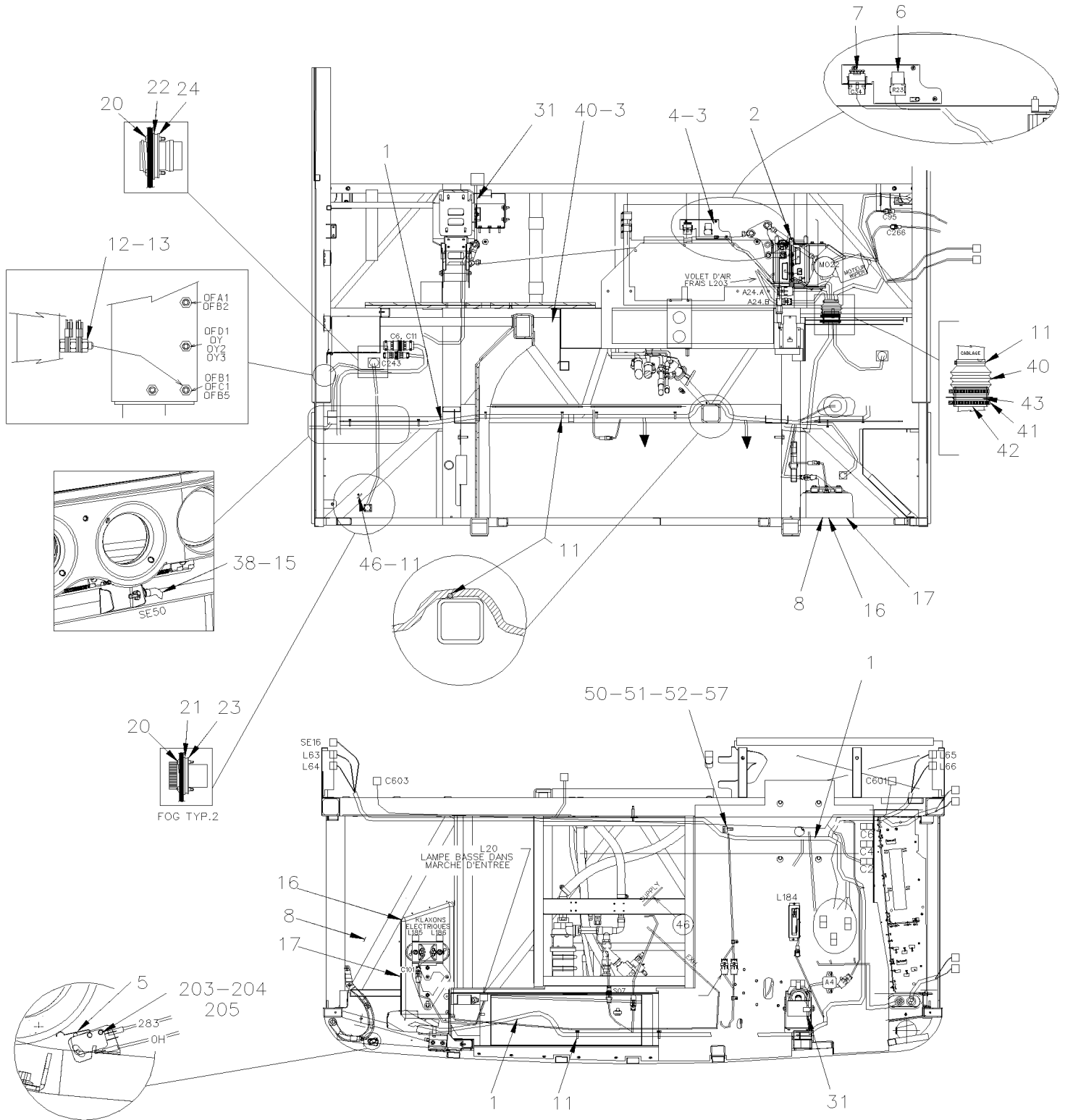
Date:10/2022

PAGE:MTH-0640-50

CABLE & HARNESS - FRONT END INSTALLATION



CABLE & HARNESS - FRONT END INSTALLATION





From 8-9279 To B-9999 Date:10/2022 PAGE:MTH-0640-50

CABLE & HARNESS - FRONT END INSTALLATION

Item#	Part	Description	X L I I M T H 4 5	X L I I M T H 4 5 E	N O T E S
1	066773	CABLE ASSY / FRONT LOWER END / MUX To A-9872	1	1	
1	067832	CABLE ASSY / FRONT LOWER END / MUX From A-9873	1	1	
2	Call order desk	I/O B-MODULE VOLVO MULTIPLEX ASSY	1	1	P
2	Call order desk	I/O B-MODULE VOLVO MULTIPLEX ASSY	1	1	P
3	500638	SCREW TP PAN PH #8x1/2 Z050	3	3	
4	288821	SUPPORT & RELAY ASSY To A-9872	1	1	
4	289652	SUPPORT & RELAY ASSY From A-9873	1	1	
5	562096	MICRO SWITCH	1	1	
6	563332	RELAY 24V S.P.D.T. W/RESISTOR / "VOLVO" (20374662)	1	1	
7	381145	DIODE ASSY / W/5 3AMPS	1	1	
8	5001407	WASHER LO EXT 3.2x6.0x0.4 SS	2	2	
11	504637	CABLE TIE / 3/16" x 13"	AR	AR	
12	502565	NUT HEX M6-1.0 SS	15	15	
13	502570	WASHER LO SPT 6.1x11.8x1.6 SS	8	8	
14	500167	SCREW CAP HEX 1/4-20x1 1/4 G5 PT Z050	3	3	
15	502716	NUT HEX NYRT 1/4-20	3	3	
16	562387	CONVOLUTED TUBING / SLIT / BLACK / .250"	AR	AR	
17	MTH-2310-00	HORN - INSTALLATION			
18	500658	SCREW TC PAN PH #10-24x3/4 Z050	10	10	
19	MTH-1640-50	LEVEL-LOW - CONTROL PANEL & VALVES			
20	5001454	SCREW MA BDG PH #4-40x1/2 SS	16	16	
21	562945	GASKET MOUNTING / HD10 SERIES / 3C / DEUTSCH HD10-3-GKT	2	2	
22	563096	GASKET MOUNTING / HD10 SERIES / 6C / DEUTSCH HD10-6-GKT	2	2	
23	562381	RESISTANCE MODULE	1	1	
24	062268	NUT, RING #11 / .940" I.D. W/4 4-40	2	2	
25	500642	SCREW TP PAN PH #10x3/4 Z050	4	4	
26	561821	NUT, RING #17 & 20 / 1.500" I.D W/4 4-40	2	2	
30	562357	RESISTANCE MODULE	1	1	
31	063782	CABLE ASSY / RESISTANCE MODULE & SWITCH	1	1	
34	500411	WASHER FL .260x.697x.050 SS	6	6	
38	563335	SENSOR THERMISTOR ASSY / OUTSIDE // PED 15416387	1	1	
40	504499	CUFF END BELLOW / 2 7/8" I.D. x 3 5/8" x 4 7/16	1	1	
41	504026	HOSE CLAMP / 2"13/16-3"3/4 SS / HS-52	2	2	
42	065035	TUBE PVC / 3" X 50MM	1	1	
43	680067	SEALANT TAPE BUTYL / BLACK / 1/8"x3/4"x25' / 75211E760	1	1	
46	562679	4 WAY ADH. BACKED MOUNTS 1.000 x 1.000 x .160	1	1	
50	500102	NUT HEX 3/8-16 SS	1	1	
51	502616	WASHER LO SPT 10.2x18.1x2.2 SS	1	1	
52	500641	SCREW TP PAN PH #8x3/4 Z050	2	2	
53	502573	WASHER FL 6.4x12.5x1.6 SS	1	1	
54	502854	NUT HEX M6-1.0 N500	2	2	
55	500942	WASHER LO SPT 8.1x14.8x2.0 N500	1	1	



From 8-9279 To B-9999	Date:10/2022	PAGE:MTH-0640-50
-----------------------	--------------	------------------

CABLE & HARNESS - FRONT END INSTALLATION

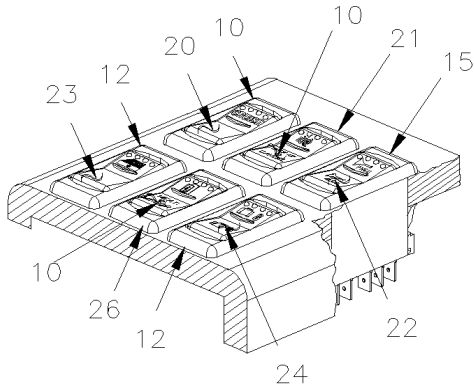
Item#	Part	Description	X L I M T H 4 5	X L I M T H 4 5 E	N O T E S
56	502862	SCREW CAP HEX M8-1.25x20 G8.8 N500	1	1	
57	560422	BLOCK, TERMINAL / 1 STUD 3/8-16 / BLACK	1	1	
58	952624	CLAMP / 1/4" I.D.	1	1	
59	684685	ADHESIVE SIMSON #ISR 70-03 / 310ml CARTRIDGE	AR	AR	
60	503402	TUBE, NYLON 1/4 O.D. / BLACK S.L.	AR	AR	
61	641955	UNION TEE / PUSH-IN FITTING / #4x#4x#4 BR	1	1	
62	502526	SCREW TC BDG PH #12-24x3/4 Z050	10	10	
		P) CALL ORDER DESK FOR SPECIFIC APPLICATION (V.I.N.)			

From 8-9279 To B-9999

Date:10/2022

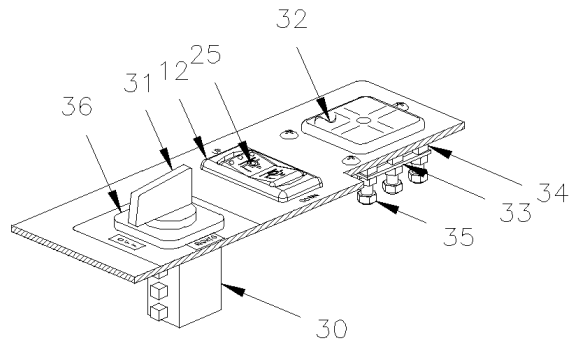
PAGE:MTH-0645-05

SWITCHES L.H. CONSOLE - MTH

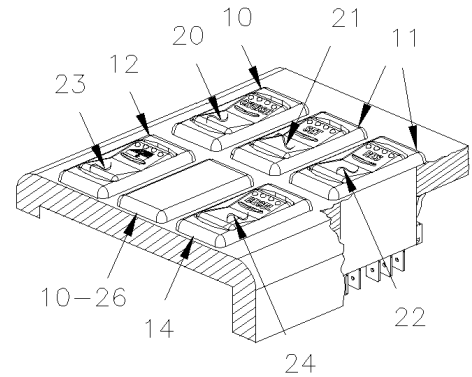
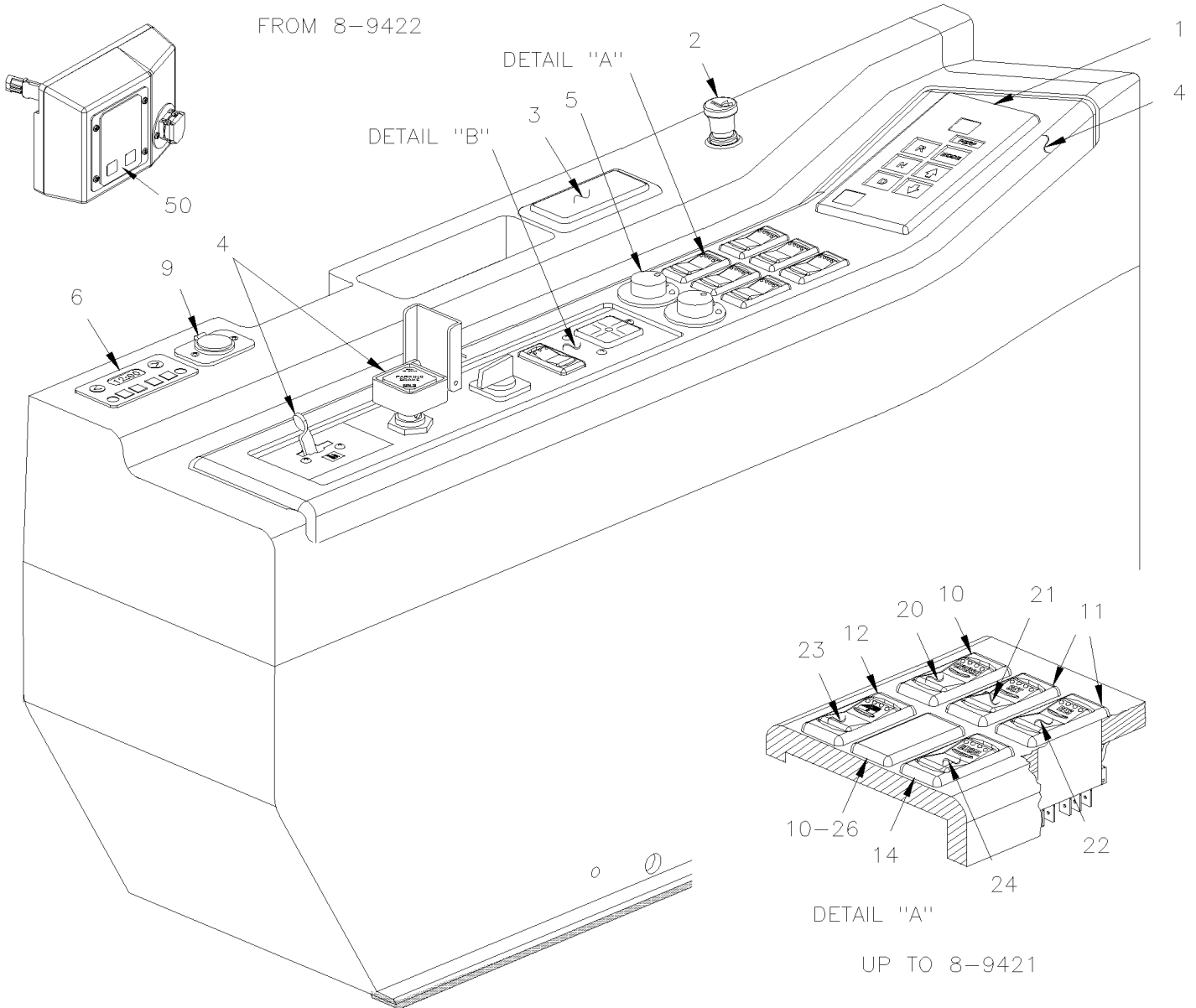


DETAIL "A"

FROM 8-9422



DETAIL "B"



DETAIL "A"

UP TO 8-9421



From 8-9279 To B-9999	Date:10/2022	PAGE:MTH-0645-05
SWITCHES L.H. CONSOLE - MTH		

Item#	Part	Description	X L I I M T H 4 5	X L I I M T H 4 5 E	N O T E S
1	572031	SHIFTER, SELECTOR "WORLD" / GEN IV To 9-9589	1	1	
1	572124	SHIFTER, SELECTOR "WORLD" / GEN IV From 9-9590	1	1	
1	067030	WIRING HARNESS DASHBOARD LEFT MODULE To 8-9421	1	1	
1	067278	WIRING HARNESS DASHBOARD LEFT MODULE From 9-9422	1	1	
2	561491	LIGHTER ASSY / 12V	1	1	
2	561492	. POP OUT 12V	1	1	
2	562944	. BASE LIGHTER	1	1	
NS	392043	DUMMY PLUG LIGHTER	AR	AR	
3	890006	ASHTRAY	1	1	
4	MTH-1806-50	L.H. CONSOLE - MTH			
5	562748	SWITCH, MIRROR / ROUND	AR	AR	
5		CLIP RETAINER / MIRROR SWITCH (R2000-1372P)	2	2	
NS	562749	CONNECTOR / SH 8C / EURAMTEC W-RT8-200	2	2	
NS	507295	HOLE PLUG BUTTON / 1.375 O.D. BLACK	AR	AR	
NS	562799	DUMMY PLUG MIRROR	AR	AR	
6	871250	TIMER ASSY / W/"WEBASTO" PREHEATER	1	1	
NS	066217	WIRING HARNESS / W/ "WEBASTO" PREHEATER / W/MUX	1	1	
9	562796	12 VOLTS POWER OUTLET	1	1	
9	562773	SWITCH / "DUMMY" / PLUG	AR	AR	
10	562697	SWITCH / ON-ON / D.P.D.T. / CH-OVER / W/RED & GREEN LED	AR	AR	
11	562698	SWITCH / OFF-M/ON / D.P.S.T. / W/GREEN LED	AR	AR	
12	562699	SWITCH / M/ON-OFF-M/ON / D.P.D.T. / W/GREEN LED	AR	AR	
14	563725	SWITCH / ON- M/ON / D.P.D.T. / W/RED LED To 8-9421	1	1	
15	563012	SWITCH / ON-ON / D.P.D.T. / CH-OVER / W/GREEN LED From 8-9422	1	1	
20	562724	CAP / CRUISE CONTROL	1	1	
21	562725	CAP / SET / CRUISE CONTROL To 8-9421	1	1	
21	562731	CAP / BACK-UP ALARM From 8-9422	1	1	
22	562726	CAP / RESUME / CRUISE CONTROL To 8-9421	1	1	
22	564081	CAP / HORN SELECTOR - ELEC / AIR From 8-9422	1	1	
23	562740	CAP / WINDOW DRIVER'S	1	1	
24	562787	CAP / DECEL / CRUISE CONTROL To 8-9421	1	1	
24	562736	CAP / LUGGAGE DOOR LOCK From 8-9422	1	1	
25	562738	CAP / UP-DOWN	1	1	
26	562713	CAP / MIRROR HEATER From 8-9422	1	1	
30	563086	SWITCH / 10 AMPS 4 POSITIONS 90°	1	1	
31		. KNOB	1	1	
NS	066510	CABLE ASSY / W/"LEVEL LOW" / MUX	1	1	
32	630075	LEVEL 5 WAYS	1	1	
33	391827	BRACKET / TO FIX LEVEL	1	1	
34	502162	SPRING COMPRESSION / .240 O.D. x .312 x .026	3	3	
35	500670	NUT HEX NYRT #8-32 Z050	3	3	
36	392317	PLATE PLASTIC "LEVEL LOW"	1	1	



From 8-9279 To B-9999	Date:10/2022	PAGE:MTH-0645-05
SWITCHES L.H. CONSOLE - MTH		

Item#	Part	Description	X L I I M T H 4 5	X L I I M T H 4 5 E	N O T E S
50	MTH-2320-50	FIRE PROTECTION SYSTEM MTH INSTALLATION			

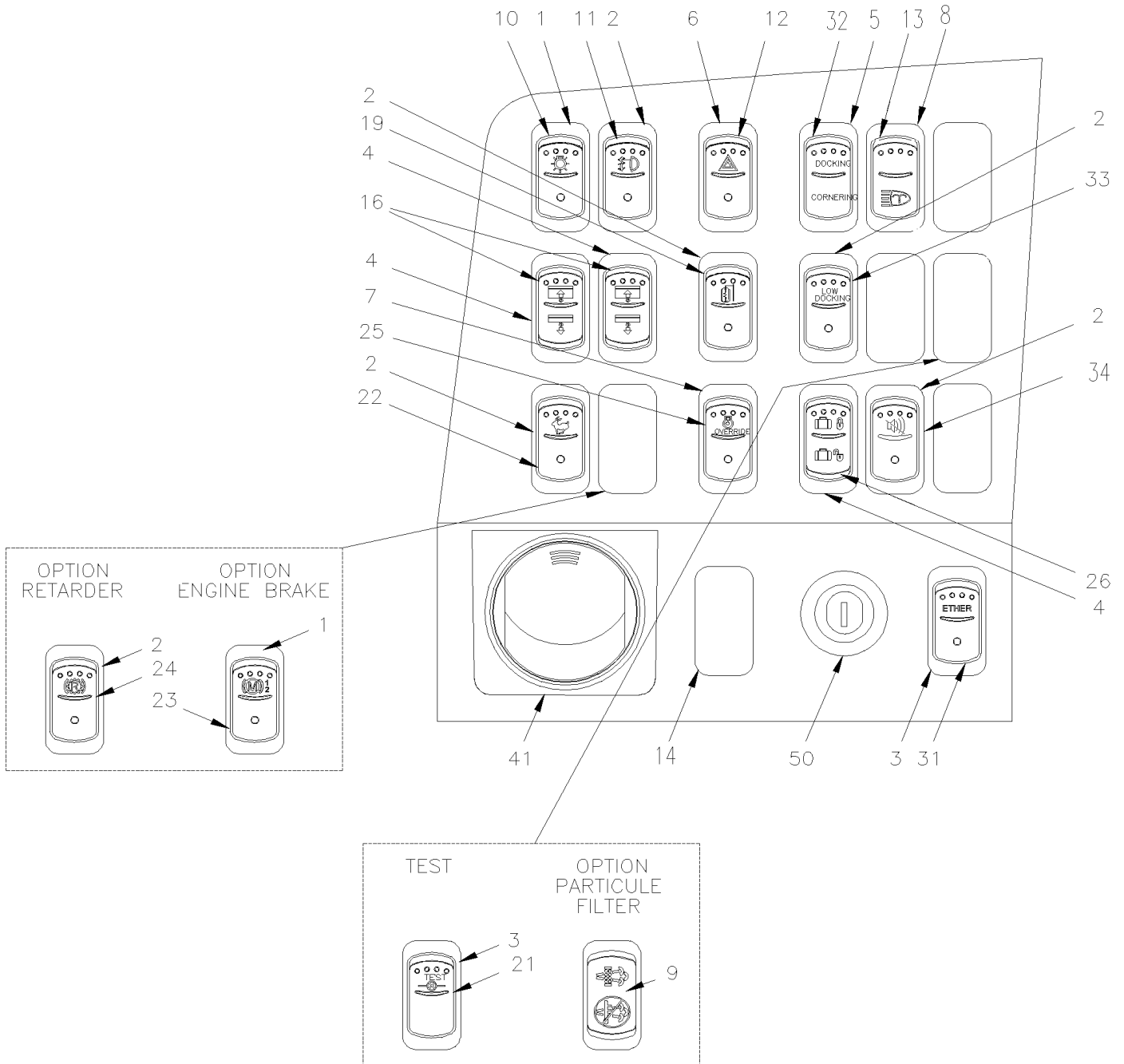
From 8-9279 To B-9999

Date:10/2022

PAGE:MTH-0645-10

L.H. DASHBOARD PANEL

MTH



UP TO 8-9421

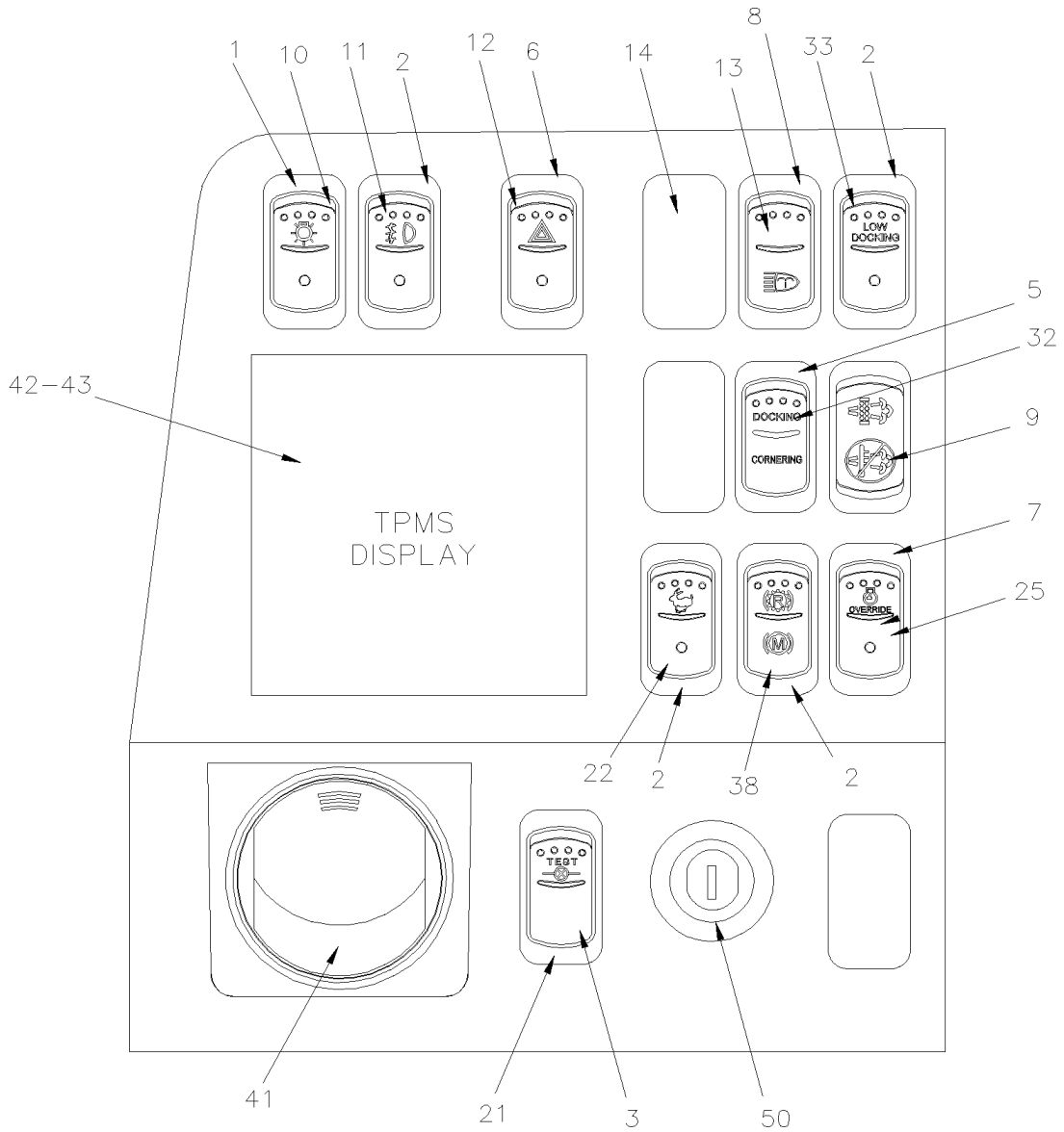
From 8-9279 To B-9999

Date:10/2022

PAGE:MTH-0645-10

L.H. DASHBOARD PANEL

MTH



FROM 8-9422



From 8-9279 To B-9999	Date:10/2022	PAGE:MTH-0645-10
------------------------------	---------------------	-------------------------

L.H. DASHBOARD PANEL

Item#	Part	Description	X L I I M T H 4 5	X L I I M T H 4 5 E	N O T E S
1	562696	SWITCH / OFF-ON-ON SERIES S.P.D.T. / W/RED & GREEN LED	4	4	
2	562697	SWITCH / ON-ON / D.P.D.T. / CH-OVER / W/RED & GREEN LED	AR	AR	
3	562698	SWITCH / OFF-M/ON / D.P.S.T. / W/GREEN LED	1	1	
4	562699	SWITCH / M/ON-OFF-M/ON / D.P.D.T. / W/GREEN LED	3	3	
5	562700	SWITCH / ON-OFF-ON / D.P.D.T. / W/GREEN LED	1	1	
6	562854	SWITCH / ON-ON / D.P.D.T. / CH-OVER / W/RED LED	1	1	
7	562855	SWITCH / OFF-M/ON / D.P.S.T. / W/RED LED	1	1	
8	564008	SWITCH / OFF-M/ON / S.P.S.T. / W/GREEN LED	1	1	
9	563722	SWITCH ASSY W/CAP BLUE / D.P.Filter To 9-9581	1	1	
9	564106	SWITCH ASSY W/CAP BLUE / D.P.Filter From 9-9582	1	1	
NS	562763	CONNECTOR RH 10C / SWITCH / NGR 28-5637-2	AR	AR	
NS	562768	SOCKET TERMINAL / 16-14 / PED 12015870	AR	AR	
10	562708	CAP / HEADLIGHT	1	1	
11	562709	CAP / FOG	1	1	
12	562710	CAP / WARNING LIGHT HAZARD	1	1	
13	564006	CAP / HEADLAMP WASHER	1	1	
14	562773	SWITCH / "DUMMY" / PLUG	AR	AR	
16	562739	CAP / ROLLER BLIND To 8-9421	2	2	
19	562713	CAP / MIRROR HEATER To 8-9421	1	1	
21	562741	CAP / TELL TALE TEST	1	1	
22	562723	CAP / FAST IDLE	1	1	
23	562728	CAP / "JACOB'S" To 8-9421	1	1	
24	562729	CAP / "RETARDER" To 8-9421	1	1	
25	562727	CAP / ENGINE OVERRIDE	1	1	
26	562736	CAP / LUGGAGE DOOR LOCK To 8-9421	1	1	
31	562734	CAP / ETHER To 8-9421	1	1	
32	562733	CAP / DOCKING & CORNERING	1	1	
33	562732	CAP / LIGHT LOW DOCKING	1	1	
34	562731	CAP / BACK-UP ALARM To 8-9421	1	1	
38	564082	CAP / "JACOB'S" & RETARDER"	1	1	
41	871314	LOUVER, ADJUSTABLE / ROUND 2 5/8" O.D.	1	1	
42	564083	SCREEN MONITOR TIRE From 8-9422	1	1	
43	564084	PLATE TPMS / FIXED AT CENTRAL BOARD From 8-9422	1	1	
43	564086	PLATE REAR TPMS ON CENTRAL BOARD From 8-9422	1	1	
NS	564085	PLATE W/OUT TPMS ON CENTRAL BOARD From 8-9422	1	1	
NS	5001690	SCREW TC M5 From 8-9422	5	5	
50	562147	SWITCH, IGNITION / CODE 801	1	1	
. NS	780003	. KEY, IGNITION SWITCH CODE 801	1	1	
50	562148	SWITCH, IGNITION / CODE 802	1	1	
. NS	780004	. KEY, IGNITION SWITCH CODE 802	1	1	
50	562151	SWITCH, IGNITION / CODE 803	1	1	
. NS	780006	. KEY, IGNITION SWITCH CODE 803	1	1	



From 8-9279 To B-9999	Date:10/2022	PAGE:MTH-0645-10
-----------------------	--------------	------------------

L.H. DASHBOARD PANEL

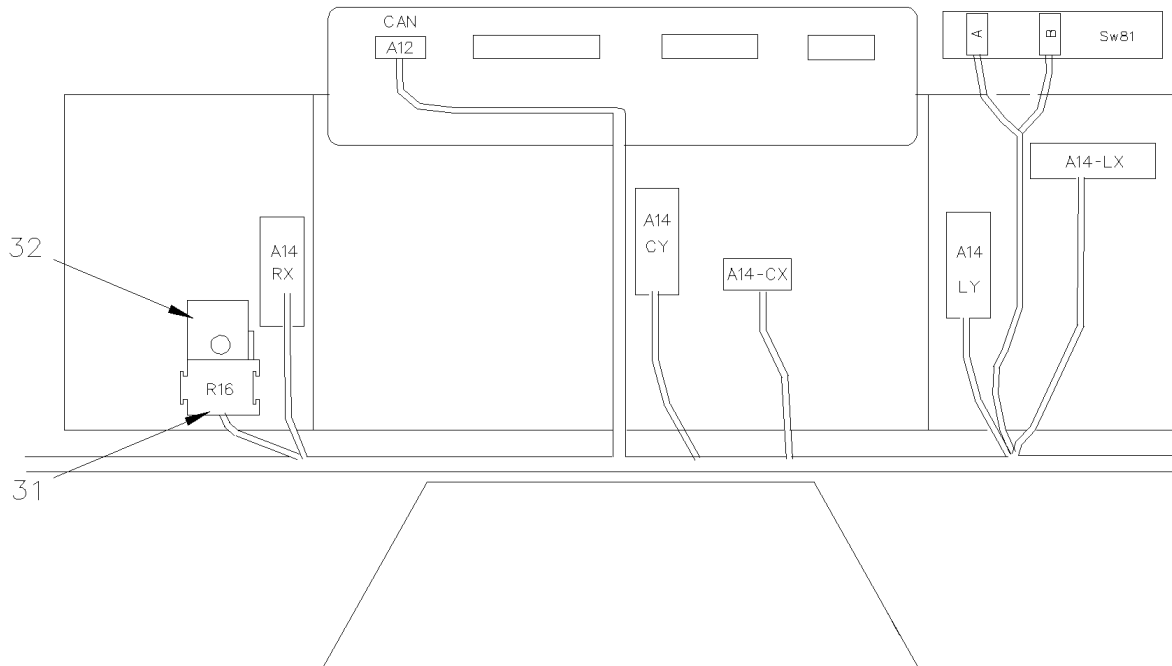
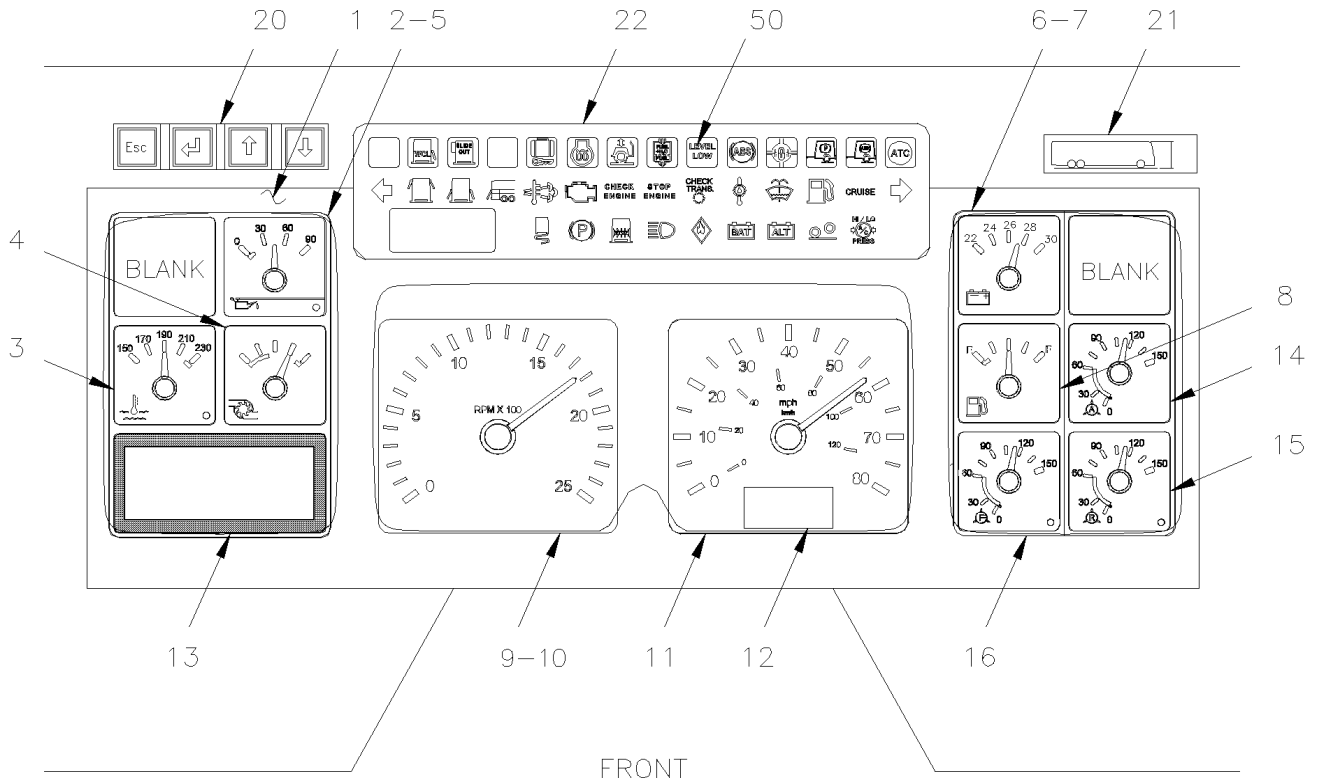
Item#	Part	Description	X L I I M T H 4 5	X L I I M T H 4 5 E	N O T E S
50	562150	SWITCH, IGNITION / CODE 804	1	1	
. NS	780007	. KEY, IGNITION SWITCH CODE 804	1	1	
50	562152	SWITCH, IGNITION / CODE 805	1	1	
. NS	780008	. KEY, IGNITION SWITCH CODE 805	1	1	
50	562149	SWITCH, IGNITION / CODE 806	1	1	
. NS	780009	. KEY, IGNITION SWITCH CODE 806	1	1	
50	562146	SWITCH, IGNITION / KEYLESS (ACC-OFF-IGN-START)	1	1	
50	562296	KEY / IGNITION BLANCK UNCUT	AR	AR	
NS	563542	KEYLESS / TRANSMITTER KEY RING / W/PICTOGRA	1	1	

From 8-9279 To B-9999

Date:10/2022

PAGE:MTH-0645-20

CENTER DASHBOARD PANEL





From 8-9279 To B-9999	Date:10/2022	PAGE:MTH-0645-20
CENTER DASHBOARD PANEL		

Item#	Part	Description	X L I I M T H 4 5	X L I I M T H 4 5 E	N O T E S
1	563560	CLUSTER, MPH	1	1	
1	563559	CLUSTER, KPH	1	1	
NS	065703	KIT, CLUSTER "POLLACK" GLASS REPLACEMENT	1	1	
. NS	IS-02038	. SEE INSTRUCTION SHEET			
2	563573	. GAUGES LEFT SIDE ASSY / 3 GAUGES	1	1	
3	N.P.N.	. . GAUGE WATER TEMPERATURE	1	1	4
4	N.P.N.	. . GAUGE OIL TEMPERATURE	1	1	4
5	N.P.N.	. . GAUGE OIL PRESSURE	1	1	4
6	563574	. GAUGES RIGHT SIDE ASSY / 2 GAUGES	1	1	
7	N.P.N.	. . GAUGE VOLTAGE	1	1	4
8	N.P.N.	. . GAUGE FUEL LEVEL	1	1	4
9	563566	. TACHO & SPEEDOMETER ASSY / MILES	1	1	
9	563567	. TACHO & SPEEDOMETER ASSY / KM	1	1	
10	N.P.N.	. . TACHOMETER	1	1	4
11	N.P.N.	. . SPEEDOMETER MILES	1	1	4
11	N.P.N.	. . SPEEDOMETER KM	1	1	4
12	N.P.N.	. . ODO LCD	1	1	4
13	066075	. KIT, GRAPHIC DISPLAY "POLLACK"	1	1	
. NS	563539	. . GRAPHIC DISPLAY "POLLACK"	1	1	
. NS	564586	. . GRAPHIC DISPLAY MODULE "POLLACK" CURRENT	1	1	
. NS	IS-17903	. . SEE INSTRUCTION SHEET	1	1	
13	IS17910	. KIT, GRAPHIC DISPLAY "POLLACK"	1	1	
. NS	19519274	. . GRAPHIC DISPLAY	1	1	
. NS	IS-17910	. . SEE INSTRUCTION SHEET	1	1	
NS	562838	. BULB / .50WATT-12VOLTS / SAE #2721MFX	AR	AR	A
NS	562909	TOOL / CLUSTER BULB REMOVER	1	1	
. NS	M103-14A	. SEE MAINTENANCE INFORMATION	1	1	
NS	392009	MOUNTING PLATE / CLUSTER	2	2	
NS	5001402	SCREW MA CHE PH M4-0.7x25 Z050	5	5	
14	563565	. GAUGE AIR APPLICATION	1	1	
15	563564	. GAUGE AIR REAR	1	1	
16	563563	. GAUGE AIR FRONT	1	1	
NS	563575	. BUZZER	1	1	
NS	563576	. CPU BOARD SPARE	1	1	
20	563017	CLUSTER SWITCH ASSY "POLLACK"	1	1	
NS	392011	MOUNTING PLATE / CLUSTER SWITCH	1	1	
NS	5001412	SCREW MA CHE PH M3-0.5x20 EMN	2	2	
NS	5001408	NUT HEX STO M3-0.5 ZP	2	2	
21	402468	DECAL / VEHICLE HEIGHT 11' 11" / MTH 86"	1		
21	405108	DECAL / VEHICLE HEIGHT 12' 2" / MTH 89"		1	
22	564032	TELLTALE MODULE ASSY	1	1	
. NS	564201	. FACE PLACE INSERT RETAINER	1	1	



From 8-9279 To B-9999	Date:10/2022	PAGE:MTH-0645-20
-----------------------	--------------	------------------

CENTER DASHBOARD PANEL

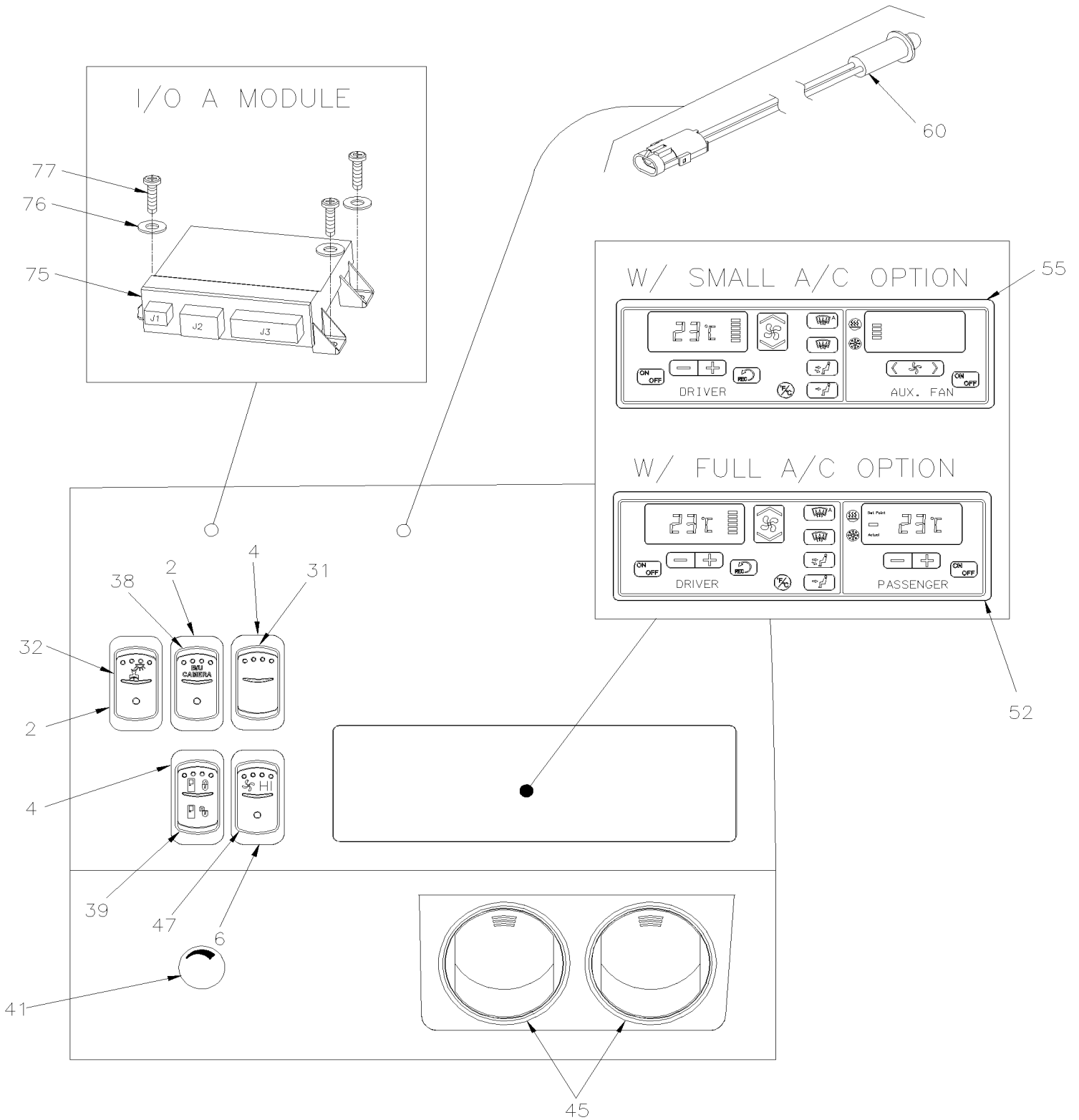
Item#	Part	Description	X L I I M T H 4 5	X L I I M T H 4 5 E	N O T E S
NS	392010	ATTACHMENT ANGLE / TO FIX TELLTALE	1	1	
NS	5001401	SCREW MA CHE PH M4-0.7x8 ZP	4	4	
NS	5001397	SCREW MA CHE PH M3-0.5x8 SS	4	4	
NS	5001407	WASHER LO EXT 3.2x6.0x0.4 SS	4	4	
30	064474	ALARM ASSY / WATER IN FUEL / (C-348)	1	1	
. NS	561479	. PIN TERMINAL / 24-18 / MOLEX 02-06-2103	1	1	
. NS	562070	. CONNECTOR / (.062) / PH 6C / MOLEX 03-06-2061	1	1	
. NS	561479	. PIN TERMINAL / 24-18 / MOLEX 02-06-2103	5	5	
30	MTH-1806-00	CENTRAL DASHBOARD PANEL			
33	563161	ALARM BUZZER	2	2	
50	FM-00IM-00	INSERT - "MEGATECH"			
		A) TOOL TO REMOVE BULB #562909			
		4) NO PARTS NUMBER			

From 8-9279 To B-9999

Date:10/2022

PAGE:MTH-0645-30

R.H. DASHBOARD PANEL





From 8-9279 To B-9999	Date:10/2022	PAGE:MTH-0645-30
R.H. DASHBOARD PANEL		

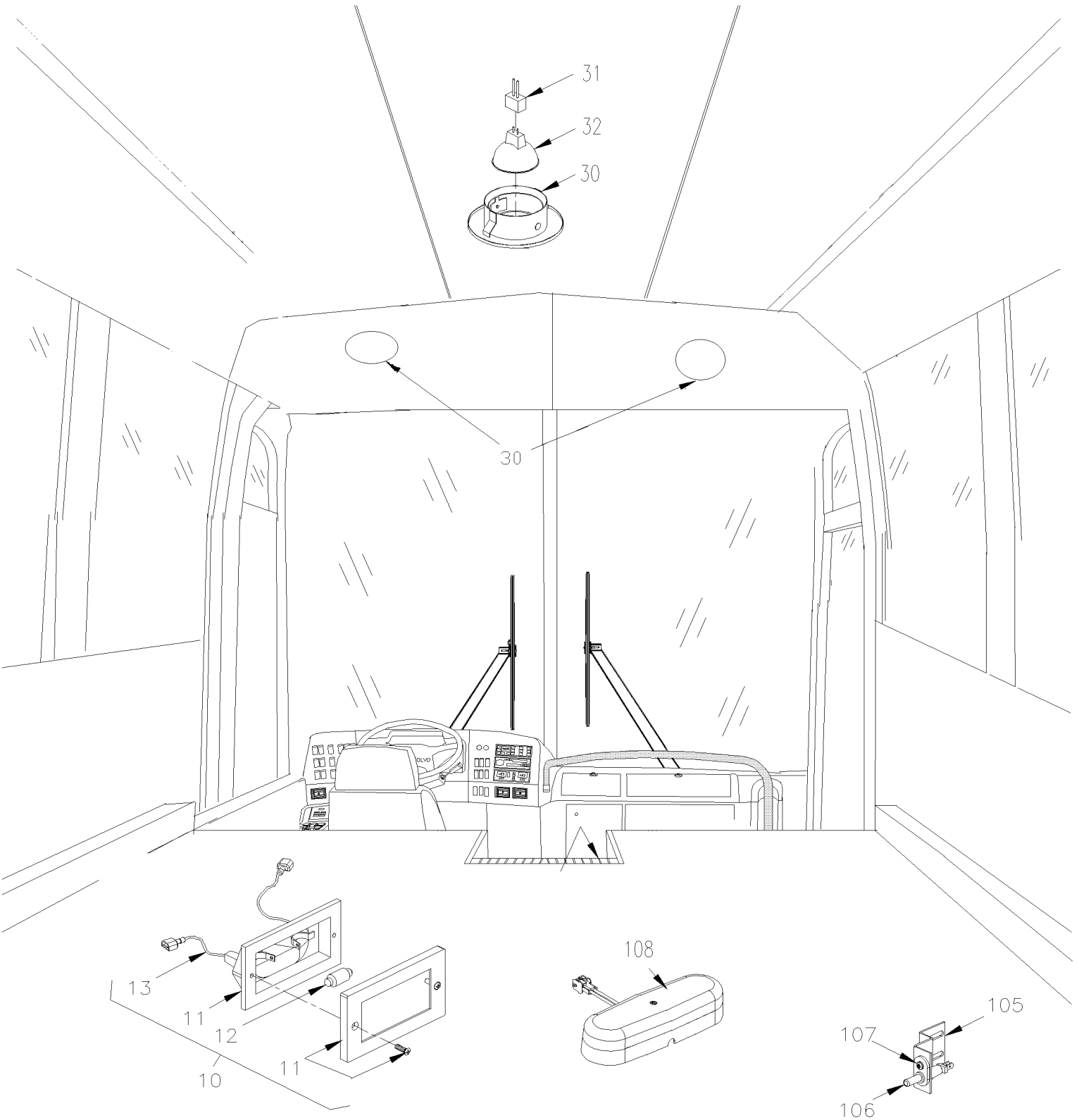
Item#	Part	Description	X L I I M T H 4 5	X L I I M T H 4 5 E	N O T E S
2	562697	SWITCH / ON-ON / D.P.D.T. / CH-OVER / W/RED & GREEN LED	AR	AR	
4	562699	SWITCH / M/ON-OFF-M/ON / D.P.D.T. / W/GREEN LED	1	1	
NS	562773	SWITCH / "DUMMY" / PLUG	AR	AR	
NS	562763	CONNECTOR RH 10C / SWITCH / NGR 28-5637-2	AR	AR	
NS	562768	SOCKET TERMINAL / 16-14 / PED 12015870	AR	AR	
6	562854	SWITCH / ON-ON / D.P.D.T. / CH-OVER / W/RED LED	AR	AR	
31	562740	CAP / WINDOW DRIVER'S	1	1	
32	562716	CAP / DRIVER'S LAMP	1	1	
39	562831	CAP / DOOR LOCK	1	1	
41	562846	KNOB / DASH ILLUMINATION	1	1	
NS	562845	RHEOSTAT / DASH ILLUMINATION	1	1	
NS	1212770	. NUT RND SLT BK M8-.75	1	1	
45	871314	LOUVER, ADJUSTABLE / ROUND 2 5/8" O.D.	2	2	
47	563278	CAP / HI SPEED MAIN VENTILATION	AR	AR	
52	871350	A/C CONTROL MODULE / W/MUX	1	1	
55	871417	A/C CONTROL MODULE / W/SMALL A/C SYSTEM	1	1	
NS	563063	SENSOR THERMISTOR ASSY / TEMPERATURE / ("DELPHI")	2	2	B
60	330238P	TELLTALE ASSY / RED	1	1	
75	565864	I/O A-MODULE VOLVO MULTIPLEX / BLACK From 8-1170 To A-1580	1	1	S
. NS	562767	. CONNECTOR / SH 30C / GREEN / JAE IL-AG5-30S-D3C1 From 8-1170 To A-1580	1	1	S
. NS	562957	. CONNECTOR / SH 5C / GREEN / JAE IL-AG5-5S-S3C1 From 8-1170 To A-1580	1	1	S
. NS	563132	. CONNECTOR / SH 2C / YAZAKI 7283-6458-40 From 8-1170 To A-1580	1	1	S
75	564101	I/O A-MODULE VOLVO MULTIPLEX / BLACK From A-1581 To B-1817	1	1	S
. NS	562767	. CONNECTOR / SH 30C / GREEN / JAE IL-AG5-30S-D3C1 From A-1581 To B-1817	1	1	S
. NS	562957	. CONNECTOR / SH 5C / GREEN / JAE IL-AG5-5S-S3C1 From A-1581 To B-1817	1	1	S
. NS	563132	. CONNECTOR / SH 2C / YAZAKI 7283-6458-40 From A-1581 To B-1817	1	1	S
75	564194	I/O A-MODULE VOLVO MULTIPLEX / BLACK From B-1818	1	1	S
. NS	562767	. CONNECTOR / SH 30C / GREEN / JAE IL-AG5-30S-D3C1 From B-1818	1	1	S
. NS	562957	. CONNECTOR / SH 5C / GREEN / JAE IL-AG5-5S-S3C1 From B-1818	1	1	S
. NS	563132	. CONNECTOR / SH 2C / YAZAKI 7283-6458-40 From B-1818	1	1	S
76	502690	WASHER FL 4.3x9.0x0.8 Z050 From 8-1170	3	3	S
77	502698	SCREW MA PAN PH M4-0.7x16 SS BK From 8-1170	3	3	S
		B) USE IN FLOOR RETURN AIR BOX & AT DRIVER'S KNEE			
		S) ONLY W/ STEERING WHEEL CONTROL BUTTONS			

From 8-9279 To B-9999

Date:10/2022

PAGE:MTH-0655-00

INTERIOR LIGHTING





From 8-9279 To B-9999 Date:10/2022 PAGE:MTH-0655-00

INTERIOR LIGHTING

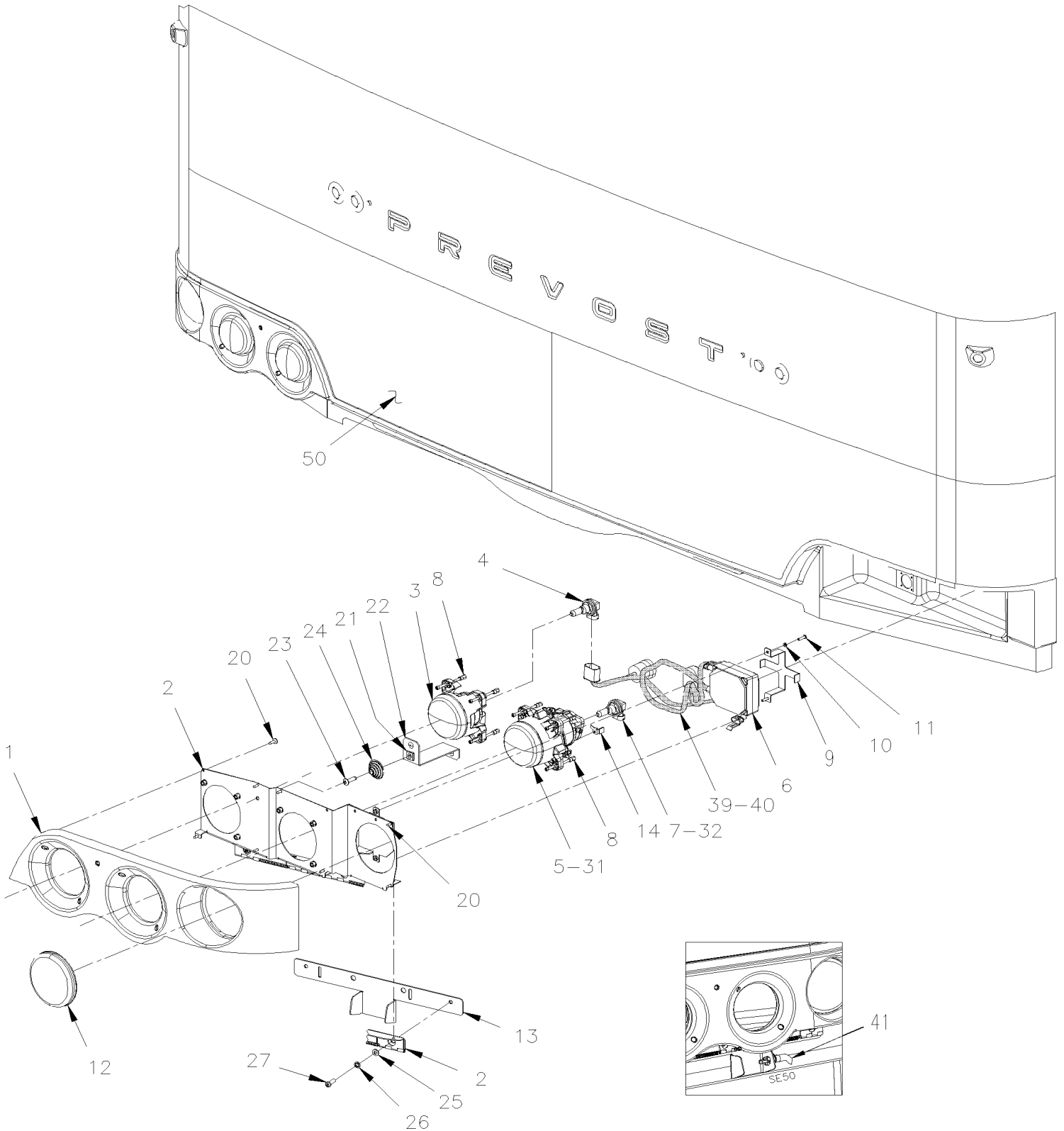
Item#	Part	Description	X L I I M T H 4 5	X L I I M T H 4 5 E	N O T E S
		STEPWELL LAMP			
10	330279	LAMP ASSY 24V W/BULB	AR	AR	
. NS	830142	. LAMP	1	1	
. NS	562278	. BULB / 10WATT-24VOLTS / SAE# 6429	1	1	
10	830197	LAMP ASSY 24V LEDS SERVICE	1	1	
10	068140	CABLE INTERFACE 330279 TO 830197 SERVICE	AR	AR	
12	562278	. BULB / 10WATT-24VOLTS / SAE# 6429	1	1	
13	561904	TAB TERMINAL INSULATION NYLON / 22-18 / AMP 2-520103-2	2	2	
NS	500148	SCREW MA RND PH #6-32x1/2 SS	AR	AR	
NS	500422	NUT SPR U #6-32 .110-.120 SS	AR	AR	
		DRIVER'S LAMP			
30	830179	LAMP BASE	2	2	
31	562803	CONNECTOR / SOCKET HOUSING ASSY / LEECRAFT QBL-12	1	1	
32	830176	BULB / 20 WATTS-12V/SAE#Q20MR16/FL40D	1	1	
		BAGGAGE & SERVICE DOOR			
105	064278	CABLE ASSY / TO ADD MORE LAMP IN BAGGAGE COMPARTMENT	AR	AR	
105	066533	SWITCH ASSY / BAGGAGE COMPARTMENT	8	8	
105	066639	. SWITCH SUPPORT / W/BAGGAGE DOORS STD	1	1	
106	563464	. SWITCH / S.P.S.T. / N.C. / W/RUBBER BOOT	1	1	
107	500623	SCREW TC PAN PH #10-24x3/4 N500	1	1	
NS	5001544	WASHER LO EXT .195x.410x.025 SS	1	1	
108	330224	LAMP ASSY 24V / BAGGAGE COMPARTMENT LAMP W/2 BULBS G4-10W	AR	AR	
. NS	330396	. BULB / 10 WATTS -28VOLTS / SAE# G4-28	2	2	

From 8-9279 To B-9999

Date:10/2022

PAGE:MTH-0660-00

HEADLAMP & FRONT DIRECTIONAL LAMPS ROUND "HALOGENE" & "XENON"





From 8-9279 To B-9999 Date:10/2022 PAGE:MTH-0660-00

HEADLAMP & FRONT DIRECTIONAL LAMPS ROUND "HALOGENE" & "XENON"

Item#	Part	Description	X L I I M T H 4 5	X L I I M T H 4 5 E	N O T E S
	430615	LAMP ASSY L.H. "XENON" W/BEZEL XL-II W/O CABLE ASSY	1	1	
	430619	LAMP ASSY L.H. "HALOGENE" W/BEZEL XL-II W/O CABLE ASSY	1	1	
	430616	LAMP ASSY R.H. "XENON" W/BEZEL XL-II W/O CABLE ASSY	1	1	
	430620	LAMP ASSY R.H. "HALOGENE" W/BEZEL XL-II W/O CABLE ASSY	1	1	
1	476210	. HEADLAMP BEZEL, R.H. / CURBE SIDE	1	1	
1	476211	. HEADLAMP BEZEL, L.H. / STREET SIDE	1	1	
2	430575	. SUPPORT R.H.	1	1	
2	430587	. SUPPORT L.H.	1	1	
3	930359	. LAMP ASSY / HIGH	1	1	
4	563092	. BULB / 65WATT-12VOLTS / SAE# H9	1	1	
5	930388	. LAMP ASSY "XENON" / W/BALLAST	1	1	
5	930389	. LAMP ASSY "XENON" / W/OUT BALLAST & W/OUT BULB	1	1	
6	930390	. BALLAST "XENON" LOW BEAM 12Volt Power	1	1	B
7	563365	. BULB / 35WATT / SAE D2S / 85122	1	1	
8	930373	. KIT, BOLTS ADJUSTMENT (3 BOLTS)	1	1	
9	930434	. SUPPORT "XENON" BALLAST BLACK	1	1	
10	502698	. SCREW MA PAN PH M4-0.7x16 SS BK	4	4	
11	502834	. WASHER LO SPT 4.1x7.6x0.9 N500	4	4	
12	930364	. LED AMBER 4" / DIRECTIONAL / FRONT 12Volt / 60L (PREVOST)	1	1	
13	430576	. HOLDER LAMP	1	1	
14	430604	. BULB STOPPER / "SAFETY FAILURE STRESS" / SS	2	2	
20	5001536	. SCREW PTR BDG PH M4x12 SS	8	8	
21	5001009	. NUT AN 1/4 NYL	1	1	
22	430572	. SUPPORT CENTRAL	1	1	
23	504249	. RIVET CHY Q PRDG 3/16x3/8 SS	AR	AR	
24	930369	. SPRING CONICAL	1	1	
25	502573	. WASHER FL 6.4x12.5x1.6 SS	4	4	
26	5001432	. WASHER LO INT .256x.478x.028 SS 410	4	4	
27	5001507	. SCREW MA PAN PH M6-1.0x20 SS	4	4	
31	930360	. LAMP ASSY / LOW	1	1	H A
32	563092	. BULB / 65WATT-12VOLTS / SAE# H9	1	1	H
39	066990	CABLE ASSY / W/"HALOGENE" LAMPS / MUX	1	1	H
40	066991	CABLE ASSY / W/"XENON" LAMPS / MUX	1	1	
41	563335	SENSOR THERMISTOR ASSY / OUTSIDE // PED 15416387	1	1	
50	MTH-1851-00	FRONT CAP - INSTALLATION			
NS	430602	KIT RETROFIT "XENON" FROM HALOGENE "XL-II"	1	1	
		A) 1TO CONVERT HALOGENE TO XENON, ASK KIT #430603			
		B) FOR OPTIMAL OPERATION OF THIS BALLAST REPLACE MASTER ID/CECM WITH NEW MCM. PERFORM IS-11003E			



From 8-9279 To B-9999	Date:10/2022	PAGE:MTH-0660-00
-----------------------	--------------	------------------

HEADLAMP & FRONT DIRECTIONAL LAMPS ROUND "HALOGENE" & "XENON"

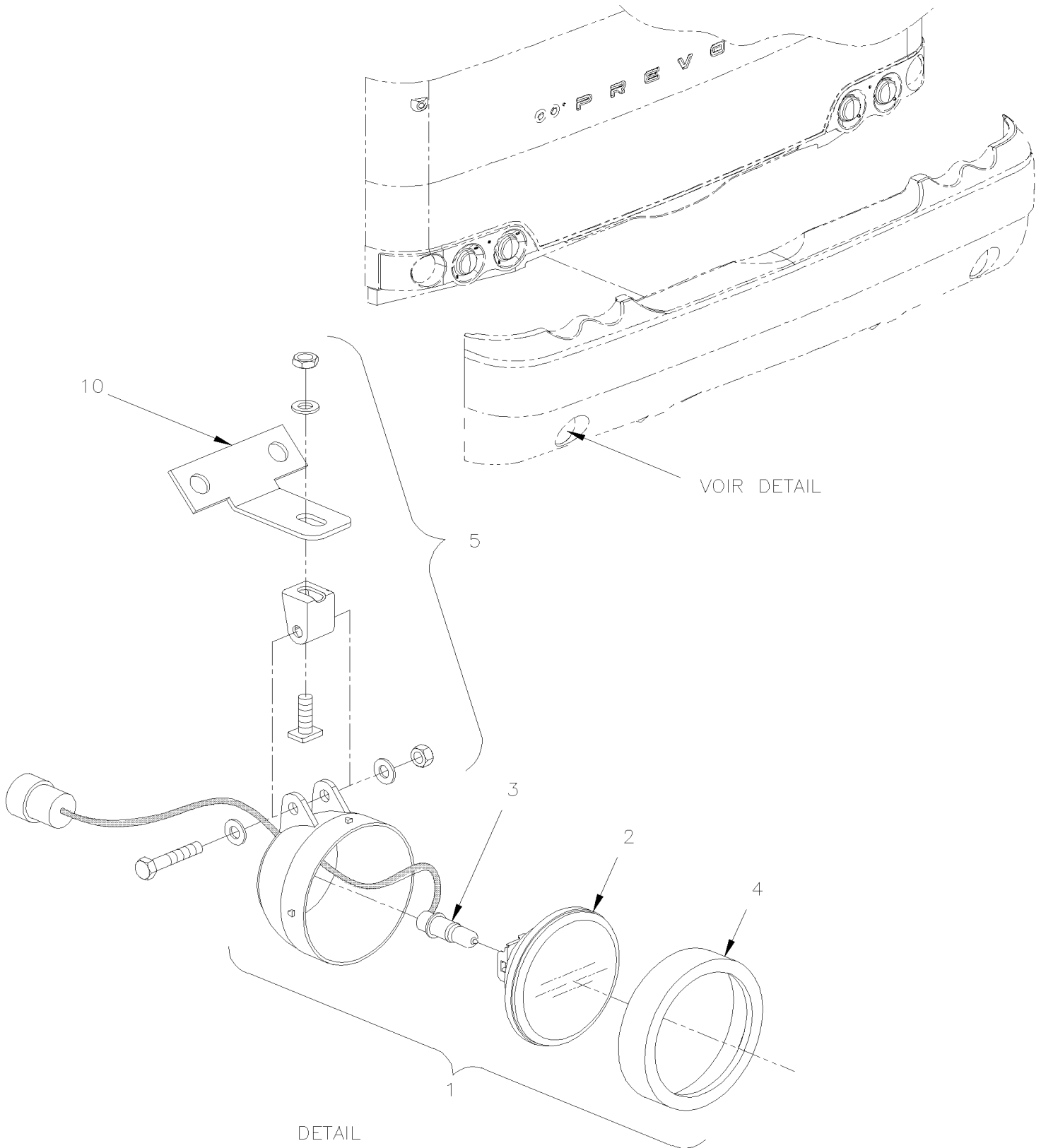
Item#	Part	Description	X L I I M T H 4 5	X L I I M T H 4 5 E	N O T E S
		H) USE WITH HALOGENE ONLY			

From 8-9279 To B-9999

Date:10/2022

PAGE:MTH-0661-00

FOG LAMP





From 8-9279 To B-9999	Date:10/2022	PAGE:MTH-0661-00
FOG LAMP		

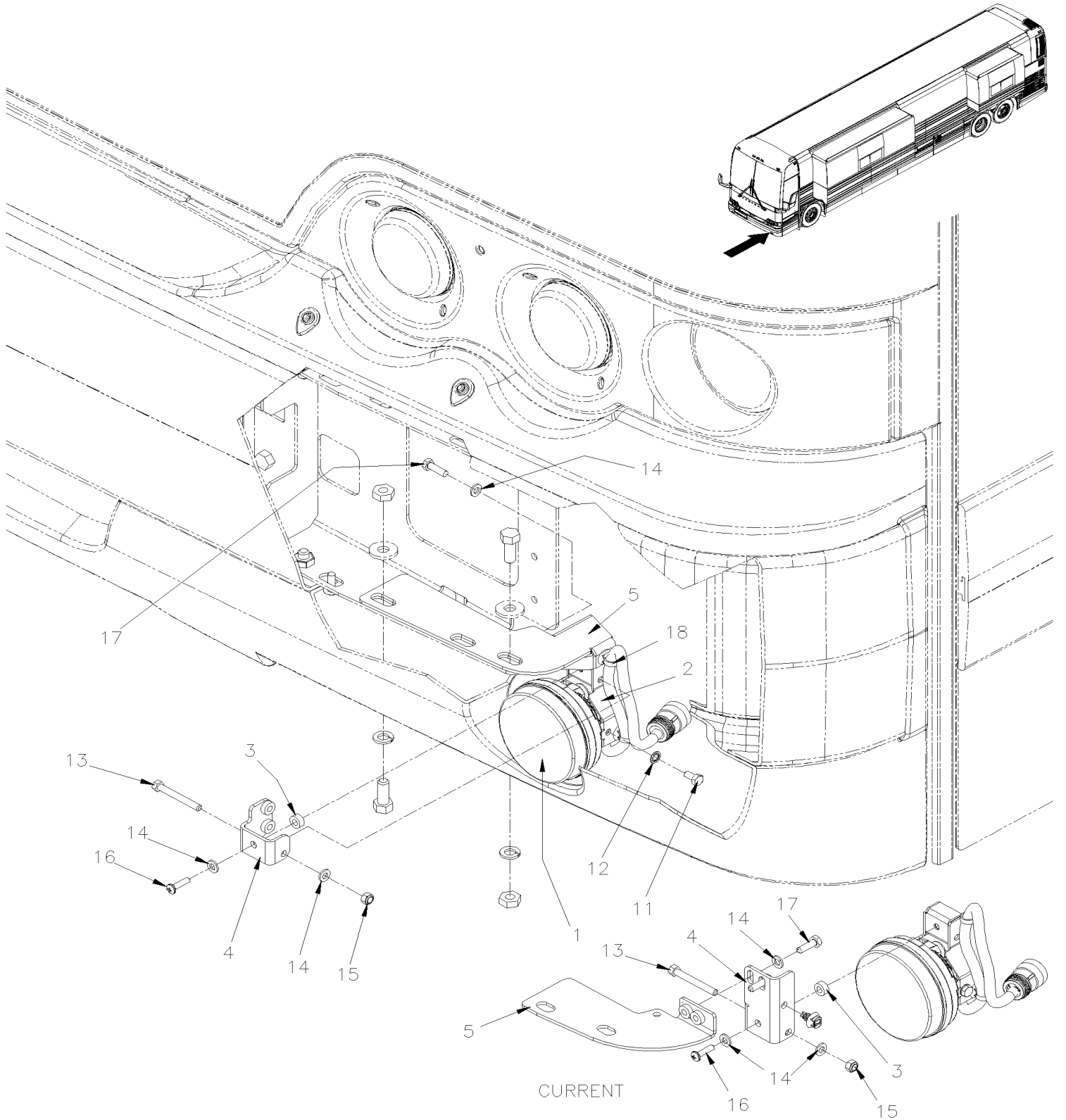
Item#	Part	Description	X L I I M T H 4 5	X L I I M T H 4 5 E	N O T E S
	430553	FOG LAMP 12 V / "BOSCH" COMPACT 100 / W/CONECTOR "DEUTSCH"	2	2	
1	930361	. FOG LAMP ASSY	1	1	
2	930370	. GLASS	1	1	
3	561882	. BULB / 55WATT-12VOLTS / SAE# H3 / 64151	1	1	
4	930371	. HOLDER RING	1	1	
5	930372	. KIT HARDWARE	1	1	
10	MTH-1850-00	BUMPER FRONT			
NS	430029	FOG LAMP / REPLACEMENT KIT 2 LAMPS LED / "XL-II" & "X3-VIP" / ADVANCED KIT	1	1	A
NS	430220	FOG LAMP / REPLACEMENT KIT 2 LAMPS / "XL-II" & "X3" & "H3" & "VIP" / BASIC KIT	1	1	B
		A) ADVANCED KIT WITH ADJUSTMENT			
		B) BASIC KIT WITHOUT ADJUSTMENT			

From 8-9279 To B-9999

Date:10/2022

PAGE:430029

FOG LAMP / REPLACEMENT KIT 2 LAMPS LED / "XL-II" & "X3-VIP" / ADVANCED KIT





From 8-9279 To B-9999 Date:10/2022 PAGE:430029

FOG LAMP / REPLACEMENT KIT 2 LAMPS LED / "XL-II" & "X3-VIP" / ADVANCED KIT

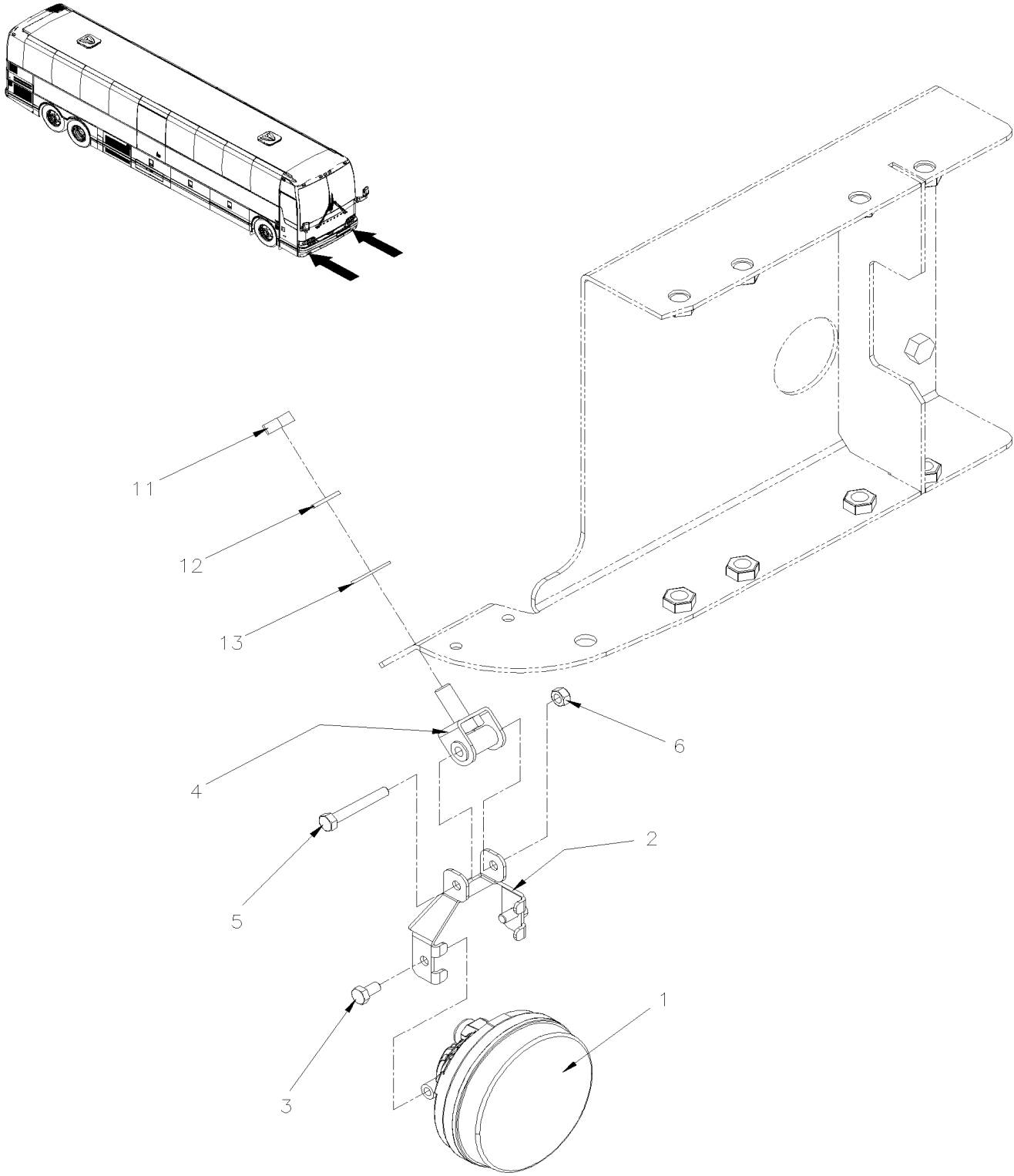
Item#	Part	Description	X L I I M T H 4 5	X L I I M T H 4 5 E	N O T E S
1	560636	FOG LAMP LED			
2	430011	SUPPORT, FOG LIGHT			
3	430015	SPACER			
4	430023	ATTACH, LH FOG LIGHT To FORMER			
4	430106	ATTACH, LH FOG LIGHT From CURRENT			
4	430022	ATTACH, RH FOG LIGHT To FORMER			
4	430105	ATTACH, RH FOG LIGHT From CURRENT			
5	430021	ATTACH, LH FOG LIGHT To FORMER			
5	430110	ATTACH, LH FOG LIGHT From CURRENT			
5	430020	ATTACH, RH FOG LIGHT To FORMER			
5	430109	ATTACH, RH FOG LIGHT From CURRENT			
11	5001982	SCREW CAP HEX M6-1.0x12 SS BK			
12	5001432	WASHER LO INT .256x.478x.028 SS 410			
13	5001636	SCREW CAP HEX M6-1.0x50 SS BK			
14	502573	WASHER FL 6.4x12.5x1.6 SS			
15	5001182	NUT HEX NYRT M6-1.0 SS			
16	502746	SCREW MA PAN PH M5-0.8x20 SS BK			
17	502622	SCREW CAP HEX M6-1.0x20 SS BK			
18	509815	TIE MOUNT / ATTACHMENT W/TREE MOUNT			
18	504637	CABLE TIE / 3/16" x 13"			

From 8-9279 To B-9999

Date:10/2022

PAGE:430220

FOG LAMP / REPLACEMENT KIT 2 LAMPS / "XL-II" & "X3" & "H3" & "VIP" / BASIC KIT





From 8-9279 To B-9999 Date:10/2022 PAGE:430220

FOG LAMP / REPLACEMENT KIT 2 LAMPS / "XL-II" & "X3" & "H3" & "VIP" / BASIC KIT

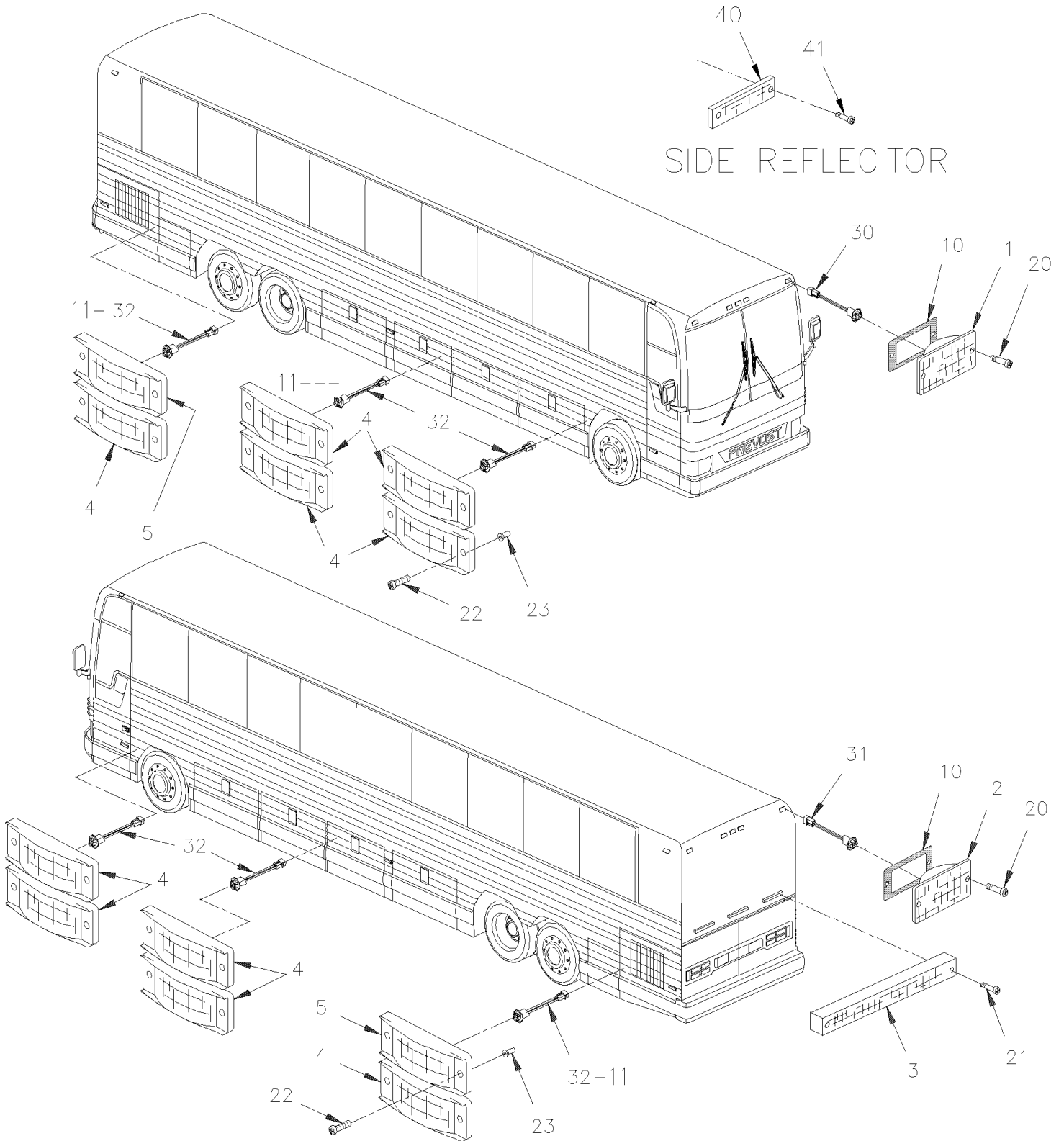
Item#	Part	Description	X L I I M T H 4 5	X L I I M T H 4 5 E	N O T E S
1	560636	FOG LAMP LED	2	2	
2	430200	SUPPORT, FOG LIGHT	2	2	
3	5001982	SCREW CAP HEX M6-1.0x12 SS BK	4	4	
4	430208	SUPPORT, FOG LIGHT	2	2	
5	5001923	SCREW CAP HEX M6-1.0x45 SS BK	2	2	
6	5001182	NUT HEX NYRT M6-1.0 SS	2	2	
11	502567	NUT HEX M10-1.5 SS	2	2	
12	502616	WASHER LO SPT 10.2x18.1x2.2 SS	2	2	
13	500270	WASHER FL .406x1.000x.063 SS	2	2	
NS	IS-17151	SEE INSTRUCTION SHEET	1	1	
NS	FI-17151	VOIR FEUILLE D'INSTRUCTION	1	1	

From 8-9279 To B-9999

Date:10/2022

PAGE:MTH-0662-00

CLEARANCE & MARKER LIGHT





From 8-9279 To B-9999		Date:10/2022	PAGE:MTH-0662-00
CLEARANCE & MARKER LIGHT			

Item#	Part	Description	X L I I M T H 4 5	X L I I M T H 4 5 E	N O T E S
1	066123	LAMP ID & CLEAR -6 LED AMBER / "JIFFI SPLICE"	7	7	
. NS	930337	. LAMP ID & CLEAR -LED AMBER / 6 LEDS	1	1	
. NS	430630	. SEAL LAMP BLACK 1/8" THICK	1	1	
. NS	562286	. PIN TERMINAL / 18-16 / DEUTSCH 0460-202-16141	1	1	
. NS	561608	. SOCKET TERMINAL / 18-16 / DEUTSCH 0462-201-16141	1	1	
1	066527	LAMP ID & CLEAR -3 LED AMBER / "JIFFI SPLICE"	7	7	
. NS	930416	. LAMP ID & CLEAR -LED AMBER / 3 LEDS	1	1	
. NS	430630	. SEAL LAMP BLACK 1/8" THICK	1	1	
. NS	562286	. PIN TERMINAL / 18-16 / DEUTSCH 0460-202-16141	1	1	
. NS	561608	. SOCKET TERMINAL / 18-16 / DEUTSCH 0462-201-16141	1	1	
NS	563545	SPLICE / JIFFI SPLICE / 16G / DEUTSCH JS16-00	AR	AR	
2	066122	LAMP ID & CLEAR -6 LED RED / "JIFFI SPLICE"	7	7	
. NS	930334	. LAMP ID & CLEAR -LED RED / 6 LEDS	1	1	
. NS	430630	. SEAL LAMP BLACK 1/8" THICK	1	1	
. NS	562286	. PIN TERMINAL / 18-16 / DEUTSCH 0460-202-16141	1	1	
. NS	561608	. SOCKET TERMINAL / 18-16 / DEUTSCH 0462-201-16141	1	1	
2	066526	LAMP ID & CLEAR -3 LED RED / "JIFFI SPLICE"	7	7	
. NS	930415	. LAMP ID & CLEAR -LED RED / 3 LEDS	1	1	
. NS	430630	. SEAL LAMP BLACK 1/8" THICK	1	1	
. NS	562286	. PIN TERMINAL / 18-16 / DEUTSCH 0460-202-16141	1	1	
. NS	561608	. SOCKET TERMINAL / 18-16 / DEUTSCH 0462-201-16141	1	1	
NS	563545	SPLICE / JIFFI SPLICE / 16G / DEUTSCH JS16-00	AR	AR	
3	930330	CYCLOP LAMP	3	3	
. NS	930353	. CAP PLUG SCREW	2	2	
NS	506191	TAPE RUB ADH1 CC POL 1/8" x 1/4" x 50' / GREY 2520X	AR	AR	
4	930401	SIDE MARKER ASSY / AMBER / W/6 LED W/REFLECTOR	10	10	
4	930443	SIDE MARKER ASSY / AMBER / W/2 LED W/REFLECTOR	10	10	S
NS	477482	GROMMET 2 HOLESx1.6x23.5MMx2.0MMx8.0MMx25MM	10	10	
4	562155	CONNECTOR ASSY SEALED 2C / GROTE 6618-G8	10	10	
5	930400	SIDE MARKER ASSY / RED / W/6 LED W/REFLECTOR	2	2	
5	930440	SIDE MARKER ASSY / RED / W/6 LED W/O REFLECTOR	2	2	S
NS	477482	GROMMET 2 HOLESx1.6x23.5MMx2.0MMx8.0MMx25MM	2	2	
NS	562155	CONNECTOR ASSY SEALED 2C / GROTE 6618-G8	2	2	
10	430630	SEAL LAMP BLACK 1/8" THICK	14	14	
11	064990	CABLE ASSY / SIDE MARKER LAMP FOR DOORS	1	1	
. NS	473832	. GROMMET 2 HOLESx1.6x11.0MMx2.0MMx8.0MMx16MM	1	1	
11	067207	CABLE ASSY / SIDE MARKER LAMP FOR DOORS	1	1	
. NS	473832	. GROMMET 2 HOLESx1.6x11.0MMx2.0MMx8.0MMx16MM	1	1	
20	5001364	SCREW PTR TR PH M4x20 ZP	2	2	
20	5001547	SCREW PTR TR PH M4x20 G500	2	2	
21	502665	SCREW TP OV PH #6x3/4 SS EMN	2	2	
22	5001042	SCREW MA RND PH #10-32x1 1/4 SS	2	2	



From 8-9279 To B-9999	Date:10/2022	PAGE:MTH-0662-00
CLEARANCE & MARKER LIGHT		

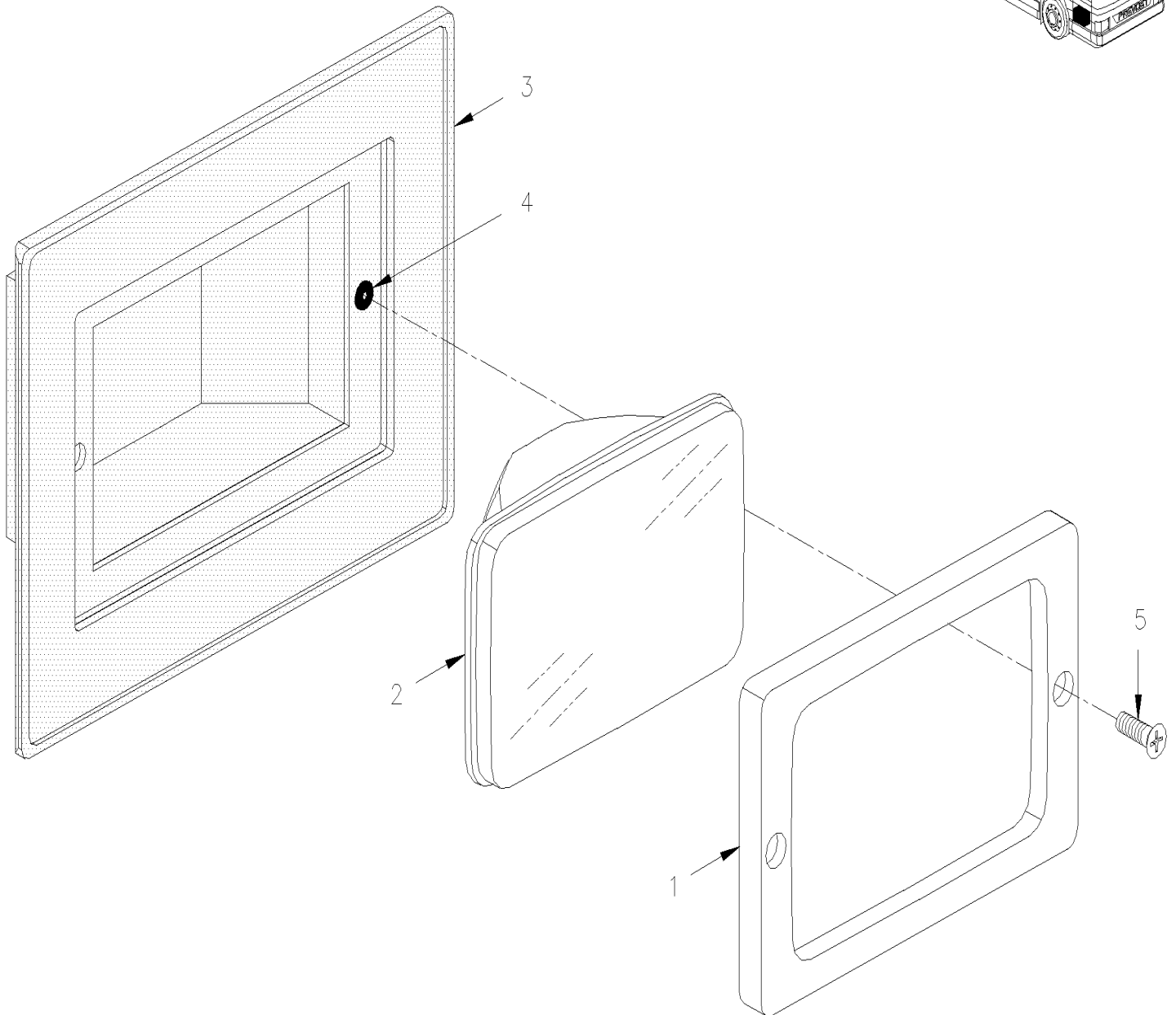
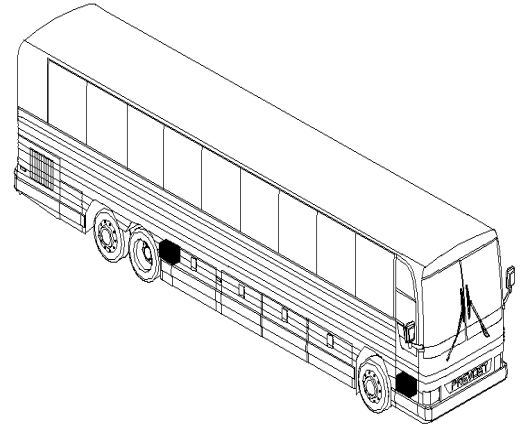
Item#	Part	Description	X L I I M T H 4 5	X L I I M T H 4 5 E	N O T E S
23	502774	NUT WELL #10-32x.625	2	2	
30	066116	CABLE HARNESS / FRONT ROOF	1	1	
31	066958	CABLE HARNESS / REAR ROOF / CURBSIDE	1	1	
31	066959	CABLE HARNESS / REAR ROOF / STREETSIDE	1	1	
40	930212	REFLECTOR AMBER 1 1/8" x 4 3/8"	AR	AR	
41	500124	SCREW TP TR PH #8x1/2 SS	AR	AR	
		S) SERVICE			

From 8-9279 To B-9999

Date:10/2022

PAGE:MTH-0663-00

DOCK & CORNERING LIGHT





From 8-9279 To B-9999	Date:10/2022	PAGE:MTH-0663-00
-----------------------	--------------	------------------

DOCK & CORNERING LIGHT

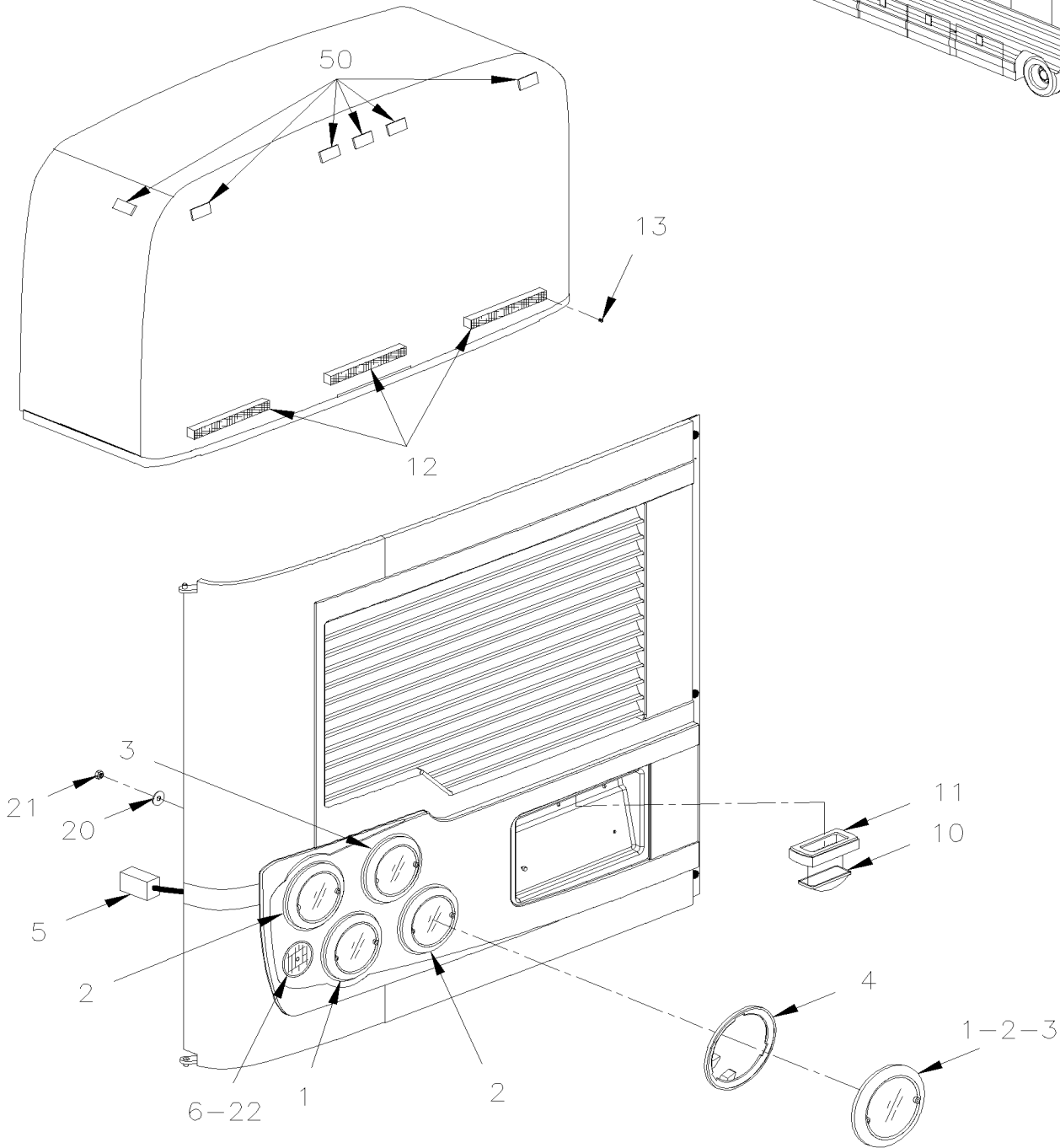
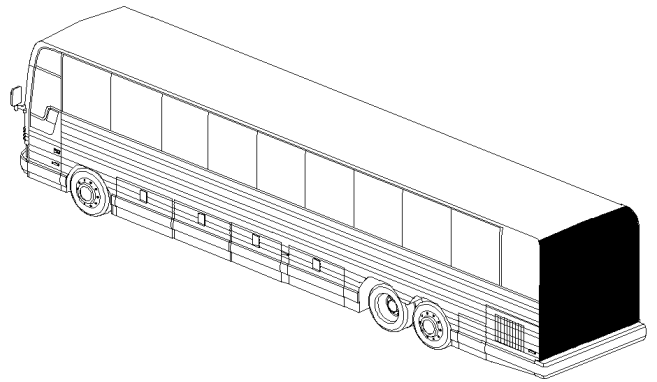
Item#	Part	Description	X L I I M T H 4 5	X L I I M T H 4 5 E	N O T E S
1	286400	BEZEL	4	4	
2	930319	SEAL BEAM / 37.5WATT-12V / SAE# H9415	4	4	
3	490879	BOX / FIXED ON REAR FENDER	1	1	
4	500589	. NUT WELL M4-0.7x13.5	2	2	
4	5001055	NUT WELL M4-0.7x14.5	1	1	
5	502530	SCREW MA OV PH M4-0.7x40 SS	AR	AR	

From 8-9279 To B-9999

Date:10/2022

PAGE:MTH-0664-00

REAR EXTERIOR LIGHTS & PLATE HOLDER





From 8-9279 To B-9999	Date:10/2022	PAGE:MTH-0664-00
-----------------------	--------------	------------------

REAR EXTERIOR LIGHTS & PLATE HOLDER

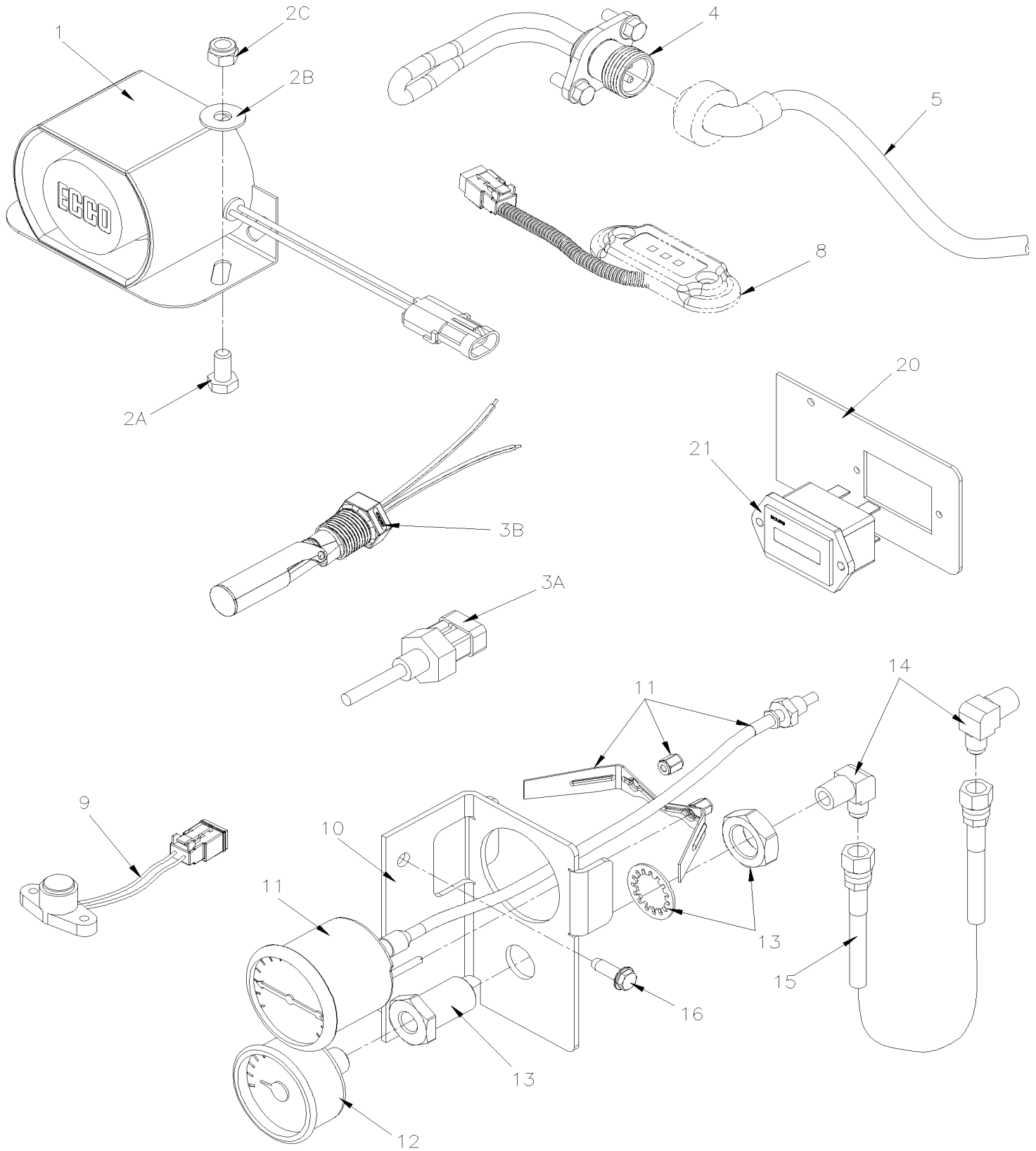
Item#	Part	Description	X L I I M T H 4 5	X L I I M T H 4 5 E	N O T E S
1	930365	LED AMBER 4" / DIRECTIONAL / REAR 12Volt / 42L (PREVOST)	1	1	
2	930366	LED STOP & TAIL 4" 12Volt / 6L (PREVOST)	2	2	
3	930367	LAMP BACK-UP 4" 12Volt / Sealed	1	1	A
4	430554	SUPPORT LAMP	4	4	
5	066491	CABLE / ENGINE DOOR REAR LAMP W/LEDS	1	1	
5	066003	CABLE ADAPTOR / N.J. D.O.T / TAIL & STOP / SEPARATED TAIL & STOP	2	2	N
6	930391	REFLECTOR RED 3 3/16" O.D. / W/ADH	1	1	
10	930368	SEAL LEDS / W/CONNECTOR LEDS - 12VOLTS	1	1	
. NS	12015378	. CONNECTOR / WEATHER PACK / SH 2C / GRAY / PED 12015378	1	1	
. NS	N.P.N.	. SEAL LEDS / W/CONNECTOR			4
. NS	562348	. CONNECTOR / WEATHER PACK / PH 2C / GRAY / PED 12034074	1	1	
. NS	561786	. CABLE SEAL / GRAY / PED 15324980	2	2	
. NS	561568	. PIN TERMINAL / 16-14 / PED 12089305	2	2	
11	930208	GROMMET RUBBER RETAINER / LICENCE LAMP TL 15700 To 8-9426	1	1	
11	930408	GROMMET RUBBER RETAINER / LICENCE LAMP TL 150702 From 8-9427	1	1	
12	930330	CYCLOP LAMP	3	3	
. NS	930353	. CAP PLUG SCREW	2	2	
13	502665	SCREW TP OV PH #6x3/4 SS EMN	6	6	
20	5001547	SCREW PTR TR PH M4x20 G500	8	8	
21	504357	WASHER FL .187x.437x.050 SS	8	8	
22	192215	LED BACK-UP 4" / W/CABLE ADAPTOR & GROMMET 12Volt / 27L	1	1	
. A	194114	. LED BACK-UP 4" 12Volt / 27L	1	1	
. B	G1076517	. GROMMET 4" I.D, BLACK TL 40700	1	1	
. C	N.P.N.	. LED BACK-UP 4" / W/CABLE ADAPTOR & GROMMET	1	1	4
22	G1093246	ADAPTOR HARNESS ASSY / 2 WIRES / TRUCK-LITE 94789	1	1	
. NS	562601	. CONNECTOR / SUPERSEAL 1.5 SERIES / SH 3C / AMP 282087-1	1	1	
50	MTH-0662-00	CLEARANCE & MARKER LIGHT			
		A) FOR REPLACE BULB LAMP TO "LEDS" ASK FOR 1 x 192215 + 1 x G1093246			
		N) USE WITH "NEW JERSEY" DOT REGULATION			
		4) NO PARTS NUMBER			

From 8-9279 To B-9999

Date:10/2022

PAGE:MTH-0665-00

ENGINE COMPARTMENT - ELECTRIC COMPONENTS





From 8-9279 To B-9999 Date:10/2022 PAGE:MTH-0665-00

ENGINE COMPARTMENT - ELECTRIC COMPONENTS

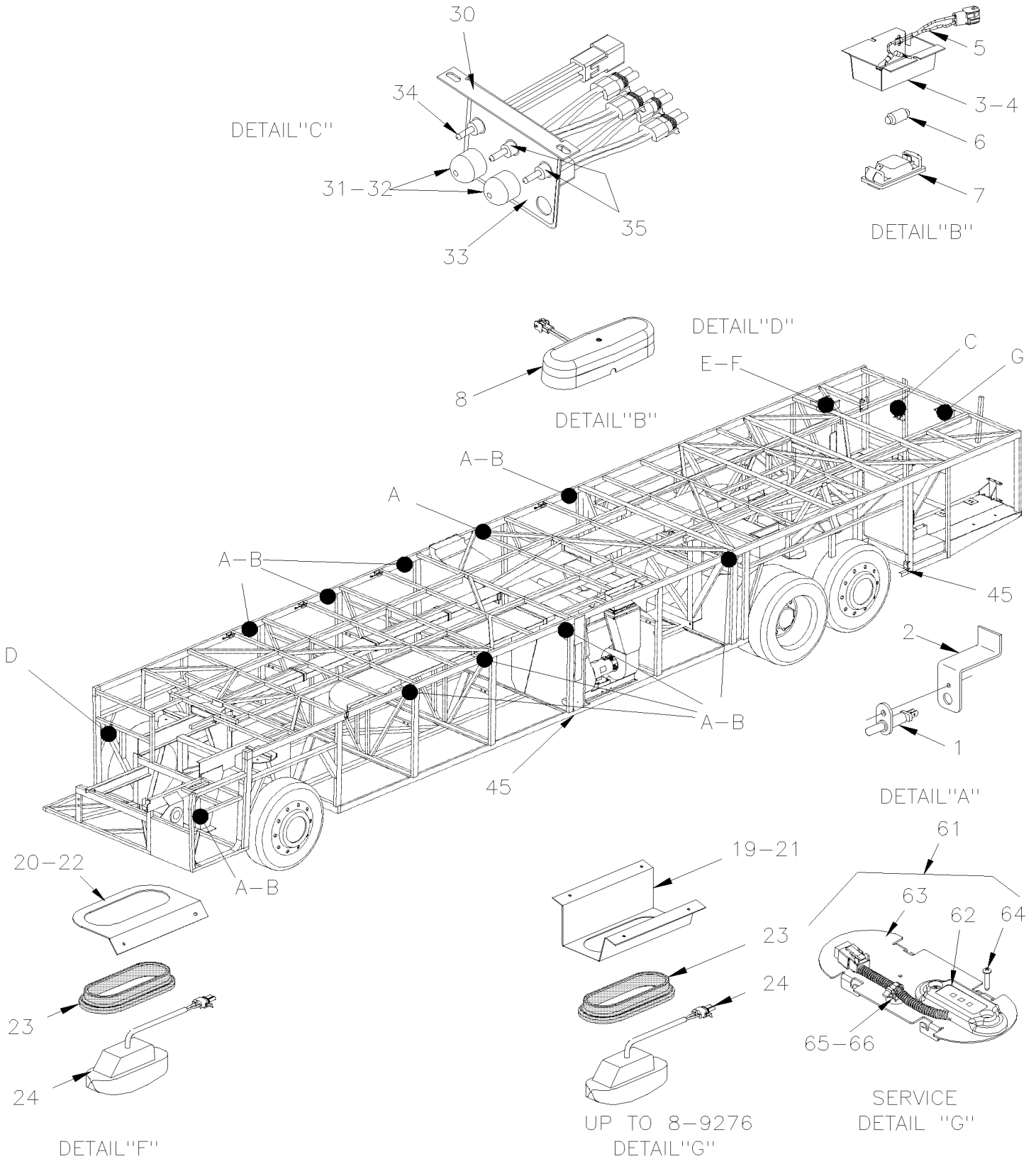
Item#	Part	Description	X L I M T H 4 5	X L I M T H 4 5 E	NOTES
1	563199	BACK-UP ALARM "ECCO" / 12-36vdc / 107db	1	1	
2A	5001527	SCREW CAP HEX M8-1.25x16 SS BK	2	2	
2B	5001448	WASHER FL .343x.875x.062 SS18-8	2	2	
2C	5001787	NUT HEX NYRT M8-1.25 SS	2	2	
3A	562395	SENSOR PROBE "LOW LEVEL COOLANT" / 1/4" NPT	1	1	
3B	067304	SENSOR PROBE "LOW LEVEL COOLANT" ASSY / 1/2" NPT From 8-9457		1	D13
. NS	564465	. SENSOR PROBE "LOW LEVEL COOLANT" / 1/2" NPT From 8-9457		1	D13
. NS	21242838	. SENSOR PROBE "LOW LEVEL COOLANT" / 1/2" NPT From 8-9457		1	D13
. NS	563764	. CONNECTOR / CPC SERIES 3 / PH 3C / PED 15300002 From 8-9457		1	D13
. NS	563765	. PIN TERMINAL / 18-16 / PED 12048159 From 8-9457		2	D13
. NS	563369	. CABLE SEAL / GRAY / PED 12010293 From 8-9457		2	D13
. NS	562387	. CONVOLUTED TUBING / SLIT / BLACK / .250" From 8-9457		AR	D13
. NS	562388	. SECONDARY LOCK / METRI-PACK 280 / 2C / BLUE / PED 15300014 From 8-9457		1	D13
4	564525	BLOCK HEATER	1	1	
4	Refer To Volvo	BLOCK HEATER From 8-9457		1	V D13
5	MTH-0666-00	BLOCK HEATER RECEPTACLE			
8	MTH-0665-10	SWITCHES, LIGHTS, AJAR - UNDER FLOOR			
9	065290	HEAT DETECTOR "THERMO-DISK" To 9-9599	2	2	
NS	5001204	SCREW TP FL PH #6x1 1/4 Z050 To 9-9599	6	6	
9	MTH-2320-30	EXTINGUISHER - INSTALLATION From 8-9279			
10	011952	SUPPORT	1	1	
11	562331	GAUGE WATER TEMPERATURE / MECHANICAL (CURRENT)	1	1	
12	510481	GAUGE, OIL PRESSURE / MECHANICAL (CURRENT)	1	1	
13	501711	BULKHEAD COUPLING / PIPE FITTING / 1/4NPT-Fx1/4NPT-Fx1 1/2 BR	1	1	
14	501037	MALE ELBOW 90° / SAE 45° FITTING / #4FL-Mx1/4NPT-M BR	2	2	
15	011617	HOSE ASSY TEFLON #4 2615MM	1	1	
16	502848	SCREW TC CAP HEXF 1/4-20x3/4 N500	2	2	
20	011538	HOURLMETER SUPPORT / TOP MOUNT / 93MM X 60MM	1	1	
20	017328	HOURLMETER SUPPORT / SIDE MOUNT / 100MM X 54MM	1	1	
21	560366	HOURLMETER 4-40VOLT DC	1	1	
		D13) WITH "VOLVO" ENGINE D-13			
		V) SEE IMPACT OR CALL ORDER DESK			

From 8-9279 To B-9999

Date:10/2022

PAGE:MTH-0665-10

SWITCHES, LIGHTS, AJAR - UNDER FLOOR





From 8-9279 To B-9999	Date:10/2022	PAGE:MTH-0665-10
SWITCHES, LIGHTS, AJAR - UNDER FLOOR		

Item#	Part	Description	X L I M T H 4 5	X L I M T H 4 5 E	N O T E S
1	563464	SWITCH / S.P.S.T. / N.C. / W/RUBBER BOOT	AR	AR	
NS	066586	SWITCH SUPPORT / BATTERIES COMPARTMENT DOOR a revoir	1	1	
2	066638	SWITCH SUPPORT / FRONT SERVICE DOOR	1	1	
2	065444	SWITCH SUPPORT / ENTRANCE DOOR W.C.L.	1	1	
2	066672	SWITCH SUPPORT / W/BAGGAGE DOORS STD	6	6	
3	330372	LAMP ASSY 24V / BAGGAGE COMPARTMENT LAMP W//2 BULBS 5W To 7-9232	AR	AR	
4	330369	. SUPPORT / SS / TO FIX LAMP / W/2 BULBS To 7-9232	1	1	
5	066271	. CABLE ASSY / W/2 BULBS To 7-9232	1	1	
6	562411	. BULB / 5WATT-24VOLTS / SAE # 6424 To 7-9232	2	2	
7	830183	. LAMP ASSY / W/2 BULBS To 7-9232	1	1	
8	330224	LAMP ASSY 24V / BAGGAGE COMPARTMENT LAMP W/2 BULBS G4-10W From 7-9233	AR	AR	
. NS	330396	. BULB / 10 WATTS -28VOLTS / SAE# G4-28 From 7-9233	2	2	
19	430567	LAMP ASSY W/CONNECTOR / "U" SHAPE To 8-9276	AR	AR	
20	430568	LAMP ASSY W/CONNECTOR / "L" SHAPE	AR	AR	
21	052503	. SUPPORT LAMP / "U" SHAPE To 8-9276	1	1	
22	430456	. SUPPORT LAMP / "L" SHAPE	1	1	
NS	506338	. RUBBER CHANNEL / 1/16" x 1/4" INT "U" SHAPE / ROUND C.T.L.	1	1	
23	930382	. GROMMET OBLONG, BLACK	1	1	
24	930383	. LAMP ASSY CLEAR SEALED / BACK-UP 12V	1	1	D
26	563047	SWITCH ASSY / WATERPROOF	1	1	
27	560241	RUBBER PROTECTOR, TOGGLE SWITCH	1	1	
30	Call order desk	SUPPORT ASSY W/SWITCHES	1	1	P
30	Call order desk	SUPPORT ASSY W/SWITCHES From A-9926	1	1	P
30	Call order desk	SUPPORT ASSY W/SWITCHES	1	1	P
30	066365	. SUPPORT REAR ENGINE SWITCHES	1	1	
31	064554	. SWITCH ASSY W/CONECTOR To 9-9777	1	1	
31	N.P.N.	. SWITCH ASSY W/CONECTOR From 9-9778	1	1	4
31	562484	. SWITCH S.P.S.T. / N.C.	1	1	
NS	561690	. . CONNECTOR / WEATHER PACK / SH 2C / BLACK / PED 12015792	1	1	
31	562471	. . CONNECTOR / WEATHER PACK / SH 2C / BLACK / PED 12103784 From 9-9778	1	1	C
NS	561565	. . CABLE SEAL / GREEN / PED 15324982	2	2	
NS	561578	. . SOCKET TERMINAL / 16-14 / PED 12010182	2	2	
32	561891	. CAP RUBBER	1	1	
33	066376	. DECAL REAR ENGINE START....	1	1	
34	064362	. SWITCH ASSY / WATERPROOF	1	1	
35	563609	. SWITCH / OFF-ON / S.P.S.T. / SEALED W/WIRES ASSY	1	1	
45	505056	ANTISTATIC STRAP / UNDER STRUCTURE	1	1	
50	MTH-0120-00	DRIVE PULLEY, BELTS & TENSIONER WITH DETROIT S-60			
50	MTH-0120-01	DRIVE PULLEY, BELTS & TENSIONER WITH VOLVO D13			



From 8-9279 To B-9999	Date:10/2022	PAGE:MTH-0665-10
SWITCHES, LIGHTS, AJAR - UNDER FLOOR		

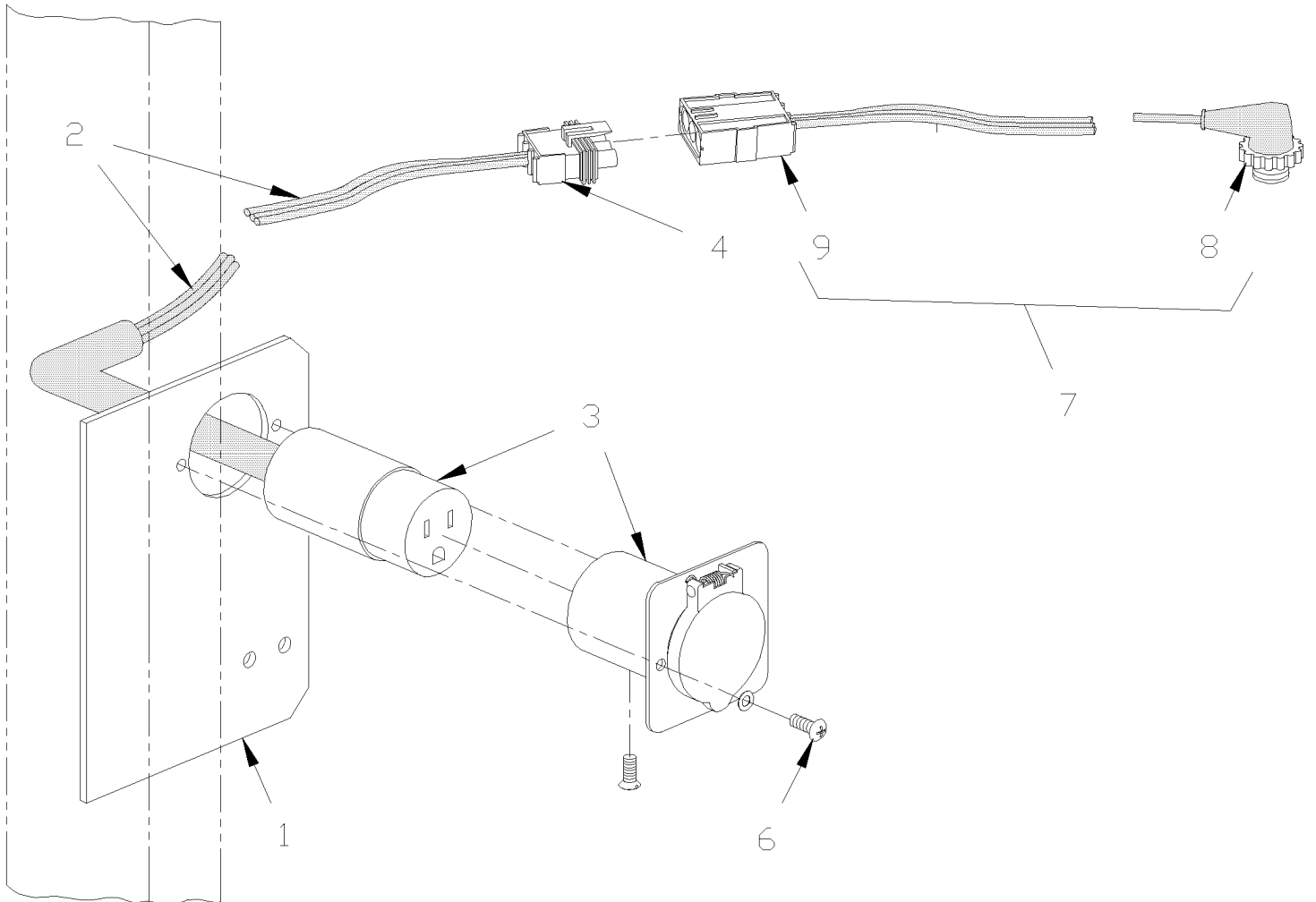
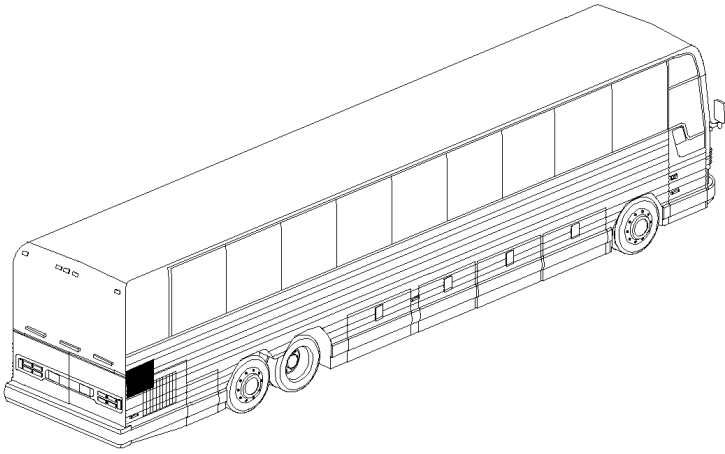
Item#	Part	Description	X L I I M T H 4 5	X L I I M T H 4 5 E	N O T E S
		LAMP, ENGINE COMPARTMENT			
		TO CHANGE BULB FOR LED			
61	430672	KIT, LAMP LED / ENGINE COMPARTMENT	1	1	S
. A	430671	. LAMPE LED ASSY	2	2	S
. B	563590	. CONNECTOR / DTM SERIES / PH 2C / GRAY / DEUTSCH DTM04-2P	2	2	S
. C	563588	. PIN TERMINAL / 20-16 / DEUTSCH 0460-202-20141	6	6	S
. D	563536	. RING TERMINAL .3125 / 12-10 / AMP 33459	1	1	S
. E	562120	. FUSE / 2 AMPS / 3AG-2	1	1	S
. F	560067	. FUSE HOLDER IN LINE	1	1	S
. . NS	8905111	. . TERMINAL FUSE HOLDER	QR	QR	S
. G	563593	. CONNECTOR W/END OF LINE RESISTOR 120R / DTM SERIES / SH 2C / GRAY / DEUTSCH DTM06-2S-P006	1	1	S
. H	561608	. SOCKET TERMINAL / 18-16 / DEUTSCH 0462-201-16141	1	1	S
. I	562286	. PIN TERMINAL / 18-16 / DEUTSCH 0460-202-16141	3	3	S
. J	562806	. SOCKET TERMINAL / 20-16 / AMP 927779-3	2	2	S
. K	562953	. BUTT SPLICE / 16-14 / BLUE / AMP 55825-1	2	2	S
. L	560784	. SHRINK TUBING / .250" - .080" / BLACK / ALPHA FIT-300-1/4-4B	AR	AR	S
. M	564099	. TAPE ADHESIF ELECTRICAL TISSUS / BLACK 838MM	AR	AR	S
. N	564088	. CONVOLUTED TUBING / .125" POLYPROPYLENE	AR	AR	S
. O	561258	. WIRE CABLE 18 / RED / GXL	AR	AR	S
. P	561261	. WIRE CABLE 18 / BLACK / GXL	AR	AR	S
. Q	560673	. WIRE CABLE 16 / BLACK / GXL	AR	AR	S
. R	560667	. WIRE CABLE 12 / RED / GXL	AR	AR	S
61	430671	. LAMPE LED ASSY	1	1	S
61	IS-10016	. . SEE INSTRUCTION SHEET	1	1	S
62	563845	. . LAMP ASSY 24V / W/LEDS	1	1	S
. NS	563589	. . . CONNECTOR / DTM SERIES / SH 2C / GRAY / DEUTSCH DTM06-2S-E007	1	1	S
63	430670	. . SUPPORT ENGINE COMPARTMENT LAMP	1	1	S
64	500235	. . SCREW TP BDG PH #6x3/4 N500	2	2	S
65	509815	. . TIE MOUNT / ATTACHMENT W/TREE MOUNT	1	1	S
66	504637	. . CABLE TIE / 3/16" x 13"	1	1	S
		C) USE WITH REAR START BUTTON ONLY .: FROM 9-9778			
		D) FOR PRODUCT IMPROVEMENT LIFE OF THIS LAMP ASK KIT # 430672 FOR REPLACEMENT			
		S) TO UPGRADE BULB LAMP WITH LED LAMPS			
		4) NO PARTS NUMBER			
		P) CALL ORDER DESK FOR SPECIFIC APPLICATION (V.I.N.)			

From 8-9279 To B-9999

Date:10/2022

PAGE:MTH-0666-00

BLOCK HEATER RECEPTACLE

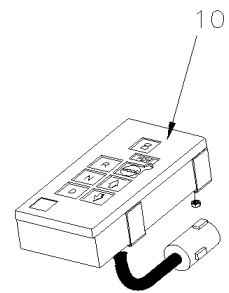
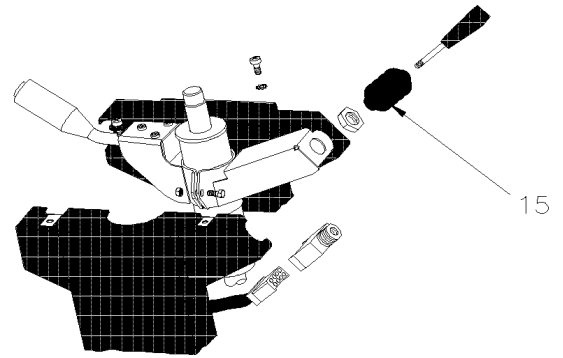
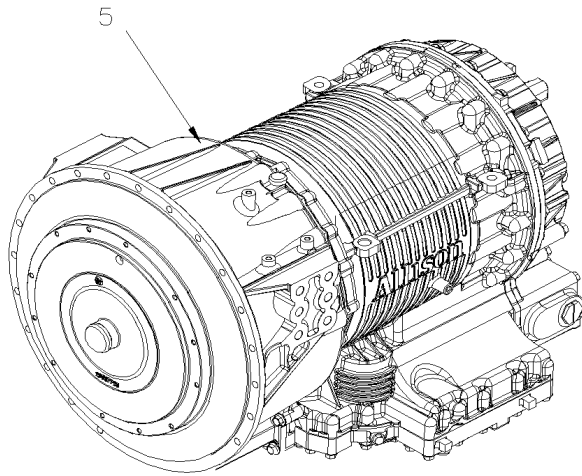




From 8-9279 To B-9999	Date:10/2022	PAGE:MTH-0666-00
BLOCK HEATER RECEPTACLE		

Item#	Part	Description	X L I I M T H 4 5	X L I I M T H 4 5 E	N O T E S
1	213957	SUPPORT BACK-UP ALARM	1	1	
2	067411	CABLE ASSY / 110V BLOCK HEATER	1	1	
3	564103	. RECEPTACLE ASSY W/CORD	1	1	
4	561782	. CONNECTOR / WEATHER PACK / SH 3C / BLACK / PED 12015793	1	1	
NS	561778	. WIRE CABLE 12 / BLUE / TEW	3	3	
NS	561786	. CABLE SEAL / GRAY / PED 15324980	3	3	
NS	561681	. CONVOLUTED TUBING / SLIT / BLACK & GRAY / .350"	AR	AR	
6	500654	SCREW TC BDG PH #8-32x1/2 Z050	2	2	
7	067413	CABLE ASSY / 110V BLOCK HEATER ENGINE SECTION		1	
8	564102	. HEATER PLUG ASSY	1	1	
NS	561681	. CONVOLUTED TUBING / SLIT / BLACK & GRAY / .350"	AR	AR	
9	561781	. CONNECTOR / WEATHER PACK / PH 3C / BLACK / PED 12010717	1	1	
NS	561786	. CABLE SEAL / GRAY / PED 15324980	3	3	
NS	561568	. PIN TERMINAL / 16-14 / PED 12089305	3	3	
NS	564525	BLOCK HEATER	1	1	

	Date:10/2022	MTH-07
TRANSMISSION		





	Date:10/2022	MTH-07
TRANSMISSION		

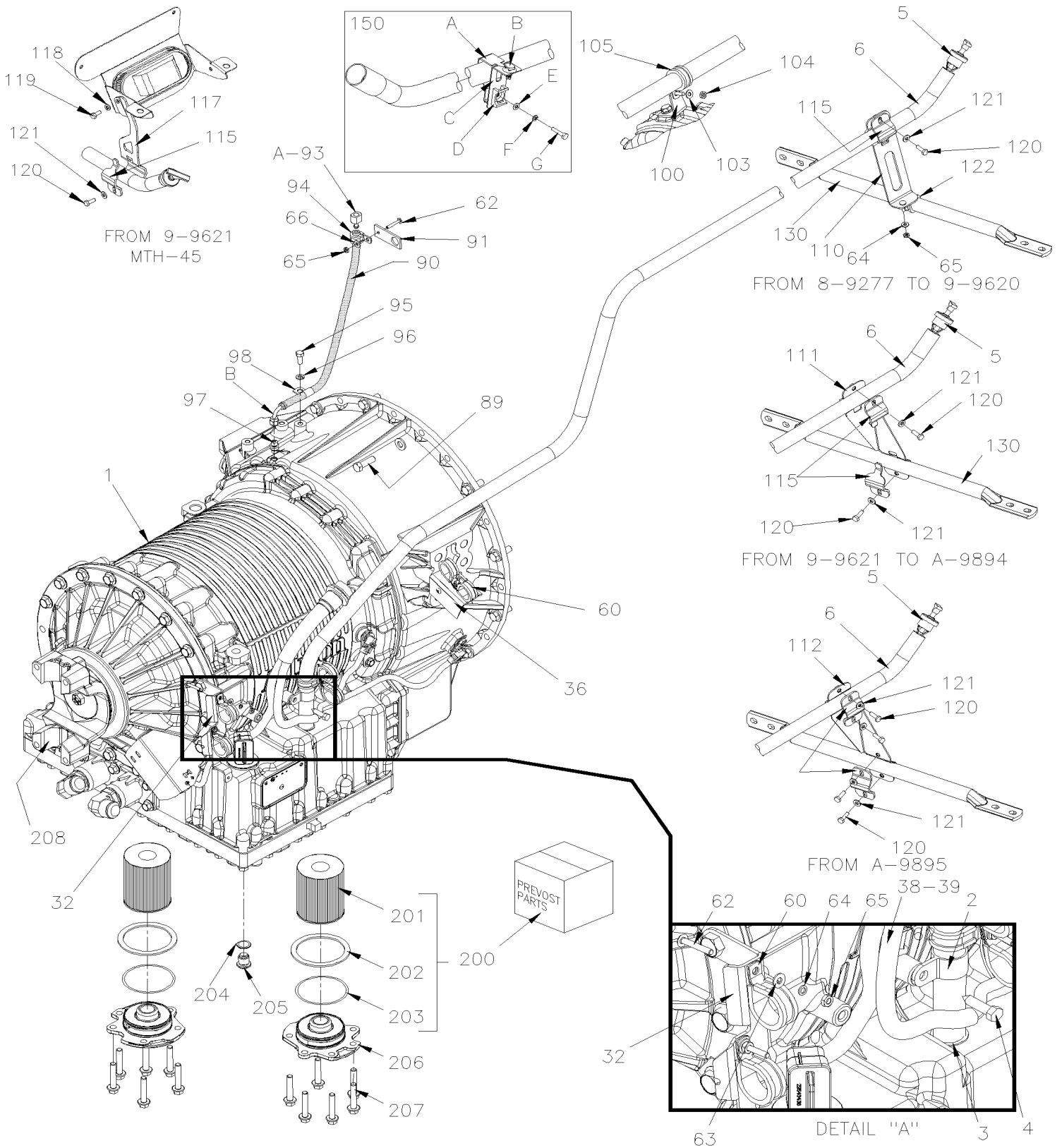
Item#	Part	Description	X L I I M T H 4 5	X L I I M T H 4 5 E	N O T E S
5	MTH-0750-00	AUTOMATIC TRANSMISSION - "WORLD" WITH DETROIT S-60 From 8-9279 To B-9999			
5	MTH-0750-01	AUTOMATIC TRANSMISSION - "WORLD" WITH VOLVO D13 From 9-9591 To B-9999			
10	MTH-0755-15	SHIFTER ELECTRONIC - "WORLD" TRANSMISSION From 8-9279 To B-9999			
15	MTH-0760-00	RETARDER SELECTOR SWITCH - "WORLD" From 8-9279 To B-9999			

From 8-9279 To B-9999

Date:10/2022

PAGE:MTH-0750-00

AUTOMATIC TRANSMISSION - "WORLD" WITH DETROIT S-60

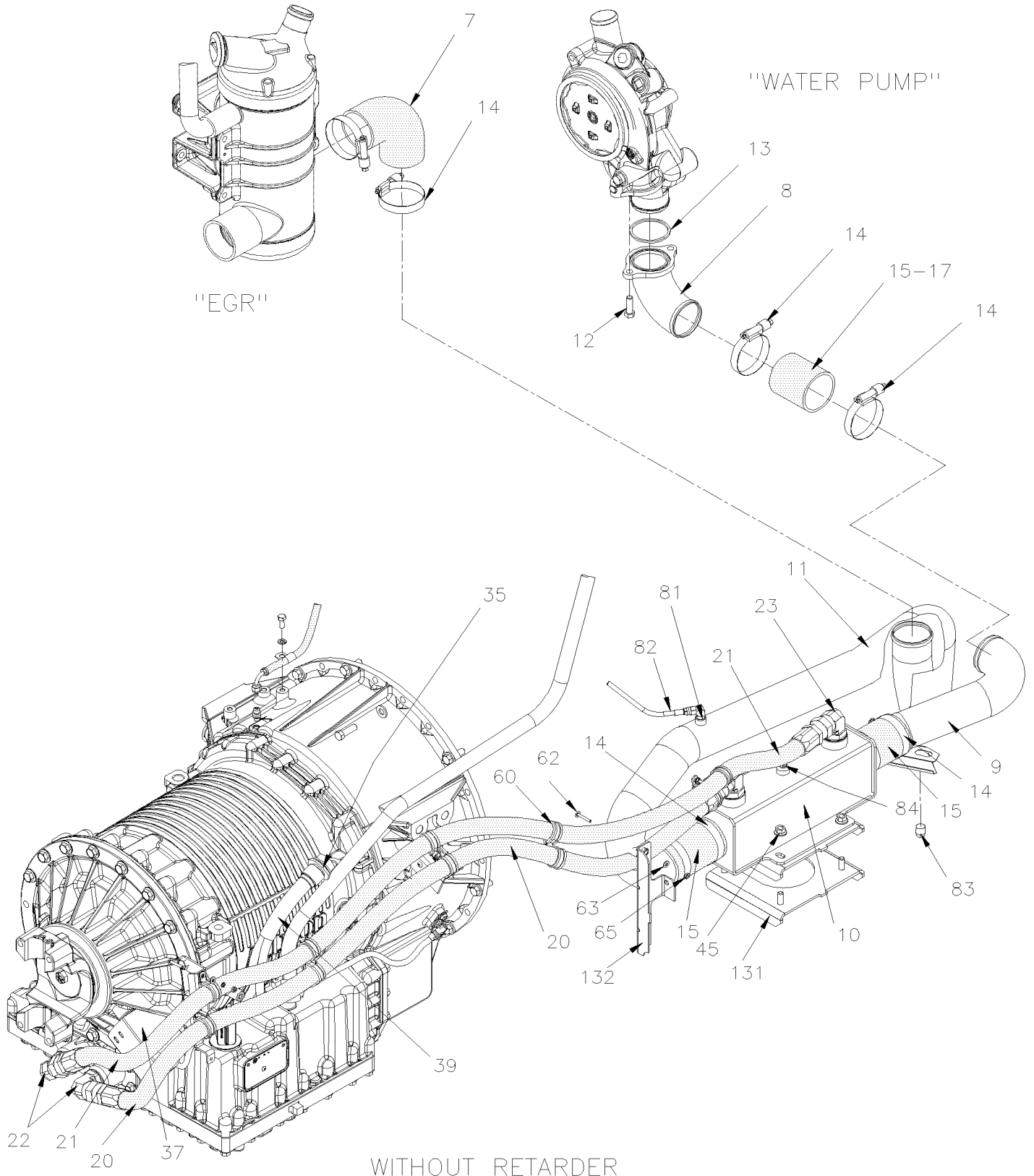


From 8-9279 To B-9999

Date:10/2022

PAGE:MTH-0750-00

AUTOMATIC TRANSMISSION - "WORLD" WITH DETROIT S-60

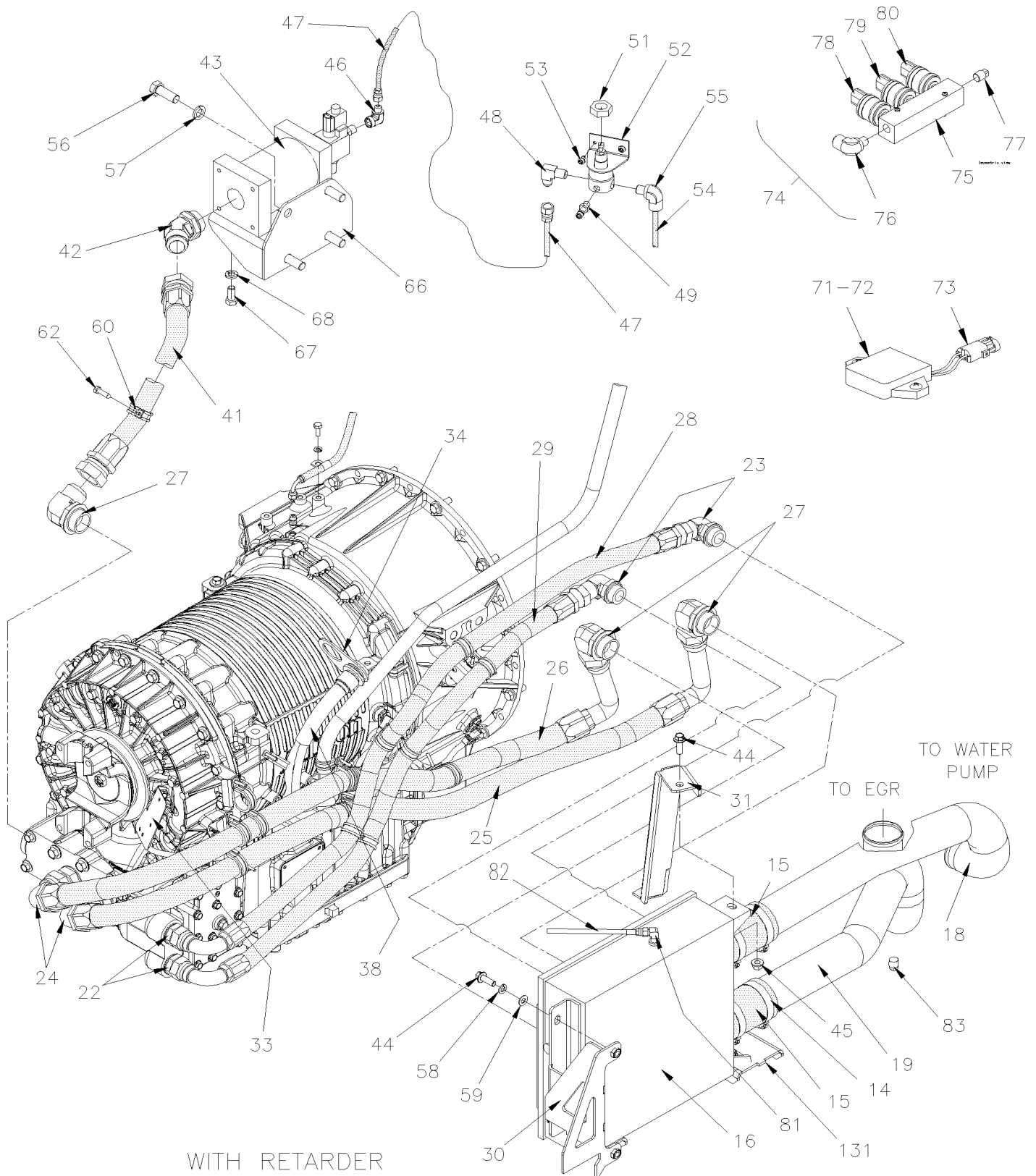


From 8-9279 To B-9999

Date:10/2022

PAGE:MTH-0750-00

AUTOMATIC TRANSMISSION - "WORLD" WITH DETROIT S-60





From 8-9279 To B-9999	Date:10/2022	PAGE:MTH-0750-00
AUTOMATIC TRANSMISSION - "WORLD" WITH DETROIT S-60		

Item#	Part	Description	X L I M T H 4 5	X L I M T H 4 5 E	N O T E S
		THE NEXT FOLLOWING TRANSMISSION W/O RETARDER			
		ARE USED WITH 12.7 LITERS / 400HP			
	572032	TRANSMISSION ASSY B500 / GEN IV To 9-9589	1	1	
	572116	TRANSMISSION ASSY B500 / GEN IV From 9-9590	1	1	
	572033	TRANSMISSION ASSY 4000MH / GEN IV To 9-9589	1	1	
	572118	TRANSMISSION ASSY 4000MH / GEN IV From 9-9590	1	1	
	572045	E.C.U. HD4000MG / GEN IV To 8-9276	1	1	
	572048	E.C.U. 4000MH / GEN IV From 8-9277 To 8-9381	1	1	
	572067	E.C.U. 4000MH / GEN IV From 8-9382 To 9-9589	1	1	
	572114	E.C.U. 4000MH / GEN IV From 9-9590	1	1	
		THE NEXT FOLLOWING TRANSMISSION W/RETARDER			
		ARE USED WITH 12.7 LITERS / 400HP			
	572034	TRANSMISSION ASSY 4000MH / GEN IV To 9-9589	1	1	
	572119	TRANSMISSION ASSY 4000MH / GEN IV From 9-9590	1	1	
	572035	TRANSMISSION ASSY B500R / GEN IV To 9-9589	1	1	
	572117	TRANSMISSION ASSY B500R / GEN IV From 9-9590	1	1	
	572045	E.C.U. HD4000MG / GEN IV To 8-9276	1	1	
	572048	E.C.U. 4000MH / GEN IV From 8-9277 To 8-9381	1	1	
	572067	E.C.U. 4000MH / GEN IV From 8-9382 To 9-9589	1	1	
	572114	E.C.U. 4000MH / GEN IV From 9-9590	1	1	
		TRANSMISSION ASSY / SEE ABOVE			
2	504602	CLAMP / 1" I.D. X .375 HOLE	1	1	
3	571662	GROMMET RUBBER / TUBE & TRANS	1	1	
4	5001473	SCREW CAP HEXS 5/16-18x3/4 NYRT	1	1	
5	572038	TRANS DIPSTICK 2465.7MM To 9-9627	1	1	
5	572128	TRANS DIPSTICK 2465.7MM From 9-9628	1	1	
6	071389	TUBE DIPSTICK	1	1	
7	052898	ELBOW 90° X 2 3/4" I.D. / 110MM x 110MM C/C / SILICONE	1	1	
8	071231	ELBOW 90°	1	1	
9	071240	PIPE WATER PUMP TO OIL COOLER / W/O RETARDER	1	1	
10	571769	OIL COOLER "MODINE" / SINGLE	1	1	
11	071239	PIPE OIL COOLER TO EGR / W/O RETARDER To 8-9281	1	1	
11	071543	PIPE OIL COOLER TO EGR / SS / W/O RETARDER SERVICE To 8-9281	1	1	
11	071521	PIPE OIL COOLER TO EGR / W/O RETARDER From 8-9282 To 9-9642	1	1	
11	071540	PIPE OIL COOLER TO EGR / SS / W/O RETARDER From 9-9643	1	1	
12	510779	BOLT / TO FIX ELBOW	2	2	
13	510778	O-RING 2.612 I.D.	1	1	



From 8-9279 To B-9999	Date:10/2022	PAGE:MTH-0750-00
AUTOMATIC TRANSMISSION - "WORLD" WITH DETROIT S-60		

Item#	Part	Description	X L I M T H 4 5	X L I M T H 4 5 E	N O T E S
14	504562	HOSE CLAMP / 2"3/4-3"5/8 / C.T. 350	8	8	
15	071250	HOSE 2 3/4" I.D. X 100MM	2	2	
15	503395	. HOSE SILICONE 4PLY 2 3/4" I.D. x 3'	AR	AR	
16	571770	OIL COOLER "MODINE" / DOUBLE To 8-9293	1	1	
16	572046	OIL COOLER "MODINE" / DOUBLE From 8-9294	1	1	
17	071268	HOSE SILICONE 4 PLY 2 3/4" I.D X 84MM	1	1	
17	503395	. HOSE SILICONE 4PLY 2 3/4" I.D. x 3'	AR	AR	
18	071338	PIPE WATER PUMP TO OIL COOLER	1	1	
19	071339	PIPE OIL COOLER TO EGR To 8-9293	1	1	
19	071542	PIPE OIL COOLER TO EGR / SS SERVICE To 8-9293	1	1	
19	071390	PIPE OIL COOLER TO EGR From 8-9294 To 9-9642	1	1	
19	071539	PIPE OIL COOLER TO EGR / SS From 9-9643	1	1	
20	071262	HOSE ASSY / #16 1480MM To 9-9597	1	1	C
20	079024	HOSE ASSY / #16 1520MM From 9-9598	1	1	
21	071261	HOSE ASSY / #16 1795MM To 9-9597	1	1	B
21	079023	HOSE ASSY / #16 1840MM From 9-9598	1	1	
22	501573	MALE CONNECTOR / JIC 37° FITTING / #16JIC-Mx#16ORB-M STL To 9-9597	2	2	O
22	501523	MALE ELBOW 90° / JIC 37° FITTING / #16JIC-Mx#16ORB-M STL From 9-9598	2	2	O
22	501573	MALE CONNECTOR / JIC 37° FITTING / #16JIC-Mx#16ORB-M STL	2	2	R
23	501523	MALE ELBOW 90° / JIC 37° FITTING / #16JIC-Mx#16ORB-M STL	2	2	
24	501575	MALE CONNECTOR / JIC 37° FITTING / #20JIC-Mx#20ORB-M STL VITON	2	2	
25	071332	HOSE ASSY / #20 1385MM	1	1	
26	071331	HOSE ASSY / #20 1287MM	1	1	
27	5011065	MALE ELBOW 90° / JIC 37° FITTING / #20JIC-Mx#20ORB-M STL VITON	2	2	
28	071333	HOSE ASSY / #16 1240MM	1	1	
29	071334	HOSE ASSY / #16 996MM	1	1	
30	071343	ATTACHMENT / 255MM HIGHT	1	1	
31	071328	ATTACHMENT	1	1	
32	071407	SUPPORT HOSE	1	1	
33	071097	PROTECTOR SUPPORT SS 102MM X 90MM	1	1	R S
35	071403	SUPPORT CABLE HARNESS / W/1 HOLE & 1 STUD / GEN IV	1	1	
36	071305	SUPPORT "J" SHAPE	1	1	
37	071440	PROTECTOR SUPPORT SS "V" SHAPE 80MM HIGH To 9-9597	1	1	O
37	079022	PROTECTOR SUPPORT SS "V" SHAPE 74MM HIGH From 9-9598	1	1	O
38	066208	CABLE HARNESS / SENSOR WTEC W/RETARDER / MUX	1	1	
39	066209	CABLE HARNESS / SENSOR WTEC W/OUT RETARDER / MUX	1	1	
NS	061129	SUPPORT FLAT TWISTED / TUBE DIPSTICK	1	1	
NS	071408	PROTECTOR RUBBER CABLE HARNESS & HOSES	1	1	O
NS	071404	PROTECTOR RUBBER CABLE HARNESS & HOSES	1	1	R
41	071335	HOSE ASSY / #20 770MM	1	1	
42	507558	MALE ELBOW 45° / JIC 37° FITTING / #20JIC-Mx#20ORB-M STL VITON	1	1	
43	571745	ACCUMULATOR & SOLENOID / WTEC III	1	1	



From 8-9279 To B-9999	Date:10/2022	PAGE:MTH-0750-00
AUTOMATIC TRANSMISSION - "WORLD" WITH DETROIT S-60		

Item#	Part	Description	X L I I M T H 4 5	X L I I M T H 4 5 E	N O T E S
. NS	571707	. ACCUMULATOR	1	1	
. NS	571708	. VALVE SOLENOID 12V	1	1	
43	572030	ACCUMULATOR & SOLENOID / GEN IV	1	1	
43	571708	. VALVE SOLENOID 12V	1	1	
44	5001741	SCREW CAP HEXF M10-1.5x30 G8.8 N500	5	5	
45	5001760	NUT HEXF STO M10-1.5 G8 ZP	5	5	
46	5011112	FEMALE ELBOW 90° / JIC 37° FITTING / #6JIC-Mx3/8NPT-F STL	1	1	
47	142486	HOSE ASSY TEFLON #6 610MM	1		
47	142483	HOSE ASSY TEFLON #6 450MM		1	
48	501687	MALE CONNECTOR / JIC 37° FITTING / #6JIC-Mx1/4NPT-M STL	1	1	
49	640488	VALVE, AIR FILL 1/8" NPT	1	1	
. NS	650164	. CAP VALVE / CHROME	1	1	
50	641472	AIR PRESSURE REGULATOR 1/4" NPT / COPPER	1	1	
51	500734	NUT HEX JAM 3/4-16 Z050	1	1	
52	142013	SUPPORT AIR REGULATOR / ANGLE 90DEG STYLE	1	1	
53	500535	SCREW TP CAP HEX #14x3/4 Z050	2	2	
NS	500473	WASHER LO SPT .262x.489x.062 Z050	2	2	
54	503404	TUBE, NYLON 3/8 O.D. / BLACK S.L.	AR	AR	
55	641372	MALE ELBOW 90° NON-SWIVEL / PUSH-IN FITTING / #6x1/4NPT-M BR	1	1	
56	500225	SCREW CAP HEX 5/8-11x1 G5 Z050	3	3	
56	500817	SCREW CAP HEX 5/8-11x1 3/4 G5 Z050	3	3	
57	500484	WASHER LO SPT .635x1.079x.156 Z050	3	3	
57	500802	WASHER LO SPT 16.2x37.4x3.5 Z050	3	3	
58	3852496	WASHER LO SPT 10.2x18.1x2.2 ZG603	2	2	
59	500832	WASHER FL .406x.812x.065 N500	2	2	
60	952637	CLAMP / 1"1/16 I.D.	AR	AR	
60	952641	CLAMP / 1 5/16" I.D.	AR	AR	
62	500574	SCREW MA TR PH #10-24x1 1/4 SS	AR	AR	
63	500964	WASHER FL .203x.500x.047 Z050	AR	AR	
64	500470	WASHER LO SPT .193x.334x.047 Z050	AR	AR	
65	500786	NUT HEX #10-24 Z050	AR	AR	
66	071329	SUPPORT / TRANS & ACUMULATOR / WTEC III (168mm c/c holes)	1	1	
66	071400	SUPPORT / TRANS & ACUMULATOR / GEN IV (155mm c/c holes)	1	1	
67	500213	SCREW CAP HEX 1/2-13x1 G5 Z050	4	4	
68	500482	WASHER LO SPT .506x.873x.125 Z050	4	4	
71	562357	RESISTANCE MODULE	1	1	
72	562381	RESISTANCE MODULE	1	1	
73	063782	CABLE ASSY / RESISTANCE MODULE & SWITCH	1	1	
74	070902	PRESSURES SWITCH ASSY W/MANIFOLD	1	1	
75	070903	. MANIFOLD	1	1	
76	640999	. MALE ELBOW 90° / NTA FITTING / #6x1/4NPT-M BR	1	1	
77	501304	. PLUG SQUARE HEAD / PIPE FITTING / 1/4NPT-M BR To A-9968	1	1	



From 8-9279 To B-9999	Date:10/2022	PAGE:MTH-0750-00
AUTOMATIC TRANSMISSION - "WORLD" WITH DETROIT S-60		

Item#	Part	Description	X L I M T H 4 5	X L I M T H 4 5 E	NOTES
77	501800	. PLUG HEXS / PIPE FITTING / 1/4NPT-M STL From A-9969	1	1	
78	562358	. PRESSURE SWITCH N.O. 2PSI / 1/8NPT	1	1	
79	562384	. PRESSURE SWITCH N.O. 4PSI / 1/8NPT	1	1	
80	562385	. PRESSURE SWITCH N.O. 7PSI / 1/8NPT To A-9625	1	1	
81	501037	MALE ELBOW 90° / SAE 45° FITTING / #4FL-Mx1/4NPT-M BR	1	1	
81	501027	MALE CONNECTOR / SAE 45° FITTING / #4FL-Mx1/4NPT-M BR	1	1	
82	053532	HOSE ASSY TEFLON #4 1250MM	1	1	
82	052509	HOSE ASSY TEFLON #4 1170MM	1	1	
83	501129	EXTERNAL SEAL DRAIN 1/4 NPT To 8-9293	1	1	
83	501449	PLUG HEXS / PIPE FITTING / 3/8NPT-M STL From 8-9294 To 9-9642	1	1	
83	501305	PLUG SQUARE HEAD / PIPE FITTING / 3/8NPT-M BR From 9-9643 To A-9968	1	1	
83	501449	PLUG HEXS / PIPE FITTING / 3/8NPT-M STL From A-9969	1	1	
84	501304	PLUG SQUARE HEAD / PIPE FITTING / 1/4NPT-M BR To A-9968	1	1	
84	501800	PLUG HEXS / PIPE FITTING / 1/4NPT-M STL From A-9969	1	1	
85	061025	SUPPORT	1	1	
88	502719	SCREW CAP HEX M10-1.5x20 SS EMN	1	1	
89	5001427	SCREW CAP HEX 7/16-14x1 3/8 G5 Z050	12	12	A
NS	500853	WASHER LO EXT .437x.760x.036 Z050	12	12	A
90	071170	HOSE ASSY / #4 24"	1	1	
. A	071167	. FEMALE CONNECTOR / HOSE BARB @ METRIC / #4x M10-1.5-F BR	1	1	
. B	071166	. MALE CONNECTOR / HOSE BARB @ METRIC / #4x M10-1.5-M BR	1	1	
91	060840	SUPPORT HARNESS	1	1	
92	504601	CLAMP / 5/16" I.D. x .375 HOLE	1	1	
93	571763	BREATHER	1	1	
94	952627	CLAMP / 1/2" I.D.	1	1	
95	502862	SCREW CAP HEX M8-1.25x20 G8.8 N500	1	1	
96	500942	WASHER LO SPT 8.1x14.8x2.0 N500	1	1	
97	071166	MALE CONNECTOR / HOSE BARB @ METRIC / #4x M10-1.5-M BR	1	1	
97	071497	MALE CONNECTOR / SAE 45° @ METRIC / #4FL-Mx M10-1.5 M BR	1	1	
98	504601	CLAMP / 5/16" I.D. x .375 HOLE	1	1	
100	071392	SUPPORT / TUBE DIPSTICK / ANGLE W/STUD		1	
NS	071490	SUPPORT / TUBE DIPSTICK	1		
NS	500574	SCREW MA TR PH #10-24x1 1/4 SS	1	1	
103	500470	WASHER LO SPT .193x.334x.047 Z050	1	1	
104	500786	NUT HEX #10-24 Z050	1	1	
105	952635	CLAMP / 1" I.D.	1	1	
110	071486	SUPPORT / TUBE DIPSTICK To 9-9620		1	
111	071547	SUPPORT / TUBE DIPSTICK From 9-9621 To A-9894		1	
112	071611	SUPPORT / TUBE DIPSTICK From A-9894		1	
115	071487	ATTACHMENT DIPSTICK TUBE W1 HOLE & HOCK To 9-9620		1	
115	071487	ATTACHMENT DIPSTICK TUBE W1 HOLE & HOCK From 9-9621 To A-9894	2	2	
115	071487	ATTACHMENT DIPSTICK TUBE W1 HOLE & HOCK	1		



From 8-9279 To B-9999	Date:10/2022	PAGE:MTH-0750-00
AUTOMATIC TRANSMISSION - "WORLD" WITH DETROIT S-60		

Item#	Part	Description	X L I M T H 4 5	X L I M T H 4 5 E	N O T E S
116	071612	ATTACHMENT DIPSTICK TUBE W/2 HOLES From A-9895		2	
117	071490	SUPPORT / TUBE DIPSTICK	1		
118	502853	WASHER LO SPT 6.1x11.8x1.6 N500	1		
119	5001744	SCREW CAP HEX M6-1.0x16 G8.8 N500	1		
120	502830	SCREW CAP HEX M6-1.0x20 G8.8 N500	AR	AR	
121	500877	WASHER FL .250x.562x.065 N500	AR	AR	
122	952635	CLAMP / 1" I.D. To 9-9620		AR	
130	MTH-0120-00	DRIVE PULLEY, BELTS & TENSIONER WITH DETROIT S-60			
131	MTH-0150-00	ENGINE CRADLE - WITH DETROIT S-60			
150	068139	KIT CABLE SUPPORT / THERMAL PROTECTOR	1	1	
. A	071638	. BASE SUPPORT / W/NUT M4-0.7	1	1	
. B	509815	. TIE MOUNT / ATTACHMENT W/TREE MOUNT	1	1	
. C	071639	. ANGLE CABLE SUPPORT / THERMAL DETECTOR 25.4MMx 61.3MMx25.4	1	1	
. D	504013	. TIE MOUNT / 1/4" X 1/4" I.D.	1	1	
. E	502556	. WASHER FL 4.3x9.0x0.8 SS	1	1	
. F	502834	. WASHER LO SPT 4.1x7.6x0.9 N500	1	1	
. G	502685	. SCREW CAP HEX M4-0.7x20 SS EMN	1	1	
NS	683904	TESTING FOR GLYCOL CONTAMINATION IN TRANSMISSION OIL		1	
. NS	IS-99901A	. SEE INSTRUCTION SHEET		1	
200	572050	TRANSMISSION FILTER / MAINTENANCE KIT	AR	AR	
. NS	571692	. O-RING / (LARGE SQUARE CUT)	2	2	
. NS	571693	. O-RING / (SMALL)	2	2	
. NS	571694	. O-RING / DRAIN PLUG	2	2	
. NS	571695	. DRAIN PLUG ASSY W/O-RING	1	1	
201	N.S.S.	. FILTER	2	2	1
202	571692	. O-RING / (LARGE SQUARE CUT)	2	2	
203	571693	. O-RING / (SMALL)	2	2	
204	571694	. O-RING / DRAIN PLUG	2	2	
205	571695	DRAIN PLUG ASSY W/O-RING	1	1	
NS	071249	DECAL "TranSynd OIL ONLY" / ENGLISH & FRANCAIS	1	1	
NS	071364	DECAL "TranSynd OIL ONLY" / ENGLISH & SPANISH	1	1	
NS	684016	OIL TRANSYND TRANSMISSION "WORLD"	1	1	
206	N.S.P.	COVER FILTER / (29507434)	2	2	2
207	N.S.P.	BOLT M10-1.5 x 55M / (2954186)	AR	AR	2
208	N.S.P.	YOKE (1810) HALF ROUND(29511516/6.5-4-4521-1)	1	1	2
208	N.S.P.	STRAP LOCK PLATE	1	1	2
208	N.S.P.	BOLT M10-1.5 X 30MM GR 10.9	2	2	2
208	N.S.P.	SEAL OUTPUT / (29515621)	1	1	2



From 8-9279 To B-9999	Date:10/2022	PAGE:MTH-0750-00
AUTOMATIC TRANSMISSION - "WORLD" WITH DETROIT S-60		

Item#	Part	Description	X L I M T H 4 5	X L I M T H 4 5 E	N O T E S
		A) TO FIX TRANSMISSION TO ENGINE			
		B) PRODUCT IMPROVEMENT CORRODING HOSE FITTING, CHANGE FOR HOSE # 079023 WITH 1 FITTING # 501523			
		C) PRODUCT IMPROVEMENT CORRODING HOSE CHANGE FOR HOSE # 079024 WITH 1 FITTING # 501523			
		O) WITHOUT RETARDER			
		R) WITH RETARDER			
		S) AS SHOWN			
		1) NOT SOLD SEPARATELY			
		2) NOT SOLD BY PREVOST (SEE MANUFACTURING PART NUMBER AT END OF DESCRIPTION LINE)			

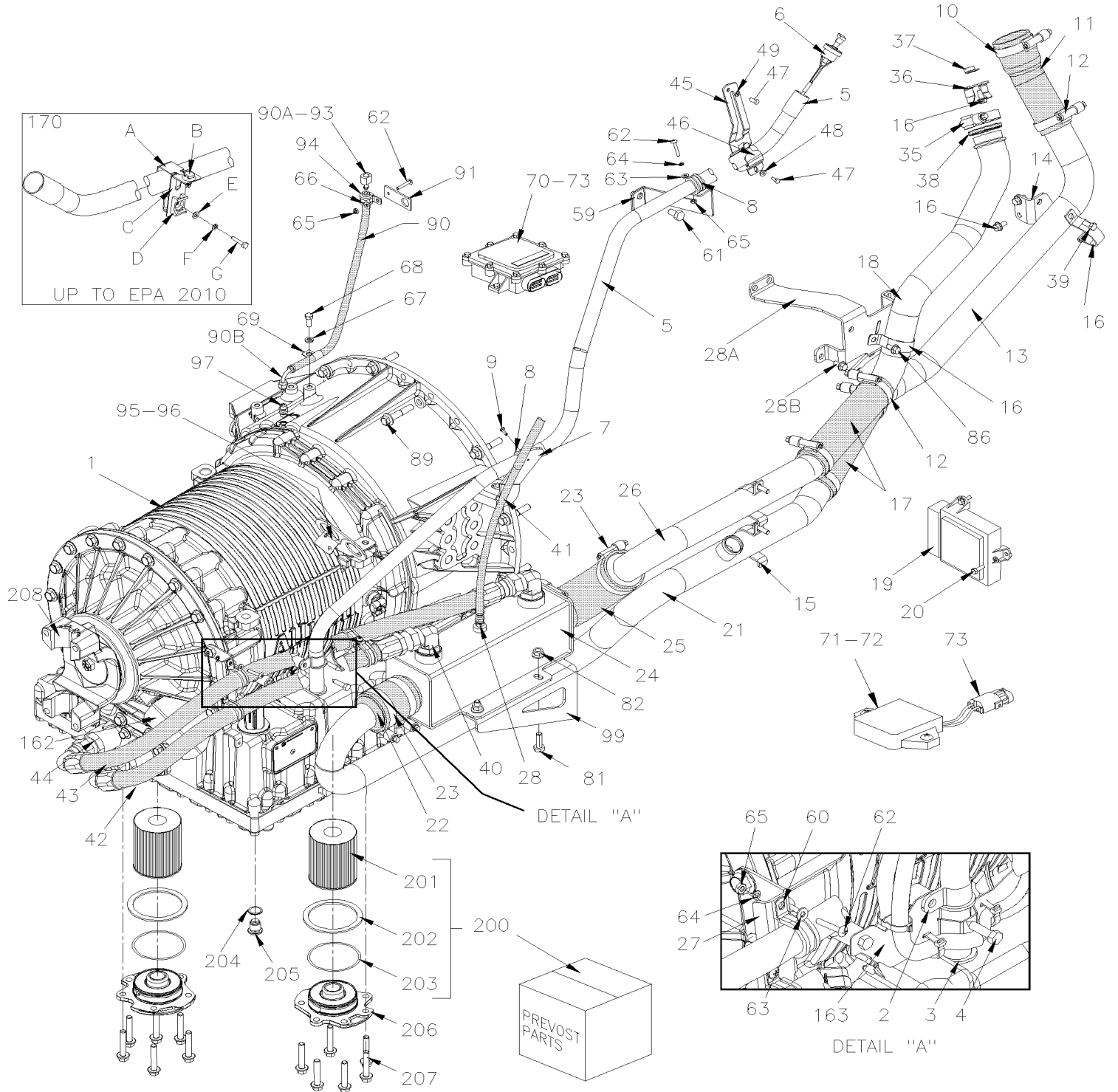


From 9-9591 To B-9999

Date:10/2022

PAGE:MTH-0750-01

AUTOMATIC TRANSMISSION - "WORLD" WITH VOLVO D13

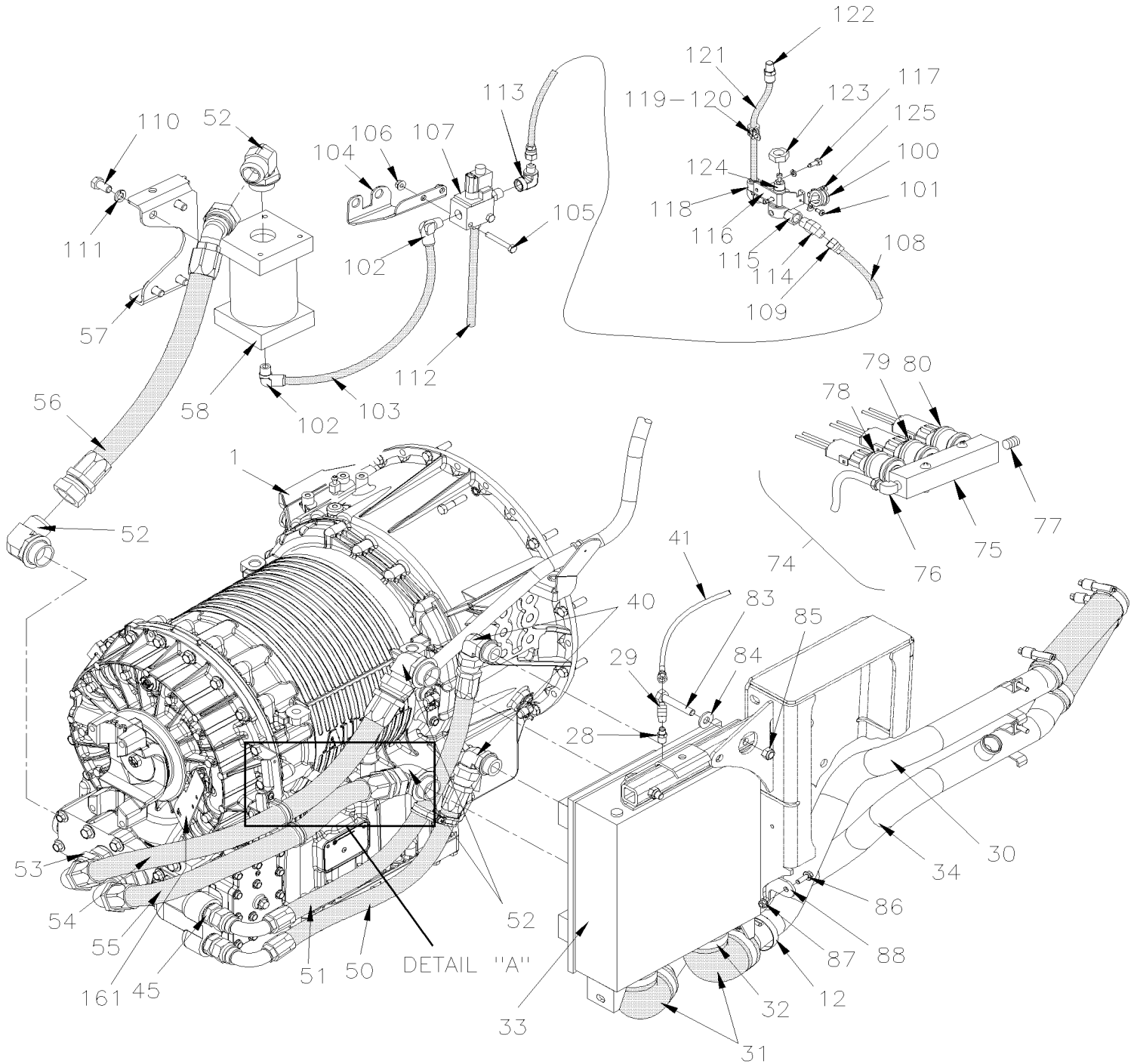


From 9-9591 To B-9999

Date:10/2022

PAGE:MTH-0750-01

AUTOMATIC TRANSMISSION - "WORLD" WITH VOLVO D13



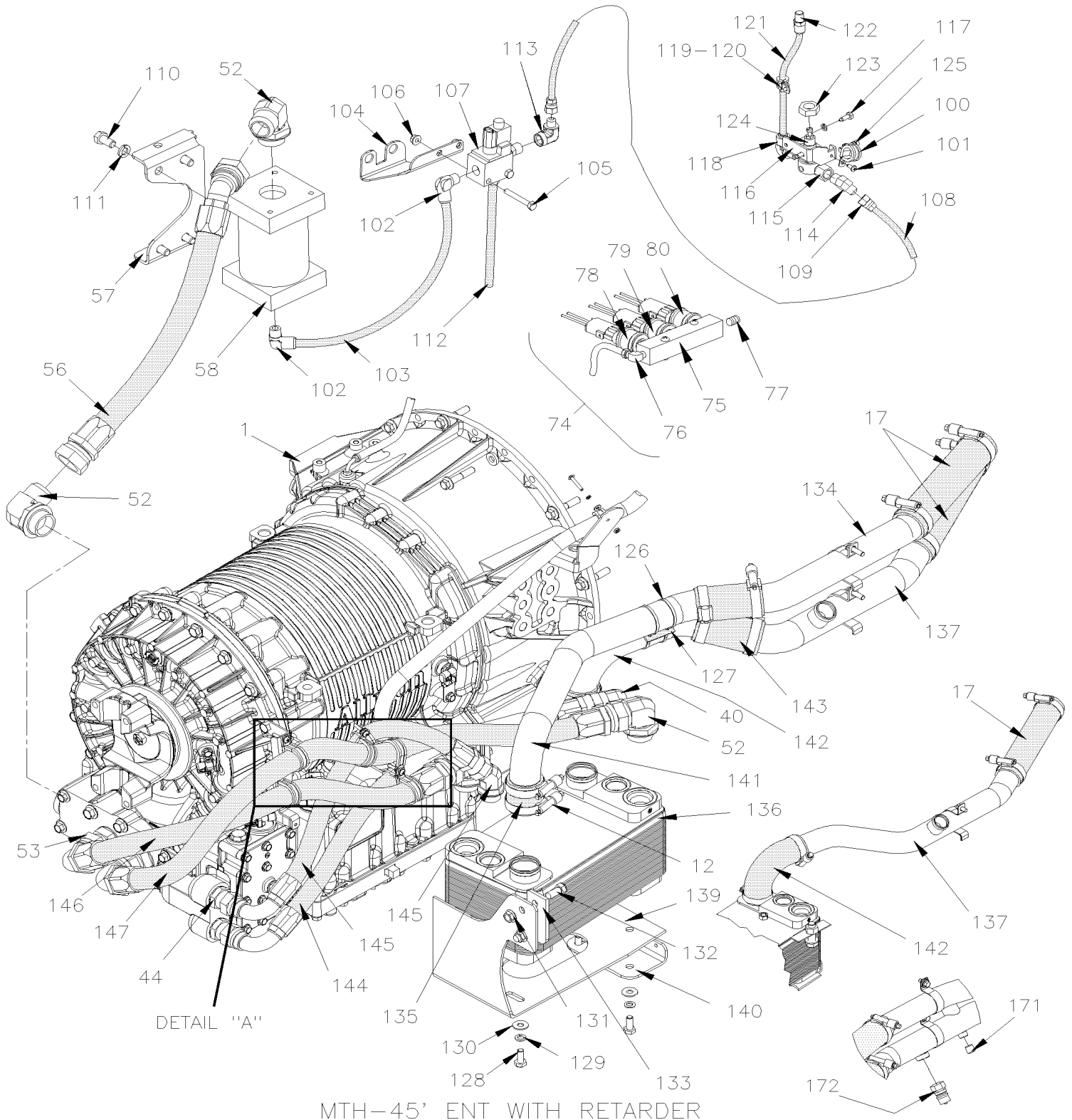
MTH 45' WITH RETARDER

From 9-9591 To B-9999

Date:10/2022

PAGE:MTH-0750-01

AUTOMATIC TRANSMISSION - "WORLD" WITH VOLVO D13





From 9-9591 To B-9999	Date:10/2022	PAGE:MTH-0750-01
AUTOMATIC TRANSMISSION - "WORLD" WITH VOLVO D13		

Item#	Part	Description	X L I I M T H 4 5	X L I I M T H 4 5 E	N O T E S
		THE NEXT FOLLOWING TRANSMISSION W/O RETARDER			
		ARE USED WITH D13 ENGINE / 435HP			
	572056	TRANSMISSION ASSY B500 / GEN IV To 9-9589		1	
	572120	TRANSMISSION ASSY B500 / GEN IV From 9-9590		1	
		THE NEXT FOLLOWING TRANSMISSION W/O RETARDER			
		ARE USED WITH D13 ENGINE / 485HP			
	572053	TRANSMISSION ASSY B500 / GEN IV To 9-9589		1	
	572120	TRANSMISSION ASSY B500 / GEN IV From 9-9590		1	
		THE NEXT FOLLOWING TRANSMISSION W/RETARDER			
		ARE USED WITH D13 ENGINE / 435HP			
	572052	TRANSMISSION ASSY B500R / GEN IV To 9-9589		1	
	572121	TRANSMISSION ASSY B500R / GEN IV From 9-9590		1	
		THE NEXT FOLLOWING TRANSMISSION W/RETARDER			
		ARE USED WITH D13 ENGINE / 485HP			
	572051	TRANSMISSION ASSY B500R / GEN IV To 9-9589		1	
	572121	TRANSMISSION ASSY B500R / GEN IV From 9-9590		1	
		TRANSMISSION ASSY SEE ABOVE			
NS	20788933	SPACER FLY WHEEL HOUSING 21MM		1	
NS	684016	OIL TRANSYND TRANSMISSION "WORLD"		AR	
2	504602	CLAMP / 1" I.D. X .375 HOLE		1	
3	571662	GROMMET RUBBER / TUBE & TRANS		1	
4	502513	SCREW TP CAP HEX 5/16x1 Z050		1	
5	071399	TUBE DIPSTICK ASSY		1	
6	572038	TRANS DIPSTICK 2465.7MM To 9-9627		1	
6	572128	TRANS DIPSTICK 2465.7MM From 9-9628		1	
NS	071249	DECAL "TranSynd OIL ONLY" / ENGLISH & FRANCAIS		1	
NS	071364	DECAL "TranSynd OIL ONLY" / ENGLISH & SPANISH		1	
7	071447	SUPPORT / TUBE DIPSTICK		1	
8	952635	CLAMP / 1" I.D.		2	
9	500965	SCREW TC BDG PH #8-32x1/2 N500		1	
10	504293	HOSE CLAMP / 2"5/16-3"1/4 SS / E.T. 44		1	
11	20960543	HOSE REDUCER 58.1 I.D. X 48.5 I.D. x 190MM / SILICONE To A-9959		1	
11	21000149	HOSE REDUCER 58 I.D. X 48I.D. x 190MM / SILICONE From A-9960		1	



From 9-9591 To B-9999	Date:10/2022	PAGE:MTH-0750-01
AUTOMATIC TRANSMISSION - "WORLD" WITH VOLVO D13		

Item#	Part	Description	X L I I M T H 4 5	X L I I M T H 4 5 E	N O T E S
12	504754	HOSE CLAMP / 1"3/4-2"5/8 / C.T. 250		5	
13	012524	PIPE / THERMOSTAT HOUSING & OIL COOLER		1	
14	012358	SUPPORT OIL COOLER PIPE		1	
15	012551	"U" CLAMP OFFSET 51MM I.D.		3	
16	946440	SCREW CAP HEXF M12-1.75x140 G8.8 MAGNI 565		3	
17	071429	HOSE SILICONE 4PLY 2" I.D. x 254 MM		2	
17	572049	. HOSE SILICONE 4PLY 2" I.D. x 12'		AR	
18	012525	PIPE / OIL COOLER TO HOSE REDUCER From 8-0949		1	
19	572059	INTERFACE TCM To 9-9589		1	
19	572115	INTERFACE TCM From 9-9590		1	
20	502622	SCREW CAP HEX M6-1.0x20 SS BK		3	
20	502570	WASHER LO SPT 6.1x11.8x1.6 SS		3	
21	071488	PIPE 2" O.D. INLET x 2 3/4" O.D. OUTLET From 8-0949		1	
22	071268	HOSE SILICONE 4 PLY 2 3/4" I.D X 84MM		1	
22	503395	. HOSE SILICONE 4PLY 2 3/4" I.D. x 3'		AR	
23	504562	HOSE CLAMP / 2"3/4-3"5/8 / C.T. 350		4	
24	571769	OIL COOLER "MODINE" / SINGLE		1	
25	052600	ELBOW 90° X 2 3/4" I.D. / 110MM x 110MM C/C / SILICONE To 8-9293		1	
25	052898	ELBOW 90° X 2 3/4" I.D. / 110MM x 110MM C/C / SILICONE From 8-9294		1	
26	071516	PIPE 2 3/4" I.D. INLET x 2" O.D. OUTLET		1	
27	071407	SUPPORT HOSE		1	
28A	21104724	SUPPORT OIL COOLER PIPE		1	
28B	5001780	SCREW CAP HEXF M8-1.25x16 G8.8 N500		2	
29	501037	MALE ELBOW 90° / SAE 45° FITTING / #4FL-Mx1/4NPT-M BR	1		
NS	501449	PLUG HEXS / PIPE FITTING / 3/8NPT-M STL		1	
35	504561	HOSE CLAMP / 2"1/4-3"1/8 / C.T. 300		1	
36	012529	ANGLE RETAINER TUBE "U" SHAPE		1	
37	1546532	ANGLE RETAINER		1	
38	1547254	RUBBER JOINT 49MM ID		1	
39	502862	SCREW CAP HEX M8-1.25x20 G8.8 N500		4	
40	501523	MALE ELBOW 90° / JIC 37° FITTING / #16JIC-Mx#16ORB-M STL		1	
41	052916	HOSE ASSY TEFLON #4 2015MM		1	
42	071472	HOSE ASSY / #16 710MM To 9-9597		1	
42	079026	HOSE ASSY / #16 710MM From 9-9598		1	
43	071473	HOSE ASSY / #16 1040MM To 9-9597		1	
43	079025	HOSE ASSY / #16 1040MM From 9-9598		1	
NS	071511	PROTECTOR RUBBER CABLE HARNESS & HOSES		1	
44	501573	MALE CONNECTOR / JIC 37° FITTING / #16JIC-Mx#16ORB-M STL To 9-9597		2	
44	501523	MALE ELBOW 90° / JIC 37° FITTING / #16JIC-Mx#16ORB-M STL From 9-9598		2	
45	071491	SUPPORT / TUBE DIPSTICK		1	
46	071487	ATTACHMENT DIPSTICK TUBE W1 HOLE & HOCK		1	
47	955271	SCREW CAP HEX M6-1.0x16 G8.8 ZG603		2	



From 9-9591 To B-9999	Date:10/2022	PAGE:MTH-0750-01
AUTOMATIC TRANSMISSION - "WORLD" WITH VOLVO D13		

Item#	Part	Description	X L I M T H 4 5	X L I M T H 4 5 E	N O T E S
48	500877	WASHER FL .250x.562x.065 N500		1	
49	502853	WASHER LO SPT 6.1x11.8x1.6 N500		1	
52	5011065	MALE ELBOW 90° / JIC 37° FITTING / #20JIC-Mx#20ORB-M STL VITON		4	
53	501575	MALE CONNECTOR / JIC 37° FITTING / #20JIC-Mx#20ORB-M STL VITON		2	
56	071433	HOSE ASSY / #20 440MM		1	
57	071432	SUPPORT ACCUMULATOR		1	
58	572030	ACCUMULATOR & SOLENOID / GEN IV		1	
59	071485	SUPPORT DIPSTICK To A-9897		1	
59	071610	SUPPORT DIPSTICK From A-9898		1	
60	952637	CLAMP / 1"1/16 I.D.		AR	
60	952641	CLAMP / 1 5/16" I.D.		AR	
61	502719	SCREW CAP HEX M10-1.5x20 SS EMN		1	
62	500574	SCREW MA TR PH #10-24x1 1/4 SS		AR	
63	500964	WASHER FL .203x.500x.047 Z050		AR	
64	500470	WASHER LO SPT .193x.334x.047 Z050		AR	
65	500786	NUT HEX #10-24 Z050		AR	
66	500440	WASHER FL .250x.562x.065 Z050		1	
67	504601	CLAMP / 5/16" I.D. x .375 HOLE		1	
68	502862	SCREW CAP HEX M8-1.25x20 G8.8 N500		1	
69	500942	WASHER LO SPT 8.1x14.8x2.0 N500		1	
70	563669	VECU MODULE / VOLVO / (VOLVO 20758808) To A-9856		1	
70	20758808	VECU MODULE / VOLVO To A-9896		1	
70	21083383	VECU MODULE / VOLVO From A-9897		1	
71	562357	RESISTANCE MODULE		1	
72	562381	RESISTANCE MODULE		1	
73	563762	CPC MODULE DETROIT To 9-9587		1	
73	565866	CPC MODULE DETROIT From 9-9588 To 9-9721		1	
73	565867	CPC MODULE DETROIT From 9-9722	1	1	
74	070902	PRESSURES SWITCH ASSY W/MANIFOLD		1	
75	070903	. MANIFOLD		1	
76	640999	. MALE ELBOW 90° / NTA FITTING / #6x1/4NPT-M BR		1	
77	501304	. PLUG SQUARE HEAD / PIPE FITTING / 1/4NPT-M BR To A-9968		1	
77	501800	. PLUG HEXS / PIPE FITTING / 1/4NPT-M STL From A-9969		1	
78	562358	. PRESSURE SWITCH N.O. 2PSI / 1/8NPT		1	
79	562384	. PRESSURE SWITCH N.O. 4PSI / 1/8NPT		1	
80	562385	. PRESSURE SWITCH N.O. 7PSI / 1/8NPT		1	
81	946472	SCREW CAP HEXF M10-1.5x30 G8.8 ZG603		4	
82	971098	NUT HEXF STO M10-1.5 G8 ZP		4	
86	5001643	SCREW CAP HEXF M8-1.25x25 G8.8 G500		AR	
89	20953751	SCREW CAP HEXF 7/16-14x2 1/4 G8 MAGNI 565		12	
NS	8397499	WASHER FL HARD .468x.937x.187 ZP		12	
90	071500	HOSE ASSY / #4 610MM		1	



From 9-9591 To B-9999	Date:10/2022	PAGE:MTH-0750-01
AUTOMATIC TRANSMISSION - "WORLD" WITH VOLVO D13		

Item#	Part	Description	X L I I M T H 4 5	X L I I M T H 4 5 E	N O T E S
. A	071167	. FEMALE CONNECTOR / HOSE BARB @ METRIC / #4x M10-1.5-F BR		1	
. B	5011303	. FEMALE ELBOW 90° SWIVEL / PUSH-LOK FITTING / #4FL-Fx#4 BR		1	
. C	503706	. HOSE FC-332-4 #4		AR	
91	060840	SUPPORT HARNESS		1	
93	571763	BREATHER		1	
94	952627	CLAMP / 1/2" I.D.		1	
95	071403	SUPPORT CABLE HARNESS / W/1 HOLE & 1 STUD / GEN IV		1	
96	071035	SUPPORT CABLE HARNESS / W/2 HOLES / WTEC III		1	
97	071497	MALE CONNECTOR / SAE 45° @ METRIC / #4FL-Mx M10-1.5 M BR		1	
99	Call order desk	SUPPORT OIL COOLER W/O RETARDER		1	P
100	952631	CLAMP / 3/4" I.D.		1	
101	500945	SCREW TC BDG PH #10-24x1/2 G500		1	
102	641376	MALE ELBOW 90° NON-SWIVEL / PUSH-IN FITTING / #8x3/8NPT-M BR		2	
103	503488	TUBE, NYLON 1/2 O.D. / BLACK S.L./		AR	
104	071484	SUPPORT SOLENOID		1	
105	5001178	SCREW CAP HEX M8-1.25x60 SS BK		2	
106	502837	NUT HEXF STO M8-1.25 N500		2	
107	571708	VALVE SOLENOID 12V		1	
108	142774	HOSE ASSY TEFLON #6 455MM To A-9951		1	
108	071089	HOSE ASSY TEFLON #6 355MM From A-9952		1	
109	5011194	FEMALE CONNECTOR SWIVEL / JIC 37° FITTING / TEFLON / #6JIC-Fx#6 STL		2	
110	500213	SCREW CAP HEX 1/2-13x1 G5 Z050		4	
111	500482	WASHER LO SPT .506x.873x.125 Z050		4	
112	560384	PLASTIC TUBING / 3/8" / CLEAR		AR	
113	5011112	FEMALE ELBOW 90° / JIC 37° FITTING / #6JIC-Mx3/8NPT-F STL		1	
114	507573	MALE ELBOW 45° / JIC 37° FITTING / #6JIC-Mx3/8NPT-M STL		1	
115	501311	ADAPTER / PIPE FITTING / 3/8NPT-Fx1/4NPT-M BR		1	
116	163489	SUPPORT AIR REGULATOR / ANGLE 90DEG STYLE		1	
117	502878	SCREW TP CAP HEX #14x3/4 N500		2	
117	955920	WASHER LO SPT 6.5x11.5x1.6 ZP		2	
118	641372	MALE ELBOW 90° NON-SWIVEL / PUSH-IN FITTING / #6x1/4NPT-M BR		1	
119	952625	CLAMP / 3/8" I.D.		1	
120	500613	SCREW TP PAN PH #10x1/2 Z050		1	
121	503404	TUBE, NYLON 3/8 O.D. / BLACK S.L.		1	
122	641331	MALE CONNECTOR / PUSH-IN FITTING / #6x1/4NPT-M BR		1	
123	500734	NUT HEX JAM 3/4-16 Z050		1	
124	641472	AIR PRESSURE REGULATOR 1/4" NPT / COPPER		1	
125	640488	VALVE, AIR FILL 1/8" NPT		1	
. NS	650164	. CAP VALVE / CHROME		1	
126	504637	CABLE TIE / 3/16" x 13"		2	
127	071496	SPACER RUBBER 55MMx55MM W/4 HOLES		1	
128	502804	SCREW CAP HEX M10-1.5x25 G8.8 N500		4	



From 9-9591 To B-9999	Date:10/2022	PAGE:MTH-0750-01
AUTOMATIC TRANSMISSION - "WORLD" WITH VOLVO D13		

Item#	Part	Description	X L I I M T H 4 5	X L I I M T H 4 5 E	N O T E S
129	502616	WASHER LO SPT 10.2x18.1x2.2 SS		4	
130	960143	WASHER FL 10.5x26.0x2.0 ZP		4	
131	5001456	NUT HEXF M12-1.75 SS		2	
132	502705	SCREW CAP HEX M12-1.75X25 G8.8 N500		2	
133	012373	PLATE 100MMx45MM W/2 HOLES		1	
134	071532	PIPE OIL COOLER 2" O.D.		1	
135	071494	HOSE SILICONE 4PLY 2" I.D. 60MM		1	
135	572049	. HOSE SILICONE 4PLY 2" I.D. x 12'		AR	
136	572043	COOLER, OIL, DOUBLE CIRCUIT		1	
137	071530	PIPE OIL COOLER 2" O.D.		1	
NS	501449	PLUG HEXS / PIPE FITTING / 3/8NPT-M STL		1	
138	5011035	MALE ELBOW 90° / JIC 37° FITTING / #16JIC-Mx#16ORB-M STL		1	
139	071430	SUPPORT OIL COOLER W/RETARDER		1	
140	071428	SUPPORT OIL COOLER W/RETARDER		1	
141	071531	PIPE OIL COOLER 2" O.D.		1	
142	012531	PIPE OIL COOLER 2" O.D. PROTO		1	
142	071533	ELBOW 90° X 2" I.D. / 114.3MM x 101.2MM C/C / SILICONE		1	
143	071493	HOSE SILICONE 4PLY 2" I.D. 110MM PROTO		2	
143	071493	HOSE SILICONE 4PLY 2" I.D. 110MM		1	
143	572049	. HOSE SILICONE 4PLY 2" I.D. x 12'		AR	
144	071501	HOSE ASSY / #16 609MM		1	
145	071427	HOSE ASSY / #16 514MM PROTO		1	
145	071586	HOSE ASSY / #16 720MM		1	
146	071424	HOSE ASSY / #20 746MM PROTO		1	
146	071436	HOSE ASSY / #20 1130MM		1	
147	071435	HOSE ASSY / #20 690MM		1	
NS	071510	PROTECTOR RUBBER CABLE HARNESS & HOSES		1	
150	068139	KIT CABLE SUPPORT / THERMAL PROTECTOR From 9-9936		1	
. A	071638	. BASE SUPPORT / W/NUT M4-0.7 From 9-9936		1	
. B	509815	. TIE MOUNT / ATTACHMENT W/TREE MOUNT From 9-9936		1	
. C	071639	. ANGLE CABLE SUPPORT / THERMAL DETECTOR 25.4MMx 61.3MMx25.4 From 9-9936		1	
. D	504013	. TIE MOUNT / 1/4" X 1/4" I.D. From 9-9936		1	
. E	502556	. WASHER FL 4.3x9.0x0.8 SS From 9-9936		1	
. F	502834	. WASHER LO SPT 4.1x7.6x0.9 N500 From 9-9936		1	
. G	502685	. SCREW CAP HEX M4-0.7x20 SS EMN From 9-9936		1	
161	071097	PROTECTOR SUPPORT SS 102MM X 90MM		1	
162	071096	PROTECTOR SUPPORT SS ANGLE SHAPE 61MM X 73MM To 7-9240		1	
162	071440	PROTECTOR SUPPORT SS "V" SHAPE 80MM HIGH From 7-9241 To 9-9597		1	
162	079022	PROTECTOR SUPPORT SS "V" SHAPE 74MM HIGH From 9-9598		1	
163	071581	SUPPORT CABLE HARNESS From B-5002		1	
164	066209	CABLE HARNESS / SENSOR WTEC W/OUT RETARDER / MUX		1	
164	066797	CABLE HARNESS / SENSOR WTEC W/RETARDER / MUX		1	



From 9-9591 To B-9999 Date:10/2022 PAGE:MTH-0750-01

AUTOMATIC TRANSMISSION - "WORLD" WITH VOLVO D13

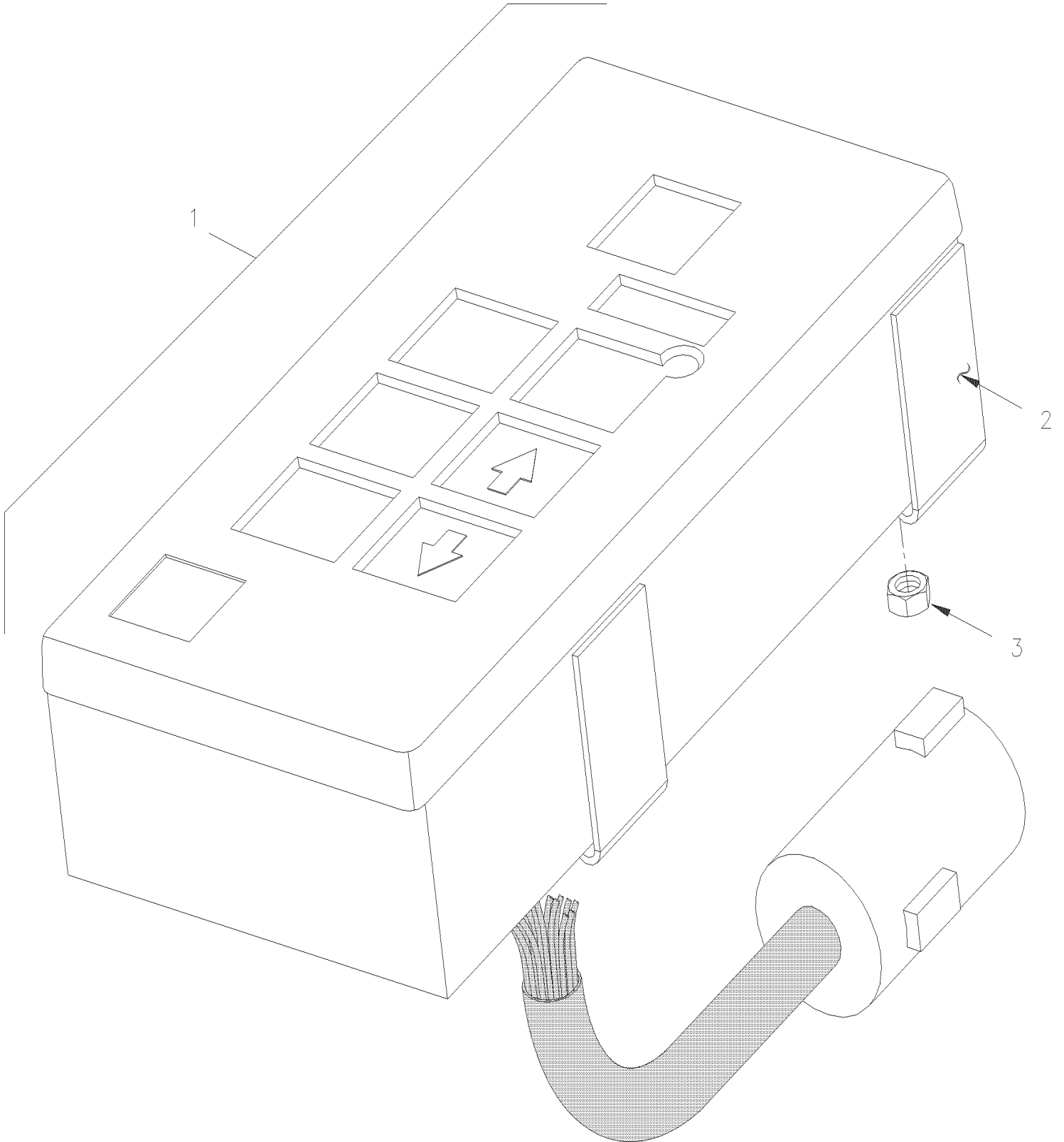
Item#	Part	Description	X L I I M T H 4 5	X L I I M T H 4 5 E	N O T E S
171	501305	PLUG SQUARE HEAD / PIPE FITTING / 3/8NPT-M BR		1	
172	1675641	NIPPLE / QUICK DISCONNECT "VOLVO" / 1/2NPT-M		1	
. NS	V476279	. DUST CAP / QUICK DISCONNECT "VOLVO" /		1	
. NS	507666	. DUST CAP / QUICK DISCONNECT "VOLVO" /		1	
200	572050	TRANSMISSION FILTER / MAINTENANCE KIT		1	
. NS	571692	. O-RING / (LARGE SQUARE CUT)		2	
. NS	571693	. O-RING / (SMALL)		2	
. NS	571694	. O-RING / DRAIN PLUG		2	
. NS	571695	. DRAIN PLUG ASSY W/O-RING		1	
201	N.S.S.	. FILTER		1	1
202	571692	. O-RING / (LARGE SQUARE CUT)		2	
203	571693	. O-RING / (SMALL)		2	
204	571694	. O-RING / DRAIN PLUG		2	
205	571695	. DRAIN PLUG ASSY W/O-RING		1	
205	684016	OIL TRANSYND TRANSMISSION "WORLD"		AR	
206	N.S.P.	COVER FILTER / (29507434)		2	2
207	N.S.P.	BOLT M10-1.5 x 55M / (2954186)		AR	2
208	N.S.P.	YOKE (1810) HALF ROUND (29511516/6.5-4-4521-1)		1	2
208	N.S.P.	STRAP LOCK PLATE		1	2
208	N.S.P.	BOLT M10-1.5 X 30MM GR 10.9		2	2
208	N.S.P.	SEAL OUTPUT / (29515621)		1	2
		1) NOT SOLD SEPARATELY			
		2) NOT SOLD BY PREVOST (SEE MANUFACTURING PART NUMBER AT END OF DESCRIPTION LINE)			
		P) CALL ORDER DESK FOR SPECIFIC APPLICATION (V.I.N.)			

From 8-9279 To B-9999

Date:10/2022

PAGE:MTH-0755-15

SHIFTER ELECTRONIC - "WORLD" TRANSMISSION





From 8-9279 To B-9999	Date:10/2022	PAGE:MTH-0755-15
------------------------------	---------------------	-------------------------

SHIFTER ELECTRONIC - "WORLD" TRANSMISSION

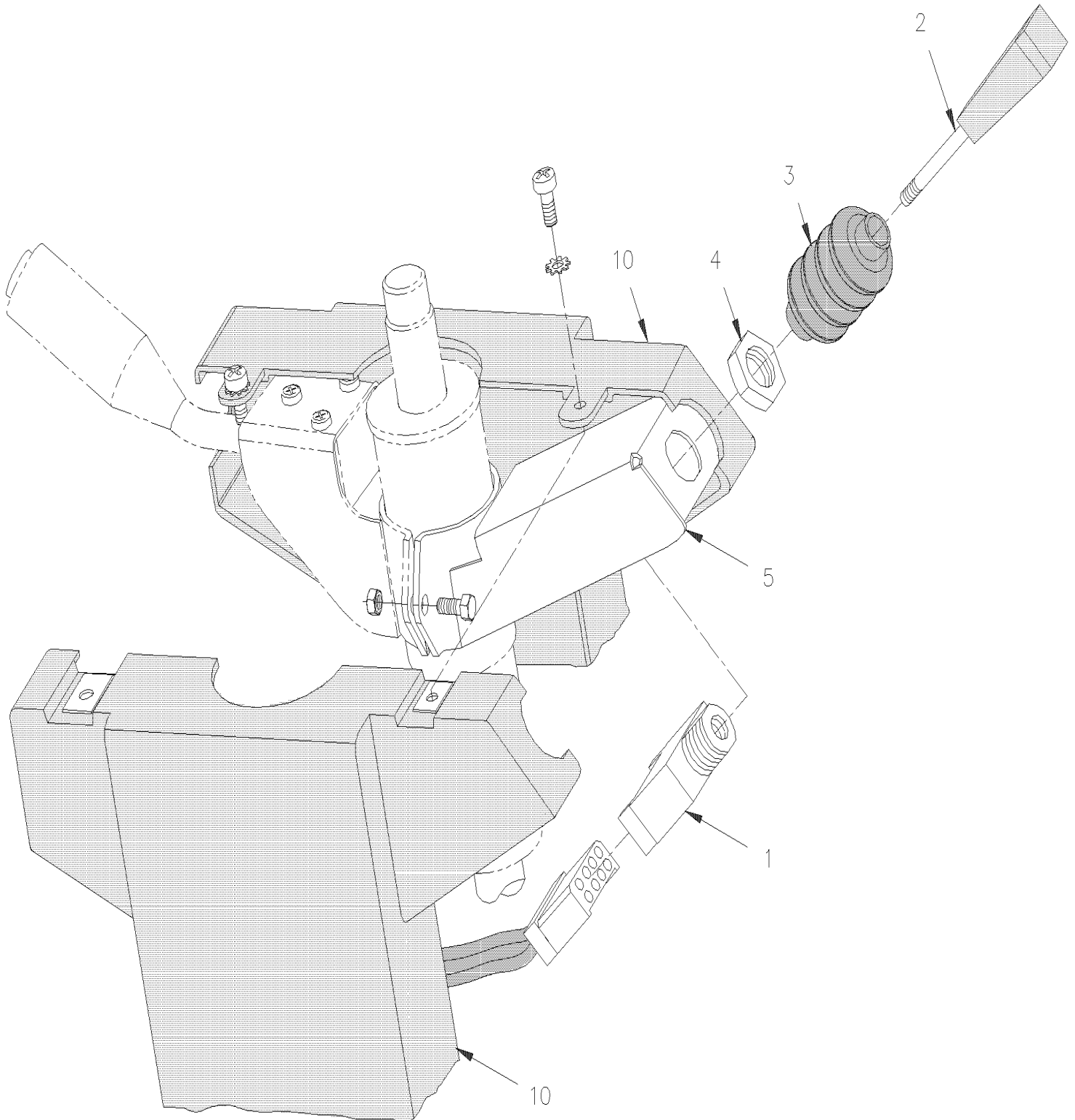
Item#	Part	Description	X L I I M T H 4 5	X L I I M T H 4 5 E	N O T E S
1	572031	SHIFTER, SELECTOR "WORLD" / GEN IV To 9-9589	1	1	
1	572124	SHIFTER, SELECTOR "WORLD" / GEN IV From 9-9590	1	1	
2	N.S.P.	. BRACKET	2	2	2
3	500423	. NUT HEX NYRT #10-32 SS	4	4	
		2) NOT SOLD BY PREVOST (SEE MANUFACTURING PART NUMBER AT END OF DESCRIPTION LINE)			

From 8-9279 To B-9999

Date:10/2022

PAGE:MTH-0760-00

RETARDER SELECTOR SWITCH - "WORLD"



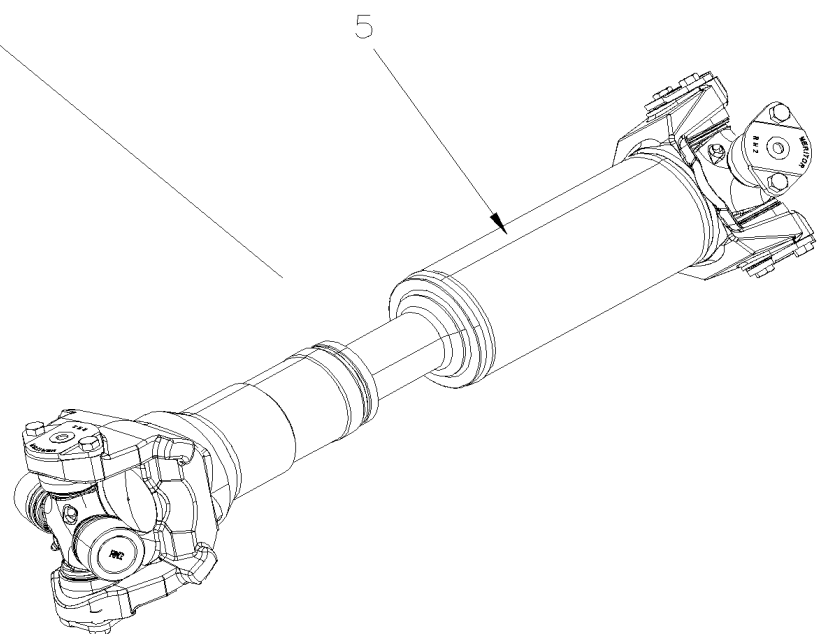
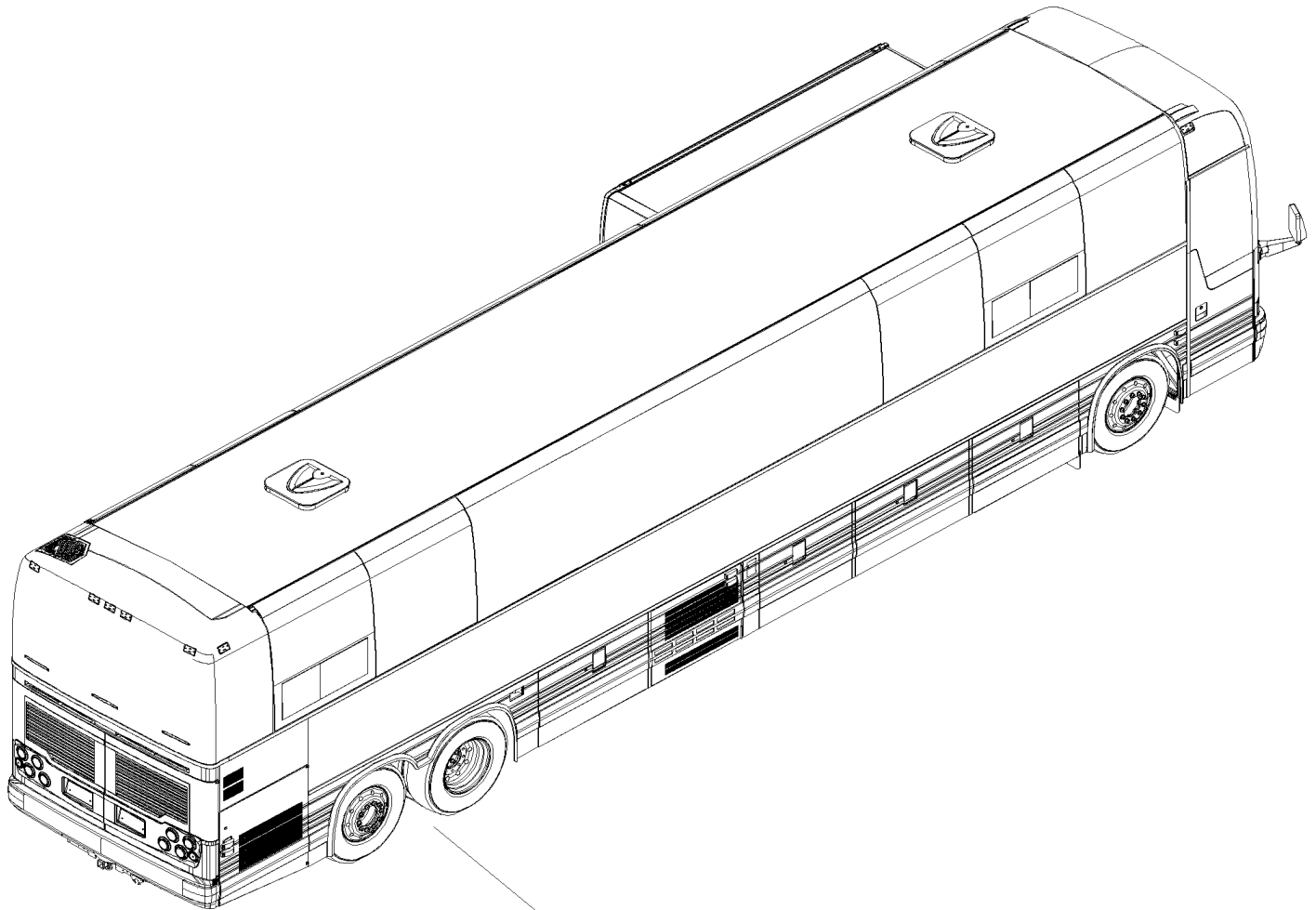


From 8-9279 To B-9999 Date:10/2022 PAGE:MTH-0760-00

RETARDER SELECTOR SWITCH - "WORLD"

Item#	Part	Description	X L I I M T H 4 5	X L I I M T H 4 5 E	N O T E S
1	562356	SWITCH ASSY / W/LEVER & BOOT / 6 POSITIONS	1	1	
2	N.S.S.	. LEVER	1	1	1
3	N.S.S.	. BOOT	1	1	1
4	N.S.S.	. NUT JAM	1	1	1
5	N.P.N.	SUPPORT CONTROL SWITCH	1	1	4
10	MTH-1407-00	STEERING COLUMN & COVER - INSTALLATION			
		1) NOT SOLD SEPARATELY			
		4) NO PARTS NUMBER			

	Date:10/2022	MTH-09
PROPELLER SHAFT		





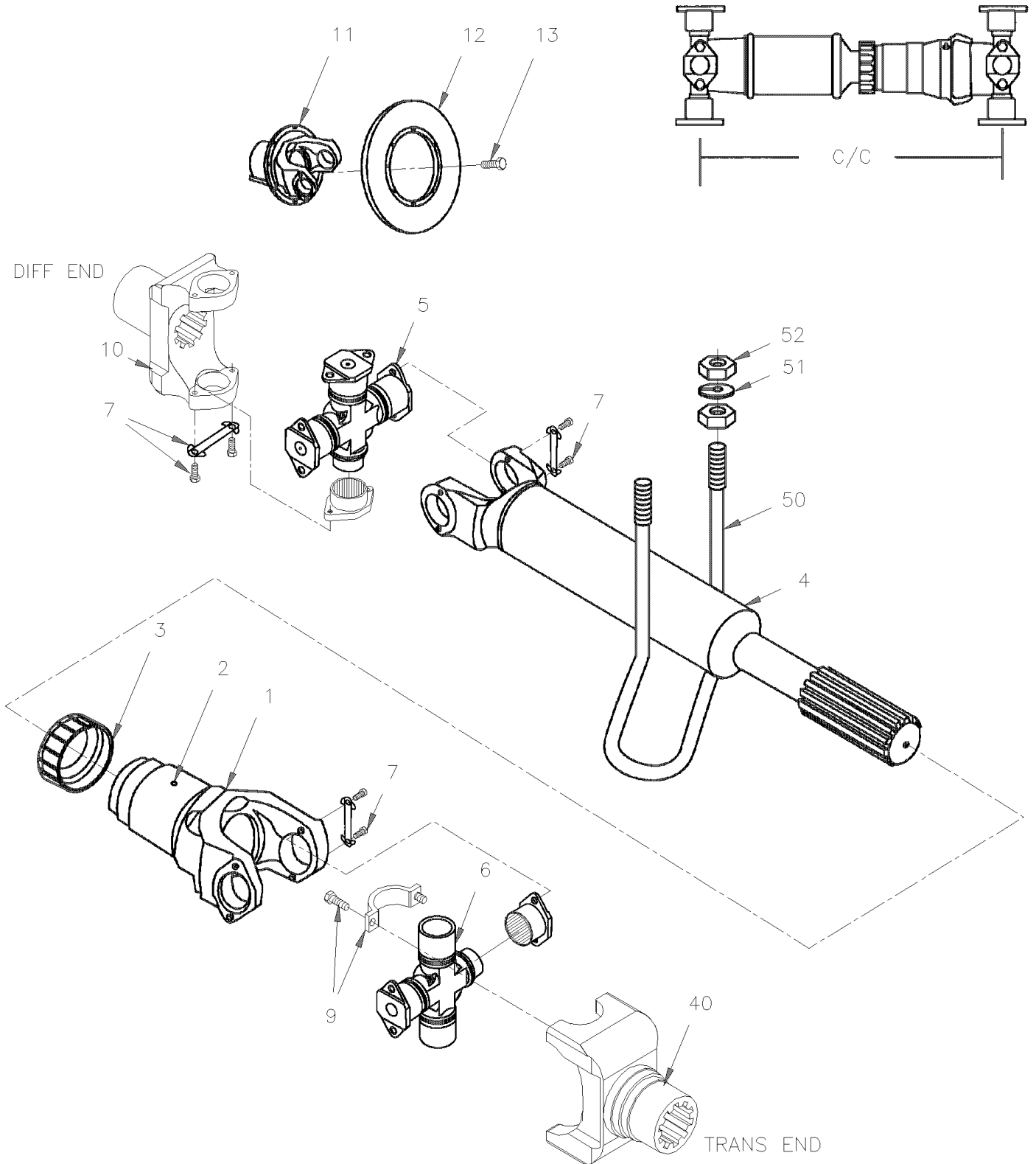
		Date:10/2022	MTH-09		
PROPELLER SHAFT					
Item#	Part	Description	X L I I M T H 4 5	X L I I M T H 4 5 E	N O T E S
5	MTH-0905-00	PROPELLER SHAFT From 8-9279 To B-9999			

From 8-9279 To B-9999

Date:10/2022

PAGE:MTH-0905-00

PROPELLER SHAFT



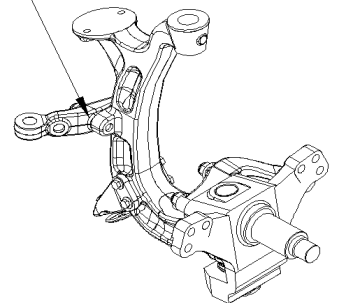
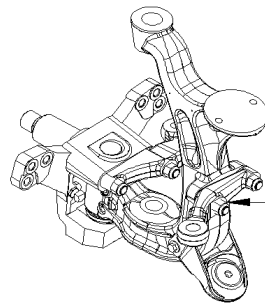
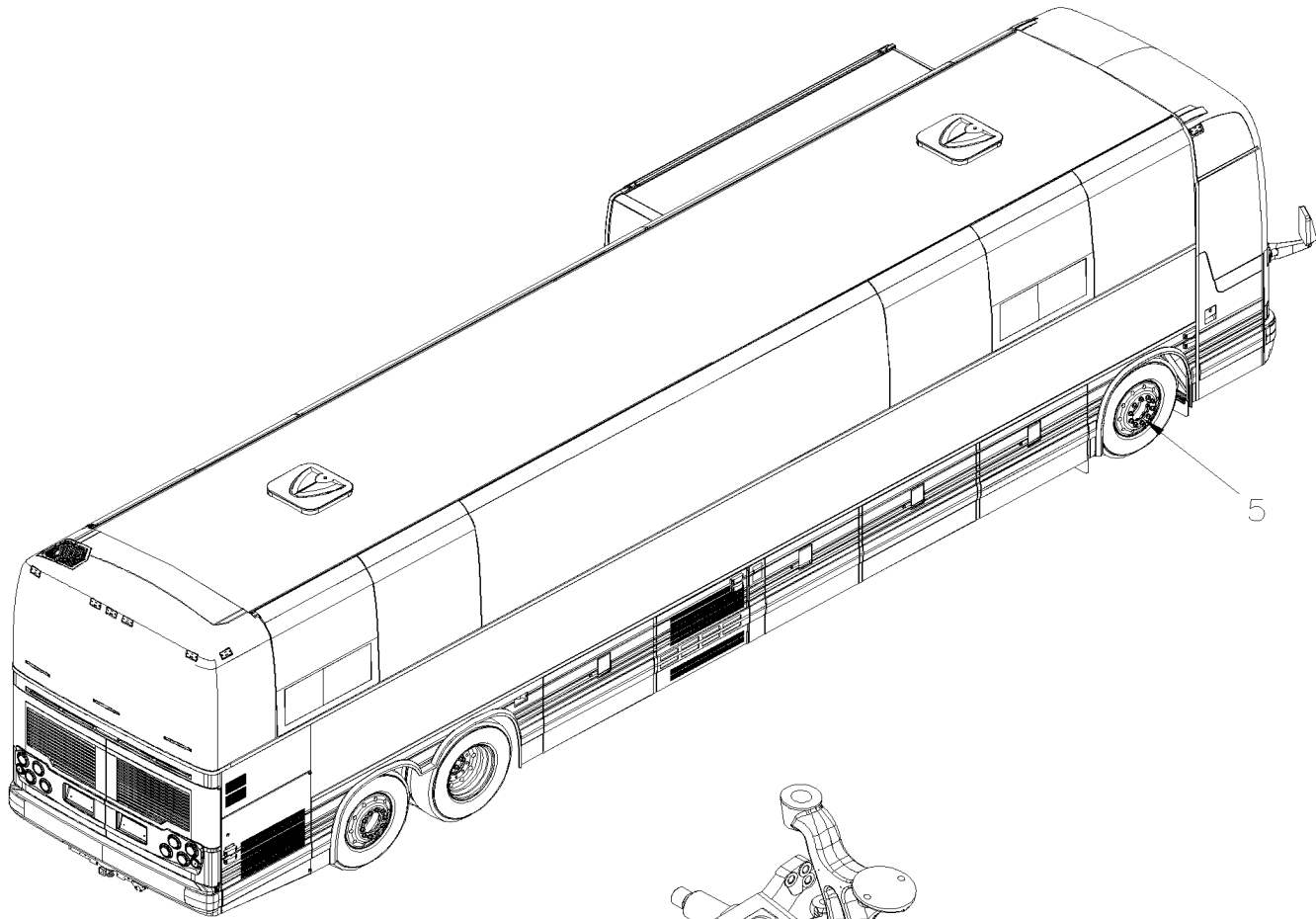


From 8-9279 To B-9999	Date:10/2022	PAGE:MTH-0905-00
-----------------------	--------------	------------------

PROPELLER SHAFT

Item#	Part	Description	X L I I M T H 4 5	X L I I M T H 4 5 E	N O T E S
		MESURE FROM C/C OF BEARING CAP			
		W/MINIMUM COLLAPSED			
		PROPELLER SHAFT SERIES 1810			
NS	580070	SHAFT ASSY 39" C/C	1		
	580083	SHAFT ASSY 17.937" C/C		1	
1	580065	. SLIP YOKE	1		A
. NS	580078	. . WELSH PLUG / PLASTIC BLUE 3 1/4" O.D. THIN	1		A
1	580066	. SLIP YOKE		1	B
. NS	580084	. . WELSH PLUG / PLASTIC BLUE 3 1/4" O.D. DEEP		1	B
2	501491	. . GREASE FITTING / 1/8 NPTx3/4"	1	1	
3	580052	. DUST CAP KIT / W/1800 SERIES	1	1	
5	580043	. KIT, CROSS & BEARING / W/1800 FULL ROUND		2	
5	580043	. KIT, CROSS & BEARING / W/1800 FULL ROUND	1		
6	580062	. KIT, CROSS & BEARING / W/1800 HALF ROUND	1	1	
NS	580067	. . BEARING END (1810) W/QUICK DISCONNECT	2	2	
7	580071	. . SCREW CAP HEX 3/8-24 x 5/8 G8	4	4	
9	580063	KIT STRAP & BOLT	2	2	
. NS	N8893184	. SCREW CB 12POINT (SET OF 4) 1/2-20 x 1" G8	4	4	
		NEXT FOLLOWING YOKE ARE PARTS OF			
		REAR AXLE			
10	621403	YOKE (1810) FULL ROUND (46 SPL)	1	1	
. NS	621501	. DEFLECTOR, OIL	1	1	
. NS	621492	. SPEEDY SLEEVE 3.250" I.D. / TO REPAIR OIL LEAK ON YOKE	1	1	
		FOLLOWING YOKE ARE PARTS OF			
		AUTOMATIC TRANSMISSION			
40	N.S.P.	YOKE (1810) HALF ROUND / W/"WORLD" TRANS (29511516)	1	1	2
50	121440	PROTECTOR GUARD PROPELLER SHAFT 424MM x 140MM	1	1	
51	500488	WASHER LO SPT .760x1.271x.188 Z050	2	2	
52	500733	NUT HEX 3/4-16 Z050	2	2	
		A) WITH SHAFT ASSY #580070 & 580080			
		B) WITH SHAFT ASSY #580075			
		2) NOT SOLD BY PREVOST (SEE MANUFACTURING PART NUMBER AT END OF DESCRIPTION LINE)			

	Date:10/2022	MTH-10
FRONT AXLE		





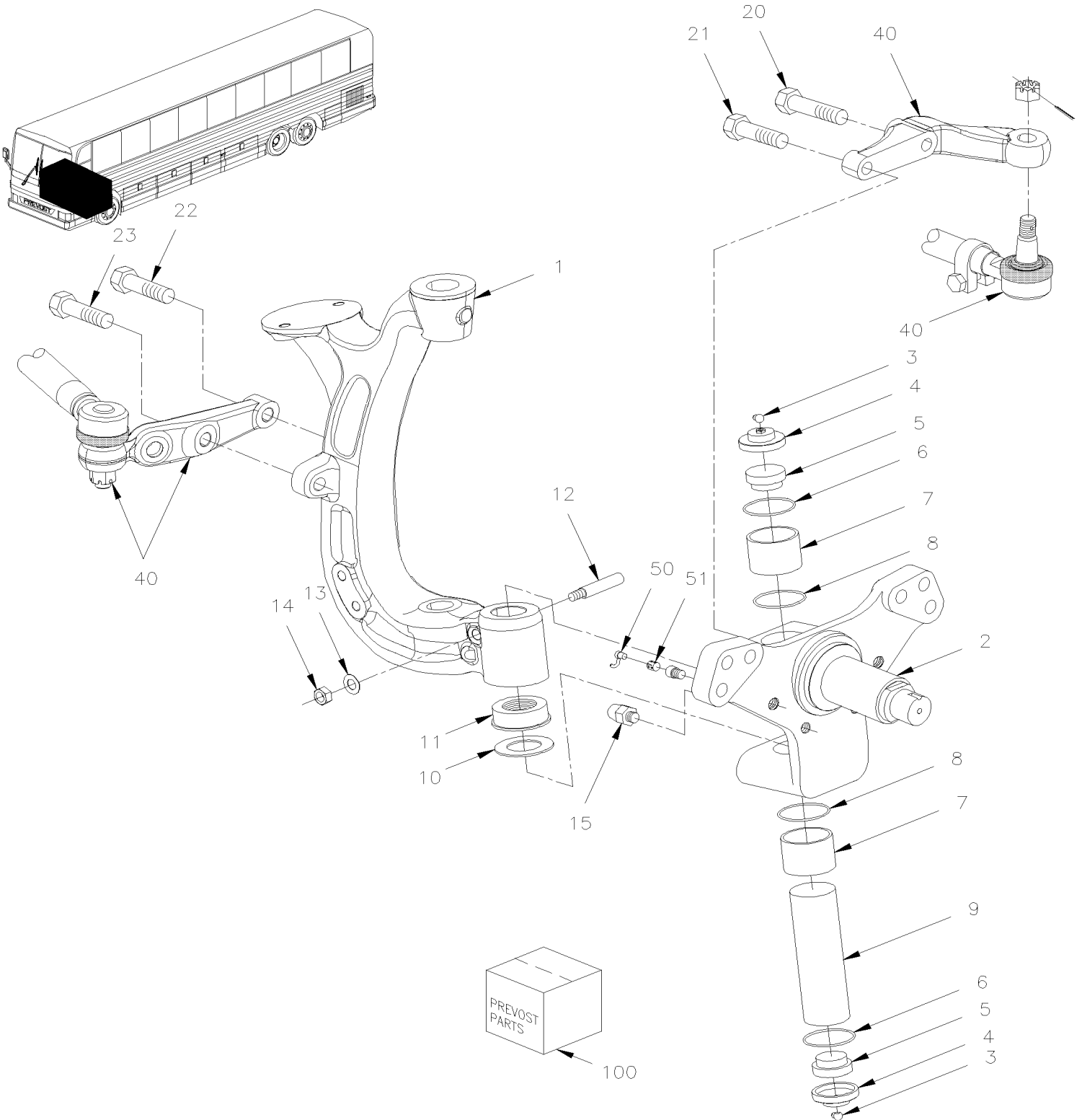
		Date:10/2022	MTH-10		
FRONT AXLE					
Item#	Part	Description	X L I M T H 4 5	X L I M T H 4 5 E	N O T E S
5	MTH-1005-50	FRONT AXLE - INDEPENDENT MODEL "NDIFS80P" / 18000LBS From 8-9279 To B-9999			

From 8-9279 To B-9999

Date:10/2022

PAGE:MTH-1005-50

FRONT AXLE - INDEPENDENT MODEL "NDIFS80P" / 18000LBS

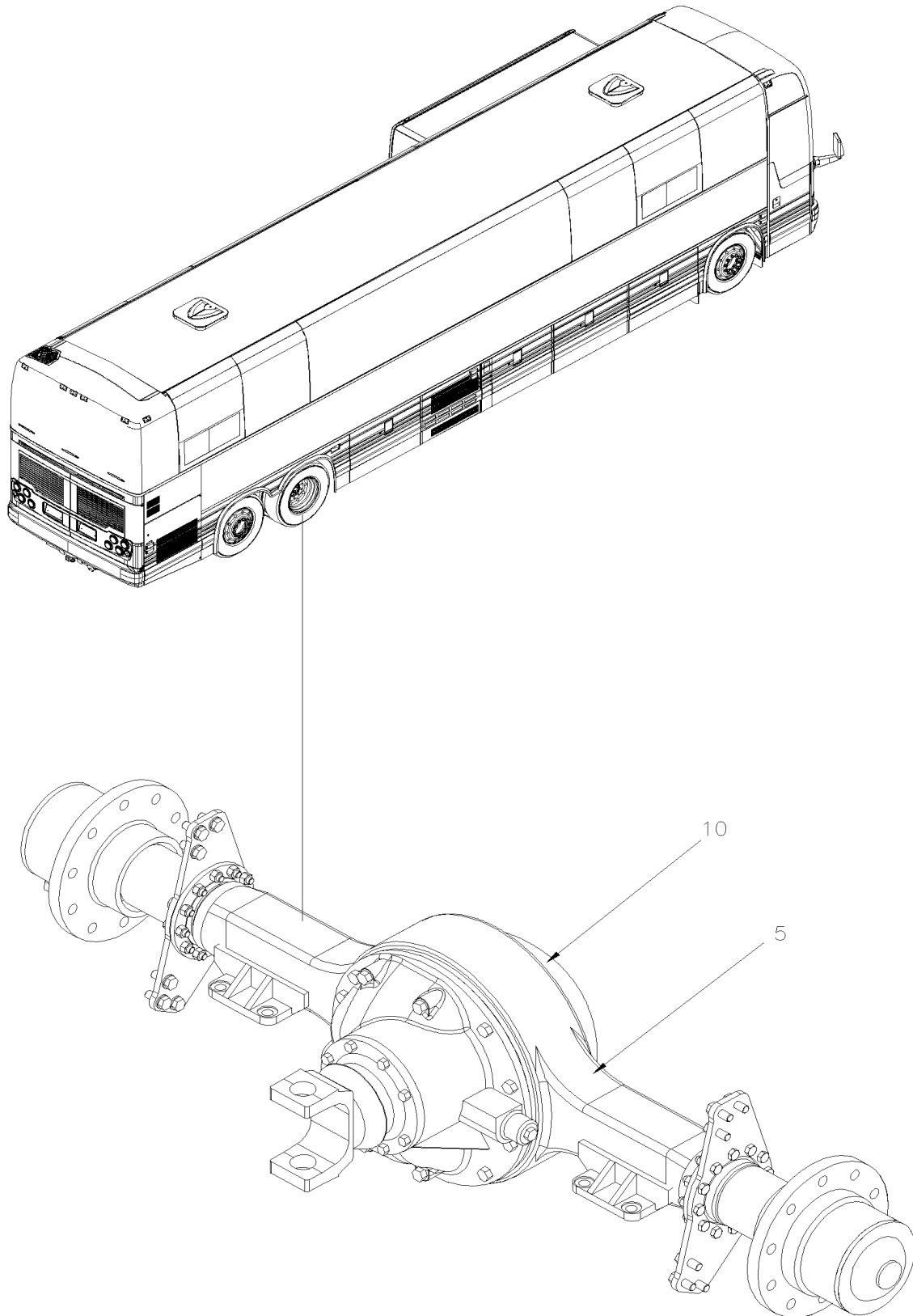




From 8-9279 To B-9999	Date:10/2022	PAGE:MTH-1005-50
FRONT AXLE - INDEPENDENT MODEL "NDIFS80P" / 18000LBS		

Item#	Part	Description	X L I M T H 4 5	X L I M T H 4 5 E	N O T E S
	612355	AXLE ASSY L.H. & R.H. / NDIFS80P / W/58 Deg To 9-9555	1	1	
	611963	AXLE ASSY L.H. & R.H. / NDIFS80P / W/58 Deg From 9-9556 To A-9882	1	1	
	611352	AXLE ASSY L.H. & R.H. / NDIFS80P / W/58 Deg From A-9883	1	1	
1	612370	. AXLE L.H. / W/DOUBLE LOCK ON KING PIN	1	1	
1	612369	. AXLE R.H. / W/DOUBLE LOCK ON KING PIN	1	1	
2	611280	. KNUCKLE L.H. & R.H.	2	2	
3	501490	. GREASE FITTING / 1/8 NPT	2	2	
4	611283	. CAP UPPER & LOWER	2	2	
5	611939	. FOAM INSERT	2	2	
6	611284	. SNAP RING, EXT 2400-55	2	2	
7	611937	. BUSHING (STD)	2	2	
8	611936	. OIL SEAL	2	2	
13	500446	. WASHER FL .531x1.250x.125 Z050	1	1	
14	500716	. NUT HEX 1/2-20 Z050	1	1	
15	611287	. LOCKSTOP SCREW FRONT	1	1	
NS	611288	. LOCKSTOP SCREW BACK	1	1	
20	611308	. SCREW CAP HEX M20-2.5x100 G12.9	1	1	
21	611306	. SCREW CAP HEX M20-2.5x65 G12.9	1	1	
22	611305	. SCREW CAP HEX M20-2.5x60 G12.9	1	1	
23	611307	. SCREW CAP HEX M20-2.5x80 G12.9	1	1	
40	MTH-1410-50	STEERING RODS - INSTALLATION W/INDEPENDENT "NDIFS80P" / 18000LBS			
50	642084	SENSOR ABS 90° ANGLE - OEM	2	2	
51	641096	CLIP, SPRING / TO FIX SENSOR	2	2	
100	611131	KIT REPAIR / STEERING KNUCKLE BUSHING (UNDER SIZED) / (REQUIRE 2 KITS)	1	1	T
. NS	SB07_03	. NSDIFS80P - KINGPIN KITS	1	1	T
100	611132	KIT REPAIR / STEERING KNUCKLE BUSHING (STD) / (REQUIRE 2 KITS)	1	1	
. NS	SB07_03	. NSDIFS80P - KINGPIN KITS	1	1	
		T) WITH THIS KITS YOU REQUIRE REAMER TOOL TO REPAIR			

	Date:10/2022	MTH-11
REAR AXLE		





		Date:10/2022	MTH-11		
REAR AXLE					
Item#	Part	Description	X L I I M T H 4 5	X L I I M T H 4 5 E	N O T E S
5	MTH-1105-00	REAR AXLE - MODEL "RC23165" From 8-9279 To B-9999			
10	MTH-1110-00	CARRIER ASSY From 8-9279 To B-9999			

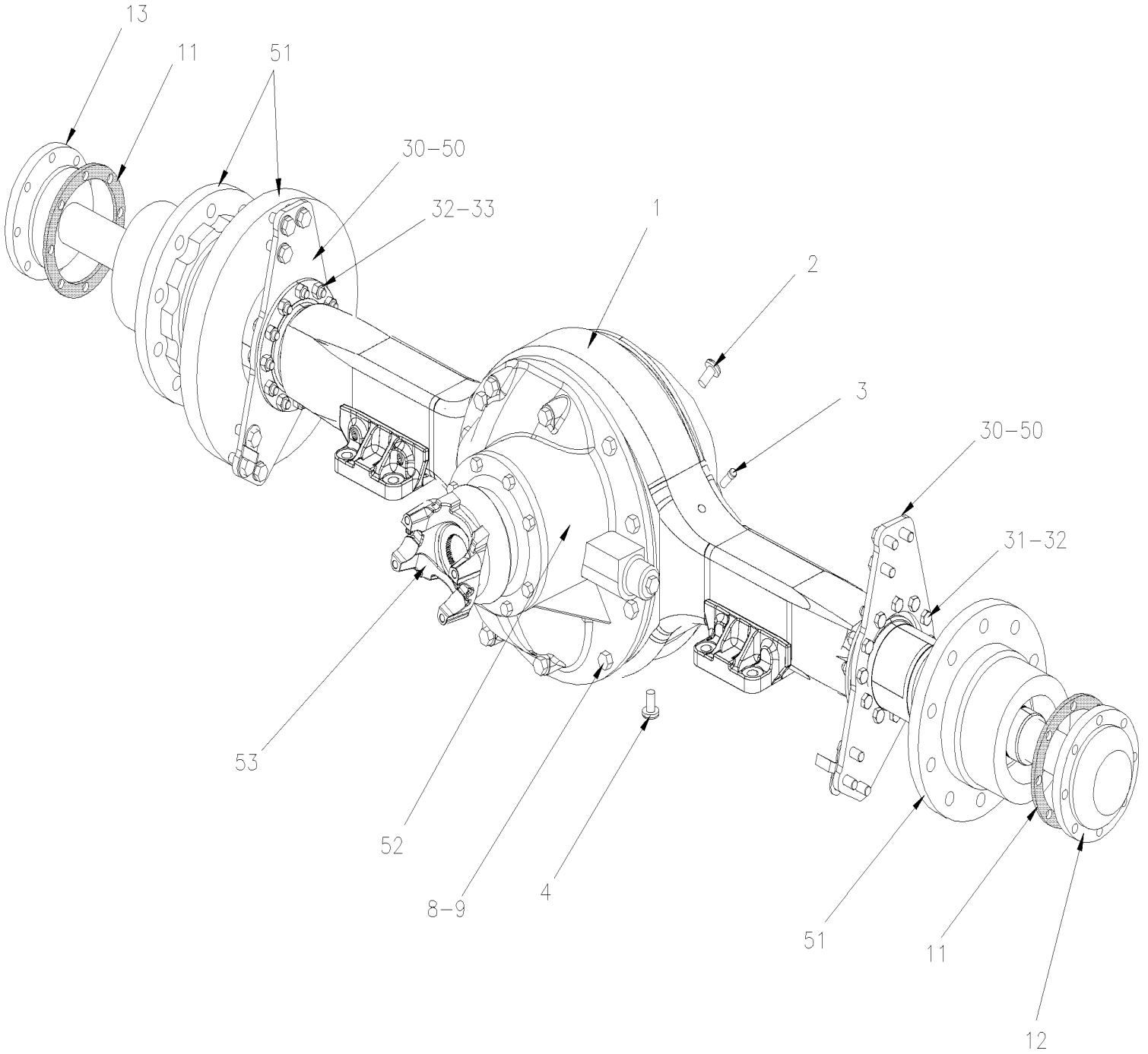


From 8-9279 To B-9999

Date:10/2022

PAGE:MTH-1105-00

REAR AXLE - MODEL "RC23165"





From 8-9279 To B-9999	Date:10/2022	PAGE:MTH-1105-00
REAR AXLE - MODEL "RC23165"		

Item#	Part	Description	X L I I M T H 4 5	X L I I M T H 4 5 E	N O T E S
		AXLE ASSY WITHOUT WHEELS STUD			
	621791	REAR AXLE ASSY / 3.42 RATIO	1	1	
	621792	REAR AXLE ASSY / 3.42 RATIO / SUPER SINGLE	1	1	
	621784	REAR AXLE ASSY / 4.10 RATIO	1	1	
	621781	REAR AXLE ASSY / 4.10 RATIO / SUPER SINGLE	1	1	
	621786	REAR AXLE ASSY / 4.56 RATIO	1	1	
	621779	REAR AXLE ASSY / 4.56 RATIO / SUPER SINGLE	1	1	
	621787	REAR AXLE ASSY / 4.89 RATIO	1	1	
	621783	REAR AXLE ASSY / 4.89 RATIO / SUPER SINGLE	1	1	
1	621754	HOUSING ASSY W/BRACKET WELDED	1	1	
1	621752	HOUSING ASSY W/BRACKET WELDED / SUPER SINGLE	1	1	
NS	680053	. SILICONE TUBE RTV103 / BLACK / 3 oz	2	2	
2	621142	. PLUG FILLER	1	1	
3	620442	. BREATHER / (CURRENT 1 PIECE)	2	2	
3	621871	. BREATHER AND TUBE	1	1	S
4	621615	. PLUG MAGNETIC	1	1	
6	MTH-1110-00	. CARRIER ASSY			
8	5001422	. SCREW CAP HEX 5/8-11x2 1/2 G8 ZP	12	12	
8	5001423	. SCREW CAP HEX 5/8-11x4 G8 ZP	4	4	
9	620474	. WASHER HARDENED / 5/8" I.D.	18	18	
10	500742	. NUT HEX STO 7/8-14 ZP	18	18	
11	621640	. GASKET / AXLE SHAFT W/8 STUDS	2	2	
12	621626	. SHAFT, AXLE / 42" (stp 1537) (INSTALL RH CURBSIDE)	1	1	E
12	621755	. SHAFT, AXLE / 46.30" (stp 1998) / SUPER SINGLE (INSTALL RH CURBSIDE)	1	1	F
12	621692	. SHAFT, AXLE / (stp 9645) / W/DIFF LOCK	1	1	E
13	621625	. SHAFT, AXLE / 40 1/8" (stp 1536) (INSTALL LH STREET SIDE)	1	1	E
13	621756	. SHAFT, AXLE / 44.37"(stp 1999) / SUPER SINGLE (INSTALL LH STREET SIDE)	1	1	F
13	621692	. SHAFT, AXLE / (stp 9645) / W/DIFF LOCK	1	1	E
NS	689949	OIL DIFERENTIAL S.A.E. 140 GL5 85-140W (VRAC)	AR	AR	
		NEXT FOLLOWING ITEMS ARE RELATED			
		WITH "OPTION" DIFFERENTIAL LOCK			
NS	624216	DECAL "CAUTION" DIFFERENTIAL LOCK..."	1	1	
NS	562697	SWITCH / ON-ON / D.P.D.T. / CH-OVER / W/RED & GREEN LED	1	1	
NS	564013	CAP / DIFFERENTIAL LOCK	1	1	
NS	142198	HOSE ASSY / DIFF & STRUCTURE / #6 875MM	1	1	
NS	172589	SUPPORT HOSE / (WELDED TO STRUCTURE)	1	1	
NS	641937	VALVE, 3 WAYS, 2 POSITIONS N.C. / W/MAN OVERRIDE	1	1	



From 8-9279 To B-9999	Date:10/2022	PAGE:MTH-1105-00
REAR AXLE - MODEL "RC23165"		

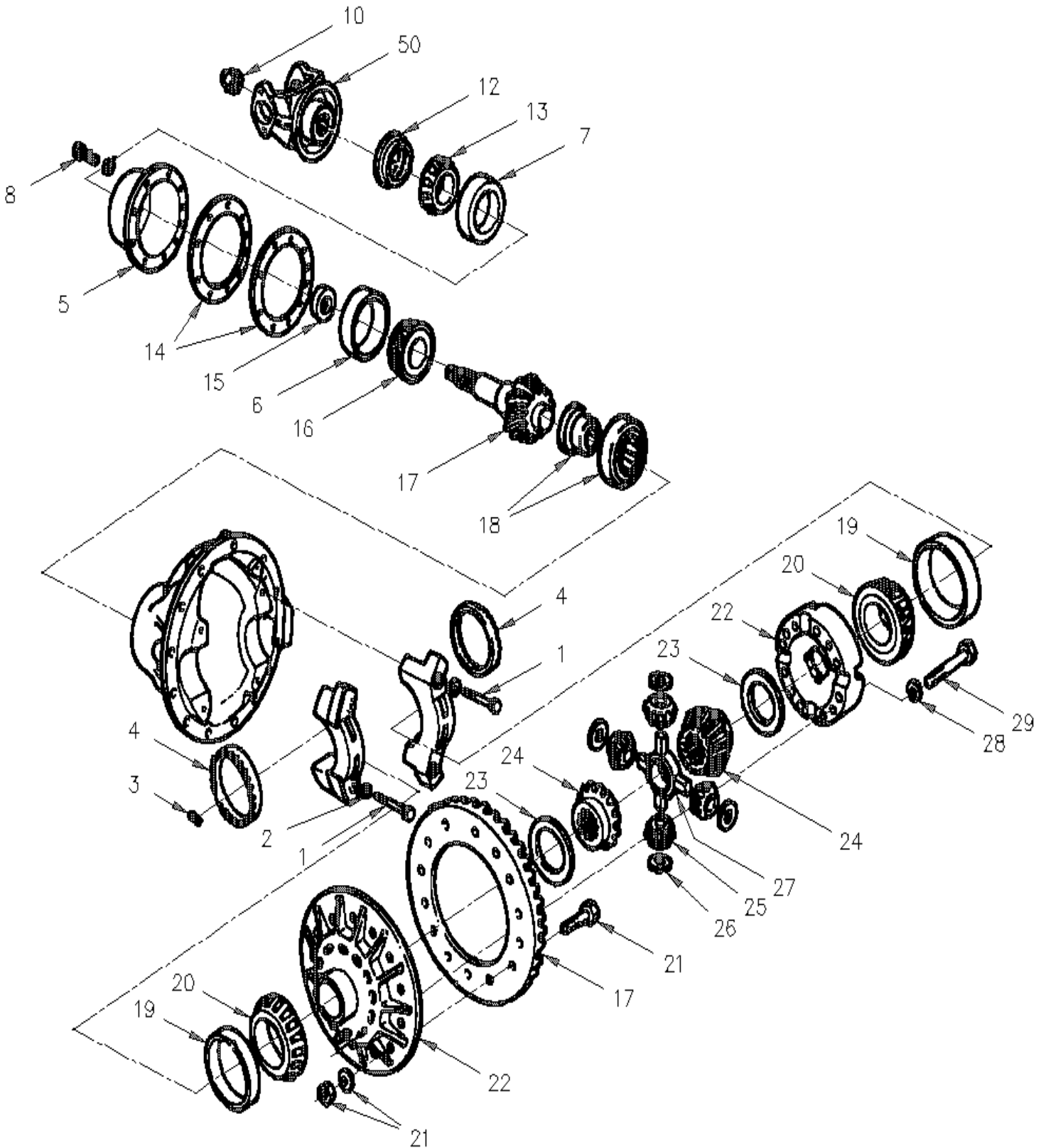
Item#	Part	Description	X L I I M T H 4 5	X L I I M T H 4 5 E	N O T E S
. NS	641929	. COIL 24V	1	1	
. NS	641385	. CONNECTOR / SOCKET HOUSING ASSY 3C / PNEUMAC 54934-01	1	1	
NS	641934	SILENCER / MUFFLER / 3/8NPT-M	1	1	
NS	260862	PANEL TO FIX VALVE AT REAR COMPARTMENT	1	1	
30	621868	CALIPER MOUNTING BRACKET L.H. & R.H. W/OUT BUSHING	2	2	
30	621869	BUSHING - ABS SENSOR	2	2	
31	621636	SCREW CAP HEX / TO FIX BRACKET TO AXLE 9/16-18 X 2 GR 8	12	12	
32	621365	WASHER (HARD) .59IDX.97ODX.09	24	24	
33	621638	NUT HEX 9/16-18 GR8	12	12	
50	MTH-1225-00	BRAKE PARTS - FRONT & TAG AXLE "KNORR-BREMSE" SN7 SERIES To A-9882			
50	MTH-1225-01	BRAKE PARTS - FRONT & TAG AXLE "KNORR-BREMSE" SN7 SERIES W/NEW SLIDE PINS From A-9883			
51	MTH-1305-00	HUB & ROTOR - DRIVE AXLE			
52	MTH-1110-00	CARRIER ASSY			
53	MTH-0905-00	PROPELLER SHAFT			
		E) WITH DOUBLE WHEEL ONLY			
		F) WITH SUPER SINGLE ONLY			
		S) PRODUCT IMPROVMENT			

From 8-9279 To B-9999

Date:10/2022

PAGE:MTH-1110-00

CARRIER ASSY





From 8-9279 To B-9999	Date:10/2022	PAGE:MTH-1110-00
CARRIER ASSY		

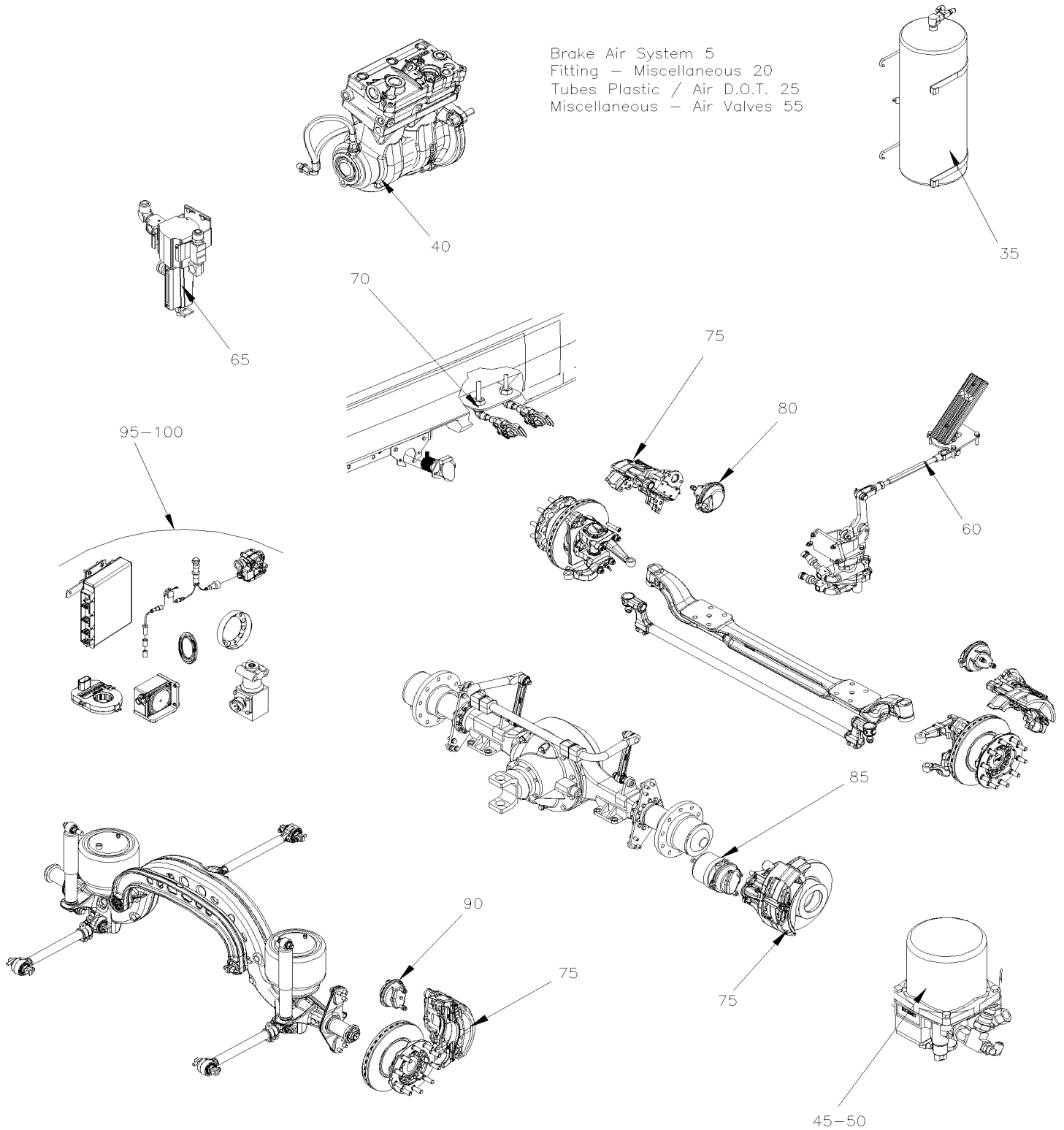
Item#	Part	Description	X L I I M T H 4 5	X L I I M T H 4 5 E	N O T E S
	621722	CARRIER ASSY / 3.42 RATIO	1	1	
	621724	CARRIER ASSY / 4.10 RATIO	1	1	
	621726	CARRIER ASSY / 4.56 RATIO	1	1	
	621729	CARRIER ASSY / 4.56 RATIO / W/DIFF LOCK	1	1	B
	621727	CARRIER ASSY / 4.89 RATIO	1	1	
	N.S.S.	. CASE CARRIER	1	1	1
1	621418	. SCREW, CAP	2	2	
2	621417	. WASHER	4	4	
3	505128	. SPRING, PIN 1/4 X 2	2	2	
4	621479	. RING, ADJUSTING / W/MODEL 3200-P-1706	2	2	
5	621419	. CASE & CUP ASSY / PINION BEARING	1	1	
6	621420	. CUP BEARING / INNER BEARING	1	1	
7	621421	. CUP BEARING / OUTER BEARING	1	1	
8	621439	. SCREW, CAP	8	8	
10	621418	. SCREW, CAP	4	4	
NS	621445	. NUT / DRIVE PINION	1	1	
12	621424	. SEAL, OIL	1	1	
NS	195671	SEAL INSTALLER TOOL / CARRIER DRIVE PINION (2731T1)	1	1	I
13	621423	. CONE BEARING / OUTER	1	1	
14	621438	. SHIM 0.020	AR	AR	
14	621437	. SHIM 0.008	AR	AR	
14	621436	. SHIM 0.005	AR	AR	
14	621435	. SHIM 0.003	AR	AR	
15	621434	. SPACER .263	AR	AR	
15	621433	. SPACER .262	AR	AR	
15	621432	. SPACER .261	AR	AR	
15	621431	. SPACER .260	AR	AR	
15	621430	. SPACER .256	AR	AR	
15	621429	. SPACER .254	AR	AR	
15	621428	. SPACER .253	AR	AR	
15	621427	. SPACER .252	AR	AR	
15	621426	. SPACER .251	AR	AR	
15	621425	. SPACER .250	AR	AR	
16	621422	. CONE BEARING / INNER	1	1	
17	621716	. SET, GEAR DRIVE & PINION / 4.56 RATIO	1	1	
17	621719	. SET, GEAR DRIVE & PINION / 4.89 RATIO	1	1	
18	621481	. BEARING SPIGOT / INNER & OUTER / W/3200-P-1706	1	1	
NS	621482	. RING, SNAP / TO FIX SPIGOT BEARING	1	1	
19	621210	. CUP BEARING	2	2	A
20	621209	. CONE BEARING	2	2	A
21	621444	. BOLT, NUT & WASHER / (KIT OF 12)	1	1	
22	621488	. CASE ASSY / W/RATIO 3.91, 4.10, 4.30 & 4.56	1	1	



From 8-9279 To B-9999	Date:10/2022	PAGE:MTH-1110-00
CARRIER ASSY		

Item#	Part	Description	X L I I M T H 4 5	X L I I M T H 4 5 E	N O T E S
22	621539	. CASE ASSY / W/RATIO 4.89	1	1	
23	621449	. . WASHER, THRUST / SIDE GEAR	2	2	
24	621450	. . GEAR, SIDE	2	2	
25	621452	. . GEAR, PINION	4	4	
26	621453	. . WASHER, GEAR PINION	4	4	
27	621451	. . SPIDER	1	1	
28	621447	. . WASHER	12	12	
29	621448	. . SCREW, CAP	12	12	
NS	621653	KIT, CUP & CONE	1	1	A
50	621403	YOKE (1810) FULL ROUND (46 SPL)	1	1	
. NS	621501	. DEFLECTOR, OIL	1	1	
. NS	621492	. SPEEDY SLEEVE 3.250" I.D. / TO REPAIR OIL LEAK ON YOKE	1	1	
NS	621501	. DEFLECTOR, OIL	1	1	
NS	621492	SPEEDY SLEEVE 3.250" I.D. / TO REPAIR OIL LEAK ON YOKE	1	1	
		A) ALSO SOLD IN KIT #621653			
		B) CARRIER WITH DIFFERENTIAL LOCK			
		I) THIS TOOL INSTALLER ARE USE WITH NEW SEAL STAMPED A1205A2731			
		1) NOT SOLD SEPARATELY			

	Date:10/2022	MTH-12
BRAKE		





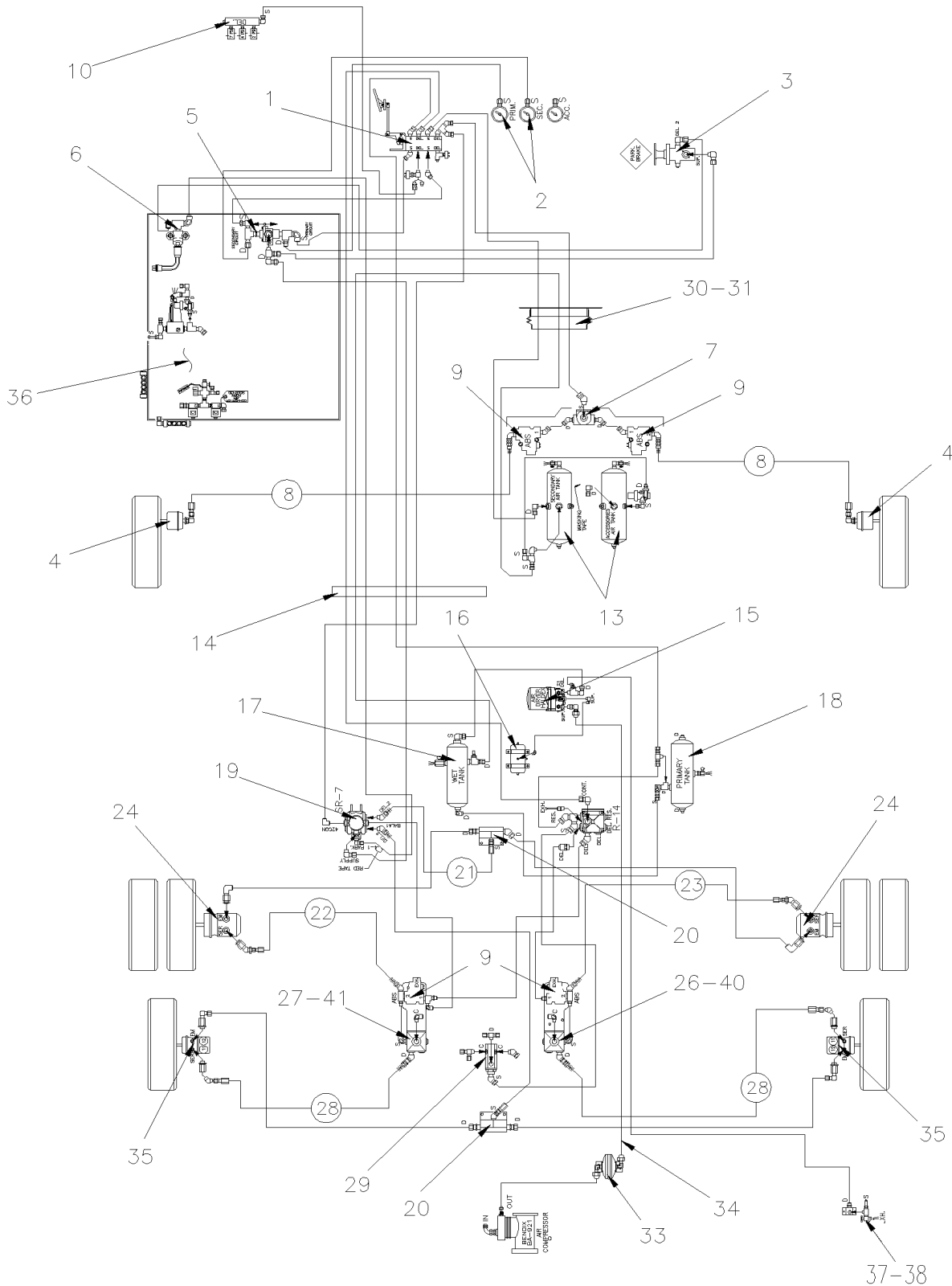
		Date:10/2022	MTH-12		
BRAKE					
Item#	Part	Description	X L I I M T H 4 5	X L I I M T H 4 5 E	N O T E S
5	MTH-1200-50	BRAKE AIR SYSTEM - MTH From 8-9279 To B-9999			
20	MTH-1201-00	FITTING - MISCELLANEOUS From 8-9279 To B-9999			
25	MTH-1202-00	TUBES PLASTIC / AIR D.O.T. From 8-9279 To B-9999			
35	MTH-1203-00	AIR TANK - INSTALLATION From 8-9279 To B-9999			
40	MTH-1205-10	AIR COMPRESSOR - "BA921" - WITH DETROIT S-60 From 8-9279 To B-9999			
40	MTH-1205-11	AIR COMPRESSOR - "WABCO" 636CC - WITH VOLVO D13 From 9-9591 To B-9999			
45	MTH-1215-00	AIR DRYER - "HALDEX" From 8-9279 To B-9999			
45	MTH-1215-10	AIR DRYER - "HALDEX" - INSTALLATION From 8-9279 To B-9999			
50	MTH-1215-12	AIR DRYER TUBE - INSTALLATION From 8-9279 To B-9999			
55	MTH-1220-00	MISCELLANEOUS AIR VALVE From 8-9279 To B-9999			
60	MTH-1220-10	BRAKE PEDAL VALVE - "BENDIX" From 8-9279 To B-9999			
65	MTH-1220-15	AIR FILTER - ACCESSORIES From 8-9279 To B-9999			
70	MTH-1220-50	TRAILER VALVE INSTALLATION From 8-9279 To B-9999			
75	MTH-1225-00	BRAKE PARTS - FRONT & TAG AXLE "KNORR-BREMSE" SN7 SERIES From 8-9279 To A-9882			
75	MTH-1225-01	BRAKE PARTS - FRONT & TAG AXLE "KNORR-BREMSE" SN7 SERIES W/NEW SLIDE PINS From A-9883 To B-9999			
80	MTH-1225-10	BRAKE CHAMBER - FRONT AXLE From 8-9279 To B-9999			
85	MTH-1235-00	BRAKE PARTS - DRIVE AXLE "KNORR-BREMSE" SN7 SERIES From 8-9279 To B-9999			
85	MTH-1235-10	BRAKE CHAMBER - DRIVE AXLE From 8-9279 To B-9999			
90	MTH-1245-10	BRAKE CHAMBER - TAG AXLE From 8-9279 To B-9999			
95	MTH-1250-00	ABS & ESP CONTROL From 8-9279 To B-9999			
100	MTH-1250-10	ABS BRAKE VALVE - INSTALLATION From 8-9279 To B-9999			

From 8-9279 To B-9999

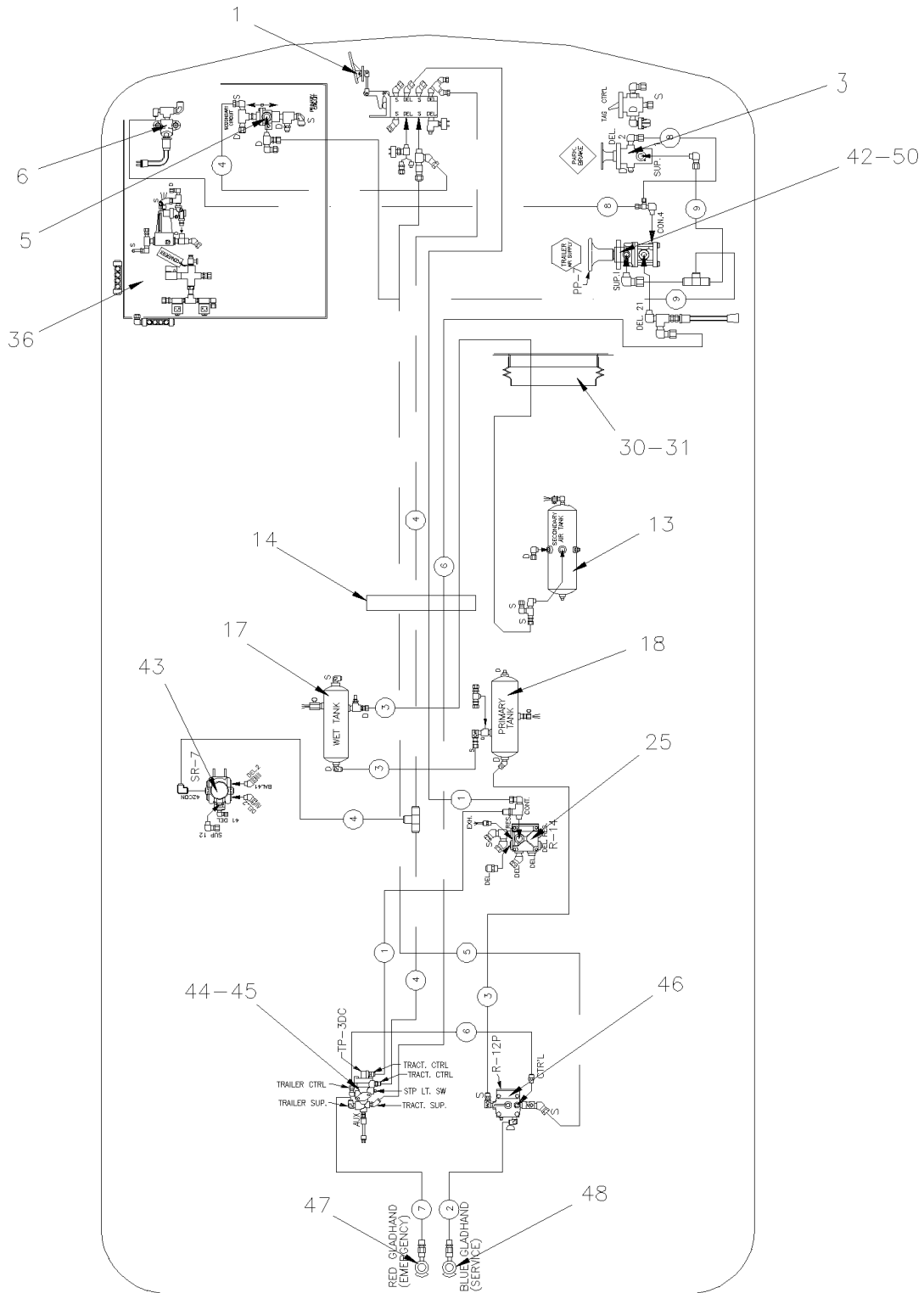
Date:10/2022

PAGE:MTH-1200-50

BRAKE AIR SYSTEM - MTH



BRAKE AIR SYSTEM - MTH



MTH-45' & MTH 45 ENT
WITH OPTION TRAILER HITCH AIR BRAKE



From 8-9279 To B-9999	Date:10/2022	PAGE:MTH-1200-50
BRAKE AIR SYSTEM - MTH		

Item#	Part	Description	X L I I M T H 4 5	X L I I M T H 4 5 E	N O T E S
1	MTH-1220-10	BRAKE PEDAL VALVE - "BENDIX"			
2	MTH-0645-20	CENTER DASHBOARD PANEL			
3	641128	VALVE, CONTROL VALVE PP-1 / 40PSI	1	1	
NS	641154	. REPAIR KIT / PP-1 & RD-3	1	1	
4	MTH-1225-10	BRAKE CHAMBER - FRONT AXLE			
5	641564	VALVE, DOUBLE CHECK DC-4	1	1	
6	287234	PRESSURE SWITCH N.C. 30-10 20PS001AB030E010E	1	1	
7	641991	VALVE, RELAY R-14 "WABCO"	AR	AR	
8	641903	HOSE BRAKE #8 1090MM (43")	2	2	
9	642070	AIR DRYER "HALDEX" / WITH GOVERNOR 9.0 Bar	4	4	
10	MTH-0750-00	AUTOMATIC TRANSMISSION - "WORLD" WITH DETROIT S-60			
11	MTH-1225-10	BRAKE CHAMBER - FRONT AXLE			
12	641583	AIR TANK / 1508 IN° / 9" 1/2" O.D. X 24"	1	1	
13	141834	AIR TANK / 1303 IN° / 8" O.D. X 27"1/2	1	1	
14	MTH-1202-00	TUBES PLASTIC / AIR D.O.T.			
15	MTH-1215-10	AIR DRYER - "HALDEX" - INSTALLATION			
16	70307176	AIR TANK / 281 IN° / 6" O.D. X 12"	1	1	
17	144848	AIR TANK / 1791 IN° / 9 1/2" O.D. X 27"	1	1	
18	140869	AIR TANK / 1791 IN° / 9 1/2" O.D. X 27"	1	1	
19	642015	VALVE / SPRING BRAKE SR-7 To 8-9360	1	1	
19	643385	KIT CHECK VALVE CONVERSION SR-7 To 8-9360	1	1	
19	643384	VALVE / SPRING BRAKE SR-7 From 8-9361	1	1	
NS	642119	. VALVE / SPRING BRAKE SR-7 From 8-9361	1	1	
20	641136	ANCHOR TEE / PIPE FITTING / 3/8NPT-Fx3/8NPT-Fx3/8NPT-F ZP	1	1	
21	642019	HOSE BRAKE #8 718MM (28 1/4") To A-9952	1	1	
21	642143	HOSE BRAKE #8 560MM (22") From A-9953	1	1	
22	641302	HOSE BRAKE #8 610MM (24")	1	1	
23	641305	HOSE BRAKE #8 718MM (28 1/4")	1	1	
24	MTH-1235-10	BRAKE CHAMBER - DRIVE AXLE			
25	641991	VALVE, RELAY R-14 "WABCO"	1	1	
26	641088	VALVE, RELAY R-12 HORIZONTAL PORT	1	1	
26	642067	VALVE, RELAY R-12 HORIZONTAL PORT	1	1	
27	642068	VALVE, RELAY R-12 HORIZONTAL PORT / W/OUT SUPPORT	1	1	
28	641902	HOSE BRAKE #8 737MM (29")	2	2	
29	640442	VALVE, INVERSION TR-2	1	1	
30	504499	CUFF END BELLOW / 2 7/8" I.D. x 3 5/8" x 4 7/16	1	1	
31	141567	PROTECTOR RUBBER 100MM	1	1	
32	MTH-1205-10	AIR COMPRESSOR - "BA921" - WITH DETROIT S-60			
33	641982	AIR TANK / 96 IN° / 3 1/2" O.D. X 10"	1	1	
34	142609	HOSE ASSY TEFLON #12 1675MM	1		
34	142550	HOSE ASSY TEFLON #12 2593MM		1	
35	MTH-1245-10	BRAKE CHAMBER - TAG AXLE			



From 8-9279 To B-9999	Date:10/2022	PAGE:MTH-1200-50
BRAKE AIR SYSTEM - MTH		

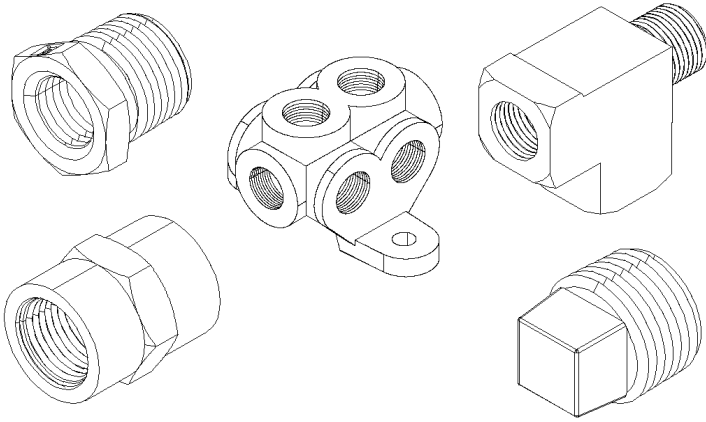
Item#	Part	Description	X L I I M T H 4 5	X L I I M T H 4 5 E	N O T E S
36	MTH-1640-50	LEVEL-LOW - CONTROL PANEL & VALVES			
37	640488	VALVE, AIR FILL 1/8" NPT	1	1	
. NS	650164	. CAP VALVE / CHROME	1	1	
38	5011129	NEEDLE VALVE 1/4 NPT M x 1/4 NPT F	1	1	
40	144861	SUPPORT R.H. / VALVE ABS & RELAY VALVE		1	
41	144862	SUPPORT L.H. / VALVE ABS & RELAY VALVE		1	
42	641397	TRAILER SUPPLY VALVE PP-7	1	1	
43	642015	VALVE / SPRING BRAKE SR-7 To 8-9360	1	1	
43	643385	KIT CHECK VALVE CONVERSION SR-7 To 8-9360	1	1	
43	643384	VALVE / SPRING BRAKE SR-7 From 8-9361	1	1	
. NS	642119	. VALVE / SPRING BRAKE SR-7 From 8-9361	1	1	
44	641495	TRACTOR PROTECTION VALVE TP-3 DC	1	1	
45	950245	PRESSURE SWITCH N.C. 20-30 LO-UNLOAD W/WIRE BLACK	1	1	
46	641399	VALVE, RELAY R-12 P SUPPERSEDED 642097	1	1	
47	641938	GLANDHAND W/DUST COVER "RED"	1	1	
48	641939	GLANDHAND W/DUST COVER "BLUE"	1	1	
50	MTH-1806-50	L.H. CONSOLE - MTH			

From 8-9279 To B-9999

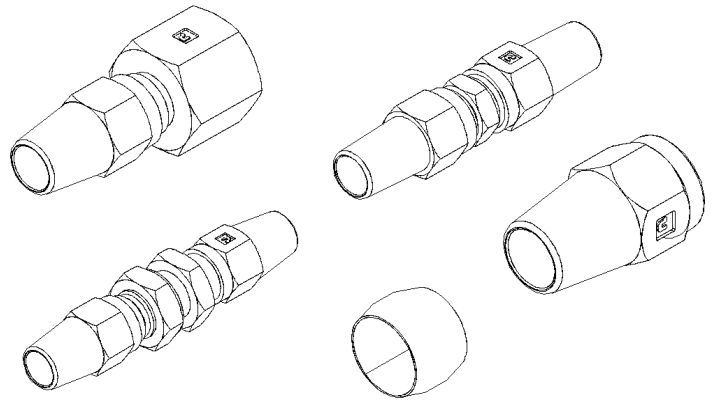
Date:10/2022

PAGE:MTH-1201-00

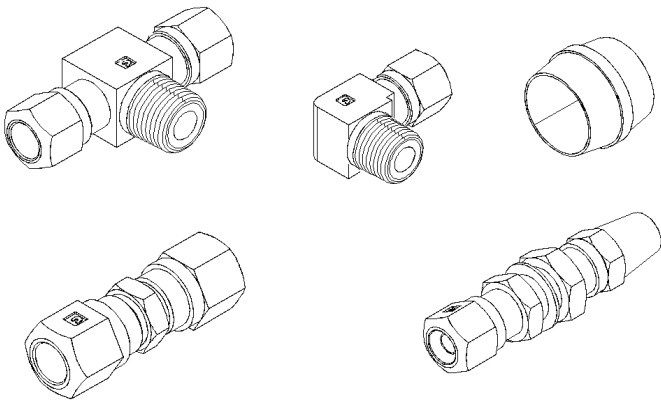
FITTING - MISCELLANEOUS



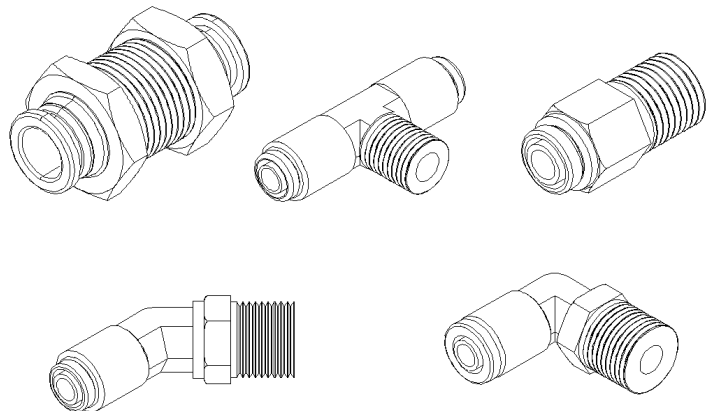
FITTING PIPE "NPT"
1



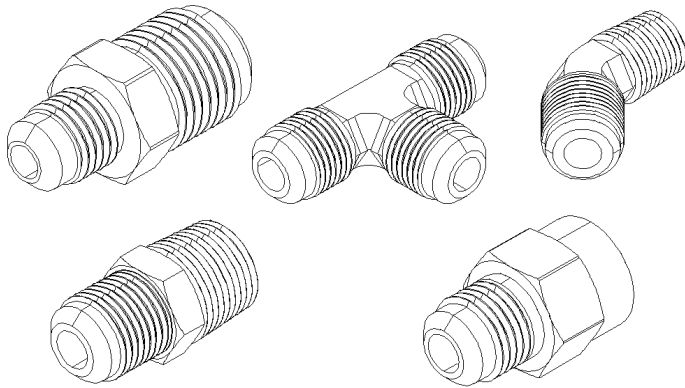
FITTING BRAKE "AB"
2



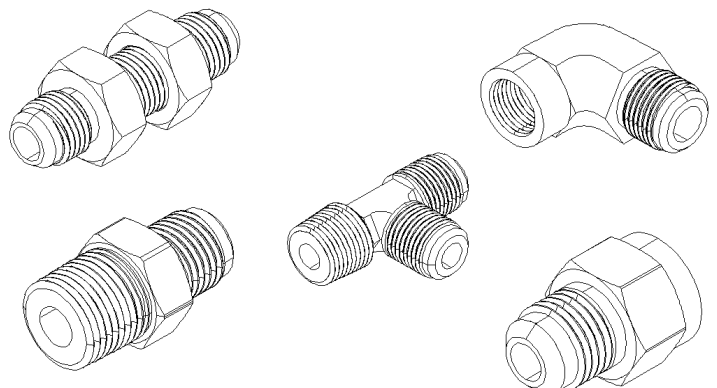
FITTING BRAKE "NTA"
3



FITTING BRAKE "PUSH-IN"
4

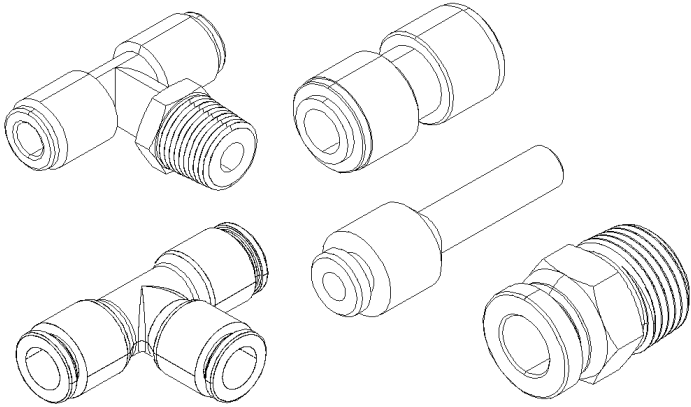


FITTING "SAE 45°"
5

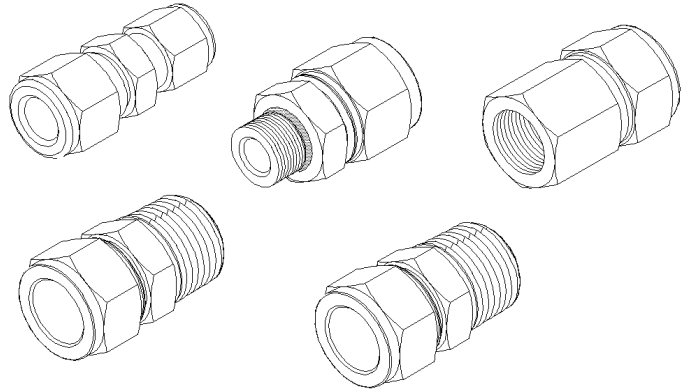


FITTING "JIC 37°"
6

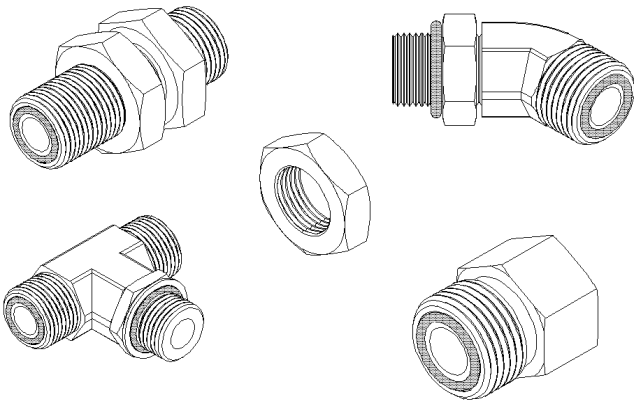
FITTING - MISCELLANEOUS



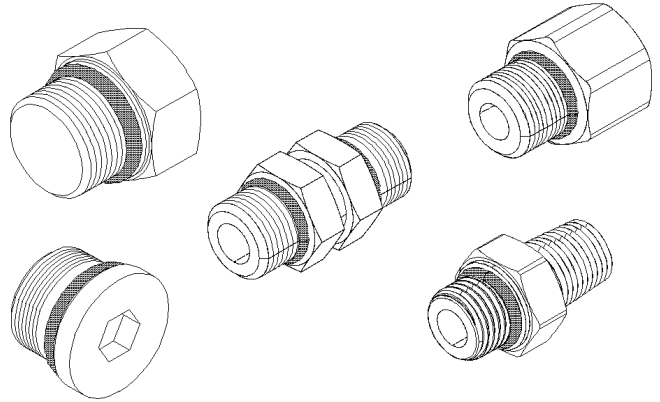
FITTING "PUSH-IN"
7



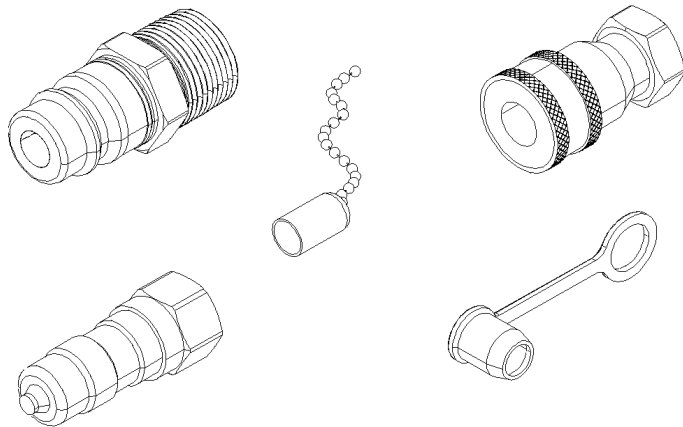
FITTING "A-LOK"
8



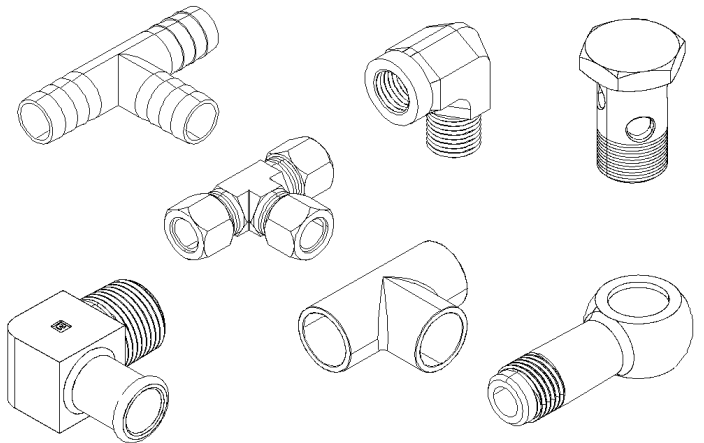
FITTING "ORS"
9



FITTING "ORB"
10



FITTING "QUICK DISCONNECT"
11



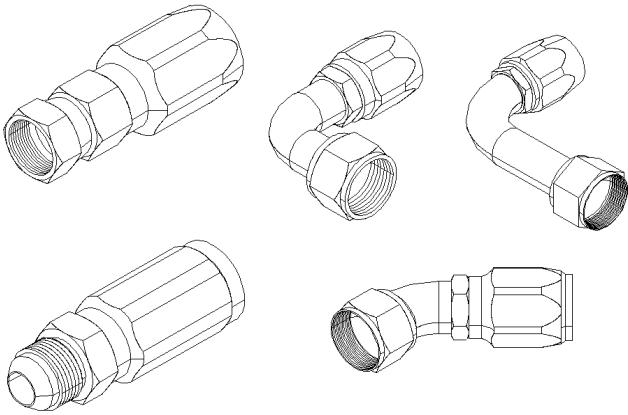
FITTING "MISCELANOUS"
12

From 8-9279 To B-9999

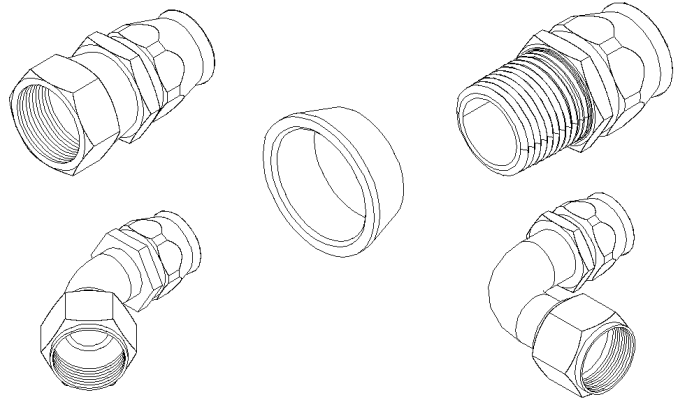
Date:10/2022

PAGE:MTH-1201-00

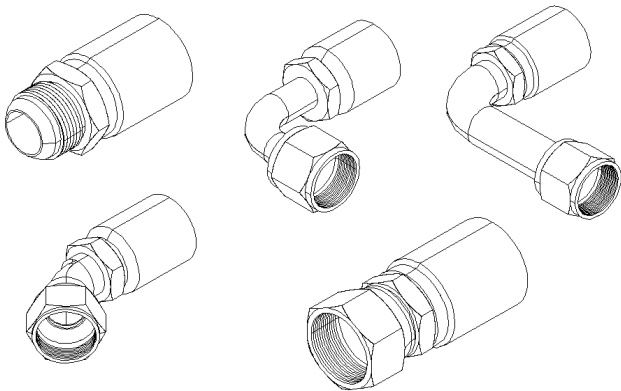
FITTING - MISCELLANEOUS



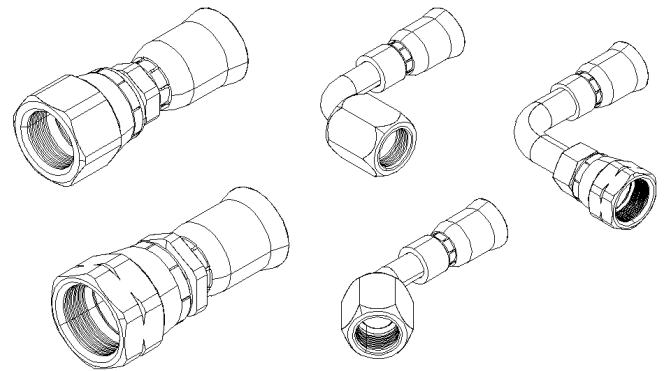
FITTING "HOSE END REUSABLE"
13



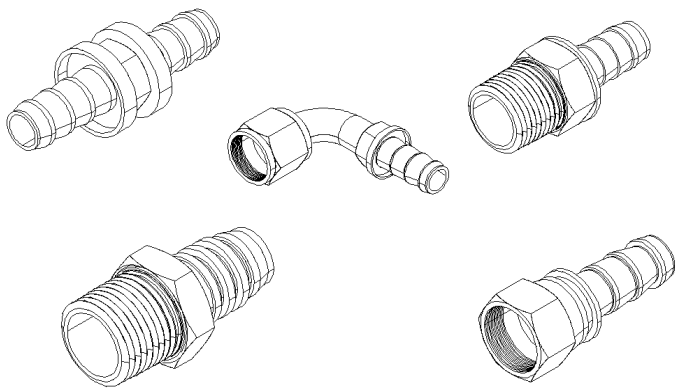
FITTING "HOSE END REUSABLE"
TEFLON
14



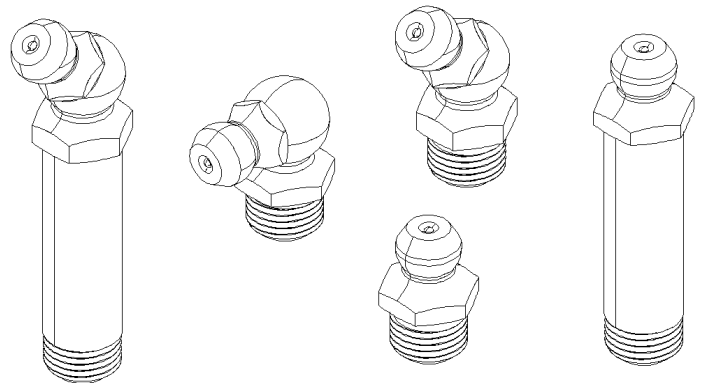
FITTING "HOSE END CRIMP"
15



FITTING "HOSE END CRIMP"
TEFLON
16



FITTING "HOSE END"
"PUSH-LOK & COLLAR"
17



FITTING "GREASE"
30



From 8-9279 To B-9999	Date:10/2022	PAGE:MTH-1201-00
FITTING - MISCELLANEOUS		

Item#	Part	Description	X L I I M T H 4 5	X L I I M T H 4 5 E	N O T E S
		... BRAKE			
1	FM-00FM-00	FITTING NPT PIPE - MISCELANOUS			
2	FM-00FM-01	FITTING BRAKE "AB" - MISCELANOUS (D.O.T.)			
3	FM-00FM-02	FITTING BRAKE "NTA" - MISCELANOUS (D.O.T.)			
4	FM-00FM-03	FITTING BRAKE "PUSH-IN" - MISCELANOUS (D.O.T.)			
		... SAE & JIC			
5	FM-00FM-04	FITTING "SAE 45°" - MISCELANOUS			
6	FM-00FM-05	FITTING "JIC 37°" - MISCELANOUS			
7	FM-00FM-06	FITTING "PUSH-IN" - MISCELANOUS			
8	FM-00FM-07	FITTING "A-LOK" - MISCELANOUS (SWAGLELOK)			
		... ORS & ORB			
9	FM-00FM-08	FITTING "ORS" - MISCELANOUS			
10	FM-00FM-09	FITTING "ORB" - MISCELANOUS			
		... QUICK DISCONNECT			
11	FM-00FM-10	FITTING "QUICK DISCONNECT" - MISCELANOUS			
12	FM-00FM-11	FITTING "MISCELANOUS"			
		... HOSE END FITTING			
13	FM-00FM-12	FITTING "HOSE END REUSABLE" - MISCELANOUS			
14	FM-00FM-13	FITTING "HOSE END REUSABLE TEFLON" - MISCELANOUS			
15	FM-00FM-14	FITTING "HOSE END CRIMP" - MISCELANOUS			
16	FM-00FM-15	FITTING "HOSE END CRIMP TEFLON" - MISCELANOUS			
17	FM-00FM-16	FITTING "HOSE END" - "PUSH-LOK & COLLAR"			
30	FM-00GF-00	GREASE FITTING			



From 8-9279 To B-9999

Date:10/2022

PAGE:MTH-1202-00

TUBES PLASTIC / AIR D.O.T.

ILLUSTRATION NOT
AVAILABLE AT TIME OF
PRINTING



From 8-9279 To B-9999	Date:10/2022	PAGE:MTH-1202-00
TUBES PLASTIC / AIR D.O.T.		

Item#	Part	Description	X L I I M T H 4 5	X L I I M T H 4 5 E	N O T E S
		ADAPTER, 90HT, MALE (PUSH IN TUBE FITTINGS)			
	503747	TUBE, NYLON 6MM O.D. / BLACK S.L.			
	503529	TUBE, NYLON 8MM O.D. / BLACK S.L.			
	503563	TUBE, NYLON 6MM O.D. / WHITE S.L.			
	503566	TUBE, NYLON 1/4 O.D. / BLUE S.L.			
	503471	TUBE, NYLON 3/8 O.D. / BLUE S.L.			
	503517	TUBE, NYLON 1/2 O.D. / BLUE S.L.			
	503536	TUBE, NYLON 1/8 O.D. / BLACK S.L.			
	503402	TUBE, NYLON 1/4 O.D. / BLACK S.L.			
	503404	TUBE, NYLON 3/8 O.D. / BLACK S.L.			
	503488	TUBE, NYLON 1/2 O.D. / BLACK S.L./			
	503540	TUBE, NYLON 5/8 O.D. / BLACK S.L.			
	503541	TUBE, NYLON 3/4" O.D. / BLACK S.L			
	503548	TUBE, NYLON 1/4 O.D. / YELLOW S.L.			
	503470	TUBE, NYLON 3/8 O.D. / YELLOW S.L.			
	503533	TUBE, NYLON 1/2 O.D. / YELLOW S.L.			
NS	19514092	. TUBE, NYLON 1/2 O.D. / YELLOW / 100FT ROLL			
	503466	TUBE, NYLON 1/4 O.D. / RED S.L.			
	503467	TUBE, NYLON 3/8 O.D. / RED S.L.			
	503468	TUBE, NYLON 1/2 O.D. / RED S.L.			
	503469	TUBE, NYLON 5/8 O.D. / RED S.L.			
	503464	TUBE, NYLON 1/4 O.D. / GREEN S.L.			
	503463	TUBE, NYLON 3/8 O.D. / GREEN S.L.			
	503406	TUBE, NYLON 1/2 O.D. / GREEN S.L.			
	503408	TUBE, NYLON 5/8 O.D. / GREEN S.L.			
	503465	TUBE, NYLON 3/4 O.D. / GREEN S.L.			
	503472	TUBE, NYLON 3/8 O.D. / GREY S.L.			
	503638	TUBE, NYLON 1/2 O.D. / BROWN S.L.			
NS	683355	TOOL PLASTIC TUBE CUTTER / PLASTIC	1	1	
NS	681625	TOOL PLASTIC TUBE CUTTER / METAL	1	1	



From 8-9279 To B-9999	Date:10/2022	PAGE:MTH-1202-00
-----------------------	--------------	------------------

TUBES PLASTIC / AIR D.O.T.

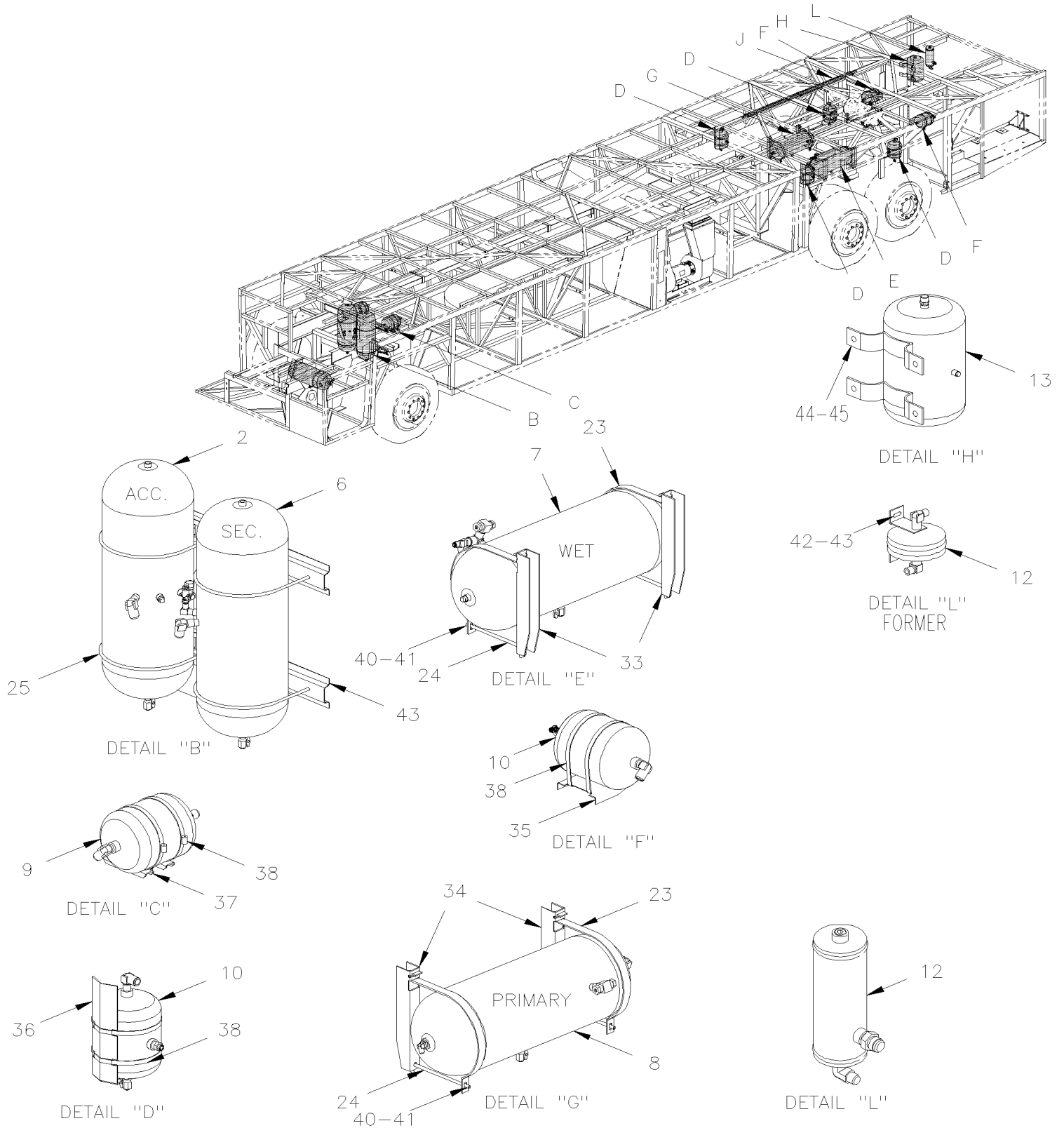
Item#	Part	Description	X L I I M T H 4 5	X L I I M T H 4 5 E	N O T E S

From 8-9279 To B-9999

Date:10/2022

PAGE:MTH-1203-00

AIR TANK - INSTALLATION





From 8-9279 To B-9999	Date:10/2022	PAGE:MTH-1203-00
AIR TANK - INSTALLATION		

Item#	Part	Description	X L I I M T H 4 5	X L I I M T H 4 5 E	N O T E S
		ACCESSORIES AIR TANK			
2	141834	AIR TANK / 1303 IN° / 8" O.D. X 27"1/2	1	1	
		SECONDARY AIR TANK			
6	141834	AIR TANK / 1303 IN° / 8" O.D. X 27"1/2	1	1	
		WET AIR TANK			
7	140869	AIR TANK / 1791 IN° / 9 1/2" O.D. X 27"	1	1	
NS	642022	SAFETY VALVE 150 PSI X 3/8 NPT / ST-3	1	1	
		PRIMARY AIR TANK			
8	140869	AIR TANK / 1791 IN° / 9 1/2" O.D. X 27"	1	1	
		AIR BELLOW EXPANSION TANK			
9	131403	AIR TANK / 434 IN° / 7" O.D. X 13 1/4"	2	2	
10	642110	AIR TANK / 290 IN° / 6" O.D. X 12" / W/(3) 1/2" NPT	6	6	
		PING AIR TANK			
12	032428	AIR TANK / 61 IN° / 6" O.D. X 4"	1	1	
12	641982	AIR TANK / 96 IN° / 3 1/2" O.D. X 10"	1	1	
NS	142221	HOSE ASSY TEFLON #12 1805MM	1		A
12	142222	HOSE ASSY TEFLON #12 1175MM		1	A
		PURGE TANK			
13	70307176	AIR TANK / 281 IN° / 6" O.D. X 12"	1	1	
NS	142195	HOSE ASSY TEFLON #12 3275MM	1	1	B
13	MTH-1215-10	AIR DRYER - "HALDEX" - INSTALLATION			
23	141816	STRAP / TO USE W/9"1/2 O.D. TANK / "J" SHAPE	4	4	
24	141409	J-HOOK / 220 MM / M8-1.25 SS	4	4	
25	141835	ROD / TO USE W/8" O.D. TANK / "U" SHAPE	4	4	
33	172147	SUPPORT "U" / AIR TANK / 263MM	2	2	
34	171600	SUPPORT "U" / AIR TANK / 250MM	2	2	
35	171974	SUPPORT / (WELDED TO FRAME)	2	2	



From 8-9279 To B-9999	Date:10/2022	PAGE:MTH-1203-00
-----------------------	--------------	------------------

AIR TANK - INSTALLATION

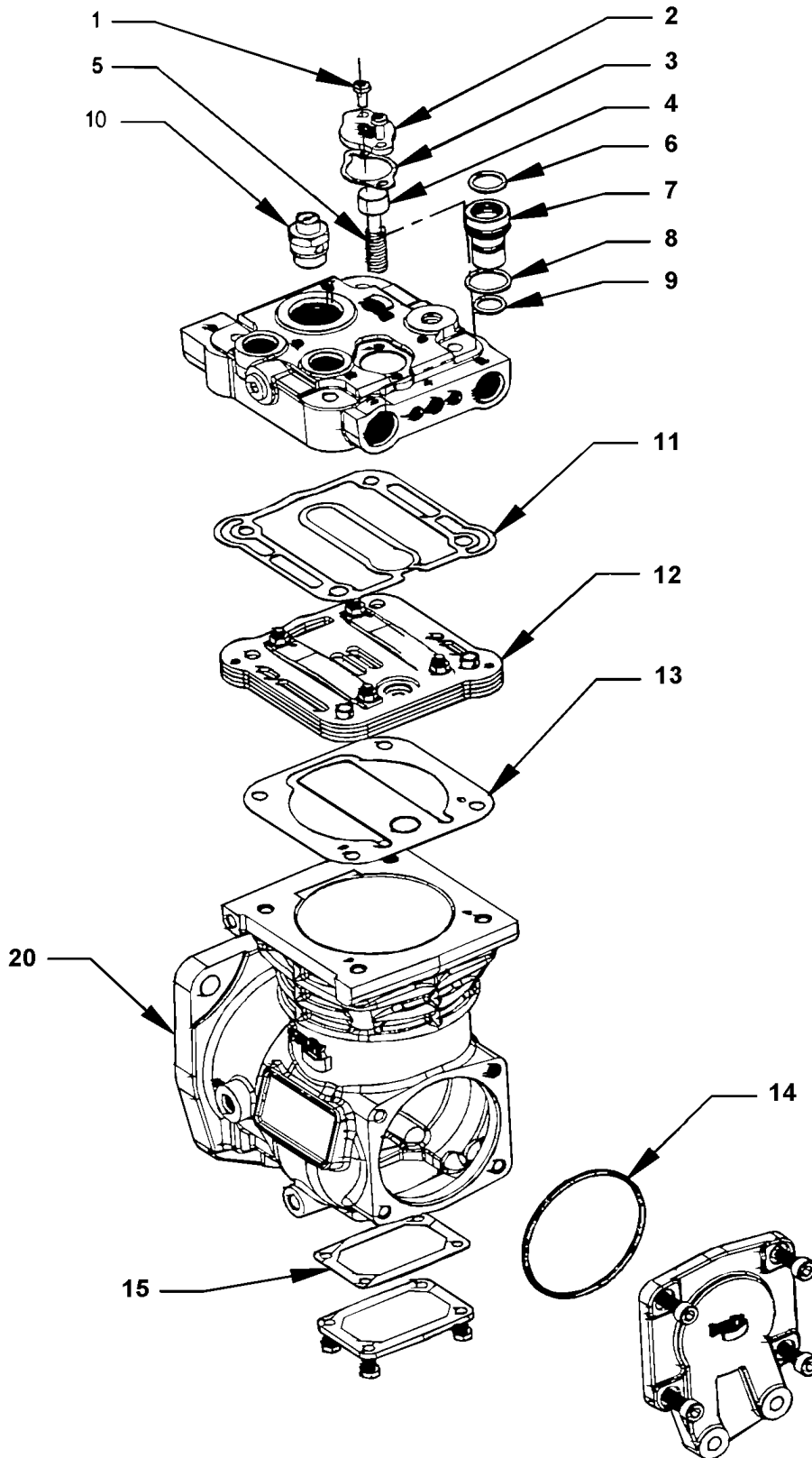
Item#	Part	Description	X L I I M T H 4 5	X L I I M T H 4 5 E	N O T E S
36	173506	SUPPORT / AIR TANK W/6" TANK	2	2	
37	Call order desk	SUPPORT CURBSIDE	1	1	P
37	Call order desk	SUPPORT STREET SIDE	1	1	P
38	504324	HOSE CLAMP / 4"1/2-6"1/2 SS / HS-96	4	4	
40	500868	NUT HEX NYRT M8-1.25 Z050	2	2	
41	500874	WASHER FL 8.4x17.0x1.6 Z050	AR	AR	
42	502600	NUT HEX NYRT 5/16-18 Z050	AR	AR	
43	500778	NUT HEX 5/16-18 N500	AR	AR	
44	500476	WASHER LO SPT .317x.586x.078 Z050	AR	AR	
45	5001164	WASHER FL 8.4x25.0x2.0 Z050	4	4	
		A) TO AIR COMPRESSOR			
		B) BETWEEN PING & PURGE TANK			
		P) CALL ORDER DESK FOR SPECIFIC APPLICATION (V.I.N.)			

From 8-9279 To B-9999

Date:10/2022

PAGE:MTH-1205-10

AIR COMPRESSOR - "BA921" - WITH DETROIT S-60





From 8-9279 To B-9999	Date:10/2022	PAGE:MTH-1205-10
AIR COMPRESSOR - "BA921" - WITH DETROIT S-60		

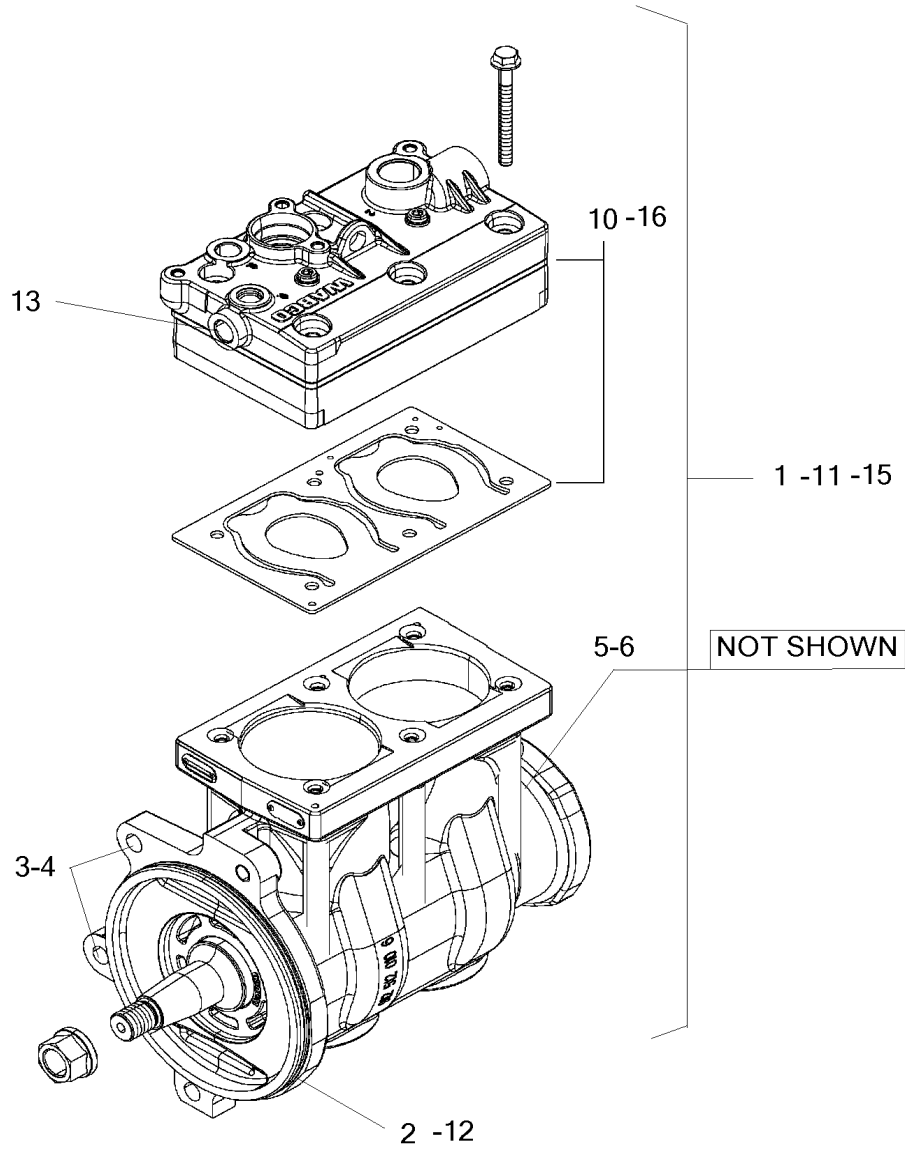
Item#	Part	Description	X L I I M T H 4 5	X L I I M T H 4 5 E	N O T E S
1	641990	COMPRESSOR, AIR (SUPPLY W/ENGINE)	1	1	
2	N.S.S.	. COVER	1	1	1 A
3	N.S.S.	. GASKET	1	1	1 A
4	N.S.S.	. BALANCE PISTON	1	1	1 A
5	N.S.S.	. SPRING	1	1	1 A
6	N.S.S.	. O-RING	1	1	1 A
7	N.S.S.	. PISTON	1	1	1 A
8	N.S.S.	. O-RING	1	1	1 A
9	N.S.S.	. O-RING	1	1	1 A
10	641989	. SAFETY VALVE ST-A / M16x1.5	1	1	
11	641986	. CYLINER HEAD SEAL KIT	1	1	B
12		. REED VALVE ASSY	1	1	
13		. INLET REED VALVE GASKET	1	1	
14	641987	. COMPRESSOR SEAL KIT	1	1	C
15		. BOTTOM COVER	1	1	
20	641988	. ENGINE INTERFACE SEAL KIT	1	1	D
		A) NOT REQUIRE WITH AIR DRYER "HALDEX"			
		B) INCLUDES ITEMS# 11 & 13			
		C) INCLUDES ITEMS# 14 & 20			
		D) USE ONLY WITH VEHICLE EQUIPPED WITH AIR DRYER AD-9			
		1) NOT SOLD SEPARATELY			

From 9-9591 To B-9999

Date:10/2022

PAGE:MTH-1205-11

AIR COMPRESSOR - "WABCO" 636CC - WITH VOLVO D13





From 9-9591 To B-9999	Date:10/2022	PAGE:MTH-1205-11
AIR COMPRESSOR - "WABCO" 636CC - WITH VOLVO D13		

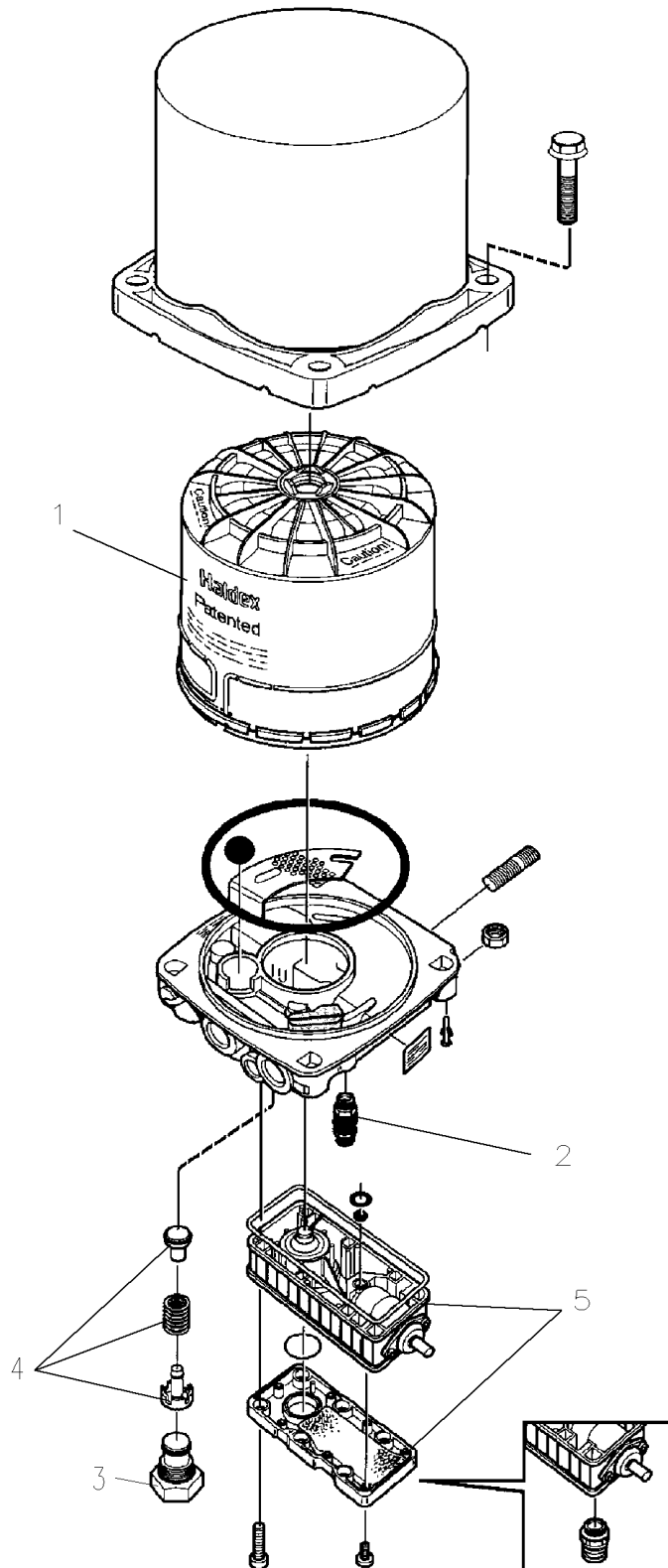
Item#	Part	Description	X L I I M T H 4 5	X L I I M T H 4 5 E	N O T E S
1	Refer To Volvo	AIR COMPRESSOR 636CC ASSY		1	V
2	Refer To Volvo	O-RING 164.3		1	V
3	Refer To Volvo	STUD TO FIX COMPRESSOR M12x65x43		2	V
4	Refer To Volvo	FLANGE NUT M12x19.8		3	V
5	Refer To Volvo	NIPPLE (OIL HOSE)		2	V
6	Refer To Volvo	HOSE ASSEMBLY M12-1.5x340MM		1	V
10	Refer To Volvo	KIT COMPRESSOR EXCHANGE WABCO		1	V
11	Refer To Volvo	. AIR COMPRESSOR 636CC ASSY / EXCHANGE		1	V
12	Refer To Volvo	. O-RING 164.3		1	V
13	Refer To Volvo	. O-RING		1	V
NS	Refer To Volvo	. HOSE CLAMP		1	V
15	Refer To Volvo	. COMPRESSOR WABCO		1	V
16	Refer To Volvo	. KIT REPAIR WABCO		1	V
		V) SEE IMPACT OR CALL ORDER DESK			

From 8-9279 To B-9999

Date:10/2022

PAGE:MTH-1215-00

AIR DRYER - "HALDEX"

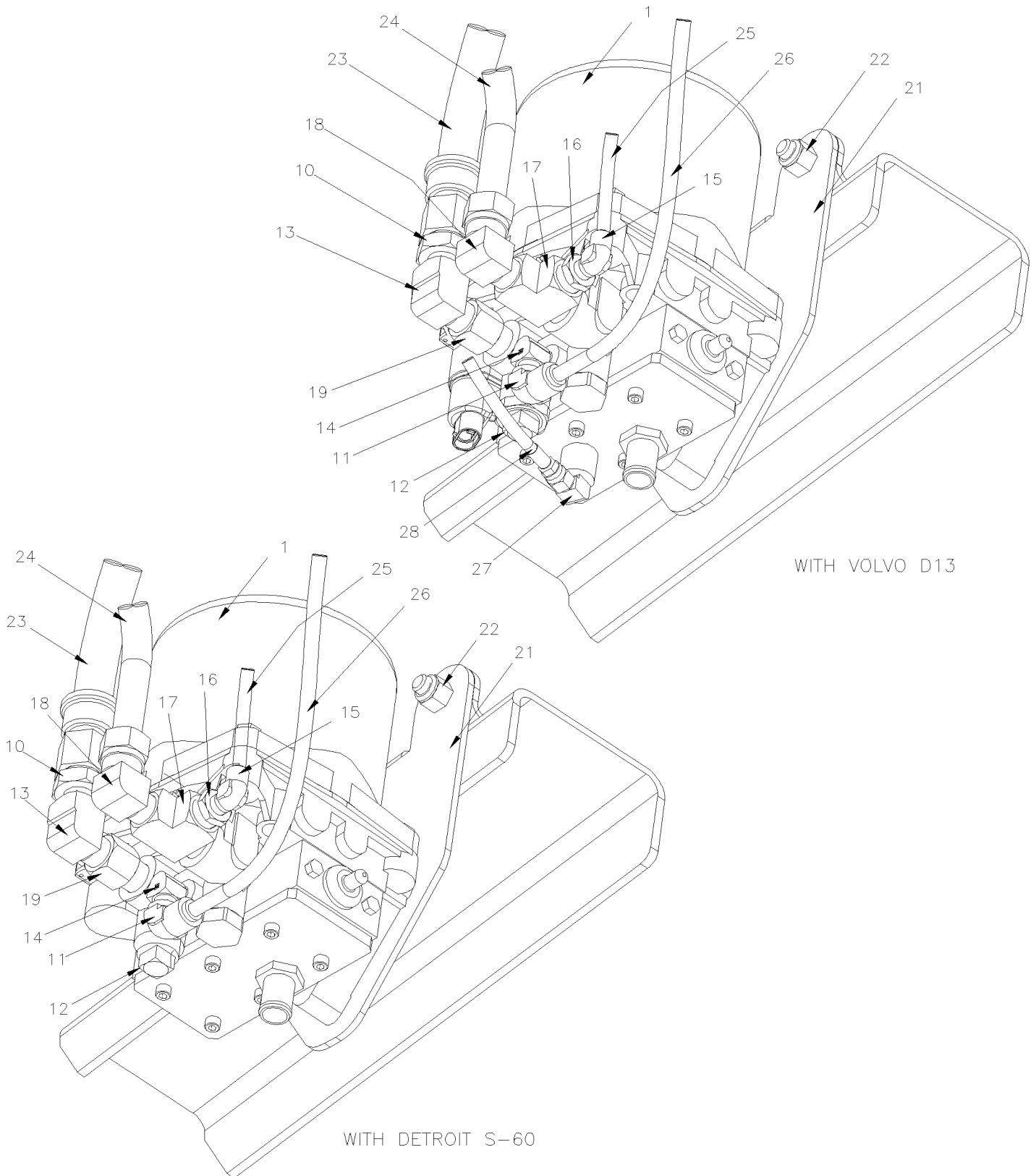


From 8-9279 To B-9999

Date:10/2022

PAGE:MTH-1215-00

AIR DRYER - "HALDEX"





From 8-9279 To B-9999	Date:10/2022	PAGE:MTH-1215-00
AIR DRYER - "HALDEX"		

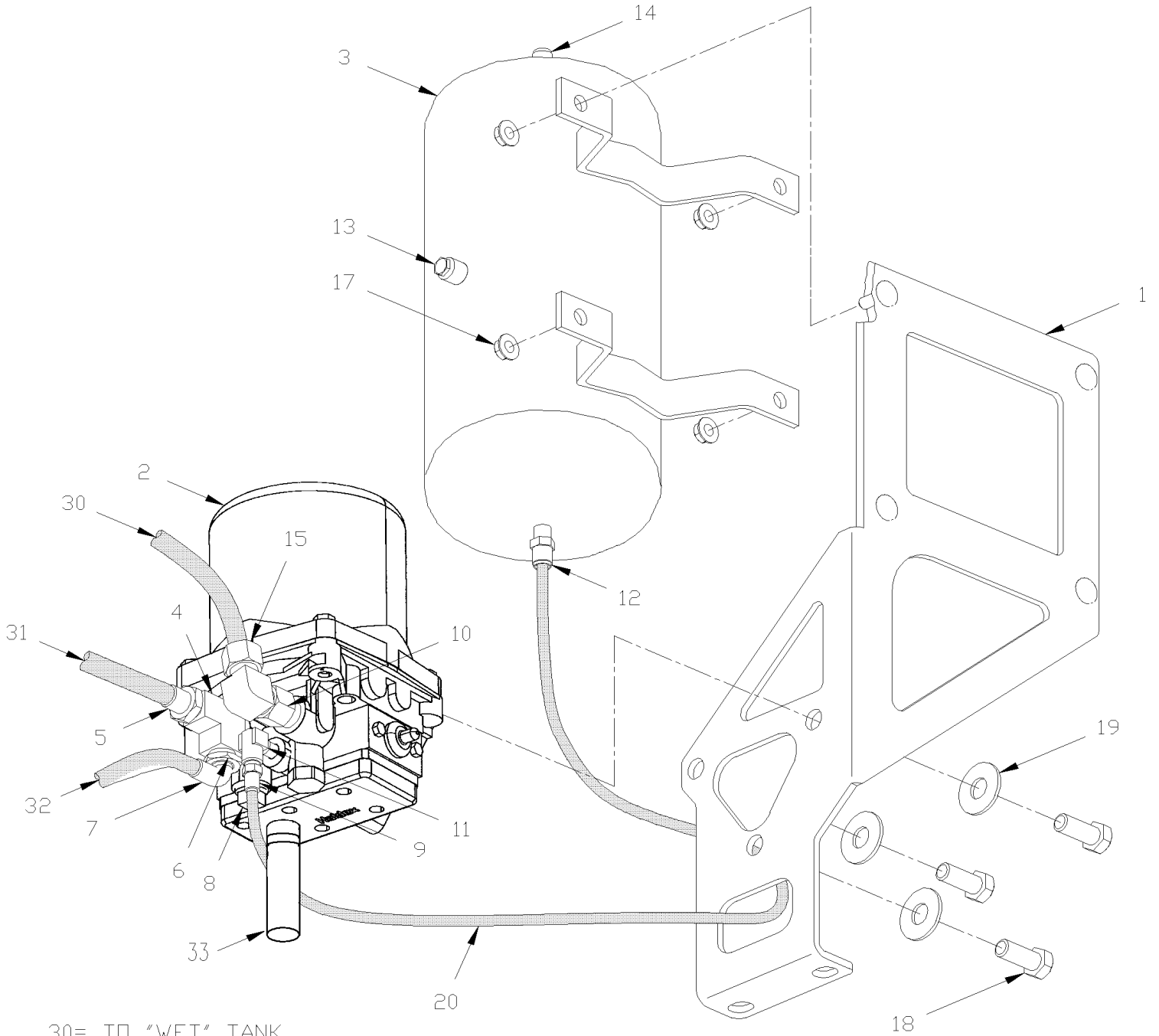
Item#	Part	Description	X L I I M T H 4 5	X L I I M T H 4 5 E	N O T E S
	642070	AIR DRYER "HALDEX" / WITH GOVERNOR 9.0 Bar	1	1	
	642111	AIR DRYER "HALDEX" / WITH GOVERNOR 9.0 Bar		1	D13
1	3097369	. DESICANT CARTRIDGE / "HALDEX"	1	1	
2	641953	. SAFETY VALVE	1	1	
3	N8885277	. REGENERATION VALVE BLACK PLASTIC M22-1.5	1	1	
4	N8894693	. . KIT CHECK VALVE	1	1	
5	642017	. VALVE PACK / W/INTEGRATED GOVERNOR 8.5BAR	1	1	
5	642071	. VALVE PACK / W/INTEGRATED GOVERNOR 9.0BAR	1	1	
10	501600	MALE CONNECTOR / JIC 37° FITTING / #12JIC-Mx1/2NPT-M STL	1	1	
11	641372	MALE ELBOW 90° NON-SWIVEL / PUSH-IN FITTING / #6x1/4NPT-M BR	1	1	
12	501517	PLUG SQUARE HEAD / PIPE FITTING / 3/4NPT-M BR	1	1	
13	507557	STREET ELBOW 90° / PIPE FITTING / 1/2NPT-Mx1/2NPT-F BR	1	1	
14	501332	STREET ELBOW 90° / PIPE FITTING / 1/4NPT-Mx1/4NPT-F BR	1	1	
15	641371	MALE ELBOW 90° NON-SWIVEL / PUSH-IN FITTING / #4x1/4NPT-M BR	1	1	
16	501316	BUSHING REDUCER / PIPE FITTING / 1/2NPT-Mx1/4NPT-F BR	1	1	
17	501473	MALE RUN TEE / PIPE FITTING / 1/2NPT-Mx1/2NPT-Fx1/2NPT-F BR	1	1	
18	641134	MALE ELBOW 90° / NTA FITTING / #12x1/2NPT-M BR	1	1	
19	5011119	ADAPTER / PIPE FITTING / 1/2NPT-Fx1/2NPT-M BR	1	1	
21	173147	SUPPORT, AIR DRYER	1	1	
22	5001647	SCREW CAP FL HEXS M12-1.75x25 G10.9	3	3	
23	142550	HOSE ASSY TEFLON #12 2593MM	1	1	A
23	142894	HOSE ASSY TEFLON #12 1097MM		1	A D13
24	503465	TUBE, NYLON 3/4 O.D. / GREEN S.L.	AR	AR	
25	503402	TUBE, NYLON 1/4 O.D. / BLACK S.L.	AR	AR	
26	503472	TUBE, NYLON 3/8 O.D. / GREY S.L.	AR	AR	
27	501873	MALE ELBOW 90° / JIC 37° FITTING / #4JIC-Mx1/4NPT-M STL	1	1	
28	144901	HOSE ASSY TEFLON #4 3825MM To A-9952	1	1	
28	143056	HOSE ASSY TEFLON #4 3680MM From A-9953	1	1	
		A) TO PINK TANK			
		D13) WITH "VOLVO" ENGINE			

From 8-9279 To B-9999

Date:10/2022

PAGE:MTH-1215-10

AIR DRYER - "HALDEX" - INSTALLATION



30= TO "WET" TANK
31= FROM "PING" TANK
32= FROM "FILL VALVE"



From 8-9279 To B-9999	Date:10/2022	PAGE:MTH-1215-10
-----------------------	--------------	------------------

AIR DRYER - "HALDEX" - INSTALLATION

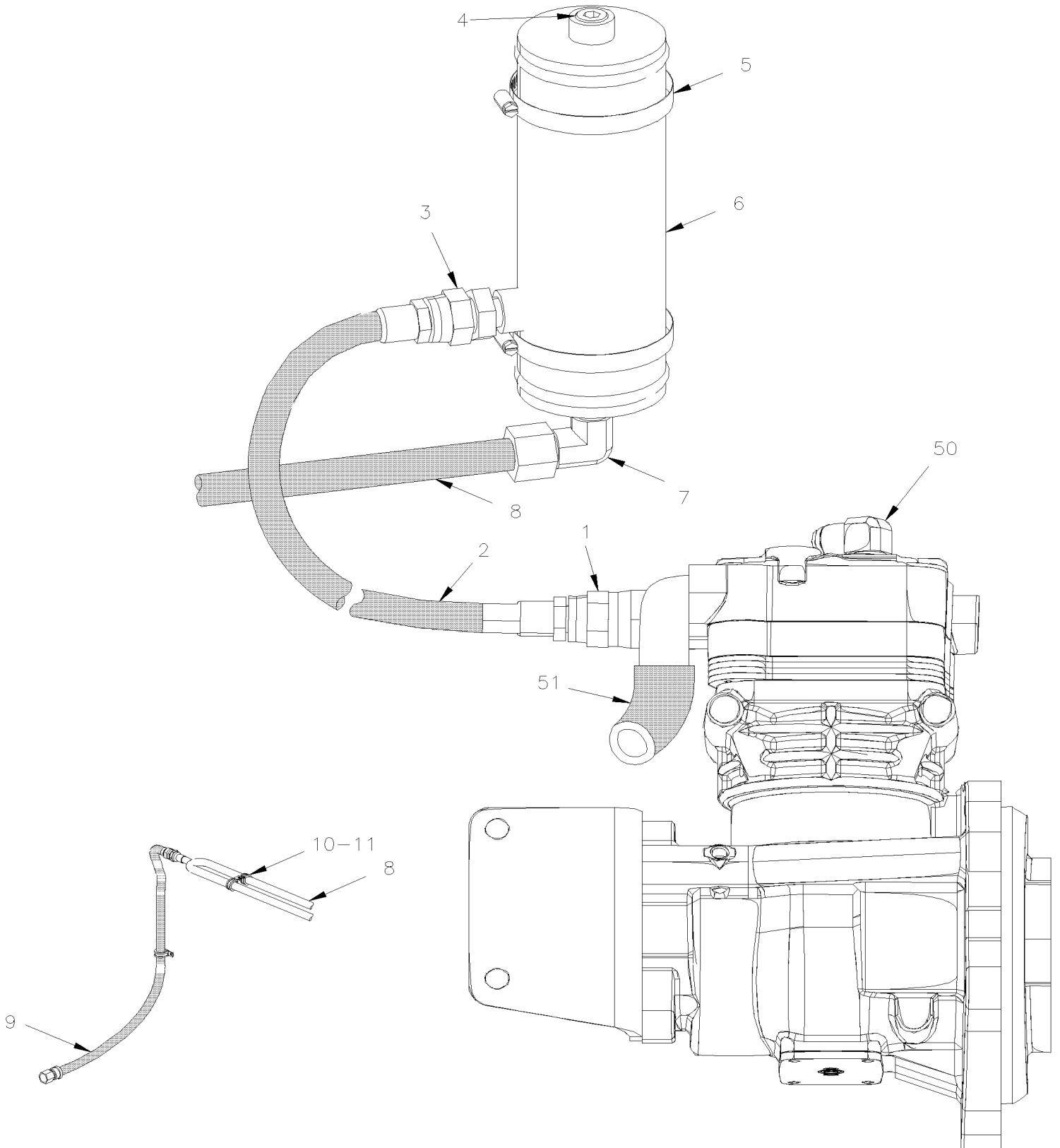
Item#	Part	Description	X L I M T H 4 5	X L I M T H 4 5 E	N O T E S
1	142188	SUPPORT, AIR DRYER	1		
2	MTH-1215-00	AIR DRYER - "HALDEX"			
3	70307176	AIR TANK / 281 IN° / 6" O.D. X 12"	1		
4	501473	MALE RUN TEE / PIPE FITTING / 1/2NPT-Mx1/2NPT-Fx1/2NPT-F BR	1		
5	501600	MALE CONNECTOR / JIC 37° FITTING / #12JIC-Mx1/2NPT-M STL	1		
6	501316	BUSHING REDUCER / PIPE FITTING / 1/2NPT-Mx1/4NPT-F BR	1		
7	641371	MALE ELBOW 90° NON-SWIVEL / PUSH-IN FITTING / #4x1/4NPT-M BR	1		
8	501517	PLUG SQUARE HEAD / PIPE FITTING / 3/4NPT-M BR	1		
9	641366	MALE ELBOW 45° NON-SWIVEL / PUSH-IN FITTING / #6x1/4NPT-M BR	1		
10	5011119	ADAPTER / PIPE FITTING / 1/2NPT-Fx1/2NPT-M BR	1		
11	501332	STREET ELBOW 90° / PIPE FITTING / 1/4NPT-Mx1/4NPT-F BR	1		
12	641331	MALE CONNECTOR / PUSH-IN FITTING / #6x1/4NPT-M BR	1		
13	501800	PLUG HEXS / PIPE FITTING / 1/4NPT-M STL	2		
14	501449	PLUG HEXS / PIPE FITTING / 3/8NPT-M STL	1		
15	641134	MALE ELBOW 90° / NTA FITTING / #12x1/2NPT-M BR	1		
17	5001083	NUT HEXF NYRT 5/16-18 Z050	2		
18	500850	SCREW CAP HEX M12-1.75X25 G8.8 Z050	3		
19	500482	WASHER LO SPT .506x.873x.125 Z050	3		
20	503472	TUBE, NYLON 3/8 O.D. / GREY S.L.	AR		
30	503465	TUBE, NYLON 3/4 O.D. / GREEN S.L.	AR		
31	144868	HOSE ASSY / W/COIL / #12 3275MM	1		
NS	142609	HOSE ASSY TEFLON #12 1675MM	1		A
32	503402	TUBE, NYLON 1/4 O.D. / BLACK S.L.	AR		
33	503523	HOSE SILICONE 1PLY 3/4" I.D. x 100' / S.L.	AR		B
NS	504020	HOSE CLAMP / 9/16"-1"1/4 SS / HS-12	1		B
		A) FROM "PING TANK" TO COMPRESSOR			
		B) FIXED AT "EXHAUST"			

From 8-9279 To B-9999

Date:10/2022

PAGE:MTH-1215-12

AIR DRYER TUBE - INSTALLATION





AIR DRYER TUBE - INSTALLATION

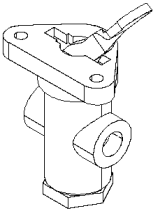
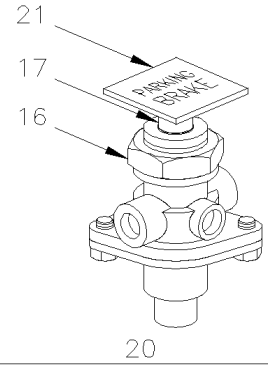
Item#	Part	Description	X L I I M T H 4 5	X L I I M T H 4 5 E	N O T E S
1	5011257	MALE CONNECTOR / JIC 37° FITTING / #12JIC-MxM22-1.5-M STL	1	1	
. NS	N.P.N.	. O-RING	1	1	4
. NS	507341	. WASHER RET M22x1.5	1	1	
2	142609	HOSE ASSY TEFLON #12 1675MM	1		
2	142608	HOSE ASSY TEFLON #12 1170MM		1	
2	144878	HOSE ASSY TEFLON #12 500MM From 9-9591		1	
2	507647	MALE CONNECTOR W/ED SEAL / JIC 37° FITTING / #12JIC-MxM26-1.5-M STL From 9-9591	1	1	
2	507544	SWIVEL NUT ELBOW 90° SHORT / JIC 37° FITTING/ #12JIC-Fx#12JIC-Mx1.82 STL From 9-9591	1	1	
3	501600	MALE CONNECTOR / JIC 37° FITTING / #12JIC-Mx1/2NPT-M STL		1	
4	501966	PLUG HEXS / PIPE FITTING / 1/2NPT-M STL		1	
5	504235	HOSE CLAMP / 3"9/16"-4"1/2 SS / HS-64		2	
6	641982	AIR TANK / 96 IN° / 3 1/2" O.D. X 10"	1	1	
7	5011233	MALE ELBOW 90° / JIC 37° FITTING / #12JIC-Mx1/2NPT-M SS		1	
8	144868	HOSE ASSY / W/COIL / #12 3275MM	1		
8	142550	HOSE ASSY TEFLON #12 2593MM		1	
50	MTH-1205-10	AIR COMPRESSOR - "BA921" - WITH DETROIT S-60			
51	142290	HOSE / (SUCTION AIR COMPRESSOR) / #16 870MM		1	
		4) NO PARTS NUMBER			

From 8-9279 To B-9999

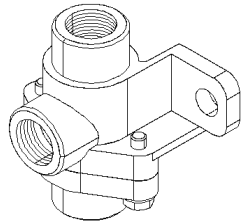
Date:10/2022

PAGE:MTH-1220-00

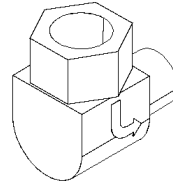
MISCELLANEOUS AIR VALVE



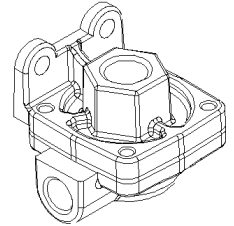
25



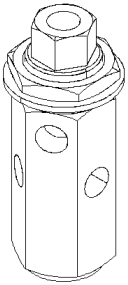
30



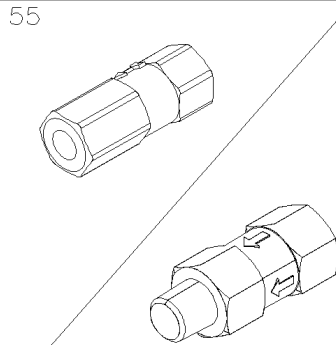
35



40

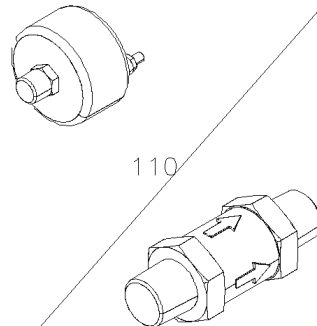


45



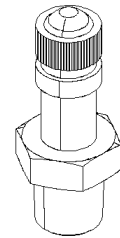
55

50

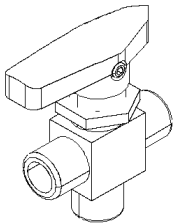


110

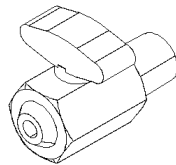
60



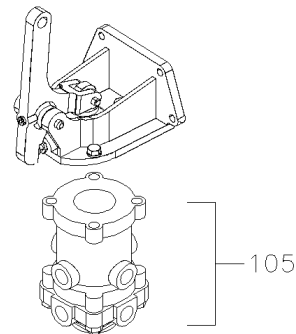
70



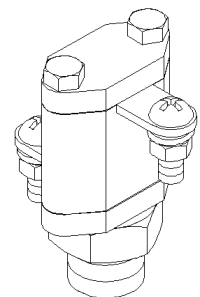
75



90



100



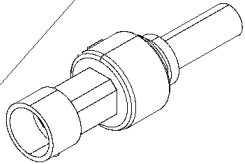
85

From 8-9279 To B-9999

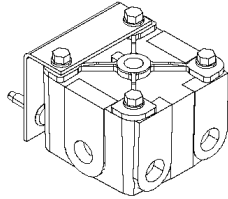
Date:10/2022

PAGE:MTH-1220-00

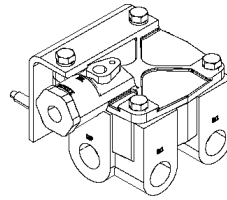
MISCELLANEOUS AIR VALVE



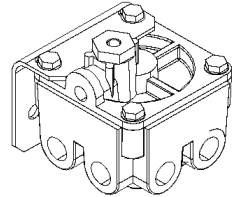
120



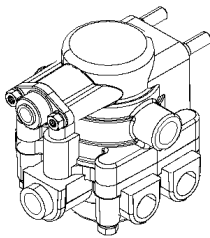
125



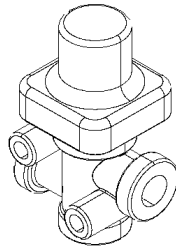
130



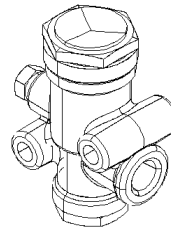
135



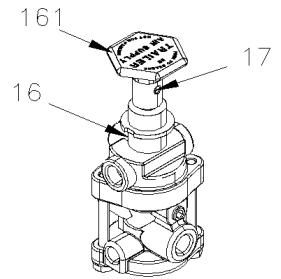
145



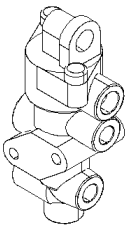
150



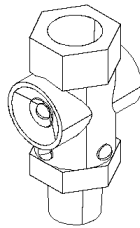
155



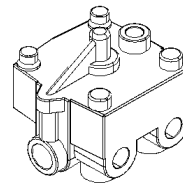
160



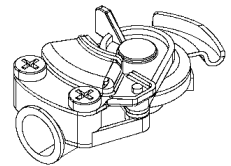
170



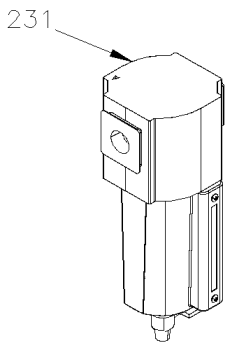
175



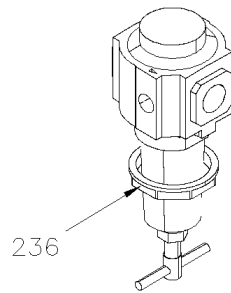
180



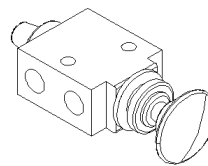
185



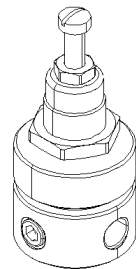
230



235



240



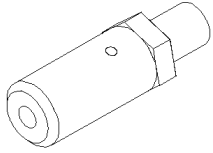
245

From 8-9279 To B-9999

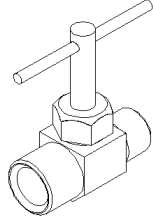
Date:10/2022

PAGE:MTH-1220-00

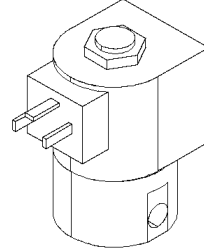
MISCELLANEOUS AIR VALVE



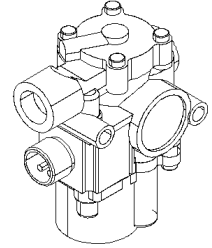
250



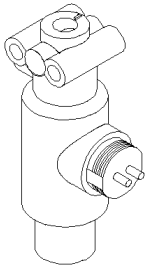
260



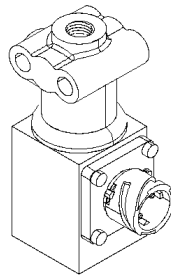
275



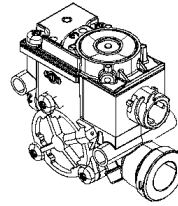
300



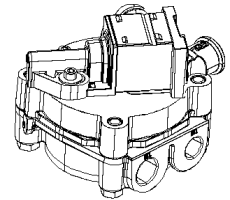
305



310



322



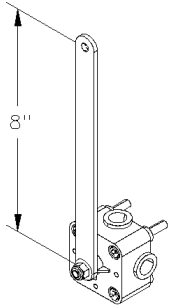
323

From 8-9279 To B-9999

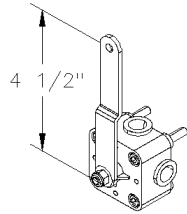
Date:10/2022

PAGE:MTH-1220-00

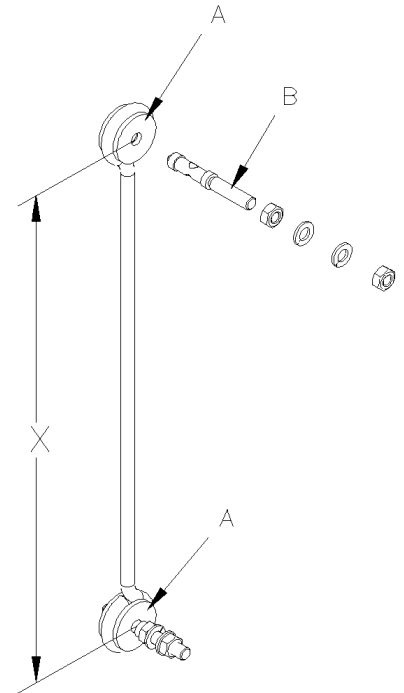
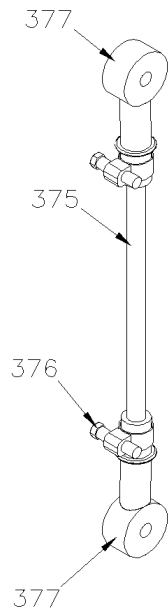
MISCELLANEOUS AIR VALVE



350



355



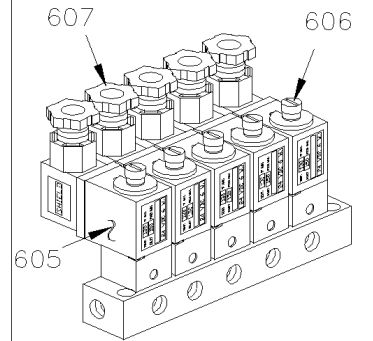
385

From 8-9279 To B-9999

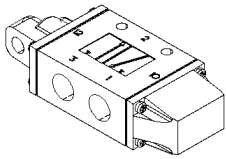
Date:10/2022

PAGE:MTH-1220-00

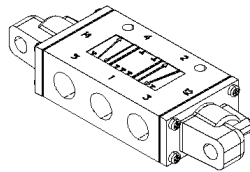
MISCELLANEOUS AIR VALVE



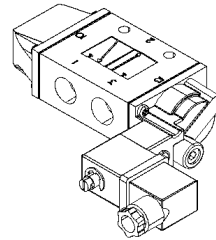
603



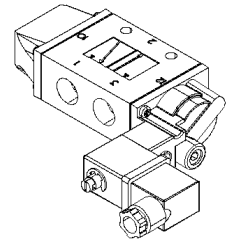
610



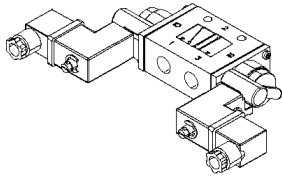
615



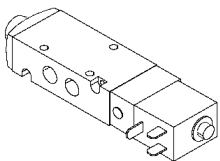
620



625



630



650



From 8-9279 To B-9999	Date:10/2022	PAGE:MTH-1220-00
MISCELLANEOUS AIR VALVE		

Item#	Part	Description	X L I I M T H 4 5	X L I I M T H 4 5 E	N O T E S
16	640297	NUT	1	1	
17	640286	PIN ROLLER	1	1	
18	641155	BUTTON, OVERRULE ROUND BLACK	1	1	
NS	640394	BUTTON, PARKING BRAKE ROUND BLACK / 1"	1	1	
20	641128	VALVE, CONTROL VALVE PP-1 / 40PSI	1	1	
. NS	641154	. REPAIR KIT / PP-1 & RD-3	1	1	
21	641149	BUTTON, PARKING BRAKE DIAMOND YELLOW / 1"	1	1	
25	640136	VALVE, CONTROL TW-1	1	1	
. NS	641156	. REPAIR KIT / TW-1	1	1	
30	641564	VALVE, DOUBLE CHECK DC-4	1	1	
35	641172	VALVE, CHECK ELBOW 90° 1/2 NPT	1	1	
40	641429	VALVE, QUICK RELEASE QR-1 / 3/8NPTx3/8NPTx3/8NPT	1	1	
. NS	640924	. REPAIR KIT / QR-1	1	1	
45	640442	VALVE, INVERSION TR-2	1	1	
50	640135	VALVE, CHECK 1/4 NPT	1	1	
55	640123	VALVE, CHECK 1/2 NPT SC-1	1	1	
. NS	641401	. VALVE, CHECK 1/2 NPT SC-1	1	1	
55	641401	VALVE, CHECK 1/2 NPT SC-1	1	1	
60	530175	VALVE, CHECK 1/8 NPT	1	1	
70	640488	VALVE, AIR FILL 1/8" NPT	1	1	
. NS	650164	. CAP VALVE / CHROME	1	1	
75	641417	VALVE, 3 WAYS 1/8NPT-Fx1/8NPT-Fx1/8NPT-F BR	1	1	
. NS	642014	. HANDLE / RED	1	1	
75	642161	VALVE, 3 WAYS 1/8NPT-Fx1/8NPT-Fx1/8NPT-F BR / SERVICE	AR	AR	
. NS	642014	. HANDLE / RED	1	1	
85	640975	PRESSURE SWITCH N.C. 66PSI / 1/4NPT LP-3	1	1	
85	641174	PRESSURE SWITCH N.C. 30PSI / 1/4NPT LP-2	1	1	
90	641043	DRAIN VALVE 1/4 NPT M	1	1	
100	641856	BRAKE VALVE ASSY W/BACKET / MODEL E-10P	1	1	
. NS	19507993	. BOOT PLUNGER	1	1	
. NS	19510779	. PLUNGER	1	1	
. NS	2222120	. MOUNTING BRACKET COUPLING D-1	1	1	
105	641925	. VALVE SUB ASSY / MODEL E-10P	1	1	
110	641462	PRESSURE SWITCH N.O. 4PSI / 1/4NPT W/10-32 / SL-5 BRAKE	1	1	
120	642075	TRANSDUCER PRESSURE	1	1	
. NS	563159	. CONNECTOR / METRI-PACK 150 / SH 3C / PED 12065287	1	1	
125	641088	VALVE, RELAY R-12 HORIZONTAL PORT	1	1	
125	642068	VALVE, RELAY R-12 HORIZONTAL PORT / W/OUT SUPPORT	1	1	
130	641120	VALVE, RELAY R-14 HORIZONTAL PORT 4psi Crack	1	1	
. NS	10508267	. KIT, REPAIR	1	1	
135	641991	VALVE, RELAY R-14 "WABCO"	1	1	
145	643384	VALVE / SPRING BRAKE SR-7	1	1	



From 8-9279 To B-9999		Date:10/2022	PAGE:MTH-1220-00
MISCELLANEOUS AIR VALVE			

Item#	Part	Description	X L I I M T H 4 5	X L I I M T H 4 5 E	N O T E S
. NS	642119	. VALVE / SPRING BRAKE SR-7	1	1	
150	641137	VALVE, PRESSURE PROTECTION TYPE PR-4 70PSI	1	1	
155	640471	VALVE, INVERSION TR-3 25-40LBS	1	1	
155	21243502	VALVE PRESSURE REDUCER RV-3 / K028993	1	1	
160	641397	TRAILER SUPPLY VALVE PP-7	1	1	
161	641935	BUTTON RED / FOR TRAILER VALVE PP-7	1	1	
170	641495	TRACTOR PROTECTION VALVE TP-3 DC	1	1	
175	642088	VALVE, QUICK RELEASE QR-L / IN LINE	1	1	
180	641399	VALVE, RELAY R-12 P SUPPERSEEDDED 642097	1	1	
185	641939	GLANDHAND W/DUST COVER "BLUE"	1	1	
185	641938	GLANDHAND W/DUST COVER "RED"	1	1	
230	641338	AIR FILTER ASSY	1	1	
231	641339	SUPPORT / AIR FILTER	1	1	
235	641352	AIR PRESSURE REGULATOR 1/2" NPT	1	1	
236	641506	NUT RING / AIR REGULATOR RETAINING	1	1	
240	641445	VALVE, 3 WAYS, 2 POSITIONS MECHANICAL	1	1	
. NS	641992	. KNOB	1	1	
245	641472	AIR PRESSURE REGULATOR 1/4" NPT / COPPER	1	1	
250	642022	SAFETY VALVE 150 PSI X 3/8 NPT / ST-3	1	1	
260	501354	NEEDLE VALVE 1/8 NPT M x 1/8 NPT F	1	1	
275	562804	VALVE, 2 WAYS N.C.	1	1	
. NS	562848	. CONNECTOR / SOCKET HOUSING ASSY 3C / PNEUMAC 54933-05	1	1	
300	641951	VALVE, "ABS" 12VOLT	1	1	
305	641460	VALVE, "ATC" 24VOLT	1	1	
305	641950	VALVE, "ATC" 12VOLT	1	1	
310	642079	VALVE, "ATC" 12VOLT	1	1	
322	642077	VALVE, "ABS" 12VOLT / M-32QR	1	1	A
322	640228	VALVE, "ABS" 12VOLT / M-40QR	1	1	
350	630156	VALVE, HEIGHT CONTROL "BARKSDALE" 8"	1	1	
355	630237	VALVE, HEIGHT CONTROL "BARKSDALE" / FRONT 4½"	1	1	
375	131351	ROD LINK / 140MM	1	1	
375	131308	ROD LINK / 305MM x .250"	1	1	
376	504014	. HOSE CLAMP / 1/4"-5/8" SS / HM-4	AR	AR	
377	630133	. ROD END / BLACK RUBBER 1/4" I.D.			
385	630231	LINK ASSY 185MM C/C 7 1/4"	1	1	
. A	N8889244	. GROMMET / LINK	2	2	
. B	630250	. STUD RETAINER 1/4-20 X 1"	2	2	
. C	500247	. NUT HEX 1/4-20 N500	4	4	
. D	500473	. WASHER LO SPT .262x.489x.062 Z050	4	4	
385	630263	LINK ASSY 317MM C/C 11 1/2"	1	1	
. A	N8889244	. GROMMET / LINK	2	2	
. B	630250	. STUD RETAINER 1/4-20 X 1"	2	2	



From 8-9279 To B-9999	Date:10/2022	PAGE:MTH-1220-00
-----------------------	--------------	------------------

MISCELLANEOUS AIR VALVE

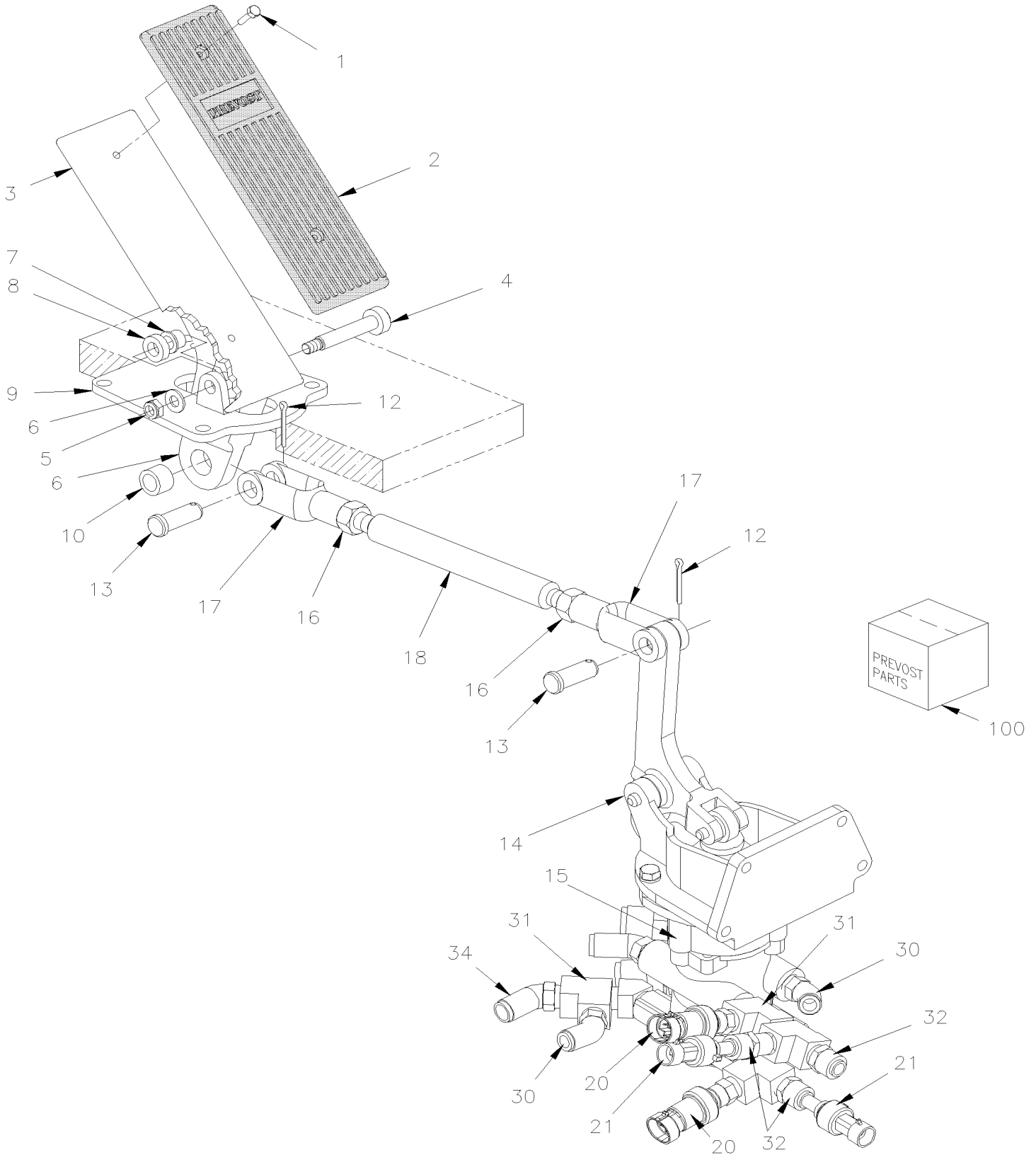
Item#	Part	Description	X L I I M T H 4 5	X L I I M T H 4 5 E	N O T E S
. NS	500769	. NUT HEX 1/4-20 Z050	4	4	
. NS	500473	. WASHER LO SPT .262x.489x.062 Z050	4	4	
603	641205	MANIFOLD VALVE / W/5 SOLENOID	1	1	
. NS	641928	. KIT, MANIFOLD REPAIR / N.C.	5	5	
. NS	641107	. COIL 24V	5	5	
610	641274	VALVE, 3 WAYS, 2 POSITIONS N.C.	1	1	
615	641531	VALVE, 5 WAYS, 3 POSITIONS	1	1	
. NS	641186	. SPOOL	1	1	
620	641937	VALVE, 3 WAYS, 2 POSITIONS N.C. / W/MAN OVERRIDE	1	1	
. NS	641929	. COIL 24V	1	1	
. NS	641385	. CONNECTOR / SOCKET HOUSING ASSY 3C / PNEUMAC 54934-01	1	1	
625	641528	VALVE, 3 WAYS, 2 POSITIONS N.O.	1	1	
. NS	641929	. COIL 24V	1	1	
. NS	641169	. SPOOL	1	1	
. NS	641385	. CONNECTOR / SOCKET HOUSING ASSY 3C / PNEUMAC 54934-01	1	1	
630	641530	VALVE, 3 WAYS, 2 POSITIONS / 2 SOLONOIDS	1	1	
. NS	641929	. COIL 24V	1	1	
. NS	641169	. SPOOL	1	1	
. NS	641385	. CONNECTOR / SOCKET HOUSING ASSY 3C / PNEUMAC 54934-01	1	1	
650	642023	VALVE, 5 WAYS, 2 POSITIONS 24V / MODEL V19	1	1	
. NS	641385	. CONNECTOR / SOCKET HOUSING ASSY 3C / PNEUMAC 54934-01	1	1	
		A) WHEN YOU REPLACE THE VALVE #642077 BY THE VALVE #640228 YOU HAVE REPLACE BOTH SIDE LEFT AND RIGHT			

From 8-9279 To B-9999

Date:10/2022

PAGE:MTH-1220-10

BRAKE PEDAL VALVE - "BENDIX"





From 8-9279 To B-9999		Date:10/2022	PAGE:MTH-1220-10
BRAKE PEDAL VALVE - "BENDIX"			

Item#	Part	Description	X L I I M T H 4 5	X L I I M T H 4 5 E	N O T E S
	141206	PEDAL ASSY	1	1	
1	500416	. SCREW MA PAN PH #10-32x1/2 BK	2	2	
2	141212	. THREADLE COVER / W/STEEL BACKING To 9-9610	1	1	
2	142842	. THREADLE COVER / W/STEEL BACKING From 9-9611	1	1	
3	141207	. PEDAL BRAKE	1	1	
4	502575	. SCREW SHR HEXS 10x50 (M8-1.25	1	1	
5	500868	. NUT HEX NYRT M8-1.25 Z050	1	1	
6	500874	. WASHER FL 8.4x17.0x1.6 Z050	1	1	
7	507297	. FLANGE BUSHING	2	2	
8	141211	. SPACER	1	1	
9	141996	. SUPPORT ASSY / TO FIX BRAKE PEDAL	1	1	
10	507307	. BUSHING OIL 1/2 I.D. X 3/4 O.D. X 1/2	1	1	
12	502102	PIN, COTTER 1/8 x 1	1	1	
13	502035	PIN, CLEVIS 1/2 x 1 3/8 Z050	1	1	
14	641856	BRAKE VALVE ASSY W/BACKET / MODEL E-10P	1	1	
. NS	19507993	. BOOT PLUNGER	1	1	
. NS	19510779	. PLUNGER	1	1	
. NS	2222120	. MOUNTING BRACKET COUPLING D-1	1	1	
15	641925	. VALVE SUB ASSY / MODEL E-10P	1	1	
16	500716	NUT HEX 1/2-20 Z050 To 9-9579	2	2	
16	500716	NUT HEX 1/2-20 Z050 From 9-9580	1	1	
17	020317	YOKE 1/2-20x1 15/16 C/Lx9/16Wx1/2 To 9-9579	2	2	
17	142830	YOKE 1/2-20x1 15/16 C/Lx9/16Wx1/2 From 9-9580	1	1	
17	142831	YOKE L.H. 1/2-20x1 15/16 C/Lx9/16Wx1/2 From 9-9580	1	1	
18	141178	SHAFT THREADED W/R.H. THREAD 260MM To 9-9579	1	1	
18	142829	SHAFT THREADED W/R.H. & L.H. THREAD 260MM From 9-9580	1	1	
20	642072	PRESSURE SWITCH N.C. 2-6 PSI / 1/4" TUBE	2	2	
. NS	563677	. CONNECTOR / METRI-PACK 150 / SH 4C / PED 12065402	1	1	
21	642075	TRANSDUCER PRESSURE	AR	AR	
. NS	563159	. CONNECTOR / METRI-PACK 150 / SH 3C / PED 12065287	1	1	
30	641367	MALE ELBOW 45° NON-SWIVEL / PUSH-IN FITTING / #6x3/8NPT-M BR	AR	AR	
31	501699	MALE RUN TEE / PIPE FITTING / 3/8NPT-Mx3/8NPT-Fx3/8NPT-F BR	AR	AR	
32	641330	MALE CONNECTOR / PUSH-IN FITTING / #6x3/8NPT-M BR	AR	AR	
33	641375	MALE ELBOW 90° NON-SWIVEL / PUSH-IN FITTING / #6x3/8NPT-M BR	AR	AR	
34	641368	MALE ELBOW 45° NON-SWIVEL / PUSH-IN FITTING / #8x3/8NPT-M BR	AR	AR	
35	641602	MALE CONNECTOR / PUSH-IN FITTING / #10x3/8NPT-M BR	AR	AR	
36	501330	STREET ELBOW 45° / PIPE FITTING / 3/8NPT-Mx3/8NPT-F BR	AR	AR	
37	501305	PLUG SQUARE HEAD / PIPE FITTING / 3/8NPT-M BR To A-9968	1	1	
37	501449	PLUG HEXS / PIPE FITTING / 3/8NPT-M STL From A-9969	1	1	
100	640949	KIT, REPAIR / BRAKE VALVE E-10	1	1	

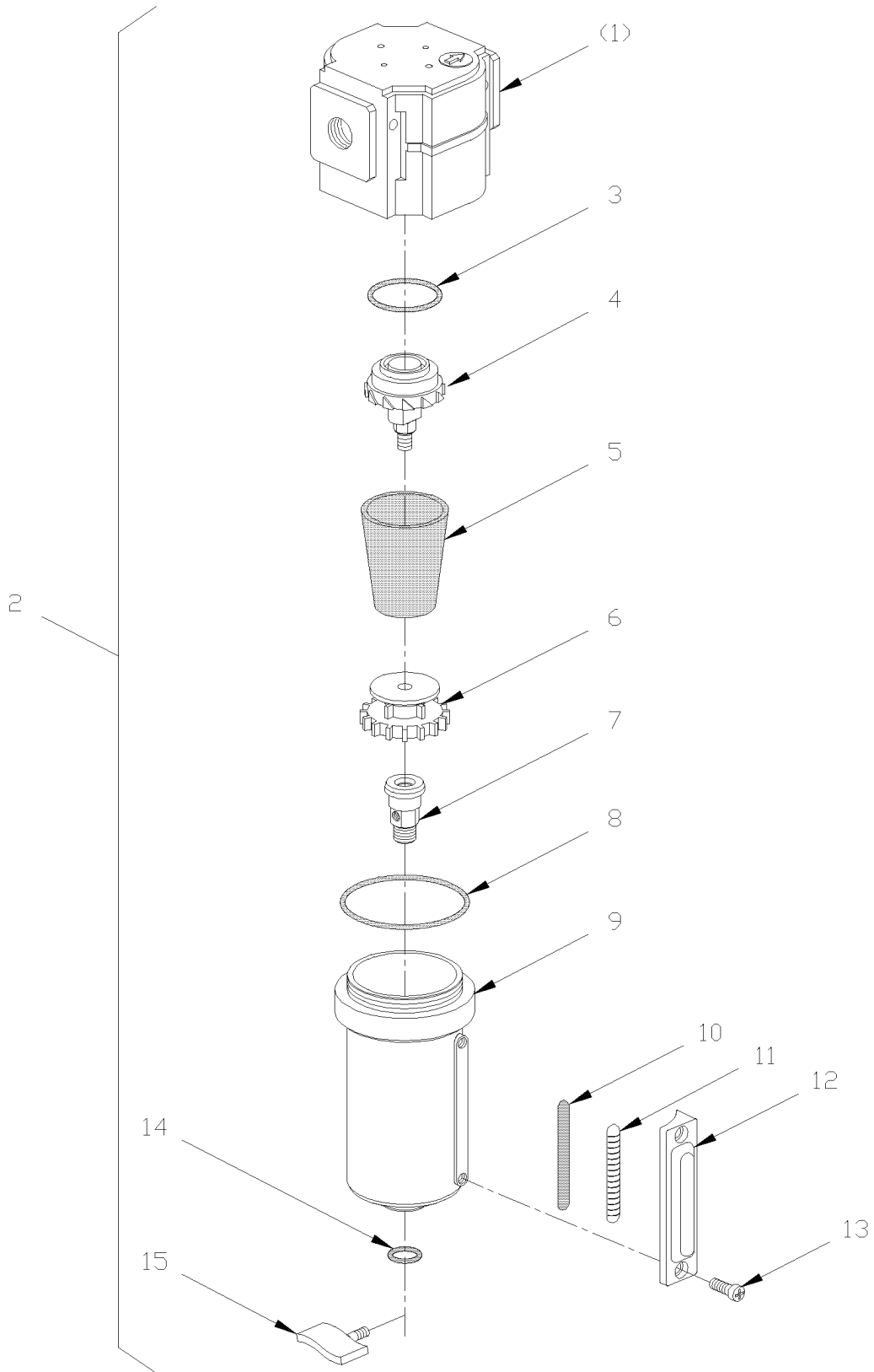


From 8-9279 To B-9999	Date:10/2022	PAGE:MTH-1220-10
-----------------------	--------------	------------------

BRAKE PEDAL VALVE - "BENDIX"

Item#	Part	Description	X L I I M T H 4 5	X L I I M T H 4 5 E	N O T E S

AIR FILTER - ACCESSORIES





From 8-9279 To B-9999 Date:10/2022 PAGE:MTH-1220-15

AIR FILTER - ACCESSORIES

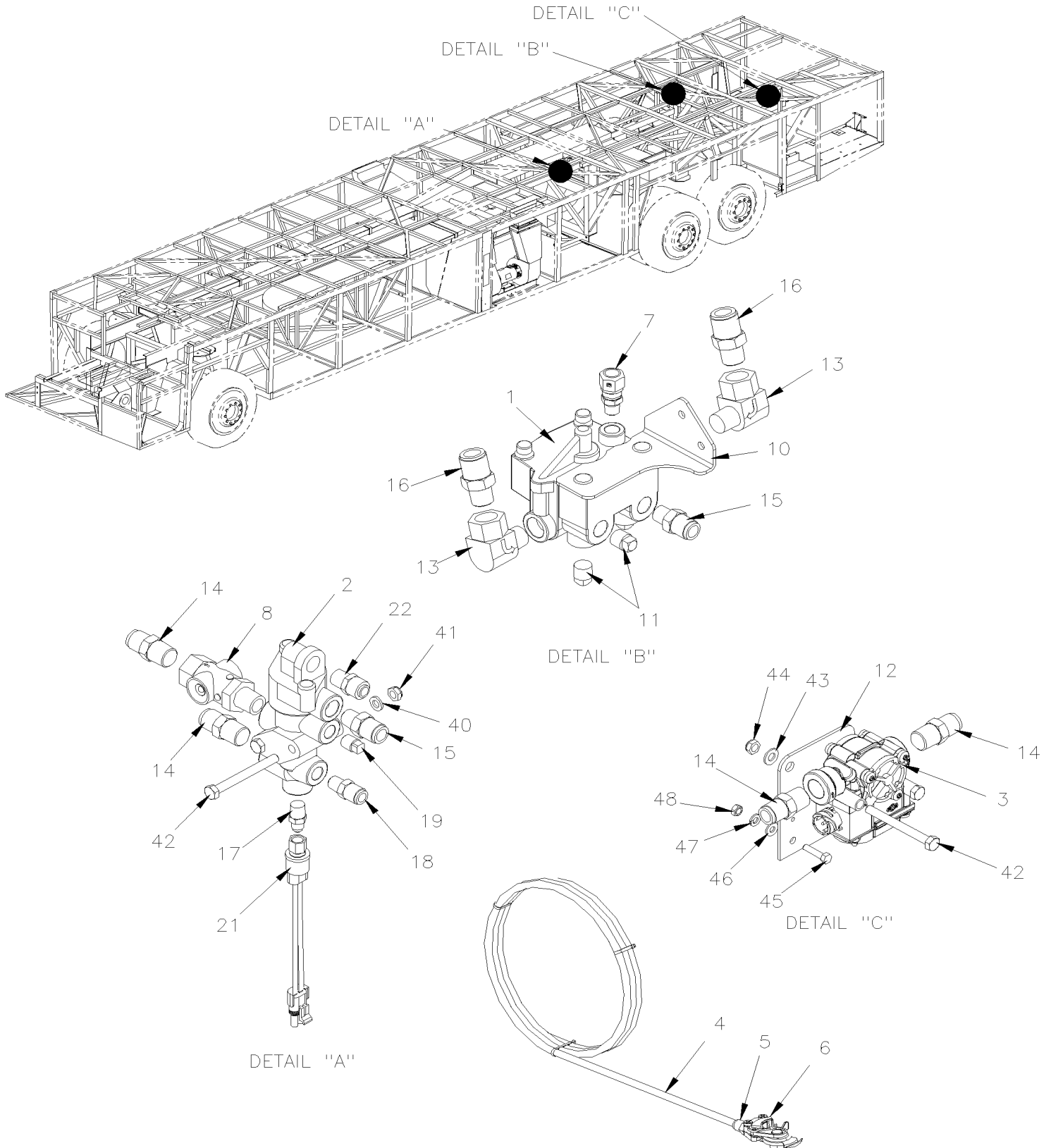
Item#	Part	Description	X L I I M T H 4 5	X L I I M T H 4 5 E	N O T E S
1	641339	SUPPORT / AIR FILTER	1	1	
2	641338	AIR FILTER ASSY	1	1	
3	N.S.S.	. O-RING / UPPER CENTER POST	1	1	1
4	641969	. CENTER POST	1	1	
5	641340	. FILTER ELEMENT	1	1	
6	641970	. SCREW BAFFLE	1	1	
7	641971	. DRAIN VALVE BODY	1	1	
8	N.S.S.	. O-RING / UPPER BOWL	1	1	1
9	N.S.S.	. BOWL METAL	1	1	1
10	N.S.S.	. INDICATOR FILTER	1	1	1
11	N.S.S.	. GLASS / INDICATOR	1	1	1
12	N.S.S.	. RETAINER / GLASS	1	1	1
13	N.S.S.	. SCREW / TO FIX RETAINER	2	2	1
14	N.S.S.	. O-RING / LOWER BOWL	1	1	1
15	641972	. DRAIN VALVE	1	1	
16	N.S.S.	. NUT RETAINER / DRAIN VALVE	1	1	1
NS	641354	KIT, O-RING	AR	AR	A
NS	641355	KIT, LEVEL INDICATOR	AR	AR	B
NS	7770058	KIT, DRAIN VALVE	AR	AR	C
		A) INCLUDE ITEMS #3,8 & 14			
		B) INCLUDE ITEMS #8,10,11 & 13			
		C) INCLUDE ITEMS #7, 14 & 15			
		1) NOT SOLD SEPARATELY			

From 8-9279 To B-9999

Date:10/2022

PAGE:MTH-1220-50

TRAILER VALVE INSTALLATION

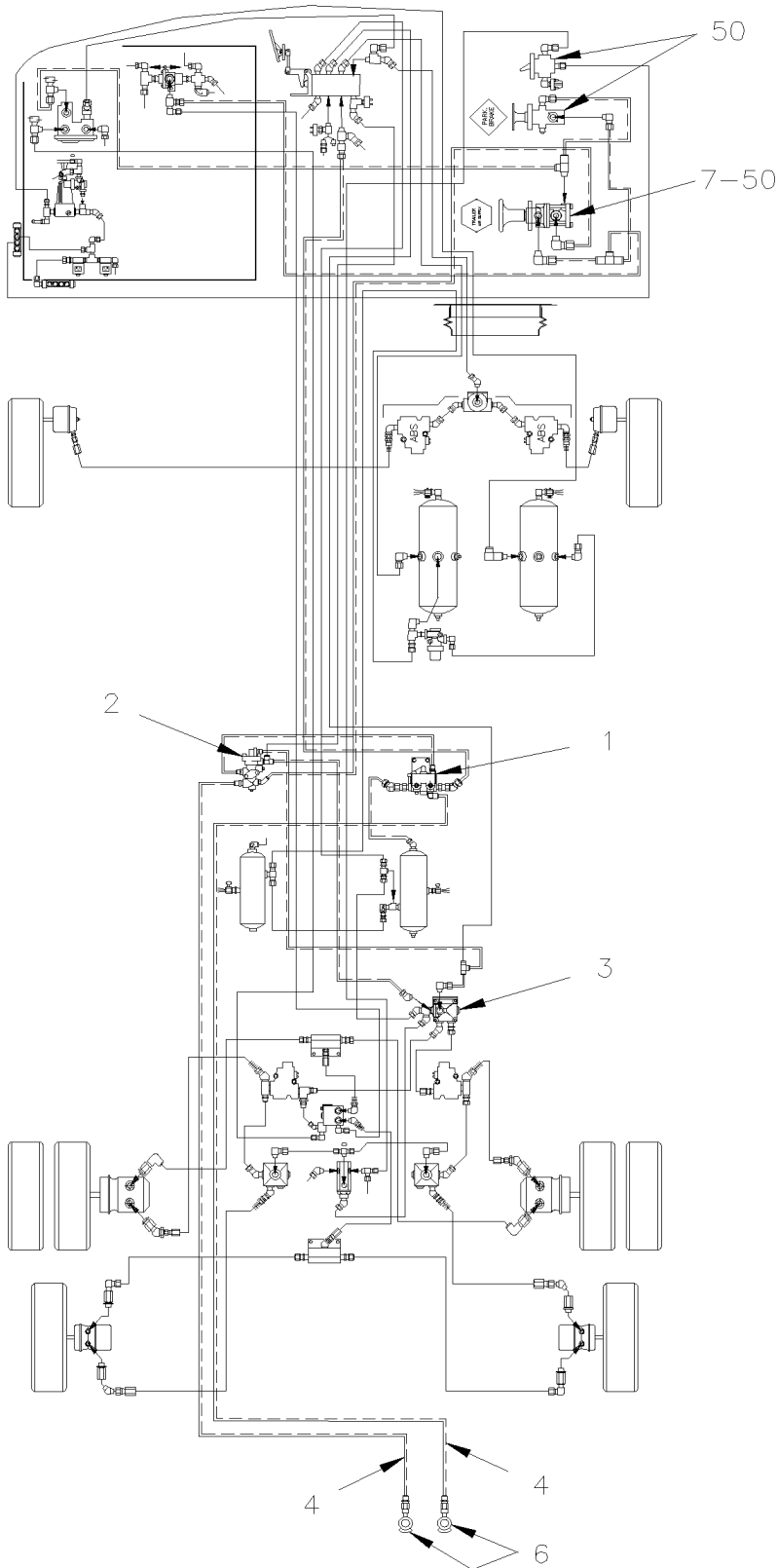


From 8-9279 To B-9999

Date:10/2022

PAGE:MTH-1220-50

TRAILER VALVE INSTALLATION





From 8-9279 To B-9999	Date:10/2022	PAGE:MTH-1220-50
-----------------------	--------------	------------------

TRAILER VALVE INSTALLATION

Item#	Part	Description	X L I I M T H 4 5	X L I I M T H 4 5 E	N O T E S
1	641399	VALVE, RELAY R-12 P SUPPERSEEDDED 642097	1	1	
2	641495	TRACTOR PROTECTION VALVE TP-3 DC	1	1	
3	642077	VALVE, "ABS" 12VOLT / M-32QR To 9-9673	1	1	A
3	640228	VALVE, "ABS" 12VOLT / M-40QR To 9-9673	1	1	
4	503638	TUBE, NYLON 1/2 O.D. / BROWN S.L.	AR	AR	
4	503406	TUBE, NYLON 1/2 O.D. / GREEN S.L.	AR	AR	
5	640992	MALE CONNECTOR / NTA FITTING / #8x1/2NPT-M BR	AR	AR	
6	641938	GLANDHAND W/DUST COVER "RED"	1	1	
6	641939	GLANDHAND W/DUST COVER "BLUE"	1	1	
7	641397	TRAILER SUPPLY VALVE PP-7	1	1	
8	642088	VALVE, QUICK RELEASE QR-L / IN LINE	1	1	
9	643384	VALVE / SPRING BRAKE SR-7	1	1	
NS	642119	VALVE / SPRING BRAKE SR-7	1	1	
10	142697	SUPPORT VALVE R-12P	1	1	
11	501305	PLUG SQUARE HEAD / PIPE FITTING / 3/8NPT-M BR To A-9968	3	3	
11	501449	PLUG HEXS / PIPE FITTING / 3/8NPT-M STL From A-9969	1	1	
12	142804	SUPPORT VALVE "ABS" To 9-9673	2	2	
13	641172	VALVE, CHECK ELBOW 90° 1/2 NPT	2	2	
14	641383	MALE CONNECTOR / PUSH-IN FITTING / #8x1/2NPT-M BR	AR	AR	
15	641381	MALE CONNECTOR / PUSH-IN FITTING / #8x3/8NPT-M BR	AR	AR	
16	641384	MALE CONNECTOR / PUSH-IN FITTING / #10x1/2NPT-M BR	AR	AR	
17	641027	MALE ELBOW 45° / NTA FITTING / #10x1/2NPT-M BR	AR	AR	
18	641331	MALE CONNECTOR / PUSH-IN FITTING / #6x1/4NPT-M BR	AR	AR	
19	501304	PLUG SQUARE HEAD / PIPE FITTING / 1/4NPT-M BR To A-9968	AR	AR	
19	501800	PLUG HEXS / PIPE FITTING / 1/4NPT-M STL From A-9969	1	1	
21	950245	PRESSURE SWITCH N.C. 20-30 LO-UNLOAD W/WIRE BLACK	1	1	
22	641330	MALE CONNECTOR / PUSH-IN FITTING / #6x3/8NPT-M BR	AR	AR	
23	452043	PRESSURE SWITCH N.O. 60-35 20SP001AA060E035E	1	1	
40	502507	WASHER LO SPT 8.1x14.8x2.0 Z050	2	2	
41	500868	NUT HEX NYRT M8-1.25 Z050	2	2	
42	502650	SCREW CAP HEX M8-1.25x80 G8.8 Z050	2	2	
43	5001341	WASHER FL 8.4x17.0x1.6 SS	2	2	
44	500868	NUT HEX NYRT M8-1.25 Z050	2	2	
45	502737	SCREW CAP HEX M6-1.0x25 SS BK	2	2	
46	500877	WASHER FL .250x.562x.065 N500	2	2	
47	955920	WASHER LO SPT 6.5x11.5x1.6 ZP	2	2	
48	502854	NUT HEX M6-1.0 N500	2	2	
50	MTH-1806-50	L.H. CONSOLE - MTH			
51	MTH-1220-10	BRAKE PEDAL VALVE - "BENDIX"			
NS	143039	DECAL / TRAILER FRENCH	1	1	
NS	143040	DECAL / TRAILER ENGLISH	1	1	



From 8-9279 To B-9999	Date:10/2022	PAGE:MTH-1220-50
-----------------------	--------------	------------------

TRAILER VALVE INSTALLATION

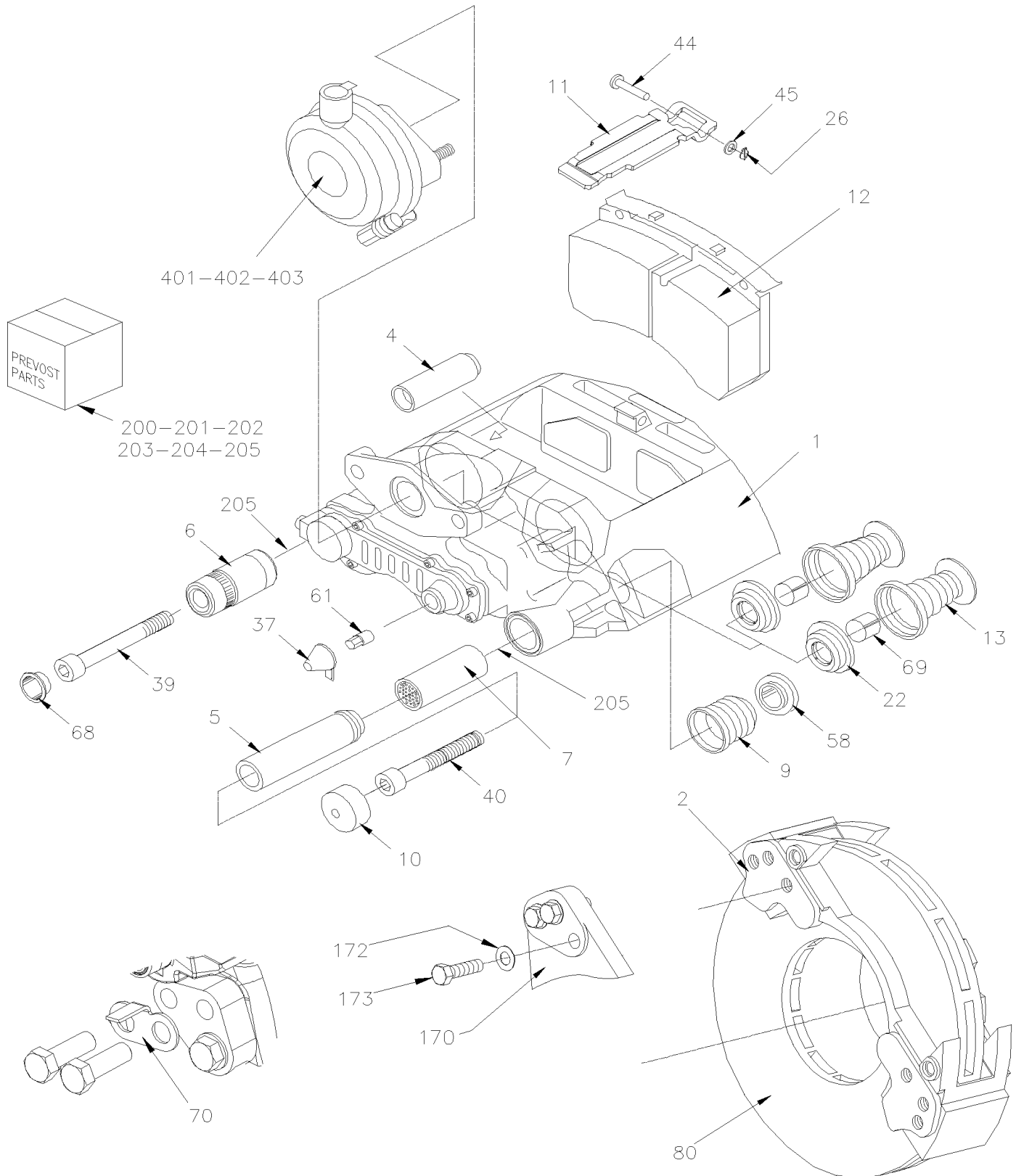
Item#	Part	Description	X L I I M T H 4 5	X L I I M T H 4 5 E	N O T E S
NS	143065	DECAL / TRAILER SPANISH	1	1	
		A) WHEN YOU REPLACE THE VALVE #642077 BY THE VALVE #640228 YOU HAVE REPLACE BOTH SIDE LEFT AND RIGHT			

From 8-9279 To A-9882

Date:10/2022

PAGE:MTH-1225-00

BRAKE PARTS - FRONT & TAG AXLE "KNORR-BREMSE" SN7 SERIES





From 8-9279 To A-9882 Date:10/2022 PAGE:MTH-1225-00

BRAKE PARTS - FRONT & TAG AXLE "KNORR-BREMSE" SN7 SERIES

Item#	Part	Description	X L I I M T H 4 5	X L I I M T H 4 5 E	N O T E S
	611341	CALIPER ASSY R.H. / W/O BOOSTER / SN7	1	1	A
	611342	CALIPER ASSY L.H. / W/O BOOSTER / SN7	1	1	A
1	N.S.S.	. CALIPER HOUSING	1	1	1
2	611960	. BRAKE CARRIER / W/6 HOLES BOLT RETAINERS M20-1.5	1	1	
4	N.S.S.	. . GUIDE BUSHING / SHORT	1	1	1
5	N.S.S.	. . GUIDE BUSHING / LONG	1	1	1
6	N.S.S.	. . GUIDE SLEEVE	1	1	1
7	611107	. . BUSHING / BRASS	1	1	
8	N.S.S.	. . BOOT RUBBER / WHITE	2	2	1
9	N.S.S.	. . BELLOW GUIDE BUSHING / RED	1	1	1
10	N.S.S.	. . STEEL CAP	1	1	1
11	N.S.S.	. . BRAKE PAD BRACKET	1	1	1
12	611049	. . LINING SET STD /	1	1	B
. 11	N.S.S.	. . . BRAKE PAD BRACKET	1	1	1B
. 26	N.S.S.	. . . SPRING SPLIT PIN	1	1	1B
. 37	641313	. . . PLUG CAP / ADJUSTING DEVICE / PLASTIC INTERIOR GRIP	1	1	B
. 44	N.S.S.	. . . CLEVIS PIN	1	1	1B
. 45	N.S.S.	. . . WASHER	1	1	1B
. 61	N.S.S.	. . . SHEAR ADAPTER	1	1	1B
13	N.S.S.	. . TAPPET WITH BOOT ASSY	2	2	1
22	N.S.S.	. . BOOT	2	2	1
26	N.S.S.	. . SPRING SPLINT PIN	1	1	1
37	N.S.S.	. . PLUG CAP / ADJUSTING DEVICE	1	1	1
39	N.S.S.	. . SCREW CAP HEXS ZP M16-1.5 GR10.9	1	1	1
40	N.S.S.	. . SCREW CAP HEXS ZP M16-1.5 GR10.9	1	1	1
44	N.S.S.	. . CLEVIS PIN	1	1	1
45	N.S.S.	. . WASHER	1	1	1
58	N.S.S.	. . RING	1	1	1
61	N.S.S.	. . SHEAR ADAPTER	1	1	1
68	N.S.S.	. . CAP	1	1	1
69	N.S.S.	. RING RETAINING	2	2	1
70	110786	BRAKE WEAR INDICATOR MECHANICAL / 44MM From A-9953	2	2	
80	MTH-1300-00	HUB & ROTOR - FRONT AXLE MODEL "NDIFS80P"			
80	MTH-1310-00	HUB & ROTOR - TAG AXLE TYPE TS8U			
170	MTH-1005-50	FRONT AXLE - INDEPENDENT MODEL "NDIFS80P" / 18000LBS			
170	MTH-1615-00	TAG AXLE - INSTALL SUSPENSION To A-9952			
170	MTH-1615-01	TAG AXLE - INSTALL SUSPENSION ONE PIECE From A-9953			
172	502558	WASHER FL 21.0x37.0x3.0 G500	6	6	
173	5001529	SCREW CAP HEX M20-1.5x60 G10.9 G500	6	6	
200	642032	KIT, TAPPET W/BOOT	AR	AR	C
201	642031	KIT, GUIDANCE PINS & BELLOW / SN W/39MM BUSHING END	AR	AR	E
202	642034	KIT, PLUG CAP W/AJUSTING DEVICE (PACK of 10x #37, #37a & 61)	AR	AR	S



From 8-9279 To A-9882	Date:10/2022	PAGE:MTH-1225-00
-----------------------	--------------	------------------

BRAKE PARTS - FRONT & TAG AXLE "KNORR-BREMSE" SN7 SERIES

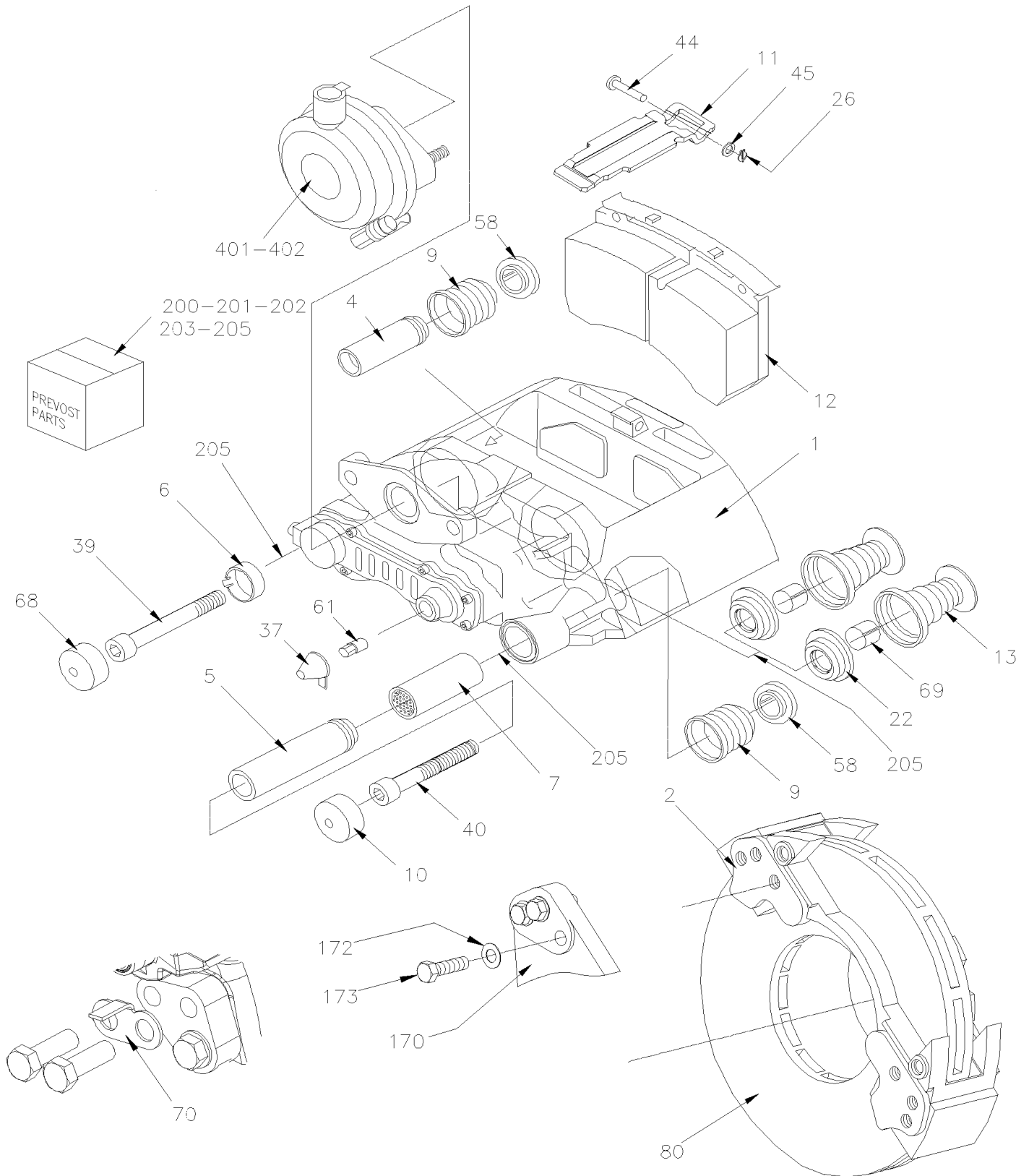
Item#	Part	Description	X L I I M T H 4 5	X L I I M T H 4 5 E	N O T E S
203	641402	KIT, PAD HOLDER	AR	AR	H
. 26	N.S.S.	. SPRING SPLIT PIN	1	1	1 H
. 44	N.S.S.	. CLEVIS PIN	1	1	1 H
. 45	N.S.S.	. WASHER	1	1	1 H
205	683345	GREASE WHITE / 5GR	AR	AR	K
205	641930	GREASE WHITE / 500GR	AR	AR	K
NS	641321	TOOL / THRUST MEMBER W/BELLOW	AR	AR	L
NS	641322	TOOL / CALIPER INNER BELLOW	AR	AR	M
NS	642074	TOOL / BUSHING INSTALLER / SERIES SN	AR	AR	N
NS	641435	TOOL / FORK (FOR BELLOW CAP)	AR	AR	L
NS	641993	TOOL / PRESS IN COVER	AR	AR	X
NS	641994	TOOL / BUSHING - INSTALLER	AR	AR	Y
NS	641998	TOOL / RUBBER BUSHING - INSTALLER	AR	AR	Z
NS	642035	KIT TOOL BOX "KNORR BREMSE" SERIE SN7	AR	AR	
401	MTH-1225-10	BRAKE CHAMBER - FRONT AXLE			
402	MTH-1245-10	BRAKE CHAMBER - TAG AXLE			
500	Y006471_000_EN	MAINTENANCE MANUAL / ENGLISH KNORR-BREMSE			
NS	Y006471_000_FR	MANUEL D'ENTRETIEN / FRANÇAIS KNORR-BREMSE			
		A) DO NOT INCLUDE ITEM #2 & #12			
		B) INCLUDES ITEMS #11, 26, 37, 44, 45 & 61			
		C) INCLUDES 2 OF ITEMS #13, 22 & 69			
		E) INCLUDES ITEMS #4, 5, 6, 7, 9, 10, 39, 40, 58 & 68			
		H) INCLUDES ITEMS #11,26,44 & 45			
		K) FOR ITEMS #5 & 7			
		L) TO USE W/ITEMS #13			
		M) TO USE W/ITEM #9			
		N) TO USE W/ITEM #7			
		S) INCLUDES 10 ITEMS #37 AND 61			
		X) TO USE WITH ITEM #10			
		Y) TO USE WITH ITEM 6			
		Z) TO USE WITH ITEM #68			
		1) NOT SOLD SEPARATELY			
		1) NOT SOLD SEPARATELY			

From A-9883 To B-9999

Date:10/2022

PAGE:MTH-1225-01

BRAKE PARTS - FRONT & TAG AXLE "KNORR-BREMSE" SN7 SERIES W/NEW SLIDE PINS





From A-9883 To B-9999	Date:10/2022	PAGE:MTH-1225-01
BRAKE PARTS - FRONT & TAG AXLE "KNORR-BREMSE" SN7 SERIES W/NEW SLIDE PINS		

Item#	Part	Description	X L I I M T H 4 5	X L I I M T H 4 5 E	N O T E S
	642134	CALIPER ASSY R.H. FRONT & TAG OR L.H. DRIVE AXLE / W/O BOOSTER SN7	1	1	
	642139	CALIPER ASSY L.H. FRONT & TAG OR R.H. DRIVE AXLE / W/O BOOSTER SN7	1	1	
1	N.S.S.	. CALIPER HOUSING	1	1	1
2	611960	. BRAKE CARRIER / W/6 HOLES BOLT RETAINERS M20-1.5	1	1	
4	N.S.S.	. . GUIDE BUSHING / SHORT	1	1	1
5	N.S.S.	. . GUIDE BUSHING / LONG	1	1	1
6	N.S.S.	. . GUIDE BUSHING / DU	1	1	1
7		. . BUSHING / BRASS	1	1	
8	N.S.S.	. . BOOT RUBBER / WHITE	2	2	1
9	N.S.S.	. . BELLOW GUIDE BUSHING / RED	2	2	1
10	N.S.S.	. . STEEL CAP	1	1	1
11	N.S.S.	. . BRAKE PAD BRACKET	1	1	1
12	611049	. . LINING SET STD /	1	1	B
. 11	N.S.S.	. . . BRAKE PAD BRACKET	1	1	1B
. 26	N.S.S.	. . . SPRING SPLIT PIN	1	1	1B
. 37	641313	. . . PLUG CAP / ADJUSTING DEVICE / PLASTIC INTERIOR GRIP	1	1	B
. 44	N.S.S.	. . . CLEVIS PIN	1	1	1B
. 45	N.S.S.	. . . WASHER	1	1	1B
. 61	N.S.S.	. . . SHEAR ADAPTER	1	1	1B
13	N.S.S.	. . TAPPET WITH BOOT ASSY	2	2	1
22	N.S.S.	. . BOOT	2	2	1
26	N.S.S.	. . SPRING SPLINT PIN	1	1	1
37	N.S.S.	. . PLUG CAP / ADJUSTING DEVICE	1	1	1
39	N.S.S.	. . SCREW CAP HEXS ZP M16-1.5 GR10.9	1	1	1
40	N.S.S.	. . SCREW CAP HEXS ZP M16-1.5 GR10.9	1	1	1
44	N.S.S.	. . CLEVIS PIN	1	1	1
45	N.S.S.	. . WASHER	1	1	1
58	N.S.S.	. . RING	2	2	1
61	N.S.S.	. . SHEAR ADAPTER	1	1	1
68	N.S.S.	. . CAP	1	1	1
69	N.S.S.	. RING RETAINING	2	2	1
70	110786	BRAKE WEAR INDICATOR MECHANICAL / 44MM	AR	AR	
80	MTH-1300-00	HUB & ROTOR - FRONT AXLE MODEL "NDIFS80P"			
80	MTH-1310-00	HUB & ROTOR - TAG AXLE TYPE TS8U			
170	MTH-1005-50	FRONT AXLE - INDEPENDENT MODEL "NDIFS80P" / 18000LBS			
170	MTH-1615-00	TAG AXLE - INSTALL SUSPENSION To A-9952			
170	MTH-1615-01	TAG AXLE - INSTALL SUSPENSION ONE PIECE From A-9953			
172	502558	WASHER FL 21.0x37.0x3.0 G500	6	6	
173	5001529	SCREW CAP HEX M20-1.5x60 G10.9 G500	6	6	
200	642032	KIT, TAPPET W/BOOT	AR	AR	C
201	642141	KIT, GUIDANCE PINS & BELLOW / SN W/ GUIDE SLEEVE BUSHING END	AR	AR	E
202	642034	KIT, PLUG CAP W/AJUSTING DEVICE (PACK of 10x #37, #37a & 61)	AR	AR	S



From A-9883 To B-9999	Date:10/2022	PAGE:MTH-1225-01
BRAKE PARTS - FRONT & TAG AXLE "KNORR-BREMSE" SN7 SERIES W/NEW SLIDE PINS		

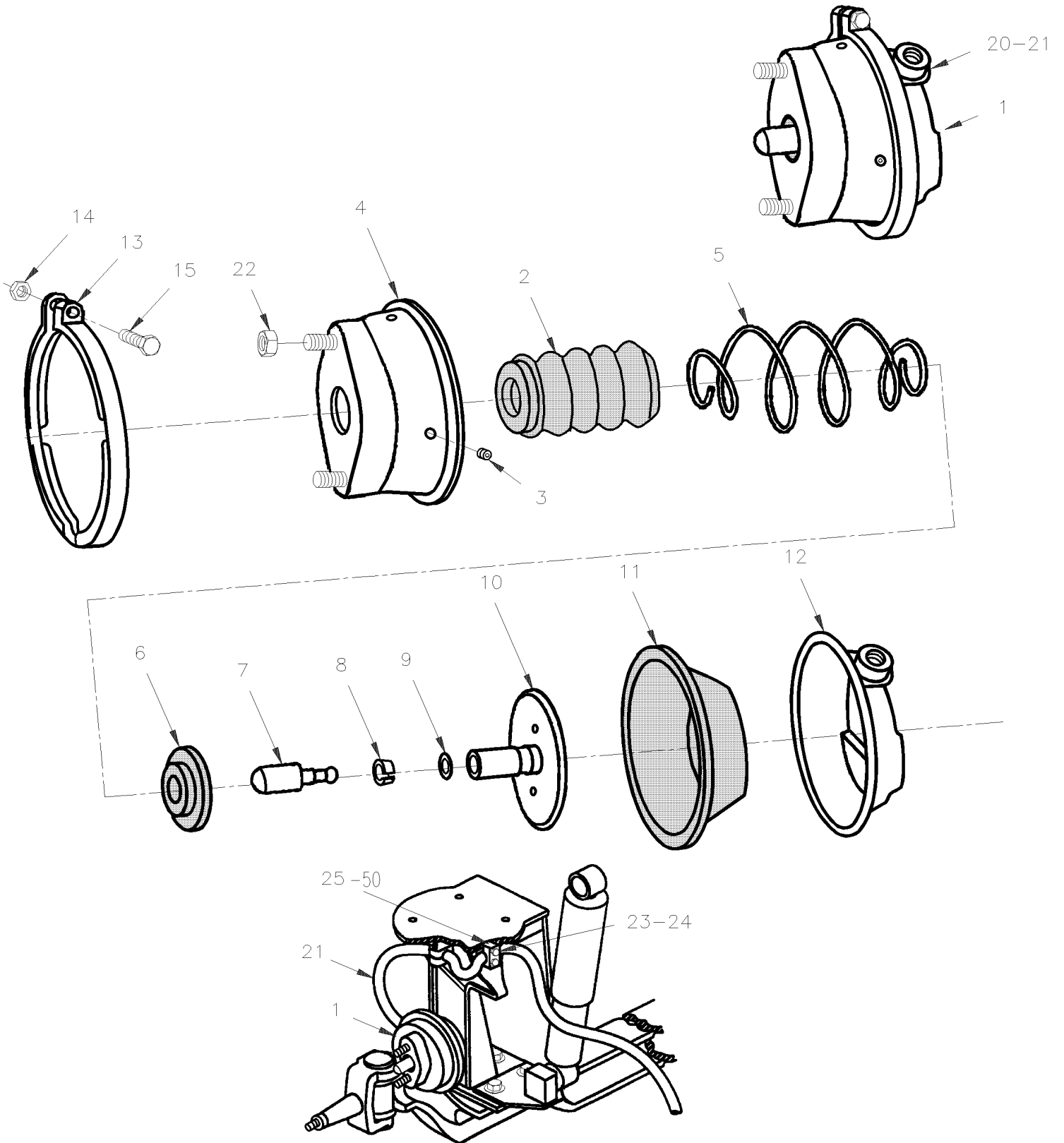
Item#	Part	Description	X L I M T H 4 5	X L I M T H 4 5 E	N O T E S
203	641402	KIT, PAD HOLDER	AR	AR	H
. 26	N.S.S.	. SPRING SPLIT PIN	1	1	1 H
. 44	N.S.S.	. CLEVIS PIN	1	1	1 H
. 45	N.S.S.	. WASHER	1	1	1 H
205	683345	GREASE WHITE / 5GR	AR	AR	K
205	641930	GREASE WHITE / 500GR	AR	AR	K
NS	641321	TOOL / THRUST MEMBER W/BELLOW	AR	AR	L
NS	641322	TOOL / CALIPER INNER BELLOW	AR	AR	M
NS	19400416	TOOL / PUSH-IN INNER BOOT (9)	AR	AR	M
NS	642074	TOOL / BUSHING INSTALLER / SERIES SN	AR	AR	N
NS	641435	TOOL / FORK (FOR BELLOW CAP)	AR	AR	L
305	N.P.N.	TOOL / PRESS IN COVER / K015825	AR	AR	4 X
306	N.P.N.	TOOL / BUSHING - INSTALLER & REMOVER KIT / K005986	AR	AR	4 Y
307	N.P.N.	TOOL / RUBBER BUSHING - INSTALLER / K016743	AR	AR	4 Z
NS	642035	KIT TOOL BOX "KNORR BREMSE" SERIE SN7	AR	AR	
401	MTH-1225-10	BRAKE CHAMBER - FRONT AXLE			
402	MTH-1245-10	BRAKE CHAMBER - TAG AXLE			
500	Y006471_000_EN	MAINTENANCE MANUAL / ENGLISH KNORR-BREMSE			
NS	Y006471_000_FR	MANUEL D'ENTRETIEN / FRANÇAIS KNORR-BREMSE			
		B) INCLUDES ITEMS #11, 26, 37, 44, 45 & 61			
		C) INCLUDES 2 OF ITEMS #13, 22 & 161			
		E) INCLUDES ITEMS #4, 5, 6, 7, 9, 10, 39, 40, 58 & 68			
		H) INCLUDES ITEMS #11,26,44 & 45			
		K) FOR ITEMS #5 & 7			
		L) TO USE W/ITEMS #13			
		M) TO USE W/ITEM #9			
		N) TO USE W/ITEM #7			
		S) INCLUDES 10 ITEMS #37 AND 61			
		X) TO USE WITH ITEM #10			
		Y) TO USE WITH ITEM 6			
		Z) TO USE WITH ITEM #68			
		1) NOT SOLD SEPARATELY			
		4) NO PARTS NUMBER			
		1) NOT SOLD SEPARATELY			

From 8-9279 To B-9999

Date:10/2022

PAGE:MTH-1225-10

BRAKE CHAMBER - FRONT AXLE





From 8-9279 To B-9999	Date:10/2022	PAGE:MTH-1225-10
-----------------------	--------------	------------------

BRAKE CHAMBER - FRONT AXLE

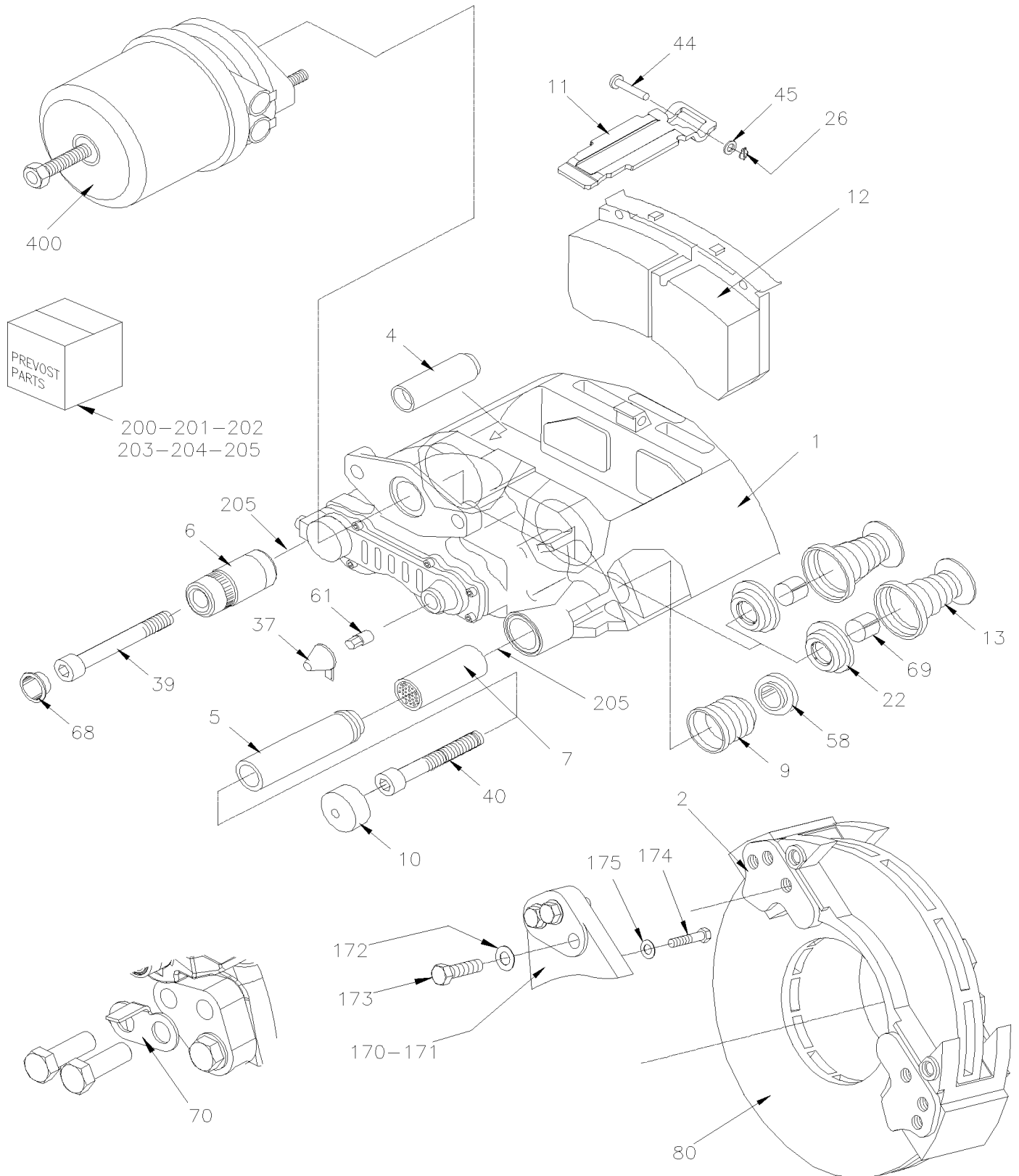
Item#	Part	Description	X L I I M T H 4 5	X L I I M T H 4 5 E	N O T E S
1	611276	BRAKE CHAMBER ASSY R.H. / TYPE 27	1	1	
NS	611277	BRAKE CHAMBER ASSY L.H. / TYPE 27	1	1	
2	N.S.S.	. BOOT	1	1	1
3	N.S.S.	. HOLE PLUG	1	1	1
4	N.S.S.	. CHAMBER , NO-PRESSURE	1	1	1
5	N.S.S.	. SPRING	1	1	1
6	N.S.S.	. SPRING SEAT	1	1	1
7	N.S.S.	. PUSH ROD END	1	1	1
8	N.S.S.	. RETAINER	1	1	1
9	N.S.S.	. RING	1	1	1
10	N.S.S.	. PUSH ROD	1	1	1
11	N.S.S.	. DIAPHRAMG / TYPE 27	1	1	1
12	N.S.S.	. CHAMBER PRESSURE PLATE	1	1	1
13	N.S.S.	. CLAMP W/BOLT & NUT	1	1	1
14	502543	. . NUT HEX M8-1.25 Z050	1	1	
15	5001021	. . SCREW CAP HEXS M8-1.25x60 G8.8 PT	1	1	
20	660914	MALE ELBOW 90° / JIC 37° FITTING / #8JIC-MxM16-1.5-M STL	AR	AR	
. NS	641297	. O-RING 13.1MM I.D. X 2.6 TH	1	1	
. NS	641298	. WASHER FL 17MM I.D x 22MM O.D. x 1.5MM	1	1	
21	641903	HOSE BRAKE #8 1090MM (43")	2	2	
22	5001253	NUT HEX STO M16-1.5 G500	1	1	
23	504612	COLLAR 13/16" I.D. / TO FIX HOSE	2	2	
24	504614	PLATE RETAINING / COLLAR	2	2	
25	142352	HOSE SUPPORT R.H.	1	1	
25	142353	HOSE SUPPORT L.H.	1	1	
50	MTH-1250-10	ABS BRAKE VALVE - INSTALLATION			
		1) NOT SOLD SEPARATELY			

From 8-9279 To B-9999

Date:10/2022

PAGE:MTH-1235-00

BRAKE PARTS - DRIVE AXLE "KNORR-BREMSE" SN7 SERIES





From 8-9279 To B-9999

Date:10/2022

PAGE:MTH-1235-00

BRAKE PARTS - DRIVE AXLE "KNORR-BREMSE" SN7 SERIES

Item#	Part	Description	X L I I M T H 4 5	X L I I M T H 4 5 E	N O T E S
	611341	CALIPER ASSY R.H. / W/O BOOSTER / SN7	1	1	A
	611342	CALIPER ASSY L.H. / W/O BOOSTER / SN7	1	1	A
1	N.S.S.	. CALIPER HOUSING	1	1	1
2	611960	. BRAKE CARRIER / W/6 HOLES BOLT RETAINERS M20-1.5	1	1	
4	N.S.S.	. . GUIDE BUSHING / SHORT	1	1	1
5	N.S.S.	. . GUIDE BUSHING / LONG	1	1	1
6	N.S.S.	. . GUIDE SLEEVE	1	1	1
7	611107	. . BUSHING / BRASS	1	1	
8	N.S.S.	. . BOOT RUBBER / WHITE	2	2	1
9	N.S.S.	. . BELLOW GUIDE BUSHING / RED	1	1	1
10	N.S.S.	. . STEEL CAP	1	1	1
11	N.S.S.	. . BRAKE PAD BRACKET	1	1	1
12	611049	. . LINING SET STD /	1	1	B
. 11	N.S.S.	. . . BRAKE PAD BRACKET	1	1	1B
. 26	N.S.S.	. . . SPRING SPLIT PIN	1	1	1B
. 37	641313	. . . PLUG CAP / ADJUSTING DEVICE / PLASTIC INTERIOR GRIP	1	1	B
. 44	N.S.S.	. . . CLEVIS PIN	1	1	1B
. 45	N.S.S.	. . . WASHER	1	1	1B
. 61	N.S.S.	. . . SHEAR ADAPTER	1	1	1B
13	N.S.S.	. . TAPPET WITH BOOT ASSY	2	2	1
22	N.S.S.	. . BOOT	2	2	1
26	N.S.S.	. . SPRING SPLINT PIN	1	1	1
37	N.S.S.	. . PLUG CAP / ADJUSTING DEVICE	1	1	1
39	N.S.S.	. . SCREW CAP HEXS ZP M16-1.5 GR10.9	1	1	1
40	N.S.S.	. . SCREW CAP HEXS ZP M16-1.5 GR10.9	1	1	1
44	N.S.S.	. . CLEVIS PIN	1	1	1
45	N.S.S.	. . WASHER	1	1	1
58	N.S.S.	. . RING	1	1	1
61	N.S.S.	. . SHEAR ADAPTER	1	1	1
68	N.S.S.	. . CAP	1	1	1
69	N.S.S.	. RING RETAINING	2	2	1
70	110786	BRAKE WEAR INDICATOR MECHANICAL / 44MM From A-9953	2	2	
80	MTH-1305-00	HUB & ROTOR - DRIVE AXLE			
170	MTH-1105-00	REAR AXLE - MODEL "RC23165"			
171	621868	CALIPER MOUNTING BRACKET L.H. & R.H. W/OUT BUSHING	1	1	D
172	502558	WASHER FL 21.0x37.0x3.0 G500	6	6	
173	5001529	SCREW CAP HEX M20-1.5x60 G10.9 G500	6	6	
174	621636	SCREW CAP HEX / TO FIX BRACKET TO AXLE 9/16-18 X 2 GR 8	24	24	D
175	621365	WASHER (HARD) .59IDX.97ODX.09	24	24	D
200	642032	KIT, TAPPET W/BOOT	AR	AR	C
201	642031	KIT, GUIDANCE PINS & BELLOW / SN W/39MM BUSHING END	AR	AR	E
202	642034	KIT, PLUG CAP W/AJUSTING DEVICE (PACK of 10x #37, #37a & 61)	AR	AR	S



From 8-9279 To B-9999	Date:10/2022	PAGE:MTH-1235-00
BRAKE PARTS - DRIVE AXLE "KNORR-BREMSE" SN7 SERIES		

Item#	Part	Description	X L I I M T H 4 5	X L I I M T H 4 5 E	N O T E S
203	641402	KIT, PAD HOLDER	AR	AR	H
. 26	N.S.S.	. SPRING SPLIT PIN	1	1	1 H
. 44	N.S.S.	. CLEVIS PIN	1	1	1 H
. 45	N.S.S.	. WASHER	1	1	1 H
205	683345	GREASE WHITE / 5GR	AR	AR	K
205	641930	GREASE WHITE / 500GR	AR	AR	K
NS	641321	TOOL / THRUST MEMBER W/BELLOW	AR	AR	L
NS	641322	TOOL / CALIPER INNER BELLOW	AR	AR	M
NS	642074	TOOL / BUSHING INSTALLER / SERIES SN	AR	AR	N
NS	641435	TOOL / FORK (FOR BELLOW CAP)	AR	AR	L
NS	641993	TOOL / PRESS IN COVER	AR	AR	X
NS	641994	TOOL / BUSHING - INSTALLER	AR	AR	Y
NS	641998	TOOL / RUBBER BUSHING - INSTALLER	AR	AR	Z
NS	642035	KIT TOOL BOX "KNORR BREMSE" SERIE SN7	AR	AR	
400	MTH-1235-10	BRAKE CHAMBER - DRIVE AXLE			
500	Y006471_000_EN	MAINTENANCE MANUAL / ENGLISH KNORR-BREMSE			
NS	Y006471_000_FR	MANUEL D'ENTRETIEN / FRANÇAIS KNORR-BREMSE			
		A) DO NOT INCLUDE ITEM #2 & #12			
		B) INCLUDES ITEMS #11, 26, 37, 44, 45 & 61			
		C) INCLUDES 2 OF ITEMS #13, 22 & 161			
		D) ON DRIVE AXLE ONLY			
		E) INCLUDES ITEMS #4, 5, 6, 7, 9, 10, 39, 40, 58 & 68			
		H) INCLUDES ITEMS #11,26,44 & 45			
		K) FOR ITEMS #5 & 7			
		L) TO USE W/ITEMS #13			
		M) TO USE W/ITEM #9			
		N) TO USE W/ITEM #7			
		S) INCLUDES 10 ITEMS #37 AND 61			
		X) TO USE WITH ITEM #10			
		Y) TO USE WITH ITEM 6			
		Z) TO USE WITH ITEM #68			
		1) NOT SOLD SEPARATELY			
		1) NOT SOLD SEPARATELY			

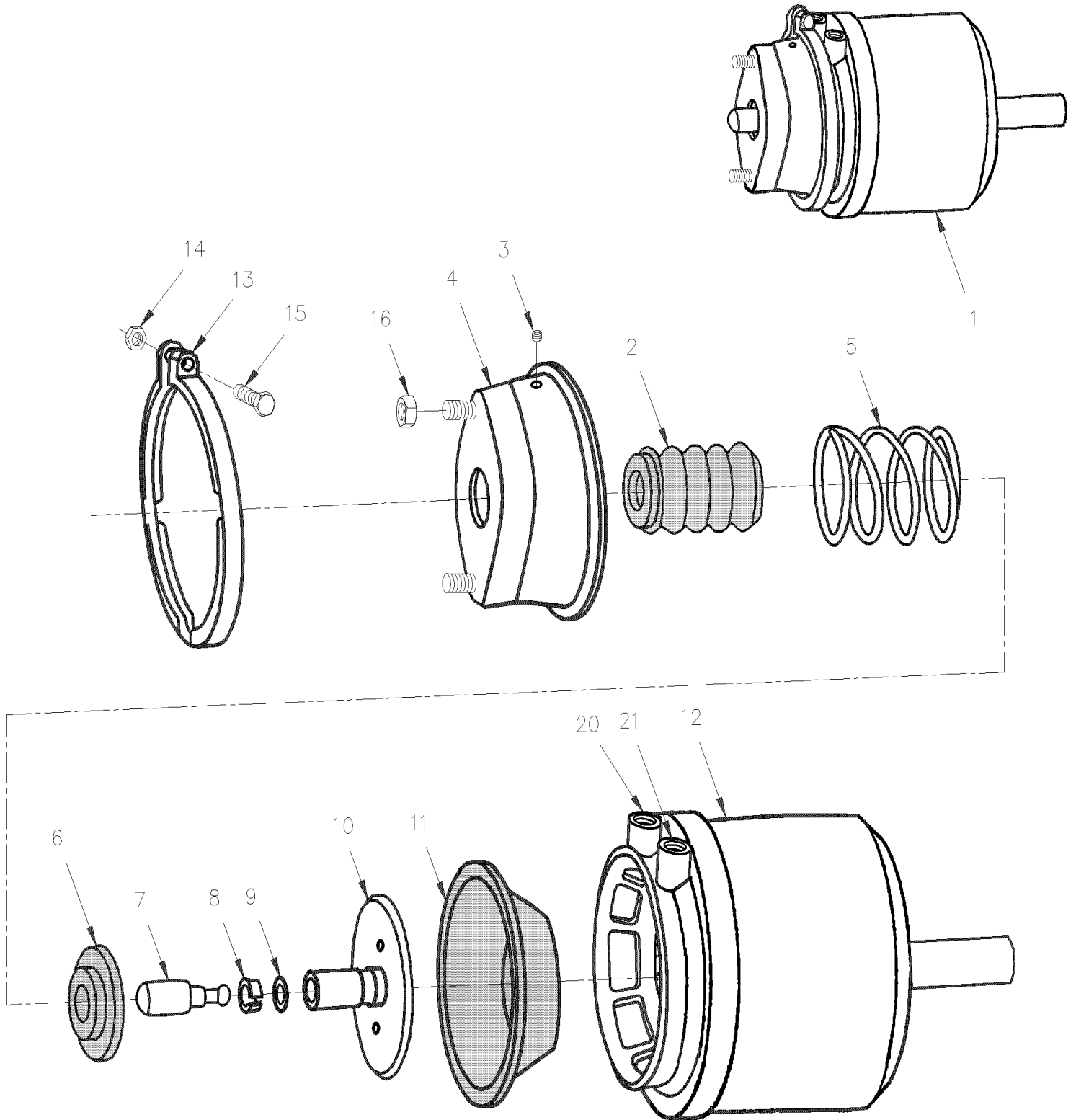


From 8-9279 To B-9999

Date:10/2022

PAGE:MTH-1235-10

BRAKE CHAMBER - DRIVE AXLE





From 8-9279 To B-9999		Date:10/2022	PAGE:MTH-1235-10
BRAKE CHAMBER - DRIVE AXLE			

Item#	Part	Description	X L I I M T H 4 5	X L I I M T H 4 5 E	N O T E S
1	642057	BRAKE CHAMBER ASSY L.H. / TYPE 24/24 (SEALED)	1	1	
1	642058	BRAKE CHAMBER ASSY R.H. / TYPE 24/24 (SEALED)	1	1	
2	N.S.S.	. BOOT	1	1	1
3	N.S.S.	. HOLE PLUG	1	1	1
4	N.S.S.	. CHAMBER , NO-PRESSURE	1	1	1
5	N.S.S.	. SPRING	1	1	1
6	N.S.S.	. SPRING SEAT	1	1	1
7	N.S.S.	. PUSH ROD END	1	1	1
8	N.S.S.	. RETAINER	1	1	1
9	N.S.S.	. RING	1	1	1
10	N.S.S.	. PUSH ROD	1	1	1
16	5001253	NUT HEX STO M16-1.5 G500	2	2	
		HOSE SERVICE BRAKE			
20	641303	HOSE BRAKE #8 914MM (36")	2	2	A
NS	501842	ADAPTER / AIR BRAKE HOSE FITTING / 3/4-20-Mx3/8NPT-M STL	1	1	
NS	501330	STREET ELBOW 45° / PIPE FITTING / 3/8NPT-Mx3/8NPT-F BR	1	1	
		HOSE EMERGENCY BRAKE			
21	503488	TUBE, NYLON 1/2 O.D. / BLACK S.L./	AR	AR	
NS	641010	MALE ELBOW 45° / NTA FITTING / #8x3/8NPT-M BR	1	1	
21	641901	HOSE BRAKE #8 952MM (37 1/2")	1	1	
NS	5011205	FEMALE CONNECTOR / PIPE @ METRIC / 3/8NPT-FxM16-1.5-M ZP	2	2	
NS	641297	. O-RING 13.1MM I.D. X 2.6 TH	1	1	
NS	641298	. WASHER FL 17MM I.D x 22MM O.D. x 1.5MM	1	1	
NS	641297	O-RING 13.1MM I.D. X 2.6 TH	2	2	
NS	641298	WASHER FL 17MM I.D x 22MM O.D. x 1.5MM	2	2	
		A) L.H. & R.H.			
		1) NOT SOLD SEPARATELY			



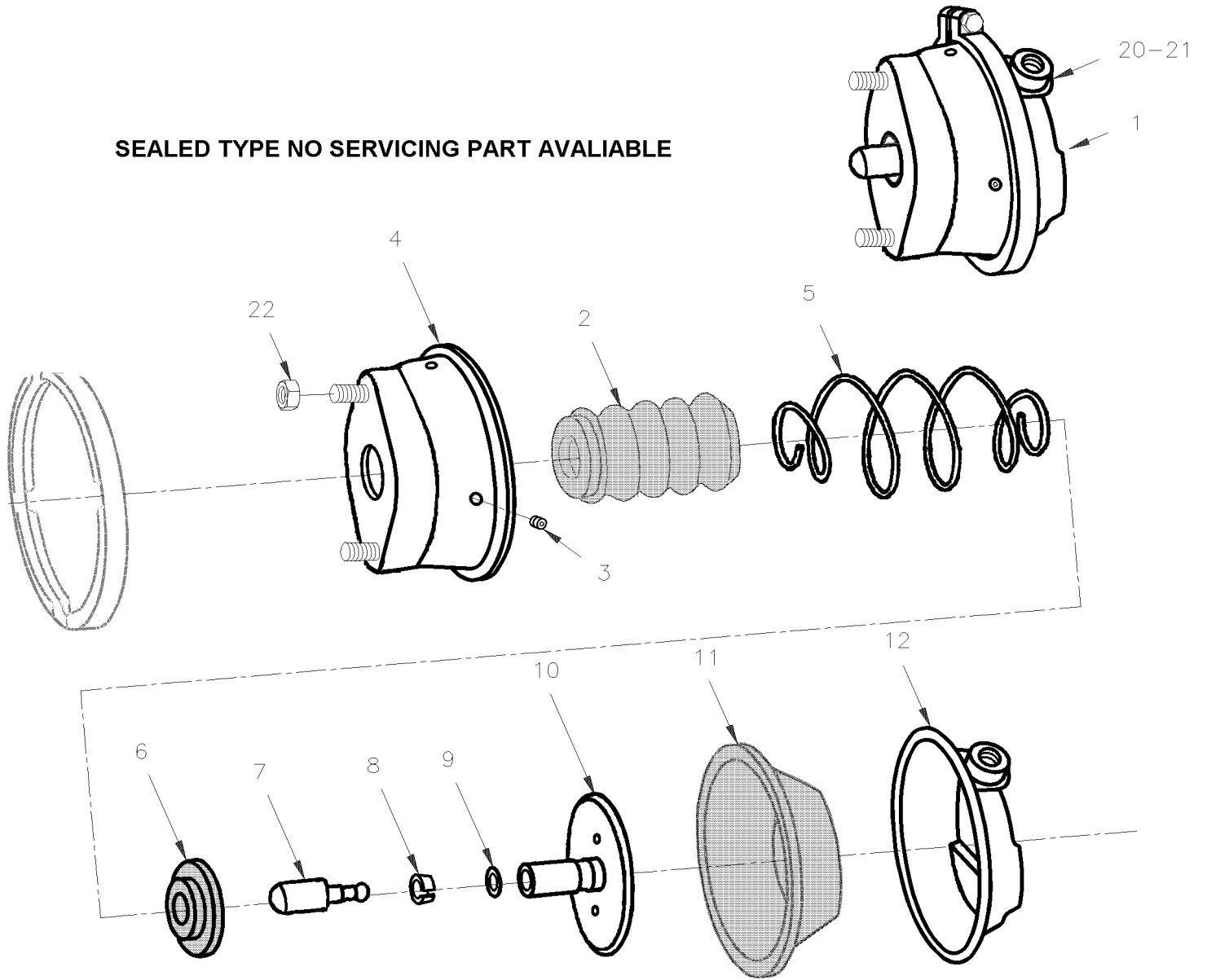
From 8-9279 To B-9999

Date:10/2022

PAGE:MTH-1245-10

BRAKE CHAMBER - TAG AXLE

SEALED TYPE NO SERVICING PART AVAILIABLE





From 8-9279 To B-9999	Date:10/2022	PAGE:MTH-1245-10
-----------------------	--------------	------------------

BRAKE CHAMBER - TAG AXLE

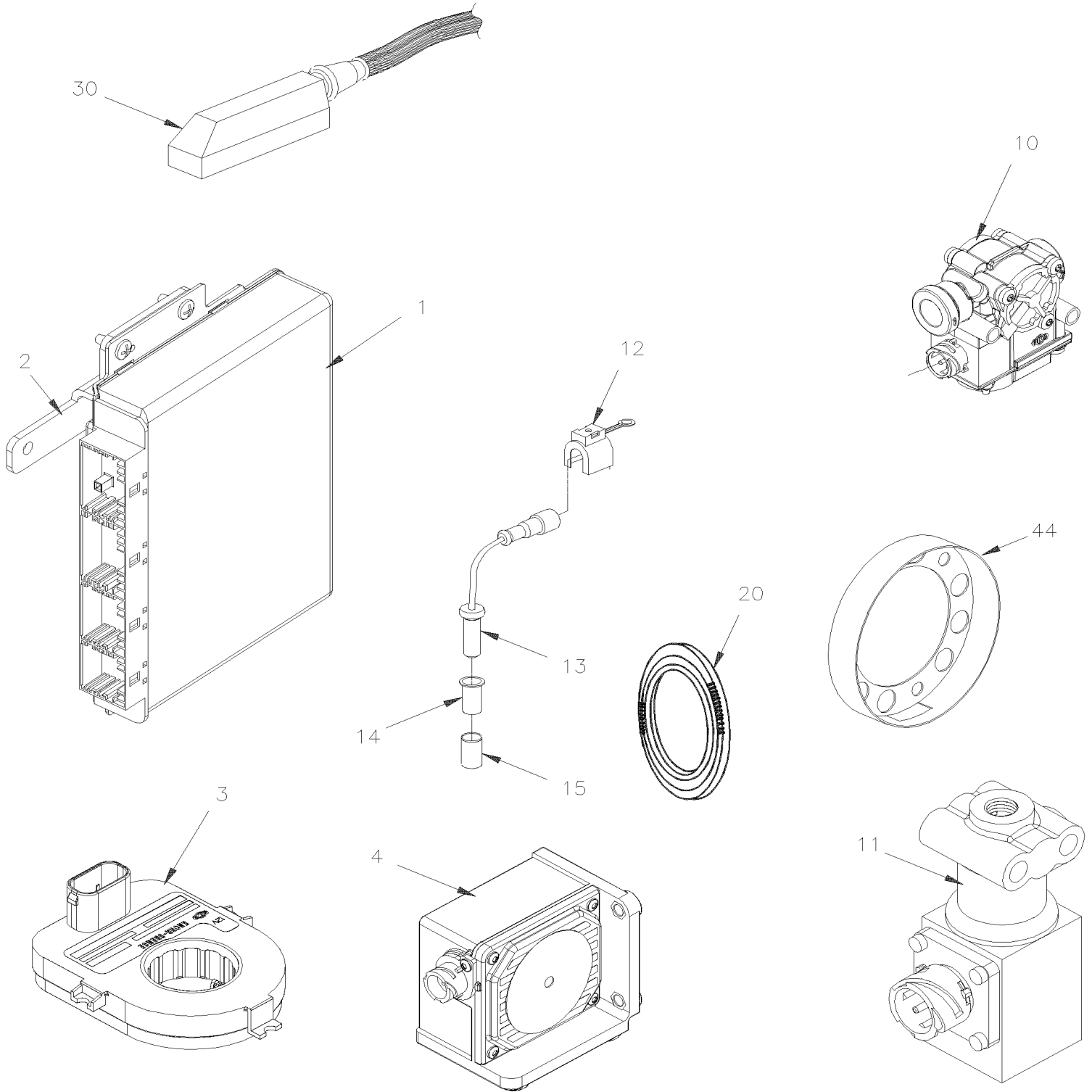
Item#	Part	Description	X L I I M T H 4 5	X L I I M T H 4 5 E	N O T E S
1	642087	BRAKE CHAMBER ASSY / TYPE 14 / SEALED	2	2	ABS
1	642086	BRAKE CHAMBER ASSY / TYPE 16 / SEALED	2	2	ESP
2	N.S.S.	. BOOT	1	1	1
3	N.S.S.	. HOLE PLUG	1	1	1
4	N.S.S.	. CHAMBER , NO-PRESSURE	1	1	1
5	N.S.S.	. SPRING, COMP.	1	1	1
6	N.S.S.	. SPRING SEAT	1	1	1
7	N.S.S.	. PUSH ROD END	1	1	1
8	N.S.S.	. RETAINER	1	1	1
9	N.S.S.	. RING	1	1	1
10	N.S.S.	. PUSH ROD	1	1	1
11	N.S.S.	. DIAPHRAGM / TYPE 16	1	1	1
12	N.S.S.	. CHAMBER PRESSURE PLATE	1	1	1
13	N.S.S.	. CLAMP W/BOLT & NUT	1	1	1
20	660914	MALE ELBOW 90° / JIC 37° FITTING / #8JIC-MxM16-1.5-M STL	1	1	
. NS	641297	. O-RING 13.1MM I.D. X 2.6 TH	1	1	
. NS	641298	. WASHER FL 17MM I.D x 22MM O.D. x 1.5MM	1	1	
21	641903	HOSE BRAKE #8 1090MM (43")	1	1	
22	5001253	NUT HEX STO M16-1.5 G500	2	2	
		ABS) WITH "ABS"			
		ESP) WITH "ESP"			
		1) NOT SOLD SEPARATELY			

From 8-9279 To B-9999

Date:10/2022

PAGE:MTH-1250-00

ABS & ESP CONTROL





From 8-9279 To B-9999	Date:10/2022	PAGE:MTH-1250-00
ABS & ESP CONTROL		

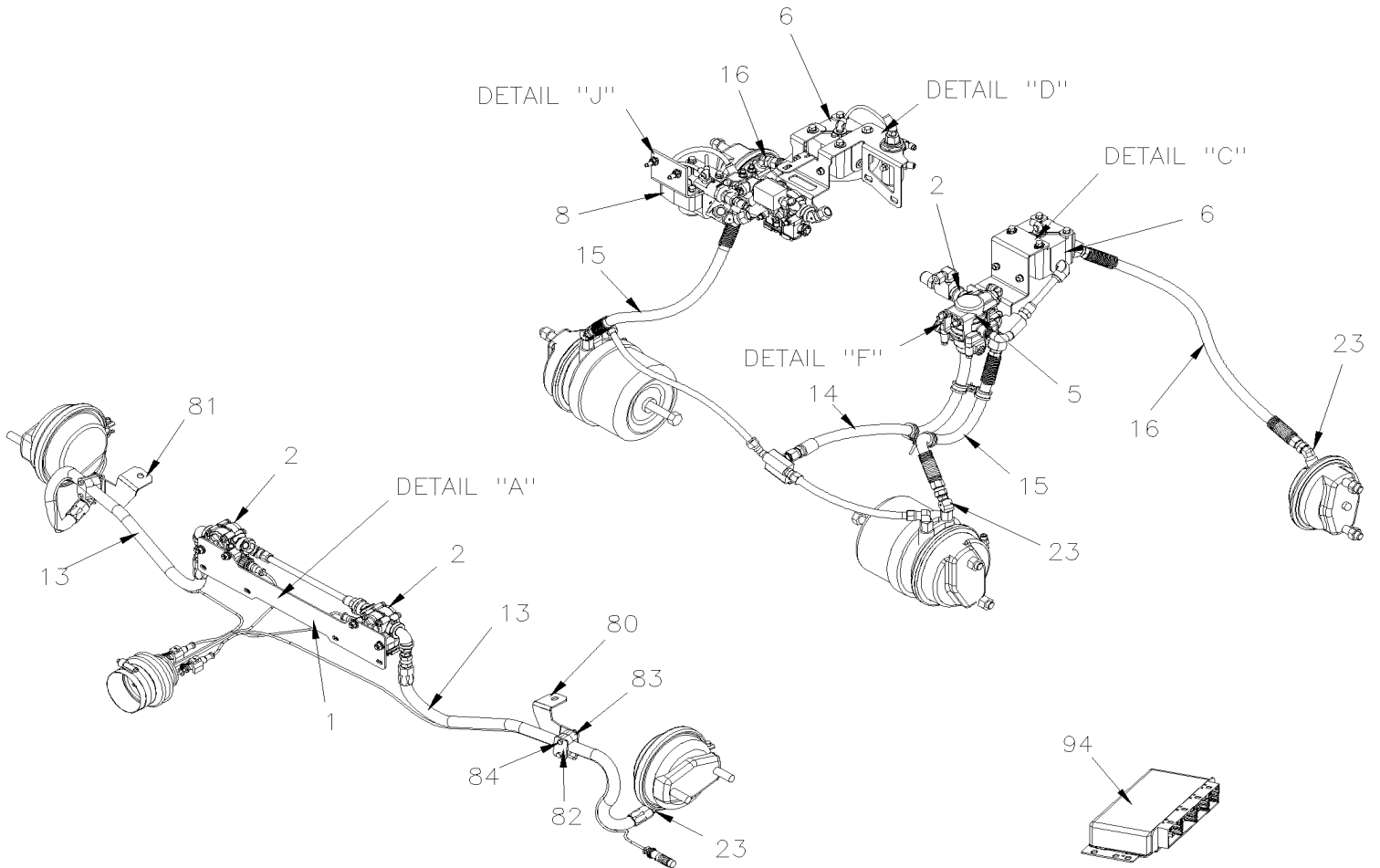
Item#	Part	Description	X L I I M T H 4 5	X L I I M T H 4 5 E	N O T E S
1	642081	ECU ABS / W/6 CHANNELS / STANDARD	1	1	
1	642083	ECU ABS / W/6 CHANNELS / ADVANCED ESP To 9-9725	1	1	
1	642131	ECU ABS / W/6 CHANNELS / ADVANCED ESP From 9-9726 To A-9904	1	1	
1	642146	ECU ABS / W/6 CHANNELS / ADVANCED ESP UNPROGRAMMED / NON-PROGRAMME From A-9905	1	1	
2	382375	SUPPORT ECU	1	1	
3	661120	SENSOR ANGLE POSITION DETECTOR	1	1	
. NS	564042	. CONNECTOR / BOSCH 1 928 404 025	1	1	
3	661148	SENSOR ANGLE POSITION DETECTOR	1	1	
. NS	564042	. CONNECTOR / BOSCH 1 928 404 025	1	1	
4	642076	SENSOR "YAW"	1	1	
5	642075	TRANSDUCER PRESSURE	1	1	
. NS	563159	. CONNECTOR / METRI-PACK 150 / SH 3C / PED 12065287	1	1	
10	642077	VALVE, "ABS" 12VOLT / M-32QR	AR	AR	B
10	640228	VALVE, "ABS" 12VOLT / M-40QR	AR	AR	
11	642079	VALVE, "ATC" 12VOLT	1	1	
12	561115	CLAMP W/ 3 & 4 / ITT CANNON 029-0262-000	AR	AR	
13	642085	SENSOR ABS - OEM	2	2	I
13	642184	SENSOR ABS - AFTER MARKET	2	2	I
13	642085	SENSOR ABS - OEM	2	2	T
13	642184	SENSOR ABS - AFTER MARKET	2	2	T
13	642085	SENSOR ABS - OEM	2	2	A
13	642184	SENSOR ABS - AFTER MARKET	2	2	A
14	641096	CLIP, SPRING / TO FIX SENSOR	AR	AR	
15	621869	BUSHING - ABS SENSOR	2	2	A
15	610641	BUSHING ABS SENSOR MOUNTING TAG AXLE	2	2	T
15	121912	BUSHING ABS SENSOR MOUNTING TAG AXLE ONE PIECE	2	2	T
20	611304	TOOTH WHEEL / FRONT AXLE W/ "TIMKEN" 138.89MM I.D. To 9-9518	2	2	I
20	611473	TOOTH WHEEL / FRONT AXLE & TAG W/ "FAG" 143.90MM I.D. From 9-9519	2	2	I F
20	611473	TOOTH WHEEL / FRONT AXLE & TAG W/ "FAG" 143.90MM I.D. To A-9952	2	2	T
20	611457	ROTOR VENTED (W/TOOTH WHEEL / DRIVE AXLE)	2	2	A
20	621801	TOOTH WHEEL / TAG AXLE W/CAST TAG From A-9953	2	2	T
44	621711	ABS SHIELD PROTECTOR	2	2	
		A) ON DRIVE AXLE ONLY			
		B) WHEN YOU REPLACE THE VALVE #642077 BY THE VALVE #640228 YOU HAVE REPLACE BOTH SIDE LEFT AND RIGHT			
		F) WITH HUB "FAG" ONLY			
		I) WITH INDEPENDENT SUSPENSION			
		T) ON TAG AXLE ONLY			

From 8-9279 To B-9999

Date:10/2022

PAGE:MTH-1250-10

ABS BRAKE VALVE - INSTALLATION



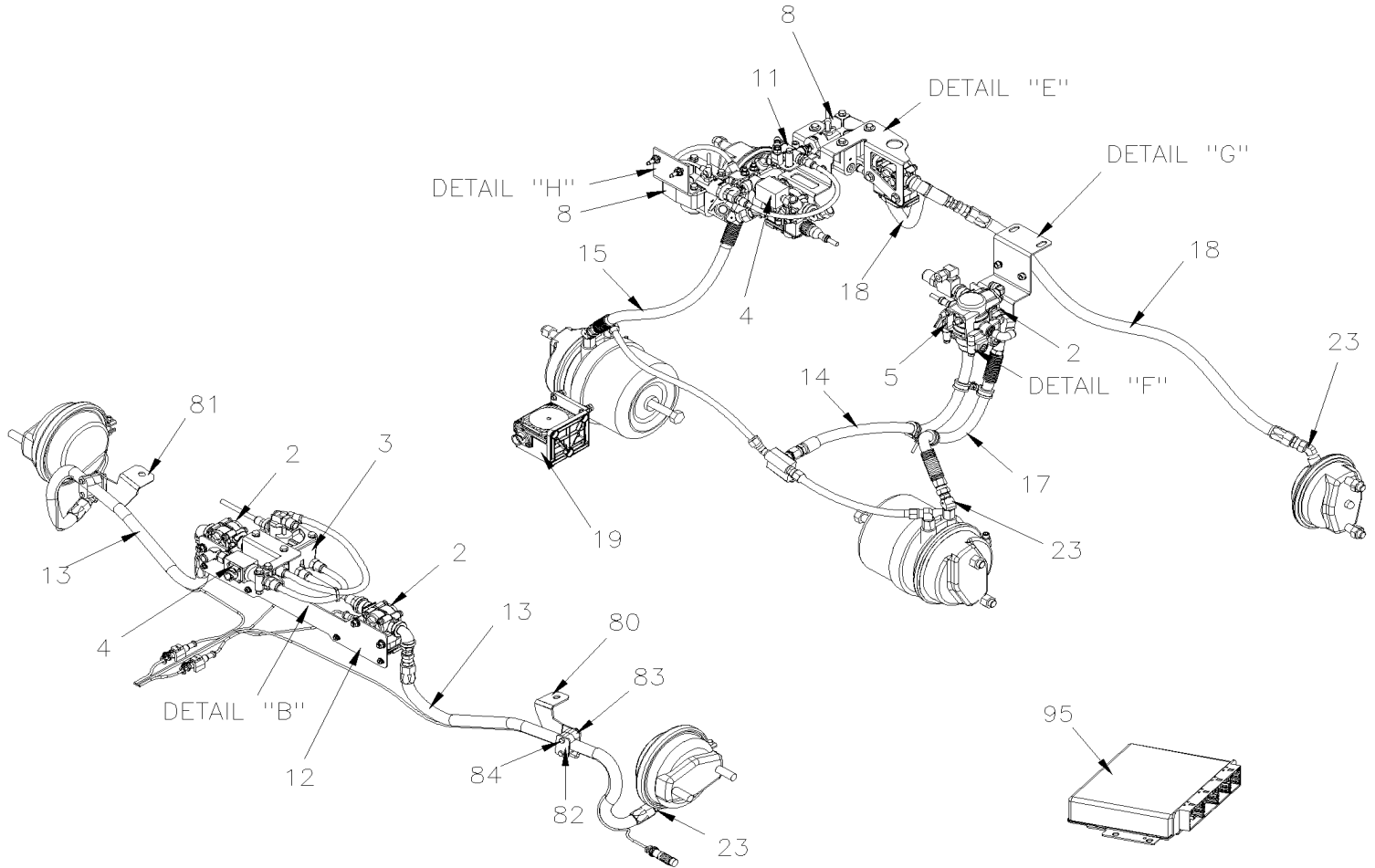
BASIC "STANDARD"

From 8-9279 To B-9999

Date:10/2022

PAGE:MTH-1250-10

ABS BRAKE VALVE - INSTALLATION



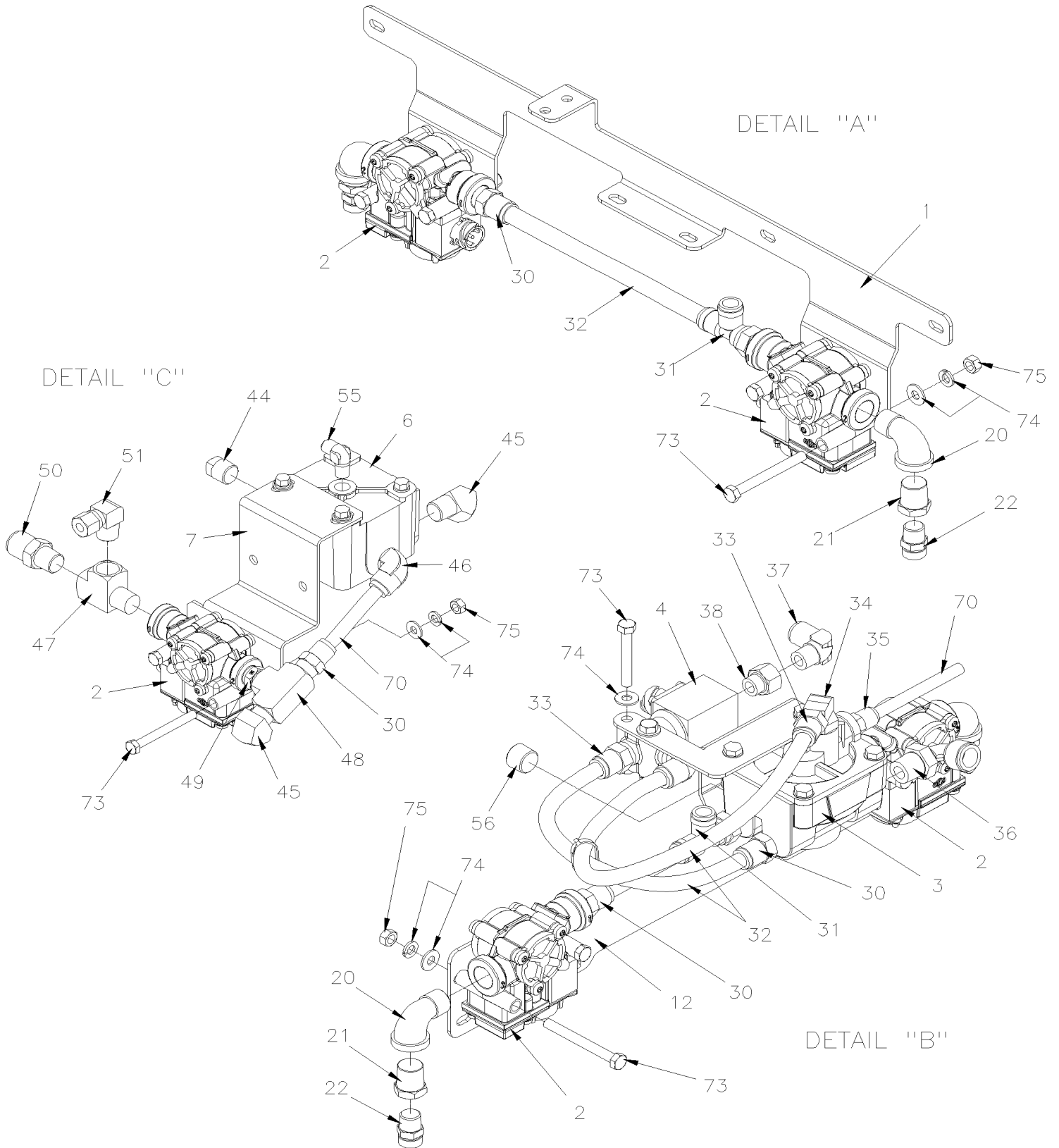
ADVANCE "OPTION"

From 8-9279 To B-9999

Date:10/2022

PAGE:MTH-1250-10

ABS BRAKE VALVE - INSTALLATION

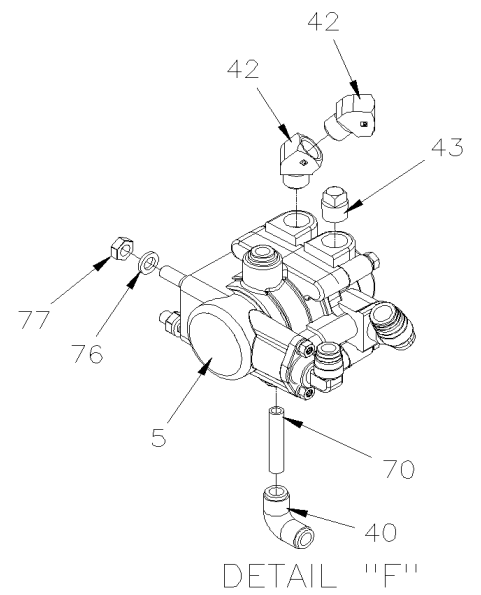
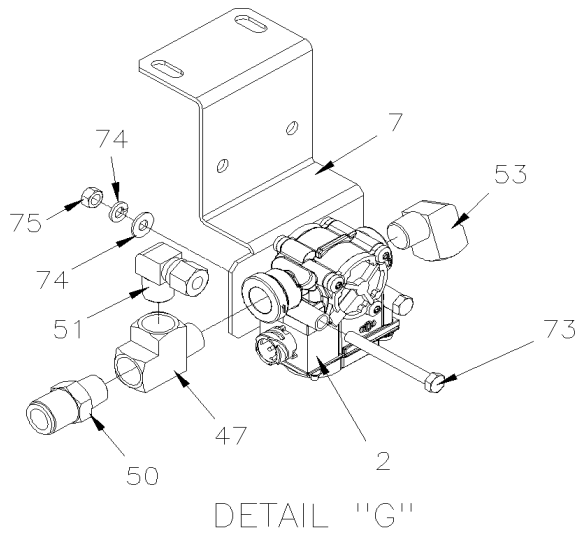
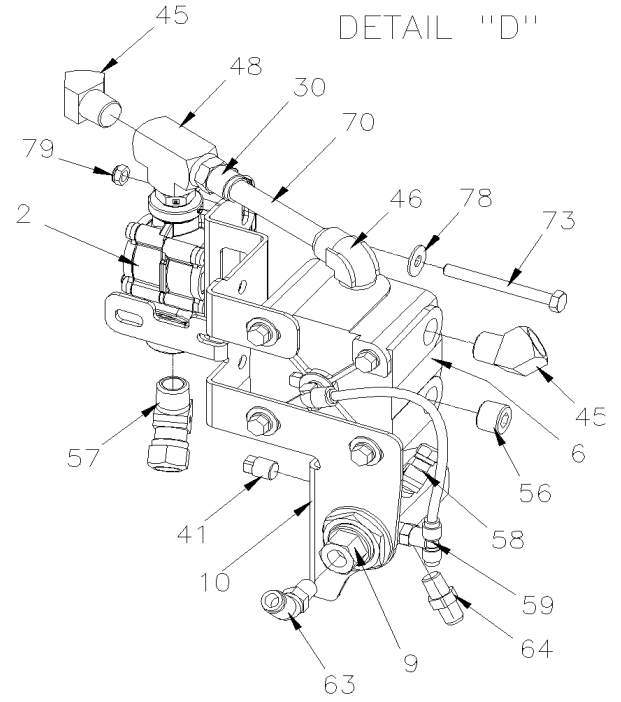
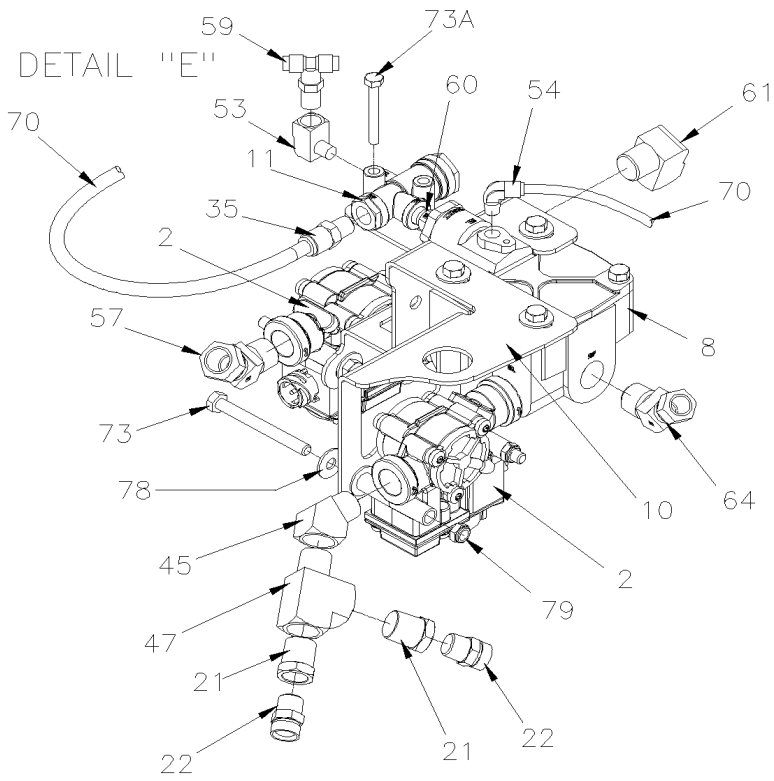


From 8-9279 To B-9999

Date:10/2022

PAGE:MTH-1250-10

ABS BRAKE VALVE - INSTALLATION

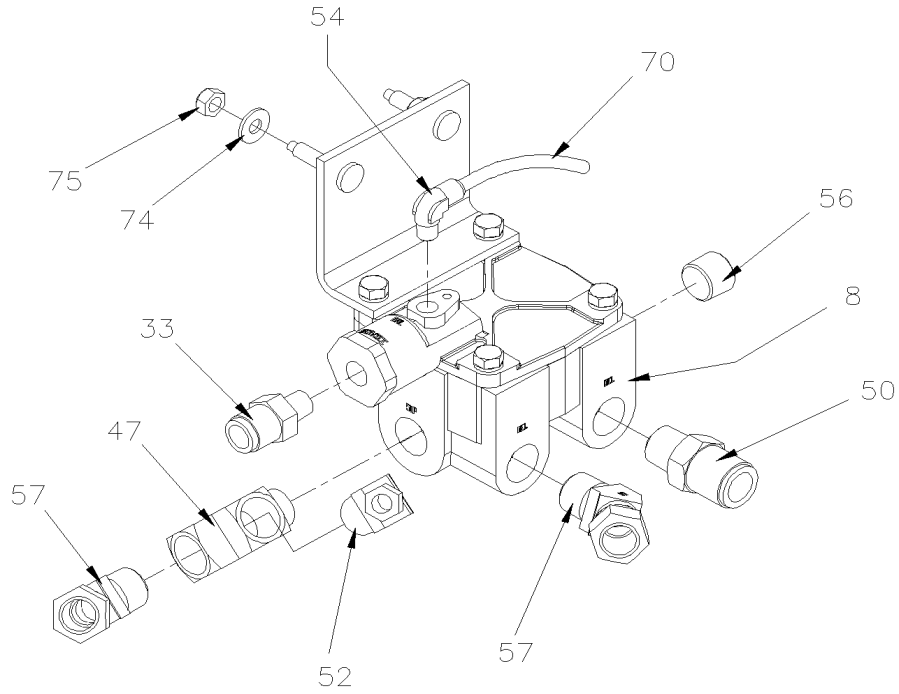


From 8-9279 To B-9999

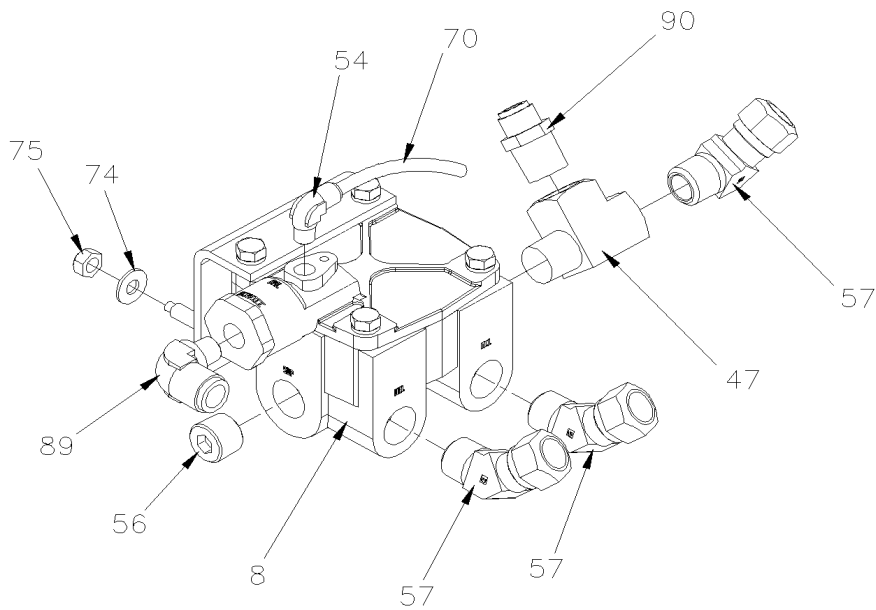
Date:10/2022

PAGE:MTH-1250-10

ABS BRAKE VALVE - INSTALLATION



DETAIL "J"
WITH WORLD TRANSMISSION
WITH "ABS 6"
UP TO A-9951



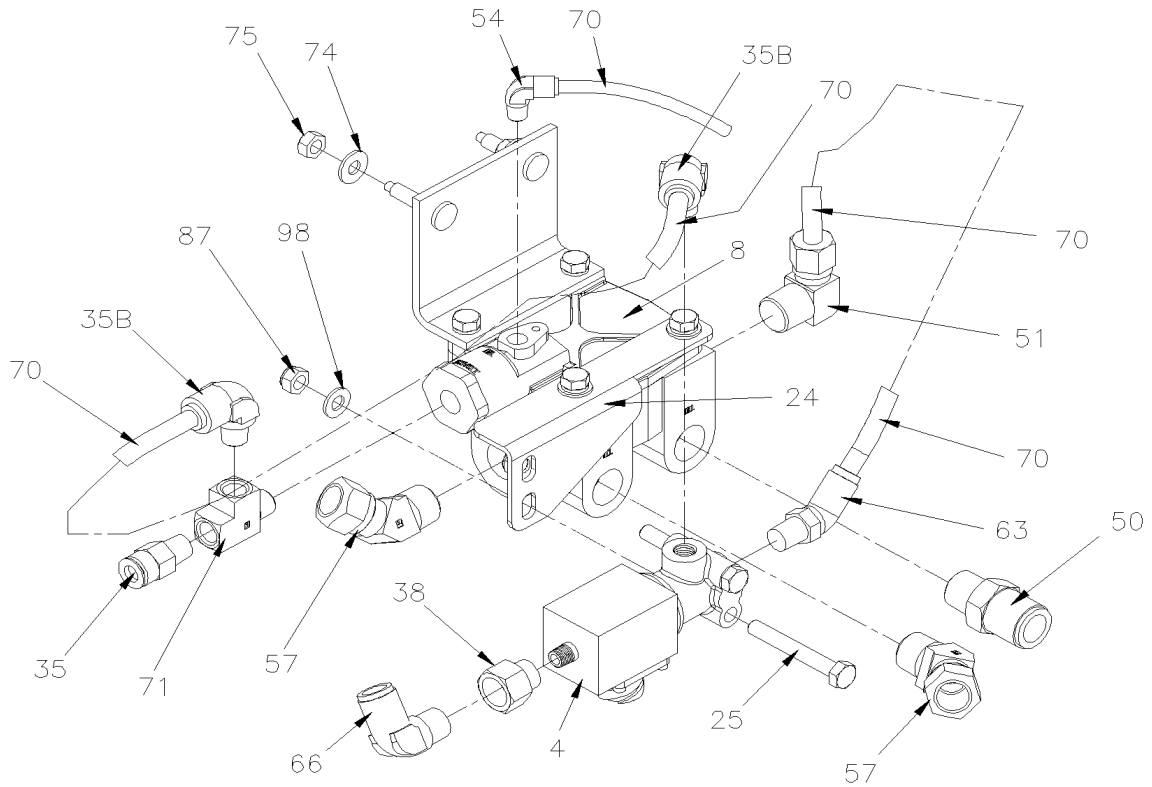
DETAIL "J"
WITH WORLD TRANSMISSION
WITH "ABS 6"
FROM A-9952 UP TO D-5300

From 8-9279 To B-9999

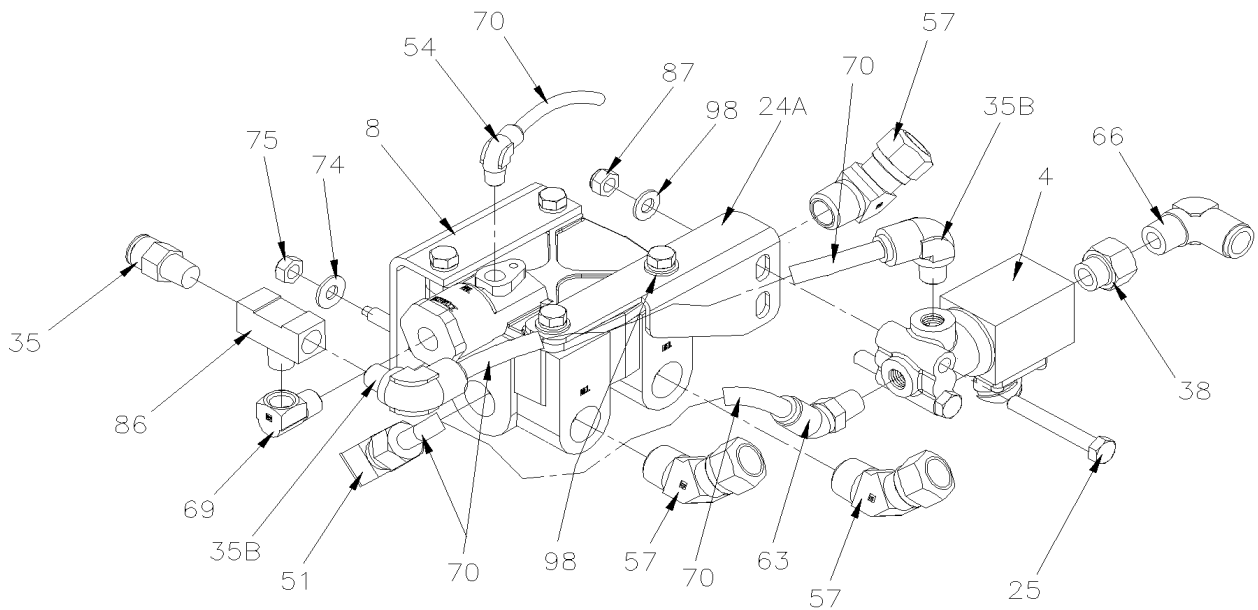
Date:10/2022

PAGE:MTH-1250-10

ABS BRAKE VALVE - INSTALLATION



DETAIL "H"
WITH WORLD TRANSMISSION
WITH "ESP"
UP TO A-9951



DETAIL "H"
WITH WORLD TRANSMISSION
WITH "ESP"
FROM A-9952



From 8-9279 To B-9999	Date:10/2022	PAGE:MTH-1250-10
ABS BRAKE VALVE - INSTALLATION		

Item#	Part	Description	X L I I M T H 4 5	X L I I M T H 4 5 E	N O T E S
1	142624	SUPPORT VALVE FRONT "STD"	1	1	
2	642077	VALVE, "ABS" 12VOLT / M-32QR	AR	AR	A
2	640228	VALVE, "ABS" 12VOLT / M-40QR	AR	AR	
3	641991	VALVE, RELAY R-14 "WABCO"	1	1	
4	642079	VALVE, "ATC" 12VOLT	1	1	
5	643384	VALVE / SPRING BRAKE SR-7	1	1	
. NS	642119	. VALVE / SPRING BRAKE SR-7	1	1	
6	642068	VALVE, RELAY R-12 HORIZONTAL PORT / W/OUT SUPPORT	2	2	
7	144862	SUPPORT L.H. / VALVE ABS & RELAY VALVE	1	1	
8	641120	VALVE, RELAY R-14 HORIZONTAL PORT	1	1	
. NS	10508267	. KIT, REPAIR	1	1	
9	640442	VALVE, INVERSION TR-2	1	1	
10	142682	SUPPORT BRAKE VALVE REAR / CURBSIDE	1	1	
11	640471	VALVE, INVERSION TR-3 25-40LBS	1	1	
12	142781	SUPPORT VALVE FRONT "ADV"	1	1	
13	641903	HOSE BRAKE #8 1090MM (43")	3	3	
14	642019	HOSE BRAKE #8 718MM (28 1/4") To A-9952	1	1	
14	642143	HOSE BRAKE #8 560MM (22") From A-9953	1	1	
15	641305	HOSE BRAKE #8 718MM (28 1/4")	AR	AR	
16	641902	HOSE BRAKE #8 737MM (29")	2	2	
17	641302	HOSE BRAKE #8 610MM (24")	1	1	
18	641905	HOSE BRAKE #8 952MM (37 1/2")	2	2	
19	642076	SENSOR "YAW"	1	1	
20	501406	STREET ELBOW 90° / PIPE FITTING / 1/2NPT-Mx1/2NPT-F BR	2	2	
21	501534	BUSHING REDUCER / PIPE FITTING / 1/2NPT-Mx3/8NPT-F BR	2	2	
22	501842	ADAPTER / AIR BRAKE HOSE FITTING / 3/4-20-Mx3/8NPT-M STL	2	2	
23	660914	MALE ELBOW 90° / JIC 37° FITTING / #8JIC-MxM16-1.5-M STL	AR	AR	
. NS	641297	. O-RING 13.1MM I.D. X 2.6 TH	1	1	
. NS	641298	. WASHER FL 17MM I.D x 22MM O.D. x 1.5MM	1	1	
24	142692	SUPPORT "ATC" VALVE & RELAY VALVE	1	1	
24A	143031	SUPPORT "ATC" VALVE & RELAY VALVE	1	1	
25	5001178	SCREW CAP HEX M8-1.25x60 SS BK	AR	AR	
30	641383	MALE CONNECTOR / PUSH-IN FITTING / #8x1/2NPT-M BR	AR	AR	
31	642096	MALE RUN TEE NON-SWIVEL / PUSH-IN FITTING / #8x#8x1/2NPT-M COMPOSITE	AR	AR	
31	641210	MALE RUN TEE / NTA FITTING / #8x#8x1/2NPT-M BR	AR	AR	
32	503468	TUBE, NYLON 1/2 O.D. / RED S.L.	AR	AR	
33	641380	MALE CONNECTOR / PUSH-IN FITTING / #8x1/4NPT-M BR	AR	AR	
34	501787	STREET ELBOW 90° / PIPE FITTING / 1/8NPT-Mx1/4NPT-F BR	AR	AR	
35	641331	MALE CONNECTOR / PUSH-IN FITTING / #6x1/4NPT-M BR	AR	AR	



From 8-9279 To B-9999 Date:10/2022 PAGE:MTH-1250-10

ABS BRAKE VALVE - INSTALLATION

Item#	Part	Description	X L I M T H 4 5	X L I M T H 4 5 E	N O T E S
35B	641372	MALE ELBOW 90° NON-SWIVEL / PUSH-IN FITTING / #6x1/4NPT-M BR	AR	AR	
36	642098	MALE ELBOW 90° NON-SWIVEL / PUSH-IN FITTING / #10x1/2NPT-M COMPOSITE	AR	AR	
37	641376	MALE ELBOW 90° NON-SWIVEL / PUSH-IN FITTING / #8x3/8NPT-M BR	AR	AR	
38	5001660	REDUCER COUPLING / PIPE FITTING / 3/8NPT-Fx1/8NPT-F BR	AR	AR	
39	641379	MALE ELBOW 90° NON-SWIVEL / PUSH-IN FITTING / #10x1/2NPT-M BR	AR	AR	
40	641436	UNION ELBOW 90° / PUSH-IN FITTING / #6x#6 BR	AR	AR	
41	501304	PLUG SQUARE HEAD / PIPE FITTING / 1/4NPT-M BR To A-9968	AR	AR	
41	501800	PLUG HEXS / PIPE FITTING / 1/4NPT-M STL From A-9969	AR	AR	
42	501330	STREET ELBOW 45° / PIPE FITTING / 3/8NPT-Mx3/8NPT-F BR	AR	AR	
43	501305	PLUG SQUARE HEAD / PIPE FITTING / 3/8NPT-M BR To A-9968	AR	AR	
43	501449	PLUG HEXS / PIPE FITTING / 3/8NPT-M STL From A-9969	AR	AR	
44	501306	PLUG SQUARE HEAD / PIPE FITTING / 1/2NPT-M BR To A-9968	AR	AR	
44	501966	PLUG HEXS / PIPE FITTING / 1/2NPT-M STL From A-9969	AR	AR	
45	501528	STREET ELBOW 45° / PIPE FITTING / 1/2NPT-Mx1/2NPT-F BR	AR	AR	
46	641378	MALE ELBOW 90° / PUSH-IN FITTING / #8x1/2NPT-M BRASS	AR	AR	
47	501473	MALE RUN TEE / PIPE FITTING / 1/2NPT-Mx1/2NPT-Fx1/2NPT-F BR	AR	AR	
48	501472	FEMALE UNION TEE / PIPE FITTING / 1/2NPT-Fx1/2NPT-Fx1/2NPT-F BR	AR	AR	
49	5011067	NIPPLE HEX / PIPE FITTING / 1/2NPT-Mx1/2NPT-Mx1 13/16 BR	AR	AR	
50	641384	MALE CONNECTOR / PUSH-IN FITTING / #10x1/2NPT-M BR	AR	AR	
51	641175	MALE ELBOW 90° / NTA FITTING / #6x1/2NPT-M BR	AR	AR	
52	641119	MALE ELBOW 45° / NTA FITTING / #6x1/2NPT-M BR	AR	AR	
53	507557	STREET ELBOW 90° / PIPE FITTING / 1/2NPT-Mx1/2NPT-F BR	AR	AR	
54	641369	MALE ELBOW 90° NON-SWIVEL / PUSH-IN FITTING / #4x1/8NPT-M BR	AR	AR	
55	641371	MALE ELBOW 90° NON-SWIVEL / PUSH-IN FITTING / #4x1/4NPT-M BR	AR	AR	
56	501966	PLUG HEXS / PIPE FITTING / 1/2NPT-M STL	AR	AR	
57	641027	MALE ELBOW 45° / NTA FITTING / #10x1/2NPT-M BR	AR	AR	
58	641042	MALE ELBOW 45° / NTA FITTING / #4x1/4NPT-M BR	AR	AR	
59	642094	MALE BRANCH TEE / PUSH-IN FITTING / #4x#4x1/4NPT-M COMPOSITE	AR	AR	
60	501321	NIPPLE HEX / PIPE FITTING / 1/4NPT-Mx1/4NPT-Mx1 3/8 BR	AR	AR	
61	501424	NIPPLE / PIPE FITTING / 1/2NPT-Mx1/2NPT-Mx1 1/8 BR	AR	AR	
62	641089	MALE ELBOW 45° / NTA FITTING / #8x1/2NPT-M BR	AR	AR	
63	641366	MALE ELBOW 45° NON-SWIVEL / PUSH-IN FITTING / #6x1/4NPT-M BR	AR	AR	
64	641332	MALE CONNECTOR / PUSH-IN FITTING / #4x1/4NPT-M BR	AR	AR	
65	641366	MALE ELBOW 45° NON-SWIVEL / PUSH-IN FITTING / #6x1/4NPT-M BR	AR	AR	
66	641376	MALE ELBOW 90° NON-SWIVEL / PUSH-IN FITTING / #8x3/8NPT-M BR	AR	AR	
67	641388	MALE RUN TEE NON-SWIVEL / PUSH-IN FITTING / #6x#6x3/8NPT-M BR	AR	AR	
69	501332	STREET ELBOW 90° / PIPE FITTING / 1/4NPT-Mx1/4NPT-F BR	AR	AR	
70	MTH-1202-00	TUBES PLASTIC / AIR D.O.T.			
71	501338	MALE RUN TEE / PIPE FITTING / 1/4NPT-Mx1/4NPT-Fx1/4NPT-F BR	AR	AR	
73	500187	SCREW CAP HEX 5/16-18x3 G5 Z050	AR	AR	
73	500185	SCREW CAP HEX 5/16-18x2 1/4 G5 Z050	AR	AR	
73	502650	SCREW CAP HEX M8-1.25x80 G8.8 Z050	AR	AR	



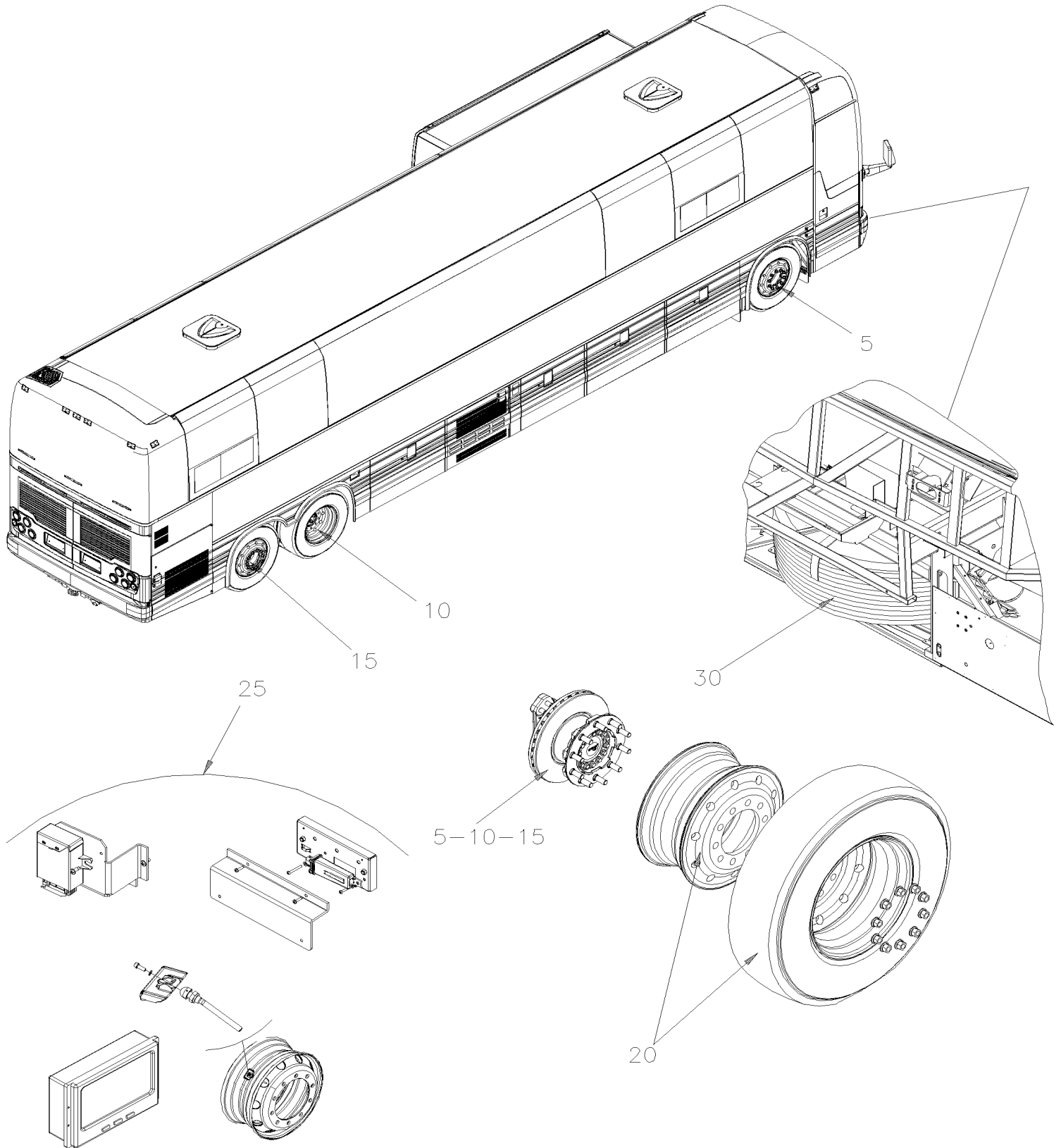
From 8-9279 To B-9999	Date:10/2022	PAGE:MTH-1250-10
------------------------------	---------------------	-------------------------

ABS BRAKE VALVE - INSTALLATION

Item#	Part	Description	X L I I M T H 4 5	X L I I M T H 4 5 E	N O T E S
73A	500170	SCREW CAP HEX 1/4-20x2 G5 PT Z050	AR	AR	
74	500441	WASHER FL .312x.734x.065 Z050	AR	AR	
74	502638	WASHER FL .312x.734x.065 N500	AR	AR	
NS	500476	WASHER LO SPT .317x.586x.078 Z050	AR	AR	
75	500778	NUT HEX 5/16-18 N500	AR	AR	
75	500248	NUT HEX STO 5/16-18 N500	AR	AR	
76	500478	WASHER LO SPT .380x.683x.094 Z050	AR	AR	
77	500783	NUT HEX 3/8-16 Z050	AR	AR	
78	5011215	WASHER FL .328x.875x.062 Z050	AR	AR	
79	500868	NUT HEX NYRT M8-1.25 Z050	AR	AR	
80	142353	HOSE SUPPORT L.H.	1	1	
81	142352	HOSE SUPPORT R.H.	1	1	
82	504614	PLATE RETAINING / COLLAR	2	2	
83	504612	COLLAR 13/16" I.D. / TO FIX HOSE	2	2	
84	502656	SCREW CAP HEX M6-1.0x50 SS	2	2	
NS	502565	NUT HEX M6-1.0 SS	2	2	
86	501894	MALE BRANCHE TEE / PIPE FITTING / 1/4NPT-Fx1/4NPT-Fx1/4NPT-M BR	AR	AR	
87	502847	NUT HEX NYRT M8-1.25 N500	AR	AR	
89	641373	MALE ELBOW 90° NON-SWIVEL / PUSH-IN FITTING / #8x1/4NPT-M BR	AR	AR	
90	641382	MALE CONNECTOR / PUSH-IN FITTING / #6x1/2NPT-M BR	AR	AR	
94	642081	ECU ABS / W/6 CHANNELS / STANDARD	1	1	
95	642083	ECU ABS / W/6 CHANNELS / ADVANCED ESP To 9-9725	1	1	
95	642131	ECU ABS / W/6 CHANNELS / ADVANCED ESP From 9-9726 To A-9904	1	1	
95	642146	ECU ABS / W/6 CHANNELS / ADVANCED ESP UNPROGRAMMED / NON-PROGRAMME From A-9905	1	1	
NS	MTH-1250-00	ABS & ESP CONTROL			
98	5001341	WASHER FL 8.4x17.0x1.6 SS	AR	AR	
		A) WHEN YOU REPLACE THE VALVE #642077 BY THE VALVE #640228 YOU HAVE REPLACE BOTH SIDE LEFT AND RIGHT			



	Date:10/2022	MTH-13
WHEELS, HUBS & TIRES		





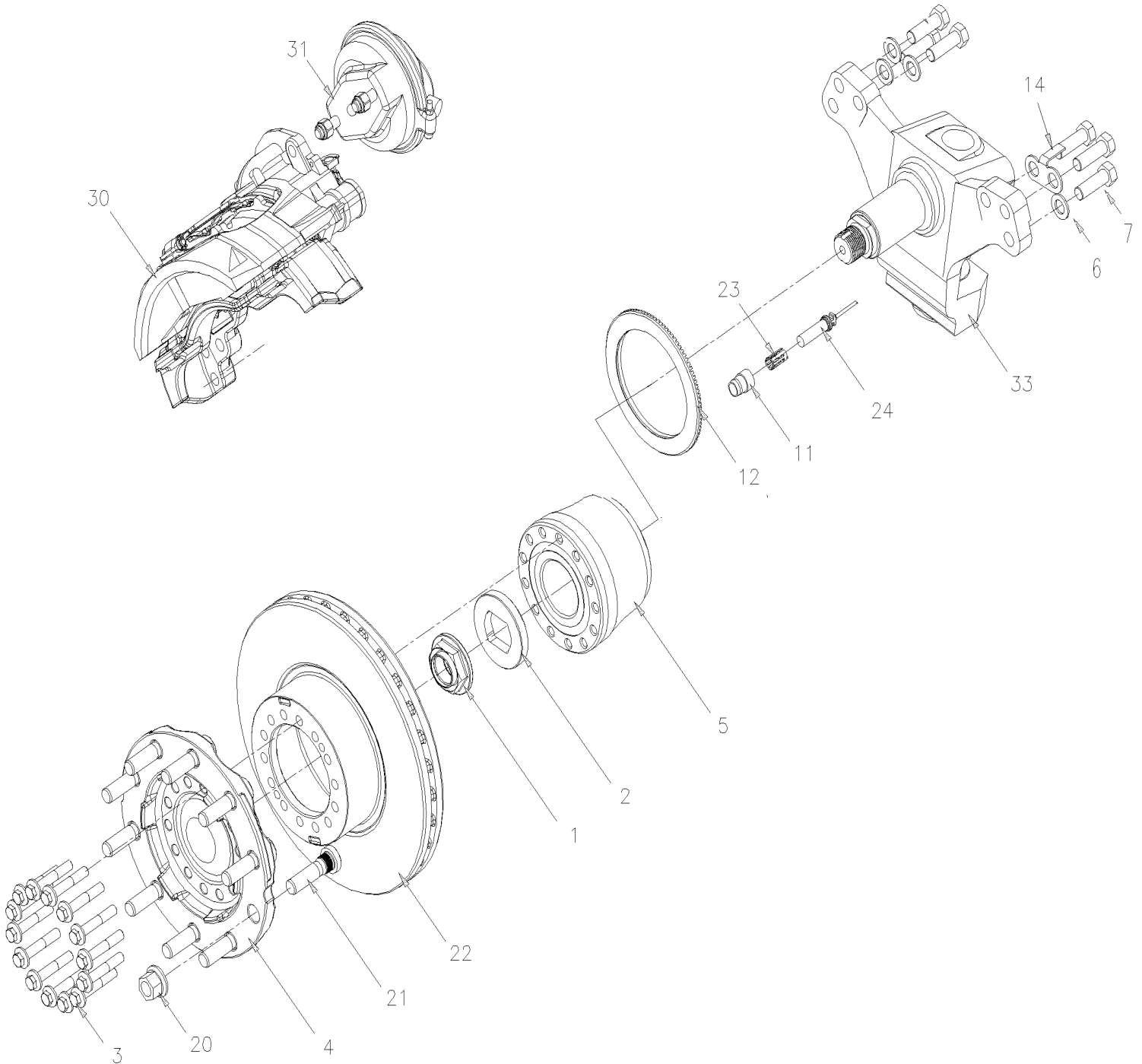
		Date:10/2022	MTH-13		
WHEELS, HUBS & TIRES					
Item#	Part	Description	X L I I M T H 4 5	X L I I M T H 4 5 E	N O T E S
5	MTH-1300-00	HUB & ROTOR - FRONT AXLE MODEL "NDIFS80P" From 8-9279 To B-9999			
10	MTH-1305-00	HUB & ROTOR - DRIVE AXLE From 8-9279 To B-9999			
10	MTH-1305-99	ROTOR (SPLINED DISC) PRODUCT IMPROVMENT From 8-9279 To B-9999			
15	MTH-1310-00	HUB & ROTOR - TAG AXLE TYPE TS8U From 8-9279 To B-9999			
20	MTH-1318-00	WHEELS & COMPONENTS - TRUCK MOUNT (METRIC) From 8-9279 To B-9999			
25	MTH-1318-10	TIRE MONITOR PRESSURE - "BERU" From 8-9422 To B-9999			
30	MTH-1325-00	SPARE WHEEL - INSTALLATION From 8-9279 To B-9999			

From 8-9279 To B-9999

Date:10/2022

PAGE:MTH-1300-00

HUB & ROTOR - FRONT AXLE MODEL "NDIFS80P"





From 8-9279 To B-9999	Date:10/2022	PAGE:MTH-1300-00
HUB & ROTOR - FRONT AXLE MODEL "NDIFS80P"		

Item#	Part	Description	X L I M T H 4 5	X L I M T H 4 5 E	N O T E S
1	611949	HUB NUT 1 3/4-8	1	1	
2	611948	THRUST WASHER	1	1	
3	611955	SCREW CAP HEXF M14-1.5x78 G12.9 N500	14	14	S
4	611301	HUB FLANGE	1	1	
5	611303	HUB ASSY / UNITISED L.H. & R.H. "TIMKEN" To 9-9518	1	1	S
5	611474	HUB ASSY / UNITISED L.H. & R.H. "FAG" ASSY W/"ABS" RING From 9-9519	1	1	S
. NS	611472	. HUB ASSY / UNITISED L.H. & R.H. "FAG" From 9-9519	1	1	S
. NS	611473	. TOOTH WHEEL / FRONT AXLE & TAG W/ "FAG" 143.90MM I.D. From 9-9519	1	1	S
NS	491115	TOOL, HUB INSTALLER W/UNITISED BEARING / 70MM	1	1	
. NS	NDS8	. MAINTENANCE INSTRUCTION	1	1	
6	611044	WASHER FL HARD 21.0x37.0x3.0 N500	4	4	
7	5001529	SCREW CAP HEX M20-1.5x60 G10.9 G500	6	6	
12	611304	TOOTH WHEEL / FRONT AXLE W/ "TIMKEN" 138.89MM I.D. To 9-9518	1	1	
12	611473	TOOTH WHEEL / FRONT AXLE & TAG W/ "FAG" 143.90MM I.D. From 9-9519	1	1	
14	110786	BRAKE WEAR INDICATOR MECHANICAL / 44MM	1	1	
20	20434082	NUT R.H. / W/HUB-MOUNT WHEEL M22-1.5 / 27 MM TH	10	10	
21	611207	STUD / R.H. / W/HUB-MOUNT WHEEL M22-1.5 x 81MM	10	10	
22	611300	ROTOR VENTED	1	1	
23	641096	CLIP, SPRING / TO FIX SENSOR	1	1	
24	642085	SENSOR ABS - OEM	1	1	
24	642184	SENSOR ABS - AFTER MARKET	1	1	
30	MTH-1225-00	BRAKE PARTS - FRONT & TAG AXLE "KNORR-BREMSE" SN7 SERIES To A-9882			
30	MTH-1225-01	BRAKE PARTS - FRONT & TAG AXLE "KNORR-BREMSE" SN7 SERIES W/NEW SLIDE PINS From A-9883			
31	MTH-1225-10	BRAKE CHAMBER - FRONT AXLE			
33	MTH-1005-50	FRONT AXLE - INDEPENDENT MODEL "NDIFS80P" / 18000LBS			
		S) INSPECTED ALL BOLTS FOR DAMAGE TO THE THREAD AND ON THE SURFACE BELOW THE HEAD WHEN YOU DISASSEMBLED OR UNSCREWED THE HUB AND REPLACE IF NECESSARY			

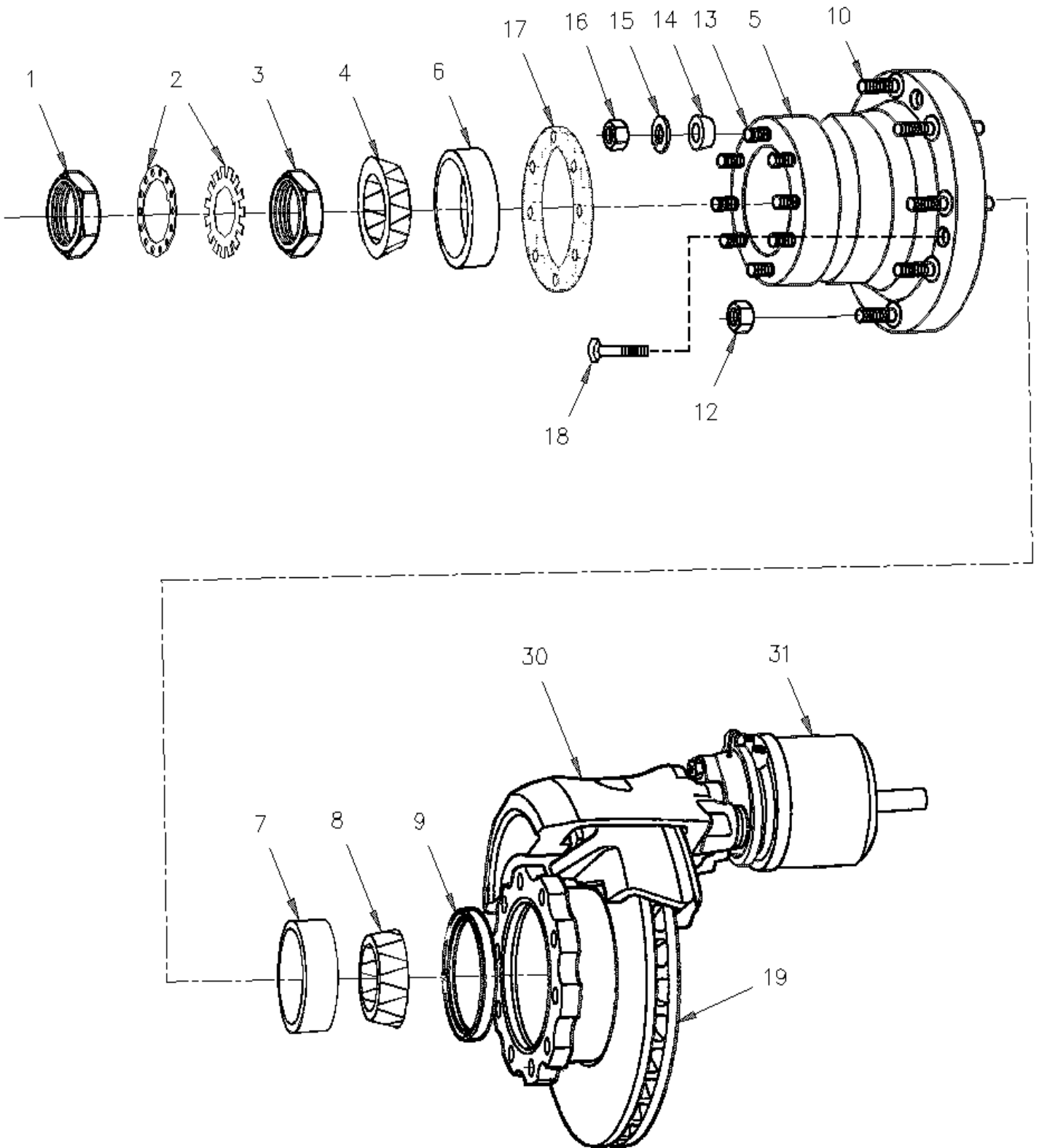


From 8-9279 To B-9999

Date:10/2022

PAGE:MTH-1305-00

HUB & ROTOR - DRIVE AXLE





From 8-9279 To B-9999	Date:10/2022	PAGE:MTH-1305-00
HUB & ROTOR - DRIVE AXLE		

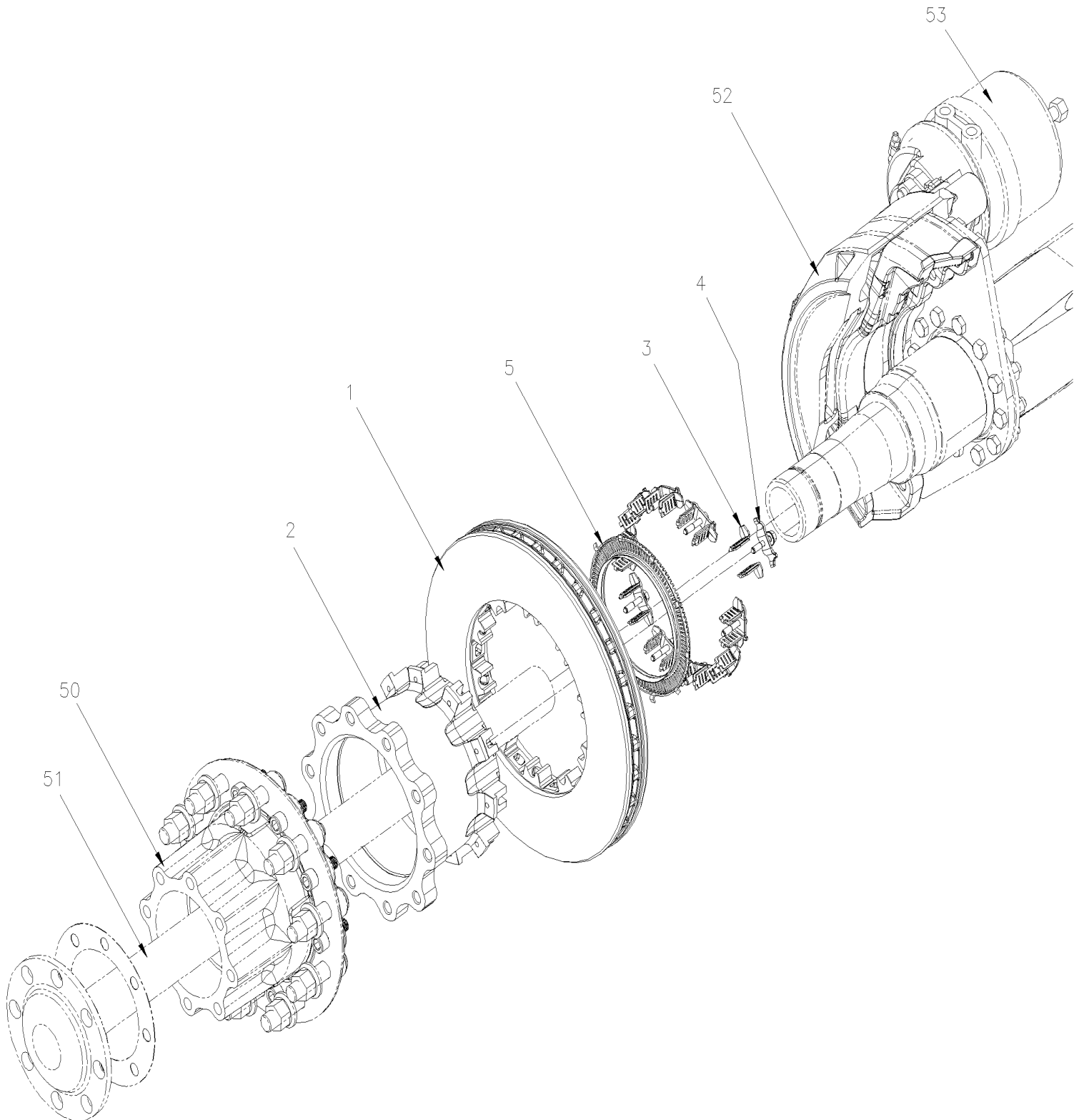
Item#	Part	Description	X L I I M T H 4 5	X L I I M T H 4 5 E	N O T E S
1	620275	NUT OUTER / WHEEL BEARING	1	1	
2	621624	WASHER LOCK / KIT	1	1	
3	620279	NUT INNER / WHEEL BEARING	1	1	
4	620034	CONE BEARING / OUTER WHEEL BEARING	1	1	A
5	621617	HUB & CUPS ASSY	2	2	
6	620032	. CUP BEARING	1	1	A
7	621210	. CUP BEARING	1	1	B
8	621209	CONE BEARING	1	1	B
9	621623	SEAL OIL	1	1	
9	621916	SEAL OIL	1	1	S
10	621645	STUD / R.H. / W/HUB-MOUNT WHEEL M22-1.5 x 100 MM	10	10	
10	621686	STUD / R.H. / W/HUB-MOUNT WHEEL M22-1.5 x 110 MM	AR	AR	D
12	20434082	NUT R.H. / W/HUB-MOUNT WHEEL M22-1.5 / 27 MM TH	10	10	
13	621730	STUD / 5/8-11x 5/8-18 x 2 7/8"	8	8	
14	621627	DOWEL 5/8" I.D.	8	8	
15	5001518	WASHER LO EXT .625x1.070x.055 ZP	8	8	
16	500723	NUT HEX 5/8-18 ZP	8	8	
17	621640	GASKET / AXLE SHAFT W/8 STUDS	AR	AR	
18	621628	SCREW CAP HEXS 5/8-18x1 3/4 GR8	10	10	
19	621672	ROTOR SOLID (W/TOOTH WHEEL / DRIVE AXLE)	1	1	
19	611457	ROTOR VENTED (W/TOOTH WHEEL / DRIVE AXLE)	1	1	
30	MTH-1225-00	BRAKE PARTS - FRONT & TAG AXLE "KNORR-BREMSE" SN7 SERIES			
31	MTH-1235-10	BRAKE CHAMBER - DRIVE AXLE			
NS	621652	KIT, CUP & CONE	1	1	
NS	621653	KIT, CUP & CONE	1	1	
NS	684646	SEAL INSTALLER TOOL / DRIVE W/DISC	1	1	
41	MTH-1305-99	ROTOR (SPLINED DISC) PRODUCT IMPROVMENT			
		A) ALSO AVAILABLE IN KIT #6216			
		B) ALSO AVAILABLE IN KIT #621653			
		D) WITH 2 ALUMINUM WHEELS			
		S) SERVICE			

From 8-9279 To B-9999

Date:10/2022

PAGE:MTH-1305-99

ROTOR (SPLINED DISC) PRODUCT IMPROVMENT





From 8-9279 To B-9999	Date:10/2022	PAGE:MTH-1305-99
-----------------------	--------------	------------------

ROTOR (SPLINED DISC) PRODUCT IMPROVMENT

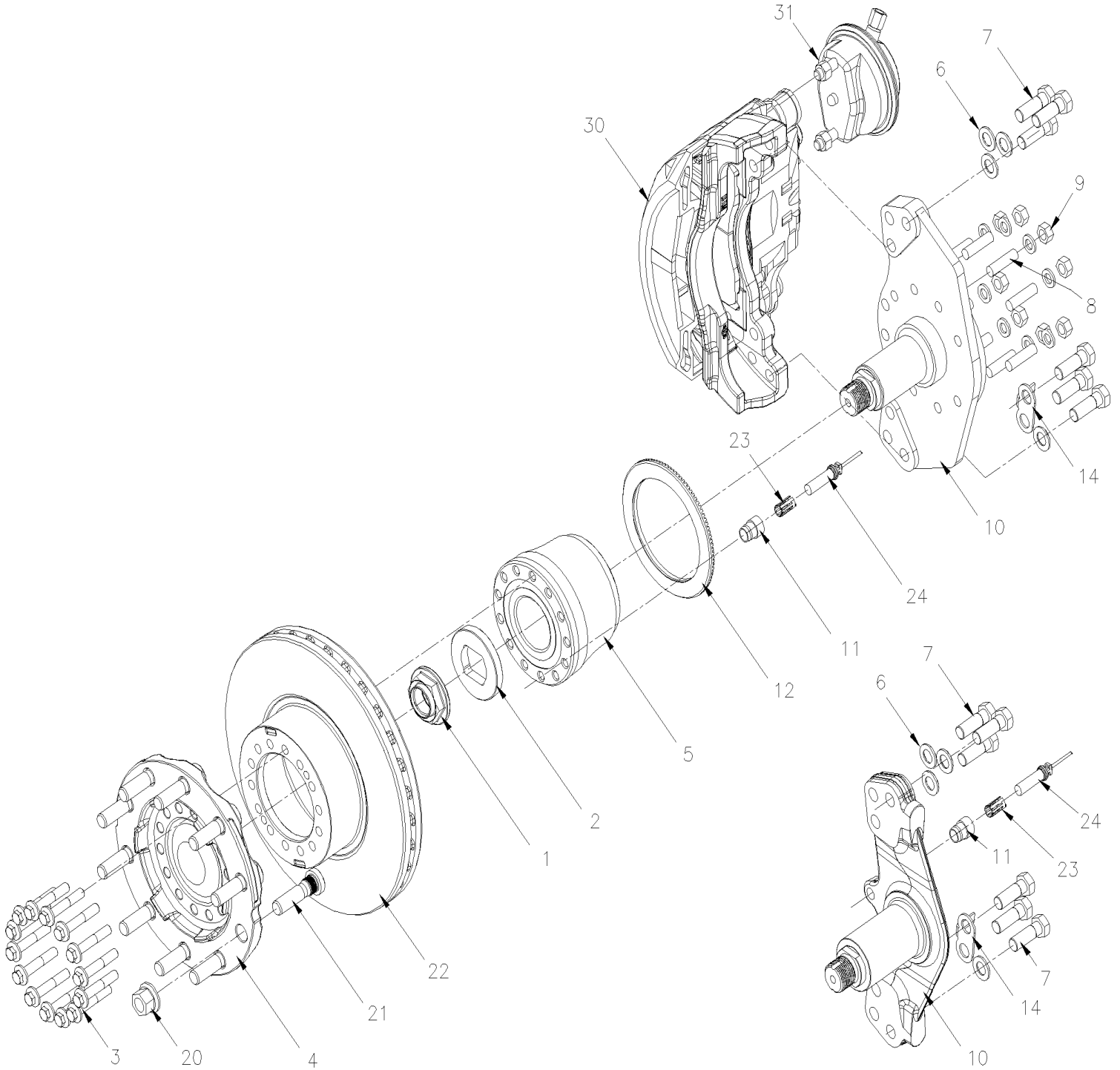
Item#	Part	Description	X L I I M T H 4 5	X L I I M T H 4 5 E	N O T E S
	144982	KIT SPLINED BRAKE DISC ON DRIVE AXLE	1	1	
. NS	IS-09085	. SEE INSTRUCTION SHEET	1	1	
1	144984	. ROTOR / "SPLINED DISC"	1	1	
2	144983	. ROTOR ADAPTOR / "SPLINED DISC"	1	1	
3	144986	. PIECE INTERMEDIATE / "SPLINED DISC"	20	20	
4	144985	. SPRING ELEMENT / "SPLINED DISC"	10	10	
5	124921	. TOOTH WHEEL / DRIVE AXLE / "SPLINED DISC"	1	1	
NS	680754	GREASE, ANTI-SEIZE PERMATEx COPPER (454GR)	AR	AR	
50	MTH-1305-00	HUB & ROTOR - DRIVE AXLE			
51	MTH-1105-00	REAR AXLE - MODEL "RC23165"			
52	MTH-1235-00	BRAKE PARTS - DRIVE AXLE "KNORR-BREMSE" SN7 SERIES			
53	MTH-1235-10	BRAKE CHAMBER - DRIVE AXLE			

From 8-9279 To B-9999

Date:10/2022

PAGE:MTH-1310-00

HUB & ROTOR - TAG AXLE TYPE TS8U



WITH ONE PIECE TAG



From 8-9279 To B-9999		Date:10/2022	PAGE:MTH-1310-00
HUB & ROTOR - TAG AXLE TYPE TS8U			

Item#	Part	Description	X L I I M T H 4 5	X L I I M T H 4 5 E	N O T E S
	 "WARNING" - "WARNING" - "WARNING"			
		ONLY MTH-45 ENT HAVE ONE PIECE TAG AXLE #621808 From A-9953			
1	611949	HUB NUT 1 3/4-8 To A-9952	1	1	
1	621811	HUB NUT 1 3/4-8 From A-9953		1	
2	611948	THRUST WASHER To A-9952	1	1	
2	621810	THRUST WASHER From A-9953		1	
3	611955	SCREW CAP HEXF M14-1.5x78 G12.9 N500 To A-9952	14	14	S
3	5001842	SCREW CAP HEXF M14-1.5x75 G10.9 SERR G500 From A-9953		14	S
4	611301	HUB FLANGE To A-9952	1	1	
4	621809	HUB FLANGE From A-9953		1	
5	611953	HUB ASSY / UNITISED L.H. & R.H. "TIMKEN" To 9-9518	1	1	S
5	611471	HUB ASSY / UNITISED L.H. & R.H. "FAG" ASSY W/"ABS" RING From 9-9519 To A-9952	1	1	S
. NS	N.S.S.	. TOOTH WHEEL From 9-9519 To A-9952	1	1	1 S
. NS	509939	. SCREW DRV RND #4x1/4 SS From 9-9519 To A-9952	3	3	S
5	611474	HUB ASSY / UNITISED L.H. & R.H. "FAG" ASSY W/"ABS" RING From 8-9279 To A-9952	1	1	S A
. NS	611472	. HUB ASSY / UNITISED L.H. & R.H. "FAG" From 8-9279 To A-9952	1	1	S A
. NS	611473	. TOOTH WHEEL / FRONT AXLE & TAG W/ "FAG" 143.90MM I.D. From 8-9279 To A-9952	1	1	S A
5	621816P	HUB ASSY / UNITISED L.H. & R.H. "FAG" WITH TOOTH WHEEL From A-9953		1	S
. NS	621807	. HUB ASSY / UNITISED L.H. & R.H. "FAG" From A-9953		1	S
. . NS	621894	. . O-RING From A-9953		1	S
. NS	621801	. TOOTH WHEEL / TAG AXLE W/CAST TAG From A-9953		1	S
NS	491115	TOOL, HUB INSTALLER W/UNITISED BEARING / 70MM To A-9952	1	1	
. NS	NDS8	. MAINTENANCE INSTRUCTION To A-9952	1	1	
NS	G32950	TOOL, HUB INSTALLER W/UNITISED BEARING / 82MM From A-9953	1	1	
6	611044	WASHER FL HARD 21.0x37.0x3.0 N500	6	6	
7	5001529	SCREW CAP HEX M20-1.5x60 G10.9 G500	6	6	
8	611048	STUD / M16-2.0 x 60MM To A-9952	8	8	
NS	502884	WASHER LO SPT 16.2x27.4x3.5 N500 To A-9952	8	8	
9	502588	NUT HEX M16-2.0 ZP To A-9952	8	8	
10	611302	SPINDLE / WITH MODEL "G.K.N." (TS8U UNITISED) To 8-9278	1	1	
10	610640	SPINDLE / WITH MODEL "G.K.N." (TS8U UNITISED) W/ABS HOLE From 8-9279 To A-9952	1	1	
. NS	610641	. BUSHING ABS SENSOR MOUNTING TAG AXLE From 8-9279 To A-9952	1	1	
10	621808	TAG AXLE / FORGE From A-9953		1	
11	610641	BUSHING ABS SENSOR MOUNTING TAG AXLE From 8-9279 To A-9952	1	1	
11	121912	BUSHING ABS SENSOR MOUNTING TAG AXLE ONE PIECE From A-9953		1	
12	611473	TOOTH WHEEL / FRONT AXLE & TAG W/ "FAG" 143.90MM I.D. From 8-9279 To A-9952	1	1	
12	621801	TOOTH WHEEL / TAG AXLE W/CAST TAG From A-9953		1	
14	110786	BRAKE WEAR INDICATOR MECHANICAL / 44MM From A-9953		1	
20	20434082	NUT R.H. / W/HUB-MOUNT WHEEL M22-1.5 / 27 MM TH	10	10	
21	611207	STUD / R.H. / W/HUB-MOUNT WHEEL M22-1.5 x 81MM To A-9952	10	10	
21	20515515	STUD / R.H. / W/HUB-MOUNT WHEEL M22-1.5 x 88MM From A-9953		10	



From 8-9279 To B-9999	Date:10/2022	PAGE:MTH-1310-00
HUB & ROTOR - TAG AXLE TYPE TS8U		

Item#	Part	Description	X L I I M T H 4 5	X L I I M T H 4 5 E	N O T E S
22	611300	ROTOR VENTED	10	10	
23	641096	CLIP, SPRING / TO FIX SENSOR	1	1	
24	642085	SENSOR ABS - OEM	1	1	
24	642184	SENSOR ABS - AFTER MARKET	1	1	
30	MTH-1225-00	BRAKE PARTS - FRONT & TAG AXLE "KNORR-BREMSE" SN7 SERIES To A-9882			
30	MTH-1225-01	BRAKE PARTS - FRONT & TAG AXLE "KNORR-BREMSE" SN7 SERIES W/NEW SLIDE PINS From A-9883			
31	MTH-1245-10	BRAKE CHAMBER - TAG AXLE			
NS	MI08-04	SEE MAINTENANCE INFORMATION	1	1	
		A) THIS HUB ARE RELATED WITH ABS SYSTEM ON TAG (ESP)			
		S) REPLACED ALL BOLTS EACH TIME WHEN YOU DISASSEMBLED OR UNSCREWED THE HUB			
		1) NOT SOLD SEPARATELY			

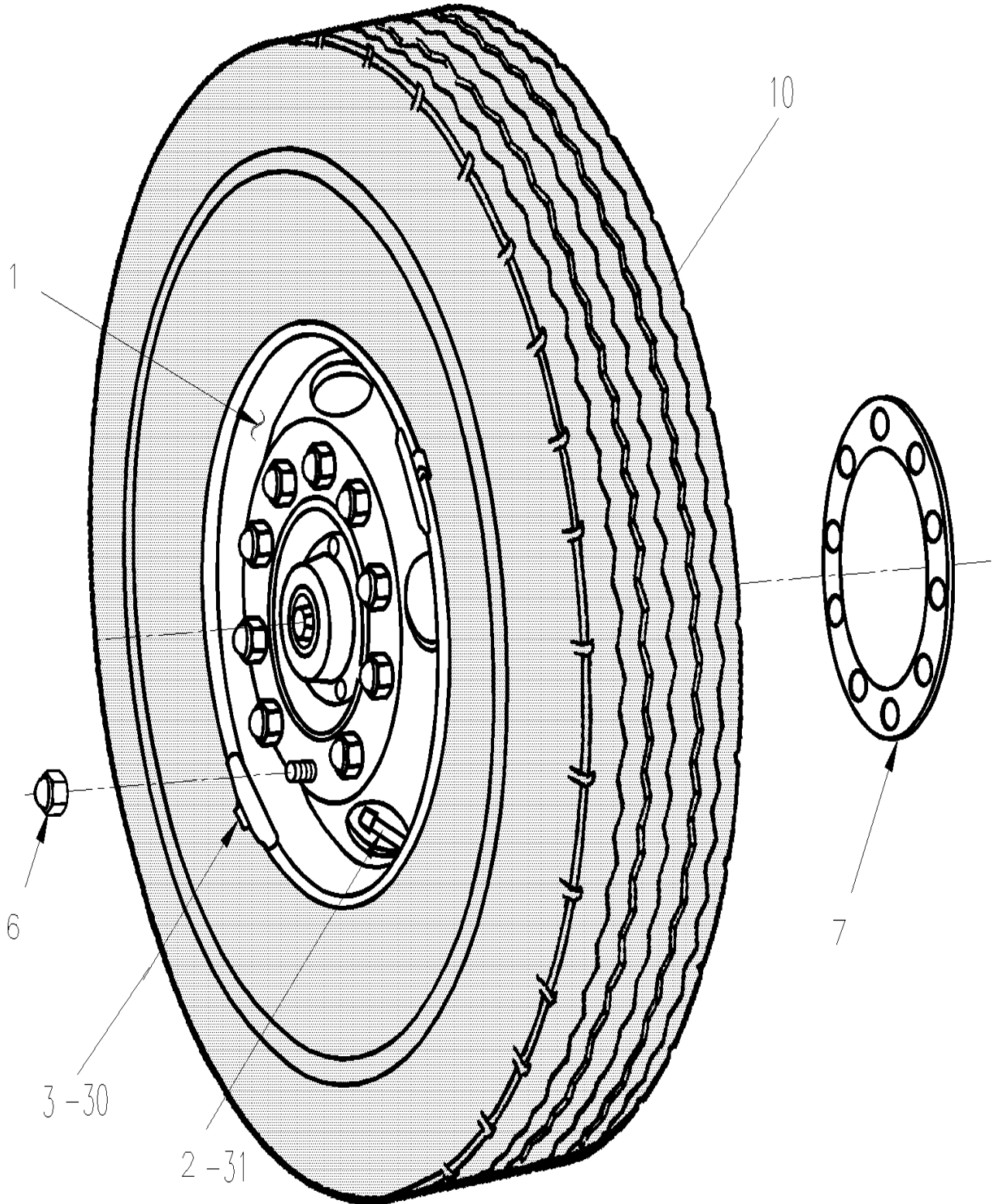


From 8-9279 To B-9999

Date:10/2022

PAGE:MTH-1318-00

WHEELS & COMPONENTS - TRUCK MOUNT (METRIC)





From 8-9279 To B-9999 Date:10/2022 PAGE:MTH-1318-00

WHEELS & COMPONENTS - TRUCK MOUNT (METRIC)

Item#	Part	Description	X L I M T H 4 5	X L I M T H 4 5 E	N O T E S
		ALUMINUM WHEELS / HUB-MOUNTED			
1	650662	WHEEL, ALU. HUB 22.5 X 10.5 / BOTH SIDE DURA-BRIGHT XBR	AR	AR	C
1	650443	WHEEL, ALU. HUB 22.5 X 10.5 / OUTSIDE POLISH	AR	AR	C
1	650989	WHEEL, ALU. HUB 22.5 X 9.00 / INSIDE POLISH	AR	AR	H
1	651007	WHEEL, ALU. HUB 22.5 X 9.00 / INSIDE DURA BRIGHT	AR	AR	H
1	651021	WHEEL, ALU. HUB 22.5 X 9.00 / BOTH SIDE POLISH	AR	AR	H
1	651038	WHEEL, ALU. HUB 22.5 X 9.00 / BOTH SIDE DURA-BRIGHT	AR	AR	H
1	650728	WHEEL, ALU. HUB 22.5 X 14.00 / INSIDE POLISH	AR	AR	S
1	651548	WHEEL, ALU. HUB 22.5 X 14.00 / INSIDE POLISH	AR	AR	S
1	650729	WHEEL, ALU. HUB 22.5 X 14.00 / INSIDE DURA BRIGHT	AR	AR	S
1	651549	WHEEL, ALU. HUB 22.5 X 14.00 / INSIDE DURA BRIGHT	AR	AR	S
NS	683529	CLEANER "ALUMINUM WHEEL" / SPRAY 22 OZ.	AR	AR	
NS	683527	SEALANT "ALLUMINUM WHEEL" / SPRAY 13 OZ.	AR	AR	
NS	683528	POLISH "ALLUMINUM WHEEL" / WAX 16 OZ.	AR	AR	
		VALVES - VALVE EXTENTION & HOLDER			
2	651078	VALVE / W/ALUMINUM WHEEL / 2.31" LG	AR	AR	
NS	650164	. CAP VALVE / CHROME	AR	AR	
NS	650151	. CAP VALVE / STD	AR	AR	
NS	650008	. SPRING VALVE	AR	AR	
2	650201	EXTENSION VALVE 1 3/8" LG	AR	AR	
NS	650188	EXTENSION VALVE / 7" LG	AR	AR	
2	650178	RUBBER HOLDER / 1.5" O.D. / EXTENSION VALVE	AR	AR	
2	651064	RUBBER HOLDER / 2" O.D. / EXTENSION VALVE	AR	AR	
2	650205	SPRING VALVE 21116	AR	AR	B
		WEIGHTS			
3	650175	WEIGHT BALANCING / W/ALUMINUM WHEEL / INT. & EXT. / 2 OZ	AR	AR	
3	650109	WEIGHT BALANCING / W/ALUMINUM WHEEL / INT. & EXT. / 3 OZ	AR	AR	
3	650110	WEIGHT BALANCING / W/ALUMINUM WHEEL / EXT. ON 4 OZ	AR	AR	
3	650114	WEIGHT BALANCING / W/ALUMINUM WHEEL / INT. ON 4 OZ	AR	AR	
3	650111	WEIGHT BALANCING / W/ALUMINUM WHEEL / EXT. ON 6 OZ	AR	AR	
3	650115	WEIGHT BALANCING / W/ALUMINUM WHEEL / INT. ON 6 OZ	AR	AR	
3	650112	WEIGHT BALANCING / W/ALUMINUM WHEEL / EXT. ON 8 OZ	AR	AR	
3	650116	WEIGHT BALANCING / W/ALUMINUM WHEEL / INT. ON 8 OZ	AR	AR	
3	650192	WEIGHT BALANCING / W/ALUMINUM WHEEL / W/ADHES 6 OZ	AR	AR	
3	650206	WEIGHT BALANCING / POWDER (12 OZ BAG)	AR	AR	



From 8-9279 To B-9999 Date:10/2022 PAGE:MTH-1318-00

WHEELS & COMPONENTS - TRUCK MOUNT (METRIC)

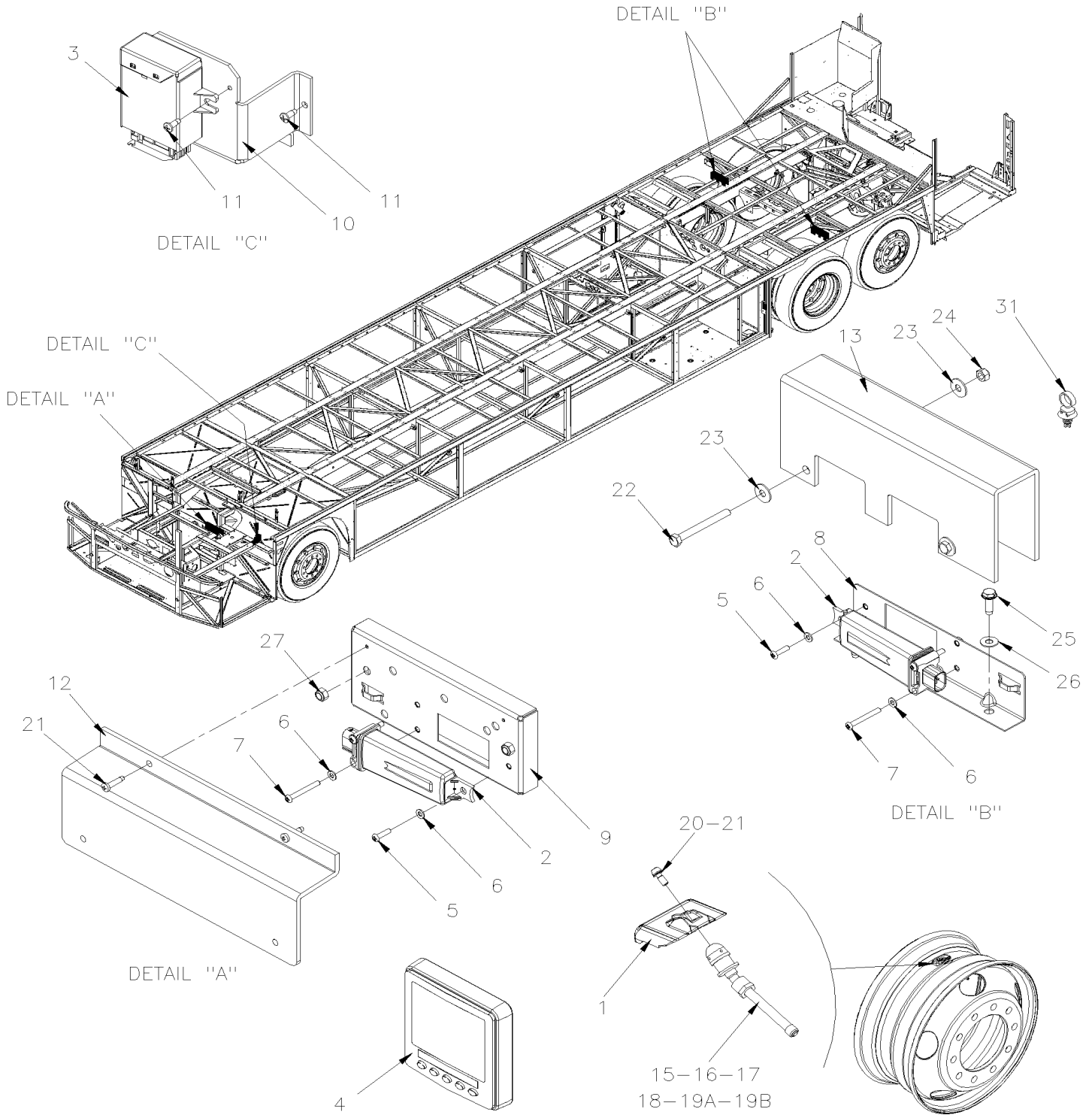
Item#	Part	Description	X L I I M T H 4 5	X L I I M T H 4 5 E	N O T E S
		OTHERS			
6	5001339	CAP, PLASTIC CHROME / WHEEL NUT / HUB MOUNT / PUSH-ON TYPE	60	60	E
7	650134	WHEEL GUARD MYLAR / WHEEL & HUB	AR	AR	
8	621753	HUB CAP PLASTIC CHROME W/NUT / HUB MOUNT / METRIC	2	2	G
. NS	624215	. CAP NUT COVER WRENCH	1	1	G
8	652236	HUB CAP PLASTIC CHROME / HUB MOUNT / METRIC ONE SET OF 2	1	1	G
NS	611339	HUB CAP PLASTIC CHROME W/NUT / HUB MOUNT / METRIC	2	2	F
. NS	611470	. HUB CAP PLASTIC CHROME W/NUT / HUB MOUNT / METRIC	2	2	F
. . NS	624215	. . CAP NUT COVER WRENCH	1	1	F
. NS	19507612	. CAP NUT CHROME / SCREW TYPE	10	10	F
8	652235	HUB CAP PLASTIC CHROME W/NUT / HUB MOUNT / METRIC ONE SET OF 2	2	2	F
10	650447	TIRE MICHELIN 455/55 R22.5 X-ONE-XTE SUMMER TIRE	1	1	
10	652630	TIRE MICHELIN 455/55 R22.5 X ONE XDA-HT PLUS SUMMER TIRE	1	1	
10	651120	TIRE MICHELIN 455/55 R22.5 X ONE XONE XDA-ENERGY SUMMER TIRE	1	1	
10	651099	TIRE MICHELIN 455/55 R22.5 XD-N2 WINTER TIRE	1	1	
NS	652066	WHEEL NUT FLAG, ORANGE	AR	AR	
		VALVES - WITH TIRE PRESSURE SENSOR From 8-9422			
30	066446	DECAL / "WARNING DETECTOR INSIDE" / ENGLISH & FRANCAIS	AR	AR	
30	066445	DECAL / "WARNING DETECTOR INSIDE" / ENGLISH	AR	AR	
31	MTH-1318-10	TIRE MONITOR PRESSURE - "BERU"			
NS	MI02-17	SEE MAINTENANCE INFORMATION	1	1	
NS	MI03-26A	SEE MAINTENANCE INFORMATION	1	1	
		B) USE THIS EXTENSION WITH POWDER BALANCING WEIGHT			
		C) USE WITH 650178 RUBBER HOLDER			
		E) TO USE WITH NUT 22MM X 33MM THICK (611189)			
		F) TO USE WITH FRONT AND TAG WHEEL			
		G) TO USE WITH DRIVE AXLE WHEEL			
		H) USE WITH 651064 RUBBER HOLDER			
		S) USE ONLY WITH SUPER SINGLE TIRE (650447)			

From 8-9422 To B-9999

Date:10/2022

PAGE:MTH-1318-10

TIRE MONITOR PRESSURE - "BERU"

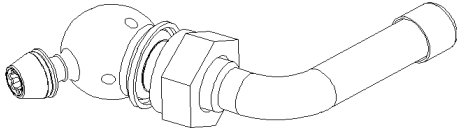


From 8-9422 To B-9999

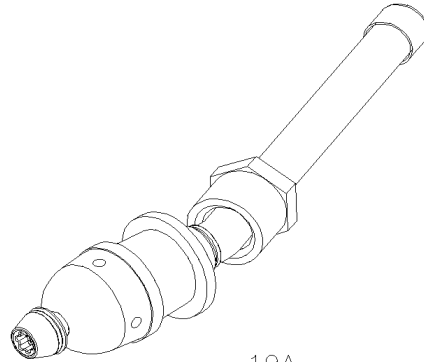
Date:10/2022

PAGE:MTH-1318-10

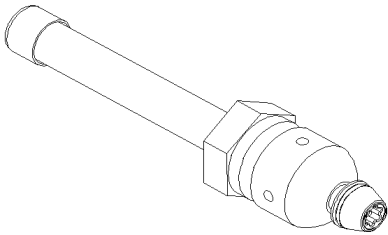
TIRE MONITOR PRESSURE - "BERU"



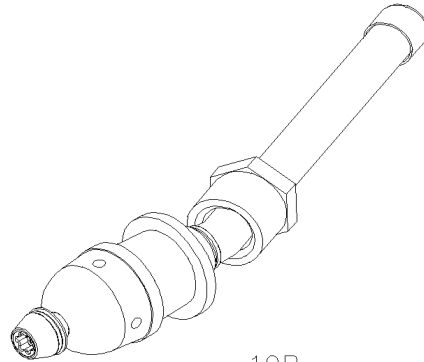
15



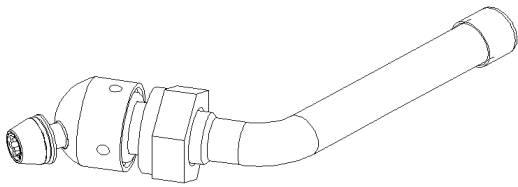
19A



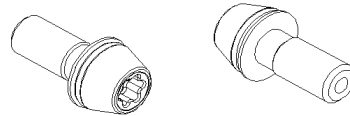
16



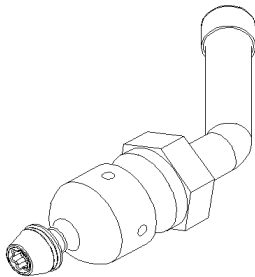
19B



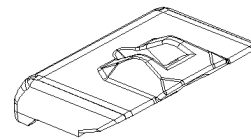
17



20



18



1

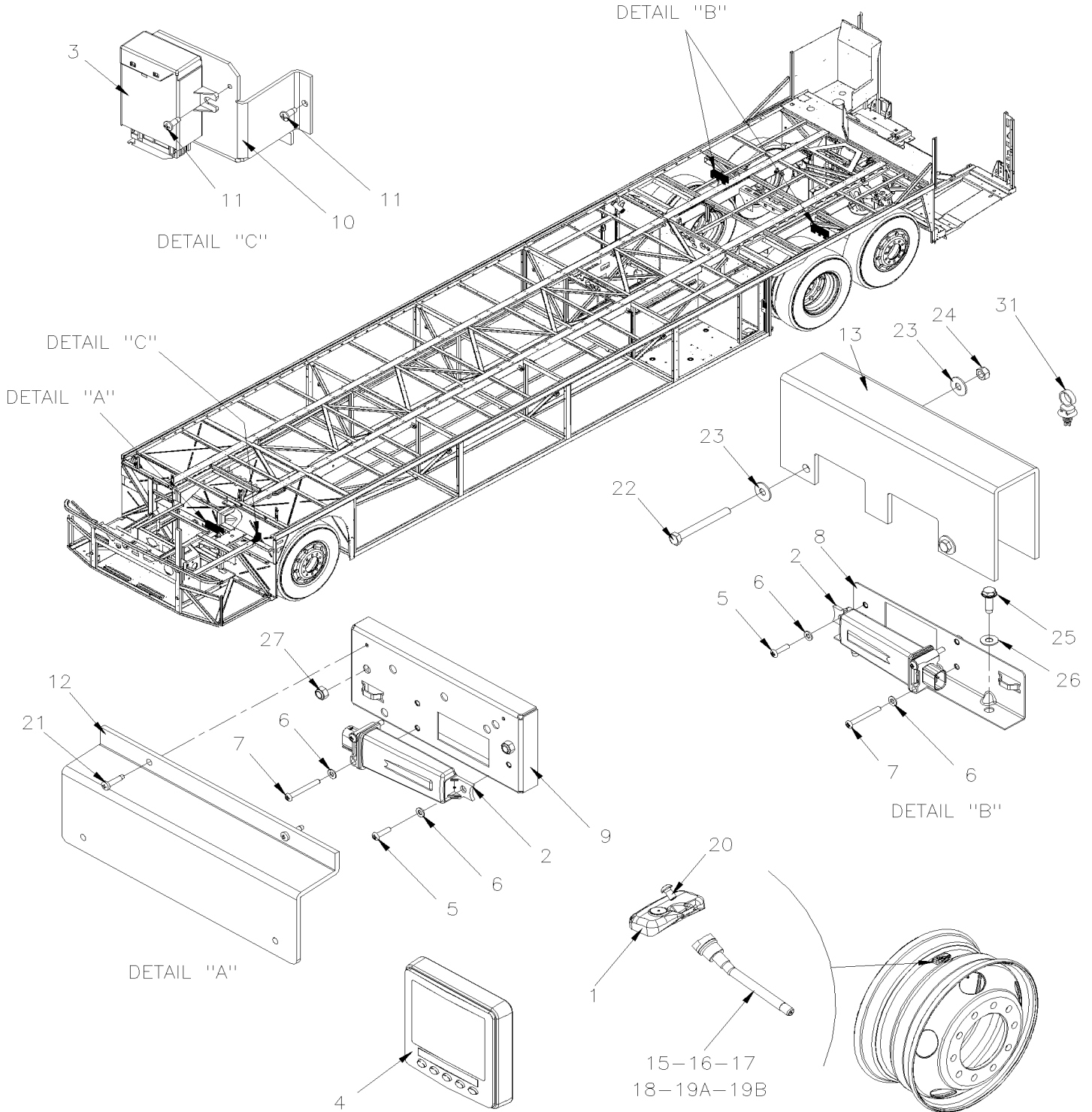
From 8-9422 To B-9999

Date:10/2022

PAGE:MTH-1318-10

TIRE MONITOR PRESSURE - "BERU"

SERVICE





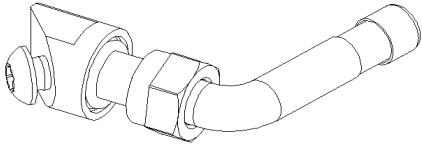
From 8-9422 To B-9999

Date:10/2022

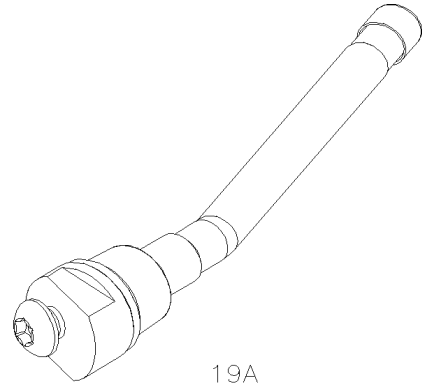
PAGE:MTH-1318-10

TIRE MONITOR PRESSURE - "BERU"

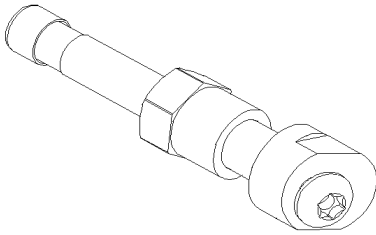
SERVICE



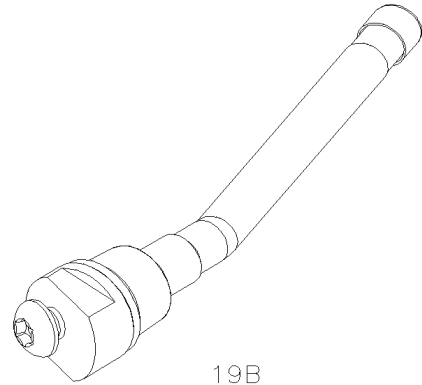
15



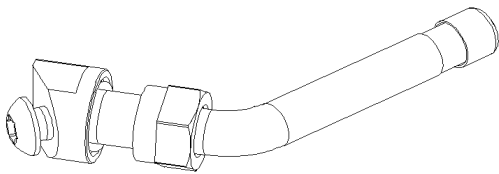
19A



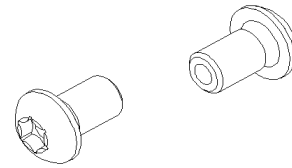
16



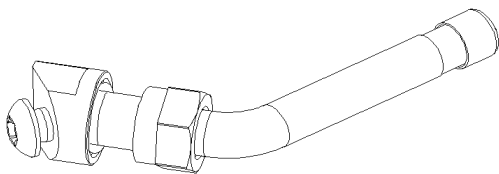
19B



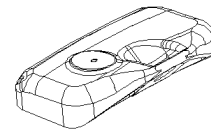
17



20



18



1



From 8-9422 To B-9999	Date:10/2022	PAGE:MTH-1318-10
TIRE MONITOR PRESSURE - "BERU"		

Item#	Part	Description	X L I I M T H 4 5	X L I I M T H 4 5 E	N O T E S
1	564078	SENSOR TIRE PRESSURE - "BERU"	9	9	A
. NS	651118	. WASHER REINFORCMENT SENSOR TIRE MODULE OBLONG / SS	1	1	A
1	560032	SENSOR TIRE PRESSURE - "BERU"	9	9	
NS	066445	DECAL / "WARNING DETECTOR INSIDE" / ENGLISH	AR	AR	
NS	066446	DECAL / "WARNING DETECTOR INSIDE" / ENGLISH & FRANCAIS	AR	AR	
2	564077	ANTENNA - TIRE PRESSURE	3	3	
. NS	563758	. CONNECTOR / MICRO-QUADLOK-SYSTEM / SH 4C / AMP 1-967640-1	1	1	
. NS	564074	. CONNECTOR CAP 90° / MICRO-QUADLOK-SYSTEM / SCH 7806880-K	1	1	
. NS	563759	. SOCKET TERMINAL / 20-18 / AMP 965907-1	1	1	
. NS	563761	. SEAL PLUG CAVITY / BLUE / AMP 967056-1	1	1	
3	564076	ECU TIRE PRESSURE	1	1	
. NS	564073	. CONNECTOR TANDEM SPRING/ AMPMODU / SH 32C / AMP 1394010-1	1	1	
4	564083	SCREEN MONITOR TIRE	1	1	
4	564094	SCREEN MONITOR TIRE	1	1	
NS	564084	PLATE TPMS / FIXED AT CENTRAL BOARD	1	1	
NS	564086	PLATE REAR TPMS ON CENTRAL BOARD	1	1	
NS	5001690	SCREW TC M5	3	3	
NS	564085	PLATE W/OUT TPMS ON CENTRAL BOARD	1	1	
NS	067205	WIRING HARNESS / FRT JCT BOX & ANTENNA To 8-9529	1	1	
4	067286	CABLE ASSY / FRT JCT BOX & REAR JCT BOX From 8-9530	1	1	
NS	067204	WIRING HARNESS / ECU FRT JCT BOX & ACCES..	1	1	
4	067585	WIRING HARNESS / FRT JCT BOX & ANTENNA EXTENTION FRONT ANTENNA To 8-9529	1	1	
NS	5001694	SCREW MA PAN PH M4-0.7x40 SS BK	6	6	
5	5001332	SCREW MA PAN PH M4-0.7x16 SS	3	3	
6	502556	WASHER FL 4.3x9.0x0.8 SS	9	9	
7	5001696	SCREW MA PAN PH M4-0.7x35 SS	6	6	
8	406121	SUPPORT ANTENNA TIRE PRESSURE	2	2	
9	406085	SUPPORT ANTENNA TIRE PRESSURE	1	1	
10	382406	SUPPORT TIRE ECU PRESSURE	1	1	
11	502868	SCREW TC TR PH #10-16x1/2 N500	5	5	
12	406119	PROTECTOR ANTENNA / AL "Z" SHAPE	1	1	
13	406122	PROTECTOR ANTENNA / AL "U" SHAPE		2	
13	406133	PROTECTOR ANTENNA / AL "U" SHAPE	1		
15	651079	KIT VALVE TR543E 60DEG 17.1 HD / W/AL / 14" To 8-9421	1	1	
. NS	651084	. SCREW MA BUT TORX W/HOLE M5-0.8x17 To 8-9421	1	1	
. . NS	651118	. . WASHER REINFORCMENT SENSOR TIRE MODULE OBLONG / SS To 8-9421	1	1	
. NS	651116	. O-RING 8.9MM I.D. x 1.9MM "VITON" To 8-9421	1	1	
15	651126	KIT VALVE TR543E 60DEG 17.1 HD / W/AL / 14" From 8-9422	1	1	
. NS	651084	. SCREW MA BUT TORX W/HOLE M5-0.8x17 From 8-9422	1	1	
. . NS	651118	. . WASHER REINFORCMENT SENSOR TIRE MODULE OBLONG / SS From 8-9422	1	1	
. NS	651117	. O-RING 9.5MM I.D. x 2.0MM "VITON" From 8-9422	1	1	
15	650013	KIT VALVE 60DEG / W/AL / 14"	1	1	A



From 8-9422 To B-9999	Date:10/2022	PAGE:MTH-1318-10
TIRE MONITOR PRESSURE - "BERU"		

Item#	Part	Description	X L I M T H 4 5	X L I M T H 4 5 E	N O T E S
. NS	651116	. O-RING 8.9MM I.D. x 1.9MM "VITON"	1	1	A
. NS	650019	. SCREW MA BUT TORX W/HOLE M5	1	1	A
15	650635	KIT VALVE 60DEG / W/AL / 14"	1	1	
. NS	650019	. SCREW MA BUT TORX W/HOLE M5	1	1	
. NS	651191	. NUT	1	1	
16	651080	KIT VALVE TR543 13HD / W/AL / 10.5" To 8-9421	1	1	
. NS	651084	. SCREW MA BUT TORX W/HOLE M5-0.8x17 To 8-9421	1	1	
. . NS	651118	. . WASHER REINFORCMENT SENSOR TIRE MODULE OBLONG / SS To 8-9421	1	1	
. NS	651117	. O-RING 9.5MM I.D. x 2.0MM "VITON" To 8-9421	1	1	
16	651128	KIT VALVE TR543 13HD / W/AL / 10.5" From 8-9422	1	1	
. NS	651084	. SCREW MA BUT TORX W/HOLE M5-0.8x17 From 8-9422	1	1	
. . NS	651118	. . WASHER REINFORCMENT SENSOR TIRE MODULE OBLONG / SS From 8-9422	1	1	
. NS	651117	. O-RING 9.5MM I.D. x 2.0MM "VITON" From 8-9422	1	1	
16	650014	KIT VALVE / W/AL / 10.5"	1	1	A
. NS	651116	. O-RING 8.9MM I.D. x 1.9MM "VITON"	1	1	A
. NS	650019	. SCREW MA BUT TORX W/HOLE M5	1	1	A
16	650636	KIT VALVE / W/AL / 10.5"	1	1	
. NS	650019	. SCREW MA BUT TORX W/HOLE M5	1	1	
17	651081	KIT VALVE TR544D 40DEG 13HD / W/AL HUB MOUNT / 9" To 8-9421	1	1	
. NS	651084	. SCREW MA BUT TORX W/HOLE M5-0.8x17 To 8-9421	1	1	
. . NS	651118	. . WASHER REINFORCMENT SENSOR TIRE MODULE OBLONG / SS To 8-9421	1	1	
. NS	651117	. O-RING 9.5MM I.D. x 2.0MM "VITON" To 8-9421	1	1	
17	651122	KIT VALVE TR544D 40DEG 13HD / W/AL HUB MOUNT / 9" From 8-9422	1	1	
. NS	651084	. SCREW MA BUT TORX W/HOLE M5-0.8x17 From 8-9422	1	1	
. . NS	651118	. . WASHER REINFORCMENT SENSOR TIRE MODULE OBLONG / SS From 8-9422	1	1	
. NS	651117	. O-RING 9.5MM I.D. x 2.0MM "VITON" From 8-9422	1	1	
17	650015	KIT VALVE 40DEG / W/AL / 9"	1	1	A
. NS	651116	. O-RING 8.9MM I.D. x 1.9MM "VITON"	1	1	A
. NS	650019	. SCREW MA BUT TORX W/HOLE M5	1	1	A
18	651082	KIT VALVE TR543C 9.5HD / W/AL STUD MOUNT / 9"	1	1	
. NS	651084	. SCREW MA BUT TORX W/HOLE M5-0.8x17	1	1	
. . NS	651118	. . WASHER REINFORCMENT SENSOR TIRE MODULE OBLONG / SS	1	1	
. NS	651117	. O-RING 9.5MM I.D. x 2.0MM "VITON"	1	1	
18	650015	KIT VALVE 40DEG / W/AL / 9"	1	1	A
. NS	651116	. O-RING 8.9MM I.D. x 1.9MM "VITON"	1	1	A
. NS	650019	. SCREW MA BUT TORX W/HOLE M5	1	1	A
18	650634	KIT VALVE 40DEG / W/AL / 9"	1	1	
. NS	650019	. SCREW MA BUT TORX W/HOLE M5	1	1	
. NS	651191	. NUT	1	1	
19A	651083	KIT VALVE TR572 20DEG 13HD / W/STEEL WHEELS 8.25" & 9"	1	1	9.0
19A	651083	KIT VALVE TR572 20DEG 13HD / W/STEEL WHEELS 8.25" & 9"	1	1	9.0
. NS	651084	. SCREW MA BUT TORX W/HOLE M5-0.8x17	1	1	9.0



From 8-9422 To B-9999	Date:10/2022	PAGE:MTH-1318-10
TIRE MONITOR PRESSURE - "BERU"		

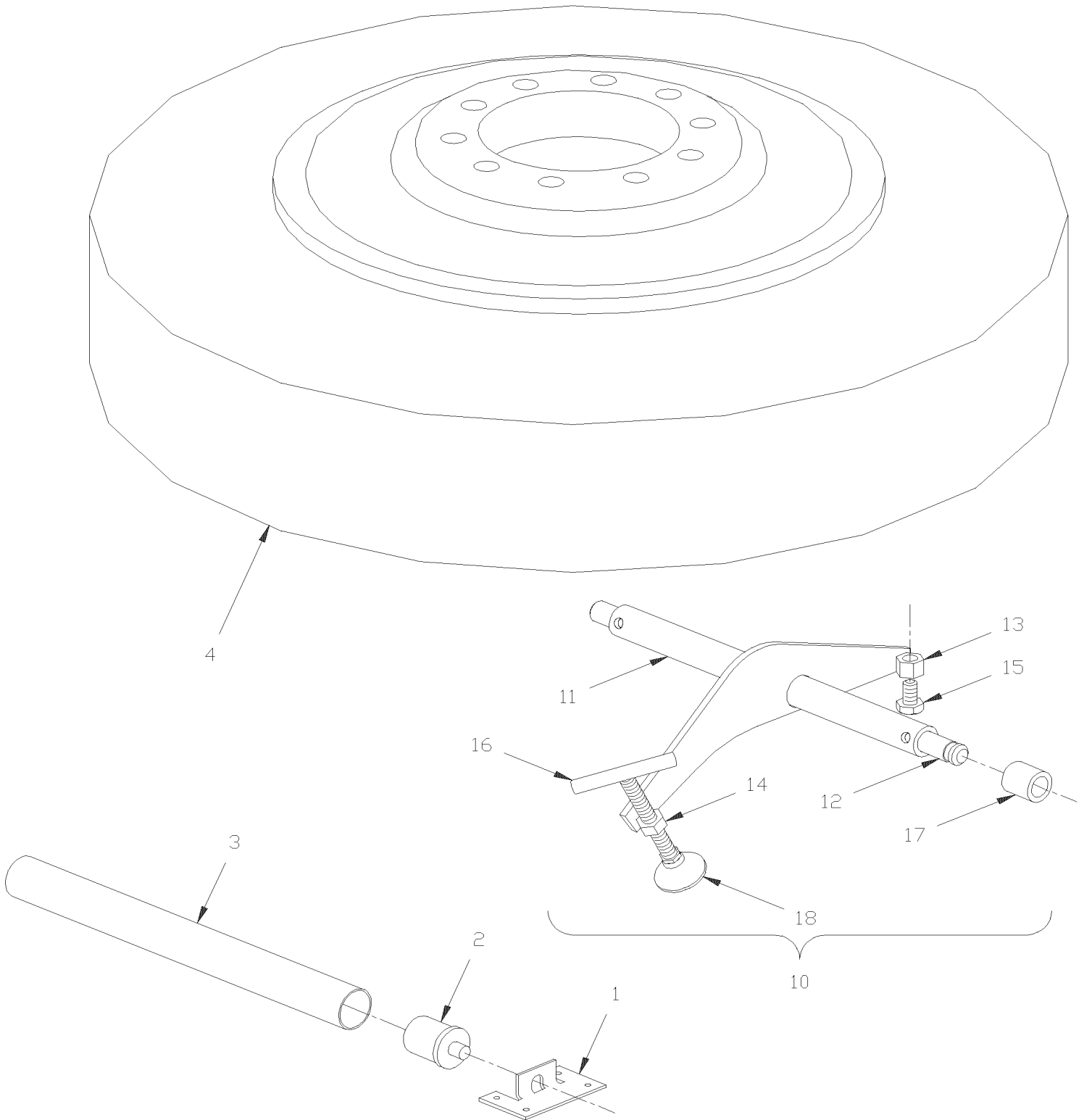
Item#	Part	Description	X L I I M T H 4 5	X L I I M T H 4 5 E	N O T E S
. NS	651118	. WASHER REINFORCMENT SENSOR TIRE MODULE OBLONG / SS	1	1	9.0
. NS	651119	. SEAL VALVE / STEEL "VITON" GREEN	1	1	9.0
19A	650018	KIT VALVE 20DEG / W/STEEL WHEELS 9"	1	1	A 9.0
. NS	650019	. SCREW MA BUT TORX W/HOLE M5	1	1	A 9.0
. NS	651119	. SEAL VALVE / STEEL "VITON" GREEN	1	1	A 9.0
19B	651083	KIT VALVE TR572 20DEG 13HD / W/STEEL WHEELS 8.25" & 9"	1	1	8.25
19B	651083	KIT VALVE TR572 20DEG 13HD / W/STEEL WHEELS 8.25" & 9"	1	1	8.25
. NS	651084	. SCREW MA BUT TORX W/HOLE M5-0.8x17	1	1	8.25
. NS	651118	. WASHER REINFORCMENT SENSOR TIRE MODULE OBLONG / SS	1	1	8.25
. NS	651119	. SEAL VALVE / STEEL "VITON" GREEN	1	1	8.25
19B	650017	KIT VALVE 20DEG / W/STEEL WHEELS 8.25"	1	1	8.25 A
. NS	650019	. SCREW MA BUT TORX W/HOLE M5	1	1	8.25 A
. NS	651119	. SEAL VALVE / STEEL "VITON" GREEN	1	1	8.25 A
20	651084	. SCREW MA BUT TORX W/HOLE M5-0.8x17	1	1	
. NS	651118	. WASHER REINFORCMENT SENSOR TIRE MODULE OBLONG / SS	1	1	
20	650019	. SCREW MA BUT TORX W/HOLE M5	1	1	
NS	685324	GREASE "PERMATEX" DIELECTRIC TUBE 3 OZ	AR	AR	S
NS	680038	THREAD LOCKER LOCTITE #243 / BLUE / 50ml	AR	AR	
21	500952	SCREW TP BDG PH #8x1/2 SS	2	2	
22	5001681	SCREW CAP HEX M6-1.0x60 SS	2	2	
23	502570	WASHER LO SPT 6.1x11.8x1.6 SS	8	8	
24	502565	NUT HEX M6-1.0 SS	AR	AR	
25	502848	SCREW TC CAP HEXF 1/4-20x3/4 N500	2	2	
26	5001608	WASHER BEL SPR 6.2x15.0x0.7 G500	4	4	
27	5001182	NUT HEX NYRT M6-1.0 SS	2	2	
31	509815	TIE MOUNT / ATTACHMENT W/TREE MOUNT	AR	AR	
31	504637	CABLE TIE / 3/16" x 13"	AR	AR	
		8.25) USE WITH STEEL WHEEL 8.25"			
		9.0) USE WITH STEEL WHEEL 9.0"			
		A) WHEN YOU REPLACE SENSOR 564078 YOU NEED TO REPLACE IT WITH SENSOR 560032 AND CHOOSE KIT VALVE 650013 / 650014 / 650015 / 650018 / 650017 FOR YOUR WHEEL MODEL			
		S) USE TO PREVENT CORROSION WITH ALUMINUM WHEELS			

From 8-9279 To B-9999

Date:10/2022

PAGE:MTH-1325-00

SPARE WHEEL - INSTALLATION

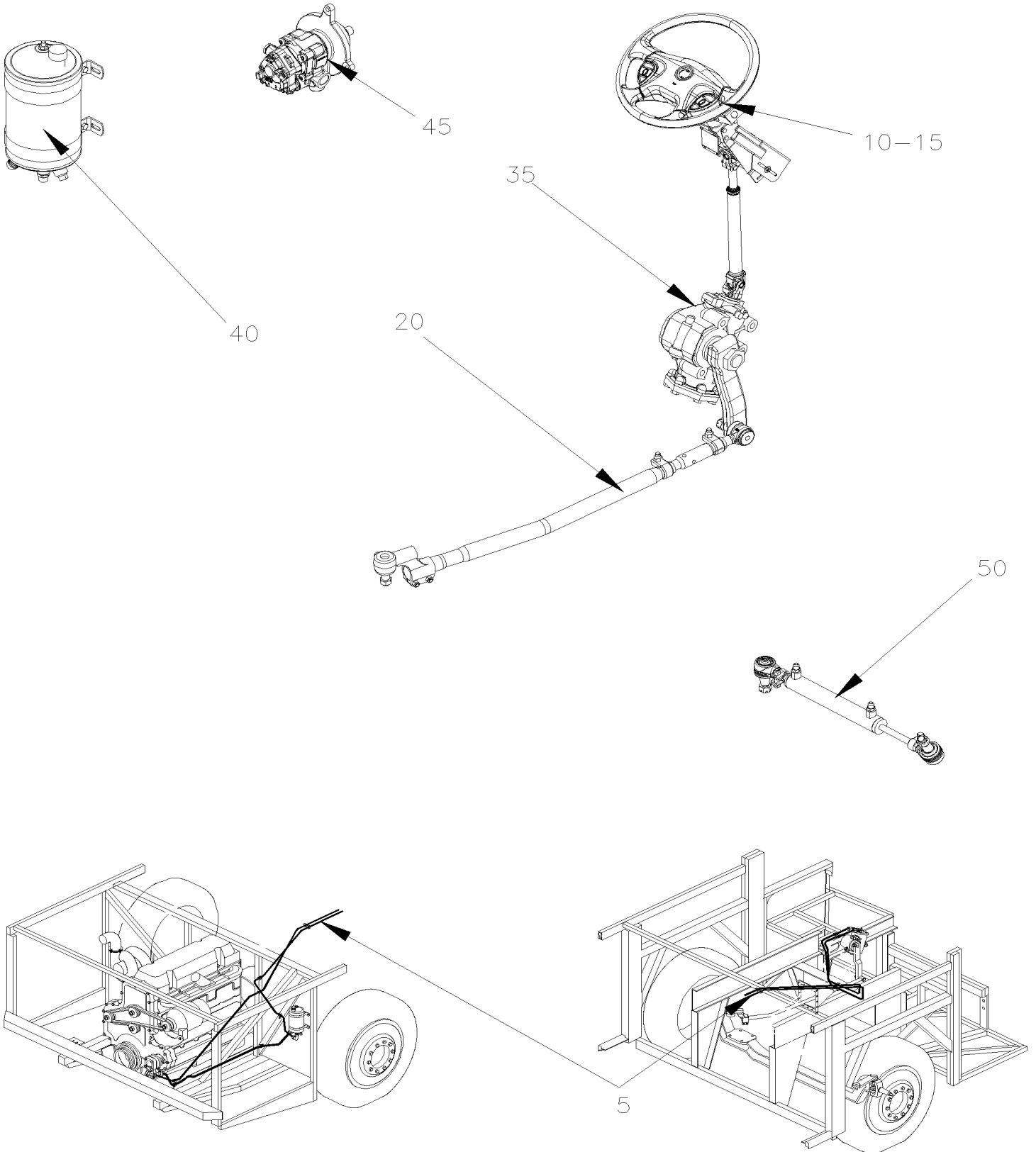




From 8-9279 To B-9999	Date:10/2022	PAGE:MTH-1325-00
SPARE WHEEL - INSTALLATION		

Item#	Part	Description	X L I I M T H 4 5	X L I I M T H 4 5 E	N O T E S
1	150313	ANGLE SUPPORT		4	
2	150314	AXLE SHAFT		4	
3	150318	TUBE		2	
4	150128	COVER SPARE WHEEL		1	
10	150768	ATTACHMENT SPARE TIRE RETAINER ASSY / COMPLETE To A-9895		1	
10	150670	ATTACHMENT SPARE TIRE RETAINER ASSY / COMPLETE From A-9896		1	
11	150769	. ATTACHMENT ASSY To A-9895		1	
11	150669	. ATTACHMENT ASSY From A-9896		1	
12	150771	. . ATTACHMENT RETAINER ASSY To A-9895		1	
13	500792	. . NUT HEX 5/8-11 Z050 To A-9895		1	
14	500789	. . NUT HEX 1/2-13 Z050		1	
15	500225	. SCREW CAP HEX 5/8-11x1 G5 Z050 To A-9895		1	
16	150223	. HANDLE ASSY		1	
17	150767	SPACER		1	
18	5001001	NUT SW 1/2-13		1	

	Date:10/2022	MTH-14
STEERING		





		Date:10/2022	MTH-14		
STEERING					
Item#	Part	Description	X L I I M T H 4 5	X L I I M T H 4 5 E	N O T E S
5	MTH-1400-00	POWER STEERING HOSE - INSTALLATION From 8-9279 To B-9999			
10	MTH-1405-00	STEERING WHEEL & COLUMN ASSY From 8-9279 To 8-9421			
10	MTH-1405-01	STEERING WHEEL & COLUMN ASSY WITH CONTROL SWITCHES From 8-9422 To B-9999			
15	MTH-1407-00	STEERING COLUMN & COVER - INSTALLATION From 8-9279 To B-9999			
20	MTH-1410-00	STEERING GEAR BOX & DRAG LINK - INSTALLATION W/18000LBS From 8-9279 To B-9999			
20	MTH-1410-50	STEERING RODS - INSTALLATION W/INDEPENDENT "NDIFS80P" / 18000LBS From 8-9279 To B-9999			
35	MTH-1415-00	STEERING GEARBOX - "ZF" From 8-9279 To B-9999			
40	MTH-1420-00	POWER STEERING TANK - 4 QT U.S. From 8-9279 To B-9999			
45	MTH-1427-00	POWER STEERING PUMP - "TRW" - WITH DETROIT S-60 From 8-9279 To B-9999			
50	MTH-1430-50	CYLINDER POWER STEERING From 8-9279 To B-9999			

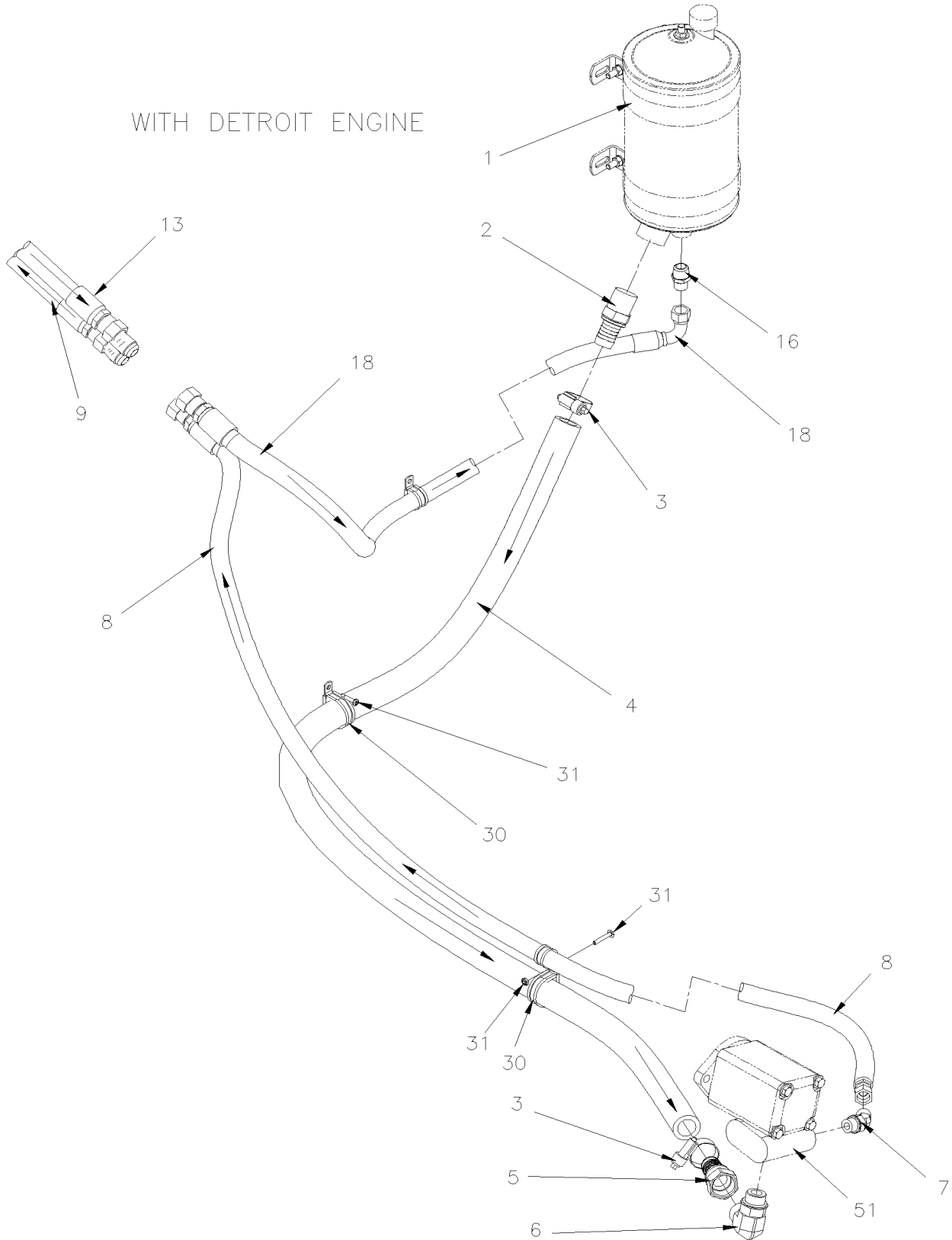
From 8-9279 To B-9999

Date:10/2022

PAGE:MTH-1400-00

POWER STEERING HOSE - INSTALLATION

WITH DETROIT ENGINE

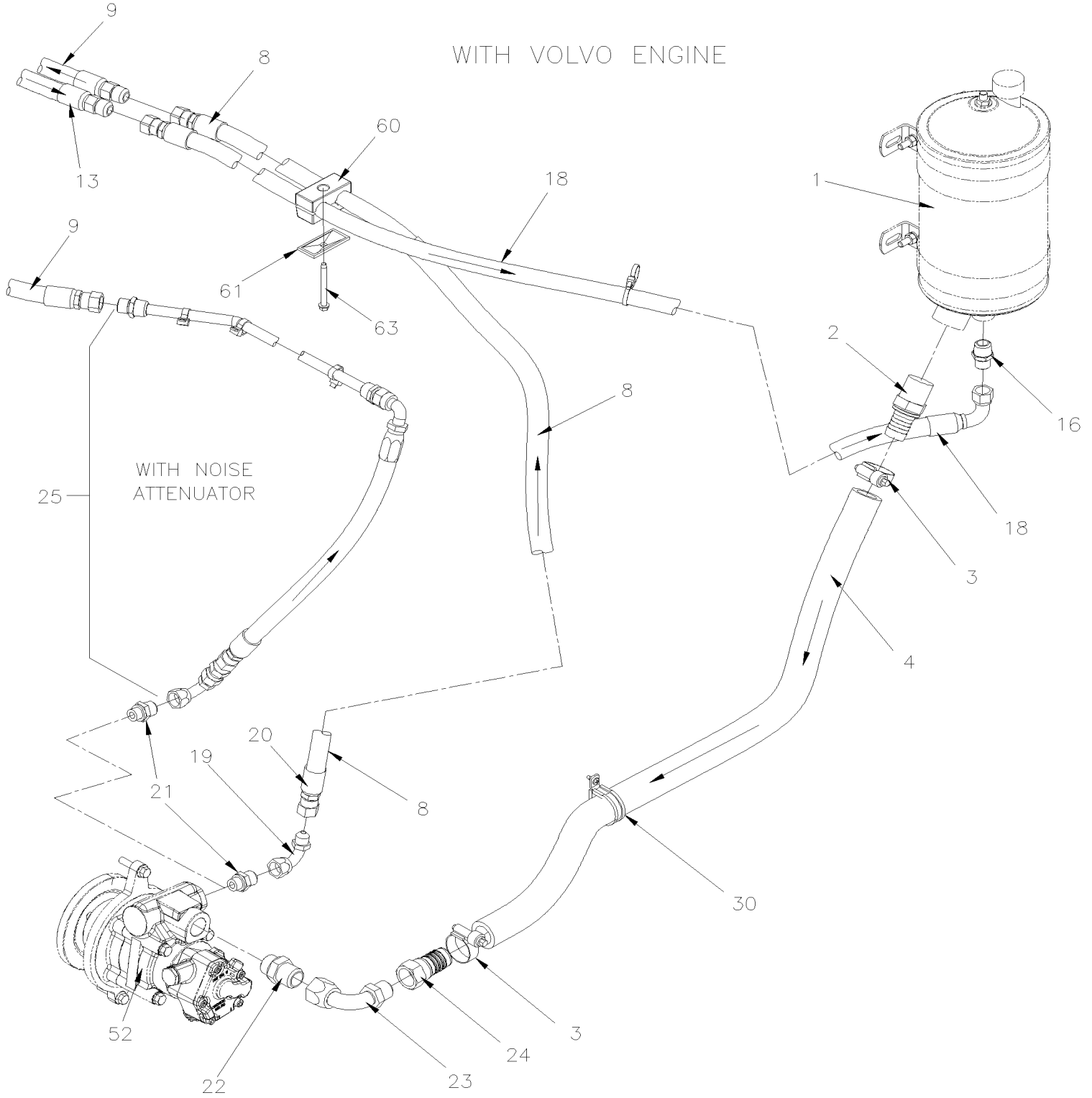


From 8-9279 To B-9999

Date:10/2022

PAGE:MTH-1400-00

POWER STEERING HOSE - INSTALLATION

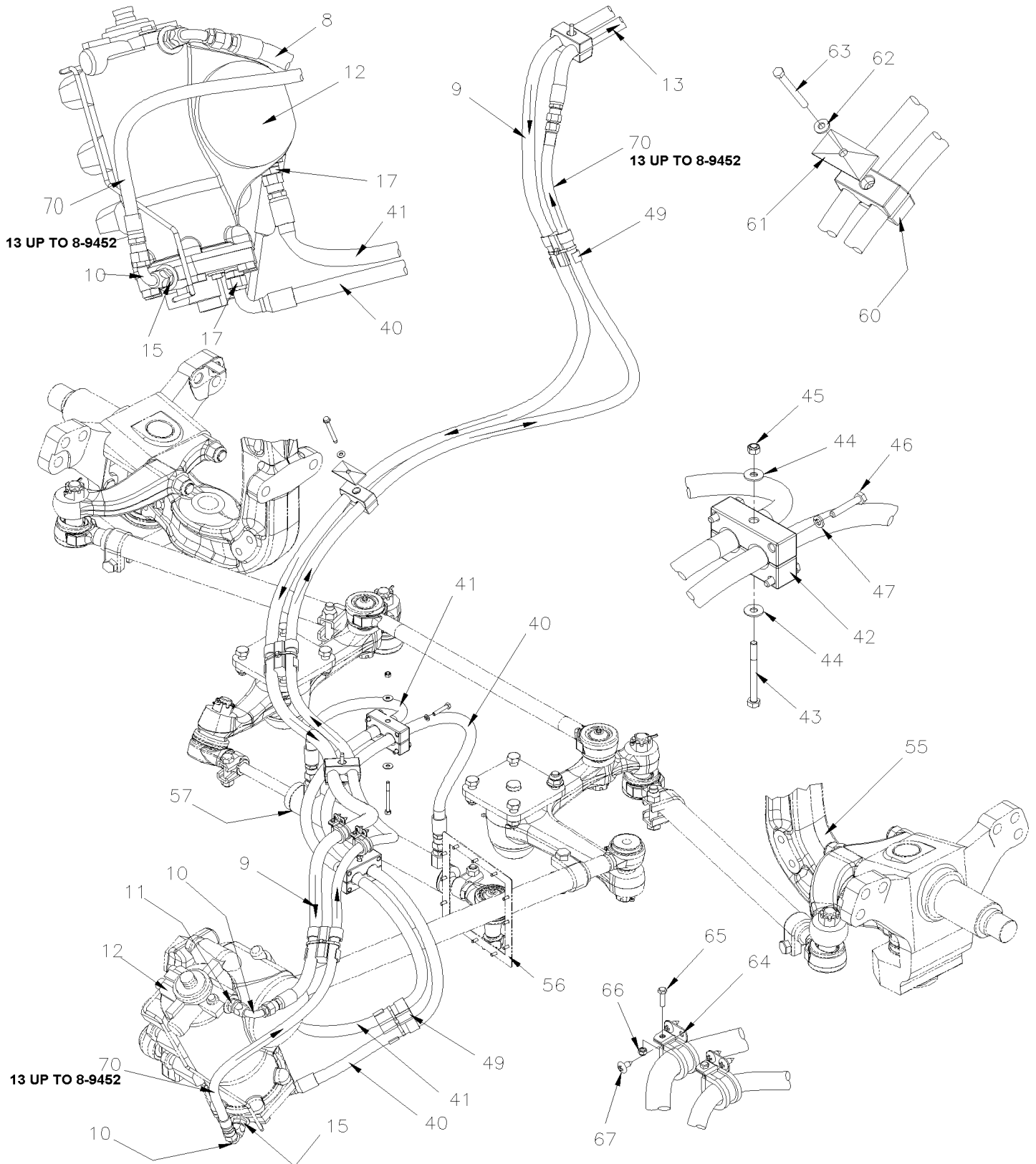


From 8-9279 To B-9999

Date:10/2022

PAGE:MTH-1400-00

POWER STEERING HOSE - INSTALLATION





From 8-9279 To B-9999	Date:10/2022	PAGE:MTH-1400-00
POWER STEERING HOSE - INSTALLATION		

Item#	Part	Description	X L I M T H 4 5	X L I M T H 4 5 E	N O T E S
1	MTH-1420-00	POWER STEERING TANK - 4 QT U.S.			
2	5011086	MALE CONNECTOR / PUSH-LOK FITTING / 1NPT-Mx#16 STL	1	1	
3	504291	HOSE CLAMP / 1"1/8-1"3/4 SS / E.T. 20	AR	AR	
4	161131	HOSE #16 1350MM	1	1	S60
4	163483	HOSE #16 1450MM	1	1	S60
4	161276	HOSE #16 1355MM		1	D13
4	503577	. HOSE #16 / S.L.	AR	AR	
5	5011147	FEMALE CONNECTOR SWIVEL / COLLAR FITTING / #16JIC-Fx#16 STL	1	1	
6	5011148	MALE ELBOW 90° / JIC 37° FITTING / #16JIC-Mx#12ORB-M STL	1	1	
7	5011167	MALE ELBOW 45° / JIC 37° FITTING / #8JIC-Mx#8ORB-M STL	1	1	
8	163473	HOSE ASSY / #8 2750MM To A-9866	1	1	S60
8	163473	HOSE ASSY / #8 2750MM From A-9867	1	1	S60
8	163487	HOSE ASSY / #8 1600MM To A-9866		1	D13 D
8	163487	HOSE ASSY / #8 1600MM From A-9867		1	D13 D
NS	505181	. COIL PROTECTOR / PLASTIC / #8	AR	AR	
8	Call order desk	HOSE PHANTOM SUPPERSEDED BY # 163473 & # 163474 From A-9867	1	1	P S60
. NS	163473	. HOSE ASSY / #8 2750MM From A-9867	1	1	S60
. NS	163474	. HOSE ASSY / #8 11570MM (X3/WE) From A-9867	1	1	S60
8	Call order desk	HOSE PHANTOM SUPPERSEDED BY # 163487 & # 163474 From A-9867		1	P D13 D
. NS	163487	. HOSE ASSY / #8 1600MM From A-9867		1	D13 D
. NS	163474	. HOSE ASSY / #8 11570MM (X3/WE) From A-9867		1	D13 D
9	163479	HOSE ASSY / #8 11570MM (W5)	1		A
9	163474	HOSE ASSY / #8 11570MM (X3/WE) To A-9866		1	A
9	163474	HOSE ASSY / #8 11570MM (X3/WE) From A-9867		1	A
NS	505181	. COIL PROTECTOR / PLASTIC / #8	AR	AR	
9	161197	KIT, HOSE REPAIR / FRONT SECTION STEERING / X SERIES	1	1	
. NS	WB04-10A	. SEE WARRANTY BULLETIN	1	1	
. NS	161195	. HOSE ASSY / #8 1570MM	1	1	
. NS	501456	. MALE CONNECTOR / JIC 37° FITTING / #8JIC-Mx#8 STL	1	1	
9	Call order desk	HOSE PHANTOM SUPPERSEDED BY # 163487 & # 163474 From A-9867		1	P A
. NS	163487	. HOSE ASSY / #8 1600MM From A-9867		1	A
. NS	163474	. HOSE ASSY / #8 11570MM (X3/WE) From A-9867		1	A
10	501845	SWIVEL NUT ELBOW 90° LONG / JIC 37° FITTING / #8JIC-Fx#8JIC-Mx1.86 STL	2	2	
11	5011192	MALE CONNECTOR / JIC 37° FITTING / #8JIC-MxM18-1.5-M STL	2	2	
. NS	N.P.N.	. O-RING	1	1	4
. NS	N.P.N.	. WASHER RET	1	1	4
NS	688910	THREAD LOCKER LOCTITE #262 / RED / 250ml	AR	AR	
12	MTH-1415-00	STEERING GEARBOX - "ZF"	1	1	
13	163480	HOSE ASSY / #8 11900MM To 8-9452	1		C
13	161293	HOSE ASSY / #8 8850MM From 8-9453	1		
13	163475	HOSE ASSY / #8 11900MM To 8-9452		1	C
13	161294	HOSE ASSY / #8 8850MM From 8-9453		1	



From 8-9279 To B-9999	Date:10/2022	PAGE:MTH-1400-00
POWER STEERING HOSE - INSTALLATION		

Item#	Part	Description	X L I M T H 4 5	X L I M T H 4 5 E	N O T E S
NS	505181	. COIL PROTECTOR / PLASTIC / #8	AR	AR	
13	161197	KIT, HOSE REPAIR / FRONT SECTION STEERING / X SERIES To 8-9452	1	1	
. NS	WB04-10A	. SEE WARRANTY BULLETIN To 8-9452	1	1	
. NS	161195	. HOSE ASSY / #8 1570MM To 8-9452	1	1	
. NS	501456	. MALE CONNECTOR / JIC 37° FITTING / #8JIC-Mx#8 STL To 8-9452	1	1	
13	Call order desk	HOSE PHANTOM SUPPERSEDED BY # 163482 + # 161294 + # 161295 From A-9867	1		P D13
. NS	163482	. HOSE ASSY / #8 2072MM From A-9867	1		D13
. NS	161294	. HOSE ASSY / #8 8850MM From A-9867	1		D13
. NS	161295	. HOSE ASSY / #6 3000MM From A-9867	1		D13
13	Call order desk	HOSE PHANTOM SUPPERSEDED BY # 163481 + # 161294 + # 161295 From A-9867		1	P S60
. NS	163481	. HOSE ASSY / #8 2250MM From A-9867		1	S60
. NS	161294	. HOSE ASSY / #8 8850MM From A-9867		1	S60
. NS	161295	. HOSE ASSY / #6 3000MM From A-9867		1	S60
15	5011192	MALE CONNECTOR / JIC 37° FITTING / #8JIC-MxM18-1.5-M STL	1	1	
. NS	N.P.N.	. O-RING	1	1	4
. NS	N.P.N.	. WASHER RET	1	1	4
16	501739	MALE CONNECTOR / JIC 37° FITTING / #8JIC-Mx1/2NPT-M STL	1	1	
17	5011192	MALE CONNECTOR / JIC 37° FITTING / #8JIC-MxM18-1.5-M STL	1	1	
. NS	N.P.N.	. O-RING	1	1	4
. NS	N.P.N.	. WASHER RET	1	1	4
18	161293	HOSE ASSY / #8 8850MM To A-9866	1		
18	161293	HOSE ASSY / #8 8850MM From A-9867	1		
18	163481	HOSE ASSY / #8 2250MM To A-9866		1	S60
18	163481	HOSE ASSY / #8 2250MM From A-9867		1	S60
18	163482	HOSE ASSY / #8 2072MM To A-9866		1	D13
18	163482	HOSE ASSY / #8 2072MM From A-9867		1	D13
18	Call order desk	HOSE PHANTOM SUPPERSEDED BY # 163482 + # 161294 + # 161295 From A-9867	1		P D13
. NS	163482	. HOSE ASSY / #8 2072MM From A-9867	1		D13
. NS	161294	. HOSE ASSY / #8 8850MM From A-9867	1		D13
. NS	161295	. HOSE ASSY / #6 3000MM From A-9867	1		D13
18	Call order desk	HOSE PHANTOM SUPPERSEDED BY # 163481 + # 161294 + # 161295 From A-9897		1	P S60
. NS	163481	. HOSE ASSY / #8 2250MM From A-9897		1	S60
. NS	161294	. HOSE ASSY / #8 8850MM From A-9897		1	S60
. NS	161295	. HOSE ASSY / #6 3000MM From A-9897		1	S60
19	501845	SWIVEL NUT ELBOW 90° LONG / JIC 37° FITTING / #8JIC-Fx#8JIC-Mx1.86 STL		1	D13
20	5011162	FEMALE CONNECTOR SWIVEL / JIC 37° FITTING / #8JIC-Fx#8 STL		1	D13
21	641294	MALE CONNECTOR / JIC 37° FITTING / #8JIC-MxM16-1.5-M STL		1	D13
. NS	641297	. O-RING 13.1MM I.D. X 2.6 TH		1	D13
. NS	641298	. WASHER FL 17MM I.D x 22MM O.D. x 1.5MM		1	D13
22	507647	MALE CONNECTOR W/ED SEAL / JIC 37° FITTING / #12JIC-MxM26-1.5-M STL		1	D13
23	507544	SWIVEL NUT ELBOW 90° SHORT / JIC 37° FITTING / #12JIC-Fx#12JIC-Mx1.82 STL		1	D13
24	507646	FEMALE CONNECTOR SWIVEL / COLLAR FITTING / #12JIC-Fx#16 STL		1	D13



From 8-9279 To B-9999	Date:10/2022	PAGE:MTH-1400-00
POWER STEERING HOSE - INSTALLATION		

Item#	Part	Description	X L I M T H 4 5	X L I M T H 4 5 E	N O T E S
25	163490	KIT, NOISE ATENUATOR TUBE WITH VOLVO ENGINE		1	D13
. NS	IS-10015	. SEE INSTRUCTION SHEET		1	D13
. NS	163606	. HOSE ASSY WITH NOISE ATENUATOR TUBE		1	D13
. . NS	163607	. . HOSE ASSY #12 380MM		1	D13
. . NS	163608	. . PIPE ASSY		1	D13
. . NS	5011342	. . SWIVEL NUT ELBOW 90° LONG / JIC 37° FITTING / #12JIC-Mx#8JIC-F STL		1	D13
. NS	501005	. FEMALE CONNECTOR SWIVEL / JIC 37° FITTING / #8JIC-Fx#8 STL		1	D13
30	952631	CLAMP / 3/4" I.D.	AR	AR	
30	952634	CLAMP / 15/16" I.D.	AR	AR	
31	500613	SCREW TP PAN PH #10x1/2 Z050	AR	AR	
32	952641	CLAMP / 1 5/16" I.D.	AR	AR	
33	500574	SCREW MA TR PH #10-24x1 1/4 SS	AR	AR	
34	500767	NUT HEX #10-24 Z050	AR	AR	
35	562036	CLAMP / 7/8" I.D. X 90°	AR	AR	
36	500657	SCREW TC TR PH #10-24x1/2 Z050	AR	AR	
40	161178	HOSE SET ASSY / CYLINDER POWER STEERING XL SERIES	1	1	
40	163470	. HOSE ASSY / #8 1648MM	1	1	
41	163469	. HOSE ASSY / #8 1648MM	1	1	
42	161177	. HOSE RETAINER BLOCK CLAMP To 9-9642	2	2	
42	160033	. HOSE RETAINER BLOCK CLAMP From 9-9643	2	2	
43	502888	. SCREW CAP HEX M6-1.0x35 G8.8 N500	1	1	
44	502570	. WASHER LO SPT 6.1x11.8x1.6 SS	1	1	
45	5001182	. NUT HEX NYRT M6-1.0 SS	1	1	
46	500411	. WASHER FL .260x.697x.050 SS	1	1	
46	160203	KIT, POWER STEERING PUMP DISCHARGE HOSE (PRESSURE) H3-45,VIP-45	1	1	
. NS	160108	. HOSE ASSY / #8 12490MM	1	1	
. NS	170758	. SUPPORT	1	1	
. NS	5001730	. SCREW CAP HEXF M6-1.0x16 G10.9 N500	1	1	
. NS	5001833	. WASHER BEL SPR 6.1x18x1.27 SS	1	1	
. NS	501031	. SEAL / JIC 37° FITTING / #8	1	1	
. NS	504189	. CLAMP DOUBLE ASS / SPLIT BLOC / 22MM/19MM x 67MM POLYA	1	1	
. NS	504204	. CLAMP P SS ID. 36-51	1	1	
. NS	IS-19040	. INSTRUCTION SHEET	1	1	
. NS	FI-19040	. VOIR FEUILLE D'INSTRUCTION	1	1	
47	502570	WASHER LO SPT 6.1x11.8x1.6 SS	4	4	
49	504634	T-CLIP / 7/8" - 1"	AR	AR	
NS	504637	CABLE TIE / 3/16" x 13"	AR	AR	
NS	500620	SCREW TP FL PH #10x1 1/2 Z050	AR	AR	
51	MTH-1427-00	POWER STEERING PUMP - "TRW" - WITH DETROIT S-60			
52	MTH-1427-01	POWER STEERING PUMP - "VOLVO" D13			
55	MTH-1005-50	FRONT AXLE - INDEPENDENT MODEL "NDIFS80P" / 18000LBS			



From 8-9279 To B-9999	Date:10/2022	PAGE:MTH-1400-00
-----------------------	--------------	------------------

POWER STEERING HOSE - INSTALLATION

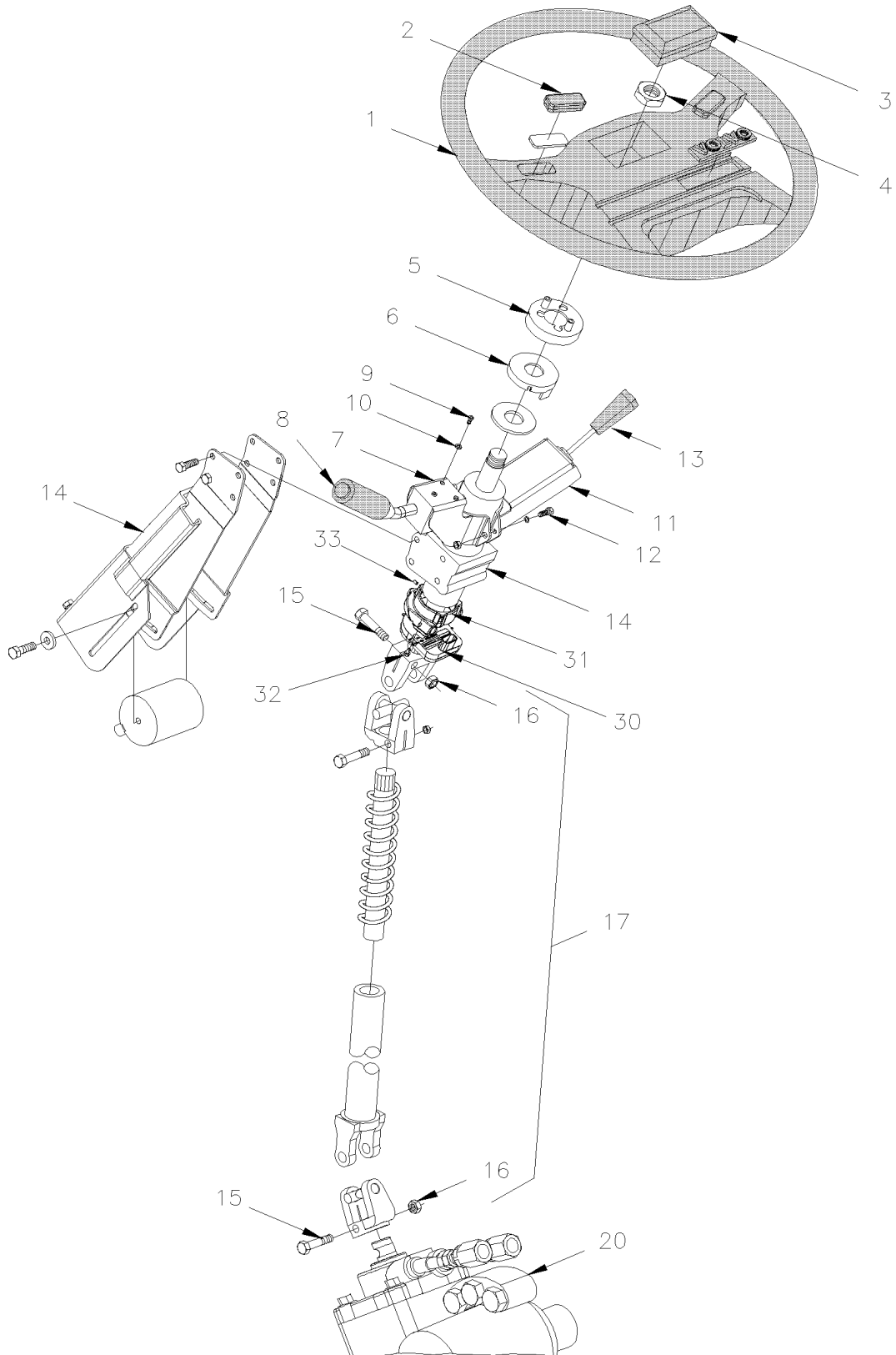
Item#	Part	Description	X L I M T H 4 5	X L I M T H 4 5 E	N O T E S
56	MTH-1410-00	STEERING GEAR BOX & DRAG LINK - INSTALLATION W/18000LBS			
57	MTH-1430-50	CYLINDER POWER STEERING			
60	504727	CLAMP DOUBLE ASS / 2 HOSE SIZE 3/8"	AR	AR	
61	504728	PLATE RETAINER	AR	AR	
62	500440	WASHER FL .250x.562x.065 Z050	AR	AR	
63	500107	SCREW TC CAP HEXW 1/4-20x2 1/2 Z050	AR	AR	
64	562036	CLAMP / 7/8" I.D. X 90°	AR	AR	
65	502550	SCREW CAP HEX M4-0.7x16 G8.8 Z050	AR	AR	
66	500590	NUT HEX NYRT M4-0.7 Z050	AR	AR	
67	500657	SCREW TC TR PH #10-24x1/2 Z050	AR	AR	
70	161295	HOSE ASSY / #6 3000MM From 8-9453 To A-9866	1	1	
70	161295	HOSE ASSY / #6 3000MM	1	1	
70	Call order desk	HOSE PHANTOM SUPPERSEDED BY # 163481 + # 161294 + # 161295 From A-9867	1	1	P S60
. NS	163481	. HOSE ASSY / #8 2250MM From A-9867	1	1	S60
. NS	161294	. HOSE ASSY / #8 8850MM From A-9867	1	1	S60
. NS	161295	. HOSE ASSY / #6 3000MM From A-9867	1	1	S60
70	Call order desk	HOSE PHANTOM SUPPERSEDED BY # 163482 + # 161294 + # 161295	1	1	P D13
. NS	163482	. HOSE ASSY / #8 2072MM	1	1	D13
. NS	161294	. HOSE ASSY / #8 8850MM	1	1	D13
. NS	161295	. HOSE ASSY / #6 3000MM	1	1	D13
75	160122	KIT, POWER STEERING PUMP DISCHARGE HOSE (PRESSURE) X To D-5387	1	1	
. NS	160006	. HOSE PRESSURE, POWER STEERING #8 11690MM To D-5387	1	1	
. NS	1600100	. FLANGE, POWER STEERING HOSE To D-5387	2	2	
. NS	500107	. SCREW TC CAP HEXW 1/4-20x2 1/2 Z050 To D-5387	3	3	
. NS	501031	. SEAL / JIC 37° FITTING / #8 To D-5387	1	1	
. NS	504189	. CLAMP DOUBLE ASS / SPLIT BLOC / 22MM/19MM x 67MM POLYA To D-5387	13	13	
. NS	504728	. PLATE RETAINER To D-5387	3	3	
. NS	IS-19040	. INSTRUCTION SHEET To D-5387	1	1	
. NS	FI-19040	. VOIR FEUILLE D'INSTRUCTION To D-5387	1	1	
		A) FOR SERVICE, IT'S POSSIBLE TO REPAIR THIS HOSE IN FRONT SERVICE COMPARTMENT WITH KIT #161197			
		C) THIS HOSE IT ONE PIECE LONGER FROM REAR JUNCTION TO STEERING GEAR BOX			
		D) FOR PRODUCT IMPROVEMENT NOISE ASK FOR KIT # 163490			
		D13) WITH "VOLVO" ENGINE D13			
		S60) WITH "DETOIT" ENGINE SERIES 6			
		P) CALL ORDER DESK FOR SPECIFIC APPLICATION (V.I.N.)			
		4) NO PARTS NUMBER			

From 8-9279 To 8-9421

Date:10/2022

PAGE:MTH-1405-00

STEERING WHEEL & COLUMN ASSY





From 8-9279 To 8-9421		Date:10/2022	PAGE:MTH-1405-00
STEERING WHEEL & COLUMN ASSY			

Item#	Part	Description	X L I I M T H 4 5	X L I I M T H 4 5 E	N O T E S
1	661032	STEERING WHEEL	1	1	
. NS	661061	. BRUSH ASSY SPOKE CONTACT	1	1	
. NS	661062	. BRUSH ASSY CENTRAL CONTACT	1	1	
. NS	661063	. GROUNDING CABLE ASSY	1	1	
. NS	661064	. INSULATOR	1	1	
NS	661061	. BRUSH ASSY SPOKE CONTACT	1	1	
NS	661062	. BRUSH ASSY CENTRAL CONTACT	1	1	
NS	661063	. GROUNDING CABLE ASSY	1	1	
NS	661064	. INSULATOR	1	1	
2	661052	. HORN BUTTON / ELECTRICAL LH	1	1	
2	661053	. HORN BUTTON / ELECTRICAL RH	1	1	
NS	661058	. CONTACT PLATE	2	2	
3	661085	HORN BUTTON / AIR	1	1	
4	661051	NUT	1	1	
5	661035	RING TURN SIGNAL CANCELING	1	1	
5	504669	RIVET DRV BDG .187x.609 NYL	2	2	
6	661034	HORN CONTACT RING	2	2	
7	161149	SUPPORT, DIRECTIONAL SWITCH	1	1	
8	661075	LEVER ASSY / MULTIFONCTINAL	1	1	
. NS	660781	. CAP PLEATED RUBBER	1	1	
9	5001377	SCREW MA PAN PH M5-0.8x8 SS	3	3	
10	5001378	WASHER LO EXT 5.3x10x0.6 Z050	3	3	
11	161058	COLLAR / W/O RETARDER	1	1	
11	161060	COLLAR W/SWITCH SUPPORT	1	1	
12	502631	SCREW CAP HEX M6-1.0x20 G8.8 Z050	2	2	
13	562356	SWITCH ASSY / W/LEVER & BOOT / 6 POSITIONS	1	1	
14	661122	STEERING COLUMN ASSY W/E.C.S. 36SPL / 66SPL LOWER	1	1	
NS	161220	DECAL "WARNING" STREERING SYSTEM CALIBRA.."	1	1	
NS	641242	MALE CONNECTOR / PUSH-IN FITTING / #4x1/8NPT-M BR	1	1	
15	661095	SCREW CAP HEX "SPECIAL" STEERING SHAFT "ZF"	2	2	
16	661096	NUT "SPECIAL" STEERING SHAFT "ZF"	2	2	
17	661123	SHAFT ASSY STEERING W/E.C.S. 66SPL / 79SPL LOWER	1	1	
. NS	661095	. SCREW CAP HEX "SPECIAL" STEERING SHAFT "ZF"	2	2	
. NS	661096	. NUT "SPECIAL" STEERING SHAFT "ZF"	2	2	
17	661179	SHAFT ASSY STEERING W/E.C.S. 66SPL / 79SPL LOWER	1	1	
. NS	661195	. SCREW "SPECIAL" STEERING SHAFT "ZF"	2	2	
NS	161220	DECAL "WARNING" STREERING SYSTEM CALIBRA.."	1	1	
NS	641445	VALVE, 3 WAYS, 2 POSITIONS MECHANICAL	1	1	
. NS	641992	. KNOB	1	1	
20	MTH-1415-00	STEERING GEARBOX - "ZF"			
30	661148	SENSOR ANGLE POSITION DETECTOR	1	1	
. NS	564042	. CONNECTOR / BOSCH 1 928 404 025	1	1	



From 8-9279 To 8-9421	Date:10/2022	PAGE:MTH-1405-00
-----------------------	--------------	------------------

STEERING WHEEL & COLUMN ASSY

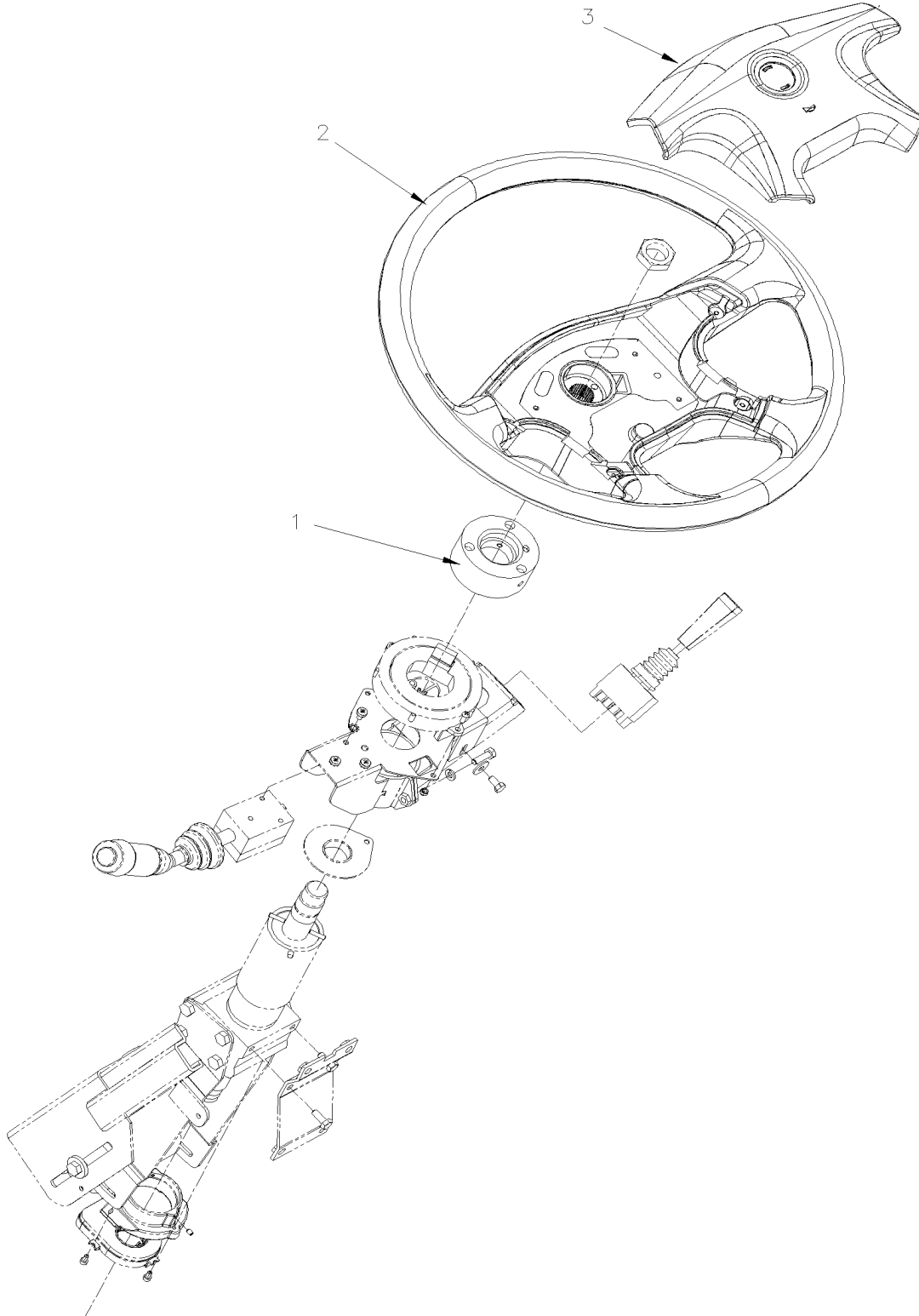
Item#	Part	Description	X L I I M T H 4 5	X L I I M T H 4 5 E	N O T E S
31	161265	SUPPORT SENSOR ANGLE POSITION STEERING	1	1	
32	5001670	SCREW CAP HEXS M4-0.7x8 G8.8 Z050	3	3	
33	500587	SCREW SET HEXS CUP M4-0.7x6	3	3	
40	IS19036	PETRI STEERING WHEEL REPLACEMENT	1	1	

From 8-9279 To 8-9421

Date:10/2022

PAGE:IS19036

PETRI STEERING WHEEL REPLACEMENT





From 8-9279 To 8-9421	Date:10/2022	PAGE:IS19036
-----------------------	--------------	--------------

PETRI STEERING WHEEL REPLACEMENT

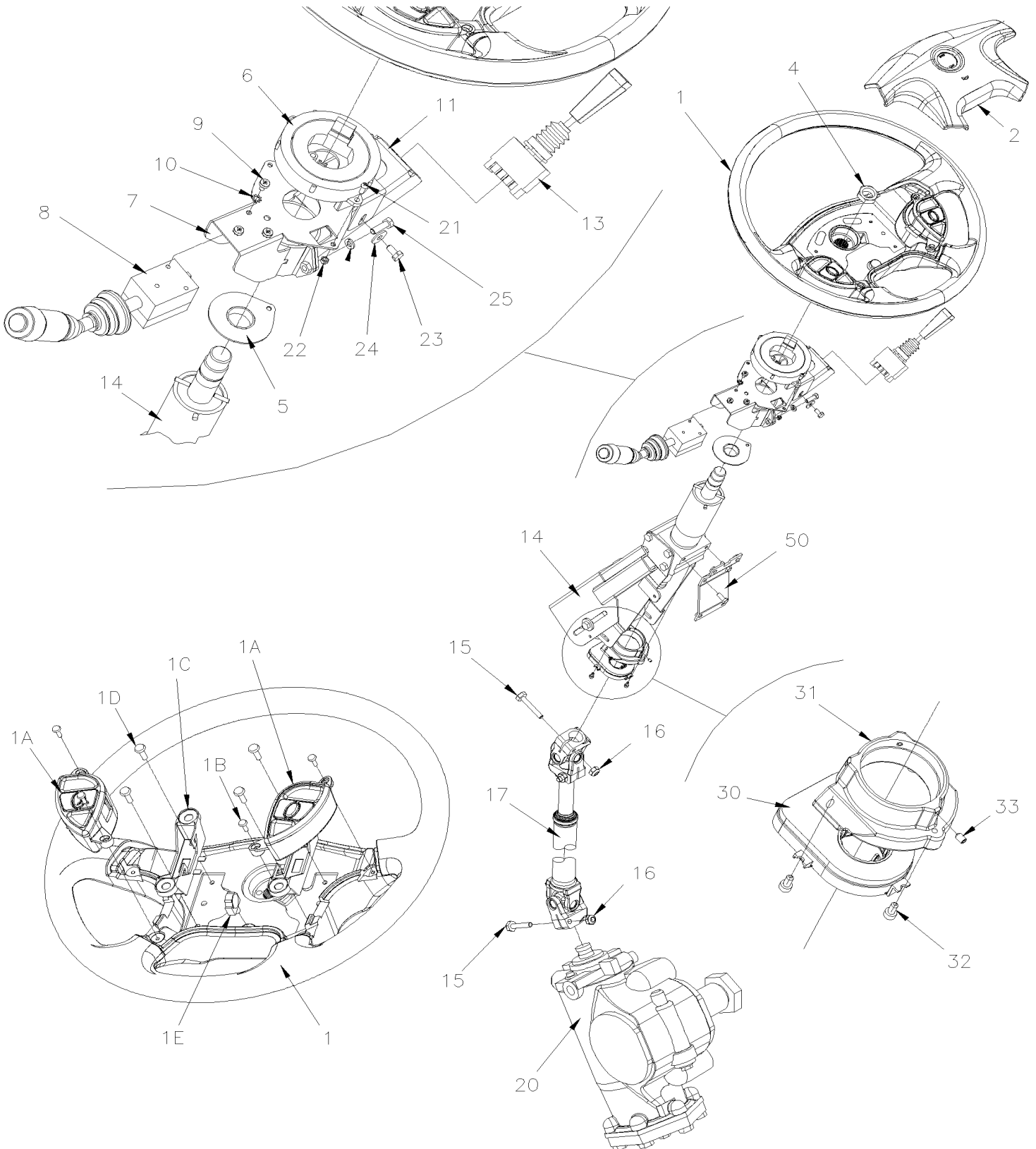
Item#	Part	Description	X L I I M T H 4 5	X L I I M T H 4 5 E	N O T E S
1	160004	STEERING ADAPTER RING	1	1	
2	661171	STEERING WHEEL URHETHANE W/OUT ANY CONTROL	1	1	
3	661149	HORN BUTTON CUSHION PAD W PROVOST EMBLEM	1	1	
. NS	N.S.S.	. SPRING HORN	4	4	1
. NS	661162	. SPRING RETAINER / HORN SPRING	4	4	
. NS	661163	. HORN CONTACT	1	1	
NS	562697	SWITCH / ON-ON / D.P.D.T. / CH-OVER / W/RED & GREEN LED	1	1	
NS	564081	CAP / HORN SELECTOR - ELEC / AIR	1	1	
NS	0610188	HARNESS, INTERFACE STEERING WHEEL	1	1	
NS	562768	SOCKET TERMINAL / 16-14 / PED 12015870	2	2	
8	IS-19036	SEE INSTRUCTION SHEET	1	1	
8	FI-19036	VOIR FEUILLE D'INSTRUCTION	1	1	
		1) NOT SOLD SEPARATELY			

From 8-9422 To B-9999

Date:10/2022

PAGE:MTH-1405-01

STEERING WHEEL & COLUMN ASSY WITH CONTROL SWITCHES





From 8-9422 To B-9999 Date:10/2022 PAGE:MTH-1405-01

STEERING WHEEL & COLUMN ASSY WITH CONTROL SWITCHES

Item#	Part	Description	X L I I M T H 4 5	X L I I M T H 4 5 E	NOTES
1	661142	STEERING WHEEL URHETHANE	1	1	
. A	661155	. SWITCH ASSY / W/OUT TRANS SHIFTER	1	1	
. B	661159	. SCREW MA BUT M4-0.7x8	4	4	
. C	661157	. HORN PAD BASE	2	2	
. D	661160	. SCREW MA M5-0.8x8	4	4	
. E	661158	. CLIP WIRE RETAINER	1	1	
1	661143	STEERING WHEEL LEATHER	1	1	
. A	661155	. SWITCH ASSY / W/OUT TRANS SHIFTER	1	1	
. B	661159	. SCREW MA BUT M4-0.7x8	4	4	
. C	661157	. HORN PAD BASE	2	2	
. D	661160	. SCREW MA M5-0.8x8	4	4	
. E	661158	. CLIP WIRE RETAINER	1	1	
1	661145	STEERING WHEEL LEATHER & WOOD	1	1	
. A	661155	. SWITCH ASSY / W/OUT TRANS SHIFTER	1	1	
. B	661159	. SCREW MA BUT M4-0.7x8	4	4	
. C	661157	. HORN PAD BASE	2	2	
. D	661160	. SCREW MA M5-0.8x8	4	4	
. E	661158	. CLIP WIRE RETAINER	1	1	
2	661149	HORN BUTTON CUSHION PAD W PROVOST EMBLEM	1	1	
. NS	N.S.S.	. SPRING HORN	4	4	1
. NS	661162	. SPRING RETAINER / HORN SPRING	4	4	
. NS	661163	. HORN CONTACT	1	1	
4	661051	NUT	1	1	
5	161273	RING TURN SIGNAL CANCELING	1	1	
NS	502506	SCREW SET HEXS CUP M4-0.7x16	2	2	
6	661119	ROTATING CONTACT / CLOCK SPRING	1	1	
NS	067214	EXTENSION, CLOCK SPRING	1	1	
NS	161249	GUIDE ROTATING CONTACT	1	1	
NS	504742	RING RETAINER / EXT 1.562 x 1.446 x 0.62	1	1	
7	161212	SUPPORT, DIRECTIONAL SWITCH	1	1	
8	661075	LEVER ASSY / MULTIFONCTINAL	1	1	
. NS	660781	. CAP PLEATED RUBBER	1	1	
9	5001377	SCREW MA PAN PH M5-0.8x8 SS	3	3	
10	5001378	WASHER LO EXT 5.3x10x0.6 Z050	3	3	
11	161211	COLLAR W/SWITCH SUPPORT	1	1	
13	562356	SWITCH ASSY / W/LEVER & BOOT / 6 POSITIONS	1	1	
14	661147	STEERING COLUMN ASSY W/E.C.S. 36SPL / 66SPL LOWER	1	1	
NS	161220	DECAL "WARNING" STEERING SYSTEM CALIBRA.."	2	2	
NS	641242	MALE CONNECTOR / PUSH-IN FITTING / #4x1/8NPT-M BR	1	1	
15	661095	SCREW CAP HEX "SPECIAL" STEERING SHAFT "ZF" To A-9968	2	2	
15	661195	SCREW "SPECIAL" STEERING SHAFT "ZF" From A-9969	1	1	
16	661096	NUT "SPECIAL" STEERING SHAFT "ZF" To A-9968	2	2	



From 8-9422 To B-9999	Date:10/2022	PAGE:MTH-1405-01
STEERING WHEEL & COLUMN ASSY WITH CONTROL SWITCHES		

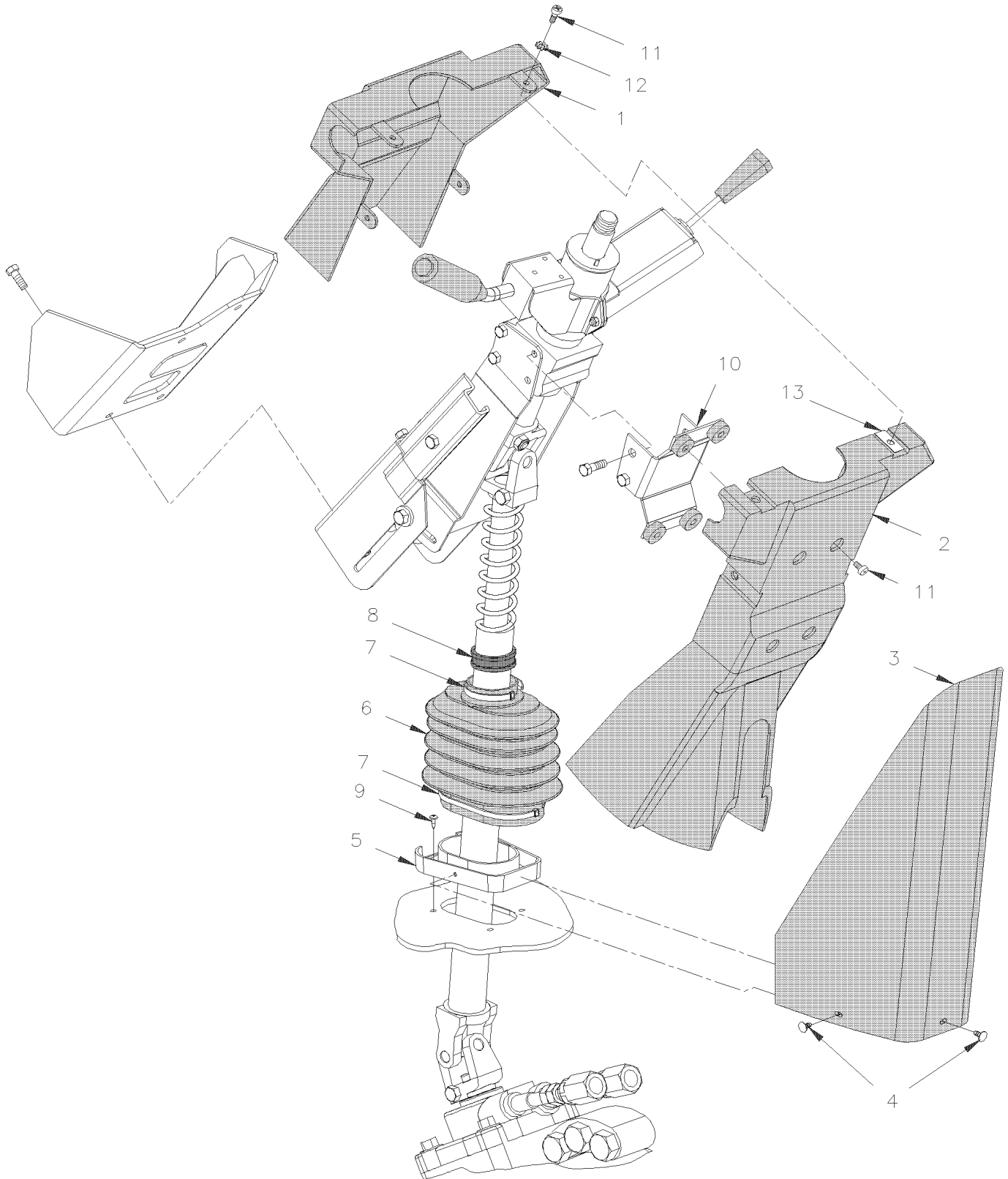
Item#	Part	Description	X L I I M T H 4 5	X L I I M T H 4 5 E	N O T E S
17	661123	SHAFT ASSY STEERING W/E.C.S. 66SPL / 79SPL LOWER To A-9968	1	1	
. NS	661095	. SCREW CAP HEX "SPECIAL" STEERING SHAFT "ZF" To A-9968	2	2	
. NS	661096	. NUT "SPECIAL" STEERING SHAFT "ZF" To A-9968	2	2	
17	661179	SHAFT ASSY STEERING W/E.C.S. 66SPL / 79SPL LOWER From A-9969	1	1	
. NS	661195	. SCREW "SPECIAL" STEERING SHAFT "ZF" From A-9969	2	2	
20	MTH-1415-00	STEERING GEARBOX - "ZF"			
21	500344	SCREW MA RND PH M4-0.7x12 Z050	2	2	
22	500590	NUT HEX NYRT M4-0.7 Z050	2	2	
23	502563	SCREW CAP HEX M6-1.0x12 G8.8 Z050	2	2	
24	5001462	WASHER FL 6.4x18.0x1.6 Z050	2	2	
25	502631	SCREW CAP HEX M6-1.0x20 G8.8 Z050	2	2	
26	502564	WASHER LO SPT 6.1x11.8x1.6 Z050	2	2	
30	661148	SENSOR ANGLE POSITION DETECTOR	1	1	
. NS	564042	. CONNECTOR / BOSCH 1 928 404 025	1	1	
31	161265	SUPPORT SENSOR ANGLE POSITION STEERING	1	1	
32	5001670	SCREW CAP HEXS M4-0.7x8 G8.8 Z050	3	3	
33	500587	SCREW SET HEXS CUP M4-0.7x6	3	3	
NS	382446	GATEWAY LIN BUS INTERFACE	1	1	A
50	MTH-1407-00	STEERING COLUMN & COVER - INSTALLATION			
		A) THIS INTERFACE BOX ARE LOCATED INSIDE OF DASH ON L.H. SIDE			
		1) NOT SOLD SEPARATELY			

From 8-9279 To B-9999

Date:10/2022

PAGE:MTH-1407-00

STEERING COLUMN & COVER - INSTALLATION





From 8-9279 To B-9999 Date:10/2022 PAGE:MTH-1407-00

STEERING COLUMN & COVER - INSTALLATION

Item#	Part	Description	X L I I M T H 4 5	X L I I M T H 4 5 E	N O T E S
1	161086	COVER / W/RETARDER / BLACK To 8-9421	1	1	
1	161268	COVER / W/RETARDER / BLACK From 8-9422	1	1	
1	161087	COVER / W/O RETARDER / BLACK To 8-9421	1	1	
1	161270	COVER / W/O RETARDER / BLACK From 8-9422	1	1	
2	161084	COVER / W/RETARDER / BLACK To 8-9421	1	1	
2	161271	COVER / W/RETARDER / BLACK From 8-9422	1	1	
2	161085	COVER / W/O RETARDER / BLACK To 8-9421	1	1	
2	161269	COVER / W/O RETARDER / BLACK From 8-9422	1	1	
3	161066	COVER, LOWER / BLACK To 8-9421	1	1	
3	161152	COVER, LOWER / BLACK From 8-9422	1	1	
4	504619	CLIP CHRISTMAS TREE / BLACK 7/32"O.D.x1/2" HOLE 3/16	3	3	
5	391974	PLATE SUPPORT	1	1	
6	660981	BELLOW	1	1	
7	504637	CABLE TIE / 3/16" x 13"	2	2	
8	391930	COLLAR	1	1	
9	500641	SCREW TP PAN PH #8x3/4 Z050	4	4	
10	161068	ATTACHMENT	1	1	
11	502569	SCREW MA PAN PH M6-1.0x16 BK	8	8	
12	500472	WASHER LO INT .256x.478x.028 Z050	8	8	
13	502738	NUT SPR U M6-1.0 0.6-4.0	2	2	
13	504669	RIVET DRV BDG .187x.609 NYL	2	2	

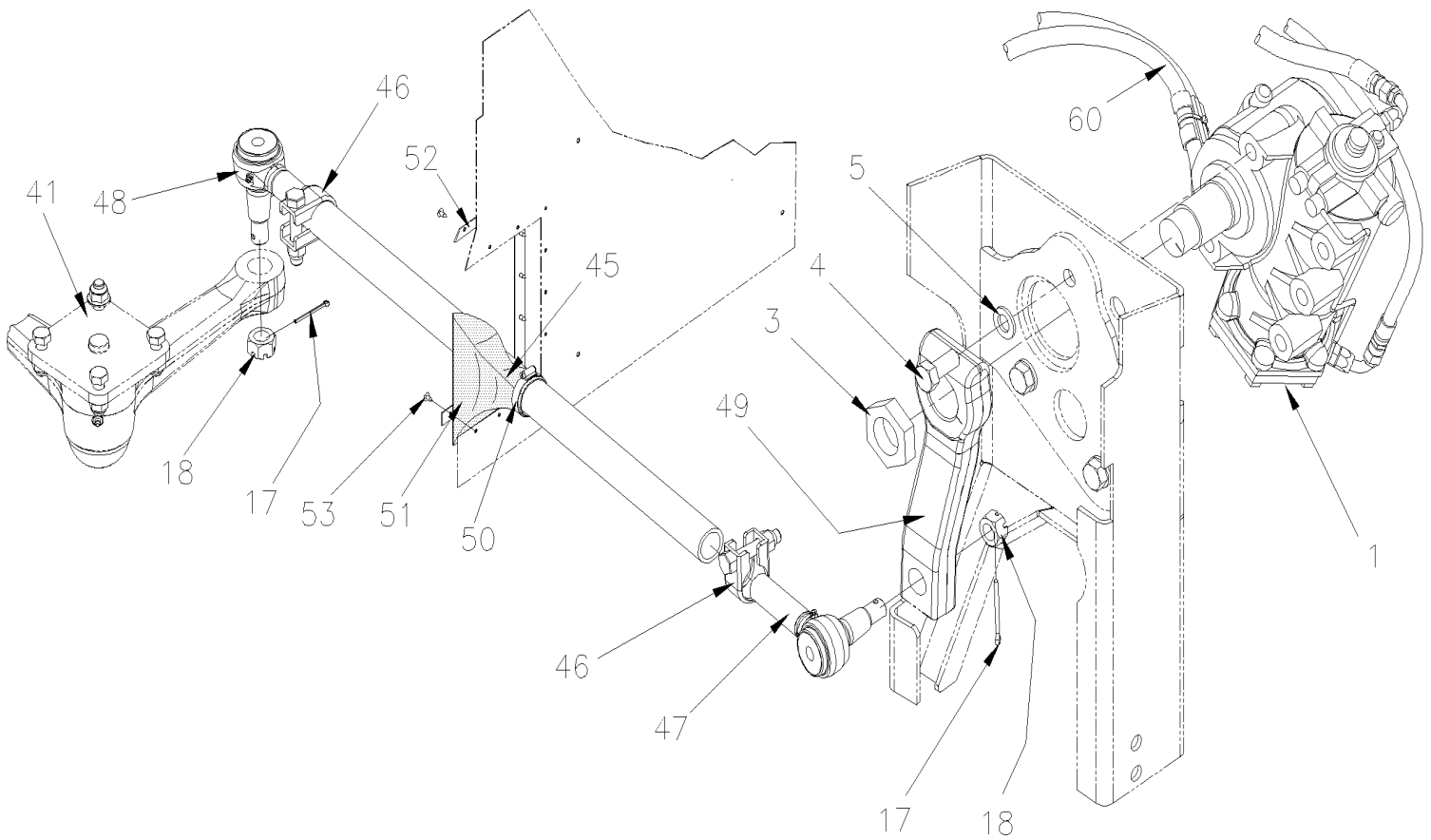


From 8-9279 To B-9999

Date:10/2022

PAGE:MTH-1410-00

STEERING GEAR BOX & DRAG LINK - INSTALLATION W/18000LBS



From 8-9279 To B-9999

Date:10/2022

PAGE:MTH-1410-00

STEERING GEAR BOX & DRAG LINK - INSTALLATION W/18000LBS





From 8-9279 To B-9999 Date:10/2022 PAGE:MTH-1410-00

STEERING GEAR BOX & DRAG LINK - INSTALLATION W/18000LBS

Item#	Part	Description	X L I M T H 4 5	X L I M T H 4 5 E	N O T E S
1	MTH-1415-00	STEERING GEARBOX - "ZF"			
3	661050	LOCKNUT M45X1.5 GEARBOX ZF	1	1	
4	5001494	SCREW CAP HEX M20-1.5x45 G10.9 Z050	5	5	
5	5001495	WASHER FL 21.0x37.0x4.0 ZP	5	5	
17	502115	PIN, COTTER 3/16 x 2 1/2	2	2	
18	5001345	NUT HEX CSL THN 7/8-14	1	1	
40	MTH-1005-50	FRONT AXLE - INDEPENDENT MODEL "NDIFS80P" / 18000LBS			
		WITH INDEPENDENT FRONT SUSPENSION			
41	MTH-1410-50	STEERING RODS - INSTALLATION W/INDEPENDENT "NDIFS80P" / 18000LBS			
45	661067	DRAG LINK ASSY / 970 MM C/C To 8-9301	1	1	
45	661134	DRAG LINK ASSY / 970 MM C/C WITH LONG NECK TIE ROD END From 8-9302 To 9-9596	1	1	L
45	661153	DRAG LINK ASSY / 970 MM C/C WITH LONG NECK TIE ROD END From 9-9597	1	1	L
45	N.P.N.	. ROD	1	1	4
46	660978	. COLLAR ASSY / W/BOLT & NUT 1 5/8" I.D. To 8-9301	1	1	
. NS	500231	. . SCREW CAP HEX 5/8-11x3 G5 ZP To 8-9301	1	1	
. NS	500683	. . NUT HEX STO 5/8-11 ZP To 8-9301	1	1	
46	661133	. COLLAR ASSY / W/BOLT & NUT & STOPPER 1 5/8" I.D. From 8-9302	2	2	
. NS	500231	. . SCREW CAP HEX 5/8-11x3 G5 ZP From 8-9302	1	1	
. NS	500683	. . NUT HEX STO 5/8-11 ZP From 8-9302	1	1	
47	611458	. TIE ROD END R.H. THREAD 1 1/4-12	1	1	
47	N8892657	. TIE ROD END R.H. THREAD 1 1/4-12	1	1	S
47	661138	. TIE ROD END R.H. THREAD 1 1/4-12 From 8-9302 To 9-9596	1	1	
47	661152	. TIE ROD END R.H. THREAD 1 1/4-12 W/LONG NECK TIE ROD From 9-9597	1	1	LL
48	611459	. TIE ROD END L.H. THREAD 1 1/4-12 To 8-9301	1	1	
48	661150	. TIE ROD END L.H. THREAD 1 1/4-12	1	1	S
48	661139	. TIE ROD END L.H. THREAD 1 1/4-12 From 8-9302 To 9-9596	1	1	
48	661151	. TIE ROD END L.H. THREAD 1 1/4-12 W/LONG NECK TIE ROD From 9-9597	1	1	LL
49	661760	ARM, PITMAN 9" / (PAINTED BLACK)	1	1	
50	504024	HOSE CLAMP / 1"13/16"-2"3/4 SS / HS-36	1	1	
51	161009	SHIELD RUBBER	1	1	I
52	160994	COLLAR SHIELD RETAINER / "O" FORM CLOSED	1	1	I
53	500657	SCREW TC TR PH #10-24x1/2 Z050	16	16	
60	MTH-1400-00	POWER STEERING HOSE - INSTALLATION			
		I) WITH INDEPENDENT SUSPENSION			



From 8-9279 To B-9999	Date:10/2022	PAGE:MTH-1410-00
-----------------------	--------------	------------------

STEERING GEAR BOX & DRAG LINK - INSTALLATION W/18000LBS

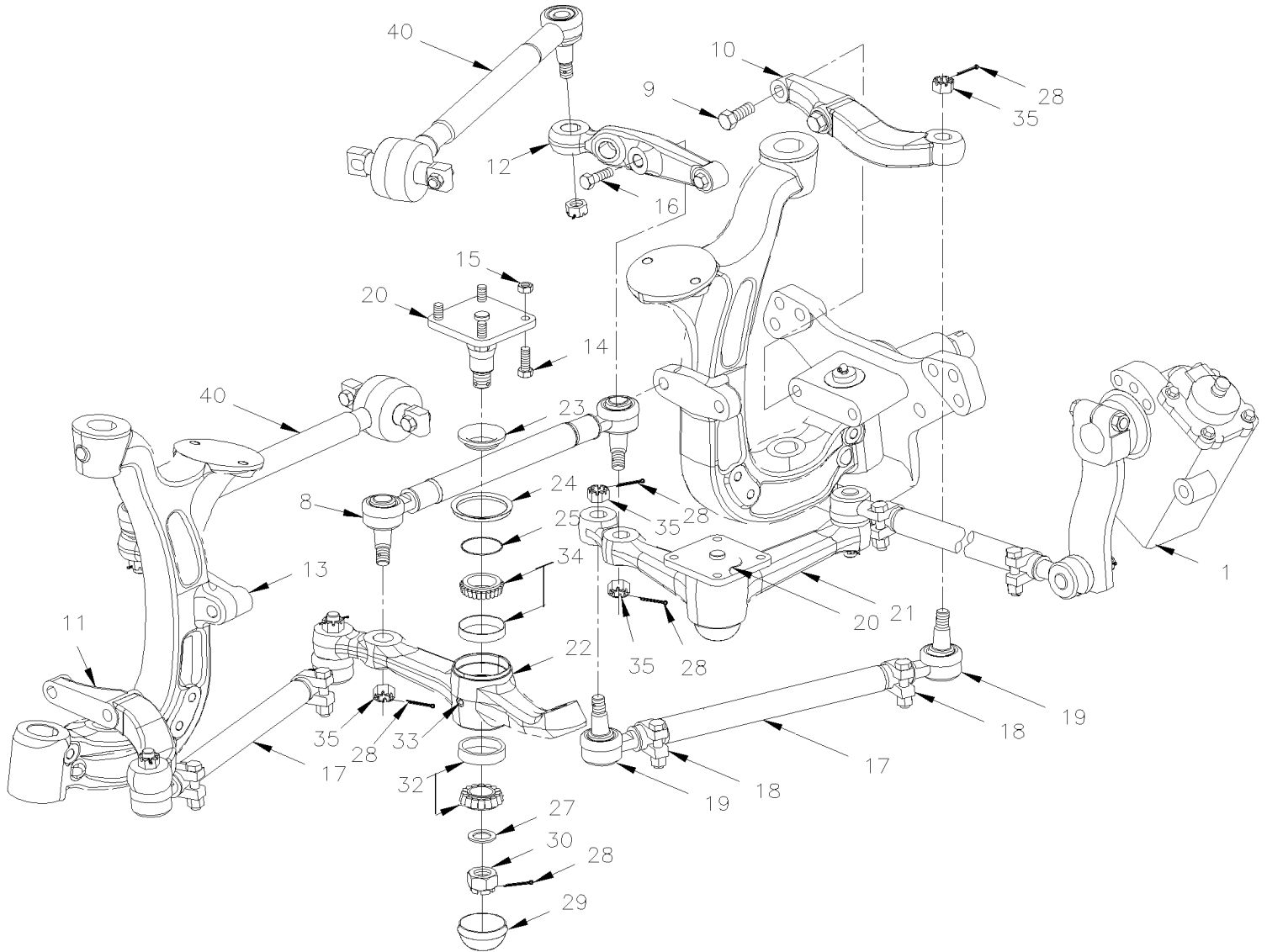
Item#	Part	Description	X L I I M T H 4 5	X L I I M T H 4 5 E	N O T E S
		L) THIS ASSY USE ONLY LONG NECK TIE ROD END # 661151 & # 661152			
		LL) USE ONLY WITH ASSY 661134 & 661153			
		S) SERVICE ON SHORT FORMER MODEL			
		4) NO PARTS NUMBER			

From 8-9279 To B-9999

Date:10/2022

PAGE:MTH-1410-50

STEERING RODS - INSTALLATION W/INDEPENDENT "NDIFS80P" / 18000LBS



From 8-9279 To B-9999

Date:10/2022

PAGE:MTH-1410-50

STEERING RODS - INSTALLATION W/INDEPENDENT "NDIFS80P" / 18000LBS





From 8-9279 To B-9999 Date:10/2022 PAGE:MTH-1410-50

STEERING RODS - INSTALLATION W/INDEPENDENT "NDIFS80P" / 18000LBS

Item#	Part	Description	X L I M T H 4 5	X L I M T H 4 5 E	N O T E S
1	MTH-1410-00	STEERING GEAR BOX & DRAG LINK - INSTALLATION W/18000LBS			
9	611306	SCREW CAP HEX M20-2.5x65 G12.9	1	1	
NS	611308	SCREW CAP HEX M20-2.5x100 G12.9	1	1	
10	163246	STEERING ARM L.H.	1	1	
10	612084	STEERING ARM L.H.	1	1	
11	163468	STEERING ARM R.H.	1	1	
11	612085	STEERING ARM R.H.	1	1	
12	661113	UPRIGHT ARM L.H / W/58 Deg	1	1	
13	661114	UPRIGHT ARM R.H / W/58 Deg	1	1	
14	5001476	SCREW CAP HEX M14-2.0x45 G8.8 G500	8	8	
15	502538	NUT HEX STO M14-2.0 Z050	8	8	
16	611305	SCREW CAP HEX M20-2.5x60 G12.9	1	1	
16	611307	SCREW CAP HEX M20-2.5x80 G12.9	1	1	
17	661129	ROD ASSY / 657MM C/C WITH LONG NECK TIE ROD END	2	2	
17	N.P.N.	. ROD	1	1	4
18	661133	. COLLAR ASSY / W/BOLT & NUT & STOPPER 1 5/8" I.D.	2	2	
NS	500231	. . SCREW CAP HEX 5/8-11x3 G5 ZP	1	1	
NS	500683	. . NUT HEX STO 5/8-11 ZP	1	1	
19	661138	. TIE ROD END R.H. THREAD 1 1/4-12	1	1	
19	661139	. TIE ROD END L.H. THREAD 1 1/4-12	1	1	
20	160983	SPINDLE SHAFT	1	1	
NS	161005	SHIM 26GAGE 105MM C/C x 14MM slot	AR	AR	
NS	161006	SHIM 20GAGE 105MM C/C x 14MM slot	AR	AR	
21	161169	LEVER L.H.	1	1	
22	161170	LEVER R.H.	1	1	
23	160984	SLEEVE WIPER 63.5MM O.D.	1	1	
24	507351	DUST SEAL 3.270 I.D. X 3.085 O.D.	1	1	
25	507350	OIL SEAL	1	1	
27	5001227	WASHER FL .453x.875x.090	1	1	
28	502115	PIN, COTTER 3/16 x 2 1/2	1	1	
29	661014	COVER	1	1	
30	5001218	NUT HEX CSL M30-1.5	1	1	
32	507354	KIT, CUP & CONE BEARING	2	2	
33	501490	GREASE FITTING / 1/8 NPT	1	1	
34	507353	KIT, CUP & CONE BEARING	2	2	
35	5001345	NUT HEX CSL THN 7/8-14	1	1	
40	MTH-1605-50	FRONT AXLE - INSTALL W/INDEPENDENT "NDIFS80P" / 18000LBS			
NS	161009	SHIELD RUBBER	1	1	
NS	160994	COLLAR SHIELD RETAINER / "O" FORM CLOSED	1	1	
NS	500657	SCREW TC TR PH #10-24x1/2 Z050	12	12	
NS	504024	HOSE CLAMP / 1"13/16"-2"3/4 SS / HS-36	1	1	



From 8-9279 To B-9999	Date:10/2022	PAGE:MTH-1410-50
-----------------------	--------------	------------------

STEERING RODS - INSTALLATION W/INDEPENDENT "NDIFS80P" / 18000LBS

Item#	Part	Description	X L I I M T H 4 5	X L I I M T H 4 5 E	N O T E S
		4) NO PARTS NUMBER			

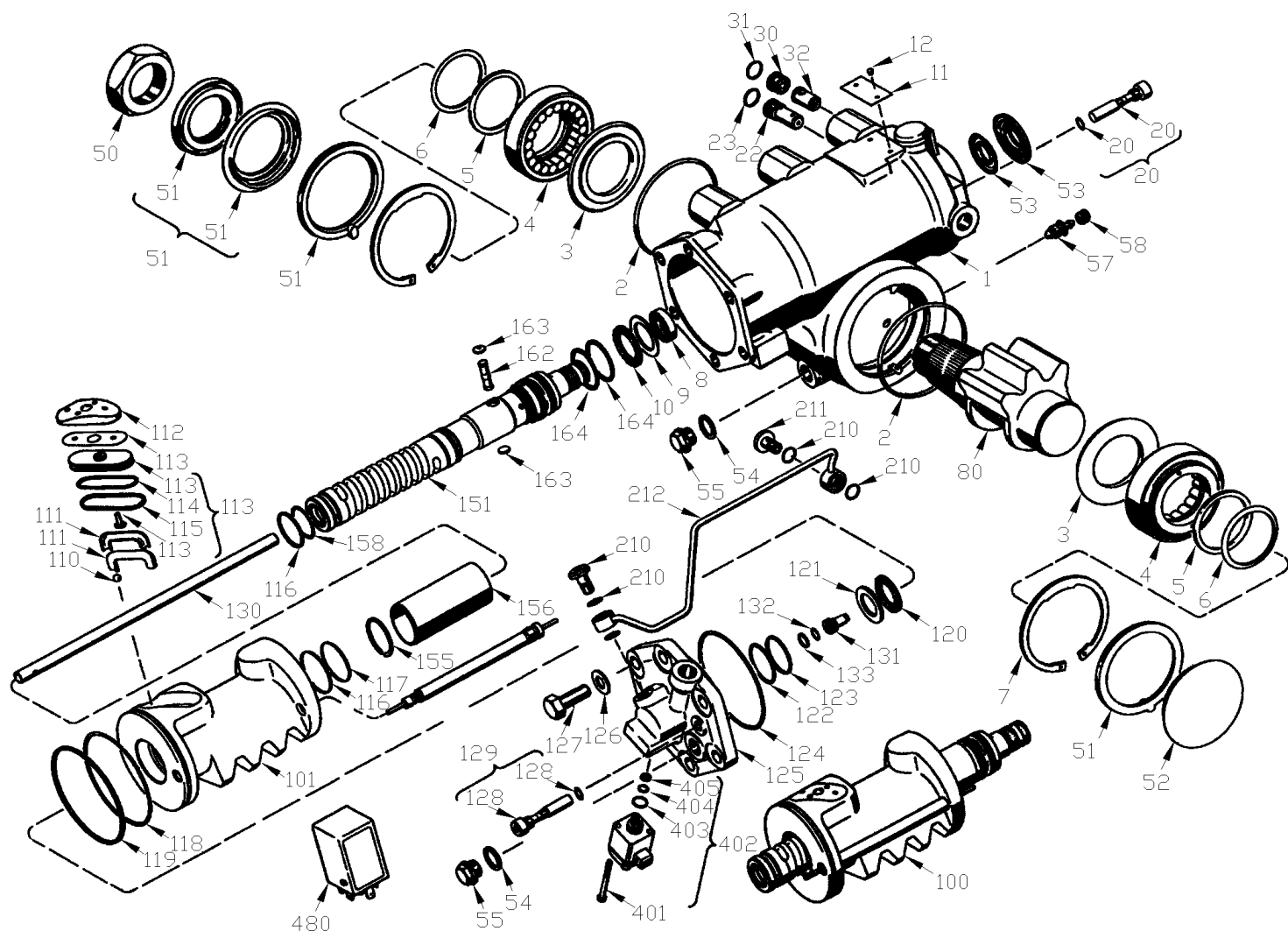


From 8-9279 To B-9999

Date:10/2022

PAGE:MTH-1415-00

STEERING GEARBOX - "ZF"



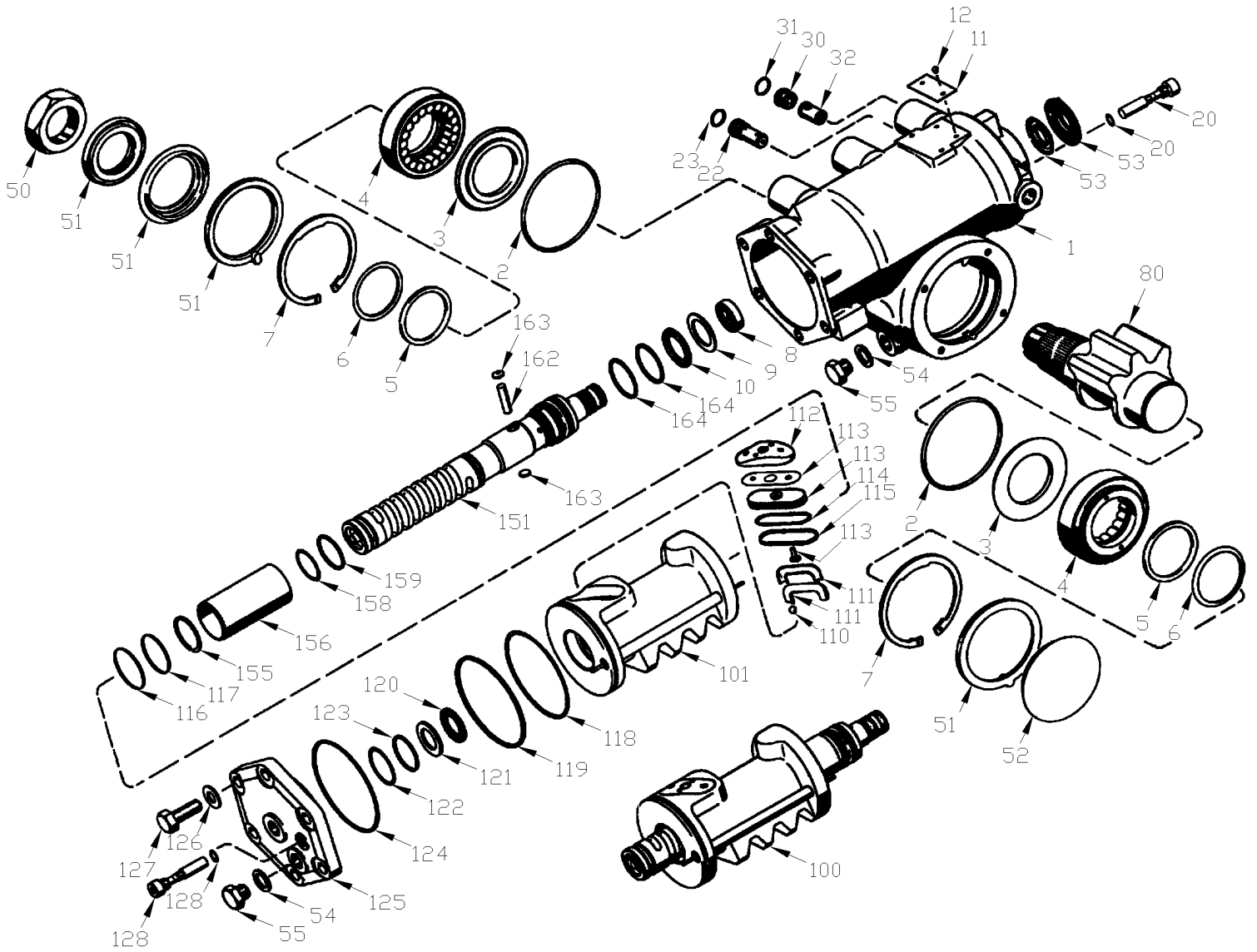
MODEL "ZF" - SERVOCOMTRONIC

From 8-9279 To B-9999

Date:10/2022

PAGE:MTH-1415-00

STEERING GEARBOX - "ZF"



MODEL "ZF" - SEVOCOM



From 8-9279 To B-9999	Date:10/2022	PAGE:MTH-1415-00
STEERING GEARBOX - "ZF"		

Item#	Part	Description	X L I I M T H 4 5	X L I I M T H 4 5 E	N O T E S
	661044	GEARBOX STEERING "ZF" W/VARIABLE STEERING ASSISTANCE "SERVOCOMTRONIC" To A-9890	1	1	
	661136	GEARBOX STEERING "ZF" W/VARIABLE STEERING ASSISTANCE "SERVOCOMTRONIC" From 9-9591 To A-9890		1	D13
	661167	GEARBOX STEERING "ZF" W/VARIABLE STEERING ASSISTANCE "SERVOCOMTRONIC" From A-9891	1	1	
	661045	GEARBOX STEERING "ZF" To A-9890	1	1	
	661137	GEARBOX STEERING "ZF" From 9-9591 To A-9890		1	D13
	661137	GEARBOX STEERING "ZF" From A-9891	1	1	
1	N.P.N.	. HOUSING	1	1	4
2	N.P.N.	. O-RING	1	1	4
3	N.P.N.	. WASHER	1	1	4
4	N.P.N.	. HOUSING COVER	1	1	4
5	N.P.N.	. GASKET	1	1	4
6	N.P.N.	. SUPPORT RING	1	1	4
7	N.P.N.	. RETAINING RING	1	1	4
8	N.P.N.	. SHAFT SEAL	1	1	4
9	N.P.N.	. AXIAL-, WASHER	1	1	4
10	N.P.N.	. NEEDLE CAGE	1	1	4
11	N.P.N.	. TYPE PLATE	1	1	4
12	N.P.N.	. GROOVED STUD	1	1	4
20	N.P.N.	. SET SCREW / ADJUSTING SCREW / SCREW	1	1	4
20	N.P.N.	. O-RING	1	1	4
21	N.P.N.	. COLLAR NUT	1	1	4
22	N.P.N.	. VALVE INSERT	1	1	4
23	N.P.N.	. O-RING	1	1	4
30	N.P.N.	. SCREW	1	1	4
31	N.P.N.	. O-RING	1	1	4
32	N.P.N.	. VALVE INSERT	1	1	4
50	661050	. LOCKNUT M45X1.5 GEARBOX ZF	1	1	
51	N.P.N.	. DUST SEAL	1	1	4
51	N.P.N.	. STOP-RING	1	1	4
51	N.P.N.	. GASKET	1	1	4
51	N.P.N.	. DUST SEAL	1	1	4
52	N.P.N.	. PLUG	1	1	4
53	N.P.N.	. PROTECTING CAP	1	1	4
53	N.P.N.	. GASKET	1	1	4
54	N.P.N.	. SEALING RING	1	1	4
55	N.P.N.	. SCREW PLUG	1	1	4
56	N.P.N.	. PROTECTING SLEEVE	1	1	4
57	N.P.N.	. BREATHER	1	1	4
58	N.P.N.	. PROTECTING CAP	1	1	4
80	661102	. SECTOR SHAFT	1	1	
100	661104	. PISTON	1	1	
101	N.P.N.	. PISTON	1	1	4



From 8-9279 To B-9999	Date:10/2022	PAGE:MTH-1415-00
STEERING GEARBOX - "ZF"		

Item#	Part	Description	X L I I M T H 4 5	X L I I M T H 4 5 E	N O T E S
110	N.P.N.	. BALL SET	1	1	4
111	N.P.N.	. RECIRCULATING HALF TUBE	1	1	4
112	N.P.N.	. GASKET / PLUG	1	1	4
113	N.P.N.	. GASKET	1	1	4
113	N.P.N.	. COMPENSATING PLATE	1	1	4
113	N.P.N.	. PIN	1	1	4
114	N.P.N.	. O-RING	1	1	4
115	N.P.N.	. SEALING RING	1	1	4
116	N.P.N.	. SEALING RING	1	1	4
117	N.P.N.	. SEALING RING	1	1	4
118	N.P.N.	. O-RING	1	1	4
119	N.P.N.	. GASKET	1	1	4
120	N.P.N.	. NEEDLE CAGE	1	1	4
121	N.P.N.	. WASHER	1	1	4
122	N.P.N.	. O-RING	1	1	4
123	N.P.N.	. SEALING RING	1	1	4
124	N.P.N.	. O-RING	1	1	4
125	N.P.N.	. CYLINDER COVER	1	1	4
126	N.P.N.	. WASHER	1	1	4
127	N.P.N.	. HEXAGON SCREW	1	1	4
128	N.P.N.	. SET SCREW / SCREW	1	1	4
128	N.P.N.	. O-RING	1	1	4
129	N.P.N.	. COLLAR NUT	1	1	4
130	N.P.N.	. PIPE	1	1	4
131	N.P.N.	. REACTION PISTON	1	1	4
132	N.P.N.	. O-RING	1	1	4
133	N.P.N.	. SEALING RING	1	1	4
151	N.P.N.	. WORM	1	1	4
155	N.P.N.	. SNAP RING	1	1	4
156	N.P.N.	. SLIDING TUBE	1	1	4
158	N.P.N.	. O-RING	1	1	4
159	N.P.N.	. SEALING RING	1	1	4
162	N.P.N.	. PIN	1	1	4
163	N.P.N.	. PLUG	1	1	4
164	N.P.N.	. SEALING RING	1	1	4
210	661105	. O-RING	1	1	
211	661106	. UNION SCREW	1	1	
212	661107	. PIPE	1	1	
401	N.P.N.	. CAP SCREW	1	1	4 B
402	661108	. CONVERTER	1	1	B
403	N.P.N.	. O-RING	1	1	4 B
404	N.P.N.	. O-RING	1	1	4 B



From 8-9279 To B-9999	Date:10/2022	PAGE:MTH-1415-00
STEERING GEARBOX - "ZF"		

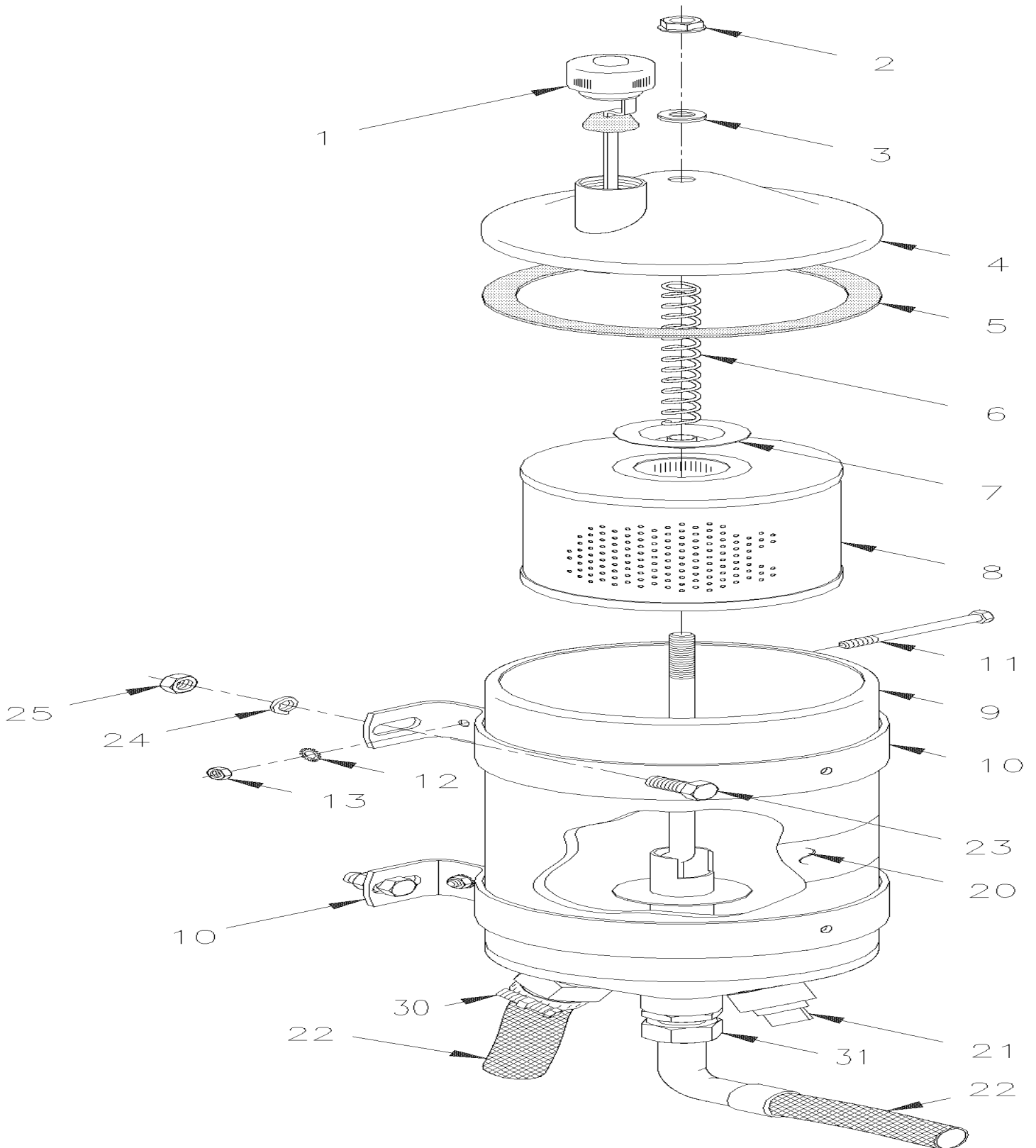
Item#	Part	Description	X L I I M T H 4 5	X L I I M T H 4 5 E	N O T E S
405	N.P.N.	. OIL SCREEN	1	1	4 B
480	563033	E.C.U. / W/STEERING ASSIST (STP 272 or 330) ((77//125))	1	1	B
480	661170	E.C.U. / W/STEERING ASSIST (STP 338) ((60//95))	1	1	B C
NS	661110	KIT, SEAL REPAIR MAJOR / W/SERVOCOMTRONIC	1	1	B
. NS	85109291	. KIT, SEAL REPAIR MAJOR / W/SERVOCOMTRONIC	1	1	B
		B) USE WITH #661044			
		C) THIS E.C.U. GIVE LESS ASSISTANCE AT LOW SPEED			
		D13) WITH VOLVO D13 ENGINE			
		4) NO PARTS NUMBER			

From 8-9279 To B-9999

Date:10/2022

PAGE:MTH-1420-00

POWER STEERING TANK - 4 QT U.S.





From 8-9279 To B-9999	Date:10/2022	PAGE:MTH-1420-00
POWER STEERING TANK - 4 QT U.S.		

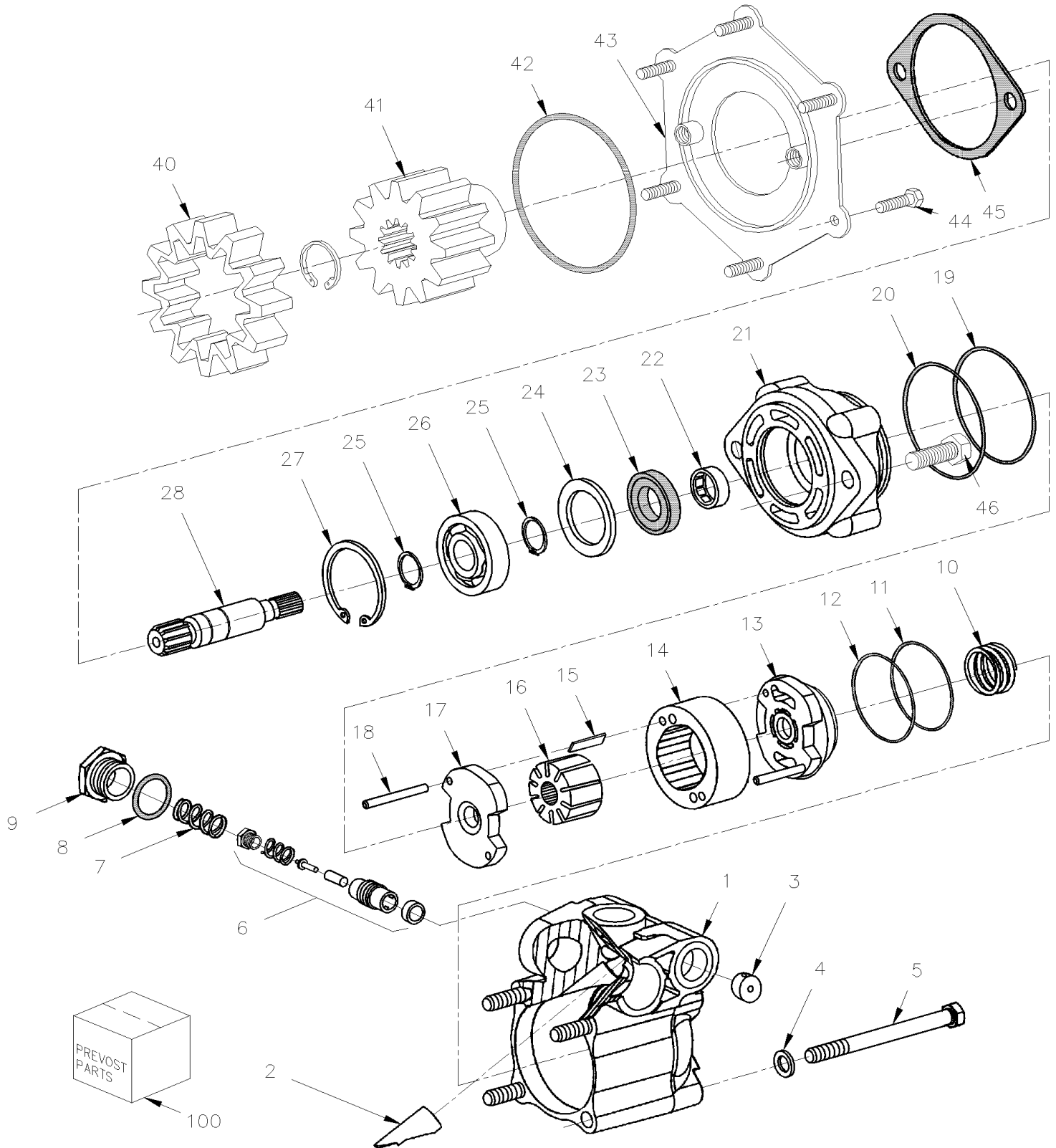
Item#	Part	Description	X L I I M T H 4 5	X L I I M T H 4 5 E	N O T E S
	660982	TANK ASSY 4QT U.S.	1	1	
1	660985	. DIPSTICK	1	1	
2	N.S.P.	. WING NUT 3/8-16	1	1	2
3	19512588	. WASHER	1	1	
4	660989	. COVER ASSY	1	1	
5	660986	. GASKET	1	1	
6	660991	. SPRING, COMP.	1	1	
7	N8886469	. WASHER, RETAINER	1	1	
8	660987	. ELEMENT FILTER	1	1	
9		. TANK	1	1	
10	660988	. ATTACHMENT SUPPORT	2	2	
20	160370	DECAL "OIL DEXTRON"	1	1	
21	501306	PLUG SQUARE HEAD / PIPE FITTING / 1/2NPT-M BR To A-9968	1	1	
21	501966	PLUG HEXS / PIPE FITTING / 1/2NPT-M STL From A-9969	1	1	
21	501906	MALE CONNECTOR / JIC 37° FITTING / #8JIC-Mx#10ORB-M STL		1	D13
22	MTH-1400-00	POWER STEERING HOSE - INSTALLATION			
23	502559	SCREW CAP HEX M10-1.5x25 G8.8 Z050	4	4	
24	502644	WASHER FL 10.5x30.0x2.5 Z050	4	4	
NS	500257	WASHER LO SPT 10.2x18.1x2.2 Z050	4	4	
25	500256	NUT HEX M10-1.5 Z050	4	4	
30	5011086	MALE CONNECTOR / PUSH-LOK FITTING / 1NPT-Mx#16 STL	1	1	
31	501739	MALE CONNECTOR / JIC 37° FITTING / #8JIC-Mx1/2NPT-M STL	1	1	
		D13) WITH "VOLVO" ENGINE			
		2) NOT SOLD BY PREVOST (SEE MANUFACTURING PART NUMBER AT END OF DESCRIPTION LINE)			

From 8-9279 To B-9999

Date:10/2022

PAGE:MTH-1427-00

POWER STEERING PUMP - "TRW" - WITH DETROIT S-60





From 8-9279 To B-9999	Date:10/2022	PAGE:MTH-1427-00
POWER STEERING PUMP - "TRW" - WITH DETROIT S-60		

Item#	Part	Description	X L I I M T H 4 5	X L I I M T H 4 5 E	N O T E S
	661092	PUMP ASSY To A-9890	1	1	
	661166	PUMP ASSY From A-9891	1	1	
1	N.S.S.	. HOUSING	1	1	1
2	N.S.S.	. BOOST TUBE	1	1	1
3	N.S.S.	. ORIFICE	1	1	1
4	N.S.S.	. BOLTS	1	1	1
5	N.S.S.	. WASHERS	1	1	1
6	N.S.S.	. VALVE SPOOL ASSY	1	1	1
6	N.S.S.	. . SPOOL	1	1	1
6	N.S.S.	. . SPRING	1	1	1
6	N.S.S.	. . POPPET	1	1	1
6	N.S.S.	. . SHIMS	1	1	1
6	N.S.S.	. . RELIEF VALVE SEAT ASSY	1	1	1
7	N.S.S.	. SPRING	1	1	1
8	N.S.S.	. O-RING	1	1	1
9	N.S.S.	. PLUG	1	1	1
10	N.S.S.	. SPRING	1	1	1
11	N.S.S.	. O-RING	1	1	1
12	N.S.S.	. BACKUP RING	1	1	1
13	N.S.S.	. TOP PLATE	1	1	1
14	N.S.S.	. CAM RING	1	1	1
15	N.S.S.	. VANES	1	1	1
16	N.S.S.	. ROTOR	1	1	1
17	N.S.S.	. BOTTOM PLATE	1	1	1
18	N.S.S.	. LOCATING PINS	1	1	1
19	N.S.S.	. O-RING	1	1	1
20	N.S.S.	. O-RING	1	1	1
21	N.S.S.	. COVER	1	1	1
22	N.S.S.	. NEEDLE BEARING	1	1	1
23	N.S.S.	. SHAFT SEAL	1	1	1
24	N.S.S.	. SPACER	1	1	1
25	N.S.S.	. RETAINING RING	2	2	1
26	N.S.S.	. BALL BEARING	1	1	1
27	N.S.S.	. RETAINING RING	1	1	1
28	661011	. INPUT SHAFT	1	1	
40	510438	COUPLING DRIVE	1	1	
41	510437	SPROCKET ASSY W/SNAP-RING	1	1	
42	N.S.P.	O-RING / (08929289)	1	1	2
43	N.S.P.	ADAPTOR COVER / (11514329)	1	1	2
44	N.S.P.	SCREW M8-1.25 X 30MM / (11514329) 500544	5	5	2
44	N.S.P.	SCREW M8-1.25 X 30MM / (11505299)	1	1	2
45	510488	GASKET	1	1	



From 8-9279 To B-9999	Date:10/2022	PAGE:MTH-1427-00
-----------------------	--------------	------------------

POWER STEERING PUMP - "TRW" - WITH DETROIT S-60

Item#	Part	Description	X L I M T H 4 5	X L I M T H 4 5 E	N O T E S
100	661012	KIT REPAIR	AR	AR	A
		A) INCLUDE ITEMS #8,11,12,19,20 & 23			
		1) NOT SOLD SEPARATELY			
		2) NOT SOLD BY PREVOST (SEE MANUFACTURING PART NUMBER AT END OF DESCRIPTION LINE)			

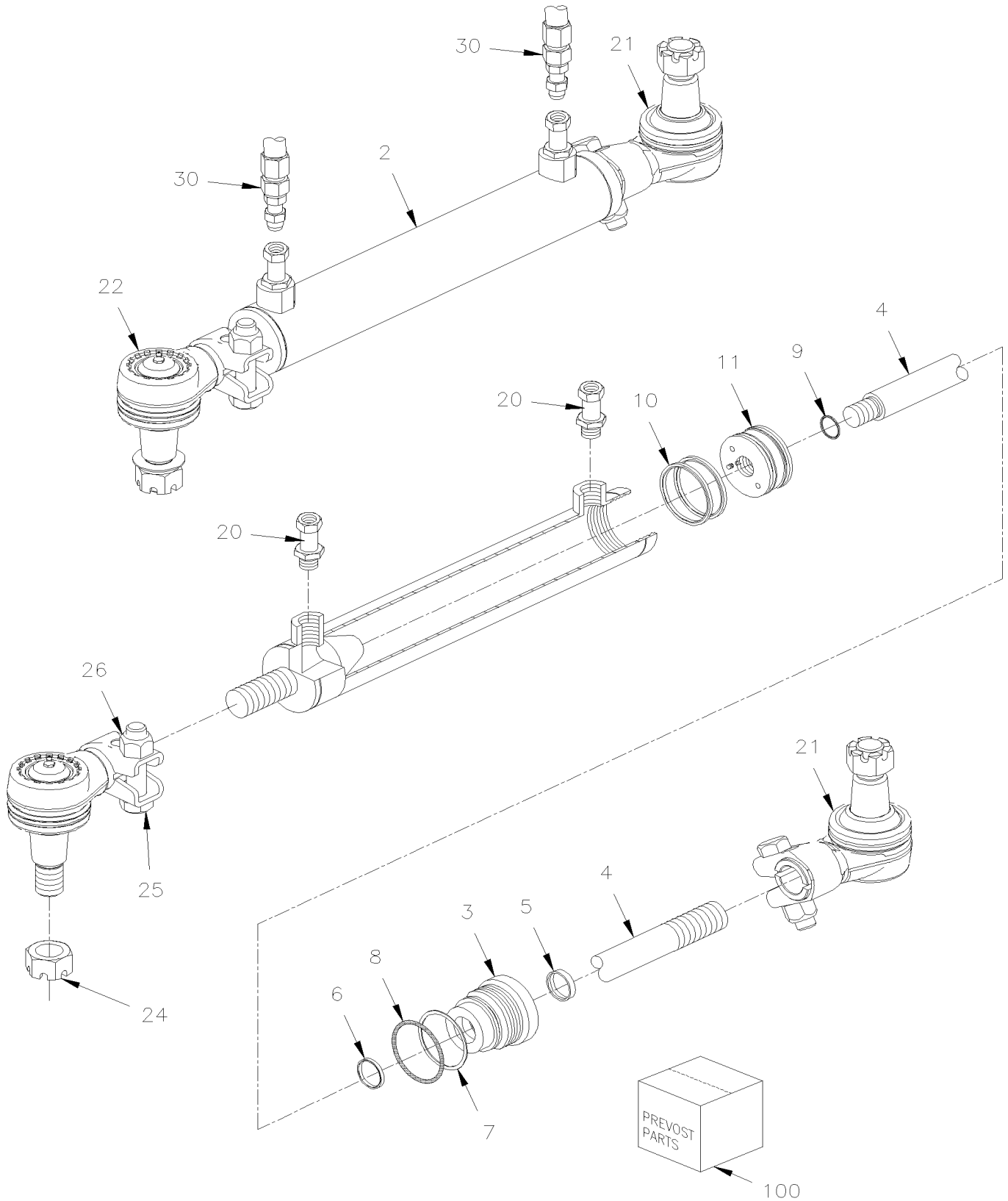


From 8-9279 To B-9999

Date:10/2022

PAGE:MTH-1430-50

CYLINDER POWER STEERING

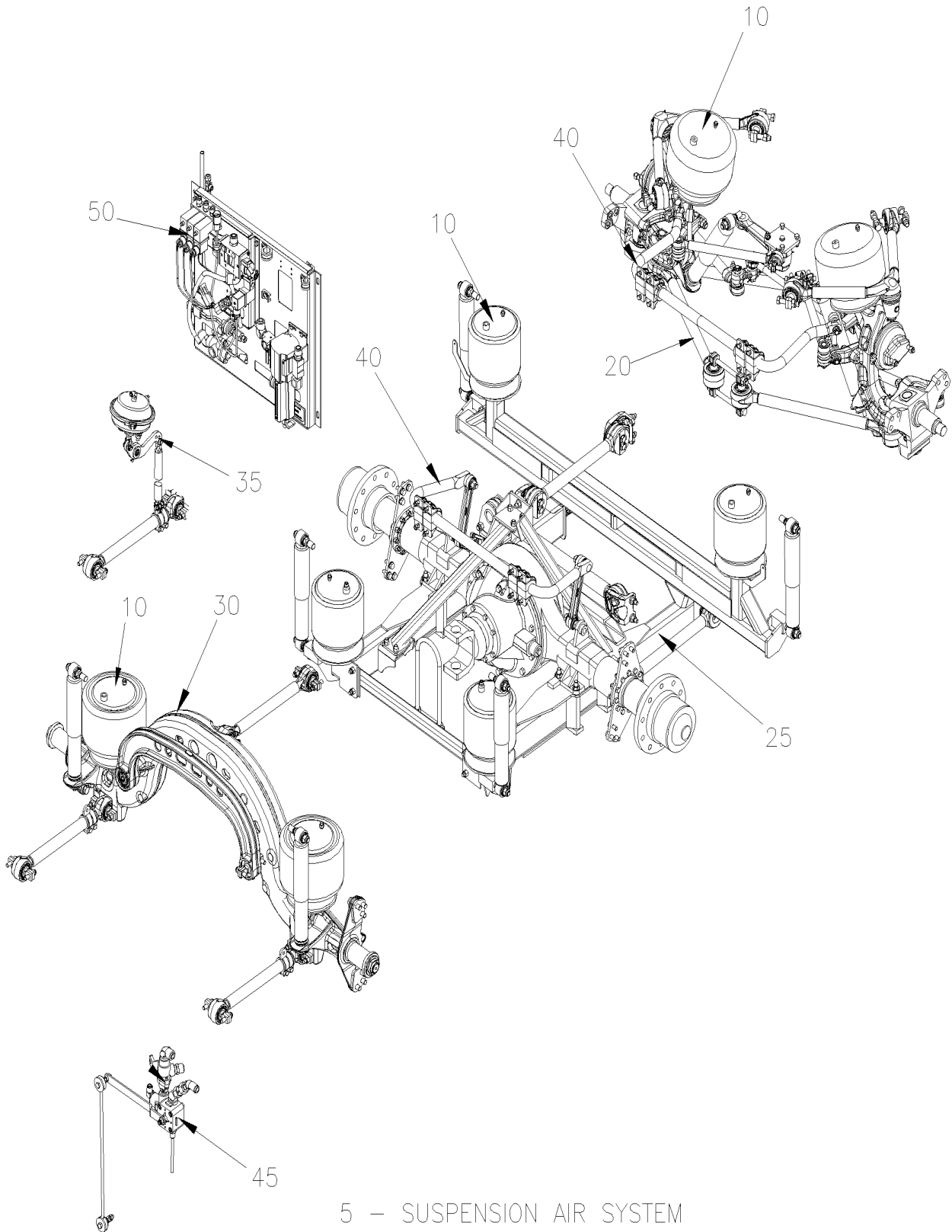




From 8-9279 To B-9999	Date:10/2022	PAGE:MTH-1430-50
CYLINDER POWER STEERING		

Item#	Part	Description	X L I I M T H 4 5	X L I I M T H 4 5 E	N O T E S
1	661076	CYLINDER ASSY PRESSURE 160bar	1	1	
2	N.S.S.	. TUBE	1	1	1
3	661098	. HEAD	1	1	
4	661097	. ROD	1	1	
5	N.S.S.	. WIPER ROD	1	1	1
6	N.S.S.	. SEAL ROD	1	1	1
7	N.S.S.	. BACK-UP	1	1	1
8	N.S.S.	. O-RING	1	1	1
9	N.S.S.	. O-RING	1	1	1
10	N.S.S.	. SEAL PISTON	2	2	1
11	661099	. PISTON	1	1	
20	501593	MALE CONNECTOR / JIC 37° FITTING / #8JIC-Mx#8ORB-M STL	2	2	
21	611275	END ASSY / STRUCTURE SIDE	1	1	
22	611469	END ASSY / ROD SIDE	1	1	
24	5001345	NUT HEX CSL THN 7/8-14	1	1	
25	N.P.N.	SCREW CAP HEX ZP 1/2-20X2.25 G8	2	2	4
26	N.P.N.	NUT HEX 1/2-20 G8	2	2	4
30	MTH-1400-00	POWER STEERING HOSE - INSTALLATION			
100	661100	SEAL KIT, REPAIR	1	1	A
		A) INCLUDES ITEMS 5, 6, 7, 8, 9, 10			
		1) NOT SOLD SEPARATELY			
		4) NO PARTS NUMBER			

	Date:10/2022	MTH-16
SUSPENSION		



5 – SUSPENSION AIR SYSTEM



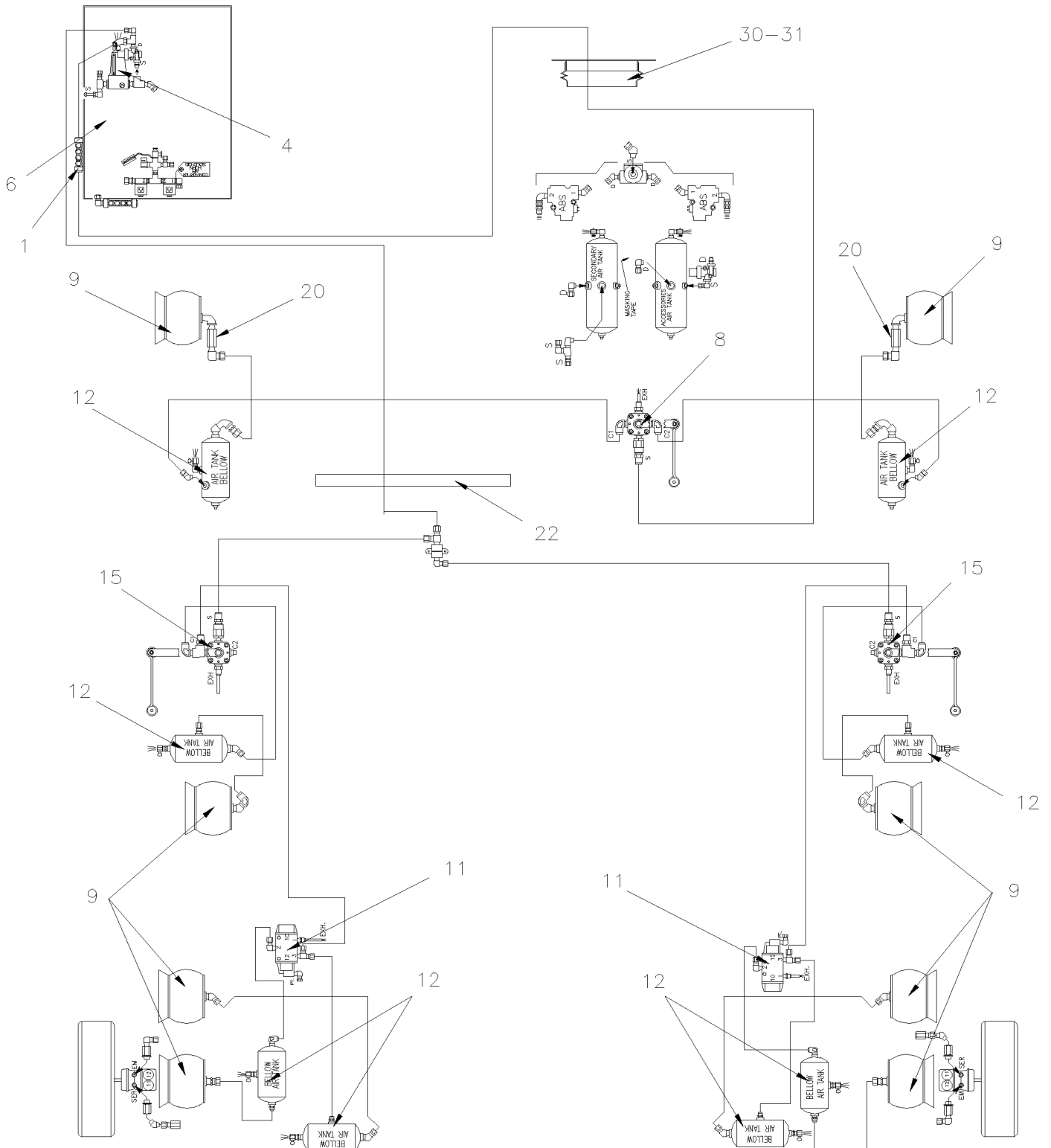
		Date:10/2022	MTH-16		
SUSPENSION					
Item#	Part	Description	X L I I M T H 4 5	X L I I M T H 4 5 E	N O T E S
5	MTH-1600-50	SUSPENSION AIR SYSTEM - MTH From 8-9279 To B-9999			
10	MTH-1601-00	BELLOWS - AIR SUSPENSION From 8-9279 To B-9999			
20	MTH-1605-50	FRONT AXLE - INSTALL W/INDEPENDENT "NDIFS80P" / 18000LBS From 8-9279 To B-9999			
25	MTH-1610-00	REAR AXLE - INSTALL SUSPENSION From 8-9279 To B-9999			
30	MTH-1615-00	TAG AXLE - INSTALL SUSPENSION From 8-9279 To A-9952			
31	MTH-1615-01	TAG AXLE - INSTALL SUSPENSION ONE PIECE From A-9953 To B-9999			
35	MTH-1615-10	TAG AXLE - LIFTING From 8-9279 To B-9999			
40	MTH-1616-00	SWAY BAR From 8-9279 To B-9999			
45	MTH-1620-50	HEIGHT CONTROL VALVE - MTH From 8-9279 To B-9999			
50	MTH-1640-50	LEVEL-LOW - CONTROL PANEL & VALVES From 8-9279 To B-9999			

From 8-9279 To B-9999

Date:10/2022

PAGE:MTH-1600-50

SUSPENSION AIR SYSTEM - MTH



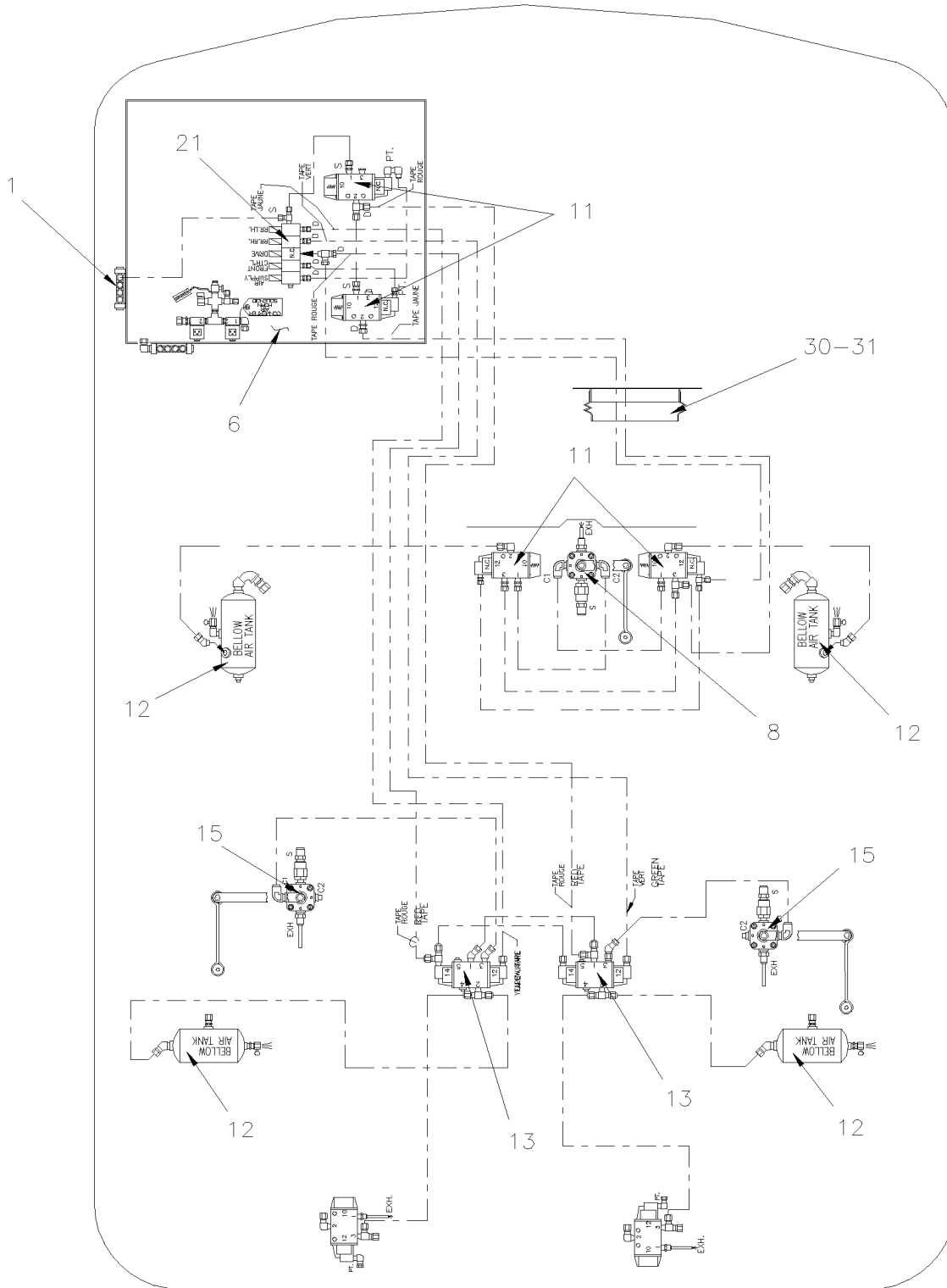
STANDARD SUSPENSION

From 8-9279 To B-9999

Date:10/2022

PAGE:MTH-1600-50

SUSPENSION AIR SYSTEM - MTH



WITH OPTION LEVEL LOW



From 8-9279 To B-9999	Date:10/2022	PAGE:MTH-1600-50
SUSPENSION AIR SYSTEM - MTH		

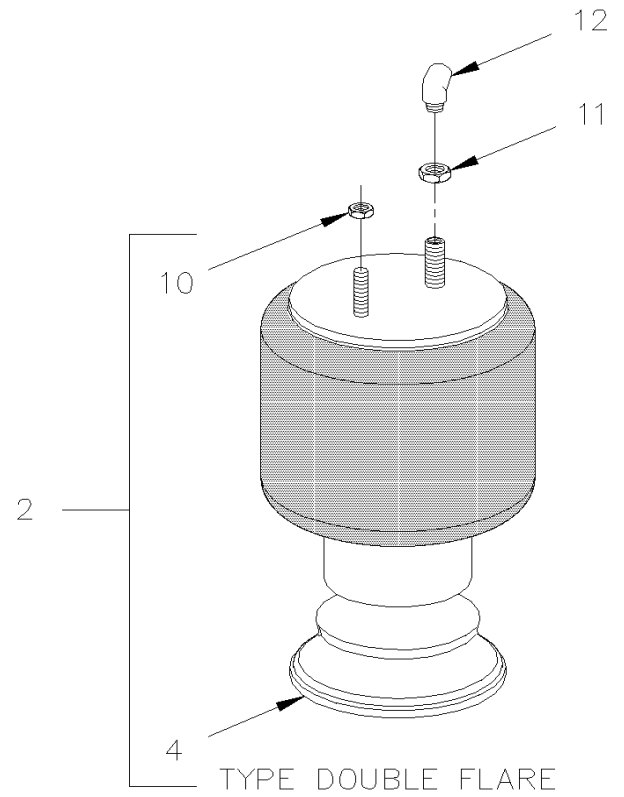
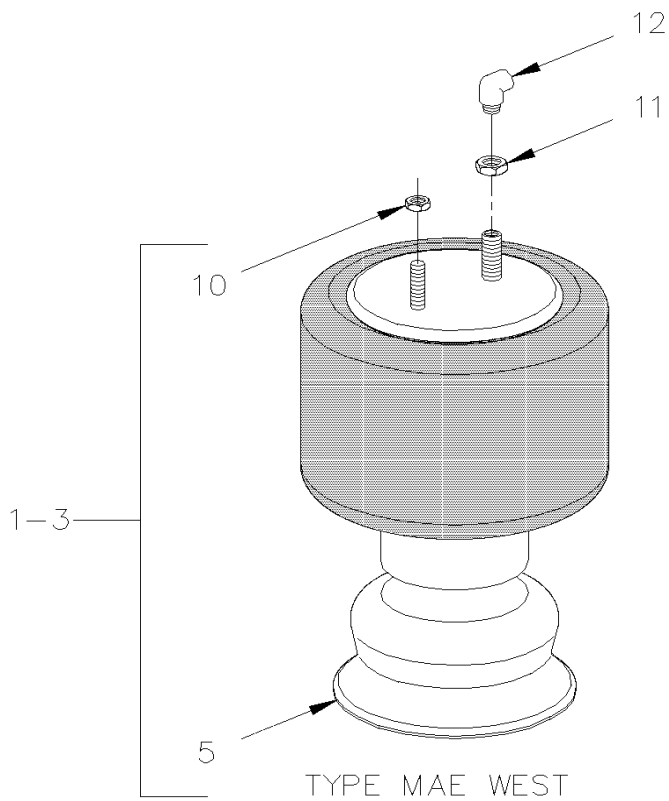
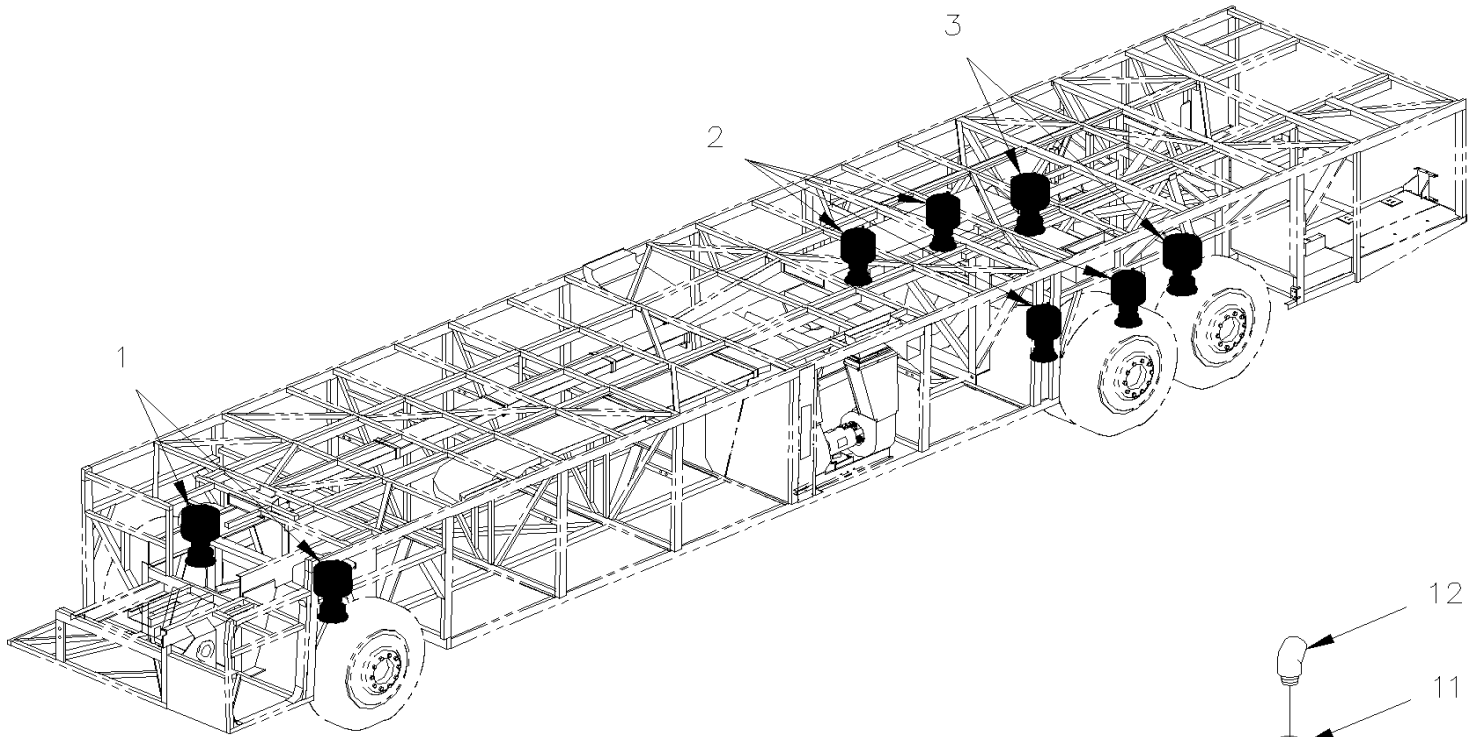
Item#	Part	Description	X L I I M T H 4 5	X L I I M T H 4 5 E	N O T E S
1	641415	MANIFOLD / PUSH-IN FITTING / 2x#6 / 4x#4 PLAS	1	1	
4	MTH-1220-15	AIR FILTER - ACCESSORIES			
6	MTH-1640-50	LEVEL-LOW - CONTROL PANEL & VALVES			
8	630237	VALVE, HEIGHT CONTROL "BARKSDALE" / FRONT	1	1	
9	MTH-1601-00	BELLOWS - AIR SUSPENSION			
11	641274	VALVE, 3 WAYS, 2 POSITIONS N.C.	AR	AR	
12	MTH-1203-00	AIR TANK - INSTALLATION			
13	641531	VALVE, 5 WAYS, 3 POSITIONS	2	2	
. NS	641186	. SPOOL	1	1	
15	630156	VALVE, HEIGHT CONTROL "BARKSDALE"	2	2	
20	131737	MALE CONNECTOR 123.8MM 1/2 NPT	2	2	
21	641205	MANIFOLD VALVE / W/5 SOLENOID	1	1	
. NS	641928	. KIT, MANIFOLD REPAIR / N.C.	5	5	
. NS	641107	. COIL 24V	5	5	
22	MTH-1202-00	TUBES PLASTIC / AIR D.O.T.			
30	504499	CUFF END BELLOW / 2 7/8" I.D. x 3 5/8" x 4 7/16	1	1	
31	141567	PROTECTOR RUBBER 100MM	1	1	

From 8-9279 To B-9999

Date:10/2022

PAGE:MTH-1601-00

BELLOWS - AIR SUSPENSION





From 8-9279 To B-9999	Date:10/2022	PAGE:MTH-1601-00
BELLOWS - AIR SUSPENSION		

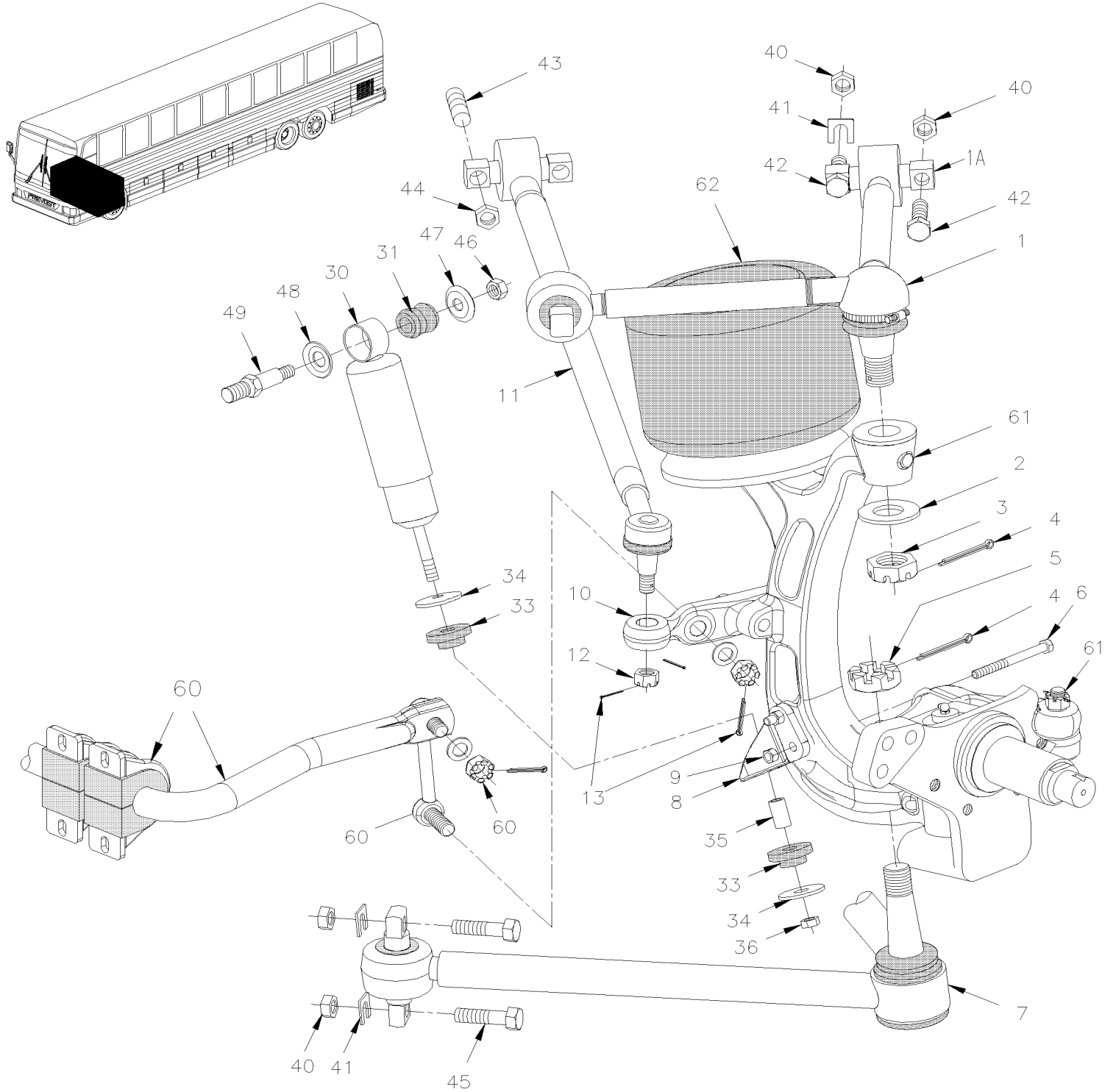
Item#	Part	Description	X L I I M T H 4 5	X L I I M T H 4 5 E	N O T E S
		... FRONT AXLE BELLOW			
1	630239	BELLOW ASSY / MODEL 1400 M.W.	2	2	
		... DRIVE AXLE BELLOW			
2	630260	BELLOW ASSY / MODEL 1100 D.F.	4	4	
		... TAG AXLE BELLOW			
3	630259	BELLOW ASSY / MODEL 1100 M.W.		2	
3	630162	BELLOW ASSY / MODEL 1200 M.W.	2		
4	630071	. PISTON / TYPE DOUBLE FLARE	AR	AR	
5	630036	. PISTON / TYPE MAY WEST	AR	AR	
10	500717	NUT HEX NYRT 1/2-20 Z050	AR	AR	
10	5001599	NUT HEX NYRT THN 1/2-13 Z050	AR	AR	
10	500968	NUT HEX STO 1/2-13 Z050	AR	AR	
10	502595	NUT HEX NYRT 1/2-13 Z050	AR	AR	
11	502831	NUT HEX THN 1 1/4-12x1/2	AR	AR	
12	5011170	STREET ELBOW 90° / PIPE FITTING / 1/2NPT-Mx1/2NPT-F GAL	2	2	
12	641410	MALE ELBOW 90° NON-SWIVEL / PUSH-IN FITTING / #12x1/2NPT-M BR	2	2	
NS	131737	MALE CONNECTOR 123.8MM 1/2 NPT	1	1	A
		A) WITH INDEPENDANT SUSPENSION			

From 8-9279 To B-9999

Date:10/2022

PAGE:MTH-1605-50

FRONT AXLE - INSTALL W/INDEPENDENT "NDIFS80P" / 18000LBS





From 8-9279 To B-9999 Date:10/2022 PAGE:MTH-1605-50

FRONT AXLE - INSTALL W/INDEPENDENT "NDIFS80P" / 18000LBS

Item#	Part	Description	X L I M T H 4 5	X L I M T H 4 5 E	N O T E S
1	611270	UPPER ARM ASSY / L.H. & R.H.	2	2	
. A	611346	. BUSHING BAR PIN / 20MM 150mm c/c 85MM O.D. x 72MM wide	2	2	
. A1	611358	. BUSHING BAR PIN / 20MM 150mm c/c 85MM O.D. x 72MM wide	2	2	
2	5001255	WASHER FL 31.75x54.77x3.175	1	1	
3	5001321	NUT HEX CSL M30-1.5 17TH CJ	1	1	
4	502115	PIN, COTTER 3/16 x 2 1/2	2	2	
5	5001333	NUT HEX CSL M36-1.5 17TH CJ	1	1	
6	611273	SCREW CAP HEX M14-2.0x135 G8.8 Z050	2	2	
7	611344	LOWER ARM ASSY / R.H / W/58 Deg	1	1	
. NS	611326	. LOWER BEARING BALL ASSY / REPAIR KIT	1	1	
. NS	611325	. BUSHING BAR PIN / 20MM 150mm c/c 85MM O.D. x 70MM wide	2	2	
7	611343	LOWER ARM ASSY / L.H / W/58 Deg	1	1	
. NS	611326	. LOWER BEARING BALL ASSY / REPAIR KIT	1	1	
. NS	611325	. BUSHING BAR PIN / 20MM 150mm c/c 85MM O.D. x 70MM wide	2	2	
8	116454	ATTACHMENT / SHOCK ABSORBER	1	1	
9	502538	NUT HEX STO M14-2.0 Z050	2	2	
10	661113	UPRIGHT ARM L.H / W/58 Deg	1	1	
10	661114	UPRIGHT ARM R.H / W/58 Deg	1	1	
11	661111	. ROD ASSY / 5TH / W/58 Deg	2	2	
12	5001325	. NUT HEX CSL M24-1.5 15TH CJ	1	1	
13	661215	. PIN, COTTER 5MMx40MM	1	1	
30	630240	SHOCK ABSORBER / SACHS / 475	2	2	
. NS	630255	. KIT WASHER & RUBBER BUSHING	1	1	
. NS	630257	. BUSHING / RUBBER / (TWO PIECES) 1" x 1.005" I.D.	1	1	
31	630257	. BUSHING / RUBBER / (TWO PIECES) 1" x 1.005" I.D.	2	2	
33	630249	. KIT WASHER & RUBBER BUSHING	2	2	
36	5001579	. NUT HEX NYRT M16-1.5 Z050	1	1	
40	5001252	NUT HEX STO M20-2.5 DP	4	4	
41	160992	SHIM "U" 6.35 x 39.5MM x 38MM x 20 i.d.	AR	AR	
41	160993	SHIM "U" 3.175x 39.5MM x 38MM x 20 i.d.	AR	AR	
41	661094	SHIM "U" 4.76 x 39.5MM x 38MM x 20 i.d.	AR	AR	
42	983296	SCREW CAP HEX M20-2.5x90 G10.9 ZP	4	4	
42	5001525	SCREW CAP HEX M20-2.5x100 G10.9 N500	4	4	
43	130963	STUD M16-2.0x70	2	2	
44	502588	NUT HEX M16-2.0 ZP	2	2	
45	5001561	SCREW CAP HEX M20-2.5x250 G10.9 ZP	4	4	
46	500809	NUT HEX STO M20-2.5 N500	1	1	
47	5001152	WASHER CON 21.0x50.0x4.5 ZP	1	1	
48	5001153	WASHER CON 25.5x50.0x4.5 ZP	1	1	
49	131424	PIN W/TAPER ATTACHMENT M20-2.5	1	1	
60	MTH-1616-00	SWAY BAR			
61	MTH-1005-50	FRONT AXLE - INDEPENDENT MODEL "NDIFS80P" / 18000LBS			



From 8-9279 To B-9999	Date:10/2022	PAGE:MTH-1605-50
FRONT AXLE - INSTALL W/INDEPENDENT "NDIFS80P" / 18000LBS		

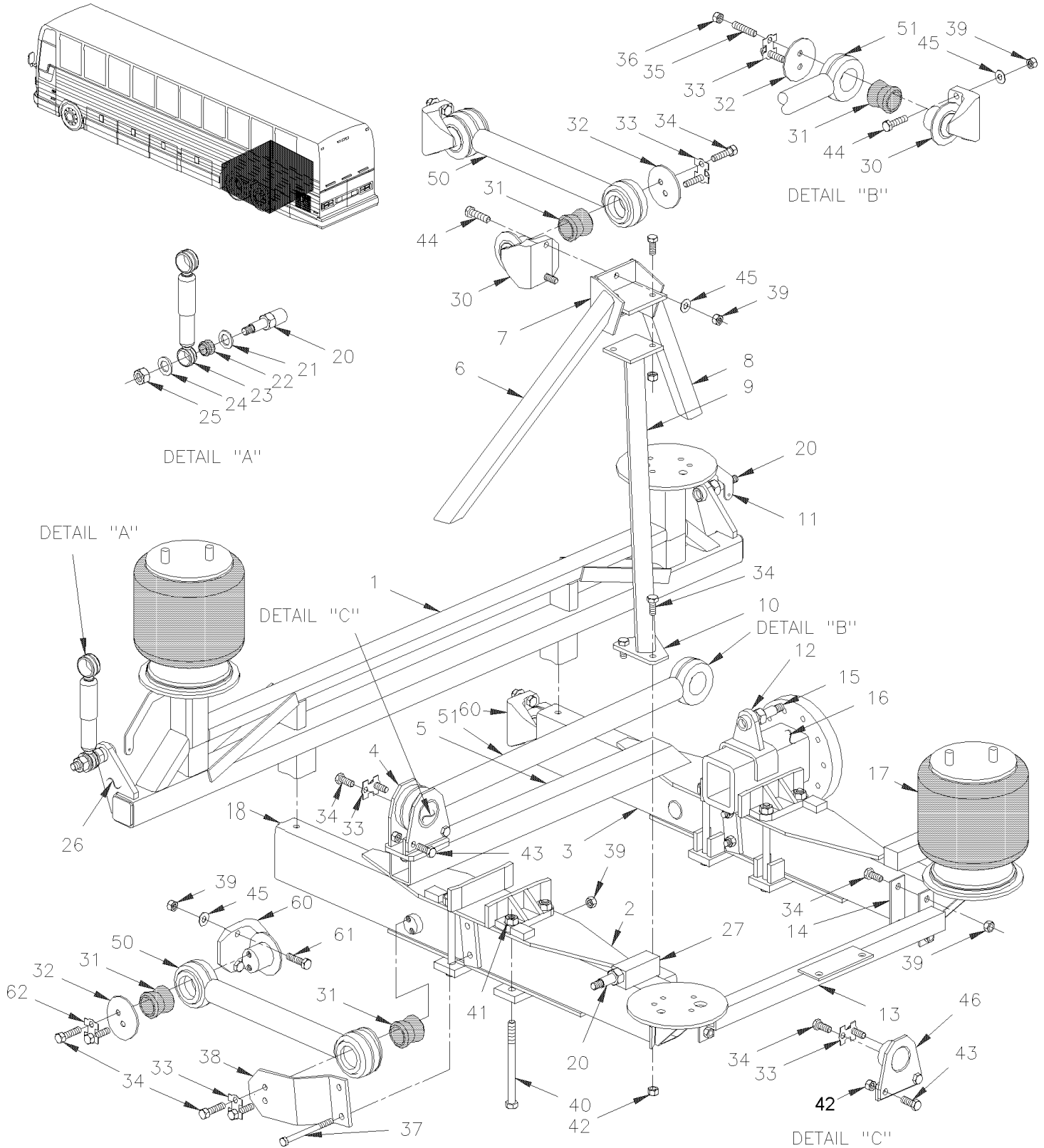
Item#	Part	Description	X L I I M T H 4 5	X L I I M T H 4 5 E	N O T E S
62	MTH-1601-00	BELLOWS - AIR SUSPENSION			

From 8-9279 To B-9999

Date:10/2022

PAGE:MTH-1610-00

REAR AXLE - INSTALL SUSPENSION





From 8-9279 To B-9999	Date:10/2022	PAGE:MTH-1610-00
REAR AXLE - INSTALL SUSPENSION		

Item#	Part	Description	X L I I M T H 4 5	X L I I M T H 4 5 E	N O T E S
1	121563P	. REAR DIFFERENTIAL CARRIER ASSY WELDED WITH DISC BRAKE	1		
1	121889P	. FRONT FRAME ASSY / W/AXLE WITH DISC BRAKE From 8-9332	1		
1	121790P	. FRONT FRAME ASSY / W/AXLE WITH DISC BRAKE		1	
2	121651P	. BEAM ASSY / L.H.	1		
2	121788P	. BEAM ASSY / L.H.		1	
3	121652P	. BEAM ASSY / R.H.	1		
3	121789P	. BEAM ASSY / R.H.		1	
4	131785	SUPPORT ASSY / (WELDED)	1	1	
5	121433	TUBE / (WELDED) UNDER	1		
5	121773	TUBE / (WELDED) UNDER		1	
6	121098	BRACE / FRONT L.H.	1	1	
7	121577P	PLATE TOP TRIPOD ASSY WELDED	1	1	
8	121099	BRACE / FRONT R.H.	1	1	
9	121610P	TRIPOD ASSY WELDED	1	1	
10	121554	PLATE SUPPORT	1	1	
11	121561	ACTUATOR SUPPORT / TO FIX LINK / (WELDED)	2	2	
12	121467	ATTACHMENT PIN SWAY BAR / (WELDED TO HOUSING)	2	2	
13	121575	BAR ASSY	1	1	
14	121442	ATTACHMENT PLATE	2	2	
15	131522	PIN W/TAPER ATTACHMENT M20-2.5 / SWAY-BAR	2	2	
16	MTH-1105-00	REAR AXLE - MODEL "RC23165"			
17	MTH-1601-00	BELLOWS - AIR SUSPENSION			
18	121693	CLOSING END / BEAM / (WELDED)		2	
20	131424	PIN W/TAPER ATTACHMENT M20-2.5	4	4	
21	5001153	WASHER CON 25.5x50.0x4.5 ZP	8	8	
22	630257	BUSHING / RUBBER / (TWO PIECES) 1" x 1.005" I.D.	8	8	
23	630253	SHOCK ABSORBER / SACHS / 209	4	4	
23	630236	SHOCK ABSORBER / "KONI" (ORANGE)	4	4	O
. NS	630062	. BUSHING / RUBBER / (ONE PIECE) 2" x 1.005" I.D.	1	1	O
. NS	630255	. KIT WASHER & RUBBER BUSHING	1	1	O
24	5001152	WASHER CON 21.0x50.0x4.5 ZP	8	8	
25	500809	NUT HEX STO M20-2.5 N500	4	4	
26	171676	RETAINER R.H. / (WELDED)	1	1	
26	171677	RETAINER L.H. / (WELDED)	1	1	
27	121157	ATTACHMENT PIN 1"-14 / SHOCK ABSORBER / 126MM LONG W/OFFSET CENTER	2		
27	171032	SUPPORT 1"-14 / SHOCK ABSORBER / 55MM		2	
30	132914	SUPPORT / ROD / W/2 M16-2 HOLES / 95MM C/C // 150MM SHORT	3	3	
. NS	121890	. TORQUE PLATE / W/2HOLES 17MM I.D. X 90MM C/C	AR	AR	
30	121267	SHIM 26GAGE	AR	AR	
NS	121039	SHIM 20GAGE	AR	AR	
NS	131068	SHIM 14GAGE	AR	AR	
NS	121419	SHIM "U" 14GA SS 133MM x 62MM x 18 i.d.	AR	AR	



From 8-9279 To B-9999	Date:10/2022	PAGE:MTH-1610-00
------------------------------	---------------------	-------------------------

REAR AXLE - INSTALL SUSPENSION

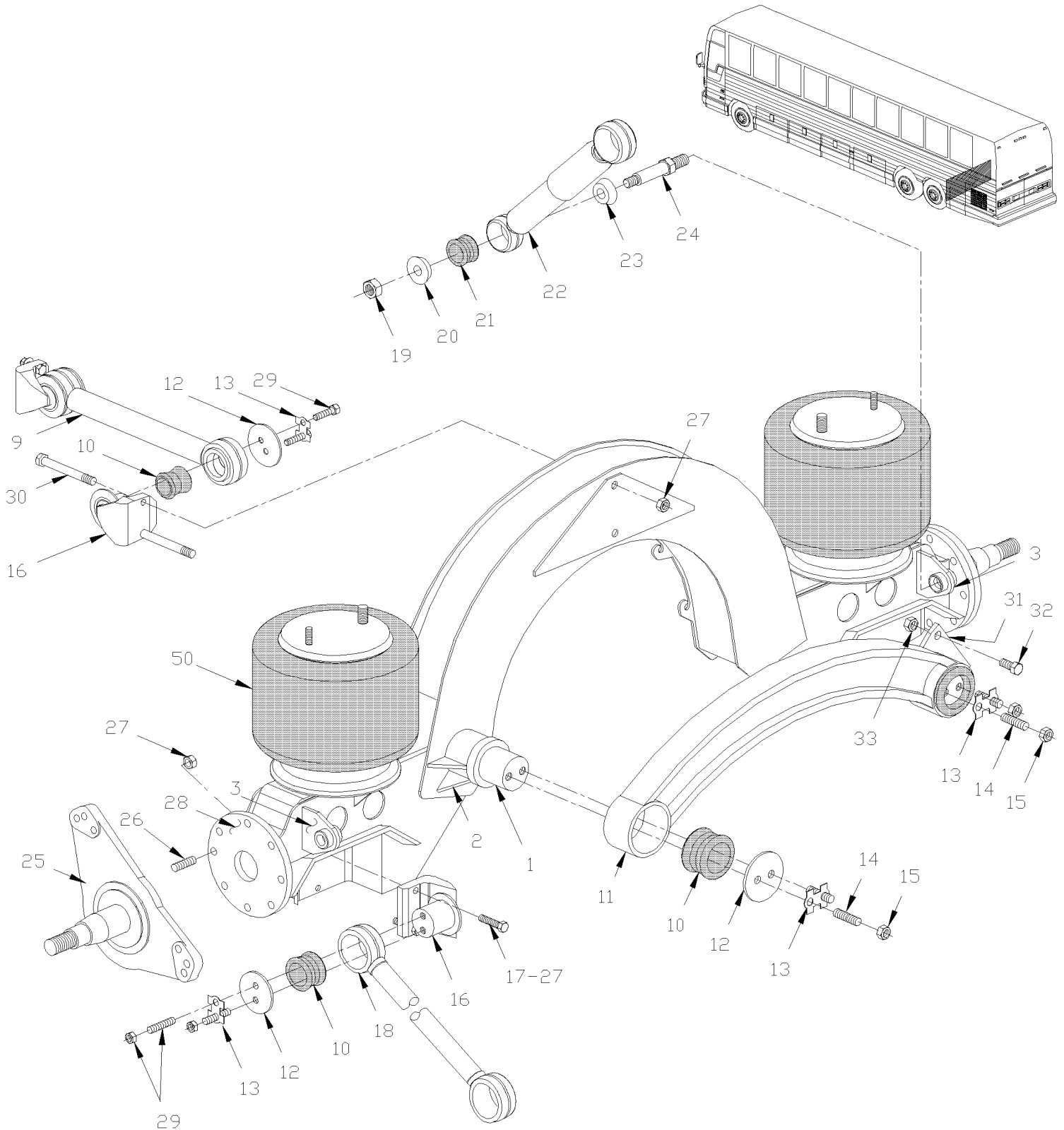
Item#	Part	Description	X L I M T H 4 5	X L I M T H 4 5 E	N O T E S
NS	121418	SHIM "U" 26 GA SS 133MM x 62MM x 18 i.d.	AR	AR	
31	630021	RUBBER BUSHING "PREVOST"	8	8	
NS	192380	SHIM WASHER / BUSHING RADIUS ROD 2.795x4.330x.0625 SS	AR	AR	W
32	110681	RETAINER PLATE / IRON 110MM OD W/16.7 @ 38C/C	6	6	
33	110340	TAB LOCK / W/2 HOLES / W/4 TABS / 18MM I.D. X 38MM C/C To A-9994	6	6	
33	110788	TAB LOCK / W/2 HOLES / W/6 TABS / 18MM I.D. X 38MM C/C From A-9995	6	6	
34	500813	SCREW CAP HEX M16-2.0x35 G8.8 ZP	AR	AR	
35	130963	STUD M16-2.0x70	2	2	
36	502588	NUT HEX M16-2.0 ZP	2	2	
38	110681	RETAINER PLATE / IRON 110MM OD W/16.7 @ 38C/C	2	2	
39	5001662	NUT HEX NYRT M16-2.0 G10 Z050	AR	AR	
40	5001472	SCREW CAP HEX 3/4-16x9 1/2 G5 Z050	8	8	
41	500251	NUT HEX NYRT 3/4-16 Z050	8	8	
42	5001252	NUT HEX STO M20-2.5 DP	2	2	
43	955385	SCREW CAP HEX M20-2.5x45 G8.8 ZP	2	2	
44	5001372	SCREW CAP HEX M16-2.0x50 G10.9 N500	2	2	
45	5001046	WASHER FL .656x1.500x.187	AR	AR	
46	131784	ATTACHMENT	1	1	
50	120868	ROD ASSY / 23 3/8" C/C (593MM)	3		
50	121697	ROD ASSY / 21 1/8" C/C (536.5MM)		3	
51	110648	ROD ASSY / 34 13/16" C/C (885MM)	1	1	
60	131807	SUPPORT / ROD / W/2 M16-2 HOLES / 144MM C/C // 169MM LONG	2	2	
61	5001224	SCREW CAP HEX M16-2.0x60 G10.9 G500	4	4	
62	121578	TAB LOCK / W/2 HOLES 17MM I.D. X 90MM C/C	2	2	
		O) OPTION			
		W) IF NEED, USE BETWEEN BUSHING ROD SUPPORT			

From 8-9279 To A-9952

Date:10/2022

PAGE:MTH-1615-00

TAG AXLE - INSTALL SUSPENSION





From 8-9279 To A-9952	Date:10/2022	PAGE:MTH-1615-00
TAG AXLE - INSTALL SUSPENSION		

Item#	Part	Description	X L I I M T H 4 5	X L I I M T H 4 5 E	N O T E S
	121547P	AXLE ASSY W/AUTOMATIC TRANSMISSION	1		
	121677P	AXLE ASSY W/AUTOMATIC TRANSMISSION		1	
1	121341	. SHAFT / TO FIX LATERAL ROD W/AXLE	1		
1	121680	. SHAFT / TO FIX LATERAL ROD W/AXLE		1	
2	121268	. PLATE REINFORCEMENT (WELDED)	1		
2	121682	. PLATE REINFORCEMENT (WELDED)		1	
NS	121706	. PLATE REINFORCEMENT (WELDED)		1	
3	121580	. ATTACHMENT / SHOCK ABSORBER PIN	2	2	
. NS	171032	. . SUPPORT 1"-14 / SHOCK ABSORBER / 55MM	1	1	
9	120868	ROD ASSY / 23 3/8" C/C (593MM)	1	1	
10	630021	RUBBER BUSHING "PREVOST"	6	6	
NS	192380	SHIM WASHER / BUSHING RADIUS ROD 2.795x4.330x.0625 SS	AR	AR	W
11	131370	ROD ASSY / 35" C/C (889MM) / CASTING		1	
11	131749	ROD ASSY / 35" C/C (889MM) / CASTING	1		
12	110681	RETAINER PLATE / IRON 110MM OD W/16.7 @ 38C/C	6	6	
13	110340	TAB LOCK / W/2 HOLES / W/4 TABS / 18MM I.D. X 38MM C/C	6	6	
13	110788	TAB LOCK / W/2 HOLES / W/6 TABS / 18MM I.D. X 38MM C/C	6	6	
14	130963	STUD M16-2.0x70	12	12	
15	5001662	NUT HEX NYRT M16-2.0 G10 Z050	18	18	
16	132914	SUPPORT / ROD / W/2 M16-2 HOLES / 95MM C/C // 150MM SHORT	3	3	
. NS	121890	. TORQUE PLATE / W/2HOLES 17MM I.D. X 90MM C/C	AR	AR	
17	5001224	SCREW CAP HEX M16-2.0x60 G10.9 G500	4	4	
18	121358	ROD ASSY W/CHAIN HOOK / 23 3/8" C/C (593MM)	2	2	
19	500809	NUT HEX STO M20-2.5 N500	4	4	
20	5001152	WASHER CON 21.0x50.0x4.5 ZP	4	4	
21	630257	BUSHING / RUBBER / (TWO PIECES) 1" x 1.005" I.D.	4	4	
22	630253	SHOCK ABSORBER / SACHS / 209	2	2	
22	630236	SHOCK ABSORBER / "KONI" (ORANGE)	2	2	O
. NS	630062	. BUSHING / RUBBER / (ONE PIECE) 2" x 1.005" I.D.	1	1	O
. NS	630255	. KIT WASHER & RUBBER BUSHING	1	1	O
23	500833	WASHER CON 25.5x60.0x2.5 ZP	4	4	
NS	5001153	WASHER CON 25.5x50.0x4.5 ZP	4	4	
24	131424	PIN W/TAPER ATTACHMENT M20-2.5	4	4	
25	611302	SPINDLE / WITH MODEL "G.K.N." (TS8U UNITISED) To 8-9278	2	2	
25	610640	SPINDLE / WITH MODEL "G.K.N." (TS8U UNITISED) W/ABS HOLE From 8-9279	2	2	
. NS	610641	. BUSHING ABS SENSOR MOUNTING TAG AXLE From 8-9279	1	1	
26	611048	STUD / M16-2.0 x 60MM	8	8	
27	502588	NUT HEX M16-2.0 ZP	8	8	
NS	502884	WASHER LO SPT 16.2x27.4x3.5 N500	8	8	
28	121203	SHIM / CAMBER ADJUSTMENT 0.117 DEGRES / SPINDLE & AXLE	AR	AR	
NS	121240	SHIM / CAMBER ADJUSTMENT 0.250 DEGRES / SPINDLE & AXLE	AR	AR	
29	500813	SCREW CAP HEX M16-2.0x35 G8.8 ZP	4	4	



From 8-9279 To A-9952 Date:10/2022 PAGE:MTH-1615-00

TAG AXLE - INSTALL SUSPENSION

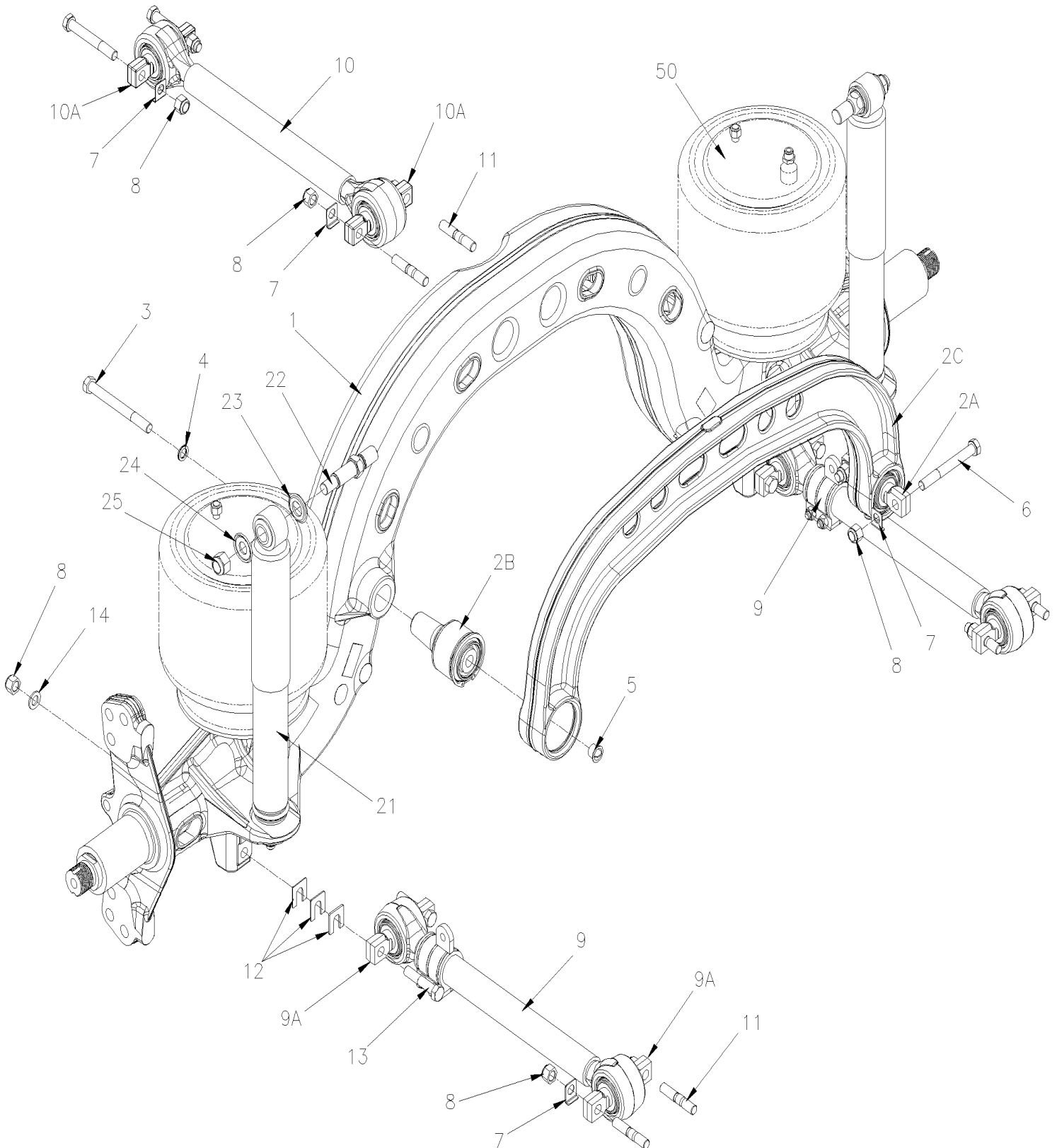
Item#	Part	Description	X L I I M T H 4 5	X L I I M T H 4 5 E	N O T E S
30	5001370	SCREW CAP HEX M16-2.0x180 G10.9 G500	2	2	
31	131784	ATTACHMENT	1	1	
32	955385	SCREW CAP HEX M20-2.5x45 G8.8 ZP	2	2	
33	5001252	NUT HEX STO M20-2.5 DP	2	2	
40	130940	ATTACHMENT KIT	AR	AR	
40	130846	. ATTACHMENT ASSY W/STUD	1	1	
41	130760	. . STUD 2 3/4" X 1 1/4-12 BOTH END	1	1	
42	131158	. TAB LOCK / W/1 HOLE 1.265" I.D.	1	1	
43	500280	. NUT HEX 1 1/4-12x1 1/16 ZP	1	1	
44	500725	NUT HEX STO 5/8-18 Z050	2	2	
45	500880	SCREW CAP HEX 5/8-18x1 3/4 G5 ZP	2	2	
50	MTH-1601-00	BELLOWS - AIR SUSPENSION			
		O) OPTION			
		R) REFERENCE NUMBER PRODUCTION USE ONLY			
		W) IF NEED, USE BETWEEN BUSHING ROD SUPPORT			

From A-9953 To B-9999

Date:10/2022

PAGE:MTH-1615-01

TAG AXLE - INSTALL SUSPENSION ONE PIECE





From A-9953 To B-9999 Date:10/2022 PAGE:MTH-1615-01

TAG AXLE - INSTALL SUSPENSION ONE PIECE

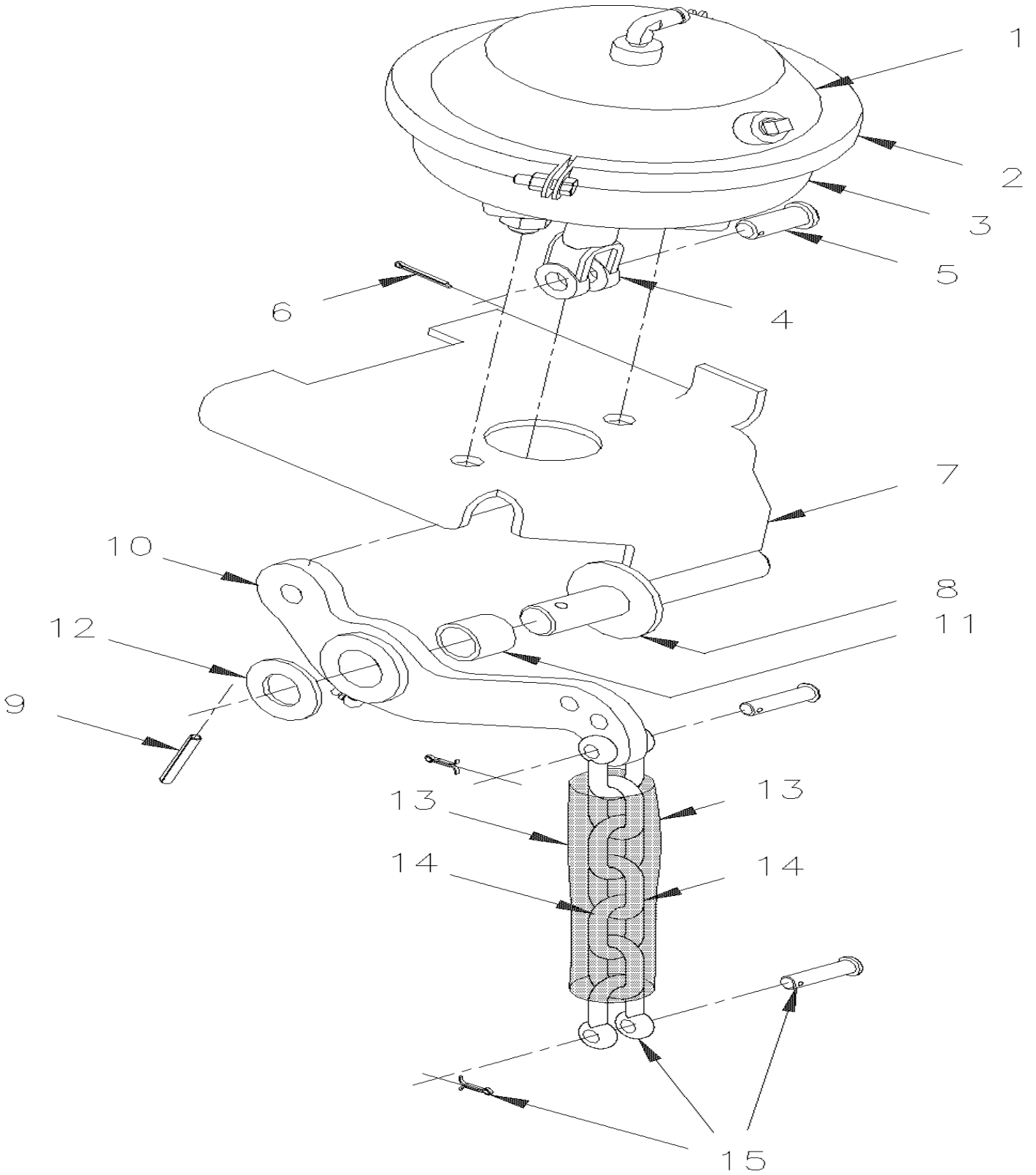
Item#	Part	Description	X L I I M T H 4 5	X L I I M T H 4 5 E	N O T E S
1	621808	TAG AXLE / FORGE	1	1	
2	630272	ROD ASSY WITH / 35" C/C (889MM) / CASTING	1	1	
. A	630274	. BALL PIN BUSHING / REPAIR KIT 75MM O.D. / 130MM C/C	1	1	
. B	630275	. BALL PIN BUSHING / REPAIR KIT 85MM O.D.	1	1	
. C	630273	. ROD 35" C/C (889MM) / CASTING	1	1	
NS	G32952	TOOL REMOVER TAG PANHARD FROM AXLE	1	1	
3	5001795	SCREW CAP HEX M16-1.5x160 G10.9 N500	1	1	
4	630278	WASHER "NORD-LOCK" 17.0x25.4x3.4 YP	1	1	
5	621832	PULL PLUG DIA. 23MM	1	1	
6	5001828	SCREW CAP HEX M16-2.0x140 G10.9 N500	2	2	
7	131961	TAB LOCK From B-5017	10	10	
8	5001662	NUT HEX NYRT M16-2.0 G10 Z050	14	14	
9	621803	ROD ASSY / 23.38" (594.1MM) / 130MM / M16	2	2	
. A	630274	. BALL PIN BUSHING / REPAIR KIT 75MM O.D. / 130MM C/C	2	2	
10	621806	ROD ASSY / 23.38" (594.1MM) / 130MM / M16	1	1	
. A	630274	. BALL PIN BUSHING / REPAIR KIT 75MM O.D. / 130MM C/C	2	2	
11	621795	STUD M16-2.0x72 MM ZP To B-5016	6	6	
11	5001867	STUD M16-2.0x60 G10.9 N500 From B-5017	6	6	
12	661220	SHIM "U" 0.79 x39.5MM x 38MM x17 i.d.	AR	AR	
12	621830	SHIM "U" 1.59 x 39.5MM x 38MM x17 i.d.	AR	AR	
12	161352	SHIM "U" 2.28 x39.5MM x 38MM x17 i.d.	AR	AR	
12	621831	SHIM "U" 3.175 x39.5MM x 38MM x17 i.d.	AR	AR	
13	5001830	SCREW CAP HEX M16-2.0x80 G10.9 N500	4	4	
14	5001722	WASHER FL 17.0x30.0x3.0 SS	4	4	
15	5001827	SCREW CAP HEX M16-2.0x120 G10.9 N500	2	2	
21	630271	SHOCK ABSORBER / SACHS	2	2	
. NS	630257	. BUSHING / RUBBER / (TWO PIECES) 1" x 1.005" I.D.	2	2	
. NS	630255	. KIT WASHER & RUBBER BUSHING	1	1	
22	131424	PIN W/TAPER ATTACHMENT M20-2.5	1	1	
23	5001153	WASHER CON 25.5x50.0x4.5 ZP	2	2	
24	5001152	WASHER CON 21.0x50.0x4.5 ZP	2	2	
25	5001663	NUT HEX NYRT M20-2.5 G10 Z050	2	2	
50	MTH-1601-00	BELLOWS - AIR SUSPENSION			

From 8-9279 To B-9999

Date:10/2022

PAGE:MTH-1615-10

TAG AXLE - LIFTING





From 8-9279 To B-9999	Date:10/2022	PAGE:MTH-1615-10
------------------------------	---------------------	-------------------------

TAG AXLE - LIFTING

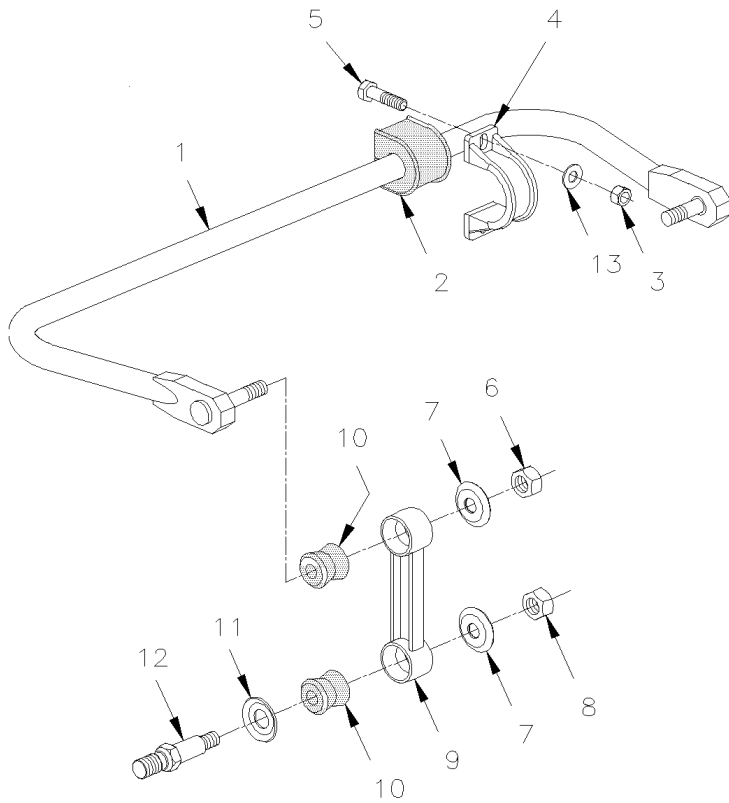
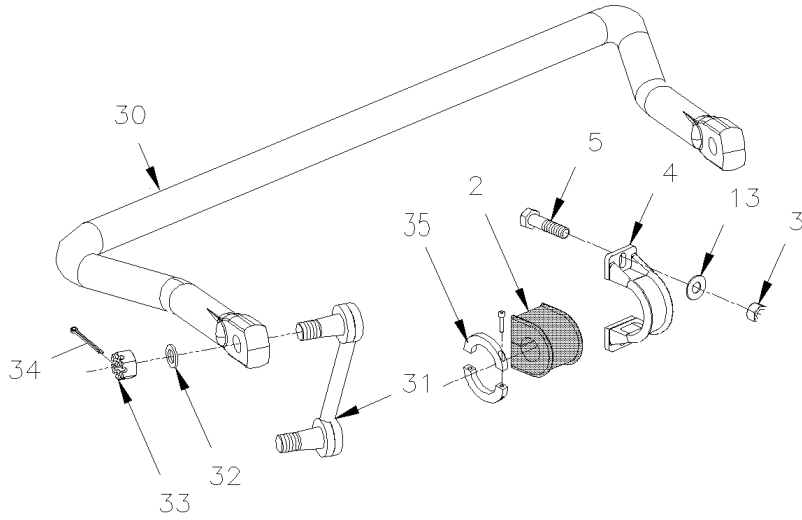
Item#	Part	Description	X L I I M T H 4 5	X L I I M T H 4 5 E	N O T E S
1	641425	BRAKE CHAMBER ASSY / TYPE 36	2	2	
2	641067	. CLAMP TYPE 36	1	1	
3	640979	. DIAPHRAGM / TYPE 36	1	1	
3	641066	. BOOT RUBBER	1	1	
4	640130	. YOKE 5/8-18x1 3/8 C/Lx9/16Wx5/8	1	1	
5	502028	. . PIN, CLEVIS 5/8 x 3/4	1	1	
6	502102	. . PIN, COTTER 1/8 x 1	1	1	
NS	641426	. SHIELD, ROD CENTER HOLE	1	1	
7	172277P	BRACKET / R.H.	1	1	
7	173154P	BRACKET / R.H. To A-9952	1	1	
7	175005	BRACKET / R.H. From A-9953	1	1	
7	172278P	BRACKET / L.H.	1	1	
7	173155P	BRACKET / L.H. To A-9952	1	1	
7	175006	BRACKET / L.H. From A-9953	1	1	
8	121590	. PIN SS / WELDED	1	1	
9	502106	PIN, COTTER 1/4 x 2	1	1	
10	131701	LEVER ASSY	2	2	
11	131699	. BUSHING BRASS / W/GROOVE INSIDE 31.94 O.D. x 25.5 I.D. x 25.4	1	1	
12	500456	WASHER FL 1.062x2.000x.134 Z050	1	1	
13	121123	TUBE COVERING CHAIN 290MM	1	1	
. NS	5001503	. TUBE, PVC / CLEAR / 1 1/2" I.D./ S.L.	AR	AR	
14	121122	CHAIN / 340MM To 9-9592	1		
14	121807	CABLE LINK ASSY 302MM To 9-9592		1	
14	121834	CHAIN / 307MM From 9-9593 To A-9952		1	
14	121913	CHAIN / 340MM From A-9953		1	
15	505064	SHACKLE CHAIN 3/8	2	2	

From 8-9279 To B-9999

Date:10/2022

PAGE:MTH-1616-00

SWAY BAR





From 8-9279 To B-9999	Date:10/2022	PAGE:MTH-1616-00
SWAY BAR		

Item#	Part	Description	X L I I M T H 4 5	X L I I M T H 4 5 E	N O T E S
1	131019	SWAY BAR ASSY / 1 1/2" O.D. X 848MM	1	1	R
NS	131520	. STUD 1 1/4" O.D.	2	2	R
2	630020	BUSHING / RUBBER / USE WITH SWAY BAR 1 3/4"	4	4	
2	130953	BUSHING / RUBBER / USE WITH SWAY BAR 1 1/2"	4	4	
3	500811	NUT HEX STO M12-1.75 G500	8	8	
4	630145	COLLAR / IRON / 2x.472" HOLE 4 5/8 C/C	4	4	
5	500806	SCREW CAP HEX M12-1.75X35 G10.9 G500	8	8	
6	500809	NUT HEX STO M20-2.5 N500	2	2	
7	5001152	WASHER CON 21.0x50.0x4.5 ZP	4	4	
8	500809	NUT HEX STO M20-2.5 N500	2	2	
9	630146	LINK ASSY / 7" C/C / IRON	1	1	
10	506678	BUSHING / POLYURETHANE / (TWO PIECES) RED 1" x 1.005" I.D.	8	8	
11	5001153	WASHER CON 25.5x50.0x4.5 ZP	4	4	
12	131522	PIN W/TAPER ATTACHMENT M20-2.5 / SWAY-BAR	2	2	B
13	500011	WASHER FL / HARDENED 13.0x24.0x3.0 STL	4	4	
30	131755	SWAY BAR 1 3/4" O.D. 1175MM // W/58 Deg	1	1	
31	630246	LINK ASSY / 150MM C/C / W/18000LBS	2	2	
32	502558	WASHER FL 21.0x37.0x3.0 G500	4	4	
33	5001553	NUT HEX CSL M20-1.5 N500	4	4	
34	502104	PIN, COTTER 5/32 x 2	4	4	
35	563042	COLLAR 1 3/4" I.D.	2	2	D
NS	MI03-12	SEE MAINTENANCE INFORMATION	1	1	
NS	MI03-13	SEE MAINTENANCE INFORMATION	1	1	
		B) THIS PIN IS 3MM SHORTER ON BUSHING SIDE AND BLACK PAINTED FOR EASY IDENTIFICATION			
		D) SIDE OF RUBBER BUSHING WITH ITEM # 30 INDEPENDENT SUSPENSION			
		R) REAR SUSPENSION			

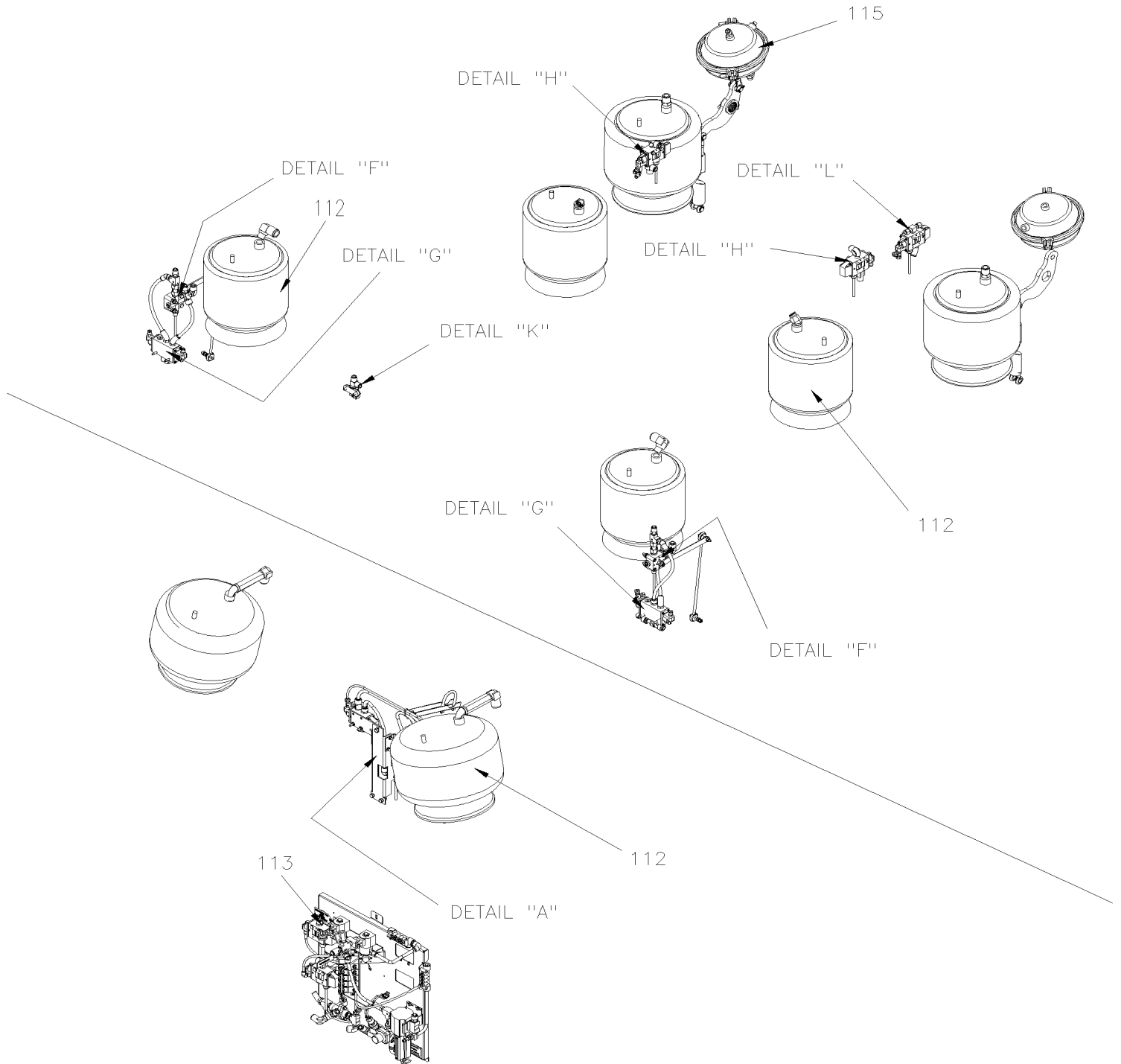
From 8-9279 To B-9999

Date:10/2022

PAGE:MTH-1620-50

HEIGHT CONTROL VALVE - MTH

REAR AND TAG AXLE



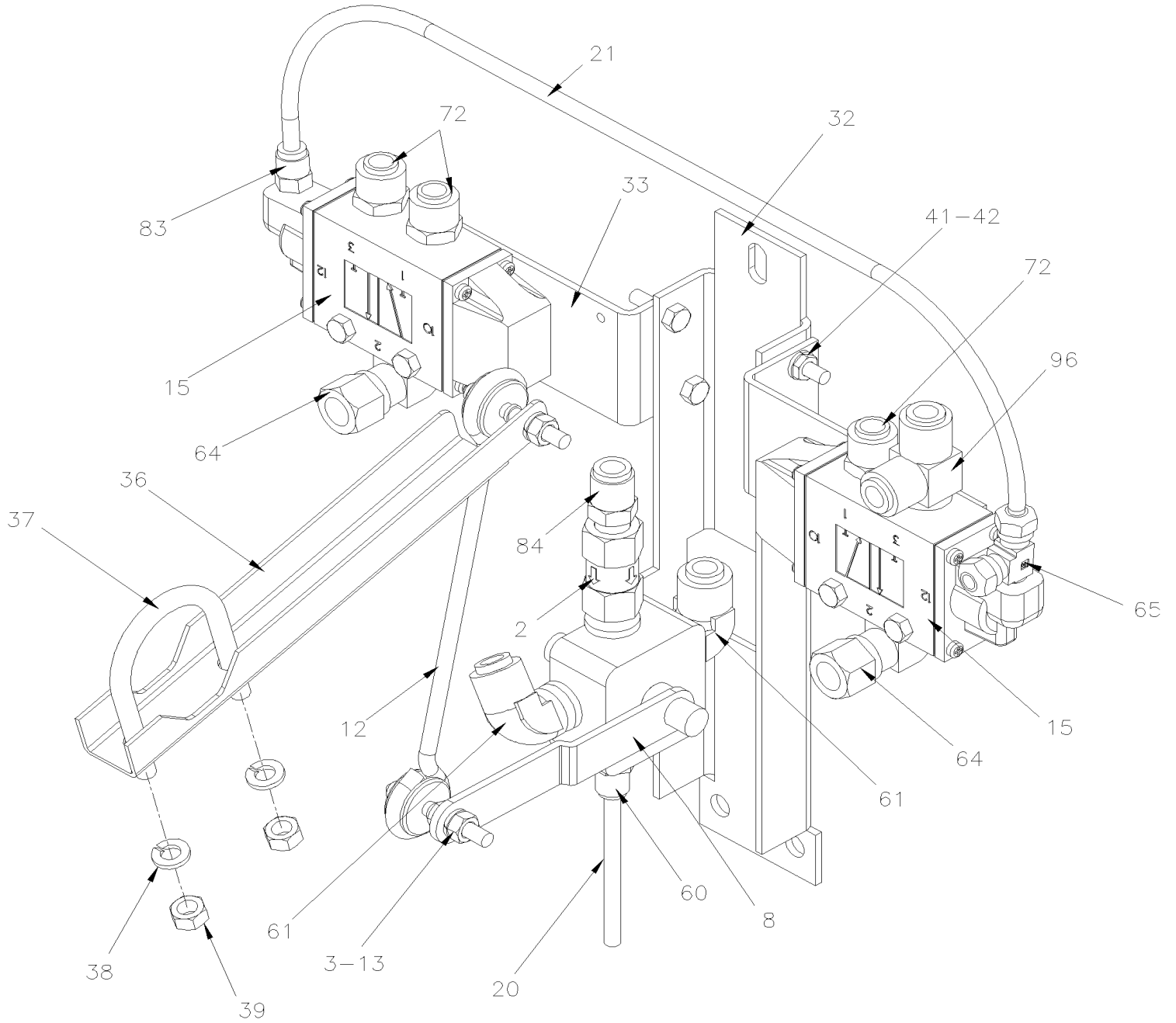
INDEPENDANT SUSPENSION

From 8-9279 To B-9999

Date:10/2022

PAGE:MTH-1620-50

HEIGHT CONTROL VALVE - MTH



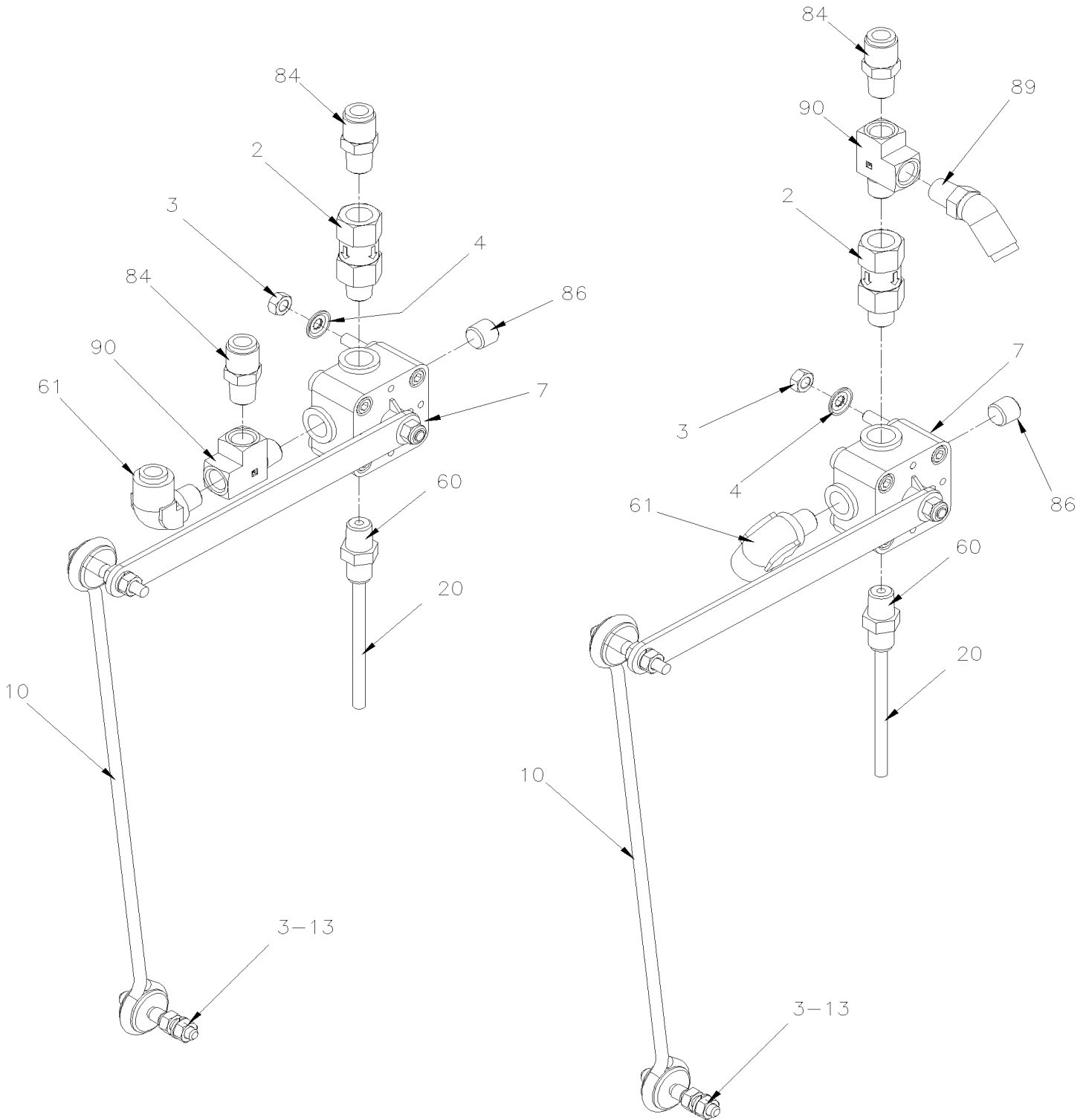
DETAIL "A"

From 8-9279 To B-9999

Date:10/2022

PAGE:MTH-1620-50

HEIGHT CONTROL VALVE - MTH



WITHOUT "LEVEL LOW"

DETAIL "F"

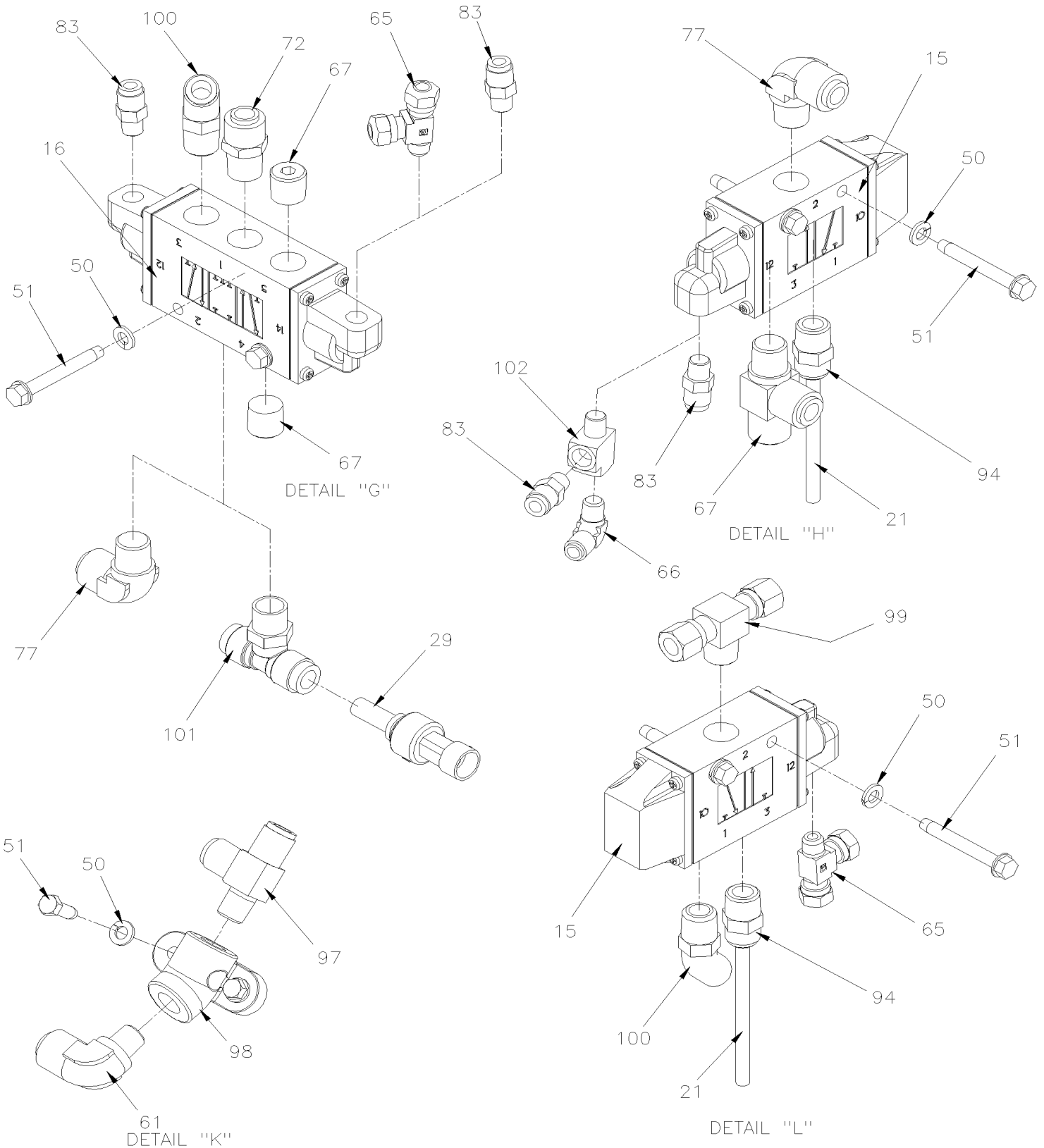
WITH "LEVEL LOW"

From 8-9279 To B-9999

Date:10/2022

PAGE:MTH-1620-50

HEIGHT CONTROL VALVE - MTH





From 8-9279 To B-9999		Date:10/2022	PAGE:MTH-1620-50
HEIGHT CONTROL VALVE - MTH			

Item#	Part	Description	X L I I M T H 4 5	X L I I M T H 4 5 E	N O T E S
2	640135	VALVE, CHECK 1/4 NPT	1	1	
3	500769	NUT HEX 1/4-20 Z050	2	2	
4	502582	WASHER LO SERR 6.1x16.2x0.9 Z050	2	2	
7	630156	VALVE, HEIGHT CONTROL "BARKSDALE"	2	2	
8	630237	VALVE, HEIGHT CONTROL "BARKSDALE" / FRONT	1	1	
10	630229	LINK ASSY 344MM C/C 13 1/2"	2	2	
. A	N8889244	. GROMMET / LINK	2	2	
. C	630250	. STUD RETAINER 1/4-20 X 1"	2	2	
. NS	500769	. NUT HEX 1/4-20 Z050	4	4	
. NS	500473	. WASHER LO SPT .262x.489x.062 Z050	4	4	
12	630231	LINK ASSY 185MM C/C 7 1/4"	1	1	
. A	N8889244	. GROMMET / LINK	2	2	
. B	630250	. STUD RETAINER 1/4-20 X 1"	2	2	
. C	500247	. NUT HEX 1/4-20 N500	4	4	
. D	500473	. WASHER LO SPT .262x.489x.062 Z050	4	4	
13	630250	STUD RETAINER 1/4-20 X 1"	2	2	
15	641274	VALVE, 3 WAYS, 2 POSITIONS N.C.	2	2	
16	641531	VALVE, 5 WAYS, 3 POSITIONS	2	2	
. NS	641186	. SPOOL	1	1	
20	503402	TUBE, NYLON 1/4 O.D. / BLACK S.L.	AR	AR	
21	503517	TUBE, NYLON 1/2 O.D. / BLUE S.L.	AR	AR	
29	642075	TRANSDUCER PRESSURE	1	1	
. NS	563159	. CONNECTOR / METRI-PACK 150 / SH 3C / PED 12065287	1	1	
32	131468	SUPPORT HEIGHT CONTROL VALVE	1	1	
33	131319	SUPPORT VALVE	2	2	
36	110679	ACTUATOR LEVER	1	1	
37	504635	U-BOLT 1 3/4" I.D. x 2 3/4" x 5/16-18	1	1	
38	500476	WASHER LO SPT .317x.586x.078 Z050	2	2	
39	500778	NUT HEX 5/16-18 N500	2	2	
40	502656	SCREW CAP HEX M6-1.0x50 SS	4	4	
41	502570	WASHER LO SPT 6.1x11.8x1.6 SS	8	8	
42	502565	NUT HEX M6-1.0 SS	8	8	
44	500600	SCREW TC CAP HEXW 1/4-20x2 N500	AR	AR	
45	5001749	WASHER LO SPT 6.5x11.5x1.6 N500	AR	AR	
46	502622	SCREW CAP HEX M6-1.0x20 SS BK	4	4	
50	500473	WASHER LO SPT .262x.489x.062 Z050	AR	AR	
50	500440	WASHER FL .250x.562x.065 Z050	AR	AR	
51	500923	SCREW TC CAP HEX 1/4-20x3/4 Z050	AR	AR	
51	500625	SCREW TC CAP HEXW 1/4-20x2 Z050	AR	AR	
60	641332	MALE CONNECTOR / PUSH-IN FITTING / #4x1/4NPT-M BR	1	1	
61	641372	MALE ELBOW 90° NON-SWIVEL / PUSH-IN FITTING / #6x1/4NPT-M BR	1	1	



From 8-9279 To B-9999		Date:10/2022	PAGE:MTH-1620-50
HEIGHT CONTROL VALVE - MTH			

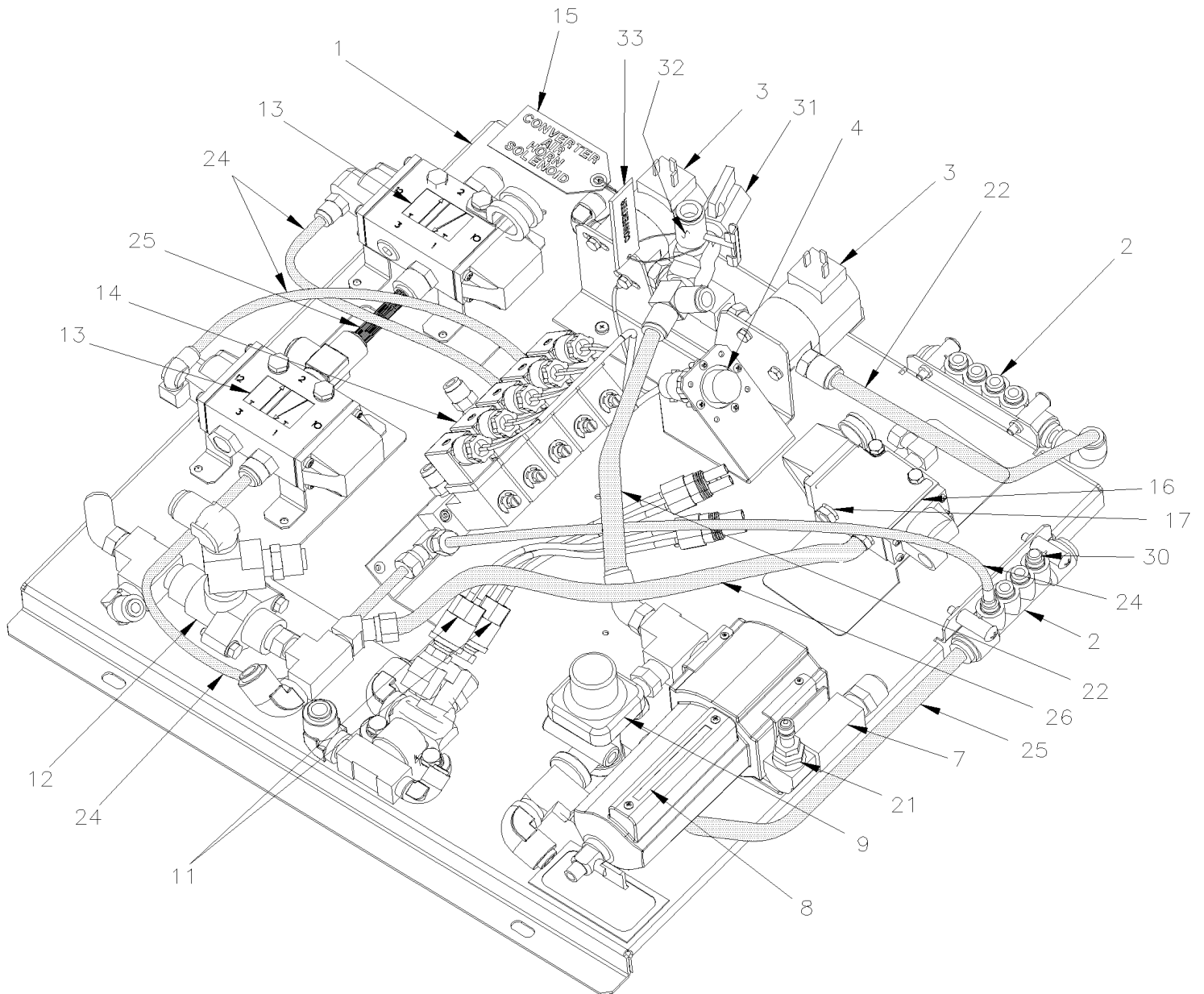
Item#	Part	Description	X L I I M T H 4 5	X L I I M T H 4 5 E	N O T E S
62	641373	MALE ELBOW 90° NON-SWIVEL / PUSH-IN FITTING / #8x1/4NPT-M BR	2	2	
64	641040	MALE ELBOW 90° / NTA FITTING / #8x3/8NPT-M BR	2	2	
65	641002	MALE RUN TEE / NTA FITTING / #4x#4x1/8NPT-M BR	1	1	
66	641369	MALE ELBOW 90° NON-SWIVEL / PUSH-IN FITTING / #4x1/8NPT-M BR	2	2	
67	501449	PLUG HEXS / PIPE FITTING / 3/8NPT-M STL	2	2	
68	501309	ADAPTER / PIPE FITTING / 3/8NPT-Fx3/8NPT-M BR	1	1	
69	641374	MALE ELBOW 90° NON-SWIVEL / PUSH-IN FITTING / #4x3/8NPT-M BR	1	1	
71	501699	MALE RUN TEE / PIPE FITTING / 3/8NPT-Mx3/8NPT-Fx3/8NPT-F BR	1	1	
72	641330	MALE CONNECTOR / PUSH-IN FITTING / #6x3/8NPT-M BR	3	3	
77	641375	MALE ELBOW 90° NON-SWIVEL / PUSH-IN FITTING / #6x3/8NPT-M BR	1	1	
83	641242	MALE CONNECTOR / PUSH-IN FITTING / #4x1/8NPT-M BR	1	1	
84	641331	MALE CONNECTOR / PUSH-IN FITTING / #6x1/4NPT-M BR	1	1	
86	501800	PLUG HEXS / PIPE FITTING / 1/4NPT-M STL	2	2	
88	642128	MALE ELBOW 90° SWIVEL DUAL PORT / PUSH-IN / #6x#6x3/8NPT-M BR	1	1	
90	501338	MALE RUN TEE / PIPE FITTING / 1/4NPT-Mx1/4NPT-Fx1/4NPT-F BR	1	1	
92	501304	PLUG SQUARE HEAD / PIPE FITTING / 1/4NPT-M BR To A-9968	1	1	
92	501800	PLUG HEXS / PIPE FITTING / 1/4NPT-M STL From A-9969	1	1	
94	641347	MALE CONNECTOR / PUSH-IN FITTING / #4x3/8NPT-M BR	1	1	
96	641388	MALE RUN TEE NON-SWIVEL / PUSH-IN FITTING / #6x#6x3/8NPT-M BR	1	1	
97	641389	MALE RUN TEE SWIVEL / PUSH-IN FITTING / #6x#6x1/4NPT-M BR	1	1	
98	640643	ANCHOR ELBOW / PIPE FITTING / 1/4NPT-Fx1/4NPT-F STL	1	1	
99	641008	MALE BRANCH TEE / NTA FITTING / #6x#6x3/8NPT-M BR	1	1	
100	641367	MALE ELBOW 45° NON-SWIVEL / PUSH-IN FITTING / #6x3/8NPT-M BR	2	2	
101	642090	MALE BRANCH TEE / PUSH-IN FITTING / #6x#6x1/4NPT-M COMPOSITE	1	1	
102	501653	MALE RUN TEE / PIPE FITTING / 1/8NPT-Mx1/8NPT-Fx1/8NPT-F BR	1	1	
103	642127	MALE ELBOW 90° SWIVEL DUAL PORT / PUSH-IN / #4x#4x1/8NPT-M BR	1	1	
112	MTH-1601-00	BELLOWS - AIR SUSPENSION			
113	MTH-1640-50	LEVEL-LOW - CONTROL PANEL & VALVES			
115	MTH-1615-10	TAG AXLE - LIFTING			
116	MI07-06	SEE MAINTENANCE INFORMATION			

From 8-9279 To B-9999

Date:10/2022

PAGE:MTH-1640-50

LEVEL-LOW - CONTROL PANEL & VALVES





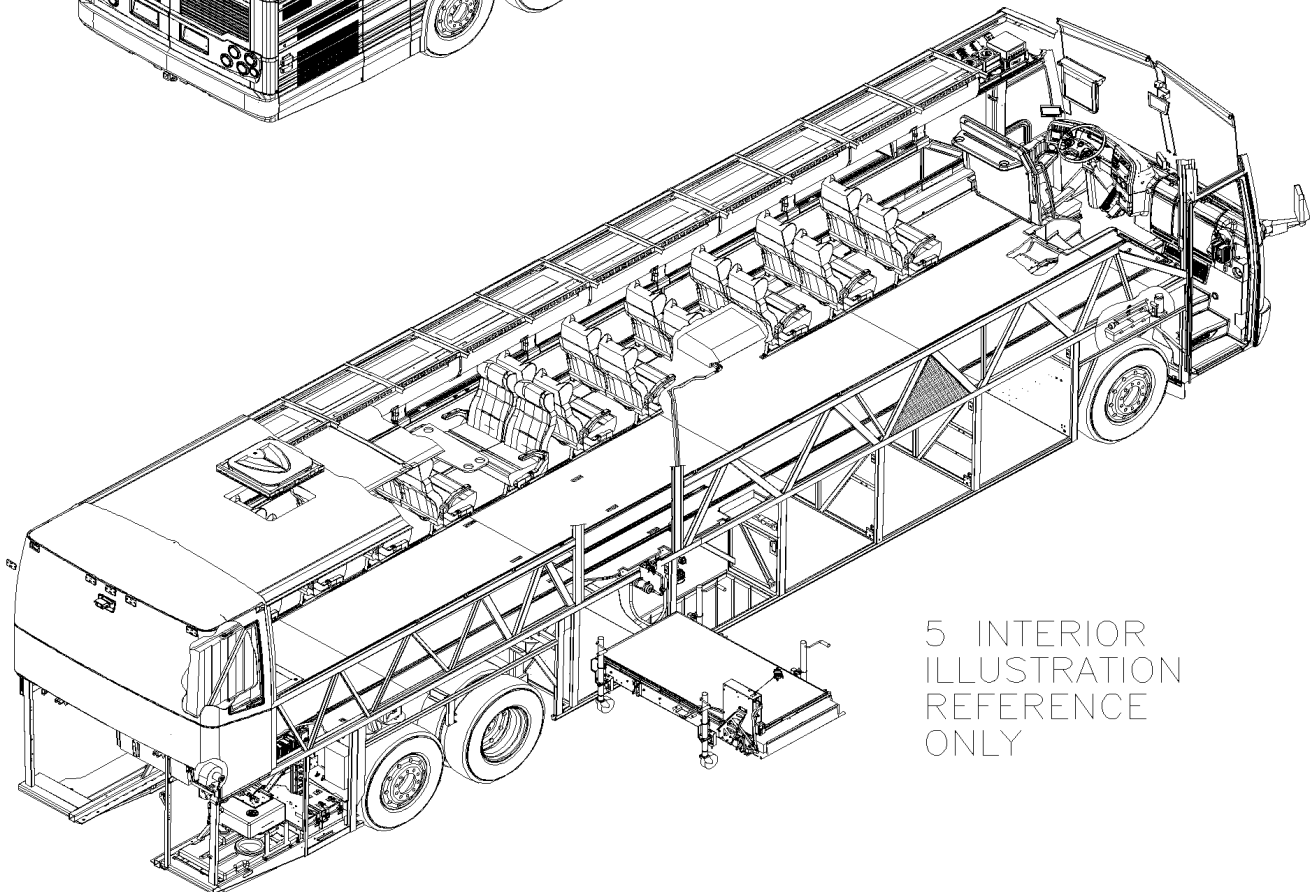
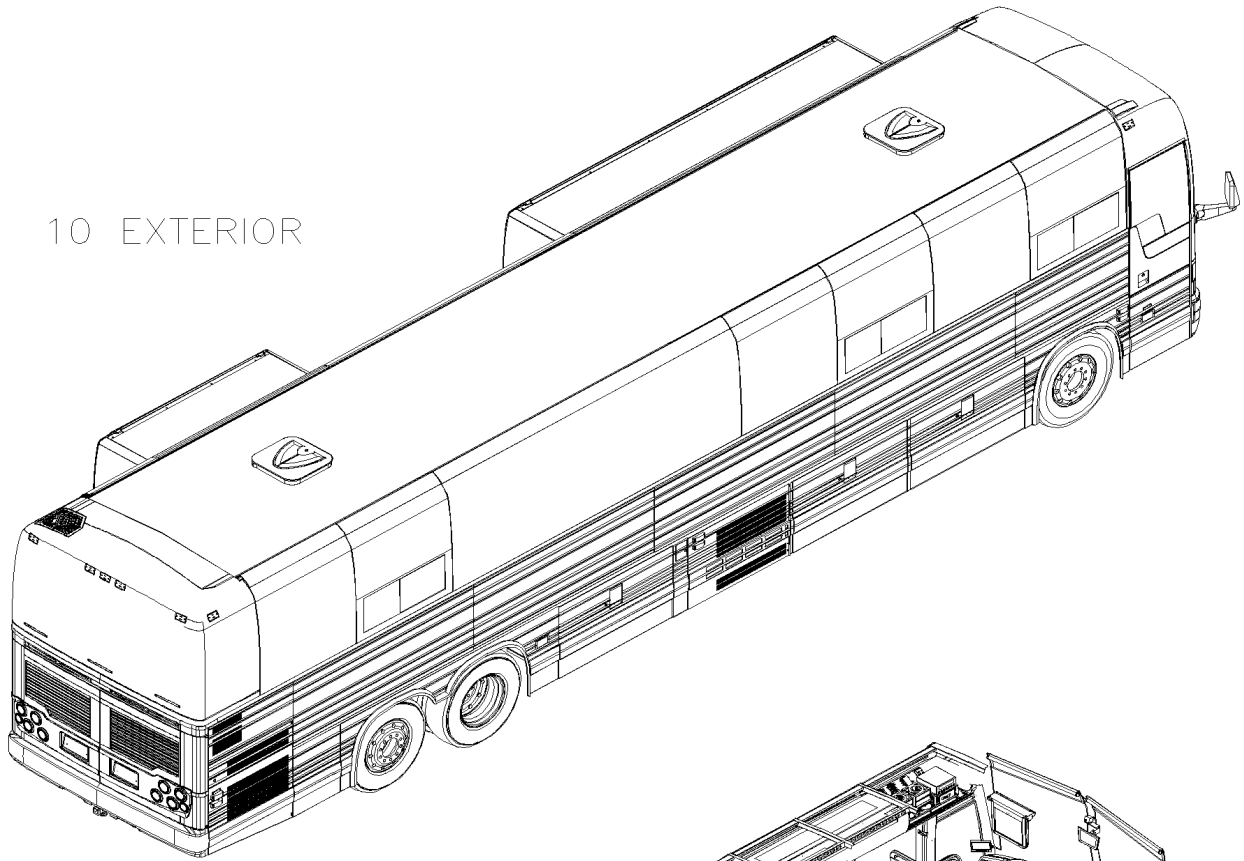
From 8-9279 To B-9999	Date:10/2022	PAGE:MTH-1640-50
LEVEL-LOW - CONTROL PANEL & VALVES		

Item#	Part	Description	X L I I M T H 4 5	X L I I M T H 4 5 E	N O T E S
1	142366	VALVE SUPPORT ASSY	1	1	
2	641897	MANIFOLD / PUSH-IN FITTING / 2x#6 / 4x#4 PLAS	2	2	
NS	500574	SCREW MA TR PH #10-24x1 1/4 SS	4	4	
3	562804	VALVE, 2 WAYS N.C.	2	2	
. NS	562848	. CONNECTOR / SOCKET HOUSING ASSY 3C / PNEUMAC 54933-05	1	1	
4	065429	CABLE ASSY / VALVE "LEVEL-LOW"	1	1	
7	641371	MALE ELBOW 90° NON-SWIVEL / PUSH-IN FITTING / #4x1/4NPT-M BR	1	1	
8	MTH-1220-15	AIR FILTER - ACCESSORIES			
NS	140227	DECAL / ACC AIR FILTER DRAIN / ENGLISH & FRANCAIS	1	1	
NS	142368	DECAL / ACC AIR FILTER DRAIN / ENGLISH & SPANISH	1	1	
9	641137	VALVE, PRESSURE PROTECTION TYPE PR-4 70PSI	1	1	
11	287234	PRESSURE SWITCH N.C. 30-10 20PS001AB030E010E	2	2	
12	641564	VALVE, DOUBLE CHECK DC-4	1	1	
13	641274	VALVE, 3 WAYS, 2 POSITIONS N.C.	2	2	
14	641205	MANIFOLD VALVE / W/5 SOLENOID	1	1	
. NS	641928	. KIT, MANIFOLD REPAIR / N.C.	5	5	
. NS	641107	. COIL 24V	5	5	
15	142042	PLATE CONVERTER AIR HORN SOLENOID	1	1	
16	641528	VALVE, 3 WAYS, 2 POSITIONS N.O.	1	1	
. NS	641929	. COIL 24V	1	1	
. NS	641169	. SPOOL	1	1	
. NS	641385	. CONNECTOR / SOCKET HOUSING ASSY 3C / PNEUMAC 54934-01	1	1	
17	641934	SILENCER / MUFFLER / 3/8NPT-M	1	1	
21	640488	VALVE, AIR FILL 1/8" NPT	1	1	
. NS	650164	. CAP VALVE / CHROME	1	1	
22	503404	TUBE, NYLON 3/8 O.D. / BLACK S.L.	AR	AR	
23	503572	CRS TUBE ROUND 60W 4 1/2" O.D. X 1" X 240	AR	AR	
24	503402	TUBE, NYLON 1/4 O.D. / BLACK S.L.	AR	AR	
25	503471	TUBE, NYLON 3/8 O.D. / BLUE S.L.	AR	AR	
26	503470	TUBE, NYLON 3/8 O.D. / YELLOW S.L.	AR	AR	
30	641416	PLUG STEM / PUSH-IN FITTING / #4 PLAS	AR	AR	
30	642146	ECU ABS / W/6 CHANNELS / ADVANCED ESP UNPROGRAMMED / NON-PROGRAMME	AR	AR	
31	641936	BALL VALVE 1/4 NPT M x 1/4 NPT F	1	1	
32	5011129	NEEDLE VALVE 1/4 NPT M x 1/4 NPT F	1	1	
33	391812	IDENTIFICATION PLATE (CONVERTER)	1	1	

Date:10/2022
BODY

MTH-18

10 EXTERIOR



5 INTERIOR
ILLUSTRATION
REFERENCE
ONLY



		Date:10/2022	MTH-18		
BODY					
Item#	Part	Description	X L I I M T H 4 5	X L I I M T H 4 5 E	N O T E S
5	MTH-18-INT	BODY INTERIOR			
10	MTH-18-EXT	BODY EXTERIOR			

Date:10/2022

PAGE:MTH-18-INT

BODY INTERIOR

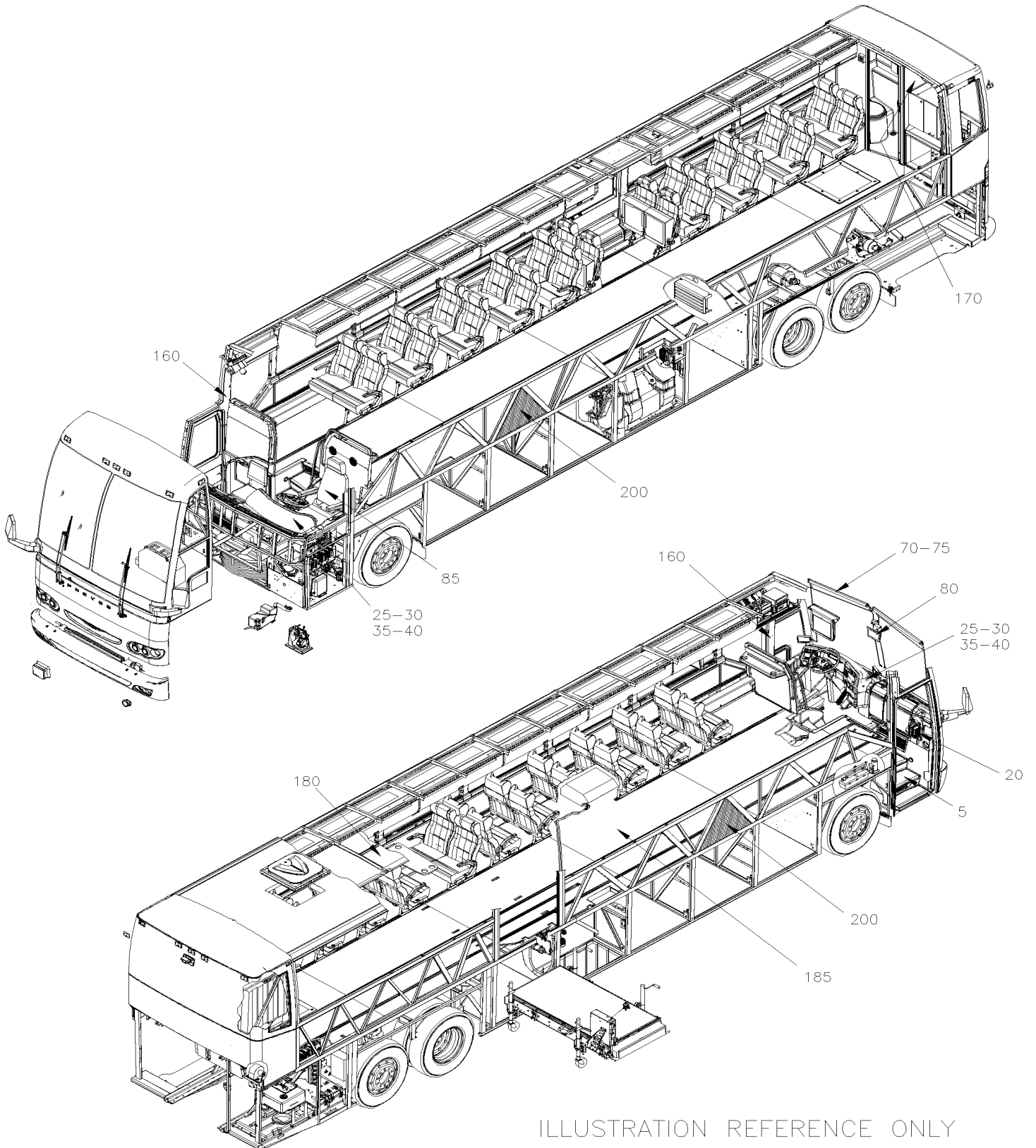


ILLUSTRATION REFERENCE ONLY



Date:10/2022

PAGE:MTH-18-INT

BODY INTERIOR

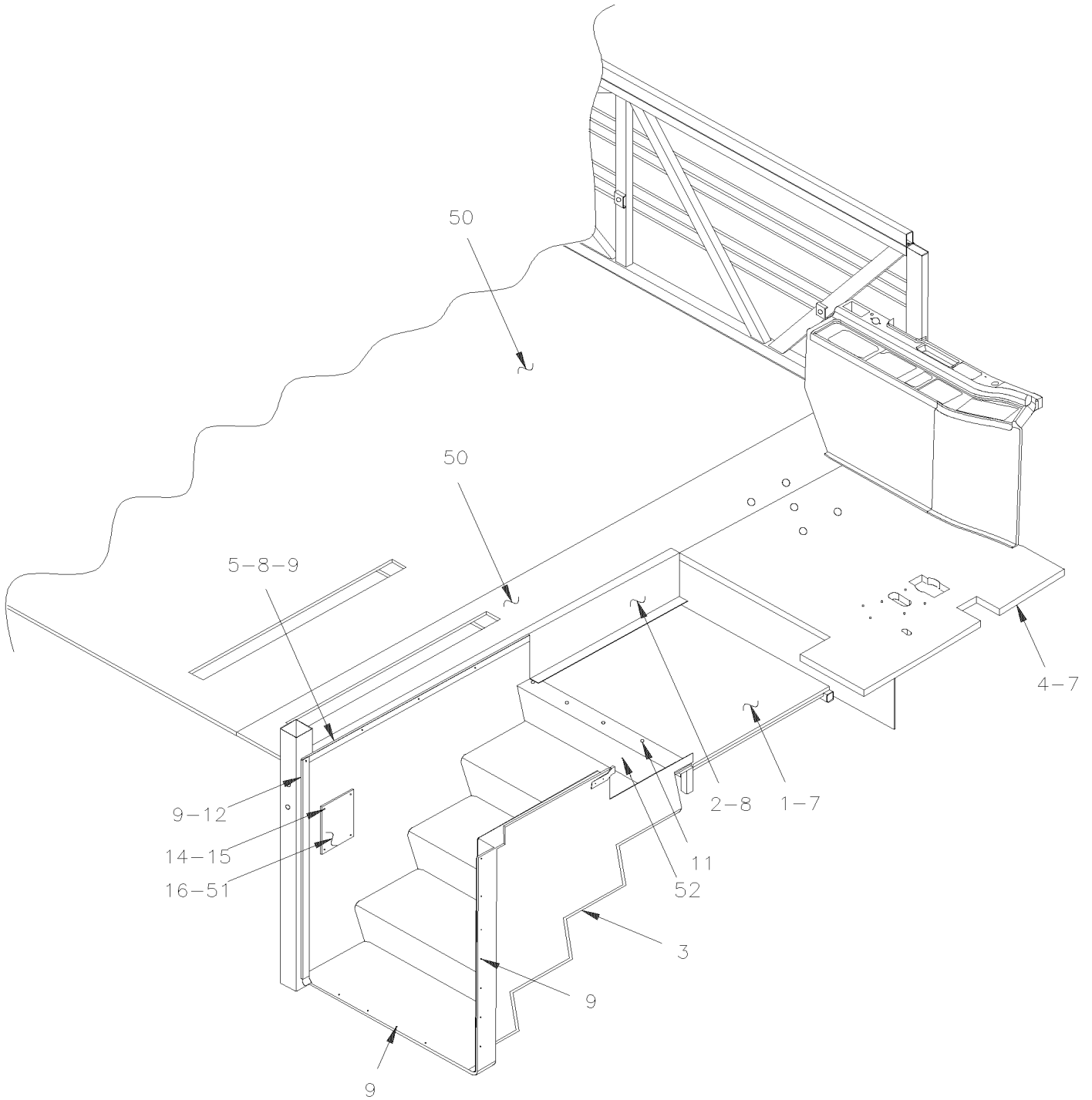
Item#	Part	Description	X L I M T H 4 5	X L I M T H 4 5 E	N O T E S
5	MTH-1800-50	FRONT STEPWELL - MTH From 8-9279 To B-9999			
20	MTH-1804-50	ENTRANCE DOOR - VALVE - MTH From 8-9279 To B-9999			
25	MTH-1806-00	CENTRAL DASHBOARD PANEL From 8-9279 To B-9999			
30	MTH-1806-15	DASHBOARD - ASSY From 8-9279 To B-9999			
35	MTH-1806-20	DASHBOARD PANEL From 8-9279 To B-9999			
40	MTH-1806-50	L.H. CONSOLE - MTH From 8-9279 To B-9999			
70	MTH-1816-00	ROLLER BLIND - DRIVER' S & WINDSHIELD From 8-9279 To B-9999			
70	MTH-1816-05	ROLLER BLIND - WINDSHIELD W/ELECTRICAL From 8-9279 To B-9999			
75	MTH-1817-00	SUN VISOR - "LE MIRAGE" From 8-9279 To B-9999			
80	MTH-1820-00	MIRROR - INTERIOR From 8-9279 To B-9999			
85	MTH-1822-00	DRIVER'S SEAT - "ISRI" - 6800/338 From 8-9279 To B-9999			
85	MTH-1822-10	DRIVER'S SEAT - "ISRI" - 6000/525 From 8-9279 To A-9882			
85	MTH-1822-50	DRIVER'S SEAT - "ISRI" - 6000/525 From 8-9279 To A-9882			
85	MTH-1823-50	DRIVER'S SEAT - "USSC" - 9100ALX3 From 8-9279 To B-9999			
85	MTH-1823-60	SEAT ASSY - "USSC" - 9100ALX3 From 8-9279 To B-9999			
85	MTH-1823-70	SUSPENSION ASSY - "USSC" - 9100ALX3 From 8-9279 To B-9999			
85	MTH-1823-80	BASE ASSY - "USSC" - 9100ALX3 From 8-9279 To B-9999			
160	MTH-1832-50	FRONT FINISHING CAP - MTH From 8-9279 To B-9999			
170	MTH-1834-00	REAR FINISHING CAP From 8-9279 To B-9999			
180	MTH-1837-50	CEILING PANELS & MOULDING - MTH From 8-9279 To B-9999			
185	MTH-1838-51	FLOOR - MTH From 8-9279 To B-9999			
200	MTH-1839-10	INSULATING FLOOR REAR AXLE From 8-9279 To B-9999			
200	MTH-1839-15	INSULATING FRONT - SUBFRAME From 8-9279 To B-9999			
200	MTH-1839-25	INSULATING - REAR DPF FILTER From 8-9279 To B-9999			
200	MTH-1839-30	INSULATING ROOF PANELS From 8-9279 To B-9999			
200	MTH-1839-50	INSULATING SIDE WALL - LOWER PANEL - MTH From 8-9279 To B-9999			
200	MTH-1839-55	INSULATING FRONT - MTH From 8-9279 To B-9999			
200	MTH-1839-60	INSULATING SIDE WALL - UPPER From 8-9279 To B-9999			
200	MTH-1839-70	INSULATING REAR END INSIDE OVER ENGINE From 8-9279 To B-9999			
200	MTH-1839-90	INSULATING - "SLIDE-OUT" From 8-9279 To B-9999			

From 8-9279 To B-9999

Date:10/2022

PAGE:MTH-1800-50

FRONT STEPWELL - MTH





From 8-9279 To B-9999	Date:10/2022	PAGE:MTH-1800-50
-----------------------	--------------	------------------

FRONT STEPWELL - MTH

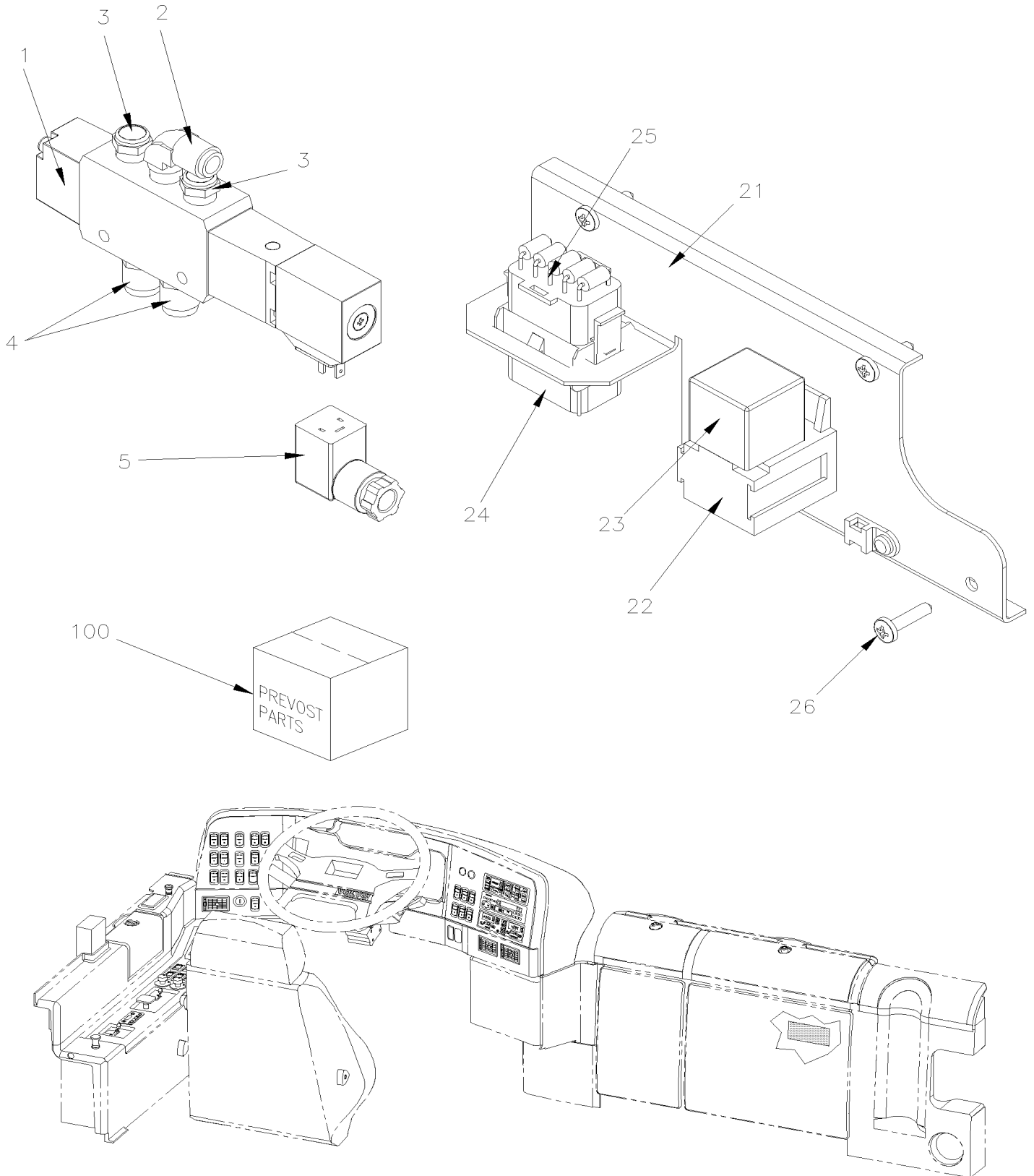
Item#	Part	Description	X L I I M T H 4 5	X L I I M T H 4 5 E	N O T E S
1	326677	STEPWELL FLOOR	1	1	
2	326681	FINISHING PANEL STEPWELL	1	1	
3	326434	STEPWELL MTH	1	1	
4	326459	DRIVER'S FLOOR To A-9872	1	1	
4	3200159	DRIVER'S FLOOR From A-9873	1	1	
5	326679	MOULDING FINISHING	1	1	
7	5001535	SCREW DR WF RO #14x1 3/4 Z050	50	50	
8	500640	SCREW TP PAN PH #6x3/4 Z050	20	20	
9	504339	RIVET POP DOME OE 1/8x3/8 SS	6	6	
NS	680096	SEALANT BUTYL ALUM / GREY / 310ml CARTRIDGE	AR	AR	
11	500844	SCREW TC FL PH #10-32x1 1/4 Z050	6	6	
12	326703	FINISHING MOULDING	1	1	
14	502774	NUT WELL #10-32x.625	4	4	
15	5001042	SCREW MA RND PH #10-32x1 1/4 SS	4	4	
16	327352	CLOSING PANEL	1	1	
52	MTH-2230-00	DEFROSTER - INSTALLATION			

From 8-9279 To B-9999

Date:10/2022

PAGE:MTH-1804-50

ENTRANCE DOOR - VALVE - MTH

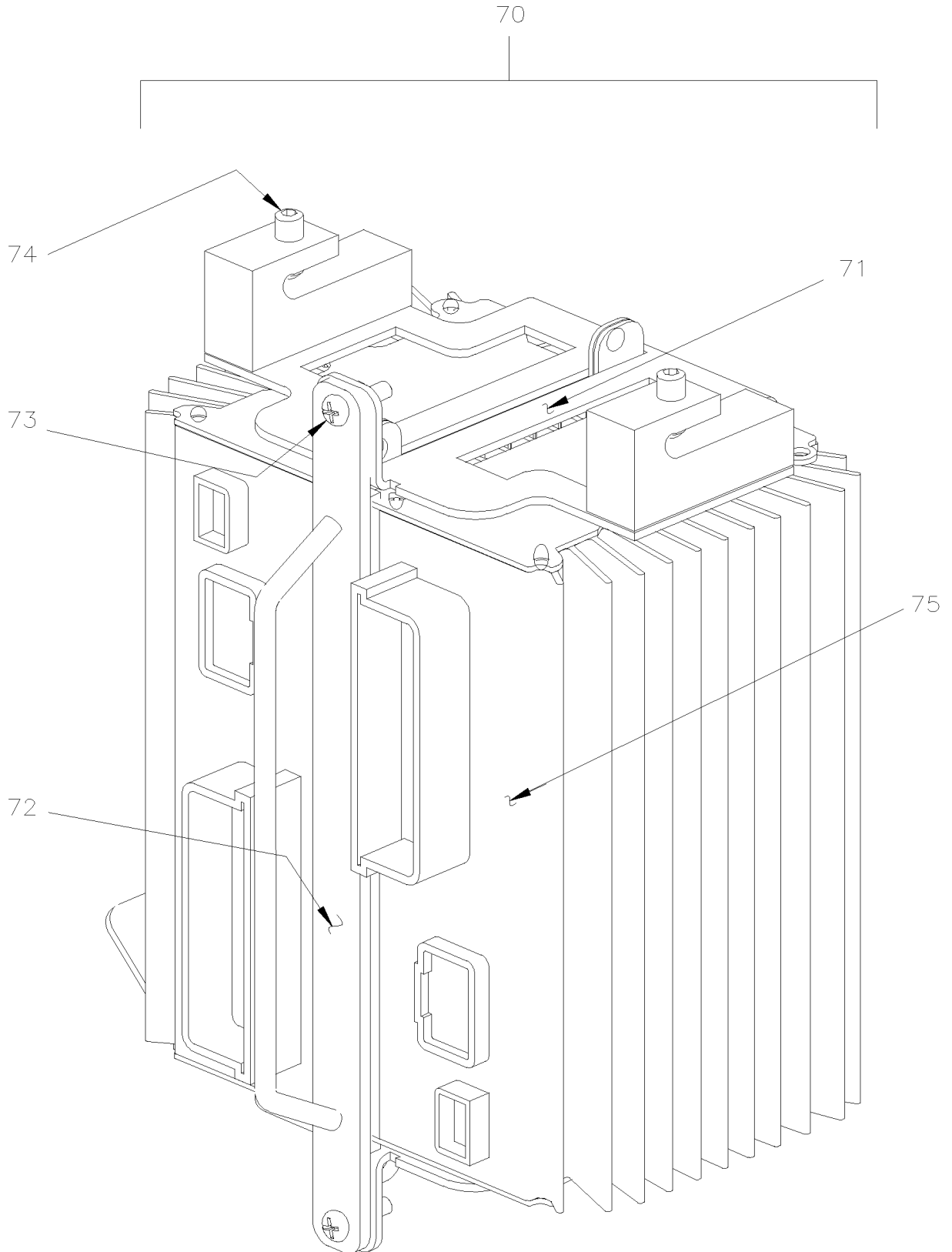


From 8-9279 To B-9999

Date:10/2022

PAGE:MTH-1804-50

ENTRANCE DOOR - VALVE - MTH





From 8-9279 To B-9999	Date:10/2022	PAGE:MTH-1804-50
ENTRANCE DOOR - VALVE - MTH		

Item#	Part	Description	X L I M T H 4 5	X L I M T H 4 5 E	N O T E S
		NOTE: BEFORE CHANGING FORMER I/OB MODULE MODEL #565865			
		IT'S POSSIBLE TO USE SAME MODULE			
		FOUND ELSEWHERE IN THE VEHICLE			
		WITH THIS OPTION WILL NOT HAVE TO CHANGE			
		OLDER SUPPORT #382132 FOR NEW ONE			
1	642023	VALVE, 5 WAYS, 2 POSITIONS 24V / MODEL V19	1	1	
. NS	641385	. CONNECTOR / SOCKET HOUSING ASSY 3C / PNEUMAC 54934-01	1	1	
2	641369	MALE ELBOW 90° NON-SWIVEL / PUSH-IN FITTING / #4x1/8NPT-M BR	1	1	
3	641943	SILENCER / MUFFLER / 1/8NPT-M	2	2	
4	641242	MALE CONNECTOR / PUSH-IN FITTING / #4x1/8NPT-M BR	2	2	
5	563147	CONNECTOR / SOCKET HOUSING ASSY 3C / PNEUTECH C052-09-N-22	1	1	
21	288821	SUPPORT & RELAY ASSY To A-9872	1	1	
21	289652	SUPPORT & RELAY ASSY From A-9873	1	1	
22	561183	RELAY BASE / TAB TERMINAL / BOSCH 3334485008	1	1	
23	563332	RELAY 24V S.P.D.T. W/RESISTOR / "VOLVO" (20374662)	1	1	
24	561987	CONNECTOR / UNIVERSAL MATE-N-LOK / PH 15C / AMP 1-480711-0 / NATURAL	1	1	
25	381145	DIODE ASSY / W/5 3AMPS	1	1	
26	500641	SCREW TP PAN PH #8x3/4 Z050	3	3	
70	Call order desk	I/O B-MODULE VOLVO MULTIPLEX ASSY To 8-9493	1	1	P
70	Call order desk	I/O B-MODULE VOLVO MULTIPLEX ASSY			P
71	382132	. SUPPORT REAR I/O B MODULE To 8-9493	1	1	
71	382398	. SUPPORT REAR I/O B MODULE From 8-9494	1	1	
72	382172	. SUPPORT FRONT I/O B MODULE	1	1	
NS	506228	. TAPE RUB ADH1 CC POL 1/4" x 1/2" x 37.5' / GREY 2520X To 8-9493	AR	AR	
72	5001433	. SCREW CAP HEX M6-1.0x25 SS From 8-9494	1	1	
72	502738	. NUT SPR U M6-1.0 0.6-4.0 From 8-9494	1	1	
73	502698	. SCREW MA PAN PH M4-0.7x16 SS BK	1	1	
74	5001282	. SCREW SET HEXS CUP 1/4-20x5/8	1	1	
75	565865	. I/O B-MODULE VOLVO MULTIPLEX / ALUMINUM To 8-9493	2	2	
. NS	563132	. . CONNECTOR / SH 2C / YAZAKI 7283-6458-40 To 8-9493	1	1	
. NS	563133	. . CONNECTOR / JUNIOR POWER TIMER / SH 29C / AMP 1-963449-2 To 8-9493	1	1	
. NS	562957	. . CONNECTOR / SH 5C / GREEN / JAE IL-AG5-5S-S3C1 To 8-9493	1	1	
75	564075	. I/O B-MODULE VOLVO MULTIPLEX / ALUMINUM From 8-9494	2	2	
. NS	563132	. . CONNECTOR / SH 2C / YAZAKI 7283-6458-40 From 8-9494	1	1	
. NS	563133	. . CONNECTOR / JUNIOR POWER TIMER / SH 29C / AMP 1-963449-2 From 8-9494	1	1	
. NS	562957	. . CONNECTOR / SH 5C / GREEN / JAE IL-AG5-5S-S3C1 From 8-9494	1	1	
75	564193	. I/O B-MODULE VOLVO MULTIPLEX / ALUMINUM	2	2	
. NS	563132	. . CONNECTOR / SH 2C / YAZAKI 7283-6458-40	1	1	
. NS	563133	. . CONNECTOR / JUNIOR POWER TIMER / SH 29C / AMP 1-963449-2	1	1	
. NS	562957	. . CONNECTOR / SH 5C / GREEN / JAE IL-AG5-5S-S3C1	1	1	



From 8-9279 To B-9999	Date:10/2022	PAGE:MTH-1804-50
-----------------------	--------------	------------------

ENTRANCE DOOR - VALVE - MTH

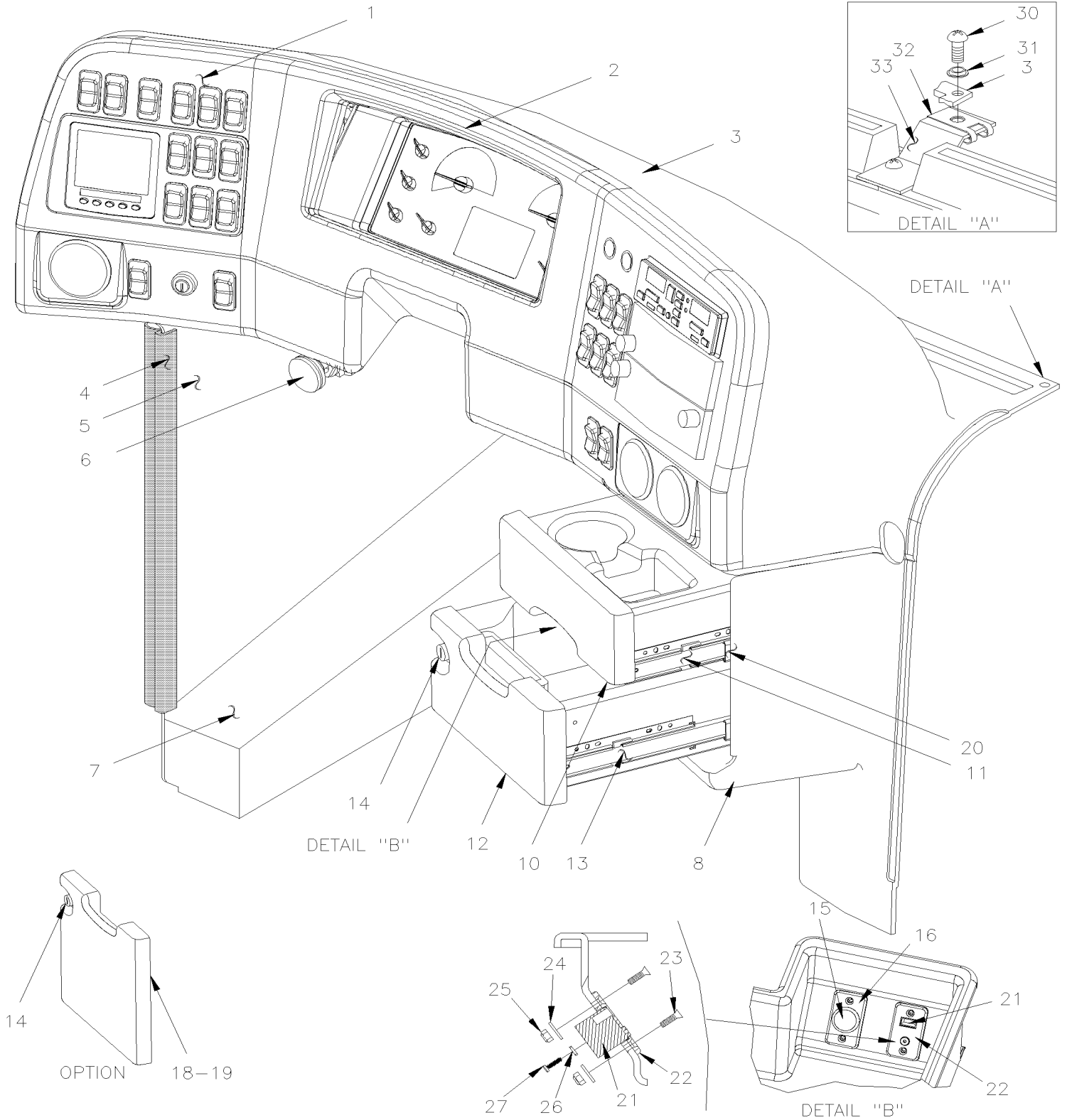
Item#	Part	Description	X L I I M T H 4 5	X L I I M T H 4 5 E	N O T E S
		P) CALL ORDER DESK FOR SPECIFIC APPLICATION (V.I.N.)			

From 8-9279 To B-9999

Date:10/2022

PAGE:MTH-1806-00

CENTRAL DASHBOARD PANEL





From 8-9279 To B-9999	Date:10/2022	PAGE:MTH-1806-00
-----------------------	--------------	------------------

CENTRAL DASHBOARD PANEL

	Item#	Part	Description	X L I I M T H 4 5	X L I I M T H 4 5 E	N O T E S
	1	392243	PANEL / FRONT INSTRUMENTATION To 8-9421	1	1	
	1	392394	PANEL / FRONT INSTRUMENTATION / W/TPMS From 8-9422	1	1	
	2	MTH-0645-10	L.H. DASHBOARD PANEL			
	2	MTH-0645-20	CENTER DASHBOARD PANEL			
	2	MTH-0645-30	R.H. DASHBOARD PANEL			
	3	392027	COVER, DASHBOARD PANEL / MTH	1		C
	3	392179	COVER, DASHBOARD PANEL / MTH 89"		1	A
	3	392144	COVER, DASHBOARD PANEL / MTH 89"		1	
	4	504675	RUBBER EXTRUSION TRIM SEAL / GRIP .040/.070 / 5/8" HOLLOW BULB C.T.L.	AR	AR	
	5	392302	STRUCTURE / L.H. To 8-9421	1	1	C
	5	392387	STRUCTURE / L.H. / W/TPMS From 8-9422	1	1	C
	5	392316	STRUCTURE / L.H. To 8-9421	1	1	A
	5	392388	STRUCTURE / L.H. / W/TPMS From 8-9422	1	1	A
	5	392320	ADAPTOR TO CONVERT UPPER HVAC TO LOWER / "W " SHAPE SS	1	1	V
	NS	562361	PROTECTIVE CAP / HD10 SERIES / 6C / DEUTSCH HDC16-6-BLACK	1	1	F
	NS	562492	TYPE A COUPLING	1	1	F
	NS	562493	CHAIN / C.T.L.	1	1	F
	NS	562494	RING / ATTACHMENT END	1	1	F
	6	641445	VALVE, 3 WAYS, 2 POSITIONS MECHANICAL	1	1	
	NS	641992	. KNOB	1	1	
	NS	5001403	SCREW MA CHE PH M5-0.8x40 ZP	2	2	
	NS	500964	WASHER FL .203x.500x.047 Z050	2	2	
	NS	502782	NUT HEX NYRT M5-0.8 Z050	2	2	
	NS	392073	ACCESS PANEL / FOR WIPER REPAIR	1	1	
	NS	501307	ADAPTER / PIPE FITTING / 1/8NPT-Fx1/8NPT-M BR	1	1	
	NS	641365	MALE ELBOW 45° NON-SWIVEL / PUSH-IN FITTING / #4x1/8NPT-M BR	2	2	
	7	392013	FOOT REST / SUPPORT	1	1	
	NS	5001036	SCREW MA PAN PH M4-0.7x10 Z050	4	4	
	8	392026	UNDER DASH PANEL	1	1	
	8	392181	UNDER DASH PANEL	1		B
	8	392182	UNDER DASH PANEL	1	1	G
	8	392068	UNDER DASH PANEL	1	1	E
	8	Call order desk	UNDER DASH PANEL	1	1	P J
	8	392199	UNDER DASH PANEL / BLACK	1	1	D
	8	392028	UNDER DASH PANEL ASSY W/FLIP-UP BOX	1	1	J
	NS	901217	. LATCH GRABBER CATCH / 44N PLASTIC BLACK	1	1	J
	10	391932	DRAWER, UPPER / BLACK	1	1	
	NS	392237	. SUPPORT MAGNETIC LOCK / UPPER DRAWER	1	1	
	NS	392241	. CATCH MAGNETIC LOCK LOWER DRAWER	1	1	
	NS	504733	. KIT SLIDE TRACK / FIXED AT DRAWER	1	1	
	11	504677	. RAIL ASSY 8" / (SET)	1	1	
	NS	504673	CATCH MAGNETIC	2	2	



From 8-9279 To B-9999	Date:10/2022	PAGE:MTH-1806-00
CENTRAL DASHBOARD PANEL		

Item#	Part	Description	X L I I M T H 4 5	X L I I M T H 4 5 E	N O T E S
12	391933	DRAWER, LOWER / BLACK	1	1	
. NS	392238	. SUPPORT MAGNETIC LOCK / LOWER DRAWER	1	1	
. NS	392240	. CATCH MAGNETIC LOCK LOWER DRAWER	1	1	
. NS	504733	. KIT SLIDE TRACK / FIXED AT DRAWER	1	1	
13	504678	. RAIL ASSY 10" / (SET)	1	1	
NS	504673	CATCH MAGNETIC	2	2	
14	504672	LATCH ASSY W/2 KEYS	1	1	
. NS	810084	. KEY / (CH751)	1	1	
14	810084	. KEY / (CH751)	2	2	
15	562796	12 VOLTS POWER OUTLET	1	1	
16	500343	SCREW MA FL PH M4-0.7x16 ZP	2	2	
NS	500590	NUT HEX NYRT M4-0.7 Z050	2	2	
18	392028	UNDER DASH PANEL ASSY W/FLIP-UP BOX	1	1	
. NS	901217	. LATCH GRABBER CATCH / 44N PLASTIC BLACK	1	1	
19	392205	. COVER ONLY / W/OUT BOX OR DRAWER	1	1	
NS	504673	CATCH MAGNETIC	2	2	
NS	392239	SUPPORT MAGNET FLIP-UP BOX	1	1	
20	392012	MOUNTING PLATE / DRAWER	4	4	
NS	5001413	SCREW MA FL PH M4-0.7x20 Z050	AR	AR	
21	21280133	CABLE USB / (DRAWER TO RADIO) / I-POD CONECTOR	AR	AR	
22	406413	SUPPORT "USB" CONNECTOR	1	1	
23	5001429	SCREW MA FL PH M4-0.7x25 BK	2	2	
24	500855	WASHER FL .188x.438x.049 N500	1	1	
25	500539	NUT HEX NYRT M4-0.7 N500	2	2	
26	406414	PLATE RETAINER "USB" CONECTOR	1	1	
27	500798	SCREW TP PAN PH #4-3/8 ZP	2	2	
30	5001411	SCREW MA FL PH M4-0.7x20 BK	AR	AR	
30	392144	COVER, DASHBOARD PANEL / MTH 89"		1	
31	500345	WASHER FN CKF .187x.500x.090 BR BK	AR	AR	
32	5001406	NUT SPR U M4-0.7 0.8-4.0x13.5	AR	AR	
33	MTH-2230-00	DEFROSTER - INSTALLATION			
34	563063	SENSOR THERMISTOR ASSY / TEMPERATURE / ("DELPHI")	1	1	
NS	067028	WIRING HARNESS DASHBOARD CENTRAL MODULE To 8-9421	1	1	
NS	067276	WIRING HARNESS DASHBOARD CENTRAL MODULE From 8-9422 To A-9872	1	1	
NS	067833	WIRING HARNESS DASHBOARD CENTRAL MODULE From A-9873	1	1	
		A) USE WITHOUT HANDRAIL			
		B) USE WITHOUT HANDRAIL & WITHOUT DRAWER			
		C) USE WITH HANDRAIL			



From 8-9279 To B-9999	Date:10/2022	PAGE:MTH-1806-00
CENTRAL DASHBOARD PANEL		

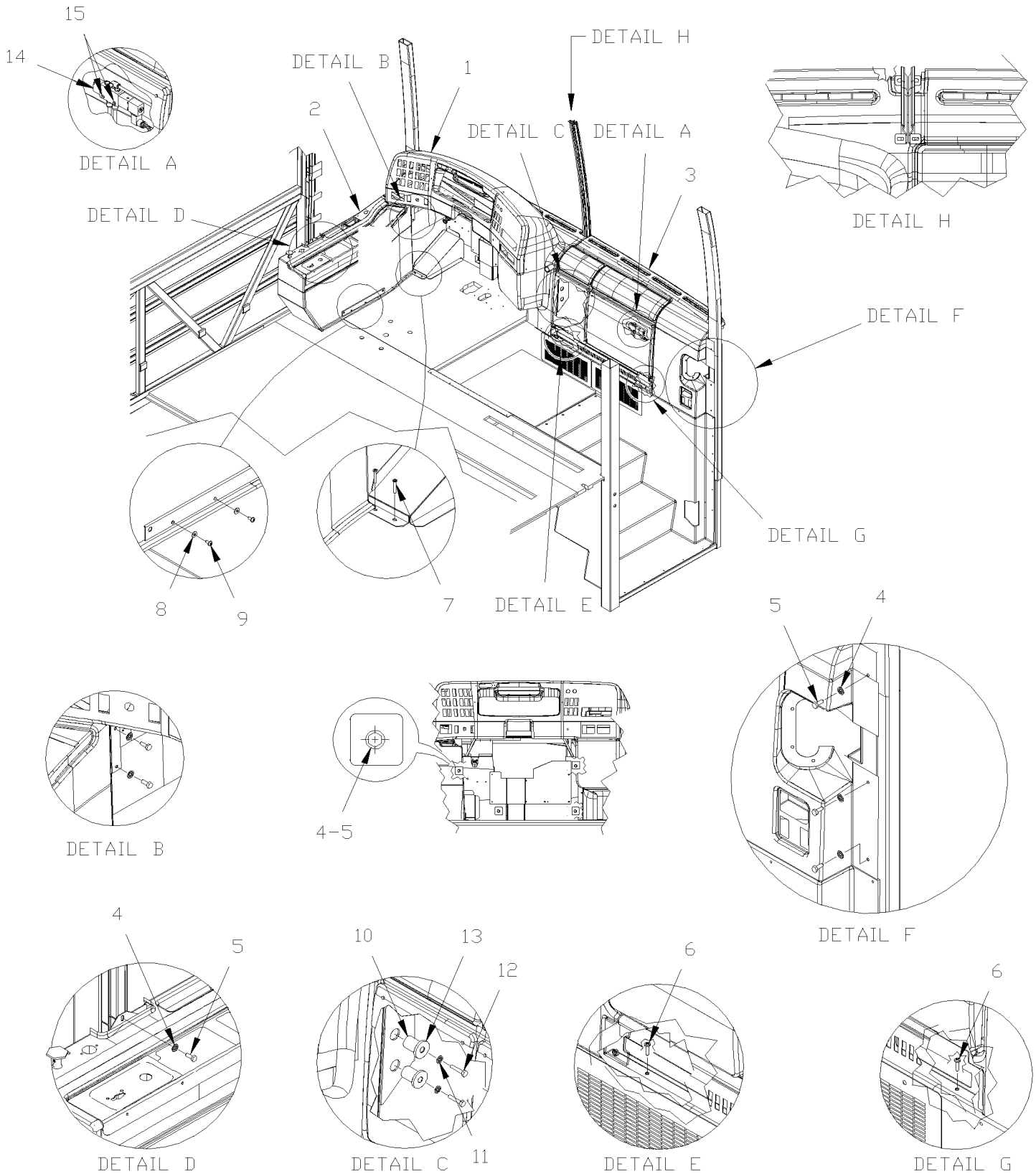
Item#	Part	Description	X L I I M T H 4 5	X L I I M T H 4 5 E	N O T E S
		D) USE WITHOUT HANDRAIL & WITH DRAWER			
		E) USE WITH HANDRAIL WITHOUT DRAWER & WITHOUT FLIP-UP BOX			
		F) ITEMS ARE RELATED WITH CONNECTOR FOR DIAGNOSTIC "DDEC"			
		G) USE WITHOUT HANDRAIL & WITH FLIP-UP BOX			
		J) USE WITH HANDRAIL & WITH FLIP-UP BOX			
		V) THIS PART ARE REQUIRE TO CONVERT UPPER HVAC TO LOWER HVAC ON STRUCTURE #392316			
		P) CALL ORDER DESK FOR SPECIFIC APPLICATION (V.I.N.)			

From 8-9279 To B-9999

Date:10/2022

PAGE:MTH-1806-15

DASHBOARD - ASSY





From 8-9279 To B-9999	Date:10/2022	PAGE:MTH-1806-15
DASHBOARD - ASSY		

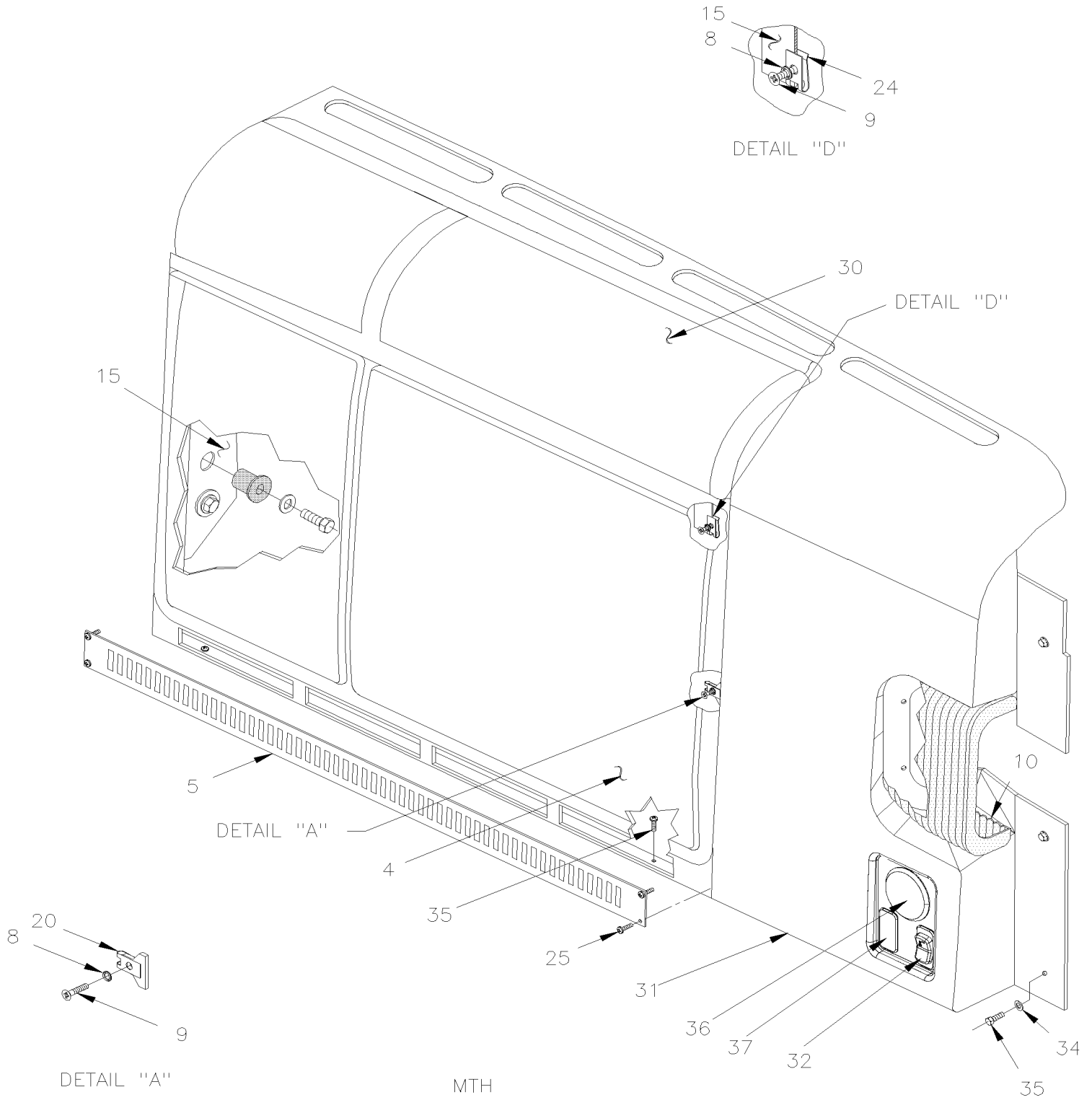
Item#	Part	Description	X L I I M T H 4 5	X L I I M T H 4 5 E	N O T E S
1	MTH-1806-00	CENTRAL DASHBOARD PANEL			
2	MTH-1806-50	L.H. CONSOLE - MTH			
3	MTH-1806-20	DASHBOARD PANEL			
4	502582	WASHER LO SERR 6.1x16.2x0.9 Z050	6	6	
5	500923	SCREW TC CAP HEX 1/4-20x3/4 Z050	6	6	
6	500641	SCREW TP PAN PH #8x3/4 Z050	3	3	
7	5001531	SCREW TP FL PH #10x1 SS410	2	2	
8	500964	WASHER FL .203x.500x.047 Z050	2	2	
9	500613	SCREW TP PAN PH #10x1/2 Z050	2	2	
10	890007	UNION TUBE	2	2	
11	502507	WASHER LO SPT 8.1x14.8x2.0 Z050	2	2	
12	502797	SCREW CAP HEX M8-1.25x70 G10.9 G500	2	2	
13	5001164	WASHER FL 8.4x25.0x2.0 Z050	2	2	
14	MTH-1804-50	ENTRANCE DOOR - VALVE - MTH			
15	5001074	SCREW CAP HEX M4-0.7x30 G8.8 Z050	2	2	

From 8-9279 To B-9999

Date:10/2022

PAGE:MTH-1806-20

DASHBOARD PANEL

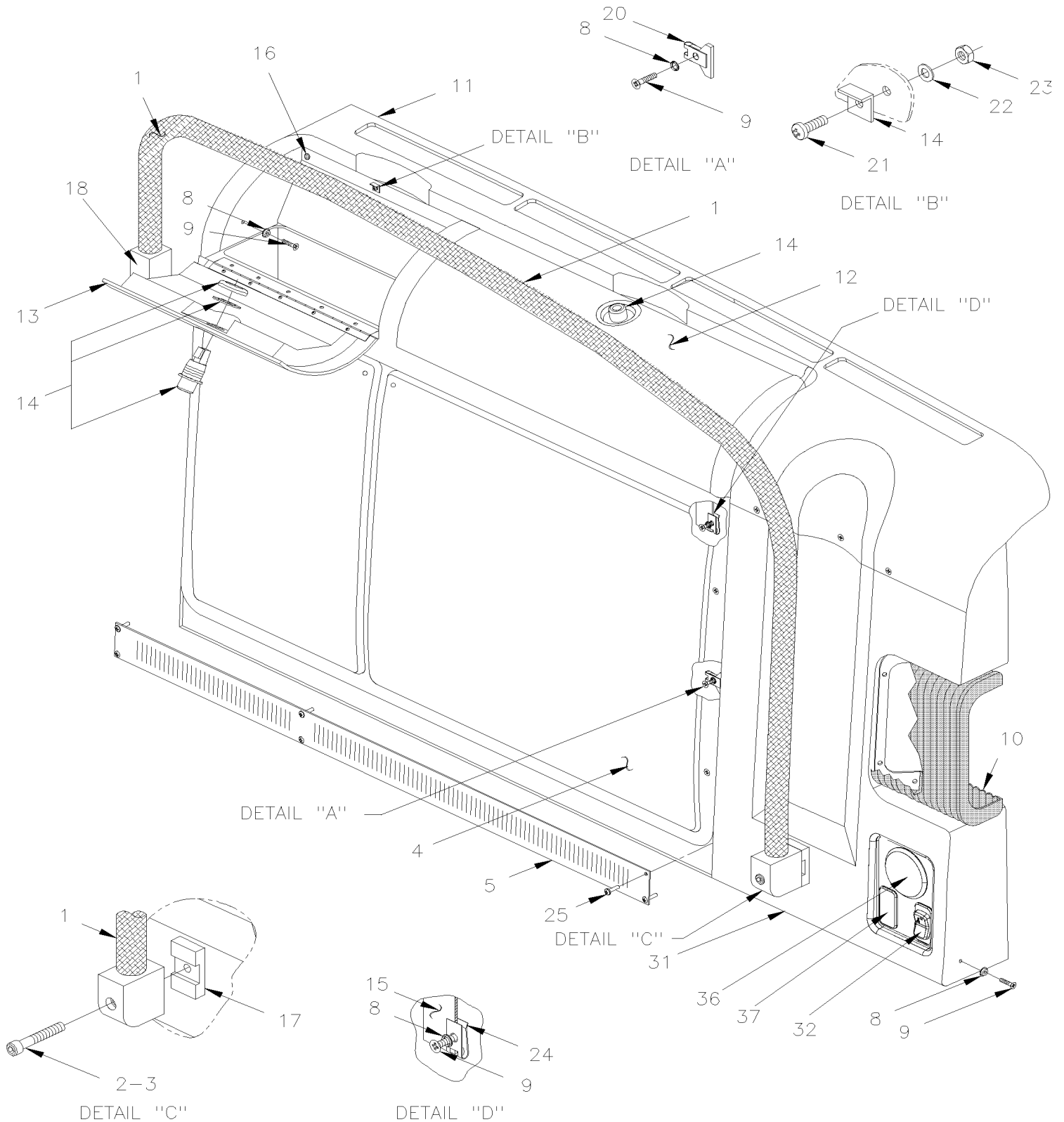


From 8-9279 To B-9999

Date:10/2022

PAGE:MTH-1806-20

DASHBOARD PANEL





From 8-9279 To B-9999 Date:10/2022 PAGE:MTH-1806-20

DASHBOARD PANEL

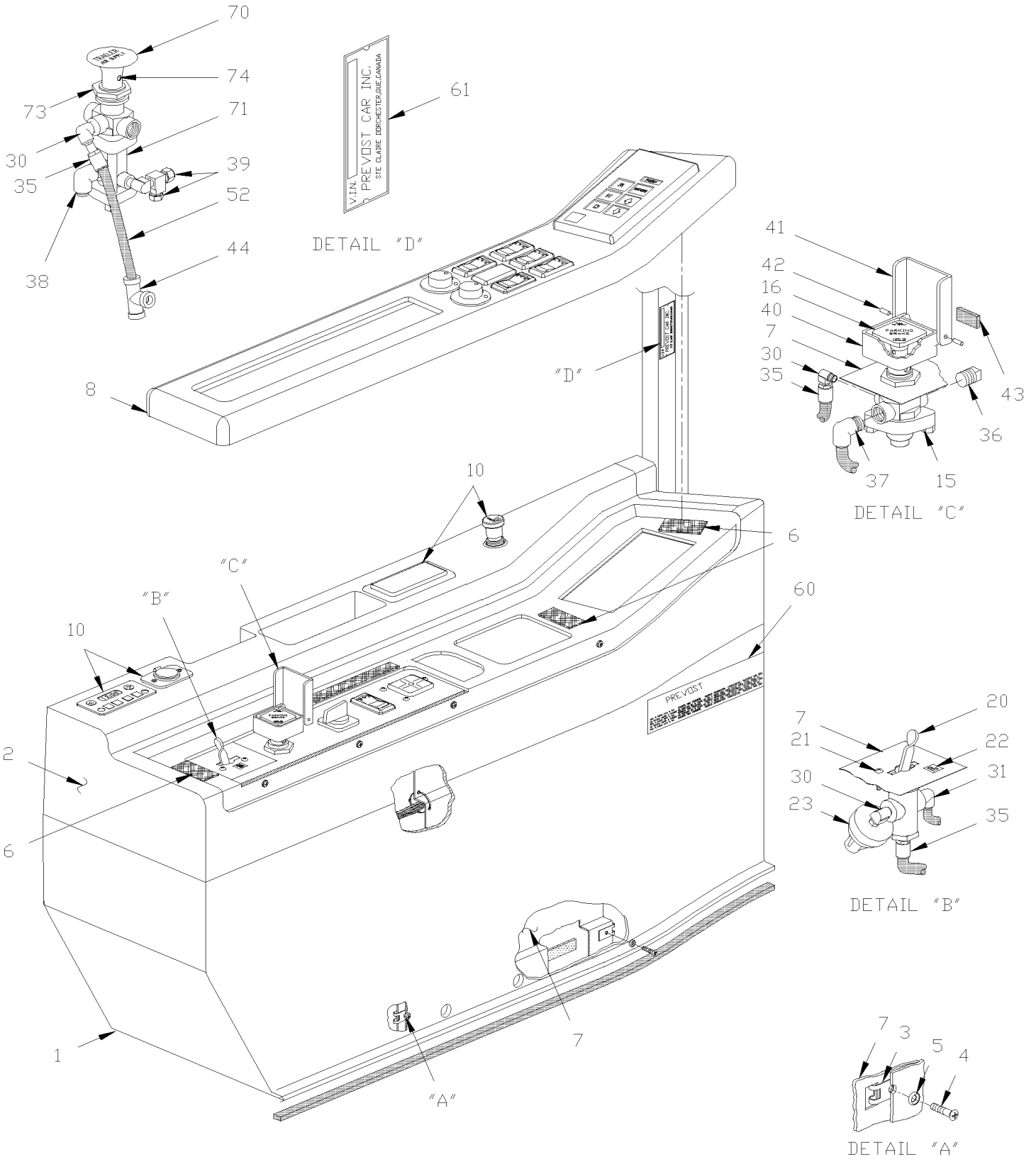
Item#	Part	Description	X L I I M T H 4 5	X L I I M T H 4 5 E	N O T E S
1	392266	HAND RAIL / BLACK	AR		B
1	392494	HAND RAIL / YELLOW	AR		B
2	5001598	SCREW CAP HEXS M8-1.25x30 SS	AR		B
3	5001380	SCREW CAP HEXS M8-1.25x100 SS	AR		B
4	392007	PANEL / SERVICING	1	1	
5	392194	GRILLE / LOWER	1	1	
8	500345	WASHER FN CKF .187x.500x.090 BR BK	AR	AR	
9	5001413	SCREW MA FL PH M4-0.7x20 Z050	AR	AR	
9	5001429	SCREW MA FL PH M4-0.7x25 BK	AR	AR	
10	MTH-1862-60	ENTRANCE DOOR FRAME - INSTALLATION	1	1	
11	392052	PANEL R.H. / TOP W/2 BOX	1		
11	392146	PANEL R.H. / TOP W/2 BOX MTH 89"		1	
12	391954	COVER R.H. / BLACK	1	1	
13	391955	COVER L.H. / BLACK	1	1	
13	504676	STRAP RETAINER	1	1	
14	504672	LATCH ASSY W/2 KEYS	AR	AR	
. NS	810084	. KEY / (CH751)	1	1	
15	392054	STRUCTURE / R.H.	AR		B
. NS	392018	. STRAP R.H. / TO FIX DUCT TO STRUCTURE	1		B
. NS	392017	. SUPPORT / R.H. WINDSHIELD	1		B
. NS	392019	. STRAP L.H. / TO FIX DUCT TO STRUCTURE	1		B
15	392176	STRUCTURE / R.H.	1		A
15	392148	STRUCTURE / R.H. MTH 89"		1	B
15	392434	STRUCTURE / R.H. MTH 89"		1	A
16	504674	BUMPER RUBBER / 1/4X13/32X13/32X1/8	4	4	
17	392489	RAMP BLOCK SUPPORT WELD TO DASH STRUCTURE	1	1	
18	392116	RAMP SUPPORT WELD TO DASH STRUCTURE	1	1	
20	5001406	NUT SPR U M4-0.7 0.8-4.0x13.5	4	4	
21	5001398	SCREW MA CHE PH M3-0.5x10 SS	1	1	
22	N.P.N.	WASHER	4	4	4
23	5001408	NUT HEX STO M3-0.5 ZP	4	4	
24	5001405	NUT SPR U M4-0.7 0.8-4.0x9.5	14	14	
25	5001410	SCREW MA CHE PH M4-0.7x16 SS	6	6	
30	392053	PANEL R.H. / TOP W/O BOX	1		
30	392147	PANEL R.H. / TOP W/O BOX MTH 89"		1	
31	392222	COVER / ENTRANCE DOOR MECHANISM / MTH 86"	AR		B
31	392224	COVER / ENTRANCE DOOR MECHANISM / MTH 86"	1		A
31	392133	COVER / ENTRANCE DOOR MECHANISM / MTH 89"		1	B
31	392435	COVER / ENTRANCE DOOR MECHANISM / MTH 89"		1	A
32	562697	SWITCH / ON-ON / D.P.D.T. / CH-OVER / W/RED & GREEN LED	1	1	
33	500923	SCREW TC CAP HEX 1/4-20x3/4 Z050	AR	AR	
34	502582	WASHER LO SERR 6.1x16.2x0.9 Z050	AR	AR	



From 8-9279 To B-9999	Date:10/2022	PAGE:MTH-1806-20
-----------------------	--------------	------------------

DASHBOARD PANEL

Item#	Part	Description	X L I I M T H 4 5	X L I I M T H 4 5 E	N O T E S
35	500641	SCREW TP PAN PH #8x3/4 Z050	AR	AR	
36	871315	LOUVER, ADJUSTABLE / ROUND 2 1/8" O.D.	1	1	
36	871314	LOUVER, ADJUSTABLE / ROUND 2 5/8" O.D.	1	1	A
37	562716	CAP / DRIVER'S LAMP	1	1	
NS	562773	SWITCH / "DUMMY" / PLUG	1	1	
		A) USE WITHOUT HANDRAIL			
		B) WITH HANDRAIL			
		4) NO PARTS NUMBER			





Date:10/2022

PAGE:MTH-1806-50

L.H. CONSOLE - MTH

Item#	Part	Description	X L I M T H 4 5	X L I M T H 4 5 E	N O T E S
1	392042	CONSOLE / LOWER	1	1	
2	392037	CONSOLE / UPPER	1	1	
3	5001405	NUT SPR U M4-0.7 0.8-4.0x9.5	10	10	
4	5001414	SCREW MA FL PH M4-0.7x16 BK	10	10	
5	500345	WASHER FN CKF .187x.500x.090 BR BK	10	10	
6	506493	TAPE DUAL LOCK 1/2" x 150' / BLACK SJ3541	AR	AR	
7	392039	STRUCTURE ASSY	1	1	
8	392038	PANEL / W/AUTOMATIC TRANSMISSION	1	1	
10	MTH-0645-05	SWITCHES L.H. CONSOLE - MTH			
10	392043	DUMMY PLUG LIGHTER	1	1	
15	641128	VALVE, CONTROL VALVE PP-1 / 40PSI	1	1	
NS	641154	. REPAIR KIT / PP-1 & RD-3	1	1	
16	641149	. BUTTON, PARKING BRAKE DIAMOND YELLOW / 1"	1	1	
20	640136	VALVE, CONTROL TW-1	1	1	
NS	641156	. REPAIR KIT / TW-1	1	1	
21	500572	SCREW MA TR PH #10-24x1/2 SS BK	2	2	
22	391992	DECAL "TAG"	1	1	
23	562518	PRESSURE SWITCH N.O. 4PSI / 1/8NPT W/2 SCREWS / TAG	1	1	
24	391994	DECAL "LEVEL LOW"	1	1	
30	501331	STREET ELBOW 90° / PIPE FITTING / 1/8NPT-Mx1/8NPT-F BR	3	3	
31	641369	MALE ELBOW 90° NON-SWIVEL / PUSH-IN FITTING / #4x1/8NPT-M BR	3	3	
35	641349	MALE CONNECTOR / PUSH-IN FITTING / #6x1/8NPT-M BR	1	1	
36	501304	PLUG SQUARE HEAD / PIPE FITTING / 1/4NPT-M BR To A-9968	1	1	
36	501800	PLUG HEXS / PIPE FITTING / 1/4NPT-M STL From A-9969	1	1	
37	641371	MALE ELBOW 90° NON-SWIVEL / PUSH-IN FITTING / #4x1/4NPT-M BR	1	1	
38	641372	MALE ELBOW 90° NON-SWIVEL / PUSH-IN FITTING / #6x1/4NPT-M BR	1	1	
39	641002	MALE RUN TEE / NTA FITTING / #4x#4x1/8NPT-M BR	1	1	
40	391727	PROTECTOR BOX ASSY / OVER PARKING BRAKE VALVE	1	1	
40	391725	. BOX	1	1	
41	391726	. COVER / CLEAR PLASTIC	1	1	
42	505221	. SPRING, PIN 1/8 X 3/8	1	1	
43	506035	. TAPE RUB ADH1 NEO 1/2" x 1" x 15' / BLACK 1220X	1	1	
44	641922	UNION TEE / PUSH-IN FITTING / #6x#6x#6 BR	1	1	
52	MTH-1202-00	TUBES PLASTIC / AIR D.O.T.			
60	Call order desk	PLATE / V.I.N. / W/IND. SUSPENSION FRONT	1	1	P
61	Call order desk	PLATE / V.I.N.	1	1	P
NS	504107	RIVET POP DOME OE 1/8x5/16 AL	6	6	
70	641935	BUTTON RED / FOR TRAILER VALVE PP-7	1	1	
71	641397	TRAILER SUPPLY VALVE PP-7	1	1	
NS	452043	PRESSURE SWITCH N.O. 60-35 20SP001AA060E035E	1	1	
73	640297	NUT	1	1	
74	640286	PIN ROLLER	1	1	



		Date:10/2022	PAGE:MTH-1806-50
L.H. CONSOLE - MTH			

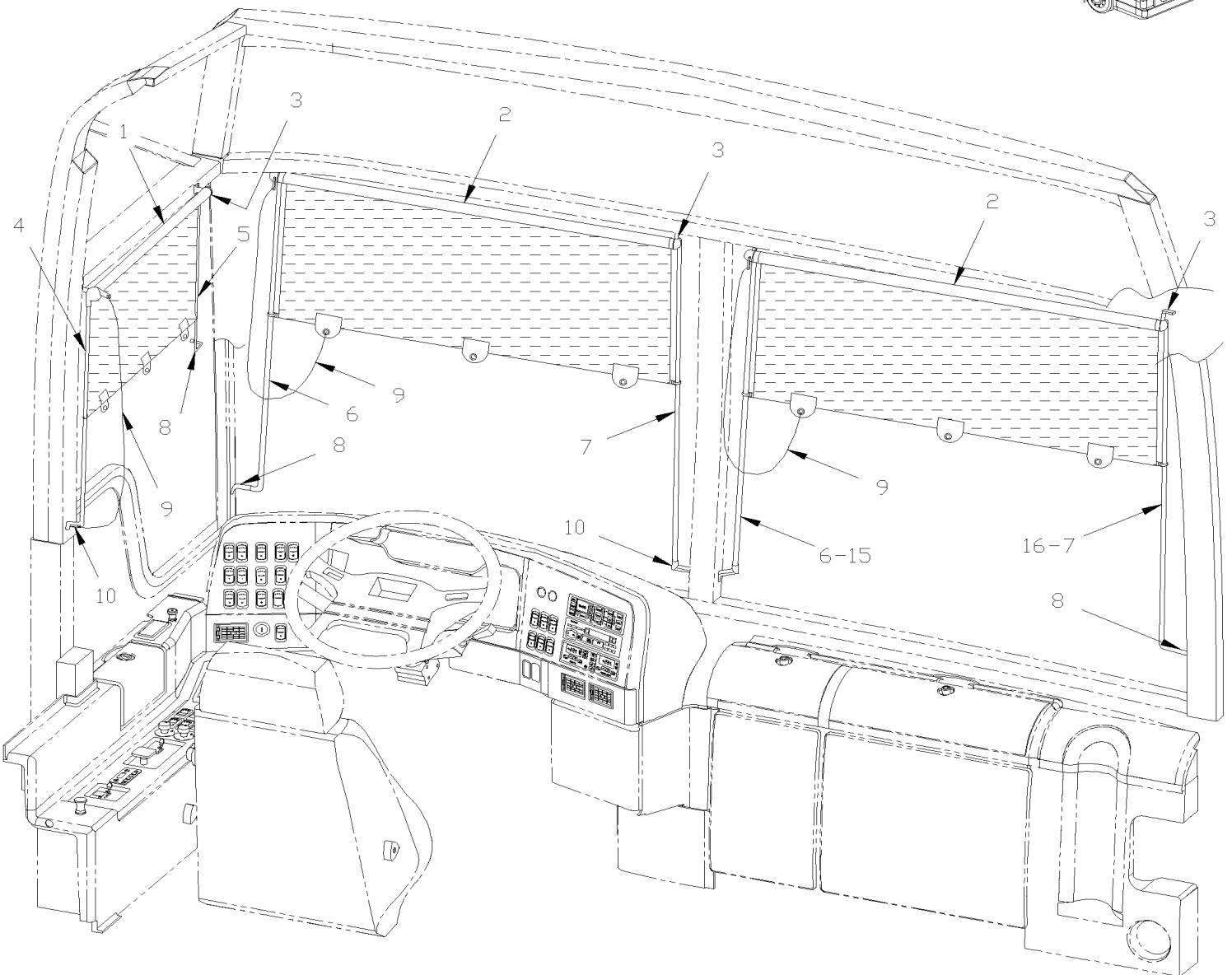
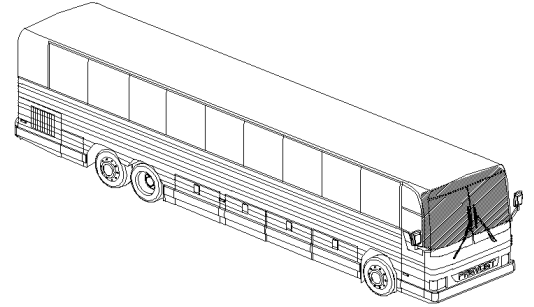
Item#	Part	Description	X L I I M T H 4 5	X L I I M T H 4 5 E	N O T E S
		P) CALL ORDER DESK FOR SPECIFIC APPLICATION (V.I.N.)			

From 8-9279 To B-9999

Date:10/2022

PAGE:MTH-1816-00

ROLLER BLIND - DRIVER' S & WINDSHIELD





From 8-9279 To B-9999 Date:10/2022 PAGE:MTH-1816-00

ROLLER BLIND - DRIVER' S & WINDSHIELD

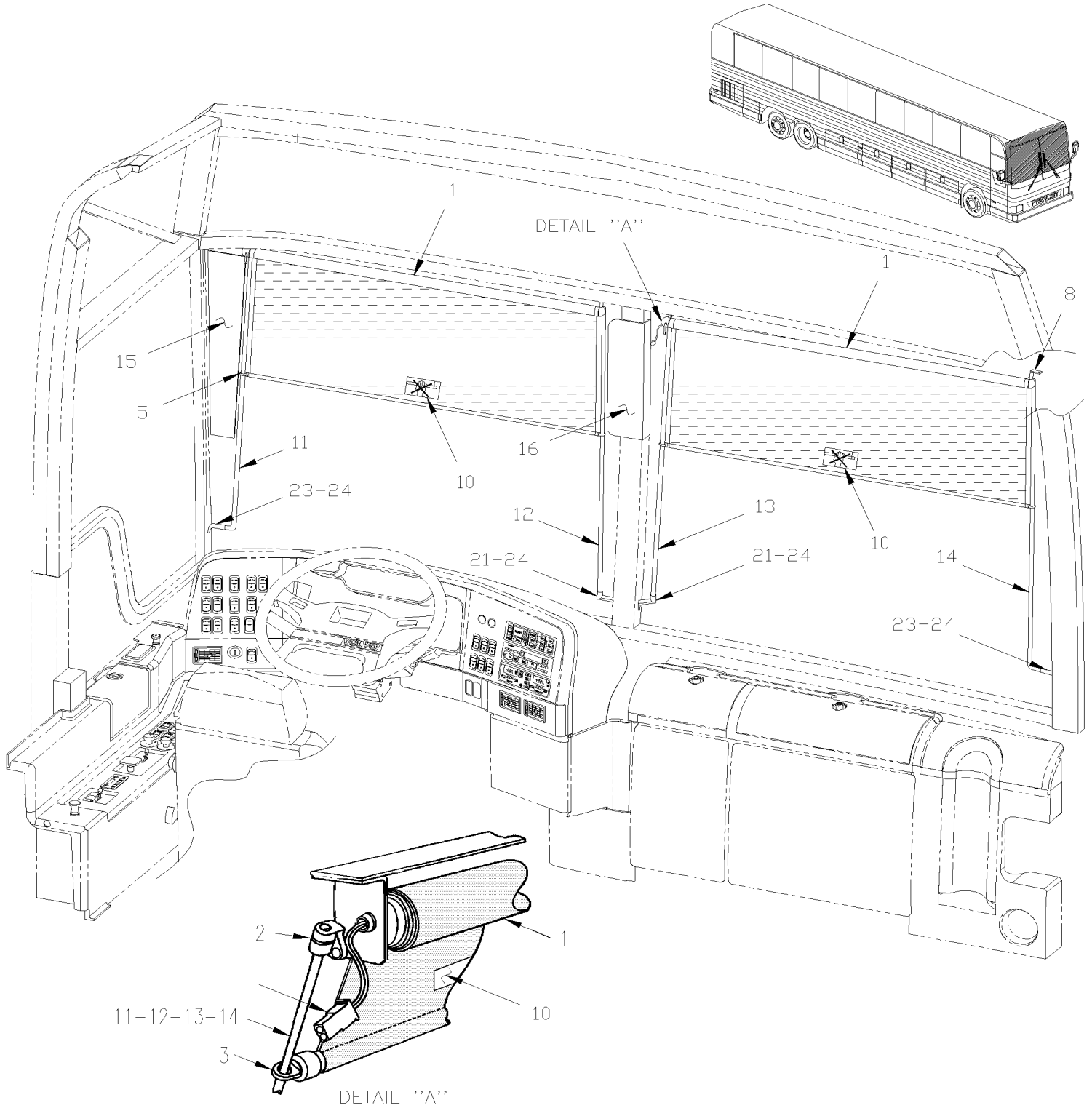
Item#	Part	Description	X L I I M T H 4 5	X L I I M T H 4 5 E	N O T E S
1	901042	BLIND ROLLER / CHARCOAL / 600MM	1	1	
NS	900597	. GUIDING PLUG / EACH END OF BLIND	2	2	
2	901043	BLIND ROLLER / CHARCOAL / 996MM	1	1	
NS	900597	. GUIDING PLUG / EACH END OF BLIND	2	2	
3	900478	BEARING HOLDER / R.H. / BLACK CASTING	1	1	
NS	500333	SCREW TP OV PH #6x3/4 BK	AR	AR	
4	405129	ROD / BACKWARD / 720MM X 25MM	1	1	
5	405193	ROD / FORWARD / 670MM X 126MM	1	1	
6	405071	ROD / L.H. STREET SIDE / 718MM X 107MM	1	1	
6	405077	ROD / L.H. CURBSIDE / 710MM X 20MM	1	1	
7	405070	ROD / R.H. STREET SIDE / 710MM X 20MM	1	1	
7	405072	ROD / R.H. CURBSIDE / 718MM X 107MM	1	1	
8	901263	ROD HOLDER / BLACK / PLASTIC 50MM	3	3	
NS	5001091	SCREW TC PAN PH #4-40x1/4 BK	AR	AR	
NS	500864	SCREW CAP HEX 1/2-13x3/4 G5 ZP	4	4	
9	900482	CORD, W/BUTTON / BLACK 1700MM	1	1	
NS	500333	SCREW TP OV PH #6x3/4 BK	AR	AR	
NS	500814	SCREW TP BDG PH #6x3/4 BK	AR	AR	
10	900476	ROD HOLDER 90° / BLACK PLASTIC 30MM C/L	AR	AR	
NS	500814	SCREW TP BDG PH #6x3/4 BK	AR	AR	
NS	5001091	SCREW TC PAN PH #4-40x1/4 BK	AR	AR	
		FOLLOWING ITEMS ARE USED ONLY FOR DELIVERY			
NS	405934	ROD R.H. 746MM	1	1	
NS	405935	ROD L.H. 755MM	1	1	
NS	405936	SUN VISOR 395MM X 1054MM	1	1	
NS	504273	CABLE TIE / 1/8" X 3"1/2	4	4	
NS	952622	WIRE CLAMP / 5/32" I.D.	2	2	

From 8-9279 To B-9999

Date:10/2022

PAGE:MTH-1816-05

ROLLER BLIND - WINDSHIELD W/ELECTRICAL





From 8-9279 To B-9999	Date:10/2022	PAGE:MTH-1816-05
-----------------------	--------------	------------------

ROLLER BLIND - WINDSHIELD W/ELECTRICAL

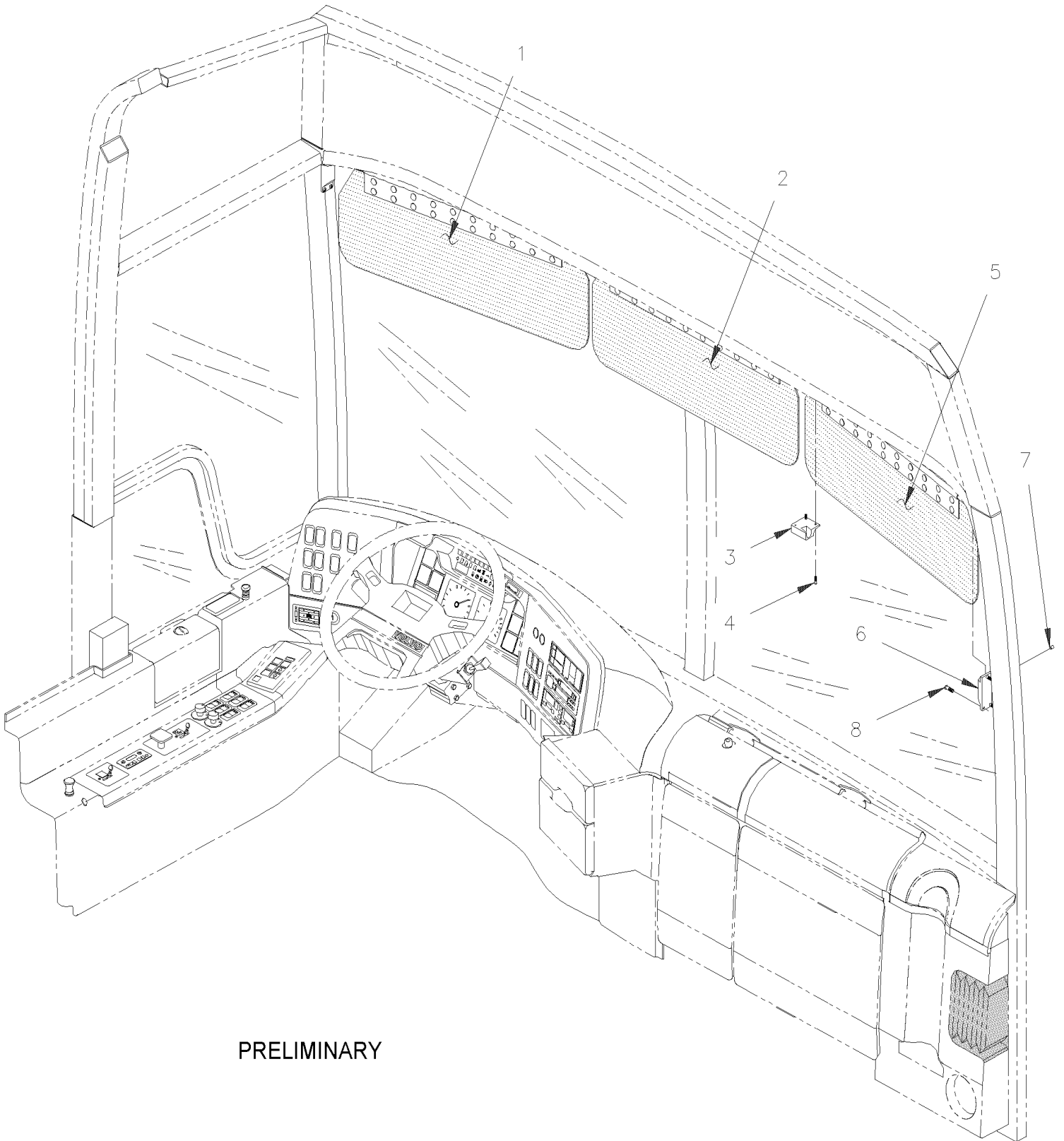
Item#	Part	Description	X L I I M T H 4 5	X L I I M T H 4 5 E	N O T E S
1	901121	ROLLER BLIND ASSY / ELECTRIC	1	1	
1	408404	ROLLER BLIND / ELECTRIC / PRODUCT IMPROVMENT	1	1	
. NS	901532	. ROLLER BLIND ASSY / ELECTRIC	2	2	
2	901048	. KIT BRACKET L.H. & R.H.	1	1	
3	900597	. GUIDING PLUG / EACH END OF BLIND	1	1	
5	560854	SOCKET TERMINAL / 24-18 / AMP 60617-1	2	2	
10	402952	DECAL	1	1	
11	405373	ROD / STREET SIDE / 730MM X 70MM / 10 DEG BEND	1	1	
12	405374	ROD 737MM / 10 DEG BEND	1	1	
13	405374	ROD 737MM / 10 DEG BEND	1	1	
14	405375	ROD / CURBSIDE / 730MM X 70MM / 10 DEG BEND	1	1	
23	901263	ROD HOLDER / BLACK / PLASTIC 50MM	2	2	
24	500409	SCREW TP PAN PH #8x1/2 BK	4	4	
24	500814	SCREW TP BDG PH #6x3/4 BK	4	4	

From 8-9279 To B-9999

Date:10/2022

PAGE:MTH-1817-00

SUN VISOR - "LE MIRAGE"



PRELIMINARY



From 8-9279 To B-9999	Date:10/2022	PAGE:MTH-1817-00
-----------------------	--------------	------------------

SUN VISOR - "LE MIRAGE"

Item#	Part	Description	X L I I M T H 4 5	X L I I M T H 4 5 E	N O T E S
1	404741	SUN VISOR ASSY / L.H. W/COVERING (BLACK)	1	1	
1	404724	. SUN VISOR ASSY / L.H. W/O COVERING	1	1	
2	404740	SUN VISOR ASSY / CENTRAL W/COVERING (BLACK)	1	1	
2	404726	. SUN VISOR ASSY / CENTRAL W/O COVERING	1	1	
3	401586	ATTACHMENT, R.H. / CENTRAL SUN VISOR	1	1	
3	401585	ATTACHMENT, L.H. / CENTRAL SUN VISOR	1	1	
NS	401535	HOOK, RETAINING / L.H. SUN VISOR W/O CENTRAL & R.H. SUNVISOR	1	1	
3	505173	SPRING, PIN 1/8 X 3/4	2	2	
NS	500409	SCREW TP PAN PH #8x1/2 BK	4	4	
NS	500263	SCREW TP PAN PH #8x3/8 BK	4	4	
5	404739	SUN VISOR ASSY / R.H. W/COVERING (BLACK)	1	1	
5	404725	. SUN VISOR ASSY / R.H. W/O COVERING	1	1	
5	404706	. . PLATE, SUN VISOR LH & RH	2	2	
5	404722	. . PLATE, SUN VISOR CENTRAL	2	2	
5	404727	. . PRESSURE PLATE	2	2	
5	504117	. . RIVET POP DOME CLE 3/16x3/8 AL	20	20	
5	500438	. . WASHER FL .187x.437x.050 Z050	20	20	
5	401708	. . ROD, SUN VISOR CENTRAL	1	1	
5	404709	. . ROD, SUN VISOR LH & RH	1	1	
5	560171	SLEEVE INSULATING	1	1	
6	401465	ATTACHMENT, PIVOT L.H. & R.H. CHARCOAL	2	2	
7	500303	SCREW SET HEXS CUP #10-24x3/16	2	2	
8	500630	SCREW TP OV PH #10x1 Z050	6	6	

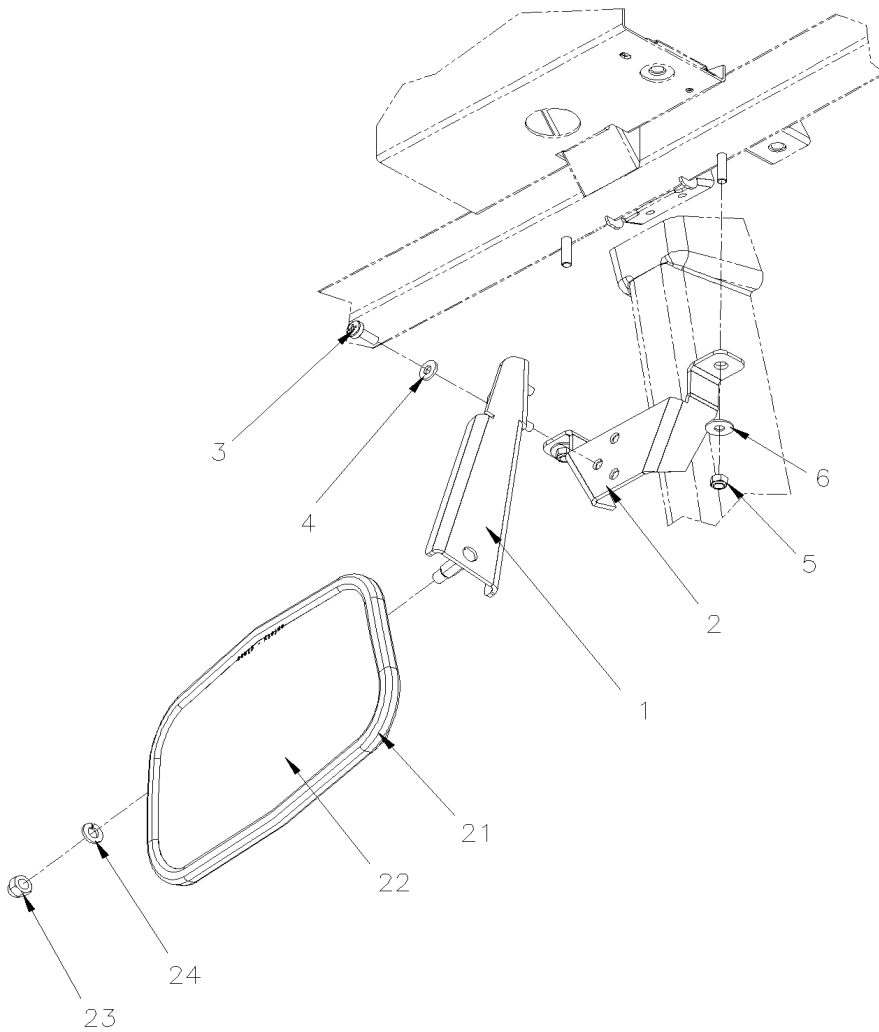
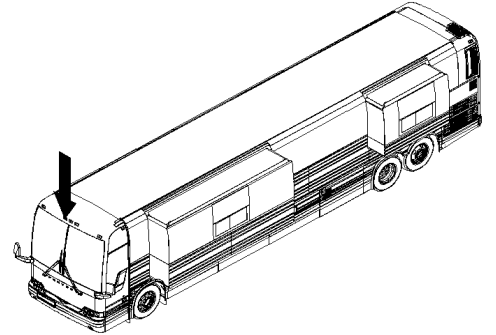


From 8-9279 To B-9999

Date:10/2022

PAGE:MTH-1820-00

MIRROR - INTERIOR

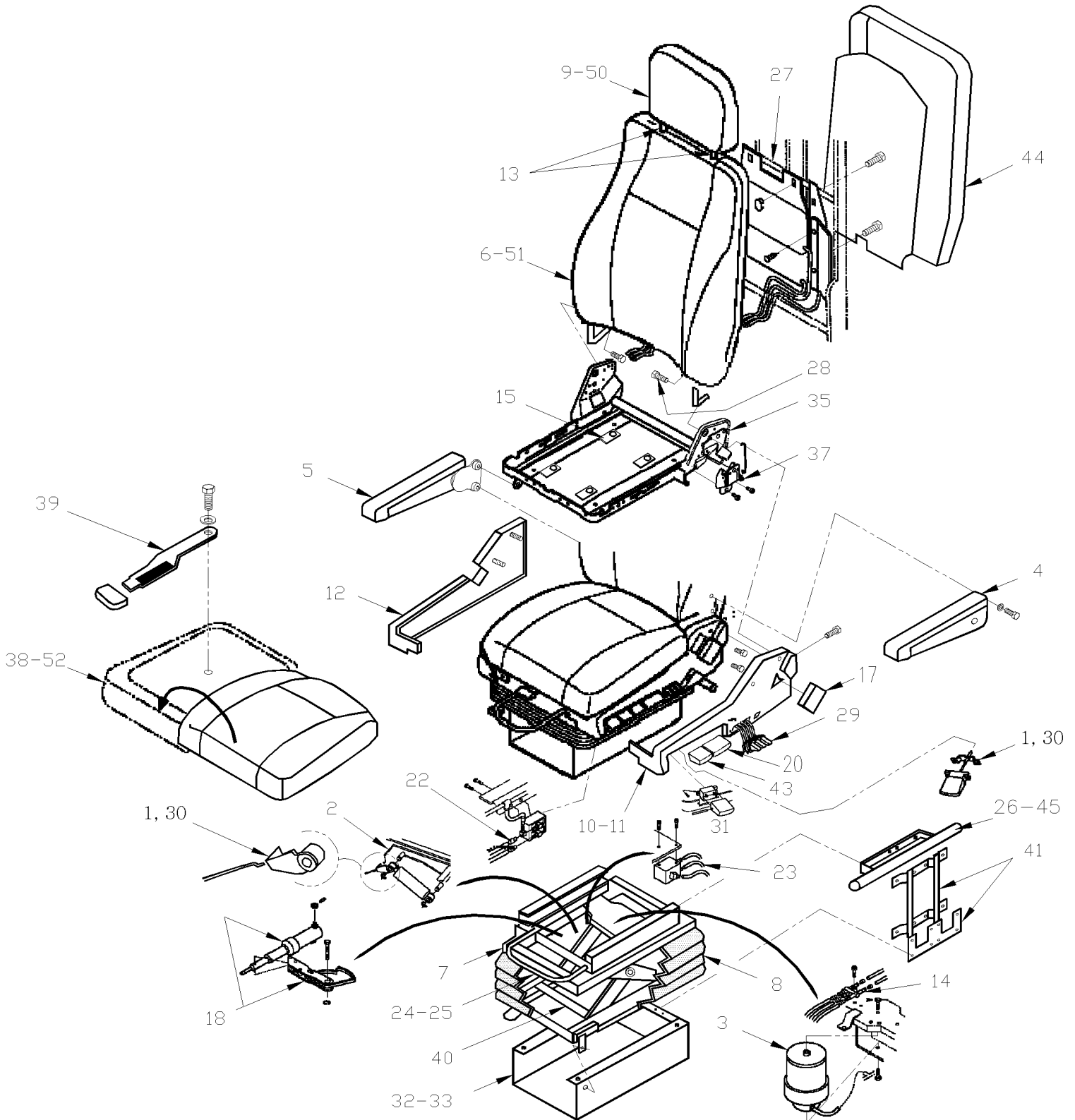




From 8-9279 To B-9999	Date:10/2022	PAGE:MTH-1820-00
MIRROR - INTERIOR		

Item#	Part	Description	X L I I M T H 4 5	X L I I M T H 4 5 E	N O T E S
1	403218	SUPPORT CENTRAL ASSY, MIRROR	1	1	
1	405136	SUPPORT CENTRAL ASSY, MIRROR	1	1	A
2	408099	MIRROR SUPPORT / CENTER WINDSHIELD	1	1	
3	502569	SCREW MA PAN PH M6-1.0x16 BK	3	3	
4	500877	WASHER FL .250x.562x.065 N500	3	3	
5	5001353	NUT HEX NYRT M6-1.0 SS	2	2	
6	500411	WASHER FL .260x.697x.050 SS	2	2	
21	900438	MIRROR ASSY SAFETY	1	1	
22	900440	. GLASS / SAFETY	1	1	
23	500780	NUT HEX CAP 5/16-18 Z050	1	1	
24	500942	WASHER LO SPT 8.1x14.8x2.0 N500	1	1	
		A) WITH SMALL WINDSHIELD ONLY			

	Date:10/2022	PAGE:MTH-1822-00
DRIVER'S SEAT - "ISRI" - 6800/338		





Date:10/2022

PAGE:MTH-1822-00

DRIVER'S SEAT - "ISRI" - 6800/338

Item#	Part	Description	X L I I M T H 4 5	X L I I M T H 4 5 E	N O T E S
	364108	DRIVER'S SEAT ASSY W/COVERING / SPECYFIED COLOR CODE		1	F
	861373	DRIVER'S SEAT - "ISRI" - MODEL 6800/338 / W/R.H. CONTROL		1	A
	861374	DRIVER'S SEAT - "ISRI" - MODEL 6800/338 / W/R.H. CONTROL	1	1	B
	5001862	SCREW CAP HEX M12-1.75x70 G10.9 N500	4	4	G
	500747	WASHER LO SPT 12.2x21.1x2.5 N500	4	4	G
	500810	WASHER LO SPT 12.2x21.1x2.5 Z050	4	4	G
NS	362549	SPACER / STRUCTURE & BASE / 27MM	4	4	G
NS	862420	. LEVER RETAINING CLIP	1	1	
NS	862421	. NUT PLASTIC WHITE	1	1	
NS	862422	. RETAINING CLIP	1	1	
NS	862423	. SCREW FOR RETAINING CLIP	1	1	
1	861638	. ADJUSTABLE SHOCK ABSORBER CABLE KIT	1	1	
2	861639	. ADJUSTABLE SHOCK ABSORBER KIT	1	1	
3	861640	. AIR SPRING KIT	1	1	
4	861641	. ARMREST KIT - LH / W/OUT COVERING	1	1	
4	861377	. ARMREST KIT - LH / W/POLYURETHANE PAD		1	
5	861642	. ARMREST KIT - RH / W/OUT COVERING	1	1	
5	861378	. ARMREST KIT - RH POLYURETHANE PAD		1	
6	861643	. BACKREST ASSY / NUDE	1	1	
NS	864557	. . FOAM / BACKREST	1	1	
7	861644	. BOOT ADAPTER PLATE	1	1	
8	861645	. BOOT KIT	1	1	
9	861646	. HEADREST ASSEMBLY - NUDE	1	1	
10	861648	. COVER KIT CONTROL - LH	1	1	
11	861649	. COVER KIT CONTROL - RH	1	1	
12	861650	. COVER KIT NON-CONTROL - LH	1	1	
13	861647	. HEADREST BOOT (2PCS)	1	1	
14	861651	. DISTRIBUTION VALVE KIT	1	1	
15	861652	. GLIDE - SEAT PAN	1	1	
16	861653	. HANDLE KIT - SEAT FRAME - LH	1	1	
17	861654	. HANDLE KIT - SEAT FRAME - RH	1	1	D
18	864140	. KIT, CYLINDER & CAM ADJUSTEMENT KIT	1	1	
18	861655	. . HEIGHT ADJUSTMENT CAM KIT	1	1	
19	861656	. . HEIGHT ADJUSTMENT CYLINDER KIT	1	1	
NS	863741	. KIT SLIDING TRACK PLASTIC OBLONG	1	1	
20	862203	. AIR HEIGHT ADJUST HANDLE KIT RH	1	1	
22	861657	. HEIGHT ADJUSTMENT VALVE KIT - RH	1	1	
23	861658	. HEIGHT ADJUSTMENT VALVE KIT - SUSPENSION	1	1	
24	861659	. HORIZONTAL ADJUSTMENT SLIDE HANDLE	1	1	
25	861660	. HORIZONTAL ADJUSTMENT SLIDE SET	1	1	
26	862205	. SEAT BELT KIT NOT ILLUSTRATED / PAS ILLUSTRÉ	1	1	
27	864242	. LUMBAR/BOLSTER KIT NEW STYLE	1	1	



Date:10/2022

PAGE:MTH-1822-00

DRIVER'S SEAT - "ISRI" - 6800/338

Item#	Part	Description	X L I I M T H 4 5	X L I I M T H 4 5 E	N O T E S
28	862204	. BACKREST BOLT	2	2	
29	861662	. LUMBAR/BOLSTER VALVE RH	1	1	
30	862424	. HANDLE FOR ADJUSTMENT SHOCK	1	1	
NS	862425	. SHORT PIN ADJUSTMENT HANDLE	1	1	
NS	862426	. LONG PIN ADJUSTMENT HANDLE	1	1	
NS	862956	. HANDLE SUPPORT / PLASTIC BLACK	1	1	
31	861663	. QUICK AIR RELEASE VALVE AND HANDLE KIT - RH	1	1	
33	861664	. RISER KIT 76MM	1	1	
35	861665	. SEAT FRAME - RH	1	1	
37	861666	. SEAT FRAME TOOTH PLATE KIT RH	1	1	
38	864243	. SEAT PAN ASSEMBLY - NUDE NEW STYLE	1	1	
NS	864237	. CUSHHION FOAM NEW PATERN	1	1	
39	861668	. SEAT PAN ASSEMBLY LEVER AND HANDLE KIT	1	1	
40	861669	. SUSPENSION	1	1	
41	861670	. TETHER AND TETHER PLATE KIT	1	1	
43	861671	. TILT HANDLE KIT - RH	1	1	
44	861672	. BACKREST PANEL	1	1	
NS	363705	INTERFACE COPILOTE ISRI 6800	1	1	C
NS	326831	ANCHORAGE "U" FORM 48MM x 38MM x 112MM	1	1	C
NS	362056	ANCHOR PLATE ASSY USE W/CURBSIDE SEAT 7/16-14x1" / 32MMx89MM	2	2	C
NS	362521	ANCHOR PLATE ASSY USE W/CURBSIDE SEAT 7/16-14x2" / 32MMx89MM	2	2	C
45	364128	DRIVER'S SAFETY BELT EXTENSION R.H.	1	1	E
45	364129	DRIVER'S SAFETY BELT EXTENSION L.H.	1	1	E
NS	500071	SCREW CAP HEX 7/16-20x1 1/2 G5 Z050	2	2	E
NS	500709	NUT HEX 7/16-20 Z050	2	2	E
NS	500810	WASHER LO SPT 12.2x21.1x2.5 Z050	4	4	E
NS	500860	NUT HEX M12-1.75 Z050	2	2	E
NS	502731	SCREW CAP HEX M12-1.75x40 G8.8 Z050	2	2	E
50	363740P	COVERING HEADREST ASSY / S.C.C. / DRIVER'S "ISRI" / 6800		1	
51	364168P	COVERING BACKREST ASSY / S.C.C. / DRIVER'S "ISRI" / 6800		1	
52	364071P	COVERING SEATREST ASSY / S.C.C. NEW STYLE / DRIVER'S "ISRI" / 6800		1	
NS	867958	ADAPTOR	1	1	
NS	868125	UNION 4MM/4MM	1	1	
NS	868128	UNION 6MM/4MM	1	1	
NS	864709	TUBE PLASTIC 6MM O.D. CHARCOAL W/RED LINE	AR	AR	
NS	864710	TUBE PLASTIC 6MM O.D. CHARCOAL W/GREY LINE	AR	AR	
NS	864711	TUBE PLASTIC 6MM O.D. CHARCOAL	AR	AR	
NS	5001862	SCREW CAP HEX M12-1.75x70 G10.9 N500	4	4	G
NS	500747	WASHER LO SPT 12.2x21.1x2.5 N500	4	4	GH
NS	500958	WASHER FL .531x1.062x.095 SS	6	6	GH
NS	361677	JOINT / W/AIR SUSPENSION / W/2 HOLES .344 O / 3 1/8" x W/2" C/C	2	2	H

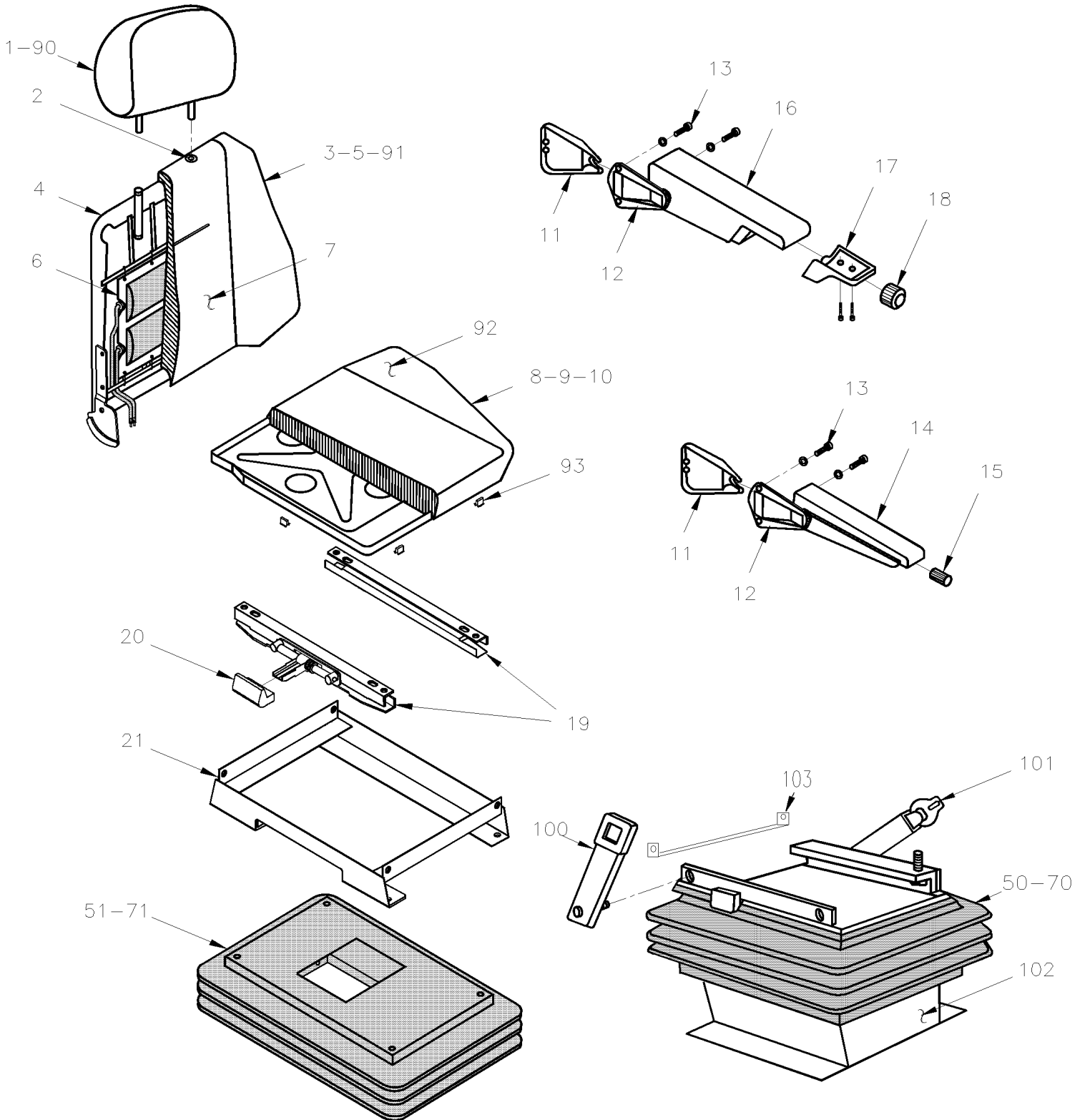


	Date:10/2022	PAGE:MTH-1822-00
DRIVER'S SEAT - "ISRI" - 6800/338		

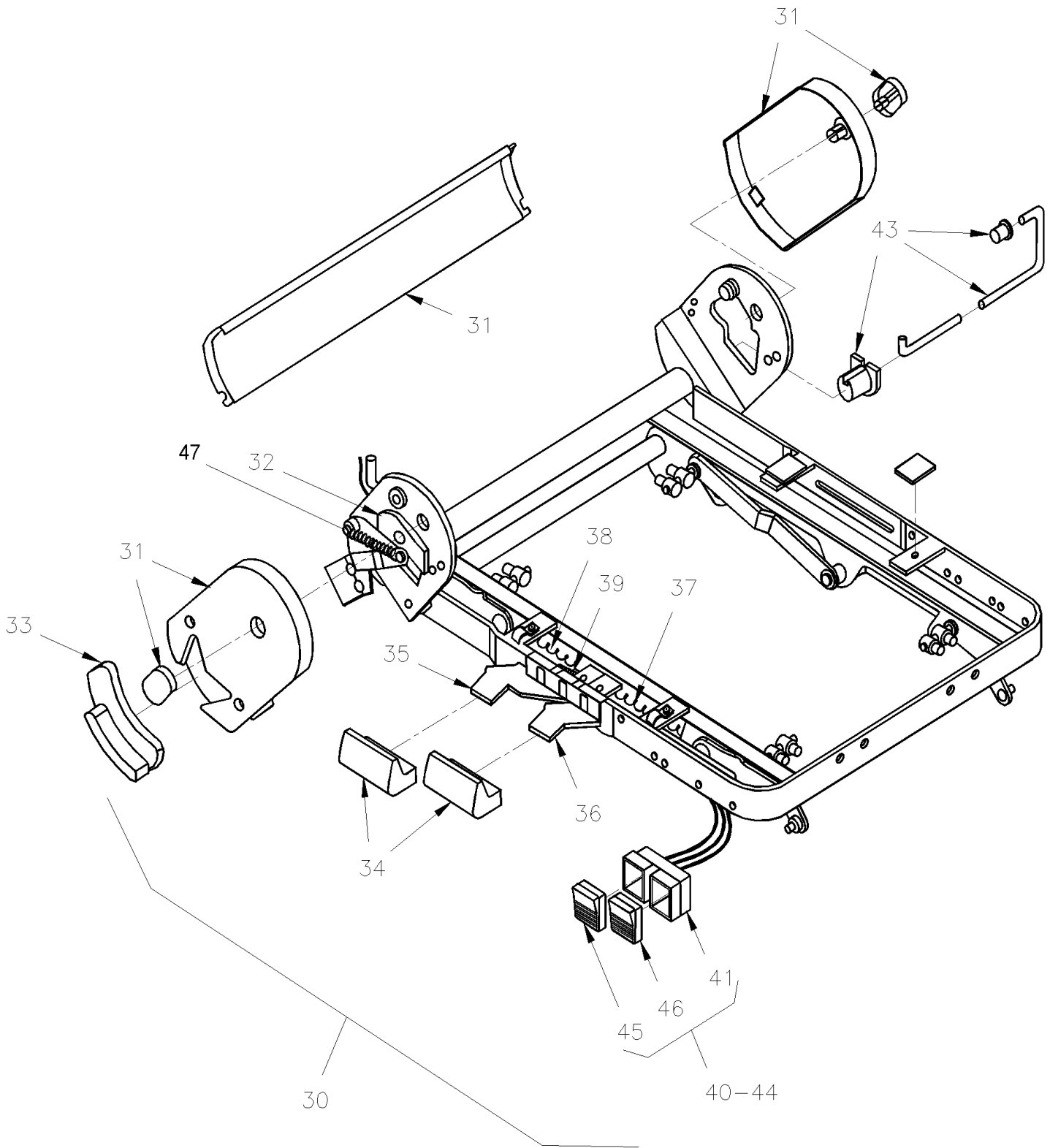
Item#	Part	Description	X L I I M T H 4 5	X L I I M T H 4 5 E	N O T E S
NS	363410	JOINT / W/AIR SUSPENSION / W/2 HOLES .562 O.D / 3 1/8" x W/2 1/8 C/C"	2	2	H
NS	364155	JOINT / W/AIR SUSPENSION / W/2 HOLES .344 O / 4 3/8" x W/3 1/4" C/C SERVICE	1	1	H
NS	500860	NUT HEX M12-1.75 Z050	2	2	H
NS	5001365	SCREW CAP HEX M12-1.75x30 G10.9 DP	2	2	H
		A) THIS SEAT IS WITHOUT COVERING & ARMREST			
		B) THIS SEAT HAS BLACK COVERING, LARGE ARMREST & HEADREST FOR FACTORY DELIVERY			
		C) USE WITH CO-PILOTE SEAT INSTALLATION			
		D) INCLUDE ALL KNOB FOR ITEM # 17, 20, 29, & 39			
		E) YOU REQUIRE THOSE COMPONENTS TO EXTEND DRIVER'S SAFETY BELT			
		F) INCLUDE ITEMS # 50, 51 & 52			
		G) TO FIX SEAT TO FLOOR			
		H) TO FIX SAFETY BELT			



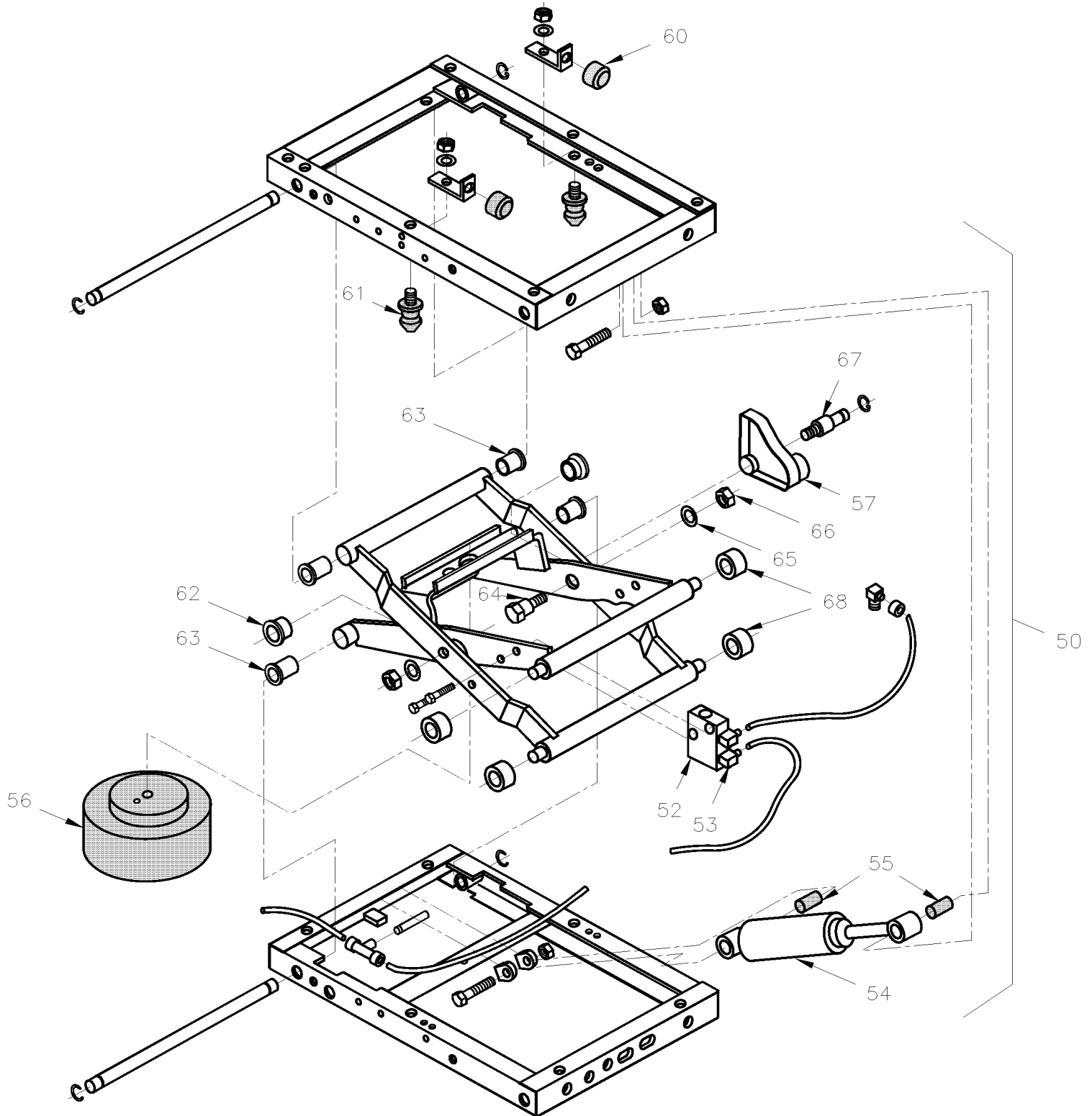
	Date:10/2022	PAGE:MTH-1822-10
DRIVER'S SEAT - "ISRI" - 6000/525		



	Date:10/2022	PAGE:MTH-1822-10
DRIVER'S SEAT - "ISRI" - 6000/525		

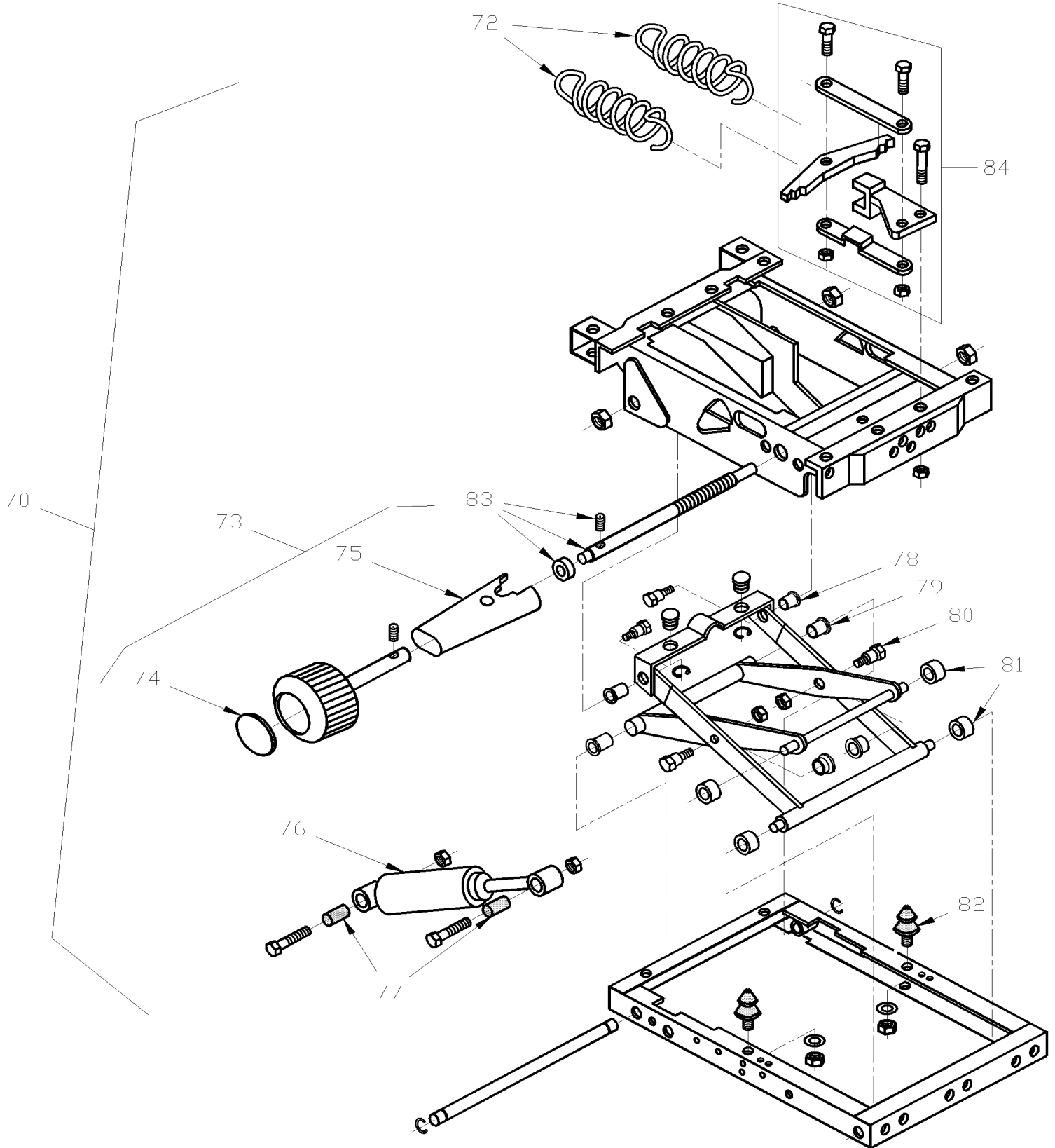


	Date:10/2022	PAGE:MTH-1822-10
DRIVER'S SEAT - "ISRI" - 6000/525		





	Date:10/2022	PAGE:MTH-1822-10
DRIVER'S SEAT - "ISRI" - 6000/525		





Date:10/2022

PAGE:MTH-1822-10

DRIVER'S SEAT - "ISRI" - 6000/525

Item#	Part	Description	X L I I M T H 4 5	X L I I M T H 4 5 E	NOTES
1	860441	HEADREST	1	1	
2	860483	GROMMET	2	2	
3	860508	BACKREST ASSY / R.H. CONTROL	1	1	
4	860509	. FRAME / R.H. CONTROL	1	1	
NS	860600	. FRAME / L.H. CONTROL	1	1	
5	860507	. FOAM	1	1	
6	860494	AIR BAG / LOMBAR	1	1	
7	860548	HEATING PAD / BACK	1	1	
8	860510	PAN SEAT SUBASSY	1	1	
9	860511	. FOAM / SEAT	1	1	
10	860547	HEATING PAD / SEAT	1	1	
11	860532	COVER	2	2	
12	N.S.S.	BRACKET / ARMREST	1	1	1
13	500544	SCREW CAP HEX M8-1.25x30 G8.8 Z050	2	2	
14	868135	ARMREST L.H. BLACK	1	1	
. NS	868133	. COVER, ARMREST END, OPEN, BLK	1	1	
NS	868134	ARMREST R.H. BLACK	1	1	
. NS	868133	. COVER, ARMREST END, OPEN, BLK	1	1	
15	860725	. KNOB	1	1	
16	860721	ARMREST ASSY L.H. / W/O COVERING	1	1	
NS	860722	ARMREST ASSY R.H. / W/O COVERING	1	1	
16	N.S.S.	COVERING	1	1	1
17	860723	. COVER KIT ARMREST	1	1	
18	860724	. KNOB	1	1	
19	861085	SLIDE MASTER / HANDLE & SLAVE / R.H. CONTROL	1	1	
21	861100	SPACER STATIC /W/FOLLOWING SEAT NUMBER 860432 433,449,450,543,544,545 & 546	1	1	A
NS	861102	SPACER STATIC	1	1	B
NS	861081	FRAME ASSY SEAT / W/O MEMORY ELECTRICAL SEAT	1	1	
NS	861082	FRAME ASSY SEAT / W/MEMORY ELECTRICAL SEAT	1	1	
31	861090	. SIDE PLATE ASSY / KIT FOR R.H. CONTROL (AS SHOWN)	1	1	
32	861790	. TOOTH LEVER / R.H. SIDE (AS SHOWN)	1	1	
32	861789	. TOOTH LEVER / L.H. SIDE	1	1	
33	860493	. HANDLE / R.H. CONTROL (AS SHOWN)	1	1	
33	861089	. HANDLE / R.H. CONTROL (AS SHOWN)	1	1	
NS	860589	. HANDLE / L.H. CONTROL	1	1	
34	861087	. HANDLE HEIGHT TILT / FRONT	1	1	
NS	861088	. HANDLE HEIGHT TILT / REAR	1	1	
35	860587	. LEVER HEIGHT REAR	1	1	
36	860588	. LEVER HEIGHT FOWARD	1	1	
37	860690	. LEVER ADJUSTMENT KEY / R.H. FRONT & L.H. RE	1	1	
38	860689	. LEVER ADJUSTMENT KEY / R.H. REAR & L.H. FRO	1	1	
39	860513	. KIT SPRING (2 LARGES & 3 SMALL)	1	1	



Date:10/2022

PAGE:MTH-1822-10

DRIVER'S SEAT - "ISRI" - 6000/525

Item#	Part	Description	X L I I M T H 4 5	X L I I M T H 4 5 E	N O T E S
43	861091	. TORSION BAR KIT	1	1	
44	861092	. KIT VALVE LOMBAR SUPPORTS	1	1	C
NS	860887	. . KIT VALVE LUMBAR SUPPORTS / W/SEAT W/R.H. CONTROL			D
45	861093	. . . BUTTON AIR LOMBAR UPPER SECTION	1	1	
46	861094	. . . BUTTON AIR LOMBAR LOWER SECTION	1	1	
47	862217	. SPRING	1	1	
50	860518	SUSPENSION ASSY AIR	1	1	
51	860523	. COVER	1	1	
52	860719	. VALVE AIR	1	1	
53	860533	. ELBOW PLASTIC BLUE	1	1	
NS	868501	. NUT BLACK	1	1	
54	860521	. ABSORBER / 99LBS	1	1	
NS	860602	. ABSORBER / 120LBS	1	1	
55	860586	. . BUSHING / ABSORBER	2	2	
56	860522	. BELLOW	1	1	
. NS	866008	. . CONNECTOR AIR W/"O-RING"	1	1	
57	860515	. CAM	1	1	
NS	860693	. KIT REPAIR / AIR SUSPENSION	AR	AR	
60	N.S.S.	. . BUMPER RUBBER	2	2	1
61	N.S.S.	. . BUMPER RUBBER	2	2	1
62	N.S.S.	. . BUSHING SPLIT FLANGE	2	2	1
63	N.S.S.	. . BUSHING FLANGE	4	4	1
64	N.S.S.	. . SCREW	1	1	1
65	N.S.S.	. . WASHER	2	2	1
66	N.S.S.	. . NUT	2	2	1
67	N.S.S.	. . BOLT	1	1	1
68	N.S.S.	. . ROLLER	4	4	1
70	860685	SUSPENSION ASSY MECHANICAL / R.H. CONTROL	1	1	
71	860526	. COVER	1	1	
72	862913	. SPRING EXTENSION / KIT OF 2 1.800 O.D. x 6.75 x .340 SERVICE	1	1	
73	860658	. HANDWHEEL / R.H. CONTROL (AS SHOWN)	1	1	
74	860549	. . CAP PLASTIC	1	1	
75	860594	. . CAP SHAFT COVER	1	1	
76	860521	. ABSORBER / 99LBS	1	1	
NS	860602	. ABSORBER / 120LBS	1	1	
77	860586	. . BUSHING / ABSORBER	2	2	
NS	860692	. KIT REPAIR / MECHANICAL SUSPENSION	AR	AR	
78	N.S.S.	. . BUSHING SPLIT FLANGE	2	2	1
79	N.S.S.	. . BUSHING FLANGE	2	2	1
80	N.S.S.	. . BOLT	2	2	1
81	N.S.S.	. . ROLLER	4	4	1
82	N.S.S.	. . BUMPER	2	2	1



Date:10/2022

PAGE:MTH-1822-10

DRIVER'S SEAT - "ISRI" - 6000/525

Item#	Part	Description	X L I I M T H 4 5	X L I I M T H 4 5 E	NOTES
83	860864	SPINDLE KIT	1	1	
84	861746	. KIT WEIGHT ADJUSTMENT	1	1	
NS	867958	ADAPTOR	1	1	
NS	868125	UNION 4MM/4MM	1	1	
NS	868128	UNION 6MM/4MM	1	1	
90	362201P	COVERING HEADREST ASSY / S.C.C. / DRIVER'S "ISRI" 6000 & 6500	1	1	
91	362204P	COVERING BACKREST ASSY / S.C.C. / DRIVER'S "ISRI" 6000 & 6500 To 8-9397	1	1	
91	364238	COVERING BACKREST ASSY / S.C.C. / DRIVER'S "ISRI" 6000 & 6500 From 8-9398	?	?	
92	362203P	COVERING SEATREST ASSY / S.C.C. / DRIVER'S "ISRI" 6000 & 6500 To 8-9397	1	1	
92	364236	COVERING SEATREST ASSY / S.C.C. / DRIVER'S "ISRI" 6000 & 6500 From 8-9398	?	?	
93	860527	CLIP	8	8	
NS	860484	SEW STRIP NYLON 10MM	AR	AR	
NS	860485	SEW STRIP NYLON 15MM	AR	AR	
NS	864709	TUBE PLASTIC 6MM O.D. CHARCOAL W/RED LINE	AR	AR	
NS	864710	TUBE PLASTIC 6MM O.D. CHARCOAL W/GREY LINE	AR	AR	
NS	864711	TUBE PLASTIC 6MM O.D. CHARCOAL	AR	AR	
100	362188	KIT BELT	1	1	
100	860607	. STIFF BUCKLE IN BOOT	1	1	
101	860977	. BELT SEAT	1	1	
101	860553	. BELT TETHER / BODY & SUSPENSION / (SET OF 2)	1	1	
102	361800	BASE DRIVER'S SEAT / W "ISRI" / 76.2MM HEIGHT / 3"	1	1	
NS	5001117	SCREW CAP HEX M12-1.75x70 BK	4	4	F
NS	500958	WASHER FL .531x1.062x.095 SS	4	4	F
NS	500810	WASHER LO SPT 12.2x21.1x2.5 Z050	4	4	F
NS	362549	SPACER / STRUCTURE & BASE / 27MM	4	4	F
103	363945	BAR ICP / W/SEAT MODEL 6500	1	1	G
NS	500179	SCREW CAP HEX 5/16-18x3/4 G5 Z050	2	2	G
NS	500777	NUT HEX STO 5/16-18 Z050	2	2	G
NS	361677	JOINT / W/AIR SUSPENSION / W/2 HOLES .344 O / 3 1/8" x W/2" C/C	2	2	G
NS	364155	JOINT / W/AIR SUSPENSION / W/2 HOLES .344 O / 4 3/8" x W/3 1/4" C/C SERVICE	1	1	G
NS	500810	WASHER LO SPT 12.2x21.1x2.5 Z050	2	2	G
NS	500480	WASHER LO SPT .443x.779x.109 Z050	2	2	G
NS	500445	WASHER FL .437x1.000x.083 Z050	2	2	G
NS	5001365	SCREW CAP HEX M12-1.75x30 G10.9 DP	2	2	G
		A) W/SEAT #860433			
		B) W/860853, 860854, 860912 & 860913			
		C) W/HOSE & HARDWARE			
		D) W/BUTTON			
		F) TO FIX BASE TO FLOOR			

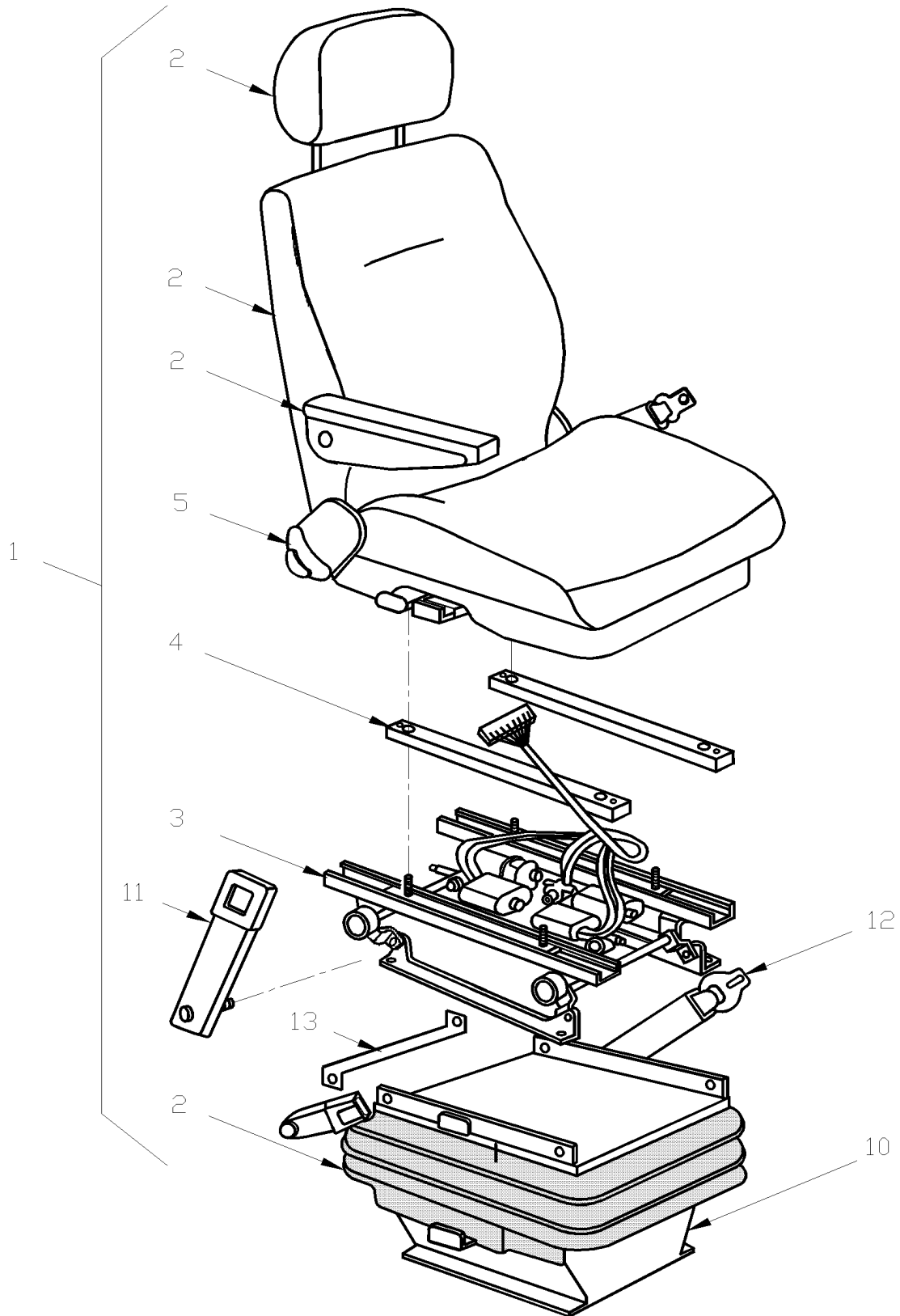


	Date:10/2022	PAGE:MTH-1822-10
--	--------------	------------------

DRIVER'S SEAT - "ISRI" - 6000/525

Item#	Part	Description	X L I I M T H 4 5	X L I I M T H 4 5 E	N O T E S
		G) TO FIX SAFETY BELT TO SEAT			
		1) NOT SOLD SEPARATELY			
		U) UNDER CONSTRUCTION			

	Date:10/2022	PAGE:MTH-1822-50
DRIVER'S SEAT - "ISRI" - 6000/525		

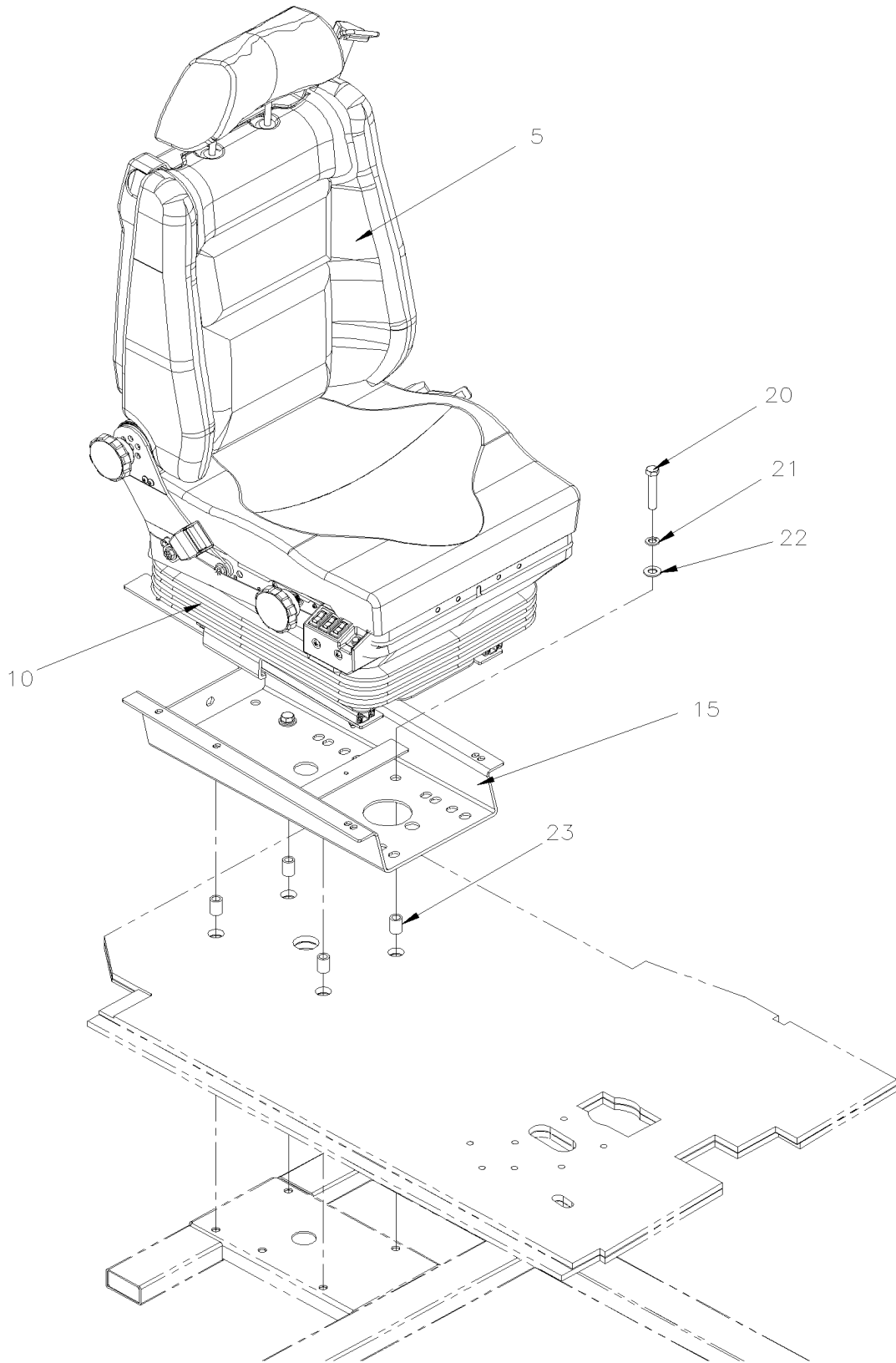




	Date:10/2022	PAGE:MTH-1822-50
DRIVER'S SEAT - "ISRI" - 6000/525		

Item#	Part	Description	X L I I M T H 4 5	X L I I M T H 4 5 E	N O T E S
1	862319	DRIVER'S SEAT - "ISRI" - MODEL 6000/525 / ELECTRIC / AIR SUSPENSION / R.H. CONTROL & LUMBAR SUPPORTS	1	1	C
1	860855	DRIVER'S SEAT - "ISRI" - MODEL 6000/525 / ELECTRIC / AIR SUSPENSION / R.H.	1	1	B
2	MTH-1822-10	DRIVER'S SEAT - "ISRI" - 6000/525			
3	860728	BASE ELECTRICAL ASSY	1	1	
4	860727	TUBE ADAPTOR	2	2	
5	861081	FRAME ASSY SEAT / W/O MEMORY ELECTRICAL SEAT	1	1	
10	364018	BASE 1" / W/ELECTRICAL SEAT ONLY	1	1	
10	363454	PLATE SEAT ADAPTOR 54MM X 242MM	1	1	
NS	362549	SPACER / STRUCTURE & BASE / 27MM	4	4	
11	860607	STIFF BUCKLE IN BOOT	1	1	
11	861115	SLEEVE COVERING	1	1	
12	860977	BELT SEAT	1	1	
13	363944	BAR ICP / W/SEAT MODEL 6500	1	1	
NS	Call order desk	LOWER SEAT BACK	1	1	P
NS	363410	JOINT / W/AIR SUSPENSION / W/2 HOLES .562 O.D / 3 1/8" x W/2 1/8 C/C"	1	1	A
		A) USE WITH CO-PILOTE SEAT CURBSIDE INSTALLATION			
		B) THOSE SEATS ARE COMPLETE ASSY W/BLACK COVERING, LARGE ARMREST & HEADREST FOR FACTORY DELIVERY.			
		C) WITHOUT COVERING			
		P) CALL ORDER DESK FOR SPECIFIC APPLICATION (V.I.N.)			

	Date:10/2022	PAGE:MTH-1823-50
DRIVER'S SEAT - "USSC" - 9100ALX3		





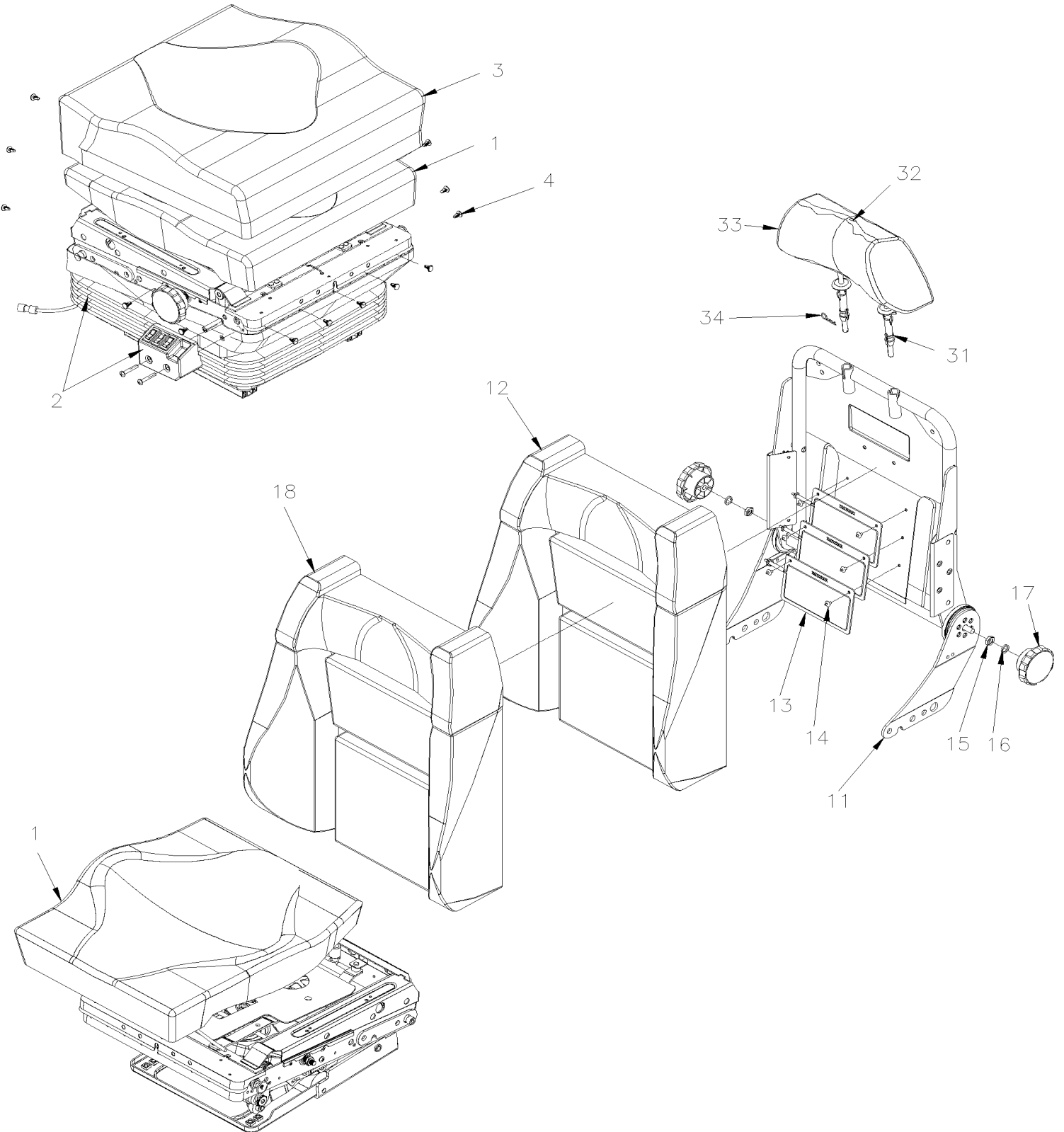
Date:10/2022

PAGE:MTH-1823-50

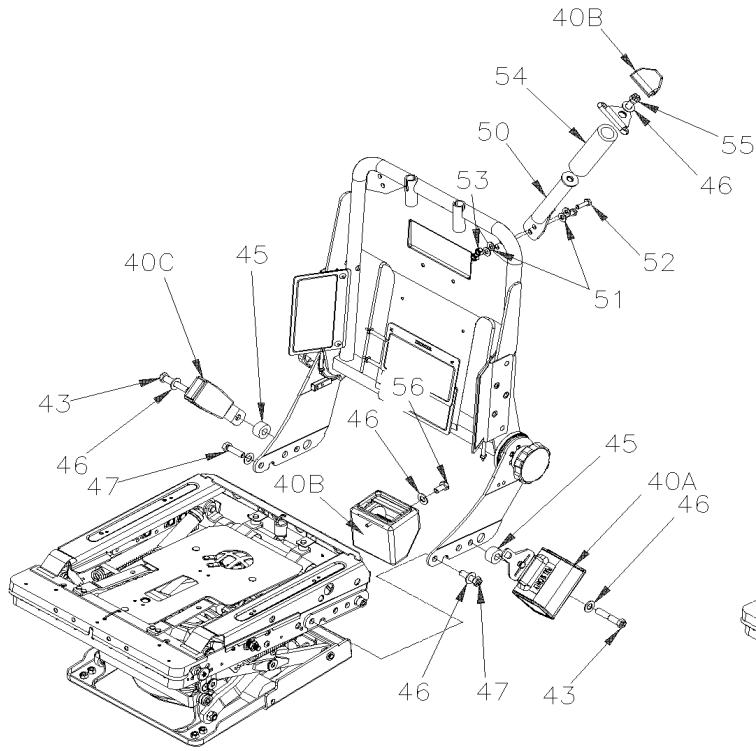
DRIVER'S SEAT - "USSC" - 9100ALX3

Item#	Part	Description	X L I I M T H 4 5	X L I I M T H 4 5 E	N O T E S
	863724	DRIVER'S SEAT - "USSC" - MODEL 9100 ALX3 / "PWT"			
5	MTH-1823-60	. SEAT ASSY - "USSC" - 9100ALX3			
10	MTH-1823-70	. SUSPENSION ASSY - "USSC" - 9100ALX3			
15	MTH-1823-80	. BASE ASSY - "USSC" - 9100ALX3			
20	5001862	SCREW CAP HEX M12-1.75x70 G10.9 N500	4	4	
21	500747	WASHER LO SPT 12.2x21.1x2.5 N500	4	4	
22	500958	WASHER FL .531x1.062x.095 SS	4	4	
23	362549	SPACER / STRUCTURE & BASE / 27MM	4	4	
NS	214519	PLATE REINFORCMENT UNDER SEAT 152MM x 101MM GA11	1	1	
NS	214520	CHANNEL "U" 510MM x 50MM x 38MM	1	1	

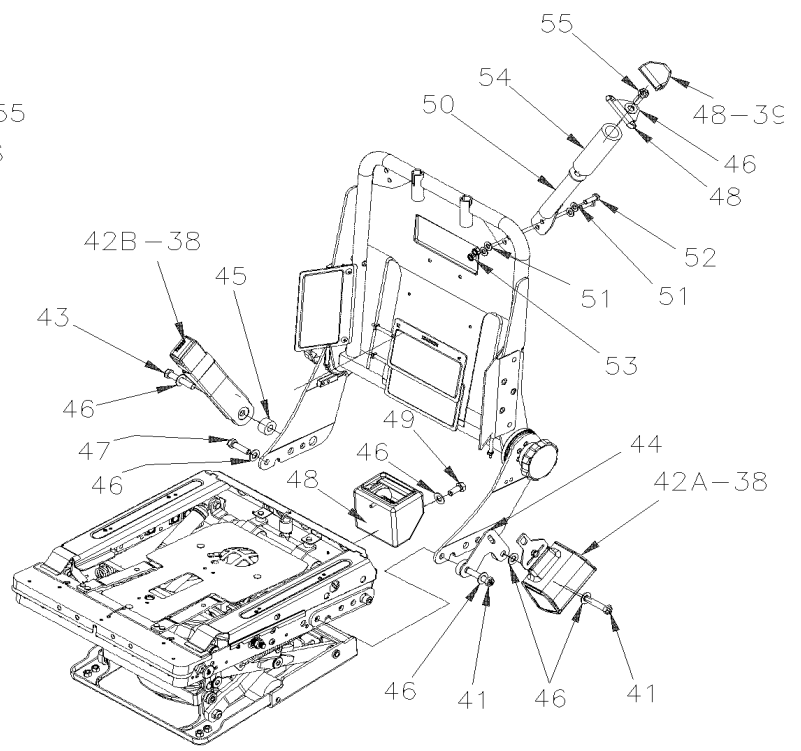
	Date:10/2022	PAGE:MTH-1823-60
SEAT ASSY - "USSC" - 9100ALX3		



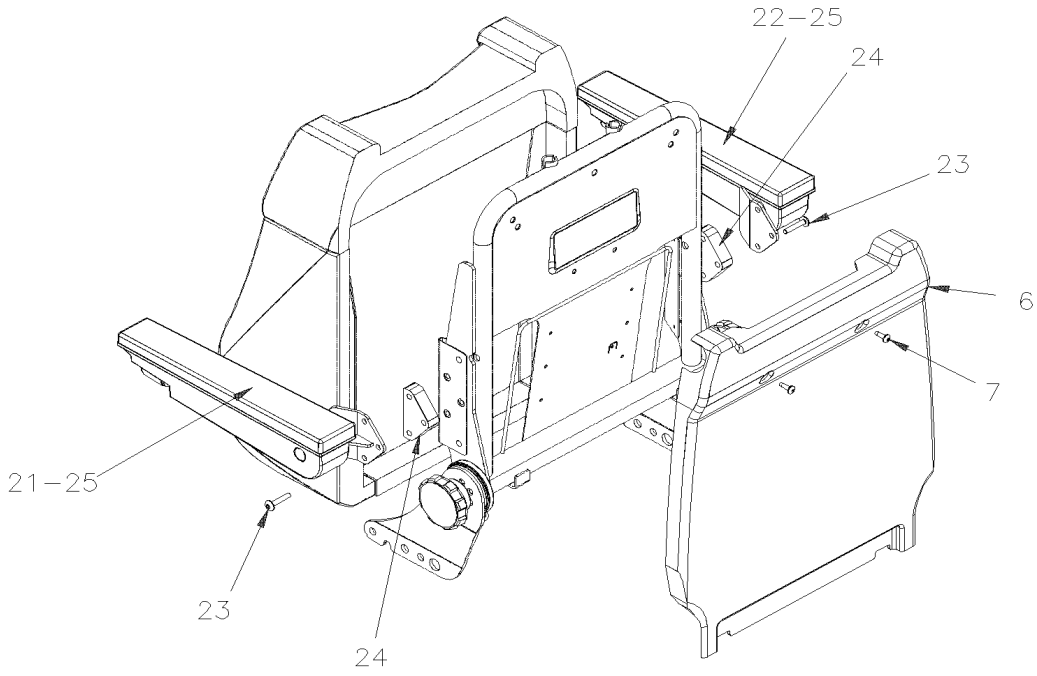
	Date:10/2022	PAGE:MTH-1823-60
SEAT ASSY - "USSC" - 9100ALX3		



WITH 4 3/4 BUCKLE



WITH 8 3/4 BUCKLE





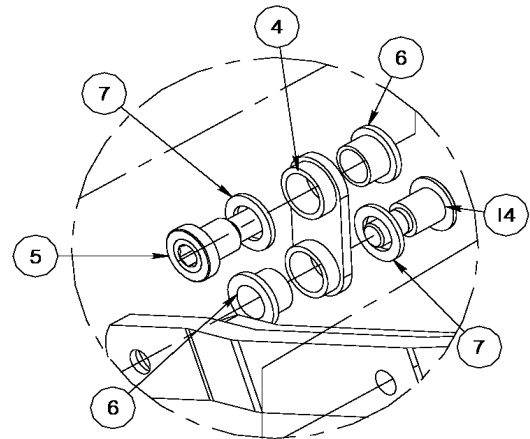
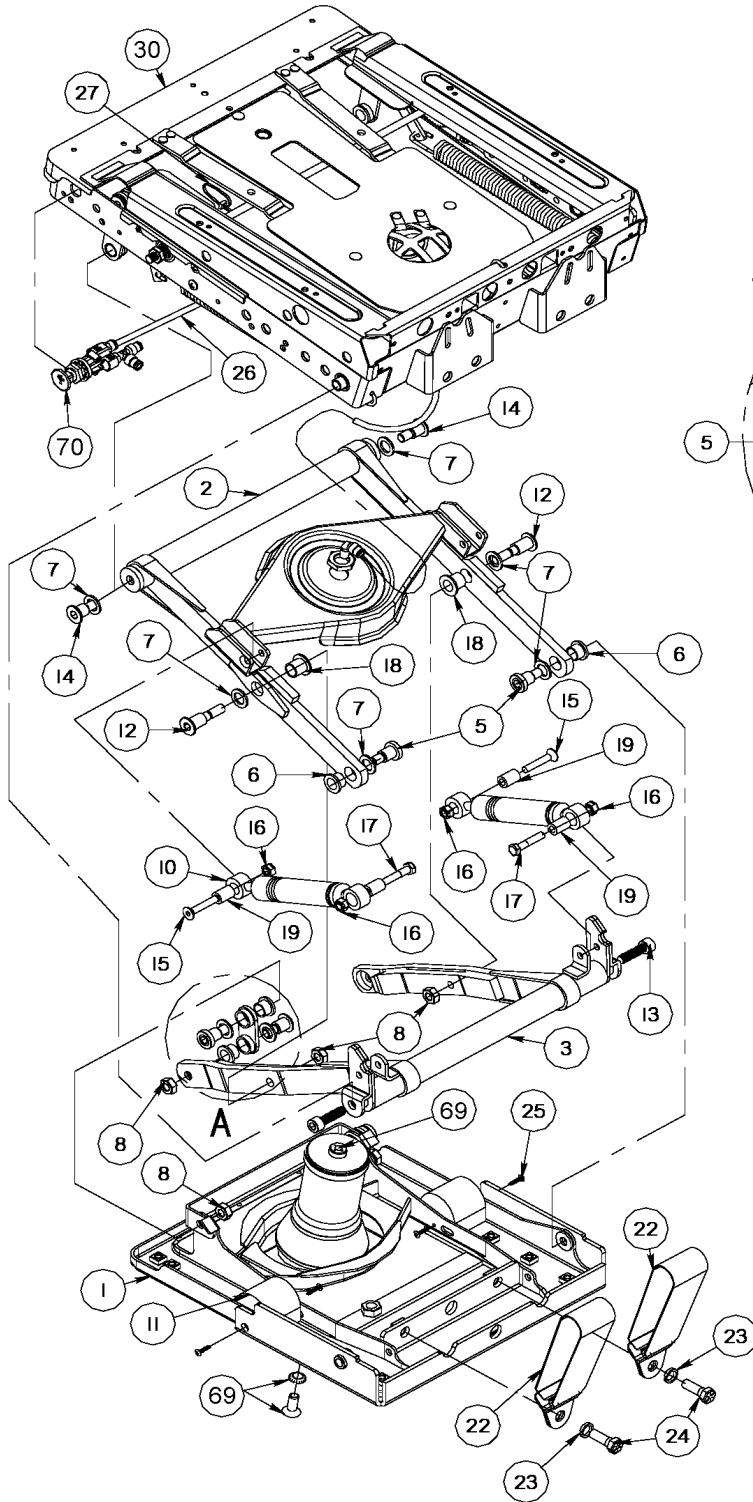
	Date:10/2022	PAGE:MTH-1823-60
SEAT ASSY - "USSC" - 9100ALX3		

Item#	Part	Description	X L I I M T H 4 5	X L I I M T H 4 5 E	N O T E S
1	N8887209	CUSHION FOAM	1	1	
2	MTH-1823-70	SUSPENSION ASSY - "USSC" - 9100ALX3			
3	Call order desk	COVER CUSHION	1	1	P
4	N8883021	RIVET	13	13	
6	N8887219	SCREW 1/4-20x3/4	2	2	
7	N8895439	BACKSHELL W/OUT LOGO	1	1	
11	N8897721	BACK BOLSTER	1	1	
12	N8882987	FOAM BACKREST	1	1	
13	N8895287	LUMBAR AIR BAG ASSY	3	3	
14	N8891961	RIVET	6	6	
15	N8882988	NUT JAM M10X1.5	2	2	
16	N8882967	WASHER, LOCK M10	2	2	
17	N8882989	KNOB SEAT ADJUSTMENT W/FORMER VALVE	2	2	
18	Call order desk	COVER BACKREST			P
21	Call order desk	ARMREST WITHOUT COVERING PAD RH	1	1	P
21	N8892788	ARMREST WITH BLACK COVERING PAD LH	1	1	
22	865417	ARMREST ADJUSTABLE WITHOUT COVERING PAD RH	1	1	
22	N8892789	ARMREST ADJUSTABLE WITH BLACK COVERING PAD RH	1	1	
23	N8893510	SCREW M8-1.25x35	6	6	
24	N8893511	ARMREST SHIM	2	2	
25	867787	ARMREST PAD	2	2	
31	N8893445	HEADREST PLUG	2	2	
32	N8892743	HEADREST ASSY	1	1	
33	Call order desk	COVER HEADREST	1	1	P
34	N8891948	PIN HAIR - HEADREST .0725 DIA	2	2	
38	19507825	BELT 3PT / LAP RETRACTOR ORANGE	1	1	
39	N8899238	BELT 3PT / SHOULDER RETRACTOR ORANGE	1	1	
40	N8891957	BELT 3PT ASS	1	1	
. NS	N8904553	. BUSHING	1	1	
40A	864096	. BELT 3PT / LAP RETRACTOR	1	1	
40B	864095	. BELT 3PT / SHOULDER RETRACTOR	1	1	
40C	864097	. BELT 3PT / BUCKLE RECEPTOR 4 3/4	1	1	
41	N8897724	SCREW CAP HEX 7/16-20X2 GR8 YZ	2	2	
42	N8897723	SEAT BELT ASSY	1	1	
42	864590	SEAT BELT ASSY WITH ALARM	1	1	
42A	864700	. BELT / LAP RETRACTOR	1	1	
42B	864701	. BELT / BUCKLE RECEPTOR 8 3/4	1	1	
42B	864702	. BELT / BUCKLE RECEPTOR WITH ALARM 8 3/4	1	1	
43	N8882962	SCREW CAP HEX 7/16-20X2.25	1	1	
44	N8897722	SEAT BELT PLATE /54 DEG	1	1	
45	N8887857	SPACER 1/2x1-1/8x5/8	1	1	
46	N8882992	WASHER FLAT 7/16	7	7	



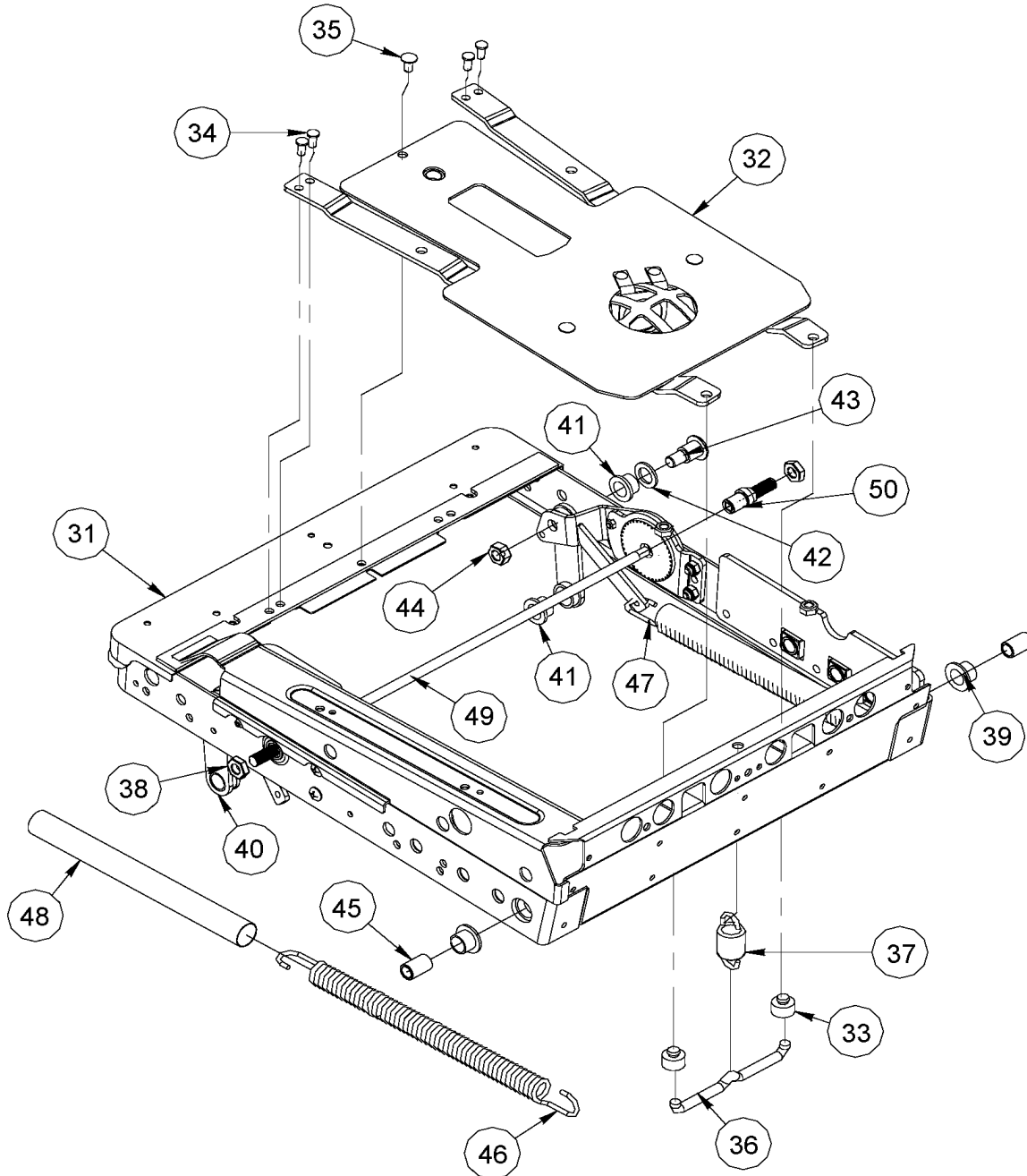
		Date:10/2022	PAGE:MTH-1823-60		
SEAT ASSY - "USSC" - 9100ALX3					
Item#	Part	Description	X L I I M T H 4 5	X L I I M T H 4 5 E	N O T E S
47	N8882960	SCREW CAP HEX /7/16-20X1.5"	1	1	
48	864095	BELT 3PT / SHOULDER RETRACTOR	1	1	
49	N8899242	SCREW CAP HEX 7/16-20X1 G8	1	1	
50	19505644	D-LOOP	1	1	
51	N8882993	WASHER FLAT 5/16	4	4	
52	N8902660	SCREW CAP HEX 5/16-18 X 1.0" GR8 YZ.	2	2	
53	N8893849	NUT LOCK 5/16-18 NYLON	2	2	
54	19515581	COVER, FOAM 1" ID X 5" SMOKESTACK"	1	1	
55	N8882961	SCREW 7/16-20x1 1/4	1	1	
56	N8891962	SCREW CAP HEX 7/16-20x.75	1	1	
		P) CALL ORDER DESK FOR SPECIFIC APPLICATION (V.I.N.)			

	Date:10/2022	PAGE:MTH-1823-70
SUSPENSION ASSY - "USSC" - 9100ALX3		

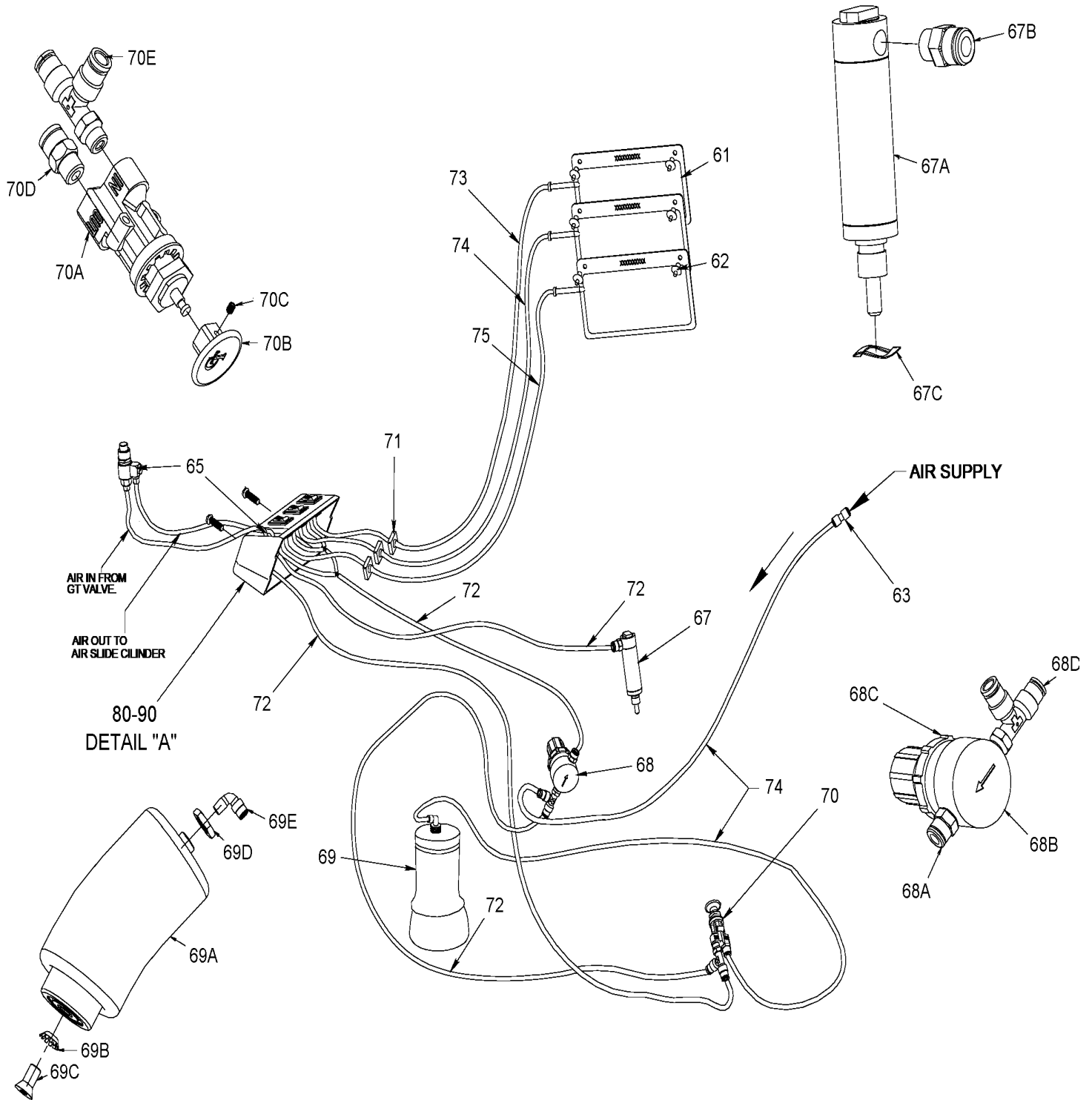


DETAIL A

	Date:10/2022	PAGE:MTH-1823-70
SUSPENSION ASSY - "USSC" - 9100ALX3		

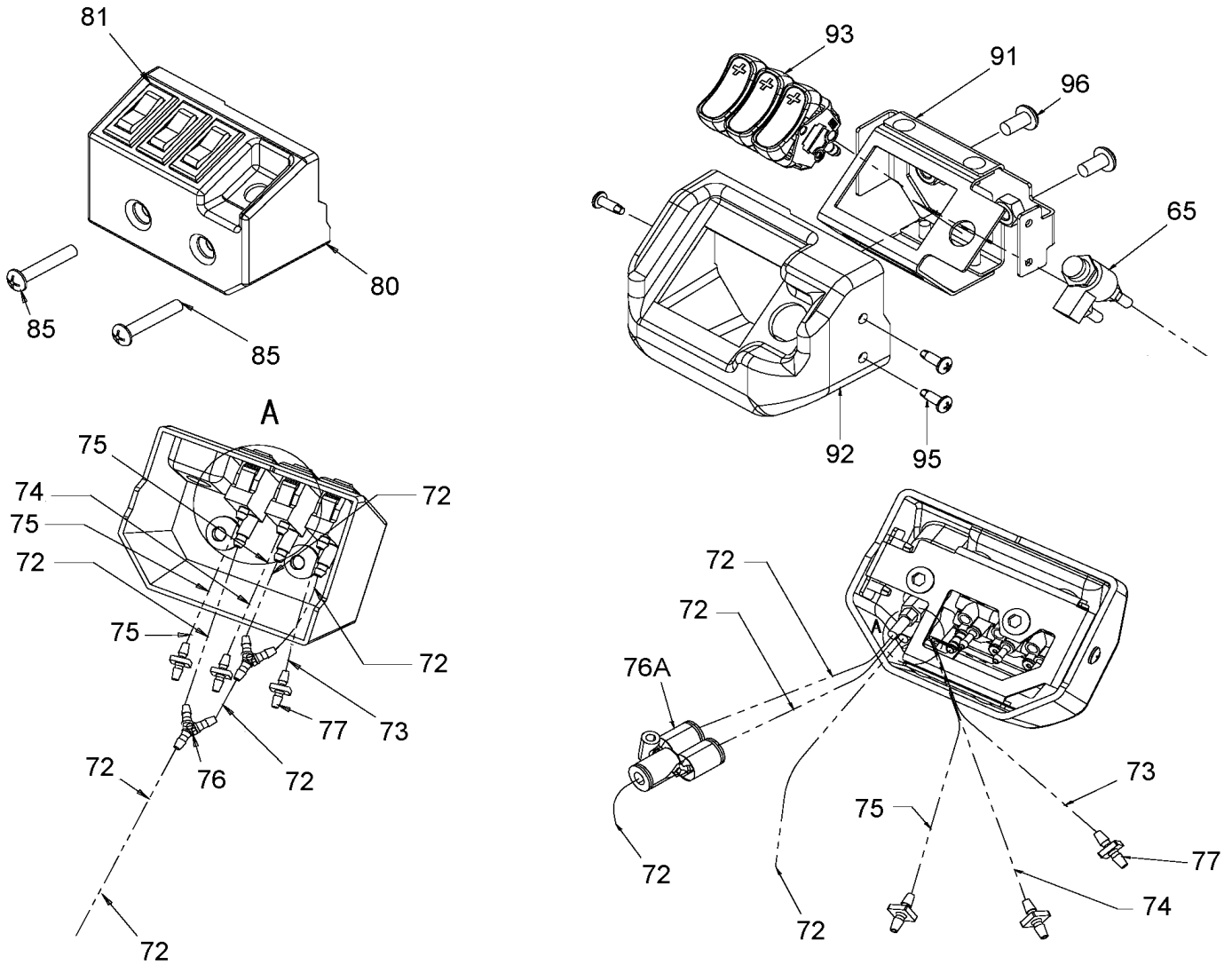


	Date:10/2022	PAGE:MTH-1823-70
SUSPENSION ASSY - "USSC" - 9100ALX3		



	Date:10/2022	PAGE:MTH-1823-70
SUSPENSION ASSY - "USSC" - 9100ALX3		

DETAIL "A"



UP TO A-9962

FROM A-9963



Date:10/2022

PAGE:MTH-1823-70

SUSPENSION ASSY - "USSC" - 9100ALX3

Item#	Part	Description	X L I M T H 4 5	X L I M T H 4 5 E	N O T E S
	N8894728	SUSPENSION ASSY	1	1	
1	N.S.S.	. SUSPENSION BOTTOM / WELDMENT	1	1	1
2	N.S.S.	. SUSPENSION SCISSOR / UPPER WELDMENT	1	1	1
3	N.S.S.	. SUSPENSION SCISSOR / LOWER WELDMENT	1	1	1
4	N8894295	. BRACKET	2	2	
5	N8895289	. BOLT SCISSOR	4	4	
6	N8899141	. BUSHING 14MM IDx17MM ODx12.6MM LG	6	6	
7	N8883024	. WASHER	10	10	
8	19518102	. NUT LOCK M10X1.5/ZP	6	6	
10	N8893636	. SHOCK ABSORBER, FIRM	2	2	
11	N8883018	. RUBBER BUMPER	2	2	
12	N8894297	. BOLT SCISSOR 2"	2	2	
13	N8894294	. SCREW CAP HEXS M10X1.5/35MMLG	2	2	
14	N8894301	. BOLT SCISSOR .60 LGTH	4	4	
15	N8883013	. BOLT, M8 X 40	2	2	
16	N8883015	. NUT LOCK M8-1.25/GRD10/CZ	4	4	
17	N8883011	. SCREW 8MMX40/UPPER SHOCK	2	2	
18	N8899140	. BUSHING .672x.552x.70	2	2	
19	N8893441	. BUSHING SHOCK ABSORBER	4	4	
22	N8883017	. STRAP 15"	2	2	
23	N8882966	. WASHER, LOCK 7/16	2	2	
24	N8882961	. SCREW 7/16-20x1 1/4	2	2	
25		. SCREW TRUSS HD NO 6 X .75 " LG	4	4	
26	N8893854	. TUBE, NYLON 1/4 O.D. / BLACK S.L.	3 FEET	3 FEET	
27		. CABLE TIE/BLK/4"LG X .095"WIDTH	1	1	
30	N8894298	. TOP PAN ASSEMBLY	1	1	
31	N.S.S.	. . FRAME	1	1	1
32	N.S.S.	. . TOP PAN ASSEMBLY	1	1	1
33	19505642	. RUBBER BUMPER	2	2	
34	Call order desk	. RIVET 1/4-3/8 GRIP 1/4" STL/HS	1	1	P
35	Call order desk	. RIVET 3/8-1/2 GRIP 1/4" SS	1	1	P
36	19505641	. BAR SUSPENSION PAN	1	1	
37	19505640	. SPRING TENSION	1	1	
38	N8882988	. NUT JAM M10X1.5	2	2	
39	N8899144	. BUSHING .679ODx.556IDx.51	2	2	
40	19505643	. BRACKET	2	2	
41	N8899141	. BUSHING 14MM IDx17MM ODx12.6MM LG	4	4	
42	N8883024	. WASHER	2	2	
43	N8894301	. BOLT SCISSOR .60 LGTH	2	2	
44	19518102	. NUT LOCK M10X1.5/ZP	1	1	
45	N8894290	. BUSHING M10IDXM14ODX22MMLG	2	2	
46	N8894293	. SPRING LH /51COIL/LH/EX	1	1	



Date:10/2022

PAGE:MTH-1823-70

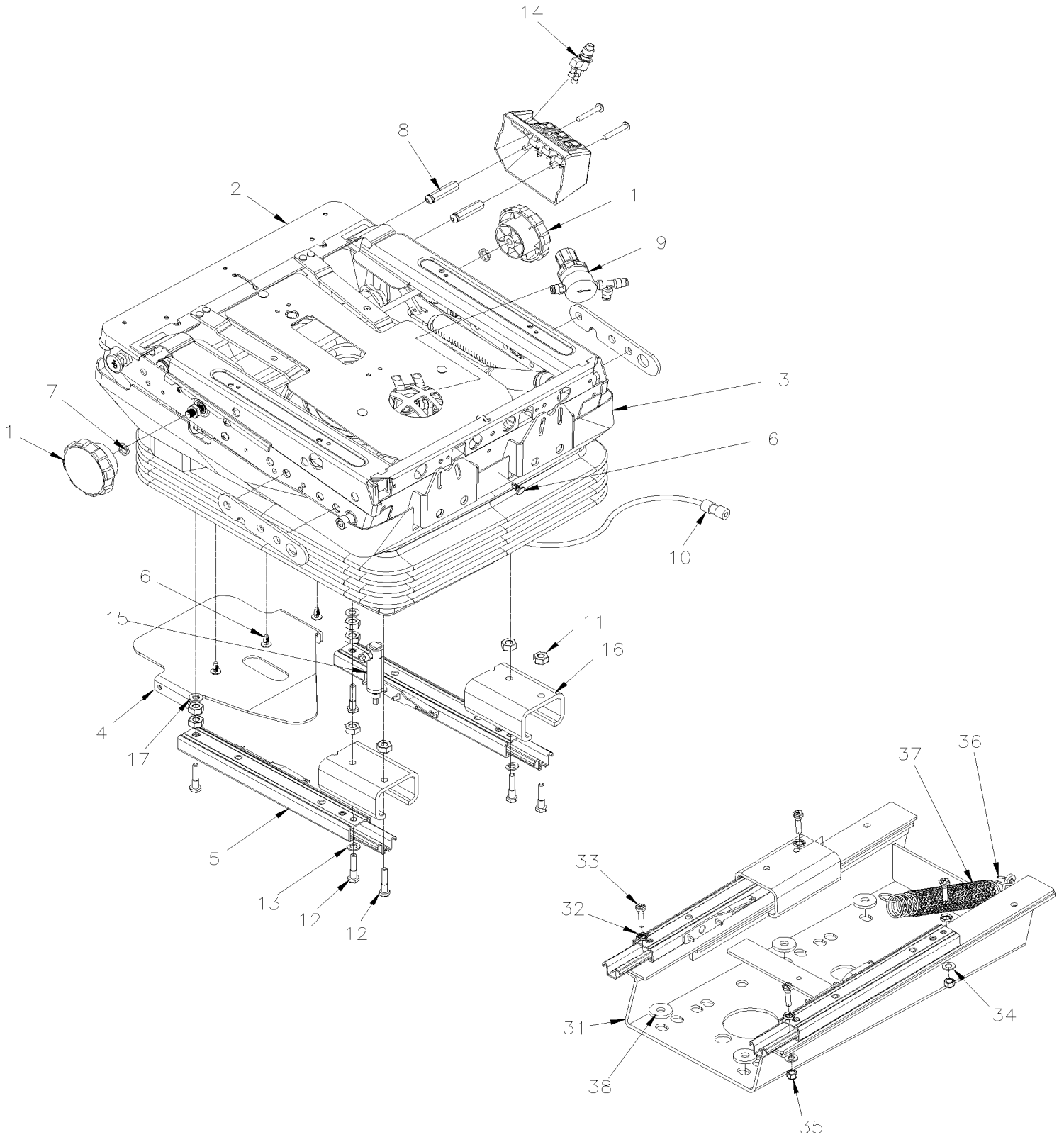
SUSPENSION ASSY - "USSC" - 9100ALX3

Item#	Part	Description	X L I I M T H 4 5	X L I I M T H 4 5 E	N O T E S
47	N8894292	. . SPRING RH /51COIL/RH/EX	1	1	
48	N8894291	. . SPRING COVER 20.5MM ID	2	2	
49	N.S.S.	. . SUSPENSION / GEAR SHAFT	1	1	1
50	N.S.S.	. . SUSPENSION / CAM	2	2	1
61	N8895287	LUMBAR AIR BAG ASSY	3	3	
62	N8891961	RIVET	6	6	
63	N8882997	CONNECTOR	1	1	
64	N8882986	SCREW 1/4-20x1 3/4	2	2	
65	N8887215	SLIDE BUTTON ASSY	1	1	
67	N8887216	SLIDE CYLINDER ASSY	1	1	
67A	19504884	. AIR CYLINDER1/2" STK/SIDE MNT	1	1	
67B	N8892738	. CONNECTOR 1/8 NPT	1	1	
67C	Call order desk	. WASHER 1/2" ID X 3/4" OD	1	1	P
68	N8887856	AIR LUMBAR REGULATOR ASSY W/FITTING	1	1	
68A	N8892738	CONNECTOR 1/8 NPT	1	1	
68B	N8883033	AIR REGULATOR	1	1	
68C	N8893452	NUT RETAINER REGULATOR	1	1	
68D	N8893451	MALE RUN TEE 1/8 NPT	1	1	
69	N8897573	AIR BAG ASSY 150 PSI	1	1	
69A	N8897622	. AIR BAG	1	1	
69B	N8897574	. WASHER EXT TOOTH	1	1	
69C	N8897575	. SCREW CAP FL HEXS 1/2-13 X 1	1	1	
69D	N8883031	. NUT	1	1	
69E	N8893449	. MALE ELBOW 90° / PUSH-IN FITTING / #4x1/8NPT-M BR	1	1	
70	N8892962	AIR VALVE ASSY	1	1	
70A	N8893450	AIR VALVE / HEIGHT CONTROL / CURRENT	1	1	
70B	19504019	BRIGHT ZINC PUSH/PULL KNOB	1	1	
70C	19516104	SET SCREW	1	1	
70D	N8892738	CONNECTOR 1/8 NPT	1	1	
70E	N8893451	MALE RUN TEE 1/8 NPT	1	1	
71	N8893454	UNION CONNECTOR 1/8"	3	3	
72	N8893852	TUBE, NYLON 1/4 O.D. / CLEAR S.L.	AR	AR	
73	N8893853	TUBE, NYLON 1/4 O.D. / GREY S.L.	AR	AR	
74	N8893854	TUBE, NYLON 1/4 O.D. / BLACK S.L.	AR	AR	
75	N8893855	TUBE, NYLON 1/4 O.D. / WHITE S.L.	AR	AR	
76	N8893453	Y CONNECTOR 1/8" To A-9962	2	2	
76A	N8897731	Y CONNECTOR 1/4" From A-9963	1	1	
77	N8893454	UNION CONNECTOR 1/8"	3	3	
80	N8892035	AIR BOX ASSY To A-9962	1	1	
81	N8883035	SWITCH BOX To A-9962	1	1	
82	N8892491	AIR SWITCH / LUMBAR To A-9962	3	3	
85	N8882986	SCREW 1/4-20x1 3/4 To A-9962	2	2	



		Date:10/2022	PAGE:MTH-1823-70		
SUSPENSION ASSY - "USSC" - 9100ALX3					
Item#	Part	Description	X L I I M T H 4 5	X L I I M T H 4 5 E	N O T E S
90	N8898415	AIR BOX ASSY 1 From A-9963	1	1	
91	N8897726	. BRACKET From A-9963	1	1	
92	N8897727	. SWITCH BOX From A-9963	1	1	
93	N8897732	. AIR SWITCH / LUMBAR From A-9963	1	1	
95	N8897728	. SCREW MA PAN PH 8-32X1/2 From A-9963	3	3	
96	N8897729	. SCREW MA BUT 1/4-20X1/2 From A-9963	2	2	
		1) NOT SOLD SEPARATELY			
		P) CALL ORDER DESK FOR SPECIFIC APPLICATION (V.I.N.)			

	Date:10/2022	PAGE:MTH-1823-80
BASE ASSY - "USSC" - 9100ALX3		





	Date:10/2022	PAGE:MTH-1823-80
BASE ASSY - "USSC" - 9100ALX3		

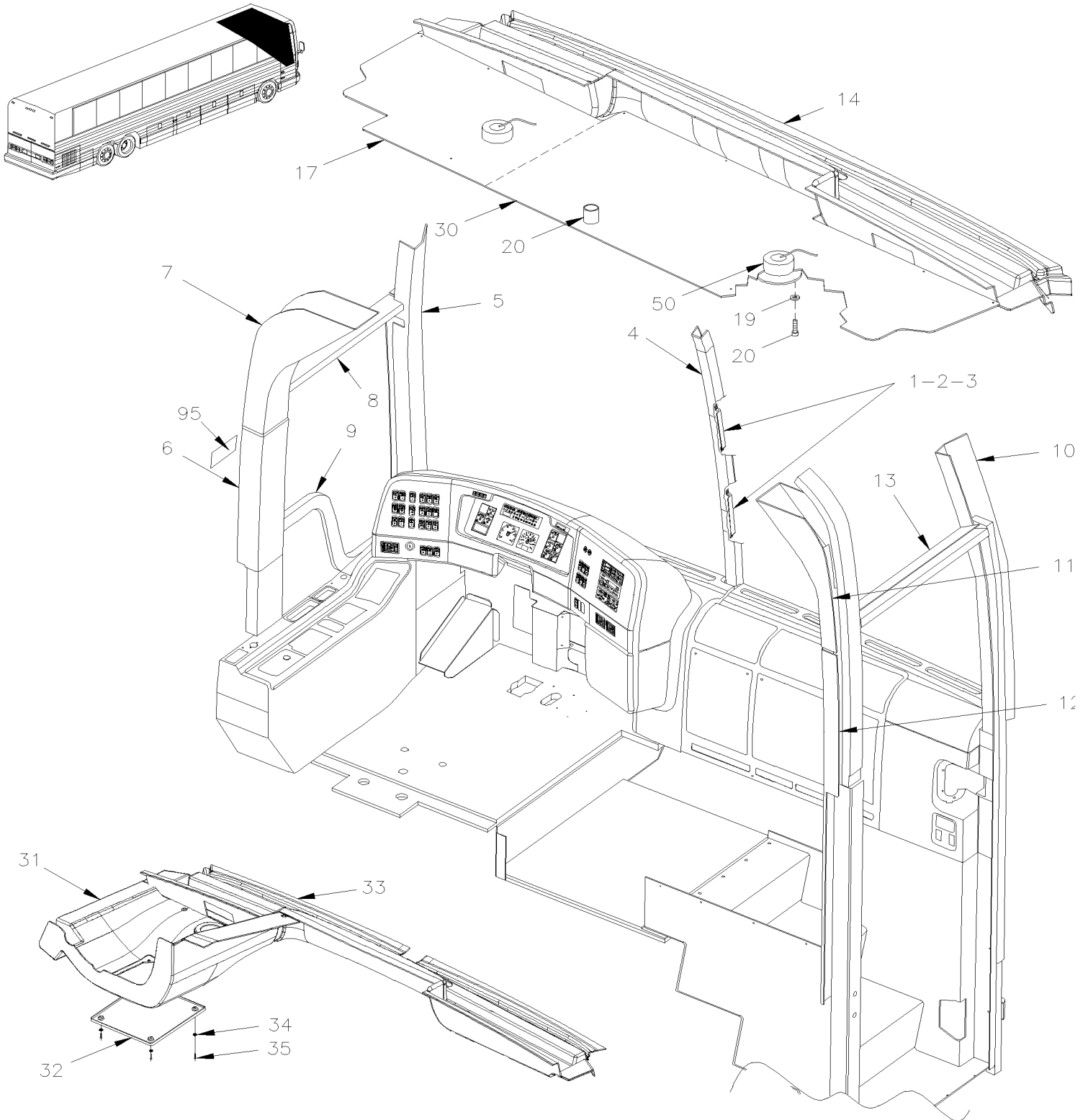
Item#	Part	Description	X L I I M T H 4 5	X L I I M T H 4 5 E	N O T E S
1	N8882989	KNOB SEAT ADJUSTMENT W/FORMER VALVE	2	2	
2	N8894280	SUSPENSION ASSY / AIR	1	1	
2	MTH-1823-70	. SUSPENSION ASSY - "USSC" - 9100ALX3	1	1	
2	N8893705	. SPACER / BACK TO SUSPENSION	2	2	
3	N8883020	BELLOW	1	1	
4	N8891955	RELEASE HANDLE ASM	1	1	
5	N8883008	SLIDE SET 9.45"	1	1	
6	N8883021	RIVET	9	9	
7	N8882967	WASHER, LOCK M10	2	2	
8	N8887855	AIR BOX MOUNT ASM	2	2	
9	N8887856	AIR LUMBAR REGULATOR ASSY W/FITTING	1	1	
10	N8882997	CONNECTOR	1	1	
11	N8883004	SPACER SLIDE	8	8	
12	N8882965	SCREW 5/16-18x1 1/2	2	2	
13	N8891964	WASHER FLAT	2	2	
14	N8887215	SLIDE BUTTON ASSY	1	1	
15	N8887216	SLIDE CYLINDER ASSY	1	1	
16	N8894735	BRACKET SLD REIN/C/1/4"/NF/ASSY	2	2	
17	N8882993	WASHER FLAT 5/16	2	2	
31	N8891958	BASE ASSY 4"	4	4	
32	N8883007	NUT 3/8	4	4	
33	N8882964	SCREW 5/16-18x1 1/4	4	4	
34	N8882993	WASHER FLAT 5/16	4	4	
35	N8893849	NUT LOCK 5/16-18 NYLON	4	4	
36	N8890626	SPRING 10"	1	1	
37	N8894303	MESH SPRING COVER	1	1	
38	N8887858	WASHER 7/16	6	6	

From 8-9279 To B-9999

Date:10/2022

PAGE:MTH-1832-50

FRONT FINISHING CAP - MTH





From 8-9279 To B-9999	Date:10/2022	PAGE:MTH-1832-50
FRONT FINISHING CAP - MTH		

Item#	Part	Description	X L I I M T H 4 5	X L I I M T H 4 5 E	N O T E S
1	326744	CENTRAL MOULDING SUPPORT	6	6	
2	502531	SCREW CAP HEX M6-1.0x16 G8.8 Z050	6	6	
3	502511	NUT HEX NYRT M6-1.0 Z050	12	12	
4	327142	CENTER MOULDING / W/WINDSHIELD 86"	1	1	
5	327140	L.H. MOULDING / WINDSHIELD / 86"	1	1	
5	327182	L.H. MOULDING / WINDSHIELD 89"		1	
6	327139	L.H. MOULDING / 86"	1	1	
6	327563	L.H. MOULDING / 86"	1	1	A
6	327180	L.H. MOULDING / 89"		1	
6	328012	L.H. MOULDING / 89" From 3-8131		1	
6	328013	L.H. MOULDING / 89" From 3-8131		1	A
7	327029	UPPER FINISHING MOULDING L.H.	1	1	
8	327135	UPPER MOULDING SERVICE DOOR	1	1	
9	326741	FINISHING MOULDING SERVICE DOOR	1	1	B
9	327179	FINISHING MOULDING SERVICE DOOR	1	1	C
10	327141	R.H. MOULDING / WINDSHIELD / 86"	1	1	
10	327183	R.H. MOULDING / WINDSHIELD 89"		1	
11	327030	UPPER FINISHING MOULDING R.H.	1	1	
12	327138	R.H. MOULDING / 86"	1	1	
12	327181	R.H. MOULDING / 89"		1	
12	327655	R.H. MOULDING / 89"		1	A
13	327134	UPPER MOULDING ENTRANCE DOOR	1	1	
14	327136	TRANSITION CEILING	1		
15	500463	WASHER FN CKF .187x.500x.090 BR Z050	36	36	
16	500552	SCREW TP OV PH #6x3/4 Z050	36	36	
17	327825	TRANSITION CEILING PANEL	1		
18	500436	SCREW TP OV PH #10x2 Z050	AR	AR	
19	500465	WASHER FN CKF .278x.729x.119 SS	AR	AR	
20	504586	WASHER FL SPACER .450x.625x.875 NYL	AR	AR	
30	327993	TRANSITION CEILING PANEL		1	
31	341099	TRANSITION CEILING FRONT LEFT W/HALOGEN		1	
32	341070	ACCESS PANEL CEILING FRONT		1	
33	327992	TRANSITION CEILING		1	
34	500464	WASHER FN CKF .210x.540 SS		4	
35	500626	SCREW TP OV PH #8x3/4 Z050		4	
50	MTH-0665-00	ENGINE COMPARTMENT - ELECTRIC COMPONENTS			
95	0691001	DECAL EMISSION WARNING CALIFORNIA	1	1	D
		A) WITHOUT CUT AWAY FOR WINDOW CLEARANCE			
		B) MTH 83"			



From 8-9279 To B-9999	Date:10/2022	PAGE:MTH-1832-50
-----------------------	--------------	------------------

FRONT FINISHING CAP - MTH

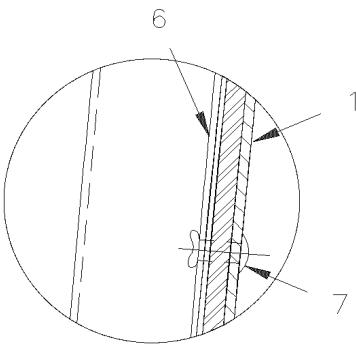
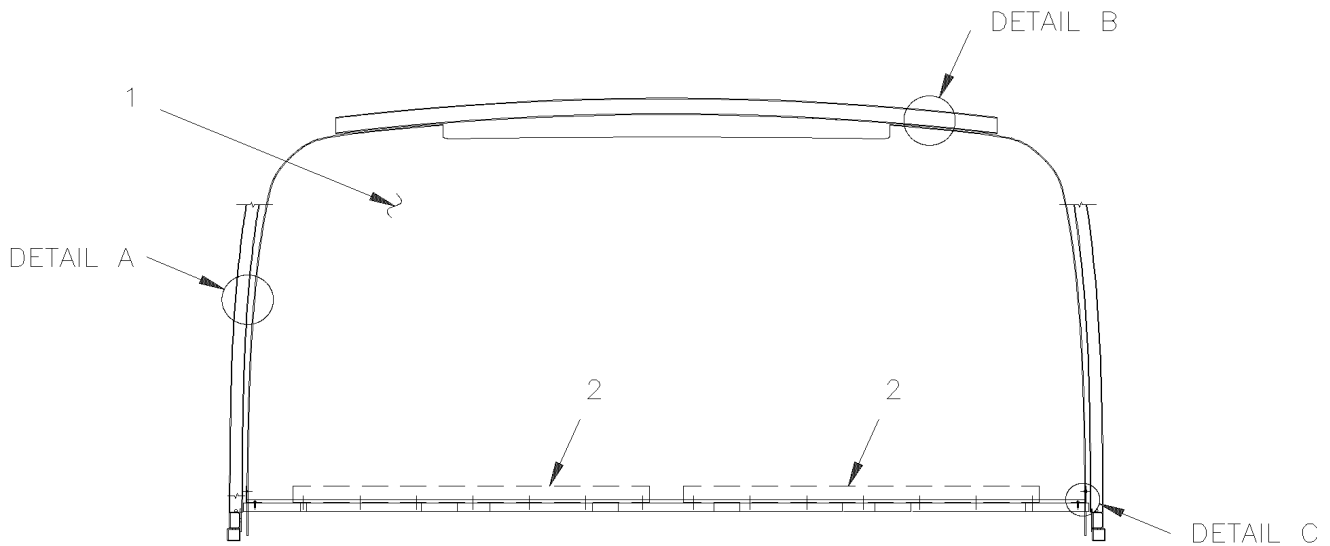
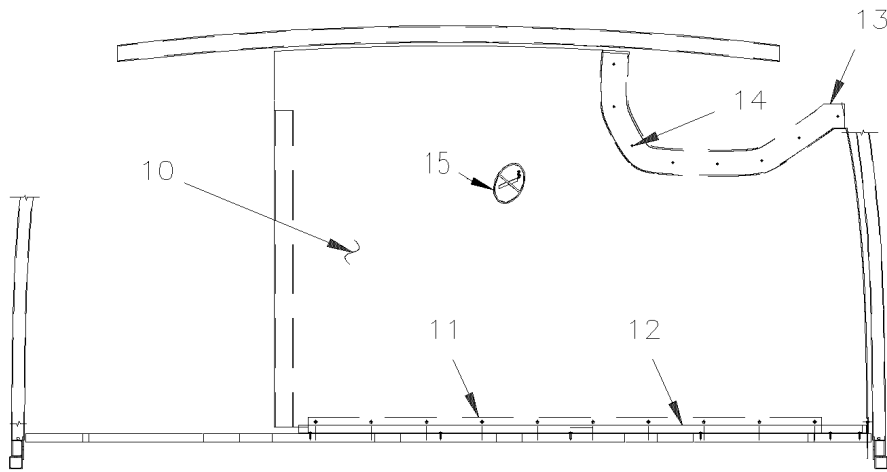
Item#	Part	Description	X L I I M T H 4 5	X L I I M T H 4 5 E	N O T E S
		C) MTH 86" & MTH 89"			
		D) REGULATIONS OF CALIFORNIA			

From 8-9279 To B-9999

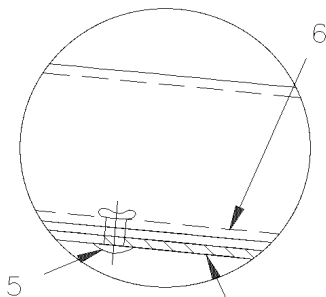
Date:10/2022

PAGE:MTH-1834-00

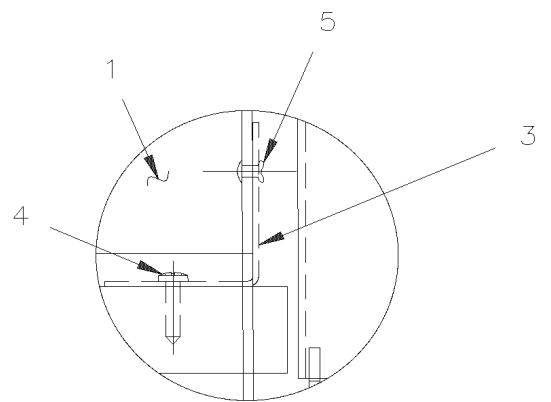
REAR FINISHING CAP



DETAIL A



DETAIL B



DETAIL C



From 8-9279 To B-9999	Date:10/2022	PAGE:MTH-1834-00
-----------------------	--------------	------------------

REAR FINISHING CAP

Item#	Part	Description	X L I I M T H 4 5	X L I I M T H 4 5 E	N O T E S
1	341012	CAP, REAR / FIBERGLASS LIGHT GREY MTH 86"	1		
1	341039	CAP, REAR / FIBERGLASS CHARCOAL MTH 86"	1		
1	341080	CAP, REAR / FIBERGLASS MTH 89"		1	
2	341045	ANGLE 45MM X 50MM X 1040MM	2	2	
3	341046	ANGLE 50MM X 50MM X 315MM	2	2	
4	500641	SCREW TP PAN PH #8x3/4 Z050	24	24	
5	504121	RIVET POP DOME OE 1/4x1/4 AL	AR	AR	
6	506466	TAPE RUB ADH1 CC POL 1/16" x 1 1/2" x 100 / GREY 2520	AR	AR	
7	504132	RIVET POP DOME OE 1/4x1/2 MNL	5	5	

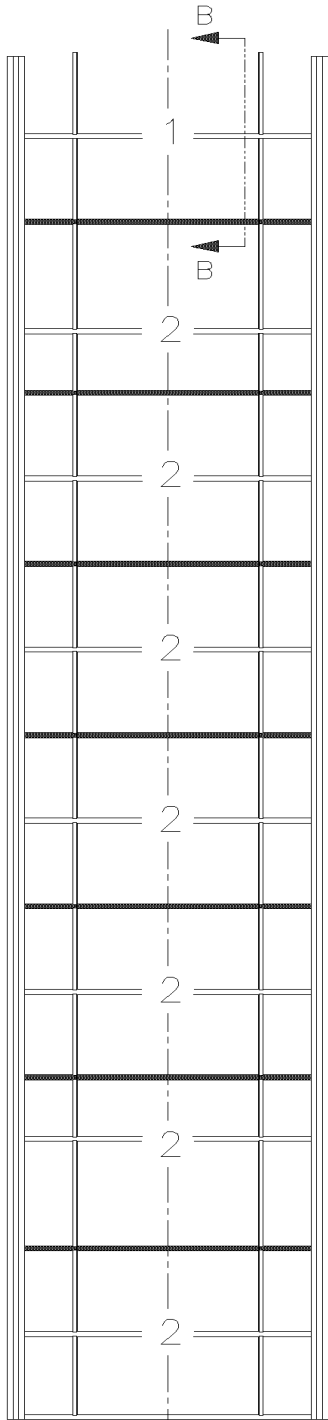
From 8-9279 To B-9999

Date:10/2022

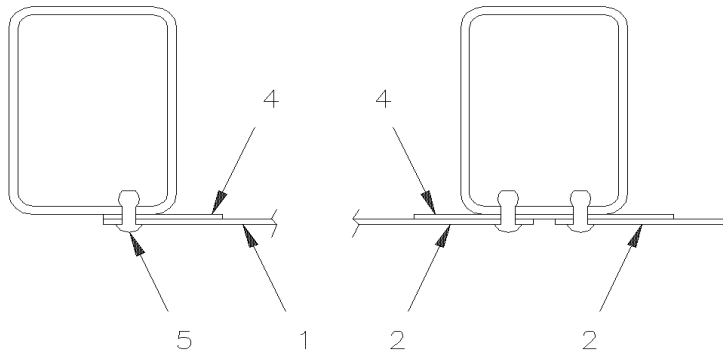
PAGE:MTH-1837-50

CEILING PANELS & MOULDING - MTH

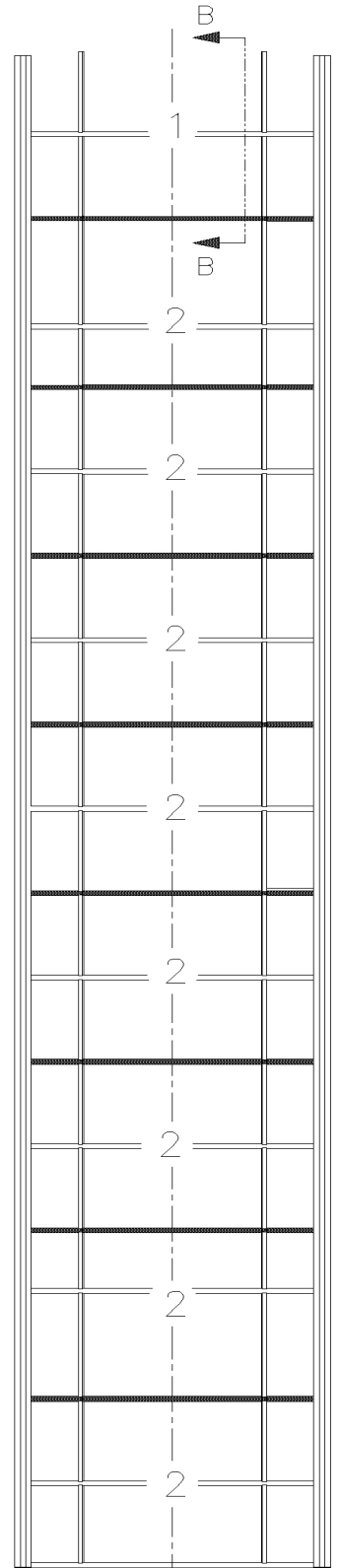
FRONT



40'



SECTION B-B



45'



From 8-9279 To B-9999	Date:10/2022	PAGE:MTH-1837-50
CEILING PANELS & MOULDING - MTH		

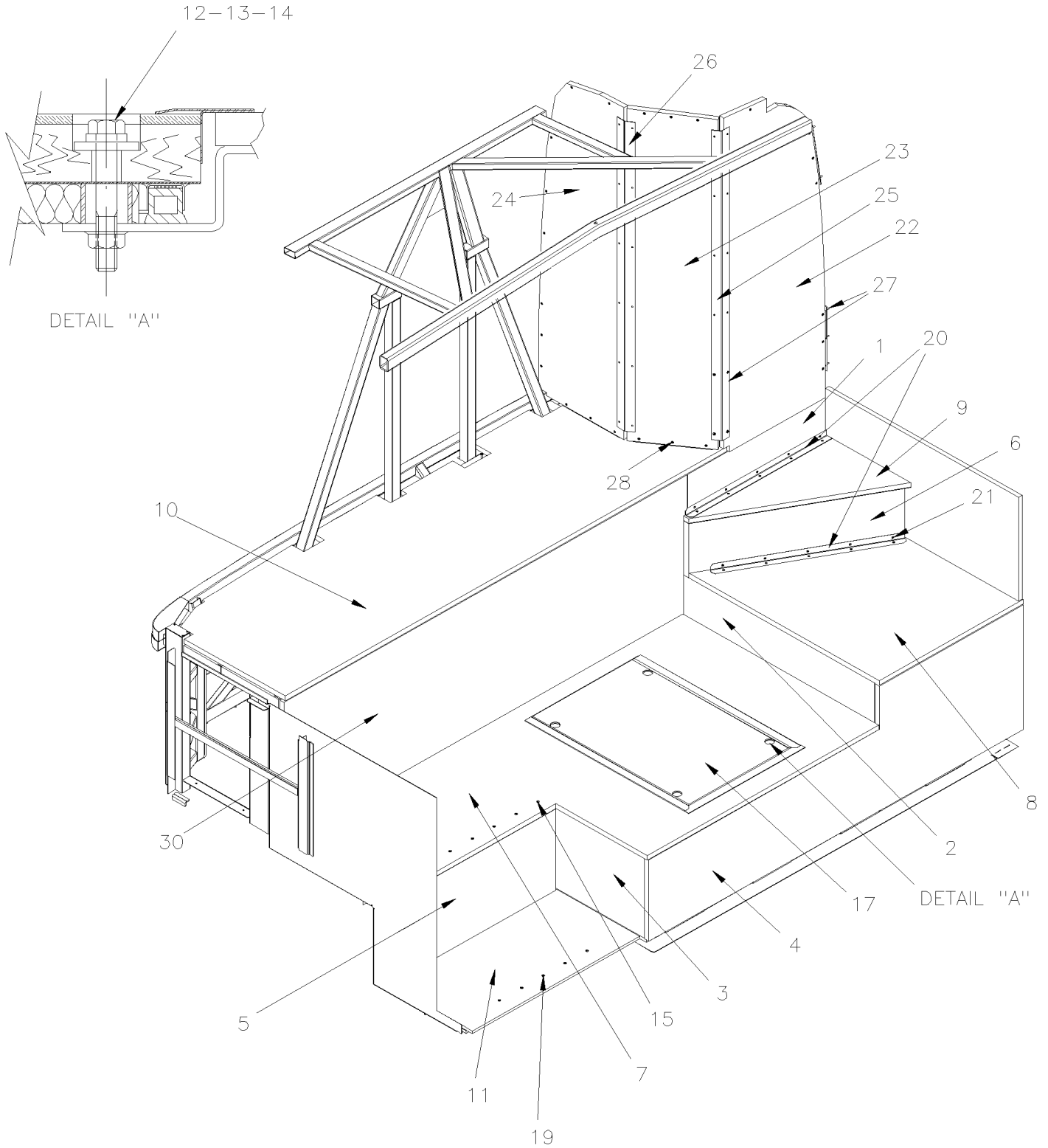
Item#	Part	Description	X L I I M T H 4 5	X L I I M T H 4 5 E	N O T E S
1	341075	CEILLING PANEL #1	1	1	
1	341095	CEILLING PANEL #1 / W/SLIDE-OUT	1		
2	341074	CEILLING PANEL	8	8	
2	341096	CEILLING PANEL #2,3 & 4 / W/SLIDE-OUT	7		
4	506466	TAPE RUB ADH1 CC POL 1/16" x 1 1/2" x 100 / GREY 2520	2	2	
5	504339	RIVET POP DOME OE 1/8x3/8 SS	AR	AR	

From 8-9279 To B-9999

Date:10/2022

PAGE:MTH-1838-51

FLOOR - MTH



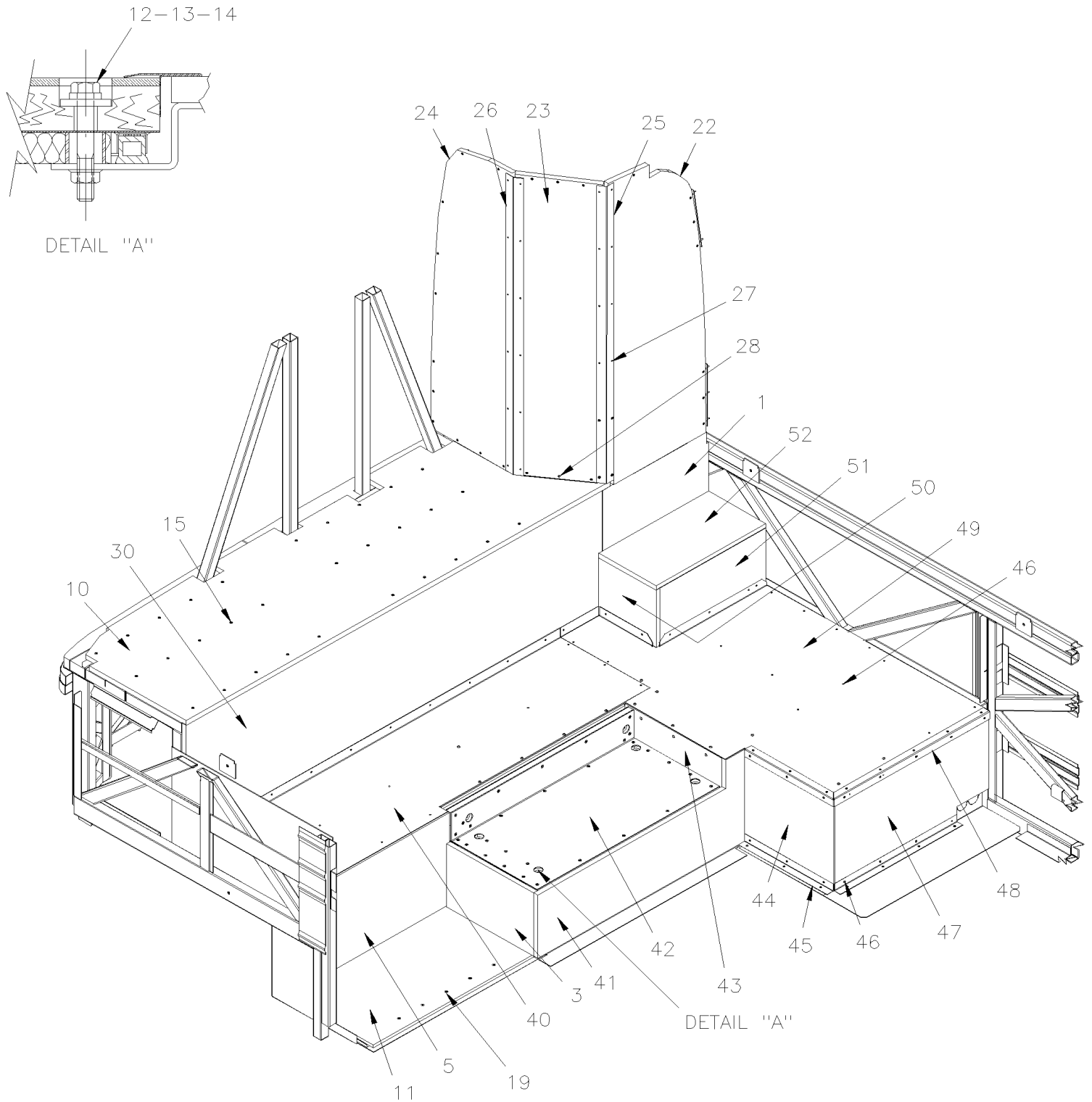
MTH-40' & MTH-45' ENT

From 8-9279 To B-9999

Date:10/2022

PAGE:MTH-1838-51

FLOOR - MTH



MTH-45'



From 8-9279 To B-9999	Date:10/2022	PAGE:MTH-1838-51
FLOOR - MTH		

Item#	Part	Description	X L I I M T H 4 5	X L I I M T H 4 5 E	N O T E S
1	328684	FLOOR PANEL ASSY		1	
1	328695	FLOOR PANEL ASSY	1		
2	328669	FLOOR PANEL ASSY		1	
3	328664	FLOOR PANEL ASSY		1	
3	328695	FLOOR PANEL ASSY	1		
4	328665	FLOOR PANEL ASSY		1	
5	328663	FLOOR PANEL / W/LARGE A/C		1	B
5	328676	FLOOR PANEL / W/SMALL A/C		1	A
5	328696	FLOOR PANEL / W/LARGE A/C	1		B
5	328685	FLOOR PANEL / W/SMALL A/C	1		A
6	328666	FLOOR PANEL ASSY		1	
7	328667	FLOOR PANEL ASSY		1	
8	328671	FLOOR PANEL ASSY		1	
9	328670	FLOOR PANEL ASSY		1	
10	328672	FLOOR PANEL ASSY	1		
11	328673	FLOOR PANEL ASSY		1	
11	328733	FLOOR PANEL ASSY	1		
12	500186	SCREW CAP HEX 5/16-18x2 1/2 G5 Z050	4	4	
13	500985	WASHER FL .343x.875x.125 Z050	4	4	
14	471119	SEAL WASHER / RUB RAIL & PANEL	4	4	
15	500620	SCREW TP FL PH #10x1 1/2 Z050	AR	AR	
16	680096	SEALANT BUTYL ALUM / GREY / 310ml CARTRIDGE	AR	AR	
17	328772P	PANEL ASSY / ENGINE ACCESS		1	
NS	320037	. WEATHERSTRIP RUBBER ASSY		1	
18	684517	ADHESIVE SIMSON #ISR 70-03 / GREY / 310ml CARTRIDGE	AR	AR	
19	5001349	SCREW WO TR PH #8x7/8	6	6	
20	328450	ANGLE		2	
21	500373	SCREW TP BDG PH #6x1/2 N500	20	20	
22	Call order desk	PANEL VENEER		1	P
23	Call order desk	PANEL VENEER	1		P
23	Call order desk	PANEL VENEER		1	P
24	Call order desk	PANEL VENEER	1		P
24	Call order desk	PANEL VENEER		1	P
25	320398	SUPPORT VENEER	1		
25	320399	SUPPORT VENEER		1	
26	320398	SUPPORT VENEER	1	1	
26	320399	SUPPORT VENEER	1		
27	500641	SCREW TP PAN PH #8x3/4 Z050	AR	AR	
28	500645	SCREW TP OV PH #8x1 1/4 Z050	AR	AR	
29	405809	ANGLE LOWER 260MM	5	5	
30	328668	FLOOR PANEL ASSY	1	1	



From 8-9279 To B-9999	Date:10/2022	PAGE:MTH-1838-51
FLOOR - MTH		

Item#	Part	Description	X L I I M T H 4 5	X L I I M T H 4 5 E	N O T E S
40	328689	ALL PANEL	1		
41	328687	FLOOR PANEL ASSY	1		
42	Call order desk	PANEL ASSY / ENGINE ACCESS	1		P
43	328630	FLOOR PANEL ASSY	1		
44	328708	FLOOR PANEL ASSY	1		
45	328731	ANGLE LOWER FLOOR	1		A
45	328732	ANGLE LOWER FLOOR	1		B
46	500613	SCREW TP PAN PH #10x1/2 Z050	32		
47	328706	F W/O SO SAC	1		A
47	328712	F W/O SO LAC	1		B
48	328730	ANGLE UPPER FLOOR	1		
49	328697	ALL PANEL	1		
50	328690	FLOOR PANEL ASSY	1		
51	328691	FLOOR PANEL ASSY	1		
52	328692	FLOOR PANEL ASSY	1		
		A) WITH SMALL A/C SYSTEM			
		B) WITH LARGE A/C SYSTEM			
		P) CALL ORDER DESK FOR SPECIFIC APPLICATION (V.I.N.)			

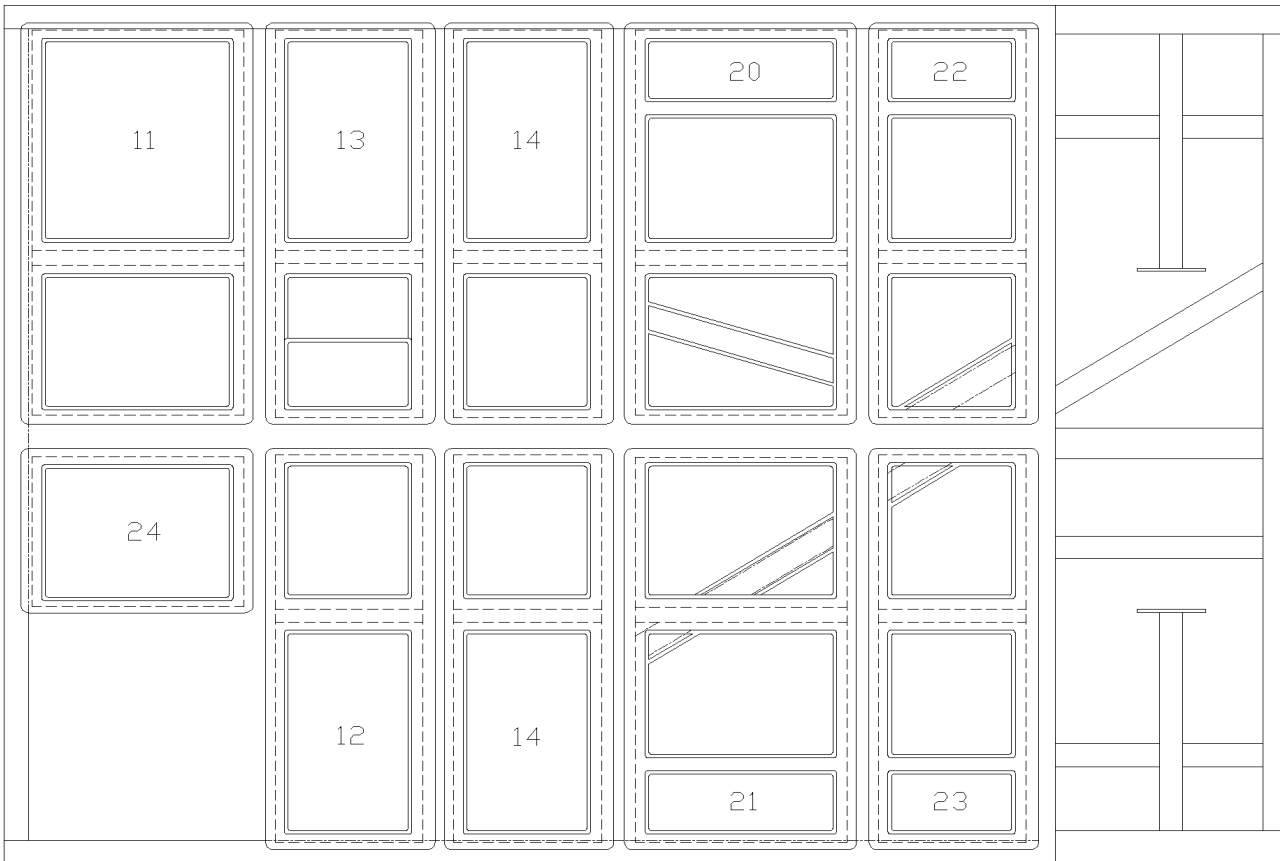


From 8-9279 To B-9999

Date:10/2022

PAGE:MTH-1839-10

INSULATING FLOOR REAR AXLE



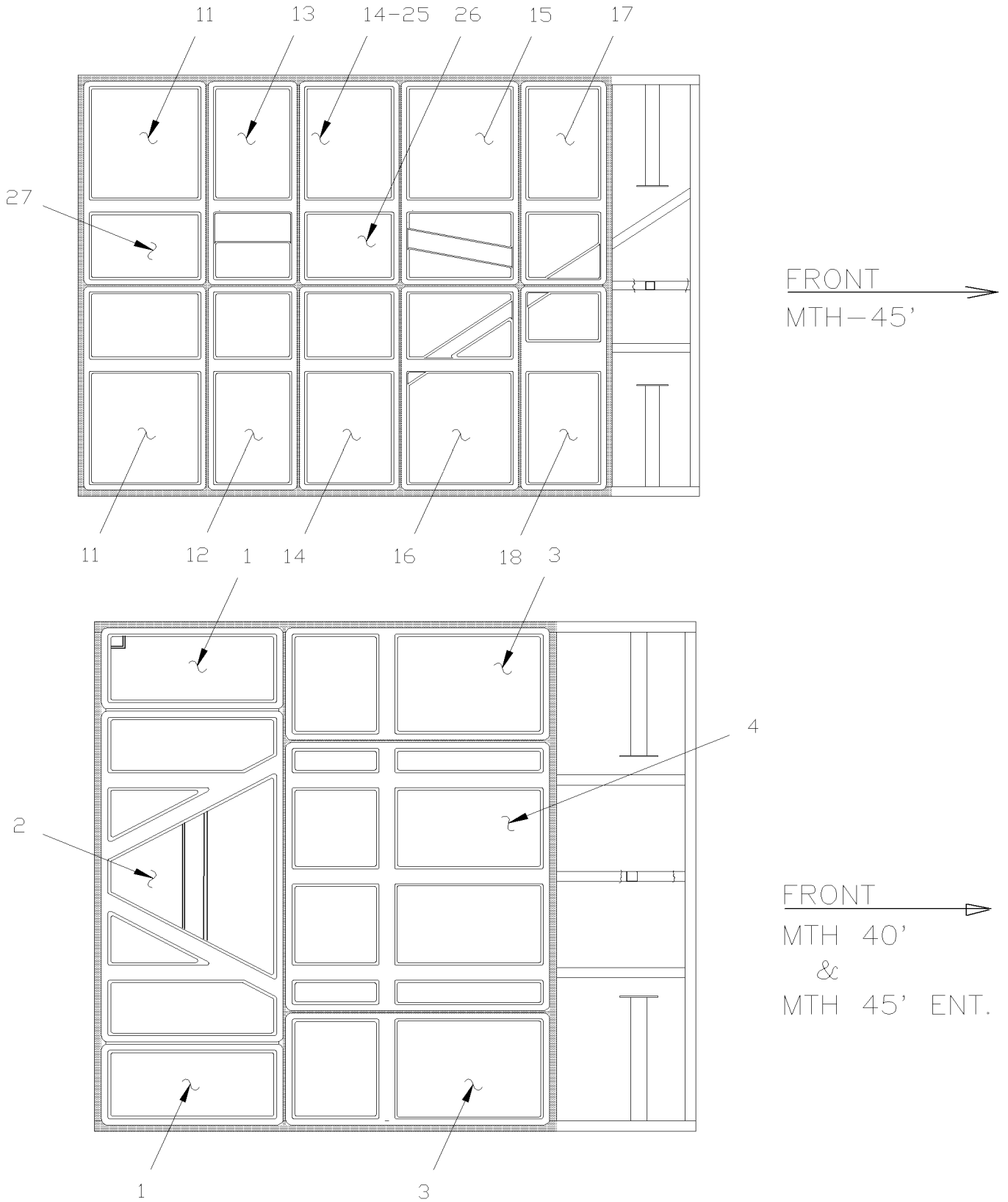
FRONT ↘
BUS-45'

From 8-9279 To B-9999

Date:10/2022

PAGE:MTH-1839-10

INSULATING FLOOR REAR AXLE





From 8-9279 To B-9999	Date:10/2022	PAGE:MTH-1839-10
-----------------------	--------------	------------------

INSULATING FLOOR REAR AXLE

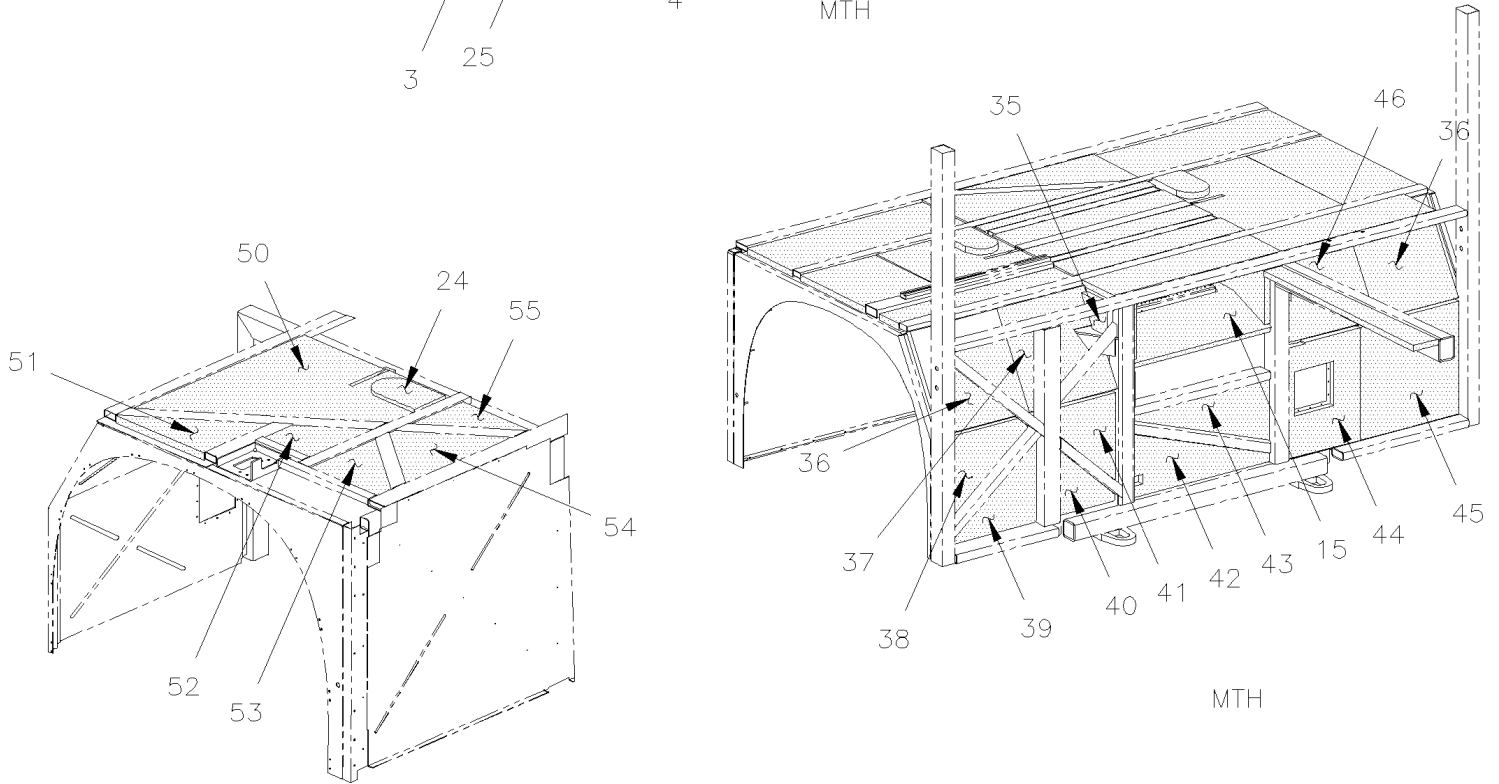
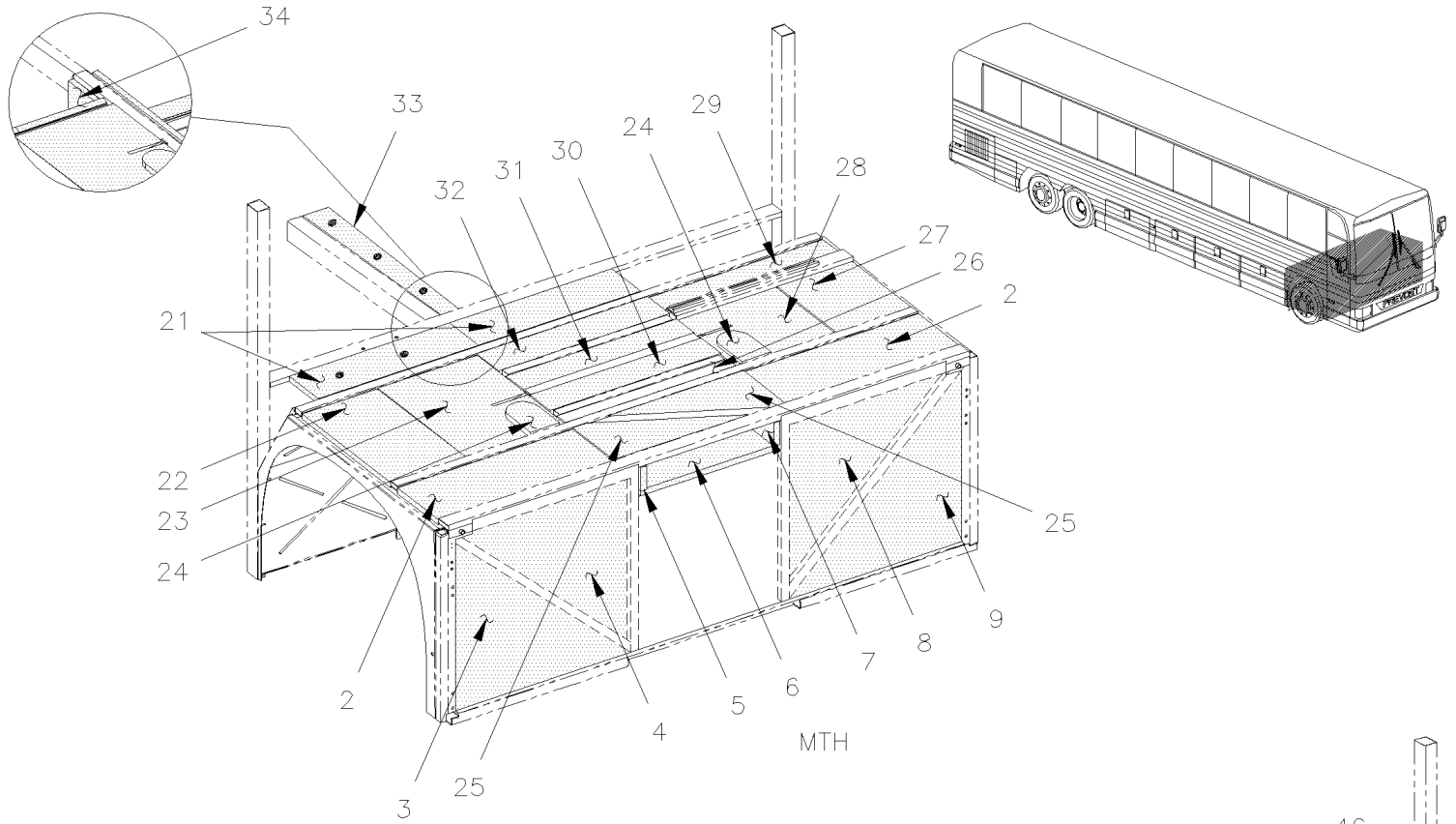
Item#	Part	Description	X L I I M T H 4 5	X L I I M T H 4 5 E	N O T E S
1	324561	INSULATING HOLDER		1	
2	329490	INSULATING HOLDER # 2 To A-9952		1	
2	321264	INSULATING HOLDER From A-9953		1	
3	324563	INSULATING HOLDER		2	
4	324564	INSULATING HOLDER		1	
5	328644	INSULATING HOLDER # 1 STREETSIDE		1	
5	328680	INSULATING HOLDER # 1 STREETSIDE		1	
11	325099	INSULATING HOLDER	2		
12	325100	INSULATING HOLDER	1		
13	325101	INSULATING HOLDER	1		
14	325102	INSULATING HOLDER	2		
15	325103	INSULATING HOLDER	1		
16	325104	INSULATING HOLDER	1		
17	325105	INSULATING HOLDER	1		
18	325106	INSULATING HOLDER	1		
NS	325098	INSULATING KIT	1		
18	328683	INSULATING KIT To A-9952		1	
18	321265	INSULATING KIT From A-9953		1	
25	351367	INSULATING HOLDER	1		
26	351368	INSULATING HOLDER	1		
27	351366	INSULATING HOLDER	1		
NS	329069	INSULATING PAD 48" X 48" / CUT TO FIT	AR	AR	

From 8-9279 To B-9999

Date:10/2022

PAGE:MTH-1839-15

INSULATING FRONT - SUBFRAME



MTH-45' WITH "SLIDE-OUT"



From 8-9279 To B-9999	Date:10/2022	PAGE:MTH-1839-15
-----------------------	--------------	------------------

INSULATING FRONT - SUBFRAME

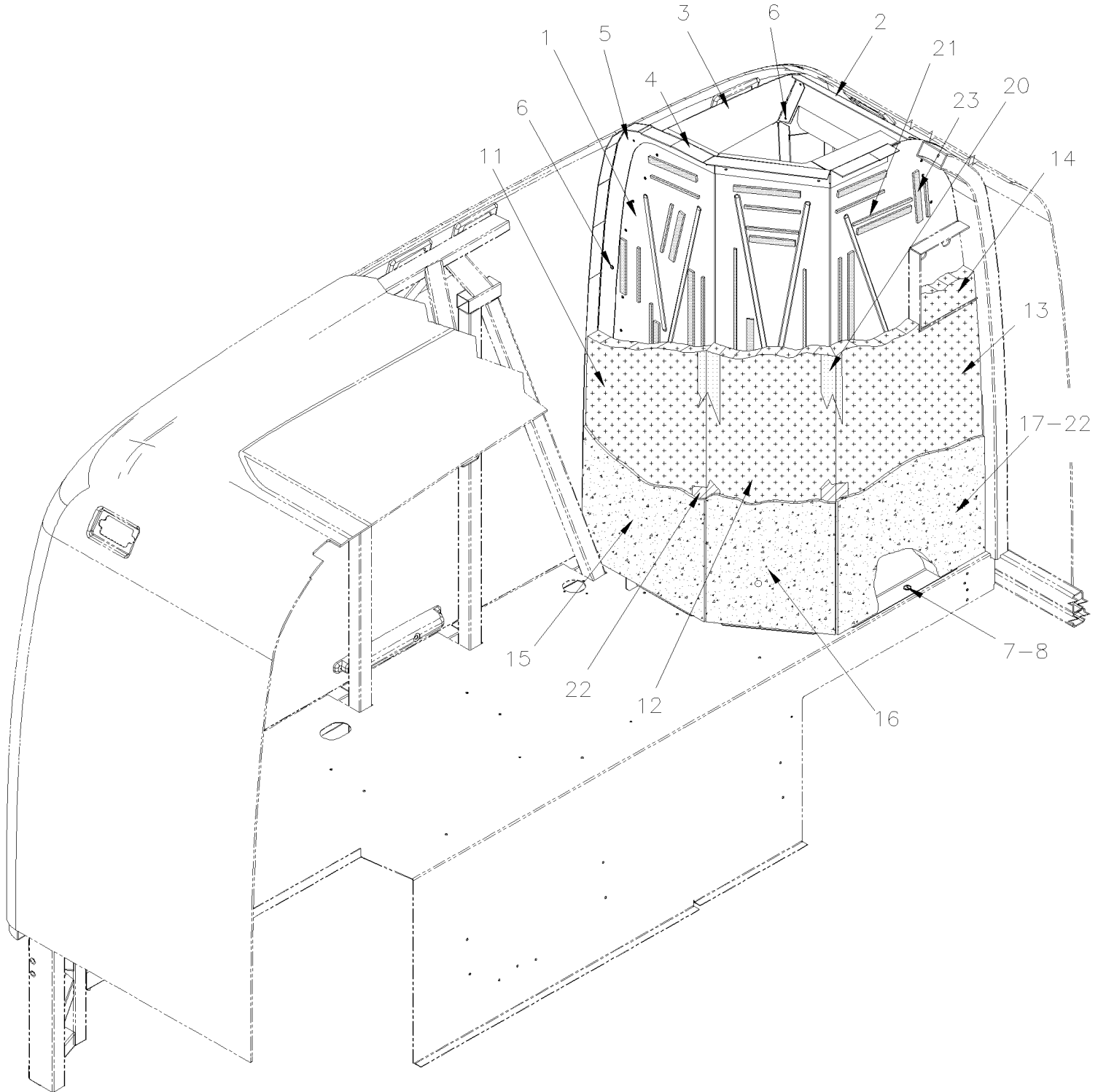
Item#	Part	Description	X L I I M T H 4 5	X L I I M T H 4 5 E	N O T E S
3	326503	INSULATING	1	1	
5	325357	INSULATING PAD NOISE 1"	1	1	
5	325360	INSULATING PAD 1"	1	1	
6	326521	INSULATING PAD 1"1/16	1	1	
7	328748	INSULATING PAD NOISE 1"	1	1	
15	326520	INSULATING PAD 1"1/16	1	1	
21	326577	INSULATING PAD NOISE 1"	2	2	
22	326525	INSULATING	1	1	
23	326510	INSULATING	1	1	
24	326512	INSULATING	2	2	
25	325023	INSULATING PAD NOISE 1"	2	2	
26	326509	INSULATING	1	1	
27	326514	INSULATING	1	1	
28	326513	INSULATING	1	1	
29	326515	INSULATING	1	1	
30	351489	INSULATING	1	1	
31	325322	INSULATING	1	1	
32	351490	INSULATING	1	1	
33	326529	INSULATING	1	1	
34	326523	INSULATING	1	1	
35	326524	INSULATING	2	2	
36	326508	INSULATING	2	2	
37	351486	INSULATING	1	1	
42	327279	INSULATING	1	1	
43	327278	INSULATING	1	1	
44	351484	INSULATING	1	1	
45	326517	INSULATING	1	1	
46	351485	INSULATING	1	1	
50	327775	INSULATING	1		
51	327776	INSULATING	1		
52	327777	INSULATING	1		
53	327778	INSULATING	1		
54	327779	INSULATING	1		
55	327780	INSULATING	1		

From 8-9279 To B-9999

Date:10/2022

PAGE:MTH-1839-25

INSULATING - REAR DPF FILTER





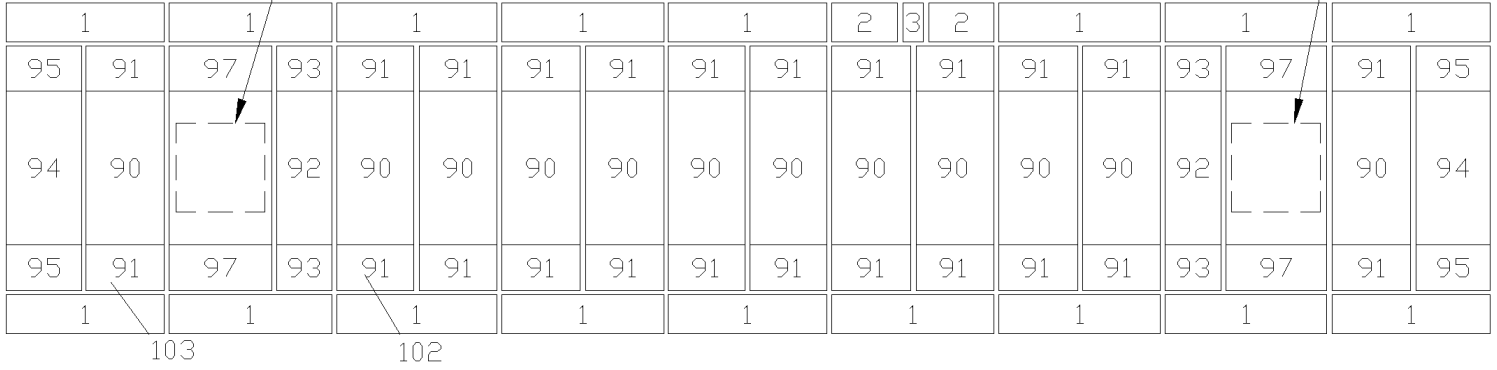
From 8-9279 To B-9999	Date:10/2022	PAGE:MTH-1839-25
INSULATING - REAR DPF FILTER		

Item#	Part	Description	X L I I M T H 4 5	X L I I M T H 4 5 E	N O T E S
1	351846	WALL SHEET PANEL	1		
1	351835	WALL SHEET PANEL		1	
2	351828	PANEL FIRE WALL	1	1	
3	351834	PANEL FIRE WALL	1	1	
4	351847	ANGLE RETAINER	1	1	
5	351843	ANGLE RETAINER	1	1	
6	504488	RIVET MGLP PRDG 3/16x17/64 SS	17	17	
7	504459	RIVET MGLP PRDG 1/4x3/8 SS	17	17	
8	500411	WASHER FL .260x.697x.050 SS	17	17	
10	351848	KIT INSULATING PANEL	1		
10	351829	KIT INSULATING PANEL		1	
11	351850	. INSULATING PANEL INTERIOR CURBSIDE	1		
11	351845	. INSULATING PANEL INTERIOR CURBSIDE		1	
12	351844	. INSULATING PANEL INTERIOR CENTER	1		
12	351813	. INSULATING PANEL INTERIOR CENTER		1	
13	351849	. INSULATING PANEL INTERIOR STREETSIDE	1		
13	351812	. INSULATING PANEL INTERIOR STREETSIDE		1	
14	351818	. INSULATING PANEL INTERIOR SUPPORT	1	1	
15	351819	INSULATING PANEL EXTERIOR CURBSIDE	1	1	
16	351820	INSULATING PANEL EXTERIOR CENTER	1	1	
17	351817	INSULATING PANEL EXTERIOR STREETSIDE	1	1	
20	682484	TAPE ALUMINUM ADH1 .005" x 3" x 300' ALUMINUM FSK3"	AR	AR	
21	507000	TAPE RUB ADH2 POL 3/16" x 1/4" x 50' / BLACK V2206	AR	AR	
22	680052	GLUE, CONTACT ADBOND 8399 4 LITER	1	1	
23	684517	ADHESIVE SIMSON #ISR 70-03 / GREY / 310ml CARTRIDGE	AR	AR	



From 8-9279 To B-9999	Date:10/2022	PAGE:MTH-1839-30
INSULATING ROOF PANELS		

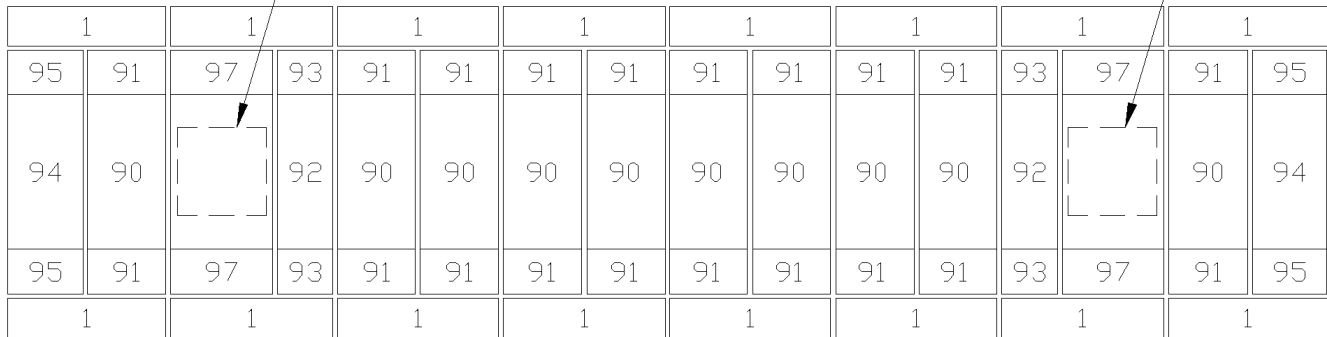
OPTIONS: 98 WITH ESCAPE HATCH, 96 WITHOUT



← FRONT

BUS & MTH 45

OPTIONS: 98 WITH ESCAPE HATCH, 96 WITHOUT



← FRONT

BUS & MTH 40

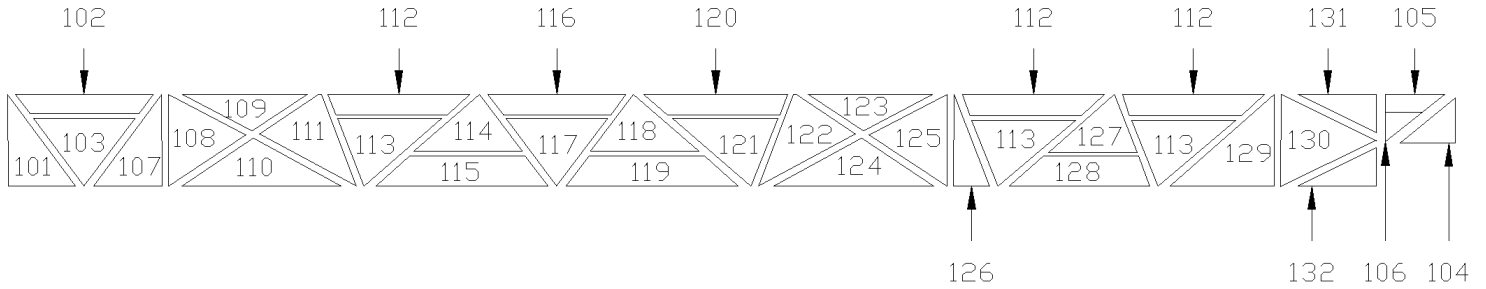


From 8-9279 To B-9999	Date:10/2022	PAGE:MTH-1839-30
-----------------------	--------------	------------------

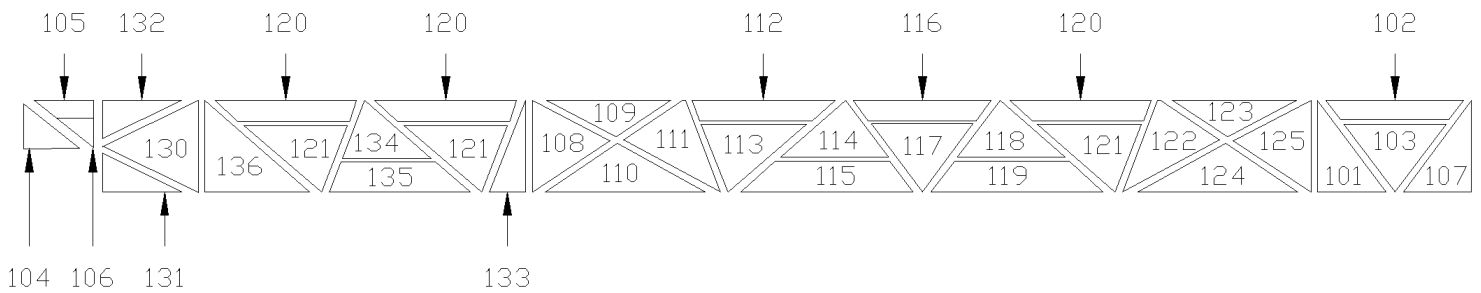
INSULATING ROOF PANELS

Item#	Part	Description	X L I I M T H 4 5	X L I I M T H 4 5 E	N O T E S
	350794	KIT ROOF INSULATING PANEL	1	1	
	354333	KIT ROOF INSULATING PANEL	1	1	
	351321	KIT ROOF SIDE INSULATING PANEL	1	1	
	351371	KIT ROOF INSILATING PANEL / W/SLIDE OUT	1		
1	351316	. INSULATING PANEL	17	17	
2	351317	. INSULATING PANEL	2	2	
3	351319	. INSULATING PANEL	1	1	
90	350713	. INSULATING PANEL	12	12	
91	350714	. INSULATING PANEL	24	24	
92	350715	. INSULATING PANEL	2	2	
93	350716	. INSULATING PANEL	4	4	
94	350717	. INSULATING PANEL	2	2	
95	350719	. INSULATING PANEL	4	4	
96	350725	. INSULATING PANEL	2	2	
97	350734	. INSULATING PANEL	4	4	
102	351337	. INSULATING PANEL / W/SLIDE OUT	1		
103	351365	. INSULATING PANEL / W/SLIDE OUT	1		

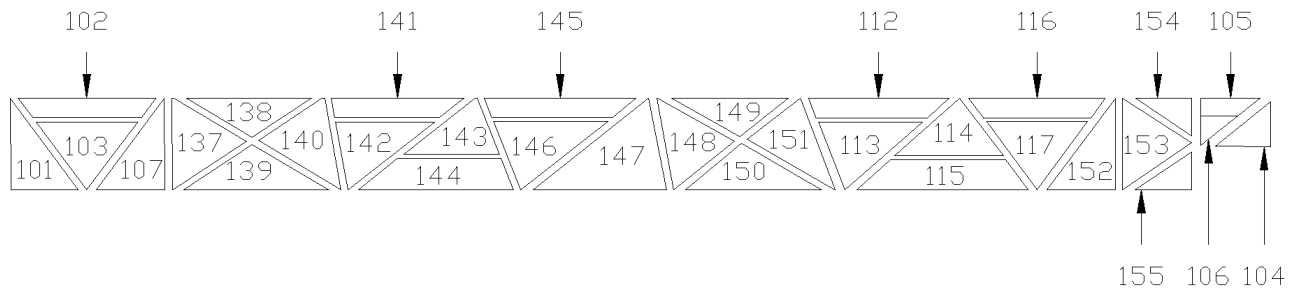
From 8-9279 To B-9999	Date:10/2022	PAGE:MTH-1839-50
INSULATING SIDE WALL - LOWER PANEL - MTH		



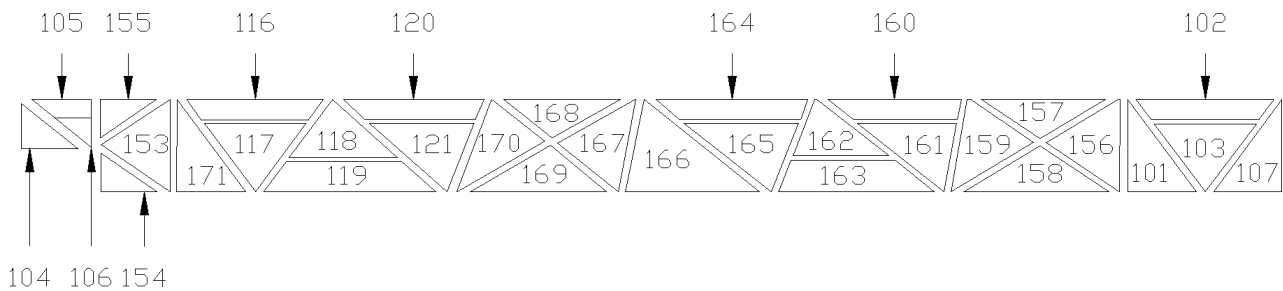
MTH 45' LH



MTH 45' RH



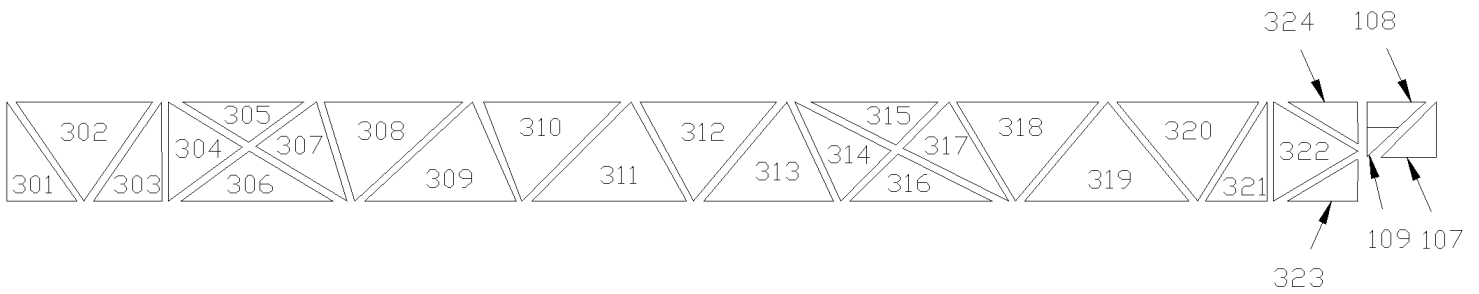
MTH 40' LH



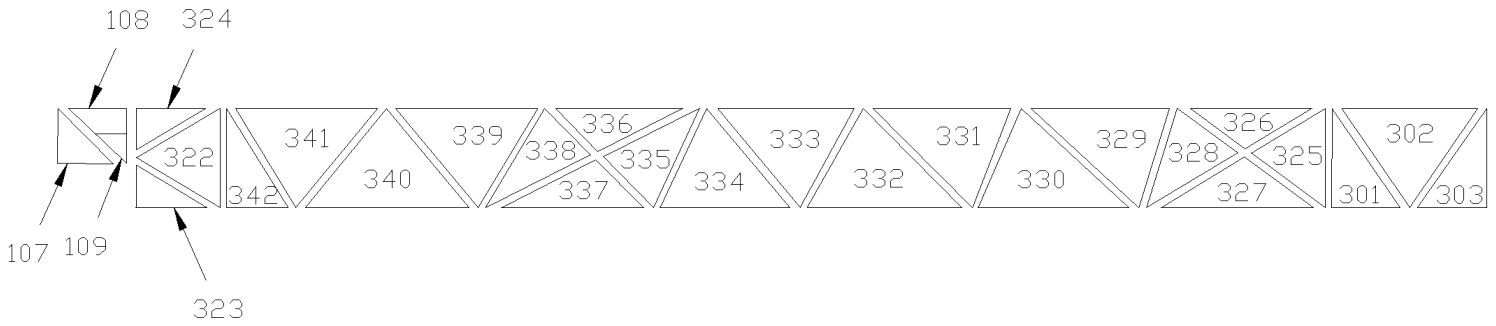
MTH 40' RH

VIEWES ARE FROM THE OUTSIDE OF VEHICULE

From 8-9279 To B-9999		Date:10/2022	PAGE:MTH-1839-50
INSULATING SIDE WALL - LOWER PANEL - MTH			

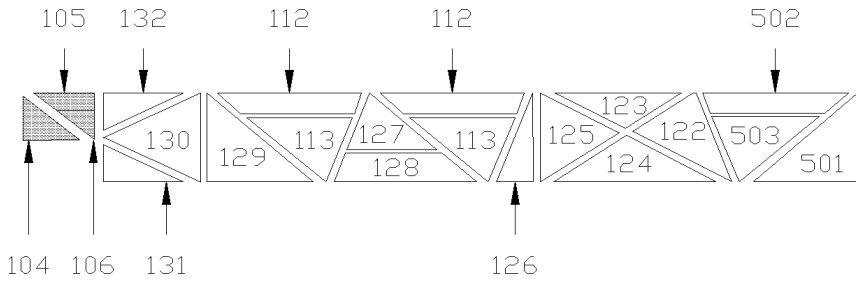


MTH 45', ENT 89" RH

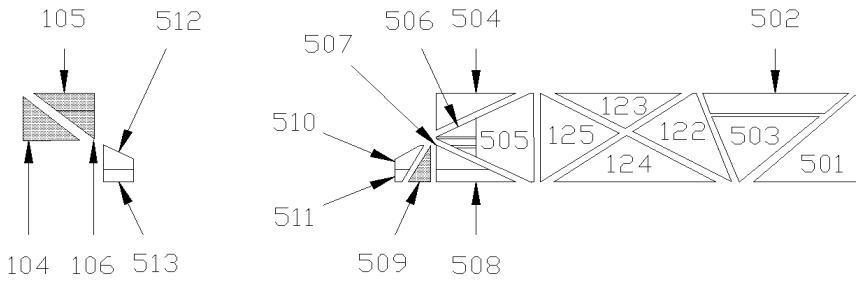


MTH 45', ENT 89" LH

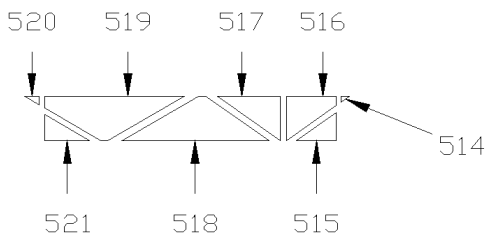
From 8-9279 To B-9999	Date:10/2022	PAGE:MTH-1839-50
INSULATING SIDE WALL - LOWER PANEL - MTH		



MTH 45', SLIDE-OUT, SINGLE CASE, LH



MTH 45', SLIDE-OUT, DOUBLE CASE, LH
INSIDE INSTALLATION



MTH 45', SLIDE-OUT, DOUBLE CASE, LH
OUTSIDE INSTALLATION



From 8-9279 To B-9999	Date:10/2022	PAGE:MTH-1839-50
INSULATING SIDE WALL - LOWER PANEL - MTH		

Item#	Part	Description	X L I I M T H 4 5	X L I I M T H 4 5 E	N O T E S
	351882	KIT INSULATING PANEL L.H. WALL	1		
	351519	KIT INSULATING PANEL L.H. WALL / W/SLIDE OUT	1		B
	351409	KIT INSULATING PANEL L.H. WALL / W/SLIDE OUT	1		A
	351465	KIT INSULATING PANEL R.H. WALL	1		
	351582	KIT INSULATING R.H. PANEL 89" HEIGHT		1	
	355960	KIT INSULATING L.H. PANEL 89" HEIGHT		1	
	355959	KIT INSULATING L.H. PANEL 89" / W/SLIDE OUT		1	
101	351143	SIDE INSULATION PANEL	2		
102	351144	SIDE INSULATION PANEL	2		
103	351145	SIDE INSULATION PANEL	2		
104	350943	SIDE INSULATION PANEL	1	1	
105	350944	SIDE INSULATION PANEL	1	1	
106	350945	SIDE INSULATION PANEL	1	1	
107	351146	SIDE INSULATION PANEL	2		
107	350946	SIDE INSULATION PANEL		2	
108	351147	SIDE INSULATION PANEL	2		
108	350947	SIDE INSULATION PANEL		2	
109	351148	SIDE INSULATION PANEL	2		
109	350948	SIDE INSULATION PANEL		2	
110	351149	SIDE INSULATION PANEL	2		
111	351150	SIDE INSULATION PANEL	2		
112	351151	SIDE INSULATION PANEL	2		
113	351152	SIDE INSULATION PANEL	2		
114	351153	SIDE INSULATION PANEL	2		
115	351154	SIDE INSULATION PANEL	2		
116	351155	SIDE INSULATION PANEL	2		
117	351156	SIDE INSULATION PANEL	1		
118	351157	SIDE INSULATION PANEL	2		
119	351158	SIDE INSULATION PANEL	2		
120	351159	SIDE INSULATION PANEL	2		
121	351160	SIDE INSULATION PANEL	2		
122	351161	SIDE INSULATION PANEL	2		
123	351162	SIDE INSULATION PANEL	2		
124	351163	SIDE INSULATION PANEL	2		
125	351164	SIDE INSULATION PANEL	2		
126	351165	SIDE INSULATION PANEL	1		
127	351166	SIDE INSULATION PANEL	1		
128	351167	SIDE INSULATION PANEL	1		
129	351168	SIDE INSULATION PANEL	1		
130	351169	SIDE INSULATION PANEL	2		
131	351170	SIDE INSULATION PANEL	2		
132	351171	SIDE INSULATION PANEL	2		



From 8-9279 To B-9999 Date:10/2022 PAGE:MTH-1839-50

INSULATING SIDE WALL - LOWER PANEL - MTH

Item#	Part	Description	X L I I M T H 4 5	X L I I M T H 4 5 E	N O T E S
133	351172	SIDE INSULATION PANEL	1		
134	351173	SIDE INSULATION PANEL	1		
135	351174	SIDE INSULATION PANEL	1		
136	351175	SIDE INSULATION PANEL	1		
301	351063	SIDE INSULATION PANEL		2	
302	351064	SIDE INSULATION PANEL		2	
303	351065	SIDE INSULATION PANEL		2	
304	351066	SIDE INSULATION PANEL		1	
305	351067	SIDE INSULATION PANEL		1	
306	351068	SIDE INSULATION PANEL		1	
307	351069	SIDE INSULATION PANEL		1	
308	351070	SIDE INSULATION PANEL		1	
309	351071	SIDE INSULATION PANEL		1	
310	351072	SIDE INSULATION PANEL		1	
311	351073	SIDE INSULATION PANEL		1	
312	351074	SIDE INSULATION PANEL		1	
313	351075	SIDE INSULATION PANEL		1	
314	351076	SIDE INSULATION PANEL		1	
315	351077	SIDE INSULATION PANEL		1	
316	351078	SIDE INSULATION PANEL		1	
317	351079	SIDE INSULATION PANEL		1	
318	351080	SIDE INSULATION PANEL		1	
319	351081	SIDE INSULATION PANEL		1	
320	351082	SIDE INSULATION PANEL		1	
321	351083	SIDE INSULATION PANEL		1	
322	351084	SIDE INSULATION PANEL		2	
323	351085	SIDE INSULATION PANEL		2	
324	351086	SIDE INSULATION PANEL		2	
325	351087	SIDE INSULATION PANEL		1	
326	351088	SIDE INSULATION PANEL		1	
327	351089	SIDE INSULATION PANEL		1	
328	351090	SIDE INSULATION PANEL		1	
329	351091	SIDE INSULATION PANEL		1	
330	351092	SIDE INSULATION PANEL		1	
331	351093	SIDE INSULATION PANEL		1	
332	351094	SIDE INSULATION PANEL		1	
333	351095	SIDE INSULATION PANEL		1	
334	351096	SIDE INSULATION PANEL		1	
335	351097	SIDE INSULATION PANEL		1	
336	351098	SIDE INSULATION PANEL		1	
337	351099	SIDE INSULATION PANEL		1	
338	351100	SIDE INSULATION PANEL		1	



From 8-9279 To B-9999 Date:10/2022 PAGE:MTH-1839-50

INSULATING SIDE WALL - LOWER PANEL - MTH

Item#	Part	Description	X L I I M T H 4 5	X L I I M T H 4 5 E	N O T E S
339	351101	SIDE INSULATION PANEL		1	
340	351102	SIDE INSULATION PANEL		1	
341	351103	SIDE INSULATION PANEL		1	
342	351104	SIDE INSULATION PANEL		1	
432	Call order desk	SIDE INSULATION PANEL	1		P
433	351340	SIDE INSULATION PANEL	1		
434	351341	SIDE INSULATION PANEL	1		
435	351342	SIDE INSULATION PANEL	1		
436	351343	SIDE INSULATION PANEL	1		
437	351344	SIDE INSULATION PANEL	1		
500	351388	SIDE INSULATION PANEL	1		
501	351387	SIDE INSULATION PANEL	1		
502	351389	SIDE INSULATION PANEL	1		
503	351390	SIDE INSULATION PANEL	1		
504	351391	SIDE INSULATION PANEL	1		
505	351392	SIDE INSULATION PANEL	1		
506	351393	SIDE INSULATION PANEL	1		
507	351394	SIDE INSULATION PANEL	1		
508	351395	SIDE INSULATION PANEL	1		
509	351396	SIDE INSULATION PANEL	1		
510	351397	SIDE INSULATION PANEL	1		
511	351398	SIDE INSULATION PANEL	1		
512	351399	SIDE INSULATION PANEL	1		
513	351400	SIDE INSULATION PANEL	1		
514	351401	SIDE INSULATION PANEL	1		
515	351402	SIDE INSULATION PANEL	1		
516	351403	SIDE INSULATION PANEL	1		
517	351404	SIDE INSULATION PANEL	1		
518	351405	SIDE INSULATION PANEL	1		
519	351406	SIDE INSULATION PANEL	1		
520	351407	SIDE INSULATION PANEL	1		
521	351408	SIDE INSULATION PANEL	1		
NS	850065	ALUMINUM WALL COVERING ADHESIVE / 32 1/4" X 455" To 9-9574	2		
522	850089	WHITE WALL COVERING ADHESIVE / 32 1/4" X 455" From 9-9575	2		
524	850070	ALUMINUM WALL COVERING ADHESIVE / 36" X 438" To 9-9574		2	
524	850090	WHITE WALL COVERING ADHESIVE / 36" X 438" From 9-9575		1	
525	850080	ALUMINUM WALL COVERING ADHESIVE / 32 1/4" X 300" To 9-9574		2	
525	850095	WHITE WALL COVERING ADHESIVE / 32 1/4" X 300" From 9-9575		1	
526	850081	ALUMINUM WALL COVERING ADHESIVE / 36" X 300" To 9-9574		2	
526	850096	WHITE WALL COVERING ADHESIVE / 36" X 300" From 9-9575		2	



From 8-9279 To B-9999	Date:10/2022	PAGE:MTH-1839-50
-----------------------	--------------	------------------

INSULATING SIDE WALL - LOWER PANEL - MTH

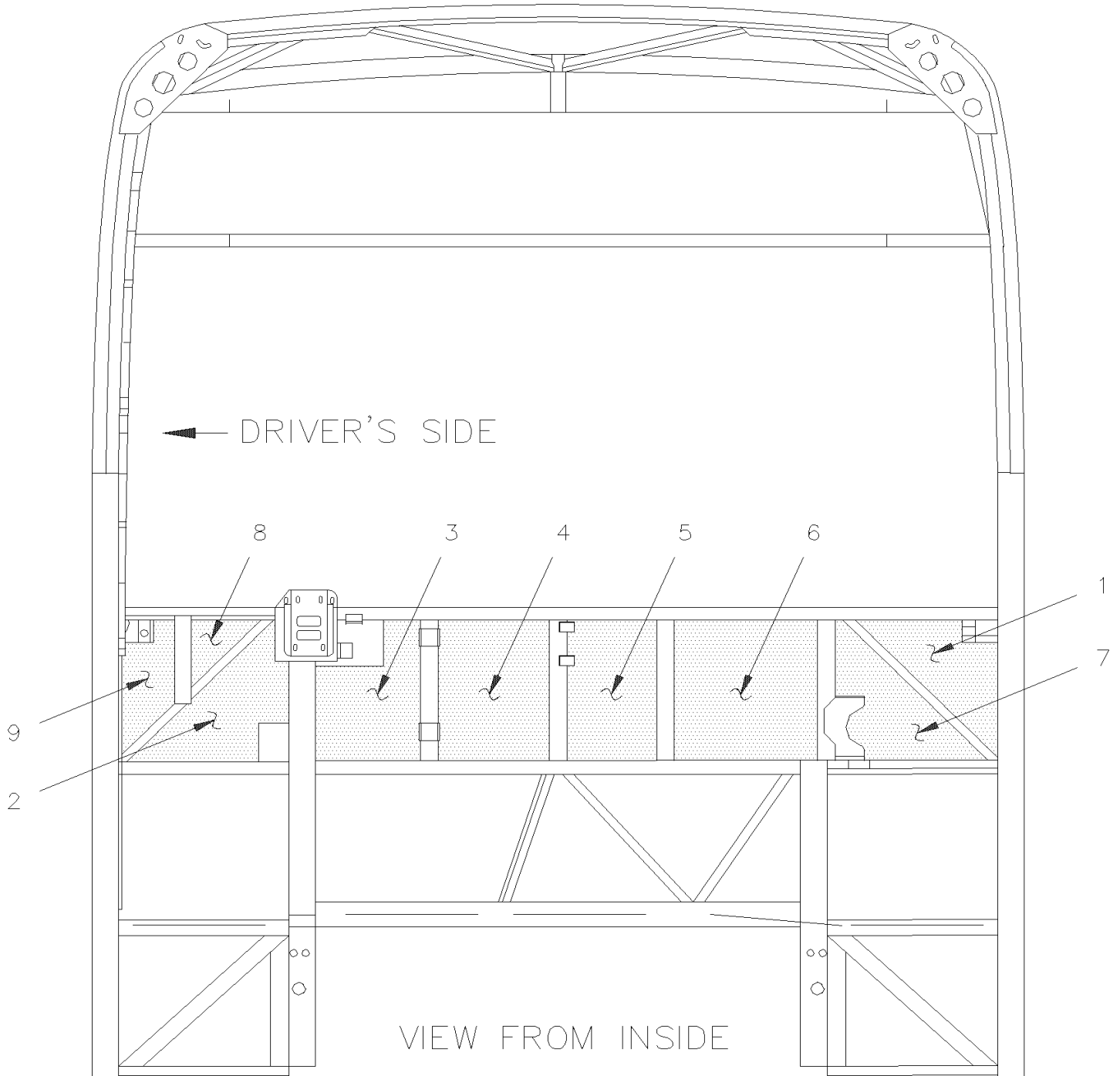
Item#	Part	Description	X L I I M T H 4 5	X L I I M T H 4 5 E	N O T E S
		A) WITH FRONT SLIDE OUT			
		B) WITH DOUBLE SLIDE OUT			
		P) CALL ORDER DESK FOR SPECIFIC APPLICATION (V.I.N.)			

From 8-9279 To B-9999

Date:10/2022

PAGE:MTH-1839-55

INSULATING FRONT - MTH



MTH



From 8-9279 To B-9999	Date:10/2022	PAGE:MTH-1839-55
INSULATING FRONT - MTH		

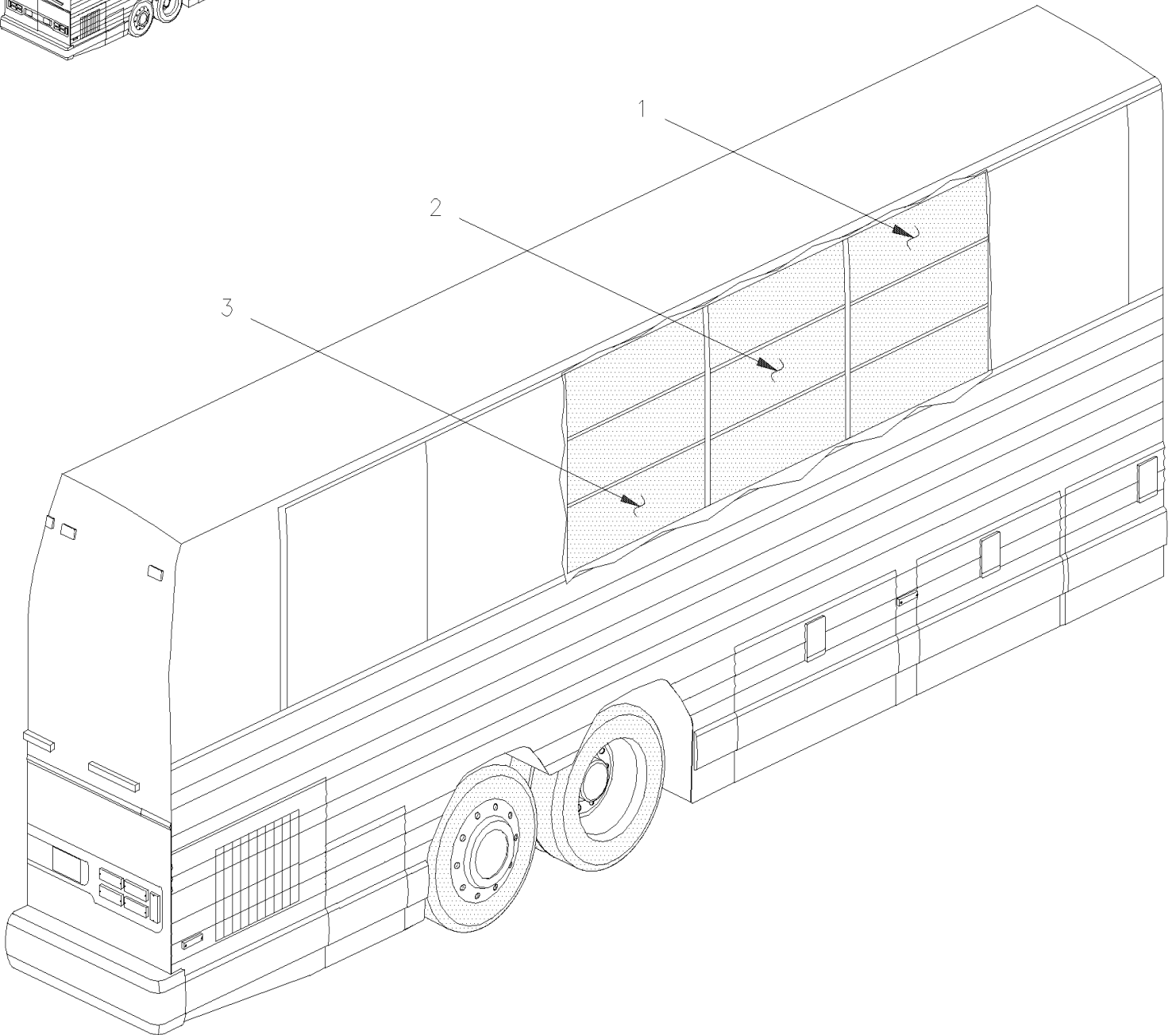
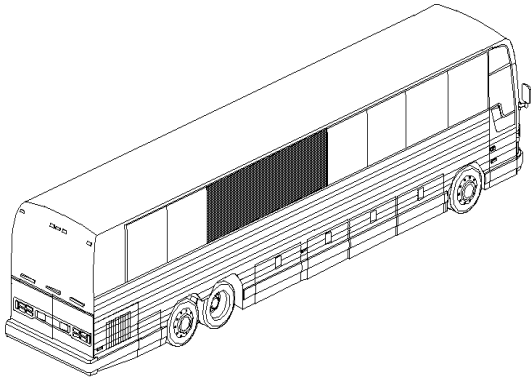
Item#	Part	Description	X L I I M T H 4 5	X L I I M T H 4 5 E	N O T E S
1	350962	INSULATING PANEL MTH 86"	1	1	
1	351050	INSULATING PANEL MTH 89"		1	
2	350963	INSULATING PANEL MTH 86"	1	1	
2	351051	INSULATING PANEL MTH 89"		1	
3	350964	INSULATING PANEL MTH 86"	1	1	
3	351052	INSULATING PANEL MTH 89"		1	
4	350965	INSULATING PANEL MTH 86"	1	1	
4	351053	INSULATING PANEL MTH 89"		1	
5	350966	INSULATING PANEL MTH 86"	1	1	
5	351054	INSULATING PANEL MTH 89"		1	
6	350967	INSULATING PANEL MTH 86"	1	1	
6	351055	INSULATING PANEL MTH 89"		1	
7	350968	INSULATING PANEL MTH 86"	1	1	
7	351056	INSULATING PANEL MTH 89"		1	
8	350969	INSULATING PANEL MTH 86"	1	1	
8	351058	INSULATING PANEL MTH 89"		1	
9	350970	INSULATING PANEL MTH 86"	1	1	
9	351057	INSULATING PANEL MTH 89"		1	
NS	680397	CONTACT GLUE / AEROSOL 17oz	AR	AR	
9	850032	INSULATION PAD NOISE 1" x 48" x 35' / ARMAFLEX POLYURETHANE FOAM	AR	AR	

From 8-9279 To B-9999

Date:10/2022

PAGE:MTH-1839-60

INSULATING SIDE WALL - UPPER





From 8-9279 To B-9999	Date:10/2022	PAGE:MTH-1839-60
-----------------------	--------------	------------------

INSULATING SIDE WALL - UPPER

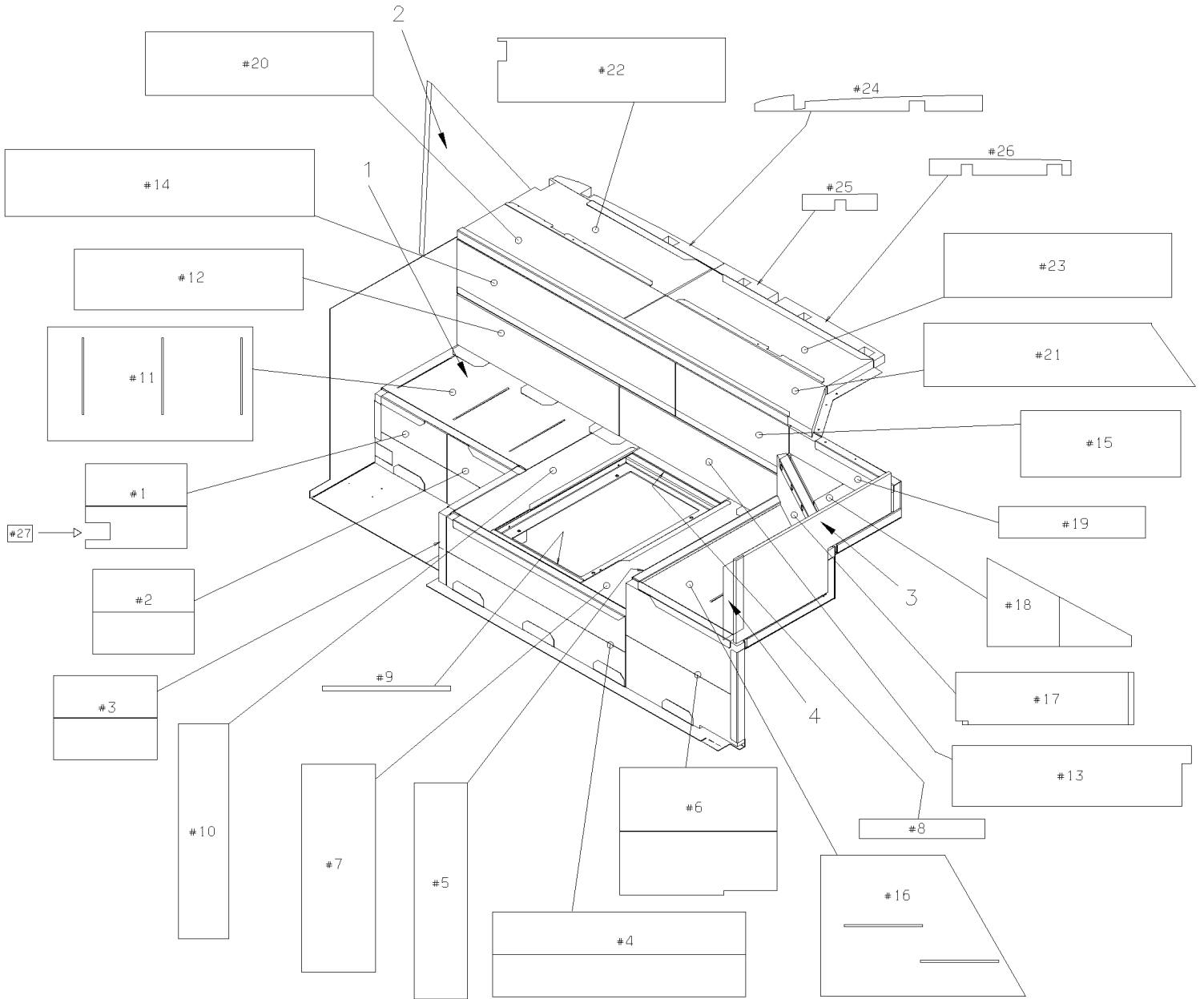
Item#	Part	Description	X L I I M T H 4 5	X L I I M T H 4 5 E	N O T E S
1	350680	SIDE INSULATION PANEL / MTH 86"	8	8	
1	350681	SIDE INSULATION PANEL / MTH 89"	8	8	
2	350676	SIDE INSULATION PANEL	8	8	
3	350678	SIDE INSULATOR PANEL 427MM / MTH 83" & 86"	8	8	
3	350679	SIDE INSULATOR PANEL 351MM / MTH 89"		8	
NS	680532	SEALANT SIKA #221 / GREY / 310ml CARTRIDGE	AR	AR	

From 8-9279 To B-9999

Date:10/2022

PAGE:MTH-1839-70

INSULATING REAR END INSIDE OVER ENGINE



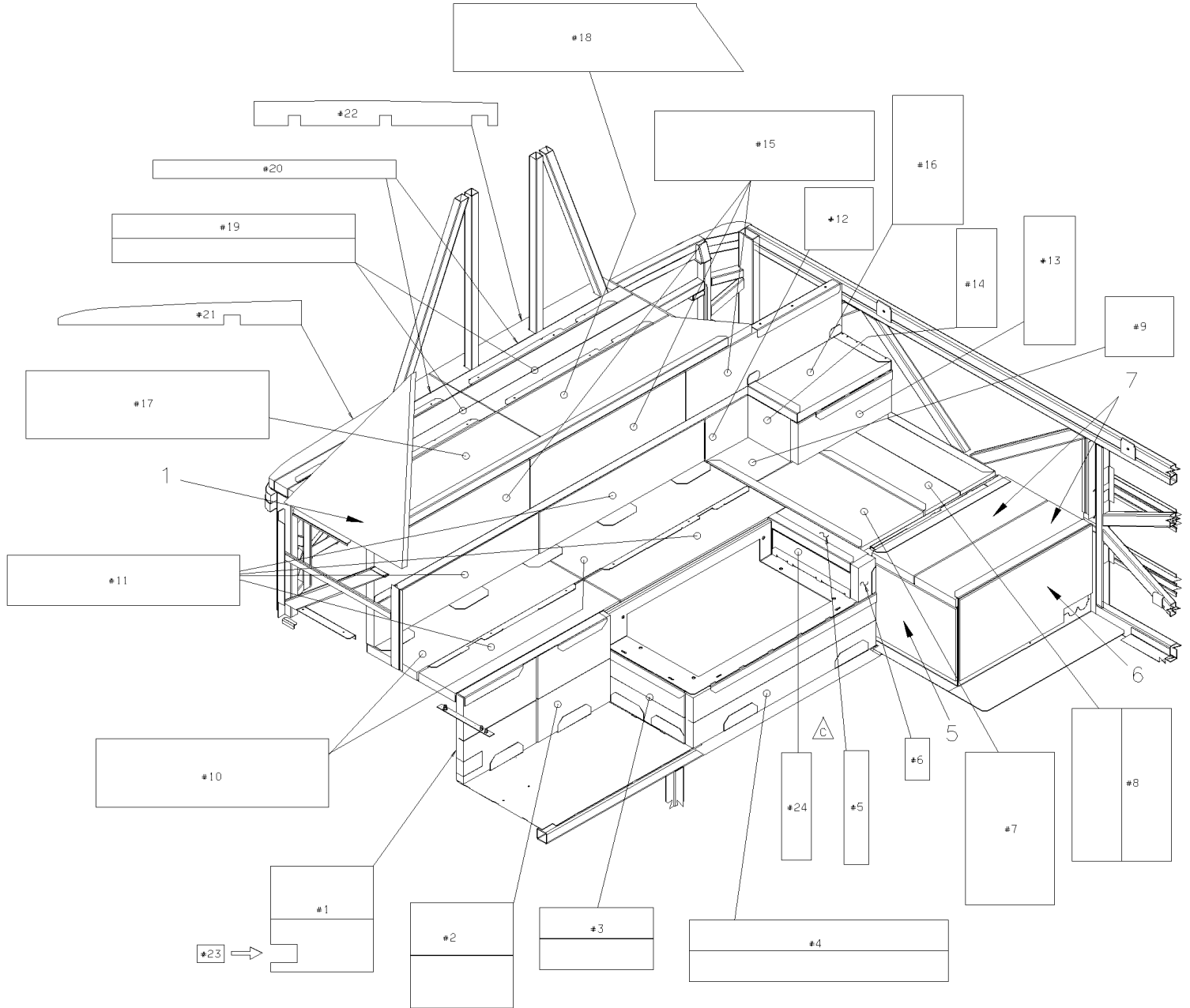
MTH-40' & MTH-45' ENT

From 8-9279 To B-9999

Date:10/2022

PAGE:MTH-1839-70

INSULATING REAR END INSIDE OVER ENGINE



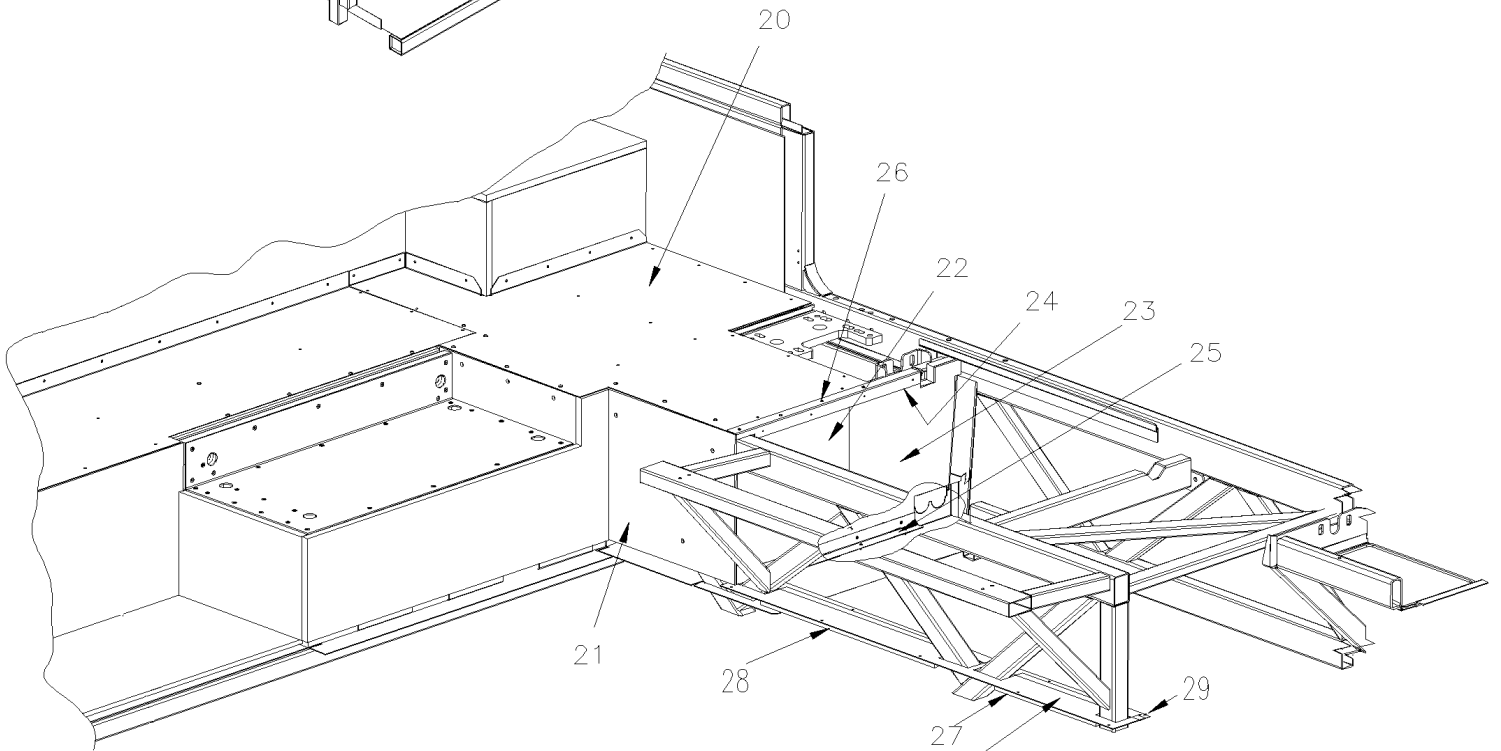
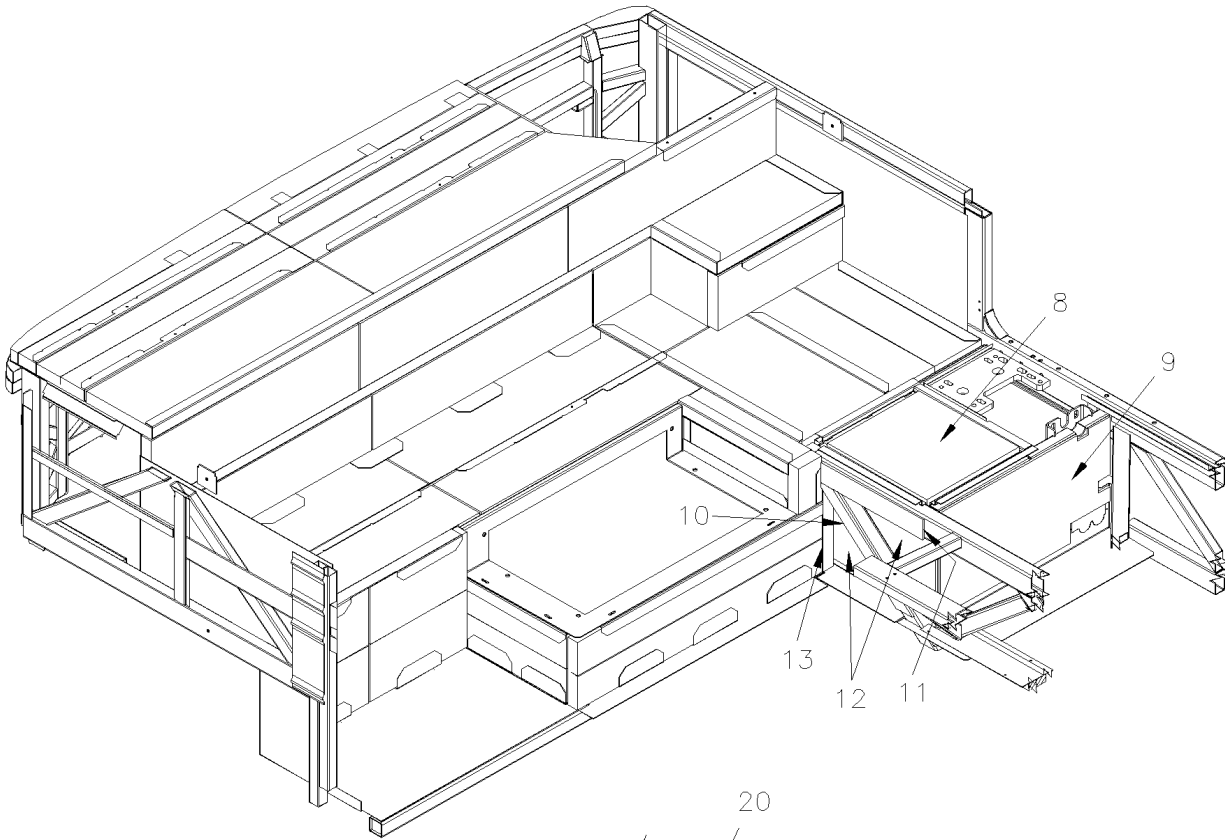
MTH-45'

From 8-9279 To B-9999

Date:10/2022

PAGE:MTH-1839-70

INSULATING REAR END INSIDE OVER ENGINE



30-31-32

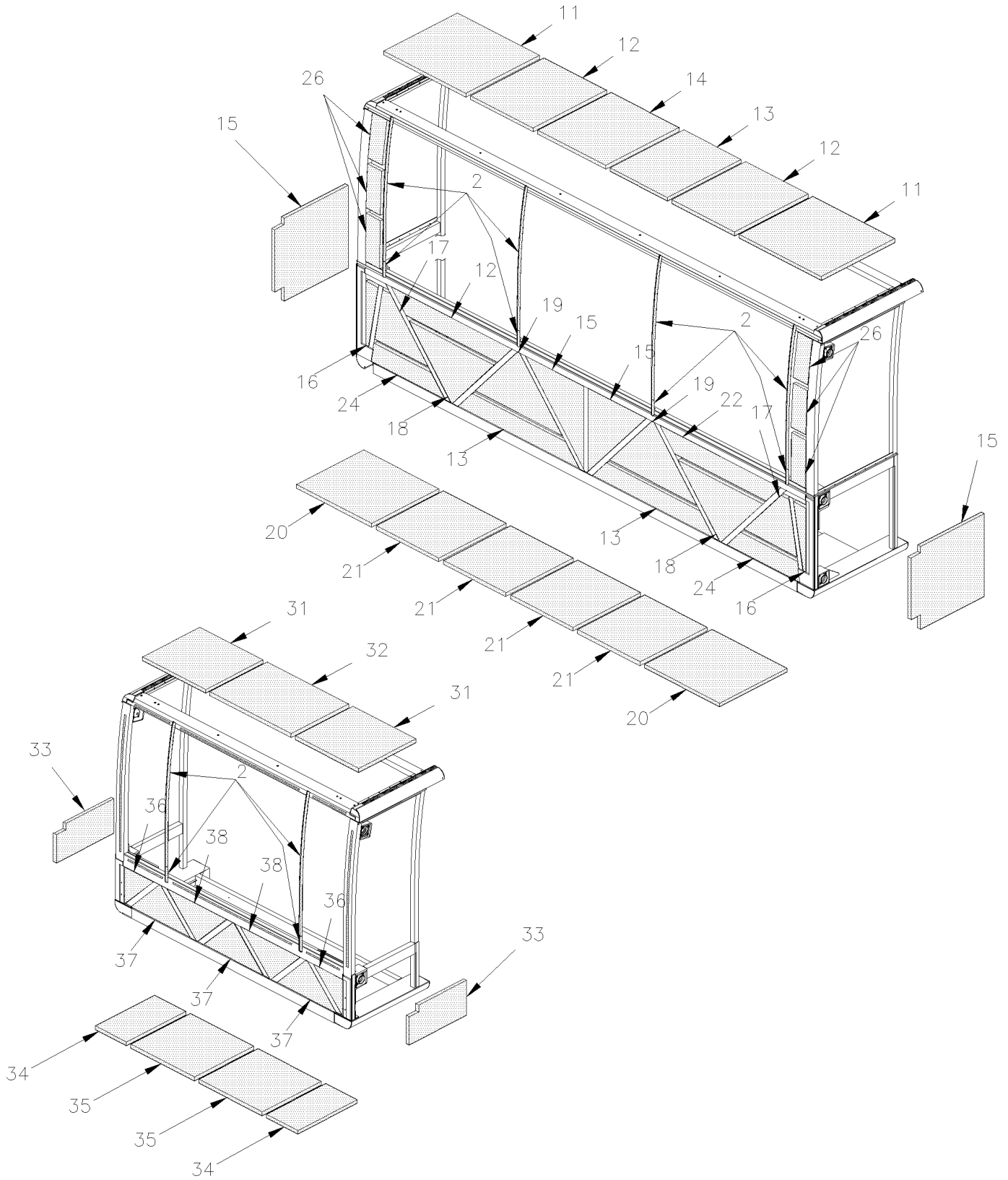
MTH-45' WITH SLIDE-OUT



From 8-9279 To B-9999	Date:10/2022	PAGE:MTH-1839-70
INSULATING REAR END INSIDE OVER ENGINE		

Item#	Part	Description	X L I I M T H 4 5	X L I I M T H 4 5 E	N O T E S
1	328698	KIT REAR END INSULATING	1		
1	328662	KIT REAR END INSULATING		1	
2	326667	INSULATING		1	
2	327036	INSULATING	1		
3	328451	INSULATING STREETSIDE		1	
4	682484	TAPE ALUMINUM ADH1 .005" x 3" x 300' ALUMINUM FSK3"	AR	AR	
5	327839	INSULATING	1		
6	328707	INSULATING / W/SMALL A/C	1		
6	328711	INSULATING / W/LARGE A/C	1		
7	328704	INSULATING	2		
8	328705	INSULATING / W/SLIDE OUT	1		
9	328290	INSULATING	1		
9	329087	INSULATING	1		
10	328721	INSULATING	1		
11	328720	INSULATING	1		
12	327970	INSULATING	2		
13	328722	INSULATING	1		
20	328694	ALLUMINUM PANEL To 8-9330	1		
20	320259	ALLUMINUM PANEL From 8-9331	1		
NS	320260	INSULATING 360MM X 250MM From 8-9331	1		
20	320261	INSULATING 250MM X 250MM From 8-9331	1		
21	328714	INSULATING	1		
22	328715	INSULATING	1		
23	328716	INSULATING / W/LARGE A/C	1		
23	328723	INSULATING / W/SMALL A/C	1		
24	328727	ANGLE RETAINER	1		
25	328729	ANGLE RETAINER / W/LARGE A/C	1		
25	328728	ANGLE RETAINER / W/SMALL A/C	1		
26	500613	SCREW TP PAN PH #10x1/2 Z050	AR		
27	328020	INSULATING	1		
28	328021	INSULATING	1		
29	328023	PLATE FINISHING	1		
30	328022	PLATE FINISHING	1		

	Date:10/2022	PAGE:MTH-1839-90
INSULATING - "SLIDE-OUT"		





		Date:10/2022	PAGE:MTH-1839-90		
INSULATING - "SLIDE-OUT"					

Item#	Part	Description	X L I I M T H 4 5	X L I I M T H 4 5 E	N O T E S
	351426	FRONT S/O INSULATION KIT	1		
1	351443	REAR S/O INSULATION KIT	1		

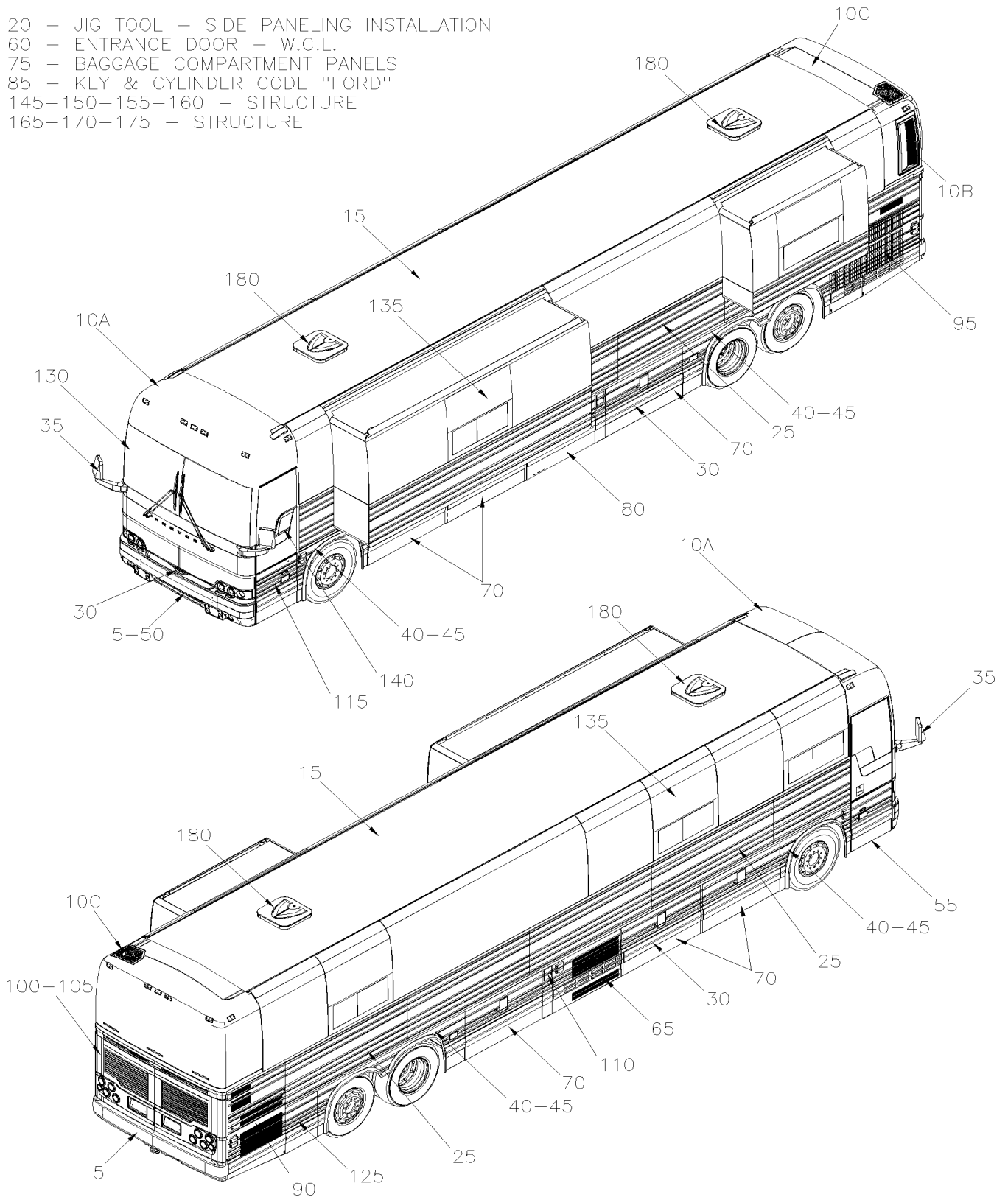


Date:10/2022

PAGE:MTH-18-EXT

BODY EXTERIOR

- 20 - JIG TOOL - SIDE PANELING INSTALLATION
- 60 - ENTRANCE DOOR - W.C.L.
- 75 - BAGGAGE COMPARTMENT PANELS
- 85 - KEY & CYLINDER CODE "FORD"
- 145-150-155-160 - STRUCTURE
- 165-170-175 - STRUCTURE





Date:10/2022

PAGE:MTH-18-EXT

BODY EXTERIOR

Item#	Part	Description	X L I M T H 4 5	X L I M T H 4 5 E	N O T E S
5	MTH-1850-00	BUMPER FRONT From 8-9279 To B-9999			
5	MTH-1850-10	BUMPER REAR From 8-9279 To B-9999			
10A	MTH-1851-00	FRONT CAP - INSTALLATION From 8-9279 To B-9999			
10B	MTH-1851-05	REAR CAP - DOOR DPF & SCR From 8-9279 To B-9999			
10C	MTH-1851-20	REAR CAP - INSTALLATION From 8-9279 To B-9999			
15	MTH-1852-00	ROOF PANEL From 8-9279 To B-9999			
20	MTH-1853-50	JIG TOOL - SIDE PANELING INSTALLATION From 8-9279 To B-9999			
25	MTH-1854-20	WEATHERSTRIP & RETAINER - MTH From 8-9279 To B-9999			
25	MTH-1854-50	SIDE PANELING - W/FLUTED PANEL - MTH - 45 From 8-9279 To B-9999			
25	MTH-1854-51	SIDE PANELING - W/FLAT PANEL - MTH - 45 ENT From 8-9279 To B-9999			
25	MTH-1854-90	SIDE PANELING - W/"SLIDE-OUT" From 8-9279 To B-9999			
30	MTH-1855-00	RUB RAIL - EXTERIOR CREST & TRIMS From 8-9279 To B-9999			
35	MTH-1856-23	MIRROR "RAMCO" FLAT GLASS / BLACK PAINTED From 8-9279 To B-9999			
35	MTH-1856-50	MIRROR "RAMCO" FLAT GLASS / CHROME From 8-9279 To B-9999			
35	MTH-1856-51	MIRROR "RAMCO" FLAT GLASS / CHROME WITH DIRECTIONAL From 8-9279 To B-9999			
40	MTH-1857-50	FENDERS L.H. - MTH-45 From 8-9279 To B-9999			
40	MTH-1857-51	FENDERS L.H. - MTH-45 ENT From 8-9279 To B-9999			
40	MTH-1857-55	FENDERS R.H. - MTH-45 From 8-9279 To B-9999			
40	MTH-1857-56	FENDERS R.H. - MTH-45 ENT From 8-9279 To B-9999			
45	MTH-1859-00	SPLASH GUARD - FRONT & REAR From 8-9279 To B-9999			
50	MTH-1860-10	SPARE WHEEL DOOR ASSY From 8-9279 To B-9999			
55	MTH-1862-50	ENTRANCE DOOR ASSY - MTH From 8-9279 To B-9999			
55	MTH-1862-60	ENTRANCE DOOR FRAME - INSTALLATION From 8-9279 To B-9999			
60	MTH-1862-80	ENTRANCE DOOR ASSY - W.C.L. - MTH-45 ENT From 9-9624 To 9-9624			
60	MTH-1862-82	ENTRANCE DOOR - INSTALLATION - W.C.L. - MTH-45 ENT From 9-9624 To 9-9624			
65	MTH-1863-50	CONDENSOR DOOR ASSY - MTH-45 From 8-9279 To B-9999			
65	MTH-1863-51	CONDENSOR DOOR ASSY - MTH-45 ENT From 8-9279 To B-9999			
70	MTH-1864-50	BAGGAGE DOOR ASSY - MTH From 8-9279 To B-9999			
70	MTH-1864-60	BAGGAGE DOOR R.H. - W/HINGE "SPECIAL" From 8-9279 To B-9999			
70	MTH-1864-90	BAGGAGE DOOR - W/"SLIDE-OUT" INSTALLATION From 8-9279 To B-9999			
73	MTH-1865-20	EVAPORATOR & CONDENSOR WALL From 8-9279 To B-9999			
75	MTH-1865-50	FLOOR BAGGAGE COMPARTMENT - MTH From 8-9279 To B-9999			
75	MTH-1865-55	SEPARATOR PANEL - BAGGAGE COMPARTMENT - MTH-45 From 8-9279 To B-9999			
75	MTH-1865-60	SEPARATOR PANEL - BAGGAGE COMPARTMENT - MTH-45 ENT From 8-9279 To B-9999			
80	MTH-1866-50	EVAPORATOR DOOR ASSY From 8-9279 To B-9999			
85	MTH-1867-00	KEY & CYLINDER CODE "NS" From 8-9279 To B-9999			
90	MTH-1868-00	A/C COMPRESSOR DOOR ASSY From 8-9279 To B-9999			
95	MTH-1869-50	RADIATOR DOOR ASSY - MTH-45 SMALL From 8-9279 To B-9999			
95	MTH-1869-55	RADIATOR DOOR ASSY - MTH-45 ENT From 8-9279 To B-9999			
95	MTH-1869-60	RADIATOR DOOR ASSY - MTH-45 LARGE From 8-9279 To B-9999			
100	MTH-1870-00	ENGINE DOOR ASSY L.H. From 8-9279 To B-9999			
100	MTH-1870-05	ENGINE DOOR ASSY R.H. From 8-9279 To B-9999			



Date:10/2022

PAGE:MTH-18-EXT

BODY EXTERIOR

Item#	Part	Description	X L I I M T H 4 5	X L I I M T H 4 5 E	N O T E S
105	MTH-1870-10	ENGINE DOOR ASSY - INSTALLATION From 8-9279 To B-9999			
110	MTH-1875-00	FUEL TANK FILLING DOOR From 8-9279 To B-9999			
115	MTH-1879-00	FRONT SERVICE DOOR ASSY From 8-9279 To B-9999			
115	MTH-1879-10	FRONT SERVICE DOOR - INSTALLATION From 8-9279 To B-9999			
125	MTH-1879-60	REAR SERVICE DOOR - R.H. SIDE From 8-9279 To B-9999			
130	MTH-1880-00	WINDSHIELD & CHANNEL From 8-9279 To B-9999			
135	MTH-1884-50	SIDE WINDOW - MTH From 8-9279 To B-9999			
135	MTH-1884-65	ELECTRICAL AWNING WINDOW ASSY From 8-9279 To B-9999			
135	MTH-1884-80	ELECTRICAL SLIDING WINDOW ASSY From 8-9279 To B-9999			
135	MTH-1884-90	SIDE WINDOW - "SLIDE-OUT" From 8-9279 To B-9999			
140	MTH-1886-00	POWER WINDOW - ELECTRICAL INSTALLATION From 8-9279 To B-9999			
145	MTH-1890-00	ROOF STRUCTURE From 8-9279 To B-9999			
145	MTH-1890-10	STRUCTURE WALL - UPPER From 8-9279 To B-9999			
150	MTH-1891-55	LOWER WALL STRUCTURE - MTH 45' ENT 89" From 8-9279 To B-9999			
150	MTH-1891-60	LOWER WALL STRUCTURE - MTH 45' From 8-9279 To B-9999			
155	MTH-1894-00	REAR CAP - STRUCTURE From 8-9279 To B-9999			
160	MTH-1894-05	REAR LH - STRUCTURE From 8-9279 To B-9999			
160	MTH-1894-10	REAR RH - STRUCTURE From 8-9279 To B-9999			
165	MTH-1895-00	FRONT STRUCTURE From 8-9279 To B-9999			
165	MTH-1895-50	FRONT LOWER FLOOR STRUCTURE - MTH From 8-9279 To B-9999			
170	MTH-1896-50	FRONT SHEATING - MTH - MTH From 8-9279 To B-9999			
175	MTH-1897-10	REAR SUB-FRAME - MTH-45' From 8-9279 To B-9999			
175	MTH-1897-11	REAR SUB-FRAME - MTH-45' ENT From 8-9279 To B-9999			
175	MTH-1897-50	FRONT SUB-FRAME / W/INDEPENDENT SUSPENSION From 8-9279 To B-9999			
180	MTH-1898-00	ESCAPE HATCH - INSTALLATION From 8-9279 To B-9999			

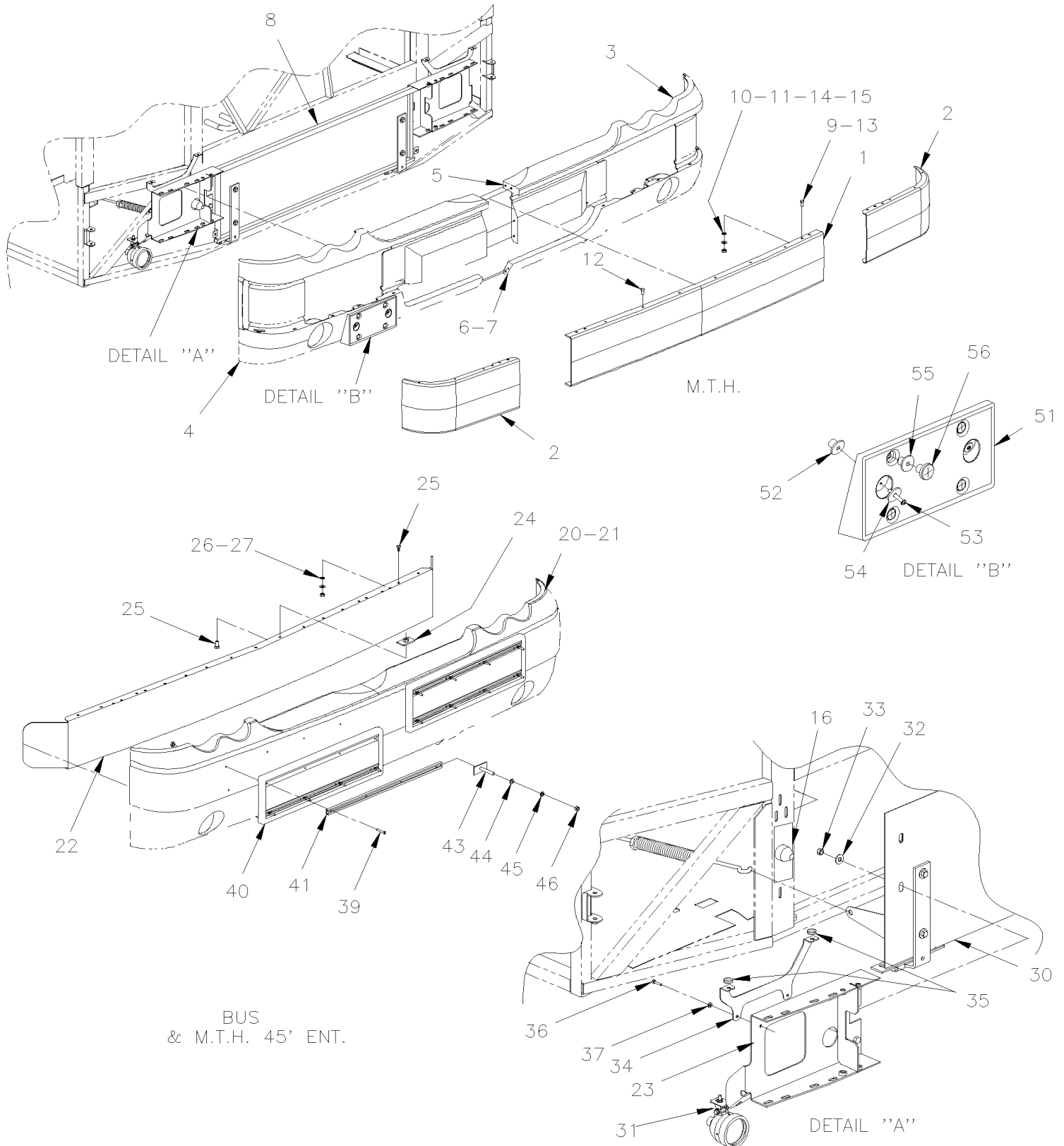


From 8-9279 To B-9999

Date:10/2022

PAGE:MTH-1850-00

BUMPER FRONT





From 8-9279 To B-9999	Date:10/2022	PAGE:MTH-1850-00
BUMPER FRONT		

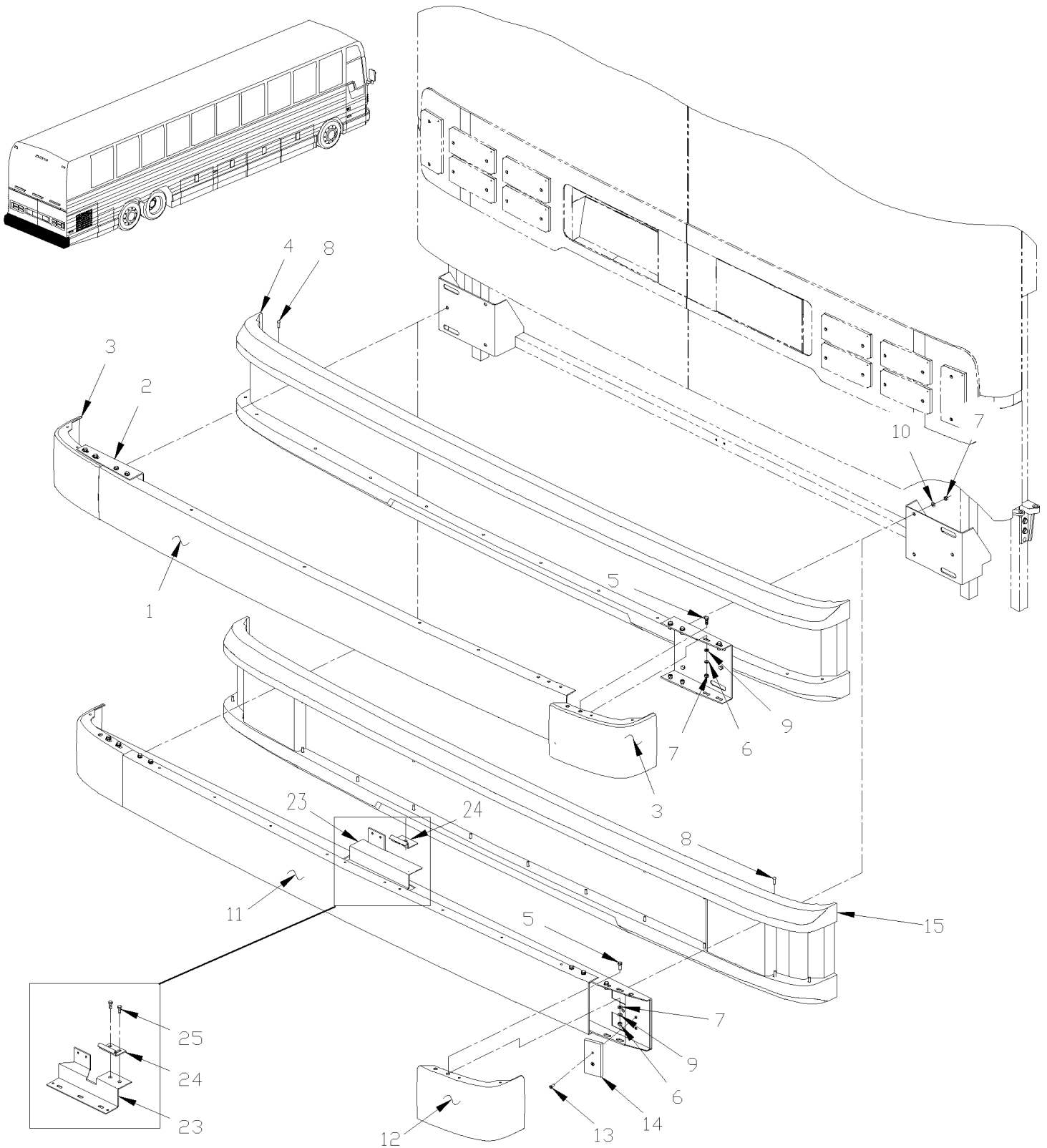
Item#	Part	Description	X L I I M T H 4 5	X L I I M T H 4 5 E	N O T E S
		NEXT BUMPER IT STANDARD ON MTH-45			
		AND IT "OPTIONAL" WITH MTH-45' ENT			
	411099	BUMPER ASSY W/FOG LAMP W/OUT HEAD LAMP WASHER HOLE / B.A.	1	1	
1	411116	. BUMPER CENTER PART / SS / B.A.	1	1	
2	411057	. BUMPER CORNER / SS / S.B	2	2	
3	411013	. MOULDING L.H. To 7-9002	1	1	
3	411104	. MOULDING L.H. W/HEAD LAMP WASHER HOLE From 7-9003	1	1	
4	411012	. MOULDING R.H. To 7-9002	1	1	
4	411103	. MOULDING R.H. W/HEAD LAMP WASHER HOLE From 7-9003	1	1	
NS	504716	. BUMPER RUBBER / .875OD X .256 TH X .312 HOLE	1	1	
5	411036	. ATTACHMENT UPPER / CURBSIDE	1	1	
5	411042	. ATTACHMENT UPPER / STREETSIDE	1	1	
6	411037	. ATTACHMENT LOWER / STREETSIDE	1	1	
7	411038	. ATTACHMENT LOWER / CURBSIDE	1	1	
7	411055	. ATTACHMENT "U" SHAPE W/NUT	1	1	
NS	5001587	. NUT HEX NYRT M5-0.8 SS	2	2	
NS	5001146	. SCREW CAP HEX M5-0.8x20 SS BK	2	2	
8	411118	. STRUCTURE BUMPER	1	1	
8	411115	. . SUPPORT STREET SIDE / WELDED	1	1	
8	411114	. . SUPPORT CUBRE SIDE / WELDED	1	1	
9	5001675	. SCREW SET HEXS CONE M8-1.25x16 SS	16	16	
10	960143	. WASHER FL 10.5x26.0x2.0 ZP	16	16	
11	3852496	. WASHER LO SPT 10.2x18.1x2.2 ZG603	16	16	
12	5001438	. RIVET DRV TR 1/4x3/4 NYL	20	20	
13	500163	. SCREW CAP HEX 1/4-20x3/4 G5 Z050	2	2	
14	500441	. WASHER FL .312x.734x.065 Z050	2	2	
15	502716	. NUT HEX NYRT 1/4-20	2	2	
16	287258	RUBBER BUMPER 126MM X 48MM	4	4	
NS	502603	SCREW CAP HEXS M4-0.7x20 G12.9 ZP	8	8	
NS	411084	SHIM SPACER	AR	AR	
		NEXT BUMPER IT STANDARD ON MTH-45 "ENT"			
20	411089	BUMPER ASSY / FRONT		1	
20	Call order desk	BUMPER ASSY / FRONT ADAPTIVE CRUISE CONTROL SERVICE		1	P
20	Call order desk	BUMPER ASSY / FRONT SERVICE		1	P
21	411010	. BUMPER SKIN, FRONT BUS & MTH ENT		1	
21	411238	. BUMPER SKIN, FRONT BUS & MTH ENT SERVICE		1	
21	411220	. BUMPER SKIN, FRONT BUS & MTH ENT ADAPTIVE CRUISE CONTROL SERVICE		1	
22	411014	. BUMPER REINFORCEMENT To A-9871		1	
22	411209	. BUMPER REINFORCEMENT From A-9872		1	

From 8-9279 To B-9999

Date:10/2022

PAGE:MTH-1850-10

BUMPER REAR





From 8-9279 To B-9999	Date:10/2022	PAGE:MTH-1850-10
BUMPER REAR		

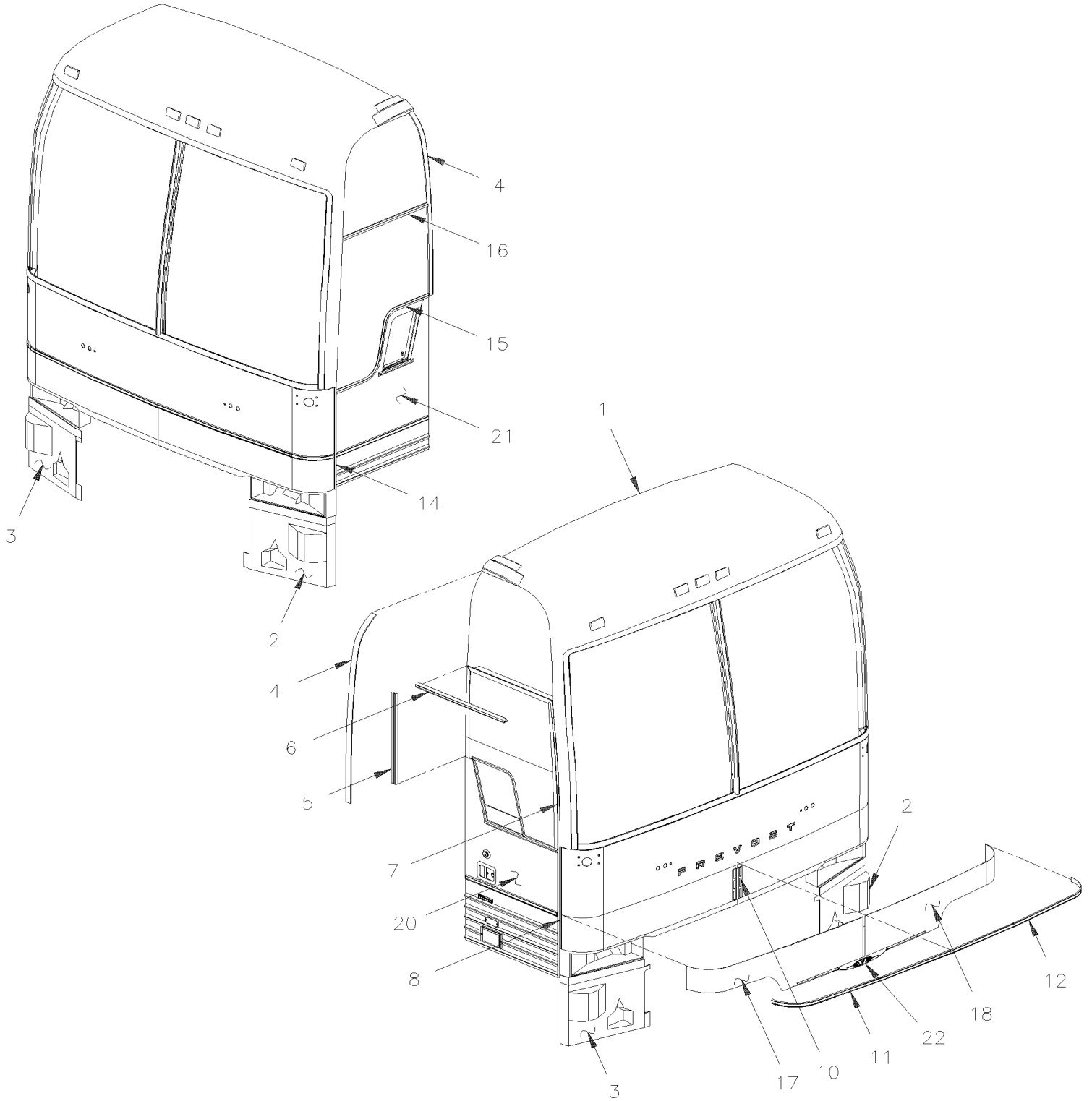
Item#	Part	Description	X L I I M T H 4 5	X L I I M T H 4 5 E	N O T E S
		NEXT BUMPER IT STANDARD ON MTH-45			
		AND IT "OPTIONAL" WITH MTH-45' ENT			
	411090P	BUMPER ASSY REAR CHROME / W/TRAILLER HITCH	1	1	
1	411059	. BUMPER REAR CENTER / SS / S.B.2B	1	1	
2	410691	. SUPPORT	2	2	
3	411061	. BUMPER / CORNER / SS / S.B.2B	2	2	
4	473858	. TRIM REAR BUMPER / W/TRAILLER HITCH	1	1	
5	5001231	. SCREW CAP HEX M10-1.5x25 SS	16	16	
6	500958	. WASHER FL .531x1.062x.095 SS	16	16	
7	502567	. NUT HEX M10-1.5 SS	16	16	
8	5001438	. RIVET DRV TR 1/4x3/4 NYL	23	23	
9	502585	. WASHER LO SERR 10.2x26.3x1.4 ZP	16	16	
10	284447	WASHERS BELLEVILLE	6	6	
		NEXT BUMPER IT STANDARD ON BUS & MTH-45 "ENT"			
11	410740P	BUMPER ASSY REAR BLACK		1	
11	410563	. BUMPER REAR CENTER / BLACK To A-9967		1	
11	411214	. BUMPER REAR CENTER / BLACK From A-9968		1	
12	410748	. BUMPER / CORNER / BLACK		2	
13	5001198	. SCREW MA FL PH M6-1.0x16 Z050		4	
13	5001182	. NUT HEX NYRT M6-1.0 SS From 9-9968		4	
14	410737	. STOPPER		2	
15	473770	. TRIM REAR BUMPER / W/O TRAILLER HITCH To 8-9413		1	
15	474170	TRIM REAR BUMPER / W/TRAILLER HITCH		1	A
15	473858	TRIM REAR BUMPER / W/TRAILLER HITCH From 8-9414		1	A
23	287231	ATTACHMENT & STOPPER LH ENGINE DOOR / (WELDED TO BUMPER)		1	
24	287286	CATCH PIN / RETAINER 45MMx21MM 90°		1	
25	502780	SCREW CAP HEX M8-1.25x25 SS BK		2	
		A) THIS BUMPER ARE ASSY WITH TRIM W/TRAILER HITCH			

From 8-9279 To B-9999

Date:10/2022

PAGE:MTH-1851-00

FRONT CAP - INSTALLATION





From 8-9279 To B-9999 Date:10/2022 PAGE:MTH-1851-00

FRONT CAP - INSTALLATION

Item#	Part	Description	X L I M T H 4 5	X L I M T H 4 5 E	N O T E S
1	477443	FRONT CAP MTH 86" / WLARGE WINDSHIELD	1		
. NS	477414	. HALF FRONT CAP MTH 86" / LOWER SECTION ONLY	1		
1	477444	FRONT CAP MTH 86" / WLARGE WINDSHIELD	1		B
. NS	477414	. HALF FRONT CAP MTH 86" / LOWER SECTION ONLY	1		B
1	477442	FRONT CAP MTH 89" / WLARGE WINDSHIELD		1	
. NS	477416	. HALF FRONT CAP MTH 89" / LOWER SECTION ONLY		1	
1	476205	FRONT CAP MTH 89" / WLARGE WINDSHIELD		1	B
. NS	477416	. HALF FRONT CAP MTH 89" / LOWER SECTION ONLY		1	B
2	476709	. PANEL LOWER L.H.	1	1	
3	476710	. PANEL LOWER R.H.	1	1	
NS	504546	RIVET CHY MONOLOK PRDG 1/4x5/8 ZP	36	36	
NS	500426	SCREW TP PAN PH #8x1 SS	6	6	
NS	506769	TAPE RUB ADH2 CC POL 1/8" x 1/4" x 60' / BLACK H1CC-N-#14	AR	AR	
NS	506785	TAPE RUB ADH2 CC POL 1/16" x 1/4" x 200' / BLACK I1C-N-A	AR	AR	
NS	475703	KIT STONE PROTECTOR / VINYL FILM 2x25"x120 + 1x16"x120"	1		
4	474068	FINISHING MOULDING 1340MM MTH 86"	2		
NS	504339	RIVET POP DOME OE 1/8x3/8 SS	AR		
5	474042	MOULDING SUPPORT 709MM / MTH 86"	1	1	
6	477516	DRIP MOULDING OVER ENTRANCE DOOR / B.A.	1	1	
7	477517	FINISHING MOULDING ENTRANCE DOOR / 1131MM / B.A.	1	1	
8	477514	FINISHING MOULDING ENTRANCE DOOR / 1456MM MTH86" / B.A.	1		
8	477522	FINISHING MOULDING ENTRANCE DOOR / 1531MM MTH89" / B.A.		1	
10	477521	FINISHING CENTER SS / B.A. To 9-9560	1	1	
10	478404	FINISHING CENTER SS / B.A. From 9-9561	1	1	
11	477512	MOULDING SS R.H. / B.A.	1	1	
12	477513	MOULDING SS L.H. / B.A.	1	1	
14	477515	FINISHING MOULDING SERVIR DOOR / 1455MM MTH86" / B.A.	1		
14	477523	FINISHING MOULDING SERVIR DOOR / 1531MM MTH89" / B.A.		1	
15	286646	DRIP MOULDING "S" MTH86" & MTH89"	1	1	
NS	683083	ADHESIVE SIKA #252 / BLACK / 600 ml SAUSAGE	AR	AR	
NS	683447	ADHESIVE SIKATAACK PLUS / BLACK / 23 Liters	AR	AR	
NS	683097	CLEANER SIKA #205 / CLEAR / 1000ml	AR	AR	
NS	681091	PRIMER SIKA #206 / BLACK / 250ml	AR	AR	
NS	790392	RUBBER BLOCK ADJUSTEMENT 1" x 5/16" x 1/8" 80DURO	AR	AR	
16	286454	DRIP MOULDING OVER DRIVER'S WINDOW	1	1	
17	477518	PANEL SS / CURBSIDE / B.A. To 9-9560	1	1	
17	478402	PANEL SS / CURBSIDE / B.A. From 9-9561	1	1	



From 8-9279 To B-9999	Date:10/2022	PAGE:MTH-1851-00
-----------------------	--------------	------------------

FRONT CAP - INSTALLATION

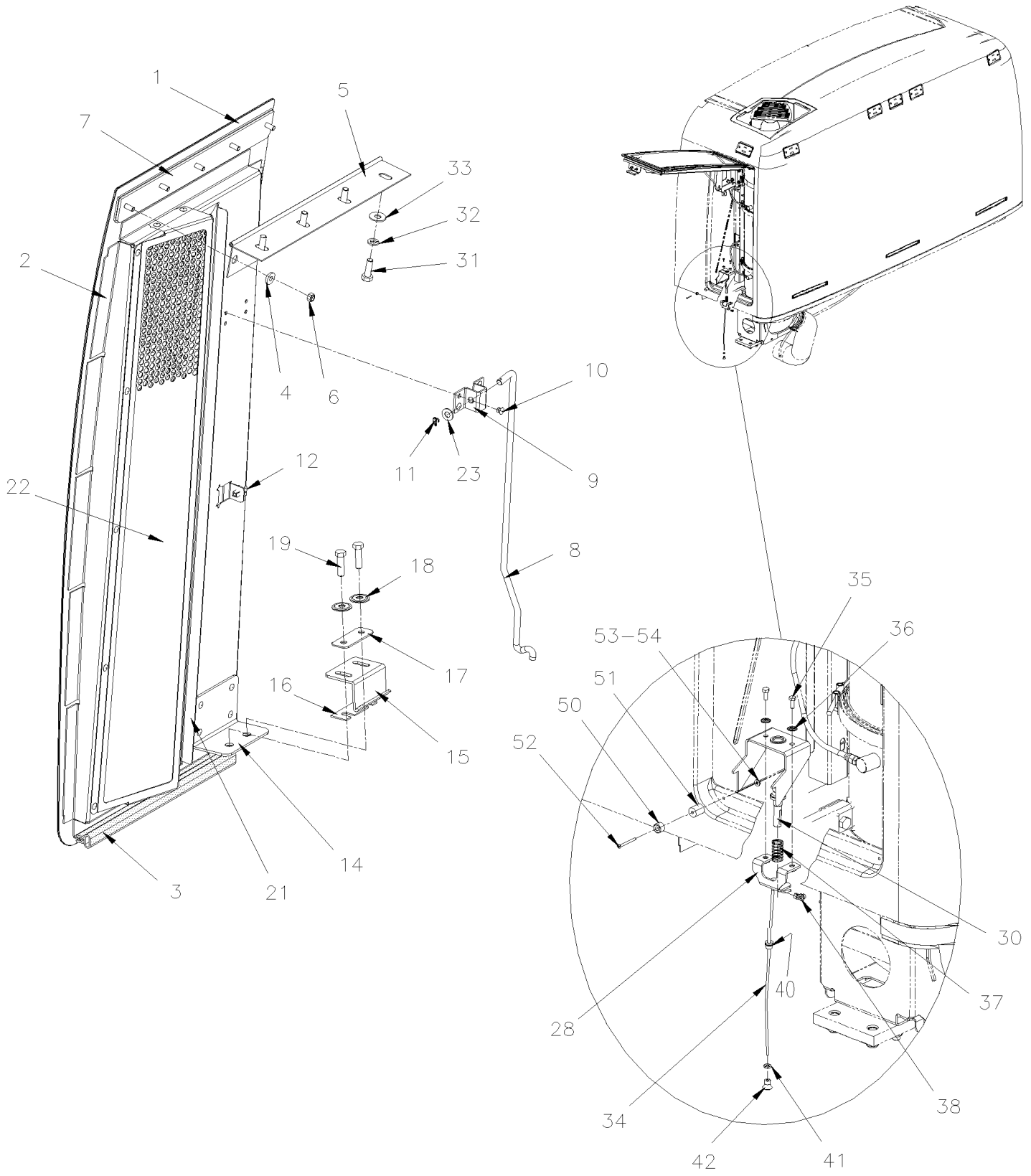
Item#	Part	Description	X L I I M T H 4 5	X L I I M T H 4 5 E	N O T E S
17	477890	PANEL SS / CURBSIDE / B.A. To 9-9560	AR		V
18	477519	PANEL SS / STREETSIDE / B.A. To 9-9560	1	1	
18	478403	PANEL SS / STREETSIDE / B.A. From 9-9561	1	1	
18	477891	PANEL SS / STREETSIDE / B.A. To 9-9560	AR		V
20	MTH-1862-50	ENTRANCE DOOR ASSY - MTH			
21	MTH-1879-00	FRONT SERVICE DOOR ASSY			
22	MTH-1855-00	RUB RAIL - EXTERIOR CREST & TRIMS			
		B) WITHOUT UPPER SIDE GLASS			
		V) WITH "VORAD" SYSTEM			

From 8-9279 To B-9999

Date:10/2022

PAGE:MTH-1851-05

REAR CAP - DOOR DPF & SCR





From 8-9279 To B-9999	Date:10/2022	PAGE:MTH-1851-05
REAR CAP - DOOR DPF & SCR		

Item#	Part	Description	X L I I M T H 4 5	X L I I M T H 4 5 E	N O T E S
	478567	DOOR PANEL ASSY WITH HINGE	1	1	
1	479169	DOOR PANEL	1	1	
2	479195	FRAME DOOR	1	1	
3	506303	RUBBER SEAL EXTRUSION	8	8	
4	5001654	WASHER FL 6.4x17.0x3.0 SS	4	4	
5	479170	HINGE 338MM	1	1	
5	479244	ATTACHMENT PLATE "T" SHAPE	1	1	
5	504379	RIVET POP DOME OE 3/16x1/4 SS	6	6	
6	502681	NUT HEX NYRT M6-1.0 N500 G8	4	4	
7	478258	ATTACHMENT PLATE ASSY W/STUD 5	1	1	
8	478269	ROD 442MM	1	1	
9	478218	ATTACHMENT ROD LOCK	1	1	
10	504379	RIVET POP DOME OE 3/16x1/4 SS	AR	AR	
11	502094	PIN, COTTER 1/16 x 1/2 SS	1	1	
12	504734	ATTACHMENT ROD	1	1	
NS	680066	ADHESIVE / ADBOND #5014 / 23.6ML BOTTLE	AR	AR	
14	478176	ATTACHMENT LOCK	1	1	
14	504379	RIVET POP DOME OE 3/16x1/4 SS	4	4	
15	288087	CATCH PIN / RETAINER 49.8MMx36.5MM 90°	1	1	
16	287452	SHIM SPACER 70MM X 25 X 14GA	1	1	
17	288088	PLATE RETAINER 66MM X 25.4MM	1	1	
18	5001699	WASHER BEL SPR 8.2x22x1.4 N500	2	2	
19	5001738	SCREW CAP HEX M8-1.25x30 G8.8 N500	2	2	
NS	684743	GLUE METHACRYLATE PLEXUS MA832GB 380 ml	AR	AR	
21	478289	GRILLE FIBERGLASS / AIR INLET / PAINTED	1	1	
. NS	478278	. GRILLE FIBERGLASS / AIR INLET	1	1	
22	478294	GRILLE ASSY ALL / AIR INLET / PAINTED	1	1	
. NS	478285	. GRILLE ALL	1	1	
23	5001341	WASHER FL 8.4x17.0x1.6 SS	1	1	
NS	506236	TAPE RUB ADH1 CC POL 1/16" x 1/2" x 100' / GREY 2520	AR	AR	
28	288061	SUPPORT CATCH PIN	1	1	
30	288118	CATCH PIN ACETAL / 82MM	1	1	
31	502580	NUT HEX CAP M5-0.8 ZP	7	7	
32	5001161	WASHER LO SPT 8.1x14.8x2.0 SS-304	7	7	
33	5001448	WASHER FL .343x.875x.062 SS18-8	7	7	
34	479220	ROD OPENING 675MM	1		
34	478276	ROD OPENING 538MM		1	
35	5001799	SCREW CAP HEXF M10-1.5x70 G10.9 N500	2	2	
36	500356	WASHER LO SERR 6.1x16.0x0.9 N500	2	2	
37	502910	SPRING COMPRESSION / .720 O.D. 1.75 x .055	1	1	
38	780340	CLIP, RETAINER ROD	1	1	
40	504462	SNAP BUSHING / .187x.375x.312	1	1	



From 8-9279 To B-9999	Date:10/2022	PAGE:MTH-1851-05
REAR CAP - DOOR DPF & SCR		

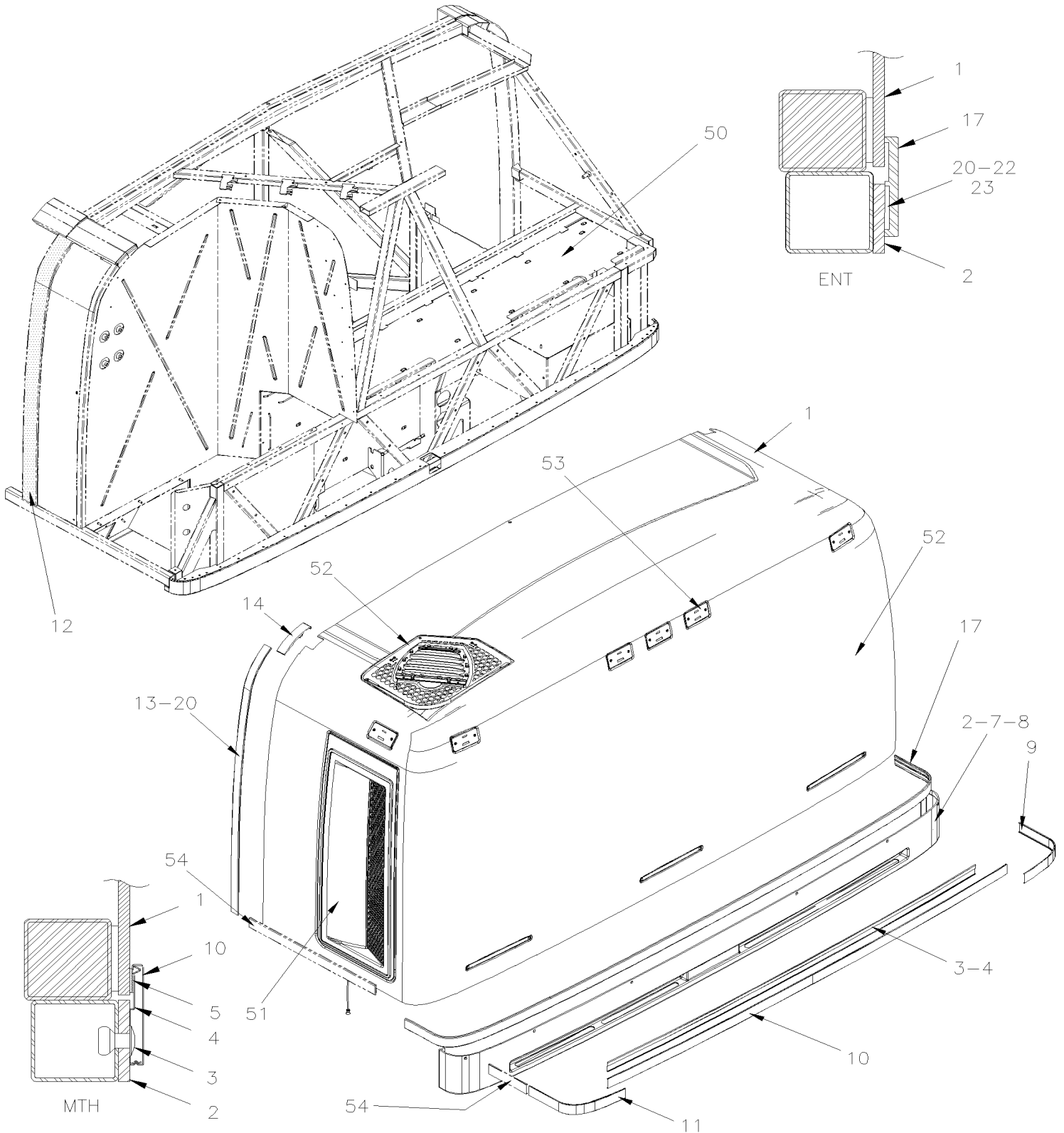
Item#	Part	Description	X L I I M T H 4 5	X L I I M T H 4 5 E	N O T E S
41	500986	NUT HEX #8-32 N500	1	1	
42	505504	KNOB, PULL / 8-32	1	1	
50	504334	BUMPER RUBBER / .625 OD x .406 TH x .156 HOLE	1	1	
51	479222	SPACER ACETAL BLACK 4.37 I.D.x 17 O.D. x 20MM	1	1	
52	502530	SCREW MA OV PH M4-0.7x40 SS	1	1	
53	502557	NUT HEX NYRT M4-0.7 SS	1	1	
54	504357	WASHER FL .187x.437x.050 SS	1	1	

From 8-9279 To B-9999

Date:10/2022

PAGE:MTH-1851-20

REAR CAP - INSTALLATION





From 8-9279 To B-9999	Date:10/2022	PAGE:MTH-1851-20
------------------------------	---------------------	-------------------------

REAR CAP - INSTALLATION

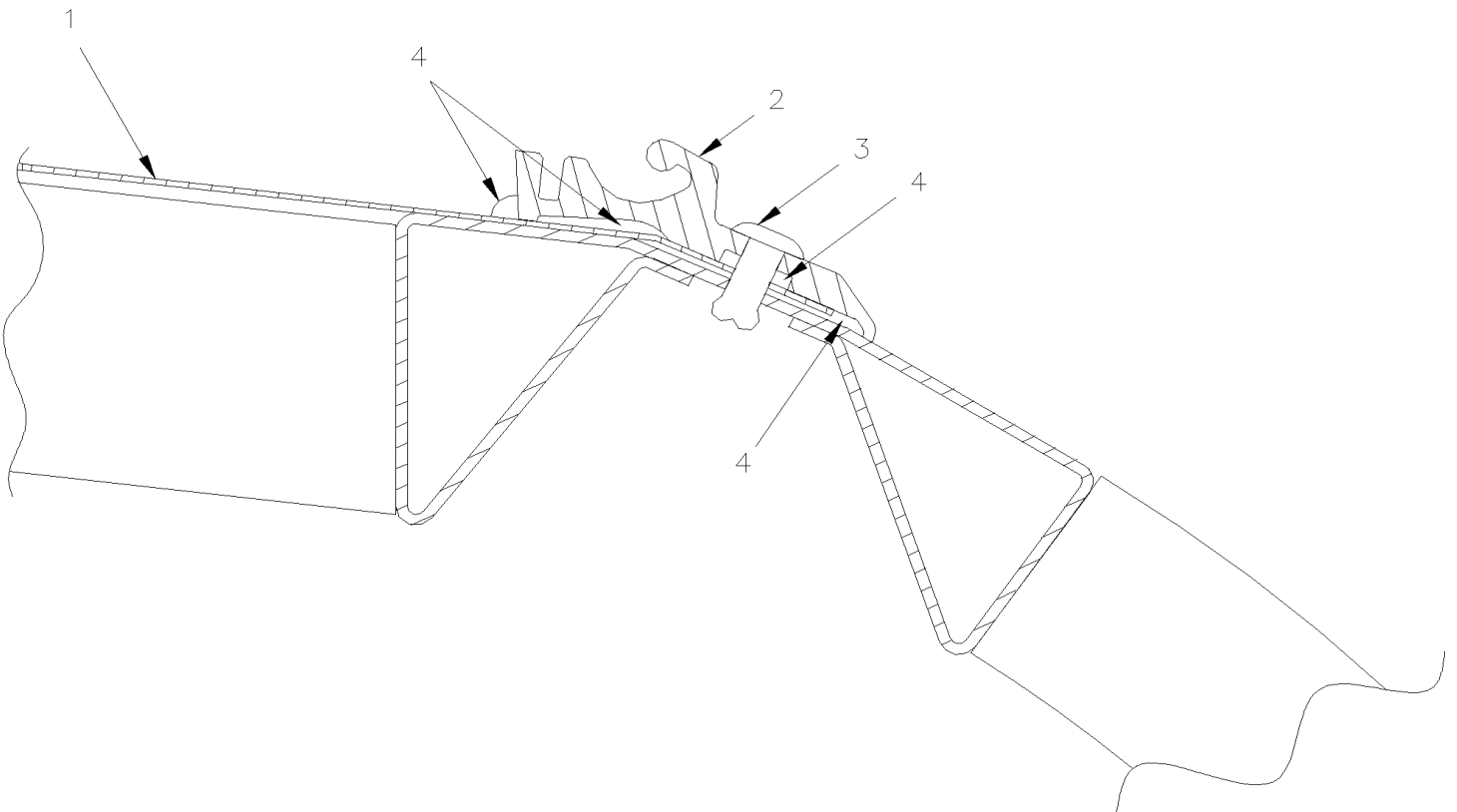
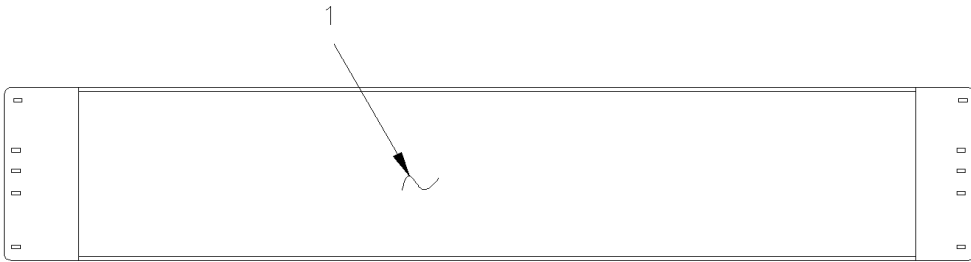
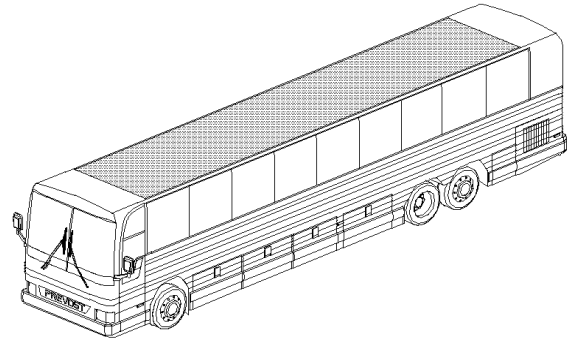
Item#	Part	Description	X L I I M T H 4 5	X L I I M T H 4 5 E	N O T E S
1	478237	REAR CAP ASSY / MTH-86" & MTH-89"	1	1	B
2	473768	AIR INTAKE / W/MTH 83" & MTH-86" To 8-9389	1		
2	479253	AIR INTAKE / W/MTH-86" From 8-9390 To 9-9630	1		
2	479259	AIR INTAKE / W/MTH-86" From 9-9631	1		
2	473953	AIR INTAKE / W/MTH-89" To 9-9630		1	
2	479256	AIR INTAKE / W/MTH-89" From 9-9631		1	
3	504416	RIVET POP DOME OE 3/16x5/8 SS	12	12	
4	473895	MOULDING RETAINER / 2250MM	1		
5	506225	TAPE RUB ADH1 CC POL 1/16" x 1/4" x 100' / GREY 2520	AR	AR	
7	504340	RIVET POP DOME OE 1/8x3/16 SS	10	10	
8	500353	SCREW TP FL PH #8x3/4 BK	6	6	
9	473831	MOULDING RIGHT CORNER	1		
10	473896	FINISHING MOULDING SS / 2125MM	1		
11	473833	MOULDING LEFT CORNER	1		
12	293136	RUBBER SEAL 1391MM W/86" & 89"	2		
13	474068	FINISHING MOULDING 1340MM MTH 86"	2		
13	474069	FINISHING MOULDING 1417MM MTH 89"		2	
14	293715	UPPER EXTRUSION 38MM	2	2	
17	474359	FINISHING MOULDING PLASTIC 2800MM		1	A
. NS	506785	. TAPE RUB ADH2 CC POL 1/16" x 1/4" x 200' / BLACK I1C-N-A		AR	A
. NS	506769	. TAPE RUB ADH2 CC POL 1/8" x 1/4" x 60' / BLACK H1CC-N-#14		AR	A
20	506759	TAPE RUB ADH2 CC POL 1/8" x 1/2" x 100' / BLACK I1C-N-A	AR	AR	
22	683446	PRIMER SIKA #206 / BLACK / 1000ml	AR	AR	
22	683448	ACCELERATOR SIKA / 600ml SAUSAGE	AR	AR	
22	683084	SEALANT SIKA #221 / GREY / 600 ml SAUSAGE	AR	AR	
23	683447	ADHESIVE SIKATAACK PLUS / BLACK / 23 Liters	AR	AR	
23	683083	ADHESIVE SIKA #252 / BLACK / 600 ml SAUSAGE	AR	AR	
23	683916	PRIMER SIKA #215 / CLEAR / 1000ml	AR	AR	
23	683097	CLEANER SIKA #205 / CLEAR / 1000ml	AR	AR	
50	MTH-1894-00	REAR CAP - STRUCTURE			
51	MTH-1851-05	REAR CAP - DOOR DPF & SCR			
52	MTH-0405-00	MUFFLER - INSTALLATION WITH DPF FILTER WITH DETROIT S-60			
52	MTH-0405-01	MUFFLER - INSTALLATION WITH DPF FILTER WITH VOLVO D13			
53	MTH-0662-00	CLEARANCE & MARKER LIGHT			
54	MTH-1854-50	SIDE PANELING - W/FLUTED PANEL - MTH - 45			
54	MTH-1854-51	SIDE PANELING - W/FLAT PANEL - MTH - 45 ENT			
		A) MTH 45E WITH FLAT SIDE PANELING			
		B) THIS CAP ARE ASSY WITHOUT ALLS LIGHT AND CABLE			

From 8-9279 To B-9999

Date:10/2022

PAGE:MTH-1852-00

ROOF PANEL





From 8-9279 To B-9999	Date:10/2022	PAGE:MTH-1852-00
ROOF PANEL		

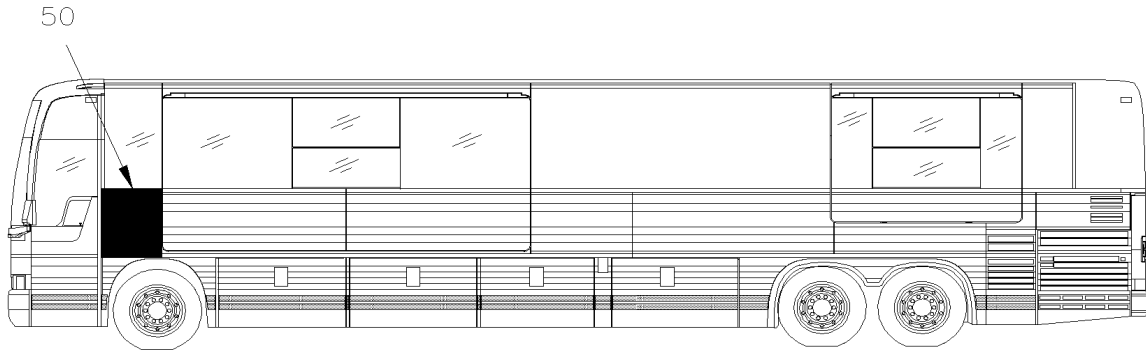
Item#	Part	Description	X L I I M T H 4 5	X L I I M T H 4 5 E	N O T E S
1	970274	ALUMINUM SHEET 3003 WHITE 18GAX82 1/4"	165	165	
2	293181	EXTRUSION, ALUMINUM 5870MM (231.1")	4	4	
3	504546	RIVET CHY MONOLOK PRDG 1/4x5/8 ZP	AR	AR	
3	504545	RIVET CHY MONOLOK PRDG 1/4x3/8 ZP	50	50	A
4	680532	SEALANT SIKA #221 / GREY / 310ml CARTRIDGE	AR	AR	
4	682462	ADHESIVE SIKA #252 / BLACK / 310ml CARTRIDGE	AR	AR	
5	474057P	KIT, ROOF PANELING XL SERIES	1	1	
		A) EACH END			

From 8-9279 To B-9999

Date:10/2022

PAGE:MTH-1853-50

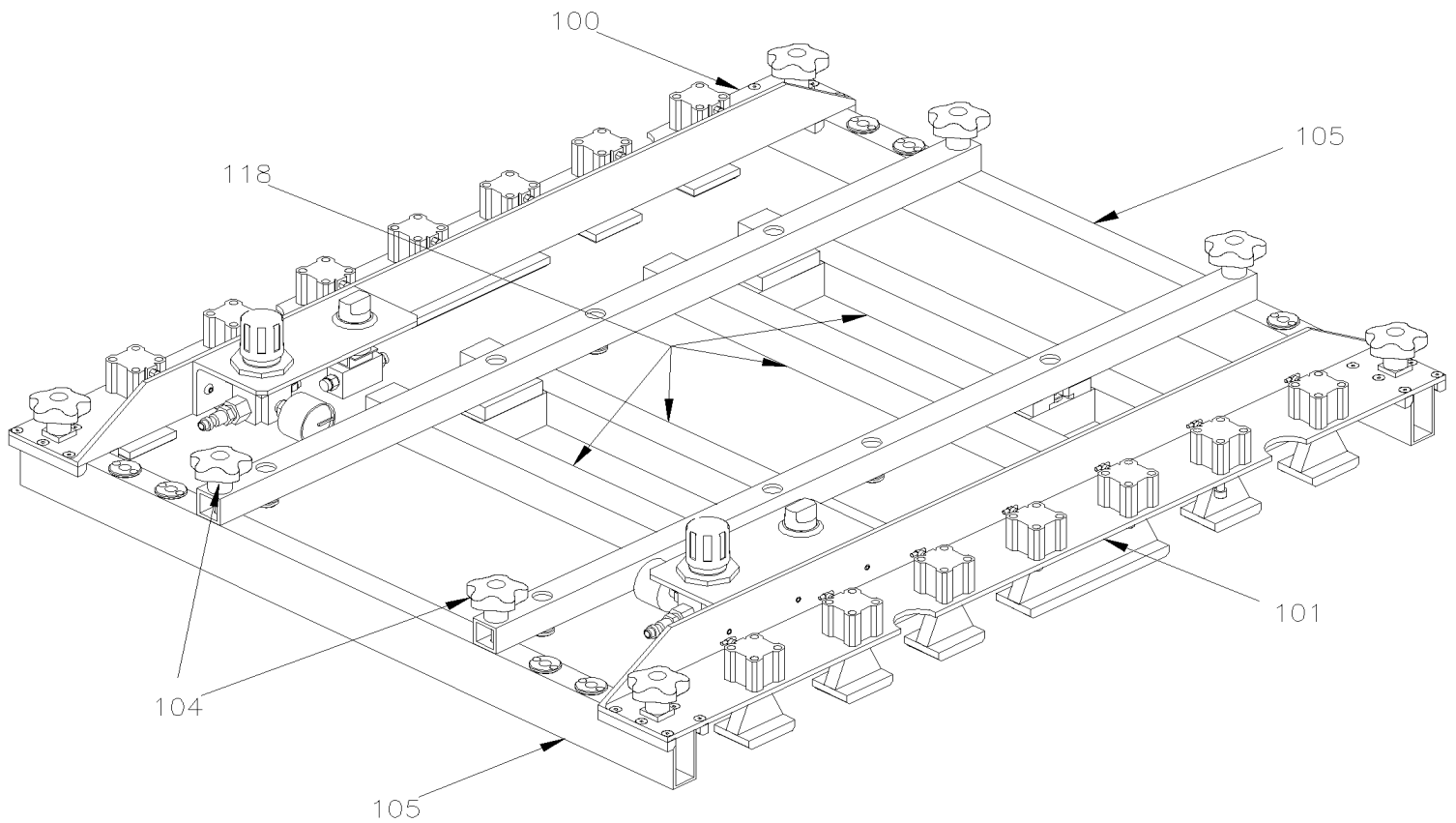
JIG TOOL - SIDE PANELING INSTALLATION



MTH. 45' WITH "SLIDE-OUT"

KIT # 1

TO FIX THIS PANEL YOU REQUIRE ALL
ITEMS SHOWN ON THIS PAGE

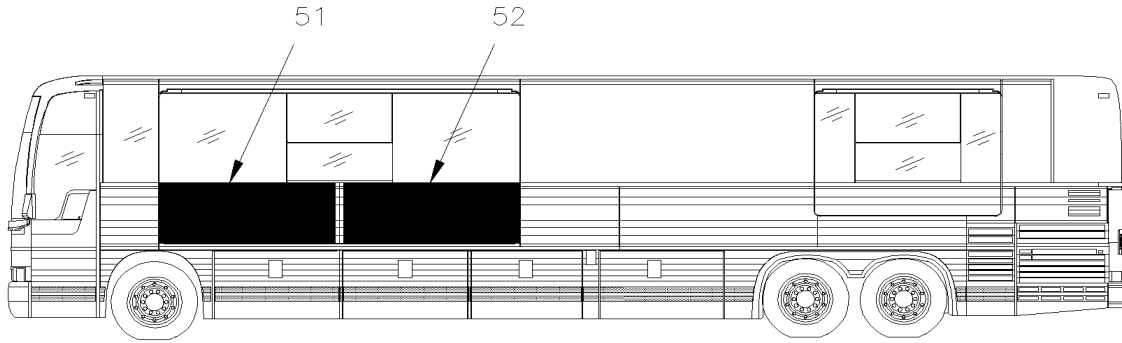


From 8-9279 To B-9999

Date:10/2022

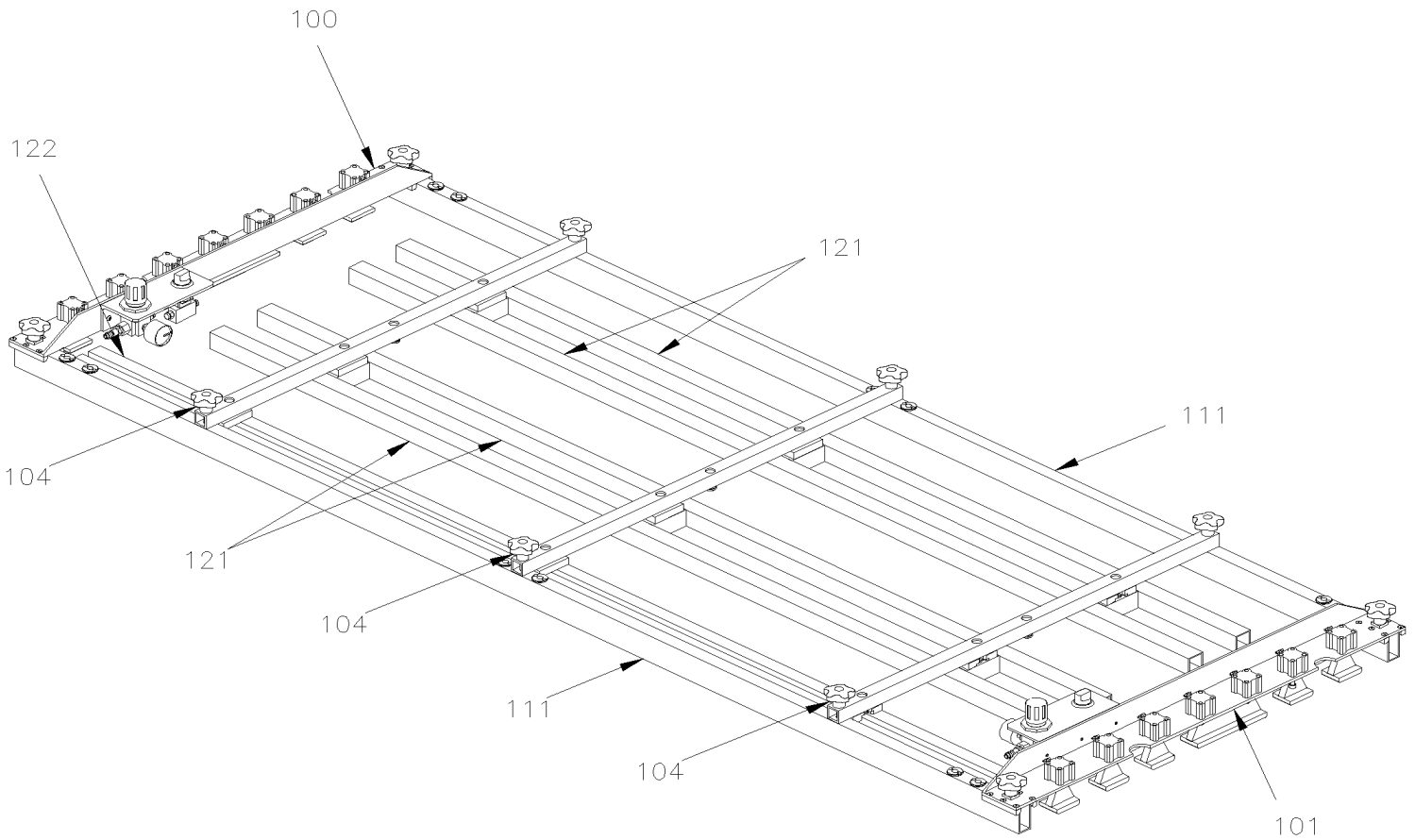
PAGE:MTH-1853-50

JIG TOOL - SIDE PANELING INSTALLATION



MTH. 45' WITH "SLIDE-OUT"

KIT # 2	TO FIX THIS PANEL YOUR REQUIRE ALL ITEMS SHOWN ON THIS PAGE
---------	---

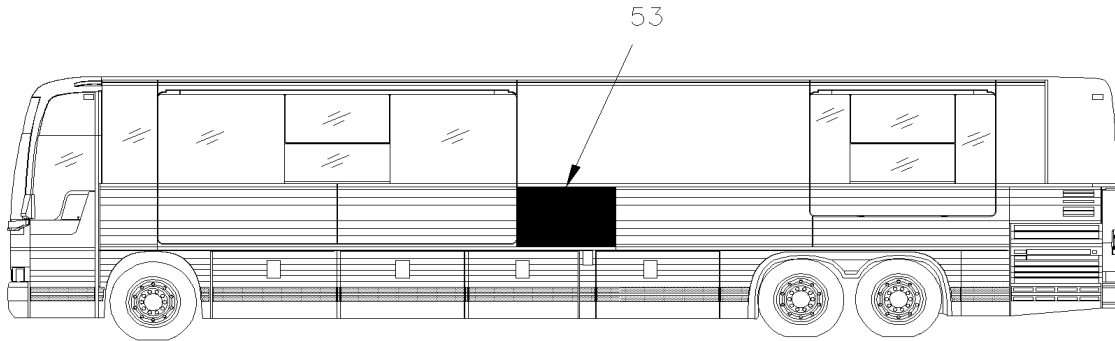


From 8-9279 To B-9999

Date:10/2022

PAGE:MTH-1853-50

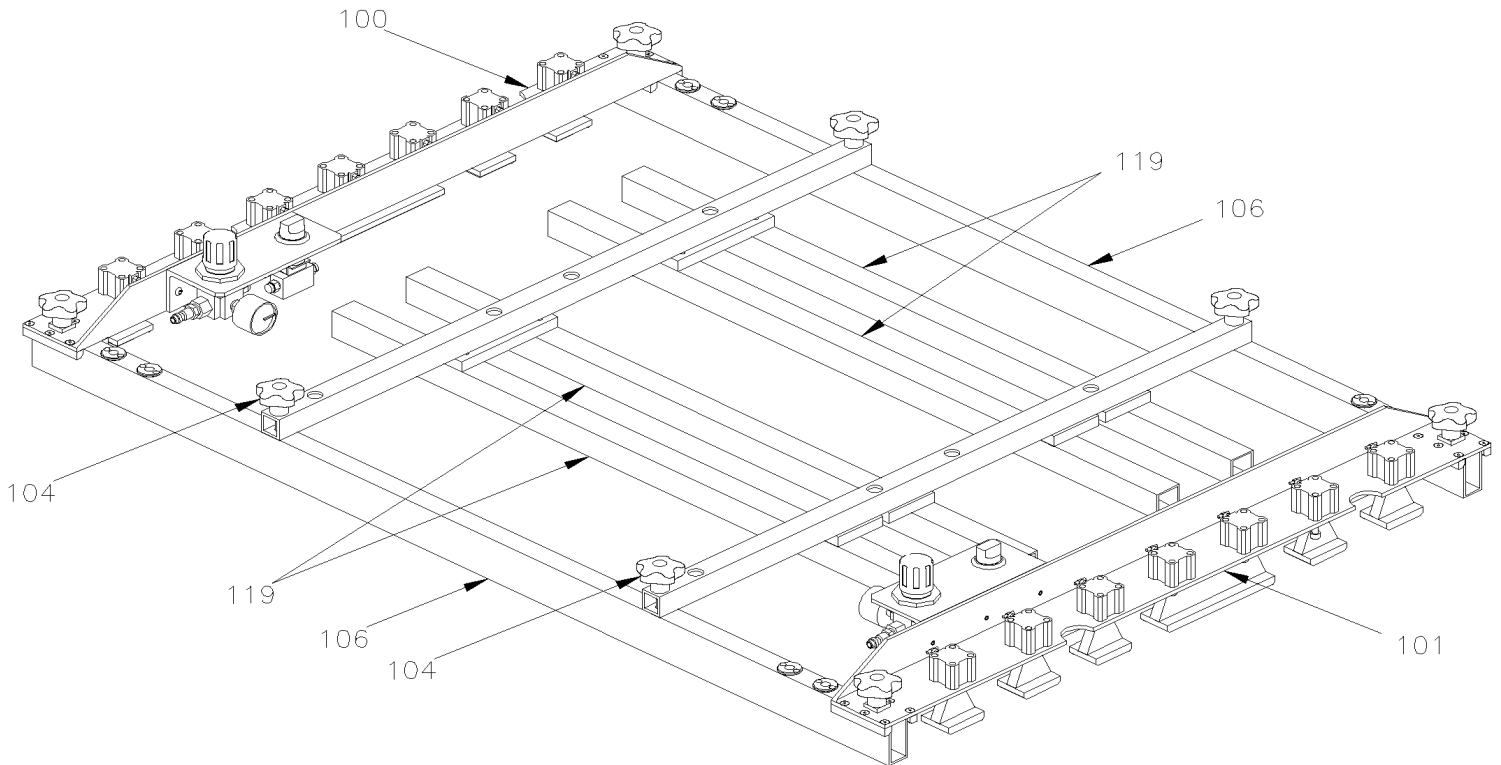
JIG TOOL - SIDE PANELING INSTALLATION



MTH. 45' WITH "SLIDE-OUT"

KIT # 3

TO FIX THIS PANEL YOUR REQUIRE ALL
ITEMS SHOWN ON THIS PAGE

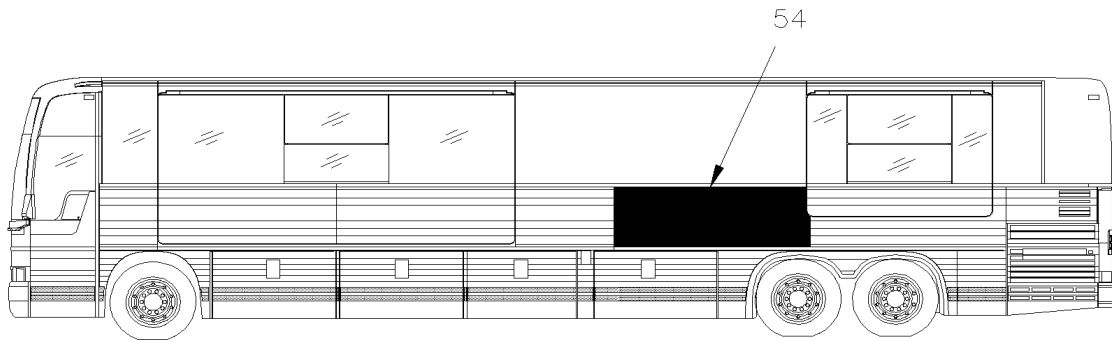


From 8-9279 To B-9999

Date:10/2022

PAGE:MTH-1853-50

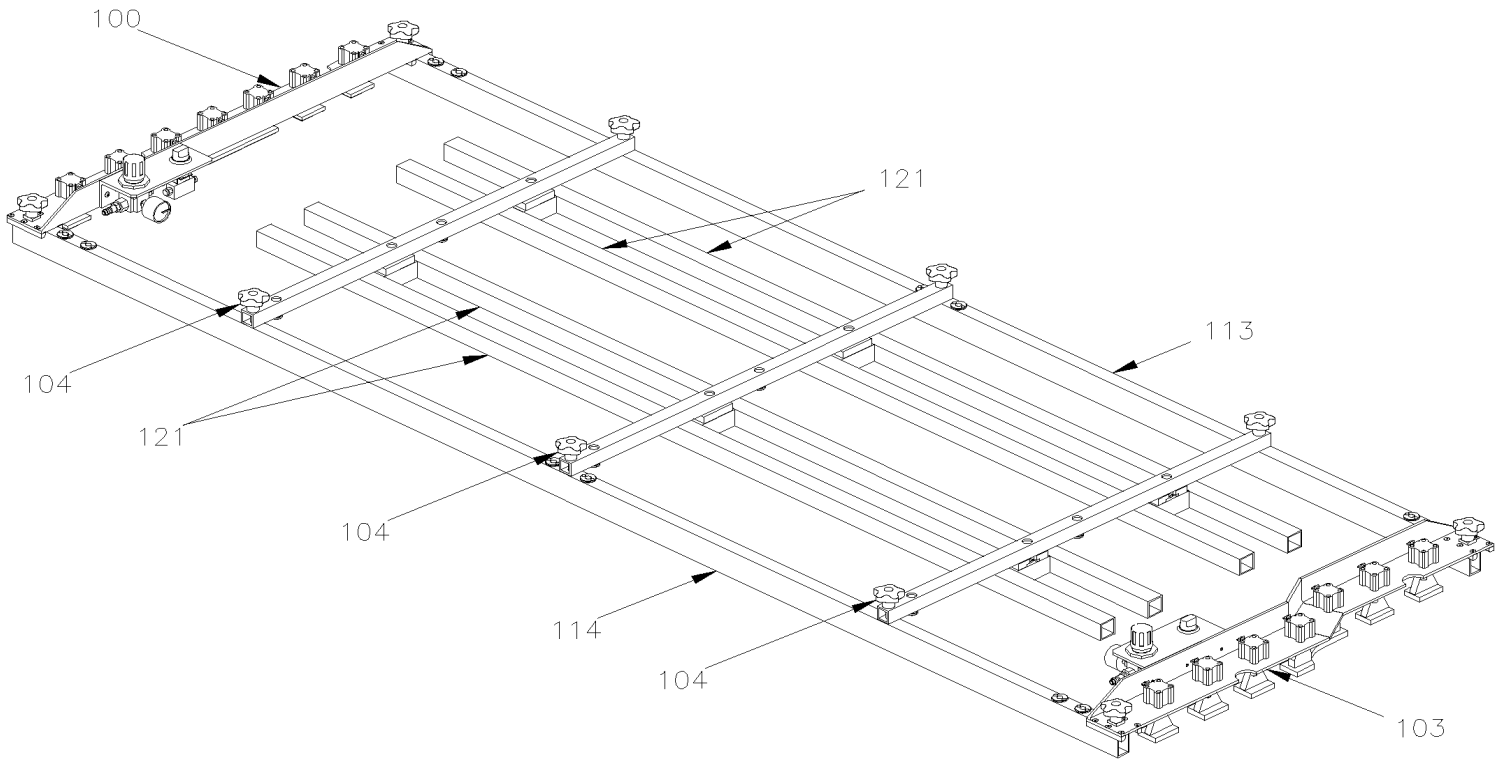
JIG TOOL - SIDE PANELING INSTALLATION



MTH. 45' WITH "SLIDE-OUT"

KIT # 4

TO FIX THIS PANEL YOU REQUIRE ALL
ITEMS SHOWN ON THIS PAGE

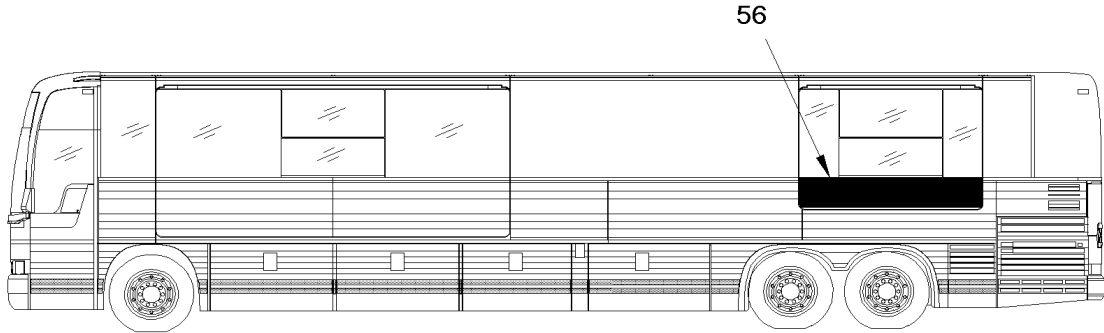


From 8-9279 To B-9999

Date:10/2022

PAGE:MTH-1853-50

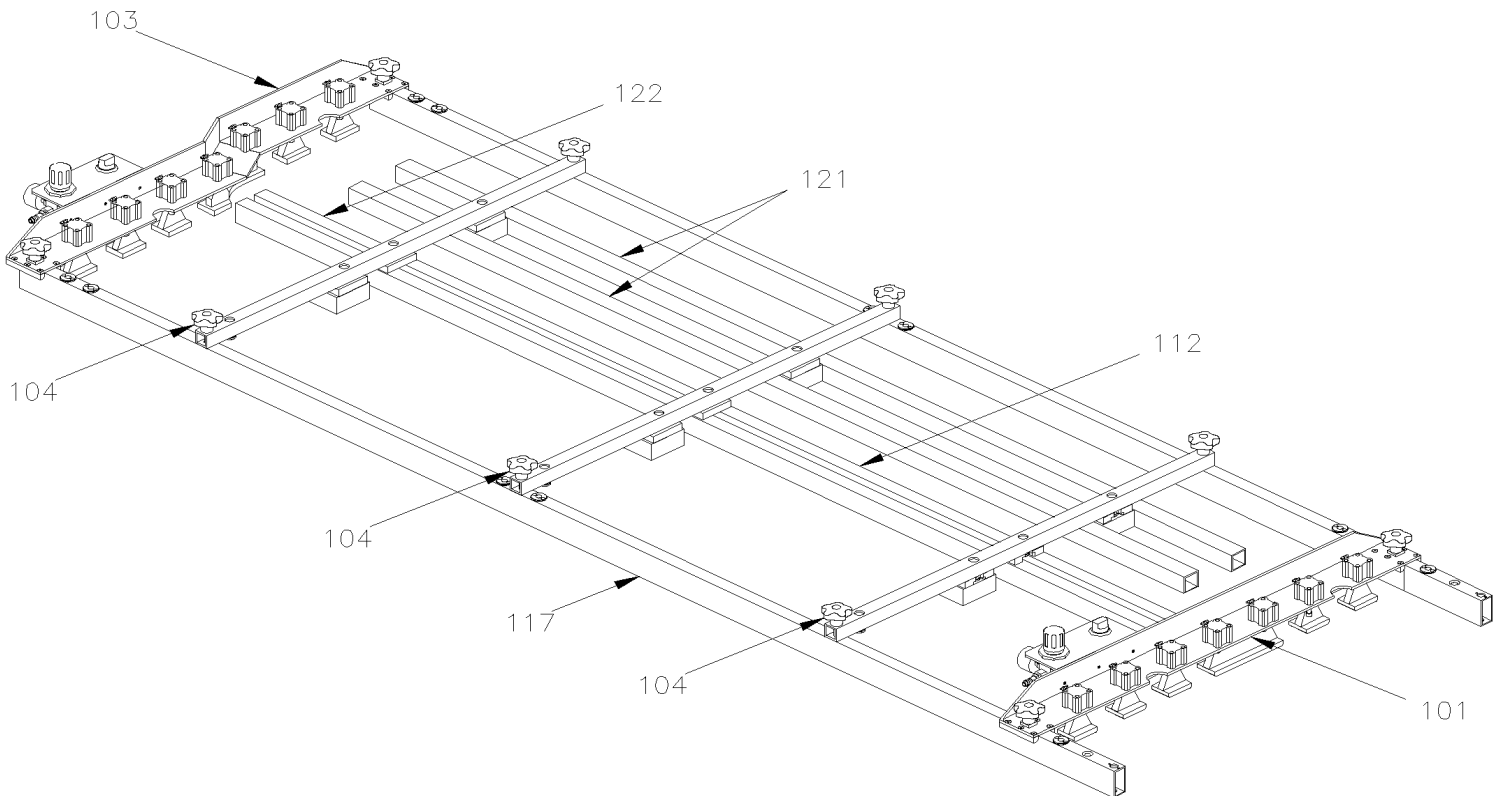
JIG TOOL - SIDE PANELING INSTALLATION



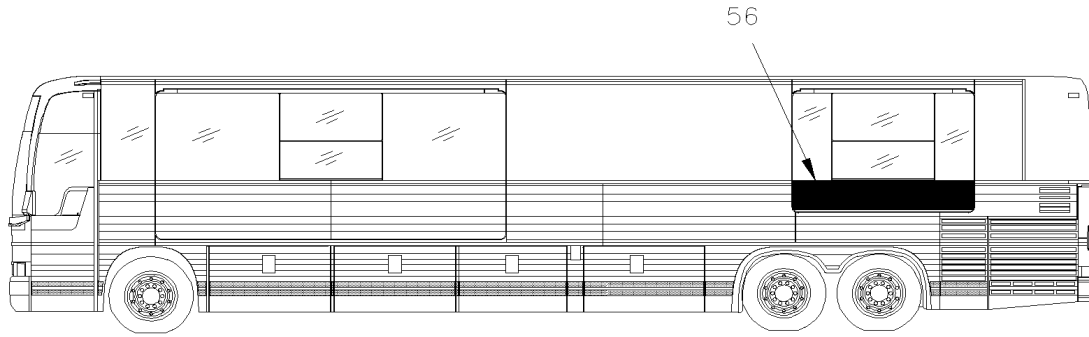
MTH. 45' WITH "SLIDE-OUT"
UP TO 3-8164

KIT # 5

TO FIX THIS PANEL YOUR REQUIRE ALL
ITEMS SHOWN ON THIS PAGE

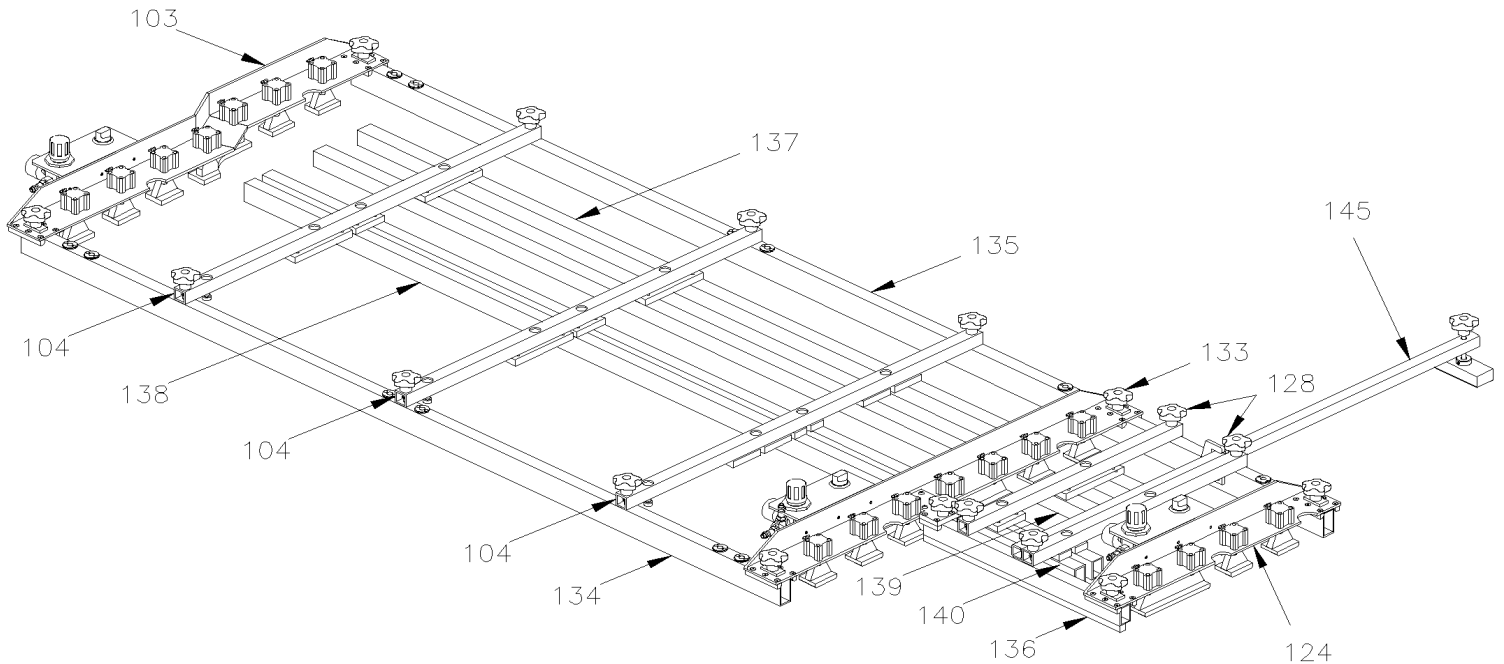


From 8-9279 To B-9999	Date:10/2022	PAGE:MTH-1853-50
JIG TOOL - SIDE PANELING INSTALLATION		



MTH. 45' WITH "SLIDE-OUT"
FROM 4-8165

KIT # 6	TO FIX THIS PANEL YOUR REQUIRE ALL ITEMS SHOWN ON THIS PAGE
---------	--

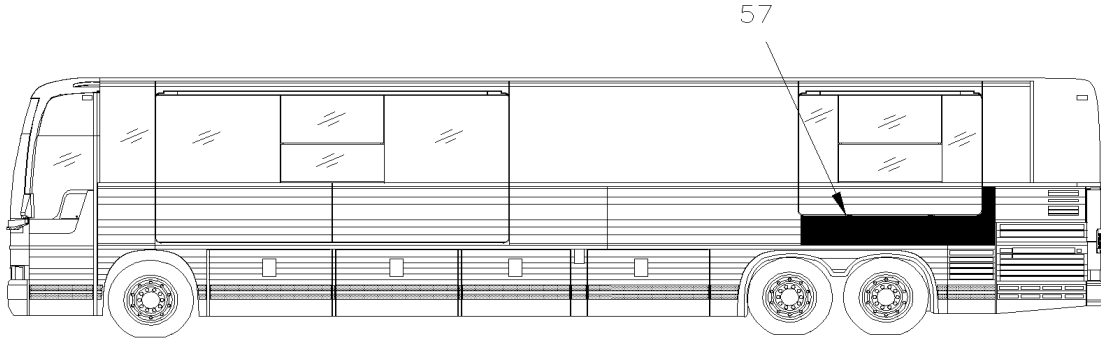


From 8-9279 To B-9999

Date:10/2022

PAGE:MTH-1853-50

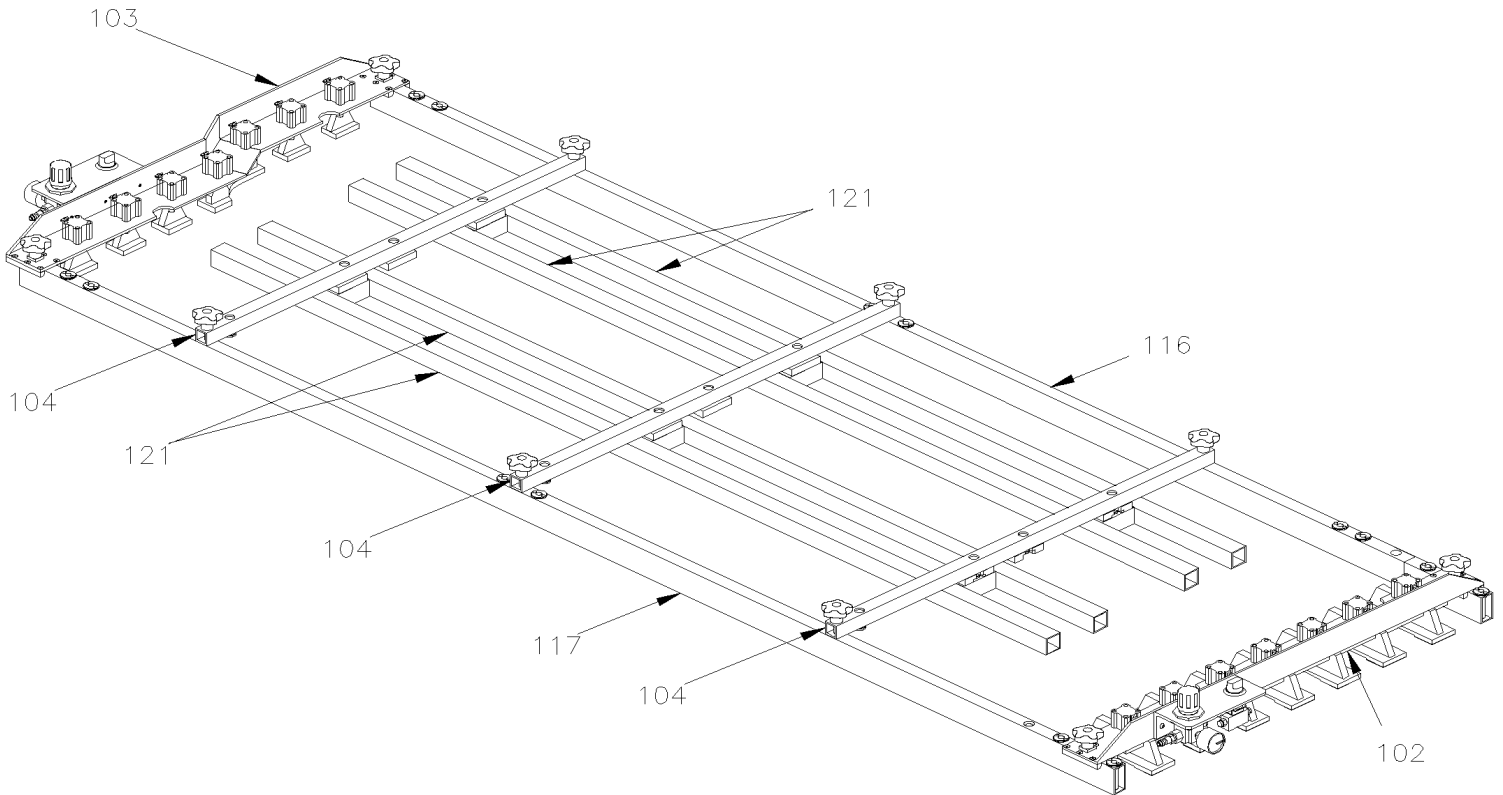
JIG TOOL - SIDE PANELING INSTALLATION



MTH. 45' WITH "SLIDE-OUT"
UP TO 3-8164

KIT # 7

TO FIX THIS PANEL YOUR REQUIRE ALL
ITEMS SHOWN ON THIS PAGE

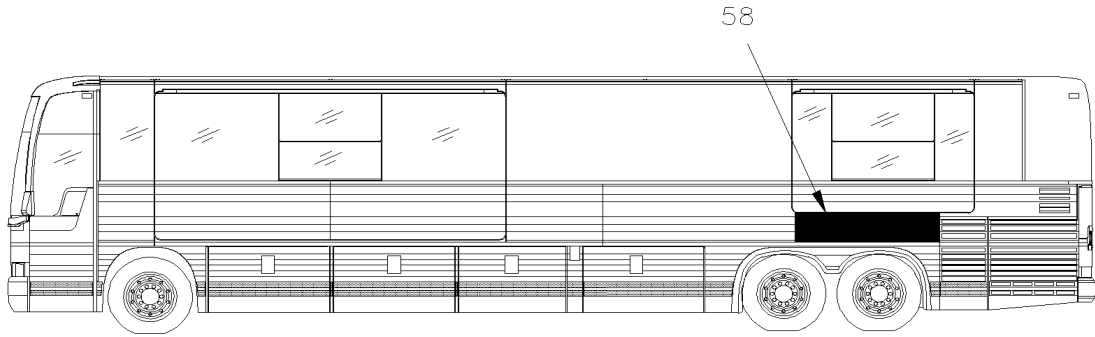


From 8-9279 To B-9999

Date:10/2022

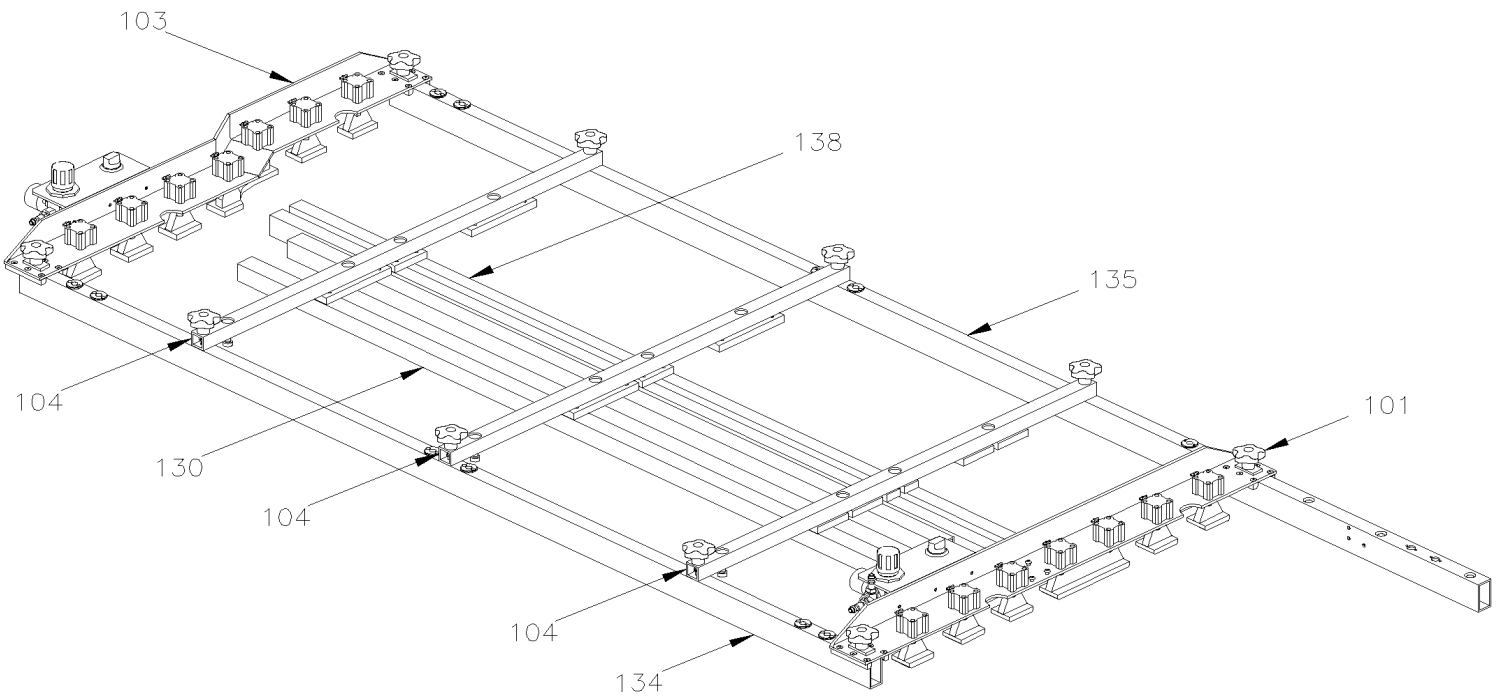
PAGE:MTH-1853-50

JIG TOOL - SIDE PANELING INSTALLATION



MTH. 45' WITH "SLIDE-OUT"
FROM 4-8165

KIT # 8	TO FIX THIS PANEL YOUR REQUIRE ALL ITEMS SHOWN ON THIS PAGE
---------	--

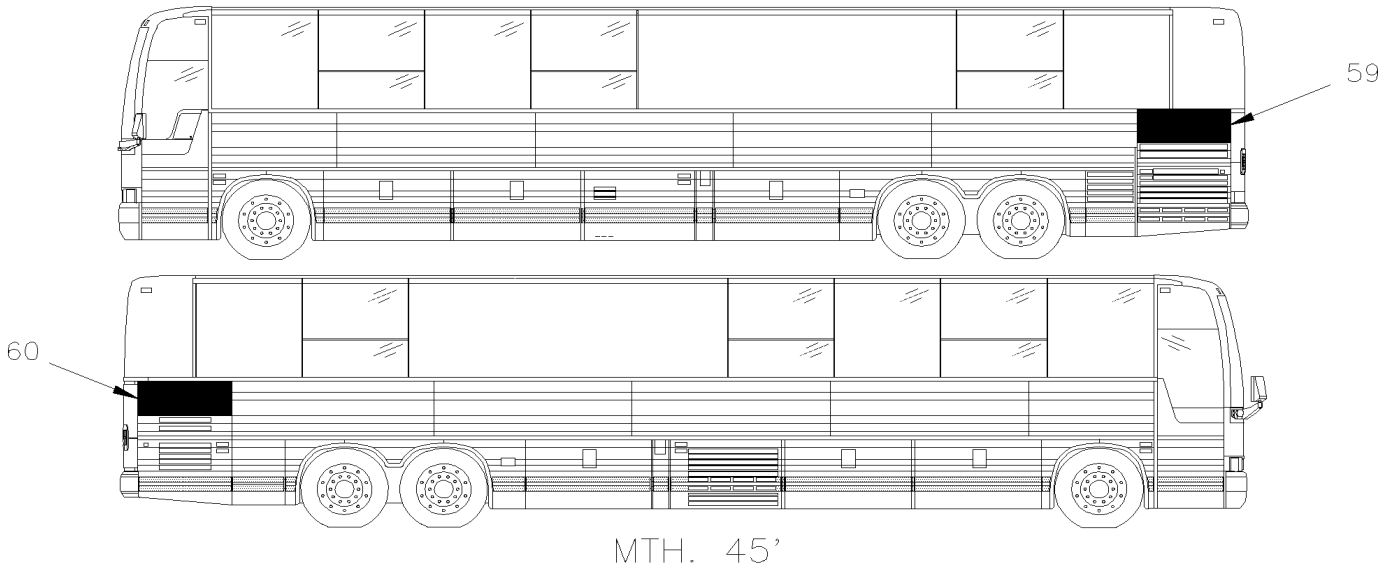


From 8-9279 To B-9999

Date:10/2022

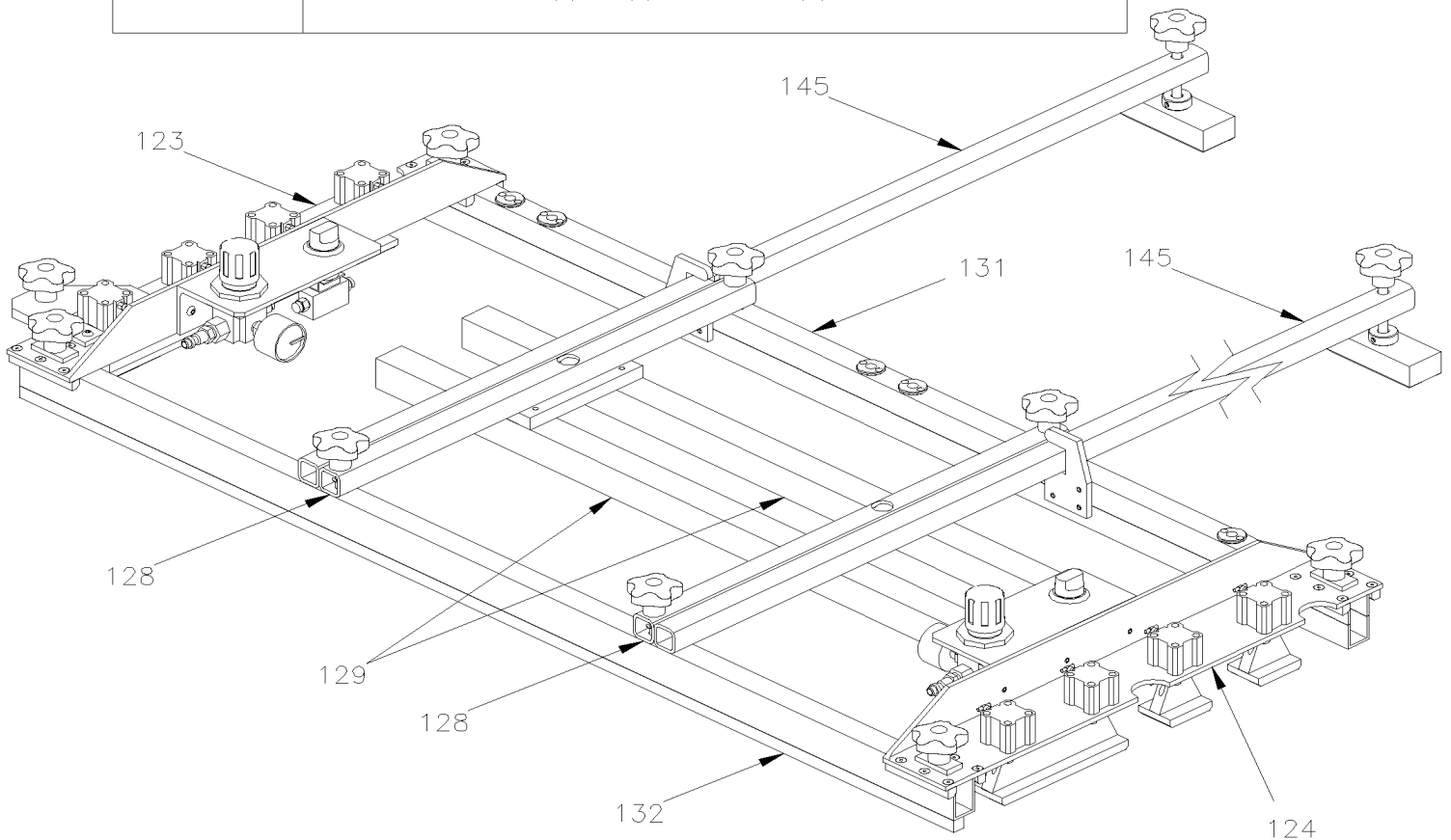
PAGE:MTH-1853-50

JIG TOOL - SIDE PANELING INSTALLATION



KIT # 9

TO FIX THIS PANEL YOUR REQUIRE ALL
ITEMS SHOWN ON THIS PAGE

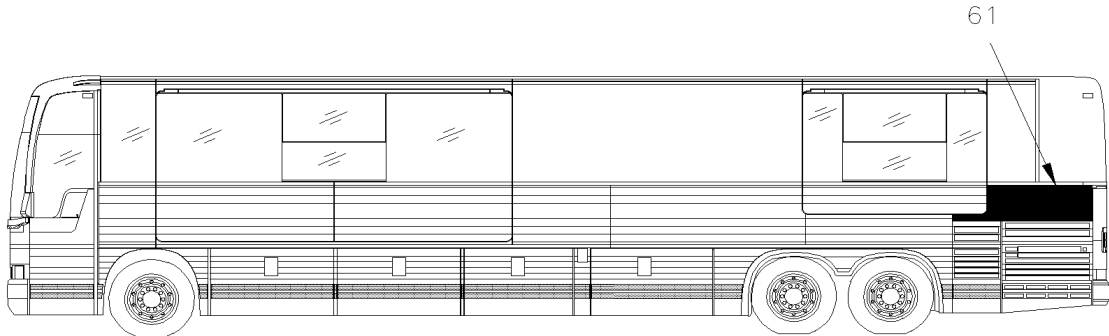


From 8-9279 To B-9999

Date:10/2022

PAGE:MTH-1853-50

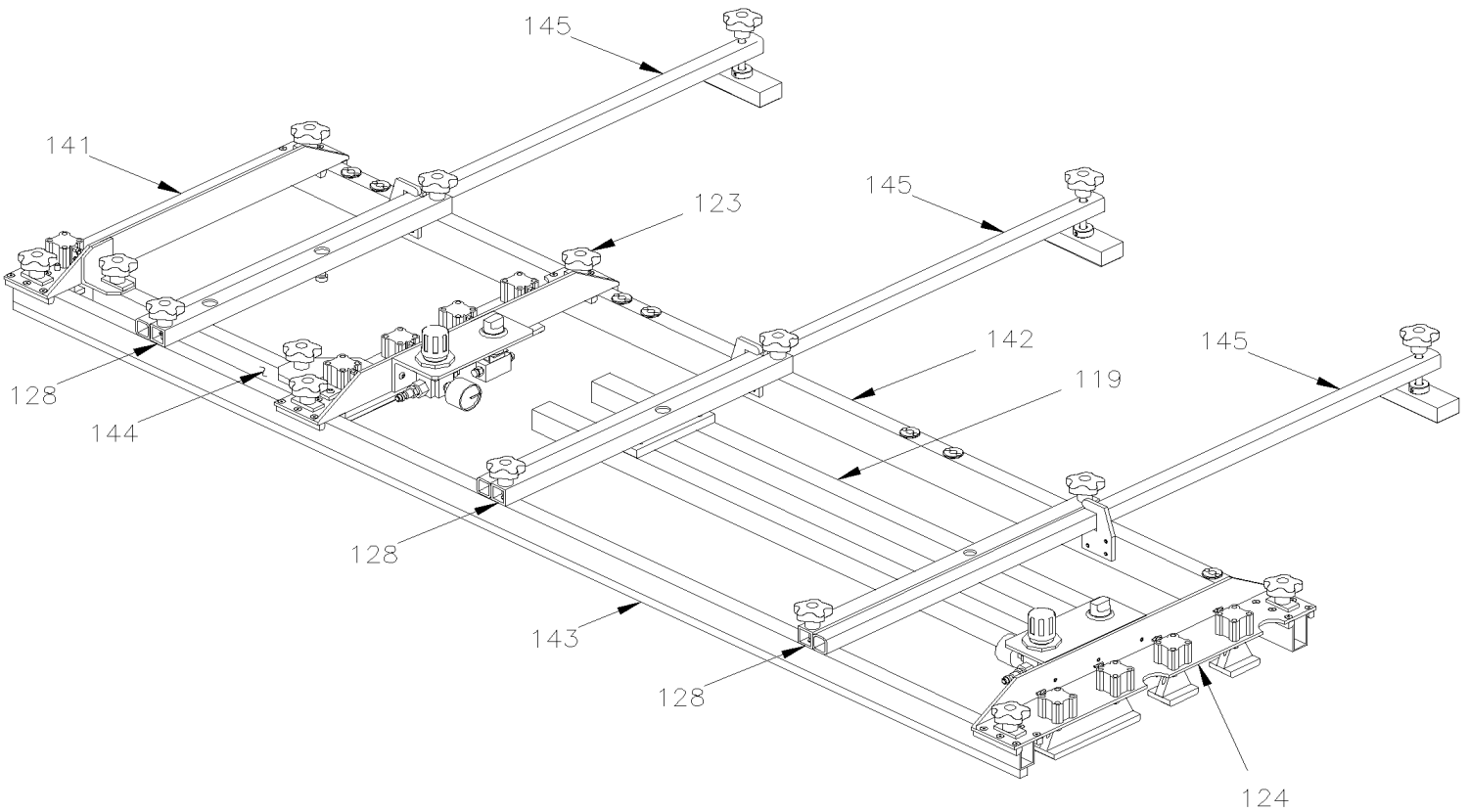
JIG TOOL - SIDE PANELING INSTALLATION



MTH. 45' WITH "SLIDE-OUT"
FROM 4-8165

KIT # 10

TO FIX THIS PANEL YOUR REQUIRE ALL
ITEMS SHOWN ON THIS PAGE

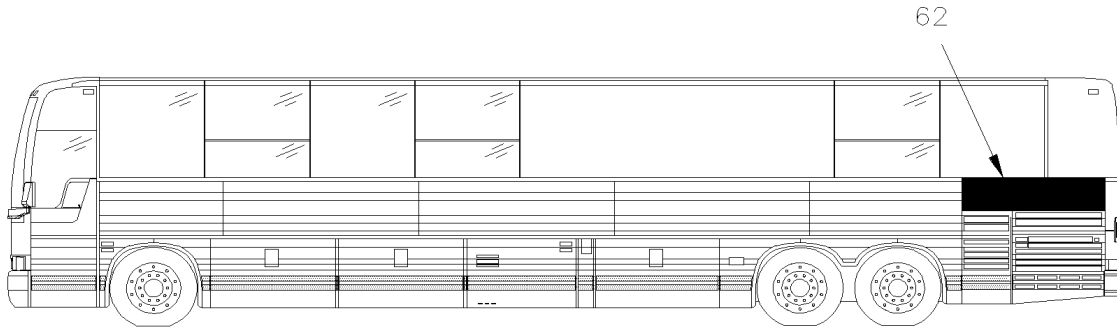


From 8-9279 To B-9999

Date:10/2022

PAGE:MTH-1853-50

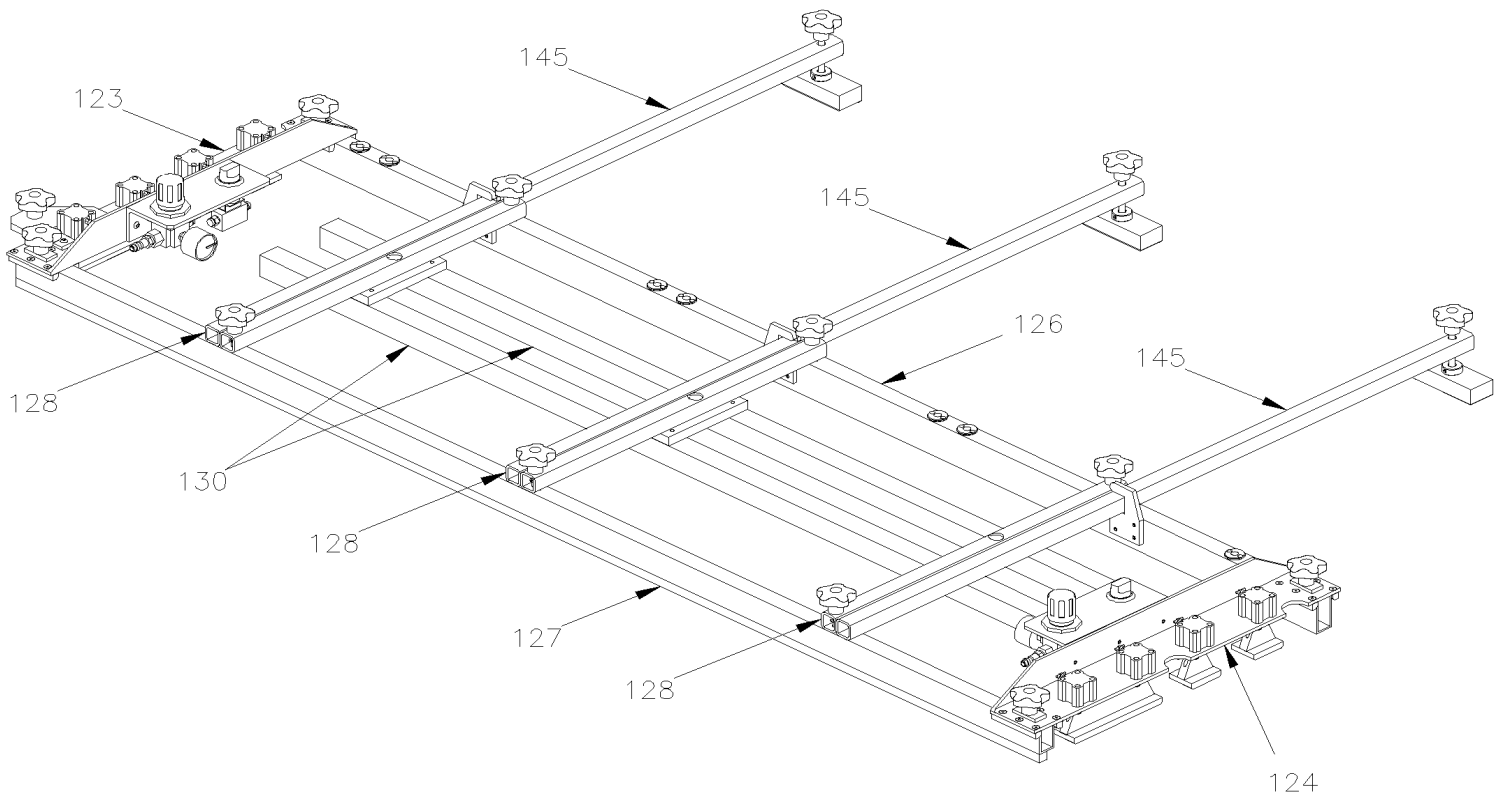
JIG TOOL - SIDE PANELING INSTALLATION



MTH. 45'
FROM 4-8165

KIT # 11

TO FIX THIS PANEL YOUR REQUIRE ALL
ITEMS SHOWN ON THIS PAGE

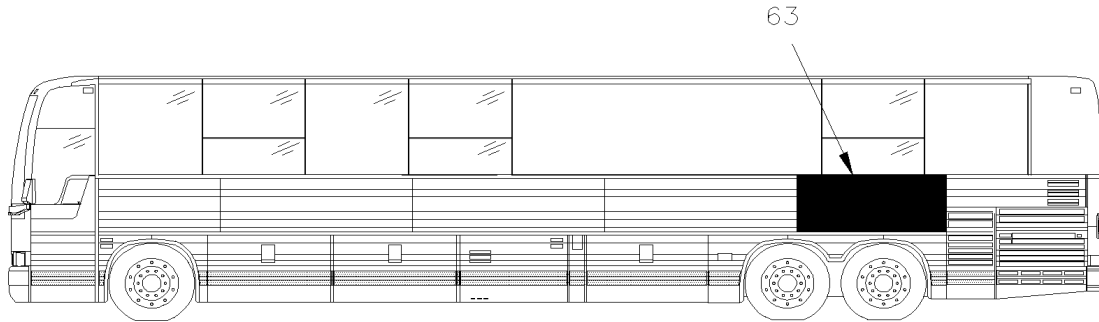


From 8-9279 To B-9999

Date:10/2022

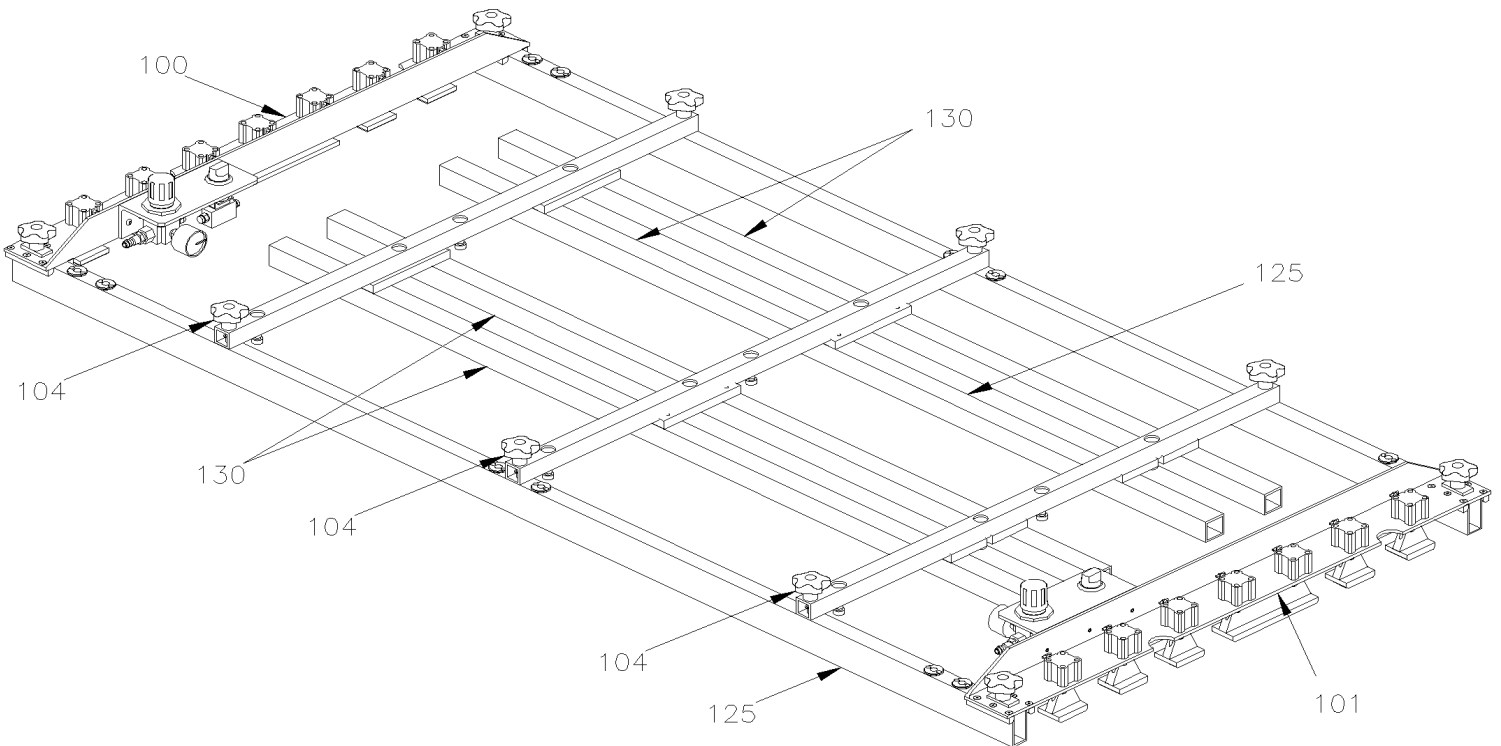
PAGE:MTH-1853-50

JIG TOOL - SIDE PANELING INSTALLATION



MTH. 45'
FROM 4-8165

KIT # 12	TO FIX THIS PANEL YOU REQUIRE ALL ITEMS SHOWN ON THIS PAGE
----------	--

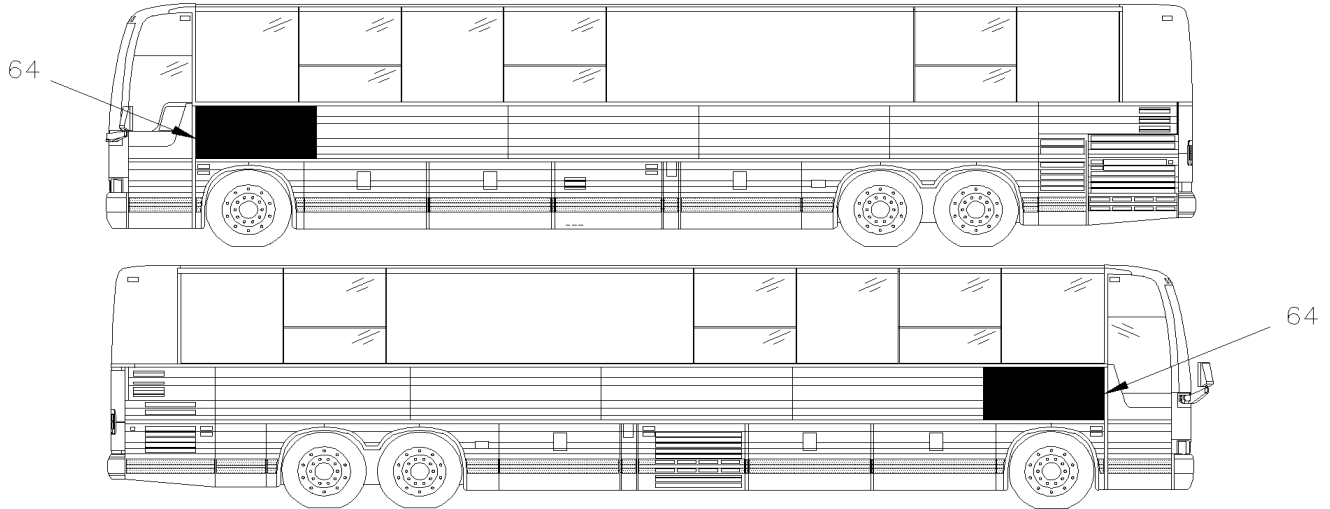


From 8-9279 To B-9999

Date:10/2022

PAGE:MTH-1853-50

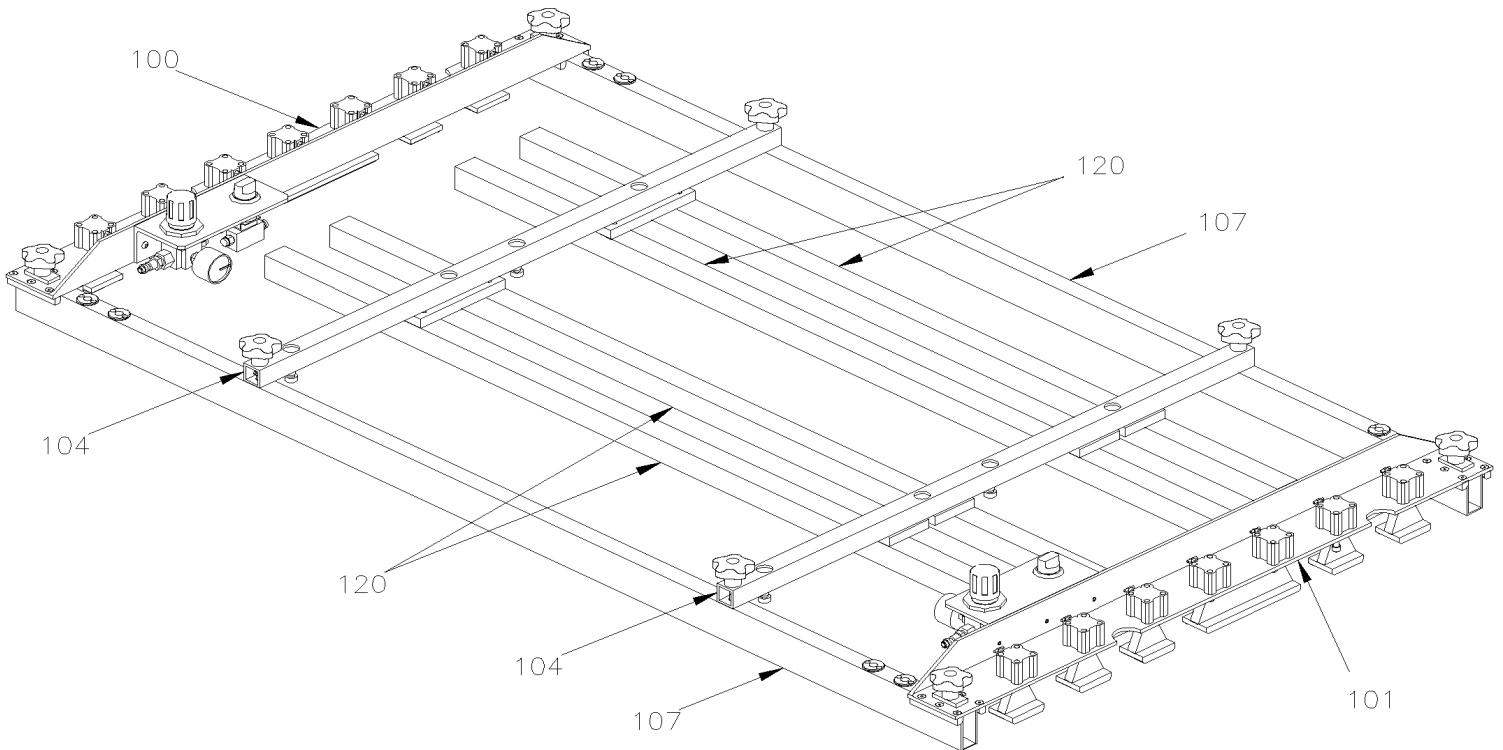
JIG TOOL - SIDE PANELING INSTALLATION



MTH. 45' & MTH 45' ENT WITH "OPTION"

KIT # 13

TO FIX THIS PANEL YOU REQUIRE ALL
ITEMS SHOWN ON THIS PAGE

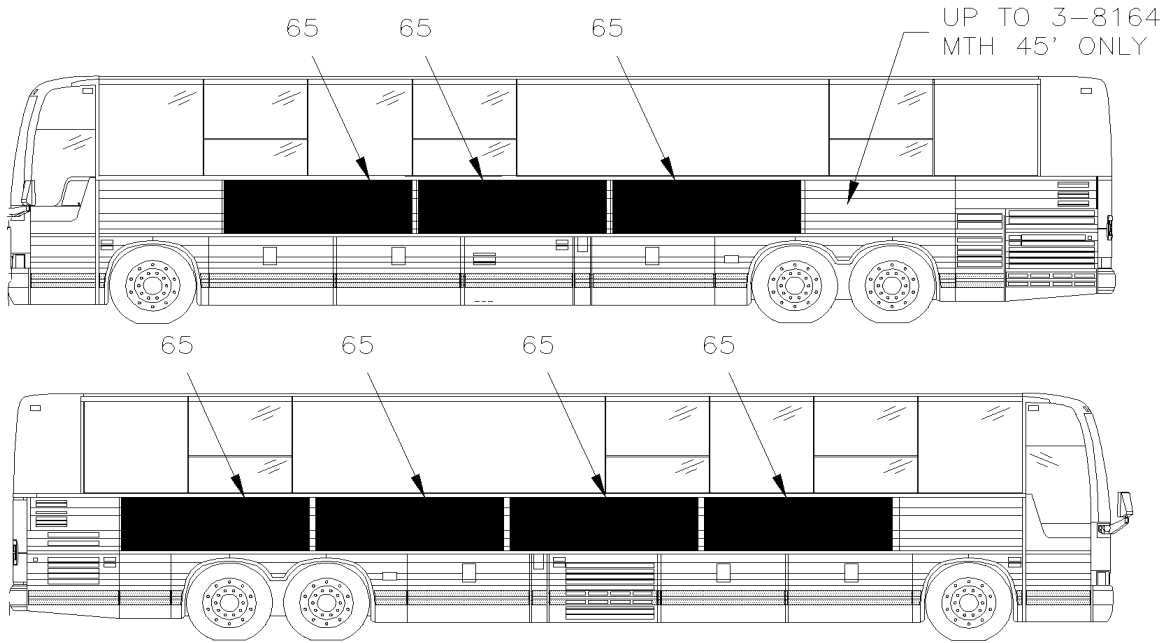


From 8-9279 To B-9999

Date:10/2022

PAGE:MTH-1853-50

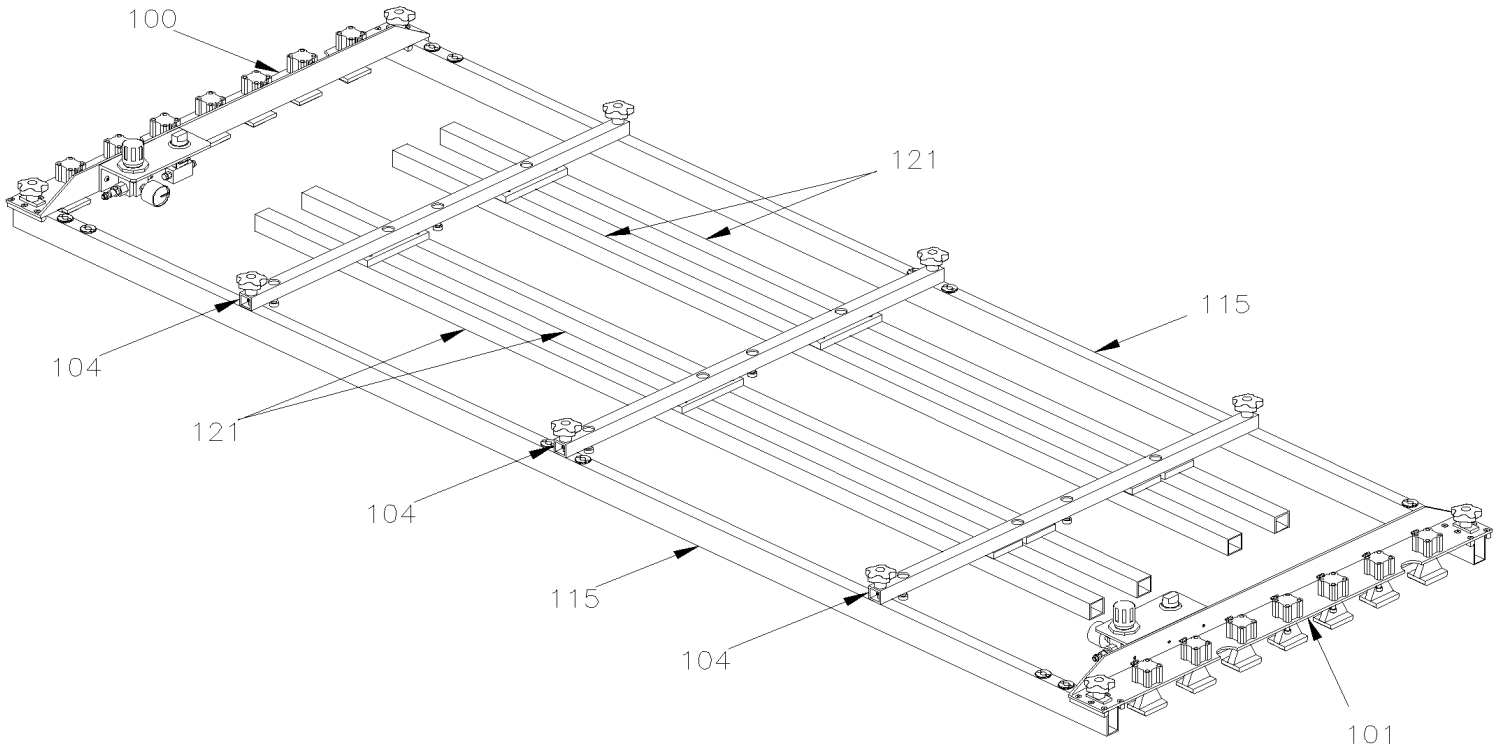
JIG TOOL - SIDE PANELING INSTALLATION



MTH. 40' & MTH 45' ENT

KIT # 14

TO FIX THIS PANEL YOU REQUIRE ALL
ITEMS SHOWN ON THIS PAGE

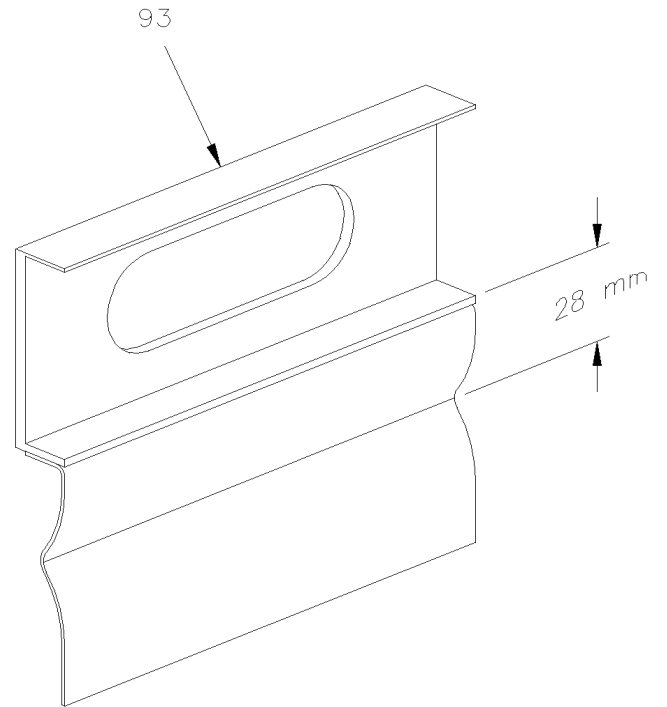
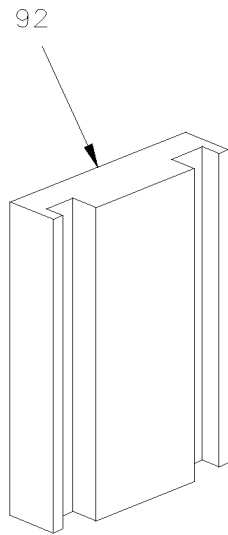
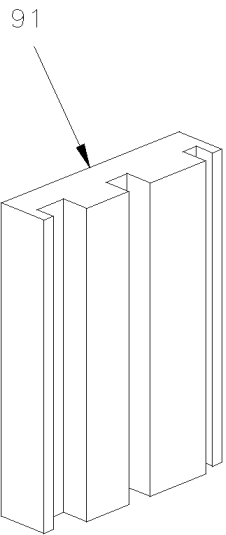
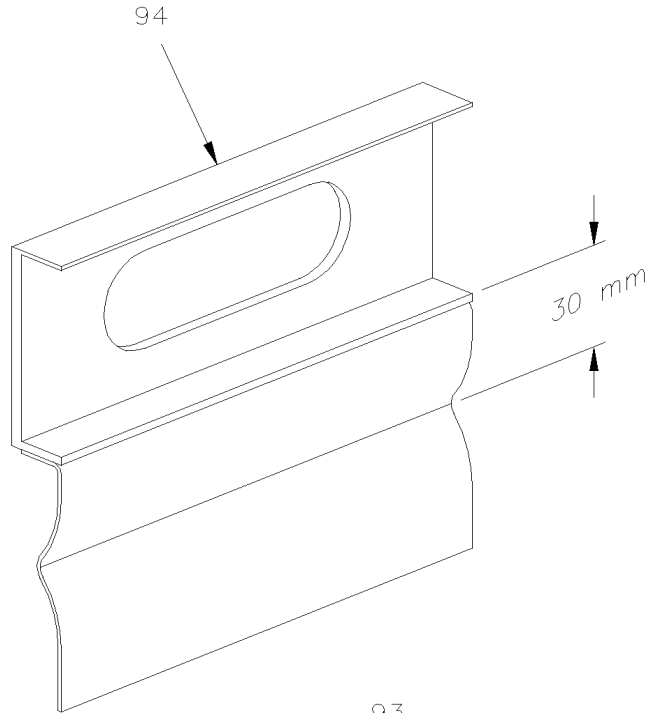
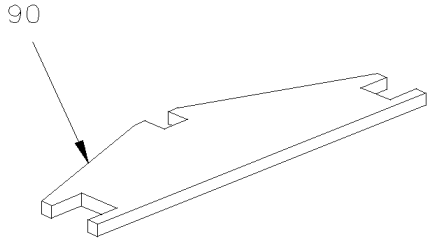


From 8-9279 To B-9999

Date:10/2022

PAGE:MTH-1853-50

JIG TOOL - SIDE PANELING INSTALLATION



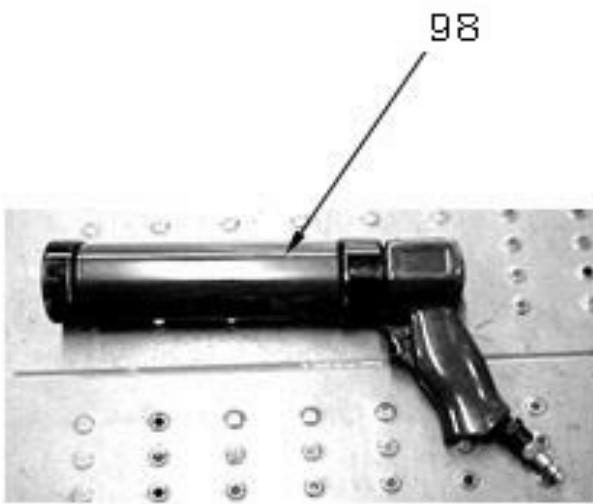
From 8-9279 To B-9999	Date:10/2022	PAGE:MTH-1853-50
JIG TOOL - SIDE PANELING INSTALLATION		



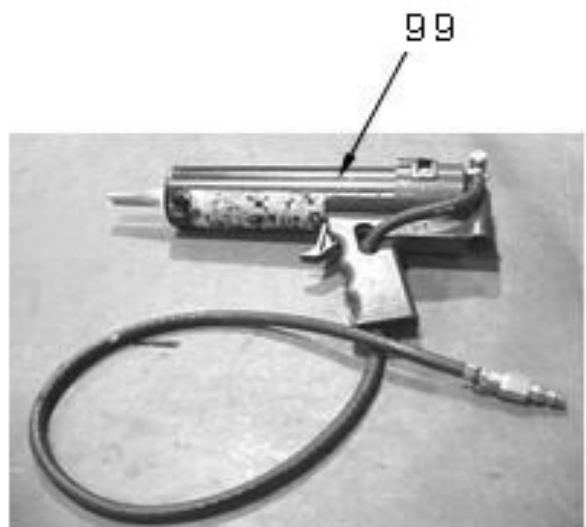
95



96



98



99

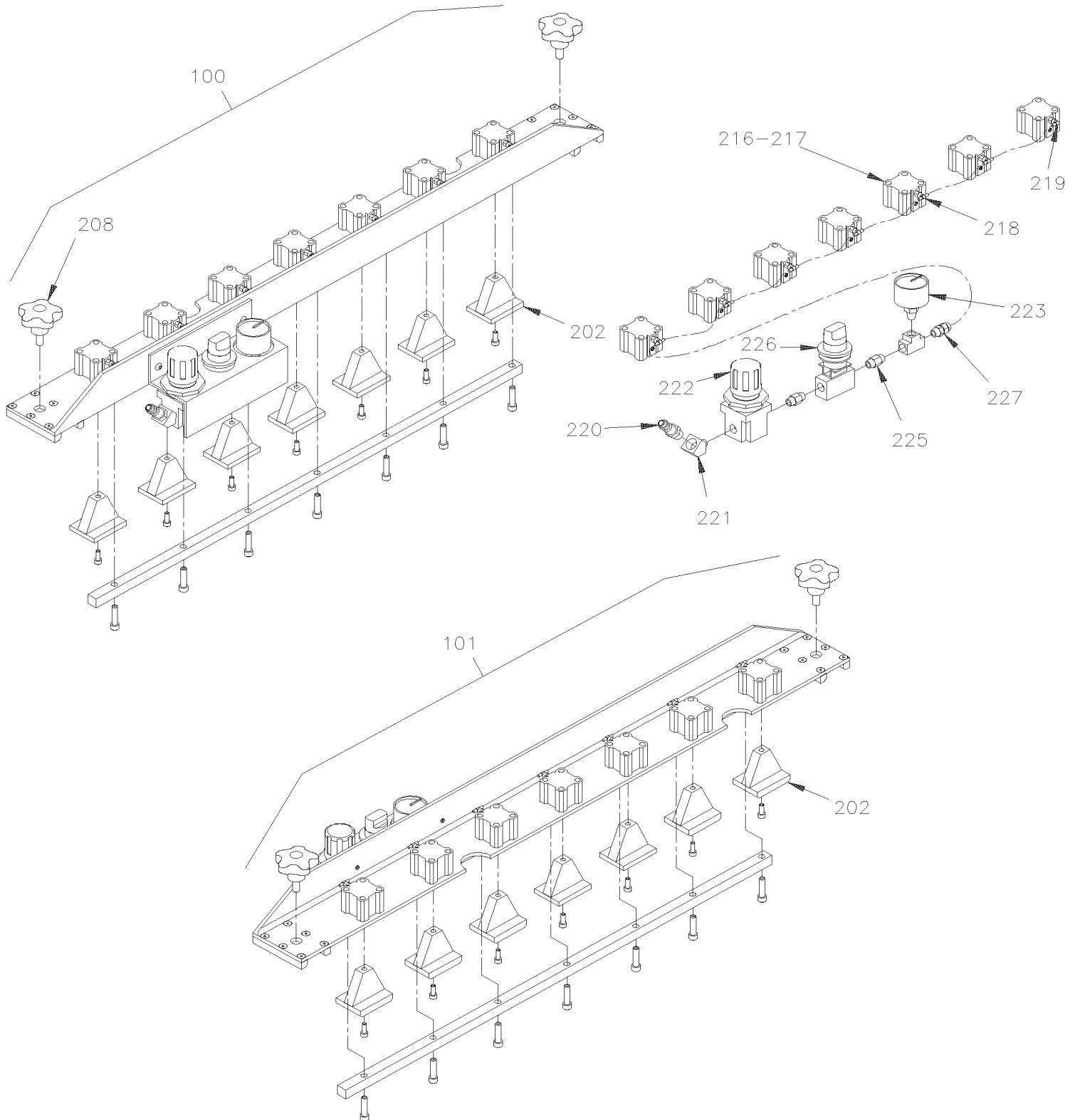


From 8-9279 To B-9999

Date:10/2022

PAGE:MTH-1853-50

JIG TOOL - SIDE PANELING INSTALLATION

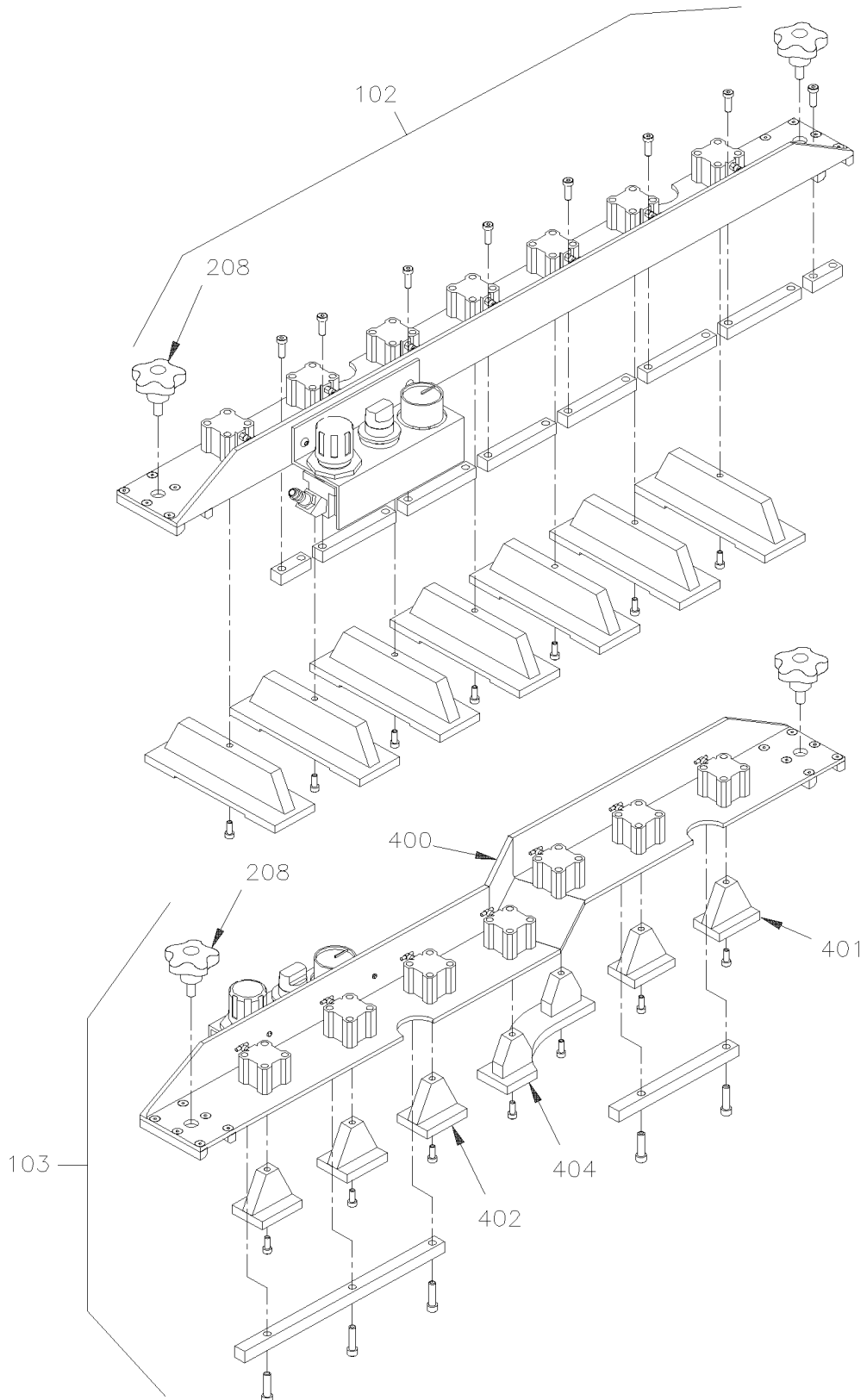


From 8-9279 To B-9999

Date:10/2022

PAGE:MTH-1853-50

JIG TOOL - SIDE PANELING INSTALLATION

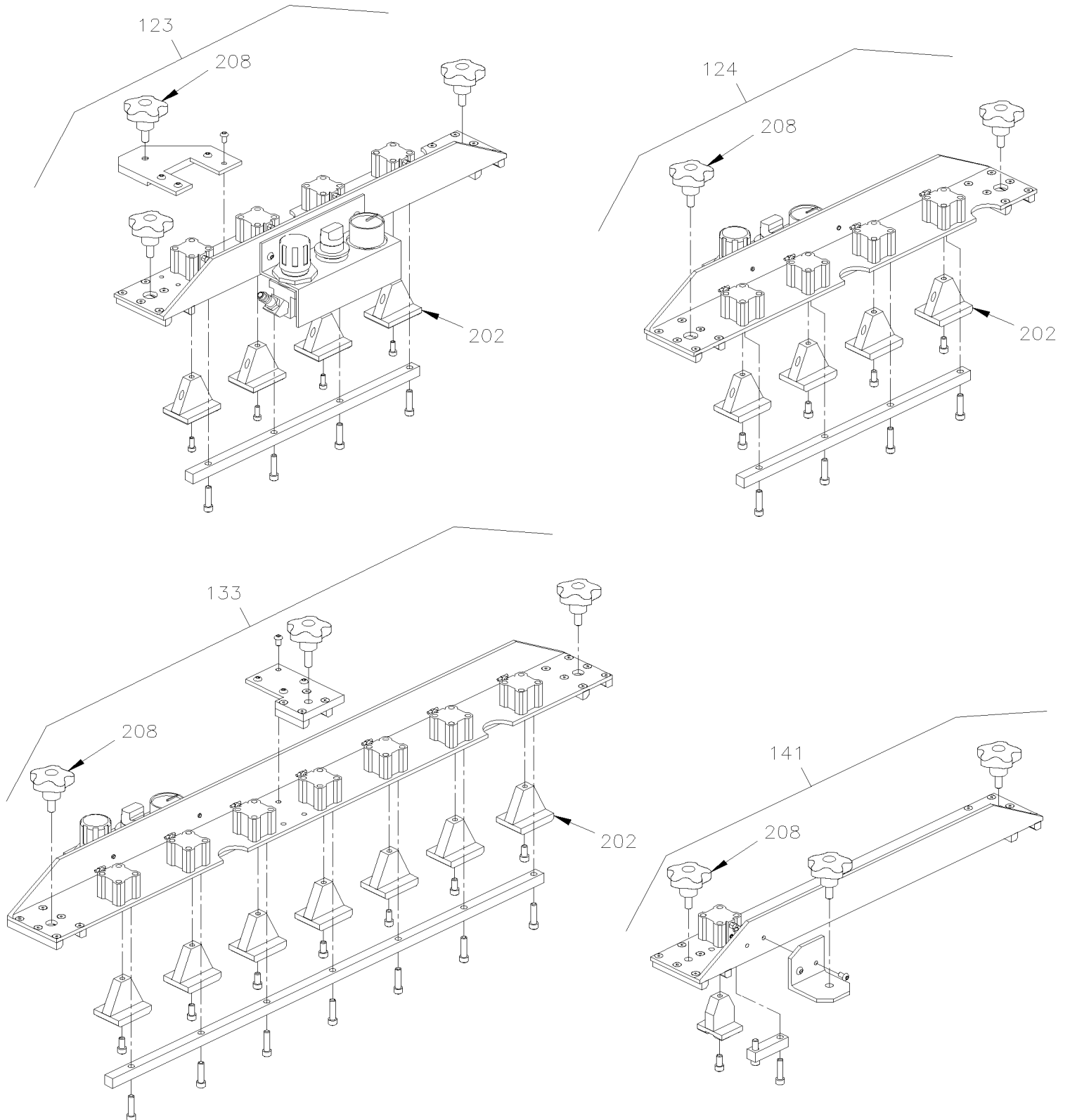


From 8-9279 To B-9999

Date:10/2022

PAGE:MTH-1853-50

JIG TOOL - SIDE PANELING INSTALLATION





From 8-9279 To B-9999 Date:10/2022 PAGE:MTH-1853-50

JIG TOOL - SIDE PANELING INSTALLATION

Item#	Part	Description	X L I M T H 4 5	X L I M T H 4 5 E	N O T E S
1	684593	KIT JIG ASM / 28 3/8" WIDE	1		
2	684623	KIT JIG ASM / 87 5/16" WIDE	1		
3	684627	KIT JIG ASM / 47 7/8" WIDE	1		
4	684631	KIT JIG ASM / 94 & 95 5/8" WIDE	1		
6	684542	KIT JIG ASM / 18 1/4 & 90 5/16" WIDE From 4-8165	1		
8	684551	KIT JIG ASM / 70 1/2 & 90 5/16" WIDE From 4-8165	1		
9	684538	KIT JIG ASM / 44 5/8" WIDE	1	1	
10	684553	KIT JIG ASM / 69 3/4" (2) & 15 1/8" WIDE From 4-8165	1		
11	684561	KIT JIG ASM / 69 3/4" WIDE	1		
12	684559	KIT JIG ASM / 70 1/2" WIDE From 4-8165	1		
13	684539	KIT JIG ASM / 59 5/16" WIDE	1	1	
14	684534	KIT JIG ASM / 95 5/8" WIDE	1	1	
50	477592	PANEL SUB ASSY / FORWARD FRT/"SLIDE-OUT" / B.A. From 5-8469	1		
50	477593	PANEL / FORWARD FRT/"SLIDE-OUT" / B.A. SERVICE From 5-8469	1		
51	477598	PANEL SUB ASSY / FORWARD FRT/"SLIDE-OUT" / B.A. From 5-8469	1		
51	477599	PANEL / FORWARD FRT/"SLIDE-OUT" / B.A. SERVICE From 5-8469	1		
52	477600	PANEL SUB ASSY / BACKWARD FRT/"SLIDE-OUT" / B.A. From 5-8469	1		
52	477601	PANEL / BACKWARD FRT/"SLIDE-OUT" / B.A. SERVICE From 5-8469	1		
53	477594	PANEL SUB ASSY / BACKWARD FRT/"SLIDE-OUT" / 1215MM / B.A. From 5-8469	1		
53	477595	PANEL / BACKWARD FRT/"SLIDE-OUT" / 1215MM / B.A. SERVICE From 5-8469	1		
53	477823	PANEL SUB ASSY / BACKWARD FRT/"SLIDE-OUT" / 1219MM / B.A. From 5-8469	1		S C
53	477825	PANEL / BACKWARD FRT/"SLIDE-OUT" / 1219MM / B.A. SERVICE From 5-8469	1		
54	477785	PANEL SUB ASSY / FORWARD REAR/"SLIDE-OUT". / B.A. From 6-8806	1		
54	477786	PANEL / FORWARD REAR/"SLIDE-OUT" / B.A. SERVICE From 6-8806	1		
56	477783	PANEL SUB ASSY / REAR / "SLIDE-OUT" / B.A. From 6-8806	1		
56	477784	PANEL / REAR / "SLIDE-OUT" / B.A. SERVICE From 6-8806	1		
58	477787	PANEL SUB ASSY / LOWER, REAR "SLIDE-OUT" / B.A. From 6-8806	1		R
58	476469	PANEL SUB ASSY / LOWER, REAR "SLIDE-OUT" / B.A. / SERVICE From 5-8469	1		S
58	477788	PANEL / LOWER, REAR "SLIDE-OUT" / B.A. / SERVICE From 6-8806	1		
60	477572	PANEL SUB ASSY AIR INTAKE RH / B.A. From 5-8469	1		R
60	476467	PANEL SUB ASSY AIR INTAKE RH / B.A. / SERVICE From 5-8469	1		S
60	477573	PANEL AIR INTAKE RH / B.A. / SERVICE From 5-8469	1		S



From 8-9279 To B-9999	Date:10/2022	PAGE:MTH-1853-50
-----------------------	--------------	------------------

JIG TOOL - SIDE PANELING INSTALLATION

Item#	Part	Description	X L I I M T H 4 5	X L I I M T H 4 5 E	N O T E S
61	479232	PANEL SUB ASSY AIR INTAKE LH / B.A. tool ?	1		R S 10
61	479226	PANEL AIR INTAKE LH / B.A. / SERVICE	1		S 10
62	479231	PANEL SUB ASSY AIR INTAKE LH / B.A. tool ?	1		
62	479225	PANEL AIR INTAKE LH / B.A. / SERVICE	1		S
63	477580	PANEL SUB ASSY / B.A. From 5-8469	1		
63	477581	UPPER PANEL / W/OUT REINFORCEMENT / 840MM X 1789MM / B.A. From 5-8469	1		S
64	477576	PANEL SUB ASSY / B.A. From 5-8469	1		R
64	476466	PANEL SUB ASSY / B.A. / SERVICE From 5-8469	1		S
64	477577	UPPER PANEL / W/OUT REINFORCEMENT / 840MM X 1521MM / B.A. / SERVICE From 5-8469	1		S
65	477578	PANEL SUB ASSY / B.A. From 5-8469	8		R
65	476465	PANEL SUB ASSY / B.A. / SERVICE From 5-8469	8		S
65	477579	UPPER PANEL / W/OUT REINFORCEMENT / 840MM X 2428MM / B.A. / SERVICE From 5-8469	8		S
90	684598	GLUE JIG	1	1	
91	684614	TOP MOULDING TAPE APPLICATOR JIG	1	1	
92	684604	BOTTOM MOULDING TAPE APPLICATOR JIG	1	1	
93	684533	TOP MOULDING INSTALLATION JIG	1	1	
94	684656	BOTTOM MOULDING INSTALLATION JIG	1	1	
95	682176	SEALANT SIKA #221 / BLACK / 310ml CARTRIDGE	AR	AR	
96	683481	ACCELERATOR SIKA / 310ml CARTRIDGE	AR	AR	
98	683634	PNEUMATIC GUN / "RODAC"	1	1	
99	684427	PNEUMATIC GUN / "WESTBURNE"	1	1	
100	684599	SUPPORT CYLINDER ASSY L.H. STD W/7 CYL	1	1	
101	684620	SUPPORT CYLINDER ASSY R.H. STD W/7 CYL	1	1	
103	684632	SUPPORT CYLINDER ASSY R.H. "S" SHAPE	1		
104	684621	TUBE VERTICAL SUPPORT 33 1/8"	3	3	
105	684594	TUBE HORIZONTAL SUPPORT 28 3/8"	2		
106	684628	TUBE HORIZONTAL SUPPORT 47 7/8"	1		
107	684540	TUBE HORIZONTAL SUPPORT 59 15/16"	1	1	
111	684624	TUBE HORIZONTAL SUPPORT 87 5/16"	2		
113	684636	TUBE HORIZONTAL SUPPORT 94"	1		
114	684637	TUBE HORIZONTAL SUPPORT 95 5/8"	2		
115	684535	TUBE HORIZONTAL SUPPORT 95 5/8"	2	2	
118	684597	FRAME ASSY 16"	1		
119	684630	FRAME ASSY 34"	2		
120	684541	FRAME ASSY 48"	1	1	
121	684625	FRAME ASSY 73"	2	2	
123	684524	SUPPORT CYLINDER ASSY L.H. SHORT W/4 CYL	1		
125	684560	TUBE HORIZONTAL SUPPORT 70 1/2" From 4-8165	1		

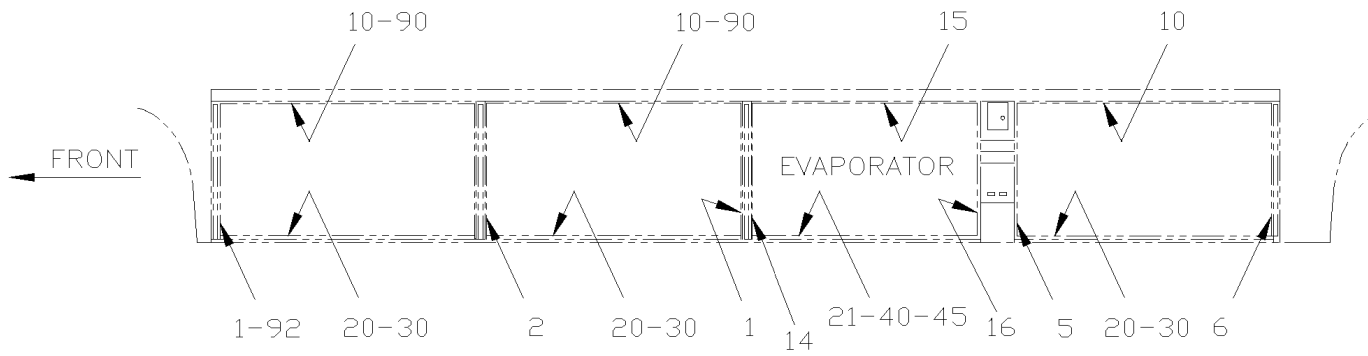
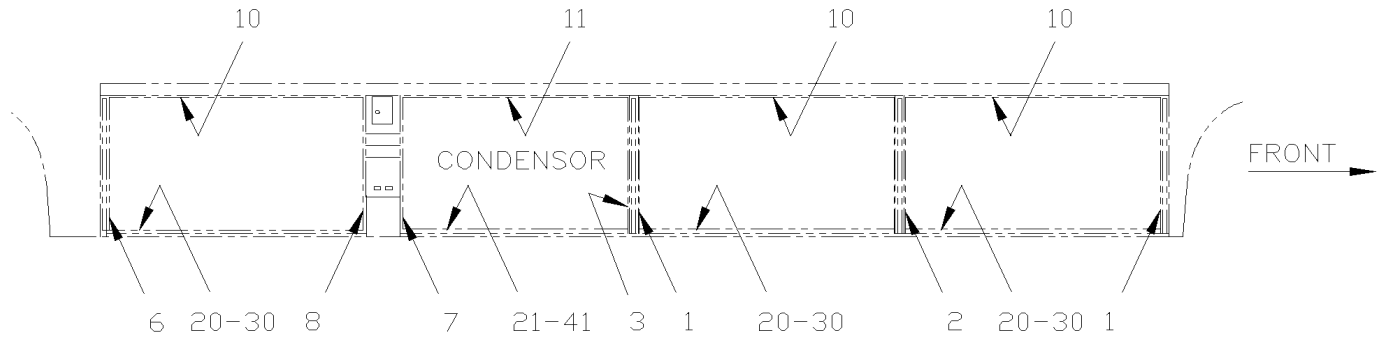


From 8-9279 To B-9999	Date:10/2022	PAGE:MTH-1853-50
-----------------------	--------------	------------------

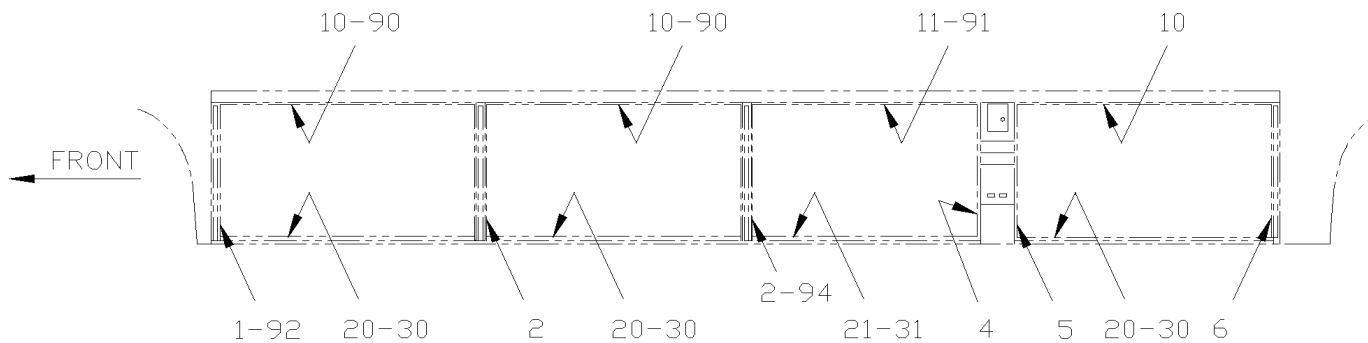
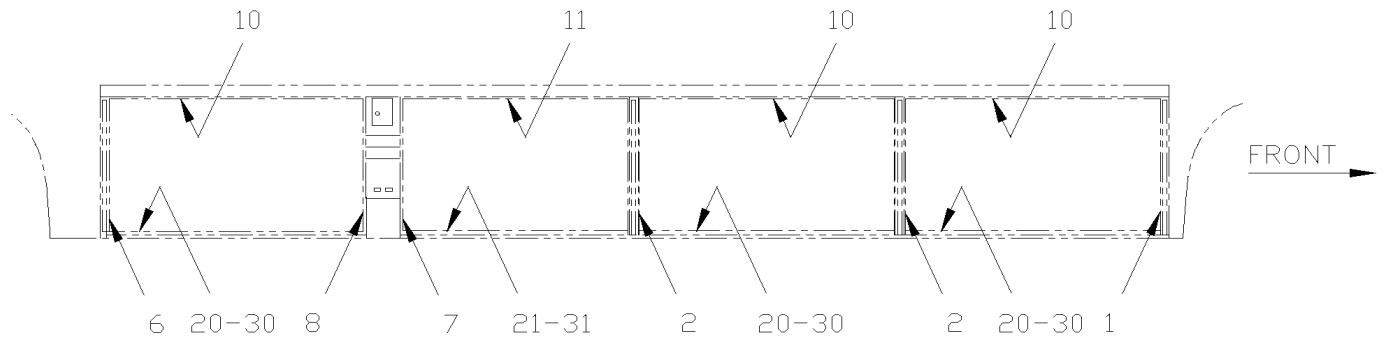
JIG TOOL - SIDE PANELING INSTALLATION

Item#	Part	Description	X L I I M T H 4 5	X L I I M T H 4 5 E	N O T E S
		10) WITH 10' REAR SLIDE-OUT			
		C) NEED REWORK FOR ADJUSTMENT			
		R) PRODUCTION NUMBER REFERENCE ONLY			
		S) SERVICE NUMBER ONLY			

From 8-9279 To B-9999	Date:10/2022	PAGE:MTH-1854-20
WEATHERSTRIP & RETAINER - MTH		

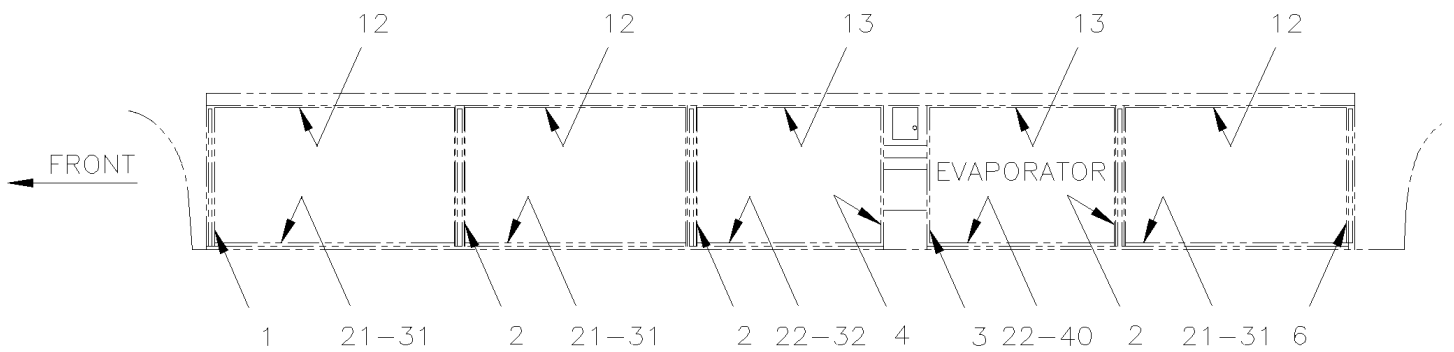
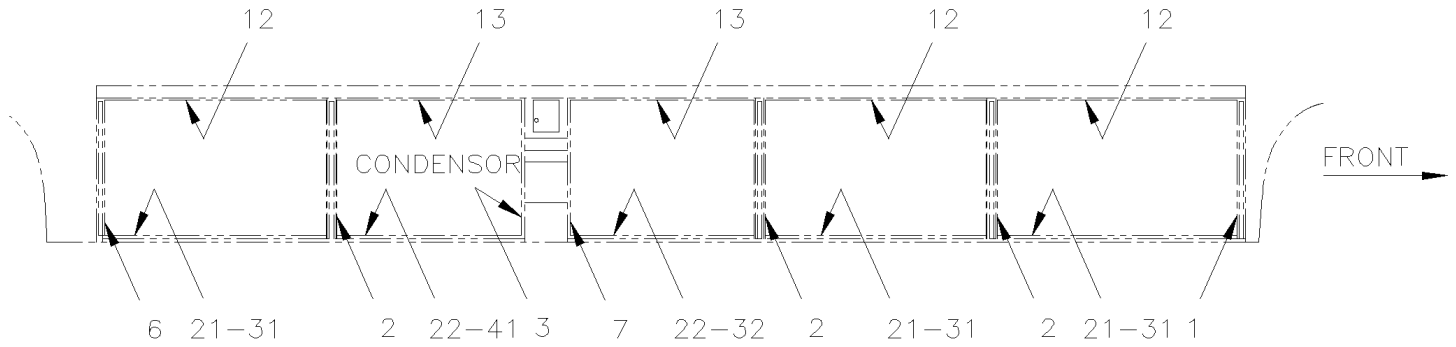


MTH 45' WITH LARGE A/C SYSTEM

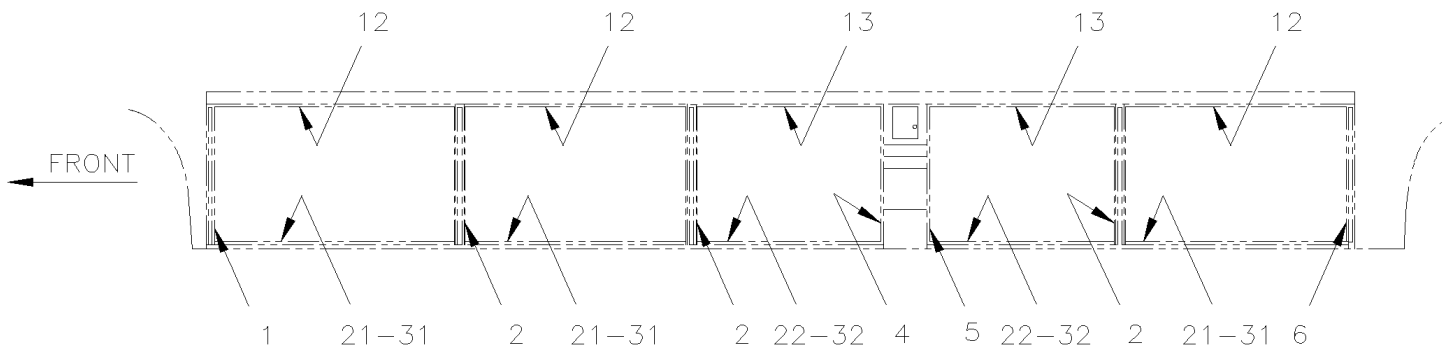
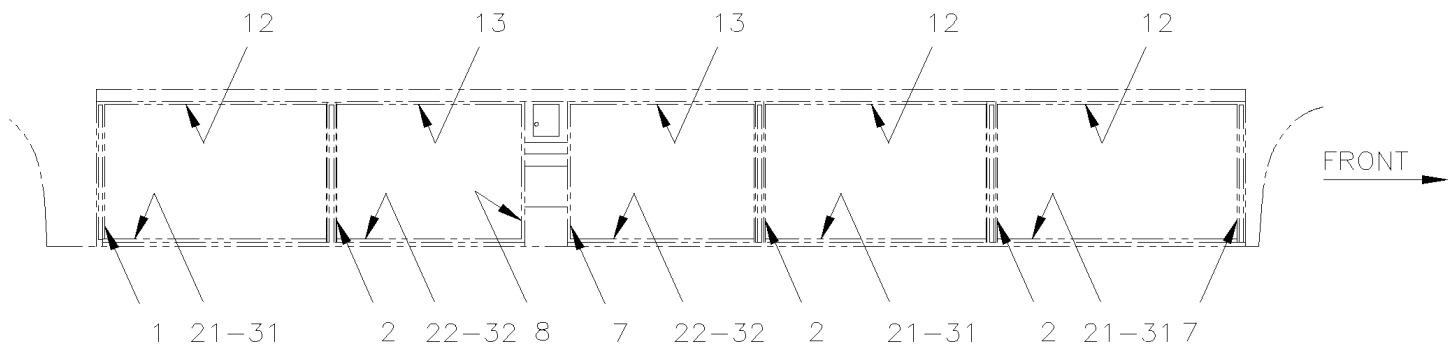


MTH 45' WITH SMALL A/C SYSTEM

WEATHERSTRIP & RETAINER - MTH



MTH 45' ENT. WITH LARGE A/C SYSTEM



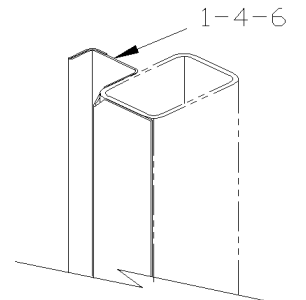
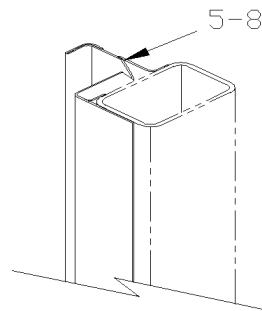
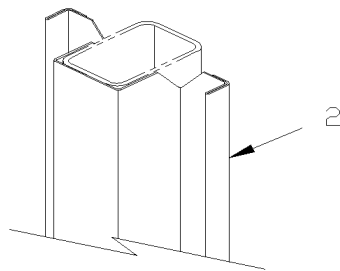
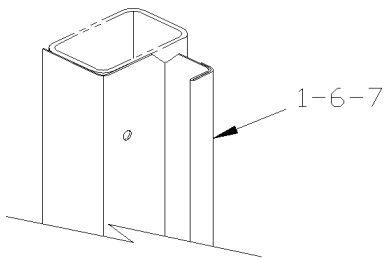
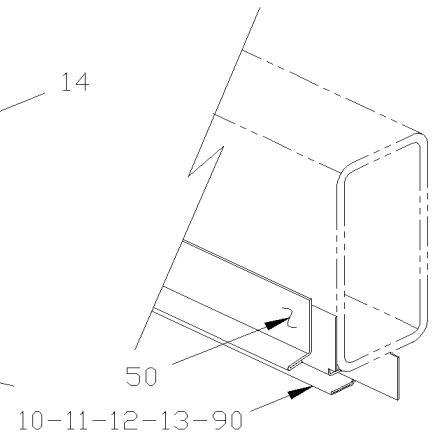
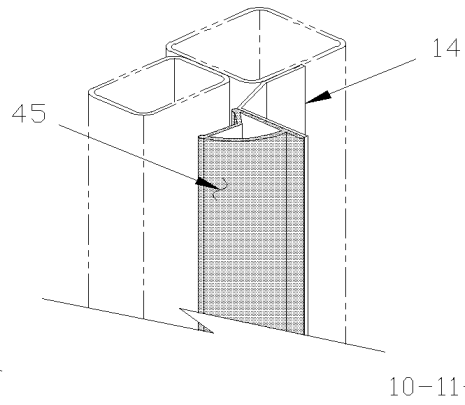
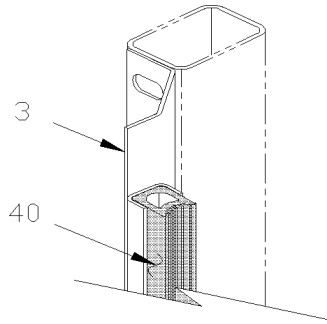
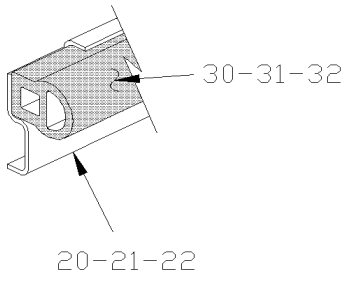
MTH 45' ENT. WITH SMALL A/C SYSTEM

From 8-9279 To B-9999

Date:10/2022

PAGE:MTH-1854-20

WEATHERSTRIP & RETAINER - MTH





From 8-9279 To B-9999	Date:10/2022	PAGE:MTH-1854-20
WEATHERSTRIP & RETAINER - MTH		

Item#	Part	Description	X L I I M T H 4 5	X L I I M T H 4 5 E	N O T E S
1	482222	MOULDING / WEATHERSTRIP RETAINER FRONT		2	
1	482222	MOULDING / WEATHERSTRIP RETAINER FRONT	4		
2	480979	MOULDING / WEATHERSTRIP RETAINER / DOUBLE TWO BAGGAGE DOOR	2		
2	480979	MOULDING / WEATHERSTRIP RETAINER / DOUBLE TWO BAGGAGE DOOR		6	
3	482137	MOULDING / WEATHERSTRIP RETAINER		1	
3	483709	MOULDING / WEATHERSTRIP RETAINER / W/FRONT "SLIDE-OUT"	1		
4	481013	MOULDING / WEATHERSTRIP RETAINER 838MM		1	
5	481269	MOULDING / WEATHERSTRIP RETAINER / L.H. / 838MM	1	1	
6	482824	MOULDING / WEATHERSTRIP RETAINER 838MM	2	2	
7	481255	MOULDING / WEATHERSTRIP RETAINER 838MM	1	1	
8	481270	MOULDING / WEATHERSTRIP RETAINER / R.H. / 838MM	1	1	
10	473702	MOULDING / WEATHERSTRIP RETAINER 1543MM	6		
11	475153	MOULDING / WEATHERSTRIP RETAINER 1365MM	1		
12	473704	MOULDING / WEATHERSTRIP RETAINER 1371MM		6	
13	473703	MOULDING / WEATHERSTRIP RETAINER 1155MM		4	
13	474869	MOULDING / WEATHERSTRIP RETAINER 990MM		1	A
14	214684	SEAL DOOR RETAINER / FORWARD DOOR	1		
15	214683	SEAL DOOR RETAINER / UPPER DOOR	1		
16	214682	SEAL DOOR RETAINER / BACKWARD DOOR	1		
20	483029	MOULDING / WEATHERSTRIP RETAINER / WELDED TO STRUCTURE / 1536MM	1		
21	483031	MOULDING / WEATHERSTRIP RETAINER / WELDED TO STRUCTURE / 1365MM	1		
21	483031	MOULDING / WEATHERSTRIP RETAINER / WELDED TO STRUCTURE / 1365MM		1	
22	483030	MOULDING / WEATHERSTRIP RETAINER / WELDED TO STRUCTURE / 1149MM		1	
30	481988	WEATHERSTRIP / W/60" BAGGAGE DOORS To 9-9872	6		
30	485628	WEATHERSTRIP / W/60" BAGGAGE DOORS From A-9873	6		
30	482330	WEATHERSTRIP / W/60" HINGE BAGGAGE DOOR To 9-9872	AR		
30	485631	WEATHERSTRIP / W/60" HINGE BAGGAGE DOOR From A-9873	AR		
31	481033	WEATHERSTRIP / W/53" BAGGAGE DOORS To 9-9872	2		
31	485635	WEATHERSTRIP / W/53" BAGGAGE DOORS From A-9873	2		
31	481033	WEATHERSTRIP / W/53" BAGGAGE DOORS To 9-9872		6	
31	485635	WEATHERSTRIP / W/53" BAGGAGE DOORS From A-9873		6	
31	483462	WEATHERSTRIP / W/53" HINGE BAGGAGE DOOR To 9-9872	AR	AR	
31	485632	WEATHERSTRIP / W/53" HINGE BAGGAGE DOOR From A-9873	AR	AR	
32	482462	WEATHERSTRIP / W/45" BAGGAGE DOORS To 9-9872		2	
32	485630	WEATHERSTRIP / W/45" BAGGAGE DOORS From A-9873		2	
33	483941	. WEATHERSTRIP RUBBER / ADH / RAW MATERIAL To 9-9872	AR	AR	
33	485610	. WEATHERSTRIP RUBBER / ADH / RAW MATERIAL From A-9873	AR	AR	
40	481163	WEATHERSTRIP / EVAPORATOR DOOR		1	
41	482099	WEATHERSTRIP / CONDENSOR DOOR To 9-9872	1	1	
41	480009	WEATHERSTRIP / CONDENSOR DOOR From A-9873	1	1	
41	506275	. WEATHERSTRIP RUBBER EPDM CC EXTRUSION / RAW MATERIAL To 9-9872	AR	AR	
41	280152	. WEATHERSTRIP RUBBER EPDM CC EXTRUSION / RAW MATERIAL From A-9873	AR	AR	



From 8-9279 To B-9999		Date:10/2022	PAGE:MTH-1854-20
-----------------------	--	--------------	------------------

WEATHERSTRIP & RETAINER - MTH

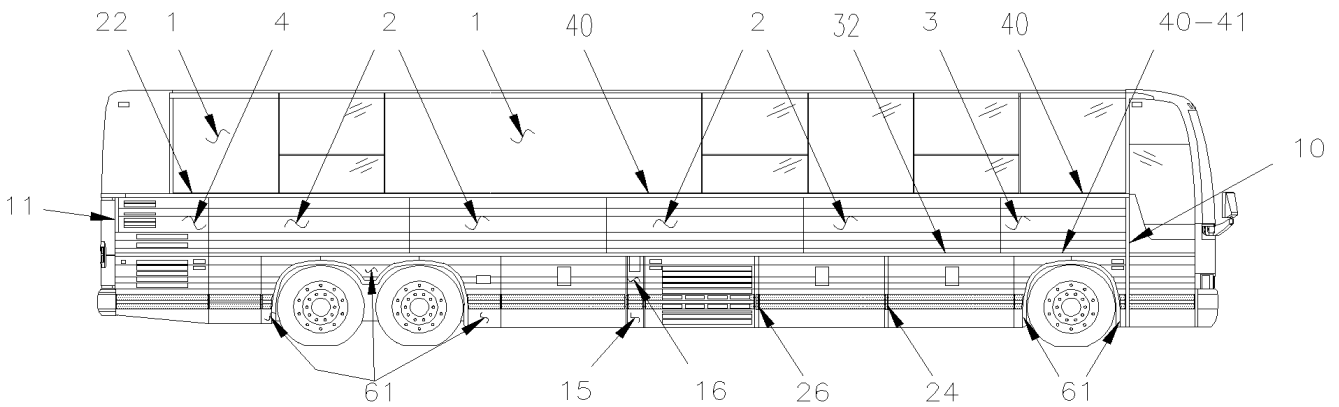
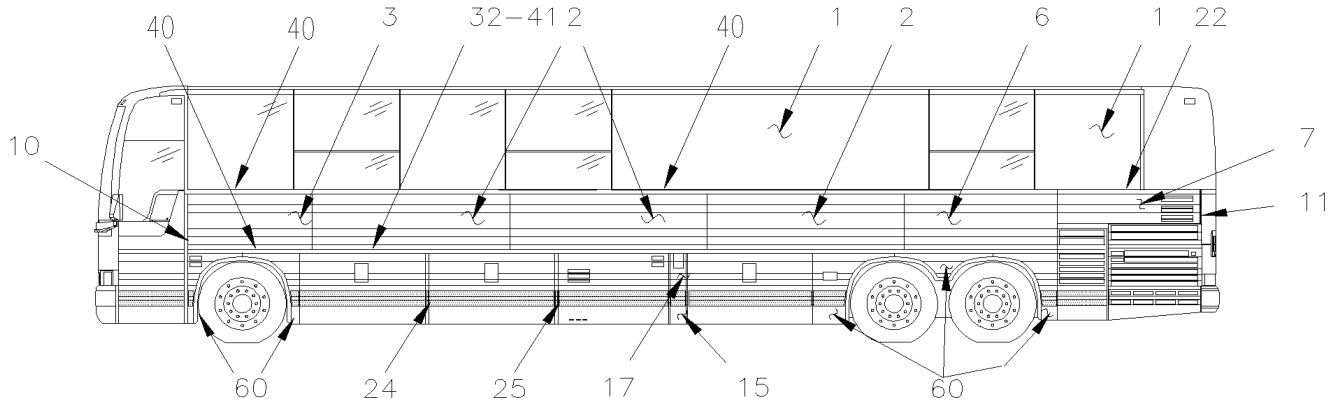
Item#	Part	Description	X L I I M T H 4 5	X L I I M T H 4 5 E	N O T E S
45	483555	WEATHERSTRIP / EVAPORATOR DOOR To 9-9872	1		
45	484125	WEATHERSTRIP / EVAPORATOR DOOR From A-9873	1		
50	MTH-1854-50	SIDE PANELING - W/FLUTED PANEL - MTH - 45			
90	475767	MOULDING / WEATHERSTRIP RETAINER 1495MM	1		C
90	478265	MOULDING / WEATHERSTRIP RETAINER 1488MM OPTION	6		C E
91	475265	MOULDING / WEATHERSTRIP RETAINER 1320MM	1		D
92	476077	MOULDING / WEATHERSTRIP RETAINER	1		C
94	475764	MOULDING / WEATHERSTRIP RETAINER	1		B
		A) USE WITH 38" BAGGAGE DOOR			
		B) WITH "SLIDE OUT"			
		C) WITH BAGGAGE DOOR WITH HINGE FOR "SLIDE-OUT"			
		D) WITH BAGGAGE DOOR WITH HINGE FOR "SLIDE-OUT" AND SMALL A/C			
		E) WITH 6 DOORS HINGED 60" FOR SLIDE OUT			

From 8-9279 To B-9999

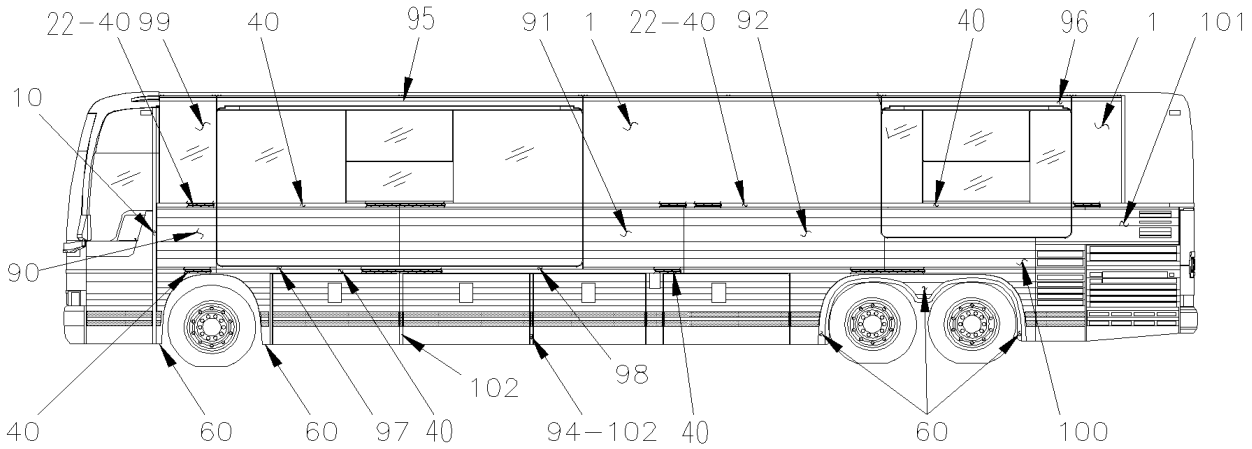
Date:10/2022

PAGE:MTH-1854-50

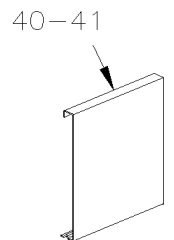
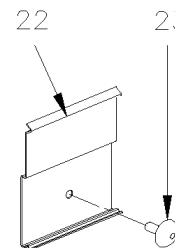
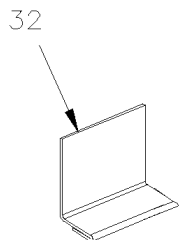
SIDE PANELING - W/FLUTED PANEL - MTH - 45



MTH. 45'



MTH. 45' WITH "SLIDE-OUT"

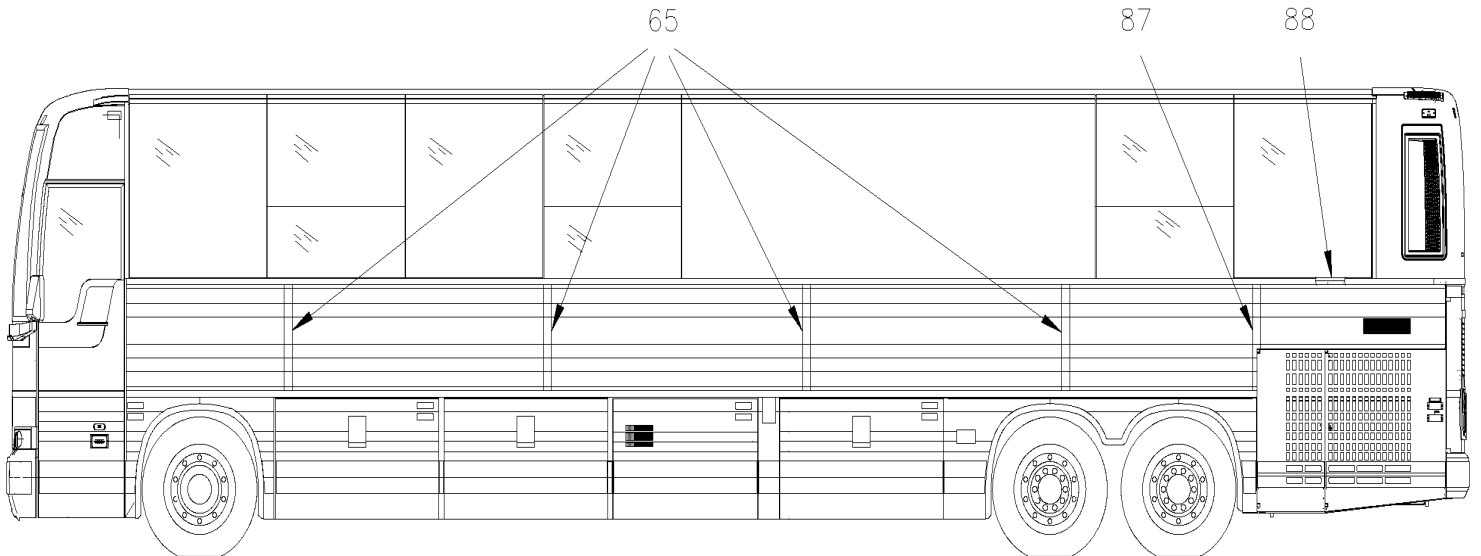
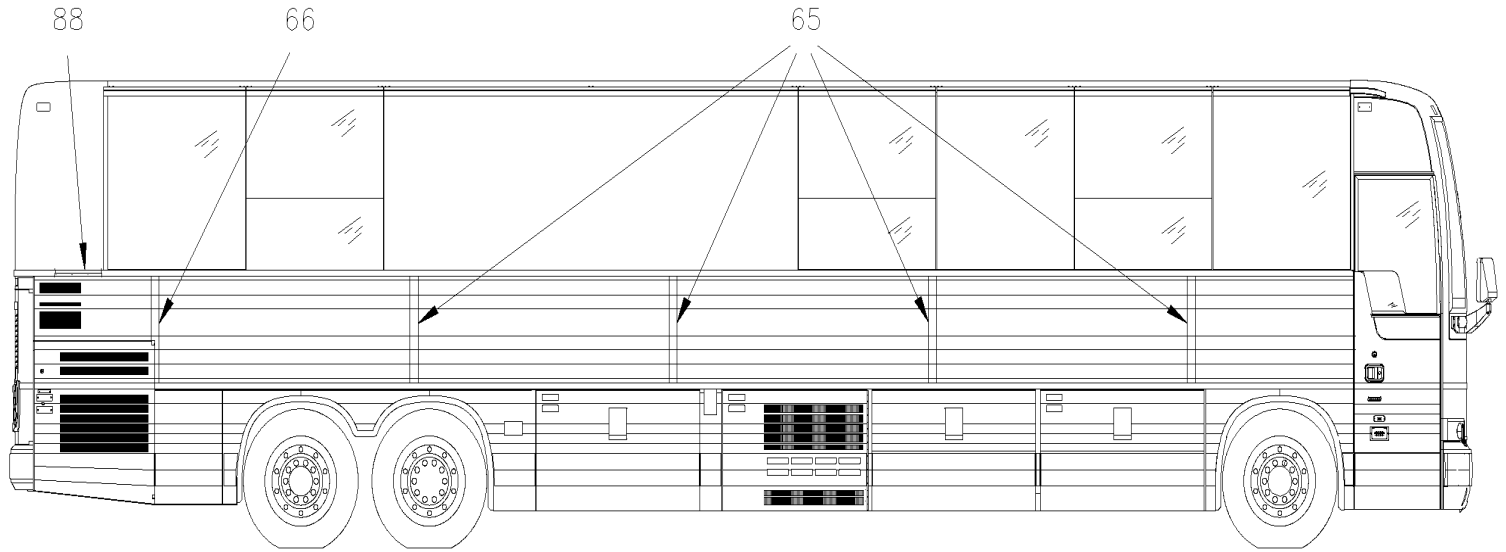


From 8-9279 To B-9999

Date:10/2022

PAGE:MTH-1854-50

SIDE PANELING - W/FLUTED PANEL - MTH - 45



MTH-45 WITHOUT SLIDE-OUT

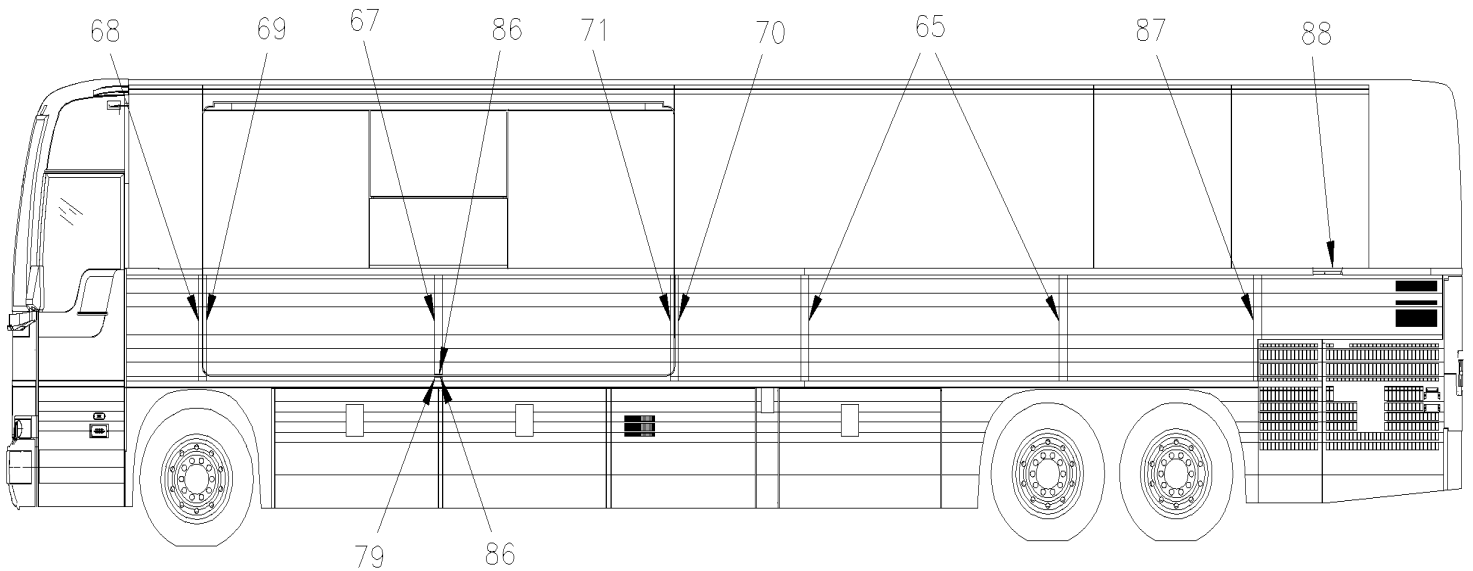
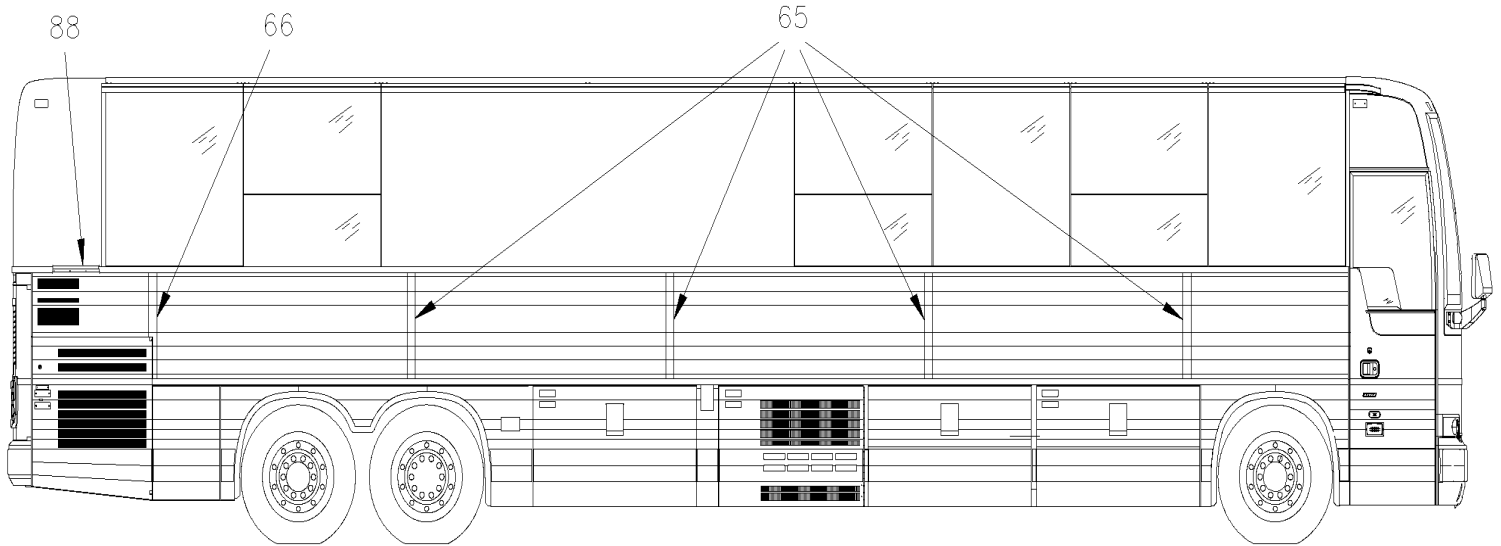


From 8-9279 To B-9999

Date:10/2022

PAGE:MTH-1854-50

SIDE PANELING - W/FLUTED PANEL - MTH - 45



MTH-45 WITH FRONT SLIDE-OUT

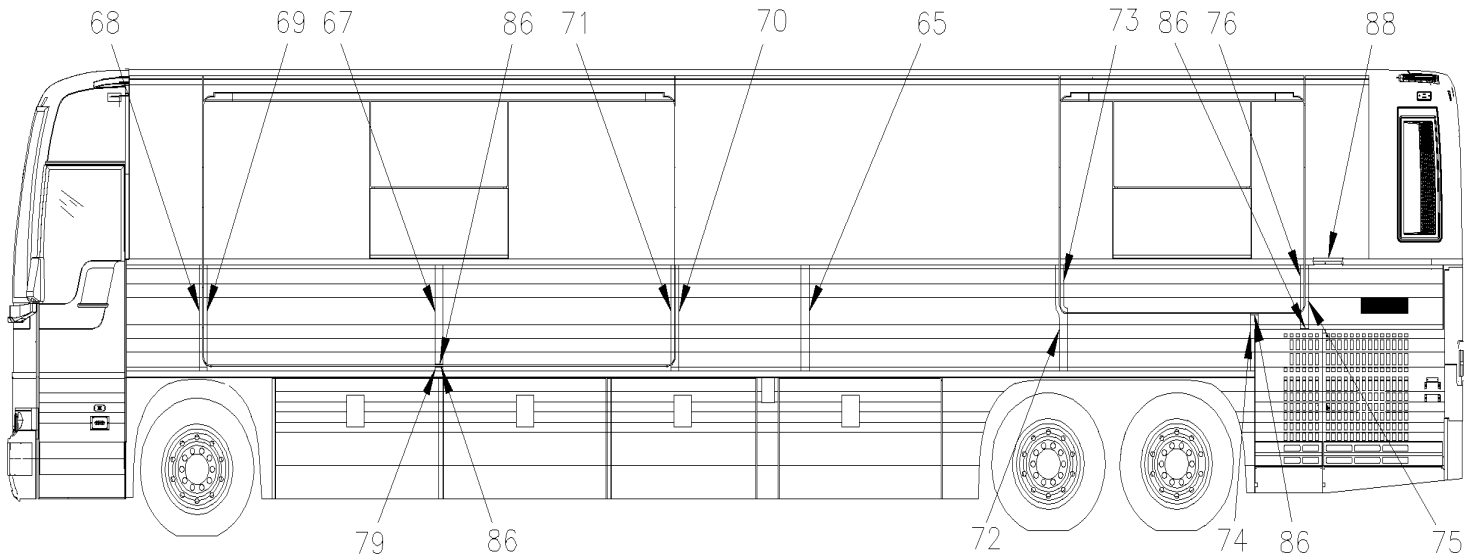
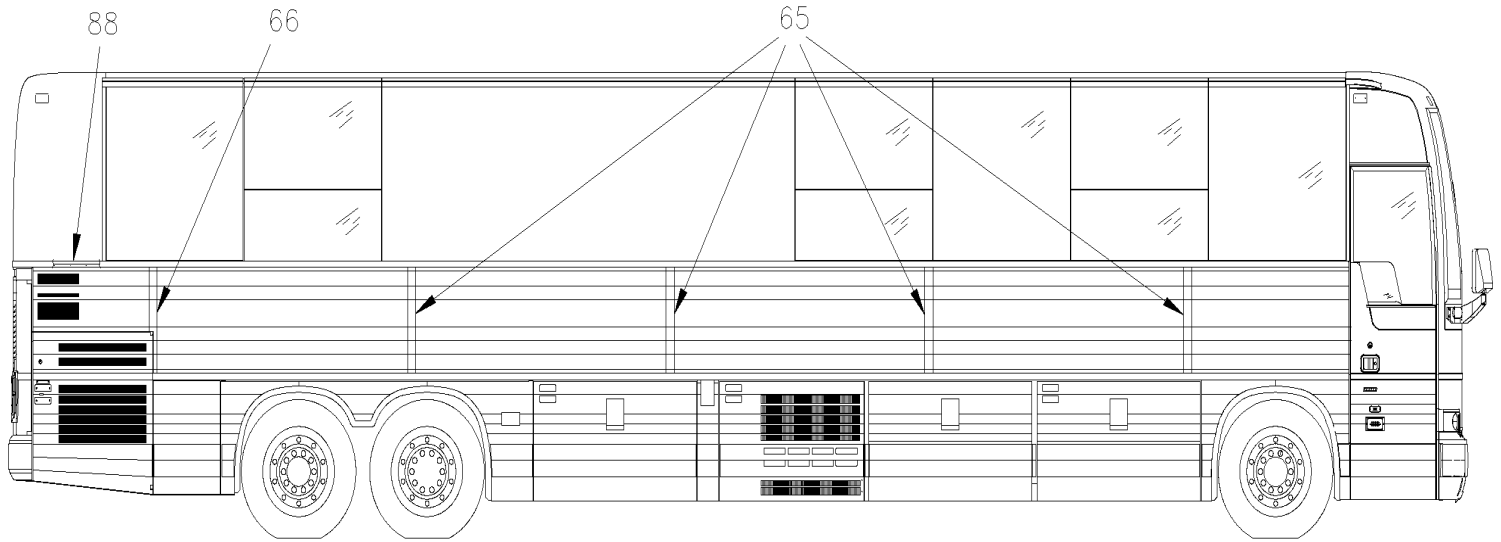


From 8-9279 To B-9999

Date:10/2022

PAGE:MTH-1854-50

SIDE PANELING - W/FLUTED PANEL - MTH - 45



MTH-45 WITH FRONT SLIDE-OUT
& 7.5' REAR SLIDE-OUT
FROM 6-8806

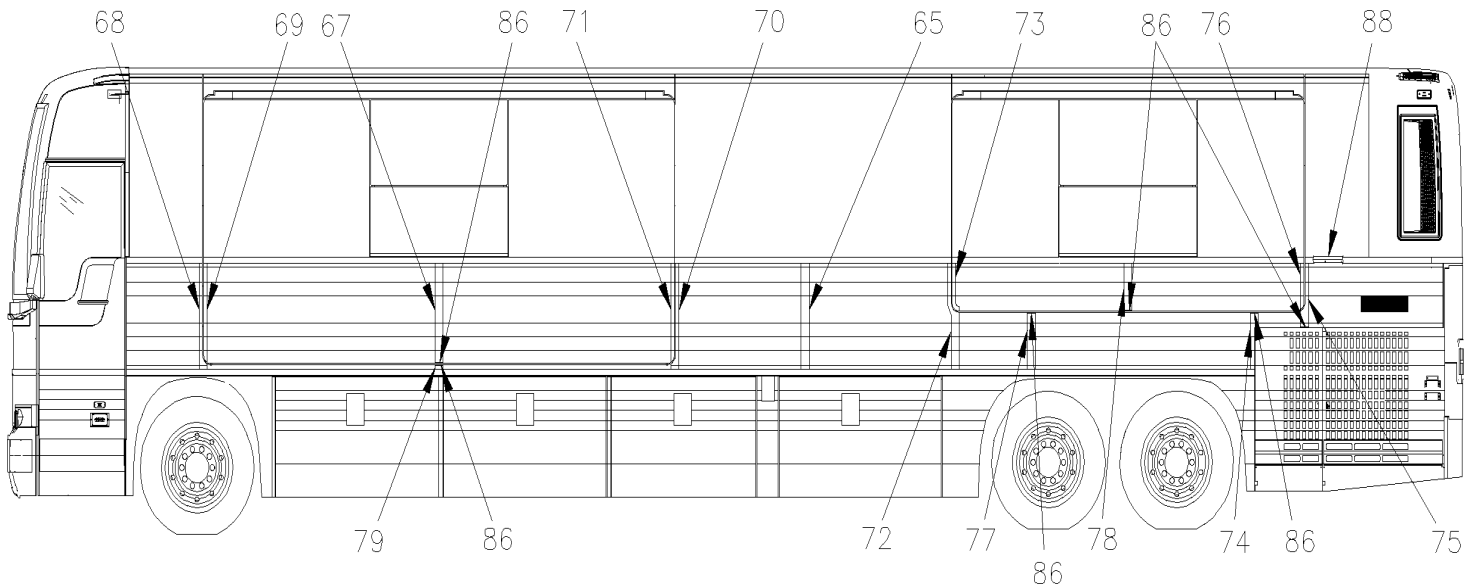
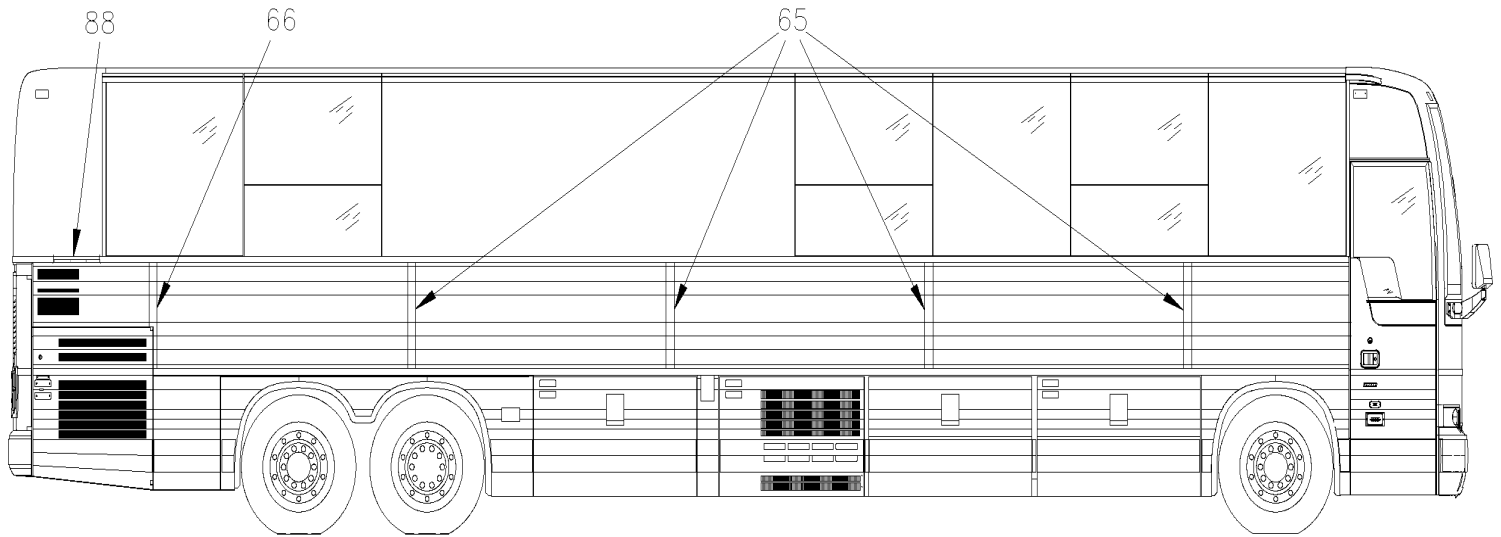


From 8-9279 To B-9999

Date:10/2022

PAGE:MTH-1854-50

SIDE PANELING - W/FLUTED PANEL - MTH - 45



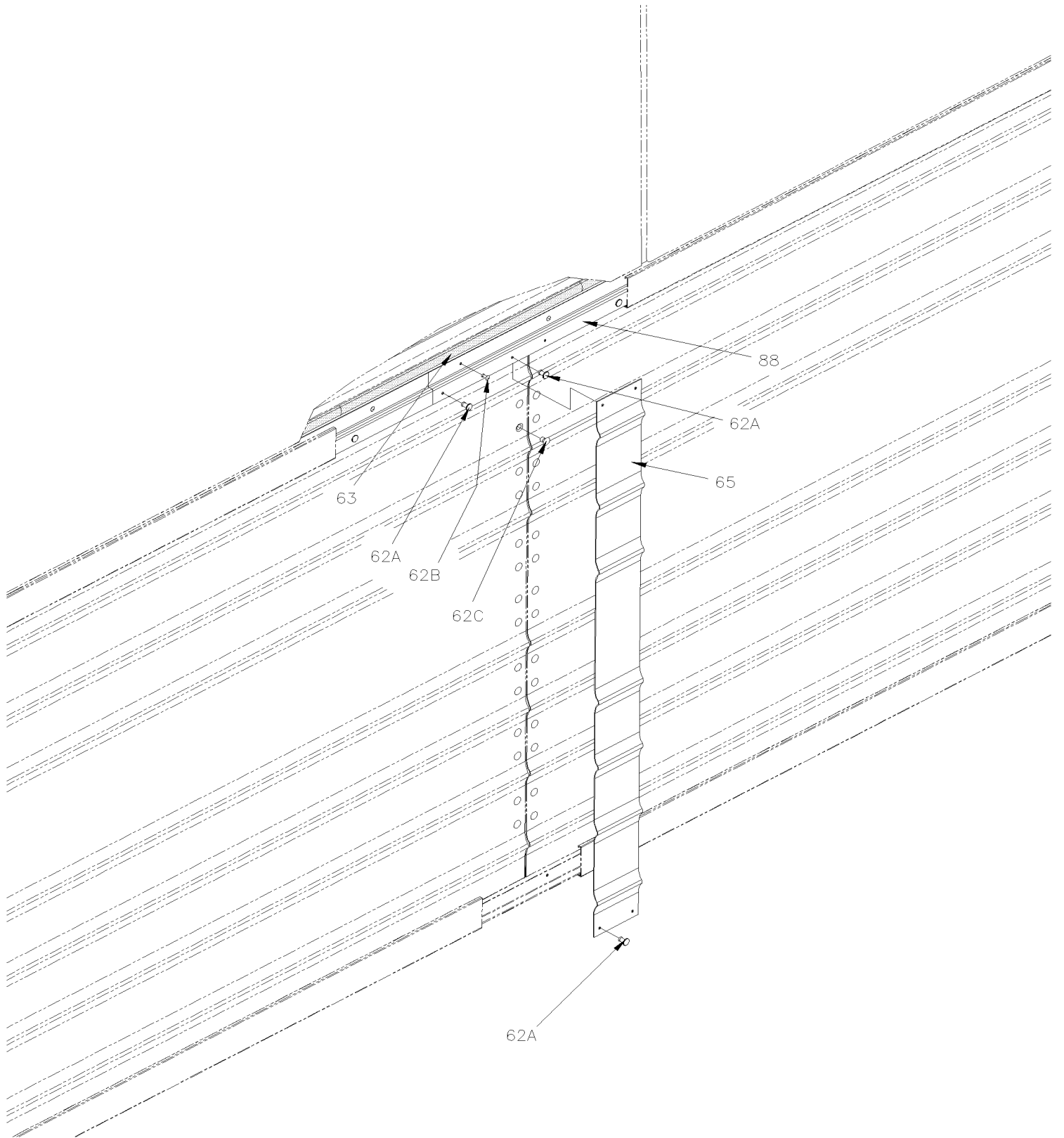
MTH-45 WITH FRONT SLIDE-OUT
& 10' REAR SLIDE-OUT
FROM 8-9460

From 8-9279 To B-9999

Date:10/2022

PAGE:MTH-1854-50

SIDE PANELING - W/FLUTED PANEL - MTH - 45





From 8-9279 To B-9999	Date:10/2022	PAGE:MTH-1854-50
SIDE PANELING - W/FLUTED PANEL - MTH - 45		

Item#	Part	Description	X L I M T H 4 5	X L I M T H 4 5 E	N O T E S
1	475011	UPPER PANEL / MTH-86" & 89" 96MM	AR	AR	
1	474660	UPPER PANEL / MTH-86" & 89" 195.2MM	AR	AR	
1	476541	UPPER PANEL / MTH-86" & 89" 215MM	AR	AR	
1	475479	UPPER PANEL / MTH-86" & 89" 271.4MM	AR	AR	
1	475027	UPPER PANEL / MTH-86" & 89" 310MM	AR	AR	
1	474851	UPPER PANEL / MTH-86" & 89" 328.6MM	AR	AR	
1	475040	UPPER PANEL / MTH-86" & 89" 340.5MM	AR	AR	
1	474655	UPPER PANEL / MTH-86" & 89" 399.5MM	AR	AR	
1	474732	UPPER PANEL / MTH-86" & 89" 414.3MM	AR	AR	
1	474591	UPPER PANEL / MTH-86" & 89" 423.8MM	AR	AR	
1	475110	UPPER PANEL / MTH-86" & 89" 433.3MM	AR	AR	
1	474465	UPPER PANEL / MTH-86" & 89" 489.3MM	AR	AR	
1	475003	UPPER PANEL / MTH-86" & 89" 500MM	AR	AR	
1	474990	UPPER PANEL / MTH-86" & 89" 500MM	AR	AR	
1	475408	UPPER PANEL / MTH-86" & 89" 579.4MM	AR	AR	
1	474654	UPPER PANEL / MTH-86" & 89" 589.5MM	AR	AR	
1	474712	UPPER PANEL / MTH-86" & 89" 593.7MM	AR	AR	
1	474788	UPPER PANEL / MTH-86" & 89" 603.3MM	AR	AR	
1	475366	UPPER PANEL / MTH-86" & 89" 613MM	AR	AR	
1	474562	UPPER PANEL / MTH-86" & 89" 639.7MM	AR	AR	
1	474572	UPPER PANEL / MTH-86" & 89" 689.8MM	AR	AR	
1	476246	UPPER PANEL / MTH-86" & 89" 703MM	AR	AR	
1	477125	UPPER PANEL / MTH-86" & 89" 717MM	AR	AR	
1	475128	UPPER PANEL / MTH-86" & 89" 741.3MM	AR	AR	
1	474998	UPPER PANEL / MTH-86" & 89" 843MM	AR	AR	
1	476237	UPPER PANEL / MTH-86" & 89" 849MM	AR	AR	
1	475084	UPPER PANEL / MTH-86" & 89" 881MM	AR	AR	
1	474651	UPPER PANEL / MTH-86" & 89" 887.2MM	AR	AR	
1	478331	UPPER PANEL / MTH-86" & 89" 908.1MM	AR	AR	
1	475078	UPPER PANEL / MTH-86" & 89" 914MM	AR	AR	
1	477132	UPPER PANEL / MTH-86" & 89" 921MM	AR	AR	
1	477193	UPPER PANEL / MTH-86" & 89" 931.8MM	AR	AR	
1	474879	UPPER PANEL / MTH-86" & 89" 938.2MM	AR	AR	
1	476128	UPPER PANEL / MTH-86" & 89" 982MM	AR	AR	
1	475482	UPPER PANEL / MTH-86" & 89" 1084.2MM	AR	AR	
1	476488	UPPER PANEL / MTH-86" & 89" 1103MM	AR	AR	
1	475283	UPPER PANEL / MTH-86" & 89" 1107MM	AR	AR	
1	474553	UPPER PANEL / MTH-86" & 89" 1109.5MM	AR	AR	
1	474495	UPPER PANEL / MTH-86" & 89" 1127MM	AR	AR	
1	477163	UPPER PANEL / MTH-86" & 89" 1195.4MM	AR	AR	
1	479479	UPPER PANEL / MTH-86" & 89" 1245.2MM		AR	
1	474558	UPPER PANEL / MTH-86" & 89" 1287.4MM	AR	AR	



From 8-9279 To B-9999	Date:10/2022	PAGE:MTH-1854-50
SIDE PANELING - W/FLUTED PANEL - MTH - 45		

Item#	Part	Description	X L I M T H 4 5	X L I M T H 4 5 E	N O T E S
1	478334	UPPER PANEL / MTH-86" & 89" 1411.4MM	AR	AR	
1	476508	UPPER PANEL / MTH-86" & 89" 1440MM	AR	AR	
1	477129	UPPER PANEL / MTH-86" & 89" 1614.6MM	AR	AR	
1	477212	UPPER PANEL / MTH-86" & 89" 1889.1MM	AR	AR	
1	474656	UPPER PANEL / MTH-86" & 89" 2177.5MM	AR	AR	
1	477164	UPPER PANEL / MTH-86" & 89" 2212.2MM	AR	AR	
1	475098	UPPER PANEL / MTH-86" & 89" 2490.9MM	AR	AR	
1	476099	UPPER PANEL / MTH-86" & 89" 2526.5MM	AR	AR	
1	474772	UPPER PANEL / MTH-86" & 89" 2560MM	AR	AR	
1	474182	UPPER PANEL / MTH-86" & 89" 2582.8MM	AR	AR	
1	475072	UPPER PANEL / MTH-86" & 89" 2836MM	AR	AR	
1	477131	UPPER PANEL / MTH-86" & 89" 2857.2 MM	AR	AR	
1	475148	UPPER PANEL / MTH-86" & 89" 2907MM	AR	AR	
1	476127	UPPER PANEL / MTH-86" & 89" 2932MM	AR	AR	
1	475077	UPPER PANEL / MTH-86" & 89" 2956.3MM	AR	AR	
1	475365	UPPER PANEL / MTH-86" & 89" 3165MM	AR	AR	
1	477178	UPPER PANEL / MTH-86" & 89" 3184.5MM	AR	AR	
1	474623	UPPER PANEL / MTH-86" & 89" 3230.5MM	AR	AR	
1	474564	UPPER PANEL / MTH-86" & 89" 3230.5MM	AR	AR	
1	476129	UPPER PANEL / MTH-86" & 89" 3237MM	AR	AR	
1	475407	UPPER PANEL / MTH-86" & 89" 3291MM	AR	AR	
1	475181	UPPER PANEL / MTH-86" & 89" 3414.5MM	AR	AR	
1	474786	UPPER PANEL / MTH-86" & 89" 3607.5MM	AR	AR	
1	478330	UPPER PANEL / MTH-86" & 89" 3302.7MM	AR	AR	
1	475109	UPPER PANEL / MTH-86" & 89" 3344.9MM	AR	AR	
1	475485	UPPER PANEL / MTH-86" & 89" 3364.7MM	AR	AR	
1	476540	UPPER PANEL / MTH-86" & 89" 3655MM	AR	AR	
1	477124	UPPER PANEL / MTH-86" & 89" 3662.9MM	AR	AR	
1	476786	UPPER PANEL / MTH-86" & 89" 3675MM	AR	AR	
1	475010	UPPER PANEL / MTH-86" & 89" 3682MM	AR	AR	
1	475086	UPPER PANEL / MTH-86" & 89" 3731MM	AR	AR	
1	476495	UPPER PANEL / MTH-86" & 89" 3838MM	AR	AR	
1	475081	UPPER PANEL / MTH-86" & 89" 3859.1MM	AR	AR	
1	474183	UPPER PANEL / MTH-86" & 89" 3878.2MM	AR	AR	
1	474791	UPPER PANEL / MTH-86" & 89" 3930.5MM	AR	AR	
1	474959	UPPER PANEL / MTH-86" & 89" 3967MM	AR	AR	
1	474496	UPPER PANEL / MTH-86" & 89" 4038.5MM	AR	AR	
1	474554	UPPER PANEL / MTH-86" & 89" 4056MM	AR	AR	
1	475392	UPPER PANEL / MTH-86" & 89" 4059MM	AR	AR	
1	476487	UPPER PANEL / MTH-86" & 89" 4062MM	AR	AR	
1	474790	UPPER PANEL / MTH-86" & 89" 4105.6MM	AR	AR	
1	475790	UPPER PANEL / MTH-86" & 89" 4105.6MM	AR	AR	



From 8-9279 To B-9999	Date:10/2022	PAGE:MTH-1854-50
SIDE PANELING - W/FLUTED PANEL - MTH - 45		

Item#	Part	Description	X L I M T H 4 5	X L I M T H 4 5 E	N O T E S
1	475617	UPPER PANEL / MTH-86" & 89" 4108MM	AR	AR	
1	475071	UPPER PANEL / MTH-86" & 89" 4131.4MM	AR	AR	
1	476268	UPPER PANEL / MTH-86" & 89" 4193MM	AR	AR	
1	474878	UPPER PANEL / MTH-86" & 89" 4227.4MM	AR	AR	
1	475079	UPPER PANEL / MTH-86" & 89" 4251.7MM	AR	AR	
1	474652	UPPER PANEL / MTH-86" & 89" 4278.1MM	AR	AR	
1	476236	UPPER PANEL / MTH-86" & 89" 4316.5MM	AR	AR	
1	475000	UPPER PANEL / MTH-86" & 89" 4372MM	AR	AR	
1	475367	UPPER PANEL / MTH-86" & 89" 4461MM	AR	AR	
1	474597	UPPER PANEL / MTH-86" & 89" 4475.8MM	AR	AR	
1	Call order desk	UPPER PANEL / MTH-86" & 89" 4480MM	AR	AR	P
1	476247	UPPER PANEL / MTH-86" & 89" 4512MM	AR	AR	
1	474561	UPPER PANEL / MTH-86" & 89" 4525.9MM	AR	AR	
1	475565	UPPER PANEL / MTH-86" & 89" 4529MM	AR	AR	
1	476435	UPPER PANEL / MTH-86" & 89" 4532MM	AR	AR	
1	477209	UPPER PANEL / MTH-86" & 89" 4599.7MM	AR	AR	
1	476729	UPPER PANEL / MTH-86" & 89" 4656MM	AR	AR	
1	475282	UPPER PANEL / MTH-86" & 89" 4660MM	AR	AR	
1	476570	UPPER PANEL / MTH-86" & 89" 4711MM	AR	AR	
1	475004	UPPER PANEL / MTH-86" & 89" 4715MM	AR	AR	
1	476787	UPPER PANEL / MTH-86" & 89" 4803MM	AR	AR	
1	477135	UPPER PANEL / MTH-86" & 89" 4846.45MM	AR	AR	
1	474661	UPPER PANEL / MTH-86" & 89" 4970.5MM	AR	AR	
1	476507	UPPER PANEL / MTH-86" & 89" 5021MM	AR	AR	
1	476463	UPPER PANEL / MTH-86" & 89" 5022.8MM	AR	AR	
1	477122	UPPER PANEL / MTH-86" & 89" 5049.6MM	AR	AR	
1	476245	UPPER PANEL / MTH-86" & 89" 5064MM	AR	AR	
1	476567	UPPER PANEL / MTH-86" & 89" 5068.1MM	AR	AR	
1	474801	UPPER PANEL / MTH-86" & 89" 5081.3MM	AR	AR	
1	475458	UPPER PANEL / MTH-86" & 89" 5154.5MM	AR	AR	
1	477194	UPPER PANEL / MTH-86" & 89" 5158.5MM	AR	AR	
1	474184	UPPER PANEL / MTH-86" & 89" 5173.6MM	AR	AR	
1	479478	UPPER PANEL / MTH-86" & 89" 5215.6MM		1	
1	476534	UPPER PANEL / MTH-86" & 89" 5226MM	AR	AR	
1	475388	UPPER PANEL / MTH-86" & 89" 5326MM	AR	AR	
1	474556	UPPER PANEL / MTH-86" & 89" 5351.4MM	AR	AR	
1	476506	UPPER PANEL / MTH-86" & 89" 5404.6MM	AR	AR	
1	475799	UPPER PANEL / MTH-86" & 89" 5438.8MM	AR	AR	
1	477128	UPPER PANEL / MTH-86" & 89" 5448MM	AR	AR	
1	476902	UPPER PANEL / MTH-86" & 89" 5590.3MM	AR	AR	
1	475002	UPPER PANEL / MTH-86" & 89" 5631MM	AR	AR	
1	478335	UPPER PANEL / MTH-86" & 89" 5651.3MM	AR	AR	



From 8-9279 To B-9999	Date:10/2022	PAGE:MTH-1854-50
SIDE PANELING - W/FLUTED PANEL - MTH - 45		

Item#	Part	Description	X L I I M T H 4 5	X L I I M T H 4 5 E	N O T E S
1	476330	UPPER PANEL / MTH-86" & 89" 5654MM	AR	AR	
1	475127	UPPER PANEL / MTH-86" & 89" 5719.7MM	AR	AR	
1	474573	UPPER PANEL / MTH-86" & 89" 5771.2MM	AR	AR	
1	474814	UPPER PANEL / MTH-86" & 89" 5775.3MM	AR	AR	
1	476557	UPPER PANEL / MTH-86" & 89" 5895.1MM	AR	AR	
1	474977	UPPER PANEL / MTH-86" & 89" 5953MM	AR	AR	
1	474989	UPPER PANEL / MTH-86" & 89" 5961MM	AR	AR	
1	474464	UPPER PANEL / MTH-86" & 89" 5971.7MM	AR	AR	
1	474590	UPPER PANEL / MTH-86" & 89" 6037.2MM	AR	AR	
1	476560	UPPER PANEL / MTH-86" & 89" 6098.3MM	AR	AR	
1	475028	UPPER PANEL / MTH-86" & 89" 6151MM	AR	AR	
1	475083	UPPER PANEL / MTH-86" & 89" 6181.7MM	AR	AR	
1	475478	UPPER PANEL / MTH-86" & 89" 6189.6MM	AR	AR	
1	474674	UPPER PANEL / MTH-86" & 89" 6265.8MM	AR	AR	
1	474715	UPPER PANEL / MTH-86" & 89" 6377MM	AR	AR	
1	473592	UPPER PANEL / MTH-86" & 89" 6469MM	AR	AR	
1	474717	UPPER PANEL / MTH-86" & 89" 6469MM	AR	AR	
1	478478	UPPER PANEL / MTH-86" & 89" 6734MM		1	
1	475803	UPPER PANEL / MTH-86" & 89" 6753.2MM	AR	AR	
1	475129	UPPER PANEL / MTH-86" & 89" 6867.5MM	AR	AR	
1	474625	UPPER PANEL / MTH-86" & 89" 7764.4MM	AR	AR	
1	475029	UPPER PANEL / MTH-86" & 89" 7446.4MM	AR	AR	
1	475386	UPPER PANEL / MTH-86" & 89" 8113.7MM	AR	AR	
1	478108	UPPER PANEL / MTH-86" & 89" 9661.4MM	AR	AR	
1	475636	UPPER PANEL / MTH-86" & 89" 10957MM	AR	AR	
1	476682	UPPER PANEL / MTH-86" & 89" 43507.5MM	AR	AR	
2	477578	PANEL SUB ASSY / B.A.	7		
2	477579	UPPER PANEL / W/OUT REINFORCEMENT / 840MM X 2428MM / B.A. / SERVICE	7		
3	477576	PANEL SUB ASSY / B.A.	2		
3	477577	UPPER PANEL / W/OUT REINFORCEMENT / 840MM X 1521MM / B.A.	2		
4	477572	PANEL SUB ASSY AIR INTAKE RH / B.A.	1		
4	477573	PANEL AIR INTAKE RH / B.A. SERVICE	1		
6	477580	PANEL SUB ASSY / B.A.	1		
6	477581	UPPER PANEL / W/OUT REINFORCEMENT / 840MM X 1789MM / B.A. SERVICE	1		
7	479231	PANEL SUB ASSY AIR INTAKE LH / B.A.	1		
10	477527	FINISHING MOULDING / ANGLE / 1364MM SS / B.A.	2		
11	477528	FINISHING MOULDING / ANGLE / 476MM SS / B.A.	2		
NS	504473	RIVET POP DOME OE 1/8x1/4 SS	AR		
15	477547	PANEL, LOWER 200MM X 262MM / B.A.	2		
16	477543	PANEL, R.H. 200MM X 676MM / B.A.	1		
17	477552	PANEL, L.H. 200MM X 676MM / B.A.	1		
18	477673	FINISHING MOULDING / SPACER / 838.5MM / B.A.		2	



From 8-9279 To B-9999	Date:10/2022	PAGE:MTH-1854-50
SIDE PANELING - W/FLUTED PANEL - MTH - 45		

Item#	Part	Description	X L I M T H 4 5	X L I M T H 4 5 E	N O T E S
22	475669	MOULDING RETAINER / 312MM	AR	AR	
22	477436	MOULDING RETAINER / 50MM	AR	AR	
23	504488	RIVET MGLP PRDG 3/16x17/64 SS	AR	AR	
24	477548	FINISHING POST / "U" SHAPE / 2 BAG. DOORS / 39MM X 912MM / B.A.	1		
24	477548	FINISHING POST / "U" SHAPE / 2 BAG. DOORS / 39MM X 912MM / B.A.		4	
25	477555	FINISHING POST / "J" SHAPE L.H. / B.A.	1		
26	477556	FINISHING POST / "J" SHAPE R.H. / B.A.	1		
32	477533	DRIP MOULDING / 1364MM / B.A.		6	
32	477530	DRIP MOULDING / 1535MM / B.A.	6		
32	477531	DRIP MOULDING / 1560MM / B.A.	2		
32	477534	DRIP MOULDING 1148MM / B.A.	2		
32	477535	DRIP MOULDING / 1402MM / B.A.	2		
32	477536	DRIP MOULDING / 1468MM / B.A.	2		
32	477532	DRIP MOULDING / 1765MM / B.A.	2		
40	476112	FINISHING MOULDING SS / 720.6MM	1		
40	478339	FINISHING MOULDING SS / 1489.8MM	1		7.5
40	476135	FINISHING MOULDING SS / 2292.4MM	1		7.5
40	477022	FINISHING MOULDING SS / 2589MM	1		10
40	478340	FINISHING MOULDING SS / 3300MM	1		7.5
40	477023	FINISHING MOULDING SS / 3309MM	1		10
40	476589	FINISHING MOULDING SS / 3605MM	1		
40	473825	FINISHING MOULDING SS / 4223MM	AR		
40	476132	FINISHING MOULDING SS / 4425.6MM	1		
40	474159	FINISHING MOULDING S.S. / 6385MM	AR		
41	5060044	TAPE RUB ADH2 CC POL 1/4" X 1/4" X 50' / BLACK 11C-N-A	AR		
60	MTH-1857-50	FENDERS L.H. - MTH-45			
61	MTH-1857-55	FENDERS R.H. - MTH-45			
62A	504488	RIVET MGLP PRDG 3/16x17/64 SS To 9-9628	AR		
62A	504487	RIVET MGLP PRDG 3/16x7/16 SS To 9-9628	AR		
62B	504339	RIVET POP DOME OE 1/8x3/8 SS To 9-9628	AR		
62C	G1010062-002	RIVET POP CK OE 3/16x1/4 SS To 9-9628	AR		
63	475140	RUBBER SEAL EXTRUSION 13.0x5.5 To 9-9628	AR		
NS	506225	TAPE RUB ADH1 CC POL 1/16" x 1/4" x 100' / GREY 2520 To 9-9628	AR		
NS	5060044	TAPE RUB ADH2 CC POL 1/4" X 1/4" X 50' / BLACK 11C-N-A To 9-9628	AR		
NS	684517	ADHESIVE SIMSON #ISR 70-03 / GREY / 310ml CARTRIDGE To 9-9628	AR		
NS	682989	ANTISILICONE STANDOX / CLEAR / 4 Liters To 9-9628	AR		
64	477864	MOLDING KIT MTH-45 W/O SLIDE-OUT	1		
. NS	477337	. FINISHING MOULDING S.S.	8		
. NS	477338	. FINISHING MOULDING S.S.	1		
. NS	477360	. FINISHING MOULDING S.S.	1		



From 8-9279 To B-9999	Date:10/2022	PAGE:MTH-1854-50
SIDE PANELING - W/FLUTED PANEL - MTH - 45		

Item#	Part	Description	X L I I M T H 4 5	X L I I M T H 4 5 E	N O T E S
. NS	477361	. MOULDING "Z" SHAPE S.S. 2438MM	11		
64	477865	MOLDING KIT MTH-45 W/ FRONT SLIDE-OUT ONLY	1		
. NS	477337	. FINISHING MOULDING S.S.	6		
. NS	477338	. FINISHING MOULDING S.S.	1		
. NS	477339	. FINISHING MOULDING S.S.	1		
. NS	477340	. FINISHING MOULDING S.S.	1		
. NS	477341	. FINISHING MOULDING S.S.	1		
. NS	477342	. FINISHING MOULDING S.S.	1		
. NS	477343	. FINISHING MOULDING S.S.	1		
. NS	477351	. FINISHING MOULDING S.S.	1		
. NS	477361	. MOULDING "Z" SHAPE S.S. 2438MM	11		
. NS	477358	. FINISHING MOULDING S.S.	2		
64	477867	MOLDING KIT MTH-45 W/ FRONT SLIDE OUT & REAR 7.5 SLIDE-OUT PREVOST	1		
. NS	477337	. FINISHING MOULDING S.S.	5		
. NS	477338	. FINISHING MOULDING S.S.	1		
. NS	477339	. FINISHING MOULDING S.S.	1		
. NS	477340	. FINISHING MOULDING S.S.	1		
. NS	477341	. FINISHING MOULDING S.S.	1		
. NS	477342	. FINISHING MOULDING S.S.	1		
. NS	477343	. FINISHING MOULDING S.S.	1		
. NS	477344	. FINISHING MOULDING S.S.	1		
. NS	477345	. FINISHING MOULDING S.S.	1		
. NS	477346	. FINISHING MOULDING S.S.	1		
. NS	477347	. FINISHING MOULDING S.S.	1		
. NS	477348	. FINISHING MOULDING S.S.	1		
. NS	477351	. FINISHING MOULDING S.S.	1		
. NS	477361	. MOULDING "Z" SHAPE S.S. 2438MM	11		
. NS	477358	. FINISHING MOULDING S.S.	4		
64	477868	MOLDING KIT MTH-45 W/ FRONT SLIDE OUT & REAR 10 SLIDE-OUT PREVOST	1		
. NS	477337	. FINISHING MOULDING S.S.	5		
. NS	477338	. FINISHING MOULDING S.S.	1		
. NS	477339	. FINISHING MOULDING S.S.	1		
. NS	477340	. FINISHING MOULDING S.S.	1		
. NS	477341	. FINISHING MOULDING S.S.	1		
. NS	477342	. FINISHING MOULDING S.S.	1		
. NS	477343	. FINISHING MOULDING S.S.	1		
. NS	477344	. FINISHING MOULDING S.S.	1		
. NS	477345	. FINISHING MOULDING S.S.	1		
. NS	477346	. FINISHING MOULDING S.S.	1		
. NS	477347	. FINISHING MOULDING S.S.	1		
. NS	477348	. FINISHING MOULDING S.S.	1		
. NS	477349	. FINISHING MOULDING S.S.	1		



From 8-9279 To B-9999	Date:10/2022	PAGE:MTH-1854-50
SIDE PANELING - W/FLUTED PANEL - MTH - 45		

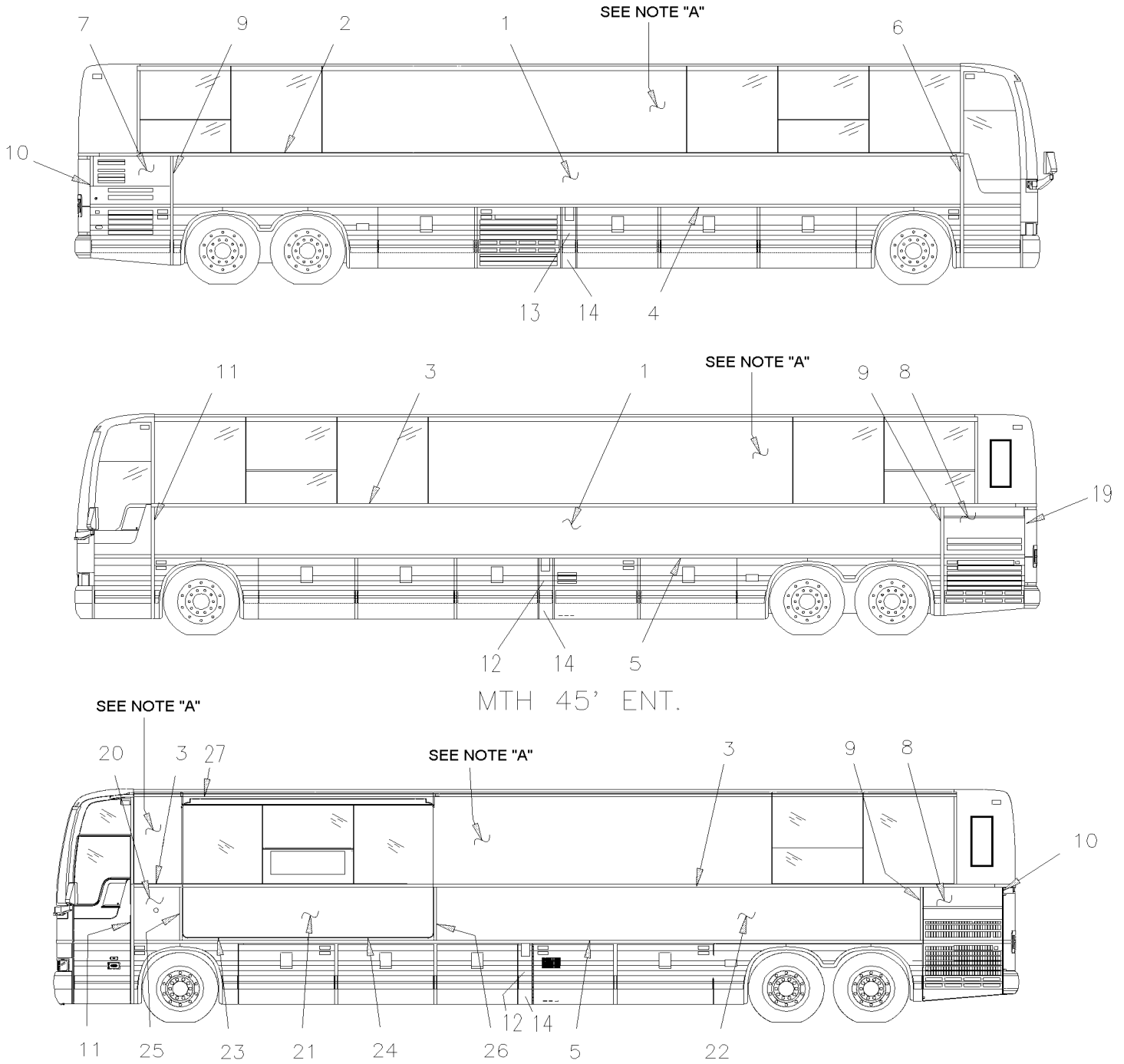
Item#	Part	Description	X L I I M T H 4 5	X L I I M T H 4 5 E	N O T E S
. NS	477350	. FINISHING MOULDING S.S.	1		
. NS	477351	. FINISHING MOULDING S.S.	1		
. NS	477361	. MOULDING "Z" SHAPE S.S. 2438MM	11		
. NS	477358	. FINISHING MOULDING S.S.	6		
65	477337	. FINISHING MOULDING S.S. To 9-9628	AR		
66	477338	. FINISHING MOULDING S.S. To 9-9628	1		
67	477339	. FINISHING MOULDING S.S. To 9-9628	1		
68	477340	. FINISHING MOULDING S.S. To 9-9628	1		
69	477341	. FINISHING MOULDING S.S. To 9-9628	1		
70	477342	. FINISHING MOULDING S.S. To 9-9628	1		
71	477343	. FINISHING MOULDING S.S. To 9-9628	1		
72	477344	. FINISHING MOULDING S.S. To 9-9628	1		
73	477345	. FINISHING MOULDING S.S. To 9-9628	1		
74	477346	. FINISHING MOULDING S.S. To 9-9628	1		
75	477347	. FINISHING MOULDING S.S. To 9-9628	1		
76	477348	. FINISHING MOULDING S.S. To 9-9628	1		
77	477349	. FINISHING MOULDING S.S. To 9-9628	1		10
78	477350	. FINISHING MOULDING S.S. To 9-9628	1		10
79	477351	. FINISHING MOULDING S.S. To 9-9628	1		
81	477353	. FINISHING MOULDING S.S. To 9-9628	1		
82	477354	. FINISHING MOULDING S.S. To 9-9628	1		
83	477355	. FINISHING MOULDING S.S. To 9-9628	1		
84	477356	. FINISHING MOULDING S.S. To 9-9628	1		
85	477357	. FINISHING MOULDING S.S. To 9-9628	1		
86	477358	. FINISHING MOULDING S.S. To 9-9628	AR		
87	477360	. FINISHING MOULDING S.S. To 9-9628	1		
88	477361	. MOULDING "Z" SHAPE S.S. 2438MM To 9-9628	AR		
90	477592	PANEL SUB ASSY / FORWARD FRT/"SLIDE-OUT" / B.A.	1		
90	477593	PANEL / FORWARD FRT/"SLIDE-OUT" / B.A. SERVICE	1		
91	477594	PANEL SUB ASSY / BACKWARD FRT/"SLIDE-OUT" / 1215MM / B.A.	1		
91	477595	PANEL / BACKWARD FRT/"SLIDE-OUT" / 1215MM / B.A. SERVICE	1		
92	478325	PANEL SUB ASSY / FORWARD REAR/"SLIDE-OUT" / B.A.	1		7.5
92	476949	PANEL / FORWARD REAR/"SLIDE-OUT" / B.A. SERVICE	1		7.5
92	476983	PANEL SUB ASSY / FORWARD REAR/"SLIDE-OUT" / B.A.	1		10
94	477558	FINISHING POST / "J" SHAPE L.H. / 29.5 MM WIDE / B.A.	1		S
95	293825	PANEL ASSY / UPPER "SLIDE-OUT" 4426MM	1		
96	293826	PANEL ASSY / UPPER "SLIDE-OUT" 2293MM	1		
96	293962	PANEL ASSY / UPPER "SLIDE-OUT" 3309MM	1		
97	477588	PANEL LOWER / "SLIDE-OUT" & MOULDING FORWARD / B.A.	1		
98	477589	PANEL LOWER / "SLIDE-OUT" & MOULDING / BACKWARD / B.A.	1		
99	MTH-1884-50	SIDE WINDOW - MTH			
100	478326	PANEL SUB ASSY / LOWER, REAR "SLIDE-OUT" / B.A.	1		7.5



From 8-9279 To B-9999	Date:10/2022	PAGE:MTH-1854-50
SIDE PANELING - W/FLUTED PANEL - MTH - 45		

Item#	Part	Description	X L I I M T H 4 5	X L I I M T H 4 5 E	N O T E S
100	476950	PANEL / LOWER, REAR "SLIDE-OUT" / B.A. SERVICE	1		7.5
100	477006	PANEL SUB ASSY / LOWER, REAR "SLIDE-OUT" / B.A.	1		10
100	477007	PANEL / LOWER, REAR "SLIDE-OUT" / B.A. SERVICE	1		10
NS	477774	PANEL / JUNCTION / ITEM 92 & 100	1		7.5
NS	476956	PANEL / JUNCTION / ITEM 92 & 100	1		10
NS	477765	PANEL / JUNCTION / ITEM 100 & 101	1		
101	476952	PANEL SUB ASSY AIR INTAKE LH / B.A. To 8-9331	1		7.5
101	476951	PANEL AIR INTAKE LH / B.A. SERVICE To 8-9331	1		7.5
101	479231	PANEL SUB ASSY AIR INTAKE LH / B.A. From 8-9232	1		7.5
101	479232	PANEL SUB ASSY AIR INTAKE LH / B.A.	1		10
102	477557	FINISHING POST / "J" SHAPE L.H. / 36MM WIDE / B.A.	1		
102	478100	FINISHING POST / "J" SHAPE	1		C
		10) WITH 10' SLIDE OUT			
		7.5) WITH 7.5 SLIDE-OUT			
		C) WITH A BAGGGAGE DOOR WITH A VERTICAL HINGES USE ONLY WITH SMALL A/C SYSTEM			
		S) WITH A BAGGGAGE DOOR WITH A VERTICAL HINGES USE ONLY WITH SMALL A/C SYSTEM			
		P) CALL ORDER DESK FOR SPECIFIC APPLICATION (V.I.N.)			

From 8-9279 To B-9999	Date:10/2022	PAGE:MTH-1854-51
SIDE PANELING - W/FLAT PANEL - MTH - 45 ENT		



NOTE "A" See item # 1 at page MTH-1854-50 for selection upper panel.



From 8-9279 To B-9999	Date:10/2022	PAGE:MTH-1854-51
SIDE PANELING - W/FLAT PANEL - MTH - 45 ENT		

Item#	Part	Description	X L I I M T H 4 5	X L I I M T H 4 5 E	N O T E S
1	970286	STAINLESS STEEL SHEET 912MM X 11392MM		1	
1	970316	STAINLESS STEEL SHEET / STREET SIDE / 912MM X 11240MM		1	
2	474514	FINISHING MOULDING UPPER R.H. 12253MM		1	
. NS	506785	. TAPE RUB ADH2 CC POL 1/16" x 1/4" x 200' / BLACK I1C-N-A		AR	
. NS	506790	. TAPE RUB ADH2 CC POL 1/16" x 1/2" x 200' / BLACK I1C-N-A		AR	
3	474515	FINISHING MOULDING UPPER L.H. 12253MM		1	
. NS	506785	. TAPE RUB ADH2 CC POL 1/16" x 1/4" x 200' / BLACK I1C-N-A		AR	
. NS	506790	. TAPE RUB ADH2 CC POL 1/16" x 1/2" x 200' / BLACK I1C-N-A		AR	
4	474512	FINISHING MOULDING LOWER R.H. 9846MM		1	
. NS	506785	. TAPE RUB ADH2 CC POL 1/16" x 1/4" x 200' / BLACK I1C-N-A		AR	
. NS	506769	. TAPE RUB ADH2 CC POL 1/8" x 1/4" x 60' / BLACK H1CC-N-#14		AR	
5	479199	FINISHING MOULDING LOWER L.H. 11086MM		1	
. NS	506785	. TAPE RUB ADH2 CC POL 1/16" x 1/4" x 200' / BLACK I1C-N-A		AR	
. NS	506769	. TAPE RUB ADH2 CC POL 1/8" x 1/4" x 60' / BLACK H1CC-N-#14		AR	
6	477524	FINISHING MOULDING / ANGLE / 1853MM SS / W/89" / B.A.		1	
NS	504473	RIVET POP DOME OE 1/8x1/4 SS		12	
7	475104	PANEL SUB ASSY AIR INTAKE R.H. / MTH 89"		1	
7	475108	PANEL AIR INTAKE R.H. / MTH 89" SERVICE		1	
8	479184	PANEL SUB ASSY AIR INTAKE L.H. / MTH 89"		1	
9	475101	FINISHING MOULDING ALUMINUM 865MM / W89"		2	
10	477525	FINISHING MOULDING / ANGLE / 552MM SS / W/89" / B.A.		1	
11	477526	FINISHING MOULDING / ANGLE / 1853MM SS / W/89" / B.A.		1	
NS	506790	TAPE RUB ADH2 CC POL 1/16" x 1/2" x 200' / BLACK I1C-N-A		AR	
NS	506769	TAPE RUB ADH2 CC POL 1/8" x 1/4" x 60' / BLACK H1CC-N-#14		AR	
NS	506785	TAPE RUB ADH2 CC POL 1/16" x 1/4" x 200' / BLACK I1C-N-A		AR	
NS	506759	TAPE RUB ADH2 CC POL 1/8" x 1/2" x 100' / BLACK I1C-N-A		AR	
NS	506648	TAPE RUB ADH1 CC POL 1/8" x 1/2"x 50' / GREY 2542		AR	
NS	683097	CLEANER SIKA #205 / CLEAR / 1000ml		AR	
NS	683916	PRIMER SIKA #215 / CLEAR / 1000ml		AR	
NS	683083	ADHESIVE SIKA #252 / BLACK / 600 ml SAUSAGE		AR	
12	477549	PANEL L.H. UPPER ASSY W/FUEL DOOR LH / B.A.		1	
13	477538	PANEL R.H. UPPER ASSY W/FUEL DOOR RH / B.A.		1	
14	477546	PANEL, LOWER 262MM X 257MM / B.A.		1	
19	479167	FINISHING MOULDING / S.S. / 184MM		1	
20	477938	PANEL FLAT FORWARD SLIDE OUT		1	
21	477936	PANEL FLAT FRONT SLIDE OUT		1	
22	970317	STAINLESS STEEL SHEET / STREET SIDE / 912MM X 6934MM		1	
23	477836	PANEL FLAT FORWARD UNDER SLIDE OUT		1	
24	477921	PANEL FLAT BACKWARD UNDER SLIDE OUT		1	
25	477939	MOULDING FORWARD SLIDE OUT		1	
26	477940	MOULDING BACKWARD SLIDE OUT		1	
27	293834	PANEL ASSY / UPPER "SLIDE-OUT" 3553.2MM		1	

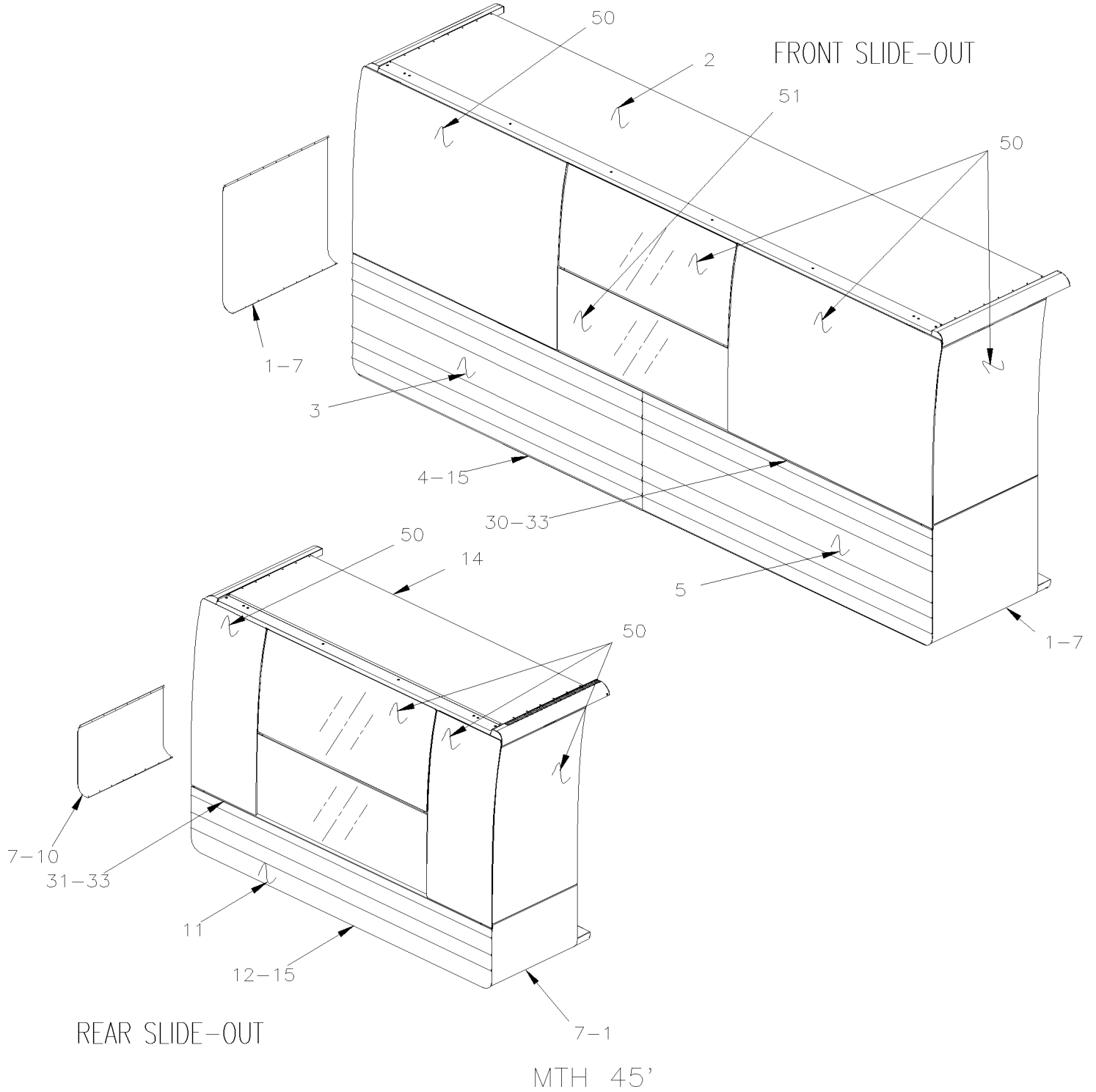


From 8-9279 To B-9999	Date:10/2022	PAGE:MTH-1854-51
-----------------------	--------------	------------------

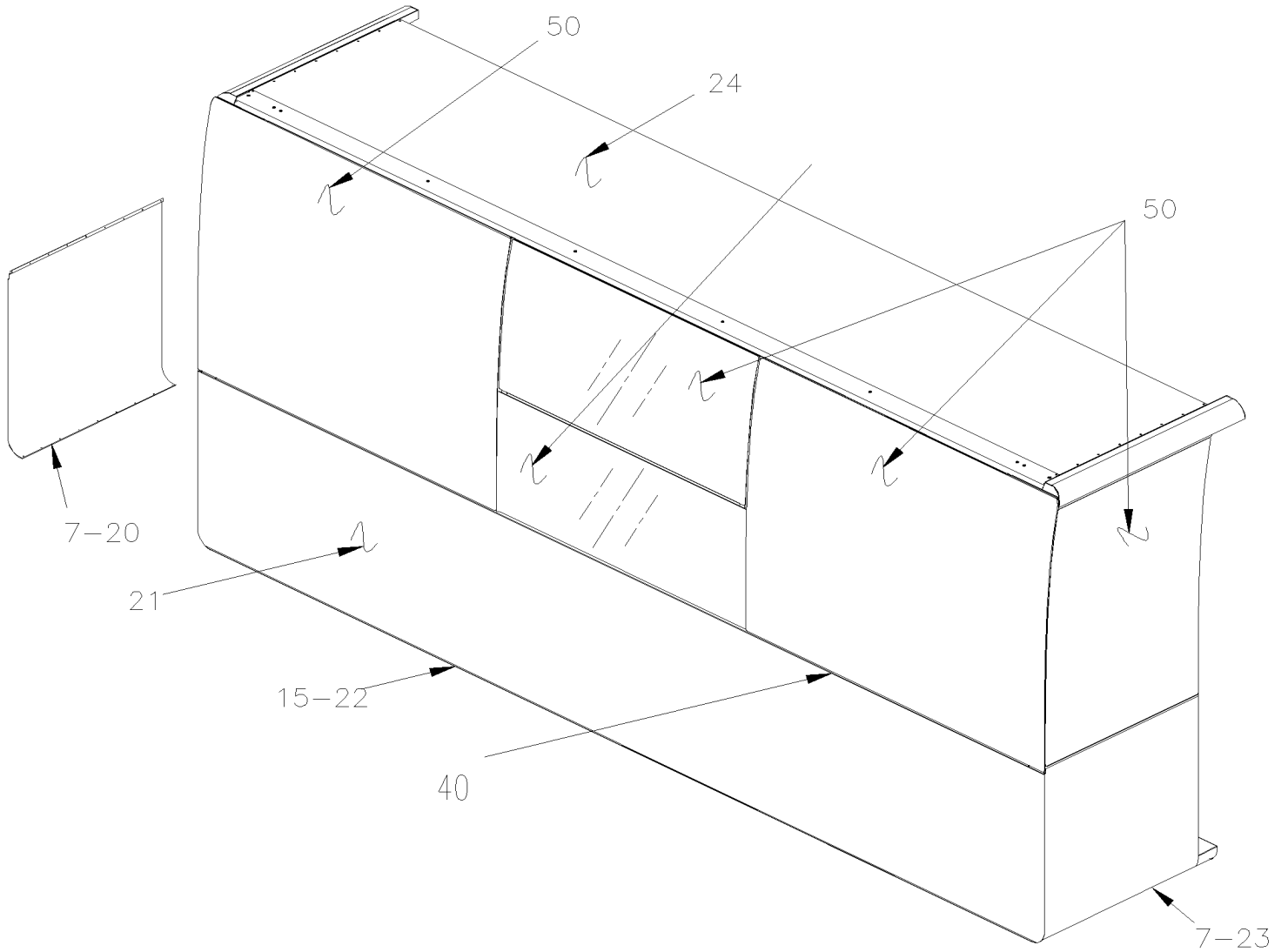
SIDE PANELING - W/FLAT PANEL - MTH - 45 ENT

Item#	Part	Description	X L I I M T H 4 5	X L I I M T H 4 5 E	N O T E S
50	MTH-1854-50	SIDE PANELING - W/FLUTED PANEL - MTH - 45			

	Date:10/2022	PAGE:MTH-1854-90
SIDE PANELING - W/"SLIDE-OUT"		



	Date:10/2022	PAGE:MTH-1854-90
SIDE PANELING - W/"SLIDE-OUT"		



FRONT SLIDE-OUT
MTH 45' ENT.



Date:10/2022

PAGE:MTH-1854-90

SIDE PANELING - W/"SLIDE-OUT"

Item#	Part	Description	X L I I M T H 4 5	X L I I M T H 4 5 E	N O T E S
1	470031	FRONT & REAR PANEL S.S. / B.A.	1		
2	477763	ROOF PANEL AL.	1		
3	477598	PANEL SUB ASSY / FORWARD FRT/"SLIDE-OUT" / B.A.	1		
3	477599	PANEL / FORWARD FRT/"SLIDE-OUT" / B.A. SERVICE	1		
4	477764	PANEL UNDER	1		
5	477600	PANEL SUB ASSY / BACKWARD FRT/"SLIDE-OUT" / B.A.	1		
5	477601	PANEL / BACKWARD FRT/"SLIDE-OUT" / B.A. SERVICE	1		
7	502872	RIVET POP CK OE 1/8x3/16 SS	AR	AR	
NS	506785	TAPE RUB ADH2 CC POL 1/16" x 1/4" x 200' / BLACK I1C-N-A	AR	AR	
NS	680532	SEALANT SIKA #221 / GREY / 310ml CARTRIDGE	AR	AR	
10	470034	FRONT & REAR PANEL S.S. / B.A.	1		
11	477783	PANEL SUB ASSY / REAR / "SLIDE-OUT" / B.A.	1		7.5
11	477784	PANEL / REAR / "SLIDE-OUT" / B.A. SERVICE	1		7.5
11	476987	PANEL SUB ASSY / FORWARD RR / "SLIDE-OUT" / B.A.	1		10
11	477016	PANEL SUB ASSY / BACKWARD RR / "SLIDE-OUT" / B.A.	1		10
NS	477018	PANEL JOINT CENTER PART	1		10
12	477772	UNDER FLOOR PANEL AL.	1		7.5
12	478121	UNDER FLOOR PANEL AL.	1		10
14	477771	ROOF PANEL AL.	1		7.5
14	478343	ROOF PANEL AL.	1		10
15	477902	CAP PLASTIC BLACK / ROD LOOK	1	1	
20	470033	FRONT PANEL S.S. / B.A.		1	
21	477936	PANEL FLAT FRONT SLIDE OUT		1	
22	477838	PANEL UNDER		1	
23	470032	REAR PANEL S.S. / B.A.		1	
24	477837	ROOF PANEL AL.		1	
30	476132	FINISHING MOULDING SS / 4425.6MM	1		
31	476135	FINISHING MOULDING SS / 2292.4MM	1		
32	474515	FINISHING MOULDING UPPER L.H. 12253MM	1		
NS	506785	. TAPE RUB ADH2 CC POL 1/16" x 1/4" x 200' / BLACK I1C-N-A	AR		
NS	506790	. TAPE RUB ADH2 CC POL 1/16" x 1/2" x 200' / BLACK I1C-N-A	AR		
33	293281	RUBBER SEAL EXTRUSION / ADHESIVE / LOWER WINDOW	1		
40	474515	FINISHING MOULDING UPPER L.H. 12253MM		1	
NS	506785	. TAPE RUB ADH2 CC POL 1/16" x 1/4" x 200' / BLACK I1C-N-A		AR	
NS	506790	. TAPE RUB ADH2 CC POL 1/16" x 1/2" x 200' / BLACK I1C-N-A		AR	
41	476733	PANEL FIBERGLASS 265.7MM	1		
50	MTH-1884-90	SIDE WINDOW - "SLIDE-OUT"			
51	MTH-1884-65	ELECTRICAL AWNING WINDOW ASSY			
51	MTH-1884-80	ELECTRICAL SLIDING WINDOW ASSY			



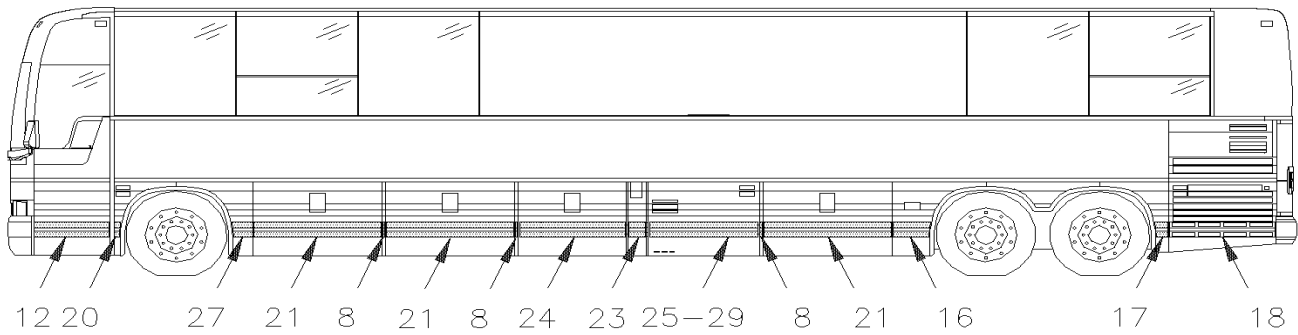
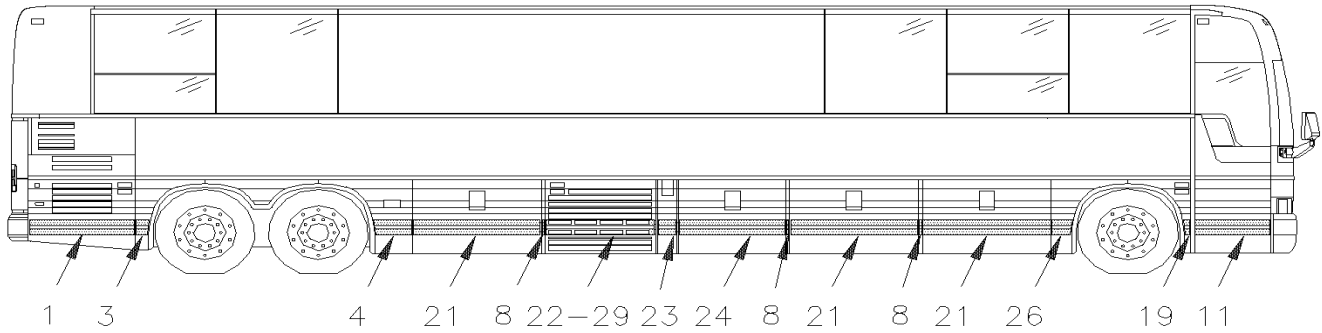
		Date:10/2022	PAGE:MTH-1854-90		
SIDE PANELING - W/"SLIDE-OUT"					
Item#	Part	Description	X L I I M T H 4 5	X L I I M T H 4 5 E	N O T E S
		10) WITH 10' SLIDE-OUT			
		7.5) WITH 7.5 SLIDE-OUT			

From 8-9279 To B-9999

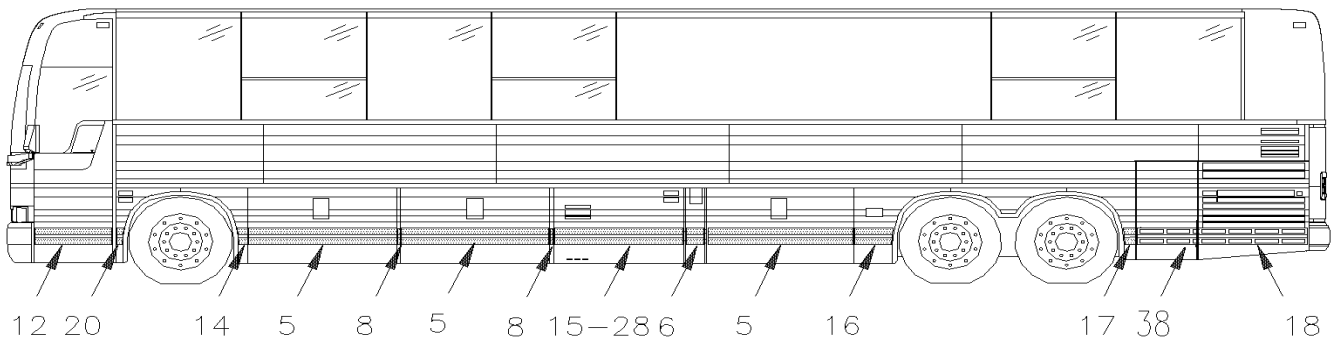
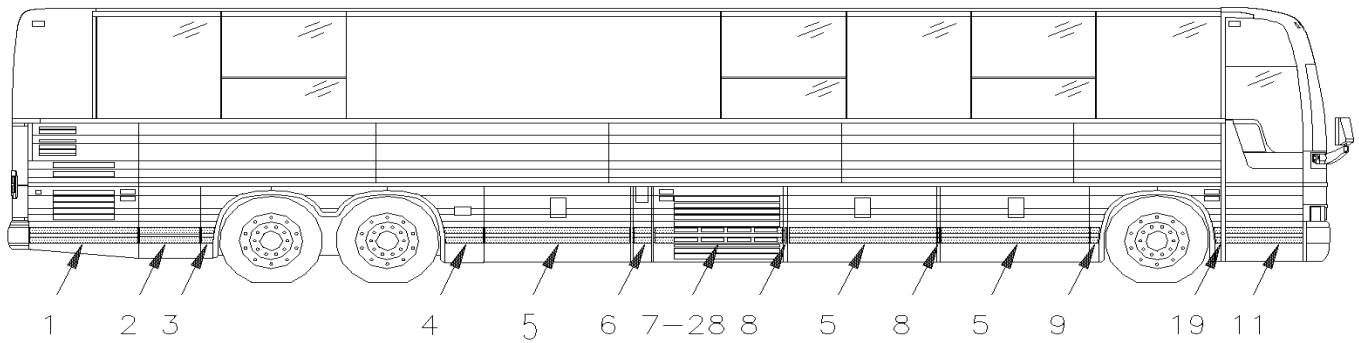
Date:10/2022

PAGE:MTH-1855-00

RUB RAIL - EXTERIOR CREST & TRIMS



MTH 45' ENT.



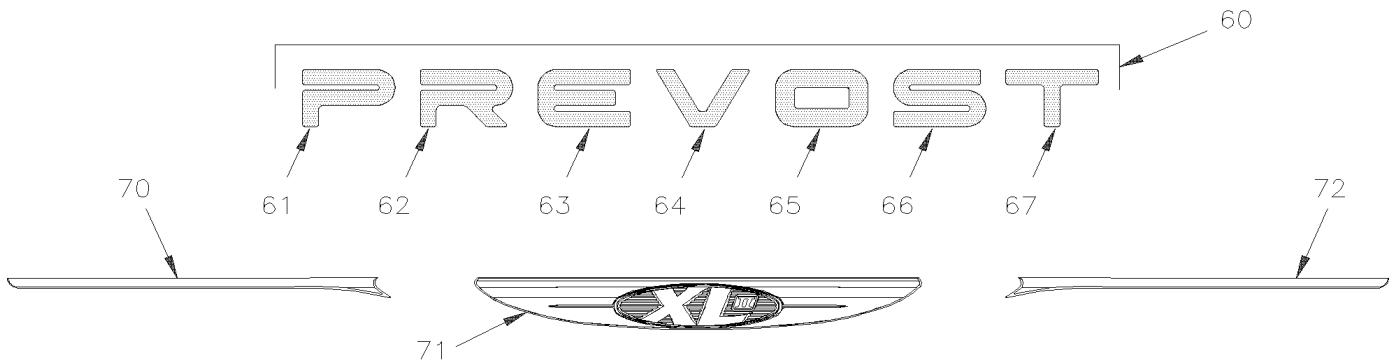
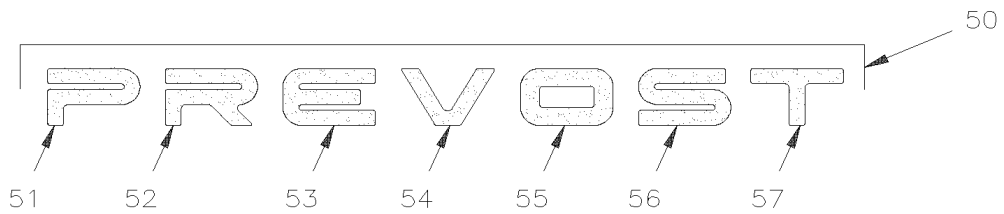
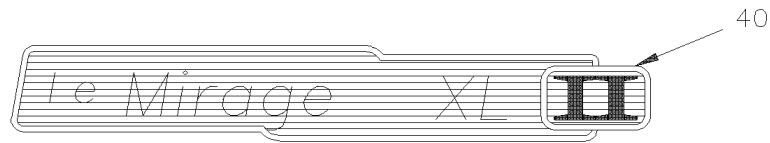
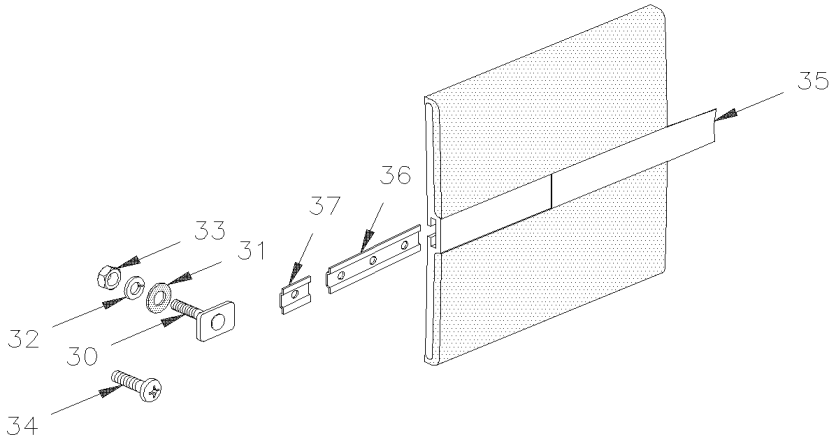
MTH. 45'

From 8-9279 To B-9999

Date:10/2022

PAGE:MTH-1855-00

RUB RAIL - EXTERIOR CREST & TRIMS





From 8-9279 To B-9999	Date:10/2022	PAGE:MTH-1855-00
RUB RAIL - EXTERIOR CREST & TRIMS		

Item#	Part	Description	X L I I M T H 4 5	X L I I M T H 4 5 E	N O T E S
1	286639	RUB RAIL ASSY / 1115MM	1	1	
2	286640	RUB RAIL ASSY / 624MM	1		
3	474303	RUB RAIL ASSY / 132MM	1		
3	476584	RUB RAIL ASSY / 249MM		1	
4	474302	RUB RAIL ASSY / 399MM	1		
4	476583	RUB RAIL ASSY / 294MM		1	
5	474293	RUB RAIL ASSY / 1527MM	6		
6	474296	RUB RAIL ASSY / 194MM	2		
7	474301	RUB RAIL ASSY / 1349MM	1		
8	474294	RUB RAIL ASSY / 33MM	4		
8	474294	RUB RAIL ASSY / 33MM		6	
9	474300	RUB RAIL ASSY / 108MM	1		
11	474290	RUB RAIL ASSY / 794MM / W/1 ½" SCREW	1	1	
NS	474304	SPECIAL SCREW ASSY SQ SS 1/4-20 X 1"½	1	1	
12	474766	RUB RAIL ASSY / 794MM / W/1" SCREW	1	1	
13	474291	RUB RAIL ASSY / 66MM	1	1	
14	474292	RUB RAIL ASSY / 108MM	1		
15	474295	RUB RAIL ASSY / 1351MM	1		
16	474297	RUB RAIL ASSY / 399MM	1		
16	476581	RUB RAIL ASSY / 294MM		1	
17	474298	RUB RAIL ASSY / 132MM	1		
17	476793	RUB RAIL ASSY / 99MM		1	
18	286638	RUB RAIL ASSY / 1115MM PERFORATED	1		
18	289417	RUB RAIL ASSY / 1267.4MM PERFORATED		1	
19	474827	RUB RAIL ASSY / 101MM	1		
19	478358	RUB RAIL ASSY / 89MM		1	
20	474826	RUB RAIL ASSY / 101MM	1		
20	478359	RUB RAIL ASSY / 89MM		1	
21	474612	RUB RAIL ASSY / 1356MM		6	
22	474616	RUB RAIL ASSY / 1134MM		1	
23	474797	RUB RAIL ASSY / 251MM		2	
24	474613	RUB RAIL ASSY / 1140MM		2	
25	474614	RUB RAIL ASSY / 1135MM		1	
26	474615	RUB RAIL ASSY / 222MM		1	
27	474611	RUB RAIL ASSY / 222MM		1	
28	474612	RUB RAIL ASSY / 1356MM	2		A
29	474613	RUB RAIL ASSY / 1140MM		2	A
30	474304	SPECIAL SCREW ASSY SQ SS 1/4-20 X 1"½	AR	AR	
31	473378	SEAL WASHER / RUB RAIL & PANEL	AR	AR	
32	500270	WASHER FL .406x1.000x.063 SS	AR	AR	
33	5001123	NUT HEXF 1/4-20 SS	AR	AR	
34	500310	SCREW TC FL PH #10-24x1 1/4 SS410	AR	AR	



From 8-9279 To B-9999	Date:10/2022	PAGE:MTH-1855-00
RUB RAIL - EXTERIOR CREST & TRIMS		

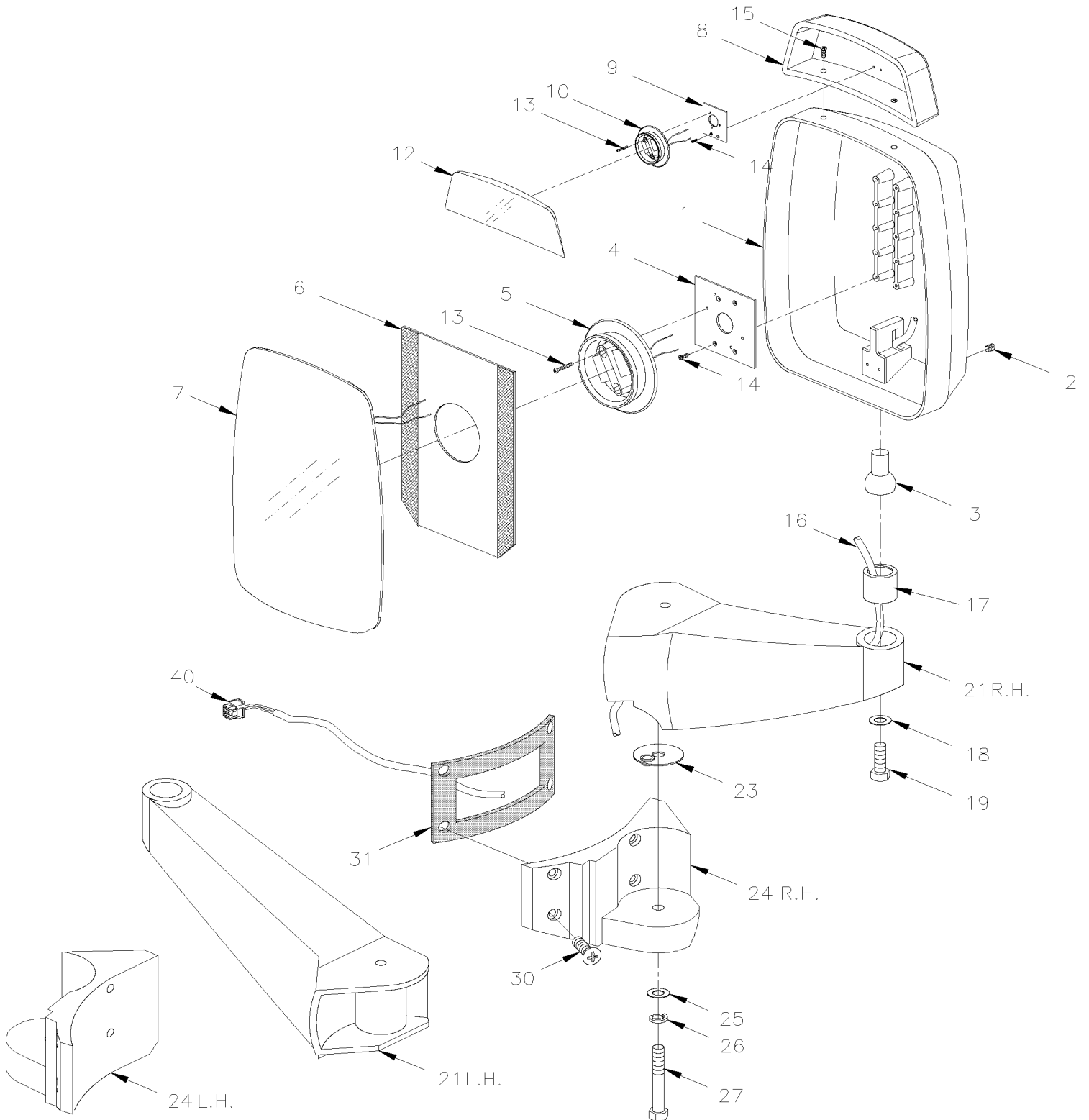
Item#	Part	Description	X L I I M T H 4 5	X L I I M T H 4 5 E	N O T E S
35	920010	STRIPE, REFLECTIVE BLACK / 22MM X 150'	AR	AR	
35	287287	. STRIPE, REFLECTIVE BLACK / 22MM X 15'	AR	AR	
36	474777	ATTACHMENT SUPPORT THIN 5.6MM X 100MM 3 HOLES	1	1	
36	474944	ATTACHMENT SUPPORT THIN 4MM X 100MM 3 HOLES	1	1	
36	474783	ATTACHMENT SUPPORT THICK 5.6MM X 30MM	AR	AR	
37	474953	ATTACHMENT SUPPORT THIN 4MM X 30MM 1 HOLE	1	1	
38	289947	RUB RAIL ASSY / 624MM	1	1	
40	490902	CREST "XL-II"	1	1	
50	490922	CREST "PREVOST" GOLD REAR	1	1	
51	490931	. LETTER "P" GOLD	1	1	
52	490932	. LETTER "R" GOLD	1	1	
53	490933	. LETTER "E" GOLD	1	1	
54	490934	. LETTER "V" GOLD	1	1	
55	490935	. LETTER "O" GOLD	1	1	
56	490936	. LETTER "S" GOLD	1	1	
57	490937	. LETTER "T" GOLD	1	1	
60	490921	CREST "PREVOST" SILVER REAR	1	1	
61	490924	. LETTER "P" SILVER	1	1	
62	490925	. LETTER "R" SILVER	1	1	
63	490926	. LETTER "E" SILVER	1	1	
64	490927	. LETTER "V" SILVER	1	1	
65	490928	. LETTER "O" SILVER	1	1	
66	490929	. LETTER "S" SILVER	1	1	
67	490930	. LETTER "T" SILVER	1	1	
70	491015	CREST "XL-II" & X3-45 / CURBSIDE WING PART	1	1	
71	491014	CREST "XL-II" / CENTER PART	1	1	
72	491016	CREST "XL-II" & X3-45 / STREETSIDE WING PART	1	1	
		A) MTH WITH SMALL A/C SYSTEM			

From 8-9279 To B-9999

Date:10/2022

PAGE:MTH-1856-23

MIRROR "RAMCO" FLAT GLASS / BLACK PAINTED





From 8-9279 To B-9999	Date:10/2022	PAGE:MTH-1856-23
MIRROR "RAMCO" FLAT GLASS / BLACK PAINTED		

Item#	Part	Description	X L I I M T H 4 5	X L I I M T H 4 5 E	N O T E S
	990363	MIRROR ASSY, R.H. / W/CONVEX ELECTRIC / W/8 PINS CONNECTOR To A-9872		1	
	990431	MIRROR ASSY, R.H. / W/CONVEX ELECTRIC / W/9 PINS CONNECTOR From A-9873		1	
	990407	MIRROR ASSY, L.H. / W/CONVEX ELECTRIC / W/8 PINS CONNECTOR To A-9872		1	
	990452	MIRROR ASSY, L.H. / W/CONVEX ELECTRIC / W/9 PINS CONNECTOR From A-9873		1	
1	990374	. HEAD ASSY / W/CONVEX ELECTRIC / W/8 PINS CONNECTOR To A-9872		1	
1	990443	. HEAD ASSY / W/CONVEX ELECTRIC / W/9 PINS CONNECTOR From A-9873		1	
2	502812	. . SCREW SET HEXS CUP 3/8-16X3/8 SS		1	
3	990186	. . STUD, BALL To A-9872		1	
3	990478	. . STUD, BALL From A-9873		1	
4	990272	. . NOTCHED BACK MOUNTING PLATE (2" X 3")		1	
5	990349	. . MOTOR 12V / MEDIUM / BLACK / 108MM / 4 1/4" O.D.		1	
. NS	564494	. . . TAB TERMINAL / 20-16 / AMP 63138-1		4	
6	990268	. . VELCRO PLATE / 8" X 8"		1	
7	990199	. . GLASS ASSY W/HEATER 12V		1	
8	990297	. MIRROR ASSY / CONVEX ELECTRIC		1	
9	990295	. . PLATE, TOP MOTOR MOUNTING		1	
10	990219	. . MOTOR 12V / SMALL / BLACK / 85MM / 3 5/16" O.D.		1	
. NS	564494	. . . TAB TERMINAL / 20-16 / AMP 63138-1		4	
12	990339	. . GLASS CONVEX ASSY W/HEATER 12V		1	
13	N.P.N.	. . SCREW TC FL PH ZP 6-32 X 1 1/8"		3	4
14	500660	. . SCREW TC FL PH #6-32x3/8 Z050		2	
15	990530	. . SCREW CAP HEX #10-24x1" SS		2	
NS	500787	. . NUT HEX #10-24 SS		2	
16	N.P.N.	. . CABLE ASSY / W/CONNECTOR / SEE ITEM # 40		1	4
17	990379	. . CUP, BALL STUD RETAINER / ONE PIECE		1	
18	500270	. . WASHER FL .406x1.000x.063 SS		1	
19	N.P.N.	. . SCREW CAP HEX SS 3/8-24 X 1.250		1	4
21	990392	. ARM, L.H. / DIRTY FREE		1	
21	990308	. ARM, R.H.		1	
23	990265	. WASHER ALUMINUM / 2 " O.D.		1	
NS	504082	. . SNAP BUSHING / .125x.312x.312		1	
24	990305	. BRACKET, MOUNTING R.H.		1	
24	990306	. BRACKET, MOUNTING L.H.		1	
25	500958	. WASHER FL .531x1.062x.095 SS		1	
26	500035	. WASHER LO SPT .317x.586x.078 SS		1	
27	990500	. SCREW 1/2-13x2 HHCS SS		1	
30	5001461	SCREW MA FL PH M8-1.25x40 SS		2	
30	5001581	SCREW CAP BUT HEXS M8-1.25x40 SS		2	
NS	5001341	WASHER FL 8.4x17.0x1.6 SS		2	
31	490873	GASKET, RH		1	
31	490894	GASKET, LH		1	
40	563163	CONNECTOR / W 45" CABLE ASSY / PH 8C / CONXALL 3280-8PG-324 To A-9872		2	



From 8-9279 To B-9999	Date:10/2022	PAGE:MTH-1856-23
-----------------------	--------------	------------------

MIRROR "RAMCO" FLAT GLASS / BLACK PAINTED

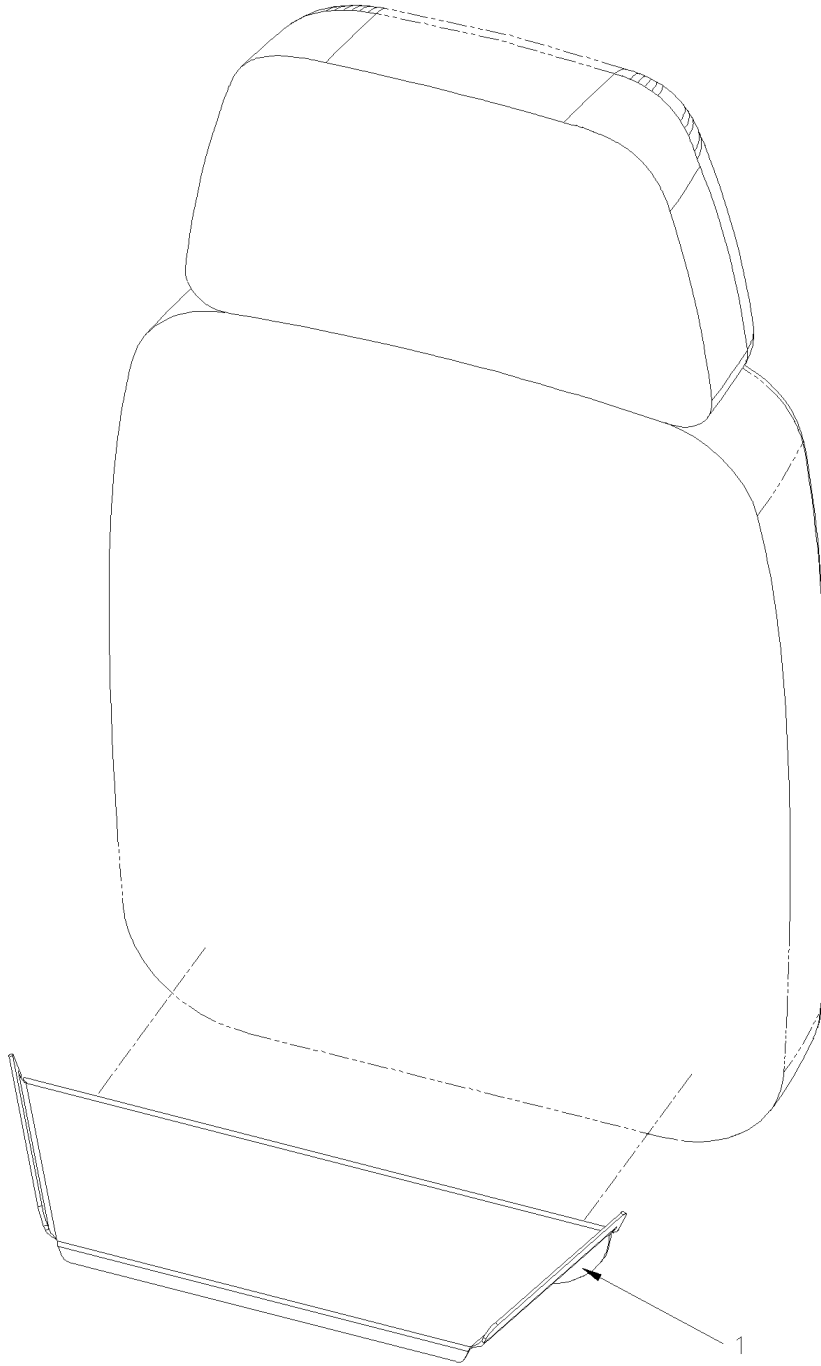
Item#	Part	Description	X L I I M T H 4 5	X L I I M T H 4 5 E	N O T E S
40	563802	CONNECTOR / W 45" CABLE ASSY / PH 9C From A-9873		2	
NS	563088	CONNECTOR / MULTI CON X / SH 8C / CONXALL 4280-8SG-300 To A-9872		2	B
41	563801	CONNECTOR / MULTI CON X / SH 9C / CONXALL 4280-9SG-300 From A-9873		2	B
NS	562511	SOCKET TERMINAL / 20 / CONXALL 586SG		AR	B
NS	MI16-28	DRIP EDGE ADDITION ON FRONT MIRRORS / PRODUCT IMPROVMENT		1	
		B) THIS CONNECTOR IT USED ON CABLE HARNESS FROM INSIDE OF VEHICULE			
		4) NO PARTS NUMBER			

From 8-9279 To B-9999

Date:10/2022

PAGE:MI16-28

DRIP EDGE ADDITION ON FRONT MIRRORS / PRODUCT IMPROVMENT





From 8-9279 To B-9999	Date:10/2022	PAGE:MI16-28
-----------------------	--------------	--------------

DRIP EDGE ADDITION ON FRONT MIRRORS / PRODUCT IMPROVMENT

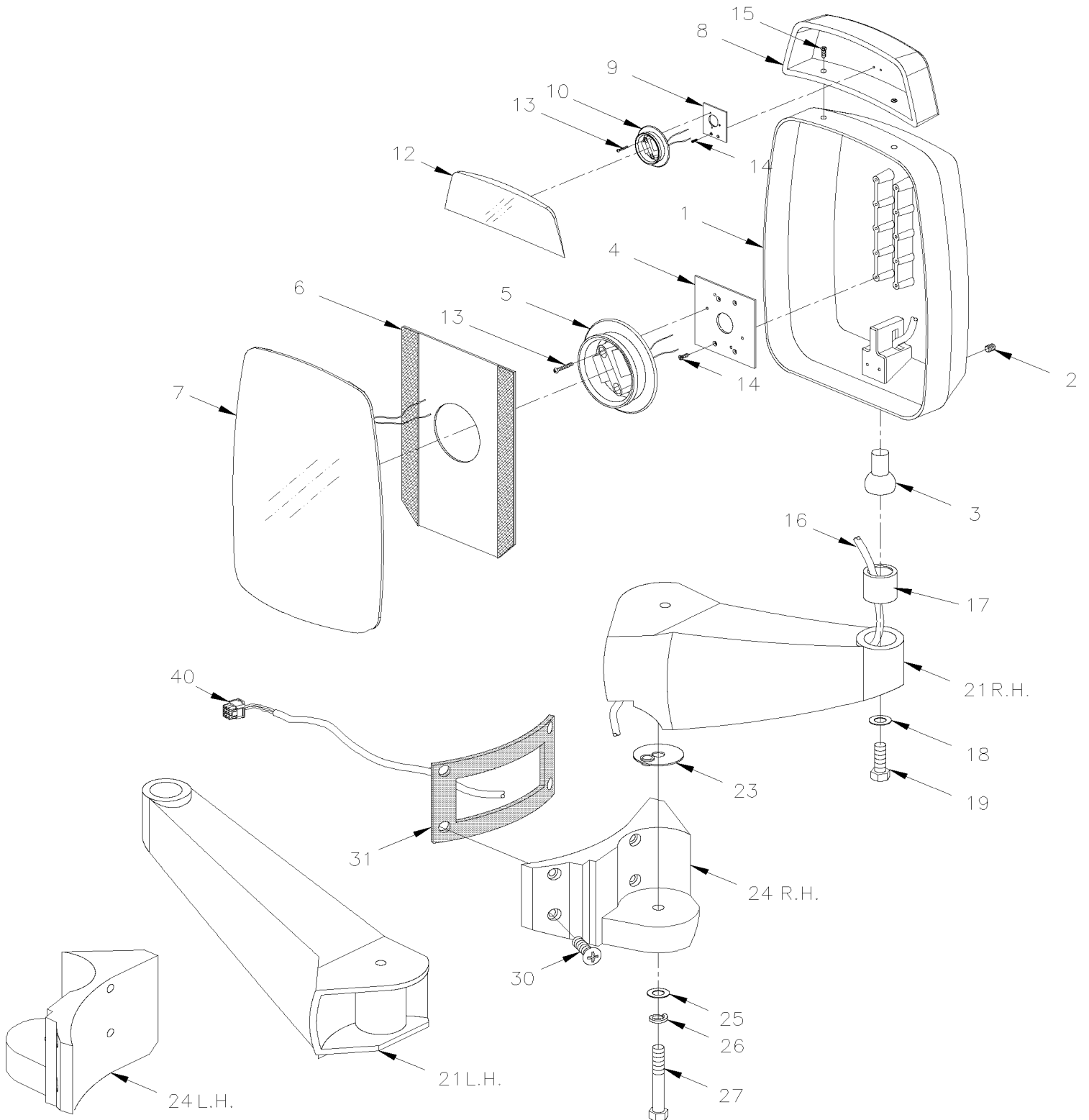
Item#	Part	Description	X L I I M T H 4 5	X L I I M T H 4 5 E	N O T E S
1	491507	MIRROR EXT. DRIP MOLDING ASSY	2	2	
2		MAINTENANCE INFORMATION	1	1	

From 8-9279 To B-9999

Date:10/2022

PAGE:MTH-1856-50

MIRROR "RAMCO" FLAT GLASS / CHROME





From 8-9279 To B-9999	Date:10/2022	PAGE:MTH-1856-50
MIRROR "RAMCO" FLAT GLASS / CHROME		

Item#	Part	Description	X L I I M T H 4 5	X L I I M T H 4 5 E	N O T E S
	990409	MIRROR ASSY, L.H. / W/CONVEX ELECTRIC / W/8 PINS CONNECTOR To A-9872	1	1	
	990454	MIRROR ASSY, L.H. / W/CONVEX ELECTRIC / W/9 PINS CONNECTOR From A-9873	1	1	
	990367	MIRROR ASSY, R.H. / W/CONVEX ELECTRIC / W/8 PINS CONNECTOR To A-9872	1	1	
	990433	MIRROR ASSY, R.H. / W/CONVEX ELECTRIC / W/9 PINS CONNECTOR From A-9873	1	1	
1	990376	. HEAD ASSY / W/CONVEX ELECTRIC / W/8 PINS CONNECTOR To A-9872	1	1	
1	990444	. HEAD ASSY / W/CONVEX ELECTRIC / W/9 PINS CONNECTOR From A-9873	1	1	
2	502812	. . SCREW SET HEXS CUP 3/8-16X3/8 SS	1	1	
3	990186	. . STUD, BALL To A-9872	1	1	
3	990478	. . STUD, BALL From A-9873	1	1	
4	990272	. . NOTCHED BACK MOUNTING PLATE (2" X 3")	1	1	
5	990349	. . MOTOR 12V / MEDIUM / BLACK / 108MM / 4 1/4" O.D.	1	1	
. NS	564494	. . . TAB TERMINAL / 20-16 / AMP 63138-1	4	4	
6	990268	. . VELCRO PLATE / 8" X 8"	1	1	
7	990199	. . GLASS ASSY W/HEATER 12V	1	1	
8	990302	. MIRROR ASSY / CONVEX ELECTRIC	1	1	
9	990295	. . PLATE, TOP MOTOR MOUNTING	1	1	
10	990219	. . MOTOR 12V / SMALL / BLACK / 85MM / 3 5/16" O.D.	1	1	
. NS	564494	. . . TAB TERMINAL / 20-16 / AMP 63138-1	4	4	
12	990339	. . GLASS CONVEX ASSY W/HEATER 12V	1	1	
13	N.P.N.	. . SCREW TC FL PH ZP 6-32 X 1 1/8"	3	3	4
14	500660	. . SCREW TC FL PH #6-32x3/8 Z050	2	2	
15	990530	. . SCREW CAP HEX #10-24x1" SS	2	2	
NS	500787	. . NUT HEX #10-24 SS	2	2	
16	N.P.N.	. . CABLE ASSY / W/CONNECTOR 8PIN / SEE ITEM # 40	1	1	4
17	990379	. . CUP, BALL STUD RETAINER / ONE PIECE	1	1	
18	500270	. . WASHER FL .406x1.000x.063 SS	1	1	
19	N.P.N.	. . SCREW CAP HEX SS 3/8-24 X 1.250	1	1	4
21	990316	. ARM, R.H.	1	1	
21	990394	. ARM, L.H. / DIRTY FREE	1	1	
23	990265	. WASHER ALUMINUM / 2 " O.D.	1	1	
NS	504082	. . SNAP BUSHING / .125x.312x.312	1	1	
24	990310	. BRACKET, MOUNTING R.H.	1	1	
24	990312	. BRACKET, MOUNTING L.H.	1	1	
25	500958	. WASHER FL .531x1.062x.095 SS	1	1	
26	500035	. WASHER LO SPT .317x.586x.078 SS	1	1	
27	990500	. SCREW 1/2-13x2 HHCS SS	1	1	
30	5001461	SCREW MA FL PH M8-1.25x40 SS	2	2	
30	5001581	SCREW CAP BUT HEXS M8-1.25x40 SS	2	2	
NS	5001341	WASHER FL 8.4x17.0x1.6 SS	2	2	
31	490873	GASKET, RH	1	1	
31	490894	GASKET, LH	1	1	
40	563163	CONNECTOR / W 45" CABLE ASSY / PH 8C / CONXALL 3280-8PG-324 To A-9872	2	2	



From 8-9279 To B-9999	Date:10/2022	PAGE:MTH-1856-50
-----------------------	--------------	------------------

MIRROR "RAMCO" FLAT GLASS / CHROME

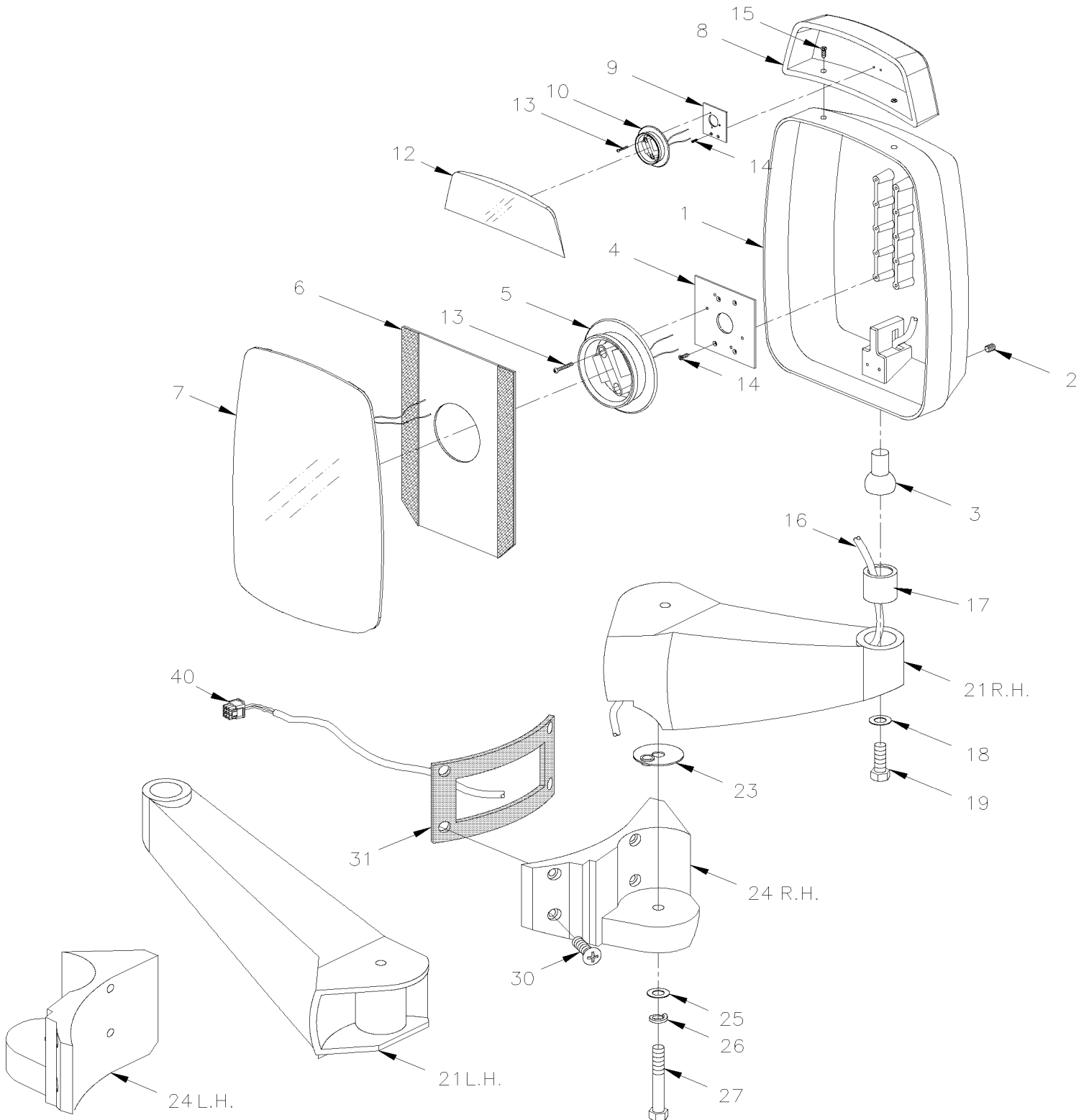
Item#	Part	Description	X L I I M T H 4 5	X L I I M T H 4 5 E	N O T E S
40	563802	CONNECTOR / W 45" CABLE ASSY / PH 9C From A-9873	1	1	
NS	563088	CONNECTOR / MULTI CON X / SH 8C / CONXALL 4280-8SG-300 To A-9872	2	2	B
41	563801	CONNECTOR / MULTI CON X / SH 9C / CONXALL 4280-9SG-300 From A-9873	2	2	B
NS	562511	SOCKET TERMINAL / 20 / CONXALL 586SG	AR	AR	B
NS	MI16-28	DRIP EDGE ADDITION ON FRONT MIRRORS / PRODUCT IMPROVMENT			
		B) THIS CONNECTOR IT USED ON CABLE HARNESS FROM INSIDE OF VEHICULE			
		4) NO PARTS NUMBER			

From 8-9279 To B-9999

Date:10/2022

PAGE:MTH-1856-51

MIRROR "RAMCO" FLAT GLASS / CHROME WITH DIRECTIONAL





From 8-9279 To B-9999	Date:10/2022	PAGE:MTH-1856-51
-----------------------	--------------	------------------

MIRROR "RAMCO" FLAT GLASS / CHROME WITH DIRECTIONAL

Item#	Part	Description	X L I I M T H 4 5	X L I I M T H 4 5 E	N O T E S
	990426	MIRROR ASSY, L.H. / DIRECTIONAL / W/CONVEX / W/8 PINS CONNECTOR To A-9872	1	1	
	990456	MIRROR ASSY, L.H. / DIRECTIONAL / W/CONVEX / W/9 PINS CONNECTOR From A-9873	1	1	
	990422	MIRROR ASSY, R.H. / DIRECTIONAL / W/CONVEX / W/8 PINS CONNECTOR To A-9872	1	1	
	990436	MIRROR ASSY, R.H. / DIRECTIONAL / W/CONVEX / W/9 PINS CONNECTOR From A-9873	1	1	
1	990440	. HEAD ASSY / ELECTRIC L.H. / W/8 PINS CONNECTOR To A-9872	1	1	
1	990495	. HEAD ASSY / ELECTRIC L.H. / W/9 PINS CONNECTOR From A-9873	1	1	
1	990439	. HEAD ASSY / ELECTRIC R.H. / W/8 PINS CONNECTOR To A-9872	1	1	
1	990494	. HEAD ASSY / ELECTRIC R.H. / W/9 PINS CONNECTOR From A-9873	1	1	
2	502812	. . SCREW SET HEXS CUP 3/8-16X3/8 SS	1	1	
3	990186	. . STUD, BALL To A-9872	1	1	
3	990478	. . STUD, BALL From A-9873	1	1	
4	990272	. . NOTCHED BACK MOUNTING PLATE (2" X 3")	1	1	
5	990349	. . MOTOR 12V / MEDIUM / BLACK / 108MM / 4 1/4" O.D.	1	1	
. NS	564494	. . . TAB TERMINAL / 20-16 / AMP 63138-1	4	4	
6	990474	. . VELCRO PLATE / 8" X 8" / W/RECESS FOR FLASHER	1	1	
7	990427	. . GLASS ASSY W/DIRECTIONAL ARROW L.H.	1	1	
7	990428	. . GLASS ASSY W/DIRECTIONAL ARROW R.H. >	1	1	
8	990302	. MIRROR ASSY / CONVEX ELECTRIC	1	1	
9	990295	. . PLATE, TOP MOTOR MOUNTING	1	1	
10	990219	. . MOTOR 12V / SMALL / BLACK / 85MM / 3 5/16" O.D.	1	1	
. NS	564494	. . . TAB TERMINAL / 20-16 / AMP 63138-1	4	4	
12	990339	. . GLASS CONVEX ASSY W/HEATER 12V	1	1	
13	N.P.N.	. . SCREW TC FL PH ZP 6-32 X 1 1/8"	3	3	4
14	500660	. . SCREW TC FL PH #6-32x3/8 Z050	2	2	
15	990530	. . SCREW CAP HEX #10-24x1" SS	2	2	
NS	500787	. . NUT HEX #10-24 SS	2	2	
16	N.P.N.	. . CABLE ASSY / W/CONNECTOR 8PIN / SEE ITEM # 40	1	1	4
17	990379	. . CUP, BALL STUD RETAINER / ONE PIECE	1	1	
18	500270	. . WASHER FL .406x1.000x.063 SS	1	1	
19	N.P.N.	. . SCREW CAP HEX SS 3/8-24 X 1.250	1	1	4
21	990316	. ARM, R.H.	1	1	
21	990394	. ARM, L.H. / DIRTY FREE	1	1	
23	990265	. WASHER ALUMINUM / 2 " O.D.	1	1	
NS	504082	. . SNAP BUSHING / .125x.312x.312	1	1	
24	990310	. BRACKET, MOUNTING R.H.	1	1	
24	990312	. BRACKET, MOUNTING L.H.	1	1	
25	500958	. WASHER FL .531x1.062x.095 SS	1	1	
26	500035	. WASHER LO SPT .317x.586x.078 SS	1	1	
27	990500	. SCREW 1/2-13x2 HHCS SS	1	1	
30	5001461	SCREW MA FL PH M8-1.25x40 SS	2	2	
30	5001581	SCREW CAP BUT HEXS M8-1.25x40 SS	2	2	
NS	5001341	WASHER FL 8.4x17.0x1.6 SS	2	2	



From 8-9279 To B-9999 Date:10/2022 PAGE:MTH-1856-51

MIRROR "RAMCO" FLAT GLASS / CHROME WITH DIRECTIONAL

Item#	Part	Description	X L I I M T H 4 5	X L I I M T H 4 5 E	N O T E S
31	490873	GASKET, RH	1	1	
31	490894	GASKET, LH	1	1	
40	563163	CONNECTOR / W 45" CABLE ASSY / PH 8C / CONXALL 3280-8PG-324 To A-9872	2	2	
40	563802	CONNECTOR / W 45" CABLE ASSY / PH 9C From A-9873	2	2	
NS	563088	CONNECTOR / MULTI CON X / SH 8C / CONXALL 4280-8SG-300 To A-9872	2	2	B
41	563801	CONNECTOR / MULTI CON X / SH 9C / CONXALL 4280-9SG-300 From A-9873	2	2	B
NS	562511	SOCKET TERMINAL / 20 / CONXALL 586SG	AR	AR	B
NS	MI16-28	DRIP EDGE ADDITION ON FRONT MIRRORS / PRODUCT IMPROVMENT	1	1	
		B) THIS CONNECTOR IT USED ON CABLE HARNESS FROM INSIDE OF VEHICULE			
		4) NO PARTS NUMBER			

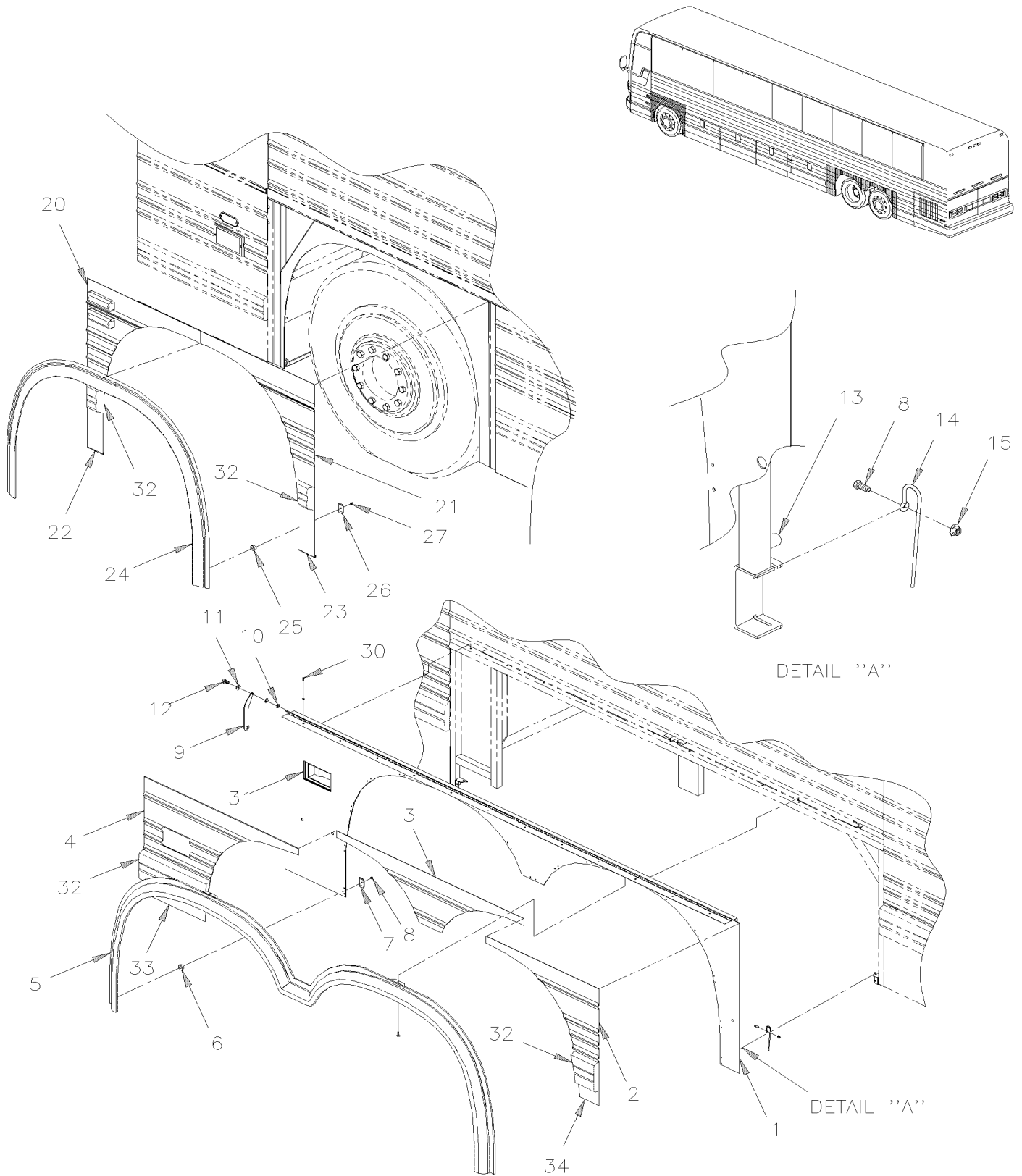


From 8-9279 To B-9999

Date:10/2022

PAGE:MTH-1857-50

FENDERS L.H. - MTH-45





From 8-9279 To B-9999	Date:10/2022	PAGE:MTH-1857-50
FENDERS L.H. - MTH-45		

Item#	Part	Description	X L I I M T H 4 5	X L I I M T H 4 5 E	N O T E S
		"WARNING" - "WARNING" -"WARNING" - "WARNING"			
		FOR MTH-45 ENT FROM 7-9096			
		SEE NEXT PAGE MTH-1857-51			
	477626	. REAR FENDER ASSY L.H. W/OUT EDGE / B.A. From 5-8469	1		
1	213920	. FRAME REAR FENDER L.H.	1		
2	477560	. PANEL REAR L.H. BACKWARD / B.A. From 5-8469	1		
3	477562	. PANEL CENTER / B.A. From 5-8469	1		
4	477561	. PANEL REAR L.H. FORWARD / B.A. From 5-8469	1		
5	240418	. EDGE MOULDING LH W/FLUTED & SS RAIL RECESS	1		
5	240482	. EDGE MOULDING LH W/FLUTED PANEL	1		
NS	500658	. SCREW TC PAN PH #10-24x3/4 Z050	2		
6	571755	. SPACERS BUTTITE STAINLESS	15		
7	240436	. MOUNTING PLATE EDGE 43.2MM x 25MM	15		
8	502622	. SCREW CAP HEX M6-1.0x20 SS BK	2		
9	240412	. LEVER / FOR LOCK	1		
NS	502803	. PIN HITCH CLIP 3/32 x 2 1/2 SS	1		
10	500868	. NUT HEX NYRT M8-1.25 Z050	1		
10	502543	. NUT HEX M8-1.25 Z050	1		
11	471119	. SEAL WASHER / RUB RAIL & PANEL	1		
11	500874	. WASHER FL 8.4x17.0x1.6 Z050	1		
12	502589	. SCREW CAP HEX M8-1.25x25 G8.8 Z050	1		
13	504527	. BUMPER PLUG / .625ODx.312THx.250HOLEx.125	4		
14	472830	. SPRING GUIDE HOLDER	2		
15	5001182	. NUT HEX NYRT M6-1.0 SS	17		
NS	681092	. ADHESIVE SIKA #255FC / BLACK / 310ml CARTRIDGE	AR		
NS	683097	. CLEANER SIKA #205 / CLEAR / 1000ml	AR		
NS	683446	. PRIMER SIKA #206 / BLACK / 1000ml	AR		
NS	506790	. TAPE RUB ADH2 CC POL 1/16" x 1/2" x 200' / BLACK I1C-N-A	AR		
20	477634	PANEL FRONT L.H. FORWARD / B.A.	1		
21	477639	PANEL FRONT L.H. BACKWARD / B.A.	1		
22	477637	PANEL LOWER / 95MM X 243MM / B.A.	1		
23	477537	PANEL LOWER / 103MM X 255MM / B.A.	1		
24	240415	EDGE MOULDING W/FLUTED & SS RAIL RECESS	1		
24	240528	EDGE MOULDING W/FLUTED PANEL	1		
25	571755	SPACERS BUTTITE STAINLESS	22		
26	240436	MOUNTING PLATE EDGE 43.2MM x 25MM	22		
27	5001182	NUT HEX NYRT M6-1.0 SS	22		
30	504488	RIVET MGLP PRDG 3/16x17/64 SS	14		
31	MTH-0663-00	DOCK & CORNERING LIGHT			
32	MTH-1855-00	RUB RAIL - EXTERIOR CREST & TRIMS			



From 8-9279 To B-9999	Date:10/2022	PAGE:MTH-1857-50
FENDERS L.H. - MTH-45		

Item#	Part	Description	X L I I M T H 4 5	X L I I M T H 4 5 E	N O T E S
33	477563	PANEL LOWER / 394MM X 255MM / B.A.	2		
34	477632	PANEL LOWER / 127MM X 205MM / B.A.	2		

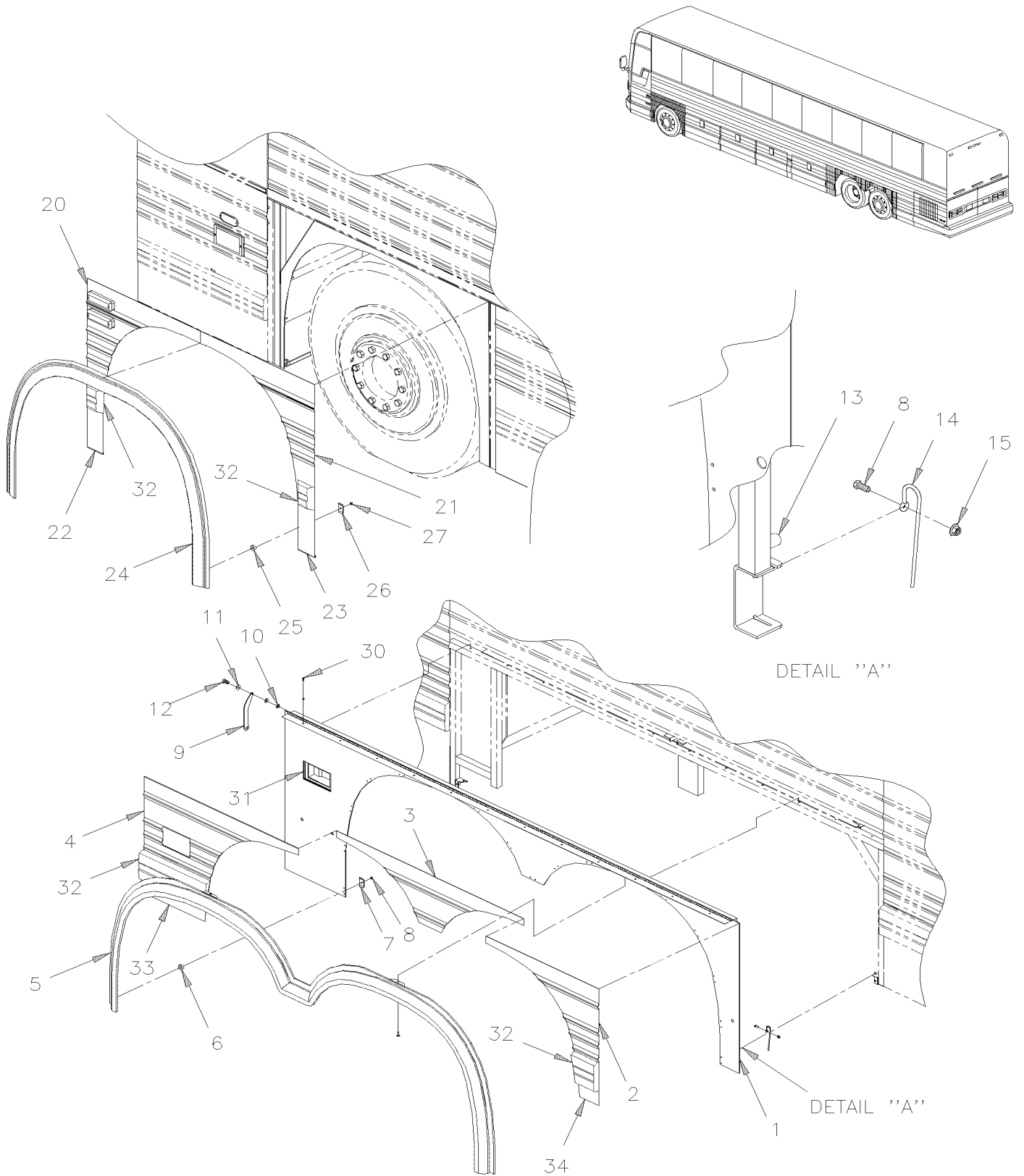


From 8-9279 To B-9999

Date:10/2022

PAGE:MTH-1857-51

FENDERS L.H. - MTH-45 ENT





From 8-9279 To B-9999	Date:10/2022	PAGE:MTH-1857-51
FENDERS L.H. - MTH-45 ENT		

Item#	Part	Description	X L I I M T H 4 5	X L I I M T H 4 5 E	N O T E S
	460504	REAR FENDER ASSY L.H. WEDGE / B.A. To 8-9276		1	
	460518	REAR FENDER ASSY L.H. WEDGE / B.A. From 8-9279		1	
	460513	. REAR FENDER ASSY L.H. W/OUT EDGE / B.A. To 8-9276		1	
	460519	. REAR FENDER ASSY L.H. W/OUT EDGE / B.A. From 8-9279		1	
1	460502	. FRAME REAR FENDER L.H. To 8-9276		1	
1	460517	. FRAME REAR FENDER L.H. From 8-9279		1	
2	476714	. PANEL REAR L.H. BACKWARD / B.A. To 8-9276		1	
2	476736	. PANEL REAR L.H. BACKWARD / B.A. From 8-9279		1	
3	477562	. PANEL CENTER / B.A.		1	
4	476716	. PANEL REAR L.H. FORWARD / B.A.		1	
5	240482	. EDGE MOULDING LH W/FLUTED PANEL		1	
5	240418	. EDGE MOULDING LH W/FLUTED & SS RAIL RECESS		1	O
NS	500283	. SCREW TC TR PH #10-24x3/4 SS		2	
6	571755	. SPACERS BUTTITE STAINLESS		15	
7	240436	. MOUNTING PLATE EDGE 43.2MM x 25MM		15	
8	502622	. SCREW CAP HEX M6-1.0x20 SS BK		2	
9	240412	. LEVER / FOR LOCK		1	
NS	502803	. PIN HITCH CLIP 3/32 x 2 1/2 SS		1	
10	500868	. NUT HEX NYRT M8-1.25 Z050		1	
10	502543	. NUT HEX M8-1.25 Z050		1	
11	471119	. SEAL WASHER / RUB RAIL & PANEL		1	
11	500874	. WASHER FL 8.4x17.0x1.6 Z050		1	
12	502589	. SCREW CAP HEX M8-1.25x25 G8.8 Z050		1	
13	504527	. BUMPER PLUG / .625ODx.312THx.250HOLEx.125		4	
14	472830	. SPRING GUIDE HOLDER		2	
15	5001182	. NUT HEX NYRT M6-1.0 SS		17	
NS	681092	. ADHESIVE SIKA #255FC / BLACK / 310ml CARTRIDGE		AR	
NS	683097	. CLEANER SIKA #205 / CLEAR / 1000ml		AR	
NS	683446	. PRIMER SIKA #206 / BLACK / 1000ml		AR	
NS	506790	. TAPE RUB ADH2 CC POL 1/16" x 1/2" x 200' / BLACK I1C-N-A		AR	
20	477634	PANEL FRONT L.H. FORWARD / B.A.		1	
21	477633	PANEL FRONT L.H. BACKWARD / B.A.		1	
22	477637	PANEL LOWER / 95MM X 243MM / B.A.		1	
23	477638	PANEL LOWER / 217MM X 255MM / B.A.		1	
24	240528	EDGE MOULDING W/FLUTED PANEL		1	
24	240415	EDGE MOULDING W/FLUTED & SS RAIL RECESS		1	O
25	571755	SPACERS BUTTITE STAINLESS		22	
26	240436	MOUNTING PLATE EDGE 43.2MM x 25MM		22	
27	5001182	NUT HEX NYRT M6-1.0 SS		22	
30	504488	RIVET MGLP PRDG 3/16x17/64 SS		14	
31	MTH-0663-00	DOCK & CORNERING LIGHT			
32	MTH-1855-00	RUB RAIL - EXTERIOR CREST & TRIMS			



From 8-9279 To B-9999	Date:10/2022	PAGE:MTH-1857-51
FENDERS L.H. - MTH-45 ENT		

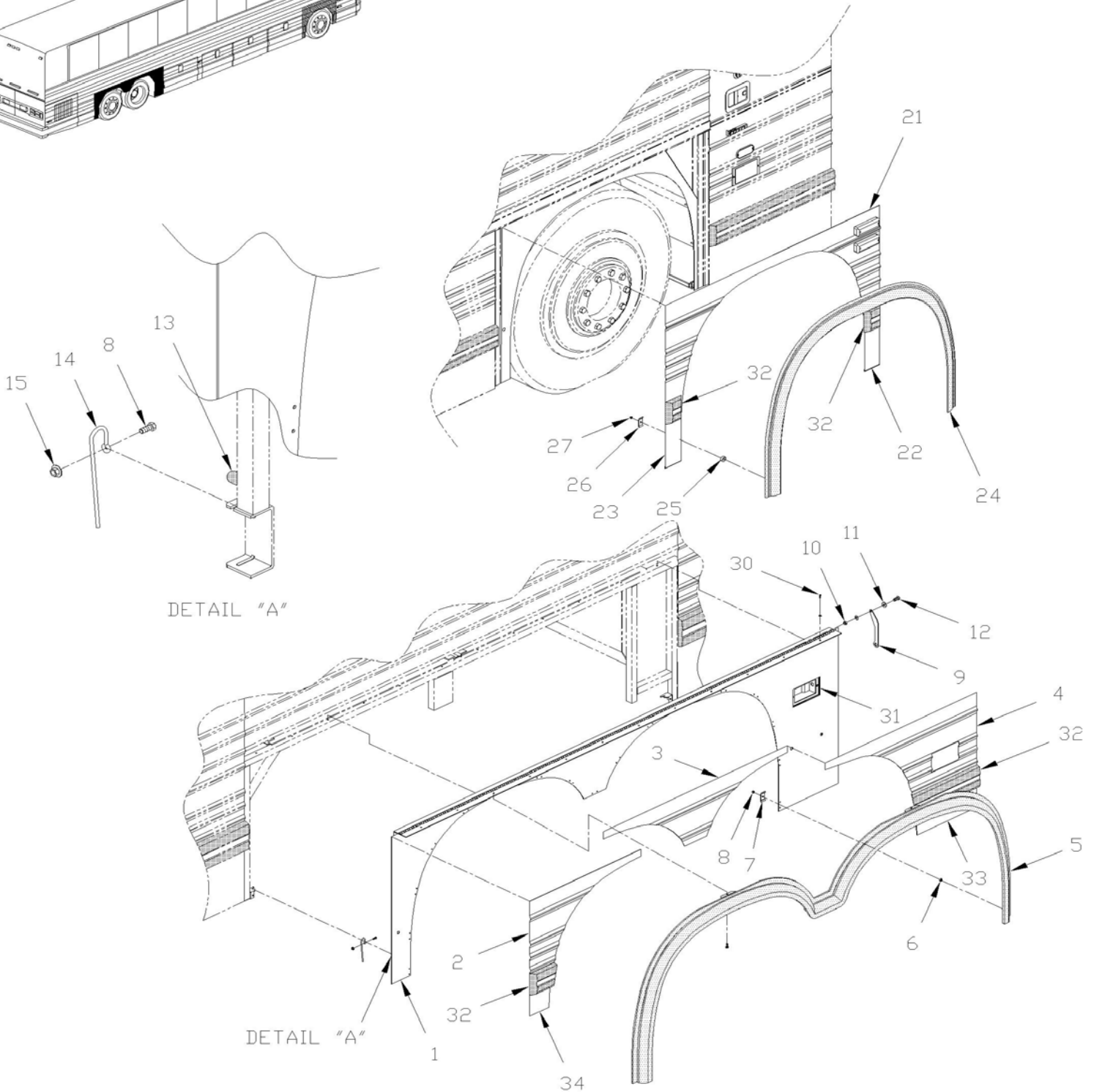
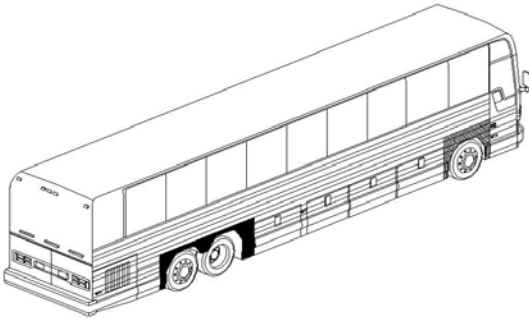
Item#	Part	Description	X L I I M T H 4 5	X L I I M T H 4 5 E	N O T E S
33	476719	PANEL LOWER / 286MM X 255MM / B.A.		2	
34	476718	PANEL LOWER / 240MM X 205MM / B.A. To 8-9276		1	
34	476798	PANEL LOWER / 88MM X 205MM / B.A. From 8-9279		1	
		O) WITH "OPTION"			

From 8-9279 To B-9999

Date:10/2022

PAGE:MTH-1857-55

FENDERS R.H. - MTH-45





From 8-9279 To B-9999	Date:10/2022	PAGE:MTH-1857-55
FENDERS R.H. - MTH-45		

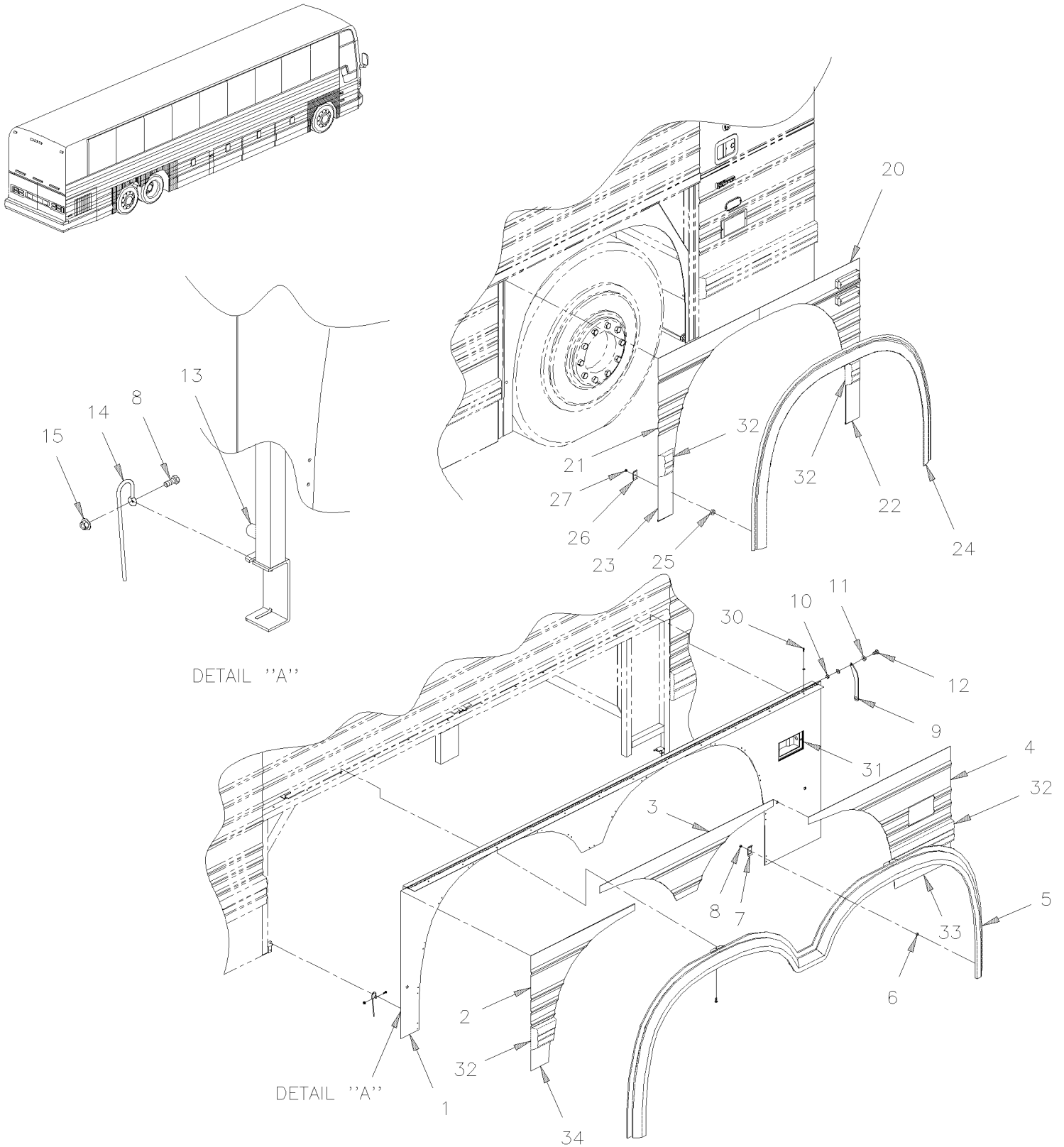
Item#	Part	Description	X L I I M T H 4 5	X L I I M T H 4 5 E	N O T E S
		"WARNING" - "WARNING" - "WARNING" - "WARNING"			
		FOR MTH-45 ENT FROM 7-9096			
		SEE NEXT PAGE MTH-1857-56			
	477630	REAR FENDER ASSY R.H. W/EDGE / B.A.	1		
	477627	. REAR FENDER ASSY R.H. W/OUT EDGE / B.A.	1		
1	213940	. . FRAME REAR FENDER R.H.	1		
2	477640	. . PANEL REAR R.H BACKWARD / B.A.	1		
3	477562	. . PANEL CENTER / B.A.	1		
4	477559	. . PANEL REAR R.H. FORWARD / B.A.	1		
5	240435	. . EDGE MOULDING RH W/FLUTED & SS RAIL RECESS	1		
5	240483	. . EDGE MOULDING RH W/FLUTED PANEL	1		
6	571755	. . SPACERS BUTTITE STAINLESS	15		
7	240436	. . MOUNTING PLATE EDGE 43.2MM x 25MM	15		
8	502622	. . SCREW CAP HEX M6-1.0x20 SS BK	2		
9	240412	. . LEVER / FOR LOCK	1		
9	502803	. . PIN HITCH CLIP 3/32 x 2 1/2 SS	1		
10	500868	. . NUT HEX NYRT M8-1.25 Z050	1		
10	502543	. . NUT HEX M8-1.25 Z050	1		
11	471119	. . SEAL WASHER / RUB RAIL & PANEL	1		
11	500874	. . WASHER FL 8.4x17.0x1.6 Z050	1		
12	502589	. . SCREW CAP HEX M8-1.25x25 G8.8 Z050	1		
13	504527	. . BUMPER PLUG / .625ODx.312THx.250HOLEx.125	4		
14	472830	. . SPRING GUIDE HOLDER	2		
15	5001182	. . NUT HEX NYRT M6-1.0 SS	17		
21	477631	PANEL FRONT R.H. BACKWARD / B.A.	1		
22	477637	PANEL LOWER / 95MM X 243MM / B.A.	1		
23	477537	PANEL LOWER / 103MM X 255MM / B.A.	1		
24	240415	EDGE MOULDING W/FLUTED & SS RAIL RECESS	1		
24	240528	EDGE MOULDING W/FLUTED PANEL	1		
25	571755	SPACERS BUTTITE STAINLESS	22		
26	240436	MOUNTING PLATE EDGE 43.2MM x 25MM	22		
27	477563	PANEL LOWER / 394MM X 255MM / B.A.	2		
30	504488	RIVET MGLP PRDG 3/16x17/64 SS	14		
31	MTH-0663-00	DOCK & CORNERING LIGHT			
32	MTH-1855-00	RUB RAIL - EXTERIOR CREST & TRIMS			
33	477563	PANEL LOWER / 394MM X 255MM / B.A.	1		
34	477632	PANEL LOWER / 127MM X 205MM / B.A.	1		

From 8-9279 To B-9999

Date:10/2022

PAGE:MTH-1857-56

FENDERS R.H. - MTH-45 ENT

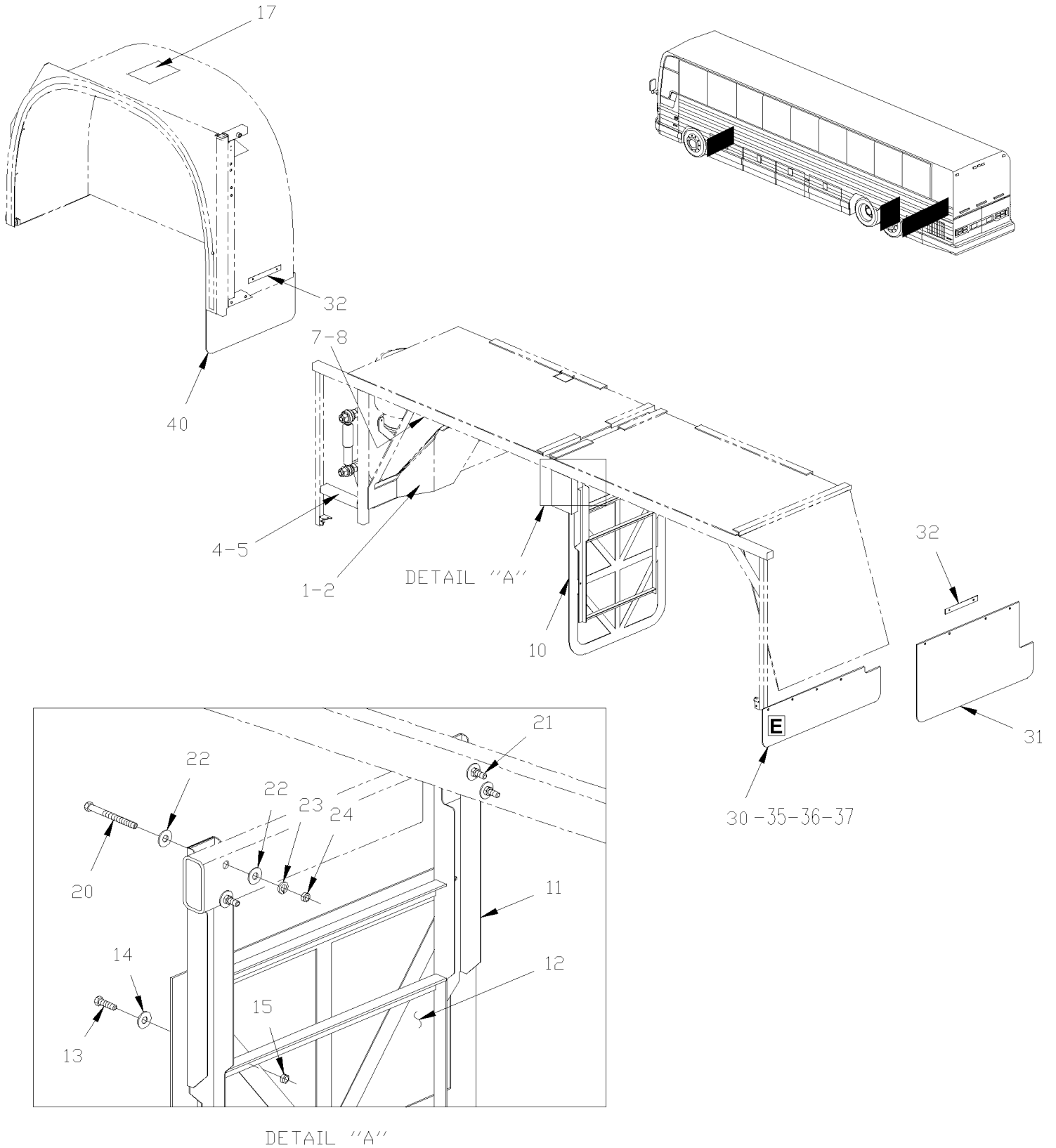


From 8-9279 To B-9999

Date:10/2022

PAGE:MTH-1859-00

SPLASH GUARD - FRONT & REAR

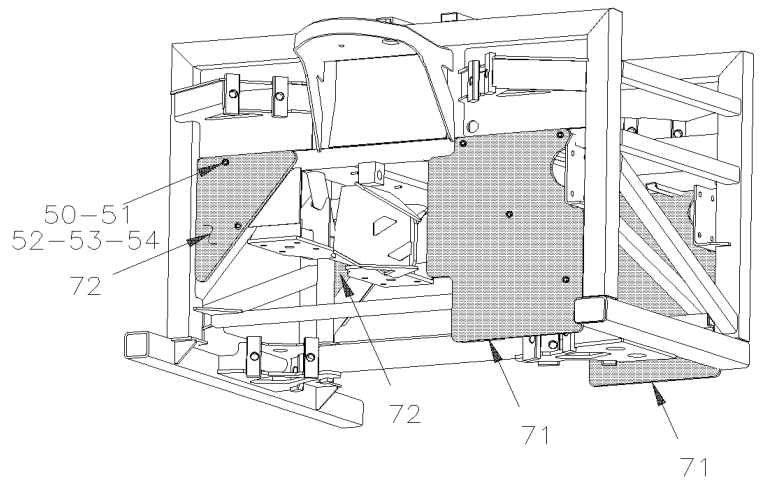
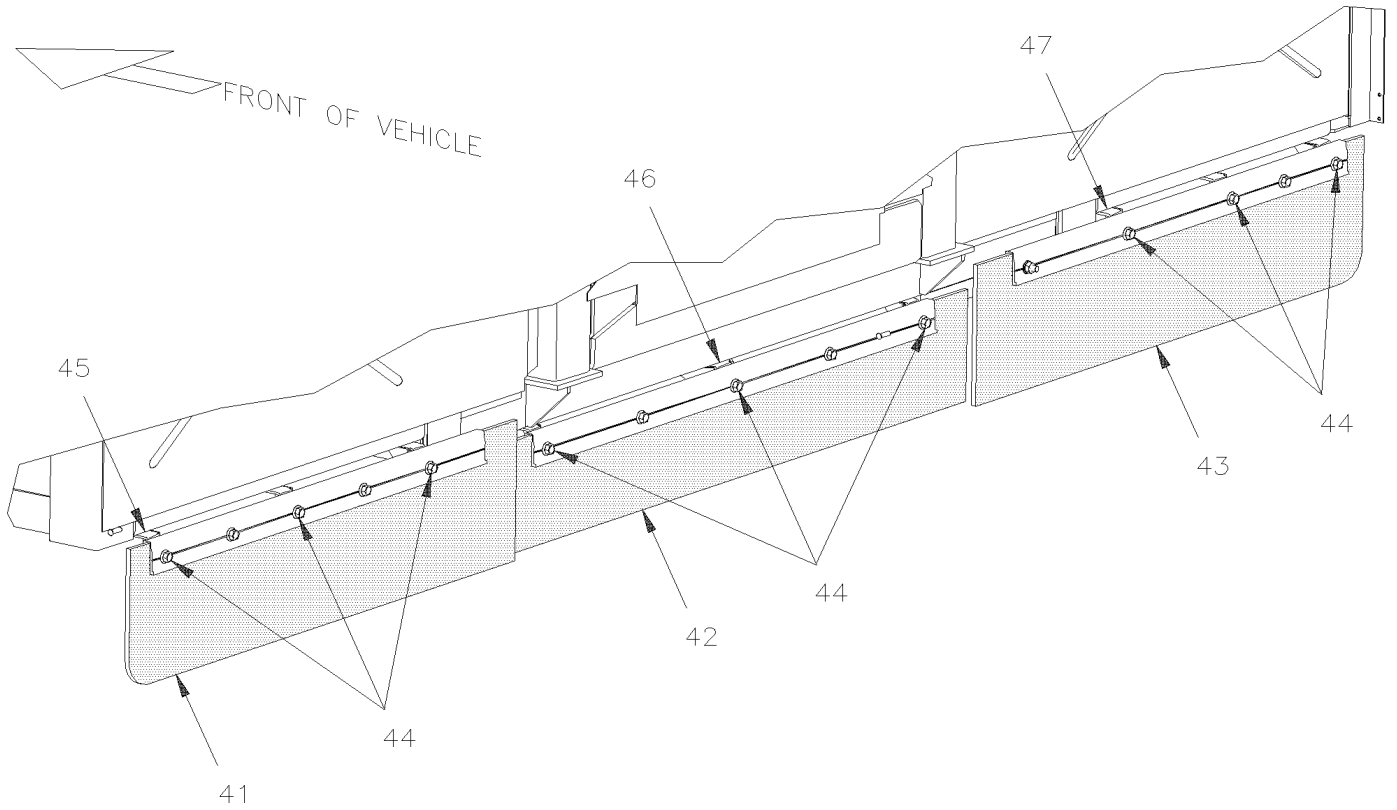


From 8-9279 To B-9999

Date:10/2022

PAGE:MTH-1859-00

SPLASH GUARD - FRONT & REAR





From 8-9279 To B-9999	Date:10/2022	PAGE:MTH-1859-00
SPLASH GUARD - FRONT & REAR		

Item#	Part	Description	X L I I M T H 4 5	X L I I M T H 4 5 E	N O T E S
1	460413	SPLASH GUARD RH	1		
1	460644	SPLASH GUARD RH		1	
2	460414	SPLASH GUARD LH	1		
2	460645	SPLASH GUARD LH		1	
4	214382	SUPPORT LH	1		
4	460646	SUPPORT		1	
5	214404	SUPPORT RH	1		
5	460646	SUPPORT		1	
7	500440	WASHER FL .250x.562x.065 Z050	7		
7	5001169	SCREW TP CAP HEXW #12x3/4 SS410		12	
8	500441	WASHER FL .312x.734x.065 Z050	7		
8	500411	WASHER FL .260x.697x.050 SS		12	
10	460358	SPLASH GUARD / L.H. & R.H. / DRIVE & TAG	2		
10	460643	SPLASH GUARD / R.H. DRIVE & TAG		1	
10	464701	. SPLASH GUARD / R.H. DRIVE & TAG		AR	S
10	460637	SPLASH GUARD / L.H. DRIVE & TAG		1	
10	464700	. SPLASH GUARD / L.H. DRIVE & TAG		AR	S
11	460357	. SUPPORT L.H. & R.H.	1		
11	460638	. SUPPORT L.H. & R.H.		1	
12	460351	. RUBBER PAD	1		
. NS	960015	. . RUBBER PAD	1		
12	460642	. RUBBER PAD R.H.		1	
. NS	960015	. . RUBBER PAD		1	
12	460641	. RUBBER PAD L.H.		1	
. NS	960015	. . RUBBER PAD		1	
12	464702	. PAD L.H. & R.H. 749MM x 762MM		AR	S
12	464704	. REINFORCMENT STRIP SS 749MM x 63MM		AR	S
13	502737	. SCREW CAP HEX M6-1.0x25 SS BK	1		
13	502686	. SCREW CAP HEX M6-1.0x30 SS BK		3	S
13	5001636	. SCREW CAP HEX M6-1.0x50 SS BK		1	
14	500411	. WASHER FL .260x.697x.050 SS	10		
15	502573	. WASHER FL 6.4x12.5x1.6 SS	10		
15	5001182	. NUT HEX NYRT M6-1.0 SS		10	
17	214668	ACCESS PANEL PLASTIC L.H. 275MM x 625MM	1		
NS	504249	RIVET CHY Q PRDG 3/16x3/8 SS	1		
NS	504379	RIVET POP DOME OE 3/16x1/4 SS	1		
NS	790482	SCCELLANT BUTYL / NOIR "GUERTIN"	1		
20	5001185	SCREW CAP HEX M8-1.25x80 SS BK	4	4	
21	5001186	SCREW CAP HEX M8-1.25x90 SS BK	4	4	
22	500270	WASHER FL .406x1.000x.063 SS	8	8	
23	5001161	WASHER LO SPT 8.1x14.8x2.0 SS-304	4	4	
24	5001188	NUT HEX M8-1.25 SS	4	4	



From 8-9279 To B-9999	Date:10/2022	PAGE:MTH-1859-00
SPLASH GUARD - FRONT & REAR		

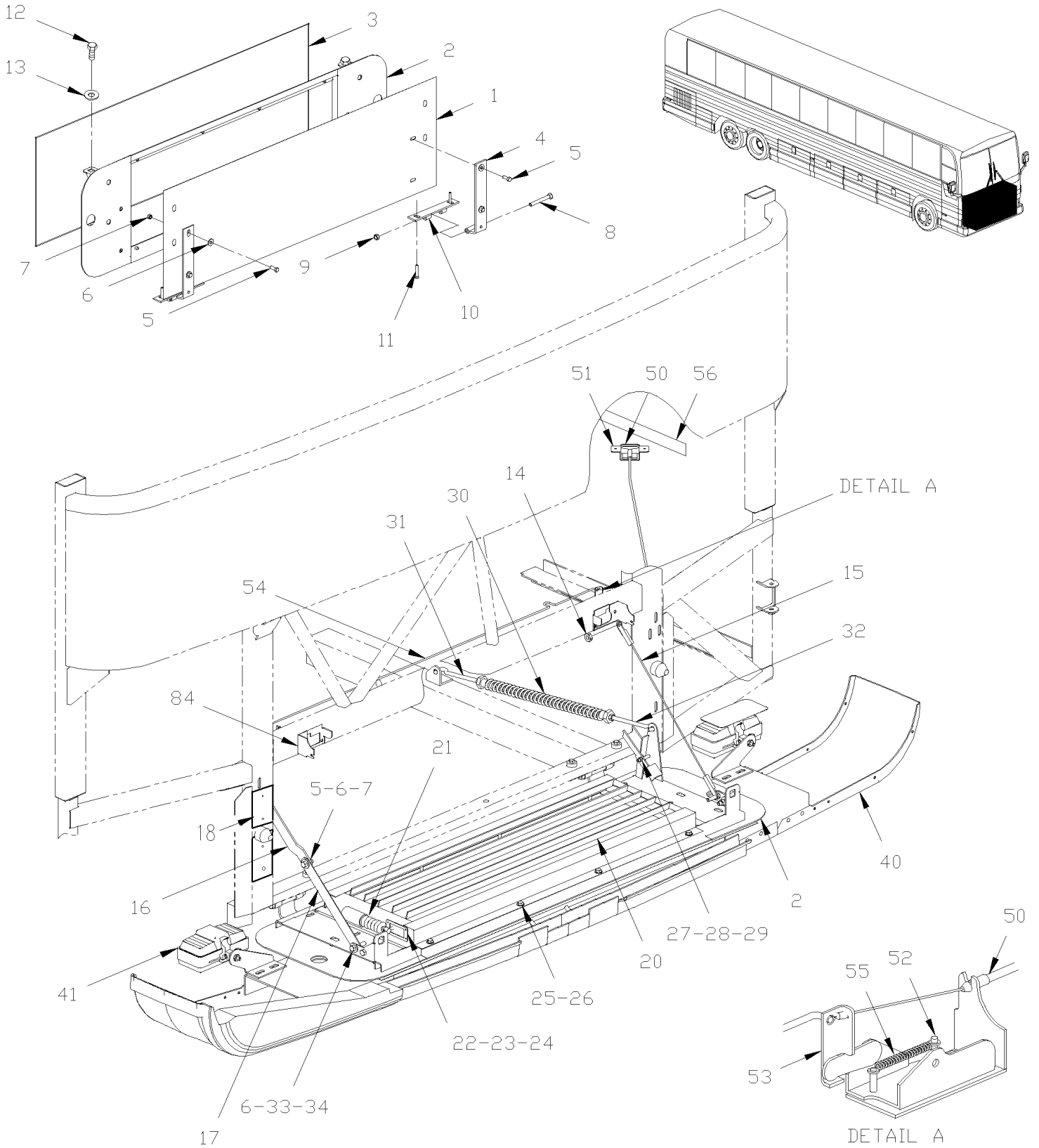
Item#	Part	Description	X L I I M T H 4 5	X L I I M T H 4 5 E	N O T E S
30	460533	SPLASH GUARD / BEHIND TAG AXLE STREETSIDE 740MM x 200MM		1	
30	460536	SPLASH GUARD / BEHIND TAG AXLE 711MM x 395MM	1		
31	460534	SPLASH GUARD / BEHIND TAG AXLE CURBSIDE 725MM x 390MM		1	
31	460537	SPLASH GUARD / BEHIND TAG AXLE CURBSIDE 730MM x 391MM		1	
31	460536	SPLASH GUARD / BEHIND TAG AXLE 711MM x 395MM	1		
35	071509	PLATE ASSY W/DECAL "EDGE"	2	2	
. NS	071507	. PLATE SS 200MM x 133MM	1	1	
. NS	071508	. DECAL / "EDGE" - TRANS ALLISON	1	1	
36	504339	RIVET POP DOME OE 1/8x3/8 SS	4	4	
37	5001067	WASHER FL .128x.312x.032 SS	4	4	
40	490081	SPLASH GUARD / BEHIND FRONT AXLE 9" X 22"	2	2	
41	460449	AIR SHIELD DEFLECTOR ASSY / STREETSIDE	1	1	
. NS	460443	. AIR SHIELD DEFLECTOR	1	1	
. NS	460433	. EXTRUSION ALUMINUM / STREETSIDE	1	1	
42	460450	AIR SHIELD DEFLECTOR ASSY / CENTER	1	1	
. NS	460444	. AIR SHIELD DEFLECTOR / CENTER	1	1	
. NS	460434	. EXTRUSION ALUMINUM / CENTER	1	1	
43	460451	AIR SHIELD DEFLECTOR ASSY / CURBSIDE	1	1	
. NS	460445	. AIR SHIELD DEFLECTOR / CURBSIDE	1	1	
. NS	460435	. EXTRUSION ALUMINUM / CURBSIDE	1	1	
44	502912	SCREW CAP HEXF M8-1.25x25 SS BK	15	15	
44	502911	NUT HEXF M8-1.25 SS		6	
45	460440	SUPPORT / AIR SHIELD / STREETSIDE	1	1	
46	460441	SUPPORT / AIR SHIELD / CENTER	1	1	
47	460442	SUPPORT / AIR SHIELD / CURBSIDE	1	1	
51	502565	NUT HEX M6-1.0 SS	AR	AR	
52	502570	WASHER LO SPT 6.1x11.8x1.6 SS	AR	AR	
53	502573	WASHER FL 6.4x12.5x1.6 SS	AR	AR	
NS	460436	KIT RETROFIT AIR SHIELD DEFLECTOR / W/IND SUSPENSION		1	
. NS	D460031	. SEE DRAWING		1	
71	460492	AIR SHIELD DEFLECTOR / FORWARD / W/IND SUSPENSION	2	2	
72	460456	AIR SHIELD DEFLECTOR / BACKWARD / W/IND SUSPENSION	2	2	
		S) WITH SPECIAL REQUEST ONLY			

From 8-9279 To B-9999

Date:10/2022

PAGE:MTH-1860-10

SPARE WHEEL DOOR ASSY





From 8-9279 To B-9999	Date:10/2022	PAGE:MTH-1860-10
SPARE WHEEL DOOR ASSY		

Item#	Part	Description	X L I I M T H 4 5	X L I I M T H 4 5 E	N O T E S
	287351	SPARE WHEEL DOOR ASSY / W/PLAIN PANEL	1	1	
	287353	SPARE WHEEL DOOR ASSY / W/PERFORATED	1	1	
	287355	SPARE WHEEL DOOR ASSY / W/HINGE		1	C
1	287289	. PANEL, PLASTIC		1	A
1	288536	. PANEL, PERFORATED / B.A.	1	1	
1	288535	. PANEL, PLAIN PANEL WITHOUT ACB SYSTEM / B.A.	1	1	
2	287386	. FRAME ASSY	1	1	
2	287385	. FRAME ASSY		1	A
3	289935	. RUBBER SEAL EXTRUSION / SPARE WHEEL DOOR To A-9872	1	1	
3	288907	. RUBBER SEAL EXTRUSION / SPARE WHEEL DOOR From A-9873	1	1	
3	2800124	. RUBBER SEAL EXTRUSION / SPARE WHEEL DOOR	1	1	
4	288564	. HINGE UPPER SECTION	2	2	
5	955535	. SCREW CAP HEX 3/8-16x1 1/4 G5 ZG603	4	4	
NS	287383	. RETAINING PLATE W/NUT / 195MM X 30MM	2	2	
6	500445	. WASHER FL .437x1.000x.083 Z050	10	10	
NS	500897	. WASHER FL .437x1.000x.083 N500	6	6	
7	500102	. NUT HEX 3/8-16 SS	6	6	
8	500080	. SCREW CAP HEX 7/16-20x4 1/2 G5 Z050	2	2	
9	3853273	. NUT HEX STO 7/16-20 ZG603	2	2	
10	288563	. HINGE LOWER SECTION	2	2	
11	500214	. SCREW CAP HEX 1/2-13x1 1/4 G5 Z050	4	4	
11	500482	. WASHER LO SPT .506x.873x.125 Z050	4	4	
11	500448	. WASHER FL .625x1.469x.109 ZP	4	4	
12	284438	. PIN STRIKER	2	2	
13	284447	. WASHERS BELLEVILLE	2	2	
14	500265	NUT HEX STO 3/8-16 Z050	AR	AR	
15	287284	CABLE DOOR ASSY 550MM	1	1	
16	281348	ARM, TIRE DOOR SUPPORT SUPERIOR	1	1	
17	281347	ARM, TIRE DOOR SUPPORT INFERIOR	1	1	
18	287258	RUBBER BUMPER 126MM X 48MM	4	4	
NS	502903	SCREW TC FL PH #10-24x1 1/4 N500	8	8	
NS	411084	SHIM SPACER	4	4	
20	051570	SHUTTER ASSY	1	1	
NS	550568	. CYLINDER AIR / SHUTTER / W/4" MOUNT	1	1	
NS	550569	. BOOT RUBBER	1	1	
NS	550577	. SPRING EXTENSION / .350 O.D. x 6.875 x .069	1	1	
NS	550179	. BUSHING 5/16" I.D. / NYLON	AR	AR	
NS	550577	. SPRING EXTENSION / .350 O.D. x 6.875 x .069	1	1	
21	550568	. CYLINDER AIR / SHUTTER / W/4" MOUNT	1	1	
NS	550569	. BOOT RUBBER	1	1	
NS	550179	. BUSHING 5/16" I.D. / NYLON	AR	AR	
NS	641365	MALE ELBOW 45° NON-SWIVEL / PUSH-IN FITTING / #4x1/8NPT-M BR	1	1	



From 8-9279 To B-9999	Date:10/2022	PAGE:MTH-1860-10
SPARE WHEEL DOOR ASSY		

Item#	Part	Description	X L I I M T H 4 5	X L I I M T H 4 5 E	N O T E S
NS	640996	MALE ELBOW 90° / NTA FITTING / #4x1/8NPT-M BR	1	1	
NS	503402	TUBE, NYLON 1/4 O.D. / BLACK S.L.	8	8	
22	282953	PLATE, CLOSING	1	1	
23	282954	GASKET	1	1	
24	504340	RIVET POP DOME OE 1/8x3/16 SS	1	1	
26	500441	WASHER FL .312x.734x.065 Z050	AR	AR	
NS	500476	WASHER LO SPT .317x.586x.078 Z050	AR	AR	
27	287274	DOOR LOCKER	1	1	
28	502170	PIN, CLEVIS 5/16 x 1 5/8 SS	1	1	
29	502097	PIN, COTTER 3/32 x 3/4	1	1	
30	410836	SPRING ASSY	1	1	
31	5001238	SCREW HOOK 3/8-16x5 ZP	AR	AR	
32	500102	NUT HEX 3/8-16 SS	AR	AR	
33	500197	SCREW CAP HEX 3/8-16x1 G5 N500	2	2	
34	500265	NUT HEX STO 3/8-16 Z050	2	2	
40	MTH-1850-00	BUMPER FRONT			
41	MTH-0660-00	HEADLAMP & FRONT DIRECTIONAL LAMPS ROUND "HALOGENE" & "XENON"			
50	287285	CABLE HANDLE ASSY To 8-9292	1	1	
50	289495	CABLE HANDLE ASSY From 8-9293	1	1	
NS	504379	RIVET POP DOME OE 3/16x1/4 SS	4	4	
51	287288	SUPPORT / HANDLE To 8-9292	1	1	
51	289981	SUPPORT / HANDLE From 8-9293	1	1	
NS	502500	SCREW TC BDG PH #8-32x1/2 CJ	2	2	
NS	5001378	WASHER LO EXT 5.3x10x0.6 Z050	2	2	
52	780653	LOCK SPAGNOLET R.H. / W/G-FITTING	2	2	
NS	780340	CLIP, RETAINER ROD	1	1	
NS	507607	GREASE FITTING / M6-1.00	1	1	
NS	502582	WASHER LO SERR 6.1x16.2x0.9 Z050	4	4	
NS	502531	SCREW CAP HEX M6-1.0x16 G8.8 Z050	4	4	
53	287256	LEVER PIVOT To 8-9292	2	2	
53	289496	LEVER PIVOT From 8-9293	1	1	
NS	504379	RIVET POP DOME OE 3/16x1/4 SS	2	2	
54	287257	ROD	1	1	
55	284914	SPRING EXTENSION / .305 O.D. x 1.562 x .051	2	2	
56	287290	DECAL / "UNLATCH FRONT BUMPER" / ENGLISH & FRANCAIS	1	1	
56	288199	DECAL / "UNLATCH FRONT BUMPER" / ENGLISH & SPANISH	1	1	
84	287255	SUPPORT SPAGNOLET LH To 8-9292	1	1	
84	289497	SUPPORT SPAGNOLET LH From 8-9293	1	1	
84	287423	SUPPORT SPAGNOLET RH	1	1	



From 8-9279 To B-9999	Date:10/2022	PAGE:MTH-1860-10
-----------------------	--------------	------------------

SPARE WHEEL DOOR ASSY

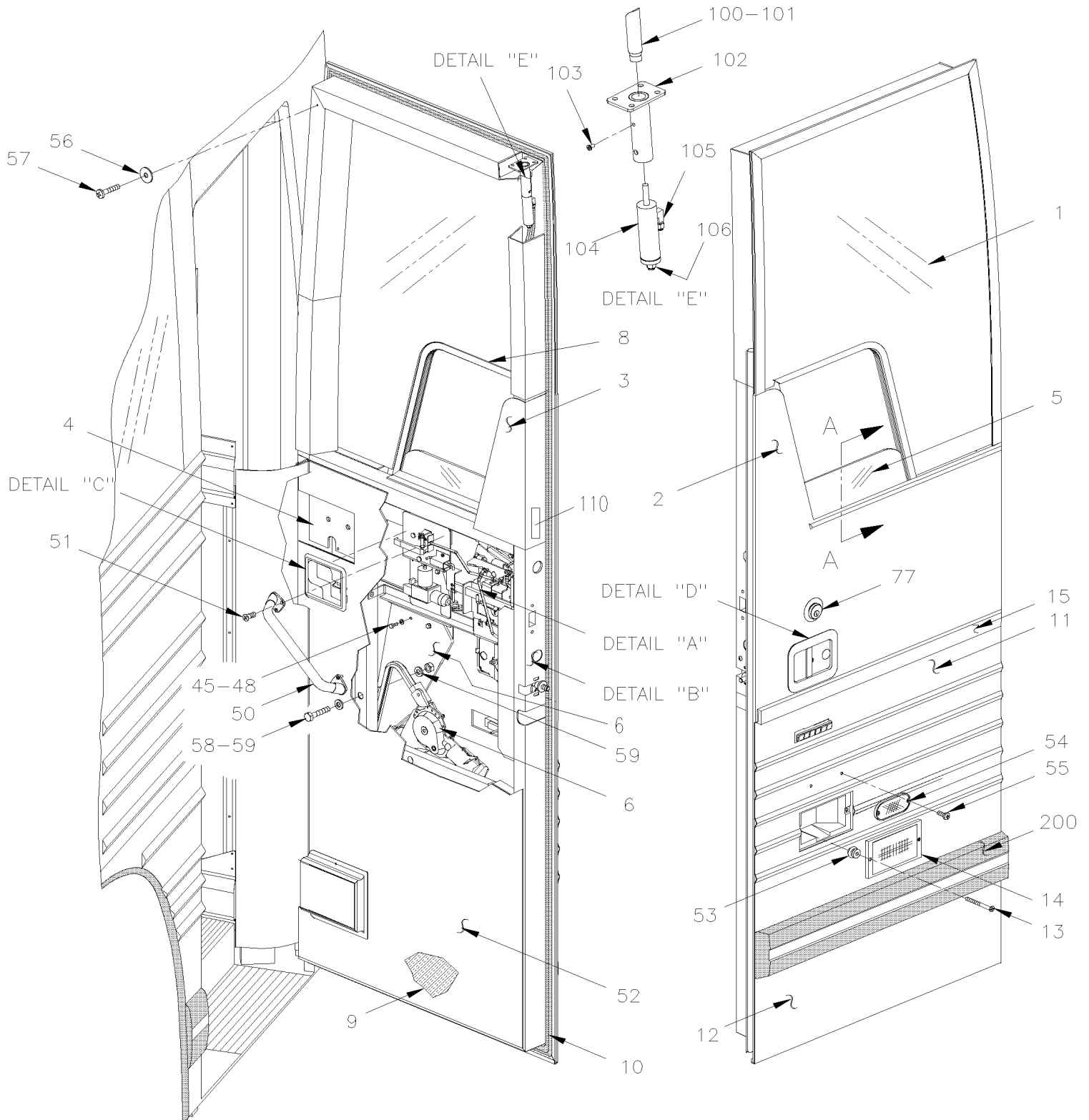
Item#	Part	Description	X L I I M T H 4 5	X L I I M T H 4 5 E	N O T E S
		A) ALSO USE WITH MTH-45S WITH SPARE TIRE			
		C) USE W/OUT SPARE & WITH BLACK BUMPER			

From 8-9279 To B-9999

Date:10/2022

PAGE:MTH-1862-50

ENTRANCE DOOR ASSY - MTH

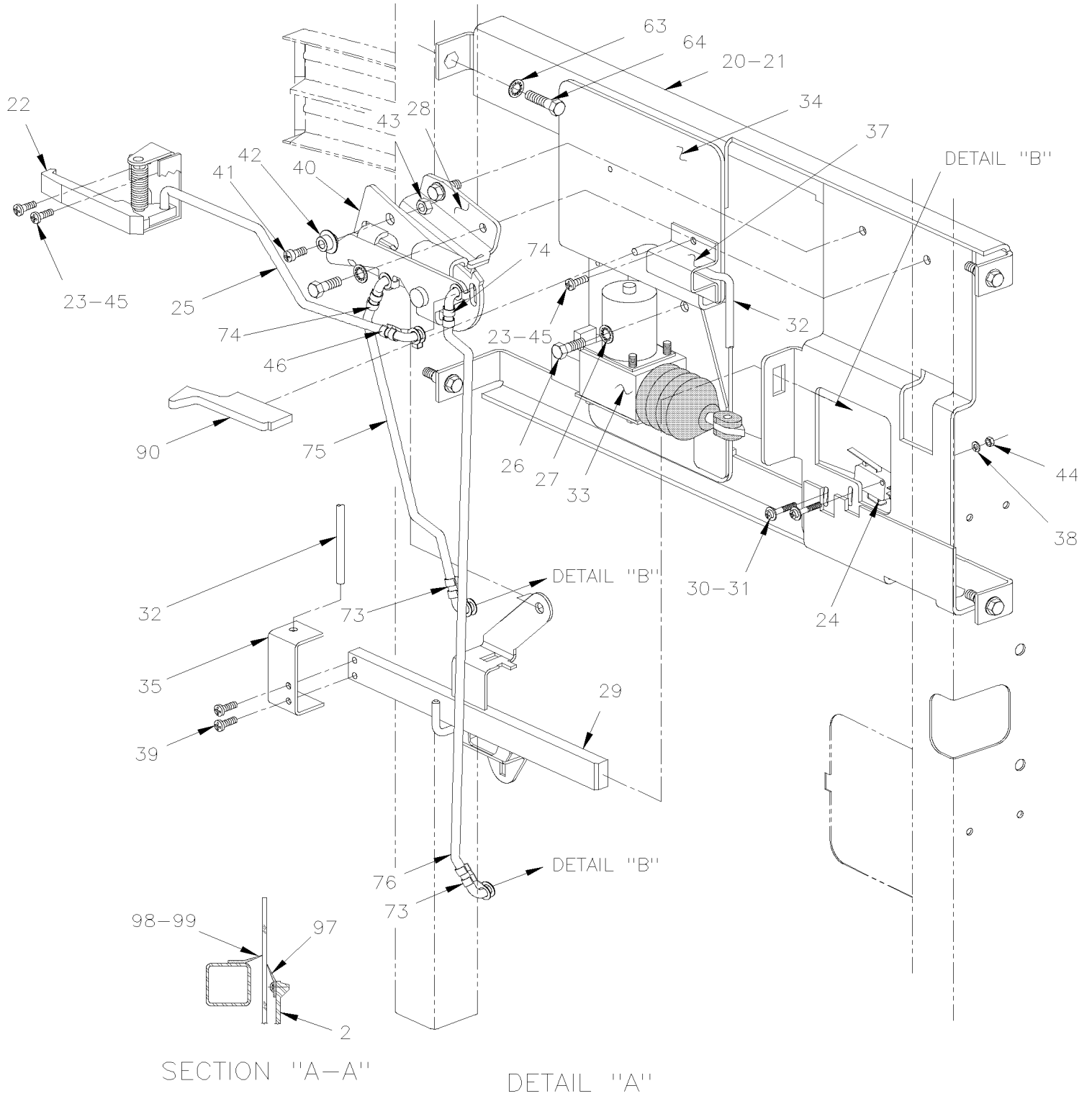


From 8-9279 To B-9999

Date:10/2022

PAGE:MTH-1862-50

ENTRANCE DOOR ASSY - MTH

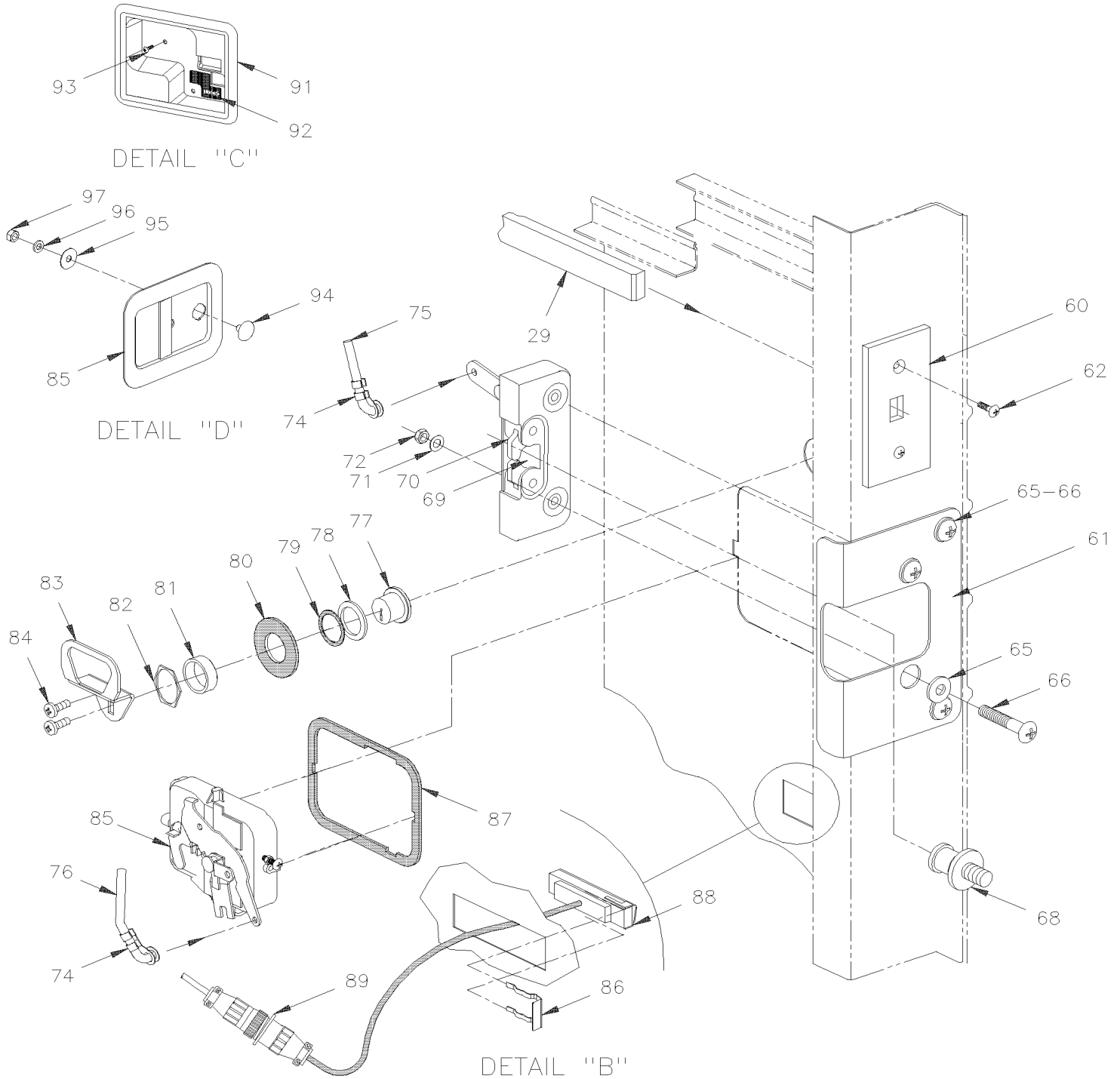


From 8-9279 To B-9999

Date:10/2022

PAGE:MTH-1862-50

ENTRANCE DOOR ASSY - MTH





From 8-9279 To B-9999	Date:10/2022	PAGE:MTH-1862-50
ENTRANCE DOOR ASSY - MTH		

Item#	Part	Description	X L I I M T H 4 5	X L I I M T H 4 5 E	N O T E S
		ALL DOORS ASSY DO NOT INCLUDE			
		RUB-RAIL PLEASE ORDER SEPARATELY			
	287130P	ENTRANCE DOOR ASSY MTH 86"	1		
	287181P	ENTRANCE DOOR ASSY MTH 89"		1	
1	286427	GLASS ENTRANCE DOOR / MTH 86" & 89"	1	1	
2	286446	PANEL UPPER / MTH 86"	1		B
2	286715	PANEL UPPER / MTH 89"		1	
NS	504340	RIVET POP DOME OE 1/8x3/16 SS	3	3	
3	287915	FINISHING CAP MTH 83", 86", & 89"	1	1	
4	287129P	FRAME ASSY 86"	1		
4	287136P	FRAME ASSY 89"		1	
5	286196	GLASS ASSY W/SUPPORT	1	1	
5	286078	GLASS	1	1	
5	299049	SUPPORT ASSY	1	1	
5	681092	ADHESIVE SIKA #255FC / BLACK / 310ml CARTRIDGE	1	1	
6	MTH-1886-00	POWER WINDOW - ELECTRICAL INSTALLATION			
8	293088	MOULDING	1	1	
9	286435	INSULATION WITH 86" DOOR	1		
9	286736	INSULATION WITH 89" DOOR		1	
10	289931	RUBBER SEAL EXTRUSION / ENTRANCE DOOR MTH-86" To A-9872	1		
10	288915	RUBBER SEAL EXTRUSION / ENTRANCE DOOR MTH-86" From A-9873	1		
10	2800162	RUBBER SEAL EXTRUSION / ENTRANCE DOOR MTH-86"	1		
10	289932	RUBBER SEAL EXTRUSION / ENTRANCE DOOR MTH-89" To A-9872		1	
10	288916	RUBBER SEAL EXTRUSION / ENTRANCE DOOR MTH-89" From A-9873		1	
10	2800129	RUBBER SEAL EXTRUSION / / ENTRANCE DOOR MTH-89"		1	
11	288523	PANEL CENTER / MTH W/DOCKING LAMP / B.A.	1	1	
12	288524	PANEL LOWER / B.A.	1	1	
NS	504335	RIVET POP DOME CLE 3/16x1/4 AL	2	2	
NS	500437	WASHER FL .125x.375x.040 Z050	2	2	
13	502530	SCREW MA OV PH M4-0.7x40 SS	2	2	
14	MTH-0663-00	DOCK & CORNERING LIGHT			
15	288522	FINISHING MOULDING 800MM / B.A.	1	1	
20	288554	. MECHANISM ASSY	1	1	
21	287212	. . SUPPORT ASSY To 9-9609	1	1	
21	289957	. . SUPPORT ASSY From 9-9610	1	1	
22	780484	. . LEVER, RELEASE	1	1	
23	500654	. . SCREW TC BDG PH #8-32x1/2 Z050	4	4	
24	561677	. . MICRO SWITCH	1	1	
NS	680066	. . ADHESIVE / ADBOND #5014 / 23.6ML BOTTLE	AR	AR	
25	283387	. . ROD	1	1	



From 8-9279 To B-9999	Date:10/2022	PAGE:MTH-1862-50
ENTRANCE DOOR ASSY - MTH		

Item#	Part	Description	X L I M T H 4 5	X L I M T H 4 5 E	N O T E S
26	500472	. . WASHER LO INT .256x.478x.028 Z050	4	4	
27	502531	. . SCREW CAP HEX M6-1.0x16 G8.8 Z050	4	4	
28	288552	. . SHUTTER, RELEASE ASSY	1	1	
29	286217	. . BAR ASSY, RIVETED	1	1	
30	5001412	. . SCREW MA CHE PH M3-0.5x20 EMN	2	2	
31	500591	. . WASHER FL 4.3x9.0x0.8 Z050	2	2	
32	284836	. . ROD	1	1	
33	780428	. . LOCK ACTUATOR / 12V To A-9965	1	1	
. NS	562076	. . . CONNECTOR / PACK-CON I / FEMALE HOUSING / 2C / PED 8911772 To A-9965	1	1	
33	2810382	. . ACTUATOR SERVICE KIT To A-9965	1	1	
33	780814	. . LOCK ACTUATOR / 12V From A-9966	1	1	
. NS	562076	. . . CONNECTOR / PACK-CON I / FEMALE HOUSING / 2C / PED 8911772 From A-9966	1	1	
34	284834	. . SUPPORT ACTUATOR To A-9965	1	1	
34	289960	. . SUPPORT ACTUATOR From A-9966	1	1	
35	283364	. . TIE	1	1	
37	780483	. . CLAMP	1	1	
38	502579	. . NUT HEX M3-0.5 NP	2	2	
39	500393	. . SCREW TC PAN PH #10-24x3/8 Z050	2	2	
40	502156	. . SPRING EXTENSION / .437 O.D. x 2 x .041	1	1	
41	502746	. . SCREW MA PAN PH M5-0.8x20 SS BK	1	1	
42	285546	. . STOPPER	1	1	
43	502782	. . NUT HEX NYRT M5-0.8 Z050	1	1	
44	502691	. . WASHER LO SPT 3.6x6.7x0.8 Z050	2	2	
45	680066	. . ADHESIVE / ADBOND #5014 / 23.6ML BOTTLE	AR	AR	
46	504541	. . CLIP ROD 1/4" R.H.	1	1	
48	502806	SCREW MA FL PH M6-1.0x10 Z050	2	2	
50	901047	HANDLE / SHORT	1	1	
51	500616	SCREW TP FL PH #10x3/4 Z050	4	4	
52	289279	PANEL FINISHING / AL. / MTH 86"	1		
52	289281	PANEL FINISHING / AL. / MTH 89"		1	
NS	504373	PLUG BUTTON / 1.000 O.D. / BARE METAL	3	3	
NS	286117	FINISHING PLATE	1	1	
NS	289282	ACCESS PANEL 834MM X 494MM	1	1	
53	500589	NUT WELL M4-0.7x13.5	2	2	
54	930212	REFLECTOR AMBER 1 1/8" x 4 3/8"	1	1	
55	500124	SCREW TP TR PH #8x1/2 SS	2	2	
56	500345	WASHER FN CKF .187x.500x.090 BR BK	14	14	
57	5001097	SCREW TC OV PH #6-32x3/4 SS410 BK	14	14	
58	502622	SCREW CAP HEX M6-1.0x20 SS BK	4	4	
59	502573	WASHER FL 6.4x12.5x1.6 SS	4	4	
60	283397	GUIDE ASSY	1	1	
61	286117	FINISHING PLATE	1	1	



From 8-9279 To B-9999	Date:10/2022	PAGE:MTH-1862-50
ENTRANCE DOOR ASSY - MTH		

Item#	Part	Description	X L I I M T H 4 5	X L I I M T H 4 5 E	N O T E S
62	500654	SCREW TC BDG PH #8-32x1/2 Z050	2	2	
62	500438	WASHER FL .187x.437x.050 Z050	2	2	
63	502582	WASHER LO SERR 6.1x16.2x0.9 Z050	2	2	
64	5001433	SCREW CAP HEX M6-1.0x25 SS	1	1	
65	500411	WASHER FL .260x.697x.050 SS	4	4	
66	500559	SCREW MA TR PH 1/4-20x1 1/2 SS EMN	4	4	
68	780189	STRIKER & SHIM	1	1	A
70	780592	LATCH, LH.	1	1	
71	500411	WASHER FL .260x.697x.050 SS	4	4	
72	502716	NUT HEX NYRT 1/4-20	4	4	
73	504243	CLIP ROD 1/4" L.H.	2	2	
74	504541	CLIP ROD 1/4" R.H.	4	4	
NS	504541	CLIP ROD 1/4" R.H.	2	2	
75	288201	RELEASE MECHANISM ROD	1	1	
76	288200	HANDLE ROD	1	1	
77	780430	CYLINDER LOCK ASSY W/2 KEYS / "CORBIN" To 8-9449	1	1	S
. NS	780562	. KEY / "CORBIN" BLANK To 8-9449	2	2	S
77	780803	CYLINDER LOCK ASSY W/2 KEYS / "SCHLAGE" SERVICE From 8-9450	1	1	
. NS	780902	. KEY / "SCHLAGE" BLANK From 8-9450	1	1	
NS	780562	KEY / "CORBIN" BLANK	1	1	
78	283468	WASHER FINISHING	1	1	
79	285198	GASKET To 8-9449	1	1	
80	285188	GASKET	1	1	
81	286704	SPACER / LOCK & NUT	1	1	
82	780427	NUT	1	1	
83	286626	LEVER, TRIANGULAR SHAPE / W/"CORBIN" 18MM OFFSET	1	1	
83	289029	LEVER, TRIANGULAR SHAPE / W/"SCHLAGE" 18MM OFFSET SERVICE From 8-9450	1	1	
84	N.S.P.	SCREW MA FL PH 22 (INCLUDE W/ITEM #77)	1	1	2
85	780713	HANDLE EXTERIOR	1	1	
NS	288814	SPACER	1	1	
NS	500438	WASHER FL .187x.437x.050 Z050	1	1	
NS	500438	WASHER FL .187x.437x.050 Z050	1	1	
NS	507610	FOAM LOW EXPANSION	1	1	
86	780637	CLIP RETAINER	1	1	
87	288815	GASKET	1	1	
88	065301	KEYBOARD ASSY	1	1	
88	069141	KEYBOARD REPLACEMENT KIT	1	1	SAV
. NS	069071	. HARNESS ENTRANCE DOOR KEYLESS SKIM	1	1	SAV
. NS	069164	. SUPPORT SKIM MODULE	1	1	SAV
. NS	069166	. HARNESS KEYLESS KEYPAD - CPC	1	1	SAV
. NS	502868	. SCREW TC TR PH #10-16x1/2 N500	2	2	SAV
. NS	502903	. SCREW TC FL PH #10-24x1 1/4 N500	3	3	SAV



From 8-9279 To B-9999	Date:10/2022	PAGE:MTH-1862-50
ENTRANCE DOOR ASSY - MTH		

Item#	Part	Description	X L I I M T H 4 5	X L I I M T H 4 5 E	N O T E S
. NS	504013	. TIE MOUNT / 1/4" X 1/4" I.D.	3	3	SAV
. NS	504637	. CABLE TIE / 3/16" x 13"	6	6	SAV
. NS	565914	. KEYPAD, DOOR LOCK W/CONNECTOR	1	1	SAV
. NS	565916	. MODULE INTERFACE KEYLESS SYSTEM	1	1	SAV
. NS	IS-13158	. SEE INSTRUCTION SHEET	1	1	SAV
. NS	FI-13158	. VOIR FEUILLE D'INSTRUCTION	1	1	SAV
88	065900	WATER DEFLECTOR / PLASTIC	1	1	C
89	064831	CABLE KEYLESS MODULE	1	1	
NS	504637	CABLE TIE / 3/16" x 13"	1	1	
NS	560503	CLAMP / 1/4" I.D.	1	1	
NS	500641	SCREW TP PAN PH #8x3/4 Z050	1	1	
90	284127	BUTTON	1	1	
91	780482	BEZEL	1	1	
92	283769	. DECAL / "LOCK"	1	1	
93	5001155	SCREW TP PAN PH #8X3/4 N050	1	1	
94	286480	PLUG SS 3/4" O.D. X M8-1.25	1	1	
95	286481	WASHER FL .354x1.02x 22GA SS	1	1	
96	502507	WASHER LO SPT 8.1x14.8x2.0 Z050	1	1	
97	286993	FLAP SEAL GLASS ASSY	1	1	
NS	286992	. FLAP SUPPORT	1	1	
98	288063	. FLAP SEAL / W/FLOCKING 37.6MM x 335MM	1	1	
99	286717	JOINT SUPPORT 345MM SS	1	1	
NS	500124	SCREW TP TR PH #8x1/2 SS	4	4	
100	287012	UPPER LOCK ASSY	1	1	
101	285271	. CATCH	1	1	
101	282383	. CATCH	1	1	
102	287011	. PLATE MOUNTING	1	1	
103	500560	. SCREW MA PAN PH M4-0.7x6 Z050	1	1	
NS	502636	. WASHER LO SPT 4.1x7.6x0.9 Z050	1	1	
104	641983	. CYLINDER 7/8" X 1" STROKE / DOUBLE ACTION	1	1	
105	641369	. MALE ELBOW 90° NON-SWIVEL / PUSH-IN FITTING / #4x1/8NPT-M BR	1	1	
106	641242	. MALE CONNECTOR / PUSH-IN FITTING / #4x1/8NPT-M BR	1	1	
NS	683276	. GREASE LOW TEMPERATURE 450GR	AR	AR	
110	406050	DECAL / "C.W.A." & "T.C.A."	1	1	
110	157729	DECAL / WALL TO WALL TURNING DIAM 90' 3" WITH VIN #	1	1	
. NS	157730	. DECAL / WALL TO WALL TURNING DIAM 90' 3" W/OUT VIN RAW MATERIAL	1	1	
200	MTH-1855-00	RUB RAIL - EXTERIOR CREST & TRIMS			
NS	506769	TAPE RUB ADH2 CC POL 1/8" x 1/4" x 60' / BLACK H1CC-N-#14	AR	AR	
NS	506790	TAPE RUB ADH2 CC POL 1/16" x 1/2" x 200' / BLACK I1C-N-A	AR	AR	
NS	680065	TAPE COMPOUND / BLACK / 1/32" X 1" X 33' / L163-2400	AR	AR	
NS	684517	ADHESIVE SIMSON #ISR 70-03 / GREY / 310ml CARTRIDGE	AR	AR	
NS	687957	GLUE MS POLYMER TEROSON MS 9399 / 400ml CARTRIDGE	AR	AR	



From 8-9279 To B-9999	Date:10/2022	PAGE:MTH-1862-50
ENTRANCE DOOR ASSY - MTH		

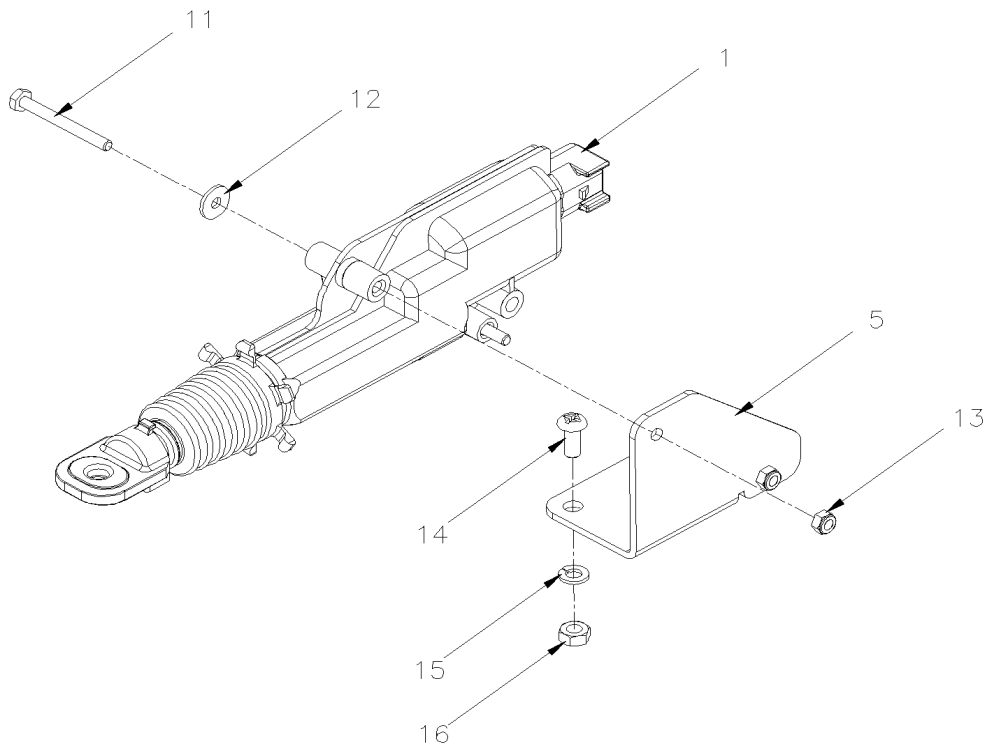
Item#	Part	Description	X L I I M T H 4 5	X L I I M T H 4 5 E	N O T E S
NS	687958	MIXER QUADRO 10.7MM W/"V" ADAPTOR / "B"	1	1	
NS	289984	SUPPORT WATER DEFLECTOR From 9-9610		1	
NS	289952	SUPPORT WATER DEFLECTOR From 9-9612	1		
NS	289948	DEFLECTOR LONG From 9-9610		1	
NS	289953	DEFLECTOR SHORT From 9-9612	1		
		A) FIXED ON STRUCTURAL FRAME			
		B) THOSE PANEL ARE FIXED WITH KIT 682444			
		C) FOR PRODUCT IMPROVEMENT USE THIS NEW DEFLECTOR UP TO 4-8261			
		S) THIS MODEL IT OBSOLETED REPLACE BY 780803 WITH NEW LEVER # 289029			
		SAV) SERVICE ONLY			
		2) NOT SOLD BY PREVOST (SEE MANUFACTURING PART NUMBER AT END OF DESCRIPTION LINE)			

From 8-9279 To B-9999

Date:10/2022

PAGE:2810382

ACTUATOR SERVICE KIT





From 8-9279 To B-9999	Date:10/2022	PAGE:2810382
-----------------------	--------------	--------------

ACTUATOR SERVICE KIT

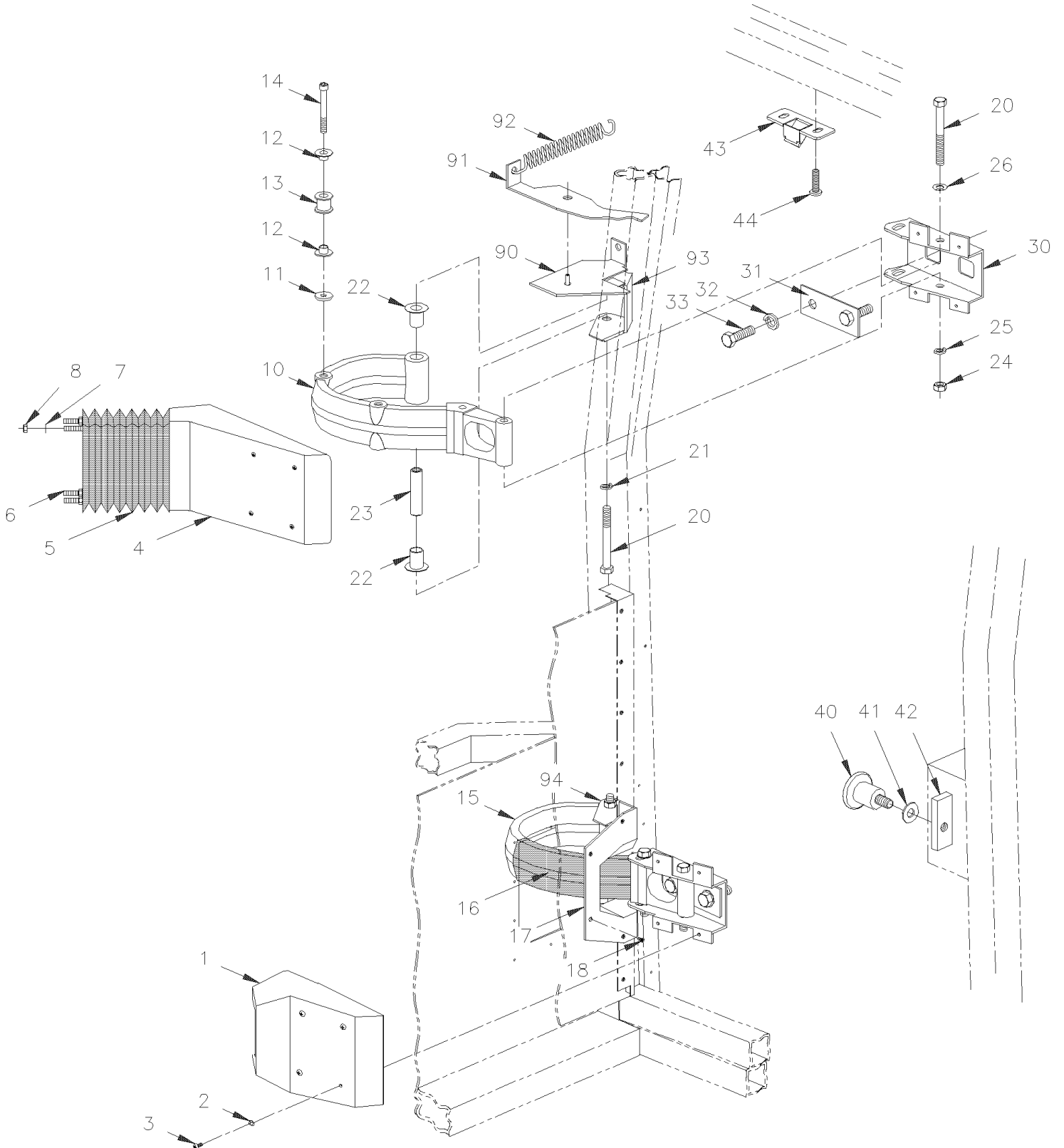
Item#	Part	Description	X L I I M T H 4 5	X L I I M T H 4 5 E	N O T E S
1	2800049	LOCK ACTUATOR / 12V	1	1	
1	068011	CABLE INTERFACE DOOR LOCK ACTUATOR (780428 vs 2800049)	1	1	
5	2810380	SUPPORT	1	1	
11	5001100	SCREW CAP HEX M3-0.5x30 G8.8 ZP	2	2	
12	500437	WASHER FL .125x.375x.040 Z050	2	2	
13	5001408	NUT HEX STO M3-0.5 ZP	2	2	
14	5001036	SCREW MA PAN PH M4-0.7x10 Z050	2	2	
15	502524	NUT HEX M4-0.7 Z050	2	2	
16	502636	WASHER LO SPT 4.1x7.6x0.9 Z050	2	2	
NS	IS-19092	SEE INSTRUCTION SHEET	1	1	
NS	FI-19092	VOIR FEUILLE D'INSTRUCTION	1	1	

From 8-9279 To B-9999

Date:10/2022

PAGE:MTH-1862-60

ENTRANCE DOOR FRAME - INSTALLATION





From 8-9279 To B-9999	Date:10/2022	PAGE:MTH-1862-60
ENTRANCE DOOR FRAME - INSTALLATION		

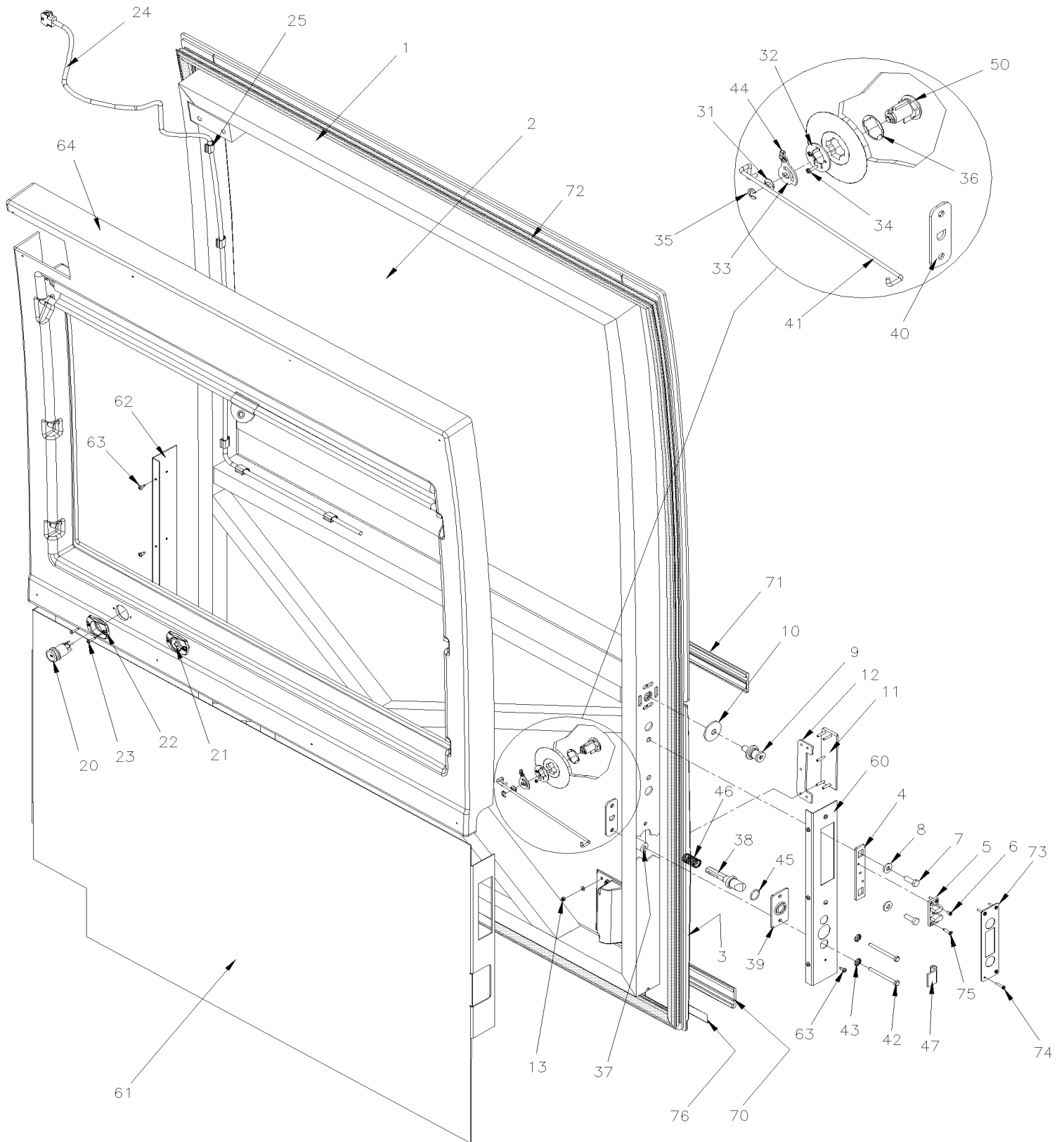
Item#	Part	Description	X L I I M T H 4 5	X L I I M T H 4 5 E	N O T E S
1	326604	CAP COVER LOWER	1	1	
2	500950	WASHER FL .187x.625x.094 RUB	8	8	
3	500409	SCREW TP PAN PH #8x1/2 BK	8	8	
4	326727	CAP COVER UPPER	1	1	
5	285492	BELLOWS / RUBBER	1	1	
6	285491	PLATE BELLOW RETAINER	2	2	
7	500964	WASHER FL .203x.500x.047 Z050	8	8	
8	502782	NUT HEX NYRT M5-0.8 Z050	8	8	
10	287472	HINGE UPPER	1	1	
11	502638	WASHER FL .312x.734x.065 N500	1	1	
12	507628	BUSHING NYLINER	2	2	
13	287405	ROLLER SS 11MM I.D.x14.5 O.D. 19Fix17Th	1	1	
14	500876	SCREW SHR HEXS 3/8x3/4 {5/16-18	1	1	
15	287341	HINGE	1	1	
16	326228	COVER HINGE LOWER / PLASTIC	1	1	
17	326227	PANEL FINISHING LOWER	1	1	
20	5001016	SCREW CAP HEX M10-1.5x90 G8.8 Z050	2	2	
21	500257	WASHER LO SPT 10.2x18.1x2.2 Z050	2	2	
22	507326	BEARING FLANGE	2	2	
23	287337	SPACER / BEARING FLANGE	2	2	
24	500256	NUT HEX M10-1.5 Z050	4	4	
25	502585	WASHER LO SERR 10.2x26.3x1.4 ZP	4	4	
26	500445	WASHER FL .437x1.000x.083 Z050	2	2	
30	284040	ATTACHMENT	2	2	
31	286998	SUPPORT PLATE 134MM X 48MM	2	2	
32	500810	WASHER LO SPT 12.2x21.1x2.5 Z050	4	4	
33	502731	SCREW CAP HEX M12-1.75x40 G8.8 Z050	4	4	
40	780189	STRIKER & SHIM	1	1	
41	500446	WASHER FL .531x1.250x.125 Z050	1	1	
42	285014	FIXING BLOCK	1	1	
43	287008	DOOR STOPPER ASSY	1	1	
44	502806	SCREW MA FL PH M6-1.0x10 Z050	2	2	
90	251548	LEVER AND SUPPORT ASSY SS (WELDED TO FRAME)	1	1	
NS	504543	. RIVET SHR FL 3/8x3/16 STL	1	1	
91	214664	. DOOR STOPPER	1	1	
92	502255	SPRING EXTENSION / .814 O.D. x 3.14 x .148	1	1	
93	251083	HINGE SUPPORT / UPPER	1	1	
94	251001	HINGE SUPPORT / LOWER	1	1	

From 9-9624 To 9-9624

Date:10/2022

PAGE:MTH-1862-80

ENTRANCE DOOR ASSY - W.C.L. - MTH-45 ENT





From 9-9624 To 9-9624	Date:10/2022	PAGE:MTH-1862-80
ENTRANCE DOOR ASSY - W.C.L. - MTH-45 ENT		

Item#	Part	Description	X L I M T H 4 5	X L I M T H 4 5 E	N O T E S
	 "WARNING" - "WARNING" - "WARNING"			
	N.P.N.	DOOR ASSY		1	4
1	N.P.N.	. FRAME ASSY		1	4
NS	283334	. INSULATOR PANEL UPPER		1	
NS	283335	. INSULATOR PANEL FOWARD		1	
NS	283333	. INSULATOR PANEL BACKWARD		1	
NS	282985	. INSULATOR PANEL LOWER		1	
NS	287188	. INSULATOR PANEL LOWER HINGE		1	
NS	680397	. CONTACT GLUE / AEROSOL 17oz		AR	
2	286988	. GLASS THERMOS 13%		1	
NS	507000	. TAPE RUB ADH2 POL 3/16" x 1/4" x 50' / BLACK V2206		AR	
NS	687957	. GLUE MS POLYMER TEROSON MS 9399 / 400ml CARTRIDGE		AR	
3	282617	. PANEL FIBERGLASS		1	
NS	506236	. TAPE RUB ADH1 CC POL 1/16" x 1/2" x 100' / GREY 2520		AR	
NS	506648	. TAPE RUB ADH1 CC POL 1/8" x 1/2"x 50' / GREY 2542		AR	
NS	683480	. ADHESIVE SIKA #264 / BLACK / 310ml CARTRIDGE		AR	
NS	683481	. ACCELERATOR SIKA / 310ml CARTRIDGE		AR	
4	283929	. PLATE / TO FIX DOVETAIL		1	
5	780496	. DOVETAIL, MALE		1	
6	500371	. SCREW MA FL PH M4-0.7x8 N500		3	
7	502589	. SCREW CAP HEX M8-1.25x25 G8.8 Z050		2	
8	500321	. WASHER BEL SPR .331x.827x.098 N500		2	
9	780189	. STRIKER & SHIM		1	
10	284447	. WASHERS BELLEVILLE		11	
11	283956	. HANDLE ASSY / W/5 STUDS		1	
12	283954	. GASKET / HANDLE & BODY		1	
13	502557	. NUT HEX NYRT M4-0.7 SS		5	
13	502556	. WASHER FL 4.3x9.0x0.8 SS		5	
20	830158	. SWITCH / OFF-ON / S.P.S.T. / READING LIGHT		1	
21	830159	. SWITCH / OFF-M/ON / S.P.S.T. / CHIME		1	
22	409259	. PROTECTOR SWITCH / CAP		AR	
NS	288728	. REINFORCMENT FOR SCREW PROTECTOR CAP		1	
23	500814	. SCREW TP BDG PH #6x3/4 BK		AR	
24	065369	. CABLE HARNESS / READING LIGHT CURBSIDE DOOR / W/W.C.L.		1	
25	504536	. CABLE CLIP 1/2" / ADHESIVE		6	
31	283853	. SPACER / WASHER 9/16" O.D. X 1/4" I.D.		1	
32	285811	. WASHER / CYLINDER LOCK RETAINER		1	
33	288839	. PIVOT LOCK ROD / W/W.C.L. DOOR		1	
34	500518	. SCREW MA BDG PH #4-40x1/2 Z050		2	
35	504402	. RING RETAINER / EXT .250 x .210 x .025"		1	
36	780237	. SEAL RUBBER 1/32" TH		1	



From 9-9624 To 9-9624	Date:10/2022	PAGE:MTH-1862-80
ENTRANCE DOOR ASSY - W.C.L. - MTH-45 ENT		

Item#	Part	Description	X L I M T H 4 5	X L I M T H 4 5 E	N O T E S
36	2800032	. SEAL RUBBER 1/16" TH SERVICE		1	
37	288833	. SLEEVE 19MM O.D. x 7.5MM I.D. x 36MM		2	
38	288832	. CATCH PIN SS / 91MM To 9-9882		1	
38	289586	. CATCH PIN ACETAL / 91MM From 9-9883		1	
39	288831	. GUIDE PIN FRONT W/19MM I.D.		1	
40	288834	. GUIDE PIN INSIDE / W/D HOLE		1	
41	288837	. ROD OPENING 252.4MM		1	
42	5001667	. SCREW CAP HEX M6-1.0x70 BK		2	
43	500356	. WASHER LO SERR 6.1x16.0x0.9 N500		2	
44	502724	. SCREW CAP HEX #10-32x1/4 BZC		1	
45	507212	. O-RING		1	
46	502910	. SPRING COMPRESSION / .720 O.D. 1.75 x .055		1	
47	288890	. CATCH PIN RETAINER / (WELDED AT STRUCTURE)		1	
50	N.P.N.	KEY & CYLINDER CODE "FORD" CODE # 38			4
60	288888	FINISHING MOULDING FORWARD		1	F
60	289003	FINISHING MOULDING		1	T
61	287191P	FINISHING PANEL / TISSUS		1	
61	Call order desk	FINISHING PANEL / FORMICA		1	P
61	288889	PANEL ALUMINUM		1	
61	Call order desk	PANEL FORMICA		1	P
62	287946	FINISHING MOULDING BACKWARD		1	F
62	289003	FINISHING MOULDING		1	T
63	500952	SCREW TP BDG PH #8x1/2 SS		12	
64	287155	INTERIOR WINDOW MOULDING		1	
64	287154	INTERIOR WINDOW MOULDING		1	S
NS	500552	SCREW TP OV PH #6x3/4 Z050		9	
NS	500463	WASHER FN CKF .187x.500x.090 BR Z050		9	
NS	506191	TAPE RUB ADH1 CC POL 1/8" x 1/4" x 50' / GREY 2520X		AR	F
NS	405142	DECAL / BLACK STRIP W/DOTTED 1063MM x 149MM		1	S
70	474666	FINISHING MOULDING LOWER W.C.L. DOOR 1285MM		1	
NS	506785	. TAPE RUB ADH2 CC POL 1/16" x 1/4" x 200' / BLACK I1C-N-A		AR	
NS	506769	. TAPE RUB ADH2 CC POL 1/8" x 1/4" x 60' / BLACK H1CC-N-#14		AR	
71	474794	FINISHING MOULDING UPPER W.C.L. DOOR 1285MM		1	
NS	506785	. TAPE RUB ADH2 CC POL 1/16" x 1/4" x 200' / BLACK I1C-N-A		AR	
NS	506790	. TAPE RUB ADH2 CC POL 1/16" x 1/2" x 200' / BLACK I1C-N-A		AR	
NS	682462	ADHESIVE SIKA #252 / BLACK / 310ml CARTRIDGE		1	
72	289461	RUBBER SEAL EXTRUSION SPECIAL VIN 9-9624 / W.C.L. ENTRANCE DOOR		1	
73	287208	FINISHING PLATE SS		1	
74	5001040	SCREW TC PAN PH #6-32x3/4 SS		4	
75	500260	SCREW TC FL PH #8-32x3/4 BK		2	



From 9-9624 To 9-9624	Date:10/2022	PAGE:MTH-1862-80
ENTRANCE DOOR ASSY - W.C.L. - MTH-45 ENT		

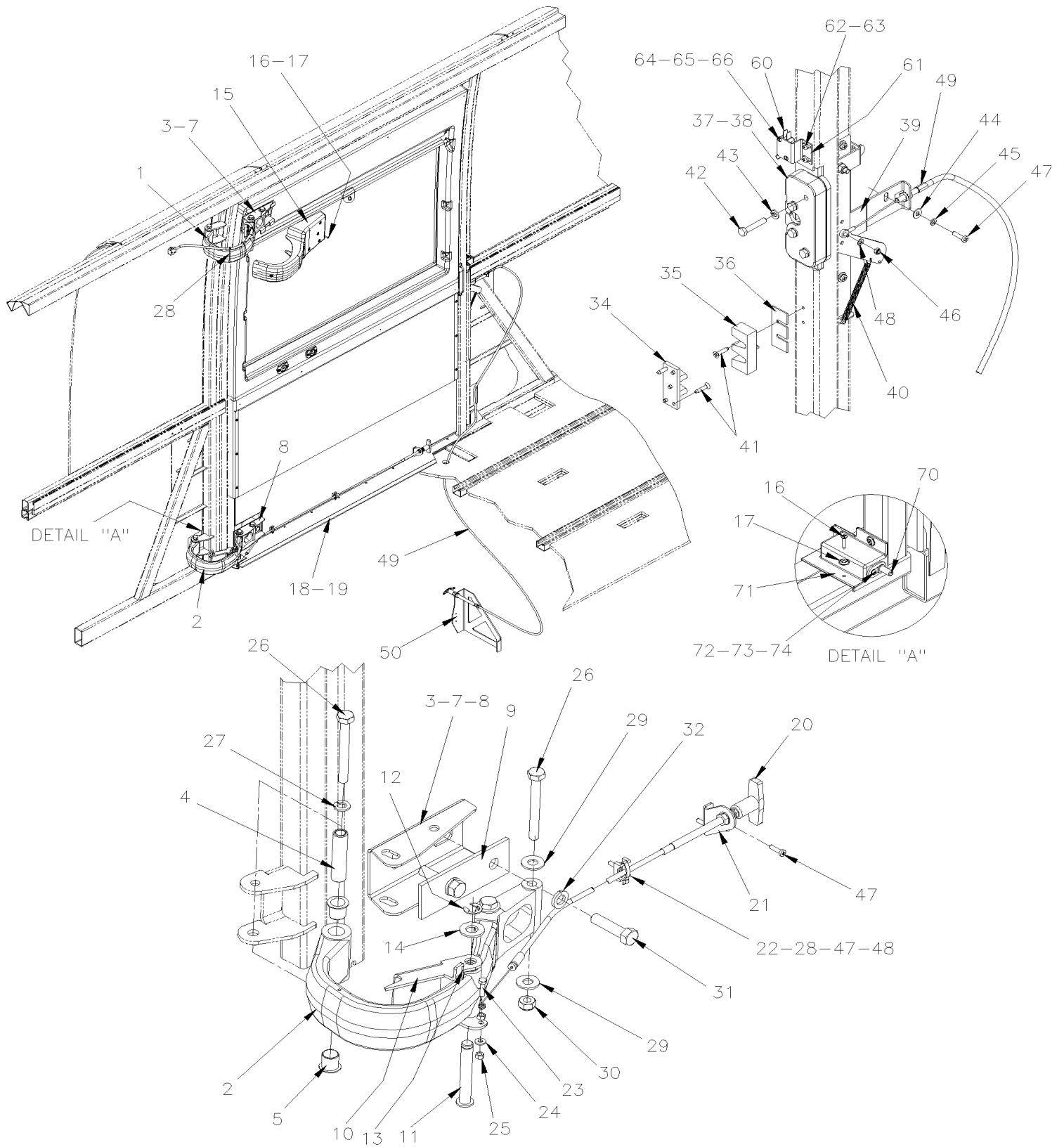
Item#	Part	Description	X L I I M T H 4 5	X L I I M T H 4 5 E	N O T E S
76	478019	DRIP MOULDING 1283MM		1	
		F) WITH FORMICA			
		S) WITH SUNSHINE ROLLER			
		T) WITH TISSUS			
		4) NO PARTS NUMBER			
		P) CALL ORDER DESK FOR SPECIFIC APPLICATION (V.I.N.)			

From 9-9624 To 9-9624

Date:10/2022

PAGE:MTH-1862-82

ENTRANCE DOOR - INSTALLATION - W.C.L. - MTH-45 ENT





From 9-9624 To 9-9624	Date:10/2022	PAGE:MTH-1862-82
ENTRANCE DOOR - INSTALLATION - W.C.L. - MTH-45 ENT		

Item#	Part	Description	X L I M T H 4 5	X L I M T H 4 5 E	N O T E S
1	287472	HINGE UPPER		1	
2	287338	HINGE LOWER		1	
3	287948	RUBBER PAD 110MM X 75MM		1	
4	287337	SPACER / BEARING FLANGE		2	
5	507326	BEARING FLANGE		4	
NS	680739	GREASE SYNTHETIC / RED 20KG		AR	
7	287151	ATTACHMENT UPPER HINGE		1	
8	287152	ATTACHMENT LOWER HINGE		1	
9	286998	SUPPORT PLATE 134MM X 48MM		2	
10	287179	LEVER LOCK		1	
11	287180	PIVOT		1	
12	507110	RING RETAINER / EXT .500 x .392 x .042" / SS		1	
13	371135	SPRING, TORSION / .562 I.D. x .061		1	
14	500958	WASHER FL .531x1.062x.095 SS		1	
15	287160	CAP COVER UPPER		1	
16	500552	SCREW TP OV PH #6x3/4 Z050		5	
17	500463	WASHER FN CKF .187x.500x.090 BR Z050		5	
18	288623	DOORSTEP W.C.L.		1	
19	504340	RIVET POP DOME OE 1/8x3/16 SS		9	
20	287470	CABLE DOOR SAFETY UNLATCH		1	
21	287196	SUPPORT CABLE		1	
22	504013	TIE MOUNT / 1/4" X 1/4" I.D.		2	
23	5001146	SCREW CAP HEX M5-0.8x20 SS BK		1	
24	5001449	NUT HEX M5-0.8 SS		2	
25	502570	WASHER LO SPT 6.1x11.8x1.6 SS		1	
NS	680038	THREAD LOCKER LOCTITE #243 / BLUE / 50ml		1	
26	5001016	SCREW CAP HEX M10-1.5x90 G8.8 Z050		6	
27	500257	WASHER LO SPT 10.2x18.1x2.2 Z050		2	
28	504637	CABLE TIE / 3/16" x 13"		AR	
29	500445	WASHER FL .437x1.000x.083 Z050		8	
30	502617	NUT HEX NYRT M10-1.5 Z050		4	
31	5001519	SCREW CAP HEX M12-1.75x50 G8.8 FT ZP		4	
32	500482	WASHER LO SPT .506x.873x.125 Z050		4	
34	780496	DOVETAIL, MALE		1	
35	780497	DOVETAIL, FEMALE / FIXED ON STRUCTURE		1	
36	287209	SHIM 16GA		2	
37	287173	LATCH ASSY		1	
38	287645	SHIM LATCH SS 16 GA		2	
39	289242	TRANSFER LEVER		1	
40	502092	. SPRING EXTENSION / .240 O.D. x 2.5 x .034		1	
41	500260	SCREW TC FL PH #8-32x3/4 BK		2	
42	502818	SCREW CAP HEX M6-1.0x35 G8.8 Z050		4	



From 9-9624 To 9-9624	Date:10/2022	PAGE:MTH-1862-82
ENTRANCE DOOR - INSTALLATION - W.C.L. - MTH-45 ENT		

Item#	Part	Description	X L I I M T H 4 5	X L I I M T H 4 5 E	N O T E S
43	502570	WASHER LO SPT 6.1x11.8x1.6 SS		4	
44	500964	WASHER FL .203x.500x.047 Z050		3	
45	500470	WASHER LO SPT .193x.334x.047 Z050		3	
46	500590	NUT HEX NYRT M4-0.7 Z050		1	
47	500658	SCREW TC PAN PH #10-24x3/4 Z050		7	
48	500591	WASHER FL 4.3x9.0x0.8 Z050		3	
49	289465	CABLE DOOR LATCH		1	
50	216294	SUPPORT CABLE		1	
60	562096	MICRO SWITCH		1	
61	065388	SUPPORT / SWITCH		1	
62	5001491	SCREW TC PAN PH #8-32x3/4 SS		2	
63	500581	WASHER LO SPT .141x.250x.031 SS		2	
64	502519	SCREW MA FL SLT #4-40x5/8 Z050		2	
65	5001407	WASHER LO EXT 3.2x6.0x0.4 SS		2	
66	502520	NUT HEX #4-40 Z050		2	
70	562303	SWITCH / S.P.S.T. / N.C.		1	
71	065444	SWITCH SUPPORT / ENTRANCE DOOR W.C.L.		1	
72	500148	SCREW MA RND PH #6-32x1/2 SS		1	
73	502649	WASHER LO EXT .141x.320x.022 Z050		1	
74	500553	NUT HEX #6-32 SS		1	

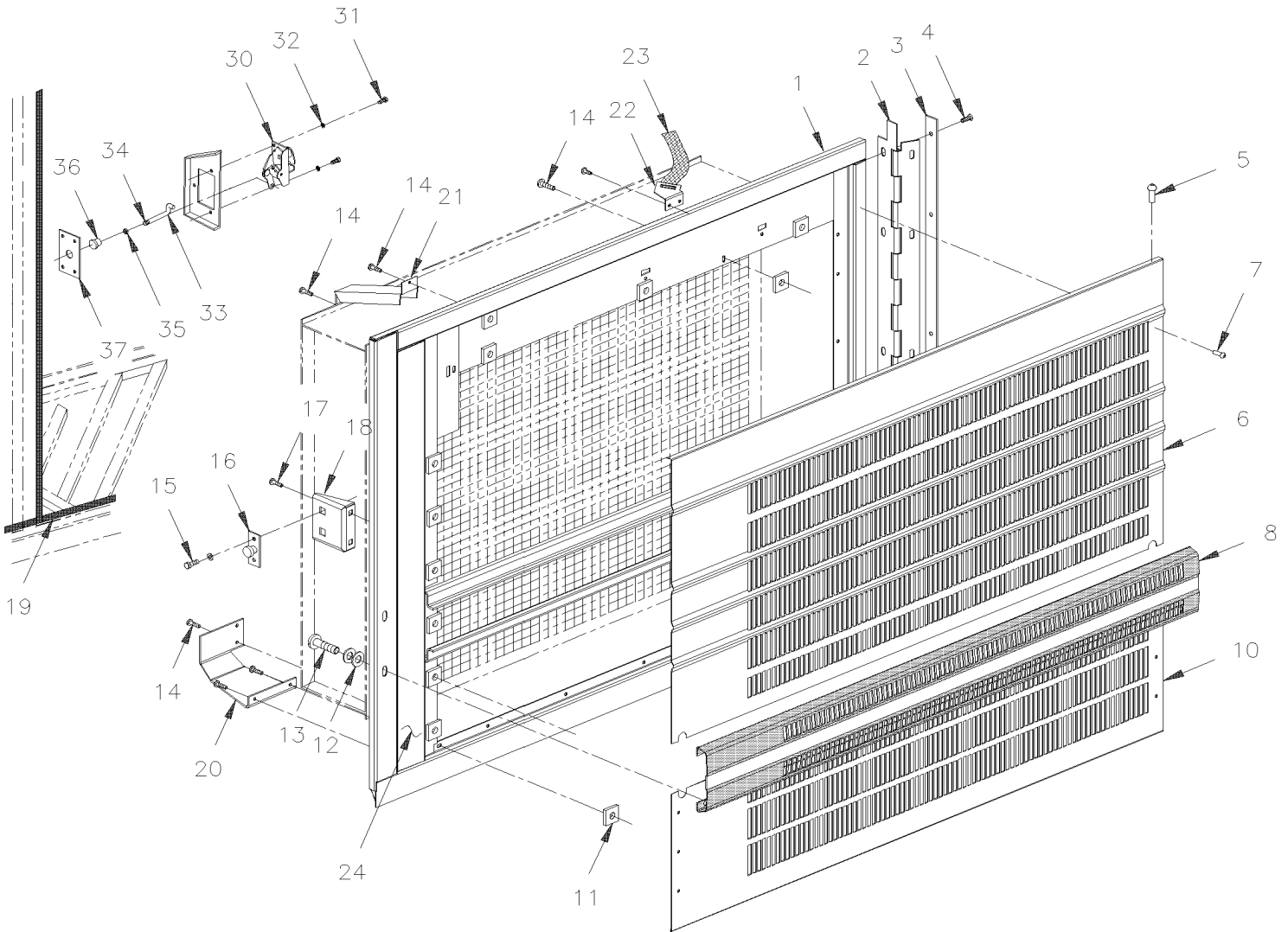
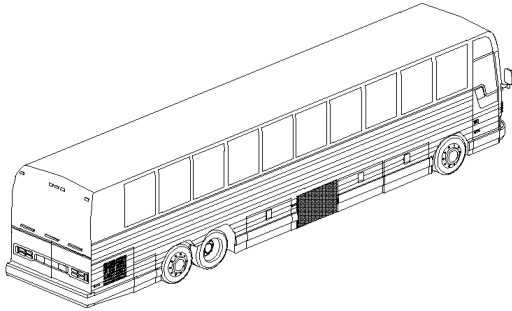
From 8-9279 To B-9999

Date:10/2022

PAGE:MTH-1863-50

CONDENSOR DOOR ASSY - MTH-45

MTH 45'





From 8-9279 To B-9999	Date:10/2022	PAGE:MTH-1863-50
CONDENSOR DOOR ASSY - MTH-45		

Item#	Part	Description	X L I I M T H 4 5	X L I I M T H 4 5 E	N O T E S
		ALL DOORS ASSY DO NOT INCLUDE			
		RUB-RAIL PLEASE ORDER SEPARATELY			
	453321P	CONDENSOR DOOR ASSY W/1 MOTOR To 9-9817	1		
	Call order desk	CONDENSOR DOOR ASSY W/4 FANS From 9-9818	1		P
1	482668	. FRAME ASSY	1		
NS	483638	. HINGE PLATE 31"1/16 W/ 5 HOLES 1/4-28 To 9-9817	1		A
1	481047	. HINGE PLATE 31"1/16 W/ 5 HOLES 1/4-28 From 9-9818	1		A
2	480907	. HINGE	1		
3	480910	. REINFORCEMENT OF HINGE / THIN 31 1/4" x 1/8 FRAME SIDE	1		
NS	481840	. REINFORCEMENT OF HINGE / 31 7/8" X GA11 STRUCTURE SIDE	1		
NS	481131	. SHIM 2" X 1"1/8 / HINGE SUPPORT	AR		
4	500316	. SCREW MA FL PH 1/4-28x3/4 SS	5		
5	504340	. RIVET POP DOME OE 1/8x3/16 SS	AR		
6	483900	. PANEL, UPPER / B.A.	1		
NS	680025	. CAULKING STRIP 3/16" O.D. X 14'	AR		
NS	680065	. TAPE COMPOUND / BLACK / 1/32" X 1" X 33' / L163-2400	AR		
7	504272	. RIVET CHY Q BRAZ 3/16x1/8 SS	AR		
8	MTH-1855-00	RUB RAIL - EXTERIOR CREST & TRIMS			
10	483896	. PANEL, LOWER / B.A.	1		
11	481249	. NUT	AR		
12	500411	. WASHER FL .260x.697x.050 SS	4		
NS	500473	. WASHER LO SPT .262x.489x.062 Z050	4		
13	500556	. SCREW MA TR PH 1/4-20x3/4 SS	4		
14	500524	. SCREW TP PAN PH #12x5/8 SS	AR		
15	500316	. SCREW MA FL PH 1/4-28x3/4 SS	2		
NS	502582	. WASHER LO SERR 6.1x16.2x0.9 Z050	2		
NS	500692	. NUT HEX 1/4-28 Z050	2		
16	780278	. PIN, STRIKER STUD	1		
NS	283326	. STRIKER PLATE, MOUNTING / 60MM X 25MM	1		
17	500163	. SCREW CAP HEX 1/4-20x3/4 G5 Z050	2		
17	502583	. WASHER LO SERR 8.15x22.3x1.0 Z050	2		
18	284605	. SUPPORT / TO FIX CATCH	1		
19	482099	WEATHERSTRIP / CONDENSOR DOOR To 9-9872	1		
19	480009	WEATHERSTRIP / CONDENSOR DOOR From A-9873	1		
20	482452	SUPPORT To 9-9872	1		
20	484128	REINFORCEMENT, LOWER From A-9873	1		
NS	482328	BLOCK SUPPORT To 9-9873	1		
NS	481055	SHIM / FOR THE BLOCK To 9-9873	1		
21	MTH-2255-00	CONDENSOR - INSTALLATION LARGE SYSTEM			



From 8-9279 To B-9999	Date:10/2022	PAGE:MTH-1863-50
-----------------------	--------------	------------------

CONDENSOR DOOR ASSY - MTH-45

Item#	Part	Description	X L I I M T H 4 5	X L I I M T H 4 5 E	N O T E S
22	452813	SUPPORT STRAP RETAINER W/2 SLOTS & 2 HOLES	1		
23	505507	STRAP NYLON 1" WIDE / S.L.	AR		
NS	452816	SUPPORT STRAP	1		
24	482125	REINFORCEMENT, VERTICAL	1		
30	780282	LOCK SPAGNOLET L.H.	1		
NS	505213	SHIM 1/16" THICK	AR		
NS	505193	SHIM 1/8" THICK	AR		
31	502531	SCREW CAP HEX M6-1.0x16 G8.8 Z050	2		
32	502582	WASHER LO SERR 6.1x16.2x0.9 Z050	2		
33	284596	ROD OPENING 68MM	1		
34	500764	NUT HEX #8-32 Z050	1		
35	504083	SNAP BUSHING / .250x.468.406	1		
36	505504	KNOB, PULL / 8-32	1		
37	482726	CLOSING PLATE 30MM X 50MM / SS	1		
NS	504473	RIVET POP DOME OE 1/8x1/4 SS	4		
		A) INSIDE OF DOOR FRAME PANEL			
		P) CALL ORDER DESK FOR SPECIFIC APPLICATION (V.I.N.)			

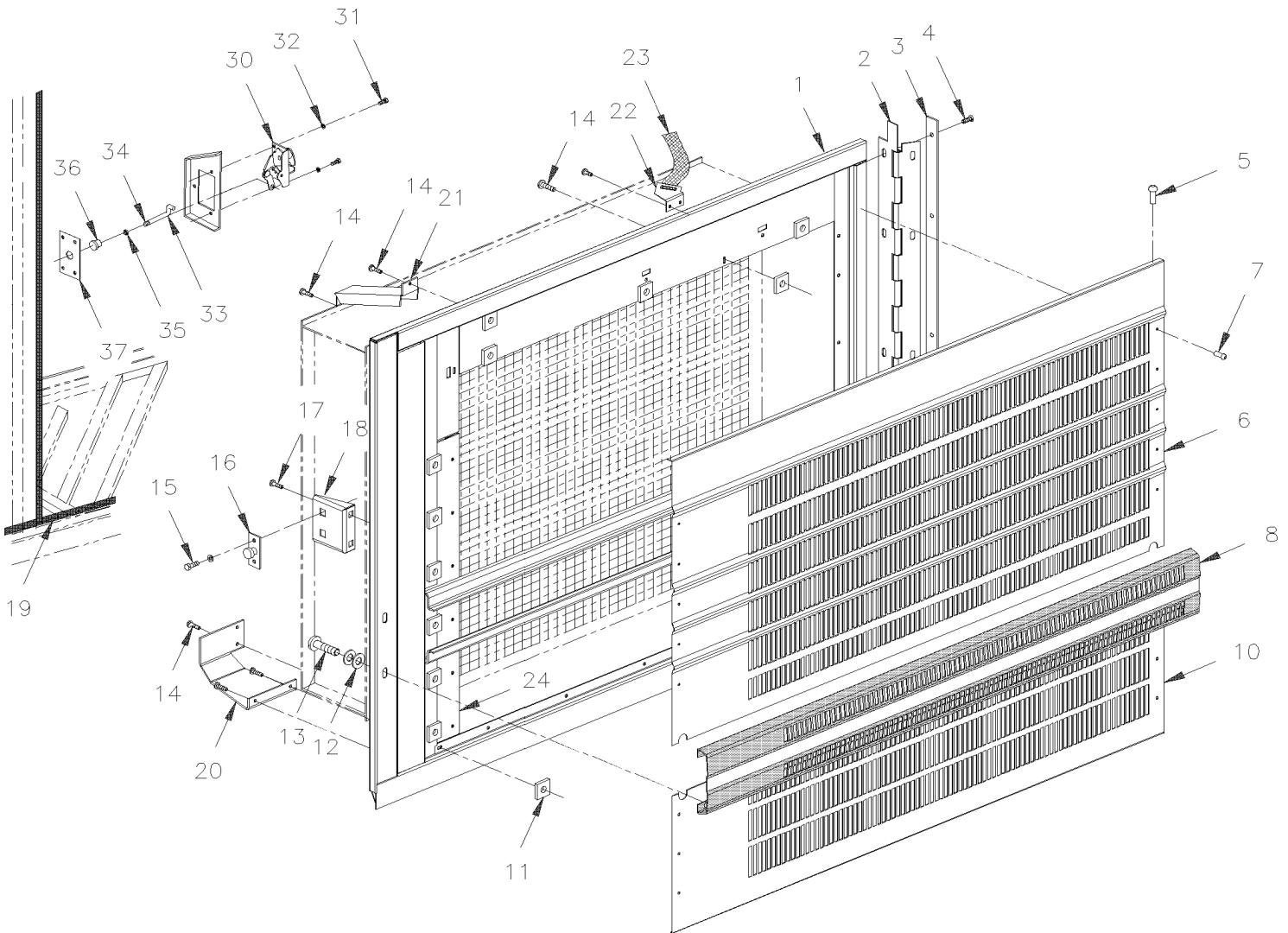
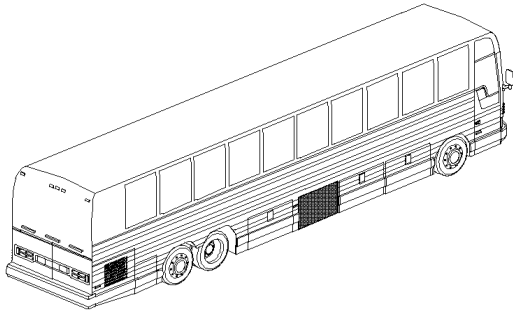
From 8-9279 To B-9999

Date:10/2022

PAGE:MTH-1863-51

CONDENSOR DOOR ASSY - MTH-45 ENT

MTH 40' & 45' ENT





From 8-9279 To B-9999		Date:10/2022	PAGE:MTH-1863-51
CONDENSOR DOOR ASSY - MTH-45 ENT			

Item#	Part	Description	X L I I M T H 4 5	X L I I M T H 4 5 E	N O T E S
		ALL DOORS ASSY DO NOT INCLUDE			
		RUB-RAIL PLEASE ORDER SEPARATELY			
	483008P	CONDENSOR DOOR ASSY W/ 1 MOTOR To 9-9817		1	
1	Call order desk	CONDENSOR DOOR ASSY W/4 FANS From 9-9818		1	P
1	483816	. FRAME ASSY To 9-9817		1	
1	485624	. FRAME ASSY From 9-9818		1	
NS	483638	. HINGE PLATE 31"1/16 W/ 5 HOLES 1/4-28		1	A
NS	504060	. GROMMET / 1.500x2.000x.094x.375x2.375		1	
2	480907	. HINGE		1	
3	480910	. REINFORCEMENT OF HINGE / THIN 31 1/4" x 1/8 FRAME SIDE		1	
NS	481840	. REINFORCEMENT OF HINGE / 31 7/8" X GA11 STRUCTURE SIDE		1	
NS	481131	. SHIM 2" X 1"1/8 / HINGE SUPPORT		AR	
4	500316	. SCREW MA FL PH 1/4-28x3/4 SS		5	
5	504340	. RIVET POP DOME OE 1/8x3/16 SS		4	
6	483899	. PANEL, UPPER / B.A.		1	
NS	680025	. CAULKING STRIP 3/16" O.D. X 14'		AR	
NS	680065	. TAPE COMPOUND / BLACK / 1/32" X 1" X 33' / L163-2400		AR	
7	504272	. RIVET CHY Q BRAZ 3/16x1/8 SS		17	
8	MTH-1855-00	. RUB RAIL - EXTERIOR CREST & TRIMS			
10	483940	. LOWER PANEL W/0.81 SQF PERFORATED AREA / B.A.		1	
11	481249	. NUT		25	
12	500411	. WASHER FL .260x.697x.050 SS		4	
NS	500473	. WASHER LO SPT .262x.489x.062 Z050		4	
13	500556	. SCREW MA TR PH 1/4-20x3/4 SS		4	
14	500524	. SCREW TP PAN PH #12x5/8 SS		AR	
15	500316	. SCREW MA FL PH 1/4-28x3/4 SS		2	
NS	502582	. WASHER LO SERR 6.1x16.2x0.9 Z050		2	
NS	500692	. NUT HEX 1/4-28 Z050		2	
16	780278	. PIN, STRIKER STUD		1	
NS	283326	. STRIKER PLATE, MOUNTING / 60MM X 25MM		1	
17	500163	. SCREW CAP HEX 1/4-20x3/4 G5 Z050		2	
17	502583	. WASHER LO SERR 8.15x22.3x1.0 Z050		2	
18	284605	. SUPPORT / TO FIX CATCH		1	
19	482099	WEATHERSTRIP / CONDENSOR DOOR To 9-9872		1	
19	482099	WEATHERSTRIP / CONDENSOR DOOR From A-9873		1	
20	482452	SUPPORT		1	
21	MTH-2255-00	CONDENSOR - INSTALLATION LARGE SYSTEM			
22	452813	SUPPORT STRAP RETAINER W/2 SLOTS & 2 HOLES		1	
23	505507	STRAP NYLON 1" WIDE / S.L.		AR	
NS	452816	SUPPORT STRAP		1	



From 8-9279 To B-9999	Date:10/2022	PAGE:MTH-1863-51
CONDENSOR DOOR ASSY - MTH-45 ENT		

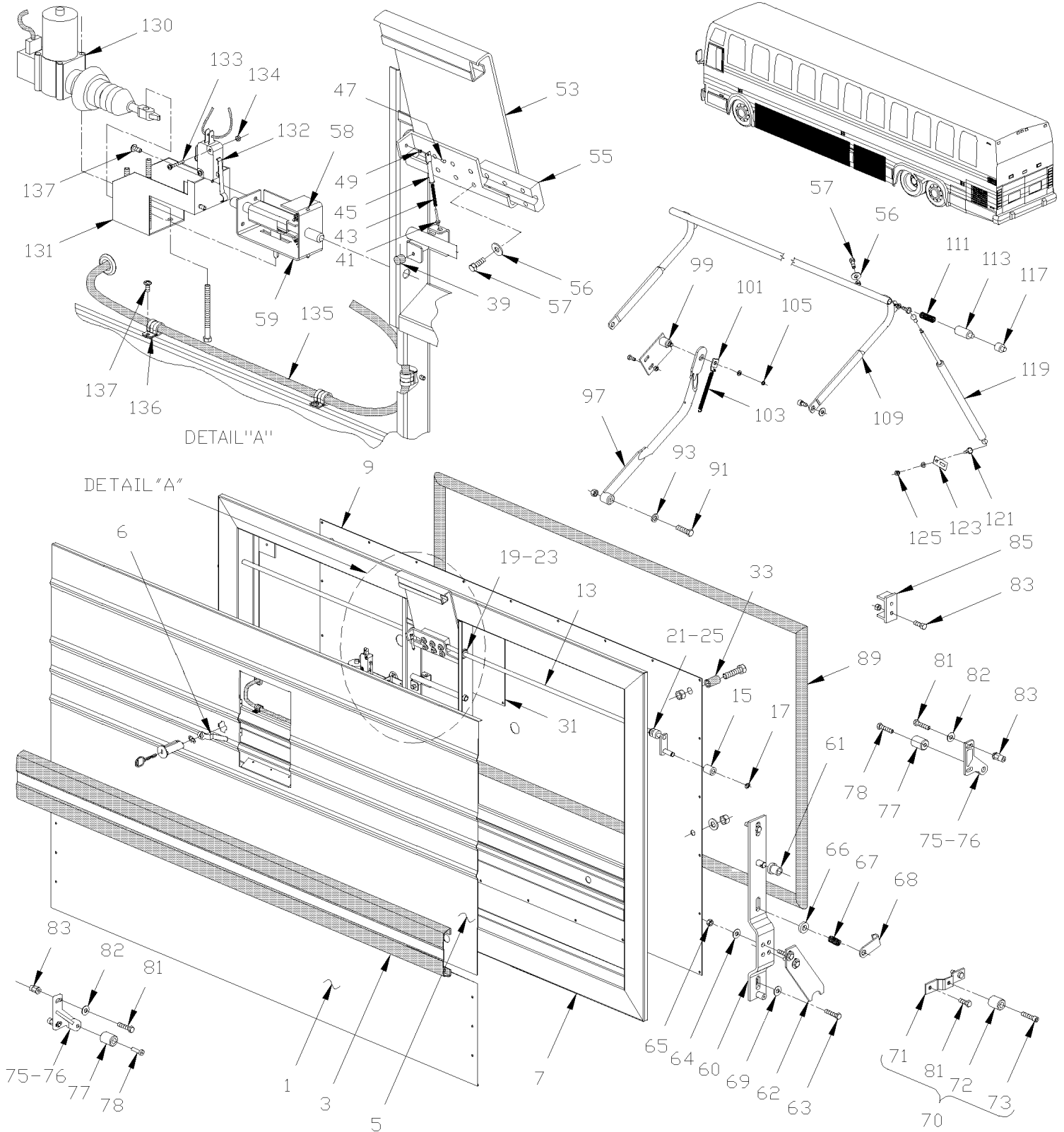
Item#	Part	Description	X L I I M T H 4 5	X L I I M T H 4 5 E	N O T E S
24	482366	REINFORCEMENT, VERTICAL		1	
30	780282	LOCK SPAGNOLET L.H.		1	
NS	505213	SHIM 1/16" THICK		AR	
NS	505193	SHIM 1/8" THICK		AR	
31	502531	SCREW CAP HEX M6-1.0x16 G8.8 Z050		2	
32	502582	WASHER LO SERR 6.1x16.2x0.9 Z050		2	
33	284596	ROD OPENING 68MM		1	
34	500764	NUT HEX #8-32 Z050		1	
35	504083	SNAP BUSHING / .250x.468.406		1	
36	505504	KNOB, PULL / 8-32		1	
37	482726	CLOSING PLATE 30MM X 50MM / SS		1	
NS	504473	RIVET POP DOME OE 1/8x1/4 SS		4	
		A) INSIDE OF DOOR FRAME PANEL			
		P) CALL ORDER DESK FOR SPECIFIC APPLICATION (V.I.N.)			

From 8-9279 To B-9999

Date:10/2022

PAGE:MTH-1864-50

BAGGAGE DOOR ASSY - MTH





From 8-9279 To B-9999	Date:10/2022	PAGE:MTH-1864-50
BAGGAGE DOOR ASSY - MTH		

Item#	Part	Description	X L I I M T H 4 5	X L I I M T H 4 5 E	N O T E S
		ALL DOORS ASSY DO NOT INCLUDE			
		RUB-RAIL PLEASE ORDER SEPARATELY			
		THE FOLLOWING 4 DOOR ARE STANDARD WITH			
		PANEL W/O PERFORATED PANELS.			
		FOR SPECIAL PURPOSE DOOR ASSY REFER TO			
		PERFORATED & SPECIAL PANELS (BOOK PA-1108)			
	483328P	DOOR ASSY 38" / W/INSULATING & INT. PANEL		AR	
	350972	. INSULATING KIT / 38" DOOR		1	
	483521	DOOR ASSY 45" / W/INSUL & ELECTRIC LOCK		2	
	483783	BAGGAGE DOOR ASSY 45" / W/INSUL & ELECTRIC LOCK / SPECIFIED UPPER & LOWER PANE		AR	E
NS	350954	. INSULATING KIT / 45" DOOR		1	
	483520	DOOR ASSY 53" / W/INSUL & ELECTRIC LOCK	2		
	483520	DOOR ASSY 53" / W/INSUL & ELECTRIC LOCK		8	
	483782	BAGGAGE DOOR ASSY 53" / W/INSUL & ELECTRIC LOCK / SPECIFIED UPPER & LOWER PANE	AR	AR	F
NS	350951	. INSULATING KIT / 53" DOOR	1	1	
	480022	DOOR ASSY 60" / W/INSUL & ELECTRIC LOCK	6		
	483784	BAGGAGE DOOR ASSY 60" / W/INSUL & ELECTRIC LO / SPECIFIED UPPER & LOWER PANE	AR		G
NS	350940	. INSULATING KIT / 60" DOOR	1		
1	483887	. LOWER PANEL 45" / B.A.		1	
1	483772	. LOWER PANEL 53" / B.A.	1	1	
1	483881	. LOWER PANEL 60" / B.A.	1		
NS	504272	. RIVET CHY Q BRAZ 3/16x1/8 SS	6	6	
3	MTH-1855-00	. RUB RAIL - EXTERIOR CREST & TRIMS			
NS	504433	. SNAP-IN PLUG / 1.090 O.D.	AR	AR	
5	483842	. UPPER PANEL / 45" / B.A.		1	
5	483827	. UPPER PANEL / 53" / B.A.	1	1	
5	483838	. UPPER PANEL / 60" / B.A.	1		
5	483954	. UPPER PANEL / 60" / B.A.	1		J
6	281498	. PIVOT LOCK 3/8" OFFSET	1	1	
7	483734	. FRAME 45"		1	
7	483735	. FRAME 53"	1	1	
7	483733	. FRAME 60"	1		
9	483813	. PANEL INTERIOR 45"		1	
9	483811	. PANEL INTERIOR 53"	1	1	
9	483812	. PANEL INTERIOR 60"	1		



From 8-9279 To B-9999		Date:10/2022	PAGE:MTH-1864-50
BAGGAGE DOOR ASSY - MTH			

Item#	Part	Description	X L I I M T H 4 5	X L I I M T H 4 5 E	N O T E S
9	482224	. PANEL INTERIOR 60"	1		C
9	482225	. PANEL INTERIOR 60"	1		D
NS	504347	. RIVET POP DOME OE 3/16x1/4 AL	AR	AR	
NS	506268	. TAPE RUB ADH1 URE 3/8" x 1/2" x 25' / GREY 1820	1	1	
13	480769	. ROD ASSY LOCK W/45"		2	
13	480936	. ROD ASSY LOCK W/53"	2	2	
13	483593	. ROD ASSY LOCK W/60"	2	2	
13	480770	. ROD LOCK W/45"		1	
13	480940	. ROD LOCK W/53"	2	2	
13	483594	. ROD LOCK W/60"	2		
15	483595	. ROLLER	1	1	
17	504318	. RING RETAINER / EXT .375 x .352 x .025	1	1	
19	504650	. GROMMET / .375x.625x.062x.313x.875	2	2	
21	507254	. BUSHING NYLINER W/SHOULDER	2	2	
23	507260	. BUSHING NYLINER W/SHOULDER .375x.437x.375x.594	2	2	
25	505229	. SPACER 3/8 I.D. X 3/8 LG	2	2	
31	481787	. PANEL ACCESS 9" X 9"	1	1	
NS	500257	. WASHER LO SPT 10.2x18.1x2.2 Z050	4	4	
33	5001168	. BUMPER RUBBER / .750 OD x .562 TH x .187 HOLE	2	2	
NS	500508	. SCREW TC PAN PH #10-32x1 1/2 Z050	2	2	
39	504334	. BUMPER RUBBER / .625 OD x .406 TH x .156 HOLE	1	1	
NS	504339	. RIVET POP DOME OE 1/8x3/8 SS	1	1	
41	481007	. ROD ASSY MALE	1	1	
43	480394	. SPRING COMPRESSION / .355 O.D. 3.375 x .063	1	1	
45	481227	. ROD FEMALE	1	1	
47	504142	. RIVET SOL RND 1/4x3/8 SS	1	1	
49	481012	. BUSHING LEVER	1	1	
53	483897	. HANDLE ASSY / B.A.	1	1	
55	483587	. RETAINER ROD / HANDLE / E-COAT BLACK	1	1	
56	500473	. WASHER LO SPT .262x.489x.062 Z050	6	6	
57	500163	. SCREW CAP HEX 1/4-20x3/4 G5 Z050	6	6	
58	481564	. ROD GUIDE	2	2	
59	502151	. SPRING COMPRESSION / .300 O.D. x 1 x .032	2	2	
NS	480932	. BRACKET ASSY	1	1	
NS	480933	. BRACKET	1	1	
NS	480935	. ROD	1	1	
NS	480937	. PLATE, SUPPORT	1	1	
60	483588	. PLATE ASSY L.H.	1	1	
60	483591	. PLATE ASSY R.H.	1	1	
60	483589	. BRACKET ASSY L.H.	1	1	
60	483592	. BRACKET ASSY R.H.	1	1	
61	507257	. BUSHING NYLINER W/SHOULDER	1	1	



From 8-9279 To B-9999	Date:10/2022	PAGE:MTH-1864-50
BAGGAGE DOOR ASSY - MTH		

Item#	Part	Description	X L I M T H 4 5	X L I M T H 4 5 E	N O T E S
62	483590	. PLATE LOCK	1	1	
63	500179	. SCREW CAP HEX 5/16-18x3/4 G5 Z050	5	5	
64	500441	. WASHER FL .312x.734x.065 Z050	1	1	
65	500777	. NUT HEX STO 5/16-18 Z050	1	1	
66	481496	. SPACER	1	1	
67	480705	. SPRING COMPRESSION / .600 O.D. x 1 x .055 CROMAT	1	1	
68	480657	. HOOK 68MM		1	
68	483477	. HOOK 76MM	1		
NS	500441	. WASHER FL .312x.734x.065 Z050	1	1	
NS	500183	. SCREW CAP HEX 5/16-18x1 1/2 G5 PT Z050	7	7	
69	500476	. WASHER LO SPT .317x.586x.078 Z050	5	5	
72	483597	. ROLLER CATCH / LOWER	1	1	
75	483602	ATTACHMENT ASSY L.H. / W/ROLLER / DIE CASTING	1	1	V
75	483604	ATTACHMENT ASSY R.H. / W/ROLLER / DIE CASTING	1	1	V
76	483460	. ATTACHMENT ASSY L.H. / DIE CASTING	1	1	
76	483461	. ATTACHMENT ASSY R.H. / DIE CASTING	1	1	
77	483597	. ROLLER CATCH / LOWER	1	1	
78	502503	. SCREW CAP HEXS 5/16-18x1 1/2 N500	1	1	
81	955297	SCREW CAP HEX M8-1.25x25 G8.8 ZG603	AR	AR	
82	500321	WASHER BEL SPR .331x.827x.098 N500	AR	AR	
83	5001337	NUT INS FL HEX M8-1.25 0.5-3.0 Z050	AR	AR	
85	483599	STRIKER CATCH	2	2	
86	502523	RIVET NUT FL OKS 5/16-18 .059-.119	AR	AR	
89	482462	WEATHERSTRIP / W/45" BAGGAGE DOORS To 9-9872		2	
89	482462	WEATHERSTRIP / W/45" BAGGAGE DOORS From A-9873		2	
89	481033	WEATHERSTRIP / W/53" BAGGAGE DOORS To 9-9872		8	
89	485635	WEATHERSTRIP / W/53" BAGGAGE DOORS From A-9873		8	
89	481033	WEATHERSTRIP / W/53" BAGGAGE DOORS To 9-9872	2		
89	485635	WEATHERSTRIP / W/53" BAGGAGE DOORS From A-9873	2		
89	481988	WEATHERSTRIP / W/60" BAGGAGE DOORS To 9-9872	6		
89	485630	WEATHERSTRIP / W/45" BAGGAGE DOORS From A-9873	6		
NS	483941	. WEATHERSTRIP RUBBER / ADH / RAW MATERIAL To 9-9872		AR	
89	485610	. WEATHERSTRIP RUBBER / ADH / RAW MATERIAL From A-9873		AR	
91	500162	SCREW CAP HEX 1/4-20x1/2 G5 Z050	6	6	
93	500473	WASHER LO SPT .262x.489x.062 Z050	6	6	
97	483581	LEVER ASSY	1	1	
97	483582	. LEVER	1	1	
NS	507143	. BUSHING, NYLINER (8-L-12-D)	1	1	
99	483583	. PLATE ATTACHMENT	1	1	
101	483584	. PLATE ATTACHMENT / SPRING	1	1	
103	502056	. SPRING EXTENSION / .437 O.D. X 5.375 x .062	1	1	
105	504477	. RING RETAINER / EXT 14.0 X 13.4 X 1.0MM	1	1	



From 8-9279 To B-9999	Date:10/2022	PAGE:MTH-1864-50
BAGGAGE DOOR ASSY - MTH		

Item#	Part	Description	X L I I M T H 4 5	X L I I M T H 4 5 E	N O T E S
NS	500496	. WASHER FL .437x.750x.054 Z050	AR	AR	
109	480767	LEVER / W/45"		1	
109	483660	LEVER / W/53"	1	1	
109	483586	LEVER / W/60"	1		
111	502144	SPRING COMPRESSION / .720 O.D. x 2 x .062	1	1	
113	480369	PIVOT	1	1	
113	483585	PIVOT	1	1	
NS	5001346	SCREW SET HEXS CONE 1/4-20x3/4	1	1	
117	507141	BUSHING, NYLINER W/SHOULDER (7-L-7-F)	2	2	
119	980024	CYLINDER GAZ / 669/409MM C/C / 200LBS	1	1	
119	980030	CYLINDER GAZ / 669/409MM C/C / 210LBS	1	1	
119	192226	CYLINDER GAZ / 669/409MM C/C / 200LBS HD	AR	AR	
NS	980017	. CLIP BALL STUD 10MM RETAINER	2	2	
121	980015	BALL STUD / W/10 MM X M8-1.25 / 29.18 MM	2	2	
123	481088	PLATE CYLINDER ADJUSTEMENT / W/53" & 60"	1	1	
NS	482276	PLATE CYLINDER ADJUSTEMENT FOR OVER LOAD DOOR W/RAIL SS	AR	AR	
123	482787	SUPPORT ASSY / W/45"		2	
125	502760	NUT HEX TWAY M8-1.25 Z050	2	2	
130	780428	LOCK ACTUATOR / 12V To A-9965	1	1	
NS	562076	. CONNECTOR / PACK-CON I / FEMALE HOUSING / 2C / PED 8911772 To A-9965	1	1	
130	2810382	ACTUATOR SERVICE KIT To A-9965	1	1	
130	780814	LOCK ACTUATOR / 12V From A-9966	1	1	
NS	562076	. CONNECTOR / PACK-CON I / FEMALE HOUSING / 2C / PED 8911772 From A-9966	1	1	
131	482109	BRACKET / TO FIX LOCK ACTUATOR To A-9965	1	1	
131	287665	BRACKET / TO FIX LOCK ACTUATOR From A-9966	1	1	
132	562096	MICRO SWITCH	1	1	
133	502577	SCREW MA PAN PH M3-0.5x16 ZP	2	2	
134	502579	NUT HEX M3-0.5 NP	2	2	
135	062796	CABLE ASSY / ACTUATOR POWER / EACH DOOR To A-9965	1	1	
136	560481	CLAMP / 5/8" I.D.	3	3	
137	500883	SCREW TC PAN PH #8-32x3/8 Z050	6	6	
NS	062823	CABLE ASSY / FRT JCT PANEL W/DOOR LOCK	1	1	
NS	064473	CABLE ASSY / FUEL COMP & REAR DOOR		1	
NS	063387	CABLE ASSY / FUEL COMP & REAR DOOR	1		
NS	064470	CABLE ASSY / FRT JCT PANEL TO FUEL COMPT		1	
NS	063361	CABLE ASSY / FRT JCT PANEL TO FUEL COMPT	1		
		C) USE WITH 4TH BAY DOOR WITH 2 ACCESS PANEL "MARATHON"			
		D) USE WITH 1ST BAY DOOR WITH 2 ACCESS PANEL "MARATHON"			
		E) SERVICE NUMBER SPECIFIED "UPPER & LOWER PANEL" SEE CONVERTER'S SPECIAL BAGGAGES PANEL BOOK # PA-1108 SECTION 04			



From 8-9279 To B-9999	Date:10/2022	PAGE:MTH-1864-50
-----------------------	--------------	------------------

BAGGAGE DOOR ASSY - MTH

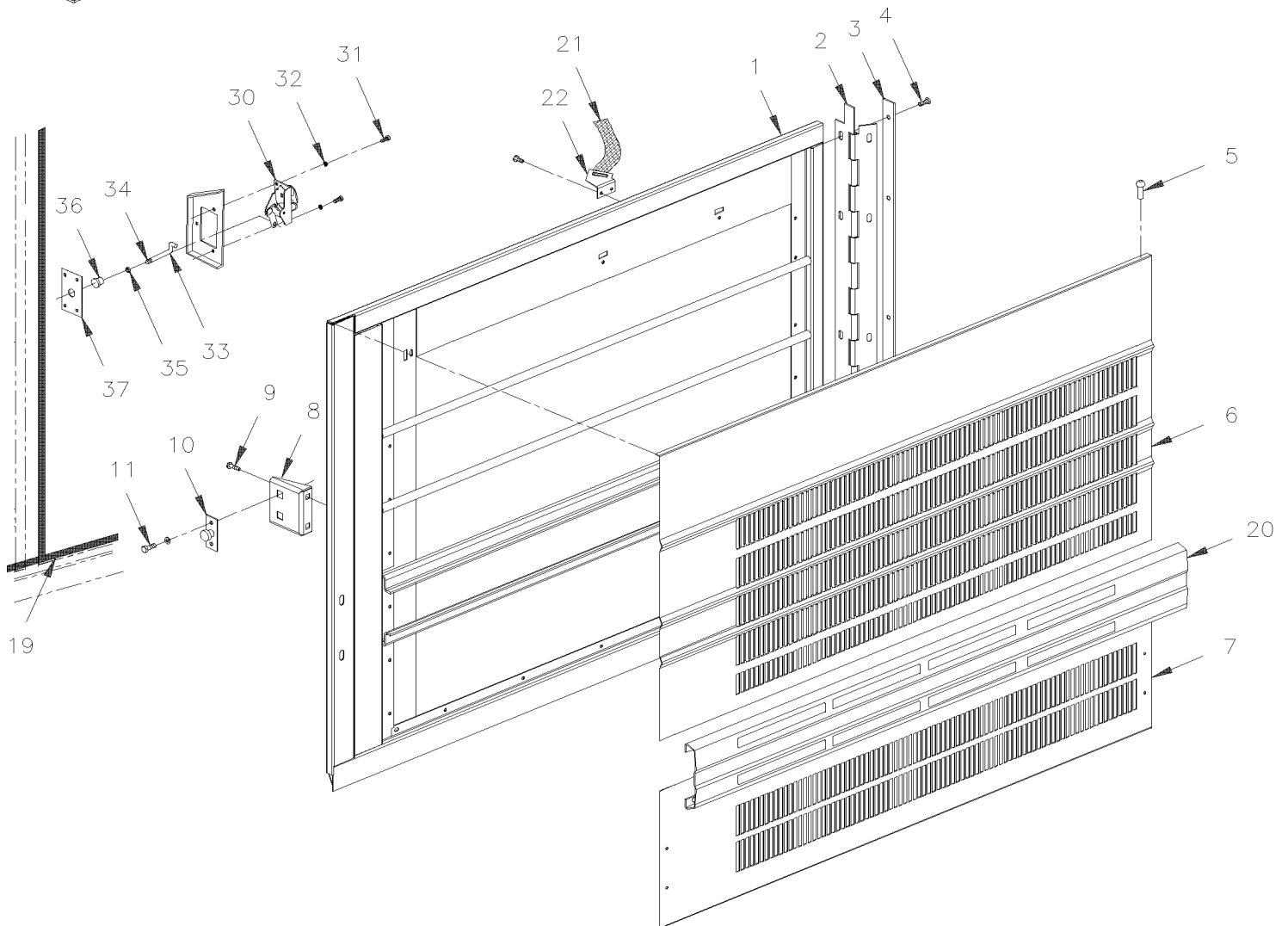
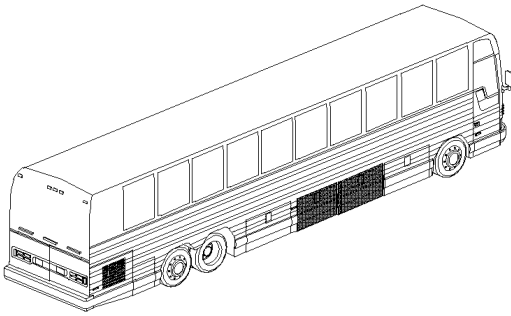
Item#	Part	Description	X L I I M T H 4 5	X L I I M T H 4 5 E	N O T E S
		F) SERVICE NUMBER SPECIFIED "UPPER & LOWER PANEL" SEE CONVERTER'S SPECIAL BAGGAGES PANEL BOOK # PA-1108 SECTION 06			
		G) SERVICE NUMBER SPECIFIED "UPPER & LOWER PANEL" SEE CONVERTER'S SPECIAL BAGGAGES PANEL BOOK # PA-1108 SECTION 09			
		J) USE WITH "VORAD" SYSTEM			
		V) THOSE ATTACHMENTS ARE FIXED ON VERTICAL POST STRUCTURE			

From 8-9279 To B-9999

Date:10/2022

PAGE:MTH-1864-60

BAGGAGE DOOR R.H. - W/HINGE "SPECIAL"





From 8-9279 To B-9999	Date:10/2022	PAGE:MTH-1864-60
BAGGAGE DOOR R.H. - W/HINGE "SPECIAL"		

Item#	Part	Description	X L I M T H 4 5	X L I M T H 4 5 E	N O T E S
	483023P	BAGGAGE DOOR 45" W/3.49 SQF PERFORATED AREA		1	
	482678P	BAGGAGE DOOR 53" W/2.58 SQF PERFORATED AREA	1	1	
1	483013	. FRAME ASSY 53"	1	1	
1	483009	. FRAME ASSY 45"		1	
1	680065	. TAPE COMPOUND / BLACK / 1/32" X 1" X 33' / L163-2400	AR	AR	
1	680025	. CAULKING STRIP 3/16" O.D. X 14'	AR	AR	
NS	483638	. HINGE PLATE 31"1/16 W/ 5 HOLES 1/4-28	1	1	A
2	480907	. HINGE	1	1	
3	483637	. SUPPORT, HINGE / THIN 31 1/4 LG	1	1	
NS	481840	. REINFORCEMENT OF HINGE / 31 7/8" X GA11 STRUCTURE SIDE	1	1	
NS	481131	. SHIM 2" X 1"1/8 / HINGE SUPPORT	AR	AR	
4	500316	. SCREW MA FL PH 1/4-28x3/4 SS	1	1	
5	504340	. RIVET POP DOME OE 1/8x3/16 SS	4	4	
6	483964	. PANEL W/2.58 SQF PERFORATED AREA / B.A.	1		
6	483005	. UPPER PANEL W/1.90 SQF PERFORATED AREA / S.B.		1	
7	483940	. LOWER PANEL W/0.81 SQF PERFORATED AREA / B.A.		1	
NS	504272	. RIVET CHY Q BRAZ 3/16x1/8 SS	6	6	
8	284605	. SUPPORT / TO FIX CATCH	1	1	
9	500163	. SCREW CAP HEX 1/4-20x3/4 G5 Z050	2	2	
NS	502583	. WASHER LO SERR 8.15x22.3x1.0 Z050	2	2	
10	780278	. PIN, STRIKER STUD	1	1	
NS	283326	. STRIKER PLATE, MOUNTING / 60MM X 25MM	1	1	
11	500316	. SCREW MA FL PH 1/4-28x3/4 SS	7	7	
NS	502582	. WASHER LO SERR 6.1x16.2x0.9 Z050	2	2	
NS	500692	. NUT HEX 1/4-28 Z050	2	2	
19	482099	WEATHERSTRIP / CONDENSOR DOOR To 9-9872	1		
19	480009	WEATHERSTRIP / CONDENSOR DOOR From A-9873	1		
20	MTH-1855-00	RUB RAIL - EXTERIOR CREST & TRIMS			
21	505507	STRAP NYLON 1" WIDE / S.L.	AR	AR	
22	452813	SUPPORT STRAP RETAINER W/2 SLOTS & 2 HOLES	1	1	
30	780282	LOCK SPAGNOLET L.H.	1	1	
31	502531	SCREW CAP HEX M6-1.0x16 G8.8 Z050	2	2	
32	502582	WASHER LO SERR 6.1x16.2x0.9 Z050	2	2	
33	284596	ROD OPENING 68MM		1	
NS	482698	STRING 450 LG	1		
34	500764	NUT HEX #8-32 Z050		1	
35	504083	SNAP BUSHING / .250x.468.406		1	
36	505504	KNOB, PULL / 8-32		1	
37	482725	CLOSING PLATE 30MM X 50MM / ALU		1	
37	505213	SHIM 1/16" THICK	AR	AR	
37	505193	SHIM 1/8" THICK	AR	AR	
37	504473	RIVET POP DOME OE 1/8x1/4 SS	4	4	

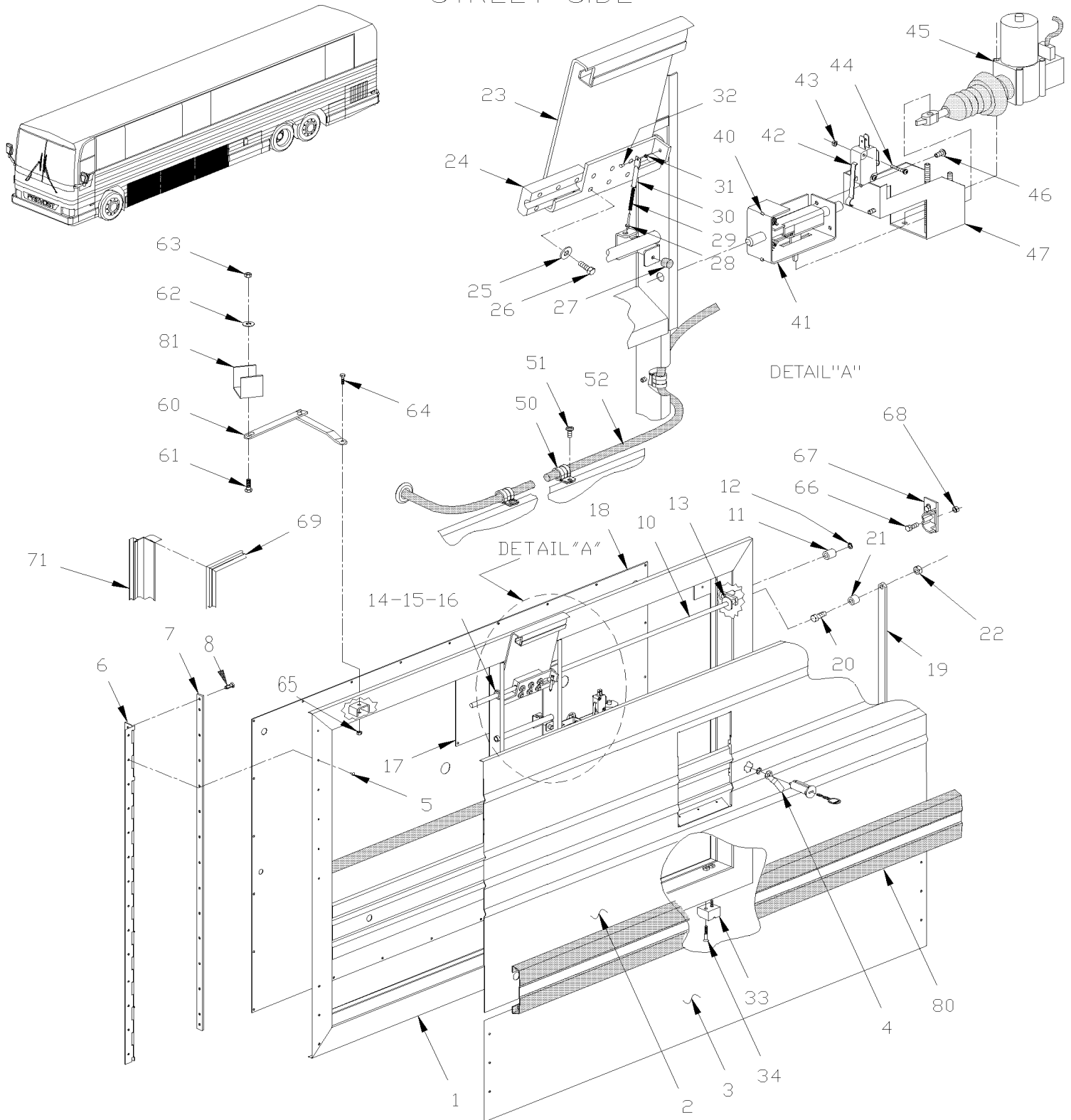


From 8-9279 To B-9999	Date:10/2022	PAGE:MTH-1864-60
BAGGAGE DOOR R.H. - W/HINGE "SPECIAL"		

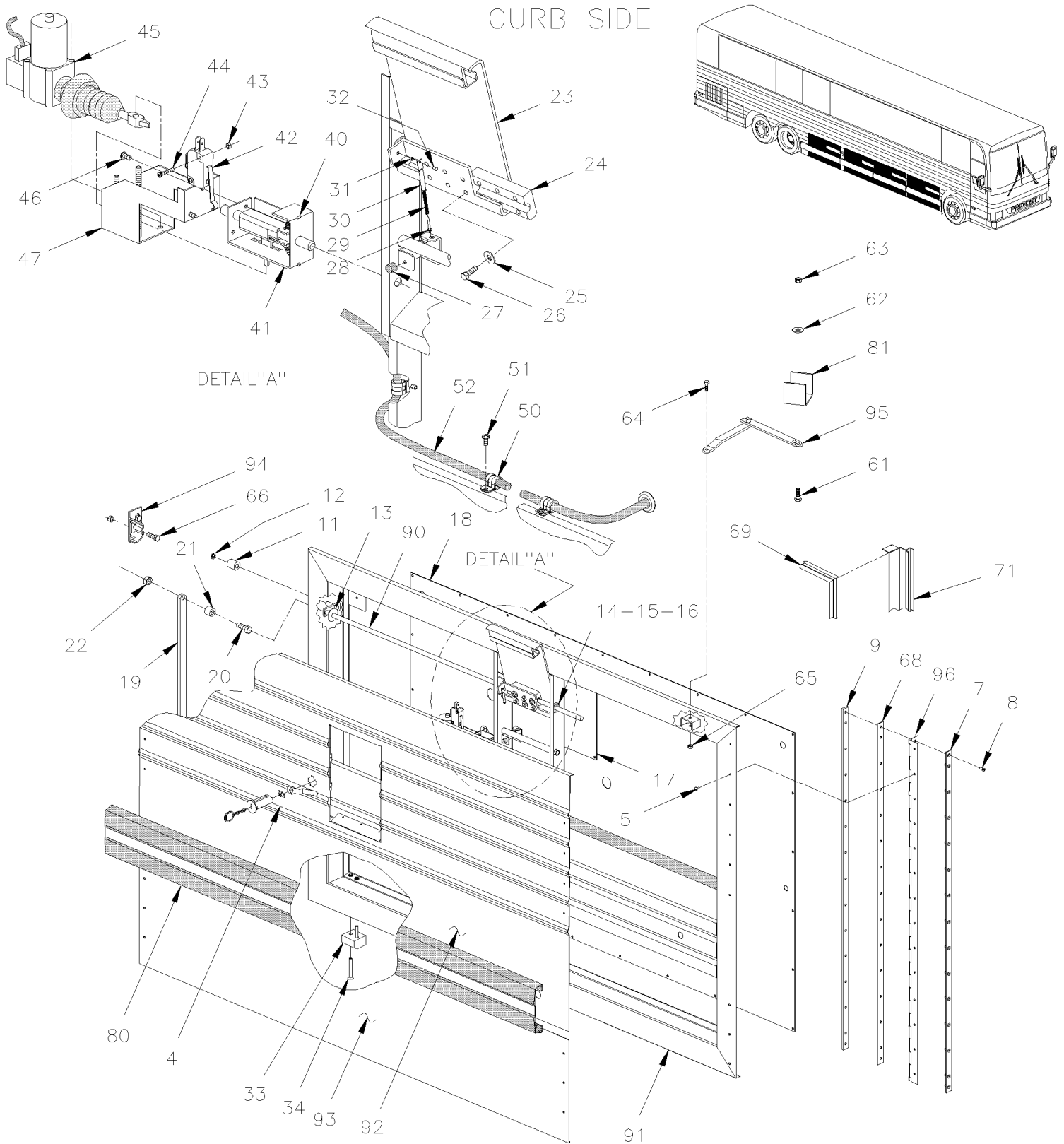
Item#	Part	Description	X L I I M T H 4 5	X L I I M T H 4 5 E	N O T E S
37	481157	WEATHERSTRIP / CONDENSOR DOOR		1	
37	483941	WEATHERSTRIP RUBBER / ADH / RAW MATERIAL To 9-9872	AR	AR	
37	485610	WEATHERSTRIP RUBBER / ADH / RAW MATERIAL From A-9873	AR	AR	
37	482453	SUPPORT	1		
		A) INSIDE OF DOOR FRAME PANEL			

	Date:10/2022	PAGE:MTH-1864-90
BAGGAGE DOOR - W/"SLIDE-OUT" INSTALLATION		

STREET SIDE



	Date:10/2022	PAGE:MTH-1864-90
BAGGAGE DOOR - W/"SLIDE-OUT" INSTALLATION		





BAGGAGE DOOR - W/"SLIDE-OUT" INSTALLATION

Item#	Part	Description	X L I M T H 4 5	X L I M T H 4 5 E	N O T E S
		ALL DOORS ASSY DO NOT INCLUDE			
		RUB-RAIL PLEASE ORDER SEPARATELY			
	485409	BAGGAGE DOOR ASSY 45"		2	A
	483472	BAGGAGE DOOR ASSY 45"		2	B
	483650	BAGGAGE DOOR ASSY 60" / W/SLIDE OUT	AR		A
	483475	BAGGAGE DOOR ASSY 60" / W/SLIDE OUT	AR		C
	483649	BAGGAGE DOOR ASSY 53" / W/SLIDE OUT	1	1	A
	483474	BAGGAGE DOOR ASSY 53" / W/SLIDE OUT	1	1	D
	483649	BAGGAGE DOOR ASSY 53" / W/SLIDE OUT	2	2	A
	483474	BAGGAGE DOOR ASSY 53" / W/SLIDE OUT	2	2	D
1	483415	. FRAME ASSY 60"	1		
1	483738	. FRAME ASSY 45"		1	
1	483732	. FRAME ASSY 53"	1	1	
2	483857	. UPPER PANEL / 60" / B.A.	1		
2	483953	. UPPER PANEL / 60" / B.A.	1		V
2	483929	. UPPER PANEL / 45" / B.A.		1	
2	483866	. UPPER PANEL / 53" / B.A.	1	1	
3	483903	. LOWER PANEL 60" / B.A.	1		
3	483930	. LOWER PANEL 45" / B.A.		1	
3	483911	. LOWER PANEL 53" / B.A.	1	1	
3	483912	. LOWER PANEL 53" W/1.09 SQF PERFORATED / B.A.	1	1	
NS	504272	. RIVET CHY Q BRAZ 3/16x1/8 SS	6	6	
4	281498	. PIVOT LOCK 3/8" OFFSET	1	1	
5	504272	. RIVET CHY Q BRAZ 3/16x1/8 SS	18	18	
6	483442	. HINGE	1	1	
NS	483606	. SUPPORT, HINGE / THIN 844.5MM LG	1	1	
7	483638	. HINGE PLATE 31"1/16 W/ 5 HOLES 1/4-28	1	1	
NS	483610	. SHIM 18GA SS / 131MM X 29MM	3	3	
8	500316	. SCREW MA FL PH 1/4-28x3/4 SS	5	5	
10	485425	. ROD LOCK W/45"		1	
10	485424	. ROD LOCK W/60"	2		
10	485427	. ROD LOCK W/53"	2	2	
11	483636	. ROLLER	1	1	
12	504318	. RING RETAINER / EXT .375 x .352 x .025	1	1	
13	505520	. SPACER 3/8 I.D. X 5/8 LG	2	2	
NS	507254	. BUSHING NYLINER W/SHOULDER	1	1	
14	504650	. GROMMET / .375x.625x.062x.313x.875	2	2	
15	507260	. BUSHING NYLINER W/SHOULDER .375x.437x.375x.594	2	2	
16	5001011	. WASHER FL .406x.625x.040 Z050	4	4	
16	502102	. PIN, COTTER 1/8 x 1	2	2	



Date:10/2022

PAGE:MTH-1864-90

BAGGAGE DOOR - W/"SLIDE-OUT" INSTALLATION

Item#	Part	Description	X L I M T H 4 5	X L I M T H 4 5 E	N O T E S
17	481787	. PANEL ACCESS 9" X 9"	1	1	
NS	500582	. SCREW TP PAN PH #8x3/8 Z050	4	4	
18	483812	. PANEL INTERIOR 60"	1		
18	483955	. PANEL INTERIOR 60"	1		V
18	483811	. PANEL INTERIOR 53"	1	1	
NS	504347	. RIVET POP DOME OE 3/16x1/4 AL	28	28	
NS	504433	. SNAP-IN PLUG / 1.090 O.D.	1	1	
19	483639	. ROD TRANSFER	1	1	
21	507301	. BUSHING NYLINER	2	2	
22	504689	. RING RETAINER / EXT .312 x .243 x .025 / SS	2	2	
23	483897	. HANDLE ASSY / B.A.	1	1	
24	483587	. RETAINER ROD / HANDLE / E-COAT BLACK	1	1	
25	500473	. WASHER LO SPT .262x.489x.062 Z050	6	6	
26	500163	. SCREW CAP HEX 1/4-20x3/4 G5 Z050	6	6	
27	504334	. BUMPER RUBBER / .625 OD x .406 TH x .156 HOLE	1	1	
NS	504339	. RIVET POP DOME OE 1/8x3/8 SS	2	2	
28	481007	. ROD ASSY MALE	1	1	
29	480394	. SPRING COMPRESSION / .355 O.D. 3.375 x .063	1	1	
30	481227	. ROD FEMALE	1	1	
31	481012	. BUSHING LEVER	1	1	
32	504459	. RIVET MGLP PRDG 1/4x3/8 SS	1	1	
NS	502573	. WASHER FL 6.4x12.5x1.6 SS	1	1	
33	483674	. DOOR SUPPORT NYLON 25.4MM 25.4MM 38.1MM	1	1	
33	483742	. SHIM 18GA 25.4MM x 38.1MM SS	AR	AR	
34	500368	. SCREW MA FL SLT 1/4-20x1 1/2 Z050	2	2	
40	481564	. ROD GUIDE	2	2	
41	502151	. SPRING COMPRESSION / .300 O.D. x 1 x .032	2	2	
42	562096	. MICRO SWITCH	1	1	
43	502579	. NUT HEX M3-0.5 NP	4	4	
44	502577	. SCREW MA PAN PH M3-0.5x16 ZP	2	2	
45	780428	. LOCK ACTUATOR / 12V To A-9965	1	1	
NS	562076	. CONNECTOR / PACK-CON I / FEMALE HOUSING / 2C / PED 8911772 To A-9965	1	1	
45	2810382	. ACTUATOR SERVICE KIT To A-9965	1	1	
45	780814	. LOCK ACTUATOR / 12V From A-9966	1	1	
NS	562076	. CONNECTOR / PACK-CON I / FEMALE HOUSING / 2C / PED 8911772 From A-9966	1	1	
46	500883	. SCREW TC PAN PH #8-32x3/8 Z050	6	6	
47	482109	. BRACKET / TO FIX LOCK ACTUATOR To A-9965	1	1	
47	287665	. BRACKET / TO FIX LOCK ACTUATOR From A-9966	1	1	
50	560481	. CLAMP / 5/8" I.D.	3	3	
51	500883	. SCREW TC PAN PH #8-32x3/8 Z050	AR	AR	
52	067002	. CABLE ASSY / ACTUATOR POWER / EACH DOOR To A-9965	1	1	
52	068083	. CABLE ASSY / ACTUATOR POWER / EACH DOOR From A-9966	1	1	



Date:10/2022

PAGE:MTH-1864-90

BAGGAGE DOOR - W/"SLIDE-OUT" INSTALLATION

Item#	Part	Description	X L I I M T H 4 5	X L I I M T H 4 5 E	N O T E S
52	066658	CABLE ASSY / TO STRETCH ACTUATOR CABLE ABOVE 1350MM	1	1	
60	288031	GUIDE ASSY / R.H. DOOR	1	1	
61	502780	SCREW CAP HEX M8-1.25x25 SS BK	1	1	
62	500270	WASHER FL .406x1.000x.063 SS	2	2	
63	500868	NUT HEX NYRT M8-1.25 Z050	1	1	
64	502737	SCREW CAP HEX M6-1.0x25 SS BK	1	1	
65	502511	NUT HEX NYRT M6-1.0 Z050	1	1	
65	502573	WASHER FL 6.4x12.5x1.6 SS	3	3	
66	955297	SCREW CAP HEX M8-1.25x25 G8.8 ZG603	4	4	
NS	500321	WASHER BEL SPR .331x.827x.098 N500	4	4	
67	485429	STRIKER CATCH R.H.	1	1	
NS	483730	SHIM 14GA 73.2MM x 38.1MM SS	AR	AR	
NS	284059	SHIM WASHER SS 18GA 32MM O.D. x 14MM I.D.	AR	AR	
68	5001337	NUT INS FL HEX M8-1.25 0.5-3.0 Z050	4	4	
69	482330	WEATHERSTRIP / W/60" HINGE BAGGAGE DOOR To 9-9867	1		
69	485631	WEATHERSTRIP / W/60" HINGE BAGGAGE DOOR From 9-9868	1		
69	483692	WEATHERSTRIP / W/45" HINGE BAGGAGE DOOR To 9-9867		1	
69	485633	WEATHERSTRIP / W/45" HINGE BAGGAGE DOOR From 9-9868		1	
69	483462	WEATHERSTRIP / W/53" HINGE BAGGAGE DOOR To 9-9867	1	1	
69	485632	WEATHERSTRIP / W/53" HINGE BAGGAGE DOOR From 9-9868	1	1	
71	476077	MOULDING / WEATHERSTRIP RETAINER	1	1	
NS	500611	SCREW TC PAN PH #10-24x1/2 Z050	2	2	
80	MTH-1855-00	RUB RAIL - EXTERIOR CREST & TRIMS			
81	N.P.N.	SUPPORT WELDED TO STRUCTURE	1	1	4
		NEXT FOLLOWING ITEMS ARE RELATED			
		WITH HINGED DOORS CURBSIDE INSTALLATION			
89	Call order desk	BAGGAGE DOOR ASSY 60" / W/HINGE CURBSIDE	AR		P C
89	Call order desk	BAGGAGE DOOR ASSY 60" / W/HINGE CURBSIDE	AR		P C
89	Call order desk	BAGGAGE DOOR ASSY 53" / W/HINGE CURBSIDE	AR	AR	P D
89	Call order desk	BAGGAGE DOOR ASSY 53" / W/HINGE CURBSIDE	AR	AR	P D
90	483787	ROD LOCK / 60"	2		
90	484004	ROD LOCK / 53"	2	2	
91	484075	FRAME ASSY 60"	1		
91	484078	FRAME ASSY 53"	1	1	
92	484090	UPPER PANEL / CURBSIDE DOOR W/HINGE 60" / B.A.	1		
92	484089	UPPER PANEL / CURBSIDE DOOR W/HINGE 53" / B.A.	1	1	
92	485457	UPPER PANEL 53" W/1.51 SQF PERFORATED AREA / B.A.	1	1	
93	485443	LOWER PANEL 60" / B.A.	1		
93	484000	LOWER PANEL 53" / B.A.	1	1	
93	485456	LOWER PANEL 53" W/1.09 SQF PERFORATED / B.A.	1	1	



	Date:10/2022	PAGE:MTH-1864-90
BAGGAGE DOOR - W/"SLIDE-OUT" INSTALLATION		

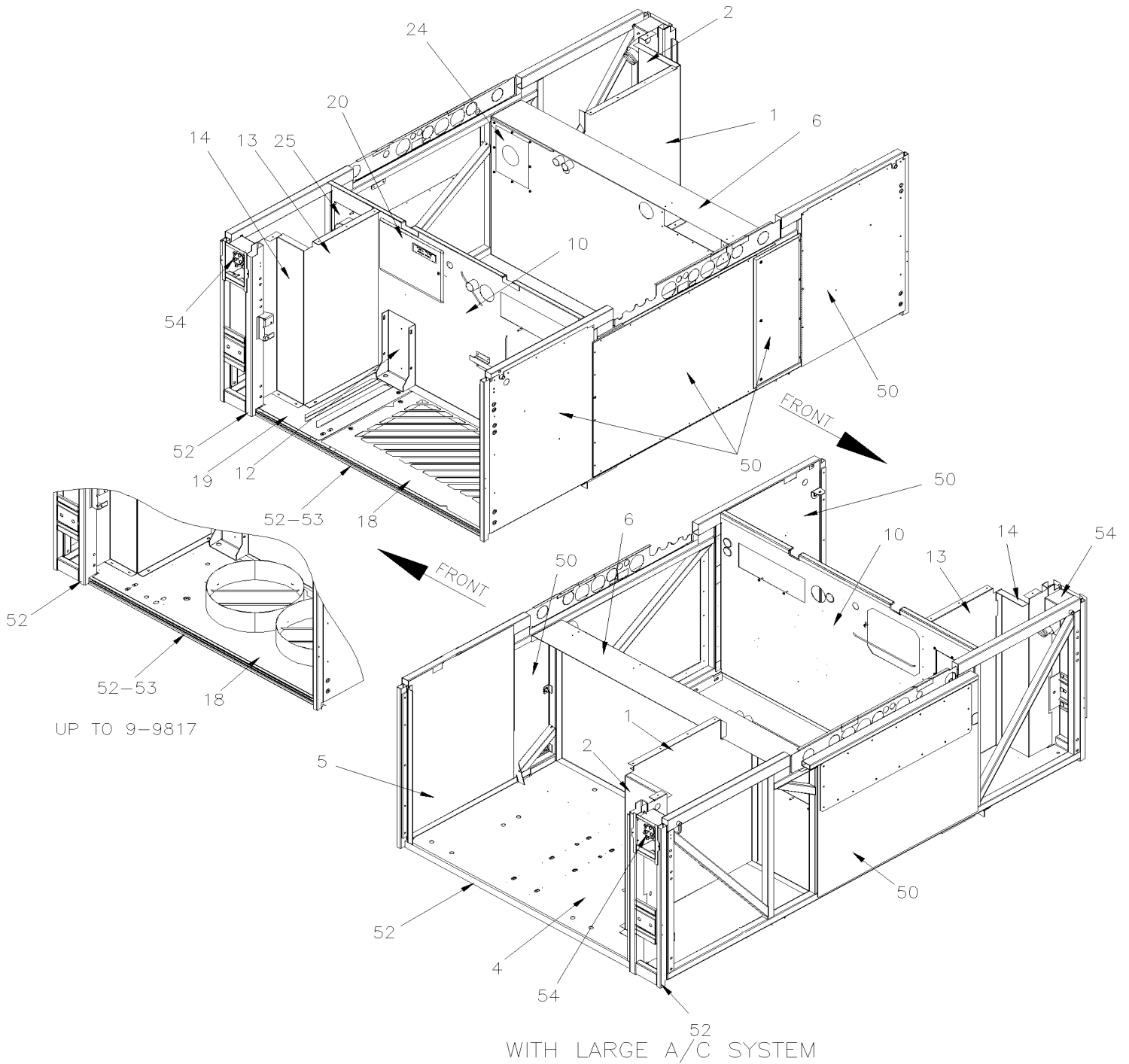
Item#	Part	Description	X L I I M T H 4 5	X L I I M T H 4 5 E	N O T E S
94	483799	STRIKER CATCH L.H.	2	2	
95	281912	GUIDE ASSY / L.H. DOOR	1	1	
		A) DOOR ASSY W/OUT PREFORATED PANEL			
		B) SERVICE NUMBER SPECIFIED "UPPER AND LOWER PANEL". SEE CONVERTER BAGGAGE BOOK PA-1108 AT SECTION #19			
		C) SERVICE NUMBER SPECIFIED "UPPER AND LOWER PANEL". SEE CONVERTER BAGGAGE BOOK PA-1108 AT SECTION #10			
		D) SERVICE NUMBER SPECIFIED "UPPER AND LOWER PANEL". SEE CONVERTER BAGGAGE BOOK PA-1108 AT SECTION #07			
		V) USE WITH "VORALD" SYSTEM			
		4) NO PARTS NUMBER			
		P) CALL ORDER DESK FOR SPECIFIC APPLICATION (V.I.N.)			

From 8-9279 To B-9999

Date:10/2022

PAGE:MTH-1865-20

EVAPORATOR & CONDENSOR WALL

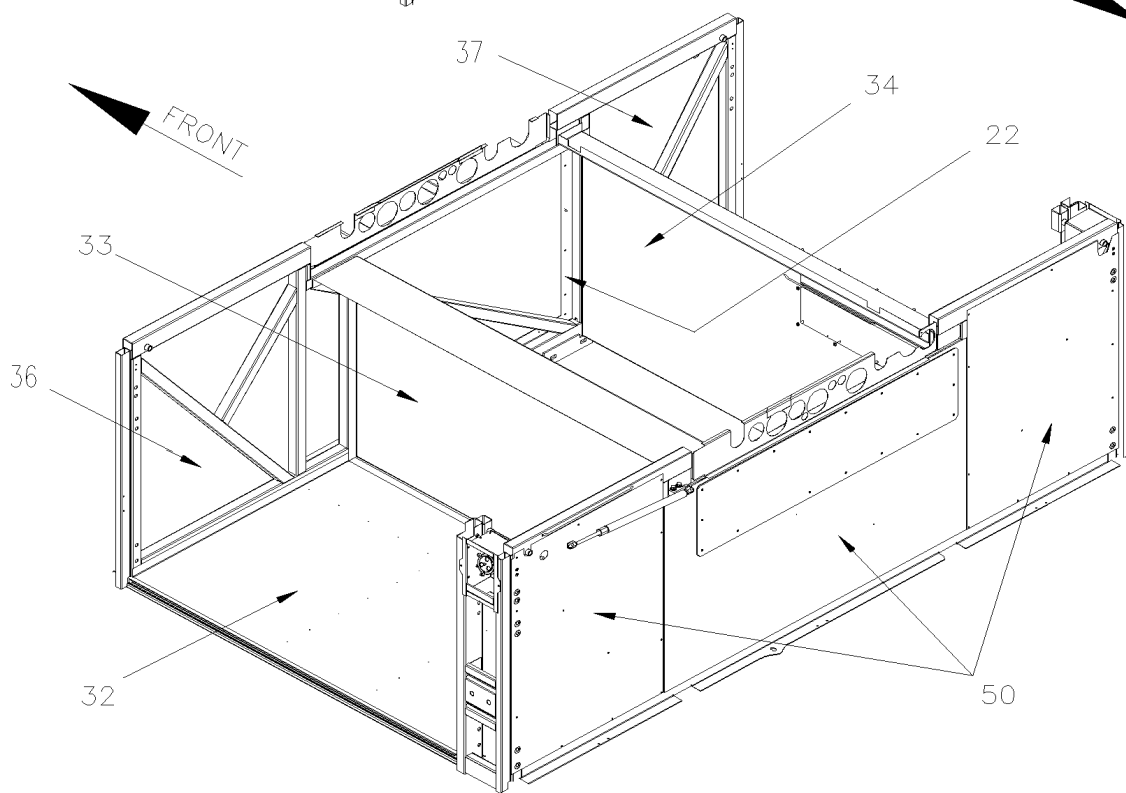
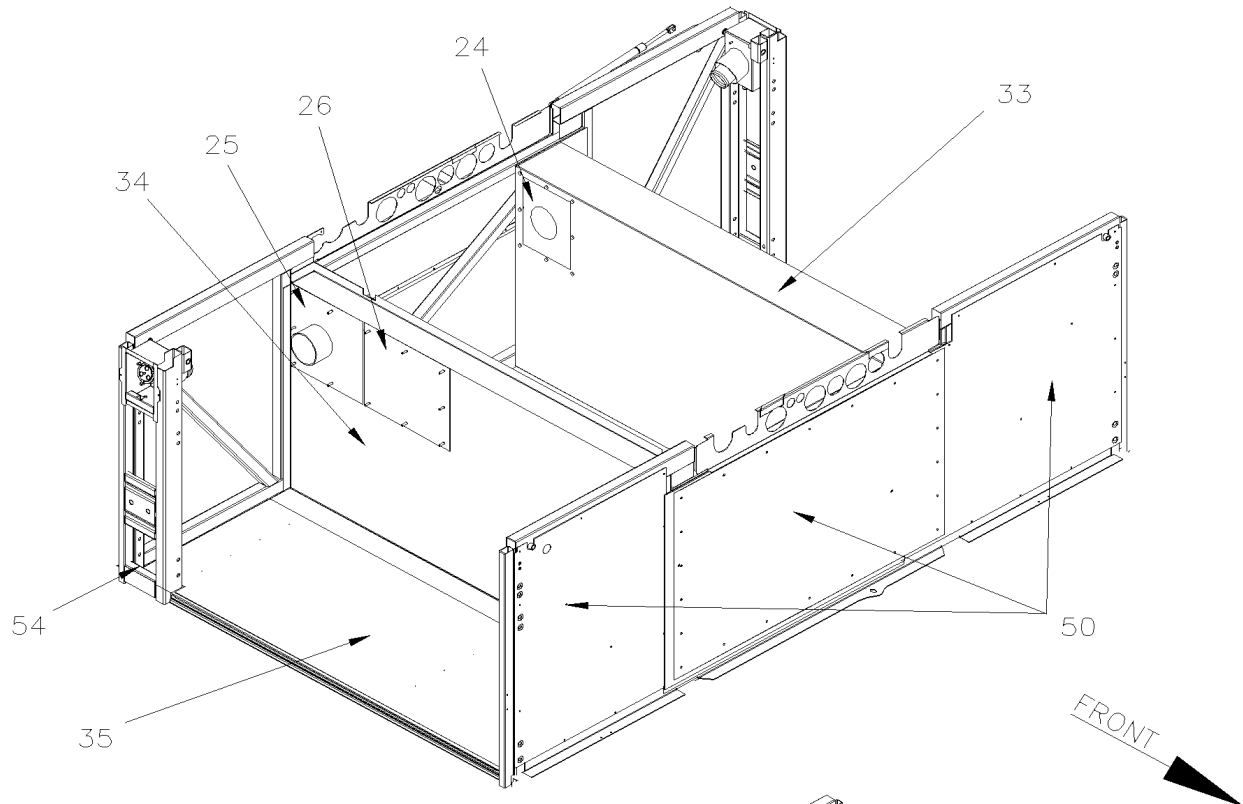


From 8-9279 To B-9999

Date:10/2022

PAGE:MTH-1865-20

EVAPORATOR & CONDENSOR WALL



MTH WITH SMALL A/C SYSTEM



From 8-9279 To B-9999	Date:10/2022	PAGE:MTH-1865-20
EVAPORATOR & CONDENSOR WALL		

Item#	Part	Description	X L I I M T H 4 5	X L I I M T H 4 5 E	N O T E S
1	221073	PANEL EVAPORATOR SEPARATOR BACKWARD	1		
1	221275	PANEL EVAPORATOR SEPARATOR BACKWARD / W/"SLIDE-OUT"	1		
NS	482392	PANEL EVAPORATOR WALL BACKWARD To 9-9817		1	
1	216092	PANEL EVAPORATOR WALL BACKWARD To 9-9817		1	
NS	217977	PANEL EVAPORATOR WALL BACKWARD / W/"SLIDE-OUT" To 8-9122		1	
NS	216090	PANEL EVAPORATOR WALL BACKWARD / W/"SLIDE-OUT" From 8-9279		1	
2	221125	ANGLE PANEL CLOSING SEPARATOR	1		
4	483371	EVAPORATOR FLOOR ASSY To 8-9371	1		
4	485522	EVAPORATOR FLOOR ASSY From 8-9372	1		
4	483372	EVAPORATOR FLOOR ASSY		1	
4	215872	EVAPORATOR FLOOR ASSY		1	
4	215807	EVAPORATOR FLOOR ASSY / W/"SLIDE-OUT"		1	
5	215791	PANEL EVAPORATOR WALL FORWARD		1	
6	214111	REAR VERTICAL PANEL EVAPORATOR To 8-9371	1		
6	217966	REAR VERTICAL PANEL EVAPORATOR From 8-9372	1		
6	215874	REAR VERTICAL PANEL EVAPORATOR		1	
10	215295	REAR VERTICAL PANEL CONDENSOR	1		
10	215936	REAR VERTICAL PANEL CONDENSOR To 9-9817	1		
10	218430	REAR VERTICAL PANEL CONDENSOR From 9-9818	1		
10	215935	REAR VERTICAL PANEL CONDENSOR To 9-9615		1	
10	216439	REAR VERTICAL PANEL CONDENSOR From 9-9616 To 9-9817		1	
10	216555	REAR VERTICAL PANEL CONDENSOR From 9-9818		1	
12	454125	SUPPORT RECEIVER TANK / WELDED TO STRUCTURE	1	1	
13	214494	PANEL CONDENSOR SEPARATOR BACKWARD	1		
NS	484030	PANEL CONDENSOR BACKWARD		1	
NS	215933	PANEL CONDENSOR BACKWARD		1	
14	221124	ANGLE PANEL SEPARATOR	1		
18	215553	CONDENSOR FLOOR ASSY 1520MM To 9-9817	1		
18	215816	CONDENSOR FLOOR ASSY 1141MM To 9-9817		1	
18	216556	CONDENSOR FLOOR ASSY 985MM From 9-9818	1	1	
19	218249	PANEL FLOOR BACKWARD From 9-9818	1		
20	032016	DOOR ACCESS PANEL / FUEL COMPONENT		1	
20	506268	TAPE RUB ADH1 URE 3/8" x 1/2" x 25' / GREY 1820		AR	I
22	485381	PANEL FRAME / FORWARD FUEL TANK 990MM x 766MM To 8-9276	1		
22	217961	PANEL FRAME / FORWARD FUEL TANK 990MM x 754MM From 8-9279	1		
24	032081	CLOSING PANEL FUEL HOSE ADAPTOR / STREETSIDE 9" x 11 3/8"	1		
25	032083	CLOSING PANEL FUEL HOSE ADAPTOR / CURBSIDE 293MM x 320MM	1		S
26	032076	FUEL ACCESSORIES DOOR PANEL 293MM x 308MM	1		S
26	032084	FUEL ACCESSORIES DOOR PANEL 306MM x 243MM	1		L



From 8-9279 To B-9999		Date:10/2022	PAGE:MTH-1865-20
EVAPORATOR & CONDENSOR WALL			

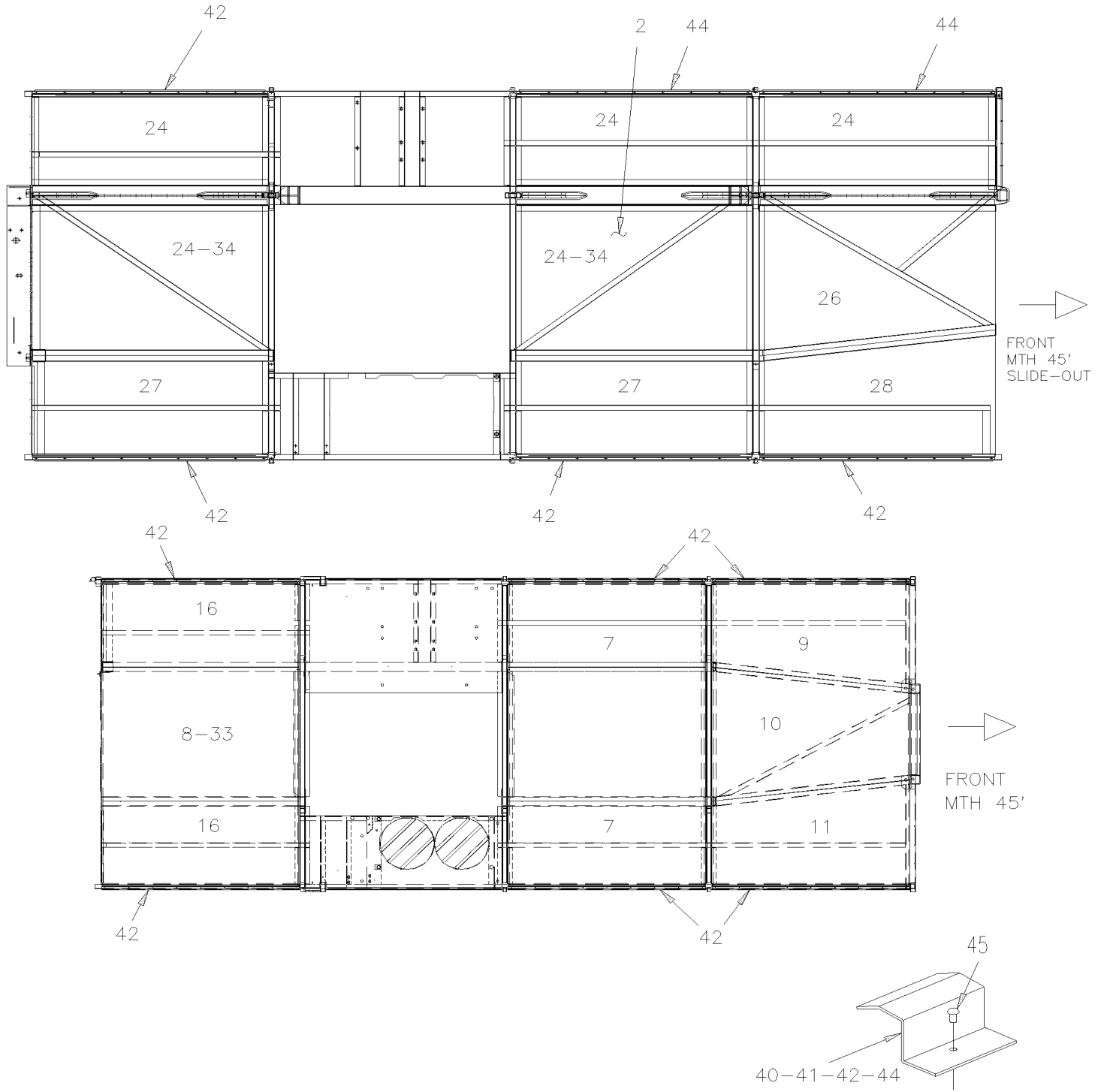
Item#	Part	Description	X L I I M T H 4 5	X L I I M T H 4 5 E	N O T E S
		NEXT ARE RELATED WITH SMALL A/C SYSTEM			
32	483418	FLOOR PANEL / EVAPO COMP W/SMALL A/C SYSTEM	1		
32	482524	FLOOR PANEL / EVAPO COMP W/SMALL A/C SYSTEM W/SLIDE-OUT	1		
32	215869	FLOOR PANEL / EVAPO COMP	1	1	
33	221071	REAR VERTICAL PANEL / EVAPO COMP W/SMALL A/C SYSTEM To 8-9371	1		
33	223872	REAR VERTICAL PANEL / EVAPO COMP From 8-9372	1		
33	217943	REAR VERTICAL PANEL / EVAPO COMP W/SLIDE-OUT	1		
33	482810	REAR VERTICAL PANEL / EVAPO COMP W/SMALL A/C SYSTEM		1	
33	215870	REAR VERTICAL PANEL / EVAPO COMP		1	
34	221070	REAR VERTICAL PANEL / COND COMP W/SMALL A/C SYSTEM	1		
34	482808	REAR VERTICAL PANEL / COND COMP W/SMALL A/C SYSTEM To 9-9615		1	
34	483253	REAR VERTICAL PANEL / COND COMP W/SMALL A/C SYSTEM From 9-9616		1	
35	483417	FLOOR PANEL / COND COMP W/SMALL A/C SYSTEM To 8-9271	1		
35	215557	FLOOR PANEL / COND COMP From 8-9372	1		
35	215760	FLOOR PANEL / COND COMP W/SMALL A/C SYSTEM		1	
36	215871	PANEL STREETSIDE FORWARD W/SMALL A/C SYSTEM		1	
37	215764	PANEL CURBSIDE FORWARD W/SMALL A/C SYSTEM		1	
NS	215868	PANEL FUEL TANK CLOSING SS W/SMALL A/C SYSTEM		1	
50	MTH-1865-55	SEPARATOR PANEL - BAGGAGE COMPARTMENT - MTH-45			
50	MTH-1865-60	SEPARATOR PANEL - BAGGAGE COMPARTMENT - MTH-45 ENT			
53	MTH-1854-20	WEATHERSTRIP & RETAINER - MTH			
54	MTH-1875-00	FUEL TANK FILLING DOOR			
		I) NOT INCLUDE WITH THE ACCESS DOOR			
		L) WITH LARGE A/C SYSTEM			
		S) WITH SMALL A/C SYSTEM			

From 8-9279 To B-9999

Date:10/2022

PAGE:MTH-1865-50

FLOOR BAGGAGE COMPARTMENT - MTH

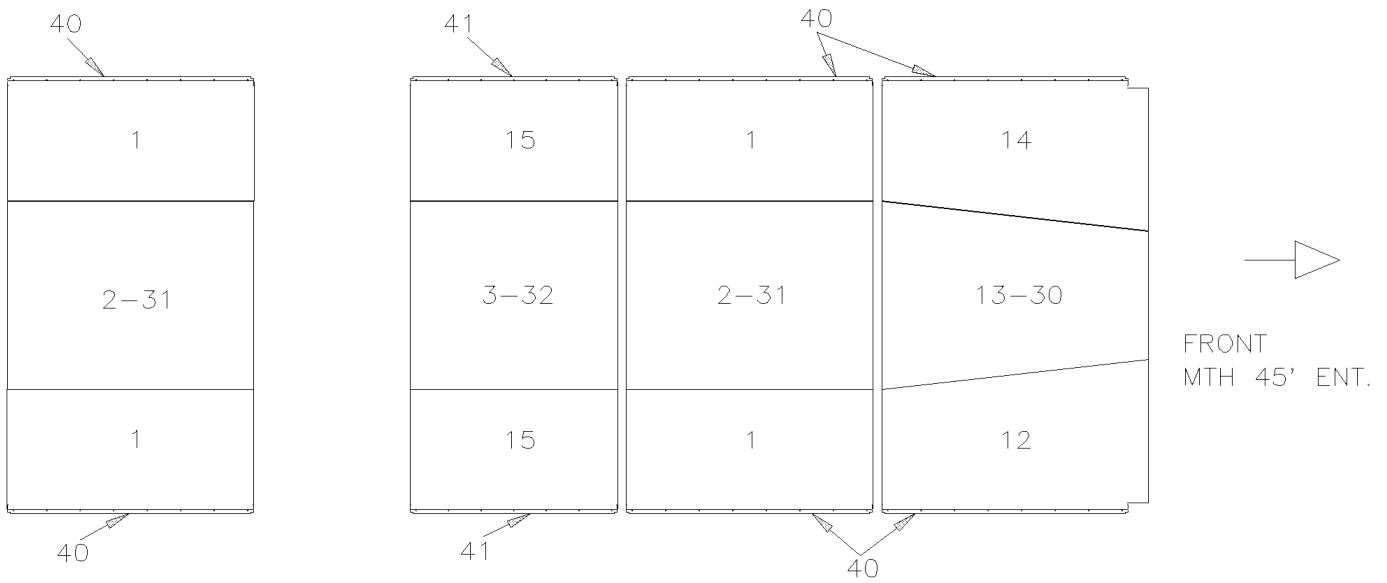
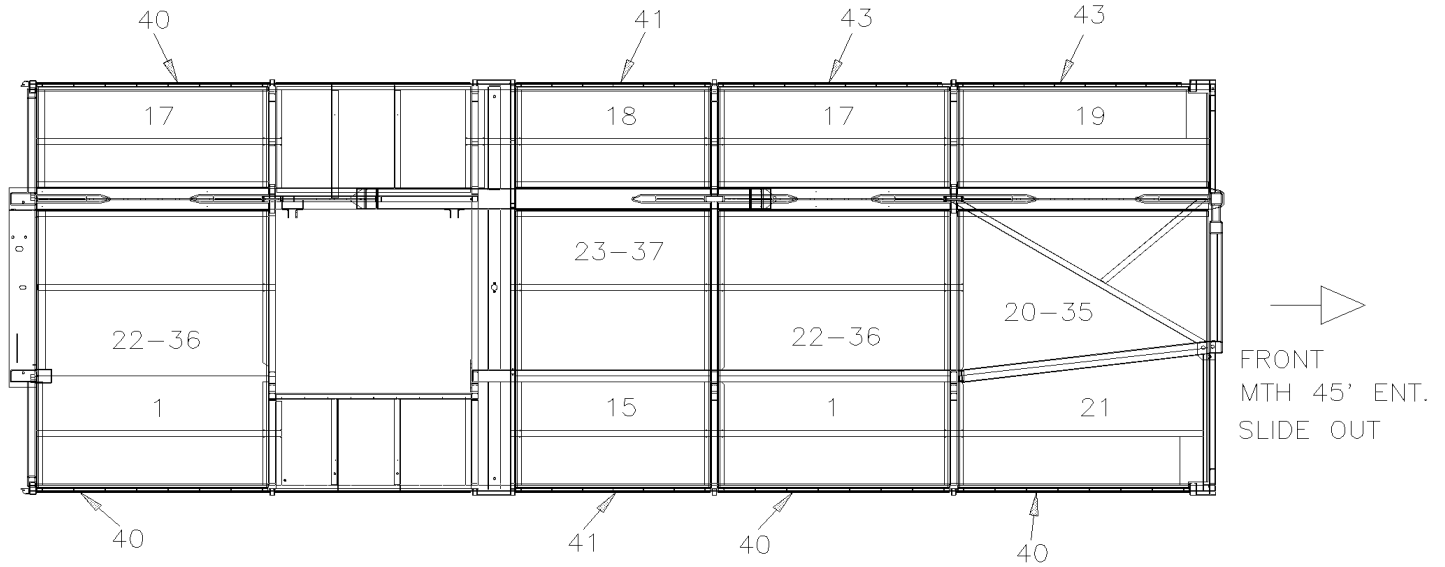


From 8-9279 To B-9999

Date:10/2022

PAGE:MTH-1865-50

FLOOR BAGGAGE COMPARTMENT - MTH



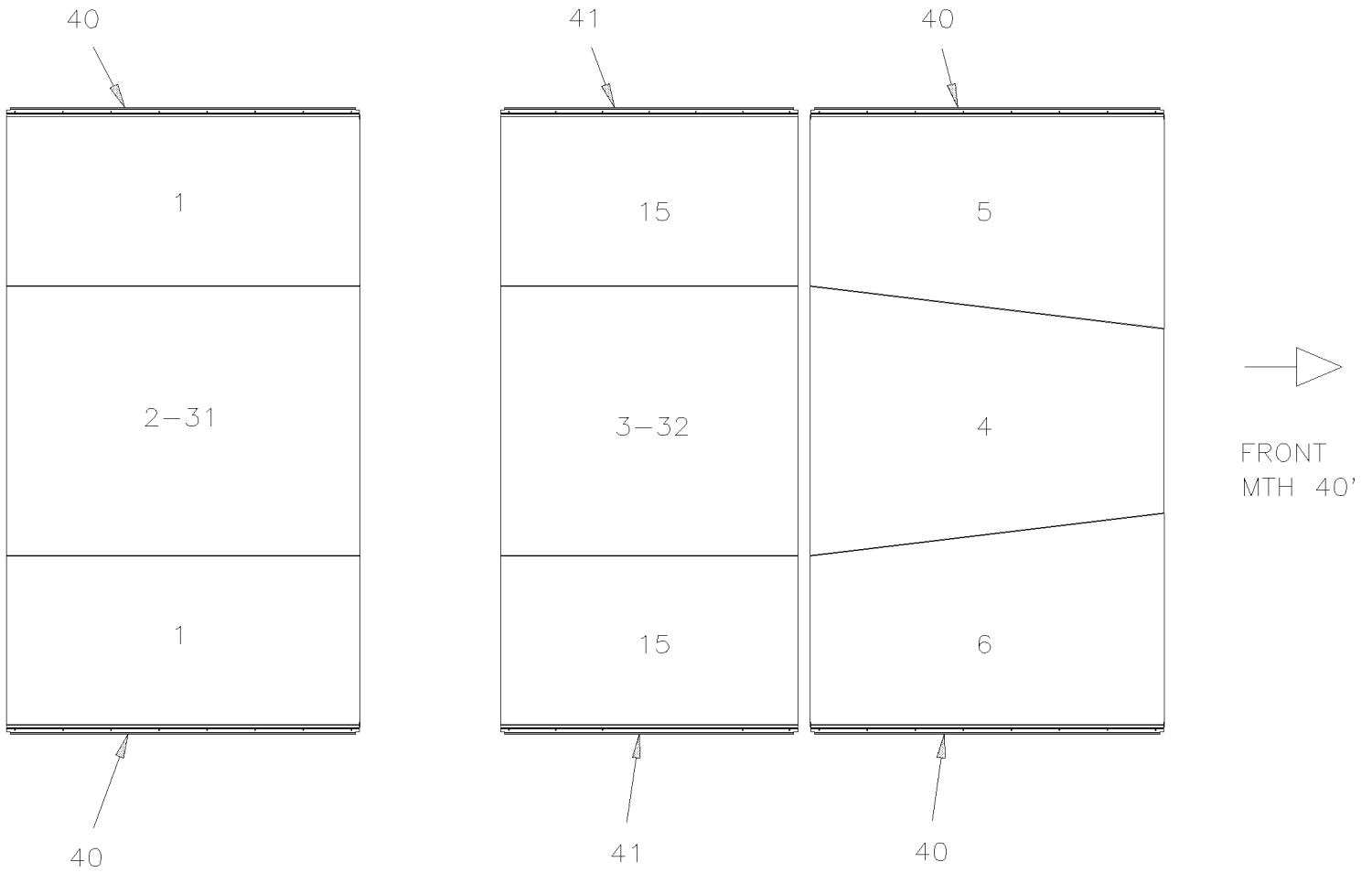


From 8-9279 To B-9999

Date:10/2022

PAGE:MTH-1865-50

FLOOR BAGGAGE COMPARTMENT - MTH





From 8-9279 To B-9999	Date:10/2022	PAGE:MTH-1865-50
-----------------------	--------------	------------------

FLOOR BAGGAGE COMPARTMENT - MTH

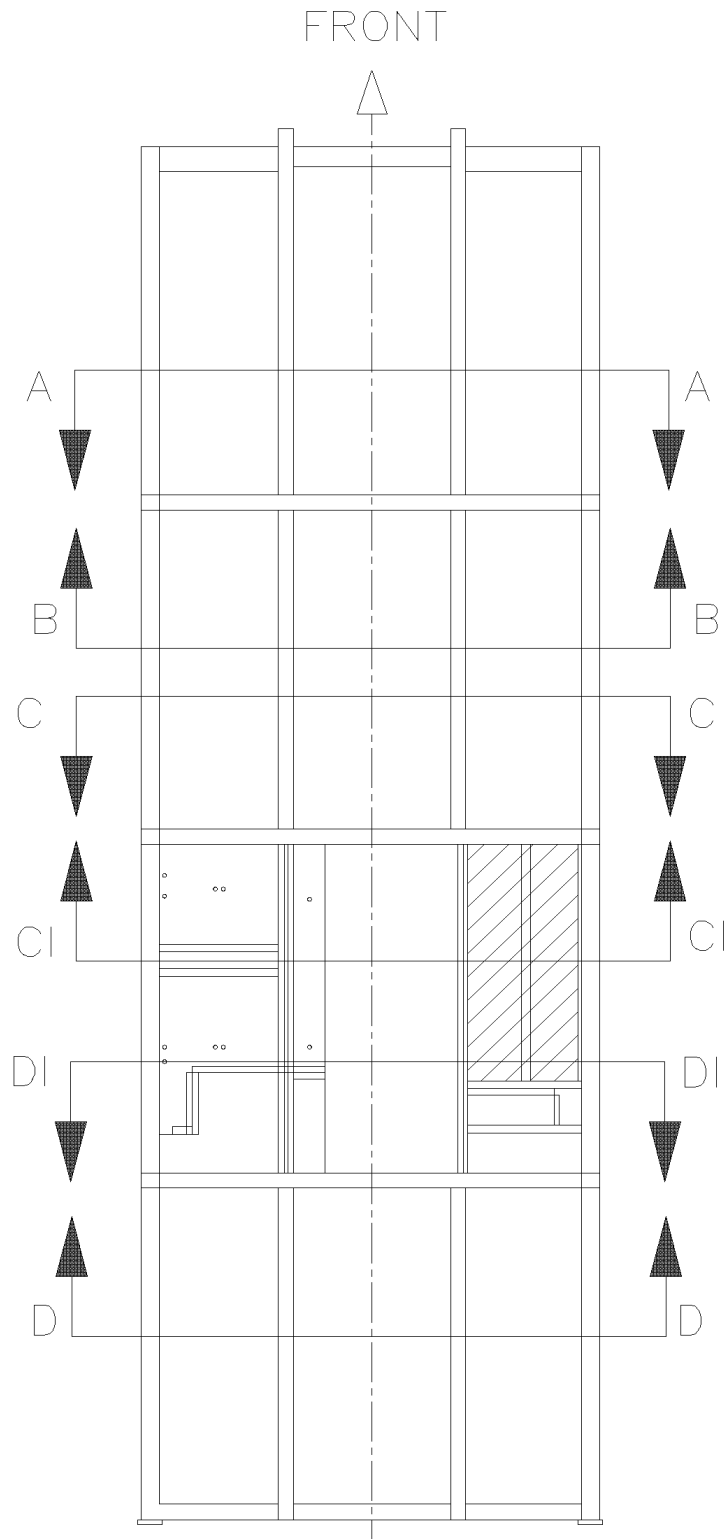
Item#	Part	Description	X L I M T H 4 5	X L I M T H 4 5 E	N O T E S
11	483431	PANEL FLOOR L.H. & R.H.		4	
21	481098	PANEL FLOOR CENTER		2	
3	482613	PANEL FLOOR CENTER		1	
7	483430	PANEL FLOOR L.H. & R.H.	2		
8	481959	PANEL FLOOR CENTER	2		
9	483631	PANEL FLOOR L.H. FRONT	1		
10	483055	PANEL FLOOR CENTER FRONT	1		
11	483632	PANEL FLOOR R.H. FRONT	1		
12	483629	PANEL FLOOR R.H. FRONT		1	
13	483283	PANEL FLOOR CENTER / FRONT		1	
14	483630	PANEL FLOOR L.H. FRONT		1	
15	483434	PANEL FLOOR L.H. & R.H.		2	
16	489181	MOULDING FINISHING / "Z" SHAPE / 1529MM	2		
17	489187	PANEL FLOOR L.H. / W/SLIDE OUT		2	
18	489188	PANEL FLOOR L.H. / W/SLIDE OUT		1	
19	489189	PANEL FLOOR L.H. FRONT / W/SLIDE OUT		1	
20	489186	PANEL FLOOR CENTER / FRONT / W/SLIDE OUT		1	
21	489190	MOULDING FINISHING / "Z" SHAPE / 1359MM		1	
22	489184	PANEL FLOOR CENTER / W/SLIDE OUT		2	
23	489185	PANEL FLOOR CENTER / W/SLIDE OUT		1	
24	489175	PANEL FLOOR L.H. / W/SLIDE OUT	3		
25	489176	PANEL FLOOR CENTER / W/SLIDE OUT	2		
26	489178	PANEL FLOOR CENTER / FRONT / W/SLIDE OUT	1		
27	489177	PANEL FLOOR R.H. / W/SLIDE OUT	2		
28	489179	PANEL FLOOR R.H. FRONT / W/SLIDE OUT	1		
311	482351	PANEL ALLUMINUM 14GA / FLOOR COVERING		2	
32	482350	PANEL ALLUMINUM 14GA / FLOOR COVERING		1	
33	482131	PANEL ALLUMINUM 14GA / FLOOR COVERING	2		
34	489194	PANEL ALLUMINUM 14GA / FLOOR COVERING / W/SLIDE OUT	2		
35	485496	PANEL ALLUMINUM 14GA / FLOOR COVERING / W/SLIDE OUT		1	
36	485498	PANEL ALLUMINUM 14GA / FLOOR COVERING / W/SLIDE OUT		2	
37	485497	PANEL ALLUMINUM 14GA / FLOOR COVERING / W/SLIDE OUT		1	
401	489190	MOULDING FINISHING / "Z" SHAPE / 1359MM		6	
41	489191	MOULDING FINISHING / "Z" SHAPE / 1143MM		2	
42	489181	MOULDING FINISHING / "Z" SHAPE / 1529MM		6	
43	489192	MOULDING FINISHING / "Z" SHAPE / W/HINGE DOOR & SLIDE OUT / 1359MM		2	
44	489182	MOULDING FINISHING / "Z" SHAPE / W/HINGE DOOR & SLIDE OUT / 1533MM	2		
44	485584	MOULDING FINISHING / "Z" SHAPE / W/HINGE DOOR & SLIDE OUT / 1533MM	1		
45	504339	RIVET POP DOME OE 1/8x3/8 SS	AR	AR	
NS	685126	ADHESIVE SIMSON #ISR 70-03 / GREY / 600ml SAUSAGE	AR	AR	
NS	790392	RUBBER BLOCK ADJUSTEMENT 1" x 5/16" x 1/8" 80DURO	AR	AR	
NS	684749	PAINT GREY FOR WOOD FLOOR	AR	AR	



From 8-9279 To B-9999 Date:10/2022 PAGE:MTH-1865-50

FLOOR BAGGAGE COMPARTMENT - MTH

Item#	Part	Description	X L I I M T H 4 5	X L I I M T H 4 5 E	N O T E S



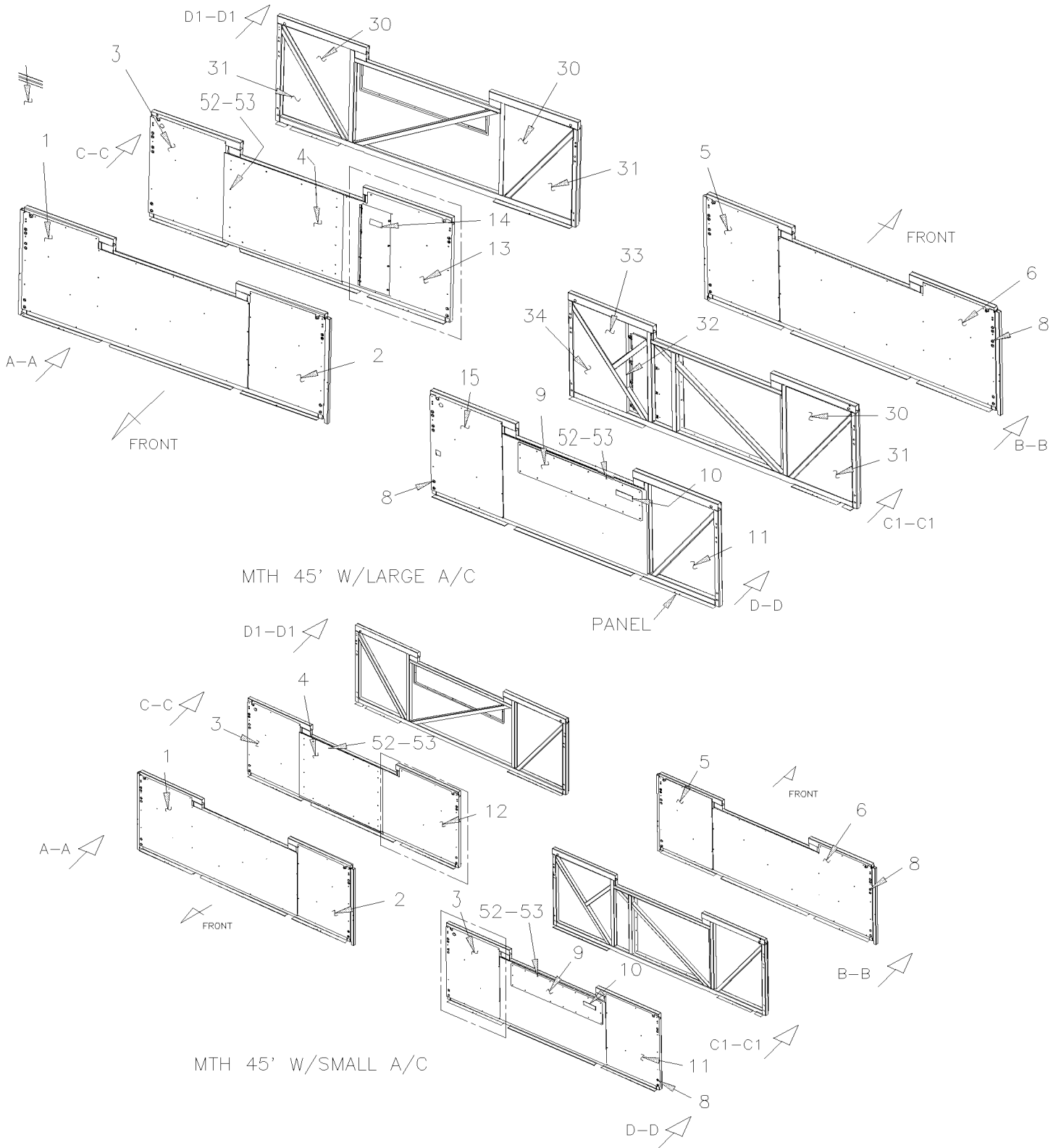
MTH-45

From 8-9279 To B-9999

Date:10/2022

PAGE:MTH-1865-55

SEPARATOR PANEL - BAGGAGE COMPARTMENT - MTH-45

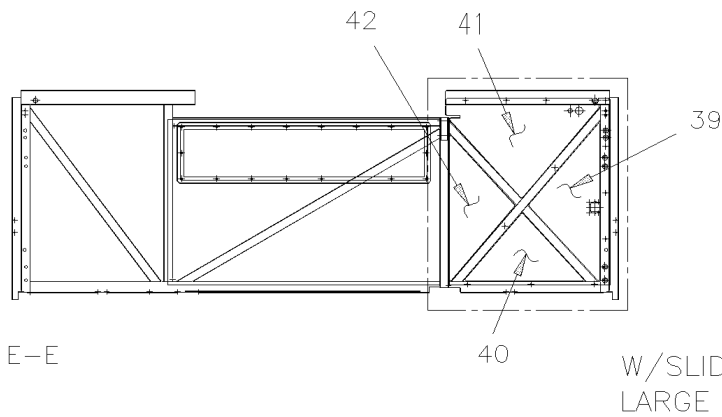
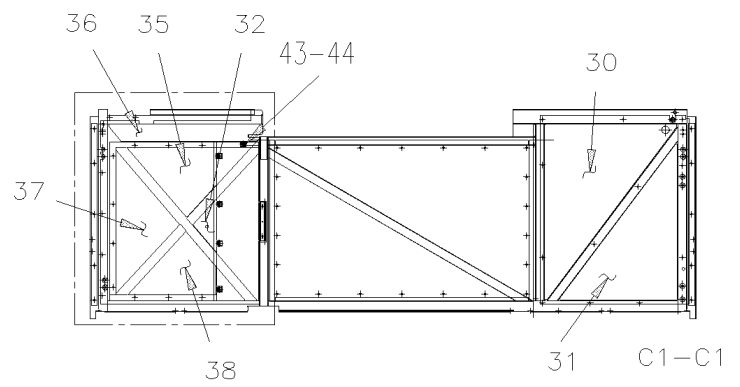
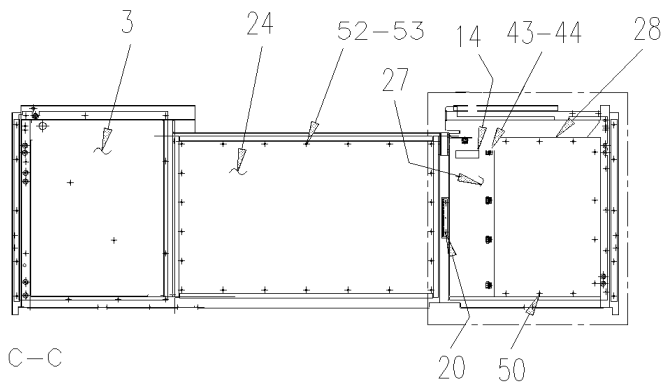
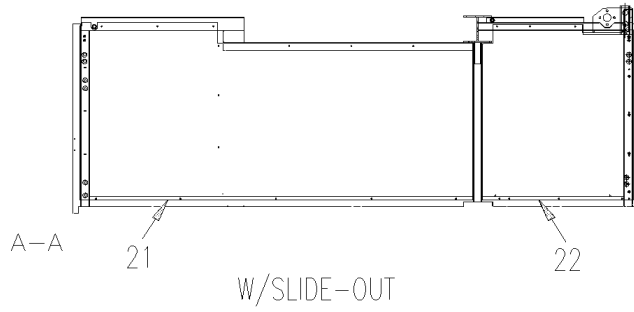
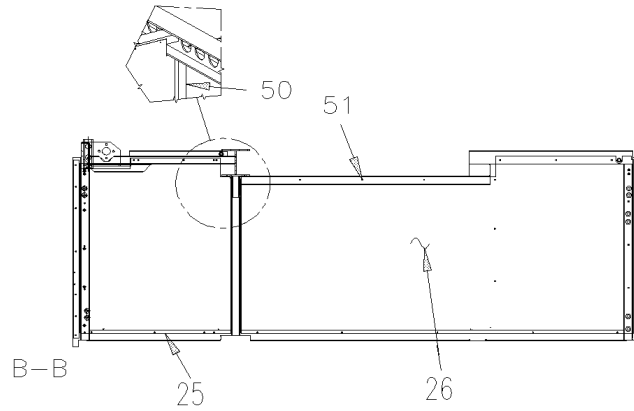


From 8-9279 To B-9999

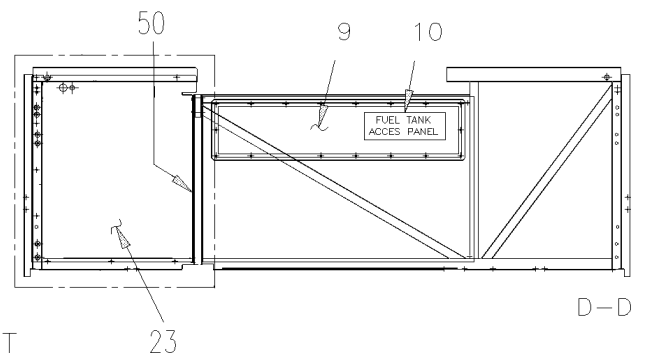
Date:10/2022

PAGE:MTH-1865-55

SEPARATOR PANEL - BAGGAGE COMPARTMENT - MTH-45



W/SLIDE-OUT
LARGE A/C



D-D



From 8-9279 To B-9999 Date:10/2022 PAGE:MTH-1865-55

SEPARATOR PANEL - BAGGAGE COMPARTMENT - MTH-45

Item#	Part	Description	X L I I M T H 4 5	X L I I M T H 4 5 E	N O T E S
1	484066	PANEL SIDE & CENTER SEPARATOR	1		
2	484067	PANEL SIDE SEPARATOR	1		
3	482471	PANEL SIDE SEPARATOR	1		
4	485517	PANEL FUEL TANK CLOSING 990MM x 746MM	1		
5	484068	PANEL SIDE SEPARATOR	1		
6	484066	PANEL SIDE & CENTER SEPARATOR	1		
8	504528	HOLE PLUG BUTTON / .437 O.D. BLACK	1		
9	482521	PANEL FUEL TANK ACCESS	1		
10	031163	DECAL / "FUEL TANK ACCESS" / ENGLISH	1		
10	032561	DECAL / "FUEL TANK ACCESS" / ENGLISH & SPANISH	1		
11	482427	PANEL SIDE SEPARATOR	1		
11	484067	PANEL SIDE SEPARATOR	1		S
12	485518	PANEL SIDE SEPARATOR / W/SMALL A/C	1		
13	Call order desk	ACCESS PANEL LARGE W/HINGE DOOR	1		P
13	Call order desk	ACCESS PANEL LARGE W/HINGE DOOR	1		P
NS	485519	. PANEL	1		
NS	485507	. PANEL DOOR	1		
NS	480928	. HINGE / DOOR PANEL 27 1/8" (689MM)	1		
NS	504104	. RIVET POP DOME OE 1/8x1/8 SS	8		
NS	504604	. FASTENER	4		
NS	504605	. RECEPTACLE 6 MM	4		
NS	506228	. TAPE RUB ADH1 CC POL 1/4" x 1/2" x 37.5' / GREY 2520X	AR		
NS	506225	. TAPE RUB ADH1 CC POL 1/16" x 1/4" x 100' / GREY 2520	AR		
14	370354	DECAL / AIR FILTER / ENGLISH & FRANCAIS	1		
14	374207	DECAL / AIR FILTER / ENGLISH & SPANISH	1		
15	485521	PANEL SIDE SEPARATOR	1		
20	480928	HINGE / DOOR PANEL 27 1/8" (689MM)	1		
21	484060	PANEL SIDE & CENTER SEPARATOR / W/SLIDE OUT	1		
22	484062	PANEL SIDE & CENTER SEPARATOR / W/SLIDE OUT	1		
23	482469	PANEL SIDE SEPARATOR / W/SLIDE OUT	1		
23	485458	PANEL SIDE SEPARATOR / W/SLIDE OUT & SMALL A/C	1		
24	482519	PANEL FUEL TANK CLOSING	1		S
25	484063	PANEL SIDE SEPARATOR / W/SLIDE OUT	1		
26	484061	PANEL SIDE & CENTER SEPARATOR / W/SLIDE OUT	1		
27	Call order desk	ACCESS PANEL ASSY / SMALL W/DZUS / W/SLIDE OUT	1		P
NS	483267	. DOOR PANEL	1		
NS	504603	. STUD 6 MM (DZUS)	4		
NS	504604	. FASTENER	4		
NS	506268	. TAPE RUB ADH1 URE 3/8" x 1/2" x 25' / GREY 1820	AR		
NS	506225	. TAPE RUB ADH1 CC POL 1/16" x 1/4" x 100' / GREY 2520	AR		
27	Call order desk	ACCESS PANEL ASSY / SMALL W/DZUS / W/SLIDE OUT	1		P
28	Call order desk	ACCESS PANEL ASSY / LARGE W/RECEPTACLE / W/SLIDE OUT	1		P



From 8-9279 To B-9999 Date:10/2022 PAGE:MTH-1865-55

SEPARATOR PANEL - BAGGAGE COMPARTMENT - MTH-45

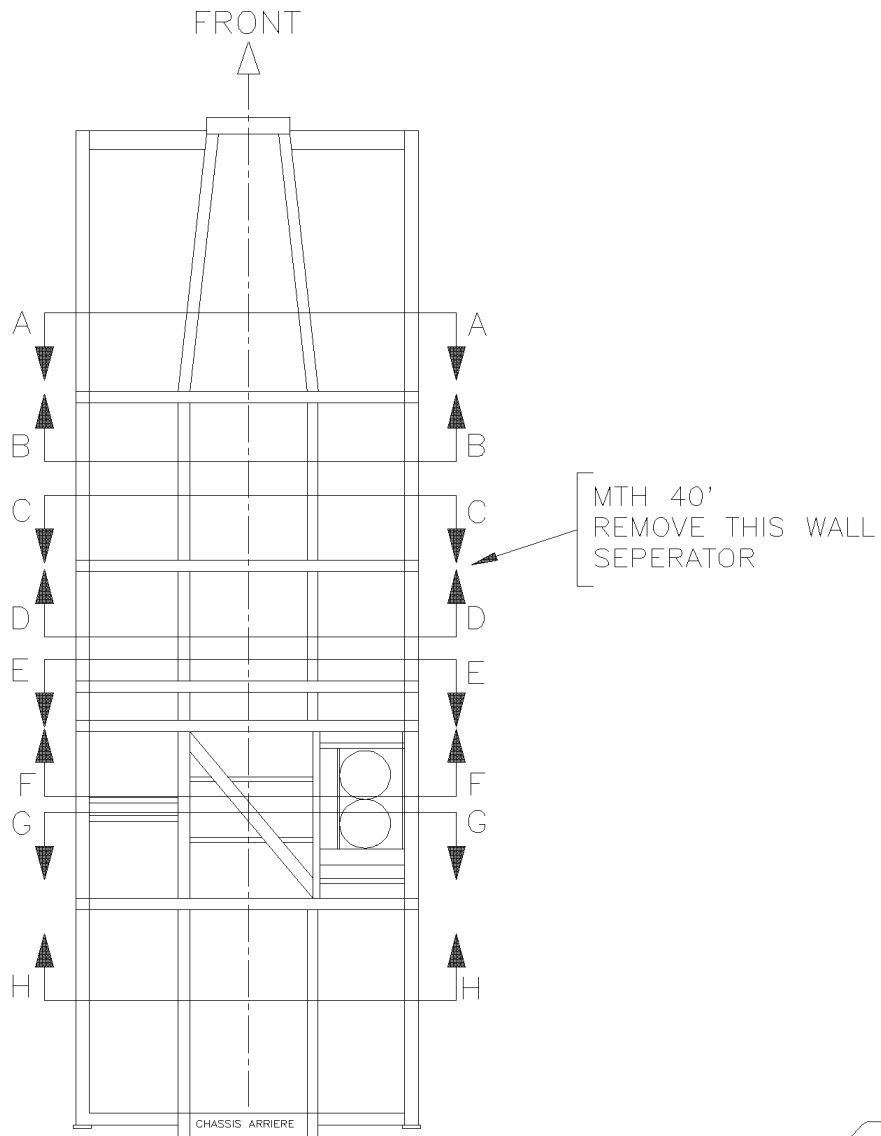
Item#	Part	Description	X L I I M T H 4 5	X L I I M T H 4 5 E	N O T E S
. NS	483262	. ACCESS PANEL	1		
. NS	504605	. RECEPTACLE 6 MM	4		
. NS	506268	. TAPE RUB ADH1 URE 3/8" x 1/2" x 25' / GREY 1820	AR		
28	Call order desk	ACCESS PANEL ASSY / LARGE W/RECEPTACLE / W/SLIDE OUT	1		P
30	355878	INSULATOR PANEL	1		
31	355879	INSULATOR PANEL	1		
32	351573	INSULATOR PANEL	1		
33	355902	INSULATOT PANEL	1		
34	355901	INSULATOR PANEL	1		
35	351574	INSULATOR PANEL	1		
36	351570	INSULATOR PANEL / W/SLIDE OUT	1		
37	351571	INSULATOR PANEL / W/SLIDE OUT	1		
38	351572	INSULATOR PANEL / W/SLIDE OUT	1		
39	355874	INSULATOR PANEL / W/SLIDE OUT	1		
40	355875	INSULATOR PANEL / W/SLIDE OUT	1		
41	355877	INSULATOR PANEL / W/SLIDE OUT	1		
42	355876	INSULATOR PANEL / W/SLIDE OUT	1		
43	504605	RECEPTACLE 6 MM	1		
44	504604	FASTENER	AR		
50	682348	TAPE, DOUBLE COATED ACRYLIC	AR		
51	504347	RIVET POP DOME OE 3/16x1/4 AL	AR		
52	500657	SCREW TC TR PH #10-24x1/2 Z050	AR		
53	506002	TAPE RUB ADH1 CC POL 3/16" x 1/2" x 40' / GREY 2520	AR		
		S) WITH SLIDE-OUT			
		P) CALL ORDER DESK FOR SPECIFIC APPLICATION (V.I.N.)			

From 8-9279 To B-9999

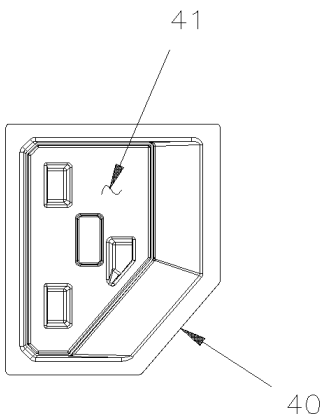
Date:10/2022

PAGE:MTH-1865-60

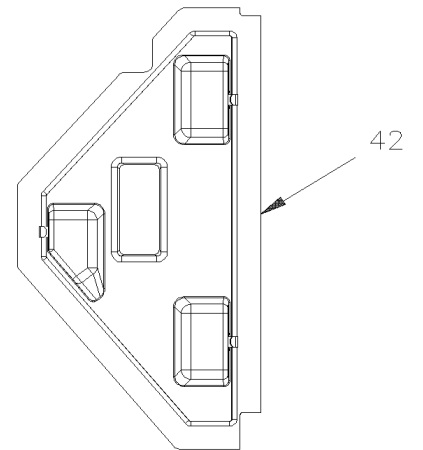
SEPARATOR PANEL - BAGGAGE COMPARTMENT - MTH-45 ENT



MTH 40 & MTH 45'
ENT



VIEW E-E



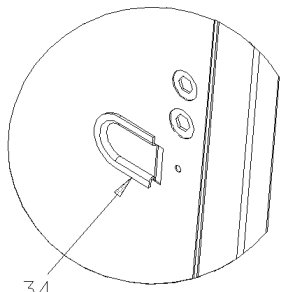
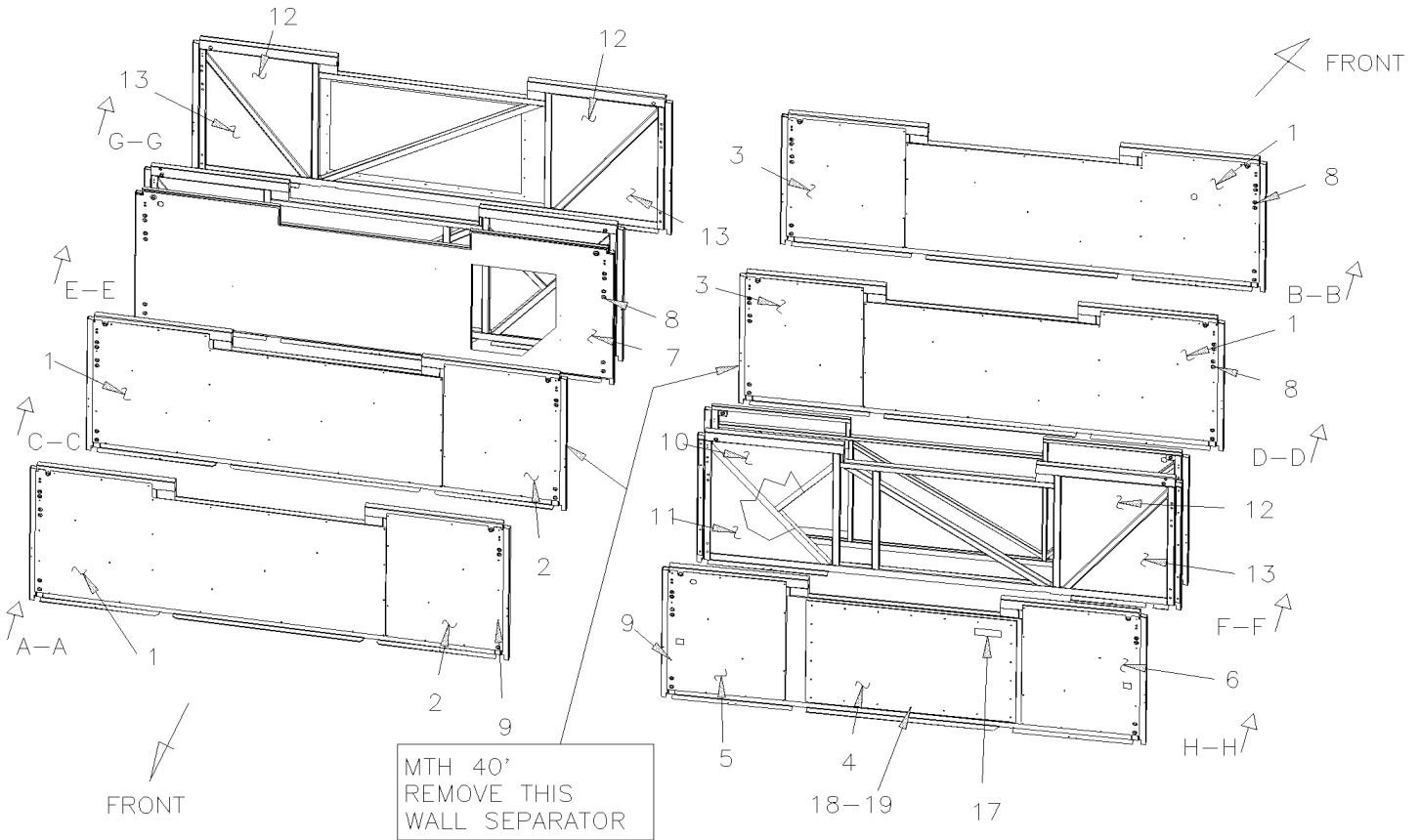
VIEW F-F

From 8-9279 To B-9999

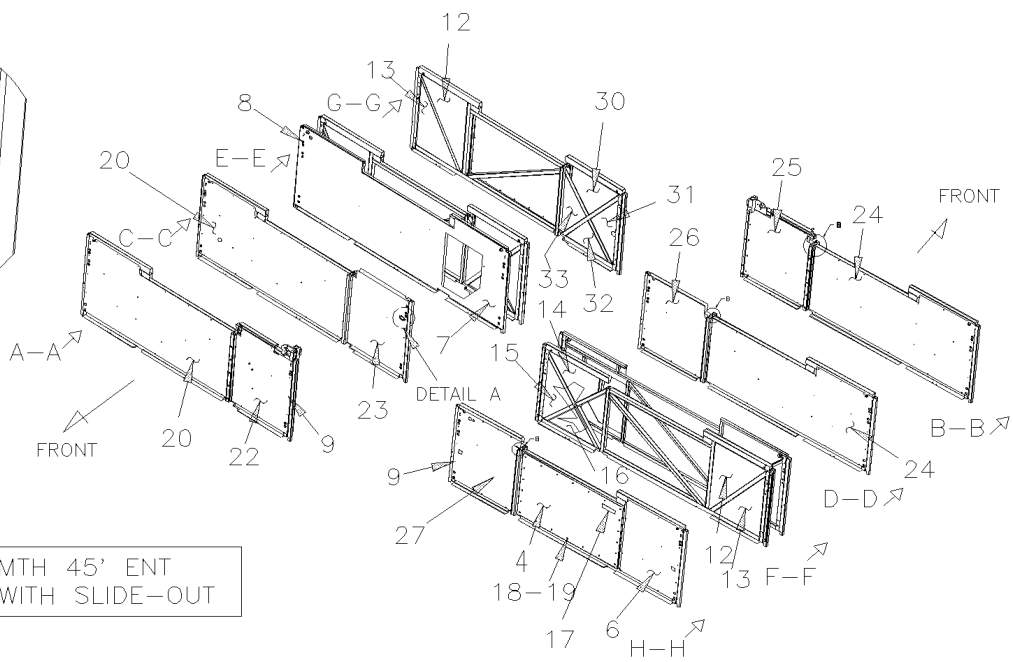
Date:10/2022

PAGE:MTH-1865-60

SEPARATOR PANEL - BAGGAGE COMPARTMENT - MTH-45 ENT



DETAIL A



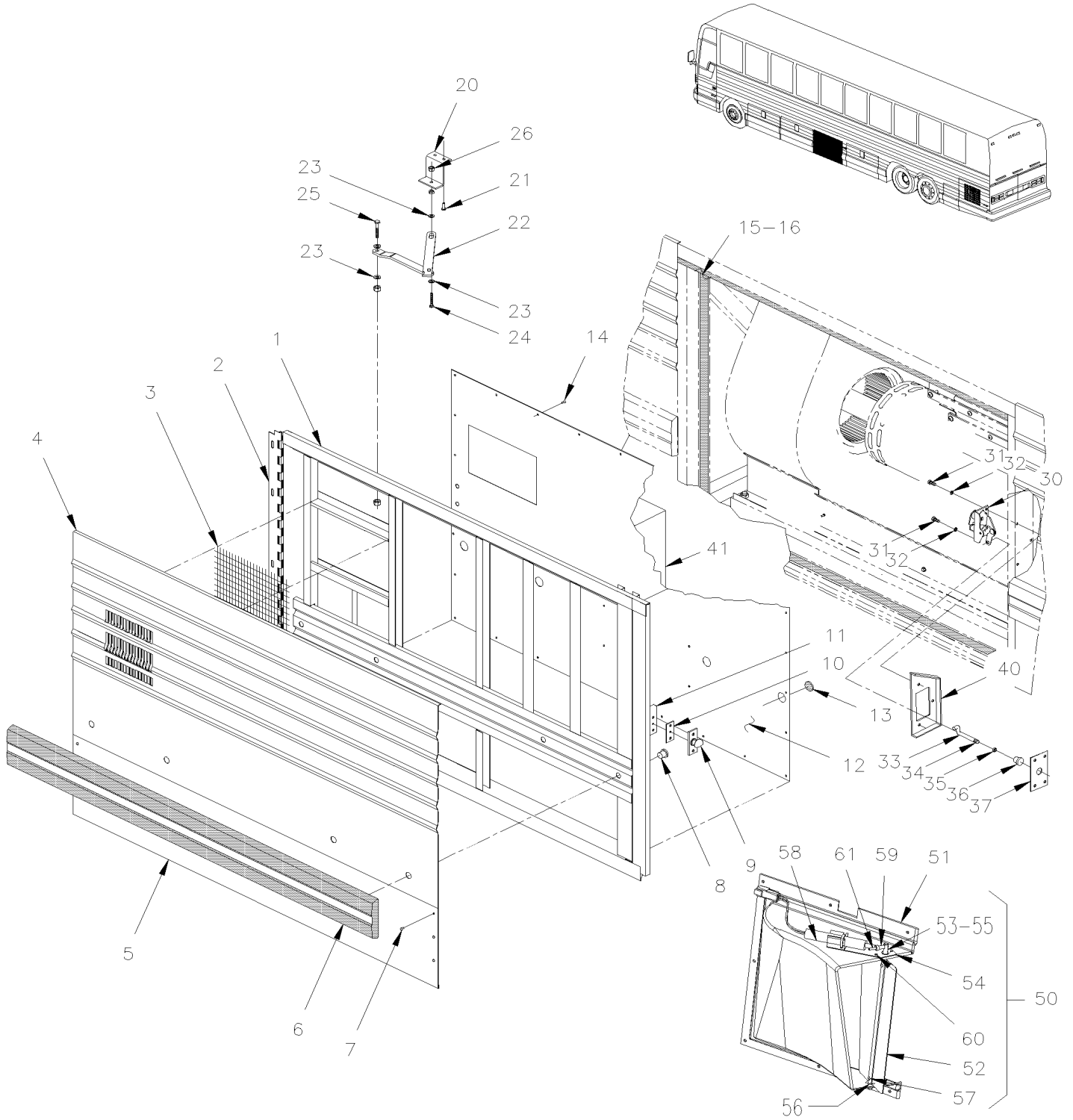
MTH 45' ENT WITH SLIDE-OUT

From 8-9279 To B-9999

Date:10/2022

PAGE:MTH-1866-50

EVAPORATOR DOOR ASSY





From 8-9279 To B-9999	Date:10/2022	PAGE:MTH-1866-50
EVAPORATOR DOOR ASSY		

Item#	Part	Description	X L I I M T H 4 5	X L I I M T H 4 5 E	N O T E S
		ALL EVAPORATOR DOORS ASSY DO NOT INCLUDE			
		RUB-RAIL PLEASE ORDER SEPARATELY			
	480122	EVAPORATOR DOOR ASSY		1	
	483645P	EVAPORATOR DOOR ASSY	1		
1	485482	. DOOR FRAME (WELDED)		1	
1	483995	. DOOR FRAME (WELDED)	1		
. NS	483552	. . HINGE	1		
NS	Call order desk	. KIT INSULATING PANEL	1		P
1	485491	. KIT INSULATING PANEL		1	
2	481840	. REINFORCEMENT OF HINGE / 31 7/8" X GA11 STRUCTURE SIDE	1	1	
NS	481131	. SHIM 2" X 1"1/8 / HINGE SUPPORT	9	9	
NS	500124	. SCREW TP TR PH #8x1/2 SS	7	7	
NS	500316	. SCREW MA FL PH 1/4-28x3/4 SS	5	5	
3	453997	. GASKET	1	1	
NS	871382	. FILTER SCREEN 12" x 12"	1	1	
NS	680532	. SEALANT SIKA #221 / GREY / 310ml CARTRIDGE	1	1	
4	485489	. PANEL, UPPER		1	
4	485447	. PANEL, UPPER	1		
5	485488	. PANEL, LOWER		1	
5	485446	. PANEL, LOWER	1		
6	MTH-1855-00	. RUB RAIL - EXTERIOR CREST & TRIMS			
7	504272	. RIVET CHY Q BRAZ 3/16x1/8 SS	18	18	
8	500301	. NUT HEXF STO 3/8-16 Z050	4	4	
NS	473378	. SEAL WASHER / RUB RAIL & PANEL	4	4	
9	780278	. PIN, STRIKER STUD	1	1	
NS	500316	. SCREW MA FL PH 1/4-28x3/4 SS	2	2	
NS	502582	. WASHER LO SERR 6.1x16.2x0.9 Z050	2	2	
NS	500692	. NUT HEX 1/4-28 Z050	2	2	
10	283326	. STRIKER PLATE, MOUNTING / 60MM X 25MM	1	1	
11	284556	. STRIKER SUPPORT 86 x 25 x 60	1	1	
NS	500163	. SCREW CAP HEX 1/4-20x3/4 G5 Z050	2	2	
NS	502583	. WASHER LO SERR 8.15x22.3x1.0 Z050	2	2	
12	483998	. INTERIOR PANEL	1		
12	485487	. INTERIOR PANEL		1	
13	504433	. SNAP-IN PLUG / 1.090 O.D.	4	4	
14	504347	. RIVET POP DOME OE 3/16x1/4 AL	AR	AR	
15	483555	WEATHERSTRIP / EVAPORATOR DOOR	1		
15	484125	WEATHERSTRIP / EVAPORATOR DOOR SERVICE	1		
15	485499	WEATHERSTRIP / EVAPORATOR DOOR To A-9872		1	
15	485637	WEATHERSTRIP / EVAPORATOR DOOR From A-9873		1	



From 8-9279 To B-9999	Date:10/2022	PAGE:MTH-1866-50
EVAPORATOR DOOR ASSY		

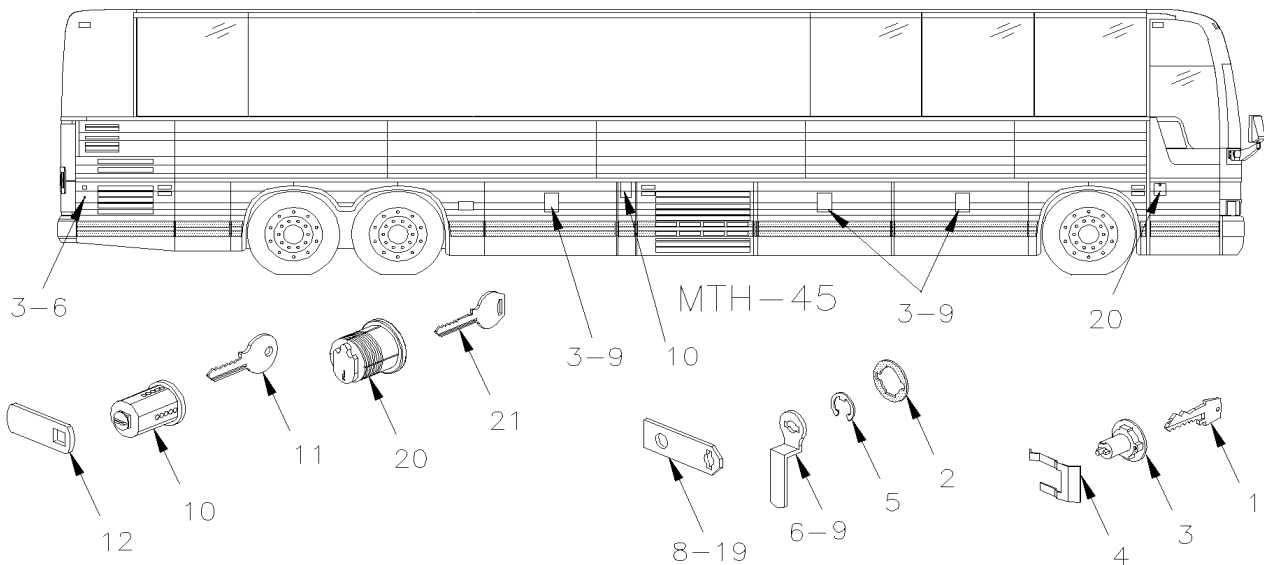
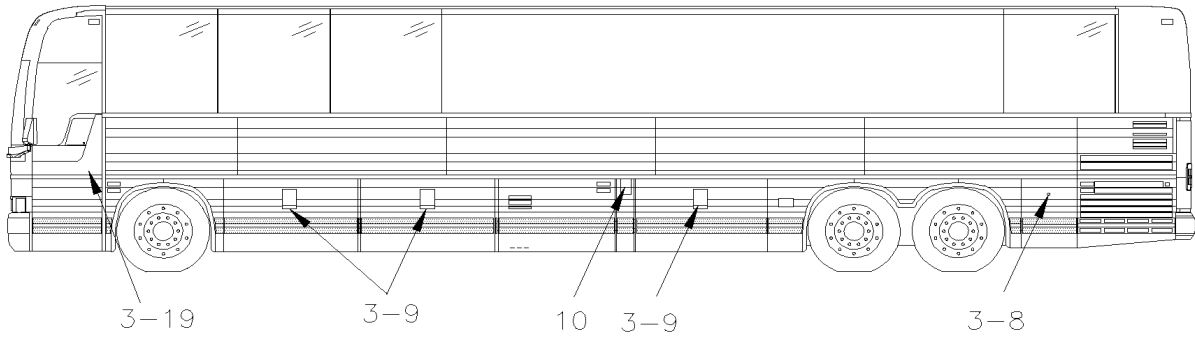
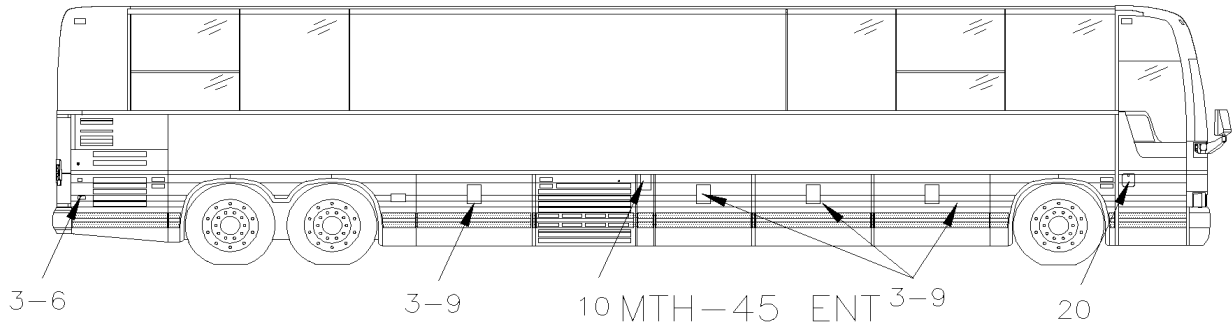
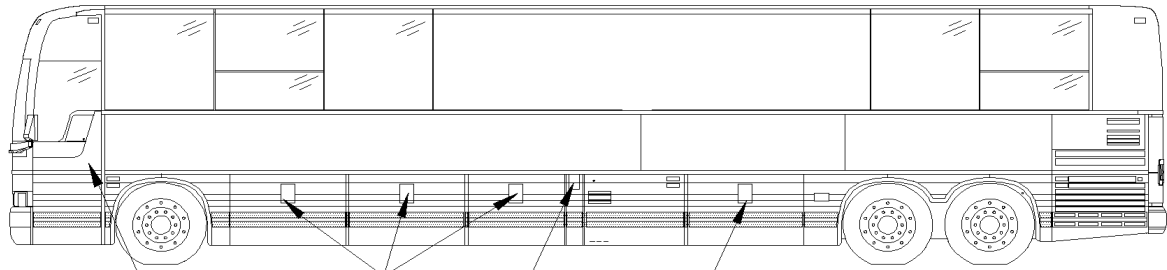
Item#	Part	Description	X L I I M T H 4 5	X L I I M T H 4 5 E	N O T E S
16	214684	SEAL DOOR RETAINER / FORWARD DOOR	1	1	
16	MTH-1854-20	WEATHERSTRIP & RETAINER - MTH			
20	481839	SUPPORT ASSY / DOOR GUIDE	1	1	
21	500535	SCREW TP CAP HEX #14x3/4 Z050	2	2	
22	281445	GUIDE ASSY / R.H. DOOR	1	1	
22	288031	GUIDE ASSY / R.H. DOOR	1	1	
23	502638	WASHER FL .312x.734x.065 N500	3	3	
24	500165	SCREW CAP HEX 1/4-20x1 G5 Z050	1	1	
25	500171	SCREW CAP HEX 1/4-20x1 G5 N500	1	1	
26	500247	NUT HEX 1/4-20 N500	2	2	
30	780282	LOCK SPAGNOLET L.H.	1	1	
31	955271	SCREW CAP HEX M6-1.0x16 G8.8 ZG603	2	2	
32	500356	WASHER LO SERR 6.1x16.0x0.9 N500	2	2	
33	284596	ROD OPENING 68MM	1	1	
33	287170	ROD OPENING 228MM	1		S
34	504083	SNAP BUSHING / .250x.468.406	1	1	
35	500764	NUT HEX #8-32 Z050	1	1	
36	505504	KNOB, PULL / 8-32	1	1	
37	482657	CLOSING PLATE 58MM X 58MM / SS	1	1	
NS	504473	RIVET POP DOME OE 1/8x1/4 SS	1	1	
37	504083	SNAP BUSHING / .250x.468.406	1	1	
40	284555	LOCK SUPPORT / (WELDED TO STRUCTURE)	1	1	
40	482453	SUPPORT	1	1	S
41	MTH-0620-50	REAR JUNCTION BOX ASSY			
50	Call order desk	DAMPER TRAP ASSY	1	1	P
51	374151	. DEFLECTOR PANEL	1	1	
52	374171	. DAMPER	1	1	
53	374172	. ROD	1	1	
54	374173	. PLATE FIXTURE	1	1	
55	507309	. BUSHING NYLINED .312x.375x.078x.500	1	1	
56	500975	. WASHER FL .378x.620x.094 NYL	1	1	
57	504339	. RIVET POP DOME OE 1/8x3/8 SS	1	1	
58	373415	. ACTUATOR ASSY	1	1	
59	374021	. TUBE NYLON #4 12MM	1	1	
60	504340	. RIVET POP DOME OE 1/8x3/16 SS	5	5	
61	502243	. SPRING PIN	1	1	
		S) WITH SLIDE-OUT			
		P) CALL ORDER DESK FOR SPECIFIC APPLICATION (V.I.N.)			

From 8-9279 To B-9999

Date:10/2022

PAGE:MTH-1867-00

KEY & CYLINDER CODE "NS"





From 8-9279 To B-9999	Date:10/2022	PAGE:MTH-1867-00
KEY & CYLINDER CODE "NS"		

Item#	Part	Description	X L I I M T H 4 5	X L I I M T H 4 5 E	N O T E S
1	282179	KEY CODE / 00	1	1	
1	282180	KEY CODE / 01	1	1	
1	282181	KEY CODE / 02	1	1	
1	282182	KEY CODE / 03	1	1	
1	282183	KEY CODE / 04	1	1	
1	282184	KEY CODE / 05	1	1	
1	282185	KEY CODE / 06	1	1	
1	282186	KEY CODE / 07	1	1	
1	282187	KEY CODE / 08	1	1	
1	282188	KEY CODE / 09	1	1	
1	282189	KEY CODE / 10	1	1	
1	282190	KEY CODE / 11	1	1	
1	282191	KEY CODE / 12	1	1	
1	282192	KEY CODE / 13	1	1	
1	282193	KEY CODE / 14	1	1	
1	282194	KEY CODE / 15	1	1	
1	282195	KEY CODE / 16	1	1	
1	282196	KEY CODE / 17	1	1	
1	282197	KEY CODE / 18	1	1	
1	282198	KEY CODE / 19	1	1	
1	282199	KEY CODE / 20	1	1	
1	282200	KEY CODE / 21	1	1	
1	282201	KEY CODE / 22	1	1	
1	282202	KEY CODE / 23	1	1	
1	282203	KEY CODE / 24	1	1	
1	282204	KEY CODE / 25	1	1	
1	282205	KEY CODE / 26	1	1	
1	282206	KEY CODE / 27	1	1	
1	282207	KEY CODE / 28	1	1	
1	282208	KEY CODE / 29	1	1	
1	282209	KEY CODE / 30	1	1	
1	282210	KEY CODE / 31	1	1	
1	282211	KEY CODE / 32	1	1	
1	282212	KEY CODE / 33	1	1	
1	282213	KEY CODE / 34	1	1	
1	282214	KEY CODE / 35	1	1	
1	282215	KEY CODE / 36	1	1	
1	282216	KEY CODE / 37	1	1	
1	282217	KEY CODE / 38	1	1	
1	282218	KEY CODE / 39	1	1	
1	282219	KEY CODE / 40	1	1	
1	282220	KEY CODE / 41	1	1	



From 8-9279 To B-9999	Date:10/2022	PAGE:MTH-1867-00
KEY & CYLINDER CODE "NS"		

Item#	Part	Description	X L I I M T H 4 5	X L I I M T H 4 5 E	N O T E S
1	282221	KEY CODE / 42	1	1	
1	282222	KEY CODE / 43	1	1	
1	282223	KEY CODE / 44	1	1	
1	282224	KEY CODE / 45	1	1	
1	282225	KEY CODE / 46	1	1	
1	282226	KEY CODE / 47	1	1	
1	282227	KEY CODE / 48	1	1	
1	282228	KEY CODE / 49	1	1	
1	282229	KEY CODE / 50	1	1	
1	282230	KEY CODE / 51	1	1	
1	282231	KEY CODE / 52	1	1	
1	282232	KEY CODE / 53	1	1	
1	282233	KEY CODE / 54	1	1	
1	282234	KEY CODE / 55	1	1	
1	282235	KEY CODE / 56	1	1	
1	282236	KEY CODE / 57	1	1	
1	282237	KEY CODE / 58	1	1	
1	282238	KEY CODE / 59	1	1	
1	282239	KEY CODE / 60	1	1	
1	282240	KEY CODE / 61	1	1	
1	282241	KEY CODE / 62	1	1	
1	282242	KEY CODE / 63	1	1	
1	282243	KEY CODE / 64	1	1	
1	282244	KEY CODE / 65	1	1	
1	282245	KEY CODE / 66	1	1	
1	282246	KEY CODE / 67	1	1	
1	282247	KEY CODE / 68	1	1	
1	282248	KEY CODE / 69	1	1	
1	282249	KEY CODE / 70	1	1	
1	282250	KEY CODE / 71	1	1	
1	282251	KEY CODE / 72	1	1	
1	282252	KEY CODE / 73	1	1	
1	282253	KEY CODE / 74	1	1	
1	282254	KEY CODE / 75	1	1	
1	282255	KEY CODE / 76	1	1	
1	282256	KEY CODE / 77	1	1	
1	282257	KEY CODE / 78	1	1	
1	282258	KEY CODE / 79	1	1	
1	282259	KEY CODE / 80	1	1	
1	282260	KEY CODE / 81	1	1	
1	282261	KEY CODE / 82	1	1	
1	282262	KEY CODE / 83	1	1	



From 8-9279 To B-9999	Date:10/2022	PAGE:MTH-1867-00
KEY & CYLINDER CODE "NS"		

Item#	Part	Description	X L I I M T H 4 5	X L I I M T H 4 5 E	N O T E S
1	282263	KEY CODE / 84	1	1	
1	282264	KEY CODE / 85	1	1	
1	282265	KEY CODE / 86	1	1	
1	282266	KEY CODE / 87	1	1	
1	282267	KEY CODE / 88	1	1	
1	282268	KEY CODE / 89	1	1	
1	282269	KEY CODE / 90	1	1	
1	282270	KEY CODE / 91	1	1	
1	282271	KEY CODE / 92	1	1	
1	282272	KEY CODE / 93	1	1	
1	282273	KEY CODE / 94	1	1	
1	282274	KEY CODE / 95	1	1	
1	282275	KEY CODE / 96	1	1	
1	282276	KEY CODE / 97	1	1	
1	282277	KEY CODE / 98	1	1	
1	282278	KEY CODE / 99	1	1	
1	780238	KEY BLANK UNCUT	AR	AR	
2	780237	SEAL RUBBER 1/32" TH	AR	AR	
2	2800032	SEAL RUBBER 1/16" TH SERVICE	AR	AR	
3	282079	CYLINDER LOCK / CODE 00	1	1	
3	282080	CYLINDER LOCK / CODE 01	1	1	
3	282081	CYLINDER LOCK / CODE 02	1	1	
3	282082	CYLINDER LOCK / CODE 03	1	1	
3	282083	CYLINDER LOCK / CODE 04	1	1	
3	282084	CYLINDER LOCK / CODE 05	1	1	
3	282085	CYLINDER LOCK / CODE 06	1	1	
3	282086	CYLINDER LOCK / CODE 07	1	1	
3	282087	CYLINDER LOCK / CODE 08	1	1	
3	282088	CYLINDER LOCK / CODE 09	1	1	
3	282089	CYLINDER LOCK / CODE 10	1	1	
3	282090	CYLINDER LOCK / CODE 11	1	1	
3	282091	CYLINDER LOCK / CODE 12	1	1	
3	282092	CYLINDER LOCK / CODE 13	1	1	
3	282093	CYLINDER LOCK / CODE 14	1	1	
3	282094	CYLINDER LOCK / CODE 15	1	1	
3	282095	CYLINDER LOCK / CODE 16	1	1	
3	282096	CYLINDER LOCK / CODE 17	1	1	
3	282097	CYLINDER LOCK / CODE 18	1	1	
3	282098	CYLINDER LOCK / CODE 19	1	1	
3	282099	CYLINDER LOCK / CODE 20	1	1	
3	282100	CYLINDER LOCK / CODE 21	1	1	



From 8-9279 To B-9999	Date:10/2022	PAGE:MTH-1867-00
KEY & CYLINDER CODE "NS"		

Item#	Part	Description	X L I I M T H 4 5	X L I I M T H 4 5 E	N O T E S
3	282101	CYLINDER LOCK / CODE 22	1	1	
3	282102	CYLINDER LOCK / CODE 23	1	1	
3	282103	CYLINDER LOCK / CODE 24	1	1	
3	282104	CYLINDER LOCK / CODE 25	1	1	
3	282105	CYLINDER LOCK / CODE 26	1	1	
3	282106	CYLINDER LOCK / CODE 27	1	1	
3	282107	CYLINDER LOCK / CODE 28	1	1	
3	282108	CYLINDER LOCK / CODE 29	1	1	
3	282109	CYLINDER LOCK / CODE 30	1	1	
3	282110	CYLINDER LOCK / CODE 31	1	1	
3	282111	CYLINDER LOCK / CODE 32	1	1	
3	282112	CYLINDER LOCK / CODE 33	1	1	
3	282113	CYLINDER LOCK / CODE 34	1	1	
3	282114	CYLINDER LOCK / CODE 35	1	1	
3	282115	CYLINDER LOCK / CODE 36	1	1	
3	282116	CYLINDER LOCK / CODE 37	1	1	
3	282117	CYLINDER LOCK / CODE 38	1	1	
3	282118	CYLINDER LOCK / CODE 39	1	1	
3	282119	CYLINDER LOCK / CODE 40	1	1	
3	282120	CYLINDER LOCK / CODE 41	1	1	
3	282121	CYLINDER LOCK / CODE 42	1	1	
3	282122	CYLINDER LOCK / CODE 43	1	1	
3	282123	CYLINDER LOCK / CODE 44	1	1	
3	282124	CYLINDER LOCK / CODE 45	1	1	
3	282125	CYLINDER LOCK / CODE 46	1	1	
3	282126	CYLINDER LOCK / CODE 47	1	1	
3	282127	CYLINDER LOCK / CODE 48	1	1	
3	282128	CYLINDER LOCK / CODE 49	1	1	
3	282129	CYLINDER LOCK / CODE 50	1	1	
3	282130	CYLINDER LOCK / CODE 51	1	1	
3	282131	CYLINDER LOCK / CODE 52	1	1	
3	282132	CYLINDER LOCK / CODE 53	1	1	
3	282133	CYLINDER LOCK / CODE 54	1	1	
3	282134	CYLINDER LOCK / CODE 55	1	1	
3	282135	CYLINDER LOCK / CODE 56	1	1	
3	282136	CYLINDER LOCK / CODE 57	1	1	
3	282137	CYLINDER LOCK / CODE 58	1	1	
3	282138	CYLINDER LOCK / CODE 59	1	1	
3	282139	CYLINDER LOCK / CODE 60	1	1	
3	282140	CYLINDER LOCK / CODE 61	1	1	
3	282141	CYLINDER LOCK / CODE 62	1	1	
3	282142	CYLINDER LOCK / CODE 63	1	1	



From 8-9279 To B-9999	Date:10/2022	PAGE:MTH-1867-00
KEY & CYLINDER CODE "NS"		

Item#	Part	Description	X L I I M T H 4 5	X L I I M T H 4 5 E	N O T E S
3	282143	CYLINDER LOCK / CODE 64	1	1	
3	282144	CYLINDER LOCK / CODE 65	1	1	
3	282145	CYLINDER LOCK / CODE 66	1	1	
3	282146	CYLINDER LOCK / CODE 67	1	1	
3	282147	CYLINDER LOCK / CODE 68	1	1	
3	282148	CYLINDER LOCK / CODE 69	1	1	
3	282149	CYLINDER LOCK / CODE 70	1	1	
3	282150	CYLINDER LOCK / CODE 71	1	1	
3	282151	CYLINDER LOCK / CODE 72	1	1	
3	282152	CYLINDER LOCK / CODE 73	1	1	
3	282153	CYLINDER LOCK / CODE 74	1	1	
3	282154	CYLINDER LOCK / CODE 75	1	1	
3	282155	CYLINDER LOCK / CODE 76	1	1	
3	282156	CYLINDER LOCK / CODE 77	1	1	
3	282157	CYLINDER LOCK / CODE 78	1	1	
3	282158	CYLINDER LOCK / CODE 79	1	1	
3	282159	CYLINDER LOCK / CODE 80	1	1	
3	282160	CYLINDER LOCK / CODE 81	1	1	
3	282161	CYLINDER LOCK / CODE 82	1	1	
3	282162	CYLINDER LOCK / CODE 83	1	1	
3	282163	CYLINDER LOCK / CODE 84	1	1	
3	282164	CYLINDER LOCK / CODE 85	1	1	
3	282165	CYLINDER LOCK / CODE 86	1	1	
3	282166	CYLINDER LOCK / CODE 87	1	1	
3	282167	CYLINDER LOCK / CODE 88	1	1	
3	282168	CYLINDER LOCK / CODE 89	1	1	
3	282169	CYLINDER LOCK / CODE 90	1	1	
3	282170	CYLINDER LOCK / CODE 91	1	1	
3	282171	CYLINDER LOCK / CODE 92	1	1	
3	282172	CYLINDER LOCK / CODE 93	1	1	
3	282173	CYLINDER LOCK / CODE 94	1	1	
3	282174	CYLINDER LOCK / CODE 95	1	1	
3	282175	CYLINDER LOCK / CODE 96	1	1	
3	282176	CYLINDER LOCK / CODE 97	1	1	
3	282177	CYLINDER LOCK / CODE 98	1	1	
3	282178	CYLINDER LOCK / CODE 99	1	1	
4	780236	. RETAINER CLIP	1	1	
5	504477	. RING RETAINER / EXT 14.0 X 13.4 X 1.0MM	1	1	
6	287406	PIVOT LOCK 9.5MM OFFSET	1	1	
8	284531	PIVOT LOCK ROD	1	1	
9	287406	PIVOT LOCK 9.5MM OFFSET	AR	AR	
10	780180	LOCK CYLINDER W/KEY / "VIRO"	AR	AR	



From 8-9279 To B-9999	Date:10/2022	PAGE:MTH-1867-00
-----------------------	--------------	------------------

KEY & CYLINDER CODE "NS"

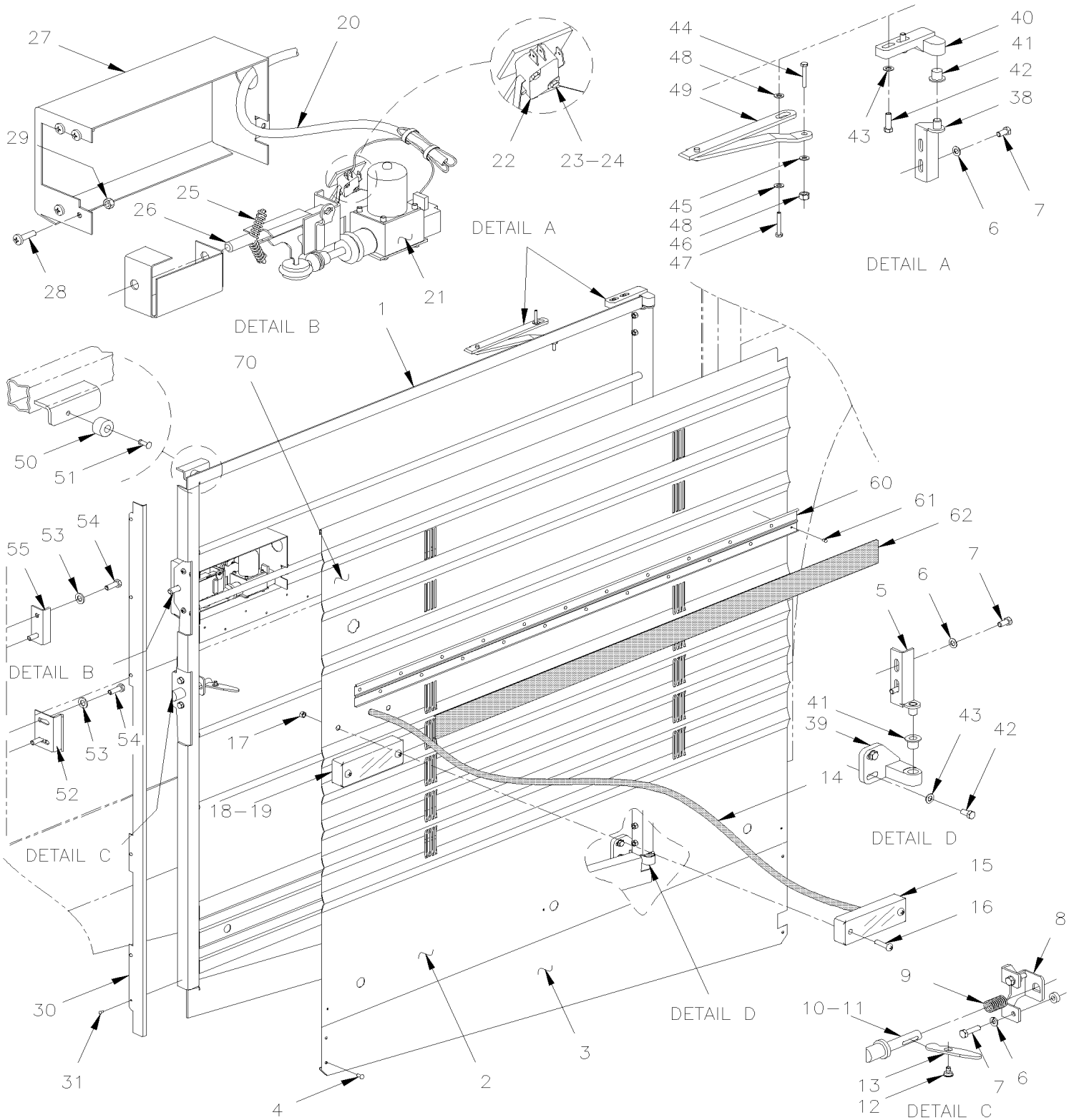
Item#	Part	Description	X L I I M T H 4 5	X L I I M T H 4 5 E	N O T E S
. NS	780501	. KEY	1	1	
10	780806	LOCK CYLINDER W/KEY / "VIRO"	1	1	S
. NS	780501	. KEY	1	1	S
11	780501	. KEY	AR	AR	
12		. LEVER INCLUDE WITH KIT #780180	AR	AR	
12	289549	PIVOT LOCK ACTUATOR 42.4MM / W/11MM OFFSET	1	1	S
19	287087	PIVOT	1	1	
20	780430	CYLINDER LOCK ASSY W/2 KEYS / "CORBIN" To 8-9449	1	1	
. NS	780562	. KEY / "CORBIN" BLANK To 8-9449	2	2	
20	780803	CYLINDER LOCK ASSY W/2 KEYS / "SCHLAGE" From 8-9450	1	1	
. NS	780902	. KEY / "SCHLAGE" BLANK From 8-9450	1	1	
21	780562	KEY / "CORBIN" BLANK	AR	AR	
		S) REQUIERED ONLY IN SERVICE IF YOU NEED TO CHANGE YOUR OLD CYLINDER LOCK # 780180			

From 8-9279 To B-9999

Date:10/2022

PAGE:MTH-1868-00

A/C COMPRESSOR DOOR ASSY





From 8-9279 To B-9999	Date:10/2022	PAGE:MTH-1868-00
A/C COMPRESSOR DOOR ASSY		

Item#	Part	Description	X L I I M T H 4 5	X L I I M T H 4 5 E	N O T E S
	288338	COMPRESSOR DOOR ASSY / W/FLUTED PANEL	1		
	288339	COMPRESSOR DOOR ASSY / W/FLUTED LOWER MOULDING		1	
1	287576	. FRAME ASSY / COMPRESSOR DOOR To A-9965	1	1	
. NS	483749	. . SUPPORT ACTUATOR / WELDED AT FRAME FORMER ACTUATOR 780428 To A-9965	1	1	
1	288950	. FRAME ASSY / COMPRESSOR DOOR From A-9966	1	1	
. NS	288989	. . SUPPORT ACTUATOR / WELDED AT FRAME CURRENT ACTUATOR 780814 From A-9966	1	1	
2	477665	. PANEL, UPPER / W/FLUTED / B.A.	1		
2	477680	. PANEL, UPPER / W/FLUTED / B.A.		1	
3	477664	. PANEL, LOWER / B.A.	1	1	
4	504272	. RIVET CHY Q BRAZ 3/16x1/8 SS	5	5	
5	286102	. ARM ASSY	1	1	
5	289150	. ARM ASSY	1	1	
6	500356	. WASHER LO SERR 6.1x16.0x0.9 N500	4	4	
7	502737	. SCREW CAP HEX M6-1.0x25 SS BK	4	4	
8	288006	. GUIDE PIN HOLDER	1	1	
9	502910	. SPRING COMPRESSION / .720 O.D. 1.75 x .055	1	1	
10	284313	. CATCH PIN SS / 90MM To A-9892	1	1	
10	289585	. CATCH PIN ACETAL / 90MM From A-9893	1	1	
11	507212	. O-RING	1	1	
12	287271	. RIVET SHR FL 9.95x3.6{4.8x4.8 SS	1	1	
13	286612	. PIVOT	1	1	
14	064990	. CABLE ASSY / SIDE MARKER LAMP FOR DOORS	1	1	
. NS	473832	. . GROMMET 2 HOLESx1.6x11.0MMx2.0MMx8.0MMx16MM	1	1	
14	067207	. CABLE ASSY / SIDE MARKER LAMP FOR DOORS	1	1	
. NS	473832	. . GROMMET 2 HOLESx1.6x11.0MMx2.0MMx8.0MMx16MM	1	1	
NS	504273	. CABLE TIE / 1/8" X 3" 1/2	2	2	
15	MTH-0662-00	CLEARANCE & MARKER LIGHT			
16	5001042	. SCREW MA RND PH #10-32x1 1/4 SS	4	4	
17	502774	. NUT WELL #10-32x.625	4	4	
18	930320	. REFLECTOR RED 1 3/16" x 4 7/16"	1	1	
19	500510	. SCREW MA BDG PH #10-32x3/4 SS EMN	2	2	
19	500423	. NUT HEX NYRT #10-32 SS	2	2	
19	500787	. NUT HEX #10-24 SS	2	2	
20	067119	. CABLE ASSY / COMPRESSOR DOOR LOCK To A-9965	1	1	
20	068084	. CABLE ASSY / COMPRESSOR DOOR LOCK From A-9966	1	1	
21	780428	. LOCK ACTUATOR / 12V To A-9965	1	1	
. NS	562076	. . CONNECTOR / PACK-CON I / FEMALE HOUSING / 2C / PED 8911772 To A-9965	1	1	
21	2810382	. ACTUATOR SERVICE KIT To A-9965	1	1	
21	780814	. LOCK ACTUATOR / 12V From A-9966	1	1	
. NS	562076	. . CONNECTOR / PACK-CON I / FEMALE HOUSING / 2C / PED 8911772 From A-9966	1	1	
22	562096	. MICRO SWITCH	1	1	
23	502577	. SCREW MA PAN PH M3-0.5x16 ZP	2	2	



From 8-9279 To B-9999		Date:10/2022	PAGE:MTH-1868-00
A/C COMPRESSOR DOOR ASSY			

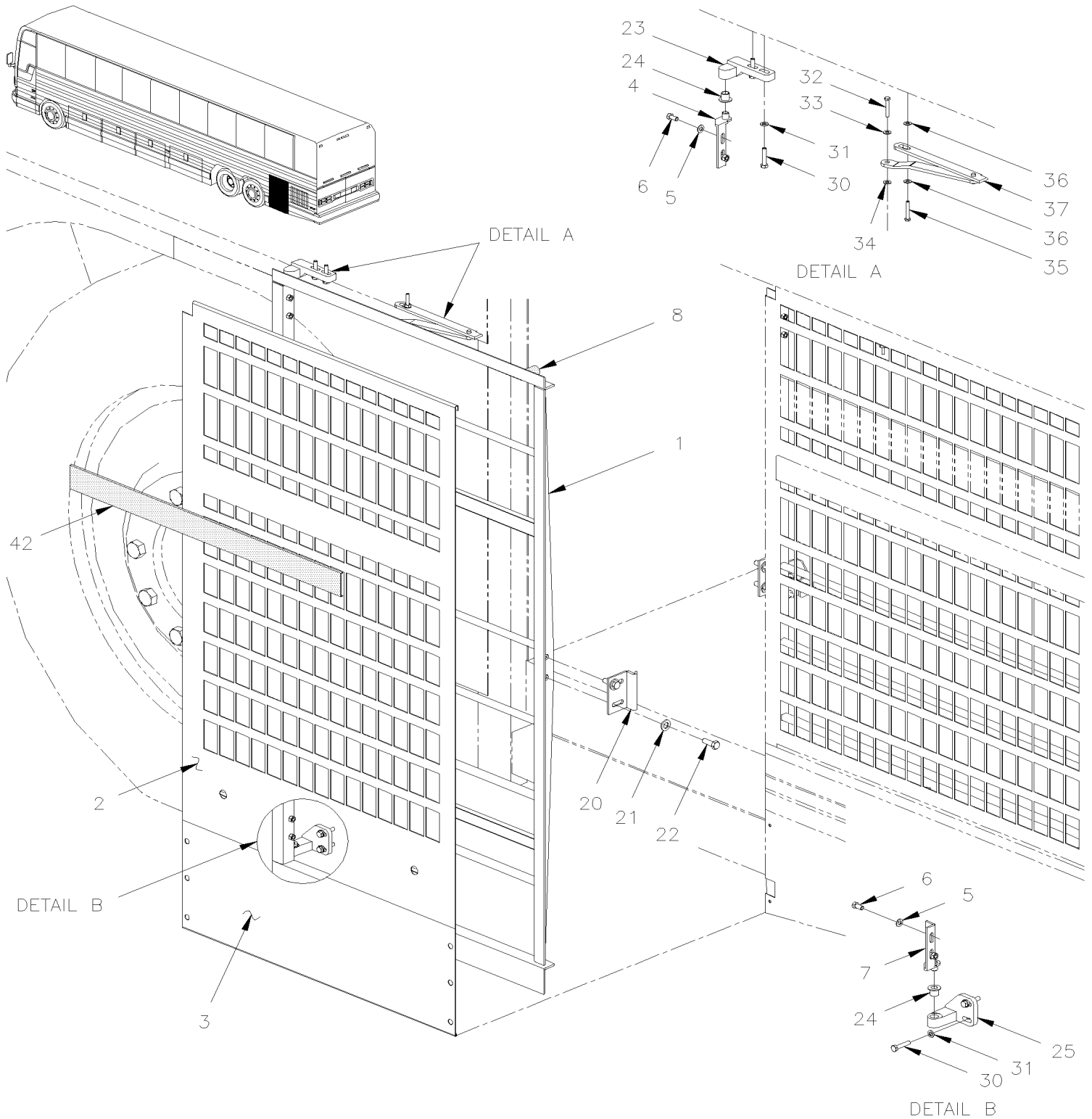
Item#	Part	Description	X L I I M T H 4 5	X L I I M T H 4 5 E	N O T E S
24	502579	. NUT HEX M3-0.5 NP	2	2	
NS	502691	. WASHER LO SPT 3.6x6.7x0.8 Z050	2	2	
25	502151	. SPRING COMPRESSION / .300 O.D. x 1 x .032	2	2	
26	481564	. ROD GUIDE	1	1	
27	287400	. COVER / ACTUATOR PROTECTOR To A-9965	1	1	
27	288990	. COVER / ACTUATOR PROTECTOR From A-9966	1	1	
28	502698	. SCREW MA PAN PH M4-0.7x16 SS BK	2	2	
29	5001544	. WASHER LO EXT .195x.410x.025 SS	2	2	
30	288527	. FINISHING MOULDING 1110MM / B.A.	1	1	
31	504339	. RIVET POP DOME OE 1/8x3/8 SS	4	4	
38	286098	. ARM ASSY	1	1	
38	289149	. ARM ASSY	1	1	
39	286103	LOWER HINGE	1	1	
40	286085	HINGE / UPPER	1	1	
41	284607	BUSHING, NYLON / (NOT INCLUDE W/HINGE)	1	1	
NS	502723	WASHER FL .386x.750x.050 NYL	1	1	
42	502737	SCREW CAP HEX M6-1.0x25 SS BK	4	4	
43	430406	WASHER FLAT	8	8	
44	502568	SCREW MA PAN PH M6-1.0x20 EMN	1	1	
45	502573	WASHER FL 6.4x12.5x1.6 SS	1	1	
46	502511	NUT HEX NYRT M6-1.0 Z050	1	1	
47	502686	SCREW CAP HEX M6-1.0x30 SS BK	1	1	
48	5001448	WASHER FL .343x.875x.062 SS18-8	2	2	
49	288031	GUIDE ASSY / R.H. DOOR	1	1	
50	504334	BUMPER RUBBER / .625 OD x .406 TH x .156 HOLE	1	1	
51	504339	RIVET POP DOME OE 1/8x3/8 SS	1	1	
52	287286	CATCH PIN / RETAINER 45MMx21MM 90°	1	1	
NS	287452	SHIM SPACER 70MM X 25 X 14GA	AR	AR	
53	502857	WASHER LO SERR 8.2x26.3x1.8 N500	4	4	
54	502780	SCREW CAP HEX M8-1.25x25 SS BK	4	4	
55	287578	STRICKING PLATE	1	1	
60	473826	MOULDING RETAINER / 1125MM	1		
61	504488	RIVET MGLP PRDG 3/16x17/64 SS	10		
62	473830	FINISHING MOULDING SS / 1123MM	1		
62	474389	FINISHING MOULDING PLASTIC 1123MM		1	
. NS	506769	. TAPE RUB ADH2 CC POL 1/8" x 1/4" x 60' / BLACK H1CC-N-#14		AR	
70	MTH-1867-00	KEY & CYLINDER CODE "NS"			

From 8-9279 To B-9999

Date:10/2022

PAGE:MTH-1869-50

RADIATOR DOOR ASSY - MTH-45 SMALL





From 8-9279 To B-9999 Date:10/2022 PAGE:MTH-1869-50

RADIATOR DOOR ASSY - MTH-45 SMALL

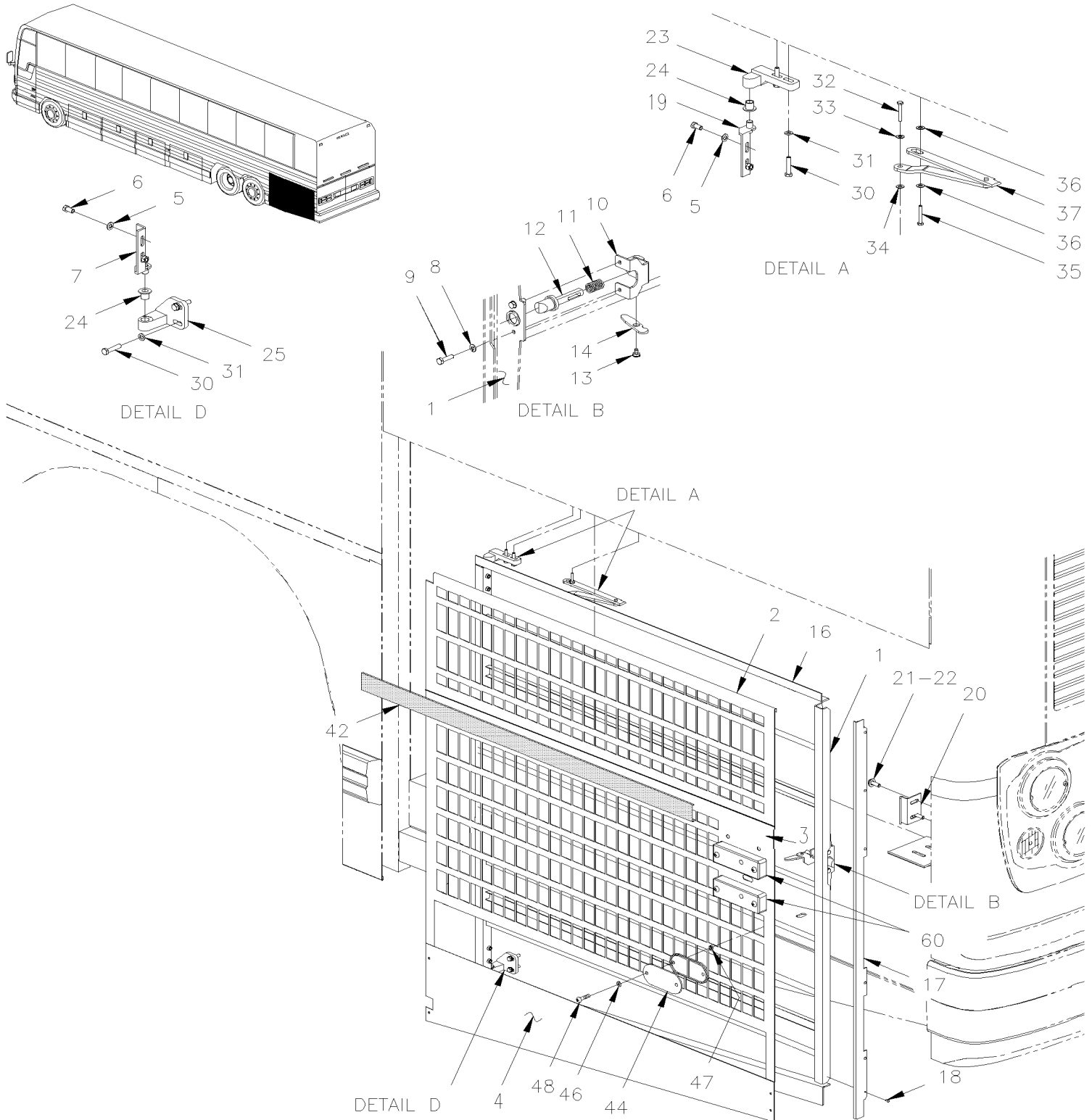
Item#	Part	Description	X L I I M T H 4 5	X L I I M T H 4 5 E	N O T E S
	288878	RADIATOR DOOR ASSY / W/FLUTED PANEL / SMALL	1		
1	285527	FRAME ASSY / RADIATOR DOOR / SMALL	1		
2	479215	PANEL, UPPER / W/FLUTED / B.A.	1		
3	477660	PANEL, LOWER / B.A.	1		
NS	504272	RIVET CHY Q BRAZ 3/16x1/8 SS	6		
4	286102	ARM ASSY	1		
4	289150	ARM ASSY	1		
5	502570	WASHER LO SPT 6.1x11.8x1.6 SS	4		
6	502686	SCREW CAP HEX M6-1.0x30 SS BK	4		
7	286098	ARM ASSY	1		
7	289149	ARM ASSY	1		
8	500356	WASHER LO SERR 6.1x16.0x0.9 N500	2		
9	502737	SCREW CAP HEX M6-1.0x25 SS BK	2		
20	287286	CATCH PIN / RETAINER 45MMx21MM 90°	1		
NS	287452	SHIM SPACER 70MM X 25 X 14GA	AR		
21	502857	WASHER LO SERR 8.2x26.3x1.8 N500	2		
22	502780	SCREW CAP HEX M8-1.25x25 SS BK	2		
23	286129	HINGE / UPPER	1		
24	284607	BUSHING, NYLON / (NOT INCLUDE W/HINGE)	2		
NS	502723	WASHER FL .386x.750x.050 NYL	1		
25	286128	LOWER HINGE	1		
30	502737	SCREW CAP HEX M6-1.0x25 SS BK	4		
31	430406	WASHER FLAT	4		
32	502568	SCREW MA PAN PH M6-1.0x20 EMN	1		
33	502573	WASHER FL 6.4x12.5x1.6 SS	1		
34	502511	NUT HEX NYRT M6-1.0 Z050	1		
35	502780	SCREW CAP HEX M8-1.25x25 SS BK	1		
36	500270	WASHER FL .406x1.000x.063 SS	2		
37	281912	GUIDE ASSY / L.H. DOOR	1		
42	473800	FINISHING MOULDING SS / 630MM	1		
NS	683083	ADHESIVE SIKA #252 / BLACK / 600 ml SAUSAGE	AR		
NS	5060044	TAPE RUB ADH2 CC POL 1/4" X 1/4" X 50' / BLACK I1C-N-A	AR		

From 8-9279 To B-9999

Date:10/2022

PAGE:MTH-1869-55

RADIATOR DOOR ASSY - MTH-45 ENT





From 8-9279 To B-9999	Date:10/2022	PAGE:MTH-1869-55
RADIATOR DOOR ASSY - MTH-45 ENT		

Item#	Part	Description	X L I I M T H 4 5	X L I I M T H 4 5 E	N O T E S
	287579	RADIATOR DOOR ASSY / W/FLUTED LOWER MOULDING		1	
1	289398	. FRAME ASSY / RADIATOR DOOR		1	
2	479188	. PANEL, UPPER / W/FLAT UPPER MOULDING / B.A.		1	
3	479161	. PANEL, CENTER / W/FLUTED LOWER MOULDING / B.A.		1	
4	479197	. PANEL, LOWER / B.A.		1	
4	504272	. RIVET CHY Q BRAZ 3/16x1/8 SS		4	
5	502737	. SCREW CAP HEX M6-1.0x25 SS BK		4	
NS	430406	. WASHER FLAT		4	
6	502686	. SCREW CAP HEX M6-1.0x30 SS BK		4	
7	286098	. ARM ASSY		1	
7	289149	. ARM ASSY		1	
8	500356	. WASHER LO SERR 6.1x16.0x0.9 N500		6	
9	502737	. SCREW CAP HEX M6-1.0x25 SS BK		6	
10	288006	. GUIDE PIN HOLDER		1	
11	502910	. SPRING COMPRESSION / .720 O.D. 1.75 x .055		1	
12	284313	. CATCH PIN SS / 90MM To A-9892		1	
12	289585	. CATCH PIN ACETAL / 90MM From A-9893		1	
NS	507212	. O-RING		1	
13	287271	. RIVET SHR FL 9.95x3.6{4.8x4.8 SS		1	
14	286612	. PIVOT		1	
16	504334	. BUMPER RUBBER / .625 OD x .406 TH x .156 HOLE		1	
16	504339	. RIVET POP DOME OE 1/8x3/8 SS		1	
16	504340	. RIVET POP DOME OE 1/8x3/16 SS		7	
17	289415	. FINISHING MOULDING 1477MM / B.A.		1	
18	504339	. RIVET POP DOME OE 1/8x3/8 SS		AR	
19	286102	. ARM ASSY		1	
19	289150	. ARM ASSY		1	
20	287286	. CATCH PIN / RETAINER 45MMx21MM 90°		1	
NS	287452	. SHIM SPACER 70MM X 25 X 14GA		AR	
21	502857	. WASHER LO SERR 8.2x26.3x1.8 N500		4	
22	502780	. SCREW CAP HEX M8-1.25x25 SS BK		4	
23	286129	HINGE / UPPER		1	
24	284607	BUSHING, NYLON / (NOT INCLUDE W/HINGE)		2	
NS	502723	WASHER FL .386x.750x.050 NYL		1	
25	286128	LOWER HINGE		1	
30	502737	SCREW CAP HEX M6-1.0x25 SS BK		4	
31	430406	WASHER FLAT		4	
32	502568	SCREW MA PAN PH M6-1.0x20 EMN		1	
33	502573	WASHER FL 6.4x12.5x1.6 SS		1	
34	502511	NUT HEX NYRT M6-1.0 Z050		1	
35	502780	SCREW CAP HEX M8-1.25x25 SS BK		1	
36	500270	WASHER FL .406x1.000x.063 SS		2	



From 8-9279 To B-9999	Date:10/2022	PAGE:MTH-1869-55
RADIATOR DOOR ASSY - MTH-45 ENT		

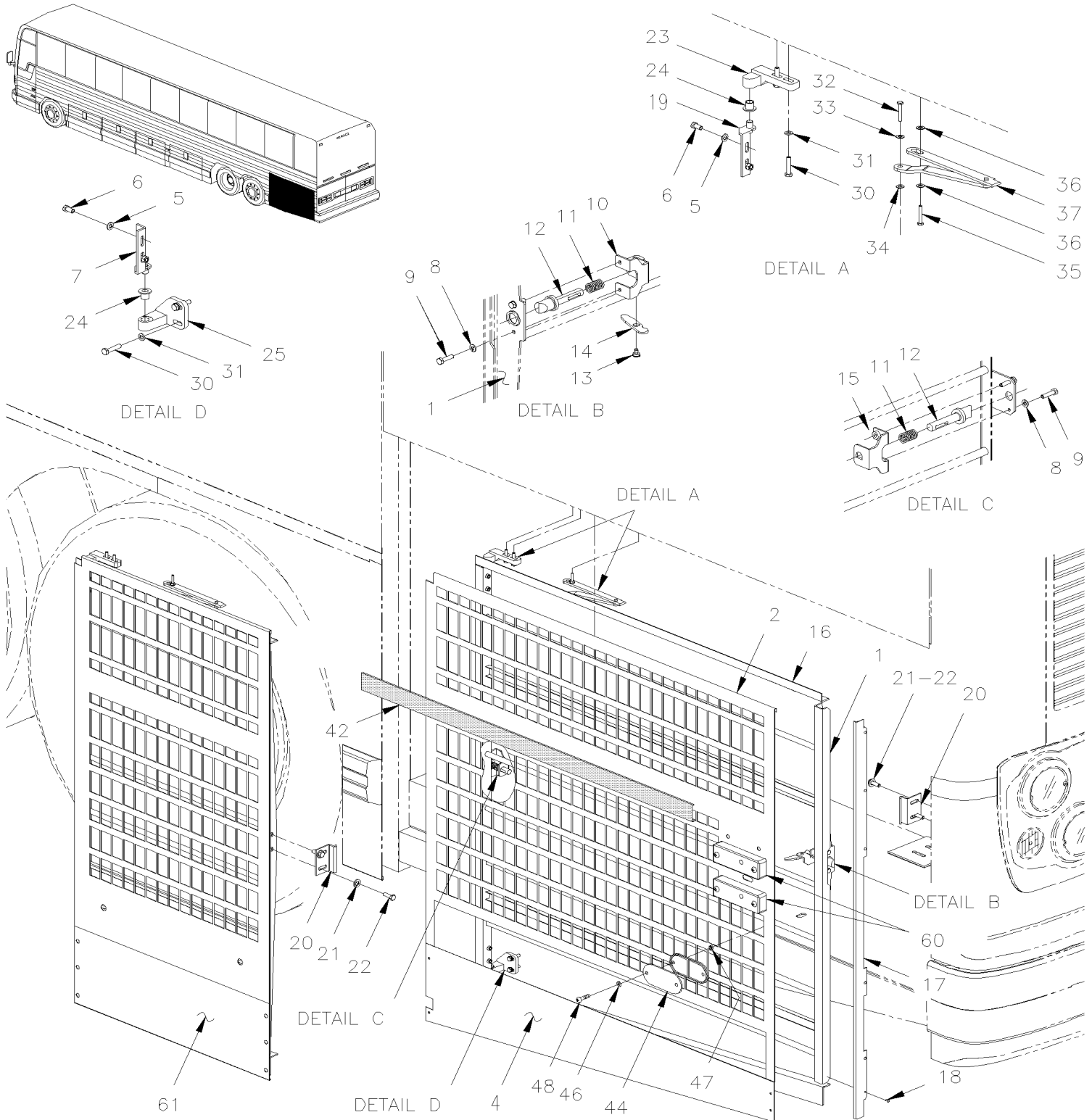
Item#	Part	Description	X L I I M T H 4 5	X L I I M T H 4 5 E	N O T E S
37	281912	GUIDE ASSY / L.H. DOOR		1	
42	479176	FINISHING MOULDING PLASTIC 1276MM		1	
. NS	506769	. TAPE RUB ADH2 CC POL 1/8" x 1/4" x 60' / BLACK H1CC-N-#14		AR	
NS	683083	ADHESIVE SIKA #252 / BLACK / 600 ml SAUSAGE		AR	
NS	5060044	TAPE RUB ADH2 CC POL 1/4" X 1/4" X 50' / BLACK I1C-N-A		AR	
44	930320	REFLECTOR RED 1 3/16" x 4 7/16"		1	
46	500914	WASHER LO SPT .193x.334x.047 N500		2	
47	500787	NUT HEX #10-24 SS		2	
48	500606	SCREW MA TR PH #10-24x3/4 SS		2	
60	MTH-0662-00	CLEARANCE & MARKER LIGHT			
NS	064990	CABLE ASSY / SIDE MARKER LAMP FOR DOORS		1	
. NS	473832	. GROMMET 2 HOLESx1.6x11.0MMx2.0MMx8.0MMx16MM		1	
61	067207	CABLE ASSY / SIDE MARKER LAMP FOR DOORS		1	
. NS	473832	. GROMMET 2 HOLESx1.6x11.0MMx2.0MMx8.0MMx16MM		1	

From 8-9279 To B-9999

Date:10/2022

PAGE:MTH-1869-60

RADIATOR DOOR ASSY - MTH-45 LARGE





From 8-9279 To B-9999	Date:10/2022	PAGE:MTH-1869-60
RADIATOR DOOR ASSY - MTH-45 LARGE		

Item#	Part	Description	X L I I M T H 4 5	X L I I M T H 4 5 E	N O T E S
	288879	RADIATOR DOOR ASSY / W/FLUTED PANEL / LARGE	1		
1	289426	FRAME ASSY / RADIATOR DOOR / LARGE	1		
2	479214	PANEL, UPPER / W/FLUTED / B.A.	1		
4	477659	PANEL, LOWER / B.A.	1		
NS	504272	RIVET CHY Q BRAZ 3/16x1/8 SS	4		
5	502737	SCREW CAP HEX M6-1.0x25 SS BK	4		
NS	430406	WASHER FLAT	4		
6	502686	SCREW CAP HEX M6-1.0x30 SS BK	4		
7	286098	ARM ASSY	1		
7	289149	ARM ASSY	1		
8	500356	WASHER LO SERR 6.1x16.0x0.9 N500	6		
9	502737	SCREW CAP HEX M6-1.0x25 SS BK	6		
10	288006	GUIDE PIN HOLDER	1		
11	502910	SPRING COMPRESSION / .720 O.D. 1.75 x .055	2		
12	284313	CATCH PIN SS / 90MM To A-9892	2		
12	289585	CATCH PIN ACETAL / 90MM From A-9893	1		
NS	507212	O-RING	2		
13	287271	RIVET SHR FL 9.95x3.6{4.8x4.8 SS	1		
14	286612	PIVOT	1		
15	284625	GUIDE PIN HOLDER	1		
16	504334	BUMPER RUBBER / .625 OD x .406 TH x .156 HOLE	1		
16	504339	RIVET POP DOME OE 1/8x3/8 SS	1		
17	288527	FINISHING MOULDING 1110MM / B.A.	1		
18	504339	RIVET POP DOME OE 1/8x3/8 SS	AR		
19	286102	ARM ASSY	1		
19	289150	ARM ASSY	1		
20	287286	CATCH PIN / RETAINER 45MMx21MM 90°	2		
NS	287452	SHIM SPACER 70MM X 25 X 14GA	AR		
21	502857	WASHER LO SERR 8.2x26.3x1.8 N500	4		
22	502780	SCREW CAP HEX M8-1.25x25 SS BK	4		
23	286129	HINGE / UPPER	1		
24	284607	BUSHING, NYLON / (NOT INCLUDE W/HINGE)	2		
NS	502723	WASHER FL .386x.750x.050 NYL	1		
25	286128	LOWER HINGE	1		
30	502737	SCREW CAP HEX M6-1.0x25 SS BK	4		
31	430406	WASHER FLAT	4		
32	502568	SCREW MA PAN PH M6-1.0x20 EMN	1		
33	502573	WASHER FL 6.4x12.5x1.6 SS	1		
34	502511	NUT HEX NYRT M6-1.0 Z050	1		
35	502780	SCREW CAP HEX M8-1.25x25 SS BK	1		
36	500270	WASHER FL .406x1.000x.063 SS	2		
37	281912	GUIDE ASSY / L.H. DOOR	1		



From 8-9279 To B-9999	Date:10/2022	PAGE:MTH-1869-60
RADIATOR DOOR ASSY - MTH-45 LARGE		

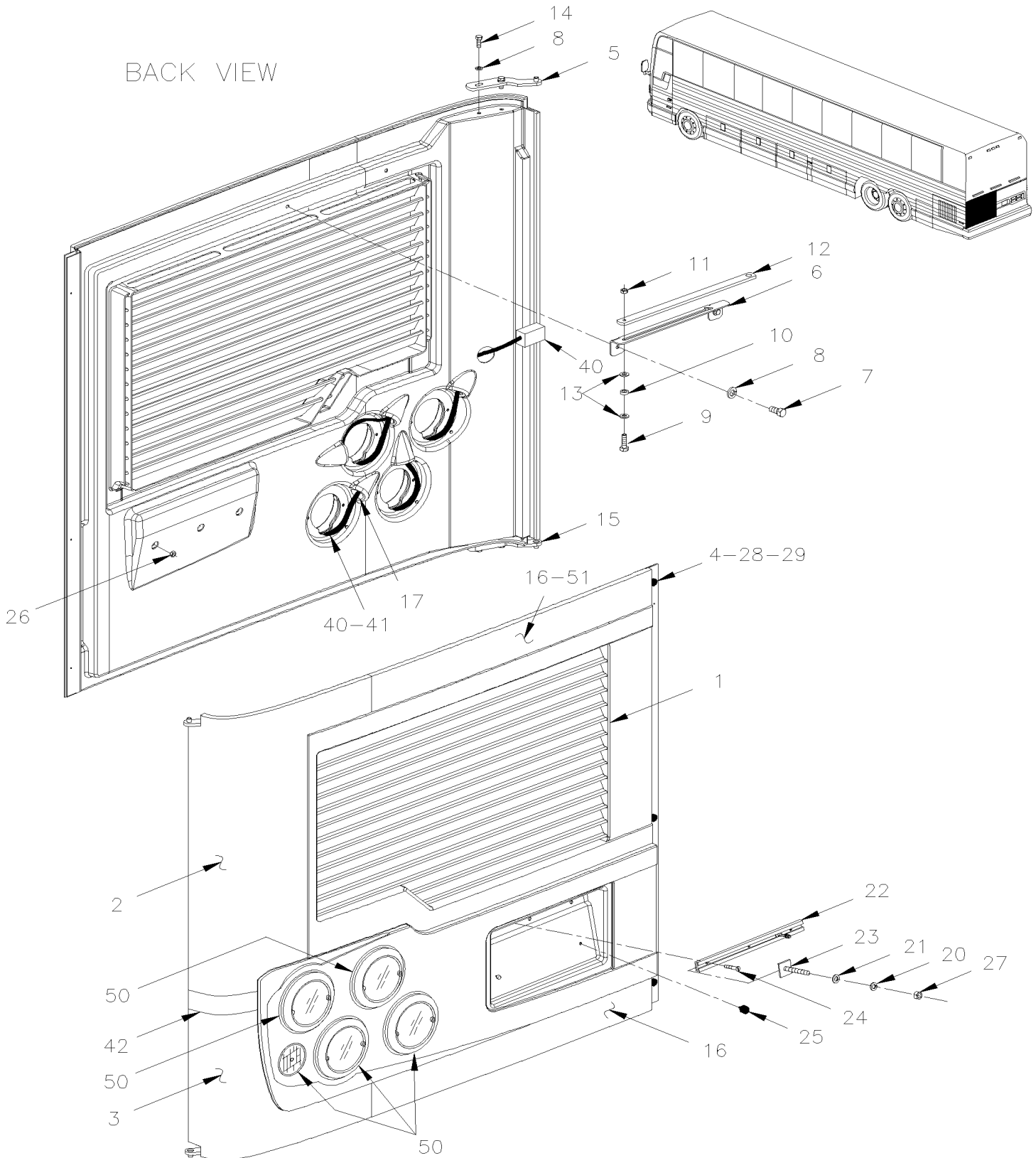
Item#	Part	Description	X L I I M T H 4 5	X L I I M T H 4 5 E	N O T E S
42	473830	FINISHING MOULDING SS / 1123MM	1		
NS	683083	ADHESIVE SIKA #252 / BLACK / 600 ml SAUSAGE	AR		
NS	5060044	TAPE RUB ADH2 CC POL 1/4" X 1/4" X 50' / BLACK I1C-N-A	AR		
44	930320	REFLECTOR RED 1 3/16" x 4 7/16"	1		
46	500914	WASHER LO SPT .193x.334x.047 N500	2		
47	500787	NUT HEX #10-24 SS	2		
48	500606	SCREW MA TR PH #10-24x3/4 SS	2		
60	MTH-0662-00	CLEARANCE & MARKER LIGHT			
60	064990	CABLE ASSY / SIDE MARKER LAMP FOR DOORS	1		
. NS	473832	. GROMMET 2 HOLESx1.6x11.0MMx2.0MMx8.0MMx16MM	1		
NS	067207	CABLE ASSY / SIDE MARKER LAMP FOR DOORS	1		
. NS	473832	. GROMMET 2 HOLESx1.6x11.0MMx2.0MMx8.0MMx16MM	1		
61	MTH-1869-50	RADIATOR DOOR ASSY - MTH-45 SMALL			

From 8-9279 To B-9999

Date:10/2022

PAGE:MTH-1870-00

ENGINE DOOR ASSY L.H.





From 8-9279 To B-9999	Date:10/2022	PAGE:MTH-1870-00
ENGINE DOOR ASSY L.H.		

Item#	Part	Description	X L I I M T H 4 5	X L I I M T H 4 5 E	N O T E S
	288325	ENGINE DOOR LH ASSY	1		D
	288326	ENGINE DOOR LH ASSY		1	
1	289306	. ENGINE DOOR LH MOULDED VENTED To 8-9426		1	
1	289431	. ENGINE DOOR LH MOULDED VENTED From 8-9427		1	
1	289308	. ENGINE DOOR LH MOULDED VENTED To 8-9426	1		
1	289433	. ENGINE DOOR LH MOULDED VENTED From 8-9427	1		
2	288528	. UPPER PANEL / B.A.	1		
3	288529	. LOWER PANEL / B.A.	1	1	
4	509828	. BUMPER RUBBER / .750 OD x .312 TH x .125 HOLE	6	6	
5	287430	. ARM ASSY To A-9883	1	1	
5	289620	. ARM ASSY From A-9884	1	1	
6	283776	. GUIDE RETAINING ARM	1	1	
7	955295	. SCREW CAP HEX M8-1.25x20 G8.8 ZG603	2	2	
8	502857	. WASHER LO SERR 8.2x26.3x1.8 N500	6	6	
9	5001560	. SCREW SHR HEXS 5/16x3/8 {1/4-20 SS	1	1	
10	502768	. WASHER FL RUB .312x.625x.125 NEO	1	1	
11	500384	. NUT HEX JAM 1/4-20 G500	1	1	
12	283772	. ARM RETAINING	1	1	
13	502638	. WASHER FL .312x.734x.065 N500	2	2	
14	955297	. SCREW CAP HEX M8-1.25x25 G8.8 ZG603	4	4	
15	287429	. ARM ASSY To A-9883	1	1	
15	289617	. ARM ASSY From A-9884	1	1	
16	288530	. PANEL UPPER & LOWER DOOR / B.A.	2		
16	288530	. PANEL UPPER & LOWER DOOR / B.A.		1	
17	504530	. GROMMET / .750x1.250x.125x.312x1.625	5	5	
20	502570	. WASHER LO SPT 6.1x11.8x1.6 SS	2	2	
21	502637	. WASHER FL .200x.437x.037 SS	2	2	
22	286053	. TRACK / LICENCE PLATE HOLDER 326MM	1	1	
22	491572	. TRACK / LICENCE PLATE HOLDER 321 MM	1	1	
23	504286	. T SCREW 10-24 X 3/4" / SS / PLATE HOLDER	2	2	
24	502666	. SCREW MA FL PH #6-32x3/4 SS BK	3	3	
25	504498	. BUMPER PLUG / .406ODx.218THx.250HOLEx.125	2	2	
26	500286	. NUT WELL #6-32	3	3	
27	500787	. NUT HEX #10-24 SS	2	2	
28	509827	. SCREW MA RND PH M4-0.7x20 SS	3	3	
29	502557	. NUT HEX NYRT M4-0.7 SS	3	3	
31	683097	. CLEANER SIKA #205 / CLEAR / 1000ml	AR	AR	
40	066491	. CABLE / ENGINE DOOR REAR LAMP W/LEDS	1	1	
41	504637	. CABLE TIE / 3/16" x 13"	5	5	
42	288531	. FINISHING MOULDING SS / B.A.	1		
42	285899	FINISHING MOULDING L.H. / PLASTIC / (LOWER 3MM THINER THAN UPPER		1	
NS	506769	. TAPE RUB ADH2 CC POL 1/8" x 1/4" x 60' / BLACK H1CC-N-#14	AR	AR	



From 8-9279 To B-9999	Date:10/2022	PAGE:MTH-1870-00
ENGINE DOOR ASSY L.H.		

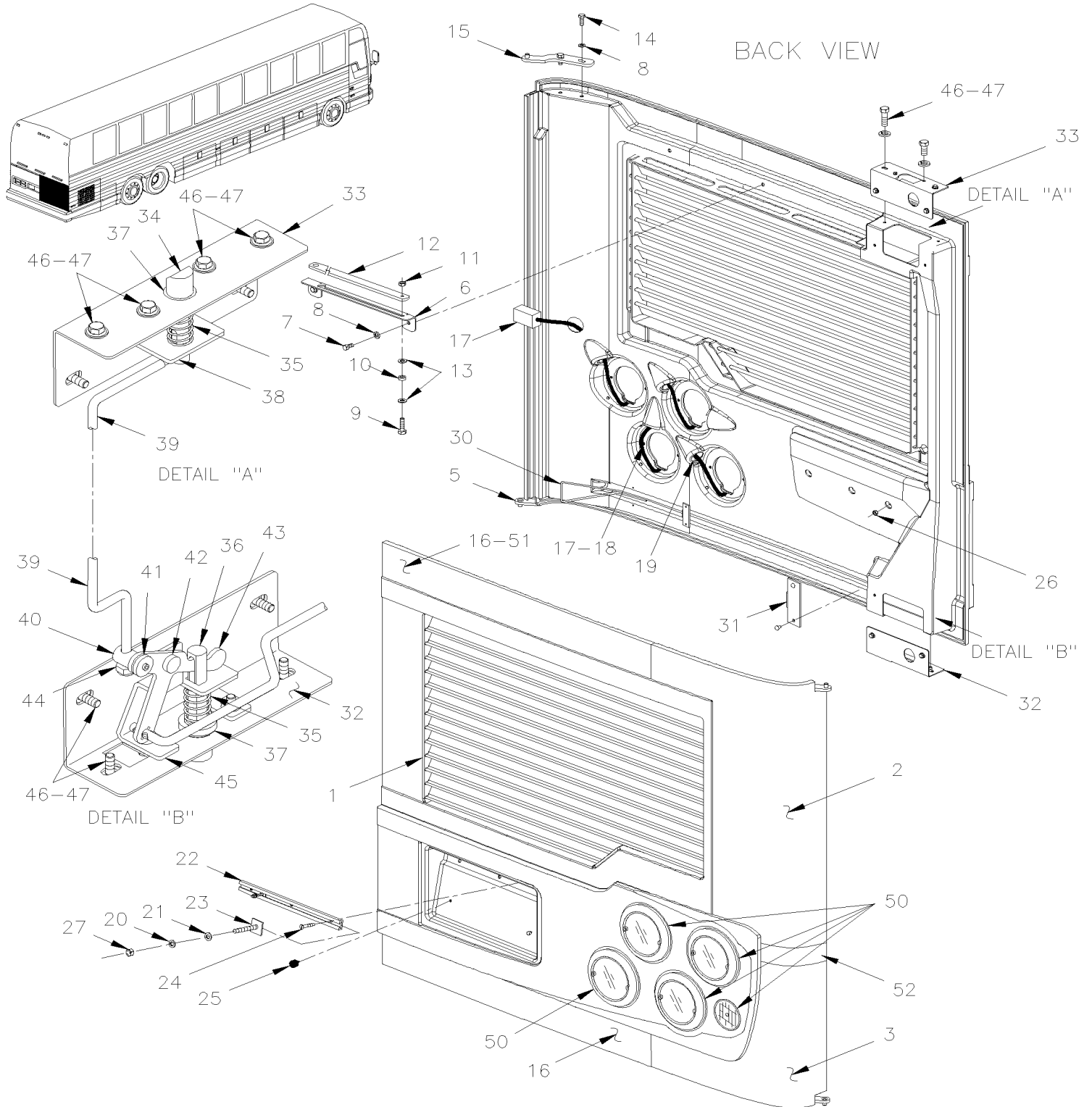
Item#	Part	Description	X L I I M T H 4 5	X L I I M T H 4 5 E	N O T E S
50	MTH-0664-00	. REAR EXTERIOR LIGHTS & PLATE HOLDER			
51	506790	. TAPE RUB ADH2 CC POL 1/16" x 1/2" x 200' / BLACK I1C-N-A	AR	AR	
51	683084	. SEALANT SIKA #221 / GREY / 600 ml SAUSAGE	AR	AR	
51	683083	. ADHESIVE SIKA #252 / BLACK / 600 ml SAUSAGE	AR	AR	
NS	067072	DECAL / "CAUTION" BEFORE WELDING...." // ENGLISH	1	1	
NS	142370	DECAL / COLOR CODE / PNEUMATIC SYSTEM / ENGLISH & SPANISH	1	1	
NS	141064	DECAL / COLOR CODE / PNEUMATIC SYSTEM / ENGLISH & FRANCAIS	1	1	
NS	052375	DECAL / "WARNING WARANTY....." / ENGLISH & FRANCAIS	1	1	
NS	052576	DECAL / "WARNING WARANTY....." / ENGLISH & SPANISH	1	1	
NS	071249	DECAL "TranSynd OIL ONLY" / ENGLISH & FRANCAIS	1	1	
NS	071364	DECAL "TranSynd OIL ONLY" / ENGLISH & SPANISH	1	1	
55	012698	DECAL / "BELT ROUTING" SHORT END COOL 2010		1	
55	012699	DECAL / "BELT ROUTING"	1		
		D) THIS DOOR ASSEMBLY DO NOT INCLUDE ITEM #40			

From 8-9279 To B-9999

Date:10/2022

PAGE:MTH-1870-05

ENGINE DOOR ASSY R.H.





From 8-9279 To B-9999	Date:10/2022	PAGE:MTH-1870-05
ENGINE DOOR ASSY R.H.		

Item#	Part	Description	X L I I M T H 4 5	X L I I M T H 4 5 E	N O T E S
	288327	ENGINE DOOR RH ASSY	1		D
	288328	ENGINE DOOR RH ASSY		1	
1	289307	. ENGINE DOOR RH MOULDED VENTED To 8-9426		1	
1	289432	. ENGINE DOOR RH MOULDED VENTED From 8-9427		1	
1	289305	. ENGINE DOOR RH MOULDED VENTED To 8-9426	1		
1	289430	. ENGINE DOOR RH MOULDED VENTED From 8-9427	1		
2	288532	. UPPER PANEL / B.A.	1		
3	288533	. LOWER PANEL / B.A.	1	1	
5	287430	. ARM ASSY To A-9883	1	1	
5	289620	. ARM ASSY From A-9884	1	1	
6	283771	. GUIDE RETAINING ARM	1	1	
7	955295	. SCREW CAP HEX M8-1.25x20 G8.8 ZG603	2	2	
8	502857	. WASHER LO SERR 8.2x26.3x1.8 N500	6	6	
9	5001560	. SCREW SHR HEXS 5/16x3/8 {1/4-20 SS	1	1	
10	502768	. WASHER FL RUB .312x.625x.125 NEO	1	1	
11	500384	. NUT HEX JAM 1/4-20 G500	1	1	
12	283772	. ARM RETAINING	1	1	
13	502638	. WASHER FL .312x.734x.065 N500	2	2	
14	955297	. SCREW CAP HEX M8-1.25x25 G8.8 ZG603	4	4	
15	287429	. ARM ASSY To A-9883	1	1	
15	289617	. ARM ASSY From A-9884	1	1	
16	288530	. PANEL UPPER & LOWER DOOR / B.A.	2		
16	288530	. PANEL UPPER & LOWER DOOR / B.A.		1	
17	066491	. CABLE / ENGINE DOOR REAR LAMP W/LEDS	1	1	
18	504637	. CABLE TIE / 3/16" x 13"	AR	AR	
19	504530	. GROMMET / .750x1.250x.125x.312x1.625	5	5	
20	502570	. WASHER LO SPT 6.1x11.8x1.6 SS	2	2	
21	502637	. WASHER FL .200x.437x.037 SS	2	2	
22	286053	. TRACK / LICENCE PLATE HOLDER 326MM	1	1	
22	491572	. TRACK / LICENCE PLATE HOLDER 321 MM	1	1	
23	504286	. T SCREW 10-24 X 3/4" / SS / PLATE HOLDER	2	2	
24	502666	. SCREW MA FL PH #6-32x3/4 SS BK	3	3	
25	504498	. BUMPER PLUG / .406ODx.218THx.250HOLEx.125	2	2	
26	500286	. NUT WELL #6-32	3	3	
27	500787	. NUT HEX #10-24 SS	2	2	
30	287325	. CONTROL ROD	1	1	
NS	506018	. HANDLE PLASTIC / 1/4" I.D. X 4"	1	1	
31	280143	. FIXTURE / W/HOLE FOR ROD	2	2	
31	287369	. FIXTURE	1	1	
NS	504339	. RIVET POP DOME OE 1/8x3/8 SS	4	4	
32	285018	. SUPPORT LOCK / LOWER	1	1	
33	286581	. SUPPORT LOCK / UPPER	1	1	



From 8-9279 To B-9999	Date:10/2022	PAGE:MTH-1870-05
ENGINE DOOR ASSY R.H.		

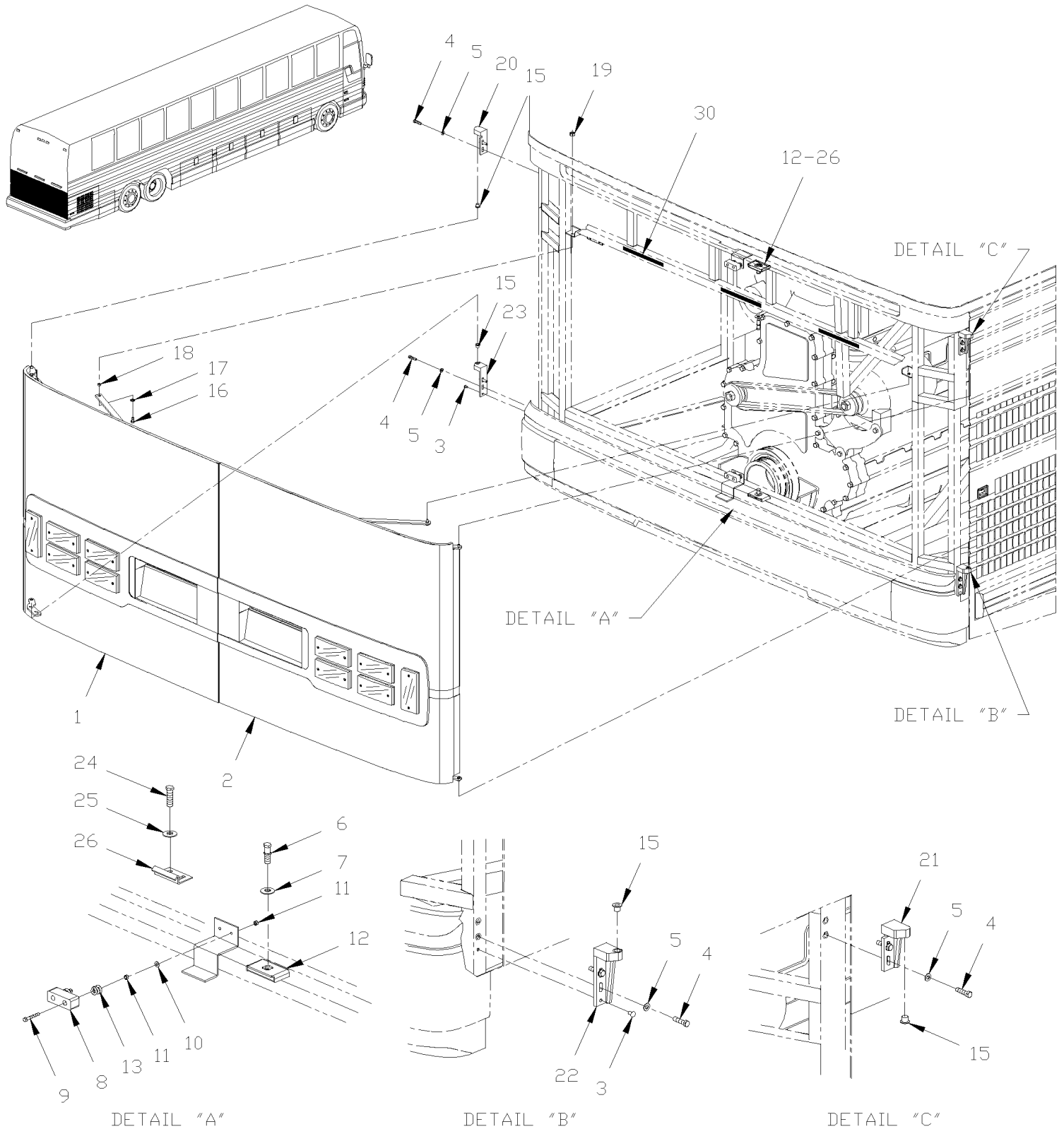
Item#	Part	Description	X L I I M T H 4 5	X L I I M T H 4 5 E	N O T E S
34	287381	. CATCH PIN SS / 80.5MM	1	1	
NS	506225	. TAPE RUB ADH1 CC POL 1/16" x 1/4" x 100' / GREY 2520	AR	AR	
35	502910	. SPRING COMPRESSION / .720 O.D. 1.75 x .055	2	2	
36	287391	. CATCH PIN SS / 90.5MM	1	1	
37	507212	. O-RING	2	2	
38	287382	. GUIDE PIN HOLDER UPPER	1	1	
39	287276	. ROD / JUNCTION	1	1	
40	280142	. ROD HOLDER	1	1	
41	280140	. RETAINING WASHER	1	1	
42	287271	. RIVET SHR FL 9.95x3.6{4.8x4.8 SS	1	1	
43	287277	. PIVOT	1	1	
44	5001251	. NUT HEX NYRT 1/4-20 SS	1	1	
45	287291	. GUIDE PIN HOLDER LOWER	1	1	
46	955271	. SCREW CAP HEX M6-1.0x16 G8.8 ZG603	12	12	
47	500356	. WASHER LO SERR 6.1x16.0x0.9 N500	12	12	
50	MTH-0664-00	. REAR EXTERIOR LIGHTS & PLATE HOLDER			
51	506790	. TAPE RUB ADH2 CC POL 1/16" x 1/2" x 200' / BLACK I1C-N-A	AR	AR	
51	683084	. SEALANT SIKA #221 / GREY / 600 ml SAUSAGE	AR	AR	
51	683083	. ADHESIVE SIKA #252 / BLACK / 600 ml SAUSAGE	AR	AR	
52	288531	. FINISHING MOULDING SS / B.A.	1		
52	285900	. FINISHING MOULDING R.H. / PLASTIC / (LOWER 3MM THINER THAN UPPER		1	C
		C) BUS & MTH ENT WITH LOWER SS PANEL			
		D) THIS DOOR ASSEMBLY DO NOT INCLUDE ITEM #17			

From 8-9279 To B-9999

Date:10/2022

PAGE:MTH-1870-10

ENGINE DOOR ASSY - INSTALLATION





From 8-9279 To B-9999 Date:10/2022 PAGE:MTH-1870-10

ENGINE DOOR ASSY - INSTALLATION

Item#	Part	Description	X L I M T H 4 5	X L I M T H 4 5 E	N O T E S
1	MTH-1870-00	ENGINE DOOR ASSY L.H.			
2	MTH-1870-05	ENGINE DOOR ASSY R.H.			
3	504122	RIVET POP DOME OE 1/4x3/8 AL	2	2	
4	502780	SCREW CAP HEX M8-1.25x25 SS BK	5	5	
5	502584	WASHER LO SERR 8.2x26.3x1.8 Z050	8	8	
8	506250	RUBBER BUMPER	1	1	
9	502708	SCREW CAP HEX M5-0.8x35 SS	2	2	
10	500411	WASHER FL .260x.697x.050 SS	2	2	
11	5001449	NUT HEX M5-0.8 SS	4	4	
13	502205	SPRING COMPRESSION / .850 O.D. x .750 x .072	2	2	
15	284607	BUSHING, NYLON / (NOT INCLUDE W/HINGE)	4	4	
16	502780	SCREW CAP HEX M8-1.25x25 SS BK	10	10	
17	502583	WASHER LO SERR 8.15x22.3x1.0 Z050	2	2	
18	283770	SPACER / TO FIX RETAINING ARM	2	2	
19	966171	NUT HEX NYRT M8x1.25 SS	2	2	
20	285930	HINGE UPPER L.H.	1	1	
21	285854	HINGE UPPER R.H.	1	1	
22	285855	HINGE LOWER R.H.	1	1	
23	285931	HINGE LOWER L.H.	1	1	
24	502780	SCREW CAP HEX M8-1.25x25 SS BK	4	4	
25	5001161	WASHER LO SPT 8.1x14.8x2.0 SS-304	4	4	
26	287286	CATCH PIN / RETAINER 45MMx21MM 90°	2	2	
30	920009	REFLECTOR STRIP RED	AR	AR	
NS	286688	DECAL DOOR OPEN	1	1	

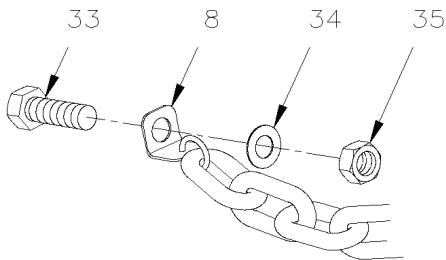
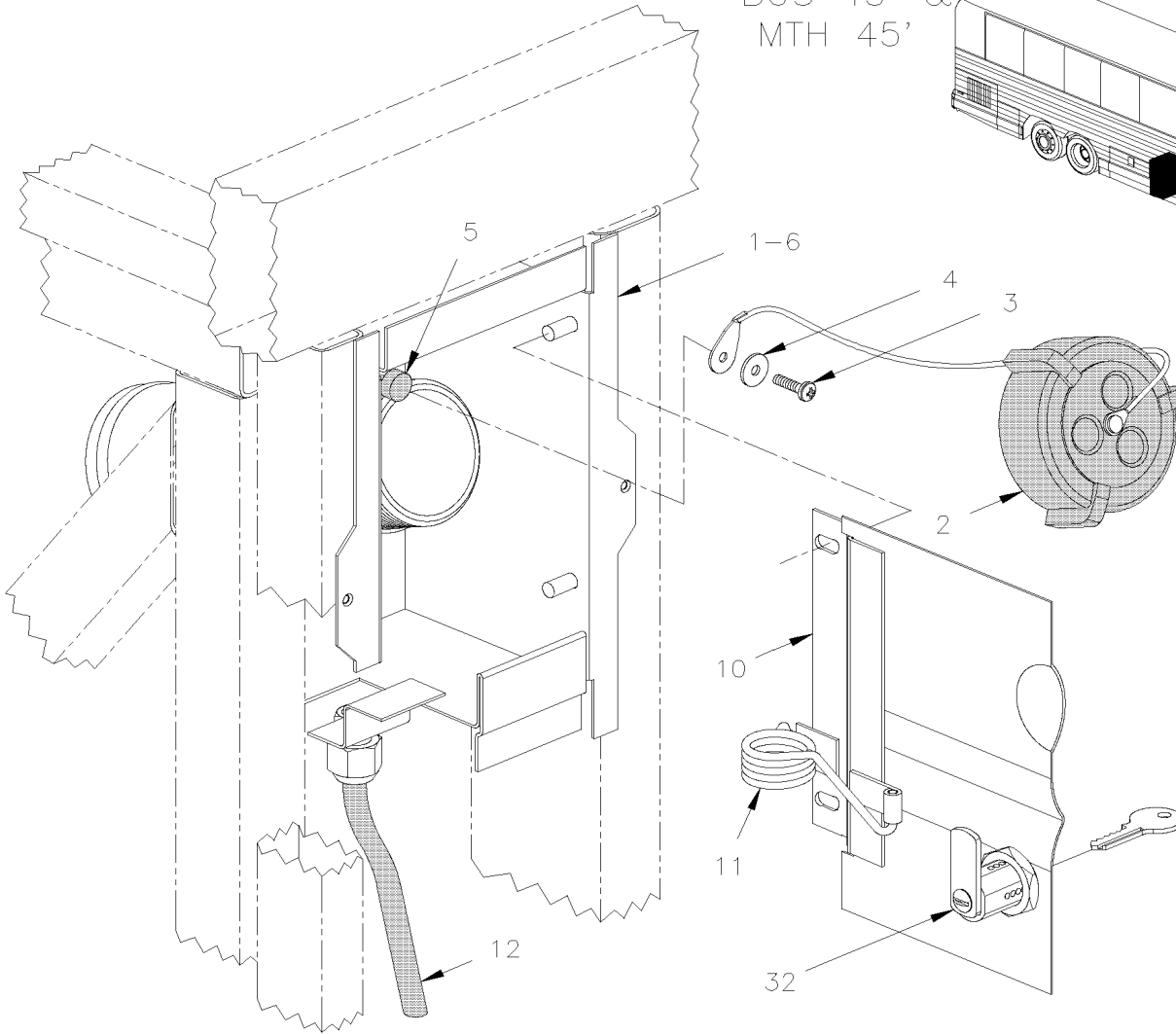
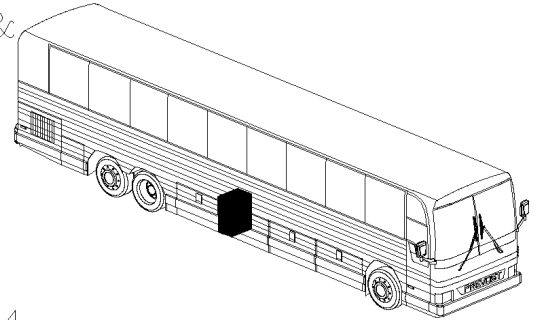
From 8-9279 To B-9999

Date:10/2022

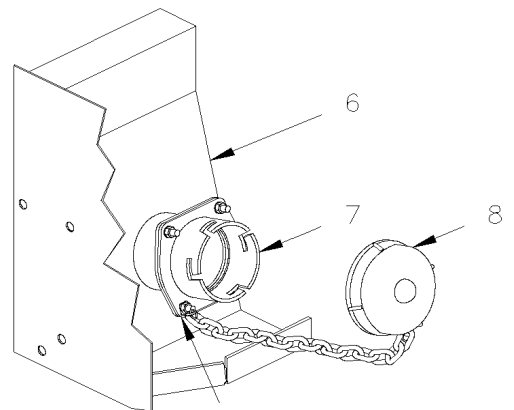
PAGE:MTH-1875-00

FUEL TANK FILLING DOOR

BUS 45' &
MTH 45'



DETAIL "B"



DETAIL "B"

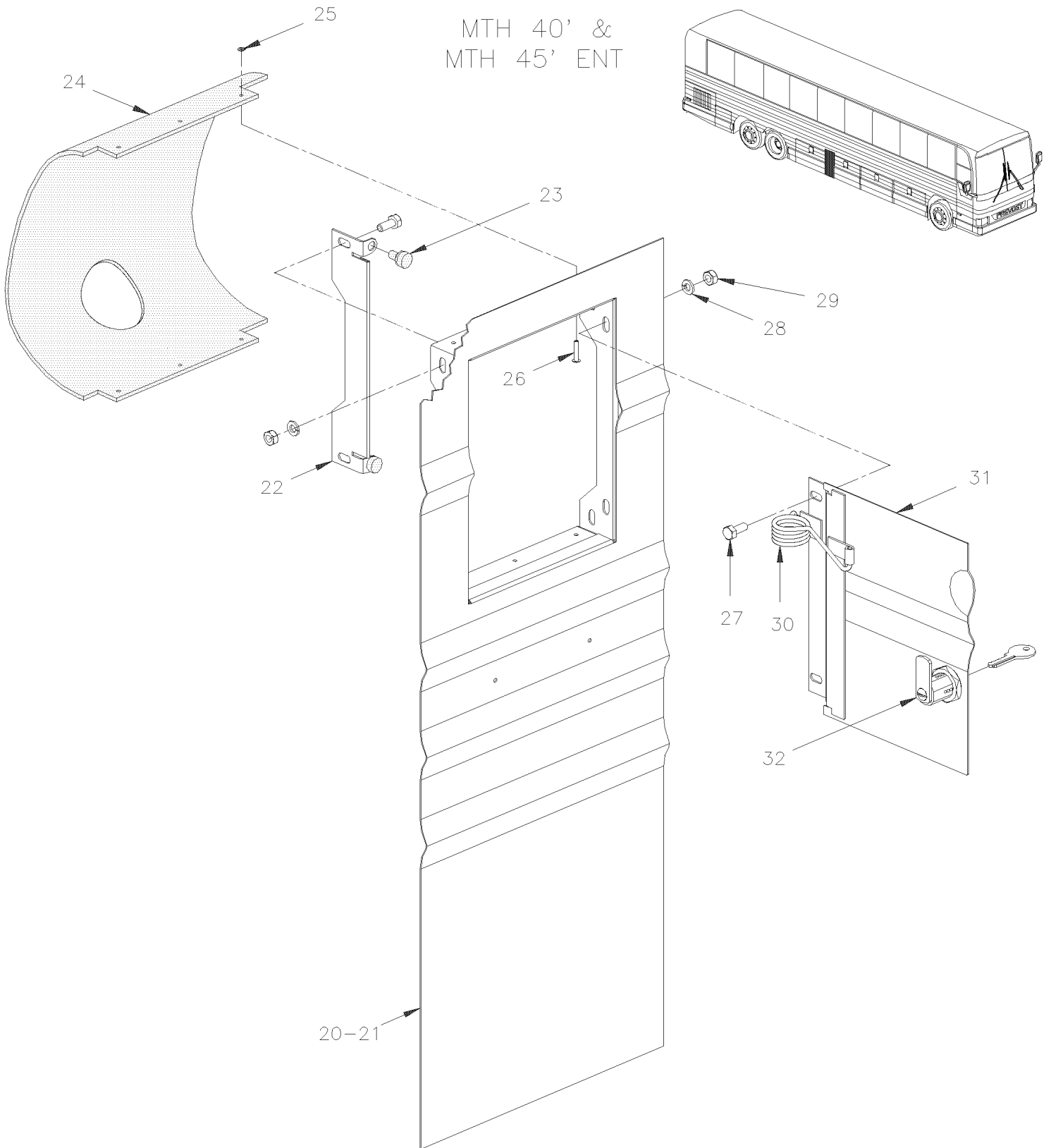
From 8-9279 To B-9999

Date:10/2022

PAGE:MTH-1875-00

FUEL TANK FILLING DOOR

MTH 40' &
MTH 45' ENT

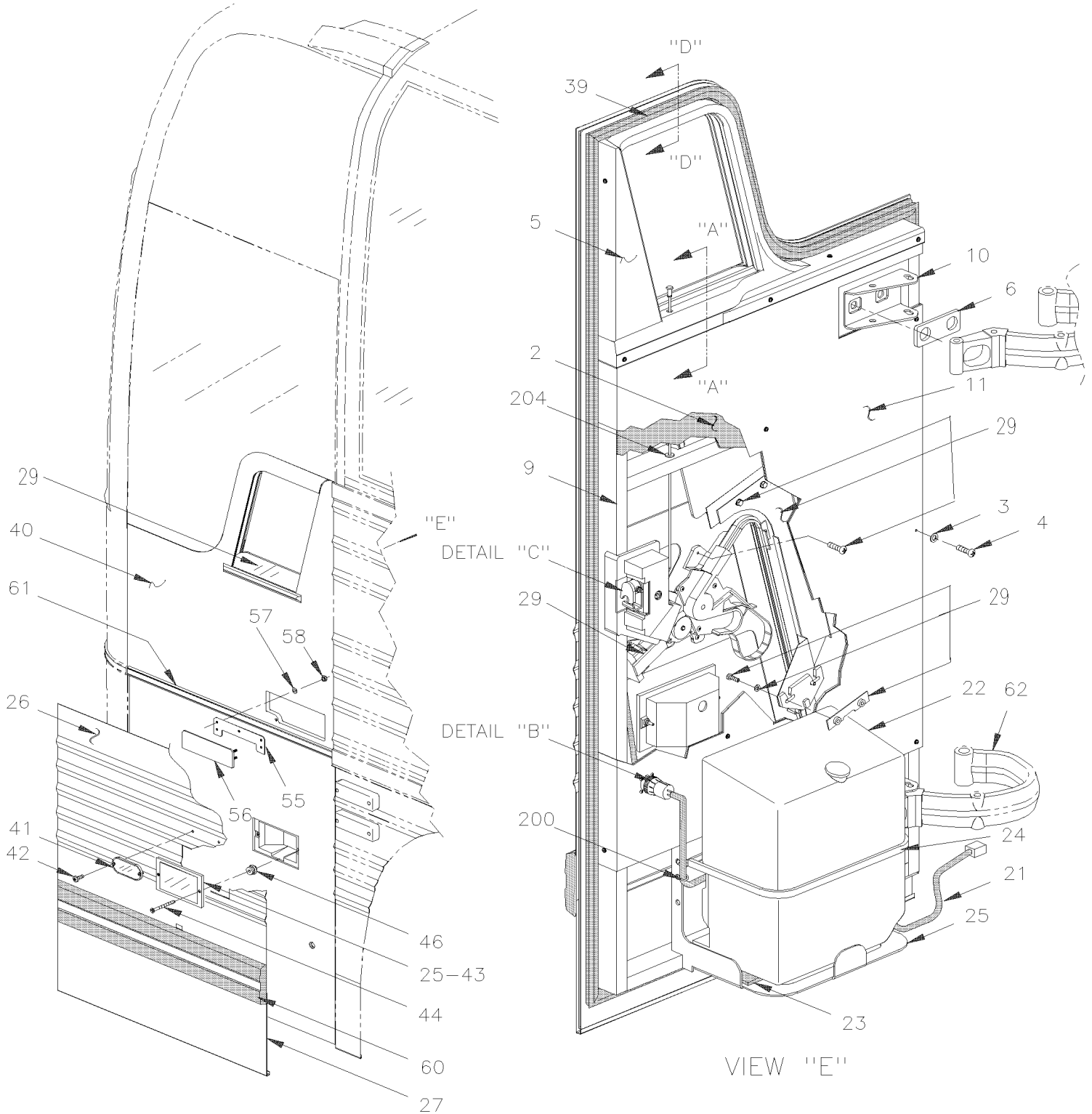


From 8-9279 To B-9999

Date:10/2022

PAGE:MTH-1879-00

FRONT SERVICE DOOR ASSY

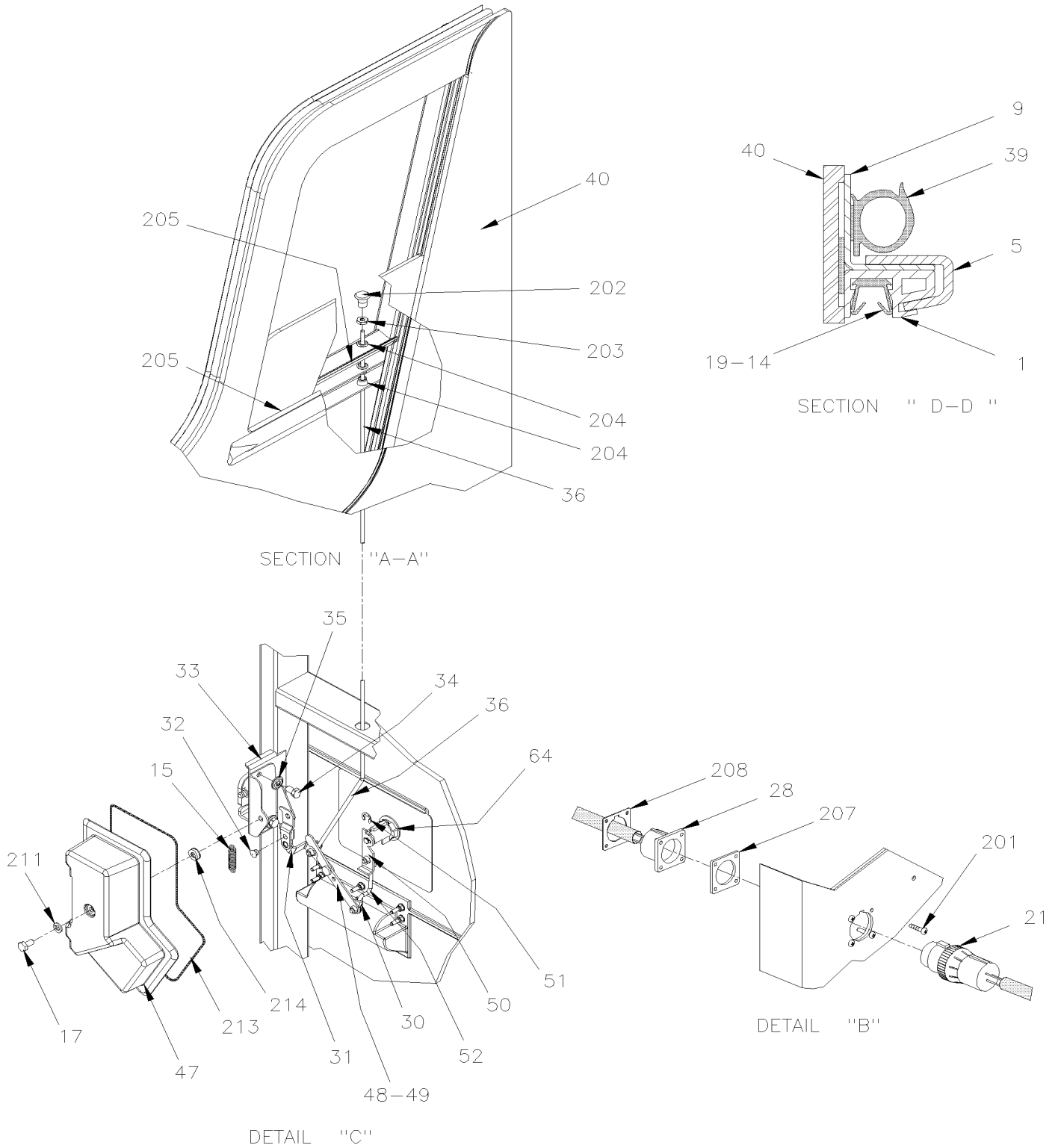


From 8-9279 To B-9999

Date:10/2022

PAGE:MTH-1879-00

FRONT SERVICE DOOR ASSY





From 8-9279 To B-9999	Date:10/2022	PAGE:MTH-1879-00
FRONT SERVICE DOOR ASSY		

Item#	Part	Description	X L I I M T H 4 5	X L I I M T H 4 5 E	N O T E S
		ALL FRONT SERVICE DOORS DO NOT INCLUDE			
		RUB-RAIL PLEASE ORDER SEPARATELY			
	287914P	FRONT SERVICE DOOR ASSY MTH 89"		1	
	286490P	FRONT SERVICE DOOR ASSY MTH 86"	1		
1	285983	WINDOW TRACK	1	1	
2	286601	INSULATING / 86"	1		
2	287906	INSULATING / 89"		1	
3	500463	WASHER FN CKF .187x.500x.090 BR Z050	17	17	
4	502673	SCREW TC PAN PH #6-32x1/2 SS	2	2	
5	286491	INTERIOR FINISHING / 86" & 89"	1	1	
6	283402	SUPPORT PLATE	2	2	
7	502731	SCREW CAP HEX M12-1.75x40 G8.8 Z050	4	4	
8	500810	WASHER LO SPT 12.2x21.1x2.5 Z050	4	4	
9	286488P	DOOR FRAME ASSY / 86"	1		
9	287478	DOOR FRAME ASSY / 89"		1	
10	286014	HINGE SUPPORT	2	2	
11	286602	INTERIOR PANEL / 86"	1		
NS	506790	TAPE RUB ADH2 CC POL 1/16" x 1/2" x 200' / BLACK I1C-N-A	4	4	
11	287905	INTERIOR PANEL / 89"		1	
13	5001182	NUT HEX NYRT M6-1.0 SS	4	4	
13	502570	WASHER LO SPT 6.1x11.8x1.6 SS	2	2	
14	286440	FELT SLIDING 677MM	1	1	
15	284914	SPRING EXTENSION / .305 O.D. x 1.562 x .051	1	1	
17	5001433	SCREW CAP HEX M6-1.0x25 SS	1	1	
19	286439	FELT SLIDING 930MM	1	1	
21	066516	CABLE ASSY / WINDSHIELD WASHER PUMP	1	1	
NS	067948	CABLE ASSY / ADAPTOR / NEW LEVEL (SERVICE ONLY)	1	1	
22	MTH-2305-20	WINDSHIELD WASHER - INSTALLATION			
23	506339	TAPE RUB ADH1 NIT 1/4" x 1" x 35' / BLACK 1220	1	1	
24	287097	STRAP RETAINING SS / 330MM x 196MM	1	1	
25	286422	SUPPORT / WINDSHIELD WASHER TANK / WELDED TO STRUCTURE	1	1	
26	288525	PANEL UPPER / B.A.	1	1	
27	288524	PANEL LOWER / B.A.	1	1	
28	066626	WIRING HARNESS SERVICE DOOR	1	1	
29	MTH-1886-00	POWER WINDOW - ELECTRICAL INSTALLATION			
30	780340	CLIP, RETAINER ROD	3	3	
31	287077	PIVOT	1	1	
32	504379	RIVET POP DOME OE 3/16x1/4 SS	1	1	
33	780652	LOCK SPAGNOLET L.H. / W/G-FITTING	1	1	
. NS	780340	. CLIP, RETAINER ROD	1	1	



From 8-9279 To B-9999	Date:10/2022	PAGE:MTH-1879-00
FRONT SERVICE DOOR ASSY		

Item#	Part	Description	X L I I M T H 4 5	X L I I M T H 4 5 E	N O T E S
. NS	507607	. GREASE FITTING / M6-1.00	1	1	
34	502563	SCREW CAP HEX M6-1.0x12 G8.8 Z050	2	2	
35	502582	WASHER LO SERR 6.1x16.2x0.9 Z050	2	2	
36	287086	OPENING ROD / 86"	1		
36	287907	OPENING ROD / 89"		1	
37	500289	SCREW TC OV PH #6-32x3/4 SS410	15	15	
38	286212	GLASS ASSY W/SUPPORT	1	1	
39	289999	RUBBER SEAL EXTRUSION / SERVICE DOOR MTH-86" To A-9872	1		
39	288943	RUBBER SEAL EXTRUSION / SERVICE DOOR MTH-86" From A-9873	1		
39	2800180	RUBBER SEAL EXTRUSION / SERVICE DOOR MTH-86"	1		
39	289930	RUBBER SEAL EXTRUSION / SERVICE DOOR MTH-89" To A-9872		1	
39	288914	RUBBER SEAL EXTRUSION / SERVICE DOOR MTH-89" From A-9873		1	
39	2800128	RUBBER SEAL EXTRUSION / SERVICE DOOR MTH-89"		1	
40	286073	PANEL FIBERGLASS / 86"	1		
40	286075	PANEL FIBERGLASS / 89"		1	
41	930212	REFLECTOR AMBER 1 1/8" x 4 3/8"	1	1	
42	500124	SCREW TP TR PH #8x1/2 SS	2	2	
43	286400	BEZEL	1	1	
44	502530	SCREW MA OV PH M4-0.7x40 SS	2	2	
45	504473	RIVET POP DOME OE 1/8x1/4 SS	2	2	
46	500589	NUT WELL M4-0.7x13.5	2	2	
47	286456	LOCK CAP	1	1	
48	504542	RIVET SHR FL 9/32x3/32 STL	1	1	
49	287073	ROD	1	1	
50	287087	PIVOT	1	1	
51	504402	RING RETAINER / EXT .250 x .210 x .025"	1	1	
52	286709	ROD	1	1	
60	MTH-1855-00	RUB RAIL - EXTERIOR CREST & TRIMS			
61	288522	FINISHING MOULDING 800MM / B.A.	1	1	
NS	681051	TAPE RUB ADH2 URE .045" x 1/2" x 108" / WHITE 4085	AR	AR	A
NS	682462	ADHESIVE SIKA #252 / BLACK / 310ml CARTRIDGE	AR	AR	A
62	MTH-1879-10	FRONT SERVICE DOOR - INSTALLATION			
64	MTH-1867-00	KEY & CYLINDER CODE "NS"			
200	504637	CABLE TIE / 3/16" x 13"	2	2	
201	5001454	SCREW MA BDG PH #4-40x1/2 SS	4	4	
202	505504	KNOB, PULL / 8-32	1	1	
203	500764	NUT HEX #8-32 Z050	1	1	
204	504083	SNAP BUSHING / .250x.468.406	3	3	
205	286419	FLAP SEAL / 25MM x 260MM	2	2	
206	506866	FLAP SEAL 3/4" x 7/8" / PVC / C.T.L. / RAW MATERIAL	AR	AR	
NS	680030	ADHESIVE ADCHEM #EC847 / 1 Liter	AR	AR	
207	562946	GASKET MOUNTING / HD10 SERIES / 5C / DEUTSCH HD10-5-GKT	1	1	



From 8-9279 To B-9999	Date:10/2022	PAGE:MTH-1879-00
FRONT SERVICE DOOR ASSY		

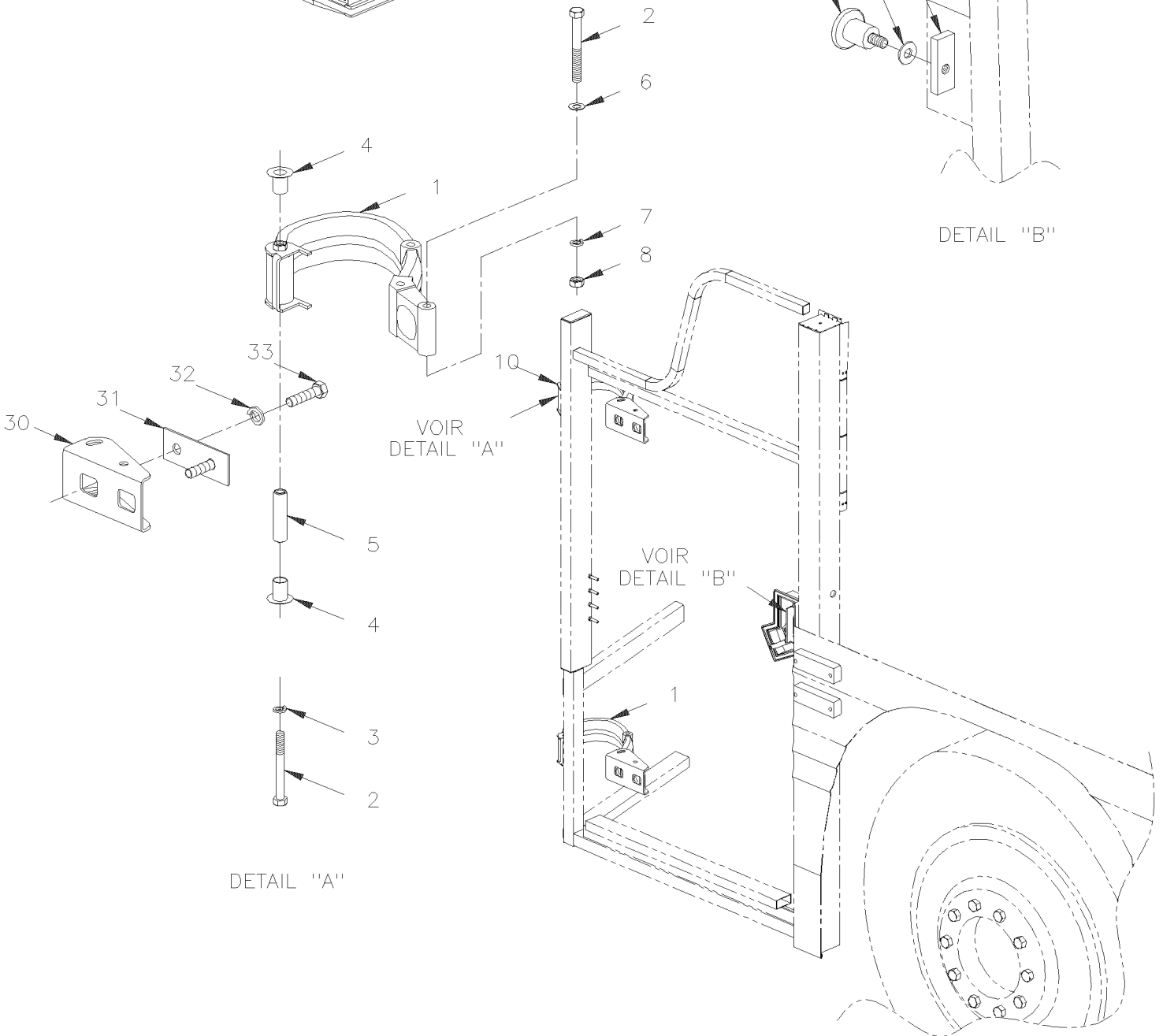
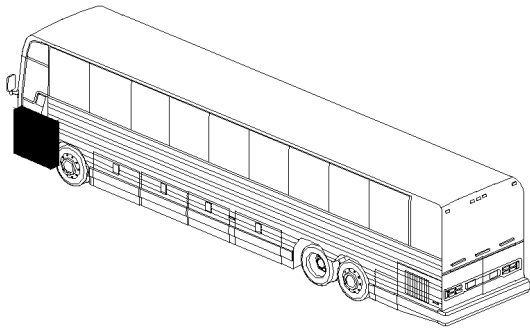
Item#	Part	Description	X L I I M T H 4 5	X L I I M T H 4 5 E	N O T E S
208	561820	NUT, RING #13 / 1.125" I.D. W/4 4-40	1	1	
211	502570	WASHER LO SPT 6.1x11.8x1.6 SS	1	1	
213	506002	TAPE RUB ADH1 CC POL 3/16" x 1/2" x 40' / GREY 2520	AR	AR	
214	504399	WASHER RETAINER SNAP CAP #10	1	1	
NS	684517	ADHESIVE SIMSON #ISR 70-03 / GREY / 310ml CARTRIDGE	AR	AR	
NS	687957	GLUE MS POLYMER TEROSON MS 9399 / 400ml CARTRIDGE	AR	AR	
NS	687958	MIXER QUADRO 10.7MM W/"V" ADAPTOR / "B"	1	1	
		A) USE WITH BUS WITH FLUTED LOWER PANELLING WITH DOCKING LIGHT			

From 8-9279 To B-9999

Date:10/2022

PAGE:MTH-1879-10

FRONT SERVICE DOOR - INSTALLATION





From 8-9279 To B-9999	Date:10/2022	PAGE:MTH-1879-10
------------------------------	---------------------	-------------------------

FRONT SERVICE DOOR - INSTALLATION

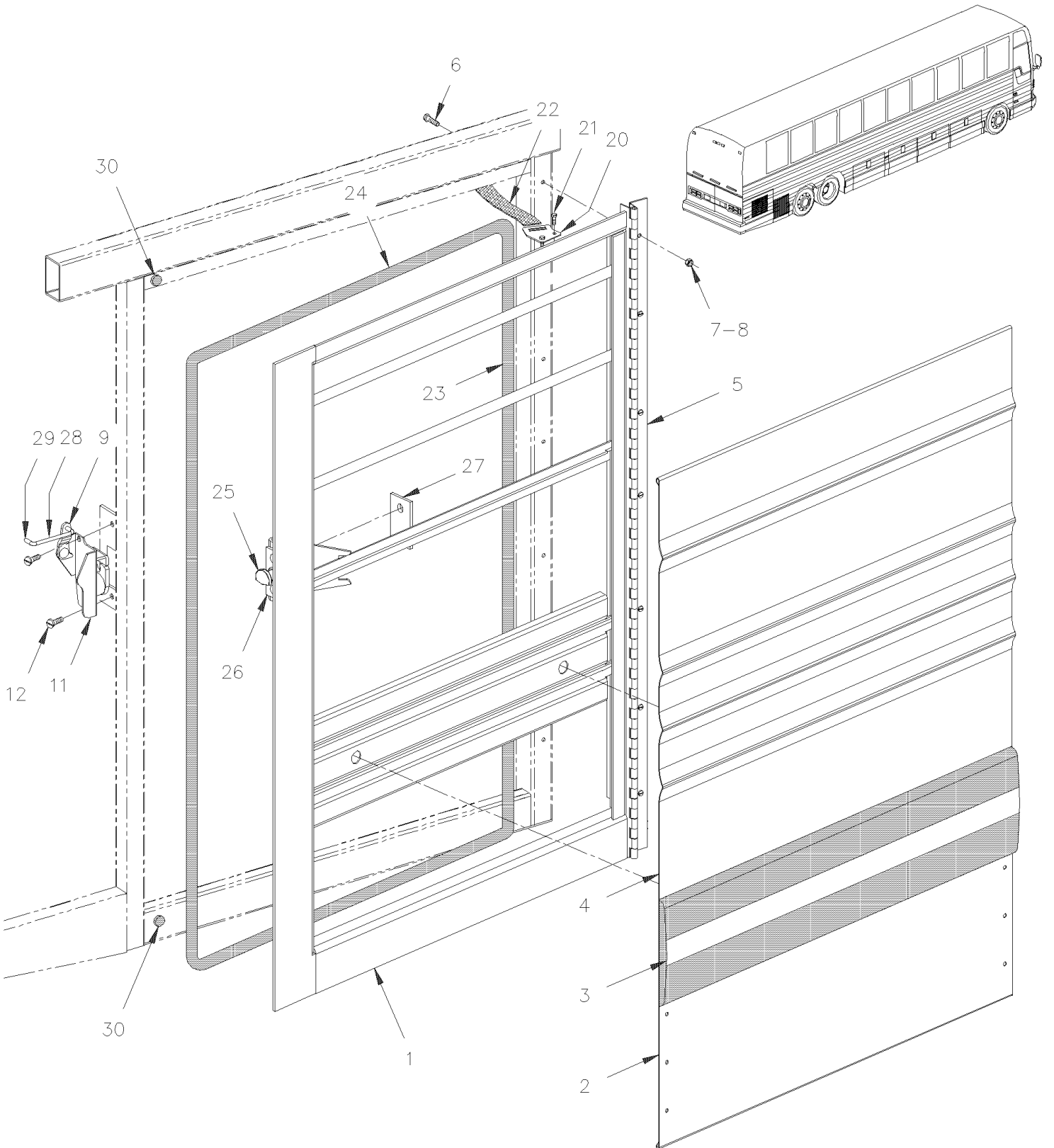
Item#	Part	Description	X L I M T H 4 5	X L I M T H 4 5 E	N O T E S
1	287341	HINGE	2	2	
2	5001016	SCREW CAP HEX M10-1.5x90 G8.8 Z050	4	4	
3	500257	WASHER LO SPT 10.2x18.1x2.2 Z050	2	2	
4	507326	BEARING FLANGE	2	2	
5	287337	SPACER / BEARING FLANGE	1	1	
6	500445	WASHER FL .437x1.000x.083 Z050	4	4	
7	502585	WASHER LO SERR 10.2x26.3x1.4 ZP	4	4	
8	500256	NUT HEX M10-1.5 Z050	4	4	
10	251186	STOPPER SERVICE DOOR	1	1	
NS	502622	SCREW CAP HEX M6-1.0x20 SS BK	2	2	
NS	502570	WASHER LO SPT 6.1x11.8x1.6 SS	2	2	
20	284438	PIN STRIKER	1	1	
21	284447	WASHERS BELLEVILLE	1	1	
30	286014	HINGE SUPPORT	2	2	
31	283402	SUPPORT PLATE	2	2	
32	500810	WASHER LO SPT 12.2x21.1x2.5 Z050	4	4	
33	502731	SCREW CAP HEX M12-1.75x40 G8.8 Z050	4	4	

From 8-9279 To B-9999

Date:10/2022

PAGE:MTH-1879-60

REAR SERVICE DOOR - R.H. SIDE





From 8-9279 To B-9999	Date:10/2022	PAGE:MTH-1879-60
REAR SERVICE DOOR - R.H. SIDE		

Item#	Part	Description	X L I I M T H 4 5	X L I I M T H 4 5 E	N O T E S
		ALL SERVICE DOORS RH ASSY DO NOT INCLUDE			
		RUB-RAIL PLEASE ORDER SEPARATELY			
		THE FOLLOWING DOORS ARE STANDARD WITH			
		PANEL W/O PERFORATED PANELS.			
		FOR SPECIAL PURPOSE DOOR ASSY REFER TO			
		PERFORATED & SPECIAL PANELS (BOOK PA-1108)			
	287348	REAR SERVICE DOOR ASSY R.H	1		
1	289288	. FRAME ASSY R.H.	1		
2	477655	. LOWER PANEL SERVICE DOOR / B.A.	1		
NS	504272	. RIVET CHY Q BRAZ 3/16x1/8 SS	6		
3	MTH-1855-00	. RUB RAIL - EXTERIOR CREST & TRIMS			
4	477656	. UPPER PANEL SERVICE DOOR R.H. / B.A.	1		
4	477657	. UPPER PANEL SERVICE DOOR L.H. W/0.79 SQF / B.A.	1		
5	286143	. HINGE ASSY	1		
6	500148	. SCREW MA RND PH #6-32x1/2 SS	8		
7	500689	. NUT HEX #6-32 Z050	8		
8	500470	. WASHER LO SPT .193x.334x.047 Z050	1		
9	780340	CLIP, RETAINER ROD	1		
11	780652	LOCK SPAGNOLET L.H. / W/G-FITTING	1		
. NS	780340	. CLIP, RETAINER ROD	1		
. NS	507607	. GREASE FITTING / M6-1.00	1		
NS	288892	LEVER PIVOT	1		
NS	504379	RIVET POP DOME OE 3/16x1/4 SS	1		
12	502531	SCREW CAP HEX M6-1.0x16 G8.8 Z050	1		
NS	502582	WASHER LO SERR 6.1x16.2x0.9 Z050	2		
20	284440	SUPPORT	1		
21	504379	RIVET POP DOME OE 3/16x1/4 SS	1		
22	505507	STRAP NYLON 1" WIDE / S.L.	1		
NS	284439	PLATE, STRAP RETAINING / OBLONG 16.5MM x 25.4MM W/2 HOLES	1		
NS	504379	RIVET POP DOME OE 3/16x1/4 SS	2		
23	506004	TAPE RUB ADH1 CC POL 3/8" x 1/2" x 20' / GREY 2520X	AR		
24	289941	RUBBER SEAL EXTRUSION / REAR SERVICE DOOR To A-9872	1		
24	288942	RUBBER SEAL EXTRUSION / REAR SERVICE DOOR To A-9872	1		
25	780278	PIN, STRIKER STUD	1		
26	500316	SCREW MA FL PH 1/4-28x3/4 SS	1		
27	283326	STRIKER PLATE, MOUNTING / 60MM X 25MM	1		
28	288824	ROD / W/R.H. DOOR / 290.3MM C/C From 9-9096	1		
29	507331	PROTECTOR CAP / BLACK / .137 I.D. x .500	1		
30	504334	BUMPER RUBBER / .625 OD x .406 TH x .156 HOLE	2		



From 8-9279 To B-9999	Date:10/2022	PAGE:MTH-1879-60
-----------------------	--------------	------------------

REAR SERVICE DOOR - R.H. SIDE

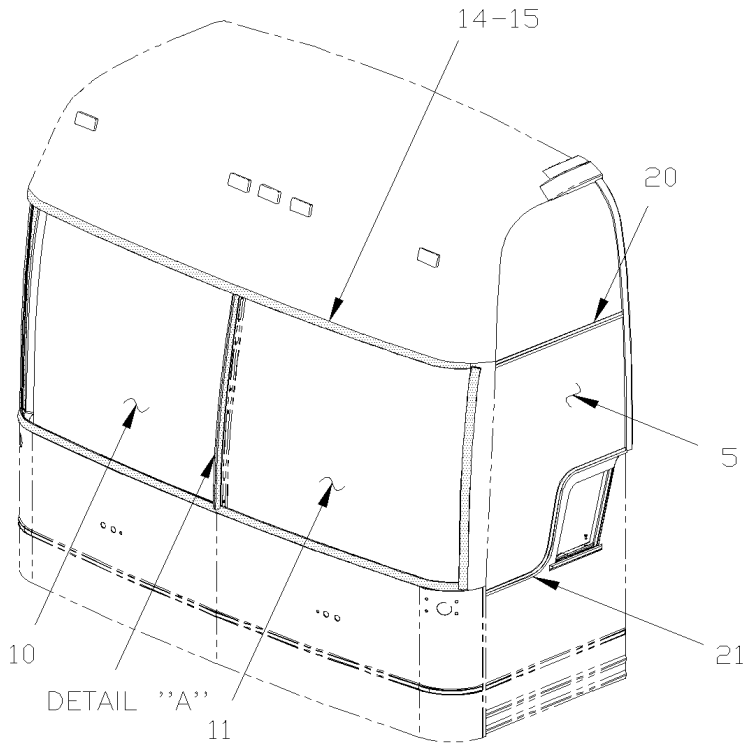
Item#	Part	Description	X L I I M T H 4 5	X L I I M T H 4 5 E	N O T E S

From 8-9279 To B-9999

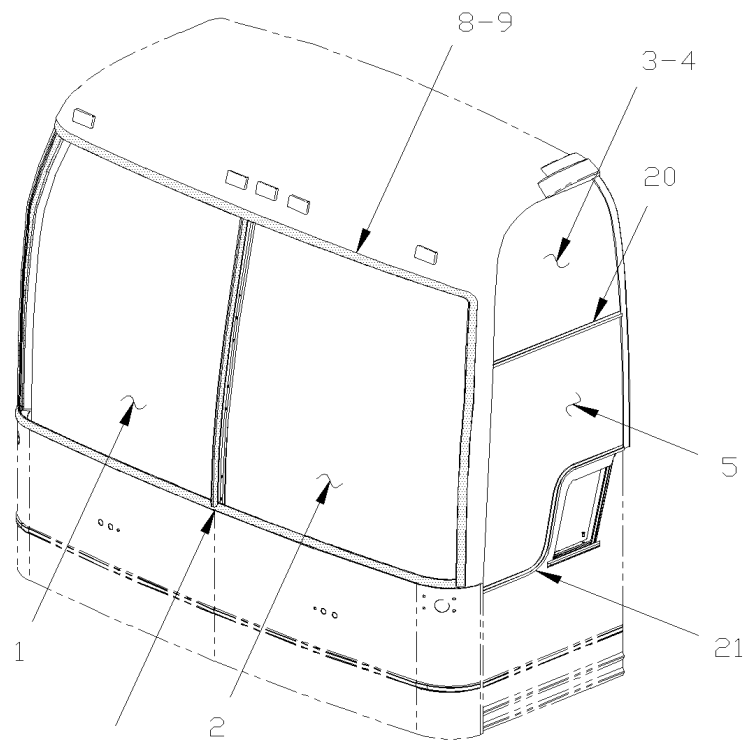
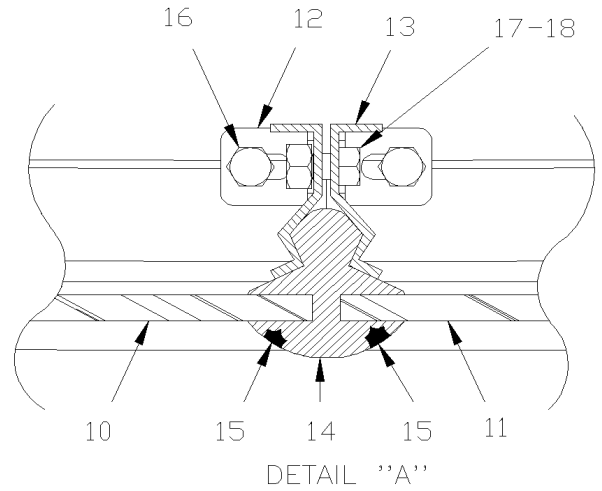
Date:10/2022

PAGE:MTH-1880-00

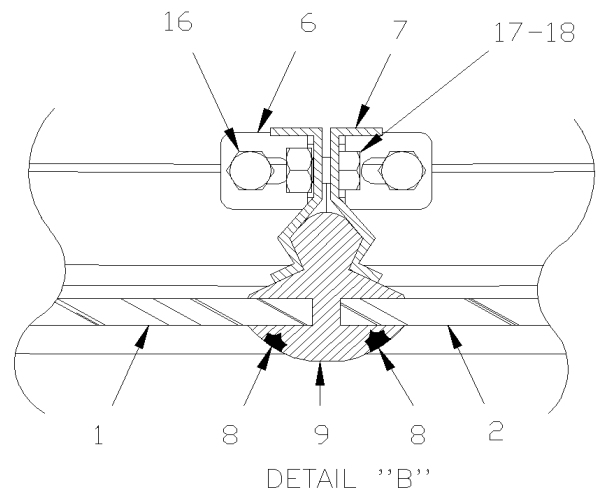
WINDSHIELD & CHANNEL



MTH



BUS + MTH





From 8-9279 To B-9999	Date:10/2022	PAGE:MTH-1880-00
WINDSHIELD & CHANNEL		

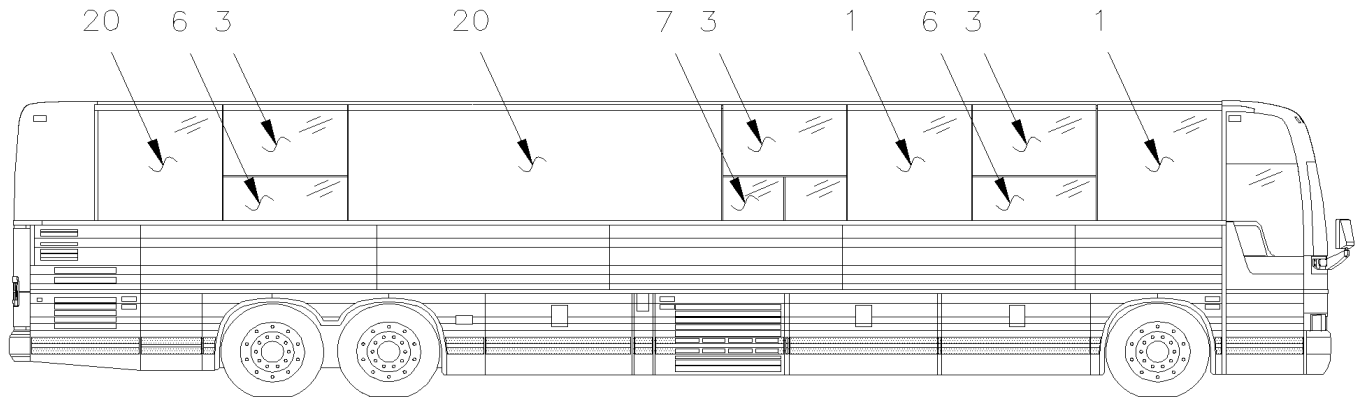
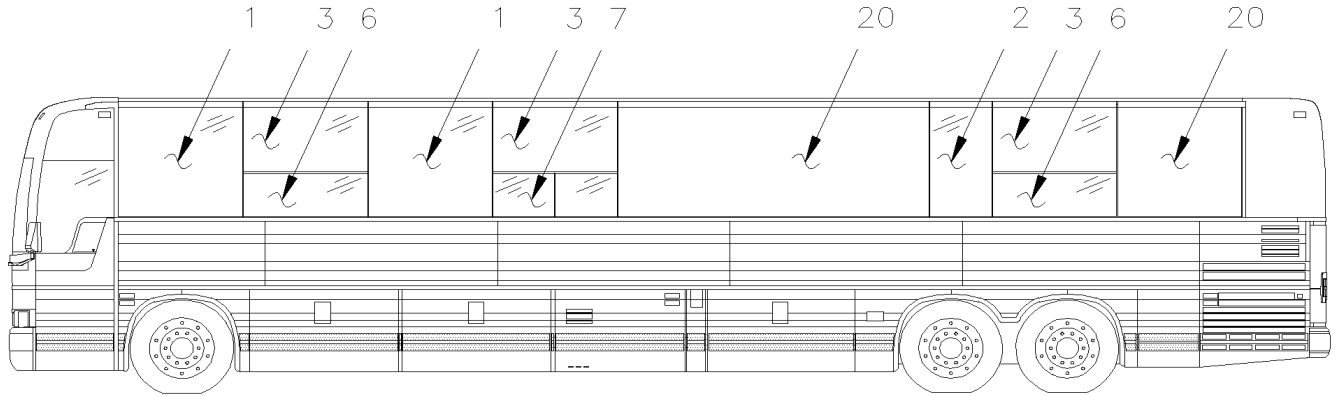
Item#	Part	Description	X L I I M T H 4 5	X L I I M T H 4 5 E	N O T E S
1	300476	WINDSHIELD R.H.		1	
1	300490	WINDSHIELD R.H MTH86" LARGE	1		
. NS	293059	. STRIP, LOCKING / S.L.	35FT		
2	300475	WINDSHIELD L.H.		1	
2	300489	WINDSHIELD L.H MTH86" LARGE	1		
3	293241	GLASS UPPER L.H. THERMOS	1	1	
4	293240	GLASS UPPER R.H. THERMOS	1	1	
5	293081	GLASS DRIVER'S WINDOW / MTH 86" & 89"	1	1	
5	506962	RUB POL 1/4 X 7/16 X 1 LG	AR	AR	
6	293070	POST R.H. WINDSHIELD / WITH LARGE	1	1	
7	293689	POST L.H. WINDSHIELD / WITH LARGE	1	1	
8	293059	STRIP, LOCKING / S.L.	70FT	70FT	
9	293393	WINDSHIELD RUBBER SEAL / WITH LARGE / DOUBLE LOCK	1	1	
. NS	M103-22	. SEE MAINTENANCE INFORMATION	1	1	
10	300491	WINDSHIELD R.H MTH86" SMALL	1		
. NS	293059	. STRIP, LOCKING / S.L.	30FT		
11	300492	WINDSHIELD L.H MTH86" SMALL	1		
. NS	293059	. STRIP, LOCKING / S.L.	30FT		
12	293691	POST L.H. WINDSHIELD / WITH SMALL	1		
13	293690	POST R.H. WINDSHIELD / WITH SMALL	1		
14	293641	WINDSHIELD RUBBER SEAL / WITH SMALL / DOUBLE LOCK	1		
. NS	M103-22	. SEE MAINTENANCE INFORMATION	1		
15	293059	STRIP, LOCKING / S.L.	AR		
16	500948	SCREW TC CAP HEX 1/4-20x1 Z050	4	4	
17	5001106	SCREW CAP HEX M6-1.0x10 G8.8 Z050	8	8	
18	502570	WASHER LO SPT 6.1x11.8x1.6 SS	8	8	
20	286454	DRIP MOULDING OVER DRIVER'S WINDOW	1	1	
20	477516	DRIP MOULDING OVER ENTRANCE DOOR / B.A.	1	1	
21	286646	DRIP MOULDING "S" MTH86" & MTH89"	1	1	
NS	293842	HANDLE ASSY (TO FIX FRONT GLASS CHANNEL)	1	1	
. NS	293843	. END TIP "PRÉVOST"	AR	AR	

From 8-9279 To B-9999

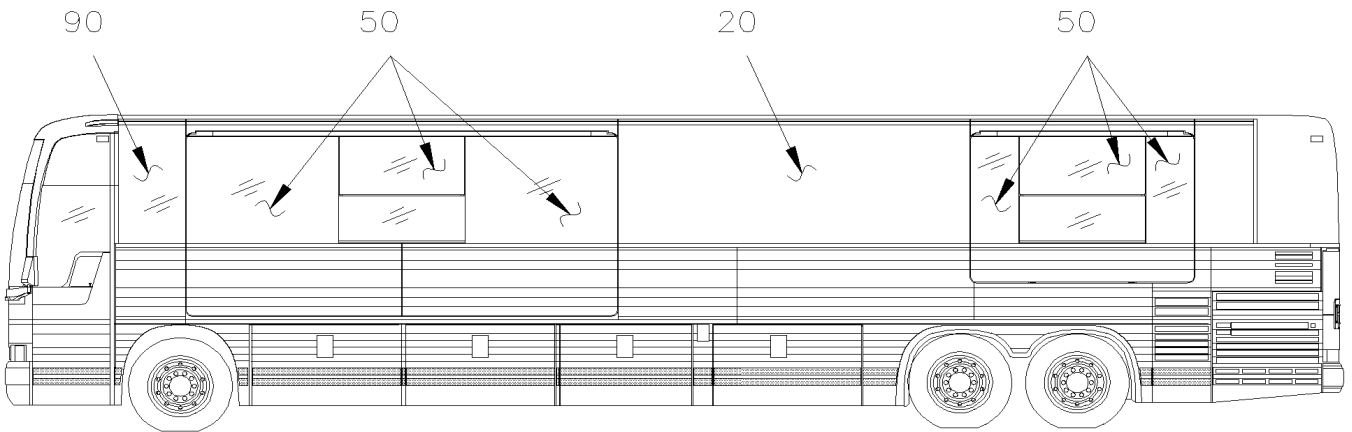
Date:10/2022

PAGE:MTH-1884-50

SIDE WINDOW - MTH



MTH. 45'



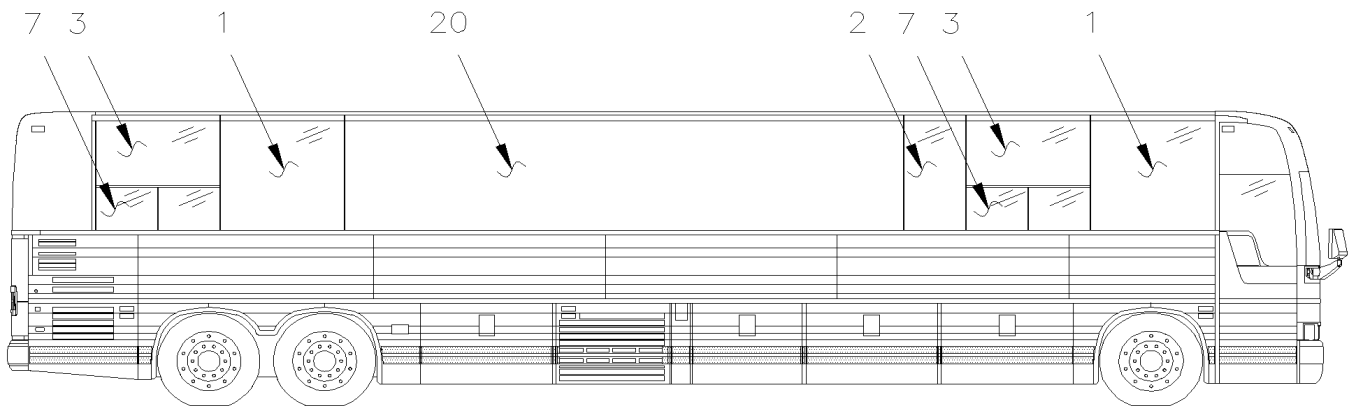
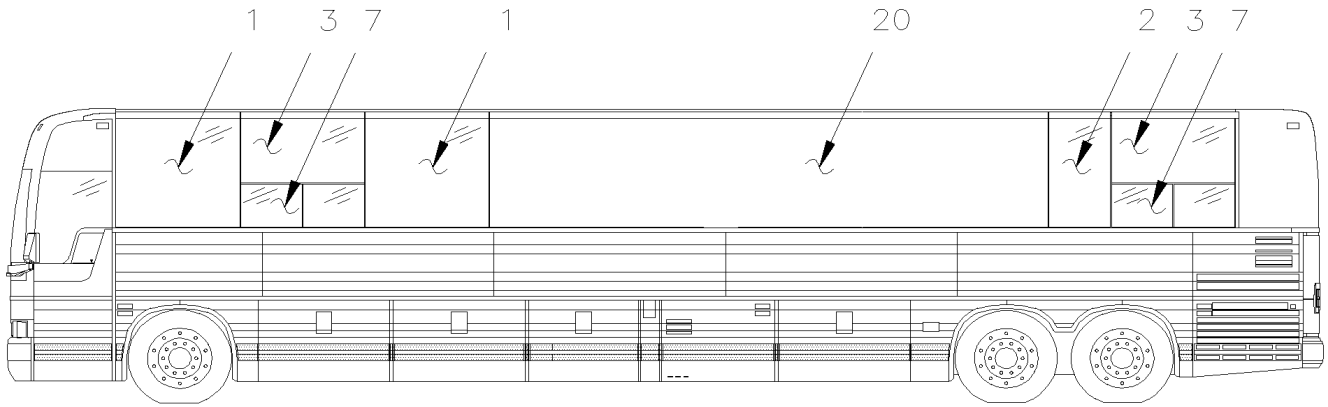
MTH. 45' WITH "SLIDE-OUT"

From 8-9279 To B-9999

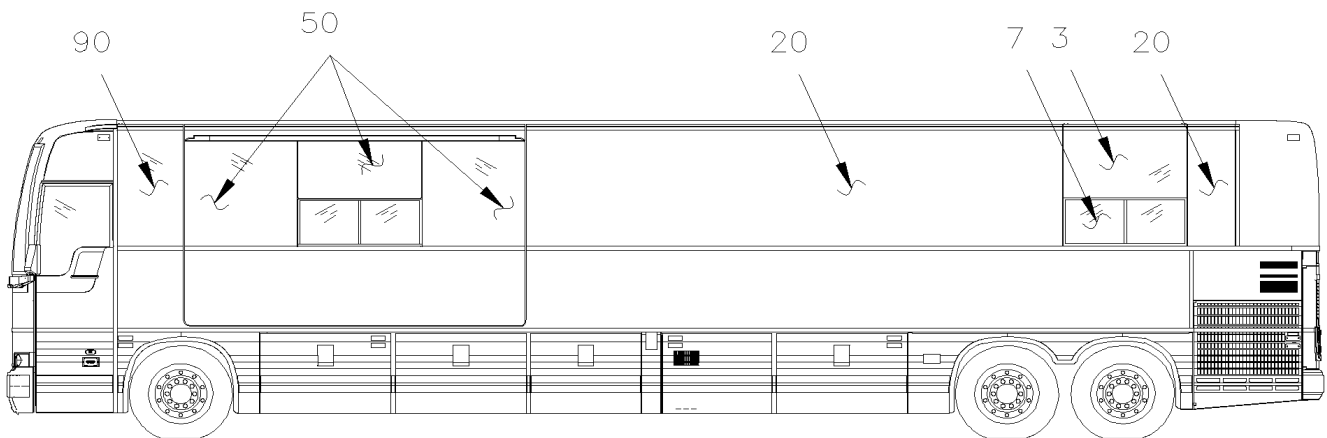
Date:10/2022

PAGE:MTH-1884-50

SIDE WINDOW - MTH



MTH 45' ENT.



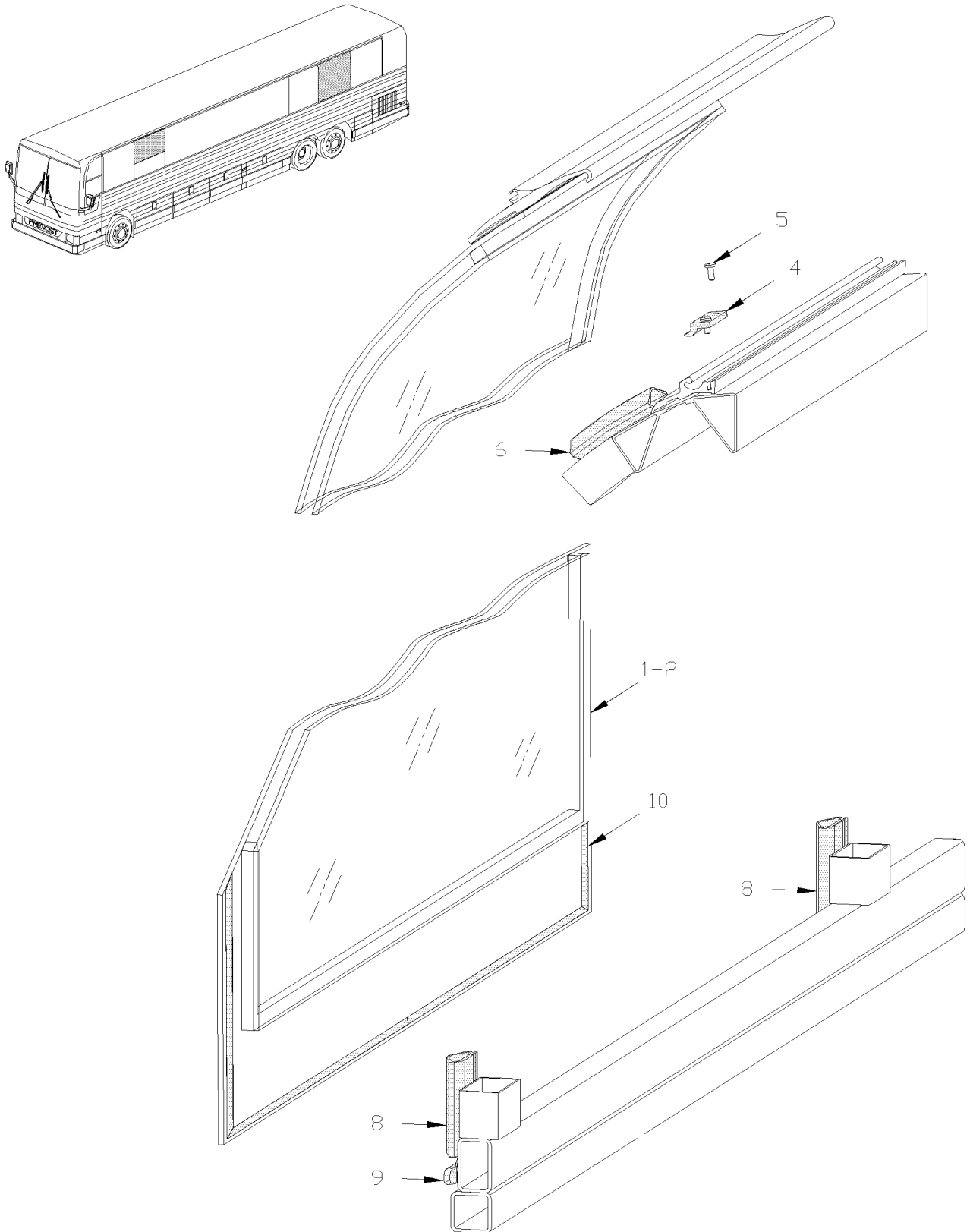
MTH. 45' ENT WITH "SLIDE-OUT"

From 8-9279 To B-9999

Date:10/2022

PAGE:MTH-1884-50

SIDE WINDOW - MTH





From 8-9279 To B-9999		Date:10/2022	PAGE:MTH-1884-50
SIDE WINDOW - MTH			

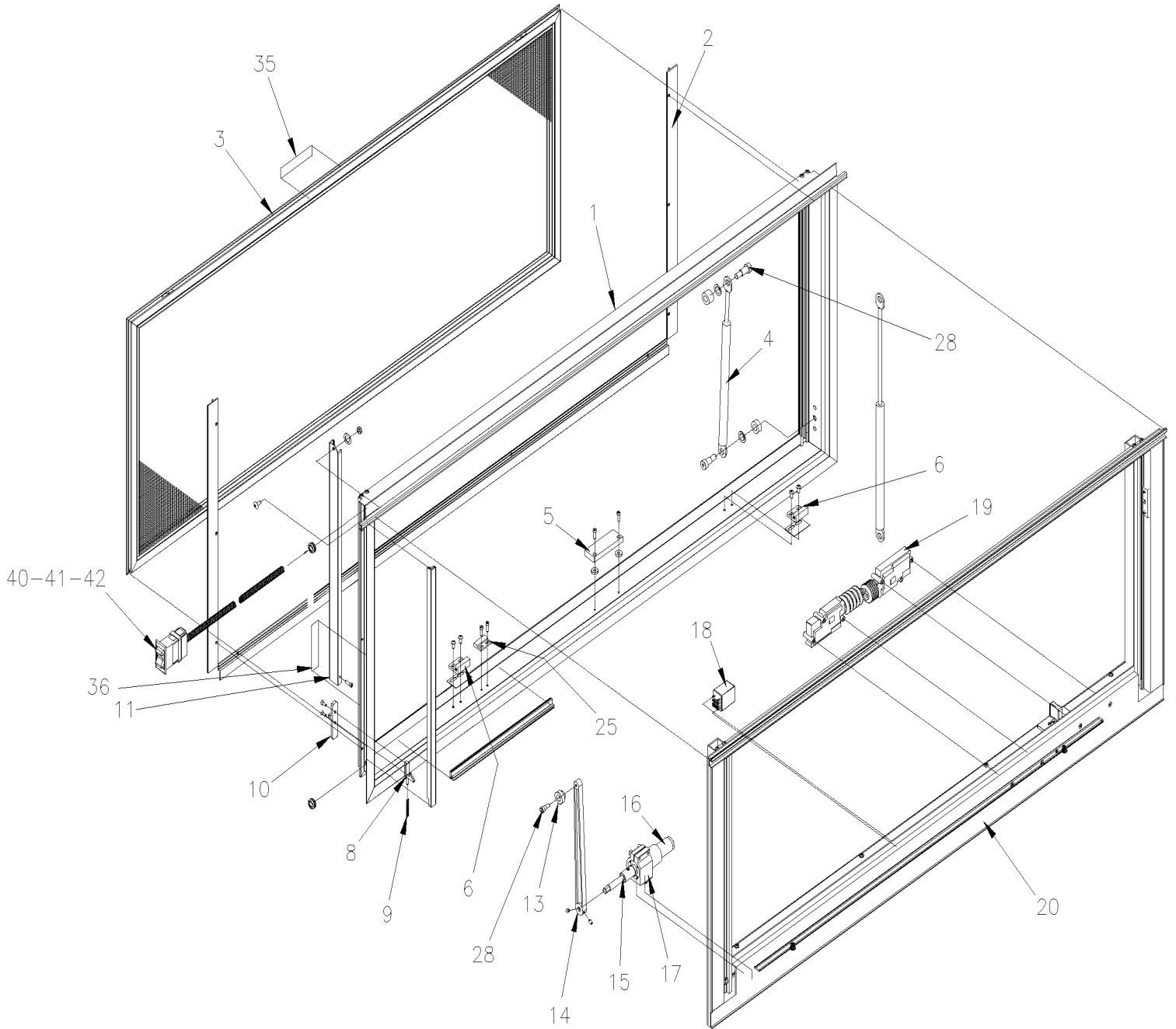
Item#	Part	Description	X L I I M T H 4 5	X L I I M T H 4 5 E	N O T E S
1	297084	GLASS ASSY, SINGLE 13% / 1287.4MM / W/86" & 89" MTH	AR	AR	
1	297083	GLASS ASSY, THERMOS 13% / 1287.4MM / W/86" & 89" MTH	AR	AR	
2	293329	GLASS ASSY, THERMOS 13% / 685.7MM / W/86" MTH	AR	AR	
2	293328	GLASS ASSY, SINGLE 13% / 685.7MM / W/86" MTH	AR	AR	
3	297085	GLASS ASSY, SINGLE 13% / UPPER / 1287.4MM / W/86" MTH	AR	AR	
3	293906	GLASS ASSY, THERMOS 13% / UPPER / 1287.4MM / W/86" MTH	AR	AR	
3	293942	GLASS ASSY, THERMOS 13% / UPPER / 1287.4MM / W/86" MTH	AR	AR	
4	293125	STOPPER BLOCK SEPARATOR / 2 GLASS	AR	AR	
4	293124	STOPPER BLOCK	AR	AR	
5	500611	SCREW TC PAN PH #10-24x1/2 Z050	AR	AR	
6	MTH-1884-65	ELECTRICAL AWNING WINDOW ASSY			
7	MTH-1884-80	ELECTRICAL SLIDING WINDOW ASSY			
8	293136	RUBBER SEAL 1391MM W/86" & 89"	6	6	
8	293250	RUBBER SEAL 1292MM / EACH WINDOW	8	8	
8	293251	RUBBER SEAL 1368MM / 86"	8	8	
9	293281	RUBBER SEAL EXTRUSION / ADHESIVE / LOWER WINDOW	AR	AR	
10	683097	CLEANER SIKA #205 / CLEAR / 1000ml	AR	AR	
10	683446	PRIMER SIKA #206 / BLACK / 1000ml	AR	AR	
10	683447	ADHESIVE SIKATAK PLUS / BLACK / 23 Liters	AR	AR	
10	683448	ACCELERATOR SIKA / 600ml SAUSAGE	AR	AR	
20	MTH-1854-50	SIDE PANELING - W/FLUTED PANEL - MTH - 45			
50	MTH-1884-90	SIDE WINDOW - "SLIDE-OUT"			
90	293736	GLASS ASSY, THERMOS 685.7MM W/86" / STREETSIDE 685.7MM x 1382.6MM O.E.M.	1		A
91	293977	GLASS THERMO 685.7MM W/86" CURBSIDE	AR		A B
		A) USE ONLY WITH FRONT "SLIDE-OUT"			
		B) SOME CONVERTER'S USE WITH FRONT "SLIDE-OUT" CURBSIDE "SPECIAL ORDER" / THIS IS NOT A PREVOST INSTALLATION.			

From 8-9279 To B-9999

Date:10/2022

PAGE:MTH-1884-65

ELECTRICAL AWNING WINDOW ASSY

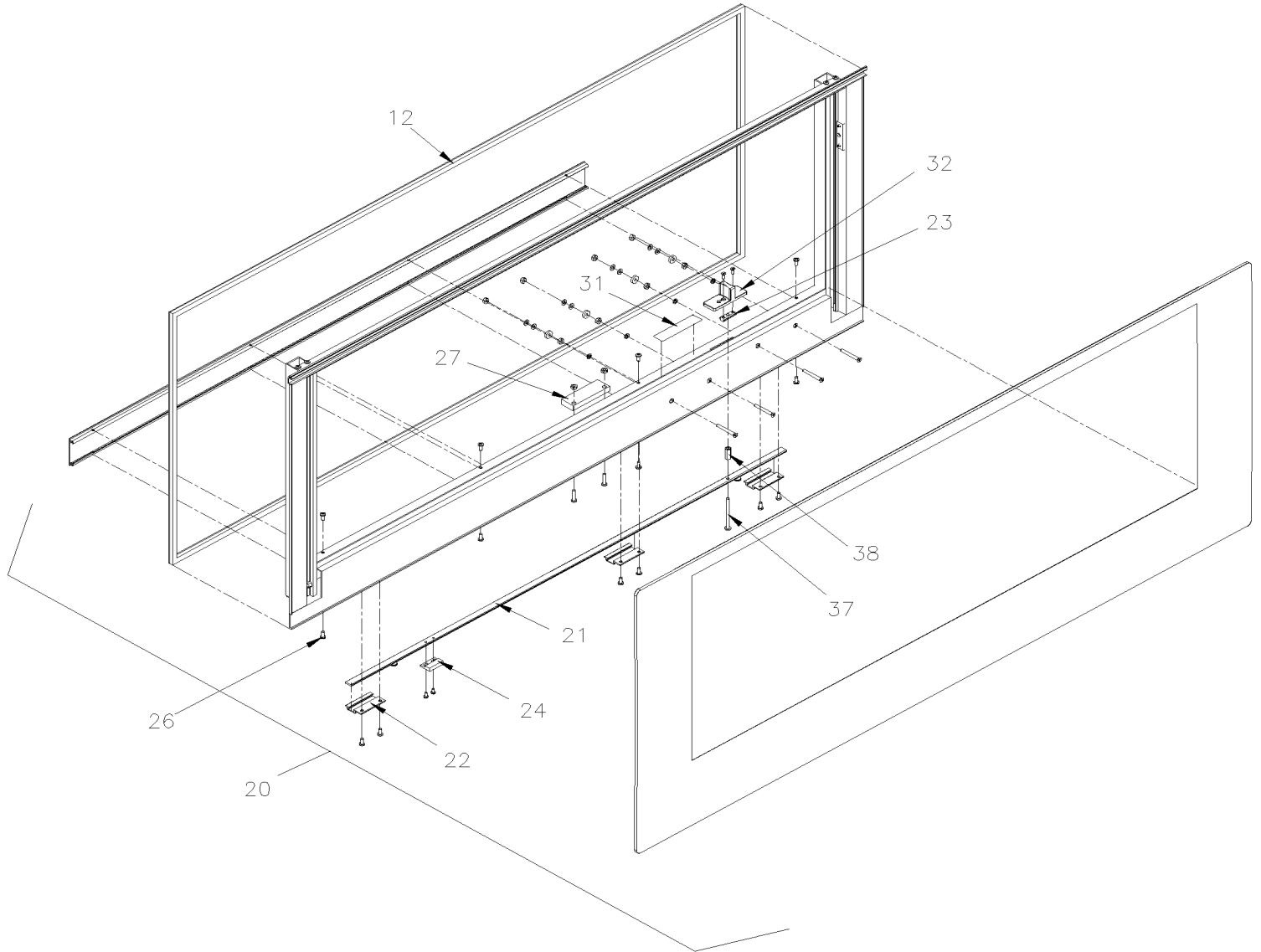


From 8-9279 To B-9999

Date:10/2022

PAGE:MTH-1884-65

ELECTRICAL AWNING WINDOW ASSY





From 8-9279 To B-9999 Date:10/2022 PAGE:MTH-1884-65

ELECTRICAL AWNING WINDOW ASSY

Item#	Part	Description	X L I I M T H 4 5	X L I I M T H 4 5 E	N O T E S
	790613	AWNING WINDOW ASSY / W/REMOTE SWITCH OPERATING	1	1	
	790614	AWNING WINDOW ASSY / W/REMOTE SWITCH OPERATING	1		A
1	790595	. FRAME ASSY	1	1	
2	790568	. RETAINING RING	1	1	
2	790569	. RETAINING RING	1		A
3	790571	. SCREEN / XL-II 45" x 18 1/2"	1	1	
4	790578	. CYLINDER	1	1	
5	563442	. PROXIMITY SWITCH MAGNET	1	1	
6	790609	. TIE BAR KEEPER	1	1	
NS	790611	. SHIM KEEPER	1	1	
8	790574	. TRACK LATCH	1	1	
9	790575	. SPRING	1	1	
11	790581	. TRACK ROLLER	1	1	
12	790579	. SEAL	12	12	
NS	790045	. SET SCREW 10-32X1/4 S/S	2	2	
13	790586	. ROLLER	1	1	
14	790585	. ARM	1	1	
15	790587	. MOTOR COUPLER	1	1	
16	790619	. MOTOR ASSY W/MOTOR MOUNT / SMALL O.D.	1	1	E
16	N.P.N.	. . MOTOR / SMALL O.D.	1	1	4
17	N.P.N.	. . MOTOR MOUNT / SMALL O.D.	1	1	4
18	563444	. RELAY 24V	1	1	
19	790592	. ACTUATOR	2	2	
20	790548	. GLASS ASSY W/AWNING FRAME	1	1	
21	790583	. TIE BAR XL	1	1	
22	790584	. GUIDE	2	2	
23	790580	. RELEASE LATCH GUIDE	1	1	
24	562641	. MAGNET	.1	.1	
25	562640	. SWITCH MAGNETIC	1	1	
26	N8888119	. SCREW #8-32 X 0.38	AR	AR	
27	563443	. PROXIMITY SWITCH SENSOR	1	1	
NS	563568	. CABLE ASSY WITH ROCKER SWITCH AND HARNESS / W/XL2 From 5-8624 To 5-8754	1	1	
28	790996	. SHOULDER BOLT	3	3	
30	790598	. DECAL / OPEN-CLOSE	1	1	
31	790601	. DECAL / "EMERGENCY EXIT" # 3	1	1	
32	790620	. RELEASE LATCH HANDLE / RED / FRAME	1	1	
35	790599	. DECAL / "EMERGENCY EXIT" # 1 / PULL SCREEN	1	1	
36	790600	. DECAL / "EMERGENCY EXIT" # 2	1	1	
37	790012	. SCREW MA PAN PH #10-32x2 1/4 SS	1	1	
38	790013	. COUPLING #10-32x5/16 OD x3/4 ZP	1	1	
40	563570	. CABLE ASSY WITH ROCKER SWITCH AND HARNESS / W/XL2 & H3	1	1	B
NS	293854	. SUPPORT SWITCH / REMOTE OPERATIONAL MODEL	1	1	



From 8-9279 To B-9999	Date:10/2022	PAGE:MTH-1884-65
-----------------------	--------------	------------------

ELECTRICAL AWNING WINDOW ASSY

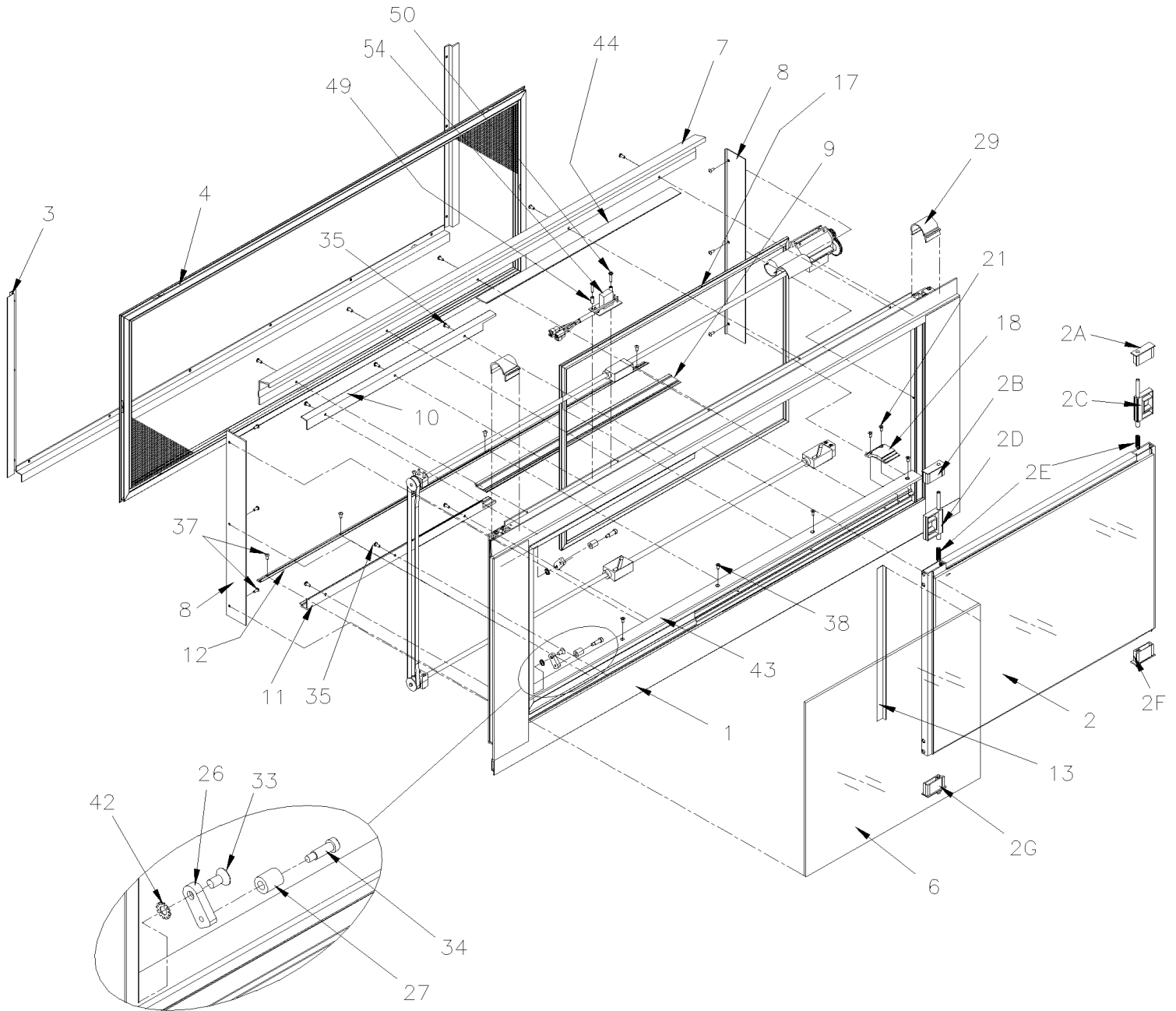
Item#	Part	Description	X L I I M T H 4 5	X L I I M T H 4 5 E	N O T E S
41	563571	. SWITCH / M/ON-OFF-M/ON S.P.D.T.	1	1	
42	563572	. CAP / "OPEN - CLOSE"	1	1	
NS	066029	CABLE ASSY / POWER AWNING EXTENTION 3M	1	1	
NS	7770423	MASK FOR WINDOW MTH	1	1	
		A) WITH "SLIDE-OUT"			
		B) THIS SWITCH ASSY COULD BE USE FROM 5-8624			
		E) INCLUDE ITEMS # 15,16 & 17 WITH ELECTRICAL CONNECTOR			
		4) NO PARTS NUMBER			

From 8-9279 To B-9999

Date:10/2022

PAGE:MTH-1884-80

ELECTRICAL SLIDING WINDOW ASSY

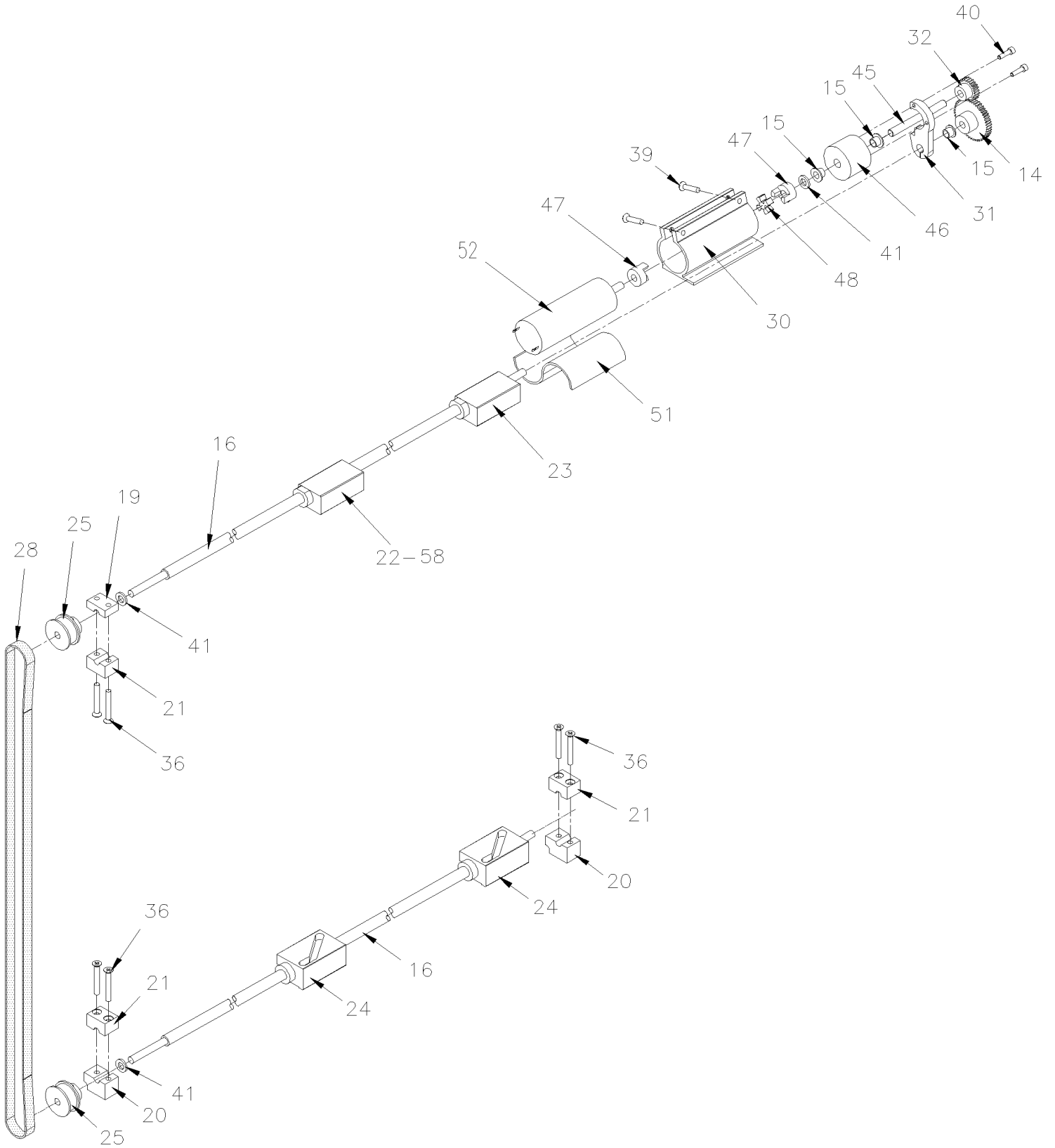


From 8-9279 To B-9999

Date:10/2022

PAGE:MTH-1884-80

ELECTRICAL SLIDING WINDOW ASSY





From 8-9279 To B-9999		Date:10/2022	PAGE:MTH-1884-80
ELECTRICAL SLIDING WINDOW ASSY			

Item#	Part	Description	X L I I M T H 4 5	X L I I M T H 4 5 E	N O T E S
	791001	ELECTRICAL SLIDING WINDOW ASSY To 8-9286	1	1	
	791005	ELECTRICAL SLIDING WINDOW ASSY From 8-9287	1	1	
1	790711	. FRAME COMPONENT ASSY	1	1	
2	790713	. SASH ASSY - 5MM T GRAY/4mm T CLR	1	1	
. A	790751	. . SASH INSERT - RH UPPER / LH LOWER	1	1	
. B	790750	. . SASH INSERT - LH UPPER / RH LOWER	1	1	
. C	790728	. . RELEASE LATCH ASSY - RH	1	1	
. D	790727	. . RELEASE LATCH ASSY - LH	1	1	
. E	790752	. . SPRING RELEASE LATCH	2	2	
. F	790732	. . FIXED SASH INSERT ASSY - RH	1	1	
. G	790730	. . FIXED SASH INSERT ASSY - LH	1	1	
3	790717	. CLAMPRING ASSY	1	1	
4	790719	. SCREEN ASSY	1	1	
6	790707	. GLASS ASSY-5MM T GRAY/4mm T CLR-XL2-FIXED	1	1	
7	790709	. COVER HEADER ACCESS	1	1	
8	790714	. JAMB COVER	2	2	
9	790729	. COVER SASH GUIDE - SILL	2	2	
10	790734	. COVER FIXED GUIDE - HEADER	1	1	
11	790737	. COVER FIXED GUIDE - SILL	1	1	
12	790758	. COVER INNER GUIDE	1	1	
13	790741	. FIXED GLAZING ANGLE	1	1	
14	790770	. SPUR GEAR - 1 1/2" - STAINLESS / W/24Volt Motor	1	1	
14	790780	. SPUR GEAR - 1 1/4" - STAINLESS / W/30Volt Motor	1	1	
15	790743	. FLANGE BEARING 0.25" DEPTH	1	1	
16	790744	. DRIVE SHAFT	2	2	
17	790778	. D-SEAL EPDM SPONGE (PER FT)	AR	AR	
18	790746	. SASH END STOP	1	1	
19	790747	. BLOCK BASE SUPPORT SHAFT - UPPER	1	1	
20	790748	. BLOCK BASE SUPPORT SHAFT - LOWER	2	2	
21	790749	. CAP SUPPORT BLOCK SHAFT	3	3	
22	790724	. FOLLOWER CAM ASSY - UPPER w/ MAGNET	1	1	
. NS	790015	. . BUSHING INSERT	1	1	
23	790725	. FOLLOWER CAM ASSY - UPPER	1	1	
. NS	790015	. . BUSHING INSERT	1	1	
24	790726	. FOLLOWER CAM ASSY - LOWER	2	2	
. NS	790015	. . BUSHING INSERT	1	1	
25	790753	. PULLEY	2	2	
26	790754	. BRACKET TENSIONER	2	2	
27	790755	. ROLLER TENSIONER	2	2	
28	790756	. DRIVE BELT	1	1	
29	790757	. COVER, GEAR	1	1	
30	790740	. MOTOR MOUNT	1	1	



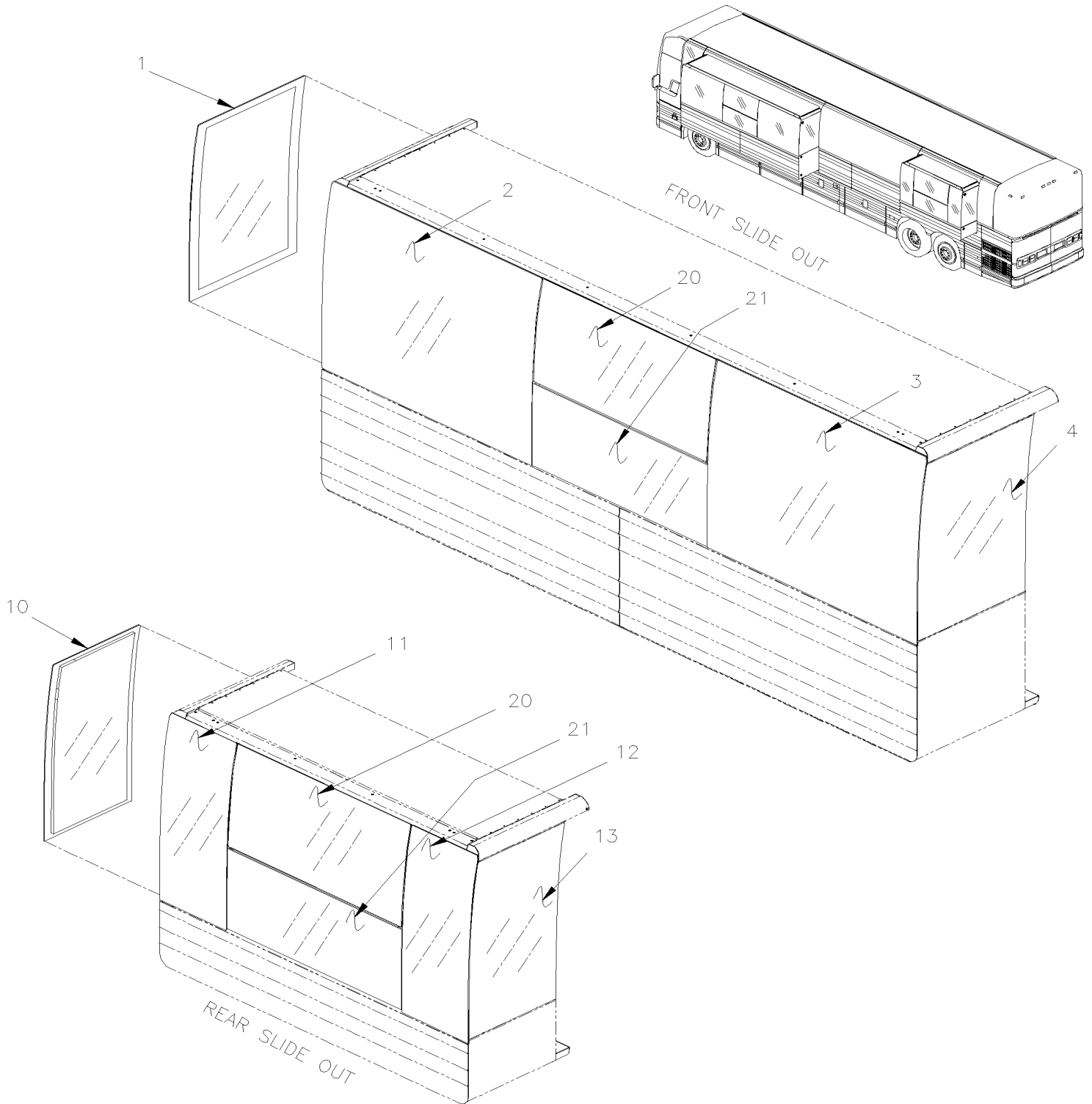
From 8-9279 To B-9999 Date:10/2022 PAGE:MTH-1884-80

ELECTRICAL SLIDING WINDOW ASSY

Item#	Part	Description	X L I I M T H 4 5	X L I I M T H 4 5 E	N O T E S
31	790742	. MOTOR MOUNT END PLATE	1	1	
32	790769	. SPUR GEAR - 3/4" - ACETAL / W/24Volt Motor	1	1	
32	790781	. SPUR GEAR - 1" - ACETAL / W/30Volt Motor	1	1	
33	N.P.N.	. SCREW CAP FL HEXS 1/4-20 x 1/2	2	2	4
34	N.P.N.	. SCREW SHR CAP HEX .250x.625	2	2	4
35	500883	. SCREW TC PAN PH #8-32x3/8 Z050	6	6	
36	500887	. SCREW MA FL PH #8-32x1 1/4 SS	6	6	
37	790704	. SCREW CAP BUT HEXS #8-32x3/8 420 S/S BLACK OX	19	19	
38	790702	. SCREW MA FL PH #8-32x3/8 410 S/S BLACK OX	7	7	
39	790703	. SCREW MA FL PH #8-32x7/8 TYPE 23 410 SS	2	2	
40	790773	. SCREW CAP HEXS M3-0.5x9.5 SS	2	2	
41	790774	. WASHER FL .250x.470x .065	2	2	
42	790775	. WASHER LO EXT .250x.500x.187 SS	2	2	
43	790760	. STRIP ANTI FRICTION	1	1	
44	790762	. COVER SASH GUIDE - HEADER	1	1	
45	790767	. OUTPUT SHAFT	1	1	
46	790768	. SUPPORT OUTPUT SHAFT	1	1	
47	790766	. JAW COUPLER	2	2	
48	790765	. SPIDER	1	1	
49	790772	. SPACER SLEEVE	2	2	
50	790700	. SCREW MA PAN PH #8-32x7/8 TYPE 23 410 SS	1	1	
51	790771	. PAD VIBRATION DAMPER	1	1	
52	790738	MOTOR ELECTRIC 24V ASSY / W/CABLE	1	1	P
52	790779	. MOTOR ELECTRIC 30V ASSY	1	1	
53	790736	CABLE ASSY W/CAPACITOR / MOTOR 24V	1	1	
. NS	790721	. FRAME WIRING HARNESS WITH RELAY ASSY	1	1	
. . NS	790002	. . RELAY	1	1	
. NS	790722	. POWER WIRING HARNESS ASSY	1	1	
. NS	790738	. MOTOR ELECTRIC 24V ASSY / W/CABLE	1	1	
. NS	790723	. PROXIMITY SENSOR ASSY	2	2	
. NS	563570	. CABLE ASSY WITH ROCKER SWITCH AND HARNESS / W/XL2 & H3	1	1	
. NS	790764	. VOLTAGE REGULATOR	1	1	
NS	790721	. FRAME WIRING HARNESS WITH RELAY ASSY	1	1	
. NS	790002	. . RELAY	1	1	
58	790723	PROXIMITY SENSOR ASSY	1	1	
NS	790599	DECAL / "EMERGENCY EXIT" # 1 / PULL SCREEN	1	1	
NS	790600	DECAL / "EMERGENCY EXIT" # 2	1	1	
		P) PRODUCT IMPROVEMENT FOR 30 VOLT MOTOR IT REQUIRE 1x790779 Motor With 1x780780 Gear & 1x780781 Gear			
		4) NO PARTS NUMBER			

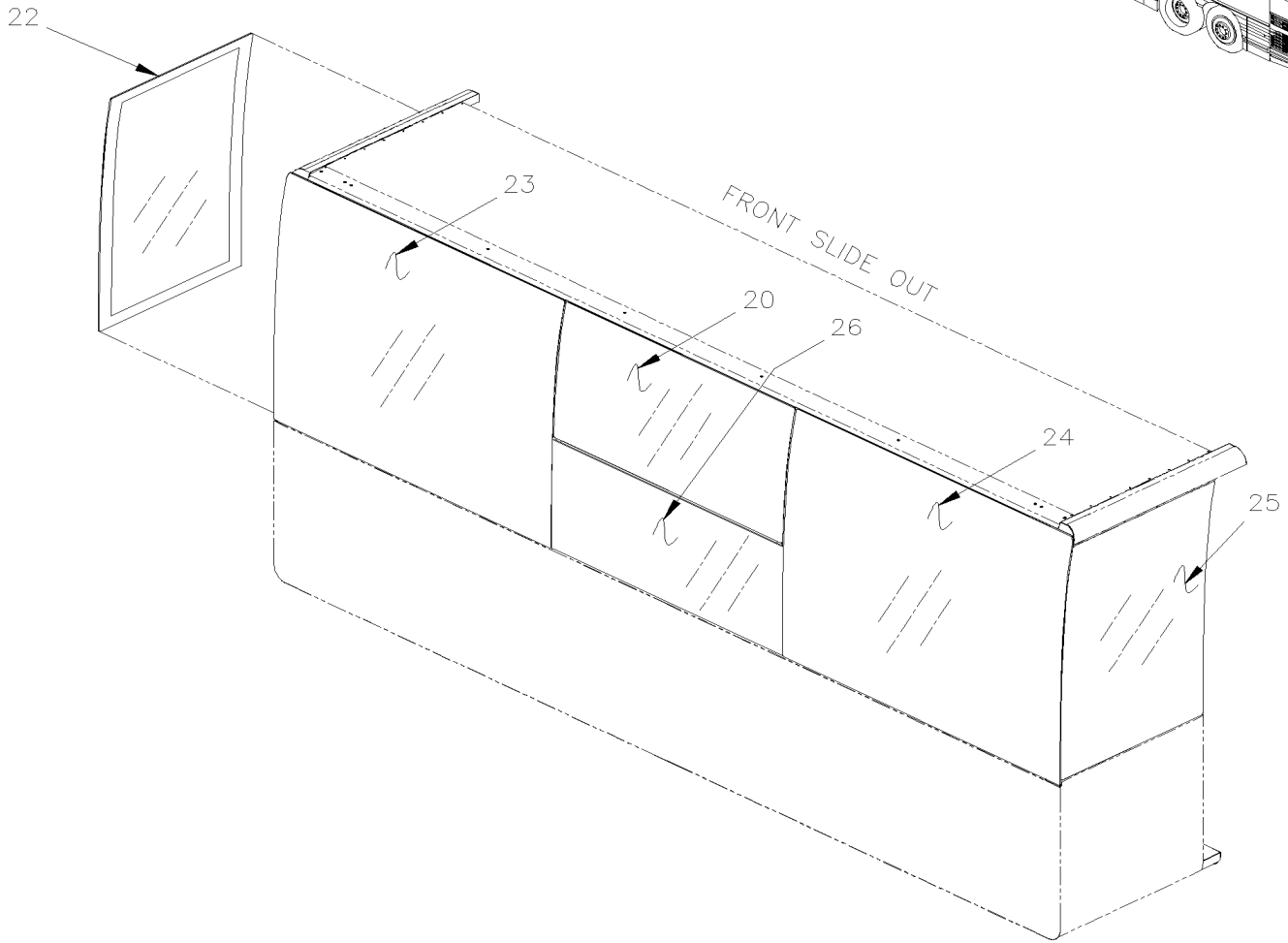
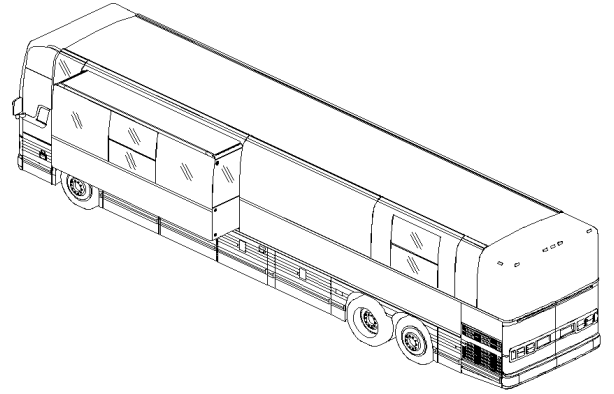


	Date:10/2022	PAGE:MTH-1884-90
SIDE WINDOW - "SLIDE-OUT"		



MTH 45'

	Date:10/2022	PAGE:MTH-1884-90
SIDE WINDOW - "SLIDE-OUT"		



MTH 45' ENT.



	Date:10/2022	PAGE:MTH-1884-90
SIDE WINDOW - "SLIDE-OUT"		

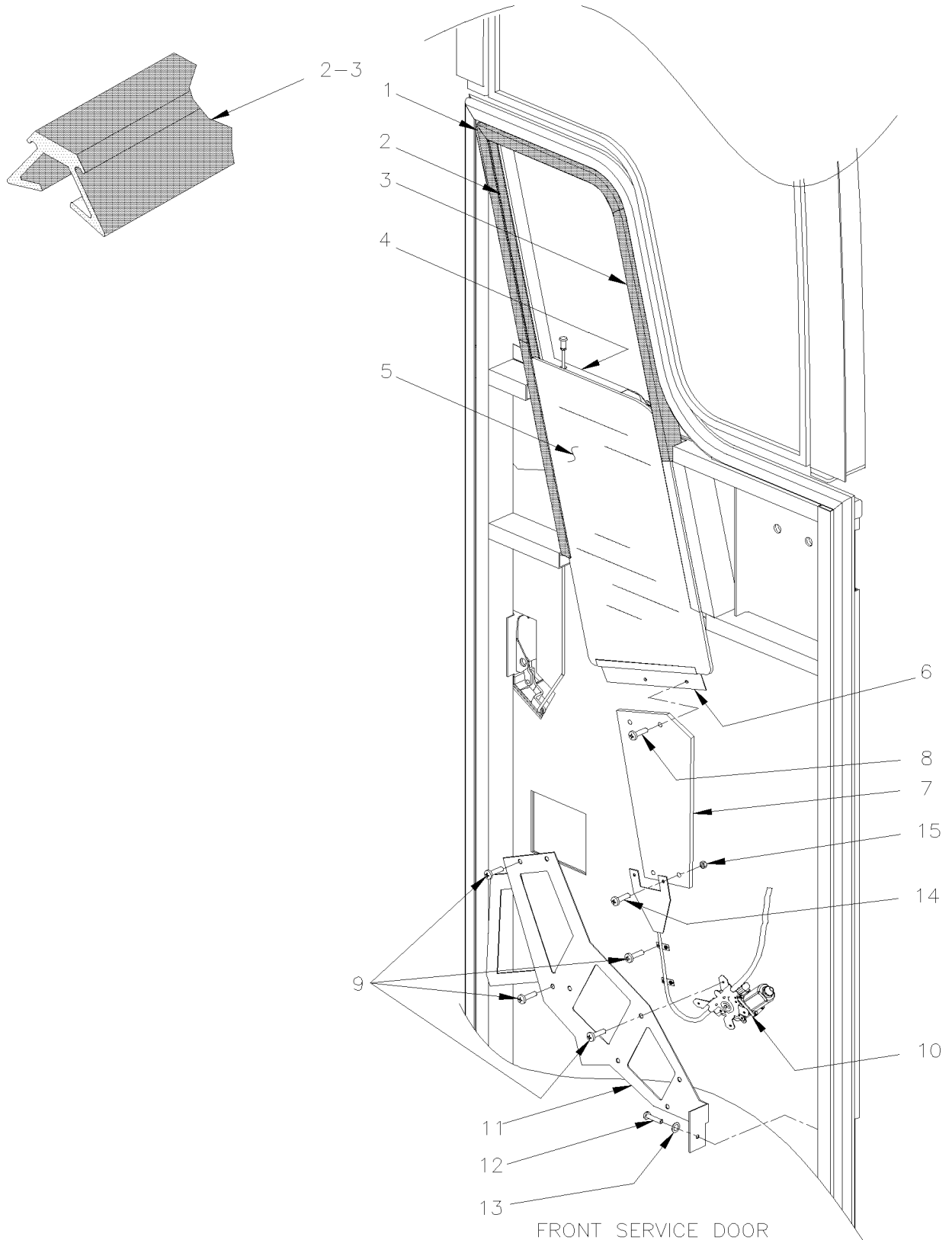
Item#	Part	Description	X L I I M T H 4 5	X L I I M T H 4 5 E	N O T E S
1	293411	GLASS, THERMOS 13% / FRONT SIDE / 800MM	1		
2	293412	GLASS, THERMOS 13% / FRONT / 1561MM	1		
3	293414	GLASS, THERMOS 13% / REAR / 1561MM	1		
4	293415	GLASS, THERMOS 13% / REAR SIDE / 800MM	1		
10	293418	GLASS, THERMOS 13% / FRONT SIDE / 648MM	1		
11	293419	GLASS, THERMOS 13% / FRONT / 495MM	1		
11	297171	GLASS, THERMOS 13% / FRONT / 1003MM	1		
12	293420	GLASS, THERMOS 13% / REAR / 495MM	1		7.5
12	293957	GLASS, THERMOS 13% / REAR / 1003MM	1		10
13	293421	GLASS, THERMOS 13% / REAR SIDE / 648MM	1		7.5
20	293929	GLASS ASSY, THERMOS 13% / UPPER / 1287.4MM	1	1	10
21	MTH-1884-65	ELECTRICAL AWNING WINDOW ASSY			
21	MTH-1884-80	ELECTRICAL SLIDING WINDOW ASSY			
22	293418	GLASS, THERMOS 13% / FRONT SIDE / 648MM		1	
23	293832	GLASS, THERMOS 13% / FRONT / 1125MM		1	
24	293833	GLASS, THERMOS 13% / REAR / 1125MM		1	
25	293421	GLASS, THERMOS 13% / REAR SIDE / 648MM		1	
26	MTH-1884-80	ELECTRICAL SLIDING WINDOW ASSY			
30	293281	RUBBER SEAL EXTRUSION / ADHESIVE / LOWER WINDOW	AR	AR	
31	506002	TAPE RUB ADH1 CC POL 3/16" x 1/2" x 40' / GREY 2520	AR	AR	
32	506228	TAPE RUB ADH1 CC POL 1/4" x 1/2" x 37.5' / GREY 2520X	AR	AR	
33	683447	ADHESIVE SIKATAK PLUS / BLACK / 23 Liters	AR	AR	
		10) WITH 10' SLIDE-OUT			
		7.5) WITH 7.5 SLIDE-OUT			

From 8-9279 To B-9999

Date:10/2022

PAGE:MTH-1886-00

POWER WINDOW - ELECTRICAL INSTALLATION

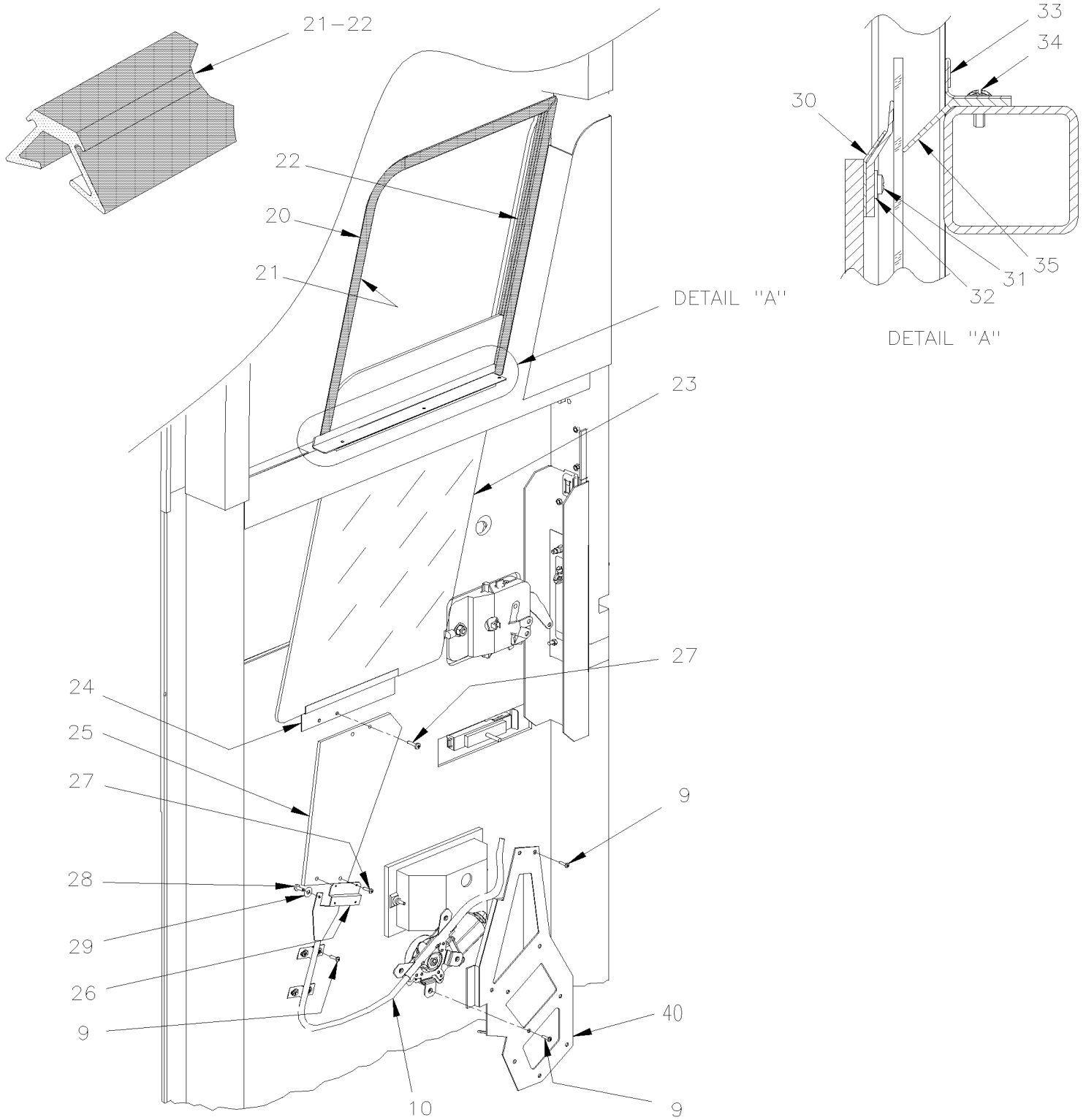


From 8-9279 To B-9999

Date:10/2022

PAGE:MTH-1886-00

POWER WINDOW - ELECTRICAL INSTALLATION



ENTRANCE DOOR - MTH



From 8-9279 To B-9999	Date:10/2022	PAGE:MTH-1886-00
-----------------------	--------------	------------------

POWER WINDOW - ELECTRICAL INSTALLATION

Item#	Part	Description	X L I I M T H 4 5	X L I I M T H 4 5 E	N O T E S
		THIS ELECTRICAL WINDOW FIT ALSO ON MTH-40' SERVICE			
1	285983	WINDOW TRACK	1	1	
2	286440	FELT SLIDING 677MM	1	1	
3	286439	FELT SLIDING 930MM	1	1	
4	286419	FLAP SEAL / 25MM x 260MM	2	2	
5	286212	GLASS ASSY W/SUPPORT	1	1	
6	293194	. SUPPORT ASSY	1	1	
7	293852	SUPPORT TRANSITION PLASTIC	1		
7	293857	SUPPORT TRANSITION PLASTIC / MTH 89" ONLY		1	
8	5001633	SCREW MA FL PH M6-1.0x12 Z050	2	2	
9	500541	SCREW MA FL PH 1/4-20x1/2 SS BK	8	8	
10	790500	MOTOR & REGULATOR ASSY / SERIES "XL-II"	1	1	
11	293850	SUPPORT MOTOR SERVICE DOOR / MTH 86" & 89"	1	1	
12	502857	WASHER LO SERR 8.2x26.3x1.8 N500	1	1	
13	5001433	SCREW CAP HEX M6-1.0x25 SS	1	1	
14	955271	SCREW CAP HEX M6-1.0x16 G8.8 ZG603	2	2	
15	5001182	NUT HEX NYRT M6-1.0 SS	2	2	
20	293088	MOULDING	1	1	
21	293211	FELT SLIDING 923MM	1	1	
22	293210	FELT SLIDING 597MM	1	1	
23	286196	GLASS ASSY W/SUPPORT	1	1	
24	299049	. SUPPORT ASSY	1	1	
25	293849	SUPPORT TRANSITION PLASTIC / MTH 86"	1		
25	293861	SUPPORT TRANSITION PLASTIC / MTH 89" ONLY		1	
26	293845	ATTACHMENT ASSY W/NUTS WINDOW "Z" SHAPE	1	1	
27	5001633	SCREW MA FL PH M6-1.0x12 Z050	4	4	
28	5001181	SCREW CAP HEX M6-1.0x12 SS	2	2	
29	502570	WASHER LO SPT 6.1x11.8x1.6 SS	2	2	
30	286993	FLAP SEAL GLASS ASSY	1	1	
30	286992	. FLAP SUPPORT	1	1	
30	288063	. FLAP SEAL / W/FLOCKING 37.6MM x 335MM	1	1	
31	955223	SCREW CAP HEX M4-0.7x6 G8.8 ZP	4	4	
32	500989	WASHER FL .219x.875x.062 Z050	4	4	
33	286717	JOINT SUPPORT 345MM SS	1	1	
34	500124	SCREW TP TR PH #8x1/2 SS	3	3	
35	288063	FLAP SEAL / W/FLOCKING 37.6MM x 335MM	1	1	
36	502622	SCREW CAP HEX M6-1.0x20 SS BK	4	4	
36	502573	WASHER FL 6.4x12.5x1.6 SS	4	4	
39	502806	SCREW MA FL PH M6-1.0x10 Z050	2	2	
40	293848	SUPPORT MOTOR ENTRANCE DOOR / MTH 86" & 89"	1	1	



From 8-9279 To B-9999	Date:10/2022	PAGE:MTH-1886-00
-----------------------	--------------	------------------

POWER WINDOW - ELECTRICAL INSTALLATION

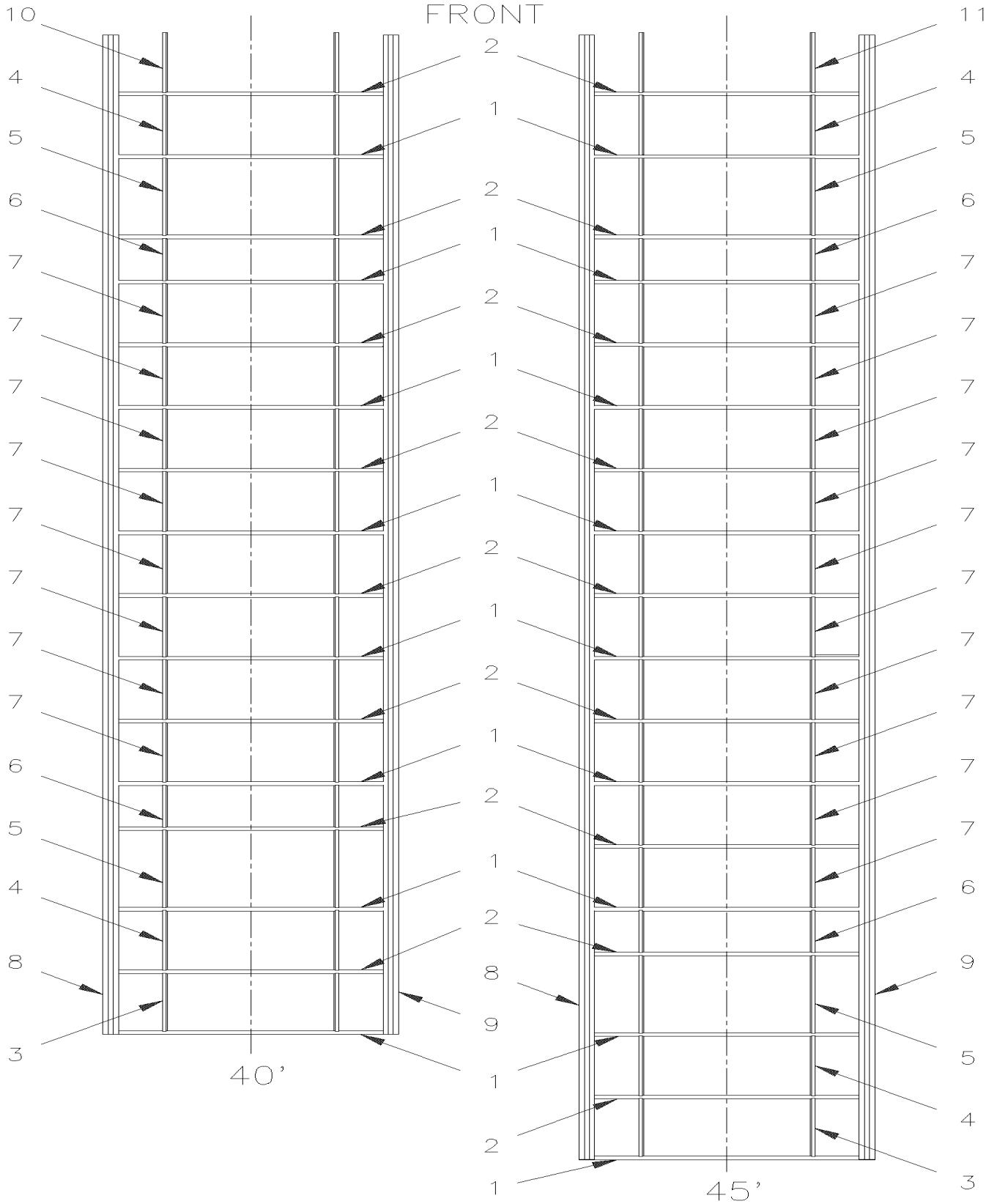
Item#	Part	Description	X L I M T H 4 5	X L I M T H 4 5 E	N O T E S
NS	680066	ADHESIVE / ADBOND #5014 / 23.6ML BOTTLE	AR	AR	
50	685072	THREAD LOCKER LOCTITE #243 / BLUE / 5ml	AR	AR	

From 8-9279 To B-9999

Date:10/2022

PAGE:MTH-1890-00

ROOF STRUCTURE





From 8-9279 To B-9999	Date:10/2022	PAGE:MTH-1890-00
------------------------------	---------------------	-------------------------

ROOF STRUCTURE

Item#	Part	Description	X L I I M T H 4 5	X L I I M T H 4 5 E	N O T E S
1	271634	ARCH / ROOF 1932.7MM (76")	9	9	
2	271420	ARCH / ROOF 1932.7MM (76")	9	9	
3	271613	FORM / BETWEEN ARCH 600.6MM (23.64")	2	2	
4	271612	FORM / BETWEEN ARCH 619.6MM (24.39")	4	4	
5	271615	FORM / BETWEEN ARCH 802.0MM (31.57")	4	4	
6	271614	FORM / BETWEEN ARCH 437.3MM (17.21")	4	4	
7	271616	FORM / BETWEEN ARCH 619.6MM (24.39")	20	20	
8	271170	ROOF L.H. CORNER ASSY	1	1	
9	271169	ROOF R.H. CORNER ASSY	1	1	
10	271611	FORM / BETWEEN ARCH / L.H. 595.5MM (23.42")	1	1	
11	271610	FORM / BETWEEN ARCH / R.H. 595.5MM (23.42")	1	1	

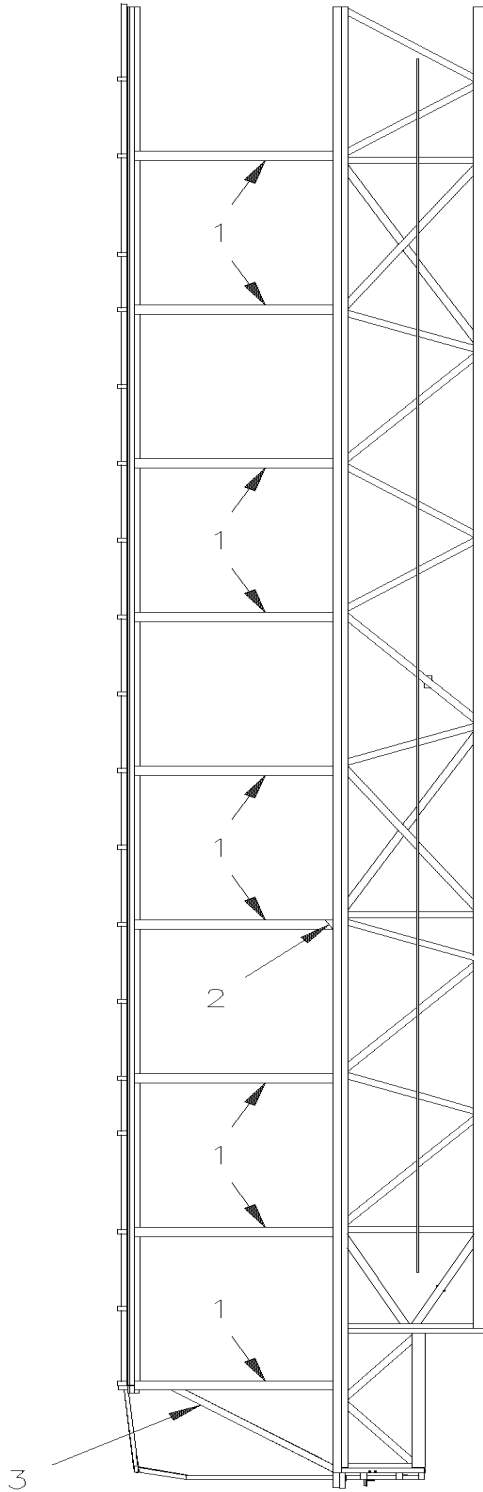
From 8-9279 To B-9999

Date:10/2022

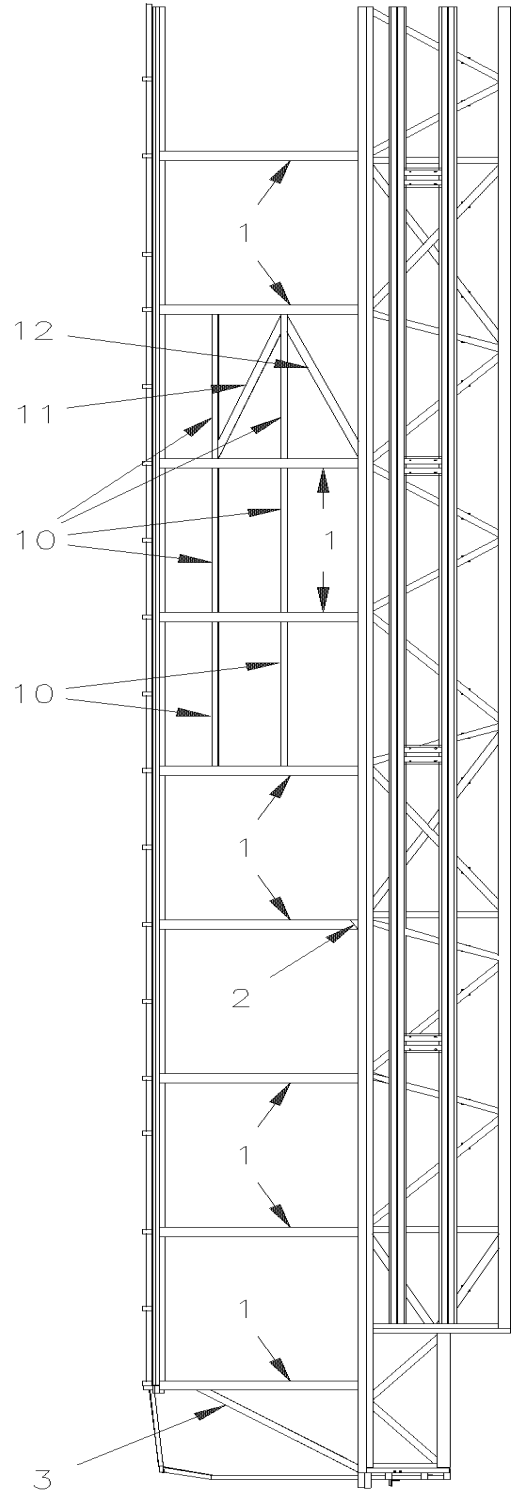
PAGE:MTH-1890-10

STRUCTURE WALL - UPPER

FRONT



BUS



MTH



From 8-9279 To B-9999	Date:10/2022	PAGE:MTH-1890-10
STRUCTURE WALL - UPPER		

Item#	Part	Description	X L I I M T H 4 5	X L I I M T H 4 5 E	N O T E S
1	271264	POST BUS & MTH 83"	18		
1	271263	POST MTH 86"	18	18	
1	271265	POST MTH 89"		16	
1	271265	POST MTH 89"	18	18	
2	271130	REINFORCEMENT		16	
2	271130	REINFORCEMENT	18	18	
3	260772	REINFORCEMENT L.H.	1	1	
3	260773	REINFORCEMENT R.H.	1	1	
10	271133	TUBE / STD BETWEEN WINDOW POST 1219MM (47.99")	AR	AR	
11	271191	TUBE	AR	AR	
12	271190	TUBE	AR	AR	
12	271380	TUBE MTH 89"	AR	AR	

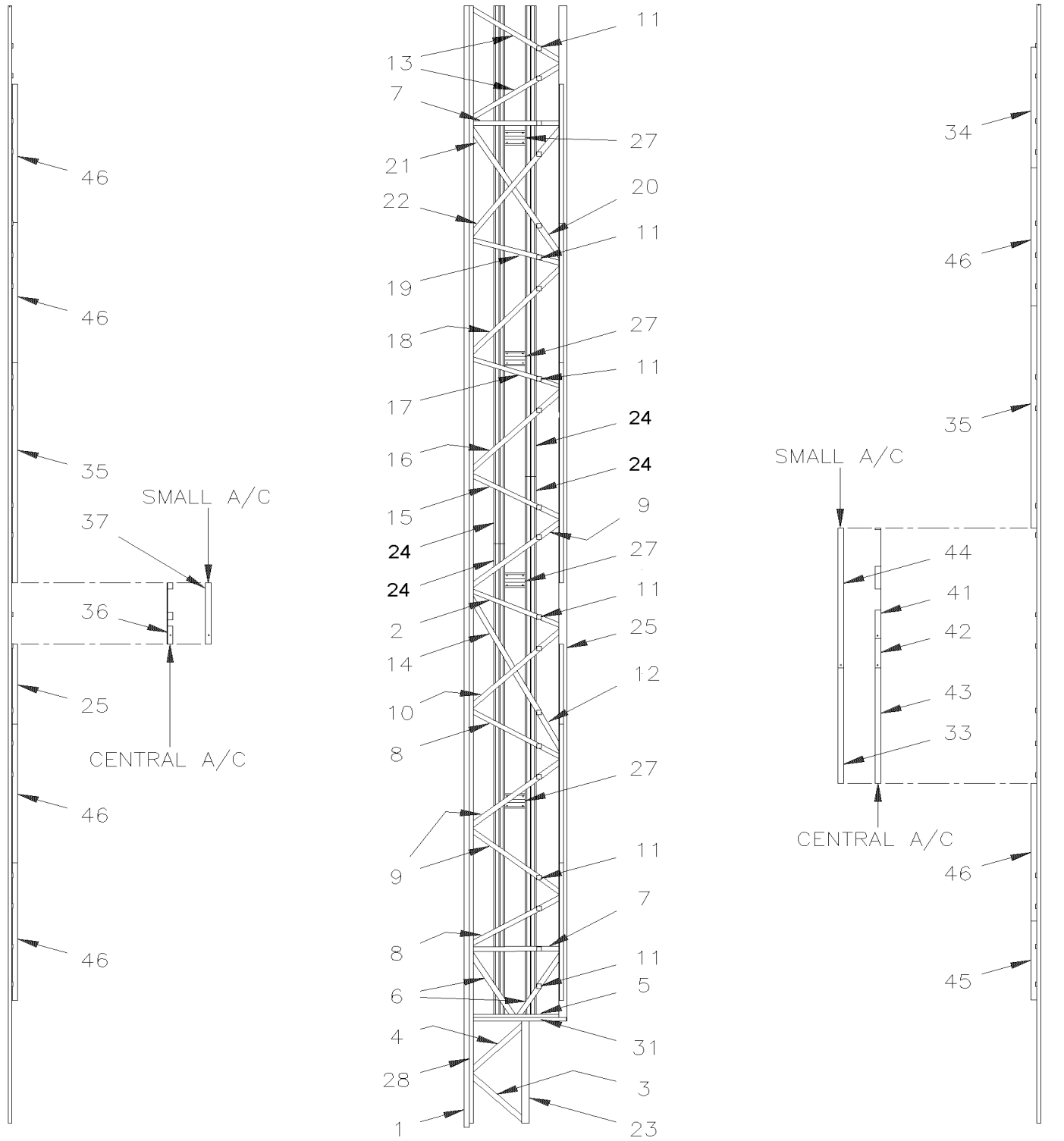
From 8-9279 To B-9999

Date:10/2022

PAGE:MTH-1891-55

LOWER WALL STRUCTURE - MTH 45' ENT 89"

FRONT



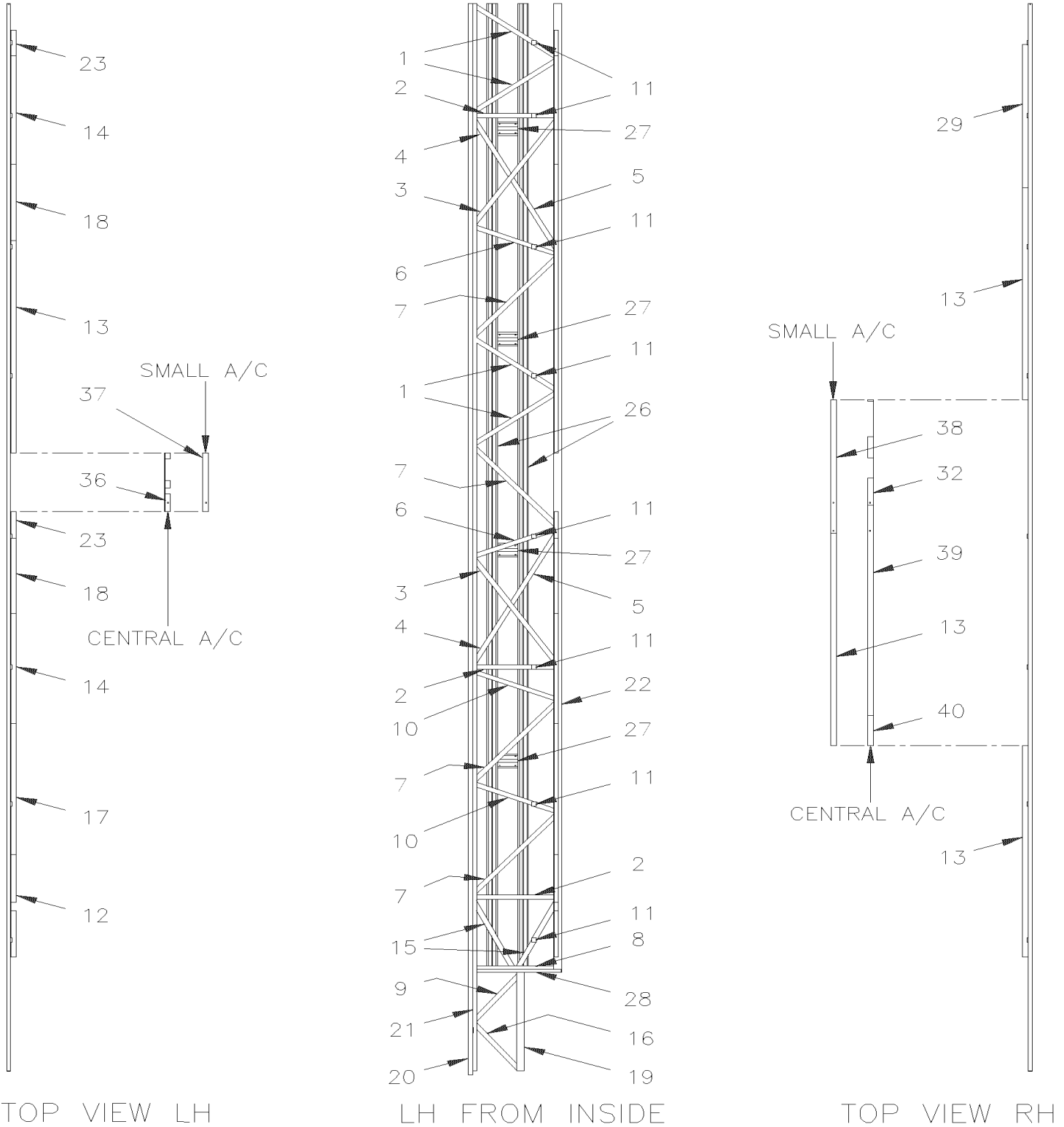
TOP VIEW LH

LH FROM INSIDE

TOP VIEW RH

LOWER WALL STRUCTURE - MTH 45'

FRONT



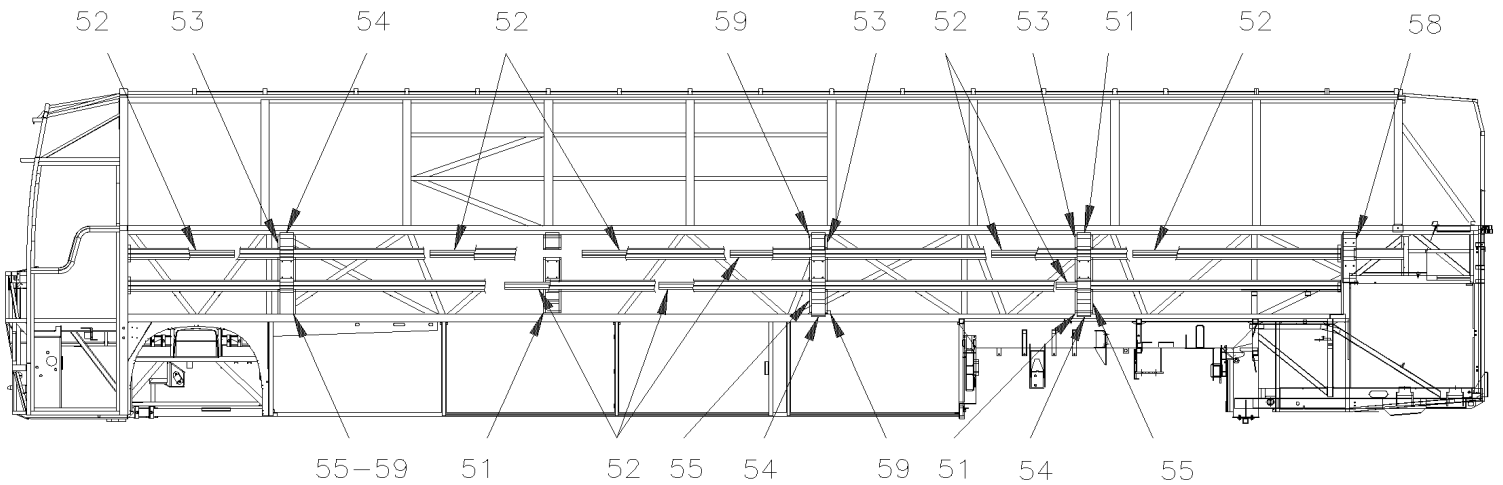
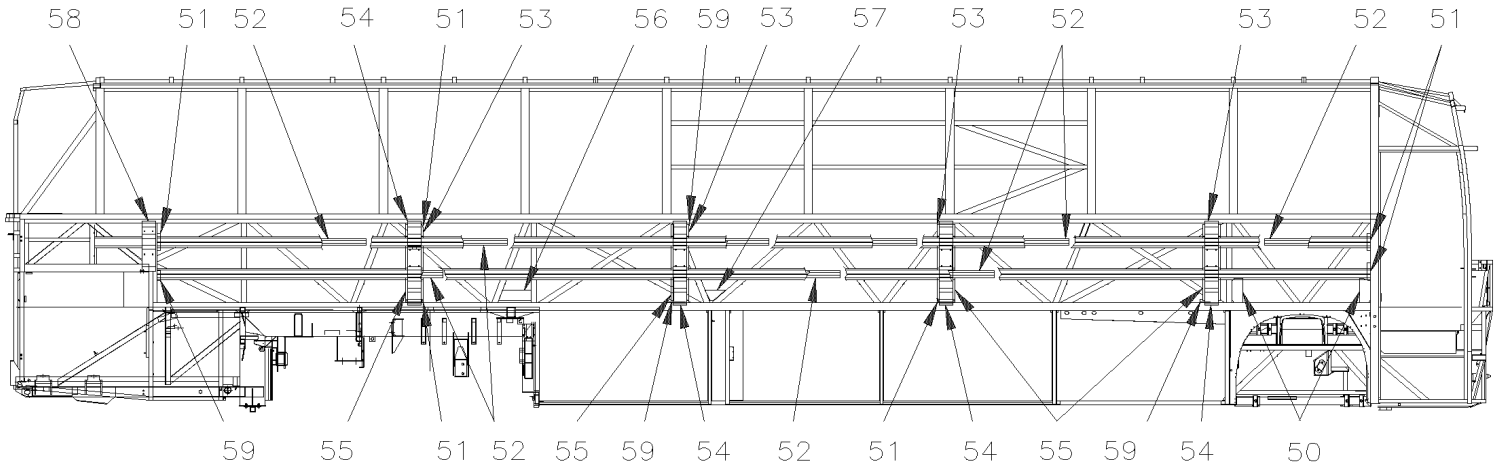


From 8-9279 To B-9999

Date:10/2022

PAGE:MTH-1891-60

LOWER WALL STRUCTURE - MTH 45'





From 8-9279 To B-9999	Date:10/2022	PAGE:MTH-1891-60
LOWER WALL STRUCTURE - MTH 45'		

Item#	Part	Description	X L I I M T H 4 5	X L I I M T H 4 5 E	N O T E S
1	231200	TUBE	4		
1	231571	TUBE	4		A
2	231201	TUBE	3		
2	231516	TUBE	3		A
3	231202	TUBE	2		
3	231515	TUBE	2		A
4	231203	TUBE	2		
4	231511	TUBE	2		A
5	231204	TUBE	2		
5	231512	TUBE	2		A
6	231206	TUBE	2		
6	231513	TUBE	2		A
7	231207	TUBE	4		
7	231572	TUBE	4		A
8	231568	TUBE	1		
9	231210	TUBE	1		
10	231208	TUBE	2		
10	231574	TUBE	2		A
11	231217	FASTENER	8		
11	231248	ANGLE	2		A
12	231241	ANGLE	1		
13	231222	ANGLE	1		
14	231276	ANGLE	2		
14	231354	ANGLE	1		A
15	231223	TUBE	2		
15	231515	TUBE	2		A
16	231414	TUBE	1		
17	231319	ANGLE	1		
18	231354	ANGLE	2		
18	231276	ANGLE	1		A
19	231215	TUBE	1		
20	231458	TUBE	AR		
21	231459	TUBE	AR		
22	231460	TUBE	AR		
23	231248	ANGLE	2		
26	231488	HORIZONTAL FORM	AR		
27	231272	CENTRAL FORM	4		
28	231225	VERTICAL TUBE ASSY	1		
29	231491	ANGLE	1		
32	231247	ANGLE	1		
36	231353	ANGLE	1		
37	231244	ANGLE	1		



From 8-9279 To B-9999	Date:10/2022	PAGE:MTH-1891-60
LOWER WALL STRUCTURE - MTH 45'		

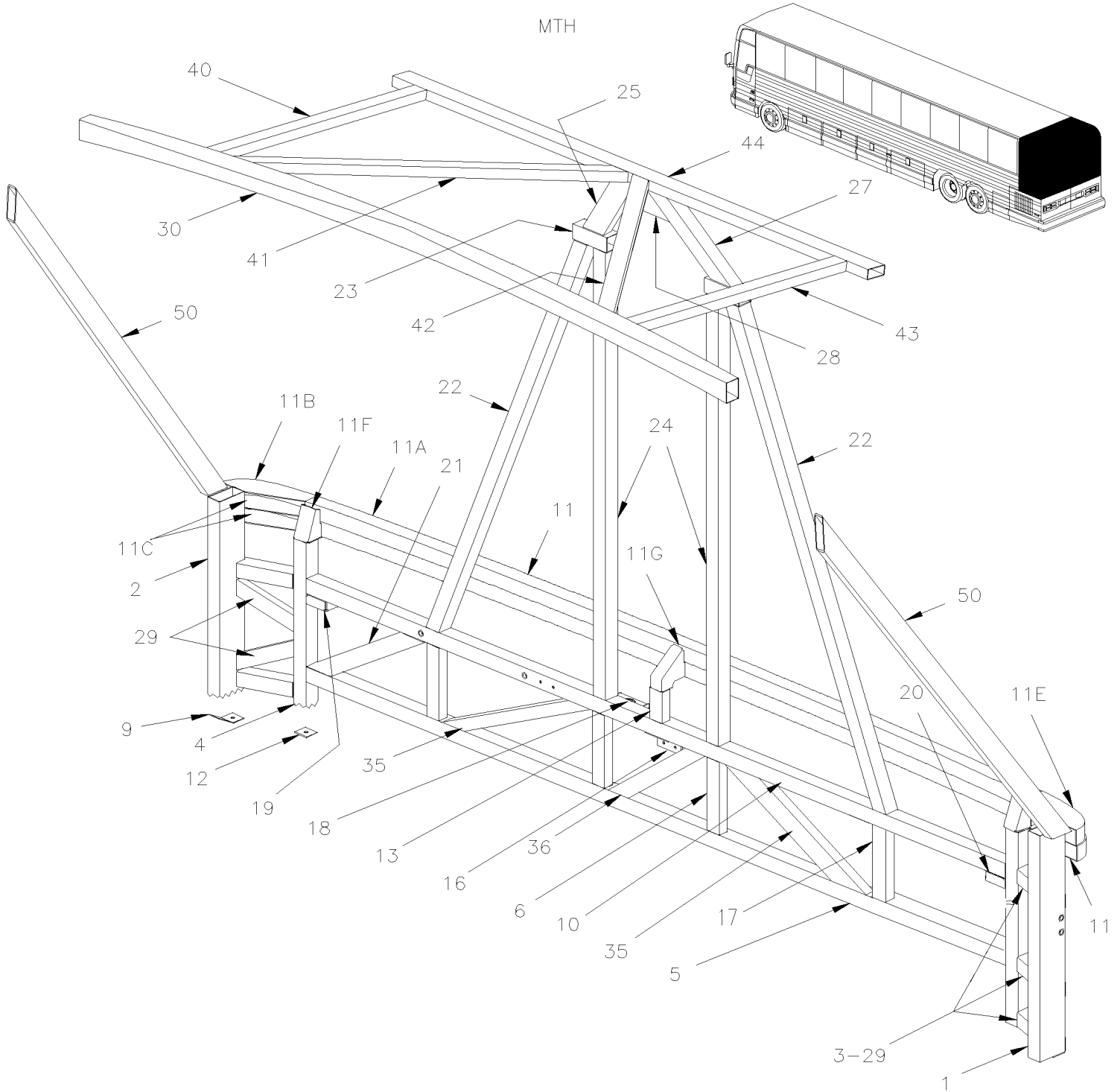
Item#	Part	Description	X L I I M T H 4 5	X L I I M T H 4 5 E	N O T E S
38	231245	ANGLE	1		
39	231246	ANGLE	1		
40	231277	ANGLE	1		
50	231501	ANCHOR PLATE / "ZIPDEE"	2		
51	231489	ANGLE 28.6MM X 28.6MM X 160MM	8		
52	231275	REINFORCEMENT	10		
53	231274	UPPER FORM	8		
54	477610	PANEL JUNCTION / B.A.	8		
55	231273	LOWER FORM	8		
56	231503	ANCHOR PLATE	1		
57	231502	ANCHOR PLATE / "ZIPDEE"	1		
58	477611	PANEL JUNCTION / B.A.	2		
59	231508	BRACKET	4		
		A) WITH SLIDE OUT			

From 8-9279 To B-9999

Date:10/2022

PAGE:MTH-1894-00

REAR CAP - STRUCTURE





From 8-9279 To B-9999	Date:10/2022	PAGE:MTH-1894-00
REAR CAP - STRUCTURE		

Item#	Part	Description	X L I I M T H 4 5	X L I I M T H 4 5 E	N O T E S
1	261154	LEFT CORNER TUBE / MTH 89"		1	
1	260752	LEFT CORNER TUBE / MTH 83" & MTH 86"	1		
1	214014	CLOSING PLATE	2	2	
2	260745	RIGHT CORNER TUBE / MTH 89"		1	
2	260754	RIGHT CORNER TUBE / MTH 83" & MTH 86"	1		
2	214014	CLOSING PLATE	2	2	
3	260740	TUBE 172MM	6	6	
4	260805	TUBE / MTH 89"		2	
4	260747	TUBE / MTH 83" & MTH 86"	1		
5	261023	TUBE ASSY	1	1	
6	260921	TUBE VERTICAL	3	3	
9	260759	BUTT PLATE	2	2	
10	260920	TUBE	1	1	
11	260781P	REAR FORMING TUBE ASSY	1	1	
. A	260852	. TUBE	1	1	
. B	261185	. CORNER ASSY	2	2	
. D	261186	. CORNER ASSY	2	2	
. F	260757	. SUPPORT SIDE POST	2	2	
. G	260813	. SUPPORT CENTER POST	1	1	
12	260760	BUTT PLATE	2	2	
13	260786	TUBE SUPPORT 152MM / MTH 89"		1	
13	260753	TUBE SUPPORT 76MM / MTH 83" & MTH86"	1		
16	287229	ANGLE STOPPER LH ENGINE DOOR	1	1	
17	261162	TUBE VERTICAL ASSY	1	1	
. NS	5001337	. NUT INS FL HEX M8-1.25 0.5-3.0 Z050	1	1	
18	287230	SUPPORT ASSY W/NUT	1	1	
19	285916	FIXATION PLATE	1	1	
20	285991	FIXATION PLATE	1	1	
21	260944	TUBE	1	1	
22	261137	TUBE	2	2	
23	271227	TUBE	2	2	
24	271225	TUBE	2	2	
25	271233	TUBE / MTH 86"	1		
25	275189	TUBE / MTH 89"		1	
27	271230	TUBE / MTH 86"	1		
27	275183	TUBE / MTH 89"		1	
28	271228	REINFORCEMENT / MTH	1	1	
29	260960	TUBE 202MM	4	4	
30	271290	ARCH / ROOF 1932.7MM (76")	1	1	
35	261083	TUBE	2	2	
36	260963	TUBE	1	1	
40	271120	TUBE	2	2	



From 8-9279 To B-9999	Date:10/2022	PAGE:MTH-1894-00
REAR CAP - STRUCTURE		

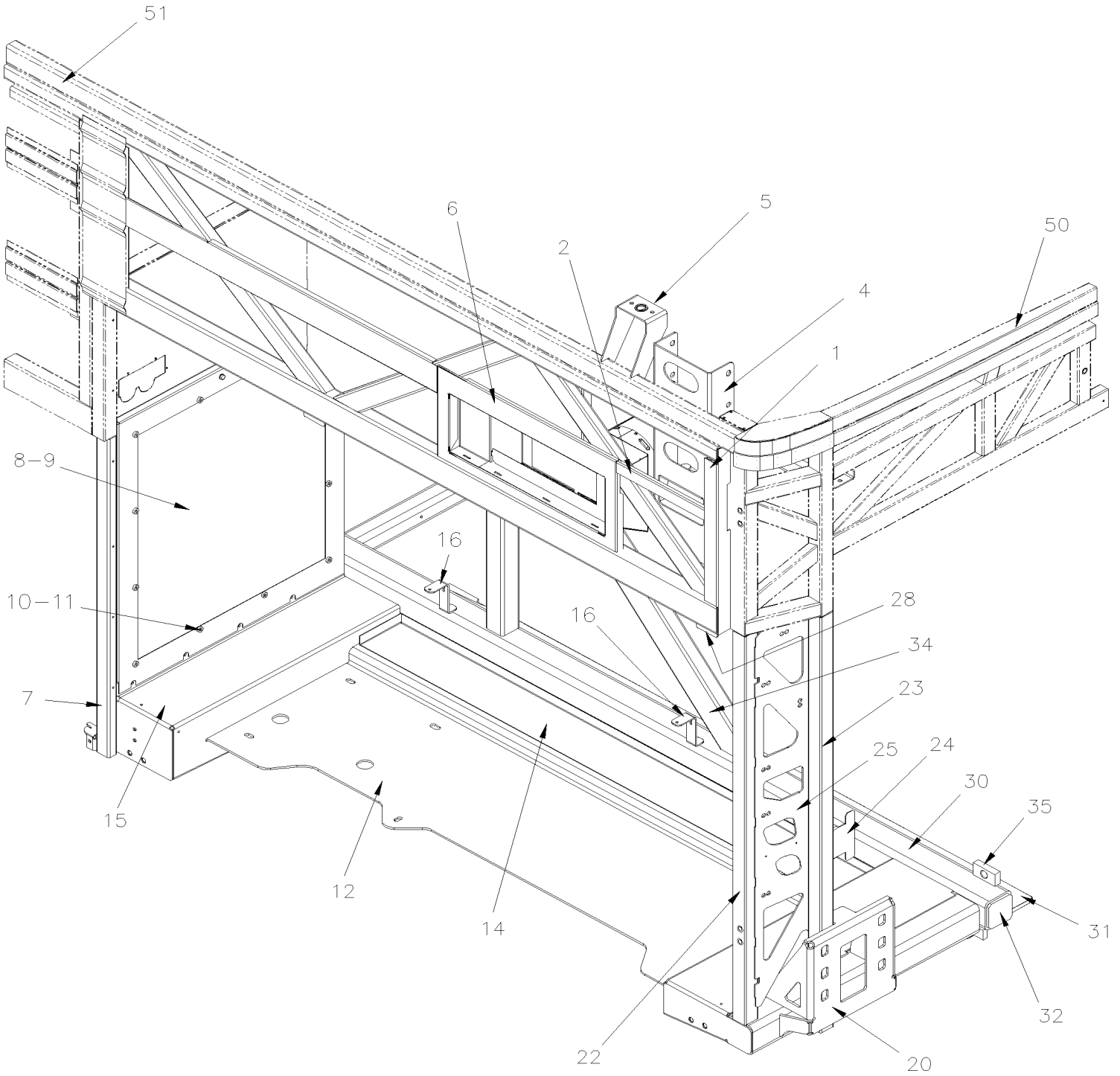
Item#	Part	Description	X L I I M T H 4 5	X L I I M T H 4 5 E	N O T E S
41	271122	TUBE	1	1	
42	271121	TUBE	1	1	
43	271117	TUBE	1	1	
50	MTH-1890-10	STRUCTURE WALL - UPPER			

From 8-9279 To B-9999

Date:10/2022

PAGE:MTH-1894-05

REAR LH - STRUCTURE



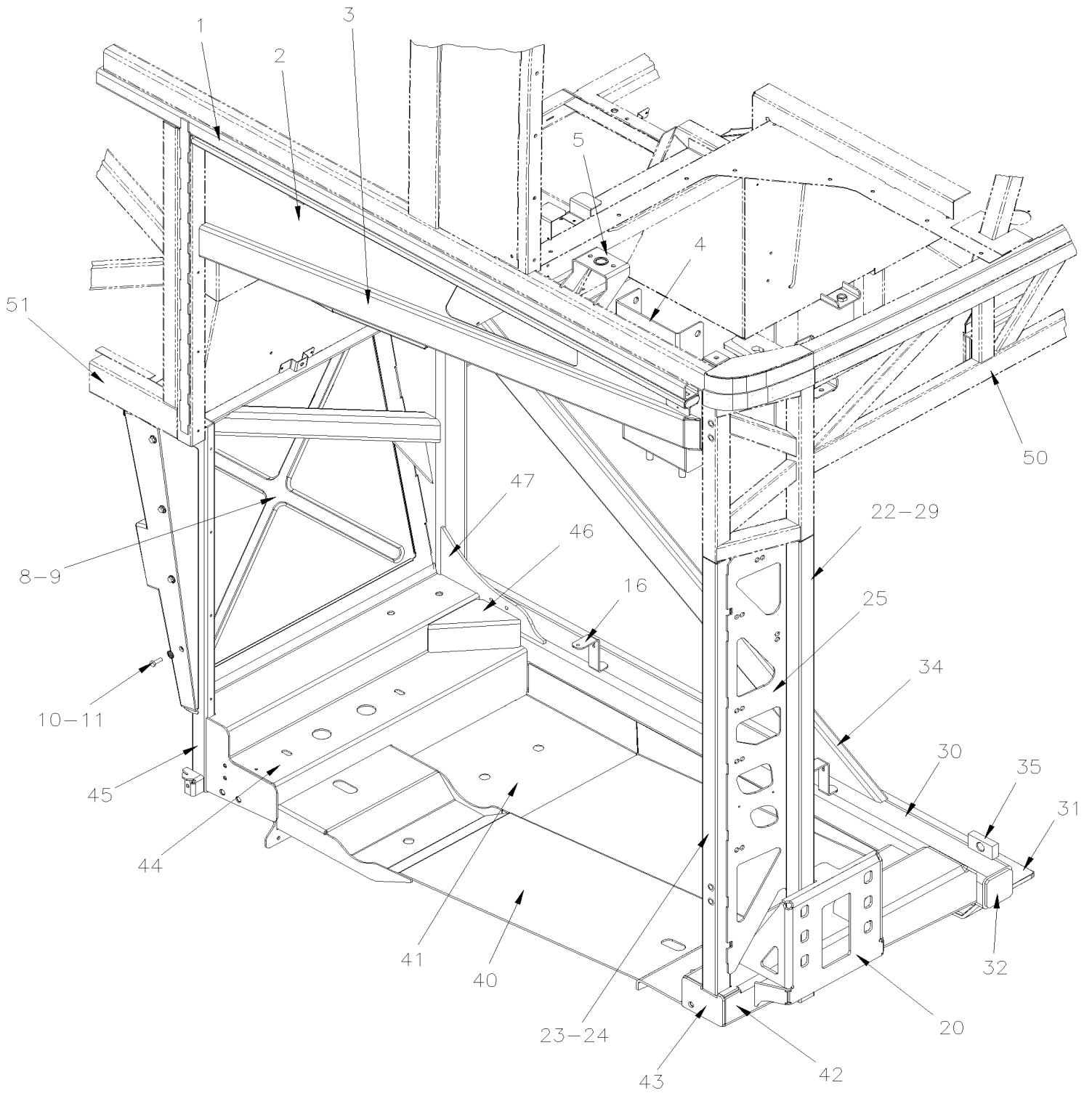
MTH-45'

From 8-9279 To B-9999

Date:10/2022

PAGE:MTH-1894-05

REAR LH - STRUCTURE



MTH-45' ENT.



From 8-9279 To B-9999	Date:10/2022	PAGE:MTH-1894-05
REAR LH - STRUCTURE		

Item#	Part	Description	X L I I M T H 4 5	X L I I M T H 4 5 E	N O T E S
1	260761	ANGLE CURB-SIDE	1		
1	238931	TUBE ASSY WELDED		1	
. NS	502659	. NUT WD RND M6-1.0 SS		2	
. NS	285973	. CATCH ANGLE		1	
. NS	287312	. CATCH ANGLE / W/ SENSOR SUPPORT		1	
. NS	286635	. PLATE SPACER W/2 HOLES 25 X 90		1	
. NS	286519	. SHIM 1/4" W/ M8-1.25 THREAD		1	
2	232022	SHAPED BAR LH	1		
2	Call order desk	PANEL LH UPPER RADIATOR DOOR		1	P
3	231983	REINFORCMENT PANEL ASSY		1	
. NS	5001344	. NUT INS FL HEX M6-1.0 0.5-3.0 SS		2	
. NS	502609	. NUT WD HEX M8-1.25 SS		2	
4	232013	SUPPORT LOWER DPF	1	1	
5	478272	STOPPER CATCH PIN	1	1	
6	219058	AIR INTAKE LH ADAPTOR	1		
6	219059	AIR INTAKE LH ADAPTOR / WITH SLIDE-OUT	1		
7	214626	POST ASSY BACKWARD FENDER / STREETSIDE	1		
. NS	213939	. CATCH FENDER LOWER	1		
. NS	5001337	. NUT INS FL HEX M8-1.25 0.5-3.0 Z050	2		
. NS	5001344	. NUT INS FL HEX M6-1.0 0.5-3.0 SS	2		
8	216320	FENDER PANEL ASSY / STREETSIDE	1		
. NS	260375	. FENDER ACCESS PANEL	1		
. NS	955269	. SCREW CAP HEX M6-1.0x12 G8.8 ZG603	14		
. NS	955920	. WASHER LO SPT 6.5x11.5x1.6 ZP	14		
. NS	506002	. TAPE RUB ADH1 CC POL 3/16" x 1/2" x 40" / GREY 2520	AR		
8	216025	FRAME ASSY / STREETSIDE		1	
9	260375	. FENDER ACCESS PANEL	1		
9	053455	. FENDER ACCESS PANEL ASSY PLASTIC		1	
. A	053453	. FENDER ACCESS PANEL LARGE PLASTIC		1	
. B	053454	. FENDER ACCESS PANEL SMALL PLASTIC		1	
NS	506002	. TAPE RUB ADH1 CC POL 3/16" x 1/2" x 40" / GREY 2520	AR	AR	
10	955269	. SCREW CAP HEX M6-1.0x12 G8.8 ZG603	14		
10	502830	SCREW CAP HEX M6-1.0x20 G8.8 N500		4	
NS	955920	. WASHER LO SPT 6.5x11.5x1.6 ZP	14		
11	500356	WASHER LO SERR 6.1x16.0x0.9 N500		4	
12	218220	FLOOR FAN RADIATOR STREETSIDE SECTION 412MM X 1435MM	1		
14	218216	FLOOR FAN RADIATOR CURBSIDE SECTION 121MM X 1422MM	1		
15	218206	BOX SUPPORT RADIATOR FLOOR FORWARD	1		
16	173284	ANGLE SUPPORT	2	2	
20	216033	BRACKET BUMPER L.H. & R.H. / (WELDED AT STRUCTURE)	1	1	
21	218207	BOX SUPPORT RADIATOR FLOOR BACKWARD	1		
22	260956	TUBE INTERIOR / 1118MM	1	1	



From 8-9279 To B-9999	Date:10/2022	PAGE:MTH-1894-05
REAR LH - STRUCTURE		

Item#	Part	Description	X L I I M T H 4 5	X L I I M T H 4 5 E	N O T E S
. NS	5001344	. NUT INS FL HEX M6-1.0 0.5-3.0 SS	2	2	
23	261169	TUBE / STREETSIDE CORNER / 1043MM	1	1	
. NS	5001337	. NUT INS FL HEX M8-1.25 0.5-3.0 Z050	6	6	
24	215431	SUPPORT A/C DRYER	1	1	
25	261173	REINFORCEMENT / POST	1	1	
28	286161	STRICKING PLATE	1		
29	212655	ATTACHMENT ROD / WELDED (TO FIX ANYTHING) / 373MM x 11MM DEEP	AR	AR	
30	173362	TUBE 3 x 3 x 2051MM	1		
30	173239	TUBE 3 x 3 x 1416MM		1	
NS	173368	TUBE 2 x 2 x 2055MM	1		
NS	173240	TUBE 2 x 2 x 1400MM		1	
31	174901	SUPPORT ENGINE CRADLE To A-9952	1	1	
31	173691	SUPPORT ENGINE CRADLE From A-9953	1	1	
32	220944	CLOSING PLATE 67MM X 67MM	1	1	
34	173354	TUBE 1248MM	1		
34	173357	TUBE / W/SLIDE-OUT / 1159MM	1		
34	173245	TUBE 1293MM		1	
35	212489	ATTACHMENT ENGINE CRADDLE	1	1	
40	Call order desk	RADIATOR FLOOR ASSY		1	P
40	Call order desk	RADIATOR FLOOR ASSY		1	P
40	261114	. SUPPORT RADIATOR STREETSIDE		1	
41	216023	. SUPPORT FAN CURBSIDE		1	
42	289400	. BOX SUPPORT RADIATOR FLOOR BACKWARD		1	
43	216024	. CLOSING PLATE		1	
44	289401	. SUPPORT FAN RADIATOR / FORWARD		1	
45	216002	POST ASSY BACKWARD FENDER / STREETSIDE		1	
. NS	216003	. CATCH FENDER LOWER		1	
. NS	216015	. ATTACHMENT LOWER RADIATOR DOOR		1	
. NS	502659	. NUT WD RND M6-1.0 SS		2	
. NS	502248	. NUT WD HEX M10-1.5 SS		2	
46	261139	ANGLE CLOSING	1	1	
47	261140	REINFORCMENT		1	
50	MTH-1894-00	REAR CAP - STRUCTURE			
51	MTH-1891-55	LOWER WALL STRUCTURE - MTH 45' ENT 89"			
51	MTH-1891-60	LOWER WALL STRUCTURE - MTH 45'			
60	Call order desk	BEAM ASSY STREETSIDE		1	P
60	Call order desk	BEAM ASSY STREETSIDE		1	P
61	410293	EYE, TOW		1	
64	174901	SUPPORT ENGINE CRADLE		1	



From 8-9279 To B-9999	Date:10/2022	PAGE:MTH-1894-05
-----------------------	--------------	------------------

REAR LH - STRUCTURE

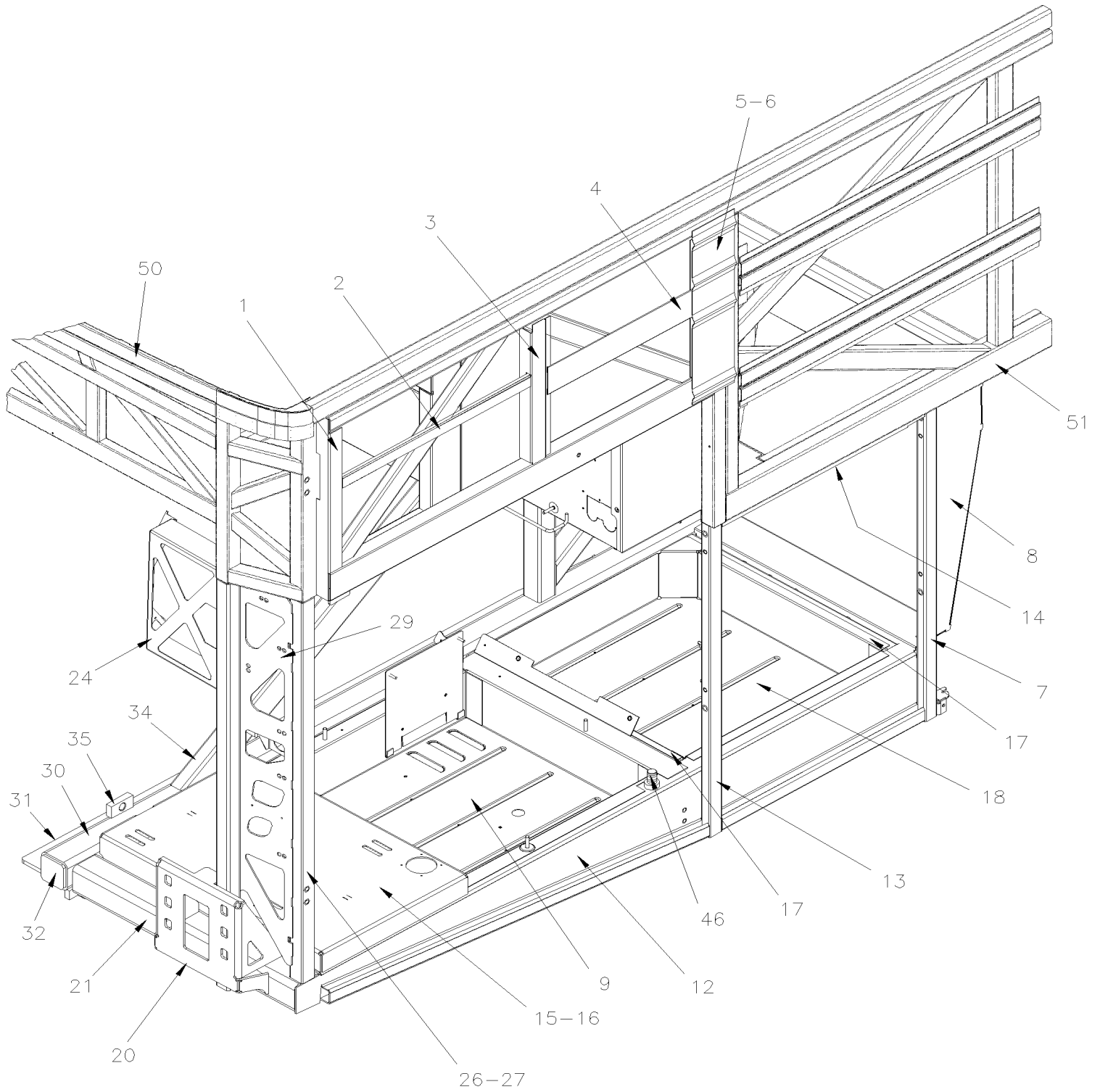
Item#	Part	Description	X L I I M T H 4 5	X L I I M T H 4 5 E	N O T E S
		P) CALL ORDER DESK FOR SPECIFIC APPLICATION (V.I.N.)			

From 8-9279 To B-9999

Date:10/2022

PAGE:MTH-1894-10

REAR RH - STRUCTURE



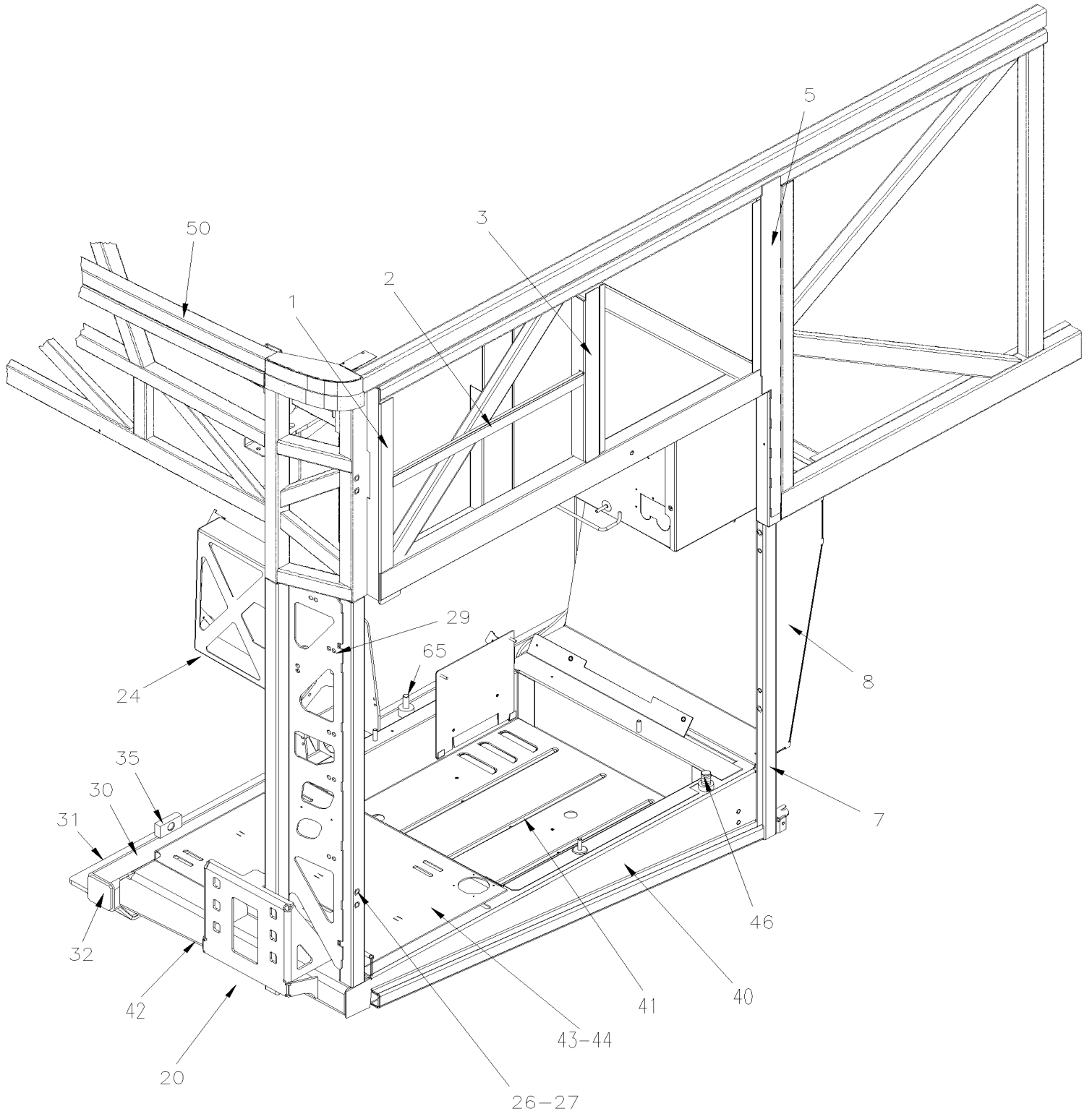
MTH-45'

From 8-9279 To B-9999

Date:10/2022

PAGE:MTH-1894-10

REAR RH - STRUCTURE



MTH-45' ENT.



From 8-9279 To B-9999	Date:10/2022	PAGE:MTH-1894-10
REAR RH - STRUCTURE		

Item#	Part	Description	X L I I M T H 4 5	X L I I M T H 4 5 E	N O T E S
1	260758	ANGLE STREETSIDE	1		
1	260801	ANGLE STREETSIDE		1	
2	231279	SHAPED BAR RH	1		
3	231602	SHAPED BAR	1		
4	231601	SHAPED BAR	1	1	
5	231580	SHAPED BAR	1		
5	231604	SHAPED BAR LH VERTICAL	1		
6	477611	PANEL JUNCTION / B.A.	1		
7	261151	POST ASSY BACKWARD FENDER / CURBSIDE	1	1	
. NS	213942	. CATCH FENDER LOWER	1	1	
. NS	5001337	. NUT INS FL HEX M8-1.25 0.5-3.0 Z050	2	2	
. NS	5001344	. NUT INS FL HEX M6-1.0 0.5-3.0 SS	2	2	
8	261145	FENDER PANEL CURBSIDE	1	1	
9	261156	FLOOR BOX R.H. FOWARD COMPRESSOR BATTERIES SECTION	1		
12	260927	SIDE MEMBER FLOOR SUPPORT R.H.	1		
13	261150	TUBE 857MM	1		
. NS	289416	. SUPPORT KETCH	1		
. NS	5001337	. NUT INS FL HEX M8-1.25 0.5-3.0 Z050	2		
. NS	5001344	. NUT INS FL HEX M6-1.0 0.5-3.0 SS	2		
14	286133	ANGLE 12 x 20 x 595MM	1		
14	286127	ANGLE 30 x 35 x 32MM	1		
15	261171	SUPPORT FLOOR A/C COMPRESSOR		1	
16	260706	REINFORCEMENT "U" 725MM x 44MM	1		
17	261004	REINFORCEMENT "U" 655MM x 38MM	2		
18	261005	FLOOR R.H. / SERVICE COMPARTMENT	1		
20	216033	BRACKET BUMPER L.H. & R.H. / (WELDED AT STRUCTURE)	1	1	
21	261159	TUBE 657MM	1		
22	260889	TUBE INTERIOR / 1118MM	1	1	
24	213951	SUPPORT AIR FILTER	1	1	
26	261131	TUBE / CURBSIDE CORNER / 1046MM	1	1	
. NS	5001337	. NUT INS FL HEX M8-1.25 0.5-3.0 Z050	2	2	
27	216100	SUPPORT BACK-UP ALARM	1	1	
27	216185	SUPPORT AIR FILTER	1		
27	216619	SUPPORT AIR FILTER		1	
28	286161	STRICKING PLATE	1	1	
29	261173	REINFORCEMENT / POST	1	1	
30	173362	TUBE 3 x 3 x 2051MM	1		
30	173239	TUBE 3 x 3 x 1416MM		1	
30	173368	TUBE 2 x 2 x 2055MM	1		
30	173240	TUBE 2 x 2 x 1400MM	1		
31	174901	SUPPORT ENGINE CRADLE To A-9952	1	1	
31	173691	SUPPORT ENGINE CRADLE From A-9953	1	1	



From 8-9279 To B-9999	Date:10/2022	PAGE:MTH-1894-10
REAR RH - STRUCTURE		

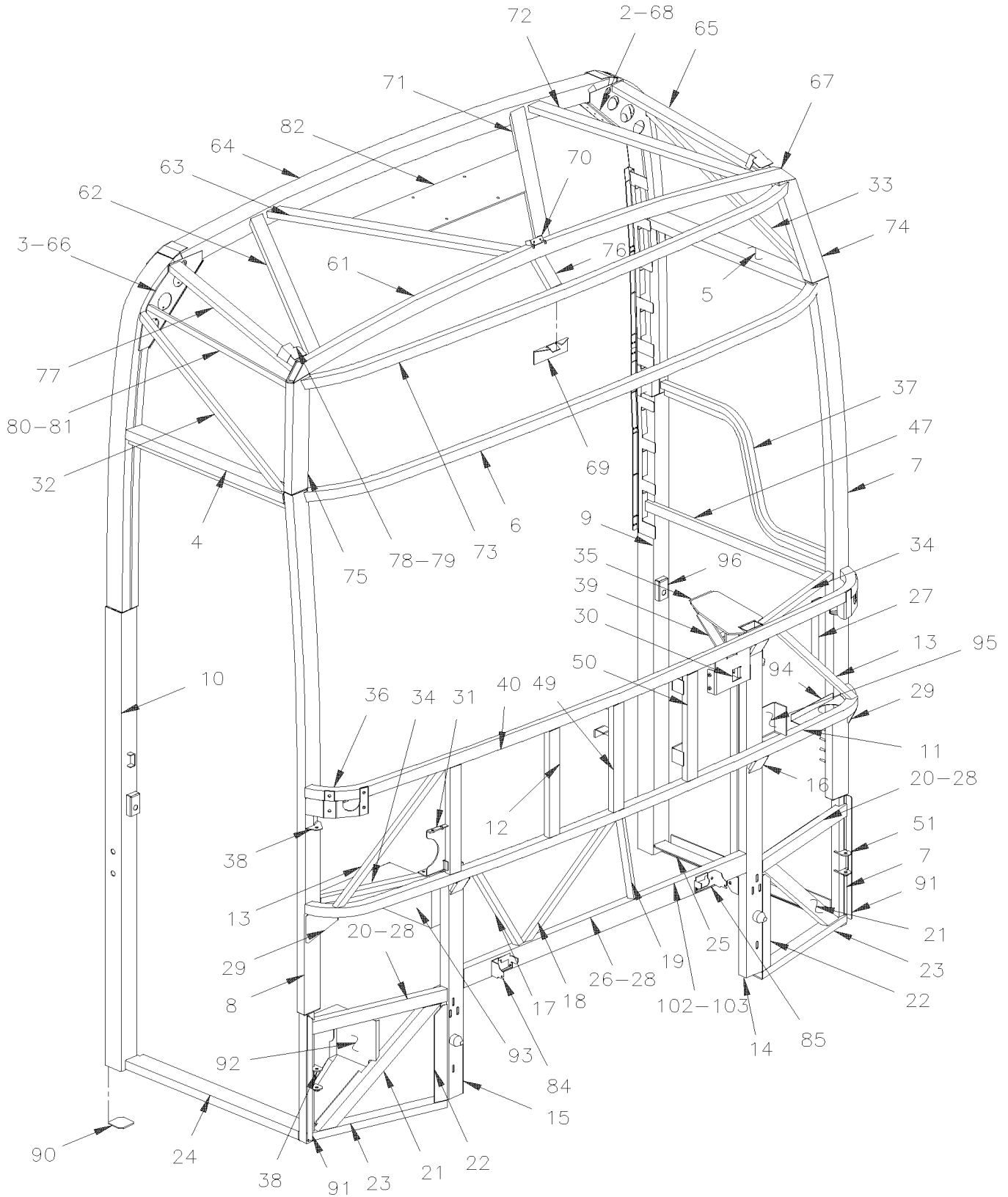
Item#	Part	Description	X L I I M T H 4 5	X L I I M T H 4 5 E	N O T E S
32	220944	CLOSING PLATE 67MM X 67MM	1	1	
34	172655	TUBE 1224MM	1		
34	173354	TUBE 1248MM	1		
34	173357	TUBE / W/SLIDE-OUT / 1159MM	1		
35	212489	ATTACHMENT ENGINE CRADDLE	1	1	
NS	380360	STUD, GROUND (WELDED TO STRUCTURE) 1/2-13	1	1	
40	260902	SIDE MEMBER FLOOR SUPPORT R.H.		1	
41	261143	FLOOR R.H. / BATTERIES COMPARTMENT		1	
42	261125	FORM R.H. SUPPORT 659MM x 90MM		1	
43	261152	SUPPORT FLOOR A/C COMPRESSOR		1	
44	260712	REINFORCEMENT 653MM x 44MM		1	
46	382101	STUD, GROUND (WELDED TO STRUCTURE)	1	1	
47	261003	SUPPORT "U" 655MM		1	
50	MTH-1894-00	REAR CAP - STRUCTURE			
51	MTH-1891-55	LOWER WALL STRUCTURE - MTH 45' ENT 89"			
51	MTH-1891-60	LOWER WALL STRUCTURE - MTH 45'			

From 8-9279 To B-9999

Date:10/2022

PAGE:MTH-1895-00

FRONT STRUCTURE





From 8-9279 To B-9999 Date:10/2022 PAGE:MTH-1895-00

FRONT STRUCTURE

Item#	Part	Description	X L I I M T H 4 5	X L I I M T H 4 5 E	N O T E S
	251003P	FRONT STRUCTURE ASSY W/FRONT ROOF / 86"	1		
	251005P	FRONT STRUCTURE ASSY W/FRONT ROOF / 89"		1	
2	251092	. REAR REINFORCEMENT PLATE L.H.	1	1	
3	251093	. REAR REINFORCEMENT PLATE R.H.	1	1	
4	251074	. TUBE ASSY UPPER DOOR	1	1	
4	251214	. . TUBE	1	1	
4	251077	. . PLATE 743.6MM X 3/16"	1	1	
5	251064	. TUBE ASSY UPPER DRIVER WINDOW	1	1	
5	250952	. . TUBE	1	1	
5	251057	. . PLATE 743.6MM X 3/16"	1	1	
6	250928	. TUBE / WITH SMALL WINDSHIELD ONLY	1	1	
7	251551	. POST ASSY FRONT L.H. / MTH 86"	1		
7	251558	. POST ASSY FRONT L.H. / MTH 89"		1	
7	251554	. . TUBE 1½" X 3" X 2008MM / MTH 86"	1		
7	251559	. . TUBE 1½" X 3" X 2085MM / MTH 89"		1	
7	251071	. . SEAL DOOR BAR LOWER 1038MM	1		
7	251072	. . SEAL DOOR BAR LOWER 1461MM		1	
7	251055	. . SEAL DOOR BAR UPPER 974MM	1	1	
7	250962	. . CLOSING PLATE / UPPER TUBE 33 X 71MM	1	1	
7	251082	. . HINGE SUPPORT UPPER	1	1	
7	251033	. . HINGE SUPPORT LOWER	1	1	
7	251553	. . TUBE LOWER 1½" X 1½" X 521MM	1	1	
7	251221	. . STOPPER DOOR	1	1	
7	502737	. SCREW CAP HEX M6-1.0x25 SS BK	4	4	
8	251552	. POST ASSY FRONT R.H. / MTH 86"	1		
8	251557	. POST ASSY FRONT R.H. / MTH 89"		1	
8	251555	. . TUBE 1" X 3" X 2008MM / MTH 86"	1		
8	251560	. . TUBE 1" X 3" X 2085MM / MTH 89"		1	
8	251016	. . SEAL DOOR BAR UPPER 1038MM	1		
8	251072	. . SEAL DOOR BAR LOWER 1461MM		1	
8	250962	. . CLOSING PLATE / UPPER TUBE 33 X 71MM	1	1	
8	251083	. . HINGE SUPPORT / UPPER	1	1	
8	251001	. . HINGE SUPPORT / LOWER	1	1	
8	251553	. TUBE LOWER 1½" X 1½" X 521MM	1	1	
9	250995	. POST ASSY REAR L.H. / MTH 86"	1		
9	250982	. POST ASSY REAR L.H. / MTH 89"		1	
9	271086	. . TUBE / MTH 83" & MTH 86" / 3" X 3" X 1760MM	1		
9	271244	. . TUBE 3" X 3" X 1836MM / MTH 89"		1	
9	271090	. . TUBE UPPER / 1352MM / MTH 86" & MTH 89"	1	1	
9	251098	. . TUBE INTERIOR / MTH 86" & MTH 89" / 1114MM	1	1	
9	251113	. . SEAL DOOR BAR LOWER 1781MM / MTH 89"		1	
9	251078	. . SEAL DOOR BAR UPPER 656MM / MTH 86" & MTH	1		



From 8-9279 To B-9999	Date:10/2022	PAGE:MTH-1895-00
-----------------------	--------------	------------------

FRONT STRUCTURE

Item#	Part	Description	X L I I M T H 4 5	X L I I M T H 4 5 E	N O T E S
9	271088	. . PLATE JUNCTION / CENTER OF PO 73MM X 76MM	1	1	
9	271187	. . CABLE SUPPORT	2	2	
10	250996	. . POST ASSY REAR R.H. / MTH 86"	1	1	
10	250983	. . POST ASSY REAR R.H. / MTH 89"		1	
10	271086	. . TUBE / MTH 83" & MTH 86" / 3" X 3" X 1760MM	1		
10	271244	. . TUBE 3" X 3" X 1836MM / MTH 89"		1	
10	271090	. . TUBE UPPER / 1352MM / MTH 86" & MTH 89"	1	1	
10	251098	. . TUBE INTERIOR / MTH 86" & MTH 89" / 1114MM	1	1	
10	251021	. . SEAL DOOR BAR 2274MM	1		
10	251016	. . SEAL DOOR BAR UPPER 1038MM	1		
10	251019	. . SEAL DOOR BAR / MTH 89"		1	
10	251463	. . SEAL DOOR BAR LOWER 1463MM / MTH 89"		1	
10	271088	. . PLATE JUNCTION / CENTER OF PO 73MM X 76MM	1	1	
10	251012	. . STRIKER PIN RETAINER	1	1	
10	251085	. . CATCH / DOOR LOCK RETAINER	1	1	
11	250929	. . TUBE	1	1	
12	251029	. . TUBE / MTH 86"	1		
12	251030	. . TUBE / MTH 89"		1	
13	251044	. . TUBE / MTH 86"	2		
13	251045	. . TUBE / MTH 89"		2	
14	251037	. . TUBE L.H. ASSY / MTH 86" / 1405MM	1		
14	251038	. . TUBE L.H. ASSY / MTH 89" / 1482MM		1	
14	251007	. . TUBE L.H. / MTH 86" / 1405MM	1		
14	251008	. . TUBE L.H. / MTH 89" / 1482MM		1	
14	251062	. . TUBE L.H. REAR / 768MM	1	1	
14	281345	. . SUPPORT DOOR ARM	1	1	
14	161097	. . PLATE 150MM X 170MM	1	1	
14	161098	. . REINFORCEMENT	1	1	
14	410973	. . CENTER PIN	1	1	
15	251040	. . TUBE R.H. ASSY / 882MM	1	1	
15	250970	. . TUBE R.H. / 882MM	1	1	
15	281345	. . SUPPORT DOOR ARM	1	1	
15	251120	. . CLOSING PLATE	1	1	
15	410657	. . CENTER PIN	1	1	
16	250947	. . SUPPORT	3	3	
17	251032	. . TUBE	1	1	
18	251013	. . TUBE	1	1	
19	251043	. . TUBE	1	1	
20	250945	. . TUBE	2	2	
21	250948	. . TUBE	2	2	
22	251215	. . PLATE	2	2	
23	172220	. . TUBE	2	2	



From 8-9279 To B-9999	Date:10/2022	PAGE:MTH-1895-00
FRONT STRUCTURE		

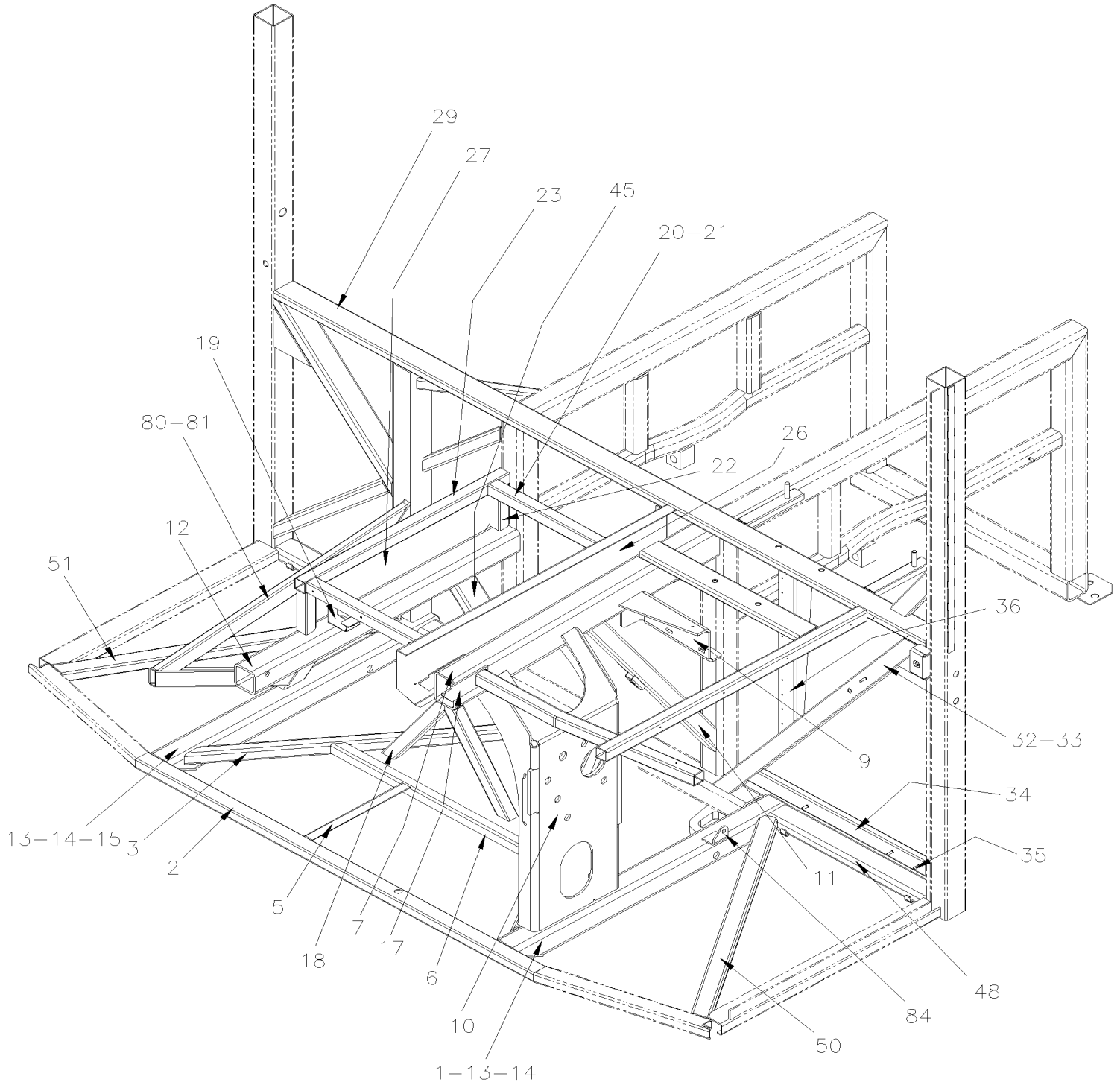
Item#	Part	Description	X L I I M T H 4 5	X L I I M T H 4 5 E	N O T E S
24	251014	. TUBE LOWER STEP	1	1	
25	251070	. TUBE LOWER SERVICE DOOR ASSY	1	1	
25	172215	. . PROFILE	1	1	
25	251026	. . PLATE	1	1	
26	251212	. TUBE	1	1	
27	251105	. DASH SUPPORT	1	1	
27	251107	. DASH SUPPORT / MTH 89"		1	
28	212655	. ATTACHMENT ROD / WELDED (TO FIX ANYTHING) / 373MM x 11MM DEEP	5	5	
29	251047	. REINFORCEMENT	2	2	
30	251086	. SUPPORT WIPER L.H.	1	1	
31	251087	. SUPPORT WIPER R.H.	1	1	
32	251050	. TUBE / WITH SMALL WINDSHIELD ONLY	1		
33	251051	. TUBE / WITH SMALL WINDSHIELD ONLY	1		
34	251049	. TUBE	1	1	
35	161095	. REINFORCEMENT	1	1	
36	064901	. DOOR SWITCH SUPPORT	1	1	
37	251073	. TUBE ASSY "S" SHAPE / MTH 86" & MTH 89"	1	1	
37	251075	. . TUBE "S" SHAPE / MTH 86" & MTH 89"	1	1	
37	251076	. . PLATE "S" SHAPE / MTH 86" & MTH 89"	1	1	
38	MTH-1862-60	ENTRANCE DOOR FRAME - INSTALLATION			
38	251083	. HINGE SUPPORT / UPPER	1	1	
38	251001	. HINGE SUPPORT / LOWER	1	1	
39	161096	. STEERING SUPPORT	1	1	
40	251184	. TUBE WINDSHIELD ASSY	1	1	
40	251181	. . SUPPORT L.H.	1	1	
40	251182	. . SUPPORT R.H.	1	1	
40	251183	. . TUBE	1	1	
41	251185	. STOPPER SERVICE DOOR	1	1	
47	251176	. TUBE	1	1	
49	251149	. TUBE CENTER ASSY / MTH 86"	1		
49	251151	. TUBE CENTER ASSY / MTH 89"		1	
49	251029	. . TUBE / MTH 86"	1		
49	251030	. . TUBE / MTH 89"		1	
49	251104	. . SUPPORT	1	1	
50	251150	. TUBE ASSY L.H. / MTH 86"	1		
50	251152	. TUBE ASSY L.H. / MTH 89"		1	
50	251029	. . TUBE / MTH 86"	1		
50	251031	. . TUBE	1	1	
50	251103	. . SUPPORT	2	2	
51	251033	. HINGE SUPPORT LOWER	1	1	
61	271397	. TUBE	1	1	
62	271141	. TUBE R.H.	1	1	

From 8-9279 To B-9999

Date:10/2022

PAGE:MTH-1895-50

FRONT LOWER FLOOR STRUCTURE - MTH

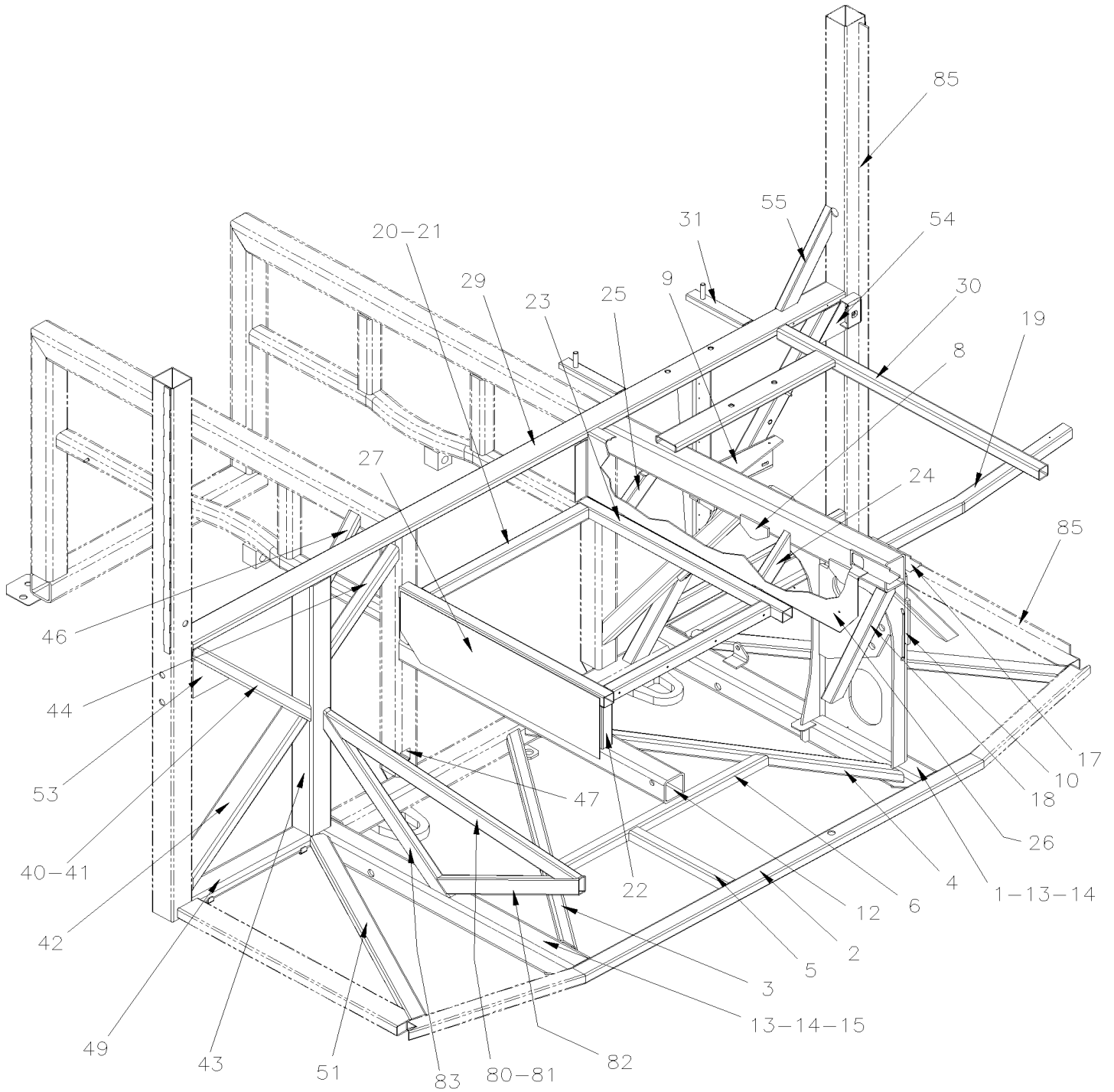


From 8-9279 To B-9999

Date:10/2022

PAGE:MTH-1895-50

FRONT LOWER FLOOR STRUCTURE - MTH





From 8-9279 To B-9999	Date:10/2022	PAGE:MTH-1895-50
FRONT LOWER FLOOR STRUCTURE - MTH		

Item#	Part	Description	X L I I M T H 4 5	X L I I M T H 4 5 E	N O T E S
1	173140	BRACE, GEAR BOX SUPPORT	1	1	
2	287317	TUBE / HINGE ASSY	1	1	
3	172255	TUBE	1	1	
4	172258	TUBE	1	1	
5	172227	ANGLE	1	1	
6	172257	TUBE	1	1	
7	172273	TUBE 1022MM	1	1	
8	172796	REINFORCMENT "TRIANGULAR SHAPE 100MM x60MM	2	2	
9	172281	SUPPORT BRAKE VALVE	1	1	
10	173092	SUPPORT GEAR BOX STEERING / W/ "ZF"	1	1	
11	213856	TUBE 837MM	1	1	
12	214598	TUBE 981MM	1	1	
13	220944	CLOSING PLATE 67MM X 67MM	2	2	
14	172204	CLOSING PLATE 115MM X 68MM	2	2	
15	172203	TUBE	1	1	
17	251048	REINFORCEMENT	2	2	
18	213847	TUBE	2	2	
19	172870	SUPPORT / WATER PUMP	1	1	
20	172304P	FLOOR ASSY	1	1	
21	172285	. TUBE 584MM	2	2	
22	172288	. TUBE 144MM	2	2	
23	172289	. TUBE / CURBSIDE 758MM	2	2	
24	172299	TUBE / FORWARD / BETWEEN FLOOR & TUBE #8	1	1	
25	172300	TUBE / BACWARD / BETWEEN FLOOR & TUBE #8	1	1	
26	213934	SUPPORT FLOOR	1	1	
27	172351	PANEL	1	1	
28	213962	TUBE FRONT DRIVER'S FLOOR SUPPORT	1	1	
29	213929	TUBE ASSY	1	1	
30	218169	DRIVER'S FLOOR ASSY	1	1	
31	214284	ATTACHMENT SAFETY BELT	2	2	
32	214301	"Z" FRAME ASSY	1	1	
33	213964	. TUBE TRANSVERSALE / STREET SIDE / 1154MM	1	1	
34	213965	. TUBE	1	1	
35	5001354	. STUD WD WOC M6-1.0X20 SS	4	4	
36	214383	REINFORCEMENT / DRIVER'S SEAT	1	1	
40	Call order desk	"X" FRAME ASSY	1	1	P
40	214718P	"X" FRAME ASSY	1	1	
41	214709	. TUBE 633MM	1	1	
42	214710	. TUBE 567MM	1	1	
43	214711	. TUBE 857MM	1	1	
44	214713	. TUBE 410MM	1	1	
45	214714	. TUBE 440MM	1	1	



From 8-9279 To B-9999	Date:10/2022	PAGE:MTH-1895-50
-----------------------	--------------	------------------

FRONT LOWER FLOOR STRUCTURE - MTH

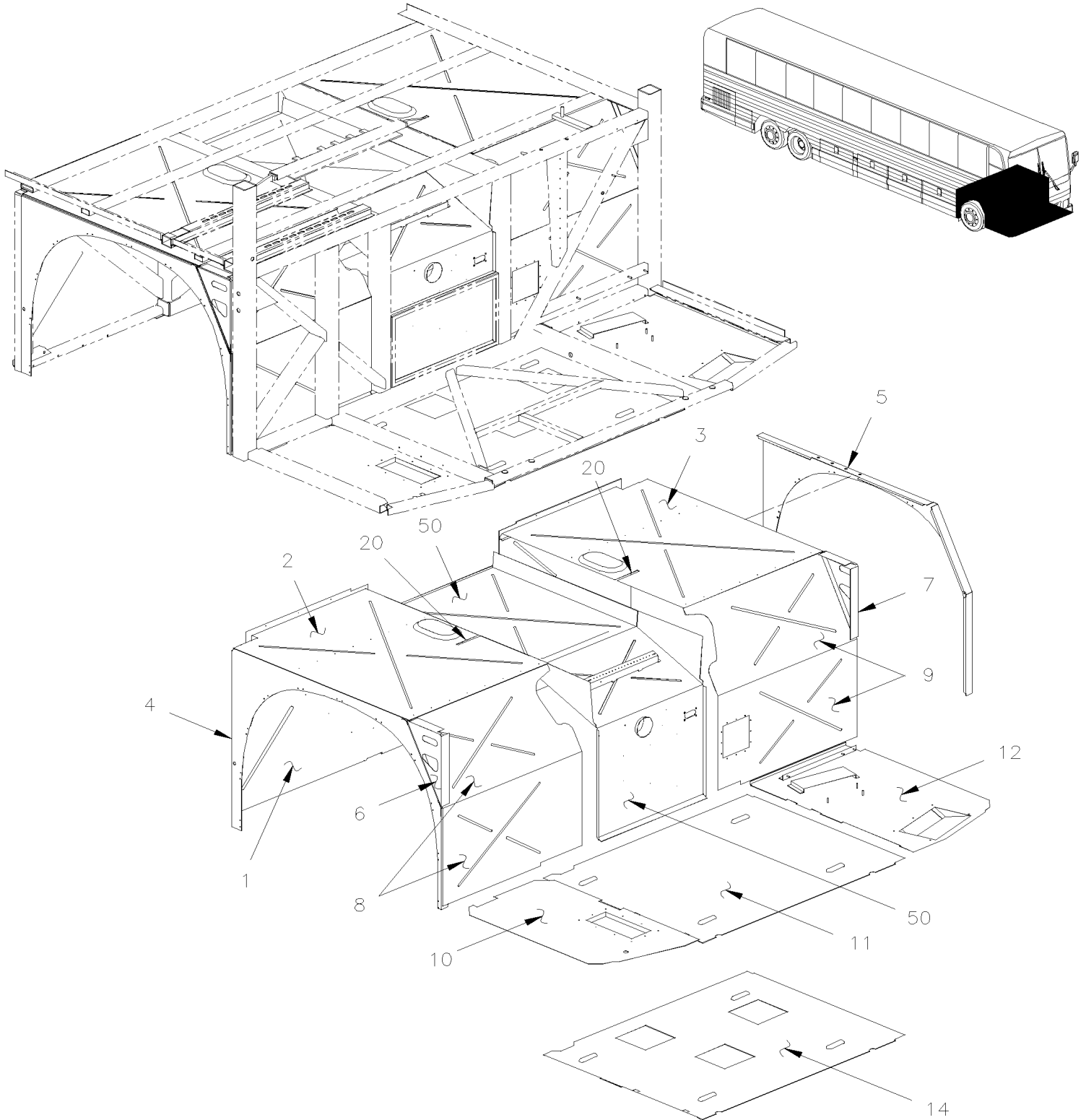
Item#	Part	Description	X L I I M T H 4 5	X L I I M T H 4 5 E	N O T E S
46	214716	. TUBE 350MM	1	1	
47	214717	SUPPORT	1	1	
48	172267	TUBE 584MM	1	1	
49	172214	TUBE 569MM	1	1	
50	172268	TUBE / STREET SIDE / 964MM	1	1	
51	172213	TUBE / CURBSIDE / 931MM	1	1	
53	214712	REINFORCEMENT	1	1	
54	214113	REINFORCEMENT / TRIANGULAR SHAPE	1	1	
55	251080	TUBE	1	1	
80	Call order desk	REINFORCEMENT ASSY / TRIANGULAR SHAPE	1	1	P
80	Call order desk	REINFORCEMENT ASSY / TRIANGULAR SHAPE	1	1	P
81	214056	. TUBE / UPPER	1	1	
82	214057	. TUBE / BACKWARD	1	1	
83	213854	. TUBE / FORWARD	1	1	
84	285155	ANGLE SUPPORT BUMPER SPRING	1	1	
85	MTH-1895-00	FRONT STRUCTURE			
		P) CALL ORDER DESK FOR SPECIFIC APPLICATION (V.I.N.)			

From 8-9279 To B-9999

Date:10/2022

PAGE:MTH-1896-50

FRONT SHEATING - MTH - MTH





From 8-9279 To B-9999	Date:10/2022	PAGE:MTH-1896-50
FRONT SHEATING - MTH - MTH		

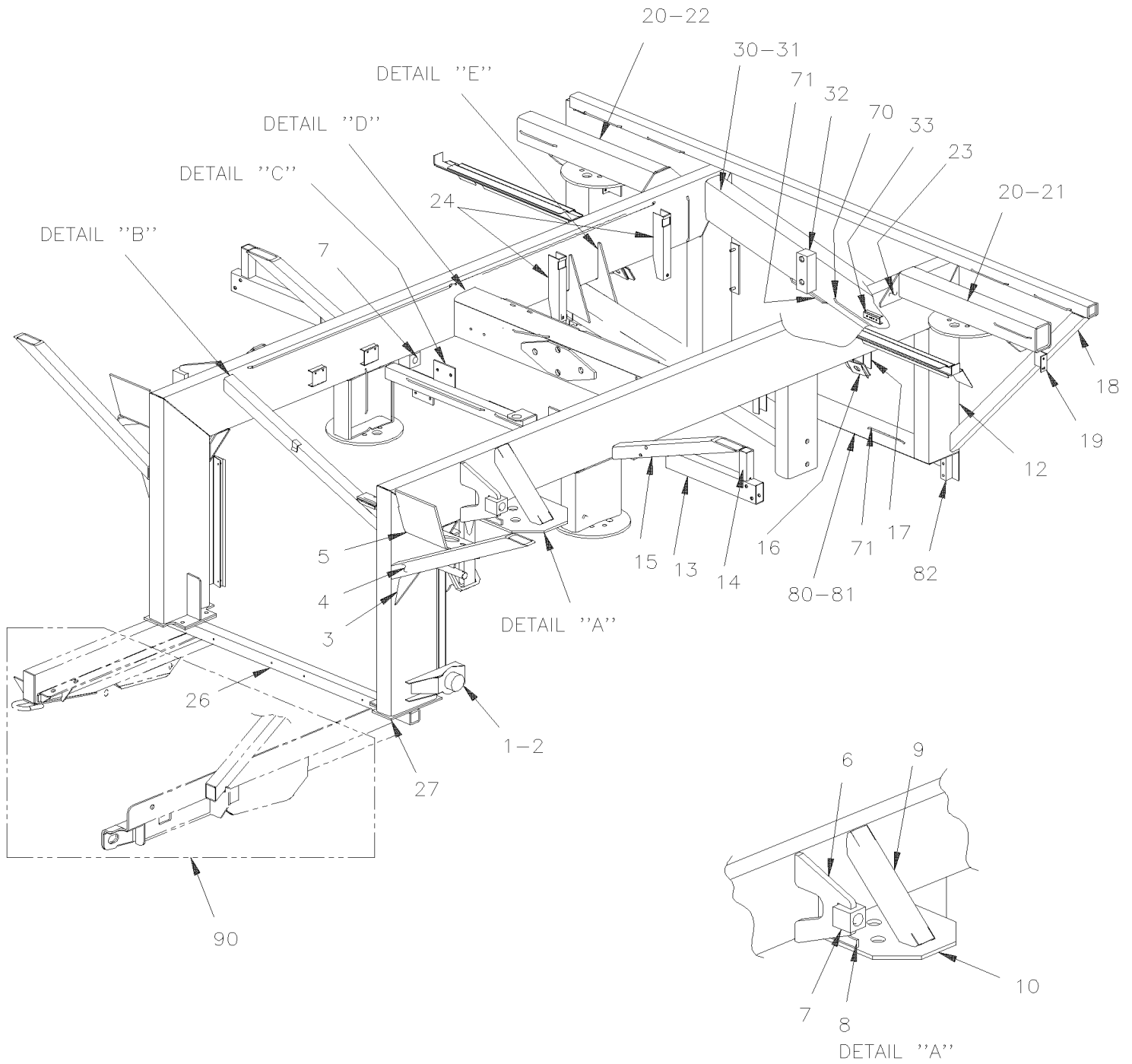
Item#	Part	Description	X L I I M T H 4 5	X L I I M T H 4 5 E	N O T E S
1	214670	PANEL BACKWARD FRONT FENDER / ONE PIECE	1	1	
2	216010	PANEL FENDER TOP / CURBSIDE	1	1	
3	216006	PANEL FENDER TOP / STREETSIDE	1	1	
3	215336	PANEL FENDER STOP / STREETSIDE / W/SLIDE-OUT	1		S
4	213700	PANEL SIDE FENDER / CURBSIDE	1	1	
5	213698	PANEL SIDE FENDER / STREETSIDE	1	1	
5	213699	PANEL SIDE FENDER / STREETSIDE	1		
6	214410	CLOSING PLATE TRIANGULAR SHAPE / CURBSIDE	1	1	
7	214409	CLOSING PLATE TRIANGULAR SHAPE / STREETSIDE	1	1	
8	216008	PANEL FORWARD FRONT FENDER / CURBSIDE	1	1	
9	216007	PANEL FORWARD FRONT FENDER / STREETSIDE	1	1	
10	214731	FLOOR PANEL UNDER STEPWELL / CURBSIDE	1	1	
11	173098	FLOOR PANEL CENTER PART STD W/MTH W/O SPARE TIRE	1	1	
11	173011	FLOOR PANEL CENTER PART WITHOUT HOLE	1	1	O
12	172324	FLOOR PANEL STEERING COMPARTMENT / STREETSIDE	1	1	
12	219915	FLOOR PANEL STEERING COMPARTMENT / STREETSIDE	1	1	
14	173100	FLOOR PANEL CENTER PART "OPTION MARATHON"	1	1	M
20	215333	CLOSING PLATE "U" FORM / 154MM	2	2	
50	MTH-1897-50	FRONT SUB-FRAME / W/INDEPENDENT SUSPENSION			
		M) WITH "MARATHON" CONVERTER'S			
		O) WITHOUT PERFORATION			
		S) WITH "SLIDEOUT"			

From 8-9279 To B-9999

Date:10/2022

PAGE:MTH-1897-10

REAR SUB-FRAME - MTH-45'

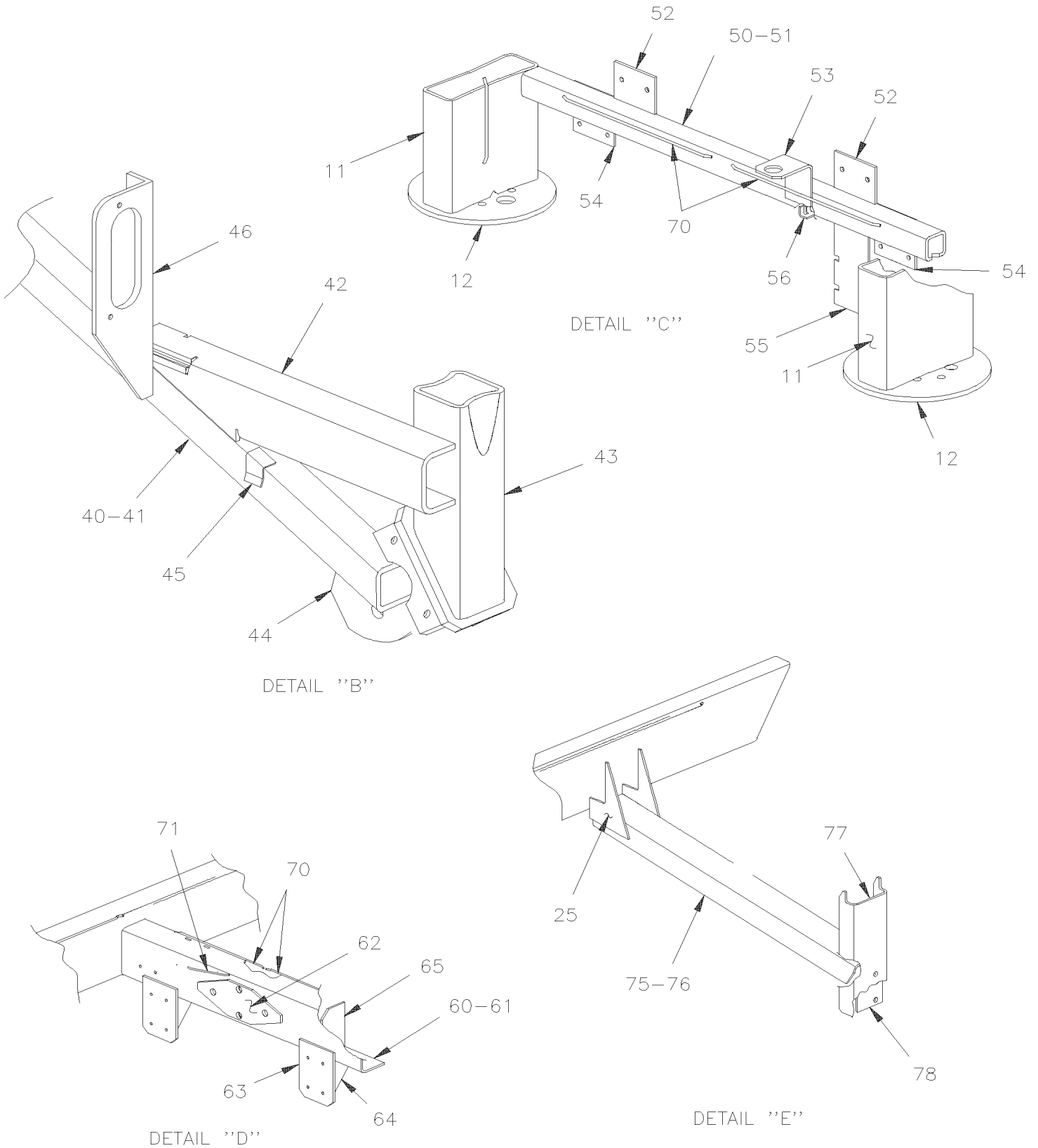


From 8-9279 To B-9999

Date:10/2022

PAGE:MTH-1897-10

REAR SUB-FRAME - MTH-45'





From 8-9279 To B-9999	Date:10/2022	PAGE:MTH-1897-10
REAR SUB-FRAME - MTH-45'		

Item#	Part	Description	X L I I M T H 4 5	X L I I M T H 4 5 E	N O T E S
1	171451	PIN ATTACHMENT / SUSPENSION ROD	2		
2	171452	PLATE REINFORCEMENT L.H.	1		
2	171454	PLATE REINFORCEMENT R.H.	1		
3	170448	GUSSET, FLOOR TUBE REINFORCEMENT	2		
4	170261	TUBE 738MM	2		
5	Call order desk	BRACKET / R.H.	1		P
5	Call order desk	BRACKET / L.H.	1		P
6	Call order desk	SUPPORT SHOCK ASSY	2		P
7	171032	. SUPPORT 1"-14 / SHOCK ABSORBER / 55MM	1		
8	171392	REINFORCEMENT	4		
9	172702	REINFORCEMENT "U" 313MM	2		
10	171390	SUPPORT	2		
11	131572	SUPPORT	1		
12	131356	BELLOW PLATE	2		
13	212606	TUBE 430MM	2		
14	212605	TUBE 111MM	2		
15	171505	TUBE 635MM	2		
16	214381	SUPPORT PROTECTOR BELLOW	1		
16	215239	SUPPORT PROTECTOR BELLOW / STREETSIDE	1		
16	215240	SUPPORT PROTECTOR BELLOW / CURBSIDE	1		
17	172147	SUPPORT "U" / AIR TANK / 263MM	2		
18	170262	TUBE 986MM	2		
19	172428	SUPPORT VALVE HEIGHT CONTROL	2		
20	171398	TUBE	2		
21	121568	SUPPORT SHOCK ASSY CURB SIDE	1		
. NS	171032	. SUPPORT 1"-14 / SHOCK ABSORBER / 55MM	1		
22	121564	SUPPORT SHOCK ASSY STREET SIDE	1		
. NS	171032	. SUPPORT 1"-14 / SHOCK ABSORBER / 55MM	1		
23	170254	ATTACHMENT PLATE	2		
24	171600	SUPPORT "U" / AIR TANK / 250MM	2		
25	171501	REINFORCEMENT	2		
26	171605	BAR, TRANSMISSION PROTECTOR	1		
27	171482	ATTACHMENT PLATE	1		
30	Call order desk	BEAM, RADIUS ROD SUPPORT	1		P
31	130799	. TUBE 42 7/16"	1		
32	214126	. ANCHOR BLOCK	1		
33	121507	. SUPPORT "U" 70MM	1		
40	Call order desk	ATTACHMENT LATERAL ROD ASSY	1		P
41	171775	. TUBE 1122MM	1		
42	172973	. TUBE 454MM	1		
43	171773	. TUBE 265MM	1		
44	131785	. SUPPORT ASSY / (WELDED)	1		



From 8-9279 To B-9999	Date:10/2022	PAGE:MTH-1897-10
REAR SUB-FRAME - MTH-45'		

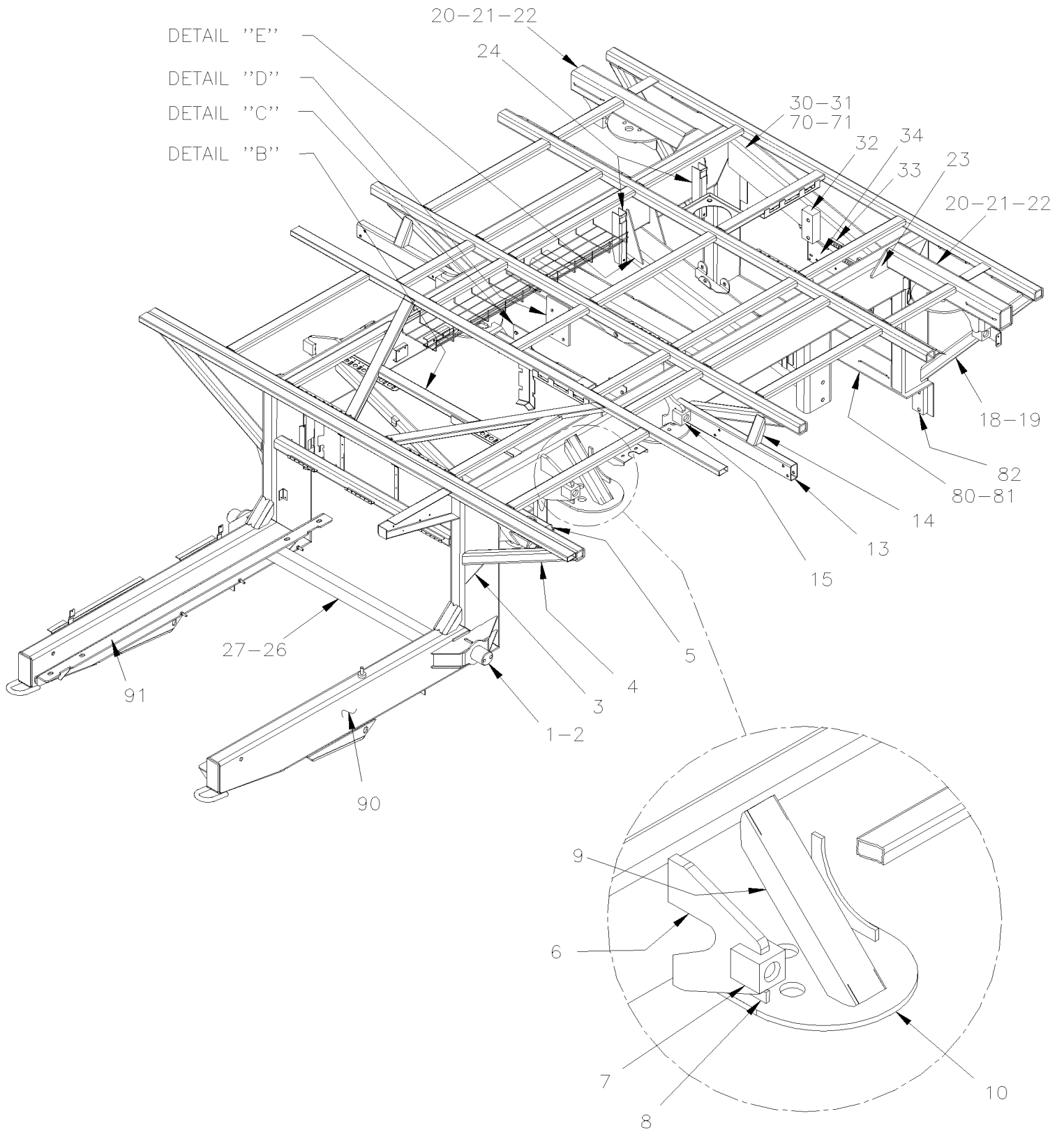
Item#	Part	Description	X L I I M T H 4 5	X L I I M T H 4 5 E	N O T E S
45	071081	. SUPPORT	2		
46	142187	. SUPPORT PING TANK	1		
47	172972	. TUBE 111MM	1		
50	Call order desk	TUBE ASSY W/VALVE SUPPORT	1		P I
51	171373	. TUBE 1014MM	1		
52	171397	. SUPPORT VALVE	2		
53	171993	. SUPPORT VALVE INVERSION	2		I
54	171312	. SUPPORT, BULKHEAD ASSY / W/O ABS OPTION	1		
55	171973	. SUPPORT AIR TANK	2		
56	172991	. ATTACHMENT	2		
60	172988P	CHANNEL W/REINFORCEMENT / TRIPODE REAR AXLE / 1015MM WIDE	1		I
61	172986	. REINFORCEMENT "C" 1015MM	1		
62	172307	. REINFORCEMENT PLATE (LOZANGE FORM)	1		
63	171978	. SUPPORT	2		
64	171976	. REINFORCEMENT	2		
65	171536	. REINFORCEMENT	2		
70	212655	ATTACHMENT ROD / WELDED (TO FIX ANYTHING) / 373MM x 11MM DEEP	AR		
71	214025	ATTACHMENT ROD / WELDED (TO FIX ANYTHING) / 177MM x 11MM DEEP	AR		
75	Call order desk	ATTACHMENT LATERAL ROD ASSY W/YAW	1		P
76	172426	. CHANNEL "C" 1115MM	1		
77	172516	. CHANNEL "J" 422MM	1		
78	172226	. REINFORCEMENT SUPPORT	1		
78	173334	. SUPPORT YAW	1		
NS	214025	. ATTACHMENT ROD / WELDED (TO FIX ANYTHING) / 177MM x 11MM DEEP	1		
80	Call order desk	REAR RADIUS ROD ATTACHMENT ANGLE ASSY	1		P
80	Call order desk	REAR RADIUS ROD ATTACHMENT ANGLE ASSY	1		P S
81	214131	. ANGLE	1		
81	214577	. ANGLE	1		
81	172992	. ANGLE	1		S
82	214388	. ANCHOR BLOCK	1		
90	MTH-1894-05	REAR LH - STRUCTURE			
90	MTH-1894-10	REAR RH - STRUCTURE			
		I) WITH INDENDANT SUSPENSION			
		S) WITH SLIDE-OUT			
		P) CALL ORDER DESK FOR SPECIFIC APPLICATION (V.I.N.)			

From 8-9279 To B-9999

Date:10/2022

PAGE:MTH-1897-11

REAR SUB-FRAME - MTH-45' ENT



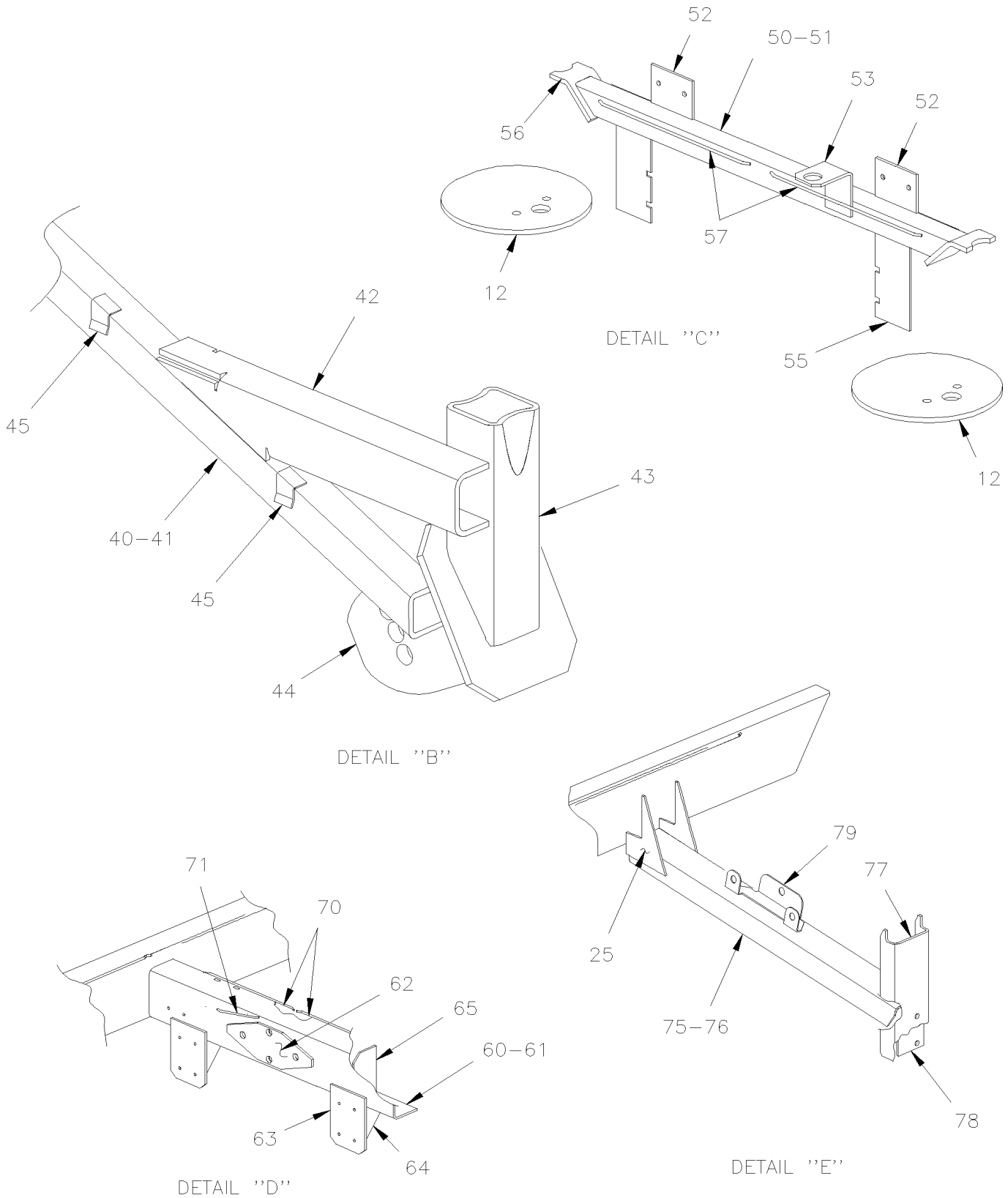


From 8-9279 To B-9999

Date:10/2022

PAGE:MTH-1897-11

REAR SUB-FRAME - MTH-45' ENT





From 8-9279 To B-9999	Date:10/2022	PAGE:MTH-1897-11
REAR SUB-FRAME - MTH-45' ENT		

Item#	Part	Description	X L I I M T H 4 5	X L I I M T H 4 5 E	N O T E S
1	173111P	PIN ATTACHMENT / SUSPENSION ROD		2	
2	171049	. PIN ATTACHMENT / SUSPENSION ROD		1	
2	173112	. PLATE REINFORCEMENT UPPER & LOWER		2	
2	173113	. PLATE REINFORCEMENT FRONT		1	
2	173189	. PLATE REAR		1	
3	170448	GUSSET, FLOOR TUBE REINFORCEMENT		2	
4	170261	TUBE 738MM		2	
5	173154	BRACKET / R.H.		1	
5	173155P	BRACKET / L.H.		1	
6	Call order desk	SUPPORT SHOCK ASSY		2	P T
7	171032	. SUPPORT 1"-14 / SHOCK ABSORBER / 55MM		1	
8	171392	REINFORCEMENT		4	
9	172702	REINFORCEMENT "U" 313MM		2	
10	173156	BELLOW PLATE		2	
12	131356	BELLOW PLATE		2	
13	215498	TUBE SPLASHGUARD SUPPORT		2	
14	215497	REINFORCMENT		2	
15	173115	SUPPORT SHOCK ASSY		1	
18	170262	TUBE 986MM		2	
19	173146	SUPPORT VALVE HEIGHT CONTROL		2	
20	171398	TUBE		2	
21	173135	SUPPORT SHOCK ABSORBER BLOCK		1	
22	171032	SUPPORT 1"-14 / SHOCK ABSORBER / 55MM		1	
23	170254	ATTACHMENT PLATE		2	
24	171600	SUPPORT "U" / AIR TANK / 250MM		2	S
24	172147	SUPPORT "U" / AIR TANK / 263MM		2	C
25	171501	REINFORCEMENT		2	
26	171605	BAR, TRANSMISSION PROTECTOR		1	
27	171482	ATTACHMENT PLATE		1	
30	Call order desk	BEAM, RADIUS ROD SUPPORT		1	P
31	130799	. TUBE 42 7/16"		1	
32	215824	. ANCHOR BLOCK		1	
33	121507	. SUPPORT "U" 70MM		1	
34	173134	SUPPORT VALVE		1	
40	Call order desk	ATTACHMENT LATERAL ROD ASSY		1	P
41	173138	. TUBE		1	
42	173116	. TUBE		1	
43	173139	. TUBE		1	
44	131785	. SUPPORT ASSY / (WELDED)		1	
45	071081	. SUPPORT		2	
50	Call order desk	TUBE ASSY W/VALVE & TANK SUPPORT		1	P
51	173143	. TUBE		1	



From 8-9279 To B-9999	Date:10/2022	PAGE:MTH-1897-11
REAR SUB-FRAME - MTH-45' ENT		

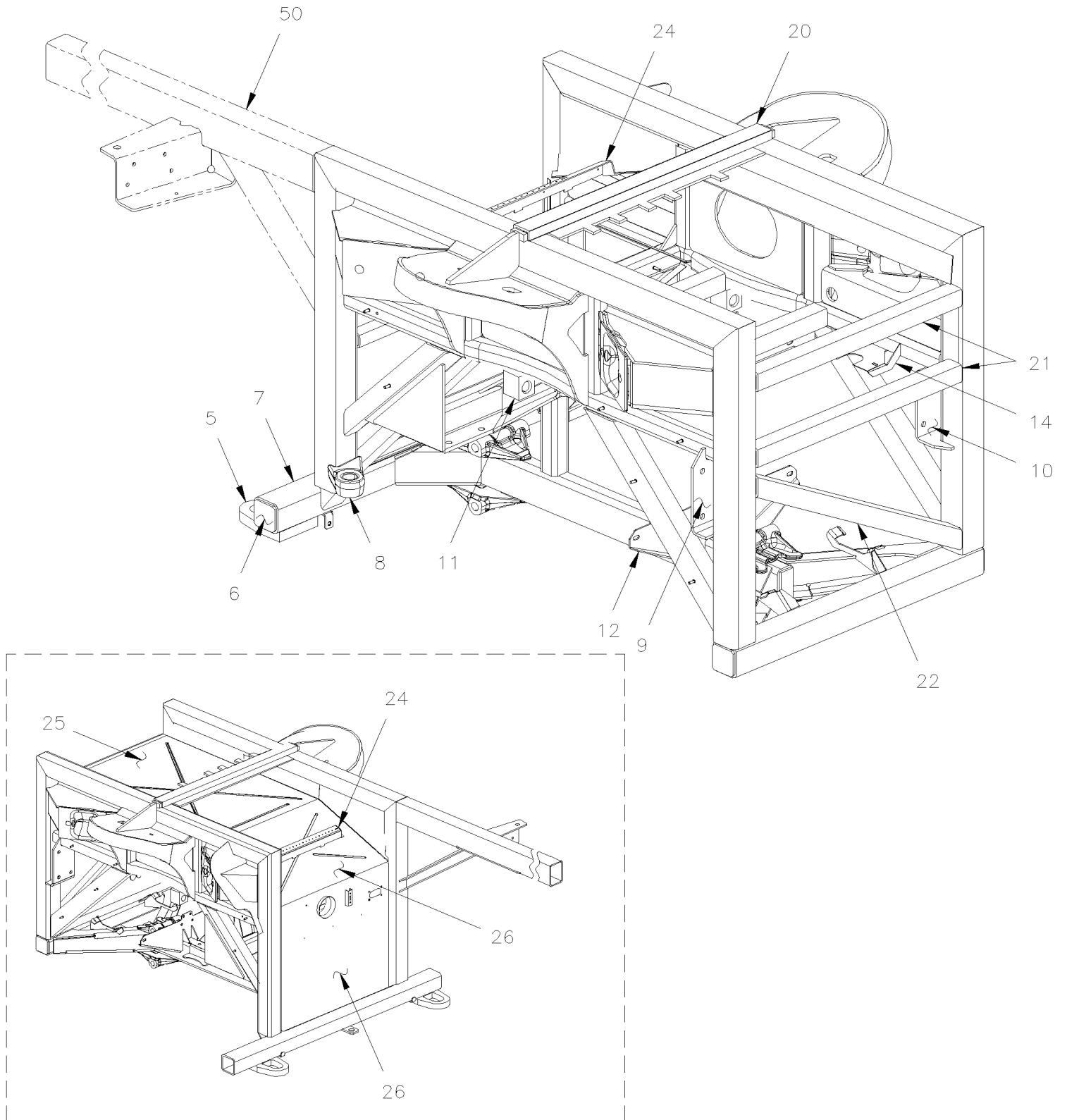
Item#	Part	Description	X L I I M T H 4 5	X L I I M T H 4 5 E	N O T E S
52	171397	. SUPPORT VALVE		2	
53	171993	. SUPPORT VALVE INVERSION		1	
55	171973	. SUPPORT AIR TANK		2	
56	173145	. PLATE SUPPORT TUBE		2	
57	214025	ATTACHMENT ROD / WELDED (TO FIX ANYTHING) / 177MM x 11MM DEEP		4	
60	Call order desk	CHANNEL W/REINFORCEMENT / TRIPODE REAR AXLE / 1015MM WIDE To A-9951		1	P
60	Call order desk	CHANNEL W/REINFORCEMENT / TRIPODE REAR AXLE / 1015MM WIDE From A-9952		1	P
61	172986	. REINFORCEMENT "C" 1015MM		1	
62	172307	. REINFORCEMENT PLATE (LOZANGE FORM)		1	
63	171978	. SUPPORT		2	
64	171976	. REINFORCEMENT		2	
65	171536	. REINFORCEMENT		2	
70	212655	ATTACHMENT ROD / WELDED (TO FIX ANYTHING) / 373MM x 11MM DEEP		AR	
71	214025	ATTACHMENT ROD / WELDED (TO FIX ANYTHING) / 177MM x 11MM DEEP		AR	
75	173149P	ATTACHMENT LATERAL ROD ASSY		1	
75	Call order desk	ATTACHMENT LATERAL ROD ASSY W/YAW		1	P
76	172426	. CHANNEL "C" 1115MM		1	
77	172516	. CHANNEL "J" 422MM		1	
78	172226	. REINFORCEMENT SUPPORT		1	
79	173171	. SUPPORT AIR DRYER		1	
80	Call order desk	REAR RADIUS ROD ATTACHMENT ANGLE ASSY		1	P
81	173290	. ANGLE		1	
82	173291	. ANCHOR BLOCK		1	
NS	173191	SUPPORT MULTI-FUNCTION 371MM To 8-9310		AR	
88	173403	SUPPORT MULTI-FUNCTION 395MM From 8-9311		1	
NS	173192	SUPPORT MULTI-FUNCTION 360MM		AR	
90	MTH-1894-10	REAR RH - STRUCTURE			
91	MTH-1894-05	REAR LH - STRUCTURE			
		C) CURBE SIDE			
		S) STREET SIDE			
		T) USE FOR TAG AXLE SHOCK			
		P) CALL ORDER DESK FOR SPECIFIC APPLICATION (V.I.N.)			

From 8-9279 To B-9999

Date:10/2022

PAGE:MTH-1897-50

FRONT SUB-FRAME / W/INDEPENDENT SUSPENSION

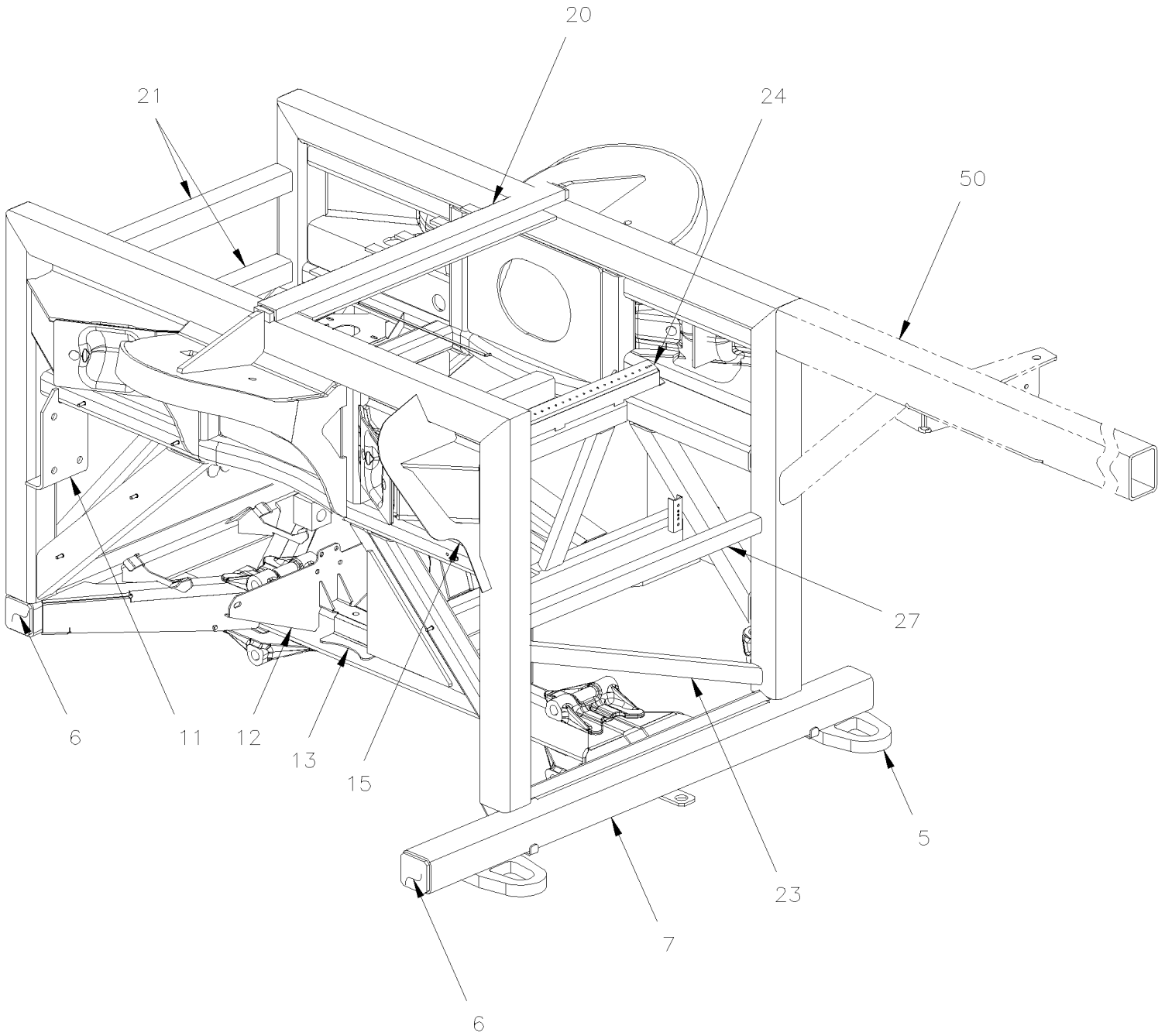


From 8-9279 To B-9999

Date:10/2022

PAGE:MTH-1897-50

FRONT SUB-FRAME / W/INDEPENDENT SUSPENSION





From 8-9279 To B-9999 Date:10/2022 PAGE:MTH-1897-50

FRONT SUB-FRAME / W/INDEPENDENT SUSPENSION

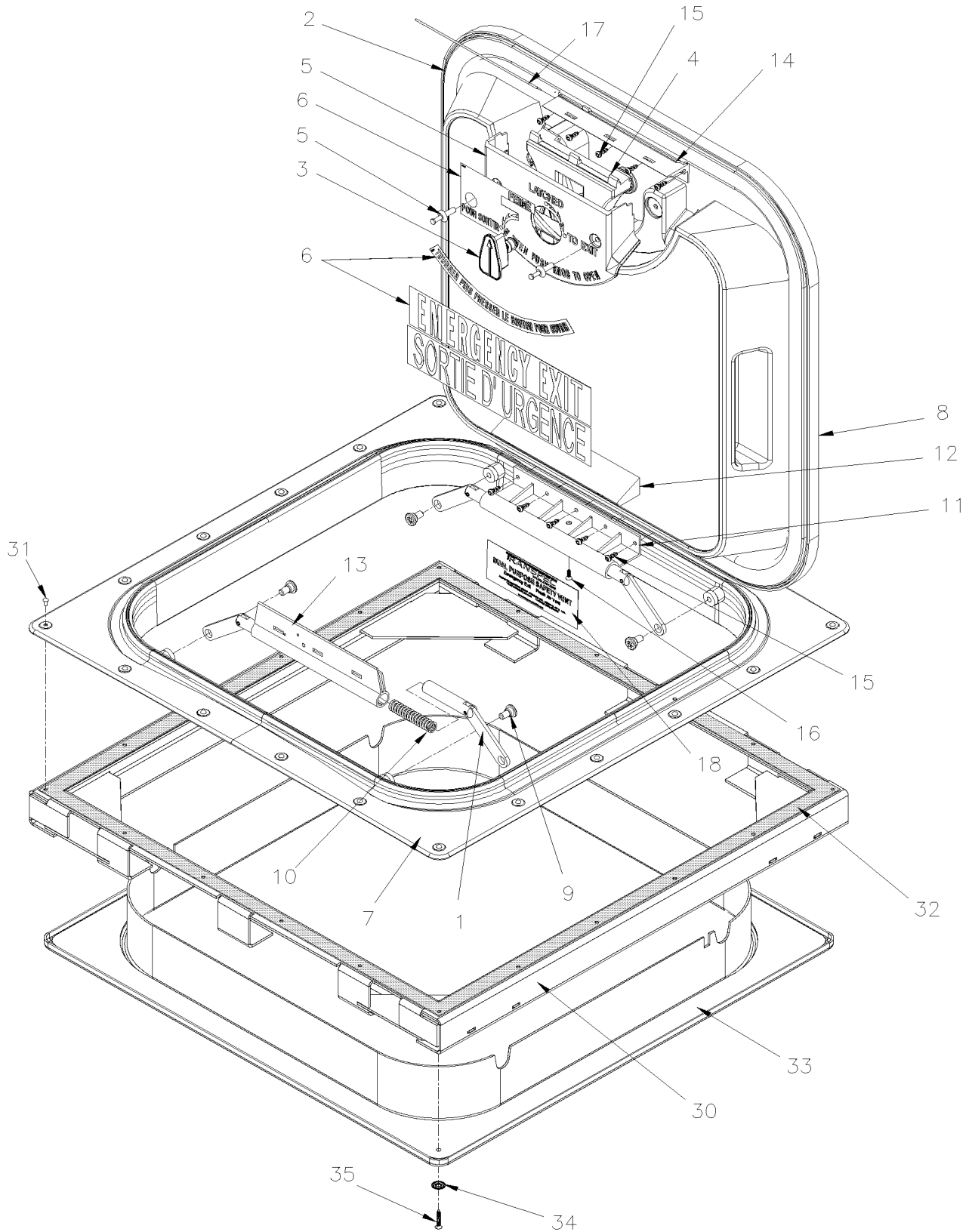
Item#	Part	Description	X L I I M T H 4 5	X L I I M T H 4 5 E	N O T E S
	172724P	FRONT SUB-FRAME ASSY / XL-II MTH W/IND 18000	1	1	
5	171991	. ATTACHMENT / TOWING	2	2	
6	220944	. CLOSING PLATE 67MM X 67MM	6	6	
7	172265	. TUBE 1206MM	1	1	
8	172731	. SUPPORT POWER STEERING CYLINDER	1	1	
9	171908	. ATTACHMENT SWAY BAR STREETSIDE	1	1	
10	171718	. ATTACHMENT SWAY BAR CURBSIDE	1	1	
11	110627	. ATTACHMENT PIN 1"-14 / SHOCK ABSORBER / 50.8MM LONG	2	2	
12	172704	. SUPPORT AIR TANK / LOWER	1	1	
13	172705	. SUPPORT AIR TANK / LOWER	1	1	
14	173028	. SUPPORT CURBSIDE	1	1	
14	173029	. SUPPORT STREET SIDE	1	1	
15	173282	. PLATE	2	2	
20	172736	. REINFORCEMENT SUPPORT	1	1	
21	171712	. TUBE 661MM	3	3	
22	171713	. TUBE 779MM	1	1	
23	172712	. TUBE 733MM	1	1	
24	172235	. SUPPORT PIPE & HARNESS	1	1	
25	212774	. PANEL CENTRAL BACKWARD	1	1	
26	172716	. PANEL CENTRAL FORWARD & LOWER	1	1	
26	172842	. PANEL CENTRAL FORWARD & LOWER	1	1	M
26	213802	. PANEL / CENTER / R.H. W/SMALL A/C SYSTEM	1	1	M
27	172719	. TUBE 661MM	1	1	
		M) USE ONLY WITH "MARATHON" CONVERTER			

From 8-9279 To B-9999

Date:10/2022

PAGE:MTH-1898-00

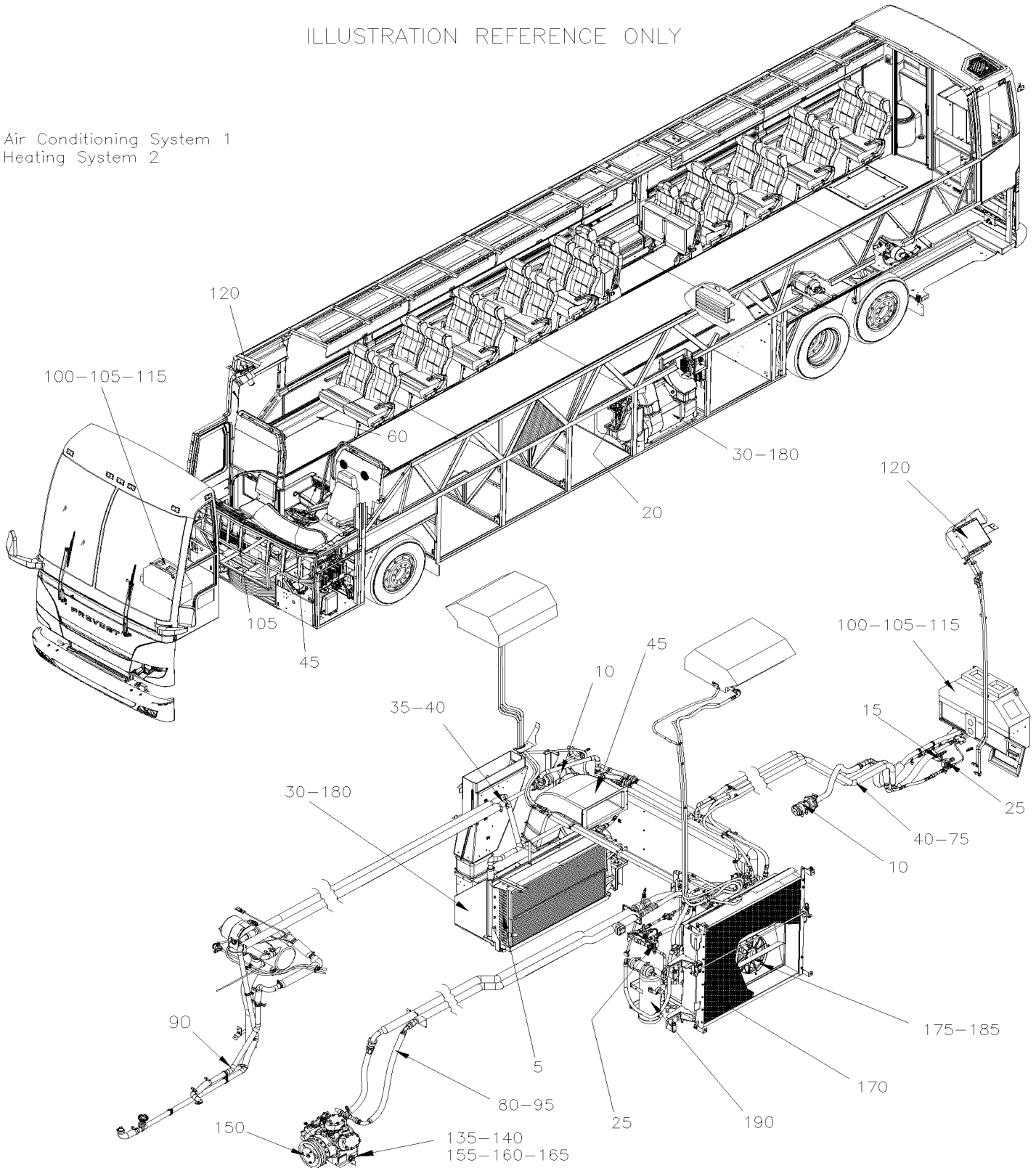
ESCAPE HATCH - INSTALLATION



	Date:10/2022	MTH-22
HEATING & AIR CONDITIONING		

ILLUSTRATION REFERENCE ONLY

Air Conditioning System 1
Heating System 2





		Date:10/2022	MTH-22		
HEATING & AIR CONDITIONING					
Item#	Part	Description	X L I I M T H 4 5	X L I I M T H 4 5 E	NOTES
1	MTH-2200-00	AIR CONDITIONING SYSTEM From 8-9279 To B-9999			
2	MTH-2200-05	HEATING SYSTEM From 8-9279 To B-9999			
5	MTH-2205-00	HEATER & EVAPORATOR COIL - INSTALLATION From 8-9279 To B-9999			
10	MTH-2206-00	WATER PUMP #871342 SEALLESS From 8-9279 To B-9999			
10	MTH-2206-50	WATER PUMP #871032 From 8-9279 To B-9999			
15	MTH-2207-01	WATER VALVE - W/2 WAYS From 8-9279 To B-9999			
15	MTH-2207-02	WATER VALVE - W/3 WAYS BY-PASS From 8-9279 To B-9999			
15	MTH-2207-99	WATER VALVE - W/2 WAYS / SERVICE From 8-9279 To B-9999			
20	MTH-2208-00	A/C EXPANSION VALVE From 8-9279 To B-9999			
25	MTH-2208-10	REFRIGERANT SOLENOID VALVE From 8-9279 To B-9999			
30	MTH-2210-00	HEATER & EVAPORATOR BLOWER - INSTALLATION From 8-9279 To B-9999			
35	MTH-2210-10	WATER PUMP - INSTALLATION From 8-9279 To B-9999			
40	MTH-2210-20	WATER PUMP & FILTER - W/SMALL A/C From 8-9279 To B-9999			
45	MTH-2220-00	UNDER FLOOR AIR DUCTING From 8-9279 To B-9999			
60	MTH-2221-50	DUCTING HEATER & A/C - MTH FLOOR From 8-9279 To B-9999			
75	MTH-2222-10	A/C & HEATING LINE FRONT SECTION From 8-9279 To B-9999			
80	MTH-2222-15	A/C LINE REAR SECTION W/05G From 8-9279 To B-9999			
90	MTH-2222-30	HEATER LINE REAR SECTION - MTH From 8-9279 To B-9999			
90	MTH-2222-35	HEATER LINE REAR SECTION WITH "VOLVO" ENGINE "EPA 2007" From 9-9591 To B-9999			
95	MTH-2222-50	SMALL A/C LINES & HOSES WITH DETROIT S-60 & R134A From 8-9279 To B-9999			
100	MTH-2225-00	DRIVER'S HEATER & DEFROSTER ASSY From 8-9279 To B-9999			
105	MTH-2230-00	DEFROSTER - INSTALLATION From 8-9279 To B-9999			
120	MTH-2240-10	UPPER WINDSHIELD FAN - INSTALLATION From 8-9279 To B-9999			
135	MTH-2245-00	A/C COMPRESSOR 05G - INSTALLATION From 8-9279 To B-9999			
140	MTH-2245-50	A/C SMALL COMPRESSOR - INSTALLATION From 8-9279 To B-9999			
150	MTH-2246-00	A/C CLUTCH 05G - HOUSING MOUNTED From 8-9279 To B-9999			
155	MTH-2250-00	A/C COMPRESSOR ASSY 05G - TWIN PORT From 8-9279 To B-9999			
160	MTH-2250-15	A/C ELECTRIC UNLOADER - W/05G COMPRESSOR From 8-9279 To B-9999			
165	MTH-2251-00	GASKET - 05G A/C COMPRESSOR From 8-9279 To B-9999			
170	MTH-2255-00	CONDENSOR - INSTALLATION LARGE SYSTEM From 8-9279 To 9-9817			
170	MTH-2255-01	CONDENSOR - INSTALLATION LARGE SYSTEM From 9-9818 To B-9999			
170	MTH-2255-10	CONDENSOR - INSTALLATION SMALL A/C SYSTEM From 8-9279 To B-9999			
175	MTH-2260-00	CONDENSOR FANS - INSTALLATION From 9-9818 To B-9999			
175	MTH-2260-05	CONDENSOR FAN - INSTALLATION From 8-9279 To 9-9817			
180	MTH-2265-00	MOTOR - EVAPORATOR - "PREVOST" - T-17 - 2 SPEEDS From 8-9279 To 9-9600			
180	MTH-2265-01	MOTOR - EVAPORATOR BRUSHLESS From 9-9601 To B-9999			
185	MTH-2265-50	MOTOR - CONDENSOR - "PREVOST" - T114 From 8-9279 To 9-9817			
190	MTH-2270-00	RECEIVER TANK & FILTER DRYER From 8-9279 To 9-9817			
190	MTH-2270-01	RECEIVER TANK & FILTER DRYER From 9-9818 To B-9999			

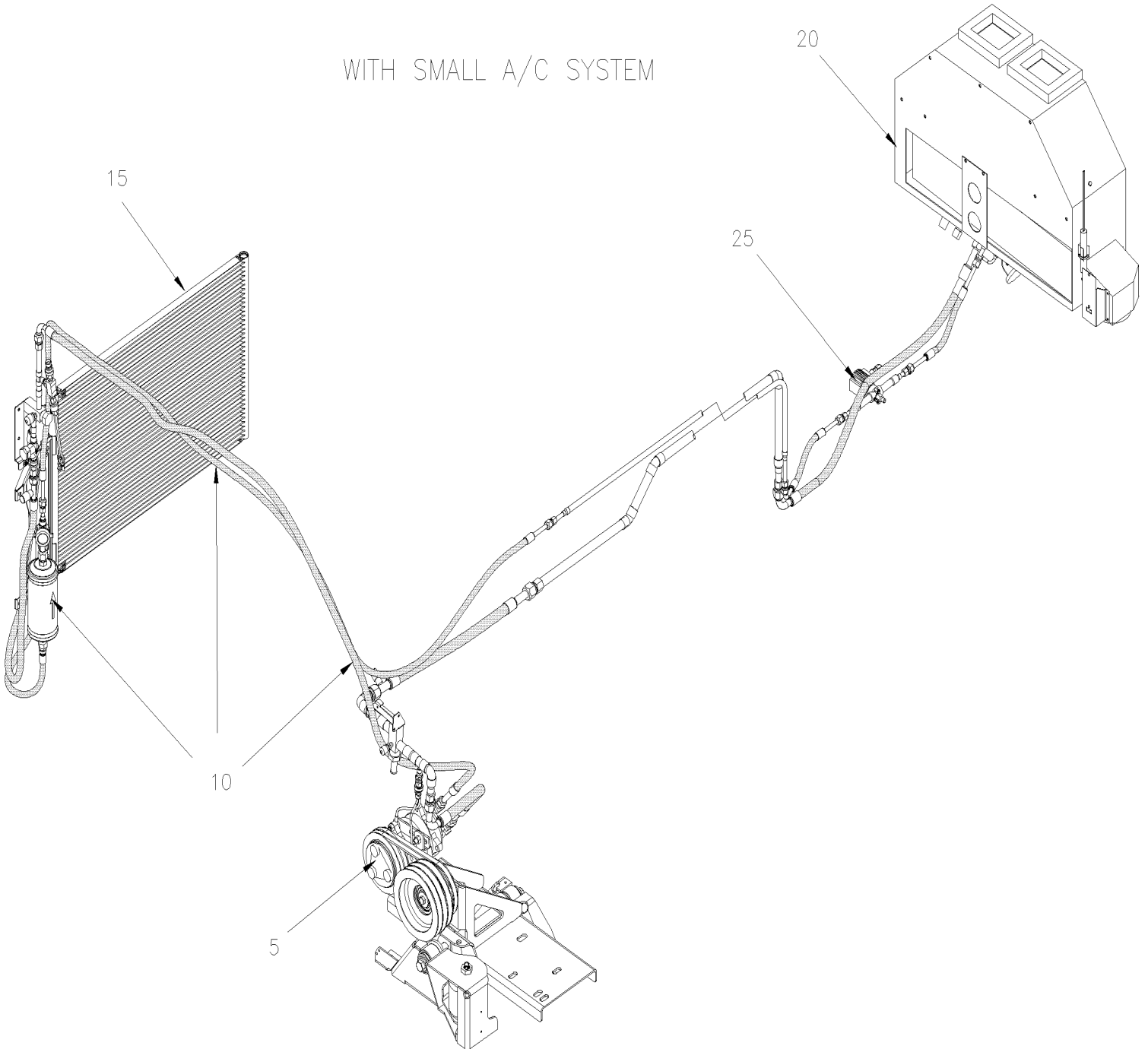
From 8-9279 To B-9999

Date:10/2022

PAGE:MTH-2200-00

AIR CONDITIONING SYSTEM

WITH SMALL A/C SYSTEM



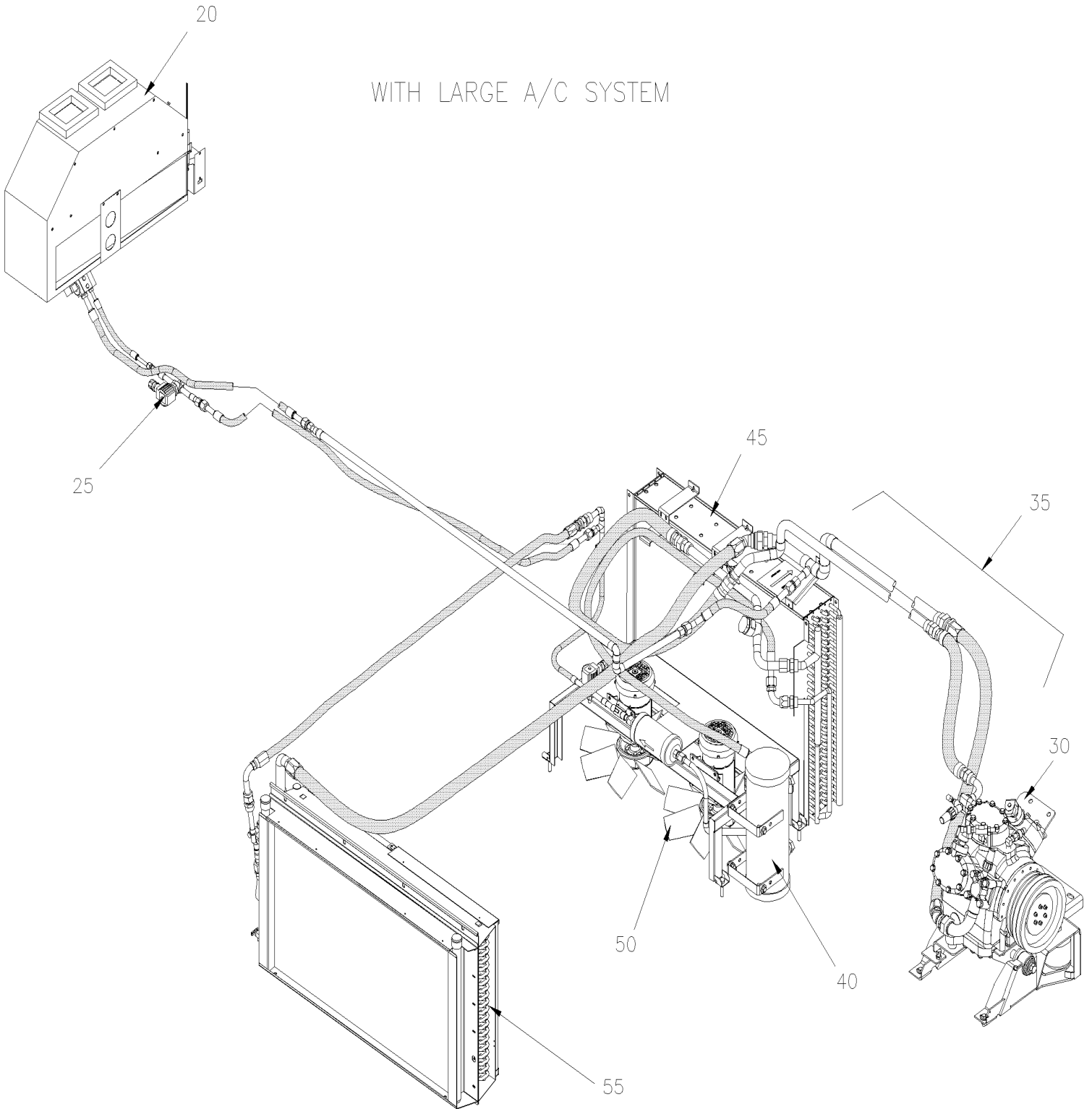
From 8-9279 To B-9999

Date:10/2022

PAGE:MTH-2200-00

AIR CONDITIONING SYSTEM

WITH LARGE A/C SYSTEM





From 8-9279 To B-9999	Date:10/2022	PAGE:MTH-2200-00
-----------------------	--------------	------------------

AIR CONDITIONING SYSTEM

Item#	Part	Description	X L I I M T H 4 5	X L I I M T H 4 5 E	N O T E S
5	MTH-2245-50	A/C SMALL COMPRESSOR - INSTALLATION			
10	MTH-2222-50	SMALL A/C LINES & HOSES WITH DETROIT S-60 & R134A			
15	MTH-2255-10	CONDENSOR - INSTALLATION SMALL A/C SYSTEM			
20	MTH-2225-00	DRIVER'S HEATER & DEFROSTER ASSY			
25	MTH-2208-10	REFRIGERANT SOLENOID VALVE			
30	MTH-2245-00	A/C COMPRESSOR 05G - INSTALLATION			
30	MTH-2250-00	A/C COMPRESSOR ASSY 05G - TWIN PORT			
35	MTH-2222-15	A/C LINE REAR SECTION W/05G			
40	MTH-2270-00	RECEIVER TANK & FILTER DRYER			
45	MTH-2255-00	CONDENSOR - INSTALLATION LARGE SYSTEM			
50	MTH-2260-05	CONDENSOR FAN - INSTALLATION			
55	MTH-2205-00	HEATER & EVAPORATOR COIL - INSTALLATION			

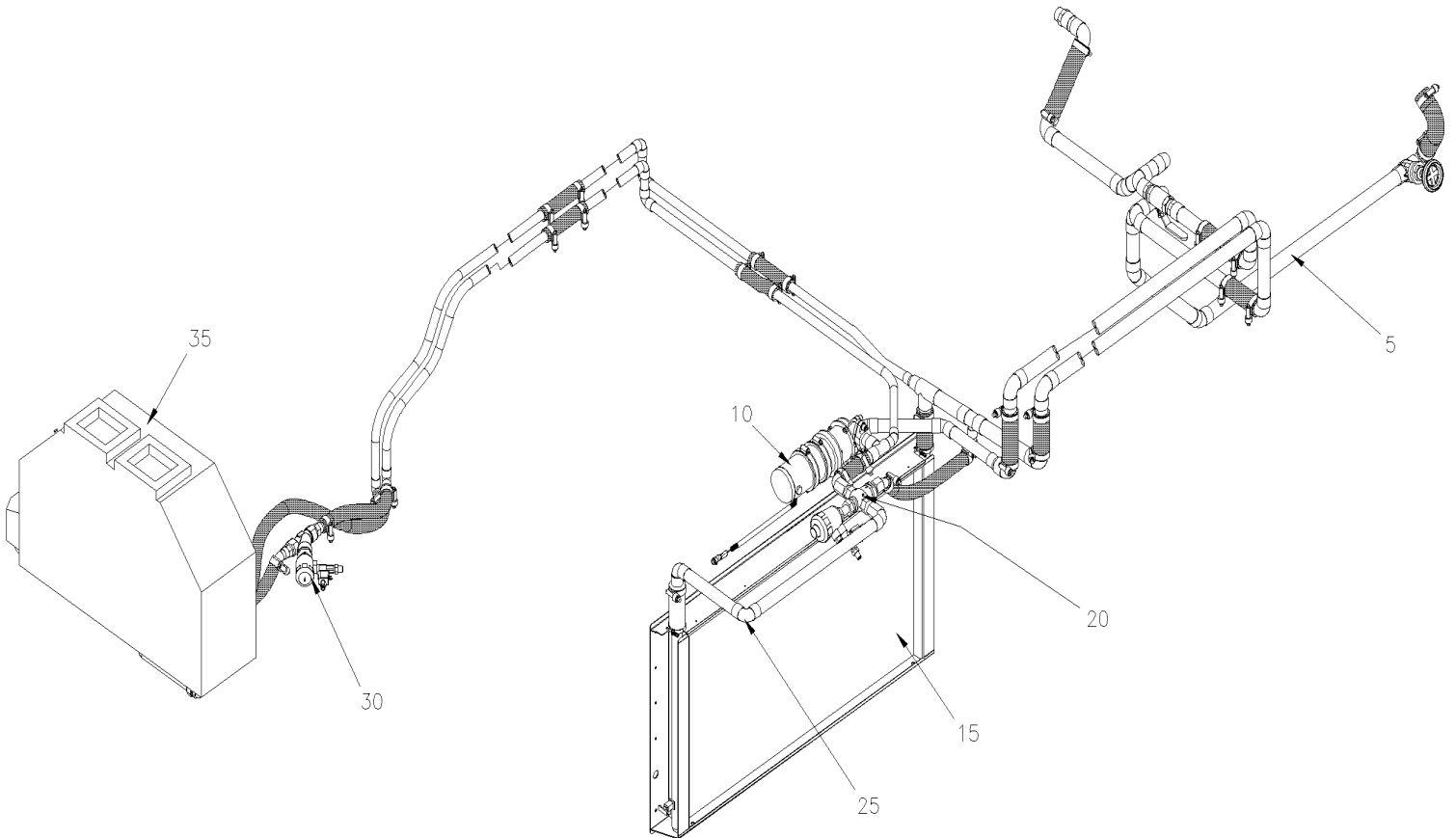
From 8-9279 To B-9999

Date:10/2022

PAGE:MTH-2200-05

HEATING SYSTEM

WITH LARGE A/C SYSTEM





From 8-9279 To B-9999	Date:10/2022	PAGE:MTH-2200-05
-----------------------	--------------	------------------

HEATING SYSTEM

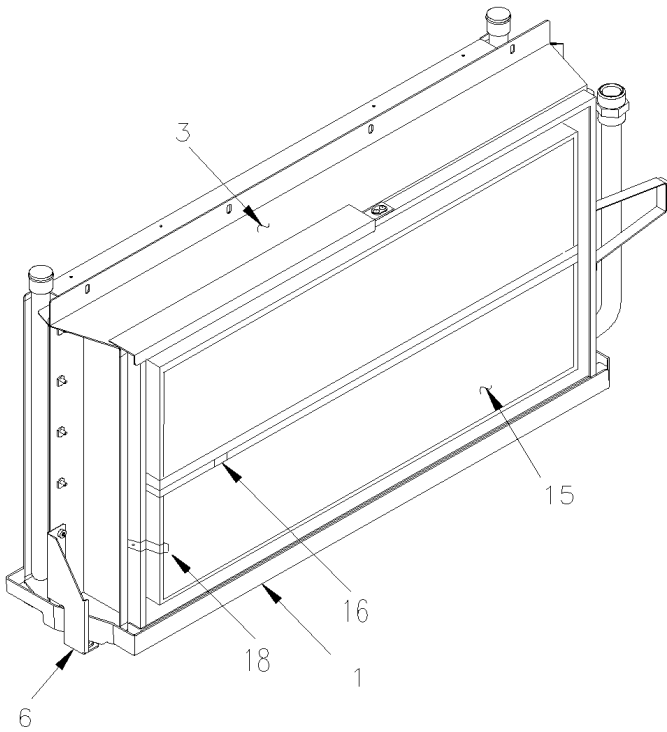
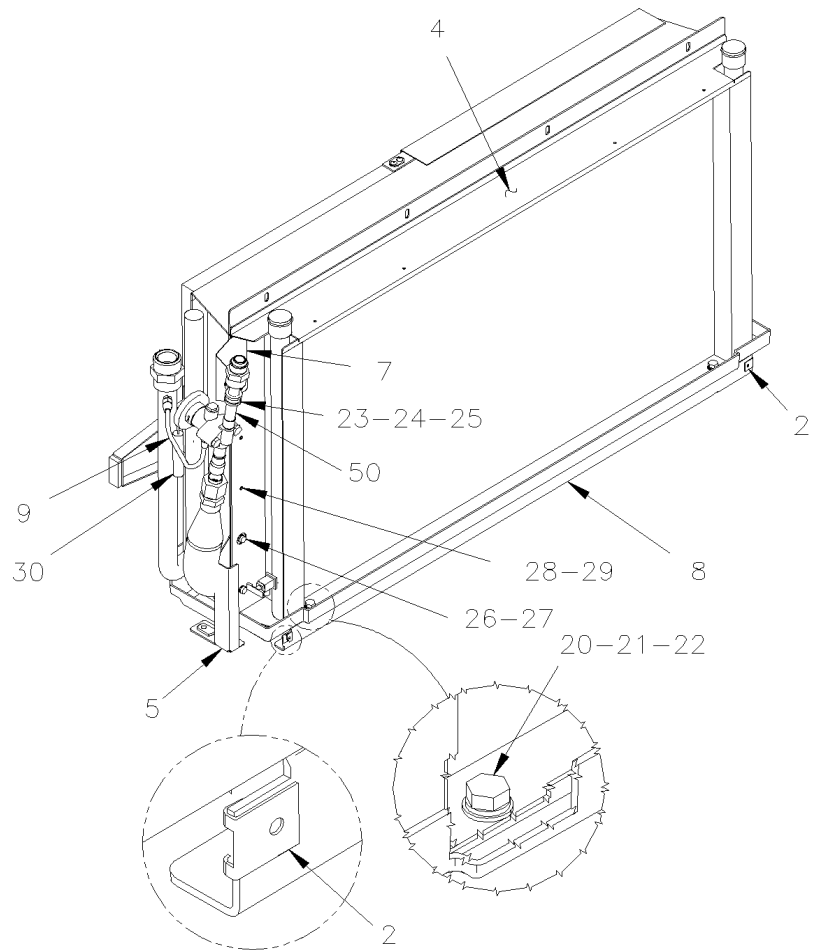
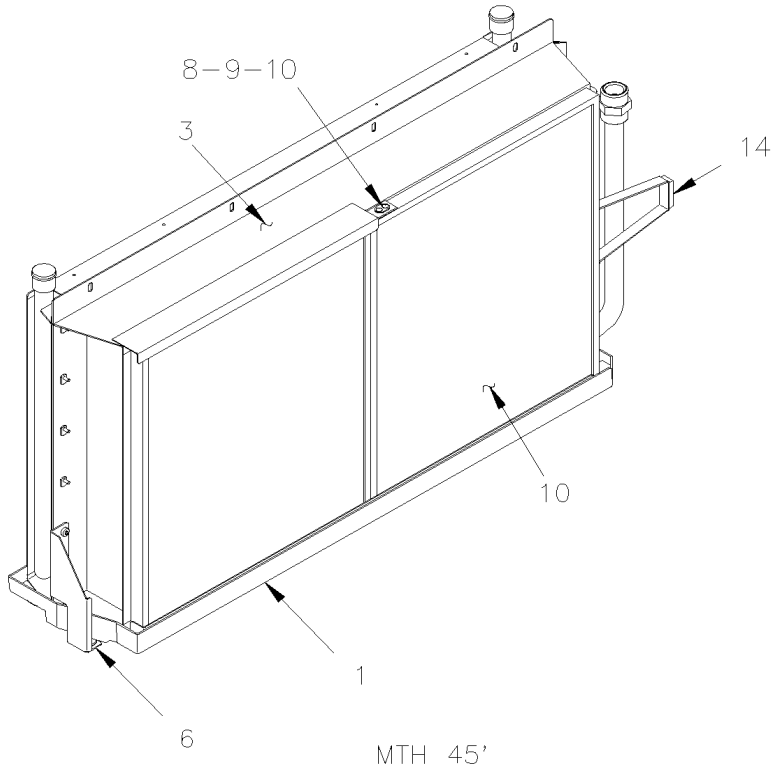
Item#	Part	Description	X L I I M T H 4 5	X L I I M T H 4 5 E	N O T E S
5	MTH-2222-30	HEATER LINE REAR SECTION - MTH			
5	MTH-2222-35	HEATER LINE REAR SECTION WITH "VOLVO" ENGINE "EPA 2007"			
10	MTH-2206-00	WATER PUMP #871342 SEALLESS			
15	MTH-2205-00	HEATER & EVAPORATOR COIL - INSTALLATION			
15	MTH-2210-00	HEATER & EVAPORATOR BLOWER - INSTALLATION			
20	MTH-2207-01	WATER VALVE - W/2 WAYS			
25	MTH-2210-10	WATER PUMP - INSTALLATION			
30	MTH-2207-02	WATER VALVE - W/3 WAYS BY-PASS			
35	MTH-2230-00	DEFROSTER - INSTALLATION			
40	MTH-2210-20	WATER PUMP & FILTER - W/SMALL A/C			
45	MTH-2207-01	WATER VALVE - W/2 WAYS			

From 8-9279 To B-9999

Date:10/2022

PAGE:MTH-2205-00

HEATER & EVAPORATOR COIL - INSTALLATION



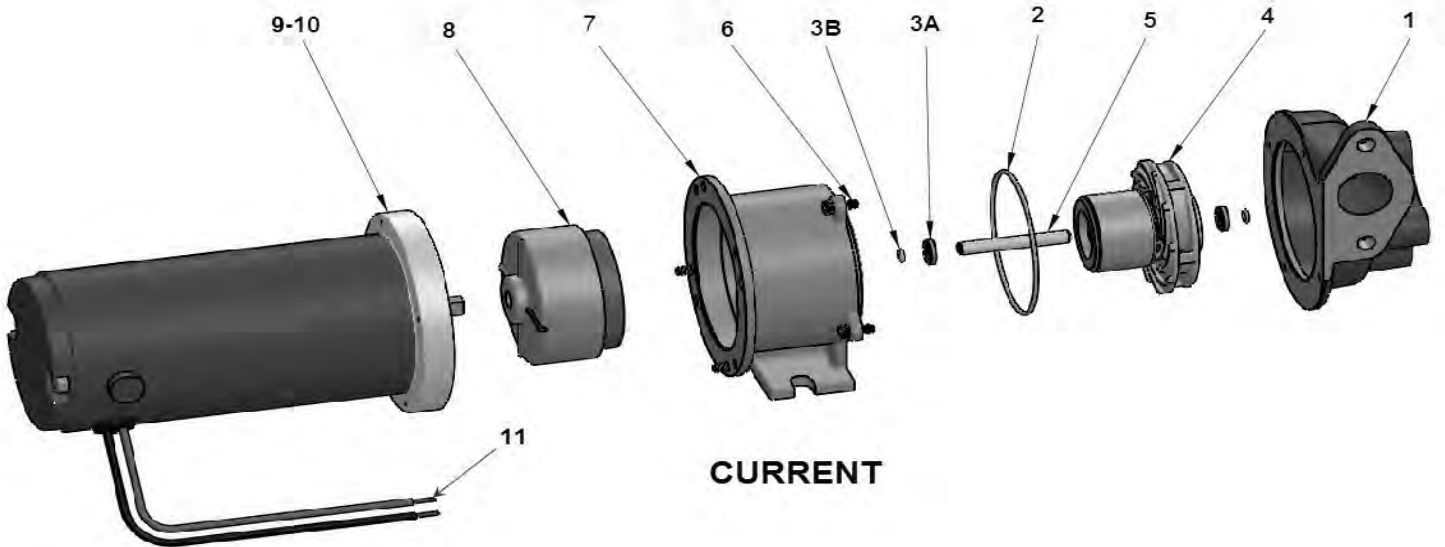
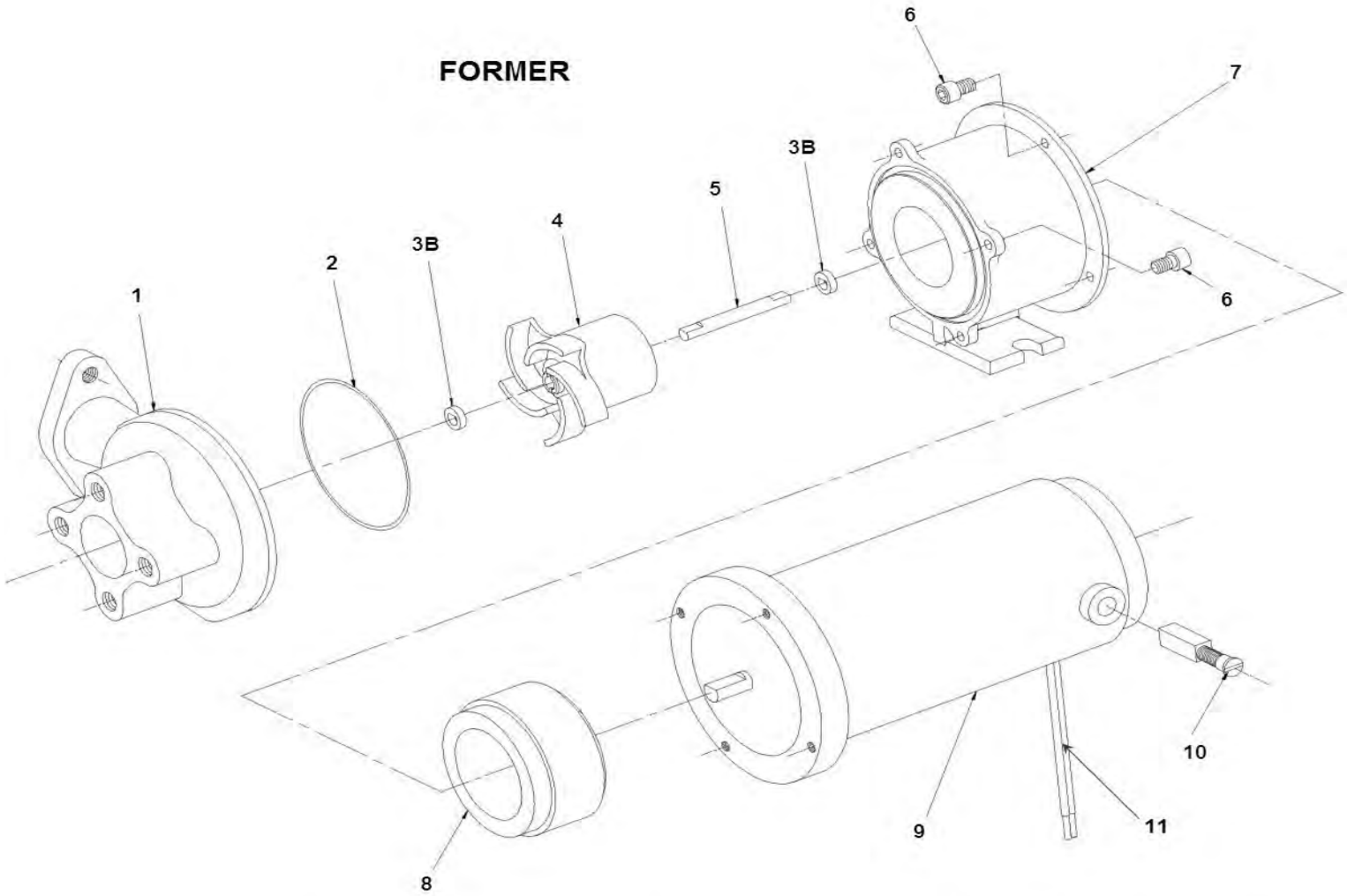
From 8-9279 To B-9999

Date:10/2022

PAGE:MTH-2206-00

WATER PUMP #871342 SEALLESS

FORMER



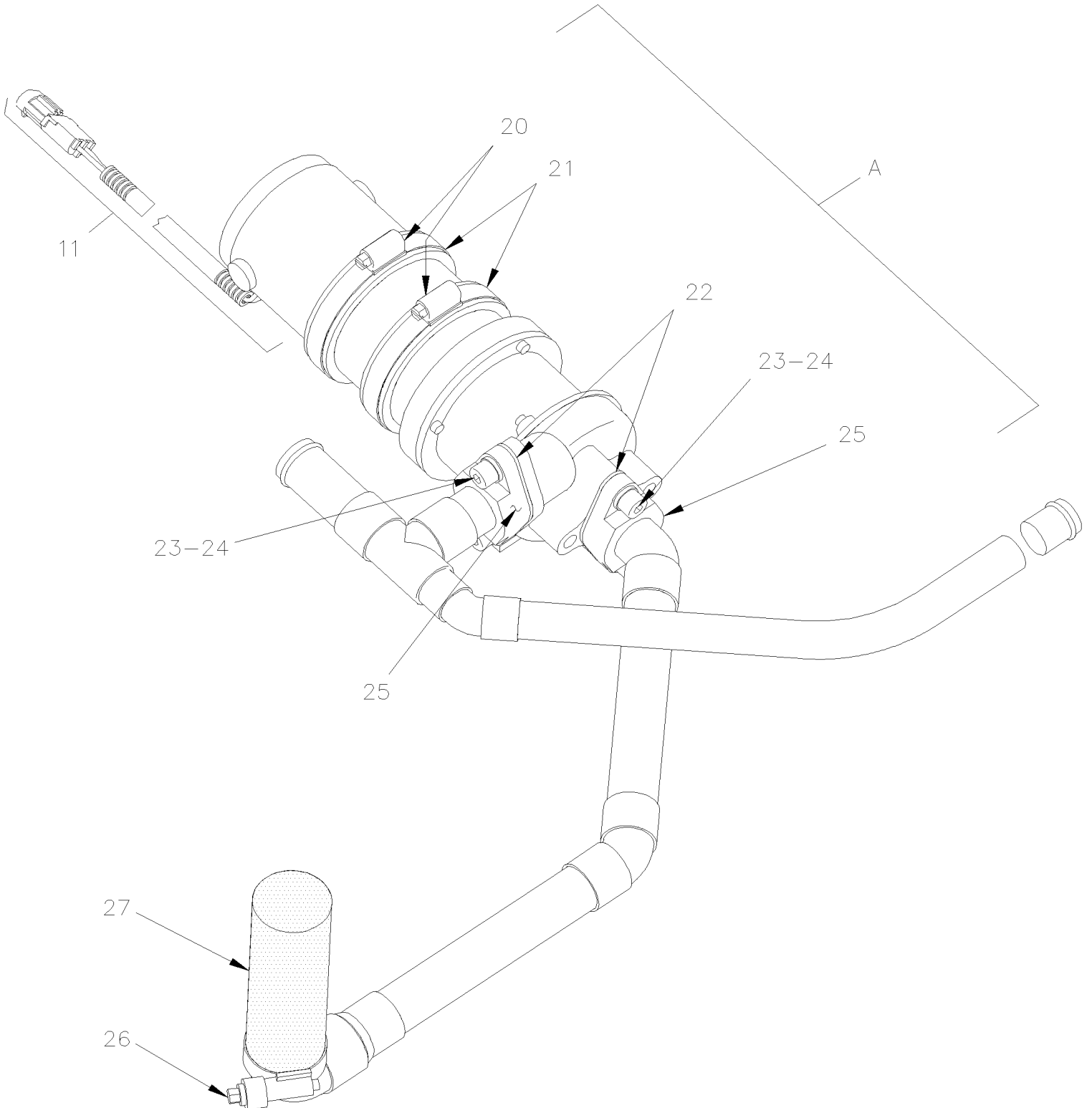
CURRENT

From 8-9279 To B-9999

Date:10/2022

PAGE:MTH-2206-00

WATER PUMP #871342 SEALLESS

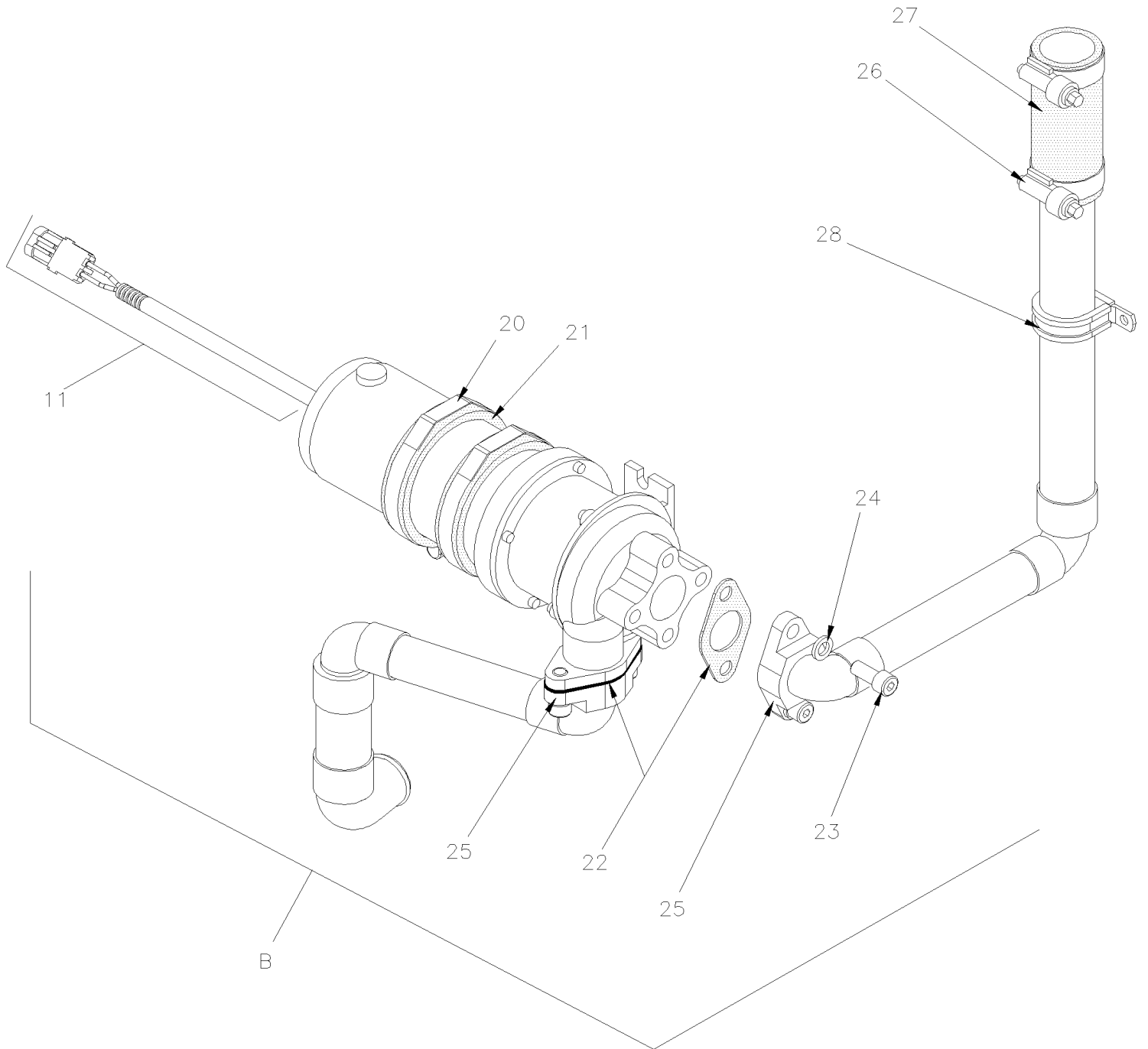


From 8-9279 To B-9999

Date:10/2022

PAGE:MTH-2206-00

WATER PUMP #871342 SEALLESS





From 8-9279 To B-9999	Date:10/2022	PAGE:MTH-2206-00
WATER PUMP #871342 SEALLESS		

Item#	Part	Description	X L I I M T H 4 5	X L I I M T H 4 5 E	N O T E S
	374032	. PUMP WATER ASSY WITH CONNECTOR / SEALLESS MODEL	1	1	
	871414	WATER PUMP ASSY / 24V / SEALLESS / "MP PUMPS"	1	1	A
	871342	. WATER PUMP ASSY / 24V / SEALLESS / "MP PUMPS"	1	1	
1	N.S.S.	. . HOUSING	1	1	1
2	871236	. . O-RING	1	1	
3A	870138	. . O-RING	2	2	C
3B	871239	. . WASHER SS	2	2	F
3B	Call order desk	. . WASHER THRUST	2	2	P C
4	871240	. . ROTOR ASSY	1	1	F
4	870117	. . ROTOR ASSY	1	1	C
5	871241	. . SHAFT SS	1	1	F
5	Call order desk	. . SHAFT SS	1	1	P C
6	G1094056	. . SCREW CAP HEXS 8-32x3/8	8	8	
7	G1094057	. . ADAPTOR	1	1	
8	871242	. . DRIVE MAGNET	1	1	
9	871322	. . MOTOR ASSY 24V	1	1	
10	871323	. . BRUSH	2	2	
11	561566	. CONNECTOR / WEATHER PACK / PH 2C / BLACK / PED 12010973	1	1	
NS	561568	. PIN TERMINAL / 16-14 / PED 12089305	2	2	
NS	561786	. CABLE SEAL / GRAY / PED 15324980	2	2	
20	504235	HOSE CLAMP / 3"9/16"-4"1/2 SS / HS-64	2	2	
21	506728	TAPE RUB ADH1 NEO 1/4" x 3/4" x 10' / BLACK	AR	AR	
22	870441	GASKET PUMP INLET & OUTLET	2	2	
23	5001580	SCREW CAP HEXS 3/8-16x7/8	4	4	
24	500478	WASHER LO SPT .380x.683x.094 Z050	4	4	
25	871206	FLANGE ADAPTOR / W/QUAD RING	2	2	
26	504657	HOSE CLAMP / 1"1/16-2" C.T. 9424	1	1	
27	503392	HOSE SILICONE 4PLY 1 3/8" I.D. x 4'	AR	AR	
28	952641	CLAMP / 1 5/16" I.D.	1	1	
NS	177939	COVER SS SHIELD INSULATING WATER PUMP	1	1	B
NS	500657	SCREW TC TR PH #10-24x1/2 Z050	1	1	
A	Call order desk	PUMP WATER ASSY W/PIPE & CONNECTOR / SEALLESS MODEL	1	1	P
. NS	374864	. COPPER TUBE, OUTPUT ASSY	1	1	
. NS	374865	. COPPER TUBE, INPUT ASSY	1	1	
		A) THIS PUMP IS PACKAGING INDIVIDUALLY WITHOUT ELECTRICAL CONNECTORS			
		B) FIXED OVER WATER PUMP			
		C) CURRENT			
		F) FORMER			



From 8-9279 To B-9999	Date:10/2022	PAGE:MTH-2206-00
-----------------------	--------------	------------------

WATER PUMP #871342 SEALLESS

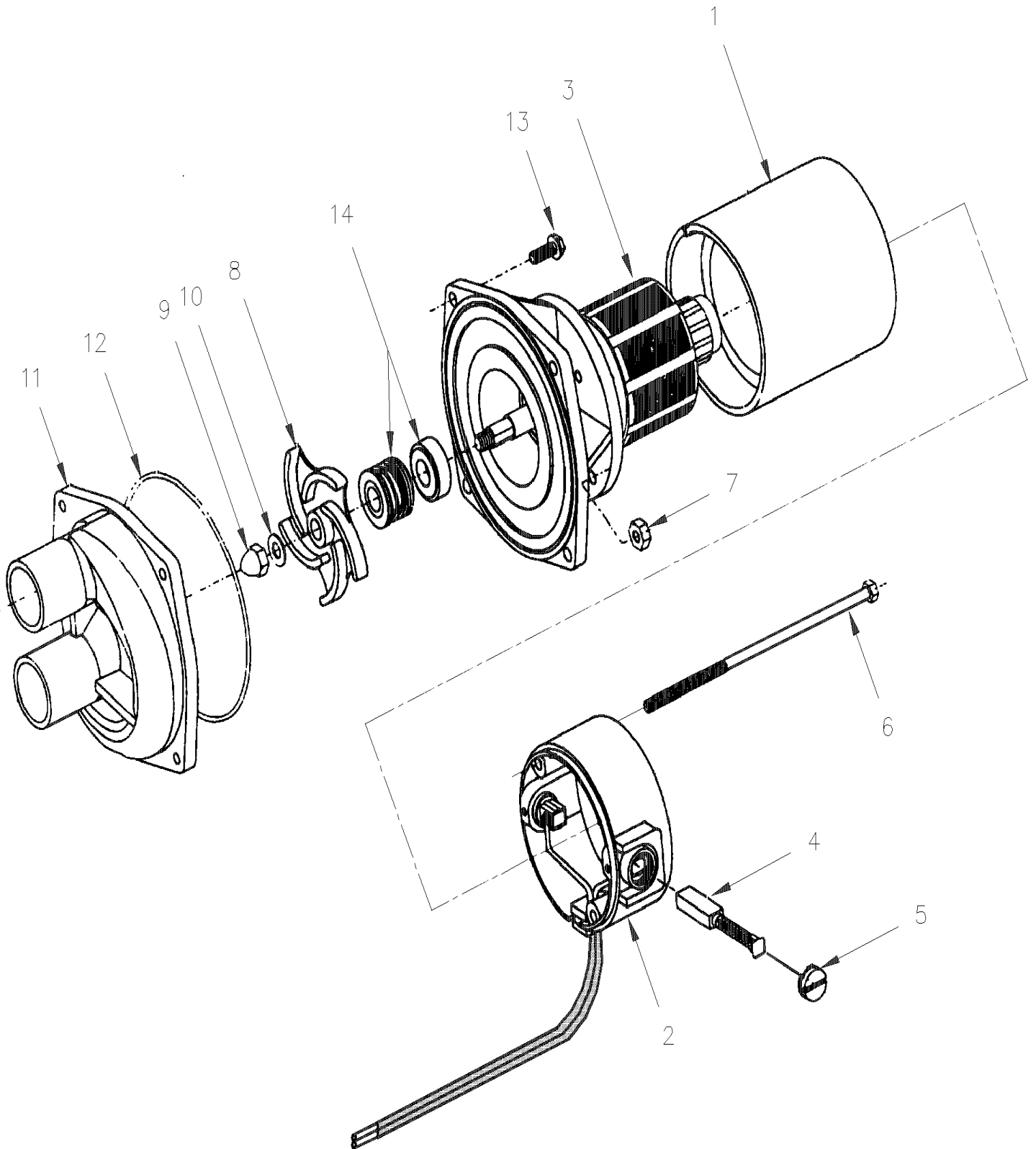
Item#	Part	Description	X L I I M T H 4 5	X L I I M T H 4 5 E	N O T E S
		1) NOT SOLD SEPARATELY			
		P) CALL ORDER DESK FOR SPECIFIC APPLICATION (V.I.N.)			

From 8-9279 To B-9999

Date:10/2022

PAGE:MTH-2206-50

WATER PUMP #871032





From 8-9279 To B-9999	Date:10/2022	PAGE:MTH-2206-50
WATER PUMP #871032		

Item#	Part	Description	X L I I M T H 4 5	X L I I M T H 4 5 E	N O T E S
	064174	PUMP WATER ASSY WITH CONNECTOR	1	1	
NS	561566	. CONNECTOR / WEATHER PACK / PH 2C / BLACK / PED 12010973	1	1	
NS	561568	. PIN TERMINAL / 16-14 / PED 12089305	1	1	
NS	561786	. CABLE SEAL / GRAY / PED 15324980	2	2	
NS	871032	. WATER PUMP ASSY / 24V / (29232)	1	1	
1	N.S.P.	. . STATOR ASSY (28840)	1	1	2
2	N.S.P.	. . HEAD ASSY (28836)	1	1	2
2	N.S.S.	. . BRUSH HOLDER	2	2	1
3	N.S.P.	. . ARMATURE ADAPTOR ASSY (28839)	1	1	2
3	N.S.S.	. . BEARING	2	2	1
4	871062	. . BRUSH	2	2	
5	871063	. . CAP BRUSH	2	2	
6	N.S.P.	. . STUD CASE #10-32 X 5"	2	2	2
NS	500470	. . WASHER LO SPT .193x.334x.047 Z050	2	2	
7	500700	. . NUT HEX #10-32 Z050	2	2	
8	871066	. IMPELLER	1	1	
10	871068	. GASKET PUMP	2	2	
11	871047	. COVER	1	1	
12	871065	. O-RING	1	1	
13	N.S.P.	. SCREW #8-32 X 1/2 / BRASS	8	8	2
14	871064	. KIT SEAL	1	1	
14	N.S.P.	. MOTOR ASSY / (28748)	1	1	2
15	482616	SUPPORT WATER PUMP	1	1	
		1) NOT SOLD SEPARATELY			
		2) NOT SOLD BY PREVOST (SEE MANUFACTURING PART NUMBER AT END OF DESCRIPTION LINE)			

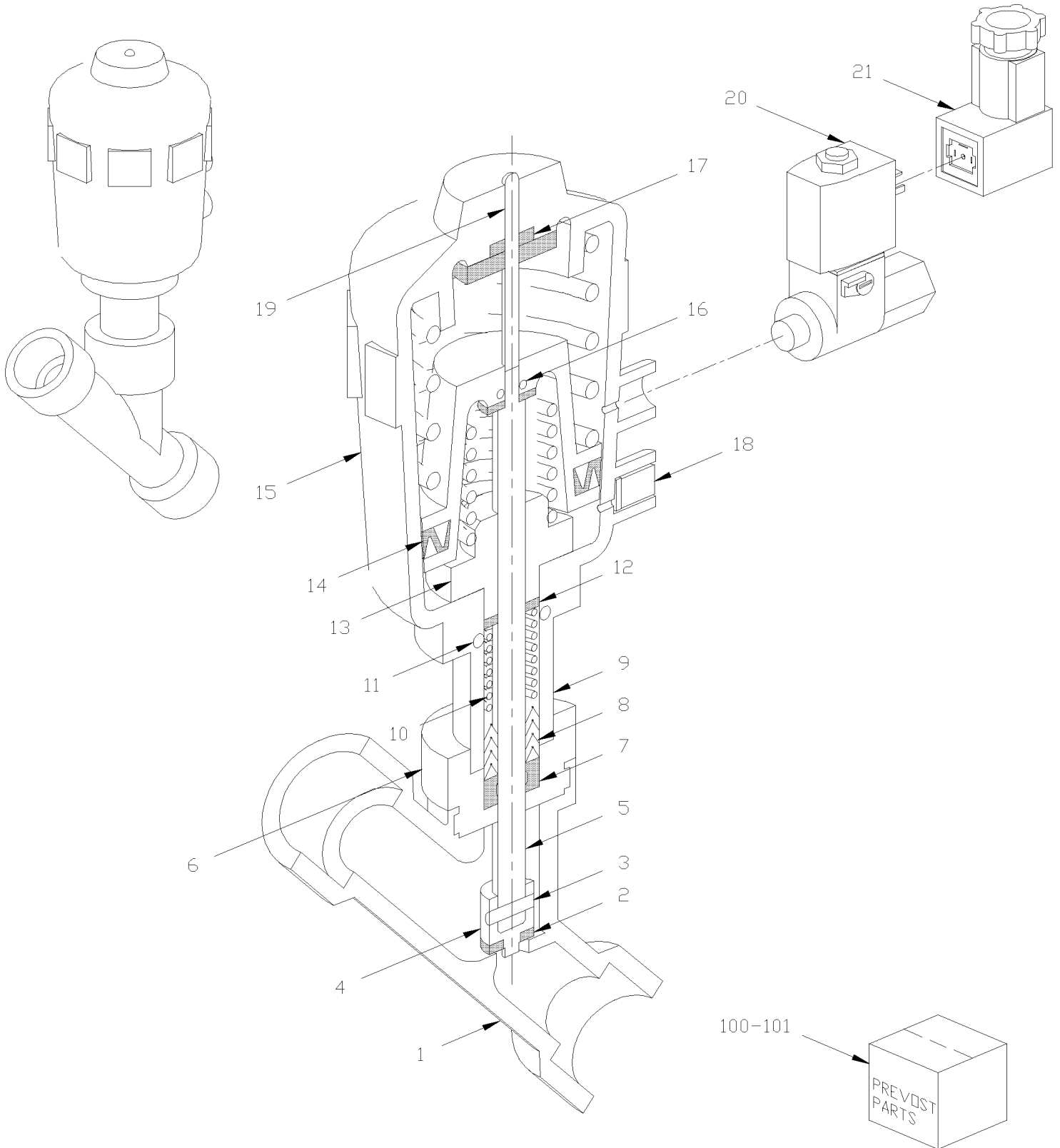


From 8-9279 To B-9999

Date:10/2022

PAGE:MTH-2207-01

WATER VALVE - W/2 WAYS

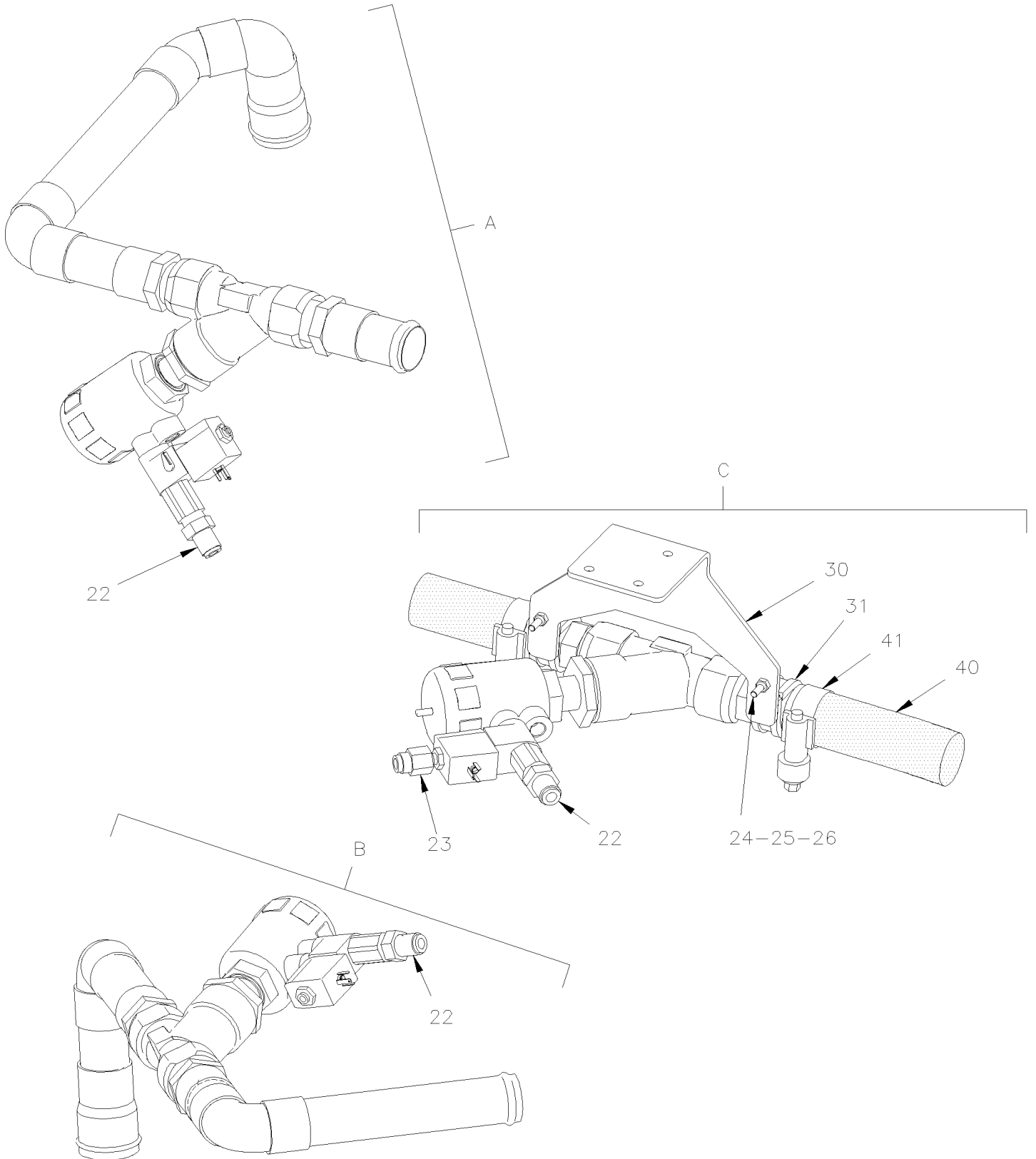


From 8-9279 To B-9999

Date:10/2022

PAGE:MTH-2207-01

WATER VALVE - W/2 WAYS





From 8-9279 To B-9999	Date:10/2022	PAGE:MTH-2207-01
WATER VALVE - W/2 WAYS		

Item#	Part	Description	X L I I M T H 4 5	X L I I M T H 4 5 E	N O T E S
	871252	. WATER VALVE ASSY / 24V	1	1	
1	N.S.S.	. . BODY	1	1	1
2	N.S.S.	. . SEAL	1	1	1
3	N.S.S.	. . PIN	1	1	1
4	N.S.S.	. . SWIVEL PLATE	1	1	1
5	N.S.S.	. . SPINDLE	1	1	1
6	N.S.S.	. . NIPPLE	1	1	1
7	N.S.S.	. . WIPER	1	1	1
8	N.S.S.	. . V-SEAL	3	3	1
9	N.S.S.	. . TUBE	1	1	1
10	N.S.S.	. . SPRING	1	1	1
11	N.S.S.	. . O-RING	1	1	1
12	N.S.S.	. . LIP SEAL	1	1	1
13	N.S.S.	. . SCREW	1	1	1
14	N.S.S.	. . CYLINDER SEAL	1	1	1
15	N.S.S.	. . ACTUATOR CASING	1	1	1
16	N.S.S.	. . O-RING	1	1	1
17	N.S.S.	. . LIP SEAL	1	1	1
18	N.S.S.	. . CONE GLAND 1/8"	2	2	1
19	N.S.S.	. . POSITION INDICATOR	1	1	1
20	871313	. SOLENOID VALVE 24V 4 WATTS 1/8SPT X 1/4NPT	1	1	
. NS	871391	. . COIL 24V 4 WATTS	1	1	
21	563204	. CONNECTOR / SOCKET HOUSING ASSY 4C / BURKET 303148	1	1	
22	641332	MALE CONNECTOR / PUSH-IN FITTING / #4x1/4NPT-M BR	1	1	
23	642028	MALE CONNECTOR / PUSH-IN FITTING / 6MM x M5-0.8 BR	1	1	
24	500588	SCREW CAP HEX M4-0.7x20 G8.8 Z050	2	2	
25	500438	WASHER FL .187x.437x.050 Z050	2	2	
26	500540	SCREW TP CAP HEX 5/16x1/4 ZP	2	2	
30	374147	SUPPORT WATER VALVE	1	1	A
31	952635	CLAMP / 1" I.D.	2	2	
40	503684	HOSE SILICONE 1 PLY 7/8" I.D. x 100' / S.L.	AR	AR	
41	504646	HOSE CLAMP / 11/16"-1"1/4 / C.T. 9412	2	2	
100	871311	SEAL KIT / WATER SIDE	1	1	
101	871312	SEAL KIT / AIR PISTON SIDE	1	1	
C	Call order desk	WATER VALVE ASSY W/PIPE & SUPPORT	1	1	P
		A) IN SPARE COMPARTMENT			
		1) NOT SOLD SEPARATELY			



From 8-9279 To B-9999	Date:10/2022	PAGE:MTH-2207-01
-----------------------	--------------	------------------

WATER VALVE - W/2 WAYS

Item#	Part	Description	X L I I M T H 4 5	X L I I M T H 4 5 E	N O T E S
		P) CALL ORDER DESK FOR SPECIFIC APPLICATION (V.I.N.)			

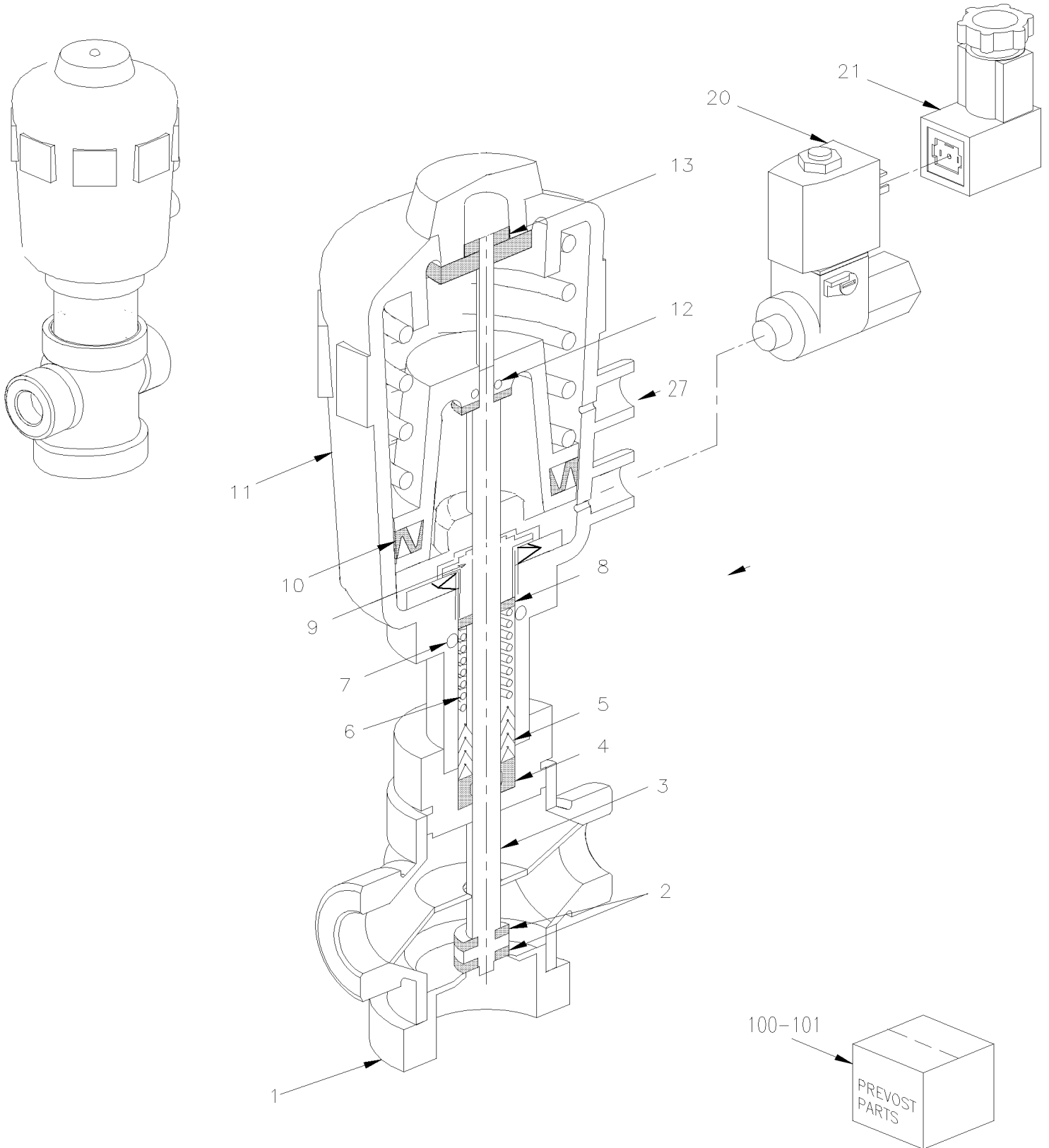


From 8-9279 To B-9999

Date:10/2022

PAGE:MTH-2207-02

WATER VALVE - W/3 WAYS BY-PASS

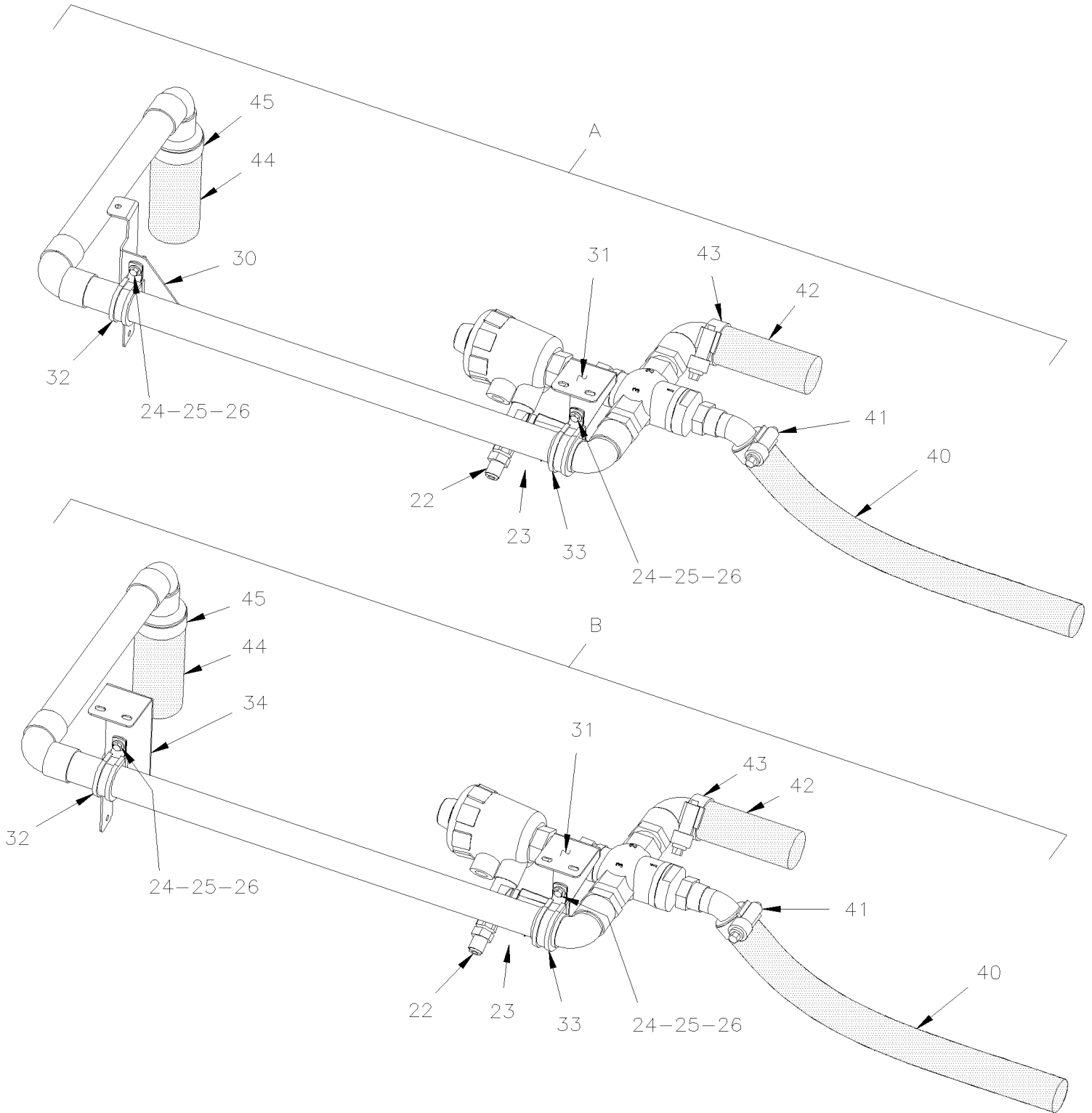


From 8-9279 To B-9999

Date:10/2022

PAGE:MTH-2207-02

WATER VALVE - W/3 WAYS BY-PASS





From 8-9279 To B-9999	Date:10/2022	PAGE:MTH-2207-02
WATER VALVE - W/3 WAYS BY-PASS		

Item#	Part	Description	X L I I M T H 4 5	X L I I M T H 4 5 E	N O T E S
	871381	. WATER VALVE ASSY / 24V / 3/WAY 3/4" NPT	1	1	
1	N.S.S.	. . BODY	1	1	1
2	N.S.S.	. . SEAL	1	1	1
3	N.S.S.	. . SPINDLE	1	1	1
4	N.S.S.	. . WIPER	1	1	1
5	N.S.S.	. . V-SEAL	3	3	1
6	N.S.S.	. . SPRING	1	1	1
7	N.S.S.	. . O-RING	1	1	1
8	N.S.S.	. . LIP SEAL	1	1	1
9	N.S.S.	. . SCREW PISTON	1	1	1
10	N.S.S.	. . CYLINDER SEAL	1	1	1
11	N.S.S.	. . ACTUATOR CASING	1	1	1
12	N.S.S.	. . O-RING.	1	1	1
13	N.S.S.	. . LIP SEAL	1	1	1
14	N.S.S.	. . CONE GLAND 1/8"	2	2	1
20	871390	. SOLENOID VALVE / 24V 4 WATTS	1	1	
. NS	871391	. . COIL 24V 4 WATTS	1	1	
21	563204	. CONNECTOR / SOCKET HOUSING ASSY 4C / BURKET 303148	1	1	
22	641332	MALE CONNECTOR / PUSH-IN FITTING / #4x1/4NPT-M BR	1	1	
23	642028	MALE CONNECTOR / PUSH-IN FITTING / 6MM x M5-0.8 BR	1	1	
24	500588	SCREW CAP HEX M4-0.7x20 G8.8 Z050	2	2	
25	500438	WASHER FL .187x.437x.050 Z050	2	2	
26	500590	NUT HEX NYRT M4-0.7 Z050	2	2	
27	641927	KIT, MANIFOLD REPAIR / N.O. From 8-9553	1	1	
NS	142087	RESTRICTION / ALU. TUBE 10MM x 4.14MM O.D. W/0.79" HOLE / W/FLANGE From 8-9553	1	1	
30	374194	SUPPORT WATER VALVE	1	1	
31	374217	SUPPORT WATER VALVE BACKWARD	1	1	
32	952637	CLAMP / 1"1/16 I.D.	1	1	
33	952639	CLAMP / 1"1/4 I.D.	1	1	
34	374195	SUPPORT WATER VALVE FORWARD		1	
40	503651	HOSE SILICONE 2PLY 7/8" I.D. x 3'	AR	AR	
41	504646	HOSE CLAMP / 11/16"-1"1/4 / C.T. 9412	1	1	
42	503652	HOSE SILICONE 2PLY 1 1/8" I.D. x 3'	AR	AR	
43	504658	HOSE CLAMP / 13/16"-1"3/4 / C.T. 9420	1	1	
44	503392	HOSE SILICONE 4PLY 1 3/8" I.D. x 4'	AR	AR	
45	504657	HOSE CLAMP / 1"1/16-2" C.T. 9424	1	1	
100	871389	SEAL KIT / WATER SIDE	1	1	
101	871388	SEAL KIT / AIR PISTON SIDE	1	1	
A	Call order desk	WATER VALVE ASSY W/PIPE & SUPPORT	1		P
. NS	374281	. ADAPTOR 7/8" I.D. WELDED x 3/4" B.P.T. MALE	1		



From 8-9279 To B-9999	Date:10/2022	PAGE:MTH-2207-02
WATER VALVE - W/3 WAYS BY-PASS		

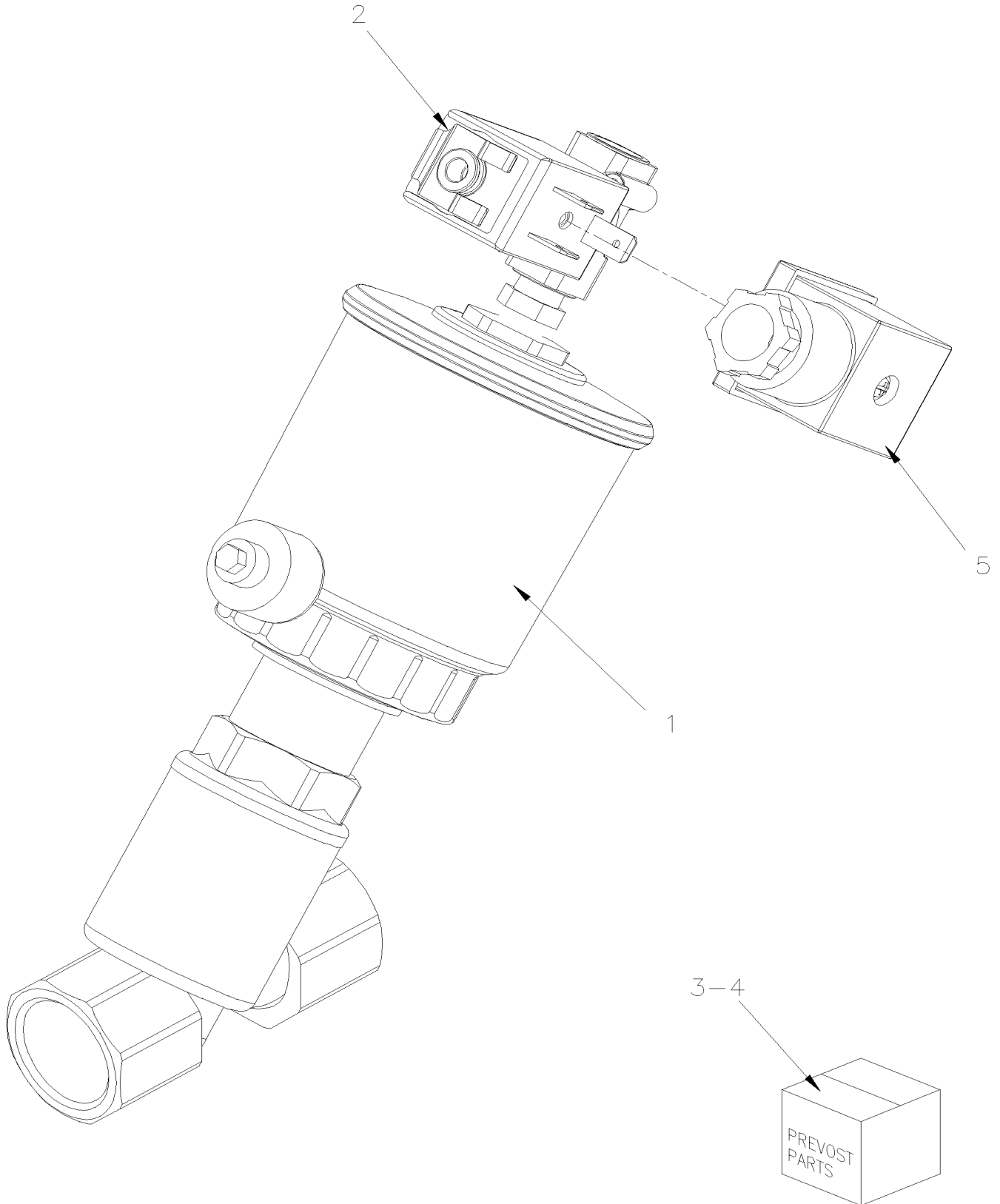
Item#	Part	Description	X L I I M T H 4 5	X L I I M T H 4 5 E	N O T E S
. NS	374282	. ADAPTOR 1 1/8" I.D. WELDED x 3/4" B.P.T. MALE	2		
B	374198P	WATER VALVE ASSY W/PIPE & SUPPORT		1	
		1) NOT SOLD SEPARATELY			
		P) CALL ORDER DESK FOR SPECIFIC APPLICATION (V.I.N.)			

From 8-9279 To B-9999

Date:10/2022

PAGE:MTH-2207-99

WATER VALVE - W/2 WAYS / SERVICE





From 8-9279 To B-9999	Date:10/2022	PAGE:MTH-2207-99
------------------------------	---------------------	-------------------------

WATER VALVE - W/2 WAYS / SERVICE

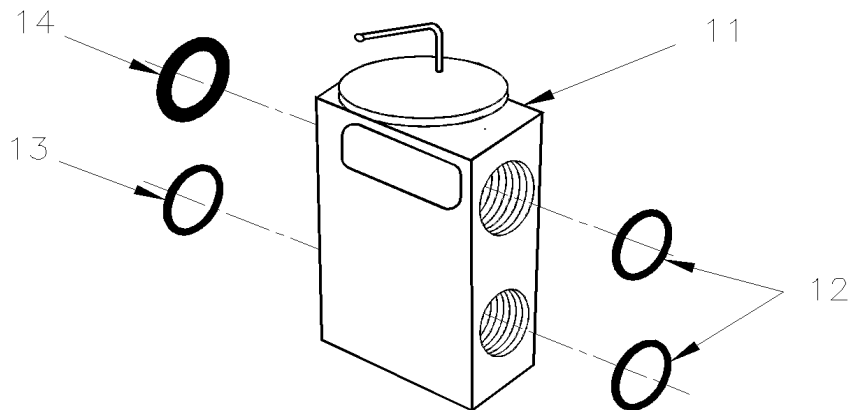
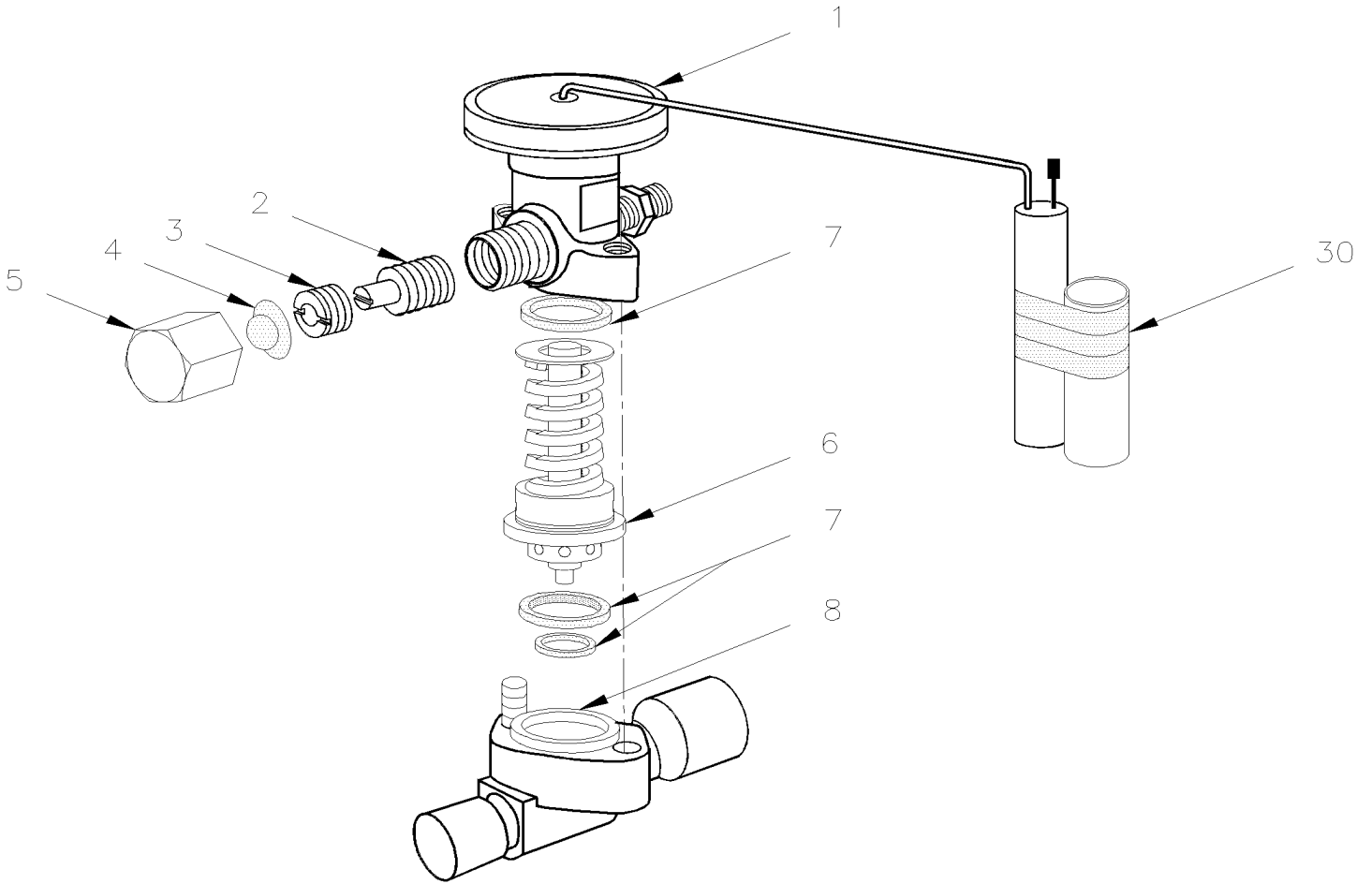
Item#	Part	Description	X L I I M T H 4 5	X L I I M T H 4 5 E	N O T E S
1	871454	WATER VALVE ASSY / 24V	1	1	
2	871458	. VALVE PILOT	1	1	
3	871459	. VALVE PSITON SERVICE KIT	1	1	
. NS	N.S.S.	. . VALVE PSITON SERVICE KIT	1	1	1
. NS	N.S.S.	. . WASHER	1	1	1
. NS	N.S.S.	. . WASHER	1	1	1
. NS	N.S.S.	. . SEAL	1	1	1
4	871460	. CONNECTOR KIT	1	1	
5	641385	CONNECTOR / SOCKET HOUSING ASSY 3C / PNEUMAC 54934-01	1	1	
		1) NOT SOLD SEPARATELY			

From 8-9279 To B-9999

Date:10/2022

PAGE:MTH-2208-00

A/C EXPANSION VALVE

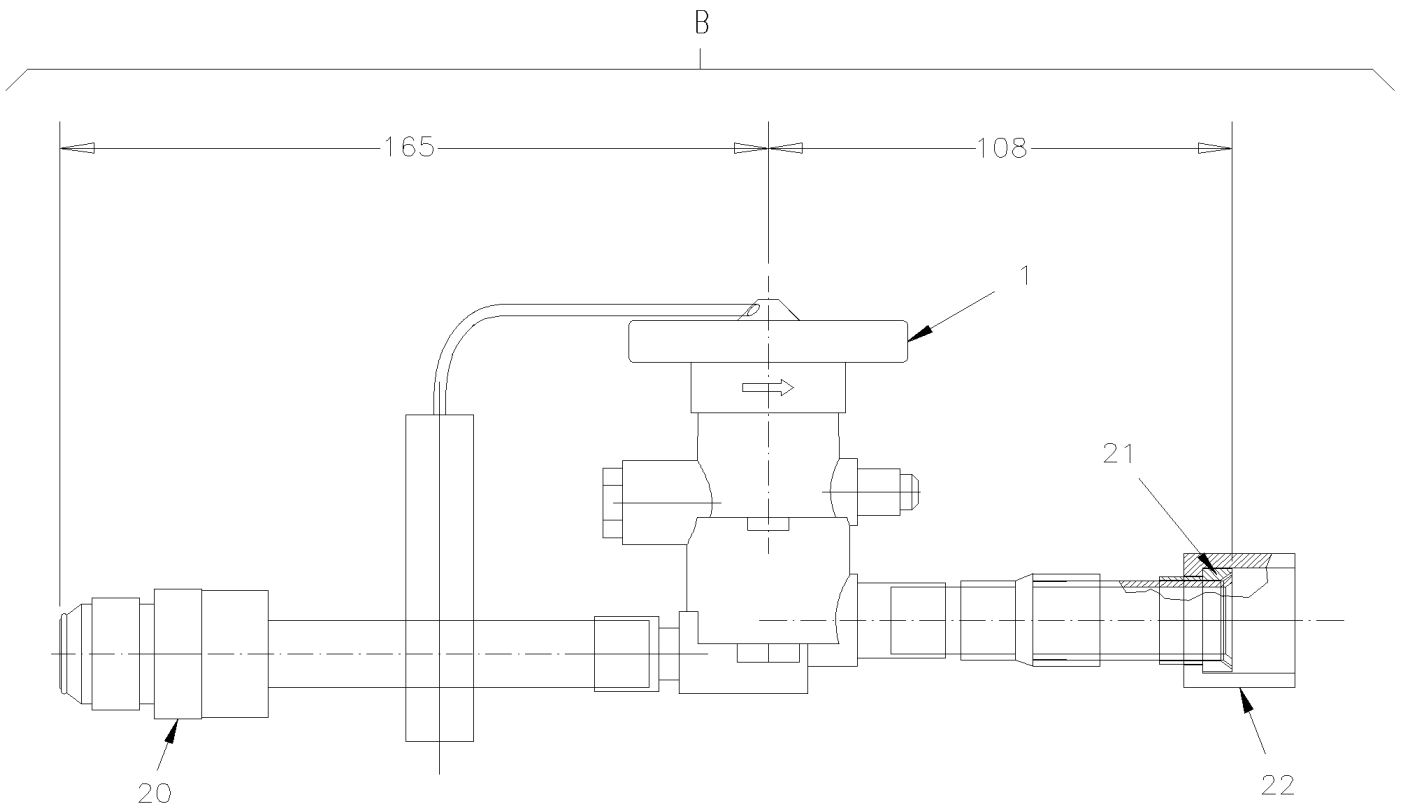
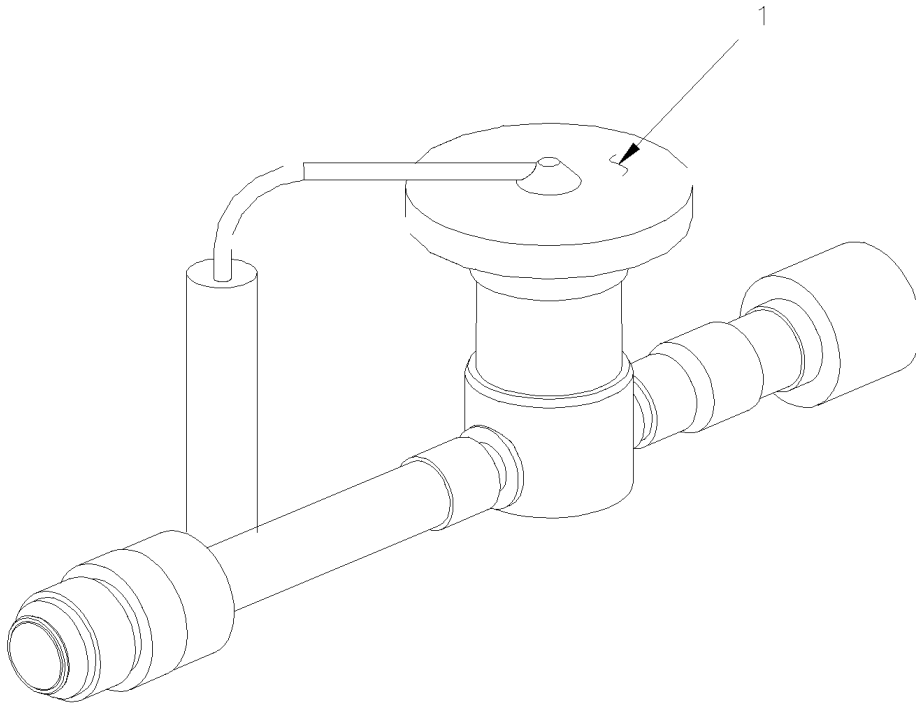


From 8-9279 To B-9999

Date:10/2022

PAGE:MTH-2208-00

A/C EXPANSION VALVE

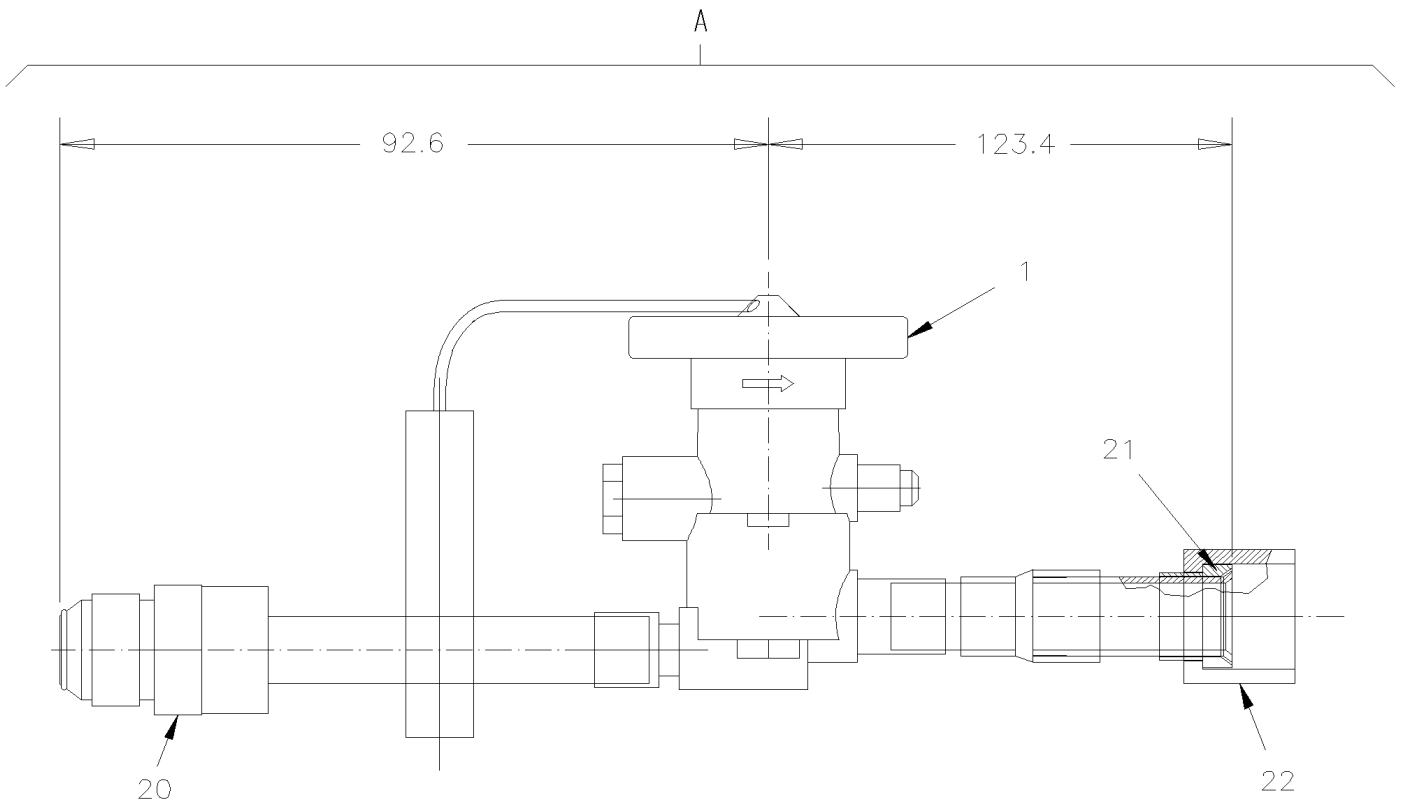
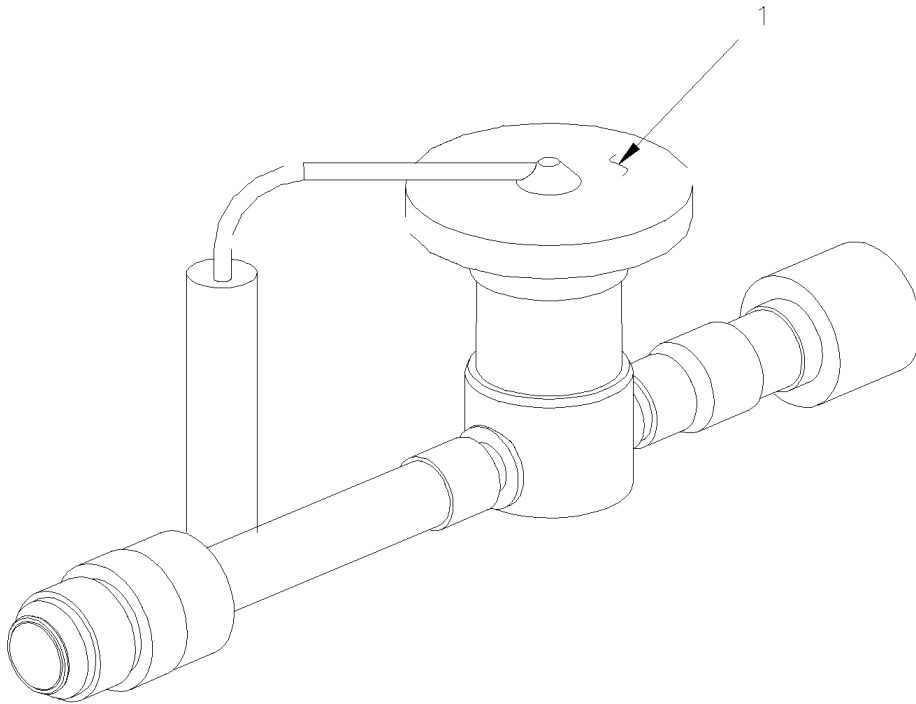


From 8-9279 To B-9999

Date:10/2022

PAGE:MTH-2208-00

A/C EXPANSION VALVE





From 8-9279 To B-9999	Date:10/2022	PAGE:MTH-2208-00
A/C EXPANSION VALVE		

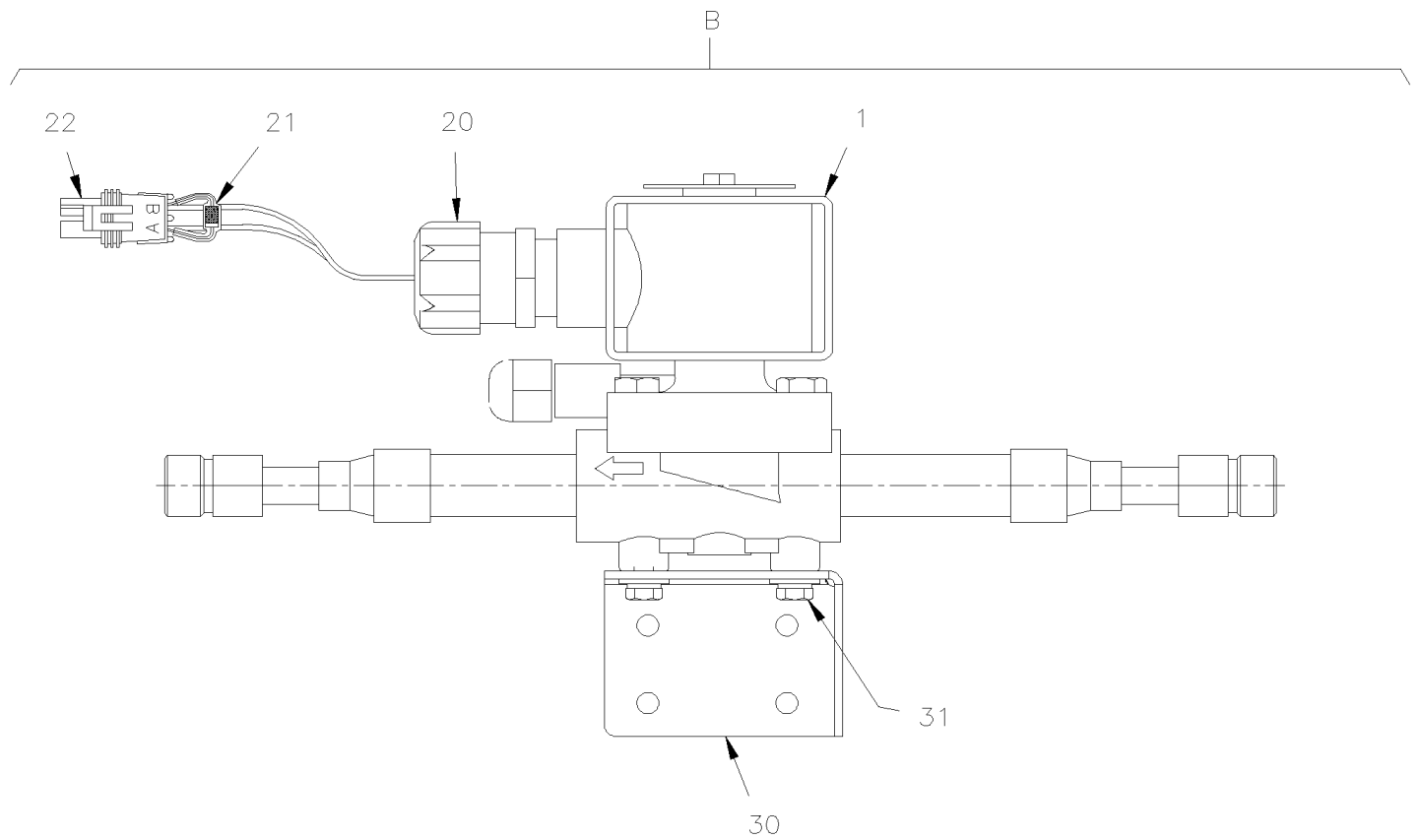
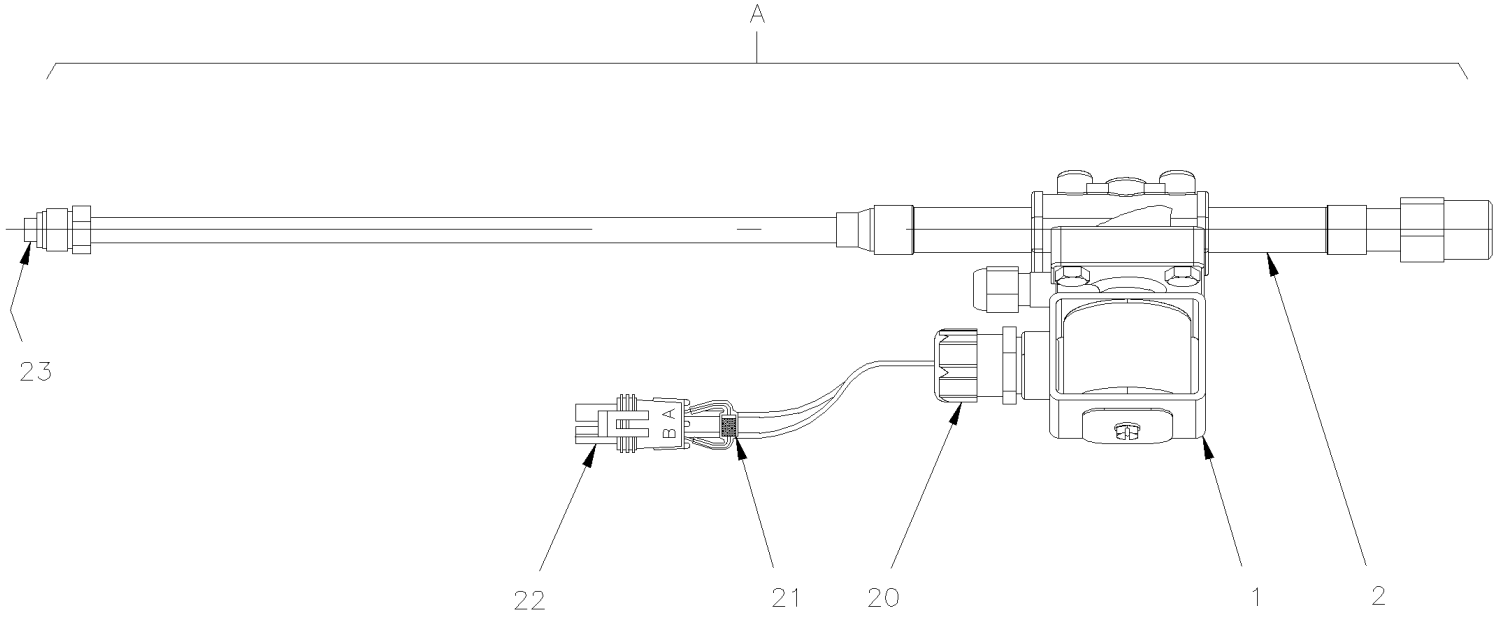
Item#	Part	Description	X L I I M T H 4 5	X L I I M T H 4 5 E	N O T E S
	871344	VALVE, EXPANSION ASSY / WITH PIPE	1	1	A
	950320	. VALVE, EXPANSION 5 1/2 TON	1	1	
1	950241	. . ELEMENT POWER R134A	1	1	
1	950241	. . ELEMENT POWER R134A	1	1	A
2	870622	. . ADJUSTING STEM & PACKING ASSY	1	1	
3	870621	. . NUT PACKING	1	1	
4	N.S.S.	. . SEAL	1	1	1
5	870619	. . NUT CAP	1	1	
6	950317	. . CAGE ASSY & SPRING / B6B	1	1	
6	950258	. . CAGE ASSY & SPRING / B3B	1	1	A
7	870709	. . SET GASKET	1	1	
8	N.S.S.	. . FLANGE BODY	1	1	1
8	504634	T-CLIP / 7/8" - 1"	1	1	
8	504637	CABLE TIE / 3/16" x 13"	1	1	
11	950221	VALVE, EXPANSION / DRIVER'S W/R134A	1	1	
12	507279	O-RING / ORS FITTING / #8 NEO	1	1	
13	507278	O-RING / ORS FITTING / #4 NEO	1	1	
14	507344	O-RING / ORS FITTING / #10 NEO	1	1	
20	507525	ADAPTER JIC @ BRAZE W/O-RING // #12JIC-Mx#10BRAZE-F BR	1	1	
. NS	501829	. O-RING / ORS FITTING / #12 NEO	1	1	
21	507518	SLEEVE / JIC 37° FITTING / #12 STL	1	1	
22	507519	NUT / JIC 37° FITTING / #12JIC-F STL	1	1	
30	680091	TAPE INSULATING / 1/8" x 2" x 30' / BLACK PT-1	1	1	
B	453985	VALVE, EXPANSION ASSY / WITH PIPE	1	1	
		A) WITH SMALL A/C SYSTEM INSTALL ON FRONT DEFROSTER ASSY			
		1) NOT SOLD SEPARATELY			

From 8-9279 To B-9999

Date:10/2022

PAGE:MTH-2208-10

REFRIGERANT SOLENOID VALVE



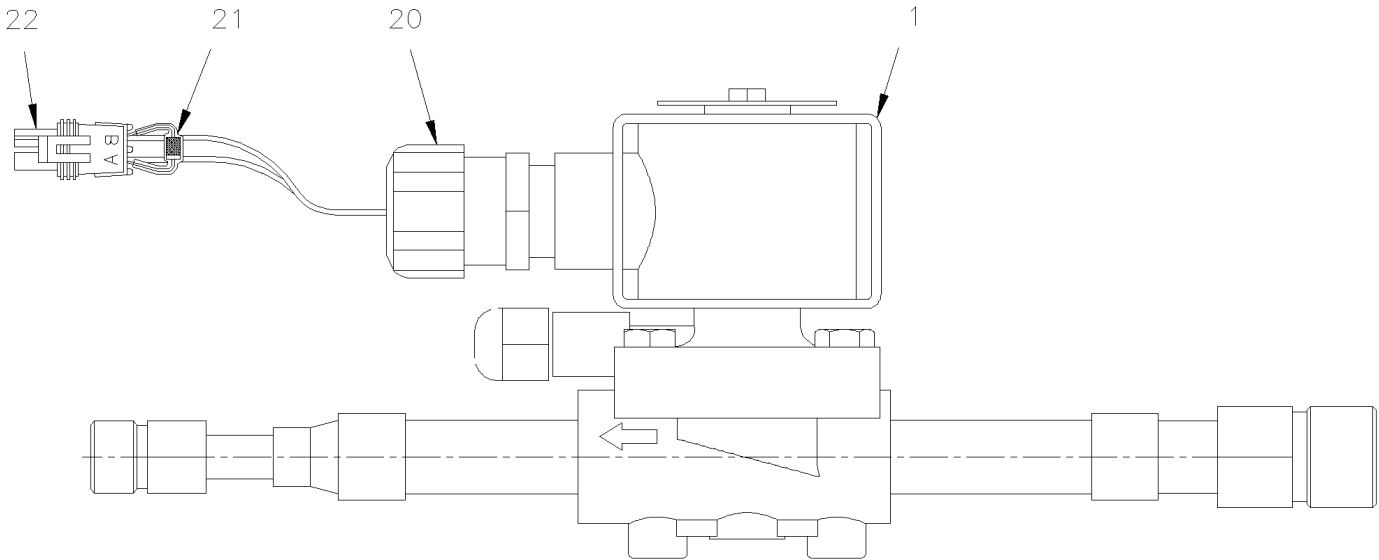
From 8-9279 To B-9999

Date:10/2022

PAGE:MTH-2208-10

REFRIGERANT SOLENOID VALVE

C





From 8-9279 To B-9999		Date:10/2022	PAGE:MTH-2208-10
-----------------------	--	--------------	------------------

REFRIGERANT SOLENOID VALVE

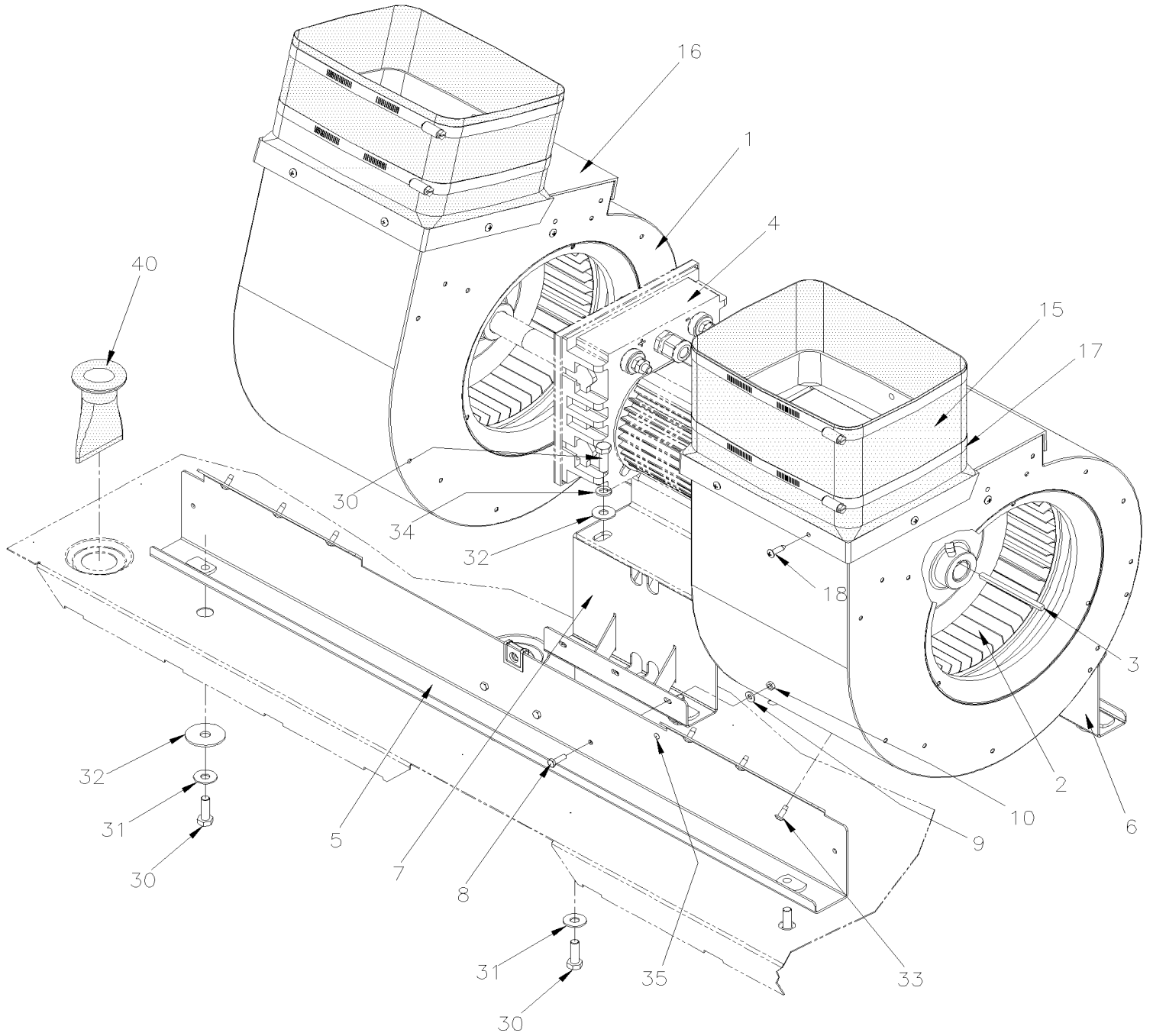
Item#	Part	Description	X L I I M T H 4 5	X L I I M T H 4 5 E	N O T E S
1	950953	. COIL 24V / SERVICE	1	1	
2	950951	. VALVE REFRIGERANT SOLENOID	1	1	
3	N.S.S.	. . BONNET & ENCLOSING TUBE ASSY	1	1	1
4	500238	. . SCREW CAP HEXS 1/4-20x3/4 ZP	4	4	
5	N.S.S.	. . O-RING	1	1	1
6	N.S.S.	. . PLUNGER ASSY	1	1	1
7	N.S.S.	. . DIAPRAGM ASSY	1	1	1
8	N.S.S.	. . BODY	1	1	1
NS	500160	. SCREW CAP HEX #10-24x1/2 Z050	2	2	
20	560434	. CONNECTOR 1/2" PIPE	1	1	
21	560931	. DIODE / 3AMPS	1	1	
22	561690	. CONNECTOR / WEATHER PACK / SH 2C / BLACK / PED 12015792	1	1	
NS	561565	. CABLE SEAL / GREEN / PED 15324982	2	2	
NS	561578	. SOCKET TERMINAL / 16-14 / PED 12010182	2	2	
23	507278	. O-RING / ORS FITTING / #4 NEO	1	1	
30	453315	. SUPPORT / A/C VALVE	1	1	
31	500041	. SCREW CAP HEX #10-24x3/8 SS	2	2	
NS	500470	. WASHER LO SPT .193x.334x.047 Z050	2	2	
NS	500964	. WASHER FL .203x.500x.047 Z050	2	2	
B	453318	VALVE ASSY / REFRIGERANT SOLENOID	1	1	B
C	453151	VALVE ASSY / REFRIGERANT SOLENOID	1	1	A
		A) IN SPARE COMPARTMENT			
		B) IN SPARE COMPARTEMENT WITH SMALL A/C SYSTEM			
		1) NOT SOLD SEPARATELY			

From 8-9279 To B-9999

Date:10/2022

PAGE:MTH-2210-00

HEATER & EVAPORATOR BLOWER - INSTALLATION





From 8-9279 To B-9999	Date:10/2022	PAGE:MTH-2210-00
HEATER & EVAPORATOR BLOWER - INSTALLATION		

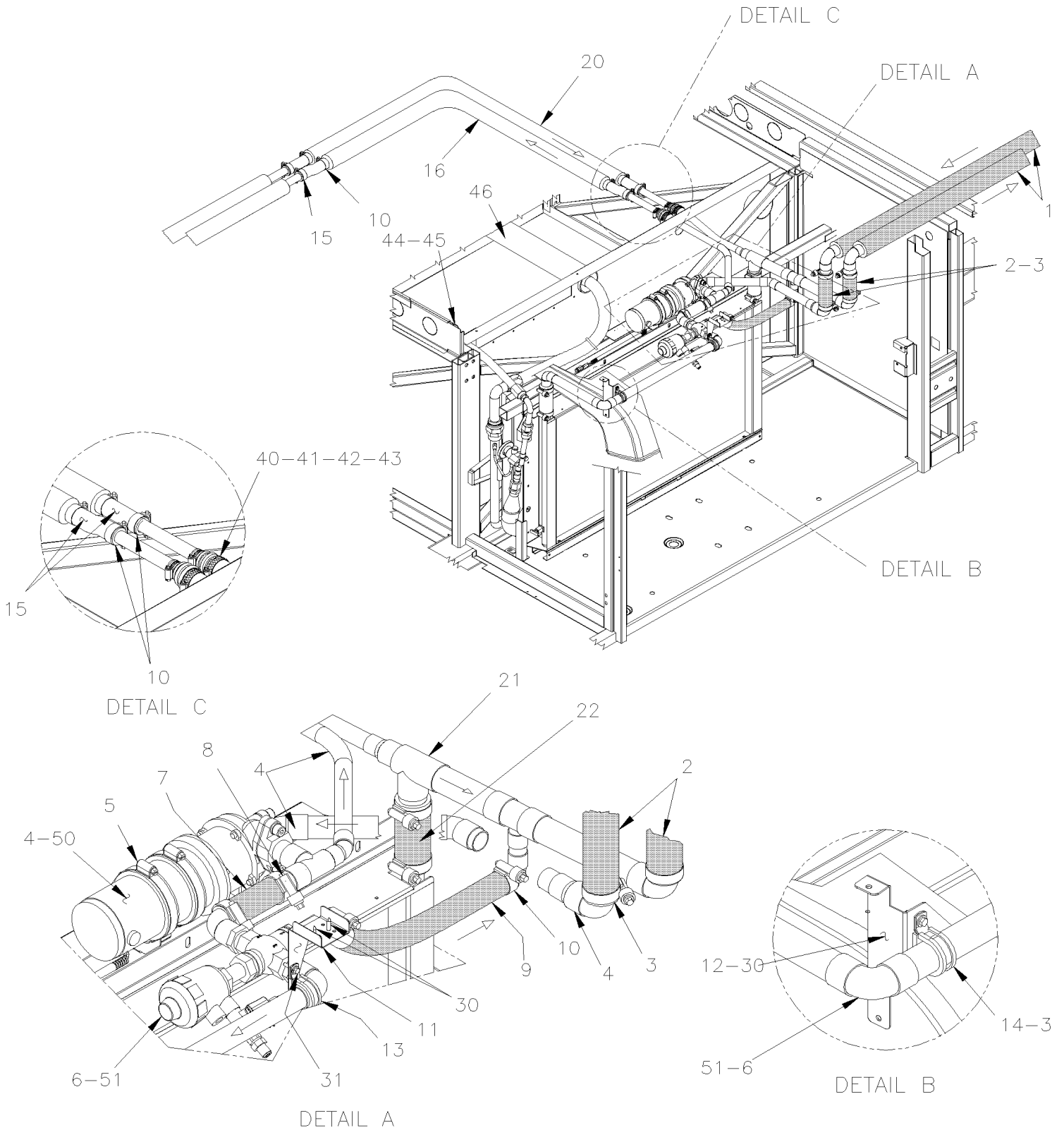
Item#	Part	Description	X L I I M T H 4 5	X L I I M T H 4 5 E	N O T E S
1	871306	HOUSING ASSY W/BLOWER WHEEL	2	2	
1	871308	. HOUSING ASSY, GALVANISED	1	1	
2	870956	. BLOWER WHEEL	1	1	
3	452085	KEY 3/16 X 82 MM	2	2	
4	MTH-2265-00	MOTOR - EVAPORATOR - "PREVOST" - T-17 - 2 SPEEDS			
5	453990	SUPPORT	1	1	
6	453995	SUPPORT	1	1	
7	457414	BASE SUB ASSY	1	1	
8	5001447	SCREW CAP HEX #10-24x5/8 PT SS BK	6	6	
9	5001137	WASHER FL .203x.438x.050 SS	6	6	
10	5001180	NUT HEX NYRT #10-24 SS	6	6	
15	453986	FLEXIBLE DUCT / HEIGHT 140MM	2	2	
16	453992	TRANSITION ADAPTOR FLEXIBLE DUCT	2	2	
17	504729	CLAMP HOSE SS/CR 203-279	2	2	
18	500957	SCREW TP BDG PH #10x3/4 N500	10	10	
30	502780	SCREW CAP HEX M8-1.25x25 SS BK	AR	AR	
31	5001448	WASHER FL .343x.875x.062 SS18-8	AR	AR	
32	500261	WASHER FL .390x1.500x.083 N500	AR	AR	
33	502868	SCREW TC TR PH #10-16x1/2 N500	AR	AR	
34	500035	WASHER LO SPT .317x.586x.078 SS	AR	AR	
35	504112	RIVET POP DOME OE 1/8x1/8 AL	2	2	
40	453981	DRAIN BOOT 1" I.D. W/GROOVE 1.5 x 35MM I.D. x 62MM	4	4	

From 8-9279 To B-9999

Date:10/2022

PAGE:MTH-2210-10

WATER PUMP - INSTALLATION





From 8-9279 To B-9999	Date:10/2022	PAGE:MTH-2210-10
WATER PUMP - INSTALLATION		

Item#	Part	Description	X L I I M T H 4 5	X L I I M T H 4 5 E	N O T E S
1	MTH-2222-30	HEATER LINE REAR SECTION - MTH			
2	503392	HOSE SILICONE 4PLY 1 3/8" I.D. x 4'	AR	AR	
3	504657	HOSE CLAMP / 1"1/16-2" C.T. 9424	AR	AR	
4	Call order desk	PUMP WATER ASSY W/PIPE & CONNECTOR / SEALLESS MODEL	1	1	P
. NS	374864	. COPPER TUBE, OUTPUT ASSY	1	1	
. NS	374865	. COPPER TUBE, INPUT ASSY	1	1	
5	504235	HOSE CLAMP / 3"9/16"-4"1/2 SS / HS-64	2	2	
NS	506728	TAPE RUB ADH1 NEO 1/4" x 3/4" x 10' / BLACK	AR	AR	
6	Call order desk	WATER VALVE ASSY W/PIPE & SUPPORT	1		P
. NS	374281	. ADAPTOR 7/8" I.D. WELDED x 3/4" B.P.T. MALE	1		
. NS	374282	. ADAPTOR 1 1/8" I.D. WELDED x 3/4" B.P.T. MALE	2		
6	374198P	WATER VALVE ASSY W/PIPE & SUPPORT		1	
7	503652	HOSE SILICONE 2PLY 1 1/8" I.D. x 3'	AR	AR	
8	504658	HOSE CLAMP / 13/16"-1"3/4 / C.T. 9420	AR	AR	
9	503651	HOSE SILICONE 2PLY 7/8" I.D. x 3'	AR	AR	
10	504646	HOSE CLAMP / 11/16"-1"1/4 / C.T. 9412	AR	AR	
11	374217	SUPPORT WATER VALVE BACKWARD	1	1	
12	374194	SUPPORT WATER VALVE	1	1	
12	374195	SUPPORT WATER VALVE FORWARD	1	1	
13	952639	CLAMP / 1"1/4 I.D.	1	1	
14	952637	CLAMP / 1"1/16 I.D.	1	1	
15	371532	HOSE 7/8" I.D. 6"	1	1	
16	Call order desk	PIPE ASSY / 1428MM BACKWARD SECTION	1	1	P
20	Call order desk	PIPE ASSY / 1432MM BACKWARD SECTION	1	1	P
21	374124	PIPE ASSY / RETURN LINE / W/BYPASS VALVE OR W/OUT BY PASS	1	1	
22	051383	HOSE / W/CENTRAL A/C SYSTEM / 1 3/8" I.D. X 150MM	1	1	
30	500957	SCREW TP BDG PH #10x3/4 N500	AR	AR	
31	500588	SCREW CAP HEX M4-0.7x20 G8.8 Z050	2	2	
NS	500438	WASHER FL .187x.437x.050 Z050	2	2	
NS	500590	NUT HEX NYRT M4-0.7 Z050	2	2	
40	504383	CUFF END BELLOW / 7/8" I.D. x 1 1/2" x 2 1/4"	2	2	
41	451075	PROTECTOR HOSE SPLIT / 7/8" O.D. x 3"	2	2	
42	504022	HOSE CLAMP / 3/4"-1"3/4 SS / HS-20	AR	AR	
43	504016	CABLE TIE / 5/16" X 14"1/2	AR	AR	
44	504024	HOSE CLAMP / 1"13/16"-2"3/4 SS / HS-36	1	1	
45	504384	CUFF END BELLOW / 1 1/4" I.D. x 1 3/4" x 4"	1	1	
46	454238	TUBE PVC / 3" x 1137MM	1	1	
50	MTH-2206-00	WATER PUMP #871342 SEALLESS			
51	MTH-2207-02	WATER VALVE - W/3 WAYS BY-PASS			
52	MTH-2270-00	RECEIVER TANK & FILTER DRYER			
53	MTH-2208-00	A/C EXPANSION VALVE			
54	MTH-2205-00	HEATER & EVAPORATOR COIL - INSTALLATION			



From 8-9279 To B-9999	Date:10/2022	PAGE:MTH-2210-10
-----------------------	--------------	------------------

WATER PUMP - INSTALLATION

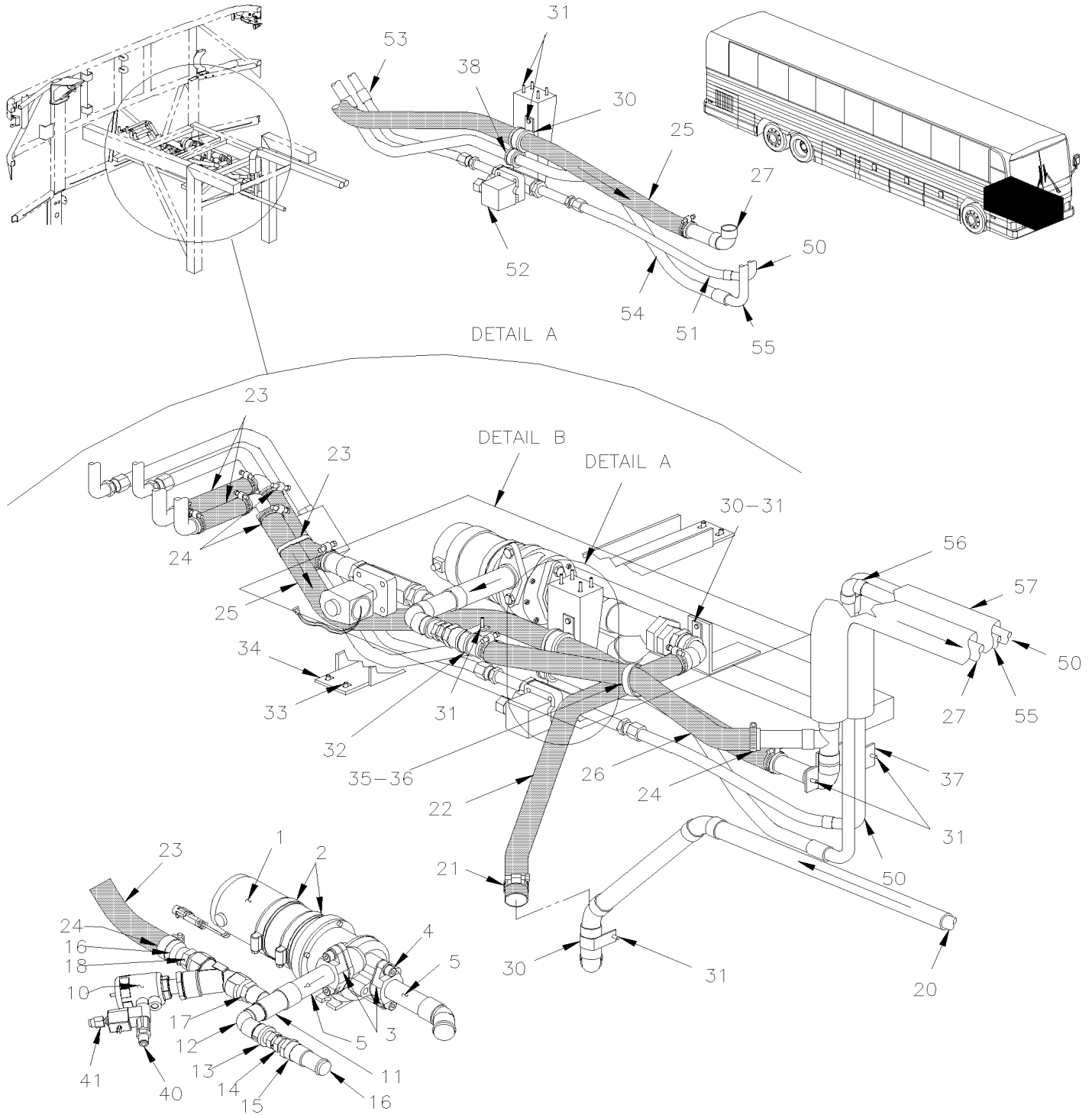
Item#	Part	Description	X L I I M T H 4 5	X L I I M T H 4 5 E	N O T E S
		P) CALL ORDER DESK FOR SPECIFIC APPLICATION (V.I.N.)			

From 8-9279 To B-9999

Date:10/2022

PAGE:MTH-2210-20

WATER PUMP & FILTER - W/SMALL A/C





From 8-9279 To B-9999	Date:10/2022	PAGE:MTH-2210-20
WATER PUMP & FILTER - W/SMALL A/C		

Item#	Part	Description	X L I I M T H 4 5	X L I I M T H 4 5 E	N O T E S
	Call order desk	WATER PUMP ASSY W/WATER VALVE	1	1	P
1	MTH-2206-00	WATER PUMP #871342 SEALLESS			
2	504026	HOSE CLAMP / 2"13/16-3"3/4 SS / HS-52	2	2	
NS	506728	TAPE RUB ADH1 NEO 1/4" x 3/4" x 10' / BLACK	AR	AR	
3	871206	FLANGE ADAPTOR / W/QUAD RING	2	2	
NS	870441	GASKET PUMP INLET & OUTLET	2	2	
4	5001580	SCREW CAP HEXS 3/8-16x7/8	4	4	
NS	500478	WASHER LO SPT .380x.683x.094 Z050	4	4	
5	503199	COPPER TUBE 1.125" O.D.x .050" x 240"	AR	AR	
8	871348	STRAINER FILTER, WATER 1" N.P.T.	1	1	
9	372675	ELBOW 45° W/BEAD	1	1	
10	MTH-2207-01	WATER VALVE - W/2 WAYS			
11	501963	UNION TEE / COPPER TUBE / 1Fx3/4Fx3/4F	1	1	
12	501217	STREET ELBOW 90° SHORT RADIUS / COPPER TUBE / 3/4Mx3/4F	1	1	
13	501889	ADAPTER / COPPER @ PIPE / 3/4Mx1/2NPT-F	1	1	
14	870727	CHECK VALVE 1/2 NPT	1	1	
15	501568	ADAPTER / COPPER @ PIPE / 3/4Fx1/2NPT-F	1	1	
16	503198	COPPER TUBE .875" O.D. x .045" x 240"	AR	AR	
17	501896	ADAPTER / COPPER @ PIPE / 3/4Fx3/4NPT-M	1	1	
18	501866	ADAPTER / COPPER @ PIPE / 3/4Fx3/4NPT-M	1	1	
20	Call order desk	PIPE ASSY / 3289MM BACKWARD SECTION	1		P
20	Call order desk	PIPE ASSY / 3996MM FORWARD SECTION	1		P
20	Call order desk	PIPE ASSY / 4429MM BACKWARD SECTION		1	P
20	Call order desk	PIPE ASSY / 3496MM FORWARD SECTION		1	P
21	504658	HOSE CLAMP / 13/16"-1"3/4 / C.T. 9420	2	2	
22	374220	HOSE 1 1/8" I.D. X 670MM	1	1	
23	MTH-2230-00	DEFROSTER - INSTALLATION			
24	504646	HOSE CLAMP / 11/16"-1"1/4 / C.T. 9412	AR	AR	
25	373619	HOSE 7/8" I.D. X 855MM	1	1	
26	373674	HOSE 7/8" I.D. X 390MM	1	1	
NS	503684	HOSE SILICONE 1 PLY 7/8" I.D. x 100' / S.L.	AR	AR	
27	Call order desk	PIPE ASSY / 2963MM BACKWARD SECTION	1		P
27	Call order desk	PIPE ASSY / 4221MM FORWARD SECTION	1		P
27	Call order desk	PIPE ASSY / 4037MM BACKWARD SECTION		1	P
27	Call order desk	PIPE ASSY / 3919MM FORWARD SECTION		1	P
30	952639	CLAMP / 1"1/4 I.D.	AR	AR	
31	500642	SCREW TP PAN PH #10x3/4 Z050	AR	AR	
32	952635	CLAMP / 1" I.D.	AR	AR	
33	502526	SCREW TC BDG PH #12-24x3/4 Z050	4	4	
34	172355	SUPPORT / VALVE	1	1	
35	504637	CABLE TIE / 3/16" x 13"	AR	AR	
36	504586	WASHER FL SPACER .450x.625x.875 NYL	AR	AR	



From 8-9279 To B-9999 Date:10/2022 PAGE:MTH-2210-20

WATER PUMP & FILTER - W/SMALL A/C

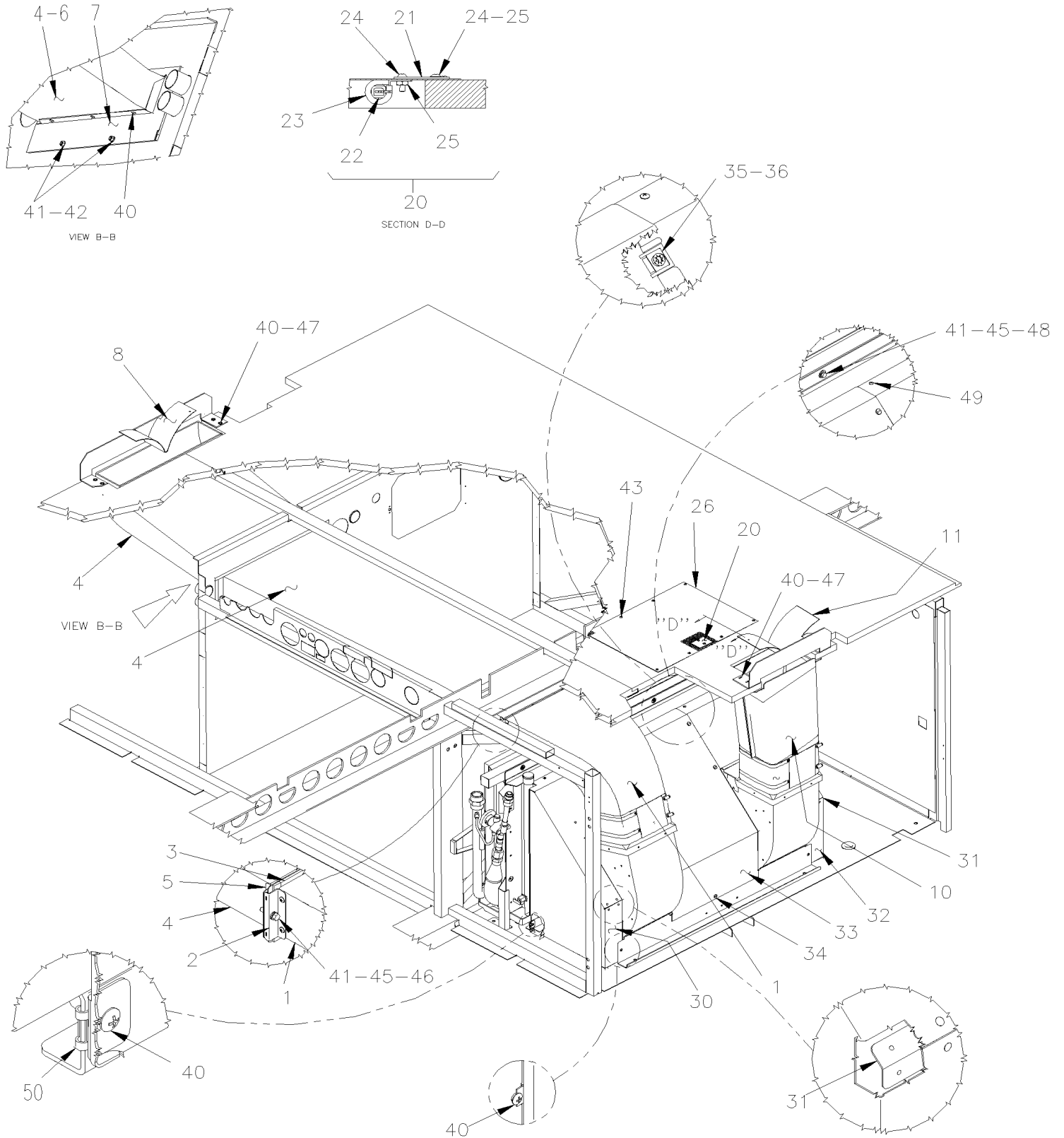
Item#	Part	Description	X L I I M T H 4 5	X L I I M T H 4 5 E	N O T E S
37	452906	SUPPORT	1	1	
38	952631	CLAMP / 3/4" I.D.	AR	AR	
41	642028	MALE CONNECTOR / PUSH-IN FITTING / 6MM x M5-0.8 BR	1	1	
50	453319	PIPE ASSY	1	1	
51	453333	HOSE ASSY / PIPE & VALVE #6 205MM To A-9743	1	1	
. NS	507278	. O-RING / ORS FITTING / #4 NEO To A-9743	2	2	
51	455212	HOSE ASSY / PIPE & VALVE #6 205MM From A-9744	1	1	
. NS	507278	. O-RING / ORS FITTING / #4 NEO From A-9744	2	2	
52	MTH-2208-10	REFRIGERANT SOLENOID VALVE			
53	454109	HOSE ASSY / VALVE & EVAPORATOR / #6 205MM To A-9743	1	1	A
. NS	507278	. O-RING / ORS FITTING / #4 NEO To A-9743	2	2	A
53	455290	HOSE ASSY / VALVE & EVAPORATOR / #6 205MM From A-9744	1	1	A
. NS	507278	. O-RING / ORS FITTING / #4 NEO From A-9744	2	2	A
54	454107	HOSE ASSY / EXPANSION VALVE OUTLET / #10 875MM To A-9743	1	1	A
. NS	507344	. O-RING / ORS FITTING / #10 NEO To A-9743	2	2	A
54	455289	HOSE ASSY / EXPANSION VALVE OUTLET / #10 875MM From A-9744	1	1	A
. NS	507344	. O-RING / ORS FITTING / #10 NEO From A-9744	2	2	A
55	Call order desk	PIPE		1	P
55	Call order desk	PIPE ASSY	1		P
56	453704	PIPE	1	1	
57	506283	PIPE INSULATING / 1 5/8" I.D. X 1/2" TH. X 72 / APT15812	1	1	
		A) ALSO USE WITH "SELTEC" RETROFIT			
		P) CALL ORDER DESK FOR SPECIFIC APPLICATION (V.I.N.)			

From 8-9279 To B-9999

Date:10/2022

PAGE:MTH-2220-00

UNDER FLOOR AIR DUCTING

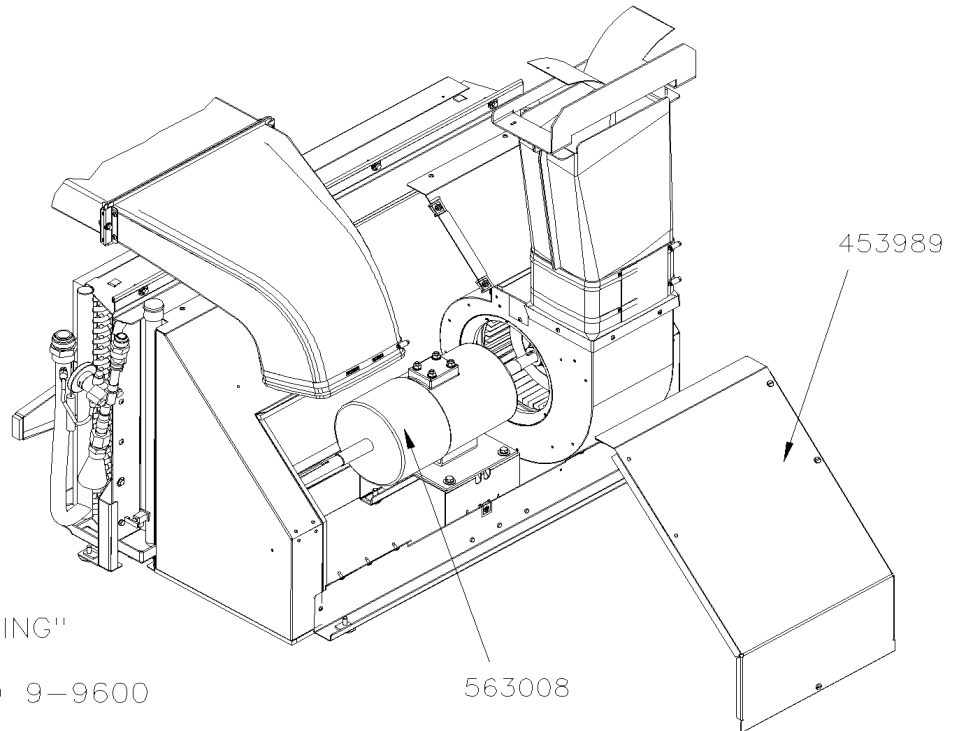


From 8-9279 To B-9999

Date:10/2022

PAGE:MTH-2220-00

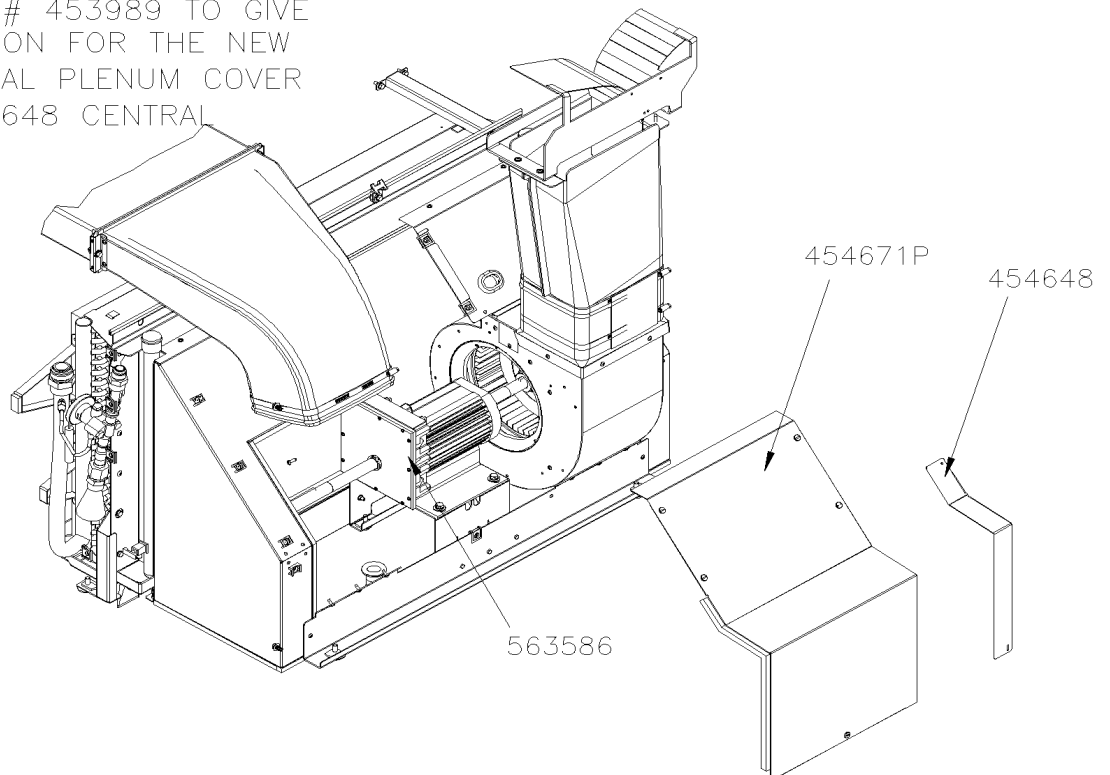
UNDER FLOOR AIR DUCTING



WARNING" – "WARNING" –"WARNING"

FOR VEHICULE FROM 6-8806 TO 9-9600

IF YOU REPLACE THE EVAPORATOR MOTOR # 563008 WITH THE BRUSHLESS # 563586 YOU HAVE TO REPLACE # 453989 TO GIVE A CLEARANCE INSTALLATION FOR THE NEW MOTOR. THE NEW CENTRAL PLENUM COVER # 454671P WITH # 454648 CENTRAL SUPPORT





From 8-9279 To B-9999	Date:10/2022	PAGE:MTH-2220-00
UNDER FLOOR AIR DUCTING		

Item#	Part	Description	X L I I M T H 4 5	X L I I M T H 4 5 E	N O T E S
1	Call order desk	DUCT, L.H. OUTLET EVAPORATOR FAN	1	1	P
1	453978	. DUCT	1	1	
2	454236	. ATTACHMENT	2	2	
3	453997	. GASKET	1	1	
4	Call order desk	DUCT UNDER FLOOR ASSY	1	1	P
4	453976	. DUCT	4	4	
5	454235	. ATTACHMENT W/NUT	1	1	
NS	500957	. SCREW TP BDG PH #10x3/4 N500	4	4	
NS	506268	. TAPE RUB ADH1 URE 3/8" x 1/2" x 25' / GREY 1820	AR	AR	
6	454306	. PLATE SEALING INSIDE	1	1	
7	454305	PLATE SEALING	1	1	
8	454253	DEFLECTOR ASSY CONDENSOR SIDE	1	1	
10	453979	DUCT, R,H, OUTLET EVAPORATOR FAN	1	1	
11	454284	DEFLECTOR ASSY EVAPORATOR SIDE	1	1	
20	453791	TEMPERATURE SENSOR ASSY W/SUPPORT	1	1	
21	453792	. SUPPORT TERMISTOR	1	1	
22	563063	. SENSOR THERMISTOR ASSY / TEMPERATURE / ("DELPHI")	1	1	
23	952637	. CLAMP / 1"1/16 I.D.	1	1	
24	500416	. SCREW MA PAN PH #10-32x1/2 BK	1	1	
25	500700	. NUT HEX #10-32 Z050	1	1	
26	453789	. GRILL / AIR RETURN	1	1	
30	453987	PLENUM FORWARD SECTION To A-9941	1	1	
30	Call order desk	PLENUM FORWARD SECTION From A-9942	1	1	P
31	453991	REINFORCMENT	2	2	
31	504112	RIVET POP DOME OE 1/8x1/8 AL	8	8	
32	453988	PLENUM BACKWARD SECTION To A-9941	1	1	
32	Call order desk	PLENUM BACKWARD SECTION From A-9942	1	1	P
33	453989	PLENUM CENTRAL SECTION To A-9941	1	1	A
33A	454671P	PLENUM CENTRAL SECTION From A-9942	1	1	
33B	454648	SUPPORT PLENUM CENTRAL SECTION	1	1	
34	504681	STUD 6MM (DZUS)	5	5	
35	504604	FASTENER	5	5	
36	504605	RECEPTACLE 6 MM	5	5	
40	500957	SCREW TP BDG PH #10x3/4 N500	17	17	
41	502737	SCREW CAP HEX M6-1.0x25 SS BK	2	2	
42	502681	NUT HEX NYRT M6-1.0 N500 G8	2	2	
43	500642	SCREW TP PAN PH #10x3/4 Z050	9	9	
44	502737	SCREW CAP HEX M6-1.0x25 SS BK	2	2	
45	502573	WASHER FL 6.4x12.5x1.6 SS	2	2	
46	502853	WASHER LO SPT 6.1x11.8x1.6 N500	6	6	
47	500804	WASHER FL .203x.500x.047 N500	4	4	
48	500411	WASHER FL .260x.697x.050 SS	4	4	



From 8-9279 To B-9999	Date:10/2022	PAGE:MTH-2220-00
-----------------------	--------------	------------------

UNDER FLOOR AIR DUCTING

Item#	Part	Description	X L I I M T H 4 5	X L I I M T H 4 5 E	N O T E S
49	502868	SCREW TC TR PH #10-16x1/2 N500	16	16	
50	502904	NUT SPR J #10A .035-.050 N500	AR	AR	
		A) FOR VEHICLE PRIOR 9-9516 IF YOU CHANGE MOTOR T17 (563008) WITH THE BRUSHLESS ONE (563586) YOU HAVE TO ORDER PLENUM CENTRAL SECTION # 454671P & 1 x # 454648			
		P) CALL ORDER DESK FOR SPECIFIC APPLICATION (V.I.N.)			

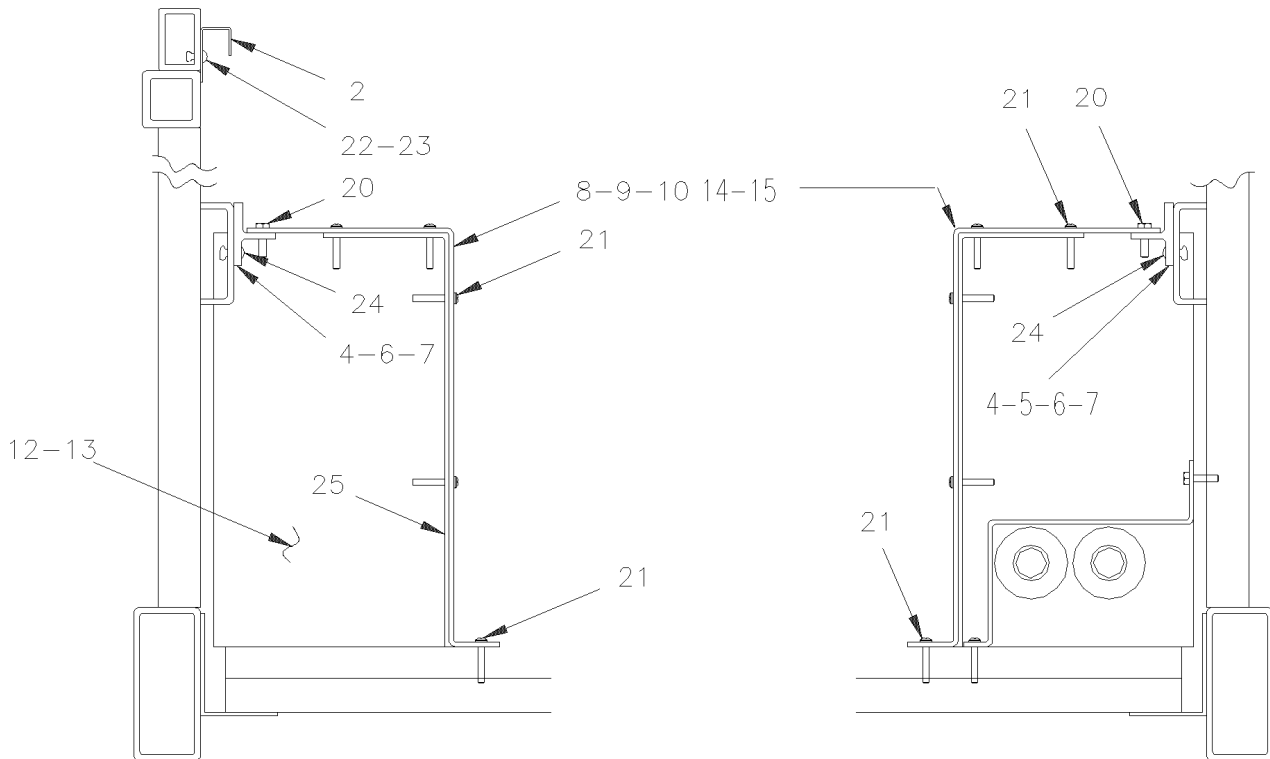
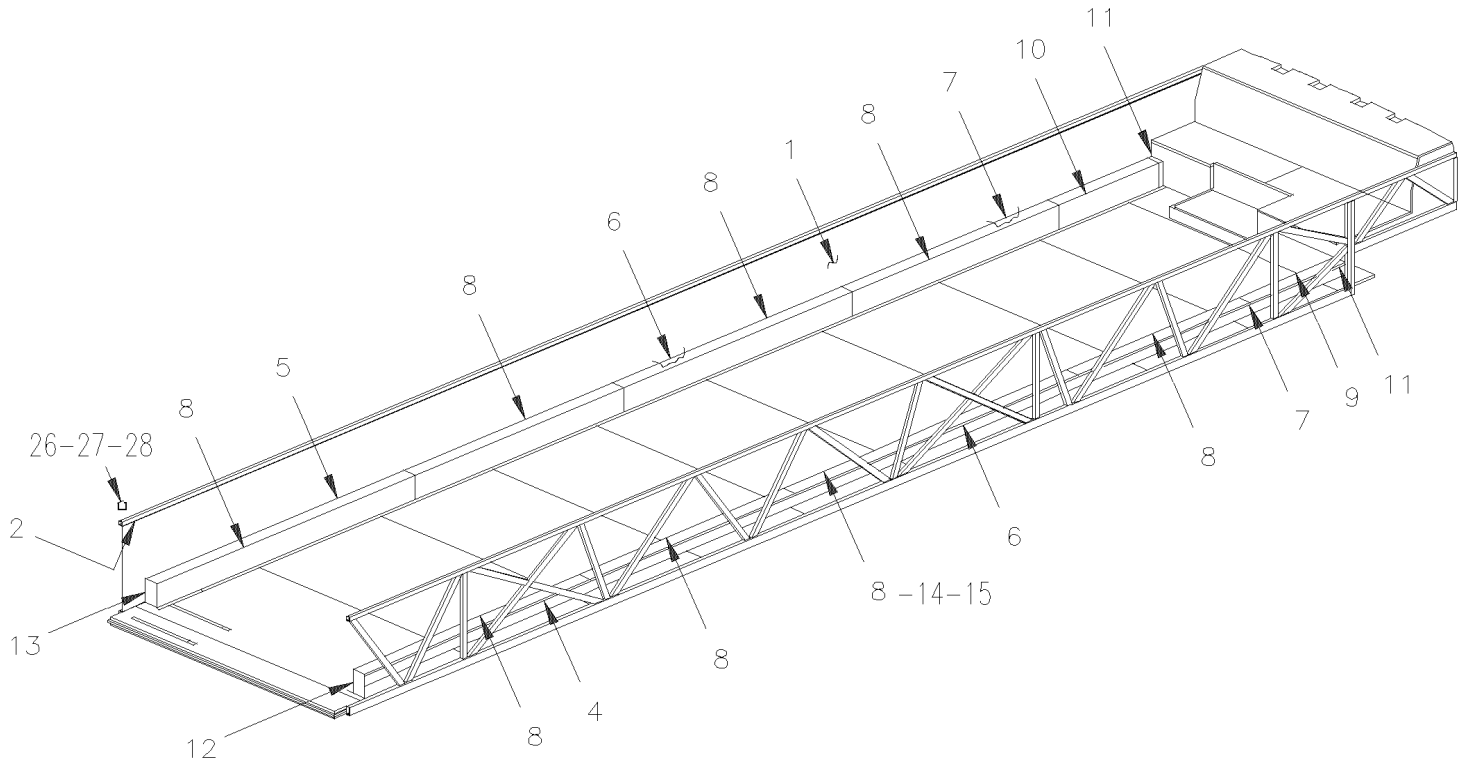


From 8-9279 To B-9999

Date:10/2022

PAGE:MTH-2221-50

DUCTING HEATER & A/C - MTH FLOOR





From 8-9279 To B-9999	Date:10/2022	PAGE:MTH-2221-50
DUCTING HEATER & A/C - MTH FLOOR		

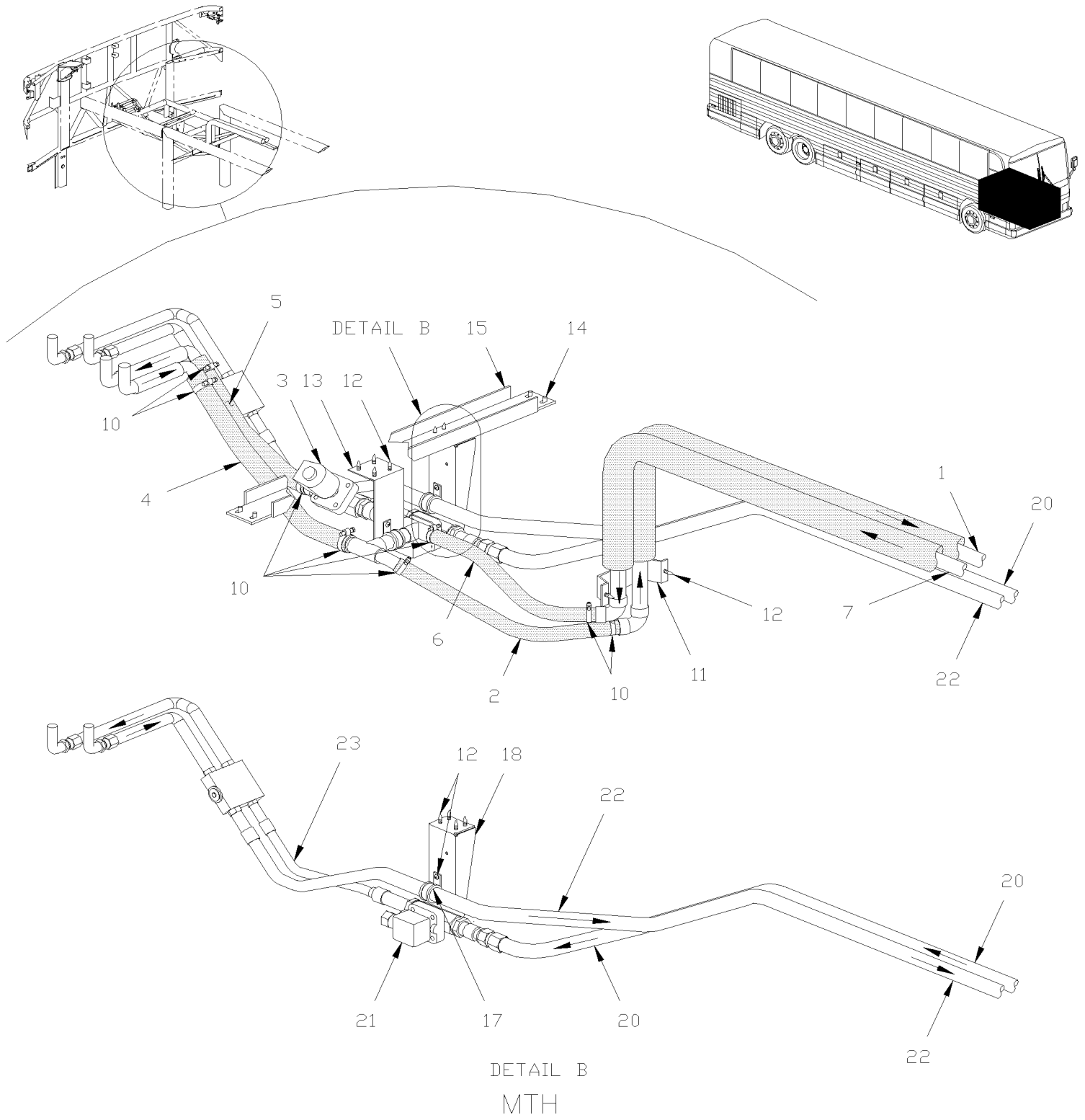
Item#	Part	Description	X L I M T H 4 5	X L I M T H 4 5 E	N O T E S
1	850065	ALUMINUM WALL COVERING ADHESIVE / 32 1/4" X 455" To 9-9574	2		
1	850089	WHITE WALL COVERING ADHESIVE / 32 1/4" X 455" From 9-9575	2		
1	850070	ALUMINUM WALL COVERING ADHESIVE / 36" X 438" To 9-9574		2	
1	850090	WHITE WALL COVERING ADHESIVE / 36" X 438" From 9-9575		2	
2	320186	AIR GRILL & SPACER 48"LG / BELOW WINDOW	20	20	
2	378243	AIR GRILL & SPACER / BELOW WINDOW	1		
4	373706	"T" SUPPORT, AIR DUCT	1		
4	372602	"T" SUPPORT, AIR DUCT 3849MM		1	
5	373492	"T" SUPPORT, AIR DUCT 3936MM	1		
5	373716	"T" SUPPORT, AIR DUCT		1	
6	373707	"T" SUPPORT, AIR DUCT	2		
6	373714	"T" SUPPORT, AIR DUCT		1	
7	373708	"T" SUPPORT, AIR DUCT	1		
7	373715	"T" SUPPORT, AIR DUCT		1	
7	373958	"T" SUPPORT, AIR DUCT 2815MM	1		
8	371712	AIR DUCT 2438MM	8	8	
8	374202	DUCT 1657MM	6		
8	374203	DUCT 2046MM		3	
9	373631	DUCT / L.H. REAR 1242MM	1	1	
10	373632	DUCT / R.H. REAR 1379MM	1	1	
11	506025	RUBBER CHANNEL / 1/18" x 5/16" INT "U" SHAPE / SQUARE C.T.L.	AR	AR	
12	371716	CAP L.H. / FRONT	1		
12	374218	CAP L.H. / FRONT / W/SLIDE OUT		1	
13	371715	CAP R.H. / FRONT	1		
14	373934	DUCT 1090MM	1		
14	374180	AIR DUCT 450MM / W/SLIDE OUT	1		
15	374209	DUCT / W/SUPPORT 588MM	1		
15	374181	AIR DUCT 1826MM / W/SLIDE OUT	1		
20	500657	SCREW TC TR PH #10-24x1/2 Z050	AR	AR	
21	500641	SCREW TP PAN PH #8x3/4 Z050	AR	AR	
22	500437	WASHER FL .125x.375x.040 Z050	AR	AR	
23	504105	RIVET POP DOME OE 1/8x3/16 AL	AR	AR	
24	504379	RIVET POP DOME OE 3/16x1/4 SS	AR	AR	
25	506236	TAPE RUB ADH1 CC POL 1/16" x 1/2" x 100' / GREY 2520	AR	AR	
26	293854	SUPPORT SWITCH / REMOTE OPERATIONAL MODEL	1	1	
27	562699	SWITCH / M/ON-OFF-M/ON / D.P.D.T. / W/GREEN LED	1	1	
28	563278	CAP / HI SPEED MAIN VENTILATION	1	1	

From 8-9279 To B-9999

Date:10/2022

PAGE:MTH-2222-10

A/C & HEATING LINE FRONT SECTION





From 8-9279 To B-9999	Date:10/2022	PAGE:MTH-2222-10
A/C & HEATING LINE FRONT SECTION		

Item#	Part	Description	X L I I M T H 4 5	X L I I M T H 4 5 E	N O T E S
1	Call order desk	PIPE ASSY / 4119MM FORWARD SECTION	1		P
1	Call order desk	PIPE ASSY / 1432MM BACKWARD SECTION	1		P
1	Call order desk	PIPE ASSY / 4998MM FORWARD SECTION		1	P
1	Call order desk	PIPE ASSY / 1744MM BACKWARD SECTION		1	P
2	373653	HOSE 7/8" I.D. 515MM	1	1	
. NS	503684	. HOSE SILICONE 1 PLY 7/8" I.D. x 100' / S.L.	AR	AR	
3	Call order desk	WATER VALVE ASSY W/PIPE & SUPPORT	1	1	P
4	373652	HOSE 7/8" I.D. 500MM	1	1	
. NS	503684	. HOSE SILICONE 1 PLY 7/8" I.D. x 100' / S.L.	AR	AR	
5	373651	HOSE 7/8" I.D. 320MM	1	1	
. NS	503684	. HOSE SILICONE 1 PLY 7/8" I.D. x 100' / S.L.	AR	AR	
6	373654	HOSE 7/8" I.D. 365MM	1	1	
. NS	503684	. HOSE SILICONE 1 PLY 7/8" I.D. x 100' / S.L.	AR	AR	
7	Call order desk	PIPE ASSY / 4069MM FORWARD SECTION	1		P
7	Call order desk	PIPE ASSY / 1428MM BACKWARD SECTION	1		P
7	Call order desk	PIPE ASSY / 4829MM FORWARD SECTION		1	P
7	Call order desk	PIPE ASSY / 1849MM BACKWARD SECTION		1	P
10	504646	HOSE CLAMP / 11/16"-1"1/4 / C.T. 9412	8	8	
11	452906	SUPPORT	1		
12	500642	SCREW TP PAN PH #10x3/4 Z050	AR		
13	374147	SUPPORT WATER VALVE	1	1	
14	502526	SCREW TC BDG PH #12-24x3/4 Z050	AR	AR	
15	172355	SUPPORT / VALVE	1	1	
17	952631	CLAMP / 3/4" I.D.	1	1	
18	453315	SUPPORT / A/C VALVE	1	1	
20	453389	HOSE ASSY / #10 5970MM To A-9743	1		
. NS	507344	. O-RING / ORS FITTING / #10 NEO To A-9743	2		
20	455218	HOSE ASSY / #10 5970MM From A-9744	1		
. NS	507344	. O-RING / ORS FITTING / #10 NEO From A-9744	2		
20	453482	HOSE ASSY / #10 7160MM To A-9743		1	
. NS	507344	. O-RING / ORS FITTING / #10 NEO To A-9743		2	
20	455248	HOSE ASSY / #10 6795MM From A-9744		1	
. NS	507344	. O-RING / ORS FITTING / #10 NEO From A-9744		2	
21	453151	VALVE ASSY / REFRIGERANT SOLENOID	1	1	
22	453390	HOSE ASSY / #10 4560MM To A-9743	1		
. NS	507344	. O-RING / ORS FITTING / #10 NEO To A-9743	2		
22	455219	HOSE ASSY / #10 4560MM From A-9744	1		
. NS	507344	. O-RING / ORS FITTING / #10 NEO From A-9744	2		
22	453476	HOSE ASSY / #10 5745MM To A-9743		1	
. NS	507344	. O-RING / ORS FITTING / #10 NEO To A-9743		2	
22	455246	HOSE ASSY / #10 5745MM From A-9744		1	
. NS	507344	. O-RING / ORS FITTING / #10 NEO From A-9744		2	



From 8-9279 To B-9999	Date:10/2022	PAGE:MTH-2222-10
A/C & HEATING LINE FRONT SECTION		

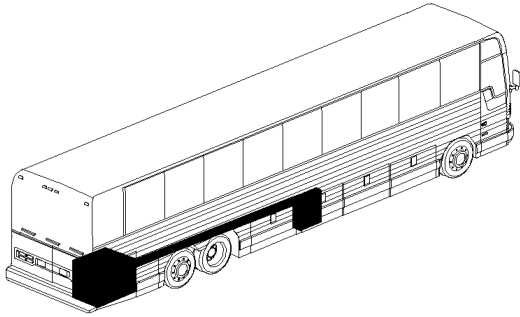
Item#	Part	Description	X L I I M T H 4 5	X L I I M T H 4 5 E	N O T E S
23	453331	HOSE ASSY / VALVE & EVAPORATOR / #6 250MM To A-9743	1	1	
. NS	507278	. O-RING / ORS FITTING / #4 NEO To A-9743	2	2	
23	455210	HOSE ASSY / VALVE & EVAPORATOR / #6 250MM From A-9744	1	1	
. NS	507278	. O-RING / ORS FITTING / #4 NEO From A-9744	2	2	
		P) CALL ORDER DESK FOR SPECIFIC APPLICATION (V.I.N.)			

From 8-9279 To B-9999

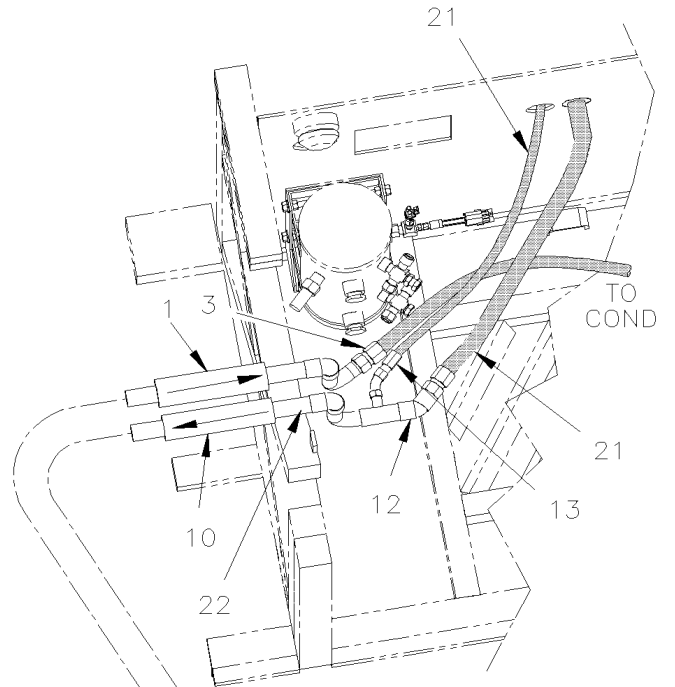
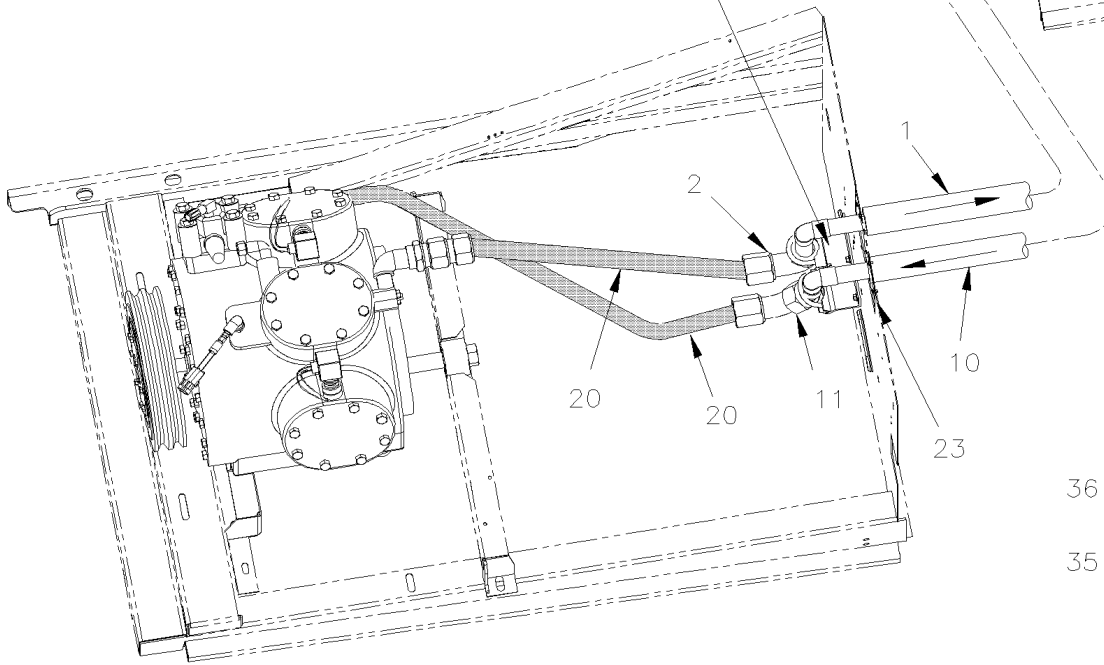
Date:10/2022

PAGE:MTH-2222-15

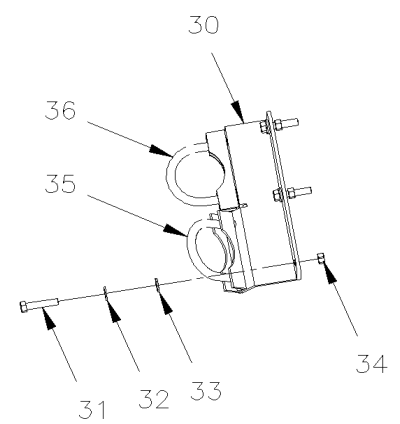
A/C LINE REAR SECTION W/05G



DETAIL "A"



TO COND



DETAIL "A"



From 8-9279 To B-9999	Date:10/2022	PAGE:MTH-2222-15
A/C LINE REAR SECTION W/05G		

Item#	Part	Description	X L I I M T H 4 5	X L I I M T H 4 5 E	N O T E S
1	453540	TUBE ASSY, PRESSURE / A/C COMPRESSOR		1	
1	453538	TUBE ASSY, PRESSURE / A/C COMPRESSOR	1		
2	501718	ADAPTER JIC @ BRAZE W/O-RING // #16JIC-Mx#18BRAZE-F BR	1	1	
. NS	501802	. O-RING / ORS FITTING / #16 NEO	1	1	
3	501718	ADAPTER JIC @ BRAZE W/O-RING // #16JIC-Mx#18BRAZE-F BR	1	1	
. NS	501802	. O-RING / ORS FITTING / #16 NEO	1	1	
10	453467P	TUBE ASSY, VACUUM / A/C COMPRESSOR		1	
10	Call order desk	TUBE ASSY, VACUUM / A/C COMPRESSOR	1		P
10	Call order desk	TUBE ASSY, VACUUM / A/C COMPRESSOR	1		P
11	501717	. ADAPTER JIC @ BRAZE W/O-RING // #20JIC-Mx#22BRAZE-F BR	1	1	
. NS	501803	. . O-RING / ORS FITTING / #20 NEO	1	1	
12	501717	. ADAPTER JIC @ BRAZE W/O-RING // #20JIC-Mx#22BRAZE-F BR	1	1	
. NS	501803	. . O-RING / ORS FITTING / #20 NEO	1	1	
13	5011099	. ADAPTER "TUBE-O" @ BRAZE / #12TUBE-O-Mx#14 BR	1	1	
20	MTH-2245-00	A/C COMPRESSOR 05G - INSTALLATION			
21	MTH-2270-00	RECEIVER TANK & FILTER DRYER			
22	326738	PLATE CLOSING AROUND PIPE / SMALL	1	1	
22	326739	PLATE CLOSING AROUND PIPE / LARGE	1	1	
23	483041	PLATE CLOSING AROUND PIPE	1	1	
		P) CALL ORDER DESK FOR SPECIFIC APPLICATION (V.I.N.)			

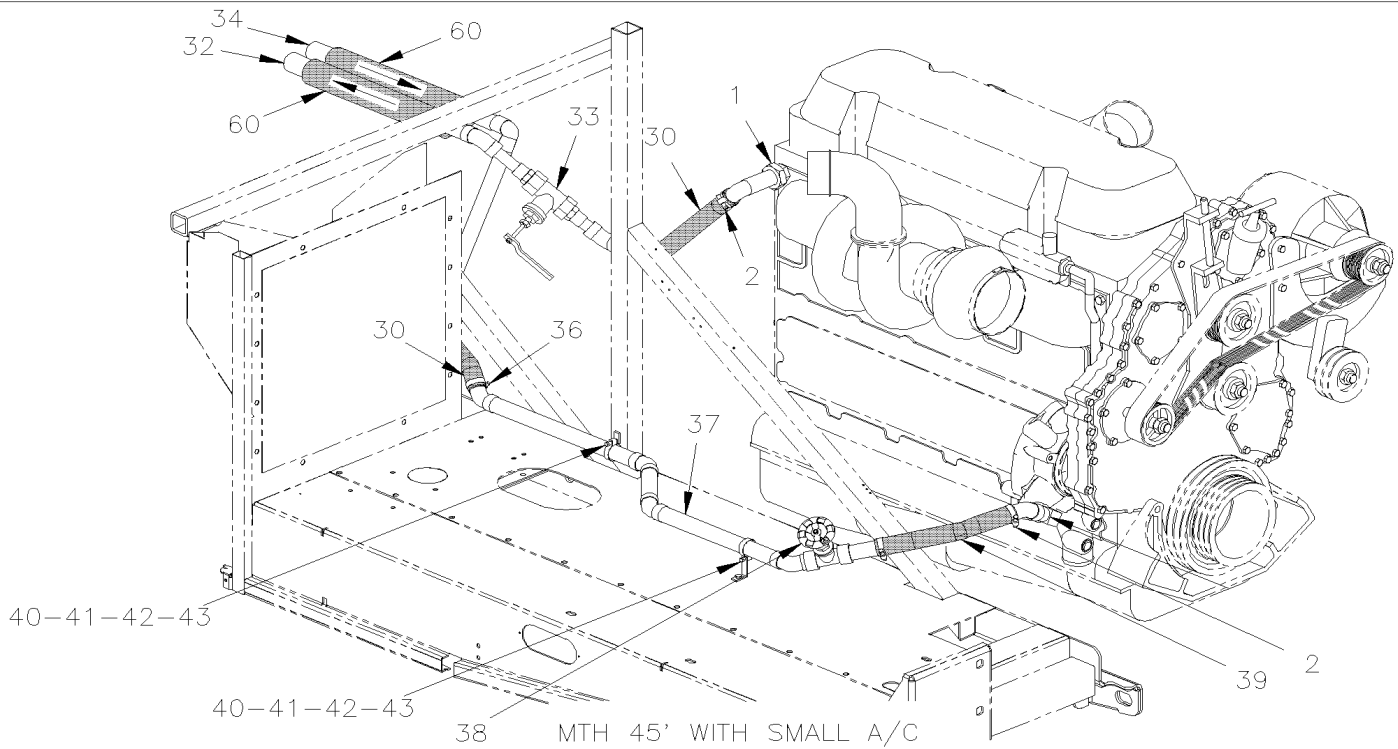
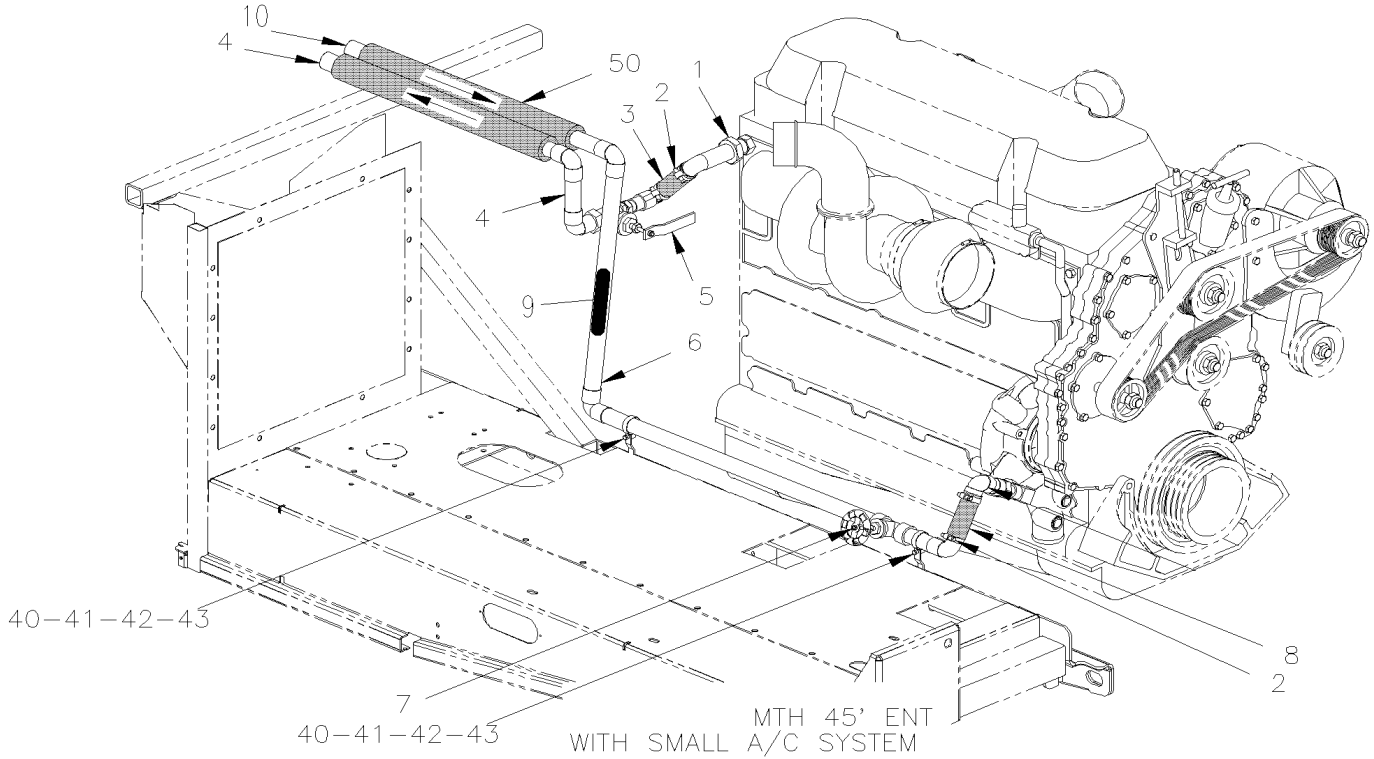
From 8-9279 To B-9999

Date:10/2022

PAGE:MTH-2222-30

HEATER LINE REAR SECTION - MTH

TYPICAL ILLUSTRATION FOR REFERENCE ONLY



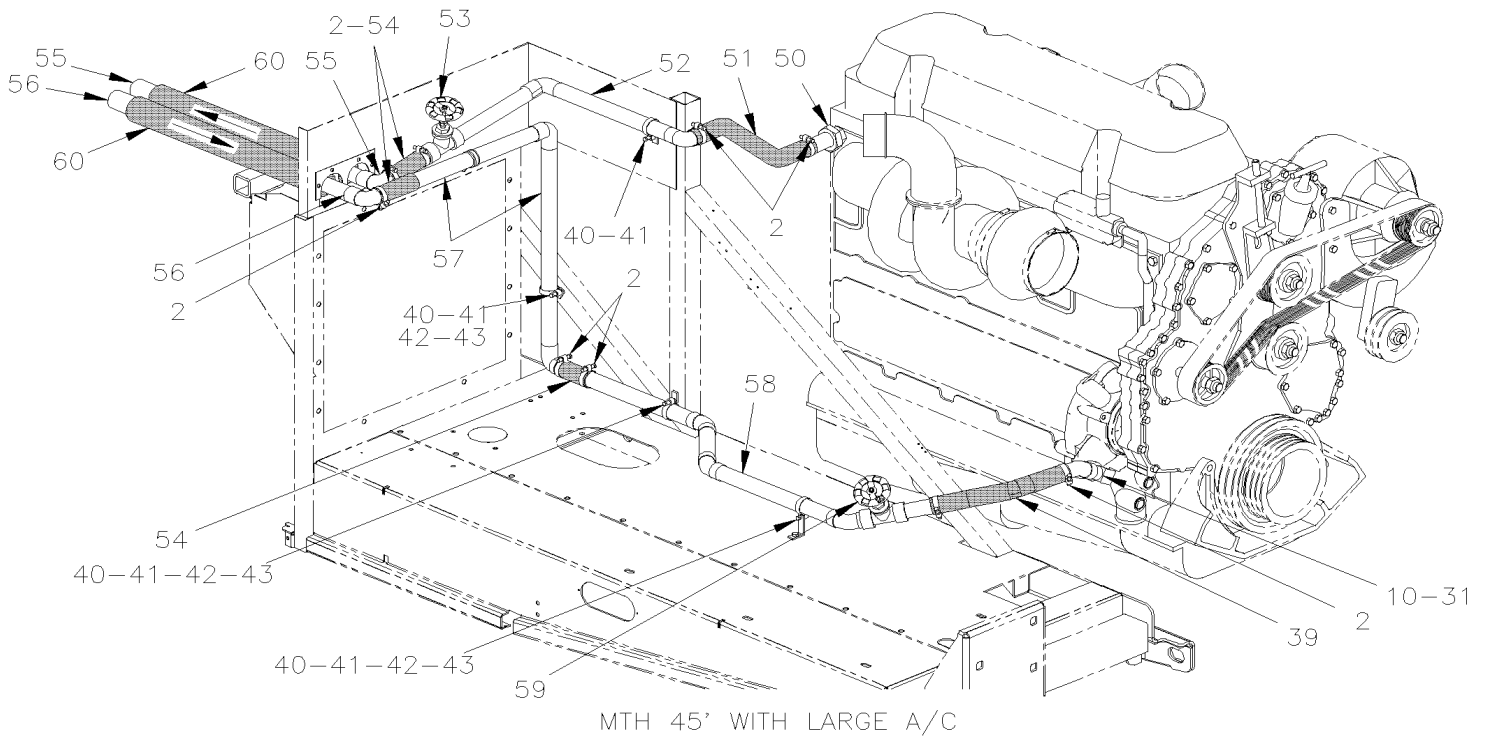
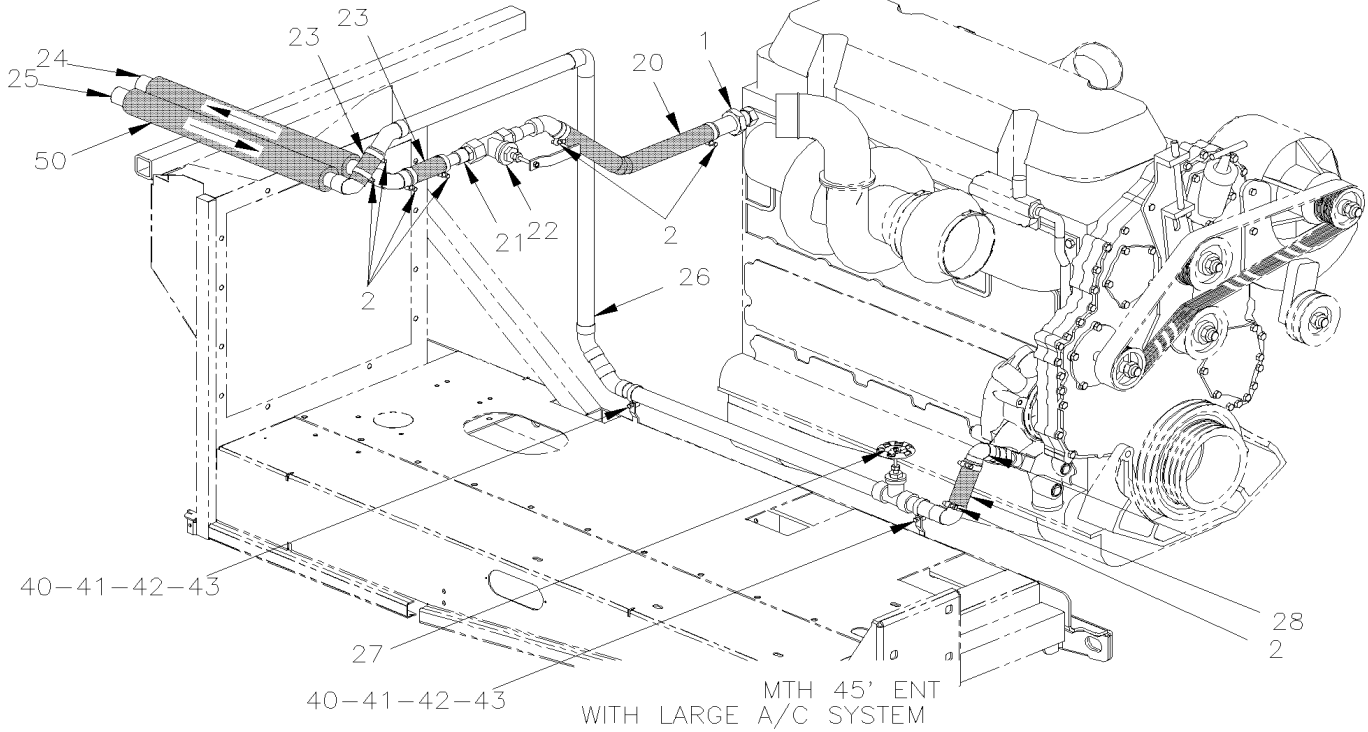
From 8-9279 To B-9999

Date:10/2022

PAGE:MTH-2222-30

HEATER LINE REAR SECTION - MTH

TYPICAL ILLUSTRATION REFERENCE ONLY



TYPICAL ILLUSTRATION REFERENCE ONLY



From 8-9279 To B-9999	Date:10/2022	PAGE:MTH-2222-30
HEATER LINE REAR SECTION - MTH		

Item#	Part	Description	X L I I M T H 4 5	X L I I M T H 4 5 E	N O T E S
1	373866	HOSE ADAPTOR ELBOW 90° 1 3/8" X 1" NPT / CYLINDER HEAD EXIT	1	1	
2	504657	HOSE CLAMP / 1"1/16-2" C.T. 9424		1	
3	503392	HOSE SILICONE 4PLY 1 3/8" I.D. x 4'		AR	
4	Call order desk	PIPE ASSY HEATING / FEED LINE / W/SMALL A/C SYSTEM		1	P
5	871419	. BALL VALVE 1" NPT-F		1	
5	501553	. ADAPTER / COPPER @ PIPE / 1Fx1NPT-M		2	
6	Call order desk	PIPE ASSY HEATING / RETURN LINE / W/SMALL A/C SYSTEM		1	P
7	501958	. GATE VALVE 7/8" (WELDED)		1	
8	374258	. ELBOW 90° X 1 3/8" I.D. / 88MM x 128MM C/C / SILICONE 1 PLY		1	
9	371531	HOSE 7/8 I.D. X 4"		1	
10	Call order desk	PIPE ASSY HEATING / RETURN LINE / W/SMALL A/C SYSTEM		1	P
20	503392	HOSE SILICONE 4PLY 1 3/8" I.D. x 4'		AR	
21	Call order desk	PIPE ASSY HEATING / FEED LINE		1	P
22	871419	. BALL VALVE 1" NPT-F		1	
22	501997	. ADAPTER / COPPER @ PIPE / 1 1/4Fx1NPT-M		2	
23	051383	. HOSE / W/CENTRAL A/C SYSTEM / 1 3/8" I.D. X 150MM		1	
24	Call order desk	PIPE ASSY HEATING / FEED LINE		1	P
25	Call order desk	PIPE ASSY HEATING / RETURN LINE		1	P
26	374252P	PIPE ASSY HEATING / RETURN LINE		1	
27	501861	. GATE VALVE 1 1/4" (WELDED)		1	
28	374258	. ELBOW 90° X 1 3/8" I.D. / 88MM x 128MM C/C / SILICONE 1 PLY		1	
30	373942	HOSE 1 3/8" x 305MM	1		
30	503392	HOSE SILICONE 4PLY 1 3/8" I.D. x 4'	AR		
32	Call order desk	PIPE ASSY HEATING / FEED LINE	1		P
32	Call order desk	PIPE ASSY HEATING / FEED LINE	1		P
33	871419	. BALL VALVE 1" NPT-F	1		
33	501553	. ADAPTER / COPPER @ PIPE / 1Fx1NPT-M	2		
34	Call order desk	PIPE ASSY HEATING / RETURN LINE	1		P
35	372837	HOSE 7/8" I.D. 16 1/2"	1		
35	503651	HOSE SILICONE 2PLY 7/8" I.D. x 3'	AR		
36	504646	HOSE CLAMP / 11/16"-1"1/4 / C.T. 9412	4		
37	Call order desk	PIPE RETURN / ENGINE WATER PUMP	1		P
38	871419	. BALL VALVE 1" NPT-F	1		
38	501553	. ADAPTER / COPPER @ PIPE / 1Fx1NPT-M	2		
39	374258	ELBOW 90° X 1 3/8" I.D. / 88MM x 128MM C/C / SILICONE 1 PLY	1		
40	952633	CLAMP / 7/8" I.D.	AR	AR	
40	952641	CLAMP / 1 5/16" I.D.	AR	AR	
41	502746	SCREW MA PAN PH M5-0.8x20 SS BK	AR	AR	
42	500804	WASHER FL .203x.500x.047 N500	AR	AR	
43	502841	NUT HEX NYRT M5-0.8 N500	AR	AR	
50	373866	HOSE ADAPTOR ELBOW 90° 1 3/8" X 1" NPT / CYLINDER HEAD EXIT	1		
51	503392	HOSE SILICONE 4PLY 1 3/8" I.D. x 4'	AR		



From 8-9279 To B-9999	Date:10/2022	PAGE:MTH-2222-30
HEATER LINE REAR SECTION - MTH		

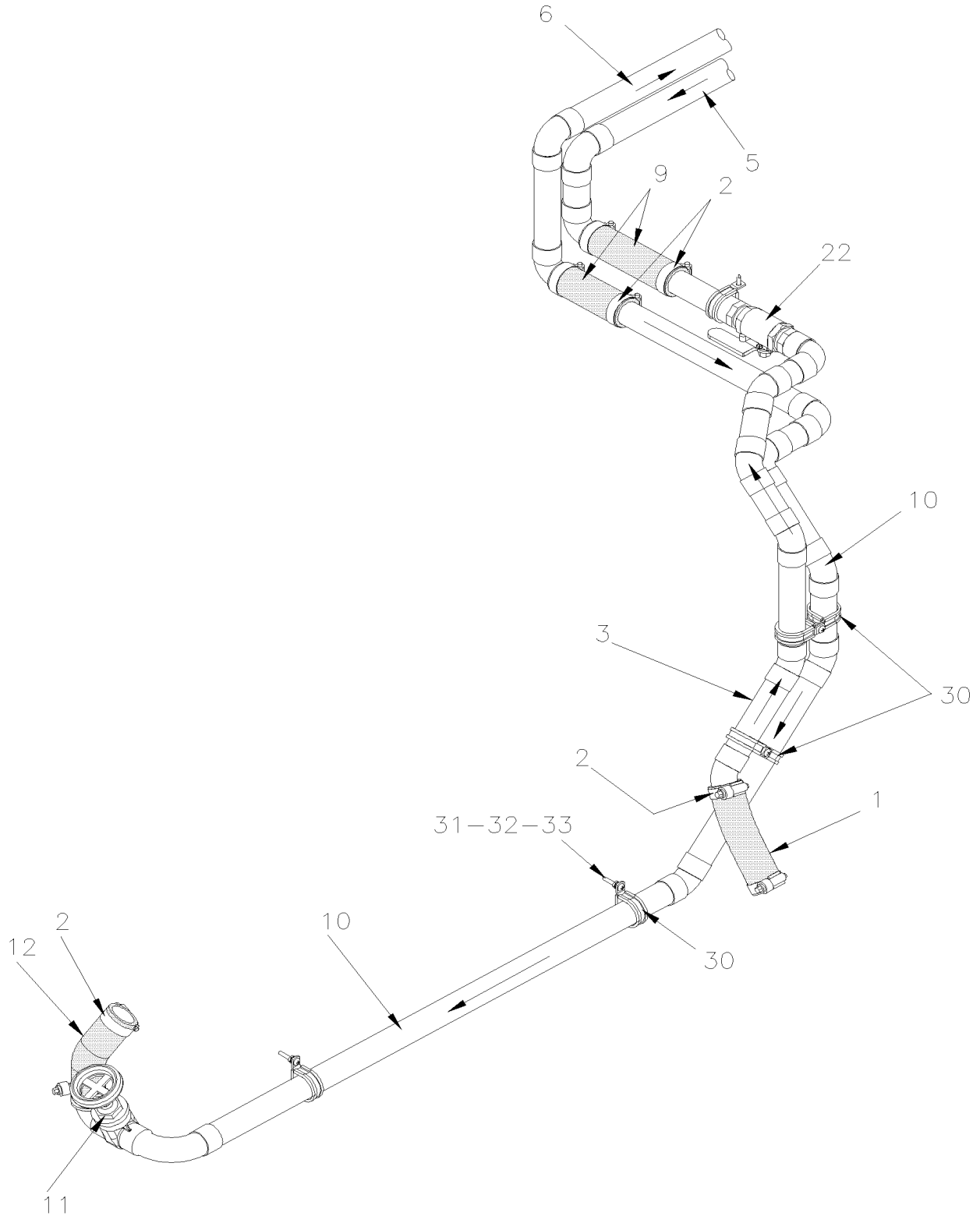
Item#	Part	Description	X L I I M T H 4 5	X L I I M T H 4 5 E	N O T E S
52	Call order desk	PIPE ASSY HEATING / FEED LINE	1		P
52	Call order desk	PIPE ASSY HEATING / FEED LINE ????	1		P
53	501861	. GATE VALVE 1 1/4" (WELDED)	1		
54	371855	HOSE 1 3/8" I.D. 3"	2		
55	Call order desk	PIPE ASSY HEATING / FEED LINE	1		P
56	Call order desk	PIPE ASSY HEATING / RETURN LINE	1		P
57	Call order desk	PIPE ASSY HEATING / RETURN LINE	1		P
58	Call order desk	PIPE RETURN / ENGINE WATER PUMP	1		P
59	871419	. BALL VALVE 1" NPT-F	1		
59	501997	. ADAPTER / COPPER @ PIPE / 1 1/4Fx1NPT-M	2		
60	506242	PIPE INSULATING / 1 3/8" I.D. X 1/2" TH. X 72 / APT13812	AR	AR	
		P) CALL ORDER DESK FOR SPECIFIC APPLICATION (V.I.N.)			

From 9-9591 To B-9999

Date:10/2022

PAGE:MTH-2222-35

HEATER LINE REAR SECTION WITH "VOLVO" ENGINE "EPA 2007"



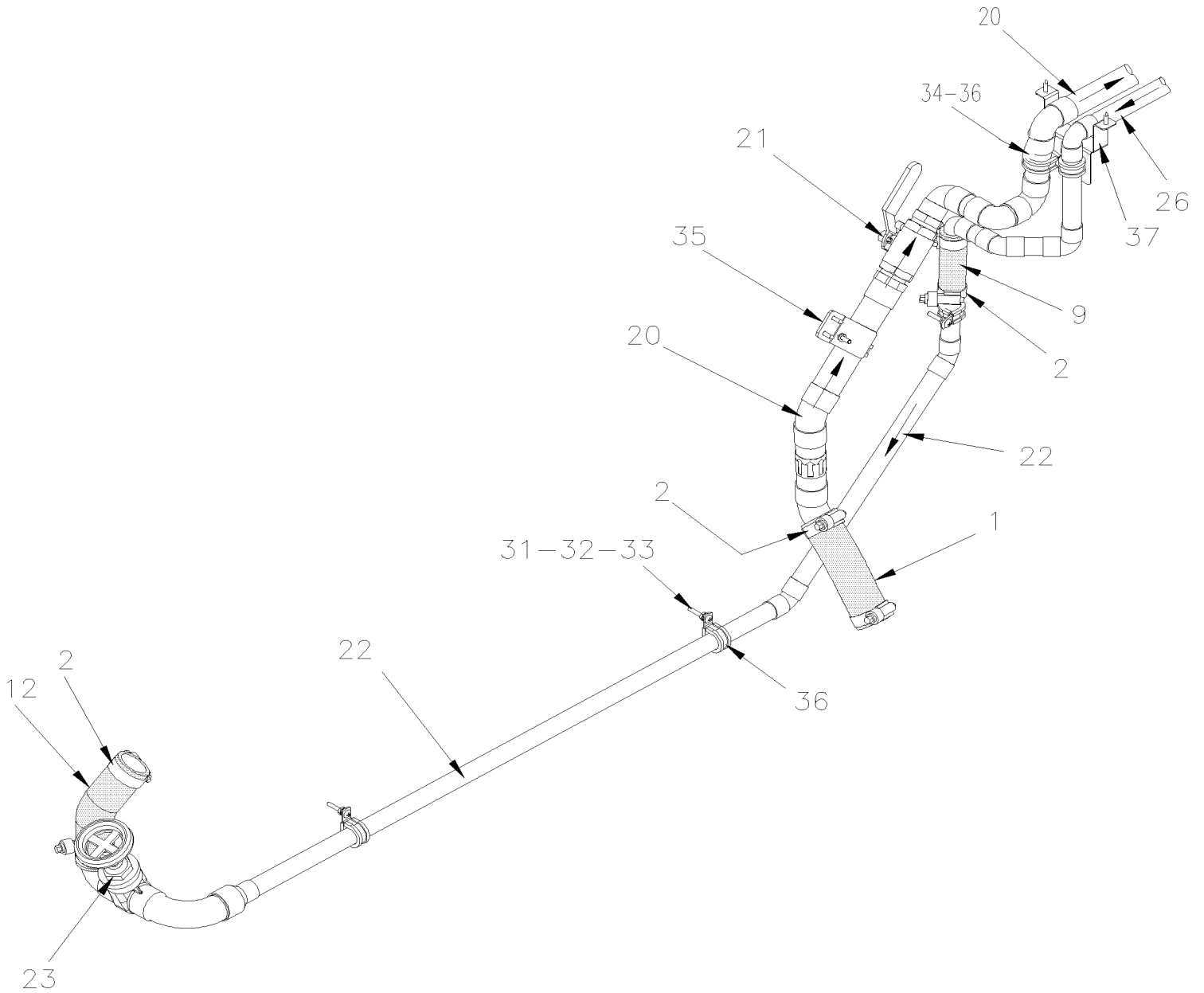
WITH LARGE A/C SYSTEM

From 9-9591 To B-9999

Date:10/2022

PAGE:MTH-2222-35

HEATER LINE REAR SECTION WITH "VOLVO" ENGINE "EPA 2007"



WITH SMALL A/C SYSTEM



From 9-9591 To B-9999	Date:10/2022	PAGE:MTH-2222-35
HEATER LINE REAR SECTION WITH "VOLVO" ENGINE "EPA 2007"		

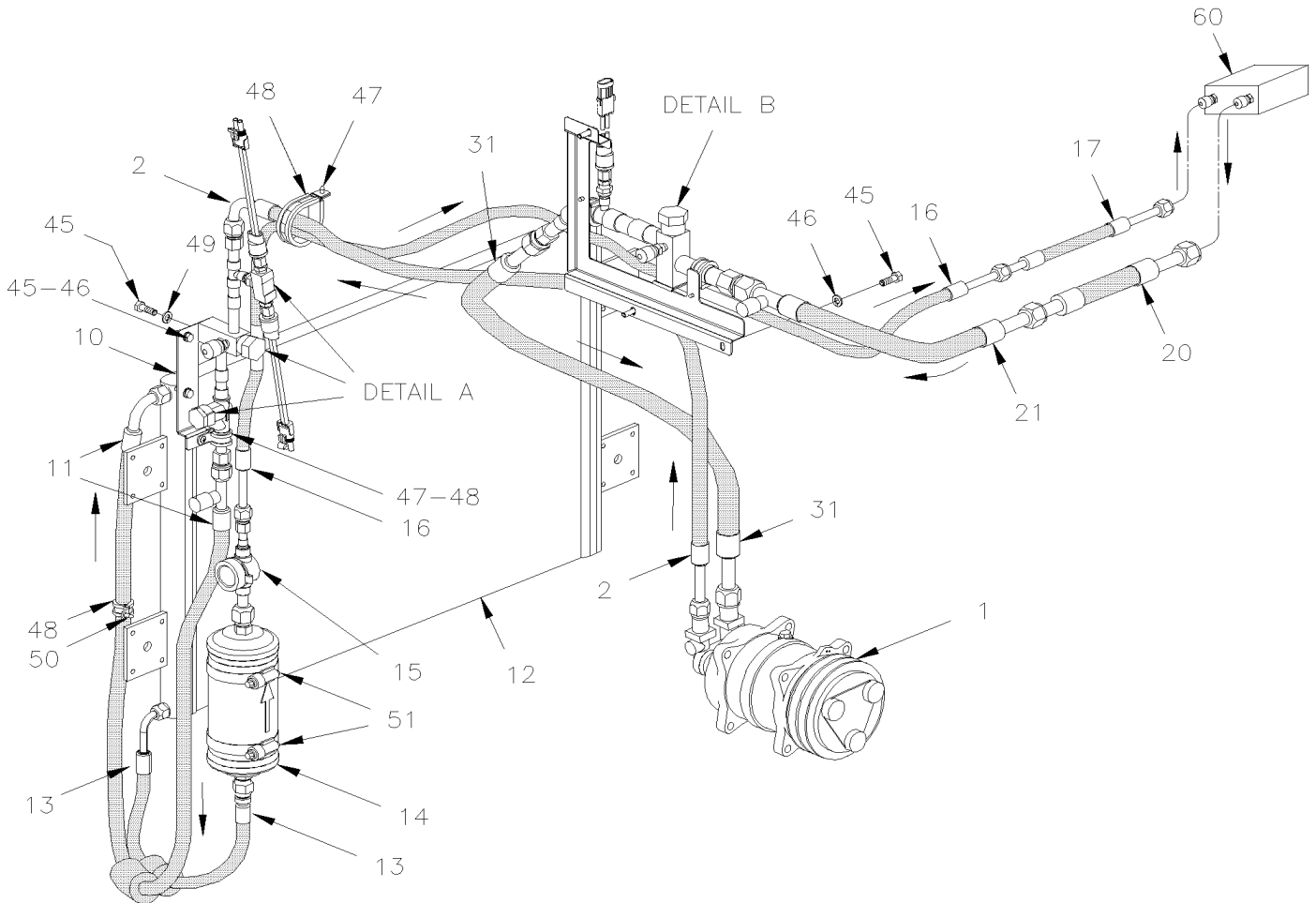
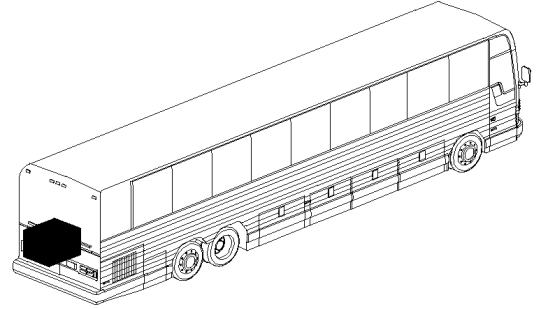
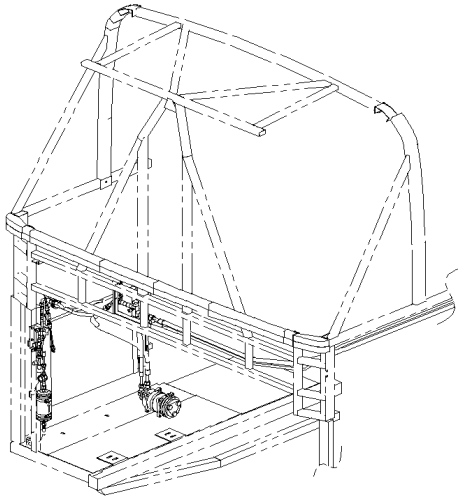
Item#	Part	Description	X L I I M T H 4 5	X L I I M T H 4 5 E	N O T E S
1	374365	HOSE 1 3/8" I.D. X 180MM		1	
2	504657	HOSE CLAMP / 1"1/16-2" C.T. 9424		AR	
3	374312P	PIPE ASSY HEATING / FEED LINE / LOWER SECTION W/"WORLD" TRANS		1	
4	871419	. BALL VALVE 1" NPT-F		1	
4	501997	. ADAPTER / COPPER @ PIPE / 1 1/4Fx1NPT-M		2	
5	Call order desk	PIPE ASSY HEATING / FEED LINE		1	P
6	Call order desk	PIPE ASSY HEATING / RETURN LINE		1	P
9	503392	HOSE SILICONE 4PLY 1 3/8" I.D. x 4'		AR	
10	374313P	PIPE ASSY HEATING / RETURN LINE		1	
11	501861	. GATE VALVE 1 1/4" (WELDED)		1	
12	374377	ELBOW 35° X 1 3/8" I.D. / 80MM x 80MM C/C / SILICONE		1	
		WITH SMALL A/C SYSTEM			
20	Call order desk	PIPE ASSY HEATING / FEED LINE / W/SMALL A/C SYSTHEM		1	P
21	871419	. BALL VALVE 1" NPT-F		1	
21	501997	. ADAPTER / COPPER @ PIPE / 1 1/4Fx1NPT-M		2	
22	Call order desk	PIPE ASSY HEATING / RETURN LINE / W/SMALL A/C SYSTHEM		1	P
23	501861	. GATE VALVE 1 1/4" (WELDED)		1	
26	Call order desk	PIPE ASSY HEATING / RETURN LINE / W/SMALL A/C SYSTHEM		1	P
26	Call order desk	PIPE ASSY HEATING / RETURN LINE NEVER BUILT	1		P
30	952641	CLAMP / 1 5/16" I.D.		AR	
31	500574	SCREW MA TR PH #10-24x1 1/4 SS		AR	
32	500914	WASHER LO SPT .193x.334x.047 N500		AR	
33	502882	NUT HEX #10-24 N500		AR	
34	500957	SCREW TP BDG PH #10x3/4 N500		AR	
35	374402	SUPPORT FEED LINE		1	
36	952633	CLAMP / 7/8" I.D.		4	
36	952637	CLAMP / 1"1/16 I.D.		1	
37	374361	SUPPORT PIPE		1	
		P) CALL ORDER DESK FOR SPECIFIC APPLICATION (V.I.N.)			

From 8-9279 To B-9999

Date:10/2022

PAGE:MTH-2222-50

SMALL A/C LINES & HOSES WITH DETROIT S-60 & R134A



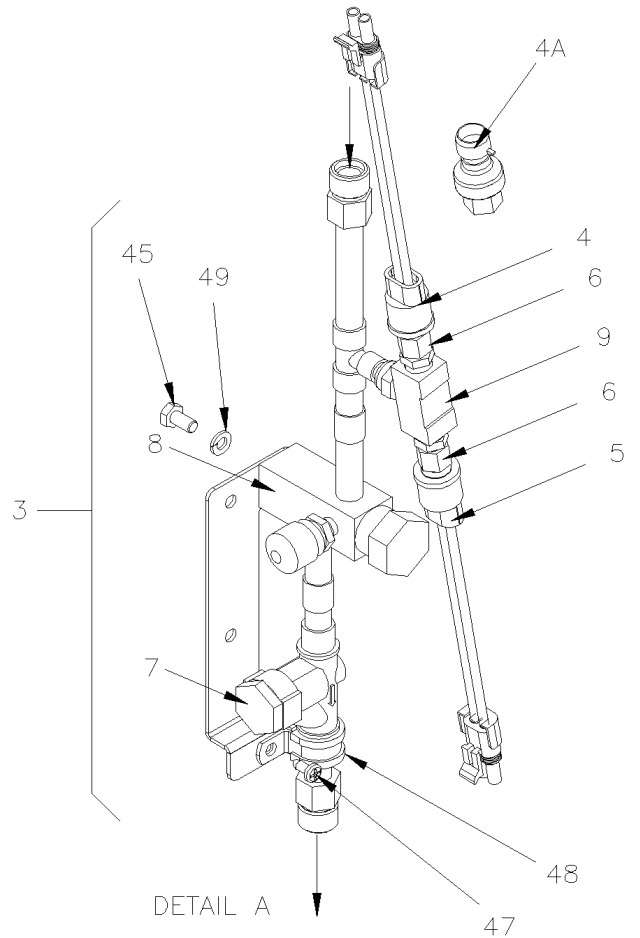
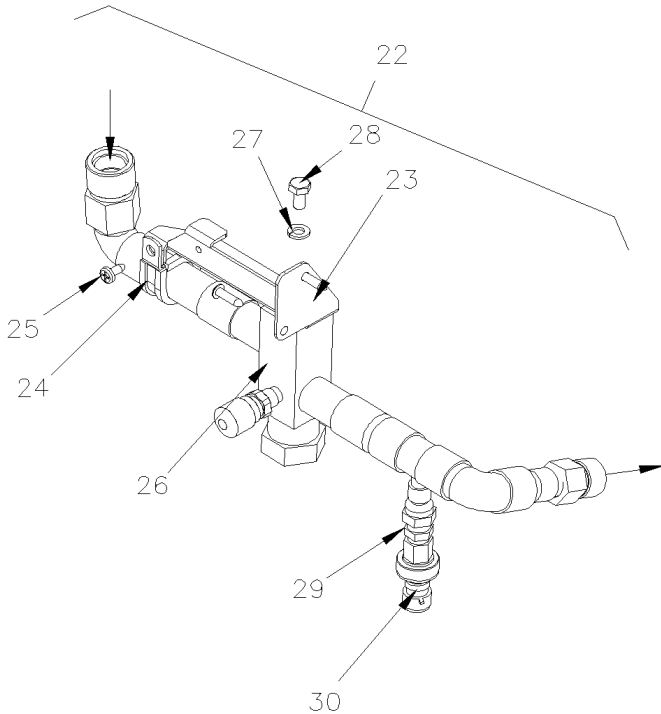
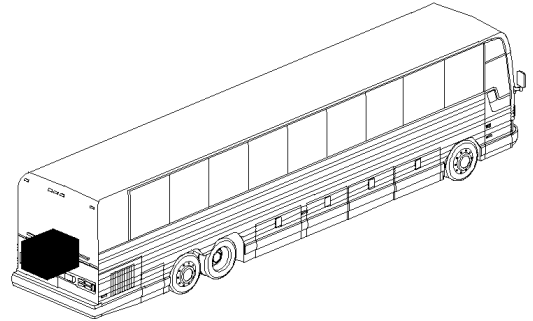


From 8-9279 To B-9999

Date:10/2022

PAGE:MTH-2222-50

SMALL A/C LINES & HOSES WITH DETROIT S-60 & R134A





From 8-9279 To B-9999	Date:10/2022	PAGE:MTH-2222-50
SMALL A/C LINES & HOSES WITH DETROIT S-60 & R134A		

Item#	Part	Description	X L I I M T H 4 5	X L I I M T H 4 5 E	N O T E S
1	MTH-2245-50	A/C SMALL COMPRESSOR - INSTALLATION			
2	454353	HOSE ASSY / #8 2482MM To A-9743		1	
. NS	507343	. O-RING / ORS FITTING / #8 NEO To A-9743		2	
2	455302	HOSE ASSY / #8 2482MM From A-9744		1	
. NS	507343	. O-RING / ORS FITTING / #8 NEO From A-9744		2	
3	454066	VALVE ASSY / HI-SIDE	1	1	
4A	563423	. TRANSDUSER -6.7 to 420 LBS / 1/8 NPT-F	1	1	
. NS	563159	. . CONNECTOR / METRI-PACK 150 / SH 3C / PED 12065287	1	1	
5	453380	. PRESSURE SWITCH N.C. 350-245 20PS001MB350K245R	1	1	
6	950249	. SCHRADER VALVE 1/4NPT-M	2	2	
7	950326	. CHECK VALVE	1	1	
8	950376	. VALVE SERVICE HIGH PRESSURE	1	1	
9	501894	. MALE BRANCHE TEE / PIPE FITTING / 1/4NPT-Fx1/4NPT-Fx1/4NPT-M BR	1	1	
10	454072	SUPPORT / HIGHT PRESSURE VALVE	1	1	
11	454070	HOSE ASSY / #8 1325MM To A-9743		1	
. NS	507343	. O-RING / ORS FITTING / #8 NEO To A-9743		2	
11	455278	HOSE ASSY / #8 1325MM From A-9744		1	
. NS	507343	. O-RING / ORS FITTING / #8 NEO From A-9744		2	
11	454358	HOSE ASSY / #8 1384MM To A-9743	1		
. NS	507343	. O-RING / ORS FITTING / #8 NEO To A-9743	2		
11	455303	HOSE ASSY / #8 1384MM From A-9744	1		
. NS	507343	. O-RING / ORS FITTING / #8 NEO From A-9744	2		
12	MTH-2255-10	CONDENSOR - INSTALLATION SMALL A/C SYSTEM			
13	454069	HOSE ASSY / #6 515MM		1	
. NS	507278	. O-RING / ORS FITTING / #4 NEO		1	
13	454359	HOSE ASSY / #6 666MM	1		
. NS	507278	. O-RING / ORS FITTING / #4 NEO	1		
14	950370	FILTER DRYER	1	1	
. NS	507085	. O-RING 7/16" I.D X 1/32"	1	1	
15	453514	MOISTURE INDICATOR ASSY To 9-9704	1	1	
. NS	950379	. MOISTURE INDICATOR To 9-9704	1	1	
15	455336	MOISTURE INDICATOR ASSY From 9-9705	1	1	
. NS	950455	. MOISTURE INDICATOR From 9-9705	1	1	
16	454075	HOSE ASSY / #6 2690MM To A-9743	1	1	
. NS	507278	. O-RING / ORS FITTING / #4 NEO To A-9743	2	2	
16	455281	HOSE ASSY / #6 2690MM From A-9744	1	1	
. NS	507278	. O-RING / ORS FITTING / #4 NEO From A-9744	2	2	
16	455341	HOSE ASSY / #6 3234MM From B-9964 To B-9964	1	1	
. NS	507278	. O-RING / ORS FITTING / #4 NEO From B-9964 To B-9964	2	2	
17	453319	PIPE ASSY	1	1	
20	Call order desk	PIPE ASSY	1		P
20	Call order desk	PIPE ASSY		1	P



From 8-9279 To B-9999	Date:10/2022	PAGE:MTH-2222-50
-----------------------	--------------	------------------

SMALL A/C LINES & HOSES WITH DETROIT S-60 & R134A

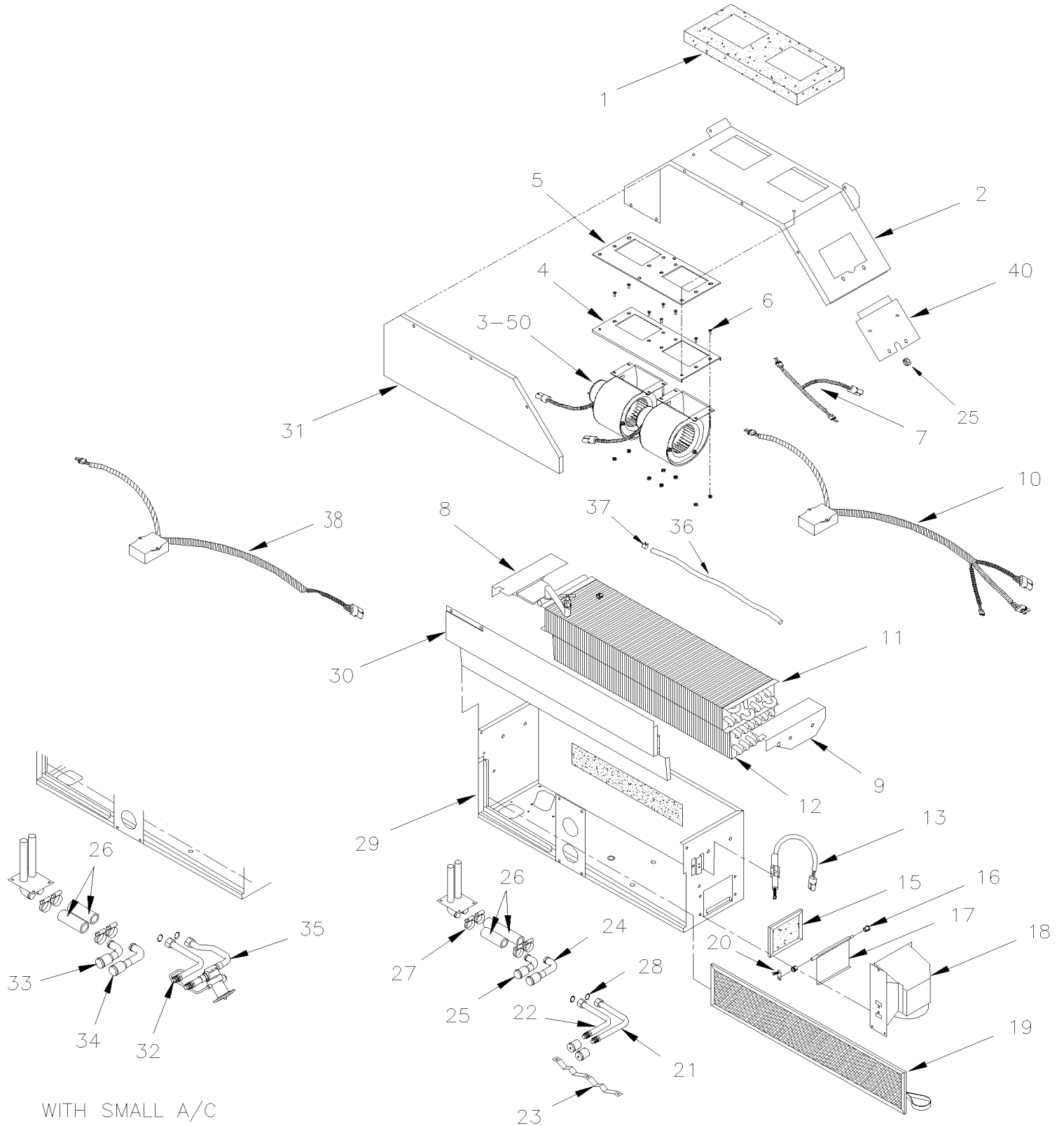
Item#	Part	Description	X L I I M T H 4 5	X L I I M T H 4 5 E	N O T E S
		P) CALL ORDER DESK FOR SPECIFIC APPLICATION (V.I.N.)			

From 8-9279 To B-9999

Date:10/2022

PAGE:MTH-2225-00

DRIVER'S HEATER & DEFROSTER ASSY



WITH SMALL A/C



From 8-9279 To B-9999	Date:10/2022	PAGE:MTH-2225-00
DRIVER'S HEATER & DEFROSTER ASSY		

Item#	Part	Description	X L I I M T H 4 5	X L I I M T H 4 5 E	N O T E S
	871415	DEFROSTER & A/C UNIT ASSY	1	1	
	871416	DEFROSTER & A/C UNIT ASSY MUX	1	1	A
1	871129	. SEAL	1	1	
2	871223	. COVER	1	1	
3	871359	. BLOWER ASSY 24V / W/DOUBLE MOTOR MOUNT	2	2	
3	871360	. BLOWER & MOTOR ASSY - "M.C.C." "CCW" / FAN END	2	2	
4	871362	. PLATE MOUNTING	1	1	
5	871363	. SEAL PLATE MOUNTING	1	1	
6	684605	. SCREW CAP HEXS #10-32x1/2	8	8	
NS	500423	. NUT HEX NYRT #10-32 SS	8	8	
7	871364	. CABLE HARNESS	1	1	
8	871137	. BRACKET L.H.	1	1	
9	871138	. BRACKET R.H.	1	1	
10	871353	. MODULE CONTROL FAN SPEED / W/DOUBLE MOTOR	1	1	
11	871140	. HEATER COIL	1	1	
NS	870127	. DRAIN VALVE ROBINET VIDANGE	1	1	
12	871141	. EVAPORATOR COIL	1	1	
13	871142	. ACTUATOR, THERMAL	1	1	
15	871144	. FILTER / FRESH AIR 1/4" x 3 5/8" x 5 1/4"	1	1	
16	871025	. BUSHING / CABLE PIVOT	2	2	
17	871145	. DAMPER TRAP	1	1	
18	871225	. BOX, FRESH AIR	1	1	
19	871147	. FILTER / RECIRCULATING 1/4" x 6 1/4" x 28"	1	1	
20	871148	. LEVER , F/A DAMPER	1	1	
20	5001410	. SCREW MA CHE PH M4-0.7x16 SS	1	1	
20	502557	. NUT HEX NYRT M4-0.7 SS	1	1	
21	871229	. TUBE, A/C	1	1	
22	871228	. TUBE, A/C	1	1	
23	871226	. TUBE SUPPORT	1	1	
NS	871237	. TUBE SUPPORT	1	1	
24	871231	. TUBE HEATER	1	1	
25	871230	. TUBE HEATER	1	1	
26	503007	. HOSE 2 PLY / RADIATOR HOSE / 5/8" I.D. / S.L.	AR	AR	
27	504646	. HOSE CLAMP / 11/16"-1"1/4 / C.T. 9412	4	4	
28	507279	. O-RING / ORS FITTING / #8 NEO	2	2	
28	MTH-2208-00	. A/C EXPANSION VALVE			
29	N.P.N.	. CASING	1	1	4
30	871155	. COVER	1	1	
31	871156	. COVER / BLOWER ACCESS	1	1	
NS	5001047	. SCREW TC PAN PH M5-0.8X10 ZP	17	17	
32	871343	. TUBE A/C	1	1	A
33	871230	. TUBE HEATER	1	1	A



From 8-9279 To B-9999	Date:10/2022	PAGE:MTH-2225-00
DRIVER'S HEATER & DEFROSTER ASSY		

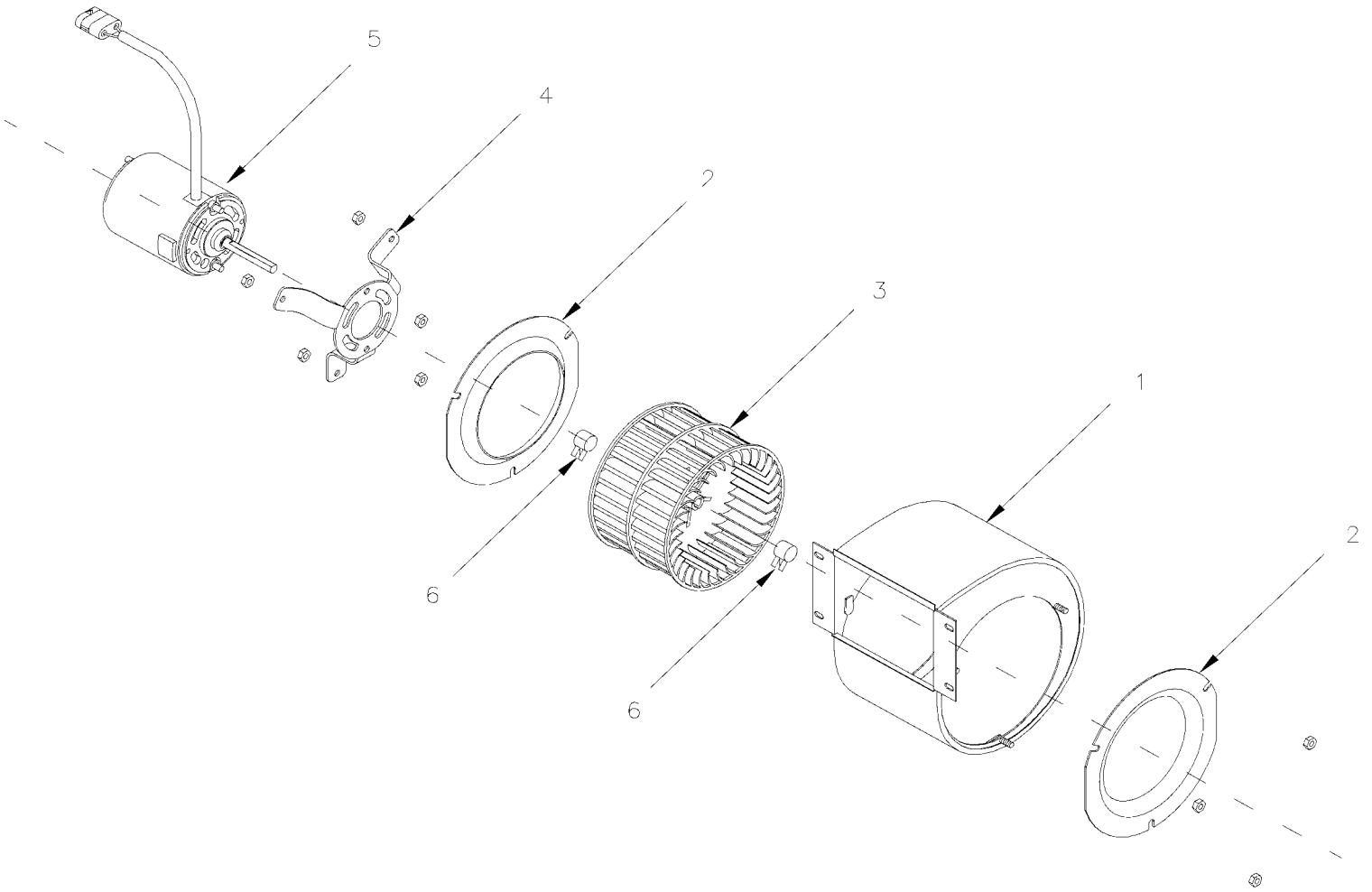
Item#	Part	Description	X L I I M T H 4 5	X L I I M T H 4 5 E	N O T E S
34	871231	. TUBE HEATER	1	1	A
35	871344	. VALVE, EXPANSION ASSY / WITH PIPE	1	1	A
36	8860148	. TUBE, NYLON 5/16 O.D. / BLACK S.L.	1	1	
37	N8888160	. SPRING CLIP	1	1	
38	563660	. MODULE CONTROL FAN SPEED / W/DOUBLE MOTOR W/MUX PASSNGER SIDE	1	1	
40	871227	. HARNESS COVER	1	1	
		A) WITH SMALL A/C SYSTEM			
		4) NO PARTS NUMBER			

From 8-9279 To B-9999

Date:10/2022

PAGE:871360

BLOWER & MOTOR ASSY - "M.C.C." "CCW" / FAN END





From 8-9279 To B-9999	Date:10/2022	PAGE:871360
-----------------------	--------------	-------------

BLOWER & MOTOR ASSY - "M.C.C." "CCW" / FAN END

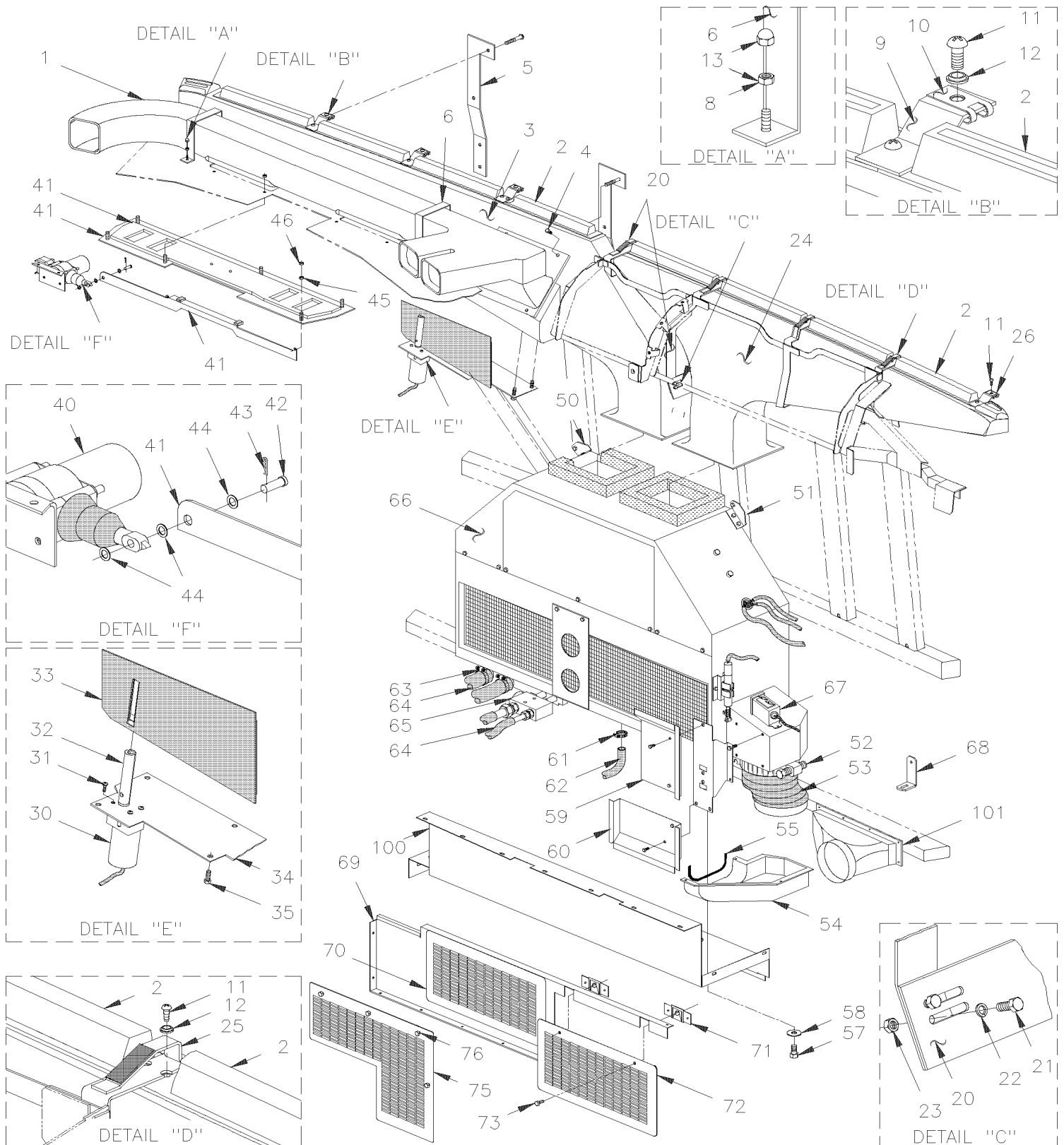
Item#	Part	Description	X L I M T H 4 5	X L I M T H 4 5 E	N O T E S
		BLOWER ASSY 24V / CCW	1	1	
1	871365	. BLOWER HOUSING	1	1	
2	N8889479	. VENTURY	2	2	
3	871133	. BLOWER WHEEL / PLASTIC 5 1/8" x 3 1/2" x 5/16" x I.D.	1	1	
4	N8890530	. MOUNTING MOTOR BRACKET	1	1	
5	871366	. MOTOR ASSY 24V / CCW	1	1	
6	N8888160	. SPRING CLIP	2	2	

From 8-9279 To B-9999

Date:10/2022

PAGE:MTH-2230-00

DEFROSTER - INSTALLATION

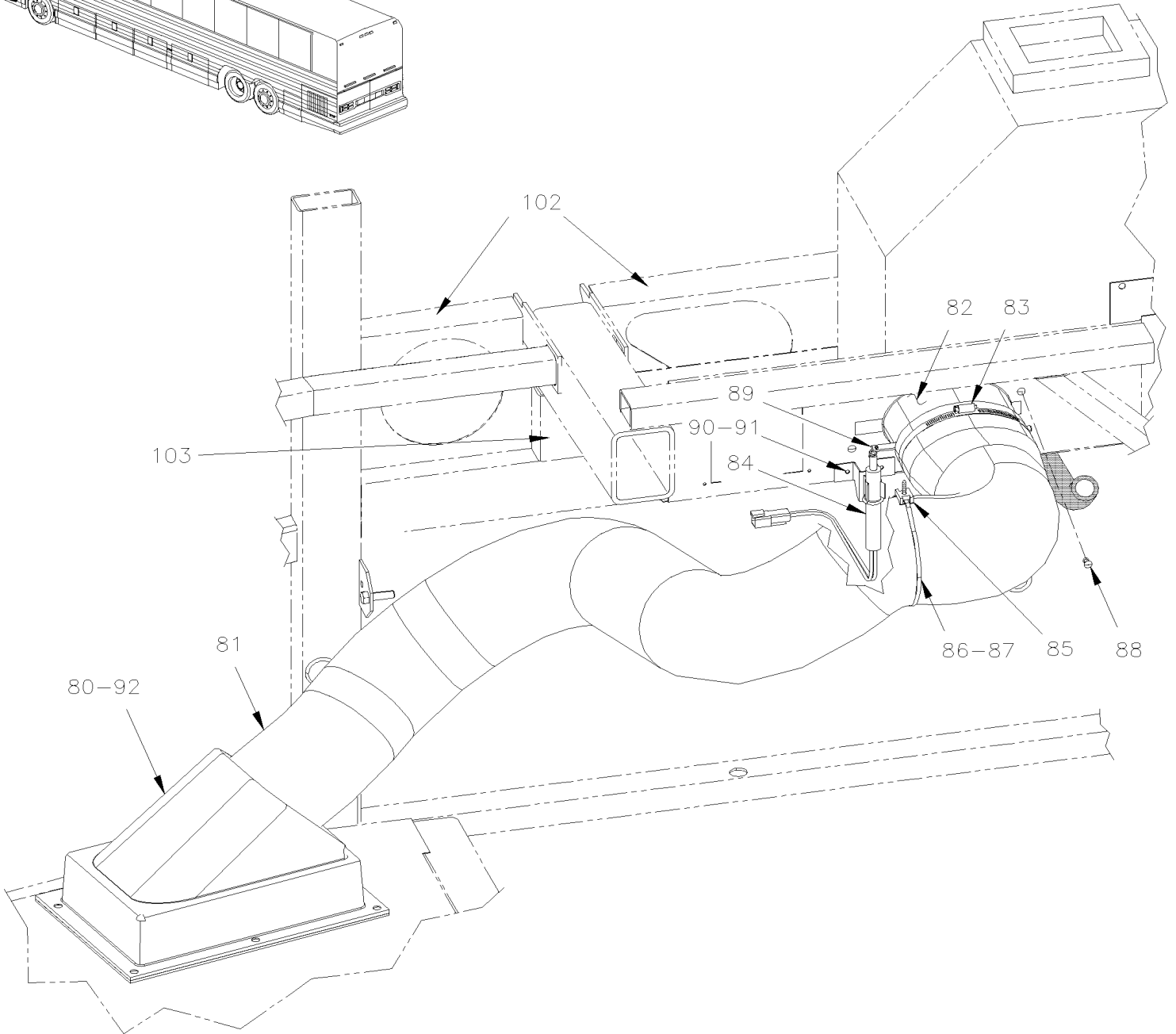
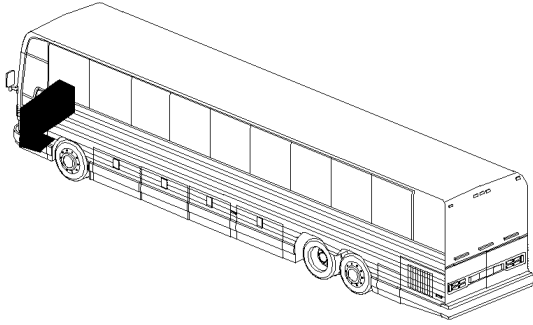


From 8-9279 To B-9999

Date:10/2022

PAGE:MTH-2230-00

DEFROSTER - INSTALLATION

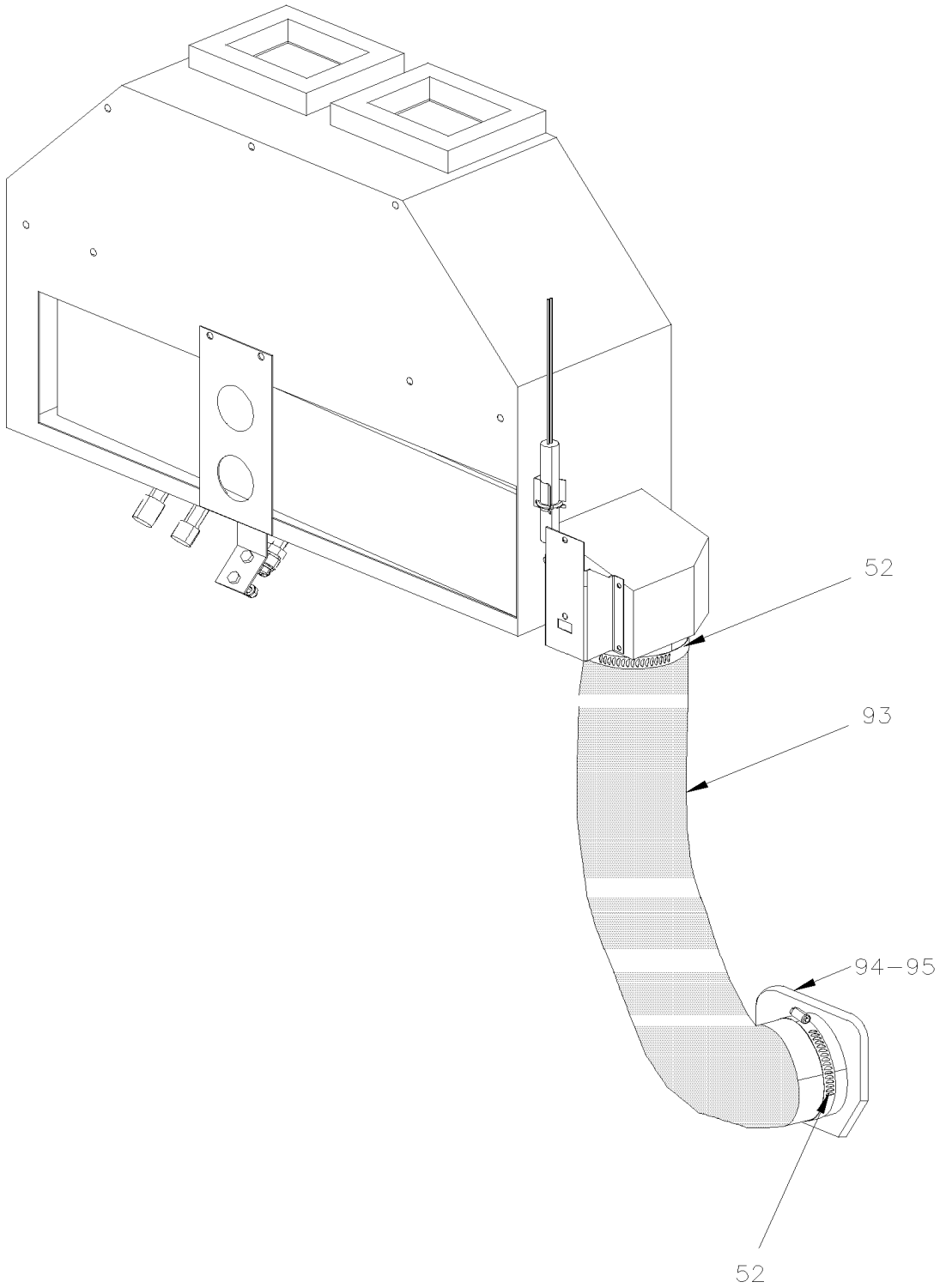


From 8-9279 To B-9999

Date:10/2022

PAGE:MTH-2230-00

DEFROSTER - INSTALLATION





From 8-9279 To B-9999	Date:10/2022	PAGE:MTH-2230-00
DEFROSTER - INSTALLATION		

Item#	Part	Description	X L I I M T H 4 5	X L I I M T H 4 5 E	N O T E S
1	392211	DUCT DRIVER LH SECTION	1	1	G
1	392212	DUCT DRIVER RH SECTION	1	1	G
. NS	391003	. SEAL DUCT	1	1	G
NS	392064	SUPPORT	1	1	
NS	392085	. DEFLECTOR (INSIDE DUCT)	1	1	
2	392045	LOUVER	8	8	
NS	392046	LOUVER CORNER	2	2	
3	392044	DEFROSTER DUCT STREETSIDE	1	1	
NS	392292	GASKET / DRIVER'S DUCT & WINDSHIELD DUCT	1	1	
NS	391979	DEFLECTOR / (INSIDE OF DUCT)	1	1	
NS	392160	SUPPORT / DEFROSTER DUCT	1		
NS	392161	SUPPORT / DEFROSTER DUCT MTH 89"		1	
4	500641	SCREW TP PAN PH #8x3/4 Z050	1	1	
4	500841	SCREW TP PAN PH #14x3/4 Z050			
8	502557	NUT HEX NYRT M4-0.7 SS	4	4	
10	5001405	NUT SPR U M4-0.7 0.8-4.0x9.5	AR	AR	
11	5001411	SCREW MA FL PH M4-0.7x20 BK	AR	AR	
12	500345	WASHER FN CKF .187x.500x.090 BR BK	AR	AR	
13	5001404	NUT HEX CAP M4-0.7 SS	4	4	
20	391996	STRUCTURE / R.H.	1	1	
21	502529	SCREW MA BDG PH M5-0.8x12 BZC	2	2	
22	500440	WASHER FL .250x.562x.065 Z050	2	2	
23	502782	NUT HEX NYRT M5-0.8 Z050	2	2	
24	392049	DEFROSTER DUCT CURBSIDE	1	1	
NS	453585	HOSE ADAPTOR / CURBSIDE DUCT	1	1	C
NS	453584	HOSE ADAPTOR / WINDSHIELD	1	1	C
NS	453588	HOSE 510MM	1	1	C
25	392018	STRAP R.H. / TO FIX DUCT TO STRUCTURE	1	1	
25	392019	STRAP L.H. / TO FIX DUCT TO STRUCTURE	1	1	
26	392017	SUPPORT / R.H. WINDSHIELD	1	1	
30	392282	DAMPER ASSY	1	1	
30	871424	. MOTOR	1	1	
31	N.P.N.	. SCREW	7	7	4
32	N.P.N.	. SHAFT	1	1	4
33	N.P.N.	. TRAP ASSY	1	1	4
34	N.P.N.	. PLATE	1	1	4
35	N.P.N.	SCREW	4	4	4
NS	563429	SWITCH MAGNETIC ASSY	1	1	
. NS	562641	. MAGNET	1	1	
40	890009	LOCK ACTUATOR / 12V	1	1	
. NS	562076	. CONNECTOR / PACK-CON I / FEMALE HOUSING / 2C / PED 8911772	1	1	
41	392063	DAMPER, FOOT ASSY	1	1	



From 8-9279 To B-9999	Date:10/2022	PAGE:MTH-2230-00
DEFROSTER - INSTALLATION		

Item#	Part	Description	X L I M T H 4 5	X L I M T H 4 5 E	N O T E S
42	502023	. PIN, CLEVIS 1/4 x 51/64	1	1	
43	502180	. PIN HITCH CLIP 3/32 x 1/2 Z050	1	1	
44	500411	. WASHER FL .260x.697x.050 SS	2	2	
NS	563429	. SWITCH MAGNETIC ASSY	1	1	
. NS	562641	. . MAGNET	1	1	
45	N.P.N.	SPACER	6	6	4
46	5001036	SCREW MA PAN PH M4-0.7x10 Z050	6	6	
50	373551	ATTACHMENT L.H.	1	1	
51	373552	ATTACHMENT R.H.	1	1	
NS	500642	SCREW TP PAN PH #10x3/4 Z050	2	2	
NS	504114	RIVET POP DOME OE 3/16x1/4 AL	4	4	
52	504235	HOSE CLAMP / 3"9/16"-4"1/2 SS / HS-64	2	2	
53	373630	HOSE 4" I.D. X 350MM	1	1	
53	503434	. HOSE FLEXIBLE / AIR DUCT 4" I.D. X 12' / RUBBER	AR	AR	
57	500179	SCREW CAP HEX 5/16-18x3/4 G5 Z050	3	3	
58	500462	WASHER FL .343x1.500x.083 SS	3	3	
NS	500476	WASHER LO SPT .317x.586x.078 Z050	3	3	
59	453343	DEFLECTOR, UPPER	1	1	
NS	453345	FOAM 5" X 3" X 1"	1	1	
60	502761	SCREW TP BDG PH #10x3/4 SS BK	5	5	
60	500803	NUT SPR J #10A .035-.050	5	5	
60	506268	TAPE RUB ADH1 URE 3/8" x 1/2" x 25' / GREY 1820	AR	AR	
61	504014	HOSE CLAMP / 1/4"-5/8" SS / HM-4	2	2	
62	373680	HOSE 1/2" I.D. X 1135MM	1	1	
62	503666	HOSE 1/2" I.D. 100' / S.L.	AR	AR	
NS	504356	GROMMET / .625x.875x.062x.312x1.125	1	1	
NS	590286	DRAIN BOOT 1 1/4" I.D. X 4" / FLAT	1	1	
63	504646	HOSE CLAMP / 11/16"-1"1/4 / C.T. 9412	2	2	
64	MTH-2222-10	A/C & HEATING LINE FRONT SECTION			
65	MTH-2208-00	A/C EXPANSION VALVE			
66	MTH-2225-00	DRIVER'S HEATER & DEFROSTER ASSY			
67	950035	THERMOSTAT	1	1	A
NS	500583	SCREW TP PAN PH #6x1/2 Z050	2	2	A
68	373754	ANGLE SUPPORT / CURBSIDE / 25MM X 35MM X 65MM	1	1	
69	373640	GRILLE ASSY W/SUPPORT	1	1	
69	373633	. SUPPORT	1	1	
70	453338	. GRILL AIR / FRONT STEPWELL / RETURN / 200MM X 408MM	1	1	
71	504605	. RECEPTACLE 6 MM	2	2	
NS	681283	. TAPE RUB ADH2 ACRYLIC .045" x 1/2" x 108' / WHITE 4945	AR	AR	
NS	506268	. TAPE RUB ADH1 URE 3/8" x 1/2" x 25' / GREY 1820	AR	AR	
72	453341	GRILL AIR / FRONT STEPWELL / RETURN / 197MM X 408MM	1	1	
73	504681	. STUD 6MM (DZUS)	2	2	



From 8-9279 To B-9999	Date:10/2022	PAGE:MTH-2230-00
-----------------------	--------------	------------------

DEFROSTER - INSTALLATION

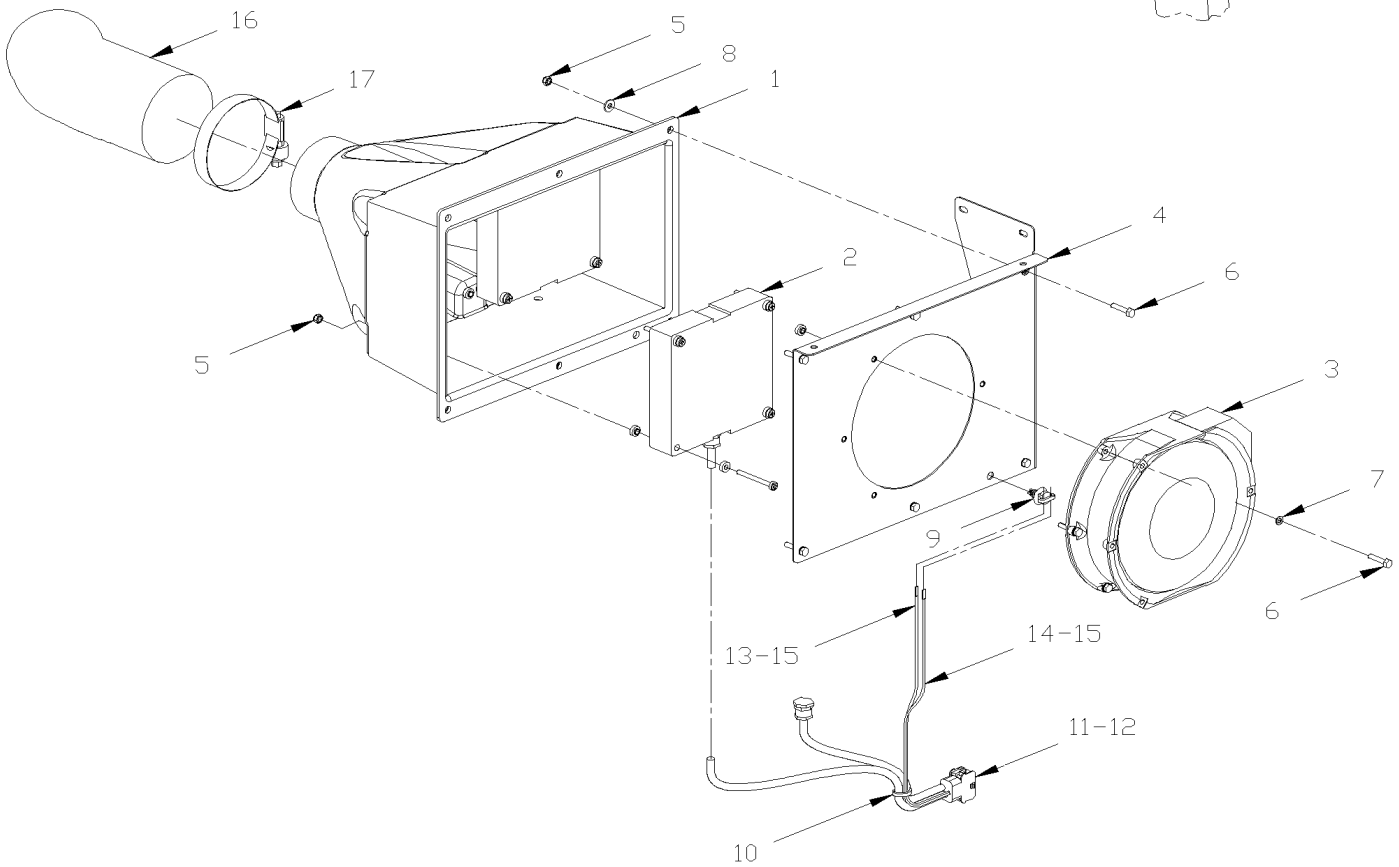
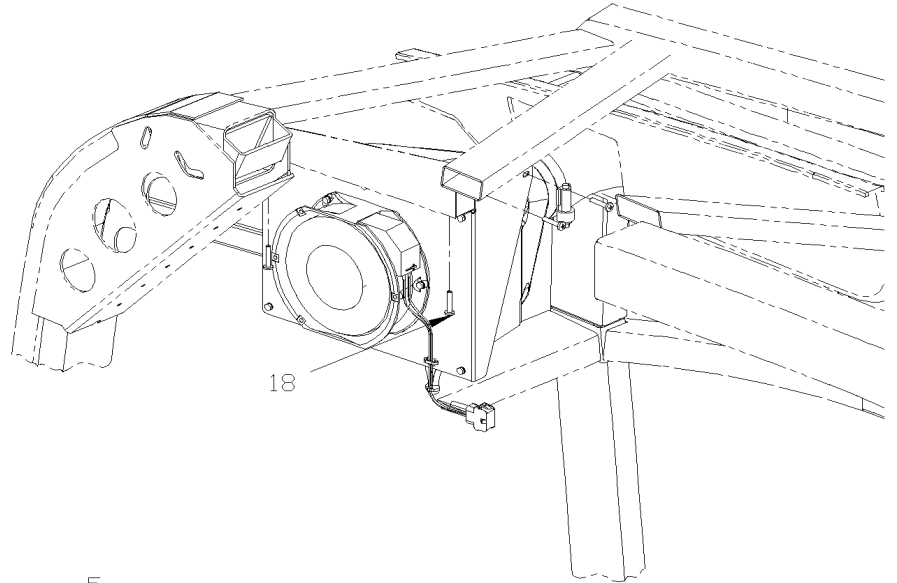
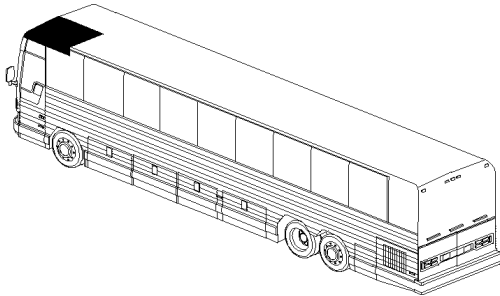
Item#	Part	Description	X L I I M T H 4 5	X L I I M T H 4 5 E	N O T E S
NS	504604	. FASTENER	2	2	
93	374010	HOSE 4" I.D. X 650MM	1	1	
94	373930	HOSE ADAPTOR 4"	1	1	
95	373933	GRILLE 111MM X 111MM	1	1	
95	476156	CLOSING PLATE 39MM X 257MM	1	1	
95	476159	CLOSING PLATE 55MM X 257MM	1	1	
100	172316	SUPPORT / DEFROST & A/C UNIT	1	1	
101	MTH-1851-00	FRONT CAP - INSTALLATION			
		A) WITH SMALL A/C SYSTEM ONLY			
		C) FEED AIR TO CENTER POST WINDSHIELD			
		G) FOR PRODUCT IMPROVEMENT, USE KIT #871318 AND SEE INSTRUCTION SHEET IS-04902			
		4) NO PARTS NUMBER			

From 8-9279 To B-9999

Date:10/2022

PAGE:MTH-2240-10

UPPER WINDSHIELD FAN - INSTALLATION





From 8-9279 To B-9999 Date:10/2022 PAGE:MTH-2240-10

UPPER WINDSHIELD FAN - INSTALLATION

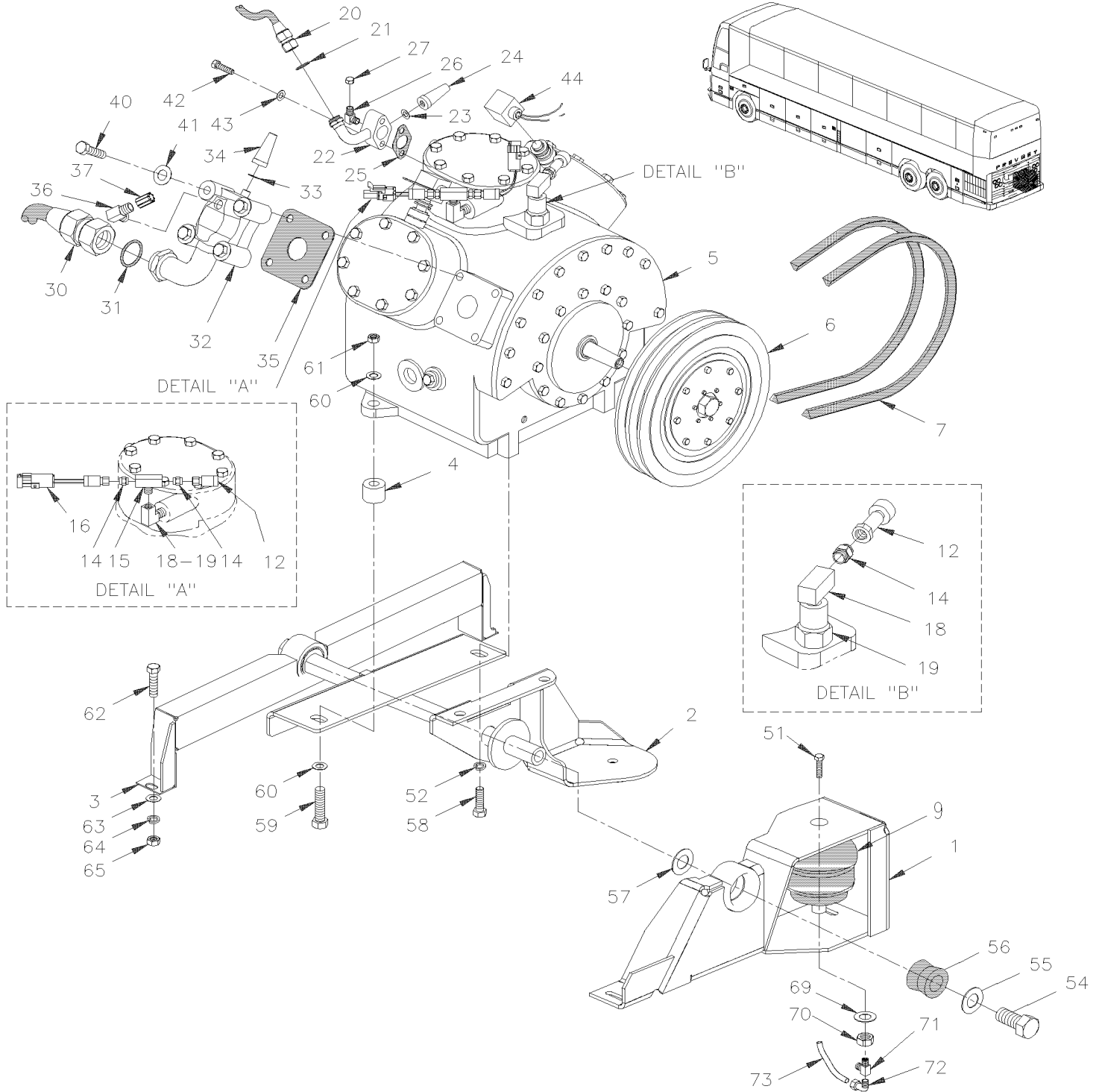
Item#	Part	Description	X L I I M T H 4 5	X L I I M T H 4 5 E	N O T E S
	373936P	HEATER FAN ASS		1	
1	373938	. SHROUD		1	
2	871324	. HEATER COIL 300W		1	
3	871326	. FAN AXIAL 12/28V 230CFM		1	
4	373939	. SUPPORT, FAN TOP WINDSHIELD		1	
5	500590	. NUT HEX NYRT M4-0.7 Z050		11	
6	500588	. SCREW CAP HEX M4-0.7x20 G8.8 Z050		7	
7	502636	. WASHER LO SPT 4.1x7.6x0.9 Z050		7	
8	500438	. WASHER FL .187x.437x.050 Z050		3	
9	509815	. TIE MOUNT / ATTACHMENT W/TREE MOUNT		1	
10	504637	. CABLE TIE / 3/16" x 13"		2	
11	561552	. CONNECTOR / UNIVERSAL MATE-N-LOK / PH 6C / AMP 1-480705-0		1	
12	561671	. PIN TERMINAL / 24-18 / AMP 350690-1		6	
13	562588	. WIRE CABLE 14 / RED / TXL		AR	
14	562585	. WIRE CABLE 14 / BLACK / TXL		AR	
15	561625	. TAB RECEPTACLE TERMINAL INSUL. NYLON / 16-1 / AMP 3-520125-2		2	
16	373941	. HOSE 200MM X 3" I.D.		1	
17	504026	. HOSE CLAMP / 2"13/16-3"3/4 SS / HS-52		1	
18	500642	SCREW TP PAN PH #10x3/4 Z050		4	

From 8-9279 To B-9999

Date:10/2022

PAGE:MTH-2245-00

A/C COMPRESSOR 05G - INSTALLATION





From 8-9279 To B-9999	Date:10/2022	PAGE:MTH-2245-00
A/C COMPRESSOR 05G - INSTALLATION		

Item#	Part	Description	X L I I M T H 4 5	X L I I M T H 4 5 E	N O T E S
1	454190	SUPPORT ASSY	1	1	
2	454485	SUPPORT ASSY	1	1	A
2	453651	SUPPORT ASSY	1	1	
3	453649	SUPPORT OPPOSITE PULLEY SIDE W/60	1	1	
4	452268	SLEEVE SPACER	2	2	
5	MTH-2250-00	A/C COMPRESSOR ASSY 05G - TWIN PORT			
6	MTH-2246-00	A/C CLUTCH 05G - HOUSING MOUNTED			
7	506864	V-BELT / BX-100 / SET OF 2 9212-0404 A VOIR	1	1	
7	506681	V-BELT / BX-100 9013-2100 A VOIR	AR	AR	
9	550840	BELLOW ASSY / BELT TENSIONER / 4" O.D.	1	1	
11	950246	PRESSURE SWITCH N.C. 25-37 LO-UNLOAD W/WIRE BLACK	1	1	
12	563423	TRANSDUSER -6.7 to 420 LBS / 1/8 NPT-F	2	2	
NS	563159	. CONNECTOR / METRI-PACK 150 / SH 3C / PED 12065287	1	1	
13	950245	PRESSURE SWITCH N.C. 20-30 LO-UNLOAD W/WIRE BLACK	1	1	
NS	501338	MALE RUN TEE / PIPE FITTING / 1/4NPT-Mx1/4NPT-Fx1/4NPT-F BR	1	1	
14	950249	SCHRADER VALVE 1/4NPT-M	1	1	
15	501894	MALE BRANCHE TEE / PIPE FITTING / 1/4NPT-Fx1/4NPT-Fx1/4NPT-M BR	1	1	
16	453380	PRESSURE SWITCH N.C. 350-245 20PS001MB350K245R	1	1	
18	501332	STREET ELBOW 90° / PIPE FITTING / 1/4NPT-Mx1/4NPT-F BR	1	1	
19	5011184	FEMALE CONNECTOR / PIPE @ ORB / 1/4NPT-Fx#4ORB-M STL	AR	AR	
20	453718	HOSE ASSY / DISCHARGE W/R-134a / #16 583MM / SS BELLOW	1	1	
21	507345	O-RING / ORS FITTING / #16 NEO	2	2	
22	950281	VALVE ASSY / DISCHARGE / W/R134A	1	1	
23	870751	. GASKET	1	1	
24	870752	. GASKET, CAP SEAL	1	1	
25	870753	GASKET / DISCHARGE VALVE	1	1	
26	5011133	ELBOW 90° 1/8 NPT X M15 / W/R134A	1	1	
NS	5011134	GAUGE ADAPTOR ASSY M15 / W/BLACK CAP W/R134A	1	1	
27	950287	SCHROUDER CAP / HIGH PRESSURE	1	1	
30	454304	HOSE ASSY / SUCTION W/R-134a / #20 1000MM	1	1	
31	507346	O-RING / ORS FITTING / #24 NEO	2	2	
32	950265	VALVE ASSY / SUCTION / W/R134A	1	1	
33	870751	. GASKET	1	1	
34	870752	. GASKET, CAP SEAL	1	1	
35	870754	GASKET / SUCTION VALVE	1	1	
36	5011131	ELBOW 90° 1/4 NPT X M13 / W/R134A	1	1	
NS	5011132	GAUGE ADAPTOR ASSY M13 / W/BLACK CAP W/R134A	1	1	
37	950288	SCHROUDER CAP / LOW PRESSURE	1	1	
40	870755	SCREW CAP HEX 1/2-13x2 1/2 G5 ZP	4	4	
41	870756	GASKET	4	4	
42	870877	SCREW CAP HEX 5/16-18x2 G5 ZP	2	2	
43	870750	GASKET	2	2	



From 8-9279 To B-9999	Date:10/2022	PAGE:MTH-2245-00
------------------------------	---------------------	-------------------------

A/C COMPRESSOR 05G - INSTALLATION

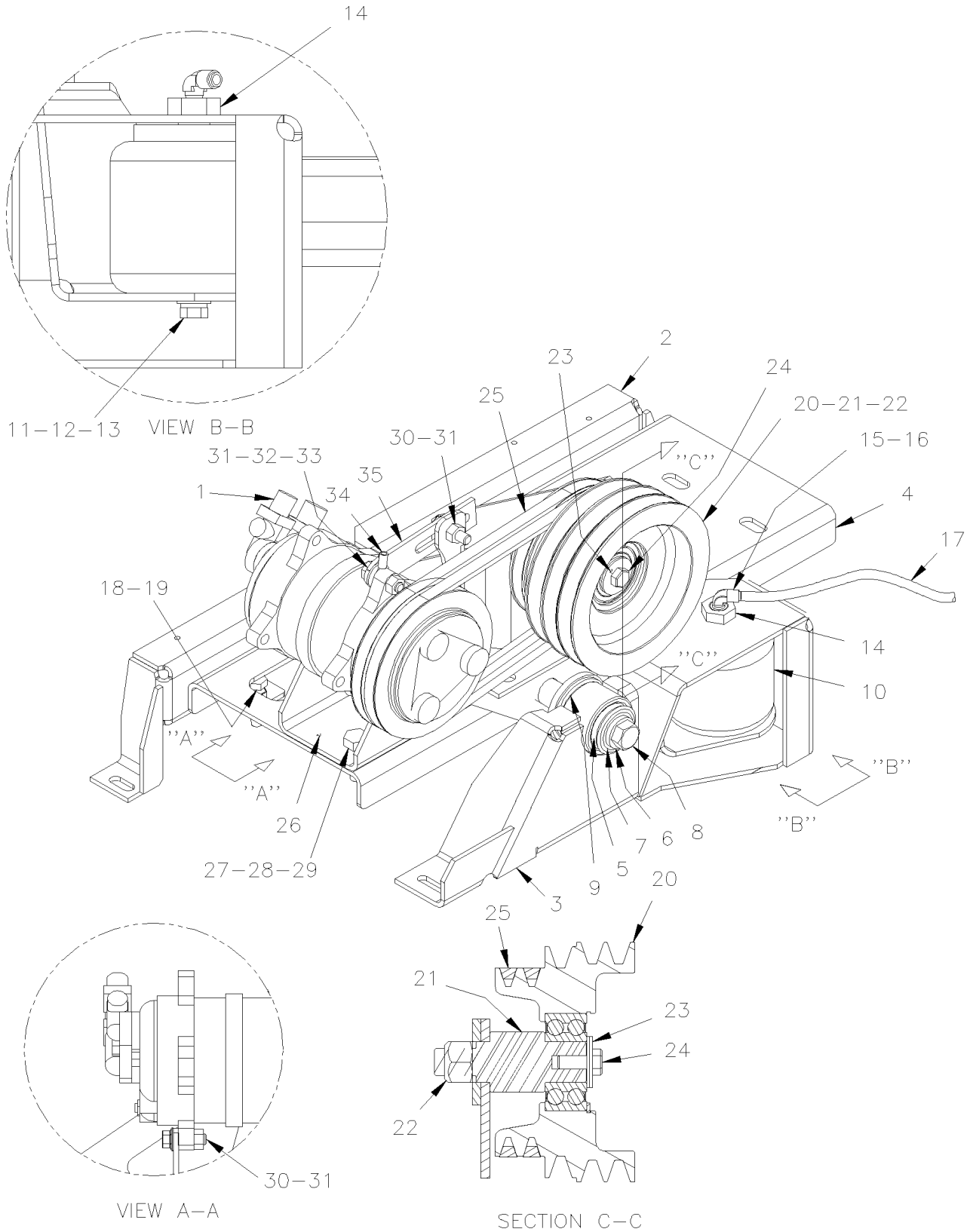
Item#	Part	Description	X L I I M T H 4 5	X L I I M T H 4 5 E	N O T E S
44	MTH-2250-15	A/C ELECTRIC UNLOADER - W/05G COMPRESSOR			
45	501037	MALE ELBOW 90° / SAE 45° FITTING / #4FL-Mx1/4NPT-M BR	1	1	
NS	5011184	FEMALE CONNECTOR / PIPE @ ORB / 1/4NPT-Fx#4ORB-M STL	AR	AR	
51	502926	SCREW CAP HEX 3/8-16x7/8 G5 N500	1	1	
NS	500832	WASHER FL .406x.812x.065 N500	1	1	
52	500478	WASHER LO SPT .380x.683x.094 Z050	4	4	
54	500225	SCREW CAP HEX 5/8-11x1 G5 Z050	2	2	
55	5001151	WASHER CON 16.5x50.0x4.5 ZP	2	2	
56	630062	BUSHING / RUBBER / (ONE PIECE) 2" x 1.005" I.D.	2	2	
57	500997	WASHER FL 1.062x2.500x.125 SS	2	2	
58	500192	SCREW CAP HEX 3/8-16x1 1/4 G5 Z050	2	2	
59	500096	SCREW CAP HEX 1/2-20x3 G5 Z050	2	2	
60	500446	WASHER FL .531x1.250x.125 Z050	4	4	
61	500718	NUT HEX STO 1/2-20 Z050	2	2	
62	502549	SCREW CAP HEX M10-1.5x35 G8.8 Z050	5	5	
63	500445	WASHER FL .437x1.000x.083 Z050	5	5	
64	502616	WASHER LO SPT 10.2x18.1x2.2 SS	5	5	
65	500680	NUT HEX STO M10-1.5 Z050	5	5	
69	5001150	WASHER FL 17.0x30.0x3.0 N500	1	1	
69	500218	WASHER LO SPT .380x.683x.098 DP320	1	1	
70	500792	NUT HEX 5/8-11 Z050	1	1	
70	502917	NUT HEX JAM 3/4-16 G2 N500	1	1	
71	501707	ADAPTER TEE / SAE 45° FITTING / #4FL-Mx1/8NPT-Mx1/8NPT-F BR	1	1	
72	641369	MALE ELBOW 90° NON-SWIVEL / PUSH-IN FITTING / #4x1/8NPT-M BR	1	1	
73	503402	TUBE, NYLON 1/4 O.D. / BLACK S.L.	AR	AR	
75	032781	SUPPORT FILTER AIR	1	1	
		A) WITH ALTERNATOR INSTALL A/C COMPRESSOR			

From 8-9279 To B-9999

Date:10/2022

PAGE:MTH-2245-50

A/C SMALL COMPRESSOR - INSTALLATION





From 8-9279 To B-9999	Date:10/2022	PAGE:MTH-2245-50
-----------------------	--------------	------------------

A/C SMALL COMPRESSOR - INSTALLATION

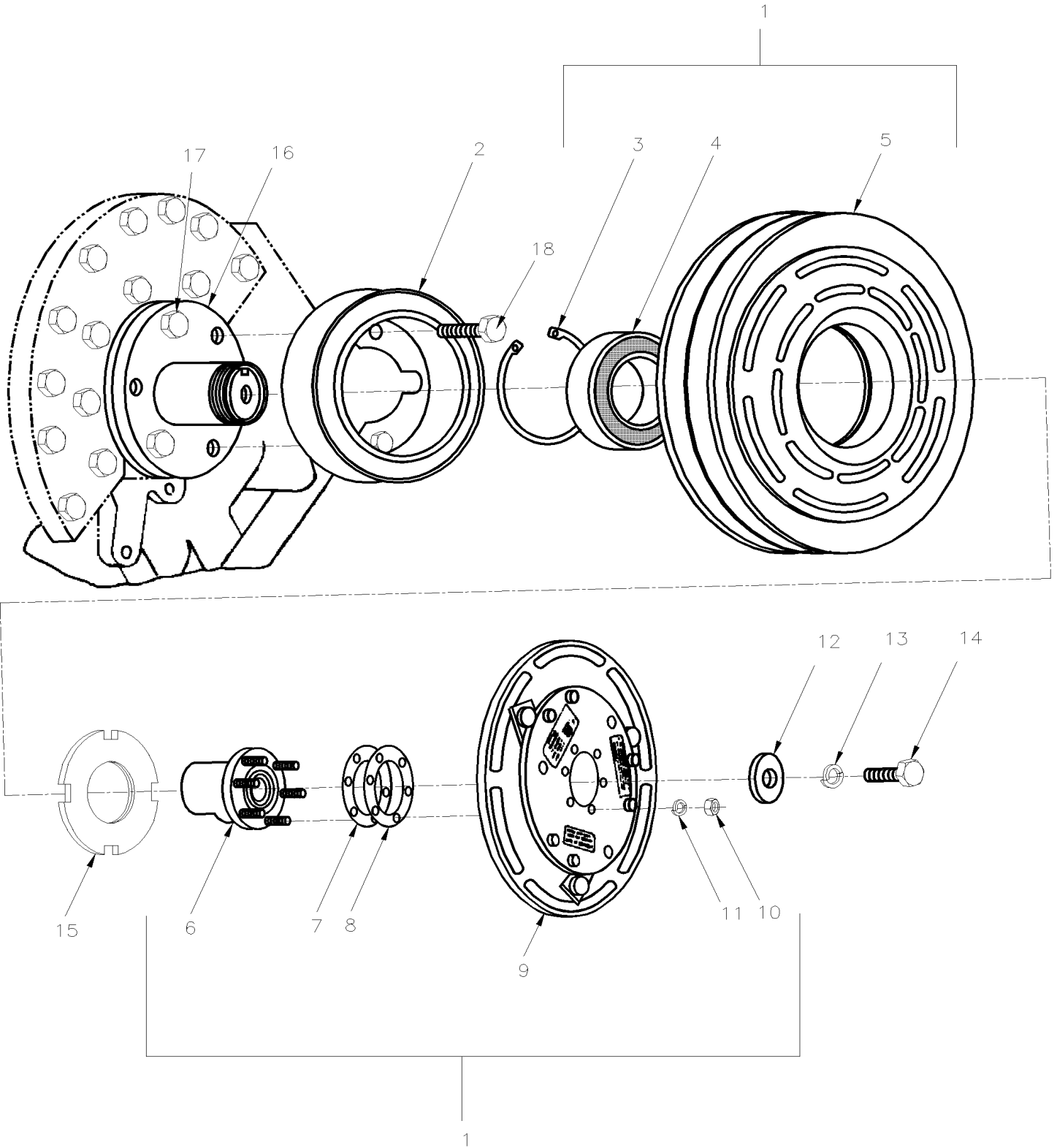
Item#	Part	Description	X L I M T H 4 5	X L I M T H 4 5 E	N O T E S

From 8-9279 To B-9999

Date:10/2022

PAGE:MTH-2246-00

A/C CLUTCH 05G - HOUSING MOUNTED





From 8-9279 To B-9999	Date:10/2022	PAGE:MTH-2246-00
A/C CLUTCH 05G - HOUSING MOUNTED		

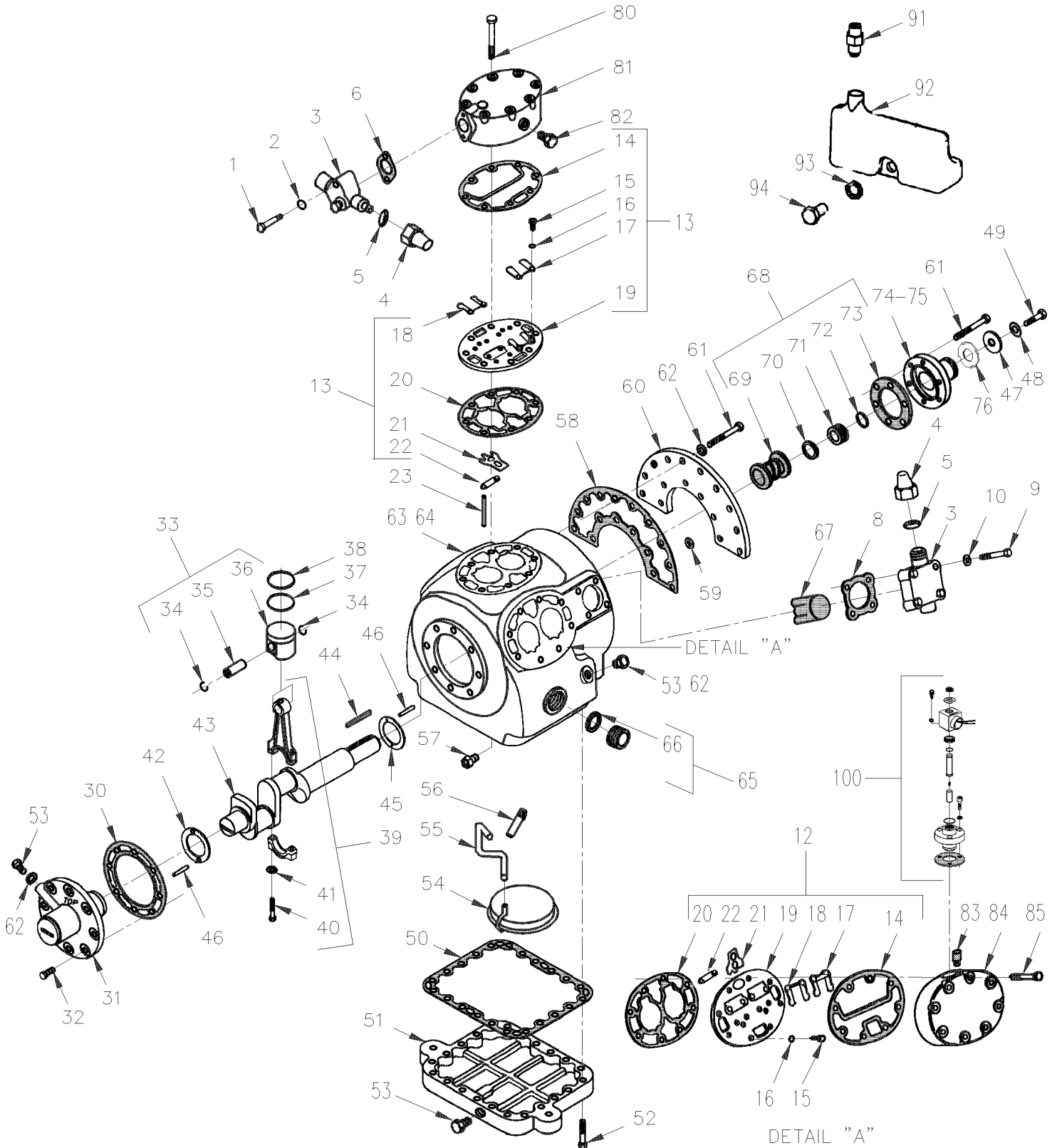
Item#	Part	Description	X L I I M T H 4 5	X L I I M T H 4 5 E	N O T E S
1	950204	CLUTCH HOUSING-MOUNTED/24V DC 9" DIA 2B GROVE	1	1	
1	950441	CLUTCH HOUSING-MOUNTED/24V DC 9" DIA 2B GROVE / & 8 1/4" DIA 2A GROVE	1	1	B
2	950156	COIL 24V	1	1	A
3	950146	. CIRCLIP INTERNAL	1	1	
4	950141	. BEARING	1	1	
5	N.S.S.	. PULLEY	1	1	1
6	N.S.S.	. HUB DRIVE	1	1	1
7	950104	. SHIM 0.010	1	1	
8	950103	. SHIM 0.020	5	5	
9	N.S.S.	. ARMATURE	1	1	1
10	500769	. NUT HEX 1/4-20 Z050	6	6	
11	500473	. WASHER LO SPT .262x.489x.062 Z050	6	6	
NS	561813	CONNECTOR / SURE-SEAL / FEMALE HOUSING 2C / ITT CANNON 120-1804-000	1	1	
NS	561023	PIN TERMINAL / 18-14 / ITT CANNON 030-2196-001	1	1	
NS	561024	SOCKET TERMINAL / 18-14 / ITT CANNON 031-1267-001	1	1	
NS	561815	CLAMP W/ 2 / ITT CANNON 029-0263-000	1	1	
12	870784	WASHER 13/32" I.D. X 1 1/2" O.D. X 3/16" TH	1	1	
13	500478	WASHER LO SPT .380x.683x.094 Z050	1	1	
14	870785	SCREW CAP HEX 3/8-24x7/8 G8 ZP	1	1	
15	950093	NUT / W/HUB MOUNTING ONLY	1	1	
16	950408	HUB HOUSING MOUNT W/GROOVE FOR TWIN PORT	1	1	
NS	950409	. SEAL, LIP, SHAFT SEAL / W/TWIN PORT ONLY	1	1	
NS	870795	. GASKET, HUB BEARING	1	1	
17	500192	SCREW CAP HEX 3/8-16x1 1/4 G5 Z050	6	6	
18	186679	SCREW CAP HEX 3/8-16x1 1/4 G8 ZP	1	1	
NS	950105	SOCKET / TOOL FOR INSTALLATION			
NS	950106	PUSHER ROTOR / TOOL			
NS	950107	SPANNER WRENCH / TOOL			
		A) THIS COIL IS NOT INCLUDE WITH #950204			
		B) WITH ALTERNATOR MOUNTED ON COMPRESSOR			
		1) NOT SOLD SEPARATELY			

From 8-9279 To B-9999

Date:10/2022

PAGE:MTH-2250-00

A/C COMPRESSOR ASSY 05G - TWIN PORT





From 8-9279 To B-9999	Date:10/2022	PAGE:MTH-2250-00
A/C COMPRESSOR ASSY 05G - TWIN PORT		

Item#	Part	Description	X L I I M T H 4 5	X L I I M T H 4 5 E	N O T E S
	950401	A/C COMPRESSOR ASSY REBUILT / W/41 C.F.M W/O ACCESSORIES TWIN PORT			
1	870877	. SCREW CAP HEX 5/16-18x2 G5 ZP	2	2	
2	870750	. GASKET	2	2	
3	MTH-2245-00	. A/C COMPRESSOR 05G - INSTALLATION			
4	870446	. . CAP SEAL	1	1	
5	870752	. . . GASKET, CAP SEAL	1	1	
6	950425	. GASKET / DISCHARGE VALVE / (METAL)	1	1	
8	950423	. GASKET / SUCTION VALVE / (METAL)	1	1	
9	870755	. SCREW CAP HEX 1/2-13x2 1/2 G5 ZP	4	4	
10	870756	. GASKET	4	4	
12	950415	. VALVE PLATE ASSY / SIDE BANK / W/TWIN PORT ONLY	2	2	
NS	870800	. . CHECK VALVE ASSY / UNLOADER	2	2	
13	950414	. VALVE PLATE ASSY / CENTER BANK / W/TWIN PORT ONLY	1	1	
14	950421	. . GASKET, CYLINDER HEAD / W/TWIN PORT ONLY	1	1	
15	870761	. . SCREW CAP HEXS 1/4-28 x 3/8"	4	4	
16	500473	. . WASHER LO SPT .262x.489x.062 Z050	4	4	
17	950416	. . VALVE DISCHARGE / W/TWIN PORT ONLY	2	2	
18	950417	. . BACKER VALVE DISCHARGE / W/TWIN PORT ONLY	2	2	
19	N.S.S.	. . PLATE VALVE	1	1	1
20	950420	. . GASKET, VALVE PLATE / W/TWIN PORT ONLY	1	1	
21	950418	. . VALVE SUCTION / W/TWIN PORT ONLY	2	2	
22	950419	. . SPRING / SUCTION VALVE / W/TWIN PORT ONLY	2	2	
23	870767	. PIN DOWEL VALVE PLATE	4	4	
30	870771	. GASKET / OIL PUMP	1	1	
31	950403	. OIL PUMP ASSY / W/TWIN PORT ONLY	1	1	
32	500192	. SCREW CAP HEX 3/8-16x1 1/4 G5 Z050	8	8	
33	950272	. PISTON & PIN ASSY / STANDARD / W/41 CFM	6	6	
33	950274	. PISTON & PIN ASSY/.020" OVERSIZE / W/41 CFM	6	6	
34	N.S.S.	. . RETAINER	2	2	1
35	N.S.S.	. . PIN	1	1	1
36	N.S.S.	. . PISTON SINGLE RING	1	1	1
37	870774	. RING / W/DOUBLE RING PISTON ONLY	6	6	
38	870775	. RING COMPRESSION / STANDARD	6	6	
38	870815	. RING COMPRESSION / .020" OVERSIZE	6	6	
39	870776	. CONNECTING ROD & CLIP ASSY / STANDARD	6	6	
39	870816	. CONNECTING ROD & CLIP ASSY / .010" OVERSIZE	6	6	
NS	870767	. . PIN DOWEL VALVE PLATE	2	2	
40	870777	. . BOLT	2	2	
41	500440	. . WASHER FL .250x.562x.065 Z050	1	1	
42	870778	. WASHER THRUST / PUMP END	1	1	
43	950406	. CRANKSHAFT ASSY / W/41 CFM / W/TWIN PORT ONLY	1	1	



From 8-9279 To B-9999	Date:10/2022	PAGE:MTH-2250-00
A/C COMPRESSOR ASSY 05G - TWIN PORT		

Item#	Part	Description	X L I M T H 4 5	X L I M T H 4 5 E	N O T E S
44	950140	. KEY CRANKSHAFT / W/HOUSING-MOUNTED CLUTCH	1	1	
45	870781	. WASHER THRUST	1	1	
46	870782	. PIN STRAIGHT 1/8" DIA. X 1/2"	2	2	
NS	870783	. PIN STRAIGHT .094" X 5/16"	2	2	
47	870784	. WASHER 13/32" I.D. X 1 1/2" O.D. X 3/16" TH	1	1	
48	500478	. WASHER LO SPT .380x.683x.094 Z050	1	1	
49	870785	. SCREW CAP HEX 3/8-24x7/8 G8 ZP	1	1	
50	950402	. GASKET, BOTTOM PLATE / (METAL)	1	1	
51	950444	. PLATE BOTTOM	1	1	
52	500191	. SCREW CAP HEX 3/8-16x1 G5 Z050	22	22	
53	950303	. PLUG, O-RING / (CURRENT)	2	2	
54	870787	. SCREEN ASSY / OIL FILTER	1	1	
55	870788	. TUBE / OIL SUCTION	1	1	
56	870789	. VALVE / OIL RELIEF	1	1	
57	870790	. CHECK VALVE ASSY / OIL RETURN	2	2	
58	950412	. GASKET, SHAFT END COVER / W/TWIN PORT ONLY	1	1	
59	950139	. WASHER .393x.622x.031	2	2	
60	870792	. FLANGE	1	1	
61	500192	. SCREW CAP HEX 3/8-16x1 1/4 G5 Z050	21	21	
62	950139	. WASHER .393x.622x.031	21	21	
63	N.S.S.	. CRANKCASE	1	1	1
64	950283	. BEARING, MAIN SEAL END	1	1	
65	870768	. SIGHT GLASS ASSY	2	2	
66	870769	. GASKET, SIGHT GLASS	2	2	
67	870770	. STRAINER SUCTION	1	1	
68	950407	. SHAFT SEAL ASSY / W/HOUSING-MOUNTED CLUTCH / W/TWIN PORT ONLY	1	1	
69	N.S.S.	. SEAL / SHAFT	1	1	1
70	870794	. RING CARBON	1	1	
71	N.S.S.	. RING WEAR	1	1	1
72	N.S.S.	. O-RING	1	1	1
73	870795	. GASKET, HUB BEARING	1	1	
74	950408	. HUB HOUSING MOUNT W/GROOVE FOR TWIN PORT	1	1	
NS	950409	. SEAL, LIP, SHAFT SEAL / W/TWIN PORT ONLY	1	1	
NS	870795	. GASKET, HUB BEARING	1	1	
75	950409	. SEAL, LIP, SHAFT SEAL / W/TWIN PORT ONLY	1	1	
76	950093	. NUT / W/HUB MOUNTING ONLY	1	1	
80	G1091280	. SCREW CAP HEX 3/8-16 X 3"1/4	8	8	
81	870757	. HEAD CYLINDER / CENTER BANK	1	1	
82	501303	. PLUG SQUARE HEAD / PIPE FITTING / 1/8NPT-M BR	1	1	
83	870799	. STRAINER	1	1	
84	950426	HEAD CYLINDER / UNLOADER / W/TWIN PORT ONLY	1	1	
85	502694	SCREW CAP HEX 3/8-16x3 1/4 G5 ZP	1	1	

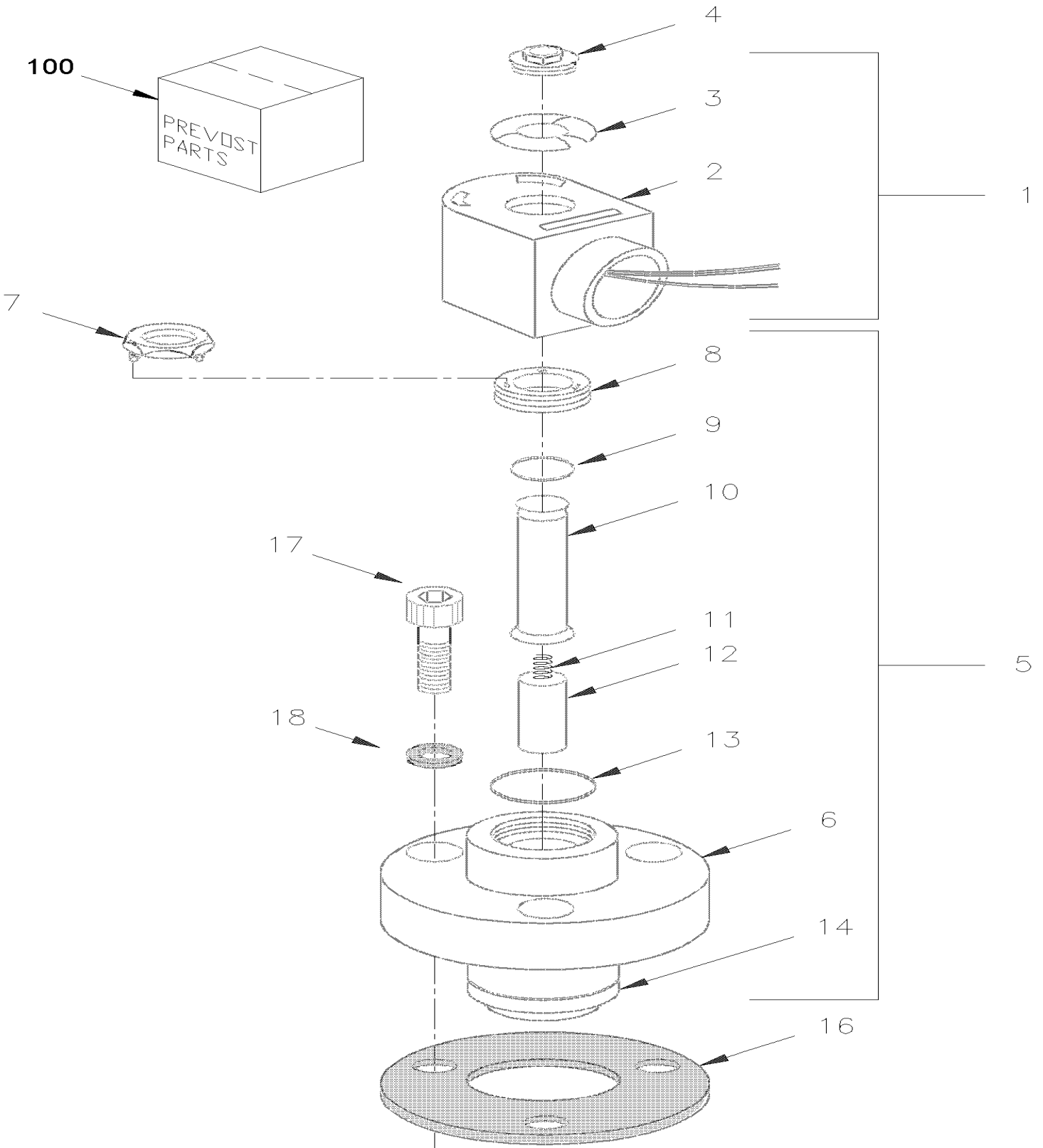


From 8-9279 To B-9999	Date:10/2022	PAGE:MTH-2250-00
-----------------------	--------------	------------------

A/C COMPRESSOR ASSY 05G - TWIN PORT

Item#	Part	Description	X L I I M T H 4 5	X L I I M T H 4 5 E	N O T E S
91	950410	ACCESS VALVE / W/TWIN PORT ONLY	1	1	
92	950411	RESERVOIR / W/TWIN PORT ONLY	1	1	
93	500856	WASHER LO INT .384x.692x.040 ZP	1	1	
94	950967	SCREW CAP HEX 3/8-16 X 3/4 G8			
100	MTH-2250-15	A/C ELECTRIC UNLOADER - W/05G COMPRESSOR			
101	950236	REFRIGERANT OIL POE / USE W/134A (4LITER)	AR	AR	
		1) NOT SOLD SEPARATELY			

A/C ELECTRIC UNLOADER - W/05G COMPRESSOR





From 8-9279 To B-9999	Date:10/2022	PAGE:MTH-2250-15
A/C ELECTRIC UNLOADER - W/05G COMPRESSOR		

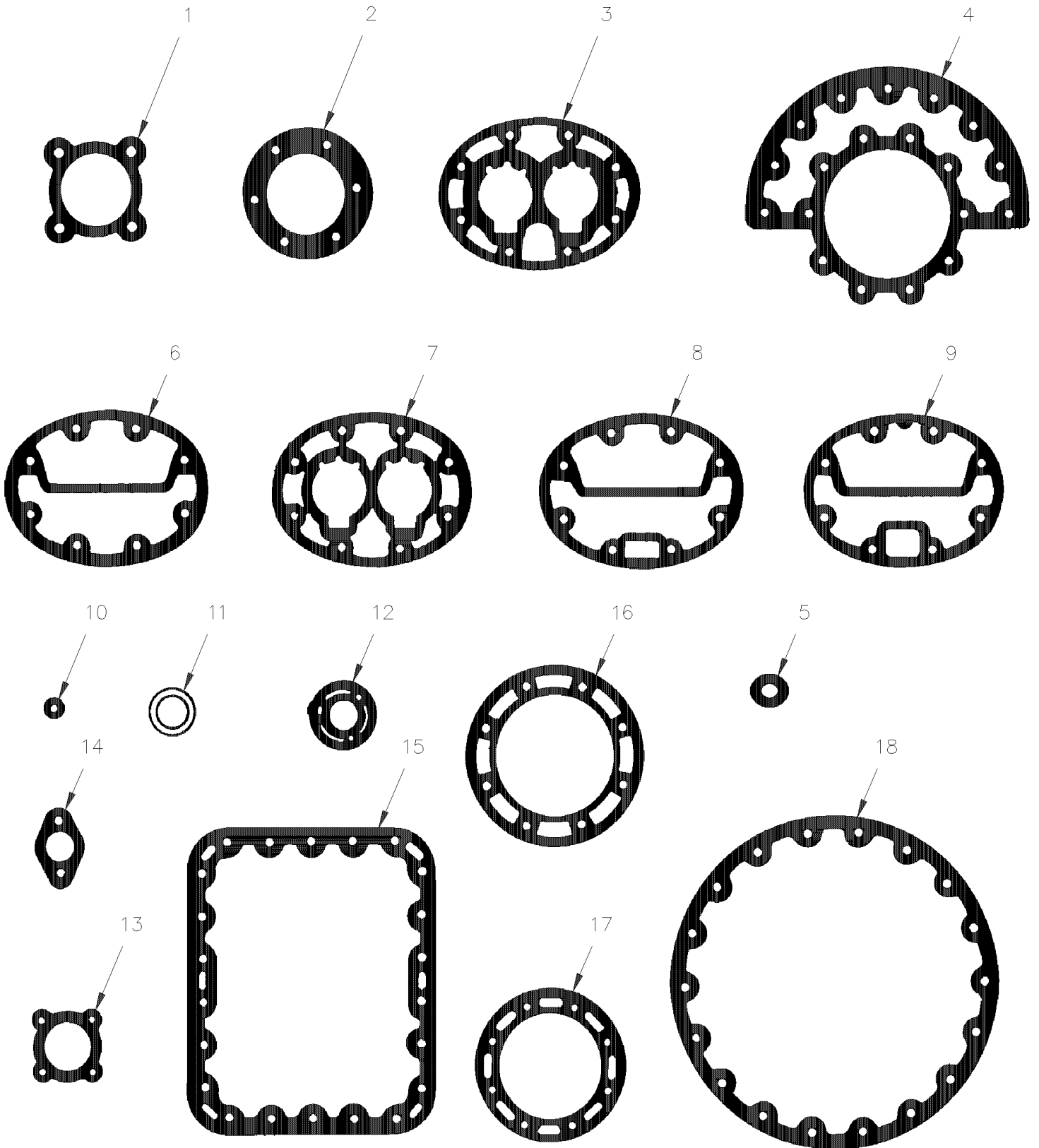
Item#	Part	Description	X L I I M T H 4 5	X L I I M T H 4 5 E	N O T E S
	063969	COIL ASSY W/CONNECTOR	2	2	
1	950096	. COIL 24V	1	1	
2	N.S.S.	. . COIL	1	1	1
3	N.S.S.	. . NAMEPLATE / VOLTAGE	1	1	1
4	N.S.S.	. . CAP, SNAP	1	1	1
4	N.S.S.	. . CAP, SNAP	1	1	1
NS	561566	. . CONNECTOR / WEATHER PACK / PH 2C / BLACK / PED 12010973	1	1	
NS	561578	. . SOCKET TERMINAL / 16-14 / PED 12010182	2	2	
NS	561786	. . CABLE SEAL / GRAY / PED 15324980	2	2	
5	950095	BODY / UNLOADER VALVE	1	1	
6	N.S.S.	. BODY, VALVE	1	1	1
7	N.S.S.	. NUT / FOR REMOVING OR REPLACING TUBE COLLAR	1	1	1
8	N.S.S.	. COLLAR / TUBE	1	1	1
9	N.S.S.	. O-RING	1	1	1
10	N.S.S.	. TUBE	1	1	1
11	N.S.S.	. SPRING, PLUNGER	1	1	1
12	N.S.S.	. PLUNGER	1	1	1
13	N.S.S.	. O-RING	1	1	1
14	870818	. RING, PISTON	1	1	
16	870820	GASKET, UNLOADER	1	1	
17	5001415	SCREW CAP HEXS 1/4-28x3/4	3	3	
18	950305	GASKET / W/ALLEN BOLT	3	3	
100	950413	KIT, STEM REPAIR	1	1	B
		B) INCLUDE ITEMS # 7, 10, 11,12 & 13			
		1) NOT SOLD SEPARATELY			

From 8-9279 To B-9999

Date:10/2022

PAGE:MTH-2251-00

GASKET - 05G A/C COMPRESSOR





From 8-9279 To B-9999	Date:10/2022	PAGE:MTH-2251-00
GASKET - 05G A/C COMPRESSOR		

Item#	Part	Description	X L I I M T H 4 5	X L I I M T H 4 5 E	N O T E S
	870829	KIT GASKET	1	1	
1	870754	. GASKET / SUCTION VALVE	1	1	
2	870795	. GASKET, HUB BEARING	1	1	
3	870764	. GASKET, VALVE PLATE	3	3	
4	N.S.S.	. GASKET, END FLANGE	1	1	1
5	870791	. GASKET, SHAFT END COVER	2	2	
6	N.S.S.	. GASKET, LEFT & RIGHT CYLINDER HEAD - STANDARDS	2	2	1
7	N.S.S.	. GASKET, VALVE PLATE	3	3	1
8	870760	. GASKET, CENTER CYLINDER HEAD	1	1	
9	870797	. GASKET, L.H & R.H CYLINDER HEAD	2	2	
10	N.S.S.	. GASKET, OIL SUPPLY TUBE	1	1	1
11	870769	. GASKET, SIGHT GLASS	2	2	
12	870820	. GASKET, UNLOADER	2	2	
13	N.S.S.	. GASKET, OIL PUMP COVER	1	1	1
14	870753	. GASKET / DISCHARGE VALVE	2	2	
15	870786	. GASKET, BOTTOM PLATE	1	1	
16	870771	. GASKET / OIL PUMP	1	1	
17	N.S.S.	. GASKET, SHAFT	1	1	1
18	N.S.S.	. GASKET, MOTOR END COVER	1	1	1
NS	870791	. GASKET, SHAFT END COVER	1	1	
		1) NOT SOLD SEPARATELY			



From 8-9279 To 9-9817	Date:10/2022	PAGE:MTH-2255-00
-----------------------	--------------	------------------

CONDENSOR - INSTALLATION LARGE SYSTEM

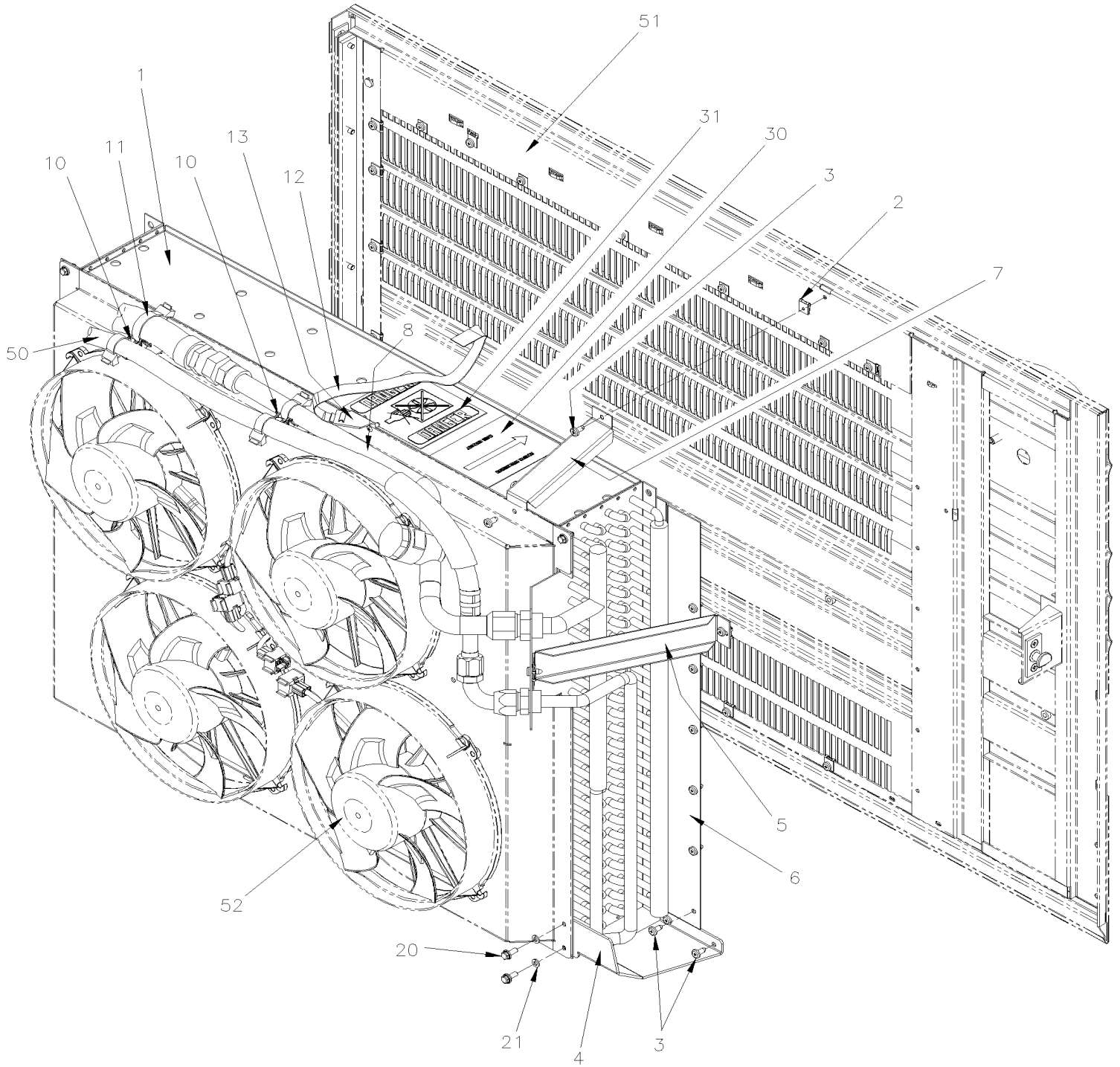
Item#	Part	Description	X L I I M T H 4 5	X L I I M T H 4 5 E	N O T E S
1	870654	CONDENSOR ALUMINUM 36 1/2" x 28" x 6"	1	1	
. NS	501802	. O-RING / ORS FITTING / #16 NEO	1	1	
. NS	501829	. O-RING / ORS FITTING / #12 NEO	1	1	
1	453277	CONDENSOR ALUMINUM / W/BLACK E-COAT 36 1/2" x 28" x 6"	1	1	
. NS	501802	. O-RING / ORS FITTING / #16 NEO	1	1	
. NS	501829	. O-RING / ORS FITTING / #12 NEO	1	1	
1	870729	CONDENSOR COPPER 36 1/2" x 28" x 6"	1	1	
. NS	501802	. O-RING / ORS FITTING / #16 NEO	1	1	
. NS	501829	. O-RING / ORS FITTING / #12 NEO	1	1	
1	453276	CONDENSOR COPPER / W/BLACK E-COAT 36 1/2" x 28" x 6"	1	1	
. NS	501802	. O-RING / ORS FITTING / #16 NEO	1	1	
. NS	501829	. O-RING / ORS FITTING / #12 NEO	1	1	
NS	370357	DECAL "CLEAN REGULARY"	1	1	
2	481249	NUT	39	39	
3	500524	SCREW TP PAN PH #12x5/8 SS	39	39	
4	480909	REINFORCEMENT, LOWER	1	1	
5	481054	REINFORCEMENT, SIDE	1	1	
6	480912	REINFORCEMENT, VERTICAL	1	1	
8	480908	REINFORCEMENT, UPPER	1	1	
9	450970	SUPPORT / HOSE CLAMP	2	2	
10	504458	CLAMP / 1 5/8" I.D.	2	2	
11	560872	CLAMP / 1"1/16 I.D.	2	2	
NS	501801	O-RING / ORS FITTING / #8 NEO	1	1	A
NS	507169	O-RING 1/2 I.D.	1	1	B
NS	501802	O-RING / ORS FITTING / #16 NEO	2	2	A
12	500603	SCREW CAP HEX SLT #10-24x2 Z050	2	2	
13	500767	NUT HEX #10-24 Z050	2	2	
20	MTH-2222-10	A/C & HEATING LINE FRONT SECTION			
21	MTH-1863-51	CONDENSOR DOOR ASSY - MTH-45 ENT			
21	MTH-1863-50	CONDENSOR DOOR ASSY - MTH-45			
23	MTH-2270-00	RECEIVER TANK & FILTER DRYER			
		A) HOSE & CONDENSER			
		B) TO HOSE #11 / HOSE & RECEIVER TANK			

From 9-9818 To B-9999

Date:10/2022

PAGE:MTH-2255-01

CONDENSOR - INSTALLATION LARGE SYSTEM



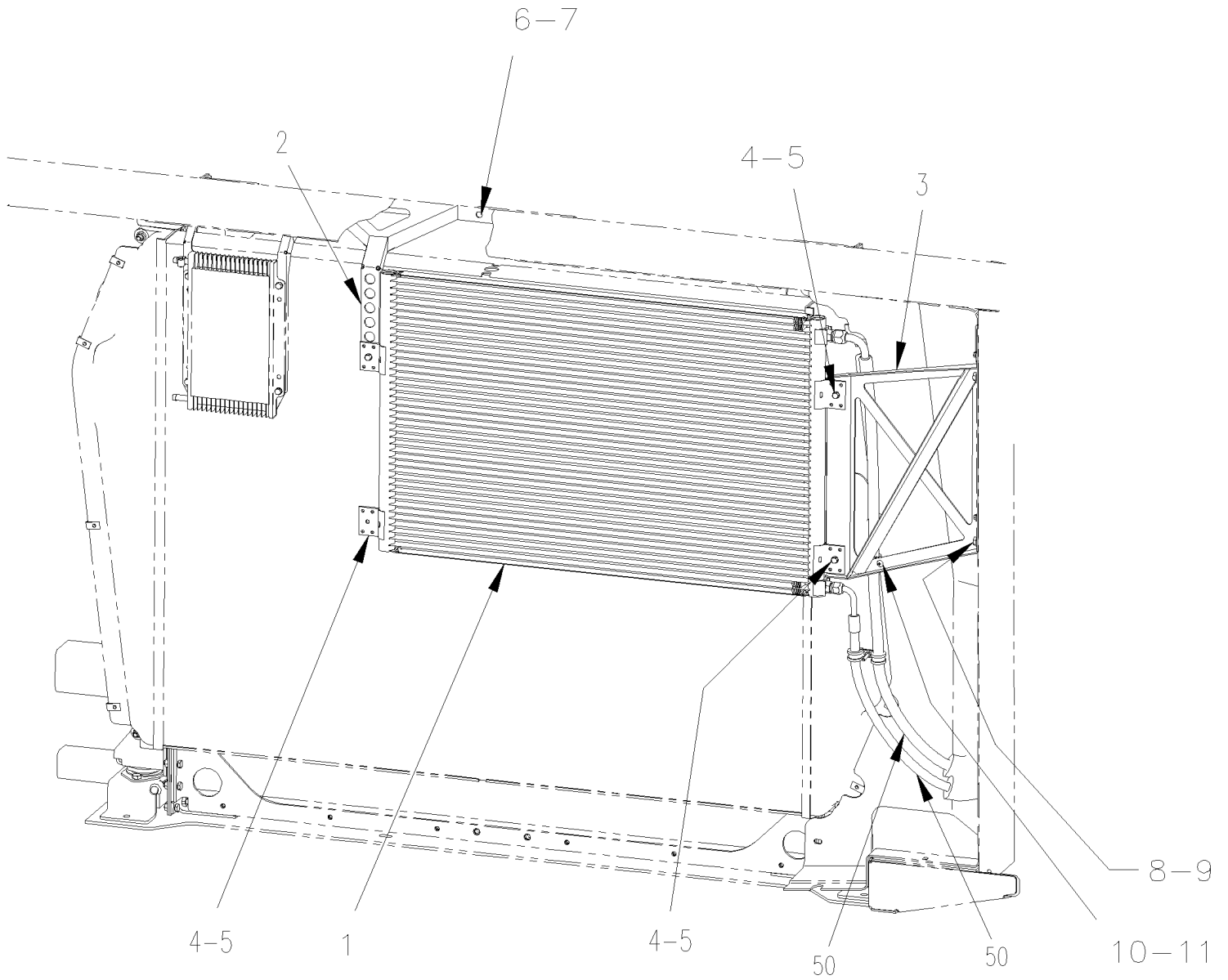


From 9-9818 To B-9999	Date:10/2022	PAGE:MTH-2255-01
-----------------------	--------------	------------------

CONDENSOR - INSTALLATION LARGE SYSTEM

Item#	Part	Description	X L I I M T H 4 5	X L I I M T H 4 5 E	N O T E S
1	870654	CONDENSOR ALUMINUM 36 1/2" x 28" x 6"	1	1	
. NS	501802	. O-RING / ORS FITTING / #16 NEO	1	1	
. NS	501829	. O-RING / ORS FITTING / #12 NEO	1	1	
1	453277	CONDENSOR ALUMINUM / W/BLACK E-COAT 36 1/2" x 28" x 6"	1	1	
. NS	501802	. O-RING / ORS FITTING / #16 NEO	1	1	
. NS	501829	. O-RING / ORS FITTING / #12 NEO	1	1	
1	870729	CONDENSOR COPPER 36 1/2" x 28" x 6"	1	1	
. NS	501802	. O-RING / ORS FITTING / #16 NEO	1	1	
. NS	501829	. O-RING / ORS FITTING / #12 NEO	1	1	
1	453276	CONDENSOR COPPER / W/BLACK E-COAT 36 1/2" x 28" x 6"	1	1	
. NS	501802	. O-RING / ORS FITTING / #16 NEO	1	1	
. NS	501829	. O-RING / ORS FITTING / #12 NEO	1	1	
2	481249	NUT	40	40	
3	500524	SCREW TP PAN PH #12x5/8 SS	40	40	
4	484128	REINFORCEMENT, LOWER	1	1	
5	481054	REINFORCEMENT, SIDE	1	1	
6	482125	REINFORCEMENT, VERTICAL	1		
6	482366	REINFORCEMENT, VERTICAL		1	
7	480908	REINFORCEMENT, UPPER	1	1	
8	453542	PIPE ASSY WITH CHECK VALVE	1	1	
10	509490	ATTACHMENT DOUBLE USE WITH CABLE TIE	2	2	
NS	5001433	SCREW CAP HEX M6-1.0x25 SS	2	2	
NS	502570	WASHER LO SPT 6.1x11.8x1.6 SS	2	2	
NS	502573	WASHER FL 6.4x12.5x1.6 SS	2	2	
11	509491	CABLE TIE / 13MM x 383MM	4	4	
12	505507	STRAP NYLON 1" WIDE / S.L.	AR	AR	
13	452813	SUPPORT STRAP RETAINER W/2 SLOTS & 2 HOLES	1	1	
13	5001087	SCREW TP BDG PH #10x1/2 SS	2	2	
20	5001730	SCREW CAP HEXF M6-1.0x16 G10.9 N500	2	2	
21	502570	WASHER LO SPT 6.1x11.8x1.6 SS	2	2	
30	370357	DECAL "CLEAN REGULARY"	1	1	
31	402752	DECAL / "NO GARBAGE"	1	1	
50	MTH-2270-01	RECEIVER TANK & FILTER DRYER			
51	MTH-1863-50	CONDENSOR DOOR ASSY - MTH-45			
51	MTH-1863-51	CONDENSOR DOOR ASSY - MTH-45 ENT			
52	MTH-2260-00	CONDENSOR FANS - INSTALLATION			

MTH-45



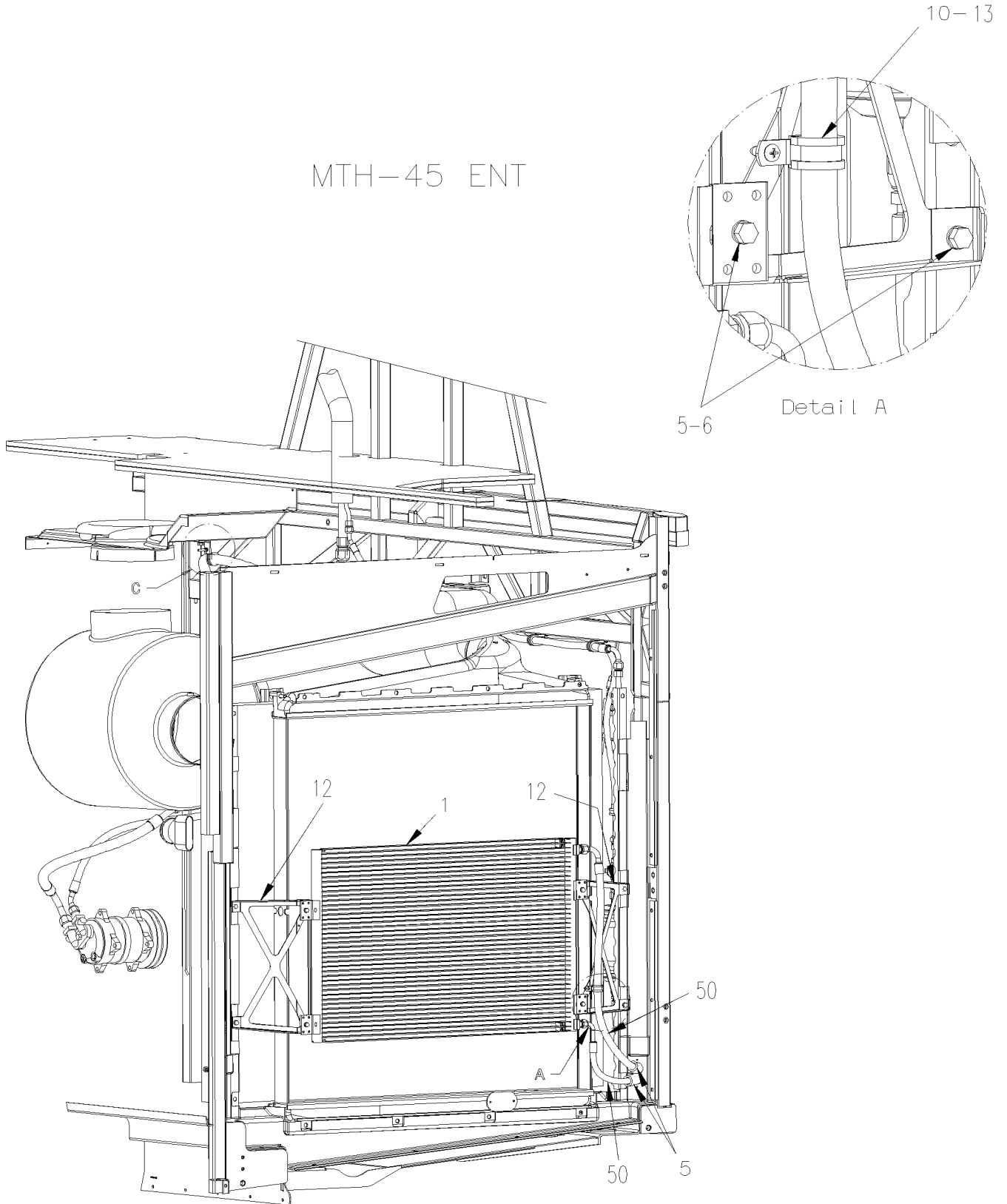
From 8-9279 To B-9999

Date:10/2022

PAGE:MTH-2255-10

CONDENSOR - INSTALLATION SMALL A/C SYSTEM

MTH-45 ENT





From 8-9279 To B-9999	Date:10/2022	PAGE:MTH-2255-10
-----------------------	--------------	------------------

CONDENSOR - INSTALLATION SMALL A/C SYSTEM

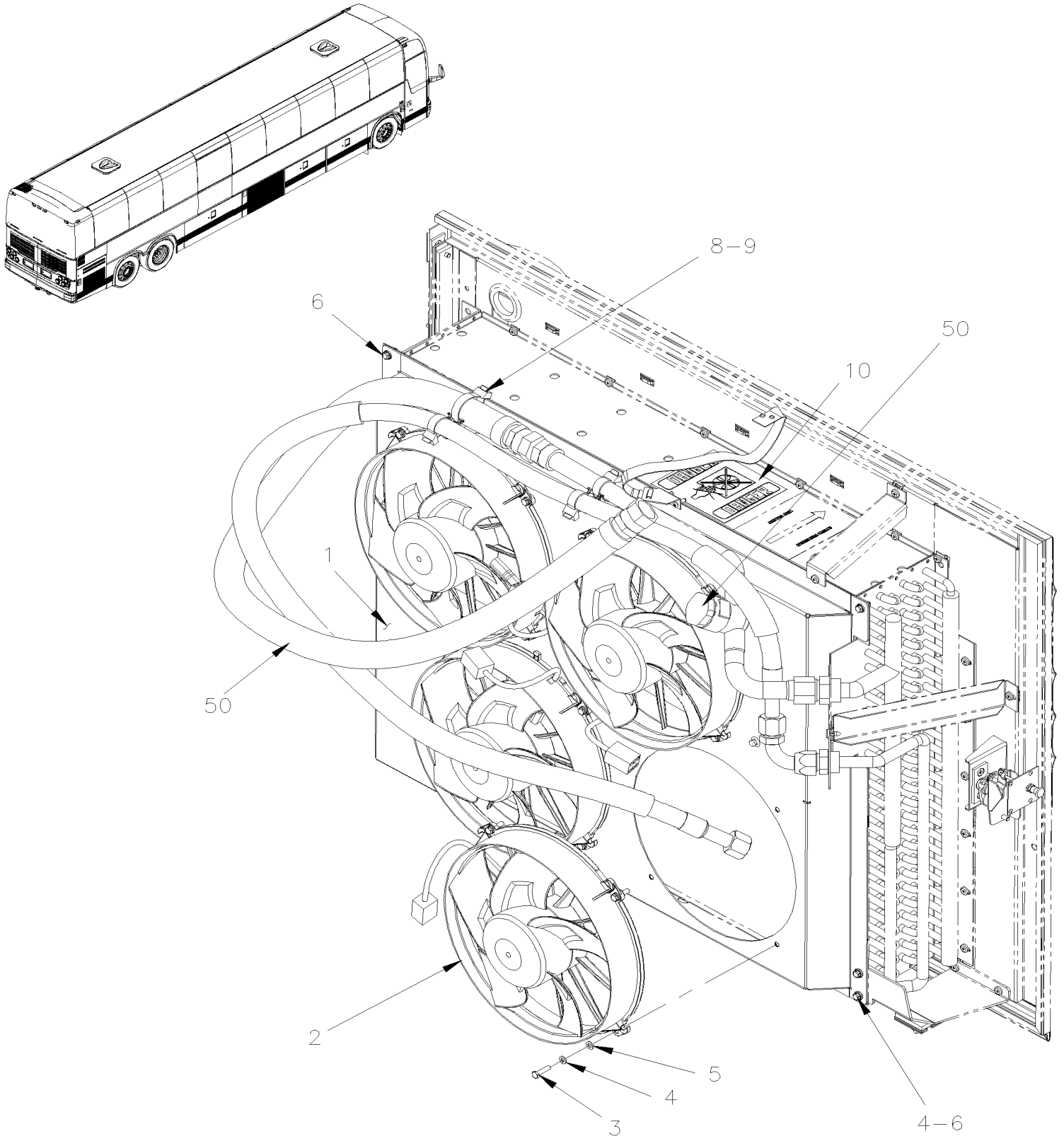
Item#	Part	Description	X L I I M T H 4 5	X L I I M T H 4 5 E	N O T E S
1	950381	CONDENSOR COIL To A-9976	1	1	
1	950958	CONDENSOR COIL E-COAT 8.2 From A-9977	1	1	
1	950467	CONDENSOR COIL E-COAT LT-8	1	1	
2	052832	SUPPORT FORWARD	1		
3	052698	SUPPORT BACKWARD	1		
4	955271	SCREW CAP HEX M6-1.0x16 G8.8 ZG603	8	8	
5	502853	WASHER LO SPT 6.1x11.8x1.6 N500	AR	AR	
6	502830	SCREW CAP HEX M6-1.0x20 G8.8 N500	AR	AR	
7	5001608	WASHER BEL SPR 6.2x15.0x0.7 G500	2		
8	502562	WASHER LO EXTC 5.3x10x0.3 ZP	2		
9	500321	WASHER BEL SPR .331x.827x.098 N500	2		
10	952629	CLAMP / 5/8" I.D.	AR		
11	500574	SCREW MA TR PH #10-24x1 1/4 SS	AR		
NS	500914	WASHER LO SPT .193x.334x.047 N500	AR		
NS	502882	NUT HEX #10-24 N500	AR		
12	454519	SUPPORT CONDENSOR / EACH SIDE		2	
13	500957	SCREW TP BDG PH #10x3/4 N500		4	
14	502848	SCREW TC CAP HEXF 1/4-20x3/4 N500	AR		
50	MTH-2222-50	SMALL A/C LINES & HOSES WITH DETROIT S-60 & R134A			

From 9-9818 To B-9999

Date:10/2022

PAGE:MTH-2260-00

CONDENSOR FANS - INSTALLATION





From 9-9818 To B-9999 Date:10/2022 PAGE:MTH-2260-00

CONDENSOR FANS - INSTALLATION

Item#	Part	Description	X L I I M T H 4 5	X L I I M T H 4 5 E	N O T E S
1	455153	SHROUD FAN	1	1	
2	563461	CONDENSOR FAN ASSY 24V To B-9972	4	4	
. NS	563691	. CONNECTOR / JUNIOR POWER TIMER / SH 6C / AMP 1-963212-1 To B-9972	1	1	
2	565881	CONDENSOR FAN ASSY 24V From B-9973	4	4	
. NS	563691	. CONNECTOR / JUNIOR POWER TIMER / SH 6C / AMP 1-963212-1 From B-9973	1	1	
3	5001433	SCREW CAP HEX M6-1.0x25 SS	18	18	
4	502570	WASHER LO SPT 6.1x11.8x1.6 SS	20	20	
5	502573	WASHER FL 6.4x12.5x1.6 SS	18	18	
6	5001730	SCREW CAP HEXF M6-1.0x16 G10.9 N500	5	5	
NS	5001654	WASHER FL 6.4x17.0x3.0 SS	3	3	
NS	5001182	NUT HEX NYRT M6-1.0 SS	3	3	
7	509815	TIE MOUNT / ATTACHMENT W/TREE MOUNT	4	4	
8	509490	ATTACHMENT DOUBLE USE WITH CABLE TIE	2	2	
9	509491	CABLE TIE / 13MM x 383MM	4	4	
10	402792	DECAL / "DANGER" SHUT DOWN A/C BEFORE SERVI. / ENGLISH & FRANCAIS	1	1	
10	405637	DECAL / "DANGER" SHUT DOWN A/C BEFORE SERVI. / ENGLISH & SPANISH	1	1	
10	370357	DECAL "CLEAN REGULARY"	1	1	
50	MTH-2270-00	RECEIVER TANK & FILTER DRYER			



From 8-9279 To 9-9817	Date:10/2022	PAGE:MTH-2260-05
CONDENSOR FAN - INSTALLATION		

Item#	Part	Description	X L I I M T H 4 5	X L I I M T H 4 5 E	N O T E S
2	510342	INSULATOR, RUBBER MOUNT	4	4	
3	452929	PROTECTOR GRILL	1	1	
5	MTH-2265-50	MOTOR - CONDENSOR - "PREVOST" - T114			
6	372612	FAN BLADE AXIAL 8 BLADES	2	2	
7	452069	KEY	2	2	
9	453618	FAN MOTOR SUPPORT	1	1	
NS	453686	SHIM 142MM X 46MM X 24GA SS	AR	AR	
20	402792	DECAL / "DANGER" SHUT DOWN A/C BEFORE SERVI. / ENGLISH & FRANCAIS	1	1	
20	405637	DECAL / "DANGER" SHUT DOWN A/C BEFORE SERVI. / ENGLISH & SPANISH	1	1	
21	453066	DECAL R134A / NOMINAL CHARGE 24 LBS // ENGLISH & FRANCAIS	1	1	
21	454180	DECAL R134A / NOMINAL CHARGE 24 LBS // ENGLISH & SPANISH	1	1	
30	502830	SCREW CAP HEX M6-1.0x20 G8.8 N500	8	8	
31	502860	NUT HEX STO M6-1.0 N500	8	8	
32	500411	WASHER FL .260x.697x.050 SS	8	8	
33	502859	NUT HEX NYRT M10-1.5 N500	8	8	
34	500897	WASHER FL .437x1.000x.083 N500	8	8	
35	500623	SCREW TC PAN PH #10-24x3/4 N500	10	10	
36	5001137	WASHER FL .203x.438x.050 SS	10	10	
50	MTH-2220-00	UNDER FLOOR AIR DUCTING			
51	MTH-1865-20	EVAPORATOR & CONDENSOR WALL			
52	MTH-2270-00	RECEIVER TANK & FILTER DRYER			

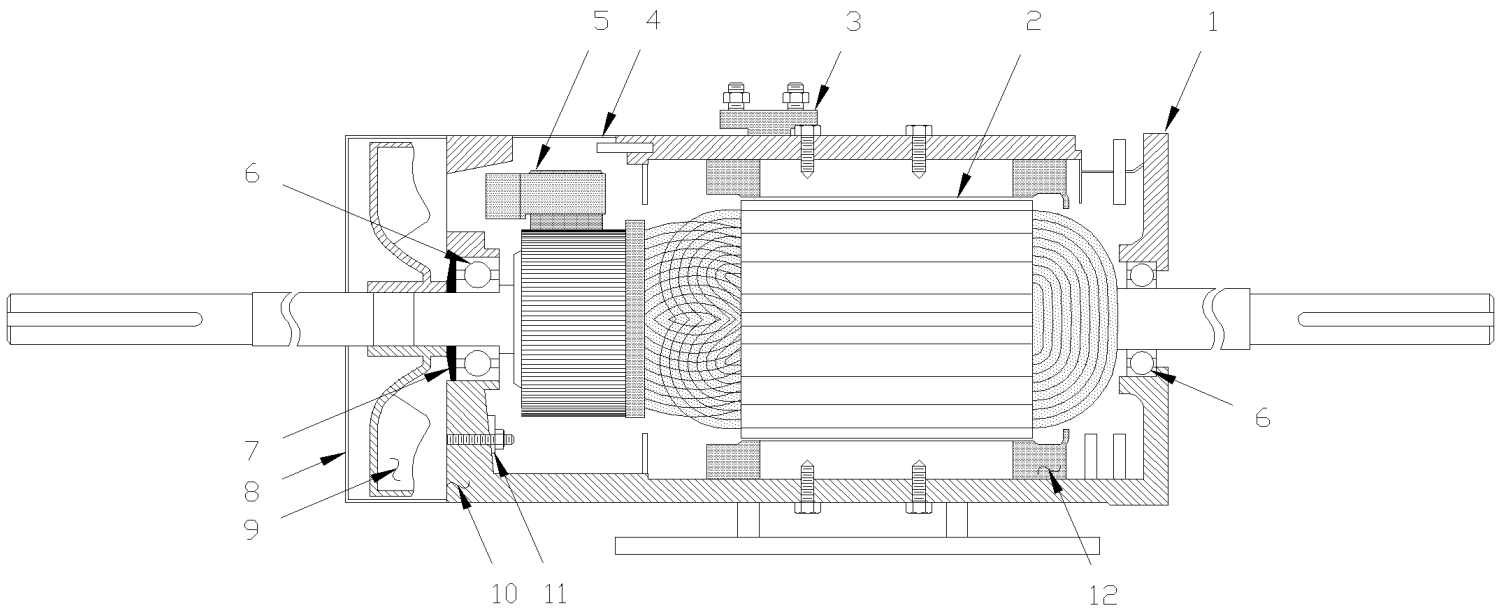


From 8-9279 To 9-9600

Date:10/2022

PAGE:MTH-2265-00

MOTOR - EVAPORATOR - "PREVOST" - T-17 - 2 SPEEDS

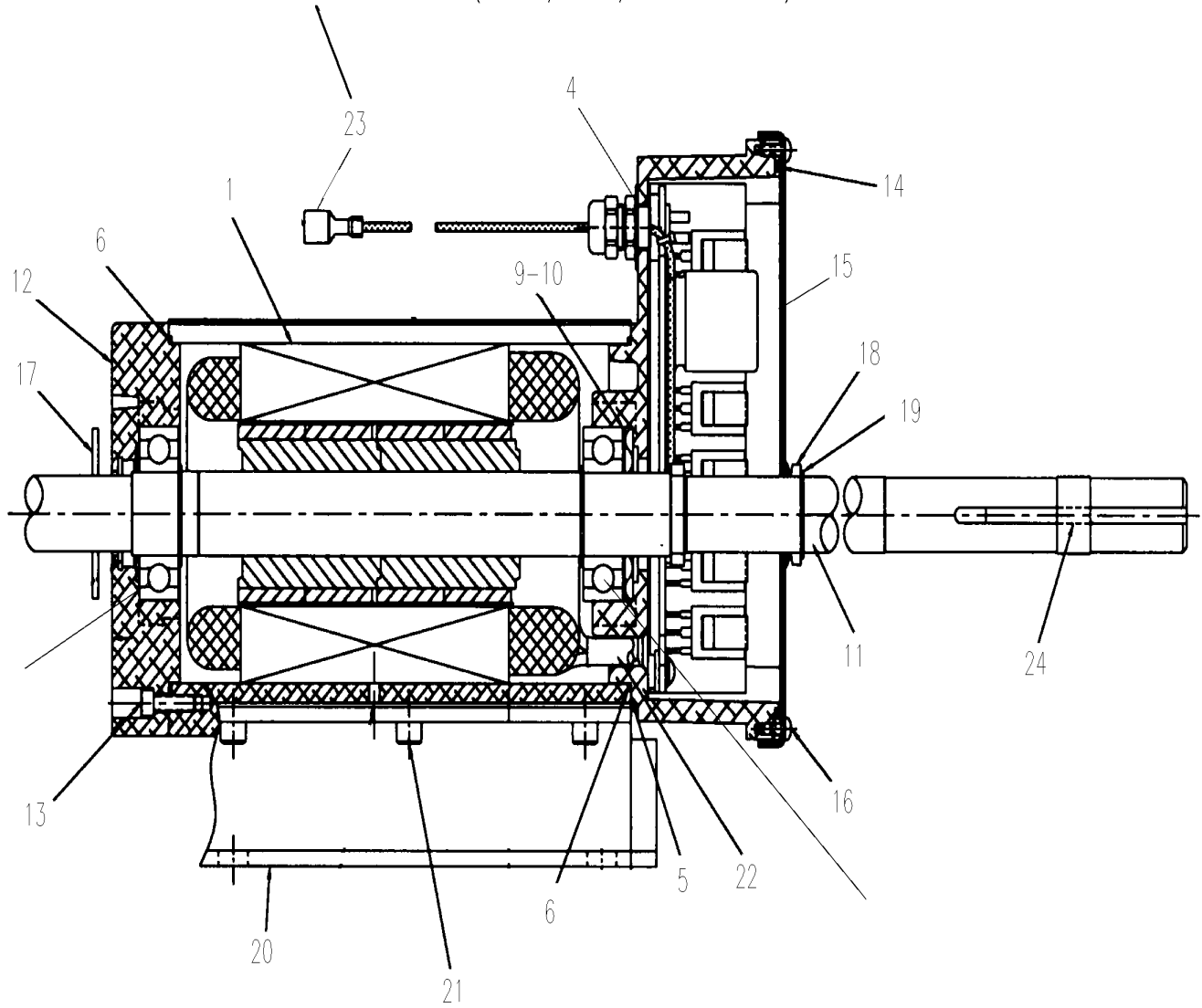




From 8-9279 To 9-9600	Date:10/2022	PAGE:MTH-2265-00
MOTOR - EVAPORATOR - "PREVOST" - T-17 - 2 SPEEDS		

Item#	Part	Description	X L I I M T H 4 5	X L I I M T H 4 5 E	N O T E S
	563008	MOTOR "PREVOST" / 2.1 HP / 1400 & 1880 RPM / (STAMPED T-17)	1	1	
1	563079	. COVER	1	1	
2	563077	. ARMATURE MOTOR	1	1	
3	563122	. BLOCK, RECEPTACLE	1	1	
4	562527	. GRILLE PROTECTOR	1	1	
5	562951	. BRUSH	4	4	
6	561210	. BALL BEARING	2	2	
7	561211	. WASHER SPRING	1	1	
8	562521	. COVER / FAN END	1	1	
9	562526	. FAN	1	1	
10	563078	. COVER / COMMUTATOR END	1	1	
11	563081	. BRUSH HOLDER ASSY / W/SPRING	1	1	
11	562546	. . SPRING, TORSION / .750 O.D. x .322 x .020	4	4	
12	563080	. STATOR WOUND / COMPLETE	1	1	
NS	453830	KIT, SERVICE, REPLACEMENT BRUSH MOTOR	1	1	
. NS	IS-05903	. SEE INSTRUCTION SHEET	1	1	
. NS	562951	. BRUSH	4	4	
. NS	680309	. HONING / STONE (FOR CLEAN COMMUTATOR)	2	2	

NOTE.: IN REPLACEMENT OF FORMER MOTOR MODEL YOU REQUIRE THOSE PARTS
TO MODIFIED ITEM # 23 ONE OF EACH (561577,561578, 561786 & 563623)





From 9-9601 To B-9999	Date:10/2022	PAGE:MTH-2265-01
MOTOR - EVAPORATOR BRUSHLESS		

Item#	Part	Description	X L I I M T H 4 5	X L I I M T H 4 5 E	N O T E S
	563586	MOTOR EVAPORATOR BRUSHLESS / (E-50348-0A)			S
	564216	MOTOR EVAPORATOR BRUSHLESS / 2 SPEEDS			
		IF YOU CHANGE MOTOR T-17 (563008) WITH THE BRUSHLESS ONE (563586) YOU HAVE TO ORDER PLENUM CENTRAL SECTION 454671P AND 454648			
		"WARNING" - "WARNING" -"WARNING" - "WARNING" THE FOLLOWING PARTS NUMBER ARE NOT "PREVOST" NUMBER AND IT NOT IN S.A.P. SYSTEM THEY ARE O.E.M. MFG NUMBER			
1	Call order desk	. MOTOR ASSY / COMPLETE	1	1	P
4	564621	. CONTROLLER ASSEMBLY	1	1	
5	Call order desk	. GASKET	1	1	P
6	Call order desk	. O-RING 3.989" x .070"	1	1	P
7	Call order desk	. SCREW MA PAN 8-32 x ?	1	1	P
8	Call order desk	. HEAT-SHRINK TUBING	1	1	P
9	Call order desk	. WAVE SPRING	1	1	P
10	Call order desk	. SHIM	1	1	P
11	Call order desk	. SHAFT / ROTOR ASSY W/KEYS	1	1	P
12	Call order desk	. ENDBELL	1	1	P
13	Call order desk	. SCREW MA PAN 8-32 x .875"	1	1	P
14	Call order desk	. O-RING SEAL	1	1	P
15	Call order desk	. COVER	1	1	P
16	Call order desk	. SCREW MA PAN #6-32	1	1	P
17	Call order desk	. SLINGER	1	1	P
18	Call order desk	. V-SEAL	1	1	P
19	Call order desk	. EXTERNAL RETAINING RING	1	1	P
20	Call order desk	. BASE PLATE	1	1	P
21	Call order desk	. SCREW CAP HEXS 1/4-20 x ?	1	1	P
22	Call order desk	. TUBING	1	1	P
23	Call order desk	. TERMINAL (0.032 X 0.25)	1	1	P
24	Call order desk	. KEY SQUARE 3/16" x 3"	1	1	P
30	032937	KIT / SHAFT SHIELD	1	1	S
. NS	033188	. SHIELD / SHAFT	1	1	S
. NS	500443	. SCREW TP PAN PH #8x1/2 N500	5	5	S
. NS	IS-10125	. SEE INSTRUCTION SHEET	1	1	S



From 9-9601 To B-9999	Date:10/2022	PAGE:MTH-2265-01
-----------------------	--------------	------------------

MOTOR - EVAPORATOR BRUSHLESS

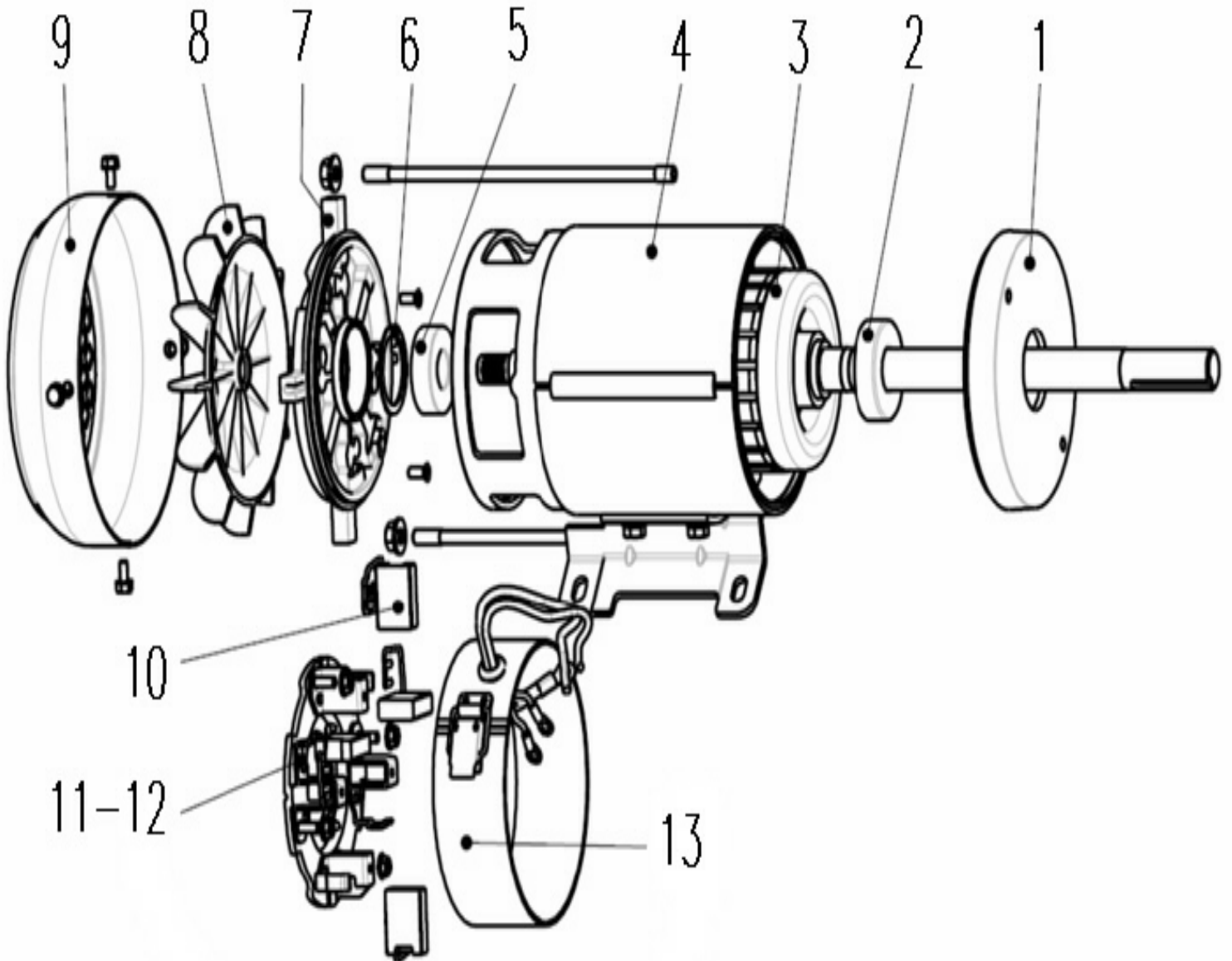
Item#	Part	Description	X L I I M T H 4 5	X L I I M T H 4 5 E	N O T E S
		S) USE WITH OLD MOTOR 563586 WITHOUT SEAL ON THE SHAFT			
		P) CALL ORDER DESK FOR SPECIFIC APPLICATION (V.I.N.)			

From 8-9279 To 9-9817

Date:10/2022

PAGE:MTH-2265-50

MOTOR - CONDENSOR - "PREVOST" - T114





From 8-9279 To 9-9817	Date:10/2022	PAGE:MTH-2265-50
MOTOR - CONDENSOR - "PREVOST" - T114		

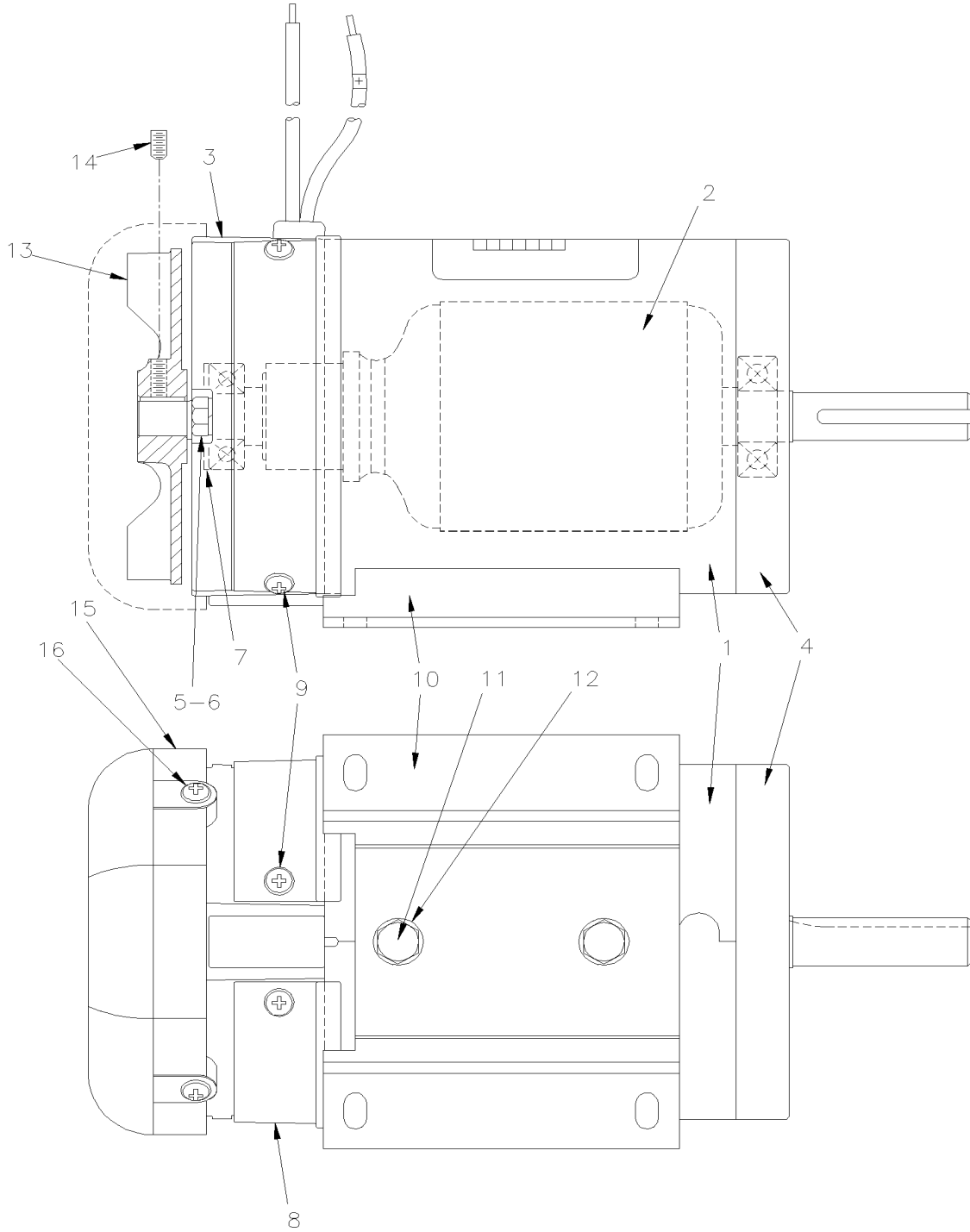
Item#	Part	Description	X L I I M T H 4 5	X L I I M T H 4 5 E	N O T E S
	Call order desk	MOTOR / .57 HP / 1950 RPM / MODEL T114 / W/2" SHAFT & CONNECTORS	1	1	P
	Call order desk	MOTOR / .57 HP / 1950 RPM / MODEL T114 / W/2" SHAFT & CONNECTORS	1	1	P
	563454	. MOTOR / .57 HP / 1950 RPM / MODEL T114 / W/2" SHAFT / US MOTOR	2	2	C
	560424	. MOTOR / .57 HP / 1950 RPM // W/2" SHAFT / SCOTT DC SERVICE	2	2	C
1	563729	. . COVER			
2	560974	. . BALL BEARING	1	1	
3	563726	. . ARMATURE / T114 / W/2" SHAFT			
4	563727	. . PERMANENT MAGNET / ASSY W/CASE			
5	0907240	. . BALL BEARING	1	1	
6	N.P.N.	. . PRELOAD WASHER	1	1	4
7	563728	. . COVER COMMUTATOR END			
8	563730	. . FAN			
9	563732	. . COVER FAN PROTECTOR			
10	561914	. . BRUSH	4	4	
11	563111	. . BRUSH HOLDER ASSY	1	1	
12	562545	. . . SPRING, TORSION / .875 O.D. x .317 x .0	4	4	
13	563731	. . PROTECTOR GRILL			
NS	563595	. PIN TERMINAL / 12-10 / PED 12052139	2	2	
NS	563596	. SOCKET TERMINAL / 12 / PED 12065197	2	2	
NS	563597	. CABLE SEAL / PURPLE / PED 15324990	4	4	
NS	563599	. CAP LOCK CONNECTOR / GRAY / PED 12020833	1	1	
NS	563600	. CONNECTOR / METRI-PACK 480 / 2C PH / PED 12052613	1	1	
NS	563601	. CONNECTOR / METRI-PACK 480 / 2C SH / PED 12065863	1	1	
NS	563602	. SECONDARY LOCK / METRI-PACK 480 / 2C / BLACK / PED 12059897	2	2	
		C) SERVICE PARTS OF MOTOR ARE NOT INTERCHANGEABLE BETWEEN 563454 AND 560424			
		4) NO PARTS NUMBER			
		P) CALL ORDER DESK FOR SPECIFIC APPLICATION (V.I.N.)			

From 8-9279 To 9-9817

Date:10/2022

PAGE:560424

MOTOR / .57 HP / 1950 RPM // W/2" SHAFT / SCOTT DC





From 8-9279 To 9-9817 Date:10/2022 PAGE:560424

MOTOR / .57 HP / 1950 RPM // W/2" SHAFT / SCOTT DC

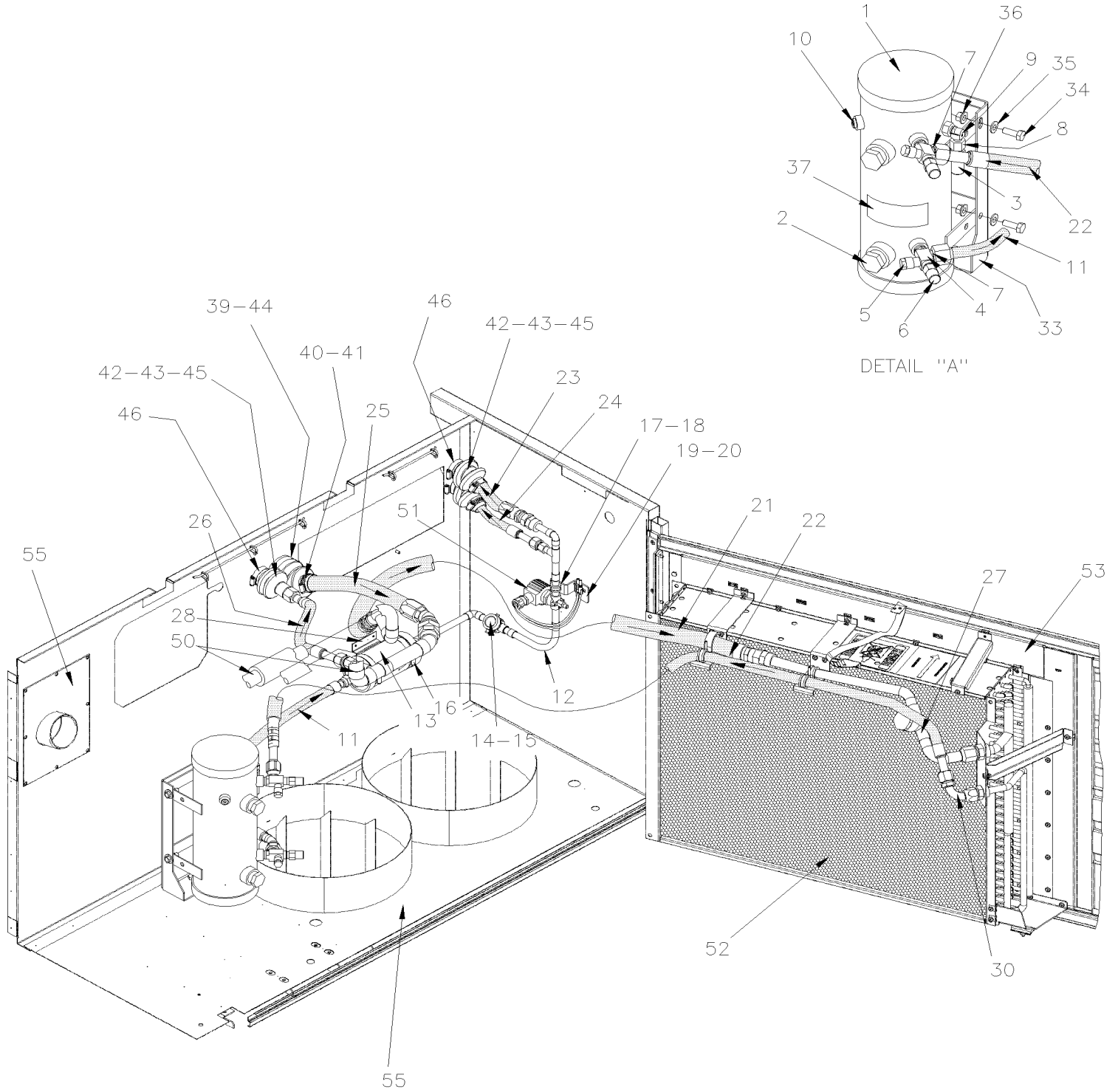
Item#	Part	Description	X L I I M T H 4 5	X L I I M T H 4 5 E	N O T E S
1	Call order desk	FRAME ASSEMBLY	1	1	P
2	Call order desk	ARMATURE ASSEMBLY	1	1	P
3	Call order desk	BRUSH END ASSEMBLY	1	1	P
3	560423	. BRUSH	1	1	
4	Call order desk	DRIVE END CAP	1	1	P
5	Call order desk	SCREW CAP HEX 1/4-20x6 3/4	2	2	P
6	Call order desk	WASHER LOCK SPRING 1/4	2	2	P
7	Call order desk	WASHER SPRING	1	1	P
8	Call order desk	BRUSH ACCESS COVER	2	2	P
9	Call order desk	SCREW MA PAN PH #10-32x3/8	1	1	P
10	Call order desk	BASE	1	1	P
11	Call order desk	SCREW CAP HEX 5/16-18x1/2	2	2	P
12	Call order desk	WASHER LO INT 5/16	2	2	P
13	Call order desk	FAN 12 BLADES	1	1	P
14	Call order desk	SCREW SET HEXS CUP #10-32x3/8	1	1	P
15	Call order desk	FAN COVER W/VENT SLOTS	1	1	P
16	Call order desk	SCREW MA PAN PH #10-32x3/4	4	4	P
		P) CALL ORDER DESK FOR SPECIFIC APPLICATION (V.I.N.)			

From 8-9279 To 9-9817

Date:10/2022

PAGE:MTH-2270-00

RECEIVER TANK & FILTER DRYER





From 8-9279 To 9-9817		Date:10/2022	PAGE:MTH-2270-00
RECEIVER TANK & FILTER DRYER			

Item#	Part	Description	X L I I M T H 4 5	X L I I M T H 4 5 E	N O T E S
1	950261	RECEIVER TANK ASSY	1	1	
. NS	950428	. SIGHTGLASS / W/BALL 1NPT-M (FORMER)	1	1	
. NS	951198	. SIGHTGLASS / W/BALL 1 1/4NPT-F (CURRENT)	1	1	
2	871001	. SIGHT GLASS ASSY 1 NPT	2	2	
3	870890	VALVE, SAFETY 450 PSI	1	1	
4	950228	VALVE ASSY / SERVICE / INLET & OUTLET	2	2	
. NS	950284	. CAP / PROTECTOR / FOR GAUGE	1	1	
. NS	507169	. O-RING 1/2 I.D.	1	1	
5	950285	CAP VALVE / PROTECTOR / PLASTIC	1	1	
6	950284	CAP / PROTECTOR / FOR GAUGE	1	1	
7	507169	O-RING 1/2 I.D.	2	2	
8	501311	ADAPTER / PIPE FITTING / 3/8NPT-Fx1/4NPT-M BR	1	1	
9	501332	STREET ELBOW 90° / PIPE FITTING / 1/4NPT-Mx1/4NPT-F BR	1	1	
10	501449	PLUG HEXS / PIPE FITTING / 3/8NPT-M STL	1	1	
11	454043	HOSE ASSY / #12 565MM	1	1	
NS	507370	O-RING #10	1	1	
12	454045P	FILTER DRYER ASSY	1	1	
. NS	501829	. O-RING / ORS FITTING / #12 NEO	1	1	
13	950332	. FILTER DRYER	1	1	
. NS	507370	. . O-RING #10	1	1	U
14	950334	. MOISTURE INDICATOR To 9-9704	1	1	
14	950333	. MOISTURE INDICATOR From 9-9705	1	1	
15	950029	. . CAP, MOISTURE INDICATOR	1	1	
16	504025	HOSE CLAMP / 2"5/16-3"1/4 SS / HS-44	2	2	
17	952629	CLAMP / 5/8" I.D.	1	1	
18	500588	SCREW CAP HEX M4-0.7x20 G8.8 Z050	1	1	
18	502834	WASHER LO SPT 4.1x7.6x0.9 N500	1	1	
18	500438	WASHER FL .187x.437x.050 Z050	1	1	
18	500590	NUT HEX NYRT M4-0.7 Z050	1	1	
19	452077	ANGLE SUPPORT, FILTER ASSY	1	1	
20	500957	SCREW TP BDG PH #10x3/4 N500	2	2	
21	453779	HOSE ASSY / PIPE TO COND / #16 1143MM / SS BELLOW	1	1	
NS	501802	O-RING / ORS FITTING / #16 NEO	1	1	
NS	507169	O-RING 1/2 I.D.	1	1	
22	453394	HOSE ASSY / #12 1830MM To A-9743	1	1	
22	455220	HOSE ASSY / #12 1830MM From A-9744	1	1	
. NS	507280	. O-RING / ORS FITTING / #12 NEO From A-9744	2	2	
23	454240	HOSE ASSY / #12 1579MM	1	1	
. NS	505182	. COIL PROTECTOR / PLASTIC / #16	AR	AR	
24	453389	HOSE ASSY / #10 5970MM To A-9743	1		
. NS	507344	. O-RING / ORS FITTING / #10 NEO To A-9743	2		
24	455218	HOSE ASSY / #10 5970MM From A-9744	1		



From 8-9279 To 9-9817	Date:10/2022	PAGE:MTH-2270-00
-----------------------	--------------	------------------

RECEIVER TANK & FILTER DRYER

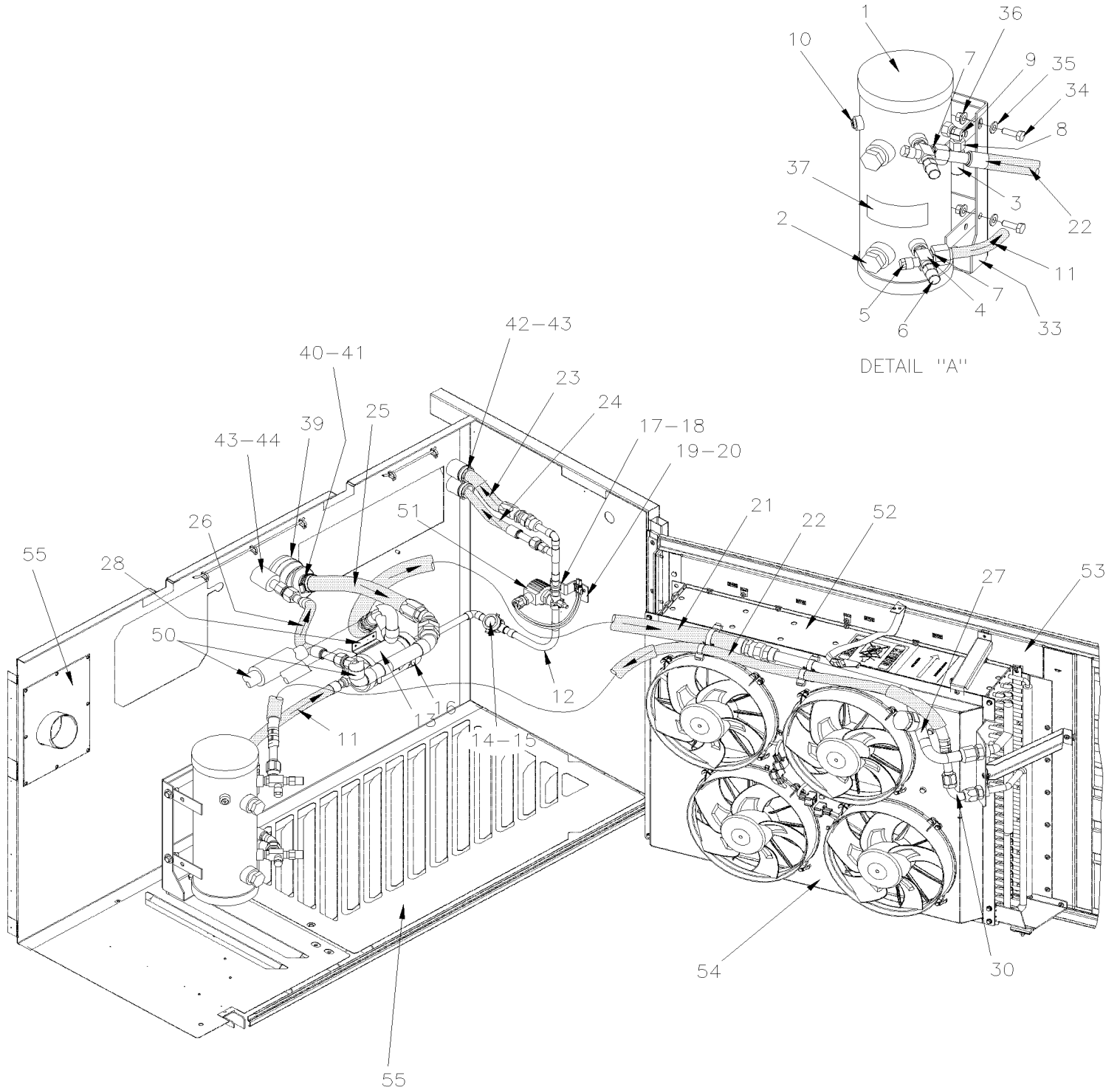
Item#	Part	Description	X L I I M T H 4 5	X L I I M T H 4 5 E	N O T E S
		U) UNDER CONSTRUCTION			

From 9-9818 To B-9999

Date:10/2022

PAGE:MTH-2270-01

RECEIVER TANK & FILTER DRYER



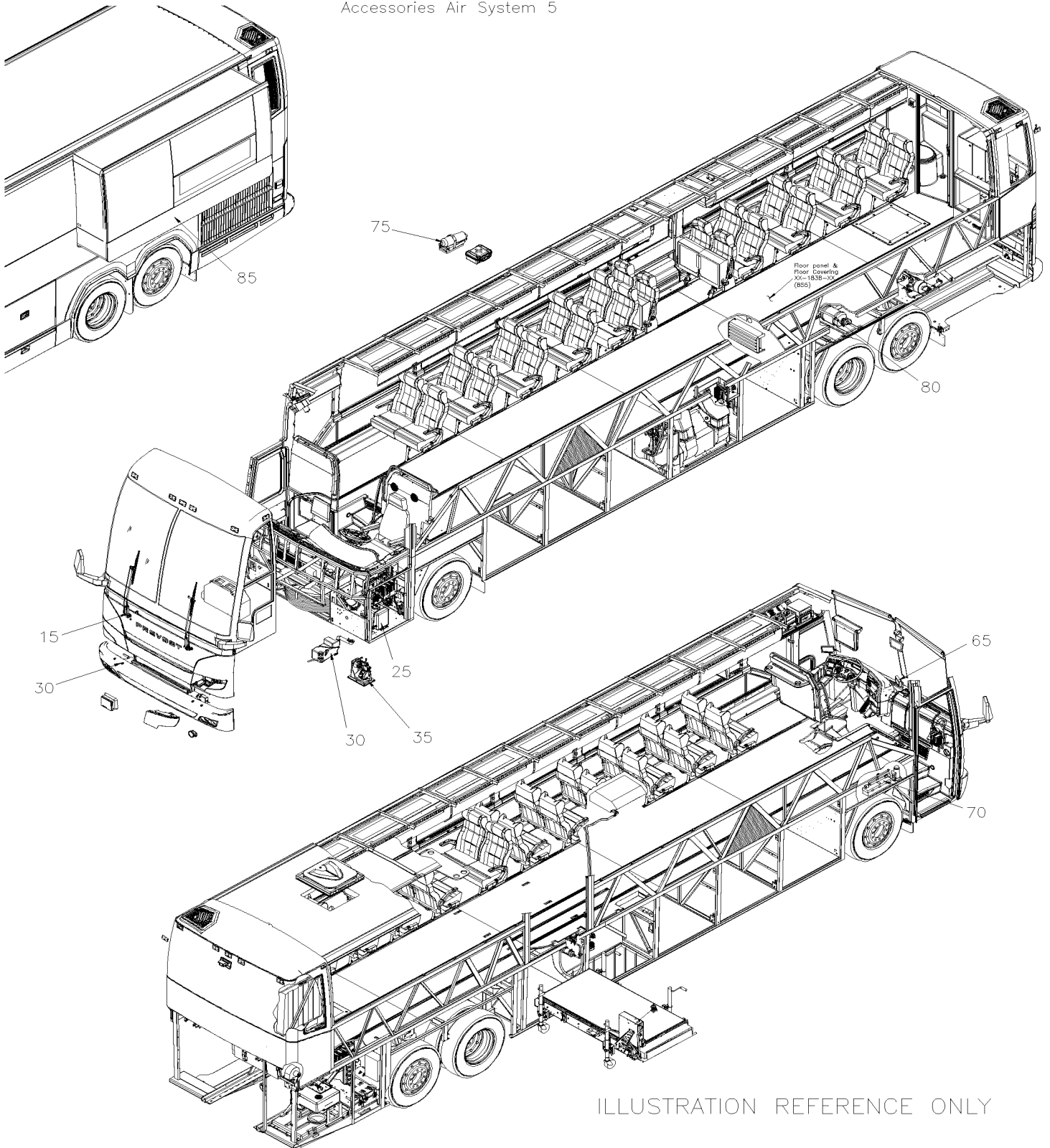


From 9-9818 To B-9999	Date:10/2022	PAGE:MTH-2270-01
RECEIVER TANK & FILTER DRYER		

Item#	Part	Description	X L I I M T H 4 5	X L I I M T H 4 5 E	N O T E S
1	950261	RECEIVER TANK ASSY	1	1	
. NS	950428	. SIGHTGLASS / W/BALL 1NPT-M (FORMER)	1	1	
. NS	951198	. SIGHTGLASS / W/BALL 1 1/4NPT-F (CURRENT)	1	1	
2	871001	. SIGHT GLASS ASSY 1 NPT	2	2	
3	870890	VALVE, SAFETY 450 PSI	1	1	
4	950228	VALVE ASSY / SERVICE / INLET & OUTLET	2	2	
. NS	950284	. CAP / PROTECTOR / FOR GAUGE	1	1	
. NS	507169	. O-RING 1/2 I.D.	1	1	
5	950285	CAP VALVE / PROTECTOR / PLASTIC	1	1	
6	950284	CAP / PROTECTOR / FOR GAUGE	1	1	
7	507169	O-RING 1/2 I.D.	2	2	
8	501311	ADAPTER / PIPE FITTING / 3/8NPT-Fx1/4NPT-M BR	1	1	
9	501332	STREET ELBOW 90° / PIPE FITTING / 1/4NPT-Mx1/4NPT-F BR	1	1	
10	501449	PLUG HEXS / PIPE FITTING / 3/8NPT-M STL	1	1	
11	454043	HOSE ASSY / #12 565MM	1	1	
12	454045P	FILTER DRYER ASSY	1	1	
. NS	501829	. O-RING / ORS FITTING / #12 NEO	1	1	
13	950332	. FILTER DRYER	1	1	
. NS	507370	. . O-RING #10	1	1	U
14	950334	. MOISTURE INDICATOR To 9-9704	1	1	
14	950333	. MOISTURE INDICATOR From 9-9705	1	1	
15	950029	. . CAP, MOISTURE INDICATOR	1	1	
16	504025	HOSE CLAMP / 2"5/16-3"1/4 SS / HS-44	2	2	
17	952629	CLAMP / 5/8" I.D.	1	1	
18	500588	SCREW CAP HEX M4-0.7x20 G8.8 Z050	1	1	
18	502834	WASHER LO SPT 4.1x7.6x0.9 N500	1	1	
18	500438	WASHER FL .187x.437x.050 Z050	1	1	
18	500590	NUT HEX NYRT M4-0.7 Z050	1	1	
19	454654	ANGLE SUPPORT, FILTER ASSY	1	1	
20	500957	SCREW TP BDG PH #10x3/4 N500	2	2	
21	453779	HOSE ASSY / PIPE TO COND / #16 1143MM / SS BELLOW	1	1	
NS	501802	O-RING / ORS FITTING / #16 NEO	1	1	
NS	507169	O-RING 1/2 I.D.	1	1	
22	455220	HOSE ASSY / #12 1830MM	1	1	
. NS	507280	. O-RING / ORS FITTING / #12 NEO	2	2	
23	454240	HOSE ASSY / #12 1579MM	1	1	
. NS	505182	. COIL PROTECTOR / PLASTIC / #16	AR	AR	
24	455218	HOSE ASSY / #10 5970MM	1		
. NS	507344	. O-RING / ORS FITTING / #10 NEO	2		
24	455246	HOSE ASSY / #10 5745MM		1	
. NS	507344	. O-RING / ORS FITTING / #10 NEO		2	
25	454239	HOSE ASSY / #20 2210MM	1	1	

	Date:10/2022	MTH-23
ACCESSORIES		

Accessories Air System 5





	Date:10/2022	MTH-23
ACCESSORIES		

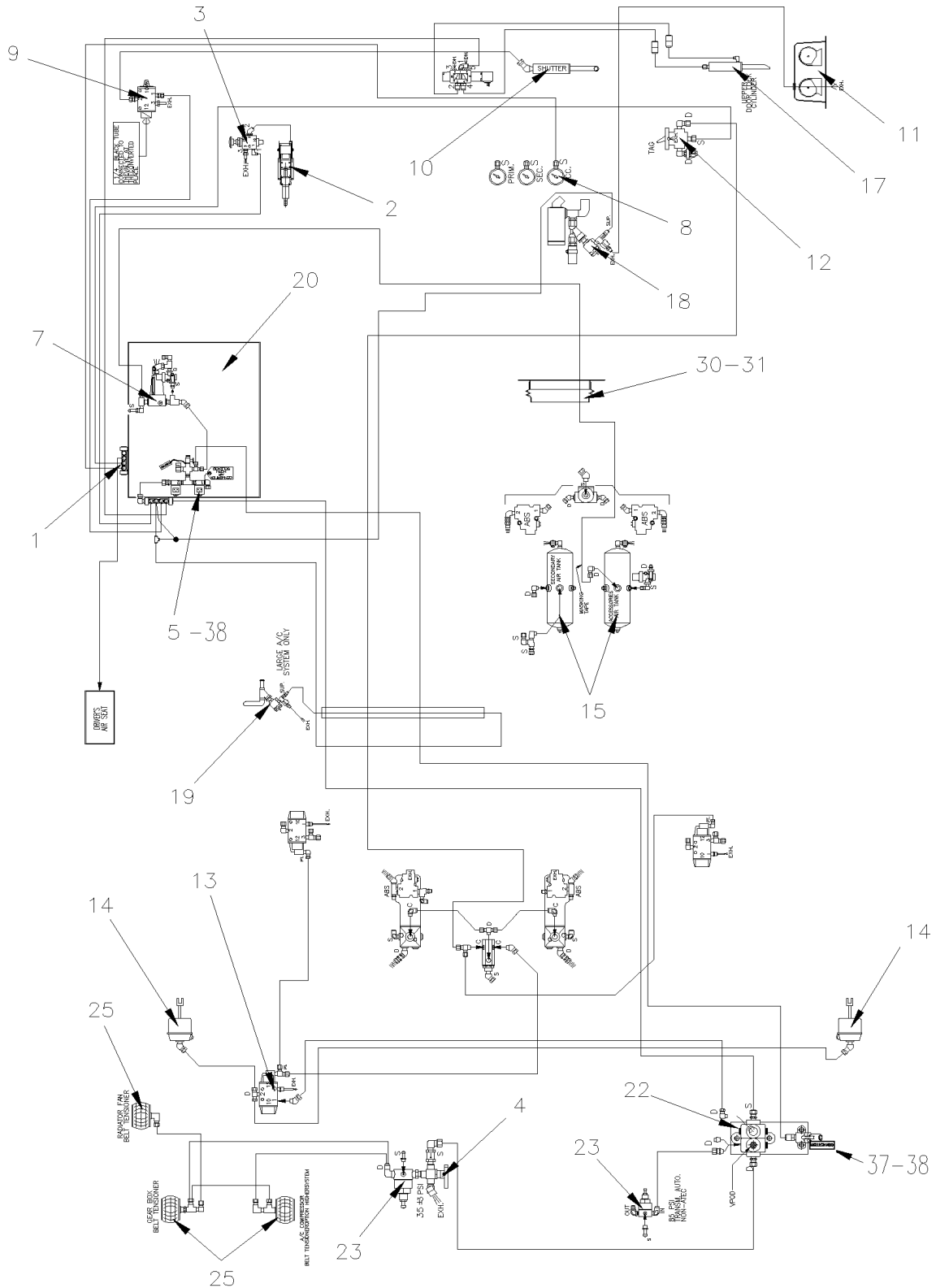
Item#	Part	Description	X L I I M T H 4 5	X L I I M T H 4 5 E	N O T E S
5	MTH-2300-50	ACCESSORIES AIR SYSTEM - MTH From 8-9279 To B-9999			
10	MTH-2300-90	"SLIDE-OUT" AIR SYSTEM From 8-9279 To B-9999			
15	MTH-2305-00	LOWER WINDSHIELD WIPER From 8-9279 To B-9999			
15	MTH-2305-05	LOWER WINDSHIELD WIPER - INSTALLATION From 8-9279 To B-9999			
25	MTH-2305-20	WINDSHIELD WASHER - INSTALLATION From 8-9279 To B-9999			
30	MTH-2305-25	HEAD LAMP CLEANING WASHER TANK From 8-9279 To B-9999			
35	MTH-2310-00	HORN - INSTALLATION From 8-9279 To B-9999			
65	MTH-2319-00	GPS - VOLVO LINK ANTENNA - INSTALLATION From 8-9279 To A-9916			
65	MTH-2319-01	VOLVO LINK ANTENNA - INSTALLATION From A-9917 To B-9999			
70	MTH-2320-00	JACK & FLARE KIT - INSTALLATION From 8-9279 To B-9999			
75	MTH-2320-30	EXTINGUISHER - INSTALLATION From 8-9279 To B-9999			
80	MTH-2320-50	FIRE PROTECTION SYSTEM MTH INSTALLATION From 8-9279 To B-9999			
85	MTH-2390-00	"SLIDE-OUT" INFLATED SEAL From 8-9279 To B-9999			
85	MTH-2390-10	"SLIDE-OUT" AIR CONTROL PANEL - MUX From 8-9279 To B-9999			
85	MTH-2390-20	"SLIDE-OUT" - FRONT MECHANISM - INSTALLATION From 8-9279 To B-9999			
85	MTH-2390-30	"SLIDE-OUT" - REAR MECHANISM INSTALLATION From 8-9279 To B-9999			
85	MTH-2390-40	"SLIDE-OUT" - BED SUPPORT From 8-9279 To B-9999			
85	MTH-2390-50	"SLIDE-OUT" - INSTALLATION From 8-9279 To B-9999			

From 8-9279 To B-9999

Date:10/2022

PAGE:MTH-2300-50

ACCESSORIES AIR SYSTEM - MTH





From 8-9279 To B-9999	Date:10/2022	PAGE:MTH-2300-50
ACCESSORIES AIR SYSTEM - MTH		

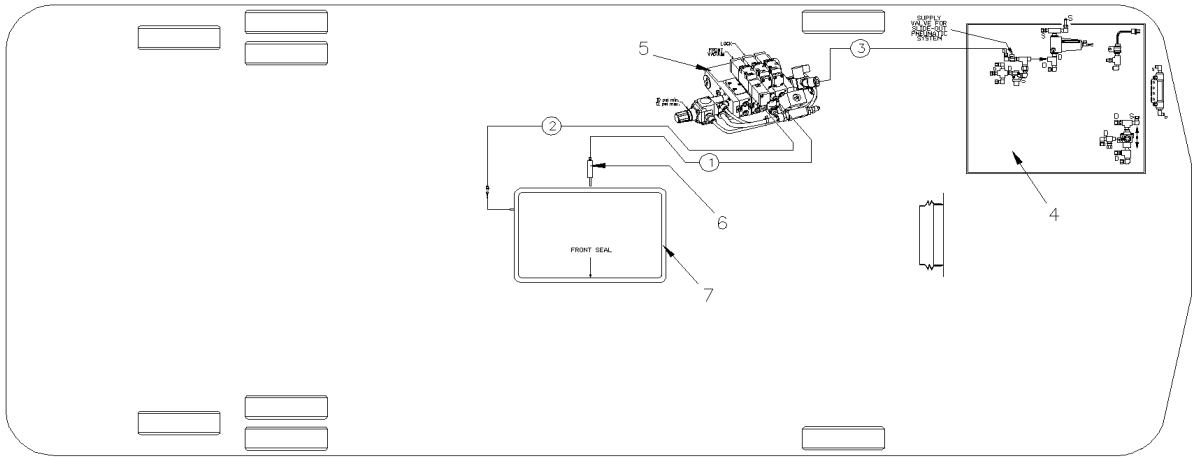
Item#	Part	Description	X L I I M T H 4 5	X L I I M T H 4 5 E	N O T E S
1	641415	MANIFOLD / PUSH-IN FITTING / 2x#6 / 4x#4 PLAS	1	1	
2	MTH-1405-00	STEERING WHEEL & COLUMN ASSY			
3	641445	VALVE, 3 WAYS, 2 POSITIONS MECHANICAL	1	1	
. NS	641992	. KNOB	1	1	
4	641417	VALVE, 3 WAYS 1/8NPT-Fx1/8NPT-Fx1/8NPT-F BR	1	1	
. NS	642014	. HANDLE / RED	1	1	
4	642161	VALVE, 3 WAYS 1/8NPT-Fx1/8NPT-Fx1/8NPT-F BR / SERVICE	1	1	
. NS	642014	. HANDLE / RED	1	1	
5	562804	VALVE, 2 WAYS N.C.	2	2	
. NS	562848	. CONNECTOR / SOCKET HOUSING ASSY 3C / PNEUMAC 54933-05	1	1	
7	MTH-1220-15	AIR FILTER - ACCESSORIES			
8	MTH-0645-20	CENTER DASHBOARD PANEL			
9	N.P.N.	SUPPLIED BY CONVERTER			4
10	051570	SHUTTER ASSY	1	1	
. NS	550568	. CYLINDER AIR / SHUTTER / W/4" MOUNT	1	1	
. NS	550569	. BOOT RUBBER	1	1	
. NS	550577	. SPRING EXTENSION / .350 O.D. x 6.875 x .069	1	1	
. NS	550179	. BUSHING 5/16" I.D. / NYLON	AR	AR	
11	MTH-2310-00	HORN - INSTALLATION			
12	640136	VALVE, CONTROL TW-1	1	1	
. NS	641156	. REPAIR KIT / TW-1	1	1	
13	641274	VALVE, 3 WAYS, 2 POSITIONS N.C.	1	1	
14	MTH-1615-10	TAG AXLE - LIFTING			
15	141834	AIR TANK / 1303 IN° / 8" O.D. X 27"1/2	2	2	
17	287012	UPPER LOCK ASSY	1	1	
18	MTH-2207-01	WATER VALVE - W/2 WAYS			
19	MTH-2207-02	WATER VALVE - W/3 WAYS BY-PASS			
20	MTH-1640-50	LEVEL-LOW - CONTROL PANEL & VALVES			
22	640055	MANIFOLD / PIPE FITTING / 7 PORTS 1/4NPT-F STL	1	1	
23	641472	AIR PRESSURE REGULATOR 1/4" NPT / COPPER	2	2	
25	550840	BELLOW ASSY / BELT TENSIONER / 4" O.D.	3	3	
30	504499	CUFF END BELLOW / 2 7/8" I.D. x 3 5/8" x 4 7/16	1	1	
31	141567	PROTECTOR RUBBER 100MM	1	1	
37	640488	VALVE, AIR FILL 1/8" NPT	1	1	
. NS	650164	. CAP VALVE / CHROME	1	1	
38	5011129	NEEDLE VALVE 1/4 NPT M x 1/4 NPT F	1	1	
		4) NO PARTS NUMBER			

From 8-9279 To B-9999

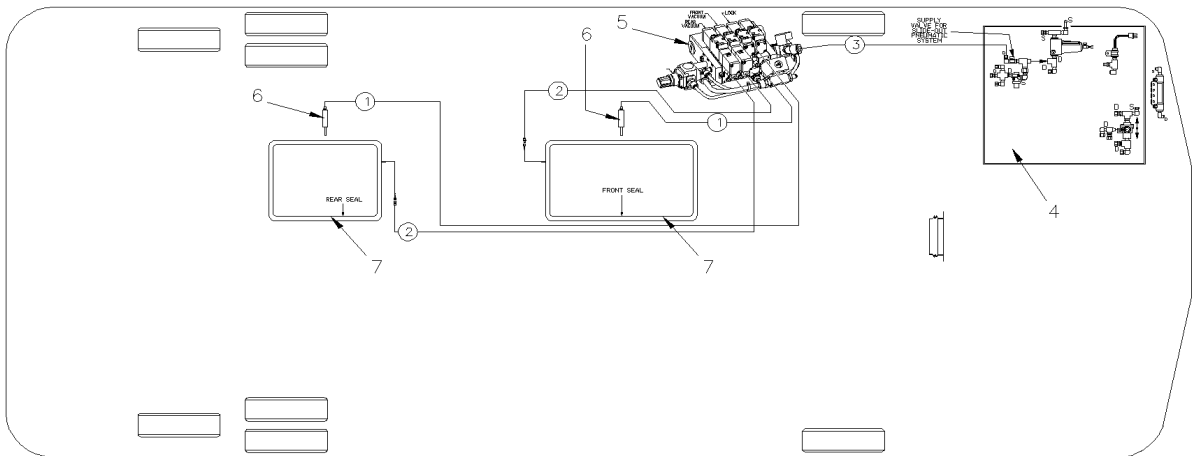
Date:10/2022

PAGE:MTH-2300-90

"SLIDE-OUT" AIR SYSTEM



WITH FRONT SINGLE SLIDE-OUT



WITH DOUBLE SLIDE-OUT



From 8-9279 To B-9999	Date:10/2022	PAGE:MTH-2300-90
"SLIDE-OUT" AIR SYSTEM		

Item#	Part	Description	X L I I M T H 4 5	X L I I M T H 4 5 E	N O T E S
1	503536	TUBE, NYLON 1/8 O.D. / BLACK S.L.	AR	AR	
2	503404	TUBE, NYLON 3/8 O.D. / BLACK S.L.	AR	AR	
3	503488	TUBE, NYLON 1/2 O.D. / BLACK S.L./	AR	AR	
4	MTH-1640-50	LEVEL-LOW - CONTROL PANEL & VALVES			
5	MTH-2390-10	"SLIDE-OUT" AIR CONTROL PANEL - MUX			
6	MTH-2390-20	"SLIDE-OUT" - FRONT MECHANISM - INSTALLATION			
6	MTH-2390-30	"SLIDE-OUT" - REAR MECHANISM INSTALLATION	1	1	
7	MTH-2390-00	"SLIDE-OUT" INFLATED SEAL			
8	642095	UNION "Y" / PUSH-IN FITTING / #2x#2x#2 PLAS	AR	AR	



From 8-9279 To B-9999	Date:10/2022	PAGE:MTH-2305-00
LOWER WINDSHIELD WIPER		

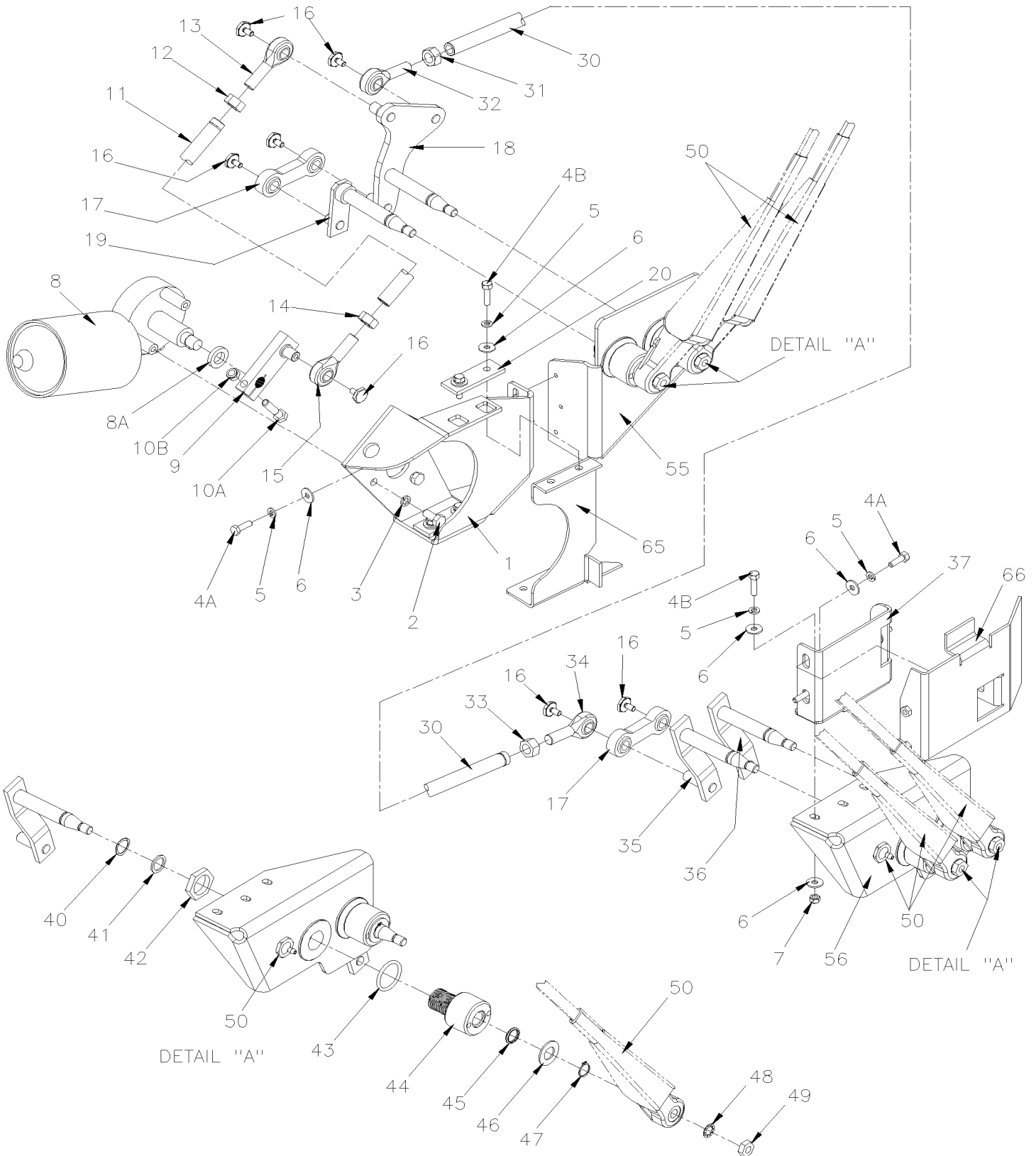
Item#	Part	Description	X L I I M T H 4 5	X L I I M T H 4 5 E	N O T E S
1	800359	ARM WIPER ASSY	1	1	
. NS	800362	. CAP CLOSING LOWER MAIN ARM	1	1	
. NS	800363	. CAP CLOSING LOWER IDLER ARM	1	1	
2	800378	WIPER BLADE 700MM	1	1	
4	800361	NOZZLE, WINDSHIELD WASHER "DOGA"	1	1	
5	300552	NOZZLE SUPPORT / DRIVER'S SIDE	1	1	
6	Call order desk	HOSE 1400MM 1/8" I.D	1	1	P
6	503696	. HOSE 1/8" I.D	AR	AR	
7	504529	GROMMET / .250x.375x.062x.281x.625	1	1	
8A	800345	SCREW SHR CAP HEX M6X25 [M4-0.7	1	1	
8A	680038	THREAD LOCKER LOCTITE #243 / BLUE / 50ml	AR	AR	
8C	502557	NUT HEX NYRT M4-0.7 SS	1	1	
9	948702	TIE CABLE BK 85 X 2.5	1	1	
10	300469	ADAPTOR HOSE #3 / WET ARM M8-1.25 x 44MM	1	1	
11	502220	WASHER FL .375x1.000x.125 RUB	1	1	
12	503002	HOSE / EPDM 5/32" I.D. / S.L.	AR	AR	
NS	561681	CONVOLUTED TUBING / SLIT / BLACK & GRAY / .350"	AR	AR	
13	504536	CABLE CLIP 1/2" / ADHESIVE	AR	AR	
NS	504273	CABLE TIE / 1/8" X 3"1/2	AR	AR	
NS	504637	CABLE TIE / 3/16" x 13"	AR	AR	
		P) CALL ORDER DESK FOR SPECIFIC APPLICATION (V.I.N.)			

From 8-9279 To B-9999

Date:10/2022

PAGE:MTH-2305-05

LOWER WINDSHIELD WIPER - INSTALLATION





From 8-9279 To B-9999	Date:10/2022	PAGE:MTH-2305-05
-----------------------	--------------	------------------

LOWER WINDSHIELD WIPER - INSTALLATION

Item#	Part	Description	X L I I M T H 4 5	X L I I M T H 4 5 E	N O T E S
1	300415	SUPPORT ELECTRIC MOTOR	1	1	
1	300543	SHIM 20GA	1	1	
1	300544	SHIM 24GA	1	1	
2	5001217	SCREW CAP HEX M8-1.25x20 G10.9	3	3	
3	500942	WASHER LO SPT 8.1x14.8x2.0 N500	3	3	
4A	502830	SCREW CAP HEX M6-1.0x20 G8.8 N500	6	6	
4B	5001209	SCREW CAP HEX M6-1.0x25 G8.8 Z050	7	7	
5	502564	WASHER LO SPT 6.1x11.8x1.6 Z050	13	13	
6	5001462	WASHER FL 6.4x18.0x1.6 Z050	16	16	
7	502681	NUT HEX NYRT M6-1.0 N500 G8	3	3	
8	800328	MOTOR WIPER ASSY / 24V / BOSCH	1	1	
8A	300424	WASHER	1	1	
9	300445	CRANK ARM	1	1	
10A	502651	. SCREW CAP HEX M8-1.25x35 G8.8 Z050	1	1	
10B	500868	. NUT HEX NYRT M8-1.25 Z050	1	1	
11	300363	ROD ASSY 254MM C/C	1	1	
11	300344	. ROD 179MM	1	1	
12	5001466	. NUT HEX LH M12-1.75 N500	1	1	
13	502253	. ROD END MALE L.H. M12-1.75-L.HH / 12MM I.D.	1	1	
14	5001757	. NUT HEX M12-1.75 N500	1	1	
15	502252	. ROD END MALE M12-1.75 / 12MM I.D.	1	1	
16	507613	SCREW CAP HEX M6-1.0x12 / W/17MM HEAD ZP	7	7	
17	502256	DOUBLE LINK 60MM	1	1	
18	300496	COUPLING PLATE ASSY To 9-9831	1	1	
18	300515	COUPLING PLATE ASSY From 9-9832	1	1	
19	300497	DRIVE LEVER ASSY EXT To 9-9831	1	1	
19	300519	DRIVE LEVER ASSY EXT From 9-9832	1	1	
20	300426	PLATE 25MMx70MM	2	2	
30	300362	ROD ASSY 1168MM C/C	1	1	
30	300332	. ROD 1093MM	1	1	
31	5001757	. NUT HEX M12-1.75 N500	1	1	
32	502252	. ROD END MALE M12-1.75 / 12MM I.D.	1	1	
33	5001466	. NUT HEX LH M12-1.75 N500	1	1	
34	502253	. ROD END MALE L.H. M12-1.75-L.HH / 12MM I.D.	1	1	
35	300498	DRIVE LEVER ASSY INT. To 9-9831	1	1	
35	300524	DRIVE LEVER ASSY INT. From 9-9832	1	1	
36	300500	DRIVE LEVER ASSY EXT. To 9-9831	1	1	
36	300521	DRIVE LEVER ASSY EXT. From 9-9832	1	1	
37	300336	TRANSITION SUPPORT	1	1	
40	5001471	WASHER SPR WAVE .855x.650x.015	4	4	
41	5001459	WASHER SPR WAVE 16.0x22.0x1.5	4	4	
42	5001463	NUT HEX JAM 1-14 Z050	4	4	



From 8-9279 To B-9999 Date:10/2022 PAGE:MTH-2305-05

LOWER WINDSHIELD WIPER - INSTALLATION

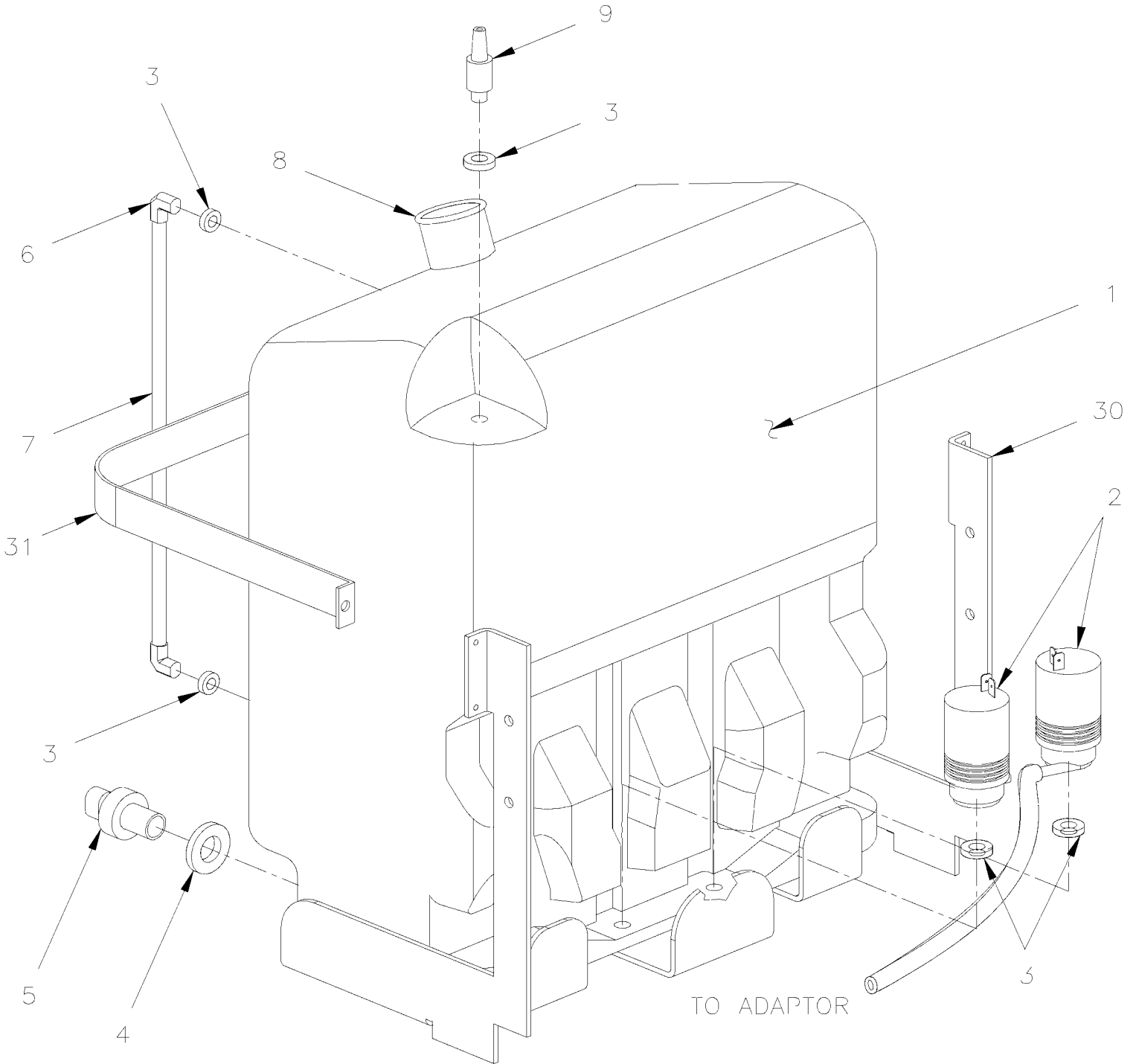
Item#	Part	Description	X L I I M T H 4 5	X L I I M T H 4 5 E	N O T E S
43	507366	O-RING	4	4	
44	300333	CAP-HOUSING	4	4	
. NS	5001455	. BUSHING BRASS 16X20X20	2	2	
NS	680739	GREASE SYNTHETIC / RED 20KG	AR	AR	
45	507369	O-RING W/BACKING	4	4	
46	5001460	WASHER FL .640x1.188x0.073 SS	4	4	
47	504691	RING RETAINER / EXT .625 x .588 x .035" / SS	4	4	
48	500823	WASHER LO INT 10.5x18.0x0.9 BK	4	4	
49	502567	NUT HEX M10-1.5 SS	4	4	
NS	680038	THREAD LOCKER LOCTITE #243 / BLUE / 50ml	AR	AR	
50	MTH-2305-00	LOWER WINDSHIELD WIPER			
55	N.S.S.	SUPPORT R.H.	1	1	1 A
56	N.S.S.	SUPPORT L.H.	1	1	1 A
65	251087	SUPPORT WIPER R.H.	1	1	
66	251086	SUPPORT WIPER L.H.	1	1	
		A) THIS PART IS FIXED IN FRONT FIBERGLASS CAP			
		1) NOT SOLD SEPARATELY			

From 8-9279 To B-9999

Date:10/2022

PAGE:MTH-2305-20

WINDSHIELD WASHER - INSTALLATION





From 8-9279 To B-9999	Date:10/2022	PAGE:MTH-2305-20
WINDSHIELD WASHER - INSTALLATION		

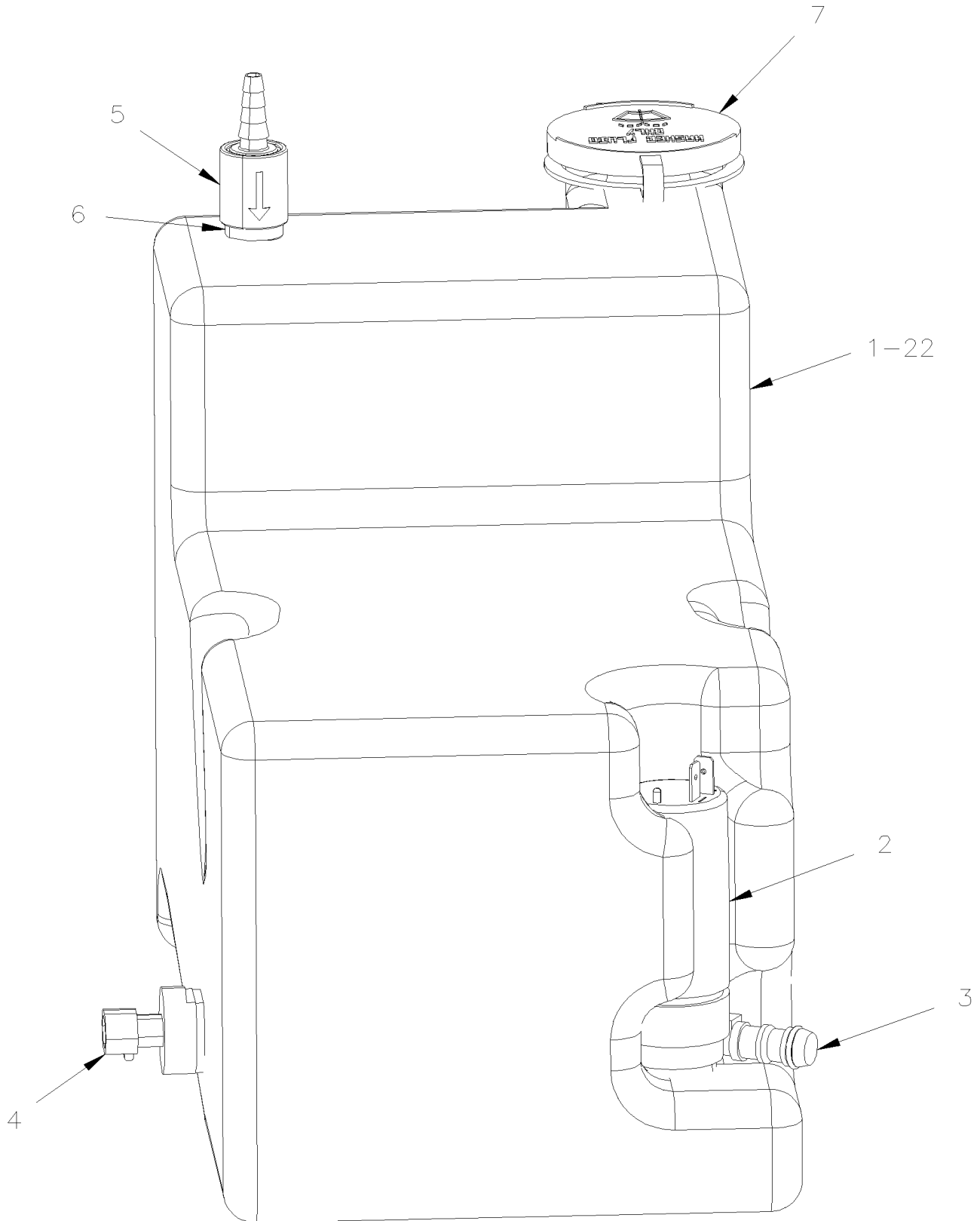
Item#	Part	Description	X L I I M T H 4 5	X L I I M T H 4 5 E	N O T E S
1	800326	WINDSHIELD WASHER TANK	1	1	
1	800379	WINDSHIELD WASHER TANK	1	1	
2	800346	. PUMP WINDSHIELD WASHER 24V	2	2	
3	800348	. SEAL RETAINER	5	5	
4	800349	. SEAL RETAINER	1	1	
5	800347	. SENSOR LEVEL-LOW / "BOSCH"	1	1	S
. NS	562426	. . CONNECTOR / METRI-PACK 150.2 P2S / SH 2C / PED 12162193	1	1	S
. NS	562857	. . SOCKET TERMINAL / 18-16 / PED 12089340	2	2	S
5	800364	. SENSOR LEVEL-LOW	1	1	
. NS	563409	. . CONNECTOR / SUPERSEAL 1.5 SERIES / SH 2C / AMP 282080-1	1	1	
. NS	562607	. . SOCKET TERMINAL / 20-16 / AMP 183025-1	2	2	
5	067948	CABLE ASSY / ADAPTOR / NEW LEVEL (SERVICE ONLY)	1	1	S
6	800352	. ELBOW 90°	2	2	
7	560382	. PLASTIC TUBING / 1/4" / CLEAR	AR	AR	
8	20462640	. COVER WASHER RESERVOIR	1	1	
9	800351	. CHECK VALVE	1	1	
20	503002	HOSE / EPDM 5/32" I.D. / S.L.	AR	AR	
30	288920	SUPPORT / WINDSHIELD WASHER TANK	1	1	A
31	288919	STRAP RETAINING SS / 330MM x 218MM	1	1	A
		A) "OPTION"			
		S) THIS SENSOR LEVEL IT SUPPERSEDED BY # 800364 AND YOU NEED CABLE ADAPTOR # 067948 TO REPLACE			

From 8-9279 To B-9999

Date:10/2022

PAGE:MTH-2305-25

HEAD LAMP CLEANING WASHER TANK

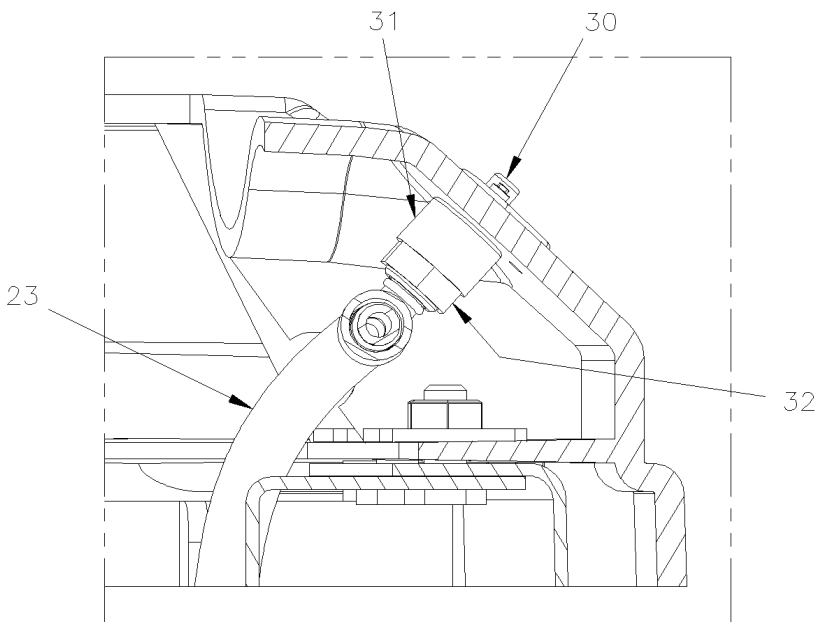
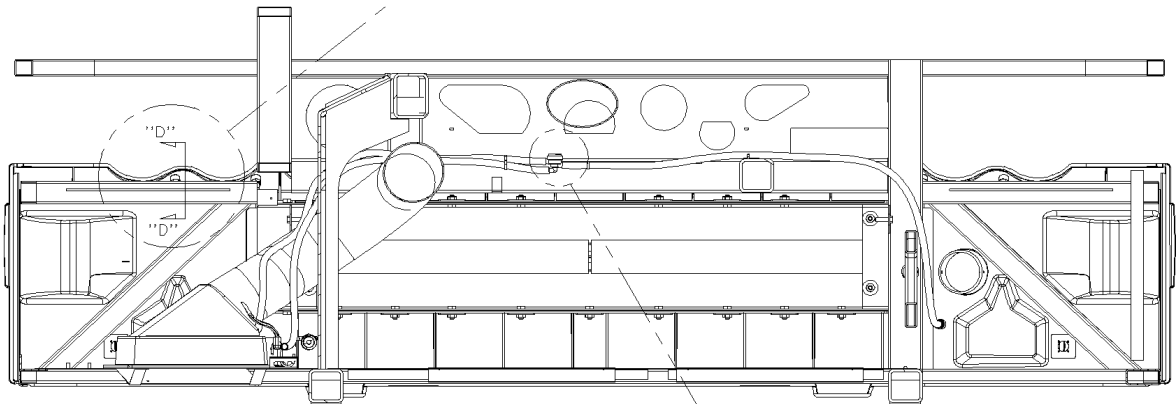
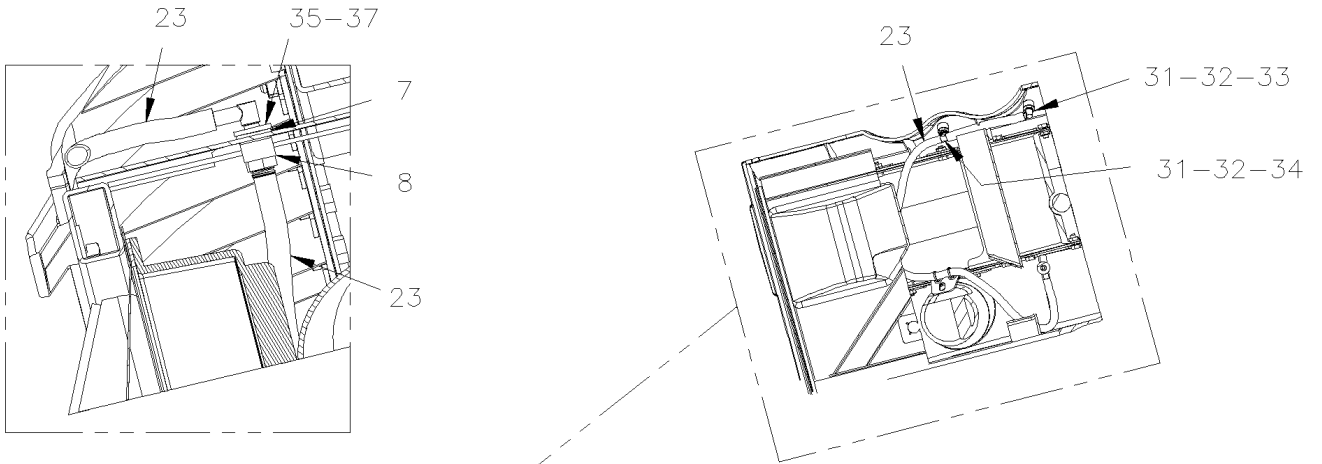


From 8-9279 To B-9999

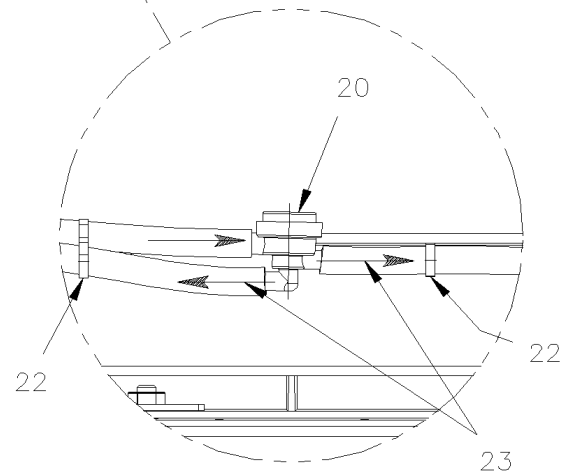
Date:10/2022

PAGE:MTH-2305-25

HEAD LAMP CLEANING WASHER TANK



SECTION D-D





From 8-9279 To B-9999	Date:10/2022	PAGE:MTH-2305-25
-----------------------	--------------	------------------

HEAD LAMP CLEANING WASHER TANK

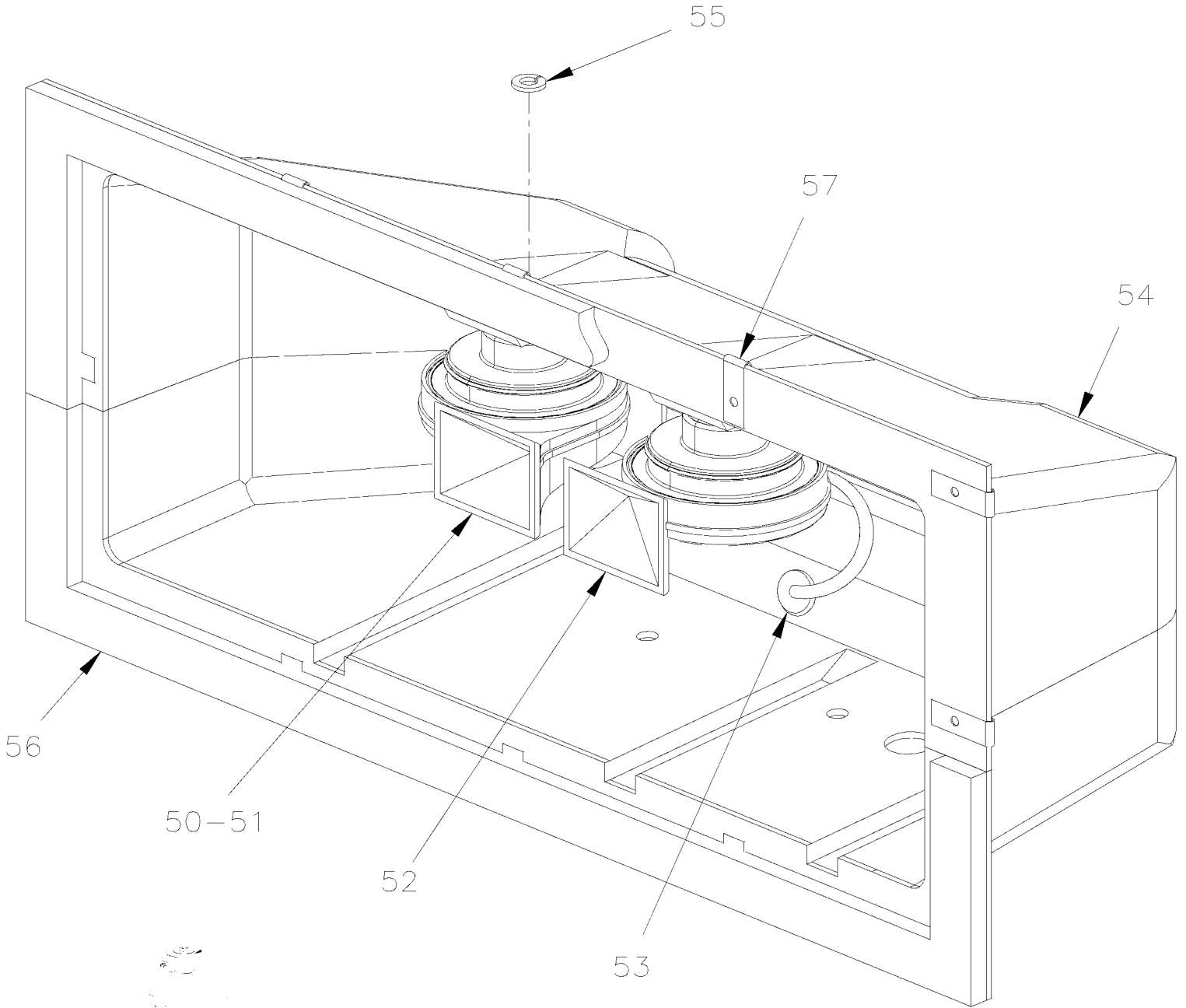
Item#	Part	Description	X L I I M T H 4 5	X L I I M T H 4 5 E	N O T E S
	300573P	HEADLAMP WASHER TANK ASSY	1	1	
1	300577P	HEADLAMP WASHER TANK	1	1	
2	800367	PUMP SEALBEAM WASHER	1	1	
3	800368	GROMMET PUMP	1	1	
4	800364	SENSOR LEVEL-LOW	1	1	
. NS	563409	. CONNECTOR / SUPERSEAL 1.5 SERIES / SH 2C / AMP 282080-1	1	1	
. NS	562607	. SOCKET TERMINAL / 20-16 / AMP 183025-1	2	2	
5	800351	CHECK VALVE	1	1	
6	800348	SEAL RETAINER	1	1	
7	20462640	COVER WASHER RESERVOIR	1	1	
8	800373	NUT NOZZLE ADAPTOR	4	4	
20	800371	VALVE CENTRAL	1	1	
21	504731	TIE RUBBER BELT, W/HOOK 15"	1	1	
22	504637	CABLE TIE / 3/16" x 13"	1	1	
23	800376	HOSE HEADLAMP WASHER / 5M	AR	AR	
30	800372	NOZZLE SEALBEAM WASHER	4	4	
NS	800377	TOOL, ALIGNMENT NOZZLE HEADLAMP	AR	AR	
31	800374	SPACER NOZZLE WASHER	4	4	
32	502881	NUT HEX JAM THN 5/8-18x3/8 N500	4	4	
33	800369	ELBOW NOZZLE ADAPTOR	6	6	
34	800370	TEE CONNECTOR	2	2	
35	800375	ADAPTOR WALL / FRONT FACE	2	2	
36	800373	NUT NOZZLE ADAPTOR	2	2	
37	507214	O-RING	2	2	
NS	300563	RESERVOIR SUPPORT FOR HOOK / HEADLAMP WASH.	2	2	
NS	300570	RESERVOIR SUPPORT SIDE	4	4	
41	509815	TIE MOUNT / ATTACHMENT W/TREE MOUNT	4	4	
50	430632	RETROFIT KIT, HEADLAMP WASHER / SERIES "XLI" & "X3"	1	1	

From 8-9279 To B-9999

Date:10/2022

PAGE:MTH-2310-00

HORN - INSTALLATION





From 8-9279 To B-9999	Date:10/2022	PAGE:MTH-2310-00
HORN - INSTALLATION		

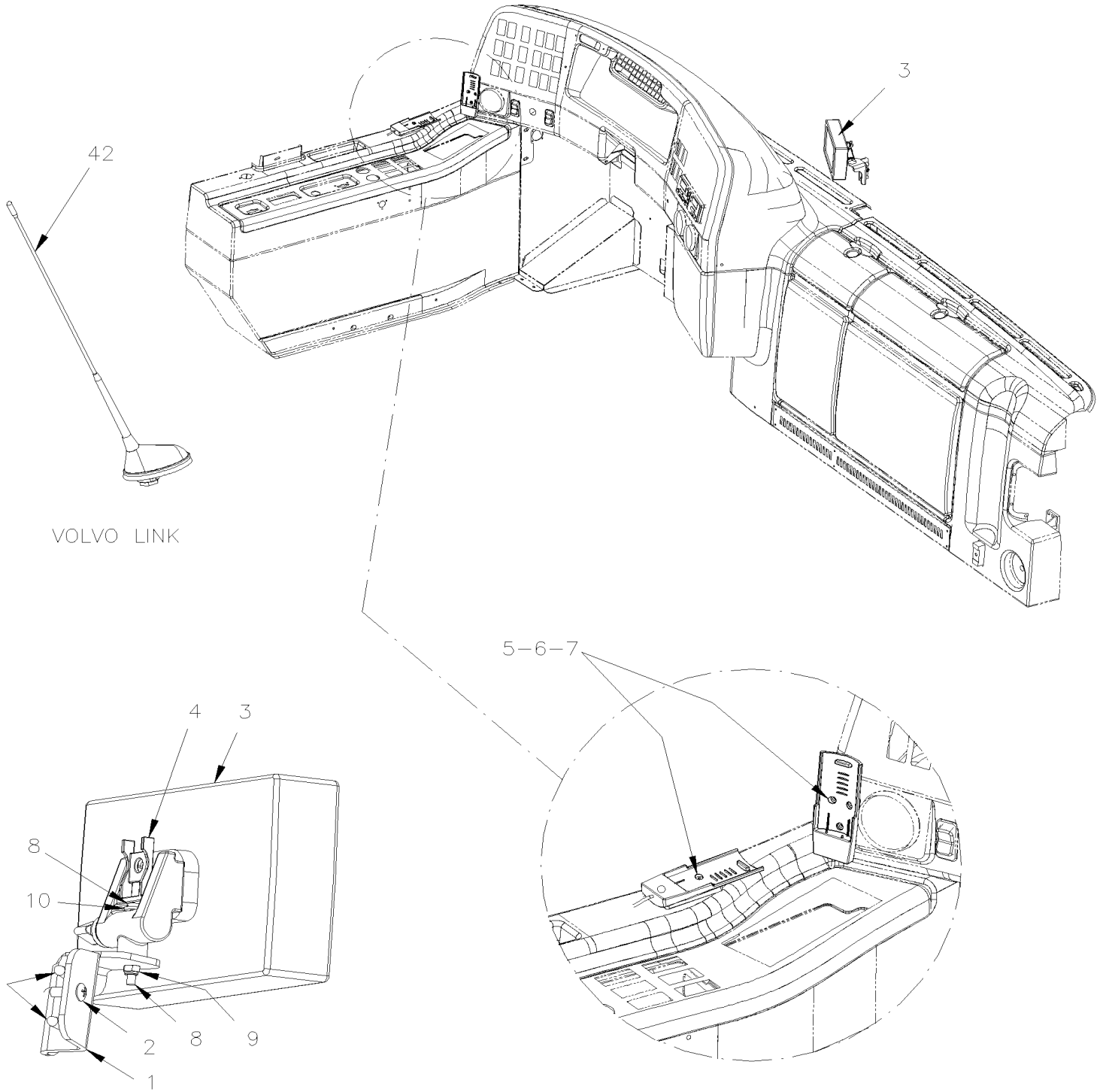
Item#	Part	Description	X L I I M T H 4 5	X L I I M T H 4 5 E	N O T E S
30	562804	VALVE, 2 WAYS N.C. To 9-9421	1	1	
. NS	562848	. CONNECTOR / SOCKET HOUSING ASSY 3C / PNEUMAC 54933-05 To 9-9421	1	1	
31	641445	VALVE, 3 WAYS, 2 POSITIONS MECHANICAL To 9-9421	1	1	
. NS	641992	. KNOB To 9-9421	1	1	
50	142502	HORNS BOX ASSY ELECTRIC	1	1	
51	563015	. HORN, ELECTRIC / LOW 405HZ / 12V "FIAM" SERVICE	1	1	
52	563023	. HORN, ELECTRIC / HIGH 485HZ / 12V "FIAM" SERVICE	1	1	
53	504593	. GROMMET / .250x.437x.250x.375x.625	1	1	
NS	065257	. HARNESS / HORN & CONNECTOR	1	1	
54	142501	. BOX, PLASTIC / BLACK / ELECTRIC HORN	1	1	
55	500468	. WASHER FL .281x1.250x.065 Z050	2	2	
NS	500489	. WASHER LO INT .894x1.410x.060 Z050	2	2	
56	506282	. TAPE RUB ADH1 CC POL 3/8" x 1" x 20' / GREY 2520	AR	AR	
57	500252	NUT SPR U #10-24 .156-.187	10	10	

From 8-9279 To A-9916

Date:10/2022

PAGE:MTH-2319-00

GPS - VOLVO LINK ANTENNA - INSTALLATION





From 8-9279 To A-9916 Date:10/2022 PAGE:MTH-2319-00

GPS - VOLVO LINK ANTENNA - INSTALLATION

Item#	Part	Description	X L I I M T H 4 5	X L I I M T H 4 5 E	N O T E S
1	405911	SUPPORT "GPS" NAVIGATION SCREEN / "X" SERIES		1	
2	500510	SCREW MA BDG PH #10-32x3/4 SS EMN		3	
3	901231	GPS NAVIGATION SCREEN		1	
4	901232	SUPPORT VIDEO FOR SCREEN		1	
5	901244	RECEPTACLE REMOTE CONTROL		1	
6	500286	NUT WELL #6-32		3	
7	5001303	SCREW MA BDG PH #6-32x1 ZP EMN		3	
8	502530	SCREW MA OV PH M4-0.7x40 SS		1	
9	500539	NUT HEX NYRT M4-0.7 N500		1	
10	502630	WASHER FL .156x.375x.049 Z050		1	
		ALSO USE FOR RETROFIT INSTALLATION			
NS	901230	CPU NAVIGATOR VDO / W/CD DVD FORMAT		1	S
20	901262	CPU NAVIGATOR VDO "SEIMENS" / W/SD CARD		1	
NS	901234	CONVERTER 24V @ 9V		1	
NS	901250	SWITCH AUDIO ASSY		1	
NS	901255	ANTENNA "GPS"		1	
21	405813	ADAPTOR SCREW / MALE / FEMALE M5-0.8 X 33MM		1	
NS	406084	SUPPORT W/"SEIMENS CPU NAVIGATOR		1	
NS	502561	NUT HEX M5-0.8 Z050		1	
NS	500470	WASHER LO SPT .193x.334x.047 Z050		1	
NS	500989	WASHER FL .219x.875x.062 Z050		1	
NS	5001146	SCREW CAP HEX M5-0.8x20 SS BK		1	
NS	500590	NUT HEX NYRT M4-0.7 Z050		1	
21	5001036	SCREW MA PAN PH M4-0.7x10 Z050		1	
NS	502561	NUT HEX M5-0.8 Z050		1	
NS	500470	WASHER LO SPT .193x.334x.047 Z050		1	
NS	066952	CABLE ASSY NAVIGATOR RCA & BNC		1	
NS	066953	CABLE ASSY NAVIGATOR W/MINI DIN CONNECTOR S/VIDEO		1	
NS	066954	CABLE INTERFACE W/CAMERA CLARION BLK& WHITE		1	
26	067210	CABLE W/CAMERA COLOR		1	
NS	506755	VELCRO / HOOK ADHESIF 1" x 75'		AR	
NS	506756	VELCRO / LOOP ADHESIF 1" x 75'		AR	
NS	900775	Y RADIO ANTENNA CABLE / TO USE W/2 RADIOS		1	
NS	900774	CABLE, ANTENNA EXTENSION / 12'		1	
NS	901258	ADAPTOR / RADIO & ANTENNA CABLE 90° / EURO MALE to MOTOROLA FEM		1	
		NEXT 6 ITEMS ARE RELATED WITH "VOLVO" LINK			
NS	901276	EXTENSION "GPS" FOR "VOLVO" LINK		1	
NS	901277	EXTENSION "RF" FOR "VOLVO" LINK		1	



From 8-9279 To A-9916	Date:10/2022	PAGE:MTH-2319-00
-----------------------	--------------	------------------

GPS - VOLVO LINK ANTENNA - INSTALLATION

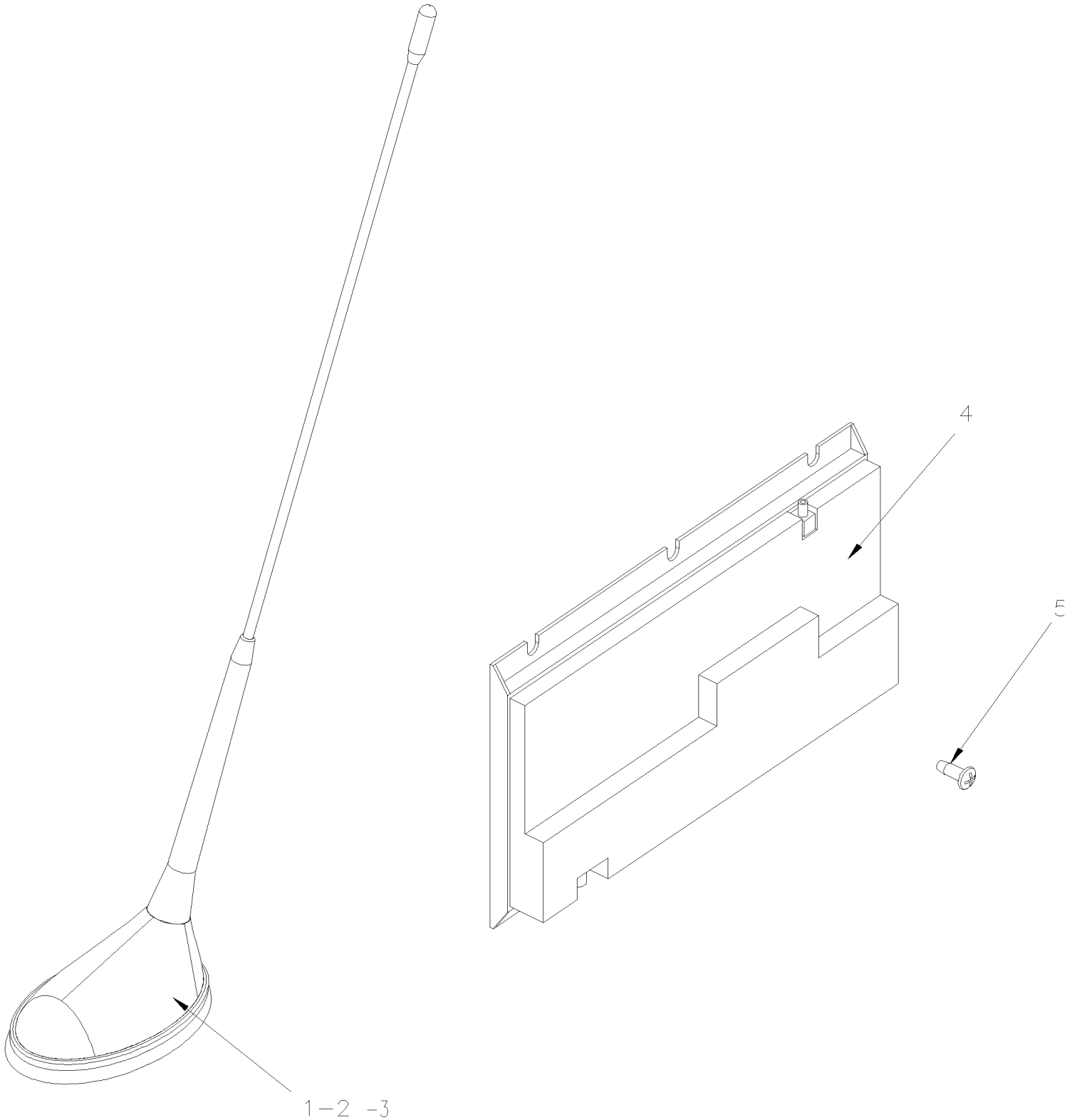
Item#	Part	Description	X L I I M T H 4 5	X L I I M T H 4 5 E	N O T E S
NS	20563496	ANTENNA "VOLVO" LINK		1	
NS	20932469	ANTENNA BASE 4MM "VOLVO" LINK		1	
42	901287	ANTENNA WHIP SHORT "VOLVO" LINK To A-9915		1	
NS	901278	ANTENNA BASE 5MM To A-9915		1	
42	903228	ANTENNA BASE From A-9917		1	
NS	903229	CABLE ANTENNA (GPS & RF-in VOLVO LINK) From A-9917		1	
NS	903230	NUT RETAINER ANTENNA From A-9917		1	
		S) THIS NAVIGATOR IT UPPERSEDED BY # 901262 WITH SUPPORT # 406084 & BOLT & NUT			

From A-9917 To B-9999

Date:10/2022

PAGE:MTH-2319-01

VOLVO LINK ANTENNA - INSTALLATION





From A-9917 To B-9999	Date:10/2022	PAGE:MTH-2319-01
VOLVO LINK ANTENNA - INSTALLATION		

Item#	Part	Description	X L I I M T H 4 5	X L I I M T H 4 5 E	N O T E S
1	903228	ANTENNA BASE		1	
2	903230	NUT RETAINER ANTENNA		1	
3	903229	CABLE ANTENNA (GPS & RF-in VOLVO LINK)		1	
4	20700142	ECU VOLVO LINK MODULE		1	
5	502868	SCREW TC TR PH #10-16x1/2 N500		2	
NS	562679	4 WAY ADH. BACKED MOUNTS 1.000 x 1.000 x .160		AR	
NS	504637	CABLE TIE / 3/16" x 13"		AR	
NS	504567	GROMMET / .687x1.000x.250x.562x1.312		1	

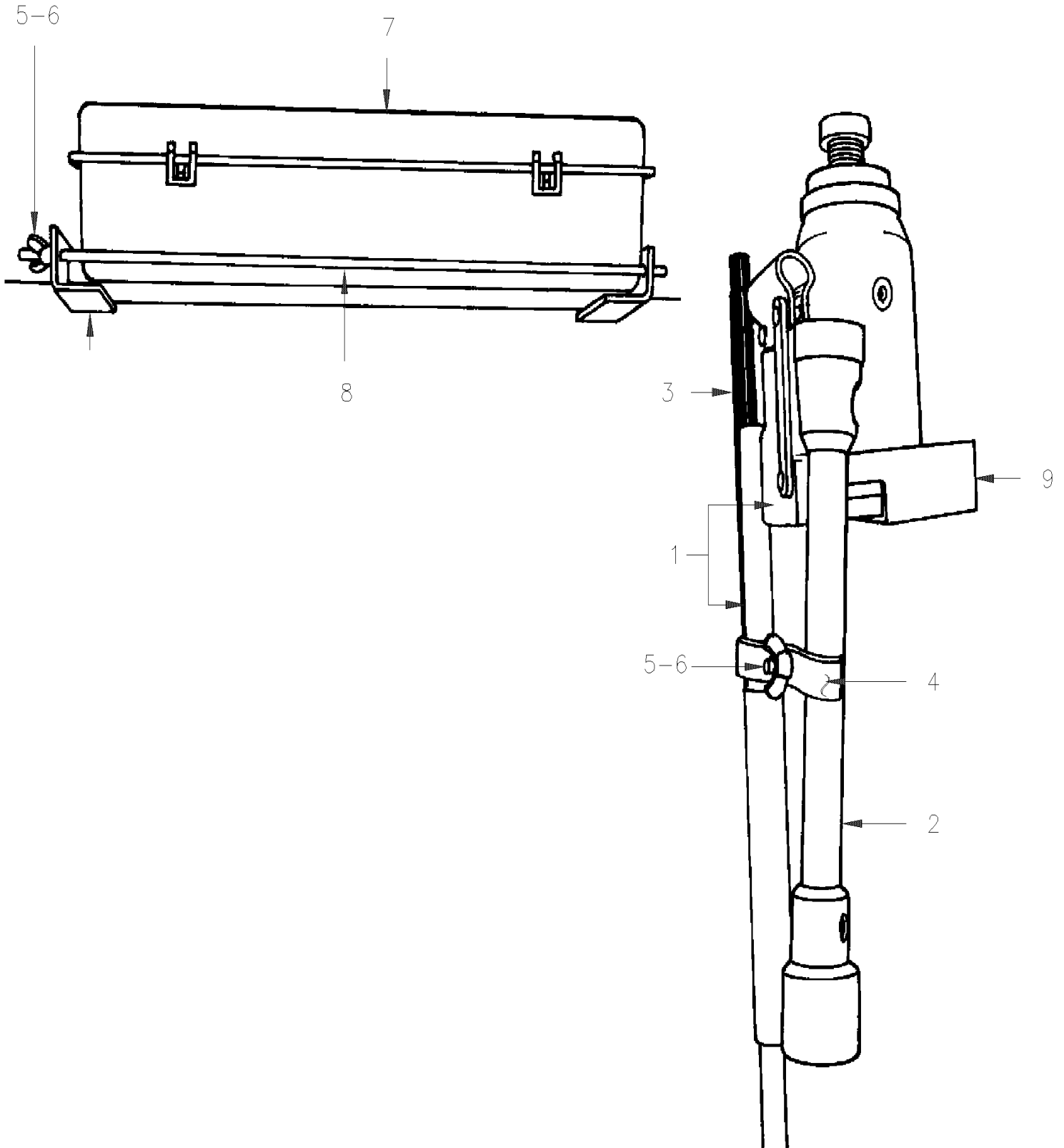


From 8-9279 To B-9999

Date:10/2022

PAGE:MTH-2320-00

JACK & FLARE KIT - INSTALLATION





From 8-9279 To B-9999	Date:10/2022	PAGE:MTH-2320-00
-----------------------	--------------	------------------

JACK & FLARE KIT - INSTALLATION

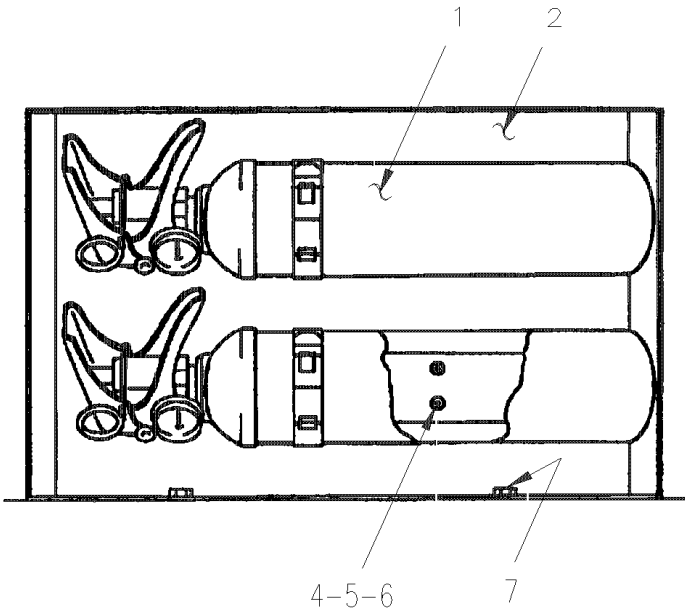
Item#	Part	Description	X L I I M T H 4 5	X L I I M T H 4 5 E	N O T E S
1	505505	JACK, 12TONS	1	1	
2	690005	WRENCH, WHEEL 33 MM	1	1	
3	690002	HANDLE, W/WRENCH WHEEL NUT	1	1	
4	210275	BRACKET, RETAINING / HANDLE & WRENCH	1	1	
5	500782	NUT WING 5/16-18 Z050	2	2	
6	502584	WASHER LO SERR 8.2x26.3x1.8 Z050	2	2	
7	930283	FLARE KIT, TRIANGULAR	1	1	
NS	010032	TOOL KEY 1 1/2" / TENSIONER RELEASE	1	1	
8	210280	ROD, RETAINING / FLARE KIT	1	1	
9	211528	SUPPORT, JACK / BOLTED TO STRUCTURE	1	1	

From 8-9279 To B-9999

Date:10/2022

PAGE:MTH-2320-30

EXTINGUISHER - INSTALLATION





From 8-9279 To B-9999	Date:10/2022	PAGE:MTH-2320-30
-----------------------	--------------	------------------

EXTINGUISHER - INSTALLATION

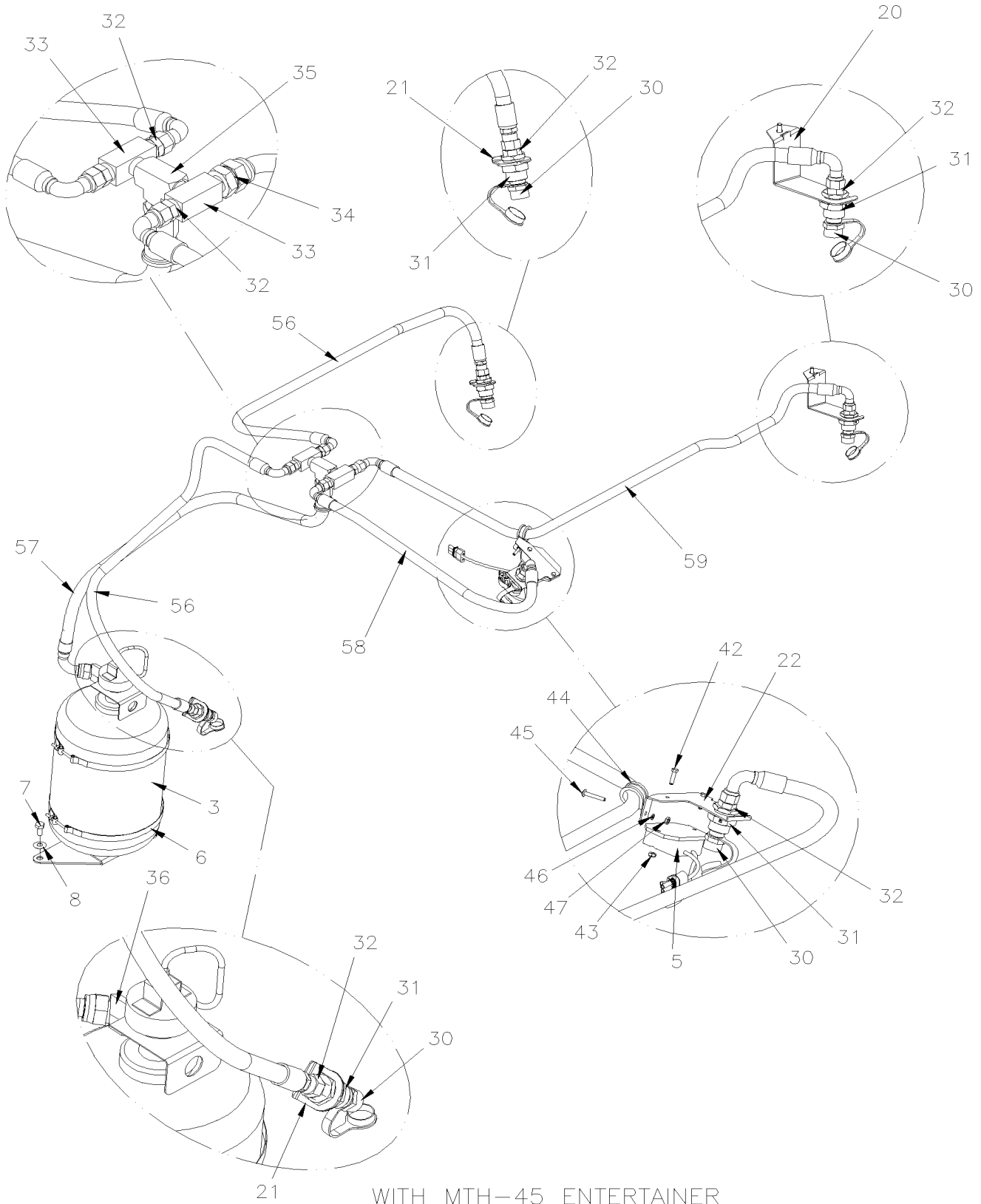
Item#	Part	Description	X L I M T H 4 5	X L I M T H 4 5 E	N O T E S
1	901001	EXTINGUISHER 2.5 LBS / W/METAL HANDLE	2	2	
1	901414	EXTINGUISHER 2.5 LBS / W/STEEL HANDLE	2	2	
1	900702	EXTINGUISHER 2.5 LBS / W/PLASTIC HANDLE To A-9895	2	2	
1	901360	EXTINGUISHER 2.5 LBS / W/PLASTIC HANDLE From A-9896	2	2	
2	324391	SUPPORT ASSY / EXTINGUISHER	1	1	
3	324349	SUPPORT ASSY / EXTINGUISHER	2	2	
NS	470949	SPACER RUBBER 3/4" O.D. / S.Q.	2	2	
4	500572	SCREW MA TR PH #10-24x1/2 SS BK	8	8	
5	500470	WASHER LO SPT .193x.334x.047 Z050	8	8	
6	500786	NUT HEX #10-24 Z050	8	8	
7	500535	SCREW TP CAP HEX #14x3/4 Z050	4	4	

From 8-9279 To B-9999

Date:10/2022

PAGE:MTH-2320-50

FIRE PROTECTION SYSTEM MTH INSTALLATION





From 8-9279 To B-9999	Date:10/2022	PAGE:MTH-2320-50
FIRE PROTECTION SYSTEM MTH INSTALLATION		

Item#	Part	Description	X L I I M T H 4 5	X L I I M T H 4 5 E	N O T E S
1	563455	PANEL FIRE PROTECTOR DISPLAY	1	1	
2	563456	BUTTON FIRE / MANUAL OPERATING	1	1	
. NS	563462	. SEAL BUTTON FIRE / MANUAL OPERATING	1	1	
3	901125	EXTINGUISHER 25 LBS	1	1	
. NS	901299	. KIT REPAIR, FIRE EXTINGUISHER SYSTEM	1	1	
4	406233	SUPPORT EXTINGUISHER 25 LBS	1		
4	406128	SUPPORT EXTINGUISHER 25 LBS		1	
5	563457	FIRE SENSOR PM-3M	1	1	
6	509915	T-BOLT BAND CLAMP/ 9.19" ID	2	2	
7	500359	SCREW CAP HEX M10-1.5x22 G8.8 N500	2	2	
8	502871	WASHER LO SERR 10.2x26.3x1.4 N500	2	2	
10	329655	SUPPORT PANEL FRONT	1	1	
11	329644	COVER PANEL	1	1	
12	5001155	SCREW TP PAN PH #8X3/4 N050	4	4	
13	509916	SCREW TP PAN PH #8x3 1/2" BK	1	1	
14	8631155	CABLE TIE / 4.6MM x 200 / CHRISTMAS TREE	1	1	
15	955271	SCREW CAP HEX M6-1.0x16 G8.8 ZG603	1	1	
16	502853	WASHER LO SPT 6.1x11.8x1.6 N500	1	1	
20	406177	SUPPORT NOZZLE		1	
21	406117	SUPPORT NOZZLE	1		
21	406117	SUPPORT NOZZLE		2	
22	406286	SUPPORT NOZZLE	1	1	
23	406171	SUPPORT NOZZLE	1		
24	406286	SUPPORT NOZZLE	1		
30	901128	NOZZLE DRY CHEMICAL	4		
. NS	901184	. CAP PROTECTOR NOZZLE	1		
31	501796	BULKHEAD COUPLING / PIPE FITTING / 1/2NPT-Fx1/2NPT-Fx1 1/2 BR	4	4	
32	501616	MALE CONNECTOR / SAE 45° FITTING / #8FL-Mx1/2NPT-M BR	8		
32	501616	MALE CONNECTOR / SAE 45° FITTING / #8FL-Mx1/2NPT-M BR		9	
33	507556	MALE BRANCHE TEE / PIPE FITTING / 1/2NPT-Fx1/2NPT-Fx1/2NPT-M BR	2	2	
34	501600	MALE CONNECTOR / JIC 37° FITTING / #12JIC-Mx1/2NPT-M STL	1		
34	501600	MALE CONNECTOR / JIC 37° FITTING / #12JIC-Mx1/2NPT-M STL		2	
35	501472	FEMALE UNION TEE / PIPE FITTING / 1/2NPT-Fx1/2NPT-Fx1/2NPT-F BR	1	1	
36	5011305	FEMALE ELBOW 45° / JIC 37° FITTING / #12JIC-Mx3/4NPT-F STL	1	1	
40	5001697	SCREW CAP HEX M6-1.0x16 SS BK		2	
41	5001182	NUT HEX NYRT M6-1.0 SS		2	
42	5001146	SCREW CAP HEX M5-0.8x20 SS BK	1	1	
43	502841	NUT HEX NYRT M5-0.8 N500	1	1	
44	952635	CLAMP / 1" I.D.	1	1	
45	500574	SCREW MA TR PH #10-24x1 1/4 SS	1	1	
46	500914	WASHER LO SPT .193x.334x.047 N500	1	1	
47	502882	NUT HEX #10-24 N500	1	1	



From 8-9279 To B-9999	Date:10/2022	PAGE:MTH-2320-50
FIRE PROTECTION SYSTEM MTH INSTALLATION		

Item#	Part	Description	X L I I M T H 4 5	X L I I M T H 4 5 E	N O T E S
50	Call order desk	HOSE ASSY / #12 1400MM		1	P
51	Call order desk	HOSE ASSY / #8 1225MM	1		P
52	Call order desk	HOSE ASSY / #8 900MM	1		P
53	Call order desk	HOSE ASSY / #8 1400MM	1		P
55	Call order desk	HOSE ASSY / #8 775MM	1		P
56	Call order desk	HOSE ASSY / #8 1000MM		1	P
57	Call order desk	HOSE ASSY / #12 900MM		1	P
58	Call order desk	HOSE ASSY / #8 700MM		1	P
59	Call order desk	HOSE ASSY / #8 1300MM		1	P
NS	19500355	TEST KIT EXTINGUISHER 25LBS / WSIMULATOR & POWER CABLE	1	1	
. NS	685536	. POWER CABLE / USED W 24VOLT	1	1	
. NS	685537	. SOURCE SIMILATOR	1	1	
. NS	901301	. TEST KIT EXTINGUISHER 25LBS	1	1	
. . NS	685128	. . VALVE SIMULATOR / EXTINGUISHER 25LBS	1	1	
. . NS	685129	. . TEST SWITCH W/CABLE 48" / EXTINGUISHER 25LBS	1	1	
. . NS	N.P.N.	. . STORAGE CASE	1	1	4
NS	901301	TEST KIT EXTINGUISHER 25LBS	1	1	
. NS	685128	. VALVE SIMULATOR / EXTINGUISHER 25LBS	1	1	
. NS	685129	. TEST SWITCH W/CABLE 48" / EXTINGUISHER 25LBS	1	1	
. NS	N.P.N.	. STORAGE CASE	1	1	4
		P) CALL ORDER DESK FOR SPECIFIC APPLICATION (V.I.N.)			
		4) NO PARTS NUMBER			

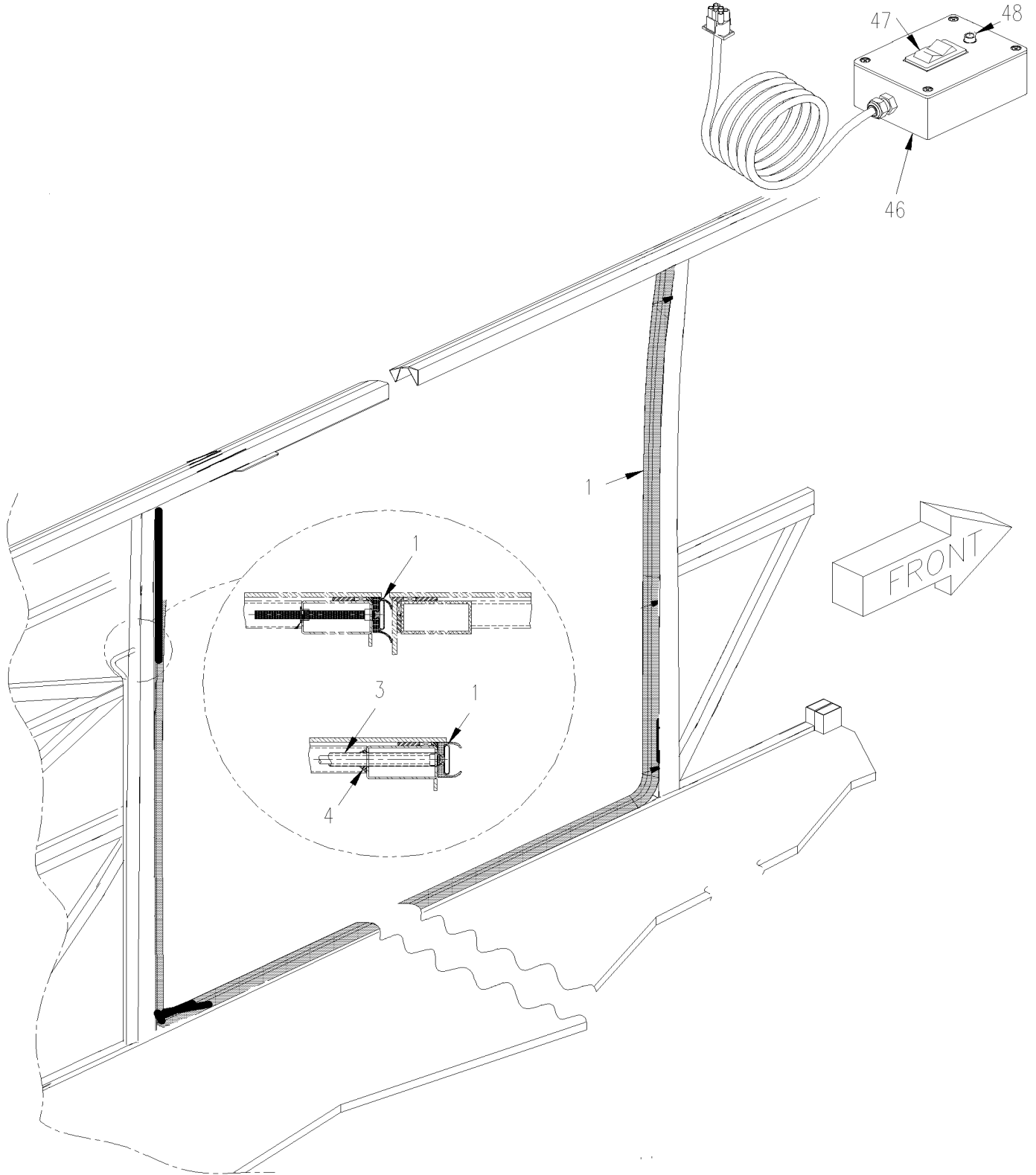


From 8-9279 To B-9999

Date:10/2022

PAGE:MTH-2390-00

"SLIDE-OUT" INFLATED SEAL

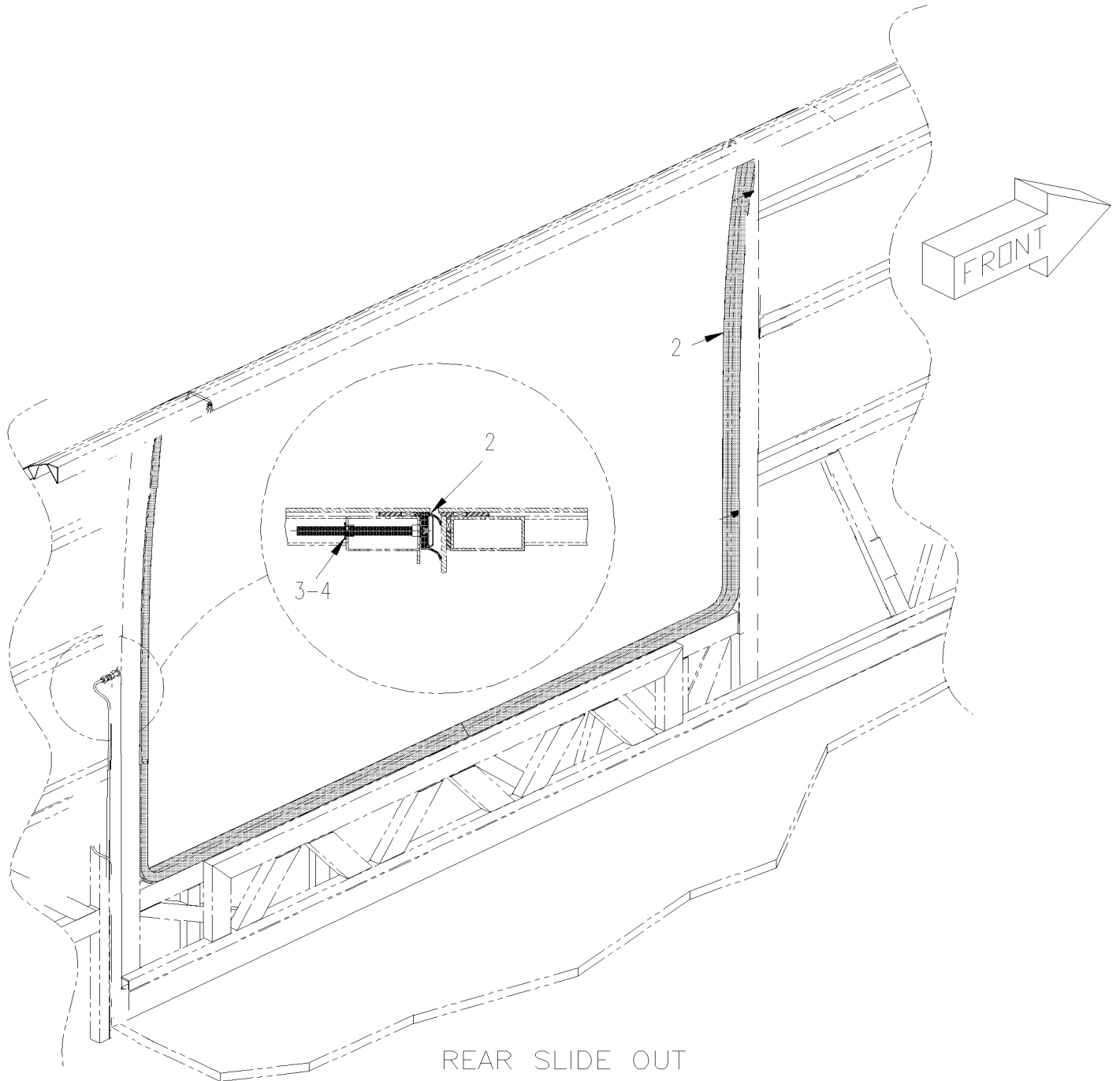


From 8-9279 To B-9999

Date:10/2022

PAGE:MTH-2390-00

"SLIDE-OUT" INFLATED SEAL



REAR SLIDE OUT



From 8-9279 To B-9999		Date:10/2022	PAGE:MTH-2390-00
"SLIDE-OUT" INFLATED SEAL			

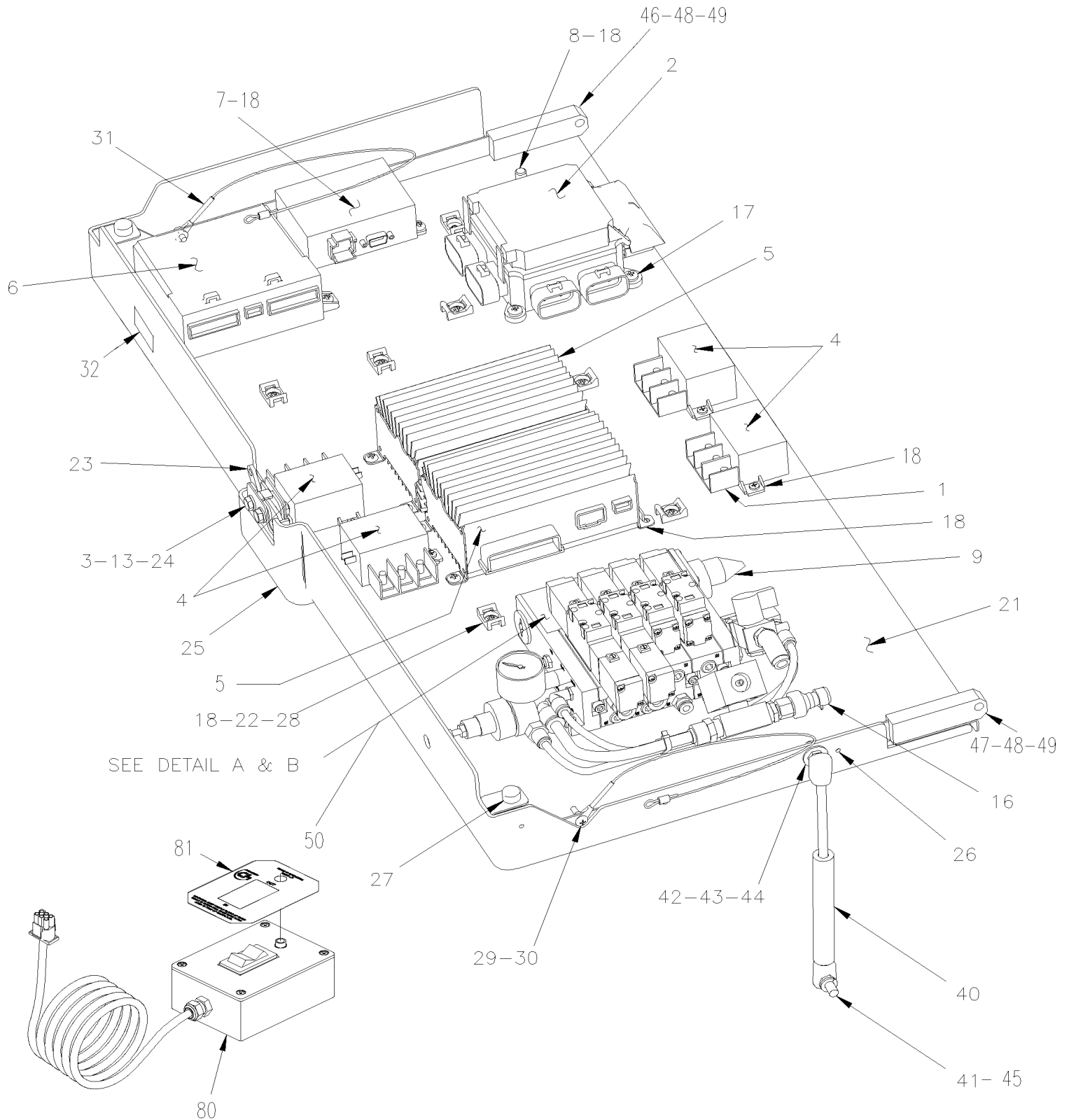
Item#	Part	Description	X L I I M T H 4 5	X L I I M T H 4 5 E	N O T E S
1	478147	SEAL, INFLATABLE FRONT / "XL II" 4465MM x 2039MM / 175MM	1		
1	479439	SEAL INSTALLATION FRONT / "XL II" 4465MM x 2039MM	1		
. NS	470965	. SEAL, BASE FRONT / "XL II" 4465MM x 2039MM	1		
. NS	470964	. SEAL, INFLATABLE FRONT / "XL II" 4465MM x 2039MM	1		
. NS	IS-16080	. SEE INSTRUCTION SHEET	1		
. NS	FI-16080	. VOIR FEUILLE D'INSTRUCTION	1		
1	478149	SEAL, INFLATABLE FRONT / 3591MM x 2115MM / 175MM		1	
1	479430	SEAL INSTALLATION FRONT / 3591MM x 2115MM		1	
. NS	470666	. SEAL, BASE FRONT / 3591MM x 2115MM		1	
. NS	470667	. SEAL, INFLATABLE FRONT / 3591MM x 2115MM		1	
. NS	IS-16080	. SEE INSTRUCTION SHEET		1	
. NS	FI-16080	. VOIR FEUILLE D'INSTRUCTION		1	
2	478148	SEAL, INFLATABLE REAR / W/7.5' 2330MM x 1648MM / 175MM	1		
2	479437	SEAL INSTALLATION REAR / W/7.5' 2330MM x 1648MM	1		
. NS	470962	. SEAL, BASE REAR / W/7.5' 2330MM x 1648MM	1		
. NS	470963	. SEAL, INFLATABLE REAR / W/7.5' 2330MM x 1648MM	1		
. NS	IS-16080	. SEE INSTRUCTION SHEET	1		
. NS	FI-16080	. VOIR FEUILLE D'INSTRUCTION	1		
2	470024	SEAL, INFLATABLE REAR / W/10' 3347MM x 1648MM / 170MM	1		
2	479438	SEAL INSTALLATION REAR / W/10' 3347MM x 1648MM	1		
. NS	470952	. SEAL, INFLATABLE REAR / W/10' 3347MM x 1648MM	1		
. NS	470956	. SEAL, BASE REAR / W/10' 3347MM x 1648MM	1		
. NS	IS-16080	. SEE INSTRUCTION SHEET	1		
. NS	FI-16080	. VOIR FEUILLE D'INSTRUCTION	1		
3	503541	TUBE, NYLON 3/4" O.D. / BLACK S.L	AR	AR	
3	504715	HOSE CLAMP / 7/32"-5/8" SS	1	1	
NS	642010	FEMALE CONNECTOR / HOSE BARB FITTING / #4x1/4NPT-F BR	AR	AR	
NS	641331	MALE CONNECTOR / PUSH-IN FITTING / #6x1/4NPT-M BR	AR	AR	
3	509815	TIE MOUNT / ATTACHMENT W/TREE MOUNT	AR	AR	
3	562679	4 WAY ADH. BACKED MOUNTS 1.000 x 1.000 x .160	AR	AR	
3	504637	CABLE TIE / 3/16" x 13"	AR	AR	
3	504720	GROMMET / 2.375x3.000x.250x.437x3.250	1	1	
4	684517	ADHESIVE SIMSON #ISR 70-03 / GREY / 310ml CARTRIDGE	AR	AR	
10	382048	REMOTE CONTROL / SINGLE SLIDE-OUT	1	1	
. NS	563380	. SWITCH / M/ON-OFF-M/ON S P.D.T BLACK	1	1	
. NS	564421	. PILOT LIGHT GREEN / LED 24V	1	1	
. NS	382047	. DECAL "REMOTE CONTROL"	1	1	

From 8-9279 To B-9999

Date:10/2022

PAGE:MTH-2390-10

"SLIDE-OUT" AIR CONTROL PANEL - MUX



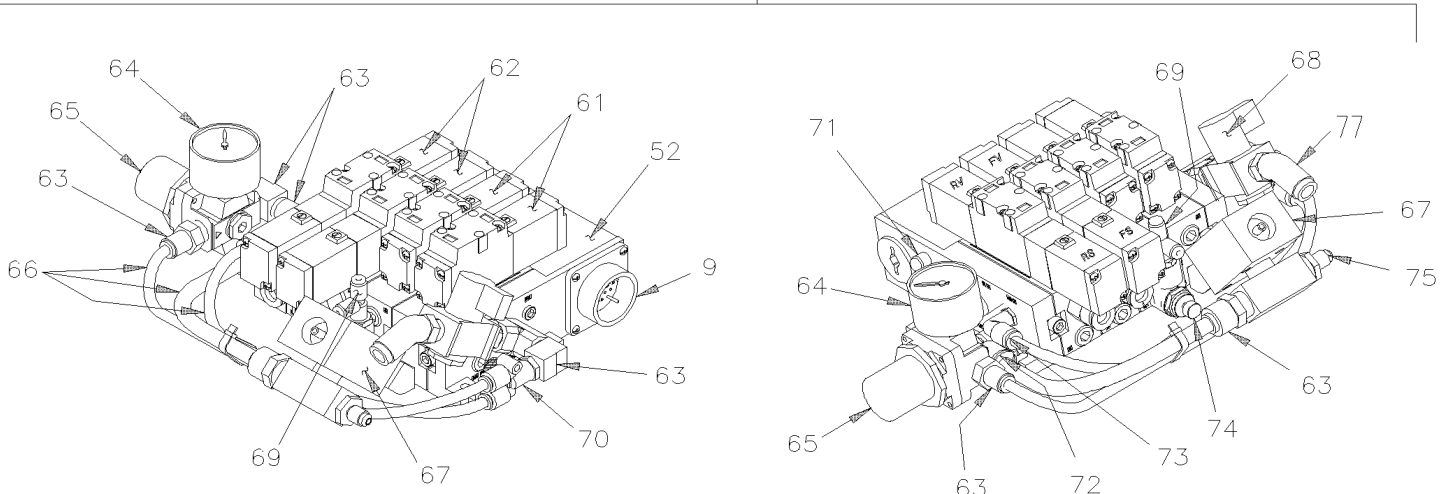
From 8-9279 To B-9999

Date:10/2022

PAGE:MTH-2390-10

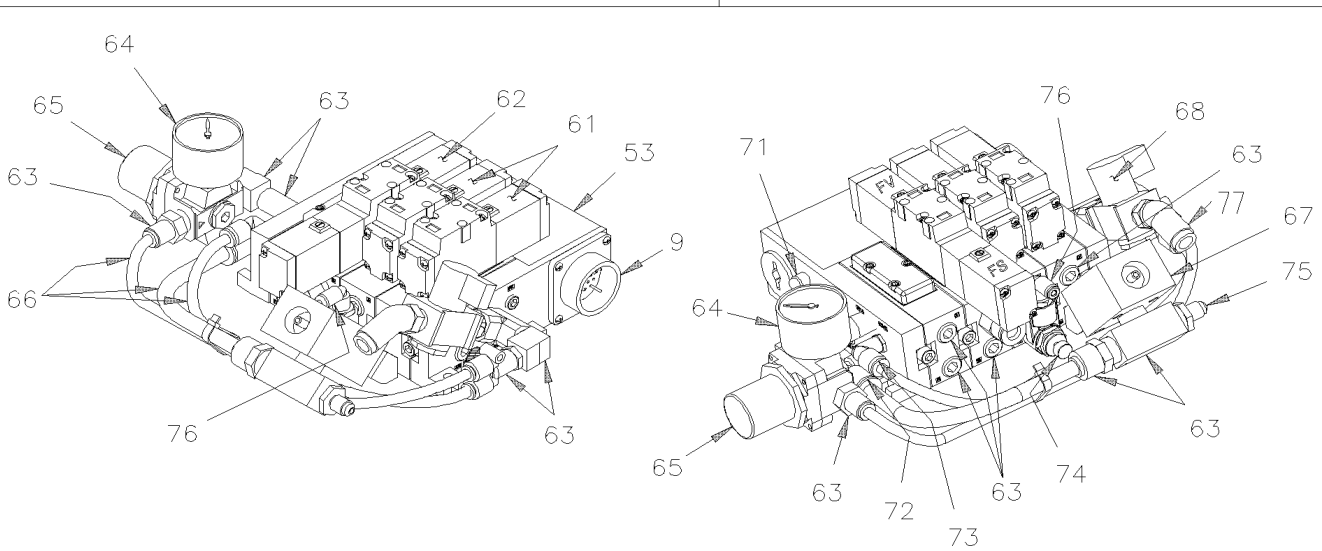
"SLIDE-OUT" AIR CONTROL PANEL - MUX

50



WITH DOOBLE SLIDE-OUT

51



WITH SINGLE SLIDE-OUT



From 8-9279 To B-9999	Date:10/2022	PAGE:MTH-2390-10
"SLIDE-OUT" AIR CONTROL PANEL - MUX		

Item#	Part	Description	X L I I M T H 4 5	X L I I M T H 4 5 E	N O T E S
1	5001182	NUT HEX NYRT M6-1.0 SS	6	6	
3	500440	WASHER FL .250x.562x.065 Z050	2	2	
4	563445	RELAY POWER 24V 130 AMPS / S.P.D.T. N.O.	4	4	
5	565865	I/O B-MODULE VOLVO MULTIPLEX / ALUMINUM To 8-9493	AR	AR	
. NS	563132	. CONNECTOR / SH 2C / YAZAKI 7283-6458-40 To 8-9493	1	1	
. NS	563133	. CONNECTOR / JUNIOR POWER TIMER / SH 29C / AMP 1-963449-2 To 8-9493	1	1	
. NS	562957	. CONNECTOR / SH 5C / GREEN / JAE IL-AG5-5S-S3C1 To 8-9493	1	1	
5	564075	I/O B-MODULE VOLVO MULTIPLEX / ALUMINUM From 8-9494	AR	AR	
. NS	563132	. CONNECTOR / SH 2C / YAZAKI 7283-6458-40 From 8-9494	1	1	
. NS	563133	. CONNECTOR / JUNIOR POWER TIMER / SH 29C / AMP 1-963449-2 From 8-9494	1	1	
. NS	562957	. CONNECTOR / SH 5C / GREEN / JAE IL-AG5-5S-S3C1 From 8-9494	1	1	
5	564193	I/O B-MODULE VOLVO MULTIPLEX / ALUMINUM	AR	AR	
. NS	563132	. CONNECTOR / SH 2C / YAZAKI 7283-6458-40	1	1	
. NS	563133	. CONNECTOR / JUNIOR POWER TIMER / SH 29C / AMP 1-963449-2	1	1	
. NS	562957	. CONNECTOR / SH 5C / GREEN / JAE IL-AG5-5S-S3C1	1	1	
8	560422	BLOCK, TERMINAL / 1 STUD 3/8-16 / BLACK	1	1	
9	066790	WIRING HARNESS SLIDE-OUT FRONT LEFT	1	1	
13	502819	NUT HEX JAM 1/4-20 Z050	2	2	
15	500658	SCREW TC PAN PH #10-24x3/4 Z050	4	4	
16	563459	TRANSDUSER -14.7 to 100LBS / 1/8 NPT-F	1	1	
. NS	563159	. CONNECTOR / METRI-PACK 150 / SH 3C / PED 12065287	1	1	
17	500841	SCREW TP PAN PH #14x3/4 Z050	4	4	
18	502868	SCREW TC TR PH #10-16x1/2 N500	AR	AR	
20	500638	SCREW TP PAN PH #8x1/2 Z050	1	1	
21	066632	PANEL MOUNTING / W/DOUBLE "SLIDE-OUT"	1	1	
21	067538	PANEL MOUNTING / W/TRIPLE "SLIDE-OUT"	1	1	
22	504013	TIE MOUNT / 1/4" X 1/4" I.D.	AR	AR	
23	780778	LOCK L.H.	1	1	
24	500163	SCREW CAP HEX 1/4-20x3/4 G5 Z050	1	1	
25	066380	COVER PLASTIC	1	1	
26	504105	RIVET POP DOME OE 1/8x3/16 AL	6	6	
27	504334	BUMPER RUBBER / .625 OD x .406 TH x .156 HOLE	1	1	
NS	500576	SCREW TC PAN PH #6-32x1/2 Z050	2	2	
28	504637	CABLE TIE / 3/16" x 13"	AR	AR	
29	5001241	SCREW MA TR PH #10-24x1/2 SS	1	1	
30	5001180	NUT HEX NYRT #10-24 SS	1	1	
31	Call order desk	CABLE RETAINER COVER	1	1	P
. NS	283069	. CABLE 1/16 DIA. / 565MM LG	1	1	
. NS	780341	. SLEEVE / TO HOLDING CABLE 1/16OD SS	1	1	
31	Call order desk	CABLE RETAINER COVER	1	1	P
32	066395	DECAL "JCT BOX SLIDE-OUT " XL-II	1	1	
40	980029	CYLINDER GAZ / 354/219MM C/C / 46LBS	1	1	



From 8-9279 To B-9999	Date:10/2022	PAGE:MTH-2390-10
-----------------------	--------------	------------------

"SLIDE-OUT" AIR CONTROL PANEL - MUX

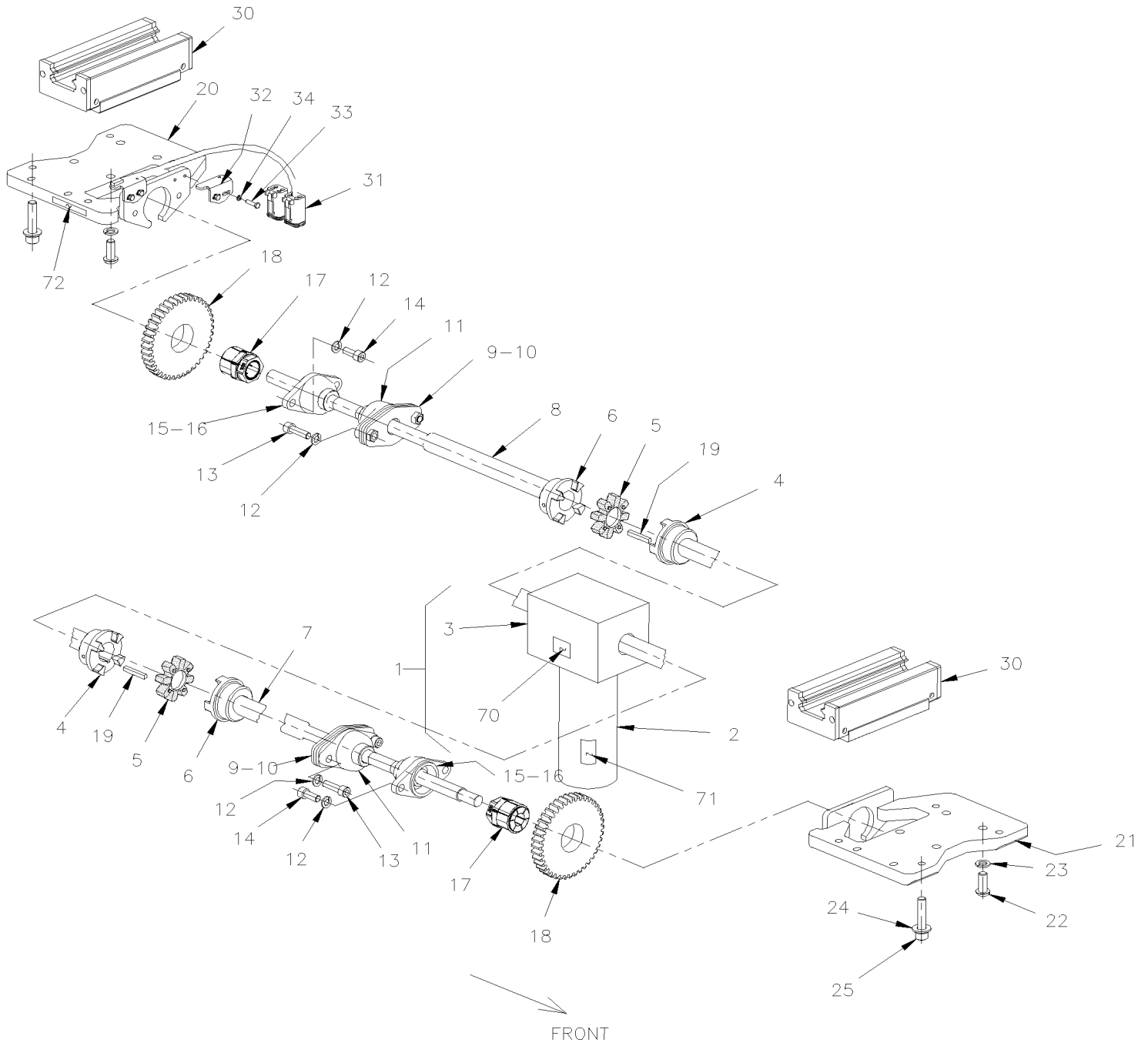
Item#	Part	Description	X L I I M T H 4 5	X L I I M T H 4 5 E	N O T E S
		S) INCLUDE ITEM # 61 QTY 1 & ITEM # 62 QTY 2			
		P) CALL ORDER DESK FOR SPECIFIC APPLICATION (V.I.N.)			

From 8-9279 To B-9999

Date:10/2022

PAGE:MTH-2390-20

"SLIDE-OUT" - FRONT MECHANISM - INSTALLATION

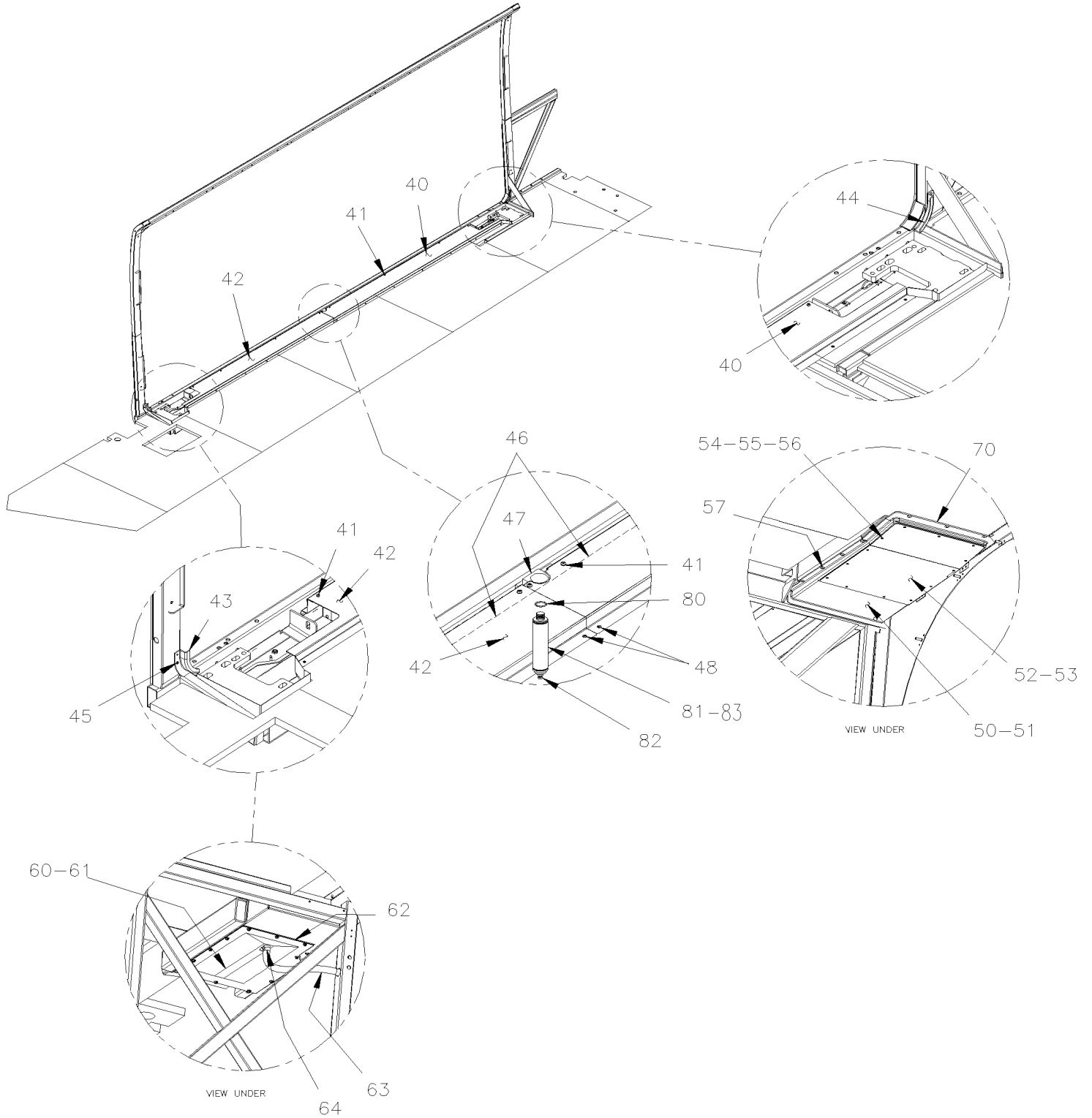


From 8-9279 To B-9999

Date:10/2022

PAGE:MTH-2390-20

"SLIDE-OUT" - FRONT MECHANISM - INSTALLATION





From 8-9279 To B-9999 Date:10/2022 PAGE:MTH-2390-20

"SLIDE-OUT" - FRONT MECHANISM - INSTALLATION

Item#	Part	Description	X L I M T H 4 5	X L I M T H 4 5 E	N O T E S
1	066651	MOTOR 24V ASSY W/CONNECTOR	1	1	?
. NS	563936	. MOTOR 24V ASSY W/GEAR-BOX	1	1	
. . NS	563937	. . MOTOR 24V	1	1	
. . NS	563938	. . GEAR BOX RATIO 738/1	1	1	
. NS	561944	. CONNECTOR / CPC SERIES 3 / PH 3C / AMP 206426-1	1	1	
. NS	561655	. CABLE CLAMP / CPC / #17 / AMP 206070-8	1	1	
. NS	561698	. PIN TERMINAL 16-12 / POWER CONTACT / AMP 66261-4	2	2	
2	563936	MOTOR 24V ASSY W/GEAR-BOX	1	1	
. NS	563937	. . MOTOR 24V	1	1	
. NS	563938	. . GEAR BOX RATIO 738/1	1	1	
3	563938	. GEAR BOX RATIO 738/1	1	1	
NS	505533	. KEY 6MM x 6MM x 40MM	2	2	
NS	5001450	SCREW CAP HEX M8-1.25x20 G10.9 DP	4	4	
NS	500035	WASHER LO SPT .317x.586x.078 SS	4	4	
4	505530	COUPLING SHAFT DRIVE 20MM I.D. / TYPE GS 28	2	2	
5	505529	SPIDER RUBBER / TYPE GS 28	2	2	
6	505528	COUPLING SHAFT DRIVE 1 1/8" I.D. / TYPE GS 28	2	2	
7	470138	SHAFT / FORWARD / 1980MM	1		
7	476490	SHAFT / FORWARD / 1925MM		1	
8	470136	SHAFT / BACKWARD / 1789MM	1		
8	476485	SHAFT / BACKWARD / 973MM		1	
9	470129	PLATE TORQUE	2	2	
10	470128	SPACER 3/16"	AR	AR	
11	507641	PILLOW BEARING ASSY	2	2	
NS	501499	GREASE FITTING 45° / 1/4-28	2	2	
NS	684754	GREASE OPTIMOL OLISTA / CARTRIGE 14Oz	AR	AR	
NS	477916	CLOSING PLATE SS 168MM x 94MM	2	2	
NS	477917	PLATE PLASTIC 76MM x 74MM	2	2	
NS	5001017	SCREW TC CAP HEXW #10-24x1/2 Z050	8	8	
NS	500964	WASHER FL .203x.500x.047 Z050	8	8	
NS	504511	GROMMET / .500x1.000x.062x.250x1.250	1	1	
12	502616	WASHER LO SPT 10.2x18.1x2.2 SS	8	8	
13	5001620	SCREW CAP HEXS M10-1.5X35 G10.9 G500	4	4	
14	5001616	SCREW CAP HEXS M10-1.5X25 G10.9 DP	4	4	
15	470116	PILLOW BEARING ASSY	2	2	
16	501490	GREASE FITTING / 1/8 NPT	1	1	
17	470118	COUPLING TORQUE	2	2	
18	470119	GEAR 5 1/4" W/40TH	2	2	
19	505527	KEY SQUARE 1/4" x 1/4" x 1 3/4"	2	2	
20	477752	BASE GUIDE ASSY FORWARD	1	1	
21	477753	BASE GUIDE ASSY BACKWARD	1	1	
22	5001621	SCREW CAP HEXS M12-1.75x55 G10.9 DP	8	8	



From 8-9279 To B-9999 Date:10/2022 PAGE:MTH-2390-20

"SLIDE-OUT" - FRONT MECHANISM - INSTALLATION

Item#	Part	Description	X L I M T H 4 5	X L I M T H 4 5 E	N O T E S
22	5001615	SCREW CAP BUT HEXS M12-1.75x30 G10.9 G500	8	8	
23	500747	WASHER LO SPT 12.2x21.1x2.5 N500	8	8	
24	5001622	SCREW CAP HEXS M12-1.75x40 G10.9 DP	8	8	
25	5001623	NUT HEX JAM M12x1.75 SS	8	8	
NS	684420	SCREW MARKER LOCK 90ml	AR	AR	
30	470107	GUIDE	2	2	
NS	507642	DUMMY RAIL GUIDE LINEAR BEARING 254MM / USE WITH 470107 ONLY	AR	AR	W
NS	685232	RAIL GUIDE EXTENSION TOOL L.H.	AR	AR	T
NS	685233	RAIL GUIDE EXTENSION TOOL R.H.	AR	AR	T
31	066852	LIMITING REED SWITCH ASSY W/LED S.P.D.T. / W/SLIDE OUT	2	2	?
NS	563426	HALL EFFECT SENSOR	1	1	
NS	563452	LED GREEN / 5VOLTS	1	1	
NS	562477	CONNECTOR / DT SERIES / SH 4C / GRAY / DEUTSCH DT06-4S	1	1	
32	477829	SUPPORT LIMITING READ SWITCH	1	1	
33	5001146	SCREW CAP HEX M5-0.8x20 SS BK	4	4	
34	500804	WASHER FL .203x.500x.047 N500	4	4	
40	328175	PROTECTOR PLATE FORWARD	1		
40	328219	PROTECTOR PLATE FORWARD		1	
41	500799	SCREW TC PAN PH #8-32x3/8 N500	9	9	
42	328176	PROTECTOR PLATE BACKWARD	1		
42	328220	PROTECTOR PLATE BACKWARD		1	
43	477748	GUTTER MOULDING BACKWARD	1	1	
44	477747	GUTTER MOULDING FORWARD	1	1	
45	504379	RIVET POP DOME OE 3/16x1/4 SS	AR	AR	
46	506227	TAPE RUB ADH1 CC POL 1/16" x 3/4" x 100' / GREY 2520	AR	AR	
47	328224	GASKET JOINT	1	1	
48	5001349	SCREW WO TR PH #8x7/8	13	13	
50	477740P	ACCESS PANEL ASSY / FORWARD	1	1	
51	477737	RECEPTACLE BOX	1	1	
52	477738	ACCESS PANEL	1	1	
53	477739	GASKET	1	1	
54	481249	NUT	14	14	
55	5001605	SCREW TP HEXW SLT #12x3/4 SS	14	14	
56	5001686	WASHER FL SEAL .218x.625x20GA SS	14	14	
57	504248	RIVET CHY Q PRDG 3/16x1/4 SS	8	8	
60	Call order desk	ACCESS PANEL ASSY W/DRAIN / BACKWARD	1		P
60	Call order desk	ACCESS PANEL ASSY W/DRAIN / BACKWARD	1		P
60	Call order desk	ACCESS PANEL ASSY W/DRAIN / BACKWARD		1	P
60	Call order desk	ACCESS PANEL ASSY W/DRAIN / BACKWARD		1	P
61	477885	ACCESS PANEL	1		



From 8-9279 To B-9999 Date:10/2022 PAGE:MTH-2390-20

"SLIDE-OUT" - FRONT MECHANISM - INSTALLATION

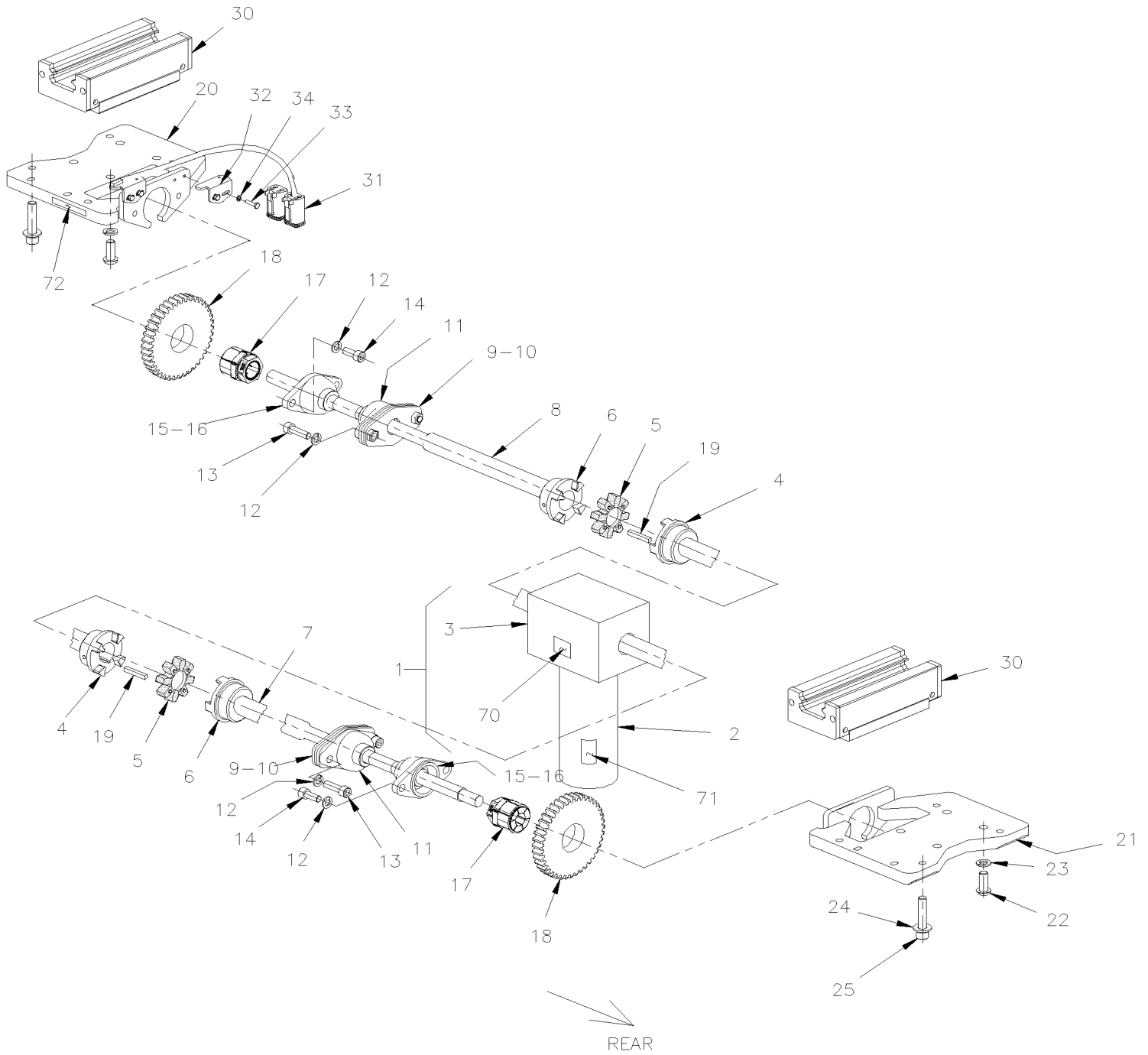
Item#	Part	Description	X L I I M T H 4 5	X L I I M T H 4 5 E	N O T E S
61	477941	. ACCESS PANEL		1	
62	477886	. GASKET	1		
62	477943	. GASKET		1	
63	503707	HOSE / PVC REINFORCED 1/2" I.D. 100' / S.L.	AR	AR	
64	504230	HOSE CLAMP / 3/8"-7/8" SS / HS-6	1	1	
NS	680532	SEALANT SIKA #221 / GREY / 310ml CARTRIDGE	AR	AR	
NS	684517	ADHESIVE SIMSON #ISR 70-03 / GREY / 310ml CARTRIDGE	AR	AR	
70	477987	DECAL " ON OVERRIDE MUST BE LOW TORQUE..."	1	1	
71	477989	DECAL "SEAL MUST BE DEFLATED..."	1	1	
NS	477988	DECAL "PAT PENDING"	1	1	
72	477990	DECAL "THIS SLIDE-OUT PLATE IS FACTORY.."	1	1	
NS	477991	DECAL "CAUTION" DO NOT MAKE ANY MODI.."	1	1	
80	507345	O-RING / ORS FITTING / #16 NEO To 8-9331	1	1	
NS	502220	WASHER FL .375x1.000x.125 RUB From 8-9332	1	1	
81	642027	CYLINDER 1 1/16"	1	1	
NS	470183	ADAPTOR CYLINDER 5/8-18 x M36-2 From 8-9332	1	1	
82	641126	MALE CONNECTOR / PUSH-IN FITTING / #2x1/8NPT-M BR	1	1	
83	470133	SAFETY PIN 1 1/4" O.D. x 120MM To 8-9331	1	1	
83	470182	SAFETY PIN 1 1/4" O.D. x 116MM From 8-9332	1	1	
		T) THOSE RAIL EXTENTION TOOLS ARE FOR EASY REMOVED SLIDE-OUT FROM STRUCTURE			
		W) WARNING YOUR REQUIRE 2 OF THIS DUMMY BEFORE REMOVE THE SLIDE-OUT FROM STRUCTURE			
		?) SEE DETAIL SCREEN			
		P) CALL ORDER DESK FOR SPECIFIC APPLICATION (V.I.N.)			

From 8-9279 To B-9999

Date:10/2022

PAGE:MTH-2390-30

"SLIDE-OUT" - REAR MECHANISM INSTALLATION

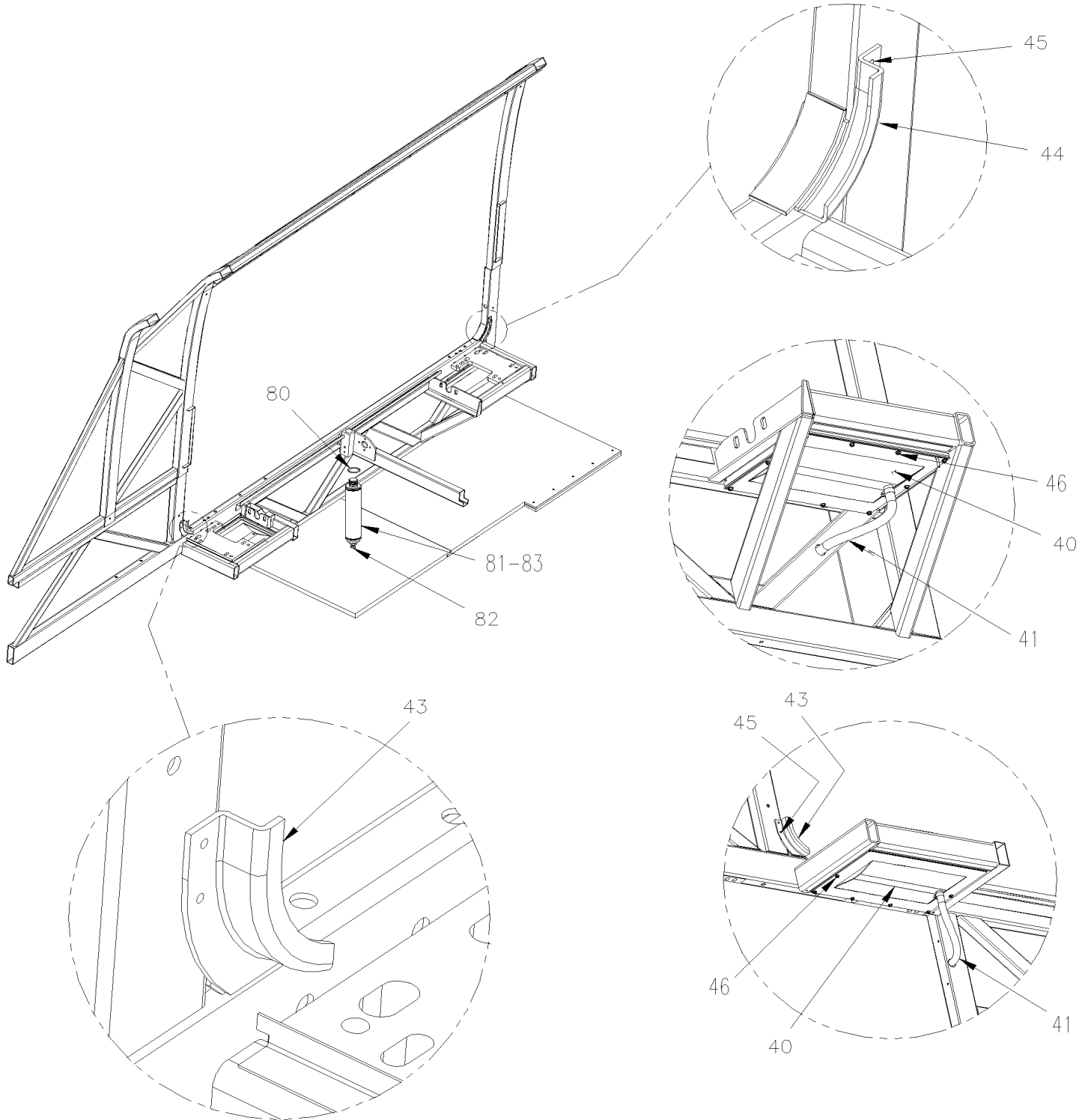


From 8-9279 To B-9999

Date:10/2022

PAGE:MTH-2390-30

"SLIDE-OUT" - REAR MECHANISM INSTALLATION





From 8-9279 To B-9999	Date:10/2022	PAGE:MTH-2390-30
"SLIDE-OUT" - REAR MECHANISM INSTALLATION		

Item#	Part	Description	X L I M T H 4 5	X L I M T H 4 5 E	N O T E S
1	066969	MOTOR 24V ASSY W/CONNECTOR To 8-9534	1		?
. NS	564036	. MOTOR 24V ASSY W/GEAR-BOX To 8-9534	1		
. . NS	563937	. . MOTOR 24V To 8-9534	1		
. . NS	563938	. . GEAR BOX RATIO 738/1 To 8-9534	1		
. NS	561944	. CONNECTOR / CPC SERIES 3 / PH 3C / AMP 206426-1 To 8-9534	1		
. NS	561655	. CABLE CLAMP / CPC / #17 / AMP 206070-8 To 8-9534	1		
. NS	561698	. PIN TERMINAL 16-12 / POWER CONTACT / AMP 66261-4 To 8-9534	2		
1	067323	MOTOR 24V ASSY W/CONNECTOR From 8-9535	1		?
. NS	564091	. MOTOR 24V ASSY W/GEAR-BOX From 8-9535	1		
. . NS	563937	. . MOTOR 24V From 8-9535	1		
. . NS	563938	. . GEAR BOX RATIO 738/1 From 8-9535	1		
. . NS	505533	. . KEY 6MM x 6MM x 40MM From 8-9535	2		
. NS	563764	. CONNECTOR / CPC SERIES 3 / PH 3C / PED 15300002 From 8-9535	1		
. NS	561655	. CABLE CLAMP / CPC / #17 / AMP 206070-8 From 8-9535	1		
. NS	563763	. PIN TERMINAL / 14-12 / PED 12129497 From 8-9535	2		
2	564036	. MOTOR 24V ASSY W/GEAR-BOX To 8-9534	1		
. NS	563937	. . MOTOR 24V To 8-9534	1		
. NS	563938	. . GEAR BOX RATIO 738/1 To 8-9534	1		
2	564091	. MOTOR 24V ASSY W/GEAR-BOX From 8-9535	1		
. NS	563937	. . MOTOR 24V From 8-9535	1		
. NS	563938	. . GEAR BOX RATIO 738/1 From 8-9535	1		
. NS	505533	. . KEY 6MM x 6MM x 40MM From 8-9535	2		
3	563938	. GEAR BOX RATIO 738/1	1		
NS	505533	. KEY 6MM x 6MM x 40MM	2		
NS	5001450	SCREW CAP HEX M8-1.25x20 G10.9 DP	4		
NS	500035	WASHER LO SPT .317x.586x.078 SS	4		
4	505530	COUPLING SHAFT DRIVE 20MM I.D. / TYPE GS 28	2		
5	505529	SPIDER RUBBER / TYPE GS 28	2		
6	505528	COUPLING SHAFT DRIVE 1 1/8" I.D. / TYPE GS 28	2		
7	470144	SHAFT 859MM / BACKWARD	1		
7	476544	SHAFT 1326MM	1		10
8	470141	SHAFT 776MM / FORWARD	1		
8	476544	SHAFT 1326MM	1		10
9	470129	PLATE TORQUE	2		
10	470128	SPACER 3/16"	AR		
11	507641	PILLOW BEARING ASSY	2		
NS	501499	GREASE FITTING 45° / 1/4-28	2		
NS	684754	GREASE OPTIMOL OLISTA / CARTRIGE 14Oz	AR		
12	5001620	SCREW CAP HEXS M10-1.5X35 G10.9 G500	4		
13	502616	WASHER LO SPT 10.2x18.1x2.2 SS	4		
14	5001616	SCREW CAP HEXS M10-1.5X25 G10.9 DP	4		
15	470116	PILLOW BEARING ASSY	2		



From 8-9279 To B-9999	Date:10/2022	PAGE:MTH-2390-30
-----------------------	--------------	------------------

"SLIDE-OUT" - REAR MECHANISM INSTALLATION

Item#	Part	Description	X L I M T H 4 5	X L I M T H 4 5 E	N O T E S
16	501490	GREASE FITTING / 1/8 NPT	1		
17	470118	COUPLING TORQUE	2		
18	470119	GEAR 5 1/4" W/40TH	2		
19	505527	KEY SQUARE 1/4" x 1/4" x 1 3/4"	2		
20	477752	BASE GUIDE ASSY FORWARD	1		
21	477753	BASE GUIDE ASSY BACKWARD	1		
22	5001621	SCREW CAP HEXS M12-1.75x55 G10.9 DP	1		
22	5001615	SCREW CAP BUT HEXS M12-1.75x30 G10.9 G500	8		
23	500747	WASHER LO SPT 12.2x21.1x2.5 N500	8		
24	5001622	SCREW CAP HEXS M12-1.75x40 G10.9 DP	8		
25	5001623	NUT HEX JAM M12x1.75 SS	8		
NS	684420	SCREW MARKER LOCK 90ml	AR		
30	470107	GUIDE To B-9999	2		
NS	507642	DUMMY RAIL GUIDE LINEAR BEARING 254MM / USE WITH 470107 ONLY To B-9999	AR		W
NS	685232	RAIL GUIDE EXTENSION TOOL L.H.	AR		T
NS	685233	RAIL GUIDE EXTENSION TOOL R.H.	AR		T
31	066852	LIMITING REED SWITCH ASSY W/LED S.P.D.T. / W/SLIDE OUT	2		?
NS	563426	HALL EFFECT SENSOR	1		
NS	563452	LED GREEN / 5VOLTS	1		
NS	562477	CONNECTOR / DT SERIES / SH 4C / GRAY / DEUTSCH DT06-4S	1		
32	470120	SUPPORT LIMITING READ SWITCH	2		
33	5001146	SCREW CAP HEX M5-0.8x20 SS BK	4		
34	500804	WASHER FL .203x.500x.047 N500	4		
40	Call order desk	ACCESS PANEL ASSY W/DRAIN / FORWARD	1		P
40	Call order desk	ACCESS PANEL ASSY W/DRAIN / FORWARD	1		P
40	Call order desk	ACCESS PANEL ASSY W/DRAIN / BACKWARD	1		P
40	Call order desk	ACCESS PANEL ASSY W/DRAIN / BACKWARD	1		P
40	477888	ACCESS PANEL	1		
40	477892	ACCESS PANEL / BACKWARD To A-9867	1		
40	478435	ACCESS PANEL / BACKWARD From A-9868	1		
NS	477889	GASKET	2		
41	503707	HOSE / PVC REINFORCED 1/2" I.D. 100' / S.L.	AR		
NS	504230	HOSE CLAMP / 3/8"-7/8" SS / HS-6	2		
43	477748	GUTTER MOULDING BACKWARD	1		
44	477747	GUTTER MOULDING FORWARD	1		
45	504379	RIVET POP DOME OE 3/16x1/4 SS	4		
NS	680532	SEALANT SIKA #221 / GREY / 310ml CARTRIDGE	AR		
NS	684517	ADHESIVE SIMSON #ISR 70-03 / GREY / 310ml CARTRIDGE	AR		
46	500526	SCREW TP CAP HEXW #12x3/4 N500	16		
NS	5001686	WASHER FL SEAL .218x.625x20GA SS	16		
70	477987	DECAL " ON OVERRIDE MUST BE LOW TORQUE..."	1		
71	477989	DECAL "SEAL MUST BE DEFLATED..." To 9-9021	1		



From 8-9279 To B-9999	Date:10/2022	PAGE:MTH-2390-30
-----------------------	--------------	------------------

"SLIDE-OUT" - REAR MECHANISM INSTALLATION

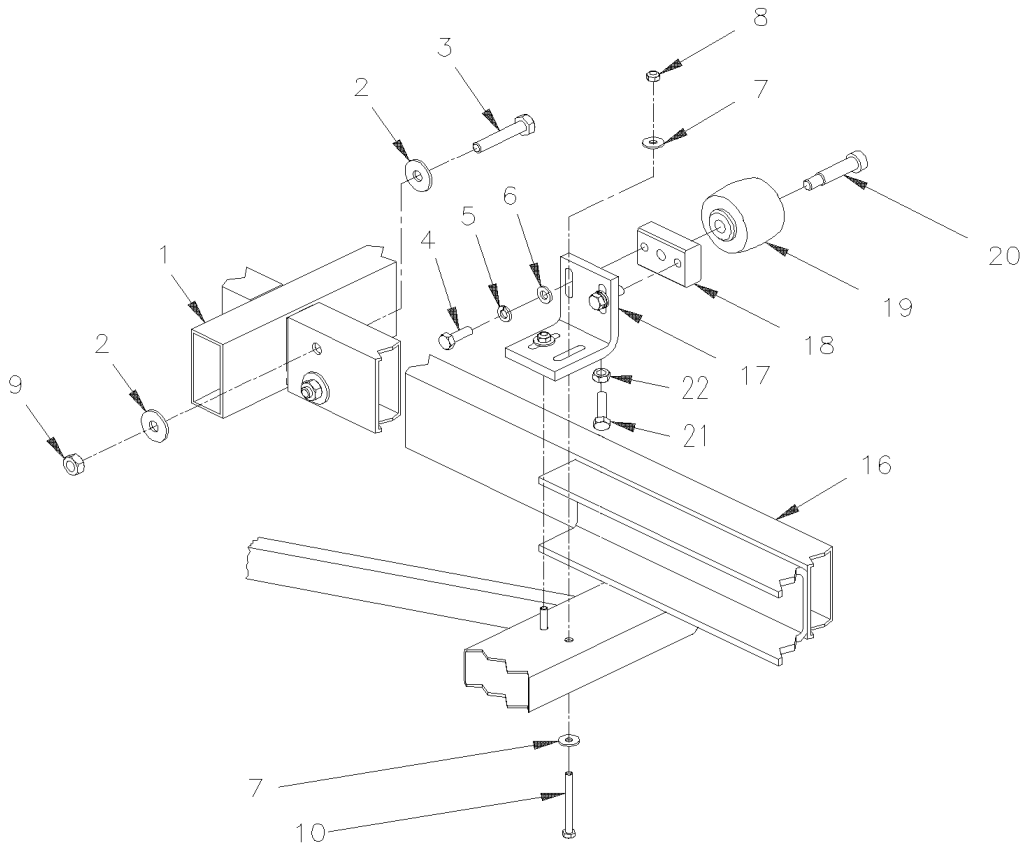
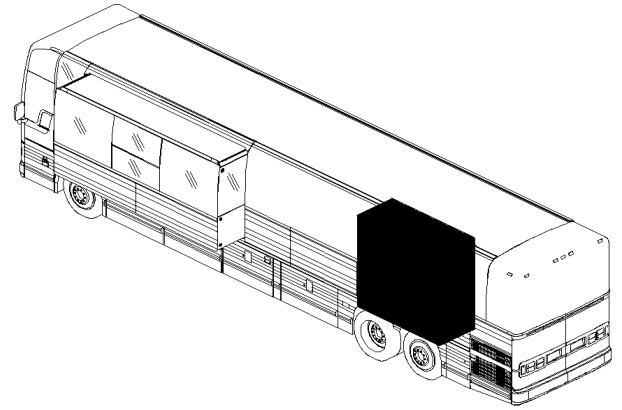
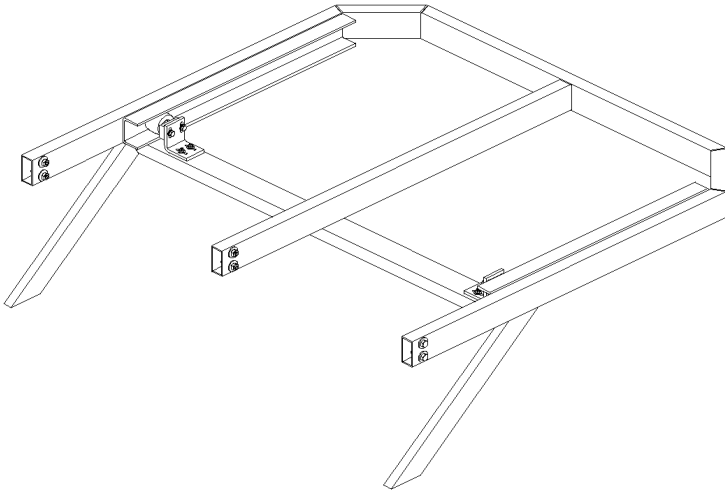
Item#	Part	Description	X L I I M T H 4 5	X L I I M T H 4 5 E	N O T E S
71	478251	DECAL "SEAL MUST BE DEFLATED..." From 9-9022	1		
NS	477988	DECAL "PAT PENDING"	1		
72	477990	DECAL "THIS SLIDE-OUT PLATE IS FACTORY.."	1		
NS	477991	DECAL "CAUTION" DO NOT MAKE ANY MODI.."	1		
80	507345	O-RING / ORS FITTING / #16 NEO To 8-9331	1		
NS	502220	WASHER FL .375x1.000x.125 RUB From 8-9332	1		
81	642027	CYLINDER 1 1/16"	1		
NS	470183	ADAPTOR CYLINDER 5/8-18 x M36-2 From 8-9332	1		
82	641126	MALE CONNECTOR / PUSH-IN FITTING / #2x1/8NPT-M BR	1		
83	470133	SAFETY PIN 1 1/4" O.D. x 120MM To 8-9331	1		
83	470182	SAFETY PIN 1 1/4" O.D. x 116MM From 8-9332	1		
		10) WITH 10' SLIDE OUT			
		T) THOSE RAIL EXTENTION TOOLS ARE FOR EASY REMOVED SLIDE-OUT FROM STRUCTURE			
		W) WARNING YOU REQUIRE 2 OF THIS DUMMY BEFORE REMOVE SLIDE-OUT FROM STRUCTURE			
		?) SEE DETAIL SCREEN			
		P) CALL ORDER DESK FOR SPECIFIC APPLICATION (V.I.N.)			

From 8-9279 To B-9999

Date:10/2022

PAGE:MTH-2390-40

"SLIDE-OUT" - BED SUPPORT





From 8-9279 To B-9999	Date:10/2022	PAGE:MTH-2390-40
"SLIDE-OUT" - BED SUPPORT		

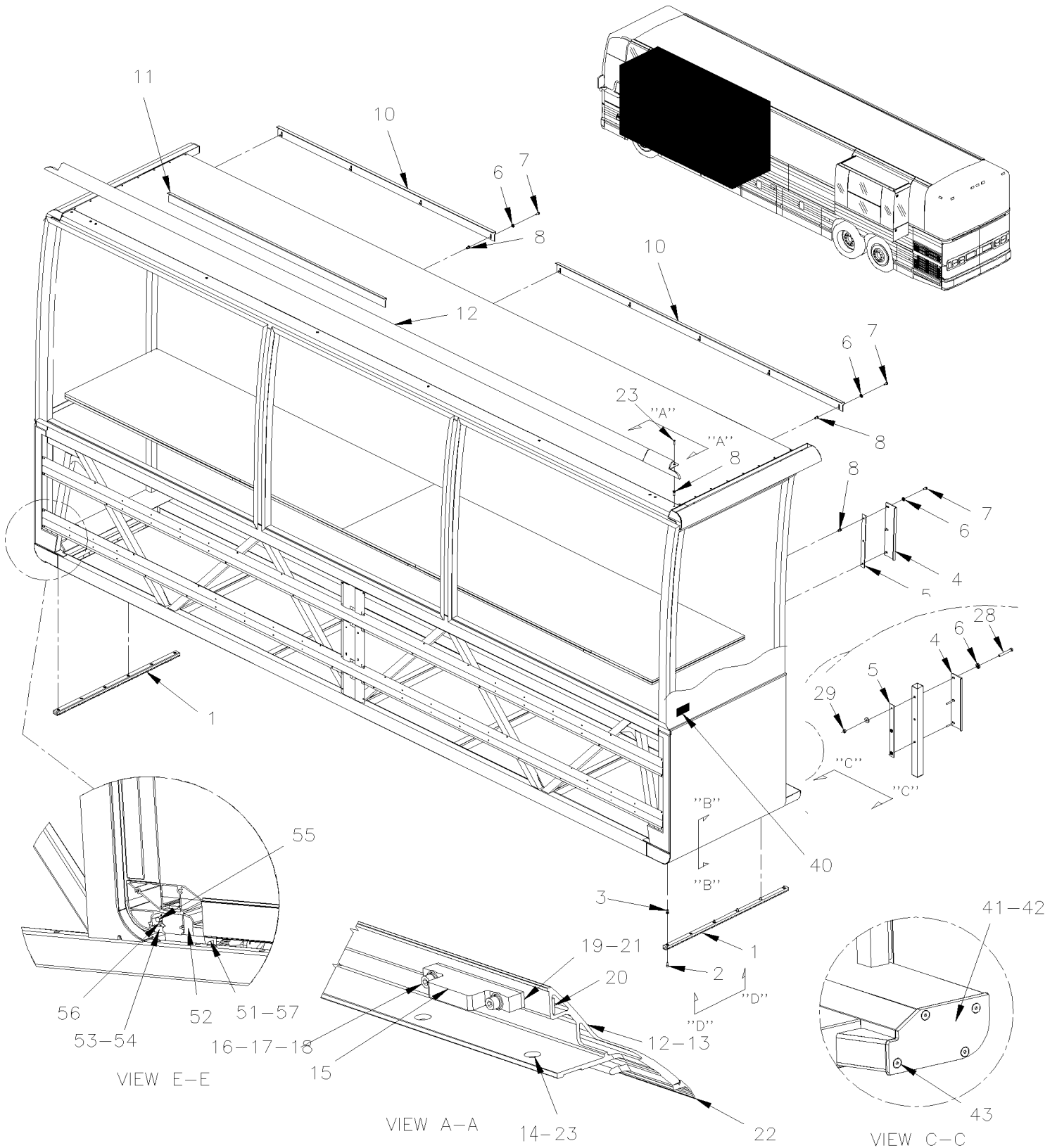
Item#	Part	Description	X L I I M T H 4 5	X L I I M T H 4 5 E	N O T E S
1	Call order desk	REAR SLIDE-OUT ASSY 7.5'	1		P
1	Call order desk	REAR SLIDE-OUT ASSY 7.5'	1		P
2	502644	WASHER FL 10.5x30.0x2.5 Z050	12		
3	5001485	SCREW CAP HEX M10-1.5x60 G8.8 Z050	6		
4	502589	SCREW CAP HEX M8-1.25x25 G8.8 Z050	4		
5	5001003	WASHER LO SPT 8.1x12.7x2.0 Z050	4		
6	500874	WASHER FL 8.4x17.0x1.6 Z050	4		
7	500440	WASHER FL .250x.562x.065 Z050	8		
8	502511	NUT HEX NYRT M6-1.0 Z050	4		
9	5001570	NUT HEX NYRT M10-1.5 Z050	6		
10	509839	SCREW CAP HEX M6-1.0x60 G8.8 ZP	4		
16	407525	SUPPORT REAR BED	1		
17	477815	ANGLE SUPPORT	2		
18	476177	PLATE	2		
19	476181	WHEEL	2		
20	5001064	SCREW SHR HEXS 12x40 {M10-1.5	2		
NS	680038	THREAD LOCKER LOCTITE #243 / BLUE / 50ml	AR		
21	502651	SCREW CAP HEX M8-1.25x35 G8.8 Z050	1		A
22	502543	NUT HEX M8-1.25 Z050	1		A
		A) FIXED TO ANGLE TO ADJUST HEIGHT			
		P) CALL ORDER DESK FOR SPECIFIC APPLICATION (V.I.N.)			

From 8-9279 To B-9999

Date:10/2022

PAGE:MTH-2390-50

"SLIDE-OUT" - INSTALLATION

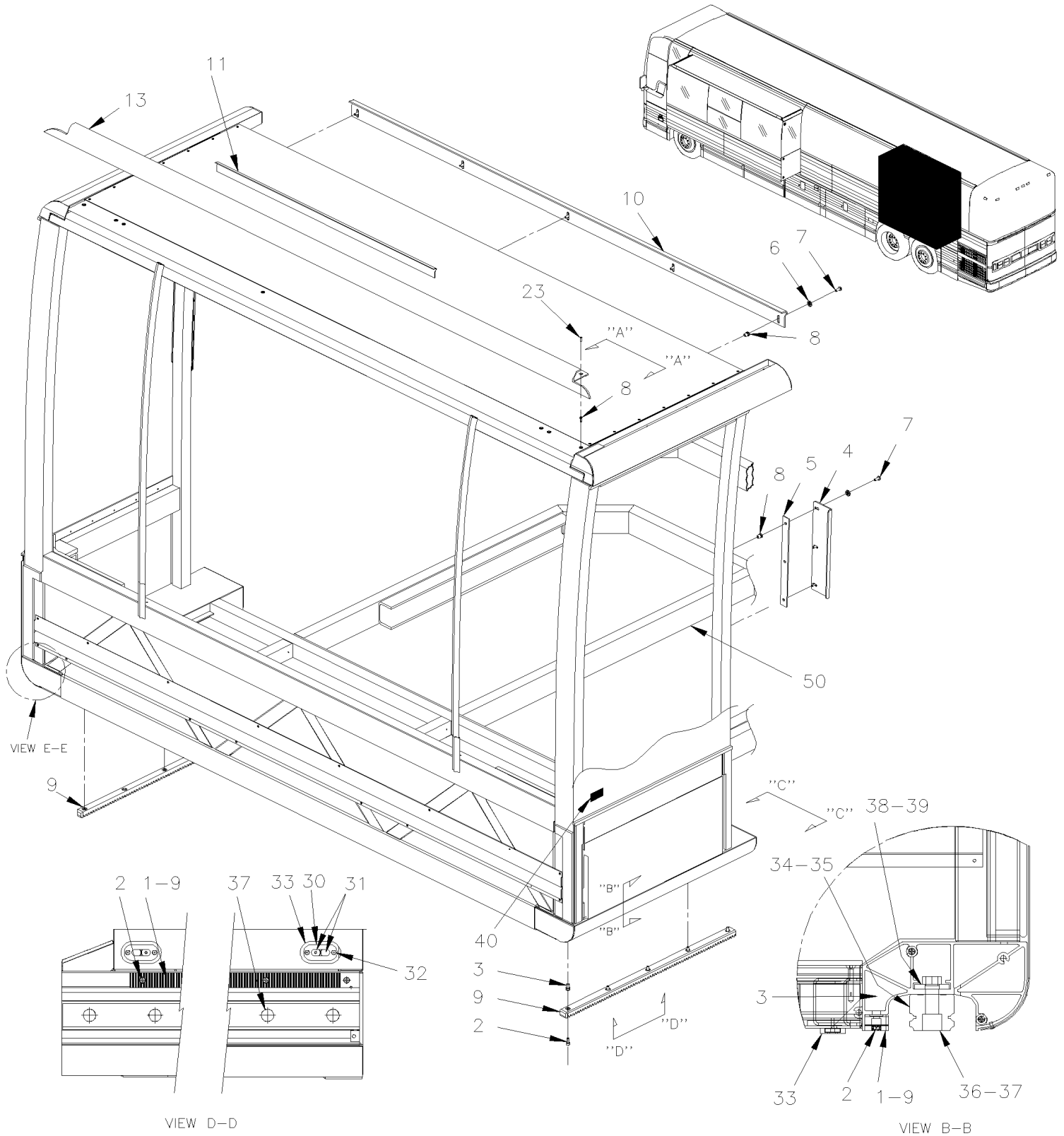


From 8-9279 To B-9999

Date:10/2022

PAGE:MTH-2390-50

"SLIDE-OUT" - INSTALLATION





From 8-9279 To B-9999		Date:10/2022	PAGE:MTH-2390-50
"SLIDE-OUT" - INSTALLATION			

Item#	Part	Description	X L I M T H 4 5	X L I M T H 4 5 E	N O T E S
1	470125	BOTTOM RACK 935MM	2		
1	470127	BOTTOM RACK 785MM		2	
2	5001610	SCREW CAP HEXS M6-1.0x25 SS EMN	AR	AR	
3	502839	NUT INS TYPE "A-L" OE M6-1.0 4.2-6.6 Z050	AR	AR	
4	476176	SIDE KEY STOPPER 300MM	4	4	
5	476180	SPACER	AR	AR	
6	5001586	WASHER FL 6.4x17.0x3.0 Z050	AR	AR	
7	5001209	SCREW CAP HEX M6-1.0x25 G8.8 Z050	AR	AR	
8	502842	NUT INS TYPE "A-L" OE M6-1.0 0.7-4.2 Z050	AR	AR	
9	470127	BOTTOM RACK 785MM	2		
10	477723	PLATE TOP STOPPER 1354MM	2		
10	477723	PLATE TOP STOPPER 1354MM		1	
11	477915	INTERIOR KEY	2		
11	477915	INTERIOR KEY		1	
12	Call order desk	TOP EXTRUSION ASSY FRONT SLIDE-OUT	1		P
12	Call order desk	TOP EXTRUSION ASSY FRONT SLIDE-OUT	1		P
12	Call order desk	TOP EXTRUSION ASSY FRONT SLIDE-OUT		1	P
12	Call order desk	TOP EXTRUSION ASSY FRONT SLIDE-OUT		1	P
13	Call order desk	TOP EXTRUSION ASSY REAR SLIDE-OUT 7.5'	1		P
13	Call order desk	TOP EXTRUSION ASSY REAR SLIDE-OUT 7.5'	1		P
13	Call order desk	TOP EXTRUSION ASSY REAR SLIDE-OUT 10'	1		P
13	Call order desk	TOP EXTRUSION ASSY REAR SLIDE-OUT 10'	1		P
14	477726	. EXTRUSION & STOPPER / FRONT SLIDE-OUT	1		
14	477913	. EXTRUSION & STOPPER / FRONT SLIDE-OUT		1	
14	477810	. EXTRUSION & STOPPER / REAR SLIDE-OUT 7.5'	1		
14	470097	. EXTRUSION & STOPPER / REAR SLIDE-OUT 10'	1		
15	477724	. BUMPER	2	2	
16	5001611	. SCREW CAP HEXS M6-1.0x30 SS BK	4	4	
17	502570	. WASHER LO SPT 6.1x11.8x1.6 SS	4	4	
18	502573	. WASHER FL 6.4x12.5x1.6 SS	4	4	
19	477725	. SHIM 12.7MM x 101MM x 11GA	AR	AR	
19	477807	. SHIM 12.7MM x 101MM x 16GA	AR	AR	
20	477778	. ANCHOR PLATE W/THREAD	2	2	
21	5001612	. SCREW CAP FL HEXS M4-0.7x8 SS EMN	2	2	
22	470095	. RUBBER EXTRUSION / RAW MATERIAL	AR	AR	
23	971850	SCREW MA FL TORX M6-1.0x20 G8.8 ZP	AR	AR	
28	509838	SCREW CAP HEX M6-1.0x55 G8.8 ZP To 8-9529	6	6	
28	5001209	SCREW CAP HEX M6-1.0x25 G8.8 Z050 From 8-9530	6	6	
29	502511	NUT HEX NYRT M6-1.0 Z050 To 8-9529	6	6	
29	502842	NUT INS TYPE "A-L" OE M6-1.0 0.7-4.2 Z050 From 8-9530	6	6	
30	470124	SUPPORT MAGNET / ALUMINUM	2	2	
31	562949	MAGNET ROUND .200x.700 DIA	4	4	



Date:10/2022

PAGE:ABBREVIATIONS

ABBREVIATIONS

Item#	Part	Description	QTY	Notes
A	ABS	ANTILOCK BRAKING SYSTEM		
A	ADH1	ONE SIDE ADHESIVE		
A	ADH2	TWO SIDE ADHESIVE		
A	AR	AS REQUIRED		
A	ASSY	ASSEMBLY		
B	BDG	BINDING		
B	BEL	BELLEVILLE		
B	BOW	BOWED		
B	BR	BRASS		
B	BRAZ	BRAZIER		
B	BRZ	BRONZE		
B	BUT	BUTTON		
B	BZC	BRIGHT ZINC CHROMATE		
C	C.E.	COMMUTATOR END		
C	C.T.	CONSTANT TORQUE		
C	C/C	CENTER/CENTER		
C	CC	CLOSED CELL		
C	CCW	COUNTERCLOCKWISE		
C	CEB	CUFF END BELLOW		
C	CHE	CHEESE		
C	CHR	CHROME		
C	CHY	CHERRY		
C	CK	COUNTERSUNK		
C	CKD	CLOSED KEYED		
C	CKF	COUNTERSUNK FLUSH		
C	CKS	CLOSED KEYLESS		
C	CLE	CLOSE END		
C	CON	CONCAVE		
C	CONV	CONVOLUTED TUBING		
C	COP	COPPER		
C	CP	CADMIUM PLATED		
C	CPG	COUPLING		
C	CPV	CAPTIVE		
C	CRG	CARRIAGE		
C	CRS	COLD ROLLED STEEL		
C	CSL	CASTLE		
C	CT	CONSTANT TORQUE		
C	CW	CLOCKWISE		
C	CYL.	CYLINDER		
D	D.E.	DRIVE END		
D	D.P.D.T.	DOUBLE POLE DOUBLE THROW		
D	DIA.	DIAMETER		
D	DIFF	DIFFERENTIAL		
D	DOB	DIAMETER OVER BALLS		
D	DR	DRILL		
D	DRV	DRIVE		
D	DW	DOUBLE WAVE		
E	ECU	ELECTRONIC CONTROL UNIT		
E	EFF	EFFECTIVE		
E	EMN	EMRALON		



Date:10/2022

PAGE:ABBREVIATIONS

ABBREVIATIONS

Item#	Part	Description	QTY	Notes
E	ENG.	ENGINE		
E	EXT	EXTERNAL		
F	F	FEMALE		
F	FER	FERRULE		
F	FFB	FLAT FACE BOWED		
F	FH	FITTING HOSE		
F	FIB	FIBER		
F	FIL	FILLISTER		
F	FL	FLAT		
F	FLRET	FLOATING RETAINER		
F	FN	FINISHING		
F	FORM	FORMICA		
F	FRT	FRONT		
F	FT	FULLY THREADED		
G	G500	MAGNI 565 GRAY / 500 HOURS SALT SPRAY		
G	GAL	GALVANISED		
G	GND	GROUND		
H	H.P.	HIGH PRESSURE		
H	HD	HEAVY DUTY		
H	HEX	HEXAGONAL		
H	HEXF	HEXAGONAL FLANGE		
H	HEXH	HEXAGONAL HEAVY		
H	HEXS	HEXAGONAL SOCKET		
H	HEXW	HEXAGONAL WASHER		
H	HI	HIGH		
H	HK	HOOK		
H	HRS	HOT ROLLED STEEL		
H	HVAC	HEATING, VENTILATION & AIR CONDITIONING		
H	HYD	HYDRAULIC		
I	I.D.	INSIDE DIAMETER		
I	INS	INSERT		
I	INT	INTERNAL		
J	JCT	JUNCTION		
L	L.P.	LOW PRESSURE		
L	LED	LIGHT-EMITTING DIODE		
L	LGE	LARGE		
L	LH	LEFT HAND		
L	LO	LOCK		
L	LUGG.	LUGGAGE		
M	M	MALE		
M	M & F	MALE & FEMALE		
M	MA	MACHINE		
M	MAX	MAXIMUM		
M	MGLP	MAGNA-LOK		
M	MIN	MINIMUM		
M	MNB	MONOBOLT		
M	MNL	MONEL		
N	N.C.	NORMALY CLOSE		
N	N.O.	NORMALY OPEN		
N	N.P.N.	NO PARTS NUMBER		



Date:10/2022

PAGE:ABBREVIATIONS

ABBREVIATIONS

Item#	Part	Description	QTY	Notes
N	N.S.P.	NOT SOLD AT PREVOST		
N	N.S.S.	NOT SOLD SEPARATELY		
N	N/A	NOT AVAILABLE		
N	N500	MAGNI 565 BLACK / 500 HOURS SALT SPRAY		
N	NEG.	NEGATIVE		
N	NEO	NEOPRENE		
N	NERB	NEOPRENE & BRASS		
N	NIT	NITRILE		
N	NP	NICKEL PLATED		
N	NPT	NATIONAL PIPE THREAD		
N	NS	NOT SHOWN		
N	NYAL	NYLON & ALUMINIUM		
N	NYL	NYLON		
N	NYRT	NYLON INSERT		
O	O.D.	OUTSIDE DIAMETER		
O	O.S.	OVERSIZE		
O	OE	OPEN END		
O	OKD	OPEN KEYED		
O	OKS	OPEN KEYLESS		
O	OPT.	OPTION		
O	OV	OVAL		
P	PH	PHILIPS		
P	PHB	PHOSPHOR BRONZE		
P	PHC	PHOSPHATE COATING		
P	PLAS	PLASTIC		
P	PLEX	PLEXIGLASS		
P	PO	PUSH-ON		
P	POL	POLYETHYLENE		
P	POLCAR	POLYCARBONATE		
P	POLY	POLYPROPYLENE		
P	POLYA	POLYAMIDE		
P	POLYP	POLYPROPYLENE		
P	POS.	POSITIVE		
P	PRDG	PROTRUDING		
P	PROT	PROTECTIVE		
P	PT	PARTIALLY THREADED		
R	RBP	RUBBER BUMPER		
R	RCT	RECEPTACLE		
R	REC	RECTANGULAR		
R	RES	RECESS		
R	RET	RETANING / RETAINER		
R	RH	RIGHT HAND		
R	RND	ROUND		
R	RR	REAR		
R	RUB	RUBBER		
R	RVT	RIVET		
S	S.C.C.	SPECIFY COLOR CODE		
S	S.D.	SPECIFY DIMENSION		
S	S.L.	SPECIFY LENGHT		
S	S.P.D.T	SINGLE POLE DOUBLE THROW		



Date:10/2022

PAGE:ABBREVIATIONS

ABBREVIATIONS

Item#	Part	Description	QTY	Notes
S	S.P.S.T	SINGLE POLE SINGLE THROW		
S	SB	SATIN BLEND		
S	SCT	SECTION		
S	SERR	SERRATED		
S	SG	SPRING GUARD		
S	SHR	SHOULDER		
S	SLE	SLEEVE		
S	SLO	SELF LOCKING		
S	SLT	SLOTTED		
S	SM	SMALL		
S	SOL	SOLID		
S	SPE	SPECIAL		
S	SPR	SPRING		
S	SPT	SPLIT		
S	SQ	SQUARE		
S	SQS	SQUARE SOCKET		
S	SS	STAINLESS STEEL		
S	STD	STANDARD		
S	STL	STEEL		
S	STO	STOVER		
S	SW	SWIVEL		
S	SWL FITT.	SWIVEL FITT		
T	TC	THREAD CUTTING		
T	TH	THICKNESS		
T	TP	TAPPING		
T	TPG	TAPPING		
T	TR	TRUSS		
T	TRANS.	TRANSMISSION		
T	TWAY	TWO WAY LOCK		
T	TXV	THERMAL EXPANSION VALVE		
U	U.S.	UNDERSIZE		
V	VAC	VEHICLE ACCELERATION CONTROL		
W	W	WITH		
W	W.S.	WAVE SEAL		
W	W/O	WITHOUT		
W	WD	WELDED		
W	WIND.	WINDOW		
W	WO	WOOD		
W	WOC	WITHOUT CERAMIC		
X	XX-XXXX-XX	SEE PAGE		
Y	YZP	YELLOW ZINC PLATED		
Z	Z050	ZINC PLATED		
Z	ZG603	ZINC IRON BLACK		
Z	ZP	ZINC PLATED		
N	N_A	NOT AVAILABLE		
W	W_O	WITHOUT		
C	C_C	CENTER/CENTER		
A	ABBREVIATIC	ABBREVIATIONS		